

This publication contains Parts Information for all Domestic Built 1984 Passenger cars as well as Front Wheel Drive Trucks.

The use of this Parts Catalog and the arrangement of information herein is explained in the General Information Section as indexed below.

INDEX TO INFORMATION FRAMES

FICHE/ROW
and FRAME

● ABBREVIATIONS	1-A16-19
● ALPHABETICAL INDEX	1-A6
● BODY CODE PLATE INTERPRETATION	1-A11
● BUILD DATE MONTH AND YEAR	1-A9
● CAR LINE INFORMATION	1-A12
● COLOR CODE OR COMBINED PART NUMBERS	1-A7
● DATE CODE CORRELATION TABLES	1-A14
● ENGINE IDENTIFICATION NUMBERS	1-A3
● GROUP SYSTEM	1-A4
● HOW TO LOCATE PARTS	1-A3
● ILLUSTRATION INDEX	1-A6
● INTERIOR TRIM	1-A7
● METRIC CONVERSION TABLE	1-A13
● NUMERICAL INDEX	1-A6
● MICRO FICHE LAYOUT	1-A3
● PARTS CATALOG BULLETINS	1-A6
● PARTS PACKAGES	1-A6
● PRICE CLASS (SERIES) INFORMATION	1-A10
● RIGHT AND LEFT PART NUMBERS	1-A5
● SALES CODES	1-A6, A15
● SPECIFYING INFORMATION	1-A5
● STANDARD PARTS	1-A6
● SYMBOLS USED IN THIS CATALOG	1-A5
● TRANSMISSION IDENTIFICATION	1-A7
● VEHICLE IDENTIFICATION PLATE	1-A9, A10

HOW TO USE THIS FICHE AND LOCATE PARTS

MICROFICHE LAYOUT

Each Fiche is 4" x 6" and contains 288 Frames. There are 12 Rows containing 24 Frames in each Row. Each Row is identified by a letter in sequence running vertically from top to bottom. Each Alphabetical Row has 24 Frames running numerically from Left to Right from 1 to 24 inclusive. Therefore, each of the 288 Frames has an Alpha/Numeric identification. Example: A4, C20, Etc.

The Color coded "Header Strip" of each Fiche identifies the Set (i.e. 1986 - Light Truck), the Fiche Number (i.e. Fiche 1 of 5), the date of issue and the Groups contained within the Fiche.

TO LOCATE PARTS

The Fiche is divided into Part Groups in which illustrations for parts of a similar function and/or location are published. The Group Contents Listing on the next Frame shows the type of parts contained in each Group. An Index to locate each Group is provided between each Text and Illustration Frame throughout the Fiche Catalog.

Several methods may be used to locate a specific part.

Option 1: From the Group Contents Listing, select the Group which would contain the part to be found. Refer to the adjoining Index to determine where the Group is located and locate the Group. Frame 2, following the Group Header, will contain an Index of Illustrations. Select the Illustration most likely to contain the part. Refer to the Illustration and review the Illustration and associated Text Information.

Option 2: If the "noun" name of the part you seek is known, an Alphabetical Index of Nouns and Illustration Titles, found on the last Fiche of the Set, is provided to assist in finding the part. Several keys may be found in this Index.

AMPLIFIER, Vacuum	Group 25 - Group Reference
AIR CLEANER, 318 Engine 2BBL	3-H10 - Fiche, Row and Frame Reference
ARM, Hood Hinge	5-G8:6 - Fiche, Row and Frame, and Item Reference

Fiche _____
Row and Frame _____
Item _____

Option 3: If the part number is known refer to the Numerical Index on the last Fiche of the set, which will in turn refer you to the Fiche location of the item. Multiple references mean the part is listed more than once.

Option 4: A complete Index of Illustrations is included on each Fiche and can be referenced in the same manner as the Alpha Index.

PART GROUP - TITLES & CONTENT

GROUP	CONTENTS
INF	Information Section
AL	Alphabetical Index
IL	Illustration Index (All Groups)
1	Catalog Notices
2	Front Suspension & Drive Front Suspension Components ... Steering Knuckles Front Drive Shafts, Axles, Locking Hubs ... Front Differential
3	Rear Axle Rear Axle and Component Parts ... Rear Axle Mountings
4	Parking Brake Controls
5	Service Brake Brake Controls and Mechanism ... Brake Warning Switch Park Brake Components within the Wheel ... Wheel Hardware, Bearings and Seals
6	Clutch Clutch Unit and Components ... Clutch Pedal, Controls
7	Cooling Front Grille, Grille Support, Radiator Supports, Headlamp Supports ... Radiators, Fans and Fan Motors, Hoses, Thermostats ... Transmission Cooling ... Water Pump ... Drive Belts and Pulleys ... Turbo Charger Cooling
8	Electrical Switches, Relays, Solenoids, Sensors, ... Battery Trays ... Engine Electrical ... Starters, Alternators, Distributors ... Front, Rear, Interior Lamp ... Body Wiring ... Horn
8A	Instrument Panel and Console Instrument Panel and Console Electrical Parts, Clusters, Switches, Wiring ... All Hard and Soft Trim Parts ... Radio, Speakers and Antenna
9 (A, B ...)	Engine (By Engine Type) Engine Components ... Engine Oil System ... Flywheels, Torque Converters ... Engine Mounting
11	Exhaust Exhaust System Components ... Heat Shields
13	Frame, Bumper & Fascia Frame Components, Crossmembers ... Bumper and Fascia Components ... Snow Plow Parts
14	Fuel Accelerator Pedal, Linkage, Throttle Control ... Air Cleaner ... Carburetors, Throttle Body and Injection Components ... Fuel Lines, Fuel Tank ... Fuel Pump ... Turbo Charger Components ... Speed Control

GROUP	CONTENTS
16	Prop. Shaft and Universal Joint
17	Rear Suspension Rear Suspension Components
18	Service Bulletin Parts
19	Steering Steering Wheels, Column ... Power Steering Pump ... Steering Gear ... Steering Linkage, Tie Rods
21M	Manual Transmission and Transfer Cases Manual Transmission, Transaxle and Components ... Gearshift Controls ... Transfer Case, Controls, Mountings ... Speedometer Pinion and Cable
21A	Automatic Transmission Automatic Transmission, Transaxle and Components ... Gearshift Controls ... Speedometer Pinion and Cable
22	Wheels Wheel Rims ... Wheel Covers, Hubcaps ... Jack and Spare Tire Storage
23	Exterior Ornamentation Exterior Ornamentation, Tape Stripes, Decals ... Exterior Moldings ... Vinyl Roof and Trim, Ground Effects Pkgs.
23A	Body-Sheet Metal Except Doors Body Metal ... Stationary Glass ... Sun Roof ... Convertible Top ... Hood and Deck Release
23C	Body-Doors and Related Parts Door Metal ... Door Hardware ... Door Glass ... and Regulator ... Door Mirrors ... Weatherstrips
23D	Body-Miscellaneous Lock Cylinders and Keys ... Windshield Washer/Wiper System
IT (L, K ...)	Interior Trim (By Body Code) All Interior Trim Except Dash and Console ... Seats and Seat Belts ... Seat Adjusters, Manual and Power ... Carpet ... Interior Panels and Moldings ... Security/Tonneau Covers
24	Heater and Air Heater, Air Conditioning System and Controls
25	Emission Systems Air Pump ... EGR System ... Vapor Canister
NU	Numerical Index

RIGHT AND LEFT PART NUMBERS

Right and Left part numbers are frequently combined on one line, e.g. 3514 444-5. Such numbers are interpreted as 3514 444 Right side application and 3514 445 Left Side. Right and Left Sides are always determined by their relationship to the driver when normally seated and looking forward.

SYMBOLS USED IN THIS PARTS CATALOG

The following symbols are commonly used with Part Number and quantity information in this Catalog:

- Preceding a part number indicates parts which have been added and not previously published.

AR - Indicates the quantity required may vary or is to be determined by the user.

SPECIFYING INFORMATION

The following information is included in this Parts Catalog:

- Part Name
- Part Number
- Model Application
- Quantity used per vehicle
- Description and dimensions necessary for proper identification of parts where necessary
- Model or Engine Column:
Engine by Displacement or Vehicle Model
Code Body Style Code or Price Class.
- Effective points of model year running changes are indicated by vehicle serial number, engine number or body number where applicable. When serial number effective points are not available, production effective dates are used. (Refer to the Federal Certification Label for the build date).
- Parts designated as CANADA or EXPORT are not available through US parts outlets.

In the event replacement parts not listed herein are required due to a special service situation, Chrysler Dealers should contact their facing depot for specifier assistance. Problems encountered with peculiar part specifications can be resolved in the same manner.

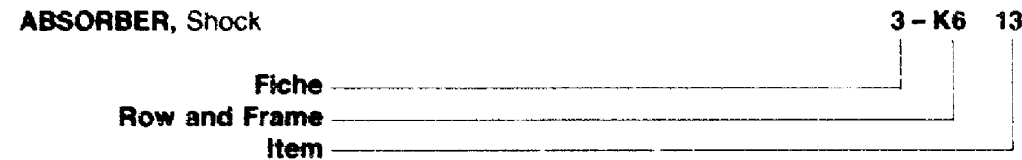
ILLUSTRATION INDEX

This index is a compilation of catalog parts description data with reference to illustrations, and Frame location.

The first page of each group contains a listing of all illustrations within that group. Also refer to illustrations alphabetically listed in information section.

ALPHABETICAL INDEX

This index is a compilation of catalog parts description data with a reference to the location of the item by fiche, Row and Frame, and item number as shown in the following example:



To locate a part by name, refer to the Alphabetical Index. The Alphabetical Index can be found on the last Fiche of the Set.

NUMERICAL INDEX

A listing of Part Numbers contained in the catalog. The numbers are in numerical sequence with reference to the Fiche, Row and Frame, and item number where the part is located.

PARTS PACKAGES

Service Parts Packages, containing all parts needed for specific service operation, are listed in their respective groups with related parts. The listing will show adaptability and model application.

STANDARD PARTS

Important attaching standard parts such as bolts, nuts, etc. are generally listed in the text of the respective major parts groups.

SALES CODES

To provide positive identification of replacement parts selected Sales Codes are used as secondary qualifiers in some areas of this publication. An explanation of the use and a description of the Sales Codes employed will be found at the back of the General Information section or at the head of the Group Index Page.

CATALOG AND PARTS BULLETINS

CATALOG AND PARTS BULLETINS are issued when important changes are made in production or when corrections are to be made in the Parts Catalog between regular revisions.

COLOR CODED OR COMBINED PART NUMBERS

Appearing throughout this catalog are part numbers containing both letters and numbers. For example: D500 KB7. These are good serviceable part numbers. The combination of letters and numbers merely indicates the parts are keyed to the interior color of the vehicles on which they are used.

In addition, Right and Left part numbers are frequently combined on one line; e.g. D500-1 KB7. Such numbers are interpreted as D500 KB7, Right side application, and D501 KB7 Left side. Right and Left Sides are always determined by their relationship to the driver when normally seated and looking forward.

INTERIOR TRIM

Refer to the Group IT, Interior Trim Information section, for information relative to Interior Soft and Hard Trim, Rolled Stock, etc.

TRANSMISSION IDENTIFICATION

MANUAL TRANSMISSION

(Example PP23044360001)

PLANT CODE	COMPONENT CODE	DATE CODE	SERIAL NUMBER
2 letters	3 digits	4 digits	4 digits
PP - New Process Gear Division	230 - 230 trans. 250 - 250 trans. 833 - 833 trans.	Based on the calendar on Fiche 1-A13	A sequential number beginning with 0001 for each day's production

Location: Below centerline on Front Portion of Right Side

AUTOMATIC TRANSMISSION

(Example PK3681063W44360001)

PLANT CODE	PART NO.	CHANGE CODE	DATE CODE	SERIAL NUMBER
2 letters	7 digits	1 digit	4 digits	4 digits
PK - Kokomo	3681063	W (Factory use only- of no significance to the field)	Based on the calendar on Fiche 1-A13	A sequential number beginning with 0001 for each day's production.

Location: On Oil Pan Side Rail-Left Side.

NOTE: A derivative of the Vehicle Identification Number is also stamped on all production installed Engines and Transmissions, e.g.:

C	A	1000001
Model Year	Assembly Plant	Vehicle Sequence Number

ENGINE IDENTIFICATION NUMBERS

Following is an explanation of data found on the Engine Serial Number Pad

2.2L (135 cu. in.) B T 22 PC 6926 1 Shift Built
 Model Year _____ Engine Plant (Trenton) _____ Date Code (10,000 Day Calendar) _____
 Displacement (Liters) _____ Engine Usage (Passenger Car) _____

2.6L (156 cu. in.): G54B AB1234
 Mitsubishi Motors produced 2.6L _____ Sequence Number _____

318 Engine Typical: B 318 1024 2579
 Model Year and/or Plant _____ Daily Sequence Number (Optional) _____
 Displacement _____ Date Code (1021 = Oct. 24) _____

2.2L & 318 ENGINE SERIAL NUMBER & PARTS IDENTIFICATION CODES & SYMBOLS DEFINED:

A = Oversize Cylinder Bore **HP** = High Performance **M** = Mound Road Engine **T** = Trenton Engine/Truck
E = Cast Crankshaft **K** = Toluca Engine Plant **PC** = Passenger Car Engine **W** = Windsor Engine
H = Standard 4 Bbl. **LC** = Low Compression **R** = Passenger Car Engine **X** = O/S Valve Guide
S = Special Engine

DIAMOND () = Tappets **MALTESE CROSS (+)** = .001 U/S Crankshaft ×
 followed by MALTESE CROSS (× +) = .010 U/S Crankshaft

Engine Number Location	Displacement	Serial Number Pad Located
	1.6L	Tag-Left Front of Block below Cylinder Head
	2.2L	Rear Face of Block, below Cylinder Head
	2.6L (G54B)	Right Upper front corner of Block
	225	Right Side of Block below # 1 Spark Plug
	318	Left Front of Block below Cylinder Head

CAUTION: Replacement Engine Assemblies are furnished with blank engine number pads. Dealers are governed by state and local regulations regarding the affixing of engine numbers to these engines. In states where license fees are based on displacement or taxable horsepower it will be necessary to change the vehicle registration only if the replacement engine differs from the one it replaces.

BUILD DATE

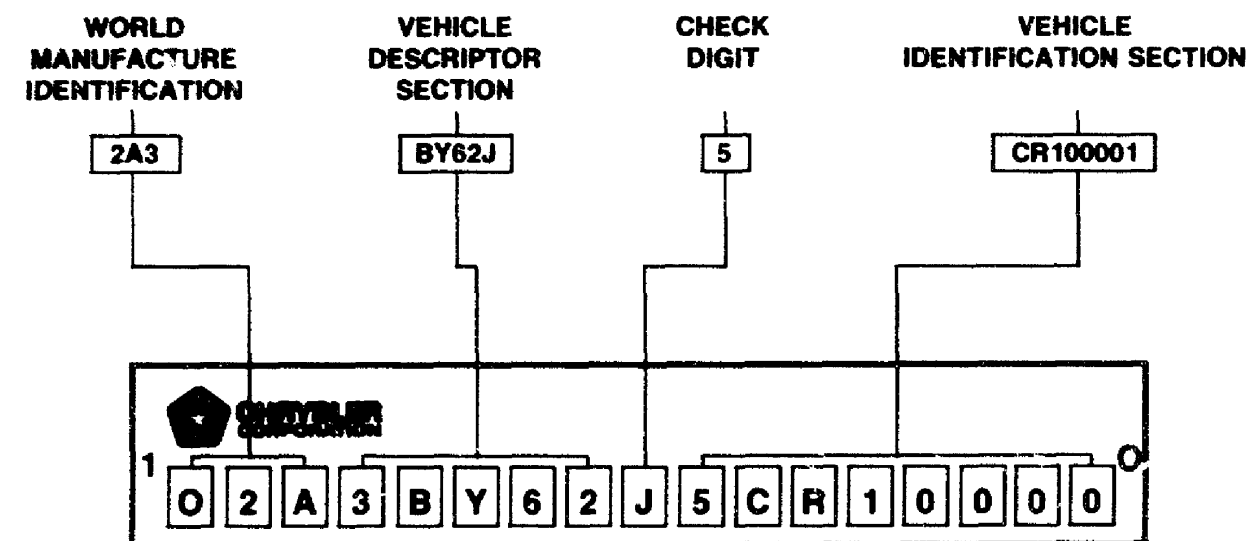
Vehicle build dates can be determined by reference to the VEHICLE CERTIFICATION LABEL located on the left "B" pillar or the left Front Door.

The Vehicle Certification Label includes, in addition to the VIN, the Month, Day, and Hour of build in the "Date of Manufacture" section.

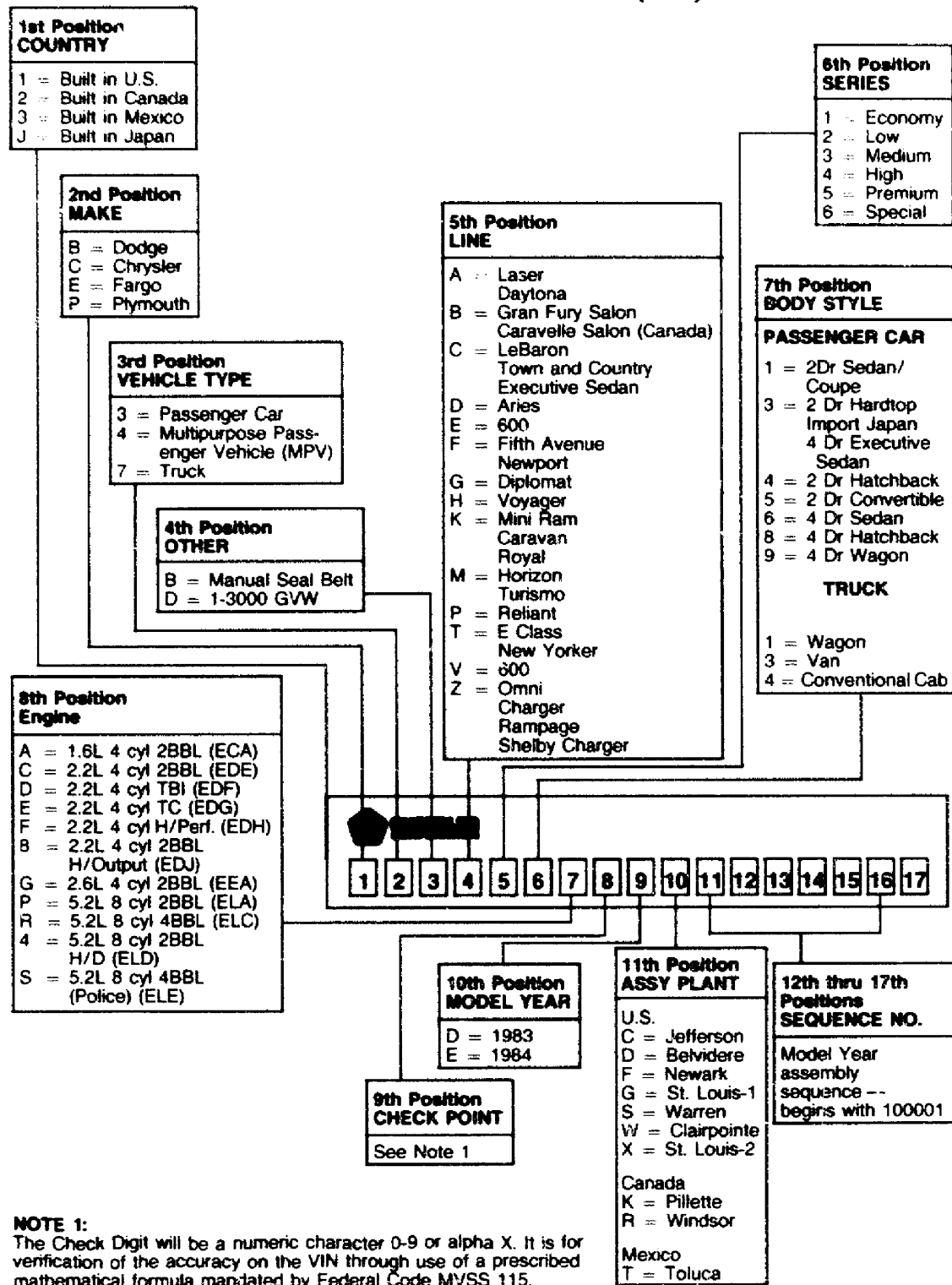
Alternately, the approximate build date can be determined from the Body Code Plate (see "Code Plate Interpretation").

VEHICLE IDENTIFICATION PLATE

All assembly plants use a uniform method for assigning vehicle serial numbers (VIN). This number consists of 17 digits and is shown on the Vehicle Identification Plate which is located on the instrument panel - visible thru the windshield. The VIN number (serial number) also appears on the Federal Certification Label located on the left front door frame. (Always specify the vehicle serial number when ordering parts by description). A description of serial numbers follows:



VEHICLE IDENTIFICATION NUMBER (VIN) DEFINED

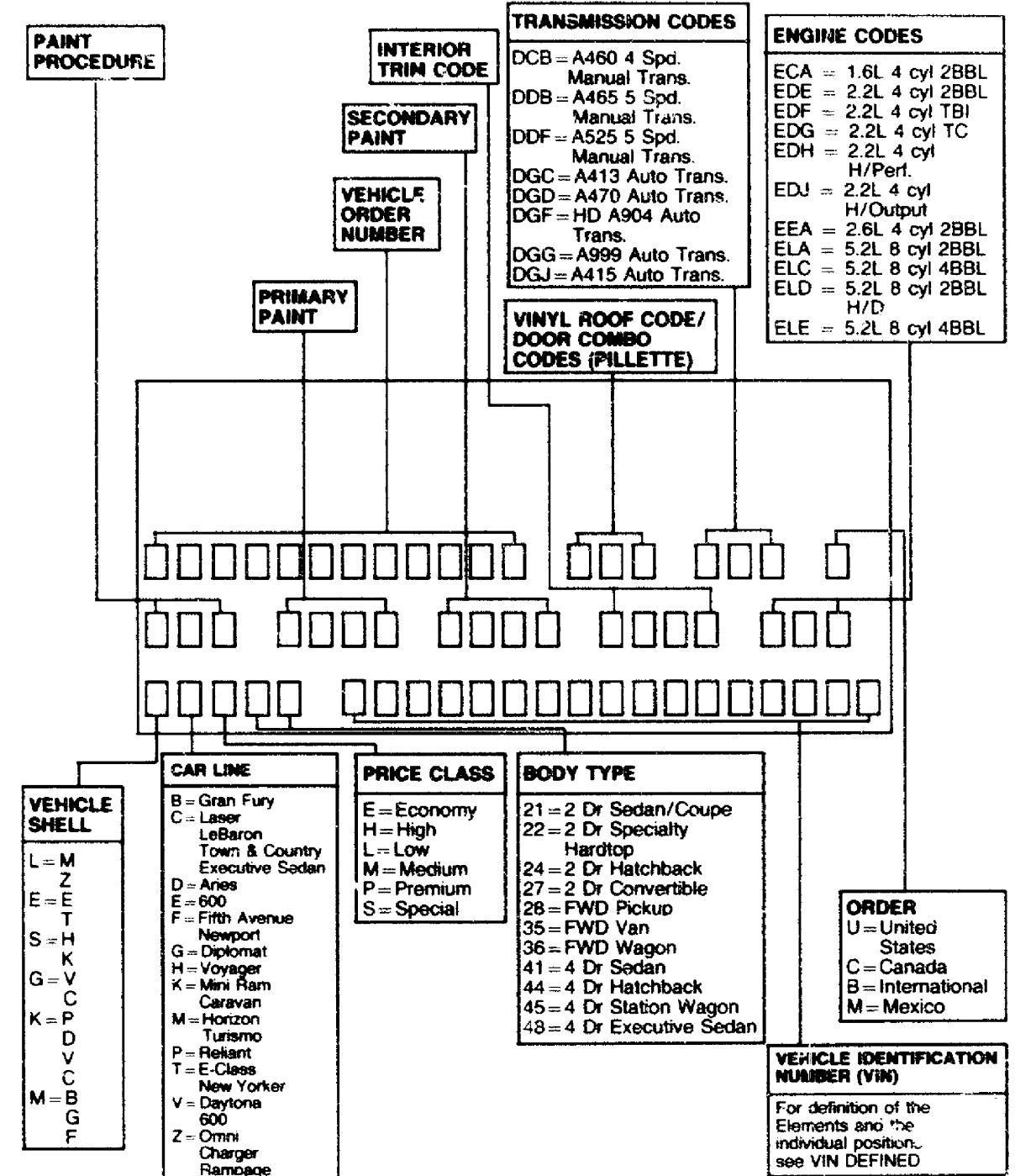


NOTE 1:
 The Check Digit will be a numeric character 0-9 or alpha X. It is for verification of the accuracy on the VIN through use of a prescribed mathematical formula mandated by Federal Code MVSS 115.

BODY CODE PLATE

The Body Code Plate is located on the Left Front Side Shield or Wheel Housing or on the Upper Radiator Support. The Plate contains 7 rows of data. The bottom 3 rows are reserved for specific information, as depicted below. Starting at the fourth row, (following the reserved portion), other Sales Codes used to build a specific vehicle are listed in the ascending order by Alpha sequence.

CODE PLATE INTERPRETATION



1984 PASSENGER CAR AND FWD TRUCK MODEL CHART

VEHICLE FAMILY	CARLINE	SALES MODEL NAME	VEHICLE LINE	SERIES	BODY STYLE	
L	Plymouth	Horizon	M	E	44	
		Turismo	M	H	24	
		Horizon SE	M	H	44	
		Turismo 2.2	M	P	24	
	Dodge	Omni	Z	E	44	
		Charger	Z	H	24	
		Rampage	Z	H	28	
		Omni SE	Z	H	44	
		Charger 2.2	Z	P	24	
		Rampage 2.2	Z	S	28	
		Shelby Charger	Z	S	24	
		E	Dodge	600	E	H
	600 ES			E	S	41
	Chrysler		E-Class	T	H	41
New Yorker			T	P	41	
S	Plymouth	Voyager	H	L	36	
		Voyager SE	H	H	36	
		Voyager LE	H	P	36	
	Dodge	Mini Ram	K	E	35	
		Caravan	K	L	36	
		Caravan SE	K	H	36	
G	Dodge	Daytona	V	H	24	
		Daytona Turbo	V	S	24	
	Chrysler	Laser	C	H	24	
		Laser XE	C	P	24	
K	Plymouth	Reliant	P	L	21-41	
		Reliant SE	P	H	21-41	
		Reliant Custom	P	H	45	
		Reliant SE	P	P	45	
	Dodge	Aries	D	L	21-41	
		Aries SE	D	H	21-41	
		Aries Custom	D	H	45	
		Aries SE	D	P	45	
	Dodge	600	V	P	22-27	
	Chrysler	LeBaron	C	F	22-27-41	
Town & Country		C	P	45		
Executive Sedan		C	P	48		
M	Plymouth	Gran Fury Salon	B	L	41	
	Dodge	Diplomat Salon	G	L	41	
		Diplomat Medallion	G	H	41	
		Diplomat SE	G	P	41	
	Chrysler	Fifth Avenue	F	S	41	
		Newport	F	H	41	

METRIC CONVERSION TABLE

LINEAR MEASUREMENT

1 foot (ft.) = 12 inches (in.)
 1 yard (yd.) = 3 ft. = 36 in.
 1 mile (statute) = 5,280 ft.

1 centimeter (cm) = 10 millimeters (mm)
 1 meter (m) = 100 cm = 1000 mm
 1 kilometer (km) = 1000 meters

To convert	Into	Multiply by	To convert	Into	Multiply by
inches	centimeters	2.5400	centimeters	inches	0.3937
inches	millimeters	25.4000	millimeters	inches	0.0394
feet	meters	0.3048	meters	feet	3.2808
feet	millimeters	304.8000	millimeters	feet	0.0033
yards	meters	0.9144	meters	yards	1.0936
miles	kilometers	1.6093	kilometers	miles	0.6214

AREA MEASUREMENT

1 square foot (sq.ft.) = 144 square inches (sq.in.)
 1 square yard (sq.yd.) = 9 square feet
 1 acre = 4,840 sq. ft.
 1 square mile = 640 acres

1 sq. centimeter (cm²) = 100 sq. millimeters (mm²)
 1 sq. meter (m²) = 10,000 cm²
 1 are (a) = 100 m²
 1 sq. kilometer (km²) = 1,000,000 m²

To convert	Into	Multiply by	To convert	Into	Multiply by
square inches	sq. centimeters	6.4516	sq. centimeters	sq. inches	0.1550
square feet	sq. meters	0.0929	sq. meters	sq. feet	10.7639
square yards	sq. meters	0.8361	sq. meters	sq. yards	1.1960
acres	sq. meters	4.047.0	sq. meters	acres	0.0002
square miles	sq. kilometers	2.5900	sq. kilometers	sq. miles	0.3861

CUBIC MEASUREMENT (VOLUME)

1 cubic foot (cu. ft.) = 1.728 cubic inches (cu. in.)
 1 cubic yard (cu. yd.) = 27 cubic feet

1 cu. centimeter (cm³) = 1000 cu. millimeters (mm³)
 1 cubic meter (m³) = 1,000,000 cm³

To convert	Into	Multiply by	To convert	Into	Multiply by
cubic inches	cu. centimeters	16.3872	cu. centimeters	cubic inches	0.0610
cubic feet	cubic meters	0.0283	cubic meters	cubic feet	35.3145
cubic yards	cubic meters	0.7646	cubic meters	cubic yards	1.3079

LIQUID MEASUREMENT (CAPACITY)

1 pint (pt.) = 28.875 cubic inches
 1 quart (qt.) = 2 pints = 57.75 cu. in.
 1 gallon (gal.) = 4 qts. = 231 cu. in.

1 centimeter (cl.) = 10 milliliters (ml.)
 1 liter (l) = 100 cl. = 1000 ml.
 1 kiloliter (kl) = 1000 liters

To convert	Into	Multiply by	To convert	Into	Multiply by
cubic inches	liters	0.0164	liters	cubic inches	61.0250
pints	liters	2.1132	liters	pints	0.4732
quarts	liters	0.9463	liters	quarts	1.0566
gallons	liters	3.7853	liters	gallons	0.2642
cubic feet	liters	28.3162	liters	cubic feet	0.0353

WEIGHT MEASUREMENT

1 ounce (oz.) = 16 drams
 1 pound (lb.) = 16 ounces
 1 short ton = 2000 pounds
 1 long ton = 2240 pounds

1 centigram (cg.) = 10 milligrams (mg.)
 1 gram (g.) = 100 cg. = 1000 mg.
 1 kilogram (kg.) = 1000 grams
 1 metric ton (t.) = 1000 kg.

To convert	Into	Multiply by	To convert	Into	Multiply by
drams	grams	1.7718	grams	drams	0.5644
ounces	grams	28.3495	grams	ounces	0.0353
pounds	kilograms	0.4536	kilograms	pounds	2.2046
tons (short)	tons (metric)	0.9072	tons (metric)	tons (short)	1.1023

POWER MEASUREMENT

1 horsepower (hp) = 746 watts = 7457 kilowatts (kw)

1 horsepower (ps) = 736 watts = 7355 kw

To convert	Into	Multiply by	To convert	Into	Multiply by
horsepower (U.S.)	horsepower (met.)	1.0139	horsepower (met.)	horsepower (U.S.)	0.9863
horsepower (U.S.)	kilowatts	0.7457	kilowatts	horsepower (met.)	0.7355
kilowatts	horsepower (U.S.)	1.3405	horsepower (met.)	kilowatts	1.2596

DATE CODE CORRELATION TABLE

1983 DAY NUMBER												
DATE	JAN.	FEB.	MAR.	APR.	MAY	JUNE	JULY	AUG.	SEPT.	OCT.	NOV.	DEC.
1	7827	7858	7886	7917	7947	7978	8008	8039	8070	8100	8131	8161
2	7828	7859	7887	7918	7948	7979	8009	8040	8071	8101	8132	8162
3	7829	7860	7888	7919	7949	7980	8010	8041	8072	8102	8133	8163
4	7830	7861	7889	7920	7950	7981	8011	8042	8073	8103	8134	8164
5	7831	7862	7890	7921	7951	7982	8012	8043	8074	8104	8135	8165
6	7832	7863	7891	7922	7952	7983	8013	8044	8075	8105	8136	8166
7	7833	7864	7892	7923	7953	7984	8014	8045	8076	8106	8137	8167
8	7834	7865	7893	7924	7954	7985	8015	8046	8077	8107	8138	8168
9	7835	7866	7894	7925	7955	7986	8016	8047	8078	8108	8139	8169
10	7836	7867	7895	7926	7956	7987	8017	8048	8079	8109	8140	8170
11	7837	7868	7896	7927	7957	7988	8018	8049	8080	8110	8141	8171
12	7838	7869	7897	7928	7958	7989	8019	8050	8081	8111	8142	8172
13	7839	7870	7898	7929	7959	7990	8020	8051	8082	8112	8143	8173
14	7840	7871	7899	7930	7960	7991	8021	8052	8083	8113	8144	8174
15	7841	7872	7900	7931	7961	7992	8022	8053	8084	8114	8145	8175
16	7842	7873	7901	7932	7962	7993	8023	8054	8085	8115	8146	8176
17	7843	7874	7902	7933	7963	7994	8024	8055	8086	8116	8147	8177
18	7844	7875	7903	7934	7964	7995	8025	8056	8087	8117	8148	8178
19	7845	7876	7904	7935	7965	7996	8026	8057	8088	8118	8149	8179
20	7846	7877	7905	7936	7966	7997	8027	8058	8089	8119	8150	8180
21	7847	7878	7906	7937	7967	7998	8028	8059	8090	8120	8151	8181
22	7848	7879	7907	7938	7968	7999	8029	8060	8091	8121	8152	8182
23	7849	7880	7908	7939	7969	8000	8030	8061	8092	8122	8153	8183
24	7850	7881	7909	7940	7970	8001	8031	8062	8093	8123	8154	8184
25	7851	7882	7910	7941	7971	8002	8032	8063	8094	8124	8155	8185
26	7852	7883	7911	7942	7972	8003	8033	8064	8095	8125	8156	8186
27	7853	7884	7912	7943	7973	8004	8034	8065	8096	8126	8157	8187
28	7854	7885	7913	7944	7974	8005	8035	8066	8097	8127	8158	8188
29	7855		7914	7945	7975	8006	8036	8067	8098	8128	8159	8189
30	7856		7915	7946	7976	8007	8037	8068	8099	8129	8160	8190
31	7857		7916		7977		8038	8069		8130		8191

1984 DAY NUMBER												
DATE	JAN.	FEB.	MAR.	APR.	MAY	JUNE	JULY	AUG.	SEPT.	OCT.	NOV.	DEC.
1	8192	8223	8252	8283	8313	8344	8374	8405	8436	8466	8497	8527
2	8193	8224	8253	8284	8314	8345	8375	8406	8437	8467	8498	8528
3	8194	8225	8254	8285	8315	8346	8376	8407	8438	8468	8499	8529
4	8195	8226	8255	8286	8316	8347	8377	8408	8439	8469	8500	8530
5	8196	8227	8256	8287	8317	8348	8378	8409	8440	8470	8501	8531
6	8197	8228	8257	8288	8318	8349	8379	8410	8441	8471	8502	8532
7	8198	8229	8258	8289	8319	8350	8380	8411	8442	8472	8503	8533
8	8199	8230	8259	8290	8320	8351	8381	8412	8443	8473	8504	8534
9	8200	8231	8260	8291	8321	8352	8382	8413	8444	8474	8505	8535
10	8201	8232	8261	8292	8322	8353	8383	8414	8445	8475	8506	8536
11	8202	8233	8262	8293	8323	8354	8384	8415	8446	8476	8507	8537
12	8203	8234	8263	8294	8324	8355	8385	8416	8447	8477	8508	8538
13	8204	8235	8264	8295	8325	8356	8386	8417	8448	8478	8509	8539
14	8205	8236	8265	8296	8326	8357	8387	8418	8449	8479	8510	8540
15	8206	8237	8266	8297	8327	8358	8388	8419	8450	8480	8511	8541
16	8207	8238	8267	8298	8328	8359	8389	8420	8451	8481	8512	8542
17	8208	8239	8268	8299	8329	8360	8390	8421	8452	8482	8513	8543
18	8209	8240	8269	8300	8330	8361	8391	8422	8453	8483	8514	8544
19	8210	8241	8270	8301	8331	8362	8392	8423	8454	8484	8515	8545
20	8211	8242	8271	8302	8332	8363	8393	8424	8455	8485	8516	8546
21	8212	8243	8272	8303	8333	8364	8394	8425	8456	8486	8517	8547
22	8213	8244	8273	8304	8334	8365	8395	8426	8457	8487	8518	8548
23	8214	8245	8274	8305	8335	8366	8396	8427	8458	8488	8519	8549
24	8215	8246	8275	8306	8336	8367	8397	8428	8459	8489	8520	8550
25	8216	8247	8276	8307	8337	8368	8398	8429	8460	8490	8521	8551
26	8217	8248	8277	8308	8338	8369	8399	8430	8461	8491	8522	8552
27	8218	8249	8278	8309	8339	8370	8400	8431	8462	8492	8523	8553
28	8219	8250	8279	8310	8340	8371	8401	8432	8463	8493	8524	8554
29	8220	8251	8280	8311	8341	8372	8402	8433	8464	8494	8525	8555
30	8221		8281	8312	8342	8373	8403	8434	8465	8495	8526	8556
31	8222		8282		8343		8404	8435		8496		8557

SALES CODES

Due to the increase complexity of qualifications required to describe the application of some replacement parts; particularly those related to Emission Control System, Sales Codes are used on a selected basis in some areas of this publication.

Normally, Sales Codes will be employed as secondary qualifiers and are for the express purpose of providing positive identification of parts applicable to vehicle components or systems so complex in nature that normal methods of written qualification are either inadequate or confusing.

The Sales code will always appear after the written description of the part; will be enclosed in parenthesis; will be prefixed S/C; and will follow a hyphen appended to the S/C, e.g.: (S/C-NAA).

To determine whether or not the vehicle for which the part is being specified was built with a particular Sales Code it will be necessary to refer to the Body Code Plate depicted on page INF-9. Sales Codes are also listed on vehicle invoices and on the Maroney label which is affixed to the side glass on new units.

DEFINITION OF SALES CODES USED

NAA = ELECTRONIC SPARK ADVANCE. Used in conjunction with a catalytic exhaust system. Unleaded fuel is required.

NAB = ELECTRONIC SPARK ADVANCE. Use in conjunction with a conventional exhaust system. Unleaded fuel is not required (Canada & Export).

NAE = EMISSION CONTROLS TESTING & LABEL. Commonly referred to as "California Emission Controls" due to it being mandatory for designated engines on cars sold in the State of California.

NAF = HIGH ALTITUDE EMISSION CONTROLS. Required for some Car-lines and Engine combinations sold in some geographical markets predominantly above 4000 feet elevation.

NAG = Used in conjunction with a conventional exhaust. Unleaded fuel is not required (Canada & Export).

ABBREVIATIONS

Abbreviations as used throughout this catalog are interpreted as follows:

ABS	ABSORBER	BTM	BOTTOM
ACC	ACCESSORY	BTN	BUTTON
ACCEL	ACCELERATOR	B/UP	BACK UP
A/CLNR	AIR CLEANER	BUSH	BUSHING
A/COND	AIR CONDITIONING	CAD	CADIUM
ACTG	ACTUATING	CAN	CANADA-CANADIAN
ACTR	ACTUATOR	CAP	CAPACITY
ADAPT	ADAPTER-ADAPTATION	C.A.S.	CLEANER AIR SYSTEM
ADJ	ADJUSTING-ADJUSTOR-ADJUSTABLE-ADJUSTMENT	CARB	CARBURETOR
		CATA	CATALYTIC
A/INL	AIR INLET	C/BAR	CROSS BAR
ALTR	ALTERNATOR	CBL	CABLE
ALUM	ALUMINUM	C/BRD	CIRCUIT BOARD
AMP	AMPERE	C.BRKR	CIRCUIT BREAKER
AMPL	AMPLIFIER	CCW	COUNTERCLOCKWISE
AMTR	AMMETER	C/E	COMMUTATOR END
ANCH	ANCHOR	CHAM	CHAMFRED
&	AND	CHMBR	CHAMBER
A/OUT	AIR OUTLET	CHR	CHROMIUM
APPROX	APPROXIMATE, APPROXIMATELY	C.I.	CUBIC INCH
		C/IRON	CAST IRON
AR	AS REQUIRED	C/CASE	CRANKCASE
A/RATLR	ANTI RATTLER	CK/CHFT	CRANKSHAFT
A REST	ARM REST	CL	CLEANER
ARM	ARMATURE	CL/NUT	CLINCH NUT
A/SQK	ANTISQUEAK	C/LP	COURTESY LAMP
ASSY	ASSEMBLY	CLSR	CLOSURE
A/SUSP	AIR SUSPENSION	C/LTR	CIGAR OR CIGARETTE LIGHTER
A.T.C.	AUTOMATIC TEMPERATURE CONTROL	C/MBR	CROSSMEMBER
		COE	CAB OVER ENGINE
ATT	ATTACHING	COL	COLUMN
A/TRANS	AUTOMATIC TRANSMISSION	COMB	COMBINATION
AUTO	AUTOMATIC	COMBN	COMBUSTION
AUX	AUXILIARY	COMP	COMPLETE, COMPONENT
BAL	BALANCE	COMPN	COMPRESSION
BATT	BATTERY	COMPR	COMPRESSOR
BBL	BARREL	COMPT	COMPARTMENT
B/BRK	BOOSTER BRAKE	COMTR	COMMUTATOR
B/CRK	BELL CRANK	COND	CONDENSER
B.E.	BLACK ENAMEL	CONDT	CONDUIT
B/JNT	BALL JOINT	CONDTG	CONDITIONING
BLK	BLOCK	CONN	CONNECTING-CONNECTION-CONNECTOR
BLT	BUILT		
BLWR	BLOWER	CONT	CONTINUED-CONTROL
BMPR	BUMPER	CONT'D	CONTINUED
BOLT & RET	BOLT & RETAINER	CONV	CONVERTER
BOLT & WA.	BOLT & WASHER	COP	COPPER
BR	BRASS	CO/SHFT	COUNTERSHAFT
BRD	BOARD	CO/WT	COUNTERWEIGHT
BRG	BEARING	CP	CANDLEPOWER
BRK	BRAKE	C/PILLAR	CENTER PILLAR
BRKT	BRACKET	CPLG	COUPLING
BRKR	BREAKER	C/SHFT	CROSS SHAFT
BRT	BRIGHT	CSTG	CASTING
BRZ	BRONZE	CTR	CENTER
BSTR	BOOSTER	CU	CUBIC
B/STUD	BALL STUD	CUSH	CUSHION

ABBREVIATIONS (Cont'd.)

CUSH	CUSHION	EXP	EXPORT
CUST	CUSTOM	EXPN	EXPANSION
CV	CONVERTIBLE	EXT	EXTENSION
C/VAL	CONTROL VALVE	EXTL	EXTERNAL
CVR	COVER	EXTR	EXTRUDED
C/WT	COUNTERWEIGHT	F	FAHRENHEIT
CYL	CYLINDER	FACT	FACTORY
DBL	DOUBLE	F/AIR	FRESH AIR
D/CVR	DUST COVER	FAST	FASTENING-FASTENER
D/E	DRIVE END	F/AXLE	FRONT AXLE
DECAL	DECALCOMANIA	F/BRD	FLOOR BOARD
DEFL	DEFLECTOR	F/CPLG	FLUID COUPLING
DEFGR	DEFOGGER	F/DR	FRONT DOOR
DEFR	DEFROSTER	F/FILT	FUEL FILTER
DEG (°)	DEGREE	F/GA	FUEL GAGE
D/EXH	DUAL EXHAUST	F/IDLE	FAST IDLE
DIA	DIAMETER	FIL HD	FILLISTER HEAD
DIAG	DIAGONAL	FIN	FINISH
DIAPH	DIAPHRAGM	F/INJ	FUEL INJECTION
DIFF	DIFFERENTIAL	FLD	FIELD
DIM	DIMENSION	FLEX	FLEXIBLE
DIR	DIRECT-DIRECTIONAL	FLG	FLANGE
DIR CL	DIRECT CLUTCH	FL HD	FLAT HEAD
DIST	DISTRIBUTOR-DISTRIBUTING	FLR	FLOOR
DIV	DIVISION-DIVISIONAL	F/MLDG	FINISH MOULDING
D/LINK	DRAG LINK	FNDR	FENDER
D/LP	DOME LAMP	F/PAN	FLOOR PAN
DMPR	DAMPER	F/PUMP	FUEL PUMP
DOM	DOMESTIC	FREQ	FREQUENCY
D/PINION	DRIVE PINION	FRT	FRONT
DR	DOOR	FT	FOOT-FEET
D/R SHAFT	DOUBLE ROCKER SHAFT	F/TANK	FUEL TANK
DRIV	DRIVE	FTG	FITTING
DRVN	DRIVEN	F/TOP	FOLDING TOP
D/SEAL	DUST SEAL	GA	GAUGE-GAGE
D/SHLD	DUST SHIELD	GALV	GALVANIZED
D/SW	DIMMER SWITCH	GARN	GARNISH
EBL	ELECTRIC HEATED BACK LIGHT	G/BOX	GLOVE BOX
		GEN	GENERATOR
ECC	ECCENTRIC	GLA	GLASS
ECS	EVAPORATE EMISSION CONTROL SYSTEM	G/MLDG	GARNISH-MOULDING
		GND	GROUND
E.F.I. (M)	ELECTRONIC FUEL INJECTION (METERING)	GOV	GOVERNOR
		GR	GEAR
E.G.R.	EXHAUST GAS RECIRCULATION	G/REG	GENERATOR-REGULATOR
		GRL	GRILLE
ELECT	ELECTRIC	GRMT	GROMMET
ELIM	ELIMINATOR	G/SHIFT	GEARSHIFT
EMR	ENGINE MAINTENANCE REMINDER	GSKT	GASKET
		GVW	GROSS VEHICLE WEIGHT
ENG	ENGINE	H/BRK	HAND BRAKE
EQ	EQUIPMENT	H/C	HIGH COMPRESSION
ESC	ESCUTCHEON	HD	HEAD
ETC	ET CETERA	H/D	HEAVY DUTY
EVAP	EVAPORATION-EVAPORATOR	HDL	HANDLE
EX	EXTRA	H/LIN	HEAD LINING
EXC	EXCLUDE	HDLS	HEADLESS
EXH	EXHAUST	HDR	HEADER

ABBREVIATIONS (Cont'd.)

HEMI	HEMISPHERICAL	LOC	LOCATING
HEX	HEXAGON	LP	LAMP
HGE	HINGE	LPG	LIQUID PROPANE GAS
H/GUIDE	HYDRAGUIDE	L.S.H.	LOW SECTION HEIGHT
H/LP	HEADLAMP	LT	LEFT
H/PERF	HIGH PERFORMANCE	LUB	LUBRICANT-LUBRICATING
H/REST	HEAD REST	LUGG	LUGGAGE
HSG	HOUSING	LVR	LEVER
H/SNK	HEAT SINK	LWR	LOWER
H/SHLD	HEAT SHIELD	M & I	MARINE & INDUSTRIAL
NHT	HEATER	M/ADJ	MANUAL ADJUSTING
HVY	HEAVY	MAN	MANUAL
HYD	HYDRAULIC	MANF	MANIFOLD
I/ARM	IDLER ARM	MAR	MARINE
I.D.	INSIDE DIAMETER	MAX	MAXIMUM
IDENT	IDENTIFICATION	MAX PERF	MAXIMUM PERFORMANCE
IGN	IGNITION	M/BRK	MANUAL BRAKE
IN	INCH	MBR	MEMBER
INCL	INCLUSIVE-INCLUDES	M/CYL	MASTER CYLINDER
IND	INDUSTRIAL	MECH	MECHANISM
INDIC	INDICATOR	MED	MEDIUM
INL	INLET	MEDAL	MEDALLION
INR	INNER	MIL	MILITARY
INS	INSULATING-INSULATION-INSULATOR	MIN	MINIMUM
INST	INSTRUMENT-INSTRUCTION	MDLG	MOULDING
INT	INTAKE	MOD	MODEL
INTER	INTERMITTENTLY-INTERMEDIATE	M/MTRG	MAIN METERING
INTL	INTERNAL	M.P.H.	MILES PER HOUR
INTLK	INTERLOCK	MT	MOUNT
I/PNL	INSTRUMENT PANEL	MTG	MOUNTING
I/PULLEY	IDLER PULLEY	MTR	MOTOR
I/S	INSIDE	M/TRANS	MANUAL TRANSMISSION
J/BLK	JUNCTION BLOCK	MTRG	METERING
JNT	JOINT	NEG	NEGATIVE
K/DN	KICKDOWN	NEUT	NEUTRAL
KDX	KNOCK DOWN EXPORT	NI	NICKEL
KILO	KILOMETER	NO. OR #	NUMBER
KNU	KNUCKLE	NOM	NOMINAL
K/UP	KICKUP	NO	NITROGEN OXIDE EMISSION CONTROL
LBS	POUNDS	N/PLT	NAME PLATE
L/C	LOW COMPRESSION	NUT & WA	NUT AND WASHER
LCF	LOW CAB FORWARD	O/CTR	OVER CENTER
L/COMPT	LUGGAGE COMPARTMENT	O.D.	OUTSIDE DIAMETER
LEA	LEATHER	O/DRV	OVER DRIVE
LED	LIGHT EMITTING DIODE	O/GA	OIL GAUGE
LGH	LENGTH	OPER	OPERATING
LHD	LEFT HAND DRIVE	OPNG	OPENING
L.H. THD	LEFT HAND THREAD	OPP	OPPOSITE
LIC	LICENSE	OPT	OPTIONAL
LIN	LINING-LINER	O/PUMP	OIL PUMP
LK	LOCK	ORN	ORNAMENT
LKG	LOCKING	O/RUNN	OVERRUNNING
LK/NUT	LOCK NUT	O/S	OUTSIDE
LK/WA	LOCK WASHER	O/SIZE	OVERSIZE
		OTR	OUTER
		OUTL	OUTLET

ABBREVIATIONS (Cont'd.)

OV	OVAL	RED	REDUCTION
O/W	OPTIONAL WITH	REFL	REFLECTOR
O/WRAP	OVERWRAP	REG	REGULATOR
OZ	OUNCE	REINF	REINFORCEMENT
P	PITCH	REL	RELEASE
PACK	PACKING	REM	REMOTE
PARK	PARKING	REQ	REQUIRED
PART	PARTIAL PARTITION	RES	RESISTOR
PASS	PASSENGER	RET	RETAINER
P/BRK	POWER BRAKE	RETG	RETAINING
P/BTN	PUSH BUTTON	REV	REVERSE
PC/BRD	PRINTED CIRCUIT BOARD	REVERB	REVERBERATOR
PED	PEDAL	R/FLR	REAR FLOOR
PERF	PERFORMANCE	RHD	RIGHT HAND DRIVE
PIST	PISTON	RHEO	RHEOSTAT
PIV	PIVOT	R.H. THD	RIGHT HAND THREAD
PKG	PACKAGE	R/L	RIGHT AND LEFT
PL	PLAIN	RPM	REVOLUTIONS PER MINUTE
P/LAMP	PARKING LAMP	R/QTR	REAR QUARTER
PLR	PILLAR	RR	REAR
PLT	PLATE-PLATED	RSVR	RESERVOIR
PLUNG	PLUNGER	RT	RIGHT
PL/WA	PLAIN WASHER	R/WDO	REAR WINDOW
P/MTR	POTENTIOMETER	S/ABS	SHOCK ABSORBER
PNL	PANEL	S/C	SALES CODE
PNTD	PAINTED	S/COMPT	SIDE COMPARTMENT
POS	POSITIVE	S/DEFL	STONE DEFLECTOR
POLY	POLYESTER	SECT	SECTION
P/PNL	POCKET PANEL	SER	SERIAL-SERVICE
PRESS	PRESSURE	S/EXH	SINGLE EXHAUST
PRI	PRIMARY	S-FIN	SEMI-FINISHED
PROD	PRODUCTION	S/GR	STEERING GEAR
P/ROD	PUSH ROD	SHFT	SHIFT
PROP	PROPELLER	SHLD	SHIELD
PRPG	PROPORTIONING	SIG	SIGNAL
PSF	POUNDS PER SQUARE FOOT	S/KNU	STEERING KNUCKLE
PSI	POUNDS PER SQUARE INCH	SLD	SLIDE
P/STRG	POWER STEERING	SLDG	SLIDING
PT	POINT	S/LP	STOP LAMP
PTO	POWER TAKE OFF	SLTD	SLOTTED
PWR	POWER	SLV	SLEEVE
Q/PNL	QUARTER PANEL	S/MBR	SIDE MARKER
QTR	QUARTER	SOC	SOCKET
Q/WDO	QUARTER WINDOW	SOL	SOLENOID
R	RADIUS	SPD	SPEED
R/A	REAR AXLE	SPEEDO	SPEEDOMETER
R/AXLE	REAR AXLE	SPKR	SPEAKER
RAD	RADIATOR	SPL	SPECIAL
R/CONT	REMOTE CONTROL	SPL EQUIP	SPECIAL EQUIPMENT
RC/SHIFT	ROCKER SHAFT	SPRG	SPRING
RD	ROUND	S/PNL	SIDE PANEL
R/DR	REAR DOOR	SP/SHLD	SPLASH SHIELD
REC	RECEIVER	SQ	SQUARE
RECIR	RECIRCULATING	S/R SHAFT	SINGLE ROCKER SHAFT
RECT	RECTANGULAR	S/RAIL	SIDE RAIL
RECTR	RECTIFIER	S/RING	SNAP RING

ABBREVIATIONS (CONT'D.)

S/SHLD	SIDE SHIELD	TRANSF	TRANSFER
S/SILL	SIDE SILL	TRIMD	TRIMMED
S/SPD	SINGLE SPEED	T/SIG	TURN SIGNAL
STA	STATION-STATIONARY	TRUN.	TRUNNION
STAB	STABILIZER	TST	TAIL STOP & TURNING
STD	STANDARD	T/STRIP	TACKING STRIP
STGHT	STRAIGHT	TUB	TUBULAR
STL	STEEL	U/BODY	UNDERBODY
STRG	STEERING	U/DRV	UNDERDRIVE
STRKR	STRIKER	U/JNT	UNIVERSAL JOINT
STRNR	STRAINER	UNIV	UNIVERSAL
STRTR	STARTER	UPR	UPPER
SUCT	SUCTION	U/S	UNDERSIZE
SUPT	SUPPORT	U/SEAT	UNDERSEAT
SUSP	SUSPENSION	U/W	USED WITH
SW	SWITCH	V	VENTUR (QTY OF CARB BBL)
SYNCH	SYNCHRONIZER	VAC	VACUUM
T	TEETH	VAL	VALVE
TAP	TAPPING	V/DMPR	VIBRATION DAMPER
TBI	THROTTLE BODY INJECTION	VENT	VENTILATOR-VENTILATING
T/BKL	TURN BUCKLE	VERT	VERTICAL
T/BLK	TERMINAL BLOCK	VOL CONT	VOLUME CONTROL
T/COMP	TRIMMED COMPLETE	V/REG	VOLTAGE REGULATOR
T/CONT	THROTTLE CONTROL	V/SPD	VARIABLE SPEED
T/CONV	TORQUE CONVERTER	V/WING	VENT WING
TEMP	TEMPERATURE	W	WATT
TERM	TERMINAL	WA	WASHER
T/GA	TEMPERATURE GAUGE	WAG	WAGON
T-GATE	TAILGATE	WB	WHEELBASE
THD	THREAD	W/BRG	WHEEL BEARING
THK	THICK	W/CORD	WEATHERCORD
THERMO	THERMOSTAT	WDO	WINDOW
3RD	THIRD	WHL	WHEEL
THR	THRUST	W/HSE	WHEELHOUSE
THROT	THROTTLE	W/LIFT	WINDOW LIFT
T.I.C.	THERMOSTATIC IGNITION CONTROL	W/O	WITHOUT
T/LP	TAIL LAMP	W/PUMP	WATER PUMP
TORQ	TORQUE	W/REG	WINDOW REGULATOR
TORS	TORSION	W/SHLD	WINDSHIELD
TPI	THREADS PER INCH	W/STRIP	WEATHERSTRIP
T/PIPE	TAIL PIPE	WT	WEIGHT
T/PLT	TAPPING PLATE	W/WASHER	WINDSHIELD WASHER
T/PNL	TRIM PANEL	W/WPR	WINDSHIELD WIPER
TPR	TAPER	X/MBR	X MEMBER
TRANS	TRANSMISSION		

NOTES

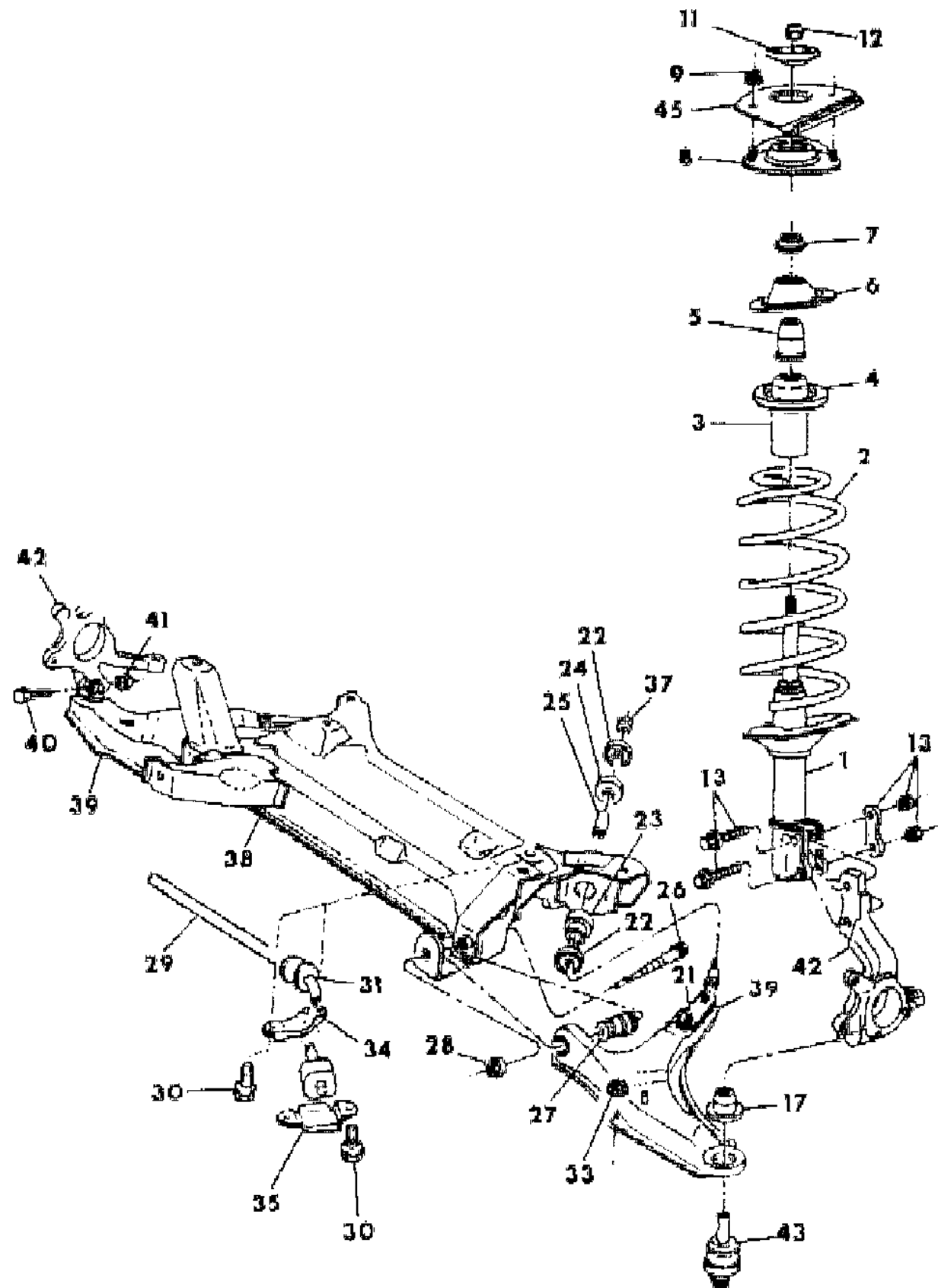
GROUP 2 - FRONT SUSPENSION & DRIVE

ILLUSTRATION TITLE	GROUP-FIG. NO.
SUSPENSION, FRONT M,Z	Fig. 2-100
SUSPENSION, FRONT P,D,V,C,E,T,H,K	Fig. 2-200
SUSPENSION, FRONT B,F,G	Fig. 2-300
SWAY BAR, FRONT - B,F,G	Fig. 2-400
ARM-UPPER CONTROL B,F,G	Fig. 2-500
ARM-LOWER CONTROL B,F,G	Fig. 2-600
SHAFT IDENTIFICATION, DRIVE	Fig. 2-700
SHAFT, FRONT DRIVE (GKN) w/1.6 ENG. w/4 & 5 SPEED TRANS. M,Z	Fig. 2-800
SHAFT, FRONT DRIVE (G.K.N. & A.C.I.) WITH 2.2 ENG., WITHOUT TURBO M,Z,P,D,V,C,E,T	Fig. 2-900
SHAFT, FRONT DRIVE (CITROEN) W/2.2 & 2.6 ENG. WITH & W/O TURBO P,D,V,C,E,T,H,K	Fig. 2-1000

ILLUSTRATION NOT AVAILABLE AT TIME OF PUBLICATION

SUSPENSION, FRONT M,Z
Figure 2-100

4102 100



ITEM	PART NUMBER	QTY	BODY	MODEL	DESCRIPTION
NOTE 1 - PART NO. 4014441 SPACER REQUIRED WHEN REPLACING SPRING AS NOTED					
1	4052 647	2		24,44	SHOCK ABSORBER Std. (Except Shelby)
	5204 734	2		28	Std. Or H.D.
	5204 734	2		24,44	w/Firm Feel Susp. Or H.D. (Except Shelby)
	4052 990	2		24	w/Shelby
2	COIL-SPRING, 1.6 Eng. (Man.Trans.Only) w/o Air				
	4014 452	1		24,44	Std., Rt.
	4014 454	1		24,44	Std., Lt.
	4052 742	1		24,44	H.D., Rt. (See Note 1)
	4052 744	1		24,44	H.D., Lt.
	4014 454	1		24,44	w/Air, Std., Rt.
	4014 454	1		24,44	w/Air, Std., Lt. (See Note 1)
	4052 744	1		24,44	w/Air, H.D. or Firm Feel, Rt.
	4052 744	1		24,44	w/Air, H.D. or Firm Feel, Lt. (See Note 1)
	COIL-SPRING, 1.6L Eng. (Auto Trans.)				
	4014 452	1		24,44	w/o Air, Std., Rt. (See Note 1)
	4014 454	1		24,44	w/o Air, Std., Lt. (See Note 1)
	4052 742	1		24,44	w/o Air, H.D. or Firm Feel, Rt. (See Note 1)
	4052 744	1		24,44	w/o Air, H.D. or Firm Feel, Lt. (See Note 1)
	4014 454	1		24,44	w/Air, Std., Rt. (See Note 1)
	4014 456	1		24,44	w/Air, Std., Lt. (See Note 1)
	4052 744	1		24,44	w/Air, H.D. or Firm Feel, Rt. (See Note 1)
	4052 746	1		24,44	w/Air, H.D. or Firm Feel, Lt.
	COIL-SPRING, 2.2L or 2.2L H.P. Eng. (Man. Trans.)				
	4014 452	1		24,44	w/o Air, Std., Rt. (See Note 1)
4014 454	1		24,44	w/o Air, Std., Lt.	
4052 742	1		24,44	w/o Air, H.D. or Firm Feel, Rt. (See Note 1)	
4052 744	1		24,44	w/o Air, H.D. or Firm Feel, Lt.	
4014 454	1		24,44	w/Air, Std., Rt. (See Note 1)	
4014 456	1		24,44	w/Air, Std., Lt.	
4052 744	1		24,44	w/Air, H.D. or Firm Feel, Rt. (See Note 1)	
4052 746	1		24,44	w/Air, H.D. or Firm Feel, Lt.	
COIL-SPRING, 2.2L Eng.(Auto.Trans.)					
4014 454	1		24,44	w/o Air, Std., Rt.	
4014 456	1		24,44	w/o Air, Std., Lt.	
4052 744	1		24,44	w/o Air, H.D. or Firm Feel, Rt.	
4052 746	1		24,44	w/o Air, H.D. or Firm Feel, Lt.	
4014 456	1		24,44	w/Air, Std., Rt.	

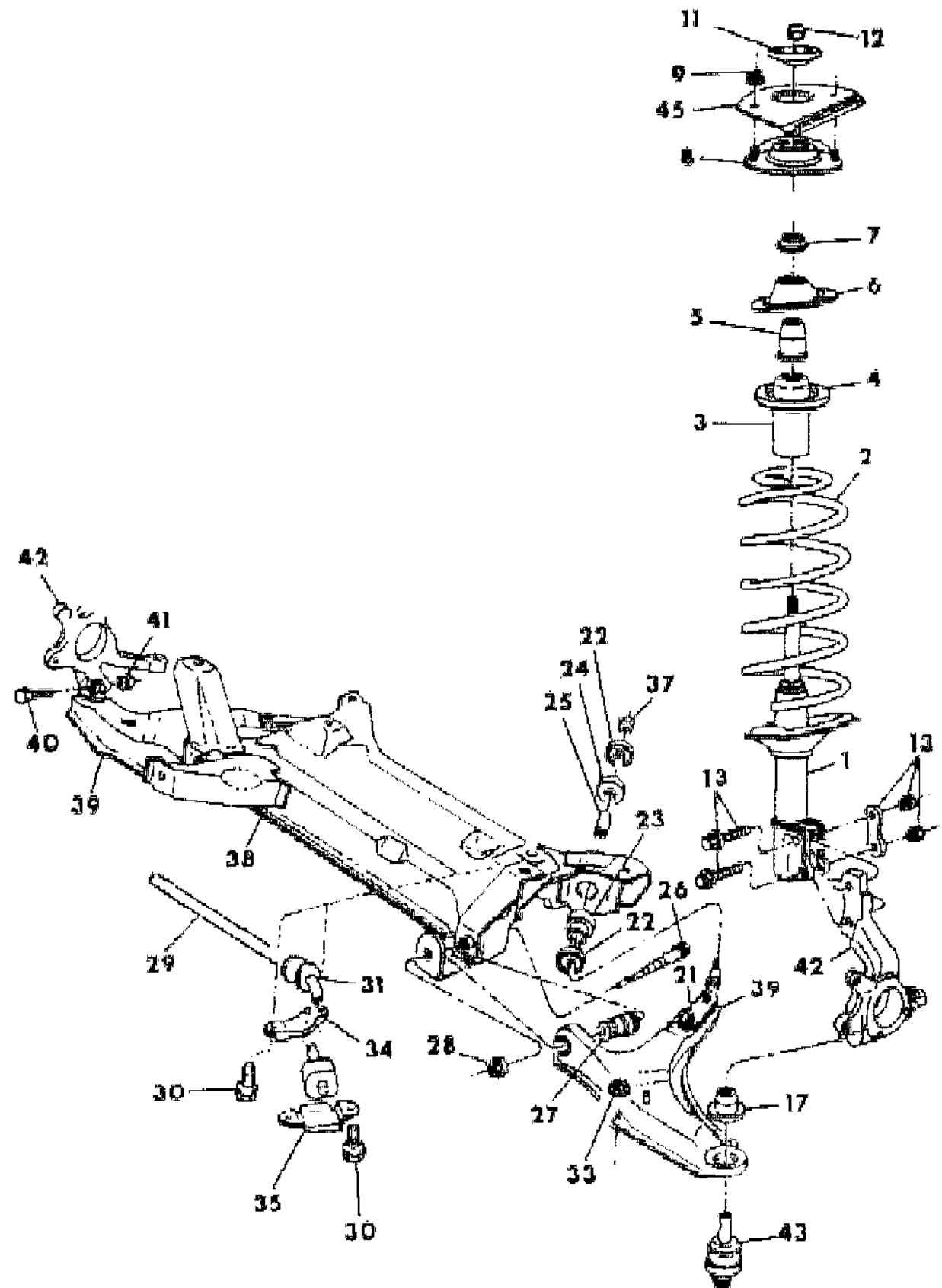
MODEL CODES
 B = GRAN FURY
 C = LEBARON/TOWN & COUNTRY/EXC SEDAN
 C24 = LASER
 D = ARIES
 E = 600
 F = FIFTH AVENUE/NEWPORT
 G = DIPLOMAT
 H = VOYAGER
 K = MINI RAM/CARAVAN/ROYAL
 M = HORIZON/TURISMO
 P = RELIANT
 T = E CLASS/NEW YORKER
 V = 600
 V24 = DAYTONA
 Z = OMNI/CHARGER/RAMPAGE

BODY STYLES
 21 = 2-DOOR SEDAN
 22 = 2-DOOR SPECIAL COUPE
 24 = 2-DOOR HATCHBACK
 27 = 2-DOOR CONVERTIBLE
 28 = FWD PICKUP
 35 = FWD VAN
 36 = FWD WAGON
 41 = 4-DOOR SEDAN
 44 = 4-DOOR HATCHBACK
 45 = 4-DOOR STATION WAGON
 48 = 4-DOOR EXECUTIVE SEDAN

AR = Use as Required - = Non Illustrated Part P.A.R. = Paint as Required

SUSPENSION, FRONT M,Z
Figure 2-100

4102 100



ITEM	PART NUMBER	QTY	BODY	MODEL	DESCRIPTION
	4014 456	1		24,44	w/Air, Std., Lt. (See Note 1)
	4052 744	1		24,44	w/Air, H.D. or Firm Feel, Rt. (See Note 1)
	4052 746	1		24,44	w/Air, H.D. or Firm Feel, Lt. (See Note 1)
					COIL-SPRING, 2.2 Eng. (Man.Trans.)
	4052 744	1		28	w/o Air, Std., Rt.
	4052 744	1		28	w/o Air, Std. Lt. (See Note 1)
	4052 746	2		28	w/Air, Std., Rt. & Lt.
					COIL-SPRING, 2.2 Eng.(Auto.Trans.)
	4052 744	1		28	w/o Air, Rt. (See Note 1)
	4052 746	1		28	w/o Air, Lt. (See Note 1)
	4052 746	1		28	w/Air, Rt.
	4052 748	1		28	w/Air, Lt.
					COIL SPRING, 2.2L H.P. Eng. (SHELBY)
	4322 036	1		Z-S24	w/o Air, Rt.
	4322 036	1		Z-S24	w/o Air, Lt.
	4322 036	1		Z-S24	w/Air, Rt.
	4322 036	1		Z-S24	w/Air, Lt.
3	5204 610	2	All		DUST-SHIELD (Except Shelby)
	4052 997	2		24	w/Shelby
4	4014 441	AR	All		SPACER, Spring Shock Upper
5	5204 608	2	All		BUMPER, Jounce (Except Shelby)
	4052 996	2		24	w/Shelby
6	4052 931	2	All		SEAT, Shock Upper
7	5204 595	2	All		BALL-BEARING
8	4318 717	2	All		MOUNT, Front Shock Upper
9	6100 051	4	All		NUT,w/WASHER
11	4052 680	2	All		RETAINER, Shock Rebound Stop
12	6501 094	2	All		NUT, Shock Rod
13	4267 335	2	All		ATTACHING PKG., Frt. Shock
					Consists Of:
					1-6500450 Cam-Bolt, Shock Mtg. Upper
					1-6500451 Bolt, Shock Mtg. Lower
					1-4014327 Washer, Shock Damper
					2-6500536 Nut, Shock Knuckle Bolt
17	4052 509	2	All		SEAL, Ball Joint
21			All		RIVET (Not Serviced)
22	5204 534	4	All		RETAINER, Arm Strut Bushing
23	4052 671	2	All		BUSHING, Arm Strut Frt.

MODEL CODES

B = GRAN FURY	F = FIFTH AVENUE/NEWPORT	P = RELIANT
C = LEBARON/TOWN & COUNTRY/EXC SEDAN	G = DIPLOMAT	T = E CLASS/NEW YORKER
C24 = LASER	H = VOYAGER	V = 600
D = ARIES	K = MINI RAM/CARAVAN/ROYAL	V24 = DAYTONA
E = 600	M = HORIZON/TURISMO	Z = OMNI/CHARGER/RAMPAGE

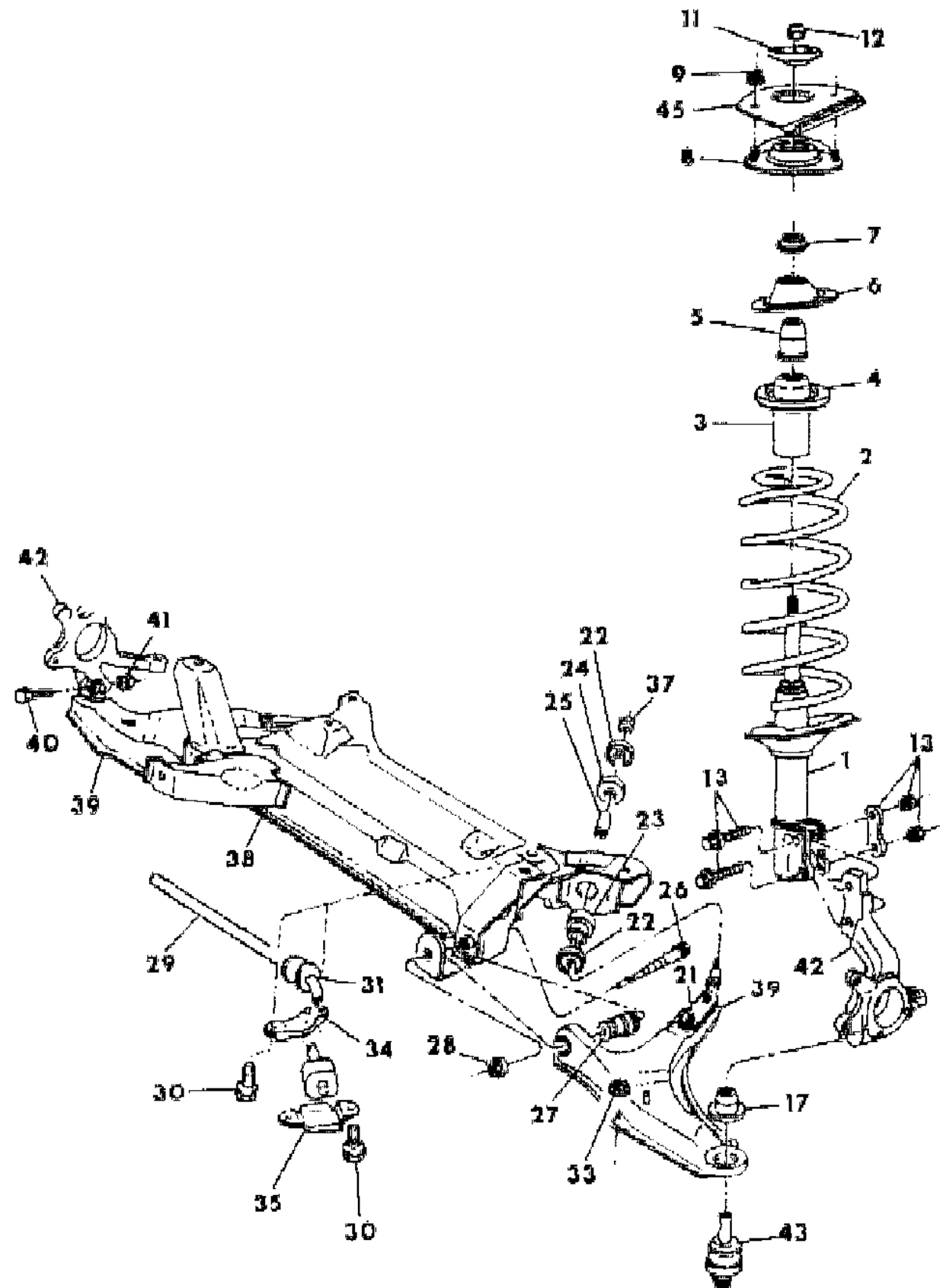
BODY STYLES

21 = 2-DOOR SEDAN	28 = FWD PICKUP	44 = 4-DOOR HATCHBACK
22 = 2-DOOR SPECIAL COUPE	35 = FWD VAN	45 = 4-DOOR STATION WAGON
24 = 2-DOOR HATCHBACK	36 = FWD WAGON	48 = 4-DOOR EXECUTIVE SEDAN
27 = 2-DOOR CONVERTIBLE	41 = 4-DOOR SEDAN	

AR = Use as Required - = Non Illustrated Part P.A.R. = Paint as Required

SUSPENSION, FRONT M,Z
Figure 2-100

4102 100



ITEM	PART NUMBER	QTY	BODY	MODEL	DESCRIPTION
24	4052 672	2	All		BUSHING, Arm Strut Rear
25	5204 535	2	All		SLEEVE, Strut Bushing
26	4014 239	2	All		BOLT, Pivot Shaft
27	5204 622	2	All		BUSHING, Cont.Arm Pivot Shaft
28	6500 231	2	All		NUT, Pivot Bolt
29	4322 011	1	All		SHAFT, Frt. Susp. Sway Elim.
30	6100 579	8	All		BOLT, Clamp
31	4322 015	2	All		CUSHION, Shaft - Std. Susp.
	4322 017	2	All		w/H.D. Susp.
33	6500 363	4	All		NUT, Bolt
34	4052 522	2	All		CLAMP, Shaft Bushing, Lower
35	4014 418	2	All		RETAINER, Shaft Arm
37	6100 502	2	All		NUT, Strut
38			All		C/MEMBER (Ref.Only)
39	4322 154-5	1	All		ARM, Lower Control
---	4106 180	2	All		TIE ROD END PKG. (Not Shown)
					CONSIST OF:
					1-Rod End
					1-6500121 Nut
					1-6100024 C/Pin
40	6500 891	2	All		BOLT, Knuckle To Ball Joint
41	6500 890	2	All		NUT, Knuckle To Ball Joint Bolt
42	4052 844-5	1	All		KNUCKLE, Strg.
43	4052 583	2	All		BALL JOINT
45					PLATE, Shock Tower (See Fender Section)

MODEL CODES

B = GRAN FURY	F = FIFTH AVENUE/NEWPORT	P = RELIANT
C = LEBARON/TOWN & COUNTRY/EXC SEDAN	G = DIPLOMAT	T = E CLASS/NEW YORKER
C24 = LASER	H = VOYAGER	V = 600
D = ARIES	K = MINI RAM/CARAVAN/ROYAL	V24 = DAYTONA
E = 600	M = HORIZON/TURISMO	Z = OMNI/CHARGER/RAMPAGE

BODY STYLES

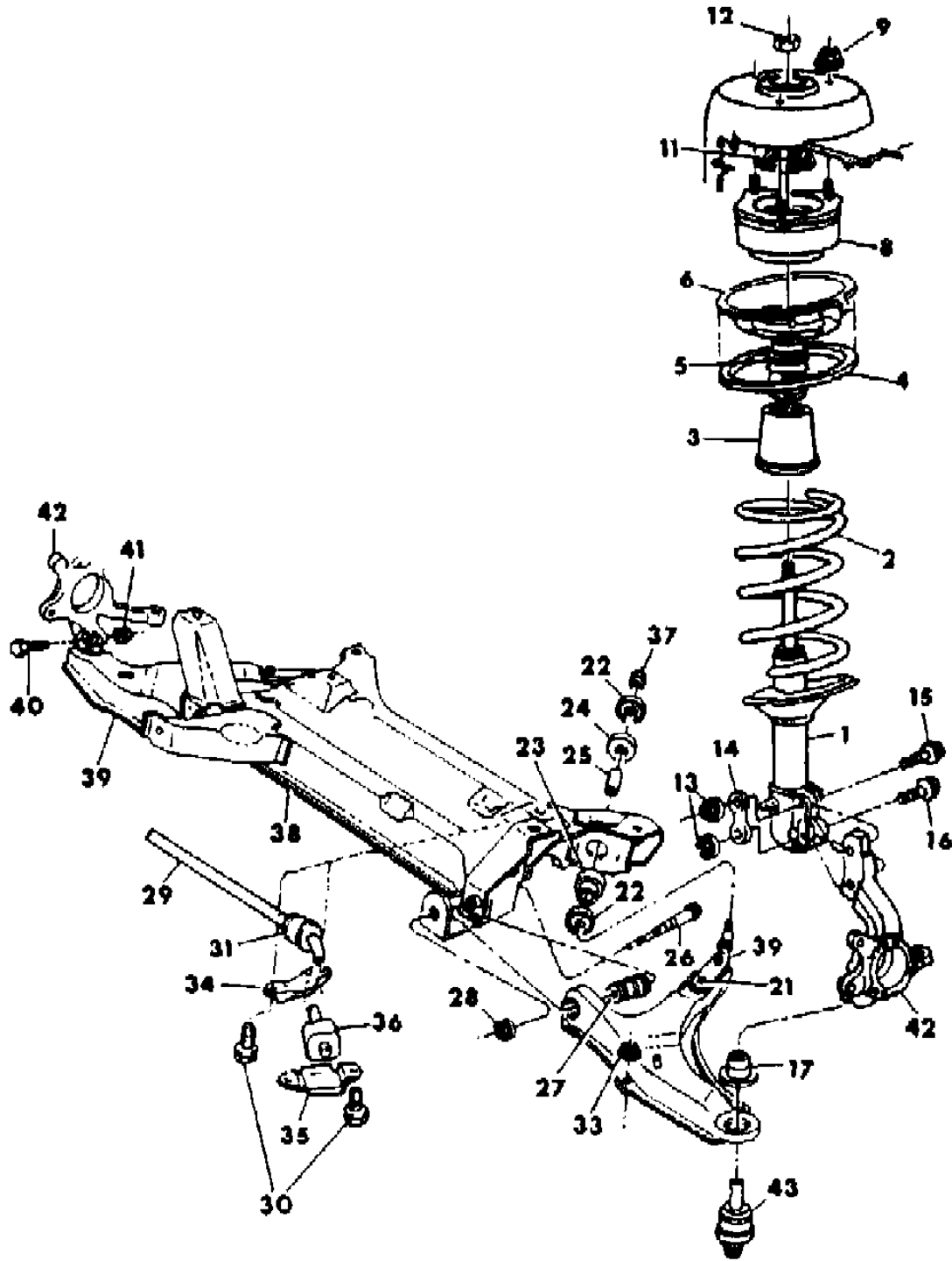
21 = 2-DOOR SEDAN	28 = FWD PICKUP	44 = 4-DOOR HATCHBACK
22 = 2-DOOR SPECIAL COUPE	35 = FWD VAN	45 = 4-DOOR STATION WAGON
24 = 2-DOOR HATCHBACK	36 = FWD WAGON	48 = 4-DOOR EXECUTIVE SEDAN
27 = 2-DOOR CONVERTIBLE	41 = 4-DOOR SEDAN	

AR = Use as Required - = Non Illustrated Part P.A.R. = Paint as Required

SUSPENSION, FRONT P,D,V,C,E,T,H,K

Figure 2-200

4102 200



ITEM	PART NUMBER	QTY	BODY	MODEL	DESCRIPTION
------	-------------	-----	------	-------	-------------

NOTE: 1 ISOLATOR Pt.NO. 4322047 REQUIRED WHEN REPLACING SPRING AS NOTED.

1	4052 861	2	P,D,V,C		SHOCK ABSORBER, Std. (Exc. V,C24)
	4052 862	2	P,D,V,C		H.D.
	4052 863	2	P,D,V,C		Premium Shocks (Exc. V,C24)
	4322 059	2	V,C24		Firm Feel (Gas Filled)
	4052 864	2	H,K		Std.
	4052 865	2	H,K		H.D.
2					COIL-SPRING, 2.2L Eng.(Man.Trans.)
	4052 713	1	P,D		w/o Air, Std. or Firm Feel, Rt.
	4052 714	1	P,D		w/o Air, Std. or Firm Feel, Lt. (See Note 1)
	4052 912	1	P,D		w/o Air, H.D or Extra Duty, Rt.(See Note 1)
	4052 914	1	P,D		w/o Air, H.D or Extra Duty, Lt.
	4052 716	1	P,D		w/Air, Std. or Firm Feel, Rt. (See Note 1)
	4052 716	1	P,D		w/Air, Std. or Firm Feel, Lt.
	4052 914	1	P,D		w/Air, H.D or Extra Duty, Rt.
	4052 914	1	P,D		w/Air, H.D or Extra Duty, Lt. (See Note 1)
					COIL-SPRING, 2.2L Eng. (Auto Trans.)
	4052 714	1	P,D		w/o Air, Std. or Firm Feel, Rt.
	4052 716	1	P,D		w/o Air, Std. or Firm Feel, Lt.
	4052 912	1	P,D		w/o Air, H.D. or Extra Duty, Rt. (See Note 1)
	4052 914	1	P,D		w/o Air, H.D. or Extra Duty, Lt. (See Note 1)
	4052 714	1	P,D		w/Air, Std. or Firm Feel, Rt. (See Note 1)
	4052 718	1	P,D		w/Air, Std. or Firm Feel, Lt.
	4052 914	1	P,D		w/Air, H.D or Extra Duty, Rt. (See Note1)
	4052 916	1	P,D		w/Air, H.D or Extra Duty, Lt.
					COIL-SPRING, 2.6L Eng. (Auto Trans.)
	4052 714	1	P,D		w/o Air, Std. or Firm Feel, Rt. (See Note 1)
	4052 716	1	P,D		w/o Air, Std. or Firm Feel, Lt. (See Note 1)
4052 914	1	P,D		w/o Air, H.D. or Extra Duty Rt. (See Note 1)	
4052 916	1	P,D		w/o Air, H.D. or Extra Duty Lt.	
4052 716	1	P,D		w/Air, Std. or Firm Feel, Rt. (See Note 1)	
4052 718	1	P,D		w/Air, Std. or Firm Feel, Lt.	
4052 916	2	P,D		w/Air, H.D. or Extra Duty	
				COIL-SPRING, 2.2L Eng.(Man.Trans.) Exc. V,C24,48	
4052 714	1	V,C,E,T		w/o Air Std. or Firm Feel, Rt. (See Note 1)	
4052 716	1	V,C,E,T		w/o Air Std. or Firm Feel, Lt. (See Note 1)	

MODEL CODES

B = GRAN FURY	F = FIFTH AVENUE/NEWPORT	P = RELIANT
C = LEBARON/TOWN & COUNTRY/EXC SEDAN	G = DIPLOMAT	T = E CLASS/NEW YORKER
C24 = LASER	H = VOYAGER	V = 600
D = ARIES	K = MINI RAM/CARAVAN/ROYAL	V24 = DAYTONA
E = 600	M = HORIZON/TURISMO	Z = OMNI/CHARGER/RAMPAGE

BODY STYLES

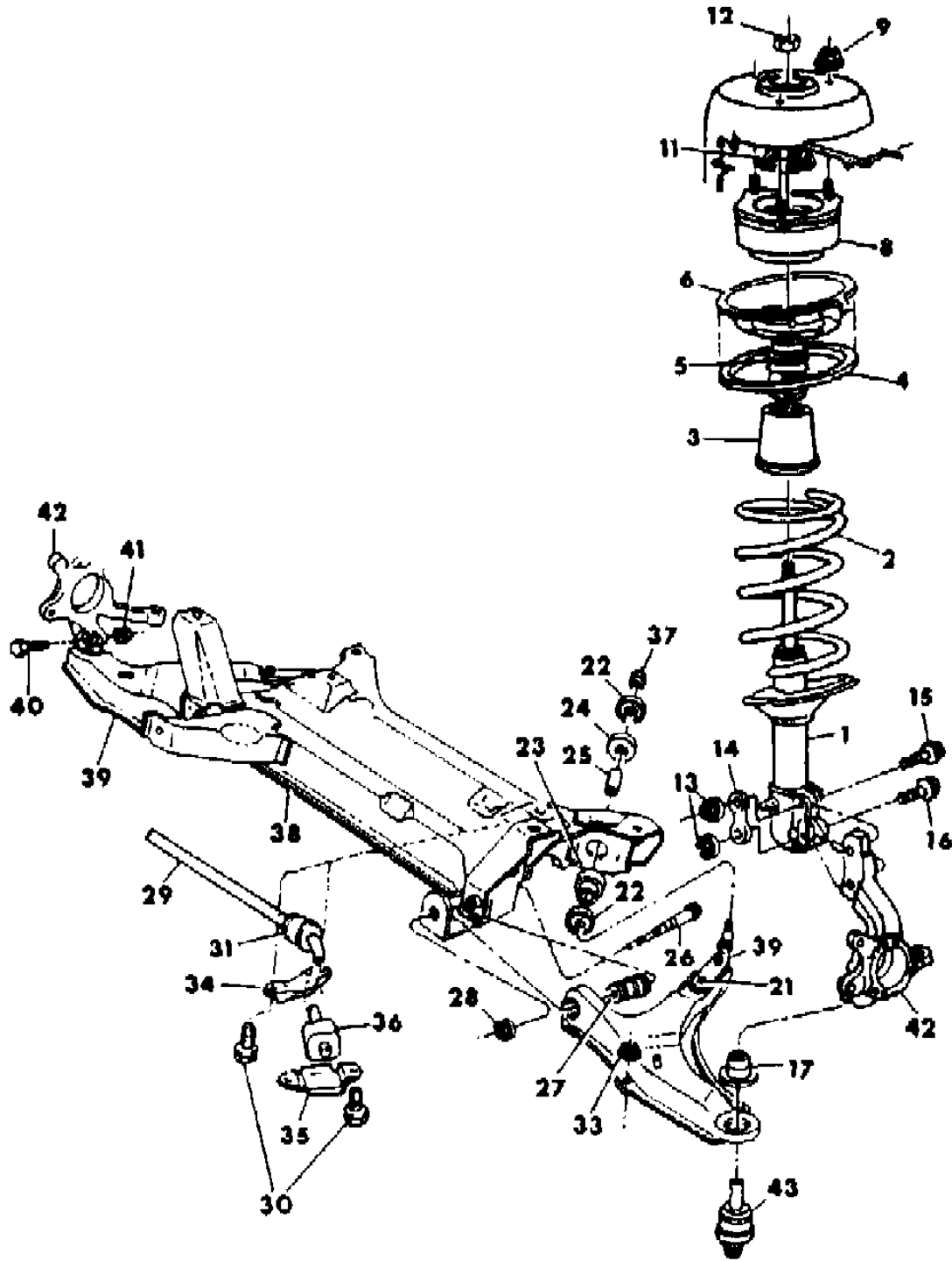
21 = 2-DOOR SEDAN	28 = FWD PICKUP	44 = 4-DOOR HATCHBACK
22 = 2-DOOR SPECIAL COUPE	35 = FWD VAN	45 = 4-DOOR STATION WAGON
24 = 2-DOOR HATCHBACK	36 = FWD WAGON	48 = 4-DOOR EXECUTIVE SEDAN
27 = 2-DOOR CONVERTIBLE	41 = 4-DOOR SEDAN	

AR = Use as Required - = Non Illustrated Part P.A.R. = Paint as Required

SUSPENSION, FRONT P,D,V,C,E,T,H,K

Figure 2-200

4102 200



ITEM	PART NUMBER	QTY	BODY	MODEL	DESCRIPTION
	4052 914	1		V,C,E,T	w/o Air H.D or Extra Duty, Rt.
	4052 916	1		V,C,E,T	w/o Air H.D or Extra Duty, Lt.
	4052 716	1		V,C,E,T	w/Air Std. or Firm Feel, Rt. (See Note 1)
	4052 718	1		V,C,E,T	w/Air Std. or Firm Feel, Lt.
	4052 916	1		V,C,E,T	w/Air H.D or Extra Duty, Rt.
	4052 916	1		V,C,E,T	w/Air H.D or Extra Duty, Lt. (See Note 1)
	4052 714	1		V,C,E,T	w/o Air, Std. or Firm Feel, Rt. (See Note 1)
	4052 718	1		V,C,E,T	w/o Air, Std. or Firm Feel, Lt.
	4052 914	1		V,C,E,T	w/o Air, H.D. or Extra Duty, Rt. (See Note 1)
	4052 916	1		V,C,E,T	w/o Air, H.D. or Extra Duty, Lt. (See Note 1)
	4052 716	1		V,C,E,T	w/Air, Std. or Firm Feel, Rt. (See Note 1)
	4052 718	1		V,C,E,T	w/Air, Std. or Firm Feel, Lt. (See Note 1)
	4052 916	1		V,C,E,T	w/Air, H.D. or Extra Duty, Rt.
	4052 918	1		V,C,E,T	w/Air, H.D. or Extra Duty, Lt.
					COIL-SPRING, 2.2L Eng. (Auto Trans.) Exc. V,C24,48
	4052 716	1		V,C,E,T	w/o Air, Std. or Firm Feel, Rt.
	4052 718	1		V,C,E,T	w/o Air, Std. or Firm Feel, Lt.
	4052 914	1		V,C,E,T	w/o Air, H.D. or Extra Duty, Rt. (See Note 1)
	4052 916	1		V,C,E,T	w/o Air, H.D. or Extra Duty, Lt.
	4052 718	1		V,C,E,T	w/Air, Std. or Firm Feel, Rt.
	4052 718	1		V,C,E,T	w/Air, Std. or Firm Feel, Lt. (See Note 1)
	4052 916	1		V,C,E,T	w/Air, H.D. or Extra Duty, Rt.
	4052 916	1		V,C,E,T	w/Air, H.D. or Extra Duty, Lt. (See Note 1)
					COIL-SPRING, 2.2 Turbo Eng. (Man. Trans.) Exc. V,C24,48
	4052 716	1		V,C,E,T	w/o Air, Std. or Firm Feel, Rt.
	4052 718	1		V,C,E,T	w/o Air, Std. or Firm Feel, Lt. (See Note 1)
	4052 914	1		V,C,E,T	w/o Air, H.D. or Extra Duty, Rt. (See Note 1)
	4052 916	1		V,C,E,T	w/o Air, H.D. or Extra Duty, Lt. (See Note 1)
	4052 718	1		V,C,E,T	w/Air, Std. or Firm Feel, Rt.
	4052 720	1		V,C,E,T	w/Air, Std. or Firm Feel, Lt.
	4052 916	1		V,C,E,T	w/Air, H.D. or Extra Duty, Rt. (See Note 1)
	4052 918	1		V,C,E,T	w/Air, H.D. or Extra Duty, Lt.
					COIL-SPRING, 2.6L Eng. (Auto Trans.) Exc. V,C24,48
	4052 716	1		V,C,E,T	w/o Air, Std. or Firm Feel, Rt. (See Note 1)
	4052 718	1		V,C,E,T	w/o Air, Std. or Firm Feel, Lt. (See Note 1)
	4052 916	1		V,C,E,T	w/o Air, H.D. or Extra Duty, Rt.
	4052 916	1		V,C,E,T	w/o Air, H.D. or Extra Duty, Lt. (See Note 1)

MODEL CODES

B = GRAN FURY	F = FIFTH AVENUE/NEWPORT	P = RELIANT
C = LEBARON/TOWN & COUNTRY/EXC SEDAN	G = DIPLOMAT	T = E CLASS/NEW YORKER
C24 = LASER	H = VOYAGER	V = 600
D = ARIES	K = MINI RAM/CARAVAN/ROYAL	V24 = DAYTONA
E = 600	M = HORIZON/TURISMO	Z = OMNI/CHARGER/RAMPAGE

BODY STYLES

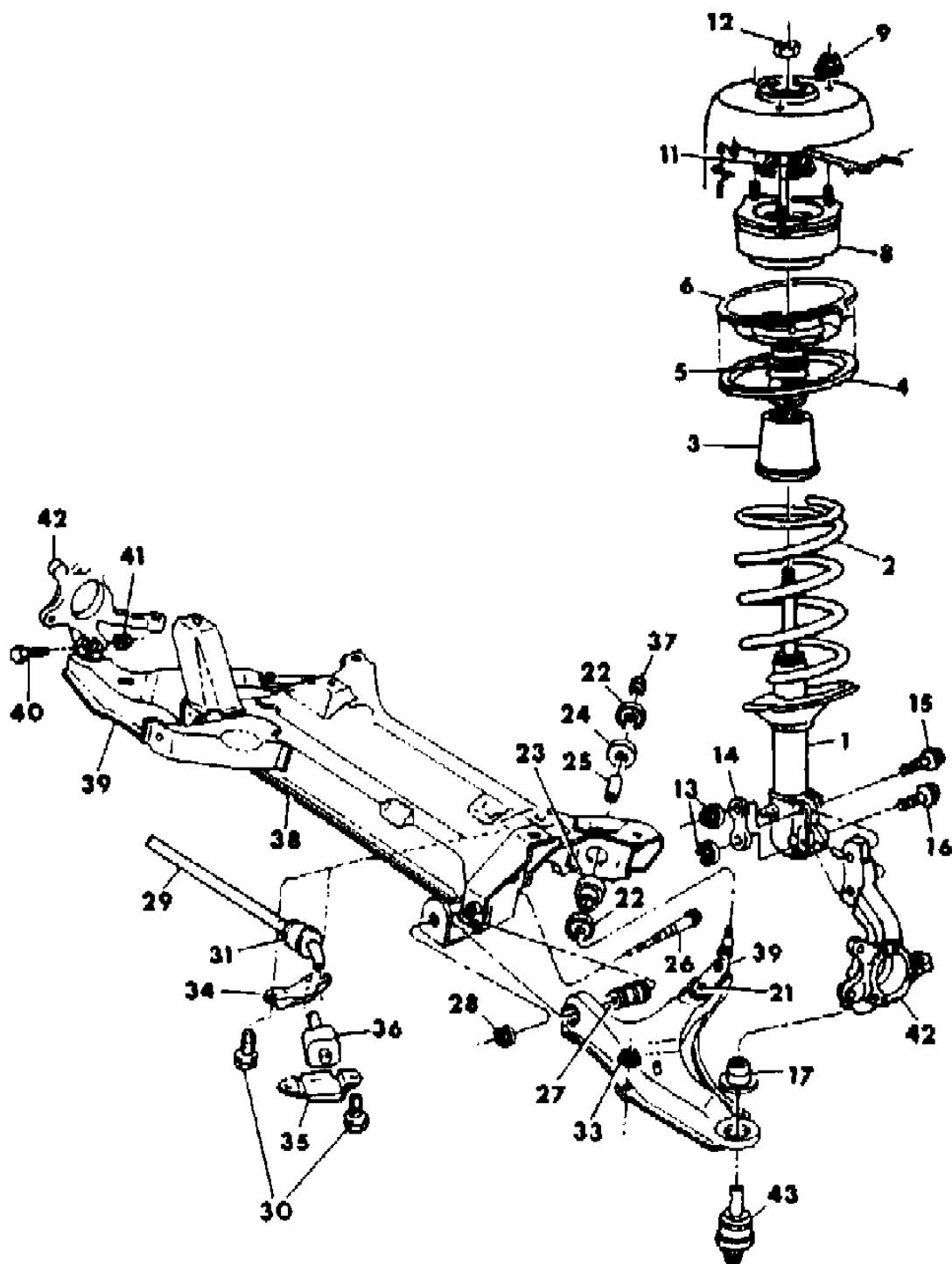
21 = 2-DOOR SEDAN	28 = FWD PICKUP	44 = 4-DOOR HATCHBACK
22 = 2-DOOR SPECIAL COUPE	35 = FWD VAN	45 = 4-DOOR STATION WAGON
24 = 2-DOOR HATCHBACK	36 = FWD WAGON	48 = 4-DOOR EXECUTIVE SEDAN
27 = 2-DOOR CONVERTIBLE	41 = 4-DOOR SEDAN	

AR = Use as Required - = Non Illustrated Part P.A.R. = Paint as Required

SUSPENSION, FRONT P,D,V,C,E,T,H,K

Figure 2-200

4102 200



ITEM	PART NUMBER	QTY	BODY	MODEL	DESCRIPTION
	4052 718	1		V,C,E,T	w/Air, Std. or Firm Feel, Rt. (See Note 1)
	4052 720	1		V,C,E,T	w/Air, Std. or Firm Feel, Lt.
	4052 916	1		V,C,E,T	w/Air, H.D. or Extra Duty, Rt. (See Note 1)
	4052 918	1		V,C,E,T	w/Air, H.D. or Extra Duty, Lt. COIL-SPRING, 2.2L Eng. (Man. Trans.)
	4052 713	1		V,C24	w/o Air, Std. Rt.
	4052 714	1		V,C24	w/o Air, Std. Lt. (See Note 1)
	4052 912	1		V,C24	w/o Air, Firm Feel, Rt.
	4052 912	1		V,C24	w/o Air, Firm Feel, Rt. (See Note 1)
	4052 714	1		V,C24	w/Air Std., Rt. (See Note 1)
	4052 716	1		V,C24	w/Air Std., Lt.
	4052 912	1		V,C24	w/Air Firm Feel, Rt. (See Note 1)
	4052 914	1		V,C24	w/Air Firm Feel, Lt. COIL-SPRING, 2.2L Eng. (Auto Trans.)
	4052 713	1		V,C24	w/o Air, Std., Rt.
	4052 716	1		V,C24	w/o Air, Std., Lt.
	4052 912	1		V,C24	w/o Air, Firm Feel, Rt.
	4052 914	1		V,C24	w/o Air, Firm Feel, Lt.
	4052 714	1		V,C24	w/Air, Std., Rt. (See Note 1)
	4052 716	1		V,C24	w/Air, Std., Lt. (See Note 1)
	4052 912	1		V,C24	w/Air, Firm Feel, Rt. (See Note 1)
	4052 914	1		V,C24	w/Air, Firm Feel, Lt. (See Note 1) COIL-SPRING, 2.2 Turbo Eng. (Man. Trans.)
	4052 714	1		V,C24	w/o Air, Std., Rt.
	4052 716	1		V,C24	w/o Air, Std., Lt.
	4052 912	1		V,C24	w/o Air, Firm Feel, Rt.
	4052 912	1		V,C24	w/o Air, Firm Feel, Lt. (See Note 1)
	4052 714	1		V,C24	w/Air, Std., Rt. (See Note 1)
	4052 716	1		V,C24	w/Air, Std., Lt. (See Note 1)
	4052 912	1		V,C24	w/Air, Firm Feel, Rt. (See Note 1)
	4052 914	1		V,C24	w/Air, Firm Feel, Lt. COIL-SPRING, 2.2 Turbo Eng. (Auto Trans.)
	4052 714	1		V,C24	w/o Air, Std., Rt.
	4052 716	1		V,C24	w/o Air, Std., Lt. (See Note 1)
	4052 912	1		V,C24	w/o Air, Firm Feel, Rt.
	4052 914	1		V,C24	w/o Air, Firm Feel, Lt.
	4052 716	1		V,C24	w/Air, Std., Rt.
	4052 718	1		V,C24	w/Air, Std., Lt.

MODEL CODES

B = GRAN FURY	F = FIFTH AVENUE/NEWPORT	P = RELIANT
C = LEBARON/TOWN & COUNTRY/EXC SEDAN	G = DIPLOMAT	T = E CLASS/NEW YORKER
C24 = LASER	H = VOYAGER	V = 600
D = ARIES	K = MINI RAM/CARAVAN/ROYAL	V24 = DAYTONA
E = 600	M = HORIZON/TURISMO	Z = OMNI/CHARGER/RAMPAGE

BODY STYLES

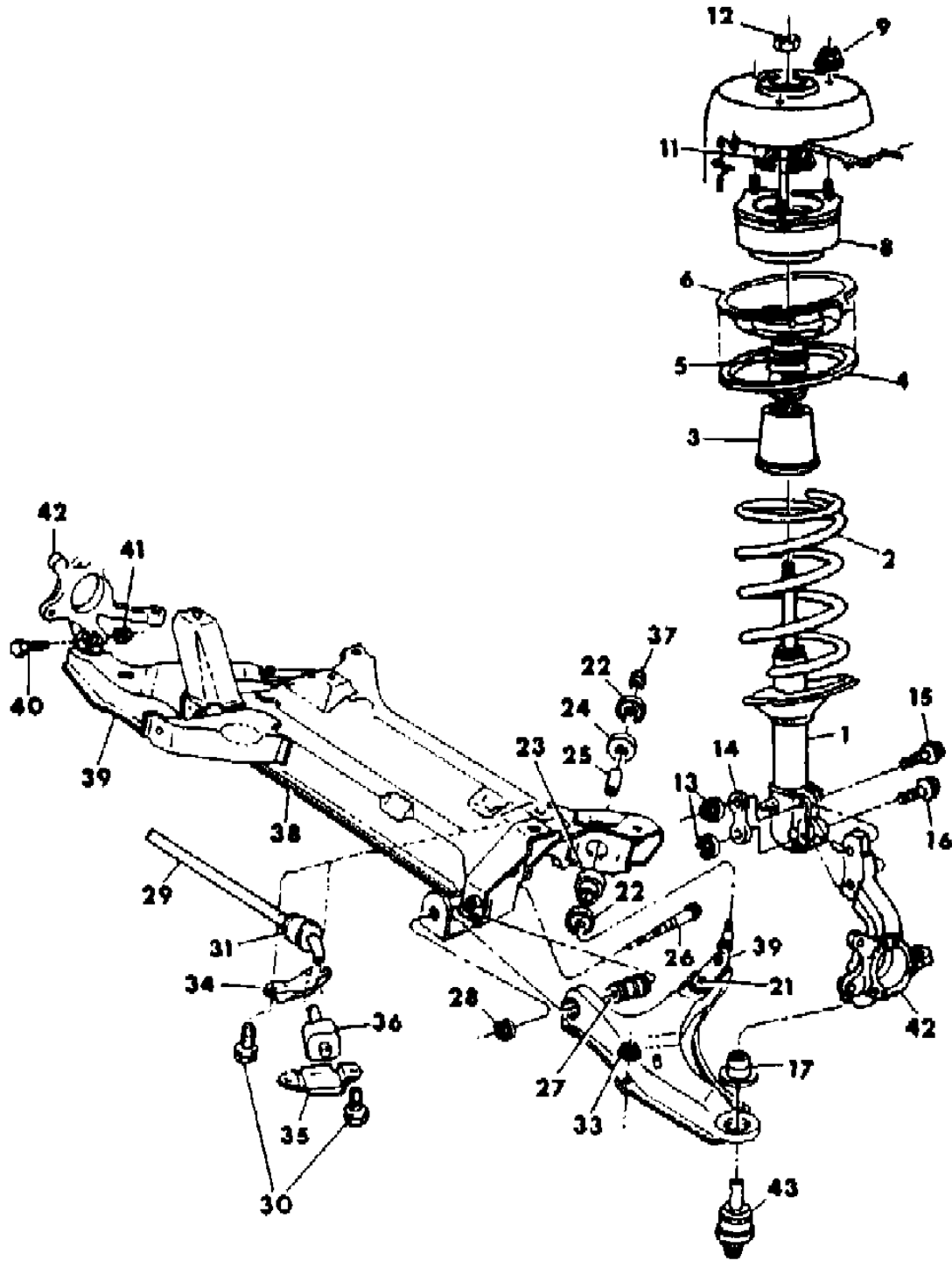
21 = 2-DOOR SEDAN	28 = FWD PICKUP	44 = 4-DOOR HATCHBACK
22 = 2-DOOR SPECIAL COUPE	35 = FWD VAN	45 = 4-DOOR STATION WAGON
24 = 2-DOOR HATCHBACK	36 = FWD WAGON	48 = 4-DOOR EXECUTIVE SEDAN
27 = 2-DOOR CONVERTIBLE	41 = 4-DOOR SEDAN	

AR = Use as Required - = Non Illustrated Part P.A.R. = Paint as Required

SUSPENSION, FRONT P,D,V,C,E,T,H,K

Figure 2-200

4102 200



ITEM	PART NUMBER	QTY	BODY	MODEL	DESCRIPTION
	4052 914	1		V,C24	w/Air, Firm Feel, Rt.
	4052 914	1		V,C24	w/Air, Firm Feel, Lt. (See Note 1)
	4052 920	2		C48	COIL-SPRING, 2.6L Eng. (Auto Trans.) w/Air COIL-SPRING, 2.2L Eng.(Man. Trans.) 5 PASS.
	4322 120	1		H,K36	w/o Air, Std., Rt. (See Note 1)
	4322 122	1		H,K36	w/o Air, Std., Lt. (See Note 1)
	4052 920	1		H,K35,3	w/o Air, H.D., Rt. (See Note 1)
	4052 922	1		H,K35,3	w/o Air, H.D., Lt.
	4322 122	1		H,K36	w/Air, Std., Rt. (See Note 1)
	4322 124	1		H,K36	w/Air, Std., Lt.
	4052 922	1		H,K35,3	w/Air, H.D., Rt.
	4052 922	1		H,K35,3	w/Air, H.D., Lt. (See Note 1)
					COIL-SPRING, 2.2L Eng. (Auto. Trans.) 5 PASS
	4322 122	1		H,K36	w/o Air, Std., Rt.
	4322 124	1		H,K36	w/o Air, Std., Lt.
	4052 920	1		H,K35,3	w/o Air, H.D., Rt. (See Note 1)
	4052 922	1		H,K35,3	w/o Air, H.D., Lt. (See Note 1)
	4322 122	1		H,K36	w/Air Std., Rt. (See Note 1)
	4322 124	1		H,K36	w/Air Std., Lt. (See Note 1)
	4052 922	1		H,K35,3	w/Air, H.D., Rt.
	4052 924	1		H,K35,3	w/Air, H.D., Lt.
					COIL-SPRING, 2.6L Eng. (Auto Trans.) 5 PASS
	4322 122	1		H,K36	w/o Air, Std., Rt. (See Note 1)
	4322 124	1		H,K36	w/o Air, Std., Lt.
	4052 922	1		H,K35,3	w/o Air, H.D., Rt.
	4052 922	1		H,K35,3	w/o Air, H.D., Lt. (See Note 1)
	4322 124	1		H,K36	w/Air, Std., Rt.
	4322 124	1		H,K36	w/Air, Std., Lt. (See Note 1)
	4052 922	1		H,K35,3	w/Air, H.D., Rt. (See Note 1)
	4052 924	1		H,K35,3	w/Air, H.D., Lt.
					COIL-SPRING, 2.2L Eng. (Man. Trans.) 7 PASS.
	4052 920	1		H,K36	w/o Air, Std., Rt. (See Note 1)
	4052 922	1		H,K36	w/o Air, Std., Lt.
	4052 922	1		H,K36	w/Air, Std., Rt.
	4052 922	1		H,K36	w/Air, Std., Lt. (See Note 1)
					COIL-SPRING, 2.2L Eng. (Auto Trans.) 7 PASS.
	4052 920	1		H,K36	w/o Air, Std., Rt. (See Note 1)
	4052 922	1		H,K36	w/o Air, Std., Lt. (See Note 1)

MODEL CODES

B = GRAN FURY	F = FIFTH AVENUE/NEWPORT	P = RELIANT
C = LEBARON/TOWN & COUNTRY/EXC SEDAN	G = DIPLOMAT	T = E CLASS/NEW YORKER
C24 = LASER	H = VOYAGER	V = 600
D = ARIES	K = MINI RAM/CARAVAN/ROYAL	V24 = DAYTONA
E = 600	M = HORIZON/TURISMO	Z = OMNI/CHARGER/RAMPAGE

BODY STYLES

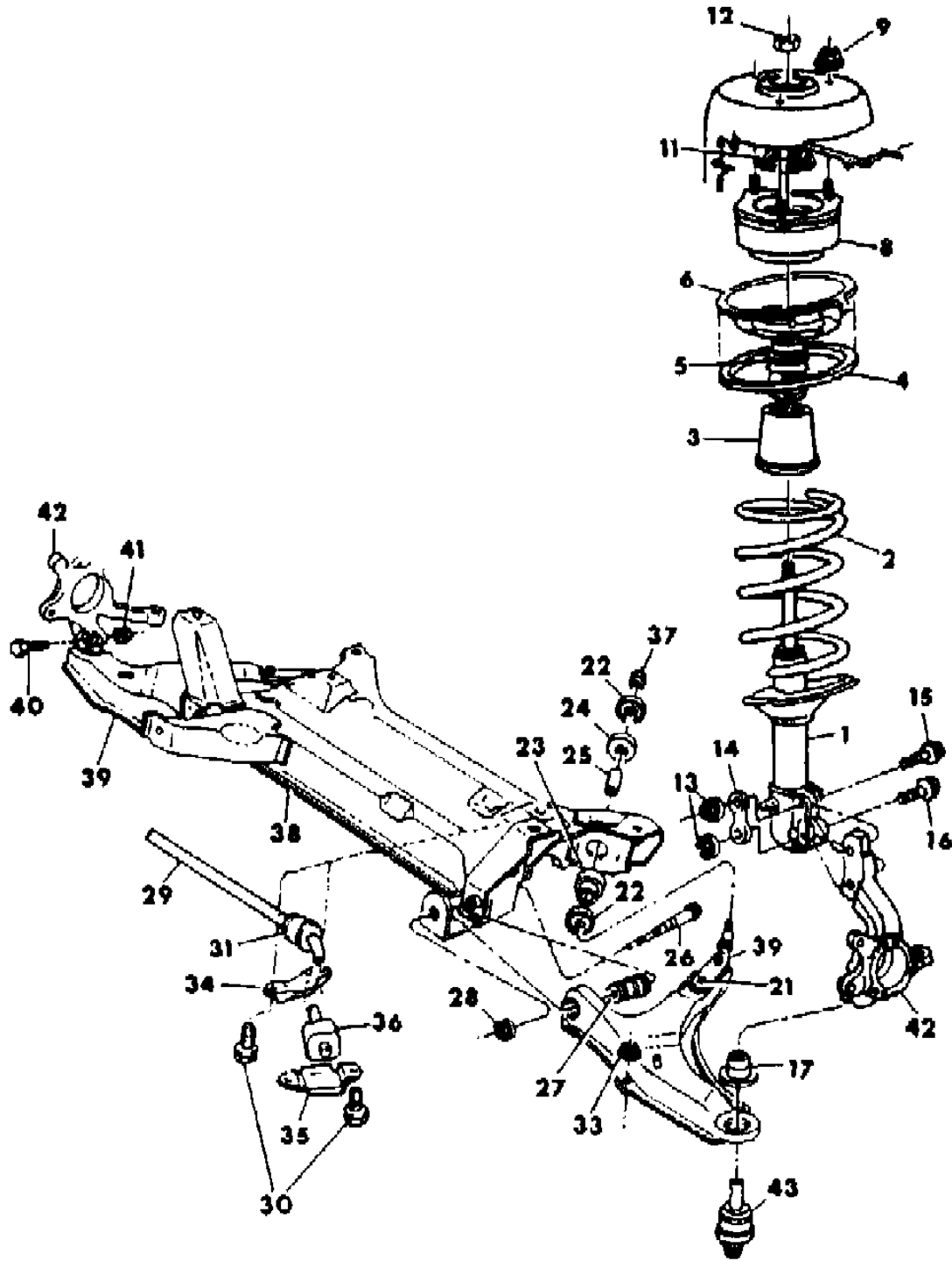
21 = 2-DOOR SEDAN	28 = FWD PICKUP	44 = 4-DOOR HATCHBACK
22 = 2-DOOR SPECIAL COUPE	35 = FWD VAN	45 = 4-DOOR STATION WAGON
24 = 2-DOOR HATCHBACK	36 = FWD WAGON	48 = 4-DOOR EXECUTIVE SEDAN
27 = 2-DOOR CONVERTIBLE	41 = 4-DOOR SEDAN	

AR = Use as Required - = Non Illustrated Part P.A.R. = Paint as Required

SUSPENSION, FRONT P,D,V,C,E,T,H,K

Figure 2-200

4102 200



ITEM	PART NUMBER	QTY	BODY	MODEL	DESCRIPTION
	4052 922	1		H,K36	w/Air, Std., Rt.
	4052 924	1		H,K36	w/Air, Std., Lt.
	4052 922	1		H,K36	w/o Air, Std., Rt.
	4052 922	1		H,K36	w/o Air, Std., Lt. (See Note 1)
	4052 922	1		H,K36	w/Air, Std., Rt. (See Note 1)
	4052 924	1		H,K36	w/Air, Std., Lt.
3	4052 825	2	All		DUST-SHIELD
4	4322 046	AR	All		ISOLATOR, Frt. Susp. Sprng. Damper, Upper
5	4052 824	2	All		BUMPER, Jounce
6	4052 819	2	All		SEAT, Shock Upper (Up To 12-1-83)
	4322 701	2	All		(After 12-1-83)
8	4052 850	2	All		MOUNT, Frt. Shock, Upper (Up To 12-1-83)
	4322 298	2	All		(After 12-1-83)
9	6100 051	4	All		NUT,w/WASHER
	4322 291	2	All		BALL BEARING ASSY., Frt. Susp. Strut Damper (After 12-1-83)
11	4052 822	2	All		RETAINER, Shock Rebound Stop
12	6501 094	2	All		NUT, Shock Rod
13	6500 593	4	All		NUT, Strut Damper to Frt. Susp. Strg. Knuckle Bolt
14	4014 444	2	All		WASHER, Frt. Susp. Strut Damper
15	6500 615	2	All		BOLT, Frt. Susp. Knuckle To Strut Damper Mtg. Upper
16	6500 614	2	All		CAM BOLT, Damper to Frt. Susp. Strg. Knuckle Lwr.
17	4052 509	2	All		SEAL, Ball Joint
21			All		RIVET (Not Serviced)
22	5204 534	4	All		RETAINER, Arm Strut Bushing
23	4052 671	2	All		BUSHING, Arm Strut Frt.
24	4052 672	2	All		BUSHING, Arm Strut Rear
25	5204 535	2	All		SLEEVE, Strut Bushing
26	4014 239	2	P,D,V,C		BOLT, Pivot Shaft
	6500 940	2	H,K		BOLT, Pivot Shaft
	4052 561	2	H,K		NUT, Pivot Shaft
27	5204 622	2	All		BUSHING, Cont. Arm Pivot Shaft
	4052 646	2	P,D,V,C		Extra Duty
28	6500 231	2	All		NUT, Pivot Bolt
29	4322 014	1	P,D,V,C		SHAFT ASSY., Frt. Susp. Sway, (Exc. V,C24)
	4014 481	1	H,K		w/All Susp.
30	6100 579	8	All		BOLT, Clamp

MODEL CODES

B = GRAN FURY	F = FIFTH AVENUE/NEWPORT	P = RELIANT
C = LEBARON/TOWN & COUNTRY/EXC SEDAN	G = DIPLOMAT	T = E CLASS/NEW YORKER
C24 = LASER	H = VOYAGER	V = 600
D = ARIES	K = MINI RAM/CARAVAN/ROYAL	V24 = DAYTONA
E = 600	M = HORIZON/TURISMO	Z = OMNI/CHARGER/RAMPAGE

BODY STYLES

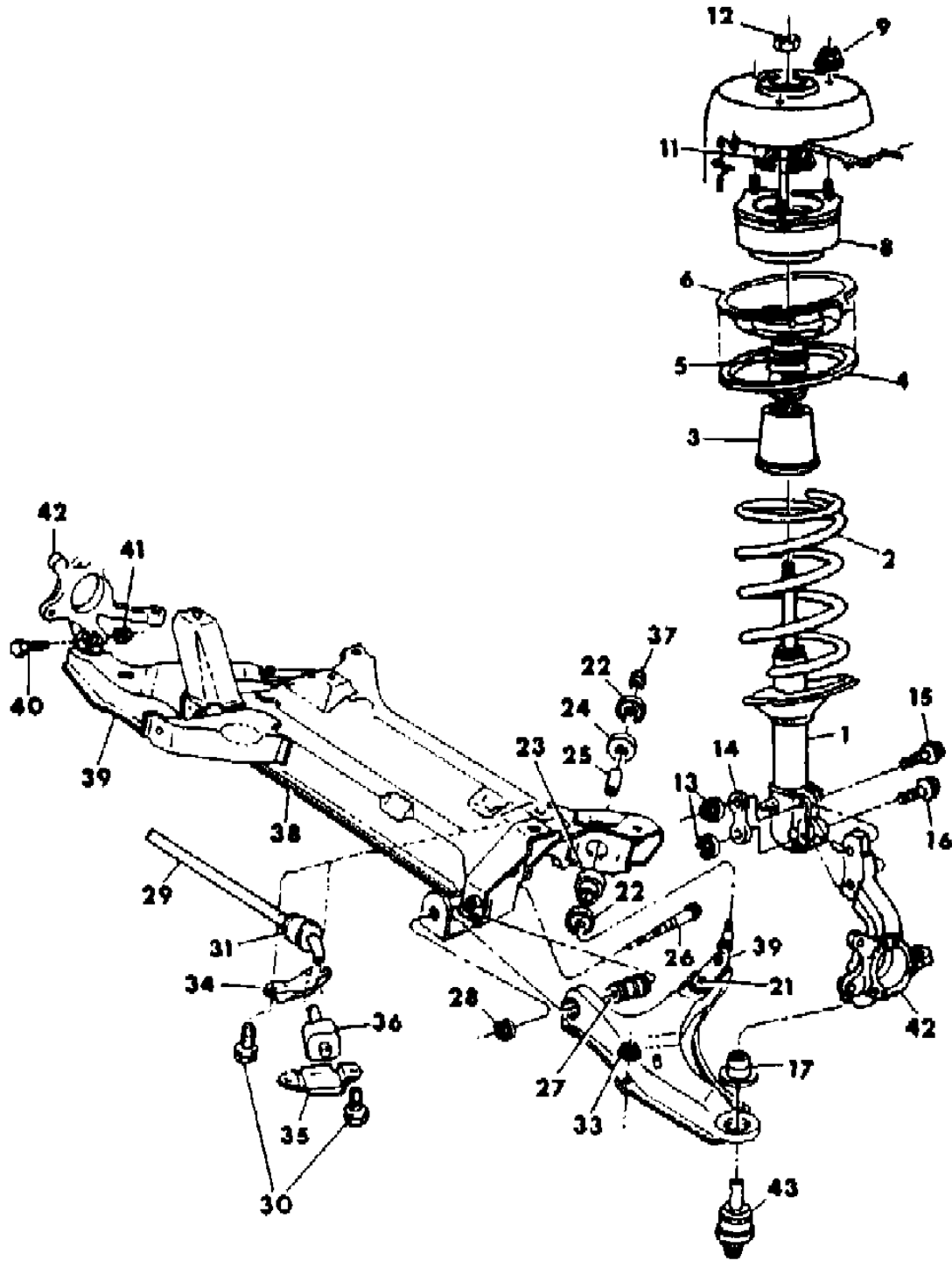
21 = 2-DOOR SEDAN	28 = FWD PICKUP	44 = 4-DOOR HATCHBACK
22 = 2-DOOR SPECIAL COUPE	35 = FWD VAN	45 = 4-DOOR STATION WAGON
24 = 2-DOOR HATCHBACK	36 = FWD WAGON	48 = 4-DOOR EXECUTIVE SEDAN
27 = 2-DOOR CONVERTIBLE	41 = 4-DOOR SEDAN	

AR = Use as Required - = Non Illustrated Part P.A.R. = Paint as Required

SUSPENSION, FRONT P,D,V,C,E,T,H,K

Figure 2-200

4102 200



ITEM	PART NUMBER	QTY	BODY	MODEL	DESCRIPTION
31	4322 017	2	P,D,V,C		CUSHION, Frt. Susp. Sway Elim., Std. & H.D. (Exc. V,C24)
	4052 613	2	P,D,V,C		w/Firm Feel Susp.
	4052 613	2	H,K		w/Firm Feel Susp. (Up To 5-7-84)
	4322 677	2	H,K		w/Firm Feel Susp. (After 5-7-84)
33	6100 517	4	All		NUT, Bolt
34	4052 522	2	All		CLAMP,Shaft Bushing, Lower
35	4014 418	2	All		RETAINER,Shaft Arm
36	4052 547	2	P,D,V,C		BUSHING, Frt. Susp. Sway Elim., Std. & H.D. (Blue) Exc. V,C24
	4014 420	2	PDVCETH		w/Firm Feel & Extra Duty Susp. (Green)
37	6100 502	2	All		NUT, Strut
38			All		C/MEMBER (Ref. Only)
39	4322 154-5	1	P,D,V,C		ARM ASSY, Frt. Susp. Cont., Std. or H.D (Exc. V,C24)
	4322 158-9	1	P,D,V,C		w/ Firm Feel or Extra Duty Susp.
	4322 162-3	1	H,K		Arm Assy (Up To 5-11-84)
	4322 288-9	1	H,K		(After 5-11-84)
40	6500 891	2	All		BOLT, Knuckle To Ball Joint
41	6500 890	2	All		NUT, Knuckle To Ball Joint Bolt
42	4052 838-9	1	P,D,V,C		KNUCKLE, Strg.
	4052 840-1	1	H,K		KNUCKLE, Strg.
43	4052 583	2	All		BALL JOINT
45					PLATE, Shock Tower (See Fender Section)
	4106 180	2	All		TIE ROD END PKG. (Not Ill.)
					Consists Of:
					1----- Rod End
					1-6500121 Nut
					1-6100024 C/Pin

MODEL CODES

B = GRAN FURY	F = FIFTH AVENUE/NEWPORT	P = RELIANT
C = LEBARON/TOWN & COUNTRY/EXC SEDAN	G = DIPLOMAT	T = E CLASS/NEW YORKER
C24 = LASER	H = VOYAGER	V = 600
D = ARIES	K = MINI RAM/CARAVAN/ROYAL	V24 = DAYTONA
E = 600	M = HORIZON/TURISMO	Z = OMNI/CHARGER/RAMPAGE

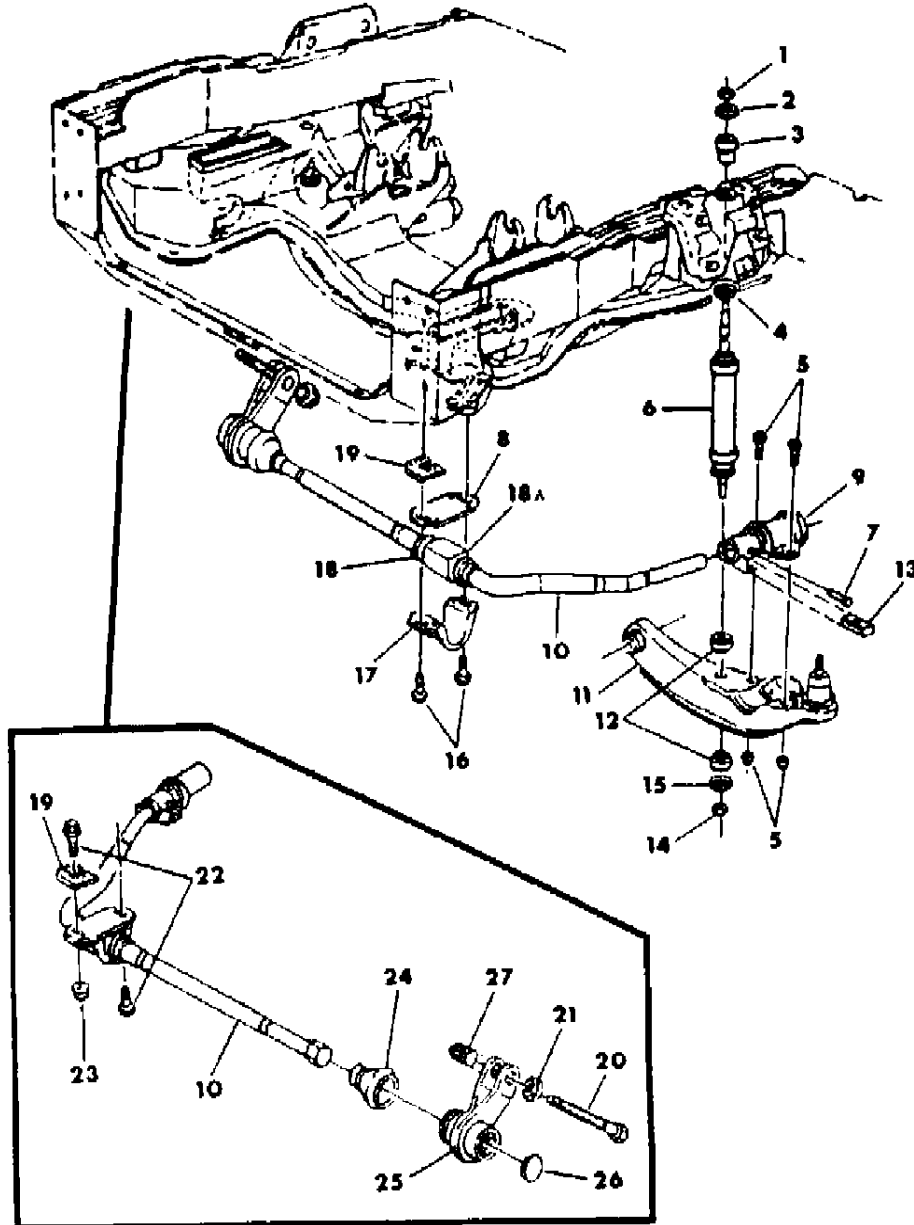
BODY STYLES

21 = 2-DOOR SEDAN	28 = FWD PICKUP	44 = 4-DOOR HATCHBACK
22 = 2-DOOR SPECIAL COUPE	35 = FWD VAN	45 = 4-DOOR STATION WAGON
24 = 2-DOOR HATCHBACK	36 = FWD WAGON	48 = 4-DOOR EXECUTIVE SEDAN
27 = 2-DOOR CONVERTIBLE	41 = 4-DOOR SEDAN	

AR = Use as Required - = Non Illustrated Part P.A.R. = Paint as Required

SUSPENSION, FRONT B,F,G
Figure 2-300

4102 300



ITEM	PART NUMBER	QTY	BODY	MODEL	DESCRIPTION
	4106 153			All	BUSHING PACKAGE, Spring to Lower Cont. Arm Consists of: 1----- Bushing 1 - 181146 Bolt 1- 152346 Nut 2 -----Nut 2 -----Bolt 1-4014073 Plate 1-9425686 Bolt
	4186 805			All	BUSHING PACKAGE, Spring to Lower Cont. Arm, Police And Taxi Only Consists of: 1----- Bushing 1-4014073 Plate 1-0181146 Bolt 1-0152346 Nut 2 ----- Nut 2 ----- Bolt 1- 9425686 Bolt
	4186 828	1		All	PIVOT, PKG., Cushion Spring Consists of: 1 ----- Plate 1 ----- Cushion 1 ----- Retainer 2 ----- Clamp 1-4014073 Plate 2-6031753 Bolt,w/Washer 2-9425686 Bolt 1-6030854 Nut
1	0114 942	2		All	NUT, Front Shock Upper Mtg.
2	3722 001	4		All	RETAINER, Front Shock Upper Mtg. Bushing
3	3722 006	2		All	BUSHING, Front Shock Upper Mtg.
4	3722 001	4		All	RETAINER, Front Shock Upper Mtg. Bushing
5	4026 849	4		All	SCREW and NUT PACKAGE, Spring to Lower Cont. Arm Consists of: 1-----Screw w/Washer 1-----Nut
6	4228 410	2		All	SHOCK, Frt., Std.

MODEL CODES

B = GRAN FURY	F = FIFTH AVENUE/NEWPORT	P = RELIANT
C = LEBARON/TOWN & COUNTRY/EXC SEDAN	G = DIPLOMAT	T = E CLASS/NEW YORKER
C24 = LASER	H = VOYAGER	V = 600
D = ARIES	K = MINI RAM/CARAVAN/ROYAL	V24 = DAYTONA
E = 600	M = HORIZON/TURISMO	Z = OMNI/CHARGER/RAMPAGE

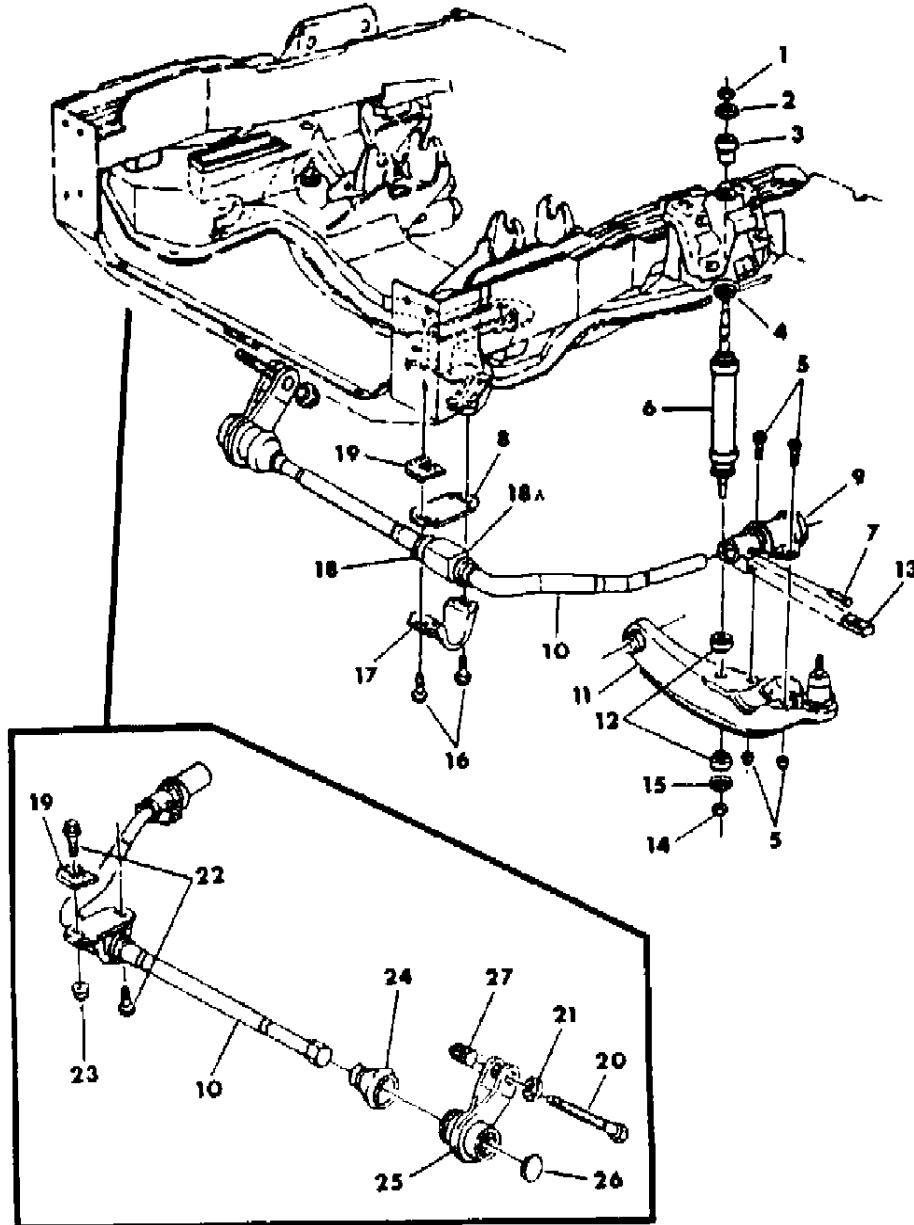
BODY STYLES

21 = 2-DOOR SEDAN	28 = FWD PICKUP	44 = 4-DOOR HATCHBACK
22 = 2-DOOR SPECIAL COUPE	35 = FWD VAN	45 = 4-DOOR STATION WAGON
24 = 2-DOOR HATCHBACK	36 = FWD WAGON	48 = 4-DOOR EXECUTIVE SEDAN
27 = 2-DOOR CONVERTIBLE	41 = 4-DOOR SEDAN	

AR = Use as Required - = Non Illustrated Part P.A.R. = Paint as Required

SUSPENSION, FRONT B,F,G
Figure 2-300

4102 300



ITEM	PART NUMBER	QTY	BODY	MODEL	DESCRIPTION
	4228 411	2		All	Heavy Duty
7		2		All	RIVET, (Serviced in Item 10)
8		2		All	PLATE, (Serviced in Item 10)
9		2		All	BUSHING, (Serviced in Item 10)(Also in Bush.Pkg.4106153)
10	4014 142-3	1		All	TORSION BAR Or SPRING, Frt.
	4014 288-9	1		All	Police Only
11	4014 004-5	1		All	ARM, w/Shaft and Ball Joint, Lower Cont.
12	3643 891	4		All	BUSHING, Front Shock Lower Mtg.
13	4014 023	2		All	NUT, Shaft Cushion Link
14	0271 506	2		All	NUT, Front Shock Lower Mtg.
15		2		All	RETAINER (Serviced in Item 6)
16	6031 993	4		All	BOLT w/ Washer, Pivot Cushion Ret.
17		2		All	RETAINER (Serviced in Item 10)
18	3815 738	4		All	CLAMP, Pivot Cushion Seal
18A	4186 828	1		All	PIVOT PKG., Cushion Spring
19	4014 073	2		All	PLATE, Spring Pivot Cushion Friction (Also In Bush. Pkg., 4106153)
20	3815 680	2		All	BOLT, Spring Anchor Adj.
21	4014 100	2		All	BEARING, Spring Anchor Adj. Bolt
22	6031 753	4		All	BOLT, w/Washer, Pivot Cushion Ret.
23	6030 854	4		All	NUT, Pivot Cushion Ret. Bolt
24	2269 250	2		All	SEAL, Anchor Inner
25	4094 070	2		All	ANCHOR, Torsion Bar
26		2		All	PLUG (Serviced in Item 25)
27	4094 071	2		All	SWIVEL, Anchor Adj. Bolt

MODEL CODES

B = GRAN FURY	F = FIFTH AVENUE/NEWPORT	P = RELIANT
C = LEBARON/TOWN & COUNTRY/EXC SEDAN	G = DIPLOMAT	T = E CLASS/NEW YORKER
C24 = LASER	H = VOYAGER	V = 600
D = ARIES	K = MINI RAM/CARAVAN/ROYAL	V24 = DAYTONA
E = 600	M = HORIZON/TURISMO	Z = OMNI/CHARGER/RAMPAGE

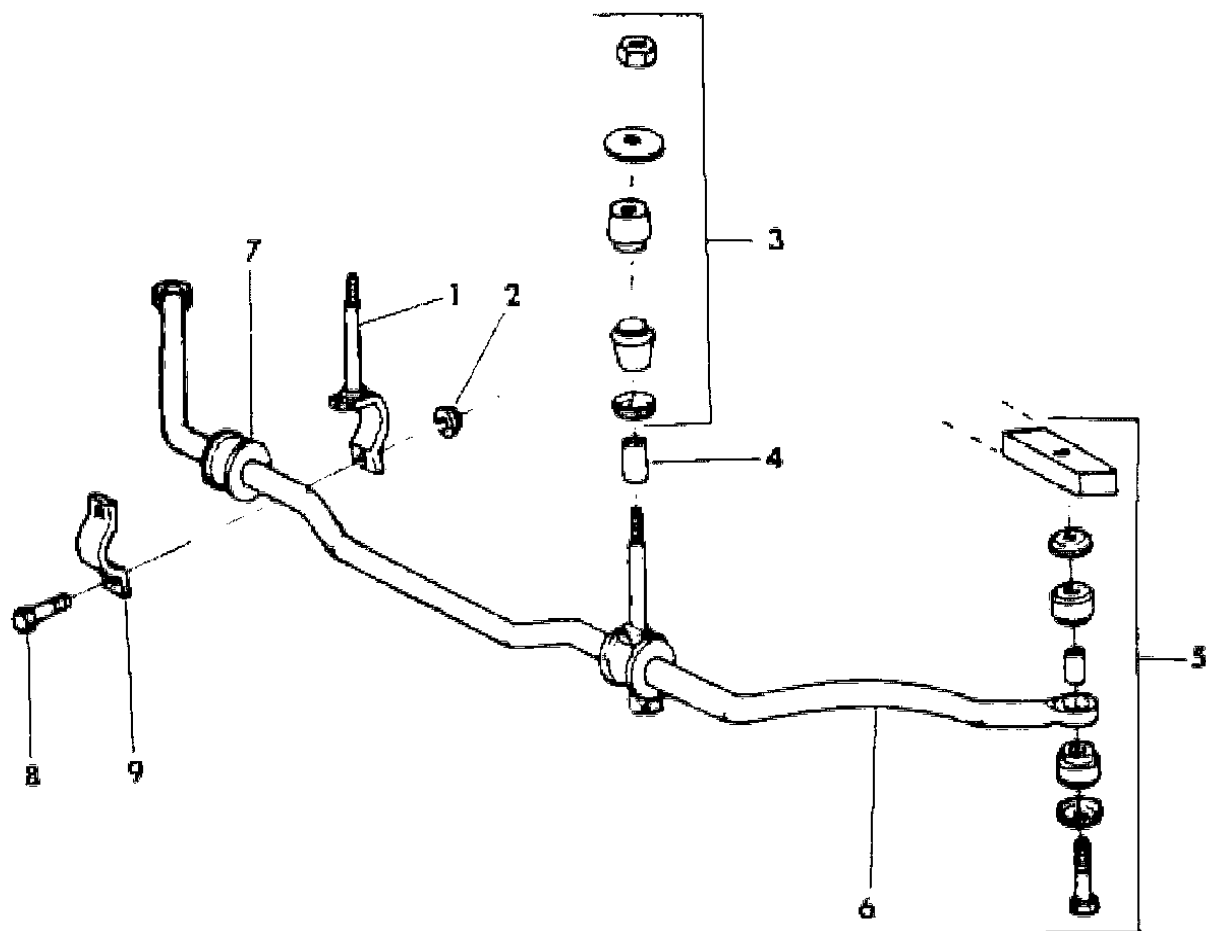
BODY STYLES

21 = 2-DOOR SEDAN	28 = FWD PICKUP	44 = 4-DOOR HATCHBACK
22 = 2-DOOR SPECIAL COUPE	35 = FWD VAN	45 = 4-DOOR STATION WAGON
24 = 2-DOOR HATCHBACK	36 = FWD WAGON	48 = 4-DOOR EXECUTIVE SEDAN
27 = 2-DOOR CONVERTIBLE	41 = 4-DOOR SEDAN	

AR = Use as Required - = Non Illustrated Part P.A.R. = Paint as Required

SWAY BAR, FRONT - B,F,G
Figure 2-400

4102 400



ITEM	PART NUMBER	QTY	BODY	MODEL	DESCRIPTION
1	3815 669	2		All	LINK, Shaft Bush., Std. Or H.D.
	4014 078	2		All	Extra Duty, Or Firm Feel Susp.
2	6025 405	2		All	NUT, Strap Bolt
3	4106 161	2		All	ATTACHING PKG., Sway Bar Consists of:
					1 - 181 116 Bolt
					1 - 118 615 Nut
					2 - ---- Retainer
					2 - ---- Insulator
					1 - 118 614 Nut
					1 - 6027 880 Screw w/Washer
					1 - 6025 405 Nut
4	3815 668	2		All	SLEEVE, Shaft Insulator Link
5	4267 328	2		All	ATTACHING PKG.,Front Sway Bar Shaft End Consists Of:
					2----- Cushion
					2----- Retainer
					2-4014023 Nut
					1----- Sleeve
					1-9425686 Link
6	4014 033	1		All	SHAFT, Sway Bar, Std. Or H.D.
	4014 126	1		All	Extra Duty
7	4014 035	2		All	BUSHING, Std. Or H.D.
	4014 341	2		All	Extra Duty Or Firm Feel Susp.
8	9425 686	2		All	BOLT, Strap
9	3815 720	2		All	STRAP, Bush. Retainer, Std.Or H.D.
	4014 080	2		All	Extra Duty, Or Firm Feel Susp.

MODEL CODES

B = GRAN FURY	F = FIFTH AVENUE/NEWPORT	P = RELIANT
C = LEBARON/TOWN & COUNTRY/EXC SEDAN	G = DIPLOMAT	T = E CLASS/NEW YORKER
C24 = LASER	H = VOYAGER	V = 600
D = ARIES	K = MINI RAM/CARAVAN/ROYAL	V24 = DAYTONA
E = 600	M = HORIZON/TURISMO	Z = OMNI/CHARGER/RAMPAGE

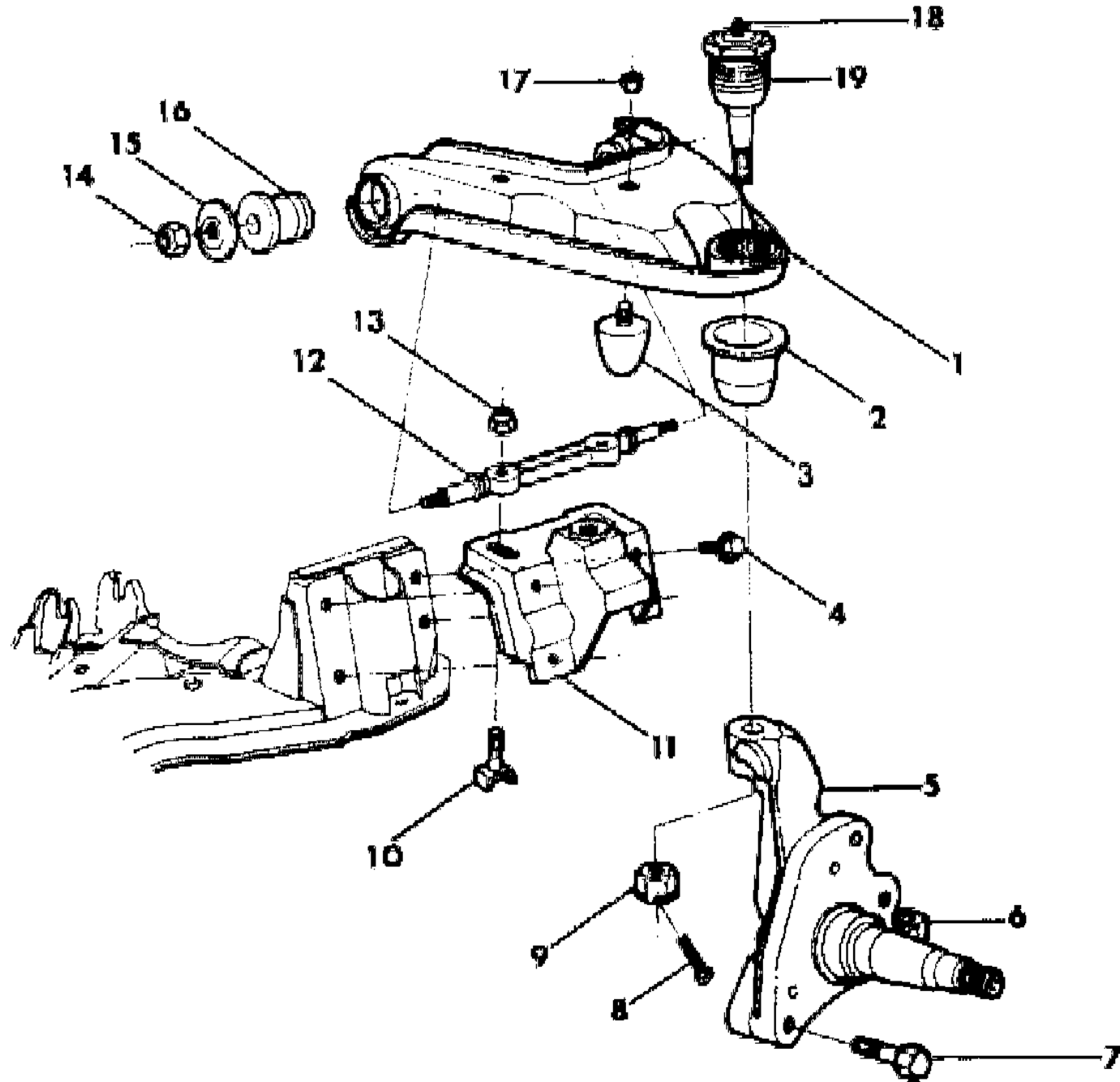
BODY STYLES

21 = 2-DOOR SEDAN	28 = FWD PICKUP	44 = 4-DOOR HATCHBACK
22 = 2-DOOR SPECIAL COUPE	35 = FWD VAN	45 = 4-DOOR STATION WAGON
24 = 2-DOOR HATCHBACK	36 = FWD WAGON	48 = 4-DOOR EXECUTIVE SEDAN
27 = 2-DOOR CONVERTIBLE	41 = 4-DOOR SEDAN	

AR = Use as Required - = Non Illustrated Part P.A.R. = Paint as Required

ARM-UPPER CONTROL B,F,G
Figure 2-500

4102 500



ITEM	PART NUMBER	QTY	BODY	MODEL	DESCRIPTION
1	4014 368-9	1		All	ARM, Frt. Wheel Upper Cont.
2	2269 127	2		All	SEAL, Ball Joint Upper
3	4014 050	2		All	BUMPER, Arm
4	6031 240	8		All	SCREW,w/WASHER
5	3402 640-1	1		All	KNUCKLE, Strg. Linkage
6	3815 712-3	1		All	ARM, Strg. Linkage Knuckle
7	6029 441	4		All	BOLT, Knuckle
8		2		All	C/PIN (Not Serv.)
9	0273 911	2		All	NUT, Ball Joint
10	3815 473	4		All	BOLT, Pivot Bar Support
11	3815 706-7	1		All	SUPPORT, Pivot
	4014 352	2		All	SPACER, Cont.Arm Pivot Supt.,Frt. (Not Ill.)
	4014 353	2		All	Rear
12		2		All	PIVOT BAR (Serviced in Upper Control Arm)
13	6031 282	4		All	NUT, Pivot Bar Support Mtg.
14	6031 282	4		All	NUT, Pivot
15	3815 704	4		All	RETAINER, Arm Bushing
16	4106 195	4		All	BUSHING, Arm
17	0118 615	2		All	NUT, Bumper
18	6030 099	2		All	FITTING, Ball Joint
19	2298 534	2		All	BALL JOINT PKG., Upper

Consists of:
1 -----Ball Joint
1 - 2269127 Seal
1 - 0273911 NUT
1 -----C/Pin
1 - 1672960 Washer

MODEL CODES

B = GRAN FURY	F = FIFTH AVENUE/NEWPORT	P = RELIANT
C = LEBARON/TOWN & COUNTRY/EXC SEDAN	G = DIPLOMAT	T = E CLASS/NEW YORKER
C24 = LASER	H = VOYAGER	V = 600
D = ARIES	K = MINI RAM/CARAVAN/ROYAL	V24 = DAYTONA
E = 600	M = HORIZON/TURISMO	Z = OMNI/CHARGER/RAMPAGE

BODY STYLES

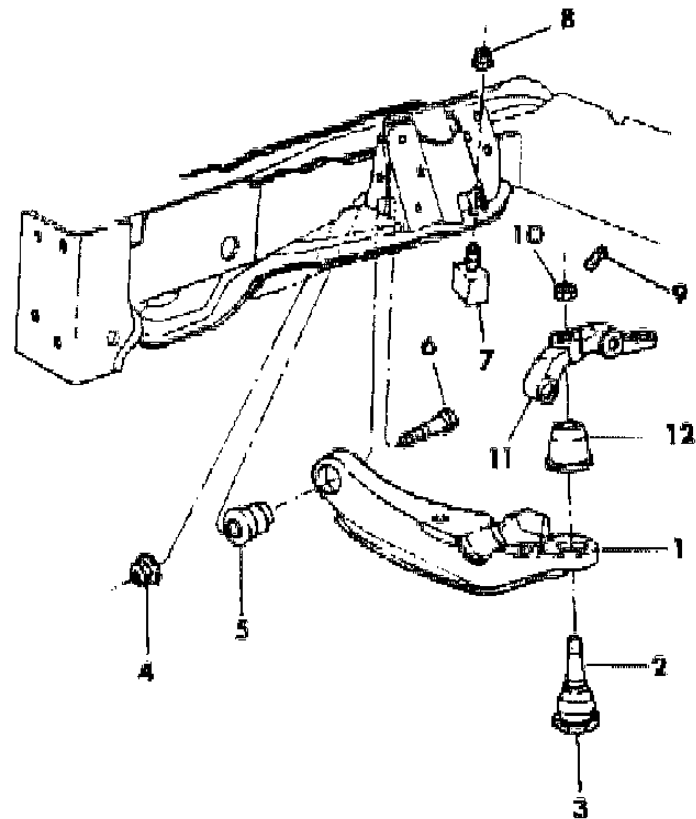
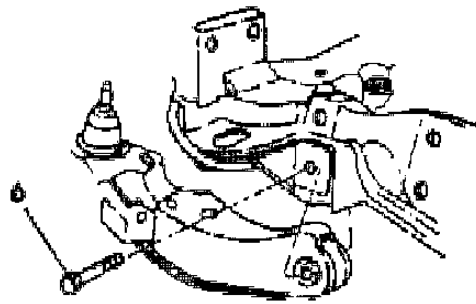
21 = 2-DOOR SEDAN	28 = FWD PICKUP	44 = 4-DOOR HATCHBACK
22 = 2-DOOR SPECIAL COUPE	35 = FWD VAN	45 = 4-DOOR STATION WAGON
24 = 2-DOOR HATCHBACK	36 = FWD WAGON	48 = 4-DOOR EXECUTIVE SEDAN
27 = 2-DOOR CONVERTIBLE	41 = 4-DOOR SEDAN	

AR = Use as Required - = Non Illustrated Part P.A.R. = Paint as Required

ARM-LOWER CONTROL B,F,G
Figure 2-600

4102 600

ITEM	PART NUMBER	QTY	BODY	MODEL	DESCRIPTION
1	4014 004-5	1		All	ARM, Lower Control
2	3837 087	2		All	BALL JOINT PKG., Lower Consists of: 1 -----Ball Joint 1-3402540 Seal 1 - 273912 Nut 1 -----C/Pin
3	6030 099	2		All	FITTING, Ball Joint, Lower
4	6030 854	2		All	NUT, Pivot Bolt
5	3815 688	2		All	BUSHING, Arm Pivot
6	6030 853	2		All	BOLT, Pivot
	6028 762	2		All	WASHER, Coned, Pivot Bolt (Not Shown)
7	3722 614	2		All	BUMPER, Arm
8	6025 011	2		All	NUT, Bumper
9		2		All	C/PIN (Not Serv.)
10	0273 912	2		All	NUT, Ball Joint Stud
11	3815 712-3	2		All	ARM, Steering Knuckle
12	3402 540	2		All	SEAL, Ball Joint Lower



MODEL CODES

B = GRAN FURY	F = FIFTH AVENUE/NEWPORT	P = RELIANT
C = LEBARON/TOWN & COUNTRY/EXC SEDAN	G = DIPLOMAT	T = E CLASS/NEW YORKER
C24 = LASER	H = VOYAGER	V = 600
D = ARIES	K = MINI RAM/CARAVAN/ROYAL	V24 = DAYTONA
E = 600	M = HORIZON/TURISMO	Z = OMNI/CHARGER/RAMPAGE

BODY STYLES

21 = 2-DOOR SEDAN	28 = FWD PICKUP	44 = 4-DOOR HATCHBACK
22 = 2-DOOR SPECIAL COUPE	35 = FWD VAN	45 = 4-DOOR STATION WAGON
24 = 2-DOOR HATCHBACK	36 = FWD WAGON	48 = 4-DOOR EXECUTIVE SEDAN
27 = 2-DOOR CONVERTIBLE	41 = 4-DOOR SEDAN	

AR = Use as Required - = Non Illustrated Part P.A.R. = Paint as Required

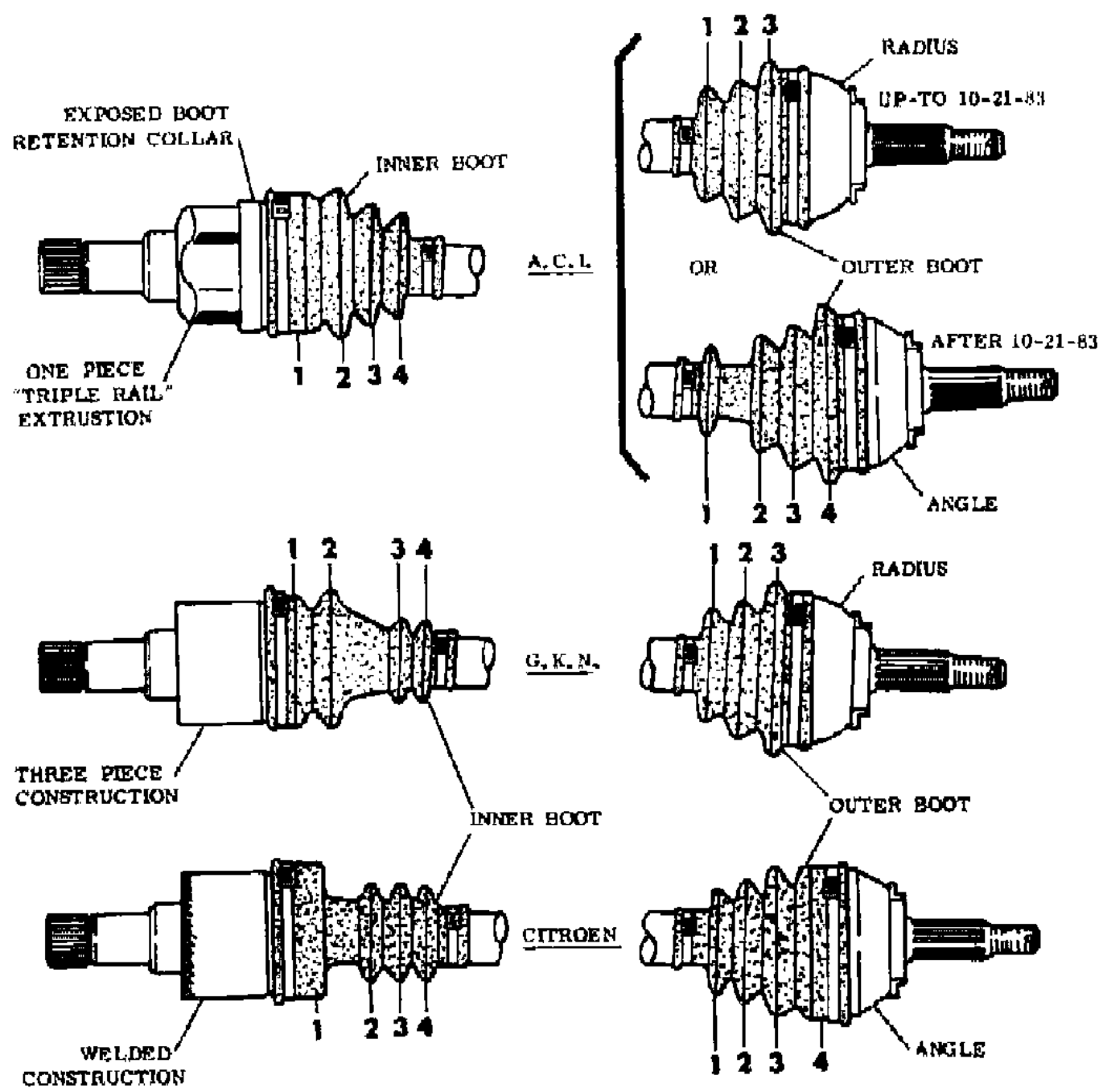
SHAFT IDENTIFICATION, DRIVE

Figure 2-700

4102 700

ITEM	PART NUMBER	QTY	BODY	MODEL	DESCRIPTION
------	-------------	-----	------	-------	-------------

Three Different Make Dr. Shafts are being used on Front Wheel Drive vehicles, G.K.N., A.C.I. & CITROEN. Replacement Parts ARE NOT Interchangeable.



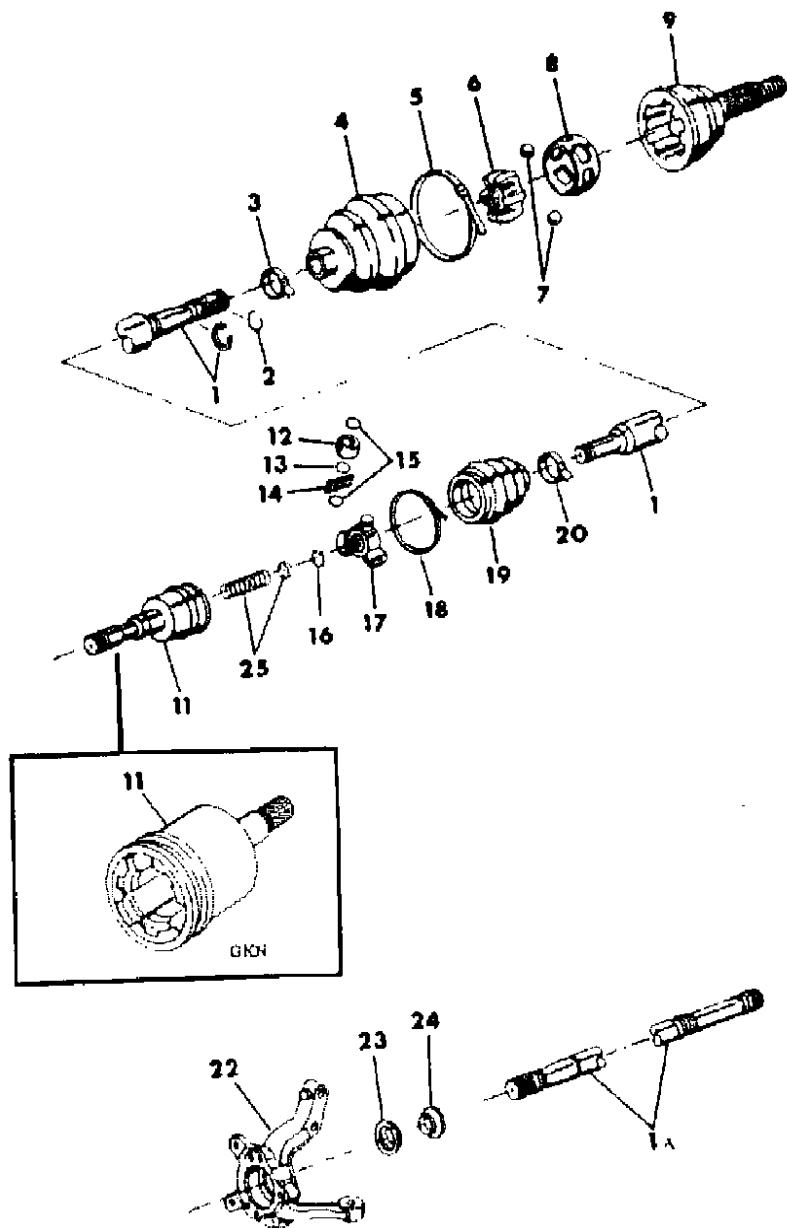
- MODEL CODES
- | | | |
|--------------------------------------|----------------------------|--------------------------|
| B = GRAN FURY | F = FIFTH AVENUE/NEWPORT | P = RELIANT |
| C = LEBARON/TOWN & COUNTRY/EXC SEDAN | G = DIPLOMAT | T = E CLASS/NEW YORKER |
| C24 = LASER | H = VOYAGER | V = 600 |
| D = ARIES | K = MINI RAM/CARAVAN/ROYAL | V24 = DAYTONA |
| E = 600 | M = HORIZON/TURISMO | Z = OMNI/CHARGER/RAMPAGE |

- BODY STYLES
- | | | |
|---------------------------|-------------------|-----------------------------|
| 21 = 2-DOOR SEDAN | 28 = FWD PICKUP | 44 = 4-DOOR HATCHBACK |
| 22 = 2-DOOR SPECIAL COUPE | 35 = FWD VAN | 45 = 4-DOOR STATION WAGON |
| 24 = 2-DOOR HATCHBACK | 36 = FWD WAGON | 48 = 4-DOOR EXECUTIVE SEDAN |
| 27 = 2-DOOR CONVERTIBLE | 41 = 4-DOOR SEDAN | |

AR = Use as Required - = Non Illustrated Part P.A.R. = Paint as Required

SHAFT, FRONT DRIVE (GKN) w/1.6 ENG. w/4 & 5 SPEED TRANS. M,Z
Figure 2-800

4162 800



ITEM	PART NUMBER	QTY	BODY	MODEL	DESCRIPTION
1	5212 862	1		All	SHAFT, w/Cir Clip, Frt. Whl. Drive - Right
1A	5212 863	1		All	SHAFT, w/Cir Clip, Frt. Whl. Drive - Left
2	5212 857	AR		All	SPACER-RING, Outer Joint (Also In 5212858 Pkg.)
3-5	5212 858	2		All	BOOT PKG, Outer Joint
3				All	Clamp, Inner
4				All	Boot
5				All	Clamp, Outer
6-9	5212 856	2		All	JOINT, Comp.Drive Shaft, Outer
6				All	Cross
7				All	Ball
8				All	Cage
9				All	Housing
11	5212 896-7	1		All	HOUSING, w/Shaft, Dr.Shaft Joint, Inner
12-1	5212 859	2		All	TRIPOD, Comp.
12				All	Race
13				All	Retainer
14				All	Needle
15				All	O Ring
16				All	Circlip
17				All	Cross
18-2	4205 852	1		All	BOOT PKG.,Inner Joint, Rt.
	4057 033	1		All	Lt.
18				All	Clamp, Inner
19				All	Boot
20				All	Clamp, Outer
21				All	Cylinder Block (Ref.)
22	4052 844-5	1		All	KNUCKLE, Strg.
23	5212 535	2		All	SEAL, Joint Outer
24	5212 536	2		All	WEAR-SLEEVE, Joint Outer
25	5212 675	AR		All	SPRING,w/CUP, Housing Shaft,Inner

MODEL CODES

B = GRAN FURY	F = FIFTH AVENUE/NEWPORT	P = RELIANT
C = LEBARON/TOWN & COUNTRY/EXC SEDAN	G = DIPLOMAT	T = E CLASS/NEW YORKER
C24 = LASER	H = VOYAGER	V = 600
D = ARIES	K = MINI RAM/CARAVAN/ROYAL	V24 = DAYTONA
E = 600	M = HORIZON/TURISMO	Z = OMNI/CHARGER/RAMPAGE

BODY STYLES

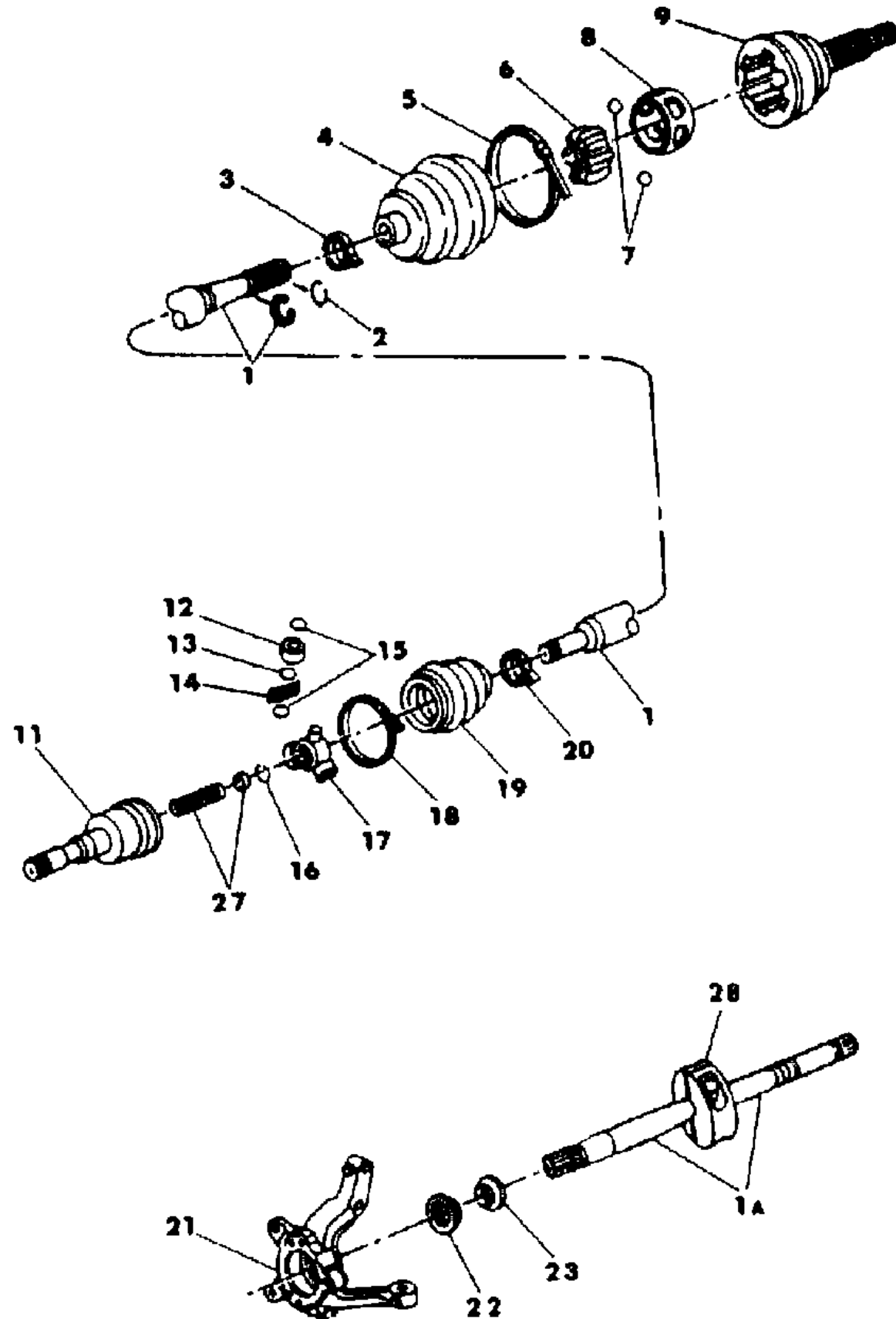
21 = 2-DOOR SEDAN	28 = FWD PICKUP	44 = 4-DOOR HATCHBACK
22 = 2-DOOR SPECIAL COUPE	35 = FWD VAN	45 = 4-DOOR STATION WAGON
24 = 2-DOOR HATCHBACK	36 = FWD WAGON	48 = 4-DOOR EXECUTIVE SEDAN
27 = 2-DOOR CONVERTIBLE	41 = 4-DOOR SEDAN	

AR = Use as Required - = Non Illustrated Part P.A.R. = Paint as Required

SHAFT, FRONT DRIVE (G.K.N. & A.C.I.) WITH 2.2 ENG., WITHOUT TURBO M,Z,P,D,V,C,E,T

Figure 2-900

4102 900



ITEM	PART NUMBER	QTY	BODY	MODEL	DESCRIPTION
NOTE: For Identification of Shaft make (G.K.N., A.C.I. or Citroen) See Fig. 2-100					
1	5212 872	1		P,D,V,C	SHAFT, Drive, Right - w/2.2 Eng. (G.K.N.)
	5212 834	1		P,D,V,C	Right, w/2.2 Eng. (A.C.I.) - Up To 10-21-83
	5212 826	1		P,D,V,C	Right, w/2.2 Eng. (A.C.I.) - After 10-21-83
	5212 862	1		M,Z	Right, w/ 2.2 Eng. (G.K.N.)
1A	5212 913	1		P,D,V,C	SHAFT DRIVE, Left - w/2.2 Eng. (G.K.N.)
	5212 835	1		P,D,V,C	Left, w/2.2 Eng. (A.C.I.) - Up To 10-21-83
	5212 827	1		P,D,V,C	Left, w/2.2 Eng. (A.C.I.) - After 10-21-83
	5212 863	1		M,Z	Left, w/2.2 Eng. (G.K.N.)
2	5212 857	AR		MZPDCVE	RING, Frt. Whl. Dr. Shaft, (G.K.N. or A.C.I.)
3-5	5212 858	2		MZPDVCE	BOOT PKG.,Outer Joint - (G.K.N.)
	5212 858	2		PDVCET	(A.C.I.) - Up To 10-21-83
	5212 809	2		PDVCET	(A.C.I.) - After 10-21-83
3				All	Clamp, Inner
4				All	Boot
5				All	Clamp, Outer
6-9	5212 869	2		P,D,V,C	JOINT COMP., w/2.2 Eng.- (G.K.N.)
	5212 869	2		P,D,V,C	(A.C.I.) - Up To 10-21-83
	5212 830	2		P,D,V,C	(A.C.I.) - After 10-21-83
	5212 856	2		M,Z	w/2.2 Eng. (G.K.N.)
6				All	Cross
7				All	Ball
8				All	Cage
9				All	Housing
11	5212 896-7	1		MZPDVCE	HOUSING, w/SHAFT, Joint Inner, w/2.2 Eng. (G.K.N.)
	5212 824-5	1		PDVCET	w/2.2 Eng. (A.C.I.)
12-1	5212 859	AR		MZPDVCE	TRIPOD PKG., Comp.Inner Shaft, w/2.2 Eng. - (G.K.N.)
	5212 812	AR		PDVCET	w/2.2 Eng. - (A.C.I.)
12				All	Race
13				All	Retainer
14				All	Needle
15				All	O Ring
16				All	Circlip
17				All	Cross
18-2	4205 852	1		MZPDVCE	BOOT PKG.,Inner Joint - Rt. w/2.2 Eng. (G.K.N.)
	4057 033	1		MZPDVCE	Left. w/2.2 Eng. (G.K.N.)
	5212 810-1	1		PDVCET	Right & Left w/2.2 Eng. (A.C.I.)
18				All	Clamp, Inner

MODEL CODES

B = GRAN FURY	F = FIFTH AVENUE/NEWPORT	P = RELIANT
C = LEBARON/TOWN & COUNTRY/EXC SEDAN	G = DIPLOMAT	T = E CLASS/NEW YORKER
C24 = LASER	H = VOYAGER	V = 600
D = ARIES	K = MINI RAM/CARAVAN/ROYAL	V24 = DAYTONA
E = 600	M = HORIZON/TURISMO	Z = OMNI/CHARGER/RAMPAGE

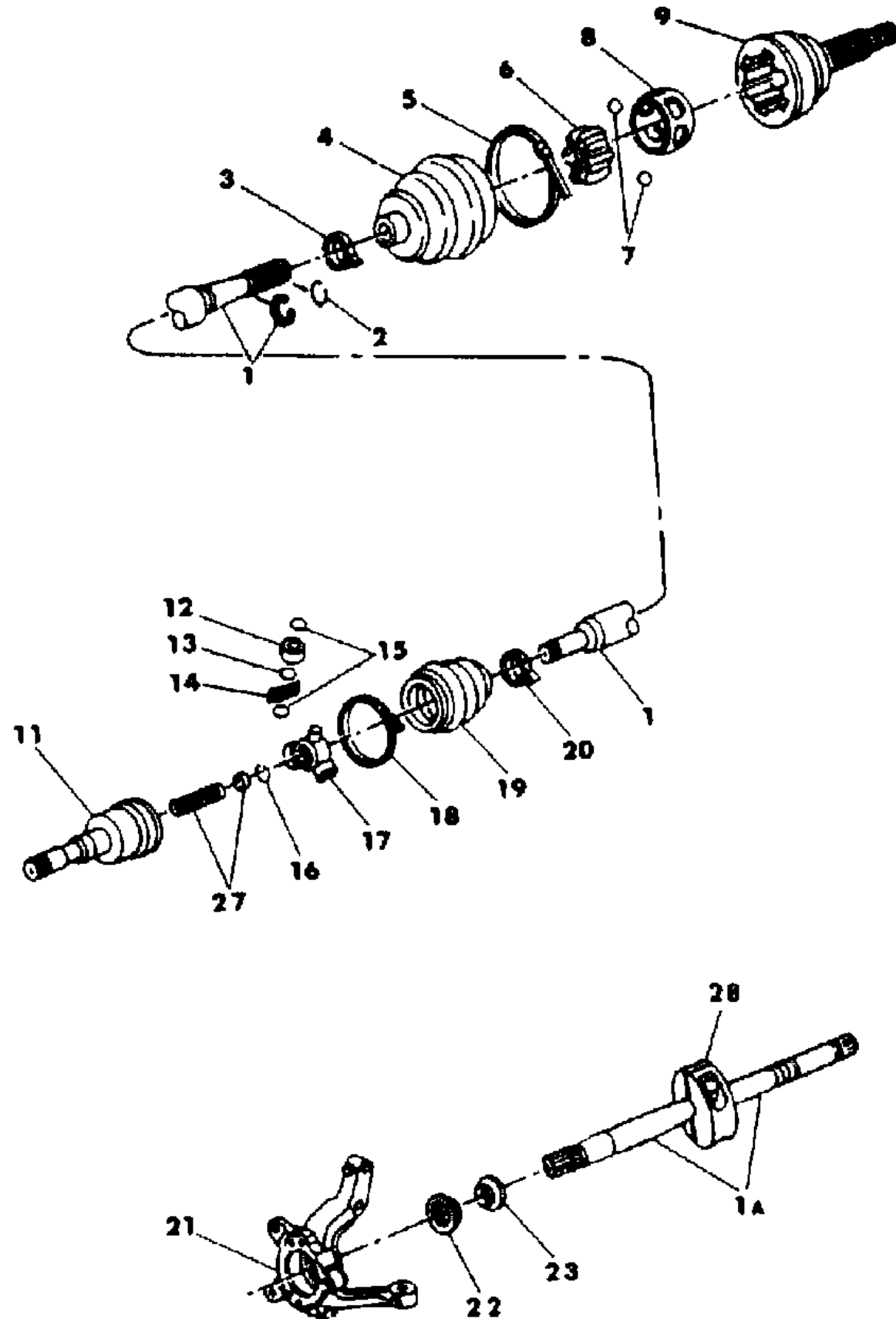
BODY STYLES

21 = 2-DOOR SEDAN	28 = FWD PICKUP	44 = 4-DOOR HATCHBACK
22 = 2-DOOR SPECIAL COUPE	35 = FWD VAN	45 = 4-DOOR STATION WAGON
24 = 2-DOOR HATCHBACK	36 = FWD WAGON	48 = 4-DOOR EXECUTIVE SEDAN
27 = 2-DOOR CONVERTIBLE	41 = 4-DOOR SEDAN	

AR = Use as Required - = Non Illustrated Part P.A.R. = Paint as Required

SHAFT, FRONT DRIVE (G.K.N. & A.C.I.) WITH 2.2 ENG., WITHOUT TURBO M,Z,P,D,V,C,E,T
Figure 2-900

4102 900



ITEM	PART NUMBER	QTY	BODY	MODEL	DESCRIPTION
19				All	Boot
20				All	Clamp, Outer
21	4052 844-5	1		M,Z	KNUCKLE, Strg.
	4052 838-9	1		P,D,V,C	
22	5212 535	2		All	SEAL, Joint Outer (Also Serv.In Joint Comp.)
23	5212 536	2		All	WEAR-SLEEVE, Joint Outer (Also Serv.In Joint Comp.)
27	5212 675	AR		MZPDVCE	SPRING,w/CUP, Hsg. Shaft, Inner (G.K.N.)
	5212 823	AR		PDVCET	SPRING,w/CUP, Hsg. Shaft, Inner (A.C.I.)
28	5212 831	1		P,D,V,C	WEIGHT ASSY., Frt. Whl Dr. Shaft Damper, Lt.

MODEL CODES

B = GRAN FURY	F = FIFTH AVENUE/NEWPORT	P = RELIANT
C = LEBARON/TOWN & COUNTRY/EXC SEDAN	G = DIPLOMAT	T = E CLASS/NEW YORKER
C24 = LASER	H = VOYAGER	V = 600
D = ARIES	K = MINI RAM/CARAVAN/ROYAL	V24 = DAYTONA
E = 600	M = HORIZON/TURISMO	Z = OMNI/CHARGER/RAMPAGE

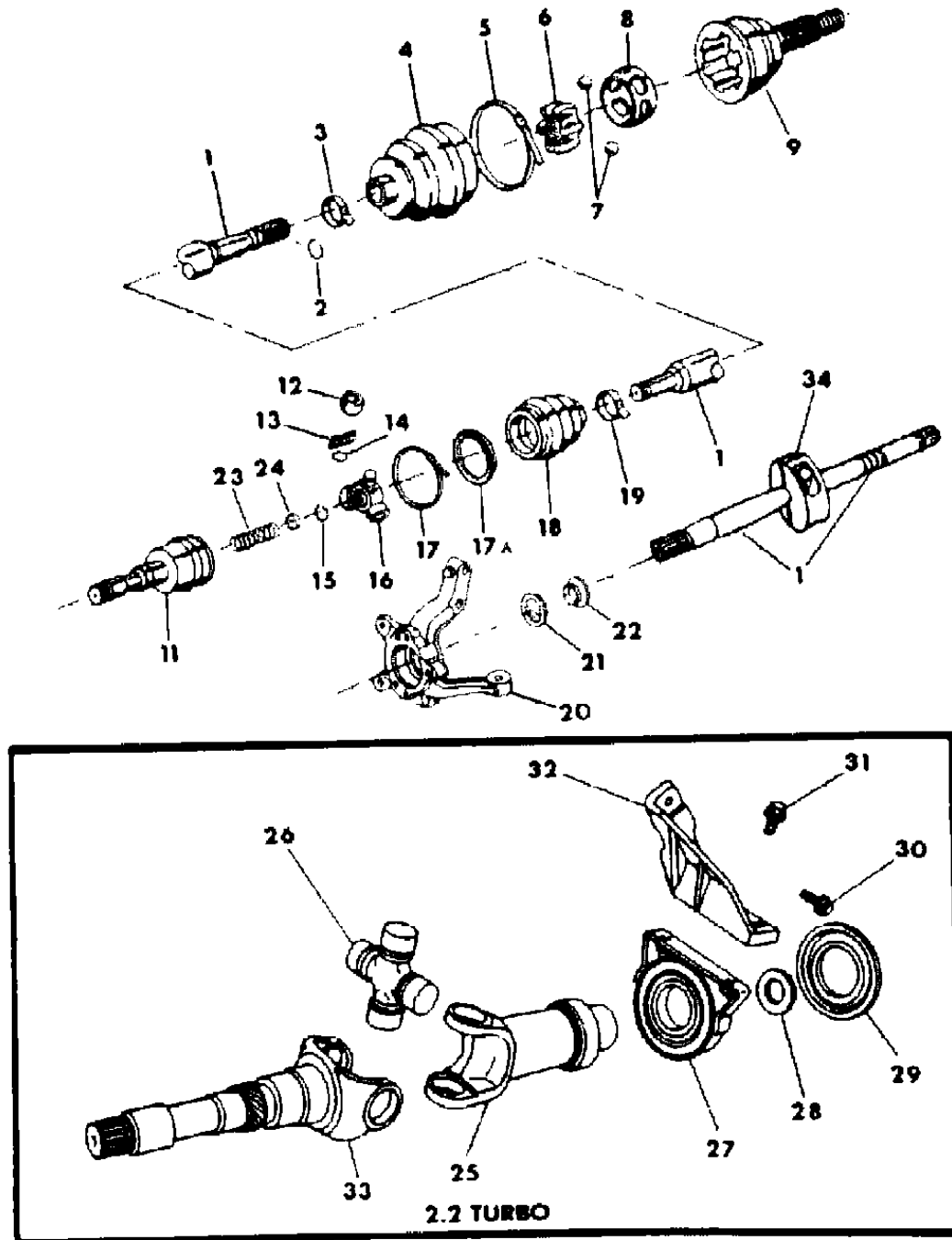
BODY STYLES

21 = 2-DOOR SEDAN	28 = FWD PICKUP	44 = 4-DOOR HATCHBACK
22 = 2-DOOR SPECIAL COUPE	35 = FWD VAN	45 = 4-DOOR STATION WAGON
24 = 2-DOOR HATCHBACK	36 = FWD WAGON	48 = 4-DOOR EXECUTIVE SEDAN
27 = 2-DOOR CONVERTIBLE	41 = 4-DOOR SEDAN	

AR = Use as Required - = Non Illustrated Part P.A.R. = Paint as Required

SHAFT, FRONT DRIVE (CITROEN) W/2.2 & 2.6 ENG. WITH & W/O TURBO P,D,V,C,E,T,H,K
Figure 2-1000

4102 1000



ITEM	PART NUMBER	QTY	BODY	MODEL	DESCRIPTION
NOTE: For Identification of Shaft make (G.K.N., A.C.I. & Citroen) See Fig. 2-100					
1	5212 796-7	1		H,K	SHAFT, w/Cir Clip - w/2.2 & 2.6 Eng.
	5212 798-9	1		P,D,V,C	w/2.2 & 2.6 Eng. w/o Turbo
	5212 799	2		V,C,E,T	w/2.2 Turbo Eng. (Rt. & Lt.)
2	5212 710	AR		All	SNAP-RING, Outer Joint
3-5	5212 738	2		All	BOOT PKG., Outer Joint
3				All	Clamp, Inner
4				All	Boot
5	5212 720	AR		All	Clamp, Outer
6-9	5212 789	2		All	JOINT, COMP. DRIVE SHAFT, Outer
6				All	Cross
7				All	Ball
8				All	Cage
9				All	Housing
11	5212 746-7	1		PDVCETH	HOUSING, w/SHAFT, Inner - w/o Turbo
	5212 747	2		V,C,E,T	w/Turbo Eng. (Rt. & Lt.)
12-1	5212 711	AR		All	TRIPOD PKG., Comp., Inner Shaft
12				All	Race
13				All	Needle
14				All	O Ring
15				All	Circlip
16				All	Cross
17-1	5212 716-7	1		PDVCETH	BOOT PKG., Inner Joint - w/o Turbo
	5212 717	2		V,C,E,T	w/Turbo Eng. (Rt. & Lt.)
17				All	Clamp, Inner
17A				All	Retainer, Ring
18				All	Boot
19				All	Clamp, Outer
20	4052 840-1	1		H,K	KNUCKLE, Strg.
	4052 838-9	1		P,D,V,C	
21	5212 535	2		All	SEAL, Joint Outer
22	5212 536	2		All	WEAR-SLEEVE, Joint Outer
23	5212 740	AR		All	SPRING, Hsg. Shaft, Inner
24	5212 741	AR		All	CUP, Hsg. Shaft, Inner
25	5212 968	1		V,C,E,T	SHAFT, Frt. Whl. Dr. Inner (w/Turbo)
26	3780 250	1		V,C,E,T	U/Joint Kit
27	5212 961	1		V,C,E,T	BRG. & Brkt., Frt. Whl. Dr. Inner
28	5212 964	1		V,C,E,T	SEAL - Inner Joint Shaft

MODEL CODES

B = GRAN FURY	F = FIFTH AVENUE/NEWPORT	P = RELIANT
C = LEBARON/TOWN & COUNTRY/EXC SEDAN	G = DIPLOMAT	T = E CLASS/NEW YORKER
C24 = LASER	H = VOYAGER	V = 600
D = ARIES	K = MINI RAM/CARAVAN/ROYAL	V24 = DAYTONA
E = 600	M = HORIZON/TURISMO	Z = OMNI/CHARGER/RAMPAGE

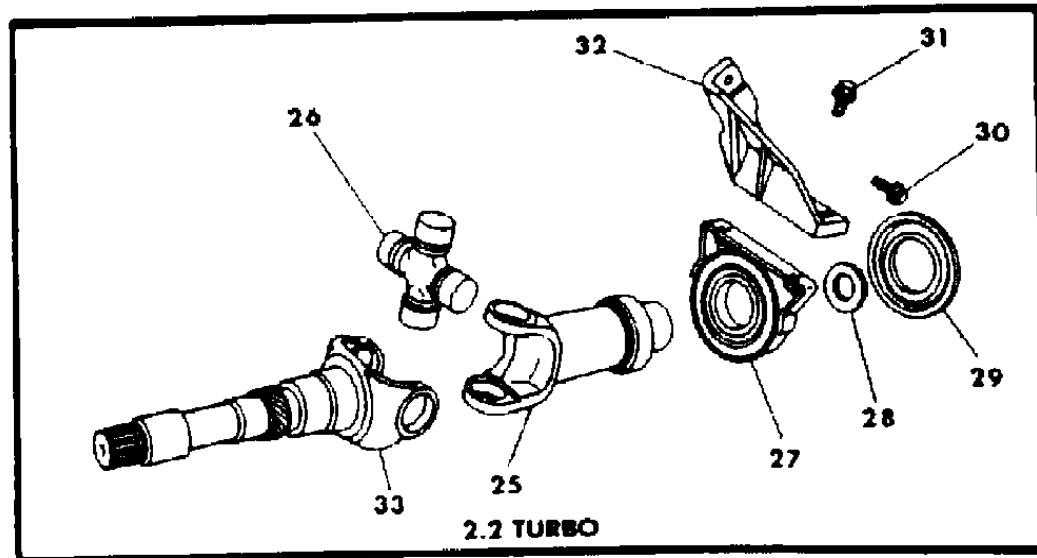
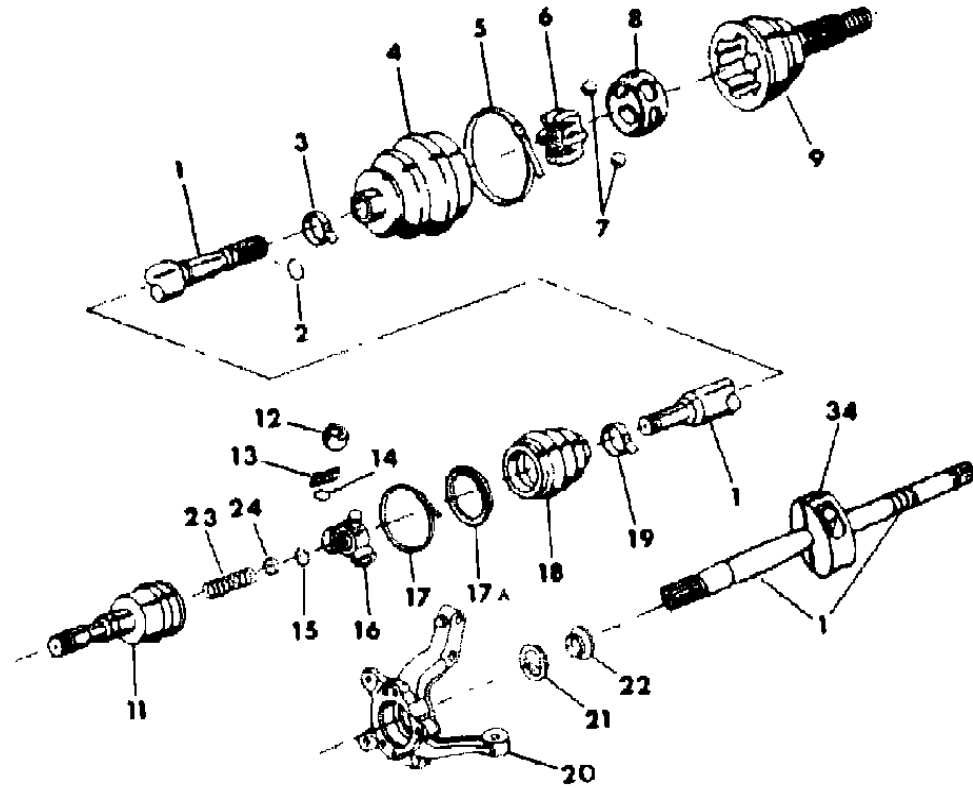
BODY STYLES

21 = 2-DOOR SEDAN	28 = FWD PICKUP	44 = 4-DOOR HATCHBACK
22 = 2-DOOR SPECIAL COUPE	35 = FWD VAN	45 = 4-DOOR STATION WAGON
24 = 2-DOOR HATCHBACK	36 = FWD WAGON	48 = 4-DOOR EXECUTIVE SEDAN
27 = 2-DOOR CONVERTIBLE	41 = 4-DOOR SEDAN	

AR = Use as Required - = Non Illustrated Part P.A.R. = Paint as Required

SHAFT, FRONT DRIVE (CITROEN) W/2.2 & 2.6 ENG. WITH & W/O TURBO P,D,V,C,E,T,H,K
Figure 2-1000

4102 1000



ITEM	PART NUMBER	QTY	BODY	MODEL	DESCRIPTION
29	5212 962	1		V,C,E,T	SLINGER, Frt. Whl. Dr. Inter Shaft - Inner
	5212 963	1		V,C,E,T	Outer
30	6500 158	2		V,C,E,T	SCREW & WASHER, Brkt.
31	6101 299	2		V,C,E,T	SCREW & WASHER, Brkt. to Brg.
32	5212 960	1		V,C,E,T	BRACKET, F.W.D. Inter Shaft Brg.
33	5212 958	1		V,C,E,T	YOKE, F.W.D. Inter Shaft U/Joint Stub
34	5212 767	1	All		WEIGHT ASSY., Frt. Whl. Dr. Shaft Damper - LT.

MODEL CODES

B = GRAN FURY	F = FIFTH AVENUE/NEWPORT	P = RELIANT
C = LEBARON/TOWN & COUNTRY/EXC SEDAN	G = DIPLOMAT	T = E CLASS/NEW YORKER
C24 = LASER	H = VOYAGER	V = 600
D = ARIES	K = MINI RAM/CARAVAN/ROYAL	V24 = DAYTONA
E = 600	M = HORIZON/TURISMO	Z = OMNI/CHARGER/RAMPAGE

BODY STYLES

21 = 2-DOOR SEDAN	28 = FWD PICKUP	44 = 4-DOOR HATCHBACK
22 = 2-DOOR SPECIAL COUPE	35 = FWD VAN	45 = 4-DOOR STATION WAGON
24 = 2-DOOR HATCHBACK	36 = FWD WAGON	48 = 4-DOOR EXECUTIVE SEDAN
27 = 2-DOOR CONVERTIBLE	41 = 4-DOOR SEDAN	

AR = Use as Required - = Non Illustrated Part P.A.R. = Paint as Required

GROUP 3 - REAR AXLE

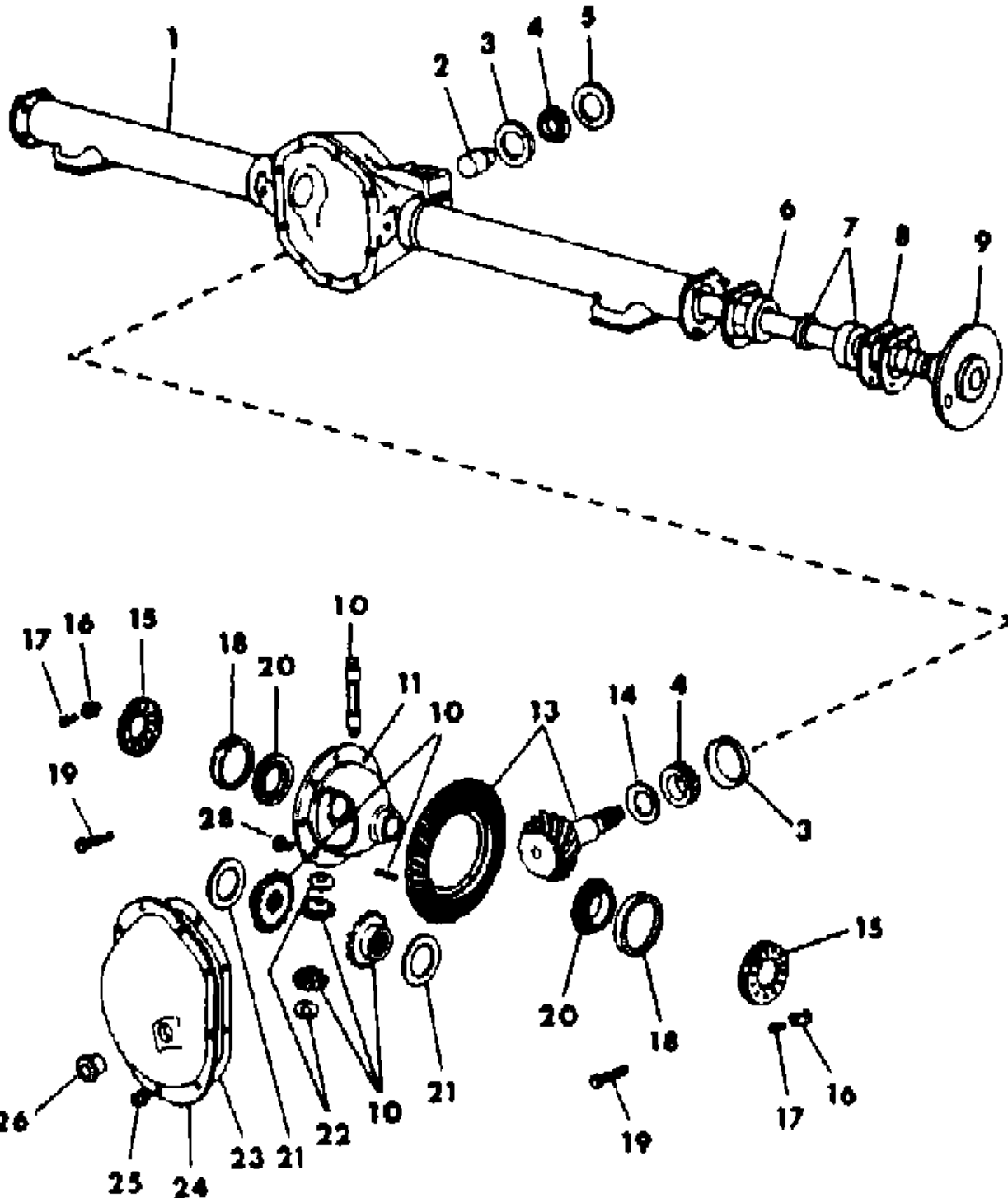
ILLUSTRATION TITLE	GROUP-FIG. NO.
AXLE, REAR w/DIFFERENTIAL AND CARRIER - B,F,G 7-1/4" O.D. GEAR	Fig. 3-100
AXLE, REAR w/DIFFERENTIAL AND CARRIER - B,F,G 8-1/4" O.D. GEAR-1-5/8" DIA. STEM	Fig. 3-200

ILLUSTRATION NOT AVAILABLE AT TIME OF PUBLICATION

AXLE, REAR w/DIFFERENTIAL AND CARRIER - B,F,G 7-1/4" O.D. GEAR

Figure 3-100

4103 100



ITEM	PART NUMBER	QTY	BODY	MODEL	DESCRIPTION
------	-------------	-----	------	-------	-------------

NOTE: The 7-1/4" Dia. Gear Axle has a 1-3/8" Dia. stem and is embossed with carrier part number 3507881, 3723590 or 3723591. IT also has a separate cover.

NOTE: Differential and Carriers have a metal tag bolted on them giving the ratio of the Rear Axle. ver.

NOTE: The 7-1/4" Dia. Gear Axle is only offered without Sure-Grip. ver.

NOTE: The 7-1/4" Dia. Gear Axle is only offered with 10" Brakes. ver.

	4205 888	1	All		GEAR PACKAGE, Side Consists of: 2 - ---- --- Gear,Diff.Side 2 - ---- --- Pinion,Diff.Shaft
					1 - ----- Shaft,Diff. Pinion 1 - 0152 229 Pin, Diff. Pinion Shaft Lock 1 - 4137026 Screw, Diff. Pinion Shaft Lock 2 - ----- Washer,Gear Thrust
	4186 969	1	All		1 - 4131292 Washer Pkg., Diff. Gear GEAR and PINION PACKAGE 2.24/2.26 To 1 (Stamp No. 4137027 Gear 4137033 Pinion) Consists of: 1 - ---- --- Gear,Set 1 - 3507 575 Spacer 1 - 2070 117 Washer,Flange 1 - 6028 041 Nut,Flange
	3420 091	2	All		1 - ---- --- Sheet,Instruction BEARING PACKAGE Consists of: 1 - ---- --- Bearing 1 - ---- --- Collar,Brg. 1 - 2852 948 Seal,Shaft Oil 1 - 2881 314 Gasket,Support Plt.,Inner 1 - 2070 933 Gasket,Support Plt.,Outer
	4137 614	1	All		1 - ---- --- Sheet,Instruction DIFFERENTIAL,w/CARRIER and HOUSING, 2.24/2.26 to 1 Ratio w/o Axle Shafts, 59.50 Track
1	4137 623	1	All		HOUSING, Axle w/Tubes, 2.24/ 2.26/ Ratio
2	3507 575	1	All		SPACER,Collapsible Type,31/64" Lgh.
3	2070 317	1	All		CUP,Axle Drive Pinion Brg.,Frt.
	2070 319	1	All		Rear
4	2070 316	1	All		CONE,w/ROLLER,Axle Drive Pinion,Frt.
	2931 817	1	All		SHIM, Axle Frt. Drive Pinion

MODEL CODES

B = GRAN FURY

C = LEBARON/TOWN & COUNTRY/EXC SEDAN

C24 = LASER

D = ARIES

E = 600

F = FIFTH AVENUE/NEWPORT

G = DIPLOMAT

H = VOYAGER

K = MINI RAM/CARAVAN/ROYAL

M = HORIZON/TURISMO

P = RELIANT

T = E CLASS/NEW YORKER

V = 600

V24 = DAYTONA

Z = OMNI/CHARGER/RAMPAGE

BODY STYLES

21 = 2-DOOR SEDAN

22 = 2-DOOR SPECIAL COUPE

24 = 2-DOOR HATCHBACK

27 = 2-DOOR CONVERTIBLE

28 = FWD PICKUP

35 = FWD VAN

36 = FWD WAGON

41 = 4-DOOR SEDAN

44 = 4-DOOR HATCHBACK

45 = 4-DOOR STATION WAGON

48 = 4-DOOR EXECUTIVE SEDAN

AR = Use as Required - = Non Illustrated Part P.A.R. = Paint as Required

AXLE, REAR w/DIFFERENTIAL AND CARRIER - B,F,G 7-1/4" O.D. GEAR

Figure 3-100

4100 100

ITEM	PART NUMBER	QTY	BODY	MODEL	DESCRIPTION
	2070 318	1		All	Rear
5	2881 041	1		All	SEAL,Drive Pinion Frt. Oil,3-5/32" O.D.
6	2931 875	2		All	SEAL,Drive Shaft Oil,Inner
7	3420 091	2		All	BEARING,COLLAR,SEAL and GASKET PACKAGE, Axle Drive Shaft,w/2-7/8" O.D. Brg.
	3744 495	2		All	BEARING, ASSY. Axle Drive Shaft, 2-17/32 O.D.
8	3723 300	2		All	RETAINER,Drive Shaft Brg.
9	4137 621	2		All	SHAFT,Rr. Axle Drive (25 T)
10	4205 888	1		All	GEARS,PINIONS,SHAFT,WASHERS and PIN PACKAGE,Diff. Side, 2.24/2.26 Ratio
11	4137 013	1		All	CASE, Differential (Casting No. 4137014, 2.24/2.26 To 1 Ratio)
13	4186 969	1		All	GEAR and PINION PACKAGE,Axle, 2.24/2.26 Ratio
NOTE: Diff. Gear and Pinions are SERVICED by MATCHED SET. THE SET NUMBER Must Be Ordered For Replacement Of Either The Gear Or Pinion. ver.					
14	3723 020	AR		All	SHIM,w/Inside Tabs, Axle Drive Pinion Rr. Brg.,.020" Thk.
	3723 021	AR		All	.021" Thk.
	3723 022	AR		All	.022" Thk.
	3723 023	AR		All	.023" Thk.
	3723 024	AR		All	.024" Thk.
	3723 025	AR		All	.025" Thk.
	3723 026	AR		All	.026" Thk.
	3723 027	AR		All	.027" Thk.
	3723 028	AR		All	.028" Thk.
	3723 029	AR		All	.029" Thk.
	3723 030	AR		All	.030" Thk.
	3723 031	AR		All	.031" Thk.
	3723 032	AR		All	.032" Thk.
	3723 033	AR		All	.033" Thk.
	3723 034	AR		All	.034" Thk.
	3723 035	AR		All	.035" Thk.
	3723 036	AR		All	.036" Thk.
	3723 037	AR		All	.037" Thk.
	3723 038	AR		All	.038" Thk.
15	3507 876	2		All	ADJUSTER
16	3723 858	2		All	LOCK,Adj.
17	6031 109	2		All	SCREW,Lock,1/4"-20 x 1/2"
	6023 092	2		All	5/16"-18 x 5/8"
18	1937 770	2		All	CUP,Diff. Brg.,2-57/64"O.D.

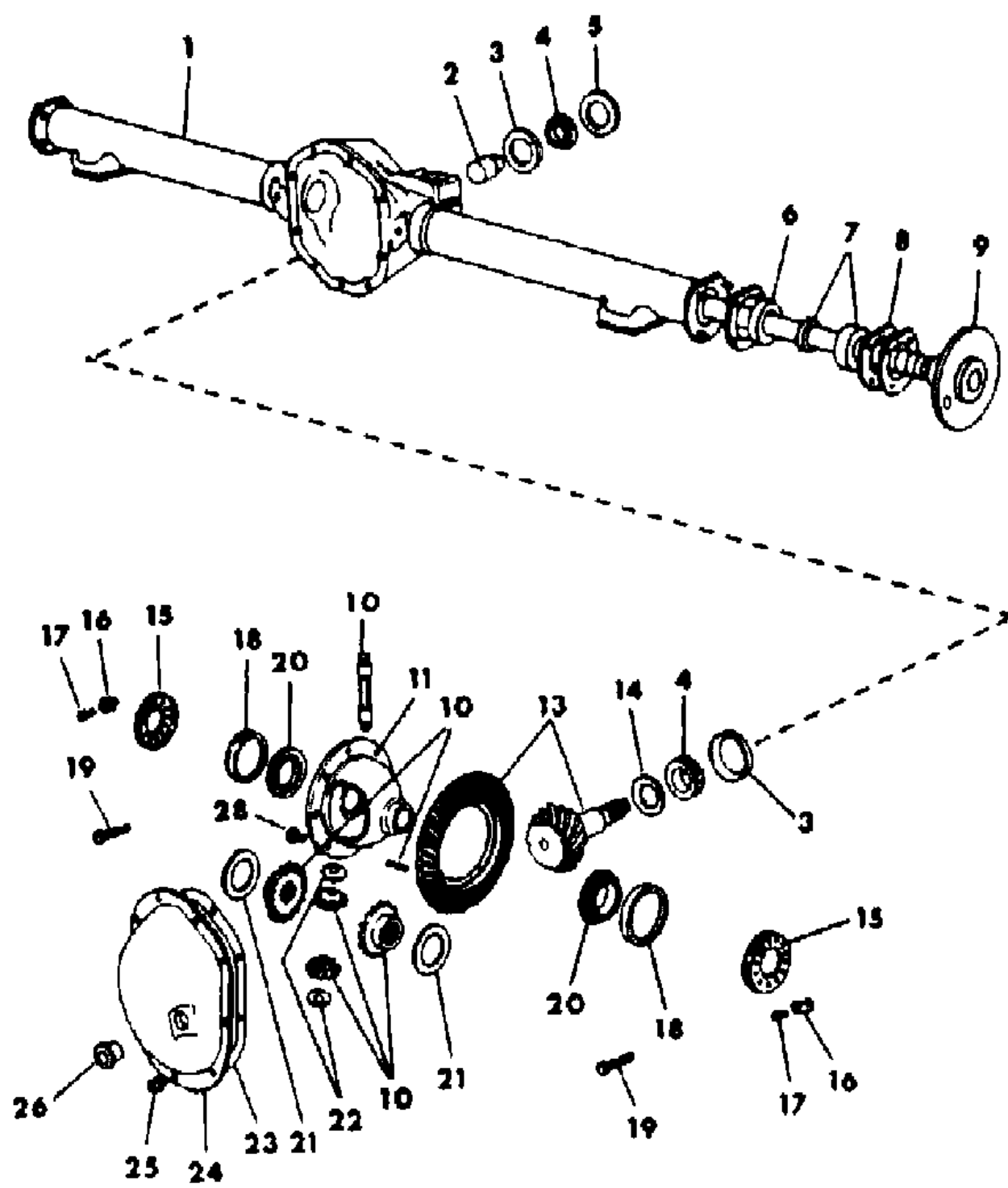
MODEL CODES

B = GRAN FURY	F = FIFTH AVENUE/NEWPORT	P = RELIANT
C = LEBARON/TOWN & COUNTRY/EXC SEDAN	G = DIPLOMAT	T = E CLASS/NEW YORKER
C24 = LASER	H = VOYAGER	V = 600
D = ARIES	K = MINI RAM/CARAVAN/ROYAL	V24 = DAYTONA
E = 600	M = HORIZON/TURISMO	Z = OMNI/CHARGER/RAMPAGE

BODY STYLES

21 = 2-DOOR SEDAN	28 = FWD PICKUP	44 = 4-DOOR HATCHBACK
22 = 2-DOOR SPECIAL COUPE	35 = FWD VAN	45 = 4-DOOR STATION WAGON
24 = 2-DOOR HATCHBACK	36 = FWD WAGON	48 = 4-DOOR EXECUTIVE SEDAN
27 = 2-DOOR CONVERTIBLE	41 = 4-DOOR SEDAN	

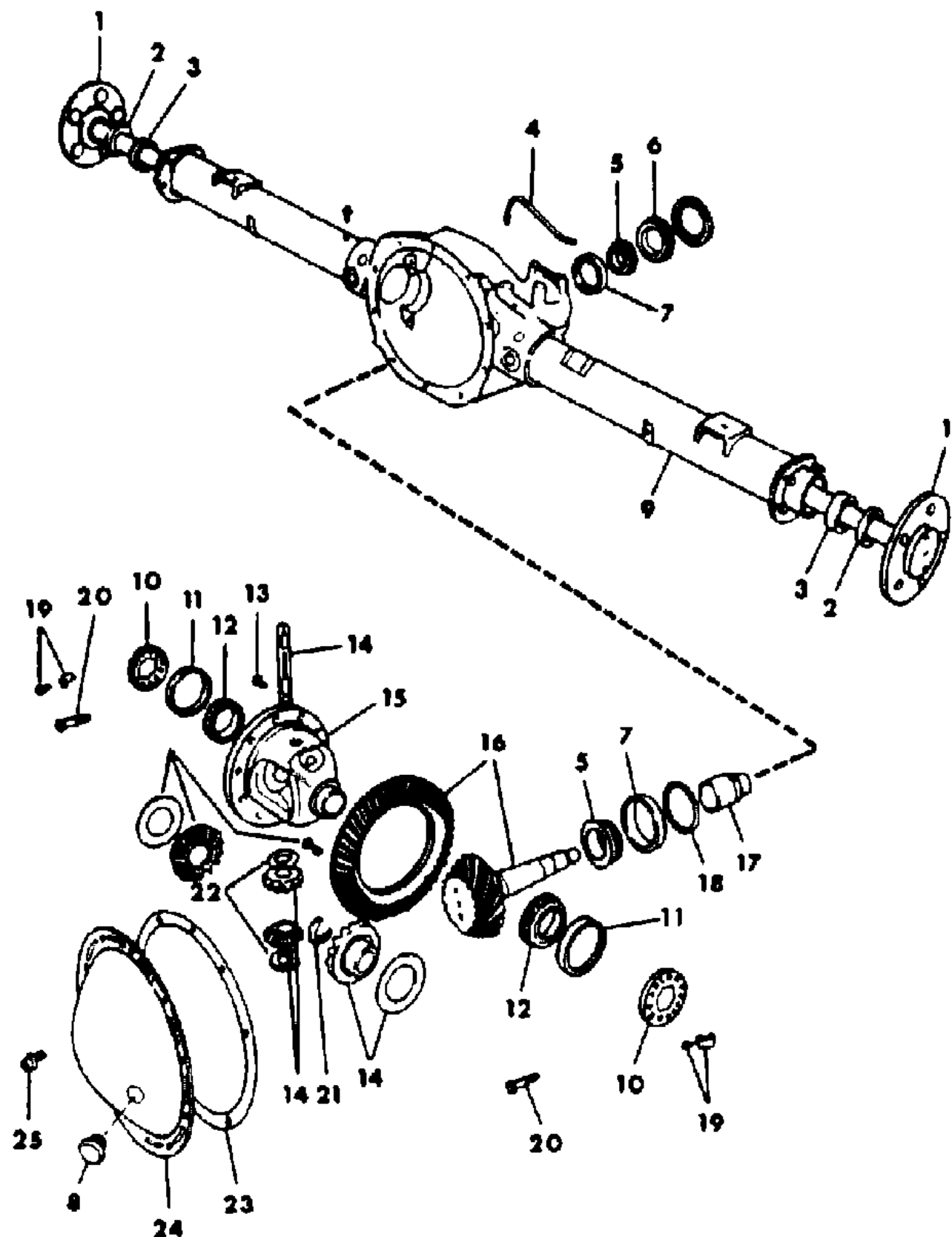
AR = Use as Required - = Non Illustrated Part P.A.R. = Paint as Required



AXLE, REAR w/DIFFERENTIAL AND CARRIER - B,F,G 8-1/4" O.D. GEAR-1-5/8" DIA. STEM

Figure 3-200

4103 300



ITEM	PART NUMBER	QTY	BODY	MODEL	DESCRIPTION
------	-------------	-----	------	-------	-------------

NOTE: The 8-1/4" Dia. gear axle has a 1-5/8" Dia. pinion shaft and carrier part number 3723598 or 3723599 embossed on it. It has a separate cover. ver.

NOTE: Differential and carriers have a metal tag bolted on them giving the ratio of the rear axle. ver.

	4186 957	1	All		GEAR and PINION PACKAGE, Axle Drive, 2.24/2.26 Ratio
	3837 581	1	All		2.93/2.94 Ratio
					Consists of:
					1 - ---- --- Gear Set
					1 - 2800484 Cone,Rr.
					1 - 2800485 Cup,Rr.
					1 - 3507575 Spacer,Brg. Adj.
					1 - 2070316 Cone,Frt.
					1 - 2070317 Cup,Frt.
					1 - 2881041 Seal,Dr. Pinion Frt. Brg.
	4176 754	1	All		1 - 4131255 Screw Pkg., Dr. Gear GEAR PACKAGE, Axle Side
					Consists of:
					2 - ---- --- Gear,Side
					1 - 4131293 Washer Pkg., Diff. Gear Thrust
					2 - ---- --- Pinion,Diff.
					2 - 2852912 Washer,Pinion Thrust
					1 - 2852913 Shaft
					1 - 3507724 Screw,Lock
	3723 947	1	All		DIFFERENTIAL,w/CARRIER and HOUSING,2.24 To 1 Ratio w/o Sure-Grip w/o Axle Shafts 59.50 Track
	3723 987	1	All		2.94 to 1 Ratio,w/o Sure-Grip, 59.50 Track
	3723 986	1	All		2.94 to 1 Ratio,w/Sure-Grip, 59.50 Track
	3723 690	1	All		DIFFERENTIAL, PARTIAL, w/Sure-Grip, 2.94 To 1 Ratio
					NOTE: The Cone And Spring Type Sure-Grip Diff.,And Internal Parts Are Serviced As An Assy. Only. ver.
	1	3723 982	2	All	SHAFT,Axle Drive (27T)
	2	2931 875	2	All	OIL SEAL,Drive Shaft
	3	3744 495	2	All	BEARING ASSEMBLY, Axle Drive Shaft, 2-17/32" O.D.
	3A		1	All	SCREW, Brake Tube Tee Vent
	4	3723 966	1	All	VENT, Rr. Axle Tube
	5	2070 316	1	All	CONE,w/ROLLERS,Axle Drive Pinion,Frt.
		2931 817	1	All	SHIM, Axle Frt. Brg. Adj.
		2800 484	1	All	Rr.
	6	2881 041	1	All	OIL SEAL,Drive Pinion,3-5/32" O.D.
	7	2070 317	1	All	CUP,Brg.,Axle Drive Pinion,Frt.

MODEL CODES

B = GRAN FURY	F = FIFTH AVENUE/NEWPORT	P = RELIANT
C = LEBARON/TOWN & COUNTRY/EXC SEDAN	G = DIPLOMAT	T = E CLASS/NEW YORKER
C24 = LASER	H = VOYAGER	V = 600
D = ARIES	K = MINI RAM/CARAVAN/ROYAL	V24 = DAYTONA
E = 600	M = HORIZON/TURISMO	Z = OMNI/CHARGER/RAMPAGE

BODY STYLES

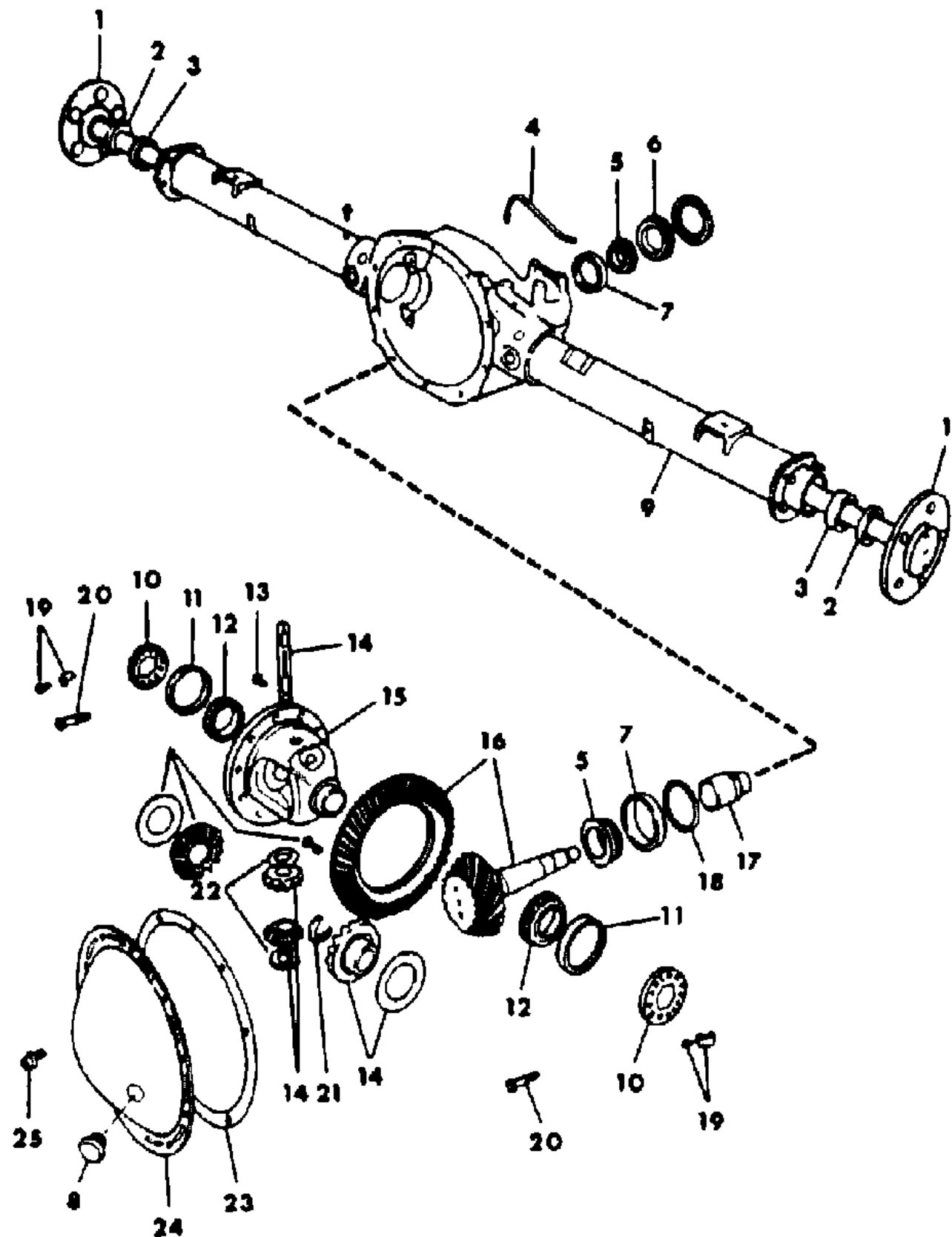
21 = 2-DOOR SEDAN	28 = FWD PICKUP	44 = 4-DOOR HATCHBACK
22 = 2-DOOR SPECIAL COUPE	35 = FWD VAN	45 = 4-DOOR STATION WAGON
24 = 2-DOOR HATCHBACK	36 = FWD WAGON	48 = 4-DOOR EXECUTIVE SEDAN
27 = 2-DOOR CONVERTIBLE	41 = 4-DOOR SEDAN	

AR = Use as Required - = Non Illustrated Part P.A.R. = Paint as Required

AXLE, REAR w/DIFFERENTIAL AND CARRIER - B,F,G 8-1/4" O.D. GEAR-1-5/8" DIA. STEM

Figure 3-200

4103 300



ITEM	PART NUMBER	QTY	BODY	MODEL	DESCRIPTION
	2800 485	1		All	Rr.
8	3723 687	1		All	PLUG,Axle Carrier Filler, Rubber
9	3723 967	1		All	HOUSING, Axle Drive Pinion
10	3507 876	2		All	ADJUSTER, Diff. Brg.
11	3723 569	2		All	CUP,Diff. Brg.
12	1790 541	2		All	CONE,w/ROLLERS,Diff. Brg.
13	4131 255	1		All	SCREW-PKG.,Gear Drive (Contains 10 Screws)
14	4176 754	1		All	GEAR, PKG.,Axle Diff. Side
	3507 724	1		All	SCREW, Diff. Pinion Shaft Lock
	4131 293	AR		All	WASHER,Gear Thrust,.032" Thk.
	3723 865	AR		All	WASHER,Gear Thrust,.037" Thk.
	3723 866	AR		All	.042" Thk.
	3723 867	AR		All	.047" Thk.
15	2881 423	1		All	CASE,Diff., 2.94 To 1 Ratio w/o Sure-Grip
	3432 435	1		All	2.24/2.26/To 1 Ratio, w/o Sure-Grip
	4131 293	1		All	WASHER, Gear Thrust
16					GEAR and PINION PACKAGE, Axle Drive
	3837 581	1		All	2.93/2.94 to 1 Ratio,Incl. 2852933 Gear and 3507914 Pinion
	4186 957	1		All	2.24/2.26 to 1 Ratio
	4131 255	10		All	SCREW, Drive Gear
NOTE: Differential Gear and Pinion are serviced by MATCHED SET numbers only. The SET NUMBER must be ordered for replacement of either Gear or Pinion.Gear and Pinion numbers stamped on the item may be used to confirm the correct					
17	3507 575	1		All	SPACER
18	3723 620	1		All	SHIM,Drive Pinion Rr. Brg.,.020"Thk.
	3723 621	1		All	.021"Thk.
	3723 623	1		All	.023"Thk.
	3723 625	1		All	.025"Thk.
	3723 627	1		All	.027"Thk.
	3723 628	1		All	.028"Thk.
	3723 629	1		All	.029"Thk.
	3723 630	1		All	.030"Thk.
	3723 631	1		All	.031"Thk.
	3723 633	1		All	.033"Thk.
	3723 635	1		All	.035"Thk.
	3723 637	1		All	.037"Thk.
19	3723 859	2		All	LOCK,Adj.
	6031 109	2		All	SCREW,Lock,1/4"-20 x 1/2"
	6023 092	2		All	5/16"-18 x 5/8"

MODEL CODES

B = GRAN FURY	F = FIFTH AVENUE/NEWPORT	P = RELIANT
C = LEBARON/TOWN & COUNTRY/EXC SEDAN	G = DIPLOMAT	T = E CLASS/NEW YORKER
C24 = LASER	H = VOYAGER	V = 600
D = ARIES	K = MINI RAM/CARAVAN/ROYAL	V24 = DAYTONA
E = 600	M = HORIZON/TURISMO	Z = OMNI/CHARGER/RAMPAGE

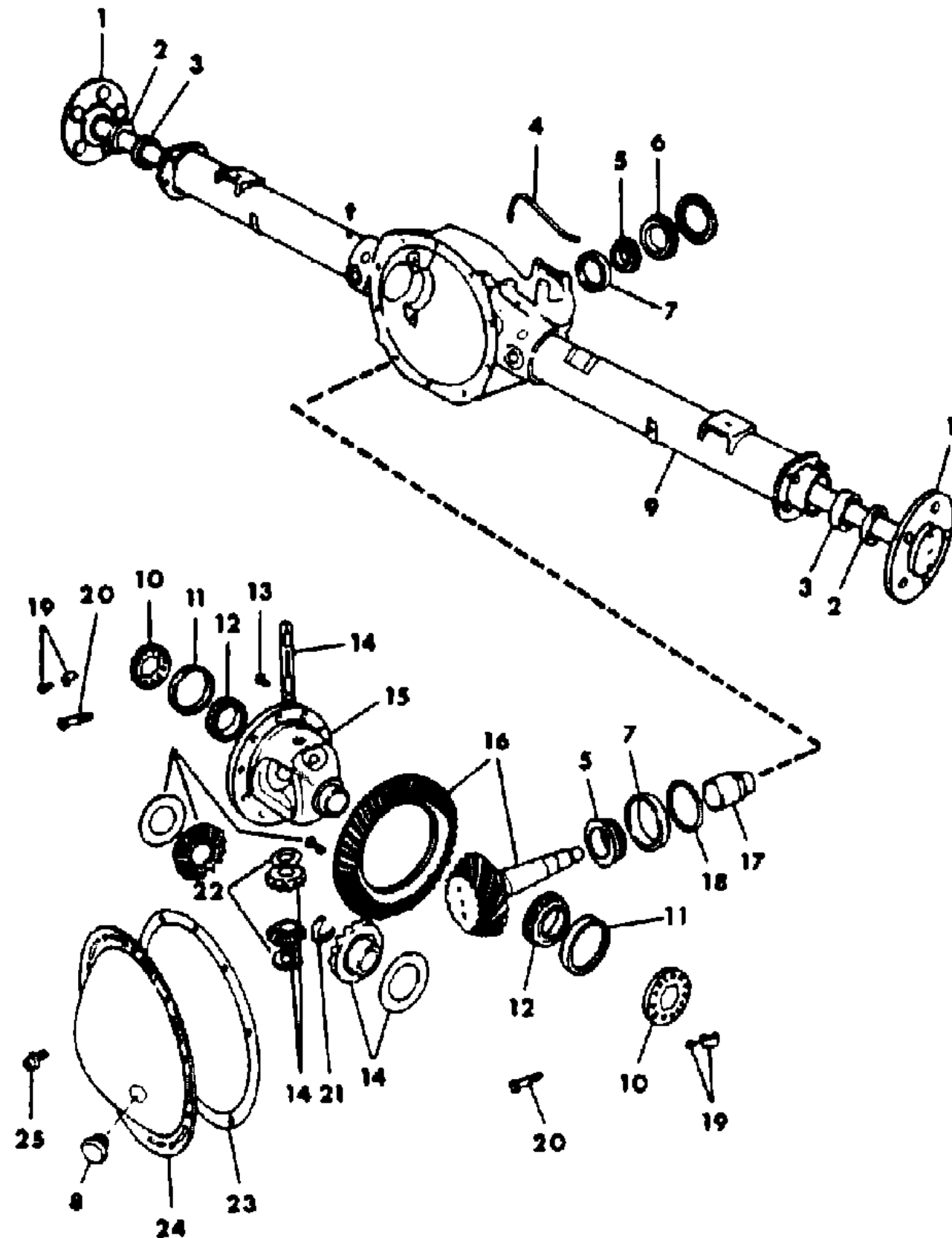
BODY STYLES

21 = 2-DOOR SEDAN	28 = FWD PICKUP	44 = 4-DOOR HATCHBACK
22 = 2-DOOR SPECIAL COUPE	35 = FWD VAN	45 = 4-DOOR STATION WAGON
24 = 2-DOOR HATCHBACK	36 = FWD WAGON	48 = 4-DOOR EXECUTIVE SEDAN
27 = 2-DOOR CONVERTIBLE	41 = 4-DOOR SEDAN	

AR = Use as Required - = Non Illustrated Part P.A.R. = Paint as Required

AXLE, REAR w/DIFFERENTIAL AND CARRIER - B,F,G 8-1/4" O.D. GEAR-1-5/8" DIA. STEM
Figure 3-200

4103 300



ITEM	PART NUMBER	QTY	BODY	MODEL	DESCRIPTION
20	3432 695	4	All		SCREW,Cap
21	2852 883	2	All		LOCK,Drive Shaft
22	2852 912	2	All		WASHER,Drive Pinion Thrust
23			All		GASKET,Axle Carrier Cover(Use Silicone Adhesive)
24	4049 689	1	All		COVER,w/Rubber Plug,Axle Carrier
25	6031 109	10	All		SCREW,Cover

MODEL CODES

B = GRAN FURY	F = FIFTH AVENUE/NEWPORT	P = RELIANT
C = LEBARON/TOWN & COUNTRY/EXC SEDAN	G = DIPLOMAT	T = E CLASS/NEW YORKER
C24 = LASER	H = VOYAGER	V = 600
D = ARIES	K = MINI RAM/CARAVAN/ROYAL	V24 = DAYTONA
E = 600	M = HORIZON/TURISMO	Z = OMNI/CHARGER/RAMPAGE

BODY STYLES

21 = 2-DOOR SEDAN	28 = FWD PICKUP	44 = 4-DOOR HATCHBACK
22 = 2-DOOR SPECIAL COUPE	35 = FWD VAN	45 = 4-DOOR STATION WAGON
24 = 2-DOOR HATCHBACK	36 = FWD WAGON	48 = 4-DOOR EXECUTIVE SEDAN
27 = 2-DOOR CONVERTIBLE	41 = 4-DOOR SEDAN	

AR = Use as Required - = Non Illustrated Part P.A.R. = Paint as Required

GROUP 4 - BRAKES, PARKING

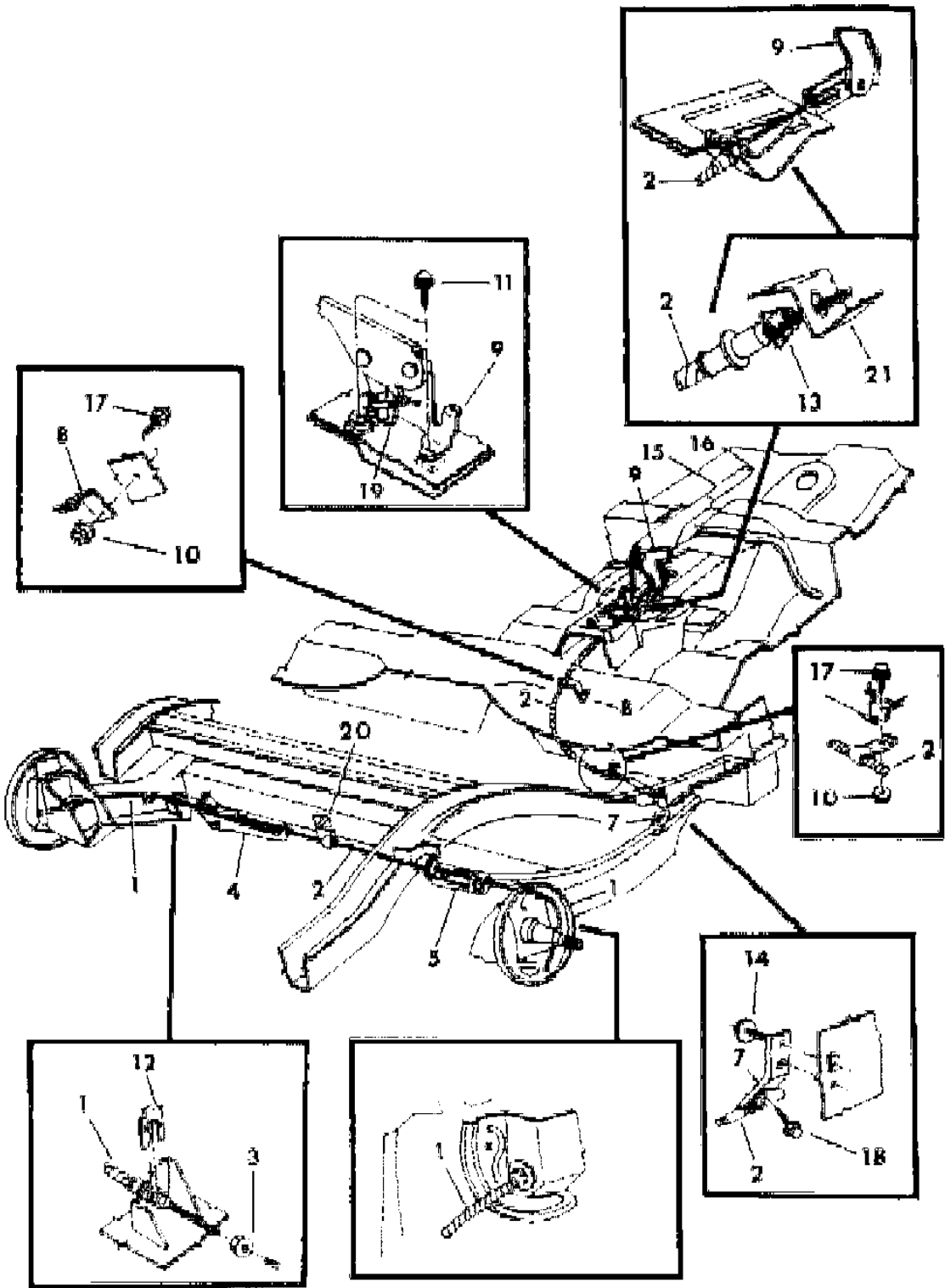
ILLUSTRATION TITLE	GROUP-FIG. NO.
LEVER AND CABLE, PARKING BRAKE M,Z-24,44	Fig. 4-100
LEVER AND CABLE, PARKING BRAKE M,Z-28	Fig. 4-200
LEVER, PARKING BRAKE P,D,C,E,T	Fig. 4-300
CABLES, PARKING BRAKE P,D,C,E,T	Fig. 4-400
LEVER, PARKING BRAKE H,K	Fig. 4-500
CABLES, PARKING BRAKE H,K	Fig. 4-600
LEVER, PARKING BRAKE B,F,G	Fig. 4-700
CABLES, PARKING BRAKE B,F,G	Fig. 4-800

ILLUSTRATION NOT AVAILABLE AT TIME OF PUBLICATION

LEVER AND CABLE, PARKING BRAKE M,Z-24,44

Figure 4-100

4104 100



ITEM	PART NUMBER	QTY	BODY	MODEL	DESCRIPTION
1	4294 051	2	All		CABLE, Rear
2	5204 111	1	44		CABLE, Frt.
	5204 120	1	24		
3	6030 607	1	All		NUT, Cable Adjusting Conn.
4	3575 604	1	All		CONNECTOR, Cable Adj.
5	3575 605	1	All		CONNECTOR, Frt. Cable To Rear Cable
7	4294 155	1	All		BRACKET, Cable Side Rail
8	5204 122	1	All		CLIP, Cable Tunnel Frt.
9	5211 931	1	All		LEVER, Parking Brake
10	0219 462	2	All		NUT, Frt. Cable Screw
11	6500 187	2	All		SCREW,w/WASHER, Park Brake Mtg.
12	2201 467	2	All		CLIP, Rear Cable
13	3467 924	1	All		RETAINER, Cable Frt.
14	6100 583	1	All		SCREW, Cable Side Rail Brkt.
15	5211 929	1	All		GRIP, Handle
16	4186 991	1	All		BUTTON REPAIR PKG.
17	0181 063	2	All		SCREW, Cable Clip
18	6100 583	1	All		SCREW, Frt., Cable Rail Brkt. (Not Serv.)
19	5209 922	1	All		SWITCH, Park Brake Lever
20	5204 125	1	All		BRACKET, Cable To Rr. C/Member
21	4294 155	1	All		BRACKET, Frt. Cable Rr. Side Rail

MODEL CODES

B = GRAN FURY	F = FIFTH AVENUE/NEWPORT	P = RELIANT
C = LEBARON/TOWN & COUNTRY/EXC SEDAN	G = DIPLOMAT	T = E CLASS/NEW YORKER
C24 = LASER	H = VOYAGER	V = 600
D = ARIES	K = MINI RAM/CARAVAN/ROYAL	V24 = DAYTONA
E = 600	M = HORIZON/TURISMO	Z = OMNI/CHARGER/RAMPAGE

BODY STYLES

21 = 2-DOOR SEDAN	28 = FWD PICKUP	44 = 4-DOOR HATCHBACK
22 = 2-DOOR SPECIAL COUPE	35 = FWD VAN	45 = 4-DOOR STATION WAGON
24 = 2-DOOR HATCHBACK	36 = FWD WAGON	48 = 4-DOOR EXECUTIVE SEDAN
27 = 2-DOOR CONVERTIBLE	41 = 4-DOOR SEDAN	

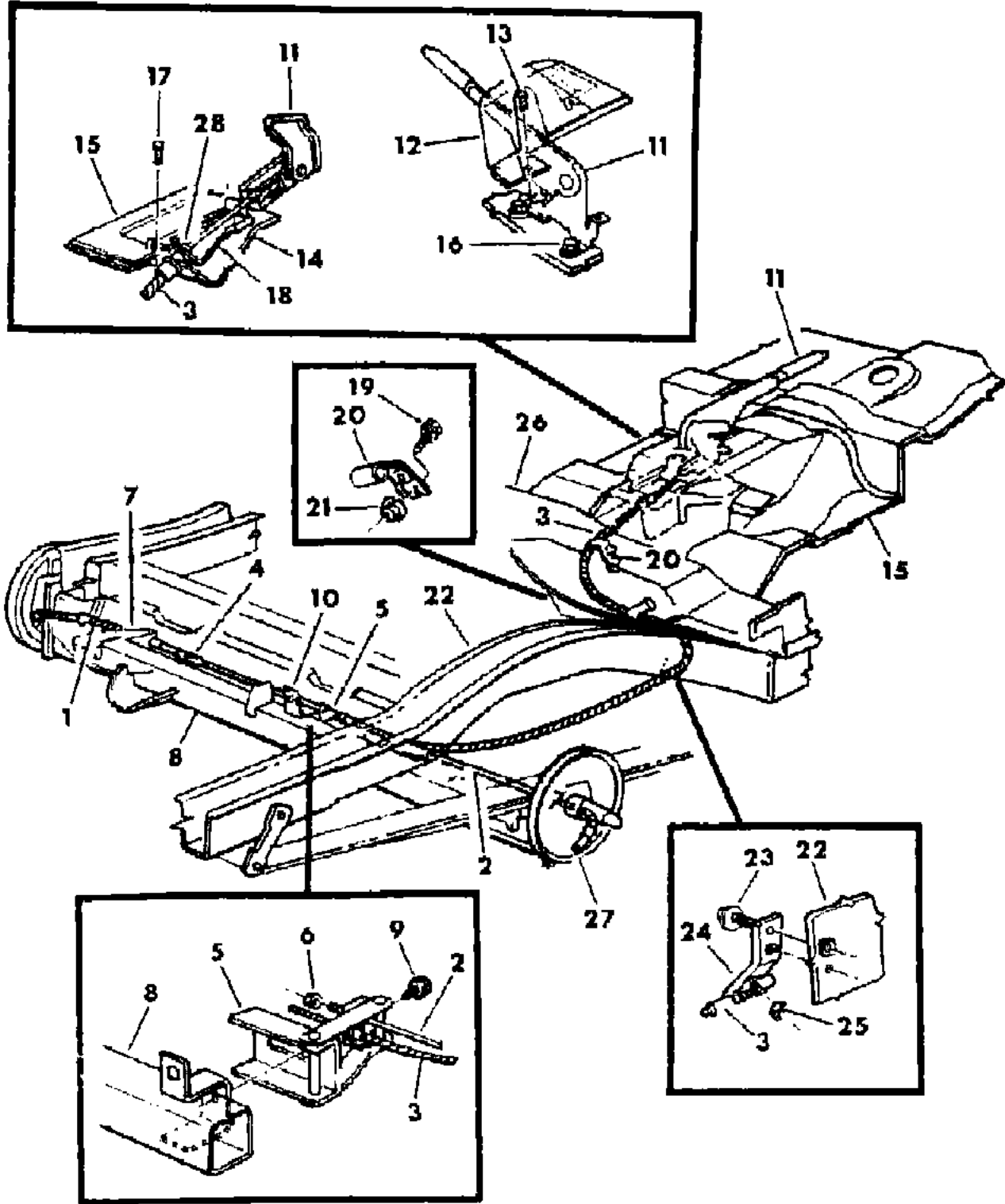
AR = Use as Required - = Non Illustrated Part P.A.R. = Paint as Required

LEVER AND CABLE, PARKING BRAKE M,Z-28

Figure 4-200

4104 200

ITEM	PART NUMBER	QTY	BODY	MODEL	DESCRIPTION
1	4294 049	1		All	CABLE, Rear, Lt.
2	4294 048	1		All	Rt.
3	3880 427	1		All	CABLE, Frt.
4	3766 234	1		All	CONNECTOR, Frt. Cable To Rr. Cable
5	3880 151	1		All	CONNECTOR, Cable Adj.
6	6030 607	1		All	NUT, Cable Conn. Adj.
7					SEAT, Rear Spring Cable (Ref.)
8					AXLE, Rr. (Ref.)
9	6100 312	1		All	SCREW, Guide
10	3880 137	1		All	GUIDE, Cable
11	5211 931	1		All	LEVER, Park Brake
12					COVER, Park Brake, w/o Console (Ref.)
13					SCREW, Cover w/o Console (Ref.)
14					REINFORCEMENT, Floor Pan (Ref.)
15					PAN, Frt. Floor (Ref.)
16	6500 187	2		All	SCREW,w/WASHER, Park Brake Mtg.
17					SCREW, Frt. Floor Pan Cable (Ref.)
18					SEAL, Floor Pan (Ref.)
19	0181 063	3		All	SCREW, Frt. Cable Clip
20	5204 122	1		All	CLIP, Frt. Cable Tunnel
21	0219 462	3		All	NUT, Frt. Cable Clip Bolt
22					RAIL, Rr. (Ref.)
23				All	SCREW, Cable Side Rail Brkt. (Not Serviced)
24	4294 155	1		All	BRACKET, Frt. Cable Side
25	0152 360	1		All	NUT, Brkt.
26					PAN, Rr. Floor (Ref.)
27					PLATE, Rr. Backing (Ref.)
28	3467 924	1		All	RETAINER, Cable Frt.



MODEL CODES

B = GRAN FURY	F = FIFTH AVENUE/NEWPORT	P = RELIANT
C = LEBARON/TOWN & COUNTRY/EXC SEDAN	G = DIPLOMAT	T = E CLASS/NEW YORKER
C24 = LASER	H = VOYAGER	V = 600
D = ARIES	K = MINI RAM/CARAVAN/ROYAL	V24 = DAYTONA
E = 600	M = HORIZON/TURISMO	Z = OMNI/CHARGER/RAMPAGE

BODY STYLES

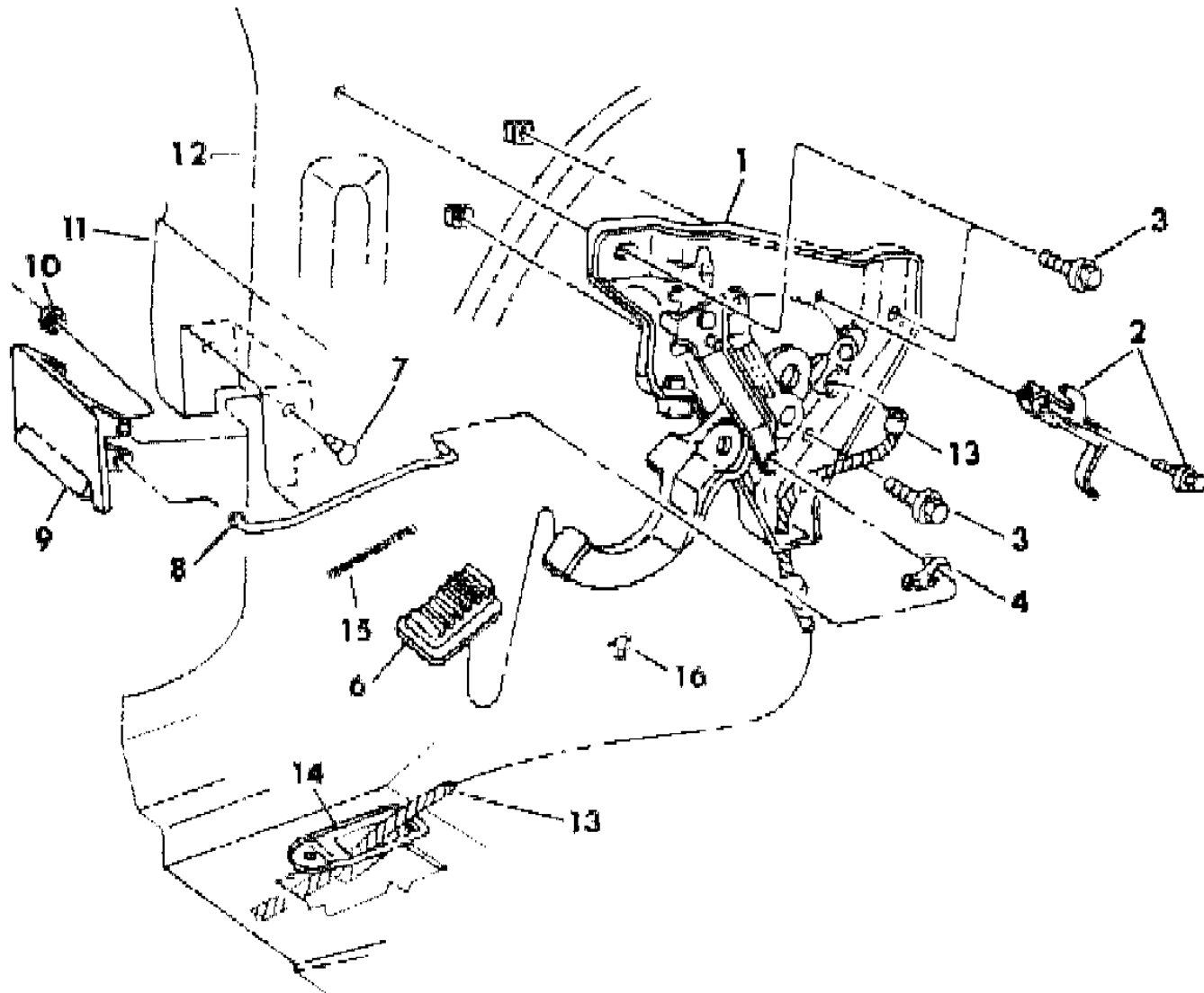
21 = 2-DOOR SEDAN	28 = FWD PICKUP	44 = 4-DOOR HATCHBACK
22 = 2-DOOR SPECIAL COUPE	35 = FWD VAN	45 = 4-DOOR STATION WAGON
24 = 2-DOOR HATCHBACK	36 = FWD WAGON	48 = 4-DOOR EXECUTIVE SEDAN
27 = 2-DOOR CONVERTIBLE	41 = 4-DOOR SEDAN	

AR = Use as Required - = Non Illustrated Part P.A.R. = Paint as Required

LEVER, PARKING BRAKE P,D,C,E,T

Figure 4-300

#104 300



ITEM	PART NUMBER	QTY	BODY	MODEL	DESCRIPTION
1	3880 426	1		All	LEVER, Park Brake
2	3747 327	1		All	SWITCH, Lever Release
3	6100 584	3		All	SCREW, w/WASHER
4	3454 220	1		All	CLIP, Lever Rel.Rod
6	4019 175	1		All	PAD, Lever
7	4019 174	1		All	PIN, Pivot Rel.Handle
8	4019 172	1		All	ROD, Rel.
9	3880 188	1		C,V-24	ROD, Rel.
	F296 BT8	1		All	Handle, Dk.Tan
	F296 VM6	1		All	Red
	F296 AC7	1		All	Dk.Blue
	F296 AA7	1		All	Dk.Silver
	P407 CX9	1		C,V-24	Black
10	6031 147	1		All	CLIP, Rel. Handle Pivot Pin
11					INST.Panel (Ref.Only)
12					COWL SIDE (Ref.Only)
13	3766 435	1		All	CABLE, Front
14					GROMMET (Ref.Only)
15	4205 997	1		All	SPRING PKG., Rel. Rod Retainer
16	4019 355	1		All	BUMPER PKG., Park Brake Lever

MODEL CODES

B = GRAN FURY	F = FIFTH AVENUE/NEWPORT	P = RELIANT
C = LEBARON/TOWN & COUNTRY/EXC SEDAN	G = DIPLOMAT	T = E CLASS/NEW YORKER
C24 = LASER	H = VOYAGER	V = 600
D = ARIES	K = MINI RAM/CARAVAN/ROYAL	V24 = DAYTONA
E = 600	M = HORIZON/TURISMO	Z = OMNI/CHARGER/RAMPAGE

BODY STYLES

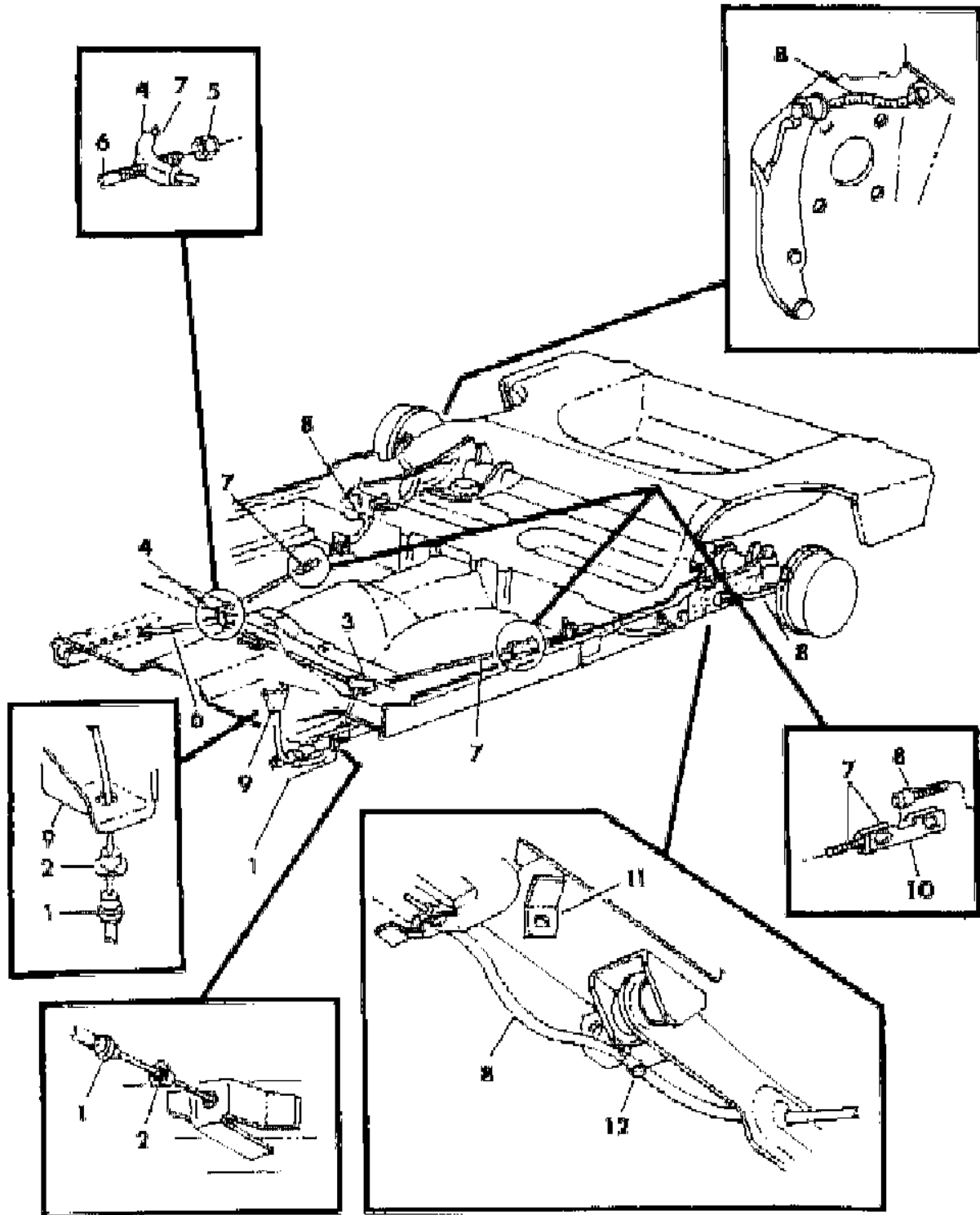
21 = 2-DOOR SEDAN	28 = FWD PICKUP	44 = 4-DOOR HATCHBACK
22 = 2-DOOR SPECIAL COUPE	35 = FWD VAN	45 = 4-DOOR STATION WAGON
24 = 2-DOOR HATCHBACK	36 = FWD WAGON	48 = 4-DOOR EXECUTIVE SEDAN
27 = 2-DOOR CONVERTIBLE	41 = 4-DOOR SEDAN	

AR = Use as Required - = Non Illustrated Part P.A.R. = Paint as Required

CABLES, PARKING BRAKE P,D,C,E,T
Figure 4-400

4104 400

ITEM	PART NUMBER	QTY	BODY	MODEL	DESCRIPTION
1	3766 435	1		All	CABLE, Front
	3880 349	1		C,V-24	CABLE, Front
	5200 384	1		All	SEAL, Dash Panel Cable (Not Ill.)
2	3467 939	2		All	RETAINER, Cable Seal
3	3575 593	1		All	CONNECTOR, Frt. To Int. Cable
4	3467 901	1		All	EQUALIZER
5	6030 607	1		All	NUT, Cable Adjust Conn.
6	3766 379	1		All	HOOK, Int. Adjust Cable
	3880 022	1		All	CUSHION, Park Brake Hook Adjust (Not Ill.)
7	4318 708	1		P,D,V,C	CABLE, Int.,w/200 MM x 32.5 MM Brks.
	4318 709	1		P,D,V,C	CABLE, Int.,w/220 MM x 38.0 MM Brks.
	4294 139	1		E,T	CABLE, Int.,w/220 MM x 38.0 MM Brks.
	4318 707	1		C,V-24	CABLE, Int.,w/220 MM x 38.0 MM Brks.
8	4339 719	1			CABLE, Int.,w/ Excutive Sedan
	4339 999	1			CABLE, Int.,w/ Limo
	4318 708	2		P,D,C,V	CABLE, Rr., w/200 MM x 32.5 MM Brks.
9	4318 707	2		P,D,C,V	CABLE, Rr., w/220 MM x 38.0 MM Brks.
	4364 789	2		E,T	CABLE, Rr., w/220 MM x 38.0 MM Brks.
10	3766 234	2		All	CONNECTOR, Int. Cable To Rr. Cable
11					BRKT. (Ref. See Ill. Gr.5)
12					BRKT. (Ref. See Ill. Gr.5)
	2201 467	2		All	CLIP, Rear Brake Cable To Susp. Brkt. (Not Ill.)



MODEL CODES

B = GRAN FURY	F = FIFTH AVENUE/NEWPORT	P = RELIANT
C = LEBARON/TOWN & COUNTRY/EXC SEDAN	G = DIPLOMAT	T = E CLASS/NEW YORKER
C24 = LASER	H = VOYAGER	V = 600
D = ARIES	K = MINI RAM/CARAVAN/ROYAL	V24 = DAYTONA
E = 600	M = HORIZON/TURISMO	Z = OMNI/CHARGER/RAMPAGE

BODY STYLES

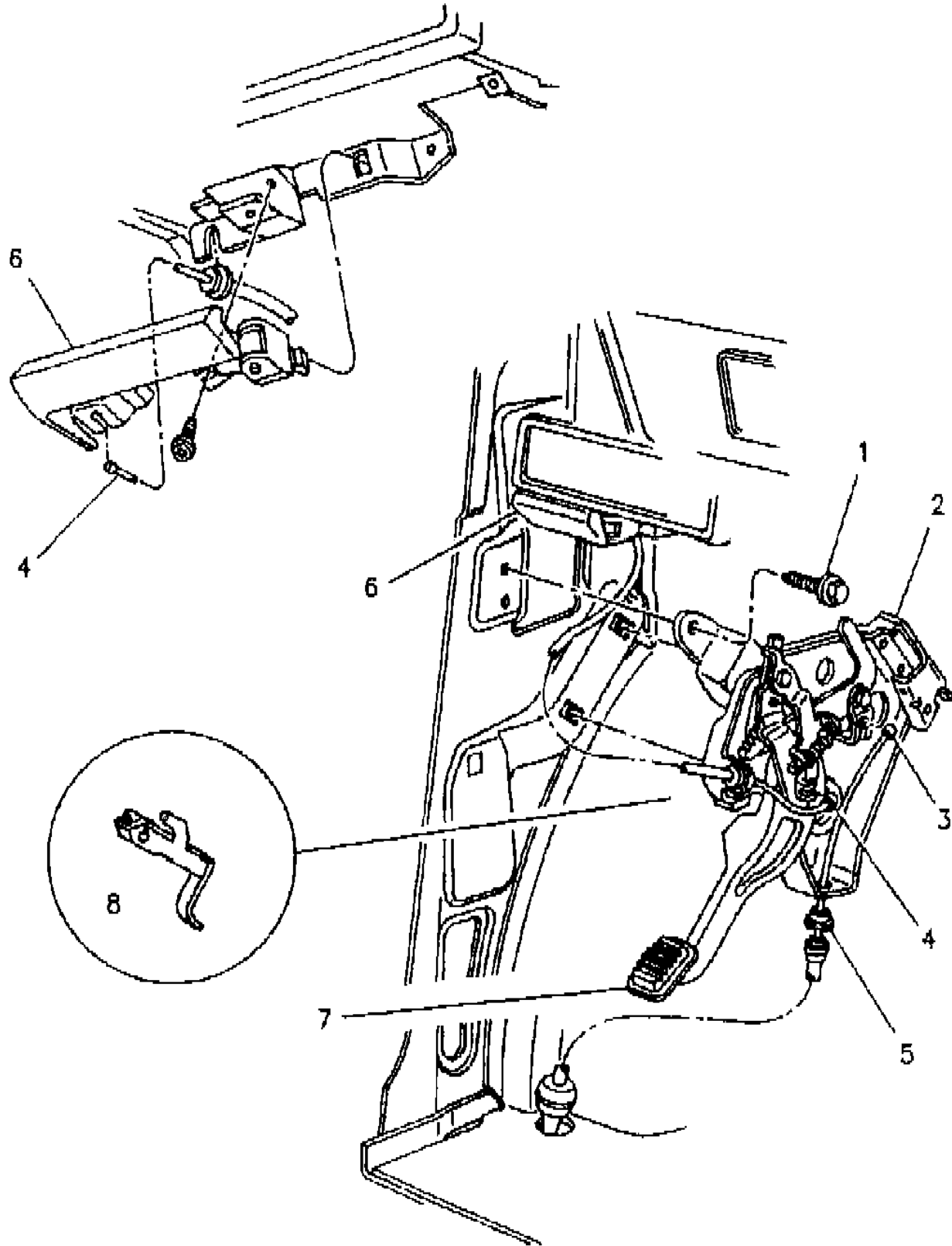
21 = 2-DOOR SEDAN	28 = FWD PICKUP	44 = 4-DOOR HATCHBACK
22 = 2-DOOR SPECIAL COUPE	35 = FWD VAN	45 = 4-DOOR STATION WAGON
24 = 2-DOOR HATCHBACK	36 = FWD WAGON	48 = 4-DOOR EXECUTIVE SEDAN
27 = 2-DOOR CONVERTIBLE	41 = 4-DOOR SEDAN	

AR = Use as Required - = Non Illustrated Part P.A.R. = Paint as Required

LEVER, PARKING BRAKE H,K
Figure 4-500

4104 500A

ITEM	PART NUMBER	QTY	BODY	MODEL	DESCRIPTION
1	6100 584	3			SCREW w/Washer
2	4294 454	1			LEVER
3	4294 455	1			CABLE, Frt.
4	4294 026	1			CABLE, Release
5	3467 939	1			RETAINER
6	3880 434	1			HANDLE
7	4019 175	1			PAD
8	4221 760	1			SWITCH



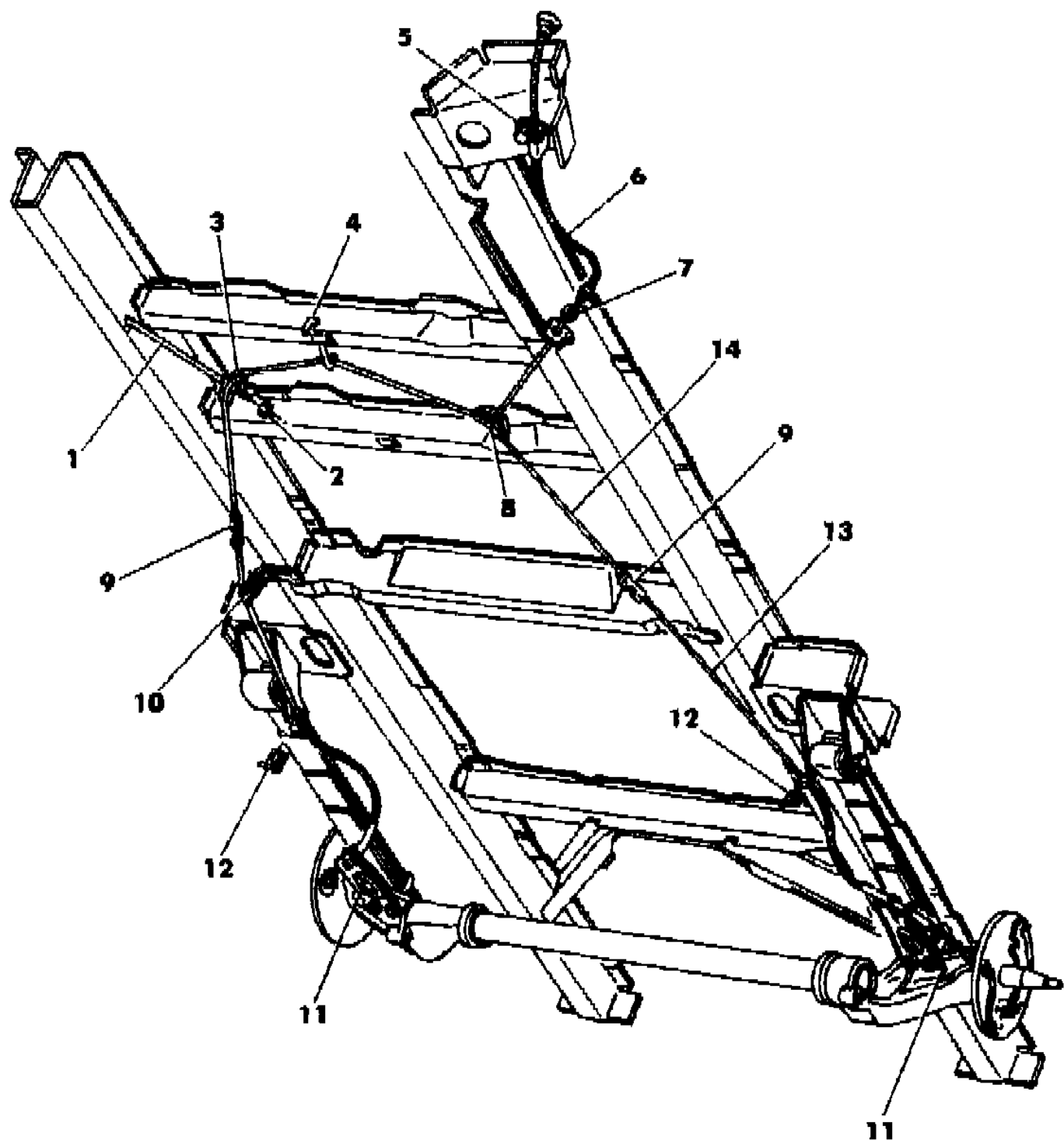
MODEL CODES
 B = GRAN FURY
 C = LEBARON/TOWN & COUNTRY/EXC SEDAN
 C24 = LASER
 D = ARIES
 E = 600
 F = FIFTH AVENUE/NEWPORT
 G = DIPLOMAT
 H = VOYAGER
 K = MINI RAM/CARAVAN/ROYAL
 M = HORIZON/TURISMO
 P = RELIANT
 T = E CLASS/NEW YORKER
 V = 600
 V24 = DAYTONA
 Z = OMNI/CHARGER/RAMPAGE

BODY STYLES
 21 = 2-DOOR SEDAN
 22 = 2-DOOR SPECIAL COUPE
 24 = 2-DOOR HATCHBACK
 27 = 2-DOOR CONVERTIBLE
 28 = FWD PICKUP
 35 = FWD VAN
 36 = FWD WAGON
 41 = 4-DOOR SEDAN
 44 = 4-DOOR HATCHBACK
 45 = 4-DOOR STATION WAGON
 48 = 4-DOOR EXECUTIVE SEDAN

AR = Use as Required - = Non Illustrated Part P.A.R. = Paint as Required

CABLES, PARKING BRAKE H,K
Figure 4-600

4104 600



ITEM	PART NUMBER	QTY	BODY	MODEL	DESCRIPTION
1	3880 487	1		All	HOOK, Adjusting
2	6030 607	1		All	NUT
3	3467 901	1		All	EQUALIZER
4	3880 482	1		All	HOOK, Int. Cable
5	4294 024	1		All	BRACKET
6	3880 492	1		All	CABLE, Frt.
7	3467 939	1		All	RETAINER
8	3575 593	1		All	CONNECTOR
9	3766 234	2		All	CONNECTOR
10	3880 479	1		All	BRACKET
11	4294 144-5	1		All	BRACKET
12	2201 467	2		All	CLIP
13	4294 095	2		All	CABLE
14	3880 493	1		All	CABLE

MODEL CODES

B = GRAN FURY	F = FIFTH AVENUE/NEWPORT	P = RELIANT
C = LEBARON/TOWN & COUNTRY/EXC SEDAN	G = DIPLOMAT	T = E CLASS/NEW YORKER
C24 = LASER	H = VOYAGER	V = 600
D = ARIES	K = MINI RAM/CARAVAN/ROYAL	V24 = DAYTONA
E = 600	M = HORIZON/TURISMO	Z = OMNI/CHARGER/RAMPAGE

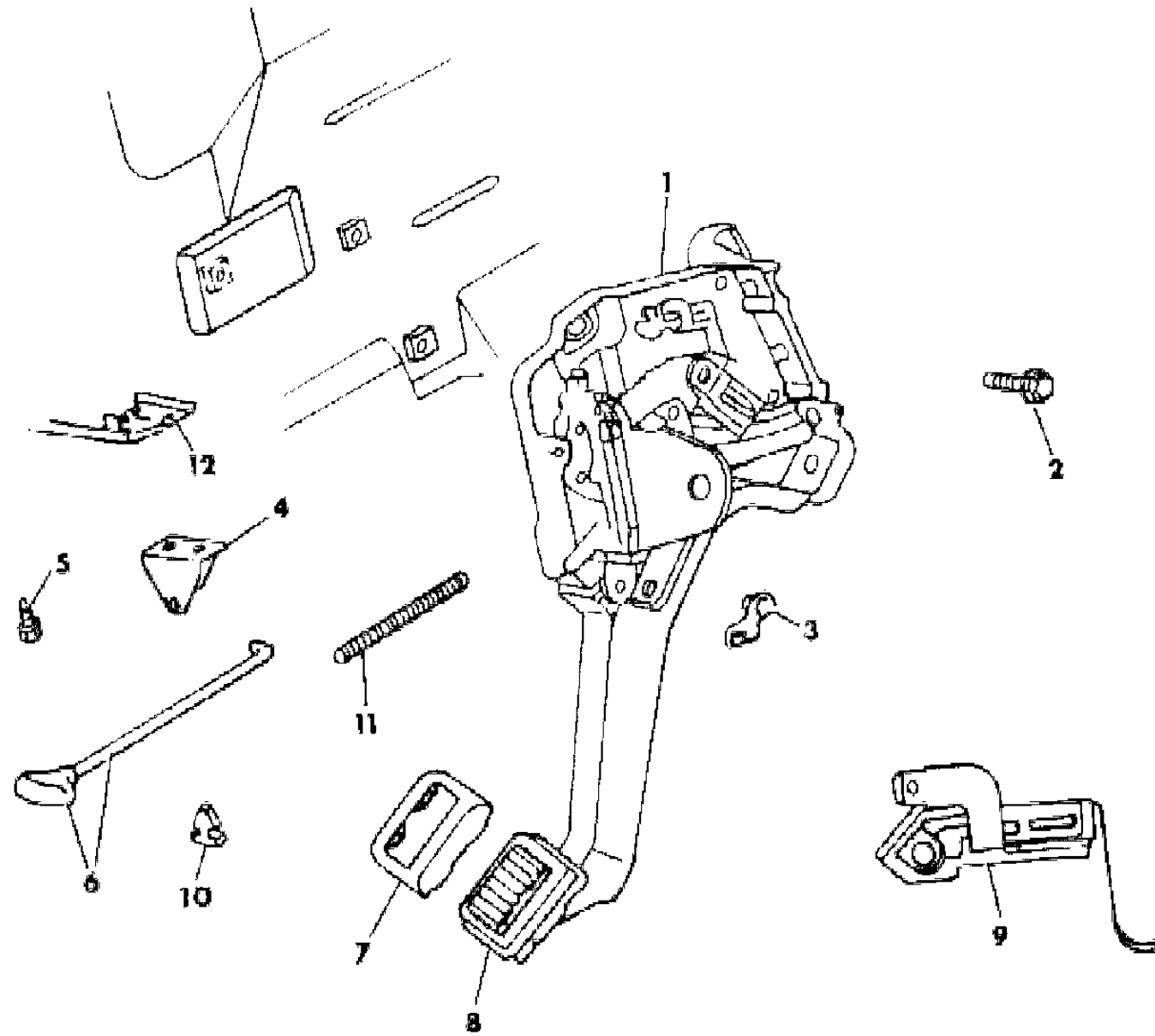
BODY STYLES

21 = 2-DOOR SEDAN	28 = FWD PICKUP	44 = 4-DOOR HATCHBACK
22 = 2-DOOR SPECIAL COUPE	35 = FWD VAN	45 = 4-DOOR STATION WAGON
24 = 2-DOOR HATCHBACK	36 = FWD WAGON	48 = 4-DOOR EXECUTIVE SEDAN
27 = 2-DOOR CONVERTIBLE	41 = 4-DOOR SEDAN	

AR = Use as Required - = Non Illustrated Part P.A.R. = Paint as Required

LEVER, PARKING BRAKE B,F,G
Figure 4-700

4104 700



ITEM	PART NUMBER	QTY	BODY	MODEL	DESCRIPTION
1	4019 369	1		All	LEVER, Park Brake
2	0181 088	3		All	SCREW w/WASHER, Lever Att.
3	3454 220	1		All	CLIP, Lever Rel. Rod
4	4019 545	1		All	BEZEL, Rel. Rod
5		2		All	SCREW (Not Serv.)
6	4019 543	1		All	ROD, w/KNOB, Lever Rel.
7	2467 513	1		All	BEZEL, Pedal Pad
8	2467 514	1		All	PAD, Pedal
9	3747 327	1		All	SWITCH, Park Brake
10	4019 355	1		All	BUMPER PKG., Lever Ret.
11	4205 997	1		All	SPRING PKG, Rel. Rod
12		1		All	REINF.Inst.Panel (Ref.Only)

MODEL CODES

B = GRAN FURY	F = FIFTH AVENUE/NEWPORT	P = RELIANT
C = LEBARON/TOWN & COUNTRY/EXC SEDAN	G = DIPLOMAT	T = E CLASS/NEW YORKER
C24 = LASER	H = VOYAGER	V = 600
D = ARIES	K = MINI RAM/CARAVAN/ROYAL	V24 = DAYTONA
E = 600	M = HORIZON/TURISMO	Z = OMNI/CHARGER/RAMPAGE

BODY STYLES

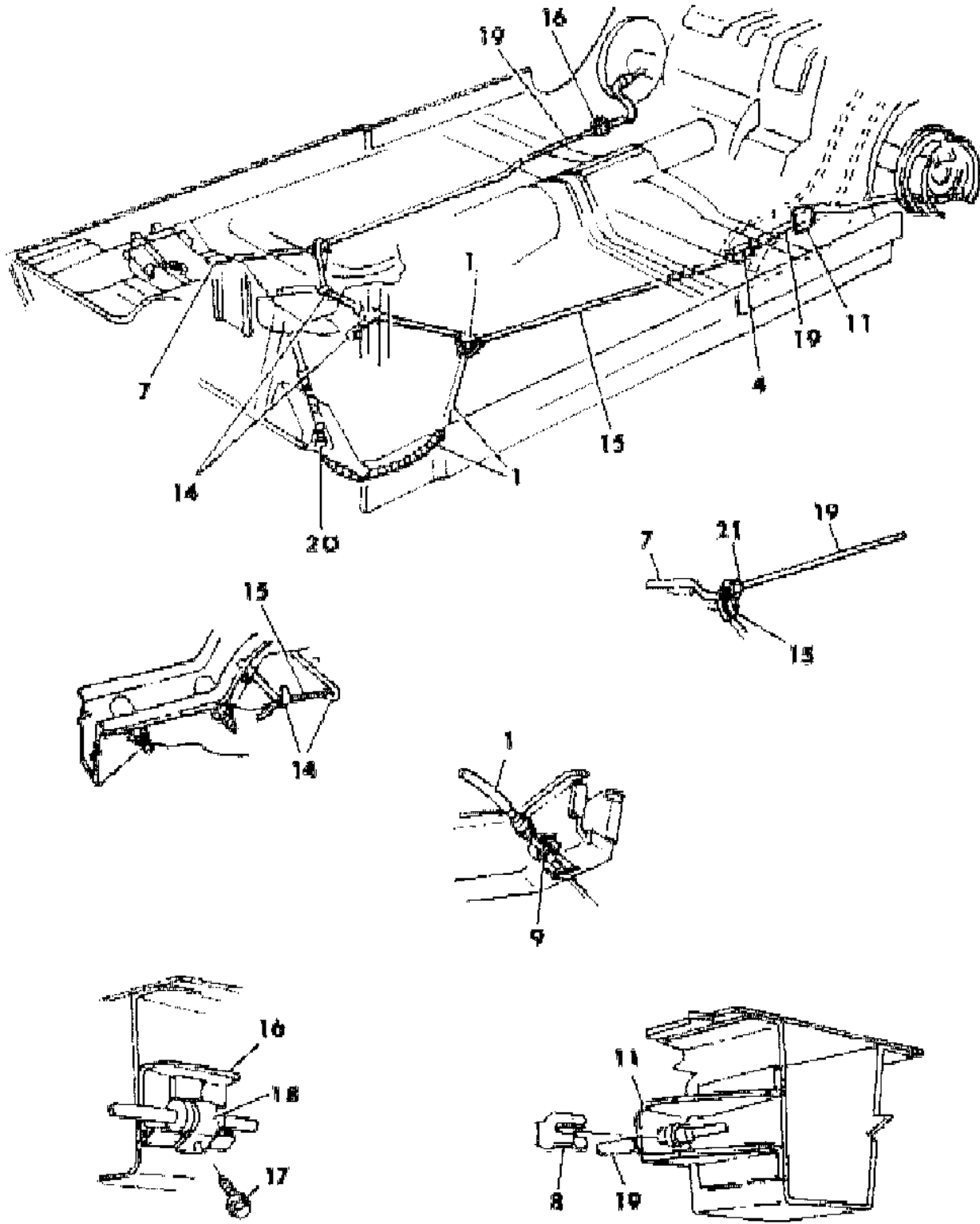
21 = 2-DOOR SEDAN	28 = FWD PICKUP	44 = 4-DOOR HATCHBACK
22 = 2-DOOR SPECIAL COUPE	35 = FWD VAN	45 = 4-DOOR STATION WAGON
24 = 2-DOOR HATCHBACK	36 = FWD WAGON	48 = 4-DOOR EXECUTIVE SEDAN
27 = 2-DOOR CONVERTIBLE	41 = 4-DOOR SEDAN	

AR = Use as Required - = Non Illustrated Part P.A.R. = Paint as Required

CABLES, PARKING BRAKE B,F,G
Figure 4-800

41.04 800

ITEM	PART NUMBER	QTY	BODY	MODEL	DESCRIPTION
1	3766 292	1		All	CABLE, Frt.
4	3766 234	1		All	CONNECTOR, Inter. To Rear Cable,Lt.
7	3880 073	1		All	HOOK, Int. Cable Equalizer
8	2201 467	1		All	CLIP, Cable To Cable Supt.
9	3467 939	2		All	RETAINER, Cable Lower
10	3575 593	1		All	CONNECTOR, Frt. To Inter. Cable
11	3570 345	1		All	BRACKET, Rear Side Rail Cable, Lt.
14	3766 289	2		All	HOOK, Inter. Cable Guide
15	3880 072	1		All	CABLE, Inter.
16	4314 662	1		All	BRACKET, Rear Side Rail Cable, Rt.
17		1		All	SCREW, (Not Serviced)
18	3699 186	1		All	CLAMP, Rear Cable Anchor, Rt.
19	3880 074	2		All	CABLE, Rear, Exc. Police & Taxi
	3880 075	2		F,G	Police & Taxi
20	2259 118	1		All	SEAL, Frt. Floor Pan Cable
21	3467 901	1		All	EQUALIZER, Cable Inter.



MODEL CODES
 B = GRAN FURY
 C = LEBARON/TOWN & COUNTRY/EXC SEDAN
 C24 = LASER
 D = ARIES
 E = 600
 F = FIFTH AVENUE/NEWPORT
 G = DIPLOMAT
 H = VOYAGER
 K = MINI RAM/CARAVAN/ROYAL
 M = HORIZON/TURISMO
 P = RELIANT
 T = E CLASS/NEW YORKER
 V = 600
 V24 = DAYTONA
 Z = OMNI/CHARGER/RAMPAGE

BODY STYLES
 21 = 2-DOOR SEDAN
 22 = 2-DOOR SPECIAL COUPE
 24 = 2-DOOR HATCHBACK
 27 = 2-DOOR CONVERTIBLE
 28 = FWD PICKUP
 35 = FWD VAN
 36 = FWD WAGON
 41 = 4-DOOR SEDAN
 44 = 4-DOOR HATCHBACK
 45 = 4-DOOR STATION WAGON
 48 = 4-DOOR EXECUTIVE SEDAN

AR = Use as Required - = Non Illustrated Part P.A.R. = Paint as Required

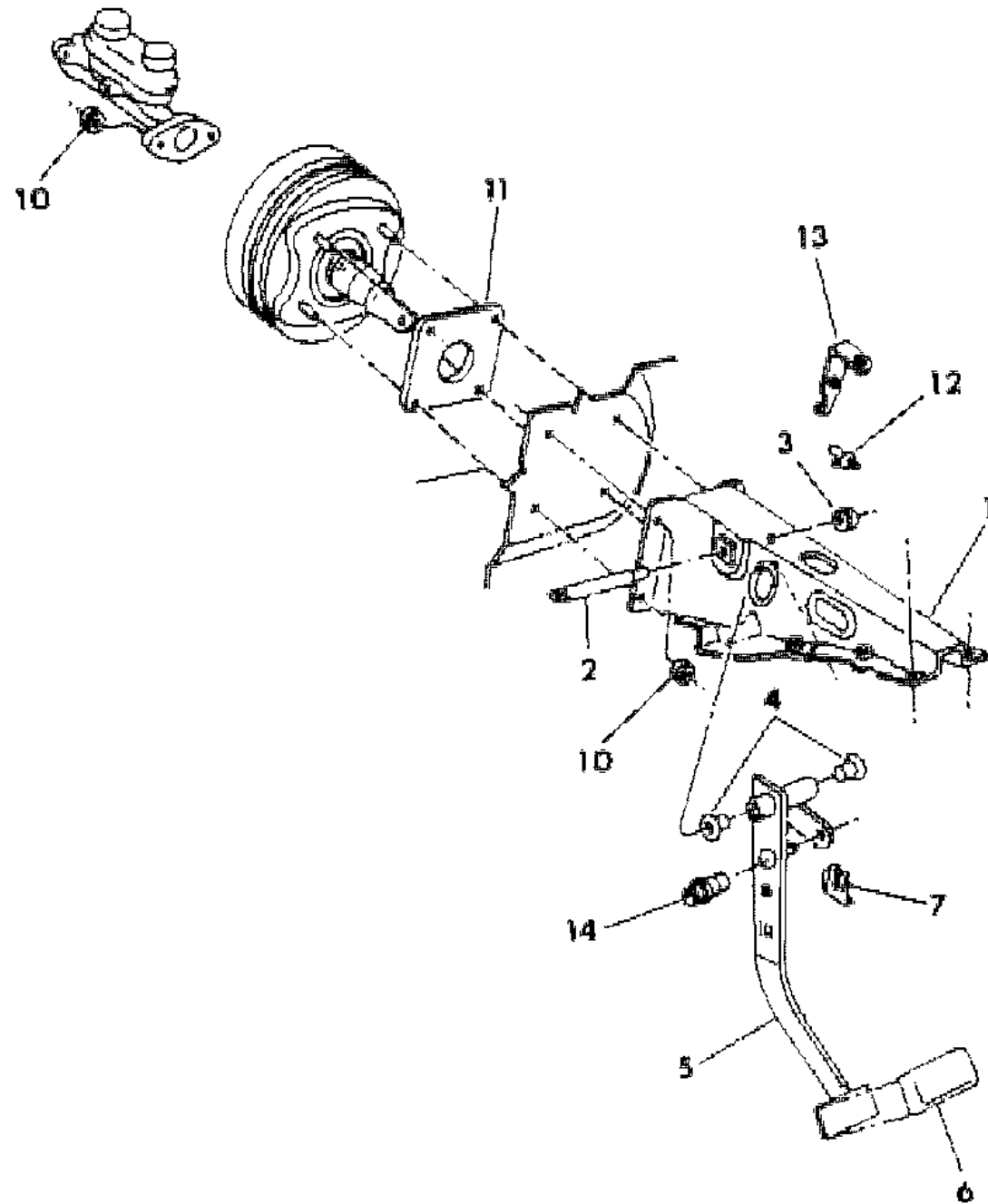
GROUP 5 - BRAKES, SERVICE

ILLUSTRATION TITLE	GROUP-FIG. NO.
PEDAL, BRAKE M,Z	Fig. 5-100
PEDAL, BRAKE P,D,C,V,E,T	Fig. 5-200
PEDAL, BRAKE H,K	Fig. 5-300
PEDAL, BRAKE F,G,B	Fig. 5-400
BOOSTER, POWER BRAKE M,Z	Fig. 5-500
BOOSTER, POWER BRAKE P,D,C,V,E,T,H,K	Fig. 5-600
BOOSTER, POWER BRAKE F,G,B	Fig. 5-700
MASTER CYLINDER, BRAKE M,Z,P,D,C,V,E,T,H,K	Fig. 5-800
MASTER CYLINDER, BRAKE F,G,B	Fig. 5-900
LINES AND HOSES, BRAKE M,Z	Fig. 5-1000
LINES AND HOSES, BRAKE P,D,C,V,E,T	Fig. 5-1100
LINES AND HOSES, BRAKE H,K	Fig. 5-1200
LINES AND HOSES, BRAKE F,G,B	Fig. 5-1300
BRAKES FRONT, M,Z (Exc. SHELBY & GLH)	Fig. 5-1400
BRAKES FRONT, P,D w/Std. Brakes (BGA)	Fig. 5-1500
BRAKES FRONT C,V-22,27,48 w/ or w/o Brake Sensors C,V-24 w/ Brake Sensors	Fig. 5-1600
BRAKES FRONT, C,E,T-41,45 & C,V-24 w/o Brake Sensors (SHELBY & GLH) P,D-41,45 w/H.D. Bakes (BGB)	Fig. 5-1700
BRAKES FRONT H,K-35,36	Fig. 5-1800
BRAKES FRONT, F,G,B	Fig. 5-1900
BRAKES REAR And WHEEL BEARINGS M,Z-All P,D-w/Std.(BGA) (200mmX32.5MM)	Fig. 5-2000
BRAKES REAR And WHEEL BEARINGS C,D,V,J,E,T-All P,D-w/H. Duty (BGB) (220mmX38.0mm)	Fig. 5-2100
BRAKES REAR And WHEEL BEARINGS H,K-35,36 (9"X2.5")	Fig. 5-2200
BRAKES REAR, B,F,G (10"& 11"X 2.5")	Fig. 5-2300

ILLUSTRATION NOT AVAILABLE AT TIME OF PUBLICATION

PEDAL, BRAKE M,Z
Figure 5-100

4105 100



ITEM	PART NUMBER	QTY	BODY	MODEL	DESCRIPTION
1	4019 700	1			BRACKET, Brake Pedal Support
2	4019 708	1			SHAFT, Brk Pedal, w/Man w/3.13/2.69 Gear Ratio
	5206 221	1			w/3.37 Gear Ratio
	5206 209	1			Auto.
3	6500 197	1			NUT
4	2467 770	2			BUSHING, Brake Pedal
5	3880 247	1			PEDAL, w/Man. Trans.
	3880 249	1			w/Auto. Trans.
6	5206 237	1			PAD, Brake Pedal, Man.
	5206 231	1			Auto
7	4294 036	1			CLIP
10	6500 230	1			NUT
11	5204 061	1			GASKET
12	2926 275	1			SWITCH w/Clip, Stop Lamp
	4221 438	1			w/Speed Control
13	5209 928	1			BRACKET
	5209 965	1			w/Speed Control
14	4019 420	1			PIN

NOTE: Whenever the Brake Booster/Master Cyl. Push Rod is disconnected from Brk Pedal, replace Clip Part Number 4019421. Gear and Pinion numbers stamped on the item may be used to confirm the correct MATCHED SET they are contained in.

MODEL CODES

B = GRAN FURY	F = FIFTH AVENUE/NEWPORT	P = RELIANT
C = LEBARON/TOWN & COUNTRY/EXC SEDAN	G = DIPLOMAT	T = E CLASS/NEW YORKER
C24 = LASER	H = VOYAGER	V = 600
D = ARIES	K = MINI RAM/CARAVAN/ROYAL	V24 = DAYTONA
E = 600	M = HORIZON/TURISMO	Z = OMNI/CHARGER/RAMPAGE

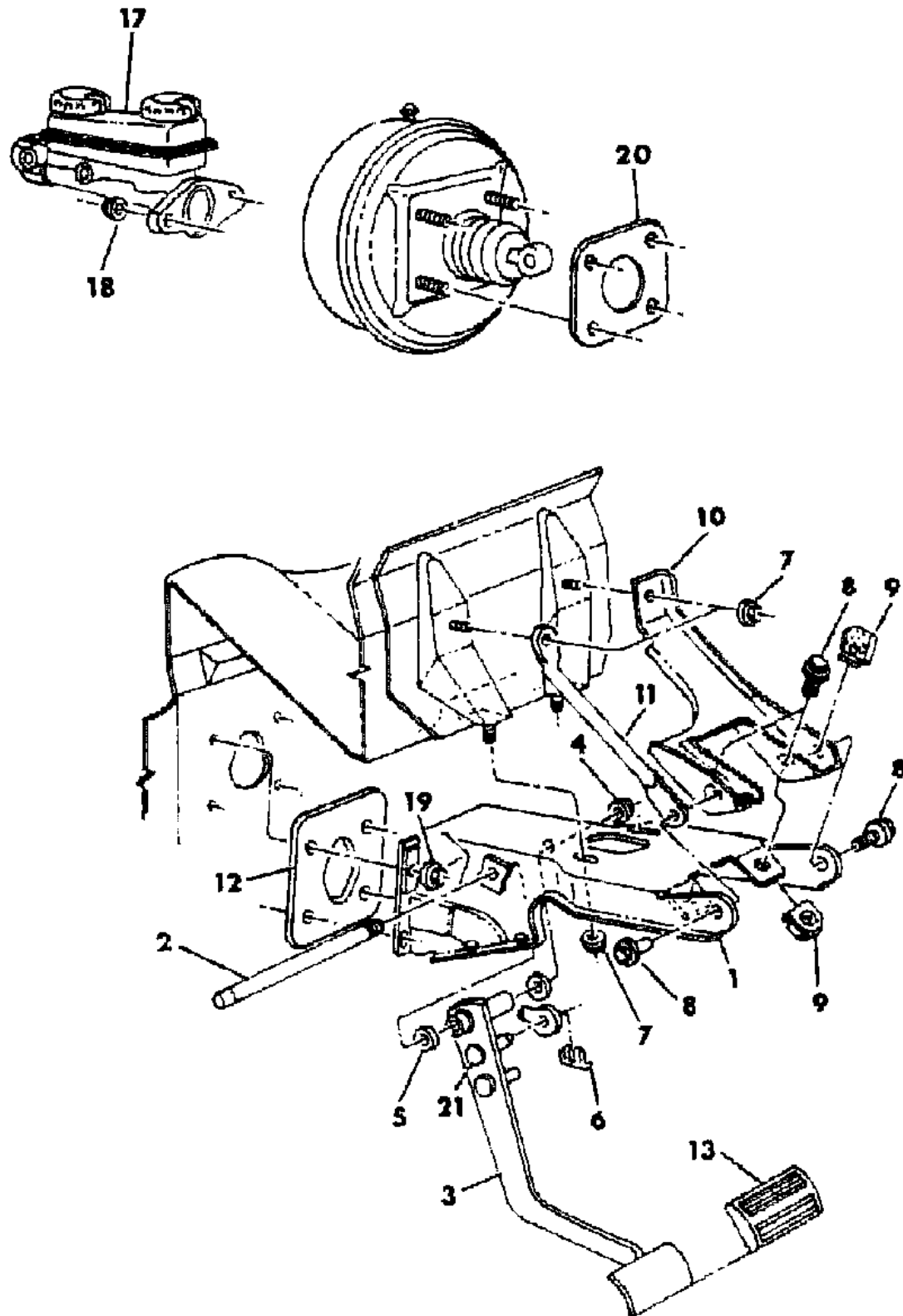
BODY STYLES

21 = 2-DOOR SEDAN	28 = FWD PICKUP	44 = 4-DOOR HATCHBACK
22 = 2-DOOR SPECIAL COUPE	35 = FWD VAN	45 = 4-DOOR STATION WAGON
24 = 2-DOOR HATCHBACK	36 = FWD WAGON	48 = 4-DOOR EXECUTIVE SEDAN
27 = 2-DOOR CONVERTIBLE	41 = 4-DOOR SEDAN	

AR = Use as Required - = Non Illustrated Part P.A.R. = Paint as Required

PEDAL, BRAKE P,D,C,V,E,T
Figure 5-200

4105 300



ITEM	PART NUMBER	QTY	BODY	MODEL	DESCRIPTION
1	3880 331	1			BRACKET, Auto. Trans.
	3880 332	1			Man. Trans.
2	4019 681	1			SHAFT PIVOT, Man. Trans.
	4019 685	1			Auto. Trans.
3	3880 397	1			PEDAL, w/Man. Trans.
	3880 265	1			w/Auto. Trans.
4	6500 197	1			NUT
5	2467 770	2			BUSHING
6	4294 036	1			CLIP
7	6500 532	4			NUT, w/Washer
8	6100 584	4			SCREW, w/Washer
9	6500 501	4			U-NUT
10	4294 030	1			SUPPORT
11	4294 044	1			STRUT, I/Panel Support
12	3880 257	1			SPACER
13	4019 715	1			PAD, Pedal w/ Man. Trans.
	4019 660	1			w/ Auto. Trans.
17					MASTER CYLINDER
18	6500 230	2			NUT w/Washer
19	6100 050	4			NUT w/Washer
20	3699 447	1			GASKET, Pwr. Bstr.
21	4019 420	1			PIN
	6031 704	1			CLIP, Stop Lp. Sw. (Not Shown)
	4221 651	1			SWITCH,w/or w/o Speed Control
	3747 992	1			BRACKET, Switch Mtg. (Not Shown)
	3747 990	1			STRIKER, Stop Lp. Sw. (not Shown)

NOTE: Whenever the Brake Booster/Master Cyl. Push Rod is disconnected from Brk Pedal, replace Clip Part Number 4019421. Gear and Pinion numbers stamped on the item may be used to confirm the correct MATCHED SET they are contained in.

MODEL CODES

B = GRAN FURY	F = FIFTH AVENUE/NEWPORT	P = RELIANT
C = LEBARON/TOWN & COUNTRY/EXC SEDAN	G = DIPLOMAT	T = E CLASS/NEW YORKER
C24 = LASER	H = VOYAGER	V = 600
D = ARIES	K = MINI RAM/CARAVAN/ROYAL	V24 = DAYTONA
E = 600	M = HORIZON/TURISMO	Z = OMNI/CHARGER/RAMPAGE

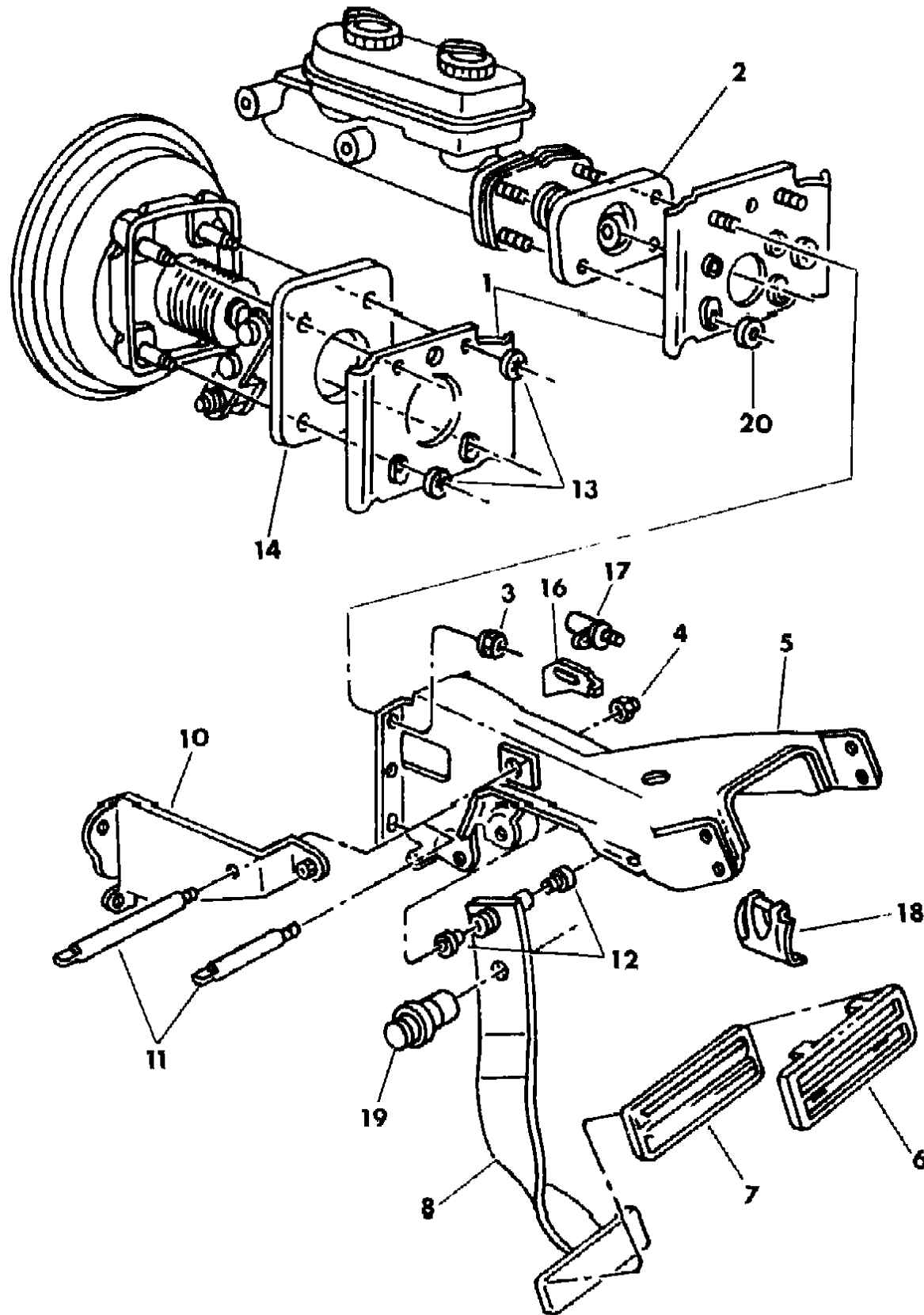
BODY STYLES

21 = 2-DOOR SEDAN	28 = FWD PICKUP	44 = 4-DOOR HATCHBACK
22 = 2-DOOR SPECIAL COUPE	35 = FWD VAN	45 = 4-DOOR STATION WAGON
24 = 2-DOOR HATCHBACK	36 = FWD WAGON	48 = 4-DOOR EXECUTIVE SEDAN
27 = 2-DOOR CONVERTIBLE	41 = 4-DOOR SEDAN	

AR = Use as Required - = Non Illustrated Part P.A.R. = Paint as Required

PEDAL, BRAKE F,G,B
Figure 5-400

4105 400A



ITEM	PART NUMBER	QTY	BODY	MODEL	DESCRIPTION
1	3766 120	1		All	REINFORCEMENT, Manual, Black
2	3766 122	1		All	GASKET
3	0118 614	4		All	NUT and WASHER
4	6023 035	1		All	NUT
5	4019 745	1		All	BRACKET
6	4019 661	1		All	BEZEL, w/Auto Trans.
7	3467 530	1		All	PAD, Manual
	4019 660	1		All	Auto.
8	4019 417	1		All	PEDAL, Man.
	4019 657	1		All	PEDAL and Clip, Auto.
10	4019 671	1		All	BRACKET
11	3748 703	1		All	SHAFT, Auto.
	3748 704	1		All	MANUAL
12	2467 770	2		All	BUSHING
13	6028 040	2		All	RETAINER
14	3699 190	1		All	GASKET
16	3747 020	1		All	BRACKET, Switch Mtg.
17	2926 275	1		All	SWITCH, Stop Lamp
	4221 438	1		All	w/Speed Control
	2809 033	1		All	Heavy Duty
18	4294 036	1		All	CLIP
19	4019 420	1		All	PIN
20	0118 614	2		All	NUT

NOTE: Whenever the Brake Booster/Master Cyl. Push Rod is disconnected from Brk pedal, replace Clip Part Number 4019421.
Gear and Pinion numbers stamped on the item may be used to confirm the correct MATCHED SET they are contained in.

MODEL CODES

B = GRAN FURY	F = FIFTH AVENUE/NEWPORT	P = RELIANT
C = LEBARON/TOWN & COUNTRY/EXC SEDAN	G = DIPLOMAT	T = E CLASS/NEW YORKER
C24 = LASER	H = VOYAGER	V = 600
D = ARIES	K = MINI RAM/CARAVAN/ROYAL	V24 = DAYTONA
E = 600	M = HORIZON/TURISMO	Z = OMNI/CHARGER/RAMPAGE

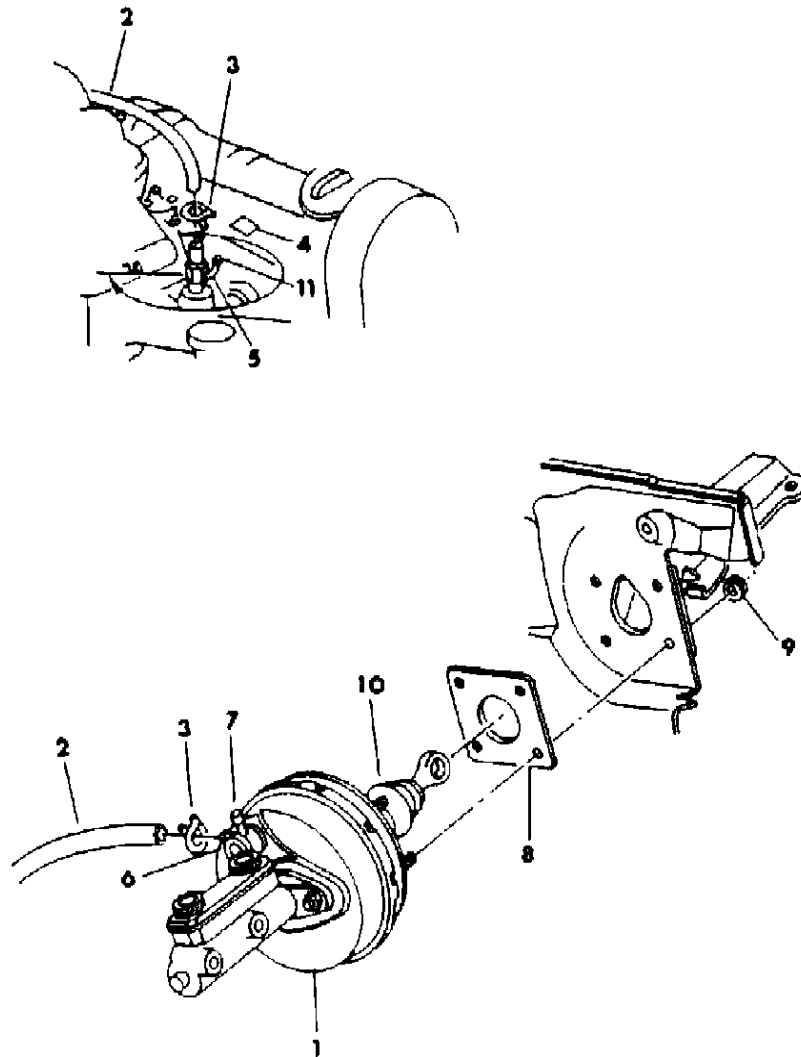
BODY STYLES

21 = 2-DOOR SEDAN	28 = FWD PICKUP	44 = 4-DOOR HATCHBACK
22 = 2-DOOR SPECIAL COUPE	35 = FWD VAN	45 = 4-DOOR STATION WAGON
24 = 2-DOOR HATCHBACK	36 = FWD WAGON	48 = 4-DOOR EXECUTIVE SEDAN
27 = 2-DOOR CONVERTIBLE	41 = 4-DOOR SEDAN	

AR = Use as Required - = Non Illustrated Part P.A.R. = Paint as Required

BOOSTER, POWER BRAKE M,Z
Figure 5-500

4105 500



ITEM	PART NUMBER	QTY	BODY	MODEL	DESCRIPTION
1	4342 707	1			BOOSTER, Brake
2	3879 277	AR			HOSE .34 I.D. 50 Ft. Roll
	4267 340	AR			.341 I.D. Hypalon
	4095 681	AR			.025 I.D. 50 Ft. Roll
	4026 511	AR			.145 I.D. 50 Ft. Roll
3	3880 431	1			20"long
	2448 761	2			CLAMP
	3580 170	1			CAP, w/Bendix
	4294 232	1			CAP, w/Teves
5	4094 139	1			CONNECTOR, 2 Way
	4094 872	1			5 Way
	4026 117	1			7 Way
	4041 228	1			1 Way w/plug, P/Brk. Vac. Line
6	5240 798	1			1 Way, Vacuum Control
	4271 382	1			VALVE and GROMMET PKG. w/Bendix
	4294 230	1			VALVE, w/Teves
	4294 229	1			GROMMET, w/Teves
7	3880 044	1			CAP
8	5204 061	1			GASKET
9	6100 050	AR			NUT
10	5204 069	1			BOOT, w/Bendix
	4294 228	1			BOOT, w/Teves
	3580 171	1			CAP, Tube 3/16" I.D. (not shown) w/Bendix
	4294 231	1			CAP, Tube 3/16" I.D. (not shown) w/Teves
	6500 230	2			NUT, Bstr. to M/Cyl. Mtg. (Not Shown)
	5204 048	1			PLATE, M/Cyl. Reif. (Not Shown)
	4095 681	AR			HOSE .025 I.D. 50 Ft. Roll (Not Shown)
	3766 429	1			FILTER, Vac. Hose (Not Shown)
	4294 036	1			CLIP, Push Rod Pin (not shown)

NOTE: Whenever the Brake Booster/Master Cyl. Push Rod is Disconnected from Brk Pedal, replace Clip Part Number 4019421.
 Gear and Pinion numbers stamped on the item may be used to confirm the correct MATCHED SET they are contained in.
 NOTE: Booster stamped with number 3880483 are Bendix made. Gear and Pinion numbers stamped on the item may be used to confirm the correct MATCHED SET they are contained in.
 NOTE: Booster stamped with number 4294083 are Teves made. Gear and Pinion numbers stamped on the item may be used to confirm the correct MATCHED SET they are contained in.

MODEL CODES

B = GRAN FURY	F = FIFTH AVENUE/NEWPORT	P = RELIANT
C = LEBARON/TOWN & COUNTRY/EXC SEDAN	G = DIPLOMAT	T = E CLASS/NEW YORKER
C24 = LASER	H = VOYAGER	V = 600
D = ARIES	K = MINI RAM/CARAVAN/ROYAL	V24 = DAYTONA
E = 600	M = HORIZON/TURISMO	Z = OMNI/CHARGER/RAMPAGE

BODY STYLES

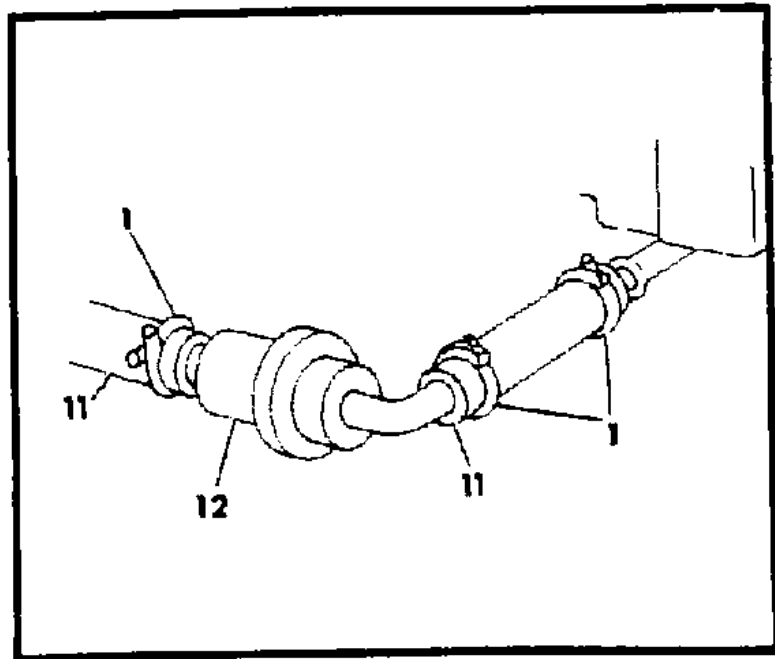
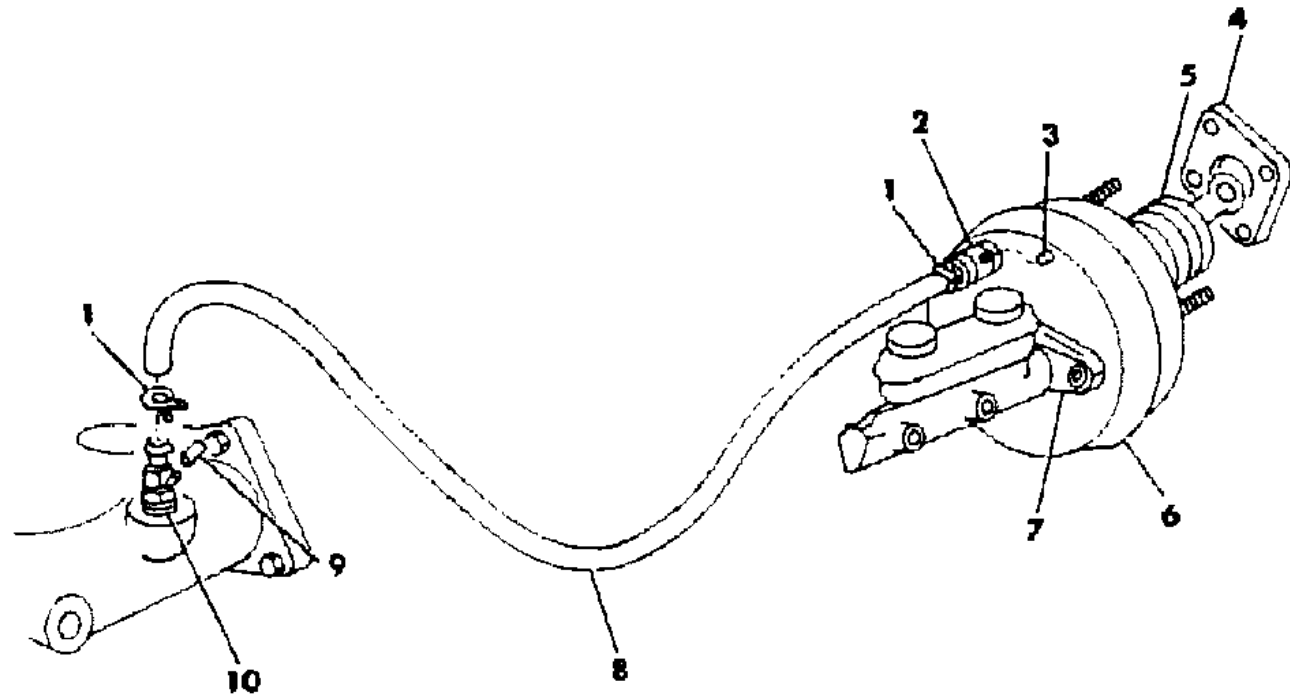
21 = 2-DOOR SEDAN	28 = FWD PICKUP	44 = 4-DOOR HATCHBACK
22 = 2-DOOR SPECIAL COUPE	35 = FWD VAN	45 = 4-DOOR STATION WAGON
24 = 2-DOOR HATCHBACK	36 = FWD WAGON	48 = 4-DOOR EXECUTIVE SEDAN
27 = 2-DOOR CONVERTIBLE	41 = 4-DOOR SEDAN	

AR = Use as Required - = Non Illustrated Part P.A.R. = Paint as Required

BOOSTER, POWER BRAKE P,D,C,V,E,T,H,K

Figure 5-600

4105 600



ITEM	PART NUMBER	QTY	BODY	MODEL	DESCRIPTION
1	2448 761	2			CLAMP
2	4271 382	1			VALVE, and Grommet, Check Vacuum
3	3880 044	1			CAP, Check Valve
4	3699 447	1			GASKET
5	3880 006	1			BOOT, Push Rod
6	4294 158	1		H,K	BOOSTER, Brake
	3880 277	1		P,D,V,C	All 2.2 Eng. w/Man. Trans.
	3880 277	1		P,D,V,C	All 2.6 Eng. w/Man.,w/Auto. Trans.
	3880 277	1		E,T	All 2.2 Eng. w/Man. Trans.
	4294 212	1		P,D	All w/H.Duty, w/Auto.,w/Man. Trans.
	4294 212	1		P,D,V,C	All 2.2 Eng. w/Auto. Trans.
	4294 212	1		E,T	All 2.2,2.6 Eng. w/Auto. Trans.
	4294 236	1		H,K	All (up to 10-4-83)
	4294 536	1		H,K	All (After 10-4-83)
7	6500 230	2			NUT
8	3879 277	AR			HOSE, .34 I.D. 50 Ft. Roll
	3879 277	AR			HOSE, Bstr. to Filter
	3880 431	1			HOSE, Bstr. to Eng. Int. Manif. w/2.6 Eng.
9	3580 171	1			CAP, Conn. Alux Tube 3/16" I.D.
	3580 170	1			1/8" I.D.
10	4094 872	1			CONNECTOR, 5 Way
	4026 117	1			CONNECTOR, 7 Way
	4210 580	1			4 Way
	4105 193	1			4 Way,w/ Turbo
	4241 873	1			3 Way
	5240 798	1			1 Way
11	4267 340	AR			HOSE .341 I.D. Hypalon, 50 ft. Roll
12	3766 429	1			FILTER
	4095 681	AR			HOSE .025 I.D. 50 Ft. Roll (Not Shwon)
	3847 935	1			CONNECTOR A/C Hose to Brk. Bstr. (Not Shown)
	3766 384	1			PLATE, M/cyl. Reinf. (not shown)
	4294 036	1			CLIP, Push Rod Pin (not shown)
	3880 431	1			HOSE, Bstr. to Eng. Int. Manif. (not shown)

NOTE: Whenever the Brake Booster/Master Cyl. Push Rod is disconnected from Brk Pedal, replace Clip Part Number 4019421. Gear and Pinion numbers stamped on the item may be used to confirm the correct MATCHED SET they are contained in.

MODEL CODES

B = GRAN FURY	F = FIFTH AVENUE/NEWPORT	P = RELIANT
C = LEBARON/TOWN & COUNTRY/EXC SEDAN	G = DIPLOMAT	T = E CLASS/NEW YORKER
C24 = LASER	H = VOYAGER	V = 600
D = ARIES	K = MINI RAM/CARAVAN/ROYAL	V24 = DAYTONA
E = 600	M = HORIZON/TURISMO	Z = OMNI/CHARGER/RAMPAGE

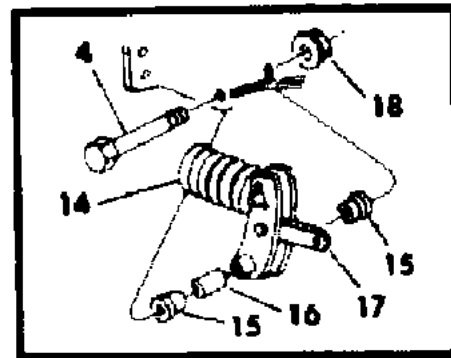
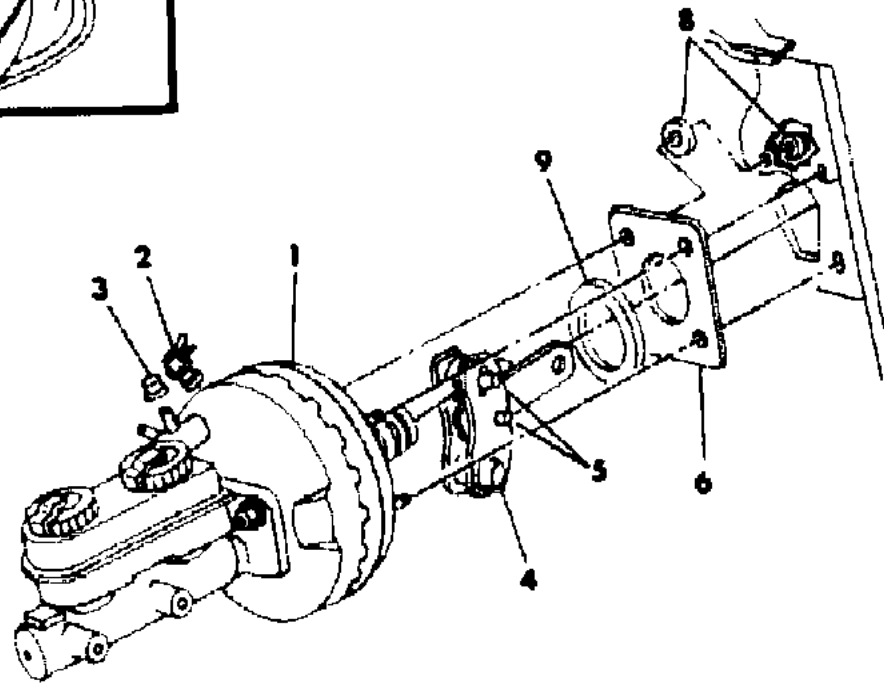
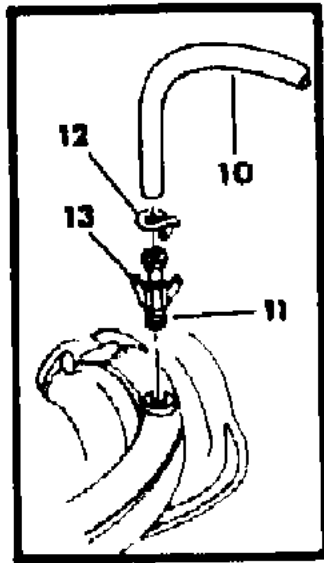
BODY STYLES

21 = 2-DOOR SEDAN	28 = FWD PICKUP	44 = 4-DOOR HATCHBACK
22 = 2-DOOR SPECIAL COUPE	35 = FWD VAN	45 = 4-DOOR STATION WAGON
24 = 2-DOOR HATCHBACK	36 = FWD WAGON	48 = 4-DOOR EXECUTIVE SEDAN
27 = 2-DOOR CONVERTIBLE	41 = 4-DOOR SEDAN	

AR = Use as Required - = Non Illustrated Part P.A.R. = Paint as Required

BOOSTER, POWER BRAKE F,G,B
Figure 5-700

4105 700



ITEM	PART NUMBER	QTY	BODY	MODEL	DESCRIPTION
1	3880 348	1		All	BOOSTER
2	3420 973	1		All	VALVE and GROMMET PKG.
3	2944 127	1		All	CAP
4	6028 165	1		All	BOLT
5					PIN, Serviced w/Booster
6	3699 447	1		All	GASKET
8	0118 614	AR		All	NUT
9	3766 046	1		All	RING, Boot
10	3880 431	1		All	HOSE, Lgh. 20"
	3837 042	1		All	.215 I.D. Neoprene 50 ft. Roll
	3879 277	1		All	.34 I.D. (Flexible) 50 ft. Roll
	4267 340	1		All	.341 I.D. Hypalon 50 ft. Roll
	4203 421	AR		All	.350 I.D. 50 Ft. Roll
	4095 681	AR		All	.025 I.D. 50 Ft. Roll
	4026 511	AR		All	.145 I.D. 50 Ft. Roll
11	4210 580	1		All	CONNECTOR, 4-Way, w/Caps
	4026 117	1		All	7-Way, w/Caps
12	2448 761	AR		All	CLAMP, Hose Mounting
13	3580 171	1		All	CAP, Conn. Aux Tube, 3/16" I.D.
	3580 170	1		All	1/8" I.D.
	3580 172	1		All	1/4" I.D.
14	3766 073	1		All	BOOT, Plunger to Push Rod, Bendix
15	2467 770	2		All	BUSHING, Brake Pedal
16	2534 227	1		All	SLEEVE, Brake Pedal
17	4131 258	1		All	HUB, LEVER, Serviced w/Booster
18	6023 035	AR		All	NUT
	3766 429	1		All	FILTER, Vac. Hose
	4294 036	1		All	CLIP, Push Rod Pin (not shown)

NOTE: Whenever the Brake Booster/Master Cyl. Push Rod is disconnected from Brk Pedal, replace Clip Part Number 4019421.
 Gear and Pinion numbers stamped on the item may be used to confirm the correct MATCHED SET they are contained in.

MODEL CODES

B = GRAN FURY	F = FIFTH AVENUE/NEWPORT	P = RELIANT
C = LEBARON/TOWN & COUNTRY/EXC SEDAN	G = DIPLOMAT	T = E CLASS/NEW YORKER
C24 = LASER	H = VOYAGER	V = 600
D = ARIES	K = MINI RAM/CARAVAN/ROYAL	V24 = DAYTONA
E = 600	M = HORIZON/TURISMO	Z = OMNI/CHARGER/RAMPAGE

BODY STYLES

21 = 2-DOOR SEDAN	28 = FWD PICKUP	44 = 4-DOOR HATCHBACK
22 = 2-DOOR SPECIAL COUPE	35 = FWD VAN	45 = 4-DOOR STATION WAGON
24 = 2-DOOR HATCHBACK	36 = FWD WAGON	48 = 4-DOOR EXECUTIVE SEDAN
27 = 2-DOOR CONVERTIBLE	41 = 4-DOOR SEDAN	

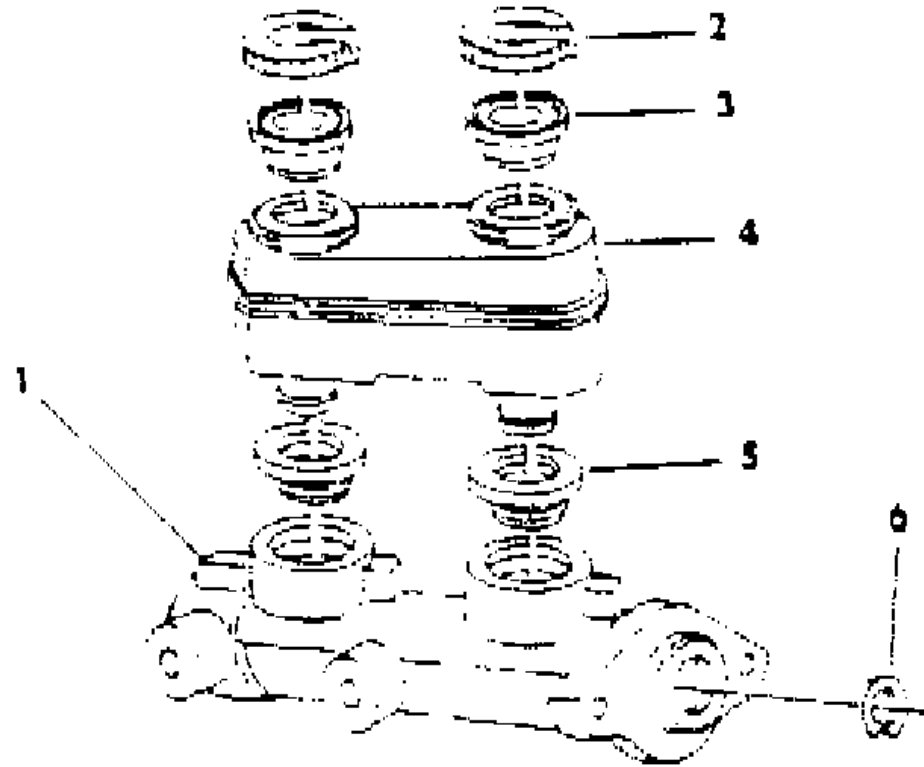
AR = Use as Required - = Non Illustrated Part P.A.R. = Paint as Required

MASTER CYLINDER, BRAKE M,Z,P,D,C,V,E,T,H,K
Figure 5-800

1105 800

ITEM	PART NUMBER	QTY	BODY	MODEL	DESCRIPTION
1	4271 388	1		All	MASTER CYL. (up to 3-20-84)
	4294 268	1		All	MASTER CYL. (After 3-20-84)
	4294 152	1		H,K	MASTER CYL.
2	5204 056	2		All	CAP, M/Cylinder Reservoir
	3880 450	2		All	CAP, M/Cylinder Reservoir w/ Sensor
3	5204 057	2		All	DIAPHRAGM, Reservoir
4	3766 498	1		All	RESERVOIR, Master Cyl.
	4294 045	1		H,K	w/ BGA (Std. Brk.)
	4294 032	1		H,K	w/ BGB (H.D. Brk.)
	3880 450	1		C,V-24	SENSOR
5	5204 149	2		All	GROMMET, Reservoir
6	6101 181	1		All	STOP, Snap Ring

NOTE: Whenever the Brake Booster/Master Cyl. Push Rod is Disconnected from Brk. Pedal, replace ClipPart Number 4019421 Gear and Pinion numbers stamped on the item may be used to confirm the correct MATCHED SET they are contained in.



WITH POWER DISC BRAKES

MODEL CODES

B = GRAN FURY	F = FIFTH AVENUE/NEWPORT	P = RELIANT
C = LEBARON/TOWN & COUNTRY/EXC SEDAN	G = DIPLOMAT	T = E CLASS/NEW YORKER
C24 = LASER	H = VOYAGER	V = 600
D = ARIES	K = MINI RAM/CARAVAN/ROYAL	V24 = DAYTONA
E = 600	M = HORIZON/TURISMO	Z = OMNI/CHARGER/RAMPAGE

BODY STYLES

21 = 2-DOOR SEDAN	28 = FWD PICKUP	44 = 4-DOOR HATCHBACK
22 = 2-DOOR SPECIAL COUPE	35 = FWD VAN	45 = 4-DOOR STATION WAGON
24 = 2-DOOR HATCHBACK	36 = FWD WAGON	48 = 4-DOOR EXECUTIVE SEDAN
27 = 2-DOOR CONVERTIBLE	41 = 4-DOOR SEDAN	

AR = Use as Required - = Non Illustrated Part P.A.R. = Paint as Required

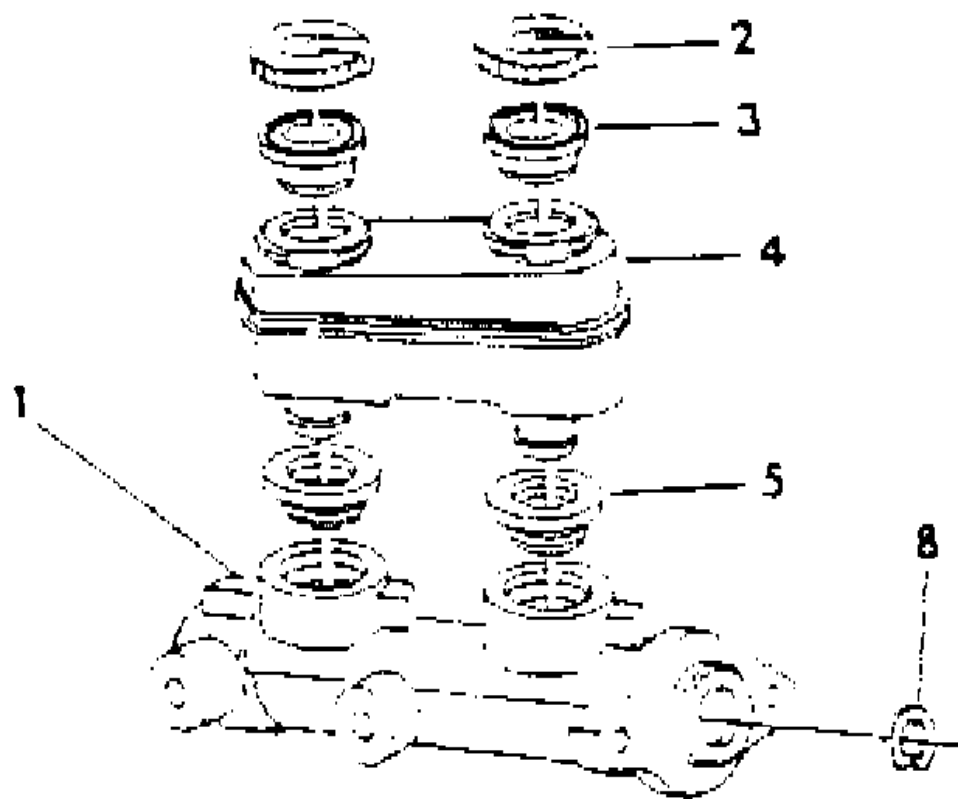
MASTER CYLINDER, BRAKE F,G,B

Figure 5-900

4105 (M)

ITEM	PART NUMBER	QTY	BODY	MODEL	DESCRIPTION
1	4318 738	1		All	MASTER CYL.
2	5204 056	2		All	CAP
3	5204 057	2		All	DIAPHRAGM
4	3766 448	1		All	RESERVOIR
5	5204 149	2		All	GROMMET
8	6029 170	1		All	STOP, Snap Ring
	4318 051	AR		All	FLUID, Brake Hi Temp., 12 oz.
	4318 052	AR		All	1 Quart
	4318 053	AR		All	1 Gallon
	2933 252	AR		All	5 Gallon
	4294 036	1		All	CLIP, Push Rod Pin (not shown)

NOTE: Whenever the Brake Booster/Master Cyl. Push Rod is disconnected from Brk Pedal, replace PartNumber 4019421 Gear and Pinion numbers stamped on the item may be used to confirm the correct MATCHED SET they are contained in.



WITH POWER DISC BRAKES

MODEL CODES

B = GRAN FURY	F = FIFTH AVENUE/NEWPORT	P = RELIANT
C = LEBARON/TOWN & COUNTRY/EXC SEDAN	G = DIPLOMAT	T = E CLASS/NEW YORKER
C24 = LASER	H = VOYAGER	V = 600
D = ARIES	K = MINI RAM/CARAVAN/ROYAL	V24 = DAYTONA
E = 600	M = HORIZON/TURISMO	Z = OMNI/CHARGER/RAMPAGE

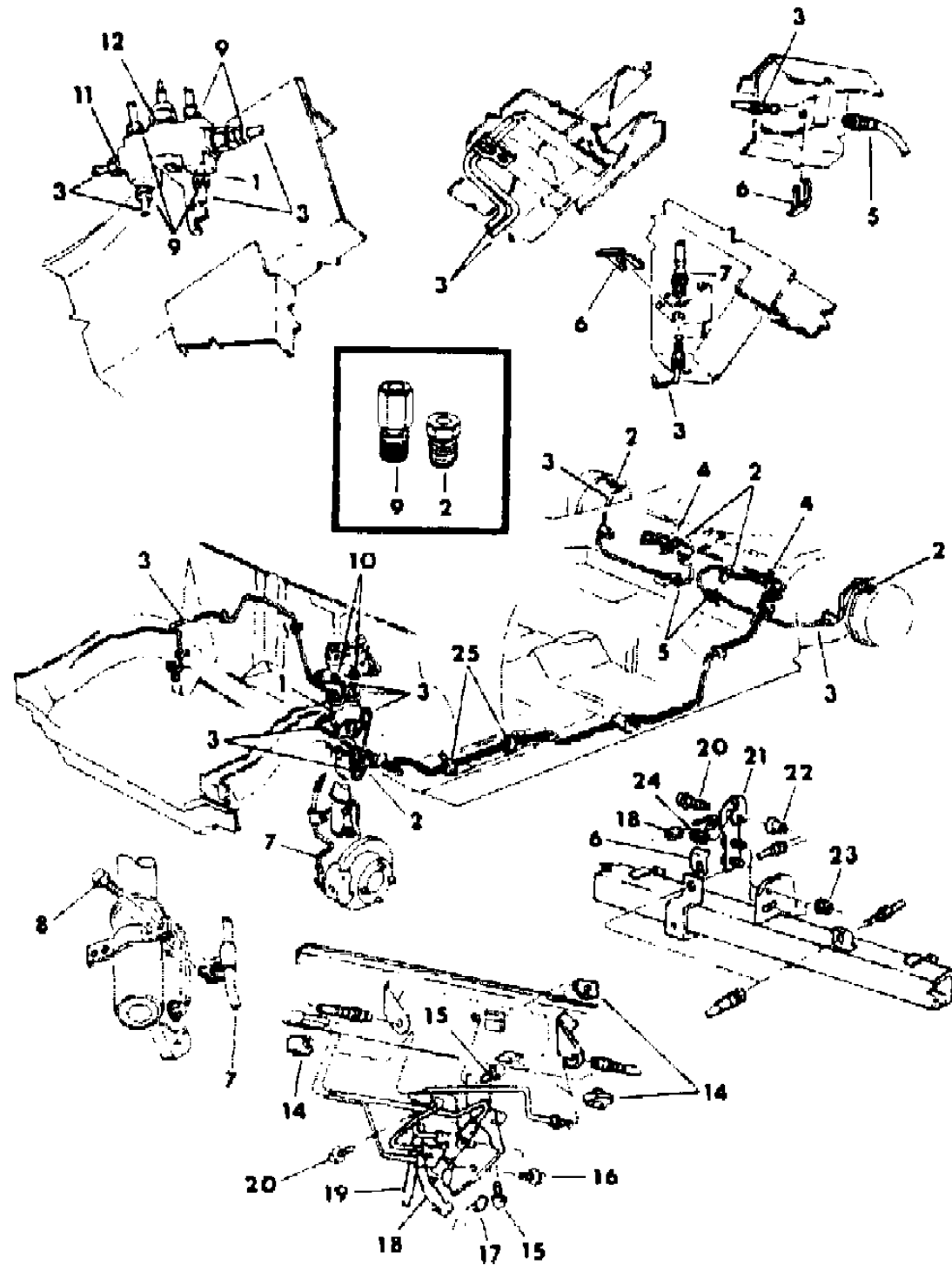
BODY STYLES

21 = 2-DOOR SEDAN	28 = FWD PICKUP	44 = 4-DOOR HATCHBACK
22 = 2-DOOR SPECIAL COUPE	35 = FWD VAN	45 = 4-DOOR STATION WAGON
24 = 2-DOOR HATCHBACK	36 = FWD WAGON	48 = 4-DOOR EXECUTIVE SEDAN
27 = 2-DOOR CONVERTIBLE	41 = 4-DOOR SEDAN	

AR = Use as Required - = Non Illustrated Part P.A.R. = Paint as Required

LINES AND HOSES, BRAKE M,Z
Figure 5-1000

4105 1000



ITEM	PART NUMBER	QTY	BODY	MODEL	DESCRIPTION
1	4313 266	1			VALVE, Metering and Warning
	4313 561	1		28	
2	6029 113	AR			NUT
3	1843 251	AR			TUBING BRAKE 25 Ft. Roll 3/16" O.D.
4	2123 341	2			CLIP
5	5204 264	2			HOSE, Rear Brake
6	2208 893	2			CLIP
7	5204 260-1	1			HOSE, Front Brake
8	6100 557	2			SCREW
9	6029 113	AR			NUT
10	6029 113	AR			NUT
11	6031 714	AR			NUT
12	3620 790	1			SWITCH, Brake Warning
13	2881 984	1			"O" RING
	3879 283	AR			COVER 25 Ft. Roll, 3/16" O.D. Tubing
	4026 140	AR			3/8" O.D. Tubing
	6030 084	AR			GASKET, Inlet Hose (not shown)
	6029 113	AR			NUT 3/8-24 Thd. Lg. Hex (not shown)
14	6101 283	3		28	U Nut
15	6500 827	3		28	BOLT, w/washer
16	6100 301	2		28	BOLT, w/washer
17	4313 008	1		28	SPRING
18	3880 084	1		28	VALVE, Proportioning
19	4238 815	1		28	BRACKET, Valve
20	6500 572	1		28	BOLT
21	3880 087	1		28	LEVER
22	6500 284	1		28	NUT w/washer
23	6100 051	2		28	NUT w/washer
24	3880 135	1		28	RETAINER
25	3404 625	6			CLIP

MODEL CODES

B = GRAN FURY	F = FIFTH AVENUE/NEWPORT	P = RELIANT
C = LEBARON/TOWN & COUNTRY/EXC SEDAN	G = DIPLOMAT	T = E CLASS/NEW YORKER
C24 = LASER	H = VOYAGER	V = 600
D = ARIES	K = MINI RAM/CARAVAN/ROYAL	V24 = DAYTONA
E = 600	M = HORIZON/TURISMO	Z = OMNI/CHARGER/RAMPAGE

BODY STYLES

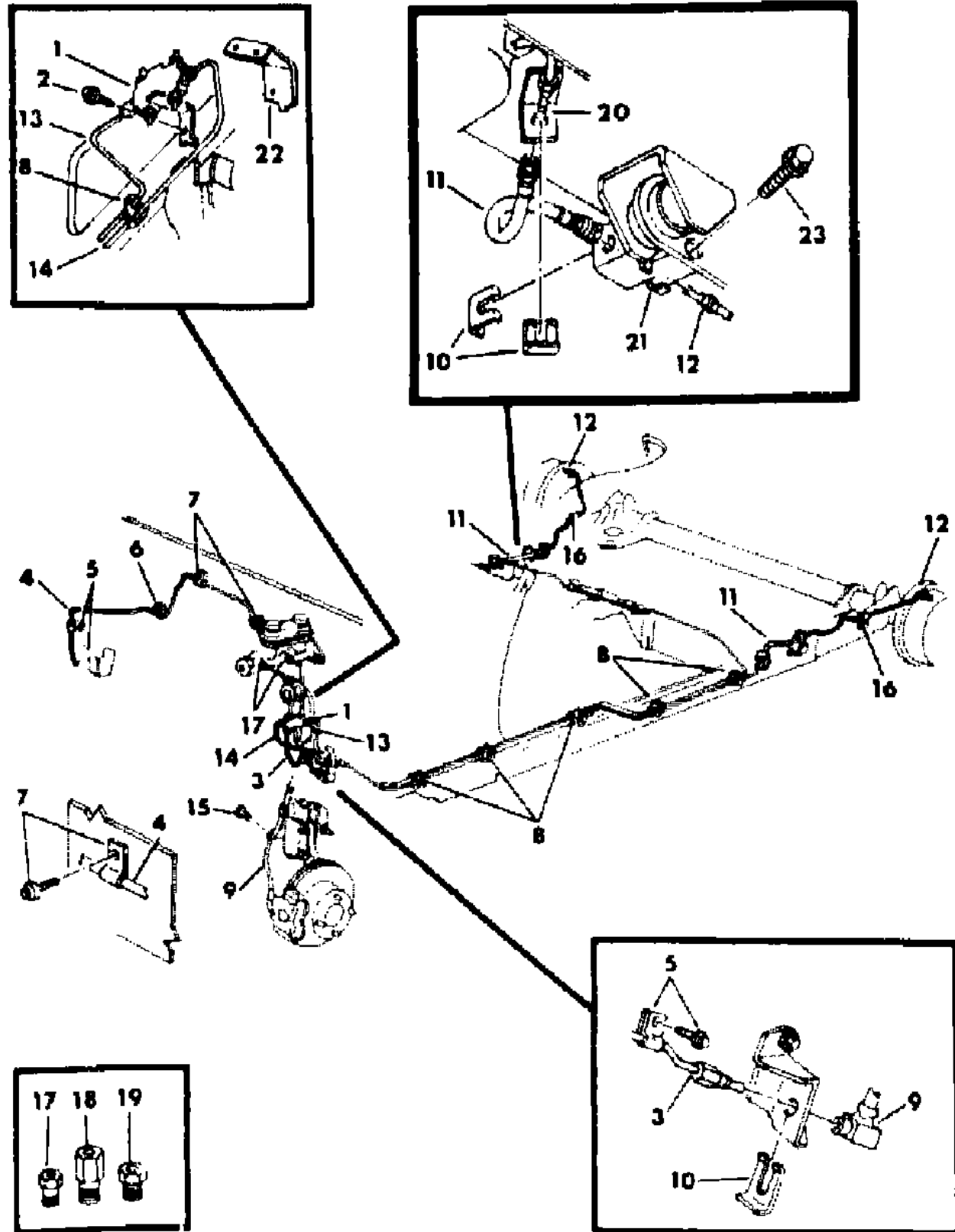
21 = 2-DOOR SEDAN	28 = FWD PICKUP	44 = 4-DOOR HATCHBACK
22 = 2-DOOR SPECIAL COUPE	35 = FWD VAN	45 = 4-DOOR STATION WAGON
24 = 2-DOOR HATCHBACK	36 = FWD WAGON	48 = 4-DOOR EXECUTIVE SEDAN
27 = 2-DOOR CONVERTIBLE	41 = 4-DOOR SEDAN	

AR = Use as Required - = Non Illustrated Part P.A.R. = Paint as Required

LINES AND HOSES, BRAKE P,D,C,V,E,T

Figure 5-1100

4105 1100



ITEM	PART NUMBER	QTY	BODY	MODEL	DESCRIPTION
1	4238 588	1		P,D,C,V	VALVE
	4313 054	1		P,D	VALVE, H.D.(BGB)
	4313 031	1		E,T	VALVE
2					SCREW (Not Serviced)
3	1843 251	AR			TUBING Brake 25 Ft. Roll 3/16" O.D.
4	1843 251	AR			TUBING Brake 25 Ft. Roll 3/16" O.D.
5					CLIP w/Screw (Not Serviced)
6					CLIP w/Screw (Not Serviced)
7					CLIP w/Screw (Not Serviced)
8	3766 495	6			CLIP
9	4313 630	1			HOSE, Frt. Whl. Brk.
	6030 230	2			BOLT, Hose to Caliper
	6030 084	4			WASHER, Hose to Caliper
10	2208 893	6			LOCK
11	4313 153	2			HOSE, Rr. Whl. Brk.
12	1843 251	AR			TUBING BRAKE 25 Ft. Roll 3/16" O.D.
13	1843 251	AR			TUBING BRAKE 25 Ft. Roll 3/16" O.D.
14	1843 251	AR			TUBING BRAKE 25 Ft. Roll 3/16" O.D.
	4339 832-3	1			LINE, Rear w/ Excutive Sedan
	4342 004-5	1			LINE, Rear w/ Limo
15	6100 557	2			SCREW w/Washer
16					CLIP w/Screw (Not Serviced)
17	6029 113	AR			NUT 3/8-24 Thd.
18	6029 113	AR			NUT 3/8-24 Thd., Long Hex
19	6031 714	AR			NUT 7/16-24 Thd.
20	4134 879	1			BRACKET, R/flr. Pan,Rail Brk.
21	4313 288-9	1			BRACKET, Rr. Whl. Brk. Hose .
22	4238 626	1			BRACKET,Brk. Tube Valve Mtg.
23	6100 558	1			SCREW, w/Washer
	3879 283	AR			COVER, 25 Ft. Roll 3/16" O.D. Tubing (Not Shown)
	6100 276	2			SCREW, Rr. Whl. Brk. Hose Guide (not shown)

MODEL CODES

B = GRAN FURY	F = FIFTH AVENUE/NEWPORT	P = RELIANT
C = LEBARON/TOWN & COUNTRY/EXC SEDAN	G = DIPLOMAT	T = E CLASS/NEW YORKER
C24 = LASER	H = VOYAGER	V = 600
D = ARIES	K = MINI RAM/CARAVAN/ROYAL	V24 = DAYTONA
E = 600	M = HORIZON/TURISMO	Z = OMNI/CHARGER/RAMPAGE

BODY STYLES

21 = 2-DOOR SEDAN	28 = FWD PICKUP	44 = 4-DOOR HATCHBACK
22 = 2-DOOR SPECIAL COUPE	35 = FWD VAN	45 = 4-DOOR STATION WAGON
24 = 2-DOOR HATCHBACK	36 = FWD WAGON	48 = 4-DOOR EXECUTIVE SEDAN
27 = 2-DOOR CONVERTIBLE	41 = 4-DOOR SEDAN	

AR = Use as Required - = Non Illustrated Part P.A.R. = Paint as Required

LINES AND HOSES, BRAKE H,K
Figure 5-1200

4103 1200

ITEM	PART NUMBER	QTY	BODY	MODEL	DESCRIPTION
1	4313 031	1			VALVE,Frnt.
	3620 790	1			SWITCH
2	4238 578-9	1			HOSE, Frnt. up to 10-24-83
	4313 630-1	1			HOSE, Frnt. After 10-24-83
3	2208 893	6			LOCK
4	6030 230	2			BOLT
5	6030 084	4			GASKET
6	6100 557	2			SCREW w/Washer
7	3766 495	7			CLIP
8	4313 348	2			HOSE, Rear
9	4313 043	1			BRACKET
10	6100 302	4			BOLT w/Washer
11		6			BOLT w/Washer, (Not Serv.)
12	4313 606	1			VALVE, Rear
13	4313 278	1			SPRING
14	4313 629	1			LEVER
15	4313 005	1			RETAINER
16	6100 050	2			NUT w/Washer
17	4313 715	1			BRACKET
18	4313 648	1			BRACKET
19	4313 025	2			CLIP
20	6029 113	AR			NUT, 3/8-24
	6031 714	AR			NUT, 7/16-24
21	1843 251	AR			TUBING, 3/16 o.d. (25ft. Roll)

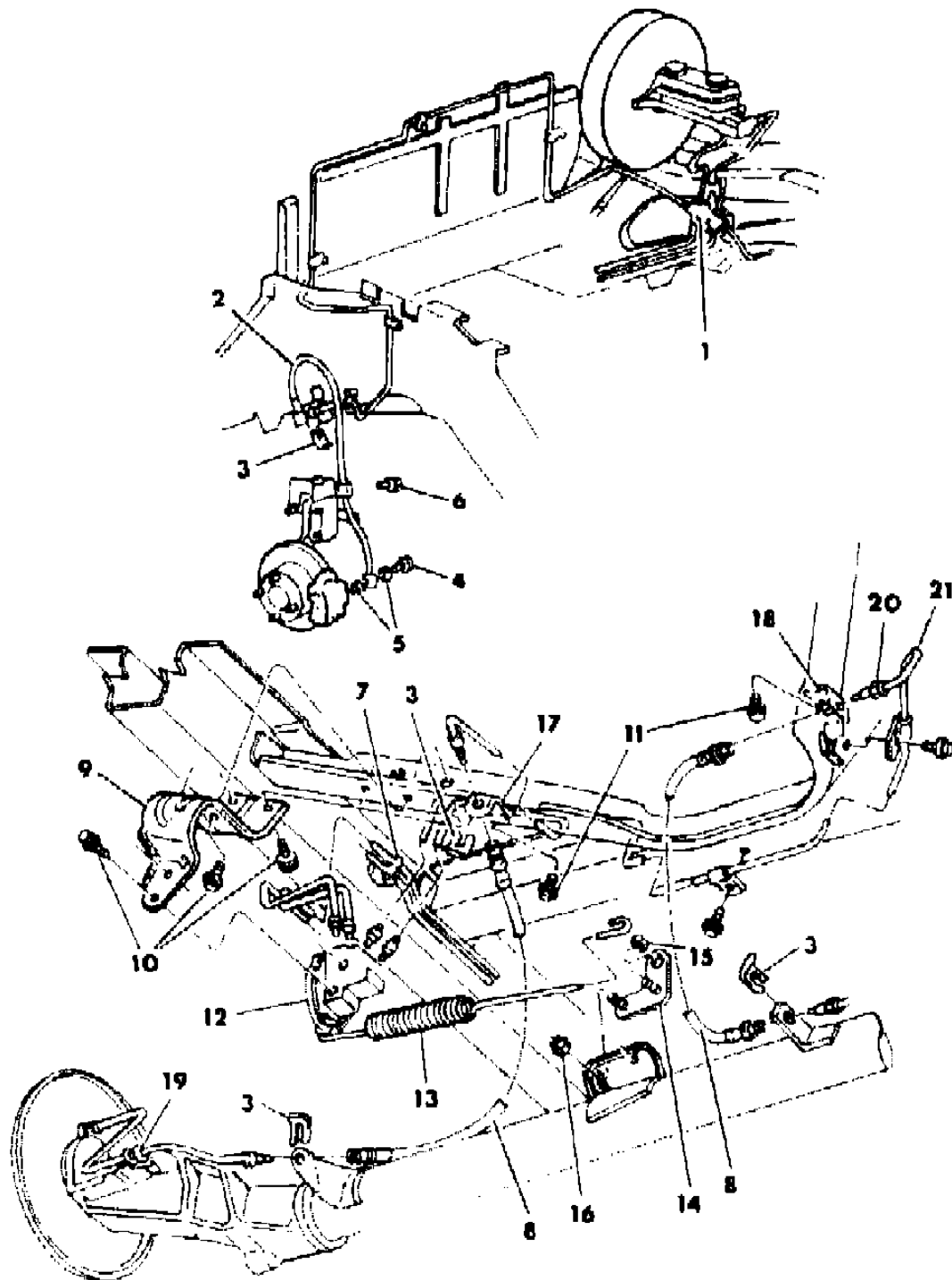
MODEL CODES

B = GRAN FURY	F = FIFTH AVENUE/NEWPORT	P = RELIANT
C = LEBARON/TOWN & COUNTRY/EXC SEDAN	G = DIPLOMAT	T = E CLASS/NEW YORKER
C24 = LASER	H = VOYAGER	V = 600
D = ARIES	K = MINI RAM/CARAVAN/ROYAL	V24 = DAYTONA
E = 600	M = HORIZON/TURISMO	Z = OMNI/CHARGER/RAMPAGE

BODY STYLES

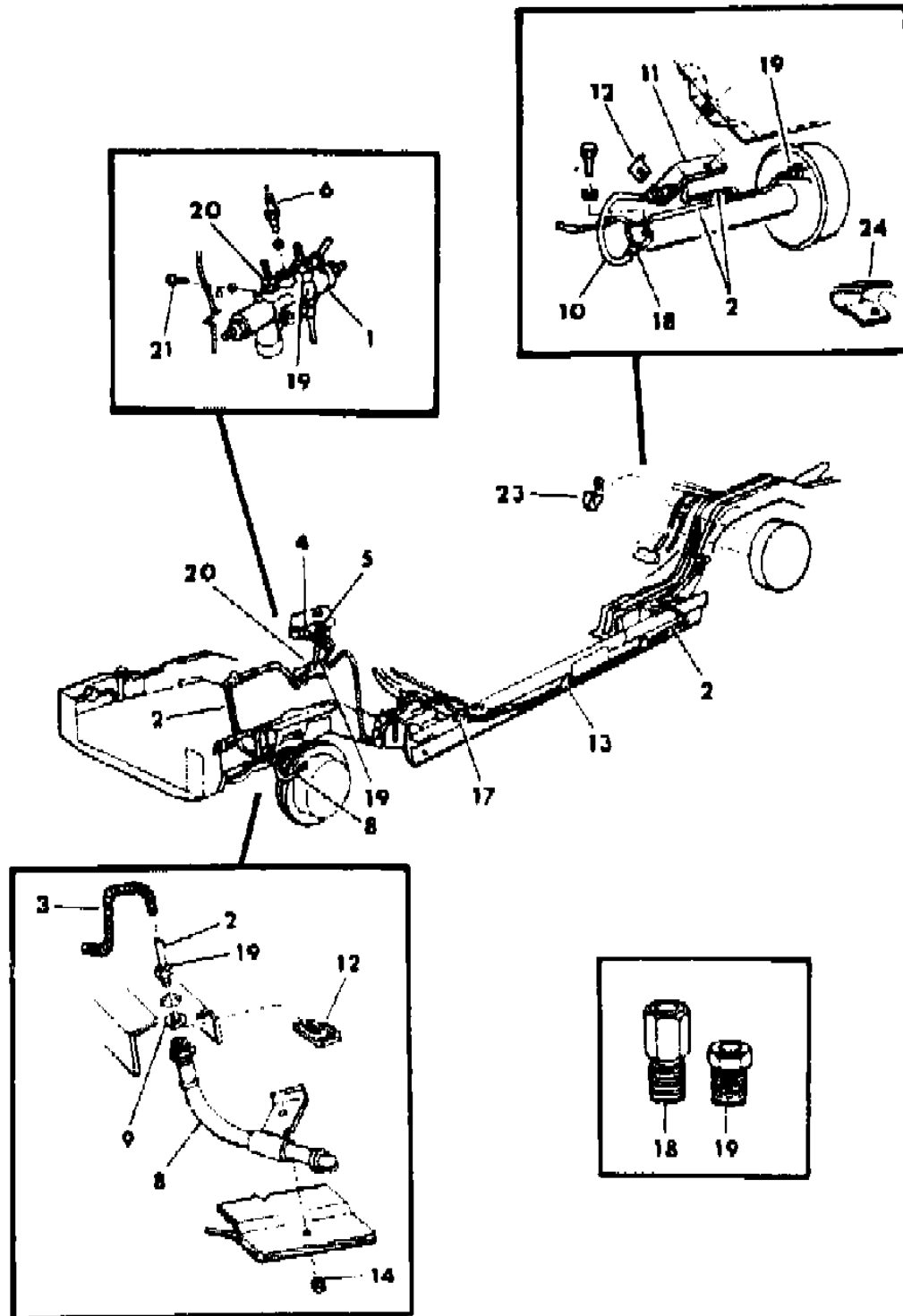
21 = 2-DOOR SEDAN	28 = FWD PICKUP	44 = 4-DOOR HATCHBACK
22 = 2-DOOR SPECIAL COUPE	35 = FWD VAN	45 = 4-DOOR STATION WAGON
24 = 2-DOOR HATCHBACK	36 = FWD WAGON	48 = 4-DOOR EXECUTIVE SEDAN
27 = 2-DOOR CONVERTIBLE	41 = 4-DOOR SEDAN	

AR = Use as Required - = Non Illustrated Part P.A.R. = Paint as Required



LINES AND HOSES, BRAKE F,G,B
Figure 5-1300

4105 1300



ITEM	PART NUMBER	QTY	BODY	MODEL	DESCRIPTION
1	3880 038	1		F,G	VALVE, Police
	4176 794	1		All	w/Disc Brakes
2	1843 251	1		All	TUBING, Brake, 25 ft. Roll, 3/16" O.D.
	1843 252	1		All	1/4" O.D.
	1843 253	1		All	5/16" O.D.
	1843 254	1		All	3/8" O.D.
3	3879 283	1		All	COVER, 25 ft. Rolls, 3/16" O.D. Tubing
					9-1/4 Coils per inch
	3879 283	1		All	3/16" O.D. Tubing, 11-1/2 Coils per inch
	3879 284	1		All	1/4" O.D. Tubing
	4026 140	1		All	3/8" O.D. Tubing
6	3620 790	1		All	SWITCH, Mtrg. Prpg.
5	6026 887	2		All	NUT, Primary Tube
6	3620 790	1		All	SWITCH
7	2881 984	1		All	"O" RING, Sw. Mtrg. Prpg.
8	4240 508-9	1		All	HOSE, Front Whl. Brake (Flexible)
9	6030 084	1		All	GASKET, Inlet Hose
10	4126 502	1		All	HOSE and TEE, Rear Axle
11	4126 503	1		All	BRACKET, Brake Tube Rear Hose
12	2208 893	4		All	LOCK
13	2207 933	1		All	CLIP
14	6025 004	1		All	NUT
17	2123 341	1		All	CLIP
18	6029 113	AR		All	NUT, 3/8-24 Thd. Long Hex
19	6031 714	AR		All	NUT, 7/16-24 Thd.
20	6026 436	1		All	NUT, Primary, 3/16" O.D.
21	6030 607	1		All	LOCK, Nut
23	3723 689	1		All	CLIP
24	3880 807	1		All	GUARD Rr. Axle Brk. Tube Tee
	3766 357	1		All	SHIELD Brk. Val. to RR. Hose (not shown)
	4126 794	1		All	SHIELD Frt. Brake Lt. Hose Heat (not shown)
	6029 113	AR		All	NUT, 3/8-24 Thd. (not shown)

MODEL CODES

B = GRAN FURY	F = FIFTH AVENUE/NEWPORT	P = RELIANT
C = LEBARON/TOWN & COUNTRY/EXC SEDAN	G = DIPLOMAT	T = E CLASS/NEW YORKER
C24 = LASER	H = VOYAGER	V = 600
D = ARIES	K = MINI RAM/CARAVAN/ROYAL	V24 = DAYTONA
E = 600	M = HORIZON/TURISMO	Z = OMNI/CHARGER/RAMPAGE

BODY STYLES

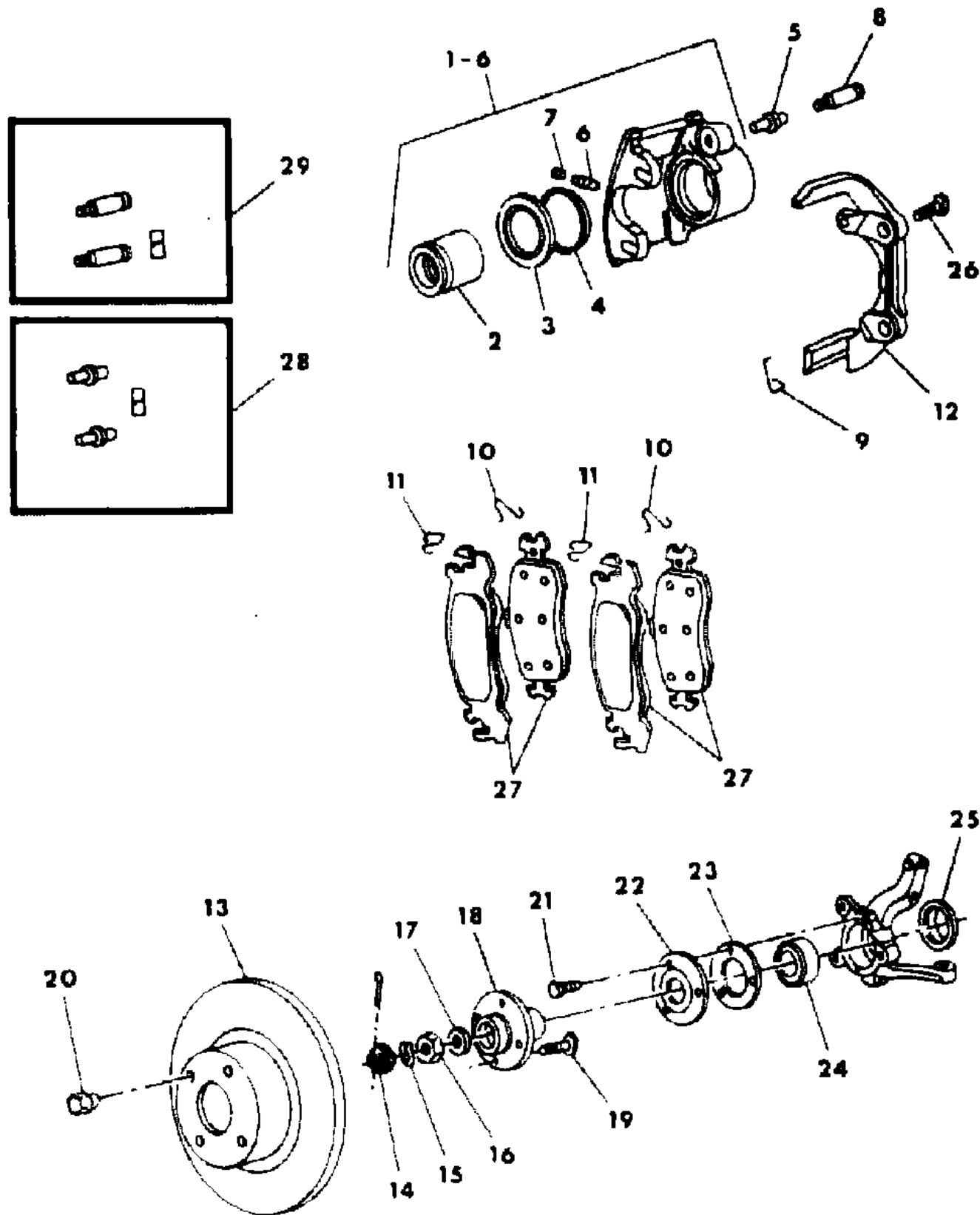
21 = 2-DOOR SEDAN	28 = FWD PICKUP	44 = 4-DOOR HATCHBACK
22 = 2-DOOR SPECIAL COUPE	35 = FWD VAN	45 = 4-DOOR STATION WAGON
24 = 2-DOOR HATCHBACK	36 = FWD WAGON	48 = 4-DOOR EXECUTIVE SEDAN
27 = 2-DOOR CONVERTIBLE	41 = 4-DOOR SEDAN	

AR = Use as Required - = Non Illustrated Part P.A.R. = Paint as Required

BRAKES FRONT, M,Z (Exc. SHELBY & GLH)

Figure 5-1400

105 1400



ITEM	PART NUMBER	QTY	BODY	MODEL	DESCRIPTION
1-6	4238 676-7	1			HOUSING, Caliper Partail
2	4238 679	2			PISTON
3	4238 681	2			BOOT
4	4364 779	2			SEAL
5		2			BUSHING (See Pkg. 4267331)
6	3780 788	2			SCREW, Bleeder
7	4094 879	2			CAP, Bleeder
8		2			PIN, Locating (See Pkg. 4293172)
9	4238 878-9	1			CLIP, Adapter To Hsg.
10	4238 884-5	1			CLIP, Inner Pad
11	4238 886-7	1			CLIP, Outer Pad
12	4238 688-9	1			ADAPTER
13	4313 591	2			DISC
14	4293 167	2			LOCK, Hub Nut
15	5212 684	2			WASHER, Hub Wave
16	6500 298	2			NUT, HUB
17	6500 299	2			WASHER
18	5212 521	2			HUB
19	6501 053	8			STUD
20	6500 526	16			NUT
	6500 294	16			NUT, Chrome
21	6500 544	6			BOLT, Brg. Ret.
22	5212 548	2			RETAINER, Brg.
23	5212 550	2			GASKET
24	4271 389	2			BEARING
25	5212 535	2			SEAL
26	6500 908	4			BOLT w/Washer, Caliper Mtg.
27	4238 786	1			BRAKE PAD SET
28	4267 331	1			BUSHING Pkg.
29	4293 172	1			PIN Pkg.

MODEL CODES

B = GRAN FURY	F = FIFTH AVENUE/NEWPORT	P = RELIANT
C = LEBARON/TOWN & COUNTRY/EXC SEDAN	G = DIPLOMAT	T = E CLASS/NEW YORKER
C24 = LASER	H = VOYAGER	V = 600
D = ARIES	K = MINI RAM/CARAVAN/ROYAL	V24 = DAYTONA
E = 600	M = HORIZON/TURISMO	Z = OMNI/CHARGER/RAMPAGE

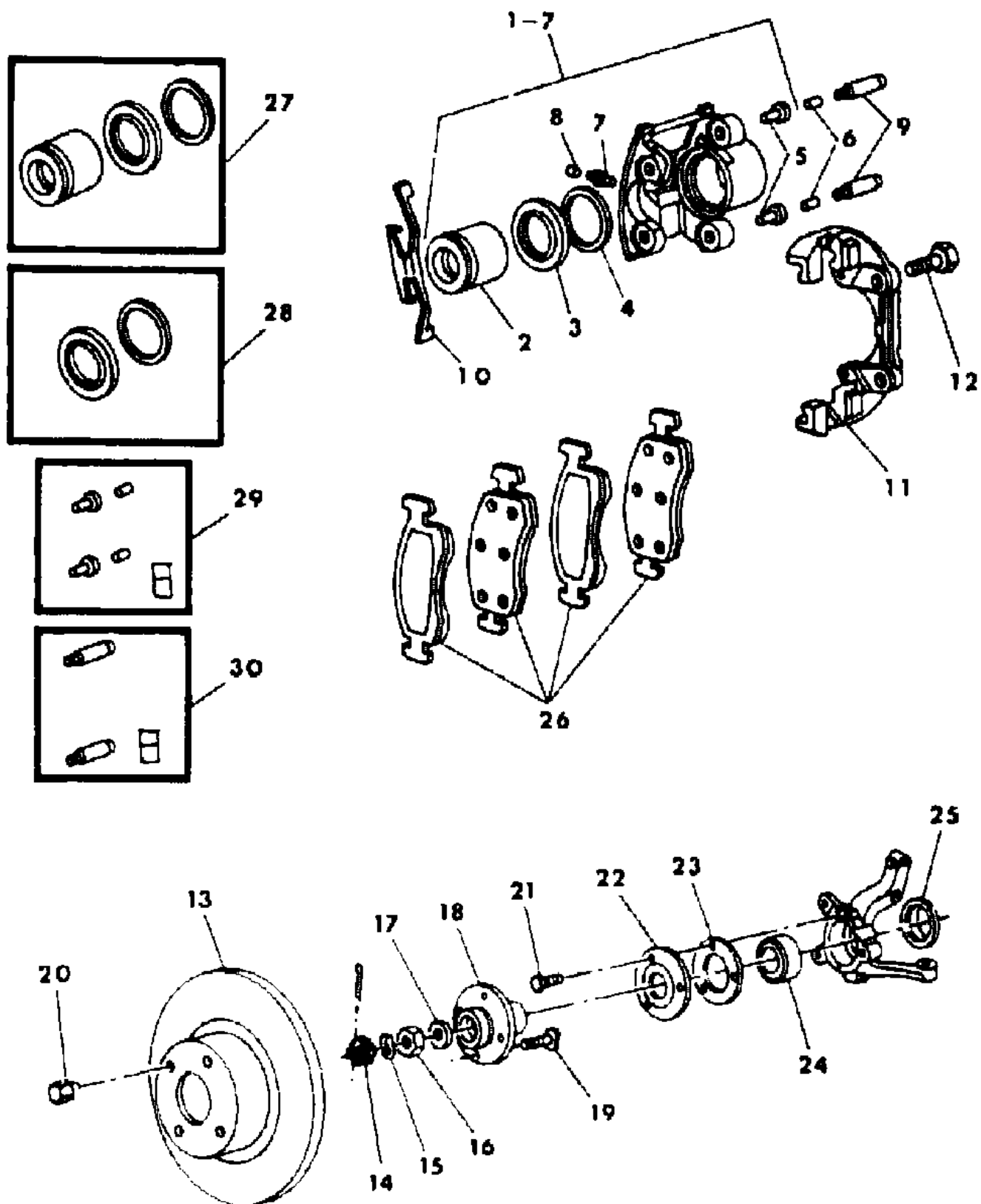
BODY STYLES

21 = 2-DOOR SEDAN	28 = FWD PICKUP	44 = 4-DOOR HATCHBACK
22 = 2-DOOR SPECIAL COUPE	35 = FWD VAN	45 = 4-DOOR STATION WAGON
24 = 2-DOOR HATCHBACK	36 = FWD WAGON	48 = 4-DOOR EXECUTIVE SEDAN
27 = 2-DOOR CONVERTIBLE	41 = 4-DOOR SEDAN	

AR = Use as Required - = Non Illustrated Part P.A.R. = Paint as Required

BRAKES FRONT, P,D w/Std. Brakes (BGA)
Figure 5-1500

4105 1300



ITEM	PART NUMBER	QTY	BODY	MODEL	DESCRIPTION
1-7	4238 684-5	1			HOUSING, Caliper Partail
2		2			PISTON (See Pkg. 4205984)
3		2			BOOT (See Pkg. 4205985)
4		2			SEAL (See Pkg. 4205985)
5		4			BUSHING (See Pkg. 4205982)
6		4			SLEEVES (See Pkg. 4205982)
7	4126 879	2			SCREW, Bleeder
8	4126 733	2			CAP, Bleeder
9		4			PIN, Locating (See Pkg. 4267329)
10	4126 732	2			CLIP, Outer Pad To Hsg.
11	4238 683	2			ADAPTER
12	6500 908	4			BOLT w/Washer Caliper Mtg.
13	4313 592	2			DISC
14	4293 167	2			LOCK, Hub Nut
15	5212 684	2			WASHER, Hub Wave
16	6500 298	2			NUT, Hub
17	6500 299	2			WASHER
18	5212 545	2			HUB
19	6501 053	8			STUD
20	6500 526	16			NUT
	6500 294	16			NUT, Chrome
21	6500 544	6			BOLT, Brg. Mtg.
22	5212 980	2			RETAINER
23	5212 559	2			GASKET
24	4293 185	2			BEARING
25	5212 535	2			SEAL
26	4293 200	1			BRAKE PAD SET
27	4205 984	2			PISTON + BOOT + SEAL Pkg.
28	4205 985	2			BOOT + SEAL Pkg.
29	4205 982	2			BUSHING Pkg.
30	4267 329	2			PIN Pkg.

MODEL CODES

B = GRAN FURY	F = FIFTH AVENUE/NEWPORT	P = RELIANT
C = LEBARON/TOWN & COUNTRY/EXC SEDAN	G = DIPLOMAT	T = E CLASS/NEW YORKER
C24 = LASER	H = VOYAGER	V = 600
D = ARIES	K = MINI RAM/CARAVAN/ROYAL	V24 = DAYTONA
E = 600	M = HORIZON/TURISMO	Z = OMNI/CHARGER/RAMPAGE

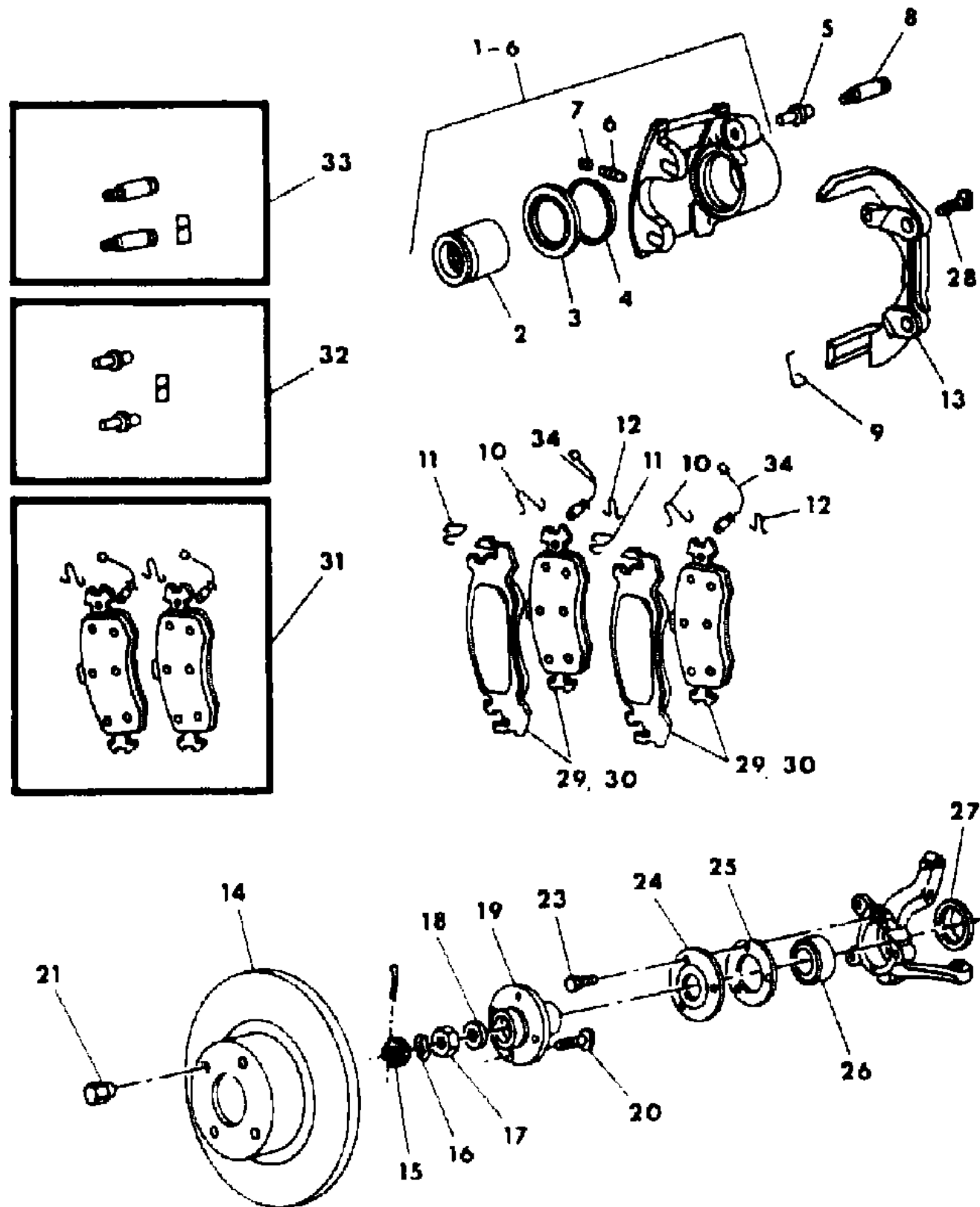
BODY STYLES

21 = 2-DOOR SEDAN	28 = FWD PICKUP	44 = 4-DOOR HATCHBACK
22 = 2-DOOR SPECIAL COUPE	35 = FWD VAN	45 = 4-DOOR STATION WAGON
24 = 2-DOOR HATCHBACK	36 = FWD WAGON	48 = 4-DOOR EXECUTIVE SEDAN
27 = 2-DOOR CONVERTIBLE	41 = 4-DOOR SEDAN	

AR = Use as Required - = Non Illustrated Part P.A.R. = Paint as Required

BRAKES FRONT C,V-22,27,48 w/ or w/o Brake Sensors C,V-24 w/ Brake Sensors
Figure 5-1600

4105 1600



ITEM	PART NUMBER	QTY	BODY	MODEL	DESCRIPTION
1-6	4238 692-3	1			HOUSING, Caliper Partail
2	4238 679	2			PISTON
3	4238 681	2			BOOT
4	4364 779	2			SEAL
5		2			BUSHING (See Pkg. 4267331)
6	3780 788	2			SCREW, Bleeder
7	4094 879	2			CAP, Bleeder
8		2			PIN, Locating (See Pkg. 4267330)
9	4238 892-3	2			CLIP, Adapter to Hsg.
10	4238 884-5	2			CLIP, Inner Pad
11	4238 886-7	2			CLIP, Outer Pad
12	4313 234-5	2			CLIP, Outer Pad w/Sensor
13	4313 236-7	1			ADAPTER
14	4313 593	2			DICS
15	4293 167	2			LOCK, Hub Nut
16	5212 684	2			WASHER, Hub Wave
17	6500 298	2			NUT, Hub
18	6500 299	2			WASHER
19	5212 545	2			HUB
20	6501 053	8			STUD
21	6500 526	16			NUT, Std.
	6500 294	16			NUT, Chrome
23	6500 544	6			BOLT, Brg. Ret.
24	5212 980	2			RETAINER, Brg.
25	5212 559	2			GASKET
26	4293 185	2			BEARING
27	5212 535	2			SEAL
28	6500 908	4			BOLT w/Washer Caliper Mtg.
29	4313 238	1			BRAKE PAD SET w/Clips w/o Sensors
30	4313 239	1			BRAKE PAD SET w/Clips, Sensors (up to 5-1-84)
	4313 655	1			BRAKE PAD SET w/Clips, Sensors (After 5-1-84)
31	4313 239	1			BRAKE PADS, Inner w/Sensors
32	4267 331	1			BUSHING Pkg.
33	4267 330	1			PIN Pkg.
34	4313 040	2			SENSOR, Outer Pad

MODEL CODES

B = GRAN FURY	F = FIFTH AVENUE/NEWPORT	P = RELIANT
C = LEBARON/TOWN & COUNTRY/EXC SEDAN	G = DIPLOMAT	T = E CLASS/NEW YORKER
C24 = LASER	H = VOYAGER	V = 600
D = ARIES	K = MINI RAM/CARAVAN/ROYAL	V24 = DAYTONA
E = 600	M = HORIZON/TURISMO	Z = OMNI/CHARGER/RAMPAGE

BODY STYLES

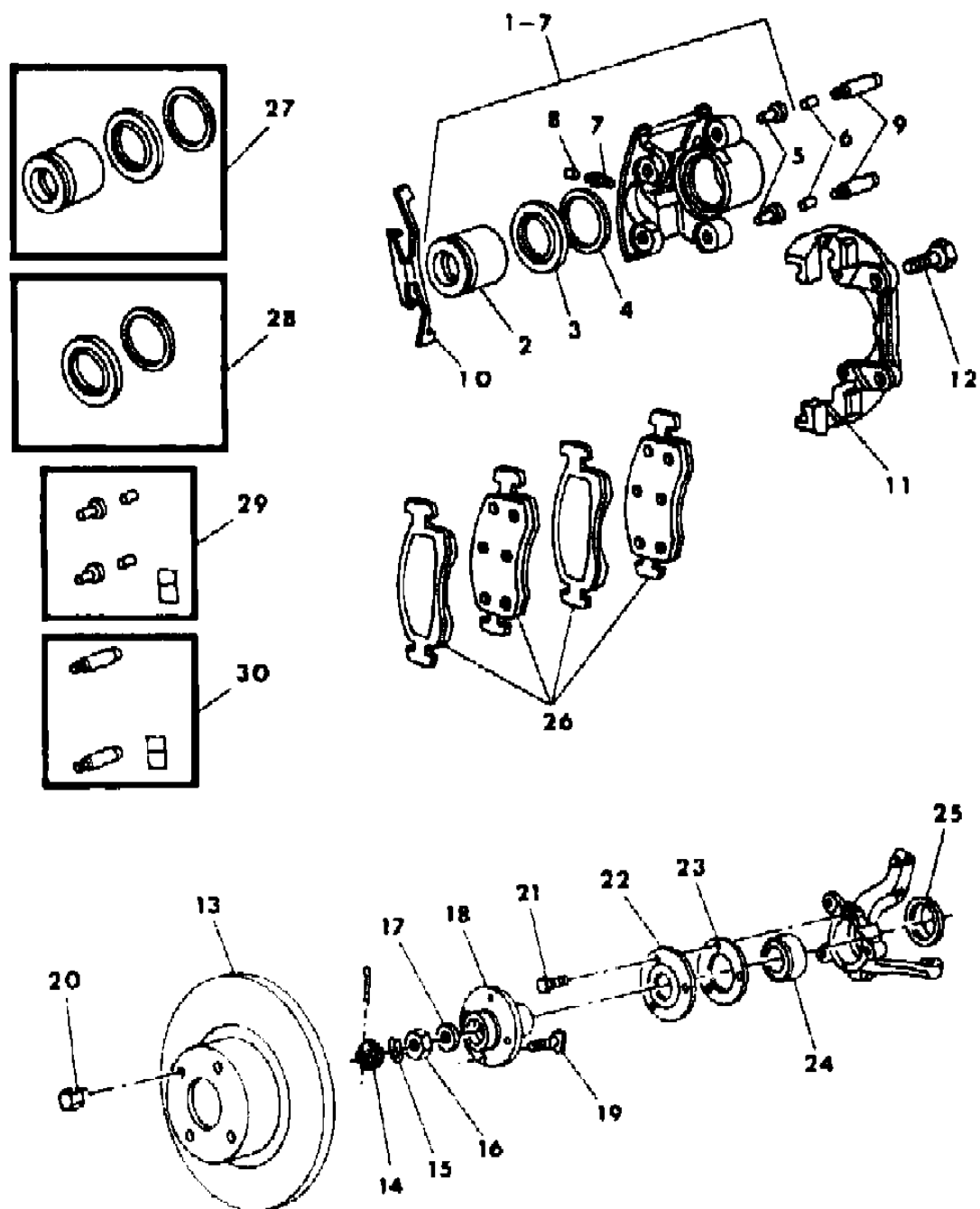
21 = 2-DOOR SEDAN	28 = FWD PICKUP	44 = 4-DOOR HATCHBACK
22 = 2-DOOR SPECIAL COUPE	35 = FWD VAN	45 = 4-DOOR STATION WAGON
24 = 2-DOOR HATCHBACK	36 = FWD WAGON	48 = 4-DOOR EXECUTIVE SEDAN
27 = 2-DOOR CONVERTIBLE	41 = 4-DOOR SEDAN	

AR = Use as Required - = Non Illustrated Part P.A.R. = Paint as Required

BRAKES FRONT, C,E,T-41,45 & C,V-24 w/o Brake Sensors (SHELBY & GLH) P,D-41,45 w/H.D. Barkes (BGB)

Figure 5-1700

4105 1700



ITEM	PART NUMBER	QTY	BODY	MODEL	DESCRIPTION
1-7	4238 710-1	1			HOUSING, Caliper Partail
2		2			PISTON (See pkg. 4205984)
3		2			BOOT (See pkg. 4205985)
4		2			SEAL (See pkg. 4205985)
5		4			BUSHINGS (See pkg. 4205982)
6		4			SLEEVES (See pkg. 4205982)
7	4126 879	2			SCREW, Bleeder
8	4126 733	2			CAP,Bleeder
9		4			PIN, Locating (See pkg. 4267329)
10	4238 900	2			CLIP, Outer Pad To Hsg.
11	4238 712	2			ADAPTER
12	6500 908	4			BOLT w/Washer Caplier Mtg.
13	4313 593	2			DISC
14	4293 167	2			LOCK, Hub Nut
15	5212 684	2			WASHER, Hub Wave
16	6500 298	2			NUT, Hub
17	6500 299	2			WASHER
18	5212 545	2			HUB
19	6501 053	8			STUD
20	6500 526	16			NUT, Std.
	6500 294	16			NUT, Chome
21	6500 544	6			BOLT, Brg. Ret.
22	5212 980	2			RETAINER, Brg.
	5212 548	2			W/ DDJ Eng.
23	5212 559	2			GASKET
24	4293 185	2			BEARING
25	5212 535	2			SEAL
26	4238 788	1			BRAKE PAD SET
	4238 788	1	Z		w/ EDJ Eng. (up to 10-3-83)
	4313 429	1	Z		W/ EDJ Eng. (After 10-3-83)
	4238 788	1	C,V		w/o Brk. Sensors (up to 10-3-83)
	4313 429	1	C,V		w/o Brk. Sensors (After 10-3-83)
27	4205 984	2			PISTON + BOOT + SEAL Pkg.
28	4205 985	2			BOOT + SEAL Pkg.
29	4205 982	2			BUSHING Pkg.
30	4267 329	2			PIN Pkg.

MODEL CODES

B = GRAN FURY	F = FIFTH AVENUE/NEWPORT	P = RELIANT
C = LEBARON/TOWN & COUNTRY/EXC SEDAN	G = DIPLOMAT	T = E CLASS/NEW YORKER
C24 = LASER	H = VOYAGER	V = 600
D = ARIES	K = MINI RAM/CARAVAN/ROYAL	V24 = DAYTONA
E = 600	M = HORIZON/TURISMO	Z = OMNI/CHARGER/RAMPAGE

BODY STYLES

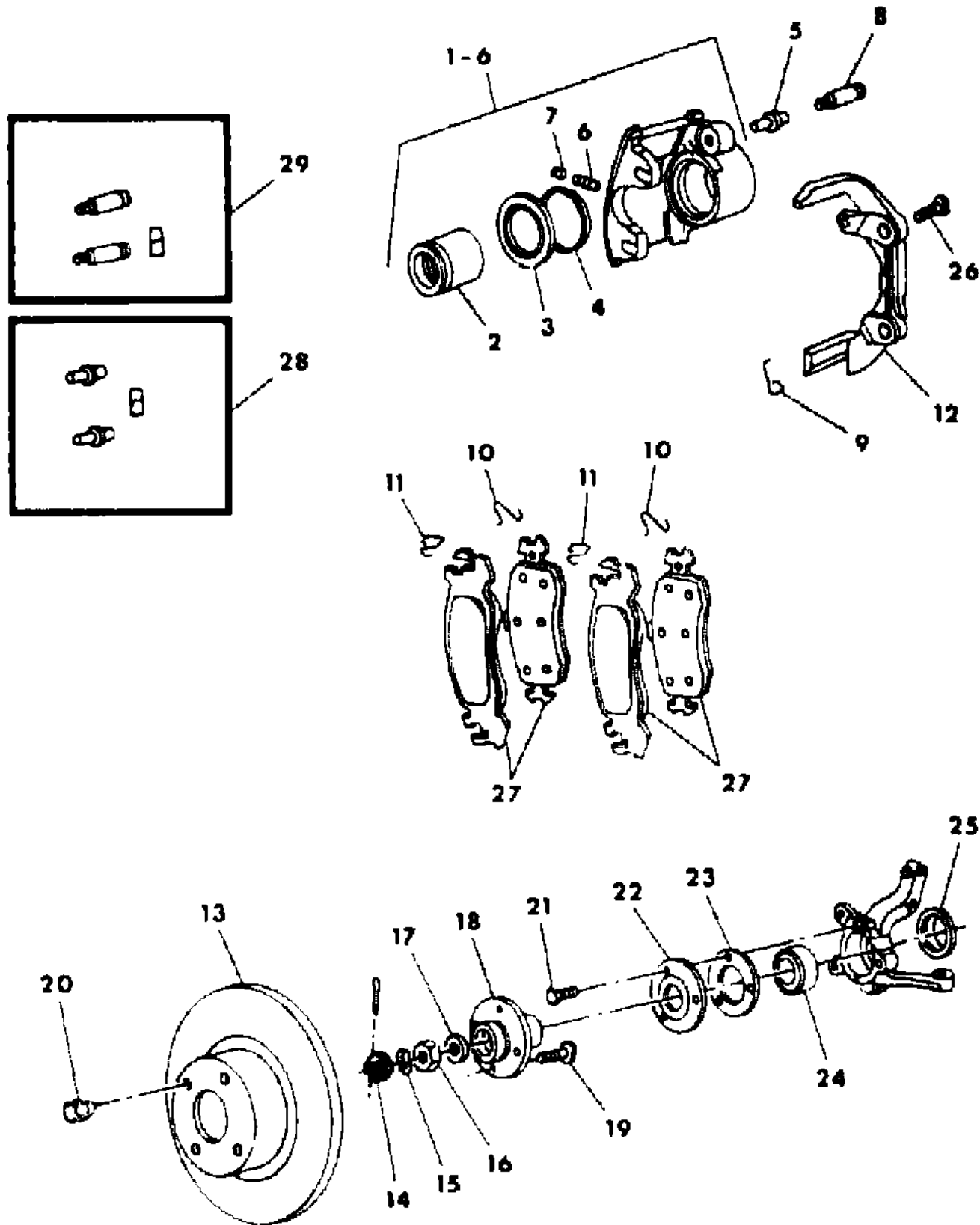
21 = 2-DOOR SEDAN	28 = FWD PICKUP	44 = 4-DOOR HATCHBACK
22 = 2-DOOR SPECIAL COUPE	35 = FWD VAN	45 = 4-DOOR STATION WAGON
24 = 2-DOOR HATCHBACK	36 = FWD WAGON	48 = 4-DOOR EXECUTIVE SEDAN
27 = 2-DOOR CONVERTIBLE	41 = 4-DOOR SEDAN	

AR = Use as Required - = Non Illustrated Part P.A.R. = Paint as Required

BRAKES FRONT H,K-35,36

Figure 5-1800

4105 1800



ITEM	PART NUMBER	QTY	BODY	MODEL	DESCRIPTION
1-6	4313 244-5	1			HOUSING, Caliper Partail
2	4313 243	2			PISTON
3	4313 246	2			BOOT
4	4313 247	2			SEAL
5		2			BUSHING (See Pkg. 4267331)
6	3780 788	2			SCREW, Bleeder
7	4094 879	2			CAP, Bleeder
8		2			PIN, Locating (See Pkg. 4267330)
9	4313 252-3	1			CLIP, Adapter to Hsg.
10	4238 884-5	2			CLIP, Inner Pad
11	4313 254-5	2			CLIP, Outer Pad
12	4313 256-7	1			ADAPTER
13	4313 594	2			DISC
14	4293 167	2			LOCK, Hub Nut
15	5212 684	2			WASHER, Hub Wave
16	6500 298	2			NUT, Hub
17	6500 299	2			WASHER
18	5212 545	2			HUB
19	6501 053	8			STUD
20	6500 526	16			NUT, Std.
	6500 294	16			NUT, Chrome
21	6500 544	6			BOLT, Brg. Retainer
22	5212 980	2			RETAINER, Brg.
23	5212 559	2			GASKET
24	4293 185	2			BEARING
25	5212 535	2			SEAL
26	6500 908	4			BOLT w/Washer Caliper Mtg.
27	4313 268	1			BRAKE PAD SET
28	4267 331	1			BUSHING Pkg.
29	4267 330	1			PIN Pkg.

MODEL CODES

B = GRAN FURY	F = FIFTH AVENUE/NEWPORT	P = RELIANT
C = LEBARON/TOWN & COUNTRY/EXC SEDAN	G = DIPLOMAT	T = E CLASS/NEW YORKER
C24 = LASER	H = VOYAGER	V = 600
D = ARIES	K = MINI RAM/CARAVAN/ROYAL	V24 = DAYTONA
E = 600	M = HORIZON/TURISMO	Z = OMNI/CHARGER/RAMPAGE

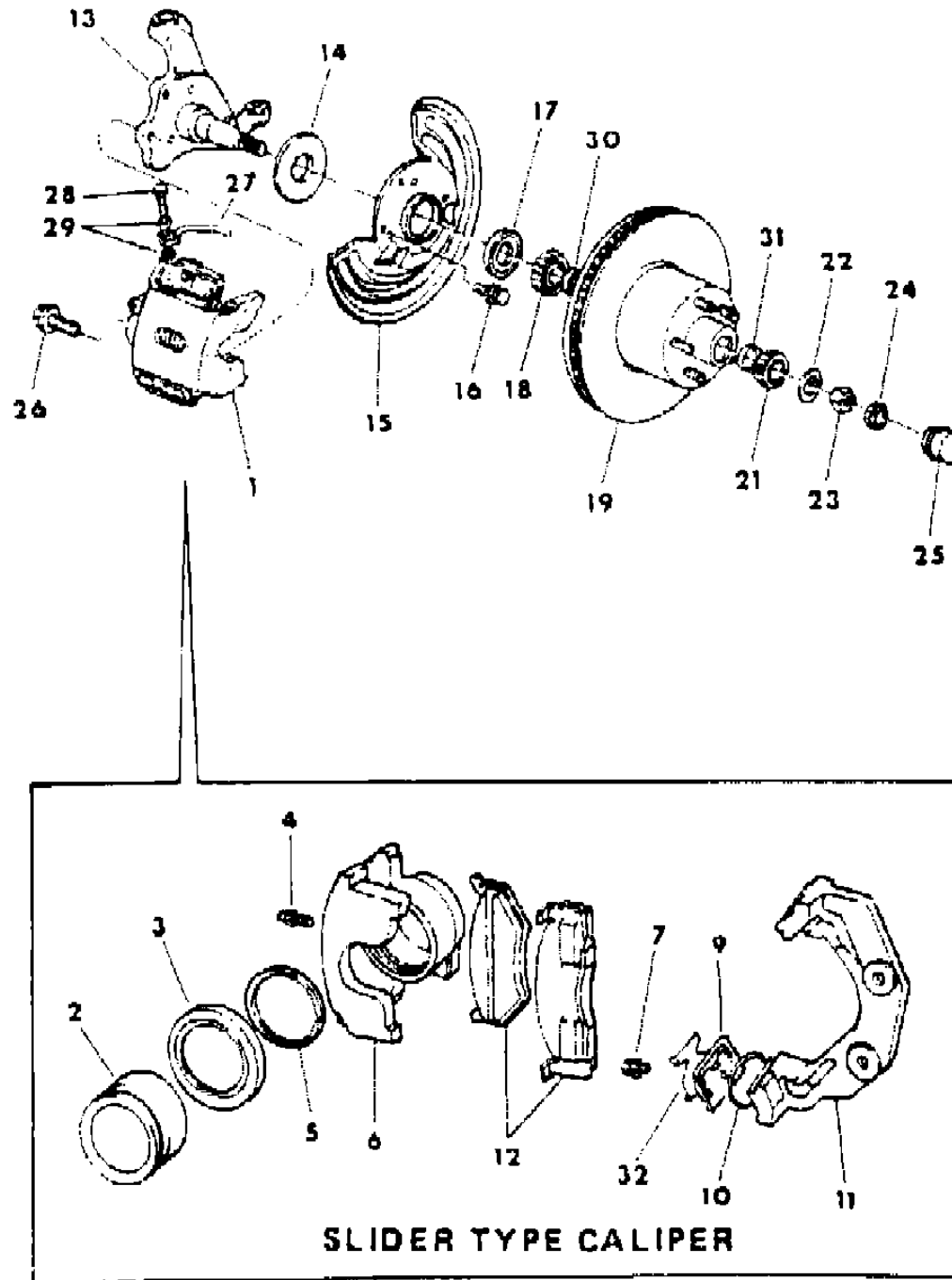
BODY STYLES

21 = 2-DOOR SEDAN	28 = FWD PICKUP	44 = 4-DOOR HATCHBACK
22 = 2-DOOR SPECIAL COUPE	35 = FWD VAN	45 = 4-DOOR STATION WAGON
24 = 2-DOOR HATCHBACK	36 = FWD WAGON	48 = 4-DOOR EXECUTIVE SEDAN
27 = 2-DOOR CONVERTIBLE	41 = 4-DOOR SEDAN	

AR = Use as Required - = Non Illustrated Part P.A.R. = Paint as Required

BRAKES FRONT, F,G,B
Figure 5-1900

4103 1900



ITEM	PART NUMBER	QTY	BODY	MODEL	DESCRIPTION
	4176 778	1		All	SHOE and LINING PKG. (Axle Set)
	4049 699	1		All	SHOE and LINING PKG. H. Duty (Axle Set) Consists of: 2 - ---- Shoe and Lining, Outer 2 - ---- Shoe and Lining, Inner
	3683 975	1		All	1- 4186997 Spring Pkg. BEARING PACKAGE, Inner Consist of: 1 - 3580892 Cone
	1671 465	1		All	1 - ---- Cup 1 - 3580723 Seal BEARING PACKAGE, Outer Consists of: 1- --- Cone 1- --- Cup
	4186 990	2			BOOT and SEAL Pkg.
	4293 172	1			Pin (Not Shown) 1 - ---- Seal 1 - ---- Boot 1 - ---- Silicon 1 - ---- Gage
	4186 989	1		All	PISTON, SEAL, BOOT PACKAGE Consists of: 1 - ---- Piston 1 - ---- Seal 1 - ---- Boot 1 - ---- Silicon 1 - ---- Gage
1-12		1		All	CALIPER, Slider Type (Service Components)
2	4186 989	2		All	PISTON, SEAL, BOOT PACKAGE
3	4186 990	2		All	BOOT, SEAL, PACKAGE
4	3780 788	2		All	SCREW, Bleeder
5	4186 990	2		All	SEAL, BOOT PACKAGE
6	4126 843	1		All	HOUSING, Partl. Lt.
	4126 842	1		All	Rt.
7	6029 930	4		All	SCREW
9	3580 824	4		All	PLATE
10	3766 519	2		All	RUBBER BAND

MODEL CODES

B = GRAN FURY	F = FIFTH AVENUE/NEWPORT	P = RELIANT
C = LEBARON/TOWN & COUNTRY/EXC SEDAN	G = DIPLOMAT	T = E CLASS/NEW YORKER
C24 = LASER	H = VOYAGER	V = 600
D = ARIES	K = MINI RAM/CARAVAN/ROYAL	V24 = DAYTONA
E = 600	M = HORIZON/TURISMO	Z = OMNI/CHARGER/RAMPAGE

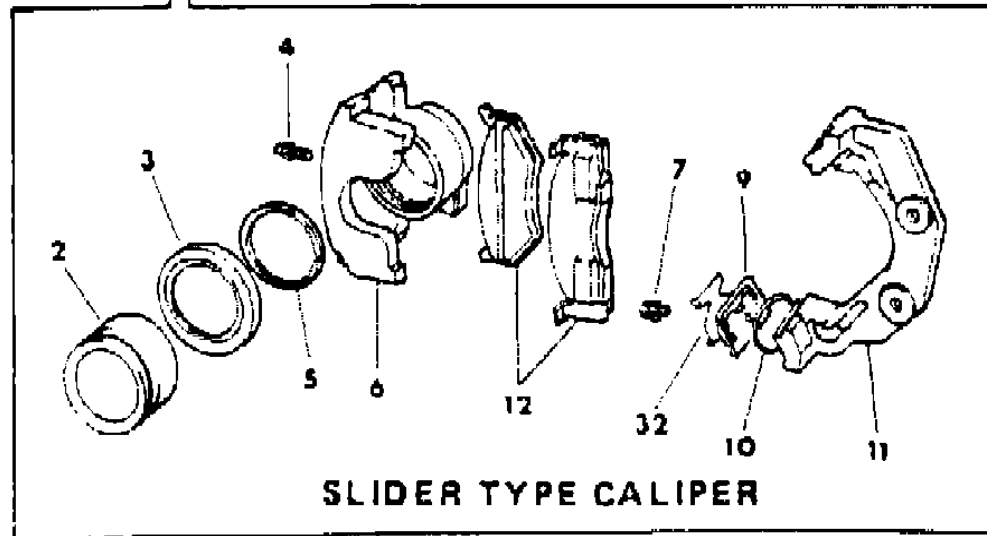
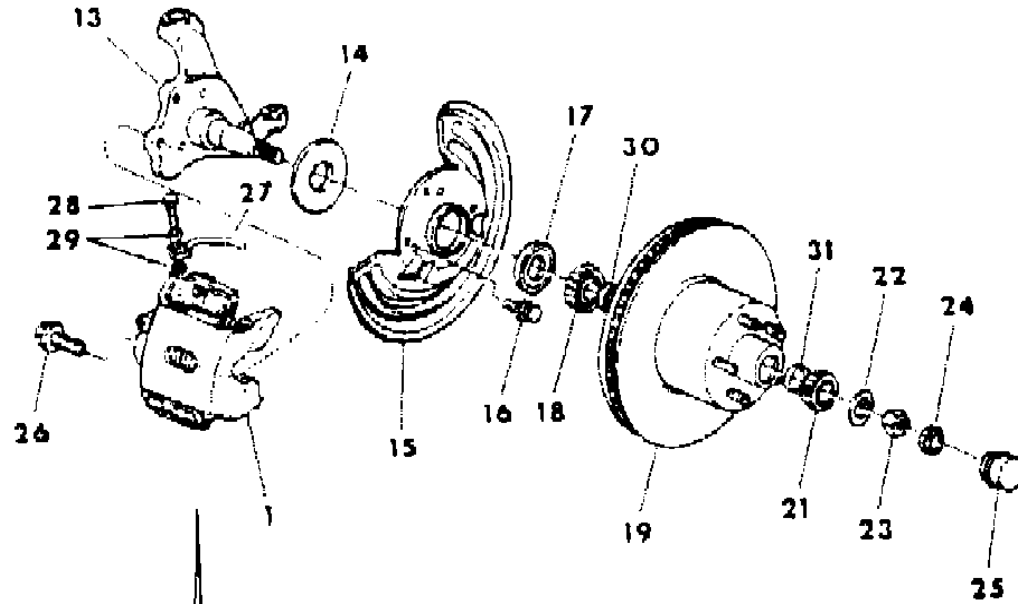
BODY STYLES

21 = 2-DOOR SEDAN	28 = FWD PICKUP	44 = 4-DOOR HATCHBACK
22 = 2-DOOR SPECIAL COUPE	35 = FWD VAN	45 = 4-DOOR STATION WAGON
24 = 2-DOOR HATCHBACK	36 = FWD WAGON	48 = 4-DOOR EXECUTIVE SEDAN
27 = 2-DOOR CONVERTIBLE	41 = 4-DOOR SEDAN	

AR = Use as Required - = Non Illustrated Part P.A.R. = Paint as Required

BRAKES FRONT, F,G,B
Figure 5-1900

4103 1900



ITEM	PART NUMBER	QTY	BODY	MODEL	DESCRIPTION
11	4267 344	2		All	ADAPTER, Caliper
12		2		All	SHOE and LINING (See above Packages)
13	3402 640-1	2		All	KNUCKLE, Rt. and Lt.
	4238 884-5	1			Clip Anti-Rattle, Inner Shoe (Not Shown)
15	3880 518-9	2		All	SHIELD, Splash
16	0181 084	2		All	SCREW
17	3580 723	2		All	SEAL, Dust
19	4131 251	2		F,G,B	HUB with DISC (Std)
	3880 685	2		F,G,B	H/Duty
21	1671 465	2		All	CONE and ROLLER, Outer (Pkg.)
22	0600 194	2		All	WASHER, Thrust
23	6029 692	2		All	NUT, Bearing Adjusting
24	1673 324	2			NUT, Lock
25	3580 894	2		All	CAP
26	6030 952	4		All	SCREW and WASHER, Caliper Mounting
27	4240 508-9	1		All	HOSE, Brake
28	6030 026	2		All	SCREW, Hose to Caliper
29	6030 084	4		All	GASKET, Hose Screw
30	3683 975	2		All	CUP, Bearing Inner
31	1671 465	2		All	CUP, Bearing Outer
32	4186 997	4		All	SPRING

MODEL CODES

B = GRAN FURY	F = FIFTH AVENUE/NEWPORT	P = RELIANT
C = LEBARON/TOWN & COUNTRY/EXC SEDAN	G = DIPLOMAT	T = E CLASS/NEW YORKER
C24 = LASER	H = VOYAGER	V = 600
D = ARIES	K = MINI RAM/CARAVAN/ROYAL	V24 = DAYTONA
E = 600	M = HORIZON/TURISMO	Z = OMNI/CHARGER/RAMPAGE

BODY STYLES

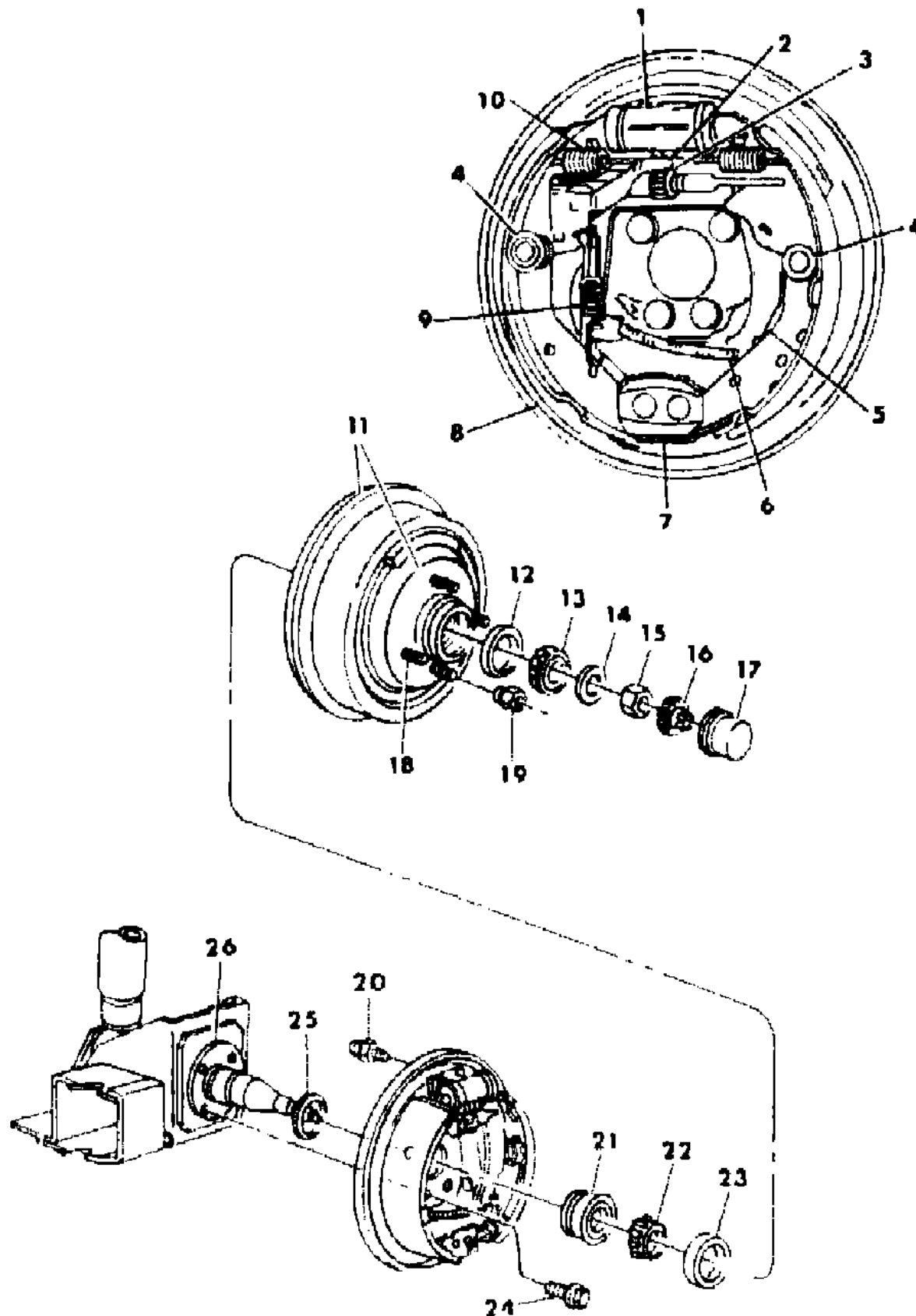
21 = 2-DOOR SEDAN	28 = FWD PICKUP	44 = 4-DOOR HATCHBACK
22 = 2-DOOR SPECIAL COUPE	35 = FWD VAN	45 = 4-DOOR STATION WAGON
24 = 2-DOOR HATCHBACK	36 = FWD WAGON	48 = 4-DOOR EXECUTIVE SEDAN
27 = 2-DOOR CONVERTIBLE	41 = 4-DOOR SEDAN	

AR = Use as Required - = Non Illustrated Part P.A.R. = Paint as Required

BRAKES REAR And WHEEL BEARINGS M,Z-All P,D-w/Std.(BGA) (200mmX32.5MM)

Figure 5-2000

4105 2000



ITEM	PART NUMBER	QTY	BODY	MODEL	DESCRIPTION
	4238 827	1			SHOE and LINING PKG. (Axle Set)
1	4238 701	2			CYLINDER, Wheel Comp.
	4238 706	2			CYLINDER, Wheel Comp.(Shelby & GLH)
2	6028 921	4			SCREW, Cylinder Mtg.
	4238 722-3	1			LEVER, Auto Adjuster
	4238 724-5	1			SCREW, Auto Adjuster
	4238 726-7	1			NUT, Auto Adjuster
	4238 721	2			PLUG, Adjuster Hole
3	4238 770	2			SOCKET, Auto Adjuster Screw
	4238 732	4			RETAINER SPRING, Shoe Hold Down
	4238 733	4			PIN, Shoe Hold Spring
4	4238 872-3	1			LEVER, Park Brake
	4238 715	2			WASHER, Wave
5	4238 716	2			CLIP, Lever Retainer
	4238 700	2			CABLE, Park Brake
6	4238 730	2			PLUG, Cable Hole
	4238 730	2			SPRING, Lower Shoe Return
7	4238 697	2			SUPPORT, Brake
8	4238 851	2			SPRING, Auto Adjuster Lever
9	4238 731	2			SPRING, Shoe Return
10	4238 531	2			HUB And DRUM, 4-Stud
11	3683 974	2			CUP, Bearing Outer
12	4293 196	2			CONE And ROLLER, Outer
13	0600 194	2			WASHER, Bearing Thrust
14	6029 692	2			NUT, Bearing Adjuster
15	1673 324	2			LOCK, Bearing Adjuster Nut
16	3580 894	2			CAP, Grease
17	6500 526	AR			NUT, Std.
18	6500 294	AR			NUT, Chrome
19	6501 053	AR			STUD, Wheel
20	3766 674	2			SCREW, Bleeder
21	4238 717	2			CAP, Bleeder Screw
	4238 570	2			SEAL, Dust
22	4238 567	2			CONE And ROLLER, Inner (Pkg.)
23		2			CUP, Bearing Inner (Serv. Pkg.)
24	6500 844	8			BOLT, Spindle Mtg.
25	4238 853	2			SEAL, Support
26	4228 123	2			SPINDLE, Front

MODEL CODES

B = GRAN FURY	F = FIFTH AVENUE/NEWPORT	P = RELIANT
C = LEBARON/TOWN & COUNTRY/EXC SEDAN	G = DIPLOMAT	T = E CLASS/NEW YORKER
C24 = LASER	H = VOYAGER	V = 600
D = ARIES	K = MINI RAM/CARAVAN/ROYAL	V24 = DAYTONA
E = 600	M = HORIZON/TURISMO	Z = OMNI/CHARGER/RAMPAGE

BODY STYLES

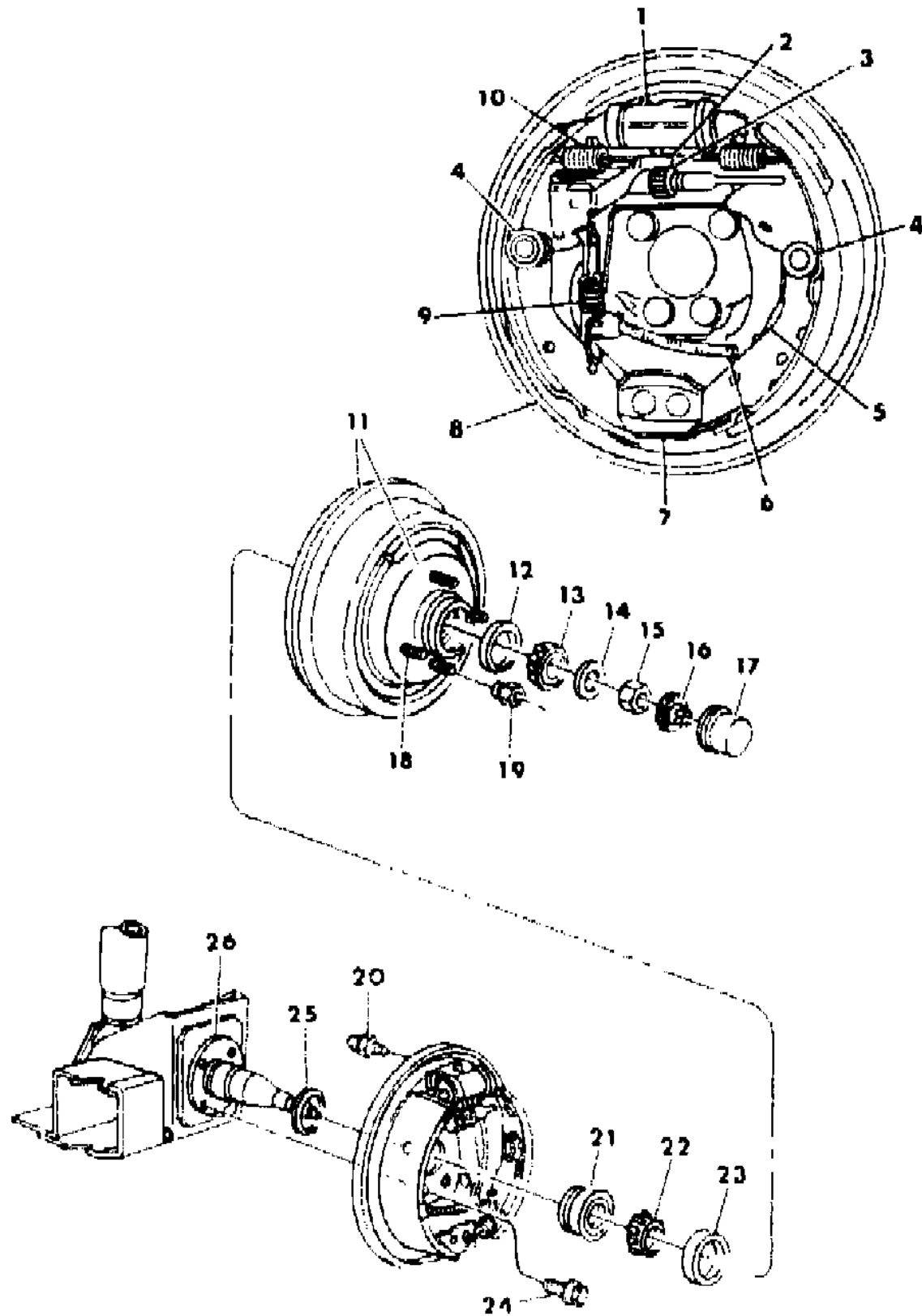
21 = 2-DOOR SEDAN	28 = FWD PICKUP	44 = 4-DOOR HATCHBACK
22 = 2-DOOR SPECIAL COUPE	35 = FWD VAN	45 = 4-DOOR STATION WAGON
24 = 2-DOOR HATCHBACK	36 = FWD WAGON	48 = 4-DOOR EXECUTIVE SEDAN
27 = 2-DOOR CONVERTIBLE	41 = 4-DOOR SEDAN	

AR = Use as Required - = Non Illustrated Part P.A.R. = Paint as Required

BRAKES REAR And WHEEL BEARINGS C,D,V,J,E,T-All P,D-w/H. Duty (BGB) (220mmX38.0mm)

Figure 5-2100

4105 2100



ITEM	PART NUMBER	QTY	BODY	MODEL	DESCRIPTION
	4238 826	1			SHOE and LINING PKG. (Axle Set)
1	4238 706	2			CYLINDER, Wheel Comp.
	6028 921	4			SCREW, Cylinder Mtg.
2	4238 764-5	1			LEVER, Auto Adjuster
3	4238 766-7	1			SCREW, Auto Adjuster
	4238 726-7	1			NUT, Auto Adjuster
	4238 721	2			PLUG, Adjuster Hole
	4238 770	2			SOCKET, Auto Adjuster Screw
4	4238 732	4			RETAINER SPRING, Shoe Hole Down
	4238 771	4			PIN, Shoe Hold Down Spring
5	4238 762-3	1			LEVER, Park Brake
	4238 715	2			WASHER, Wave
	4238 716	2			CLIP, Lever
6					CABLE, Park Brake
	4238 700	2			PLUG, Cable Hole
7	4238 730	2			SPRING, Lower Shoe Return
8	4238 760	2			SUPPORT, Brake
9	4238 851	2			SPRING, Auto Adjuster Lever
10	4238 731	2			SPRING, Shoe Return
11	4238 538	2			HUB And DRUM, 4-Stud
12	3683 974	2			CUP, Bearing Outer
13	4293 196	2			CONE And ROLLER, Outer
14	0600 194	2			WASHER, Bearing Thrust
15	6029 692	2			NUT, Bearing Adjusting
16	1673 324	2			LOCK, Adjuster Nut
17	3580 894	2			CAP, Grease
18	6500 526	AR			NUT, Std.
	6500 294	AR			NUT, Chrome
19	5204 272	AR			STUD, Wheel
20	3766 674	2			SCREW, Bleeder
	4238 717	2			CAP, Bleeder
21	4238 570	2			SEAL, Dust
22	4238 567	2			CONE And ROLLER, Inner (Pkg.)
23		2			CUP, Bearing Inner (Serv. Pkg.)
24	6500 844	8			BOLT, Spindle Mtg.
25	4238 853	2			SEAL, Support
26	4228 123	2			SPINDLE, Rear

MODEL CODES

B = GRAN FURY
 C = LEBARON/TOWN & COUNTRY/EXC SEDAN
 C24 = LASER
 D = ARIES
 E = 600

F = FIFTH AVENUE/NEWPORT
 G = DIPLOMAT
 H = VOYAGER
 K = MINI RAM/CARAVAN/ROYAL
 M = HORIZON/TURISMO

P = RELIANT
 T = E CLASS/NEW YORKER
 V = 600
 V24 = DAYTONA
 Z = OMNI/CHARGER/RAMPAGE

BODY STYLES

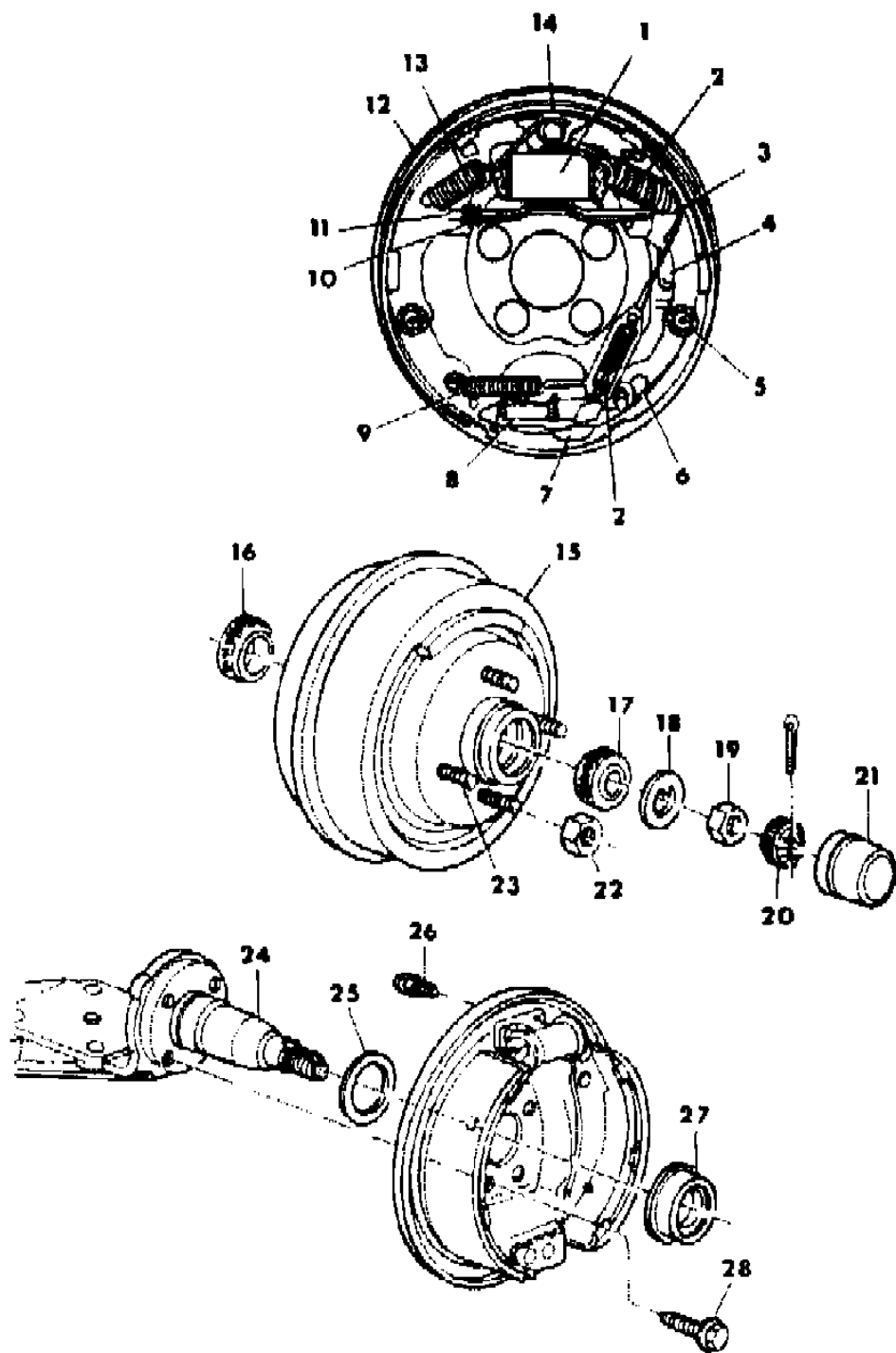
21 = 2-DOOR SEDAN
 22 = 2-DOOR SPECIAL COUPE
 24 = 2-DOOR HATCHBACK
 27 = 2-DOOR CONVERTIBLE
 28 = FWD PICKUP
 35 = FWD VAN
 36 = FWD WAGON
 41 = 4-DOOR SEDAN

44 = 4-DOOR HATCHBACK
 45 = 4-DOOR STATION WAGON
 48 = 4-DOOR EXECUTIVE SEDAN

AR = Use as Required - = Non Illustrated Part P.A.R. = Paint as Required

BRAKES REAR And WHEEL BEARINGS H,K-35,36 (9"X2.5")
Figure 5-2200

4105 2200



ITEM	PART NUMBER	QTY	BODY	MODEL	DESCRIPTION
	4313 080	1			SHOE and LINING PKG. (Axle Set)
1	4313 056	2			CYLINDER, Wheel
	6028 921	4			SCREW, Wheel Cylinder Mtg.
2	3461 662	2			CABLE, Brake Adjuster
	3461 660	2			SPRING, Adjuster Cable
3	4313 074	2			GUILD, Cable
4	4313 076-7	1			LEVER, Park Brake
5	4313 062	4			SPRING RETAINER
	2260 548	4			PIN
6	2944 580-1	1			SPRING
	4049 681	2			PIN
7	3461 665	2			LEVER, Brake Adjuster
8	2881 686-7	1			SCREW, Adjuster Pivot
	2944 692-3	1			NUT, Pivot Screw
	2944 586	2			BUTTON, Adjuster
	6027 559	2			WASHER, Adjuster Button
9	4313 069	2			SPRING, Adjuster
10	4313 079	2			SPRING, Strut
11	4313 078	2			STRUT
12	4313 055	2			SUPPORT
	4238 700	2			PLUG, Park Cable Hole
	4238 721	2			PLUG, Adjuster Hole
13	2881 676	4			SPRING, Shoe Return
14	4313 075	2			GUIDE
15	4313 037	2			HUB And DRUM, Std. (BKC)
	4313 009	2			HUB And DRUM, H.D. (BKD)
16	3683 975	2			BEARING PACKAGE, Inner
17	3683 974	2			BEARING PACKAGE, Outer
	4293 196	2			CONE and ROLLER, Outer Brg.
18	0600 194	2			WASHER, Thrust
19	6029 692	2			NUT
20	1673 324	2			LOCK
21	3580 894	2			CAP
22	6500 526	AR			NUT, Std.
	6500 294	AR			NUT, Chrome
23	6501 053	AR			STUD
24	4228 120	2			SPINDLE
25	4313 231	2			SEAL, Support

MODEL CODES

B = GRAN FURY	F = FIFTH AVENUE/NEWPORT	P = RELIANT
C = LEBARON/TOWN & COUNTRY/EXC SEDAN	G = DIPLOMAT	T = E CLASS/NEW YORKER
C24 = LASER	H = VOYAGER	V = 600
D = ARIES	K = MINI RAM/CARAVAN/ROYAL	V24 = DAYTONA
E = 600	M = HORIZON/TURISMO	Z = OMNI/CHARGER/RAMPAGE

BODY STYLES

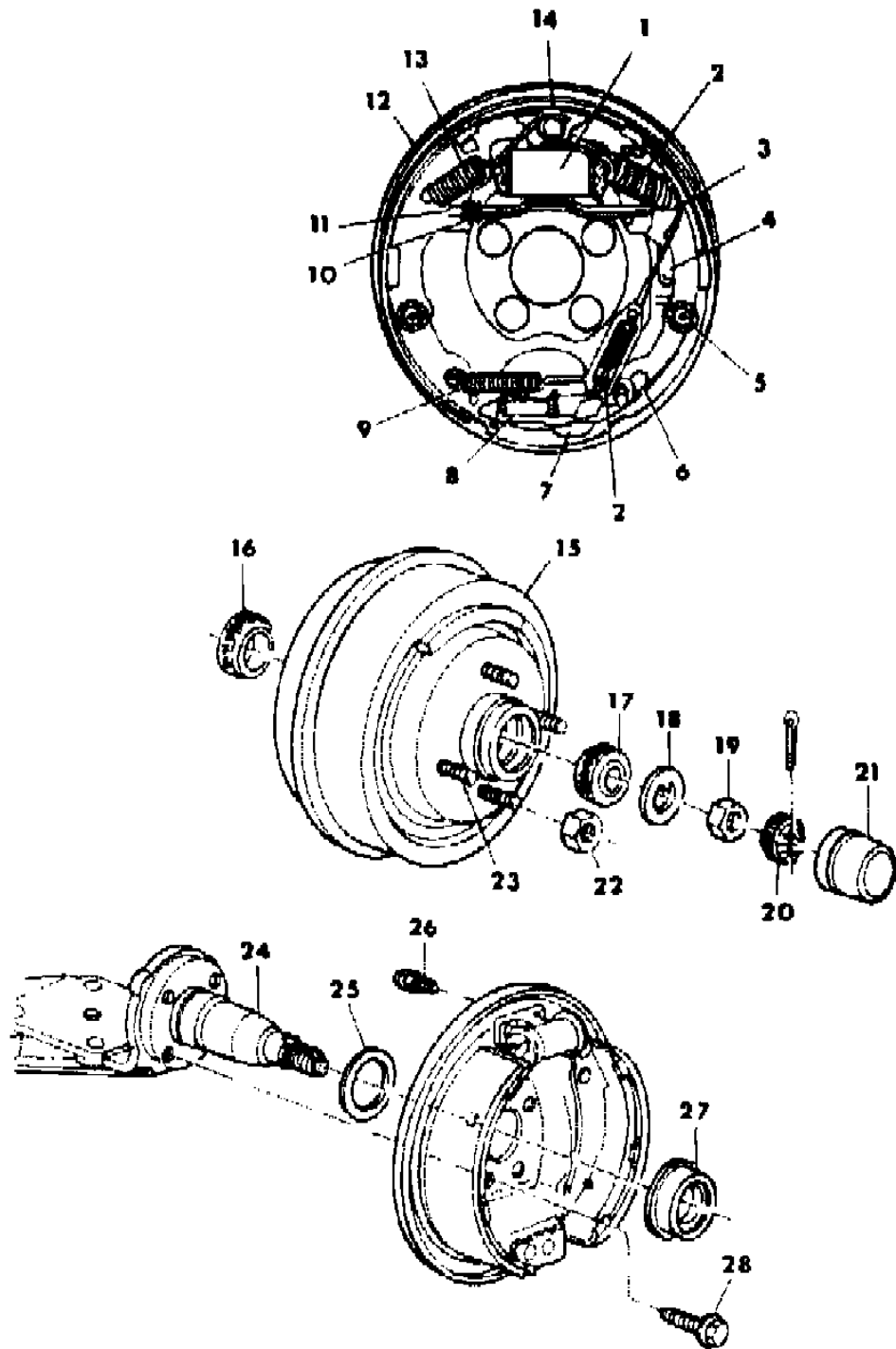
21 = 2-DOOR SEDAN	28 = FWD PICKUP	44 = 4-DOOR HATCHBACK
22 = 2-DOOR SPECIAL COUPE	35 = FWD VAN	45 = 4-DOOR STATION WAGON
24 = 2-DOOR HATCHBACK	36 = FWD WAGON	48 = 4-DOOR EXECUTIVE SEDAN
27 = 2-DOOR CONVERTIBLE	41 = 4-DOOR SEDAN	

AR = Use as Required - = Non Illustrated Part P.A.R. = Paint as Required

BRAKES REAR And WHEEL BEARINGS H,K-35,36 (9"X2.5")

Figure 5-2200

4105 2200



ITEM	PART NUMBER	QTY	BODY	MODEL	DESCRIPTION
26	3766 674	2			BLEEDER, Screw
	4238 717	2			CAP, Bleeder Screw
27	4238 789	2			SEAL, Dust
28	6500 844	8			BOLT, Support To Spindle

MODEL CODES

B = GRAN FURY	F = FIFTH AVENUE/NEWPORT	P = RELIANT
C = LEBARON/TOWN & COUNTRY/EXC SEDAN	G = DIPLOMAT	T = E CLASS/NEW YORKER
C24 = LASER	H = VOYAGER	V = 600
D = ARIES	K = MINI RAM/CARAVAN/ROYAL	V24 = DAYTONA
E = 600	M = HORIZON/TURISMO	Z = OMNI/CHARGER/RAMPAGE

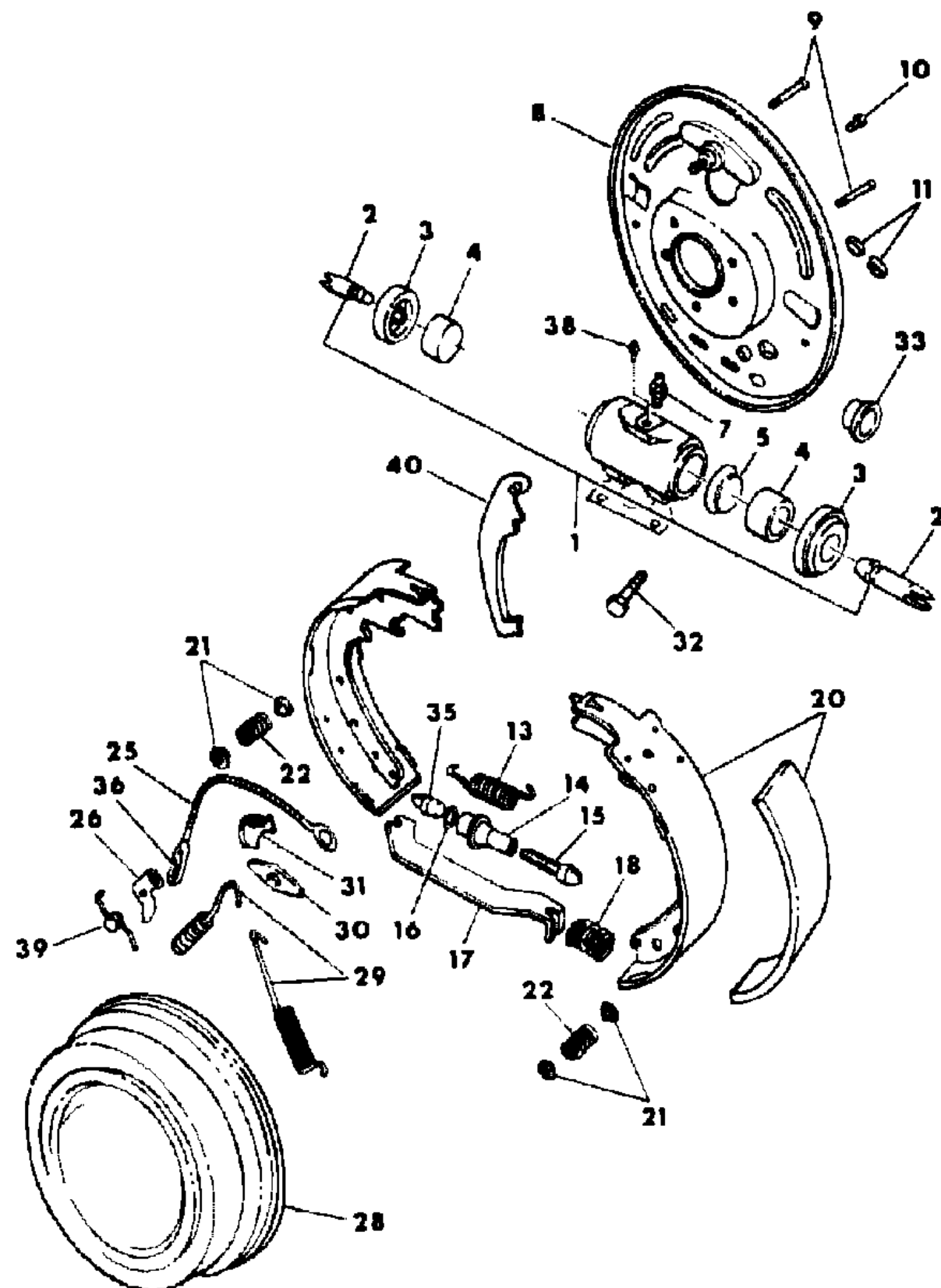
BODY STYLES

21 = 2-DOOR SEDAN	28 = FWD PICKUP	44 = 4-DOOR HATCHBACK
22 = 2-DOOR SPECIAL COUPE	35 = FWD VAN	45 = 4-DOOR STATION WAGON
24 = 2-DOOR HATCHBACK	36 = FWD WAGON	48 = 4-DOOR EXECUTIVE SEDAN
27 = 2-DOOR CONVERTIBLE	41 = 4-DOOR SEDAN	

AR = Use as Required - = Non Illustrated Part P.A.R. = Paint as Required

BRAKES REAR, B,F,G (10" & 11" X 2.5")
Figure 5-2300

4105 2300



ITEM	PART NUMBER	QTY	BODY	MODEL	DESCRIPTION
	4049 682	2		All	SHOE and LINING PKG., 10" Brakes Consists of: 2 - ---- --- Shoe and Lining, Primary 2 - ---- --- Shoe and Lining, Secondary 2 - 2260835 Spring
	4026 648	1		F,G,B	1 - 4049681 Pin, Washer and Lock Pkg. SHOE and LINING PKG., 11" Brakes Taxi Lining Consists of: 2 - ---- --- Shoe and Lining, Primary 2 - ---- --- Shoe and Lining, Secondary
	4049 681	2		All	1 - 4049681 Pin, Washer and Lock Pkg. PIN, WASHER and Lock Pkg., Rr. Whl. Pk./Brk. and A/Adj. Consists of: 2 - ---- --- Pin, Rr. Whl. Brk. A/Adj. Lvr. 2- 2072643 Washer, Pkg./Brk. Lvr. Pin 2-2072644 Lock, Pkg./Brk. Lvr. Pin
1	3780 525	2		All	CYLINDER, WHEEL, 10" and 11" Brakes, Less P/Rods
2	2260 787	4		All	ROD, Wheel Cylinder Push
3	2881 618	4		All	BOOT, 10" and 11" Brakes
4	2260 325	4		All	PISTON, 10" and 11" Brakes
7	3766 674	2		All	SCREW, Bleeder
8	3699 601	2		All	SUPPORT, 10" Brakes
	3699 603	2		All	11" Brakes
9	2260 548	4		All	Pin, 2-11/32" Lgh., Fig. 1 Stamped on Head
	4049 681	AR		All	Rr. Whl. Brake, Auto. Adj. Lvr.
10	6028 921	AR		All	SCREW, Whl. Brake Cyl. Mtg.
11	2072 614	4		All	COVER, Brake Adj. Hole
13	3766 574	2		All	SPRING, 10" Brakes
	2880 555	2		All	11" Brakes
14	2944 692-3	AR		All	NUT, Auto. Adj. Pivot Screw
15	2881 686-7	AR		All	SCREW, Auto. Adj. Pivot
16	6027 559	AR		All	WASHER, Auto. Adj. Button
17	3880 756-7	1		All	STRUT, 11" Brakes
	4126 576-7	1		All	STRUT, 10" Brakes
18	2533 822	1		All	SPRING, Pk. Brk. Lvr. Strut, w/11" Brakes
20		2		All	SHOE and LINING (Serviced in Shoe and Lining Pkg.)

MODEL CODES

B = GRAN FURY	F = FIFTH AVENUE/NEWPORT	P = RELIANT
C = LEBARON/TOWN & COUNTRY/EXC SEDAN	G = DIPLOMAT	T = E CLASS/NEW YORKER
C24 = LASER	H = VOYAGER	V = 600
D = ARIES	K = MINI RAM/CARAVAN/ROYAL	V24 = DAYTONA
E = 600	M = HORIZON/TURISMO	Z = OMNI/CHARGER/RAMPAGE

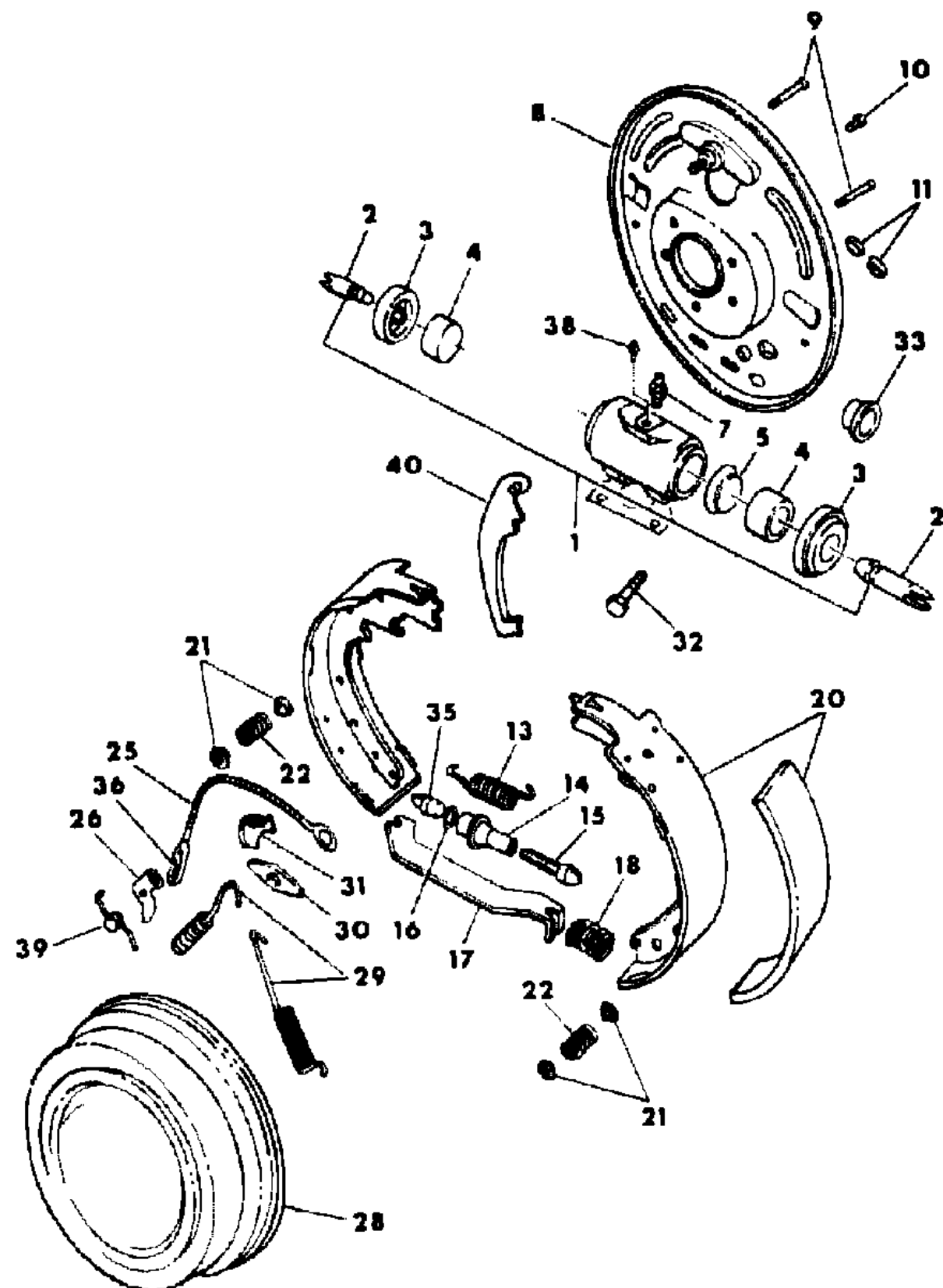
BODY STYLES

21 = 2-DOOR SEDAN	28 = FWD PICKUP	44 = 4-DOOR HATCHBACK
22 = 2-DOOR SPECIAL COUPE	35 = FWD VAN	45 = 4-DOOR STATION WAGON
24 = 2-DOOR HATCHBACK	36 = FWD WAGON	48 = 4-DOOR EXECUTIVE SEDAN
27 = 2-DOOR CONVERTIBLE	41 = 4-DOOR SEDAN	

AR = Use as Required - = Non Illustrated Part P.A.R. = Paint as Required

BRAKES REAR, B,F,G (10" & 11" X 2.5")
Figure 5-2300

4105 2300



ITEM	PART NUMBER	QTY	BODY	MODEL	DESCRIPTION
21	4126 525	4		All	RETAINER, Spring
22	4126 525	4		All	SPRING, Hold-Down
25	3461 663	2		All	CABLE, 10" Brakes
	3461 664	2		All	11" Brakes
26	3461 665	2		All	LEVER, Auto. Adj.
28	4049 661	2		All	DRUM, Rear Wheel, 10" Brakes
	3780 537	2		F,G,B	w/11" Brakes
29	2260 835	4		All	SPRING, 10" Brakes
	2260 789	4		All	11" Brakes
30	2267 045	2		All	PLATE, 10" Brakes
	2260 788	2		All	11" Brakes
31	2260 793	2		All	GUIDE, Auto. Adj. Cable
32	3723 668	AR		All	BOLT, Rr. Whl. Mtg., 1" Long
	3723 668	AR		All	15/16" Long
33	3699 549	AR		All	PLUG, Park Brake Cable Hole
34	2881 314	AR		All	GASKET, Axle Hsg. Brake Support Plate,
	2070 933	AR		All	5 Holes, Inner
	2070 933	AR		All	5 Holes, Outer
35	2944 586	2		All	BUTTON, Auto. Adj.
36	3461 660	2		All	SPRING, Auto. Adj. Cable
39	2944 580	2		All	SPRING, Rr. Whl. Brake A/Adj. Lever, Rt.
	2944 581	2		All	Lt.
40	3880 628-9	1		All	LEVER, Park Brake w/10" Brakes
	3880 630-1	1		All	w/11" Brakes

MODEL CODES

B = GRAN FURY	F = FIFTH AVENUE/NEWPORT	P = RELIANT
C = LEBARON/TOWN & COUNTRY/EXC SEDAN	G = DIPLOMAT	T = E CLASS/NEW YORKER
C24 = LASER	H = VOYAGER	V = 600
D = ARIES	K = MINI RAM/CARAVAN/ROYAL	V24 = DAYTONA
E = 600	M = HORIZON/TURISMO	Z = OMNI/CHARGER/RAMPAGE

BODY STYLES

21 = 2-DOOR SEDAN	28 = FWD PICKUP	44 = 4-DOOR HATCHBACK
22 = 2-DOOR SPECIAL COUPE	35 = FWD VAN	45 = 4-DOOR STATION WAGON
24 = 2-DOOR HATCHBACK	36 = FWD WAGON	48 = 4-DOOR EXECUTIVE SEDAN
27 = 2-DOOR CONVERTIBLE	41 = 4-DOOR SEDAN	

AR = Use as Required - = Non Illustrated Part P.A.R. = Paint as Required

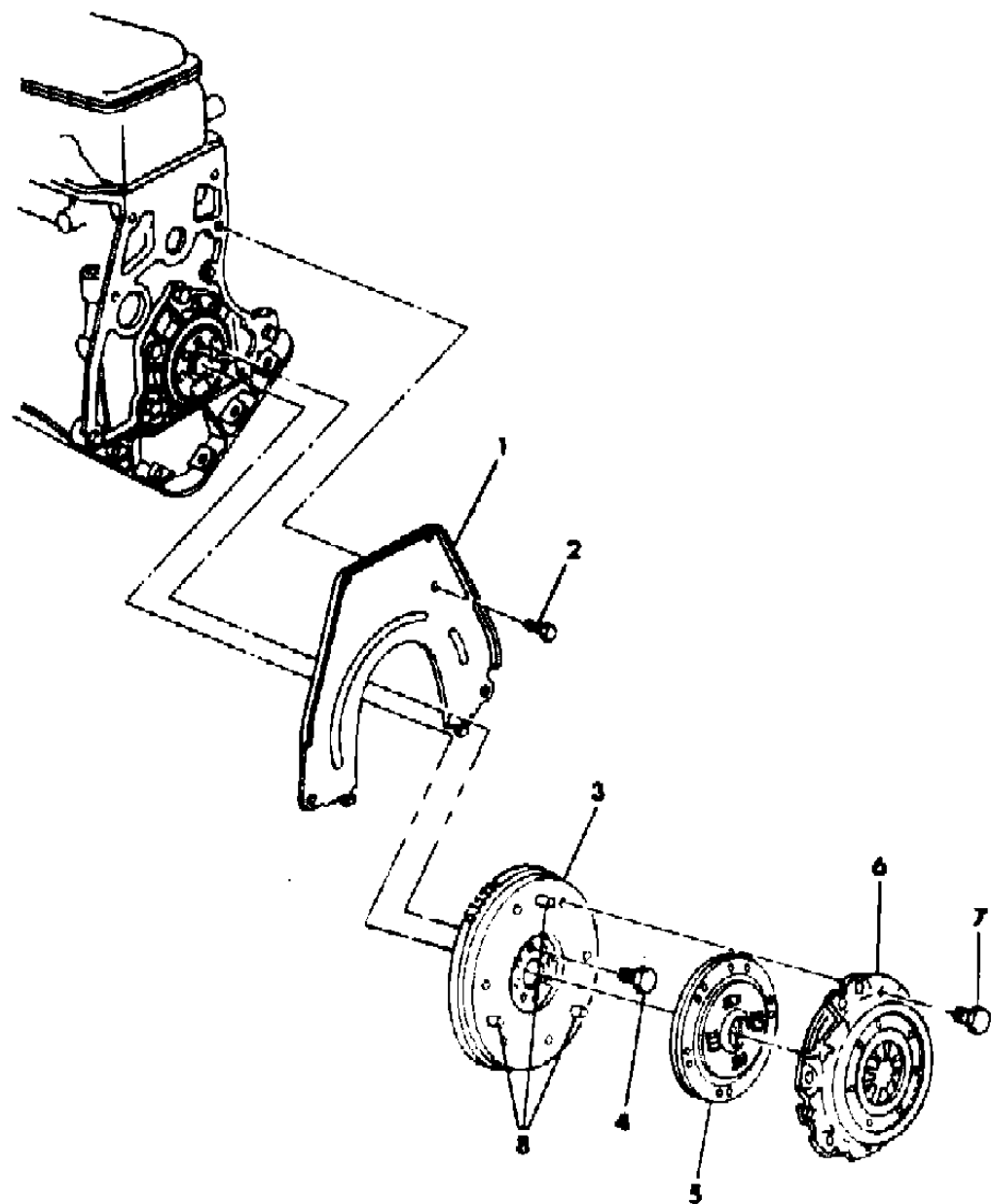
GROUP 6 - CLUTCH

ILLUSTRATION TITLE	GROUP-FIG. NO.
CLUTCH - M,Z 1.6 Liter Eng. w/A460 4 Speed Trans.	Fig. 6-100
CLUTCH - M,Z,P,D,V,C,E,H,K,V,C-24 w/2.2L Eng., w/A460,465,525 - 4&5 Speed Trans.	Fig. 6-200
CLUTCH PEDAL AND LINKAGE - M,Z,P,D,V,C,E,H,K,V,C-24 - All Eng., w/A460,465,525 - 4&5 Speed Trans.	Fig. 6-300

ILLUSTRATION NOT AVAILABLE AT TIME OF PUBLICATION

**CLUTCH - M,Z 1.6 Liter Eng. w/A460 4 Speed Trans.
Figure 6-100**

4100 100



ITEM	PART NUMBER	QTY	BODY	MODEL	DESCRIPTION
1				All	COVER, Trans. Case Upper (Refer To Gr. 21)
2				All	SCREW, Cover (Refer To Gr. 21)
3				All	FLYWHEEL (Refer To Gr. 9)
4				All	SCREW, Flywheel (Refer To Gr. 9)
5	4205 865	1		All	DISC, Clutch
6	4205 864	1		All	COVER, w/PLATE, Clutch Pressure & Disc
7	6500 151	6		All	BOLT, w/Coned Washer, Cover to Flywheel
8				All	DOWEL, Cover (Refer To Gr. 9)

MODEL CODES

B = GRAN FURY	F = FIFTH AVENUE/NEWPORT	P = RELIANT
C = LEBARON/TOWN & COUNTRY/EXC SEDAN	G = DIPLOMAT	T = E CLASS/NEW YORKER
C24 = LASER	H = VOYAGER	V = 600
D = ARIES	K = MINI RAM/CARAVAN/ROYAL	V24 = DAYTONA
E = 600	M = HORIZON/TURISMO	Z = OMNI/CHARGER/RAMPAGE

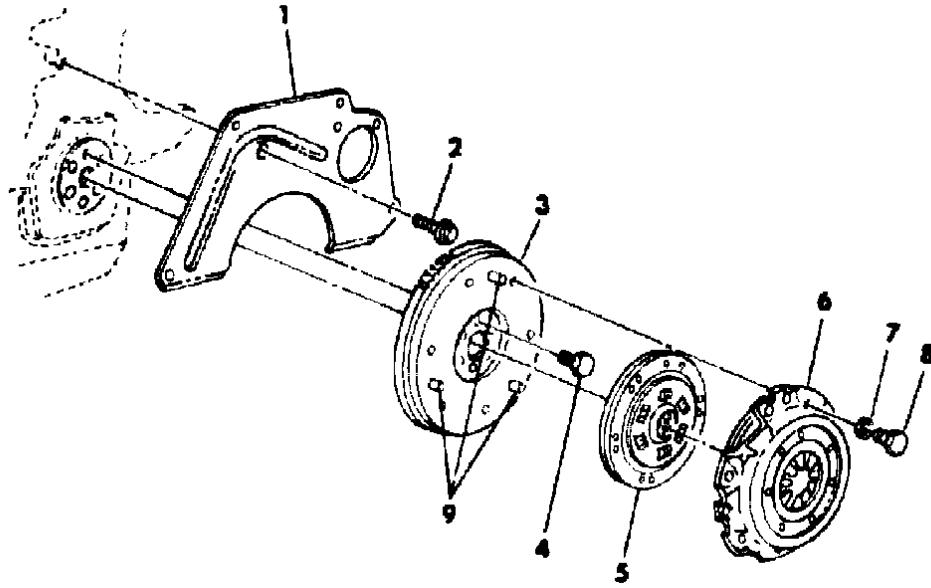
BODY STYLES

21 = 2-DOOR SEDAN	28 = FWD PICKUP	44 = 4-DOOR HATCHBACK
22 = 2-DOOR SPECIAL COUPE	35 = FWD VAN	45 = 4-DOOR STATION WAGON
24 = 2-DOOR HATCHBACK	36 = FWD WAGON	48 = 4-DOOR EXECUTIVE SEDAN
27 = 2-DOOR CONVERTIBLE	41 = 4-DOOR SEDAN	

AR = Use as Required - = Non Illustrated Part P.A.R. = Paint as Required

CLUTCH - M,Z,P,D,V,C,E,H,K,V,C-24 w/2.2L Eng., w/A460,465,525 - 4&5 Speed Trans.
Figure 6-200

4106 200



ITEM	PART NUMBER	QTY	BODY	MODEL	DESCRIPTION
1				All	COVER, Trans. Case Upper (Refer To Gr. 21)
2				All	SCREW w/WA., (Refer To Gr. 21)
3				All	FLYWHEEL (Refer To Gr. 9)
4				All	BOLT, Flywheel Mtg. (Refer To Gr. 9)
5	4295 006	1			DISC, Clutch, Except H,K Model And TURBO CHARGED, LUK Clutch
	4269 308	1			w/TURBO CHARGED, FICHTEL & SACHS Clutch
	4269 308	1	H,K		FICHTEL & SACHS Clutch
6	4295 007	1			COVER w/PLATE, Clutch Pressure & Disc Pkg., Except H,K Model And TURBO CHARGED, LUK Clutch
	4269 309	1			w/TURBO CHARGED, FICHTEL & SACHS Clutch
	4295 414	1	H,K		FICHTEL & SACHS Clutch
7	6100 141	6	All		WASHER, Cover To Flywheel
8	6500 151	6	All		BOLT, w/Coned Washer, Cover to Flywheel
9			All		DOWEL, Flywheel To Cover (Refer To Gr. 9)

MODEL CODES

B = GRAN FURY	F = FIFTH AVENUE/NEWPORT	P = RELIANT
C = LEBARON/TOWN & COUNTRY/EXC SEDAN	G = DIPLOMAT	T = E CLASS/NEW YORKER
C24 = LASER	H = VOYAGER	V = 600
D = ARIES	K = MINI RAM/CARAVAN/ROYAL	V24 = DAYTONA
E = 600	M = HORIZON/TURISMO	Z = OMNI/CHARGER/RAMPAGE

BODY STYLES

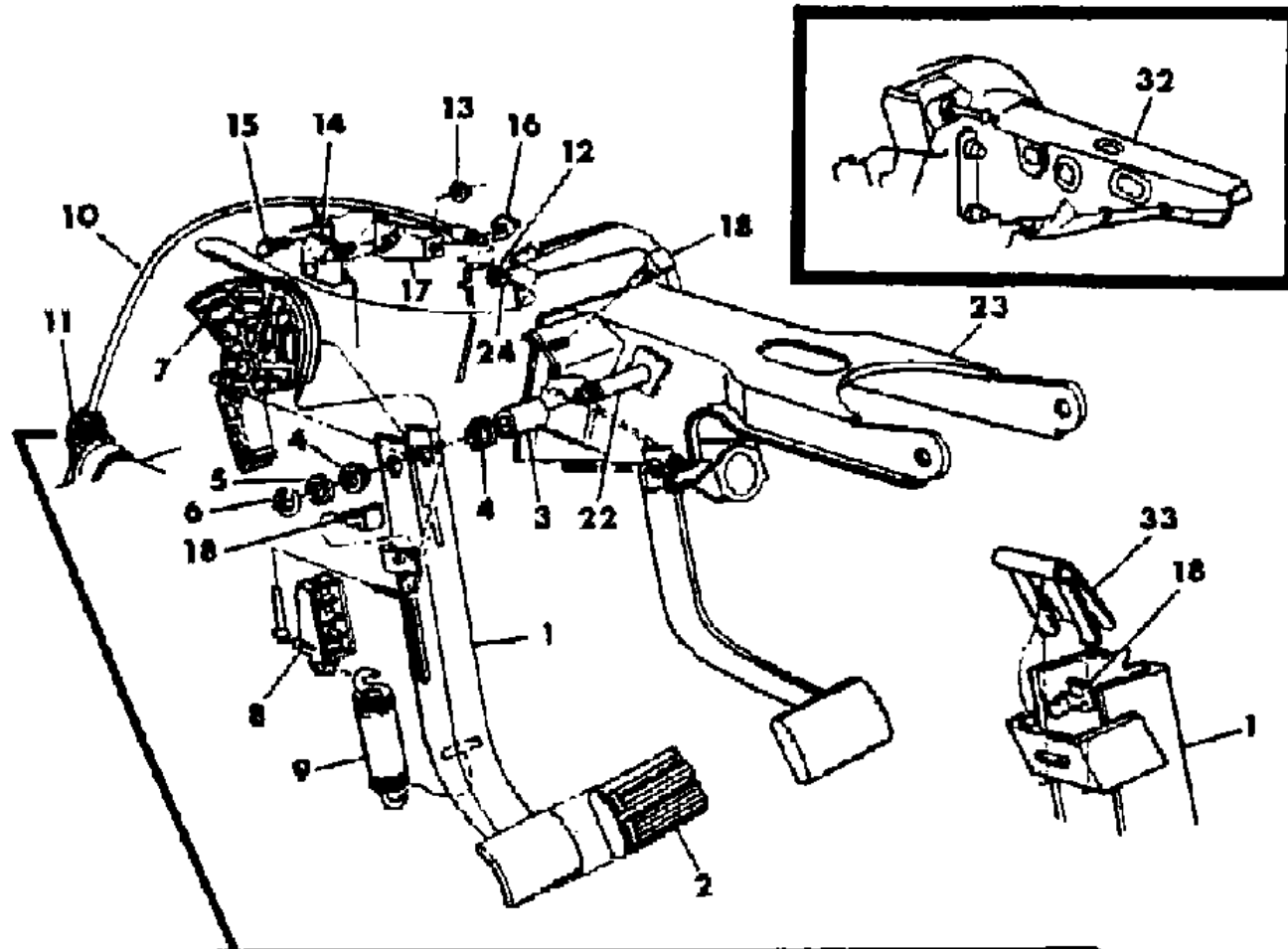
21 = 2-DOOR SEDAN	28 = FWD PICKUP	44 = 4-DOOR HATCHBACK
22 = 2-DOOR SPECIAL COUPE	35 = FWD VAN	45 = 4-DOOR STATION WAGON
24 = 2-DOOR HATCHBACK	36 = FWD WAGON	48 = 4-DOOR EXECUTIVE SEDAN
27 = 2-DOOR CONVERTIBLE	41 = 4-DOOR SEDAN	

AR = Use as Required - = Non Illustrated Part P.A.R. = Paint as Required

CLUTCH PEDAL AND LINKAGE - M,Z,P,D,V,C,E,H,K,V,C-24 - All Eng., w/A460,465,525 - 4&5 Speed Trans.

Figure 6-300

4106 300A



ITEM	PART NUMBER	QTY	BODY	MODEL	DESCRIPTION
1	4295 585	1		M,Z	PEDAL, Clutch
2	4188 668	1		PD,V,C,	PAD, Pedal
	5206 237	1		M,Z	
3	4019 715	1		PD,V,C,	SPACER, Pedal
	4019 706	1		M,Z	
4	4019 716	1		P,D,V,C	BUSHING, Pedal
	4188 659	1		H,K	
5	4019 707	2		All	WASHER, Pedal Shaft
6	2073 632	1		All	LOCK-RING, Pedal Shaft
7	6030 373	1		All	ADJUSTER, Pivot
	4188 669	1		MZ,P,D,	
8	4188 660	1		H,K	POSITION-ADJUSTER
	4019 695	1		All	
9	4188 666	1		All	SPRING, Clutch Cable Adj. DAMPER, Clutch Pedal Adj. Spring (Not Illus.)
	4019 749	1		All	
10	4377 771	1		M,Z	CABLE, Clutch Pedal
	4295 600	1		P,D,V,C	
11	4377 770	1		H,K	ISOLATOR, Cable
	4295 594	1		All	
12	3593 446	1		All	GROMMET, Cable Panel Dash
13	6100 050	2		All	NUT w/WA., Cable Mtg. Plate
	4188 101	1		All	
14	6100 098	2		All	WELD-SCREW, Cable Plate Mtg.
	3759 944	1		All	
15	3759 944	1		All	RETAINER, Plate
16	4295 369	1		All	CLIP, Cable
17	4188 664	1		M,Z	BRACKET, Cable Mtg.
	4295 577	1		P,D,V,C	
18	4188 662	1		H,K	BUMPER, Pedal Stop Brkt.
	2266 820	1		All	
19	4188 673	1		H,K	BRACKET, Clutch Pedal Stop
20	5206 244	1		All	GROMMET, Cable Retainer
21	5206 245	1		All	RETAINER, Cable Lock
22				All	TRANS. (Ref.)
23				All	SHAFT (Refer To Grp.5)
24				PD,V,C,	BRACKET (Refer To Grp.5)
25	6031 447	1		All	NUT, Cable Mtg.
	4295 759	1		All	
26	4295 438	1		All	BUSHING, Clutch Rel. Shaft, Inner Outer

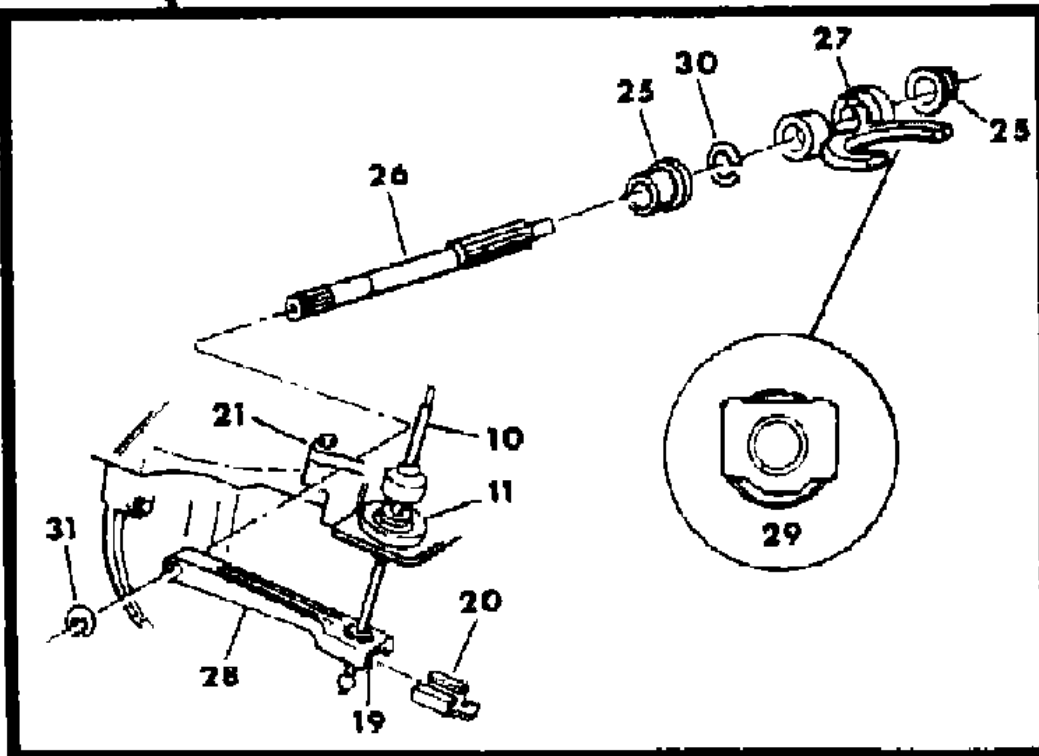
MODEL CODES

B = GRAN FURY	F = FIFTH AVENUE/NEWPORT	P = RELIANT
C = LEBARON/TOWN & COUNTRY/EXC SEDAN	G = DIPLOMAT	T = E CLASS/NEW YORKER
C24 = LASER	H = VOYAGER	V = 600
D = ARIES	K = MINI RAM/CARAVAN/ROYAL	V24 = DAYTONA
E = 600	M = HORIZON/TURISMO	Z = OMNI/CHARGER/RAMPAGE

BODY STYLES

21 = 2-DOOR SEDAN	28 = FWD PICKUP	44 = 4-DOOR HATCHBACK
22 = 2-DOOR SPECIAL COUPE	35 = FWD VAN	45 = 4-DOOR STATION WAGON
24 = 2-DOOR HATCHBACK	36 = FWD WAGON	48 = 4-DOOR EXECUTIVE SEDAN
27 = 2-DOOR CONVERTIBLE	41 = 4-DOOR SEDAN	

AR = Use as Required - = Non Illustrated Part P.A.R. = Paint as Required



GROUP 7 - COOLING

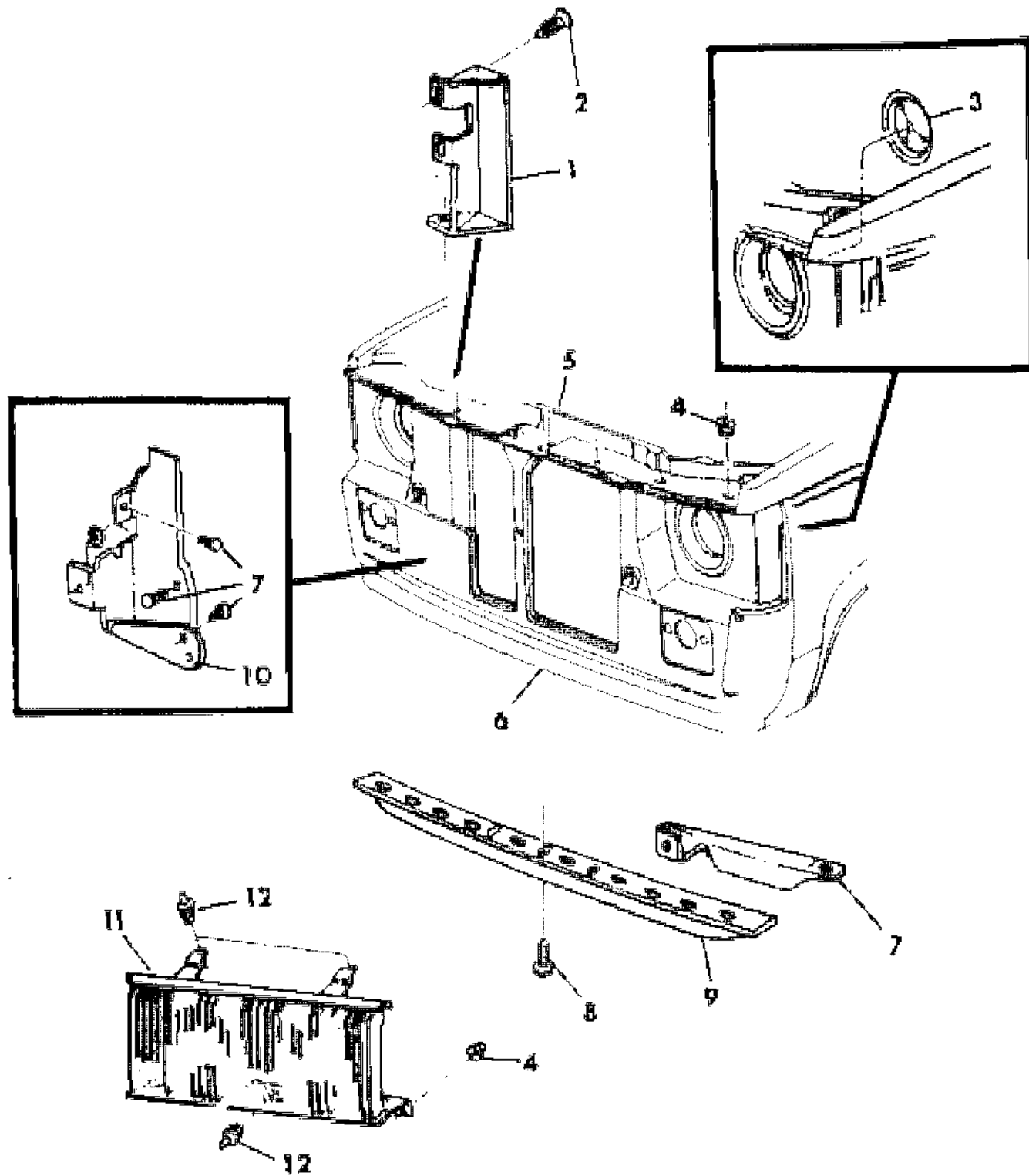
ILLUSTRATION TITLE	GROUP-FIG. NO.
GRILLE AND RELATED PARTS M,Z	Fig. 7-100
GRILLE AND RELATED PARTS P,D	Fig. 7-200
GRILLE AND RELATED PARTS V,E	Fig. 7-300
GRILLE AND RELATED PARTS C,T	Fig. 7-400
GRILLE AND RELATED PARTS H,K	Fig. 7-500
GRILLE AND RELATED PARTS F AND G-P	Fig. 7-600
GRILLE AND RELATED PARTS B AND G-L,H	Fig. 7-700
RADIATOR AND RELATED PARTS M,Z	Fig. 7-800
RADIATOR AND RELATED PARTS P,D,C,V,E,T	Fig. 7-900
RADIATOR AND RELATED PARTS H,K	Fig. 7-1000
RADIATOR AND RELATED PARTS B,F,G	Fig. 7-1100
COOLANT RESERVE TANKS	Fig. 7-1200
TRANSMISSION OIL COOLER 4 CYLINDER ENGINE	Fig. 7-1225
TRANSMISSION OIL COOLER 8 CYLINDER ENGINE	Fig. 7-1250
TRANSMISSION OIL COOLER - AUXILIARY 8 CYLINDER ENGINE	Fig. 7-1275
DRIVE BELTS	Fig. 7-1300
DRIVE PULLEYS 4 CYLINDER ENGINE	Fig. 7-1400
DRIVE PULLEYS 318 ENGINE	Fig. 7-1500
WATER PUMP AND RELATED PARTS 1.6L ENGINE	Fig. 7-1600
WATER PUMP AND RELATED PARTS 2.2L ENGINE	Fig. 7-1700
WATER PUMP AND RELATED PARTS 2.6L ENGINE	Fig. 7-1800
WATER PUMP AND RELATED PARTS 318 ENGINE	Fig. 7-1900
TURBO WATER COOLED SYSTEM	Fig. 7-2000

ILLUSTRATION NOT AVAILABLE AT TIME OF PUBLICATION

GRILLE AND RELATED PARTS M,Z

Figure 7-100

4107 500 B



ITEM	PART NUMBER	QTY	BODY	MODEL	DESCRIPTION
------	-------------	-----	------	-------	-------------

NOTE: FOR M,Z 24 GRILLE AND RELATED ITEMS NOT LISTED, REFER TO GROUP 13. Gear and Pinion numbers stamped on the item may be used to confirm the correct MATCHED SET they are contained in.

1	4296 041	1			SHIELD, Closure Panel Radiator Air - Rt.
2	6030 538	3			RETAINER
3	5201 335	2		24	COVER, Closure Panel Headlamp Mtg. Opening
4	6031 234	8			NUT
5	4341 673	1			CROSSMEMBER, Radiator Yoke
6	4341 995	1			PANEL, Closure Headlamp Mtg.
7	4103 230-1	1		24	BRACE, Fender Closure Headlamp Mtg. Opening
8	6030 441	AR		44	RETAINER
9	4140 438	1			DAM, Air
10					BAFFLE, Closure Panel
	5201 389	2		Z-S-24	w/Air Cond. or Max. Cooling
	4296 763	2		M,Z-H,P	w/Air Cond. and/or Max. Cooling
	4296 763	2		Z-S-28	w/Air Cond. and/or Max. Cooling
					PLUG, Closure Headlamp Mtg. Panel Vent Hose
	6030 883	1		M,Z-H,P	w/Air Cond. and/or Max. Cooling w/(S/C - NAA, NAE, NAF)
	6030 883	1		Z-S-24	w/Air Cond. and/or Max. Cooling w/(S/C - NAA, NAE, NAF)
11	4270 605	1		M,44	GRILLE, Radiator
	4270 610	1		Z,44	w/o Perf. Pkg.
	4334 455	1		Z,44	w/Perf. Pkg.
12	6031 383	3			PIN, Drive

MODEL CODES

B = GRAN FURY	F = FIFTH AVENUE/NEWPORT	P = RELIANT
C = LEBARON/TOWN & COUNTRY/EXC SEDAN	G = DIPLOMAT	T = E CLASS/NEW YORKER
C24 = LASER	H = VOYAGER	V = 600
D = ARIES	K = MINI RAM/CARAVAN/ROYAL	V24 = DAYTONA
E = 600	M = HORIZON/TURISMO	Z = OMNI/CHARGER/RAMPAGE

BODY STYLES

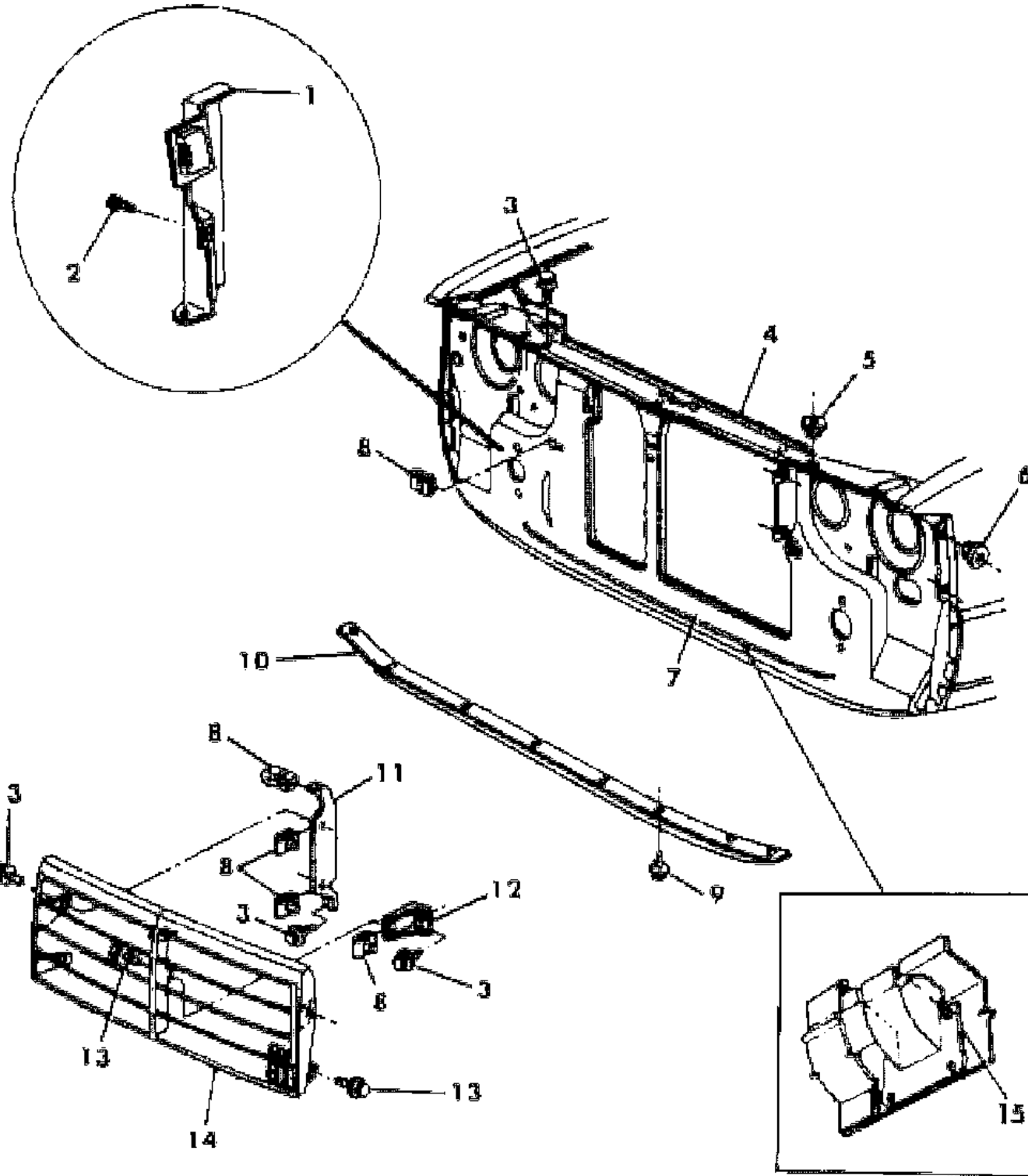
21 = 2-DOOR SEDAN	28 = FWD PICKUP	44 = 4-DOOR HATCHBACK
22 = 2-DOOR SPECIAL COUPE	35 = FWD VAN	45 = 4-DOOR STATION WAGON
24 = 2-DOOR HATCHBACK	36 = FWD WAGON	48 = 4-DOOR EXECUTIVE SEDAN
27 = 2-DOOR CONVERTIBLE	41 = 4-DOOR SEDAN	

AR = Use as Required - = Non Illustrated Part P.A.R. = Paint as Required

GRILLE AND RELATED PARTS P,D

Figure 7-200

4107 200 A



ITEM	PART NUMBER	QTY	BODY	MODEL	DESCRIPTION
1					SHIELD, Closure Panel Radiator Air - Rt.
	4103 168	1			2.2L Eng.
	4296 281	1			2.2L Eng. TC
	4103 174	1			2.6L Eng.
	4103 943	1			2.6L Eng. - Canada
2	6030 538	2			RETAINER
3	6029 198	4			SCREW w/WASHER
4	4296 820	1			CROSSMEMBER, Radiator Closure Panel
5	6032 061	3			NUT, Plastic Snap In
6	6031 234	4			NUT, Plastic Snap In
7	4325 201	1			PANEL, Headlamp Closure Mtg.
	4073 281	2			CAP, Closure Panel
8		8			U-NUT (not serviced)
9	6030 441	8			RETAINER
10	4334 474	1			DAM, Air - Canada
11	4103 148	2			BRACE, Radiator Grille Outer
12	4270 404	1			BRACE, Radiator Grille Center
13	6031 951	5			SCREW w/WASHER
14	4103 591	1	P		GRILLE, Radiator
	X550 CA1	1	D		Radiant Silver
	X550 CA6	1	D		Charcoal
	X550 CC4	1	D		Glacier Blue
	X550 CC9	1	D		Nightwatch Blue
	X550 CL4	1	D		Beige
	X550 CM5	1	D		Crimson Red
	X550 CR6	1	D		Garnet
	X550 CT6	1	D		Mink Brown
	X550 CW3	1	D		White
	X550 CX9	1	D		Black
15	4270 115	1			REINFORCEMENT, Crossmember Eng. Mtg. Frt. Brkt.

MODEL CODES

B = GRAN FURY	F = FIFTH AVENUE/NEWPORT	P = RELIANT
C = LEBARON/TOWN & COUNTRY/EXC SEDAN	G = DIPLOMAT	T = E CLASS/NEW YORKER
C24 = LASER	H = VOYAGER	V = 600
D = ARIES	K = MINI RAM/CARAVAN/ROYAL	V24 = DAYTONA
E = 600	M = HORIZON/TURISMO	Z = OMNI/CHARGER/RAMPAGE

BODY STYLES

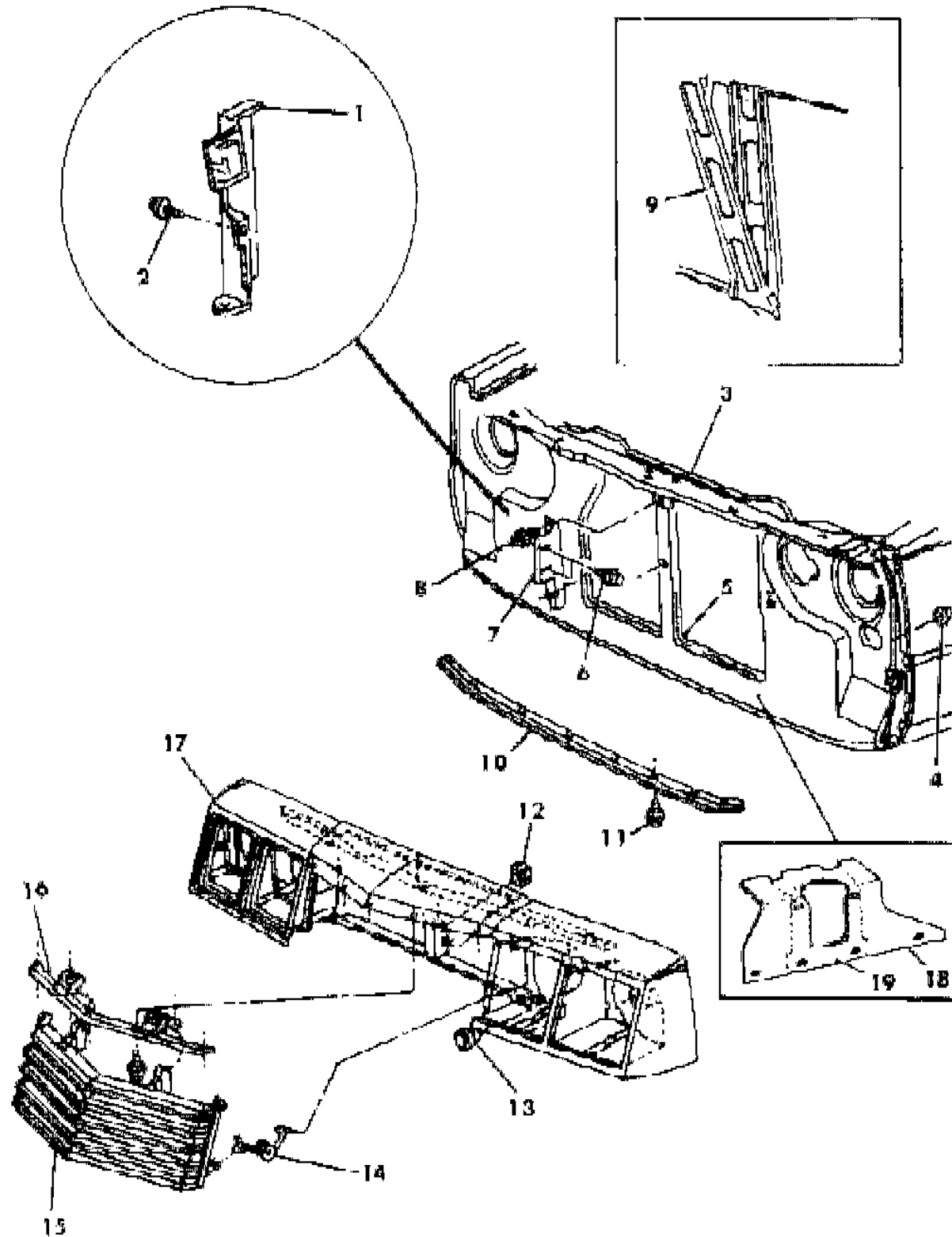
21 = 2-DOOR SEDAN	28 = FWD PICKUP	44 = 4-DOOR HATCHBACK
22 = 2-DOOR SPECIAL COUPE	35 = FWD VAN	45 = 4-DOOR STATION WAGON
24 = 2-DOOR HATCHBACK	36 = FWD WAGON	48 = 4-DOOR EXECUTIVE SEDAN
27 = 2-DOOR CONVERTIBLE	41 = 4-DOOR SEDAN	

AR = Use as Required - = Non Illustrated Part P.A.R. = Paint as Required

GRILLE AND RELATED PARTS V,E

Figure 7-300

4107 300 A



ITEM	PART NUMBER	QTY	BODY	MODEL	DESCRIPTION
1					SHIELD, Closure Panel Radiator Air - Rt.
	4103 168	1		exc. V-	2.2L Eng.
	4270 124	1		V-24	2.2L Eng.
	4296 281	1		V	2.2L Eng. TC (exc. V-24)
	4103 174	1			2.6L Eng.
	4103 943	1			2.6L Eng. - Canada
2	6030 538	2			RETAINER
3	4296 820	1			CROSSMEMBER, Radiator Closure Panel
	4341 228	1		V-24	
4	0219 462	4			NUT
5	4325 201	1			PANEL, Headlamp Closure Mtg.
	4296 980	1		V-24	up to 10-15-83
	4341 188	1		V-24	after 10-15-83
6	6100 566	2			SCREW w/WASHER
7	4103 774	1			BRACKET, Radiator Closure Panel to Sup. Rad. Grille Panel
8	6029 198	2			SCREW w/WASHER
9	4103 983	1		V-24	SUPPORT, Rad. Closure Panel To Crossmember
10	4334 474	1			DAM, Air - Canada
	4334 474	1		exc. V-	2.2L Eng. TC
11		8			RETAINER (not serv.)
12	6100 041	2			U-NUT
13	6500 725	8			NUT, Snap In
14	4270 539	2			SPRING, Radiator Grille Return
15					GRILLE, Radiator
	X613 CA1	1			Radiant Silver
	X613 CA6	1			Charcoal
	X613 CC6	1			Gunmetal Blue
	X613 CC9	1			Nightwatch Blue
	X613 CL4	1			Beige
	X613 CM5	1			Crimson Red
	X613 CR6	1			Garnet
	X613 CT6	1			Mink Brown
	X613 CW3	1			White
	X613 CX9	1			Black
16	4270 573	1			MOULDING, Radiator Grille
17	4334 760	1			PANEL, Radiator Grille Headlamp Mtg.
18	4341 850	1			REINFORCEMENT, Rad. Closure Panel Lower Crossmember
					2.2L Eng. TC

MODEL CODES

B = GRAN FURY	F = FIFTH AVENUE/NEWPORT	P = RELIANT
C = LEBARON/TOWN & COUNTRY/EXC SEDAN	G = DIPLOMAT	T = E CLASS/NEW YORKER
C24 = LASER	H = VOYAGER	V = 600
D = ARIES	K = MINI RAM/CARAVAN/ROYAL	V24 = DAYTONA
E = 600	M = HORIZON/TURISMO	Z = OMNI/CHARGER/RAMPAGE

BODY STYLES

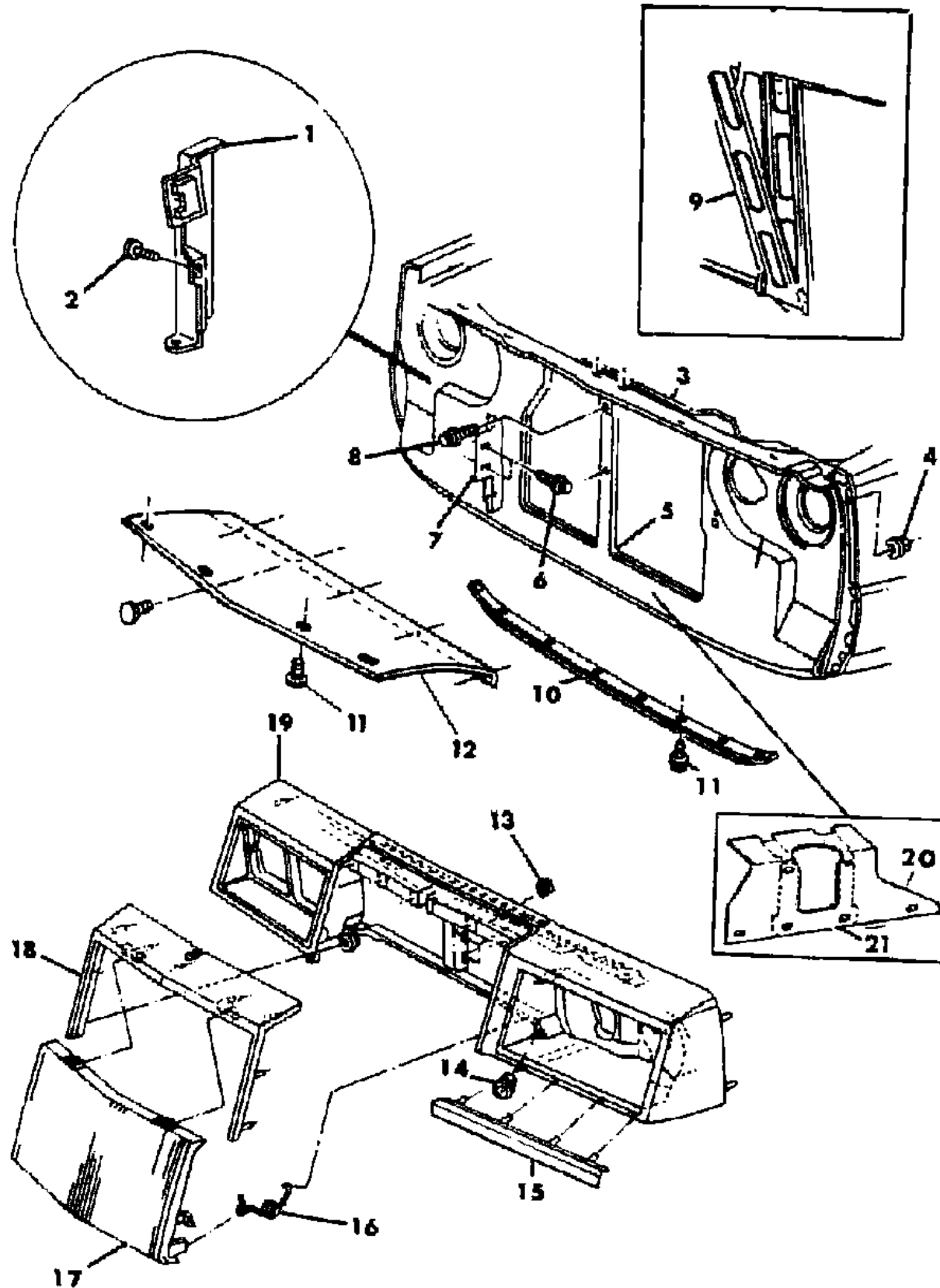
21 = 2-DOOR SEDAN	28 = FWD PICKUP	44 = 4-DOOR HATCHBACK
22 = 2-DOOR SPECIAL COUPE	35 = FWD VAN	45 = 4-DOOR STATION WAGON
24 = 2-DOOR HATCHBACK	36 = FWD WAGON	48 = 4-DOOR EXECUTIVE SEDAN
27 = 2-DOOR CONVERTIBLE	41 = 4-DOOR SEDAN	

AR = Use as Required - = Non Illustrated Part P.A.R. = Paint as Required

GRILLE AND RELATED PARTS C,T

Figure 7-400

4107 400B



ITEM	PART NUMBER	QTY	BODY	MODEL	DESCRIPTION
1					SHIELD, Closure Panel Radiator Air - Rt.
	4103 168	1		exc. C-	2.2L Eng.
	4270 124	1		C-24	2.2L Eng.
	4296 281	1		C	2.2L Eng. TC (exc. C-24)
	4103 174	1			2.6L Eng.
	4103 943	1			2.6L Eng. - Canada
2	6030 538	3			RETAINER
3	4296 820	1			CROSSMEMBER, Radiator Closure Panel
	4341 228	1		C-24	
4	0219 462	4			NUT
5	4325 201	1			PANEL, Headlamp Closure Mtg.
	4296 980	1		C-24	up to 10-15-83
	4341 188	1		C-24	after 10-15-83
6	6100 566	2			SCREW W/WASHER
7	4103 774	1			BRACKET, Radiator Closure Panel to Sup. Rad. Grille Panel
8	6029 198	2			SCREW w/WASHER
9	4103 983	1			SUPPORT, Rad. Closure Panel to Crossmember
10	4334 474	1			DAM, Air - Canada
	4334 474	1		exc. C-	2.2L Eng. TC
11	6030 441	AR			RETAINER
12	4103 316	1			SHIELD, Grille to Ground Concealment
13	6100 041	2			U-NUT
14	6500 725	8			NUT, Snap In
15	4103 368-9	1			MOULDING, Grille Ext. (T-P41 and Limo)
16	4270 539	2			SPRING, Radiator Grille Return
17					GRILLE, Radiator
	4270 567	1			Exc. T-P41 and Limo
	4103 362	1			w/T-P41 and Limo
18	4318 501	1		C,T-H	MOULDING, Rad. Grille Headlamp Mtg. Panel Outer
	4103 366	1			w/T-P41 and Limo
19	4334 466	1			PANEL, Radiator Grille Headlamp Mtg.
20	4341 850	1			REINFORCEMENT, Rad. Closure Panel Lower Crossmember 2.2L Eng. TC
21	4270 115	1			REINFORCEMENT, Crossmember Eng. Mtg. Frt. Brkt.

MODEL CODES

B = GRAN FURY
C = LEBARON/TOWN & COUNTRY/EXC SEDAN
C24 = LASER
D = ARIES
E = 600

F = FIFTH AVENUE/NEWPORT
G = DIPLOMAT
H = VOYAGER
K = MINI RAM/CARAVAN/ROYAL
M = HORIZON/TURISMO

P = RELIANT
T = E CLASS/NEW YORKER
V = 600
V24 = DAYTONA
Z = OMNI/CHARGER/RAMPAGE

BODY STYLES

21 = 2-DOOR SEDAN
22 = 2-DOOR SPECIAL COUPE
24 = 2-DOOR HATCHBACK
27 = 2-DOOR CONVERTIBLE
28 = FWD PICKUP
35 = FWD VAN
36 = FWD WAGON
41 = 4-DOOR SEDAN

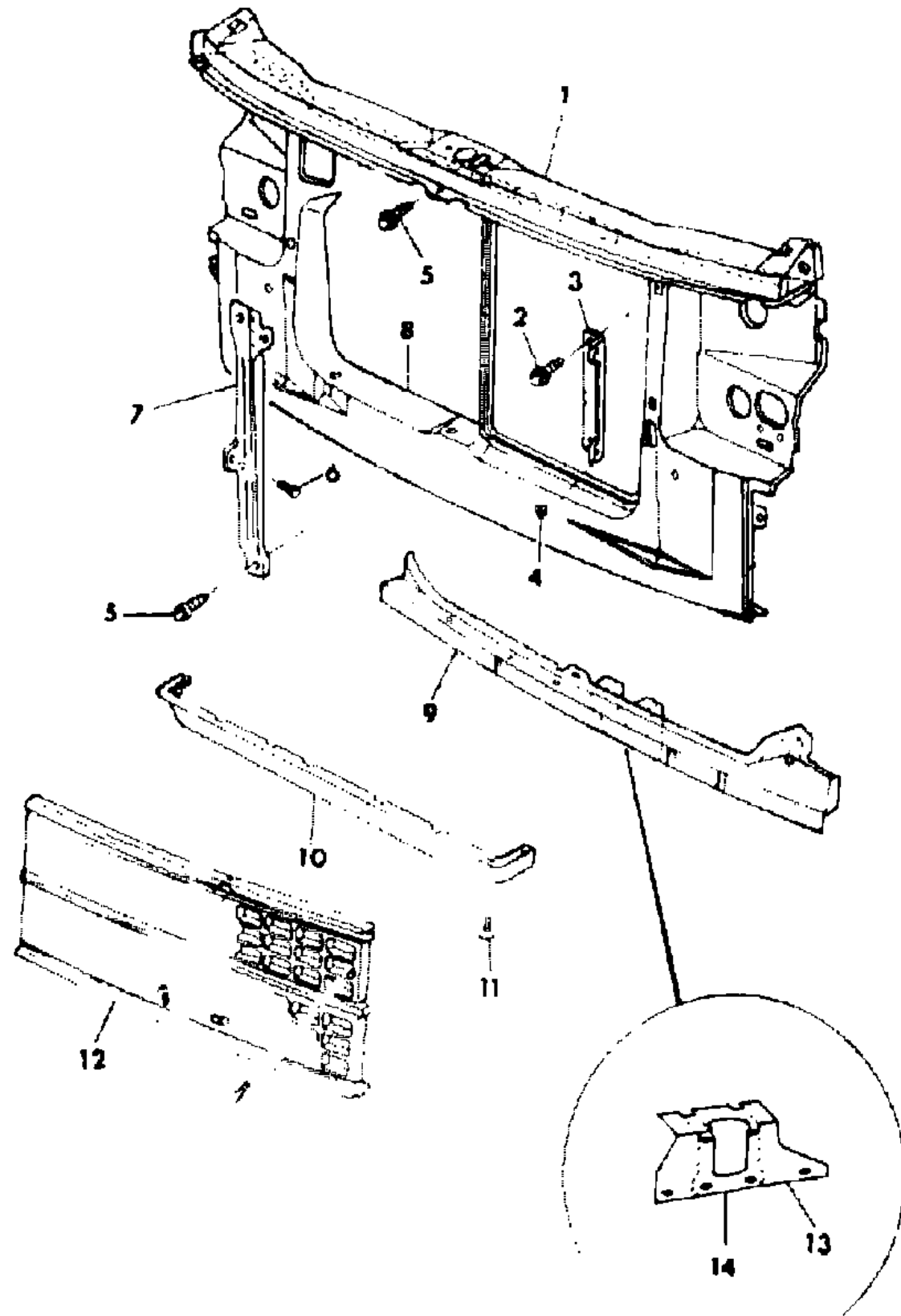
44 = 4-DOOR HATCHBACK
45 = 4-DOOR STATION WAGON
48 = 4-DOOR EXECUTIVE SEDAN

AR = Use as Required - = Non Illustrated Part P.A.R. = Paint as Required

GRILLE AND RELATED PARTS H,K

Figure 7-500

4107 500 C



ITEM	PART NUMBER	QTY	BODY	MODEL	DESCRIPTION
1	4341 229	1			CROSSMEMBER, Radiator Closure Panel Upper
2	6100 567	12			SCREW w/WASHER
3	4270 318	1			BRACKET, Radiator Grille Adapter to Closure Panel
4	6100 041	8			U-NUT
5	6100 566	2			SCREW
6	6031 234	10			NUT
7	4270 021	1			BRACE, Radiator Closure Panel - Center
8	4386 154	1			PANEL, Radiator Closure
9	4386 153	1			CROSSMEMBER, Radiator Closure Panel - Lower
10	4270 321	1			DAM, Air
11	6031 299	7			RETAINER
12	4270 312	1		K	GRILLE, Radiator Chrome & Medium Argent
	4270 313	1		K	Brite Argent & Medium Argent
	4270 953	1		H	Chrome & Black
13	4341 850	1			REINFORCEMENT, Radiator Closure Panel Lower Crossmember
14	4270 115	1			REINFORCEMENT, Crossmember Eng. Mtg. Frt. Brkt.

MODEL CODES

B = GRAN FURY	F = FIFTH AVENUE/NEWPORT	P = RELIANT
C = LEBARON/TOWN & COUNTRY/EXC SEDAN	G = DIPLOMAT	T = E CLASS/NEW YORKER
C24 = LASER	H = VOYAGER	V = 600
D = ARIES	K = MINI RAM/CARAVAN/ROYAL	V24 = DAYTONA
E = 600	M = HORIZON/TURISMO	Z = OMNI/CHARGER/RAMPAGE

BODY STYLES

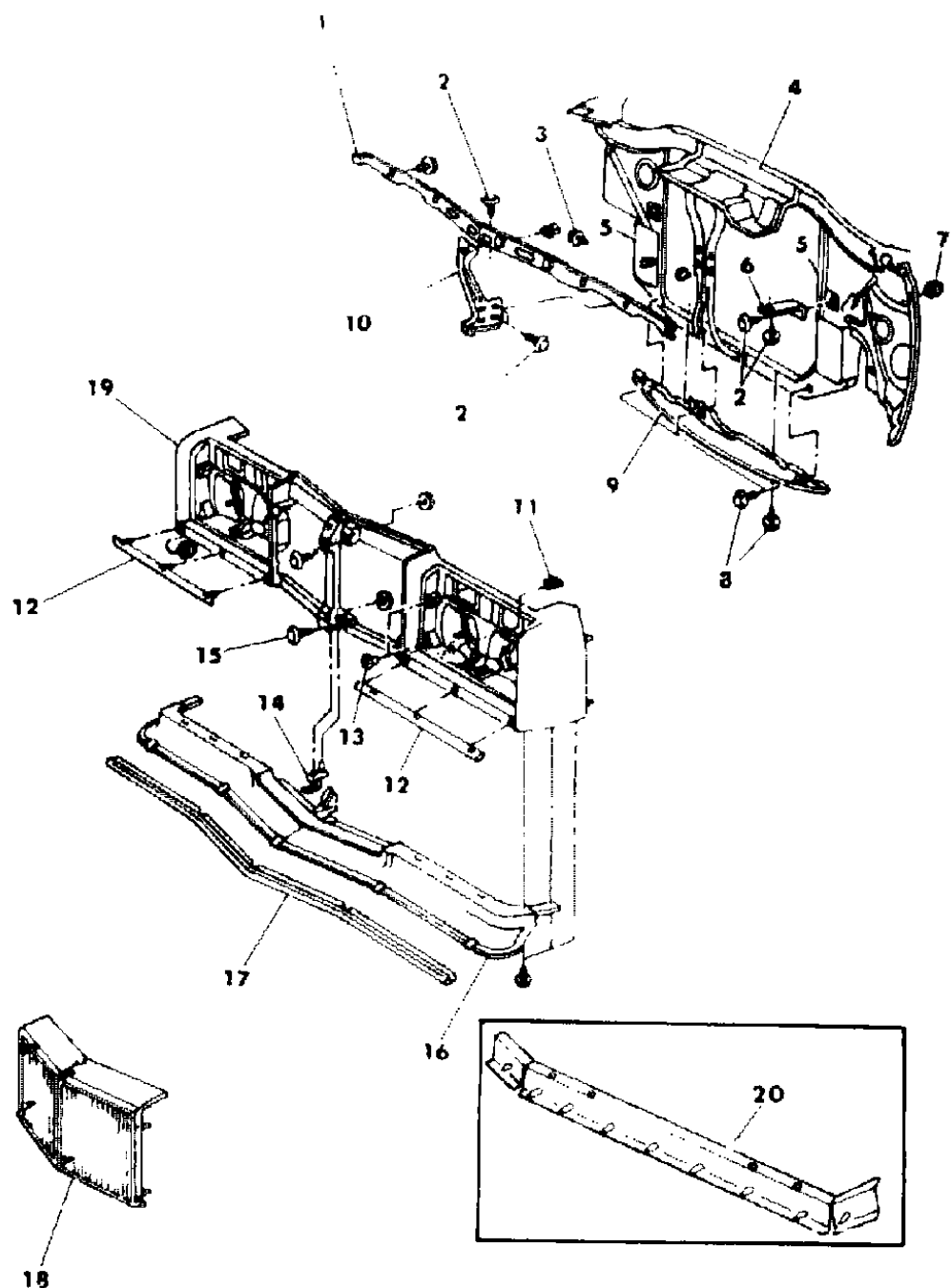
21 = 2-DOOR SEDAN	28 = FWD PICKUP	44 = 4-DOOR HATCHBACK
22 = 2-DOOR SPECIAL COUPE	35 = FWD VAN	45 = 4-DOOR STATION WAGON
24 = 2-DOOR HATCHBACK	36 = FWD WAGON	48 = 4-DOOR EXECUTIVE SEDAN
27 = 2-DOOR CONVERTIBLE	41 = 4-DOOR SEDAN	

AR = Use as Required - = Non Illustrated Part P.A.R. = Paint as Required

GRILLE AND RELATED PARTS F AND G-P

Figure 7-600

4107 600 B



ITEM	PART NUMBER	QTY	BODY	MODEL	DESCRIPTION
1		1			CROSSBAR, Closure Panel - Upper (serv. in #16)
2	0181 063	AR			SCREW
3	6024 073	2			SCREW w/WASHER
4	4103 464	1			CROSSMEMBER, Radiator Yoke
5					PANEL, Radiator Yoke
	3868 682	1			Right
	3868 683	1			Left
6	3868 650	1			BRACE, Headlamp Mtg. Panel Lower
7	0219 462	6			NUT
8	6031 951	5			SCREW
9	4074 894	1			PANEL, Air Dam Valance
10	4074 800	1			BRACE, Closure Panel Center
11	6030 013	2			U-NUT
12	4103 624-5	1			MOULDING, Radiator Grille Ext.
13	6031 138	8			NUT
14	4074 502	1			SPACER, Filler Bumper Front
15	6029 887	2			SCREW
16	4271 411	1			FILLER, Closure Panel Front (Paint as Required)
17	4074 501	1			MOULDING, Front Bumper Filler Edge
18	4270 673	1	F		GRILLE, Radiator
	4334 167	1	G-P		
	4339 141	1	G-P		MOULDING, Radiator Grille Center
	4334 164	1	G-P		Lower
	4103 621	1			FRAME, Radiator Grille
19	4103 658	1			PANEL, Radiator Grille Closure
20	3868 952	1			SPOILER, Front Air w/Police Pkg.

MODEL CODES

B = GRAN FURY	F = FIFTH AVENUE/NEWPORT	P = RELIANT
C = LEBARON/TOWN & COUNTRY/EXC SEDAN	G = DIPLOMAT	T = E CLASS/NEW YORKER
C24 = LASER	H = VOYAGER	V = 600
D = ARIES	K = MINI RAM/CARAVAN/ROYAL	V24 = DAYTONA
E = 600	M = HORIZON/TURISMO	Z = OMNI/CHARGER/RAMPAGE

BODY STYLES

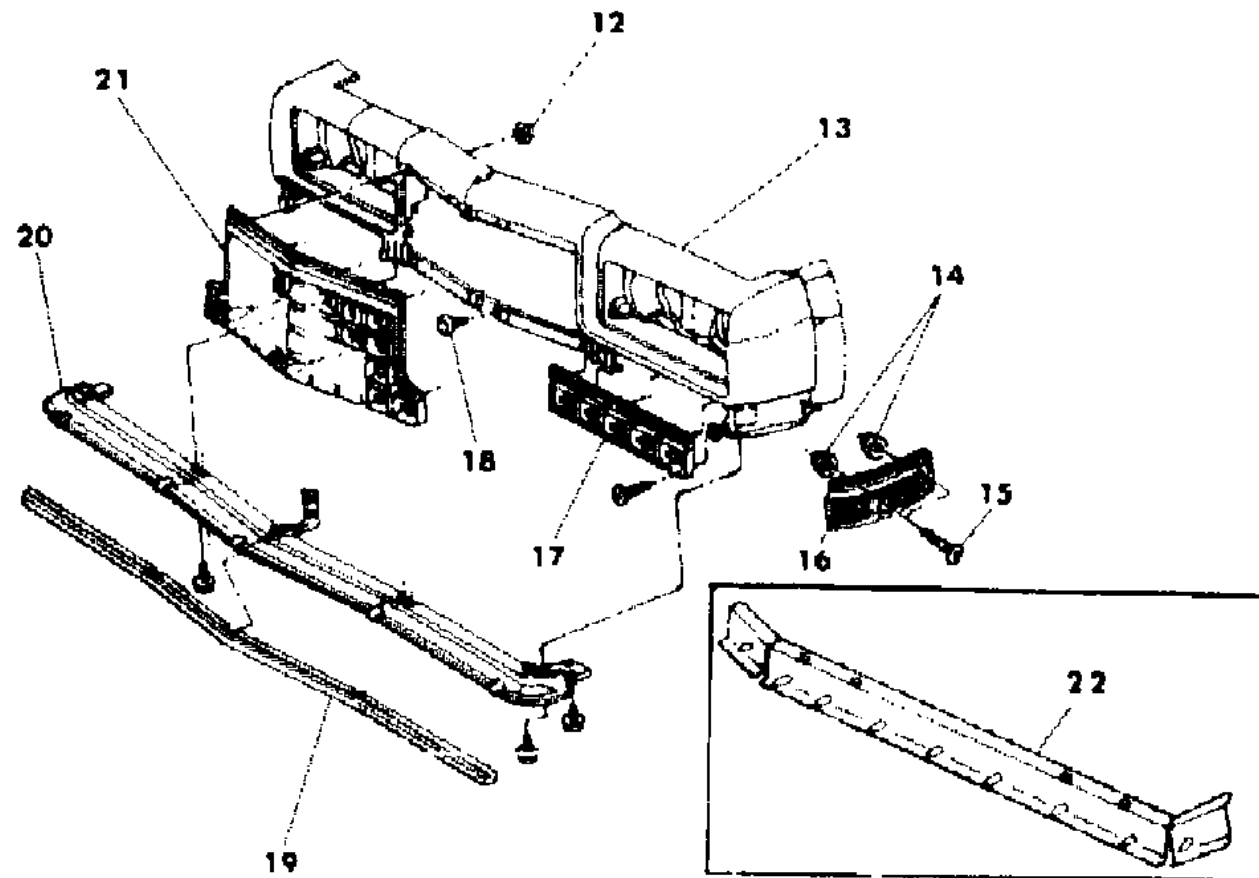
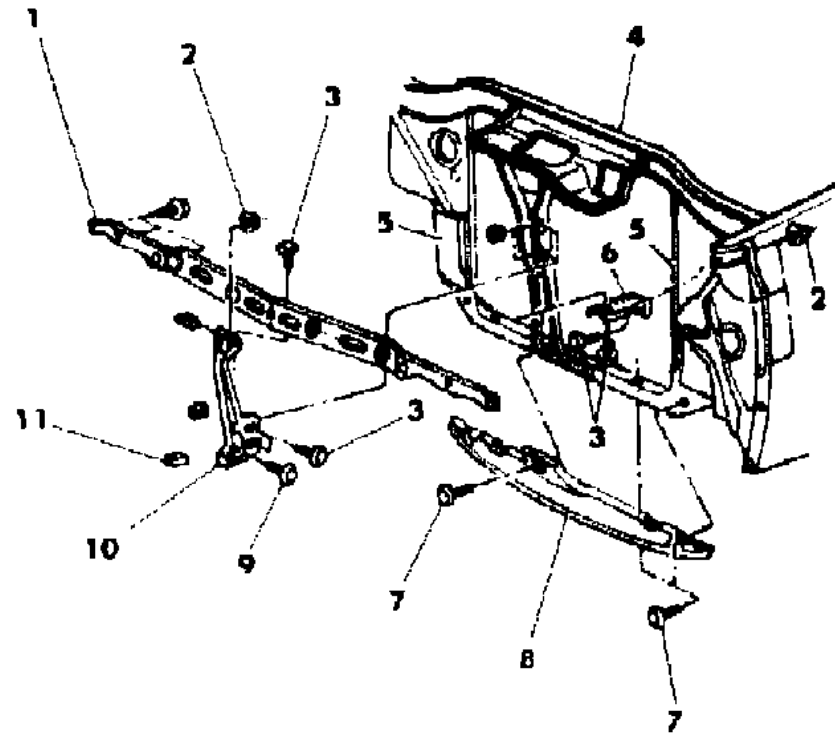
21 = 2-DOOR SEDAN	28 = FWD PICKUP	44 = 4-DOOR HATCHBACK
22 = 2-DOOR SPECIAL COUPE	35 = FWD VAN	45 = 4-DOOR STATION WAGON
24 = 2-DOOR HATCHBACK	36 = FWD WAGON	48 = 4-DOOR EXECUTIVE SEDAN
27 = 2-DOOR CONVERTIBLE	41 = 4-DOOR SEDAN	

AR = Use as Required - = Non Illustrated Part P.A.R. = Paint as Required

GRILLE AND RELATED PARTS B AND G-L,H

Figure 7-700

4107 700 C



ITEM	PART NUMBER	QTY	BODY	MODEL	DESCRIPTION
1		1			CROSSBAR, Closure Panel - Upper (serv. in #13)
2	0219 462	7			NUT
3	0181 063	7			SCREW w/WASHER
4	4103 464	1			CROSSMEMBER, Radiator Yoke
5					PANEL, Radiator Yoke
	3868 682	1			Right
	3868 683	1			Left
6	3868 650	2			BRACE, Headlamp Mtg. Panel Lower
7	6031 951	5			SCREW w/WASHER
8	4074 894	1			PANEL, Air Dam Valance
9	6024 073	2			SCREW w/WASHER
10	4074 800	1			BRACE, Closure Panel Center
11	6030 013	2			U-NUT
12	6025 002	7			NUT
13	4074 781	1			PANEL, Radiator Grille Closure
14	6031 138	22			NUT
15	6031 939	5			CLIP
16	4074 754-5	1		B	GRILLE, Outer
	4103 410-1	1		G	
17	4074 786-7	1		B	GRILLE, Radiator Inter.
	4103 408-9	1		G	
18	6029 887	1			SCREW
19	4074 501	1			MOULDING, Front Bumper Filler Edge
20	X522 VW3	1			FILLER, Closure Panel - Tan (Paint as Required)
21	4074 768	1		B	GRILLE, Radiator
	4103 414	1		G	
22	3868 952	1			SPOILER, Front Air w/Police Pkg.

MODEL CODES

B = GRAN FURY	F = FIFTH AVENUE/NEWPORT	P = RELIANT
C = LEBARON/TOWN & COUNTRY/EXC SEDAN	G = DIPLOMAT	T = E CLASS/NEW YORKER
C24 = LASER	H = VOYAGER	V = 600
D = ARIES	K = MINI RAM/CARAVAN/ROYAL	V24 = DAYTONA
E = 600	M = HORIZON/TURISMO	Z = OMNI/CHARGER/RAMPAGE

BODY STYLES

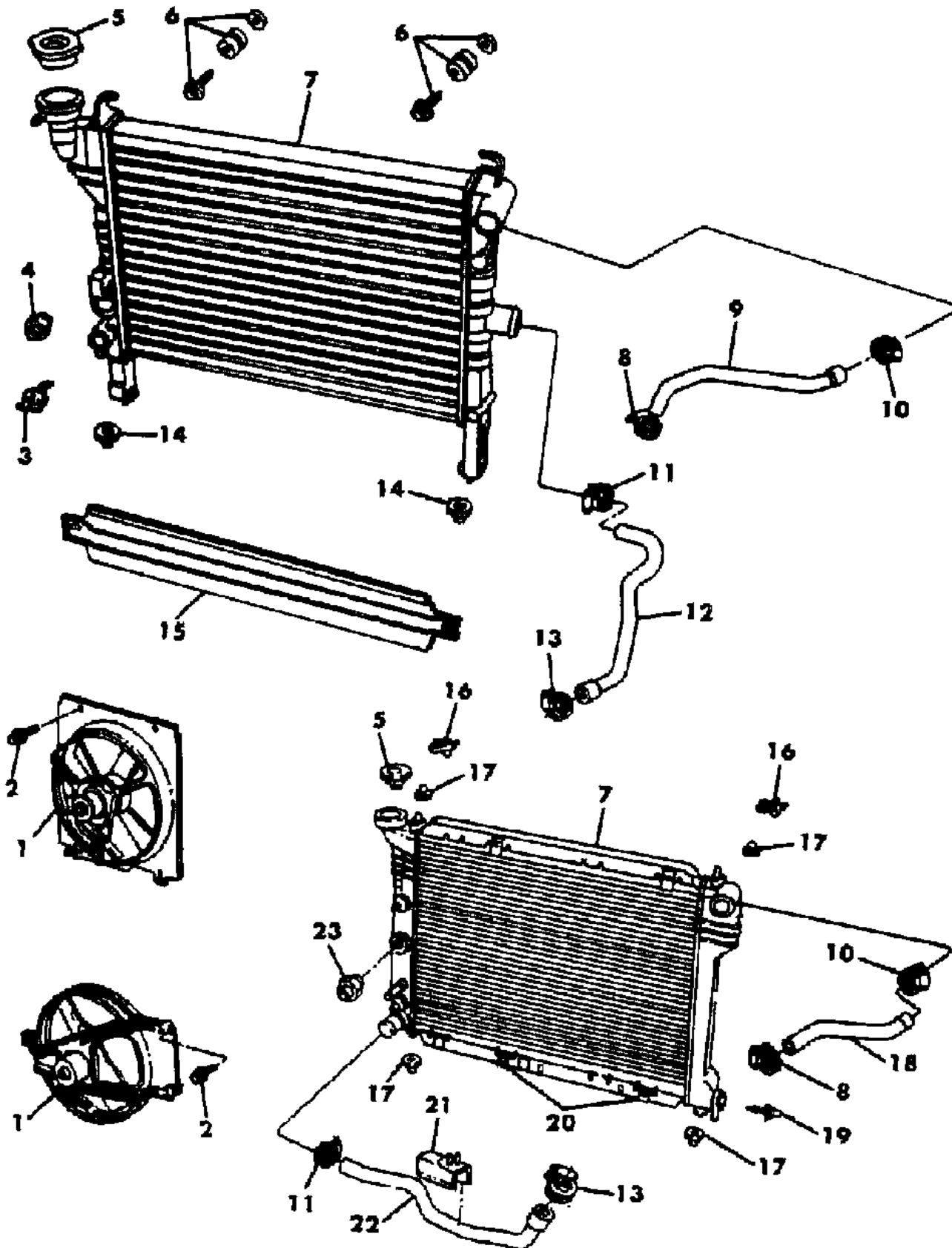
21 = 2-DOOR SEDAN	28 = FWD PICKUP	44 = 4-DOOR HATCHBACK
22 = 2-DOOR SPECIAL COUPE	35 = FWD VAN	45 = 4-DOOR STATION WAGON
24 = 2-DOOR HATCHBACK	36 = FWD WAGON	48 = 4-DOOR EXECUTIVE SEDAN
27 = 2-DOOR CONVERTIBLE	41 = 4-DOOR SEDAN	

AR = Use as Required - = Non Illustrated Part P.A.R. = Paint as Required

RADIATOR AND RELATED PARTS M,Z

Figure 7-800

4107 800 A



ITEM	PART NUMBER	QTY	BODY	MODEL	DESCRIPTION
1					FAN, MOTOR & SHROUD ASSY. stamped 4266655 used on: 1.6L Eng. w/o Air Cond. w/o Max. Cooling exc. S- 2.2L Eng. w/(S/C - EDE) w/o Air Cond. w/o Max. Cooling consists of:
	4266 462	1			FAN
	4318 109	1			MOTOR
	4318 110	1			SHROUD
	6500 377	1			RETAINER
	4266 458	1			stamped 4266355 (optional w/4266655) consists of: FAN
	4318 107	1			MOTOR
	4318 108	1			SHROUD
	6500 377	1			RETAINER
			EHP		stamped 4266663 used on: 2.2L Eng. w/(S/C - EDE) w/Air Cond. or w/Max. Cooling
			S-28		2.2L Eng. w/(S/C - EDE) w/Air Cond. or w/Max. Cooling
			S-24		2.2L Eng. w/(S/C - EDE) 2.2L Eng. w/(S/C - EDJ) consists of:
	4266 282	1			FAN
	4240 494	1			MOTOR
	4339 437	1			SHROUD
	6500 377	1			RETAINER
	3747 999	1			SENSOR
2	6501 013	AR			SCREW w/WASHER
3	4266 728	1			DRAINCOCK
4	4221 445	1			SWITCH, Radiator Temp. Fan
	4221 446	1			GASKET, Radiator Temp. Fan Switch
5	3781 830	1			CAP, Radiator
6	4266 418	2			ISOLATOR, Upper Mtg.
7					RADIATOR (Includes #'s 3,4,5,6,14,15,16,17,19,20,23)
	4266 534	1			stamped 4266534 - 1.6L Eng.
	4266 503	1		S-24	stamped 4266503 - 2.2L Eng. w/(S/C - EDE) w/o Air Cond. w/o Max. Cooling - Auto. Trans. - up to 12-14-83
	4266 503	1		44	stamped 4266503 - 2.2L Eng. w/(S/C - EDE) w/Air Cond. or w/ Max. Cooling - Auto. Trans. - up to 12-14-83

MODEL CODES

B = GRAN FURY
C = LEBARON/TOWN & COUNTRY/EXC SEDAN
C24 = LASER
D = ARIES
E = 600

F = FIFTH AVENUE/NEWPORT
G = DIPLOMAT
H = VOYAGER
K = MINI RAM/CARAVAN/ROYAL
M = HORIZON/TURISMO

P = RELIANT
T = E CLASS/NEW YORKER
V = 600
V24 = DAYTONA
Z = OMNI/CHARGER/RAMPAGE

BODY STYLES

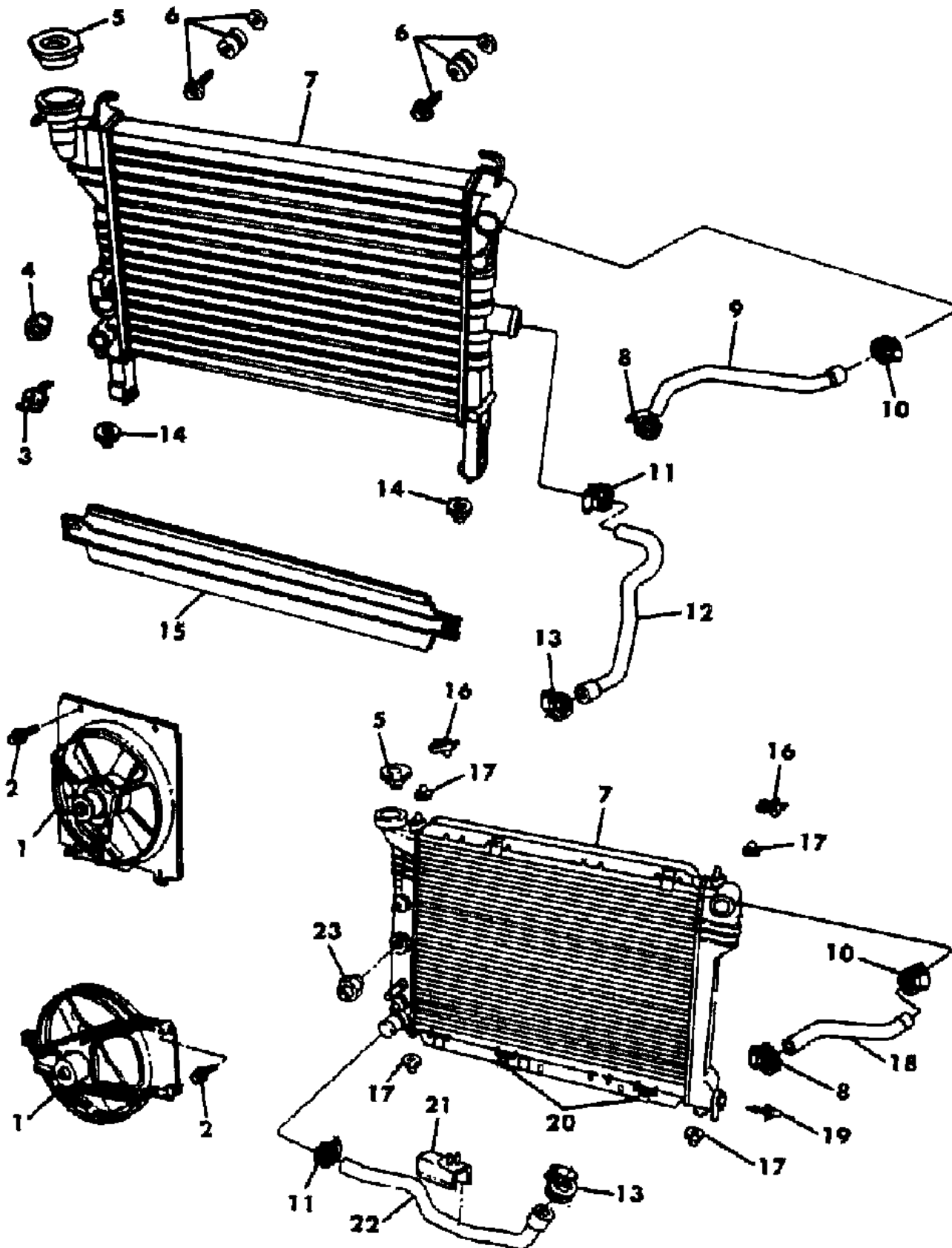
21 = 2-DOOR SEDAN
22 = 2-DOOR SPECIAL COUPE
24 = 2-DOOR HATCHBACK
27 = 2-DOOR CONVERTIBLE
28 = FWD PICKUP
35 = FWD VAN
36 = FWD WAGON
41 = 4-DOOR SEDAN
44 = 4-DOOR HATCHBACK
45 = 4-DOOR STATION WAGON
48 = 4-DOOR EXECUTIVE SEDAN

AR = Use as Required - = Non Illustrated Part P.A.R. = Paint as Required

RADIATOR AND RELATED PARTS M,Z

Figure 7-800

4107 800 A



ITEM	PART NUMBER	QTY	BODY	MODEL	DESCRIPTION
	4266 527	1		S-24	stamped 4266527 - 2.2L Eng. w/(S/C - EDE) w/o Air Cond. or Max. Cooling - Auto Trans. - after 12-14-83
	4266 527	1			stamped 4266527 - 2.2L Eng. w/(S/C - EDE) w/Air Cond. or w/ Max. Cooling - Auto. Trans. - after 12-14-83
	4266 532	1			stamped 4266532 - 2.2L Eng. w/(S/C - EDE) w/o Air Cond. w/o Max. Cooling - Man. Trans.
	4266 532	1		EHP	stamped 4266531 - 2.2L Eng. w/(S/C - EDE) w/o Air Cond. w/o Max. Cooling - Auto. Trans.
	4266 532	1		S-28	stamped 4266531 - 2.2L Eng. w/(S/C - EDE) w/o Air Cond. w/o Max. Cooling - Auto. Trans.
	4266 528	1		S-24	stamped 4266528 - 2.2L Eng. w/(S/C - EDJ) - Man. Trans.
	4266 528	1		HP-24,2	stamped 4266528 - 2.2L Eng. w/(S/C - EDE, EDJ) w/Air Cond. or w/Max. Cooling - Man. Trans.
	4266 528	1		44	stamped 4266528 - 2.2L Eng. w/(S/C - EDJ) w/Air Cond. or w/ Max. Cooling - Man. Trans.
	4266 528	1		S-28	stamped 4266528 - 2.2L Eng. w/(S/C - EDE) w/Air Cond. or w/ Max. Cooling - Man. Trans.
	4266 526	1		44	stamped 4266526 - 2.2L Eng. w/(S/C - EDE) w/Air Cond. or w/ Max. Cooling - Man. Trans.
	4266 526	1		EH-44	stamped 4266526 - 2.2L Eng. w/(S/C - EDJ) w/o Air Cond. w/o Max. Cooling - Man. Trans.
	4266 526	1		HP-24	stamped 4266526 - 2.2L Eng. w/(S/C - EDJ) w/o Air Cond. w/o Max. Cooling - Man. Trans.
8	6032 229	1			CLAMP, Inlet Hose - Eng. Side
9					HOSE, Inlet
	4266 345	1			1.6L Eng. (H0061309)
	4266 346	1			2.2L Eng. (H0061284)
10	3683 824	1			CLAMP, Inlet Hose - Rad. Side
11	2448 763	1			CLAMP, Outlet Hose - Rad. Side
12					HOSE, Outlet
	4266 723	1			1.6L Eng. (H0061310)
	4266 739	1			2.2L Eng. (H0061283)
13	6032 277	1			CLAMP, Outlet Hose - Eng. Side
14	4266 419	2			ISOLATOR, Lower Mtg.
15	4266 173	1			SHIELD, Radiator Lower Air - Man. Trans.
16					BRACKET, Radiator Upper Mtg.
	4140 566	1			Right
	4140 567	1			Left

MODEL CODES

B = GRAN FURY
 C = LEBARON/TOWN & COUNTRY/EXC SEDAN
 C24 = LASER
 D = ARIES
 E = 600

F = FIFTH AVENUE/NEWPORT
 G = DIPLOMAT
 H = VOYAGER
 K = MINI RAM/CARAVAN/ROYAL
 M = HORIZON/TURISMO

P = RELIANT
 T = E CLASS/NEW YORKER
 V = 600
 V24 = DAYTONA
 Z = OMNI/CHARGER/RAMPAGE

BODY STYLES

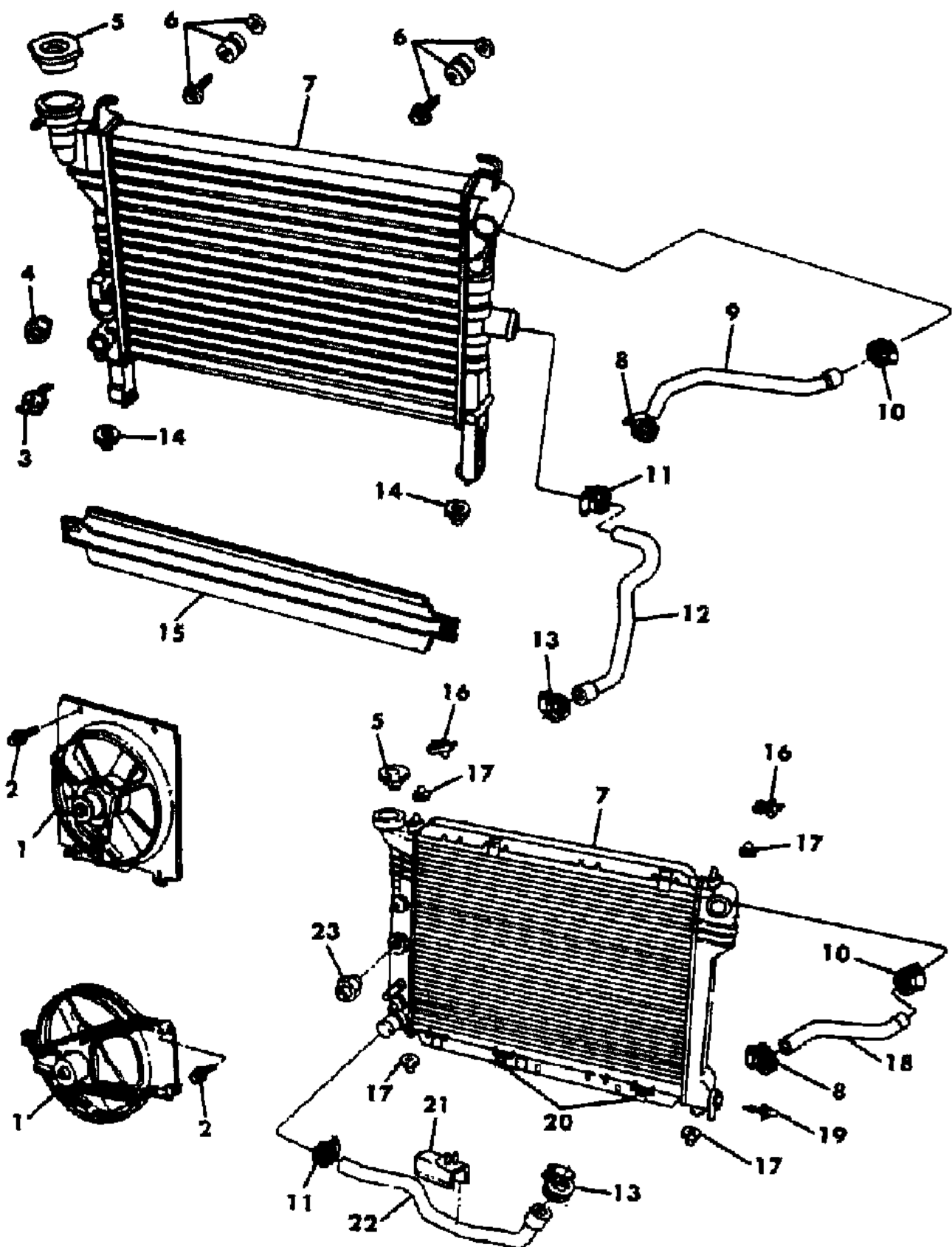
21 = 2-DOOR SEDAN
 22 = 2-DOOR SPECIAL COUPE
 24 = 2-DOOR HATCHBACK
 27 = 2-DOOR CONVERTIBLE
 28 = FWD PICKUP
 35 = FWD VAN
 36 = FWD WAGON
 41 = 4-DOOR SEDAN
 44 = 4-DOOR HATCHBACK
 45 = 4-DOOR STATION WAGON
 48 = 4-DOOR EXECUTIVE SEDAN

AR = Use as Required - = Non Illustrated Part P.A.R. = Paint as Required

RADIATOR AND RELATED PARTS M,Z

Figure 7-800

4107 800 A



ITEM	PART NUMBER	QTY	BODY	MODEL	DESCRIPTION
17	4140 427	4			ISOLATOR, Radiator Mtg.
18	4266 346	1			HOSE, Inlet (H0061284)
19	1686 198	1			DRAINCOCK
20	4266 212	2			CLIP, Spring - Bottom Shroud Mtg.
	4140 538	2			
21	4140 849	1			CLIP, Outlet Hose
22	4266 262	1			HOSE, Outlet 2.2L Eng. (H0061154)
23	5209 923	1			SWITCH, Radiator Temp. Fan
	6031 903	1			BUSHING, Fan Switch

MODEL CODES

B = GRAN FURY	F = FIFTH AVENUE/NEWPORT	P = RELIANT
C = LEBARON/TOWN & COUNTRY/EXC SEDAN	G = DIPLOMAT	T = E CLASS/NEW YORKER
C24 = LASER	H = VOYAGER	V = 600
D = ARIES	K = MINI RAM/CARAVAN/ROYAL	V24 = DAYTONA
E = 600	M = HORIZON/TURISMO	Z = OMNI/CHARGER/RAMPAGE

BODY STYLES

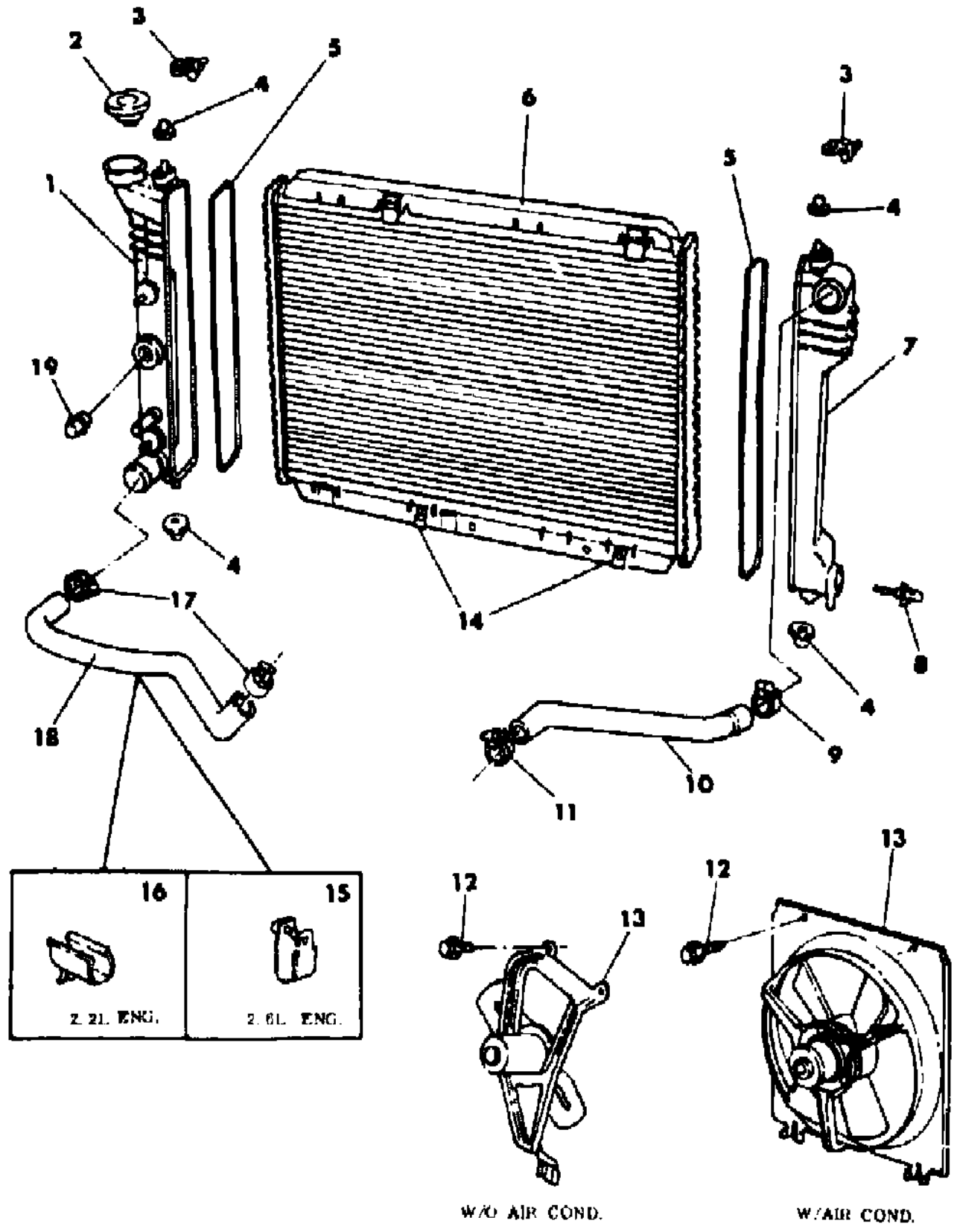
21 = 2-DOOR SEDAN	28 = FWD PICKUP	44 = 4-DOOR HATCHBACK
22 = 2-DOOR SPECIAL COUPE	35 = FWD VAN	45 = 4-DOOR STATION WAGON
24 = 2-DOOR HATCHBACK	36 = FWD WAGON	48 = 4-DOOR EXECUTIVE SEDAN
27 = 2-DOOR CONVERTIBLE	41 = 4-DOOR SEDAN	

AR = Use as Required - = Non Illustrated Part P.A.R. = Paint as Required

RADIATOR AND RELATED PARTS P,D,C,V,E,T

Figure 7-900

4107 000



ITEM	PART NUMBER	QTY	BODY	MODEL	DESCRIPTION
1					TANK, Radiator Outlet
	4266 716	1			2.2L Eng. w/(S/C - DE, DF) - Man. Trans.
	4266 716	1			2.2L Eng. w/(S/C - DG)
	4266 716	1			2.2L Eng. w/(S/C - DE) w/Taxi or Police Pkg. - Auto Trans.
	4266 711	1		E,T-C,V	2.2L Eng. w/(S/C - DE, DF) - Auto. Trans.
	4266 711	1			2.2L Eng. w/(S/C - DE) w/o Taxi or Police Pkg. - Auto. Trans.
	4266 718	1			2.6L Eng.
2	3781 830	1			CAP, Radiator
3	4266 620	2			BRACKET, Radiator Upper Mtg.
4	4266 396	4			ISOLATOR, Rubber
5	4266 726	2			GASKET, Tank to Header
6					RADIATOR (Includes #'s 1,2,3,4,5,7,8,14,19)
	4266 561	1			stamped 4266561 - 2.2L Eng. w/(S/C - EDE, EDF) w/o Air Cond. w/o Max. Cooling - Man. Trans.
	4266 562	1		P,D	stamped 4266562 - 2.2L Eng. w/(S/C - EDE) w/o Air Cond. w/o Max. Cooling (2.78 top gear ratio) - Auto. Trans.
	4266 562	1			stamped 4266562 - 2.2L Eng. w/(S/C - EDE, EDF) w/o Air Cond. w/o Max. Cooling (3.02 or 3.22 top gearratio) - Auto. Trans.
	4266 564	1			stamped 4266564 - 2.2L Eng. w/(S/C - EDE, EDF) w/Air Cond. or w/Max. Cooling - Man. Trans.
	4266 565	1		P,D	stamped 4266565 - 2.2L Eng. w/(S/C - EDE) w/Air Cond. or w/Max. Cooling (2.78 top gear ratio) - Auto. Trans.
	4266 566	1			stamped 4266566 - 2.2L Eng. w/(S/C - EDE, EDF) w/Air Cond. or w/Max. Cooling (3.02 or 3.22 top gear ratio) - Auto. Trans.
	4266 567	1			stamped 4266567 - 2.2L Eng. w/(S/C - EDG)
	4266 548	1			stamped 4266548 - 2.6L Eng. - exc. Canada
	4266 546	1			stamped 4266546 - 2.6L Eng. w/Police Pkg., Limo or Exec. Sedan
	4266 547	1			stamped 4266547 - 2.6L Eng. - Canada
7	4266 717	1			TANK, Radiator Outlet
8	4266 728	1			DRAINCOCK
9	3683 824	1			CLAMP, Inlet Hose - Rad. End
10					HOSE, Inlet
	4266 721	1			2.2L Eng. (H0061285)
	4140 576	1			2.6L Eng. (H0061144)
	4266 138	1			2.6L Eng. Silicone (H0061144)
11					CLAMP, Inlet Hose - Eng. End

MODEL CODES

B = GRAN FURY	F = FIFTH AVENUE/NEWPORT	P = RELIANT
C = LEBARON/TOWN & COUNTRY/EXC SEDAN	G = DIPLOMAT	T = E CLASS/NEW YORKER
C24 = LASER	H = VOYAGER	V = 600
D = ARIES	K = MINI RAM/CARAVAN/ROYAL	V24 = DAYTONA
E = 600	M = HORIZON/TURISMO	Z = OMNI/CHARGER/RAMPAGE

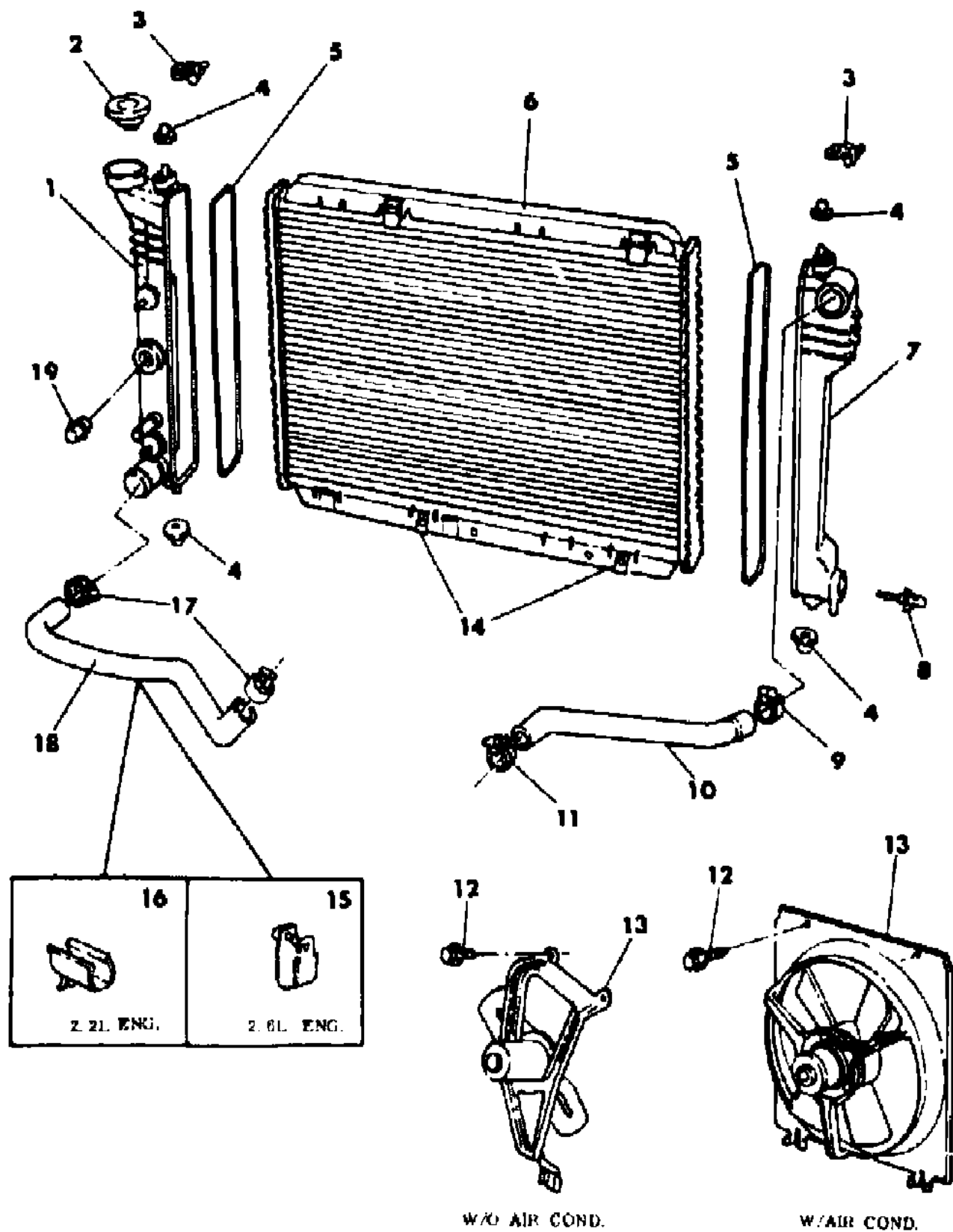
BODY STYLES

21 = 2-DOOR SEDAN	28 = FWD PICKUP	44 = 4-DOOR HATCHBACK
22 = 2-DOOR SPECIAL COUPE	35 = FWD VAN	45 = 4-DOOR STATION WAGON
24 = 2-DOOR HATCHBACK	36 = FWD WAGON	48 = 4-DOOR EXECUTIVE SEDAN
27 = 2-DOOR CONVERTIBLE	41 = 4-DOOR SEDAN	

AR = Use as Required - = Non Illustrated Part P.A.R. = Paint as Required

RADIATOR AND RELATED PARTS P,D,C,V,E,T
Figure 7-900

4107 000



ITEM	PART NUMBER	QTY	BODY	MODEL	DESCRIPTION
	4041 606	1			2.2L Eng.
	3683 824	1			2.6L Eng.
12	6501 013	2			SCREW
13					FAN, MOTOR & BRKT. ASSY. stamped 4266007 used on: 2.2L Eng. w/S/C - EDE, EDF) w/o Air Cond. w/o Max. Cooling consists of: 4266 069 1 FAN 4240 493 1 MOTOR 4240 497 1 BRACKET 6500 377 1 RETAINER FAN, MOTOR & SHROUD ASSY. stamped 4266374 used on: 2.2L Eng. w/(S/C - EDE) w/Air Cond. w/o Max. Cooling 2.2L Eng. w/(S/C - EDG) w/o Air Cond. w/o Max. Cooling 2.6L Eng. w/o Max. Cooling consists of: 4266 282 1 FAN 4240 494 1 MOTOR 4339 437 1 SHROUD 6500 377 1 RETAINER stamped 4266291 used on: 2.2L Eng. w/(S/C - EDE) w/Max. Cooling 2.2L Eng. w/(S/C - EDG) w/Air Cond. or w/Max. Cooling 2.6L Eng. w/Max. Cooling consists of: 4266 293 1 FAN 4240 495 1 MOTOR 4339 437 1 SHROUD 6500 377 1 RETAINER stamped 4266375 used on: 2.2L Eng. w/(S/C - EDF) w/Air Cond. or w/Max. Cooling consists of: 4266 282 1 FAN 4240 494 1 MOTOR 4339 437 1 SHROUD 6500 377 1 RETAINER
14	4140 538	2			CLIP, Spring - Shroud Mtg.

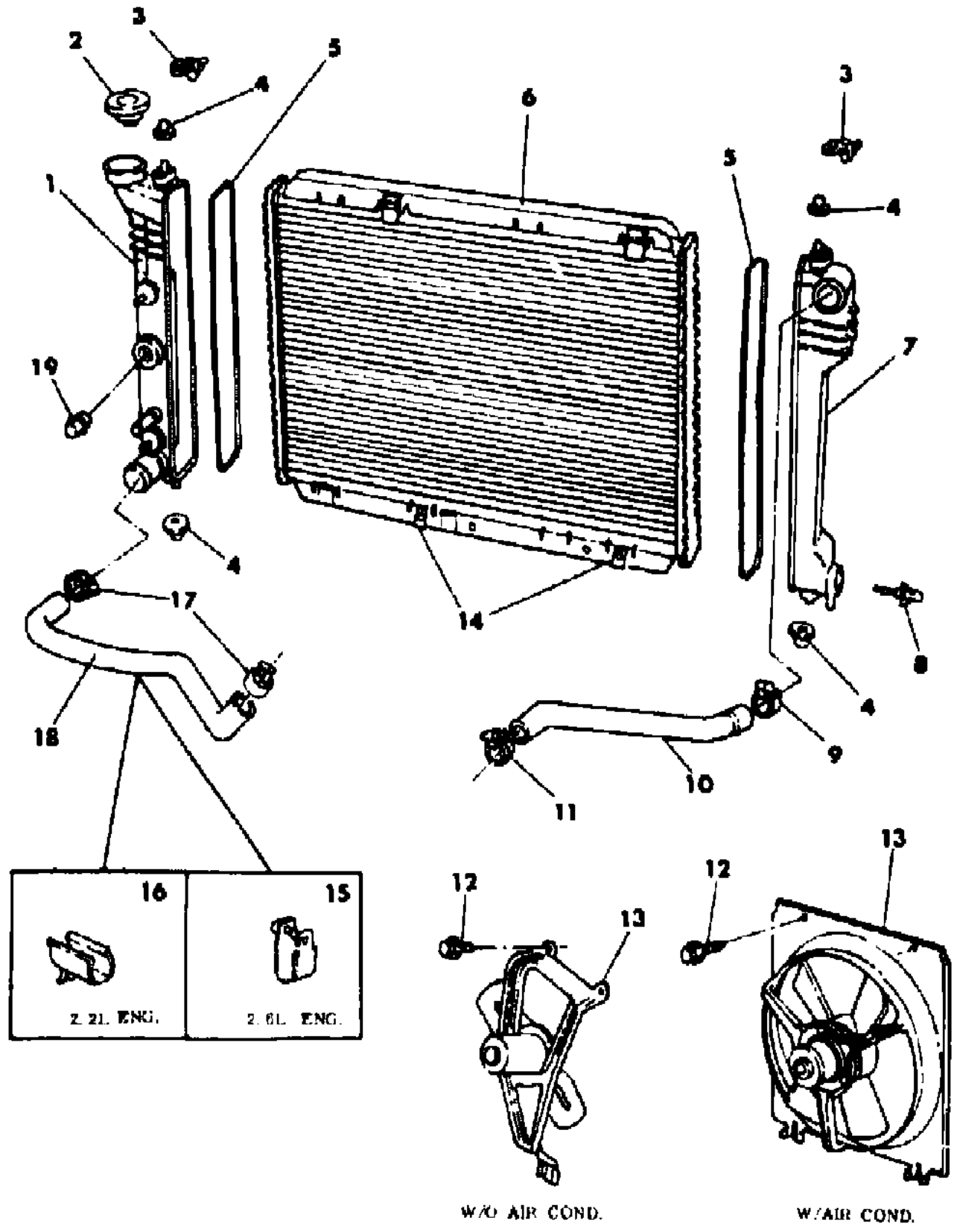
MODEL CODES
 B = GRAN FURY
 C = LEBARON/TOWN & COUNTRY/EXC SEDAN
 C24 = LASER
 D = ARIES
 E = 600
 F = FIFTH AVENUE/NEWPORT
 G = DIPLOMAT
 H = VOYAGER
 K = MINI RAM/CARAVAN/ROYAL
 M = HORIZON/TURISMO
 P = RELIANT
 T = E CLASS/NEW YORKER
 V = 600
 V24 = DAYTONA
 Z = OMNI/CHARGER/RAMPAGE

BODY STYLES
 21 = 2-DOOR SEDAN
 22 = 2-DOOR SPECIAL COUPE
 24 = 2-DOOR HATCHBACK
 27 = 2-DOOR CONVERTIBLE
 28 = FWD PICKUP
 35 = FWD VAN
 36 = FWD WAGON
 41 = 4-DOOR SEDAN
 44 = 4-DOOR HATCHBACK
 45 = 4-DOOR STATION WAGON
 48 = 4-DOOR EXECUTIVE SEDAN

AR = Use as Required - = Non Illustrated Part P.A.R. = Paint as Required

RADIATOR AND RELATED PARTS P,D,C,V,E,T
Figure 7-900

4107 000



ITEM	PART NUMBER	QTY	BODY	MODEL	DESCRIPTION
15	4266 341	1			CLIP, Radiator Outlet Hose 2.6L Eng. w/Auto. Speed Control
16	5240 760	1			CLIP, Radiator Outlet Hose 2.2L Eng.
17	6032 277	2			CLAMP, Outlet Hose
18					HOSE, Outlet
	4266 722	1			2.2L Eng. (H0061286)
	4266 348	1			2.6L Eng. (H0061287)
	4266 349	1			2.6L Eng. Silicone (H0061287)
19					SWITCH, Radiator Fan
	5209 923	1			2.2L Eng.
	4221 284	1			2.6L Eng.
	5209 923	1			2.6L Eng. - Canada

MODEL CODES
 B = GRAN FURY
 C = LEBARON/TOWN & COUNTRY/EXC SEDAN
 C24 = LASER
 D = ARIES
 E = 600
 F = FIFTH AVENUE/NEWPORT
 G = DIPLOMAT
 H = VOYAGER
 K = MINI RAM/CARAVAN/ROYAL
 M = HORIZON/TURISMO
 P = RELIANT
 T = E CLASS/NEW YORKER
 V = 600
 V24 = DAYTONA
 Z = OMNI/CHARGER/RAMPAGE

BODY STYLES
 21 = 2-DOOR SEDAN
 22 = 2-DOOR SPECIAL COUPE
 24 = 2-DOOR HATCHBACK
 27 = 2-DOOR CONVERTIBLE
 28 = FWD PICKUP
 35 = FWD VAN
 36 = FWD WAGON
 41 = 4-DOOR SEDAN
 44 = 4-DOOR HATCHBACK
 45 = 4-DOOR STATION WAGON
 48 = 4-DOOR EXECUTIVE SEDAN

AR = Use as Required - = Non Illustrated Part P.A.R. = Paint as Required

RADIATOR AND RELATED PARTS H,K

Figure 7-1000

4107 1000A

ITEM	PART NUMBER	QTY	BODY	MODEL	DESCRIPTION
1					FAN, MOTOR & SHROUD ASSY., Radiator
					stamped 4266351 consists of:
	4266 462	1			FAN
	4318 109	1			MOTOR
	4318 119	1			SHROUD
	6500 377	1			RETAINER
2	6500 284	2			NUT
3					FAN, MOTOR & SHROUD ASSY., Condenser
					stamped 4266652 used on:
					2.2L Eng. w/Air Cond.
					consists of:
	4266 473	1			FAN
	4266 474	1			MOTOR
	4266 466	1			SHROUD
					stamped 4266653 used on:
					2.6L Eng. w/Air Cond.
					consists of:
	4266 473	1			FAN
	4266 475	1			MOTOR
	4266 481	1			SHROUD
					stamped 4266662 used on:
					2.6L Eng. w/Calif. w/o Max. Cooling
					consists of:
	4266 686	1			FAN
	4339 442	1			MOTOR
	4318 108	1			SHROUD
	6500 377	1			RETAINER
	3747 999	1			SENSOR
4	4266 212	2			CLIP, Spring - Bottom Shroud Mtg.
5	4266 691	1			BLOCKER, Fan Shroud Impact w/o Air Cond. 2.6L Eng.
6	4266 341	1			CLIP, Inlet Hose 2.6L Eng.
7					CLAMP, Inlet Hose
	6032 229	1			2.2L Eng.
	2448 763	1			2.6L Eng.
8					HOSE, Inlet
	4266 701	1			2.2L Eng. (H0061285)
	4266 703	1			2.6L Eng. (H0061312)
9	3683 824	1			CLAMP, Inlet Hose

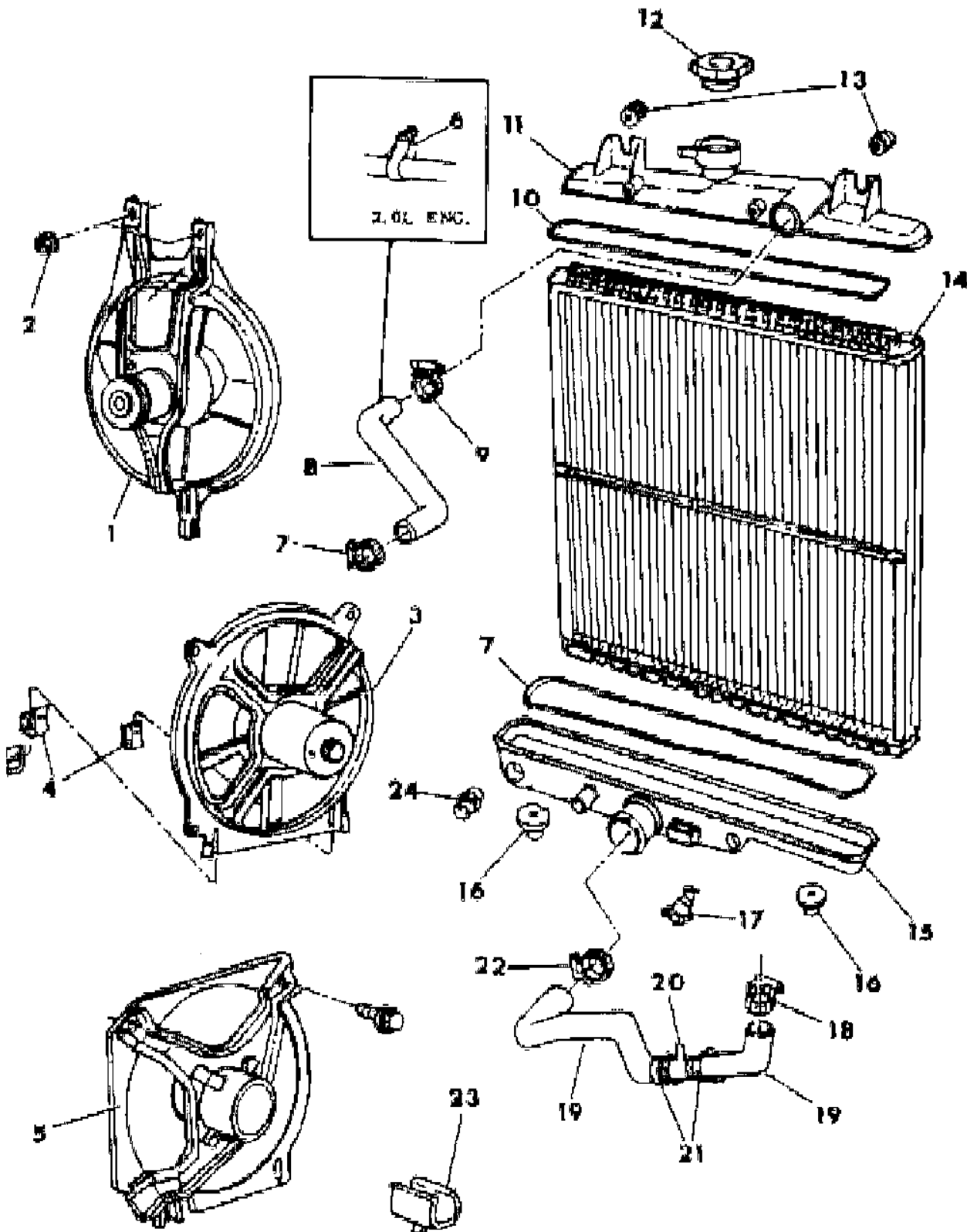
MODEL CODES

B = GRAN FURY	F = FIFTH AVENUE/NEWPORT	P = RELIANT
C = LEBARON/TOWN & COUNTRY/EXC SEDAN	G = DIPLOMAT	T = E CLASS/NEW YORKER
C24 = LASER	H = VOYAGER	V = 600
D = ARIES	K = MINI RAM/CARAVAN/ROYAL	V24 = DAYTONA
E = 600	M = HORIZON/TURISMO	Z = OMNI/CHARGER/RAMPAGE

BODY STYLES

21 = 2-DOOR SEDAN	28 = FWD PICKUP	44 = 4-DOOR HATCHBACK
22 = 2-DOOR SPECIAL COUPE	35 = FWD VAN	45 = 4-DOOR STATION WAGON
24 = 2-DOOR HATCHBACK	36 = FWD WAGON	48 = 4-DOOR EXECUTIVE SEDAN
27 = 2-DOOR CONVERTIBLE	41 = 4-DOOR SEDAN	

AR = Use as Required - = Non Illustrated Part P.A.R. = Paint as Required



RADIATOR AND RELATED PARTS H,K

Figure 7-1000

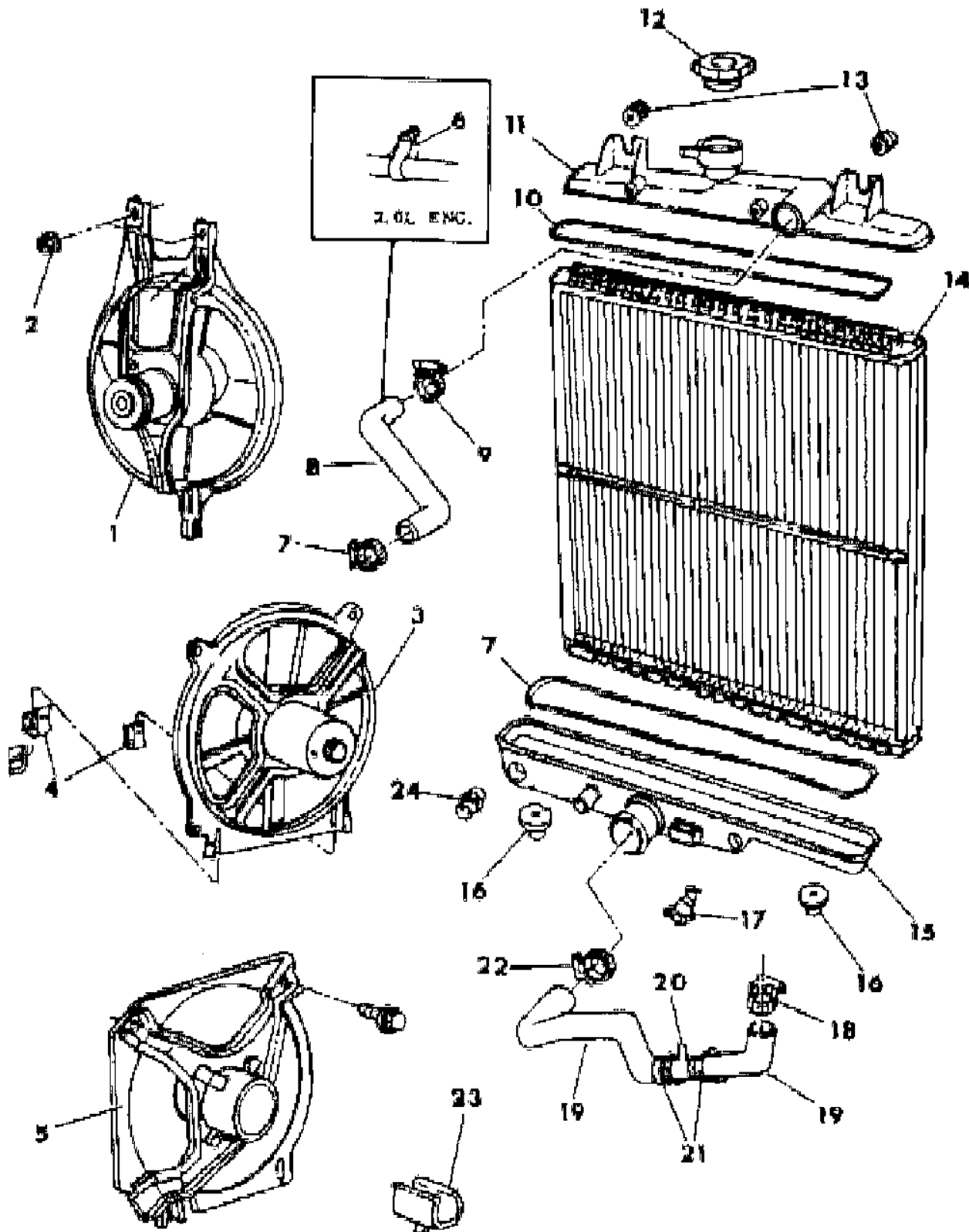
4107 1000A

ITEM	PART NUMBER	QTY	BODY	MODEL	DESCRIPTION
10	4266 604	2			GASKET, Tank to Header
11	4266 602	1			TANK, Radiator - Top
12	3781 830	1			CAP, Radiator
13	4266 142	2			ISOLATOR, Rubber - Upper
14	4266 510	1			RADIATOR (Includes #'s 7,10,11,12,13,15,16,17,24)
15	4266 611	1			TANK, Radiator - Bottom
16	4266 396	2			ISOLATOR, Rubber - Bottom
17	4266 155	1			DRAINCOCK
	4266 156	1			O-RING, Draincock
18					CLAMP, Outlet Hose
	6032 277	1			2.2L Eng.
	2448 763	1			2.6L Eng.
19					HOSE, Outlet
	4266 766	1			2.2L Eng. - Right
	4266 767	1			2.2L Eng. - Left
	4266 704	1			2.6L Eng. up to 4-9-84
	4266 768	1			after 4-9-84 (H0061314)
20	4266 683	1			TEE, Radiator Hose Return 2.2L Eng.
21	2448 763	2			CLAMP 2.2L Eng.
22	6032 277	1			CLAMP
23	5240 760	1			CLIP, Outlet Hose 2.2L Eng.
24	5209 923	1			SWITCH, Radiator Fan 2.6L Eng.
	0444 668	1			PLUG, Radiator Fan Switch 2.2L Eng.

MODEL CODES
 B = GRAN FURY
 C = LEBARON/TOWN & COUNTRY/EXC SEDAN
 C24 = LASER
 D = ARIES
 E = 600
 F = FIFTH AVENUE/NEWPORT
 G = DIPLOMAT
 H = VOYAGER
 K = MINI RAM/CARAVAN/ROYAL
 M = HORIZON/TURISMO
 P = RELIANT
 T = E CLASS/NEW YORKER
 V = 600
 V24 = DAYTONA
 Z = OMNI/CHARGER/RAMPAGE

BODY STYLES
 21 = 2-DOOR SEDAN
 22 = 2-DOOR SPECIAL COUPE
 24 = 2-DOOR HATCHBACK
 27 = 2-DOOR CONVERTIBLE
 28 = FWD PICKUP
 35 = FWD VAN
 36 = FWD WAGON
 41 = 4-DOOR SEDAN
 44 = 4-DOOR HATCHBACK
 45 = 4-DOOR STATION WAGON
 48 = 4-DOOR EXECUTIVE SEDAN

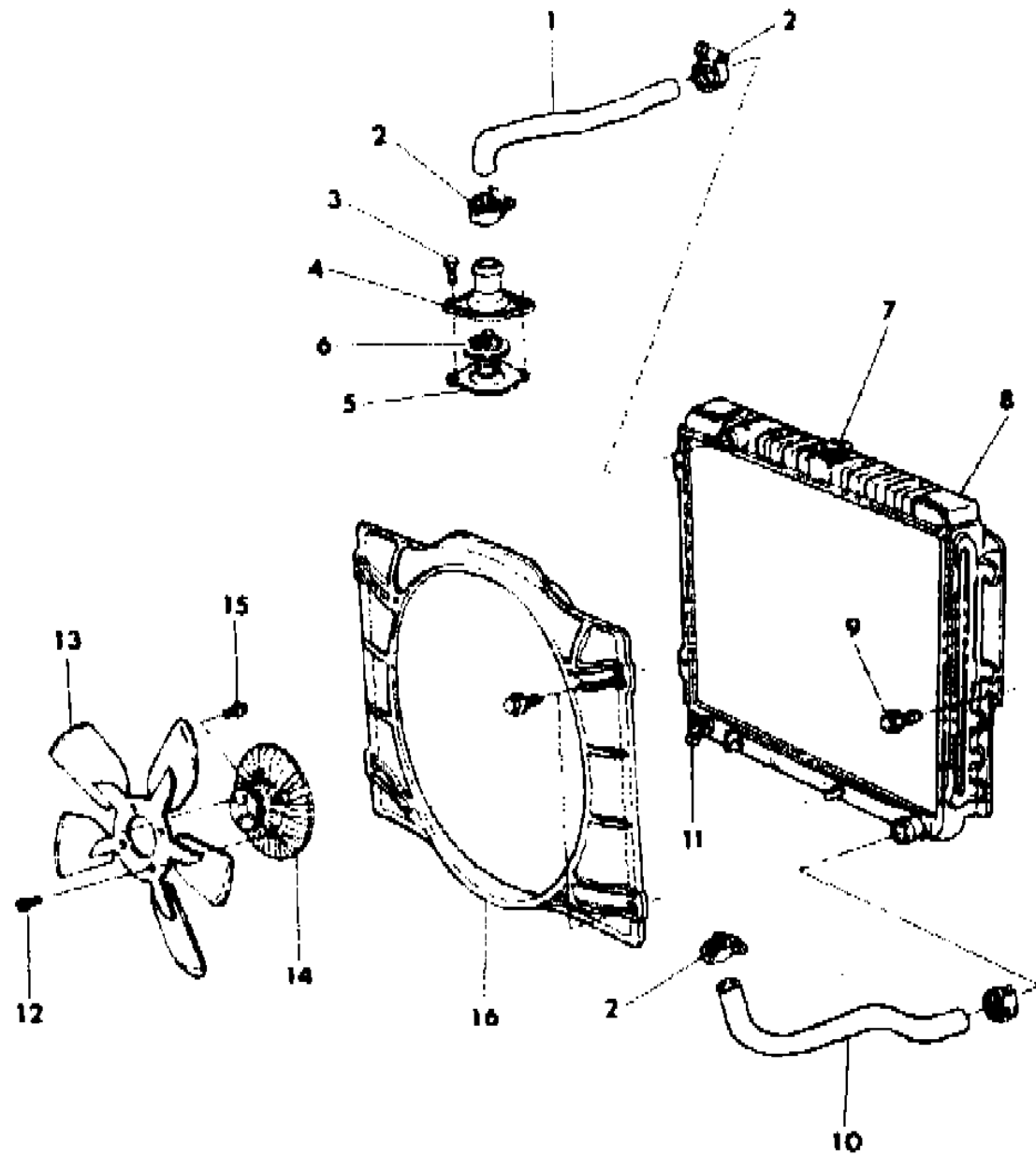
AR = Use as Required - = Non Illustrated Part P.A.R. = Paint as Required



RADIATOR AND RELATED PARTS B,F,G

Figure 7-1100

4107 1100 A



ITEM	PART NUMBER	QTY	BODY	MODEL	DESCRIPTION
1					HOSE, Inlet
	4140 710	1			w/o Police or Fleet Pkg. (H0061156)
	4140 711	1			w/Police or Fleet Pkg. (H0061156)
	4140 712	1			Silicone (H0061156)
2	4041 608	4			CLAMP, Stainless Steel
3	6031 413	2			BOLT
4	4100 490	1			CONNECTOR, Cylinder Water Outlet
5	4131 240	1			THERMOSTAT
6	4173 461	1			GASKET, Cylinder Water Outlet Connector
7	3781 830	1			CAP, Radiator
8	4140 641	1			CORE, Radiator
9	0181 063	4			SCREW w/WASHER
10	3870 120	1			HOSE, Outlet (H0060929)
	4140 708	1			Silicone (H0060929)
11	1686 198	1			DRAINCOCK
12	0181 086	6			SCREW w/WASHER
13	4266 059	1			FAN
14					DRIVE, Fan
	4095 703	1			w/o Police or Fleet Pkg.
	3769 617	1			w/Air Cond. w/Max. Cooling w/Police or Fleet Pkg.
15	0181 088	4			SCREW w/WASHER
16	3869 812	1			SHROUD, Fan

MODEL CODES

B = GRAN FURY	F = FIFTH AVENUE/NEWPORT	P = RELIANT
C = LEBARON/TOWN & COUNTRY/EXC SEDAN	G = DIPLOMAT	T = E CLASS/NEW YORKER
C24 = LASER	H = VOYAGER	V = 600
D = ARIES	K = MINI RAM/CARAVAN/ROYAL	V24 = DAYTONA
E = 600	M = HORIZON/TURISMO	Z = OMNI/CHARGER/RAMPAGE

BODY STYLES

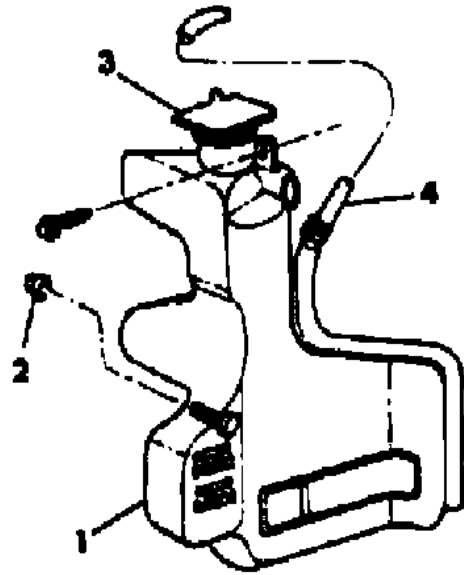
21 = 2-DOOR SEDAN	28 = FWD PICKUP	44 = 4-DOOR HATCHBACK
22 = 2-DOOR SPECIAL COUPE	35 = FWD VAN	45 = 4-DOOR STATION WAGON
24 = 2-DOOR HATCHBACK	36 = FWD WAGON	48 = 4-DOOR EXECUTIVE SEDAN
27 = 2-DOOR CONVERTIBLE	41 = 4-DOOR SEDAN	

AR = Use as Required - = Non Illustrated Part P.A.R. = Paint as Required

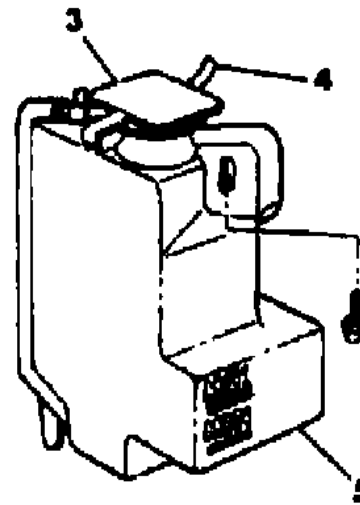
COOLANT RESERVE TANKS
Figure 7-1200

4107 1200

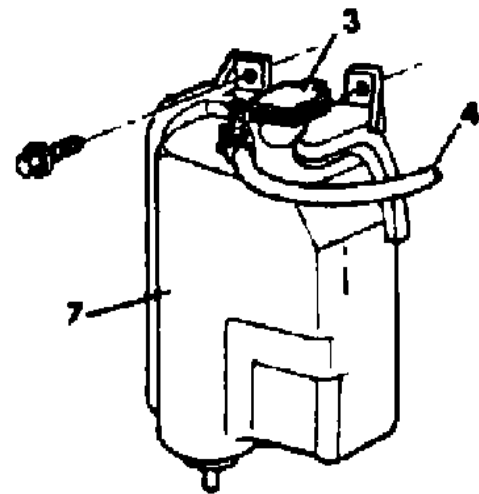
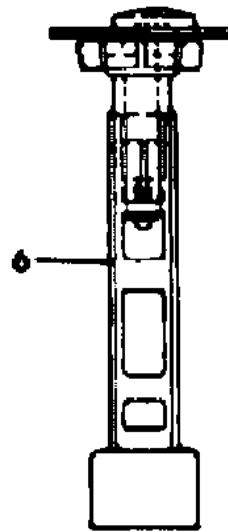
ITEM	PART NUMBER	QTY	BODY	MODEL	DESCRIPTION
1	4140 461	1		M,Z	TANK, Coolant Reserve
2	6100 046	1			NUT
3	4266 441	1			CAP, Coolant Reserve Tank
4	4266 423	1			TUBE, Radiator to Coolant Reserve Tank (serv. in 50 ft. roll)
5					TANK, Coolant Reserve
	4266 415	1		C,V-24	w/Level Sensor
	4266 487	1			w/o Level Sensor
6	4221 417	1		C,V-24	SENSOR, Coolant Fluid Level
7	4266 612	1		H,K	TANK, Coolant Reserve
8	4140 741	1		B,F,G	TANK, Coolant Reserve



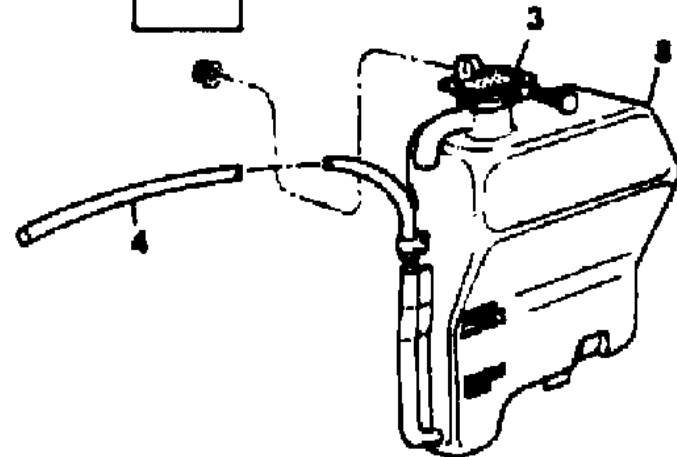
M, Z



P, D, V, C, E, T



H, K



B, F, G

MODEL CODES

B = GRAN FURY	F = FIFTH AVENUE/NEWPORT	P = RELIANT
C = LEBARON/TOWN & COUNTRY/EXC SEDAN	G = DIPLOMAT	T = E CLASS/NEW YORKER
C24 = LASER	H = VOYAGER	V = 600
D = ARIES	K = MINI RAM/CARAVAN/ROYAL	V24 = DAYTONA
E = 600	M = HORIZON/TURISMO	Z = OMNI/CHARGER/RAMPAGE

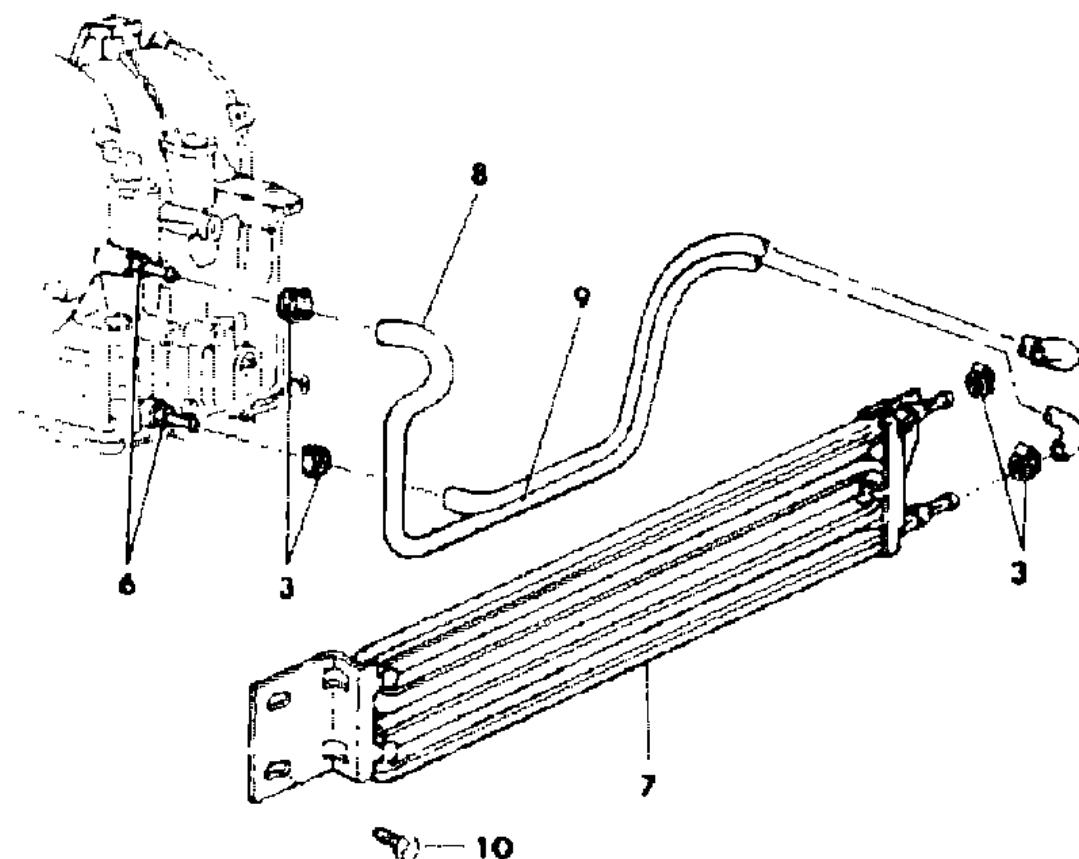
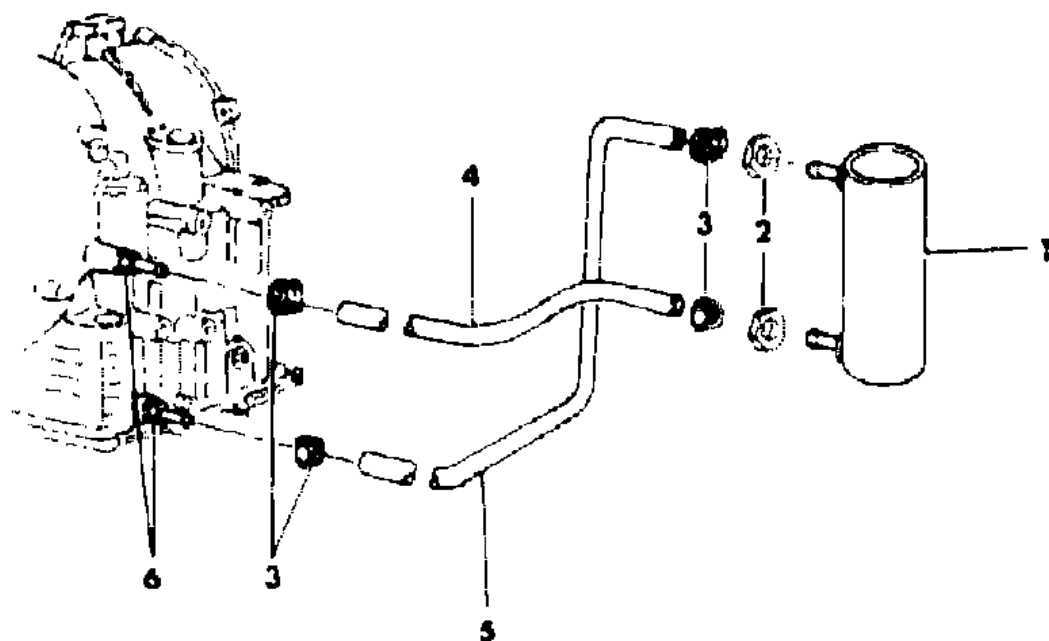
BODY STYLES

21 = 2-DOOR SEDAN	28 = FWD PICKUP	44 = 4-DOOR HATCHBACK
22 = 2-DOOR SPECIAL COUPE	35 = FWD VAN	45 = 4-DOOR STATION WAGON
24 = 2-DOOR HATCHBACK	36 = FWD WAGON	48 = 4-DOOR EXECUTIVE SEDAN
27 = 2-DOOR CONVERTIBLE	41 = 4-DOOR SEDAN	

AR = Use as Required - = Non Illustrated Part P.A.R. = Paint as Required

TRANSMISSION OIL COOLER 4 CYLINDER ENGINE
Figure 7-1225

4107 1225



ITEM	PART NUMBER	QTY	BODY	MODEL	DESCRIPTION
1	4140 568	1		M,Z	COOLER, Trans. Oil (Water Cooled)
	4266 729	1		P,D,C,V	
2	6030 435	2			NUT
	4266 730	2			O RING
3	6032 282	4			CLAMP
4	4266 179	1		M,Z	HOSE, Oil Cooler Return
	4266 682	1		P,D,C,V	
5	4266 178	1		M,Z	HOSE, Oil Cooler Pressure
	4266 193	1		P,D,C,V	
6	4269 775	2			CONNECTOR, Trans. Oil Cooler Hose
7	4266 482	1		P,D,C,V	COOLER, Trans. Oil (Air Cooled)
	4266 378	1		C,V-24	2.2L Eng. TC
	4266 196	1		P,D	w/Police Pkg.
	4266 377	1		H,K	
8	4266 490	1		M,Z	HOSE, Oil Cooler Return
	4266 169	1		P,D,C,V	
	4266 424	1		H,K	
9	4266 490	1		M,Z	HOSE, Oil Cooler Pressure
	4266 167	1		P,D,C,V	
	4266 425	1		H,K	
10	6032 196	AR			SCREW

MODEL CODES

B = GRAN FURY	F = FIFTH AVENUE/NEWPORT	P = RELIANT
C = LEBARON/TOWN & COUNTRY/EXC SEDAN	G = DIPLOMAT	T = E CLASS/NEW YORKER
C24 = LASER	H = VOYAGER	V = 600
D = ARIES	K = MINI RAM/CARAVAN/ROYAL	V24 = DAYTONA
E = 600	M = HORIZON/TURISMO	Z = OMNI/CHARGER/RAMPAGE

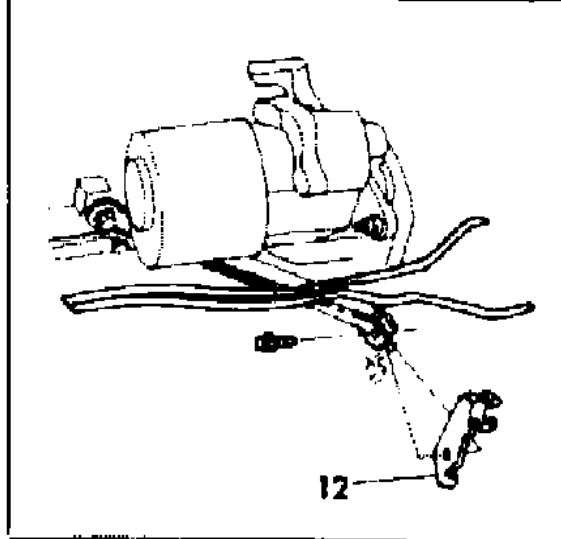
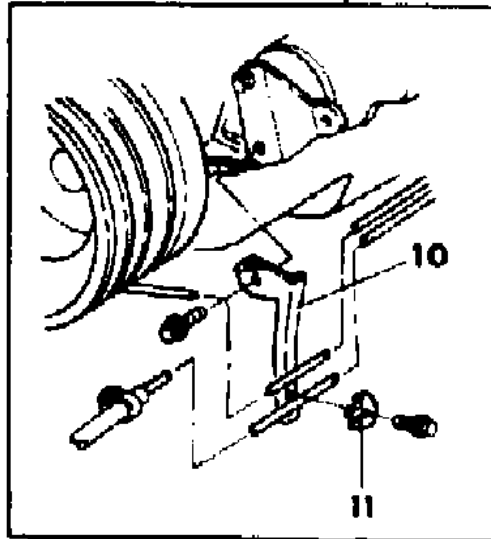
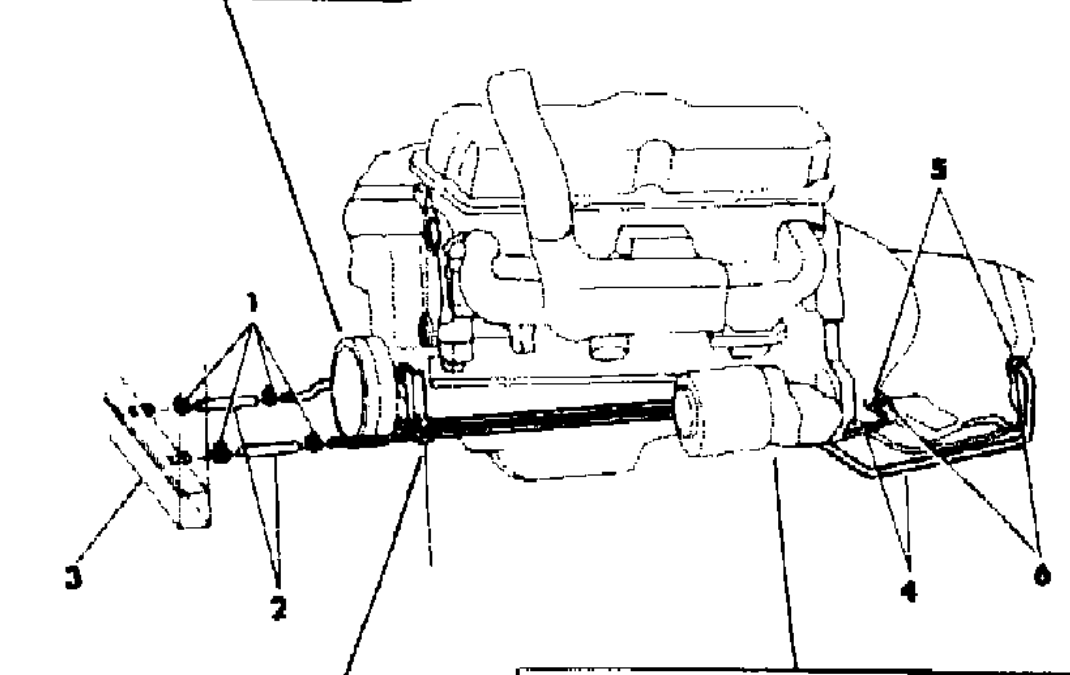
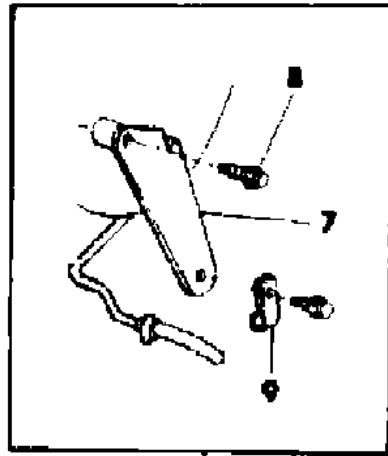
BODY STYLES

21 = 2-DOOR SEDAN	28 = FWD PICKUP	44 = 4-DOOR HATCHBACK
22 = 2-DOOR SPECIAL COUPE	35 = FWD VAN	45 = 4-DOOR STATION WAGON
24 = 2-DOOR HATCHBACK	36 = FWD WAGON	48 = 4-DOOR EXECUTIVE SEDAN
27 = 2-DOOR CONVERTIBLE	41 = 4-DOOR SEDAN	

AR = Use as Required - = Non Illustrated Part P.A.R. = Paint as Required

TRANSMISSION OIL COOLER 8 CYLINDER ENGINE
Figure 7-1250

4107 1250



ITEM	PART NUMBER	QTY	BODY	MODEL	DESCRIPTION
1	6032 282	AR			CLAMP
2	4026 139	AR			HOSE, Rubber 5/16" (serv. in 50 ft. roll)
3	4140 383	1			COOLER, Trans. Oil
4	1843 253	AR			TUBE, Steel 5/16" (serv. in 25 ft. roll)
5	0118 749	2			ADAPTER, Oil Cooler Tube
6	1941 667	2			NUT, Oil Cooler Adapter
7	4140 414	1			BRACKET, Oil Cooler Tube to Chain Cover
8	0181 126	1			BOLT
9		1			CLIP (not serviced)
10	4140 415	1			BRACKET, Oil Cooler Tube to Eng.
11	3743 134	1			CLIP, Oil Cooler Tube to Brkt.
12					BRACKET, Oil Cooler Tube to Trans. Housing
	4140 422	1			exc. A727 Trans.
	4140 340	1			w/A727 Trans.

MODEL CODES

B = GRAN FURY	F = FIFTH AVENUE/NEWPORT	P = RELIANT
C = LEBARON/TOWN & COUNTRY/EXC SEDAN	G = DIPLOMAT	T = E CLASS/NEW YORKER
C24 = LASER	H = VOYAGER	V = 600
D = ARIES	K = MINI RAM/CARAVAN/ROYAL	V24 = DAYTONA
E = 600	M = HORIZON/TURISMO	Z = OMNI/CHARGER/RAMPAGE

BODY STYLES

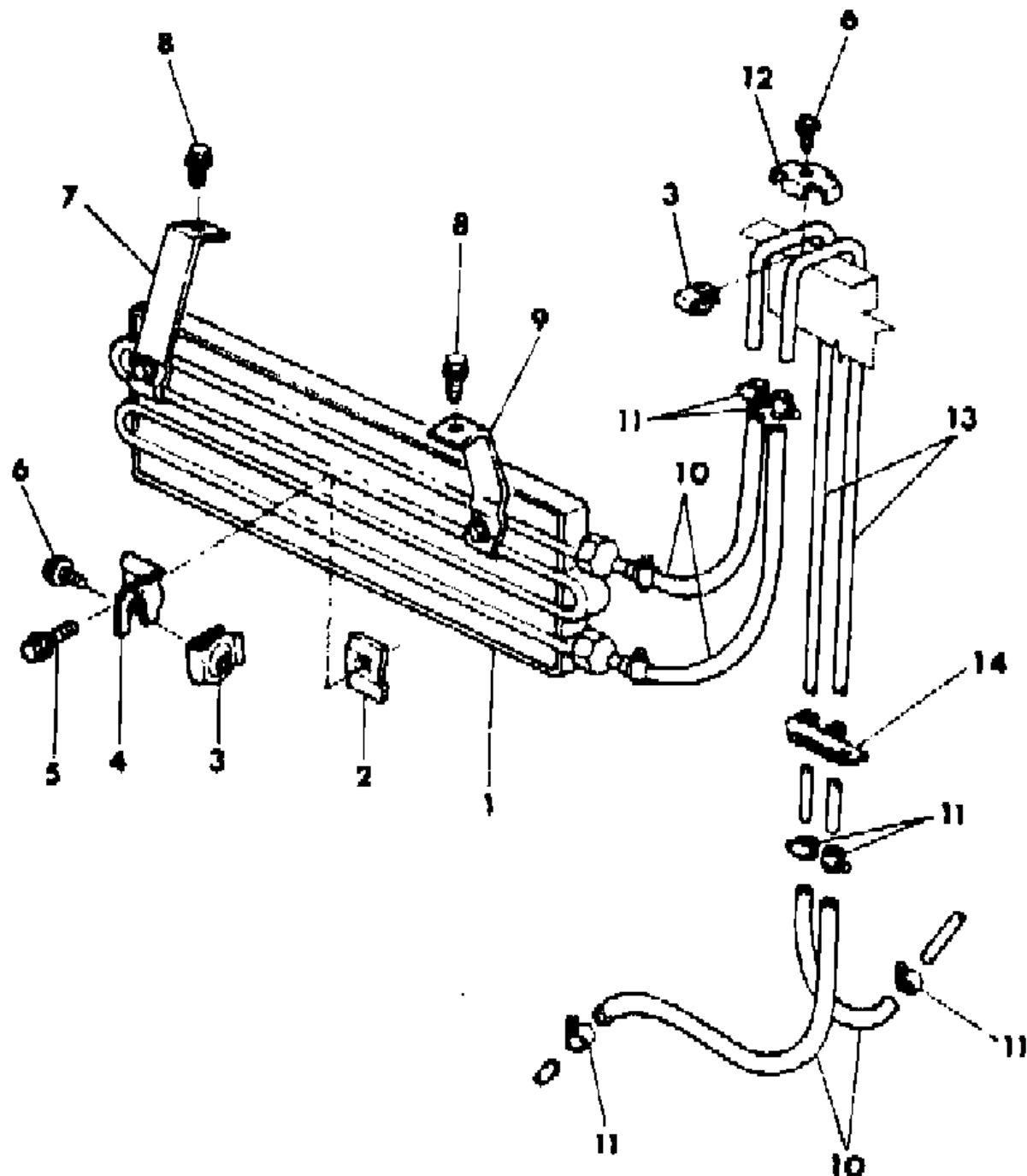
21 = 2-DOOR SEDAN	28 = FWD PICKUP	44 = 4-DOOR HATCHBACK
22 = 2-DOOR SPECIAL COUPE	35 = FWD VAN	45 = 4-DOOR STATION WAGON
24 = 2-DOOR HATCHBACK	36 = FWD WAGON	48 = 4-DOOR EXECUTIVE SEDAN
27 = 2-DOOR CONVERTIBLE	41 = 4-DOOR SEDAN	

AR = Use as Required - = Non Illustrated Part P.A.R. = Paint as Required

TRANSMISSION OIL COOLER - AUXILIARY 8 CYLINDER ENGINE

Figure 7-1275

4107 1275



ITEM	PART NUMBER	QTY	BODY	MODEL	DESCRIPTION
1	4266 038	1			COOLER, Auxiliary Oil
2	4266 037	3			BRACKET, Aux. Oil Cooler Mtg. - Rear
3	0153 292	2			U-NUT
4	4266 036	1			BRACKET, Aux. Oil Cooler Mtg. - Lower
5		3			SCREW (not serviced)
6	6024 073	2			SCREW w/WASHER
7	4266 034	1			BRACKET, Aux. Oil Cooler Mtg. - Right
8	0181 065	2			SCREW w/WASHER
9	4266 035	1			BRACKET, Aux. Oil Cooler Mtg. - Left
10	4026 139	AR			HOSE, Rubber 5/16" (serv. in 50 ft. roll)
11	6032 282	AR			CLAMP
12	3743 134	1			CLIP
13	1843 253	AR			TUBING, Steel 5/16" (serv. in 25 ft. roll)
14	4140 350	1			BRACKET, Aux. Oil Cooler Tube to Frame

MODEL CODES

B = GRAN FURY	F = FIFTH AVENUE/NEWPORT	P = RELIANT
C = LEBARON/TOWN & COUNTRY/EXC SEDAN	G = DIPLOMAT	T = E CLASS/NEW YORKER
C24 = LASER	H = VOYAGER	V = 600
D = ARIES	K = MINI RAM/CARAVAN/ROYAL	V24 = DAYTONA
E = 600	M = HORIZON/TURISMO	Z = OMNI/CHARGER/RAMPAGE

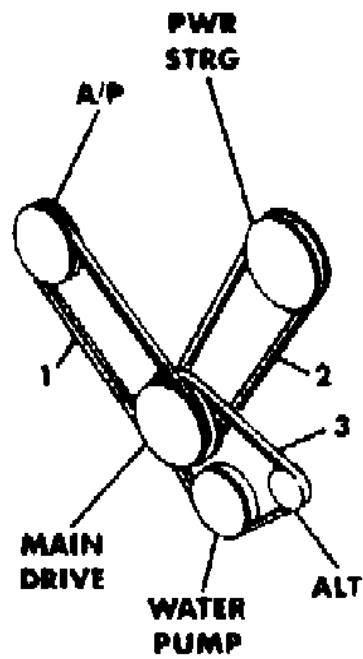
BODY STYLES

21 = 2-DOOR SEDAN	28 = FWD PICKUP	44 = 4-DOOR HATCHBACK
22 = 2-DOOR SPECIAL COUPE	35 = FWD VAN	45 = 4-DOOR STATION WAGON
24 = 2-DOOR HATCHBACK	36 = FWD WAGON	48 = 4-DOOR EXECUTIVE SEDAN
27 = 2-DOOR CONVERTIBLE	41 = 4-DOOR SEDAN	

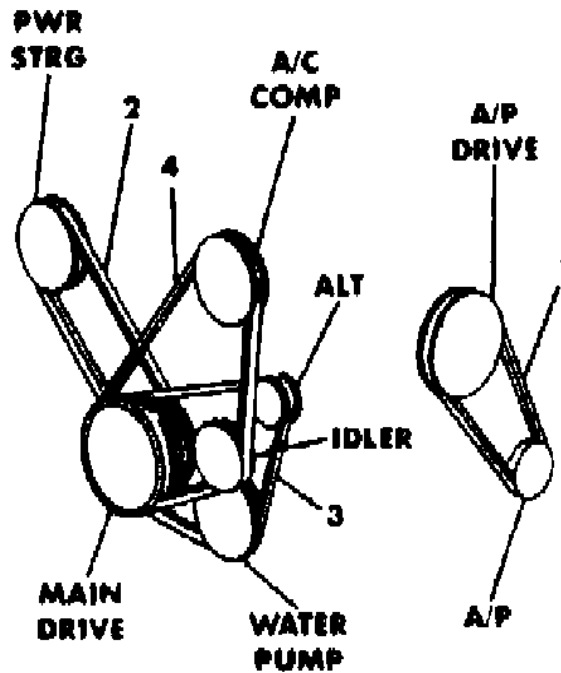
AR = Use as Required - = Non Illustrated Part P.A.R. = Paint as Required

DRIVE BELTS Figure 7-1300

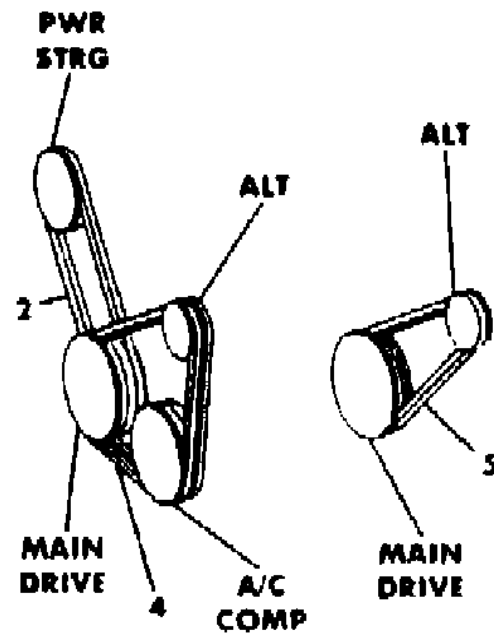
4107 1300A



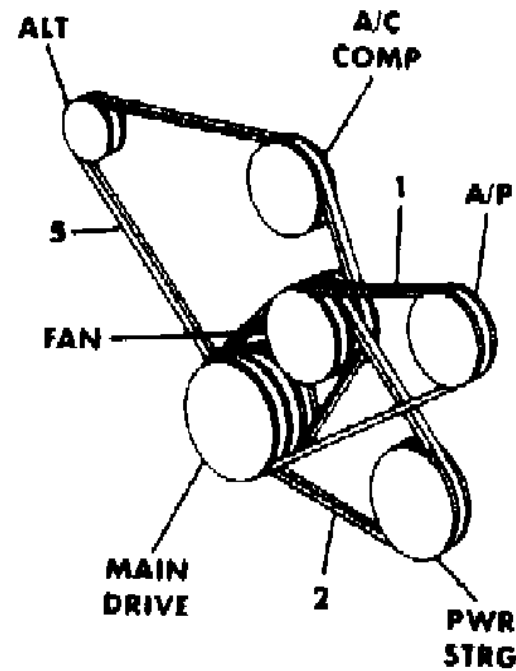
1.6L ENGINE



2.2L ENGINE



2.6L ENGINE



318 ENGINE

ITEM	PART NUMBER	QTY	BODY	MODEL	DESCRIPTION
1	4104 352	1			BELT, Air Pump Drive 1.6L Eng. 39.50" O.S. Lgh. (B0013395)
	4201 481	1			2.2L Eng. 23.75" O.S. Lgh. (B0013241)
	3837 673	1			318 Eng. 48.75" O.S. Lgh. (B0013491)
2	4273 077	1			BELT, Power Steering Drive 1.6L Eng. 38.62" O.S. Lgh. (B0013385)
	4273 186	1			2.2L Eng. 42.87" O.S. Lgh. - Dual up to 2-20-84 (B0013431)
	4343 490	1			after 2-20-84 (B0013431)
	4027 330	1			2.6L Eng. 42.00" O.S. Lgh. (B0013421)
	4027 321	1			318 Eng. 44.75" O.S. Lgh. - Dual (B0013444)
3	4298 096	1			BELT, Alt. & Water Pump Drive 1.6L Eng. 4V Ribbed 30.11" O.S. Lgh. (B4040300)
	4298 114	1			2.2L Eng. 4V Ribbed 41.25" O.S. Lgh. (B4040412)
	4298 115	1			2.2L Eng. EFI or 2.2L Eng. TC 4V Ribbed 41.00" O.S. Lgh. (B4040412)
	4298 114	1			2.6L Eng. 4V Ribbed 41.25" O.S. Lgh. (B4040412)
4	4273 020	1			BELT, Air Cond. Drive 2.2L Eng. 48.30" O.S. Lgh. (B0015485)
	4273 187	1	H,K		2.2L Eng. 49.00" O.S. Lgh. (B0015495)
	4298 200	1			2.6L Eng. 43.75" O.S. Lgh. (B0013441)
5	4298 062	1			BELT, Alt. Drive 2.6L Eng. 39.00" O.S. Lgh. (B0013391)
	4241 309	1			318 Eng. w/Air Cond. w/60 or 78 Amp. Alt. 56.82" O.S. Lgh. - Dual (B0013571)
	4179 718	1			318 Eng. w/Air Cond. w/114 Amp. Alt. 60.50" O.S. Lgh. - Dual (B0013605)
	4027 303	1			318 Eng. w/o Air Cond. w/60 or 78 Amp. Alt. 47.76" O.S. Lgh. - Dual (B0013481)
	4179 718	1			318 Eng. w/o Air Cond. w/114 Amp. Alt. 60.50" O.S. Lgh. - Dual (B0013605)

MODEL CODES

B = GRAN FURY	F = FIFTH AVENUE/NEWPORT	P = RELIANT
C = LEBARON/TOWN & COUNTRY/EXC SEDAN	G = DIPLOMAT	T = E CLASS/NEW YORKER
C24 = LASER	H = VOYAGER	V = 600
D = ARIES	K = MINI RAM/CARAVAN/ROYAL	V24 = DAYTONA
E = 600	M = HORIZON/TURISMO	Z = OMNI/CHARGER/RAMPAGE

BODY STYLES

21 = 2-DOOR SEDAN	28 = FWD PICKUP	44 = 4-DOOR HATCHBACK
22 = 2-DOOR SPECIAL COUPE	35 = FWD VAN	45 = 4-DOOR STATION WAGON
24 = 2-DOOR HATCHBACK	36 = FWD WAGON	48 = 4-DOOR EXECUTIVE SEDAN
27 = 2-DOOR CONVERTIBLE	41 = 4-DOOR SEDAN	

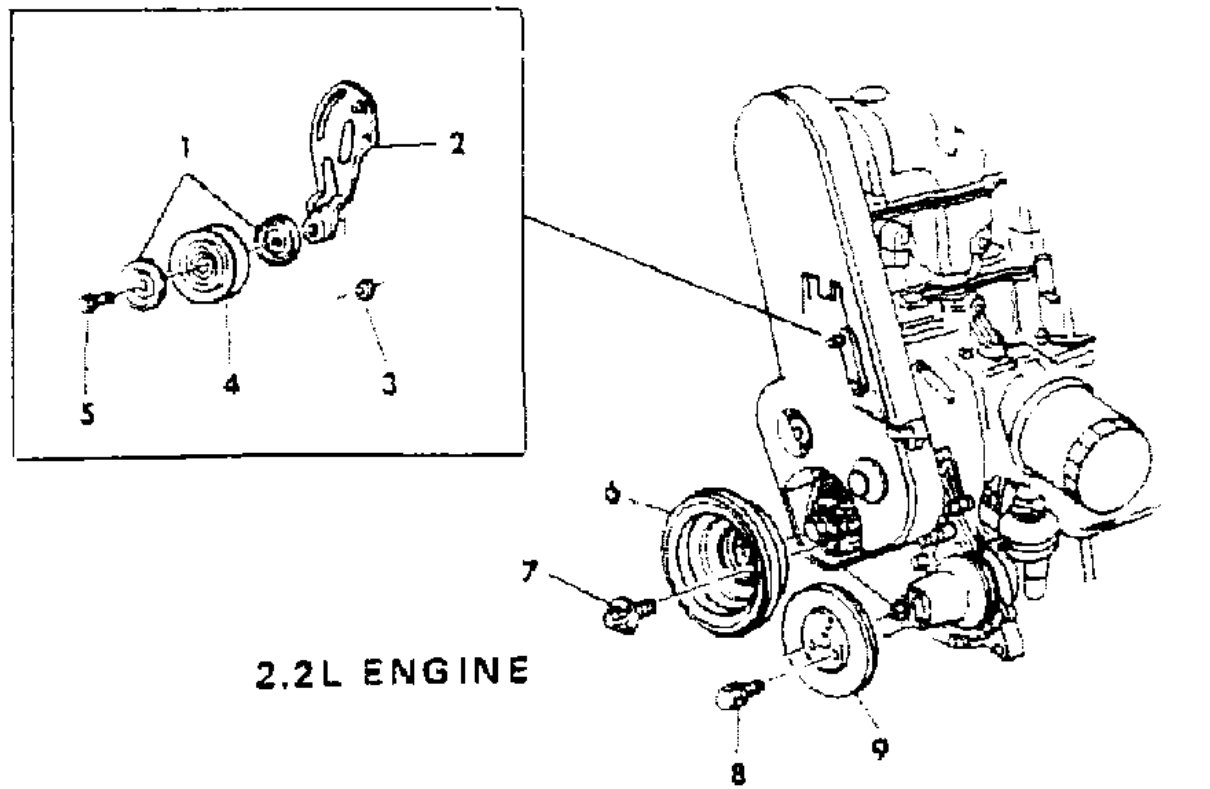
AR = Use as Required - = Non Illustrated Part P.A.R. = Paint as Required

DRIVE PULLEYS 4 CYLINDER ENGINE

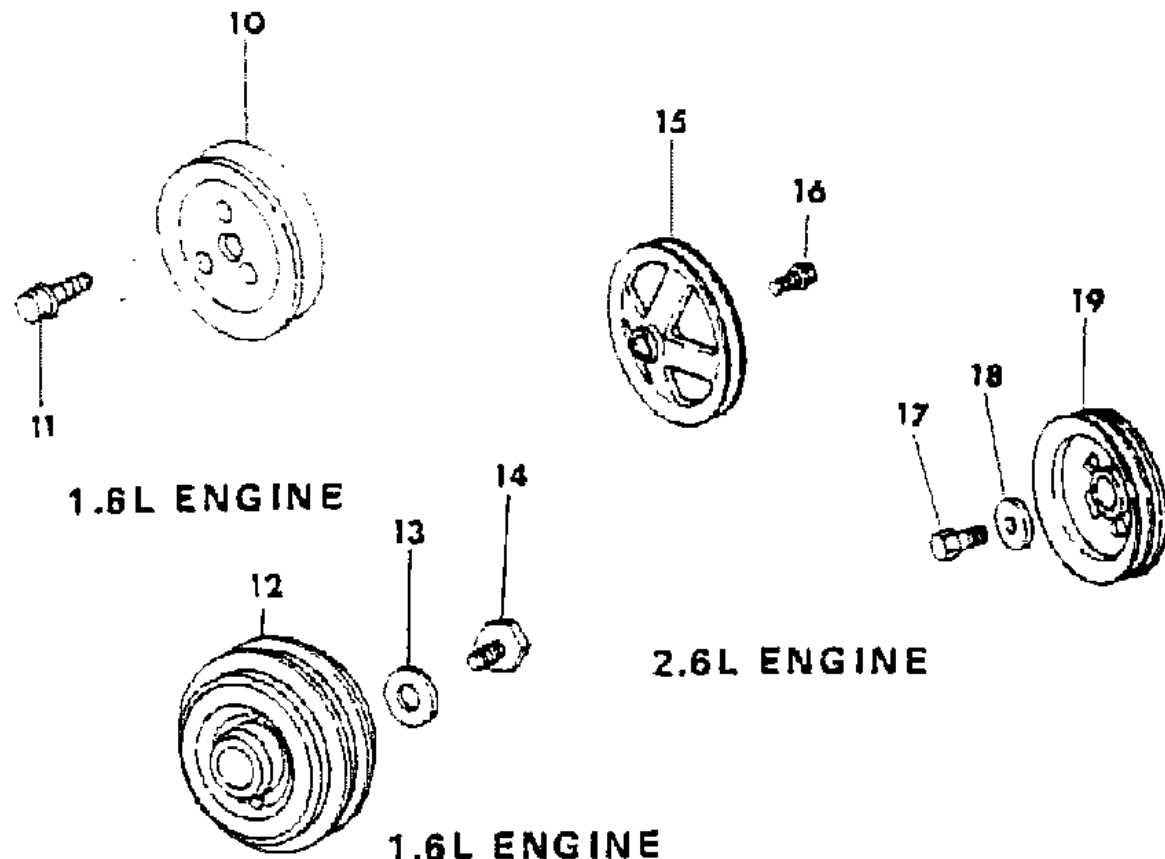
Figure 7-1400

4107 1400 A

ITEM	PART NUMBER	QTY	BODY	MODEL	DESCRIPTION
1	5214 065	2			SHIELD, Idler Pulley
2	4273 208	1			BRACKET, Idler Pulley
3	0271 502	1			NUT
4	3830 196	1			PULLEY, Idler
5	6025 677	1			SCREW
6					PULLEY, Drive
	4298 125	1	exc. H,		w/Air Cond.
	4273 163	1	H,K		w/Air Cond.
	4273 184	1			w/o Air Cond.
7	6500 350	4			BOLT
8	6500 716	3			SCREW w/WASHER
9	4273 181	1			PULLEY, Water Pump
10	4273 096	1			PULLEY, Water Pump
11	6500 665	3			SCREW w/WASHER
12	4273 803	1			PULLEY, Crankshaft Drive
13	4273 865	1			WASHER, Crankshaft & Pulley Screw
14	4273 806	1			SCREW, Crankshaft & Pulley
15	MD02 5669	1			PULLEY, Camshaft
16	MD00 8835	1			BOLT, Flange (10x25)
17	MD02 0830	1			BOLT, Crankshaft Pulley
18	MD02 0831	1			WASHER
19	MD07 4096	1			PULLEY, Crankshaft



2.2L ENGINE



1.6L ENGINE

2.6L ENGINE

1.6L ENGINE

MODEL CODES

B = GRAN FURY	F = FIFTH AVENUE/NEWPORT	P = RELIANT
C = LEBARON/TOWN & COUNTRY/EXC SEDAN	G = DIPLOMAT	T = E CLASS/NEW YORKER
C24 = LASER	H = VOYAGER	V = 600
D = ARIES	K = MINI RAM/CARAVAN/ROYAL	V24 = DAYTONA
E = 600	M = HORIZON/TURISMO	Z = OMNI/CHARGER/RAMPAGE

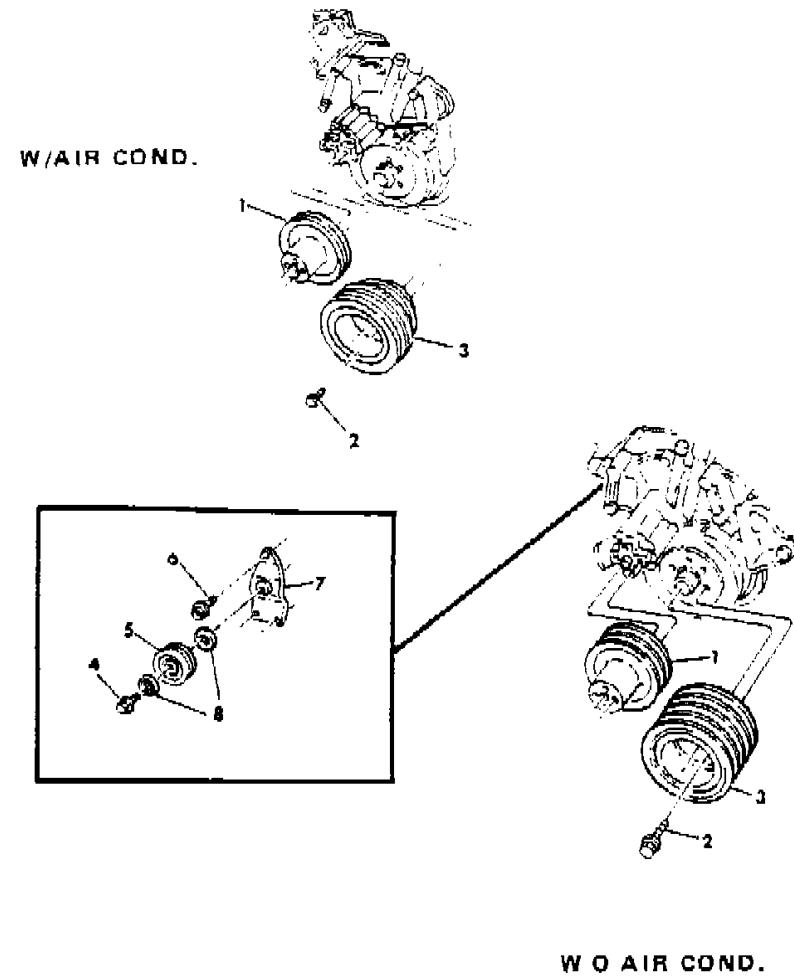
BODY STYLES

21 = 2-DOOR SEDAN	28 = FWD PICKUP	44 = 4-DOOR HATCHBACK
22 = 2-DOOR SPECIAL COUPE	35 = FWD VAN	45 = 4-DOOR STATION WAGON
24 = 2-DOOR HATCHBACK	36 = FWD WAGON	48 = 4-DOOR EXECUTIVE SEDAN
27 = 2-DOOR CONVERTIBLE	41 = 4-DOOR SEDAN	

AR = Use as Required - = Non Illustrated Part P.A.R. = Paint as Required

DRIVE PULLEYS 318 ENGINE
Figure 7-1500

4107 1500A



ITEM	PART NUMBER	QTY	BODY	MODEL	DESCRIPTION
1					PULLEY, Fan
	3698 805	1			w/Air Cond.
	4179 953	1			w/o Air Cond. w/60 or 78 Amp. Alt.
	3870 211	1			w/o Air Cond. w/114 Amp. Alt.
2	0181 086	10			SCREW w/WASHER
3					PULLEY, Drive
	3614 382	1			w/Air Cond.
	3870 069	1			w/o Air Cond. w/60 or 78 Amp. Alt.
	3870 074	1			w/o Air Cond. and/or 114 Amp. Alt.
4	9418 275	1			SCREW w/WASHER
	0271 502	1			NUT
5	3879 131	1			PULLEY, Alt. Idler w/o Air Cond. w/114 Amp. Alt.
6	0181 112	3			SCREW w/WASHER
	0118 615	3			NUT
7	4100 639	1			BRACKET, Alt. Idler Pulley w/o Air Cond. w/114 Amp. Alt.
8	5214 065	2			SHIELD

MODEL CODES

B = GRAN FURY	F = FIFTH AVENUE/NEWPORT	P = RELIANT
C = LEBARON/TOWN & COUNTRY/EXC SEDAN	G = DIPLOMAT	T = E CLASS/NEW YORKER
C24 = LASER	H = VOYAGER	V = 600
D = ARIES	K = MINI RAM/CARAVAN/ROYAL	V24 = DAYTONA
E = 600	M = HORIZON/TURISMO	Z = OMNI/CHARGER/RAMPAGE

BODY STYLES

21 = 2-DOOR SEDAN	28 = FWD PICKUP	44 = 4-DOOR HATCHBACK
22 = 2-DOOR SPECIAL COUPE	35 = FWD VAN	45 = 4-DOOR STATION WAGON
24 = 2-DOOR HATCHBACK	36 = FWD WAGON	48 = 4-DOOR EXECUTIVE SEDAN
27 = 2-DOOR CONVERTIBLE	41 = 4-DOOR SEDAN	

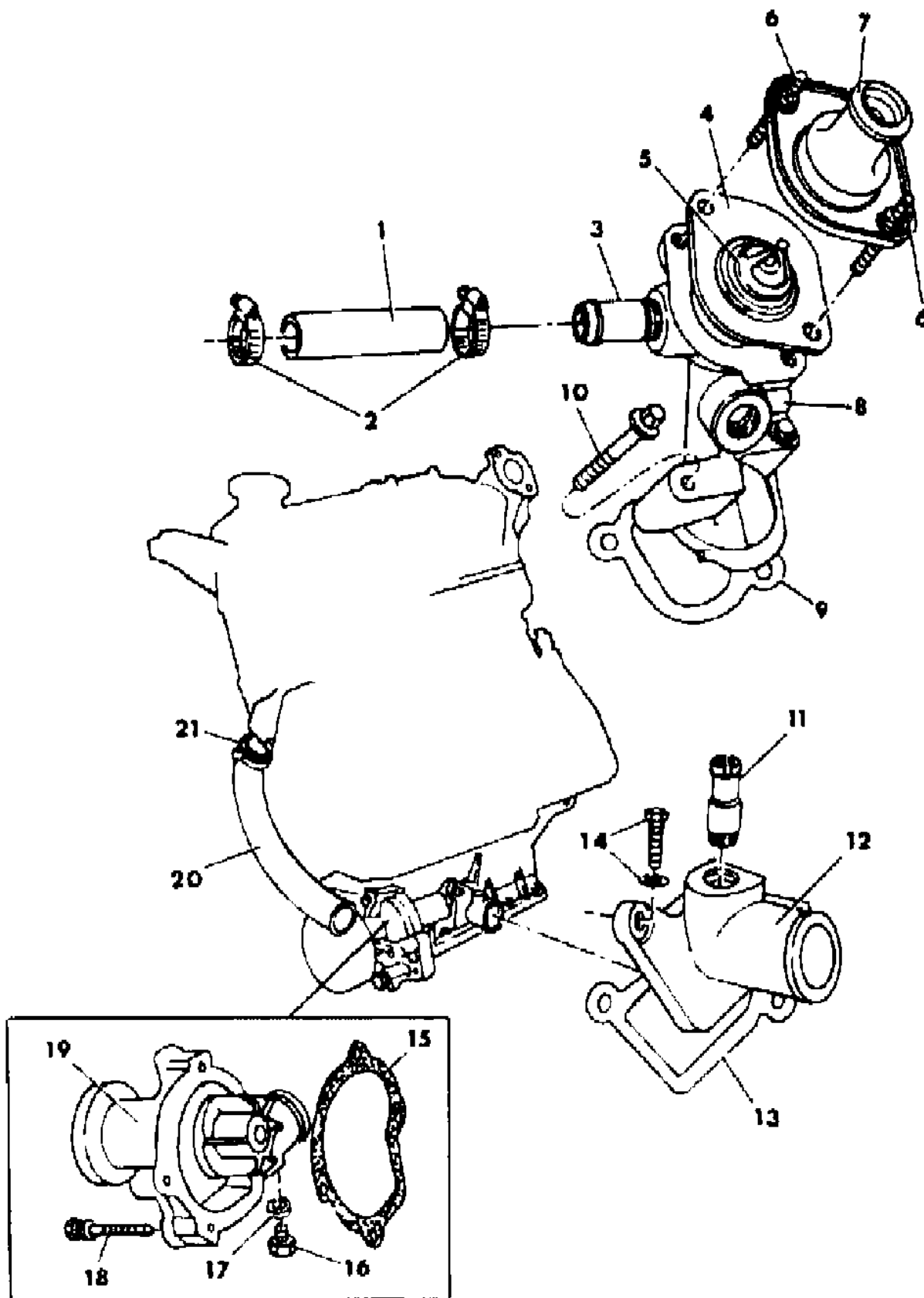
AR = Use as Required - = Non Illustrated Part P.A.R. = Paint as Required

WATER PUMP AND RELATED PARTS 1.6L ENGINE

Figure 7-1600

4107 1600A

ITEM	PART NUMBER	QTY	BODY	MODEL	DESCRIPTION
	4271 979	1			REPAIR KIT, Water Pump
1	4105 421	1			HOSE, Thermostat By-Pass
2	0153 640	2			CLAMP, By-Pass Hose
3	4273 036	1			NIPPLE, Water Control Box Outlet
4	4179 895	1			GASKET, Cyl. Water Outlet
5	4105 768	1			THERMOSTAT
6	6500 384	2			STUD, Cyl. Water Outlet Conn.
	6100 233	2			WASHER, Cyl. Water Outlet Conn. Stud
7	5214 514	1			CONNECTOR, Cyl. Water Outlet
8	4105 400	1			BOX, Water Control
9	4105 408	1			GASKET, Water Control Box
10	6500 589	2			SCREW, Water Control Box Attach.
11	1779 258	1			NIPPLE, Heater Water Return to Pump
12	4273 858	1			ELBOW, Water Inlet
13	4273 706	1			GASKET, Inlet Elbow
14	4273 717	2			SCREW w/WASHER
15	4273 702	1			GASKET, Water Pump
16	4273 511	1			PLUG, Water Pump Drain
17	4173 730	1			GASKET, Water Pump Drain Plug
18	4273 703	4			SCREW w/WASHER, Water Pump Attach.
19	4173 703	1			PUMP, Water
20	4273 708	1			HOSE, Water Pump to Front Cover
21	4273 710	2			CLAMP, Water Pump Hose



MODEL CODES

B = GRAN FURY	F = FIFTH AVENUE/NEWPORT	P = RELIANT
C = LEBARON/TOWN & COUNTRY/EXC SEDAN	G = DIPLOMAT	T = E CLASS/NEW YORKER
C24 = LASER	H = VOYAGER	V = 600
D = ARIES	K = MINI RAM/CARAVAN/ROYAL	V24 = DAYTONA
E = 600	M = HORIZON/TURISMO	Z = OMNI/CHARGER/RAMPAGE

BODY STYLES

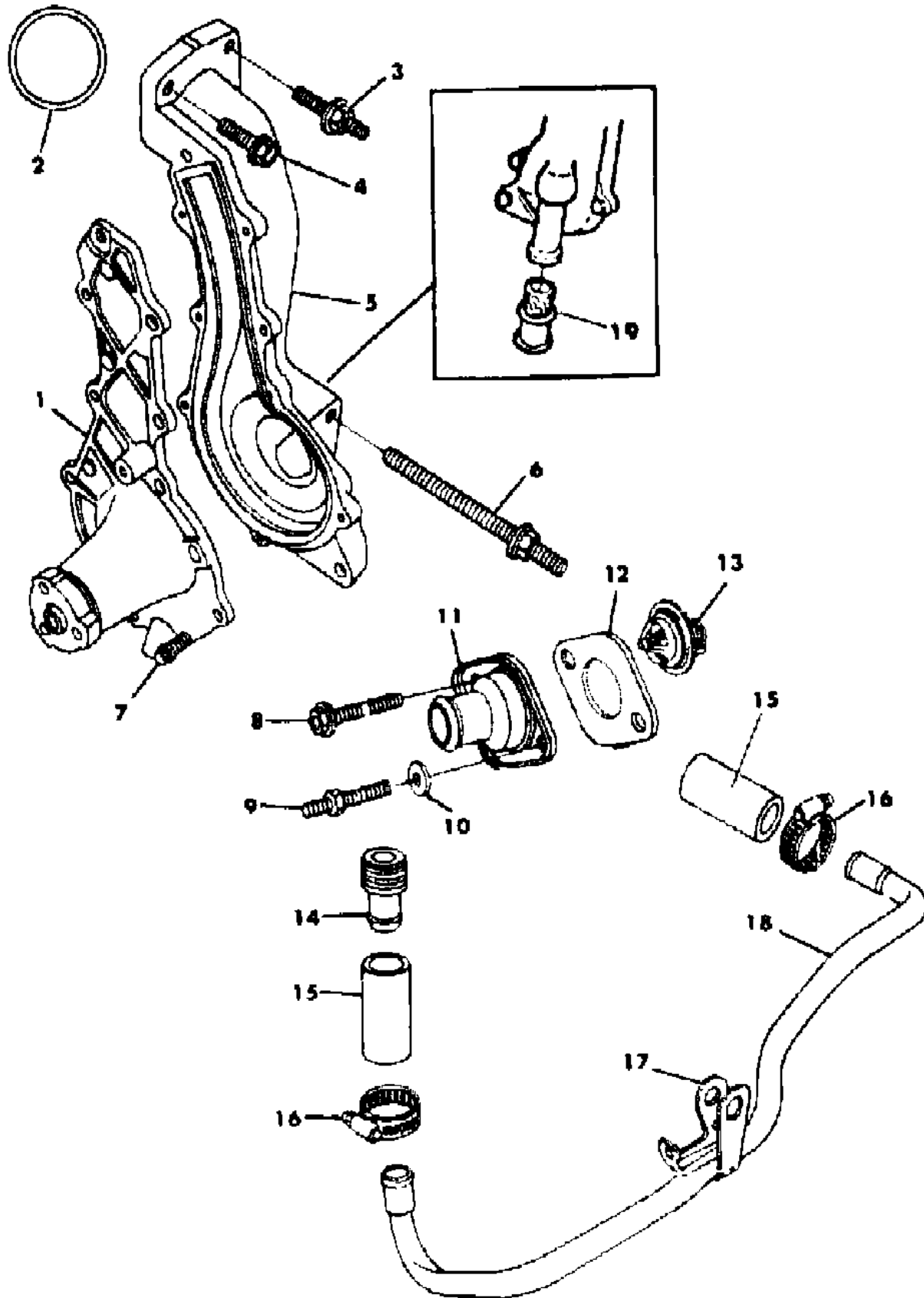
21 = 2-DOOR SEDAN	28 = FWD PICKUP	44 = 4-DOOR HATCHBACK
22 = 2-DOOR SPECIAL COUPE	35 = FWD VAN	45 = 4-DOOR STATION WAGON
24 = 2-DOOR HATCHBACK	36 = FWD WAGON	48 = 4-DOOR EXECUTIVE SEDAN
27 = 2-DOOR CONVERTIBLE	41 = 4-DOOR SEDAN	

AR = Use as Required - = Non Illustrated Part P.A.R. = Paint as Required

WATER PUMP AND RELATED PARTS 2.2L ENGINE

Figure 7-1700

4107 1700 B



ITEM	PART NUMBER	QTY	BODY	MODEL	DESCRIPTION
1	4293 898	1			PUMP, Water
2	5203 542	1			GASKET, Water Pump Housing
3	6500 798	2			STUD, Water Pump Hsg. Attach.
4	6500 799	1			SCREW, Water Pump Hsg. Attach.
5	5203 714	1			HOUSING, Water Pump
6	6500 811	1			STUD, Water Pump Hsg. Attach.
7	6101 278	9			SCREW w/WASHER, Water Pump Body Attach.
8	6500 253	1			SCREW w/WASHER, Cyl. Water Outlet Conn.
9	6500 384	1			STUD, Cyl. Water Outlet Conn.
10	6100 233	1			WASHER, Water Outlet Conn. Stud
11	5214 514	1			CONNECTOR, Cyl. Water Outlet
12	4179 895	1			GASKET, Cyl. Water Outlet Connector
13	4105 768	1			THERMOSTAT
14	5203 339	1			NIPPLE, Thermostat Water By-Pass
15	4273 488	2			HOSE, Water By-Pass Tube
16	0153 640	AR			CLAMP
17	4273 487	1			BRACKET, Water By-Pass Tube
18	4273 486	1			TUBE, Water By-Pass
19	4266 221	1			INSERT, Water Pump Nipple (see note)

NOTE: Insert must be installed when replacing water pump on 2.2L Eng. to meet safety standards. Refer to Service Manual for instructions. Gear and Pinion numbers stamped on the item may be used to confirm the correct MATCHED SET they are

MODEL CODES

B = GRAN FURY	F = FIFTH AVENUE/NEWPORT	P = RELIANT
C = LEBARON/TOWN & COUNTRY/EXC SEDAN	G = DIPLOMAT	T = E CLASS/NEW YORKER
C24 = LASER	H = VOYAGER	V = 600
D = ARIES	K = MINI RAM/CARAVAN/ROYAL	V24 = DAYTONA
E = 600	M = HORIZON/TURISMO	Z = OMNI/CHARGER/RAMPAGE

BODY STYLES

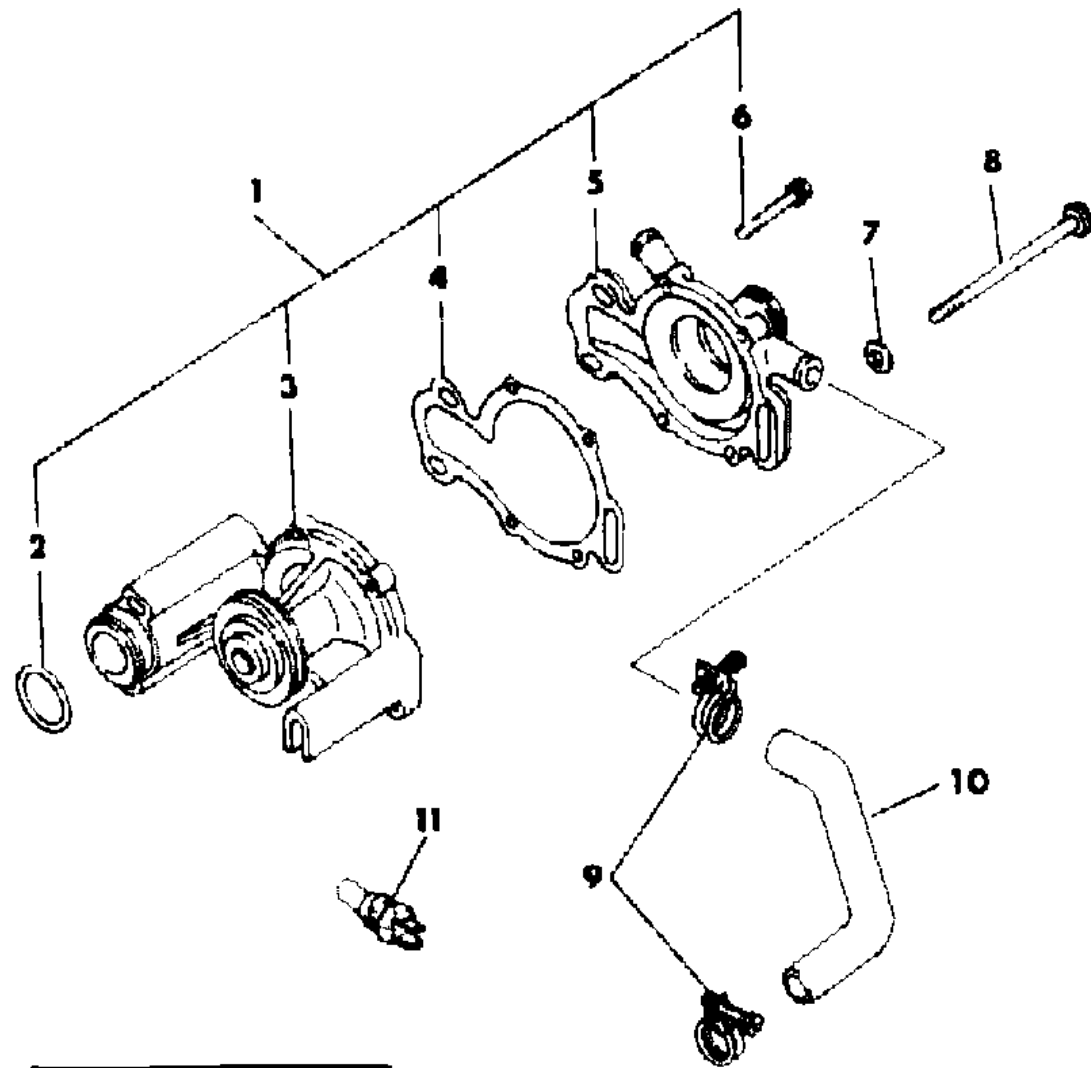
21 = 2-DOOR SEDAN	28 = FWD PICKUP	44 = 4-DOOR HATCHBACK
22 = 2-DOOR SPECIAL COUPE	35 = FWD VAN	45 = 4-DOOR STATION WAGON
24 = 2-DOOR HATCHBACK	36 = FWD WAGON	48 = 4-DOOR EXECUTIVE SEDAN
27 = 2-DOOR CONVERTIBLE	41 = 4-DOOR SEDAN	

AR = Use as Required - = Non Illustrated Part P.A.R. = Paint as Required

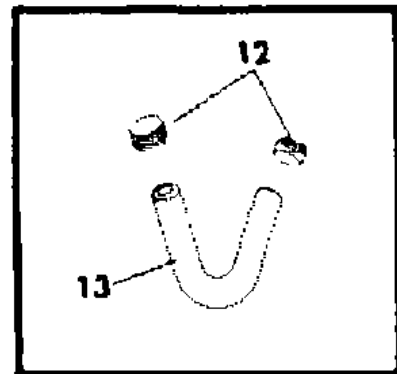
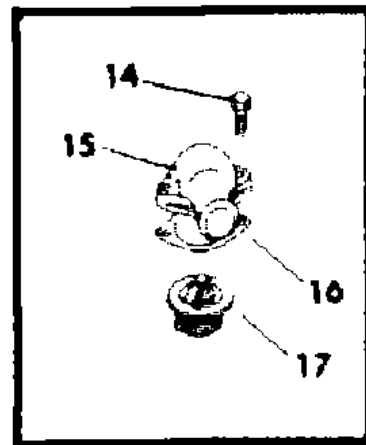
WATER PUMP AND RELATED PARTS 2.6L ENGINE

Figure 7-1800

4107 1800 D



ITEM	PART NUMBER	QTY	BODY	MODEL	DESCRIPTION
1	MD02 5190	1			PUMP, Water
2	MD03 0764	1			O-RING, Water Pipe
3	MD02 5191	1			BODY, Water Pump
4	MD02 5196	1			GASKET, Water Pump
5	MD02 5192	1			CASE, Water Pump
6	MF24 1231	4			BOLT w/WASHER
7	MF45 0005	3			WASHER
8	MD02 5198	3			BOLT, Flange
9	MA60 9047	2			CLIP
10	MD02 5199	1			HOSE, Water Bypass
11	MD08 2430	1			SENSOR, Water Temp.
12	MS66 0164	3			CLIP, Hose (13.1)
	MS66 0162	3			CLIP, Hose (11)
13	MD02 1472	1			HOSE, Water
14	MS10 1239	2			BOLT w/WASHER (8x25)
	MF24 0056	2			(8x28)
15	MD02 0634	1			FITTING, Water Outlet
16	MD00 0551	1			GASKET
17	MD07 5460	1			THERMOSTAT 180 Degree



MODEL CODES

B = GRAN FURY	F = FIFTH AVENUE/NEWPORT	P = RELIANT
C = LEBARON/TOWN & COUNTRY/EXC SEDAN	G = DIPLOMAT	T = E CLASS/NEW YORKER
C24 = LASER	H = VOYAGER	V = 600
D = ARIES	K = MINI RAM/CARAVAN/ROYAL	V24 = DAYTONA
E = 600	M = HORIZON/TURISMO	Z = OMNI/CHARGER/RAMPAGE

BODY STYLES

21 = 2-DOOR SEDAN	28 = FWD PICKUP	44 = 4-DOOR HATCHBACK
22 = 2-DOOR SPECIAL COUPE	35 = FWD VAN	45 = 4-DOOR STATION WAGON
24 = 2-DOOR HATCHBACK	36 = FWD WAGON	48 = 4-DOOR EXECUTIVE SEDAN
27 = 2-DOOR CONVERTIBLE	41 = 4-DOOR SEDAN	

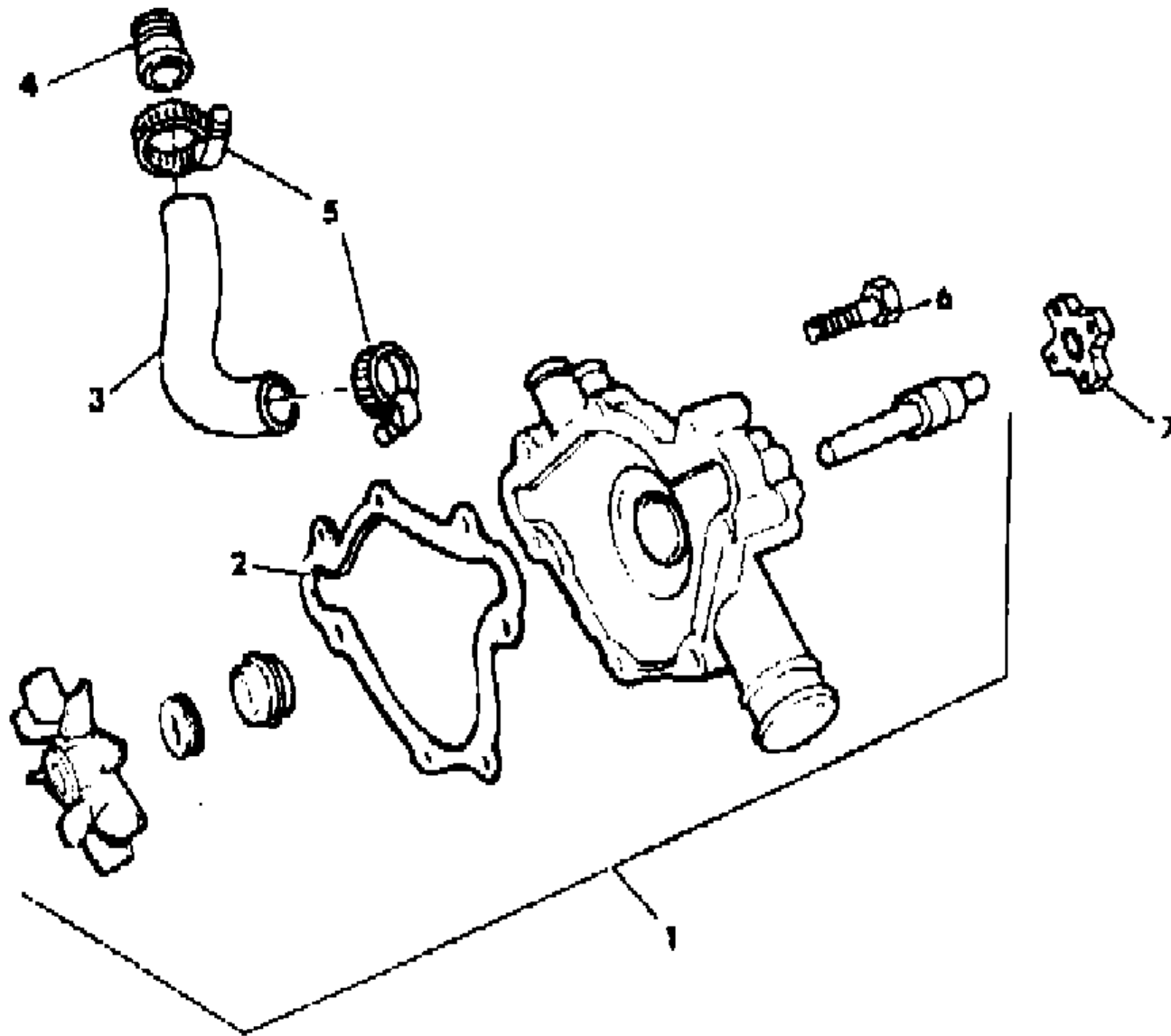
AR = Use as Required - = Non Illustrated Part P.A.R. = Paint as Required

WATER PUMP AND RELATED PARTS 318 ENGINE

Figure 7-1900

4167 1900 P

ITEM	PART NUMBER	QTY	BODY	MODEL	DESCRIPTION
1	3837 641	1			PUMP, Water
2	2129 013	1			GASKET, Water Pump Body
3	4095 227	1			HOSE, Water Pump By-Pass
	4012 595	1			Silicone
4	2402 903	1			NIPPLE, Water Pump By-Pass
5	3683 824	1			CLAMP, By-Pass Hose
	4041 606	1			Stainless Steel
6					SCREW, Water Pump
	6027 880	1			3/8 - 16 x 2.00
	6031 761	1			3/8 - 16 x 5.00
	9420 892	2			3/8 - 16 x 2 3/4
	6028 166	2			3/8 - 16 x 5 1/4
7	3671 525	1			HUB, Fan Pulley
	3751 812	1			4 Bbl. Police



MODEL CODES

B = GRAN FURY	F = FIFTH AVENUE/NEWPORT	P = RELIANT
C = LEBARON/TOWN & COUNTRY/EXC SEDAN	G = DIPLOMAT	T = E CLASS/NEW YORKER
C24 = LASER	H = VOYAGER	V = 600
D = ARIES	K = MINI RAM/CARAVAN/ROYAL	V24 = DAYTONA
E = 600	M = HORIZON/TURISMO	Z = OMNI/CHARGER/RAMPAGE

BODY STYLES

21 = 2-DOOR SEDAN	28 = FWD PICKUP	44 = 4-DOOR HATCHBACK
22 = 2-DOOR SPECIAL COUPE	35 = FWD VAN	45 = 4-DOOR STATION WAGON
24 = 2-DOOR HATCHBACK	36 = FWD WAGON	48 = 4-DOOR EXECUTIVE SEDAN
27 = 2-DOOR CONVERTIBLE	41 = 4-DOOR SEDAN	

AR = Use as Required - = Non Illustrated Part P.A.R. = Paint as Required

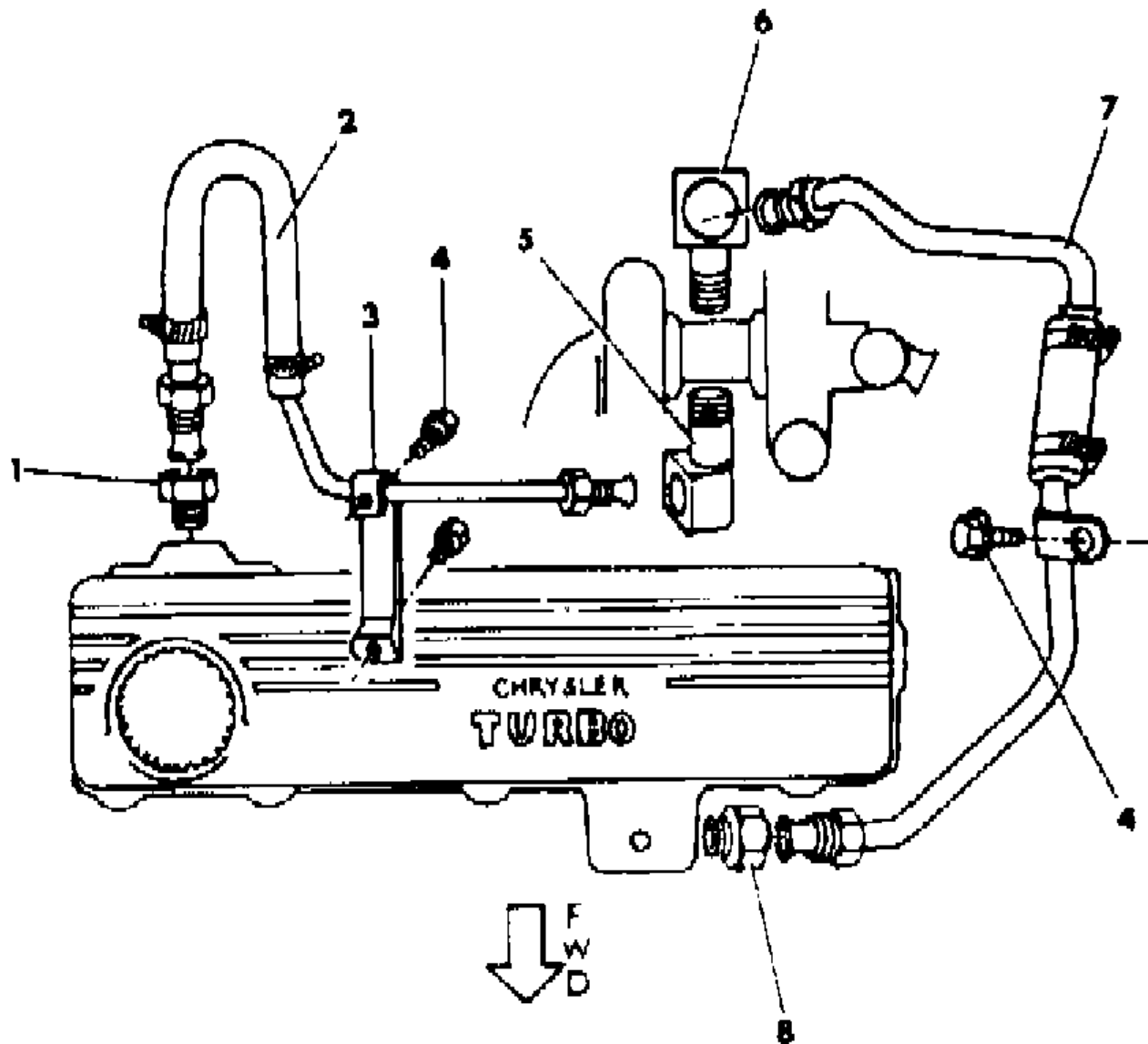
TURBO WATER COOLED SYSTEM

Figure 7-2000

4107 200014

ITEM	PART NUMBER	QTY	BODY	MODEL	DESCRIPTION
1	6032 606	1			CONNECTOR, Cyl. Block to Turbo Water Inlet Tube
2	4323 122	1			TUBE, Turbo Water Inlet and Hose
3	4323 116	1			BRACKET, Water Inlet Tube Support
4	6500 399	2			SCREW w/WASHER
5	6032 566	1			ELBOW, Turbo Water Inlet
6	6032 565	1			ELBOW, Turbo Charger to Return Hose Tube
7	4323 115	1			TUBE, Turbo Water Return and Hose
8	6032 568	1			CONNECTOR, Turbo Water Return Tube

with Lean Burn. California Emission Control or High Altitude Emission Control. Gear and Pinion numbers stamped on the item may be used to confirm the correct MATCHED SET they are contained in.



MODEL CODES

- | | | |
|--------------------------------------|----------------------------|--------------------------|
| B = GRAN FURY | F = FIFTH AVENUE/NEWPORT | P = RELIANT |
| C = LEBARON/TOWN & COUNTRY/EXC SEDAN | G = DIPLOMAT | T = E CLASS/NEW YORKER |
| C24 = LASER | H = VOYAGER | V = 600 |
| D = ARIES | K = MINI RAM/CARAVAN/ROYAL | V24 = DAYTONA |
| E = 600 | M = HORIZON/TURISMO | Z = OMNI/CHARGER/RAMPAGE |

BODY STYLES

- | | | |
|---------------------------|-------------------|-----------------------------|
| 21 = 2-DOOR SEDAN | 28 = FWD PICKUP | 44 = 4-DOOR HATCHBACK |
| 22 = 2-DOOR SPECIAL COUPE | 35 = FWD VAN | 45 = 4-DOOR STATION WAGON |
| 24 = 2-DOOR HATCHBACK | 36 = FWD WAGON | 48 = 4-DOOR EXECUTIVE SEDAN |
| 27 = 2-DOOR CONVERTIBLE | 41 = 4-DOOR SEDAN | |

AR = Use as Required - = Non Illustrated Part P.A.R. = Paint as Required

GROUP 8 - ELECTRICAL

ILLUSTRATION TITLE	GROUP-FIG. NO.
SWITCHES--RELAYS--SOLENOIDS--SENSORS	
SWITCHES--RELAYS--SOLENOIDS--SENSORS	Fig. 8-100
BATTERY TRAY	
BATTERY TRAY M-Z-B-F-G	Fig. 8-200
BATTERY TRAY P-D-C-V-E-T-H-K	Fig. 8-300
DISTRIBUTOR	
DISTRIBUTOR 1.6 ENGINE	Fig. 8-400
DISTRIBUTOR 2.2 ENGINE	Fig. 8-450
DISTRIBUTOR 2.6L ENGINE	Fig. 8-500
DISTRIBUTOR 318 ENGINE	Fig. 8-600
STARTER	
STARTER INSTALLATIONS	Fig. 8-700
STARTER 1.6 ENGINE	Fig. 8-800
STARTER COMPONENTS 2.2L ENGINE CHRYSLER NO. 5213190 (NIPPONDENSO)	Fig. 8-900
STARTER COMPONENTS 2.2L ENGINE CHRYSLER NO. 5213045 (BOSCH)	Fig. 8-1000
STARTER COMPONENTS 2.6L ENGINE	Fig. 8-1100
STARTER 318 ENGINE CHRYSLER NO. 4145360	Fig. 8-1200
ALTERNATOR	
ALTERNATOR 1.6L and 2.2L ENGINES	Fig. 8-1300
ALTERNATOR TURBO ENGINE	Fig. 8-1400
ALTERNATOR 2.6L ENGINE	Fig. 8-1500
ALTERNATOR--60 AMP. 318 ENGINE	Fig. 8-1600
ALTERNATOR--78 AMP. 318 ENGINE	Fig. 8-1650
ALTERNATOR 114 AMP. 318 ENGINE	Fig. 8-1700
ALTERNATOR BRACKET, SPACER AND ADJUSTING STRAP 1.6-2.2-2.6 ENGINES	Fig. 8-1800
ALTERNATOR MOUNTING 318 ENGINE	Fig. 8-1900
LAMPS	
LAMPS--FRONT M-Z 24	Fig. 8-2000
LAMPS & WIRING--REAR M-Z 24	Fig. 8-2100
LAMPS--FRONT M-Z 44	Fig. 8-2200
LAMPS & WIRING--REAR M-Z 44	Fig. 8-2300
LAMPS--FRONT M-Z 28	Fig. 8-2400
LAMPS & WIRING--REAR M-Z 28	Fig. 8-2500
LAMPS--FRONT P-D	Fig. 8-2600

ILLUSTRATION NOT AVAILABLE AT TIME OF PUBLICATION

GROUP 8 - ELECTRICAL

GROUP 8 - ELECTRICAL

ILLUSTRATION TITLE	GROUP-FIG. NO.
LAMPS (Continued)	
LAMPS--FRONT P-D	Fig. 8-2600
LAMPS & WIRING--REAR P-D	Fig. 8-2700
LAMPS--FRONT C-V-E-T	Fig. 8-2800
LAMPS & WIRING--REAR C-V-E-T	Fig. 8-2900
LAMPS--FRONT V-C 24	Fig. 8-3000
LAMPS & WIRING--REAR V-C 24	Fig. 8-3100
LAMPS--FRONT H-K	Fig. 8-3200
LAMPS & WIRING--REAR H-K	Fig. 8-3300
LAMPS--FRONT F	Fig. 8-3400
LAMPS & WIRING--REAR F	Fig. 8-3500
LAMPS--FRONT B-G	Fig. 8-3600
LAMPS & WIRING--REAR B-G	Fig. 8-3700
LAMPS--CARGO-DOME-COURTESY M-Z	Fig. 8-3800
LAMPS--CARGO-DOME-COURTESY P-D-C-V-E-T	Fig. 8-3900
LAMPS--CARGO-DOME-COURTESY LIMO	Fig. 8-4000
LAMPS--CARGO-DOME-COURTESY C-V 24	Fig. 8-4100
LAMPS--CARGO-DOME-COURTESY H-K	Fig. 8-4200
LAMPS--CARGO-DOME-COURTESY B-F-G	Fig. 8-4300
ILLUMINATED DOOR LOCK LIGHT	
ILLUMINATED DOOR LOCK LIGHT	Fig. 8-4400
SOCKETS & CABLES	
SOCKETS & CABLES	Fig. 8-4500
BULB CROSS REFERENCE	
BULB CROSS REFERENCE	Fig. 8-4600
WIRING--ENGINE-FRONT END & RELATED PARTS	
WIRING--ENGINE-FRONT END & RELATED PARTS M-Z	Fig. 8-4700
WIRING--ENGINE-FRONT END & RELATED PARTS P-D-C-V-E-T	Fig. 8-4800
WIRING--ENGINE-FRONT END & RELATED PARTS C-V 24	Fig. 8-4900
WIRING--ENGINE-FRONT END & RELATED PARTS H-K	Fig. 8-5000
WIRING--ENGINE-FRONT END & RELATED PARTS B-F-G	Fig. 8-5100
HORN	
HORN ALL MODELS	Fig. 8-5200

ILLUSTRATION TITLE	GROUP-FIG. NO.
M.A.P. SENSOR & LOGIC MODULE	
M.A.P. SENSOR & LOGIC MODULE ALL MODELS	Fig. 8-5300
SWITCH--TURN SIGNAL AND HAZARD WARNING	
SWITCH, TURN SIGNAL AND HAZARD WARNING	Fig. 8-5400
WIRING--BODY & ACCESSORIES	
WIRING--BODY & ACCESSORIES M-Z	Fig. 8-5500
WIRING--BODY & ACCESSORIES P-D	Fig. 8-5600
WIRING--BODY & ACCESSORIES C-V-E-T	Fig. 8-5700
WIRING--BODY & ACCESSORIES LIMO & EXECUTIVE SEDAN	Fig. 8-5800
WIRING--BODY & ACCESSORIES C-V 24	Fig. 8-5900
WIRING--BODY & ACCESSORIES H-K	Fig. 8-6000
WIRING--BODY & ACCESSORIES B-F-G	Fig. 8-6100
WIRING & SWITCHES--DOORS	
WIRING & SWITCHES--FRONT DOOR P-D-C-V-E-T	Fig. 8-6200
WIRING & SWITCHES--REAR DOOR P-D-C-V-E-T	Fig. 8-6300
WIRING & SWITCHES--LIFTGATE & TRUNK P-D-C-V-E-T	Fig. 8-6400
WIRING & SWITCHES--FRONT DOOR C-V 24	Fig. 8-6500
WIRING & SWITCHES--LIFTGATE C-V 24	Fig. 8-6600
WIRING & SWITCHES--FRONT DOOR H-K	Fig. 8-6700
WIRING & SWITCHES--SLIDING DOOR H-K	Fig. 8-6800
WIRING & SWITCHES--LIFTGATE H-K	Fig. 8-6900
WIRING & SWITCHES--FRONT DOOR B-F-G	Fig. 8-7000
WIRING & SWITCHES--REAR DOOR B-F-G	Fig. 8-7100
TERMINAL CHART	
TERMINAL CHART	Fig. 8-7200
TERMINAL CHART	Fig. 8-7300
INSULATOR CHART	
INSULATOR CHART	Fig. 8-7400
INSULATOR CHART	Fig. 8-7500
RETAINERS, CONNECTORS, PLUGS, SLEEVES AND PARTS CHART	Fig. 8-7600
RETAINERS, CONNECTORS, PLUGS AND SLEEVES CHART	Fig. 8-7700
INSULATOR CHART	Fig. 8-7800
INSULATOR 2 WAY	Fig. 8-7900
INSULATOR 2 WAY	Fig. 8-8000

GROUP 8 - ELECTRICAL

ILLUSTRATION TITLE

GROUP-FIG. NO.

INSULATOR CHART (Continued)

INSULATOR 2 WAY	Fig. 8-8000
INSULATOR 3 WAY	Fig. 8-8100
INSULATOR 4 WAY	Fig. 8-8200
INSULATOR 6 WAY	Fig. 8-8300
INSULATOR 8 WAY	Fig. 8-8400
INSULATOR 9-10 & 13 Way	Fig. 8-8500

SWITCHES--RELAYS--SOLENOIDS--SENSORS

Figure 8-100

ILLUSTRATION NOT AVAILABLE AT TIME OF PUBLICATION

ITEM	PART NUMBER	QTY	BODY	MODEL	DESCRIPTION
RELAYS					
	2889 565				RELAY, Thermal Time Delay
	4221 061			BFG	RELAY, Amplifier
	4221 065			PD,CVET	RELAY, Power Amplifier (Control Unit)
	3747 299			HK	RELAY, Liftgate Release
	4221 570			BFG	RELAY, Power Ant. & Power Amp.
	4221 661				RELAY, Rad. Fan
	4221 287			MZ	RELAY, Rad. Fan
	3747 298				RELAY, Horn
	4221 542				RELAY, Rad. Fan Motor
	4221 285				RELAY, Fan Control 2.6 Eng.
	4221 413			PD,CVET	RELAY, A.C. Cutoff
	4221 549			MZ	RELAY, A.C. Cutoff
	4111 971			BFG	RELAY, Starter
	5213 737			MZ	RELAY, Starter
SOLENOIDS					
SENSORS					
	4312 035			CV 24	SENSOR, Tail Lamp Outage
SWITCHES					
	4221 203			CVET	SWITCH, Amplifier Rear
	3747 874			PD,BFG	SWITCH, Amplifier Rear
	4221 452			CV24	SWITCH, Amplifier Rear
	4221 587				SWITCH, Back-Up Lamp 2.2 Eng. Manual
	4057 750			ALL	SWITCH, Back-Up & Neutral Start (Auto. Trans.)
	3620 790			ALL	SWITCH, Brake System Warning
	5209 922			MZ	SWITCH, Cargo Lamp (2 Door)
	4339 780				SWITCH, Fade Timer (Relay) Courtesy Lamp (LIMO & Sedan
	4221 818			HK	SWITCH, Lift-Gate Open, Cargo & Dome Lamp
	4221 678			MZ	SWITCH, Clutch Speed Cont.
	4221 677			PDCVET,	SWITCH, Clutch Speed Control
	4221 654			HK	SWITCH, Clutch Speed Control
	3747 154			PDCVETB	SWITCH, Deck Lid Release
	4221 574			PDCVETH	SWITCH, Door Ajar
	4221 025			BFG	SWITCH, Door Ajar Frt. & Rr.
	4221 141			PD	SWITCH, Door Lock (Trim Panel Mtd.)
	3747 935			CVET,HK	SWITCH, Door Lock (Arm Rest)
	4131 376			BFG	SWITCH, Door Lock (Arm Rest)
				MZ	SWITCH,Door Pillar (Illus. 8-5500)

MODEL CODES

B = GRAN FURY	F = FIFTH AVENUE/NEWPORT	P = RELIANT
C = LEBARON/TOWN & COUNTRY/EXC SEDAN	G = DIPLOMAT	T = E CLASS/NEW YORKER
C24 = LASER	H = VOYAGER	V = 600
D = ARIES	K = MINI RAM/CARAVAN/ROYAL	V24 = DAYTONA
E = 600	M = HORIZON/TURISMO	Z = OMNI/CHARGER/RAMPAGE

BODY STYLES

21 = 2-DOOR SEDAN	28 = FWD PICKUP	44 = 4-DOOR HATCHBACK
22 = 2-DOOR SPECIAL COUPE	35 = FWD VAN	45 = 4-DOOR STATION WAGON
24 = 2-DOOR HATCHBACK	36 = FWD WAGON	48 = 4-DOOR EXECUTIVE SEDAN
27 = 2-DOOR CONVERTIBLE	41 = 4-DOOR SEDAN	

AR = Use as Required - = Non Illustrated Part P.A.R. = Paint as Required

SWITCHES--RELAYS--SOLENOIDS--SENSORS

Figure 8-100

ITEM	PART NUMBER	QTY	BODY	MODEL	DESCRIPTION
	4221 135			CV24	SWITCH,Door Pillar (Illus. 5900)
				PD,CVET	SWITCH, Door Pillar (Illus. 8-5600,8-5700)
				BFG	SWITCH, Door Pillar (Illus. 8-6100)
				HK	SWITCH, Door Pillar (Illus. 8-6000)
	5209 985			MZ	SWITCH, Ebl.(Electric Backlite)
	4221 078			PD,CVET	SWITCH, Ebl.
	3747 641			BFG	SWITCH, Ebl.
	4221 177			CV24	SWITCH, Ebl. SWITCH EGR., Charge Temp.
	4111 482			BFG	w/318 Eng.
	4091 471			BFG	w/318 Eng. FED.
				ALL	SWITCH, Eng. Temp.(See Engine Wiring Illus.)
	4221 023			MZ	SWITCH & GASKET, Lift Gate Cargo (4 Door)
				PDC (45	SWITCH, Lift Gate Cargo (Serviced In Latch Assy.)
	5209 922			PDC (45	SWITCH, Lift Gate Ajar
	4221 818			HK	SWITCH, Lift Gate Ajar, Cargo & Dome
	3747 079			MZ,BFG	SWITCH, Glove Box Lamp
	4221 170			PDCV,ET	SWITCH, Glove Box Lamp
	5209 950			MZ	SWITCH, Hatch Release
	4221 223			MZ	SWITCH, Headlamp
	4221 405			PD,CVET	SWITCH, Headlamp
	4221 407			CV24	SWITCH, Headlamp
	4221 405			BFG	SWITCH, Headlamp SWITCH, Ignition Key (See Illus. 8-5400) SWITCH,Oil Pressure (See Engine Wiring Illustrations)
	4221 463				SWITCH, Parking Brake
	4221 760			HK	SWITCH, Parking Brake
	3747 999			MZ,HK	SWITCH, Radiator Fan Air Temp. 2.6L Eng.
	3747 740			PD,CVET	SWITCH, Seat Adjuster (60/40 Bench)
	3747 740			BFG	SWITCH, Seat Adjuster (60/40 Bench)
	3747 957			BFG	SWITCH, Seat Adjuster (60/40 Bench Right 4 Way)
	2926 275			MZBFG,H	SWITCH, Stop Lamp
	4293 920			MZBFG,H	SWITCH, Stop Lamp w/Speed Control
	3747 993			PD,CVET	SWITCH, Stop Lamp
	4221 438			MZ,BFG	SWITCH, Stop Lamp Speed Control
	4221 976			PDCV,ET	SWITCH, Stop Lamp Speed Control
	5209 922			PD,CVET	SWITCH, Trunk Ajar SWITCH, Turn Signal & Hazard Warning

ILLUSTRATION NOT AVAILABLE AT TIME OF PUBLICATION

MODEL CODES

B = GRAN FURY	F = FIFTH AVENUE/NEWPORT	P = RELIANT
C = LEBARON/TOWN & COUNTRY/EXC SEDAN	G = DIPLOMAT	T = E CLASS/NEW YORKER
C24 = LASER	H = VOYAGER	V = 600
D = ARIES	K = MINI RAM/CARAVAN/ROYAL	V24 = DAYTONA
E = 600	M = HORIZON/TURISMO	Z = OMNI/CHARGER/RAMPAGE

BODY STYLES

21 = 2-DOOR SEDAN	28 = FWD PICKUP	44 = 4-DOOR HATCHBACK
22 = 2-DOOR SPECIAL COUPE	35 = FWD VAN	45 = 4-DOOR STATION WAGON
24 = 2-DOOR HATCHBACK	36 = FWD WAGON	48 = 4-DOOR EXECUTIVE SEDAN
27 = 2-DOOR CONVERTIBLE	41 = 4-DOOR SEDAN	

AR = Use as Required - = Non Illustrated Part P.A.R. = Paint as Required

SWITCHES--RELAYS--SOLENOIDS--SENSORS

Figure 8-100

ILLUSTRATION NOT AVAILABLE AT TIME OF PUBLICATION

ITEM	PART NUMBER	QTY	BODY	MODEL	DESCRIPTION
	4221 339			MZ	w/o Cornering Lamp
	4221 337				w/o Cornering Lamp w/o Tilt (All Except M,Z)
	4221 338				w/ Cornering Lamp w/o Tilt (All Except M,Z)
	4221 205				w/o Cornering Lamp w/ Tilt (All Except M,Z)
	4221 206				w/ Cornering Lamp w/ Tilt (All Except M,Z)
	4221 344				SWITCH, Vacuum Audible Message (2.6L Eng.)
	4221 345				SWITCH, Vacuum Audible Message (Tbi Eng.)
	4221 141			PD	SWITCH, Window Lift (Trim Mtd. Single)
	4221 142			PD	SWITCH, Window Lift (Trim Mtd. 2 Gang)
	4221 144			PD	SWITCH, Window Lift (Trim Mtd. 4 Gang)
	3747 935			CVET	SWITCH, Window Lift (Arm Rest Single)
	4221 133			CVET	SWITCH, Window Lift (Arm Rest 5 Gang)
	4131 376			BFG	SWITCH, Window Lift (Arm Rest Single)
	4131 377			BFG	SWITCH, Window Lift (Arm Rest 5 Gang)
	5209 863			MZ	2 Speed
	4221 124			MZ	w/Intermittent
	4221 125			PD, CVET	w/Intermittent w/o Tilt
	4221 125			CV24	w/Intermittent w/o Tilt
	4221 233			PD, CVET	w/Intermittent w/ Tilt
	4221 233			CV24	w/Intermittent w/ Tilt
	3747 653			BFG	2 Speed w/o Tilt
	4221 042			BFG	w/Intermittent w/o Tilt
	4221 486			BFG	w/Intermittent w/ Tilt
	5209 875			MZ	SWITCH, Wiper & Washer (Rear)
	4221 080			PDC	SWITCH, Wiper & Washer (Rear)
	4221 389			HK	SWITCH, Wiper & Washer (Rear)

MODEL CODES

B = GRAN FURY	F = FIFTH AVENUE/NEWPORT	P = RELIANT
C = LEBARON/TOWN & COUNTRY/EXC SEDAN	G = DIPLOMAT	T = E CLASS/NEW YORKER
C24 = LASER	H = VOYAGER	V = 600
D = ARIES	K = MINI RAM/CARAVAN/ROYAL	V24 = DAYTONA
E = 600	M = HORIZON/TURISMO	Z = OMNI/CHARGER/RAMPAGE

BODY STYLES

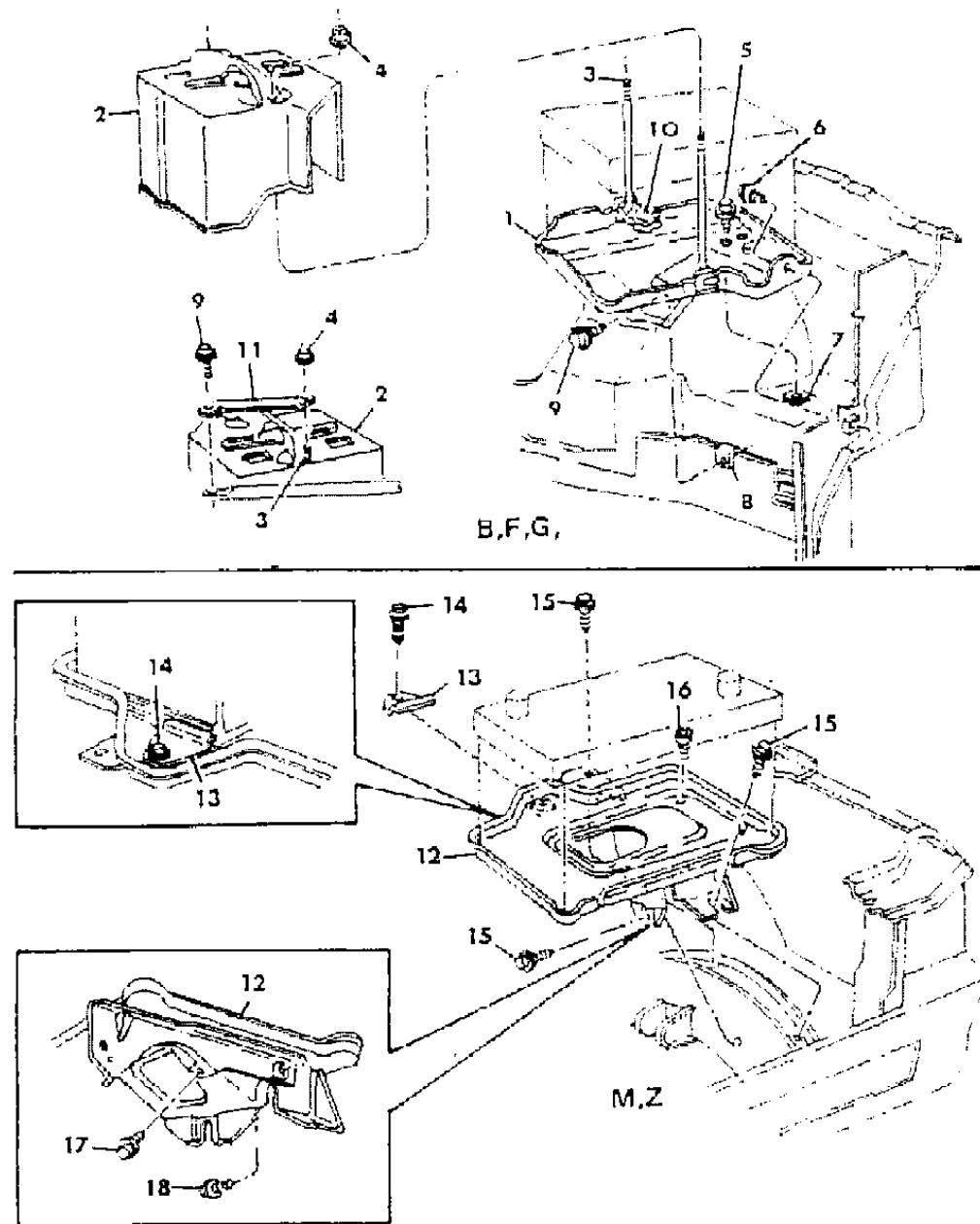
21 = 2-DOOR SEDAN	28 = FWD PICKUP	44 = 4-DOOR HATCHBACK
22 = 2-DOOR SPECIAL COUPE	35 = FWD VAN	45 = 4-DOOR STATION WAGON
24 = 2-DOOR HATCHBACK	36 = FWD WAGON	48 = 4-DOOR EXECUTIVE SEDAN
27 = 2-DOOR CONVERTIBLE	41 = 4-DOOR SEDAN	

AR = Use as Required - = Non Illustrated Part P.A.R. = Paint as Required

BATTERY TRAY M-Z-B-F-G

Figure 8-200

4108 503



ITEM	PART NUMBER	QTY	BODY	MODEL	DESCRIPTION
1	4005 179			B,F,G	TRAY, Battery
2	4005 186			B,F,G	STRAP, Thermoguard, Battery Hold Down
3	2074 089	2		B,F,G	STUD, Hold Down
4	6029 920	2		ALL	NUT and WASHER
5	6026 823	1		ALL	SCREW and WASHER
6	0181 088	AR		ALL	SCREW and WASHER
7		AR		ALL	U-NUT, (Not Serv.)
8	6029 324	1		B,F,G	U-NUT
9		2		B,F,G	SCREW and WASHER, Not Serv.
10	4005 061	2		B,F,G	CLIP, Hold Down Stud
11	4005 182	1		B,F,G	STRUT, Batt. Hold Down To Fender
	4005 185	1		B,F,G	SLEEVE, Batt. Hold Down To Fender Strut
12	5202 590	1		M,Z	TRAY, Battery
13	5202 576	1		M,Z	RETAINER
	6500 325	1		M,Z-24-	STUD, Battery Retainer
	6100 050	1		M,Z-24-	NUT and WASHER
14	6100 595	AR		M,Z	SCREW and WASHER
15	6500 354	AR		M,Z	SCREW and WASHER
16	6101 283	AR		M,Z	U-NUT
17				M,Z	SCREW, Hex Flange (Not Serv.)
18				M,Z	SCREW and WASHER, Not Serv.

MODEL CODES

B = GRAN FURY
 C = LEBARON/TOWN & COUNTRY/EXC SEDAN
 C24 = LASER
 D = ARIES
 E = 600

F = FIFTH AVENUE/NEWPORT
 G = DIPLOMAT
 H = VOYAGER
 K = MINI RAM/CARAVAN/ROYAL
 M = HORIZON/TURISMO

P = RELIANT
 T = E CLASS/NEW YORKER
 V = 600
 V24 = DAYTONA
 Z = OMNI/CHARGER/RAMPAGE

BODY STYLES

21 = 2-DOOR SEDAN
 22 = 2-DOOR SPECIAL COUPE
 24 = 2-DOOR HATCHBACK
 27 = 2-DOOR CONVERTIBLE

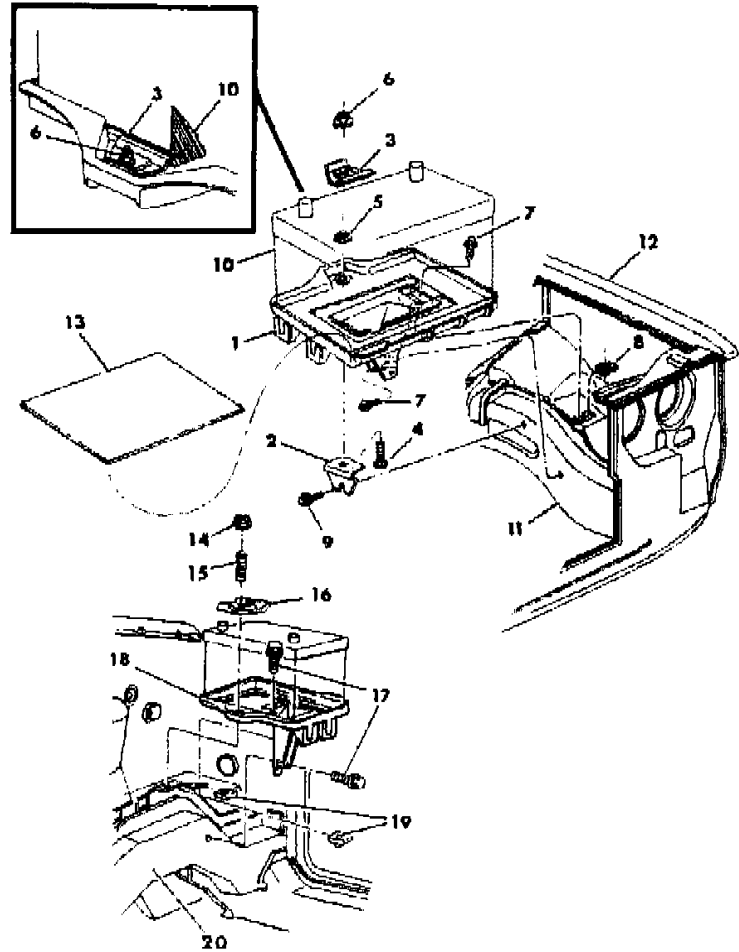
28 = FWD PICKUP
 35 = FWD VAN
 36 = FWD WAGON
 41 = 4-DOOR SEDAN

44 = 4-DOOR HATCHBACK
 45 = 4-DOOR STATION WAGON
 48 = 4-DOOR EXECUTIVE SEDAN

AR = Use as Required - = Non Illustrated Part P.A.R. = Paint as Required

BATTERY TRAY P-D-C-V-E-T-H-K
Figure 8-300

4108 300



ITEM	PART NUMBER	QTY	BODY	MODEL	DESCRIPTION
1	4296 452	1		P,D,C,V	TRAY, Battery
2	4103 775	1		P,D,C,V	BRACKET, Battery Hold Down
3	5202 576	1		P,D,C,V	RETAINER, Battery
4	6101 013	1		P,D,C,V	BOLT, Retainer
5				P,D,C,V	PUSHNUT, (Not Serv.)
6	6100 050	1		P,D,C,V	NUT, w/WASHER
7	6500 300	2		P,D,C,V	BOLT, Tray Attaching
8	6101 283	1		P,D,C,V	U-NUT
9	6100 583	1		P,D,C,V	SCREW, w/WASHER
10					BATTERY, (See Battery Catalog)
11					SIDE RAIL
12					FENDER
13	4296 145	1		P,D,V.C	SHIELD, w/Speed Control
14	6100 050	1		H,K	NUT, w/WASHER
15		1		H,K	STUD, (Not Serv.)
16	5202 576	1		H,K	RETAINER
17	6500 300	2		H,K	SCREW
18	4270 215	1		H,K	TRAY
19	6101 283	1		H,K	U-NUT
20				H,K	SIDE RAIL

MODEL CODES

B = GRAN FURY	F = FIFTH AVENUE/NEWPORT	P = RELIANT
C = LEBARON/TOWN & COUNTRY/EXC SEDAN	G = DIPLOMAT	T = E CLASS/NEW YORKER
C24 = LASER	H = VOYAGER	V = 600
D = ARIES	K = MINI RAM/CARAVAN/ROYAL	V24 = DAYTONA
E = 600	M = HORIZON/TURISMO	Z = OMNI/CHARGER/RAMPAGE

BODY STYLES

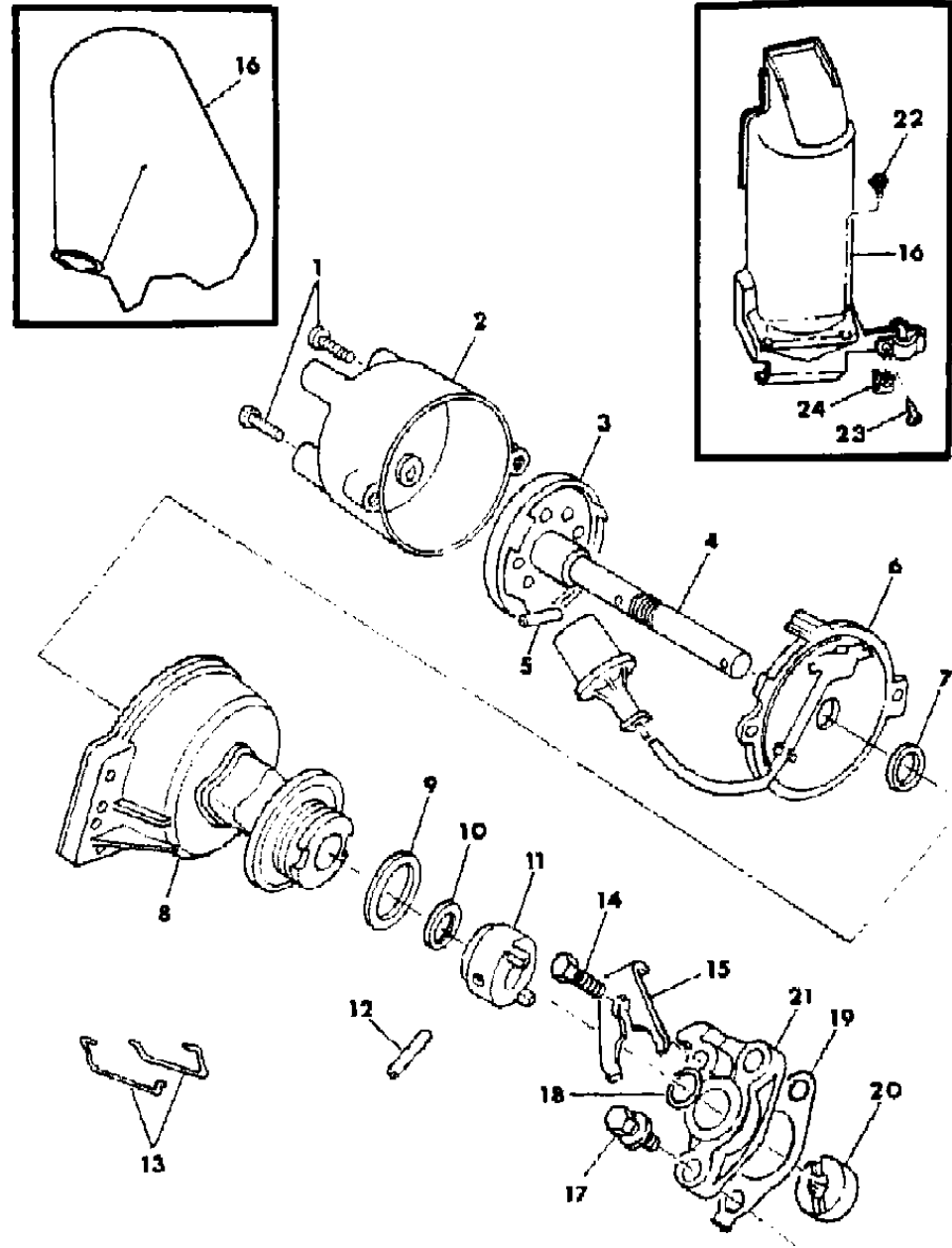
21 = 2-DOOR SEDAN	28 = FWD PICKUP	44 = 4-DOOR HATCHBACK
22 = 2-DOOR SPECIAL COUPE	35 = FWD VAN	45 = 4-DOOR STATION WAGON
24 = 2-DOOR HATCHBACK	36 = FWD WAGON	48 = 4-DOOR EXECUTIVE SEDAN
27 = 2-DOOR CONVERTIBLE	41 = 4-DOOR SEDAN	

AR = Use as Required - = Non Illustrated Part P.A.R. = Paint as Required

DISTRIBUTOR 1.6 ENGINE

Figure 8-400

5108 400



ITEM	PART NUMBER	QTY	BODY	MODEL	DESCRIPTION
A	5213 575				DISTRIBUTOR
1	6500 077				SCREW, Dist. Cap
2	4240 446				CAP, Dist.
3	5213 728				ROTOR, Dist.
4					SHAFT, (Serv. in Assy.)
5					PIN, (Serv. in Assy.)
6	5213 522				SWITCH, w/Plate
7					WASHER, Not Serv.
8					HOUSING, Dist. Not Serv.
9	6031 594				O-RING, Dist. Insert Large
	6031 196				O-RING, Dist. Insert Small
10					WASHER, Dist. Shaft (Not Serv.)
11					COUPLING or GEAR, (Not Serv.)
12					PIN, Dist. (Not Serv.)
13	5206 261				SPRING, Switch Plate Retainer
14					SCREW, Dist. Clamp
15	4273 834				CLAMP, Dist. Hold Down
16	4273 822				SHIELD, Dist. Splash
17	4273 832				SCREW, Dist. Support Mtg.
18	4273 820				GASKET, Dist. to Support
19	4273 831				GASKET, Dist. Support Mtg.
20	4273 821				HUB, Dist. Drive
21	4273 830				SUPPORT, Dist. Drive
22					SCREW, Dist. Conn. Clamp (Not Serv.)
23					J-NUT, Dist. Conn. Clamp (Not Serv.)

MODEL CODES

B = GRAN FURY	F = FIFTH AVENUE/NEWPORT	P = RELIANT
C = LEBARON/TOWN & COUNTRY/EXC SEDAN	G = DIPLOMAT	T = E CLASS/NEW YORKER
C24 = LASER	H = VOYAGER	V = 600
D = ARIES	K = MINI RAM/CARAVAN/ROYAL	V24 = DAYTONA
E = 600	M = HORIZON/TURISMO	Z = OMNI/CHARGER/RAMPAGE

BODY STYLES

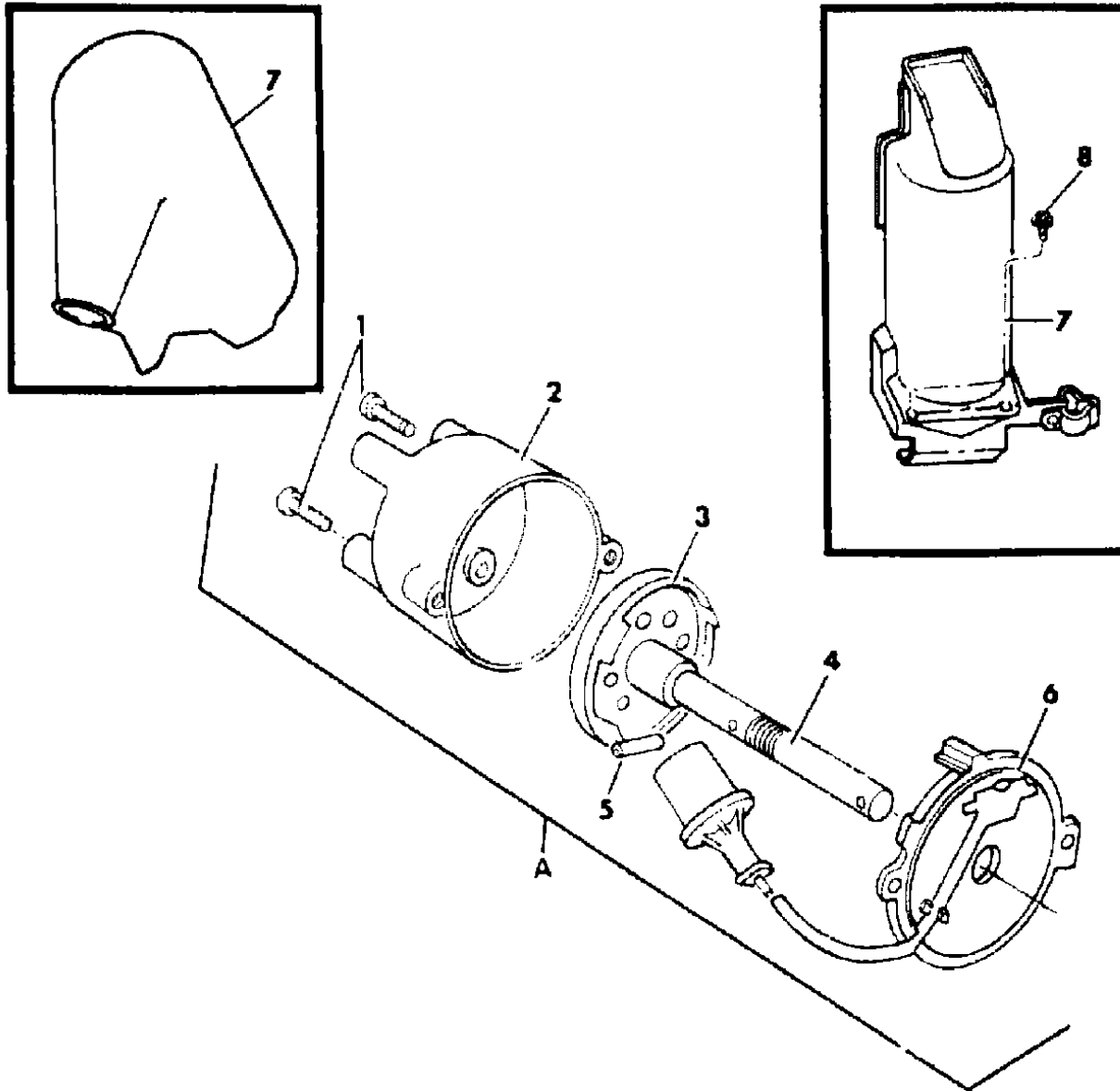
21 = 2-DOOR SEDAN	28 = FWD PICKUP	44 = 4-DOOR HATCHBACK
22 = 2-DOOR SPECIAL COUPE	35 = FWD VAN	45 = 4-DOOR STATION WAGON
24 = 2-DOOR HATCHBACK	36 = FWD WAGON	48 = 4-DOOR EXECUTIVE SEDAN
27 = 2-DOOR CONVERTIBLE	41 = 4-DOOR SEDAN	

AR = Use as Required - = Non Illustrated Part P.A.R. = Paint as Required

DISTRIBUTOR 2.2 ENGINE

Figure 8-450

4108 450



ITEM	PART NUMBER	QTY	BODY	MODEL	DESCRIPTION
A	5213 525				DISTRIBUTOR, Turbo (Dual Switch)
	5206 975				DISTRIBUTOR, T.B.I.(Single Switch)
1	6500 077				SCREW, Cap
2	4240 446				CAP, Dist.
3	5213 728				ROTOR, Dist.
4					SHAFT, (Serv. in Assy.)
5					PIN, (Serv. in Assy.)
6	5213 522				SWITCH, w/Plate
	5213 524				w/Turbo
7	5213 378				SHIELD, Dist. Splash
8	6500 703				SCREW, Dist. Splash

MODEL CODES

B = GRAN FURY

C = LEBARON/TOWN & COUNTRY/EXC SEDAN

C24 = LASER

D = ARIES

E = 600

F = FIFTH AVENUE/NEWPORT

G = DIPLOMAT

H = VOYAGER

K = MINI RAM/CARAVAN/ROYAL

M = HORIZON/TURISMO

P = RELIANT

T = E CLASS/NEW YORKER

V = 600

V24 = DAYTONA

Z = OMNI/CHARGER/RAMPAGE

BODY STYLES

21 = 2-DOOR SEDAN

22 = 2-DOOR SPECIAL COUPE

24 = 2-DOOR HATCHBACK

27 = 2-DOOR CONVERTIBLE

28 = FWD PICKUP

35 = FWD VAN

36 = FWD WAGON

41 = 4-DOOR SEDAN

44 = 4-DOOR HATCHBACK

45 = 4-DOOR STATION WAGON

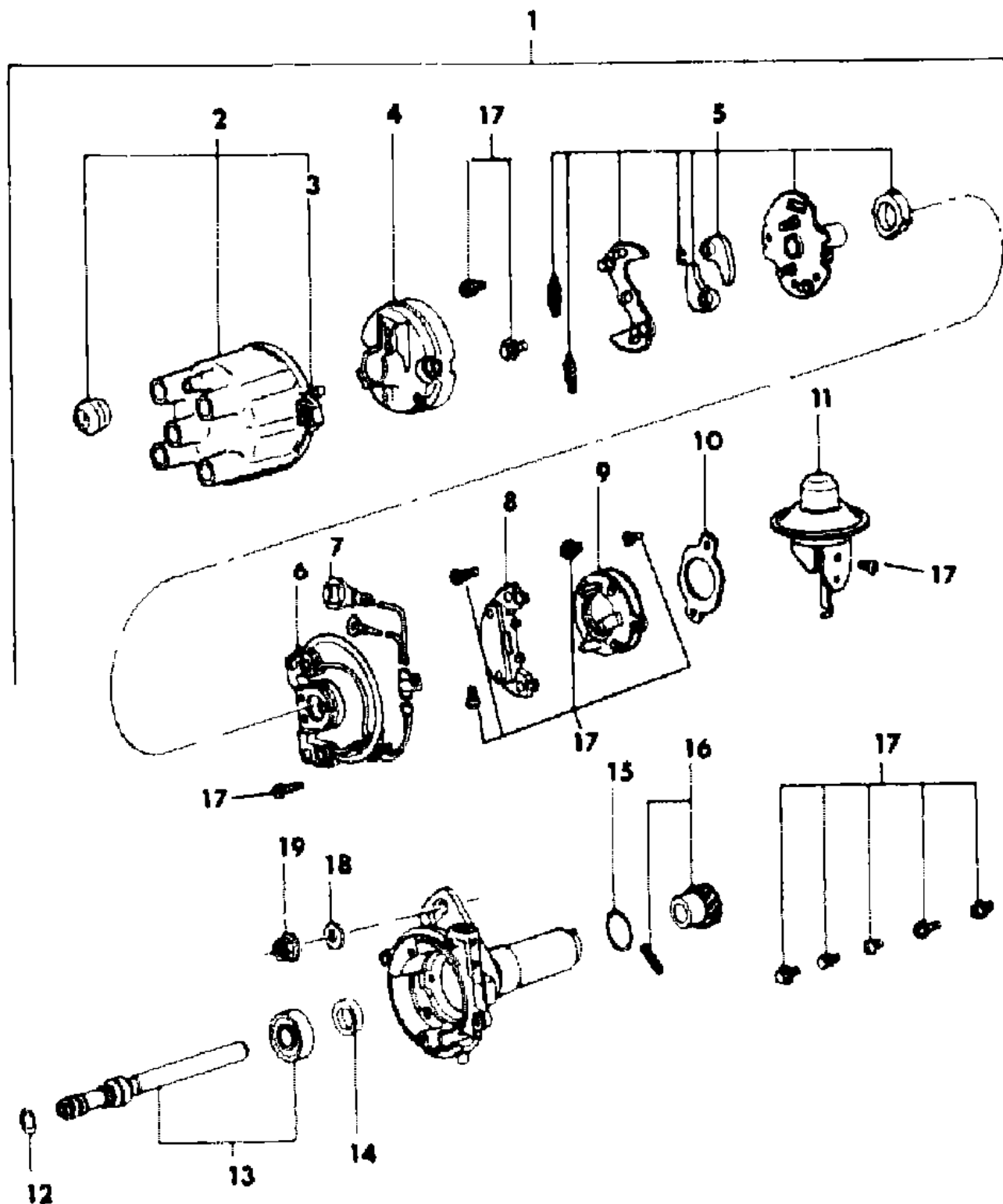
48 = 4-DOOR EXECUTIVE SEDAN

AR = Use as Required - = Non Illustrated Part P.A.R. = Paint as Required

DISTRIBUTOR 2.6L ENGINE

Figure 8-500

4108 500



ITEM	PART NUMBER	QTY	BODY	MODEL	DESCRIPTION
1	MD01 3791	1			DISTRIBUTOR, Ignition (Exc.Calif.)
	MD01 3793	1			(Calif.)
	MD01 3792	1			(Canada)
2	MD60 7466	1			CAP, Distributor
3	MD60 2757	1			CONTACT, Distributor Cap Carbon
4	MD60 7734	1			ROTOR, Distributor
5	MD60 7474	1			GOVERNOR, Advance
6	MD60 7770	1			PICK-UP, Distributor
7	MD60 7771	1			WIRE, Distributor Lead
8	MD60 7478	1			IGNITER, Distributor
9	MD60 7470	1			BREAKER, Distributor
10	MD60 7359	1			PLATE, Distributor
11	MD60 7475	1			CONTROL, Vacuum (Exc.Calif.)
	MD60 7477	1			(Calif.)
	MD60 7476	1			(Canada)
12	MD60 7472	1			WASHER, Distributor Shaft
13	MD60 7468	1			SHAFT, Distributor
14	MD60 7405	1			SEAL, Distributor Shaft Oil
15	MD60 2412	1			O-RING, Distributor Housing
16	MD60 7226	1			COUPLING, Distributor Shaft
17	MD60 7469	1			SCREW SET, Distributor
18	MD00 1530	1			WASHER, Distributor Hold-Down
19	MF43 4104	1			NUT, Distributor Hold-Down

MODEL CODES

B = GRAN FURY	F = FIFTH AVENUE/NEWPORT	P = RELIANT
C = LEBARON/TOWN & COUNTRY/EXC SEDAN	G = DIPLOMAT	T = E CLASS/NEW YORKER
C24 = LASER	H = VOYAGER	V = 600
D = ARIES	K = MINI RAM/CARAVAN/ROYAL	V24 = DAYTONA
E = 600	M = HORIZON/TURISMO	Z = OMNI/CHARGER/RAMPAGE

BODY STYLES

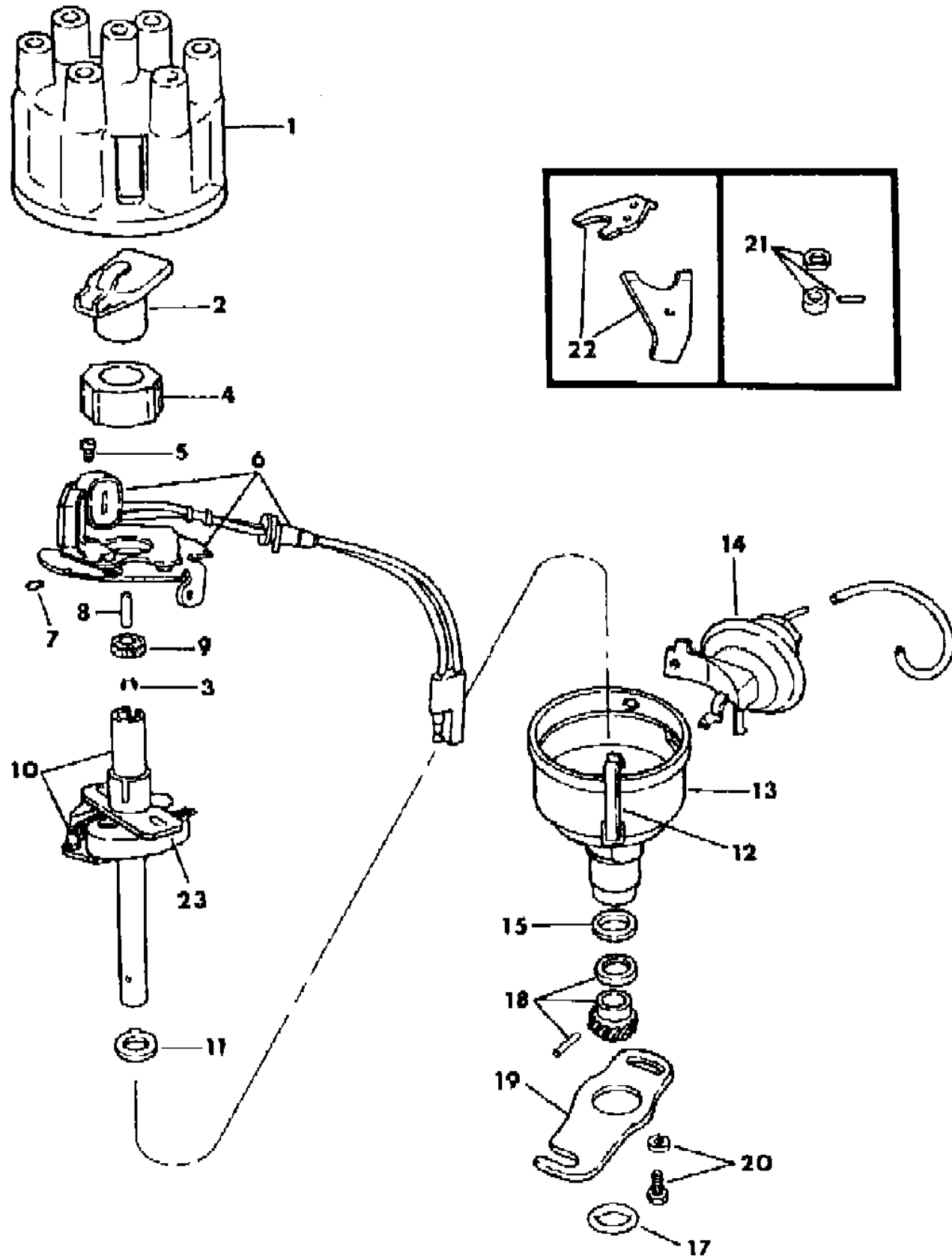
21 = 2-DOOR SEDAN	28 = FWD PICKUP	44 = 4-DOOR HATCHBACK
22 = 2-DOOR SPECIAL COUPE	35 = FWD VAN	45 = 4-DOOR STATION WAGON
24 = 2-DOOR HATCHBACK	36 = FWD WAGON	48 = 4-DOOR EXECUTIVE SEDAN
27 = 2-DOOR CONVERTIBLE	41 = 4-DOOR SEDAN	

AR = Use as Required - = Non Illustrated Part P.A.R. = Paint as Required

DISTRIBUTOR 318 ENGINE

Figure 8-600

4108 600A



ITEM	PART NUMBER	QTY	BODY	MODEL	DESCRIPTION
A	4145 754				DISTRIBUTOR, Dual Pick-Up, Prod. # 4145753
	4091 142				Single Pick-Up, Prod. # 4091140
1	4111 640				CAP
2	3874 401				ROTOR
3					SNAP RING, w/Wick
4	3656 017				RELUCTOR
5	6026 763				SCREW
6	4145 239				PICK-UP and PLATE, Dual, w/4145754
	4091 147				Single, w/4091140
7	9417 599				PIN, 3/8
8	9414 521				PIN, 9/16
9	2642 988				SPACER, w/4091140
10					SHAFT, (Serv. in Assy.)
11	2875 028				SEAL, Dist. Housing
12	1838 508				SPRING
13					HOUSING and BEARING, (Serv. in Assy.)
14	3755 474				CONTROL, w/4091140
15					GASKET, Dist. Mtg. Oil Ring
16	2875 923				O-RING, Dist. Hsg.
17					GEAR and PIN PACKAGE
18					ARM, (Serv. in Assy.)
19	0181 088				SCREW, w/Washer, w/4091140
20	2932 988				COLLAR, PIN and WASHER Pkg.
21	4343 950				CLAMP, Dist.
22					WEIGHT, Governor (Not Serv.)

MODEL CODES

B = GRAN FURY	F = FIFTH AVENUE/NEWPORT	P = RELIANT
C = LEBARON/TOWN & COUNTRY/EXC SEDAN	G = DIPLOMAT	T = E CLASS/NEW YORKER
C24 = LASER	H = VOYAGER	V = 600
D = ARIES	K = MINI RAM/CARAVAN/ROYAL	V24 = DAYTONA
E = 600	M = HORIZON/TURISMO	Z = OMNI/CHARGER/RAMPAGE

BODY STYLES

21 = 2-DOOR SEDAN	28 = FWD PICKUP	44 = 4-DOOR HATCHBACK
22 = 2-DOOR SPECIAL COUPE	35 = FWD VAN	45 = 4-DOOR STATION WAGON
24 = 2-DOOR HATCHBACK	36 = FWD WAGON	48 = 4-DOOR EXECUTIVE SEDAN
27 = 2-DOOR CONVERTIBLE	41 = 4-DOOR SEDAN	

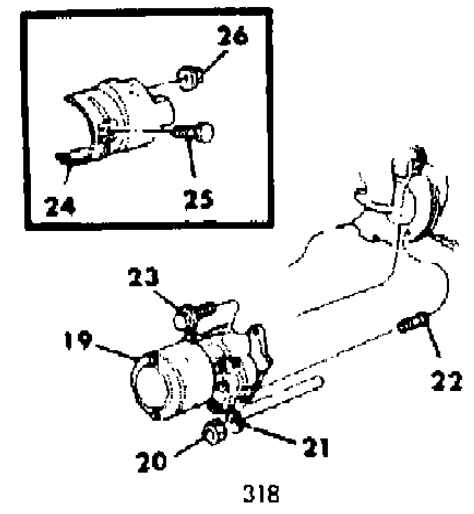
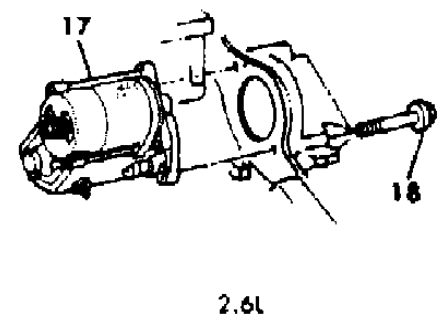
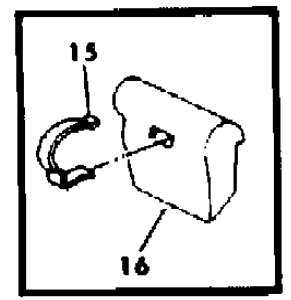
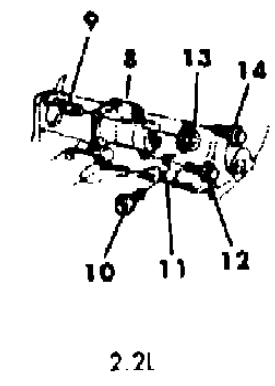
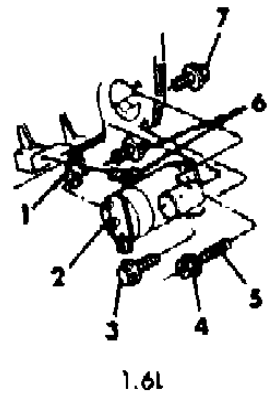
AR = Use as Required - = Non Illustrated Part P.A.R. = Paint as Required

STARTER INSTALLATIONS

Figure 8-700

4108 700

ITEM	PART NUMBER	QTY	BODY	MODEL	DESCRIPTION
1	5213 303	1		1.6L	BRACKET, Starter Mounting
2	5213 301	1		1.6L	MOTOR, Starter
3	6500 573	1		1.6L	SCREW, w/Washer
4	6101 362	1		1.6L	NUT, w/Washer
5	6500 952	1		1.6L	STUD
6	6500 276	2		1.6L	SCREW, w/Washer
7	6500 639	1		1.6L	SCREW, w/Washer
8	5213 045	1		2.2L	MOTOR, Starter
	5213 450	1		2.2L	"TURBO" ENG.
9	6500 522	1		2.2L	STUD
10	6500 163	1		2.2L	SCREW, w/Washer
11	5213 757	1		2.2L	BRACKET, Starter Mounting
12	6500 276	1		2.2L	SCREW, w/Washer
13	6101 318	1		2.2L	NUT, w/Washer
14	6500 278	2		2.2L	SCREW, w/Washer
15	4140 768	1		2.2L	CLIP, Starter Heat Shield
16	4140 428	1		2.2L	SHIELD, Starter Heat
17	MD02 5235	1		2.6L	MOTOR, Starter
18	MF14 0271	2		2.6L	BOLT
19	4145 360	1		318	MOTOR, Starter
20	0272 235	1		318	NUT
21		1		318	WASHER,(Not Serv.)
22	2095 875	1		318	STUD
23	6023 899	1		318	SCREW, w/Washer
24	4140 724	1		318	SHIELD, Starter Heat
25	6028 921	1		318	BOLT
26	9420 867	2		318	NUT, Stamped



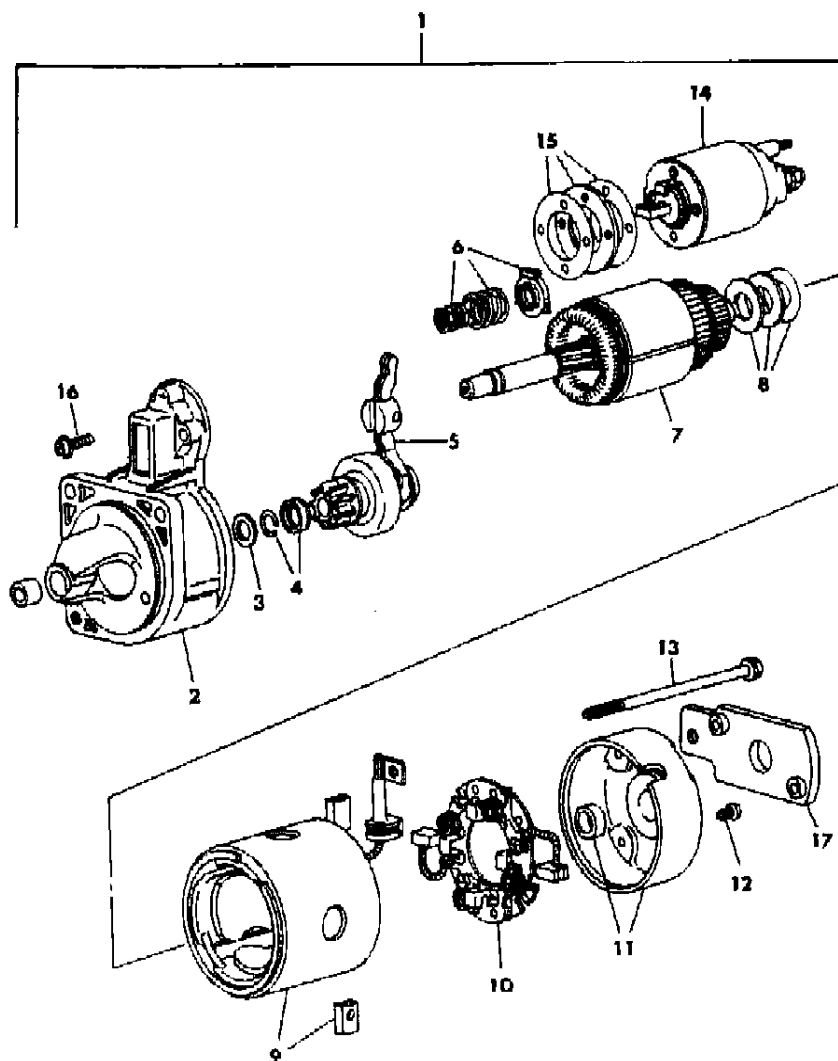
MODEL CODES
 B = GRAN FURY
 C = LEBARON/TOWN & COUNTRY/EXC SEDAN
 C24 = LASER
 D = ARIES
 E = 600
 F = FIFTH AVENUE/NEWPORT
 G = DIPLOMAT
 H = VOYAGER
 K = MINI RAM/CARAVAN/ROYAL
 M = HORIZON/TURISMO
 P = RELIANT
 T = E CLASS/NEW YORKER
 V = 600
 V24 = DAYTONA
 Z = OMNI/CHARGER/RAMPAGE

BODY STYLES
 21 = 2-DOOR SEDAN
 22 = 2-DOOR SPECIAL COUPE
 24 = 2-DOOR HATCHBACK
 27 = 2-DOOR CONVERTIBLE
 28 = FWD PICKUP
 35 = FWD VAN
 36 = FWD WAGON
 41 = 4-DOOR SEDAN
 44 = 4-DOOR HATCHBACK
 45 = 4-DOOR STATION WAGON
 48 = 4-DOOR EXECUTIVE SEDAN

AR = Use as Required - = Non Illustrated Part P.A.R. = Paint as Required

STARTER 1.6 ENGINE
Figure 8-800

4108 800



ITEM	PART NUMBER	QTY	BODY	MODEL	DESCRIPTION
1	5213 301	1			STARTER
2	5213 770	1			BRACKET,Starter Bracket
3	5213 773				STOPPER SET,Starter
4	5213 774	1			CLUTCH and BRACKET
5	5213 776	1			LEVER ASSEMBLY
6	5213 779	1			SPRING SET
7	5213 780	1			ARMATURE
8	5213 781	1			WASHER SET
9	5213 782	1			YOKE SET and POSITIVE BRUSH HOLDER
10	5213 785	1			BRUSH HOLDER and BRUSHES
11	5213 788	1			BRACKET,Rear
12	5213 792	2			HOLDER,Brush Screw (M5)
13	5213 793	2			BOLT,Thru (M6)
14	5213 794	1			SWITCH,Magnetic
15	5213 795	1			PACKING SET
16	5213 796	2			SCREW,Magnetic Switch (M6)
17	5213 797	1			SUPPORT

MODEL CODES

B = GRAN FURY	F = FIFTH AVENUE/NEWPORT	P = RELIANT
C = LEBARON/TOWN & COUNTRY/EXC SEDAN	G = DIPLOMAT	T = E CLASS/NEW YORKER
C24 = LASER	H = VOYAGER	V = 600
D = ARIES	K = MINI RAM/CARAVAN/ROYAL	V24 = DAYTONA
E = 600	M = HORIZON/TURISMO	Z = OMNI/CHARGER/RAMPAGE

BODY STYLES

21 = 2-DOOR SEDAN	28 = FWD PICKUP	44 = 4-DOOR HATCHBACK
22 = 2-DOOR SPECIAL COUPE	35 = FWD VAN	45 = 4-DOOR STATION WAGON
24 = 2-DOOR HATCHBACK	36 = FWD WAGON	48 = 4-DOOR EXECUTIVE SEDAN
27 = 2-DOOR CONVERTIBLE	41 = 4-DOOR SEDAN	

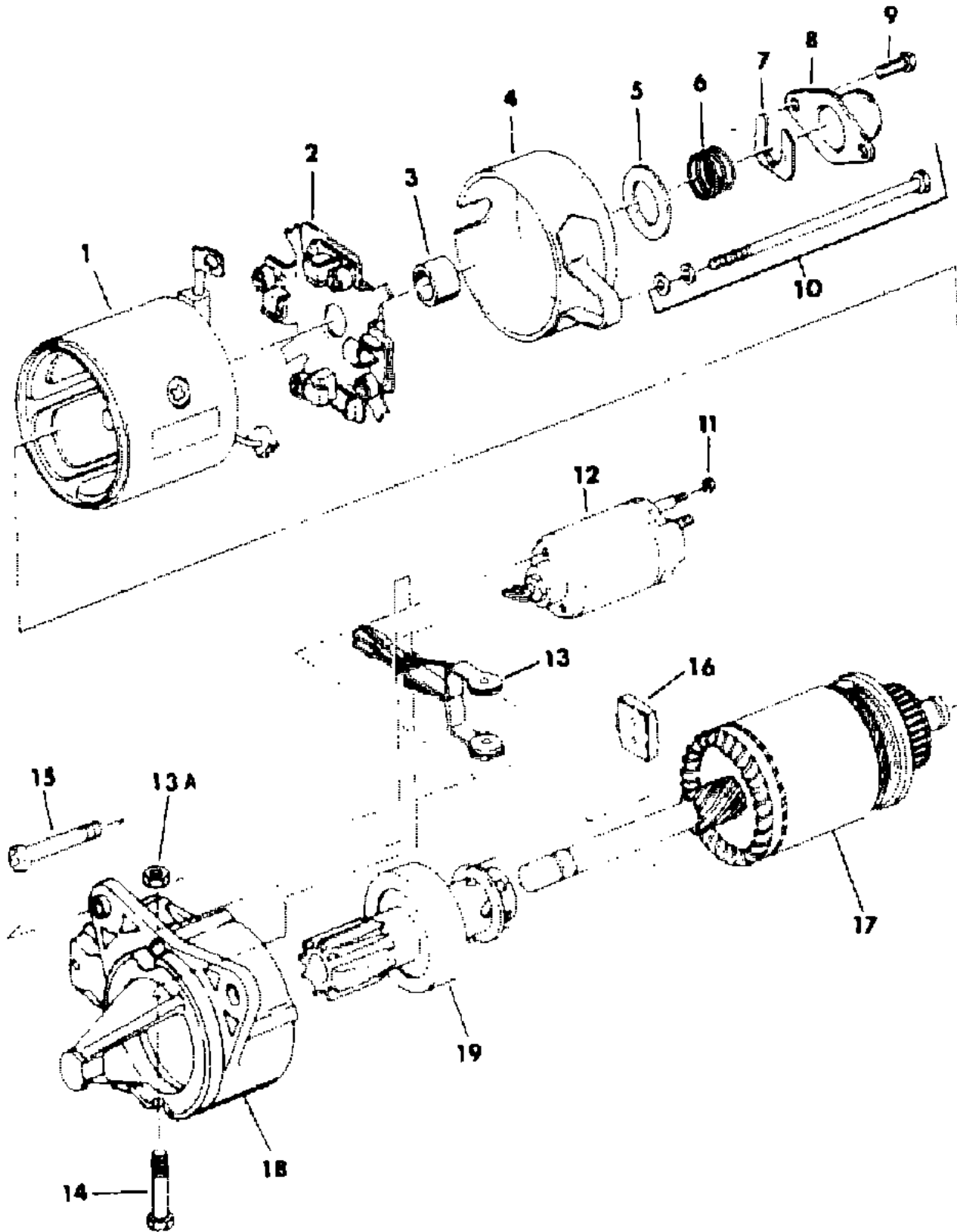
AR = Use as Required - = Non Illustrated Part P.A.R. = Paint as Required

STARTER COMPONENTS 2.2L ENGINE CHRYSLER NO. 5213190 (NIPPONDENSO)

Figure 8-900

4108 900

ITEM	PART NUMBER	QTY	BODY	MODEL	DESCRIPTION
1	5213 311	1			FIELD FRAME
2	5206 634	1			BRUSH HOLDER
3					BEARING, End Head (Serviced In 5213312 Pkg.)
4	5213 312	1			HEAD, End. w/Brg.
5	5213 317				SEAL,(Serviced in 5206640 Armature Brake Pkg.)
6					SPRING,(Serviced in 5206640 Armature Brake Pkg.)
7					PLATE,(Serviced in 5206640 Armature Brake Pkg.)
8	5213 315	1			COVER, Bearing
9					SCREW, Serviced in 5206640 Armature Brake Pkg.
10	5206 642	2			BOLT THRU
11	5206 645	1			NUT PACKAGE
12	5213 875	1			SOLENOID
	5213 316				NUT, Solenoid
13	5213 873	1			LEVER, Shifting Fork
13A	5206 646	1			NUT, Shifting Fork Lever
14	5206 643	1			PIN, Fork Shift Lever
15	5206 644	2			SCREW, Solenoid
16	5206 637	1			SEAL PACKAGE
17	5206 631	1			ARMATURE
18	5213 872	1			HOUSING PACKAGE
19	5213 850	1			CLUTCH PACKAGE
	5206 966	1			SNAP RING,(Not Shown)



MODEL CODES

B = GRAN FURY	F = FIFTH AVENUE/NEWPORT	P = RELIANT
C = LEBARON/TOWN & COUNTRY/EXC SEDAN	G = DIPLOMAT	T = E CLASS/NEW YORKER
C24 = LASER	H = VOYAGER	V = 600
D = ARIES	K = MINI RAM/CARAVAN/ROYAL	V24 = DAYTONA
E = 600	M = HORIZON/TURISMO	Z = OMNI/CHARGER/RAMPAGE

BODY STYLES

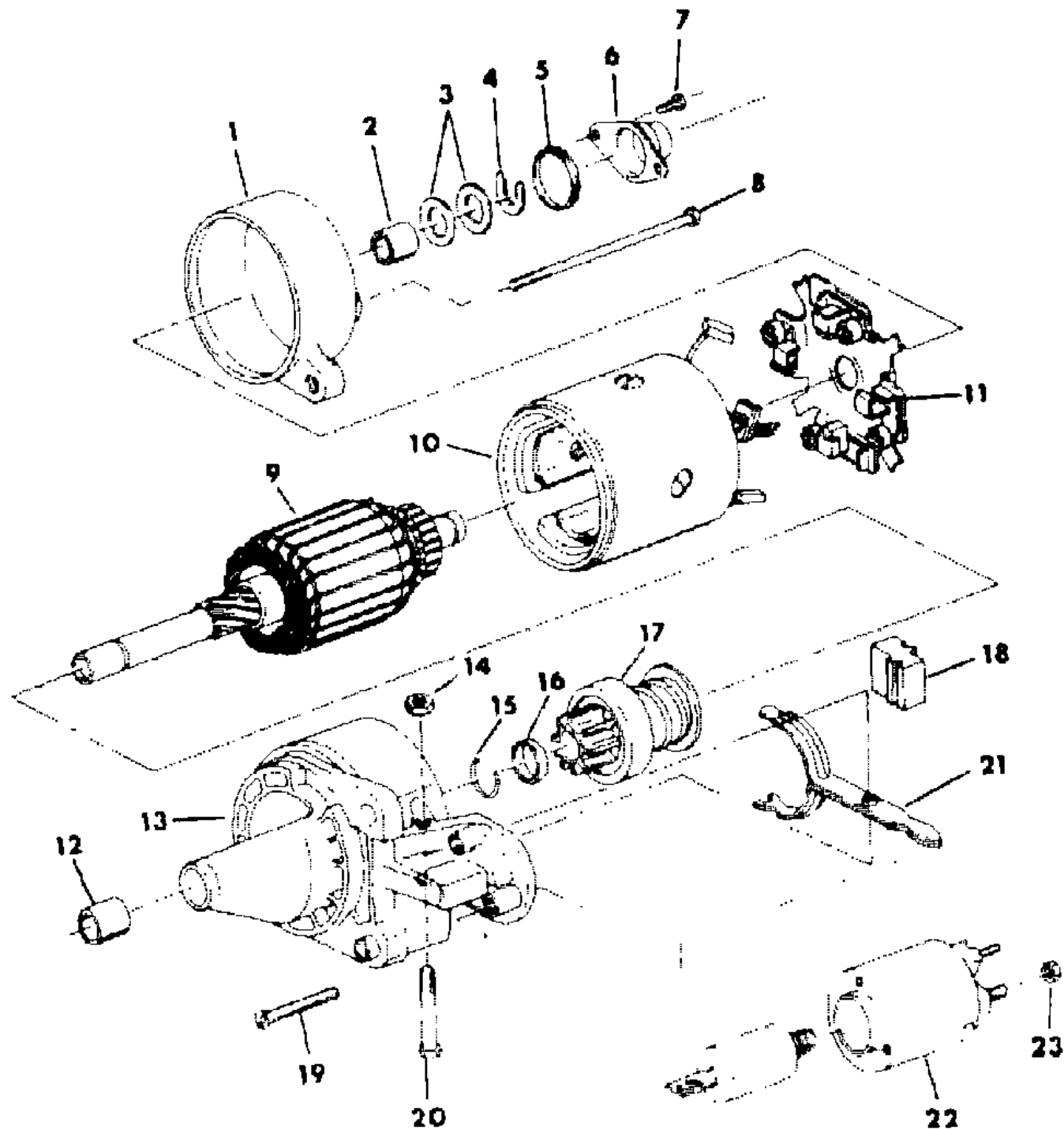
21 = 2-DOOR SEDAN	28 = FWD PICKUP	44 = 4-DOOR HATCHBACK
22 = 2-DOOR SPECIAL COUPE	35 = FWD VAN	45 = 4-DOOR STATION WAGON
24 = 2-DOOR HATCHBACK	36 = FWD WAGON	48 = 4-DOOR EXECUTIVE SEDAN
27 = 2-DOOR CONVERTIBLE	41 = 4-DOOR SEDAN	

AR = Use as Required - = Non Illustrated Part P.A.R. = Paint as Required

STARTER COMPONENTS 2.2L ENGINE CHRYSLER NO. 5213045 (BOSCH)

Figure 8-1000

4108 1000



ITEM	PART NUMBER	QTY	BODY	MODEL	DESCRIPTION
1	5206 606	1			HEAD, End
2	5206 610	1			BEARING, End Head
3	5213 392				SHIM PACKAGE
4	5213 393	1			WASHER, Retaining
5					SEAL, Serviced in Seal Pkg. 5213387)
6	5206 612				COVER, Bearing
7	5213 396				SCREW, Bearing Cover
8	5206 613				BOLT THRU
	5213 390				Washer, Thru Bolt
9	5213 383				ARMATURE
10	5213 385				FIELD FRAME
11	5206 605	1			BRUSH HOLDER
12	5213 388	1			BEARING, Housing
13	5213 382	1			HOUSING
14	5213 391	1			NUT, Fork Shift Lever
15					SNAP RING, Serviced in Shim Pkg. 5213392)
16					SEAL, Serviced in Seal Pkg. 5213387)
17	5213 384	1			CLUTCH
18		1			SEAL, Serviced in Seal Pkg. 5213387)
19	5206 615	1			SCREW, Solenoid
20	5206 628	1			PIN, Shift Fork Lever
21	5206 609	1			LEVER, Shift Fork
22	5206 607	1			SOLENOID
23	5206 616				NUT, Connecting Terminal

MODEL CODES

B = GRAN FURY	F = FIFTH AVENUE/NEWPORT	P = RELIANT
C = LEBARON/TOWN & COUNTRY/EXC SEDAN	G = DIPLOMAT	T = E CLASS/NEW YORKER
C24 = LASER	H = VOYAGER	V = 600
D = ARIES	K = MINI RAM/CARAVAN/ROYAL	V24 = DAYTONA
E = 600	M = HORIZON/TURISMO	Z = OMNI/CHARGER/RAMPAGE

BODY STYLES

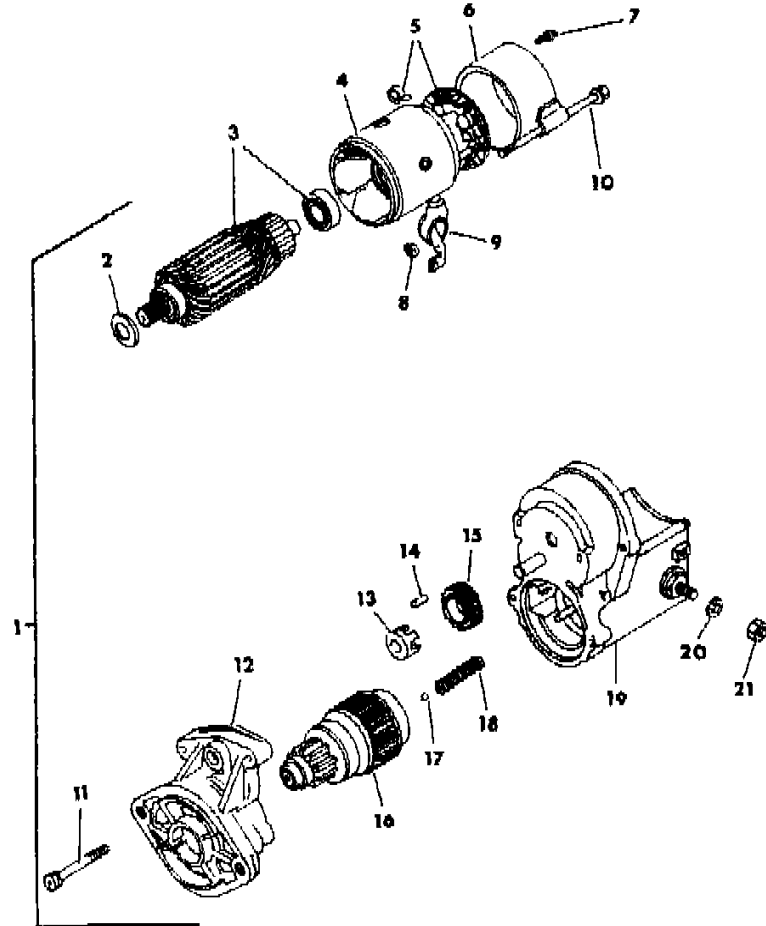
21 = 2-DOOR SEDAN	28 = FWD PICKUP	44 = 4-DOOR HATCHBACK
22 = 2-DOOR SPECIAL COUPE	35 = FWD VAN	45 = 4-DOOR STATION WAGON
24 = 2-DOOR HATCHBACK	36 = FWD WAGON	48 = 4-DOOR EXECUTIVE SEDAN
27 = 2-DOOR CONVERTIBLE	41 = 4-DOOR SEDAN	

AR = Use as Required - = Non Illustrated Part P.A.R. = Paint as Required

STARTER COMPONENTS 2.6L ENGINE

Figure 8-1100

410P 1100



ITEM	PART NUMBER	QTY	BODY	MODEL	DESCRIPTION
1	MD02 5235	1			STARTER
2	MD60 4325	1			WASHER, FELT
3	MD60 4318	1			ARMATURE ASSEMBLY
4	MD60 4317	1			YOKE ASSEMBLY
5	MD60 4322	1			HOLDER ASSEMBLY
6	MD60 4333	1			FRAME ASSEMBLY
7	MD60 4335	2			SCREW, w/Washer
8	MD60 4330	1			NUT
9	MD60 4327	1			CAP, Terminal (Rubber)
10	MD60 4326	2			BOLT, w/Washer
11	MD60 4328	2			SCREW, w/Washer
12	MD60 4320	1			HOUSING, Sub Assy.
13	MD60 4332	1			RETAINER
14	MD60 4336	5			ROLLER, Clutch
15	MD60 4324	1			PINION
16	MD60 4319	1			CLUTCH SUB ASSEMBLY
17	MD60 4323	1			BALL, Steel
18	MD60 4334	1			SPRING
19	MD60 4321	1			SWITCH, Magnetic (Solenoid)
20	MD60 4329	1			WASHER, Spring
21	MD60 4331	1			NUT, Hexagon

MODEL CODES

B = GRAN FURY	F = FIFTH AVENUE/NEWPORT	P = RELIANT
C = LEBARON/TOWN & COUNTRY/EXC SEDAN	G = DIPLOMAT	T = E CLASS/NEW YORKER
C24 = LASER	H = VOYAGER	V = 600
D = ARIES	K = MINI RAM/CARAVAN/ROYAL	V24 = DAYTONA
E = 600	M = HORIZON/TURISMO	Z = OMNI/CHARGER/RAMPAGE

BODY STYLES

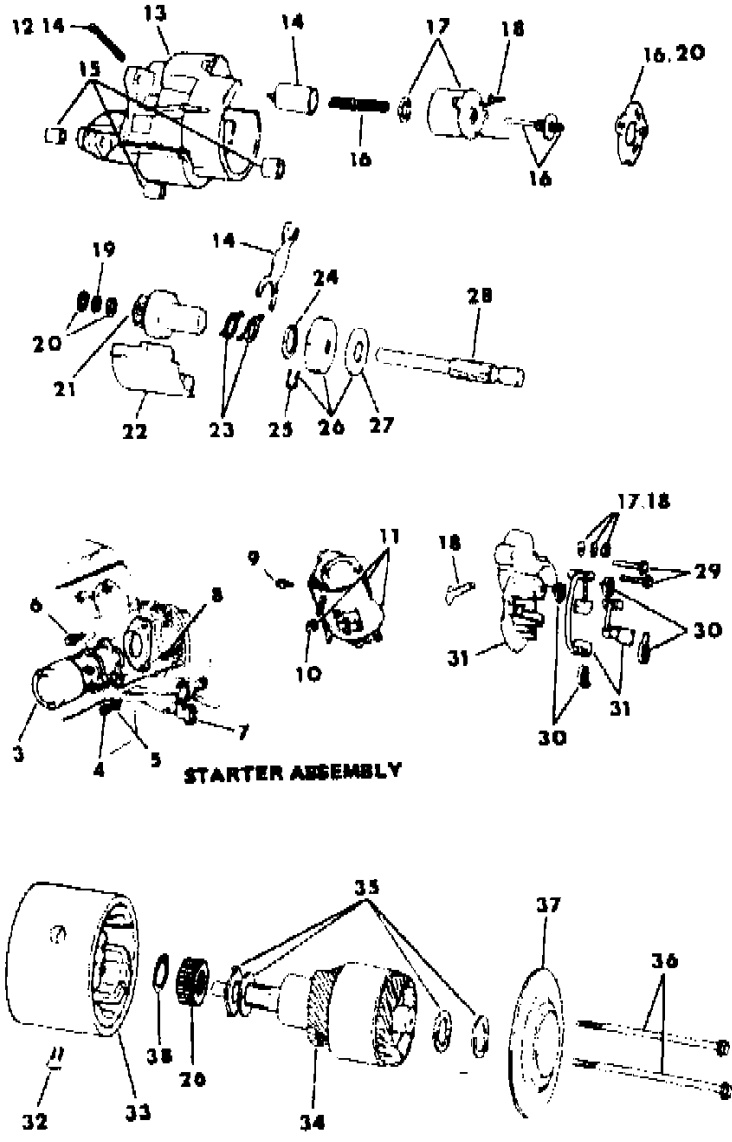
21 = 2-DOOR SEDAN	28 = FWD PICKUP	44 = 4-DOOR HATCHBACK
22 = 2-DOOR SPECIAL COUPE	35 = FWD VAN	45 = 4-DOOR STATION WAGON
24 = 2-DOOR HATCHBACK	36 = FWD WAGON	48 = 4-DOOR EXECUTIVE SEDAN
27 = 2-DOOR CONVERTIBLE	41 = 4-DOOR SEDAN	

AR = Use as Required - = Non Illustrated Part P.A.R. = Paint as Required

STARTER 318 ENGINE CHRYSLER NO. 4145360

Figure 8-1200

4108 1200



ITEM	PART NUMBER	QTY	BODY	MODEL	DESCRIPTION
3	4145 360	1			STARTER
4	0272 235	1			NUT
5					WASHER, (Not Serviced)
6	6023 899	1			SCREW and WASHER
7					BRACKET, Oil Cooler Tube
8	2095 875	1			STUD, Mtg. 7/16 x 2.00
9	6023 092	2			SCREW and WASHER
10	6025 001	1			NUT and WASHER
11	4140 724	1			SHIELD, Starter
12	2095 133	1			PIN, Shifting Fork Pivot
13	3755 261	1			HOUSING and BEARING, Gear
14	4057 940	1			CORE and SHIFTING, Fork Package
15	3874 817	2			BEARING, Pinion Housing
	3874 818	1			Bearing, Gear Housing
16	2932 814	2			CONTACT and SPRING PACKAGE
17	3837 337	1			SOLENOID PACKAGE
	2875 558	1			Seal, Solenoid
18	3579 193	1			STUD PACKAGE
19	6022 006	1			RING, Pinion Shaft Ret.
20	2275 558	1			THRUST WASHER and RETAINING RING
21	4240 449	1			CLUTCH ASSEMBLY
22	2095 116	1			COVER, Gear Housing
23					ACTUATOR, Serviced in 4240449 Pkg.)
24	6030 982	1			RING, Clutch Actuator Ret.
25	2095 117	1			SNAP RING, Pinion Shaft Gear Ret.
26	4106 092	1			GEAR and SNAP RING, 4145360 Starter
	4026 347	1			GEAR, Starter Repair Pkg., Armature w/4145360 Starter
27	3755 256	1			WASHER, Pinion Shaft Gear w/4145360 Starter
28	4091 914	1			SHAFT, Pinion
29	0153 468	2			SCREW and WASHER
30	2084 666	1			SPRING PACKAGE
31	3874 345	1			BRUSH HOLDER
32	6030 160	4			SCREW, 3/8-16.66
33	4111 959	1			FRAME and FIELD, 4145360 Starter
34	3837 334	1			ARMATURE, w/4145360 Starter
35	3837 340	1			THRUST WASHER PACKAGE
36	3755 231	2			SCREW, 1/4-20x5.42 w/4145360 Starter
37	2095 076	1			HEAD, End

MODEL CODES

B = GRAN FURY	F = FIFTH AVENUE/NEWPORT	P = RELIANT
C = LEBARON/TOWN & COUNTRY/EXC SEDAN	G = DIPLOMAT	T = E CLASS/NEW YORKER
C24 = LASER	H = VOYAGER	V = 600
D = ARIES	K = MINI RAM/CARAVAN/ROYAL	V24 = DAYTONA
E = 600	M = HORIZON/TURISMO	Z = OMNI/CHARGER/RAMPAGE

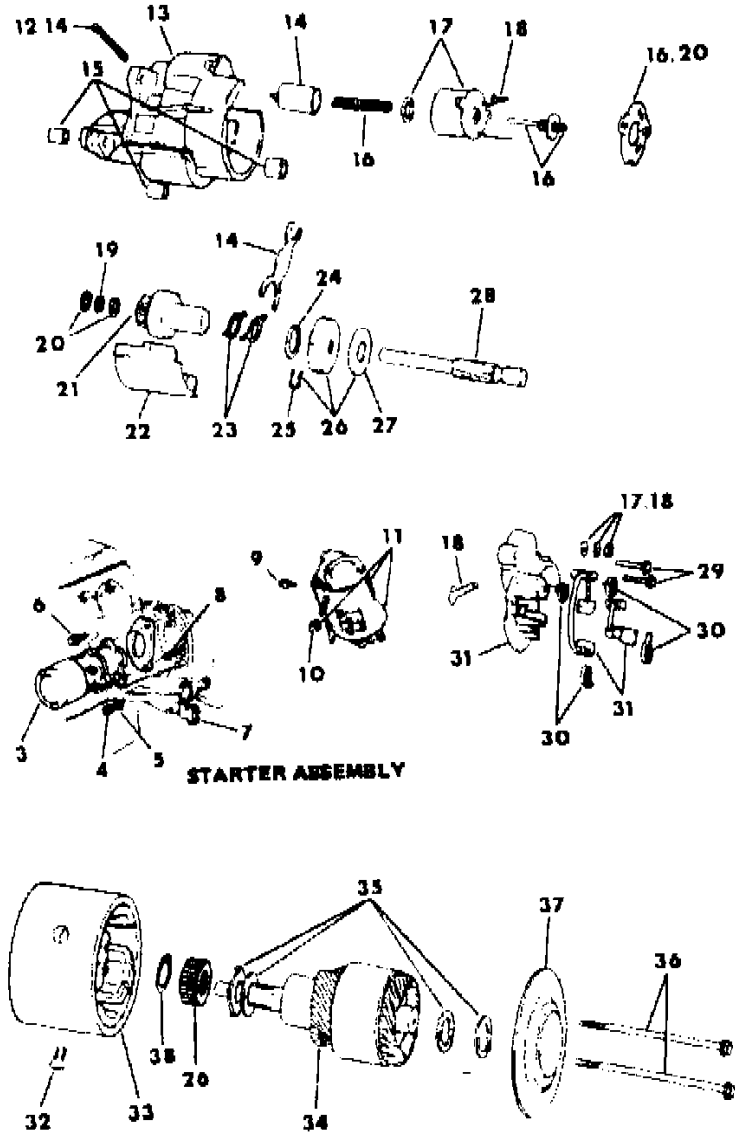
BODY STYLES

21 = 2-DOOR SEDAN	28 = FWD PICKUP	44 = 4-DOOR HATCHBACK
22 = 2-DOOR SPECIAL COUPE	35 = FWD VAN	45 = 4-DOOR STATION WAGON
24 = 2-DOOR HATCHBACK	36 = FWD WAGON	48 = 4-DOOR EXECUTIVE SEDAN
27 = 2-DOOR CONVERTIBLE	41 = 4-DOOR SEDAN	

AR = Use as Required - = Non Illustrated Part P.A.R. = Paint as Required

STARTER 318 ENGINE CHRYSLER NO. 4145360
Figure 8-1200

4108 1200



ITEM	PART NUMBER	QTY	BODY	MODEL	DESCRIPTION
38	6022 006	1			RING, Armature Gear Ret. w/4145360

MODEL CODES
 B = GRAN FURY
 C = LEBARON/TOWN & COUNTRY/EXC SEDAN
 C24 = LASER
 D = ARIES
 E = 600
 F = FIFTH AVENUE/NEWPORT
 G = DIPLOMAT
 H = VOYAGER
 K = MINI RAM/CARAVAN/ROYAL
 M = HORIZON/TURISMO
 P = RELIANT
 T = E CLASS/NEW YORKER
 V = 600
 V24 = DAYTONA
 Z = OMNI/CHARGER/RAMPAGE

BODY STYLES
 21 = 2-DOOR SEDAN
 22 = 2-DOOR SPECIAL COUPE
 24 = 2-DOOR HATCHBACK
 27 = 2-DOOR CONVERTIBLE
 28 = FWD PICKUP
 35 = FWD VAN
 36 = FWD WAGON
 41 = 4-DOOR SEDAN
 44 = 4-DOOR HATCHBACK
 45 = 4-DOOR STATION WAGON
 48 = 4-DOOR EXECUTIVE SEDAN

AR = Use as Required - = Non Illustrated Part P.A.R. = Paint as Required

ALTERNATOR 1.6L and 2.2L ENGINES
Figure 8-1300

4108 1300

ITEM	PART NUMBER	QTY	BODY	MODEL	DESCRIPTION
	5213 831	1			ALTERNATOR and PULLEY, 1.6 Eng.
	4226 818	1			ALTERNATOR, 55 Amp. Prestolite Mexico
	4226 819	1			ALTERNATOR, 65 Amp. Prestolite Mexico
	5213 763	1			ALTERNATOR and PULLEY, 78 Amp.
	5213 762	1			ALTERNATOR and PULLEY, 60 Amp.
	5213 756	1			90 Amp.
	5213 847	1			100 Amp., High Capacity
1	5213 760	1			PULLEY, Single Groove
	5226 019	1			1.6 Eng.
2	5226 324	1			Turbo
	4091 505	3			SCREW, Frame, 10-32 x 3.40
3	5206 422	1			SHIELD, Drive End 78 Amp.
	5206 421	1			SHIELD, Drive End 60 Amp.
	5213 964	1			1.6 Eng.
4	3656 444	1			BEARING, Drive End Shield 78 Amp.
	3656 444	1			BEARING, Drive End Shield 60 Amp.
	5213 982	1			1.6 Eng.
5	4091 398	1			PLATE, Drive End Shield Ret.
6	4240 414	1			ROTOR, 78 Amp.
	4240 413	1			ROTOR, 60 Amp.
	4145 342	1			Spacer, Altr. Rotor
	5213 984	1			ROTOR, 1.6 Eng.
	5226 020	1			ROTOR SET, 1.6 Eng.
7	3744 889	1			RETAINER and RING PACKAGE
8	4091 517	1			STATOR, 78 Amp.
	4091 515	1			STATOR, 60 Amp.
	5213 994	1			1.6 Eng.
9	3438 709	3			TERMINAL, Stator
10	3755 184	1			BEARING, Rectifier End Shield
	5213 986	1			1.6 Eng.
11	5211 772	1			BRUSH and WASHER PACKAGE
	5226 572	1			BRUSH SET, 1.6 Eng.
12	3438 159	1			BRUSH HOLDER, Axial
	4091 667	1			BRUSH HOLDER, Radial
	5213 991	1			BRUSH HOLDER, 1.6 Eng.
12A	6031 272	2			SCREW and WASHER
13	4240 488	1			BATTERY TERMINAL and POSITIVE HEAT, 60 and 78 Amp.
14	3620 793	1			CAPACITOR, STUD & INSULATOR

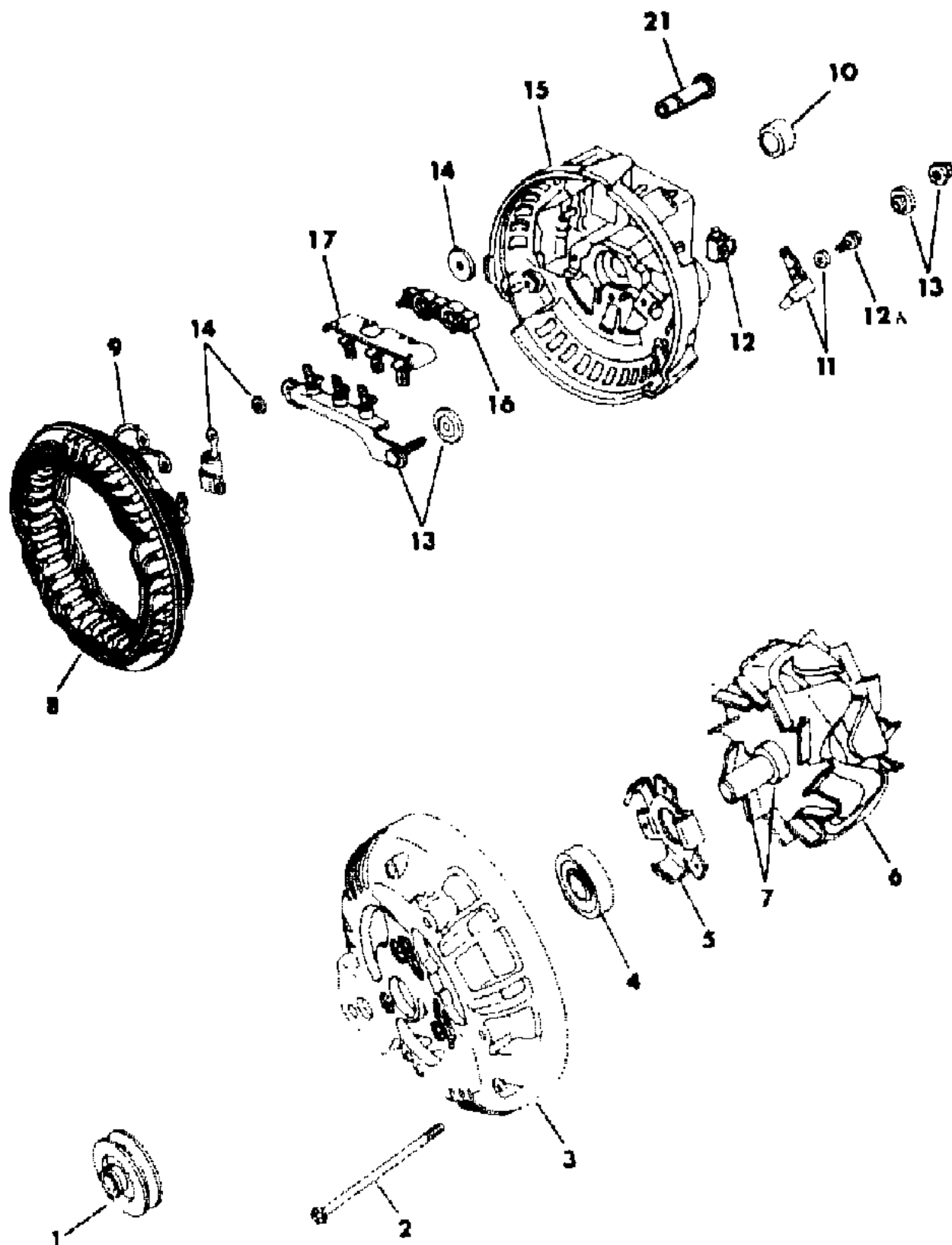
MODEL CODES

B = GRAN FURY	F = FIFTH AVENUE/NEWPORT	P = RELIANT
C = LEBARON/TOWN & COUNTRY/EXC SEDAN	G = DIPLOMAT	T = E CLASS/NEW YORKER
C24 = LASER	H = VOYAGER	V = 600
D = ARIES	K = MINI RAM/CARAVAN/ROYAL	V24 = DAYTONA
E = 600	M = HORIZON/TURISMO	Z = OMNI/CHARGER/RAMPAGE

BODY STYLES

21 = 2-DOOR SEDAN	28 = FWD PICKUP	44 = 4-DOOR HATCHBACK
22 = 2-DOOR SPECIAL COUPE	35 = FWD VAN	45 = 4-DOOR STATION WAGON
24 = 2-DOOR HATCHBACK	36 = FWD WAGON	48 = 4-DOOR EXECUTIVE SEDAN
27 = 2-DOOR CONVERTIBLE	41 = 4-DOOR SEDAN	

AR = Use as Required - = Non Illustrated Part P.A.R. = Paint as Required



ALTERNATOR 1.6L and 2.2L ENGINES
Figure 8-1300

4108 1300

ITEM	PART NUMBER	QTY	BODY	MODEL	DESCRIPTION
	5213 997	1			1.6 Eng.
15	4240 405	1			SHIELD, Rectifier End 78 Amp.
	4240 489	1			SHIELD, Rectifier End 60 Amp.
	5213 987	1			1.6 Eng.
16	3438 729	1			INSULATOR
17	3755 114	1			HEAT SINK, Negative 78 Amp.
	3755 114	1			HEAT SINK, Negative 60 Amp.
18	6030 018				SCREW
19					SCREW,(Not Serviced)
20	0120 622				NUT,(Not Shown)
21	5213 191				INSERT,(Serviced in Rectifier End Shield)
	5213 988				RECTIFIER,1.6 Eng.

NOTE: The Following Parts Not Shown On Illustration Gear and Pinion numbers stamped on the item may be used to confirm the correct MATCHED SET they are contained in.

9437 943	BOLT, Mtg. 3/8 x 7-1/4
6500 273	WASHER, Altr. Mtg. Bolt Nut
3838 078	STUD, Grd. Cable
3620 794	TERMINAL PACKAGE
6023 914	NUT, Grd. Stud
6031 029	NUT & WASHER, Altr. Batt. Term.
6023 914	NUT and WASHER, Pos. h/sink Mtg.
5213 191	INSERT, Altr. Mtg.
4124 952	MOLD, Field Term.
4209 489	MOLD, Altr. (Repair)
5213 999	SCREW,1.6 Eng.
5213 996	SCREW & WASHER,1.6 Eng.
5213 998	WASHER,1.6 Eng.
5213 989	O-RING,1.6 Eng.
	SPRING,(Serv.in Brush Set)

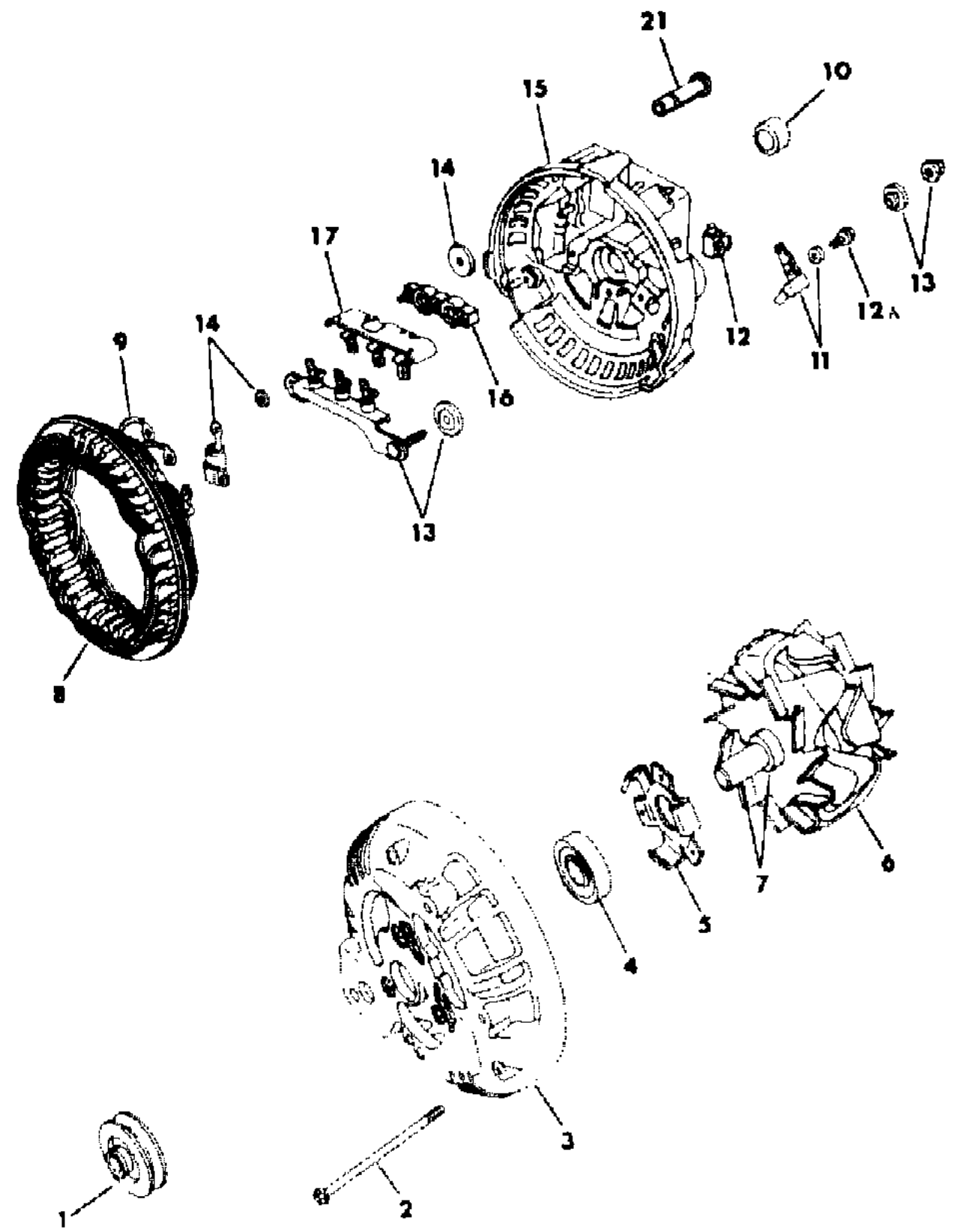
MODEL CODES

B = GRAN FURY	F = FIFTH AVENUE/NEWPORT	P = RELIANT
C = LEBARON/TOWN & COUNTRY/EXC SEDAN	G = DIPLOMAT	T = E CLASS/NEW YORKER
C24 = LASER	H = VOYAGER	V = 600
D = ARIES	K = MINI RAM/CARAVAN/ROYAL	V24 = DAYTONA
E = 600	M = HORIZON/TURISMO	Z = OMNI/CHARGER/RAMPAGE

BODY STYLES

21 = 2-DOOR SEDAN	28 = FWD PICKUP	44 = 4-DOOR HATCHBACK
22 = 2-DOOR SPECIAL COUPE	35 = FWD VAN	45 = 4-DOOR STATION WAGON
24 = 2-DOOR HATCHBACK	36 = FWD WAGON	48 = 4-DOOR EXECUTIVE SEDAN
27 = 2-DOOR CONVERTIBLE	41 = 4-DOOR SEDAN	

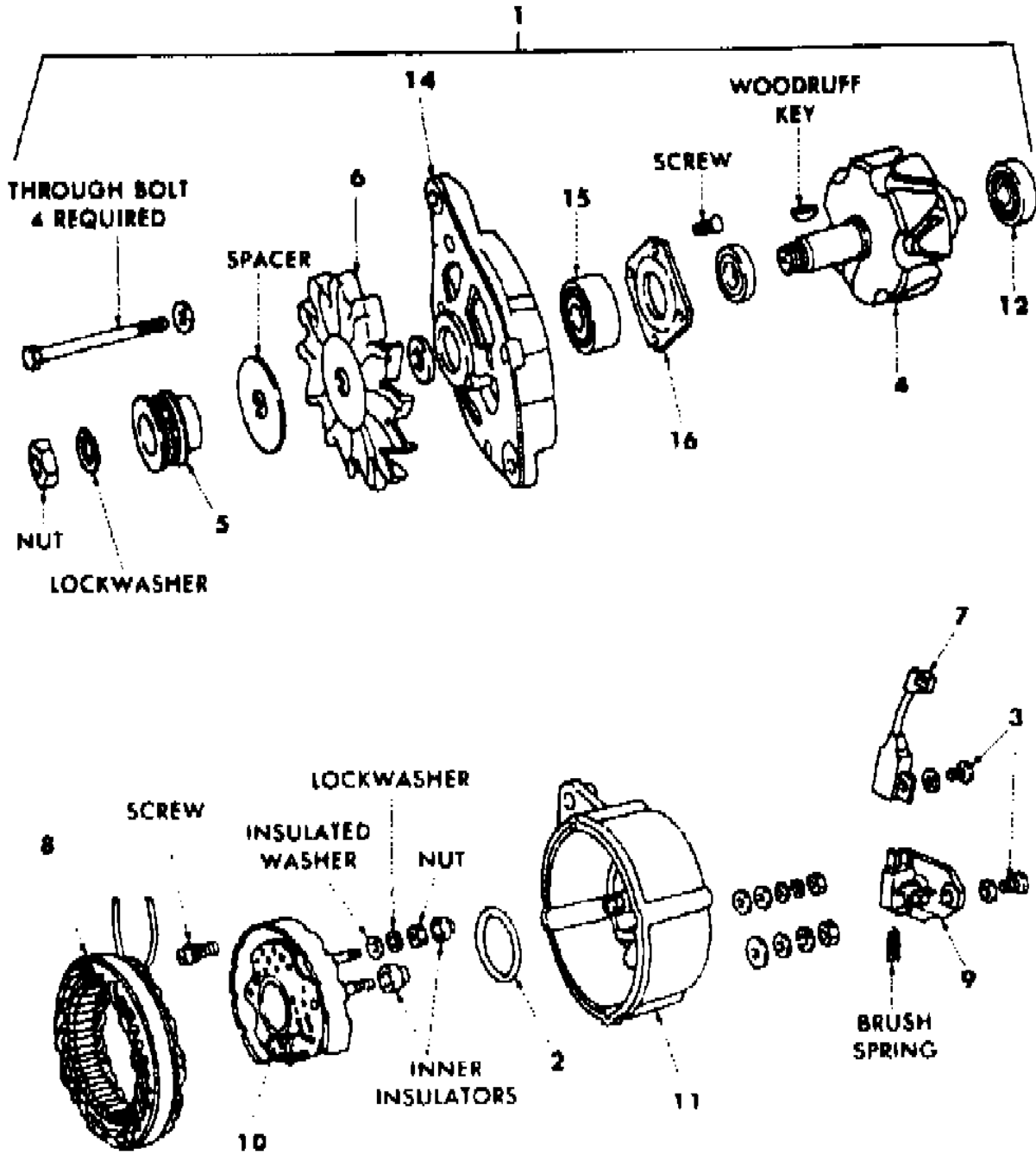
AR = Use as Required - = Non Illustrated Part P.A.R. = Paint as Required



ALTERNATOR TURBO ENGINE

Figure 8-1400

4108 1400



ITEM	PART NUMBER	QTY	BODY	MODEL	DESCRIPTION
1	5213 756	1			ALTERNATOR
2	5213 989	1			O-RING
	5226 329	4			WASHER
3	5226 328	1			TERMINAL SET
4	5226 309	1			ROTOR
	5226 327	1			ROTOR SET
	5226 326	1			SCREW
	5226 325	1			SCREW
5	5226 324	1			PULLEY
6	5226 322	1			FAN
	5213 999	1			SCREW
	5213 998	1			WASHER
7	5213 997	1			CAPACITOR, Suppression
	5226 320	3			WASHER and SCREW
	5226 319	1			BUSHING, Expansion
	5226 318	2			SCREW
	5226 317	4			WASHER
8	5226 315	1			STATOR
9	5226 314	1			HOLDER, Brush
	5226 313	1			REGULATOR, Elec. Voltage
		2			SCREW and WASHER, Serv. in 5213996
10	5226 312	1			RECTIFIER
11	5226 311	1			COLLECTOR RING, End Shield
12	5213 986	1			BEARING, Ball Deep Groove
13	5226 310	1			RING, Collector
14	5226 308	1			PLATE, Cover
15	5226 307	1			BEARING, Ball Deep Groove
16	5226 306	1			SHIELD, Drive End

MODEL CODES

B = GRAN FURY	F = FIFTH AVENUE/NEWPORT	P = RELIANT
C = LEBARON/TOWN & COUNTRY/EXC SEDAN	G = DIPLOMAT	T = E CLASS/NEW YORKER
C24 = LASER	H = VOYAGER	V = 600
D = ARIES	K = MINI RAM/CARAVAN/ROYAL	V24 = DAYTONA
E = 600	M = HORIZON/TURISMO	Z = OMNI/CHARGER/RAMPAGE

BODY STYLES

21 = 2-DOOR SEDAN	28 = FWD PICKUP	44 = 4-DOOR HATCHBACK
22 = 2-DOOR SPECIAL COUPE	35 = FWD VAN	45 = 4-DOOR STATION WAGON
24 = 2-DOOR HATCHBACK	36 = FWD WAGON	48 = 4-DOOR EXECUTIVE SEDAN
27 = 2-DOOR CONVERTIBLE	41 = 4-DOOR SEDAN	

AR = Use as Required - = Non Illustrated Part P.A.R. = Paint as Required

ALTERNATOR 2.6L ENGINE

Figure 8-1500

4108 1500

ITEM	PART NUMBER	QTY	BODY	MODEL	DESCRIPTION
1	MD06 2007	1			ALTERNATOR
2	MM50 2340	1			NUT SET
3	MD60 7779	1			PULLEY
4	MD60 7205	1			SCREW SET
5	MD60 7424	1			BRACKET ASSEMBLY, Front
6	MD60 2938	1			SCREW SET
7	MM50 2264	1			BEARING
8	MD60 7425	1			ROTOR ASSEMBLY
9	MD60 2789	1			BEARING, Rear
	MD60 7590	1			WASHER, Spring
10	MD60 7428	1			STATOR ASSEMBLY
11	MD60 7427	1			BRACKET ASSEMBLY, Rear
12	MD60 7431	1			TERNINAL SET
13	MD60 7262	1			CONDENSER ASSEMBLY
14	MD60 7372	1			REGULATOR ASSEMBLY
15	MD60 7373	2			BRUSH
16	MD60 2227	2			SPRING, Brush
17	MD60 7429	1			RECTIFIER ASSEMBLY
18	MD60 7430	1			RECTIFIER SET
19	MD02 7754	1			BOLT, Flange
20	MD00 1521	1			WASHER
21	MD02 1662	1			BOLT
22	MD00 1517				SHIM
23	MF45 0005	1			WASHER, Plain
24	MF45 0405	1			WASHER, Spring
25	MF43 0005	1			NUT
26	6500 490	1			BOLT, Altr. Adj.
27	6500 491	1			JAM NUT, Clevis To Altr. Adj. Slot
28	4241 147	1			CLEVIS, Altr. Adj. Assy.
29		1			SCREW, Clevis To Altr. Adj. Slot (Not Serv.)
30	4240 438	1			STRAP, Altr. Altr. Adj. w/o /Cond.
	4240 438	1			STRAP, Altr. Altr. Adj. w/ /Heater
31	4273 050	1			BRACKET, Altr. Adj. w/A/ Cond. Assy.

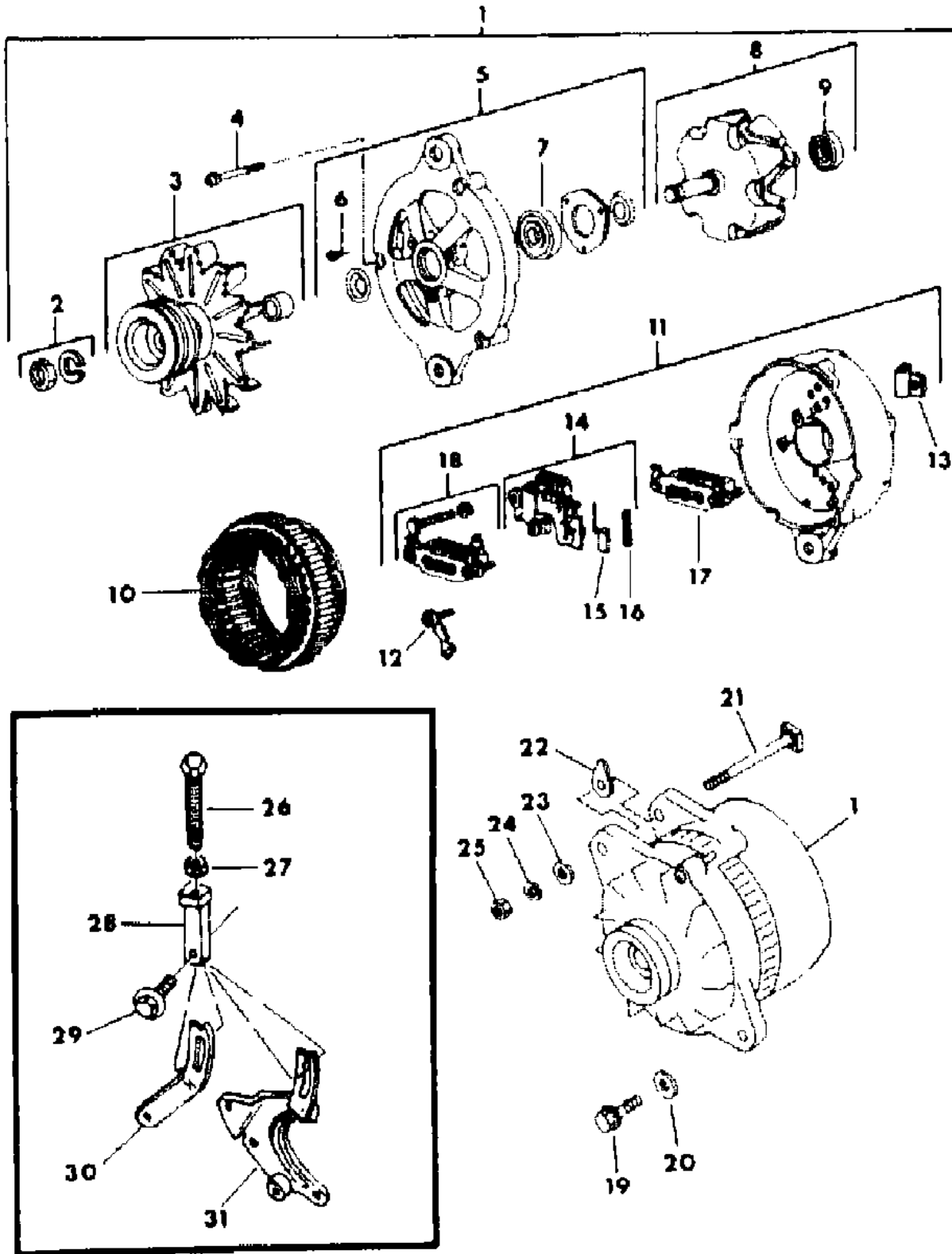
MODEL CODES

B = GRAN FURY	F = FIFTH AVENUE/NEWPORT	P = RELIANT
C = LEBARON/TOWN & COUNTRY/EXC SEDAN	G = DIPLOMAT	T = E CLASS/NEW YORKER
C24 = LASER	H = VOYAGER	V = 600
D = ARIES	K = MINI RAM/CARAVAN/ROYAL	V24 = DAYTONA
E = 600	M = HORIZON/TURISMO	Z = OMNI/CHARGER/RAMPAGE

BODY STYLES

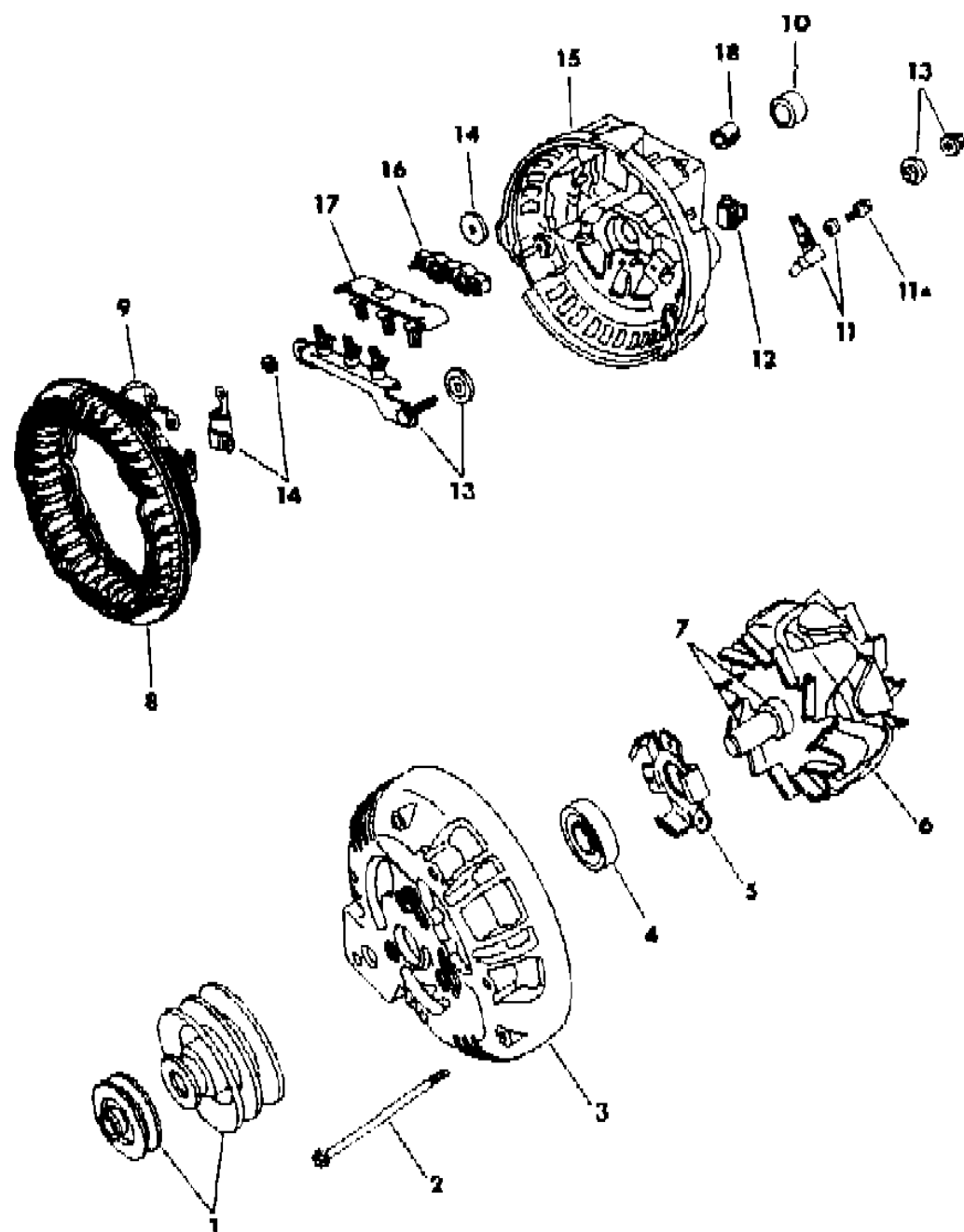
21 = 2-DOOR SEDAN	28 = FWD PICKUP	44 = 4-DOOR HATCHBACK
22 = 2-DOOR SPECIAL COUPE	35 = FWD VAN	45 = 4-DOOR STATION WAGON
24 = 2-DOOR HATCHBACK	36 = FWD WAGON	48 = 4-DOOR EXECUTIVE SEDAN
27 = 2-DOOR CONVERTIBLE	41 = 4-DOOR SEDAN	

AR = Use as Required - = Non Illustrated Part P.A.R. = Paint as Required



ALTERNATOR--60 AMP. 318 ENGINE
Figure 8-1600

4108 1600



ITEM	PART NUMBER	QTY	BODY	MODEL	DESCRIPTION
A	4091 565				ALTERNATOR, Single Groove Pulley-Prod. #4111226
1	4106 094				PULLEY, w/4091565
2	4091 505				SCREW, Frame
3	4091 534				SHIELD, Drive End
4	3656 444				BEARING, Drive End Shield
5	2095 012				RETAINER, Drive End Shield
6	4240 413				ROTOR
7	3744 889				RETAINER and SLIP RING PACKAGE
8	4091 515				STATOR
9	3438 709				TERMINAL
10	3755 184				BEARING, Rectifier End Shield
11	4057 928				BRUSH and WASHER PACKAGE
11A	6031 272				SCREW
12A	3438 159				BRUSH HOLDER, Axial
	4091 667				Radial
13	4240 488				BATTERY TERMINAL and POSITIVE HEAT SINK
14	3620 793				CAPACITOR and INSULATOR PACKAGE
15	5213 706				SHIELD, Rectifier End
16	3438 729				INSULATOR, Stator Term. Stud
17	3755 114				HEAT SINK, Negative
18					INSERT, (Serv. in Assy.)

MODEL CODES

B = GRAN FURY	F = FIFTH AVENUE/NEWPORT	P = RELIANT
C = LEBARON/TOWN & COUNTRY/EXC SEDAN	G = DIPLOMAT	T = E CLASS/NEW YORKER
C24 = LASER	H = VOYAGER	V = 600
D = ARIES	K = MINI RAM/CARAVAN/ROYAL	V24 = DAYTONA
E = 600	M = HORIZON/TURISMO	Z = OMNI/CHARGER/RAMPAGE

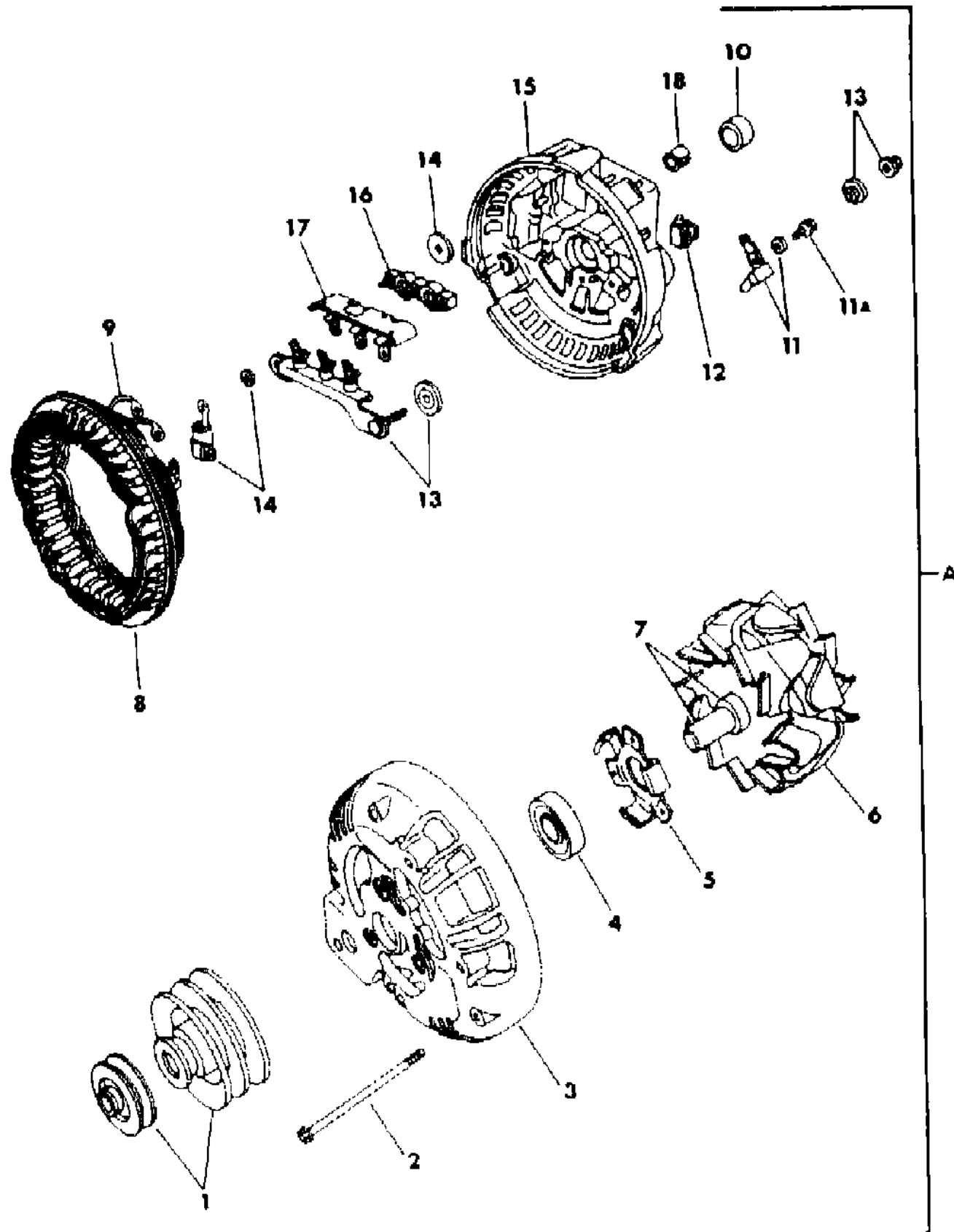
BODY STYLES

21 = 2-DOOR SEDAN	28 = FWD PICKUP	44 = 4-DOOR HATCHBACK
22 = 2-DOOR SPECIAL COUPE	35 = FWD VAN	45 = 4-DOOR STATION WAGON
24 = 2-DOOR HATCHBACK	36 = FWD WAGON	48 = 4-DOOR EXECUTIVE SEDAN
27 = 2-DOOR CONVERTIBLE	41 = 4-DOOR SEDAN	

AR = Use as Required - = Non Illustrated Part P.A.R. = Paint as Required

ALTERNATOR--78 AMP. 318 ENGINE
Figure 8-1650

410# 1650



ITEM	PART NUMBER	QTY	BODY	MODEL	DESCRIPTION
A	4176 007				ALTERNATOR, w/o Air, Prod. #4091566
	4176 006				ALTERNATOR, w/ Air, Prod. #4111204
1	4106 094				PULLEY, w/4176007
	4111 768				w/ 4176006
2	4091 505				SCREW, Frame
3	4091 533				SHIELD, Drive End
4	3656 444				BEARING, Drive End Shield
5	2095 012				RETAINER, Drive End Shield
6	4240 414				ROTOR
7	3744 889				RETAINER and SLIP RING PACKAGE
8	4091 517				STATOR
9	3438 709				TERMINAL
10	3755 184				BEARING, Rectifier End Shield
11	4057 928				BRUSH and WASHER PACKAGE
11A	6031 272				SCREW
12	3438 159				BRUSH HOLDER, Axial
	4091 667				Radial
13	4240 488				BATTERY TERMINAL and POSITIVE HEAT SINK
14	3620 793				CAPACITOR and INSULATOR PACKAGE
15	5213 706				SHIELD, Rectifier End.
16	3438 729				INSULATOR, Stator Term. Stud
17	3755 114				HEAT SINK, Negative
18					INSERT, (Serv. in Assy.)

MODEL CODES

B = GRAN FURY	F = FIFTH AVENUE/NEWPORT	P = RELIANT
C = LEBARON/TOWN & COUNTRY/EXC SEDAN	G = DIPLOMAT	T = E CLASS/NEW YORKER
C24 = LASER	H = VOYAGER	V = 600
D = ARIES	K = MINI RAM/CARAVAN/ROYAL	V24 = DAYTONA
E = 600	M = HORIZON/TURISMO	Z = OMNI/CHARGER/RAMPAGE

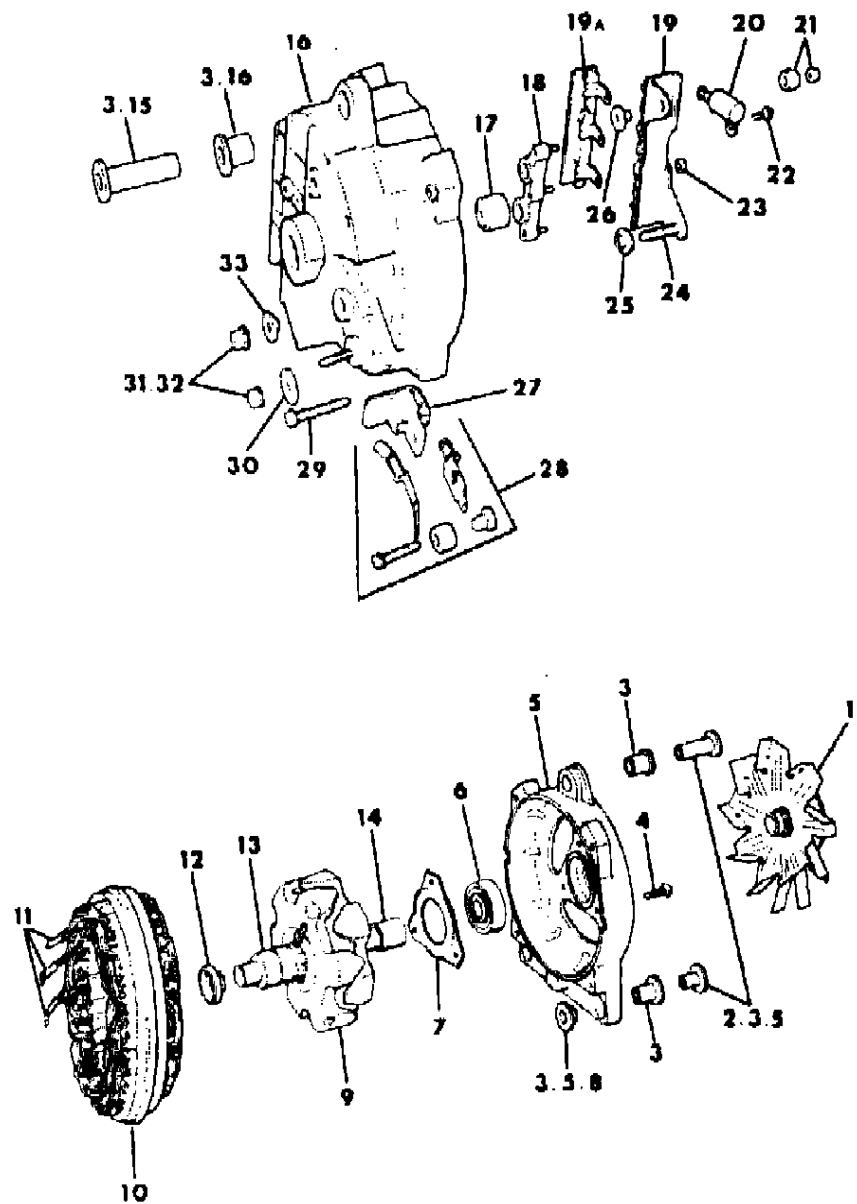
BODY STYLES

21 = 2-DOOR SEDAN	28 = FWD PICKUP	44 = 4-DOOR HATCHBACK
22 = 2-DOOR SPECIAL COUPE	35 = FWD VAN	45 = 4-DOOR STATION WAGON
24 = 2-DOOR HATCHBACK	36 = FWD WAGON	48 = 4-DOOR EXECUTIVE SEDAN
27 = 2-DOOR CONVERTIBLE	41 = 4-DOOR SEDAN	

AR = Use as Required - = Non Illustrated Part P.A.R. = Paint as Required

ALTERNATOR 114 AMP. 318 ENGINE
Figure 8-1700

4108 1700



ITEM	PART NUMBER	QTY	BODY	MODEL	DESCRIPTION
	4091 460	1			ALTERNATOR, PROD. 4091460
1	4094 028	1			FAN and PULLEY, Double Groove
2					SLEEVE,(Serv.in Drive End Shield & Isolator Pkg.)
3	4094 012	1			ISOLATOR PACKAGE
4	9428 120	3			SCREW
5	3874 995	1			DRIVE END SHIELD
6	3755 951	1			BEARING, Drive End Shield
7	3755 737	1			RETAINER, Drive End Shield Bearing
8					FERRULE,(Serv.in Drive End Shield & Isolator Pkg.)
9	4026 048	1			ROTOR and SPACER PACKAGE
10	3879 401	1			STATOR
11					TERMINAL,(Not Serv.)
12					RETAINER,(Serv.in Slip Ring & Retainer Pkg.)
13					SLIP RING,(Serv. in Slip Ring & Retainer Pkg.)
	3838 080	1			SLIP RING and RETAINER PACKAGE
14					SPACER,(Serviced in Rotor Pkg.)
15					SLEEVE, Serviced in Isolator Pkg)
16	4091 466	1			SHIELD, Rectifier End
17	3874 074	1			BEARING, Rectifier End Shield
18	3755 625	1			INSULATOR
19	4026 303	1			HEAT SINK PACKAGE, Positive
19A	3755 627	1			HEAT SINK PACKAGE, Negative
20					CAPACITOR, Serviced in 3838078 Pkg.)
21					INSULATOR, Serviced in 4026303 Pkg.)
22					SCREW, Not Serviced)
23					NUT, Not Serviced)
24					STUD, Serviced in 3838078 Pkg.)
25					INSULATOR, Serviced in 3838078 Pkg.)
26					SPACER, Serviced in 3838078 Pkg.)
27	3838 078	1			CAPACITOR STUD and INSULATOR PACKAGE
28	3838 079	1			BRUSH ASSEMBLY
	3755 773	1			Brush Holder
29	6030 547	1			SCREW, Frame, 10x24 1 5/8
30					WASHER, Not Serviced)
31	6031 029	1			NUT and WASHER
32	6023 201	1			NUT and WASHER
33					INSULATOR, Serviced in Rectifier End Shield)
	3549 591				BOLT, Altr. Pivot

MODEL CODES

B = GRAN FURY	F = FIFTH AVENUE/NEWPORT	P = RELIANT
C = LEBARON/TOWN & COUNTRY/EXC SEDAN	G = DIPLOMAT	T = E CLASS/NEW YORKER
C24 = LASER	H = VOYAGER	V = 600
D = ARIES	K = MINI RAM/CARAVAN/ROYAL	V24 = DAYTONA
E = 600	M = HORIZON/TURISMO	Z = OMNI/CHARGER/RAMPAGE

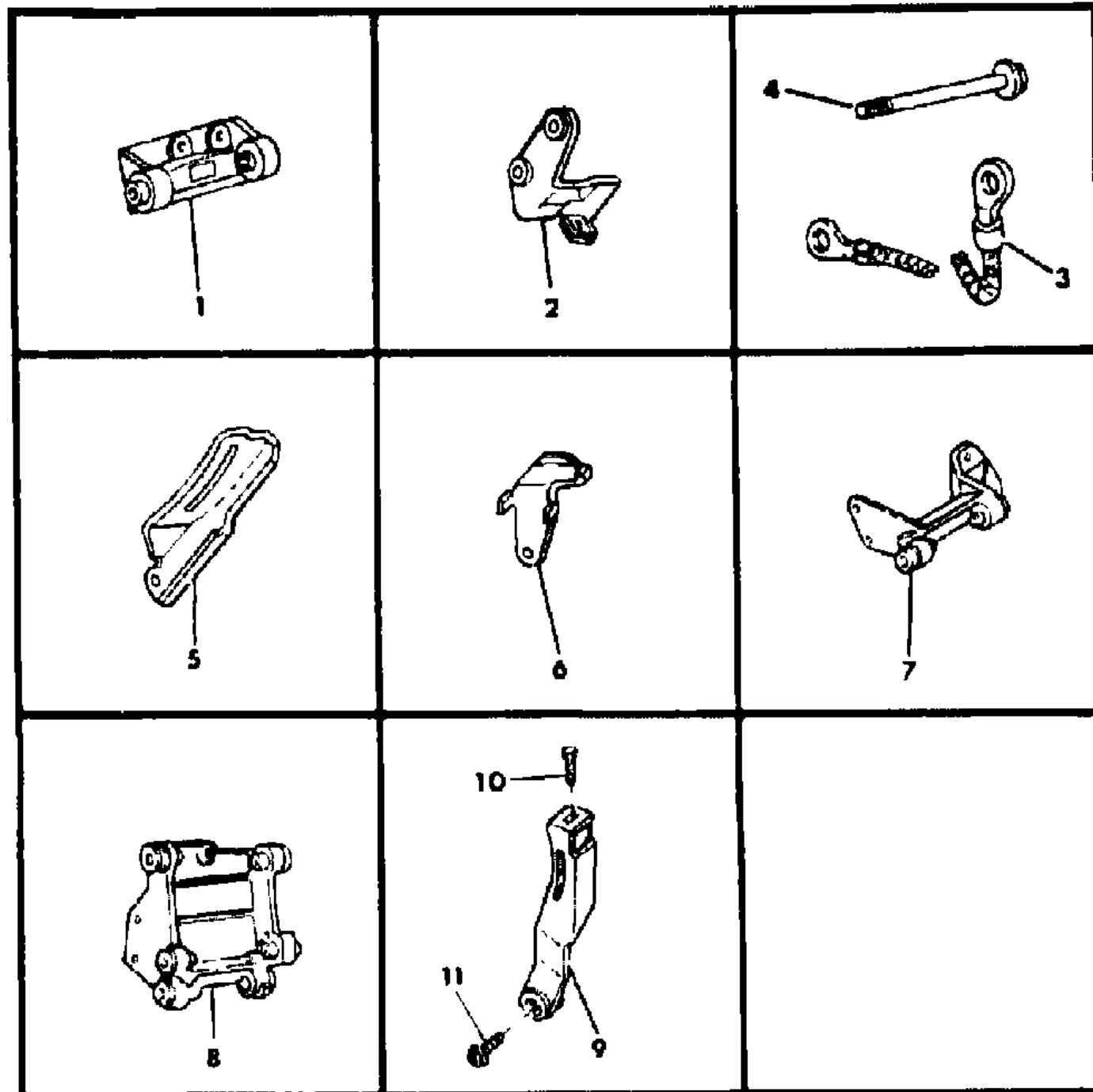
BODY STYLES

21 = 2-DOOR SEDAN	28 = FWD PICKUP	44 = 4-DOOR HATCHBACK
22 = 2-DOOR SPECIAL COUPE	35 = FWD VAN	45 = 4-DOOR STATION WAGON
24 = 2-DOOR HATCHBACK	36 = FWD WAGON	48 = 4-DOOR EXECUTIVE SEDAN
27 = 2-DOOR CONVERTIBLE	41 = 4-DOOR SEDAN	

AR = Use as Required - = Non Illustrated Part P.A.R. = Paint as Required

ALTERNATOR BRACKET, SPACER AND ADJUSTING STRAP 1.6-2.2-2.6 ENGINES
Figure 8-1800

4108 1800



ITEM	PART NUMBER	QTY	BODY	MODEL	DESCRIPTION
1	4298 098	1			BRACKET, 2.2L Eng.. w/o A/Cond.
	4298 183	1			BRACKET, 2.2L Eng.. w/ A/Cond.
2	4241 192	1			BRACKET, Altr. Adj. Assy.
	4273 862	1			BRACKET,Altr. Adj. 1.6 Engine
	4268 558	AR			INSERT, Isolator
	4268 074	AR			ISOLATOR,(Rubber)
	4268 068	AR			SLEEVE, Isolator Altr. Rr.
	4268 067	1			SLEEVE, Isolator
	6500 609	1			BOLT, Altr. Adj.
3	6500 812	1			U-NUT
					GROUND STRAP
	4209 364	1			2.2L Eng. (6-1/4")
	4209 620	1			STRAP, Altr. Adj. Bracket To Mtg. Bolt (4")
	4209 449	1			STRAP, a/Cond. Compressor (6-3/4")
4	5211 210	1			STRAP, Radio Noise Supp. Grd.
	9437 943	1			BOLT
	5213 191				INSERT, Altr. Mounting
5	4241 283	1		All	STRAP, Altr. Adj. 2.2L Eng.
	4240 438	1			STRAP, Altr. Adj. 2.6 Eng.
	6500 490	1			BOLT, Altr. Adj. 2.2L Eng.
6	4241 153	1		All	BRACKET, Altr. Adj. 2.2L Eng.
	4273 079	1		All	SPACER, Altr. Mtg. 2.2L Eng.
	4241 157	1			SPACER, Altr. & a/C Mtg. Bracket Frt. 2.2L Eng.
	6500 340	1			SCREW and WASHER, Alt.Bracket,Chain Case Cover
7	4323 392	1			BRACKET, Alt. Mtg. w/T.B.I. & Turbo
8	4298 186	1			BRACKET, Alt.& A.C.w/T.B.I. & Turbo
9	4273 294	1			BRACKET,Alt.Adjusting w/ T.B.I. & Turbo
10	6500 877				BOLT
11	6500 775				SCREW and WASHER

MODEL CODES

B = GRAN FURY	F = FIFTH AVENUE/NEWPORT	P = RELIANT
C = LEBARON/TOWN & COUNTRY/EXC SEDAN	G = DIPLOMAT	T = E CLASS/NEW YORKER
C24 = LASER	H = VOYAGER	V = 600
D = ARIES	K = MINI RAM/CARAVAN/ROYAL	V24 = DAYTONA
E = 600	M = HORIZON/TURISMO	Z = OMNI/CHARGER/RAMPAGE

BODY STYLES

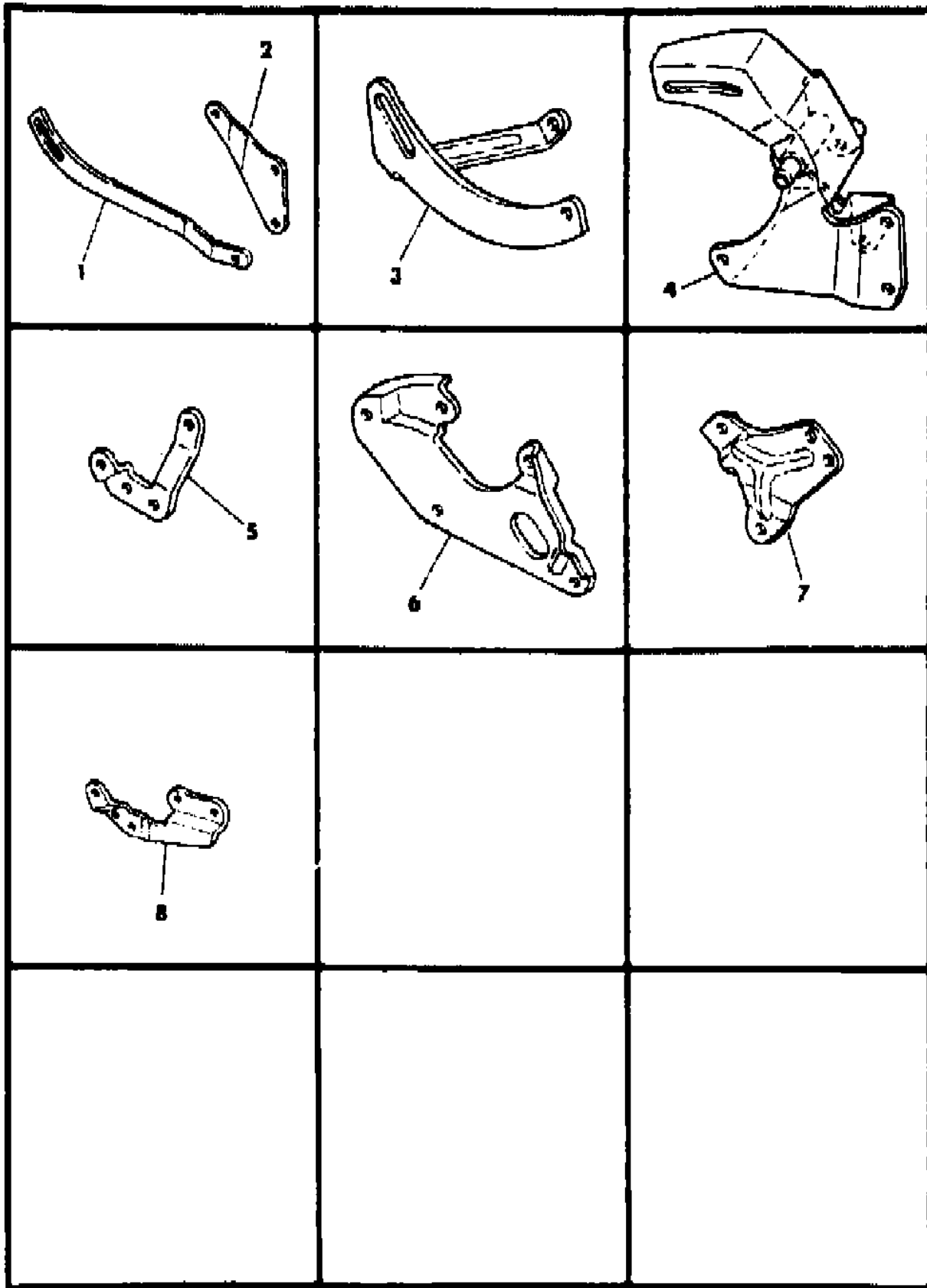
21 = 2-DOOR SEDAN	28 = FWD PICKUP	44 = 4-DOOR HATCHBACK
22 = 2-DOOR SPECIAL COUPE	35 = FWD VAN	45 = 4-DOOR STATION WAGON
24 = 2-DOOR HATCHBACK	36 = FWD WAGON	48 = 4-DOOR EXECUTIVE SEDAN
27 = 2-DOOR CONVERTIBLE	41 = 4-DOOR SEDAN	

AR = Use as Required - = Non Illustrated Part P.A.R. = Paint as Required

ALTERNATOR MOUNTING 318 ENGINE

Figure 8-1900

4108 1900



ITEM	PART NUMBER	QTY	BODY	MODEL	DESCRIPTION
1	3512 498	1			STRAP, Altr. Adj. w/60 or 78 Amp. Altr. w/o Air Cond.
2	2951 834	1			BRACKET, Altr. Mtg. to Block w/60 or 78 Amp. Altr. w/o Air Cond.
3	4095 271	1			BRACKET, Altr. Mtg. to Block w/60 or 78 Amp. Altr. w/Air Cond.
4	4100 604	1			BRACKET, Altr. Mtg., 114 Amp. Altr.
5	4071 733	1			SUPPORT, Altr. Mtg. and Adj. Bracket (Rear)
6					Refer to Group 24
7	4100 653	1			BRACKET, Altr. Mtg. (Rear)
8	4104 388	1			BRACKET, w/114 Amp. Altr. w/Air Cond. Altr. Mtg.(Rear) 60 or 78 Amp.
	6029 381	1			SPACER, Altr. Mtg. w/ 60 or 78 Amp. Altr. w/Air Cond.
	6029 507	1			SPACER, Altr. Adj. Brkt. w/ 60 or 78 Amp. Altr. w/o Air Cond.
	6031 433	1			SPACER, to Altr. and Air Cond. Compressor Mtg. Br kt. w/ 114 Amp. Altr.

MODEL CODES

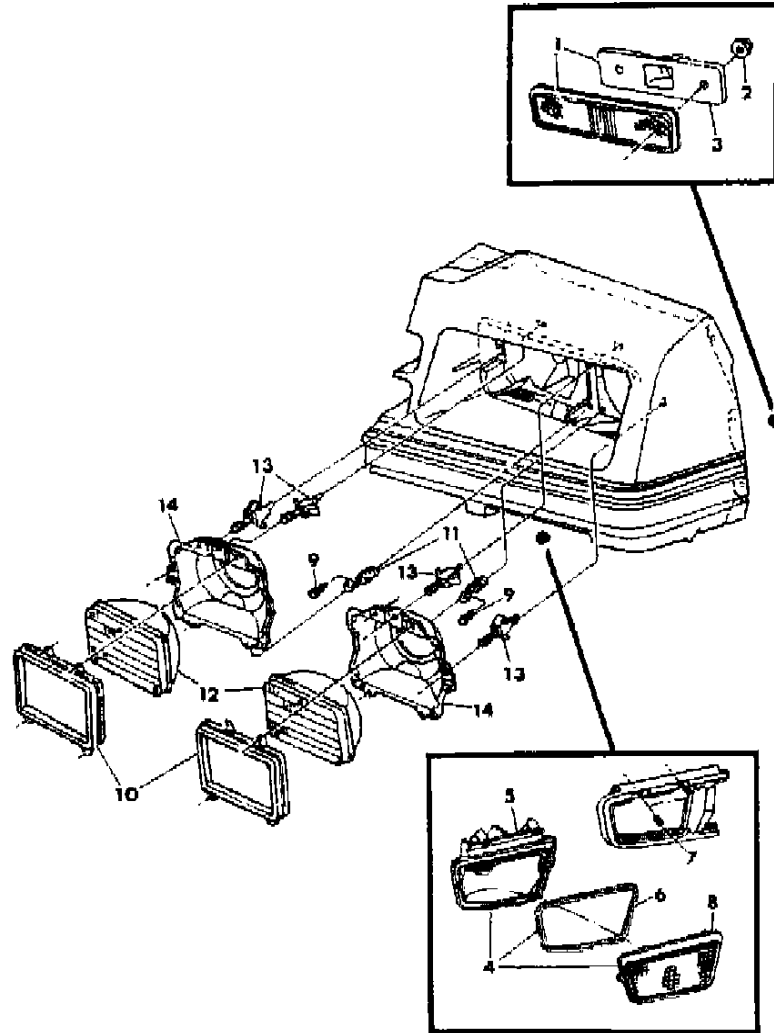
B = GRAN FURY	F = FIFTH AVENUE/NEWPORT	P = RELIANT
C = LEBARON/TOWN & COUNTRY/EXC SEDAN	G = DIPLOMAT	T = E CLASS/NEW YORKER
C24 = LASER	H = VOYAGER	V = 600
D = ARIES	K = MINI RAM/CARAVAN/ROYAL	V24 = DAYTONA
E = 600	M = HORIZON/TURISMO	Z = OMNI/CHARGER/RAMPAGE

BODY STYLES

21 = 2-DOOR SEDAN	28 = FWD PICKUP	44 = 4-DOOR HATCHBACK
22 = 2-DOOR SPECIAL COUPE	35 = FWD VAN	45 = 4-DOOR STATION WAGON
24 = 2-DOOR HATCHBACK	36 = FWD WAGON	48 = 4-DOOR EXECUTIVE SEDAN
27 = 2-DOOR CONVERTIBLE	41 = 4-DOOR SEDAN	

AR = Use as Required - = Non Illustrated Part P.A.R. = Paint as Required

LAMPS--FRONT M-Z 24
Figure 8-2000



ITEM	PART NUMBER	QTY	BODY	MODEL	DESCRIPTION
1	4174 837	2			LAMP, Frt. Fender S/M
2	6028 471	4			NUT
3					HOUSING, Serviced in Lamp Assy.
4	5207 722-3	1			LAMP, Parking & Turn Signal Assy.
	5207 568-9	1			"SHELBY"
5					HOUSING, Serviced in Lamp Assy.
6	3798 253	2			SEAL, Serviced in Lamp Assy.
7					SCREW, Serviced in Lamp Assy.
8					LENS, Serviced in Lamp Assy.
9					SCREW, (Not Serv.)
10	4016 088				RETAINER,H/Lamp Bulb (Chrome)
	4270 548				(Black)
	4270 373	2			"SHELBY"
11	4334 142				SCREW, Sealed Beam Unit Mtg. Seat Adj.
12	0153 199	2			SEALED BEAM UNIT, (rt. way shift) "SHELBY"
	0153 440				High Beam
	0153 481				Hi-Low Beam
	0153 590	2			HALOGEN
13	5201 386	2			SPRING, Sealed Beam Unit Mtg. "SHELBY"
	5201 386	4			SPRING, Sealed Beam Unit Mtg.
14	4074 686-7	2			SEAT, Sealed Beam Unit, "SHELBY"
	3868 926-7				Hi-Lo Beam
	3868 928				Hi-Beam, Lt.
	3868 929				Hi-Beam, Rt.
NOTE: The following parts not on illustration Gear and Pinion numbers stamped on the item may be used to confirm the correct MATCHED SET they are contained in.					
	3588 314	AR			SOCKET, Side Marker
	3764 863	AR			Parking & Turn Signal Frt.
	4055 433	AR			Parking & Turn Signal Frt. Repair Pkg.
	3843 432	AR			Repair Pkg., (Park And Turn sig.)
	9438 848	2			BULB,t/Sig. & Side Marker
	9425 542	2			BULB,Side Marker

MODEL CODES

B = GRAN FURY	F = FIFTH AVENUE/NEWPORT	P = RELIANT
C = LEBARON/TOWN & COUNTRY/EXC SEDAN	G = DIPLOMAT	T = E CLASS/NEW YORKER
C24 = LASER	H = VOYAGER	V = 600
D = ARIES	K = MINI RAM/CARAVAN/ROYAL	V24 = DAYTONA
E = 600	M = HORIZON/TURISMO	Z = OMNI/CHARGER/RAMPAGE

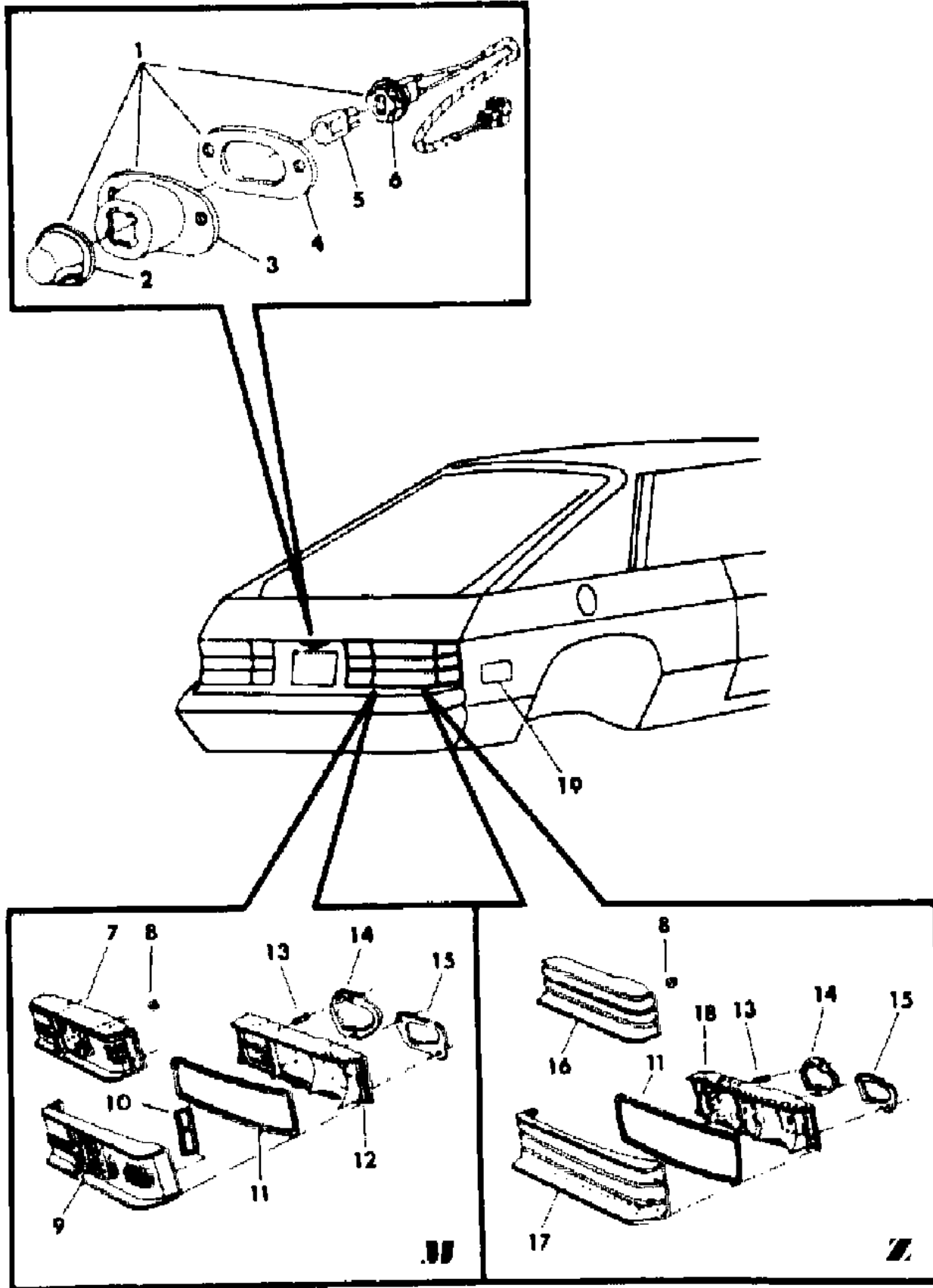
BODY STYLES

21 = 2-DOOR SEDAN	28 = FWD PICKUP	44 = 4-DOOR HATCHBACK
22 = 2-DOOR SPECIAL COUPE	35 = FWD VAN	45 = 4-DOOR STATION WAGON
24 = 2-DOOR HATCHBACK	36 = FWD WAGON	48 = 4-DOOR EXECUTIVE SEDAN
27 = 2-DOOR CONVERTIBLE	41 = 4-DOOR SEDAN	

AR = Use as Required - = Non Illustrated Part P.A.R. = Paint as Required

LAMPS & WIRING--REAR M-Z 24
Figure 8-2100

4108 2100



ITEM	PART NUMBER	QTY	BODY	MODEL	DESCRIPTION
1	5207 516	1			LAMP ASSEMBLY, License
2					LENS, (Serviced in Lamp Assy.)
3					HOUSING, (Serviced in Lamp Assy.)
4					GASKET, (Serviced in Lamp Assy.)
5	9425 542				BULB
6					SOCKET and CABLE, Not Serv.
7	5207 564-5	1		M	LAMP ASSEMBLY Export
	5207 764-5			M	LAMP ASSEMBLY
8	6023 205	8			NUT
9	5207 766-7	1		M	LENS ASSEMBLY
	5207 778-9	1		M	LENS ASSEMBLY Export
10					
11	3798 253	2			SEAL, Adhesive Type 33" Long (Also Serviced in Lamp Assy.)
12					HOUSING,(Serv.in Assy.)
13					STUD,(Serviced in Lamp Assy.)
14	5207 626	2			GASKET, Inboard (Also Serviced in Lamp Assy.)
15	5207 628-9	1			GASKET, Outboard (Also Serviced in Lamp Assy.)
16	5207 564-5	1		Z	LAMP ASSEMBLY Export
	5207 728-9			Z	LAMP ASSEMBLY
17	5207 736-7	1		Z	LENS ASSEMBLY
	5207 588-9	1		Z	LENS ASSEMBLY Export
18				Z	HOUSING,(Serv.in Assy.)
19	4174 820				REFLECTOR, Qtr. Panel Side Marker

NOTE: The following parts not shown on illustration Gear and Pinion numbers stamped on the item may be used to confirm the correct MATCHED SET they are contained in.

5211 711	AR	SOCKET, Turn Signal Rr.
2584 972	AR	Repair Pkg.
4124 081	AR	Tail Light
3588 314	AR	Side Marker
5207 664	2	WELT, Lift Gate
9417 866	2	BULB,B/Up Lamp

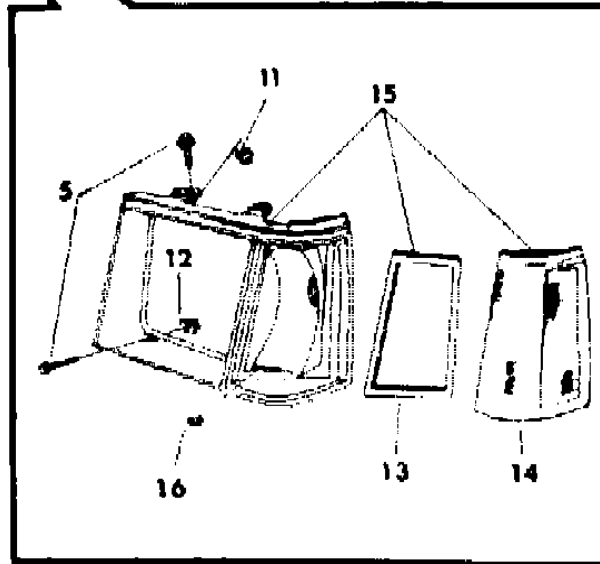
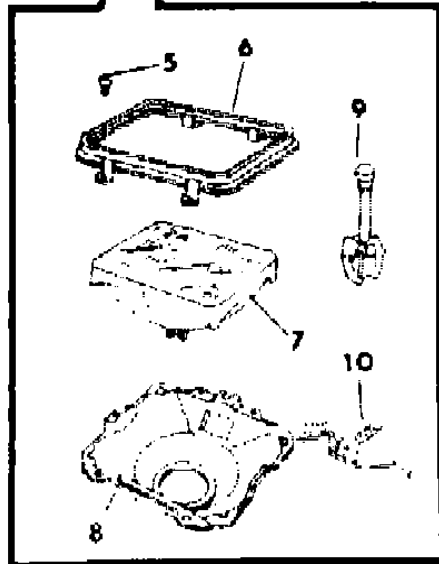
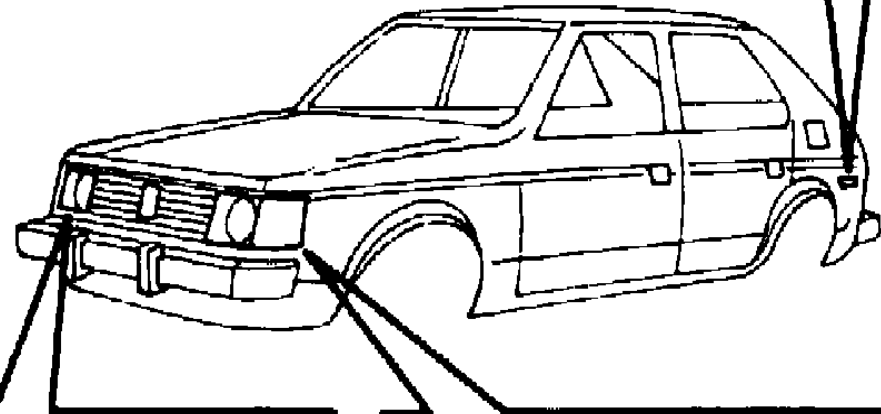
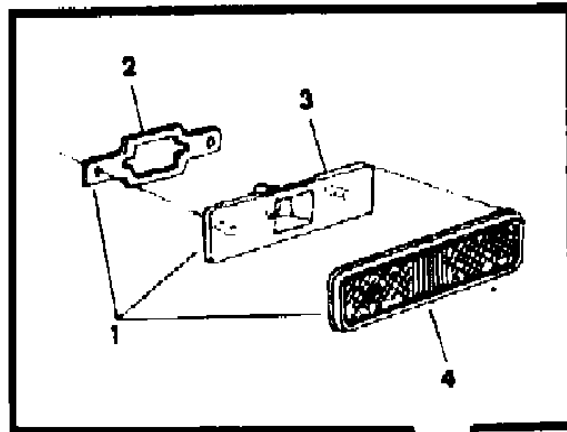
MODEL CODES
 B = GRAN FURY
 C = LEBARON/TOWN & COUNTRY/EXC SEDAN
 C24 = LASER
 D = ARIES
 E = 600
 F = FIFTH AVENUE/NEWPORT
 G = DIPLOMAT
 H = VOYAGER
 K = MINI RAM/CARAVAN/ROYAL
 M = HORIZON/TURISMO
 P = RELIANT
 T = E CLASS/NEW YORKER
 V = 600
 V24 = DAYTONA
 Z = OMNI/CHARGER/RAMPAGE

BODY STYLES
 21 = 2-DOOR SEDAN
 22 = 2-DOOR SPECIAL COUPE
 24 = 2-DOOR HATCHBACK
 27 = 2-DOOR CONVERTIBLE
 28 = FWD PICKUP
 35 = FWD VAN
 36 = FWD WAGON
 41 = 4-DOOR SEDAN
 44 = 4-DOOR HATCHBACK
 45 = 4-DOOR STATION WAGON
 48 = 4-DOOR EXECUTIVE SEDAN

AR = Use as Required - = Non Illustrated Part P.A.R. = Paint as Required

LAMPS--FRONT M-Z 44
Figure 8-2200

410H 2200



ITEM	PART NUMBER	QTY	BODY	MODEL	DESCRIPTION
1	5207 780	2			LAMP, Qtr. Pnl. S/Marker Assy.
2					GASKET, Serviced in Lamp Assy.)
3					HOUSING,(Serviced in Lamp Assy.)
4					LENS, Serviced in Lamp Assy.)
5					SCREW,(Not Serviced)
6	5201 204	2			RETAINER, Sealed Beam Unit
7	0153 199	2			SEALED BEAM UNIT, Rt. Way Shift
	0153 590	2			Halogen
8	4103 468-9	2			SEAT, Sealed Beam Unit
9	4270 581	4			SCREW and NUT, Sealed Beam Seat Adj.
10	5201 386	2			SPRING, Sealed Beam Unit Mtg. Seat Adj.
11	6031 234	4			NUT, Spacer
12	6031 138	4			NUT, Spacer
13	3798 253	2			SEAL
14	5207 624-5	1			LENS, Also Serviced in Bezel Assy.)
15	4103 216-7	1			BEZEL, h/Lp., Park, t/Sig. and S/Marker Assy.
	4334 452-3	1			"GLH" Black
16					VENT STRIP, Serviced in Bezel Assy.)
	5207 792	2			LAMP, Fog Front Bumper
	4334 460-1				BRACKET, Fog Lamp
	4334 462-3				PLATE, Fog Lamp Attaching
	5207 795				COVER, Frt. Bumper Fog Lamp
	5207 798				LENS and REFLECTOR, Bumper Fog Lamp
					BULB, H3 Frt. Bumper Fog Lamp (Serv. in 5207792)
NOTE: The following parts not shown on illustration Gear and Pinion numbers stamped on the item may be used to confirm the correct MATCHED SET they are contained in.					
	3513 686				SOCKET, Side Marker
	3588 314				SOCKET, Side Marker (Repair)
	3764 863				Turn Signal Frt.
	3843 432				Repair Pkg.
	4055 433				PARK, t/Sig. Repair Pkg.
	9438 848				BULB,t/Sig.& Side Marker
	9425 542				BULB,Side Marker

MODEL CODES

B = GRAN FURY	F = FIFTH AVENUE/NEWPORT	P = RELIANT
C = LEBARON/TOWN & COUNTRY/EXC SEDAN	G = DIPLOMAT	T = E CLASS/NEW YORKER
C24 = LASER	H = VOYAGER	V = 600
D = ARIES	K = MINI RAM/CARAVAN/ROYAL	V24 = DAYTONA
E = 600	M = HORIZON/TURISMO	Z = OMNI/CHARGER/RAMPAGE

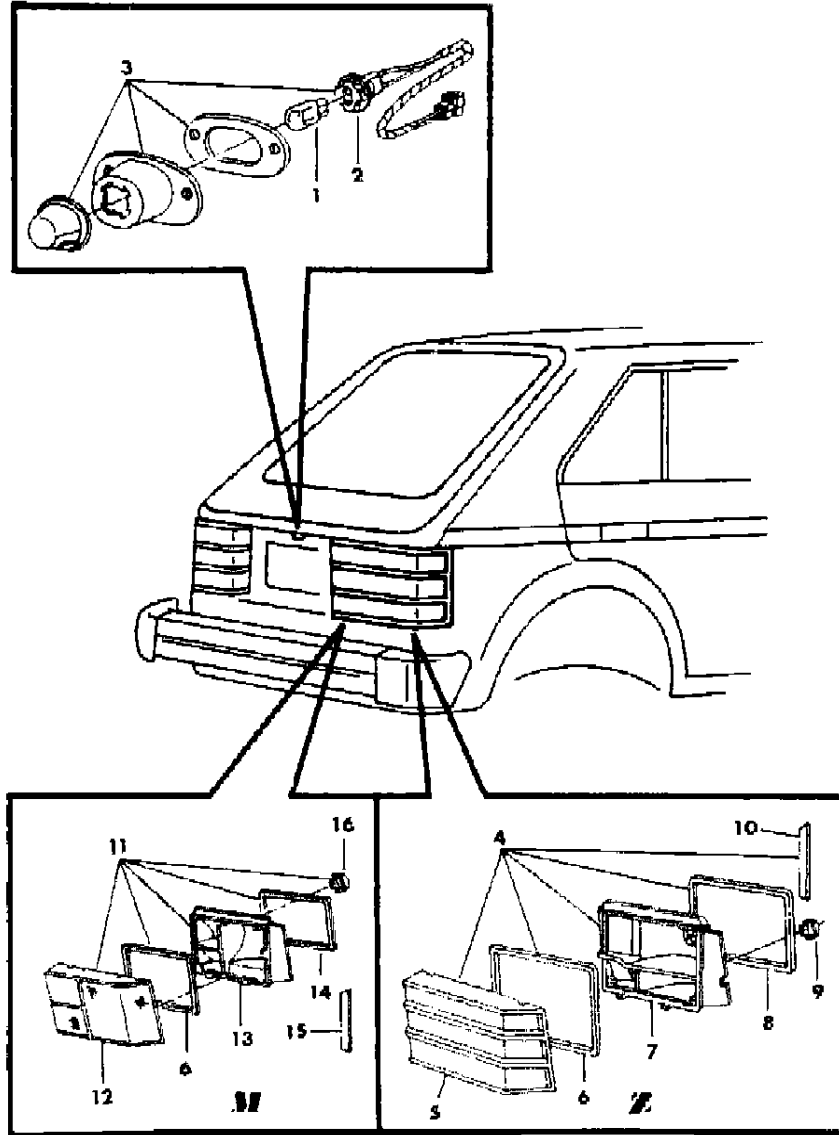
BODY STYLES

21 = 2-DOOR SEDAN	28 = FWD PICKUP	44 = 4-DOOR HATCHBACK
22 = 2-DOOR SPECIAL COUPE	35 = FWD VAN	45 = 4-DOOR STATION WAGON
24 = 2-DOOR HATCHBACK	36 = FWD WAGON	48 = 4-DOOR EXECUTIVE SEDAN
27 = 2-DOOR CONVERTIBLE	41 = 4-DOOR SEDAN	

AR = Use as Required - = Non Illustrated Part P.A.R. = Paint as Required

LAMPS & WIRING--REAR M-Z 44
Figure 8-2300

4108 2300



ITEM	PART NUMBER	QTY	BODY	MODEL	DESCRIPTION
1	9425 542				BULB
2					SOCKET and CABLE, Not Serv.
3	5207 516				LAMP ASSEMBLY, License Housing (License) Serviced In Lamp Assy.
4	5207 656-7			Z	LAMP ASSEMBLY
5	5207 662-3	1		Z	LENS
	5207 740-1	1		Z	LENS, Export
6	3798 253	2		M,Z	SEAL
7		2		Z	HOUSING ASSEMBLY, Serv. in #4
	5207 526-7	2		Z	HOUSING ASSEMBLY, Export
8	3798 253			Z	SEAL,(Also Serviced in Housing Assy.)
9				Z	GROUND RING, Serviced in Housing Assy.)
10	5207 620			Z	WELT
11	5207 648-9			M	LAMP ASSEMBLY
12	5207 654-5	1		M	LENS
	5207 540-1	1		M	LENS, Export
13		1		M	HOUSING ASSEMBLY, Serv. in #11
	5207 526-7	1		M	HOUSING ASSEMBLY, Export
14	3798 253			M	SEAL
15	5207 666-7	2		M	WELT
16				M	GROUND RING, Serviced in Housing Assy.)

NOTE: The following parts not shown on illustration. Gear and Pinion numbers stamped on the item may be used to confirm the correct MATCHED SET they are contained in.

5211 711	SOCKET, Turn Signal Rr.
2584 972	Repair Pkg.
4124 081	Tail Light
9417 866	BULB,B/Up Lamp

MODEL CODES

B = GRAN FURY	F = FIFTH AVENUE/NEWPORT	P = RELIANT
C = LEBARON/TOWN & COUNTRY/EXC SEDAN	G = DIPLOMAT	T = E CLASS/NEW YORKER
C24 = LASER	H = VOYAGER	V = 600
D = ARIES	K = MINI RAM/CARAVAN/ROYAL	V24 = DAYTONA
E = 600	M = HORIZON/TURISMO	Z = OMNI/CHARGER/RAMPAGE

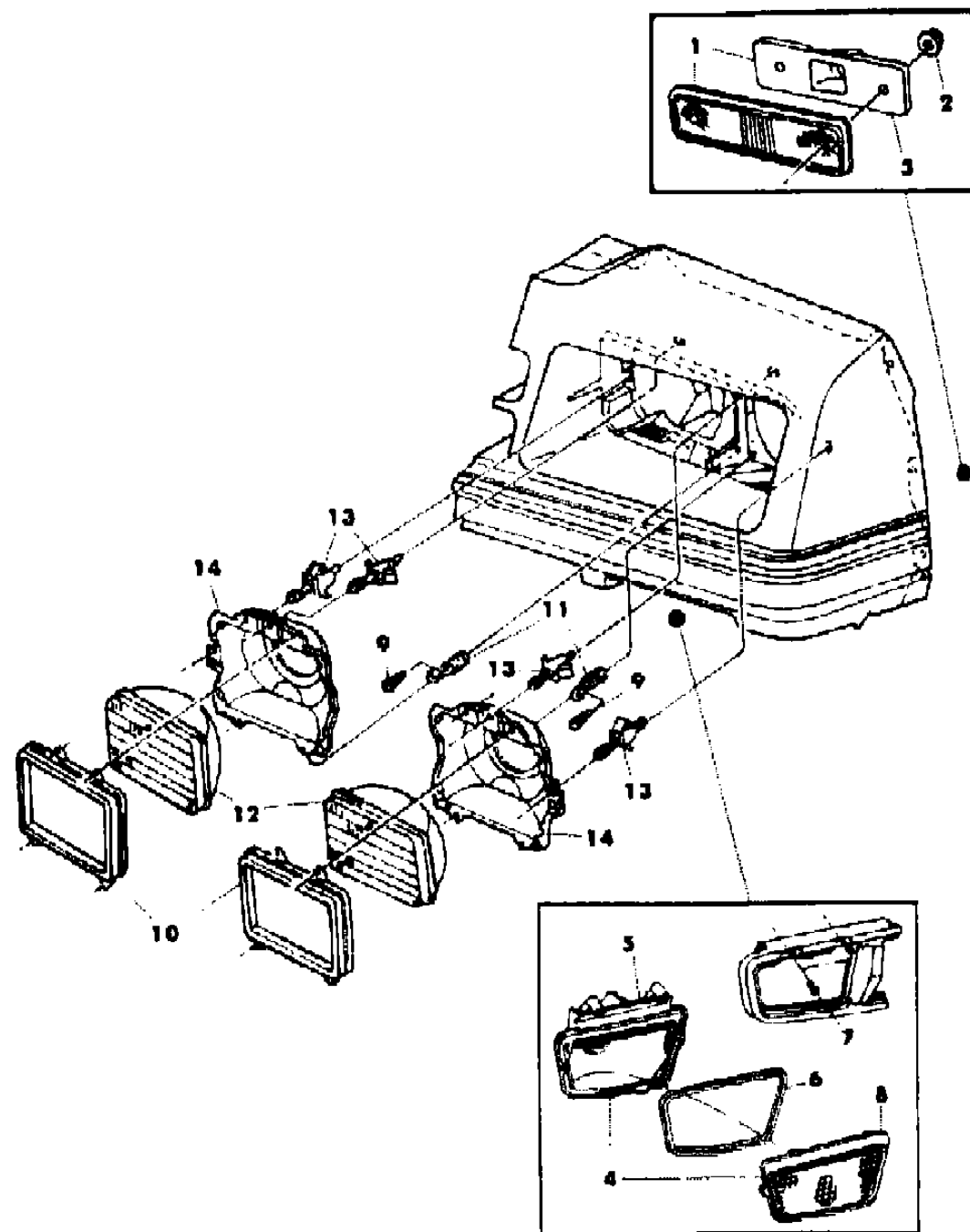
BODY STYLES

21 = 2-DOOR SEDAN	28 = FWD PICKUP	44 = 4-DOOR HATCHBACK
22 = 2-DOOR SPECIAL COUPE	35 = FWD VAN	45 = 4-DOOR STATION WAGON
24 = 2-DOOR HATCHBACK	36 = FWD WAGON	48 = 4-DOOR EXECUTIVE SEDAN
27 = 2-DOOR CONVERTIBLE	41 = 4-DOOR SEDAN	

AR = Use as Required - = Non Illustrated Part P.A.R. = Paint as Required

LAMPS--FRONT M-Z 28
Figure 8-2400

4108 2400



ITEM	PART NUMBER	QTY	BODY	MODEL	DESCRIPTION
1	4174 837	2			LAMP, Frt. Fender Side Marker
2	6028 471	4			NUT
3					HOUSING, (Serv. in Lamp Assy.)
4	5207 722-3	1			LAMP, Park & Turn Signal
5					HOUSING, (Serv. in Lamp Assy.)
6	3798 253	2			SEAL, (Serv. in Lamp Assy.)
7					SCREW,(Serv. in Lamp Assy.)
8					LENS, (Serv. in Lamp Assy.)
9					SCREW, (Not Serv.)
10	4270 548	2			RETAINER
11	4334 139	2			SCREW
12	0153 199	2			SEALED BEAM UNIT, Lt. Way Shift
	0153 273	2			Rt. Way Shift (Export)
	0153 590	2			HALOGEN
13	5201 386	2			SPRING, Sealed Beam Unit Mtg. Seat Adjust.
14	4074 686-7	2			SEAT, Sealed Beam Unit

NOTE: The Following Parts Not Shown On Illustration Gear and Pinion numbers stamped on the item may be used to confirm the correct MATCHED SET they are contained in.

4274 041	SOCKET, Turn Signal
3513 686	SOCKET, Side Marker (Repair)
3764 863	SOCKET, Park & Turn Signal Frt.
3764 863	SOCKET, Park & Turn Signal Frt. (Repair)
9438 848	BULB, Turn Signal & Side Marker
9425 542	BULB, Side Marker

MODEL CODES

B = GRAN FURY	F = FIFTH AVENUE/NEWPORT	P = RELIANT
C = LEBARON/TOWN & COUNTRY/EXC SEDAN	G = DIPLOMAT	T = E CLASS/NEW YORKER
C24 = LASER	H = VOYAGER	V = 600
D = ARIES	K = MINI RAM/CARAVAN/ROYAL	V24 = DAYTONA
E = 600	M = HORIZON/TURISMO	Z = OMNI/CHARGER/RAMPAGE

BODY STYLES

21 = 2-DOOR SEDAN	28 = FWD PICKUP	44 = 4-DOOR HATCHBACK
22 = 2-DOOR SPECIAL COUPE	35 = FWD VAN	45 = 4-DOOR STATION WAGON
24 = 2-DOOR HATCHBACK	36 = FWD WAGON	48 = 4-DOOR EXECUTIVE SEDAN
27 = 2-DOOR CONVERTIBLE	41 = 4-DOOR SEDAN	

AR = Use as Required - = Non Illustrated Part P.A.R. = Paint as Required

LAMPS & WIRING--REAR M-Z 28
Figure 8-2500

4108 2500

ITEM	PART NUMBER	QTY	BODY	MODEL	DESCRIPTION
1	4174 379				LAMP ASSEMBLY, License
2					SCREW, (Not Serv.)
3					LENS, (Serv. in Lamp Assy.)
4	9425 542				BULB
5					HOUSING, (Serv. in Lamp Assy.)
6	5207 716-7				LAMP, Tail, Stop, Turn Signal Assy.
7					LENS, (Serv. In Lamp Assy.)
8					HOUSING, (Serv. In Lamp Assy.)
9	4174 404				LAMP, Rear Side Marker
10					HOUSING, (Serv. In Lamp Assy.)
11					LENS, (Serv. In Lamp Assy.)

NOTE: The Following Parts Not Shown On Illustration Gear and Pinion numbers stamped on the item may be used to confirm the correct MATCHED SET they are contained in.

3764 863	SOCKET, Tail, Stop, Turn Signal
3764 864	SOCKET, Back-Up Lamp
9417 866	BULB, Back-Up Lamp

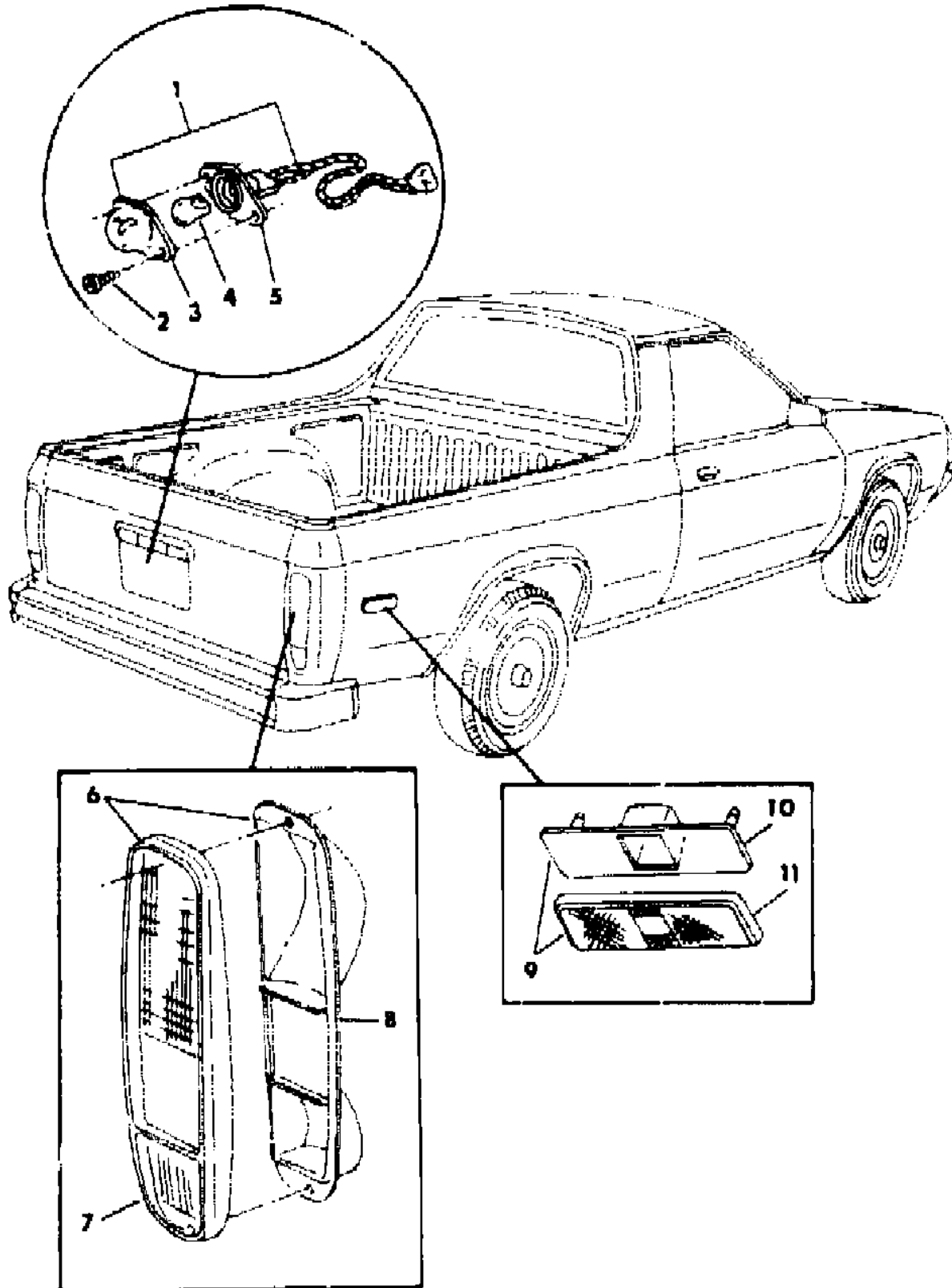
MODEL CODES

B = GRAN FURY	F = FIFTH AVENUE/NEWPORT	P = RELIANT
C = LEBARON/TOWN & COUNTRY/EXC SEDAN	G = DIPLOMAT	T = E CLASS/NEW YORKER
C24 = LASER	H = VOYAGER	V = 600
D = ARIES	K = MINI RAM/CARAVAN/ROYAL	V24 = DAYTONA
E = 600	M = HORIZON/TURISMO	Z = OMNI/CHARGER/RAMPAGE

BODY STYLES

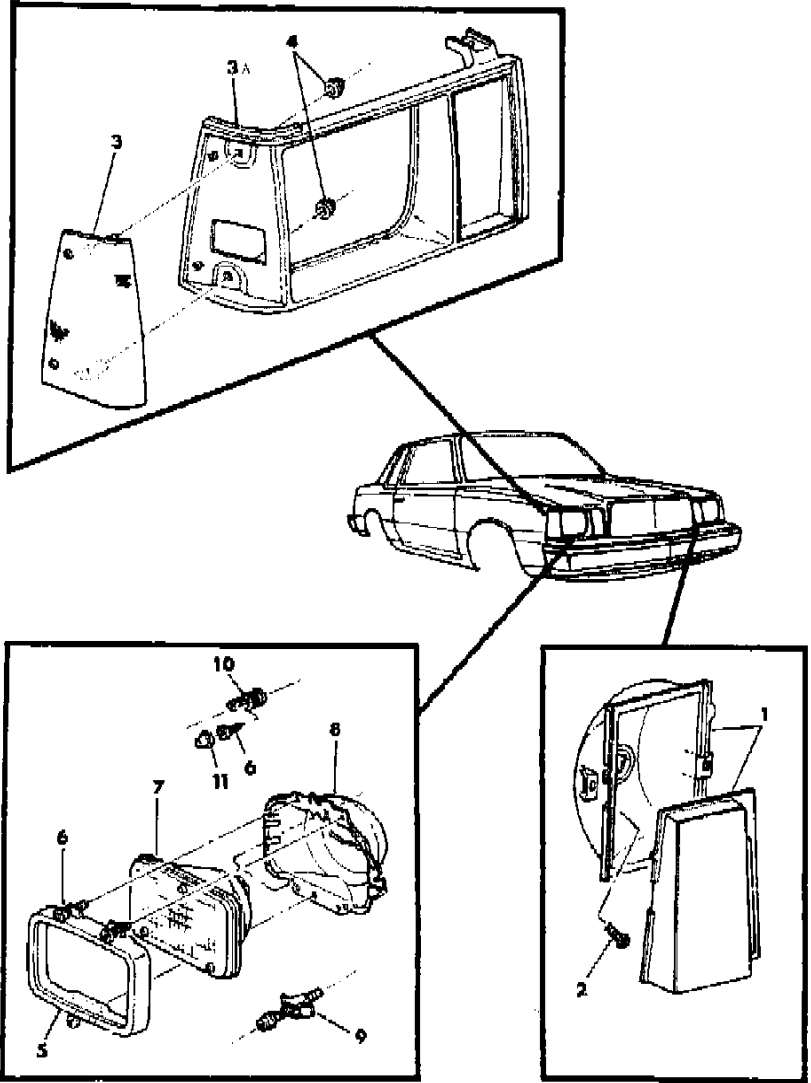
21 = 2-DOOR SEDAN	28 = FWD PICKUP	44 = 4-DOOR HATCHBACK
22 = 2-DOOR SPECIAL COUPE	35 = FWD VAN	45 = 4-DOOR STATION WAGON
24 = 2-DOOR HATCHBACK	36 = FWD WAGON	48 = 4-DOOR EXECUTIVE SEDAN
27 = 2-DOOR CONVERTIBLE	41 = 4-DOOR SEDAN	

AR = Use as Required - = Non Illustrated Part P.A.R. = Paint as Required



LAMPS--FRONT P-D
Figure 8-2600

4108 2600



ITEM	PART NUMBER	QTY	BODY	MODEL	DESCRIPTION
1	4174 002-3				LAMP, h/Lamp Bezel Park & t/Sig. Assy.
2	6031 138	4			SCREW
3	4174 108-9				LAMP, h/Lamp Bezel s/Marker Assy.
3a	4270 574-5				BEZEL, Head Lamp
4	6029 471	4			NUT
5	4103 378	2			RETAINER
6	0153 340	6			SCREW
7	0153 590				SEALED BEAM UNIT Halogen (Rt. Way Shift) 7"
	0153 199				(Rt. Way Shift) 7" (Exc. Halogen)
	0153 273				(Lt. Way Shift) 7" (Export)
8	4103 468-9				SEAT, Rect. h/Lamp
9	4270 581	2			NUT and SCREW
10	5201 386	2			SPRING, Rect. h/Lamp
11	6030 765	6			CAP,(Screw Protector)
	4221 150				LAMP, Underhood
					NOTE: The following parts not shown on illustration Gear and Pinion numbers stamped on the item may be used to confirm the correct MATCHED SET they are contained in.
					SOCKET
	3843 432	2			Park and T/Sig.
	3588 314	2			Side Marker
	4274 100	2			Side Marker (Repair)
	9438 850	2			BULB,Park & Turn Signal
	9425 542	2			BULB,Side Marker
	9417 866				BULB, Cornering Lamp

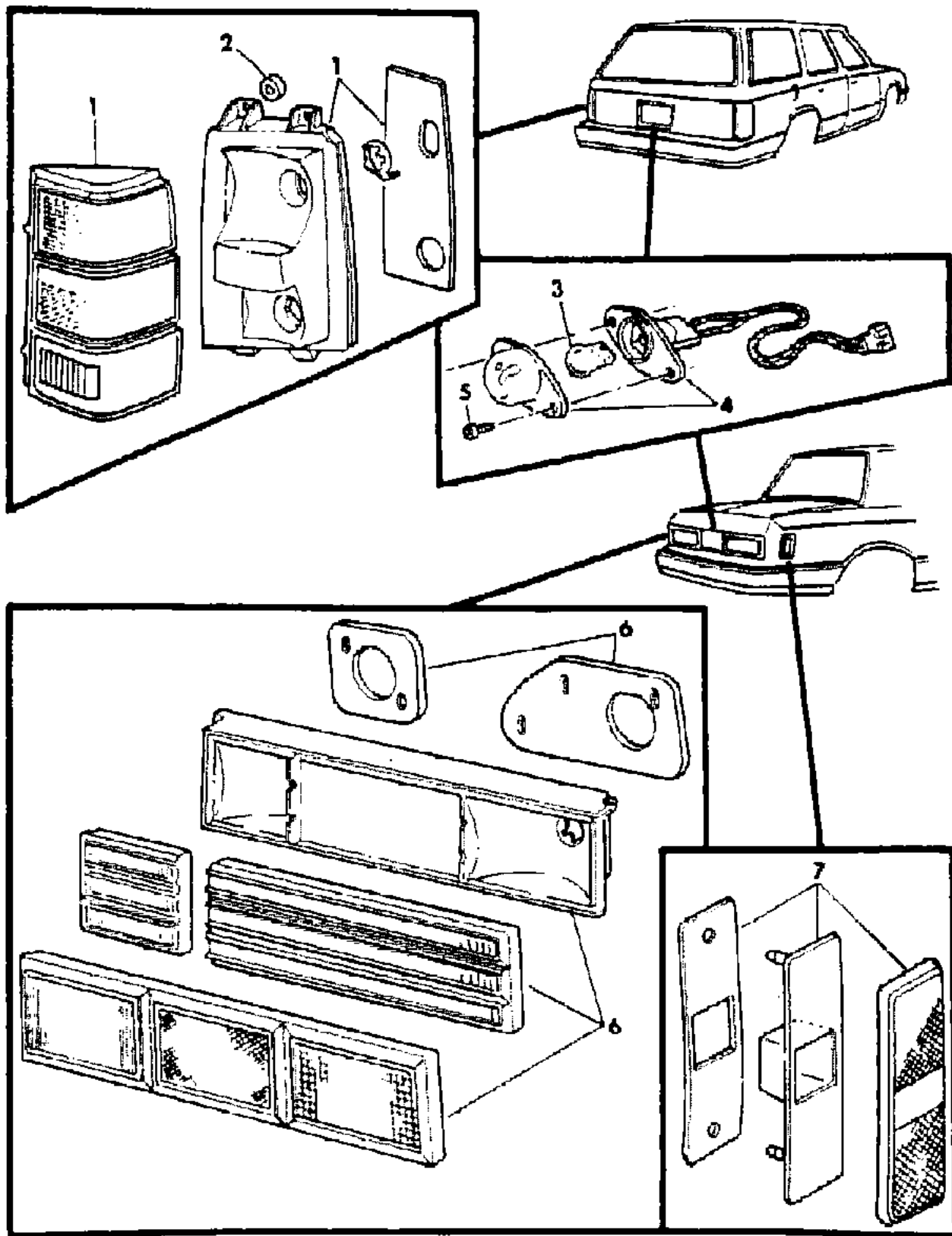
MODEL CODES
 B = GRAN FURY
 C = LEBARON/TOWN & COUNTRY/EXC SEDAN
 C24 = LASER
 D = ARIES
 E = 600
 F = FIFTH AVENUE/NEWPORT
 G = DIPLOMAT
 H = VOYAGER
 K = MINI RAM/CARAVAN/ROYAL
 M = HORIZON/TURISMO
 P = RELIANT
 T = E CLASS/NEW YORKER
 V = 600
 V24 = DAYTONA
 Z = OMNI/CHARGER/RAMPAGE

BODY STYLES
 21 = 2-DOOR SEDAN
 22 = 2-DOOR SPECIAL COUPE
 24 = 2-DOOR HATCHBACK
 27 = 2-DOOR CONVERTIBLE
 28 = FWD PICKUP
 35 = FWD VAN
 36 = FWD WAGON
 41 = 4-DOOR SEDAN
 44 = 4-DOOR HATCHBACK
 45 = 4-DOOR STATION WAGON
 48 = 4-DOOR EXECUTIVE SEDAN

AR = Use as Required - = Non Illustrated Part P.A.R. = Paint as Required

LAMPS & WIRING--REAR P-D
Figure 8-2700

4108 2700



ITEM	PART NUMBER	QTY	BODY	MODEL	DESCRIPTION
1					LAMP, Qtr. Pnl. t/Stop & t/Sig. b/Up & Side Marker Assy.
	4174 080-1			P (45)	
	4174 096-7			D (45)	
	4174 298			P,D (45)	BRACKET, Qtr. Pnl. (Not Shown)
	6026 958				PUSHNUT
2	4174 299			P,D (45)	GASKET, Qtr. Pnl.
3	9425 542	2			BULB,(License)
4	4174 560				LAMP ASSEMBLY, License Housing (License) Serviced In Lamp Assy.
5					SCREW,(Not Serviced)
6	4174 790-1			P-L (21)	LAMP, t/Stop t/Sig. & b/Up Assy.
	4174 796-7			P-H (21)	
	4174 804-5			D-L (21)	
	4174 808-9			D-H (21)	
7	4174 118-9				LAMP, Qtr. Pnl. s/Marker Assy.
	4209 799			P-D 45	WIRING,Rt.Rear Lamp
	4274 107			P-D 45	WIRING,License Lamp
	4274 638			P-D 21-	WIRING,License & Trunk Lamp
	4304 165				WIRING,Trunk Lamp & Ajar
	4221 454				LAMP PACKAGE, Trunk
NOTE: The following parts not shown on illustration Gear and Pinion numbers stamped on the item may be used to confirm the correct MATCHED SET they are contained in.					
					SOCKET
	3588 314	2		(21,41)	Side Marker
	4274 100	2			Side Marker, t/Sig. (Repair Pkg.)
	4124 081	4		(21,41)	Tail Stop
	3588 314	4			License
	3843 432	4			Park & t/Sig.
	2822 196	2		(45)	Tail Stop and T/Sig.
	5211 711	2			Rr. t/Sig. w/(60Deg.)
	5211 712	2			Back Up w/(90Deg.)
	4274 800				Back Up
	9417 866	2			BULB,Back-Up Lamp

MODEL CODES

B = GRAN FURY	F = FIFTH AVENUE/NEWPORT	P = RELIANT
C = LEBARON/TOWN & COUNTRY/EXC SEDAN	G = DIPLOMAT	T = E CLASS/NEW YORKER
C24 = LASER	H = VOYAGER	V = 600
D = ARIES	K = MINI RAM/CARAVAN/ROYAL	V24 = DAYTONA
E = 600	M = HORIZON/TURISMO	Z = OMNI/CHARGER/RAMPAGE

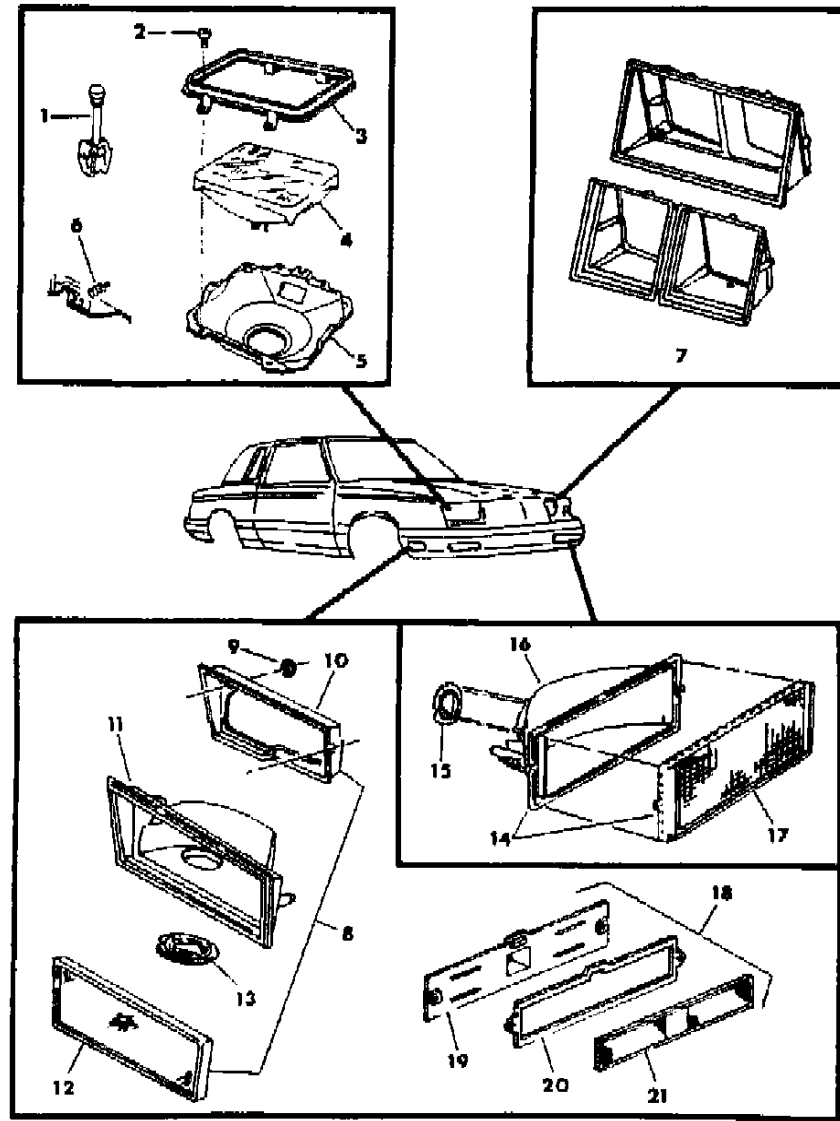
BODY STYLES

21 = 2-DOOR SEDAN	28 = FWD PICKUP	44 = 4-DOOR HATCHBACK
22 = 2-DOOR SPECIAL COUPE	35 = FWD VAN	45 = 4-DOOR STATION WAGON
24 = 2-DOOR HATCHBACK	36 = FWD WAGON	48 = 4-DOOR EXECUTIVE SEDAN
27 = 2-DOOR CONVERTIBLE	41 = 4-DOOR SEDAN	

AR = Use as Required - = Non Illustrated Part P.A.R. = Paint as Required

LAMPS--FRONT C-V-E-T
Figure 8-2800

410K 2700



ITEM	PART NUMBER	QTY	BODY	MODEL	DESCRIPTION
1	4334 139	1			SCREW, Sealed Beam Unit
2					SCREW, Not Serviced
3	4016 088				RETAINER, Sealed Beam Unit
4					SEALED BEAM UNIT
	0153 440				High Beam (Halogen)
	0153 481				High & Low Beam (Halogen)
	0153 200				High Beam
	0153 201				High & Low Beam
5					SEAT, Sealed Beam
	3868 928-9				High Beam
	3868 926-7				High & Low Beam
6	3868 789				SPRING, Sealed Beam Unit Seat Adj.
7					BEZEL, h/LAMP Assy.
	4270 550-1			C,T	Bezel
	4270 556-7			V,E	Bezel (Inner)
	4270 558-9			V,E	Bezel (Outer)
8	4174 206-7				LAMP, w/Cornering Assy.
9	6029 471	4			NUT
10	4174 212-3				BRACKET, Cornering Lamp
11					HOUSING, Serviced In Lamp Assy.
	4174 546-7	1		C-V	BEZEL,"Town & Country"
12					LENS, Serviced In Lamp Assy.
13					PLATE, Serviced In Lamp Assy.
14	4174 200-1				LAMP, Park & Turn Signal Assy.
15					PLATE, Serviced In Lamp Assy.
16					HOUSING, Serviced In Lamp Assy.
17					LENS, Serviced In Lamp Assy.
18	4174 224				LAMP, s/Marker Assy.
19					HOUSING, Serviced In Lamp Assy.
20					GASKET, Serviced In Lamp Assy.
21					LENS, Serviced In Lamp Assy.
	4221 150				LAMP, Underhood
NOTE: The following parts not shown on illustration Gear and Pinion numbers stamped on the item may be used to confirm the correct MATCHED SET they are contained in.					
	4274 100				SOCKET, Side Marker
	4124 721				w/Cable Cornering Lamp
	3843 432			C,V,E,T	SOCKET, Park & t/Sig.
	9438 850				BULB,Park & t/Sig.

MODEL CODES

B = GRAN FURY	F = FIFTH AVENUE/NEWPORT	P = RELIANT
C = LEBARON/TOWN & COUNTRY/EXC SEDAN	G = DIPLOMAT	T = E CLASS/NEW YORKER
C24 = LASER	H = VOYAGER	V = 600
D = ARIES	K = MINI RAM/CARAVAN/ROYAL	V24 = DAYTONA
E = 600	M = HORIZON/TURISMO	Z = OMNI/CHARGER/RAMPAGE

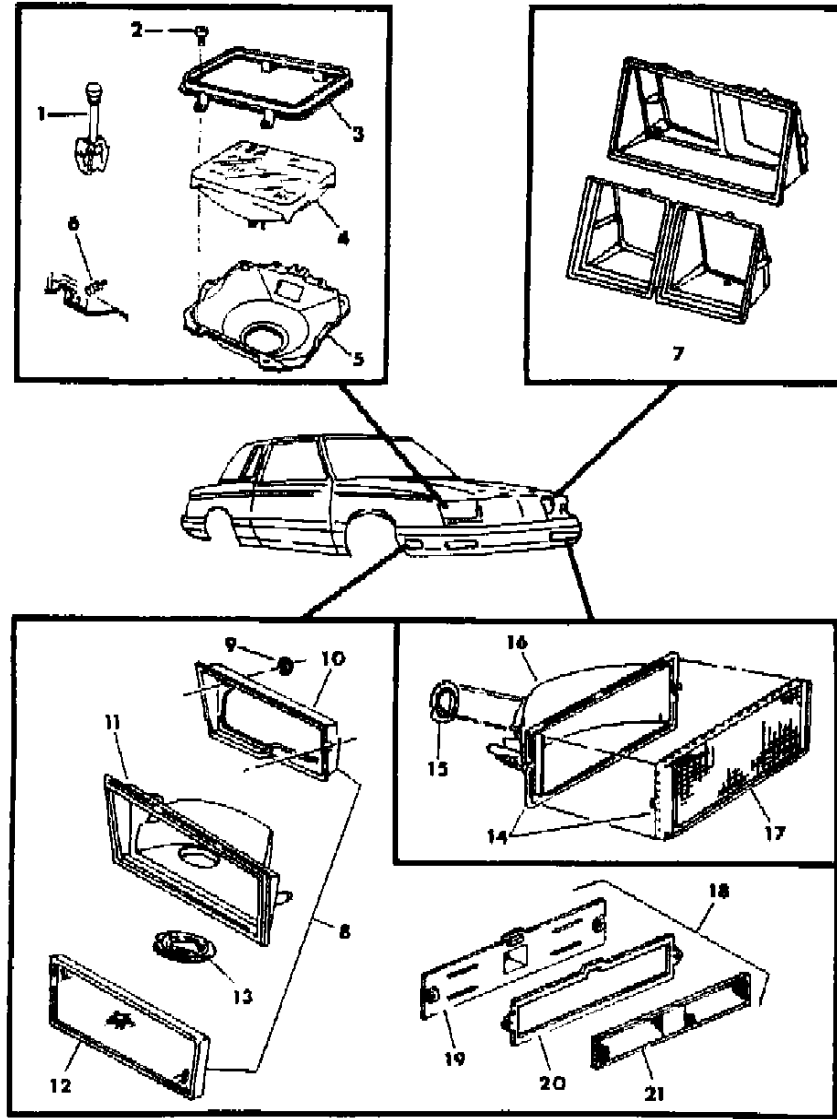
BODY STYLES

21 = 2-DOOR SEDAN	28 = FWD PICKUP	44 = 4-DOOR HATCHBACK
22 = 2-DOOR SPECIAL COUPE	35 = FWD VAN	45 = 4-DOOR STATION WAGON
24 = 2-DOOR HATCHBACK	36 = FWD WAGON	48 = 4-DOOR EXECUTIVE SEDAN
27 = 2-DOOR CONVERTIBLE	41 = 4-DOOR SEDAN	

AR = Use as Required - = Non Illustrated Part P.A.R. = Paint as Required

LAMPS--FRONT C-V-E-T
Figure 8-2800

410K 2800



ITEM	PART NUMBER	QTY	BODY	MODEL	DESCRIPTION
	9425 542				BULB, Side Marker Lamp
	9417 866				BULB, Cornering Lamp

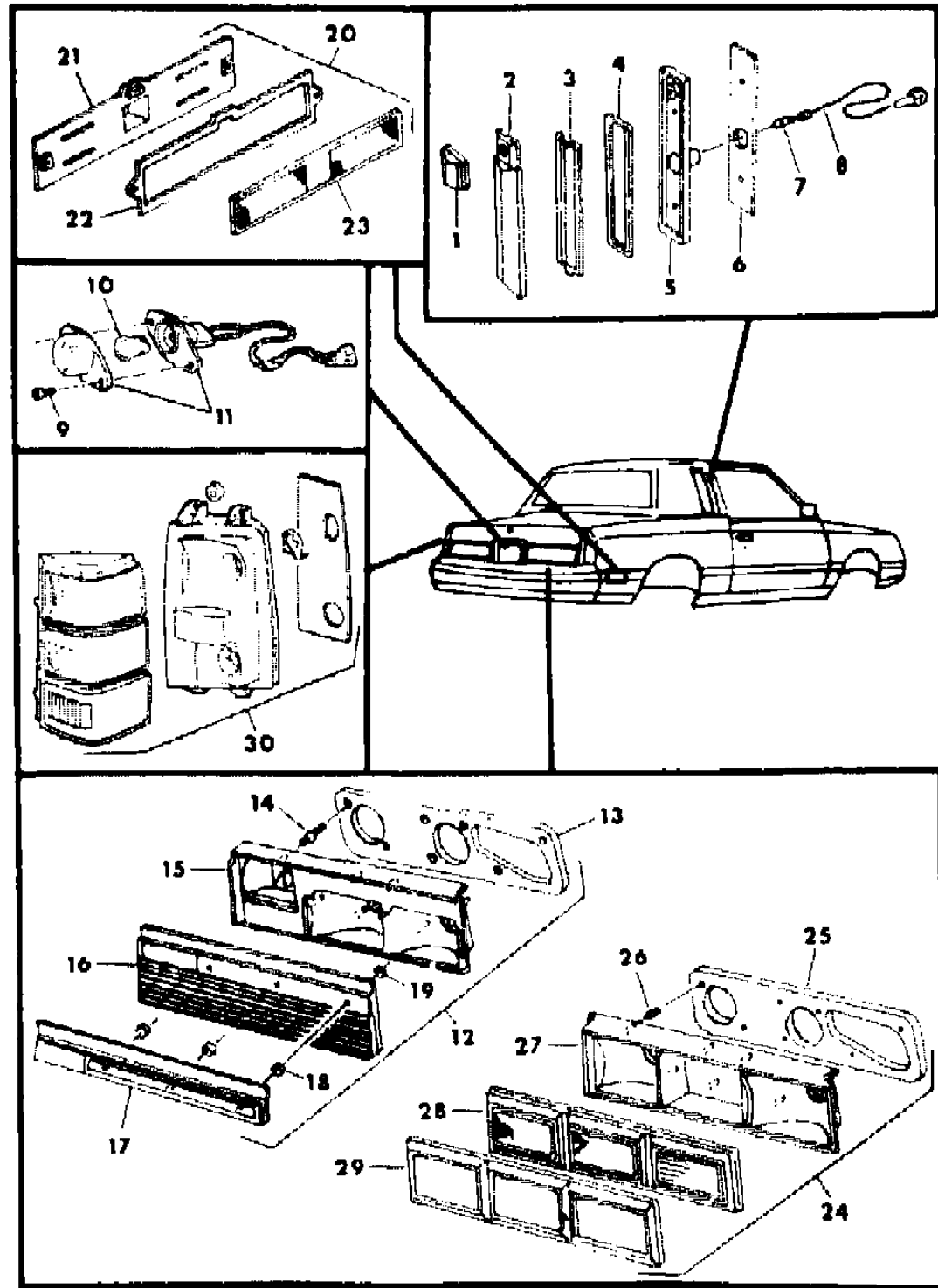
MODEL CODES
 B = GRAN FURY
 C = LEBARON/TOWN & COUNTRY/EXC SEDAN
 C24 = LASER
 D = ARIES
 E = 600
 F = FIFTH AVENUE/NEWPORT
 G = DIPLOMAT
 H = VOYAGER
 K = MINI RAM/CARAVAN/ROYAL
 M = HORIZON/TURISMO
 P = RELIANT
 T = E CLASS/NEW YORKER
 V = 600
 V24 = DAYTONA
 Z = OMNI/CHARGER/RAMPAGE

BODY STYLES
 21 = 2-DOOR SEDAN
 22 = 2-DOOR SPECIAL COUPE
 24 = 2-DOOR HATCHBACK
 27 = 2-DOOR CONVERTIBLE
 28 = FWD PICKUP
 35 = FWD VAN
 36 = FWD WAGON
 41 = 4-DOOR SEDAN
 44 = 4-DOOR HATCHBACK
 45 = 4-DOOR STATION WAGON
 48 = 4-DOOR EXECUTIVE SEDAN

AR = Use as Required - = Non Illustrated Part P.A.R. = Paint as Required

LAMPS & WIRING--REAR C-V-E-T
Figure 8-2900

4108 2900



ITEM	PART NUMBER	QTY	BODY	MODEL	DESCRIPTION
1	3881 692				COVER
2	3881 689				LENS ASSEMBLY
	4318 202-3			TP-41	LENS ASSEMBLY
	4174 598-9			TP-41	BEZEL,Opera Lamp
				TP-41	FILTER, Serv.in Lens Assy.
	9437 448			TP-41	BULB
	0153 365			TP-41	SCREW,Attaching
3					FILTER, Serviced In Lens Assy.
4	3881 688				GASKET, Lens
5	4186 356				HOUSING ASSEMBLY
6					GASKET, Housing (Serviced In Housing Assy.)
7	9428 049				BULB
8	3746 516				SOCKET
9					SCREW, Not Serviced
10	9425 542				BULB, License
11	4174 560				LAMP ASSEMBLY, License
12	4174 744-5			C	LAMP, Tail Stop & t/Signal Assy.
	4174 768-9			T	LAMP ASSEMBLY, Tail, Stop, Turn Sig.
	4174 844-5			TP	LAMP ASSEMBLY, Tail, Stop, Turn Sig.
13				C,T	GASKET, Serviced in Lamp Assy.
14				C,T	STUD, Serviced in Lamp Assy.
15				C,T	HOUSING, Serviced In Lamp Assy.
16				C,T	LENS, Serviced In Lamp Assy.
17				C,T	BEZEL, Serviced In Lamp Assy.
18				C,T	GASKET, Serviced In Lamp Assy.
19	9420 294			C,T	NUT
20	4174 311			C-V-E-T	LAMP, s/Marker Assy.
	4319 882-3			CV 27	BEZEL,s/Marker Lamp
21					HOUSING, Serviced In Lamp Assy.
22					GASKET, Serviced in Lamp Assy.
23					LENS, Serviced in Lamp Assy.
24	4174 738-9			V	LAMP, Tail Stop & t/Signal Assy.
	4174 762-3			E	LAMP, Tail Stop & t/Signal Assy.
25				V,E	GASKET, Serviced In Lamp Assy.
26				V,E	STUD, Serviced In Lamp Assy.
27				V,E	HOUSING, Serviced In Lamp Assy.
28				V,E	LENS, Serviced In Lamp Assy.
29				V,E	BEZEL, Serviced In Lamp Assy.

MODEL CODES

B = GRAN FURY	F = FIFTH AVENUE/NEWPORT	P = RELIANT
C = LEBARON/TOWN & COUNTRY/EXC SEDAN	G = DIPLOMAT	T = E CLASS/NEW YORKER
C24 = LASER	H = VOYAGER	V = 600
D = ARIES	K = MINI RAM/CARAVAN/ROYAL	V24 = DAYTONA
E = 600	M = HORIZON/TURISMO	Z = OMNI/CHARGER/RAMPAGE

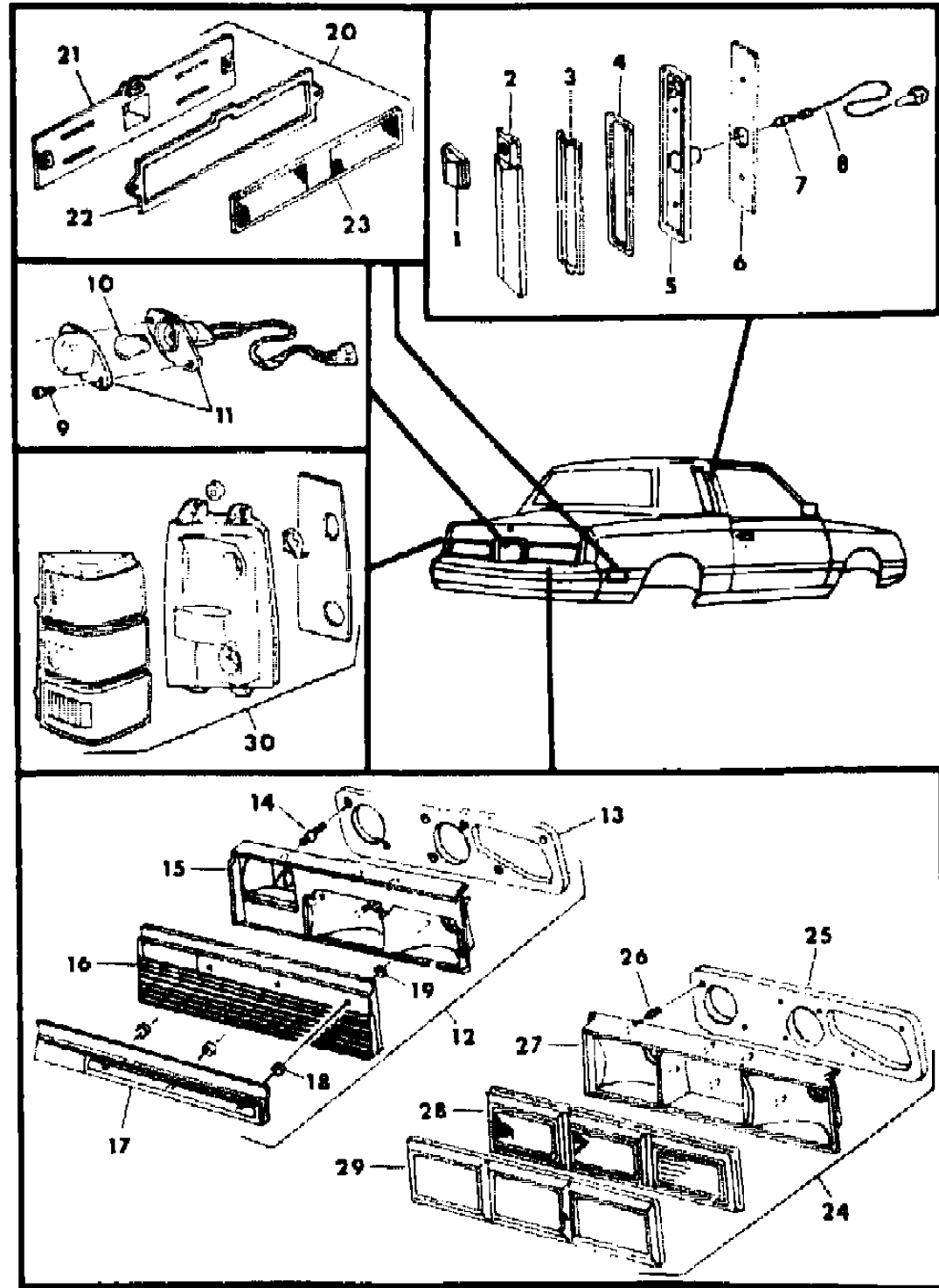
BODY STYLES

21 = 2-DOOR SEDAN	28 = FWD PICKUP	44 = 4-DOOR HATCHBACK
22 = 2-DOOR SPECIAL COUPE	35 = FWD VAN	45 = 4-DOOR STATION WAGON
24 = 2-DOOR HATCHBACK	36 = FWD WAGON	48 = 4-DOOR EXECUTIVE SEDAN
27 = 2-DOOR CONVERTIBLE	41 = 4-DOOR SEDAN	

AR = Use as Required - = Non Illustrated Part P.A.R. = Paint as Required

LAMPS & WIRING--REAR C-V-E-T
Figure 8-2900

4108 2900



ITEM	PART NUMBER	QTY	BODY	MODEL	DESCRIPTION
30	4174 080-1			C (45)	LAMP, Qtr. Pnl. t/S t/Sig. b/Up & s/Marker Assy.
	4174 299			C (45)	Gasket, Qtr. Pnl. T/S T/Sig. B/Up & S/Marker (Not Shown)
	4174 298			C (45)	Bracket, Qtr. Pnl. T/S T/Sig. B/Up & S/Marker (Not Shown)
	4209 799			C	WIRING,Rt.Rear Lamp
	4304 165			C-V 21-	WIRING,License & Trunk Ajar Lamp
	4221 577			C-V-E-T	LAMP PACKAGE, Trunk
					NOTE: The following parts not shown on illustration Gear and Pinion numbers stamped on the item may be used to confirm the correct MATCHED SET they are contained in.
					SOCKET, License Lamp
	3588 314				Side Marker
	4274 800				Back Up Repair Pkg.
	3588 314				Rr. s/Marker
	9417 866				BULB,Back-Up Lamp

MODEL CODES

B = GRAN FURY	F = FIFTH AVENUE/NEWPORT	P = RELIANT
C = LEBARON/TOWN & COUNTRY/EXC SEDAN	G = DIPLOMAT	T = E CLASS/NEW YORKER
C24 = LASER	H = VOYAGER	V = 600
D = ARIES	K = MINI RAM/CARAVAN/ROYAL	V24 = DAYTONA
E = 600	M = HORIZON/TURISMO	Z = OMNI/CHARGER/RAMPAGE

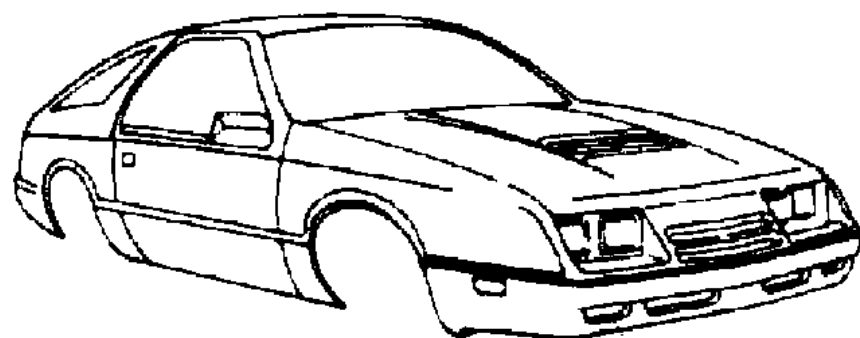
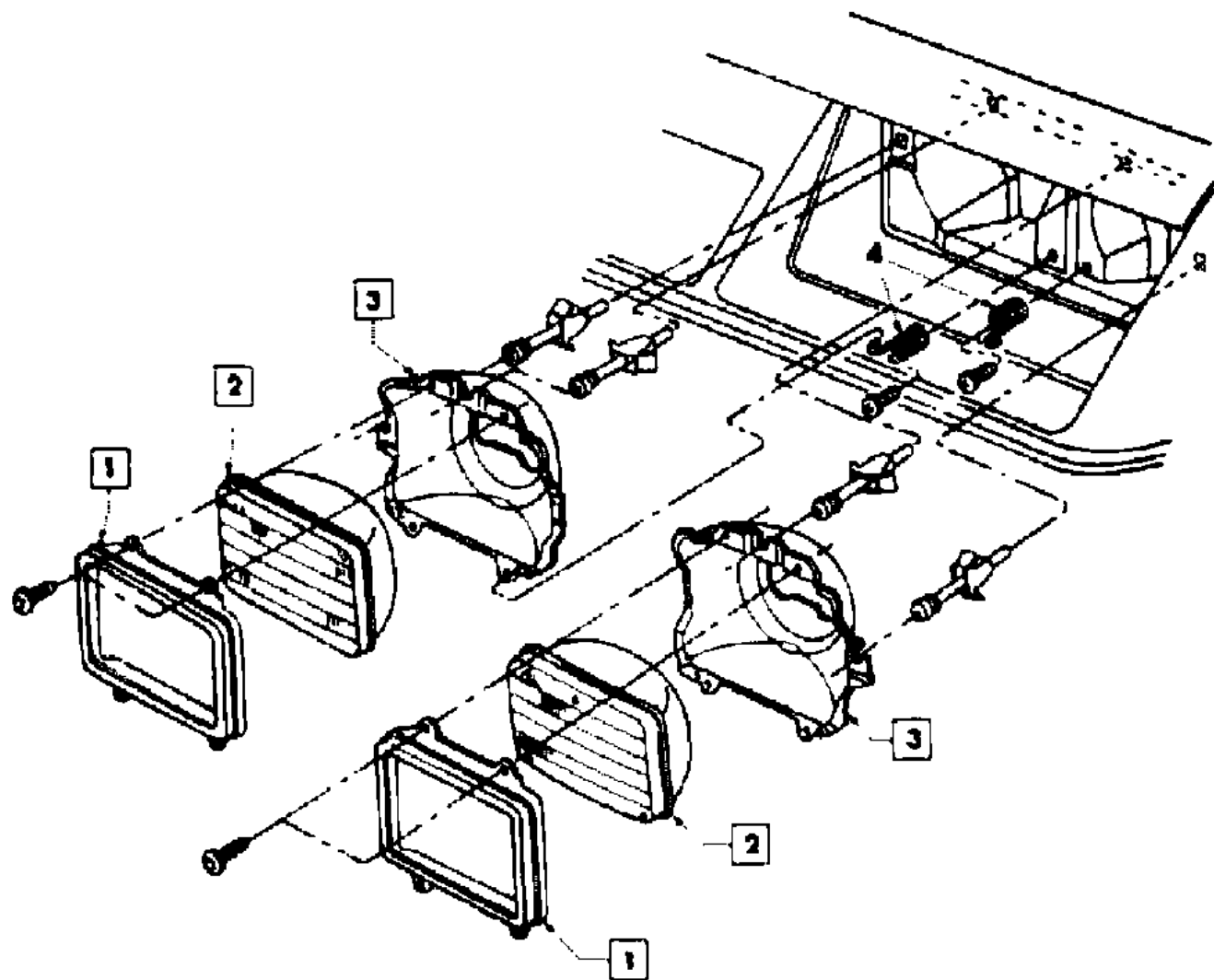
BODY STYLES

21 = 2-DOOR SEDAN	28 = FWD PICKUP	44 = 4-DOOR HATCHBACK
22 = 2-DOOR SPECIAL COUPE	35 = FWD VAN	45 = 4-DOOR STATION WAGON
24 = 2-DOOR HATCHBACK	36 = FWD WAGON	48 = 4-DOOR EXECUTIVE SEDAN
27 = 2-DOOR CONVERTIBLE	41 = 4-DOOR SEDAN	

AR = Use as Required - = Non Illustrated Part P.A.R. = Paint as Required

LAMPS--FRONT V-C 24
Figure 8-3000

4108 J000



5

6

ITEM	PART NUMBER	QTY	BODY	MODEL	DESCRIPTION
1	4270 937				RETAINER, H/Lamp
2	0153 481				BULB, Hi-Lo
	0153 440				Hi
3	3868 926-7				SEAT, H/Lamp Hi-Lo Black
	3868 928-9				Hi, Black
4	5201 386				SPRING, Adj.
5	4174 837				LAMP ASSEMBLY, Side Marker
6	4174 510-1				LAMP ASSEMBLY, Park, Turn Sig.
	4270 930-1			V	BEZEL, Front Bumper Fascia Black
	4270 932-3			C	Chrome & Black
	9438 850				BULB, Park & Turn Signal
	9425 542				BULB, Side Marker
	4312 108				SENSOR, H/Lamp Outage (Left of Strg.Column)
	3843 432				SOCKET, T/Signal Lamp
	2983 170				SPRING PACKAGE

MODEL CODES

B = GRAN FURY	F = FIFTH AVENUE/NEWPORT	P = RELIANT
C = LEBARON/TOWN & COUNTRY/EXC SEDAN	G = DIPLOMAT	T = E CLASS/NEW YORKER
C24 = LASER	H = VOYAGER	V = 600
D = ARIES	K = MINI RAM/CARAVAN/ROYAL	V24 = DAYTONA
E = 600	M = HORIZON/TURISMO	Z = OMNI/CHARGER/RAMPAGE

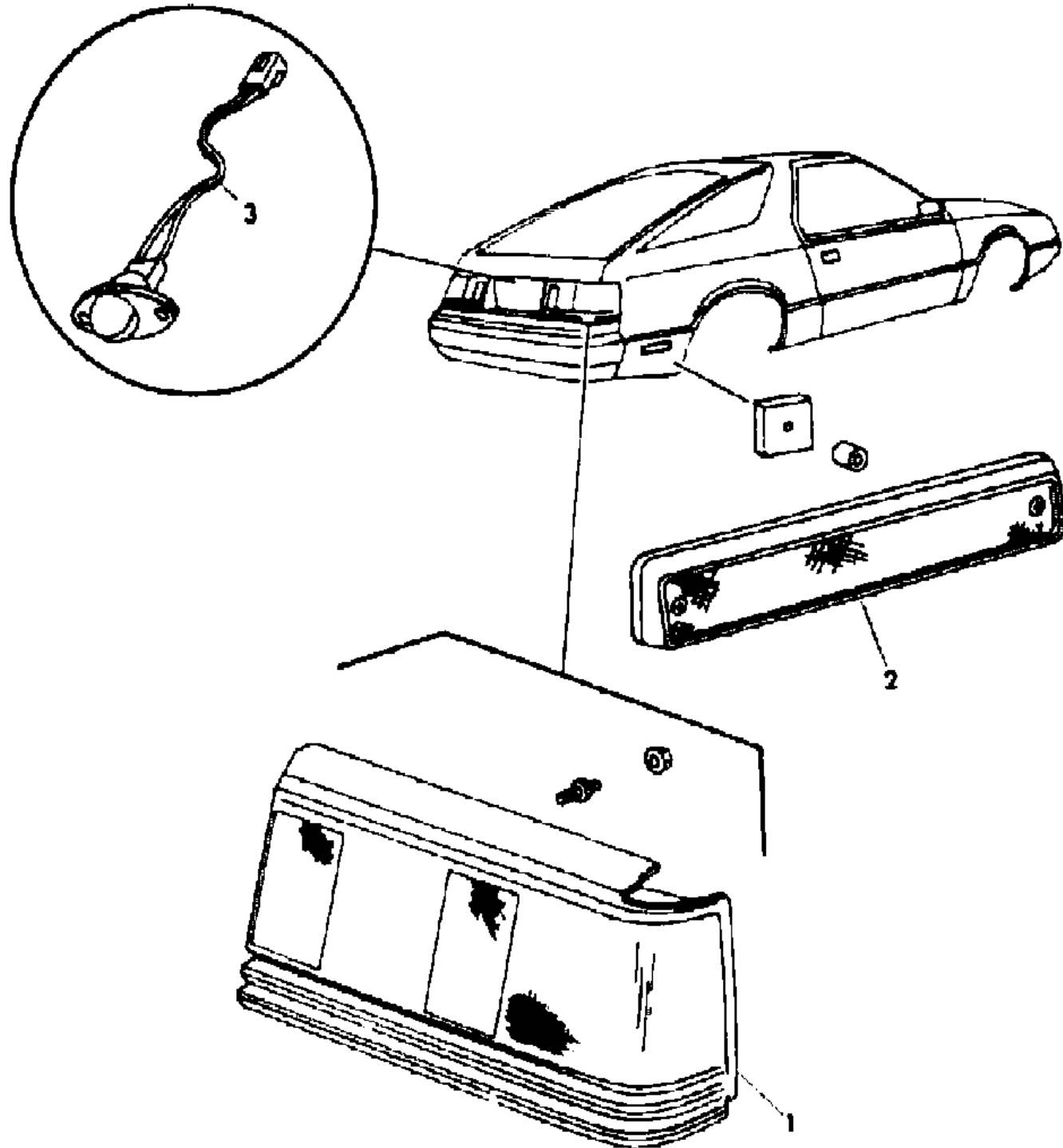
BODY STYLES

21 = 2-DOOR SEDAN	28 = FWD PICKUP	44 = 4-DOOR HATCHBACK
22 = 2-DOOR SPECIAL COUPE	35 = FWD VAN	45 = 4-DOOR STATION WAGON
24 = 2-DOOR HATCHBACK	36 = FWD WAGON	48 = 4-DOOR EXECUTIVE SEDAN
27 = 2-DOOR CONVERTIBLE	41 = 4-DOOR SEDAN	

AR = Use as Required - = Non Illustrated Part P.A.R. = Paint as Required

LAMPS & WIRING--REAR V-C 24
Figure 8-3100

4108 3100



ITEM	PART NUMBER	QTY	BODY	MODEL	DESCRIPTION
1	4174 842-3			C	LAMP ASSEMBLY, Tail, Stop, T/Sig.,Back-Up
	4174 814-5			V	LAMP ASSEMBLY, Tail, Stop, T/Sig., Back-Up
2	4174 820				REFLECTOR,Qtr.Panel Side
3	4174 560				LAMP,License
	5211 712				SOCKET,Back-Up Lamp
	9417 866				BULB,Back-Up Lamp
	9425 542				BULB,Side Marker
	4174 818-9			V	LENS
	4124 081				SOCKET, Tail Lamp
	4124 071				Terminal, Tail Lamp Socket
	4209 353				SOCKET, Side Marker
	4312 035				SENSOR, Tail Lamp Outage

MODEL CODES

B = GRAN FURY	F = FIFTH AVENUE/NEWPORT	P = RELIANT
C = LEBARON/TOWN & COUNTRY/EXC SEDAN	G = DIPLOMAT	T = E CLASS/NEW YORKER
C24 = LASER	H = VOYAGER	V = 600
D = ARIES	K = MINI RAM/CARAVAN/ROYAL	V24 = DAYTONA
E = 600	M = HORIZON/TURISMO	Z = OMNI/CHARGER/RAMPAGE

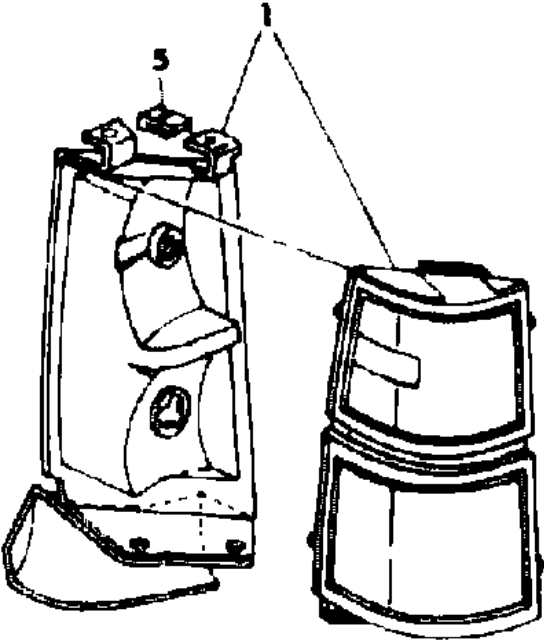
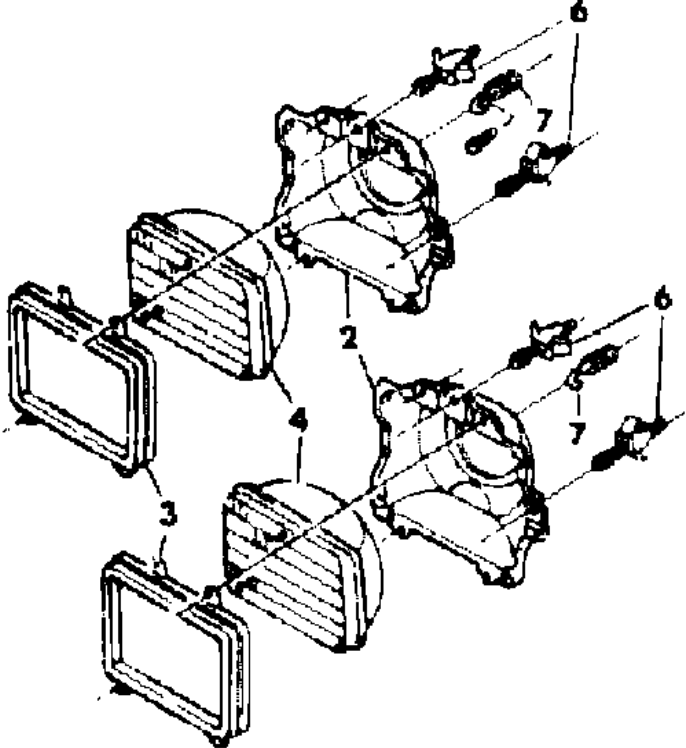
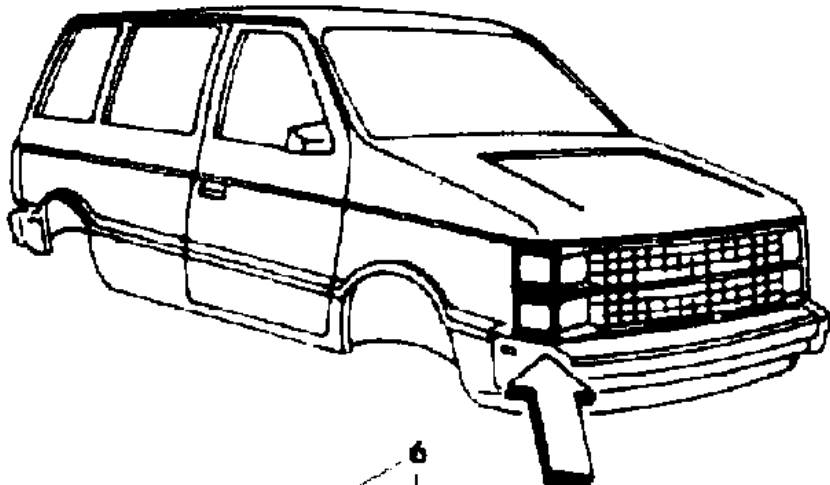
BODY STYLES

21 = 2-DOOR SEDAN	28 = FWD PICKUP	44 = 4-DOOR HATCHBACK
22 = 2-DOOR SPECIAL COUPE	35 = FWD VAN	45 = 4-DOOR STATION WAGON
24 = 2-DOOR HATCHBACK	36 = FWD WAGON	48 = 4-DOOR EXECUTIVE SEDAN
27 = 2-DOOR CONVERTIBLE	41 = 4-DOOR SEDAN	

AR = Use as Required - = Non Illustrated Part P.A.R. = Paint as Required

LAMPS--FRONT H-K
Figure 8-3200

4108 3200



ITEM	PART NUMBER	QTY	BODY	MODEL	DESCRIPTION
1	4174 884-5			L-H-P-S	LAMP ASSEMBLY
	4174 886-7			E	
	4270 314-5			K 36	BEZEL,H/Lamp Chrome
	4270 314			H-K 35	BEZEL,H/Lamp Chrome
	4270 332-3			H-K 35	Argent
	4270 342-3			H-36	Chrome & Black
2	3868 928-9				Seat,H/Lamp Bulb--Hi
	3868 926-7				Hi-Lo
3	4016 088	4			RETAINER,Rect.H/Lamp
	3868 789	4			SPRING,H/Lamp Bulb Seat Adjuster
	4055 433				SOCKET,Park Lamp (Repair)
4	0153 775				BULB,Dual-Hi-Beam Halogen
	0153 784				Hi-Lo
	4270 316-7	1			ADAPTER,H/Lamp Bezel
	0153 700	1			BULB, Front Side Marker
	4270 318	2			BRACKET,Rad.Grille Adapter to Clsr.Pnl.
	4334 139				NUT, Head Lamp Adjusting
	3513 686				SOCKET, Side Marker Lamp
	3513 586				TERMINAL, Side Marker Lamp
	4221 825				LAMP, Under Hood
5	6500 953				U-CLIP
6	4334 139	8			NUT and SCREW, Adjuster
7	3868 789	4			SPRING, Adjuster

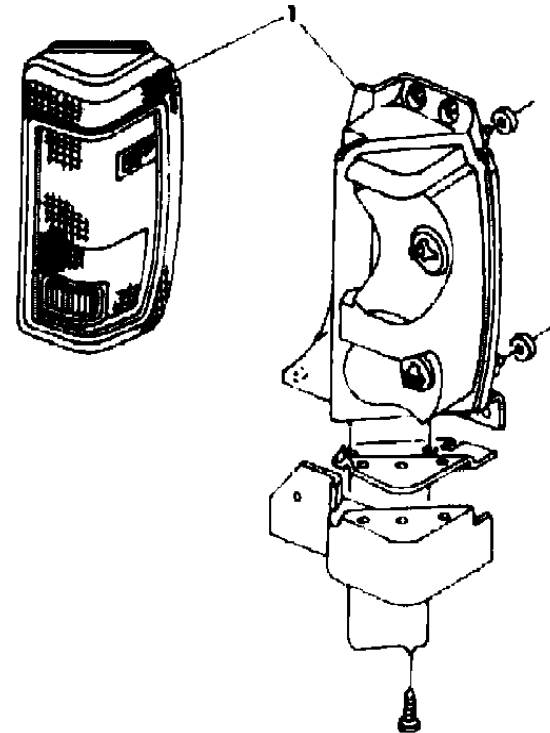
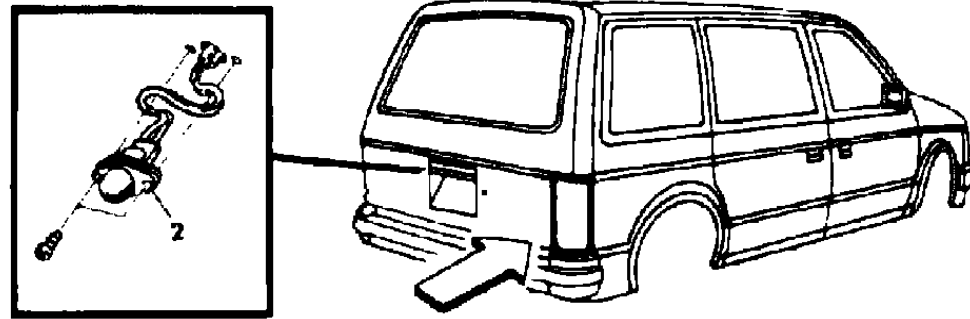
MODEL CODES
 B = GRAN FURY
 C = LEBARON/TOWN & COUNTRY/EXC SEDAN
 C24 = LASER
 D = ARIES
 E = 600
 F = FIFTH AVENUE/NEWPORT
 G = DIPLOMAT
 H = VOYAGER
 K = MINI RAM/CARAVAN/ROYAL
 M = HORIZON/TURISMO
 P = RELIANT
 T = E CLASS/NEW YORKER
 V = 600
 V24 = DAYTONA
 Z = OMNI/CHARGER/RAMPAGE

BODY STYLES
 21 = 2-DOOR SEDAN
 22 = 2-DOOR SPECIAL COUPE
 24 = 2-DOOR HATCHBACK
 27 = 2-DOOR CONVERTIBLE
 28 = FWD PICKUP
 35 = FWD VAN
 36 = FWD WAGON
 41 = 4-DOOR SEDAN
 44 = 4-DOOR HATCHBACK
 45 = 4-DOOR STATION WAGON
 48 = 4-DOOR EXECUTIVE SEDAN

AR = Use as Required - = Non Illustrated Part P.A.R. = Paint as Required

LAMPS & WIRING--REAR H-K
Figure 8-3300

4108 3300



ITEM	PART NUMBER	QTY	BODY	MODEL	DESCRIPTION
1	4174 896-7			H-P-S-L	LAMP,Qtr.Pnl.,Tail Stop-Turn Sig.-Back-Up-Side Marker
	4174 898-9			E	
2	4174 872-3				GASKET, Tail Lamp
	4174 869				LAMP ASSEMBLY, Lift Gate Release
	4304 282				SOCKET and CABLE, Rear Lamp
	2584 972				Spring & Insulator Pkg.
	9417 866				BULB,Back-Up Lamp
	9425 542				BULB,License

MODEL CODES

B = GRAN FURY	F = FIFTH AVENUE/NEWPORT	P = RELIANT
C = LEBARON/TOWN & COUNTRY/EXC SEDAN	G = DIPLOMAT	T = E CLASS/NEW YORKER
C24 = LASER	H = VOYAGER	V = 600
D = ARIES	K = MINI RAM/CARAVAN/ROYAL	V24 = DAYTONA
E = 600	M = HORIZON/TURISMO	Z = OMNI/CHARGER/RAMPAGE

BODY STYLES

21 = 2-DOOR SEDAN	28 = FWD PICKUP	44 = 4-DOOR HATCHBACK
22 = 2-DOOR SPECIAL COUPE	35 = FWD VAN	45 = 4-DOOR STATION WAGON
24 = 2-DOOR HATCHBACK	36 = FWD WAGON	48 = 4-DOOR EXECUTIVE SEDAN
27 = 2-DOOR CONVERTIBLE	41 = 4-DOOR SEDAN	

AR = Use as Required - = Non Illustrated Part P.A.R. = Paint as Required

LAMPS--FRONT F
Figure 8-3400

4108 3400

ITEM	PART NUMBER	QTY	BODY	MODEL	DESCRIPTION
1	4174 867				LAMP, s/Marker Assy.
2					HOUSING, Serviced In Lamp Assy.
3					LENS, Serviced in Lamp Assy., Upper
4					LENS, Serviced in Lamp Assy., Lower
5					BEZEL, Serviced in Lamp Assy.
6					SCREW,(Not Serviced)
7					PLATE,(Serviced in Lamp Assy.)
8					HOUSING,(Serviced in Lamp Assy.)
9					NAME PLATE, Chrysler,(Serviced in 4076565 Lamp Assy.)
10					LENS,(Serviced in Lamp Assy.)
11	4174 364-5		F-S		LAMP, Park & t/Sig. Assy.
	4321 095		F-H		Left
	4076 564		F-H		Right
12	4103 638-9				BEZEL
13					SCREW,(Not Serviced)
14	4016 088	4			RETAINER, Sealed Beam Unit
15	4334 139	8			SCREW and NUT, Sealed Beam Unit
16	0153 440	2			SEALED BEAM UNIT, High Beam (Halogen)
	0153 481	2			High Low Beam (Halogen)
	0153 200	2			High Beam
	0153 201	2			High & Low Beam
17	3868 928-9	1			SEAT, Sealed Beam Unit, High Beam
	3868 926-7	1			High & Low Beam
18	3868 789	4			SPRING, Sealed Beam Unit Mtg. Seat Adj.
NOTE: The following parts not shown on illustration Gear and Pinion numbers stamped on the item may be used to confirm the correct MATCHED SET they are contained in.					
	3843 432				SOCKET, Turn Signal
	3513 686				SOCKET, Side Marker
	4124 721				w/ Cable Cornering Lamp
	3843 893				GROMMET,Side Marker & Cornering Lamp
	9438 848				BULB,Turn Signal & Side Marker
	9438 068				BULB,Parking Lamp
	9438 850				BULB,Parking & Turn Signal Lamp
	9425 542				BULB,Side Marker Lamp

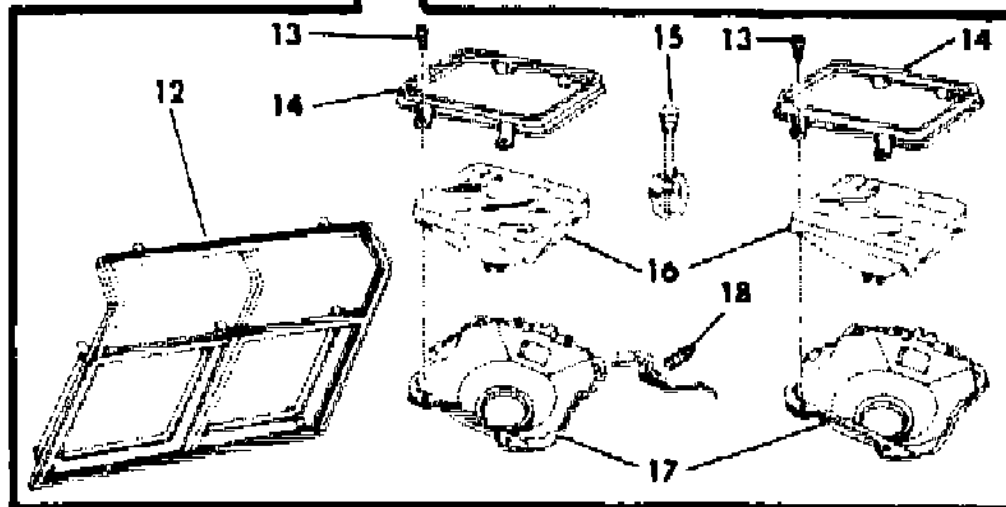
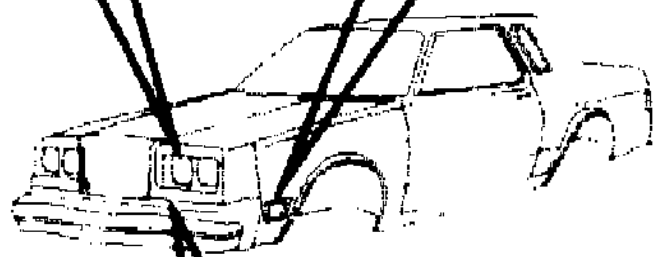
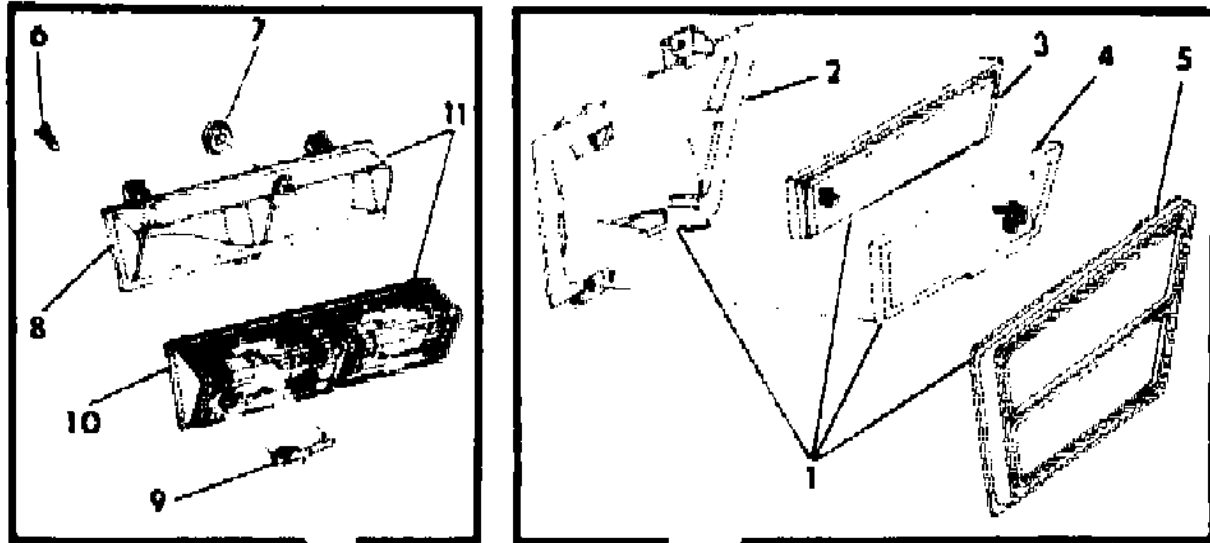
MODEL CODES

B = GRAN FURY	F = FIFTH AVENUE/NEWPORT	P = RELIANT
C = LEBARON/TOWN & COUNTRY/EXC SEDAN	G = DIPLOMAT	T = E CLASS/NEW YORKER
C24 = LASER	H = VOYAGER	V = 600
D = ARIES	K = MINI RAM/CARAVAN/ROYAL	V24 = DAYTONA
E = 600	M = HORIZON/TURISMO	Z = OMNI/CHARGER/RAMPAGE

BODY STYLES

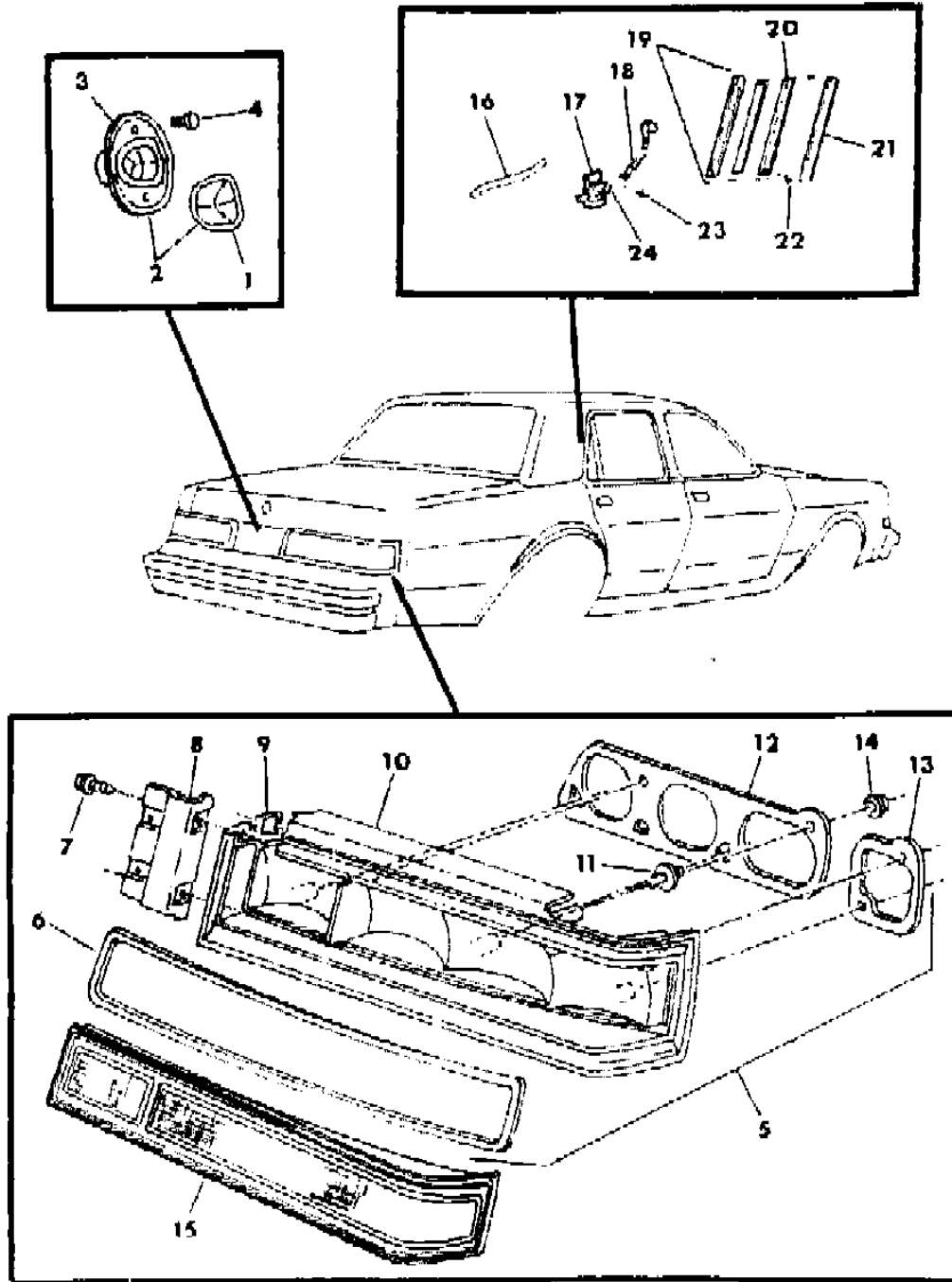
21 = 2-DOOR SEDAN	28 = FWD PICKUP	44 = 4-DOOR HATCHBACK
22 = 2-DOOR SPECIAL COUPE	35 = FWD VAN	45 = 4-DOOR STATION WAGON
24 = 2-DOOR HATCHBACK	36 = FWD WAGON	48 = 4-DOOR EXECUTIVE SEDAN
27 = 2-DOOR CONVERTIBLE	41 = 4-DOOR SEDAN	

AR = Use as Required - = Non Illustrated Part P.A.R. = Paint as Required



LAMPS & WIRING--REAR F
Figure 8-3500

4106 J500



ITEM	PART NUMBER	QTY	BODY	MODEL	DESCRIPTION
1					LENS,(Serviced in Lamp Assy.)
2	4076 808				LAMP ASSEMBLY, License
3					HOUSING,(Serviced in Lamp Assy.)
4					SCREW,(Not Serviced)
5	4174 356-7	1			LAMP, Lwr.Deck Oping Pnl.t/Stop & t/Sig. Assy.
6					SEAL,(Serviced in Lamp Assy.)
7					SCREW,(Not Serviced)
8	4229 652				SUPPORT
9					NUT, Speed
10					HOUSING,(Serviced in Lamp Assy.)
11					STUD,(Serviced in Lamp Assy.)
12					GASKET,(Serviced In Lamp Assy.)
13					GASKET,(Serviced In Lamp Assy.)
14	6023 205	12			NUT
15	4076 892-3				LENS
15	4076 892				LENS,Turn Signal,Side Marker & Back-Up Lamp
16	4229 163	AR			WIRE, 12 Volts
17	4229 291	AR			RETAINER, Inverter Assy.
18		AR			WIRE, Lamp, 110 Volts (Serv. in #20)
19	4057 555	AR			NUT, 3/16
20	4229 160-1				LENS, Light Insert Assy.
21	4229 806-7				BEZEL, Rear Dr. Qtr. Wdo. Assy.
22	4094 619				RETAINER PACKAGE
23		AR			RIVET, 1/8 x .032
24	4229 162	AR			INVERTER, Rear Opera Lamp Assy.
	4209 675				WIRING,Lamp Rear
	4267 275				LAMP PACKAGE, Trunk
NOTE: The following parts not shown on illustration Gear and Pinion numbers stamped on the item may be used to confirm the correct MATCHED SET they are contained in.					
	3513 686				SOCKET, License
	4124 081				Tail & Turn Signal
	3513 686				Side Marker
	3513 686				Side Marker,(Repair)
	4274 800				Back Up
	9417 866				BULB,Back-Up Lamp
	9425 542				BULB,License Lamp

MODEL CODES

B = GRAN FURY	F = FIFTH AVENUE/NEWPORT	P = RELIANT
C = LEBARON/TOWN & COUNTRY/EXC SEDAN	G = DIPLOMAT	T = E CLASS/NEW YORKER
C24 = LASER	H = VOYAGER	V = 600
D = ARIES	K = MINI RAM/CARAVAN/ROYAL	V24 = DAYTONA
E = 600	M = HORIZON/TURISMO	Z = OMNI/CHARGER/RAMPAGE

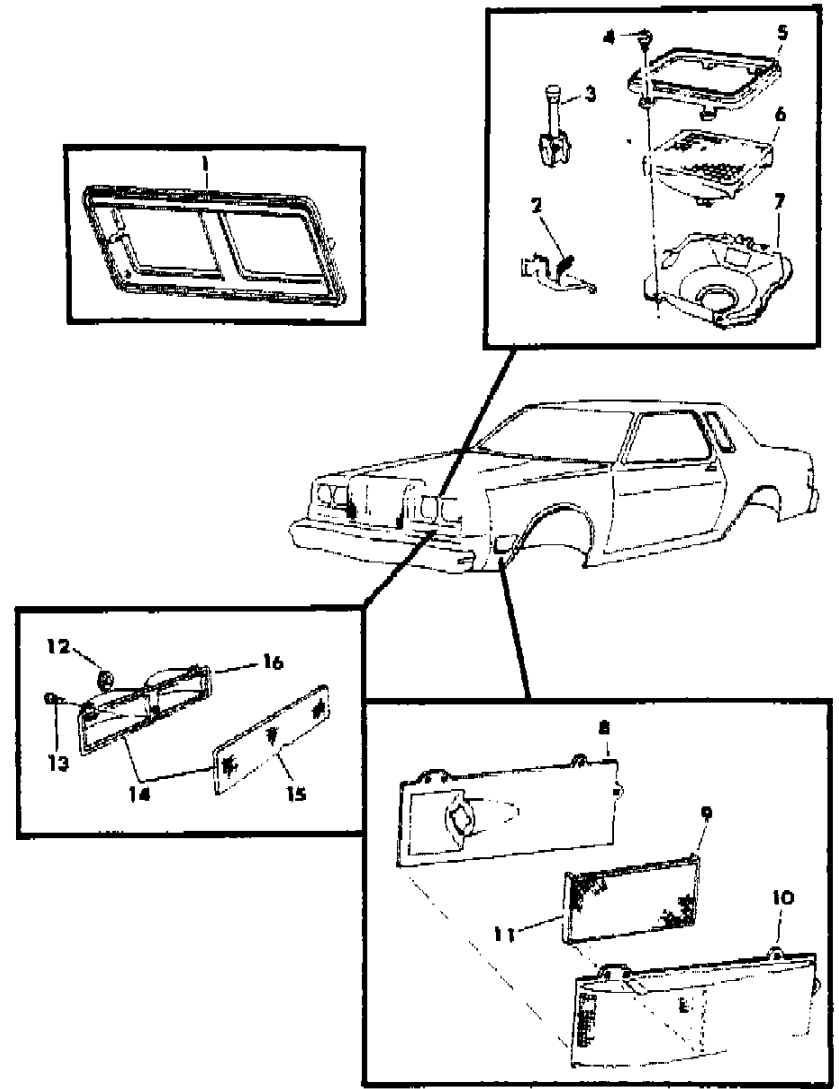
BODY STYLES

21 = 2-DOOR SEDAN	28 = FWD PICKUP	44 = 4-DOOR HATCHBACK
22 = 2-DOOR SPECIAL COUPE	35 = FWD VAN	45 = 4-DOOR STATION WAGON
24 = 2-DOOR HATCHBACK	36 = FWD WAGON	48 = 4-DOOR EXECUTIVE SEDAN
27 = 2-DOOR CONVERTIBLE	41 = 4-DOOR SEDAN	

AR = Use as Required - = Non Illustrated Part P.A.R. = Paint as Required

LAMPS--FRONT B-G
Figure 8-3600

4308 3600



ITEM	PART NUMBER	QTY	BODY	MODEL	DESCRIPTION
1	4074 626	2			BEZEL, H/Lamp Assy.
	4074 624-5			G-P	
2	3868 789	4			SPRING, Sealed Beam Unit Seat Adj.
3	4334 139				SCREW and NUT, Sealed Beam Unit
4					SCREW,(Not Serviced)
5	4016 088				RETAINER, Sealed Beam Unit
6					SEALED BEAM UNIT
	0153 440				High Beam (Halogen)
	0153 481				High & Low Beam (Halogen)
	0153 200				High Beam
	0153 201				High & Low Beam
7					SEAT, Sealed Beam
	3868 928-9				High Beam
	3868 926-7				High & Low Beam
8					Housing (Serviced in Lamp)
9					REFLECTOR,(Serviced in Lamp Assy.)
10					LENS,(Serviced in Lamp Assy.)
11	4076 570-1				LAMP, s/Marker Assy.
	4174 867			G-P	LAMP, s/Marker Assy.
12					PLATE
13					SCREW,(Not Serviced)
14	4076 566-7		L,H		LAMP, Park & t/Signal Assy.
	4321 095		G-P		Left
	4076 564		G-P		Right
15					LENS,(Serviced in Lamp Assy)
16					HOUSING,(Serviced in Lamp Assy.)
					NOTE: The following parts not shown on illustration Gear and Pinion numbers stamped on the item may be used to confirm the correct MATCHED SET they are contained in.
	3843 432				SOCKET, Turn Signal, Park
	3513 686				SOCKET, Side Marker (Repair)
	9438 848				BULB,Turn Signal & Side Marker
	9438 068				BULB,Parking Lamp
	9438 850				BULB,Parking & Turn Signal Lamp

MODEL CODES

B = GRAN FURY	F = FIFTH AVENUE/NEWPORT	P = RELIANT
C = LEBARON/TOWN & COUNTRY/EXC SEDAN	G = DIPLOMAT	T = E CLASS/NEW YORKER
C24 = LASER	H = VOYAGER	V = 600
D = ARIES	K = MINI RAM/CARAVAN/ROYAL	V24 = DAYTONA
E = 600	M = HORIZON/TURISMO	Z = OMNI/CHARGER/RAMPAGE

BODY STYLES

21 = 2-DOOR SEDAN	28 = FWD PICKUP	44 = 4-DOOR HATCHBACK
22 = 2-DOOR SPECIAL COUPE	35 = FWD VAN	45 = 4-DOOR STATION WAGON
24 = 2-DOOR HATCHBACK	36 = FWD WAGON	48 = 4-DOOR EXECUTIVE SEDAN
27 = 2-DOOR CONVERTIBLE	41 = 4-DOOR SEDAN	

AR = Use as Required - = Non Illustrated Part P.A.R. = Paint as Required

LAMPS & WIRING--REAR B-G
Figure 8-3700

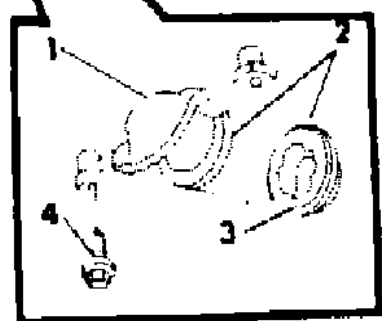
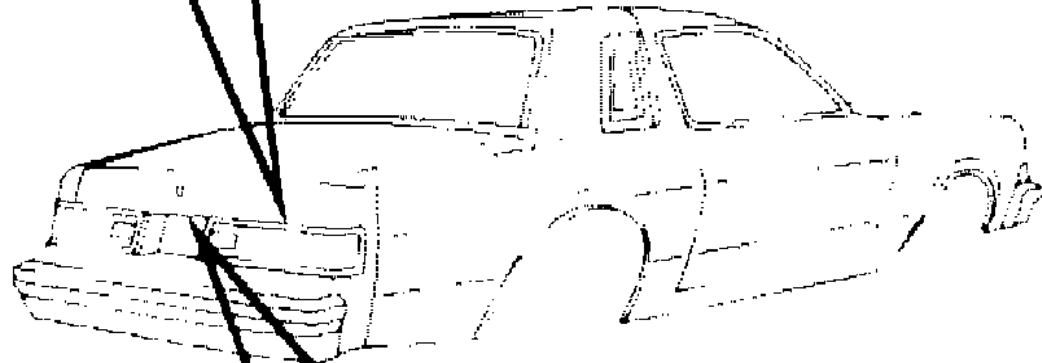
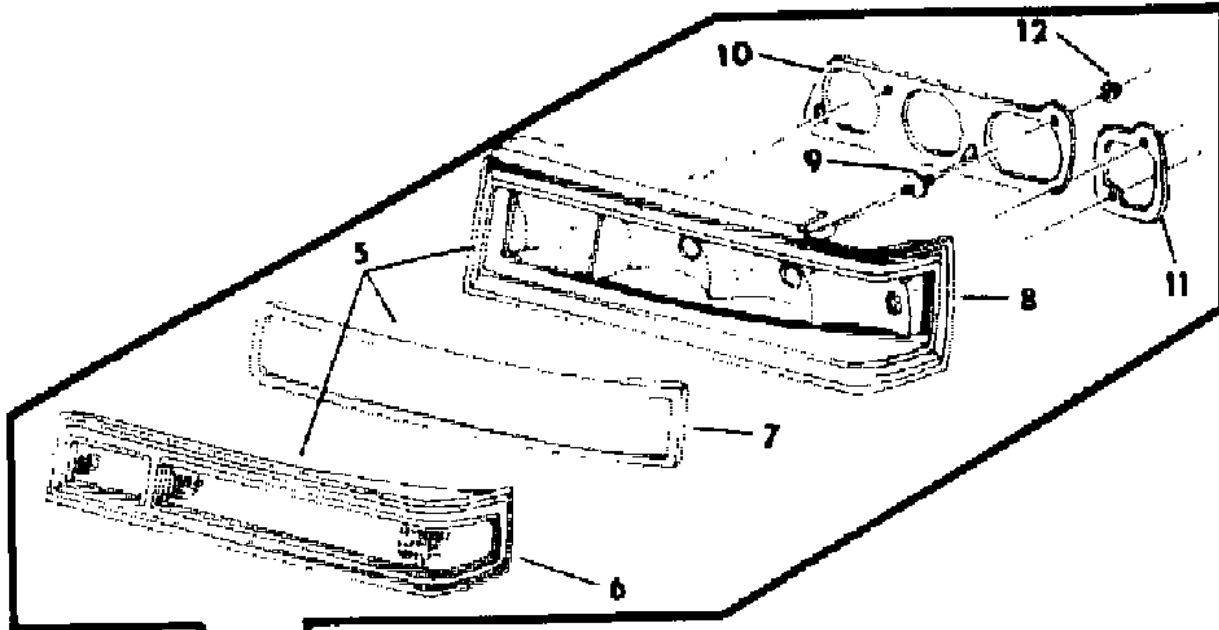
4108 3700

ITEM	PART NUMBER	QTY	BODY	MODEL	DESCRIPTION
1					LENS,(Serviced in Lamp Assy.)
2	4076 812	1			LAMP ASSEMBLY, License
3					HOUSING,(Serviced in Lamp Assy.)
4	0152 490				U-NUT
5	4076 574-5	1		G	LAMP, t/S Side Marker & Back Up Assy.
	4225 074-5	1		B	LAMP, t/S Side Marker & Back Up Assy.
6	4076 688-9	1			LENS ASSEMBLY
7	3798 253				SEAL
8	4076 686-7			G	HOUSING
				B	HOUSING,(Serviced In Lamp Assy.)
9					STUD,(Serviced In Lamp Assy.)
10		8			GASKET,(Serviced In Lamp Assy.)
11					GASKET,(Serviced in Lamp Assy.)
12	6023 205	2			NUT
	4209 878				WIRING,Rear Lamps
	4267 275				LAMP PACKAGE, Trunk
NOTE: The following parts not shown on illustration Gear and Pinion numbers stamped on the item may be used to confirm the correct MATCHED SET they are contained in.					
	3513 686				SOCKET, License
	4124 081				Tail Light, Turn Signal
	3513 686				Side Marker
	4274 800				Back Up
	9417 866				BULB,Back-Up Lamp
	9425 542				BULB,License Lamp

MODEL CODES
 B = GRAN FURY
 C = LEBARON/TOWN & COUNTRY/EXC SEDAN
 C24 = LASER
 D = ARIES
 E = 600
 F = FIFTH AVENUE/NEWPORT
 G = DIPLOMAT
 H = VOYAGER
 K = MINI RAM/CARAVAN/ROYAL
 M = HORIZON/TURISMO
 P = RELIANT
 T = E CLASS/NEW YORKER
 V = 600
 V24 = DAYTONA
 Z = OMNI/CHARGER/RAMPAGE

BODY STYLES
 21 = 2-DOOR SEDAN
 22 = 2-DOOR SPECIAL COUPE
 24 = 2-DOOR HATCHBACK
 27 = 2-DOOR CONVERTIBLE
 28 = FWD PICKUP
 35 = FWD VAN
 36 = FWD WAGON
 41 = 4-DOOR SEDAN
 44 = 4-DOOR HATCHBACK
 45 = 4-DOOR STATION WAGON
 48 = 4-DOOR EXECUTIVE SEDAN

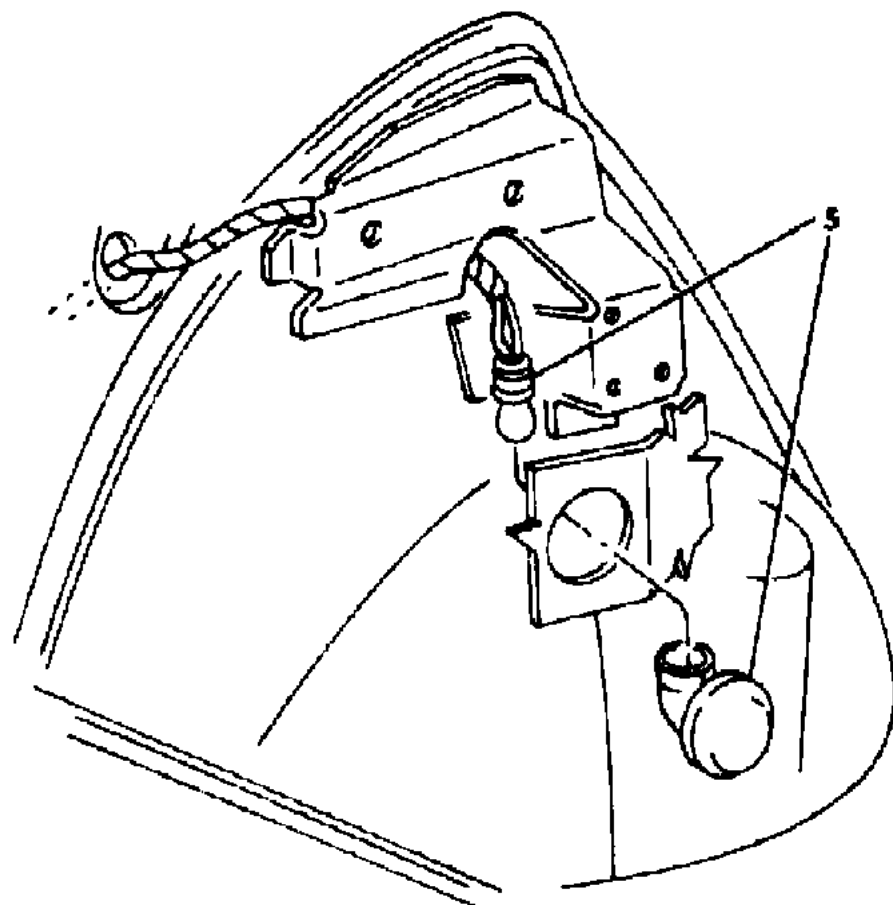
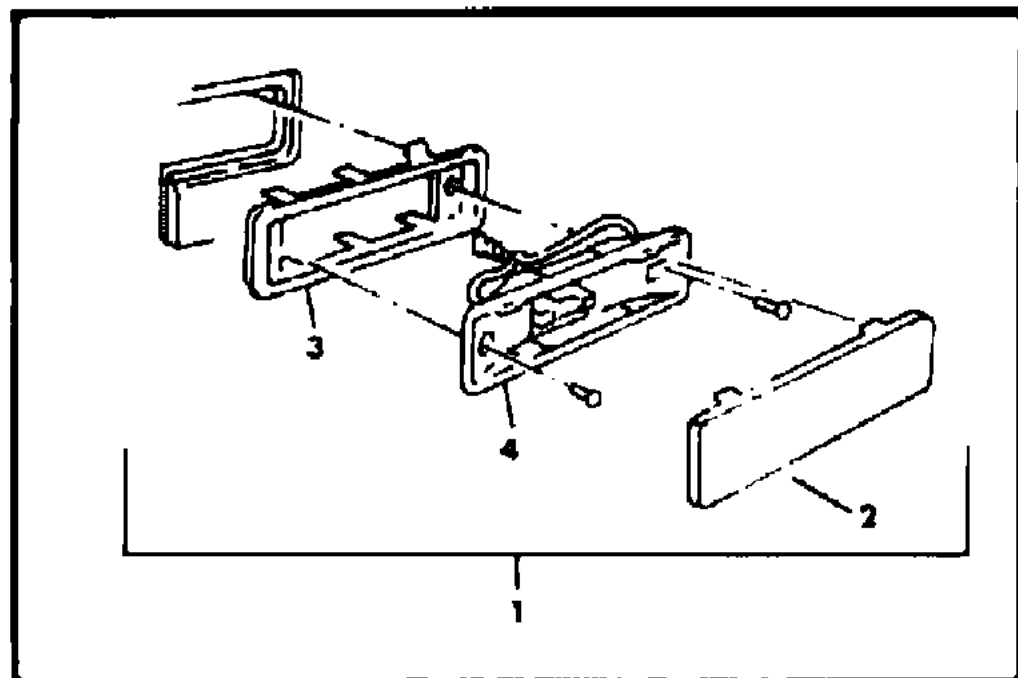
AR = Use as Required - = Non Illustrated Part P.A.R. = Paint as Required



LAMPS--CARGO-DOME-COURTESY M-Z

Figure 8-3800

4108 3800



ITEM	PART NUMBER	QTY	BODY	MODEL	DESCRIPTION
1	3591 803			24	LAMP, Cargo
2	3488 995			24	LENS, Cargo Lamp
	3488 995			44	LENS, Fwd. Dome Lamp, w/Sun-Roof
	5209 525			44	LENS, Fwd. Dome Lamp, w/o Sun-Roof
	5209 525			24	LENS, Fwd. Dome Lamp
3	3591 126				BRACKET, Cargo Lamp
	5209 559				SEAL, Cargo Lamp
4					HOUSING, Fwd. Dome Lamp, Serv. in Lamp Assy.
5	5209 554			44	LENS, Cargo Lamp
	H408 AX9			28	ESCUTCHEON, Dome Lamp Black
	H408 BL3			28	Tan
	H408 AM6			28	Red
	5209 922			24	SWITCH, Cargo Lamp
	4221 023			44	SWITCH, Cargo Lamp

MODEL CODES

B = GRAN FURY	F = FIFTH AVENUE/NEWPORT	P = RELIANT
C = LEBARON/TOWN & COUNTRY/EXC SEDAN	G = DIPLOMAT	T = E CLASS/NEW YORKER
C24 = LASER	H = VOYAGER	V = 600
D = ARIES	K = MINI RAM/CARAVAN/ROYAL	V24 = DAYTONA
E = 600	M = HORIZON/TURISMO	Z = OMNI/CHARGER/RAMPAGE

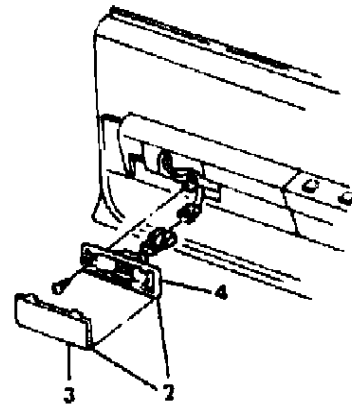
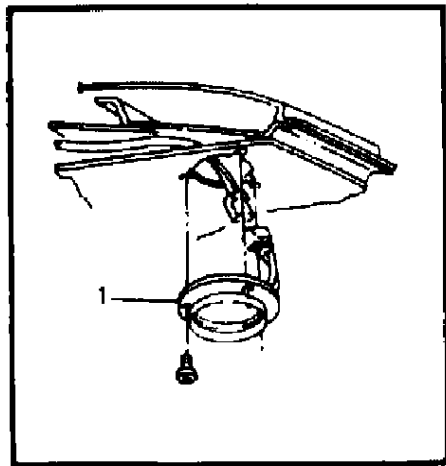
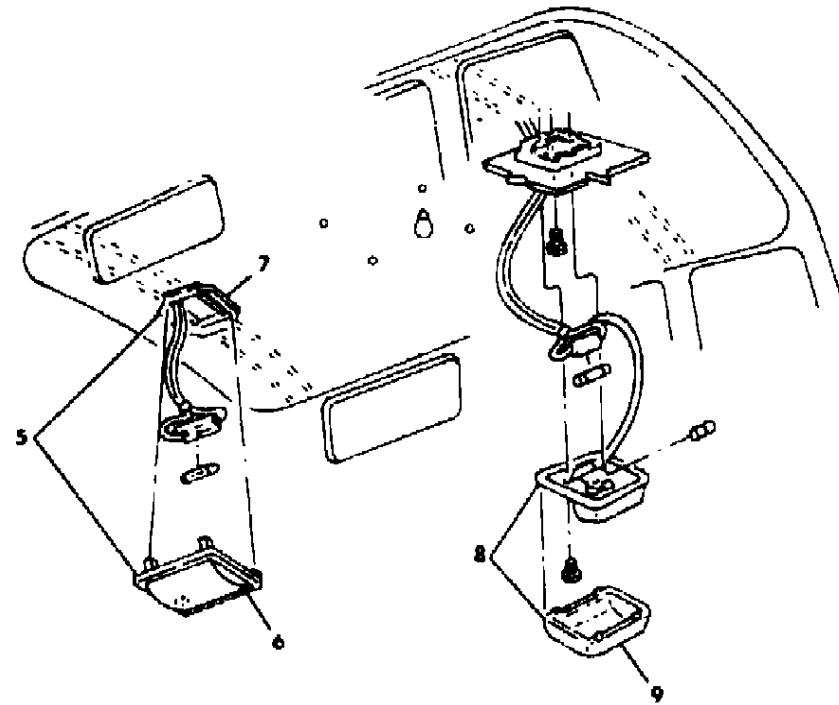
BODY STYLES

21 = 2-DOOR SEDAN	28 = FWD PICKUP	44 = 4-DOOR HATCHBACK
22 = 2-DOOR SPECIAL COUPE	35 = FWD VAN	45 = 4-DOOR STATION WAGON
24 = 2-DOOR HATCHBACK	36 = FWD WAGON	48 = 4-DOOR EXECUTIVE SEDAN
27 = 2-DOOR CONVERTIBLE	41 = 4-DOOR SEDAN	

AR = Use as Required - = Non Illustrated Part P.A.R. = Paint as Required

LAMPS--CARGO-DOME-COURTESY P-D-C-V-E-T
Figure 8-3900

4104 3900



ITEM	PART NUMBER	QTY	BODY	MODEL	DESCRIPTION
1	4220 490			PD,CV	LAMP, Dome w/Switch
	4220 596			CVET 41	LAMP, Courtesy Frt. & Rear Door
2	4220 594			CV 22-2	LAMP, Courtesy Frt. Door
3	4220 595			CV 22-2	LENS, Courtesy Frt. Door
	4220 597			CVET 41	LENS, Courtesy Frt. & Rear Door
4				CV 22-2	HOUSING, Frt. Door Courtesy (Serv. In Assy.)
5	3593 282			PDCV	LAMP, Cargo & Dome
6	3488 936			PD,CV27	LENS, Dome Lamp
7	4047 293			PDCVET	BRACKET, Dome Lamp Mtg.
	3593 282			PDCV	BRACKET, w/o Soft H/Lining, w/Cargo
	4220 392			PDCVET	BRACKET, Lamp Courtesy Frt. & Rear
8	4220 249			PDCVET	LAMP, Dome & Map (Pkg.)
9	3591 873			PDCVET	LENS, Dome & Map
	4047 778			PD	STRAP, Dome Lamp Mtg. Brkt.

MODEL CODES

B = GRAN FURY	F = FIFTH AVENUE/NEWPORT	P = RELIANT
C = LEBARON/TOWN & COUNTRY/EXC SEDAN	G = DIPLOMAT	T = E CLASS/NEW YORKER
C24 = LASER	H = VOYAGER	V = 600
D = ARIES	K = MINI RAM/CARAVAN/ROYAL	V24 = DAYTONA
E = 600	M = HORIZON/TURISMO	Z = OMNI/CHARGER/RAMPAGE

BODY STYLES

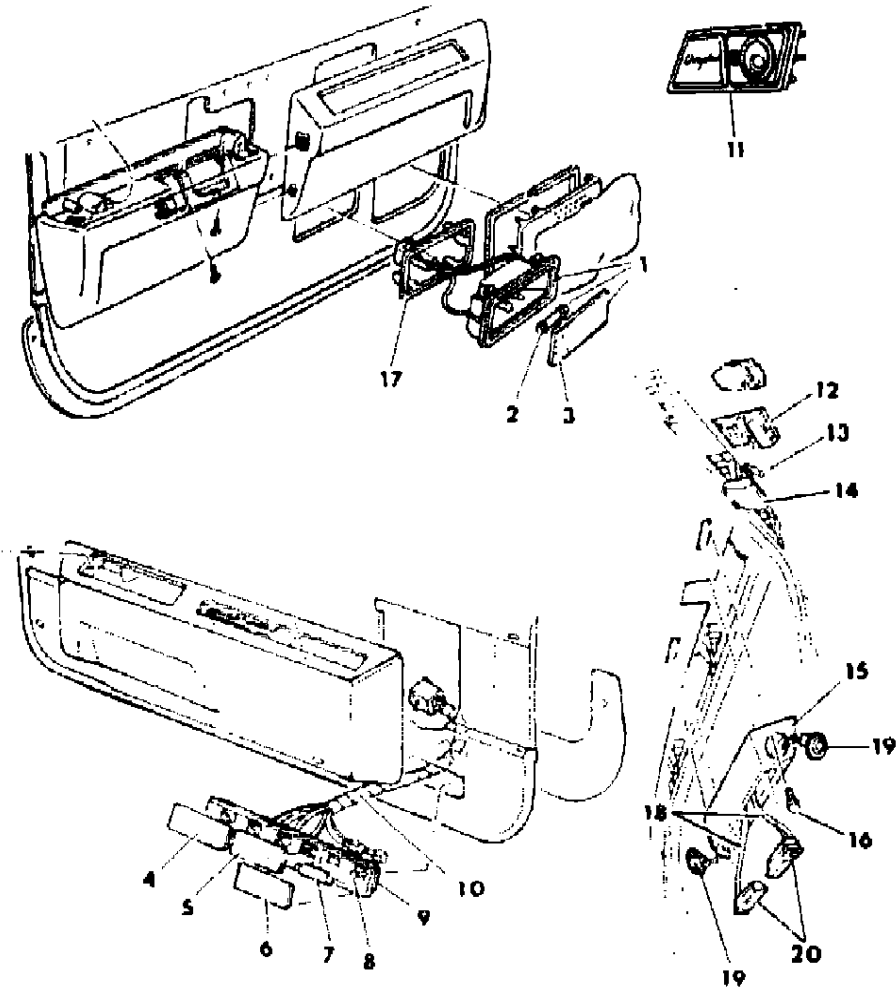
21 = 2-DOOR SEDAN	28 = FWD PICKUP	44 = 4-DOOR HATCHBACK
22 = 2-DOOR SPECIAL COUPE	35 = FWD VAN	45 = 4-DOOR STATION WAGON
24 = 2-DOOR HATCHBACK	36 = FWD WAGON	48 = 4-DOOR EXECUTIVE SEDAN
27 = 2-DOOR CONVERTIBLE	41 = 4-DOOR SEDAN	

AR = Use as Required - = Non Illustrated Part P.A.R. = Paint as Required

LAMPS--CARGO-DOME-COURTESY LIMO
Figure 8-4000

41DR 4000

ITEM	PART NUMBER	QTY	BODY	MODEL	DESCRIPTION
1	4220 596				LAMPS, Courtesy, Front Door
2	9431 809				BULB
3	4220 597				LENS, Courtesy Lamp
4	4364 350				LENS, Courtesy Lamp, Rear Door
5	4339 735				LENS, Directional
6	4339 734				LENS, Courtesy Lamp, Red
7					BULB
8					SCREW
9	4339 742				HOUSING, Courtesy Lamp
10	4339 716				WIRING, Door Courtesy Lamp
11	4339 740-1				LAMP, Quarter Reading
12	4220 249				LAMP, Front Dome
13					SCREW, (Not Serv.)
14					LENS, (Serv. In Lamp Assy.)
15	4342 066				LAMP ASSEMBLY, Reading, Silver
	4342 067				LAMP ASSEMBLY, Reading, Blue
	3591 946				LENS, Reading
16					SCREW, (Not Serv.)
17					RETAINER, Door Courtesy Lamp
18	4342 147				SWITCH, w/Wiring, Overhead Glamour Lamp
19	3591 132				LAMP
20	3591 944				LAMP
	4342 152-3				LAMP, "C" Pillar Reading



MODEL CODES

B = GRAN FURY	F = FIFTH AVENUE/NEWPORT	P = RELIANT
C = LEBARON/TOWN & COUNTRY/EXC SEDAN	G = DIPLOMAT	T = E CLASS/NEW YORKER
C24 = LASER	H = VOYAGER	V = 600
D = ARIES	K = MINI RAM/CARAVAN/ROYAL	V24 = DAYTONA
E = 600	M = HORIZON/TURISMO	Z = OMNI/CHARGER/RAMPAGE

BODY STYLES

21 = 2-DOOR SEDAN	28 = FWD PICKUP	44 = 4-DOOR HATCHBACK
22 = 2-DOOR SPECIAL COUPE	35 = FWD VAN	45 = 4-DOOR STATION WAGON
24 = 2-DOOR HATCHBACK	36 = FWD WAGON	48 = 4-DOOR EXECUTIVE SEDAN
27 = 2-DOOR CONVERTIBLE	41 = 4-DOOR SEDAN	

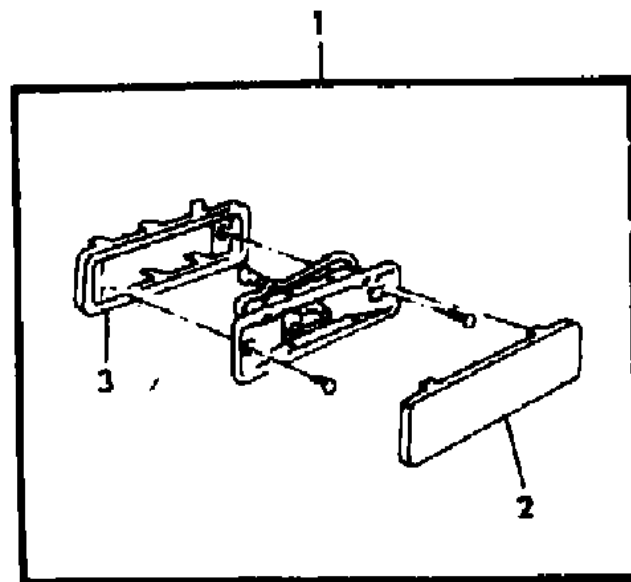
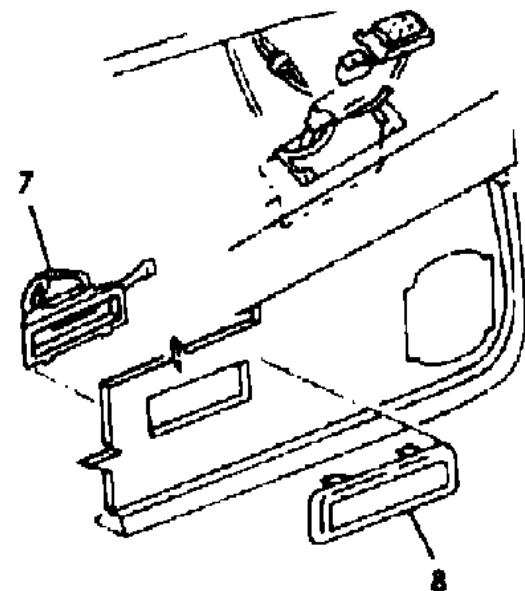
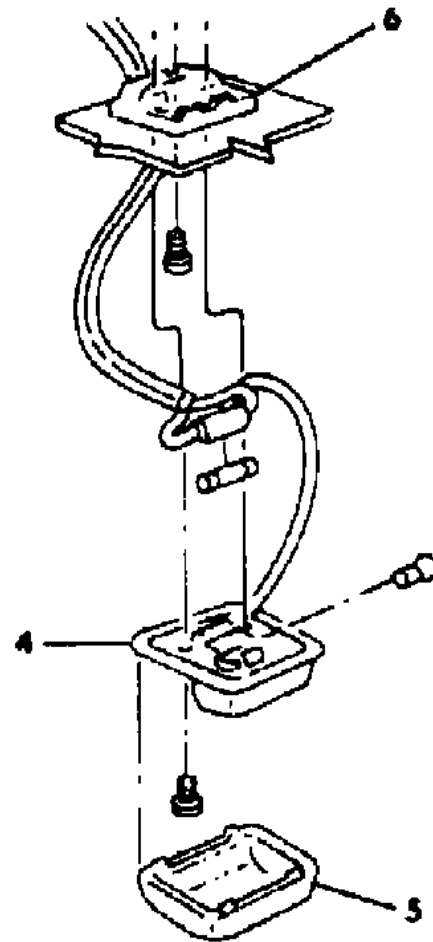
AR = Use as Required - = Non Illustrated Part P.A.R. = Paint as Required

LAMPS--CARGO-DOME-COURTESY C-V 24

Figure 8-4100

4100 4100

ITEM	PART NUMBER	QTY	BODY	MODEL	DESCRIPTION
1	4312 050				LAMP ASSEMBLY, Cargo
2	3488 995				LENS, Cargo Lamp
3	3591 126				BRACKET, Cargo Lamp
4	4312 043				LAMP ASSEMBLY, Dome
5	3488 936				LENS, Dome Lamp
6	4047 293				BRACKET, Dome Lamp Mtg.
7	4312 729				HOUSING, Frt. Door Courtesy Lamp
8	4312 728				LENS, Frt. Door Courtesy Lamp
	4312 326				LAMP ASSEMBLY, Dome & Map
	3591 873				LENS, Dome & Map



MODEL CODES

B = GRAN FURY	F = FIFTH AVENUE/NEWPORT	P = RELIANT
C = LEBARON/TOWN & COUNTRY/EXC SEDAN	G = DIPLOMAT	T = E CLASS/NEW YORKER
C24 = LASER	H = VOYAGER	V = 600
D = ARIES	K = MINI RAM/CARAVAN/ROYAL	V24 = DAYTONA
E = 600	M = HORIZON/TURISMO	Z = OMNI/CHARGER/RAMPAGE

BODY STYLES

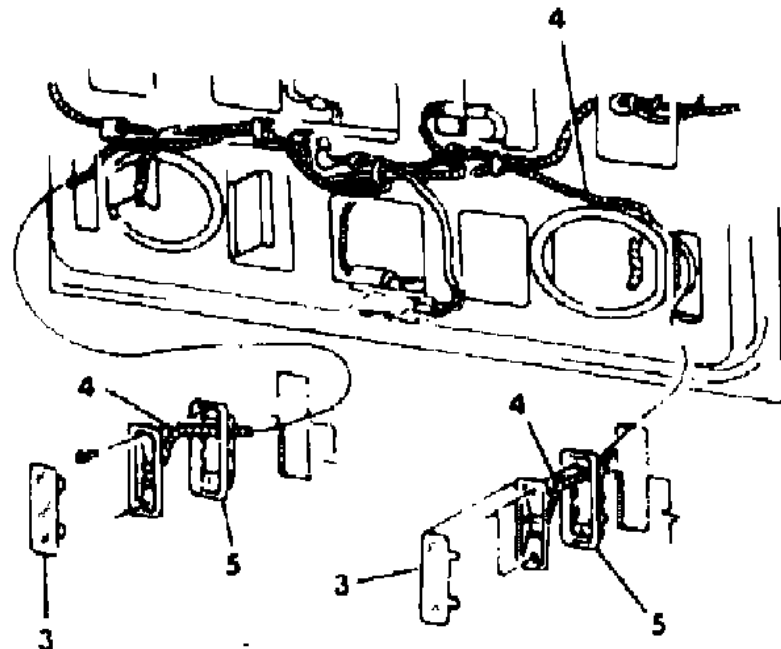
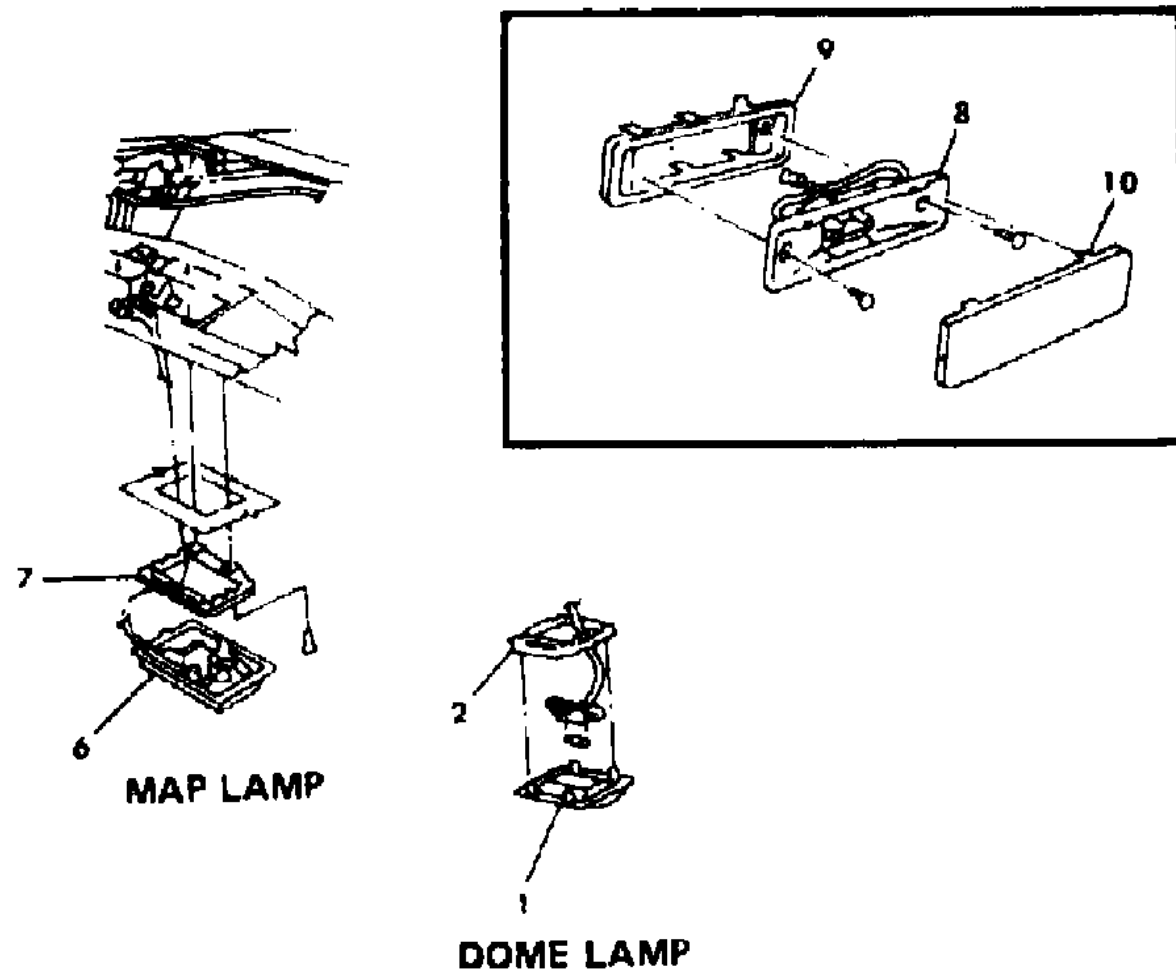
21 = 2-DOOR SEDAN	28 = FWD PICKUP	44 = 4-DOOR HATCHBACK
22 = 2-DOOR SPECIAL COUPE	35 = FWD VAN	45 = 4-DOOR STATION WAGON
24 = 2-DOOR HATCHBACK	36 = FWD WAGON	48 = 4-DOOR EXECUTIVE SEDAN
27 = 2-DOOR CONVERTIBLE	41 = 4-DOOR SEDAN	

AR = Use as Required - = Non Illustrated Part P.A.R. = Paint as Required

LAMPS--CARGO-DOME-COURTESY H-K

Figure 8-4200

4108 4200



ITEM	PART NUMBER	QTY	BODY	MODEL	DESCRIPTION
1	3593 728				LAMP, Dome & Cargo
2	3593 282				BRACKET, w/o Soft H/Lining,w/Cargo Lamp
3	4220 595				LENS, Lift Gate Flood Lamp
4	4304 585				WIRING, w/Socket, Lift Gate Lamp
	4304 273				WIRING, w/Socket, Lift Gate Lamp & Speakers
5	3591 126				BRACKET, Cargo Lamp
6	4312 126				LAMP, Frt. Header Reading up to 6-18-84
	4312 814				Aft. 6-18-84
7	4312 968				BRACKET, Frt. Header Reading
8	4312 656				LAMP, Frt. Door Courtesy
9	3591 126				BRACKET, Courtesy Lamp
10	3488 995				LENS, Frt. Door Courtesy Lamp

MODEL CODES

B = GRAN FURY	F = FIFTH AVENUE/NEWPORT	P = RELIANT
C = LEBARON/TOWN & COUNTRY/EXC SEDAN	G = DIPLOMAT	T = E CLASS/NEW YORKER
C24 = LASER	H = VOYAGER	V = 600
D = ARIES	K = MINI RAM/CARAVAN/ROYAL	V24 = DAYTONA
E = 600	M = HORIZON/TURISMO	Z = OMNI/CHARGER/RAMPAGE

BODY STYLES

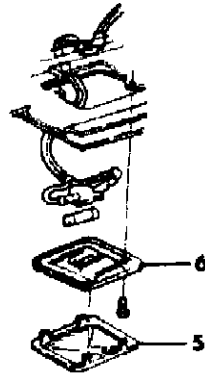
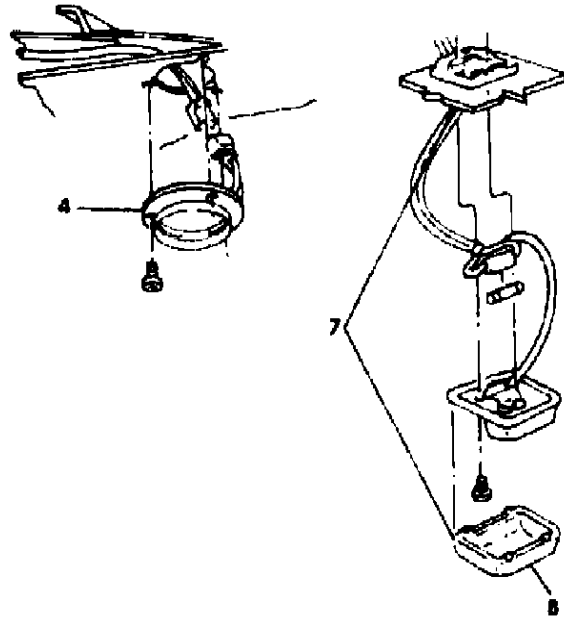
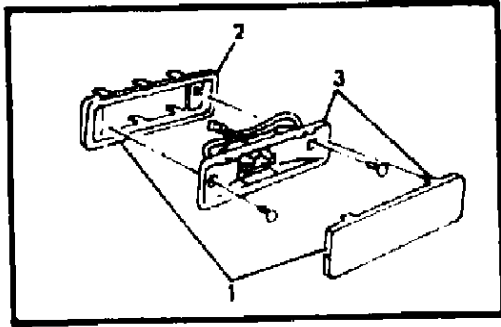
21 = 2-DOOR SEDAN	28 = FWD PICKUP	44 = 4-DOOR HATCHBACK
22 = 2-DOOR SPECIAL COUPE	35 = FWD VAN	45 = 4-DOOR STATION WAGON
24 = 2-DOOR HATCHBACK	36 = FWD WAGON	48 = 4-DOOR EXECUTIVE SEDAN
27 = 2-DOOR CONVERTIBLE	41 = 4-DOOR SEDAN	

AR = Use as Required - = Non Illustrated Part P.A.R. = Paint as Required

LAMPS--CARGO-DOME-COURTESY B-F-G

Figure 8-4300

4108 4300



ITEM	PART NUMBER	QTY	BODY	MODEL	DESCRIPTION
1	3591 803				LAMP, Frt. & Rear Door Courtesy
	3591 132				LAMP, Courtesy, w/Shield Header Mtg.
2	3591 126				BRACKET, Courtesy Lamp
	3593 282				BRACKET, Dome Lamp Mtg.
3	3488 995				LENS, Frt. Door Courtesy Lamp
	4220 595				LENS, Door Courtesy Lamp
4	3593 616				LAMP, Dome w/Switch
5	3593 541				BEZEL, Dome Lamp, Center
6	3593 541				BEZEL, Dome Lamp w/Switch
	9431 808				BULB
7	4240 249				LAMP, Dome & Map
	3591 873				LENS, Dome & Map Lamp
8	3591 130				LAMP, Courtesy, Underpanel

MODEL CODES

B = GRAN FURY	F = FIFTH AVENUE/NEWPORT	P = RELIANT
C = LEBARON/TOWN & COUNTRY/EXC SEDAN	G = DIPLOMAT	T = E CLASS/NEW YORKER
C24 = LASER	H = VOYAGER	V = 600
D = ARIES	K = MINI RAM/CARAVAN/ROYAL	V24 = DAYTONA
E = 600	M = HORIZON/TURISMO	Z = OMNI/CHARGER/RAMPAGE

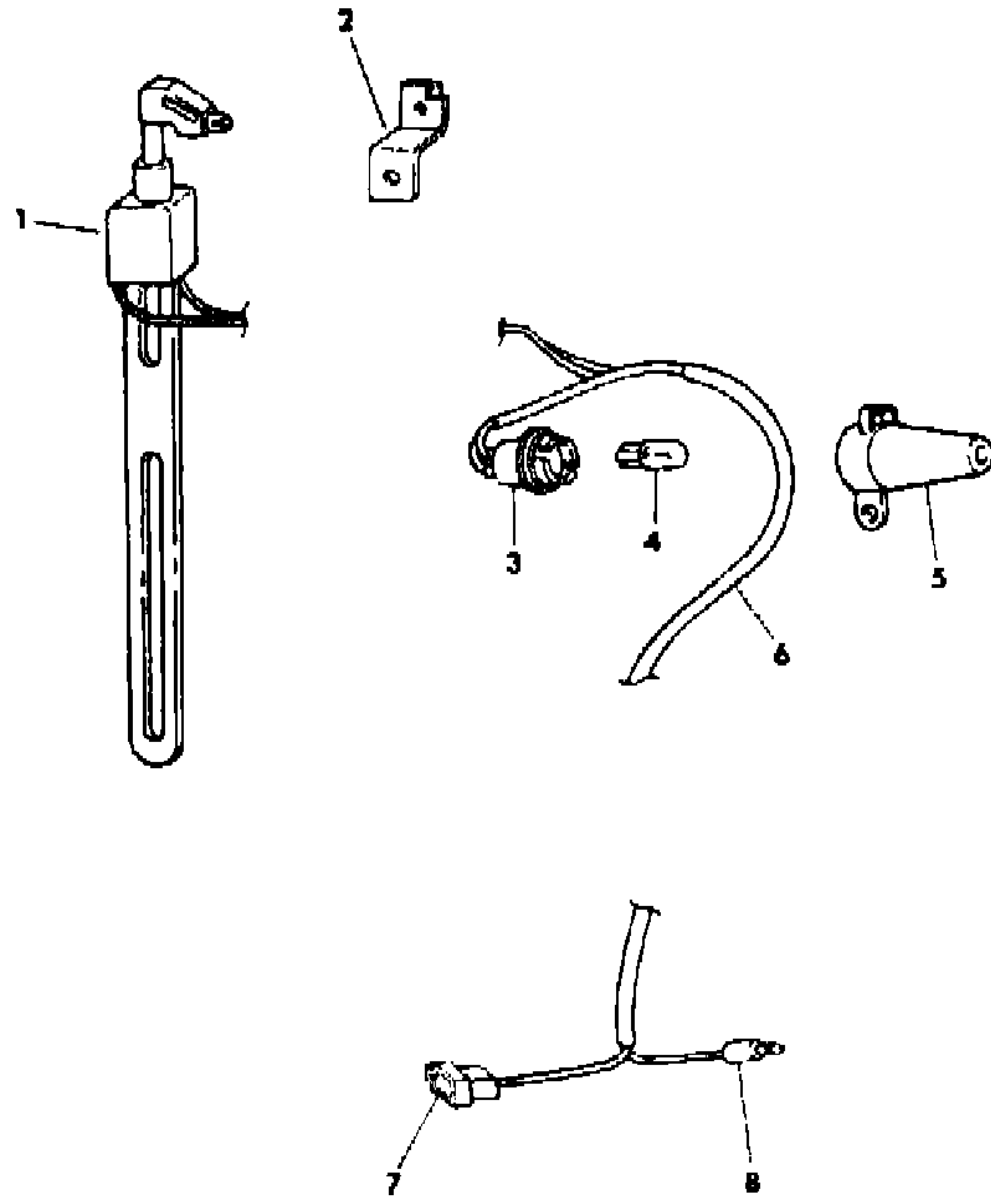
BODY STYLES

21 = 2-DOOR SEDAN	28 = FWD PICKUP	44 = 4-DOOR HATCHBACK
22 = 2-DOOR SPECIAL COUPE	35 = FWD VAN	45 = 4-DOOR STATION WAGON
24 = 2-DOOR HATCHBACK	36 = FWD WAGON	48 = 4-DOOR EXECUTIVE SEDAN
27 = 2-DOOR CONVERTIBLE	41 = 4-DOOR SEDAN	

AR = Use as Required - = Non Illustrated Part P.A.R. = Paint as Required

ILLUMINATED DOOR LOCK LIGHT
Figure 8-4400

4108 4400



ITEM	PART NUMBER	QTY	BODY	MODEL	DESCRIPTION
1	3747 819	1		B,F,G	SWITCH
	4221 130	1		VC24	SWITCH
	4221 598-9	1		P,D,C,V	up to 3-27-84
	4221 724-5	1		P,D,C,V	Aft. 3-27-84
2	4221 604-5	1		P,D,C,V	BRACKET, up to 3-27-84
	4221 722-3	1		P,D,C,V	Aft. 3-27-84
3	3513 686				SOCKET
4	9415 969				BULB
5	4312 880-1			EXC. VC	HOUSING
	4312 880			VC24	HOUSING, Left
	4312 881			VC24	HOUSING, Right
6					WIRING,(Not Serviced)
7	4274 264				INSULATOR
8	3843 386				Term.
	2580 065				MOLD
	4186 387			VC24	RELAY,(Not Shown)
	4318 800			CVET	RELAY,(Not Shown)
	4172 675				CABLE ASSEMBLY

MODEL CODES

B = GRAN FURY	F = FIFTH AVENUE/NEWPORT	P = RELIANT
C = LEBARON/TOWN & COUNTRY/EXC SEDAN	G = DIPLOMAT	T = E CLASS/NEW YORKER
C24 = LASER	H = VOYAGER	V = 600
D = ARIES	K = MINI RAM/CARAVAN/ROYAL	V24 = DAYTONA
E = 600	M = HORIZON/TURISMO	Z = OMNI/CHARGER/RAMPAGE

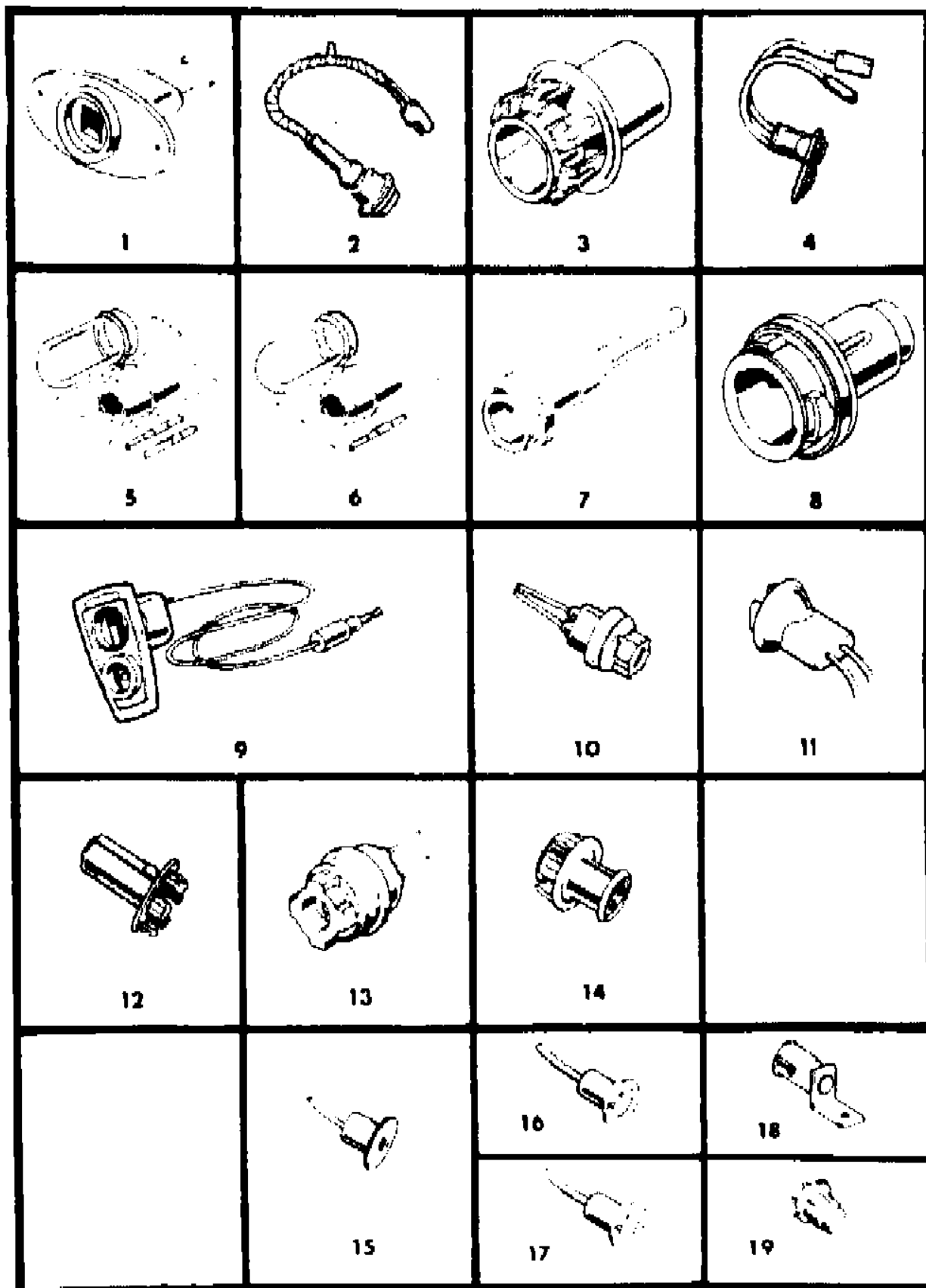
BODY STYLES

21 = 2-DOOR SEDAN	28 = FWD PICKUP	44 = 4-DOOR HATCHBACK
22 = 2-DOOR SPECIAL COUPE	35 = FWD VAN	45 = 4-DOOR STATION WAGON
24 = 2-DOOR HATCHBACK	36 = FWD WAGON	48 = 4-DOOR EXECUTIVE SEDAN
27 = 2-DOOR CONVERTIBLE	41 = 4-DOOR SEDAN	

AR = Use as Required - = Non Illustrated Part P.A.R. = Paint as Required

SOCKETS & CABLES Figure 8-4500

610F 4500



ITEM	PART NUMBER	QTY	BODY	MODEL	DESCRIPTION
2	3843 060			B,F,G	SOCKET, Rr. Bmpr. Back-Up
5					SOCKET
	3746 516			M,Z	Rr. Window Indic.
	3746 516			MZ,PDC,	Cargo
	3746 516				Opera
	3746 516			PD,CV,B	Console
6					SOCKET
	3746 515			All	Radio Illumination
	3746 515			B,F,G	Rr. Window Indic.
	3746 515			B,F,G	Head Lamp Switch Illumination
	3746 515			B,F,G	Wiper Switch
	3746 515			B,F,G	Ash Rec.
	4124 341				SOCKET and CABLE
7	4055 433			M,Z	SOCKET, Park Lamp Repair Pkg.
8	5211 537			M,Z	SOCKET, Type C-2
9					SOCKET and CABLE, Fender T/Signal Indic.
10					SOCKET, Back-Up & Side Marker
11	3588 314			B,F,G	SOCKET and CABLE, Repair
12					SOCKET, Turn Signal
	2926 370			B,F,G	Fr.
13					SOCKET and CABLE
14	2822 196			P,D,C (SOCKET, Tail Stop t/Sig.
15	3764 865				SOCKET, Cornering Lamp Repair
16	4124 721			C,V	SOCKET, w/Cable Cornering
17	3843 432			M,Z,B,F	SOCKET, Park & Turn Signal Repair
18	2096 857			PD,CV,B	SOCKET and BRACE, Courtesy
19	3744 750			All	SOCKET, Printed Circuit Board
	4342 240				SOCKET, Cluster
NOTE: The following parts not shown on illustration Gear and Pinion numbers stamped on the item may be used to confirm the correct MATCHED SET they are contained in.					
	3843 432			P,D,C,V	SOCKET, Park & T/Sig.
	3513 686			M,Z	SOCKET, Side Marker (Fr.)
	3588 314			PD,CV(2	SOCKET, Side Marker (Rr)
	4124 081			PD,CV(2	SOCKET, Tail Stop and T/Sig.
	5211 712			PD,CV(2	SOCKET, Back UP
	5211 711			P,D,C (SOCKET, Back UP
					SOCKET, Gate Open

MODEL CODES

B = GRAN FURY	F = FIFTH AVENUE/NEWPORT	P = RELIANT
C = LEBARON/TOWN & COUNTRY/EXC SEDAN	G = DIPLOMAT	T = E CLASS/NEW YORKER
C24 = LASER	H = VOYAGER	V = 600
D = ARIES	K = MINI RAM/CARAVAN/ROYAL	V24 = DAYTONA
E = 600	M = HORIZON/TURISMO	Z = OMNI/CHARGER/RAMPAGE

BODY STYLES

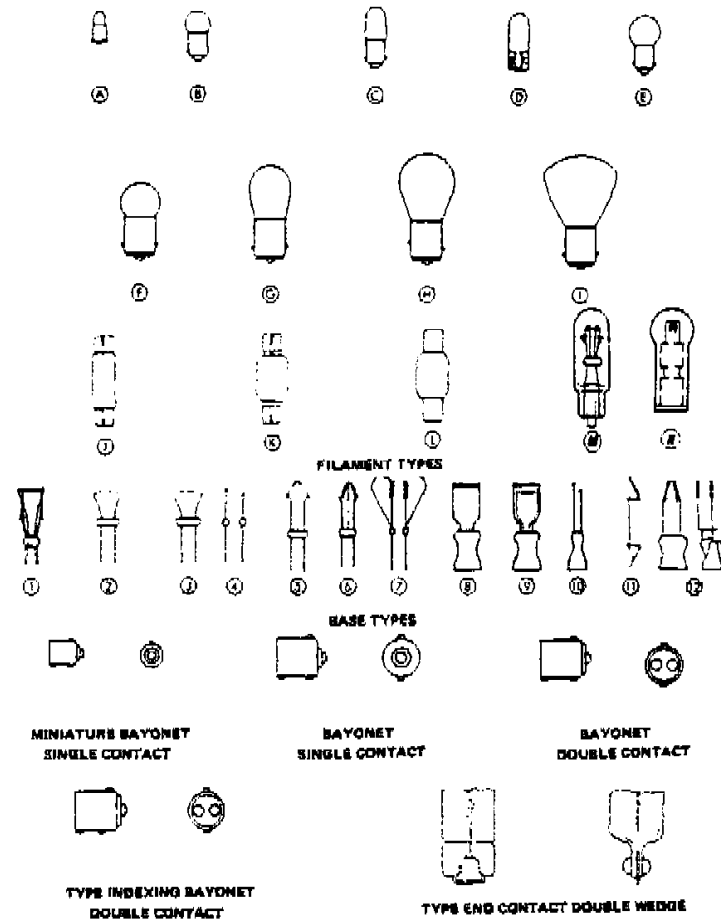
21 = 2-DOOR SEDAN	28 = FWD PICKUP	44 = 4-DOOR HATCHBACK
22 = 2-DOOR SPECIAL COUPE	35 = FWD VAN	45 = 4-DOOR STATION WAGON
24 = 2-DOOR HATCHBACK	36 = FWD WAGON	48 = 4-DOOR EXECUTIVE SEDAN
27 = 2-DOOR CONVERTIBLE	41 = 4-DOOR SEDAN	

AR = Use as Required - = Non Illustrated Part P.A.R. = Paint as Required

BULB CROSS REFERENCE

Figure 8-4600

4108 4600



ITEM	PART NUMBER	QTY	BODY	MODEL	DESCRIPTION
A	9423 277				SINGLE N330 N1 Y9423277 N
B	0131 282				SINGLE N53 N5 Y0131282 N
	0274 004				SINGLE N1445 N5 Y0274004 N
	0131 282				SINGLE N363 N5 Y0131282 N
C	0193 065				SINGLE N1815 N5 Y0193065 N
	0152 240				SINGLE N1816 N5 Y0152240 N
	0152 244				SINGLE N1891 N1 Y0152244 N
	0274 020				SINGLE N1892 N1 Y0274020 N
	9428 049				SINGLE N756 NC-2F Y9428049 N
D	9415 969				WEDGE N158 N5 Y9415969 N
	9415 969				SINGLE WEDGE N161 N1 Y9415969 N
	9425 542				SINGLE WEDGE N168 N5 Y9425542 N
	9421 330				SINGLE WEDGE N194 N1 Y9421330 N
E	9438 068				SINGLE WEDGE N194 NA N1 Y9438068 N
	0127 934				SINGLE N57 N5 Y0127934 N
	9417 863				SINGLE N257 N2 Y9417863 N
F	0142 450				SINGLE N67 N2 Y0142450 N
	0142 453				DOUBLE N90 N2 Y0142453 N
	0151 577				SINGLE N1003 N8 Y0151577 N
G	0151 578				DOUBLE N1004 N8 Y0151578 N
	0142 454				SINGLE N93 N2 Y0142454 N
H	9436 790				SINGLE WEDGE N73 NC-2F Y9436790 N
	0142 456				SINGLE N1141 N8 Y0142456 N
	9417 866				SINGLE N1156 N8 Y9417866 N
	9438 848				DOUBLE N2057 N8 Y9438848 NWHITE
	9438 850				DOUBLE N2057NA N8 Y9438850 NAMBER
	9419 780				DOUBLE N1157A N8 Y9419780 N
J	9438 850				DOUBLE N1157NA N8 Y9438850 N
	9431 809				DOUBLE WEDGE N212.2 NC-8 Y9431809 N
L	9431 808				FESTOON CAP - DOUBLE N211-2 N11 Y9431808 N
M	9436 790				SINGLE WEDGE N74 NC-2F Y9436790 N
N	9427 943				NV022 N Y9427943 N
	9437 173				NGE-912 N Y9437173 N
	9437 173				NGE-904 N Y9437173 N

MODEL CODES

B = GRAN FURY	F = FIFTH AVENUE/NEWPORT	P = RELIANT
C = LEBARON/TOWN & COUNTRY/EXC SEDAN	G = DIPLOMAT	T = E CLASS/NEW YORKER
C24 = LASER	H = VOYAGER	V = 600
D = ARIES	K = MINI RAM/CARAVAN/ROYAL	V24 = DAYTONA
E = 600	M = HORIZON/TURISMO	Z = OMNI/CHARGER/RAMPAGE

BODY STYLES

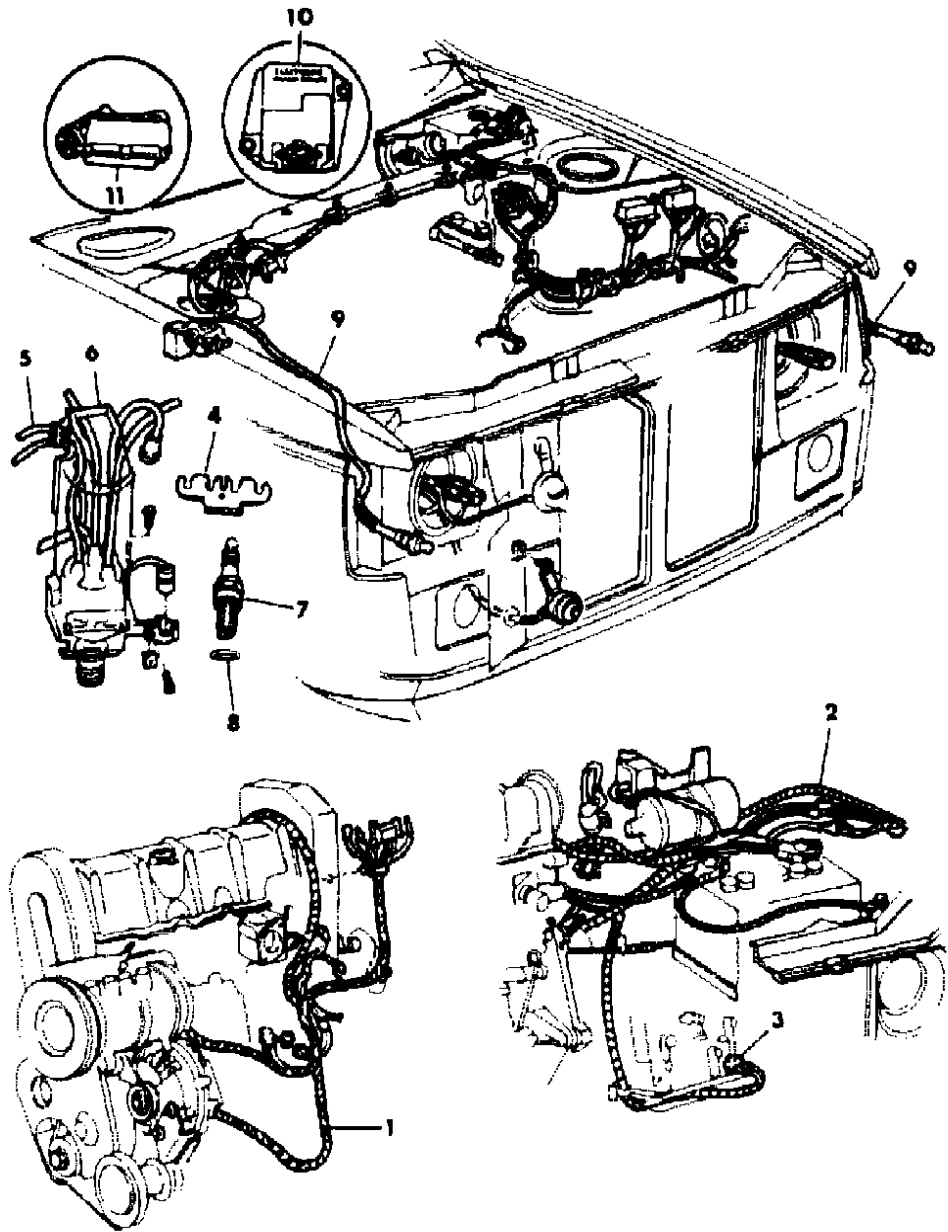
21 = 2-DOOR SEDAN	28 = FWD PICKUP	44 = 4-DOOR HATCHBACK
22 = 2-DOOR SPECIAL COUPE	35 = FWD VAN	45 = 4-DOOR STATION WAGON
24 = 2-DOOR HATCHBACK	36 = FWD WAGON	48 = 4-DOOR EXECUTIVE SEDAN
27 = 2-DOOR CONVERTIBLE	41 = 4-DOOR SEDAN	

AR = Use as Required - = Non Illustrated Part P.A.R. = Paint as Required

WIRING--ENGINE-FRONT END & RELATED PARTS M-Z

Figure 8-4700

4108 4700



ITEM	PART NUMBER	QTY	BODY	MODEL	DESCRIPTION
1					WIRING,ENGINE
	4304 932				2.2 Eng.
	4304 828				1.6 Eng. Man.Trans.
	4304 618				1.6 Eng. Auto.Trans.
	4304 878				2.2 Eng. "SHELBY"
2	4274 814				CABLE,Battery (Ground)
	4274 892				Positive (1.6 Eng.)
	4274 894				Positive,2.2 Eng. Auto.Trans
	4274 893				Positive,2.2 Eng. Man.Trans.
3	6500 275				BOLT,Ground to Body
4	1841 499				SEPERATOR,Spark Plug Cable (1.6 Eng.)
	4241 555				(2.2 Eng.)
5	5213 361	2			CABLE,Spark Plug (1.6 Eng.) #1 & 4
	5213 363	2			(1.6 Eng.) #2 & 3
	5213 372	2			(2.2 Eng.) #2 & 3
	5213 373	2			(2.2 Eng.) #1 & 4
	4145 413				NIPPLE,Dist. End
	5213 355				NIPPLE,Coil End
6	5213 351				CABLE, Ignition Coil (1.6 Eng.)
	5213 529				(2.2 Eng.)
7	5213 693				PLUG,Spark
8	2642 919				GASKET,Spark Plug
	4176 009				COIL,Ignition
	5213 532				BRACKET,Coil Mtg.
	4311 388				CAPACITOR,Ign.Coil
9					WIRING,Front End (Headlamp to Inst.Panel)
	4304 867		24		w/1.6 Eng.
	4304 868		44		w/1.6 Eng.
	4304 929		24-28		w/2.2 Eng. A.C.
	4304 897		24-28		w/2.2Eng.w/o A.C.
	4304 920		44		w/2.2Eng.w/ A.C.
	4304 898		44		w/2.2Eng.w/o A.C.
	4304 924				w/2.2Eng. "SHELBY"
	4304 933				WIRING,Front Bumper Fog Lamp
	4304 939				WIRING, Fog Lamp
	4124 656				WIRING,Speed Control (Eng.Compartment)
10	5213 305				CONTROL UNIT,Elec. 2.2 Eng. Export
	4379 100				REGULATOR, Voltage

MODEL CODES

B = GRAN FURY

C = LEBARON/TOWN & COUNTRY/EXC SEDAN

C24 = LASER

D = ARIES

E = 600

F = FIFTH AVENUE/NEWPORT

G = DIPLOMAT

H = VOYAGER

K = MINI RAM/CARAVAN/ROYAL

M = HORIZON/TURISMO

P = RELIANT

T = E CLASS/NEW YORKER

V = 600

V24 = DAYTONA

Z = OMNI/CHARGER/RAMPAGE

BODY STYLES

21 = 2-DOOR SEDAN

22 = 2-DOOR SPECIAL COUPE

24 = 2-DOOR HATCHBACK

27 = 2-DOOR CONVERTIBLE

28 = FWD PICKUP

35 = FWD VAN

36 = FWD WAGON

41 = 4-DOOR SEDAN

44 = 4-DOOR HATCHBACK

45 = 4-DOOR STATION WAGON

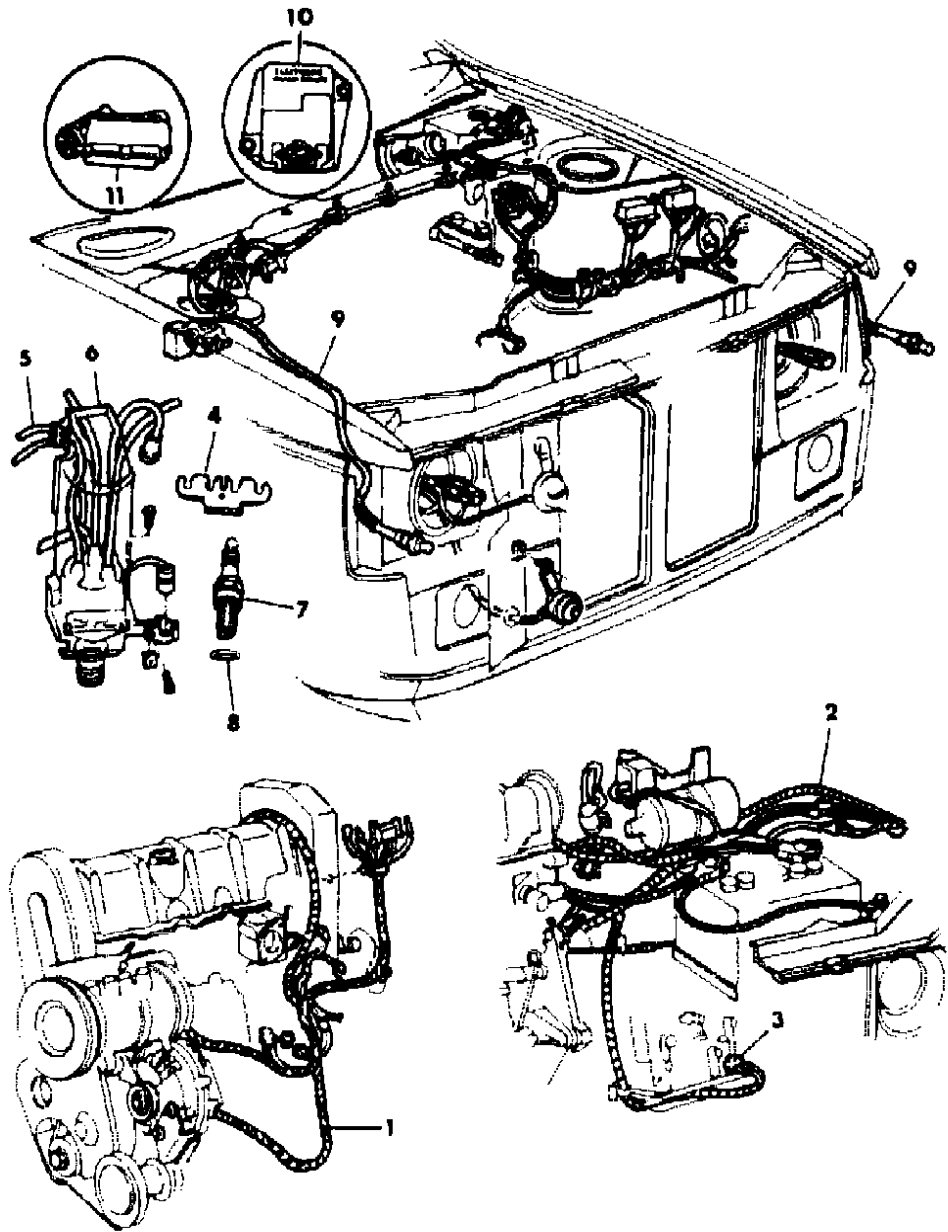
48 = 4-DOOR EXECUTIVE SEDAN

AR = Use as Required - = Non Illustrated Part P.A.R. = Paint as Required

WIRING--ENGINE-FRONT END & RELATED PARTS M-Z

Figure 8-4700

4108 4700



ITEM	PART NUMBER	QTY	BODY	MODEL	DESCRIPTION
	4274 035				MOLD,Spark Advance (Repair w/Tab)
	4274 036				(Repair w/Bar)
	4209 978				(Repair 6-Way)
11					CONTROL,ELEC. SPARK ADVANCE
	5226 292				All Trans. (1.6 Eng.)
	5226 164				w/All Trans. (1.6 Eng.) (CANADA)
	5226 370		24-44		w/Man.Trans., 2.2 Eng., Up to 3-26-84
	5226 510		24-44		Aft. 3-26-84
	5226 372				w/Auto.Trans., 2.2 Eng., Up to 3-26-84
	5226 502				Aft. 3-26-84
	5226 376				w/Man. Trans., 2.2 Eng. CALIF., Up to 3-26-84
	5226 518				Aft. 3-26-84
	5226 380				w/Auto.Trans., 2.2 Eng. CALIF. Up to 3-26-84
	5226 512				Aft. 3-26-84
	5213 753				w/2.2 Eng. CANADA
	5226 174		28		w/2.2 Eng., Exc. Calif.
	5226 370		28		w/2.2 Eng., CALIF.,High Altitude, Man. Trans.
	5226 372		28		w/2.2 Eng., CALIF.,High Altitude, Auto. Trans.
	5226 520				"SHELBY", Fed. Up to 3-26-84
	5226 248				"SHELBY", CALIF.,Up to 3-26-84
	5226 522				Aft. 3-26-84
	4267 269				SWITCH,Oil Pressure (1.6 Eng.)
	4267 021				SWITCH,Oil Pressure (2.2 Eng.)
	4051 686				SENDING UNIT, Oil Pressure, w/Gauge
	4221 646				FITTING,Oil Preassure
	6500 790				FITTING,Oil Preassure, 1.6 Eng.
	4051 687				SENDING UNIT, Eng. Temp. 1.6 2.2 Eng. w/Gauge
	4221 071				SWITCH, Eng. Temp. w/Light
	4267 281				SENSOR,Eng. Temp. 1.6 Eng.
	5213 737				RELAY,Starter
	5213 629				SENSOR, Detonation

MODEL CODES

B = GRAN FURY	F = FIFTH AVENUE/NEWPORT	P = RELIANT
C = LEBARON/TOWN & COUNTRY/EXC SEDAN	G = DIPLOMAT	T = E CLASS/NEW YORKER
C24 = LASER	H = VOYAGER	V = 600
D = ARIES	K = MINI RAM/CARAVAN/ROYAL	V24 = DAYTONA
E = 600	M = HORIZON/TURISMO	Z = OMNI/CHARGER/RAMPAGE

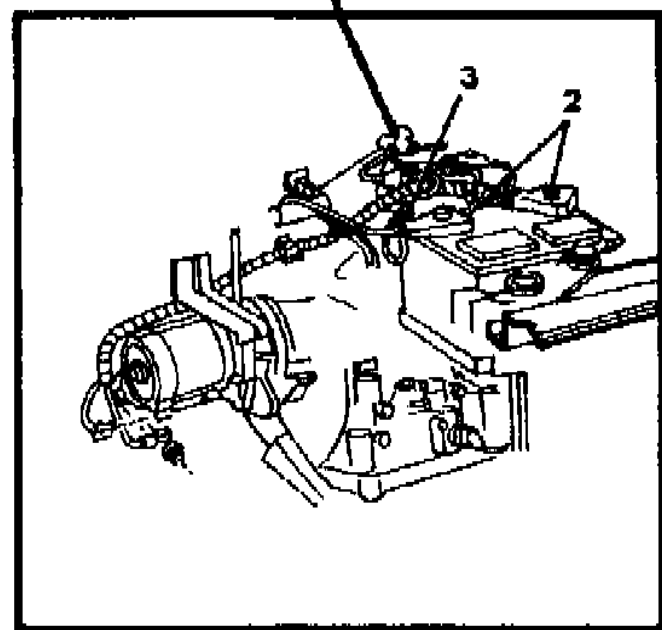
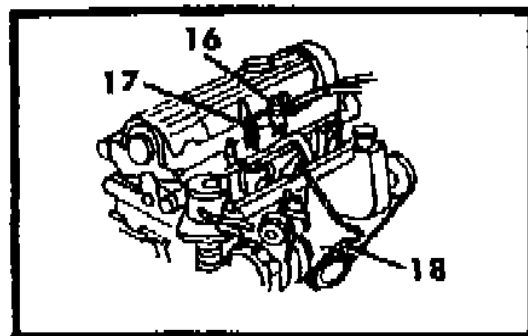
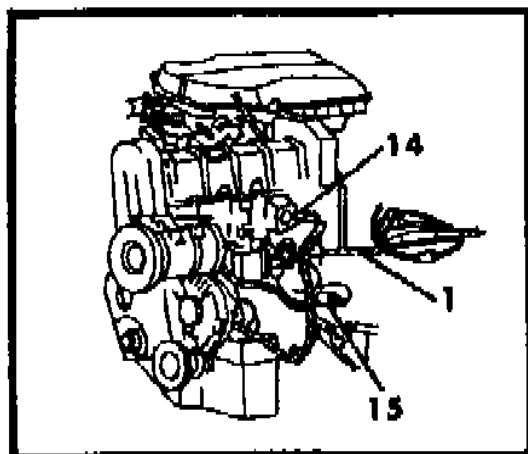
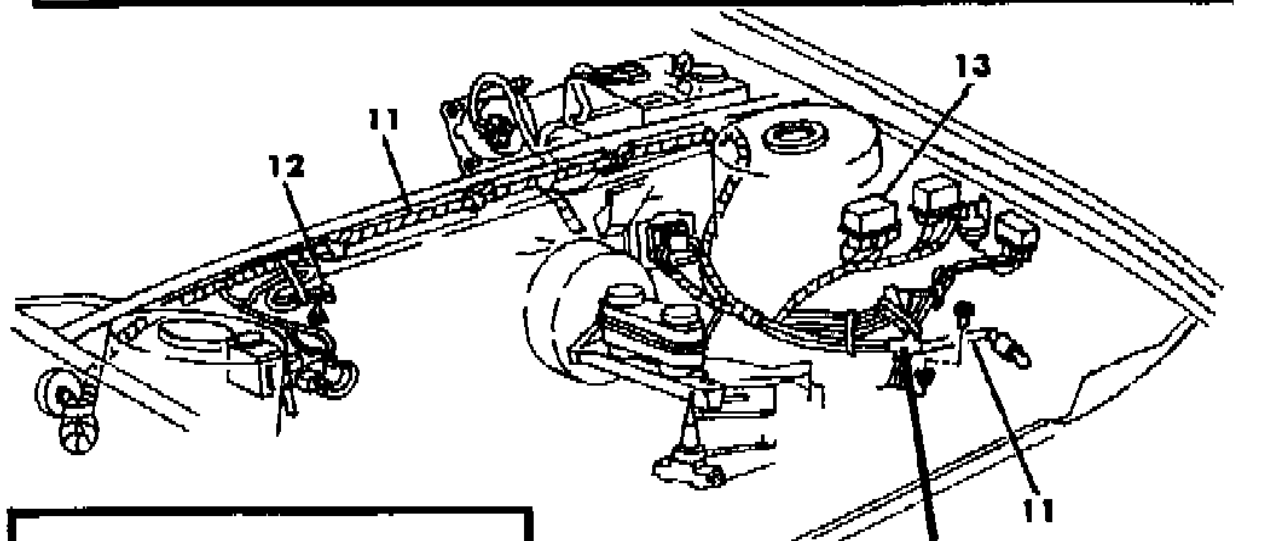
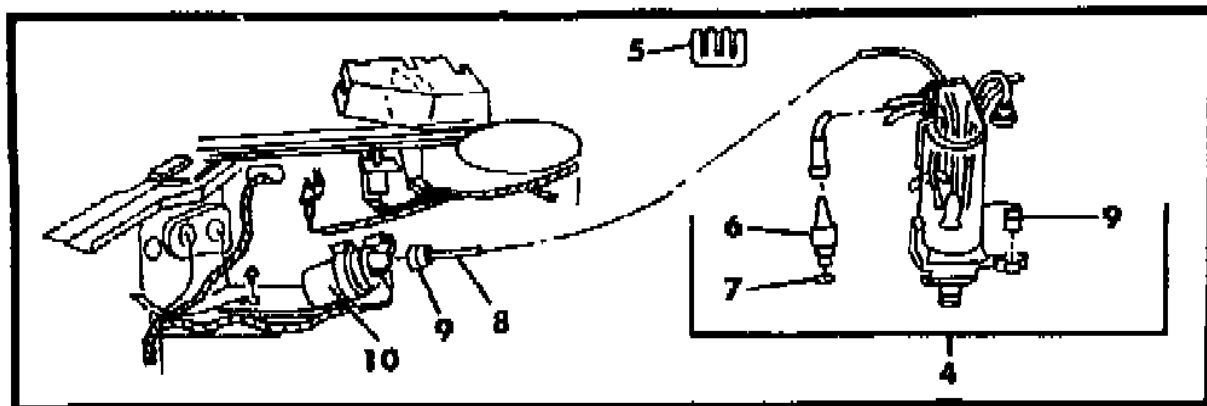
BODY STYLES

21 = 2-DOOR SEDAN	28 = FWD PICKUP	44 = 4-DOOR HATCHBACK
22 = 2-DOOR SPECIAL COUPE	35 = FWD VAN	45 = 4-DOOR STATION WAGON
24 = 2-DOOR HATCHBACK	36 = FWD WAGON	48 = 4-DOOR EXECUTIVE SEDAN
27 = 2-DOOR CONVERTIBLE	41 = 4-DOOR SEDAN	

AR = Use as Required - = Non Illustrated Part P.A.R. = Paint as Required

WIRING--ENGINE-FRONT END & RELATED PARTS P-D-C-V-E-T
Figure 8-4800

4108 4800A



ITEM	PART NUMBER	QTY	BODY	MODEL	DESCRIPTION
1					WIRING,ENGINE
	4304 240				TURBO-ENG.
	4304 556				(2.2 Eng.)
	4304 810				(2.6 Eng.)
	4274 863				Fuel Rail
	4304 558		E,T,V,C		w/A.C. Throttle Kicker Jumper
	4304 242				2.2 Eng. FLEET
	4304 559				WIRING,Engine Feed-Back
	4304 692				"LIMO"
2	4274 273				CABLE, Battery (Ground) 2.6 Eng.
	4274 886				Positive,2.6 Eng.
	4304 473				Positive,w/Man.Trans.2.2 Eng.
	4304 555				Positive,w/Auto.Trans. 2.2 & 2.6 Eng.
	4274 643				Battery Feed, POLICE, Up to 5-1-84
	4304 935				Aft. 5-1-84
3	6500 275				BOLT,Battery Ground
					CABLE SET,SPARK PLUG P,D,C,V,E,T
4	MD02 7766	1			CABLE SET,(Pkg.) 2.6 Eng.
	MD07 7714	1			#4 2.6 Eng.
	MD02 7713	1			#3 2.6 Eng.
	MD02 7715	1			#2 2.6 Eng.
	MD02 7714	1			#1 2.6 Eng.
	5213 372	2			# 2-3-(2.2 Eng.)
	5213 373	2			# 1-4-(2.2 Eng.)
	4339 407	1			CABLE SET-Pkg. 2.2 Eng.
	5213 357	1			CABLE,Ign.
5	MD00 1790	2			SEPERATOR,Cable (2.6 Eng.)
	MD02 4699	2			SEPERATOR,Cable (2.6 Eng.)
	4179 190				SEPERATOR,Cable (2.2 Eng.)
6					PLUG,Spark
	2098 360	4			PLUG,Spark 2.6 Eng.
	5213 693				RN 12 YC Copper Tip
7	2642 919	AR			GASKET,Spark Plug
8	MD02 7723				WIRE,Coil 2.6 Eng.
	5213 358				WIRE,Coil 2.2 Eng.
9	4145 413				NIPPLE,Dist. End. 2.2 Eng.
	5213 355				NIPPLE,Coil End. 2.2 Eng.
10	MD02 5703				COIL and BRACKET, 2.6 Eng.

MODEL CODES

B = GRAN FURY	F = FIFTH AVENUE/NEWPORT	P = RELIANT
C = LEBARON/TOWN & COUNTRY/EXC SEDAN	G = DIPLOMAT	T = E CLASS/NEW YORKER
C24 = LASER	H = VOYAGER	V = 600
D = ARIES	K = MINI RAM/CARAVAN/ROYAL	V24 = DAYTONA
E = 600	M = HORIZON/TURISMO	Z = OMNI/CHARGER/RAMPAGE

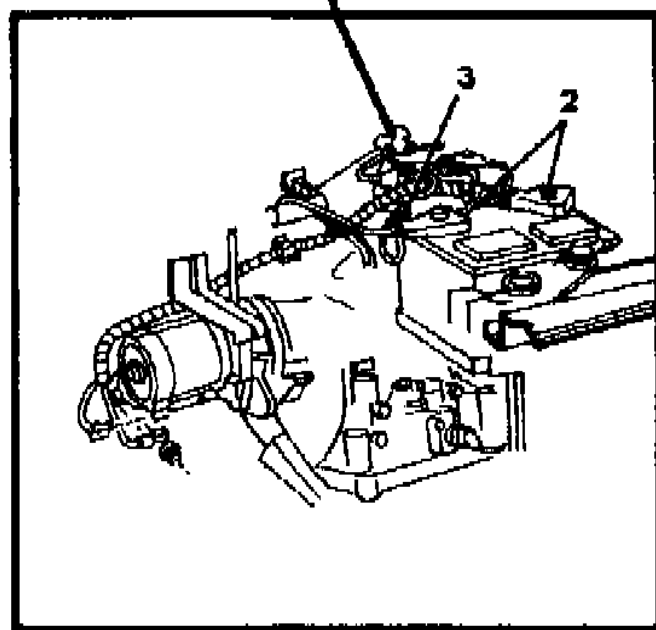
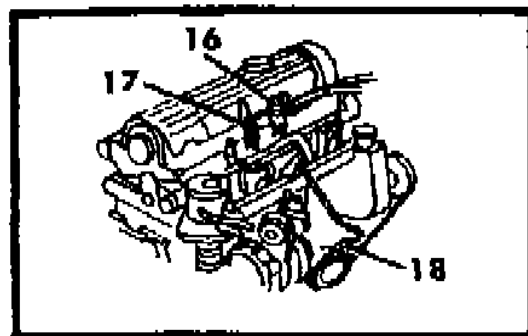
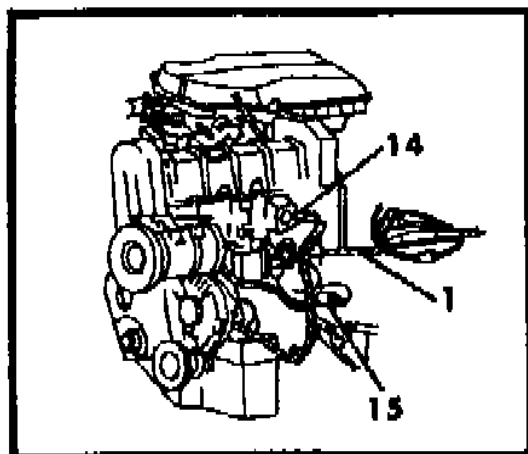
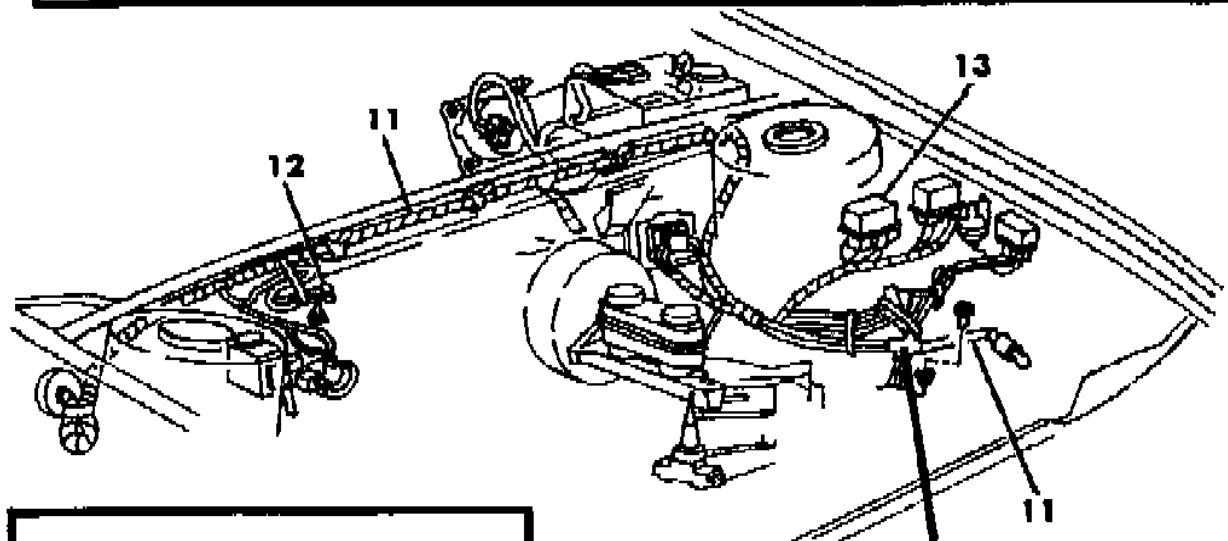
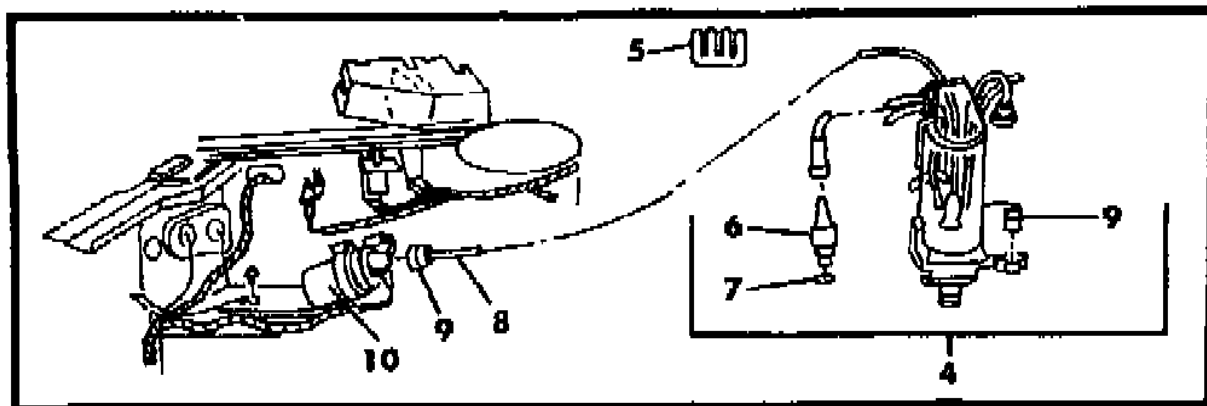
BODY STYLES

21 = 2-DOOR SEDAN	28 = FWD PICKUP	44 = 4-DOOR HATCHBACK
22 = 2-DOOR SPECIAL COUPE	35 = FWD VAN	45 = 4-DOOR STATION WAGON
24 = 2-DOOR HATCHBACK	36 = FWD WAGON	48 = 4-DOOR EXECUTIVE SEDAN
27 = 2-DOOR CONVERTIBLE	41 = 4-DOOR SEDAN	

AR = Use as Required - = Non Illustrated Part P.A.R. = Paint as Required

WIRING--ENGINE-FRONT END & RELATED PARTS P-D-C-V-E-T
Figure 8-4800

4108 4800A



ITEM	PART NUMBER	QTY	BODY	MODEL	DESCRIPTION
	4176 009				2.2 Eng.
	5213 532				BRACKET,Coil 2.2 Eng.
	4311 388				CAPACITOR,Coil
11					WIRING,FRONT END (Headlamp to Inst.Panel)
	4304 841		P-D		w/75 Amp.Alt. w/A.C. 2.6 Eng.
	4304 573		P-D		w/75 Amp.Alt. w/o A.C. 2.6 Eng.
	4304 967		P-D		w/60 & 78 Amp.Alt. w/o A.C.
	4304 966		P-D		w/60 & 78 Amp.Alt. w/A.C. 2.2 Eng.
	4304 208		P-D		w/75 Amp.Alt. 2.6 Eng. w/A.C. CANADA
	4304 216		C-V-E-T		w/78 Amp.Alt. 2.2 Eng. w/A.C.
	4304 951		C-V-E-T		TURBO
	4304 210		C-V-E-T		w/T.B.I. up to 5-10-84
	4304 950		C-V-E-T		Aft. 5-10-84
	4304 840		C-V-E-T		w/75 Amp.Alt. 2.6 Eng. w/ A.C.
	4304 574		C-V-E-T		w/75 Amp.Alt. 2.6 Eng. w/o A.C.
	4304 220		C-V-E-T		w/75 Amp.Alt. 2.6 Eng. w/A.C. Canada
	4304 594		P-D		w/90 Amp.Alt. 2.6 Eng. FLEET
	4304 965		P-D		w/90 Amp.Alt. 2.2 Eng. FLEET
	4274 888				WIRING,Speed Control Eng.Comp.
	4274 600				WIRING,Relay POLICE
12	4379 100				REGULATOR,Voltage
13	4274 036				MOLD,Elec.Spark Advance (Repair w/Bar)
	4274 035				w/Tab
	4209 978				w/6-Way
14					CONTROL ELECTRONIC SPARK ADVANCE
	5226 284		E-T		w/Man.Trans. 2.2 Eng.
	5226 286		E-T		w/Auto.Trans. 2.2 Eng.
	5226 376		P-D-C-V		w/Man. Trans. 2.2 Eng. CALIF., Up to 3-26-84
	5226 518		P-D-C-V		Aft. 3-26-84
	5226 380		P-D-C-V		w/Auto.Trans. 2.2 Eng. CALIF., Up to 3-26-84
	5226 512		P-D-C-V		Aft. 3-26-84
	5226 370		P-D-C-V		w/Man. Trans. 2.2 Eng. Up to 3-26-84
	5226 510		P-D-C-V		Aft. 3-26-84
	5226 372		P-D-C-V		w/Auto. Trans. 2.2 Eng. Up to 3-26-84
	5226 502		P-D-C-V		Aft. 3-26-84
	5226 197				MODULE POWER,Turbo
	5213 581				T.B.I.
15	4111 138				GASKET,Lean Burn Computer

MODEL CODES

B = GRAN FURY	F = FIFTH AVENUE/NEWPORT	P = RELIANT
C = LEBARON/TOWN & COUNTRY/EXC SEDAN	G = DIPLOMAT	T = E CLASS/NEW YORKER
C24 = LASER	H = VOYAGER	V = 600
D = ARIES	K = MINI RAM/CARAVAN/ROYAL	V24 = DAYTONA
E = 600	M = HORIZON/TURISMO	Z = OMNI/CHARGER/RAMPAGE

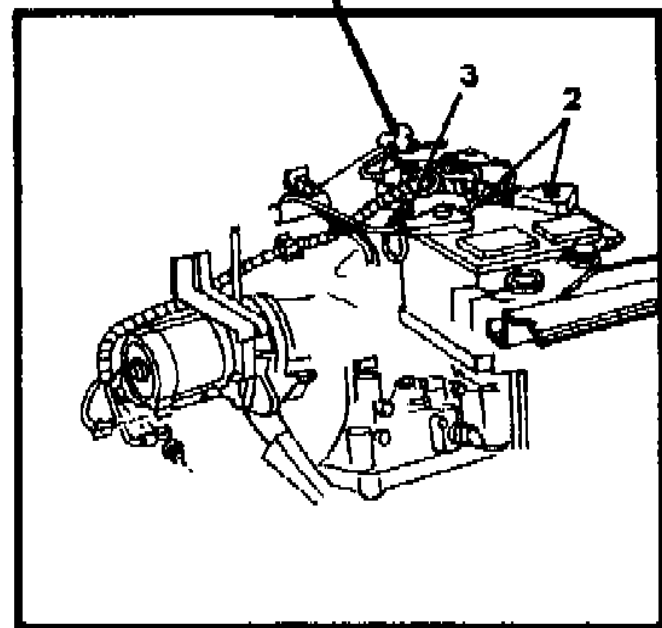
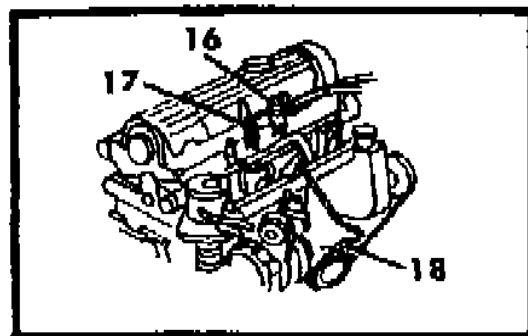
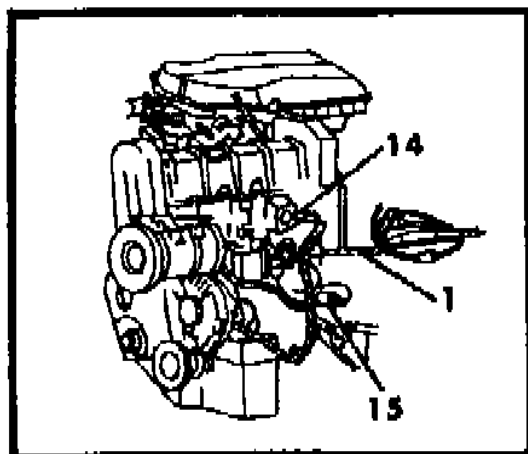
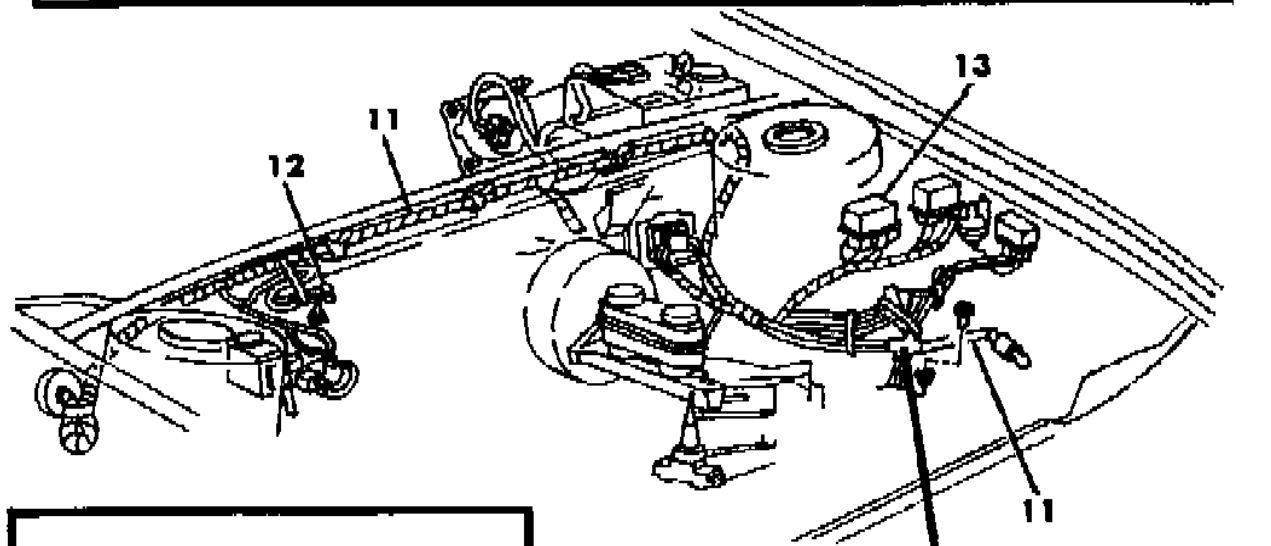
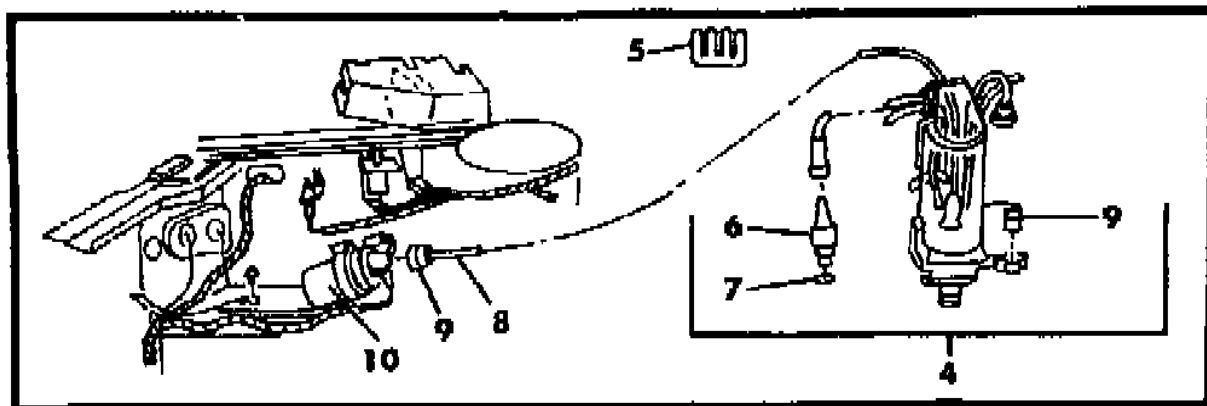
BODY STYLES

21 = 2-DOOR SEDAN	28 = FWD PICKUP	44 = 4-DOOR HATCHBACK
22 = 2-DOOR SPECIAL COUPE	35 = FWD VAN	45 = 4-DOOR STATION WAGON
24 = 2-DOOR HATCHBACK	36 = FWD WAGON	48 = 4-DOOR EXECUTIVE SEDAN
27 = 2-DOOR CONVERTIBLE	41 = 4-DOOR SEDAN	

AR = Use as Required - = Non Illustrated Part P.A.R. = Paint as Required

WIRING--ENGINE-FRONT END & RELATED PARTS P-D-C-V-E-T
Figure 8-4800

4108 4800A



ITEM	PART NUMBER	QTY	BODY	MODEL	DESCRIPTION
16	4169 629				SWITCH,Oil Press. 2.6 Eng.
	4221 673				SWITCH, Oil Press--w/T.B.I. & TURBO (1-Terminal)
	4267 021				SWITCH, Oil Press--w/2.2 Eng. (3-Terminal)
	4051 686				SENDING UNIT,Oil Press--w/Gauge
	4267 021				SWITCH, Oil Pressure, 3-Term. 2.2 Eng.
	4221 132				FITTING,Oil Press. --w/Gauge
	4323 107				w/Turbo
	4051 687				SENDING UNIT,Engine Temp.
	4221 071				SWITCH, Engine Temp., w/Light
	4221 344				SWITCH,Vacuum Audible Message 2.2 & 2.6 Eng.
	4221 345				w/T.B.I. & TURBO
	4267 281				SENSOR,Eng.Temp. Stmpd.4145565
	5213 463				SENSOR,Charge Temp. w/Turbo
	2574 792			E-T	PLUG, T.B.I. Control Hsg.
	5213 737				RELAY,Starter
	MD08 2430				VALVE, Thermal,2.6 Eng.(Temp. Sending Unit)
	5213 629				SENSOR, Detonation

MODEL CODES

B = GRAN FURY	F = FIFTH AVENUE/NEWPORT	P = RELIANT
C = LEBARON/TOWN & COUNTRY/EXC SEDAN	G = DIPLOMAT	T = E CLASS/NEW YORKER
C24 = LASER	H = VOYAGER	V = 600
D = ARIES	K = MINI RAM/CARAVAN/ROYAL	V24 = DAYTONA
E = 600	M = HORIZON/TURISMO	Z = OMNI/CHARGER/RAMPAGE

BODY STYLES

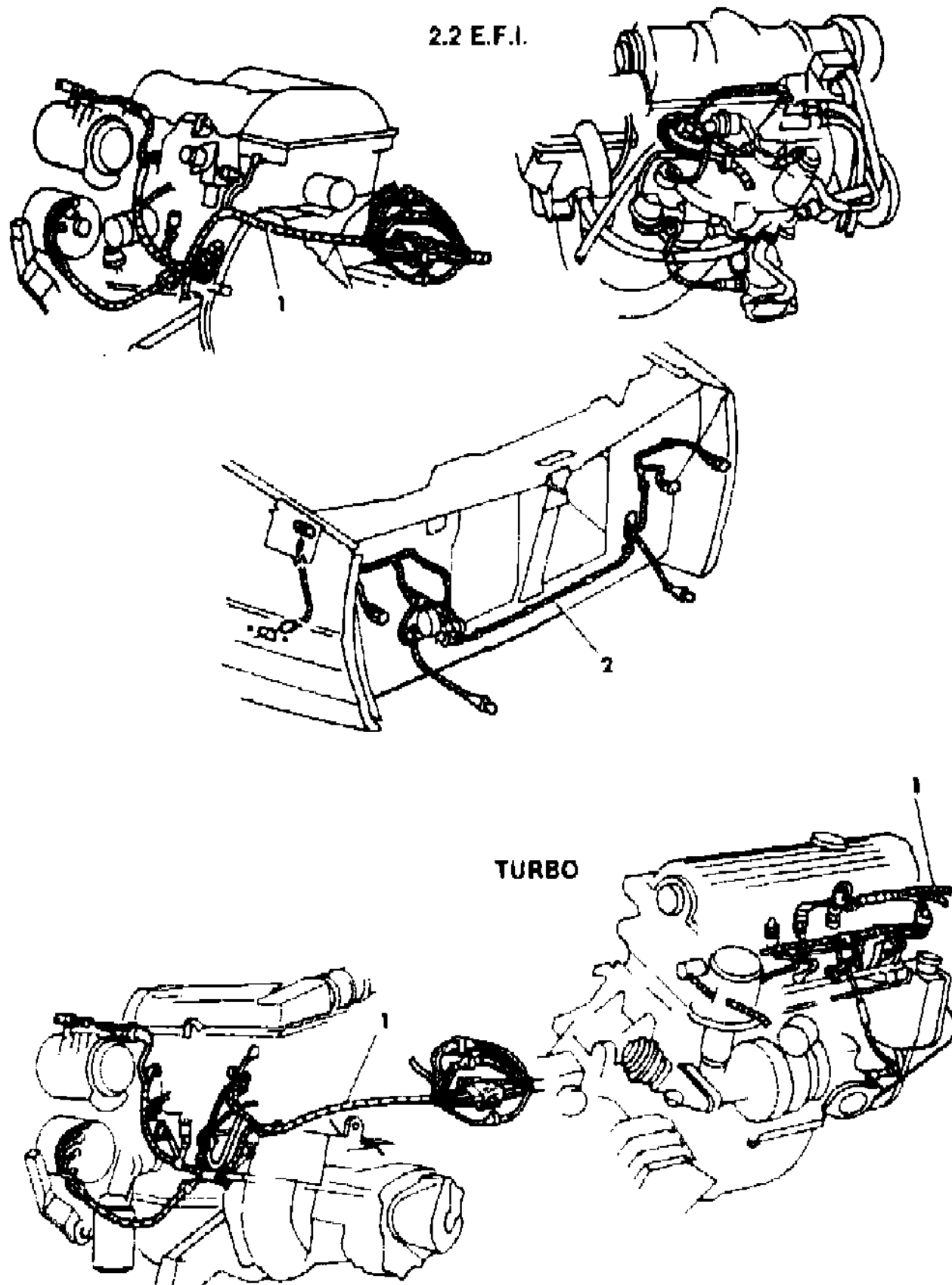
21 = 2-DOOR SEDAN	28 = FWD PICKUP	44 = 4-DOOR HATCHBACK
22 = 2-DOOR SPECIAL COUPE	35 = FWD VAN	45 = 4-DOOR STATION WAGON
24 = 2-DOOR HATCHBACK	36 = FWD WAGON	48 = 4-DOOR EXECUTIVE SEDAN
27 = 2-DOOR CONVERTIBLE	41 = 4-DOOR SEDAN	

AR = Use as Required - = Non Illustrated Part P.A.R. = Paint as Required

WIRING--ENGINE-FRONT END & RELATED PARTS C-V 24

Figure 8-4900

4108 4900



ITEM	PART NUMBER	QTY	BODY	MODEL	DESCRIPTION
1	4274 866				WIRING,Eng. 2.2 Eng.
	4304 558				2.2 Eng. w/T.B.I.
	4304 240				2.2 Eng. "TURBO"
	4304 505				2.2 Eng. w/T.B.I. & Elec.Mess.Ctr.
	4304 503				2.2 Eng. "TURBO" Elec.Mess.Ctr.
2	4274 863				TURBO, Fuel Rail
	4304 860				WIRING,Head Lamp & Dash 2.2 Eng.
	4304 952				2.2 Eng. w/T.B.I.
	4304 862				2.2 Eng. w/Turbo, up to 5-10-84
	4304 953				Aft. 5-10-84
	4304 863				2.2 Eng. w/T.B.I. w/Elec. Mess. Ctr.
	4304 955				2.2 Eng. "TURBO" w/Elec. Mess. Ctr.
	4209 695				WIRING,Auto. Trans.
	4304 555				WIRING,Batt.Poss. Auto.Trans.
	4304 473				WIRING,Batt.Poss. Man.Trans.
	4176 009				COIL, Ignition
	5213 532				BRACKET, Ignition Coil
	5213 357				CABLE, Ignition Coil
	4145 413				NIPPLE, Cable
	5213 372				CABLE, Spark Plug, #2-3
	5213 373				CABLE, Spark Plug #1-4
	5213 693				SPARK PLUG, RN-12Y
	4311 388				CAPACITOR, Ign. Coil
	4274 888				WIRING, Speed Control
	4051 686				SENDING UNIT, Oil Press
	4051 687				SENDING UNIT, Eng. Temp.
	4221 071				SWITCH, w/Light
	5226 197				MODULE, Power (E.S.A.) w/Turbo
5213 581				MODULE, Power (E.S.A.) w/T.B.I.	
5226 284				HOUSING, E.S.A. 2.2 Eng. Man.Trans.	
5226 286				Auto. Trans.	
5213 463				SENSOR, Charge Temp.	
4267 281				SENSOR, Engine Temp.	
4221 345				SWITCH, Vacuum	
4221 132				FITTING, Oil Pressure	
4323 107				w/Turbo	
4221 673				SWITCH, Oil Pressure	

MODEL CODES

B = GRAN FURY	F = FIFTH AVENUE/NEWPORT	P = RELIANT
C = LEBARON/TOWN & COUNTRY/EXC SEDAN	G = DIPLOMAT	T = E CLASS/NEW YORKER
C24 = LASER	H = VOYAGER	V = 600
D = ARIES	K = MINI RAM/CARAVAN/ROYAL	V24 = DAYTONA
E = 600	M = HORIZON/TURISMO	Z = OMNI/CHARGER/RAMPAGE

BODY STYLES

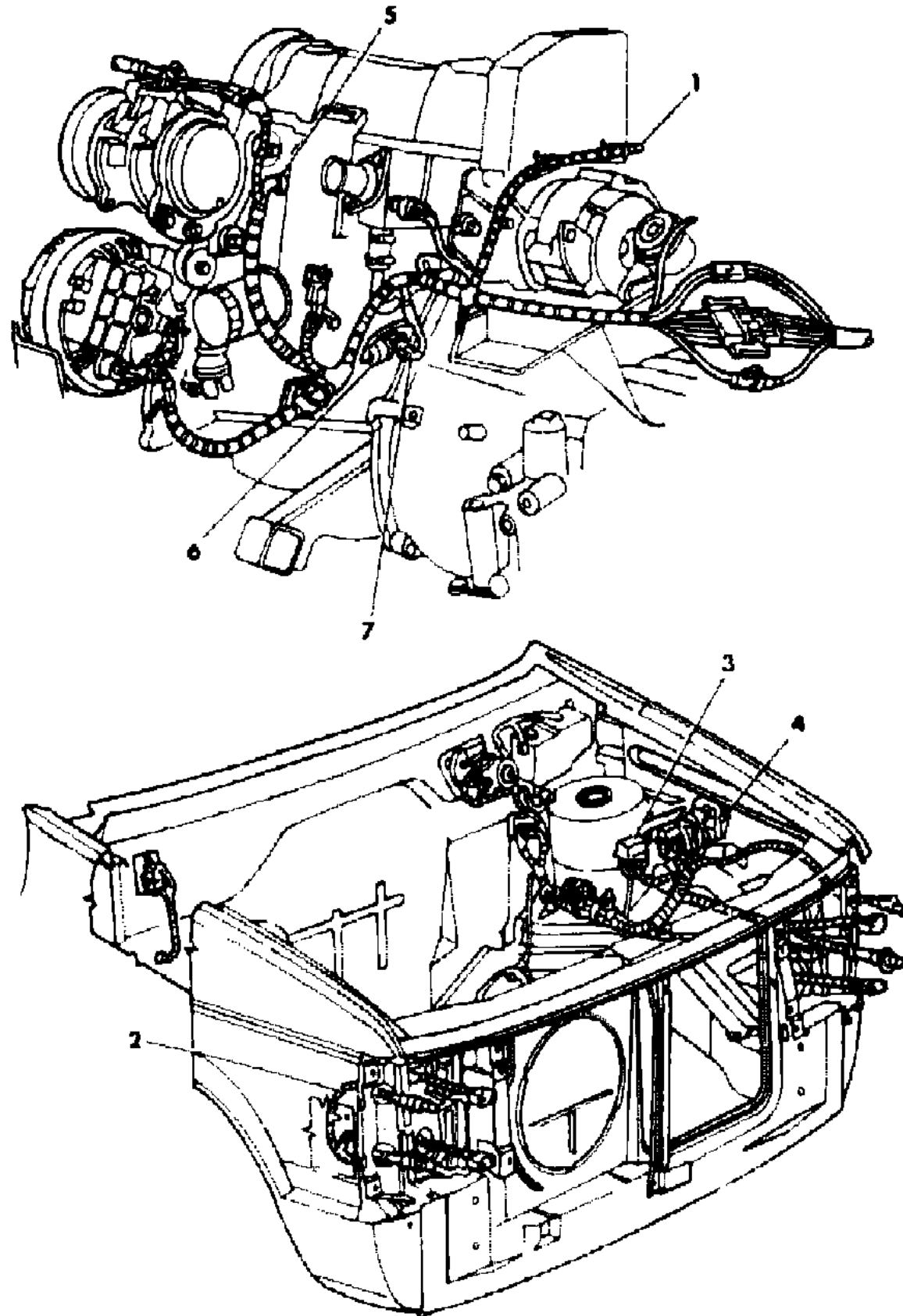
21 = 2-DOOR SEDAN	28 = FWD PICKUP	44 = 4-DOOR HATCHBACK
22 = 2-DOOR SPECIAL COUPE	35 = FWD VAN	45 = 4-DOOR STATION WAGON
24 = 2-DOOR HATCHBACK	36 = FWD WAGON	48 = 4-DOOR EXECUTIVE SEDAN
27 = 2-DOOR CONVERTIBLE	41 = 4-DOOR SEDAN	

AR = Use as Required - = Non Illustrated Part P.A.R. = Paint as Required

WIRING--ENGINE-FRONT END & RELATED PARTS H-K

Figure 8-5000

4106-1000



ITEM	PART NUMBER	QTY	BODY	MODEL	DESCRIPTION
1	4304 313				WIRING,Engine-2.2 Eng. w/A.C.
	4304 314				2.2 Eng. w/o A.C.
	4304 809				2.6 Eng. w/A.C.
	4304 316				2.6 Eng. w/o A.C.
2					WIRING,Front End (Head Lamp to Inst.Panel)
	4304 858				2.2 Eng.
	4304 934				2.2 Eng.w/o Air
	4304 354				2.6 Eng.
	4304 648				2.6 Eng. w/A.C.
	4304 649				2.6 Eng. w/o A.C.
	4304 244				WIRING,Battery Positive,w/Auto.Trans. up to 2-22-84
	4304 909				Aft. 2-22-84
	4304 243				w/Man.Trans., up to 2-13-84
	4304 908				Aft. 2-13-84
	5213 357				CABLE,Ign.Coil
	MB08 8537				2.6 Eng.
	4304 246				CABLE,Ign.Coil Negative
	4145 413				NIPPLE,Ign.Coil
	5213 372				CABLE,Spark Plug,#2-3 2.2 Eng.
	5213 373				#1-4 2.2 Eng.
	MD02 7766				CABLE SET, 2.6 Eng.
	MD07 7714				CABLE, #4, 2.6 Eng.
	MD07 7713				#3, 2.6 Eng.
	MD02 7715				#2, 2.6 Eng.
MD02 7714				#1, 2.6 Eng.	
5213 693				PLUG,SPARK	
4176 009				COIL,Ignition	
5213 532				BRACKET,Coil	
4311 388				CAPACITOR,Ign.Coil	
3	5213 737				RELAY,Starter
4	4379 100				REGULATOR,Voltage
5	4051 687				SENDING UNIT, Eng. Temp. w/Gauge
	4221 071				SWITCH, Eng. Temp. w/Light
	4274 036				MOLD,Elec.Spark Advance
6	4051 686				SENDING UNIT, Oil Pressure, w/Gauge
7	4221 132				FITTING,Oil Pressure
	5226 370				CONTROL,E.S.A. Man.Trans. High Alt.
	5226 398				Man.Trans.2.2 Eng. CALIF.,Up to 6-4-84

MODEL CODES

B = GRAN FURY
 C = LEBARON/TOWN & COUNTRY/EXC SEDAN
 C24 = LASER
 D = ARIES
 E = 600

F = FIFTH AVENUE/NEWPORT
 G = DIPLOMAT
 H = VOYAGER
 K = MINI RAM/CARAVAN/ROYAL
 M = HORIZON/TURISMO

P = RELIANT
 T = E CLASS/NEW YORKER
 V = 600
 V24 = DAYTONA
 Z = OMNI/CHARGER/RAMPAGE

BODY STYLES

21 = 2-DOOR SEDAN
 22 = 2-DOOR SPECIAL COUPE
 24 = 2-DOOR HATCHBACK
 27 = 2-DOOR CONVERTIBLE

28 = FWD PICKUP
 35 = FWD VAN
 36 = FWD WAGON
 41 = 4-DOOR SEDAN

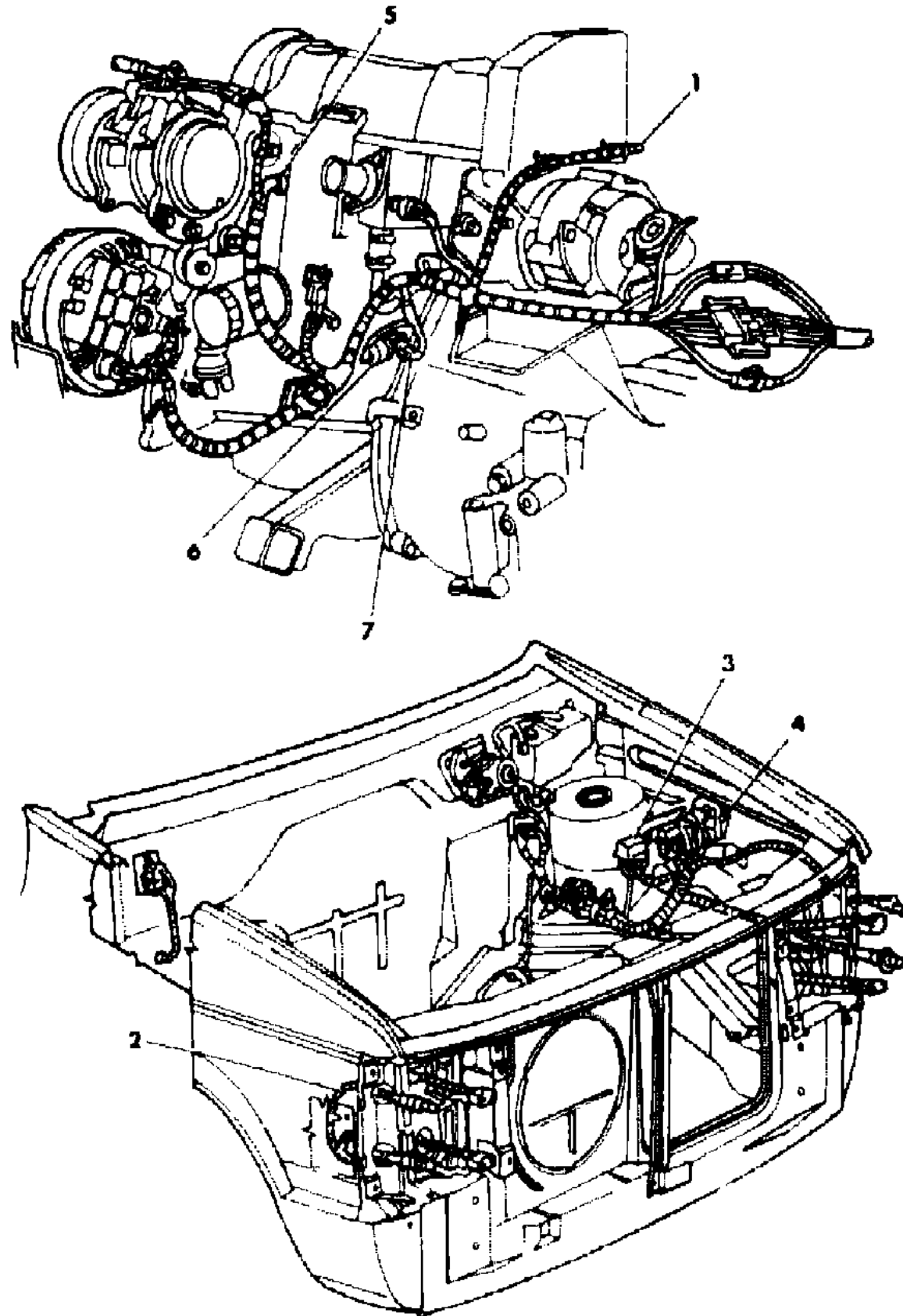
44 = 4-DOOR HATCHBACK
 45 = 4-DOOR STATION WAGON
 48 = 4-DOOR EXECUTIVE SEDAN

AR = Use as Required - = Non Illustrated Part P.A.R. = Paint as Required

WIRING--ENGINE-FRONT END & RELATED PARTS H-K

Figure 8-5000

4108 16887



ITEM	PART NUMBER	QTY	BODY	MODEL	DESCRIPTION
	5226 578				Aft. 6-4-84
	5226 176				Exc. Calif., All Trans.
	5226 396				Auto.Trans. CALIF., Up to 7-9-84
	5226 576				Aft. 7-9-84

MODEL CODES

B = GRAN FURY	F = FIFTH AVENUE/NEWPORT	P = RELIANT
C = LEBARON/TOWN & COUNTRY/EXC SEDAN	G = DIPLOMAT	T = E CLASS/NEW YORKER
C24 = LASER	H = VOYAGER	V = 600
D = ARIES	K = MINI RAM/CARAVAN/ROYAL	V24 = DAYTONA
E = 600	M = HORIZON/TURISMO	Z = OMNI/CHARGER/RAMPAGE

BODY STYLES

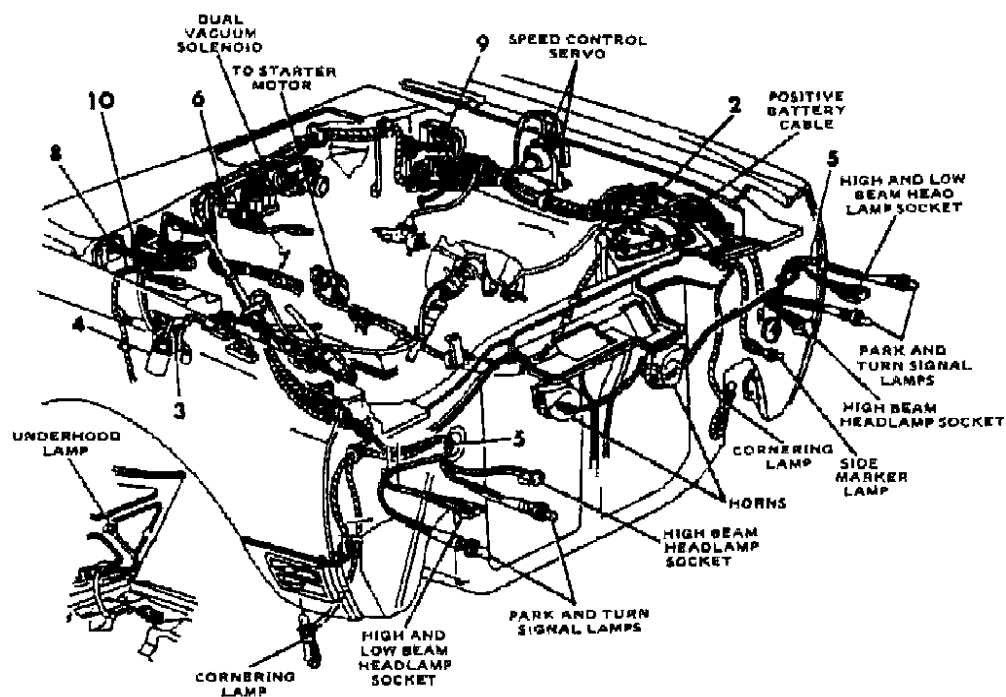
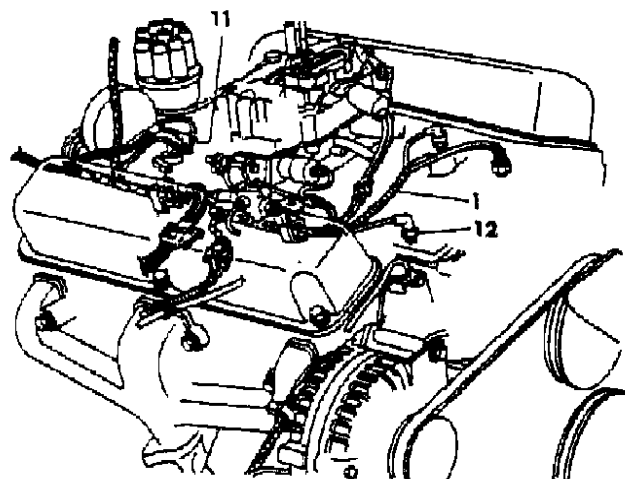
21 = 2-DOOR SEDAN	28 = FWD PICKUP	44 = 4-DOOR HATCHBACK
22 = 2-DOOR SPECIAL COUPE	35 = FWD VAN	45 = 4-DOOR STATION WAGON
24 = 2-DOOR HATCHBACK	36 = FWD WAGON	48 = 4-DOOR EXECUTIVE SEDAN
27 = 2-DOOR CONVERTIBLE	41 = 4-DOOR SEDAN	

AR = Use as Required - = Non Illustrated Part P.A.R. = Paint as Required

WIRING--ENGINE-FRONT END & RELATED PARTS B-F-G

Figure 8-5100

4108 5100



ITEM	PART NUMBER	QTY	BODY	MODEL	DESCRIPTION
1					WIRING,ENGINE
	4304 731				w/E.S.A.
	4209 233				w/E.S.A. CANADA
	4304 945				w/E.S.A. FLEET
	4124 776				WIRING,Battery Acc.Feed POLICE
2					CABLE,Battery Ground
	4274 210				w/318 Eng.
	4274 218				Positive w/60-78-114 Amp.Alt.
	4209 275				CONDUIT,Battery Cable
	1622 535				BOLT,Battery Cable Clamp
	1622 536				NUT,Battery Cable
	1841 499				SEPERATOR
	2875 604				SEPERATOR
	2875 605				SEPERATOR
	3755 972	2			SEPERATOR
					Cable, Spark Plug
	4145 925	4			#1-2-3-4
	4145 924	3			#5-7-8
	4145 923	1			#6
					CABLE SET,SPARK PLUG B,F,G
	4339 401				CABLE SET
					CABLE,Coil
	5213 367				4BBL.
	4111 930				NIPPLE,Dist.End.
	4145 413				NIPPLE,Coil End.
	5213 355				PLUG,SPARK
					Copper Tip RN12YC
	5213 693				GASKET,Spark Plug
	2642 919				
4	4176 009				COIL,Ignition
	5213 532				BRACKET,Coil
	4048 646				CAPACITOR,Ign.Coil
5					WIRING,FRONT END (Headlamp to Inst.Panel)
	4339 454				w/114 Amp.Alt.
	4339 453				w/60 or 78 Amp.Alt.
	4209 695				Auto.Trans.Switch Conn.(Repair)
	4085 679				Head Lamp Extension
	4124 736				WIRING,Speed Control (Eng.Comp.)

MODEL CODES

B = GRAN FURY	F = FIFTH AVENUE/NEWPORT	P = RELIANT
C = LEBARON/TOWN & COUNTRY/EXC SEDAN	G = DIPLOMAT	T = E CLASS/NEW YORKER
C24 = LASER	H = VOYAGER	V = 600
D = ARIES	K = MINI RAM/CARAVAN/ROYAL	V24 = DAYTONA
E = 600	M = HORIZON/TURISMO	Z = OMNI/CHARGER/RAMPAGE

BODY STYLES

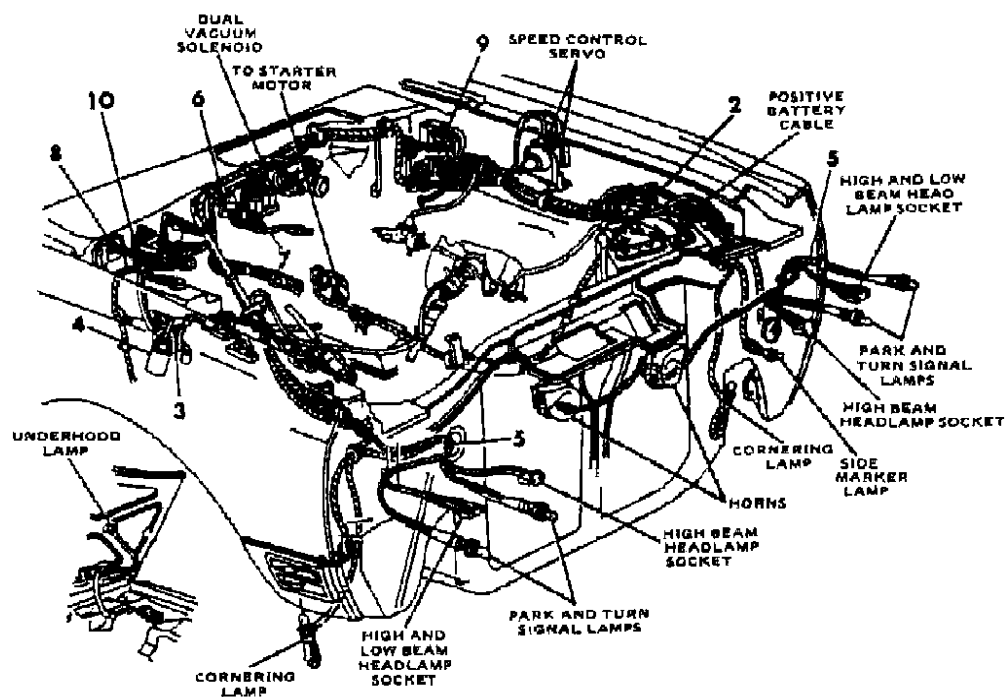
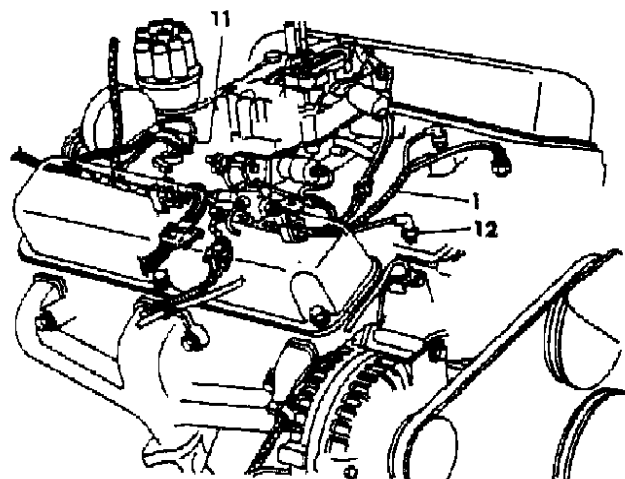
21 = 2-DOOR SEDAN	28 = FWD PICKUP	44 = 4-DOOR HATCHBACK
22 = 2-DOOR SPECIAL COUPE	35 = FWD VAN	45 = 4-DOOR STATION WAGON
24 = 2-DOOR HATCHBACK	36 = FWD WAGON	48 = 4-DOOR EXECUTIVE SEDAN
27 = 2-DOOR CONVERTIBLE	41 = 4-DOOR SEDAN	

AR = Use as Required - = Non Illustrated Part P.A.R. = Paint as Required

WIRING--ENGINE-FRONT END & RELATED PARTS B-F-G

Figure 8-5100

4106 5100



ITEM	PART NUMBER	QTY	BODY	MODEL	DESCRIPTION
6	4111 850				CONTROL UNIT,Elec.Ign.
7	3588 421				WIRING,Elec.Ign.Unit w/Mold
8	4379 100				REGULATOR,Voltage
9	4111 971				RELAY,Starter
	4145 370				RELAY,Switching Elec.Ign.Dist.
	4274 035				MOLD,Elec.Spark Advance Repair w/Tab
	4274 036				w/Bar
	4209 978				6-Way
					CONTROL,ELECTRONIC SPARK ADVANCE
	4145 452				2BBL. CANADA & EXPORT
	4289 444				w/2.24-2.26-2.94 Rear Axle
	4289 662				POLICE, (Air Cleaner Mtd.)
	4289 660				POLICE, (Kick Panel Mtd.)
	4111 138				GASKET,Lean Burn
	4289 003				SHIELD,HEAT-E.S.A.HSG.
	4106 140				E.S.A. 2 Prong
	2423 737				PLUG,E.C.U.Mtg.
11	4186 352				SWITCH,Oil Press. w/Light
	2427 237				SENDING UNIT,Oil w/Gauge
	3747 433				FITTING,w/o Vacuum Adv.
	3747 434				FITTING,w/Vacuum Adv.
12	4051 140				SENDING UNIT,Temp.Gauge
	4091 471				SENSOR,Eng.Temp.
	5213 629				SENSOR, Detonation

MODEL CODES

B = GRAN FURY	F = FIFTH AVENUE/NEWPORT	P = RELIANT
C = LEBARON/TOWN & COUNTRY/EXC SEDAN	G = DIPLOMAT	T = E CLASS/NEW YORKER
C24 = LASER	H = VOYAGER	V = 600
D = ARIES	K = MINI RAM/CARAVAN/ROYAL	V24 = DAYTONA
E = 600	M = HORIZON/TURISMO	Z = OMNI/CHARGER/RAMPAGE

BODY STYLES

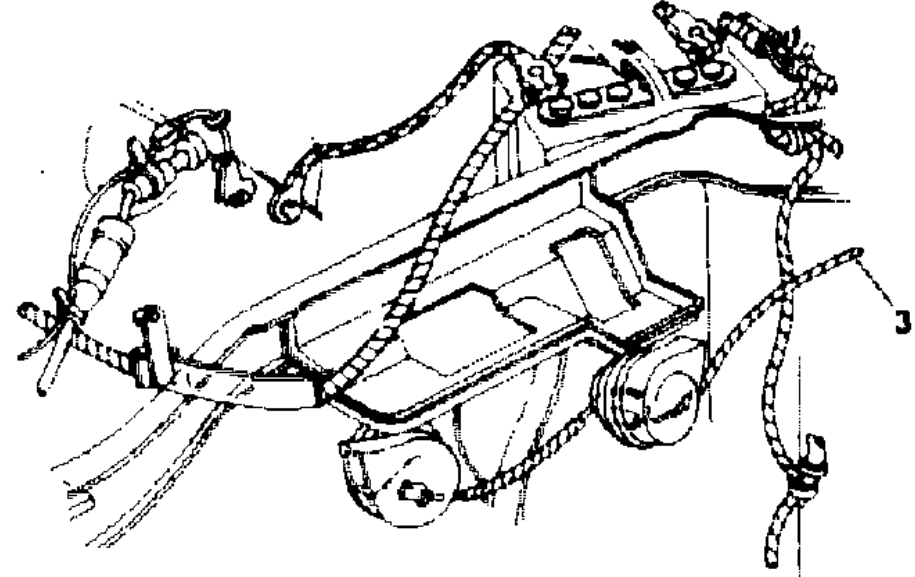
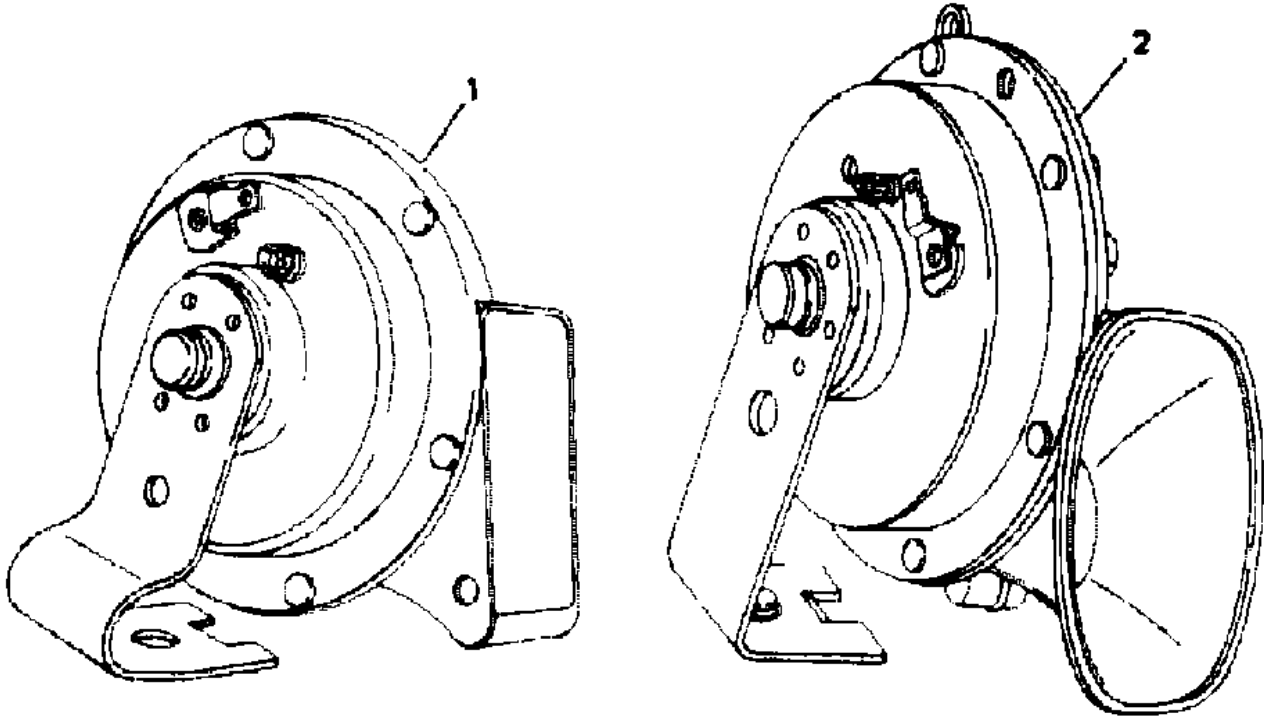
21 = 2-DOOR SEDAN	28 = FWD PICKUP	44 = 4-DOOR HATCHBACK
22 = 2-DOOR SPECIAL COUPE	35 = FWD VAN	45 = 4-DOOR STATION WAGON
24 = 2-DOOR HATCHBACK	36 = FWD WAGON	48 = 4-DOOR EXECUTIVE SEDAN
27 = 2-DOOR CONVERTIBLE	41 = 4-DOOR SEDAN	

AR = Use as Required - = Non Illustrated Part P.A.R. = Paint as Required

HORN ALL MODELS
Figure 8-5200

4108 5200

ITEM	PART NUMBER	QTY	BODY	MODEL	DESCRIPTION
1	2808 869			All	HORN, High Note Pkg.
2	2808 868			MZBFG,H	HORN, Low Note Pkg.
	4222 288		P,D,C,V		HORN and BRACKET, Low Note
	4311 480		HK		HORN and BRACKET, Low Note
	4311 481		HK		HORN and BRACKET, High Note
	5211 213		M,Z		BRACKET, Horn
	4222 126		P,D,C.V		BRACKET, Horn High Note
	4311 142		MZPDCVE		PLATE, Horn Mounting or Backing
	4222 646		VC 24		PLATE, Horn Mounting or Backing
	4220 849		HK		PLATE, Horn Mounting or Backing
	4222 449		B,F,G		BRACKET, Horn
	3747 298		P-D-H-K		RELAY,Horn
	4221 670		CVET		RELAY,Horn
3	4304 739		H-K		WIRING,Horn Triad



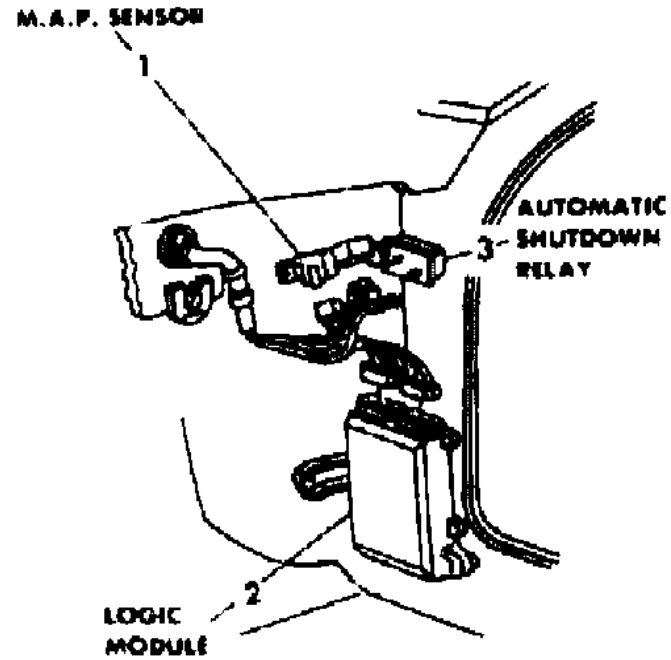
MODEL CODES
 B = GRAN FURY
 C = LEBARON/TOWN & COUNTRY/EXC SEDAN
 C24 = LASER
 D = ARIES
 E = 600
 F = FIFTH AVENUE/NEWPORT
 G = DIPLOMAT
 H = VOYAGER
 K = MINI RAM/CARAVAN/ROYAL
 M = HORIZON/TURISMO
 P = RELIANT
 T = E CLASS/NEW YORKER
 V = 600
 V24 = DAYTONA
 Z = OMNI/CHARGER/RAMPAGE

BODY STYLES
 21 = 2-DOOR SEDAN
 22 = 2-DOOR SPECIAL COUPE
 24 = 2-DOOR HATCHBACK
 27 = 2-DOOR CONVERTIBLE
 28 = FWD PICKUP
 35 = FWD VAN
 36 = FWD WAGON
 41 = 4-DOOR SEDAN
 44 = 4-DOOR HATCHBACK
 45 = 4-DOOR STATION WAGON
 48 = 4-DOOR EXECUTIVE SEDAN

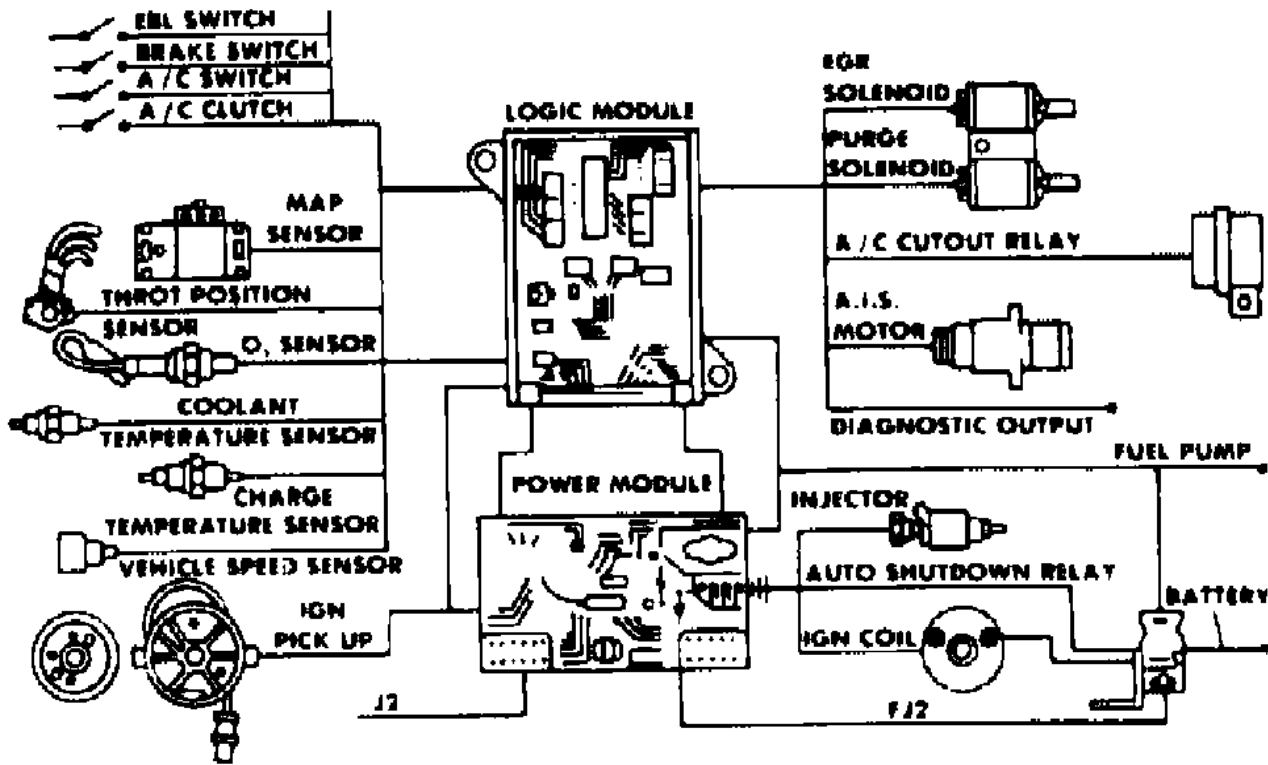
AR = Use as Required - = Non Illustrated Part P.A.R. = Paint as Required

M.A.P. SENSOR & LOGIC MODULE ALL MODELS
Figure 8-5300

410K 5JGW



ITEM	PART NUMBER	QTY	BODY	MODEL	DESCRIPTION
1	4318 114				M.A.P. SENSOR, w/TBI
2	4318 115	1			M.A.P. SENSOR, w/Turbo
	5226 391	1			LOGIC MODULE, M/Trans.,w/Turbo.
	5226 385	1			M/Trans.,w/T.B.I.
	5226 870	1			A/Trans.,w/T.B.I.
	5226 388	1			A/Trans.,w/Turbo
3	MD08 0152	1			2.6 Eng.
	4221 279	1			RELAY,Auto.Shutdown



ELECTRONIC FUEL INJECTION COMPONENTS

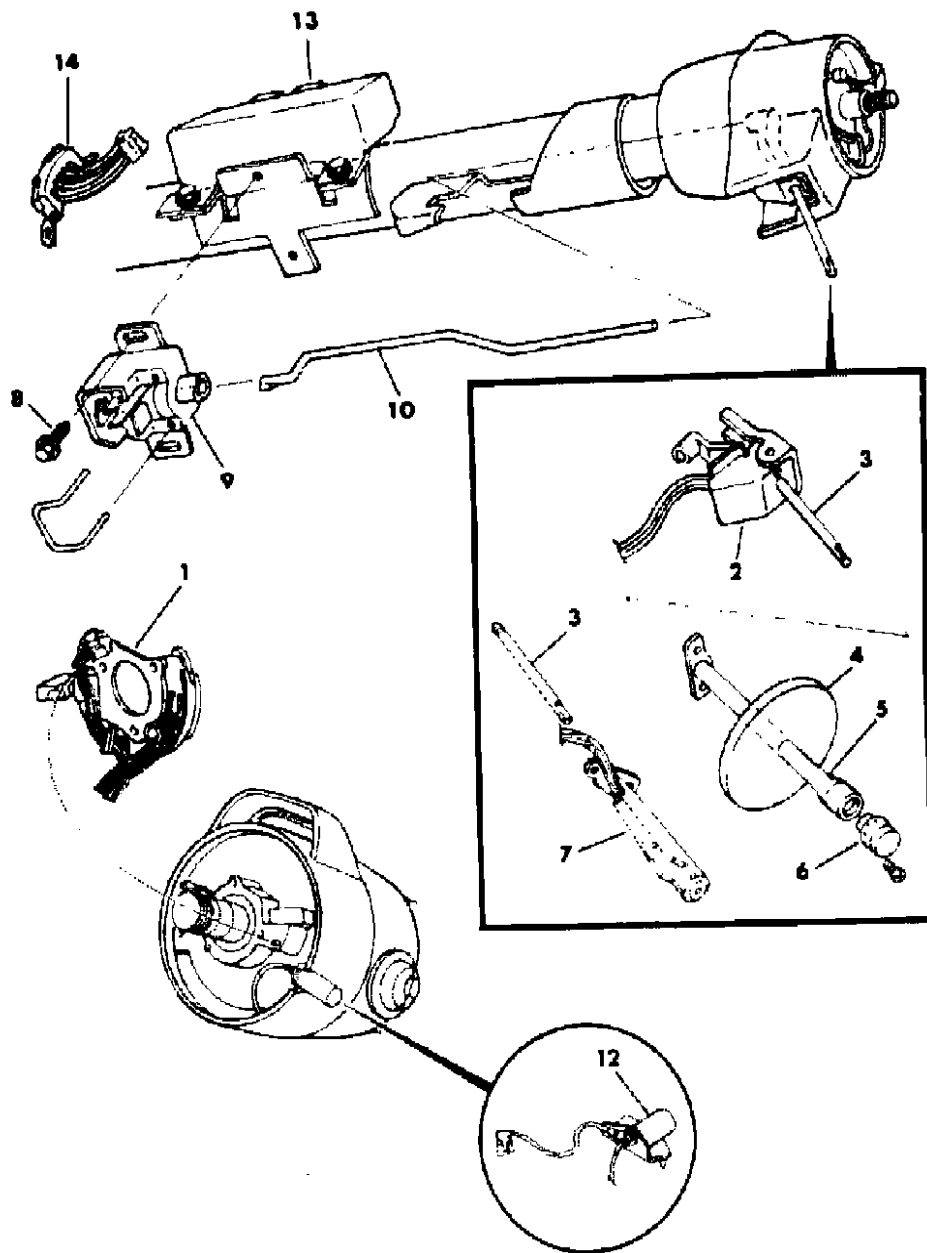
MODEL CODES
 B = GRAN FURY
 C = LEBARON/TOWN & COUNTRY/EXC SEDAN
 C24 = LASER
 D = ARIES
 E = 600
 F = FIFTH AVENUE/NEWPORT
 G = DIPLOMAT
 H = VOYAGER
 K = MINI RAM/CARAVAN/ROYAL
 M = HORIZON/TURISMO
 P = RELIANT
 T = E CLASS/NEW YORKER
 V = 600
 V24 = DAYTONA
 Z = OMNI/CHARGER/RAMPAGE

BODY STYLES
 21 = 2-DOOR SEDAN
 22 = 2-DOOR SPECIAL COUPE
 24 = 2-DOOR HATCHBACK
 27 = 2-DOOR CONVERTIBLE
 28 = FWD PICKUP
 35 = FWD VAN
 36 = FWD WAGON
 41 = 4-DOOR SEDAN
 44 = 4-DOOR HATCHBACK
 45 = 4-DOOR STATION WAGON
 48 = 4-DOOR EXECUTIVE SEDAN

AR = Use as Required - = Non Illustrated Part P.A.R. = Paint as Required

SWITCH, TURN SIGNAL AND HAZARD WARNING
Figure 8-5400

4106 5400



ITEM	PART NUMBER	QTY	BODY	MODEL	DESCRIPTION	
1	4221 339	1		MZ	SWITCH, Turn Signal & Hazard Warning	
	4221 498			PD,CVET	w/o Cornering Lamp, w/o Tilt Strg.	
	4221 498			BFG,HK	w/o Cornering Lamp, w/o Tilt Strg.	
	4221 304			PD,CVET	w/o Cornering Lamp, w/Tilt Strg. Sag.#7841454	
	4221 485			HK	w/Tilt Strg. Sag.#7844423	
	4221 485			BFG	w/o Cornering Lamp, w/Tilt Strg.,Sag.#7844423	
	4221 305			PD,CVET	w/Cornering Lamp, w/Tilt Strg.Sag.#7841455	
	4221 305			BFG	w/Cornering Lamp, w/Tilt Strg. Sag.#7841455	
	4221 338			PD,CVET	w/Cornering Lamp, w/o Tilt Strg.	
	4221 338			BFG	w/Cornering Lamp, w/o Tilt Strg.	
2	4019 782	1			ARM, Assy.,Sig. Switch w/Tilt Strg.	
	5209 863			MZ	SWITCH, w/Shield Wiper & Washer,2 Speed w/o Intermittent Wipe (w/Lever and Knob)	
	4221 231			PD,CVET	w/Shield Wiper & Washer,2 Speed w/o Intermittent Wiper. (w/ Lever & Knob)	
	4221 499			HK		
	4221 282			MZ	2 Speed w/Intermittent Wiper w/o Tilt Strg. w/Shaft	
	3747 653			BFG	w/Shield Wiper and Washer,2 Speed w/o Intermittent Wipe. w/ Shaft	
	4221 232			PD,CVET	2 Speed w/Intermittent Wiper w/o Tilt Strg. w/Shaft	
	4221 500			HK	2 Speed w/Intermittent Wiper w/o Tilt Strg. w/Shaft	
	4221 500			BFG	2 Speed w/Intermittent Wiper w/o Tilt Strg. w/Shaft	
	4221 486			PD,CVET	2 Speed w/Intermittent Wiper w/Tilt Strg.	
	4221 486			BFG,HK	2 Speed w/Intermittent Wiper w/Tilt Strg.	
	3					SHAFT, Turn Signal & w/Shield Wiper Switch
		3747 946	1		Exc.BFG	SHAFT, w/o Tilt w/Intermittent
		3747 946	1		BFG	SHAFT,w/o Tilt
3747 566		1		ALL	SHAFT,w/Tilt	
4	P199 VX9				SHIELD, Turn Signal Switch Opening	
5	4293 911	1		Exc.VC2	COVER, Turn Signal and w/Shield Wiper Switch, w/o Auto. Speed Control	
	4221 460	1		VC24	COVER, Turn Signal and w/Shield Wiper Switch, w/o Auto. Speed Control	
	3747 645	1		ALL	CLIP, W/S Wiper & Wash. Switch Cover	
	4221 418	1		ALL	SILENCER, Switch Cover w/o Speed Control	
	6	4221 469	1		BFG	KNOB, w/s Wiper and Washer Switch (w/o Intermittent) Assy.
			1			KNOB, w/s Wiper and Washer Switch (w/Intermittent) Assy.
	P159 BA7	1			Silver	

MODEL CODES

B = GRAN FURY	F = FIFTH AVENUE/NEWPORT	P = RELIANT
C = LEBARON/TOWN & COUNTRY/EXC SEDAN	G = DIPLOMAT	T = E CLASS/NEW YORKER
C24 = LASER	H = VOYAGER	V = 600
D = ARIES	K = MINI RAM/CARAVAN/ROYAL	V24 = DAYTONA
E = 600	M = HORIZON/TURISMO	Z = OMNI/CHARGER/RAMPAGE

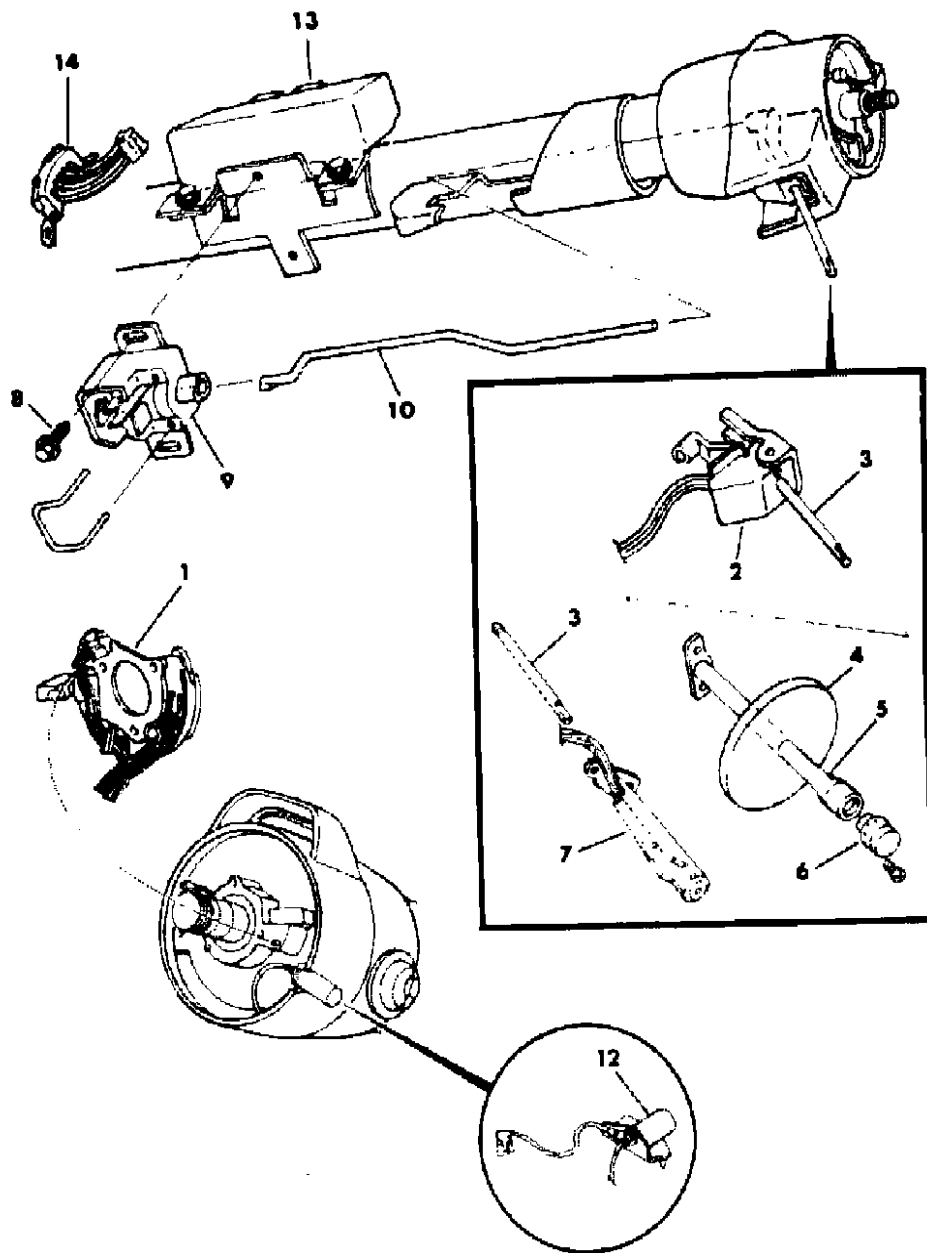
BODY STYLES

21 = 2-DOOR SEDAN	28 = FWD PICKUP	44 = 4-DOOR HATCHBACK
22 = 2-DOOR SPECIAL COUPE	35 = FWD VAN	45 = 4-DOOR STATION WAGON
24 = 2-DOOR HATCHBACK	36 = FWD WAGON	48 = 4-DOOR EXECUTIVE SEDAN
27 = 2-DOOR CONVERTIBLE	41 = 4-DOOR SEDAN	

AR = Use as Required - = Non Illustrated Part P.A.R. = Paint as Required

SWITCH, TURN SIGNAL AND HAZARD WARNING
Figure 8-5400

4108 5400



ITEM	PART NUMBER	QTY	BODY	MODEL	DESCRIPTION
	P159 BC7				Blue
	P159 BM6				Red
	P159 BT8				Tan
	P159 BX9				Black
	4221 458			VC24	
	4188 491	1		PD,CVET	KNOB, Screw, Hazard Warning w/Tilt Strg.
	4188 491	1		BFG,HK	KNOB, Screw, Hazard Warning w/Tilt Strg.
7	4342 209	1		PDCVET,	SWITCH and LEVER, Auto Speed Control Tilt Strg. (5-1/2in)
	4342 207	1		VC24	SWITCH and LEVER, Auto Speed Control Tilt Strg.
	P165 AM6	1		C,V (27	SWITCH and LEVER, Auto Speed Control Tilt Strg. (Red)
	4342 211	1		C,V (27	SWITCH and LEVER, Auto Speed Control Tilt Strg. (Brown)
	4221 455	1		CV-24	SWITCH and LEVER, Auto Speed control w/o Tilt Strg.
	4221 482			ALL	SWITCH and LEVER, Auto Speed Control w/o Tilt
	4221 416			MZ	SWITCH, Clutch Speed Cont. (w/A412 Trans.)
	6031 668			MZ	Clip, Clutch Speed Cont. (w/A412 Trans.)
	4221 678			MZ	SWITCH, Clutch Speed Cont. (w/A460 Trans.)
	4221 654			HK	SWITCH, Clutch Speed Cont.
	4221 677			PD,CVET	SWITCH , Speed Cont. Clutch w/Bracket
	5209 965			MZ	BRACKET, Stop Lamp & Speed Control Switch Up to 9-19-83
	4221 580			MZ	After 9-19-83
	5209 928			MZ	BRACKET, Stop w/o Speed Cont.
	3747 020			BFG	BRACKET,Stop Lamp w/-w/o Speed Cont. up to 9-19-83
	4221 632			BFG	After 9-19-83
	4221 487			HK	BRACKET, Stop Lamp w/ or w/o Speed Cont.
	4221 438			MZ,BFG	SWITCH, Stop Lamp Speed Cont.
	4221 978			HK	SWITCH, Stop Lamp Speed Cont.
	4221 976			PD,CVET	SWITCH, Stop Lamp Speed Cont.
	3747 993			PD,CVET	SWITCH, Stop Lamp w/o Speed Cont.
	2926 275			MZ,BFG,	SWITCH, Stop Lamp w/o Speed Cont.
	4293 920			HK	SWITCH, Stop Lamp w/o Speed Cont.
	4221 463			PD,CVET	SWITCH, Parking Brake
	4221 463			BFG	SWITCH, Parking Brake
	4221 760			HK	SWITCH, Parking Brake
	3747 992			PD,CVET	BRACKET, Stop Lamp Switch w/ or w/o Speed Cont
	3747 990			PD,CVET	STRIKER, Plate Brake
	4221 488			HK	STRIKER, Plate Brake
8					SCREW,(Not Serviced)
9	4057 985	1		MZ	SWITCH, Head Lamp Beam Selector

MODEL CODES

B = GRAN FURY	F = FIFTH AVENUE/NEWPORT	P = RELIANT
C = LEBARON/TOWN & COUNTRY/EXC SEDAN	G = DIPLOMAT	T = E CLASS/NEW YORKER
C24 = LASER	H = VOYAGER	V = 600
D = ARIES	K = MINI RAM/CARAVAN/ROYAL	V24 = DAYTONA
E = 600	M = HORIZON/TURISMO	Z = OMNI/CHARGER/RAMPAGE

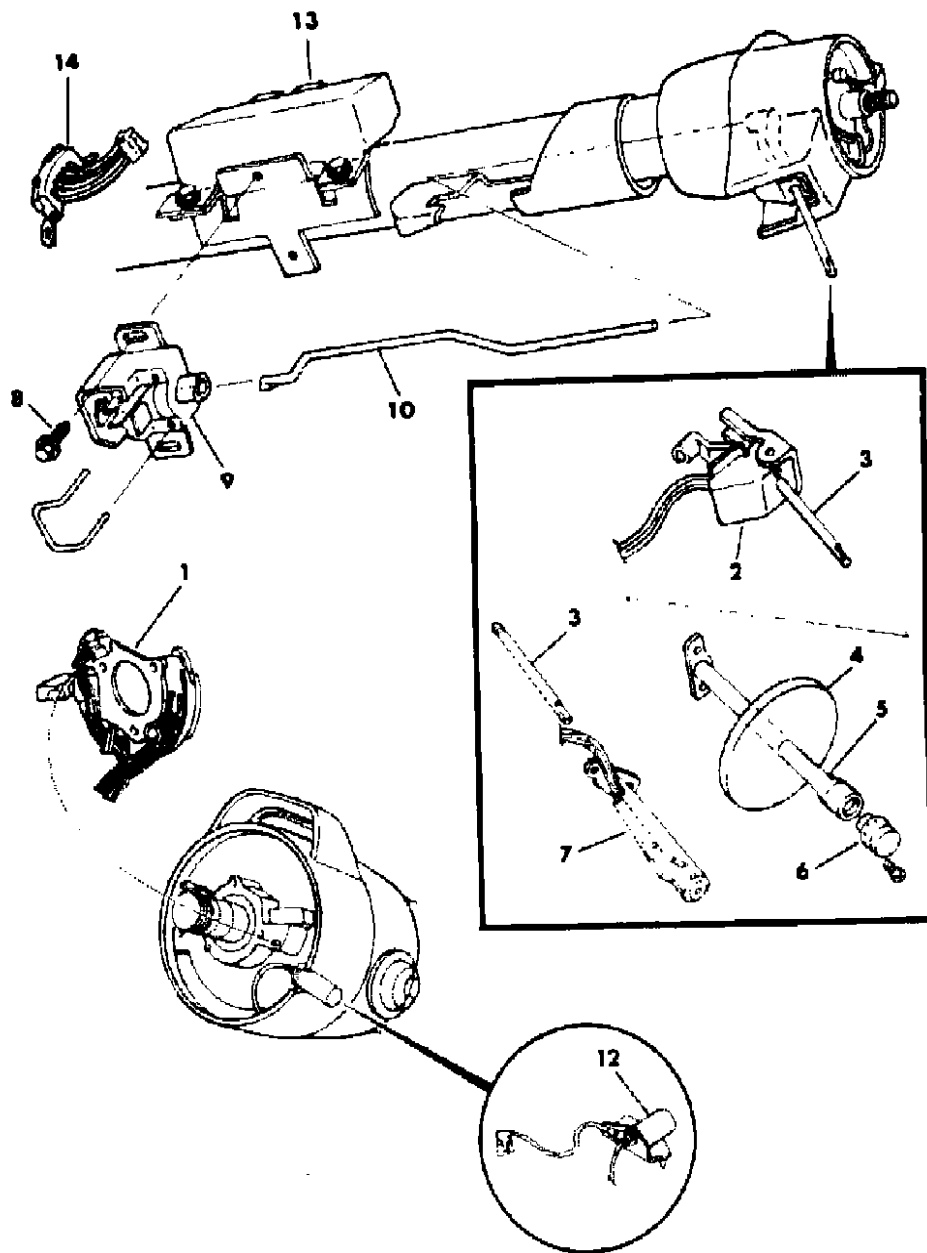
BODY STYLES

21 = 2-DOOR SEDAN	28 = FWD PICKUP	44 = 4-DOOR HATCHBACK
22 = 2-DOOR SPECIAL COUPE	35 = FWD VAN	45 = 4-DOOR STATION WAGON
24 = 2-DOOR HATCHBACK	36 = FWD WAGON	48 = 4-DOOR EXECUTIVE SEDAN
27 = 2-DOOR CONVERTIBLE	41 = 4-DOOR SEDAN	

AR = Use as Required - = Non Illustrated Part P.A.R. = Paint as Required

SWITCH, TURN SIGNAL AND HAZARD WARNING
Figure 8-5400

4106 5400



ITEM	PART NUMBER	QTY	BODY	MODEL	DESCRIPTION
	4131 373	1		BFG	w/o Tilt Strg.
	4221 198	1		Exc.BFG	w/o Tilt Strg.
	4131 525	1		BFG	w/Tilt Strg.
	4221 200	1		Exc.BFG	w/Tilt Strg.
10	5209 904	1		MZ	ROD, H/Lamp Beam Selector Actuating
	3747 920	1		Exc.BFG	w/Tilt w/Console w/A/Trans.
	3747 887	1		Exc.BFG	w/Tilt w/o Console w/A/Trans.
	4221 199	1		VC24	
	4221 062	1		PD,CVET	w/o Tilt
	3747 816	1		BFG	w/o Tilt Strg.
	3747 921	1		BFG	w/Tilt Strg. w/A/Trans. w/Console
	3747 837	1		BFG	w/Tilt Strg. w/A/Trans. w/o Console
	4019 787	1			ACTUATOR, Dimmer Switch Rod w/Tilt Strg.
	4188 291	1		PD,CVET	(w/o Tilt)
	5206 025	1		MZ	(w/o Tilt)
	4019 902	1		BFG	(w/o Tilt)
12	4221 308	1		MZ	LAMP, Ignition & Starter Switch, w/Time Delay
	4221 769	1		PD,CVET	w/o Tilt Strg.
	4221 496	1		HK,VC24	w/o Tilt Strg.
	4221 302	1		PD,CVET	w/Tilt Strg.
	4221 148	1		BFG	w/o Tilt Strg.
	4293 919	1		BFG	w/Tilt Strg.
	4222 060	1		ALL	CONTROL, Intermittent Wiper
13	5209 891	1		MZ	SWITCH, Ignition & Starter
	3747 529	1		BFG	w/Tilt Strg.
	4131 367	1		BFG	w/o Tilt Strg.
	3747 882	1		PD,CVET	w/o Tilt Strg.
	3747 882	1		CV24	w/o Tilt Strg.
	4221 218	1		VC24	w/ Tilt Strg.
	4221 201	1		PD,CVET	w/ Tilt Strg.
14	4274 200	1		BFG	WIRING, w/Tilt Strg. (Jumper)
	4274 899	1			WIRING, w/Tilt Strg. (Jumper)

NOTE: The following parts not Shown on illustration Gear and Pinion numbers stamped on the item may be used to confirm the correct MATCHED SET they are contained in.

6023 088	1	BFG	SCREW, Mtg. Std. Column
3747 595	1	Exc.BFG	PLUG, Ignition Switch Lamp Opening w/o Tilt Strg.
3747 595	1	BFG	PLUG, Ignition Switch Lamp Opening w/o Tilt Strg.
4221 303	1	PD,CVET	SWITCH, Ignition Key Buzzer w/o Tilt Strg.

MODEL CODES

B = GRAN FURY	F = FIFTH AVENUE/NEWPORT	P = RELIANT
C = LEBARON/TOWN & COUNTRY/EXC SEDAN	G = DIPLOMAT	T = E CLASS/NEW YORKER
C24 = LASER	H = VOYAGER	V = 600
D = ARIES	K = MINI RAM/CARAVAN/ROYAL	V24 = DAYTONA
E = 600	M = HORIZON/TURISMO	Z = OMNI/CHARGER/RAMPAGE

BODY STYLES

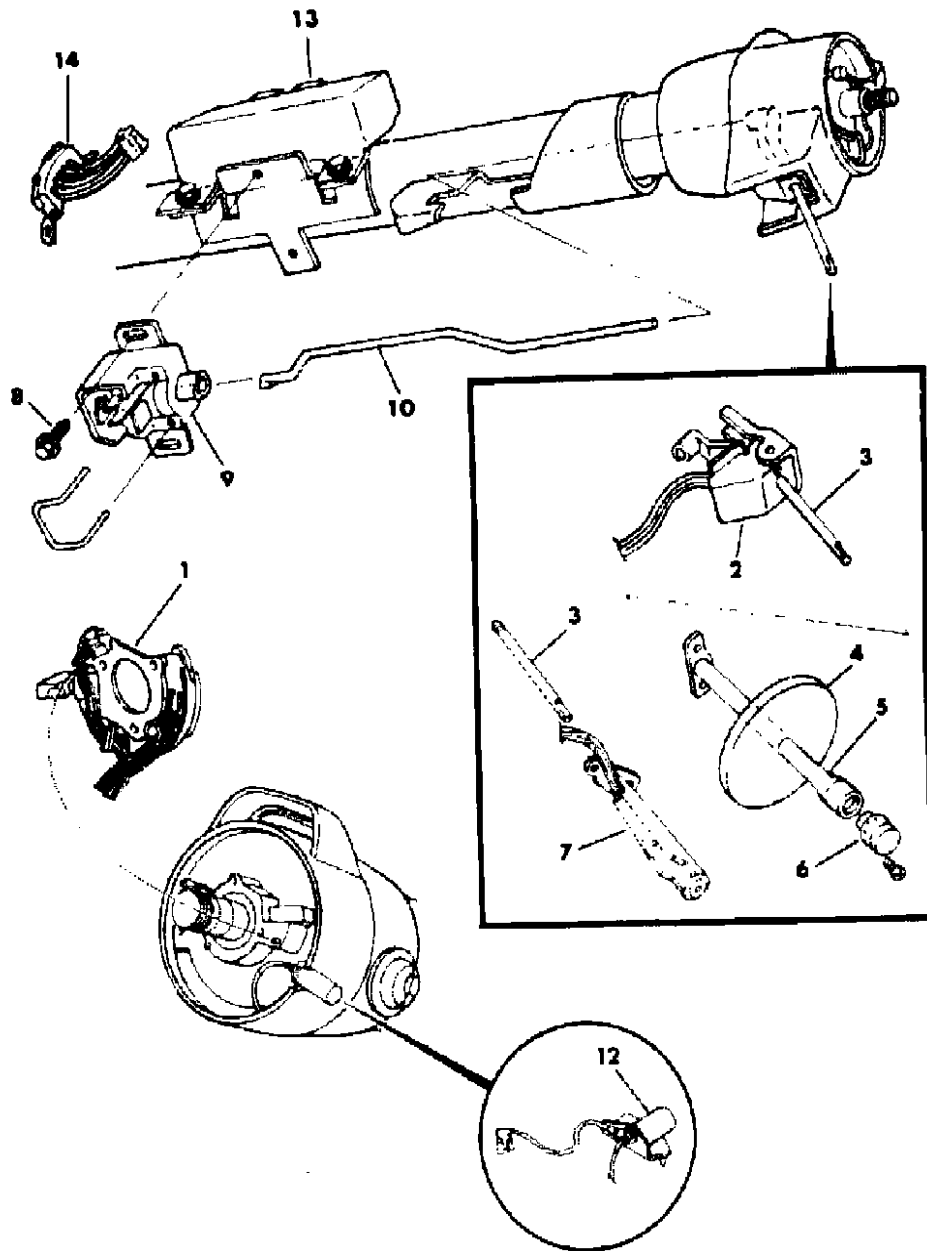
21 = 2-DOOR SEDAN	28 = FWD PICKUP	44 = 4-DOOR HATCHBACK
22 = 2-DOOR SPECIAL COUPE	35 = FWD VAN	45 = 4-DOOR STATION WAGON
24 = 2-DOOR HATCHBACK	36 = FWD WAGON	48 = 4-DOOR EXECUTIVE SEDAN
27 = 2-DOOR CONVERTIBLE	41 = 4-DOOR SEDAN	

AR = Use as Required - = Non Illustrated Part P.A.R. = Paint as Required

SWITCH, TURN SIGNAL AND HAZARD WARNING
Figure 8-5400

4108 5400

ITEM	PART NUMBER	QTY	BODY	MODEL	DESCRIPTION
	4221 497	1		HK,VC24	SWITCH, Ignition Key Buzzer w/o Tilt Strg.
	4131 522	1		BFG	SWITCH, Ignition Key Buzzer w/o Tilt Strg.
	3488 432	1		Exc.BFG	SWITCH, Ignition Key Buzzer w/Tilt Strg.
	3488 432	1		BFG	SWITCH, Ignition Key Buzzer w/Tilt Strg.
	4221 309	1		MZ	SWITCH, Ignition Key Buzzer
	4124 086	1		PD,CV,B	WIRING,Tilt Column



MODEL CODES

B = GRAN FURY	F = FIFTH AVENUE/NEWPORT	P = RELIANT
C = LEBARON/TOWN & COUNTRY/EXC SEDAN	G = DIPLOMAT	T = E CLASS/NEW YORKER
C24 = LASER	H = VOYAGER	V = 600
D = ARIES	K = MINI RAM/CARAVAN/ROYAL	V24 = DAYTONA
E = 600	M = HORIZON/TURISMO	Z = OMNI/CHARGER/RAMPAGE

BODY STYLES

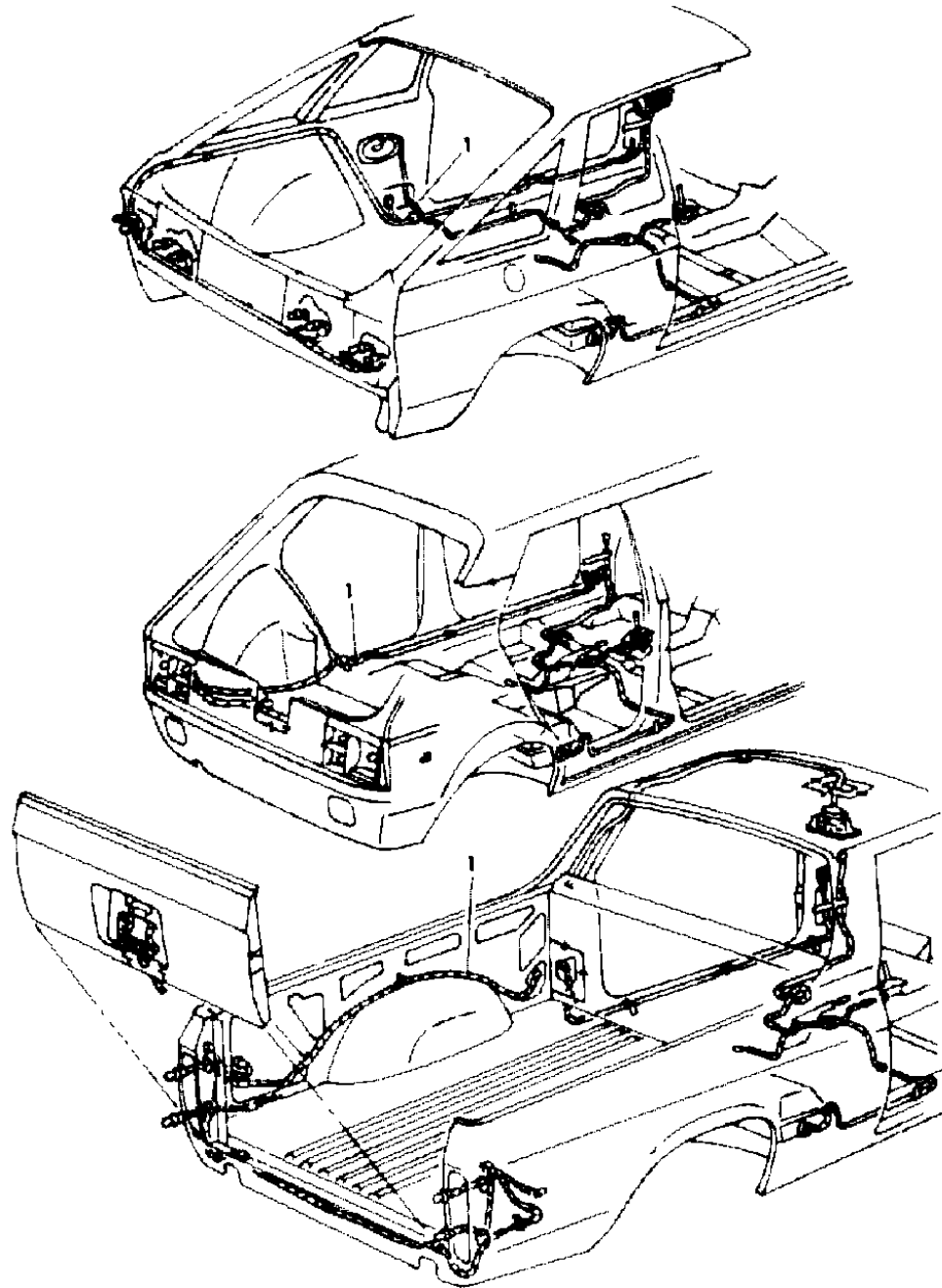
21 = 2-DOOR SEDAN	28 = FWD PICKUP	44 = 4-DOOR HATCHBACK
22 = 2-DOOR SPECIAL COUPE	35 = FWD VAN	45 = 4-DOOR STATION WAGON
24 = 2-DOOR HATCHBACK	36 = FWD WAGON	48 = 4-DOOR EXECUTIVE SEDAN
27 = 2-DOOR CONVERTIBLE	41 = 4-DOOR SEDAN	

AR = Use as Required - = Non Illustrated Part P.A.R. = Paint as Required

WIRING--BODY & ACCESSORIES M-Z

Figure 8-5500

FIG 8-5500



ITEM	PART NUMBER	QTY	BODY	MODEL	DESCRIPTION
1					WIRING,BODY
	4304 362	1		M (44)	w/Rr. Wiper & Washer
	4304 360	1		Z (44)	w/Rr. Wiper & Washer
	4274 920			Z (44)	w/Heated Rear Window
	4274 958			M (44)	w/Heated Rear Window
	4304 672			M,Z (24	w/Heated Rear Window
	4304 671			M,Z (24	w/o Heated Rear Window
	4209 867			28	Rear
	4274 233			28	Front
2					WIRING, ACCESSORIES
	4274 812	1		M-Z	Floor Pan, w/E.T.R. & Cassette
	4274 811			M-Z	Floor Pan, w/AM-FM-MX-E.T.R & M.T.R.
	4274 965			M-Z	Heated Rear Window--Rear
	4304 476			M-Z	Hatch w/Heated Rear Wdo.
	4304 477			M-Z44	Heated Rear Window & Lift Gate
	4209 870			28	Tailgate
	4304 238	1			Console w/Accessory Lamp
	4304 298	1			Console, w/o Acc. Lamp
	4240 492				Liftgate Wiper Mtr.Jumper
	4274 042	1		28	Dome & Body Ground,Visor
	4209 729			M-Z	Wiper,Rear
	5211 503			M-Z44	Cargo Lamp
3	4221 254			M-Z	SWITCH,Door Pillar
	5209 922			21	SWITCH,Cargo Lamp
	4221 023			44	SWITCH & GASKET,Lift Gate,Cargo Lamp

MODEL CODES

B = GRAN FURY	F = FIFTH AVENUE/NEWPORT	P = RELIANT
C = LEBARON/TOWN & COUNTRY/EXC SEDAN	G = DIPLOMAT	T = E CLASS/NEW YORKER
C24 = LASER	H = VOYAGER	V = 600
D = ARIES	K = MINI RAM/CARAVAN/ROYAL	V24 = DAYTONA
E = 600	M = HORIZON/TURISMO	Z = OMNI/CHARGER/RAMPAGE

BODY STYLES

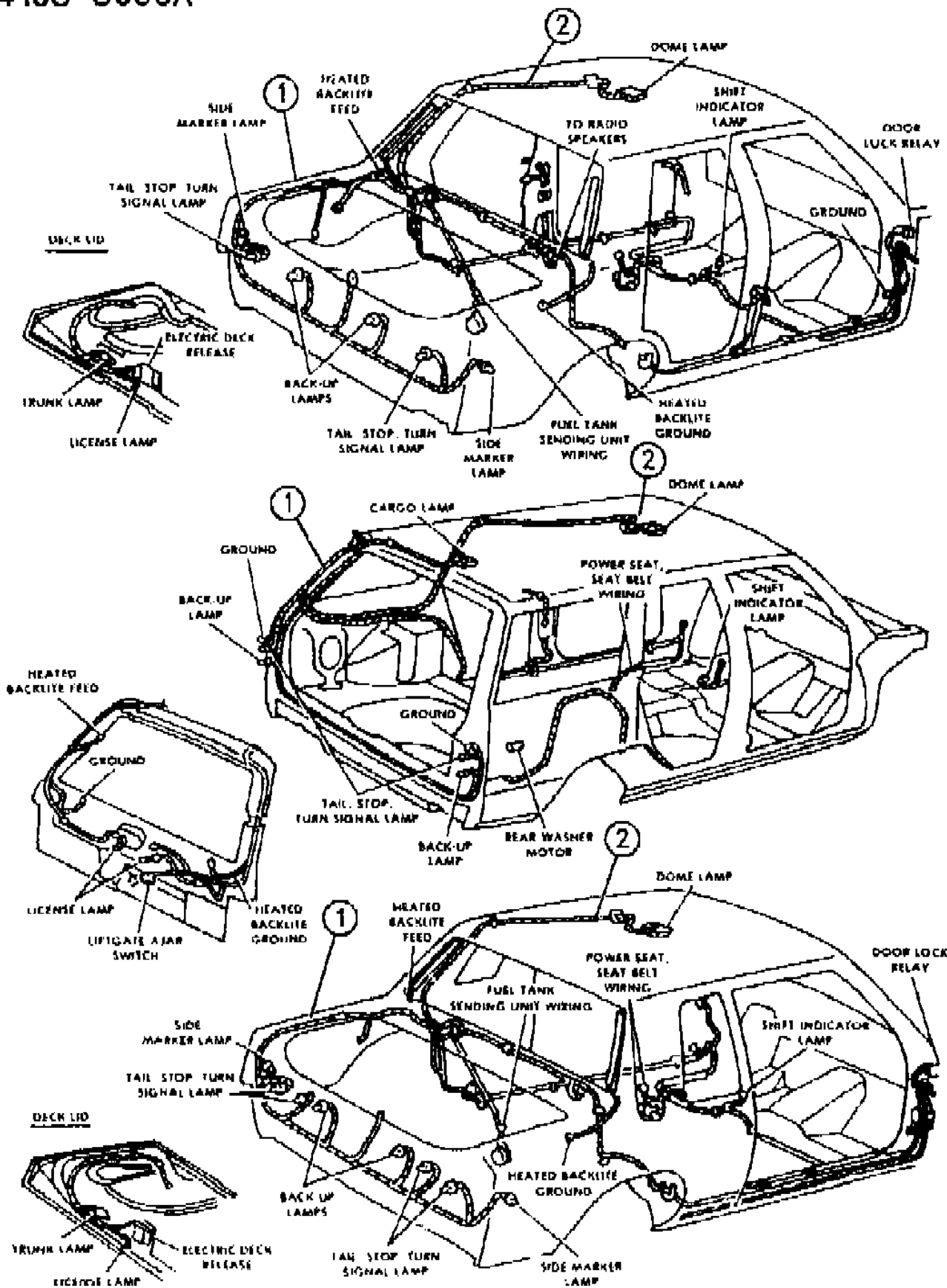
21 = 2-DOOR SEDAN	28 = FWD PICKUP	44 = 4-DOOR HATCHBACK
22 = 2-DOOR SPECIAL COUPE	35 = FWD VAN	45 = 4-DOOR STATION WAGON
24 = 2-DOOR HATCHBACK	36 = FWD WAGON	48 = 4-DOOR EXECUTIVE SEDAN
27 = 2-DOOR CONVERTIBLE	41 = 4-DOOR SEDAN	

AR = Use as Required - = Non Illustrated Part P.A.R. = Paint as Required

WIRING--BODY & ACCESSORIES P-D

Figure 8-5600

4108 5600A



ITEM	PART NUMBER	QTY	BODY	MODEL	DESCRIPTION
1	4304 187			PD 21,4	WIRING,BODY-w/o Heated Rear Wdo.
	4304 188	1		P-D 21-	w/Heated Rear Window
	4304 191			P-D 45	w/ or w/o Heated Rear Window
	4274 108			P-D 45	w/Heated Window & Lift Gate
	4274 980			P-D 45	w/Liftgate Release & E.T.R.Radio
2	4274 979				w/Liftgate Release & Rear Wiper
	4274 982			P-D 45	w/Liftgate Release,Rear Wiper & M.T.R.
	4304 162				WIRING, ACCESSORY w/Seat Adjust Switch
	4304 155			21-22-2	w/Seat Adjust Switch & Console Lamp
	4304 089			41-45	w/Floor Pan--Door Lock w/o Pwr.Wdo.
	4304 086			41-45	w/Lift Floor Pan,w/Pwr. Wdo. w/o Door Lock
	4304 562			41-45	w/Lift Floor Pan,w/Pwr.Wdo. w/Door Lock
	4274 700				w/Dome Lamp Foward
	4124 815				w/Roof Light Jumper
	4274 726			41	w/Roof Light Jumper,w/Grommet
	4274 699				w/Roof Light Jumper,w/Grommet (Fleet)
	4304 404				w/Door Lock & Seat Belt
	4304 402				w/Console Lamp & Seat Belt
	4274 090	AR			w/Oil & Temp. Gauge w/Police Pkg. 2.6
	4304 326				w/Oil Gauge (Inst.Pnl.)
4304 406				w/Lift Floor Pan & Door Lock & Seat Belt	
4274 748				w/Dome Lamp	
4274 749				w/Dome & Map Lamp	
4274 573			P-D 21-	w/M.T.R. & Deck Lid Release	
4274 584				w/Deck Lid Release & Spotlights	
4304 159				w/Visor Vanity,Map & Dome Lamp	
4209 309				w/Liftgate Release	
4304 165				Wiring, Trunk Lamp	
4304 796				Wiring, Console	
4221 117				SWITCH,Door Pillar, Front	
3747 289				SWITCH,Door Pillar, Rear	
4221 574				SWITCH,Door Ajar Indicator (Aud.Message Center)	
5209 922				SWITCH,Trunk Ajar Indic.	
4221 052			45	SWITCH,Lift Gate Ajar	

MODEL CODES

B = GRAN FURY
 C = LEBARON/TOWN & COUNTRY/EXC SEDAN
 C24 = LASER
 D = ARIES
 E = 600
 F = FIFTH AVENUE/NEWPORT
 G = DIPLOMAT
 H = VOYAGER
 K = MINI RAM/CARAVAN/ROYAL
 M = HORIZON/TURISMO
 P = RELIANT
 T = E CLASS/NEW YORKER
 V = 600
 V24 = DAYTONA
 Z = OMNI/CHARGER/RAMPAGE

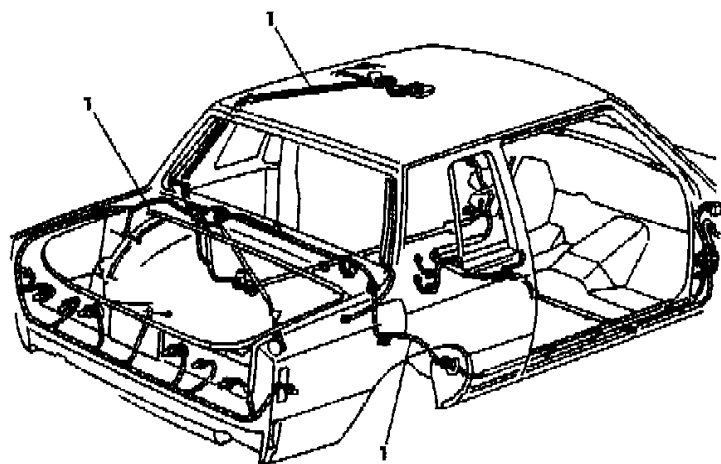
BODY STYLES

21 = 2-DOOR SEDAN
 22 = 2-DOOR SPECIAL COUPE
 24 = 2-DOOR HATCHBACK
 27 = 2-DOOR CONVERTIBLE
 28 = FWD PICKUP
 35 = FWD VAN
 36 = FWD WAGON
 41 = 4-DOOR SEDAN
 44 = 4-DOOR HATCHBACK
 45 = 4-DOOR STATION WAGON
 48 = 4-DOOR EXECUTIVE SEDAN

AR = Use as Required - = Non Illustrated Part P.A.R. = Paint as Required

WIRING--BODY & ACCESSORIES C-V-E-T
Figure 8-5700

4108 5700



ITEM	PART NUMBER	QTY	BODY	MODEL	DESCRIPTION
1					WIRING,BODY
	4304 196			C-22-41	w/Heated Rear Window (Export)
	4304 197			C-22-41	Federal
	4304 367			V-22-41	w/Heated Rear Window
	4304 795			27	w/Heated Rear Window
	4304 366			C 22-41	w/o Heated Rear Window
	4304 312			E-T	w/Heated Rear Window
	4304 304			E-T	B.U.X.
	4304 368			C 45	w/ or w/o Heated Rear Window
	4304 520			TP	w/Heated Rear Window,w/2.2 & 2.6 Eng.
	4304 309			TP	w/Heated Rear Window, 2.2 T.B.I.
	4304 306			C-V	TURBO
2					WIRING,ACCESSORY
	4274 982			C 45	w/Liftgate Release,w/Wiper
	4274 980	1		C 45	w/Liftgate Release,w/Wiper,w/E.T.R.
	4274 108	1		C 45	w/Heated Rear Window & Lift Gate
	4304 166			C-V 22	w/Liftgate Ajar & Release
	4304 166			E-T	w/Liftgate Ajar & Release
	4209 309			C	w/Liftgate Release
	4209 132			C-V 22	w/Door Ajar
	4304 562			CV-ET-4	w/Lift Floor Pan,w/o Door Lock & Pwr.Wdos.
	4304 563			CV-ET-4	w/Lift Floor Pan,w/ Door Lock & Pwr.Wdos.
	4274 668			CV 21 2	w/Lift Floor Pan, w/Power Door Lock
	4274 825			C-V 41	w/Door Lock,Floor Pan
	4274 825	1		E-T	w/Door Lock,Floor Pan
	4304 405			C-V 22	w/Lift Floor Pan & Seat Belt
	4304 400			C-V-E-T	w/Seat Adjuster-50-50 Seats
	4304 401			C-V-22	w/Seat Belt
	4304 404			C-V-22	w/Seat Belt & Door Locks
	4274 798			C	w/Power Mirror Pigtail
	4304 159			CV-ET	w/Dome,Reading & Visor Courtesy Lamp
	4209 646			C-V	w/Seat Adjust.Switch
	4304 402			C,V 22-	w/Seat Adjust Switch & Console Lamp
	4304 403			C,V	w/Seat Belt,Console Lamp & Seat Adjuster
	4209 780			C-V 21	w/Low Fuel Warning
	4274 748				w/Dome Lamp
	4274 749			C-V-E	w/Dome & Map Lamp
	4304 509			CV-ET 4	w/Seat Adjust. & Console Lamp

MODEL CODES

B = GRAN FURY	F = FIFTH AVENUE/NEWPORT	P = RELIANT
C = LEBARON/TOWN & COUNTRY/EXC SEDAN	G = DIPLOMAT	T = E CLASS/NEW YORKER
C24 = LASER	H = VOYAGER	V = 600
D = ARIES	K = MINI RAM/CARAVAN/ROYAL	V24 = DAYTONA
E = 600	M = HORIZON/TURISMO	Z = OMNI/CHARGER/RAMPAGE

BODY STYLES

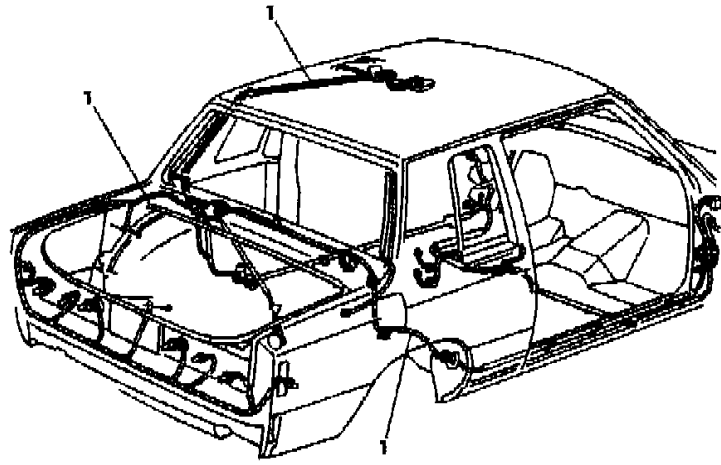
21 = 2-DOOR SEDAN	28 = FWD PICKUP	44 = 4-DOOR HATCHBACK
22 = 2-DOOR SPECIAL COUPE	35 = FWD VAN	45 = 4-DOOR STATION WAGON
24 = 2-DOOR HATCHBACK	36 = FWD WAGON	48 = 4-DOOR EXECUTIVE SEDAN
27 = 2-DOOR CONVERTIBLE	41 = 4-DOOR SEDAN	

AR = Use as Required - = Non Illustrated Part P.A.R. = Paint as Required

WIRING--BODY & ACCESSORIES C-V-E-T

Figure 8-5700

4108 5700



ITEM	PART NUMBER	QTY	BODY	MODEL	DESCRIPTION
	4304 626			CV-22-2	w/Frt.Door Courtesy Lamp
	4304 165				Wiring,Trunk Lamp
3	4246 575				SOLENOID,Fuel Filler Door
4	4221 117				SWITCH,Door Pillar Frt.
	3747 289				SWITCH,Door Pillar Rear
	4221 574				SWITCH,Door Ajar (Aud.Message)
	5209 922				SWITCH,Trunk Ajar Indicator
	4221 052			C-45	SWITCH,Lift Gate Ajar

MODEL CODES

B = GRAN FURY	F = FIFTH AVENUE/NEWPORT	P = RELIANT
C = LEBARON/TOWN & COUNTRY/EXC SEDAN	G = DIPLOMAT	T = E CLASS/NEW YORKER
C24 = LASER	H = VOYAGER	V = 600
D = ARIES	K = MINI RAM/CARAVAN/ROYAL	V24 = DAYTONA
E = 600	M = HORIZON/TURISMO	Z = OMNI/CHARGER/RAMPAGE

BODY STYLES

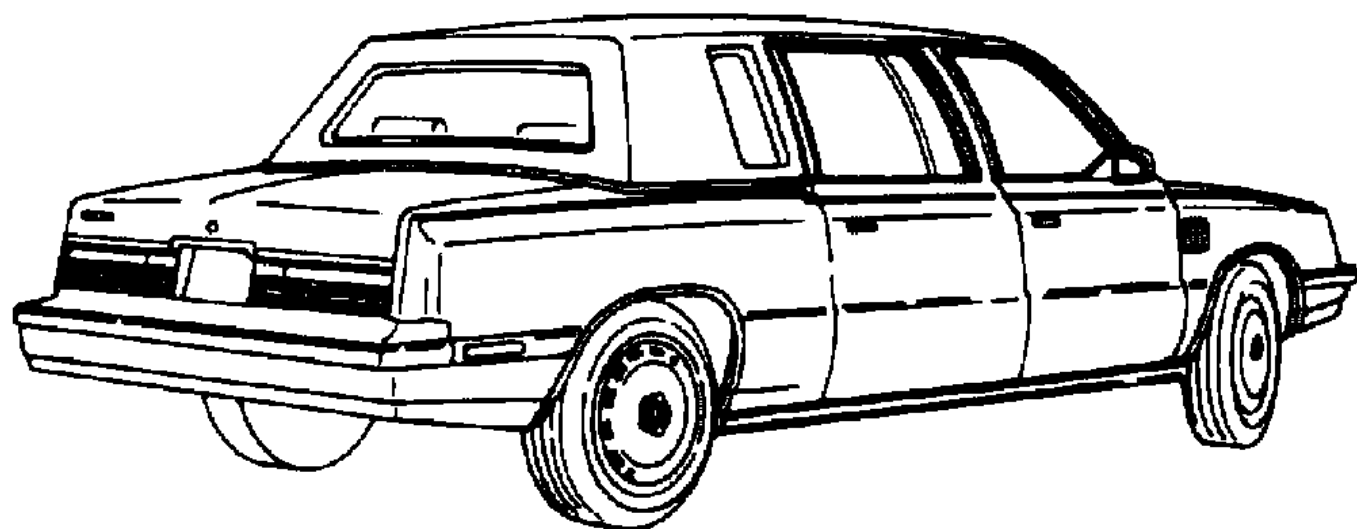
21 = 2-DOOR SEDAN	28 = FWD PICKUP	44 = 4-DOOR HATCHBACK
22 = 2-DOOR SPECIAL COUPE	35 = FWD VAN	45 = 4-DOOR STATION WAGON
24 = 2-DOOR HATCHBACK	36 = FWD WAGON	48 = 4-DOOR EXECUTIVE SEDAN
27 = 2-DOOR CONVERTIBLE	41 = 4-DOOR SEDAN	

AR = Use as Required - = Non Illustrated Part P.A.R. = Paint as Required

WIRING--BODY & ACCESSORIES LIMO & EXECUTIVE SEDAN
Figure 8-5800

4108 5800

ITEM	PART NUMBER	QTY	BODY	MODEL	DESCRIPTION
	4342 145	1			WIRING,Body (LIMO)
	4342 146	1			Divider (LIMO)
	4342 147	1			Glamour Lamp (LIMO)
	4342 148	1			Rear Compt. Courtesy Lamp (LIMO)
	4342 149	1			Rear Door Courtesy Lamp (LIMO)
	4342 150	1			Battery Feed (LIMO)
	4342 144	1			Floor Pan (LIMO)
	4339 996	1			Dome & Vanity Visor (LIMO)
	4339 997	1			Overhead Glamour Lite (LIMO)
	4342 142-3	1			Front Door (LIMO)
	4342 140-1	1			Rear Door (LIMO)
	4339 780	1			SWITCH, Fade Timer (LIMO)
	4364 189	1			Body (SEDAN)
	4364 188	1			Floor Pan (SEDAN)
	4339 714	1			Dome Frt. & Vanity (SEDAN)
	4339 715	1			Rear Compt.Lamp (SEDAN)
	4364 186-7	1			Front Door (SEDAN)
	4364 182	1			Rear Door (SEDAN)
	4339 780	1			SWITCH, Fade Timer(SEDAN)



MODEL CODES

B = GRAN FURY	F = FIFTH AVENUE/NEWPORT	P = RELIANT
C = LEBARON/TOWN & COUNTRY/EXC SEDAN	G = DIPLOMAT	T = E CLASS/NEW YORKER
C24 = LASER	H = VOYAGER	V = 600
D = ARIES	K = MINI RAM/CARAVAN/ROYAL	V24 = DAYTONA
E = 600	M = HORIZON/TURISMO	Z = OMNI/CHARGER/RAMPAGE

BODY STYLES

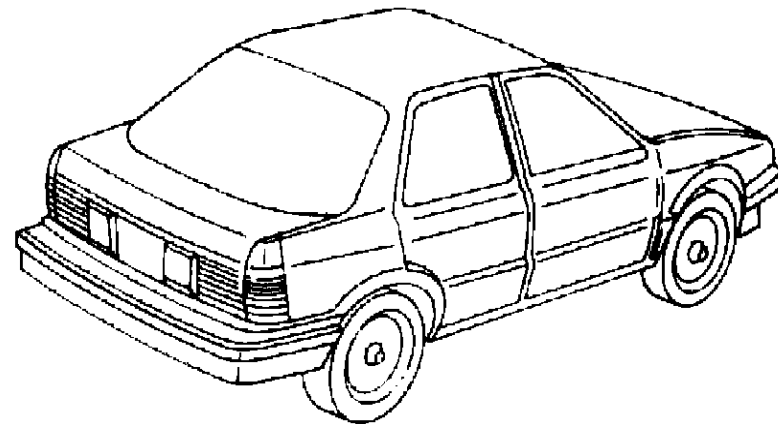
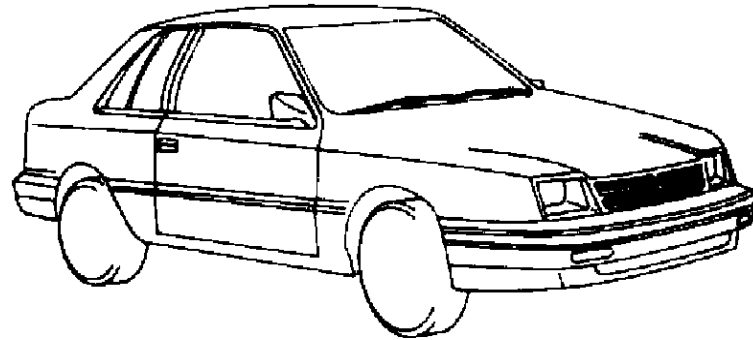
21 = 2-DOOR SEDAN	28 = FWD PICKUP	44 = 4-DOOR HATCHBACK
22 = 2-DOOR SPECIAL COUPE	35 = FWD VAN	45 = 4-DOOR STATION WAGON
24 = 2-DOOR HATCHBACK	36 = FWD WAGON	48 = 4-DOOR EXECUTIVE SEDAN
27 = 2-DOOR CONVERTIBLE	41 = 4-DOOR SEDAN	

AR = Use as Required - = Non Illustrated Part P.A.R. = Paint as Required

WIRING--BODY & ACCESSORIES C-V 24

Figure 8-5900

4108 5900



ITEM	PART NUMBER	QTY	BODY	MODEL	DESCRIPTION
	4304 831			H-S	WIRING-BODY, up to 2-10-84
	4304 834			H-S	Aft. 2-10-84
	4304 793			P	up to 2-20-84
	4304 832			P	Aft. 2-20-84
	4304 830			H-S	WIRING,Body & Access. up to 2-10-84
	4304 833			H-S	Aft. 2-10-84
					WIRING,ACCESSORIES
	4304 812				L/Gate,License Lamp & Heated Rear Wdo.
	4304 813				Heated Rear Wdo.& Rear Wiper
	4274 728				F/Pan Rt.
	4274 729				F/Pan Rt.,Seat Belt,Pwr.Wdo.& Heated Wdo.
	4221 297				Fuel Door Rel.Switch
	4221 299				Liftgate Rel.Switch
	4274 752				Rt.Side Rear Wiper & Washer
	4274 753				Fuel Tank Jumper 2.2 Eng.
	4274 753				Fuel Tank Jumper TURBO & E.F.I.
	4274 766				Rt.Rear Illum. Entry & Mirror
	4274 767				Lt.Rear Illum. Entry & Mirror
	4274 764				Rt.Door Illum. Entry & Wdo. Lift
	4274 765				Lt.Door Illum. Entry & Wdo. Lift
	4304 051				Liftgate
	4274 748				Dome Lamp
	4274 749				Dome & Map Lamp
	4304 549				Illum.Entry Jumper
	4274 869				Under Hood Lamp
	4221 275				SWITCH, Liftgate Ajar & Cargo Lamp
	4221 346				SWITCH, Trans.Oil Pressure
	4221 709				SWITCH, Front Door Pillar
	4221 574				SWITCH, Door Ajar
	4246 575				SOLENOID,Fuel Filler Door
	4246 500				SOLENOID and BRACKET, Liftgate Latch
	4221 453				LAMP,Under Hood

MODEL CODES

B = GRAN FURY	F = FIFTH AVENUE/NEWPORT	P = RELIANT
C = LEBARON/TOWN & COUNTRY/EXC SEDAN	G = DIPLOMAT	T = E CLASS/NEW YORKER
C24 = LASER	H = VOYAGER	V = 600
D = ARIES	K = MINI RAM/CARAVAN/ROYAL	V24 = DAYTONA
E = 600	M = HORIZON/TURISMO	Z = OMNI/CHARGER/RAMPAGE

BODY STYLES

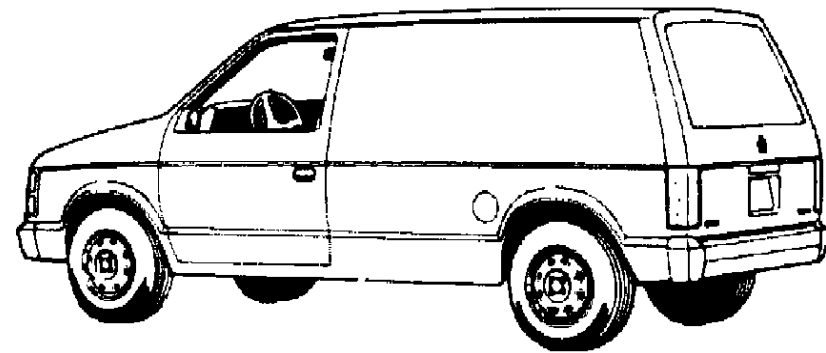
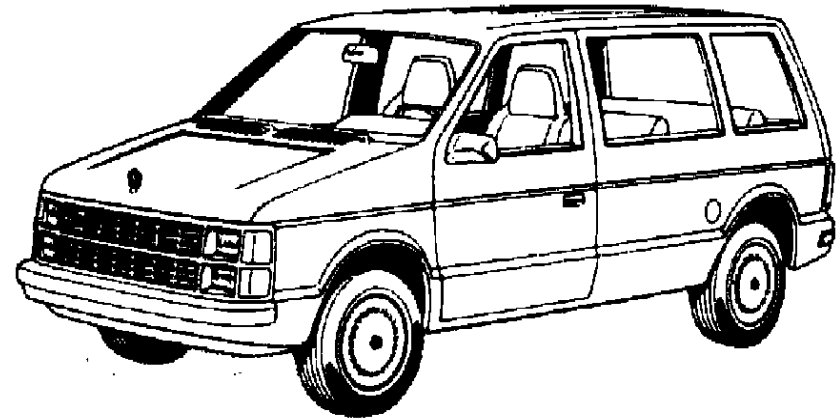
21 = 2-DOOR SEDAN	28 = FWD PICKUP	44 = 4-DOOR HATCHBACK
22 = 2-DOOR SPECIAL COUPE	35 = FWD VAN	45 = 4-DOOR STATION WAGON
24 = 2-DOOR HATCHBACK	36 = FWD WAGON	48 = 4-DOOR EXECUTIVE SEDAN
27 = 2-DOOR CONVERTIBLE	41 = 4-DOOR SEDAN	

AR = Use as Required - = Non Illustrated Part P.A.R. = Paint as Required

WIRING--BODY & ACCESSORIES H-K

Figure 8-6000

4308 6000



ITEM	PART NUMBER	QTY	BODY	MODEL	DESCRIPTION
1	4304 260				WIRING,Body Std.
	4304 261				w/Heated Rear Wdo.
	4304 262				w/Accessories (Minor)
	4304 263				w/Accessories (Major)
	2	4304 585			WIRING,Lift Gate & Courtesy Lamps (Includes Lamp Sockets)
	4304 586			WIRING,Lift Gate & Speaker	
	4304 318			Under Hood Lamp	
	4304 277			w/Dome Lamp	
	4304 278			w/Dome & Fwd.Reading Lamp	
	4304 279			w/Dome & Visor	
	4304 280			w/Reading & Visor	
	4304 281			w/Rear Speakers & Door Lock Body (Rt.)	
	4304 284			w/Fuel Tank & Low Fuel	
	4304 289			w/Rear Speaker Body (Rt.)	
	4304 264			w/Liftgate Wipe (Rt.)	
	4304 266			w/Liftgate Release (Rt.)	
	4304 265			(Lt.)	
	4304 267			w/Liftgate Release & E.B.L. (Lt.)	
	4304 268			w/Liftgate Wipe & Release (Rt.)	
	4304 269			w/Liftgate & C/Lamp (Lt.)	
	4304 270			w/Liftgate Release,Wipe & Speaker (Rt.)	
	4304 272			w/Liftgate,Speakers (Rt.)	
	4304 273			w/Liftgate,C/Lamp & Speakers	
	4304 288			w/Liftgate,Cargo Door Locks (Body)	
	4304 290			w/Heated Rear Wdo. Pigtail Ground (Rt.)	
	4304 291			w/Heated Rear Wdo. Pigtail Feed	
	4304 407			w/Rear Header,T.S.T,Liftgate Release & Wipe	
	4304 276			w/Front Door Courtesy Lamp	
	4304 549			w/Illum. Entry	
	4304 581			w/Pwr.Seat Side Cowl (Lt.)	
	4304 009			w/Liftgate Release	
3	4221 709			SWITCH,Frnt.Door Pillar & Rear Door Ajar	
	4221 574			SWITCH,Frnt.Door Ind.Lamp	
	4221 548			SWITCH, Dome & Flood Lamp	

MODEL CODES

B = GRAN FURY	F = FIFTH AVENUE/NEWPORT	P = RELIANT
C = LEBARON/TOWN & COUNTRY/EXC SEDAN	G = DIPLOMAT	T = E CLASS/NEW YORKER
C24 = LASER	H = VOYAGER	V = 600
D = ARIES	K = MINI RAM/CARAVAN/ROYAL	V24 = DAYTONA
E = 600	M = HORIZON/TURISMO	Z = OMNI/CHARGER/RAMPAGE

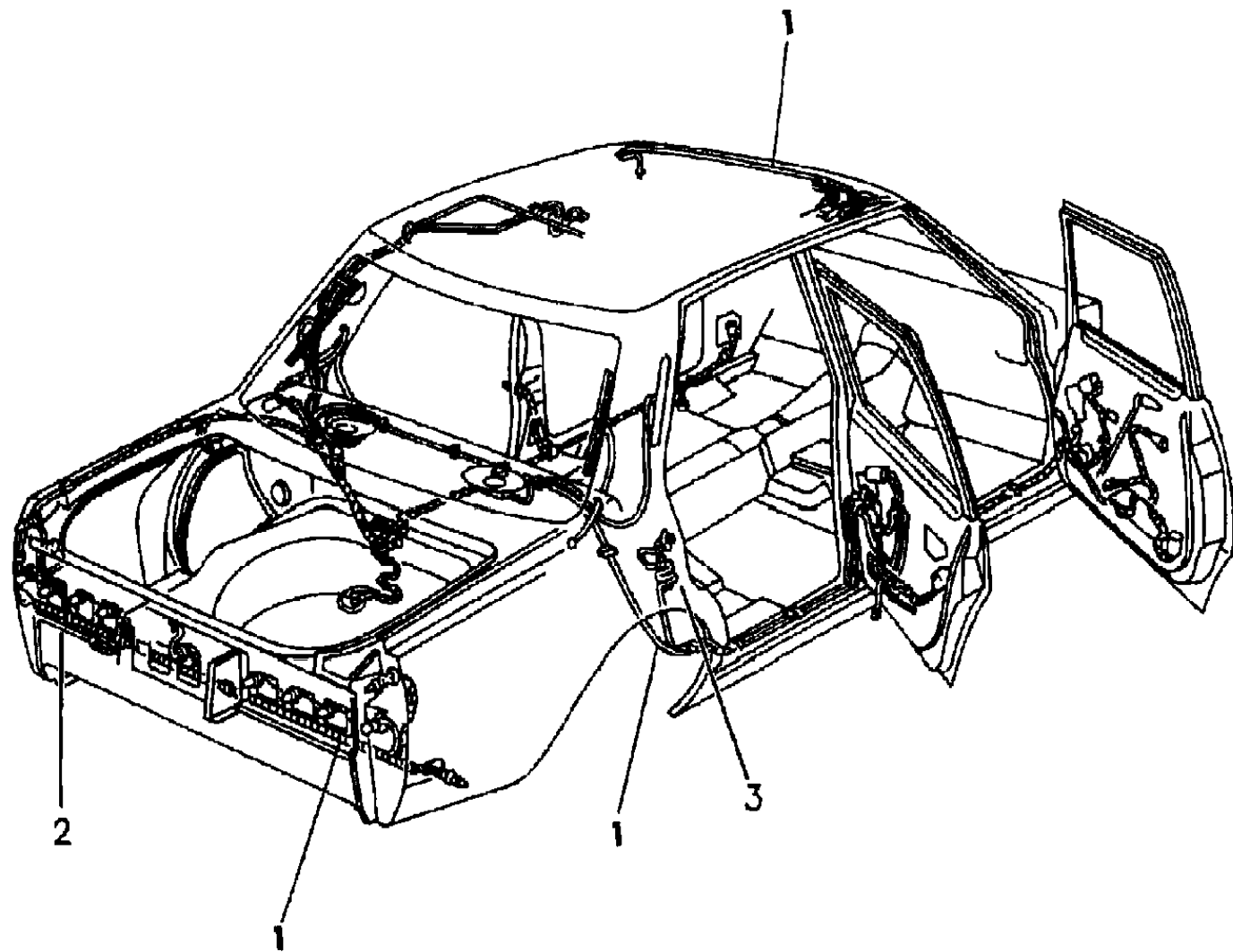
BODY STYLES

21 = 2-DOOR SEDAN	28 = FWD PICKUP	44 = 4-DOOR HATCHBACK
22 = 2-DOOR SPECIAL COUPE	35 = FWD VAN	45 = 4-DOOR STATION WAGON
24 = 2-DOOR HATCHBACK	36 = FWD WAGON	48 = 4-DOOR EXECUTIVE SEDAN
27 = 2-DOOR CONVERTIBLE	41 = 4-DOOR SEDAN	

AR = Use as Required - = Non Illustrated Part P.A.R. = Paint as Required

WIRING--BODY & ACCESSORIES B-F-G
Figure 8-6100

4108 6100A



ITEM	PART NUMBER	QTY	BODY	MODEL	DESCRIPTION
1					WIRING,BODY
	4209 876			B-F-G	WIRING, BODY
2					WIRING, ACCESSORIES
	4274 159			B-F-G	w/Heated Rear Window w/Diode
	4209 971				w/Front Door & Illum. Entry
	4124 814				w/Roof Wire 8 Ft. (Dome)
	4304 689				w/Power Antenna
	4124 815				w/Roof Light Jumper
	4055 789				w/Fuel Tank Sending Unit
	4209 471			F,S	w/Opera Lamp
	4124 328				w/Frt. Door Courtesy Lamp
	4209 907				w/Rear Door Courtesy Lamp
	4209 675				Wiring Rear Lamps
	4240 300				Trunk Lamp
3					SWITCH,Door Pillar Frt. & Rear
	3747 289				SWITCH,Door Ajar Indicator
	4221 572				

MODEL CODES

B = GRAN FURY	F = FIFTH AVENUE/NEWPORT	P = RELIANT
C = LEBARON/TOWN & COUNTRY/EXC SEDAN	G = DIPLOMAT	T = E CLASS/NEW YORKER
C24 = LASER	H = VOYAGER	V = 600
D = ARIES	K = MINI RAM/CARAVAN/ROYAL	V24 = DAYTONA
E = 600	M = HORIZON/TURISMO	Z = OMNI/CHARGER/RAMPAGE

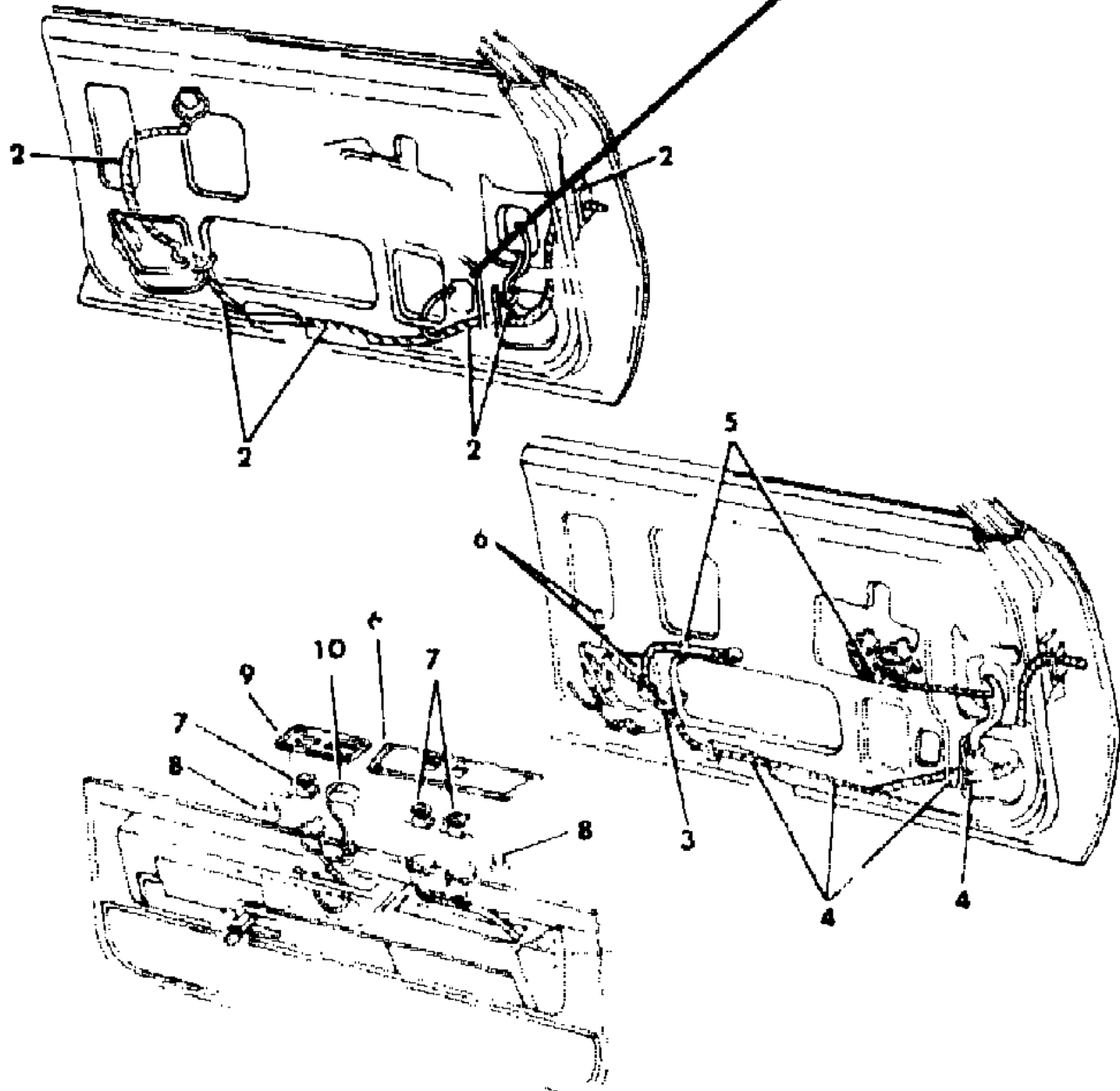
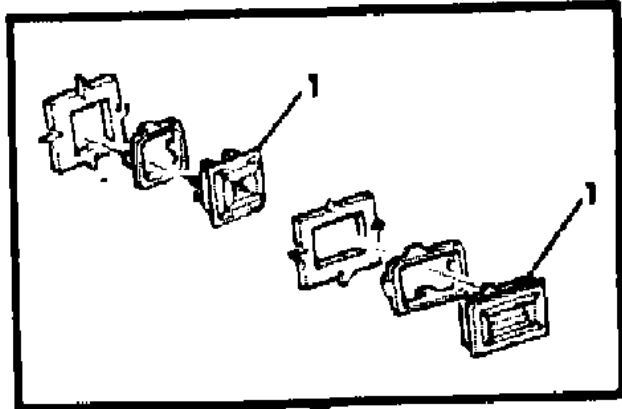
BODY STYLES

21 = 2-DOOR SEDAN	28 = FWD PICKUP	44 = 4-DOOR HATCHBACK
22 = 2-DOOR SPECIAL COUPE	35 = FWD VAN	45 = 4-DOOR STATION WAGON
24 = 2-DOOR HATCHBACK	36 = FWD WAGON	48 = 4-DOOR EXECUTIVE SEDAN
27 = 2-DOOR CONVERTIBLE	41 = 4-DOOR SEDAN	

AR = Use as Required - = Non Illustrated Part P.A.R. = Paint as Required

WIRING & SWITCHES--FRONT DOOR P-D-C-V-E-T
Figure 8-6200

1108-6200



ITEM	PART NUMBER	QTY	BODY	MODEL	DESCRIPTION	
1	4221 141				SWITCH, Frt. Dr. Wdo. Lift, Dr.Lock Single	
	4221 144				Four Gang	
2	4221 142				Double	
	4304 416				WIRING, Front Door	
	4304 420				Rt. Door Wdo. Lift	
	4304 430				Rt. Door Wdo. Lift & Door Lock	
	4304 419				Lt. Door Lock	
	4304 421				Lt. Wdo. Lift	
	4304 429				Lt. Door Lock & Wdo. Lift	
	4304 412		P,D 21,		Rt. Door Lock	
	4304 418		P,D 21,		Rt. Door Lock & Wdo.Lift	
	4304 416		P,D 21,		Rt. Wdo.Lift	
4304 413		P,D 21,		Lt. Door Lock		
4304 417		P,D 21,		Lt. Door Lock & Wdo. Lift		
4304 415		P,D 21,		Lt. Wdo. Lift		
4304 296		CVET		Rt. Door Lock & Elec. Mirror		
4304 380		CVET		Rt. Door Lock, Elec. Mirror & Wdo. Lift		
4304 736		CVET		Rt. Elec. Mirror & Wdo. Lift		
4304 737		CVET		Lt.Door Wdo. Lift		
4304 377		CVET		Lt. Door Lock & Wdo. Lift		
4304 381		CVET		Lt. Door Lock & Elec. Mirror		
4304 383		CVET		Lt. Door Lock, Elec. Mirror & Wdo. Lift		
4304 301		CVET		Courtesy Lamp		
6015 756				Tie Wrap		
3			C,V		CLIP, Snap (Not Serv.)	
4	4304 332		C,V		WIRING, Rt. Door Lock & Elec. Mirror	
	4304 334		C,V		Rt. Door, Elec. Mirror & Wdo. Lift	
	4304 344		C,V		Rt. Door Lock, Elec. Mirror & Wdo. Lift	
	4304 335		C,V		Lt. Door Wdo. Lift	
	4304 333		C,V		Lt. Door Elec. Mirror	
	4304 345		C,V		Lt. Door Lock & Elec. Mirror	
	4304 791		C,V		Lt. Door Wdo. Lift	
	4304 801		C,V		Lt. Door Wdo. Lift & Door Lock	
	5			C,V		TAPE, (Not Serv.)
	6	4223 648		CV,21,2		BEZEL, Pwr. Wdo.
4223 648			CV-27		BEZEL, Pwr. Wdo. Rt.	
4223 927			CV-27		Lt.	
7	3747 935		C,V		SWITCH, Single	

MODEL CODES

B = GRAN FURY	F = FIFTH AVENUE/NEWPORT	P = RELIANT
C = LEBARON/TOWN & COUNTRY/EXC SEDAN	G = DIPLOMAT	T = E CLASS/NEW YORKER
C24 = LASER	H = VOYAGER	V = 600
D = ARIES	K = MINI RAM/CARAVAN/ROYAL	V24 = DAYTONA
E = 600	M = HORIZON/TURISMO	Z = OMNI/CHARGER/RAMPAGE

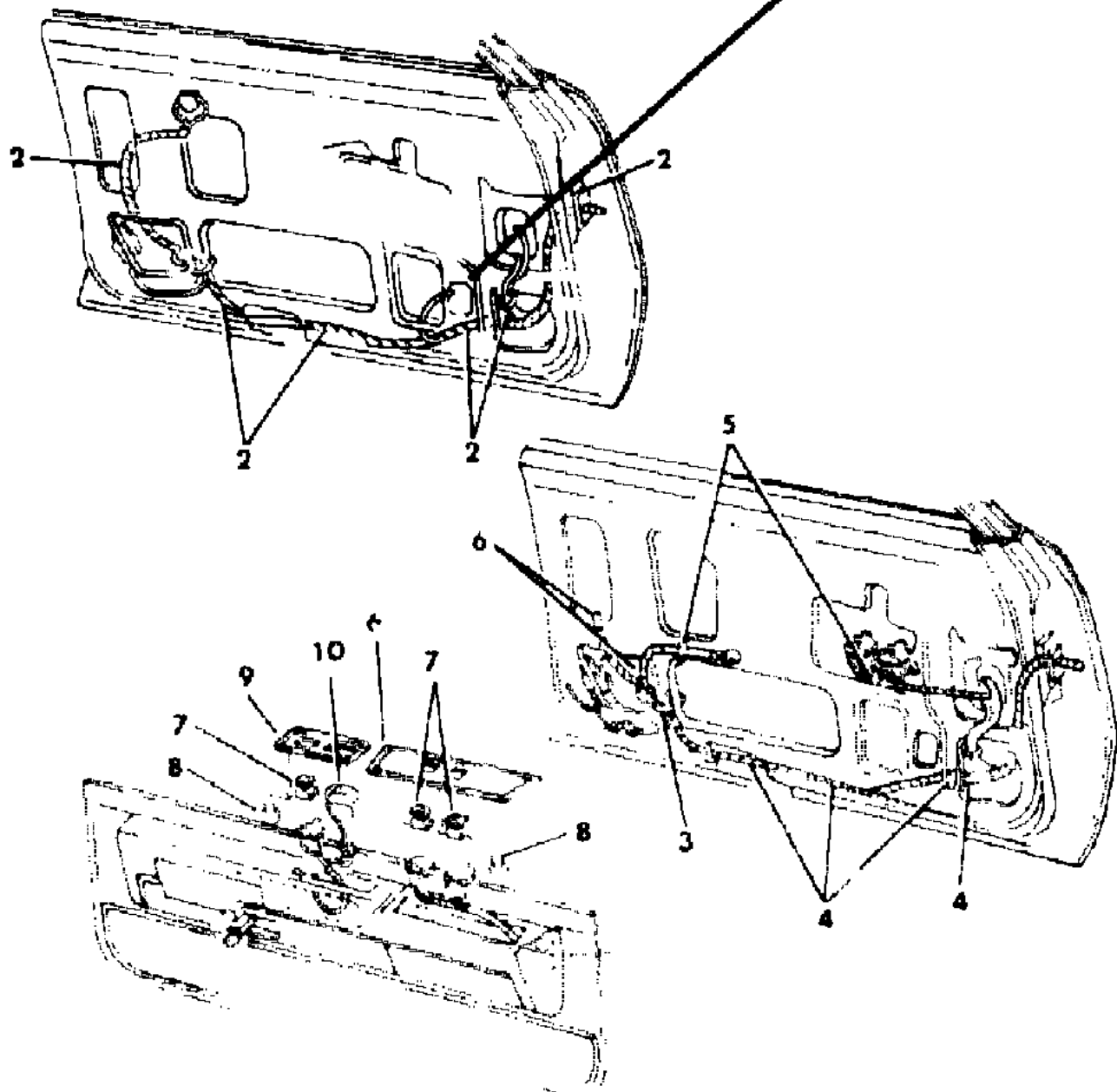
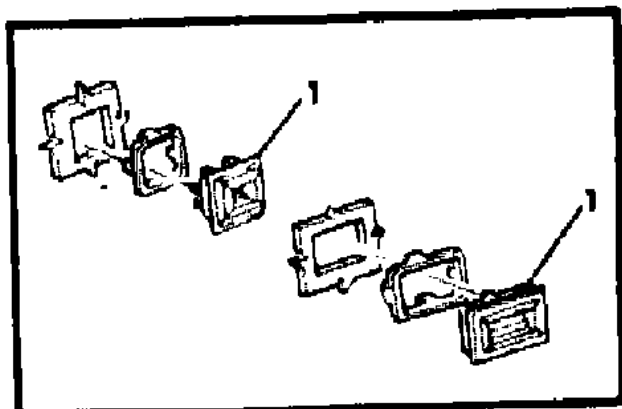
BODY STYLES

21 = 2-DOOR SEDAN	28 = FWD PICKUP	44 = 4-DOOR HATCHBACK
22 = 2-DOOR SPECIAL COUPE	35 = FWD VAN	45 = 4-DOOR STATION WAGON
24 = 2-DOOR HATCHBACK	36 = FWD WAGON	48 = 4-DOOR EXECUTIVE SEDAN
27 = 2-DOOR CONVERTIBLE	41 = 4-DOOR SEDAN	

AR = Use as Required - = Non Illustrated Part P.A.R. = Paint as Required

WIRING & SWITCHES--FRONT DOOR P-D-C-V-E-T
Figure 8-6200

1108-6200



ITEM	PART NUMBER	QTY	BODY	MODEL	DESCRIPTION
	4221 133			C,V	Five Gang.
	3747 935			CET	Frnt. Door, Single
	4221 133			CET	Five Gang
	4221 129			CET	Dual Remote Mirror
8				CV	SCREW, (Not Serv.)
9	4247 409			CV	BEZEL, Pwr. Locks & Elec. Mirror Lt.
	4247 409			CV	BEZEL, Armrest, w/ Elec. Mirror Lt.
	4247 414			CV	BEZEL, Armrest, w/ Pwr. Locks Rt.
10	4221 395				SWITCH, Dual Remote Elec. Mirror.

MODEL CODES

B = GRAN FURY	F = FIFTH AVENUE/NEWPORT	P = RELIANT
C = LEBARON/TOWN & COUNTRY/EXC SEDAN	G = DIPLOMAT	T = E CLASS/NEW YORKER
C24 = LASER	H = VOYAGER	V = 600
D = ARIES	K = MINI RAM/CARAVAN/ROYAL	V24 = DAYTONA
E = 600	M = HORIZON/TURISMO	Z = OMNI/CHARGER/RAMPAGE

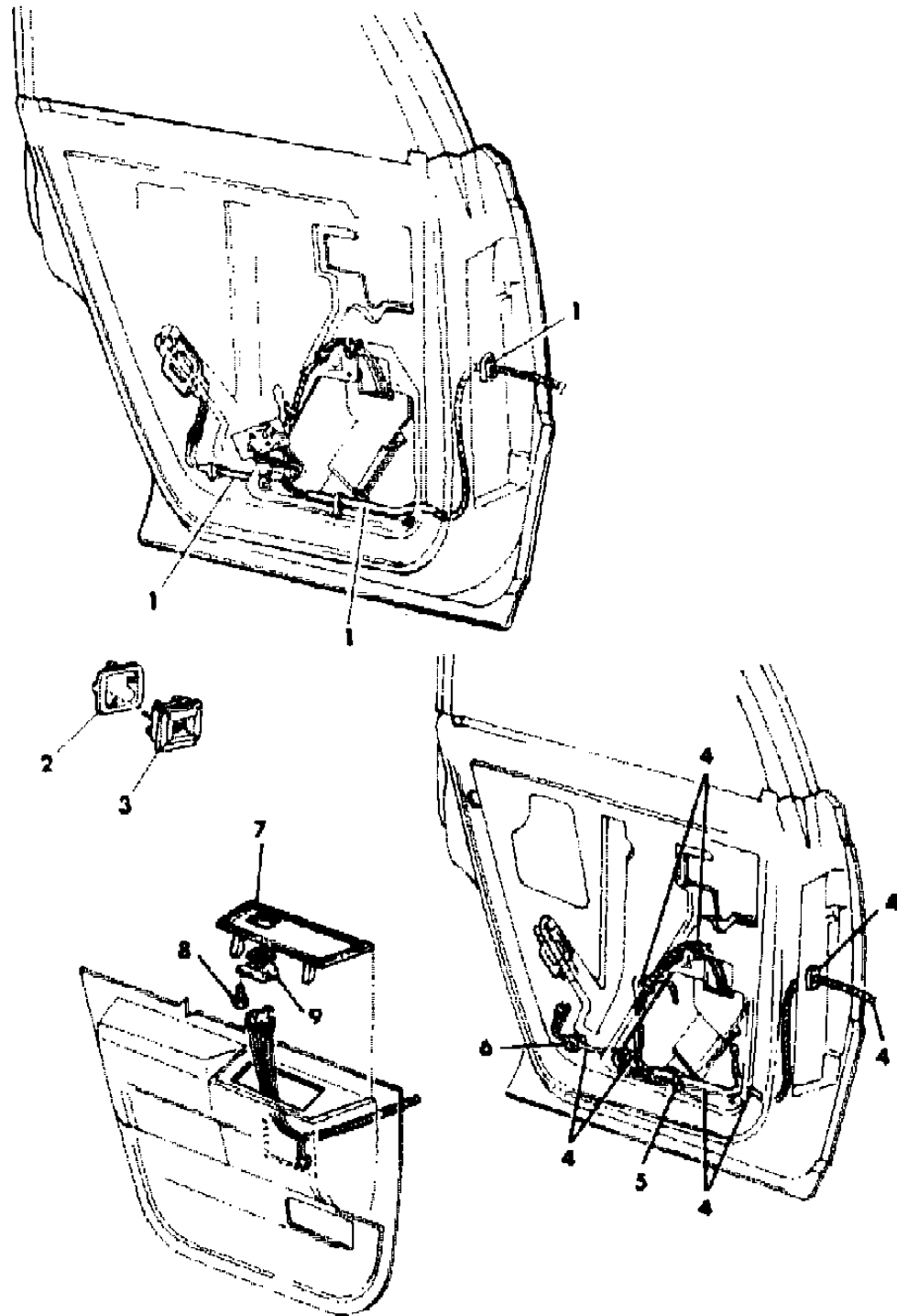
BODY STYLES

21 = 2-DOOR SEDAN	28 = FWD PICKUP	44 = 4-DOOR HATCHBACK
22 = 2-DOOR SPECIAL COUPE	35 = FWD VAN	45 = 4-DOOR STATION WAGON
24 = 2-DOOR HATCHBACK	36 = FWD WAGON	48 = 4-DOOR EXECUTIVE SEDAN
27 = 2-DOOR CONVERTIBLE	41 = 4-DOOR SEDAN	

AR = Use as Required - = Non Illustrated Part P.A.R. = Paint as Required

WIRING & SWITCHES--REAR DOOR P-D-C-V-E-T
Figure 8-6300

410F 6300



ITEM	PART NUMBER	QTY	BODY	MODEL	DESCRIPTION
1	4274 132			PD,41-4	WIRING, Door Lock & Wdo. Lift
2	4221 145			PD,41-4	REINFORCEMENT, Wdo. Lift or Door Lock Switch
3	4221 141			PD,41-4	SWITCH, Wdo. Lift & Door Lock
4	4274 724			CET,41-	WIRING, Door Lock
	4274 725			CET,41-	WIRING, Door Lock, Wdo.Lift & Courtesy Lamp
5	6015 756				TIE WRAP
6					CLIP, Snap (Not Serv.)
7	4223 932-3				BEZEL, w/Finish Plate
8					SCREW, (Not Serv.)
9	3747 935				SWITCH, Single

MODEL CODES

B = GRAN FURY	F = FIFTH AVENUE/NEWPORT	P = RELIANT
C = LEBARON/TOWN & COUNTRY/EXC SEDAN	G = DIPLOMAT	T = E CLASS/NEW YORKER
C24 = LASER	H = VOYAGER	V = 600
D = ARIES	K = MINI RAM/CARAVAN/ROYAL	V24 = DAYTONA
E = 600	M = HORIZON/TURISMO	Z = OMNI/CHARGER/RAMPAGE

BODY STYLES

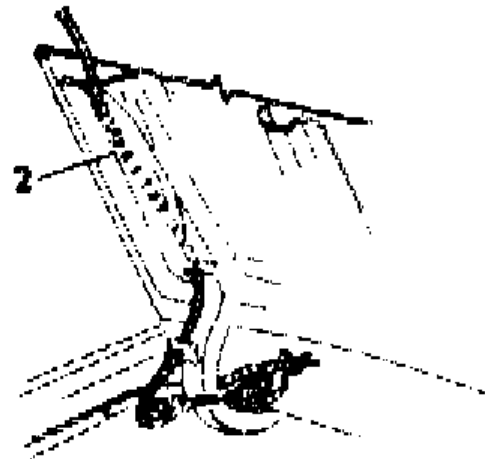
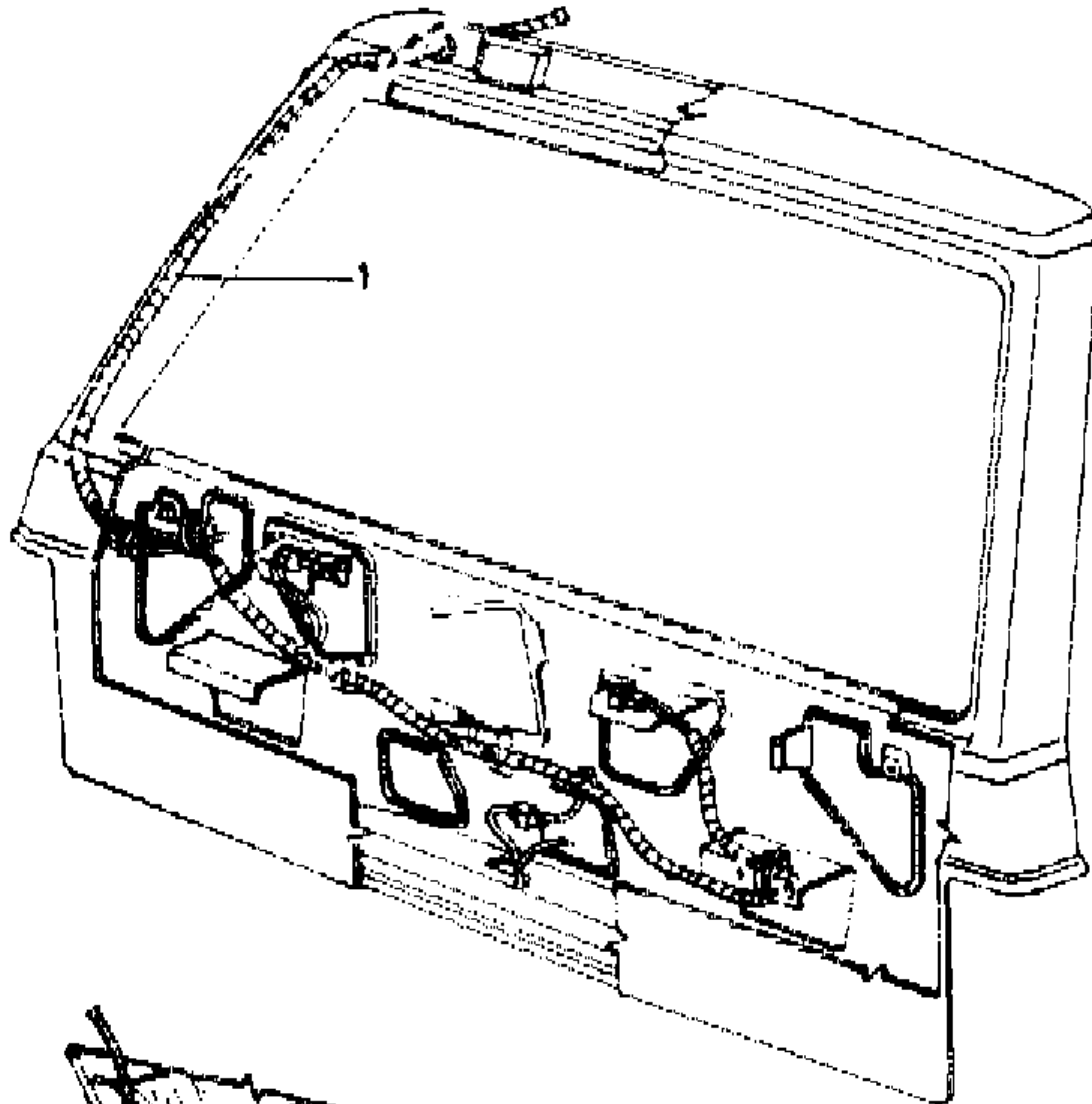
21 = 2-DOOR SEDAN	28 = FWD PICKUP	44 = 4-DOOR HATCHBACK
22 = 2-DOOR SPECIAL COUPE	35 = FWD VAN	45 = 4-DOOR STATION WAGON
24 = 2-DOOR HATCHBACK	36 = FWD WAGON	48 = 4-DOOR EXECUTIVE SEDAN
27 = 2-DOOR CONVERTIBLE	41 = 4-DOOR SEDAN	

AR = Use as Required - = Non Illustrated Part P.A.R. = Paint as Required

WIRING & SWITCHES--LIFTGATE & TRUNK P-D-C-V-E-T
Figure 8-6400

410M 160M

ITEM	PART NUMBER	QTY	BODY	MODEL	DESCRIPTION
1	4209 799			C-45	WIRING, Rear Lamps
	4274 108			C-45	Liftgate Heated Rear Wdo.
	4209 309			PD	Liftgate Release
2	4304 165				WIRING, Trunk Lamp
	5209 922				SWITCH, Trunk Ajar Ind.
	4221 052				SWITCH, Liftgate Ajar



MODEL CODES

B = GRAN FURY	F = FIFTH AVENUE/NEWPORT	P = RELIANT
C = LEBARON/TOWN & COUNTRY/EXC SEDAN	G = DIPLOMAT	T = E CLASS/NEW YORKER
C24 = LASER	H = VOYAGER	V = 600
D = ARIES	K = MINI RAM/CARAVAN/ROYAL	V24 = DAYTONA
E = 600	M = HORIZON/TURISMO	Z = OMNI/CHARGER/RAMPAGE

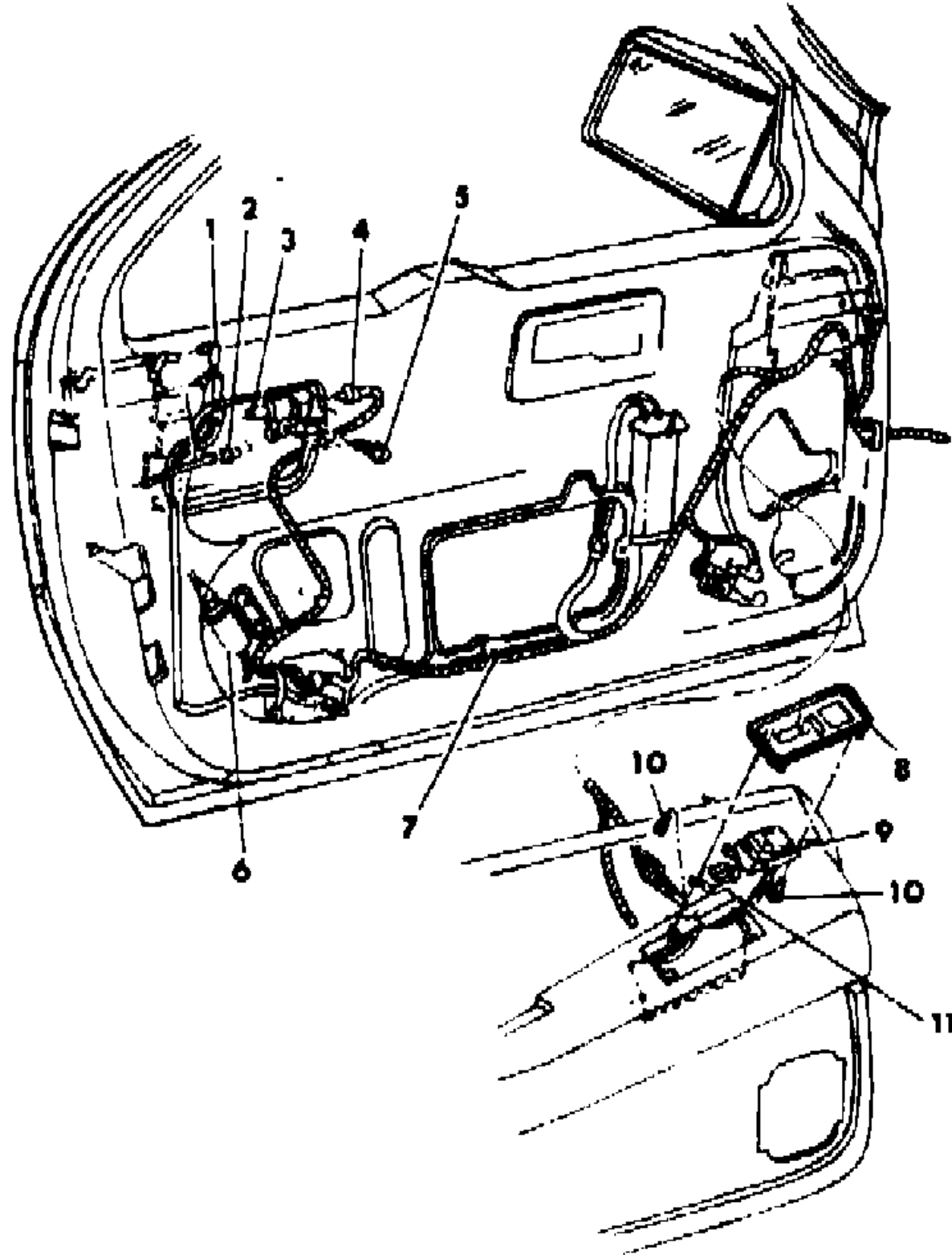
BODY STYLES

21 = 2-DOOR SEDAN	28 = FWD PICKUP	44 = 4-DOOR HATCHBACK
22 = 2-DOOR SPECIAL COUPE	35 = FWD VAN	45 = 4-DOOR STATION WAGON
24 = 2-DOOR HATCHBACK	36 = FWD WAGON	48 = 4-DOOR EXECUTIVE SEDAN
27 = 2-DOOR CONVERTIBLE	41 = 4-DOOR SEDAN	

AR = Use as Required - = Non Illustrated Part P.A.R. = Paint as Required

WIRING & SWITCHES--FRONT DOOR C-V 24
Figure 8-6500

4108 6500



ITEM	PART NUMBER	QTY	BODY	MODEL	DESCRIPTION
1	4221 130				SWITCH, Illuminated Entry
2					CLIP, Switch (Not Serv.)
3	3591 894				HOUSING, Illum. Entry Lamp
4	9421 330				BULB
5					SCREW, (Not Serv.)
6	4184 156				SOLENOID, Pwr. Door Lock
	4184 172				CLIP, Solenoid
7					WIRING, Door
	4274 766				Rt. w/Illum. Entry & Elec. Mirror
	4274 760				Rt. w/Illum. Entry, Door Lock & Wdo. Lift
	4274 762				Rt. w/Illum. Entry, Door Lock & Elec. Mirror
	4274 756				Rt. w/Wdo. Lift & Elec. Mirror
	4274 764				Rt. w/Illum. Entry & Wdo. Lift
	4274 757				Lt. Wdo. Lift & Elec. Mirror
	4274 761				Lt. Wdo. Lift, Door Locks & Illum. Entry
	4274 763				Lt. Wdo. Lift, Door Locks, Illum. Entry, Elec Mirror
	4274 767				Lt. Illum. Entry, Elec Mirror
8					BEZEL, Arm Rest Switch
	4274 668				w/ Door Locks
	4247 669				Lt. w/Door Locks & Elec. Mirror
	4247 711				Lt. w/Elec. Mirror
	4247 710				Door Locks, & Manual Remote Mirror
	4247 709				Manual Remote Mirror
	4247 708				Blank, w/o Openings
	4247 211				RETAINER, Arm Rest Bezel
9	4221 395				SWITCH, w/Selector, Dual Mirrors
10					SCREW, (Not Serv.)
11	4221 135				SWITCH, Door Lock

MODEL CODES

B = GRAN FURY	F = FIFTH AVENUE/NEWPORT	P = RELIANT
C = LEBARON/TOWN & COUNTRY/EXC SEDAN	G = DIPLOMAT	T = E CLASS/NEW YORKER
C24 = LASER	H = VOYAGER	V = 600
D = ARIES	K = MINI RAM/CARAVAN/ROYAL	V24 = DAYTONA
E = 600	M = HORIZON/TURISMO	Z = OMNI/CHARGER/RAMPAGE

BODY STYLES

21 = 2-DOOR SEDAN	28 = FWD PICKUP	44 = 4-DOOR HATCHBACK
22 = 2-DOOR SPECIAL COUPE	35 = FWD VAN	45 = 4-DOOR STATION WAGON
24 = 2-DOOR HATCHBACK	36 = FWD WAGON	48 = 4-DOOR EXECUTIVE SEDAN
27 = 2-DOOR CONVERTIBLE	41 = 4-DOOR SEDAN	

AR = Use as Required - = Non Illustrated Part P.A.R. = Paint as Required

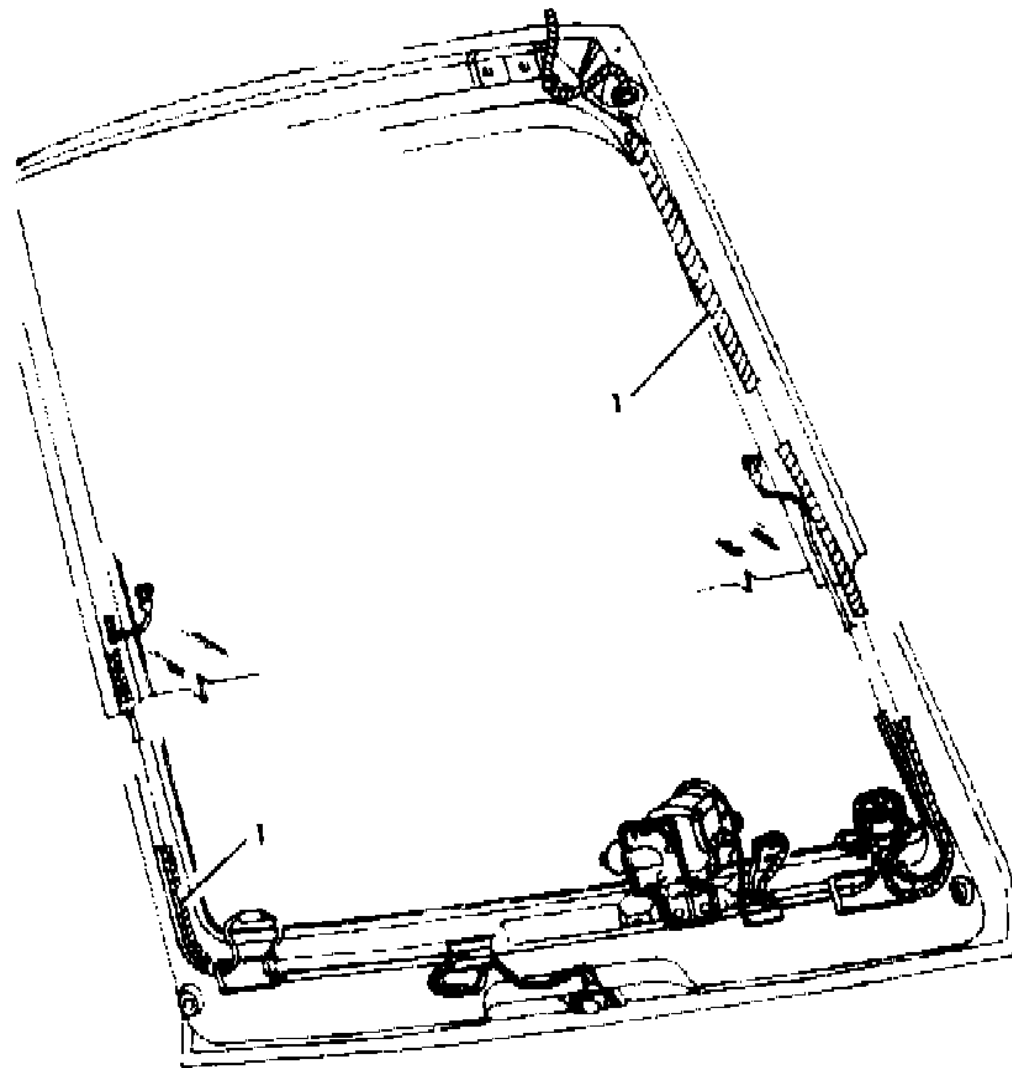
WIRING & SWITCHES--LIFTGATE C-V 24

Figure 8-6600

4108 6600

ITEM	PART NUMBER	QTY	BODY	MODEL	DESCRIPTION
------	-------------	-----	------	-------	-------------

1	4304 812				WIRING, Liftgate, License Lamp & Heated Rear Wdo.
	4304 813				Heated Rear Wdo. & Rear Wiper
	4304 051				Liftgate



MODEL CODES

B = GRAN FURY	F = FIFTH AVENUE/NEWPORT	P = RELIANT
C = LEBARON/TOWN & COUNTRY/EXC SEDAN	G = DIPLOMAT	T = E CLASS/NEW YORKER
C24 = LASER	H = VOYAGER	V = 600
D = ARIES	K = MINI RAM/CARAVAN/ROYAL	V24 = DAYTONA
E = 600	M = HORIZON/TURISMO	Z = OMNI/CHARGER/RAMPAGE

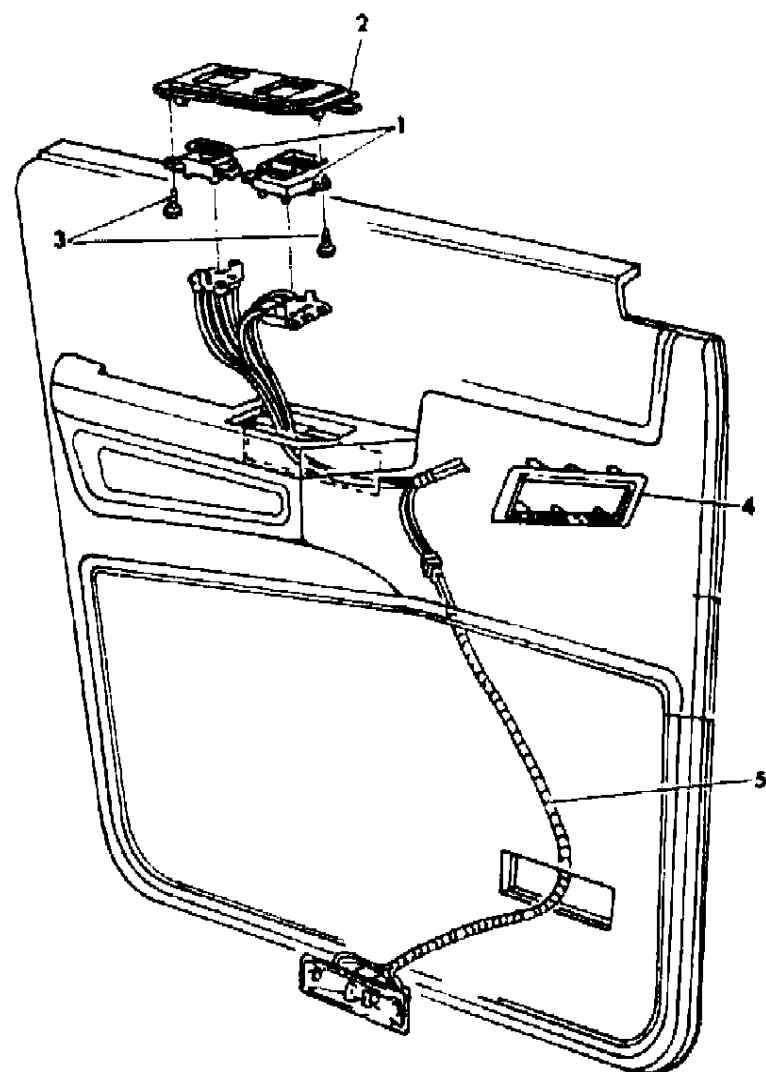
BODY STYLES

21 = 2-DOOR SEDAN	28 = FWD PICKUP	44 = 4-DOOR HATCHBACK
22 = 2-DOOR SPECIAL COUPE	35 = FWD VAN	45 = 4-DOOR STATION WAGON
24 = 2-DOOR HATCHBACK	36 = FWD WAGON	48 = 4-DOOR EXECUTIVE SEDAN
27 = 2-DOOR CONVERTIBLE	41 = 4-DOOR SEDAN	

AR = Use as Required - = Non Illustrated Part P.A.R. = Paint as Required

WIRING & SWITCHES--FRONT DOOR H-K
Figure 8-6700

4108 6700



ITEM	PART NUMBER	QTY	BODY	MODEL	DESCRIPTION
1					SWITCH, Wdo. Lift & Door Lock
	3747 935				Single
2	4248 192-3				BEZEL, Wdo. Lift Switch & Door Lock
	4248 194-5				Door Lock
3					SCREW, (Not Serv.)
4					BEZEL, Remote Control Handle
	D405 CX9				Black
	4184 790				Black and Chrome
5					WIRING, Door
	4304 276				Courtesy Lamp
	4304 275				Courtesy Lamp, Door Lock & Wdo. Lift
	4304 274				Courtesy Lamp, Door Lock

MODEL CODES

B = GRAN FURY	F = FIFTH AVENUE/NEWPORT	P = RELIANT
C = LEBARON/TOWN & COUNTRY/EXC SEDAN	G = DIPLOMAT	T = E CLASS/NEW YORKER
C24 = LASER	H = VOYAGER	V = 600
D = ARIES	K = MINI RAM/CARAVAN/ROYAL	V24 = DAYTONA
E = 600	M = HORIZON/TURISMO	Z = OMNI/CHARGER/RAMPAGE

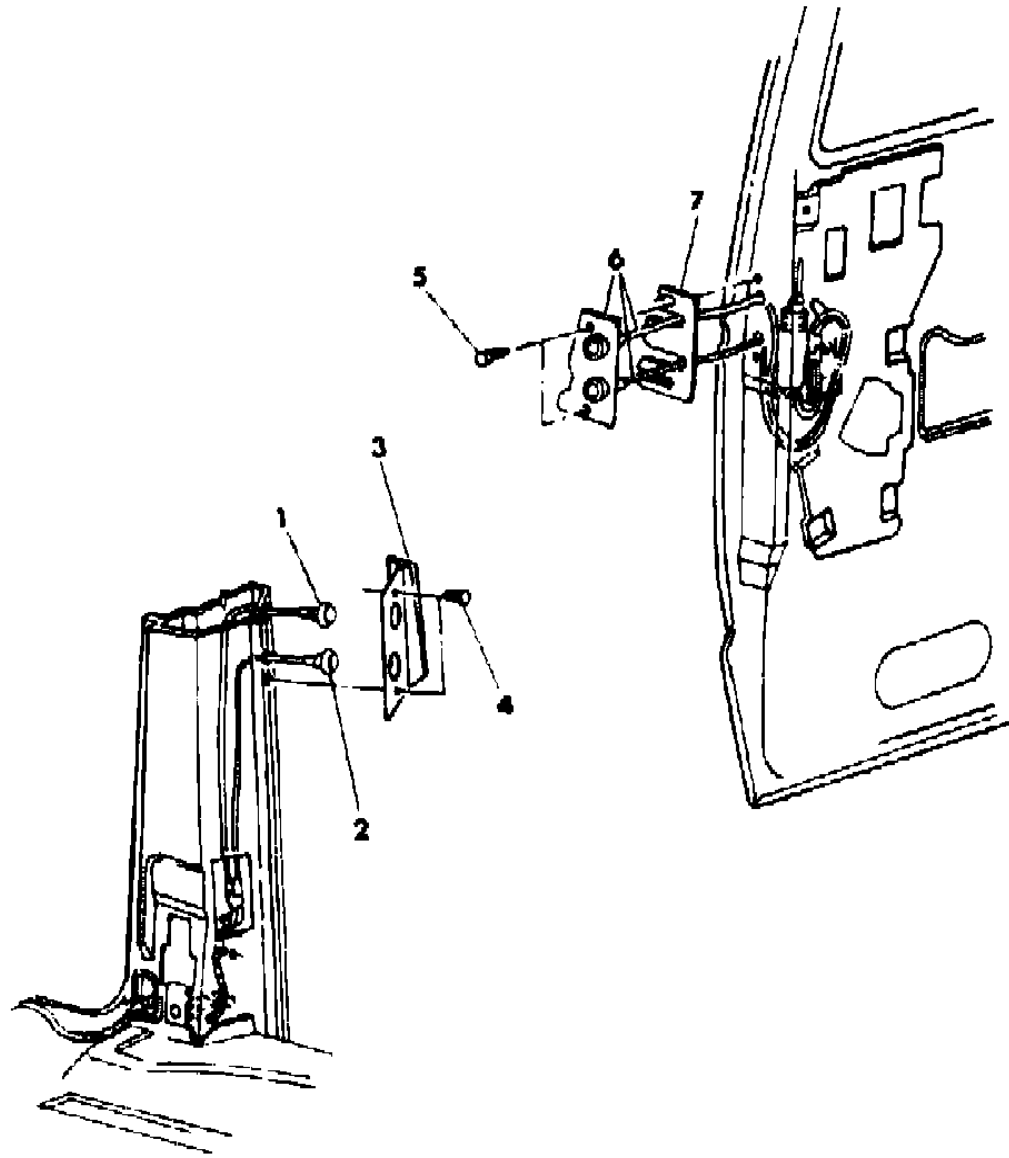
BODY STYLES

21 = 2-DOOR SEDAN	28 = FWD PICKUP	44 = 4-DOOR HATCHBACK
22 = 2-DOOR SPECIAL COUPE	35 = FWD VAN	45 = 4-DOOR STATION WAGON
24 = 2-DOOR HATCHBACK	36 = FWD WAGON	48 = 4-DOOR EXECUTIVE SEDAN
27 = 2-DOOR CONVERTIBLE	41 = 4-DOOR SEDAN	

AR = Use as Required - = Non Illustrated Part P.A.R. = Paint as Required

WIRING & SWITCHES--SLIDING DOOR H-K
Figure 8-6800

4108 6800



ITEM	PART NUMBER	QTY	BODY	MODEL	DESCRIPTION
1	4304 543				WIRING, Door Unlock
2	4304 542				WIRING, Door Lock
3	4304 584				COVER, Power Door Lock
4					SCREW, (Not Serv.)
5					SCREW, (Not Serv.)
6	4304 541				WIRING ASSEMBLY, Door Lock
7					SHIM, Contact Base (Not Serv.)

MODEL CODES

B = GRAN FURY	F = FIFTH AVENUE/NEWPORT	P = RELIANT
C = LEBARON/TOWN & COUNTRY/EXC SEDAN	G = DIPLOMAT	T = E CLASS/NEW YORKER
C24 = LASER	H = VOYAGER	V = 600
D = ARIES	K = MINI RAM/CARAVAN/ROYAL	V24 = DAYTONA
E = 600	M = HORIZON/TURISMO	Z = OMNI/CHARGER/RAMPAGE

BODY STYLES

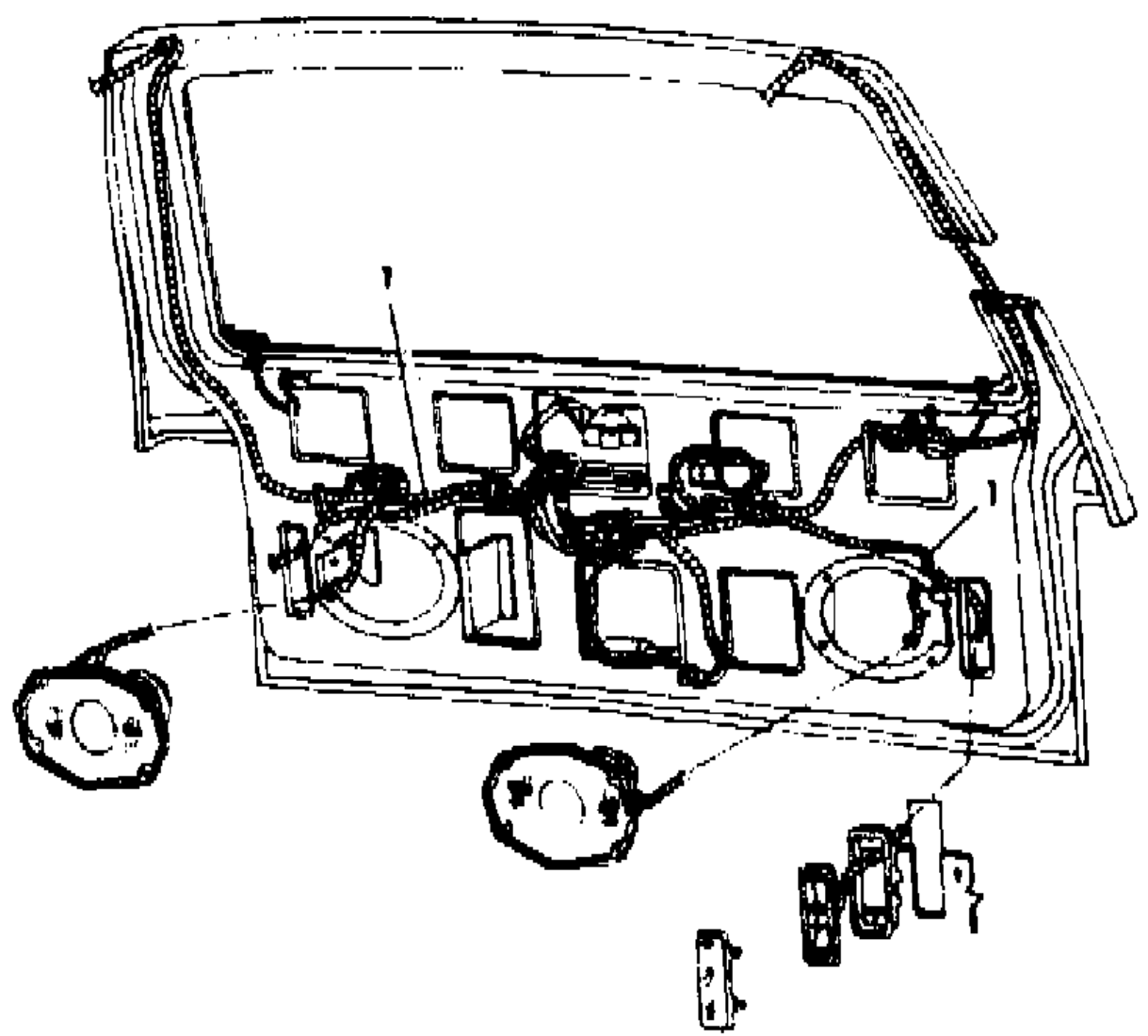
21 = 2-DOOR SEDAN	28 = FWD PICKUP	44 = 4-DOOR HATCHBACK
22 = 2-DOOR SPECIAL COUPE	35 = FWD VAN	45 = 4-DOOR STATION WAGON
24 = 2-DOOR HATCHBACK	36 = FWD WAGON	48 = 4-DOOR EXECUTIVE SEDAN
27 = 2-DOOR CONVERTIBLE	41 = 4-DOOR SEDAN	

AR = Use as Required - = Non Illustrated Part P.A.R. = Paint as Required

WIRING & SWITCHES--LIFTGATE H-K
Figure 8-6900

4108 B900

ITEM	PART NUMBER	QTY	BODY	MODEL	DESCRIPTION
1	4304 264				WIRING, Liftgate Wiper (Rt.)
	4304 266				Liftgate Release (Rt.)
	4304 265				(Lt.)
	4304 267				Liftgate Release & Heated Rear Wdo. (Lt.)
	4304 268				Liftgate Release & Wiper (Rt.)
	4304 269				Liftgate Courtesy Lamp (Lt.)
	4304 270				Liftgate Release, Wiper & Speaker (Rt.)
	4304 272				Liftgate Speaker (Rt.)
	4304 273				Liftgate Courtesy Lamp & Speakers
	4304 290				Liftgate Heated Rear Wdo. Pigtail Ground (Rt.)
	4304 291				Liftgate Heated Rear Wdo. Pigtail Feed
	4304 281				Rt. Body Rear Speaker & Door Lock



MODEL CODES
 B = GRAN FURY
 C = LEBARON/TOWN & COUNTRY/EXC SEDAN
 C24 = LASER
 D = ARIES
 E = 600
 F = FIFTH AVENUE/NEWPORT
 G = DIPLOMAT
 H = VOYAGER
 K = MINI RAM/CARAVAN/ROYAL
 M = HORIZON/TURISMO
 P = RELIANT
 T = E CLASS/NEW YORKER
 V = 600
 V24 = DAYTONA
 Z = OMNI/CHARGER/RAMPAGE

BODY STYLES
 21 = 2-DOOR SEDAN
 22 = 2-DOOR SPECIAL COUPE
 24 = 2-DOOR HATCHBACK
 27 = 2-DOOR CONVERTIBLE
 28 = FWD PICKUP
 35 = FWD VAN
 36 = FWD WAGON
 41 = 4-DOOR SEDAN
 44 = 4-DOOR HATCHBACK
 45 = 4-DOOR STATION WAGON
 48 = 4-DOOR EXECUTIVE SEDAN

AR = Use as Required - = Non Illustrated Part P.A.R. = Paint as Required

WIRING & SWITCHES--FRONT DOOR B-F-G
Figure 8-7000

4108 7000

ITEM	PART NUMBER	QTY	BODY	MODEL	DESCRIPTION
1	3747 819				SWITCH, w/Wiring & Illum. Entry
2	3591 902				BRACKET
3	3591 894				HOUSING, Lamp
4	9415 969				BULB
5	3513 686				SOCKET
6	6031 234				NUT, Switch Mounting
7					CLIP, (Not Serv.)
8					SCREW, (Not Serv.)
9	4172 675				CABLE
10					CLIP, (Not Serv.)
11	6015 756				STRAP
12					RETAINER, (Not Serv.)
13					TAPE, (Not Serv.)
14					WIRING, Door
	4274 172				w/Illum. Entry & Courtesy Lamp
	4209 971				w/Illum. Entry, Pwr. Window w/ or w/o Pwr.Locks
	4274 340				w/Power Door Locks
15					BEZEL and FINISH PLATE, Armrest
	4078 346-7				w/o Power Wdo. & Door Locks
	4078 352-3				w/ Power Door Locks
	4078 339				w/ Remote Mirror, (Lt.)
	4078 348				w/ Power Wdo., w/o Power Door Locks
	4078 350-1				w/ Power Wdo.,& Power Door Locks
	4223 416		F-S		w/ Power Wdo.& Power Door Locks (Rt.) Woodgrain
	4223 417		F-S		w/ Pwr Wdo.& Pwr.Door Locks,Remote Mirror,Woodgrain
	4078 327				w/Pwr.Door Locks,Remote Mirror
	4078 329				w/Pwr.Door Locks,Remote Mirror & Pwr.Wdo. (Lt.)
	4078 325				w/Remote Mirror & Pwr.Wdo.
16	4131 377				SWITCH, Five Gang
17	4131 376				SWITCH, Single
18					SCREW, (Not Serv.)
19					WIRING, DOOR
	4274 342-3				w/Pwr. Wdo. & Door Locks
	4274 344				w/Pwr. Wdo. w/o Pwr. Door Locks (Rt.)
	4274 341				w/Pwr. Wdo. w/o Pwr. Door Locks (Lt.)

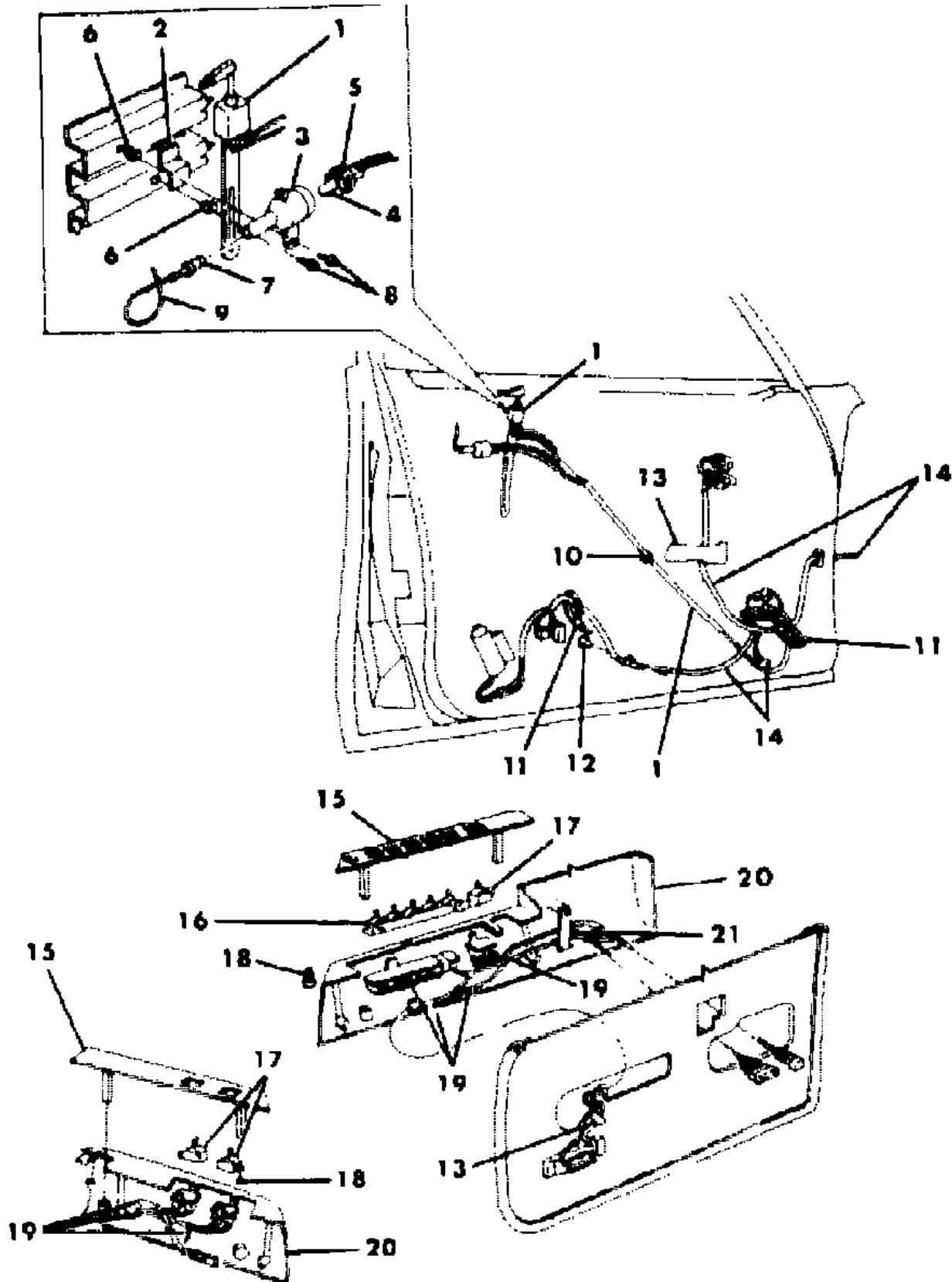
MODEL CODES

B = GRAN FURY	F = FIFTH AVENUE/NEWPORT	P = RELIANT
C = LEBARON/TOWN & COUNTRY/EXC SEDAN	G = DIPLOMAT	T = E CLASS/NEW YORKER
C24 = LASER	H = VOYAGER	V = 600
D = ARIES	K = MINI RAM/CARAVAN/ROYAL	V24 = DAYTONA
E = 600	M = HORIZON/TURISMO	Z = OMNI/CHARGER/RAMPAGE

BODY STYLES

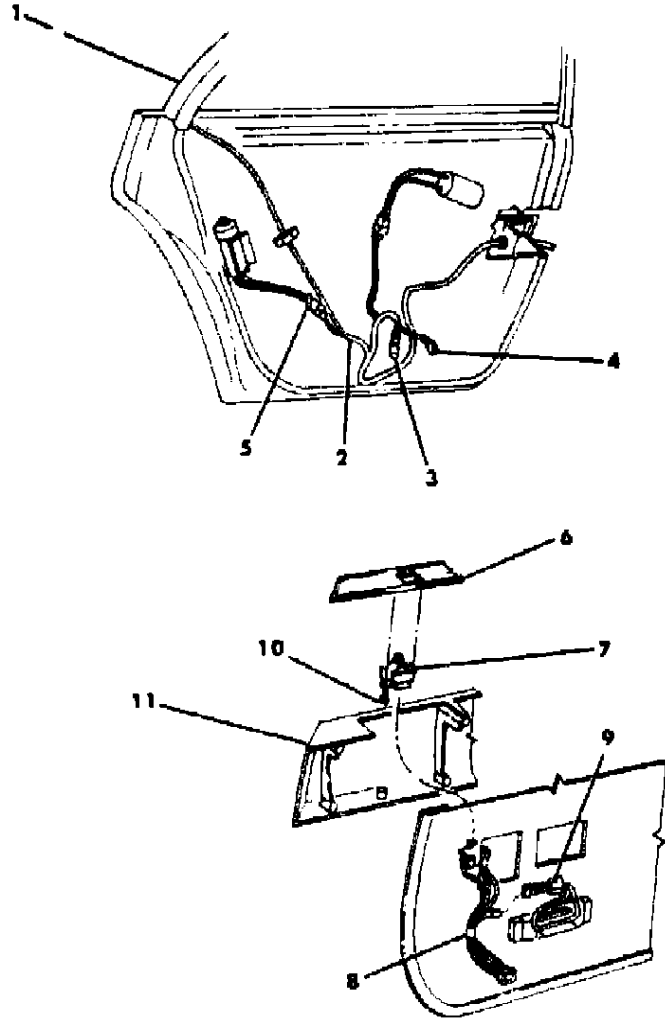
21 = 2-DOOR SEDAN	28 = FWD PICKUP	44 = 4-DOOR HATCHBACK
22 = 2-DOOR SPECIAL COUPE	35 = FWD VAN	45 = 4-DOOR STATION WAGON
24 = 2-DOOR HATCHBACK	36 = FWD WAGON	48 = 4-DOOR EXECUTIVE SEDAN
27 = 2-DOOR CONVERTIBLE	41 = 4-DOOR SEDAN	

AR = Use as Required - = Non Illustrated Part P.A.R. = Paint as Required



WIRING & SWITCHES--REAR DOOR B-F-G
Figure 8-7100

4108 7100



ITEM	PART NUMBER	QTY	BODY	MODEL	DESCRIPTION
1	4209 471				WIRING, w/Opera Lamp
2	4209 213				WIRING, w/Power Locks & Courtesy Lamp
3	4209 214				WIRING, w/Power Locks & Power Windows
	4209 214				WIRING, w/Pwr Windows,Courtesy Lamps up to 1-30-84
	4304 885				Aft. 1-30-84
4	4209 907				WIRING, w/Pwr.Door Locks & Courtesy Lamps
5	6015 756				STRAP
6					BEZEL and FINISH PLATE, Armrest
	4078 382-3				w/o Power Wdos.
	4078 384-5			B,G	w/ Power Wdos.
	4223 426-7			F-S	w/ Power Wdos.
7	4131 376				SWITCH, Single
8	4274 345				WIRING, w/Power Windows
9					TAPE, (Not Serv.)
10					SCREW,(Not Serv.)
11					ARMREST, (Trim Section)

MODEL CODES

B = GRAN FURY	F = FIFTH AVENUE/NEWPORT	P = RELIANT
C = LEBARON/TOWN & COUNTRY/EXC SEDAN	G = DIPLOMAT	T = E CLASS/NEW YORKER
C24 = LASER	H = VOYAGER	V = 600
D = ARIES	K = MINI RAM/CARAVAN/ROYAL	V24 = DAYTONA
E = 600	M = HORIZON/TURISMO	Z = OMNI/CHARGER/RAMPAGE

BODY STYLES

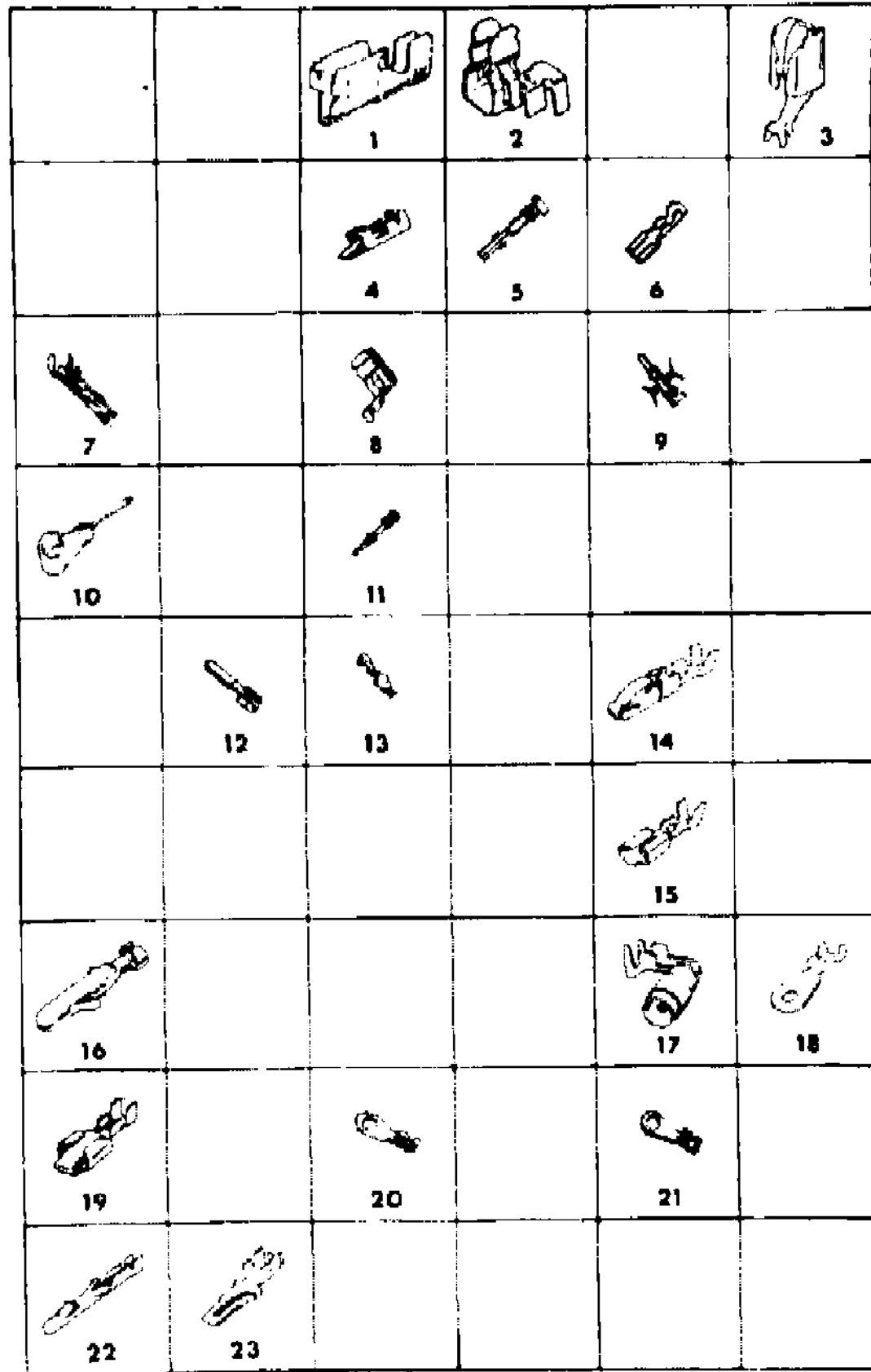
21 = 2-DOOR SEDAN	28 = FWD PICKUP	44 = 4-DOOR HATCHBACK
22 = 2-DOOR SPECIAL COUPE	35 = FWD VAN	45 = 4-DOOR STATION WAGON
24 = 2-DOOR HATCHBACK	36 = FWD WAGON	48 = 4-DOOR EXECUTIVE SEDAN
27 = 2-DOOR CONVERTIBLE	41 = 4-DOOR SEDAN	

AR = Use as Required - = Non Illustrated Part P.A.R. = Paint as Required

TERMINAL CHART

Figure 8-7200

4108 7700



ITEM	PART NUMBER	QTY	BODY	MODEL	DESCRIPTION
2	3591 596				TERMINAL
5	2983 410				TERMINAL
6	2580 061				TERMINAL
7	3513 544				TERMINAL
8	2926 722				TERMINAL
9	2983 411				TERMINAL
10	3588 946				TERMINAL
11	2983 409				TERMINAL
12	2983 412				TERMINAL
13	3513 586				TERMINAL
14	3764 556				TERMINAL
15	3764 570				TERMINAL
16	3513 543				TERMINAL
17	3843 577				TERMINAL
18					TERMINAL
19	3588 819				TERMINAL
20	3513 637				TERMINAL
21	3438 709				TERMINAL
22	3513 756				TERMINAL
23	3513 692				TERMINAL

MODEL CODES

B = GRAN FURY	F = FIFTH AVENUE/NEWPORT	P = RELIANT
C = LEBARON/TOWN & COUNTRY/EXC SEDAN	G = DIPLOMAT	T = E CLASS/NEW YORKER
C24 = LASER	H = VOYAGER	V = 600
D = ARIES	K = MINI RAM/CARAVAN/ROYAL	V24 = DAYTONA
E = 600	M = HORIZON/TURISMO	Z = OMNI/CHARGER/RAMPAGE

BODY STYLES

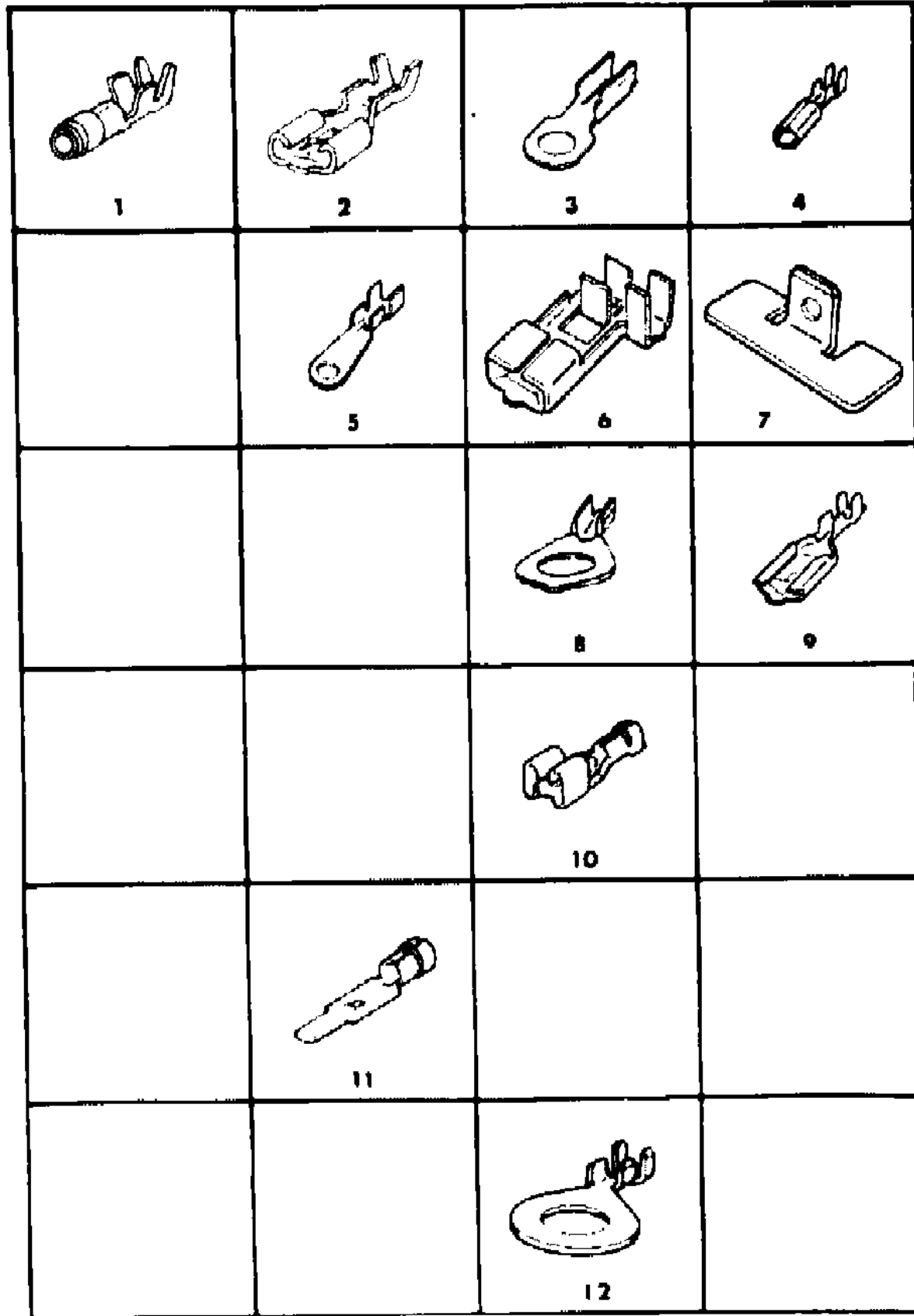
21 = 2-DOOR SEDAN	28 = FWD PICKUP	44 = 4-DOOR HATCHBACK
22 = 2-DOOR SPECIAL COUPE	35 = FWD VAN	45 = 4-DOOR STATION WAGON
24 = 2-DOOR HATCHBACK	36 = FWD WAGON	48 = 4-DOOR EXECUTIVE SEDAN
27 = 2-DOOR CONVERTIBLE	41 = 4-DOOR SEDAN	

AR = Use as Required - = Non Illustrated Part P.A.R. = Paint as Required

TERMINAL CHART

Figure 8-7200

410R 7300



ITEM	PART NUMBER	QTY	BODY	MODEL	DESCRIPTION
1	3843 576				TERMINAL
2	3843 935				TERMINAL
3	2197 947				TERMINAL
4	2983 410				TERMINAL
5	2290 069				TERMINAL
6	4055 468				TERMINAL
7	4055 775				TERMINAL
8	5211 602				TERMINAL
9	1704 562				TERMINAL
10	3843 601				TERMINAL
11	3843 386				TERMINAL
12	5211 599				TERMINAL

MODEL CODES

B = GRAN FURY	F = FIFTH AVENUE/NEWPORT	P = RELIANT
C = LEBARON/TOWN & COUNTRY/EXC SEDAN	G = DIPLOMAT	T = E CLASS/NEW YORKER
C24 = LASER	H = VOYAGER	V = 600
D = ARIES	K = MINI RAM/CARAVAN/ROYAL	V24 = DAYTONA
E = 600	M = HORIZON/TURISMO	Z = OMNI/CHARGER/RAMPAGE

BODY STYLES

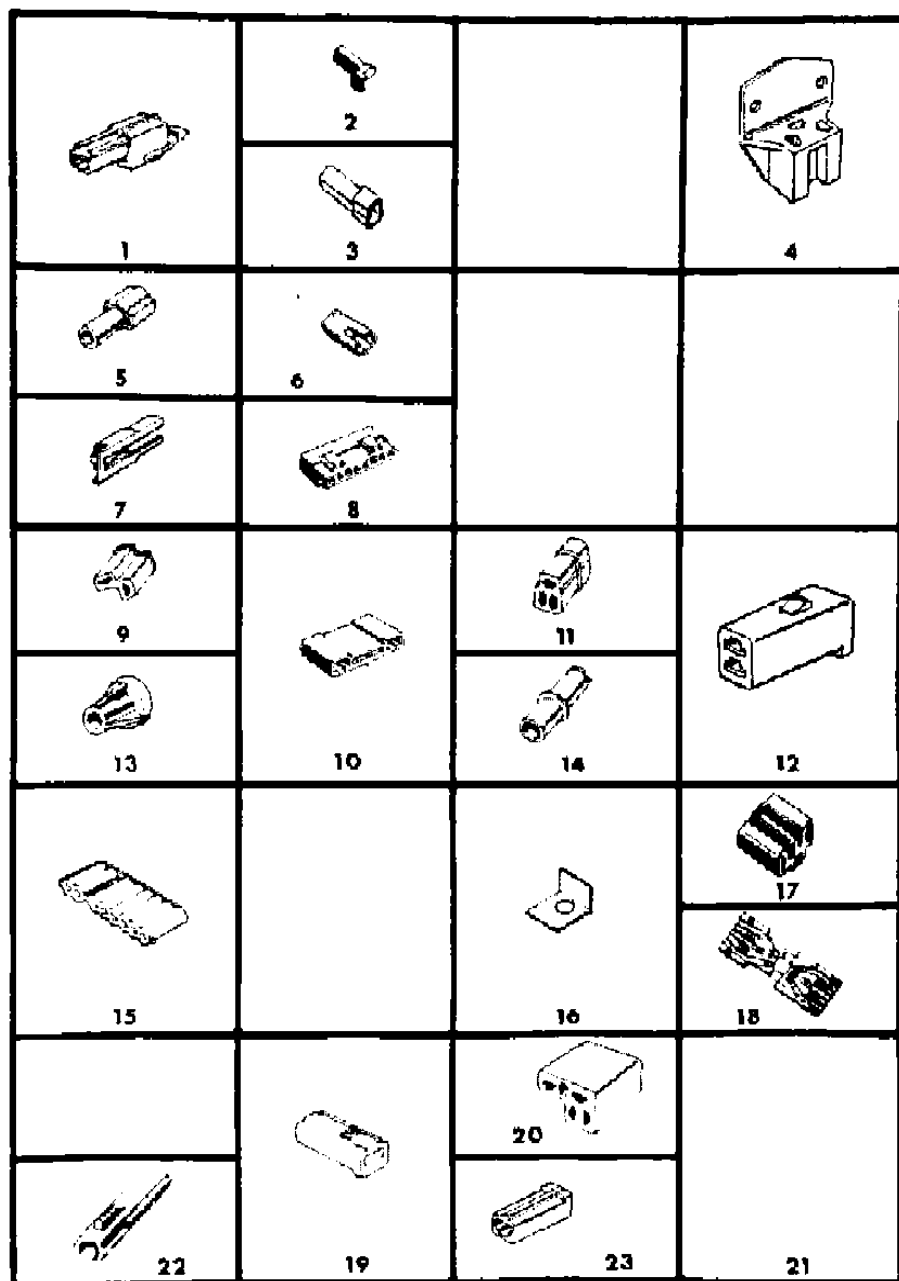
21 = 2-DOOR SEDAN	28 = FWD PICKUP	44 = 4-DOOR HATCHBACK
22 = 2-DOOR SPECIAL COUPE	35 = FWD VAN	45 = 4-DOOR STATION WAGON
24 = 2-DOOR HATCHBACK	36 = FWD WAGON	48 = 4-DOOR EXECUTIVE SEDAN
27 = 2-DOOR CONVERTIBLE	41 = 4-DOOR SEDAN	

AR = Use as Required - = Non Illustrated Part P.A.R. = Paint as Required

INSULATOR CHART

Figure 8-7400

8108 7400



ITEM	PART NUMBER	QTY	BODY	MODEL	DESCRIPTION
1	3764 945				INSULATOR
2	2497 701				INSULATOR
3	4124 235				INSULATOR
4	3513 696				INSULATOR
5	3513 346				INSULATOR
6	3588 518				INSULATOR
7	3764 856				INSULATOR
8	2983 403				INSULATOR
9	3588 523				INSULATOR
10	3588 399				INSULATOR
11	3588 522				INSULATOR
12	3764 263				INSULATOR
13	3764 325				INSULATOR
14	3588 781				INSULATOR
15	3730 649				INSULATOR
16	3730 587				INSULATOR
17	2857 754				INSULATOR
18	3513 665				INSULATOR
19	3764 857				INSULATOR
20	2889 432				INSULATOR
21					
22	3513 345				INSULATOR
23	3764 946				INSULATOR

MODEL CODES
 B = GRAN FURY
 C = LEBARON/TOWN & COUNTRY/EXC SEDAN
 C24 = LASER
 D = ARIES
 E = 600
 F = FIFTH AVENUE/NEWPORT
 G = DIPLOMAT
 H = VOYAGER
 K = MINI RAM/CARAVAN/ROYAL
 M = HORIZON/TURISMO
 P = RELIANT
 T = E CLASS/NEW YORKER
 V = 600
 V24 = DAYTONA
 Z = OMNI/CHARGER/RAMPAGE

BODY STYLES
 21 = 2-DOOR SEDAN
 22 = 2-DOOR SPECIAL COUPE
 24 = 2-DOOR HATCHBACK
 27 = 2-DOOR CONVERTIBLE
 28 = FWD PICKUP
 35 = FWD VAN
 36 = FWD WAGON
 41 = 4-DOOR SEDAN
 44 = 4-DOOR HATCHBACK
 45 = 4-DOOR STATION WAGON
 48 = 4-DOOR EXECUTIVE SEDAN

AR = Use as Required - = Non Illustrated Part P.A.R. = Paint as Required

INSULATOR CHART
Figure 8-7400

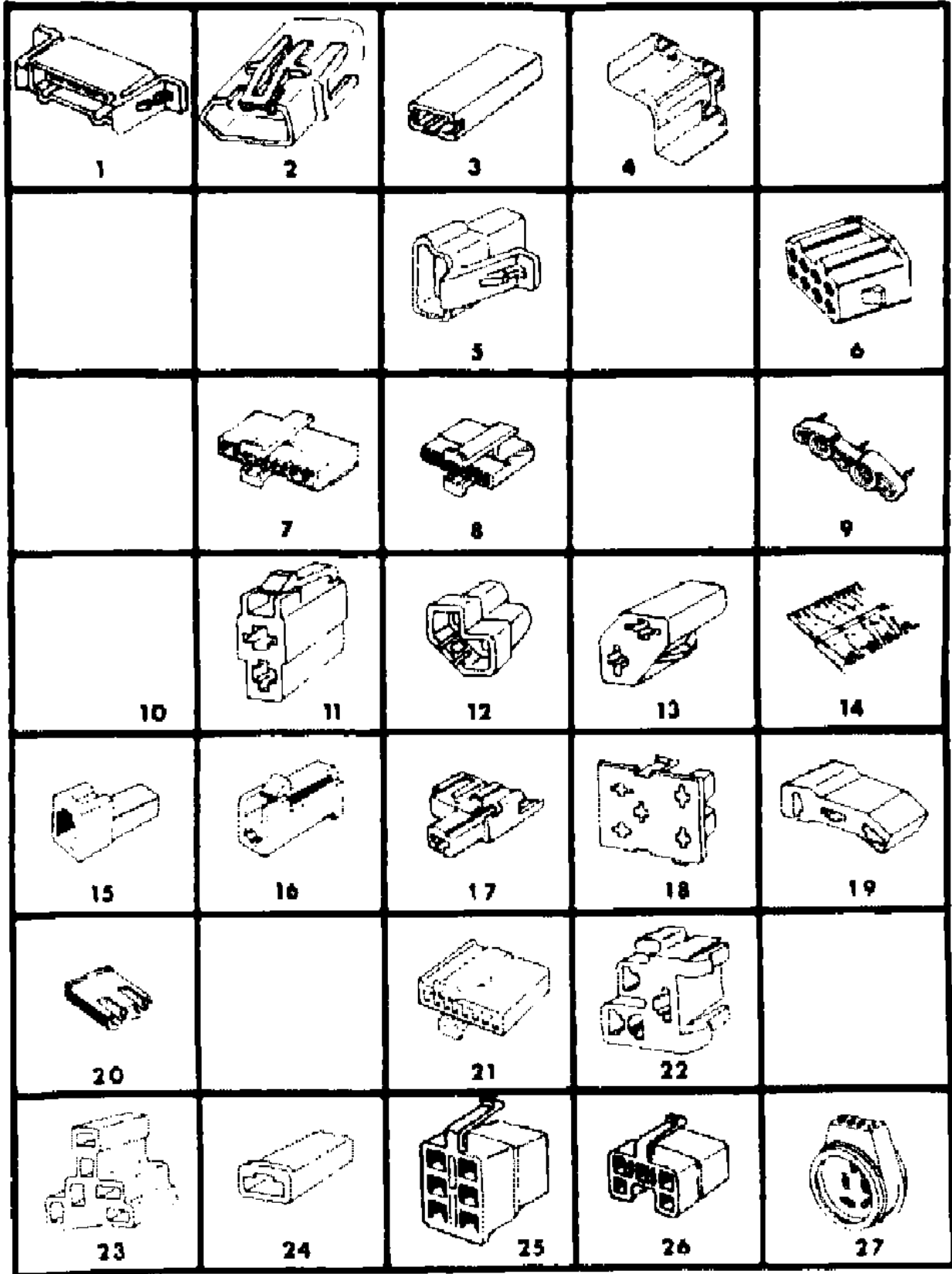
4106 7500

ITEM	PART NUMBER	QTY	BODY	MODEL	DESCRIPTION
1	3843 413				INSULATOR
3	3843 895				INSULATOR
4	4055 589				INSULATOR
5	4055 005				INSULATOR
6	4055 047				INSULATOR
7	3764 557				INSULATOR
8	3764 572				INSULATOR
9	3755 625				INSULATOR
11	4055 019				INSULATOR
12	4055 020				INSULATOR
13	4055 021				INSULATOR
14	3513 664				INSULATOR
15	4274 267				INSULATOR
16	3843 754				INSULATOR
17	3588 520				INSULATOR
18	4055 026				INSULATOR
19	4055 148				INSULATOR
20	3588 517				INSULATOR
21	4055 582				INSULATOR
22	4055 311				INSULATOR
23	4055 384				INSULATOR
24	4055 395				INSULATOR
25	5211 546				INSULATOR
26	5211 545				INSULATOR
27	4055 680				INSULATOR

MODEL CODES
 B = GRAN FURY
 C = LEBARON/TOWN & COUNTRY/EXC SEDAN
 C24 = LASER
 D = ARIES
 E = 600
 F = FIFTH AVENUE/NEWPORT
 G = DIPLOMAT
 H = VOYAGER
 K = MINI RAM/CARAVAN/ROYAL
 M = HORIZON/TURISMO
 P = RELIANT
 T = E CLASS/NEW YORKER
 V = 600
 V24 = DAYTONA
 Z = OMNI/CHARGER/RAMPAGE

BODY STYLES
 21 = 2-DOOR SEDAN
 22 = 2-DOOR SPECIAL COUPE
 24 = 2-DOOR HATCHBACK
 27 = 2-DOOR CONVERTIBLE
 28 = FWD PICKUP
 35 = FWD VAN
 36 = FWD WAGON
 41 = 4-DOOR SEDAN
 44 = 4-DOOR HATCHBACK
 45 = 4-DOOR STATION WAGON
 48 = 4-DOOR EXECUTIVE SEDAN

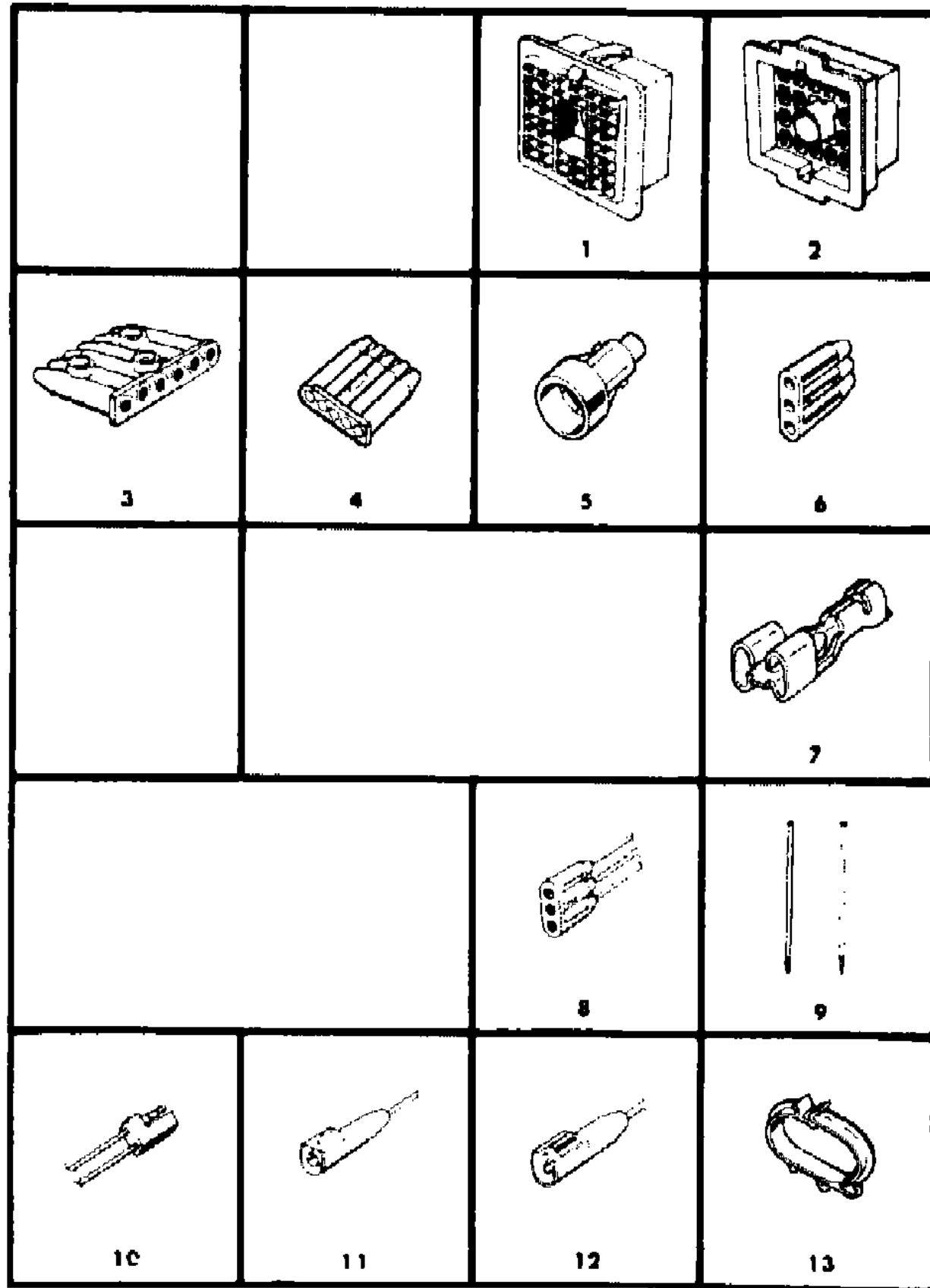
AR = Use as Required - = Non Illustrated Part P.A.R. = Paint as Required



RETAINERS, CONNECTORS, PLUGS, SLEEVES AND PARTS CHART

Figure 8-7600

4104 7600



ITEM	PART NUMBER	QTY	BODY	MODEL	DESCRIPTION
1	4055 406				CONNECTOR,(FEMALE 40 WAY)
2	4055 405				CONNECTOR,(MALE 40 WAY)
3	4209 978				MOLD,(6 Way) Repair Esa & Efm (w/Bar)
	4209 977				MOLD,(6 Way) Repair Esa & Efm (w/Tab)
4	4055 466				MOLD, w/Tab (Electronic Spark Advance Repair)
	4055 467				MOLD, w/Bar (Electronic Spark Advance Repair)
5	3843 398				CONNECTOR
6	3843 399				CONNECTOR
7	3843 601				TERMINAL
8	3843 428				CONNECTOR
9	6015 756				TY STRIP
10	3588 743				CONNECTOR
11	3843 427				CONNECTOR,(FEMALE)
12	3843 426				CONNECTOR,(MALE)
13	6016 046				CLIP

MODEL CODES

B = GRAN FURY	F = FIFTH AVENUE/NEWPORT	P = RELIANT
C = LEBARON/TOWN & COUNTRY/EXC SEDAN	G = DIPLOMAT	T = E CLASS/NEW YORKER
C24 = LASER	H = VOYAGER	V = 600
D = ARIES	K = MINI RAM/CARAVAN/ROYAL	V24 = DAYTONA
E = 600	M = HORIZON/TURISMO	Z = OMNI/CHARGER/RAMPAGE

BODY STYLES

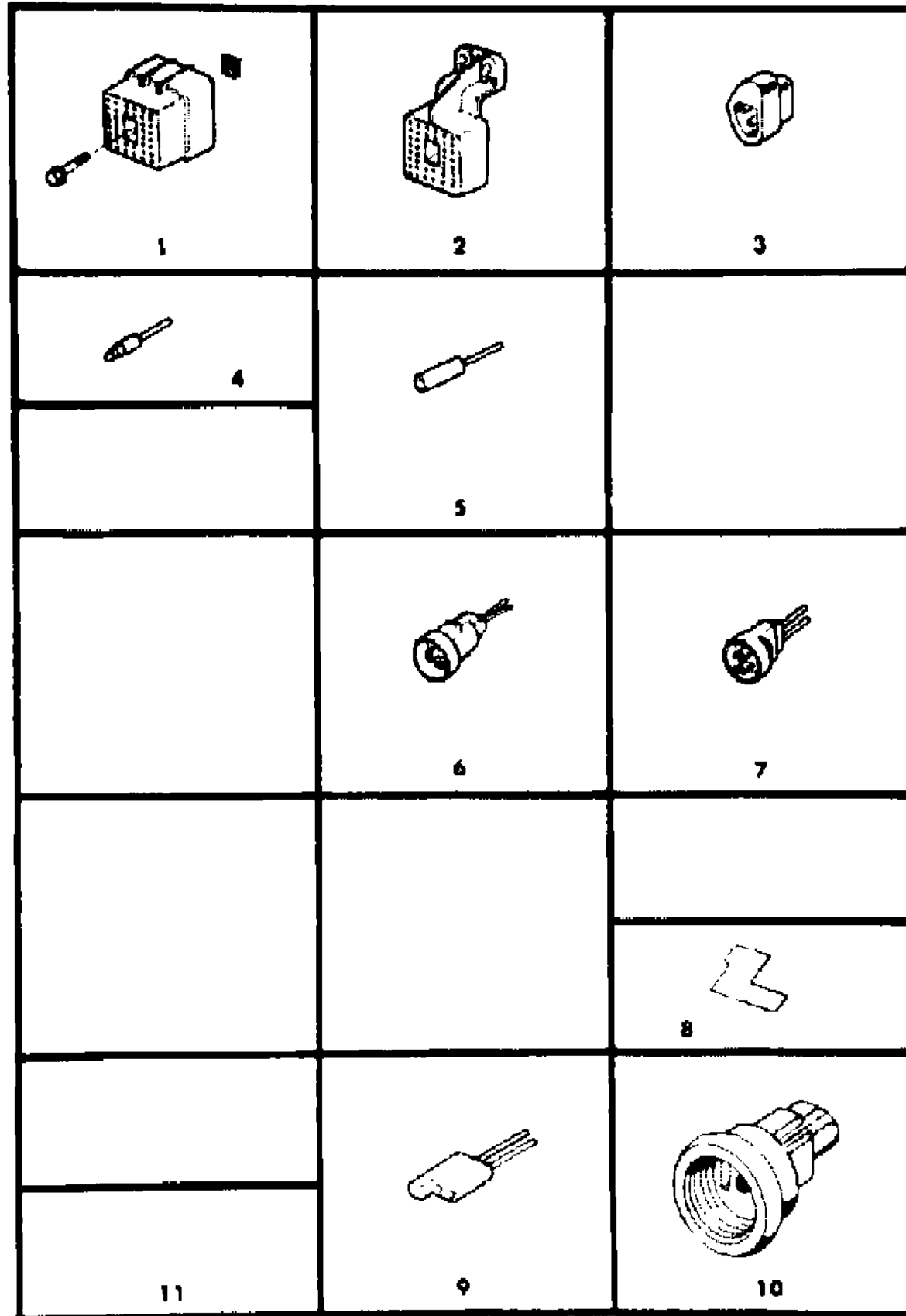
21 = 2-DOOR SEDAN	28 = FWD PICKUP	44 = 4-DOOR HATCHBACK
22 = 2-DOOR SPECIAL COUPE	35 = FWD VAN	45 = 4-DOOR STATION WAGON
24 = 2-DOOR HATCHBACK	36 = FWD WAGON	48 = 4-DOOR EXECUTIVE SEDAN
27 = 2-DOOR CONVERTIBLE	41 = 4-DOOR SEDAN	

AR = Use as Required - = Non Illustrated Part P.A.R. = Paint as Required

RETAINERS, CONNECTORS, PLUGS AND SLEEVES CHART

Figure 8-7700

4108 7700



ITEM	PART NUMBER	QTY	BODY	MODEL	DESCRIPTION
1	3843 606				DISCONNECT,(MALE 40 WAY)
2	3843 608				DISCONNECT,(FEMALE 40 WAY)
3	3843 397				CONNECTOR,(v/Reg.)
4	3843 922				CONNECTOR,(MALE)
5	3843 923				CONNECTOR,(FEMALE)
6	3843 945				MOLD
7	3843 430				MOLD
8	4055 335				CONNECTOR
9	3843 949				MOLD, Dist.
10	5211 620				MOLD
	4124 807				MOLD,Detonation Sensor

MODEL CODES

B = GRAN FURY	F = FIFTH AVENUE/NEWPORT	P = RELIANT
C = LEBARON/TOWN & COUNTRY/EXC SEDAN	G = DIPLOMAT	T = E CLASS/NEW YORKER
C24 = LASER	H = VOYAGER	V = 600
D = ARIES	K = MINI RAM/CARAVAN/ROYAL	V24 = DAYTONA
E = 600	M = HORIZON/TURISMO	Z = OMNI/CHARGER/RAMPAGE

BODY STYLES

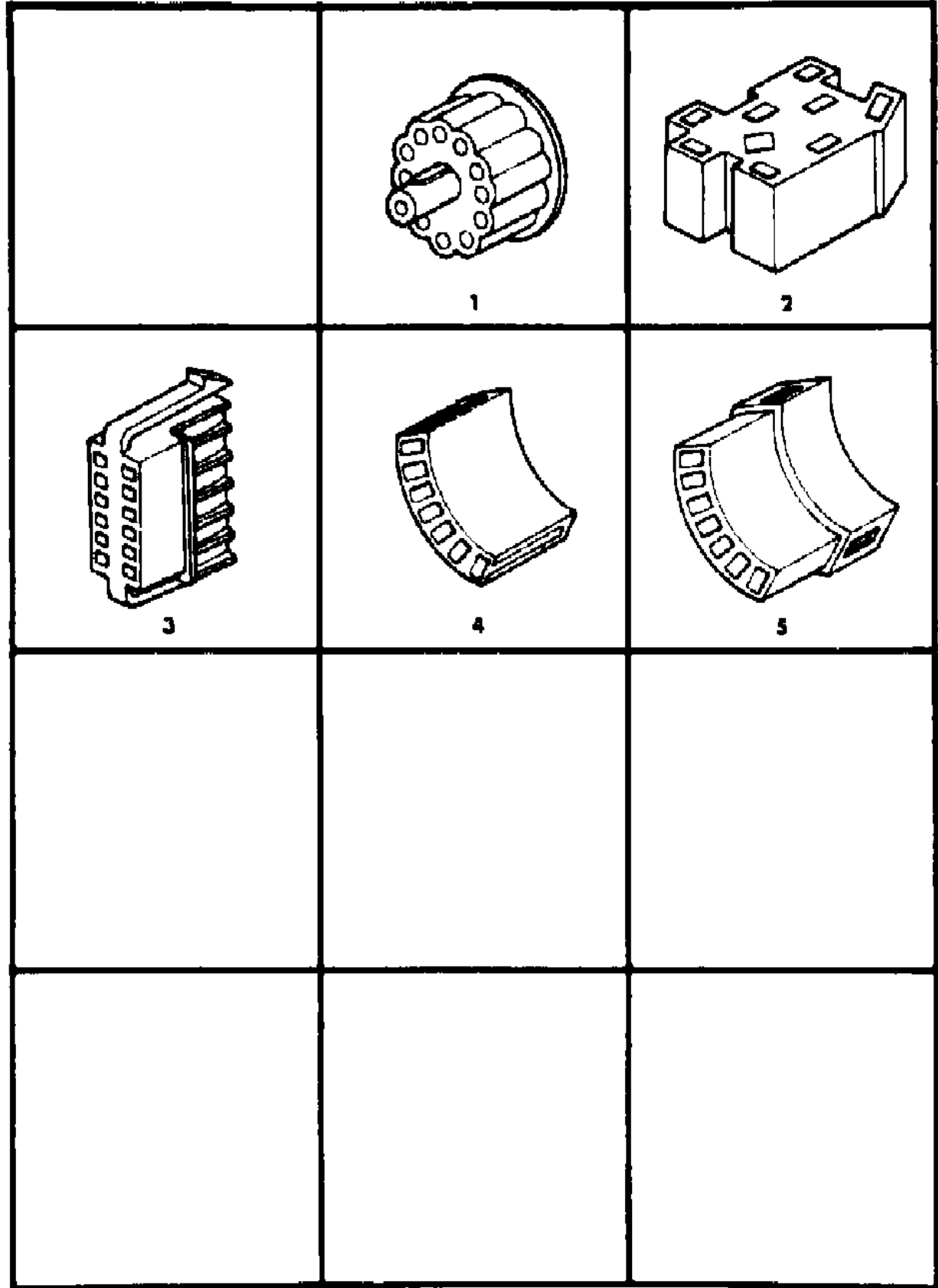
21 = 2-DOOR SEDAN	28 = FWD PICKUP	44 = 4-DOOR HATCHBACK
22 = 2-DOOR SPECIAL COUPE	35 = FWD VAN	45 = 4-DOOR STATION WAGON
24 = 2-DOOR HATCHBACK	36 = FWD WAGON	48 = 4-DOOR EXECUTIVE SEDAN
27 = 2-DOOR CONVERTIBLE	41 = 4-DOOR SEDAN	

AR = Use as Required - = Non Illustrated Part P.A.R. = Paint as Required

INSULATOR CHART
Figure 8-7400

6108 7800

ITEM	PART NUMBER	QTY	BODY	MODEL	DESCRIPTION
1	3635 477				INSULATOR
2	3843 141				INSULATOR
3	3843 001				INSULATOR
4	4055 023				INSULATOR
5	4055 022				INSULATOR



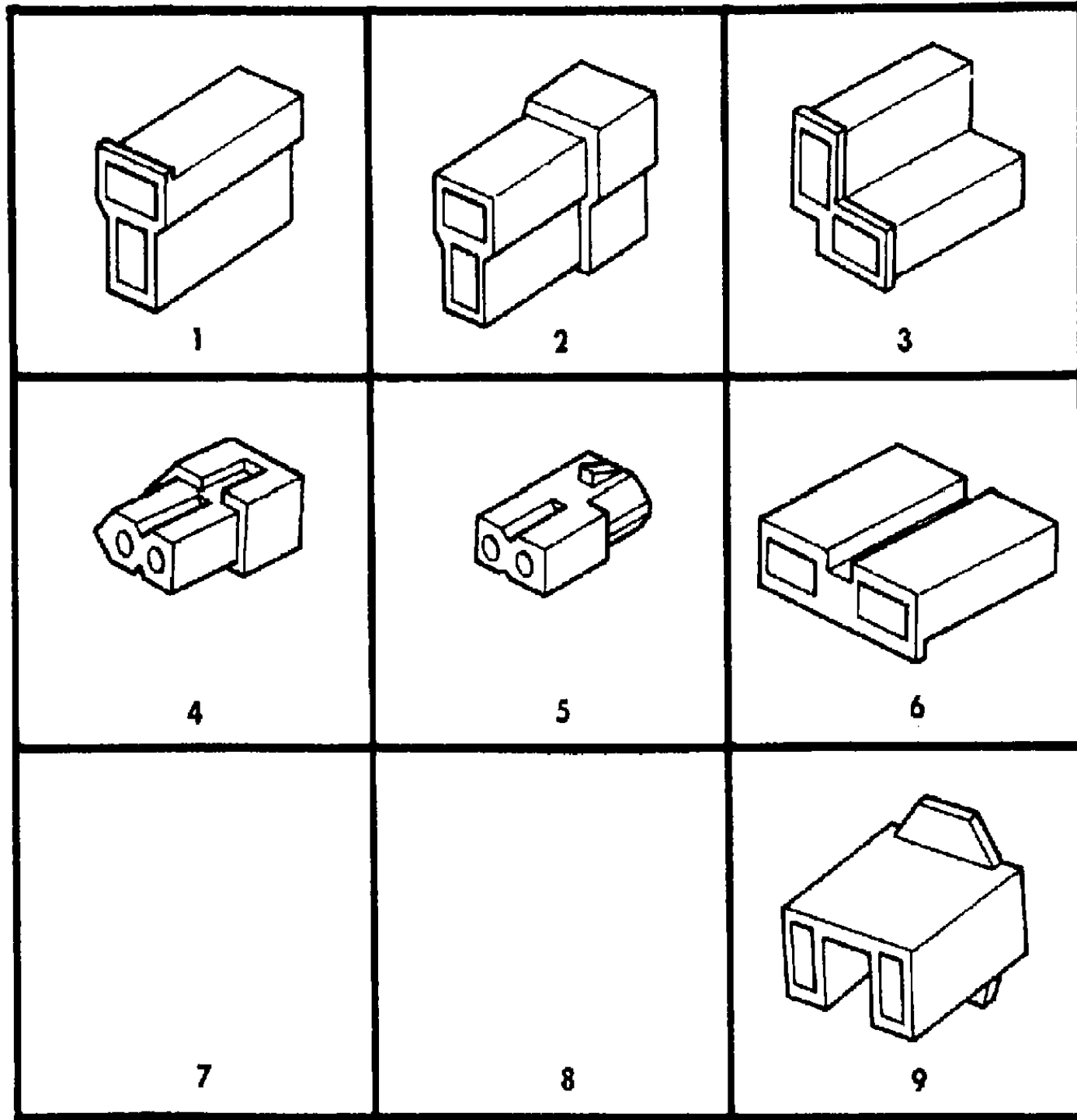
MODEL CODES
 B = GRAN FURY
 C = LEBARON/TOWN & COUNTRY/EXC SEDAN
 C24 = LASER
 D = ARIES
 E = 600
 F = FIFTH AVENUE/NEWPORT
 G = DIPLOMAT
 H = VOYAGER
 K = MINI RAM/CARAVAN/ROYAL
 M = HORIZON/TURISMO
 P = RELIANT
 T = E CLASS/NEW YORKER
 V = 600
 V24 = DAYTONA
 Z = OMNI/CHARGER/RAMPAGE

BODY STYLES
 21 = 2-DOOR SEDAN
 22 = 2-DOOR SPECIAL COUPE
 24 = 2-DOOR HATCHBACK
 27 = 2-DOOR CONVERTIBLE
 28 = FWD PICKUP
 35 = FWD VAN
 36 = FWD WAGON
 41 = 4-DOOR SEDAN
 44 = 4-DOOR HATCHBACK
 45 = 4-DOOR STATION WAGON
 48 = 4-DOOR EXECUTIVE SEDAN

AR = Use as Required - = Non Illustrated Part P.A.R. = Paint as Required

INSULATOR 2 WAY
Figure 8-7900

4108 7900A



ITEM	PART NUMBER	QTY	BODY	MODEL	DESCRIPTION
1	3764 944				INSULATOR
2	2298 882				INSULATOR
3	2298 882				INSULATOR
4	3513 350				INSULATOR
5	3513 349				INSULATOR
6	3588 517				INSULATOR
7					
8					
9	4186 045				INSULATOR,(use 3 way insulator)

MODEL CODES

B = GRAN FURY	F = FIFTH AVENUE/NEWPORT	P = RELIANT
C = LEBARON/TOWN & COUNTRY/EXC SEDAN	G = DIPLOMAT	T = E CLASS/NEW YORKER
C24 = LASER	H = VOYAGER	V = 600
D = ARIES	K = MINI RAM/CARAVAN/ROYAL	V24 = DAYTONA
E = 600	M = HORIZON/TURISMO	Z = OMNI/CHARGER/RAMPAGE

BODY STYLES

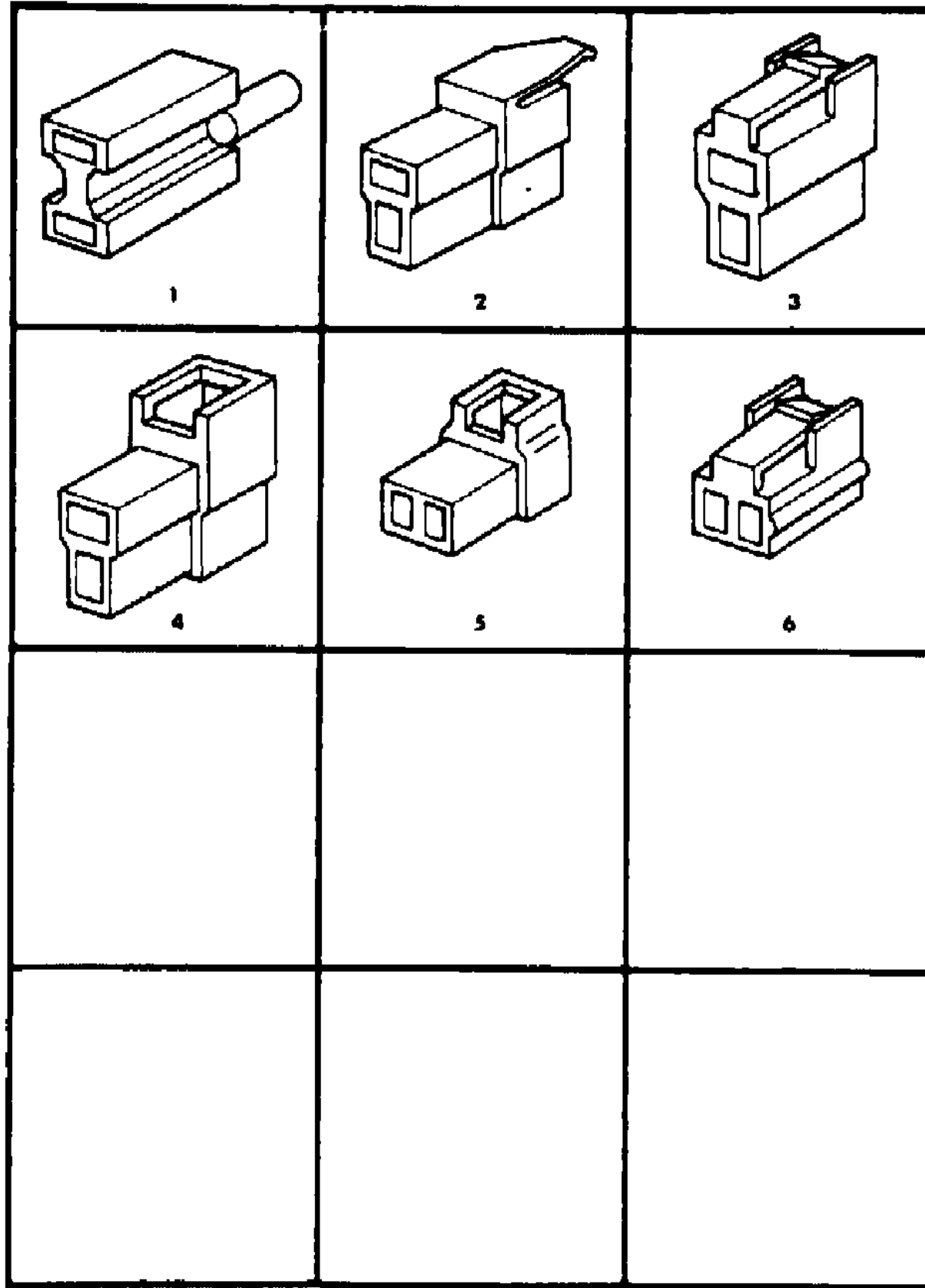
21 = 2-DOOR SEDAN	28 = FWD PICKUP	44 = 4-DOOR HATCHBACK
22 = 2-DOOR SPECIAL COUPE	35 = FWD VAN	45 = 4-DOOR STATION WAGON
24 = 2-DOOR HATCHBACK	36 = FWD WAGON	48 = 4-DOOR EXECUTIVE SEDAN
27 = 2-DOOR CONVERTIBLE	41 = 4-DOOR SEDAN	

AR = Use as Required - = Non Illustrated Part P.A.R. = Paint as Required

INSULATOR 2 WAY
Figure 8-7900

4106 8000

ITEM	PART NUMBER	QTY	BODY	MODEL	DESCRIPTION
1	3588 525				INSULATOR
2	3764 949				INSULATOR
3	4055 019				INSULATOR
4	4055 018				INSULATOR
5	4274 936				INSULATOR
6	4055 012				INSULATOR



MODEL CODES

B = GRAN FURY	F = FIFTH AVENUE/NEWPORT	P = RELIANT
C = LEBARON/TOWN & COUNTRY/EXC SEDAN	G = DIPLOMAT	T = E CLASS/NEW YORKER
C24 = LASER	H = VOYAGER	V = 600
D = ARIES	K = MINI RAM/CARAVAN/ROYAL	V24 = DAYTONA
E = 600	M = HORIZON/TURISMO	Z = OMNI/CHARGER/RAMPAGE

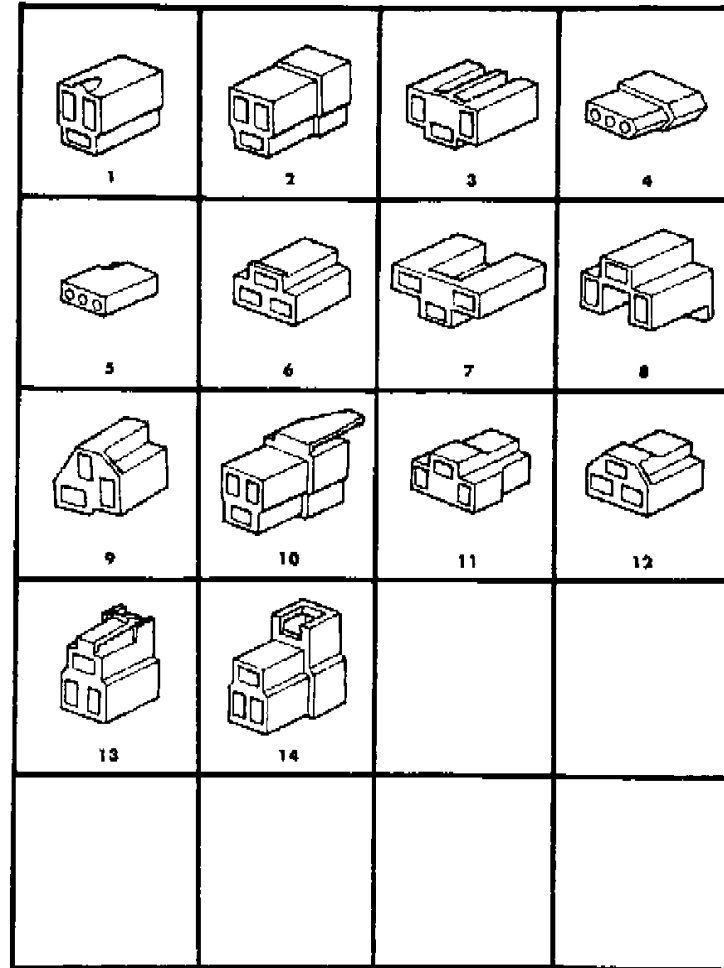
BODY STYLES

21 = 2-DOOR SEDAN	28 = FWD PICKUP	44 = 4-DOOR HATCHBACK
22 = 2-DOOR SPECIAL COUPE	35 = FWD VAN	45 = 4-DOOR STATION WAGON
24 = 2-DOOR HATCHBACK	36 = FWD WAGON	48 = 4-DOOR EXECUTIVE SEDAN
27 = 2-DOOR CONVERTIBLE	41 = 4-DOOR SEDAN	

AR = Use as Required - = Non Illustrated Part P.A.R. = Paint as Required

INSULATOR 3 WAY
Figure 8-8100

4108 8100



ITEM	PART NUMBER	QTY	BODY	MODEL	DESCRIPTION
1	2298 882				INSULATOR
2	2298 882				INSULATOR
3					INSULATOR
4	3843 795				INSULATOR
5	2983 408				INSULATOR
6	2298 882				INSULATOR
7	2298 882				INSULATOR
8	4186 045				INSULATOR
9	2889 650				INSULATOR
10	3764 947				INSULATOR
11	3843 282				INSULATOR
12	3843 059				INSULATOR
13	4055 008				INSULATOR
14	4055 007				INSULATOR

MODEL CODES

B = GRAN FURY	F = FIFTH AVENUE/NEWPORT	P = RELIANT
C = LEBARON/TOWN & COUNTRY/EXC SEDAN	G = DIPLOMAT	T = E CLASS/NEW YORKER
C24 = LASER	H = VOYAGER	V = 600
D = ARIES	K = MINI RAM/CARAVAN/ROYAL	V24 = DAYTONA
E = 600	M = HORIZON/TURISMO	Z = OMNI/CHARGER/RAMPAGE

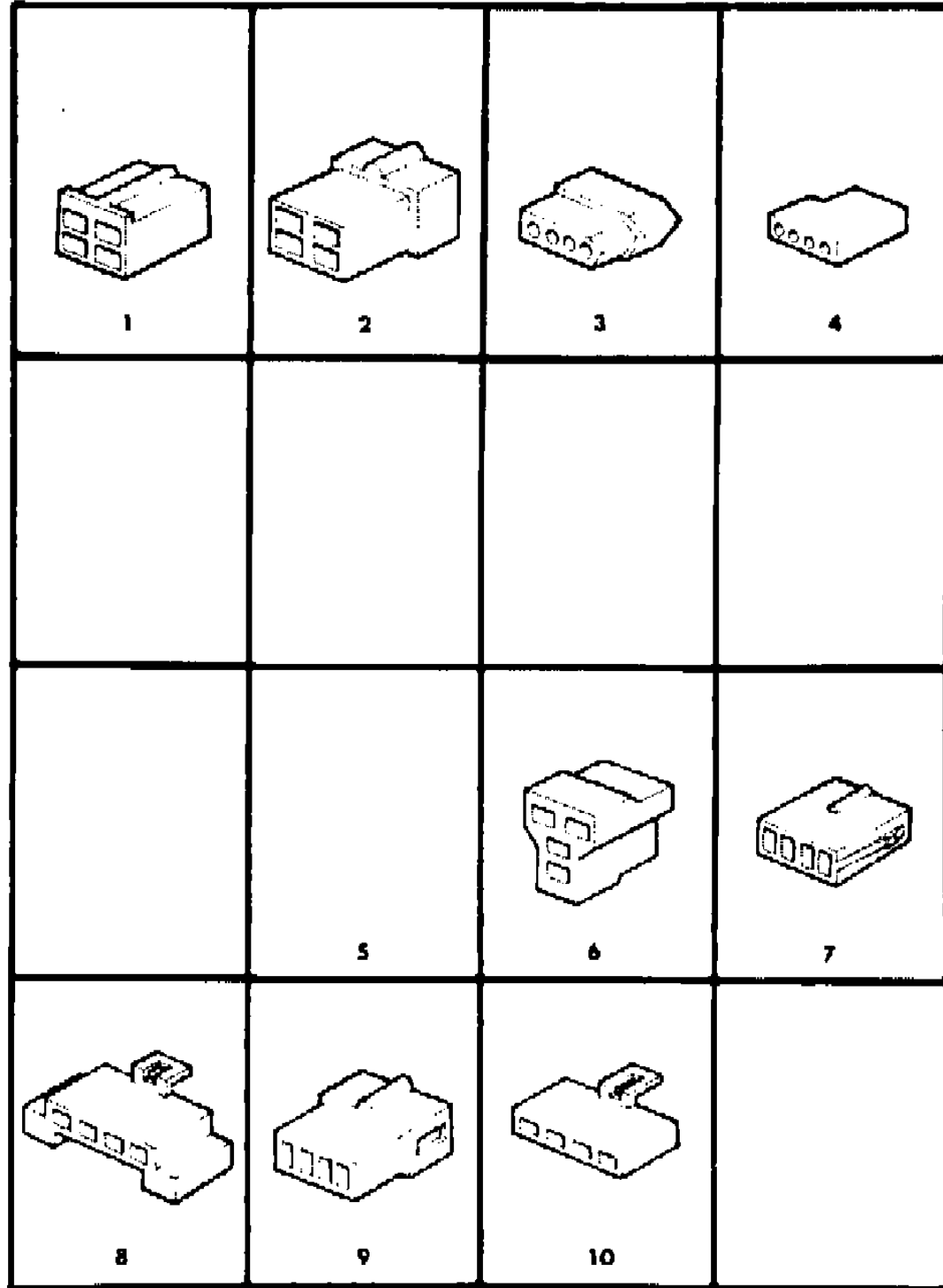
BODY STYLES

21 = 2-DOOR SEDAN	28 = FWD PICKUP	44 = 4-DOOR HATCHBACK
22 = 2-DOOR SPECIAL COUPE	35 = FWD VAN	45 = 4-DOOR STATION WAGON
24 = 2-DOOR HATCHBACK	36 = FWD WAGON	48 = 4-DOOR EXECUTIVE SEDAN
27 = 2-DOOR CONVERTIBLE	41 = 4-DOOR SEDAN	

AR = Use as Required - = Non Illustrated Part P.A.R. = Paint as Required

INSULATOR 4 WAY
Figure 8-8200

1104 8200



ITEM	PART NUMBER	QTY	BODY	MODEL	DESCRIPTION
1	2298 882				INSULATOR
2	2298 882				INSULATOR
3	2983 405				INSULATOR
4	2983 406				INSULATOR
5					
6	3843 283				INSULATOR
7	4055 025				INSULATOR
8	3843 896				INSULATOR
9	4055 024				INSULATOR
10	4055 249				INSULATOR
	4124 262				INSULATOR, 5 WAY

MODEL CODES

B = GRAN FURY	F = FIFTH AVENUE/NEWPORT	P = RELIANT
C = LEBARON/TOWN & COUNTRY/EXC SEDAN	G = DIPLOMAT	T = E CLASS/NEW YORKER
C24 = LASER	H = VOYAGER	V = 600
D = ARIES	K = MINI RAM/CARAVAN/ROYAL	V24 = DAYTONA
E = 600	M = HORIZON/TURISMO	Z = OMNI/CHARGER/RAMPAGE

BODY STYLES

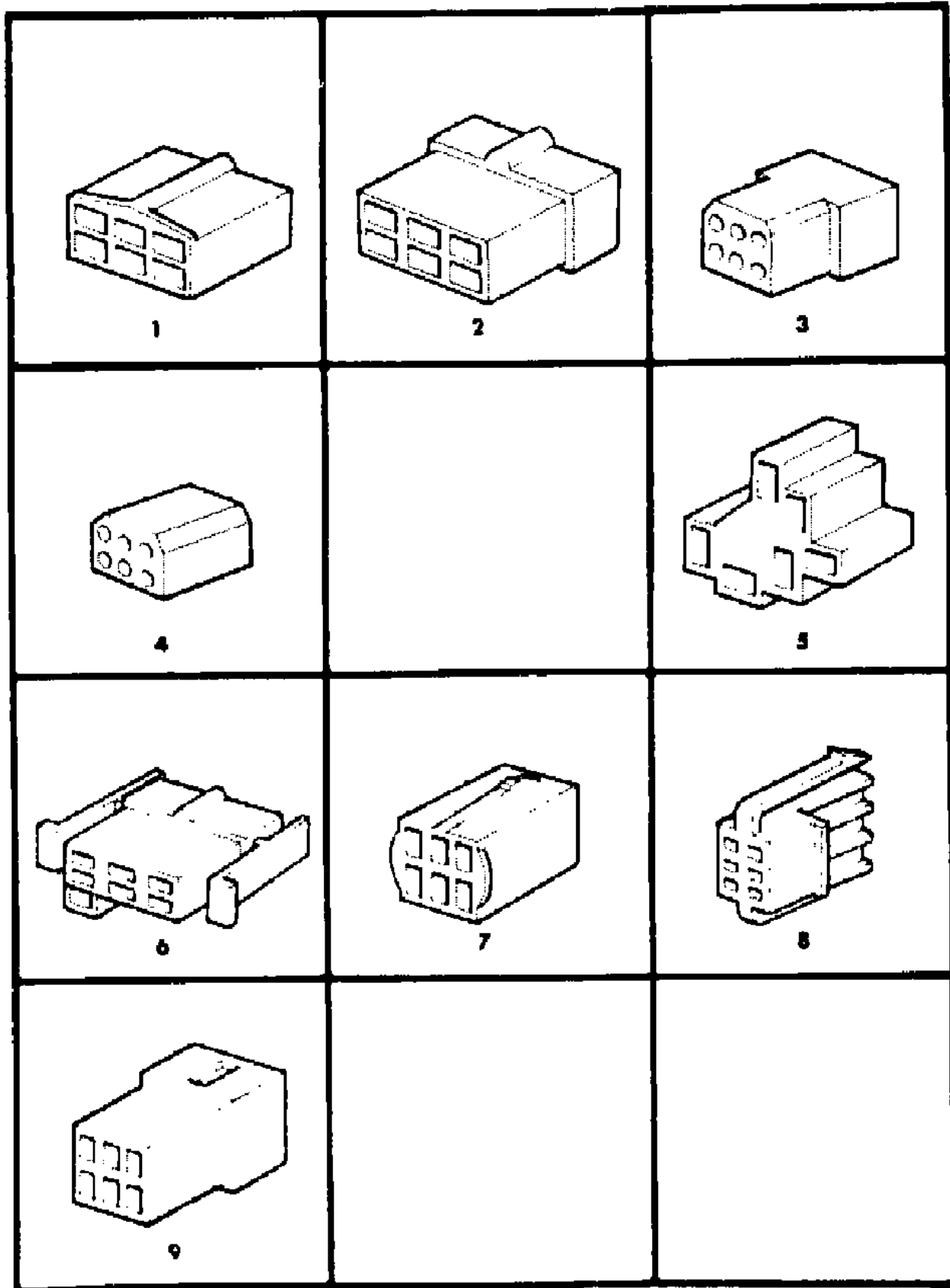
21 = 2-DOOR SEDAN	28 = FWD PICKUP	44 = 4-DOOR HATCHBACK
22 = 2-DOOR SPECIAL COUPE	35 = FWD VAN	45 = 4-DOOR STATION WAGON
24 = 2-DOOR HATCHBACK	36 = FWD WAGON	48 = 4-DOOR EXECUTIVE SEDAN
27 = 2-DOOR CONVERTIBLE	41 = 4-DOOR SEDAN	

AR = Use as Required - = Non Illustrated Part P.A.R. = Paint as Required

INSULATOR 6 WAY
Figure 8-8300

4108 8300

ITEM	PART NUMBER	QTY	BODY	MODEL	DESCRIPTION
1	2448 822				INSULATOR
2	2448 822				INSULATOR
3	3513 348				INSULATOR
4	3513 347				INSULATOR
5	3588 024				INSULATOR
6	3764 640-1				INSULATOR
7	4055 015				INSULATOR
8	3843 002				INSULATOR
9	4055 014				INSULATOR



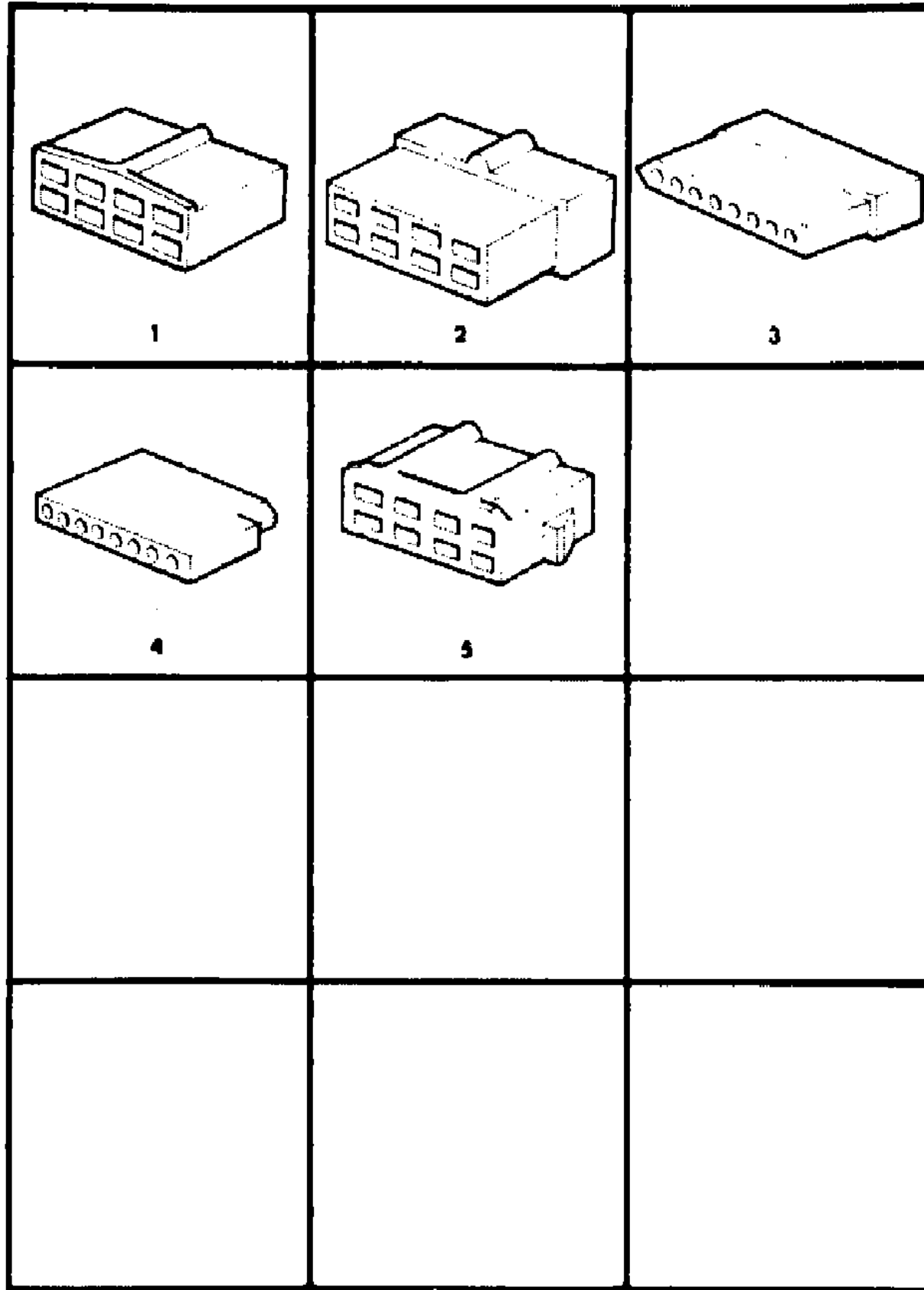
MODEL CODES
 B = GRAN FURY
 C = LEBARON/TOWN & COUNTRY/EXC SEDAN
 C24 = LASER
 D = ARIES
 E = 600
 F = FIFTH AVENUE/NEWPORT
 G = DIPLOMAT
 H = VOYAGER
 K = MINI RAM/CARAVAN/ROYAL
 M = HORIZON/TURISMO
 P = RELIANT
 T = E CLASS/NEW YORKER
 V = 600
 V24 = DAYTONA
 Z = OMNI/CHARGER/RAMPAGE

BODY STYLES
 21 = 2-DOOR SEDAN
 22 = 2-DOOR SPECIAL COUPE
 24 = 2-DOOR HATCHBACK
 27 = 2-DOOR CONVERTIBLE
 28 = FWD PICKUP
 35 = FWD VAN
 36 = FWD WAGON
 41 = 4-DOOR SEDAN
 44 = 4-DOOR HATCHBACK
 45 = 4-DOOR STATION WAGON
 48 = 4-DOOR EXECUTIVE SEDAN

AR = Use as Required - = Non Illustrated Part P.A.R. = Paint as Required

INSULATOR 8 WAY
Figure 8-8400

4108 1400



ITEM	PART NUMBER	QTY	BODY	MODEL	DESCRIPTION
1					
2					
3	2983 403				INSULATOR
4	2983 404				INSULATOR
5	3588 945				INSULATOR

MODEL CODES

B = GRAN FURY	F = FIFTH AVENUE/NEWPORT	P = RELIANT
C = LEBARON/TOWN & COUNTRY/EXC SEDAN	G = DIPLOMAT	T = E CLASS/NEW YORKER
C24 = LASER	H = VOYAGER	V = 600
D = ARIES	K = MINI RAM/CARAVAN/ROYAL	V24 = DAYTONA
E = 600	M = HORIZON/TURISMO	Z = OMNI/CHARGER/RAMPAGE

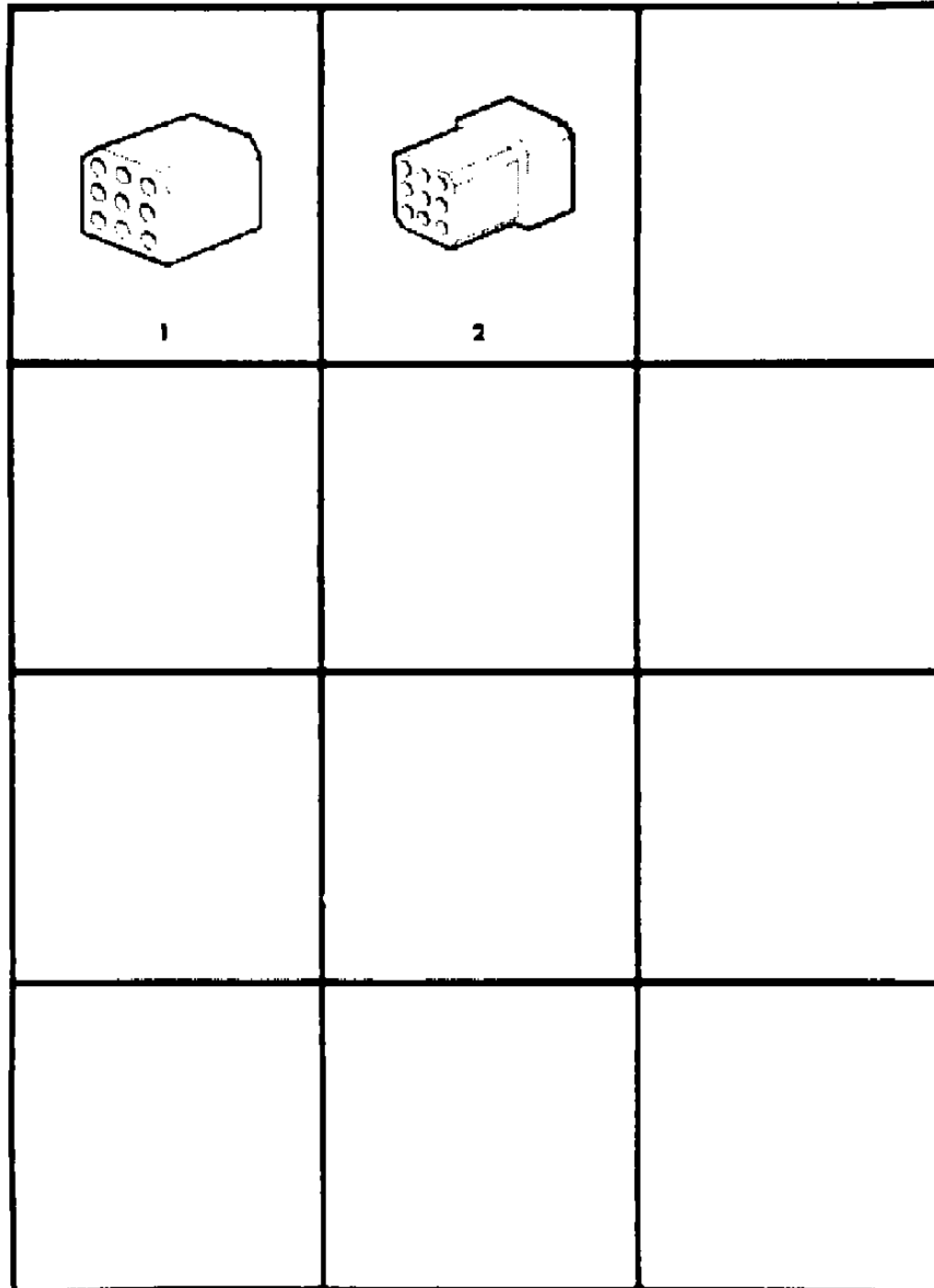
BODY STYLES

21 = 2-DOOR SEDAN	28 = FWD PICKUP	44 = 4-DOOR HATCHBACK
22 = 2-DOOR SPECIAL COUPE	35 = FWD VAN	45 = 4-DOOR STATION WAGON
24 = 2-DOOR HATCHBACK	36 = FWD WAGON	48 = 4-DOOR EXECUTIVE SEDAN
27 = 2-DOOR CONVERTIBLE	41 = 4-DOOR SEDAN	

AR = Use as Required - = Non Illustrated Part P.A.R. = Paint as Required

**INSULATOR 9-10 & 13 Way
Figure 8-8500**

1108 8500



ITEM	PART NUMBER	QTY	BODY	MODEL	DESCRIPTION
1	3764 639				INSULATOR
2	3843 099				INSULATOR,(Male)
	3764 639				INSULATOR,(Female)
	4209 948				INSULATOR
	4304 740				INSULATOR,(Natural)
	4304 741				INSULATOR,(Black)
	4304 742				INSULATOR,(Blue)
	4304 743				INSULATOR,(Red)

MODEL CODES

B = GRAN FURY	F = FIFTH AVENUE/NEWPORT	P = RELIANT
C = LEBARON/TOWN & COUNTRY/EXC SEDAN	G = DIPLOMAT	T = E CLASS/NEW YORKER
C24 = LASER	H = VOYAGER	V = 600
D = ARIES	K = MINI RAM/CARAVAN/ROYAL	V24 = DAYTONA
E = 600	M = HORIZON/TURISMO	Z = OMNI/CHARGER/RAMPAGE

BODY STYLES

21 = 2-DOOR SEDAN	28 = FWD PICKUP	44 = 4-DOOR HATCHBACK
22 = 2-DOOR SPECIAL COUPE	35 = FWD VAN	45 = 4-DOOR STATION WAGON
24 = 2-DOOR HATCHBACK	36 = FWD WAGON	48 = 4-DOOR EXECUTIVE SEDAN
27 = 2-DOOR CONVERTIBLE	41 = 4-DOOR SEDAN	

AR = Use as Required - = Non Illustrated Part P.A.R. = Paint as Required

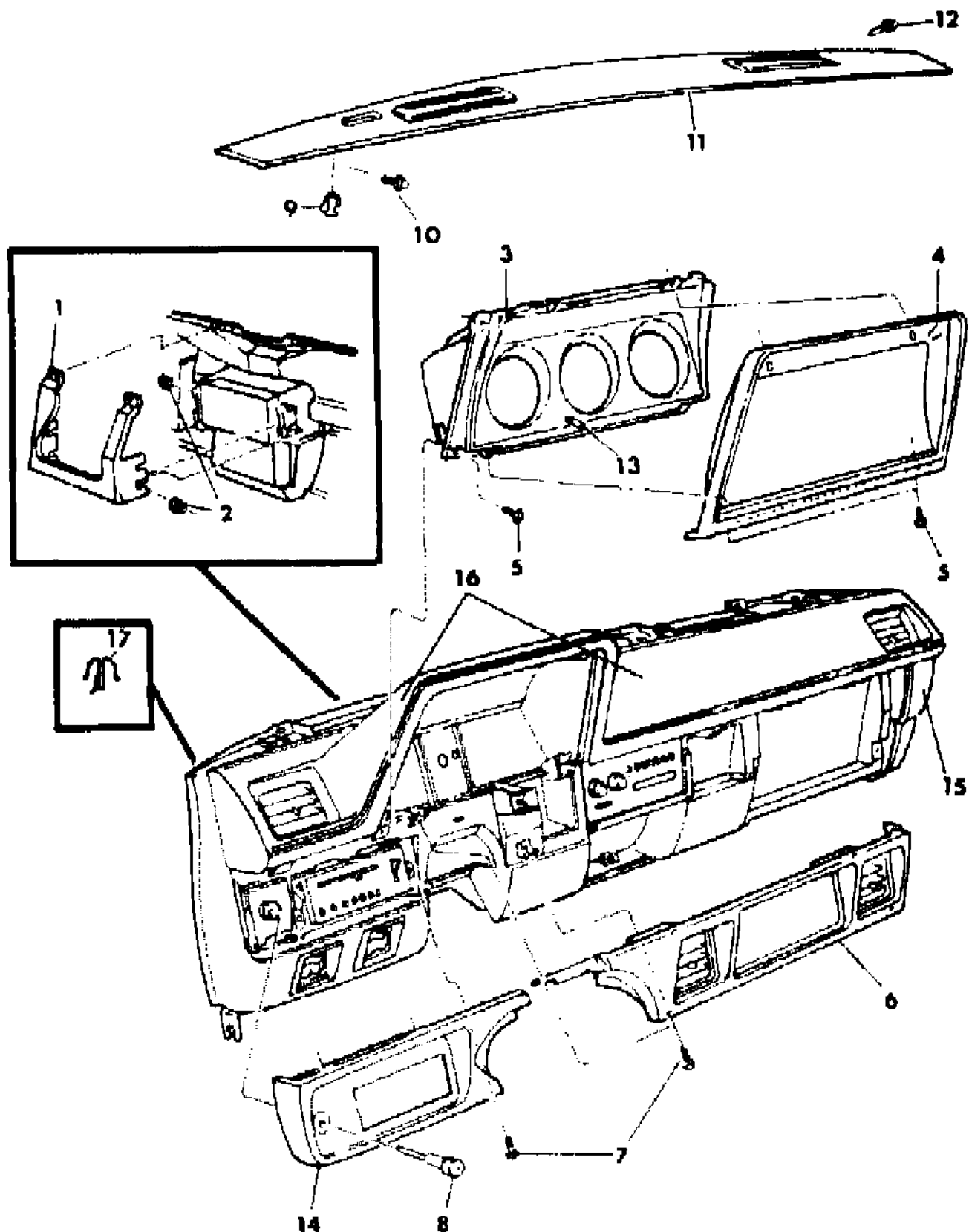
GROUP 8A - ELECTRICAL - INSTRUMENT PANEL AND CONSOLES

ILLUSTRATION TITLE	GROUP-FIG. NO.
L BODY M,Z	
INSTRUMENT PANEL CLUSTER AND BEZELS M,Z	Fig. 8A-100
INSTRUMENT PANEL WIRING M,Z	Fig. 8A-200
INSTRUMENT PANEL GLOVEBOX, SWITCHES AND RADIO M,Z	Fig. 8A-300
CONSOLE M,Z	Fig. 8A-400
K BODY P,D	
INSTRUMENT PANEL CLUSTER, BEZELS AND RADIO P,D	Fig. 8A-500
INSTRUMENT PANEL WIRING P,D	Fig. 8A-600
INSTRUMENT PANEL GLOVEBOX, BEZELS AND ASH RECEIVER P,D	Fig. 8A-700
CONSOLE AND ARMREST P,D	Fig. 8A-800
K & E BODY C,V,E,T	
INSTRUMENT PANEL CLUSTER, BEZELS, SWITCHES AND RADIO C,V,E,T (EXCEPT C,V 24)	Fig. 8A-900
INSTRUMENT PANEL WIRING C,V,E,T (EXCEPT C,V 24)	Fig. 8A-1000
INSTRUMENT PANEL GLOVEBOX, ASH RECEIVER AND SPEAKERS C,V,E,T (EXCEPT C,V 24)	Fig. 8A-1100
CONSOLE AND ARMREST C,V (EXCEPT C,V 24)	Fig. 8A-1200
CONSOLE AND ARMREST C,V 27	Fig. 8A-1300
CONSOLE, FRONT SEDAN AND LIMO	Fig. 8A-1400
CONSOLE, REAR LIMO	Fig. 8A-1500
INSTRUMENT PANEL CONSOLE TP	Fig. 8A-1600
CONSOLE AND ARMREST E,T	Fig. 8A-1700
G BODY C,V 24	
INSTRUMENT PANEL PAD, CONSOLE, BEZELS AND RADIO C,V 24	Fig. 8A-1800
INSTRUMENT PANEL WIRING C,V 24	Fig. 8A-1900
INSTRUMENT PANEL CLUSTER, SWITCHES, GLOVEBOX AND SPEAKERS C,V 24	Fig. 8A-2000
CONSOLE, CENTER C,V 24	Fig. 8A-2100
S BODY H,K	
INSTRUMENT PANEL H,K	Fig. 8A-2200
INSTRUMENT PANEL WIRING H,K	Fig. 8A-2300
M BODY B,F,G	
INSTRUMENT PANEL GLOVEBOX, ASH RECEIVER AND SPEAKERS B,F,G	Fig. 8A-2400
INSTRUMENT PANEL WIRING B,F,G	Fig. 8A-2500
INSTRUMENT PANEL BEZELS, RADIO AND ANTENNA B,F,G	Fig. 8A-2600
INSTRUMENT PANEL SPEEDOMETER, GAUGES AND LENSES B,F,G	Fig. 8A-2700
INSTRUMENT PANEL CARRIER AND SWITCHES B,F,G	Fig. 8A-2800

ILLUSTRATION NOT AVAILABLE AT TIME OF PUBLICATION

INSTRUMENT PANEL CLUSTER AND BEZELS M,Z
Figure 8A-100

4182 100



ITEM	PART NUMBER	QTY	BODY	MODEL	DESCRIPTION
1	4220 516	1			BRACE, Center Support
	5209 780	1			BRACKET, Heater to Instrument Panel
	5209 781	1			BRACKET, A/C to Instrument Panel Support Brace
2	6023 205	4			NUT w/WASHER
					CLUSTER, Instrument Panel
3	4051 725	1			HOUSING, Cluster
	4051 748	1			GAUGE, Ammeter w/o Rallye
	4051 744	1			GAUGE, Oil, Temp. and Ammeter w/Rallye
	4051 745	1			GAUGE, Fuel w/Word "Brake" w/o Rallye
	4051 833	1			TACHOMETER, w/Fuel Gauge, w/Word "Brake" w/Rallye
	4051 761	1			CIRCUIT BOARD, Tachometer
					SPEEDOMETER
	4051 734	1			85 Mile, w/o Rallye
	4051 734	1			85 Mile, w/o Rallye
	4051 737	1			85 Mile, w/Rallye
	3592 750	1			LABEL, Speedometer
	4051 315	1			GROMMET, Speedometer to Housing
	4051 838	1			MASK and LENS, w/o Rallye
4051 839	1			w/Rallye	
4085 191	7			DIFFUSER	
3591 814	1			PIN, Mask and Lens Retainer	
4051 837	1			CHIMNEY, Hi-Line w/Rallye	
2258 413	1			LIMITER, Voltage	
				BOARD, Printed Circuit	
4051 730	1			W/Rallye	
4051 729	1			w/o Rallye	
3591 814	1			CLIP, Circuit Board Retainer	
4					BEZEL, Cluster
	4220 858	1			Up to 3-1-84
	4312 804	1			After 3-1-84
5					SCREW (DNS)
6					BEZEL, Center Trim
					w/o Air
	P611 CC7	1			Blue
	P611 CM6	1			Red
	P611 CS8	1			Charcoal
	P611 CT8	1			Brown
					w/Air

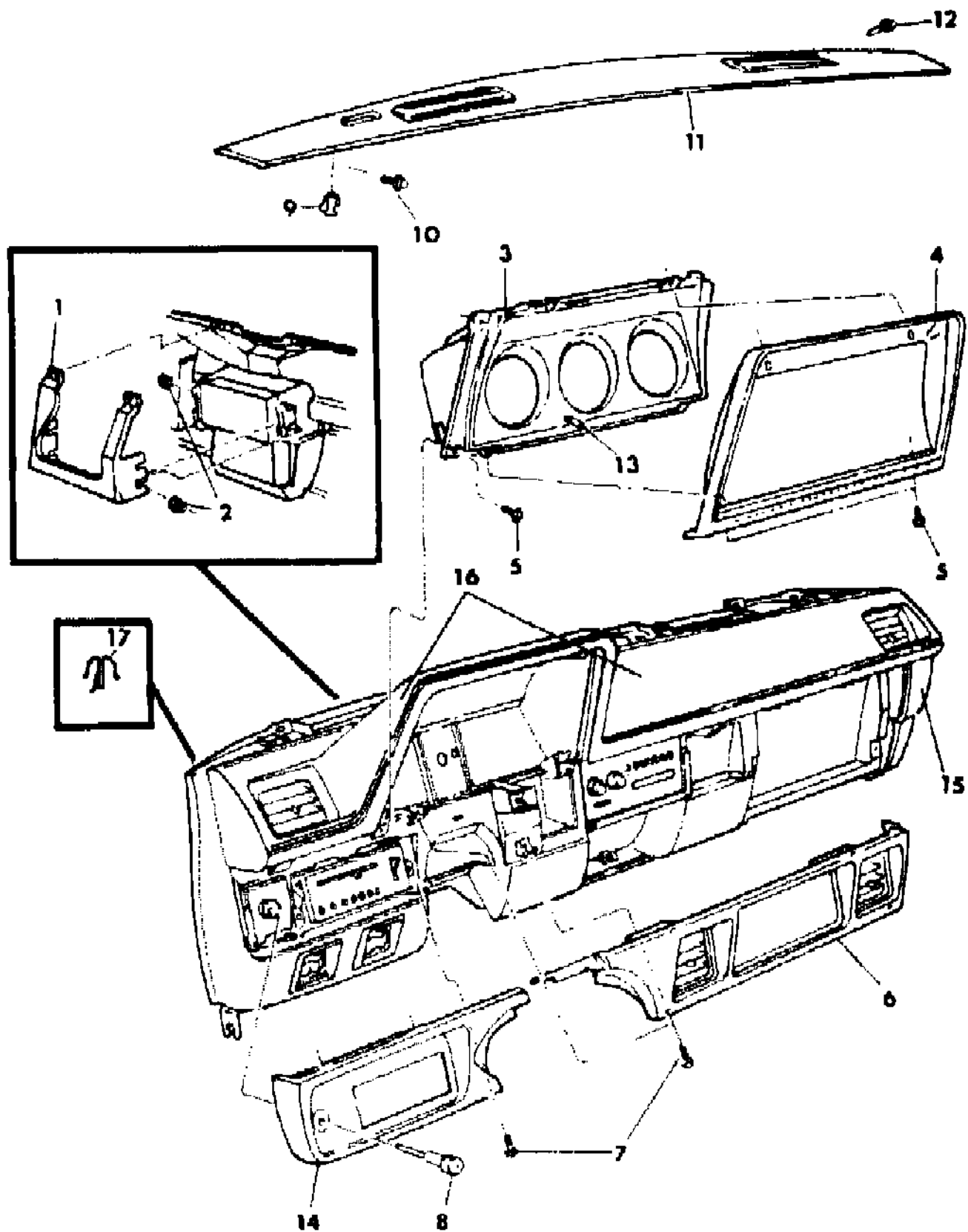
MODEL CODES
 B = GRAN FURY
 C = LEBARON/TOWN & COUNTRY/EXC SEDAN
 C24 = LASER
 D = ARIES
 E = 600
 F = FIFTH AVENUE/NEWPORT
 G = DIPLOMAT
 H = VOYAGER
 K = MINI RAM/CARAVAN/ROYAL
 M = HORIZON/TURISMO
 P = RELIANT
 T = E CLASS/NEW YORKER
 V = 600
 V24 = DAYTONA
 Z = OMNI/CHARGER/RAMPAGE

BODY STYLES
 21 = 2-DOOR SEDAN
 22 = 2-DOOR SPECIAL COUPE
 24 = 2-DOOR HATCHBACK
 27 = 2-DOOR CONVERTIBLE
 28 = FWD PICKUP
 35 = FWD VAN
 36 = FWD WAGON
 41 = 4-DOOR SEDAN
 44 = 4-DOOR HATCHBACK
 45 = 4-DOOR STATION WAGON
 48 = 4-DOOR EXECUTIVE SEDAN

AR = Use as Required - = Non Illustrated Part P.A.R. = Paint as Required

INSTRUMENT PANEL CLUSTER AND BEZELS M,Z
Figure 8A-100

4182 100



ITEM	PART NUMBER	QTY	BODY	MODEL	DESCRIPTION
	P610 CC7	1			Blue
	P610 CM6	1			Red
	P610 CS8	1			Charcoal
	P610 CT8	1			Brown
7					SCREW (DNS)
8	5209 991	1			KNOB and SHAFT, Headlamp Switch
9	3590 389	4			CLIP, Top Cover
10		AR			SCREW (DNS)
11	5209 707	1			COVER, Instrument Panel Top
12		AR			SCREW (DNS)
13	4051 796	1			KNOB and SHAFT, Odometer Reset
14					BEZEL, Trim, Left
	P612 CC7	1			Blue
	P612 CM6	1			Red
	P612 CS8	1			Charcoal
	P612 CT8	1			Brown
	6029 168	AR			CLIP, Bezel Attaching
15	4342 220	1			BEZEL, Instrument Panel Trim, Right
16	P412 DT5	1			PANEL w/PAD, Instrument Panel
17	3590 389	1			CLIP

MODEL CODES

B = GRAN FURY	F = FIFTH AVENUE/NEWPORT	P = RELIANT
C = LEBARON/TOWN & COUNTRY/EXC SEDAN	G = DIPLOMAT	T = E CLASS/NEW YORKER
C24 = LASER	H = VOYAGER	V = 600
D = ARIES	K = MINI RAM/CARAVAN/ROYAL	V24 = DAYTONA
E = 600	M = HORIZON/TURISMO	Z = OMNI/CHARGER/RAMPAGE

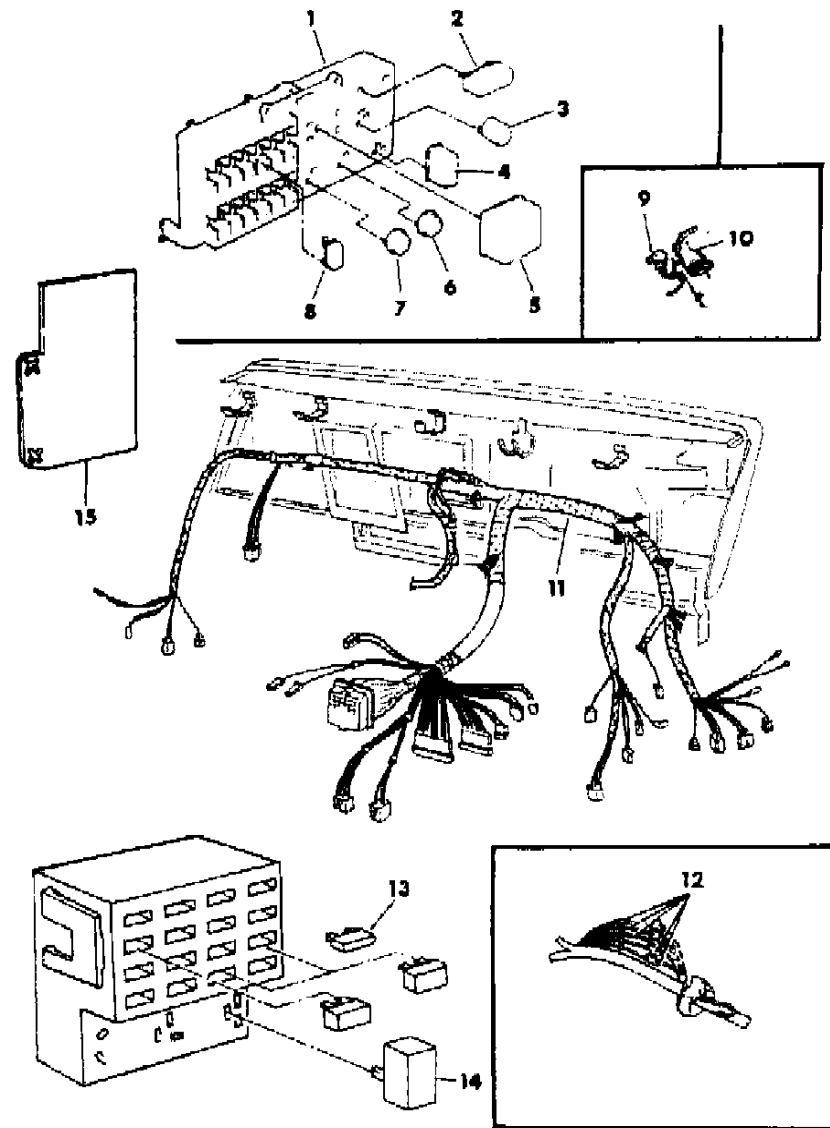
BODY STYLES

21 = 2-DOOR SEDAN	28 = FWD PICKUP	44 = 4-DOOR HATCHBACK
22 = 2-DOOR SPECIAL COUPE	35 = FWD VAN	45 = 4-DOOR STATION WAGON
24 = 2-DOOR HATCHBACK	36 = FWD WAGON	48 = 4-DOOR EXECUTIVE SEDAN
27 = 2-DOOR CONVERTIBLE	41 = 4-DOOR SEDAN	

AR = Use as Required - = Non Illustrated Part P.A.R. = Paint as Required

INSTRUMENT PANEL WIRING M,Z Figure 8A-200

4182-200



ITEM	PART NUMBER	QTY	BODY	MODEL	DESCRIPTION
1					MODULE, Fuse Block
	4304 519	1			w/o Dots
	4274 566	1			w/Dots
2	4221 730	1			BUZZER, Key, Headlamp and Seat Belt Warning
3	2889 565	1			RELAY, Time Delay
	4221 684	1			RELAY, Radiator Fan
4	3747 298	1			RELAY, Horn
5		1			RELAY, Heated Backlite (Serviced in Switch)
	4221 542	1			RELAY, Radiator Fan Motor
6	2932 877	1			FLASHER, Hazard Warning
7	3837 161	1			FLASHER, Turn Signal, 2 Lamp
	3837 162	1			3 Lamp
8					BREAKER, Circuit
	4186 377	AR			6 Amp.
	4186 379	AR			30 Amp.
9	4221 549	1			RELAY, A/C Cutoff
10		1			CONTROL, Refer to Group 24
11					WIRING, Instrument Panel Main
	4304 973	1			w/Air
	4304 055	1			w/o Air
					WIRING, Auxillary
	4304 901	1			w/Electric Fuel Pump
	4304 643	1			w/Light Pkg.
	4209 729	1			w/Rear Wiper
	4274 044	1			Valance Assy.
	4209 865	1			Liftgate
	4304 065	1			Speed Control, w/Auto Trans.
	4304 064	1			Speed Control, w/Manual Trans.
	4304 099	1			Speed Control, Jumper Repair
	4304 060	1		44	Stereo
	4304 063	1		24	Radio, w/Dual Front Speakers
	4274 161	1			DIODE and MOLD, Repair Package
	4274 091	1			w/Air and Heated Backlite
12					CABLE, Fuseible Link (25' Roll)
	4026 095	1			No. 16 Blue
	4026 094	1			No. 14 Red
	4026 093	1			No. 12 Black
	4026 092	1			No. 10 Green

MODEL CODES

B = GRAN FURY	F = FIFTH AVENUE/NEWPORT	P = RELIANT
C = LEBARON/TOWN & COUNTRY/EXC SEDAN	G = DIPLOMAT	T = E CLASS/NEW YORKER
C24 = LASER	H = VOYAGER	V = 600
D = ARIES	K = MINI RAM/CARAVAN/ROYAL	V24 = DAYTONA
E = 600	M = HORIZON/TURISMO	Z = OMNI/CHARGER/RAMPAGE

BODY STYLES

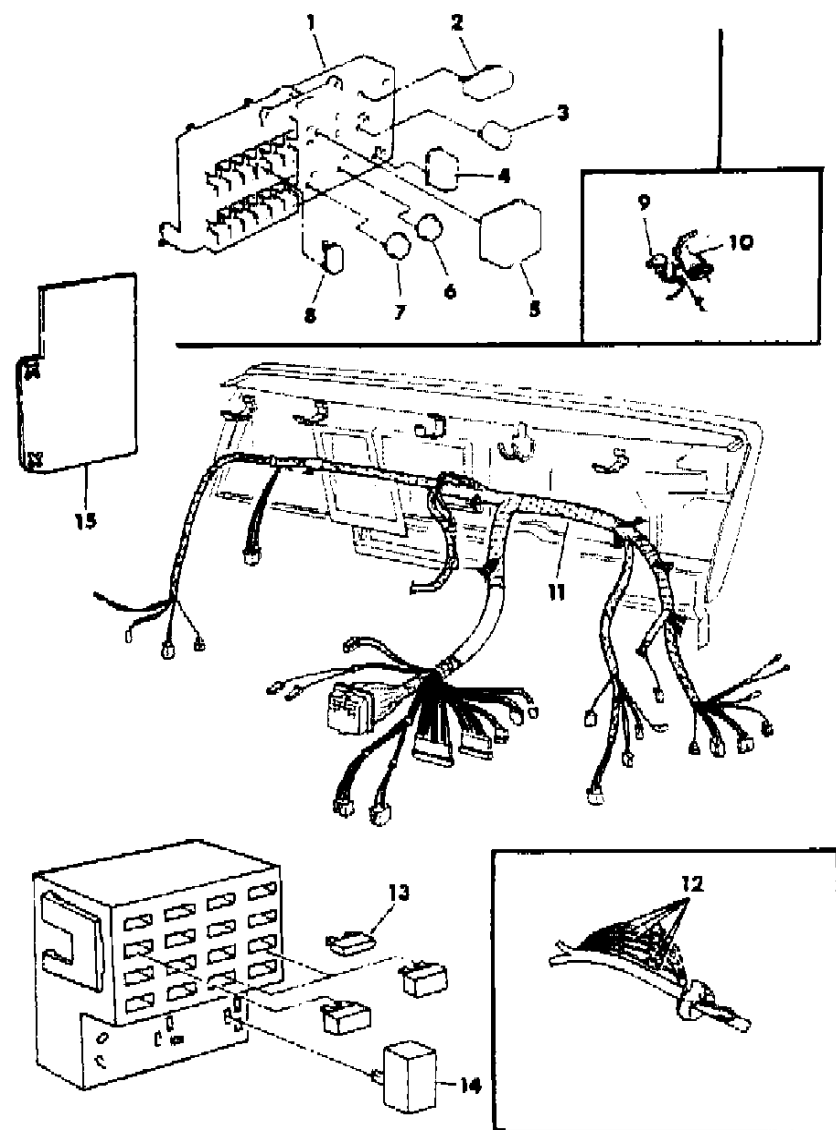
21 = 2-DOOR SEDAN	28 = FWD PICKUP	44 = 4-DOOR HATCHBACK
22 = 2-DOOR SPECIAL COUPE	35 = FWD VAN	45 = 4-DOOR STATION WAGON
24 = 2-DOOR HATCHBACK	36 = FWD WAGON	48 = 4-DOOR EXECUTIVE SEDAN
27 = 2-DOOR CONVERTIBLE	41 = 4-DOOR SEDAN	

AR = Use as Required - = Non Illustrated Part P.A.R. = Paint as Required

INSTRUMENT PANEL WIRING M,Z

Figure 8A-200

4182-200



ITEM	PART NUMBER	QTY	BODY	MODEL	DESCRIPTION
	4026 096	1			No. 18 Grey
	4364 878	1			No. 20 Orange
13					FUSE, Blade Type
	6101 132	AR			4 Amp.
	6101 131	AR			3 Amp.
	6101 133	AR			5 Amp.
	6101 137	AR			20 Amp.
	6101 139	AR			30 Amp.
	6101 138	AR			25 Amp.
14					CIRCUIT BREAKER
	3747 809	AR			20 Amp.
	3747 810	AR			30 Amp.
15	4274 056	1			COVER, Fuse Block Back

MODEL CODES

B = GRAN FURY	F = FIFTH AVENUE/NEWPORT	P = RELIANT
C = LEBARON/TOWN & COUNTRY/EXC SEDAN	G = DIPLOMAT	T = E CLASS/NEW YORKER
C24 = LASER	H = VOYAGER	V = 600
D = ARIES	K = MINI RAM/CARAVAN/ROYAL	V24 = DAYTONA
E = 600	M = HORIZON/TURISMO	Z = OMNI/CHARGER/RAMPAGE

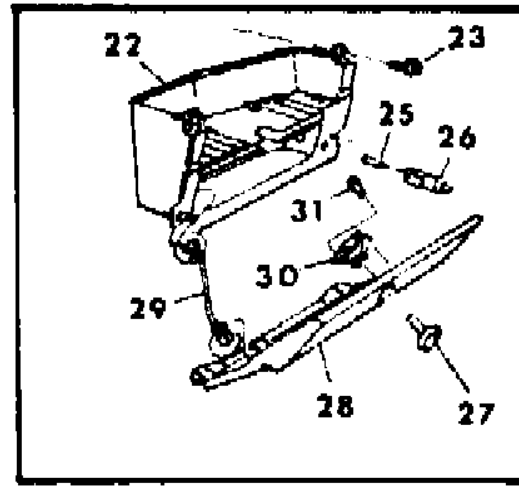
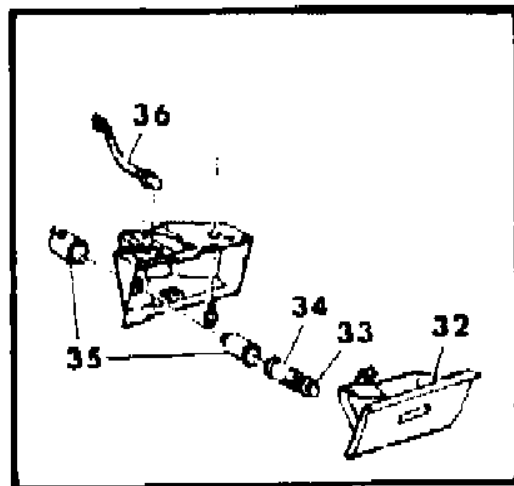
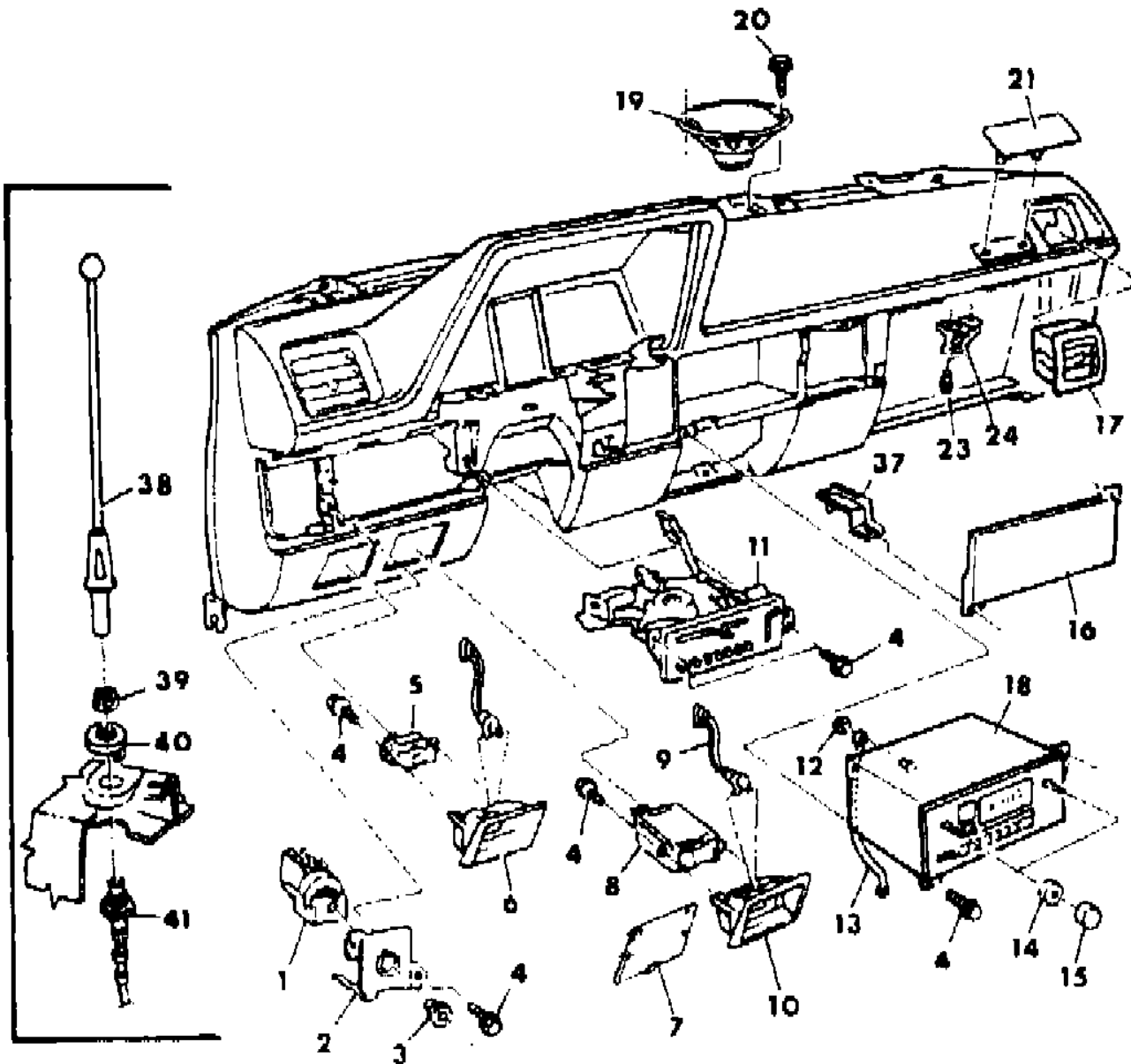
BODY STYLES

21 = 2-DOOR SEDAN	28 = FWD PICKUP	44 = 4-DOOR HATCHBACK
22 = 2-DOOR SPECIAL COUPE	35 = FWD VAN	45 = 4-DOOR STATION WAGON
24 = 2-DOOR HATCHBACK	36 = FWD WAGON	48 = 4-DOOR EXECUTIVE SEDAN
27 = 2-DOOR CONVERTIBLE	41 = 4-DOOR SEDAN	

AR = Use as Required - = Non Illustrated Part P.A.R. = Paint as Required

INSTRUMENT PANEL GLOVEBOX, SWITCHES AND RADIO M,Z
Figure 8A-300

4182 300



ITEM	PART NUMBER	QTY	BODY	MODEL	DESCRIPTION
1	4221 398	1			SWITCH, Headlamp and Dome Lamp
2	5209 870	1			BRACKET, Haedlamp Switch Mtg.
3	4221 064	1			RETAINER, Headlamp Switch Mtg.
4		AR			SCREW (DNS)
5	5209 875	1		44	SWITCH, Rear Wipe/Wash
6	5209 876	1		44	BEZEL, Rear Wipe/Wash Switch
7	5209 980	1			COVER, Heated Backlite Switch
8	5209 985	1			SWITCH, Heated Backlite
	5209 950	1			SWITCH, Liftgate Release
	4221 775	1			SWITCH, Foglamp
	6032 809	1			NUT, Foglamp Switch Mtg.
	5209 955	1			BEZEL, Liftgate Release Switch
9	4221 103	1			LAMP, Accessory Lamp Nomenclature, w/Rear Wipe/Wash
10	5209 983	1			BEZEL, Heated Backlite Switch
11					CONTROL, Heater and A/C (Refer to Group 24)
12	6023 205	1			NUT, Radio Groung Strap
13	4311 472	1			STRAP, Radio Supp. Ground
	5211 210	1			STRAP, Radio Supp. Ground (A/C to Cowl)
	5211 212	1			STRAP, Radio Supp. Ground (Eng. Mount)
14					KNOB, Radio
	4311 341	2			Secondary, 1 Used w/Am/Fm/Mx Std. Radio
	4311 339	1			Treble
15					KNOB, Radio
	4311 334	2			Primary
	4311 337	1			Bass
	4311 531	1			KNOB PACKAGE, Radio, Black
16	4220 482	1			PLATE, Radio Opening w/o Radio
17					VENTILATION OUTLET, Refer to Group 24
18		1			RADIO, E.T.R. w/Clock
	4311 025	1			AM/FM/MX Standard, Black Face
	4311 002	1			AM, Black Face
	4311 365	1			AM/FM/MX w/Cassette
	4222 560	1			DIFFUSER, Bulb
	4222 037	1			CASSETTE
	4222 912	1			CAPACITOR, Radio Noise Suppression (Blower Motor)
	4222 916	1			CAPACITOR, Radio Noise Suppression (Ign. Coil)
19					SPEAKERS, Front and Rear
	4311 098	1			Instrument Panel, Monural

MODEL CODES

B = GRAN FURY	F = FIFTH AVENUE/NEWPORT	P = RELIANT
C = LEBARON/TOWN & COUNTRY/EXC SEDAN	G = DIPLOMAT	T = E CLASS/NEW YORKER
C24 = LASER	H = VOYAGER	V = 600
D = ARIES	K = MINI RAM/CARAVAN/ROYAL	V24 = DAYTONA
E = 600	M = HORIZON/TURISMO	Z = OMNI/CHARGER/RAMPAGE

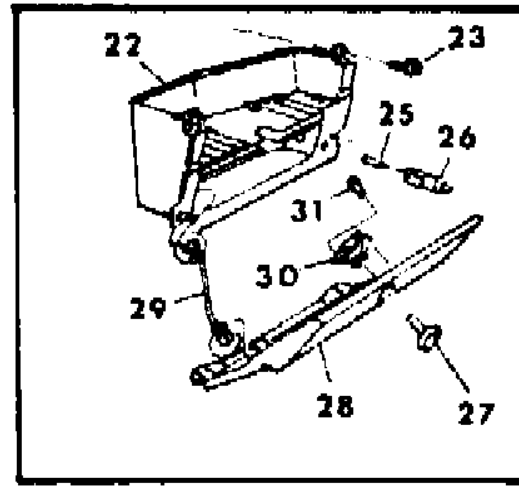
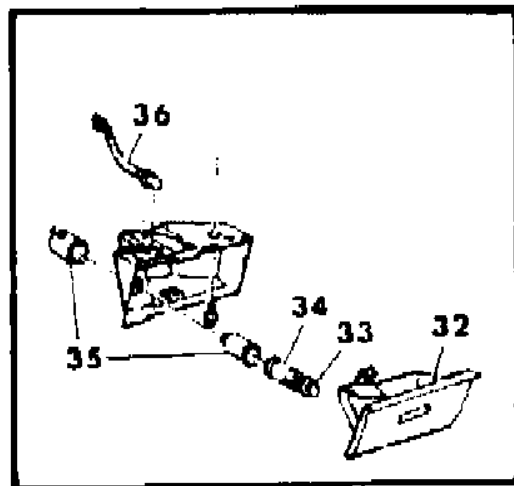
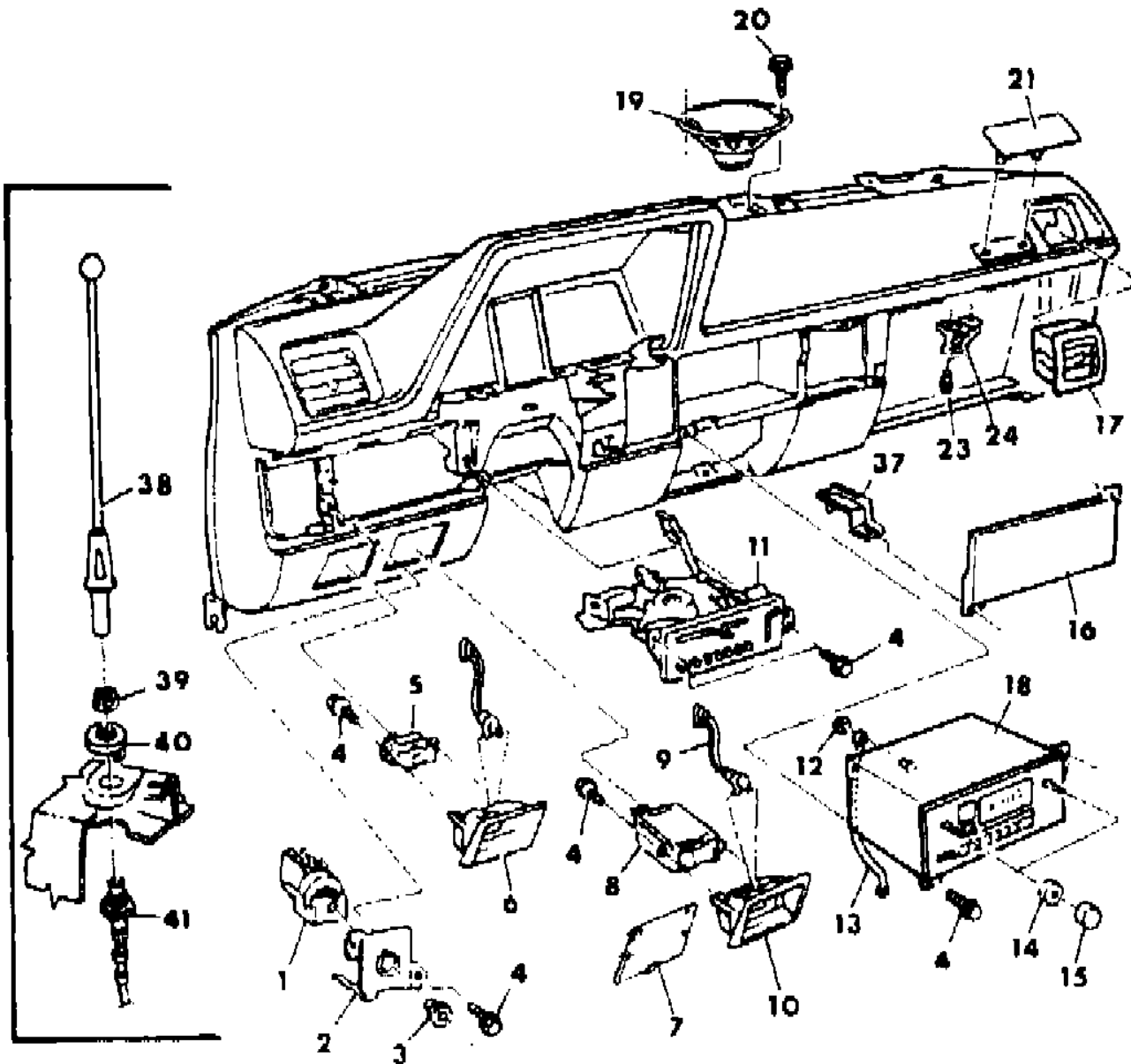
BODY STYLES

21 = 2-DOOR SEDAN	28 = FWD PICKUP	44 = 4-DOOR HATCHBACK
22 = 2-DOOR SPECIAL COUPE	35 = FWD VAN	45 = 4-DOOR STATION WAGON
24 = 2-DOOR HATCHBACK	36 = FWD WAGON	48 = 4-DOOR EXECUTIVE SEDAN
27 = 2-DOOR CONVERTIBLE	41 = 4-DOOR SEDAN	

AR = Use as Required - = Non Illustrated Part P.A.R. = Paint as Required

INSTRUMENT PANEL GLOVEBOX, SWITCHES AND RADIO M,Z
Figure 8A-300

4182 300



ITEM	PART NUMBER	QTY	BODY	MODEL	DESCRIPTION
	4293 934	1			Instrument Panel (Clarion #S32 Cry.)
	4293 933	1			Instrument Panel (Clarion #S33 Cry.)
	4222 535	2		24	Rear Compartment
20					SCREW (DNS)
21					NAME PLATE, Instrument Panel Pad
	4311 164	1			"Horizon"
	4311 165	1			"Turismo"
	4311 167	1			"Omni"
	4311 168	1			"Charger"
	4311 169	1			"Rampage"
	6029 168	AR			CLIP, Name Plate Attaching
22	4311 486	1			BOX, Glove
23					SCREW (DNS)
24	5209 773	1			CATCH, Glove Box Door Lock
25	0152 244	1			BULB, Glove Box Lamp
26	4221 237	1			LAMP and SWITCH, Glove Box
	2947 226	1			PLUG, Glove Box Lamp
	2822 583	1			LENS, Glove Box Lamp
27		1			CYLINDER w/KEY, Glove Box, Refer to 23D
28	P638 CC7	1			DOOR and BOX, Glove
	2218 683	1			BUMPER, Glove Box
29	4047 424	1			CABLE, Glove Box Door Check
30	3508 886	1			LATCH, Glove Box Lock Cylinder
31		2			SCREW (DNS)
32	P651 CC7	1			FACE PLATE and REC.
	5209 758	1			HOUSING, Ash Receiver
	2985 816	1			BUMPER, Ash Receiver Stop
	4220 887	1			BUMPER, Ash Receiver to Housing
33	3747 165	1			KNOB, C/Lighter
34	3004 190	1			ELEMENT, C/Lighter
35	2808 912	1			SHELL and CLAMP, C/Lighter
36	5209 892	1			LAMP, Ash Receiver
	3746 516	1			SOCKET, Ash Receiver Lamp
37	5209 782	1			BRACE, Instrument Panel to A/C and Heater Bracket
38	4222 729	1			MAST, Antenna
39	4222 728	1			NUT, Cap
40	4222 725	1			ADAPTER and GASKET
41					BODY and CABLE

MODEL CODES

B = GRAN FURY	F = FIFTH AVENUE/NEWPORT	P = RELIANT
C = LEBARON/TOWN & COUNTRY/EXC SEDAN	G = DIPLOMAT	T = E CLASS/NEW YORKER
C24 = LASER	H = VOYAGER	V = 600
D = ARIES	K = MINI RAM/CARAVAN/ROYAL	V24 = DAYTONA
E = 600	M = HORIZON/TURISMO	Z = OMNI/CHARGER/RAMPAGE

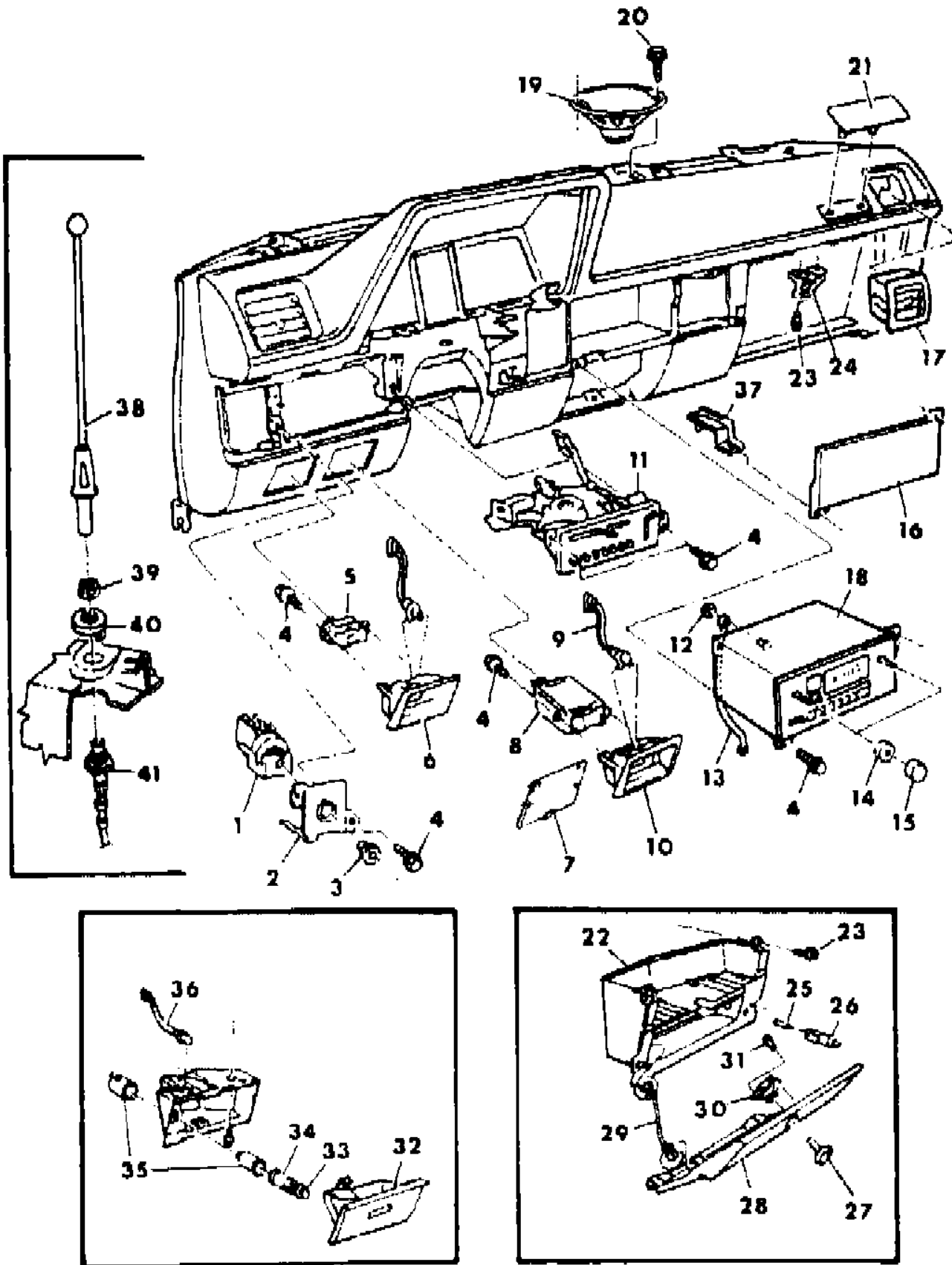
BODY STYLES

21 = 2-DOOR SEDAN	28 = FWD PICKUP	44 = 4-DOOR HATCHBACK
22 = 2-DOOR SPECIAL COUPE	35 = FWD VAN	45 = 4-DOOR STATION WAGON
24 = 2-DOOR HATCHBACK	36 = FWD WAGON	48 = 4-DOOR EXECUTIVE SEDAN
27 = 2-DOOR CONVERTIBLE	41 = 4-DOOR SEDAN	

AR = Use as Required - = Non Illustrated Part P.A.R. = Paint as Required

INSTRUMENT PANEL GLOVEBOX, SWITCHES AND RADIO M,Z
Figure 8A-300

4182 300



ITEM	PART NUMBER	QTY	BODY	MODEL	DESCRIPTION
	4222 721	1			Up to 11-14-83
	4311 507	1			After 11-14-83
	4222 723	1			LOCK WASHER, Antenna Mtg.
	4222 731	1			PLUG, Antenna Hole

MODEL CODES

B = GRAN FURY	F = FIFTH AVENUE/NEWPORT	P = RELIANT
C = LEBARON/TOWN & COUNTRY/EXC SEDAN	G = DIPLOMAT	T = E CLASS/NEW YORKER
C24 = LASER	H = VOYAGER	V = 600
D = ARIES	K = MINI RAM/CARAVAN/ROYAL	V24 = DAYTONA
E = 600	M = HORIZON/TURISMO	Z = OMNI/CHARGER/RAMPAGE

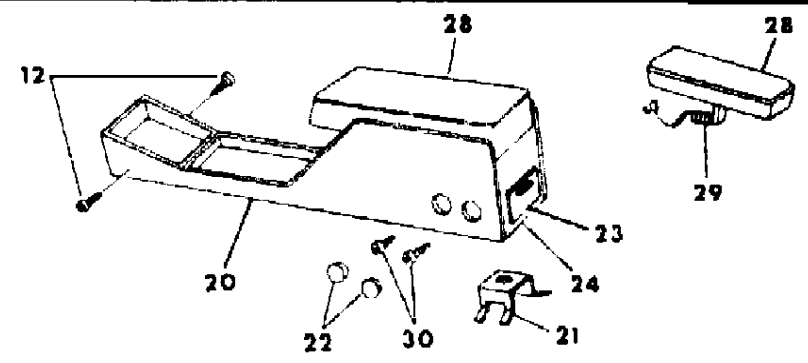
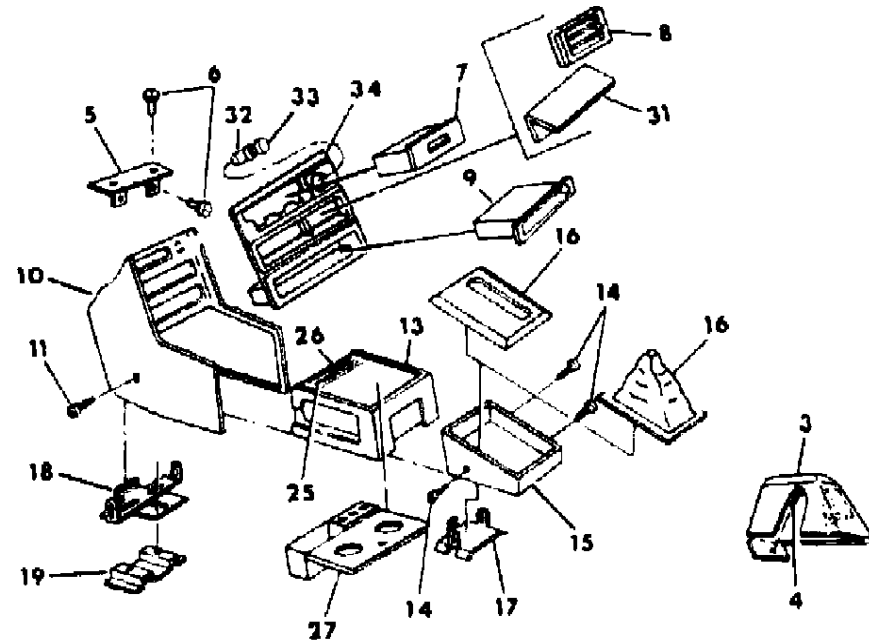
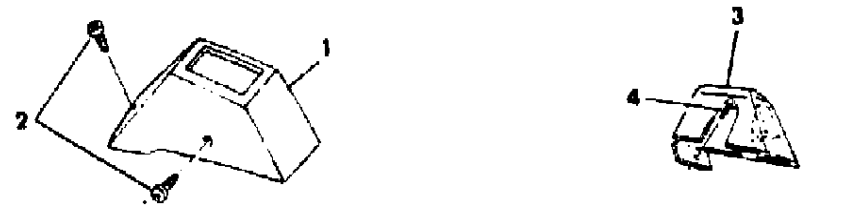
BODY STYLES

21 = 2-DOOR SEDAN	28 = FWD PICKUP	44 = 4-DOOR HATCHBACK
22 = 2-DOOR SPECIAL COUPE	35 = FWD VAN	45 = 4-DOOR STATION WAGON
24 = 2-DOOR HATCHBACK	36 = FWD WAGON	48 = 4-DOOR EXECUTIVE SEDAN
27 = 2-DOOR CONVERTIBLE	41 = 4-DOOR SEDAN	

AR = Use as Required - = Non Illustrated Part P.A.R. = Paint as Required

CONSOLE M,Z
Figure 8A-400

4142 400



ITEM	PART NUMBER	QTY	BODY	MODEL	DESCRIPTION
1	F435 CT8	1			CONSOLE, w/Auto Trans.
2	0167 541	2			SCREW
3	F278 SX9	1			COVER, Park Brake, w/o Console
4		AR			SCREW, Cover (DNS)
5	4248 437	1			BRACKET, Front Console, Upper
6		AR			SCREW (DNS)
7	4282 250	1			ASH RECEIVER
8	4282 508	2			OUTLET, Heater
9		1			BOX, Cubby, Serviced in Item 34
10					CONSOLE, Forward, w/Air
	F456 BC7	1			Blue
	F456 BM6	1			Red
	F456 BT8	1			Brown
	F456 CS8	1			Charcoal w/o Air
	F455 BC7	1			Blue
	F455 BM6	1			Red
	F455 BT8	1			Brown
	F455 CS8	1			Charcoal
11		AR			SCREW (DNS)
12		AR			SCREW (DNS)
13					BIN, Storage
	F457 BC7	1			Blue
	F457 BM6	1			Red
	F457 BT8	1			Brown
	F457 CS8	1			Charcoal
14		AR			SCREW (DNS)
15	F443 CS8	1			HOUSING, Shift
16	F436 CS8	1			BEZEL, Housing, w/Auto Trans.
	4282 511	1			w/Boot, Manual Trans.
17					BRACKET, Housing
	4248 335	1			w/Auto Trans.
	4248 486	1			w/Manual Trans.
18	4248 328	1			BRACKET, Front Console, Upper
19	4314 177	1			BRACKET, Front Console Floor Pan
20					CONSOLE w/ARMREST, Rear
	F445 CSA	1			Charcoal/Silver
	F547 CC7	1			Blue

MODEL CODES

B = GRAN FURY	F = FIFTH AVENUE/NEWPORT	P = RELIANT
C = LEBARON/TOWN & COUNTRY/EXC SEDAN	G = DIPLOMAT	T = E CLASS/NEW YORKER
C24 = LASER	H = VOYAGER	V = 600
D = ARIES	K = MINI RAM/CARAVAN/ROYAL	V24 = DAYTONA
E = 600	M = HORIZON/TURISMO	Z = OMNI/CHARGER/RAMPAGE

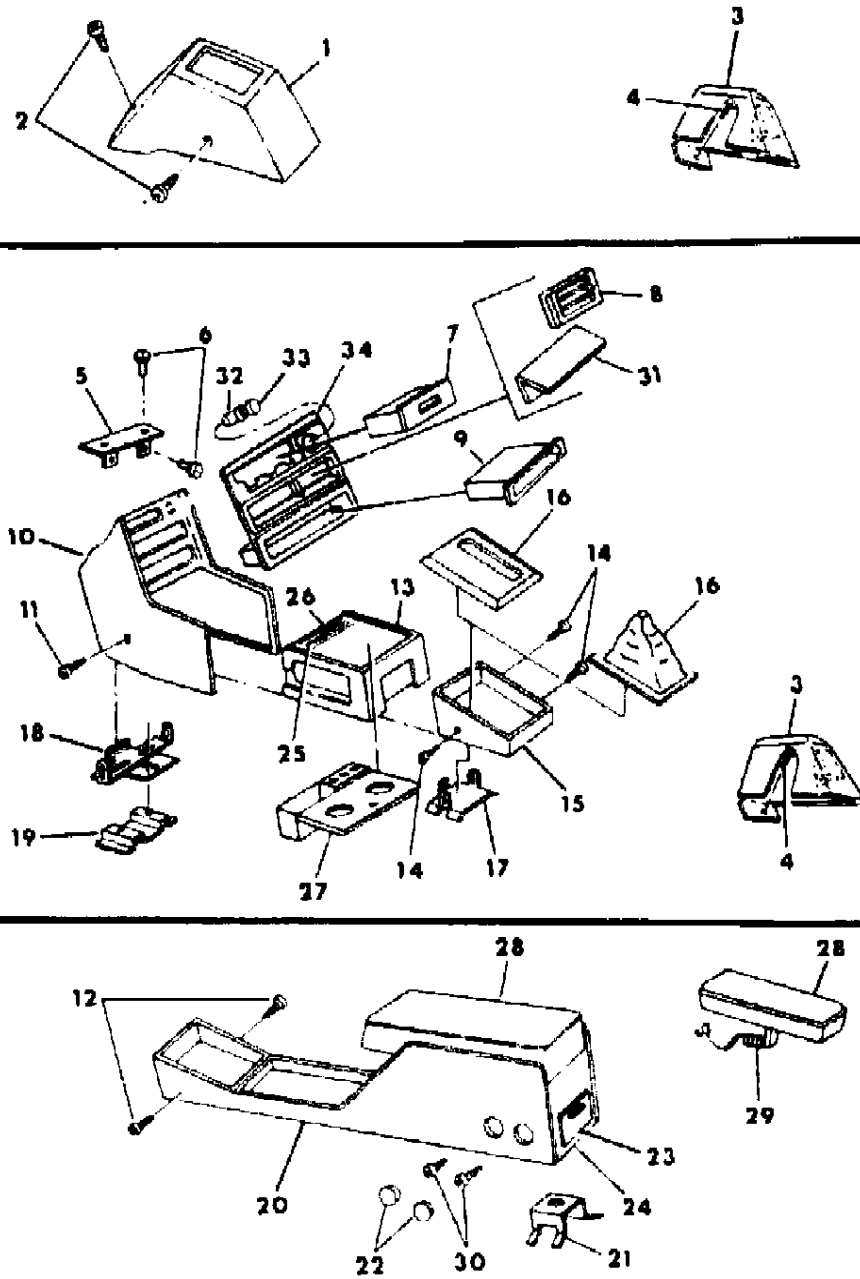
BODY STYLES

21 = 2-DOOR SEDAN	28 = FWD PICKUP	44 = 4-DOOR HATCHBACK
22 = 2-DOOR SPECIAL COUPE	35 = FWD VAN	45 = 4-DOOR STATION WAGON
24 = 2-DOOR HATCHBACK	36 = FWD WAGON	48 = 4-DOOR EXECUTIVE SEDAN
27 = 2-DOOR CONVERTIBLE	41 = 4-DOOR SEDAN	

AR = Use as Required - = Non Illustrated Part P.A.R. = Paint as Required

CONSOLE M,Z
Figure 8A-400

4142 400



ITEM	PART NUMBER	QTY	BODY	MODEL	DESCRIPTION
	F547 CC7	1			Blue/Silver
	F445 BM6	1			Red
	F445 BL3	1			Beige
	F445 CTK	1			Brown/Saddle
	F445 CS8	1			Charcoal
21	4314 178	1			BRACKET, Rear Console
	6100 557	4			SCREW
22	F332 BT8	4			PLUG, Hole
23					RECEPTACLE, Ash Receiver
	3832 200	1			Bright
	4283 853	1			Black
24	3510 868	1			BEZEL w/RETAINER, Ash Receiver
25	4282 528	1			LID, Storage Box
26		1			HANDLE, Serviced in Item 25
27	4248 647	1			HOLDER, Cup and Coin
28					ARMREST
	F446 BA3	1			Silver
	F446 BB5	1			Blue
	F446 CK5	1			Saddle
	F446 BM6	1			Red
	F446 BL3	1			Beige
	F446 CS8	1			Charcoal
	4282 596	3			SPACER PACKAGE, Armrest
29	4248 649	1			SPRING RELEASE, Armrest
30					SCREW
	6100 557	AR			Up to 1-17-84
	6100 566	AR			After 1-17-84
31	4282 529	1			CONVENIENCE LIGHT, w/Air
32	3004 190	1			ELEMENT, C/Lighter
	2808 912	1			SHELL w/CLAMP, C/Lighter
33	3747 763	1			KNOB, C/Lighter
34					FACE PLATE, Console
	4364 487	1			w/o Air
	4364 488	1			w/Air

MODEL CODES

B = GRAN FURY	F = FIFTH AVENUE/NEWPORT	P = RELIANT
C = LEBARON/TOWN & COUNTRY/EXC SEDAN	G = DIPLOMAT	T = E CLASS/NEW YORKER
C24 = LASER	H = VOYAGER	V = 600
D = ARIES	K = MINI RAM/CARAVAN/ROYAL	V24 = DAYTONA
E = 600	M = HORIZON/TURISMO	Z = OMNI/CHARGER/RAMPAGE

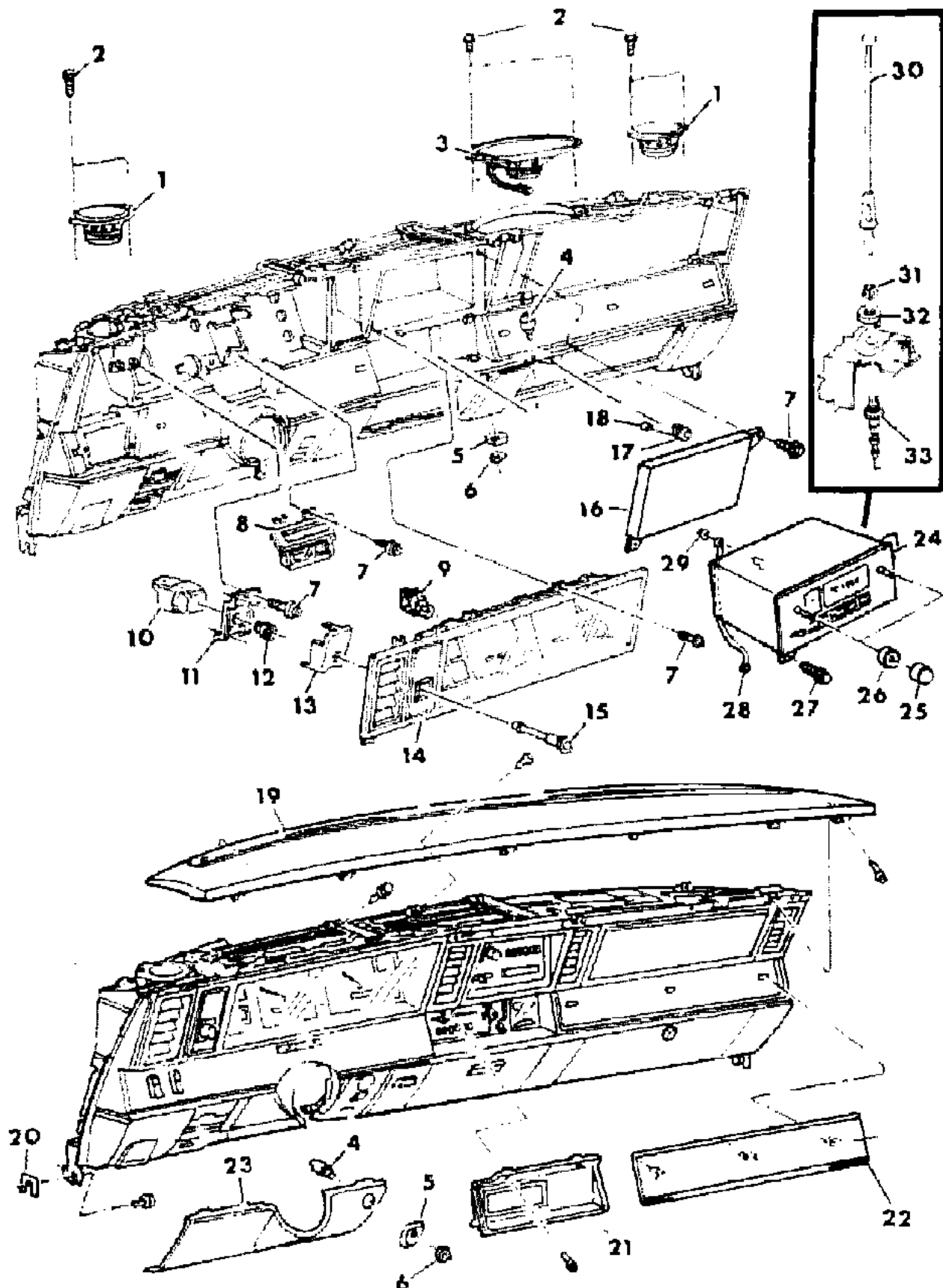
BODY STYLES

21 = 2-DOOR SEDAN	28 = FWD PICKUP	44 = 4-DOOR HATCHBACK
22 = 2-DOOR SPECIAL COUPE	35 = FWD VAN	45 = 4-DOOR STATION WAGON
24 = 2-DOOR HATCHBACK	36 = FWD WAGON	48 = 4-DOOR EXECUTIVE SEDAN
27 = 2-DOOR CONVERTIBLE	41 = 4-DOOR SEDAN	

AR = Use as Required - = Non Illustrated Part P.A.R. = Paint as Required

INSTRUMENT PANEL CLUSTER, BEZELS AND RADIO P,D
Figure 8A-500

4162 500



ITEM	PART NUMBER	QTY	BODY	MODEL	DESCRIPTION
1	4222 528	2			SPEAKER, Instrument Panel
2		AR			SCREW (DNS)
3	4311 098	1			SPEAKER, Instrument Panel, Monural
	4293 934	1			Monaural, Clarion #S32 Cry.
	4304 038	1			Instrument Panel, Stereo
	4222 531	AR			SPEAKERS, Rear Compartment
	4293 935	2			Stereo E.T.R.
	W235 BT8	2	45		Clarion #S35 Cry.
	4048 970	2	45		GRILLE, Rear Speaker
	4048 984	AR	45		BRACKET, Rear Speaker Mtg.
4	3747 154	1			CLIP, Rear Speaker Grille
5	3747 875	1			SWITCH, Deck Lid Release
6	6028 824	1			BEZEL, Deck Lid Release Switch
7		AR			NUT, Deck Lid Release Switch
8					SCREW (DNS)
					INDICATOR, Gear Selector
	4220 096	1			w/Auto Trans.
	4220 097	1			w/Manual Trans
	4047 594	1			COVER, Gear Selector("Front Wheel Drive")
9	9415 969	1			BULB, Printed Circuit Board
10	4221 405	1			SWITCH, Headlamp and Dome Lamp
	4221 227	1			PLATE, Headlamp and Dome Switch Mtg.
12	4221 063	1			RETAINER, Headlamp and Dome Switch
13	3747 863	1			ESCUTCHEON, Headlamp Switch Mtg.
14	4051 771	1			HOUSING and SEAL
	4051 774	1			CHIMNEY, Warning Lamp
	4051 773	1			Center
	4051 775	1			Left
					Right
					SPEEDOMETER
	4051 786	1			85 Mile
	4051 793	1			125 Mile,Certified
	4051 796	1			KNOB and SHAFT, Odometer Reset
	4051 412	1			GROMMET, Speedometer Mtg.
	3592 750	1			LABEL, Speedometer
	4375 010	1			GAUGE, Fuel, Temp. and Volt
	4051 776	1			GAUGE, Oil w/Right Turn Signal Chimney

MODEL CODES

B = GRAN FURY	F = FIFTH AVENUE/NEWPORT	P = RELIANT
C = LEBARON/TOWN & COUNTRY/EXC SEDAN	G = DIPLOMAT	T = E CLASS/NEW YORKER
C24 = LASER	H = VOYAGER	V = 600
D = ARIES	K = MINI RAM/CARAVAN/ROYAL	V24 = DAYTONA
E = 600	M = HORIZON/TURISMO	Z = OMNI/CHARGER/RAMPAGE

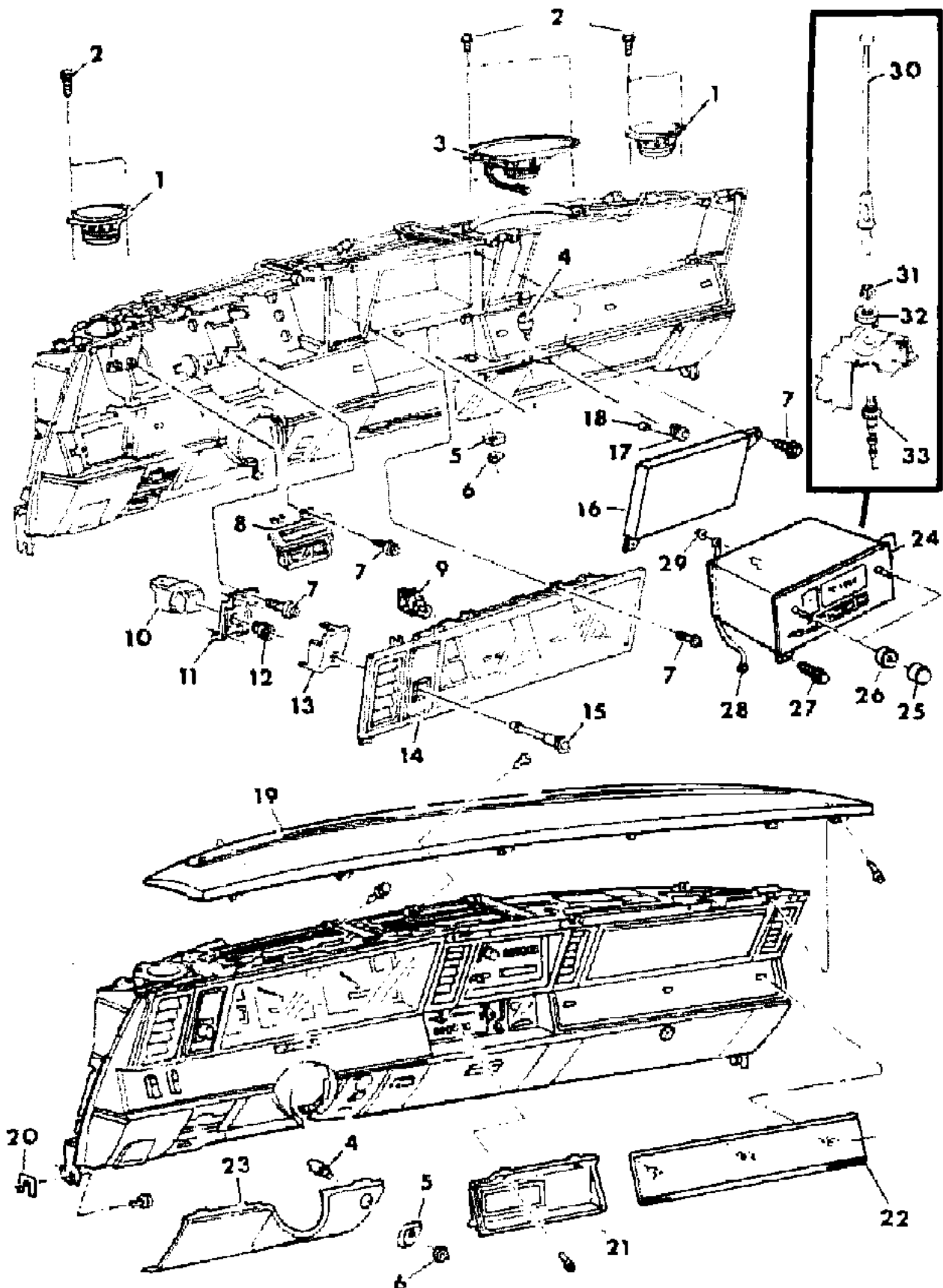
BODY STYLES

21 = 2-DOOR SEDAN	28 = FWD PICKUP	44 = 4-DOOR HATCHBACK
22 = 2-DOOR SPECIAL COUPE	35 = FWD VAN	45 = 4-DOOR STATION WAGON
24 = 2-DOOR HATCHBACK	36 = FWD WAGON	48 = 4-DOOR EXECUTIVE SEDAN
27 = 2-DOOR CONVERTIBLE	41 = 4-DOOR SEDAN	

AR = Use as Required - = Non Illustrated Part P.A.R. = Paint as Required

INSTRUMENT PANEL CLUSTER, BEZELS AND RADIO P,D
Figure 8A-500

4162 500



ITEM	PART NUMBER	QTY	BODY	MODEL	DESCRIPTION
					MASK and LENS, Cluster
	4051 778	1			w/Oil Light
	4051 780	1			w/Certified Speedometer, w/4051776 Oil Gauge
	4051 806	1			Board, Printed Circuit
	4051 807	1			BOARD, Printed Circuit (Fleet)
	4051 797	1			BEZEL w/LENS, Speedometer
15	3747 760	1			KNOB and SHAFT, Headlamp Switch
16	4220 482	1			PLATE, Radio Opening w/o Radio
17	4221 170	1			SWITCH and LAMP, Glove Box
18	0152 244	1			BULB, Glove Box Lamp
19		1			COVER, Refer to Trim Section
20	6010 031	AR			SHIM
21	4311 183	1			BEZEL, Heater and A/C Control
					NAME PLATE, Instrument Panel
	4311 185	1			"Aries"
	4311 184	1			"Reliant"
22	P606 BT8	1		PL,DL	BEZEL, Lower Trim, Right
	P402 BT8	1		PL,DL	Lower Left
	4220 994	1		PH,PP,D	Lower Right
	6031 940	AR			CLIP, Trim Bezel
23	P682 BT8	1			COVER, Steering Column
	6500 442	AR			CLIP, Cover
24					RADIO, E.T.R. w/Clock
	4311 001	1			A/M, Bright Face
	4311 024	1			AM/FM/MX Standard, Bright Face
	4311 362	1			AM/FM/MX Premium
	4311 364	1			AM/FM/MX w/Cassette
	4222 560	1			DIFFUSER, Bulb
	4222 037	1			CASSETTE
	4222 912	1			CAPASITOR, Radio Noise Supp. Blower Motor
	4222 916	1			CAPASITOR, Radio Noise Supp. Ignition Coil
	0131 282	1			BULB, Radio
25	4311 325	2			KNOB, Radio Primary
	4311 327	1			Bass
26	4311 329	2			KNOB, Radio Secondary (1 Used w/Am/Fm/Mx Std. Radio)
	4311 328	1			Treble
	4311 530	1			KNOB PACKAGE, Radio, Bright
27	6031 665	2			SCREW

MODEL CODES

B = GRAN FURY	F = FIFTH AVENUE/NEWPORT	P = RELIANT
C = LEBARON/TOWN & COUNTRY/EXC SEDAN	G = DIPLOMAT	T = E CLASS/NEW YORKER
C24 = LASER	H = VOYAGER	V = 600
D = ARIES	K = MINI RAM/CARAVAN/ROYAL	V24 = DAYTONA
E = 600	M = HORIZON/TURISMO	Z = OMNI/CHARGER/RAMPAGE

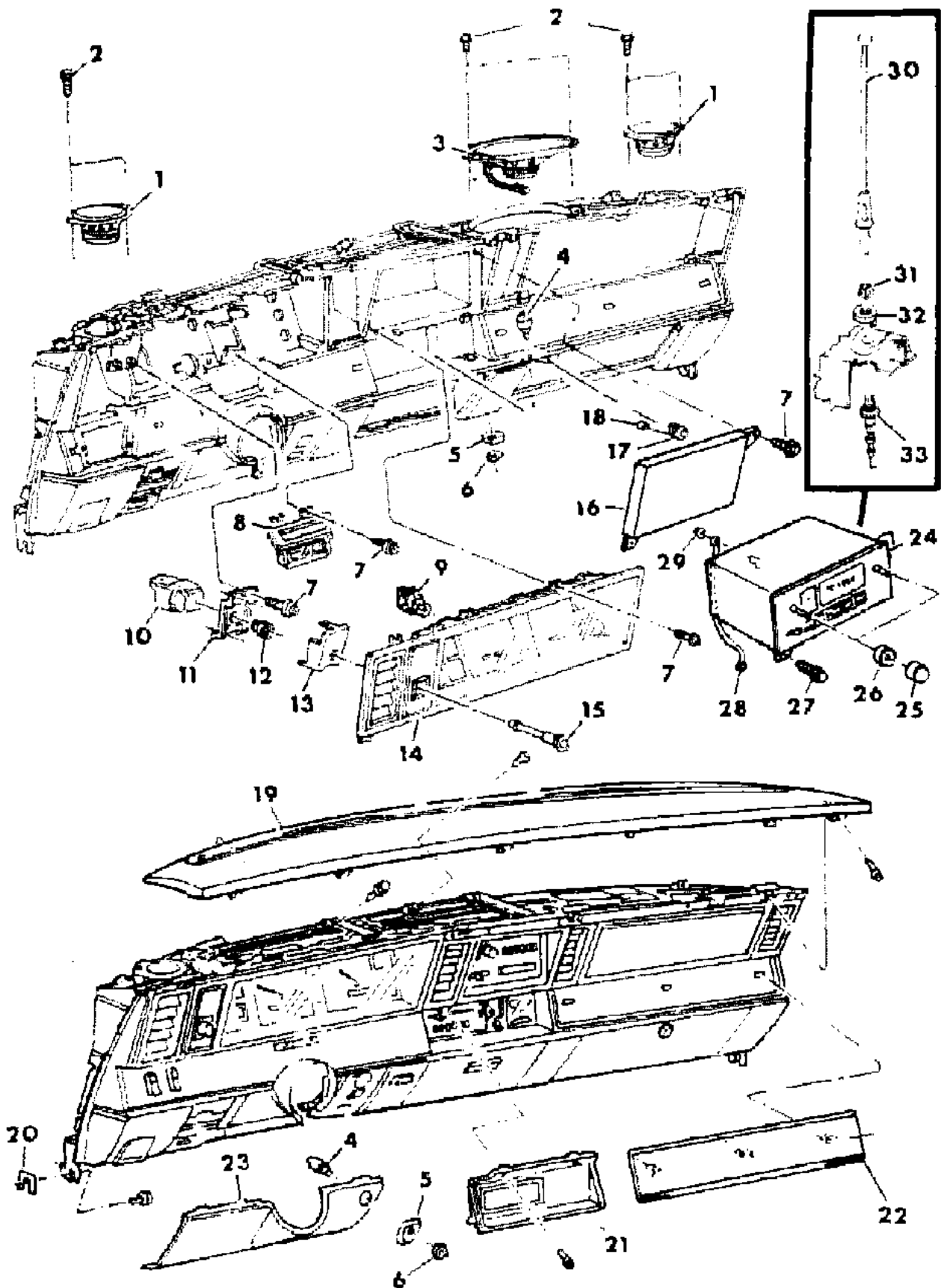
BODY STYLES

21 = 2-DOOR SEDAN	28 = FWD PICKUP	44 = 4-DOOR HATCHBACK
22 = 2-DOOR SPECIAL COUPE	35 = FWD VAN	45 = 4-DOOR STATION WAGON
24 = 2-DOOR HATCHBACK	36 = FWD WAGON	48 = 4-DOOR EXECUTIVE SEDAN
27 = 2-DOOR CONVERTIBLE	41 = 4-DOOR SEDAN	

AR = Use as Required - = Non Illustrated Part P.A.R. = Paint as Required

INSTRUMENT PANEL CLUSTER, BEZELS AND RADIO P,D
Figure 8A-500

4162 500



ITEM	PART NUMBER	QTY	BODY	MODEL	DESCRIPTION
28					STRAP, Radio Ground (DNS)
	5211 210	1			STRAP, Radio Supp. Ground, A/C Evaporator to Cowl
	5211 211	1			STRAP, Radio Supp. Ground, Engine Mount
	5211 212	1			STRAP, Radio Supp. Ground, Eng. Mount
	3501 362	1			STRAP, Radio Supp. Ground
29		1			NUT (DNS)
30	4222 729	1			MAST, Antenna
31	4222 728	1			NUT, Cap
32	4222 725	1			ADAPTER and GASKET
33	4222 721	1			BODY and CABLE
	4222 723	1			LOCKWASHER
	4222 731	1			PLUG, Antenna Hole

MODEL CODES

B = GRAN FURY	F = FIFTH AVENUE/NEWPORT	P = RELIANT
C = LEBARON/TOWN & COUNTRY/EXC SEDAN	G = DIPLOMAT	T = E CLASS/NEW YORKER
C24 = LASER	H = VOYAGER	V = 600
D = ARIES	K = MINI RAM/CARAVAN/ROYAL	V24 = DAYTONA
E = 600	M = HORIZON/TURISMO	Z = OMNI/CHARGER/RAMPAGE

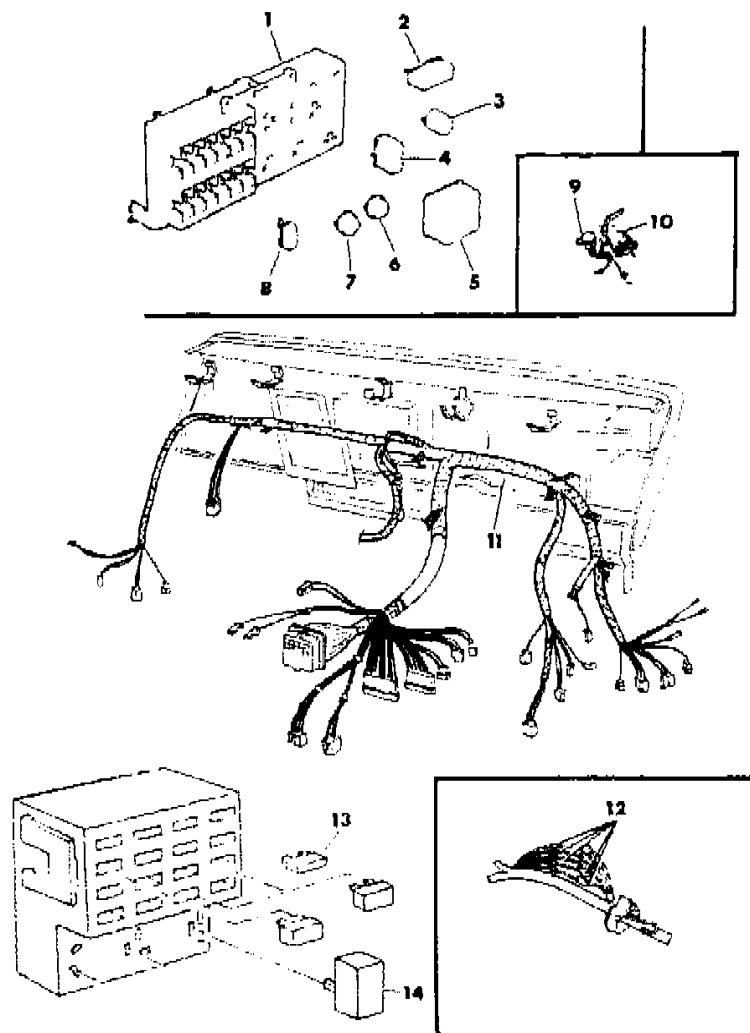
BODY STYLES

21 = 2-DOOR SEDAN	28 = FWD PICKUP	44 = 4-DOOR HATCHBACK
22 = 2-DOOR SPECIAL COUPE	35 = FWD VAN	45 = 4-DOOR STATION WAGON
24 = 2-DOOR HATCHBACK	36 = FWD WAGON	48 = 4-DOOR EXECUTIVE SEDAN
27 = 2-DOOR CONVERTIBLE	41 = 4-DOOR SEDAN	

AR = Use as Required - = Non Illustrated Part P.A.R. = Paint as Required

INSTRUMENT PANEL WIRING P,D
Figure 8A-600

4182 600



ITEM	PART NUMBER	QTY	BODY	MODEL	DESCRIPTION
1	4274 566	1			MODULE, Fuse Block
2	4221 730	1			BUZZER, Key, Headlamp and Seat Belt Warning
	4312 627	1			CHIMES
	4222 555	1			BRACKET, Chime
	0152 490	AR			U/NUT, Chime Mtg.
3	2889 565	1			RELAY, Time Delay
	4221 684	1			RELAY, Radiator Fan
4	3747 298	1			RELAY, Horn
5		1			RELAY, Heated Backlite (Serviced in Switch)
	4221 542	1			RELAY, Radiator Fan Motor
	4221 272	1			BRACKET, Radiator Fan Motor, w/Air, 2.2 Eng.
	4221 285	1			RELAY, Fan Control, w/2.6 Eng.
	4221 386	1			RELAY, Radiator Fan Motor, w/Air, 2.6 Eng.
6	2932 877	1			FLASHER, Hazard Warning
7	3837 161	1			FLASHER, Turn Signal, 2 Lamp
	3837 162	1			3 Lamp
8					BREAKER, Circuit
	4186 379	AR			30 Amp.
	4186 377	AR			6 Amp.
9	4221 413	1			RELAY, Air Cond. Cutoff
10		1			CONTROL, Refer to Group 24
11					WIRING, Instrument Panel Main
	4304 748	1			w/Air
	4304 802	1			w/o Air
					WIRING, Instrument Panel Auxillary
	4304 038	1			Speed Control
	4304 099	1			Speed Control, Jumper Repair
	4209 309	1	45		Liftgate Release
	4304 097	1			Speed Control w/Manual Trans.
	4274 161	1			DIODE and MOLD, Repair Package
	4274 091	1			w/Air and Heated Backlite
12					CABLE, Fuseible Link (25' Roll)
	4026 095	1			No. 16 Blue
	4026 094	1			No. 14 Red
	4026 093	1			No. 12 Black
	4364 877	1			No. 10 Green
	4026 096	1			No. 18 Grey
	4364 878	1			No. 20 Orange

MODEL CODES

B = GRAN FURY	F = FIFTH AVENUE/NEWPORT	P = RELIANT
C = LEBARON/TOWN & COUNTRY/EXC SEDAN	G = DIPLOMAT	T = E CLASS/NEW YORKER
C24 = LASER	H = VOYAGER	V = 600
D = ARIES	K = MINI RAM/CARAVAN/ROYAL	V24 = DAYTONA
E = 600	M = HORIZON/TURISMO	Z = OMNI/CHARGER/RAMPAGE

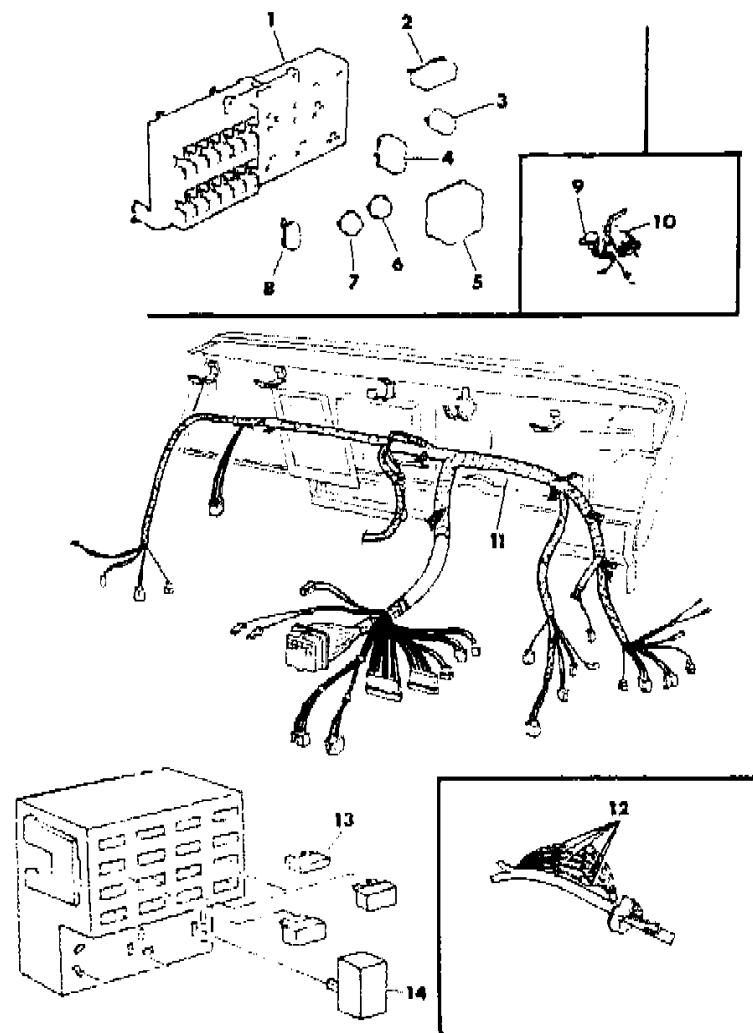
BODY STYLES

21 = 2-DOOR SEDAN	28 = FWD PICKUP	44 = 4-DOOR HATCHBACK
22 = 2-DOOR SPECIAL COUPE	35 = FWD VAN	45 = 4-DOOR STATION WAGON
24 = 2-DOOR HATCHBACK	36 = FWD WAGON	48 = 4-DOOR EXECUTIVE SEDAN
27 = 2-DOOR CONVERTIBLE	41 = 4-DOOR SEDAN	

AR = Use as Required - = Non Illustrated Part P.A.R. = Paint as Required

INSTRUMENT PANEL WIRING P,D
Figure 8A-600

4182 600



ITEM	PART NUMBER	QTY	BODY	MODEL	DESCRIPTION
13					FUSE, Blade Type
	6101 132	AR			4 Amp.
	6101 131	AR			3 Amp.
	6101 133	AR			5 Amp.
	6101 137	AR			20 Amp.
	6101 139	AR			30 Amp.
	6101 138	AR			25 Amp.
14					CIRCUIT BREAKER
	3747 809	AR			20 Amp.
	3747 810	AR			30 Amp.

MODEL CODES

B = GRAN FURY	F = FIFTH AVENUE/NEWPORT	P = RELIANT
C = LEBARON/TOWN & COUNTRY/EXC SEDAN	G = DIPLOMAT	T = E CLASS/NEW YORKER
C24 = LASER	H = VOYAGER	V = 600
D = ARIES	K = MINI RAM/CARAVAN/ROYAL	V24 = DAYTONA
E = 600	M = HORIZON/TURISMO	Z = OMNI/CHARGER/RAMPAGE

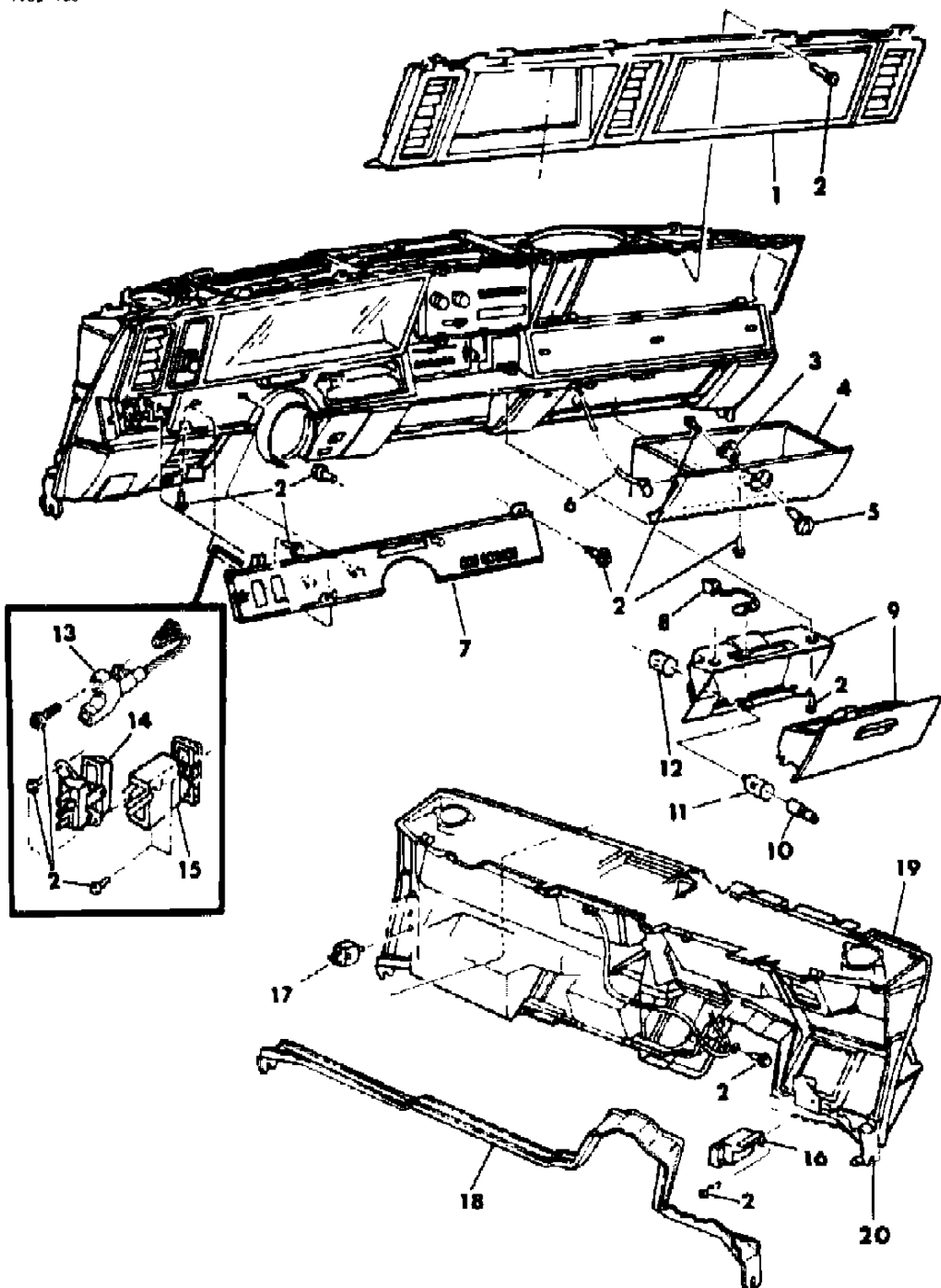
BODY STYLES

21 = 2-DOOR SEDAN	28 = FWD PICKUP	44 = 4-DOOR HATCHBACK
22 = 2-DOOR SPECIAL COUPE	35 = FWD VAN	45 = 4-DOOR STATION WAGON
24 = 2-DOOR HATCHBACK	36 = FWD WAGON	48 = 4-DOOR EXECUTIVE SEDAN
27 = 2-DOOR CONVERTIBLE	41 = 4-DOOR SEDAN	

AR = Use as Required - = Non Illustrated Part P.A.R. = Paint as Required

INSTRUMENT PANEL GLOVEBOX, BEZELS AND ASH RECEIVER P,D
Figure 8A-700

4182 700



ITEM	PART NUMBER	QTY	BODY	MODEL	DESCRIPTION
1	4311 186	1			BEZEL, Center
	6029 168	AR			CLIP, Bezel Attaching
2		AR			SCREW (DNS)
3	3508 886	1			LATCH, Glove Box
4					GLOVE BOX and DOOR
	P687 BC7	1			Blue
	P687 BT8	1			Brown
	P687 CS8	1			Charcoal
	P687 BM6	1			Red
	2218 683	2			BUMPER, Glove Box Door
	4221 170	1			LAMP and SWITCH, Glove Box
	0152 244	1			BULB, Glove Box Lamp
5					CYLINDER, Glove Box(Refer to 23D)
6	4047 424	1			CABLE, Glove Box Door Check
7					BEZEL, Instrument Panel, Left
	P402 BT8	1	PL,DL		w/o Switch Opening
	P405 BT8	1	PL,DL		w/One Switch Opening
	4311 051	1	PH,PP,D		w/o Switch Opening, Woodgrain
	4311 055	1	PH,PP,D		w/One Switch Opening, Woodgrain
	4311 059	1	PH,PP,D		w/Two Switch Opening, Woodgrain
	4047 991	1			GASKET, Bezel
8	3747 452	1			LAMP, Ash Receiver
	9421 330	1			BULB, Ash Receiver Lamp
	3746 516	1			SOCKET, Ash Receiver Lamp
9	4267 268	1			FACE PLATE and RECEIVER
	4047 230	1			HOUSING, Ash Receiver
	4220 887	1			BUMPER, Housing
	2985 816	1			BUMPER, Receiver
	6028 213	1			U/NUT, Ash Receiver Housing, Right
	2661 690	1			BUMPER, Housing Spring Stop
	4311 608	1			SPRING, Receiver Stop
10	3747 165	1			KNOB, C/Lighter
11	3004 190	1			ELEMENT, C/Lighter
12	2808 912	1			SHELL and CLAMP, C/Lighter
	3746 629	1			BEZEL, C/Lighter Mtg.
13					LAMP, Accessory Nomenclature
	4221 239	1			One Switch
	4221 240	1			Two Switch

MODEL CODES

B = GRAN FURY	F = FIFTH AVENUE/NEWPORT	P = RELIANT
C = LEBARON/TOWN & COUNTRY/EXC SEDAN	G = DIPLOMAT	T = E CLASS/NEW YORKER
C24 = LASER	H = VOYAGER	V = 600
D = ARIES	K = MINI RAM/CARAVAN/ROYAL	V24 = DAYTONA
E = 600	M = HORIZON/TURISMO	Z = OMNI/CHARGER/RAMPAGE

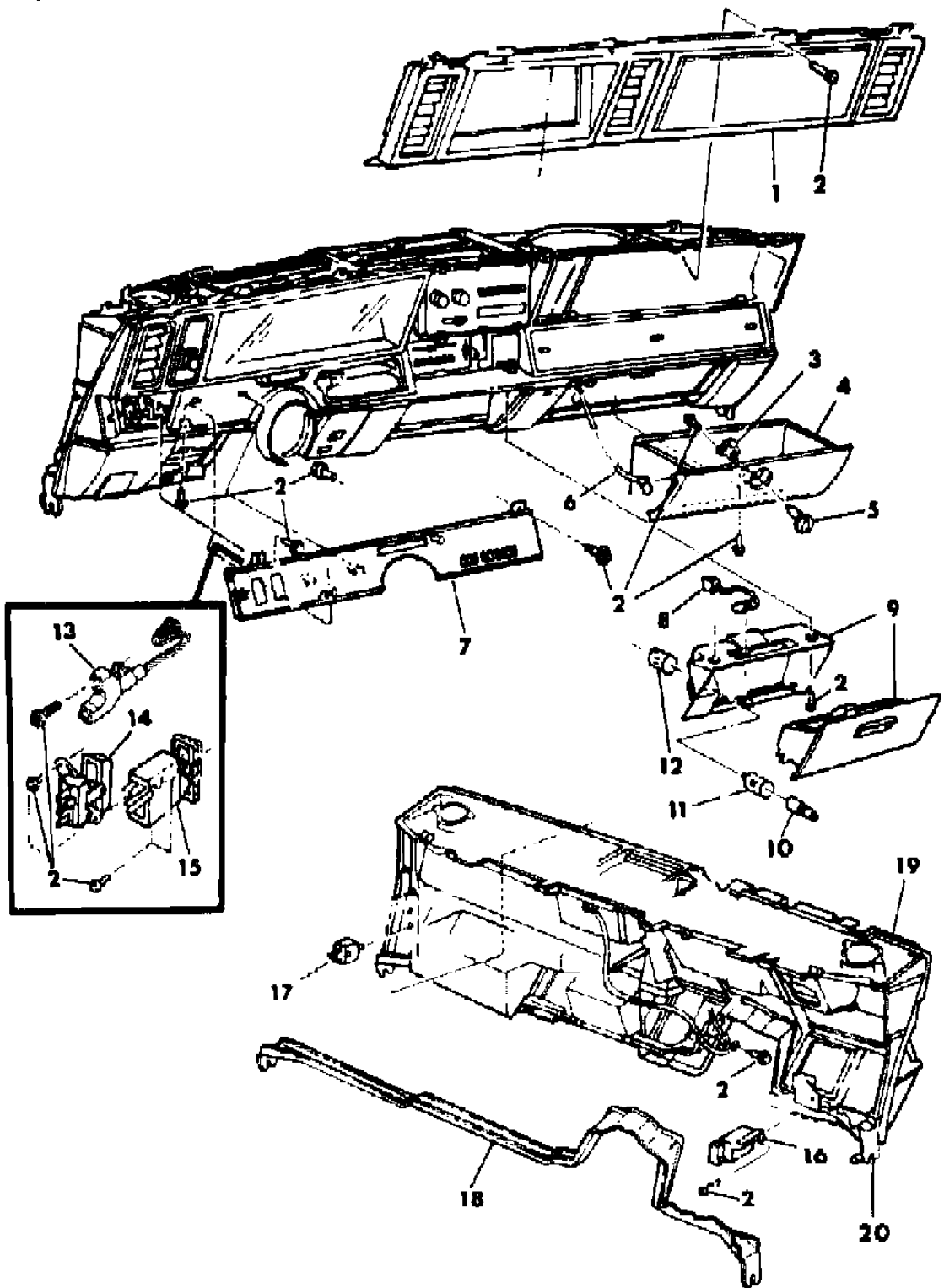
BODY STYLES

21 = 2-DOOR SEDAN	28 = FWD PICKUP	44 = 4-DOOR HATCHBACK
22 = 2-DOOR SPECIAL COUPE	35 = FWD VAN	45 = 4-DOOR STATION WAGON
24 = 2-DOOR HATCHBACK	36 = FWD WAGON	48 = 4-DOOR EXECUTIVE SEDAN
27 = 2-DOOR CONVERTIBLE	41 = 4-DOOR SEDAN	

AR = Use as Required - = Non Illustrated Part P.A.R. = Paint as Required

INSTRUMENT PANEL GLOVEBOX, BEZELS AND ASH RECEIVER P,D
Figure 8A-700

4182 700



ITEM	PART NUMBER	QTY	BODY	MODEL	DESCRIPTION
14	4221 080	1		45	SWITCH, Rear Wipe/Wash
15	4221 078	1			SWITCH, Heated Backlite
16	4222 060	1			CONTROL, Intermittent Wiper
	4048 952	1			BRACKET, Wiper Control
17	3747 299	1			RELAY, Liftgate Release
18	4220 708	1			REINFORCEMENT, Lower
19	P493 CC7	1			PANEL, Instrument
20	4047 568-9	1			SUPPORT, Lower Reinforcement End

MODEL CODES

- | | | |
|--------------------------------------|----------------------------|--------------------------|
| B = GRAN FURY | F = FIFTH AVENUE/NEWPORT | P = RELIANT |
| C = LEBARON/TOWN & COUNTRY/EXC SEDAN | G = DIPLOMAT | T = E CLASS/NEW YORKER |
| C24 = LASER | H = VOYAGER | V = 600 |
| D = ARIES | K = MINI RAM/CARAVAN/ROYAL | V24 = DAYTONA |
| E = 600 | M = HORIZON/TURISMO | Z = OMNI/CHARGER/RAMPAGE |

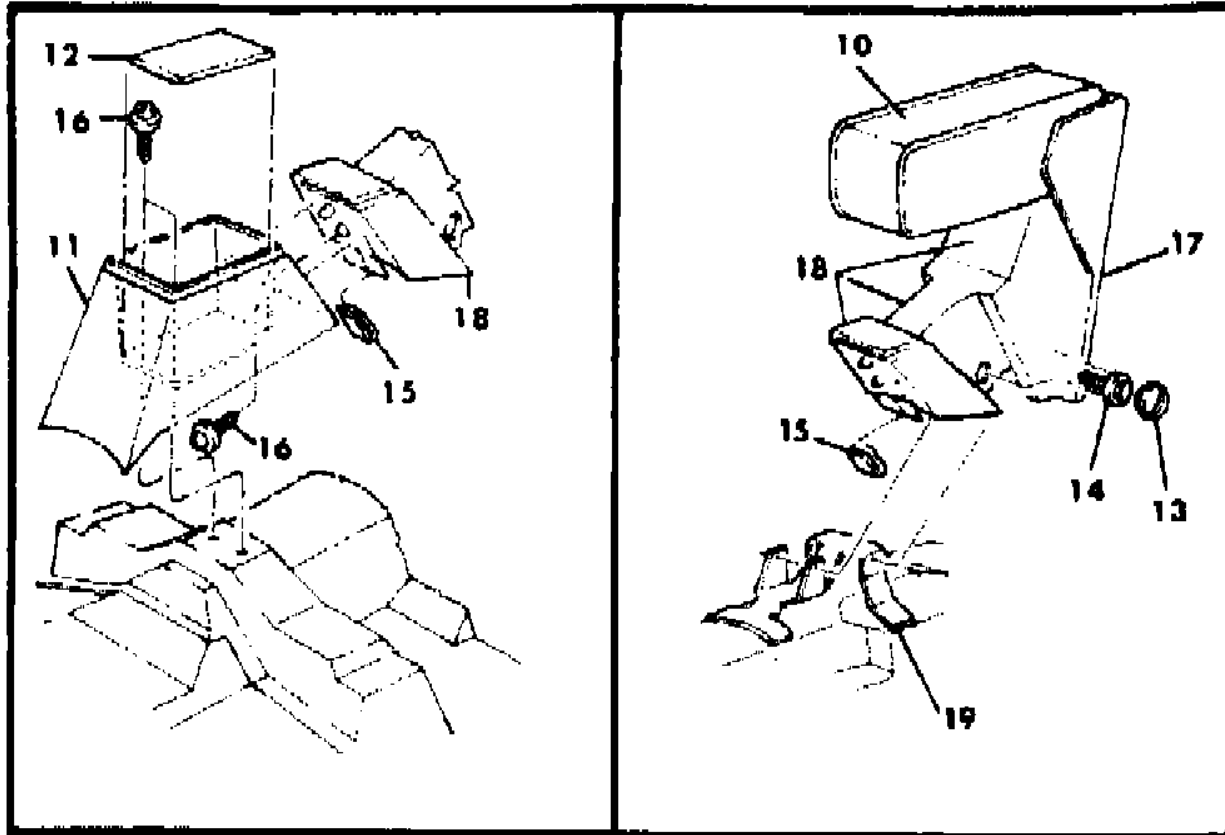
BODY STYLES

- | | | |
|---------------------------|-------------------|-----------------------------|
| 21 = 2-DOOR SEDAN | 28 = FWD PICKUP | 44 = 4-DOOR HATCHBACK |
| 22 = 2-DOOR SPECIAL COUPE | 35 = FWD VAN | 45 = 4-DOOR STATION WAGON |
| 24 = 2-DOOR HATCHBACK | 36 = FWD WAGON | 48 = 4-DOOR EXECUTIVE SEDAN |
| 27 = 2-DOOR CONVERTIBLE | 41 = 4-DOOR SEDAN | |

AR = Use as Required - = Non Illustrated Part P.A.R. = Paint as Required

CONSOLE AND ARMREST P,D
Figure 8A-800

4182 800



ITEM	PART NUMBER	QTY	BODY	MODEL	DESCRIPTION
1					CONSOLE w/o CARPET
	F361 BT8	1			Brown w/Manual Trans.
	F530 BT8	1			Brown w/Auto Trans.
2		AR			SCREW (DNS)
3					CARPET, Console
	F400-1 CS8	1			Charcoal
	F400-1 BC7	1			Blue
	F400-1 BM6	1			Red
	F400-1 BT9	1			Brown
4	4078 983	1			BRACKET, Floor Console, Front w/Auto Trans.
5					GEARSHIFT INDICATOR, Refer to Group 21
6	9414 722	AR			SCREW
7	4206 371	1			REINFORCEMENT, Console Gear Selector to Floor Pan Mtg. w/ Auto Trans.
	4278 732	1			w/Manual Trans.
8	6032 456	2			SCREW
9	4247 686	1			BRACKET, Floor Console Front, w/Manual Trans.
10					ARMREST, Vinyl
	F328 AM6	1		V8M	Up to 5-8-84
	F244 CM6	1		V8M	After 5-8-84
	F328 BL3	1		V8L	Up to 3-30-84
	F244 CL3	1		V8L	After 3-30-84
					CLOTH
	F327 CS8	1		j5s	Jefferson
	F327 CS8	1		j5s	Up to 3-28-84 Newark 3-28-84 St. Louis
	F233 CS8	1		j5s	After 3-28-84 Newark 3-28-84 St. Louis
	F327 AC7	1		J5C	Jefferson
	F327 AC7	1		J5C	Up to 5-3-84 Newark and St. Louis
	F233 CC7	1		J5C	After 5-3-84 Newark and St. Louis
	F327 AM6	1		J5M	Jefferson
	F327 AM6	1		J5M	Up to 5-3-84 Newark and St. Louis
	F233 CM6	1		J5M	After 5-3-84 Newark and St. Louis
	F327 BL3	1		J5L	Jefferson
	F327 BL3	1		J5L	Up to 3-30-84 Newark 4-11-84 St. Louis
	F233 CL3	1		J5L	After 3-30-84 Newark 4-11-84 St. Louis
	F327 BT8	1		J5T	Jefferson
	F327 BT8	1		J5T	Up to 3-28-84 Newark 4-3-84 St. Louis
	F233 CT8	1		J5T	After 3-28-84 Newark 4-3-84 St. Louis

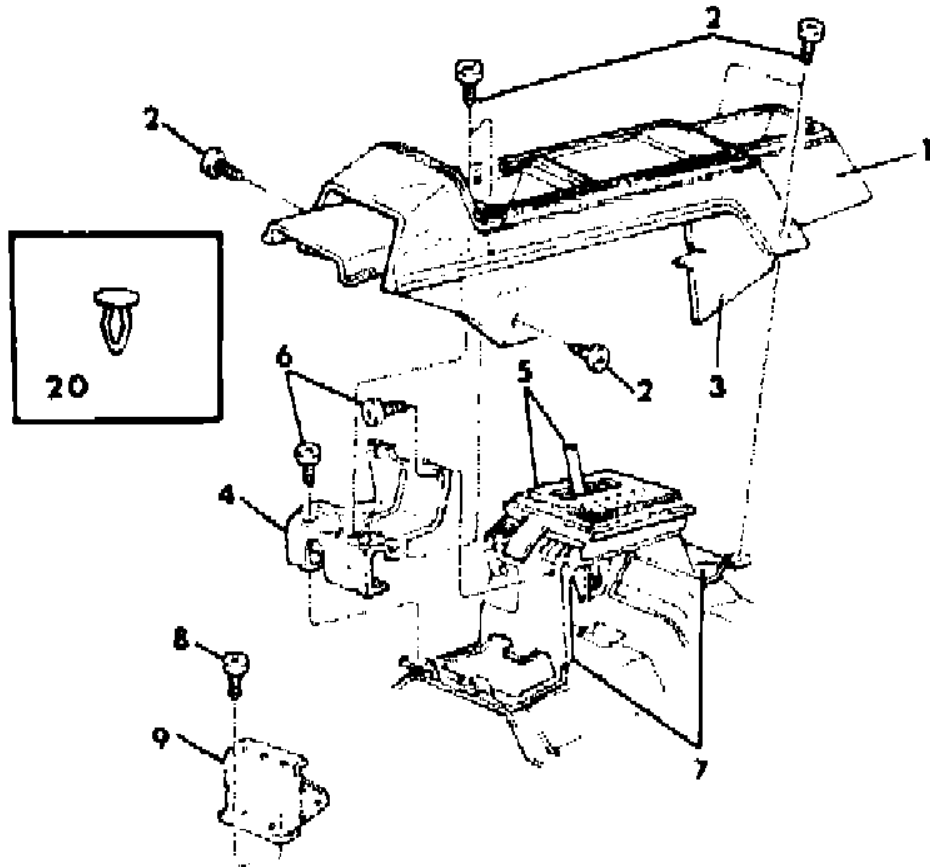
MODEL CODES

B = GRAN FURY	F = FIFTH AVENUE/NEWPORT	P = RELIANT
C = LEBARON/TOWN & COUNTRY/EXC SEDAN	G = DIPLOMAT	T = E CLASS/NEW YORKER
C24 = LASER	H = VOYAGER	V = 600
D = ARIES	K = MINI RAM/CARAVAN/ROYAL	V24 = DAYTONA
E = 600	M = HORIZON/TURISMO	Z = OMNI/CHARGER/RAMPAGE

BODY STYLES

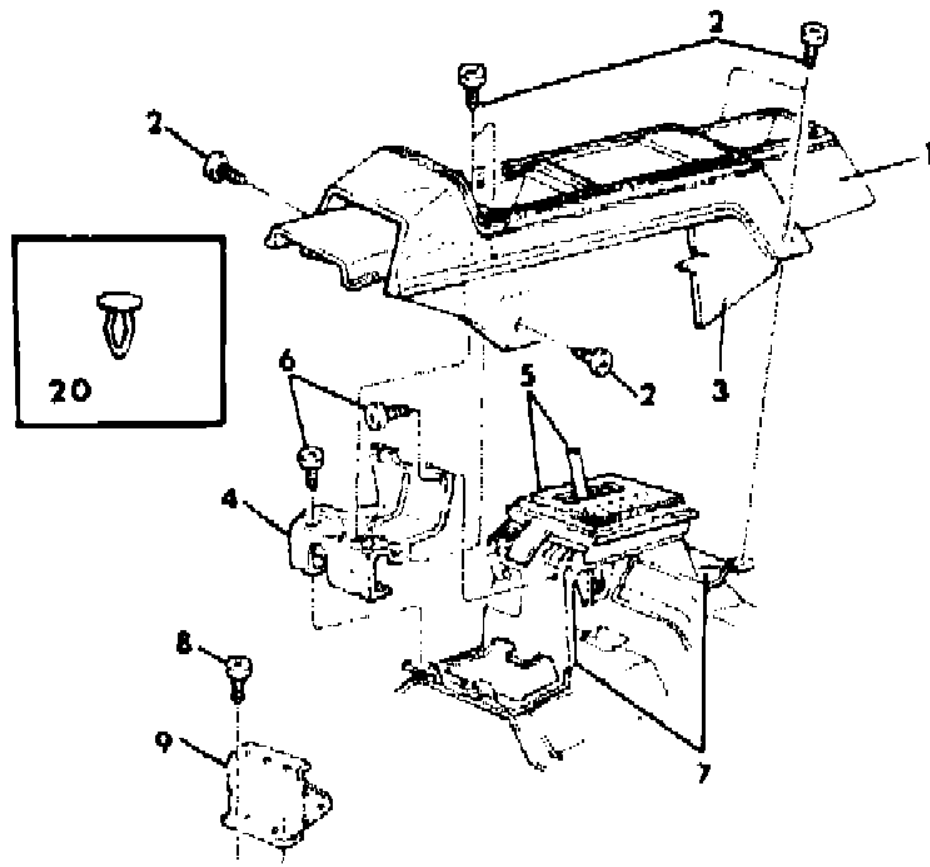
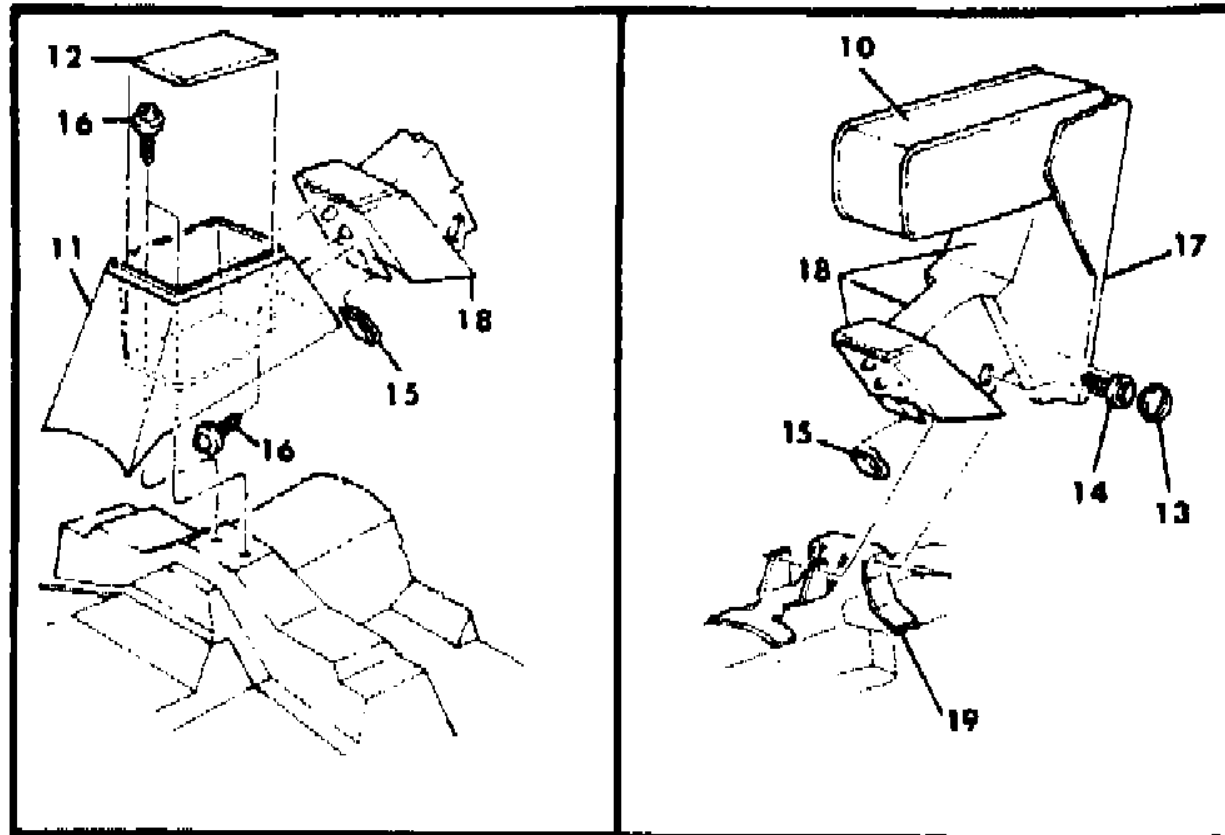
21 = 2-DOOR SEDAN	28 = FWD PICKUP	44 = 4-DOOR HATCHBACK
22 = 2-DOOR SPECIAL COUPE	35 = FWD VAN	45 = 4-DOOR STATION WAGON
24 = 2-DOOR HATCHBACK	36 = FWD WAGON	48 = 4-DOOR EXECUTIVE SEDAN
27 = 2-DOOR CONVERTIBLE	41 = 4-DOOR SEDAN	

AR = Use as Required - = Non Illustrated Part P.A.R. = Paint as Required



CONSOLE AND ARMREST P,D
Figure 8A-800

4182 800



ITEM	PART NUMBER	QTY	BODY	MODEL	DESCRIPTION
	F247 CS8	1		E5AS,H7	Newark
	F247 CS8	1		E5AS,H7	Jefferson, St. Louis
	F247 CS8	1		E5AS,H7	After 4-6-84 Jefferson 5-8-84 St. Louis
	F247 CC7	1		E5C8,H7	Newark and Jefferson
	F343 BC7	1		E5C8,H7	Up to 5-3-84 St. Louis
	F247 CC7	1		E5C8,H7	After 5-3-84 St. Louis
	F247 CM6	1		E5M,H7M	Newark
	F343 BT8	1		E5LT,H7	Up to 5-10-84
	F247 CM6	1		E5M,H7M	After 5-2-84 St. Louis and Jefferson
	F247 CT8	1		E5LT,H7	Newark
	F343 BT8	1		E5LT,H7	Up to 5-10-84 Jefferson and St. Louis BRACKET, Armrest Mtg.
	4247 779	1			w/327 Armrest
	4282 208	1			w/233 Armrest
11					HOUSING, Storage Compartment Jefferson
	F450 CT8	1			Up to 4-25-84 Newark and St. Louis
	F450 CT8	1			After 4-25-84 Newark and St. Louis
	F325 DT5	1			After 4-25-84 Newark and St. Louis
12	4247 391	1			PLATE
13					PLUG
	F332 BT8	4			Jefferson
	F332 BT8	4			Up to 5-3-84 Newark and St. Louis
	F515 EK1	4			After 5-3-84 Newark and St. Louis
14	0181 063	4			BOLT
15	0152 490	3			U/NUT
16		AR			SCREW (DNS)
17	F497 CT8	1			COVER, Rear Armrest
18					HOUSING, Rear Center Armrest
	F498 CT8	1			Up to 4-3-84 St. Louis
	F514 DT5	1			After 4-3-84 St. Louis
	F514 DT5	1			Jefferson and Newark
					BRACKET, Inside #18
	4282 208	1			Up to 4-10-84 Jefferson and St. Louis
	4283 710	1			After 4-10-84 Jefferson and St. Louis
	4283 710	1			Newark
19	4282 209	1			BRACKET
20	4247 835	1			FASTENER, Console Storage Box Front to Bracket

MODEL CODES

B = GRAN FURY	F = FIFTH AVENUE/NEWPORT	P = RELIANT
C = LEBARON/TOWN & COUNTRY/EXC SEDAN	G = DIPLOMAT	T = E CLASS/NEW YORKER
C24 = LASER	H = VOYAGER	V = 600
D = ARIES	K = MINI RAM/CARAVAN/ROYAL	V24 = DAYTONA
E = 600	M = HORIZON/TURISMO	Z = OMNI/CHARGER/RAMPAGE

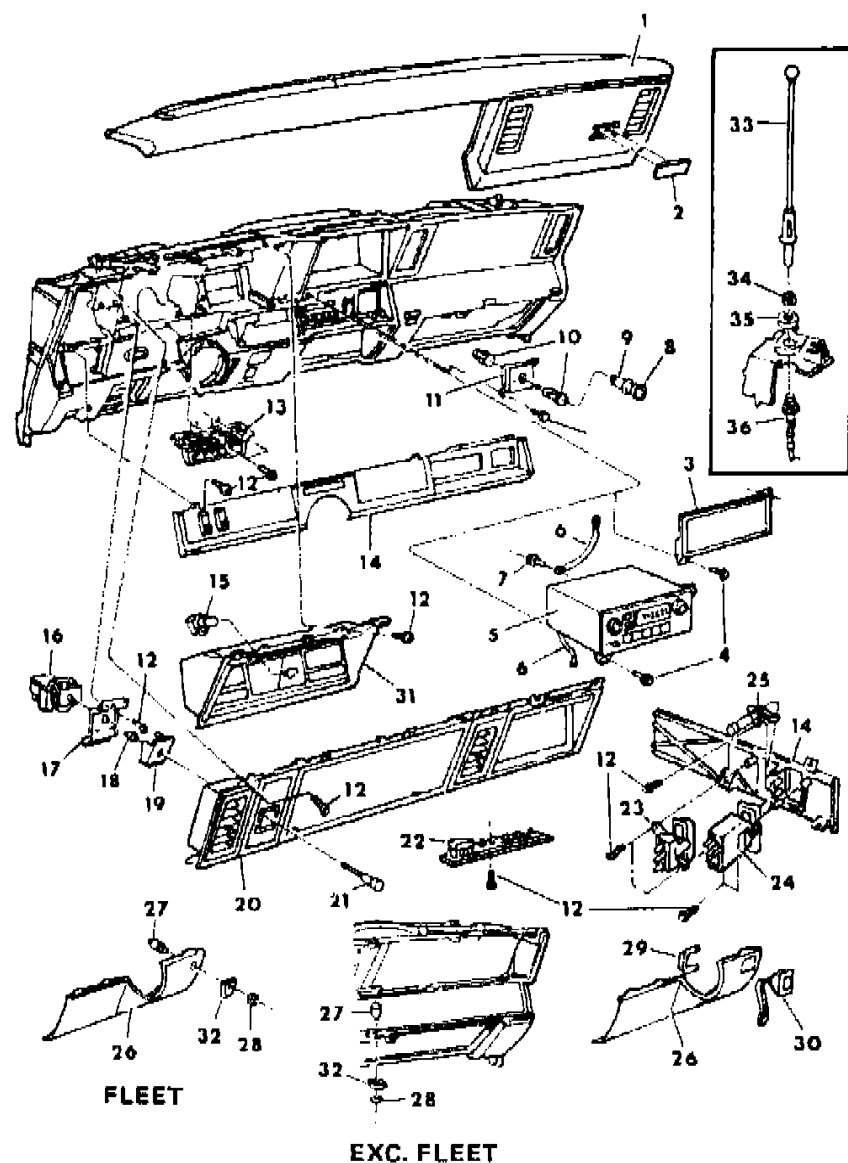
BODY STYLES

21 = 2-DOOR SEDAN	28 = FWD PICKUP	44 = 4-DOOR HATCHBACK
22 = 2-DOOR SPECIAL COUPE	35 = FWD VAN	45 = 4-DOOR STATION WAGON
24 = 2-DOOR HATCHBACK	36 = FWD WAGON	48 = 4-DOOR EXECUTIVE SEDAN
27 = 2-DOOR CONVERTIBLE	41 = 4-DOOR SEDAN	

AR = Use as Required - = Non Illustrated Part P.A.R. = Paint as Required

INSTRUMENT PANEL CLUSTER, BEZELS, SWITCHES AND RADIO C,V,E,T (EXCEPT C,V 24)
Figure 8A-900

4182 900



ITEM	PART NUMBER	QTY	BODY	MODEL	DESCRIPTION
1					PAD, Instrument Panel
	P416 CC7	1			Blue
	P416 CM6	1			Red
	P416 CS8	1			Charcoal
	P416 CT8	1			Brown
2					NAME PLATE, Instrument Panel Pad
	4311 150	1			"Le Baron"
	4311 158	1			"600"
	4311 154	1			"Town & Country"
	4311 156	1			"E Class"
	4311 160	1			"New Yorker"
	0445 153	2			NUT, Name Plate Att.
	6029 168	AR			CLIP, Name Plate Attaching
3	4220 482	1			PLATE, Radio Opening w/o Radio
4	6031 665	1			SCREW, Radio Att.
5					RADIO E.T.R. w/Clock
	4311 001	1			AM, Bright Face
	4311 024	1			AM/FM/MX Standard, Bright Face
	4311 362	1			AM/FM Stero, Premium
	4311 364	1			AM/FM/MX Premium, w/Cassette
	4222 249	1			LAMP, Illumination
	4222 560	1			DIFFUSER, Bulb
	4311 325	2			KNOB, Radio, Primary
	4311 327	1			Bass
	4311 329	2			KNOB, Radio Secondary (1 Used w/Am/Fm/Mx Std. Radio)
	4311 328	1			Treble
	4311 530	1			KNOB PACKAGE, Radio, Bright
	4222 037	1			CASSETTE
	4267 298	1			SUPPRESSION, Windshield Wiper Motor (Radio Noise)
	4222 912	1			CAPACITOR, Radio Noise Supp. (Blower Motor)
6					STRAP, Radio Ground (DNS)
7		1			SCREW (DNS)
8	3747 763	1			KNOB, C/Lighter
9	3004 190	1			ELEMENT, C/Lighter
10	3747 633	1			SHELL and CLAMP, C/Lighter
11	4221 391	1			BEZEL, C/Lighter
	3747 629	1			BEZEL, C/Lighter Mtg.
12		2			SCREW (DNS)

MODEL CODES

B = GRAN FURY	F = FIFTH AVENUE/NEWPORT	P = RELIANT
C = LEBARON/TOWN & COUNTRY/EXC SEDAN	G = DIPLOMAT	T = E CLASS/NEW YORKER
C24 = LASER	H = VOYAGER	V = 600
D = ARIES	K = MINI RAM/CARAVAN/ROYAL	V24 = DAYTONA
E = 600	M = HORIZON/TURISMO	Z = OMNI/CHARGER/RAMPAGE

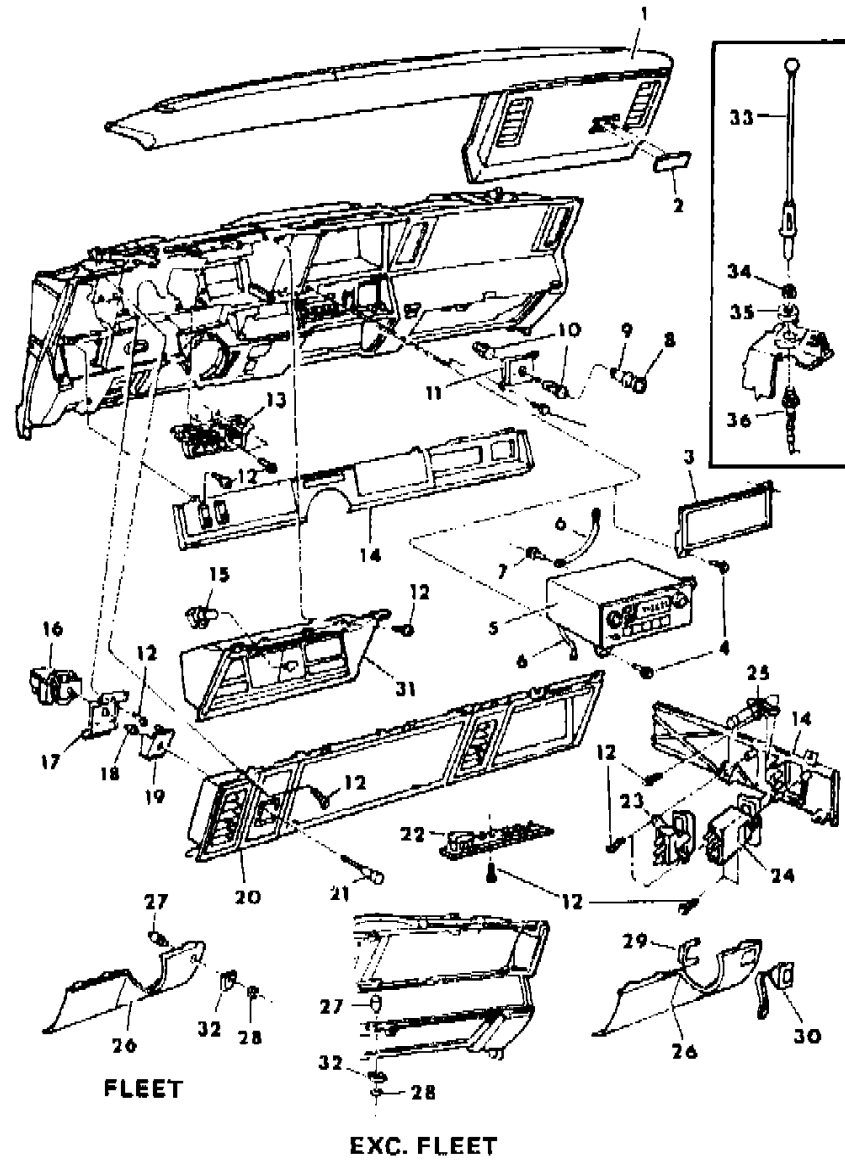
BODY STYLES

21 = 2-DOOR SEDAN	28 = FWD PICKUP	44 = 4-DOOR HATCHBACK
22 = 2-DOOR SPECIAL COUPE	35 = FWD VAN	45 = 4-DOOR STATION WAGON
24 = 2-DOOR HATCHBACK	36 = FWD WAGON	48 = 4-DOOR EXECUTIVE SEDAN
27 = 2-DOOR CONVERTIBLE	41 = 4-DOOR SEDAN	

AR = Use as Required - = Non Illustrated Part P.A.R. = Paint as Required

INSTRUMENT PANEL CLUSTER, BEZELS, SWITCHES AND RADIO C,V,E,T (EXCEPT C,V 24)
Figure 8A-900

4182 900



ITEM	PART NUMBER	QTY	BODY	MODEL	DESCRIPTION
13					INDICATOR, Gear Selector
	4220 096	1			w/Auto Trans.
	4220 097	1			w/Manual Trans.
	4047 594	1			COVER, Gear Selector("Front Wheel Drive")
14					BEZEL, Lower Left
	4311 081	1			w/One Switch Opening
	4311 083	1			w/Two Switch Opening
	4311 079	1			w/o Switch Opening
15	3744 750	1			SOCKET, Instrument Cluster
	9421 330	1			BULB
16	4221 407	1			SWITCH, Headlamp
17	4221 227	1			PLATE, Headlamp Switch Mtg.
18	4221 063	1			RETAINER, Headlamp Switch
19	3747 863	1			ESCUTCHEON, Headlamp Switch Mtg.
20					BEZEL, Instrument Cluster
	4220 837	1			w/o Indicator Module, w/Message Center
	4312 362	1			w/Indicator Module, w/Tachometer, w/Electronic Cluster
	4312 364	1			w/o Indicator Module, w/o Tachometer, w/Electronic Cluster
	6032 216	5			CLIP, Bezel Attaching
	4085 191	1			DIFFUSER
21	3747 760	1			KNOB and SHAFT, Headlamp Switch
22	4220 598	1			MODULE, Warning Indicator
23	4221 080	1			SWITCH, Rear Wipe/Wash
	4221 373	1			SWITCH, Fuel Filler Door
24	4221 078	1			SWITCH, Heated Backlite
25					LAMP, Accessory Switch Nomenclature
	4221 239	1			One Switch
	4221 240	1			Two Switch
26	P682 BT8	1			COVER, Steering Column Opening
	6500 442	AR			CLIP, Cover
27	3747 154	1			SWITCH, Deck Lid and Liftgate
28	6028 824	1			NUT, Switch
29	3747 750	1			RETAINER
30	4221 203	1			SWITCH, Rear Amplifier
31	4051 555	1			HOUSING, Instrument Cluster
	4051 767	1			MASK and LENS, Standard Cluster
	4051 630	1			CHIMNEY
	4051 565	1			GAUGE, Fuel

MODEL CODES

B = GRAN FURY	F = FIFTH AVENUE/NEWPORT	P = RELIANT
C = LEBARON/TOWN & COUNTRY/EXC SEDAN	G = DIPLOMAT	T = E CLASS/NEW YORKER
C24 = LASER	H = VOYAGER	V = 600
D = ARIES	K = MINI RAM/CARAVAN/ROYAL	V24 = DAYTONA
E = 600	M = HORIZON/TURISMO	Z = OMNI/CHARGER/RAMPAGE

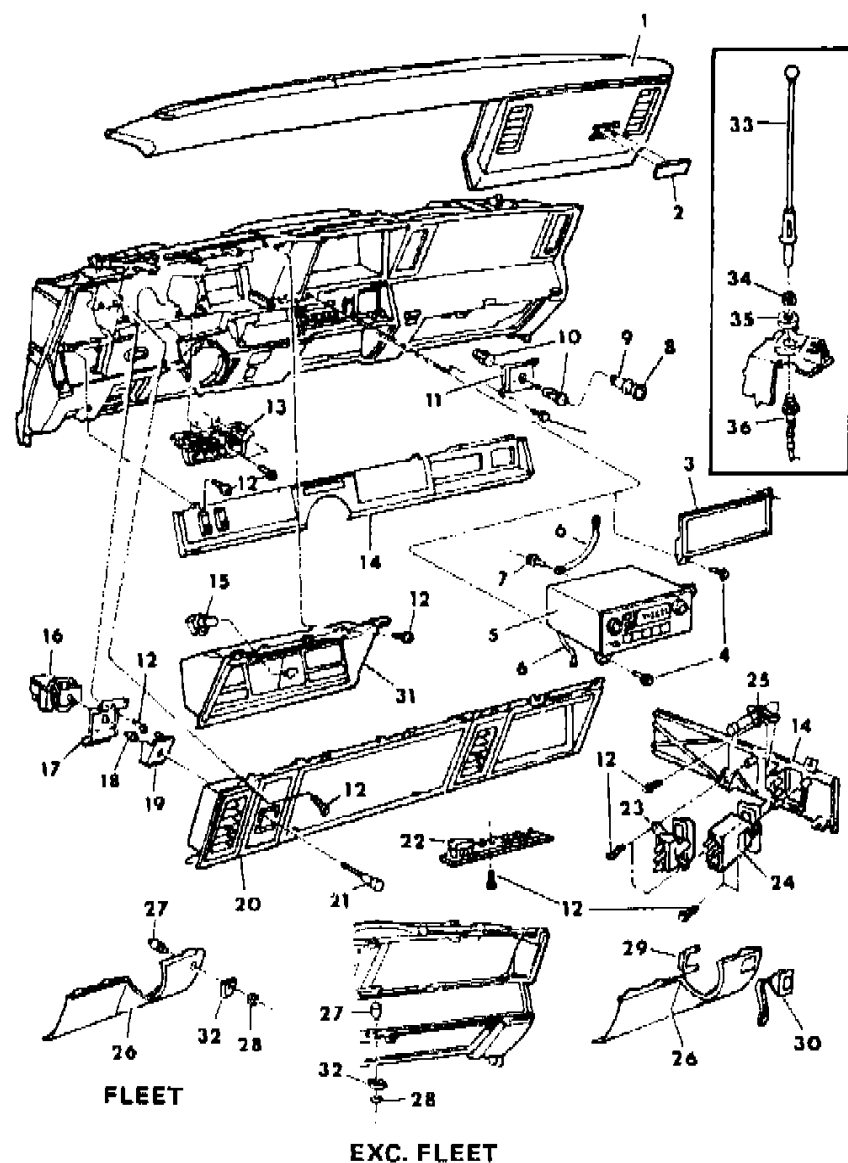
BODY STYLES

21 = 2-DOOR SEDAN	28 = FWD PICKUP	44 = 4-DOOR HATCHBACK
22 = 2-DOOR SPECIAL COUPE	35 = FWD VAN	45 = 4-DOOR STATION WAGON
24 = 2-DOOR HATCHBACK	36 = FWD WAGON	48 = 4-DOOR EXECUTIVE SEDAN
27 = 2-DOOR CONVERTIBLE	41 = 4-DOOR SEDAN	

AR = Use as Required - = Non Illustrated Part P.A.R. = Paint as Required

INSTRUMENT PANEL CLUSTER, BEZELS, SWITCHES AND RADIO C,V,E,T (EXCEPT C,V 24)
Figure 8A-900

4182 900



ITEM	PART NUMBER	QTY	BODY	MODEL	DESCRIPTION
	4051 832	1			RELAY, Fuel Warning
	4051 429	1			BOARD, Printed Circuit
	4051 400	1			MONITOR, Volt
	4051 640	1			SPEEDOMETER
	3592 750	1			LABEL, Speedometer
	4220 297	1			MODULE, Message Center CLUSTER, Electronic
	4312 770	1			w/Message Center
	4312 771	1			w/Tach
	4051 796	1			KNOB and SHAFT, Odometer
	4312 969	1			FUEL PULSE COUNT CORRECTOR
32	3747 875	1			BEZEL, Switch
33	4222 729	1			MAST, Antenna
	4342 013	1	Limo		ANTENNA PACKAGE, Power
	4342 011	1	Limo		BRACKET, Antenna Mtg.
	4342 012	1	Limo		ADAPTOR PACKAGE, Antenna Mtg.
	4342 049	1	Limo		CABLE, Antenna
	4339 961	1	Limo		SEAL, Antenna
34	4222 728	1			NUT, Cap
35	4222 725	1			ADAPTER and GASKET
36	4222 721	1			BODY and CABLE
	4222 723	1			LOCK WASHER
	4222 731	1			PLUG, Antenna Hole

MODEL CODES

B = GRAN FURY	F = FIFTH AVENUE/NEWPORT	P = RELIANT
C = LEBARON/TOWN & COUNTRY/EXC SEDAN	G = DIPLOMAT	T = E CLASS/NEW YORKER
C24 = LASER	H = VOYAGER	V = 600
D = ARIES	K = MINI RAM/CARAVAN/ROYAL	V24 = DAYTONA
E = 600	M = HORIZON/TURISMO	Z = OMNI/CHARGER/RAMPAGE

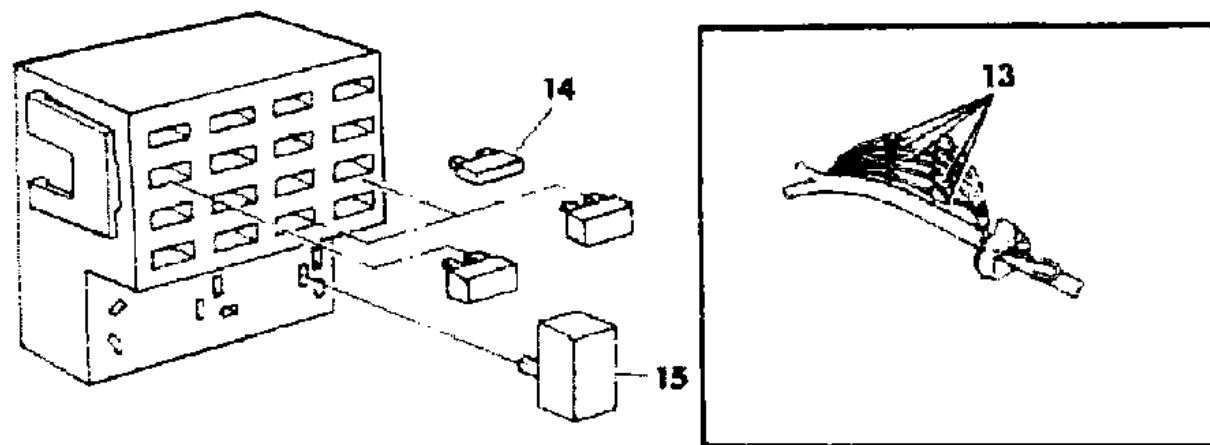
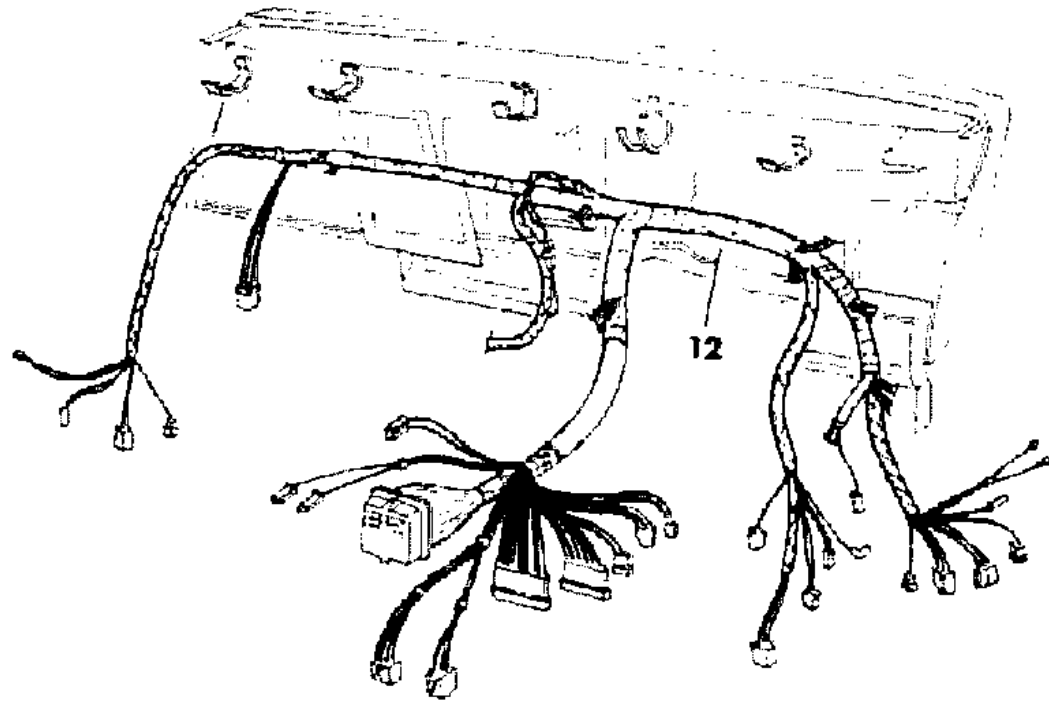
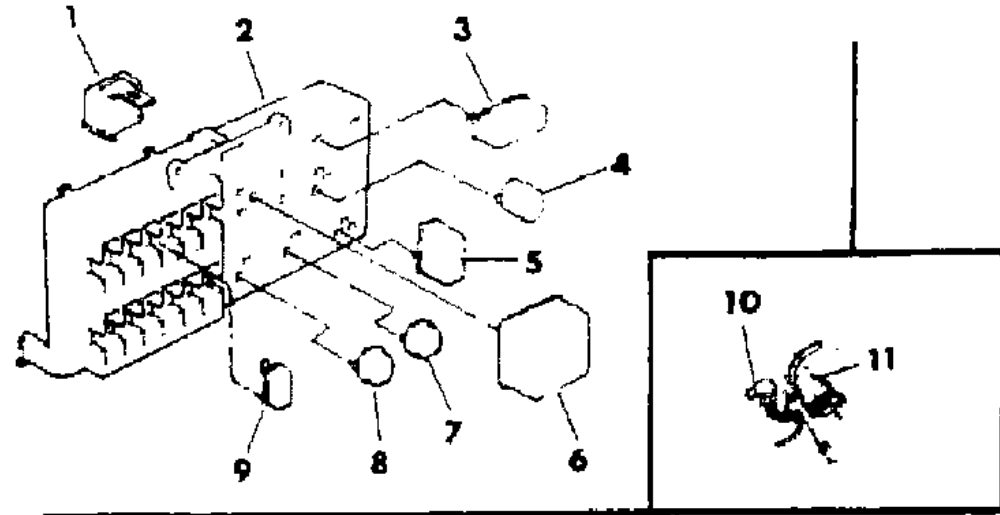
BODY STYLES

21 = 2-DOOR SEDAN	28 = FWD PICKUP	44 = 4-DOOR HATCHBACK
22 = 2-DOOR SPECIAL COUPE	35 = FWD VAN	45 = 4-DOOR STATION WAGON
24 = 2-DOOR HATCHBACK	36 = FWD WAGON	48 = 4-DOOR EXECUTIVE SEDAN
27 = 2-DOOR CONVERTIBLE	41 = 4-DOOR SEDAN	

AR = Use as Required - = Non Illustrated Part P.A.R. = Paint as Required

INSTRUMENT PANEL WIRING C,V,E,T (EXCEPT C,V 24)
Figure 8A-1000

4162 1000



ITEM	PART NUMBER	QTY	BODY	MODEL	DESCRIPTION
1					RELAY, Window Lift Safety (Serviced in #2)
2	4274 566	1			MODULE, Fuse Block
	4304 612	1			BRACKET, Fuse Block Module Mtg.
	4124 752	1			TERMINAL, Buzz Bar, 3 Way
	4124 258	1			1 Way
3	4221 730	1			BUZZER, Key, Headlamp and Seat Belt Warning
	4312 627	1			CHIMES, Control
	4222 555	1			BRACKET, Chimes
	0152 490	1			U/NUT, Chime Mtg.
4	2889 565	1			RELAY, Time Delay
	4221 065	1			RELAY, Power Amplifier
	4221 684	1			RELAY, Radiator Fan
5	3747 298	1			RELAY, Horn
	4221 272	1			RELAY, Radiator Fan Motor, w/Air, w/2.2 Eng.
6		1			RELAY, Heated Backlite (Serviced in Switch)
	4221 542	1			RELAY, Radiator Fan Motor
	4221 285	1			RELAY, Radiator Fan Control, w/2.6 Eng.
	4221 386	1			RELAY, Radiator Fan Motor w/Air, w/2.6 Eng.
7	2932 877	1			FLASHER, Hazzard Warning
8	3837 161	1			FLASHER, Turn Signal 2 Lamp
	3837 162	1			3 Lamp
9					BREAKER, Circuit
	4186 377	AR			6 Amp.
	4186 379	AR			30 Amp.
10	4221 413	1			RELAY, Air Conditioning Cutoff
11					CONTROL (Refer to Group 24)
12					WIRING, Instrument Panel Main
	4304 802	1			w/o Audible Message Center, w/o Forward Console
	4304 925	1			w/Audible Message Center, w/o Forward Console
	4304 926	1			w/Electronic Cluster, Audible Message Center and Forward Console
					WIRING, Instrument Panel Auxillary
	4304 099	1			Speed Control Jumper Repair
	4304 097	1			Speed Control, w/Manual Trans.
	4304 072	1		27	Courtesy Lamps
	4304 038	1			Instrument Panel Stereo Speakers
	4304 039	1			Instrument Panel Premium Speakers
	4304 738	1			Instrument Panel Speaker w/Illuminated Entry

MODEL CODES

B = GRAN FURY	F = FIFTH AVENUE/NEWPORT	P = RELIANT
C = LEBARON/TOWN & COUNTRY/EXC SEDAN	G = DIPLOMAT	T = E CLASS/NEW YORKER
C24 = LASER	H = VOYAGER	V = 600
D = ARIES	K = MINI RAM/CARAVAN/ROYAL	V24 = DAYTONA
E = 600	M = HORIZON/TURISMO	Z = OMNI/CHARGER/RAMPAGE

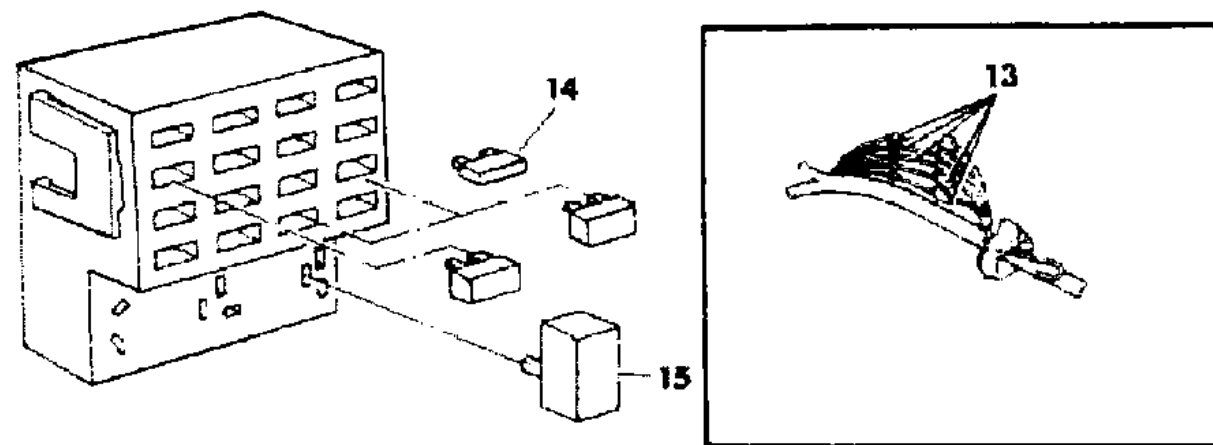
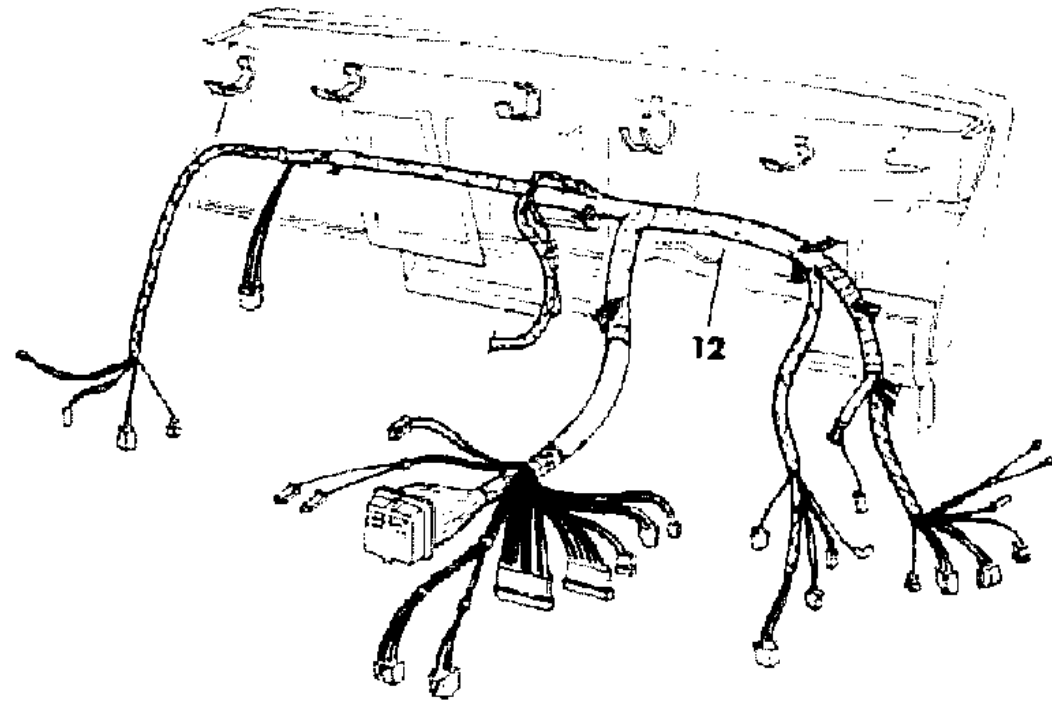
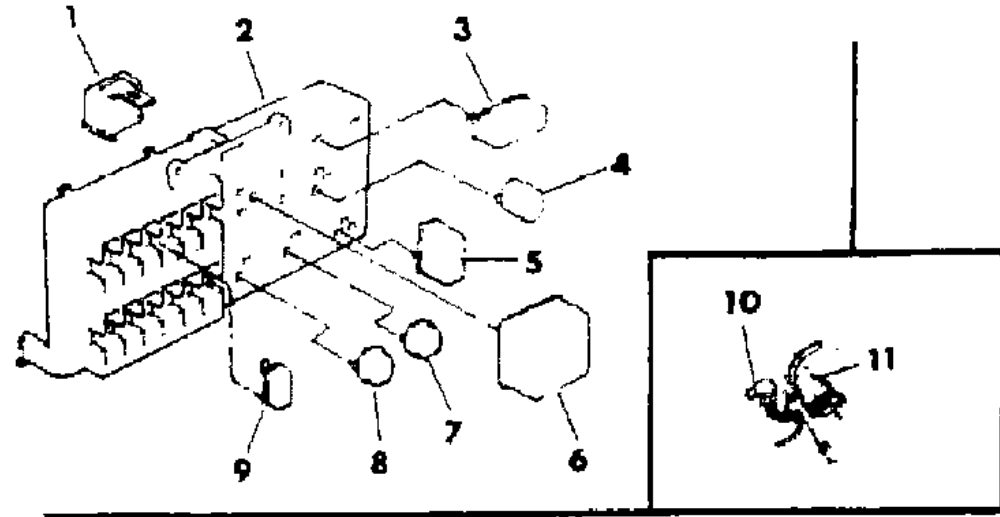
BODY STYLES

21 = 2-DOOR SEDAN	28 = FWD PICKUP	44 = 4-DOOR HATCHBACK
22 = 2-DOOR SPECIAL COUPE	35 = FWD VAN	45 = 4-DOOR STATION WAGON
24 = 2-DOOR HATCHBACK	36 = FWD WAGON	48 = 4-DOOR EXECUTIVE SEDAN
27 = 2-DOOR CONVERTIBLE	41 = 4-DOOR SEDAN	

AR = Use as Required - = Non Illustrated Part P.A.R. = Paint as Required

INSTRUMENT PANEL WIRING C,V,E,T (EXCEPT C,V 24)
Figure 8A-1000

4162 1000



ITEM	PART NUMBER	QTY	BODY	MODEL	DESCRIPTION
13	4274 161	1			DIODE and MOLD, Repair Package
	4274 091	1			W/Air and Heated Backlite
	4026 095	1			CABLE, Fusible Link (25' Roll)
	4026 094	1			No. 16 Blue
	4026 093	1			No. 14 Red
	4026 092	1			No. 12 Black
	4026 091	1			No. 10 Green
14	4026 096	1			No. 18 Grey
	4131 507	1			No. 20 Orange
					FUSE, Blade Type
	6101 132	AR			4 Amp.
	6101 131	AR			3 Amp.
	6101 133	AR			5 Amp.
	6101 137	AR			20 Amp.
15	6101 139	AR			30 Amp.
	6101 138	AR			25 Amp.
					BREAKER, Circuit
	3747 809	AR			20 Amp.
	3747 810	AR			30 Amp.

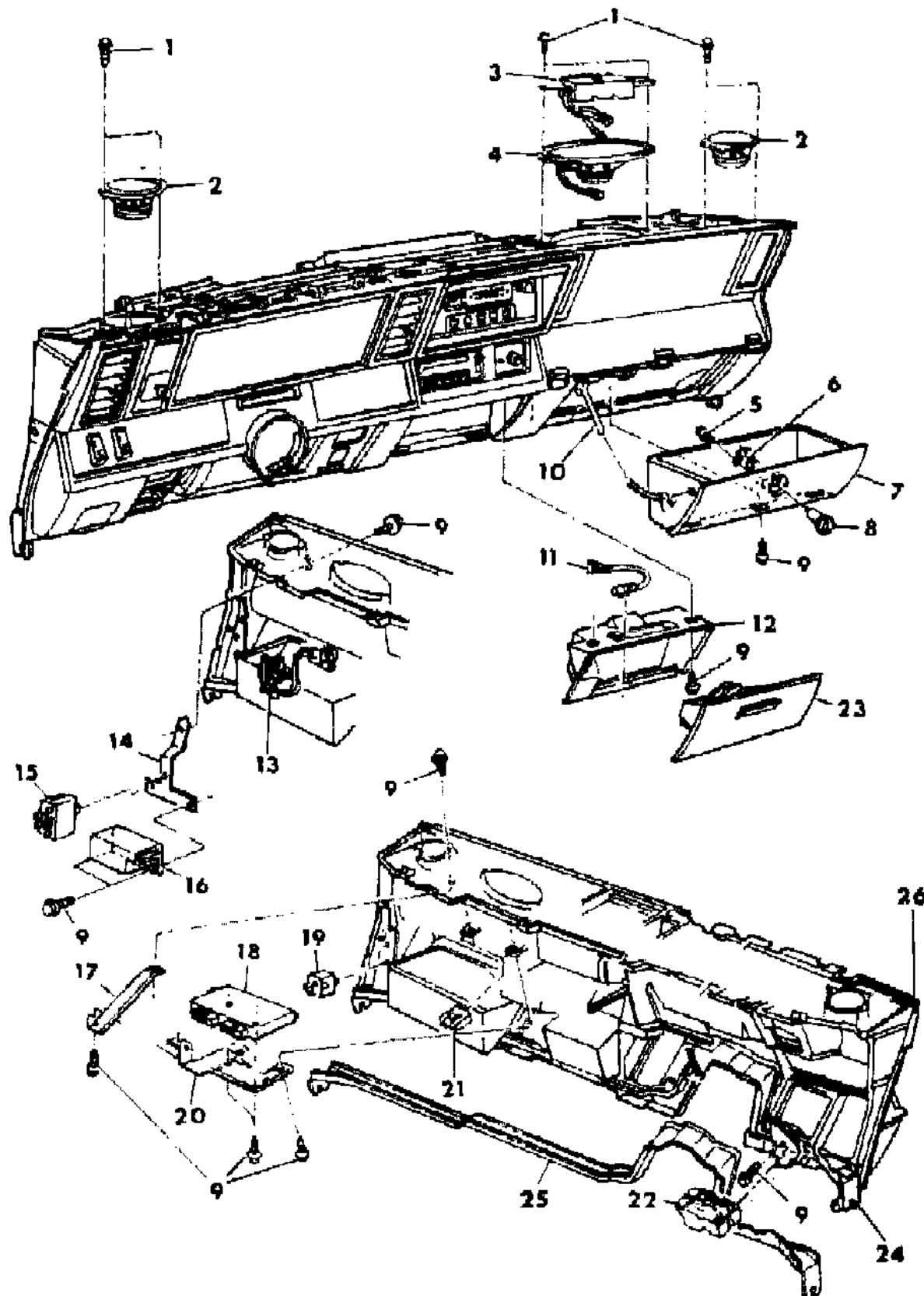
MODEL CODES
 B = GRAN FURY
 C = LEBARON/TOWN & COUNTRY/EXC SEDAN
 C24 = LASER
 D = ARIES
 E = 600
 F = FIFTH AVENUE/NEWPORT
 G = DIPLOMAT
 H = VOYAGER
 K = MINI RAM/CARAVAN/ROYAL
 M = HORIZON/TURISMO
 P = RELIANT
 T = E CLASS/NEW YORKER
 V = 600
 V24 = DAYTONA
 Z = OMNI/CHARGER/RAMPAGE

BODY STYLES
 21 = 2-DOOR SEDAN
 22 = 2-DOOR SPECIAL COUPE
 24 = 2-DOOR HATCHBACK
 27 = 2-DOOR CONVERTIBLE
 28 = FWD PICKUP
 35 = FWD VAN
 36 = FWD WAGON
 41 = 4-DOOR SEDAN
 44 = 4-DOOR HATCHBACK
 45 = 4-DOOR STATION WAGON
 48 = 4-DOOR EXECUTIVE SEDAN

AR = Use as Required - = Non Illustrated Part P.A.R. = Paint as Required

INSTRUMENT PANEL GLOVEBOX, ASH RECEIVER AND SPEAKERS C,V,E,T (EXCEPT C,V 24)
Figure 8A-1100

4182 1100



ITEM	PART NUMBER	QTY	BODY	MODEL	DESCRIPTION
1		AR			SCREW (DNS)
2					SPEAKER, Instrument Panel
	4222 528	AR			w/Four Speaker System
	4311 490	AR			w/Six Speaker System
	4293 934	1			Clarion #S32 Cry.
					SPEAKERS, Rear Compartment
	4222 531	2			E.T.R. Stereo
	4293 935	2			Clarion #S35 Cry.
	4222 776	2		C,V 27	
	4222 575	2		C,V 27	ADAPTER, Rear Compartment Stereo Speakers
	4048 970	1		C 45	BRACKET, Rear Speaker Mtg.
	W235 BT8	2		C 45	GRILLE, Rear Speaker
	D504-5 CL3	1		C,V 27	Beige
	D504-5 CM6	1		C,V 27	Red
	D504-5 CS8	1		C,V 27	Charcoal
	D504-5 CT8	1		C,V 27	Brown
	4048 984	AR		C 45	CLIP, Rear Speaker Grille Mtg.
					WIRING, Rear Speaker
	4304 256	1			w/Four Speakers
	4274 127	1		C 45	Left Rear Speaker
	4274 981	1		C 45	w/Premium Rear Speakers
	4339 822	1		Sedan	
	4339 998	1		Limo	
3		1			AMPLIFIER, Audio Power
	4222 606	1			Up to 12-7-83
	4311 497	1			After 12-7-83
	4221 065	1			RELAY, Power Amplifier(Control Unit)
	4048 784	1			COIL, Power Amplifier (Radio Choke)
4	4311 098	1			SPEAKER, Instrument Panel Center
5		1			SCREW (DNS)
6	3508 886	1			LATCH, Glove Box Lock Cylinder
	4220 092	1			CATCH, Glove Box Lock
7					GLOVE BOX and DOOR
	P687 BC7	1			Blue
	P687 BT8	1			Brown
	P687 CS8	1			Charcoal
	P687 BM6	1			Red
	4221 170	1			LAMP and SWITCH, Glove Box

MODEL CODES

B = GRAN FURY	F = FIFTH AVENUE/NEWPORT	P = RELIANT
C = LEBARON/TOWN & COUNTRY/EXC SEDAN	G = DIPLOMAT	T = E CLASS/NEW YORKER
C24 = LASER	H = VOYAGER	V = 600
D = ARIES	K = MINI RAM/CARAVAN/ROYAL	V24 = DAYTONA
E = 600	M = HORIZON/TURISMO	Z = OMNI/CHARGER/RAMPAGE

BODY STYLES

21 = 2-DOOR SEDAN	28 = FWD PICKUP	44 = 4-DOOR HATCHBACK
22 = 2-DOOR SPECIAL COUPE	35 = FWD VAN	45 = 4-DOOR STATION WAGON
24 = 2-DOOR HATCHBACK	36 = FWD WAGON	48 = 4-DOOR EXECUTIVE SEDAN
27 = 2-DOOR CONVERTIBLE	41 = 4-DOOR SEDAN	

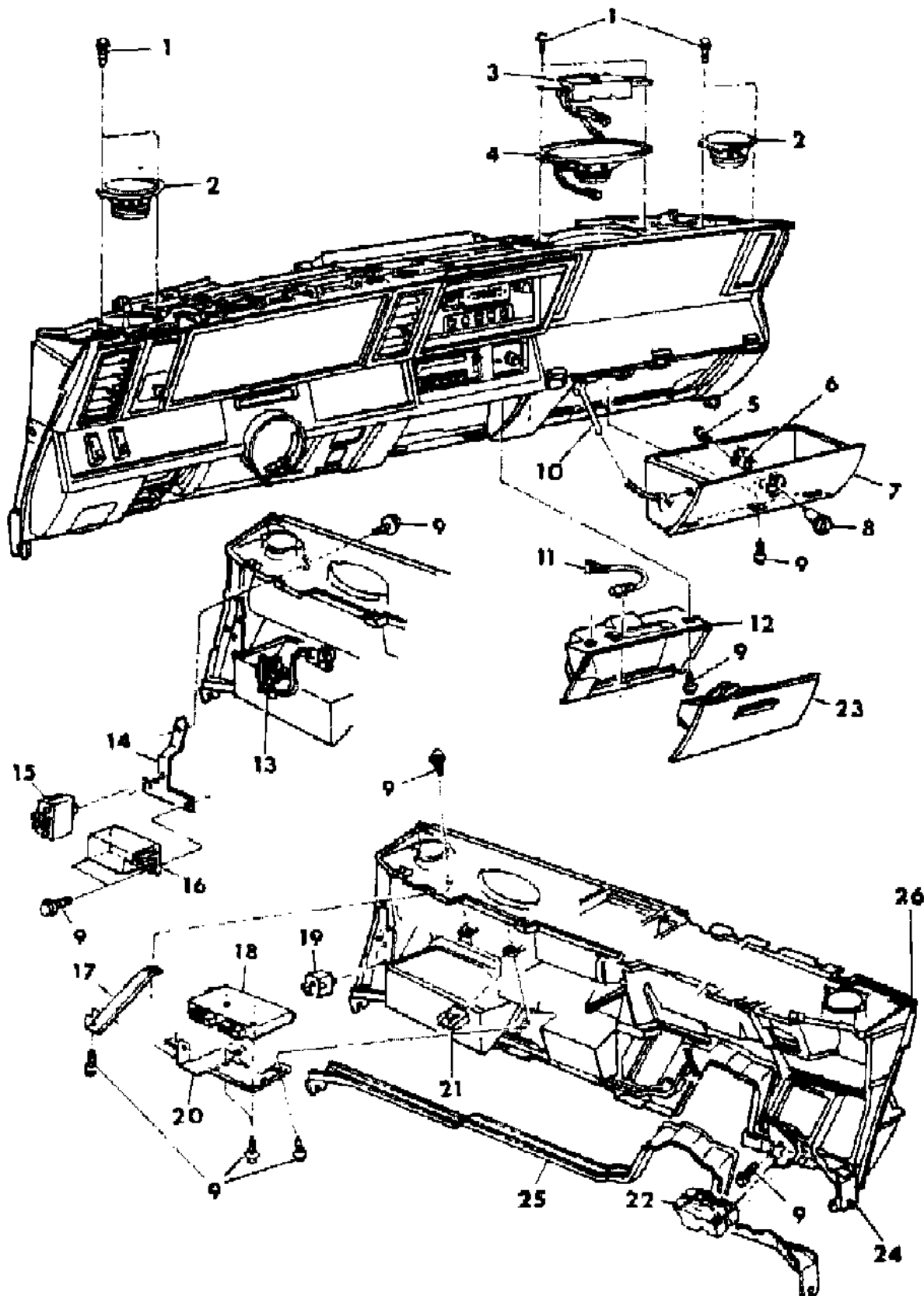
AR = Use as Required - = Non Illustrated Part P.A.R. = Paint as Required

INSTRUMENT PANEL GLOVEBOX, ASH RECEIVER AND SPEAKERS C,V,E,T (EXCEPT C,V 24)

Figure 8A-1100

4182 1100

ITEM	PART NUMBER	QTY	BODY	MODEL	DESCRIPTION
	0152 244	1			BULB, Glove Box Lamp
8		1			CYLINDER w/KEY, Refer to 23D
9		AR			SCREW (DNS)
10	4047 424	1			CABLE, Glove Box Door Check
11	3747 452	1			LAMP, Ash Receiver
12	4047 230	1			HOUSING, Ash Receiver
	9421 330	1			BULB, Ash Rec. Lamp
	3746 516	1			SOCKET, Ash Rec. Lamp
	6028 213	1			U/NUT, Ash Rec. Housing, Right
13	4048 784	1			COIL, Power Amplifier(Radio Choke)
14	4222 555	1			BRACKET, Chime and Buzzer Mtg.
15	4221 730	1		C, V	BUZZER, Warning w/o Electronic Switch
16	4312 627	1			CONTROL, Warning Signal Chimes
17	4312 023	1			SUPPORT, Voice Alert
18	4312 744	1			CONTROL, Electronic Voice Alert
19	3747 299	1		C 45	RELAY, Liftgate Release
20	4312 022	1			BRACKET, Electronic Voice Alert Mtg.
21	0152 490	2			U-NUT, Up to 12-12-83
	6032 719	2			After 12-12-83
22	4312 002	1			CONTROL w/BRACKET, Windshield Wiper w/Deluxe Wiper
23	4267 268	1			FACE PLATE w/Ash Receiver
24	4047 568-9	1			SUPPORT, Lower Reinforcement End
25	4220 708	1			REINFORCEMENT, Lower
26					PANEL, Instrument
	P417 CS8	1			Electronic Type
	P493 CC7	1			Non Electronic Type



MODEL CODES

B = GRAN FURY	F = FIFTH AVENUE/NEWPORT	P = RELIANT
C = LEBARON/TOWN & COUNTRY/EXC SEDAN	G = DIPLOMAT	T = E CLASS/NEW YORKER
C24 = LASER	H = VOYAGER	V = 600
D = ARIES	K = MINI RAM/CARAVAN/ROYAL	V24 = DAYTONA
E = 600	M = HORIZON/TURISMO	Z = OMNI/CHARGER/RAMPAGE

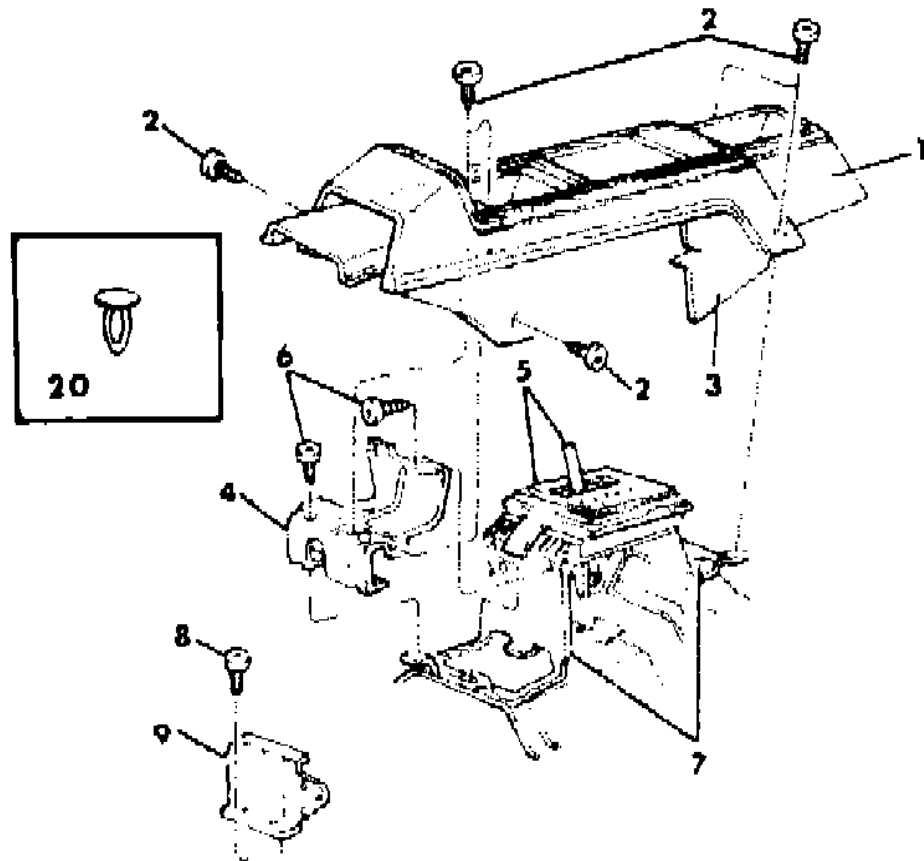
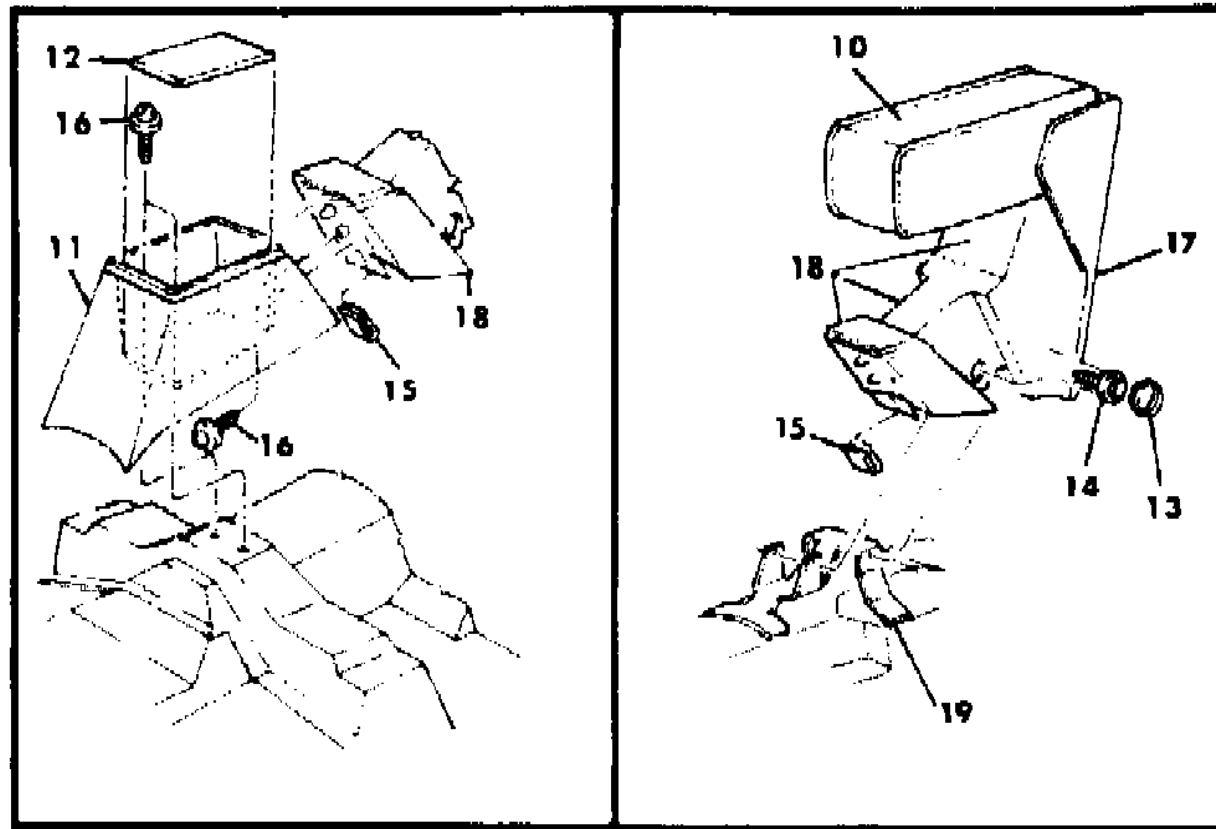
BODY STYLES

21 = 2-DOOR SEDAN	28 = FWD PICKUP	44 = 4-DOOR HATCHBACK
22 = 2-DOOR SPECIAL COUPE	35 = FWD VAN	45 = 4-DOOR STATION WAGON
24 = 2-DOOR HATCHBACK	36 = FWD WAGON	48 = 4-DOOR EXECUTIVE SEDAN
27 = 2-DOOR CONVERTIBLE	41 = 4-DOOR SEDAN	

AR = Use as Required - = Non Illustrated Part P.A.R. = Paint as Required

CONSOLE AND ARMREST C,V (EXCEPT C,V 24)
Figure 8A-1200

41R2 1200



ITEM	PART NUMBER	QTY	BODY	MODEL	DESCRIPTION
1					CONSOLE, w/o CARPET
	F466 CS8	1			w/Manual Trans.
	F467 CS8	1			w/Auto Trans.
2		AR			SCREW (DNS)
3					CARPET, Console
	F402-3 CS8	1			Charcoal
	F402-3 CC7	1			Blue
	F402-3 CM6	1			Red
	F402-3 CT9	1			Brown
4	4078 983	1			BRACKET, Console Front w/Auto Trans.
5		1			HOUSING, Shift Indicator (Refer to Group 21)
6	9414 722	AR			SCREW
7					REINFORCEMENT, Gear Selector to Floor Pan Mtg.
	4206 371	1			w/Auto Trans.
	4278 732	1			w/Manual Trans.
8	6032 456	2			SCREW
9	4247 686	1			BRACKET, Console Front w/Manual Trans.
10					ARMREST, Console
					Vinyl
	F328 AM6	1	V8M		Up to 5-8-84
	F244 CM6	1	V8M		After 5-8-84
	F328 BL3	1	V8L		Up to 3-30-84
	F244 CL3	1	V8L		After 3-30-84
					Cloth
	F327 CS8	1	J5S		Jefferson
	F327 CS8	1	J5S		Up to 3-28-84 Newark, 3-26-84 St. Louis
	F233 CS8	1	J5S		After 3-28-84 Newark, 3-26-84 St. Louis
	F327 AC7	1	J5C		Jefferson
	F327 AC7	1	J5C		Up to 5-3-84 Newark and St. Louis
	F233 CC7	1	J5C		After 5-3-84 Newark and St. Louis
	F327 AM6	1	J5M		Jefferson
	F327 AM6	1	J5M		Up to 5-3-84 Newark, 5-8-84 St. Louis
	F233 CM6	1	J5M		After 5-3-84 Newark, 5-8-84 St. Louis
	F327 BL3	1	J5L		Jefferson
	F327 BL3	1	J5L		Up to 3-30-84 Newark, 4-11-84 St. Louis
	F233 CL3	1	J5L		After 3-30-84 Newark, 4-11-84 St. Louis
	F327 BT8	1	J5T		Jefferson
	F327 BT8	1	J5T		Up to 3-28-84 Newark, 4-3-84 St. Louis

MODEL CODES

B = GRAN FURY	F = FIFTH AVENUE/NEWPORT	P = RELIANT
C = LEBARON/TOWN & COUNTRY/EXC SEDAN	G = DIPLOMAT	T = E CLASS/NEW YORKER
C24 = LASER	H = VOYAGER	V = 600
D = ARIES	K = MINI RAM/CARAVAN/ROYAL	V24 = DAYTONA
E = 600	M = HORIZON/TURISMO	Z = OMNI/CHARGER/RAMPAGE

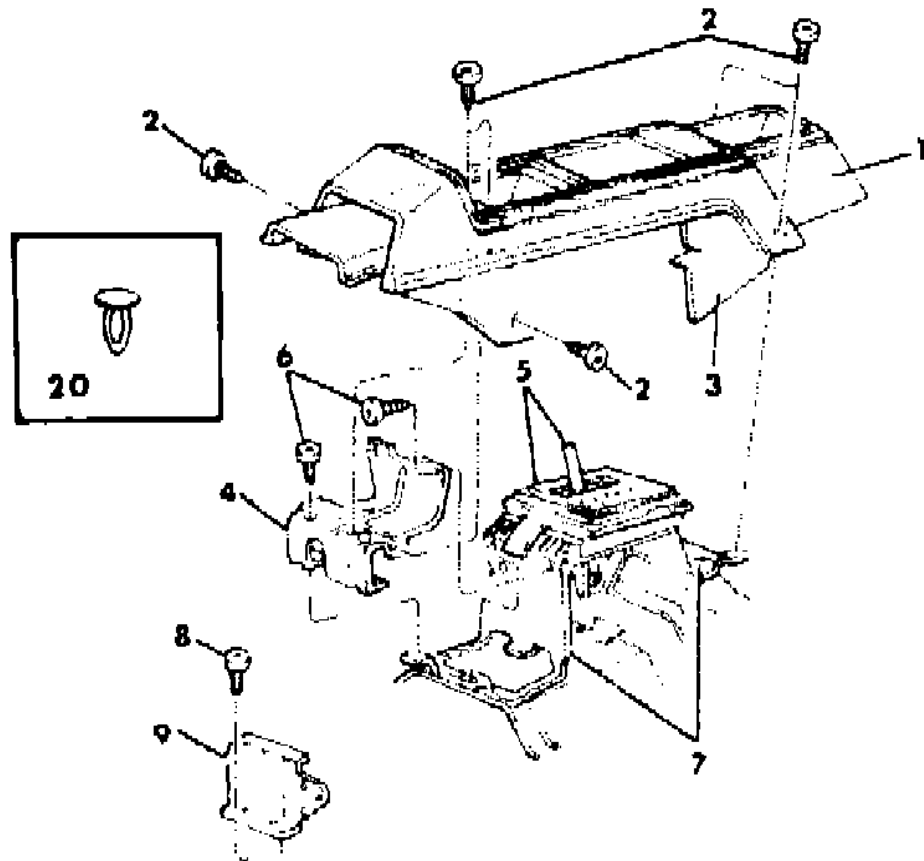
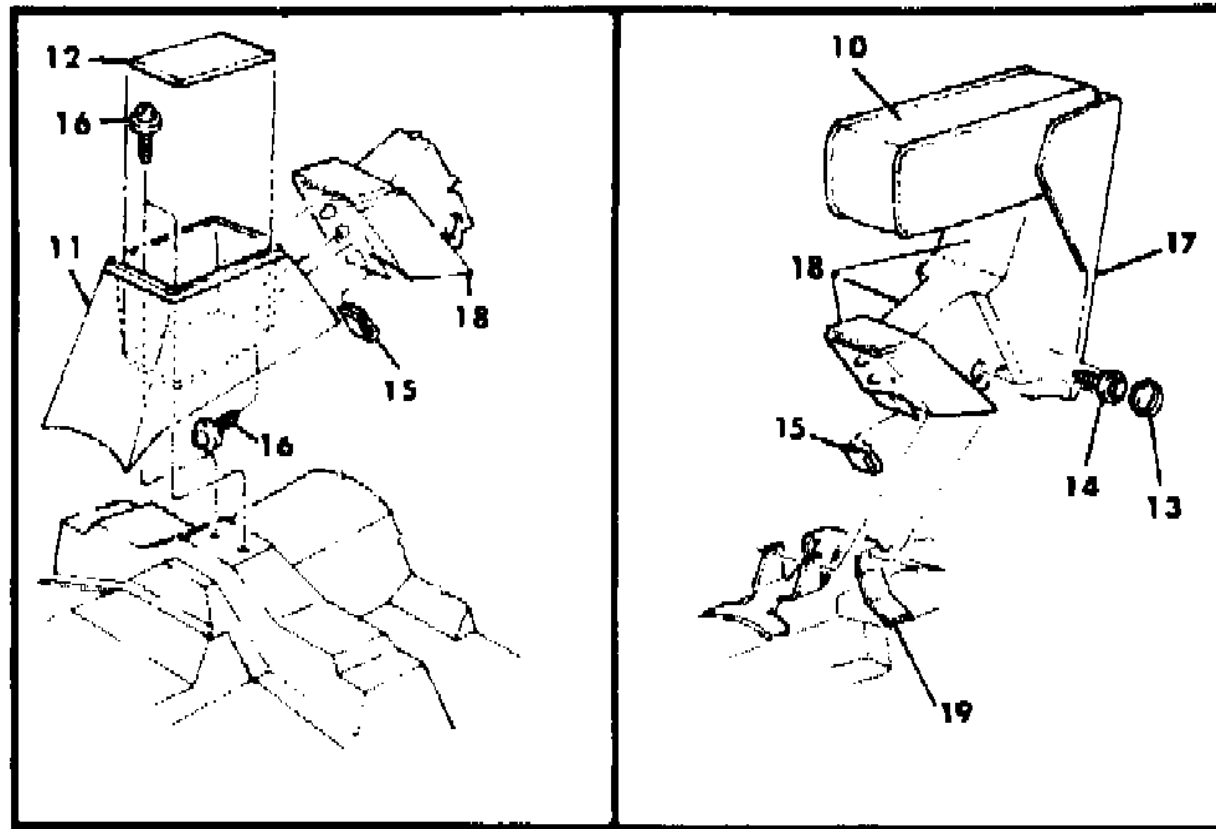
BODY STYLES

21 = 2-DOOR SEDAN	28 = FWD PICKUP	44 = 4-DOOR HATCHBACK
22 = 2-DOOR SPECIAL COUPE	35 = FWD VAN	45 = 4-DOOR STATION WAGON
24 = 2-DOOR HATCHBACK	36 = FWD WAGON	48 = 4-DOOR EXECUTIVE SEDAN
27 = 2-DOOR CONVERTIBLE	41 = 4-DOOR SEDAN	

AR = Use as Required - = Non Illustrated Part P.A.R. = Paint as Required

CONSOLE AND ARMREST C,V (EXCEPT C,V 24)
Figure 8A-1200

41R2 1200



ITEM	PART NUMBER	QTY	BODY	MODEL	DESCRIPTION
	F233 CT8	1		J5T	After 3-28-84 Newark, 4-3-84 St. Louis
	F247 CS8	1		E5AS,H7	Newark
	F247 CS8	1		E5AS,H7	Jefferson and St. Louis
	F247 CC7	1		E5C8,H7	Newark and Jefferson
	F343 BC7	1		E5C8,H7	Up to 5-3-84 St. Louis
	F247 CC7	1		E5C8,H7	After 5-3-84 St. Louis
	F247 CM6	1		E5M,H7M	Newark
	F343 BT8	1		E5LT,H7	Up to 5-10-84
	F247 CM6	1		E5M,H7M	After 5-2-84 St. Louis and Jefferson
	F247 CT8	1		E5LT,H7	Newark
	F343 BT8	1		E5LT,H7	Up to 5-10-84 Jefferson and St. Louis
	F247 CT8	1		E5LT,H7	After 5-10-84 Jefferson and St. Louis
11					HOUSING, Storage Compartment
	F450 CT8	1			Jefferson
	F450 CT8	1			Up to 4-25-84 Newark and St. Louis
	F325 DT5	1			After 4-25-84 Newark and St. Louis
12	4247 391	1			PLATE
13					PLUG
	F332 BT8	4			Jefferson
	F332 BT8	4			Up to 5-3-84 Newark and St. Louis
	F515 EK1	4			After 5-3-84 Newark and St. Louis
14	0181 063	4			BOLT
15	0152 490	3			U/NUT
16					SCREW (DNS)
17	F497 CT8	1			Cover, Rear Armrest
18					HOUSING, Rear Center Armrest
	F498 CT8	1			Up to 5-3-84 St. Louis
	4364 482	1			After 5-3-84 St. Louis
	4364 482	1			Jefferson and Newark
					BRACKET, Inside #18
	4282 208	1			Up to 4-10-84 Jefferson and St. Louis
	4283 710	1			After 4-10-84 Jefferson and St. Louis
	4283 710	1			Newark
19	4282 209	1			BRACKET
20	4247 835	1			FASTENER, Front Stowage Box to Bracket

MODEL CODES

B = GRAN FURY	F = FIFTH AVENUE/NEWPORT	P = RELIANT
C = LEBARON/TOWN & COUNTRY/EXC SEDAN	G = DIPLOMAT	T = E CLASS/NEW YORKER
C24 = LASER	H = VOYAGER	V = 600
D = ARIES	K = MINI RAM/CARAVAN/ROYAL	V24 = DAYTONA
E = 600	M = HORIZON/TURISMO	Z = OMNI/CHARGER/RAMPAGE

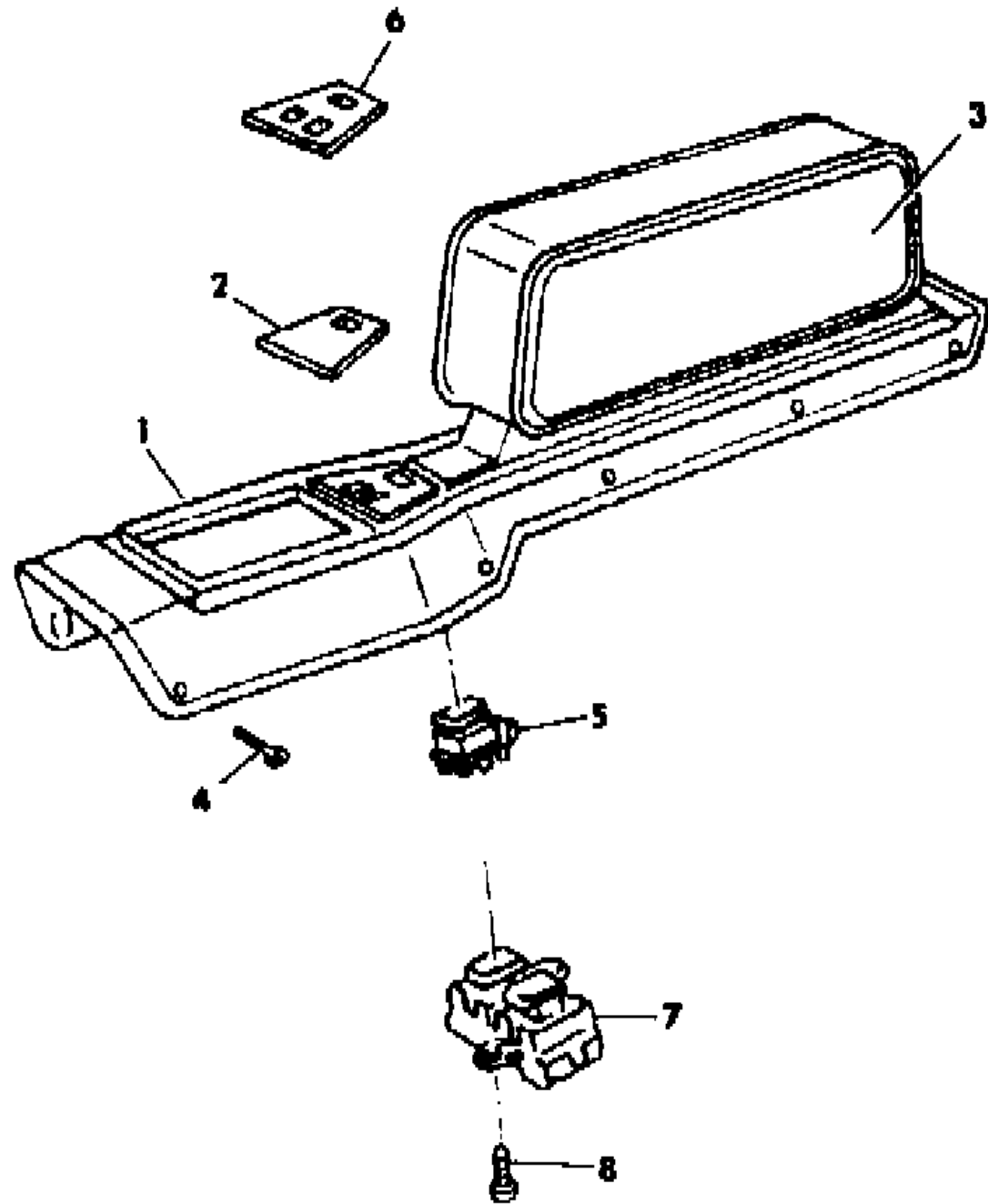
BODY STYLES

21 = 2-DOOR SEDAN	28 = FWD PICKUP	44 = 4-DOOR HATCHBACK
22 = 2-DOOR SPECIAL COUPE	35 = FWD VAN	45 = 4-DOOR STATION WAGON
24 = 2-DOOR HATCHBACK	36 = FWD WAGON	48 = 4-DOOR EXECUTIVE SEDAN
27 = 2-DOOR CONVERTIBLE	41 = 4-DOOR SEDAN	

AR = Use as Required - = Non Illustrated Part P.A.R. = Paint as Required

CONSOLE AND ARMREST C,V 27
Figure 8A-1300

4182 1300



ITEM	PART NUMBER	QTY	BODY	MODEL	DESCRIPTION
1	F434 CS8	1			CONSOLE
2	4282 605	1			BEZEL, Switch
3					ARMREST
	F405 CKT	1		RLTK	
	F405 CAS	1		RLSA	
	F405 BL3	1		V8L	
	F405 BM6	1		V8M	
	F405 BW1	1		V8MW	
					w/o Mark Cross Pkg.
	F499 CAS	1		GLSA	
	F499 CKT	1		GLTK	
4		AR			SCREW (DNS)
5	3747 935	1			SWITCH, Folding Top
6	4248 907	1			BEZEL, Switch w/Electric Quarter Windows
7	3747 936	1			SWITCH, Electric Quarter Window
8		AR			SCREW (DNS)

MODEL CODES

B = GRAN FURY	F = FIFTH AVENUE/NEWPORT	P = RELIANT
C = LEBARON/TOWN & COUNTRY/EXC SEDAN	G = DIPLOMAT	T = E CLASS/NEW YORKER
C24 = LASER	H = VOYAGER	V = 600
D = ARIES	K = MINI RAM/CARAVAN/ROYAL	V24 = DAYTONA
E = 600	M = HORIZON/TURISMO	Z = OMNI/CHARGER/RAMPAGE

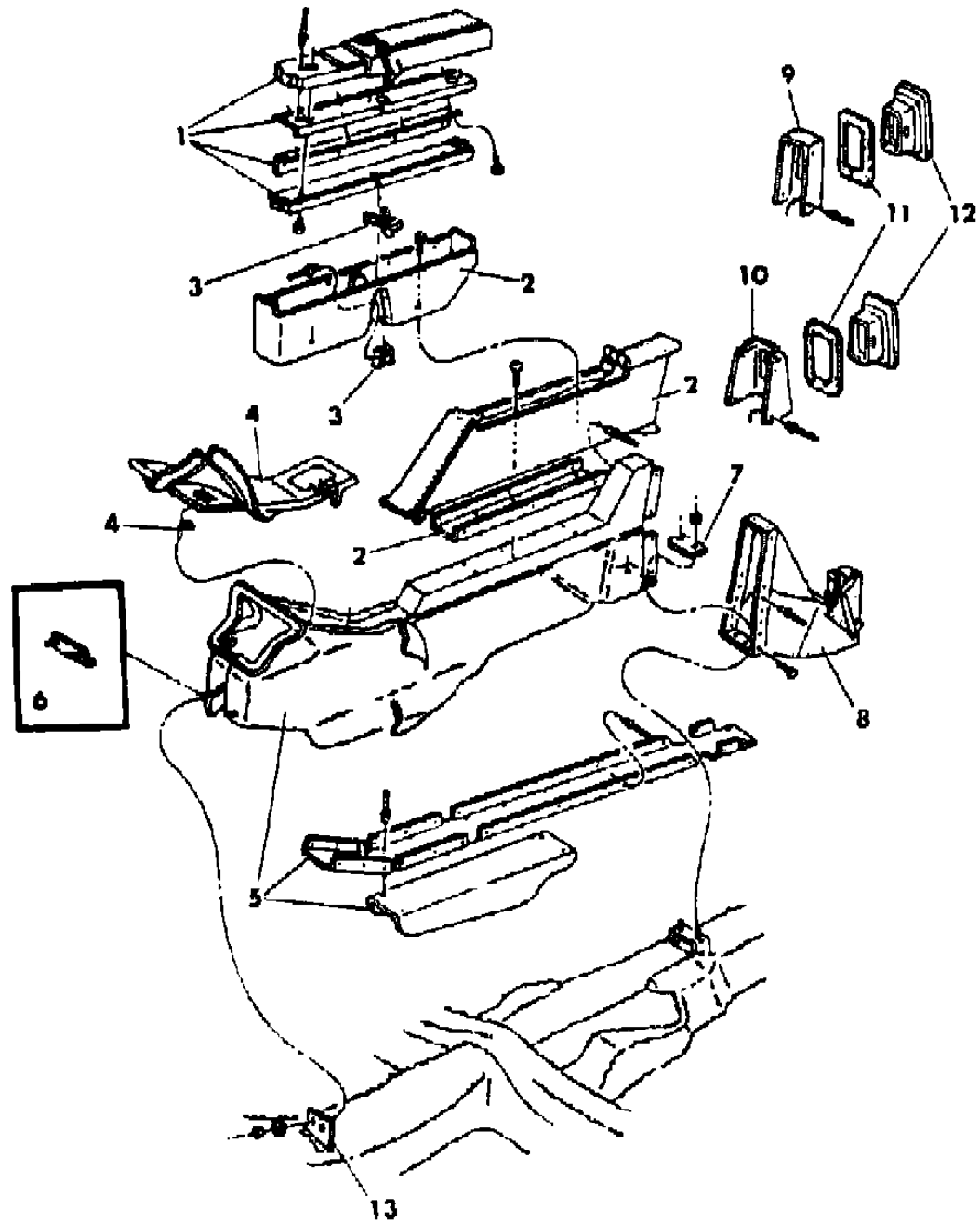
BODY STYLES

21 = 2-DOOR SEDAN	28 = FWD PICKUP	44 = 4-DOOR HATCHBACK
22 = 2-DOOR SPECIAL COUPE	35 = FWD VAN	45 = 4-DOOR STATION WAGON
24 = 2-DOOR HATCHBACK	36 = FWD WAGON	48 = 4-DOOR EXECUTIVE SEDAN
27 = 2-DOOR CONVERTIBLE	41 = 4-DOOR SEDAN	

AR = Use as Required - = Non Illustrated Part P.A.R. = Paint as Required

CONSOLE, FRONT SEDAN AND LIMO
Figure 8A-1400

4182 1400



ITEM	PART NUMBER	QTY	BODY	MODEL	DESCRIPTION
1					COVER, Storage Compartment, w/Latch
	4364 166	1			Silver
	4364 167	1			Blue
2					CONSOLE, Upper w/Compartment Cover and Striker
	4364 226	1		Sedan	Silver
	4364 227	1		Sedan	Blue
	4364 224	1		Limo	Silver
	4364 225	1		Limo	Blue
					COVER, Upper Console
	4339 840	1		Sedan	Silver
	4339 841	1		Sedan	Blue
	4339 752	1		Limo	Silver
	4339 753	1		Limo	Blue
3	4342 082	1			STRIKER and LATCH PACKAGE
4		1			EXTENSION, Console (Served in #5)
5					CONSOLE, Lower w/Carpet
	4339 844	1		Sedan	Silver
	4339 845	1		Sedan	Blue
	4342 156	1		Limo	Silver
	4342 157	1		Limo	Blue
					CARPET, Lower Console
	4342 198	1			Charcoal
	4342 081	1			Blue
6	4339 794	1			BRACKET, Front
7	4339 795	1			BRACKET, Upper Rear
8	4342 046	1			DIVERTER
9		1		Sedan	HOUSING, Serviced in #2
10		1		Sedan	HOUSING, Serviced in #5
11				Sedan	TAPE (DNS)
12	3847 978	2		Sedan	BEZEL, Air Conditioning
	3503 739	2		Sedan	Louver
13	4339 797	1			BRACKET, Front Mtg.

MODEL CODES

B = GRAN FURY	F = FIFTH AVENUE/NEWPORT	P = RELIANT
C = LEBARON/TOWN & COUNTRY/EXC SEDAN	G = DIPLOMAT	T = E CLASS/NEW YORKER
C24 = LASER	H = VOYAGER	V = 600
D = ARIES	K = MINI RAM/CARAVAN/ROYAL	V24 = DAYTONA
E = 600	M = HORIZON/TURISMO	Z = OMNI/CHARGER/RAMPAGE

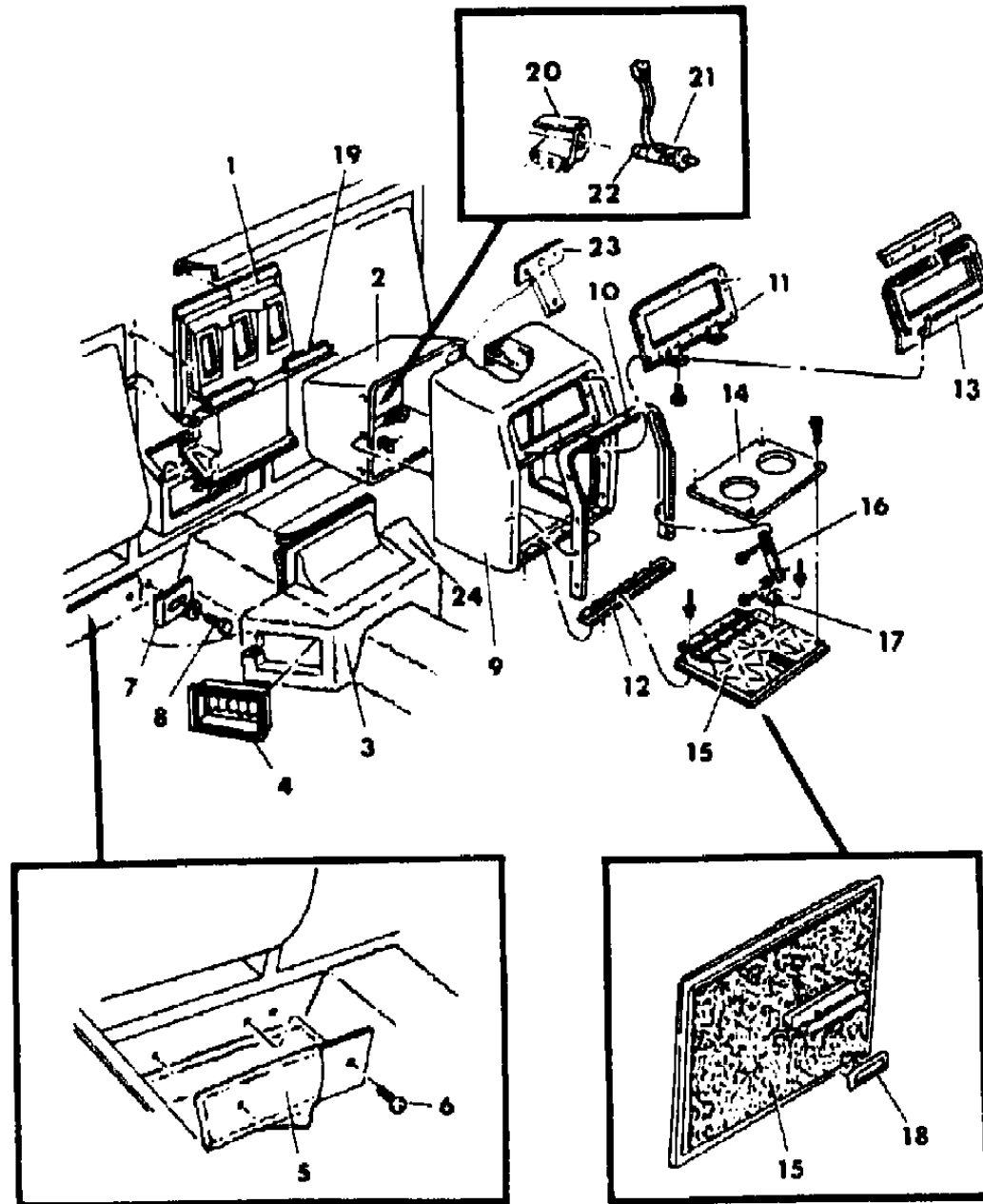
BODY STYLES

21 = 2-DOOR SEDAN	28 = FWD PICKUP	44 = 4-DOOR HATCHBACK
22 = 2-DOOR SPECIAL COUPE	35 = FWD VAN	45 = 4-DOOR STATION WAGON
24 = 2-DOOR HATCHBACK	36 = FWD WAGON	48 = 4-DOOR EXECUTIVE SEDAN
27 = 2-DOOR CONVERTIBLE	41 = 4-DOOR SEDAN	

AR = Use as Required - = Non Illustrated Part P.A.R. = Paint as Required

CONSOLE, REAR LIMO
Figure 8A-1500

4182 1500



ITEM	PART NUMBER	QTY	BODY	MODEL	DESCRIPTION
1	4342 023	1			DUCT, Upper Console
2	4342 036	1			BOX, Storage
3					BODY, Lower
	4342 029	1			Silver
	4342 030	1			Blue
	4342 163	1			Charcoal
	4342 034	1			Blue
	4342 199	1			Charcoal
4	3846 422	AR			BEZEL, Air Conditioning
	3503 739	AR			LOUVER
5					PANEL, Lower Divider
	4339 902-3	1			Silver
	4339 904-5	1			Blue
6					SCREW (DNS)
7	4342 045	2			BRACKET, Body Mtg.
8					BOLT (DNS)
9					BODY, Upper
	4342 031	1			Silver
	4342 032	1			Blue
10	4342 028	1			MOULDING, Console
11	4342 037	1			BRACKET, Faceplate Mtg.
12	4342 035	1			BRACKET, Door Mtg.
13	4342 128	1			FACEPLATE, Radio
14					PANEL, Door Inner, Serviced in #15
15	4342 129	1			DOOR
	4342 042	1			HARDWARE PACKAGE, Door
16					ARM, Door, Serviced in #15
17					BRACKET, Door, Serviced in #15
18	4342 041	1			NAME PLATE, Door
19	4342 044	1			BRACKET, Upper Mtg.
20	4342 043	1			HOUSING, Lamp
21	4221 170	1			SWITCH, Lamp
22					LAMP, Serviced in #21
23	4342 038	1			BRACKET, Radio Mtg.
24	4342 026	1			DUCT, Lower Air Conditioning

MODEL CODES

B = GRAN FURY	F = FIFTH AVENUE/NEWPORT	P = RELIANT
C = LEBARON/TOWN & COUNTRY/EXC SEDAN	G = DIPLOMAT	T = E CLASS/NEW YORKER
C24 = LASER	H = VOYAGER	V = 600
D = ARIES	K = MINI RAM/CARAVAN/ROYAL	V24 = DAYTONA
E = 600	M = HORIZON/TURISMO	Z = OMNI/CHARGER/RAMPAGE

BODY STYLES

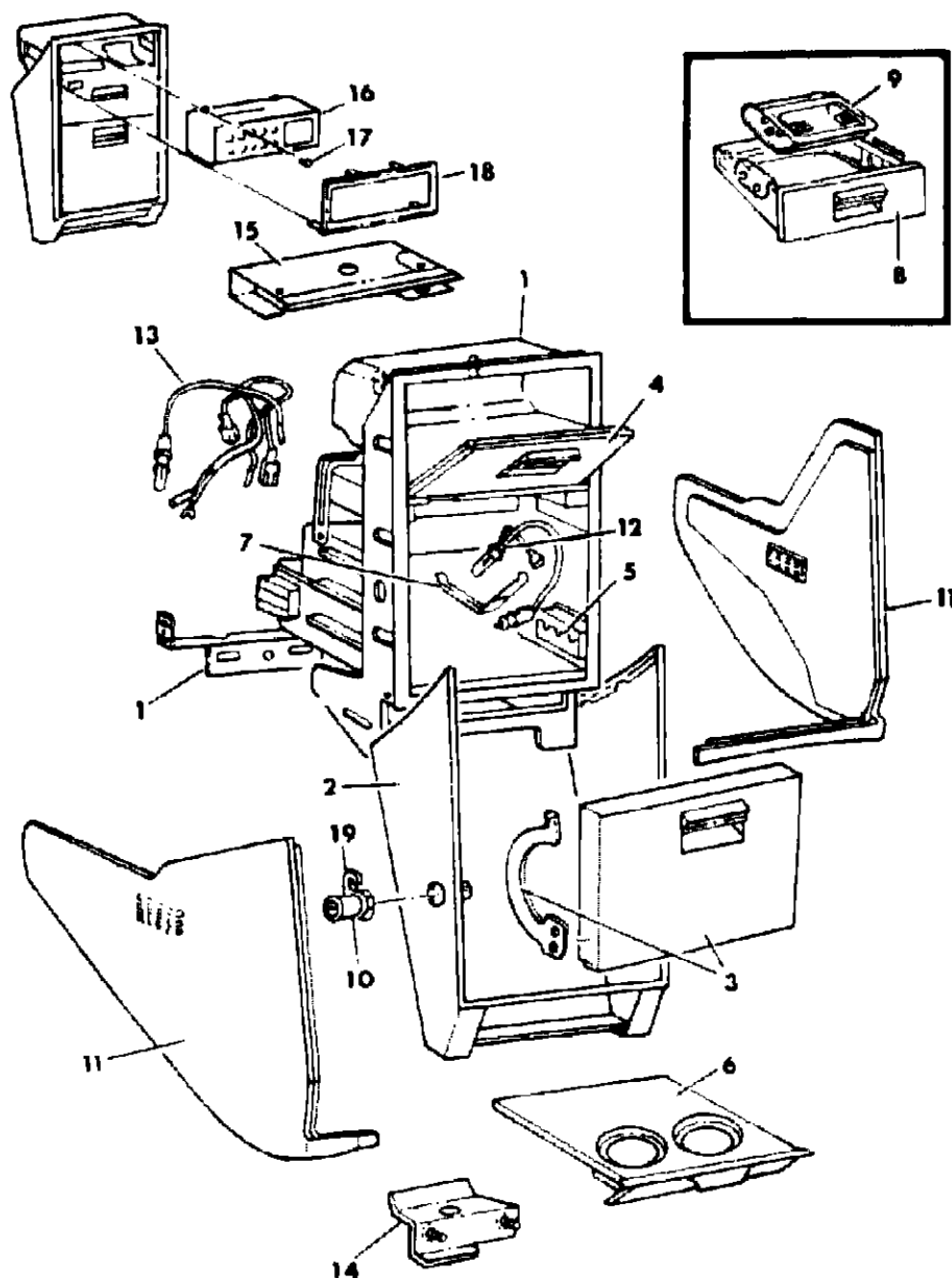
21 = 2-DOOR SEDAN	28 = FWD PICKUP	44 = 4-DOOR HATCHBACK
22 = 2-DOOR SPECIAL COUPE	35 = FWD VAN	45 = 4-DOOR STATION WAGON
24 = 2-DOOR HATCHBACK	36 = FWD WAGON	48 = 4-DOOR EXECUTIVE SEDAN
27 = 2-DOOR CONVERTIBLE	41 = 4-DOOR SEDAN	

AR = Use as Required - = Non Illustrated Part P.A.R. = Paint as Required

INSTRUMENT PANEL CONSOLE TP

Figure 8A-1600

4TR2 1600



ITEM	PART NUMBER	QTY	BODY	MODEL	DESCRIPTION
1					HOUSING, Console
	4311 473	1			w/o Navigator
	4311 474	1			w/Navigator
2	P428 CC7	1			BEZEL, Console
3	4311 477	1			DOOR, Console Glove Box
	4342 213	1			STRIKER, Glove Box Door Latch
4	4311 476	1			DOOR, Console Cubby Box, w/o Navigator
	4342 212	4			PIN, Cubby and Glove Box Door
	4342 214	1			STRIKER, Cubby Box Door Latch
5	4311 386	1			COIN HOLDER, Console
6	P429 CC7	1			CUP HOLDER, Console
7	4312 222	1			LENS, Storage Box
8	4311 475	1			ASH RECEIVER, Console
	4309 494	1			SLIDE, Ash Receiver
9	4311 478	1			RECEPTACLE, Ash Receiver
10		1			CYLINDER w/KEY, Console Glove Box, Refer to 23D
					KEY, Instrument Panel Console, Refer to 23D
11					CARPET, Console
	P440-1 BA7	1			Silver
	P440-1 BC7	1			Blue
	P440-1 BM6	1			Red
	P440-1 BT8	1			Brown
	P440-1 DT5	1			Tan
12	4304 669	1			WIRING, Switch and Lamp, Console
13	4304 591	1			WIRING, Console
	9421 330	1			BULB #161
	9425 542	1			BULB #168
14	4314 805	1			BRACKET w/WELD SCREW, Console
	6100 049	2			NUT w/Washer
15	4311 086	1			BRACKET, Instrument Panel Att.
16	4312 870	1			NAVIGATOR, Electronic
17		2			SCREW (DNS)
18	4311 483	1			BEZEL, Navigator Opening
19	4342 215	1			CAM, Instrument Panel Glove Box Lock Cylinder

MODEL CODES

B = GRAN FURY	F = FIFTH AVENUE/NEWPORT	P = RELIANT
C = LEBARON/TOWN & COUNTRY/EXC SEDAN	G = DIPLOMAT	T = E CLASS/NEW YORKER
C24 = LASER	H = VOYAGER	V = 600
D = ARIES	K = MINI RAM/CARAVAN/ROYAL	V24 = DAYTONA
E = 600	M = HORIZON/TURISMO	Z = OMNI/CHARGER/RAMPAGE

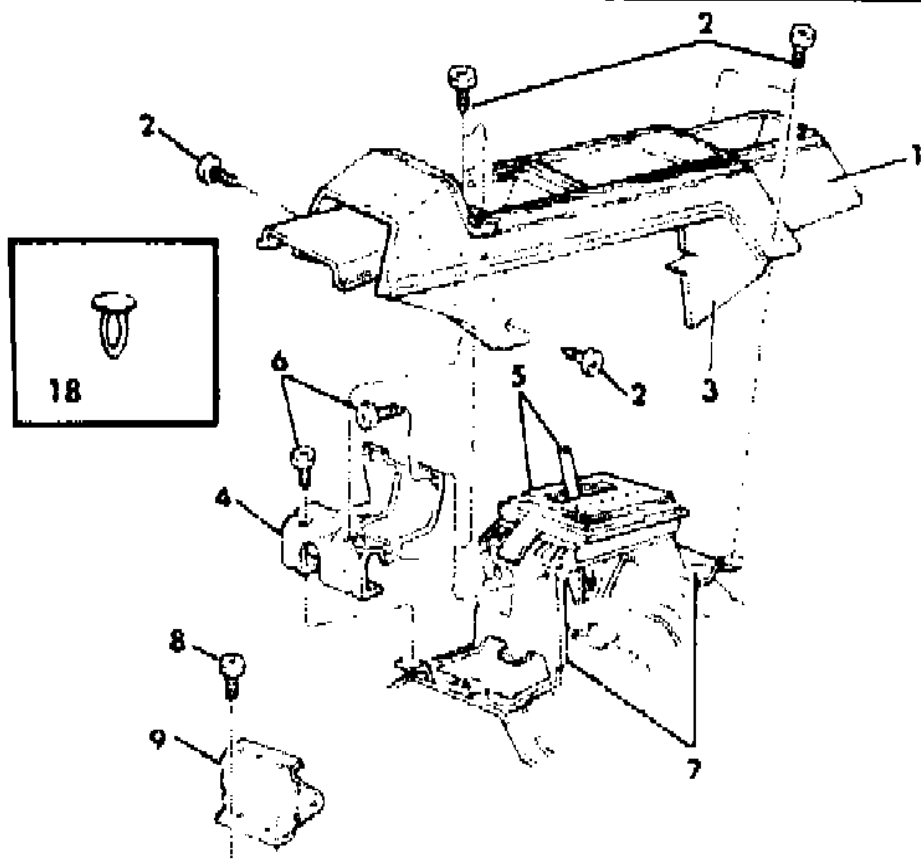
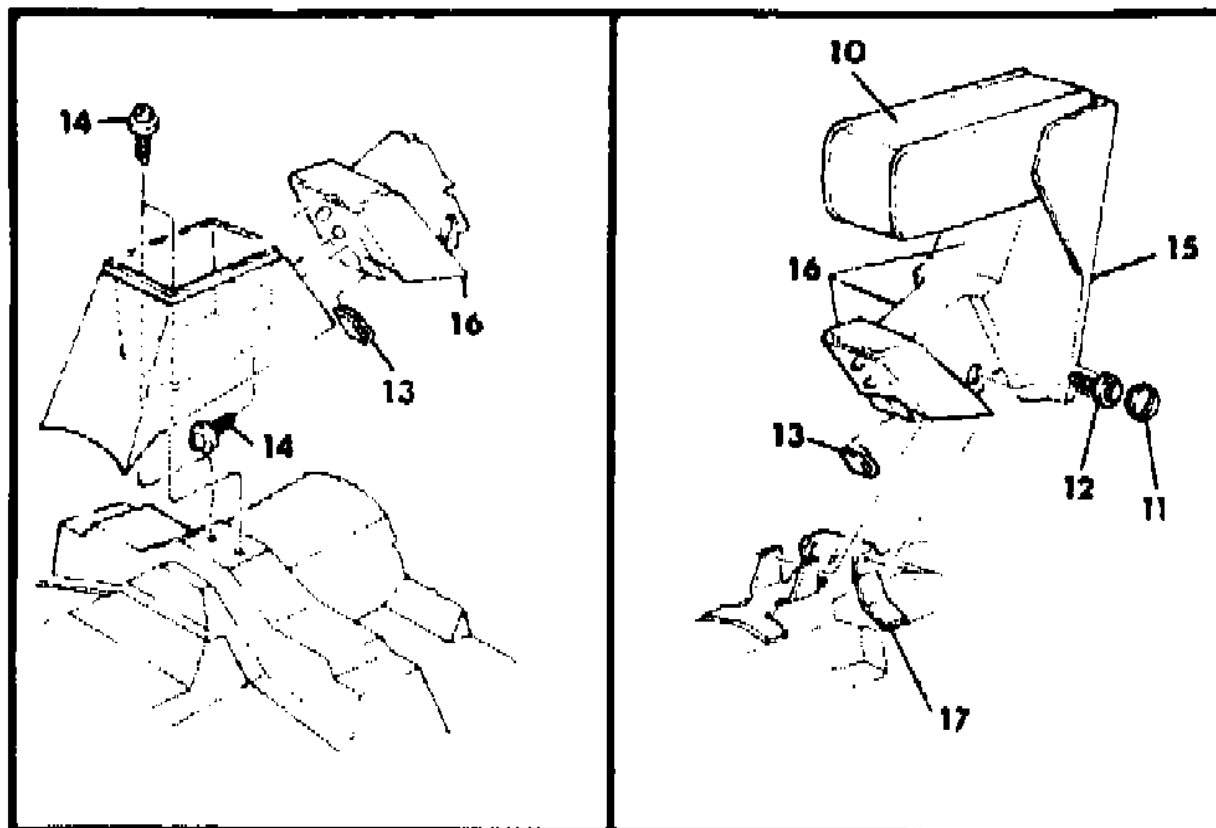
BODY STYLES

21 = 2-DOOR SEDAN	28 = FWD PICKUP	44 = 4-DOOR HATCHBACK
22 = 2-DOOR SPECIAL COUPE	35 = FWD VAN	45 = 4-DOOR STATION WAGON
24 = 2-DOOR HATCHBACK	36 = FWD WAGON	48 = 4-DOOR EXECUTIVE SEDAN
27 = 2-DOOR CONVERTIBLE	41 = 4-DOOR SEDAN	

AR = Use as Required - = Non Illustrated Part P.A.R. = Paint as Required

CONSOLE AND ARMREST E,T
Figure 8A-1700

4182 1700



ITEM	PART NUMBER	QTY	BODY	MODEL	DESCRIPTION
1					CONSOLE w/o CARPET
	F466 CS8	1			w/Manual Trans.
	F467 CS8	1			w/Auto Trans.
2		AR			SCREW (DNS)
3					CARPET, Console
	F402-3 CS8	1			Charcoal
	F402-3 CC7	1			Blue
	F402-3 CM6	1			Red
	F402-3 CT9	1			Brown
4	4078 983	1			BRACKET, Front w/Auto Trans.
5					GEAR SELECTOR, Refer to Group 21
6	9414 722	AR			SCREW
7	4206 371	1			REINFORCEMENT, Gear Selector to Floor Pan Mtg. w/Auto
					Trans.
	4278 732	1			w/Manual Trans.
8	6032 456	2			SCREW
9	4247 686	1			BRACKET, Front w/Manual Trans.
10					ARMREST, Console
	F247 CS8	1			Charcoal, Jefferson
	F247 CC7	1			Blue
	F343 BM6	1			Red, Up to 5-2-84 Jefferson
	F247 CM6	1			Red, After 5-2-84 Jefferson
	F343 BT8	1			Brown, Up to 5-10-84
	F247 CT8	1			Brown, After 5-10-84
11					PLUG
	F332 BT8	1			Round
	F515 DT5	1			Oval
12	0181 063	4			BOLT
13	0152 490	3			U/NUT
14		AR			SCREW (DNS)
15	F497 CT8	1			COVER, Rear Armrest
16	F514 DT5	1			HOUSING, Center Armrest
17	4282 209	1			BRACKET, Armrest Console Floor Mtg.
18	4247 835	1			FASTENER, Front Storage Box to Bracket
	4282 508	1			BRACKET, Center Armrest Intermediate
	6100 049	1			NUT w/Washer, Forward Console Mtg. Bracket to Console Att.

MODEL CODES

B = GRAN FURY	F = FIFTH AVENUE/NEWPORT	P = RELIANT
C = LEBARON/TOWN & COUNTRY/EXC SEDAN	G = DIPLOMAT	T = E CLASS/NEW YORKER
C24 = LASER	H = VOYAGER	V = 600
D = ARIES	K = MINI RAM/CARAVAN/ROYAL	V24 = DAYTONA
E = 600	M = HORIZON/TURISMO	Z = OMNI/CHARGER/RAMPAGE

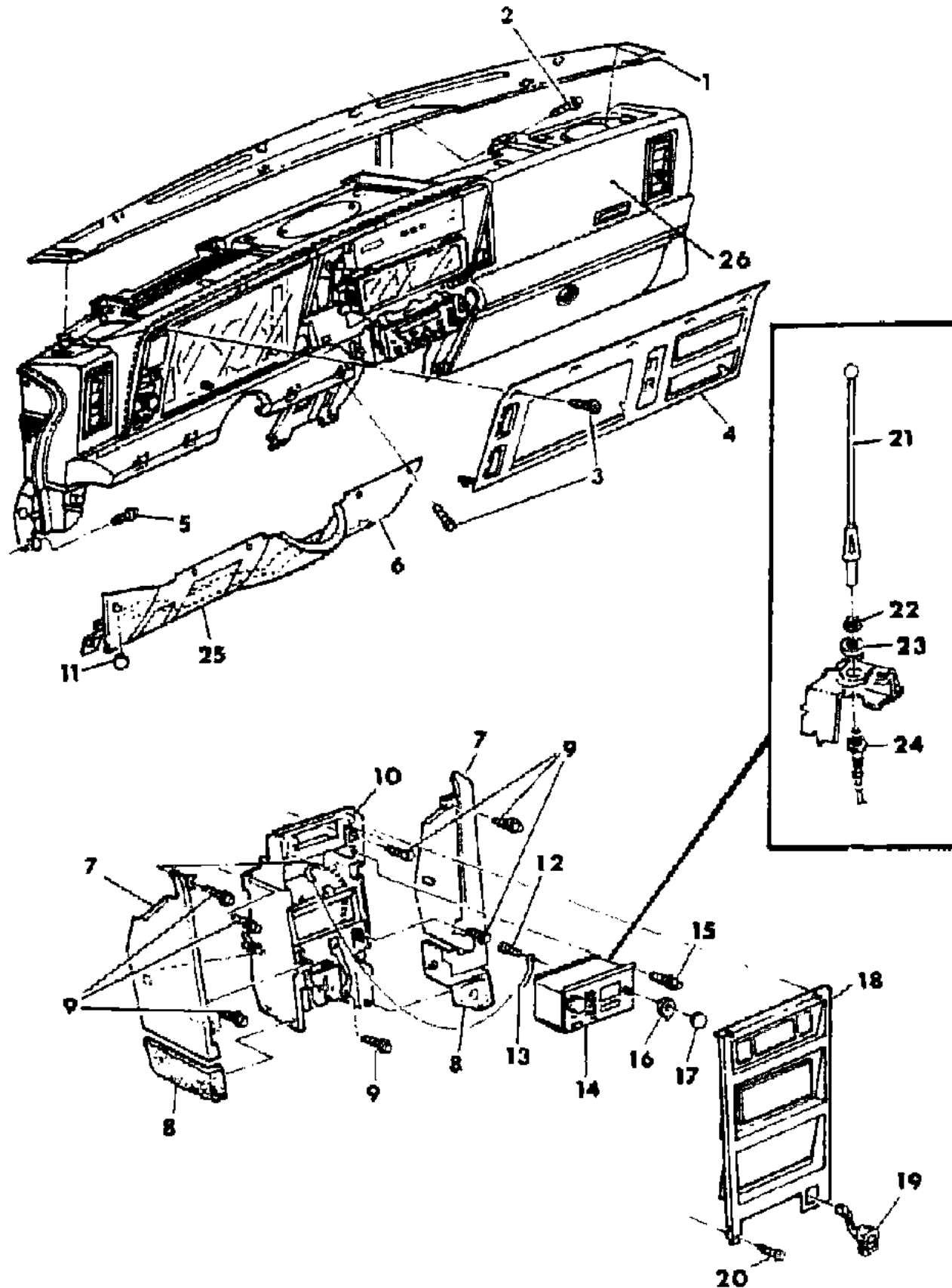
BODY STYLES

21 = 2-DOOR SEDAN	28 = FWD PICKUP	44 = 4-DOOR HATCHBACK
22 = 2-DOOR SPECIAL COUPE	35 = FWD VAN	45 = 4-DOOR STATION WAGON
24 = 2-DOOR HATCHBACK	36 = FWD WAGON	48 = 4-DOOR EXECUTIVE SEDAN
27 = 2-DOOR CONVERTIBLE	41 = 4-DOOR SEDAN	

AR = Use as Required - = Non Illustrated Part P.A.R. = Paint as Required

INSTRUMENT PANEL PAD, CONSOLE, BEZELS AND RADIO C,V 24
Figure 8A-1800

4182 1800



ITEM	PART NUMBER	QTY	BODY	MODEL	DESCRIPTION
1					COVER, Instrument Panel Top
	P518 DM6	1			Red
	P520 CT8	1			Brown
	P518 DX9	1			Black
	4220 415	2			CLIP, Top Cover, Front
	3590 389	5			CLIP, Top Cover, Rear
	4220 696-7	1			GRILLE, Top Cover Side Window Demister
2					SCREW (DNS)
3					SCREW (DNS)
4					BEZEL, Cluster
	4220 307	1			w/o Electronic Cluster
	4312 360	1			w/Electronic Cluster
					CLIP, Bezel Attaching, Serviced in #4
5					SCREW (DNS)
6					COVER, Steering Column
	P413 DM6	1			Red
	P413 DS8	1			Charcoal
	P413 CT8	1			Brown
	P413 DX9	1			Black
7	P464-5 CX9	1			PANEL, Console Side
8					CARPET, Console Side
	F320-1 CM6	1			Red
	F320-1 CS8	1			Charcoal
	F320-1 CT9	1			Brown
	F320-1 CX9	1			Black
9					SCREW (DNS)
10	4220 252	1			CARRIER, Console
	4220 582	1			BOX, Console Storage w/Cup Holder
	4311 270	1			CRADLE, Console Cup Holder
	4220 263	1			BRACKET, Carrier to Gear Shift Mtg. Bracket
	4220 289	1			BRACE, Instrument Panel to Mid Reinforcement, Right Side of Console
	4220 288	1			Left Side of Console
11	F245 CA3	1			PLUG, Trim
12					SCREW (DNS)
13					STRAP, Radio Ground (DNS)
14					RADIO, E.T.R. w/Clock
	4311 002	1			Am, Black Face

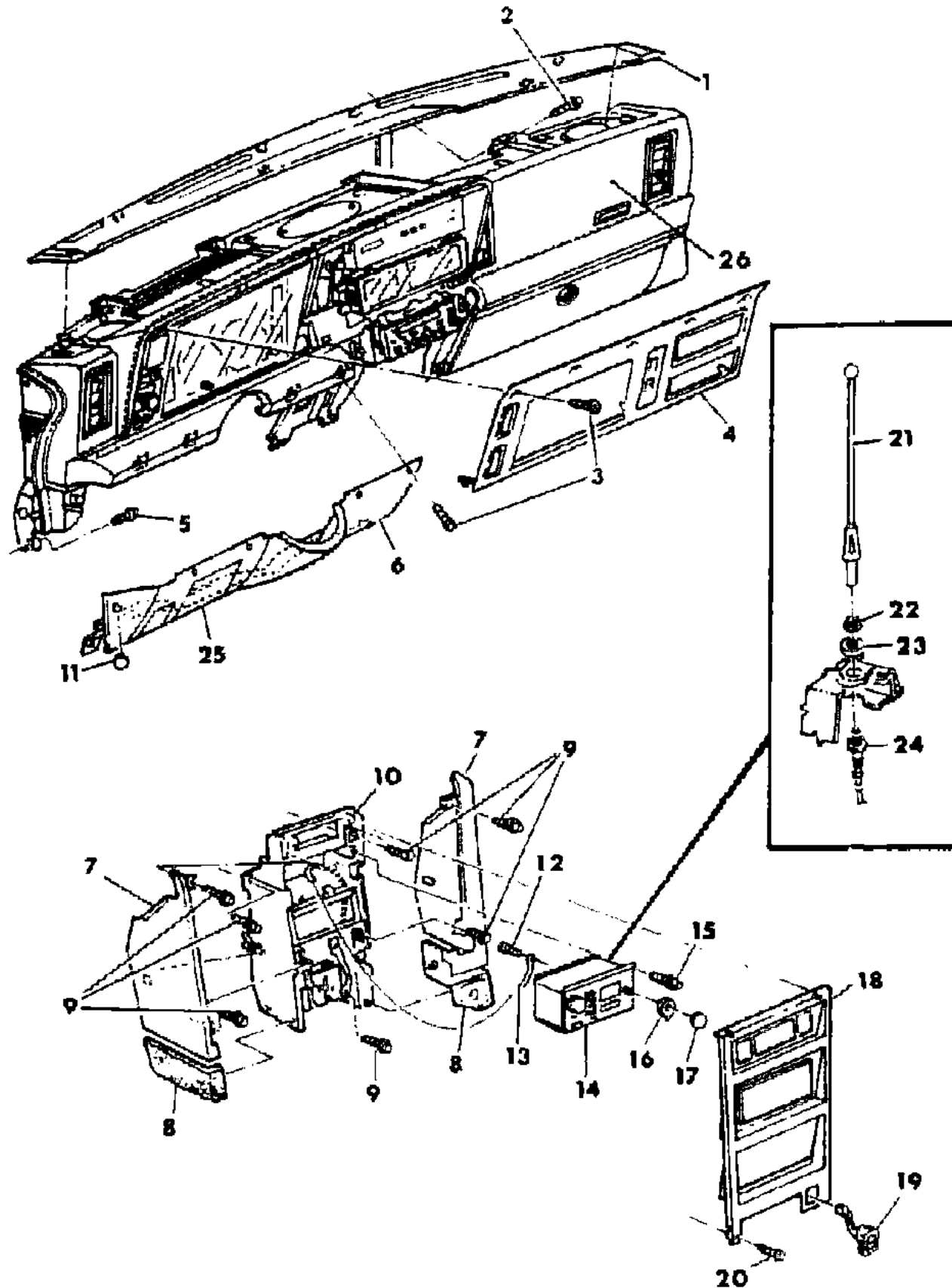
MODEL CODES
 B = GRAN FURY
 C = LEBARON/TOWN & COUNTRY/EXC SEDAN
 C24 = LASER
 D = ARIES
 E = 600
 F = FIFTH AVENUE/NEWPORT
 G = DIPLOMAT
 H = VOYAGER
 K = MINI RAM/CARAVAN/ROYAL
 M = HORIZON/TURISMO
 P = RELIANT
 T = E CLASS/NEW YORKER
 V = 600
 V24 = DAYTONA
 Z = OMNI/CHARGER/RAMPAGE

BODY STYLES
 21 = 2-DOOR SEDAN
 22 = 2-DOOR SPECIAL COUPE
 24 = 2-DOOR HATCHBACK
 27 = 2-DOOR CONVERTIBLE
 28 = FWD PICKUP
 35 = FWD VAN
 36 = FWD WAGON
 41 = 4-DOOR SEDAN
 44 = 4-DOOR HATCHBACK
 45 = 4-DOOR STATION WAGON
 48 = 4-DOOR EXECUTIVE SEDAN

AR = Use as Required - = Non Illustrated Part P.A.R. = Paint as Required

INSTRUMENT PANEL PAD, CONSOLE, BEZELS AND RADIO C,V 24
Figure 8A-1800

4182 1800



ITEM	PART NUMBER	QTY	BODY	MODEL	DESCRIPTION
	4311 025	1			Am/Fm/Mx Standard, Black Face
	4311 363	1			Am/Fm/Mx Premium
	4311 364	1			Am/Fm/Mx w/Cassette
	4222 037	1			CASSETTE
	4220 482	1			PLATE, Radio Opening w/o Radio
	4267 298	1			SUPPRESSION, Windshield Wiper Motor Radio Noise (Dual Contact Relay)
15	6031 665	2			SCREW, Radio Att.
16					KNOB, Radio
	4311 341	2			Secondary, Black
	4311 334	2			Primary, Black
17					KNOB, Radio
	4311 337	2			Bass, Black
	4311 339	2			Treble, Black
	4311 531	1			KNOB PACKAGE, Radio, Black
18	4220 421	1			BEZEL, Console Trim
					NOTE: Punch Hole For Amplifier Switch
	4220 455	3			CLIP, Trim Bezel
19	4221 452	1			SWITCH, Power Amplifier
20					SCREW (DNS)
21					MAST, Antenna
	4222 729	1			Bright
	4311 392	1			Black
22					NUT, Cap
	4222 728	1			Bright
	4311 394	1			Black
23					ADAPTER and GASKET
	4222 725	1			Bright
	4311 398	1			Black
24	4222 721	1			BODY and CABLE
25	4220 272	1			COVER, Fuse Block
26					PANEL and PAD, Instrument
	P393 DM6	1			Red
	P393 DS8	1			Charcoal
	4419 154	1			Brown
	P393 DX9	1			Black

MODEL CODES
 B = GRAN FURY
 C = LEBARON/TOWN & COUNTRY/EXC SEDAN
 C24 = LASER
 D = ARIES
 E = 600
 F = FIFTH AVENUE/NEWPORT
 G = DIPLOMAT
 H = VOYAGER
 K = MINI RAM/CARAVAN/ROYAL
 M = HORIZON/TURISMO
 P = RELIANT
 T = E CLASS/NEW YORKER
 V = 600
 V24 = DAYTONA
 Z = OMNI/CHARGER/RAMPAGE

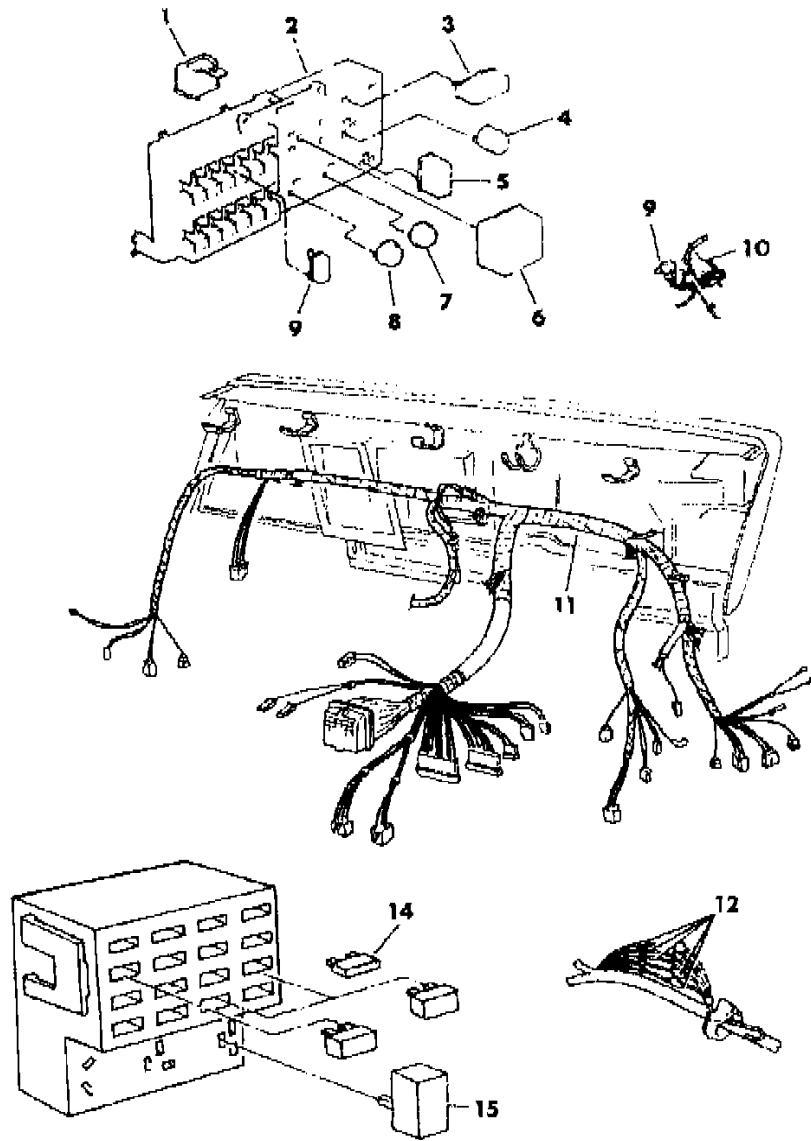
BODY STYLES
 21 = 2-DOOR SEDAN
 22 = 2-DOOR SPECIAL COUPE
 24 = 2-DOOR HATCHBACK
 27 = 2-DOOR CONVERTIBLE
 28 = FWD PICKUP
 35 = FWD VAN
 36 = FWD WAGON
 41 = 4-DOOR SEDAN
 44 = 4-DOOR HATCHBACK
 45 = 4-DOOR STATION WAGON
 48 = 4-DOOR EXECUTIVE SEDAN

AR = Use as Required - = Non Illustrated Part P.A.R. = Paint as Required

INSTRUMENT PANEL WIRING C,V 24

Figure 8A-1900

4182 1900A



ITEM	PART NUMBER	QTY	BODY	MODEL	DESCRIPTION
1					RELAY, Window Lift Safety, Serviced in #2
2	4304 499	1			MODULE, Fuse Block
	4274 530	1			BRACKET, Fuse Block Mtg.
	4124 752	1			TERMINAL, Buzz Bar, 3 Way
	4124 258	1			1 Way
3	4221 730	1			BUZZER, Key, Headlamp and Seat Belt Warning
	4312 627	1			CHIME
	0152 490	1			U/NUT, Chime Mtg.
4	2889 565	1			RELAY, Time Delay
	4221 065	1			RELAY, Power Amplifier
5	4221 684	1			RELAY, Radiator Fan
	3747 298	1			RELAY, Horn
6		1			RELAY, Heated Backlite (Serviced in Switch)
	4221 542	1			RELAY, Radiator Fan Motor
	4221 272	1			BRACKET, Radiator FAN Motor Relay, w/Air, w/2.2 Eng.
	4221 285	1			RELAY, Fan Control, w/2.6 Eng.
7	4221 386	1			RELAY, Radiator Fan Motor, w/2.6 Eng.
	2932 877	1			FLASHER, Hazard Warning
8	3837 161	1			FLASHER, Turn Signal 2 Lamp
	3837 162	1			3 Lamp
9					BREAKER, Circuit
	4186 377	AR			6 Amp.
	4186 379	AR			30 Amp.
10		1			CONTROL, Refer to Group 24
11					WIRING, Instrument Panel Main
	4304 761	1			w/Voice Alert, Up to 4-4-84
	4304 961	1			w/Voice Alert, After 4-4-84
	4304 804	1			w/o Voice Alert
	4304 762	1			w/Mechanical Cluster
	4304 763	1			w/Electronic Cluster
					WIRING, Auxillary
	4304 036	1			Speed Control
	4274 924	1			Stereo Standard
	4274 750	1			Stereo w/Four Speakers
	4274 534	1			Speaker, w/Premium Pkg.
	4274 161	1			DIODE and MOLD, Repair Package
	4274 091	1			w/Air and Heated Backlite
12					CABLE, Fuseible Link (25' Roll)

MODEL CODES

B = GRAN FURY	F = FIFTH AVENUE/NEWPORT	P = RELIANT
C = LEBARON/TOWN & COUNTRY/EXC SEDAN	G = DIPLOMAT	T = E CLASS/NEW YORKER
C24 = LASER	H = VOYAGER	V = 600
D = ARIES	K = MINI RAM/CARAVAN/ROYAL	V24 = DAYTONA
E = 600	M = HORIZON/TURISMO	Z = OMNI/CHARGER/RAMPAGE

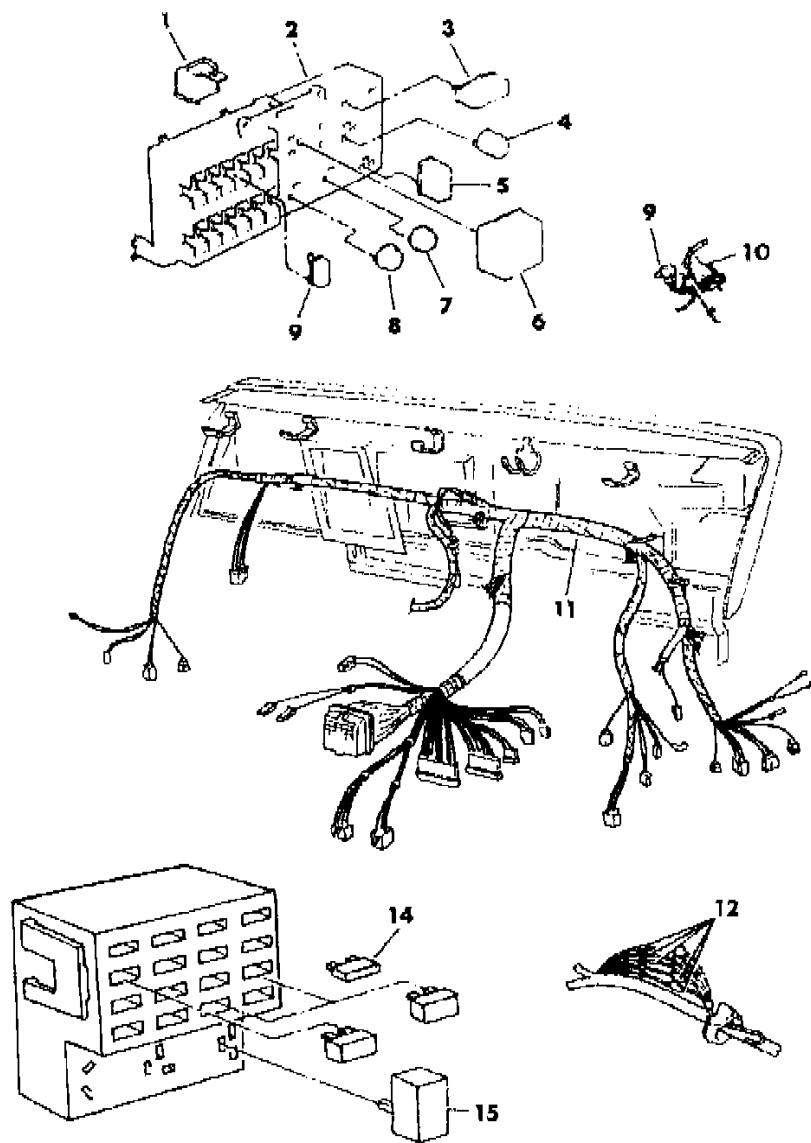
BODY STYLES

21 = 2-DOOR SEDAN	28 = FWD PICKUP	44 = 4-DOOR HATCHBACK
22 = 2-DOOR SPECIAL COUPE	35 = FWD VAN	45 = 4-DOOR STATION WAGON
24 = 2-DOOR HATCHBACK	36 = FWD WAGON	48 = 4-DOOR EXECUTIVE SEDAN
27 = 2-DOOR CONVERTIBLE	41 = 4-DOOR SEDAN	

AR = Use as Required - = Non Illustrated Part P.A.R. = Paint as Required

INSTRUMENT PANEL WIRING C,V 24
Figure 8A-1900

4182 1900A



ITEM	PART NUMBER	QTY	BODY	MODEL	DESCRIPTION
	4026 095	1			No. 16 Blue
	4026 094	1			No. 14 Red
	4026 093	1			No. 12 Black
	4364 877	1			No. 10 Green
	4026 096	1			No. 18 Grey
14	4364 878	1			No. 20 Orange
					FUSE, Blade Type
	6101 132	AR			4 Amp.
	6101 131	AR			3 Amp.
	6101 133	AR			5 Amp.
	6101 137	AR			20 Amp.
	6101 139	AR			30 Amp.
	6101 138	AR			25 Amp.
15					BREAKER, Circuit
	3747 809	AR			20 Amp.
	3747 810	AR			30 Amp.

MODEL CODES

B = GRAN FURY	F = FIFTH AVENUE/NEWPORT	P = RELIANT
C = LEBARON/TOWN & COUNTRY/EXC SEDAN	G = DIPLOMAT	T = E CLASS/NEW YORKER
C24 = LASER	H = VOYAGER	V = 600
D = ARIES	K = MINI RAM/CARAVAN/ROYAL	V24 = DAYTONA
E = 600	M = HORIZON/TURISMO	Z = OMNI/CHARGER/RAMPAGE

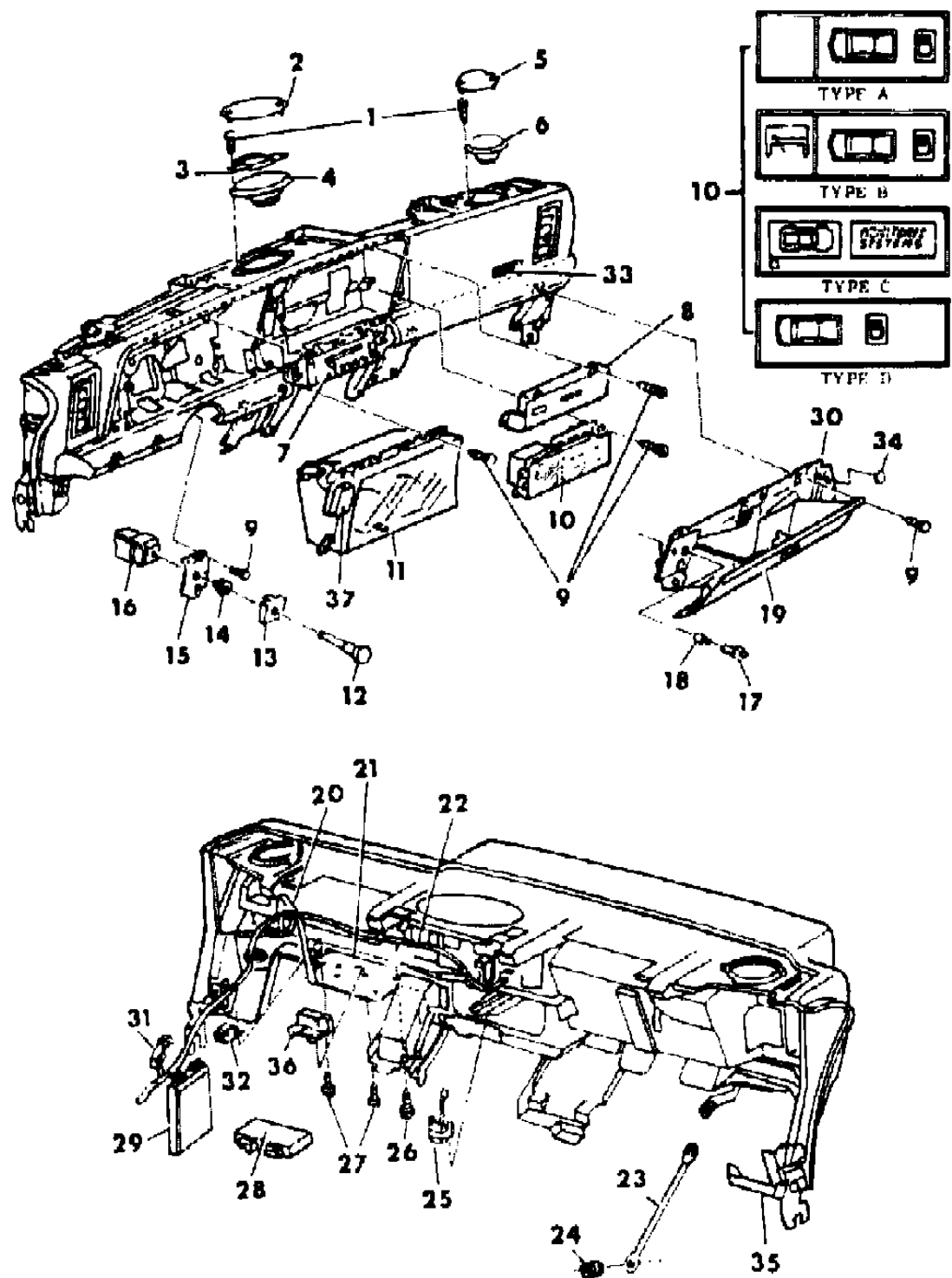
BODY STYLES

21 = 2-DOOR SEDAN	28 = FWD PICKUP	44 = 4-DOOR HATCHBACK
22 = 2-DOOR SPECIAL COUPE	35 = FWD VAN	45 = 4-DOOR STATION WAGON
24 = 2-DOOR HATCHBACK	36 = FWD WAGON	48 = 4-DOOR EXECUTIVE SEDAN
27 = 2-DOOR CONVERTIBLE	41 = 4-DOOR SEDAN	

AR = Use as Required - = Non Illustrated Part P.A.R. = Paint as Required

INSTRUMENT PANEL CLUSTER, SWITCHES, GLOVEBOX AND SPEAKERS C,V 24
Figure 8A-2000

4182 2100



ITEM	PART NUMBER	QTY	BODY	MODEL	DESCRIPTION
1					SCREW (DNS)
2	4311 082	1			SHIELD, Speaker Opening w/Stereo
	6025 249	AR			FASTENER, Shield
3	4311 496	1			AMPLIFIER, Audio Power
	4221 065	1			RELAY, Power Amplifier (Control Unit)
4	4311 098	1			SPEAKER, Mono
5	4311 084	2			SHIELD, Speaker Opening w/o Stereo
6	4222 528	2			SPEAKER, Stereo Standard
	4311 490	2			Premium
	4222 531	2			Rear, w/o Power Amplifier
	4311 288	2			Rear, w/Power Amplifier
7					CONTROL, Heater and A/C (Refer to Group 24)
8	4220 951	1			CHRONOMETER, Elapsed Time
	4312 871	1			NAVIGATOR, Electronic
	4304 200	1			WIRING, Trip Navigator
9		AR			SCREW (DNS)
10					MESSAGE CENTER, w/o Turbo, Type D
					Consists of:
					1 - 4375117 Housing
					1 - 4375120 Board w/Seal
	3744 750	8			Socket
	9421 330	8			Bulb
	4051 832	1			Relay, Low Fuel
	4051 763	1			GAUGE, Turbo
					MESSAGE CENTER, Includes Turbo Gauge, Type B
					Consists of:
					1 - 4375126 Housing
					1 - 4375123 Wire w/Seal
	4051 762	1			MESSAGE CENTER, w/Turbo Gauge Opening, w/o Turbo
					Gauge, Type A
	4222 800	1			MESSAGE CENTER, Electronic Monitor, Type C
11	4051 607	1			HOUSING, Instrument Cluster
	4051 602	1			SPEEDOMETER, w/Odometer
	4051 614	1			TACHOMETER
	3592 750	1			LABEL, Speedometer
	4051 804	1			GAUGE, Oil and Temp.
	4051 805	1			GAUGE, Volt and Fuel
					BOARD, Printed Circuit and Flex

MODEL CODES

B = GRAN FURY

C = LEBARON/TOWN & COUNTRY/EXC SEDAN

C24 = LASER

D = ARIES

E = 600

F = FIFTH AVENUE/NEWPORT

G = DIPLOMAT

H = VOYAGER

K = MINI RAM/CARAVAN/ROYAL

M = HORIZON/TURISMO

P = RELIANT

T = E CLASS/NEW YORKER

V = 600

V24 = DAYTONA

Z = OMNI/CHARGER/RAMPAGE

BODY STYLES

21 = 2-DOOR SEDAN

22 = 2-DOOR SPECIAL COUPE

24 = 2-DOOR HATCHBACK

27 = 2-DOOR CONVERTIBLE

28 = FWD PICKUP

35 = FWD VAN

36 = FWD WAGON

41 = 4-DOOR SEDAN

44 = 4-DOOR HATCHBACK

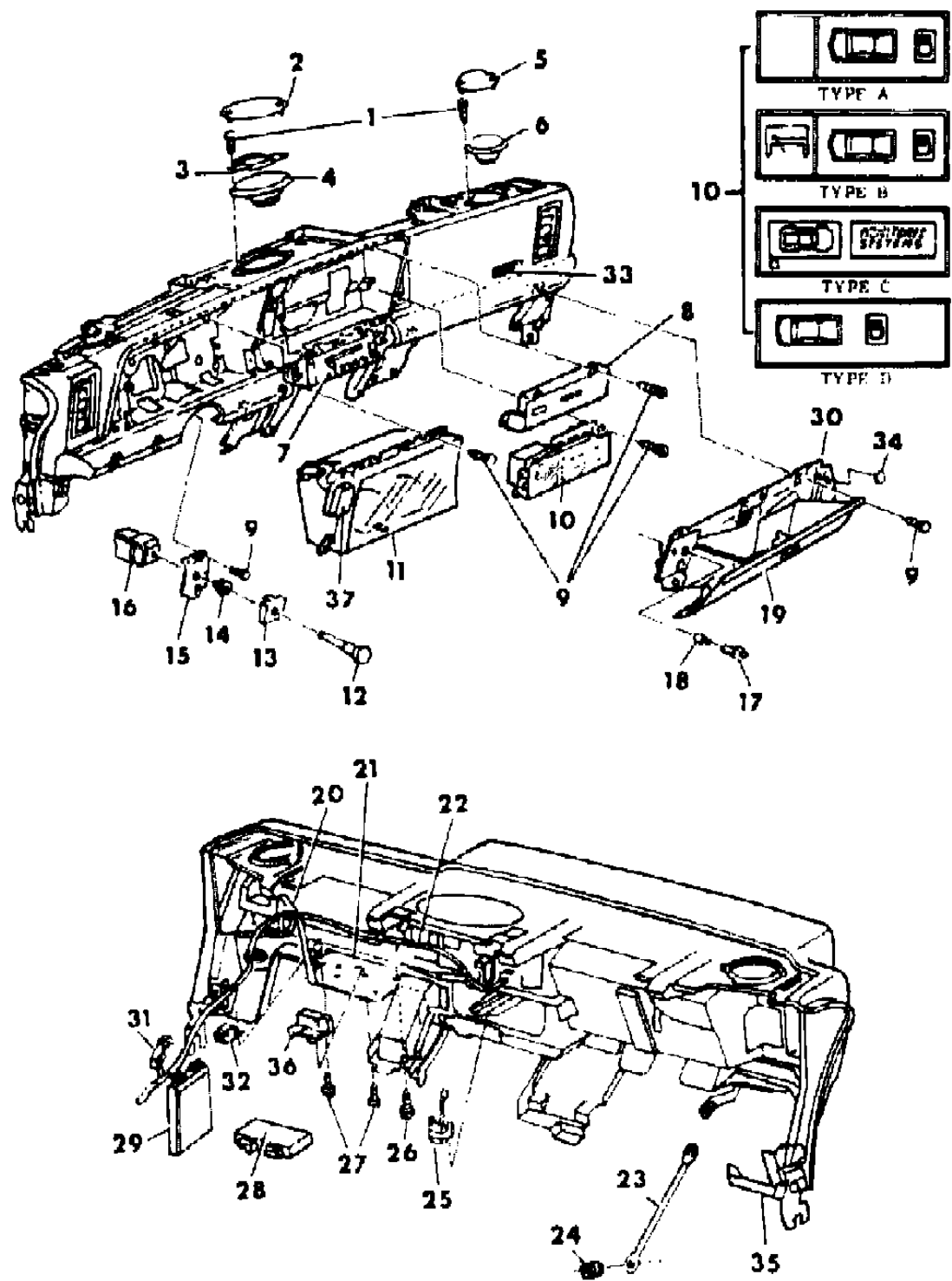
45 = 4-DOOR STATION WAGON

48 = 4-DOOR EXECUTIVE SEDAN

AR = Use as Required - = Non Illustrated Part P.A.R. = Paint as Required

INSTRUMENT PANEL CLUSTER, SWITCHES, GLOVEBOX AND SPEAKERS C,V 24
Figure 8A-2000

41R2 21001



ITEM	PART NUMBER	QTY	BODY	MODEL	DESCRIPTION
					w/Three Terminal Flex Board
	4051 617	1			w/Four Terminal Flex Board
	4051 860	1			BOARD PKG., Printed Circuit and Gauge Alert
	4342 206	1			LENS, Instrument Cluster w/Odometer Reset
	4051 654	1			MASK, w/o Gauge Alert, w/o Lens
	4051 604	1			MASK, w/Gauge Alert, w/o Lens
	4051 605	1			CLUSTER, Electronic
	4312 969	1			FUEL PULSE COUNT CORRECTOR
12	4221 197	1			KNOB and SHAFT, Headlamp Switch
13	4221 195	1			ESCUTCHEON, Headlamp Switch Mtg.
14	4221 063	1			RETAINER
15	4221 196	1			PLATE, Headlamp Switch Mtg.
16	4221 407	1			SWITCH, Headlamp
17	4221 170	1			SWITCH, Glove Box Lamp
18	0152 244	1			BULB, Glove Box Lamp
	2947 226	1			PLUG, Glove Box Lamp
19	P684 CT8	1			DOOR w/BOX, Glove
	3508 886	1			LATCH, Glove Box Door
	4220 259	1			CATCH, Glove Box Door
	4220 268	2			PIN w/RETAINER, Glove Box Door Pivot
	3590 551	4			BUMPER, Glove Box Catch
	4311 232	2			BUMPER, Glove Box Door Stop
	4220 684	2			STOP, Glove Box Door
		1			CYLINDER w/KEY, Glove Box, Refer to 23D
20	4312 024	1			SUPPORT, Electronic Voice Alert
21	4222 772	1			BRACKET, Electronic Voice Alert Mtg.
22	4105 167	1			HOSE, Message Center w/Turbo
23	4206 551	1			BRACE, Dash to Plenum Panel
24	6500 532	1			NUT w/Washer
25	4048 784	1			COIL, Audio Power Amplifier, Radio Choke
26	9415 464	AR			SCREW
27		AR			SCREW (DNS)
28					CONTROL, Electronic Voice Alert
	4312 744	1			11 Functions
	4312 751	1			24 Functions
29					MODULE, Throttle Body Injection Logic, Refer to Group 8
30	P686 DT5	1			PANEL, Lower, Right
31					SENSOR, Manifold Absolute Pressure, Refer to Group 8

MODEL CODES

B = GRAN FURY	F = FIFTH AVENUE/NEWPORT	P = RELIANT
C = LEBARON/TOWN & COUNTRY/EXC SEDAN	G = DIPLOMAT	T = E CLASS/NEW YORKER
C24 = LASER	H = VOYAGER	V = 600
D = ARIES	K = MINI RAM/CARAVAN/ROYAL	V24 = DAYTONA
E = 600	M = HORIZON/TURISMO	Z = OMNI/CHARGER/RAMPAGE

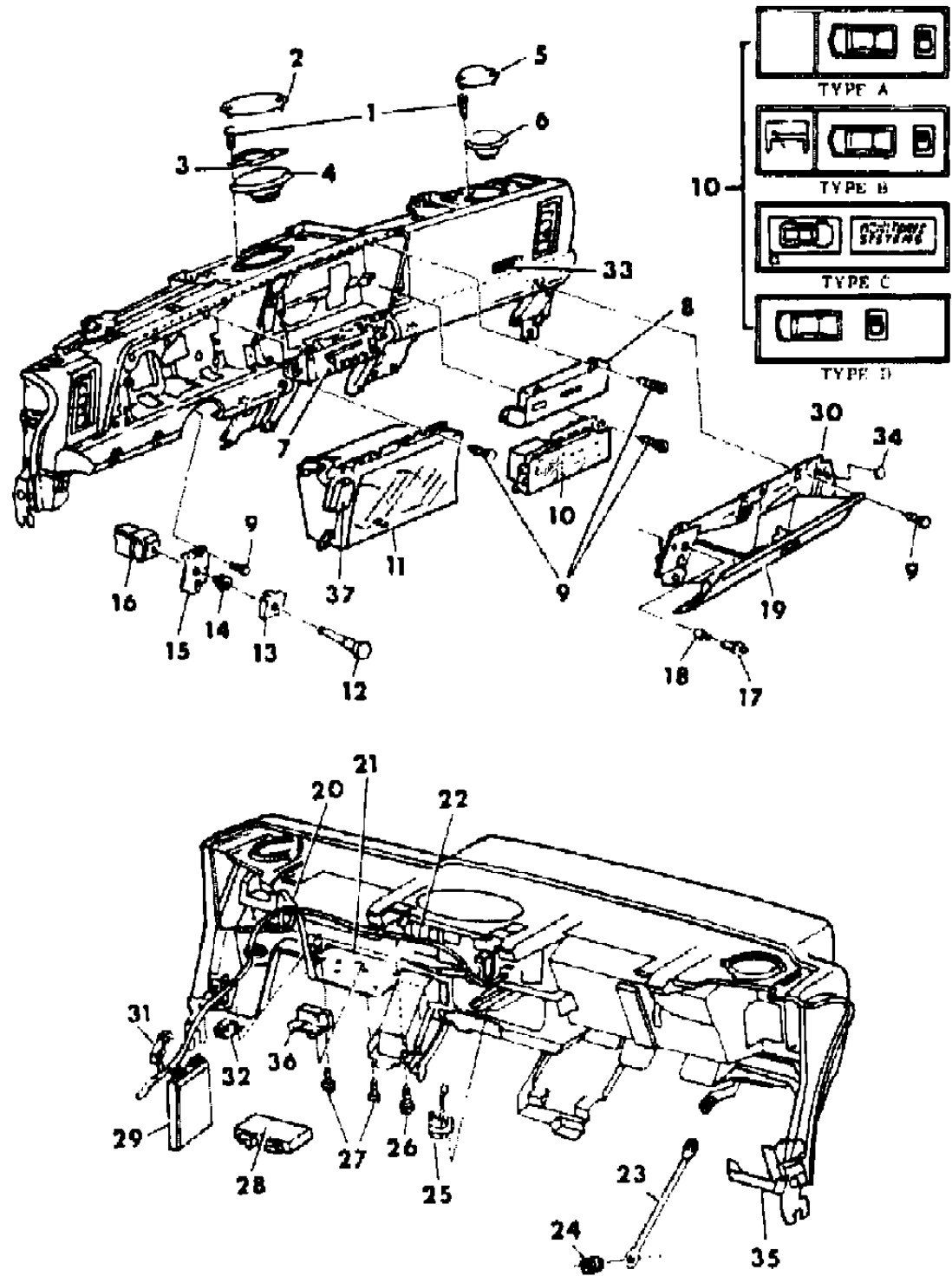
BODY STYLES

21 = 2-DOOR SEDAN	28 = FWD PICKUP	44 = 4-DOOR HATCHBACK
22 = 2-DOOR SPECIAL COUPE	35 = FWD VAN	45 = 4-DOOR STATION WAGON
24 = 2-DOOR HATCHBACK	36 = FWD WAGON	48 = 4-DOOR EXECUTIVE SEDAN
27 = 2-DOOR CONVERTIBLE	41 = 4-DOOR SEDAN	

AR = Use as Required - = Non Illustrated Part P.A.R. = Paint as Required

INSTRUMENT PANEL CLUSTER, SWITCHES, GLOVEBOX AND SPEAKERS C,V 24
Figure 8A-2000

4182 2100



ITEM	PART NUMBER	QTY	BODY	MODEL	DESCRIPTION
32	4186 387	1			RELAY, Illuminated Entry
33	4311 284	1			NAME PLATE, Instrument Panel "Laser"
	4311 345	1			"Daytona"
34	F245 CA3	1			PLUG, Trim
35	4220 501	1			SUPPORT, Instrument Panel End, Left
	4220 251	1			REINFORCEMENT, Instrument Panel Center
	4220 254	1			SUPPORT, Instrument Panel End, Right
36	4312 627	1			CONTROL, Warning Signal Chime
37	4342 206	1			GAUGE, Alert

MODEL CODES

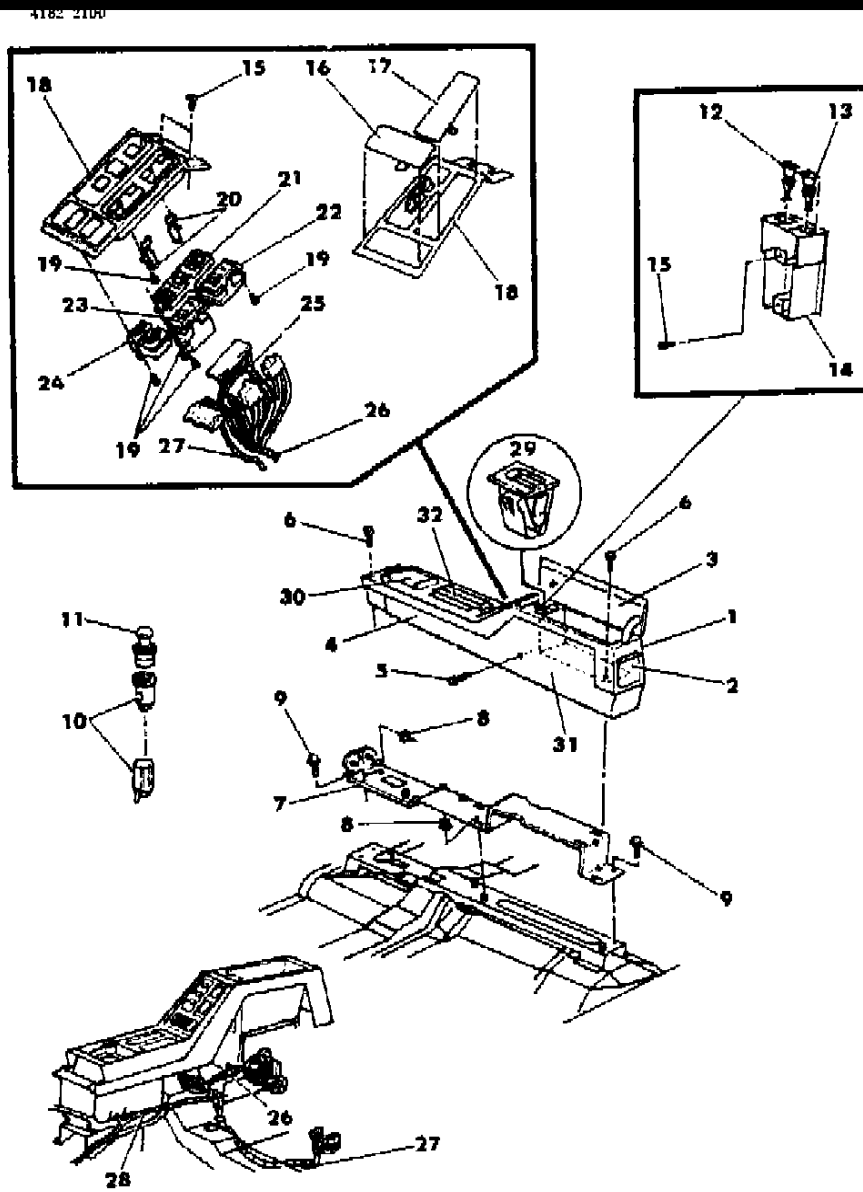
B = GRAN FURY	F = FIFTH AVENUE/NEWPORT	P = RELIANT
C = LEBARON/TOWN & COUNTRY/EXC SEDAN	G = DIPLOMAT	T = E CLASS/NEW YORKER
C24 = LASER	H = VOYAGER	V = 600
D = ARIES	K = MINI RAM/CARAVAN/ROYAL	V24 = DAYTONA
E = 600	M = HORIZON/TURISMO	Z = OMNI/CHARGER/RAMPAGE

BODY STYLES

21 = 2-DOOR SEDAN	28 = FWD PICKUP	44 = 4-DOOR HATCHBACK
22 = 2-DOOR SPECIAL COUPE	35 = FWD VAN	45 = 4-DOOR STATION WAGON
24 = 2-DOOR HATCHBACK	36 = FWD WAGON	48 = 4-DOOR EXECUTIVE SEDAN
27 = 2-DOOR CONVERTIBLE	41 = 4-DOOR SEDAN	

AR = Use as Required - = Non Illustrated Part P.A.R. = Paint as Required

CONSOLE, CENTER C,V 24
Figure 8A-2100



ITEM	PART NUMBER	QTY	BODY	MODEL	DESCRIPTION
1	F476 DX9	1			CONSOLE w/ASH RECEIVER
	F494 CM6	1			BASE, Console
	F494 CS8	1			Red
	F494 CT8	1			Charcoal
	F494 CT8	1			Brown
	F496 CX9	1			Black
2	4247 034	1			ASH RECEIVER, Rear
	4247 113	1			SNUFFER, Ash Receiver
3					LID w/LATCH, Console
	F302 CM6	1			Red
	F302 CS8	1			Charcoal
	F302 CT8	1			Brown
	F302 CX9	1			Black
4					CARPET, Access Panel
	F314-5 CM6	1			Red
	F314-5 CS8	1			Charcoal
	F314-5 CT9	1			Brown
	F314-5 CX9	1			Black
	6032 155	4			CLIP, Carpet Att.
5	6032 154	2			SCREW
6		AR			SCREW (DNS)
7	4283 330	1			BRACKET, Console Mtg.
8	6100 049	AR			NUT
9		AR			SCREW (DNS)
10	3747 635	1			SHELL w/CLAMP, C/Lighter
11	3004 190	1			ELEMENT, C/Lighter
	3747 165	1			KNOB, C/Lighter
12	4221 324	1			SWITCH, Lifgate Opening
	4221 299	1			WIRING, Lifgate Switch
13	4221 323	1			SWITCH, Fuel Door
	4221 297	1			WIRING, Fuel Door Switch
14	4221 307	1			BEZEL w/BRACKET, Fuel Door and Liftgate Switch Mtg.
15		AR			SCREW (DNS)
16	4221 176	1			COVER, w/o Electric Windows
17	4221 174	1			COVER, w/o Heated Backlite and Rear Wiper
	4221 175	1			w/o Electric Seat
18					BEZEL, Switch Mtg.
	4221 155	1			w/o Switches

MODEL CODES

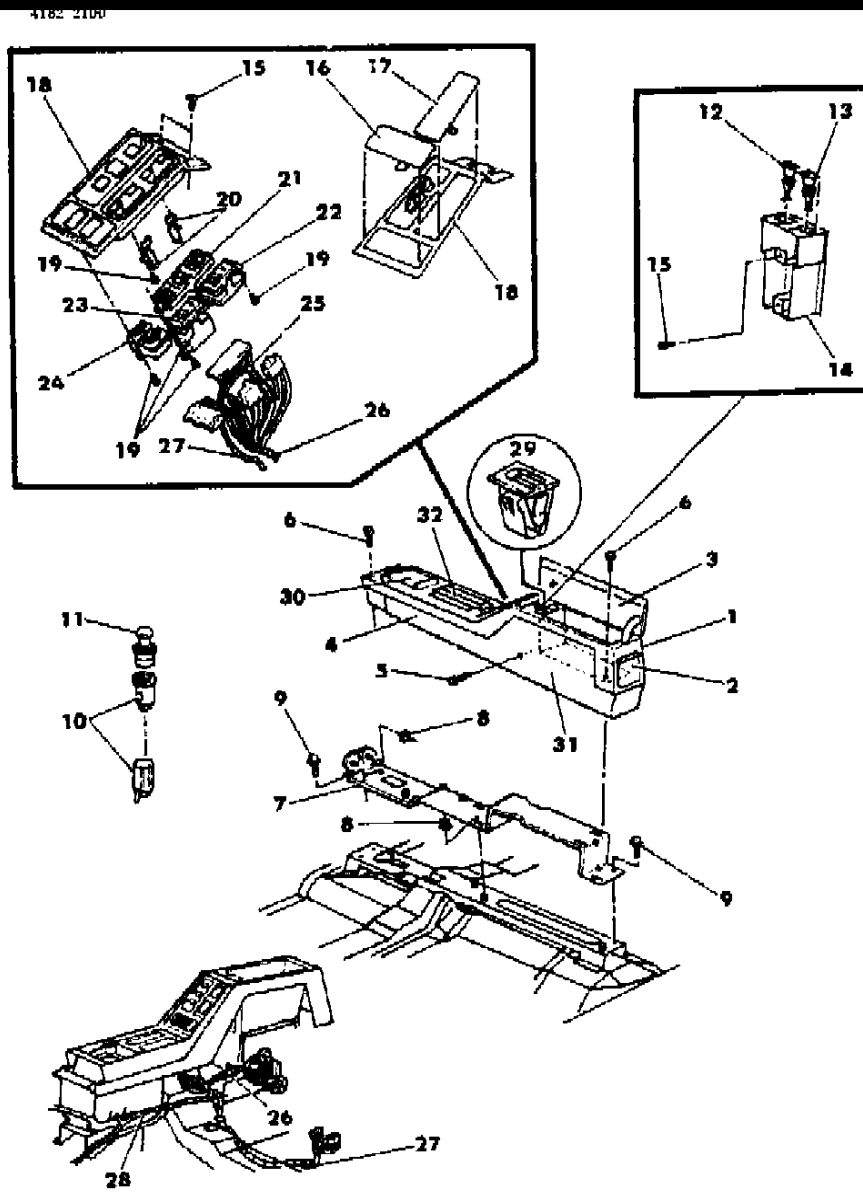
B = GRAN FURY	F = FIFTH AVENUE/NEWPORT	P = RELIANT
C = LEBARON/TOWN & COUNTRY/EXC SEDAN	G = DIPLOMAT	T = E CLASS/NEW YORKER
C24 = LASER	H = VOYAGER	V = 600
D = ARIES	K = MINI RAM/CARAVAN/ROYAL	V24 = DAYTONA
E = 600	M = HORIZON/TURISMO	Z = OMNI/CHARGER/RAMPAGE

BODY STYLES

21 = 2-DOOR SEDAN	28 = FWD PICKUP	44 = 4-DOOR HATCHBACK
22 = 2-DOOR SPECIAL COUPE	35 = FWD VAN	45 = 4-DOOR STATION WAGON
24 = 2-DOOR HATCHBACK	36 = FWD WAGON	48 = 4-DOOR EXECUTIVE SEDAN
27 = 2-DOOR CONVERTIBLE	41 = 4-DOOR SEDAN	

AR = Use as Required - = Non Illustrated Part P.A.R. = Paint as Required

CONSOLE, CENTER C,V 24
Figure 8A-2100



ITEM	PART NUMBER	QTY	BODY	MODEL	DESCRIPTION
	4221 154	1			w/Heated Backlite
	4221 153	1			w/Heated Backlite, Electric Windows, Electric Seat Adjuster or Rear Wipe/Wash
	4221 152	1			w/Heated Backlite, Electric Windows, Electric Seat Adjuster and Rear Wipe/Wash
	6024 214	2			U/NUT, Switch Bezel to Console Att.
19	6032 456	AR			SCREW, Switch Mtg.
20	4221 194	1			LAMP, Switch
21	4221 183	1			SWITCH, Seat Adjuster
22	4221 180	1			SWITCH, Rear Wipe/Wash
23	4221 177	1			SWITCH, Heated Backlite
24	4221 184	1			SWITCH, Electric Window
25	9421 330	AR			BULB
26	4274 739	1			WIRING, w/Heated Backlite
	4274 738	1			w/Heated Backlite, Electric Windows and Rear Wipe/Wash
27	4274 532	1			WIRING, Console To Electric Seat
28	4304 825	1			WIRING, Console Lights, C/Lighter, Fuel Door and Remote Liftgate
29	4247 211	1			CATCH, Lid
30	4247 574	1			LID, Ash Receiver, Front
	4293 194	1			Receptacle, Ash Receiver, Front
	4247 393	1			SPRING, Ash Receiver Front Lid
31					CARPET, Console Rear
	F312 CM6	1			Red
	F312 CS8	1			Charcoal
	F312 CT9	1			Brown
	F312 CX9	1			Black
32					BEZEL, Gear Selector
	4247 374	1			w/Auto Trans.
	4247 375	1			w/Manual Trans.

MODEL CODES

B = GRAN FURY	F = FIFTH AVENUE/NEWPORT	P = RELIANT
C = LEBARON/TOWN & COUNTRY/EXC SEDAN	G = DIPLOMAT	T = E CLASS/NEW YORKER
C24 = LASER	H = VOYAGER	V = 600
D = ARIES	K = MINI RAM/CARAVAN/ROYAL	V24 = DAYTONA
E = 600	M = HORIZON/TURISMO	Z = OMNI/CHARGER/RAMPAGE

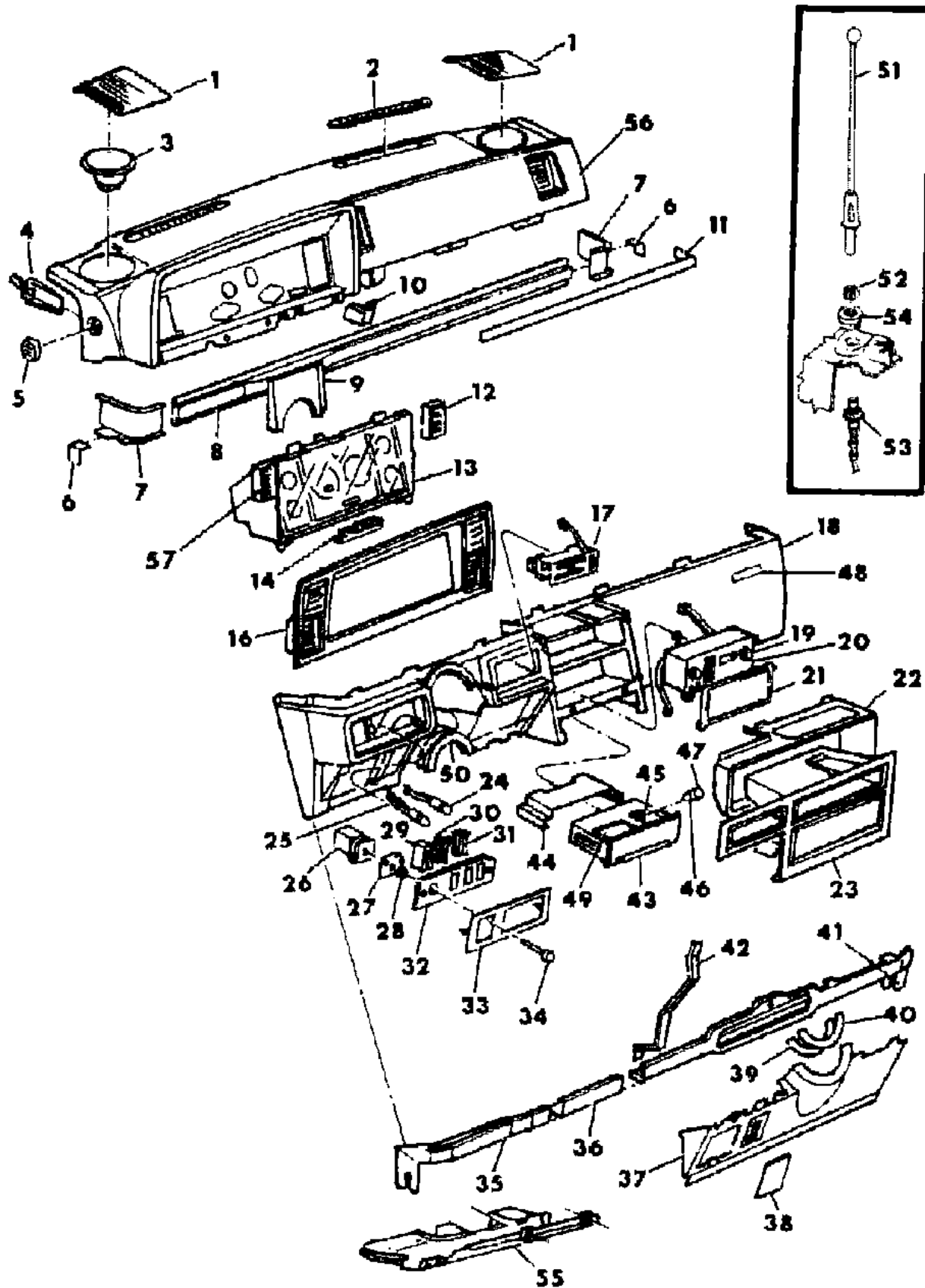
BODY STYLES

21 = 2-DOOR SEDAN	28 = FWD PICKUP	44 = 4-DOOR HATCHBACK
22 = 2-DOOR SPECIAL COUPE	35 = FWD VAN	45 = 4-DOOR STATION WAGON
24 = 2-DOOR HATCHBACK	36 = FWD WAGON	48 = 4-DOOR EXECUTIVE SEDAN
27 = 2-DOOR CONVERTIBLE	41 = 4-DOOR SEDAN	

AR = Use as Required - = Non Illustrated Part P.A.R. = Paint as Required

INSTRUMENT PANEL H,K
Figure 8A-2200

4182 2200



ITEM	PART NUMBER	QTY	BODY	MODEL	DESCRIPTION
1	P488-9 CB5	1			GRILLE, Speaker
2	P476 DT5	2			GRILLE, Defroster
3	4222 923	AR			SPEAKER, Instrument Panel
4					ADAPTER, Demister (Refer to Group 24)
5	4220 772	2			GRILLE, Side Window Demister
6	4220 614-5	1			BRACKET, Support to Cowl Side
7					BRACKET, Support (Serviced in Item #8)
8	4311 816	1			REINFORCEMENT, Center
9		1			BRACKET, Steering Column Support (Serviced in Item#8)
10		1			BRACKET, Steering Column Support to Lower Bracket (Serviced in Item #8)
11					MOULDING, Trim
	4220 638	1			Woodgrain
	4220 639	1			Black
12	4220 564	1			INDICATOR, Low Fuel, Door Ajar, Washer
13	4051 688	1			HOUSING, Cluster
	4051 708	1			GAUGE, Fuel
	4051 832	1			RELAY, Low Fuel
	4051 710	1			GAUGE, Voltmeter
	4051 711	1			GAUGE, Temp. and Oil
					SPEEDOMETER
	4051 697	1			w/o Trip Odometer
	4051 700	1			w/Trip Odometer
					CHIMNEY
	4051 717	1			Seat Belt and Turn Signal, Right
	4051 812	1			Turn Signal, Left
	4051 811	1			Hi-Beam
	4051 716	1			Oil and Temp. Lite
	4051 863	1			BOARD, Printed Circuit
	4342 227	1			BOARD, Circuit Board and Gauge Alert
					MASK and LENS, Cluster
	4051 689	1			w/o Trip Odometer
	4051 690	1			w/Trip Odometer and Knob
14	3591 814	6			CLIP, Mask and Lens
	4220 572	1			INDICATOR w/CABLE, Gear Selector w/Auto Trans
	6032 732	1			CLIP, Gear Selector Cable Retainer
	4220 760	1			COVER, Indicator w/Manual Trans.
16					BEZEL, Cluster

MODEL CODES

B = GRAN FURY
C = LEBARON/TOWN & COUNTRY/EXC SEDAN
C24 = LASER
D = ARIES
E = 600

F = FIFTH AVENUE/NEWPORT
G = DIPLOMAT
H = VOYAGER
K = MINI RAM/CARAVAN/ROYAL
M = HORIZON/TURISMO

P = RELIANT
T = E CLASS/NEW YORKER
V = 600
V24 = DAYTONA
Z = OMNI/CHARGER/RAMPAGE

BODY STYLES

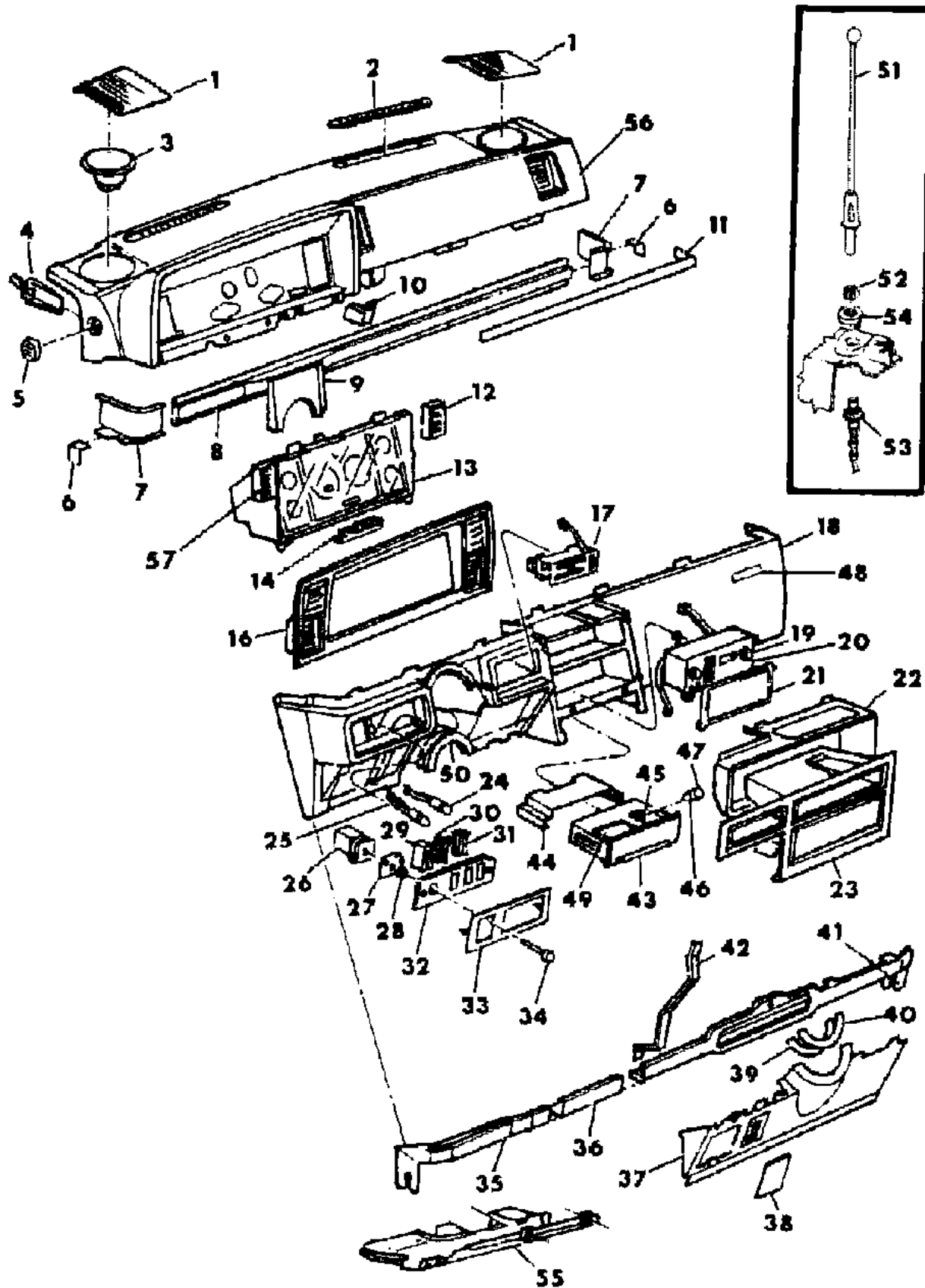
21 = 2-DOOR SEDAN
22 = 2-DOOR SPECIAL COUPE
24 = 2-DOOR HATCHBACK
27 = 2-DOOR CONVERTIBLE
28 = FWD PICKUP
35 = FWD VAN
36 = FWD WAGON
41 = 4-DOOR SEDAN

44 = 4-DOOR HATCHBACK
45 = 4-DOOR STATION WAGON
48 = 4-DOOR EXECUTIVE SEDAN

AR = Use as Required - = Non Illustrated Part P.A.R. = Paint as Required

INSTRUMENT PANEL H,K
Figure 8A-2200

4182 2200



ITEM	PART NUMBER	QTY	BODY	MODEL	DESCRIPTION
	4220 560	1			Low Line w/o Module Openings
	4220 559	1			Low Line w/Module Openings
	4220 558	1			Hi Line and Premium w/o Module Openings
	4220 557	1			Hi Line and Premium w/Module Openings
	6029 168	AR			CLIP, Bezel Attaching
17		1			CONTROL, Heater and A/C (Refer to Group 24)
18	P497 DA3	1			PANEL, Instrument Panel, Lower
19					KNOB, Radio
	4311 341	2			Secondary, Black
	4311 339	1			Treble, Black
	4311 334	2			Primary, Black
	4311 337	1			Bass, Black
	4311 531	1			KNOB PACKAGE, Radio, Black
20					RADIO, E.T.R. w/Clock
	4311 002	1			Am, Black Face
	4311 025	1			Am/Fm/Mx, Black Face
	4311 365	1			Am/Fm/Mx w/Cassette
21	4220 482	1			PLATE, Radio Opening, w/o Radio
22	P474 CA3	1			CONSOLE, Instrument Panel
23					BEZEL, Instrument Panel Console
	4311 912	1			Black
	4311 914	1			Woodgrain
	4220 455	1			CLIP, Bezel
24	4221 240	1			LAMP, Accessory Switch
25	4221 239	1			
26	4221 405	1			SWITCH, Headlamp
27	4221 372	1			PLATE, Headlamp Switch Mtg.
28	4221 063	1			RETAINER, Headlamp Switch Mtg.
29	4221 627	1			SWITCH, Heated Backlite
30	4221 389	1			SWITCH, Rear Wipe/Wash
31	4221 369	1			SWITCH, Liftgate Release
32					BEZEL, Headlamp and Acc. Switch
	4221 357	1			w/One Opening
	4221 356	1			w/Two Openings
	4221 355	1			w/Three Openings
	4221 358	1			w/o Openings
	4221 356	1			Htd.Backlite and Rr.Wipe/Wash or Liftgate Release
	4221 355	1			Htd.Backlite,Rr.Wipe/Wash and Liftgate Release

MODEL CODES

B = GRAN FURY	F = FIFTH AVENUE/NEWPORT	P = RELIANT
C = LEBARON/TOWN & COUNTRY/EXC SEDAN	G = DIPLOMAT	T = E CLASS/NEW YORKER
C24 = LASER	H = VOYAGER	V = 600
D = ARIES	K = MINI RAM/CARAVAN/ROYAL	V24 = DAYTONA
E = 600	M = HORIZON/TURISMO	Z = OMNI/CHARGER/RAMPAGE

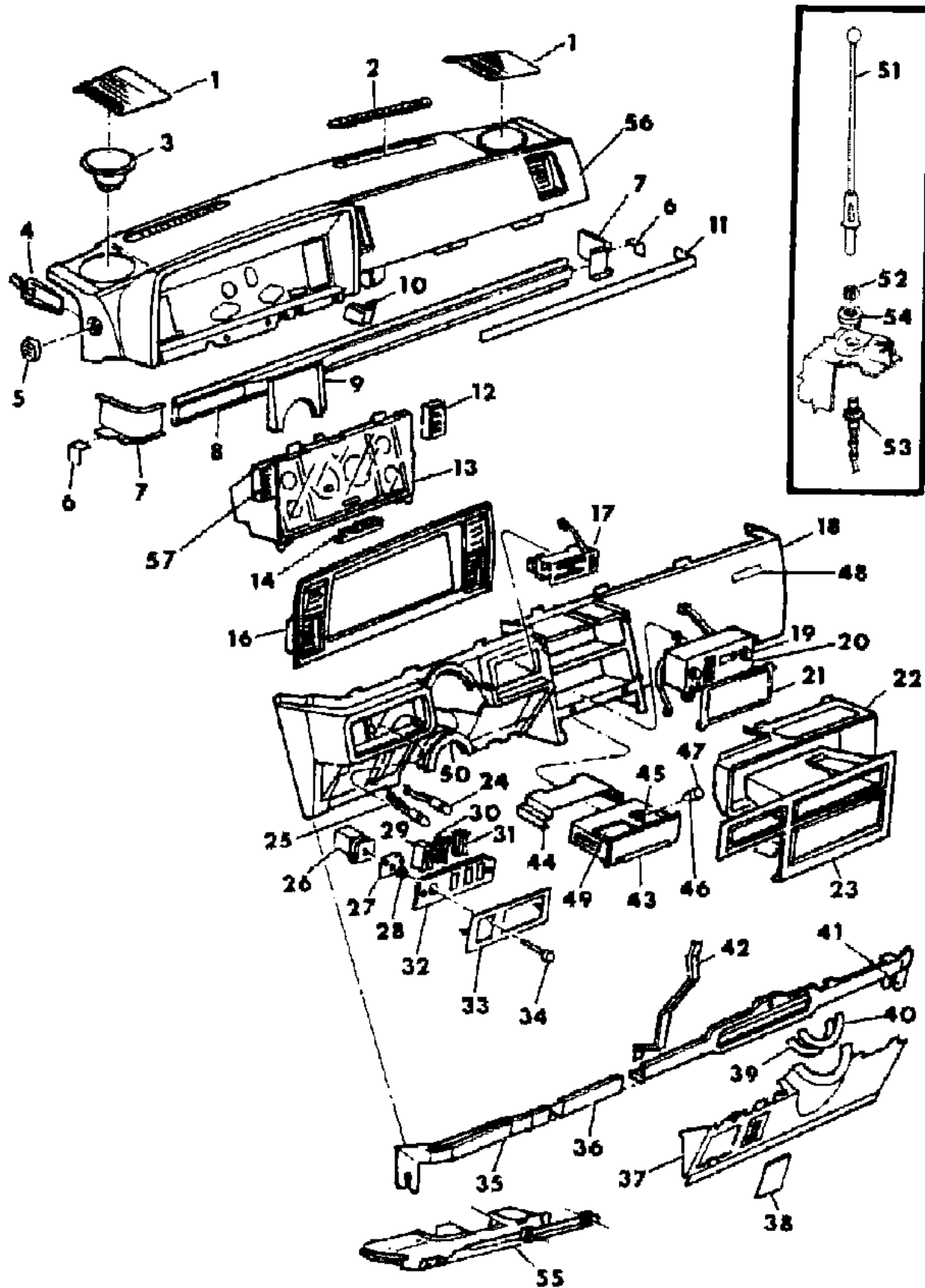
BODY STYLES

21 = 2-DOOR SEDAN	28 = FWD PICKUP	44 = 4-DOOR HATCHBACK
22 = 2-DOOR SPECIAL COUPE	35 = FWD VAN	45 = 4-DOOR STATION WAGON
24 = 2-DOOR HATCHBACK	36 = FWD WAGON	48 = 4-DOOR EXECUTIVE SEDAN
27 = 2-DOOR CONVERTIBLE	41 = 4-DOOR SEDAN	

AR = Use as Required - = Non Illustrated Part P.A.R. = Paint as Required

INSTRUMENT PANEL H,K
Figure 8A-2200

4182 2200



ITEM	PART NUMBER	QTY	BODY	MODEL	DESCRIPTION
33	4221 353	1			BEZEL, Low Line
	4221 352	1			Hi Line and Premium
34	4221 626	1			KNOB and SHAFT, Headlamp Switch
35	4220 623	1			REINFORCEMENT, Lower Left
	4220 869	1			BRACKET, Lower Reinforcement, Left
36	4311 190	1			REINFORCEMENT, Lower Center
37	P480 CL3	1			COVER, Steering Column
38		1			COVER, Fuse Block, Serviced in Item #7
39		1			RETAINER, Serviced in Item #37
40		1			SHIELD, Serviced in Item #37
41	4220 620	1			REINFORCEMENT, Lower Right
	4220 866	1			BRACKET, Lower Reinforcement to A/C and Heater Att., Right
42	4220 611	1			BRACKET, Column Support Att.
43					HOUSING, Ash Receiver
	4311 458	1			Black
	4311 459	1			Woodgrain
44	4311 456	1			HOUSING, Ash Receiver, Upper
45	2932 727	1			SHELL and CLAMP, C/Lighter
46	3004 190	1			ELEMENT, C/Lighter
47	3747 165	1			KNOB, C/Lighter
	4221 408	1			HOOD, Ash Receiver Lamp
	4048 038	1			DIFFUSER, Ash Receiver Lamp
	9421 330	1			BULB, Ash Receiver Lamp
48					NAME PLATE, Instrument Panel
	4311 355	1			"Ram Van"
	4311 353	1			"Voyager"
	4311 351	1			"Caravan"
49	4311 460	1			RECEPTACLE, Ash Receiver
50	4220 773	1			SHIELD, Steering Column Upper
51	4222 729	1			MAST, Antenna
52	4222 728	1			NUT, Cap
53	4222 733	1			BODY and CABLE
54	4222 736	1			ADAPTER and GASKET
	4222 735	1			LOCK WASHER
	4222 739	1			PLUG, Antenna Hole
55					SILENCER, Instrument Panel
	4311 397	1			w/Manual Trans.
	4311 393	1			w/Auto Trans.

MODEL CODES

B = GRAN FURY	F = FIFTH AVENUE/NEWPORT	P = RELIANT
C = LEBARON/TOWN & COUNTRY/EXC SEDAN	G = DIPLOMAT	T = E CLASS/NEW YORKER
C24 = LASER	H = VOYAGER	V = 600
D = ARIES	K = MINI RAM/CARAVAN/ROYAL	V24 = DAYTONA
E = 600	M = HORIZON/TURISMO	Z = OMNI/CHARGER/RAMPAGE

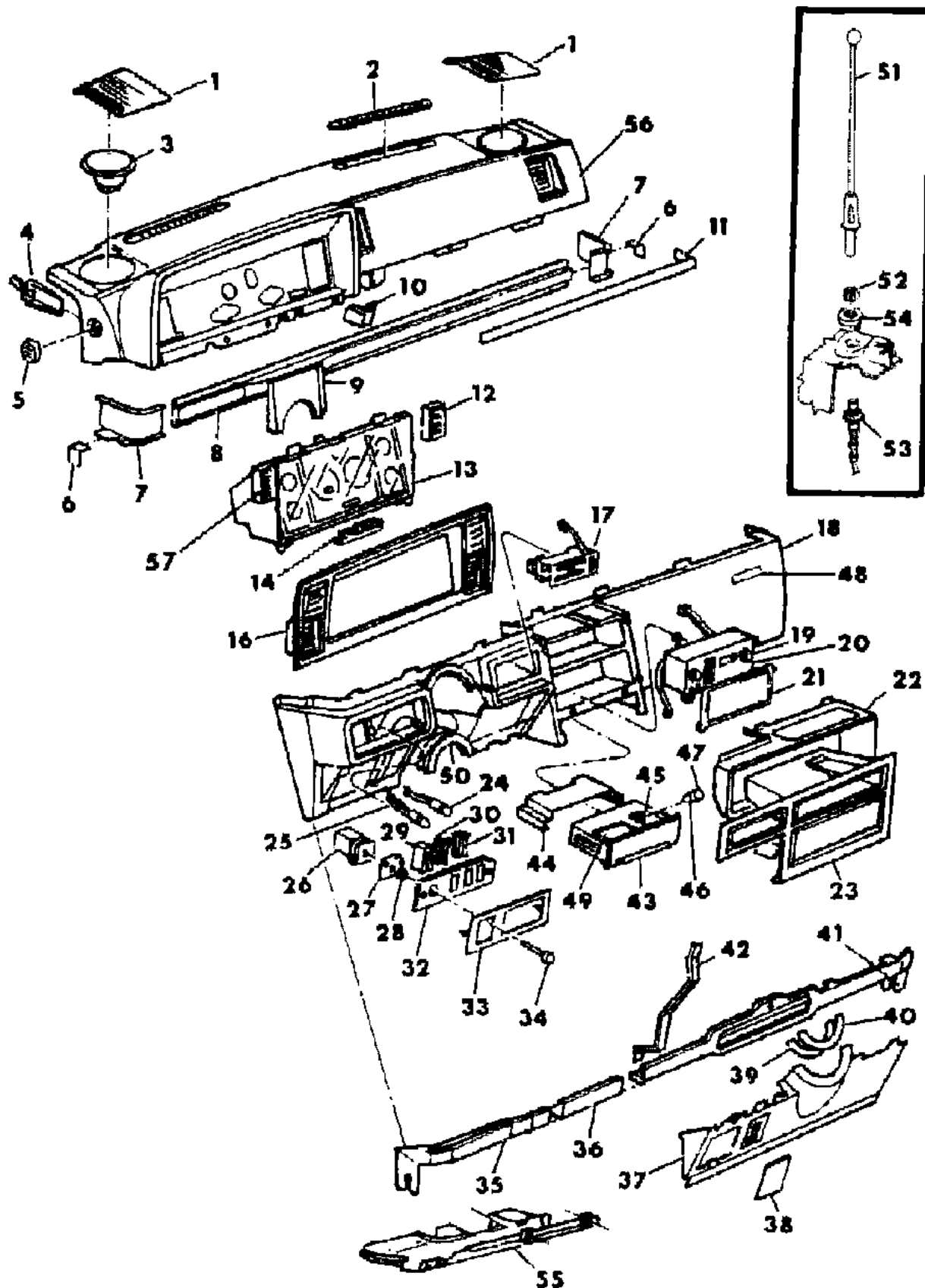
BODY STYLES

21 = 2-DOOR SEDAN	28 = FWD PICKUP	44 = 4-DOOR HATCHBACK
22 = 2-DOOR SPECIAL COUPE	35 = FWD VAN	45 = 4-DOOR STATION WAGON
24 = 2-DOOR HATCHBACK	36 = FWD WAGON	48 = 4-DOOR EXECUTIVE SEDAN
27 = 2-DOOR CONVERTIBLE	41 = 4-DOOR SEDAN	

AR = Use as Required - = Non Illustrated Part P.A.R. = Paint as Required

INSTRUMENT PANEL H,K
Figure 8A-2200

4182 2200



ITEM	PART NUMBER	QTY	BODY	MODEL	DESCRIPTION
56					PAD, Instrument Panel
	P467 EB5	1			Blue
	P501 CM6	1			Red
	P501 CT8	1			Brown
	P467 ES8	1			Charcoal
57	4051 715	1			CHIMNEY, Gauge Alert

MODEL CODES

B = GRAN FURY	F = FIFTH AVENUE/NEWPORT	P = RELIANT
C = LEBARON/TOWN & COUNTRY/EXC SEDAN	G = DIPLOMAT	T = E CLASS/NEW YORKER
C24 = LASER	H = VOYAGER	V = 600
D = ARIES	K = MINI RAM/CARAVAN/ROYAL	V24 = DAYTONA
E = 600	M = HORIZON/TURISMO	Z = OMNI/CHARGER/RAMPAGE

BODY STYLES

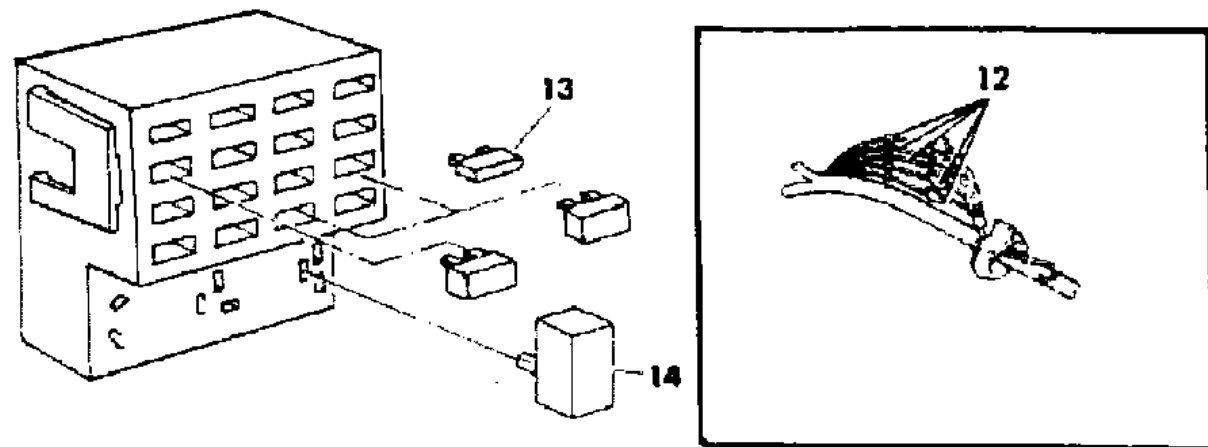
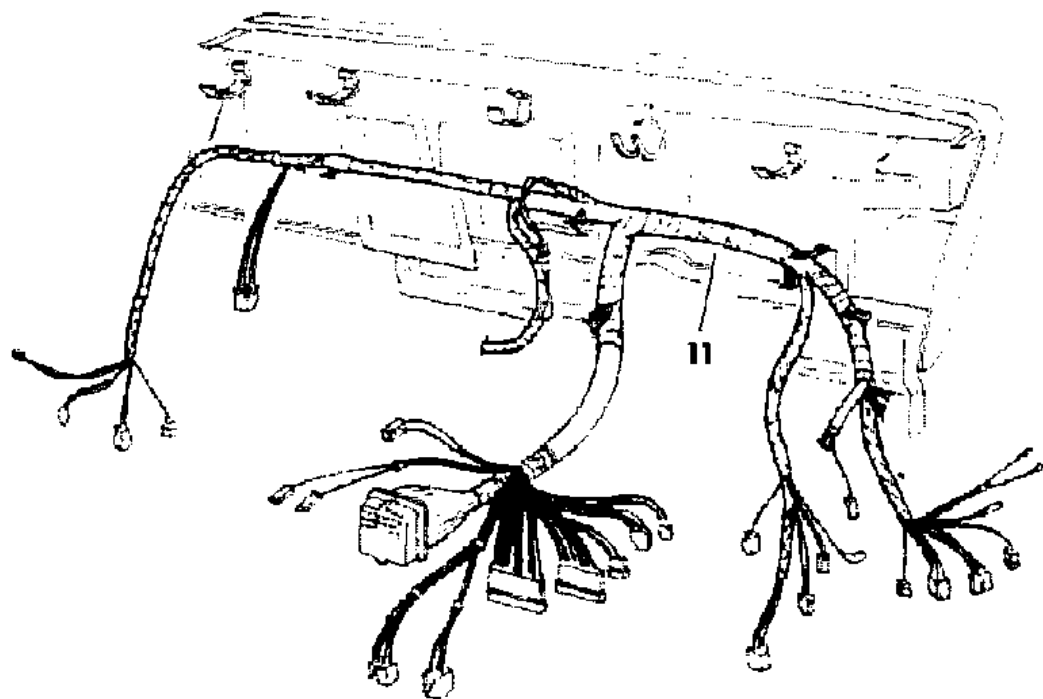
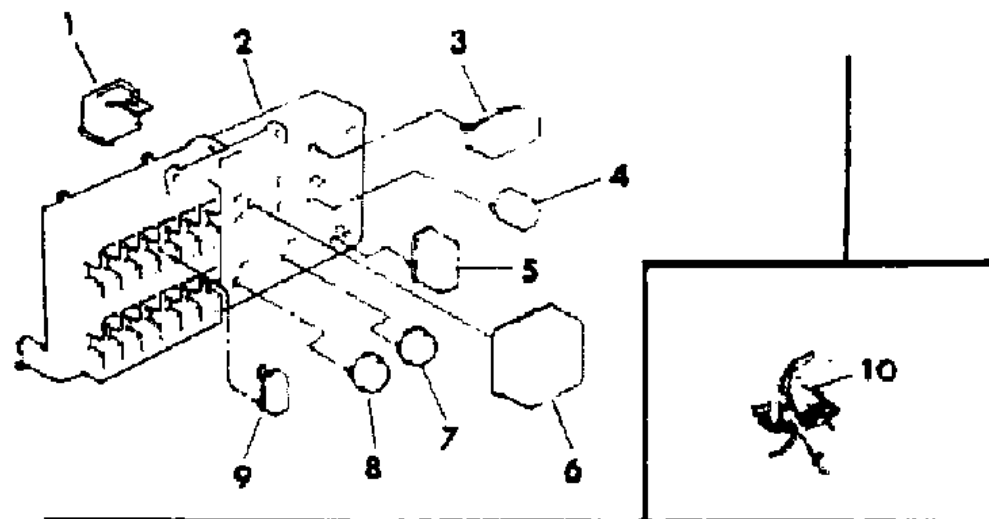
21 = 2-DOOR SEDAN	28 = FWD PICKUP	44 = 4-DOOR HATCHBACK
22 = 2-DOOR SPECIAL COUPE	35 = FWD VAN	45 = 4-DOOR STATION WAGON
24 = 2-DOOR HATCHBACK	36 = FWD WAGON	48 = 4-DOOR EXECUTIVE SEDAN
27 = 2-DOOR CONVERTIBLE	41 = 4-DOOR SEDAN	

AR = Use as Required - = Non Illustrated Part P.A.R. = Paint as Required

INSTRUMENT PANEL WIRING H,K

Figure 8A-2300

4182 2300



ITEM	PART NUMBER	QTY	BODY	MODEL	DESCRIPTION
1					RELAY, Window Lift, Serviced in #2
2	4304 499	1			MODULE, Fuse Block
	4304 001	1			BRACKET, Fuse Block Mtg.
	4124 752	1			TERMINAL, Buzz Bar, 3 Way
	4124 258	1			1 Way
3	4221 730	1			BUZZER, Key, Headlamp and Seat Belt Warning
	4312 627	1			CHIME w/BRACKET
4	2889 565	1			RELAY, Time Delay
	3747 299	1			RELAY, Liftgate Release
	4221 684	1			RELAY, Radiator Fan
5	3747 298	1			RELAY, Horn
6		1			RELAY, Heated Backlite, Serviced in Switch
	4221 542	1			RELAY, Radiator Fan Motor
	4221 285	1			RELAY, Fan Control, w/2.6 Eng.
	4221 386	1			RELAY, Radiator Fan Motor, w/Air and 2.6 Eng.
7	2932 877	1			FLASHER, Hazard Warning
8	3837 161	1			FLASHER, Turn Signal, 2 Lamp
	3837 162	1			3 Lamp
9					BREAKER, Circuit
	4186 377	AR			6 Amp.
	4186 379	AR			30 Amp.
10					CONTROL, Refer to Group 24
11					WIRING, Instrument Panel Main
	4274 900	1			w/o Light Pkg.
	4274 901	1			w/Light Pkg.
	4304 869	1			WIRING, Instrument Panel Axuillary
					Lower w/Spotlight
	4304 870	1			Upper w/Spotlight
	4304 006	1			w/Mono Speaker
	4304 005	1			w/Stereo Speakers
	4274 161	1			DIODE w/MOLD, Repair Package
	4274 091	1			w/Air and Heated Backlite
12					CABLE, Fuseible Link (25' Roll)
	4026 095	1			No. 16 Blue
	4026 094	1			No. 14 Red
	4026 093	1			No. 12 Black
	4364 877	1			No. 10 Green
	4026 096	1			No. 18 Grey

MODEL CODES

B = GRAN FURY	F = FIFTH AVENUE/NEWPORT	P = RELIANT
C = LEBARON/TOWN & COUNTRY/EXC SEDAN	G = DIPLOMAT	T = E CLASS/NEW YORKER
C24 = LASER	H = VOYAGER	V = 600
D = ARIES	K = MINI RAM/CARAVAN/ROYAL	V24 = DAYTONA
E = 600	M = HORIZON/TURISMO	Z = OMNI/CHARGER/RAMPAGE

BODY STYLES

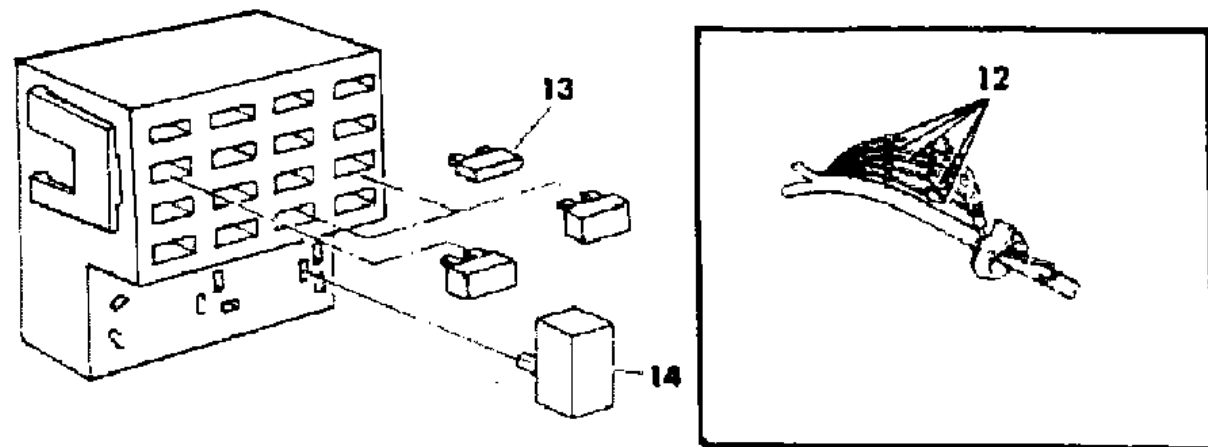
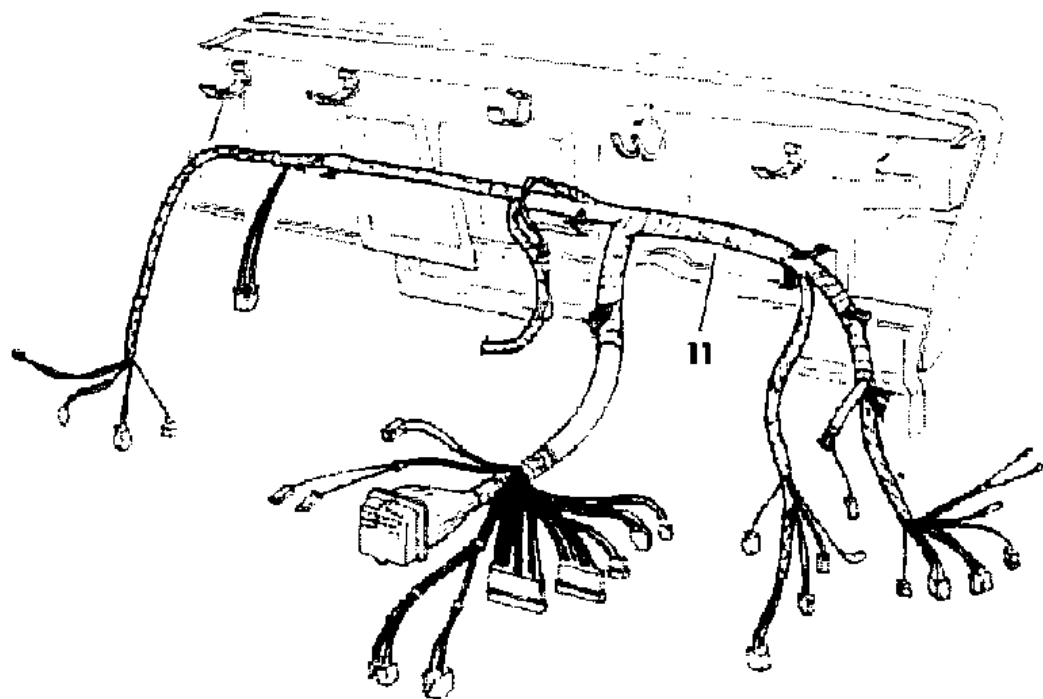
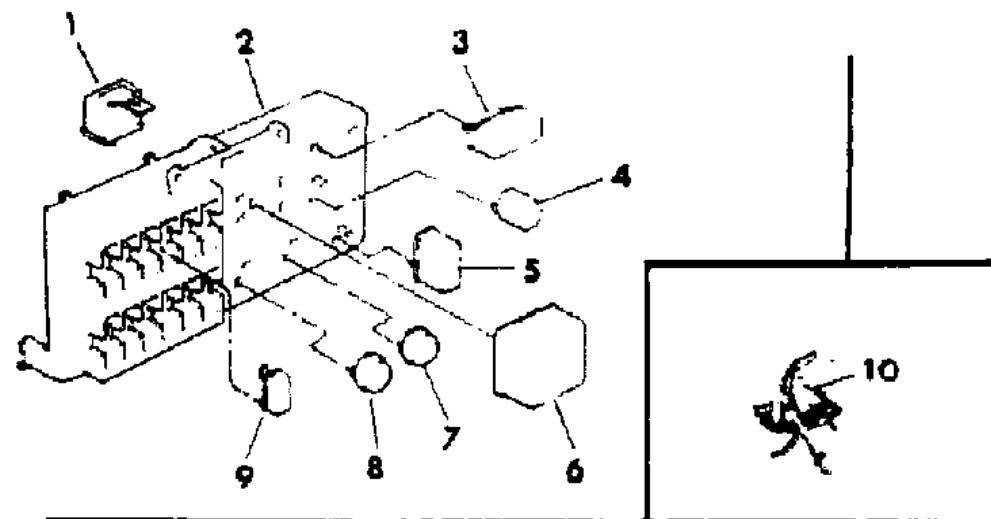
21 = 2-DOOR SEDAN	28 = FWD PICKUP	44 = 4-DOOR HATCHBACK
22 = 2-DOOR SPECIAL COUPE	35 = FWD VAN	45 = 4-DOOR STATION WAGON
24 = 2-DOOR HATCHBACK	36 = FWD WAGON	48 = 4-DOOR EXECUTIVE SEDAN
27 = 2-DOOR CONVERTIBLE	41 = 4-DOOR SEDAN	

AR = Use as Required - = Non Illustrated Part P.A.R. = Paint as Required

INSTRUMENT PANEL WIRING H,K

Figure 8A-2300

4182 2300



ITEM	PART NUMBER	QTY	BODY	MODEL	DESCRIPTION
	4364 878	1			No. 20 Orange
13					FUSE, Blade Type
	6101 132	AR			4 Amp.
	6101 131	AR			3 Amp.
	6101 133	AR			5 Amp.
	6101 137	AR			20 Amp.
	6101 139	AR			30 Amp.
	6101 138	AR			25 Amp.
14					BREAKER, Circuit
	3747 809	AR			20 Amp. Acc.
	3747 810	AR			30 Amp. Acc.

MODEL CODES

B = GRAN FURY	F = FIFTH AVENUE/NEWPORT	P = RELIANT
C = LEBARON/TOWN & COUNTRY/EXC SEDAN	G = DIPLOMAT	T = E CLASS/NEW YORKER
C24 = LASER	H = VOYAGER	V = 600
D = ARIES	K = MINI RAM/CARAVAN/ROYAL	V24 = DAYTONA
E = 600	M = HORIZON/TURISMO	Z = OMNI/CHARGER/RAMPAGE

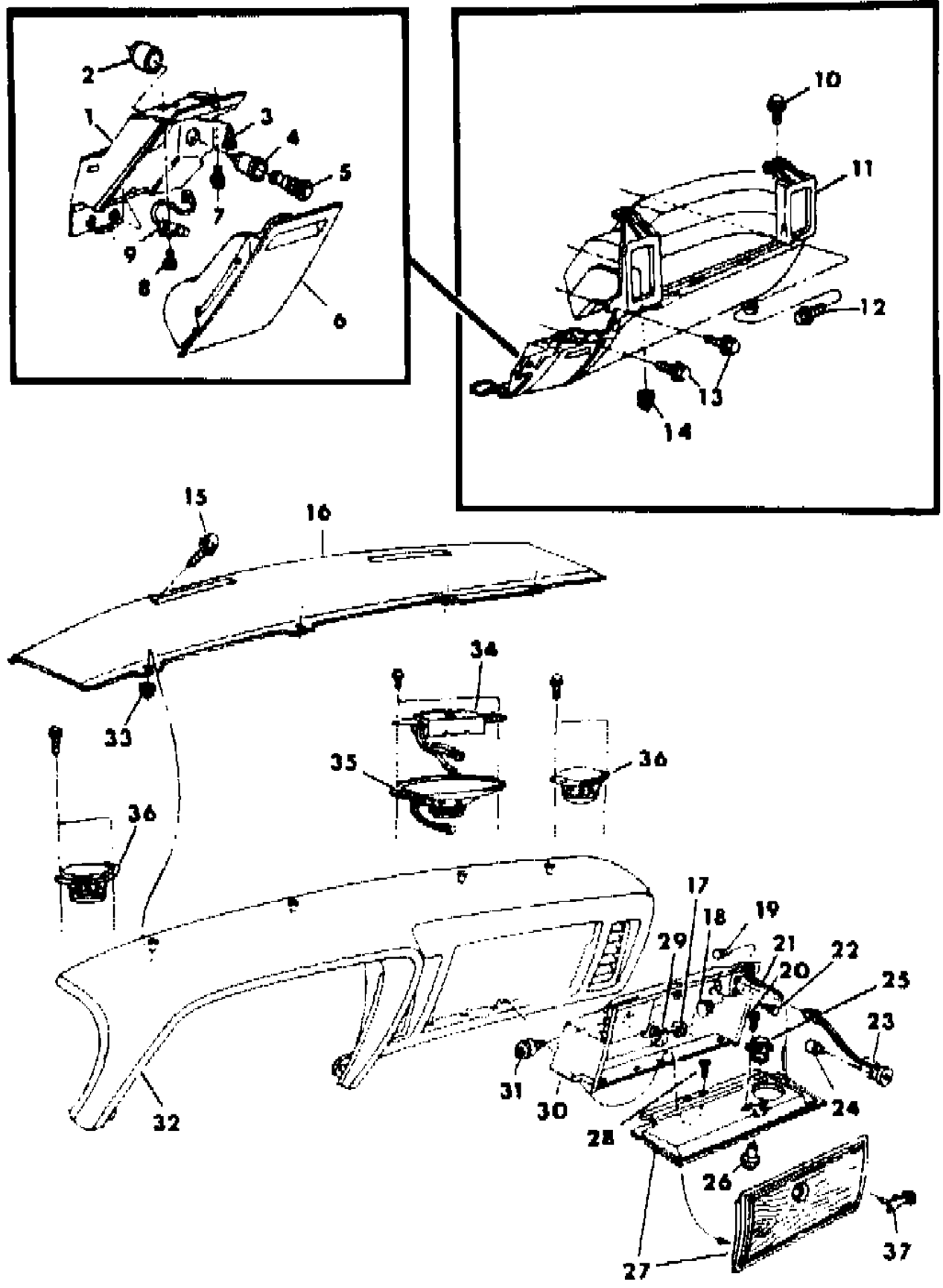
BODY STYLES

21 = 2-DOOR SEDAN	28 = FWD PICKUP	44 = 4-DOOR HATCHBACK
22 = 2-DOOR SPECIAL COUPE	35 = FWD VAN	45 = 4-DOOR STATION WAGON
24 = 2-DOOR HATCHBACK	36 = FWD WAGON	48 = 4-DOOR EXECUTIVE SEDAN
27 = 2-DOOR CONVERTIBLE	41 = 4-DOOR SEDAN	

AR = Use as Required - = Non Illustrated Part P.A.R. = Paint as Required

INSTRUMENT PANEL GLOVEBOX, ASH RECEIVER AND SPEAKERS B,F,G
Figure 8A-2400

4182 2400



ITEM	PART NUMBER	QTY	BODY	MODEL	DESCRIPTION
1	3590 763	1			HOUSING, Ash Receiver
	0152 490	1			U-NUT, Instrument Panel to Ash Receiver Housing
2	2932 727	1			SHELL and CLAMP, C/Lighter
3	2661 690	1			BUMPER, Ash Receiver Stop
4	2932 727	1			SHELL and CLAMP, C/Lighter
	3004 190	1			ELEMENT, C/Lighter
5	3747 165	1			KNOB, C/Lighter
6	P632 BT8	1			FACE PLATE and RECEPTACLE, Ash Receiver
7					SCREW (DNS)
8					SCREW (DNS)
9	3747 089	1			LAMP, Ash Receiver
10					SCREW (DNS)
11	P667 DT5	1			PANEL, Instrument Lower
	P409 DT5	1			INSERT, ATC Sensor
12					SCREW w/WASHER
13					SCREW (DNS)
14					NUT (DNS)
15					SCREW (DNS)
16					COVER, Instrument Panel Upper
	3590 736	1			w/Stereo Radio
	3590 734	1			w/o Radio
17					NUT, Deck Lid Release Mtg. (See Deck Lid Illus.)
18	2822 583	1			LENS, Glove Box
19	6030 538	1			RETAINER, Glove Box Door Check Strap
20					SCREW (DNS)
21	3591 926	1			CABLE, Glove Box Door
22	2218 683	2			BUMPER, Instrument Panel to Glove Box Door
23	4221 170	1			LAMP w/SWITCH, Glove Box
24	0152 244	1			BULB, Glove Box
25	3508 886	1			LATCH, Glove Box Lock Cylinder
		1			CATCH, Glove Box Lock Cylinder, Serviced in Item #34
26					CYLINDER, Glove Box Door, Refer to 23D
27					DOOR, Glove Box
	4220 410	1		B,G	
	4311 451	1		F	
28					SCREW (DNS)
29					BEZEL, Deck Lid Release, Refer to 23A
30	3591 940	1			BOX, Glove

MODEL CODES

B = GRAN FURY	F = FIFTH AVENUE/NEWPORT	P = RELIANT
C = LEBARON/TOWN & COUNTRY/EXC SEDAN	G = DIPLOMAT	T = E CLASS/NEW YORKER
C24 = LASER	H = VOYAGER	V = 600
D = ARIES	K = MINI RAM/CARAVAN/ROYAL	V24 = DAYTONA
E = 600	M = HORIZON/TURISMO	Z = OMNI/CHARGER/RAMPAGE

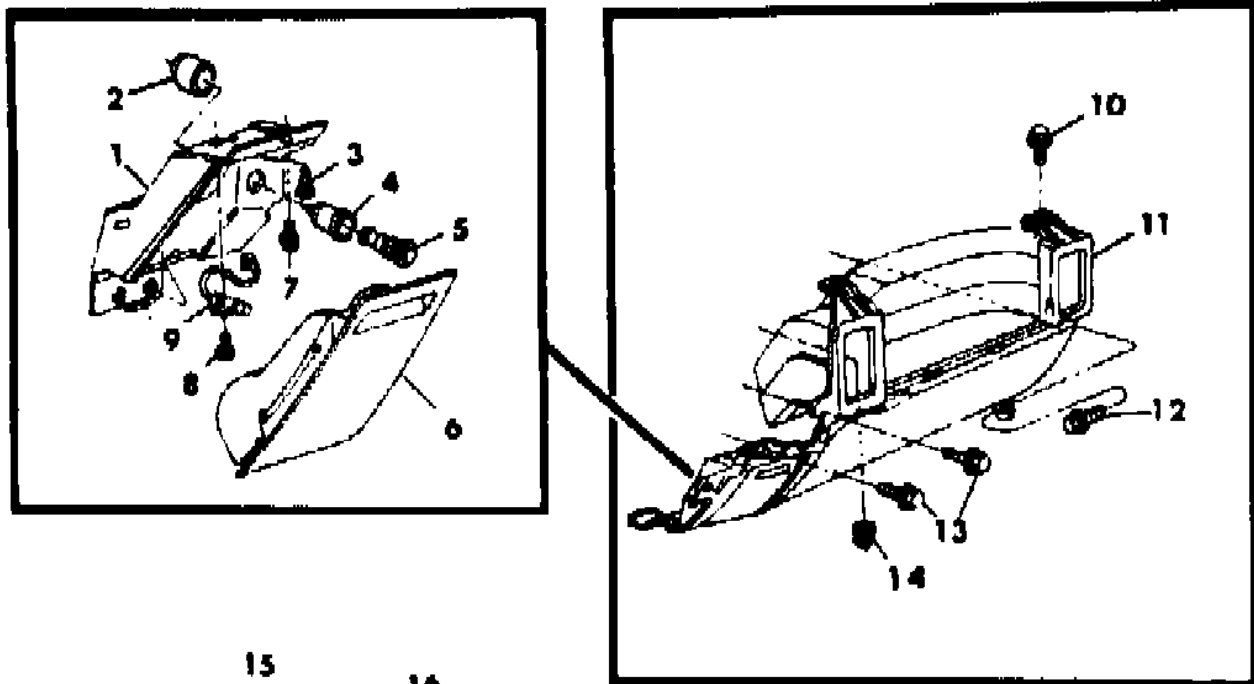
BODY STYLES

21 = 2-DOOR SEDAN	28 = FWD PICKUP	44 = 4-DOOR HATCHBACK
22 = 2-DOOR SPECIAL COUPE	35 = FWD VAN	45 = 4-DOOR STATION WAGON
24 = 2-DOOR HATCHBACK	36 = FWD WAGON	48 = 4-DOOR EXECUTIVE SEDAN
27 = 2-DOOR CONVERTIBLE	41 = 4-DOOR SEDAN	

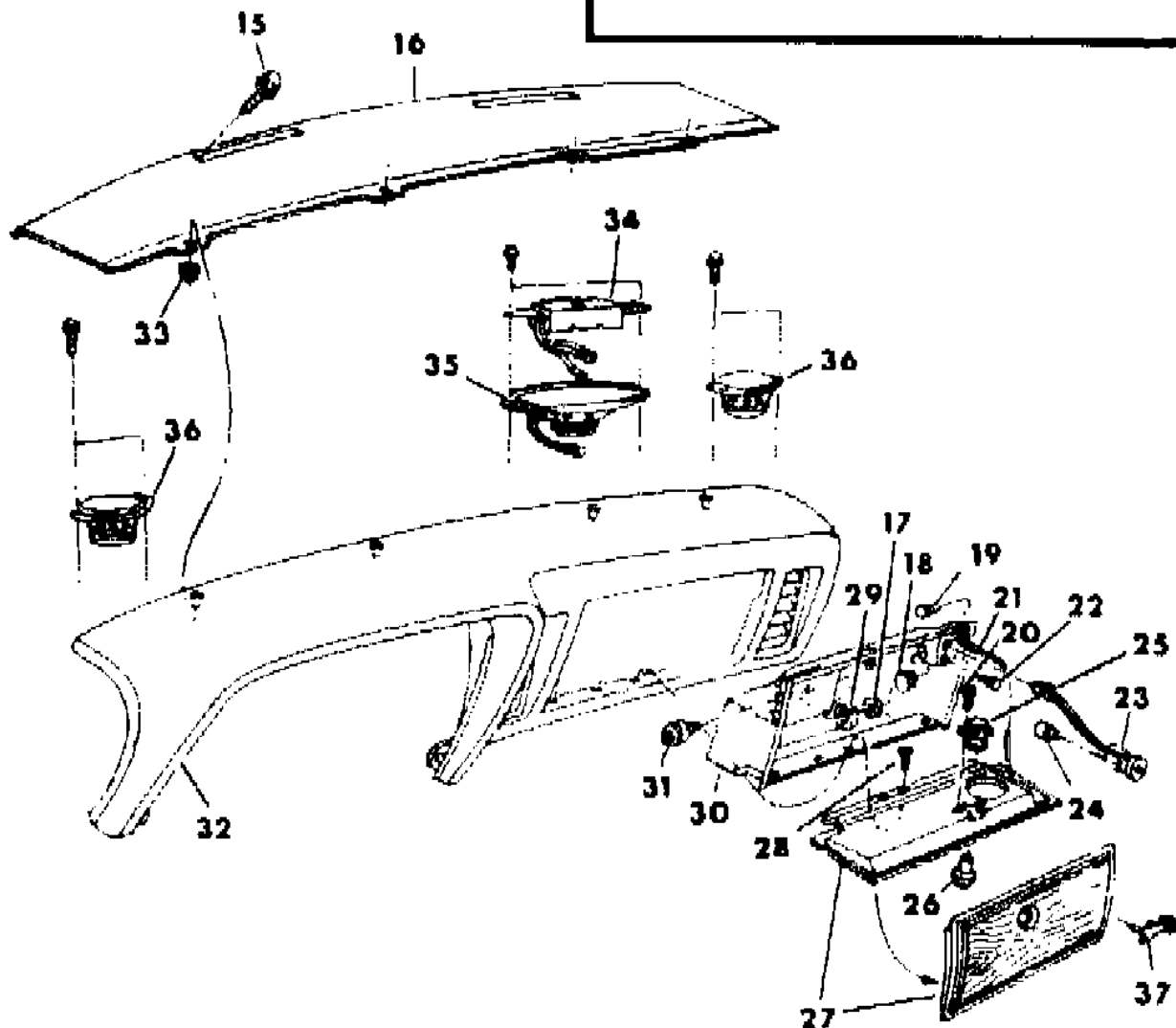
AR = Use as Required - = Non Illustrated Part P.A.R. = Paint as Required

INSTRUMENT PANEL GLOVEBOX, ASH RECEIVER AND SPEAKERS B,F,G
Figure 8A-2400

4182 2400



ITEM	PART NUMBER	QTY	BODY	MODEL	DESCRIPTION
31					SWITCH, Deck Lid Release, Refer to 23A
32	P411 AA7	1			PAD, Instrument Panel Trim
33	6030 301	AR			NUT
	3746 030				LAMP, Reverse Gear Indicator, w/Manual Trans.
34					AMPLIFIER, Audio Power
	4222 592	1			Up to 10-18-83
	4311 498	1			After 10-18-83
	4048 784	1			COIL, Audio Power Amplifier, Radio Choke
	3747 874	1			SWITCH, Rear Amplifier
	3747 750	1			CLIP, Switch Rear Amplifier
35					SPEAKER, Instrument Panel
	3501 277	1			Clarion #S30 Cry.
36	4222 532	2			SPEAKER, Instrument Panel Stereo
	4222 531	2			Rear Shelf Stereo E.T.R.
	4293 935	2			Rear Shelf, Clarion #S35 Cry.
37	4311 455	1		F	PLATE, Glove Box Name "Chrysler"



MODEL CODES

B = GRAN FURY	F = FIFTH AVENUE/NEWPORT	P = RELIANT
C = LEBARON/TOWN & COUNTRY/EXC SEDAN	G = DIPLOMAT	T = E CLASS/NEW YORKER
C24 = LASER	H = VOYAGER	V = 600
D = ARIES	K = MINI RAM/CARAVAN/ROYAL	V24 = DAYTONA
E = 600	M = HORIZON/TURISMO	Z = OMNI/CHARGER/RAMPAGE

BODY STYLES

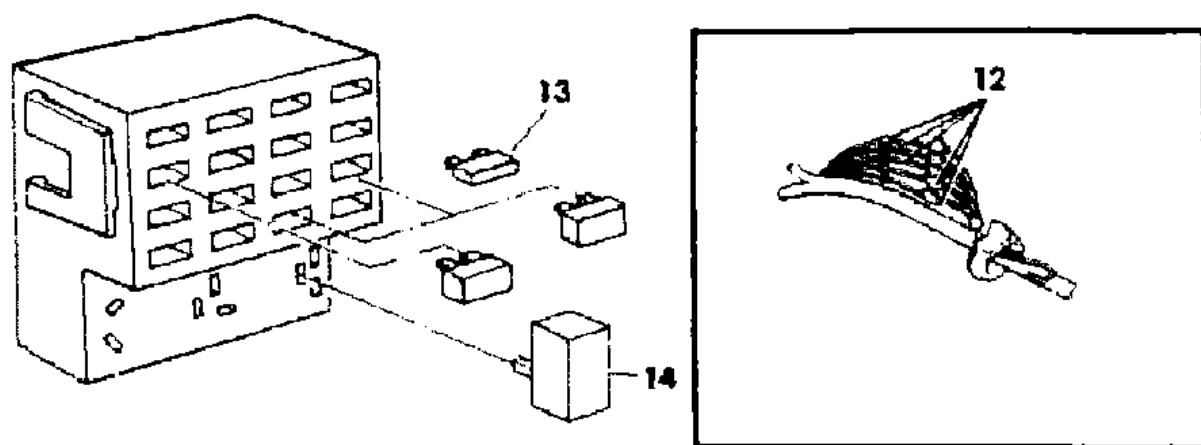
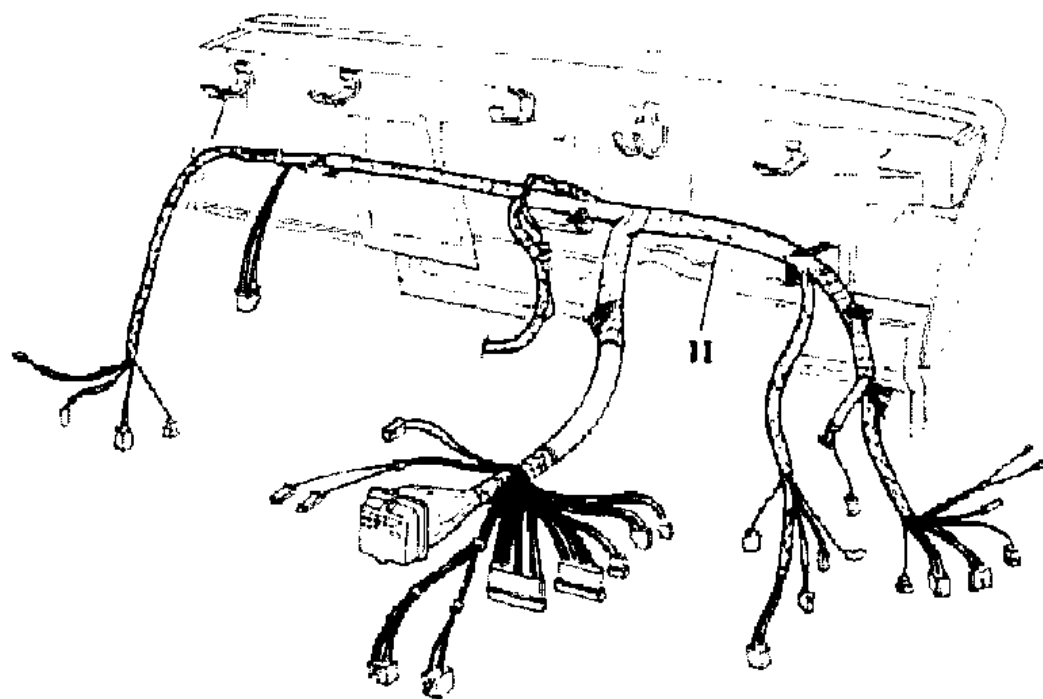
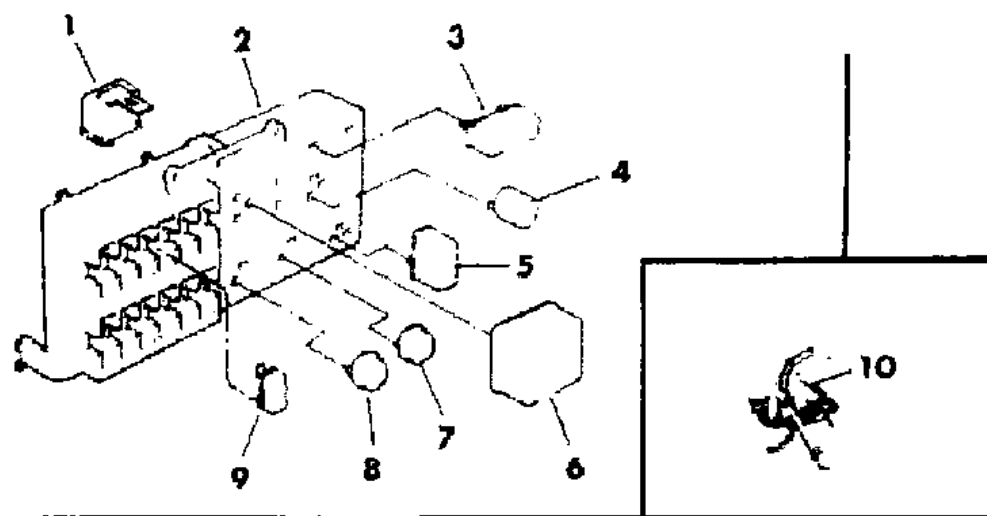
21 = 2-DOOR SEDAN	28 = FWD PICKUP	44 = 4-DOOR HATCHBACK
22 = 2-DOOR SPECIAL COUPE	35 = FWD VAN	45 = 4-DOOR STATION WAGON
24 = 2-DOOR HATCHBACK	36 = FWD WAGON	48 = 4-DOOR EXECUTIVE SEDAN
27 = 2-DOOR CONVERTIBLE	41 = 4-DOOR SEDAN	

AR = Use as Required - = Non Illustrated Part P.A.R. = Paint as Required

INSTRUMENT PANEL WIRING B,F,G

Figure 8A-2500

4182 2500



ITEM	PART NUMBER	QTY	BODY	MODEL	DESCRIPTION
1					RELAY, Window Lift Safety, Serviced in #2
2	4124 697	1			MODULE, Fuse Block
	4124 752	1			TERMINAL, Buss Bar, 3 Way
	4124 258	1			1 Way
3	4221 730	1			BUZZER, Key, Headlamp and Seat Belt Warning
	4312 627	1			CHIME
	4048 581	1			BRACKET, Chime
	2889 565	1			RELAY, Time Delay
4	4221 061	1			RELAY, Amplifier
	4221 570	1			RELAY, Power Antenna
5	3747 298	1			RELAY, Horn
6		1			RELAY, Heated Backlite (Serviced in Switch)
7	2932 877	1			FLASHER, Hazzard Warning
8	3837 161	1			FLASHER, Turn Signal, 2 Lamp
	3837 162	1			3 Lamp
9					BREAKER, Circuit
	4186 377	AR			6 Amp.
	4186 379	AR			30 Amp.
10					CONTROL, Refer to Group 24
11		1			WIRING, Instrument Panel Main
					WIRING, Instrument Panel Auxillary
			1		w/Power Deck Lid Release
			1		w/Oil Gauge
			1		w/Speed Control
			1		Relay Control, Police
			1		w/Illuminated Entry
			1		DIODE w/Mold, Repair Pkg.
			1		W/Air and Heated Backlite
			1		Instrument Panel Premium Speakers
	12				
			1		No. 16 Blue
			1		No. 14 Red
			1		No. 12 Black
			1		No. 10 Green
			1		No. 18 Grey
			1		No. 20 Orange
			1		
13					FUSE, Blade Type
	6101 132	AR			4 Amp.

MODEL CODES

B = GRAN FURY	F = FIFTH AVENUE/NEWPORT	P = RELIANT
C = LEBARON/TOWN & COUNTRY/EXC SEDAN	G = DIPLOMAT	T = E CLASS/NEW YORKER
C24 = LASER	H = VOYAGER	V = 600
D = ARIES	K = MINI RAM/CARAVAN/ROYAL	V24 = DAYTONA
E = 600	M = HORIZON/TURISMO	Z = OMNI/CHARGER/RAMPAGE

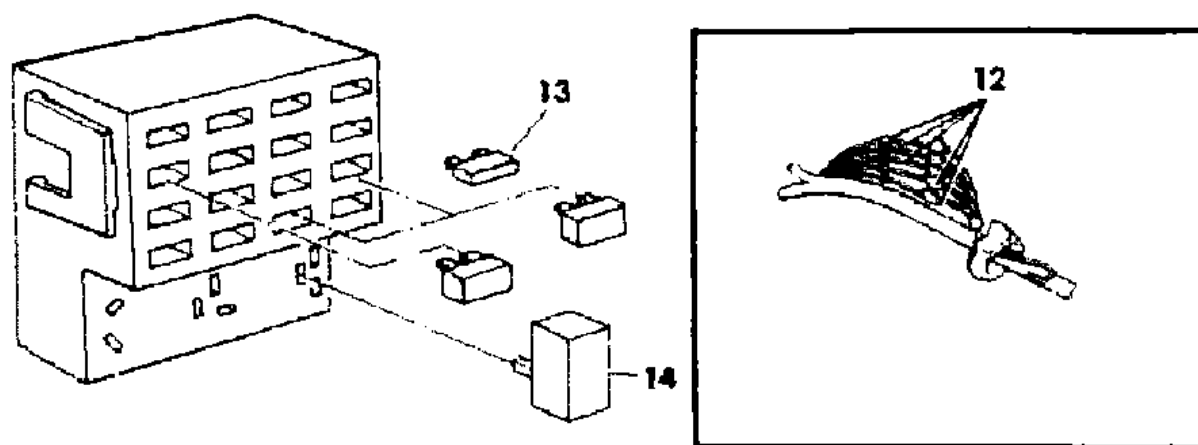
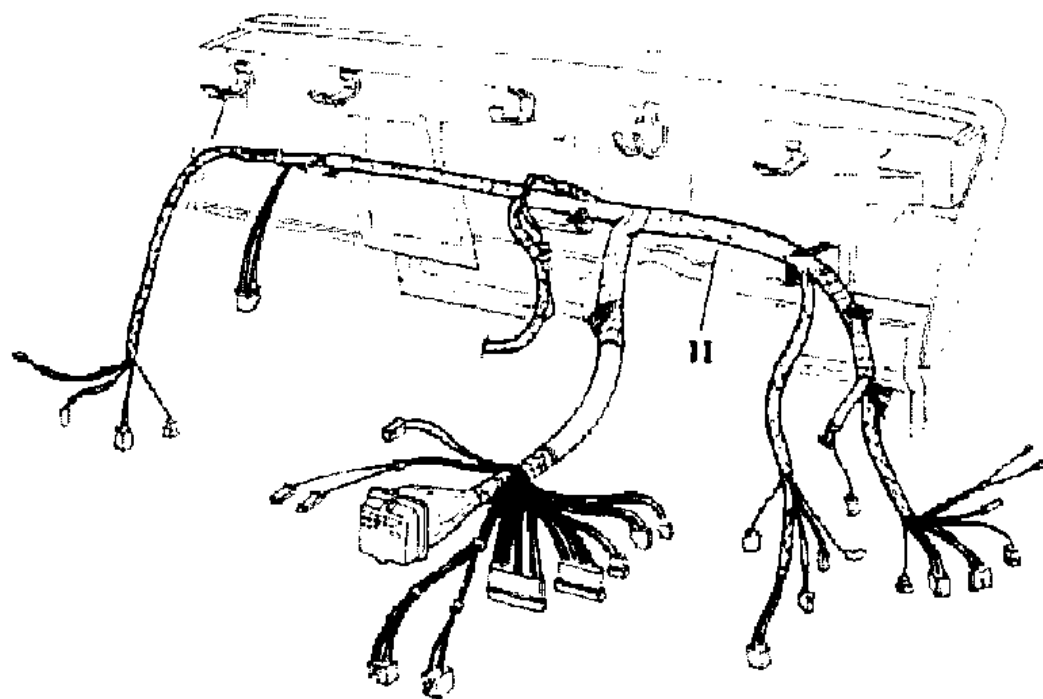
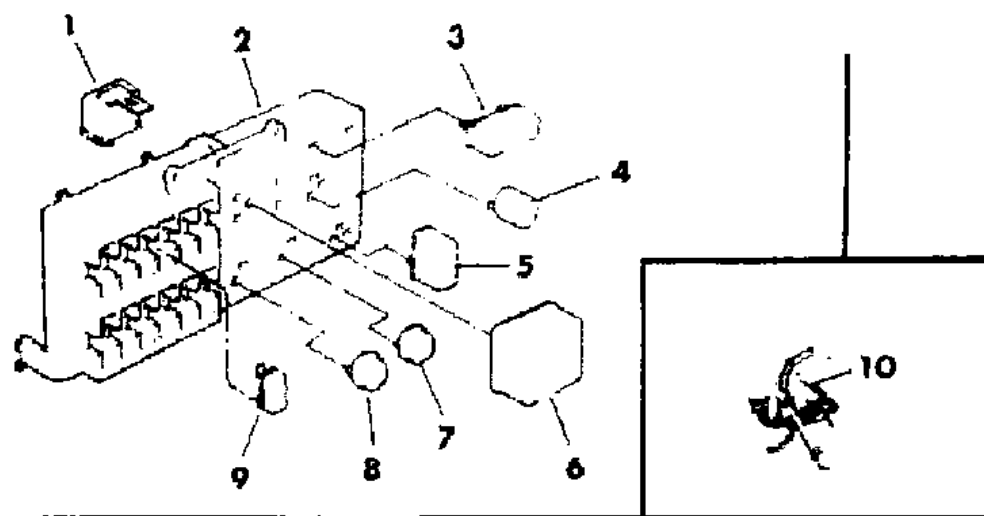
BODY STYLES

21 = 2-DOOR SEDAN	28 = FWD PICKUP	44 = 4-DOOR HATCHBACK
22 = 2-DOOR SPECIAL COUPE	35 = FWD VAN	45 = 4-DOOR STATION WAGON
24 = 2-DOOR HATCHBACK	36 = FWD WAGON	48 = 4-DOOR EXECUTIVE SEDAN
27 = 2-DOOR CONVERTIBLE	41 = 4-DOOR SEDAN	

AR = Use as Required - = Non Illustrated Part P.A.R. = Paint as Required

INSTRUMENT PANEL WIRING B,F,G
Figure 8A-2500

4182 2500



ITEM	PART NUMBER	QTY	BODY	MODEL	DESCRIPTION
	6101 131	AR			3 Amp.
	6101 133	AR			5 Amp.
	6101 137	AR			20 Amp.
	6101 139	AR			30 Amp.
	6101 138	AR			25 Amp.
14					BREAKER, Circuit
	3747 809	AR			20 Amp. Acc.
	3747 810	AR			30 Amp. Acc.

MODEL CODES

B = GRAN FURY	F = FIFTH AVENUE/NEWPORT	P = RELIANT
C = LEBARON/TOWN & COUNTRY/EXC SEDAN	G = DIPLOMAT	T = E CLASS/NEW YORKER
C24 = LASER	H = VOYAGER	V = 600
D = ARIES	K = MINI RAM/CARAVAN/ROYAL	V24 = DAYTONA
E = 600	M = HORIZON/TURISMO	Z = OMNI/CHARGER/RAMPAGE

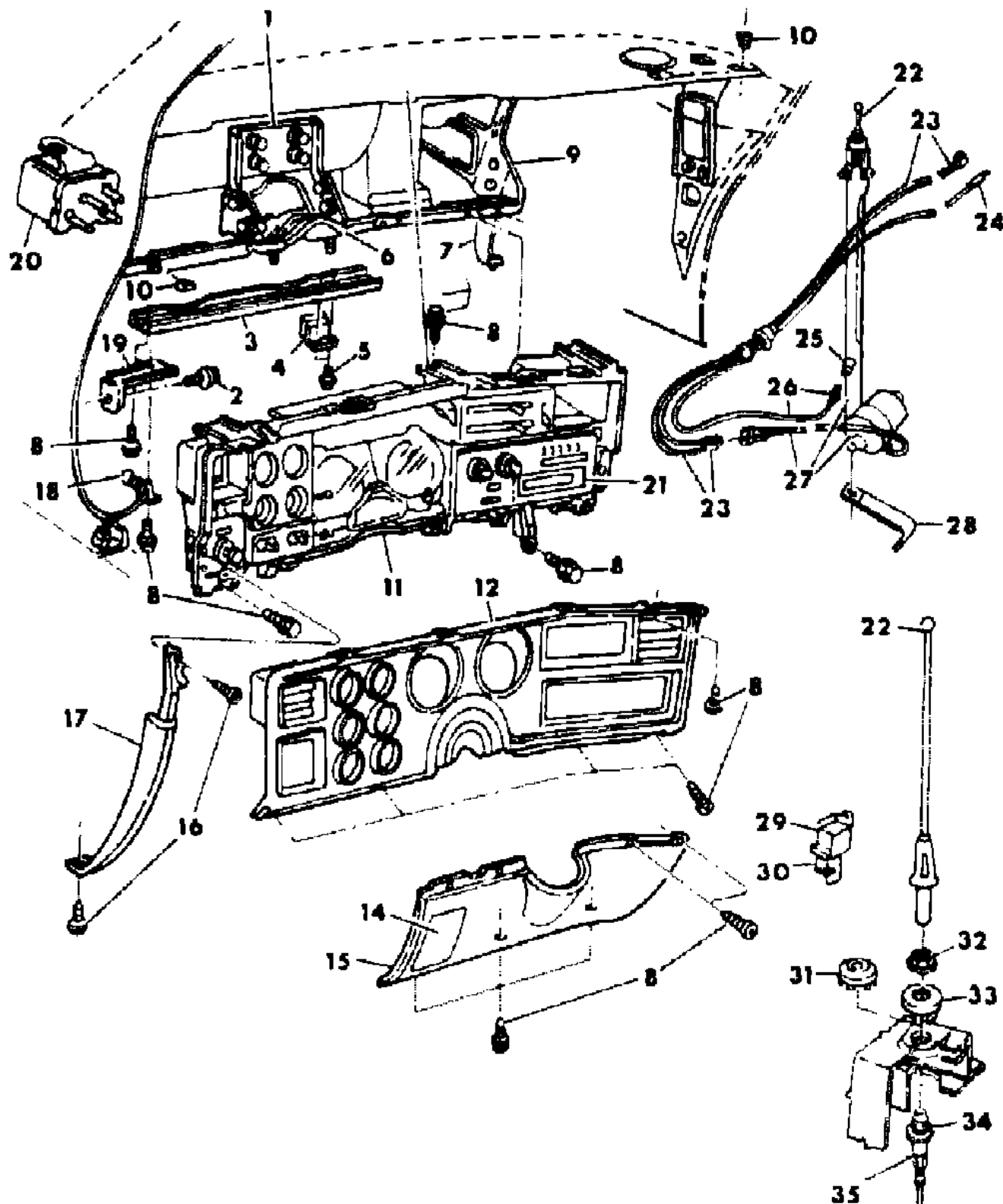
BODY STYLES

21 = 2-DOOR SEDAN	28 = FWD PICKUP	44 = 4-DOOR HATCHBACK
22 = 2-DOOR SPECIAL COUPE	35 = FWD VAN	45 = 4-DOOR STATION WAGON
24 = 2-DOOR HATCHBACK	36 = FWD WAGON	48 = 4-DOOR EXECUTIVE SEDAN
27 = 2-DOOR CONVERTIBLE	41 = 4-DOOR SEDAN	

AR = Use as Required - = Non Illustrated Part P.A.R. = Paint as Required

INSTRUMENT PANEL BEZELS, RADIO AND ANTENNA B,F,G
Figure 8A-2600

4182 2600



ITEM	PART NUMBER	QTY	BODY	MODEL	DESCRIPTION
1	3590 876	1			BRACKET
2		AR			SCREW (DNS)
3	4047 295	1			REINFORCEMENT, Instrument Panel Lower, Left
	4047 089	1			Intermediate, Left
4		1			CONTROL, Intermittent Wipe, Refer to 23D
5		2			SCREW (DNS)
6	4047 087	1			BRACKET, Steering Column Support
7	3591 878	1			SUPPORT, Instrument Panel Center to Lower Reinforcement
8					SCREW (DNS)
9	3590 772	1			SUPPORT, Instrument Panel Center to Cowl Top
10	6030 301	AR			NUT
11					HOUSING, Instrument Cluster
	4051 072	1			Speedometer, Fuel Gauge
	4051 079	1			Amp., Temp., Washer, Brake/Oil
12					BEZEL, Speedometer
	4220 004		F-S		BEZEL, Speedometer and Instrument Cluster
	4047 129	1	B,G		w/o Radio, w/Air
	4047 130	1	B,G		w/Radio, w/o Air
	4047 131	1	B,G		w/Radio, w/Air
	6029 168	AR			CLIP, Bezel Attaching
14	4106 724	1			PLATE, Fuse Block Cover
15	P635 TB2	1			COVER, Steering Column Opening
	0152 490	2			U-NUT, Instrument Panel to Steering Column Cover
16					SCREW (DNS)
17	P513 DT5	1			CAP, Instrument Panel
18	3591 130	1			LAMP, Instrument Panel Courtesy
19	3591 081	1			BRACKET
20	3879 696	1			RELAY w/BRACKET, Electric Window Lift
21					RADIO, E.T.R. w/Clock
	4311 001	1			Am, Bright Face
	4311 002	1			Am, Black Face
	4311 024	1			Am/Fm/Mx, Bright Face
	4311 025	1			Am/Fm/Mx, Black Face
	4311 364	1			Am/Fm/Mx w/Cassette
	4311 363	1			Am/Fm/Mx Premium
	4222 560	1			DIFFUSER, Bulb
	4048 499	1			CHOKE, A-Lead Filter w/100 Amp. Alternator
	4222 702	1			SUPPRESSION, Windshield Wiper Motor (Radio Noise)

MODEL CODES

B = GRAN FURY	F = FIFTH AVENUE/NEWPORT	P = RELIANT
C = LEBARON/TOWN & COUNTRY/EXC SEDAN	G = DIPLOMAT	T = E CLASS/NEW YORKER
C24 = LASER	H = VOYAGER	V = 600
D = ARIES	K = MINI RAM/CARAVAN/ROYAL	V24 = DAYTONA
E = 600	M = HORIZON/TURISMO	Z = OMNI/CHARGER/RAMPAGE

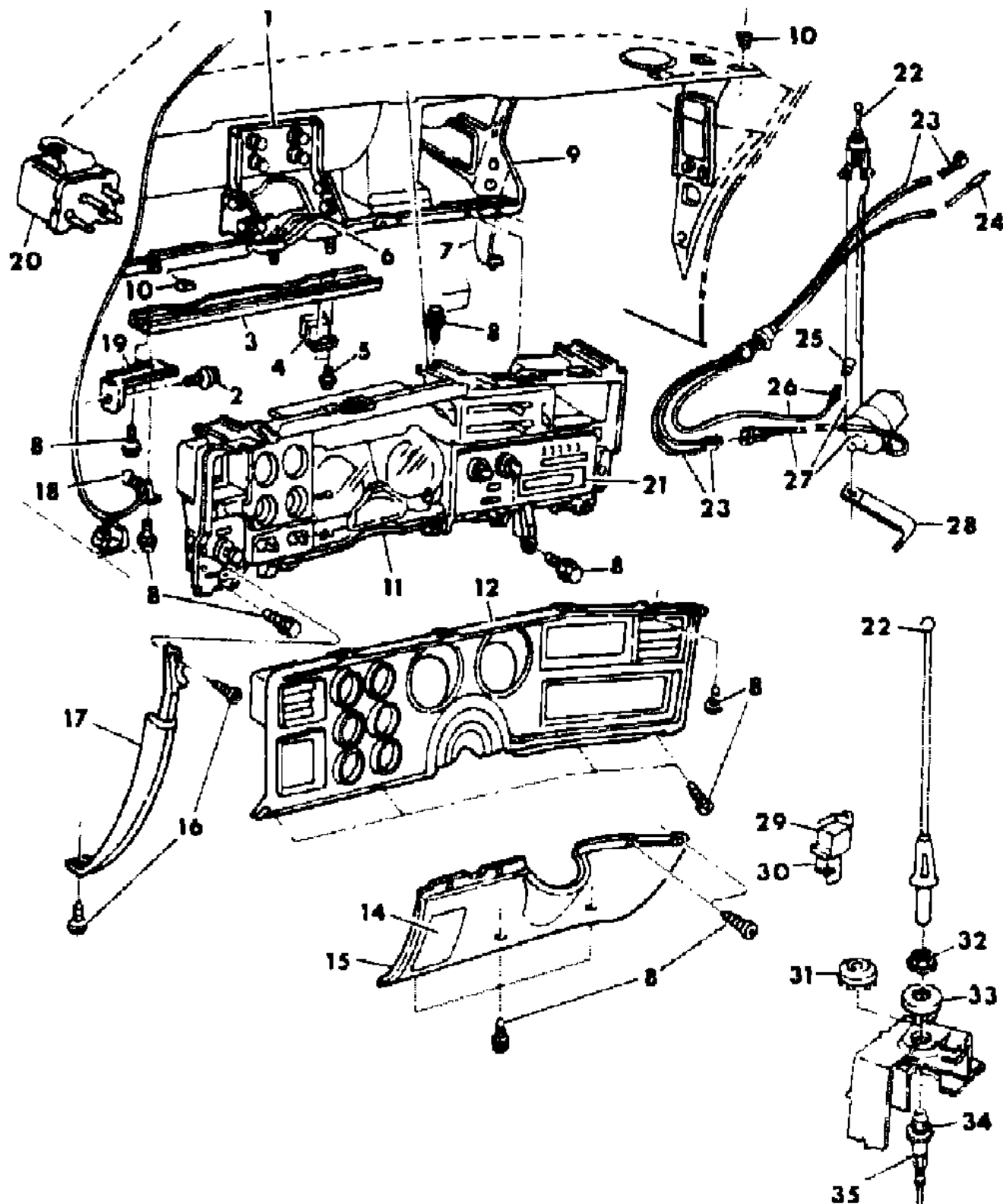
BODY STYLES

21 = 2-DOOR SEDAN	28 = FWD PICKUP	44 = 4-DOOR HATCHBACK
22 = 2-DOOR SPECIAL COUPE	35 = FWD VAN	45 = 4-DOOR STATION WAGON
24 = 2-DOOR HATCHBACK	36 = FWD WAGON	48 = 4-DOOR EXECUTIVE SEDAN
27 = 2-DOOR CONVERTIBLE	41 = 4-DOOR SEDAN	

AR = Use as Required - = Non Illustrated Part P.A.R. = Paint as Required

INSTRUMENT PANEL BEZELS, RADIO AND ANTENNA B,F,G
Figure 8A-2600

4182 2600



ITEM	PART NUMBER	QTY	BODY	MODEL	DESCRIPTION
	5211 211	2			16" Lgth. (Eng. To Cowl)(Police Pkg.)
	4222 912	1			CAPACITOR, Radio Noise Supp. (Blower Motor)
	4048 784	1			COIL, Audio Power Amp. A Line
	4220 482	1			PLATE, Radio Opening w/o Radio
	0131 282	1			BULB, Radio Illumination
					KNOB, Radio
	4311 325	2			Primary, Bright
	4311 327	1			Bass, Bright
	4311 328	1			Treble, Bright
	4311 329	1			Secondary, Bright
	4311 530	1			KNOB PACKAGE, Radio, Bright
22	4222 797	1			MAST, Antenna
		1			CABLE and LEAD, Make Locally
24	2580 065	1			MOLD, Power Antenna
25					PIN and CONNECTOR (DNS)
26	4222 160	1			CABLE, Power Antenna
27	4222 260	1			ANTENNA, Power
28	4222 297	1			BRACKET, Power Antenna to Cowl Side
29	4222 251	1			CONTROL, Power Antenna
	4221 570	1			RELAY, Power Antenna and Power Amplifier
30	4048 577	1			BRACKET, Power Antenna Control Mtg.
31	3501 331	1			PLUG, Antenna Hole
32	3501 287	1			NUT, Cap
33	3501 293	1			ADAPTER and GASKET
34	3501 321	1			LOCKWASHER
35	3501 294	1			BODY and CABLE

MODEL CODES

B = GRAN FURY	F = FIFTH AVENUE/NEWPORT	P = RELIANT
C = LEBARON/TOWN & COUNTRY/EXC SEDAN	G = DIPLOMAT	T = E CLASS/NEW YORKER
C24 = LASER	H = VOYAGER	V = 600
D = ARIES	K = MINI RAM/CARAVAN/ROYAL	V24 = DAYTONA
E = 600	M = HORIZON/TURISMO	Z = OMNI/CHARGER/RAMPAGE

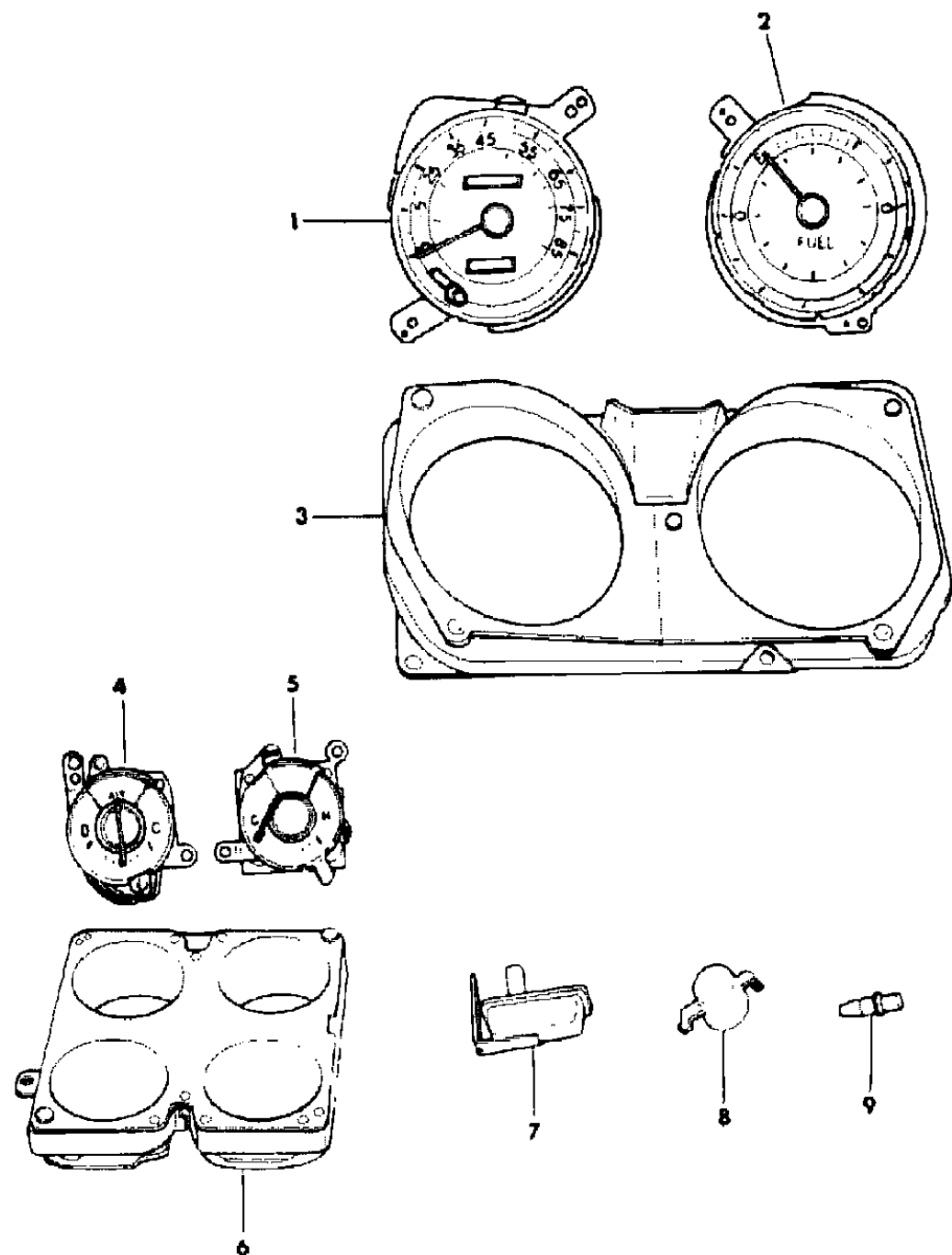
BODY STYLES

21 = 2-DOOR SEDAN	28 = FWD PICKUP	44 = 4-DOOR HATCHBACK
22 = 2-DOOR SPECIAL COUPE	35 = FWD VAN	45 = 4-DOOR STATION WAGON
24 = 2-DOOR HATCHBACK	36 = FWD WAGON	48 = 4-DOOR EXECUTIVE SEDAN
27 = 2-DOOR CONVERTIBLE	41 = 4-DOOR SEDAN	

AR = Use as Required - = Non Illustrated Part P.A.R. = Paint as Required

INSTRUMENT PANEL SPEEDOMETER, GAUGES AND LENSES B,F,G
Figure 8A-2700

4182-2700



ITEM	PART NUMBER	QTY	BODY	MODEL	DESCRIPTION
1					SPEEDOMETER
	4051 524	1			85 Mile
	4051 525	1			125 Cert.
	4051 195	1			KNOB, Odometer Reset
	3592 750	1			Label, Speedometer
	4051 315	1			GROMMET, Speedometer to Housing
	4051 419	1			CIRCUIT BOARD, Speedometer and Fuel Gauge
	4051 180	1			CIRCUIT BOARD, Amp., Temp., Washer, Brake and Oil
2					GAUGE, Fuel
	4051 388	1			w/Unleaded
	4051 389	1			w/Leaded (Canada)
3	4051 027	1			LENS w/MASK, Speedometer and Fuel
4	4051 397				GAUGE, Ammeter
5	4051 348	1			GAUGE, Temperature
	4196 430	1			GAUGE, Oil Pressure
6	4051 339	1			LENS w/MASK, Amp., Temp., Washer, Brake/Oil
7	2258 413	1			REGULATOR, Voltage
8	4051 529	AR			DIFFUSER, Lamp
	4048 038	AR			DIFFUSER, w/Oil Gauge
9	3591 814	4			PIN, Lens Mtg.

MODEL CODES

B = GRAN FURY	F = FIFTH AVENUE/NEWPORT	P = RELIANT
C = LEBARON/TOWN & COUNTRY/EXC SEDAN	G = DIPLOMAT	T = E CLASS/NEW YORKER
C24 = LASER	H = VOYAGER	V = 600
D = ARIES	K = MINI RAM/CARAVAN/ROYAL	V24 = DAYTONA
E = 600	M = HORIZON/TURISMO	Z = OMNI/CHARGER/RAMPAGE

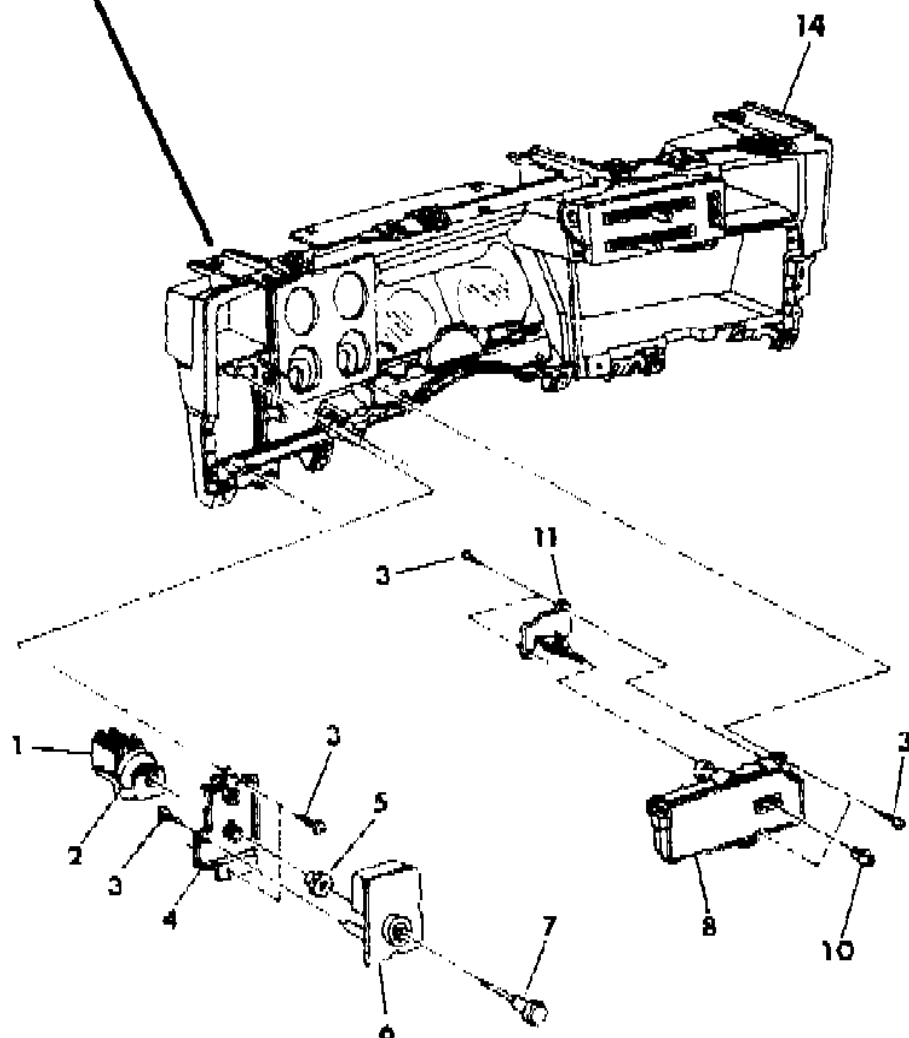
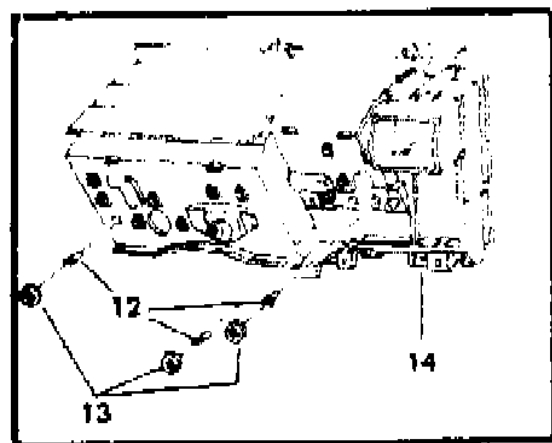
BODY STYLES

21 = 2-DOOR SEDAN	28 = FWD PICKUP	44 = 4-DOOR HATCHBACK
22 = 2-DOOR SPECIAL COUPE	35 = FWD VAN	45 = 4-DOOR STATION WAGON
24 = 2-DOOR HATCHBACK	36 = FWD WAGON	48 = 4-DOOR EXECUTIVE SEDAN
27 = 2-DOOR CONVERTIBLE	41 = 4-DOOR SEDAN	

AR = Use as Required - = Non Illustrated Part P.A.R. = Paint as Required

INSTRUMENT PANEL CARRIER AND SWITCHES B,F,G
Figure 8A-2800

4182 2800



ITEM	PART NUMBER	QTY	BODY	MODEL	DESCRIPTION
1	4221 225	1			SWITCH, Head Lamp and Dome Lamp
2	3747 258	1			RHEOSTAT, Head Lamp Switch
3					SCREW (DNS)
4	3747 225	1			PLATE, Head Lamp Switch Mtg.
5	4221 063	1			RETAINER, Head Lamp Switch Mtg.
6	4221 607	1			BEZEL, Head Lamp Switch
	4221 608	1		F-S	BEZEL, Head Lamp Switch
7	3747 760	1			KNOB w/SHAFT, Head Lamp Switch
8	3747 974	1			BEZEL w/PLATE, Rear Heated Window Mtg.
	3747 675	1			PLATE, Rear Heated Window
10	3747 244				KNOB, Acc. Switch
11	3747 641	1			SWITCH, Heated Rear Window
12	9421 330	AR			BULB
13	3744 750	AR			SOCKET
14	4051 841	1			CARRIER, Speedometer and Instrument Cluster

MODEL CODES

B = GRAN FURY	F = FIFTH AVENUE/NEWPORT	P = RELIANT
C = LEBARON/TOWN & COUNTRY/EXC SEDAN	G = DIPLOMAT	T = E CLASS/NEW YORKER
C24 = LASER	H = VOYAGER	V = 600
D = ARIES	K = MINI RAM/CARAVAN/ROYAL	V24 = DAYTONA
E = 600	M = HORIZON/TURISMO	Z = OMNI/CHARGER/RAMPAGE

BODY STYLES

21 = 2-DOOR SEDAN	28 = FWD PICKUP	44 = 4-DOOR HATCHBACK
22 = 2-DOOR SPECIAL COUPE	35 = FWD VAN	45 = 4-DOOR STATION WAGON
24 = 2-DOOR HATCHBACK	36 = FWD WAGON	48 = 4-DOOR EXECUTIVE SEDAN
27 = 2-DOOR CONVERTIBLE	41 = 4-DOOR SEDAN	

AR = Use as Required - = Non Illustrated Part P.A.R. = Paint as Required

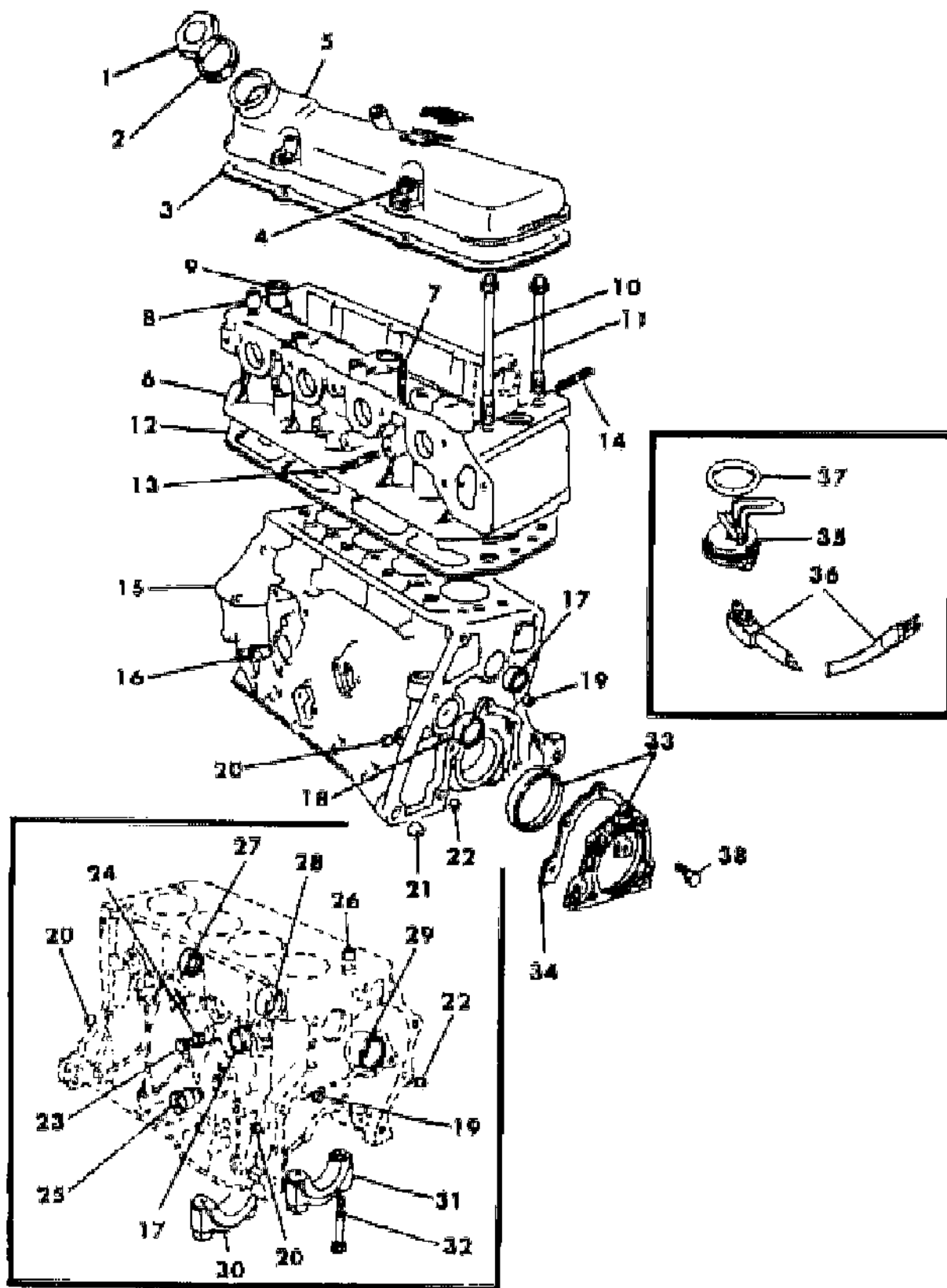
GROUP 9A - ENGINE, 4 CYLINDER

ILLUSTRATION TITLE	GROUP-FIG. NO.
1.6 L ENGINE	
ENGINE, CYLINDER BLOCK, CYLINDER HEAD 4 CYLINDER ENG. 1.6 L, M,Z	Fig. 9A-100
OIL PUMP, OIL PAN, OIL LEVEL INDICATOR, OIL FILTER 4 CYLINDER ENG. 1.6 L, M,Z	Fig. 9A-400
CRANKSHAFT, CONNECTING ROD, PISTONS, RINGS, FLYWHEEL 4 CYLINDER ENG. 1.6 L, M,Z	Fig. 9A-500
CAMSHAFT, ROCKER SHAFT, INTAKE AND EXHAUST VALVES 4 CYLINDER ENG. 1.6 L, M,Z	Fig. 9A-600
TIMING CHAIN, SPROCKETS, COVER 4 CYLINDER ENG. 1.6 L, M,Z	Fig. 9A-700
INTAKE AND EXHAUST MANIFOLD, CRANKCASE VENT VALVE 4 CYLINDER ENG. 1.6 L, M,Z	Fig. 9A-800
ENGINE MOUNTINGS 4 CYLINDER ENG. 1.6 L, M,Z	Fig. 9A-900
ENGINE STRUT, W/MAN. TRANS. 4 CYLINDER ENG. 1.6 L, M,Z	Fig. 9A-1000
2.2 L ENGINE	
ENGINE, CYLINDER BLOCK, CYLINDER HEAD 4 CYLINDER 2.2 L. ENG. M,Z,P,D,C,V,E,T,H,K	Fig. 9A-1100
TORQUE CONVERTER, DRIVE PLATE 4 CYLINDER 2.2 L. ENG., M,Z,P,D,C,V,E,T,H,K	Fig. 9A-1200
OIL PUMP, OIL PAN, OIL LEVEL INDICATOR, OIL FILTER, TURBOCHARGER LUBRICATION 4 CYLINDER 2.2 L. ENG., M,Z,P,D,C,V,E,T,H,K	Fig. 9A-1400
CRANKSHAFT, CONNECTING ROD, PISTONS, RINGS, FLYWHEEL 4 CYLINDER 2.2 L ENGINE M,Z,P,D,C, V,E,T,H,K	Fig. 9A-1500
CAMSHAFT, INTERMEDIATE SHAFT, INTAKE AND EXHAUST VALVES 4 CYLINDER 2.2 L ENGINE, M,Z,P, D,C,V,E,T,H,K	Fig. 9A-1600
TIMING BELT, SPROCKETS, COVERS 4 CYLINDER 2.2 L ENGINE, M,Z,P,D,C,V,E,T,H,K	Fig. 9A-1700
INTAKE AND EXHAUST MANIFOLD, CRANKCASE VENT SYSTEM 4 CYLINDER 2.2 L ENGINE, M,Z,P,D,C, V,E,T,H,K	Fig. 9A-1800
ENGINE MOUNTING 4 CYLINDER 2.2 L ENGINE, M,Z,P,D,C,V,E,T,H,K	Fig. 9A-1900
ENGINE STRUT, w/MAN. TRANS. 4 CYLINDER 2.2 L ENG., M,Z,P,D,C,V,E,T,H,K	Fig. 9A-2000
2.6 L ENGINE	
ENGINE, SHORT ENGINE 4 CYLINDER 2.6 L ENG., P,D,C,V,E,T,H,K	Fig. 9A-2100
ENGINE OVERHAUL GASKET SET 4 CYLINDER 2.6 L ENG., P,D,C,V,E,T,H,K	Fig. 9A-2200
CYLINDER HEAD AND RELATED PARTS 4 CYLINDER 2.6 L ENG., P,D,C,V,E,T,H,K	Fig. 9A-2300
CYLINDER BLOCK AND RELATED PARTS 4 CYLINDER 2.6 L ENG., P,D,C,V,E,T,H,K	Fig. 9A-2400
TORQUE CONVERTER, DRIVE PLATE 4 CYLINDER 2.6 L ENG. P,D,C,V,E,T,H,K	Fig. 9A-2500
CRANKSHAFT, CONNECTING RODS, PISTONS, RINGS 4 CYLINDER 2.6 L ENG., P,D,C,V,E,T,H,K	Fig. 9A-2700
CAMSHAFT, VALVES, TIMING CHAIN AND RELATED PARTS 4 CYLINDER 2.6 L ENG., P,D,C,V,E,T,H,K	Fig. 9A-2800
BALANCING SHAFT AND RELATED PARTS 4 CYLINDER 2.6 L ENG., P,D,C,V,E,T,H,K	Fig. 9A-2900
MANIFOLD, INTAKE AND EXHAUST 4 CYLINDER 2.6 L ENG., P,D,C,V,E,T,H,K	Fig. 9A-3000
OIL PUMP, OIL PAN, OIL LEVEL INDICATOR, TIMING COVER 4 CYLINDER 2.6 L ENG., P,D,C,V,E,T,H,K	Fig. 9A-3100
ENGINE MOUNTING 4 CYLINDER 2.6 L Engine, P,D,C,V,E,T,H,K	Fig. 9A-3200

ILLUSTRATION NOT AVAILABLE AT TIME OF PUBLICATION

ENGINE, CYLINDER BLOCK, CYLINDER HEAD 4 CYLINDER ENG. 1.6 L, M,Z
Figure 9A-100

4158 100



ITEM	PART NUMBER	QTY	BODY	MODEL	DESCRIPTION
	4271 980	1		M,Z	GASKET SET, Engine, Complete
					Consist of:
					2-4273512 Gasket, Cyl. Block Water Drain Plug
					1-4273517 OIL SEAL, Front Cover
					1-4273532 Gasket, Rear Seal Housing
					1-4173774 SEAL W/HOUSING, Assy., Crankshaft
					1-4273608 GASKET, Cylinder Head
					1-4273621 GASKET, Cylinder Head Cover
					1-4273631 GASKET, Oil Filler Cap
					8-4273515 OIL SEAL, Valve Stem
					1-4273716 GASKET, Oil Pan
					1-4273722 GASKET, Oil Pan Bottom Cover
					1-4273726 GASKET, Oil Pan Drain Plug
					1-4273735 GASKET, Oil Level Indicator
					1-4273737 GASKET, Oil Level Indicator Bracket
					1- GASKET, Oil Pump Relief Valve Plug (Service Pkg. 4271998)
					1- SEAL, Oil Pump Relief Valve (Service in Pkg. 4271998)
					1-4273772 Gasket, Oil Pick-Up Strainer
					1-4273702 Gasket, Water Pump To Oil Pan
					1-4273706 Gasket, Water Inlet Elbow To Oil Pan
					1-4273787 Gasket, Intake Manifold
					1-4273793 Gasket, Exhaust Manifold
					1-4273519 Gasket, Front Cover
Note: This Short Engine Assy. includes a Cylinder Block with Pistons and Rings Crankshaft and Bearings with Caps, Connecting Rods and Bearings, camshaft and Oil Pump Drive Shaft Bushing.					
	4173 751	1			SHORT ENGINE, Assy. (See Note)
1	4293 702	1			CAP, Oil Filler
2	4273 631	1			GASKET, Oil Filler Cap
3	4273 621	1			GASKET, Cylinder Head Cover
4	4173 713	6			NUT, Cylinder Head Cover Stud
5	4173 780	1			COVER, Cylinder Head
6	4273 603	1			HEAD, Cylinder
7	4273 624	6			STUD, Cylinder Head Cover
8	4273 614	5			DOWEL, Rocker Shaft Locating
9	4273 872	3			PLUG, Cylinder Head
10	4273 613	5			BOLT, Cylinder Head (M10x1.25x151.5)
11	4273 612	6			BOLT, Cylinder Head (M10x1.25x128)

MODEL CODES

B = GRAN FURY	F = FIFTH AVENUE/NEWPORT	P = RELIANT
C = LEBARON/TOWN & COUNTRY/EXC SEDAN	G = DIPLOMAT	T = E CLASS/NEW YORKER
C24 = LASER	H = VOYAGER	V = 600
D = ARIES	K = MINI RAM/CARAVAN/ROYAL	V24 = DAYTONA
E = 600	M = HORIZON/TURISMO	Z = OMNI/CHARGER/RAMPAGE

BODY STYLES

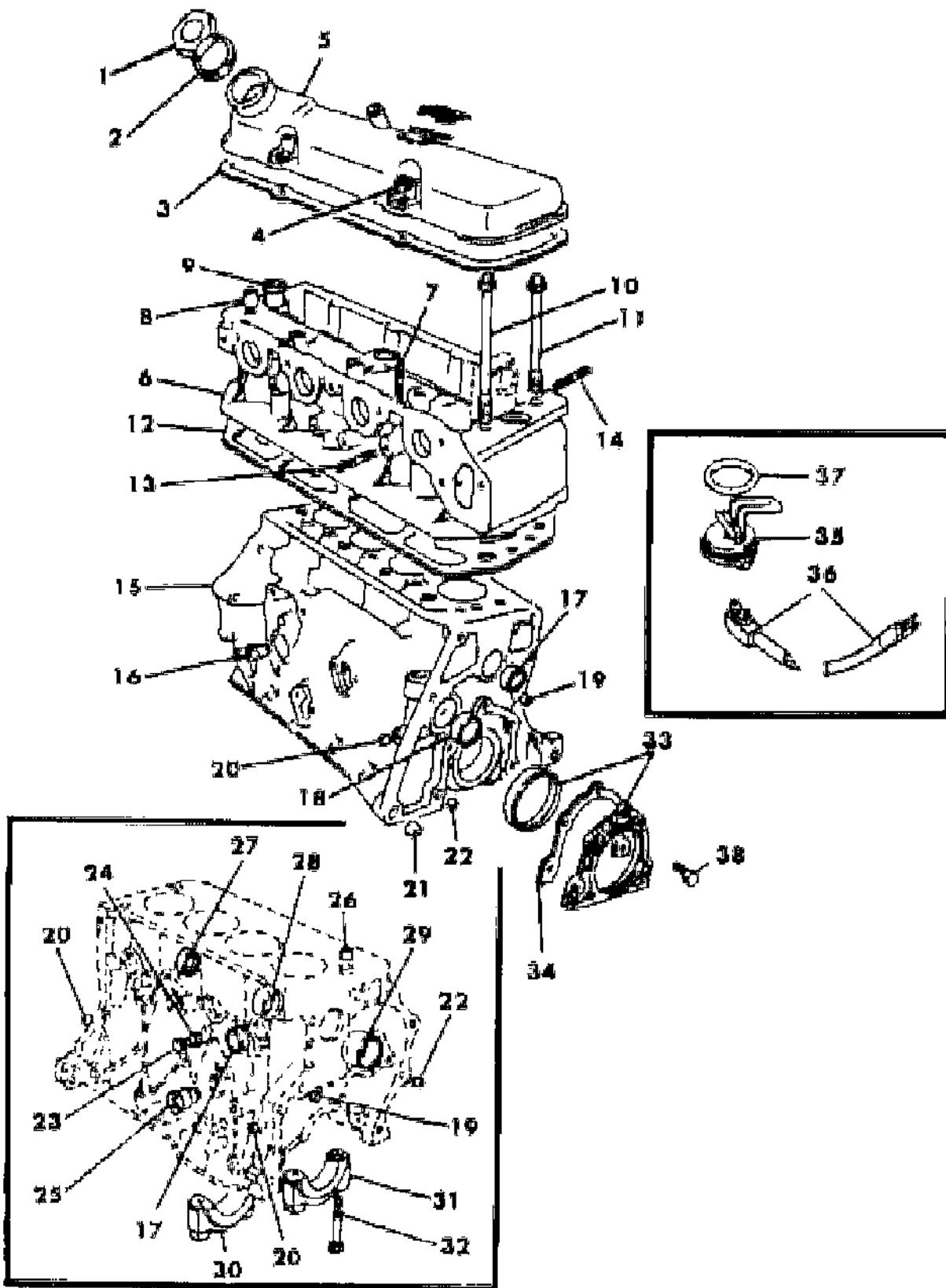
21 = 2-DOOR SEDAN	28 = FWD PICKUP	44 = 4-DOOR HATCHBACK
22 = 2-DOOR SPECIAL COUPE	35 = FWD VAN	45 = 4-DOOR STATION WAGON
24 = 2-DOOR HATCHBACK	36 = FWD WAGON	48 = 4-DOOR EXECUTIVE SEDAN
27 = 2-DOOR CONVERTIBLE	41 = 4-DOOR SEDAN	

AR = Use as Required - = Non Illustrated Part P.A.R. = Paint as Required

ENGINE, CYLINDER BLOCK, CYLINDER HEAD 4 CYLINDER ENG. 1.6 L, M,Z
Figure 9A-100

4158 100

ITEM	PART NUMBER	QTY	BODY	MODEL	DESCRIPTION
12	4273 608	1			GASKET, Cylinder Head
13	4273 624	8			STUD, Intake Manifold
14	4173 716	5			STUD, Exhaust Manifold
15		1			BLOCK, Assy. (Serviced in Short Eng. Assy.)
16	4273 778	1			BUSHING, Oil Pump
17	4273 508	5			PLUG, Cyl. Block
18	4273 510	1			PLUG, Cyl. Block
19	4273 506	2			PLUG, Cyl. Block
20	4273 504	2			PLUG, Cyl. Block
21	4273 525	2			DOWEL, Clutch Housing Locating
22	4273 514	4			DOWEL, Front Cover Locating
23	4273 511	1			PLUG, Cyl. Block Water Drain
24	4173 730	1			GASKET, Cyl. Block Water Drain Plug
25	4273 782	1			BUSHING, Oil Pump
26	4273 614	2			DOWEL, Cyl. Head Locating
27	4173 752	1			BEARING, Camshaft, No.1
28	4173 753	1			BEARING, Camshaft, No.2
29	4173 754	1			BEARING, Camshaft, No.3
30		4			CAP, Crankshaft Bearing (1,2,4,5) (Serviced in Short Eng. 4173751)
31		1			CAP, Crankshaft Bearing (3) (Serviced in Short Eng. 4173751)
32	4273 540	10			SCREW, Crankshaft Bearing Cap
33	4173 774	1			HOUSING, Assy. Crankshaft Rear Seal (w/Seal)
34	4273 532	1			GASKET, Crankshaft Rear Seal Housing
35	5213 548	1			HEATER, Eng. Block
36	5213 549	1			CORD, Eng. Block Heater
37	6027 513	AR			"O"RING, Eng. Block Heater
38	4273 534	5			SCREW, Rear Seal Housing



MODEL CODES

B = GRAN FURY	F = FIFTH AVENUE/NEWPORT	P = RELIANT
C = LEBARON/TOWN & COUNTRY/EXC SEDAN	G = DIPLOMAT	T = E CLASS/NEW YORKER
C24 = LASER	H = VOYAGER	V = 600
D = ARIES	K = MINI RAM/CARAVAN/ROYAL	V24 = DAYTONA
E = 600	M = HORIZON/TURISMO	Z = OMNI/CHARGER/RAMPAGE

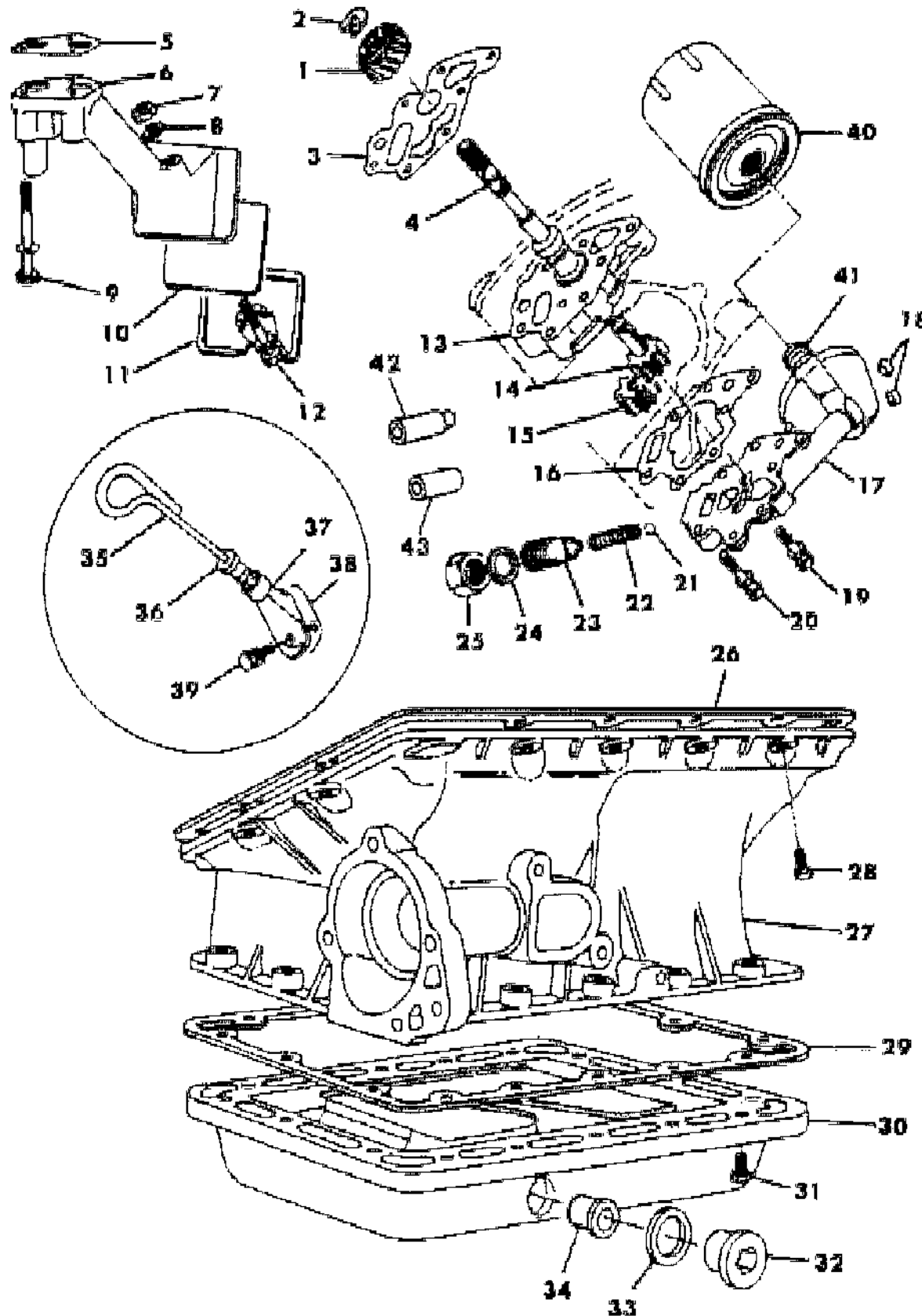
BODY STYLES

21 = 2-DOOR SEDAN	28 = FWD PICKUP	44 = 4-DOOR HATCHBACK
22 = 2-DOOR SPECIAL COUPE	35 = FWD VAN	45 = 4-DOOR STATION WAGON
24 = 2-DOOR HATCHBACK	36 = FWD WAGON	48 = 4-DOOR EXECUTIVE SEDAN
27 = 2-DOOR CONVERTIBLE	41 = 4-DOOR SEDAN	

AR = Use as Required - = Non Illustrated Part P.A.R. = Paint as Required

OIL PUMP, OIL PAN, OIL LEVEL INDICATOR, OIL FILTER 4 CYLINDER ENG. 1.6 L, M,Z
Figure 9A-400

4158 400



ITEM	PART NUMBER	QTY	BODY	MODEL	DESCRIPTION
	4273 802				OIL PUMP, Assy. Consists of: 1- 4273752 Gasket, Oil Pump 1- ----- Body Assy. Oil Pump 1- ----- Drive Gear, Oil Pump 1- ----- Gear, Oil Pump 1- ----- Gasket, Body 1- ----- Plug, Oil Pump Cover 1- ----- Cover, Assy., Oil Pump
					3- ----- Screw, Oil Pump Cover (MM 7x1.0x50) 4- ----- Screw, Oil Pump Cover (MM 7x1.0x60) 1- ----- Plug, Relief Valve (also in 4271998) 1- ----- Ball, Valve Oil Pump (also in 4271998)
					1- ----- Spring, Relief Valve (also in 4271998) 1- ----- Body, Relief Valve (also in 4271998) 1- ----- Gasket, Relief Valve (also in 4271998)
	4271 998				PACKAGE, Oil Pump Relief Valve Consists of: 1 ----- Valve, Oil Pump Relief 1 ----- Spring, Relief Valve 1 ----- Gasket, Relief Valve Plug 1 ----- Plug, Relief Valve 1 ----- Body, Relief Valve 1 ----- Seal, Relief Valve
1	4293 858	1			DRIVE GEAR, Oil Pump
2	4273 767	1			RETAINING RING, Oil Pump Gear
3	4273 752	1			GASKET, Oil Pump
4	4273 761	1			DRIVE SHAFT, Oil Pump
5	4273 772	1			GASKET, Strainer Oil Pick-Up
6	4273 768	1			STRAINER, Oil Pick-Up
7	4173 715	1			NUT, Screen Cover Strainer Screw
8	4173 711	1			WASHER, Screen Cover Strainer Screw
9	4273 759	3			SCREW, Oil Pick-Up Strainer (M7x1.0x50)
10	4273 770	1			SCREEN, Strainer Oil Pick-Up
11	4273 771	1			COVER, Oil Strainer Screen
12	4273 774	1			SCREW, Screen Cover Strainer
13		1			BODY, Oil Pump (Service in 4273802 Pump)
14		1			DRIVE GEAR, Oil Pump (Service in 4273802 Pump)

MODEL CODES

B = GRAN FURY	F = FIFTH AVENUE/NEWPORT	P = RELIANT
C = LEBARON/TOWN & COUNTRY/EXC SEDAN	G = DIPLOMAT	T = E CLASS/NEW YORKER
C24 = LASER	H = VOYAGER	V = 600
D = ARIES	K = MINI RAM/CARAVAN/ROYAL	V24 = DAYTONA
E = 600	M = HORIZON/TURISMO	Z = OMNI/CHARGER/RAMPAGE

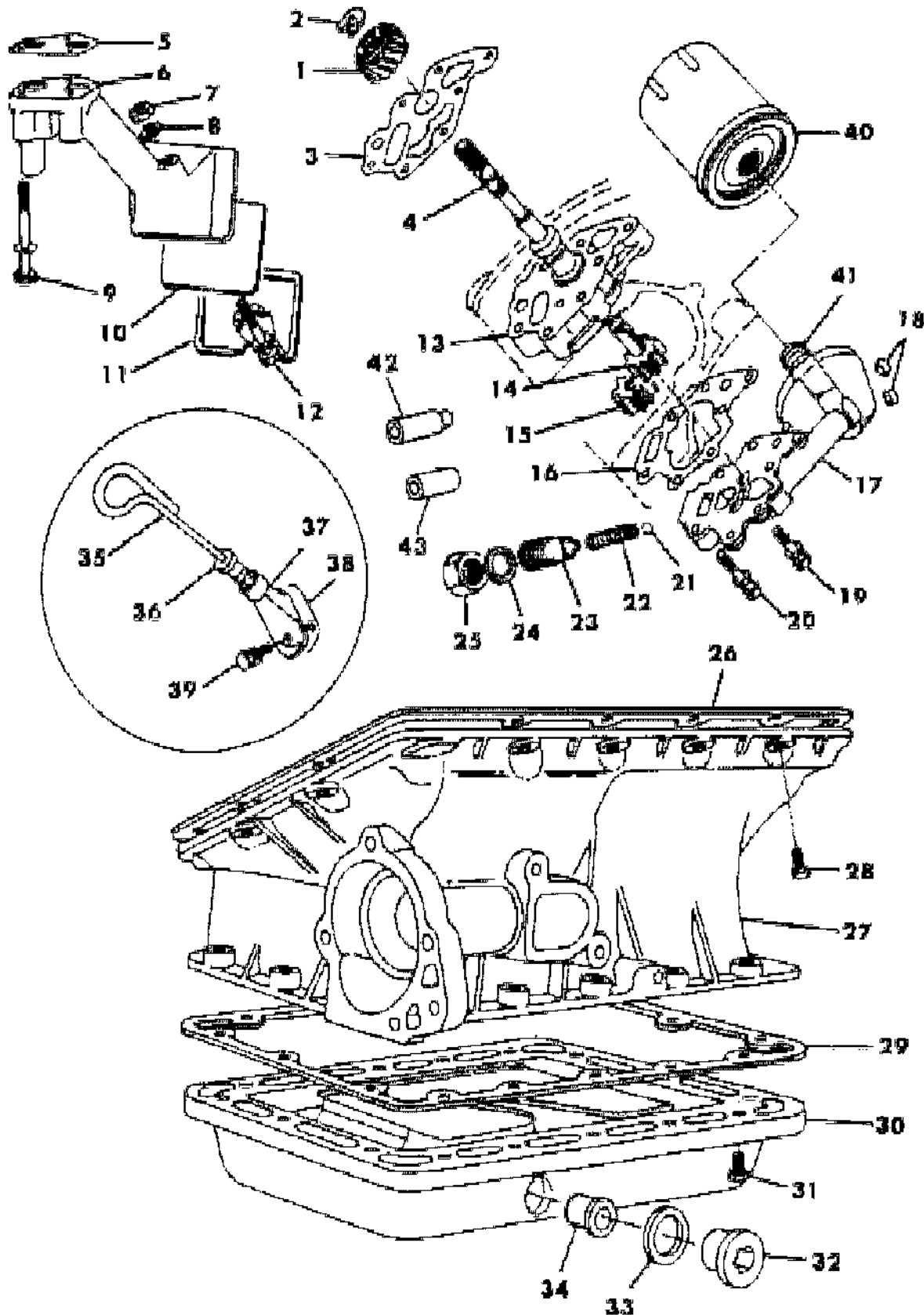
BODY STYLES

21 = 2-DOOR SEDAN	28 = FWD PICKUP	44 = 4-DOOR HATCHBACK
22 = 2-DOOR SPECIAL COUPE	35 = FWD VAN	45 = 4-DOOR STATION WAGON
24 = 2-DOOR HATCHBACK	36 = FWD WAGON	48 = 4-DOOR EXECUTIVE SEDAN
27 = 2-DOOR CONVERTIBLE	41 = 4-DOOR SEDAN	

AR = Use as Required - = Non Illustrated Part P.A.R. = Paint as Required

OIL PUMP, OIL PAN, OIL LEVEL INDICATOR, OIL FILTER 4 CYLINDER ENG. 1.6 L, M,Z
Figure 9A-400

4158 400



ITEM	PART NUMBER	QTY	BODY	MODEL	DESCRIPTION
15		1			GEAR, Oil Pump (Service in 4273802 Pump)
16		1			GASKET , Oil Pump (Between Body and Cover)(Service in 4273802 Pump)
17		1			COVER, Oil Pump (Service in 4273802 Pump)
18		2			PLUG, Oil Pump Cover (Service in 4273802 Pump)
19		3			SCREW, Oil Pump Cover (M7x1.0x50)(Service in 4273802 Pump)
20		4			SCREW, Oil Pump Cover (M7x1.0x60) (Service in 4273802 Pump)
21		1			BALL, Relief Valve
22		1			SPRING, Relief Valve, Oil Pump (Service Pkg. 4271998)
23		1			BODY, Relief Valve (Service Pkg. 4271998)
24		1			GASKET, Relief Valve Plug (Service Pkg. 4271998)
25		1			PLUG, Relief Valve (Service Pkg. 4271998)
26	4273 716	1			GASKET, Oil Pan
27	4273 714	1			OIL PAN
28	4273 717	14			SCREW, Oil Pan
29	4273 722	1			GASKET, Oil Pan Bottom Cover
30	4273 857	1			COVER Assy., Oil Pan Bottom
31	4273 724	6			SCREW, Oil Pan Bottom Cover
32	4273 728	1			PLUG, Oil Pan Drain
33	4273 726	1			GASKET, Oil Pan Drain Plug
34	4273 720	1			COLLAR, Oil Pan Drain Plug
35	4273 731	1			INDICATOR, Oil Level
36	4273 735	1			GASKET, Oil Level Indicator
37	4273 736	1			BRACKET, Oil Level Indicator
38	4273 737	1			GASKET, Oil Level Indicator Bracket
39	4173 706	2			SCREW, Oil Level Indicator Bracket
40	4105 409	1			OIL FILTER
41	4273 811	1			ADAPTER, Oil Filter
42	4273 778	1			BUSHING, Oil Pump
43	4273 782	1			BUSHING, Oil Pump
44	4273 759	2			SCREW w/Washer, Oil Pump to Cyl. Block

MODEL CODES

B = GRAN FURY	F = FIFTH AVENUE/NEWPORT	P = RELIANT
C = LEBARON/TOWN & COUNTRY/EXC SEDAN	G = DIPLOMAT	T = E CLASS/NEW YORKER
C24 = LASER	H = VOYAGER	V = 600
D = ARIES	K = MINI RAM/CARAVAN/ROYAL	V24 = DAYTONA
E = 600	M = HORIZON/TURISMO	Z = OMNI/CHARGER/RAMPAGE

BODY STYLES

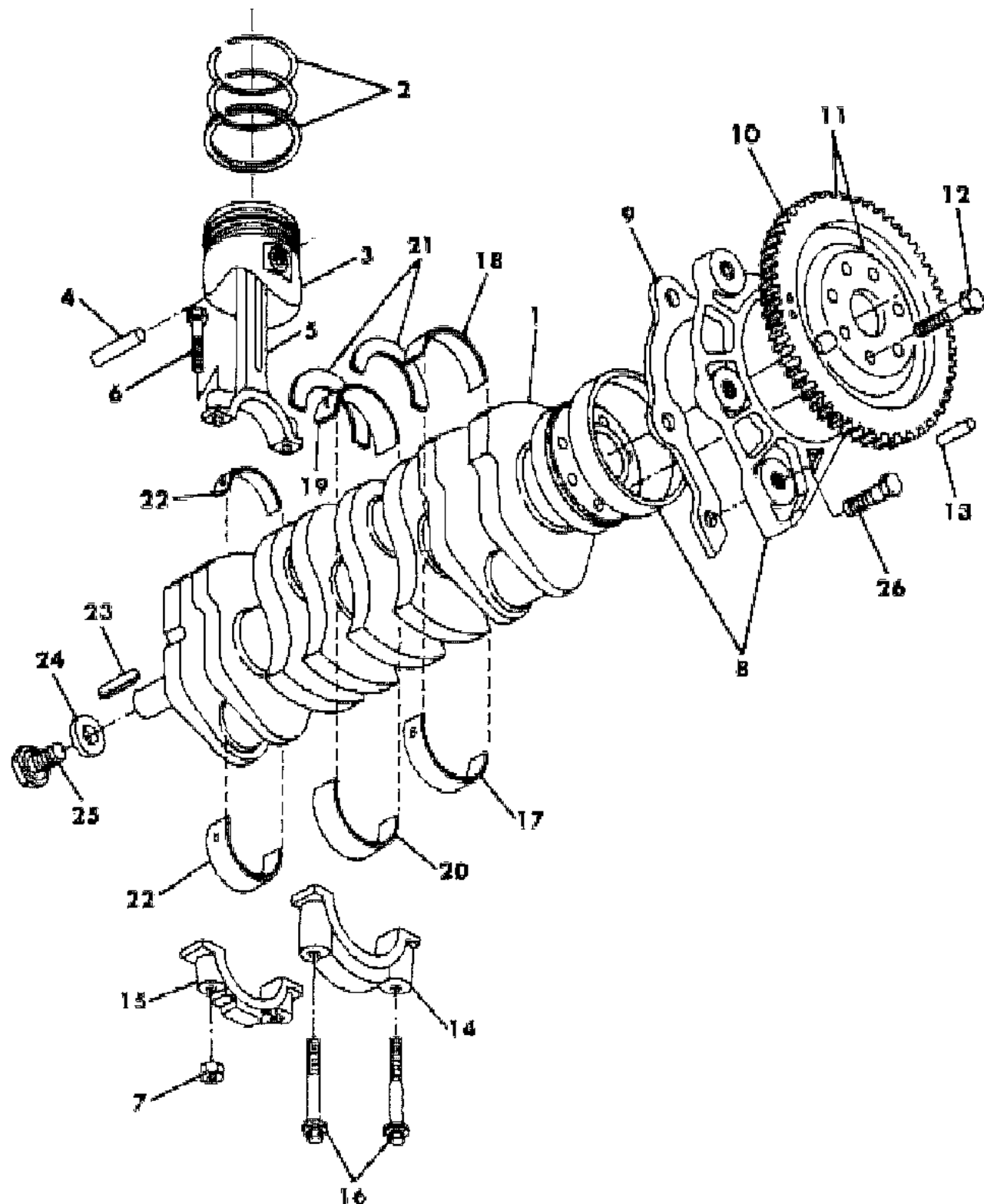
21 = 2-DOOR SEDAN	28 = FWD PICKUP	44 = 4-DOOR HATCHBACK
22 = 2-DOOR SPECIAL COUPE	35 = FWD VAN	45 = 4-DOOR STATION WAGON
24 = 2-DOOR HATCHBACK	36 = FWD WAGON	48 = 4-DOOR EXECUTIVE SEDAN
27 = 2-DOOR CONVERTIBLE	41 = 4-DOOR SEDAN	

AR = Use as Required - = Non Illustrated Part P.A.R. = Paint as Required

CRANKSHAFT, CONNECTING ROD, PISTONS, RINGS, FLYWHEEL 4 CYLINDER ENG. 1.6 L, M,Z

Figure 9A-500

4150 500



ITEM	PART NUMBER	QTY	BODY	MODEL	DESCRIPTION
1	4397 670	1			CRANKSHAFT
2	4271 995	4			RING SET, Piston, Std. (For One Piston)
	4271 996	4			0.10 MM O/S
	4271 997	4			0.40 MM O/S
	4173 739	4			PISTON, Std. (Stamped B)
3	4173 740	4			Std. (Stamped C)
	4173 741	4			Std. (Stamped D)
	4173 737	4			0.10 MM O/S
	4173 738	4			0.40 MM O/S
4	4273 561	4			PIN, Piston
5	4173 775	4			ROD Assy. Connecting, w/Cap
6	4273 548	8			SCREW, Connecting Rod Bearing Cap
7	4273 549	8			NUT, Connecting Rod Bearing Cap Screw
8	4173 774	1			HOUSING Assy., Crankshaft Rear Seal (w/Seal)
9	4273 532	1			GASKET, Crankshaft Rear Seal Housing
10	4202 950	1			GEAR, Flywheel Ring
11	4202 927	1			FLYWHEEL Assy., w/Ring Gear
12	6500 636	7			BOLT, Flywheel To Crankshaft
13	6031 923	3			DOWEL, Clutch Cover To Flywheel
14					CAP, Crankshaft Bearing (Service in Short Eng. 4173751)
15					CAP, Connecting Rod Bearing (Service in Connecting Rod Assy. 4173775)
16	4273 540	10			SCREW, Crankshaft Bearing Cap
17	4173 756	2			BEARING, Crankshaft No.1 and 5 Lower, Std.
	4173 760	2			0.10 MM U/S
	4173 764	2			0.20 MM U/S
	4173 768	2			0.50 MM U/S
18	4173 757	6			BEARING, Crankshaft No.1,2,4,5 Upper And No.2,4 Lower, Std.
	4173 761	6			0.10 MM U/S.
19	4173 765	6			0.20 MM U/S.
	4173 769	6			0.50 MM U/S.
	4173 758	1			BEARING, Crankshaft No.3 Upper, Std.
	4173 762	1			0.10 MM U/S.
20	4173 766	1			0.20 MM U/S.
	4173 770	1			0.50 MM U/S.
	4173 755	1			BEARING, Crankshaft No.3 Lower, Std.
	4173 759	1			0.10 MM U/S.
21	4173 763	1			0.20 MM U/S.

MODEL CODES

B = GRAN FURY	F = FIFTH AVENUE/NEWPORT	P = RELIANT
C = LEBARON/TOWN & COUNTRY/EXC SEDAN	G = DIPLOMAT	T = E CLASS/NEW YORKER
C24 = LASER	H = VOYAGER	V = 600
D = ARIES	K = MINI RAM/CARAVAN/ROYAL	V24 = DAYTONA
E = 600	M = HORIZON/TURISMO	Z = OMNI/CHARGER/RAMPAGE

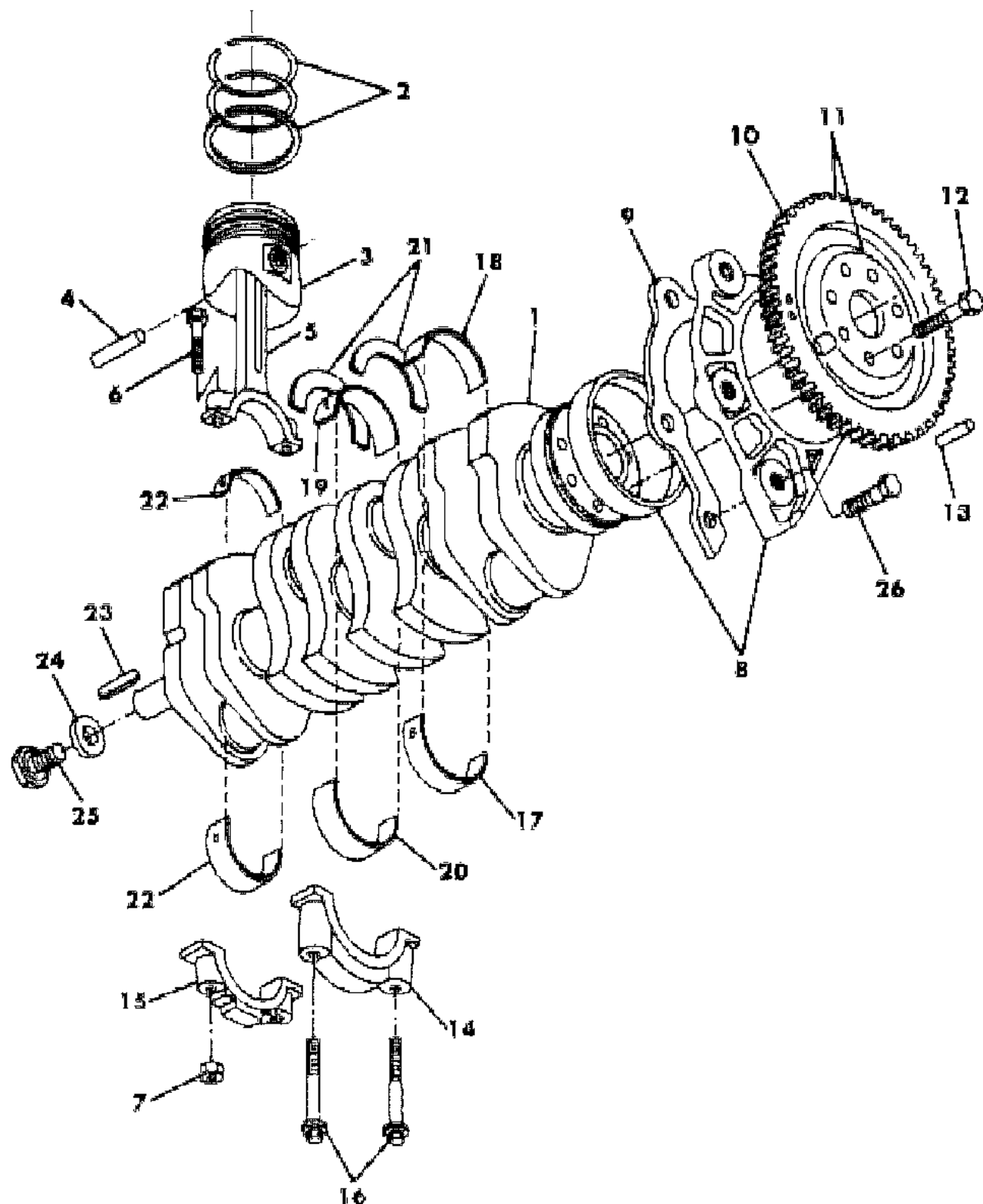
BODY STYLES

21 = 2-DOOR SEDAN	28 = FWD PICKUP	44 = 4-DOOR HATCHBACK
22 = 2-DOOR SPECIAL COUPE	35 = FWD VAN	45 = 4-DOOR STATION WAGON
24 = 2-DOOR HATCHBACK	36 = FWD WAGON	48 = 4-DOOR EXECUTIVE SEDAN
27 = 2-DOOR CONVERTIBLE	41 = 4-DOOR SEDAN	

AR = Use as Required - = Non Illustrated Part P.A.R. = Paint as Required

CRANKSHAFT, CONNECTING ROD, PISTONS, RINGS, FLYWHEEL 4 CYLINDER ENG. 1.6 L, M,Z
Figure 9A-500

4158 500



ITEM	PART NUMBER	QTY	BODY	MODEL	DESCRIPTION
	4173 767	1			0.50 MM U/S.
21	4173 771	2			THRUST WASHER, Std.
	4173 772	2			0.10 MM U/S.
	4173 773	2			0.20 MM U/S.
22	4273 551	8			BEARING, Connecting Rod, Std.
	4173 779	8			0.10 MM U/S.
23	4273 804	1			KEY, Crankshaft Timing Sprocket and Pulley
24	4273 865	1			WASHER, Crankshaft and Pulley Screw
25	4273 806	1			SCREW, Crankshaft and Pulley
26	4273 534	5			SCREW, Crankshaft Rear Seal Housing

MODEL CODES

B = GRAN FURY	F = FIFTH AVENUE/NEWPORT	P = RELIANT
C = LEBARON/TOWN & COUNTRY/EXC SEDAN	G = DIPLOMAT	T = E CLASS/NEW YORKER
C24 = LASER	H = VOYAGER	V = 600
D = ARIES	K = MINI RAM/CARAVAN/ROYAL	V24 = DAYTONA
E = 600	M = HORIZON/TURISMO	Z = OMNI/CHARGER/RAMPAGE

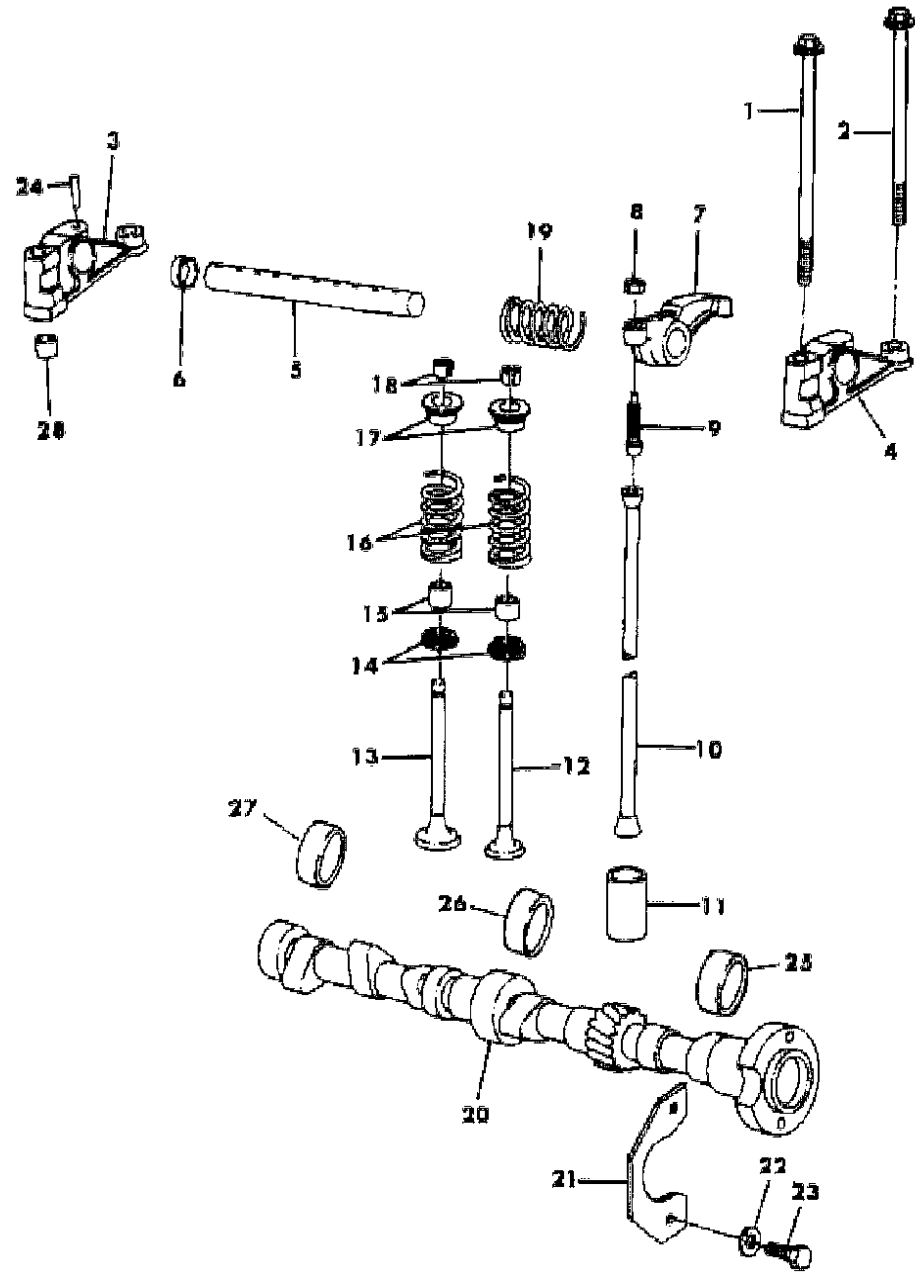
BODY STYLES

21 = 2-DOOR SEDAN	28 = FWD PICKUP	44 = 4-DOOR HATCHBACK
22 = 2-DOOR SPECIAL COUPE	35 = FWD VAN	45 = 4-DOOR STATION WAGON
24 = 2-DOOR HATCHBACK	36 = FWD WAGON	48 = 4-DOOR EXECUTIVE SEDAN
27 = 2-DOOR CONVERTIBLE	41 = 4-DOOR SEDAN	

AR = Use as Required - = Non Illustrated Part P.A.R. = Paint as Required

CAMSHAFT, ROCKER SHAFT, INTAKE AND EXHAUST VALVES 4 CYLINDER ENG. 1.6 L, M,Z
Figure 9A-600

4158 000



ITEM	PART NUMBER	QTY	BODY	MODEL	DESCRIPTION
1	4273 613	5			BOLT, Cylinder Head (M10x1.25x151)
2	4273 612	5			BOLT, Cylinder Head (M10x1.25x128)
3	4273 684	3			SUPPORT, Rocker Shaft No. 1,3,5
4	4273 685	2			SUPPORT, Rocker Shaft No. 2 and 4
5	4273 679	2			SHAFT Assy., Rocker
6		2			PLUG, Rocker Shaft (Do Not Service)
7	4273 678	4			ROCKER, Right
	4273 677	4			Left
8	4273 687	8			LOCK NUT, Rocker Adjusting Screw
9	4273 686	8			SCREW, Rocker Adjusting
10	4273 676	8			STEM, Rocker (Push Rod)
11	4273 601	8			TAPPET, Valve
12	4273 651	4			VALVE, Exhaust
13	4273 645	4			VALVE, Intake
14	4273 660	8			WASHER, Valve Spring Lower
15	4273 515	8			SEAL, Valve Stem
16	4273 657	8			SPRING, Valve
17	4273 663	8			RETAINER, Valve
18	4273 667	16			LOCK, Valve Spring
19	4273 536	4			SPRING, Rocker Spacer
20	4273 587	1			CAMSHAFT
21	4273 590	1			PLATE, Camshaft Lateral Retaining
22	4273 871	2			WASHER, Camshaft Retaining Plate
23	4273 583	2			SCREW, Camshaft Retaining Plate
24	4273 682	2			PIN, Rocker Shaft
25	4173 754	1			BEARING, Camshaft No.3
26	4173 753	1			BEARING, Camshaft No.2
27	4173 752	1			BEARING, Camshaft No.1
28	4273 614	5			DOWEL, Rocker Shaft Locating

MODEL CODES

B = GRAN FURY	F = FIFTH AVENUE/NEWPORT	P = RELIANT
C = LEBARON/TOWN & COUNTRY/EXC SEDAN	G = DIPLOMAT	T = E CLASS/NEW YORKER
C24 = LASER	H = VOYAGER	V = 600
D = ARIES	K = MINI RAM/CARAVAN/ROYAL	V24 = DAYTONA
E = 600	M = HORIZON/TURISMO	Z = OMNI/CHARGER/RAMPAGE

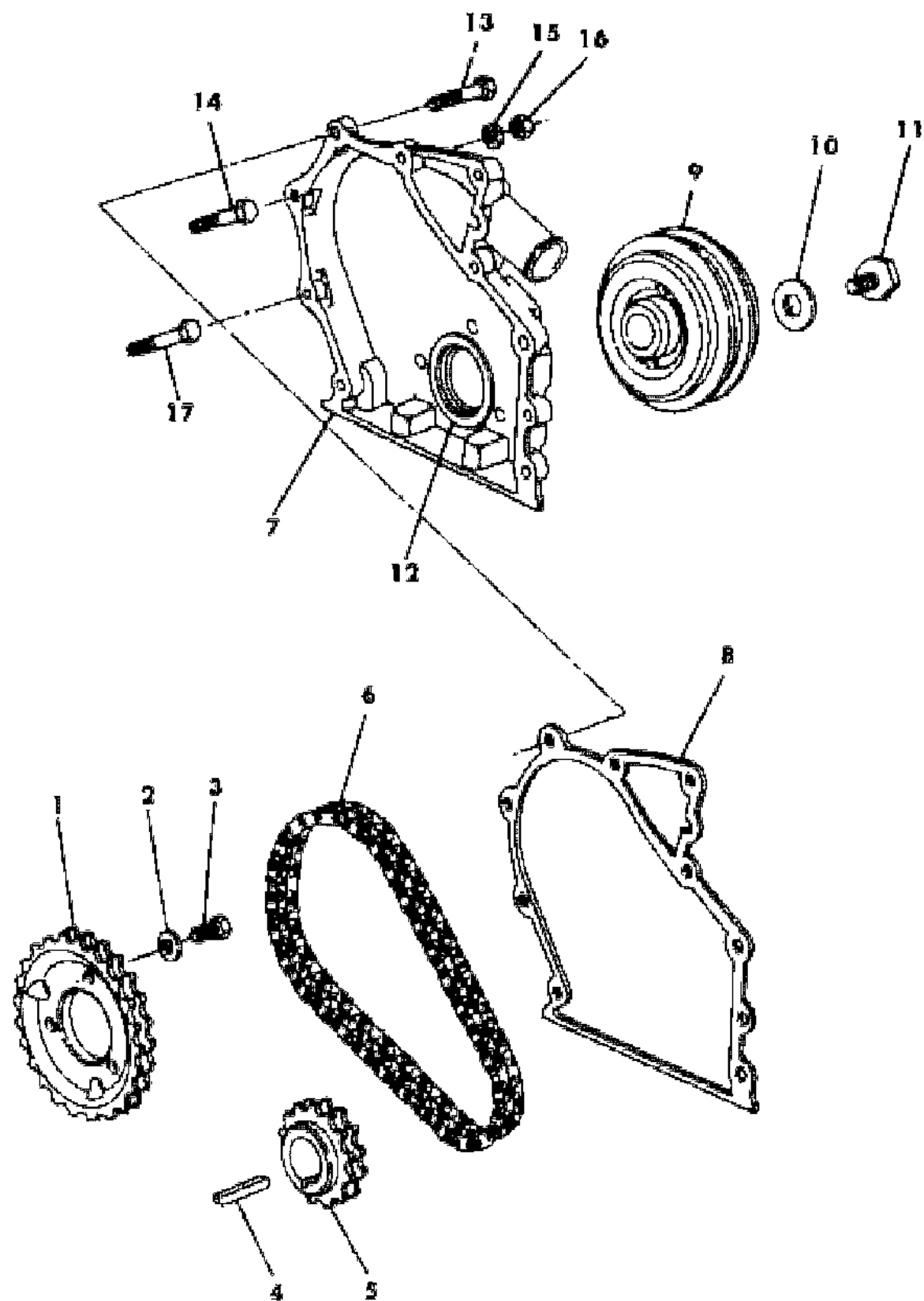
BODY STYLES

21 = 2-DOOR SEDAN	28 = FWD PICKUP	44 = 4-DOOR HATCHBACK
22 = 2-DOOR SPECIAL COUPE	35 = FWD VAN	45 = 4-DOOR STATION WAGON
24 = 2-DOOR HATCHBACK	36 = FWD WAGON	48 = 4-DOOR EXECUTIVE SEDAN
27 = 2-DOOR CONVERTIBLE	41 = 4-DOOR SEDAN	

AR = Use as Required - = Non Illustrated Part P.A.R. = Paint as Required

TIMING CHAIN, SPROCKETS, COVER 4 CYLINDER ENG. 1.6 L, M,Z
Figure 9A-700

4158 700



ITEM	PART NUMBER	QTY	BODY	MODEL	DESCRIPTION
1	4273 847	1			SPROCKET, Camshaft
2	4173 711	3			WASHER, Camshaft Sprocket Screw
3	4273 583	3			SCREW, Camshaft Sprocket
4	4273 804	1			KEY, Camshaft Sprocket and Pulley
5	4273 535	1			SPROCKET, Crankshaft Timing Chain
6	4273 635	1			CHAIN, Timing
7	4273 842	1			COVER, Chain Case
8	4273 519	1			GASKET, Chain Case Cover (Front Cover)
9	4273 803	1			PULLEY, Crankshaft Drive
10	4273 865	1			WASHER, Crankshaft and Pulley Screw
11	4273 806	1			SCREW, Crankshaft and Pulley
12	4173 789	1			OIL SEAL, Front Cover
13	4273 521	2			SCREW, Front Cover
14	4273 522	1			SCREW, Front Cover
15	4173 707	1			WASHER, Front Cover
16	4173 708	1			NUT, Front Cover
17	4173 706	7			SCREW, Front Cover

MODEL CODES

B = GRAN FURY	F = FIFTH AVENUE/NEWPORT	P = RELIANT
C = LEBARON/TOWN & COUNTRY/EXC SEDAN	G = DIPLOMAT	T = E CLASS/NEW YORKER
C24 = LASER	H = VOYAGER	V = 600
D = ARIES	K = MINI RAM/CARAVAN/ROYAL	V24 = DAYTONA
E = 600	M = HORIZON/TURISMO	Z = OMNI/CHARGER/RAMPAGE

BODY STYLES

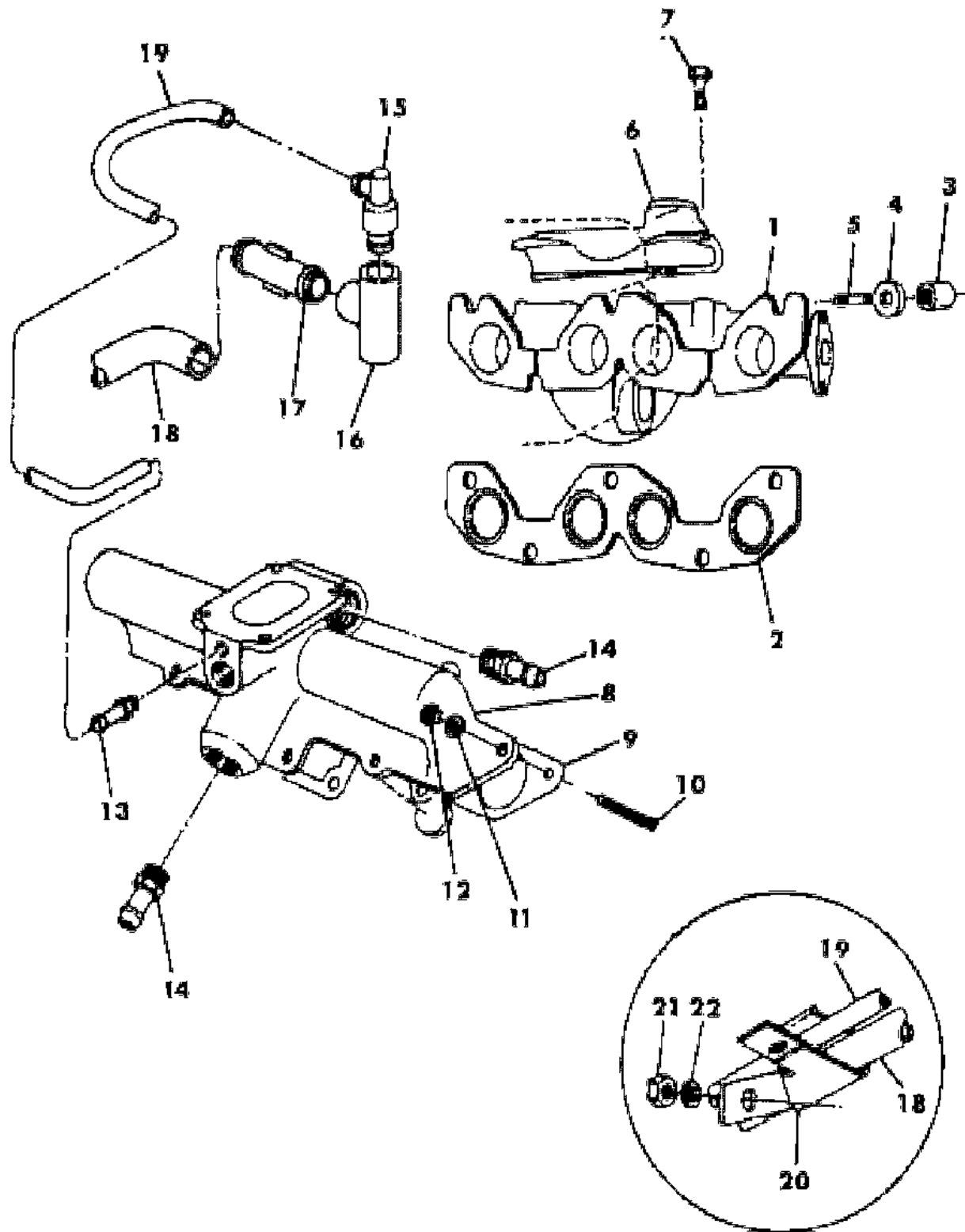
21 = 2-DOOR SEDAN	28 = FWD PICKUP	44 = 4-DOOR HATCHBACK
22 = 2-DOOR SPECIAL COUPE	35 = FWD VAN	45 = 4-DOOR STATION WAGON
24 = 2-DOOR HATCHBACK	36 = FWD WAGON	48 = 4-DOOR EXECUTIVE SEDAN
27 = 2-DOOR CONVERTIBLE	41 = 4-DOOR SEDAN	

AR = Use as Required - = Non Illustrated Part P.A.R. = Paint as Required

INTAKE AND EXHAUST MANIFOLD, CRANKCASE VENT VALVE 4 CYLINDER ENG. 1.6 L, M,Z
Figure 9A-800

4166 800

ITEM	PART NUMBER	QTY	BODY	MODEL	DESCRIPTION
1	4273 790	1			MANIFOLD, Exhaust
2	4273 793	1			GASKET, Exhaust Manifold
3	4173 798	5			NUT, Exhaust Manifold
4	4173 717	5			WASHER, Exhaust Manifold
5	4173 716	5			STUD, Exhaust Manifold
6	4273 798	1			PLATE, Hot Air Intake
7	4173 796	4			SCREW, Hot Air Intake Plate
8	4273 859	1			MANIFOLD, Intake
9	4273 787	1			GASKET, Intake Manifold
10	4273 624	8			STUD, Intake Manifold
11	4173 711	8			WASHER, Intake Manifold Stud
12	4173 715	8			NUT, Intake Manifold Stud
13	4173 794	1			CONNECTOR, Blow By Pickup Intake Manifold
14	4173 799	2			CONNECTOR, Intake Manifold To Water Pump, Water Outlet
15	4273 145	1			VALVE, Crankcase Vent
16	4273 332	1			ELBOW, Crankcase Vent Valve (Attaching)
17	4105 734	1			CONNECTOR, Crankcase Vent Valve Elbow to Hose
18	5214 992	1			HOSE, Crankcase Vent Valve to Air Cleaner
19	5214 991	1			HOSE, Crankcase Vent Valve to Intake Manifold Vacuum Source
20	4273 337	1			BRACKET, Crankcase Vent Hose Support
21	6100 517	1			NUT, Crankcase Vent Hose Support Bracket (attaching)
22		1			WASHER, Crankcase Vent Hose Support Bracket Nut (attaching)
23	4273 861	1			NIPPLE, Crankcase Vent Hose



MODEL CODES

B = GRAN FURY	F = FIFTH AVENUE/NEWPORT	P = RELIANT
C = LEBARON/TOWN & COUNTRY/EXC SEDAN	G = DIPLOMAT	T = E CLASS/NEW YORKER
C24 = LASER	H = VOYAGER	V = 600
D = ARIES	K = MINI RAM/CARAVAN/ROYAL	V24 = DAYTONA
E = 600	M = HORIZON/TURISMO	Z = OMNI/CHARGER/RAMPAGE

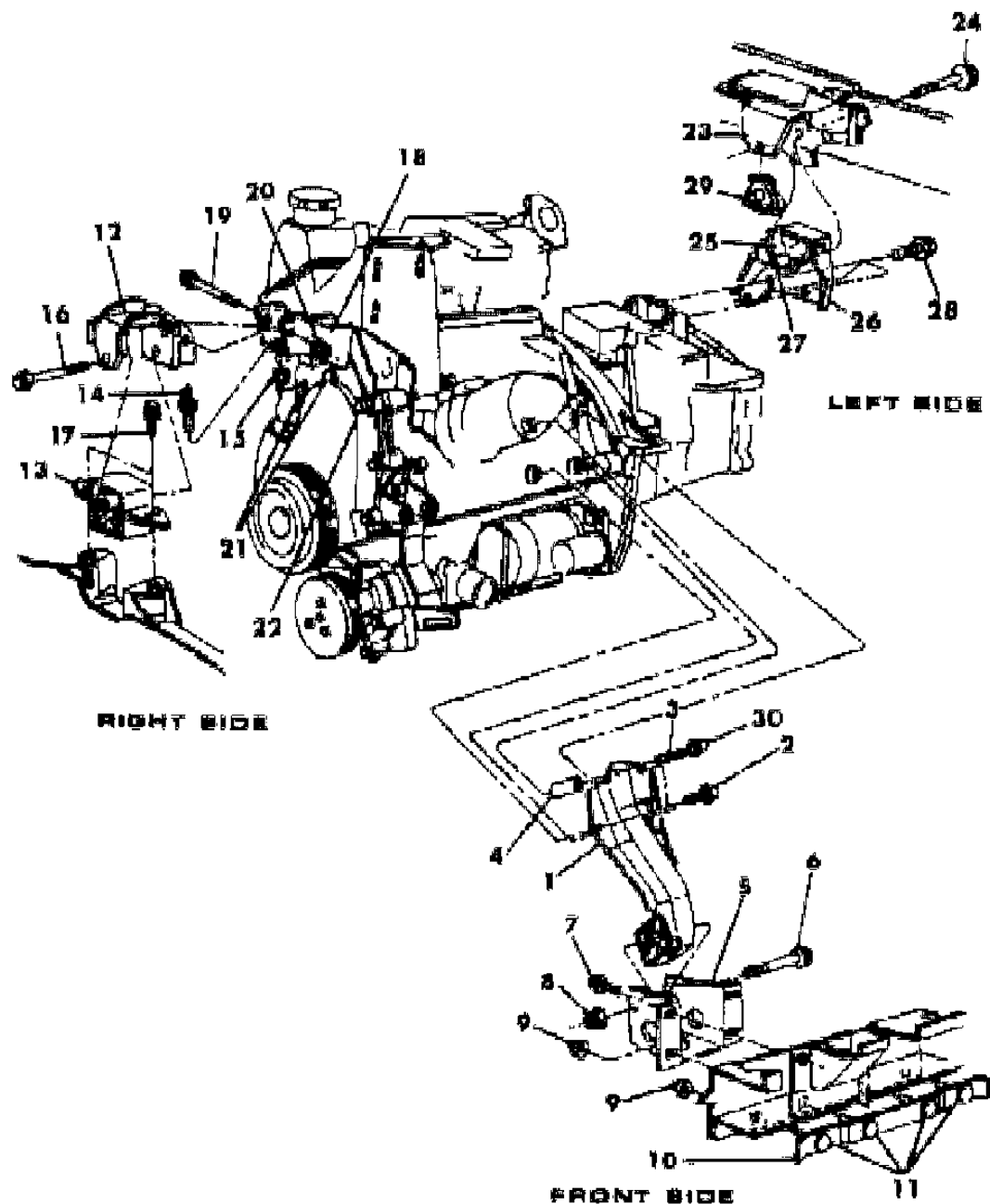
BODY STYLES

21 = 2-DOOR SEDAN	28 = FWD PICKUP	44 = 4-DOOR HATCHBACK
22 = 2-DOOR SPECIAL COUPE	35 = FWD VAN	45 = 4-DOOR STATION WAGON
24 = 2-DOOR HATCHBACK	36 = FWD WAGON	48 = 4-DOOR EXECUTIVE SEDAN
27 = 2-DOOR CONVERTIBLE	41 = 4-DOOR SEDAN	

AR = Use as Required - = Non Illustrated Part P.A.R. = Paint as Required

ENGINE MOUNTINGS 4 CYLINDER ENG. 1.6 L, M,Z
Figure 9A-900

4165 890



ITEM	PART NUMBER	QTY	BODY	MODEL	DESCRIPTION
1	4269 354	1			INSULATOR, Engine Support Front
2	6500 157	3			SCREW W/WASHER, Front Engine Support To Block
3	6500 825	1			STUD, Front Engine Support To Block
4	6032 258	1			SPACER, Front Engine Support To Block
	4273 526	1			SPACER, Engine Support Bracket
5	4270 120	1			BRACKET, Front Side Rail Front Crossmember Engine Mounting Front
6	4271 953	1			SCREW w/Washer, Bracket to Insulator Engine Front Support
7	6500 535	2			SCREW w/Washer, Bracket to Front Side Rail Crossmember Reinforcement
8	6100 053	1			NUT, Bracket to Insulator Eng. Front Support Screw
9	6500 259	4			NUT, Front Crossmember Tie Plate Screw
10	4296 258	1			TIE PLATE, Front Crossmember
11	6500 233	4			SCREW, Front Crossmember Tie Plate
12	4295 264	1			BRACKET, Eng. Support Insulator, Right
13	4295 260	1			BUSHING, Eng. Support Insulator, Right
14	4295 274	1			STUD, Eng. Support Insulator Bracket to Eng. Mounting, Right and Power Strg. Pump Mounting Bracket
15	6500 164	1			NUT, Eng. Bracket Right and Power Strg. Pump Bracket Stud
16	6500 839	1			SCREW w/Washer, Eng. Support Insulator and Bracket, Right
17	6500 555	2			SCREW w/Washer, Bushing to Side Rail Bracket, Right
18	4273 203	1			BRACKET, Eng. Mounting Right and Power Strg. Pump Mounting Bracket
19	6500 983	1			BOLT, Bracket to Bracket Right and Power Strg. Pump Mounting Bracket
20	6100 519	1			NUT, Bracket Right and Power Strg. Pump Mounting Bracket Bolt
21	6500 192	2			SCREW w/Washer, Bracket Mounting
22	4273 522	1			SCREW w/Washer, Bracket Mounting
23		1			BRACKET, Frame Side Rail (Welded) Left
24	6500 840	1			SCREW w/Washer, Insulator to Frame Side Rail Bracket, Left
25	4295 237	1			BUSHING, Eng. Support Insulator Left
26	4295 256	1			BRACKET, Eng. Support Insulator Left, w/Man. Trans.
	4295 254	1			w/Auto. Trans.
27		1			SPACER, Insulator Bushing, Left (Not Serviced)
28	6500 495	3			SCREW w/Washer, Eng. Support Insulator Bracket to Trans. Case, Left
29	6500 833	1			NUT, Bushing to Insulator Bracket Screw
30	6100 053	1			NUT w/Washer, Front Eng. Support Bracket to Eng. Block Stud

MODEL CODES

B = GRAN FURY	F = FIFTH AVENUE/NEWPORT	P = RELIANT
C = LEBARON/TOWN & COUNTRY/EXC SEDAN	G = DIPLOMAT	T = E CLASS/NEW YORKER
C24 = LASER	H = VOYAGER	V = 600
D = ARIES	K = MINI RAM/CARAVAN/ROYAL	V24 = DAYTONA
E = 600	M = HORIZON/TURISMO	Z = OMNI/CHARGER/RAMPAGE

BODY STYLES

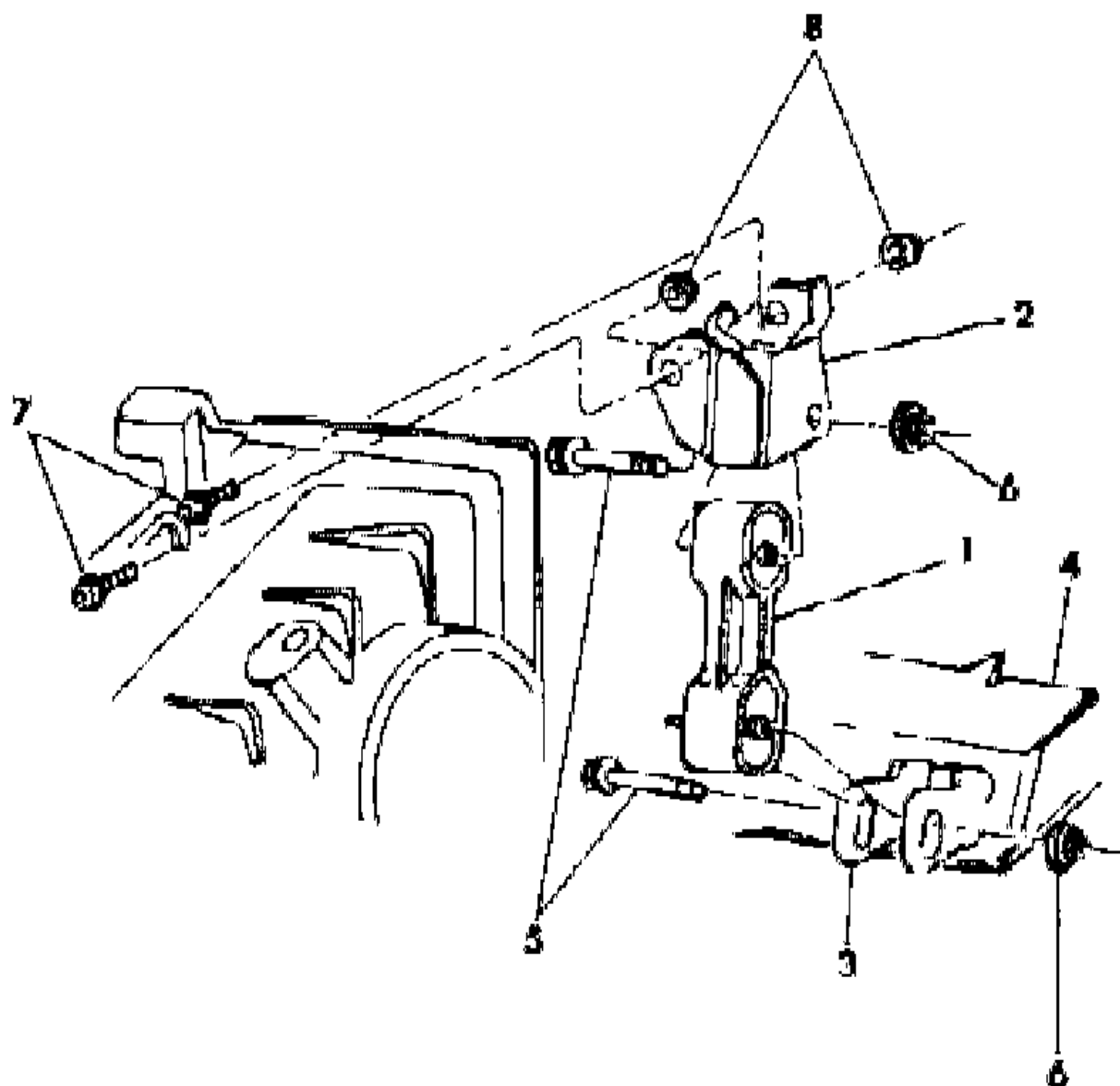
21 = 2-DOOR SEDAN	28 = FWD PICKUP	44 = 4-DOOR HATCHBACK
22 = 2-DOOR SPECIAL COUPE	35 = FWD VAN	45 = 4-DOOR STATION WAGON
24 = 2-DOOR HATCHBACK	36 = FWD WAGON	48 = 4-DOOR EXECUTIVE SEDAN
27 = 2-DOOR CONVERTIBLE	41 = 4-DOOR SEDAN	

AR = Use as Required - = Non Illustrated Part P.A.R. = Paint as Required

ENGINE STRUT, W/MAN. TRANS. 4 CYLINDER ENG. 1.6 L, M,Z
Figure 9A-1000

4168 1000

ITEM	PART NUMBER	QTY	BODY	MODEL	DESCRIPTION
1	4191 282	1			STRUT, Man. Trans. to Support Crossmember Roll, w/Man. Trans.
2	4191 284	1			BRACKET, Man. Trans. to Engine Roll Strut w/Man. Trans.
3		1			BRACKET, Support Crossmember to Eng. Roll Strut (Serviced in Crossmember)
4		1			CROSSMEMBER, Front Suspension (See Group 13)
5	6101 342	2			SCREW w/Washer, Bracket to Strut
6	6100 053	2			NUT, Bracket to Strut Screw
7		2			STUD, Man. Trans. to Eng. Roll Strut Bracket (Not Serviced)
8	6100 517	2			NUT, Man. Trans. to Eng. Roll Strut Bracket Bolt



MODEL CODES

B = GRAN FURY	F = FIFTH AVENUE/NEWPORT	P = RELIANT
C = LEBARON/TOWN & COUNTRY/EXC SEDAN	G = DIPLOMAT	T = E CLASS/NEW YORKER
C24 = LASER	H = VOYAGER	V = 600
D = ARIES	K = MINI RAM/CARAVAN/ROYAL	V24 = DAYTONA
E = 600	M = HORIZON/TURISMO	Z = OMNI/CHARGER/RAMPAGE

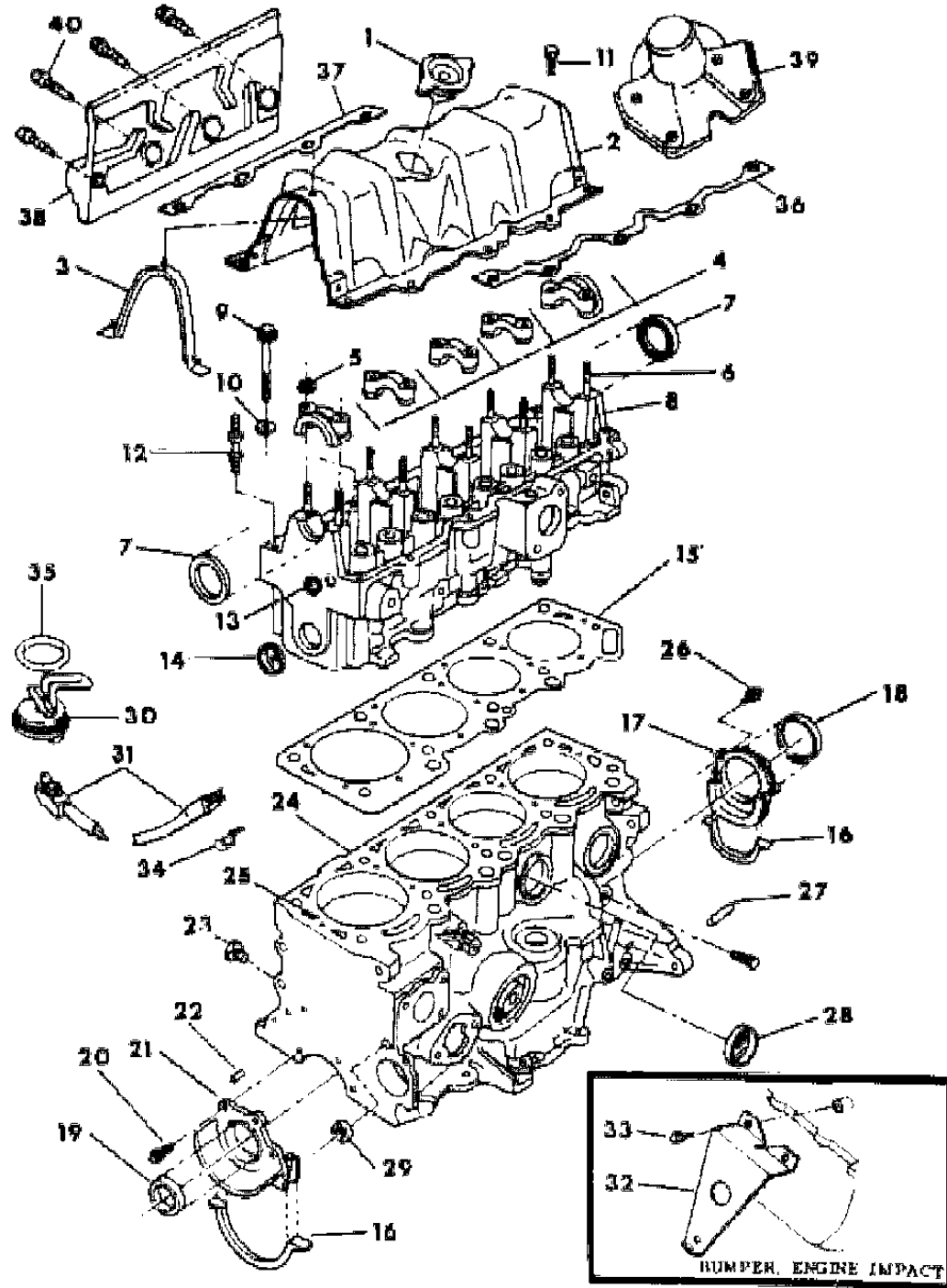
BODY STYLES

21 = 2-DOOR SEDAN	28 = FWD PICKUP	44 = 4-DOOR HATCHBACK
22 = 2-DOOR SPECIAL COUPE	35 = FWD VAN	45 = 4-DOOR STATION WAGON
24 = 2-DOOR HATCHBACK	36 = FWD WAGON	48 = 4-DOOR EXECUTIVE SEDAN
27 = 2-DOOR CONVERTIBLE	41 = 4-DOOR SEDAN	

AR = Use as Required - = Non Illustrated Part P.A.R. = Paint as Required

ENGINE, CYLINDER BLOCK, CYLINDER HEAD 4 CYLINDER 2.2 L. ENG. M,Z,P,D,C,V,E,T,H,K
Figure 9A-1100

4158 1100A



ITEM	PART NUMBER	QTY	BODY	MODEL	DESCRIPTION
------	-------------	-----	------	-------	-------------

NOTE 1: These Packages do not contain Gaskets for all required sealings. R.T.V. Sealer #4026070 and Gasket Eliminator #4205918 must be used in addition as described in the Chrysler repair Manual.

NOTE 2: When replacing a cyl. Head that is stamped O/S. J .050 O/S. Camshaft Journals use the Std. Cyl. Head # 4105443 and the Std. Camshaft Package #4271910 for replacement.

	4271 994	1			GASKET PACKAGE, Engine Upper (See Note 1) Except EDG-Turbo Charge Eng.
	4271 926	1			w/EDG-Turbo Charge Eng. Consists of: 1-5203780 Gasket, Cyl. Head 8-4201332 Seal, Valve Stem Oil 2-5214479 Seal, Cyl. Head Cover End 1-4179895 Gasket, Cyl. Water Outlet Connection
	4240 098	1			GASKET PACKAGE, Engine Lower (See Note 1) Consists of: 1-1407748 Seal, Oil Pump Cover to Oil Pump Suction Pipe 1-5203542 Gasket, Water Pump Housing 1-5203778 Seal, Oil Pan to Retainer

NOTE: Short Engine Assembly consists of the Cylinder Block with Piston and Rings, Crankshaft and Bearings, Connecting Rods and Bearings. #4271910 for replacement.

1A	4419 601	1			SHORT ENGINE, Assy. (Except EDJ-Eng. for M,Z and except EDG-Turbo Charge Eng.)
	4387 203	1		M,Z	w/EDJ-H/Perf. Eng.
	5214 969	1			w/EDG-Turbo Charge Eng.
1	2946 051	1			CAP ASSY., Oil Filler, Except EDG-Turbo Charge Eng. w/EDG-Turbo Charge Eng.
2	4343 614	1			COVER, Cylinder Head, (See Note 1) (Except EDG-Turbo Charge Eng. and Except EDJ-Eng. for M,Z (w/EDG-Turbo Charge Eng.)
	4105 483	1			(w/EDJ-H/Perf. Eng.)
	4105 774	1		M,Z	(w/EDJ-H/Perf. Eng.)
3	5214 479	2			SEAL, Cylinder Head Cover End (Except EDG-Turbo Charge Eng.)
	4105 475	2			(w/EDG-Turbo Charge Eng.)
4					CAPS, Camshaft Bearing (Serviced in Cyl. Head), (See Note 1)
5	6500 165	10			NUT, Camshaft Bearing Cap Stud
6	6100 299	10			SCREW, Camshaft Bearing Cap
7	4105 395	1			SEAL, Camshaft Front (Timing Belt End)
	4105 397	1			SEAL, Camshaft Rear (Trans. End) (52.35 MM O.D.) (Painted Yellow)

MODEL CODES

B = GRAN FURY	F = FIFTH AVENUE/NEWPORT	P = RELIANT
C = LEBARON/TOWN & COUNTRY/EXC SEDAN	G = DIPLOMAT	T = E CLASS/NEW YORKER
C24 = LASER	H = VOYAGER	V = 600
D = ARIES	K = MINI RAM/CARAVAN/ROYAL	V24 = DAYTONA
E = 600	M = HORIZON/TURISMO	Z = OMNI/CHARGER/RAMPAGE

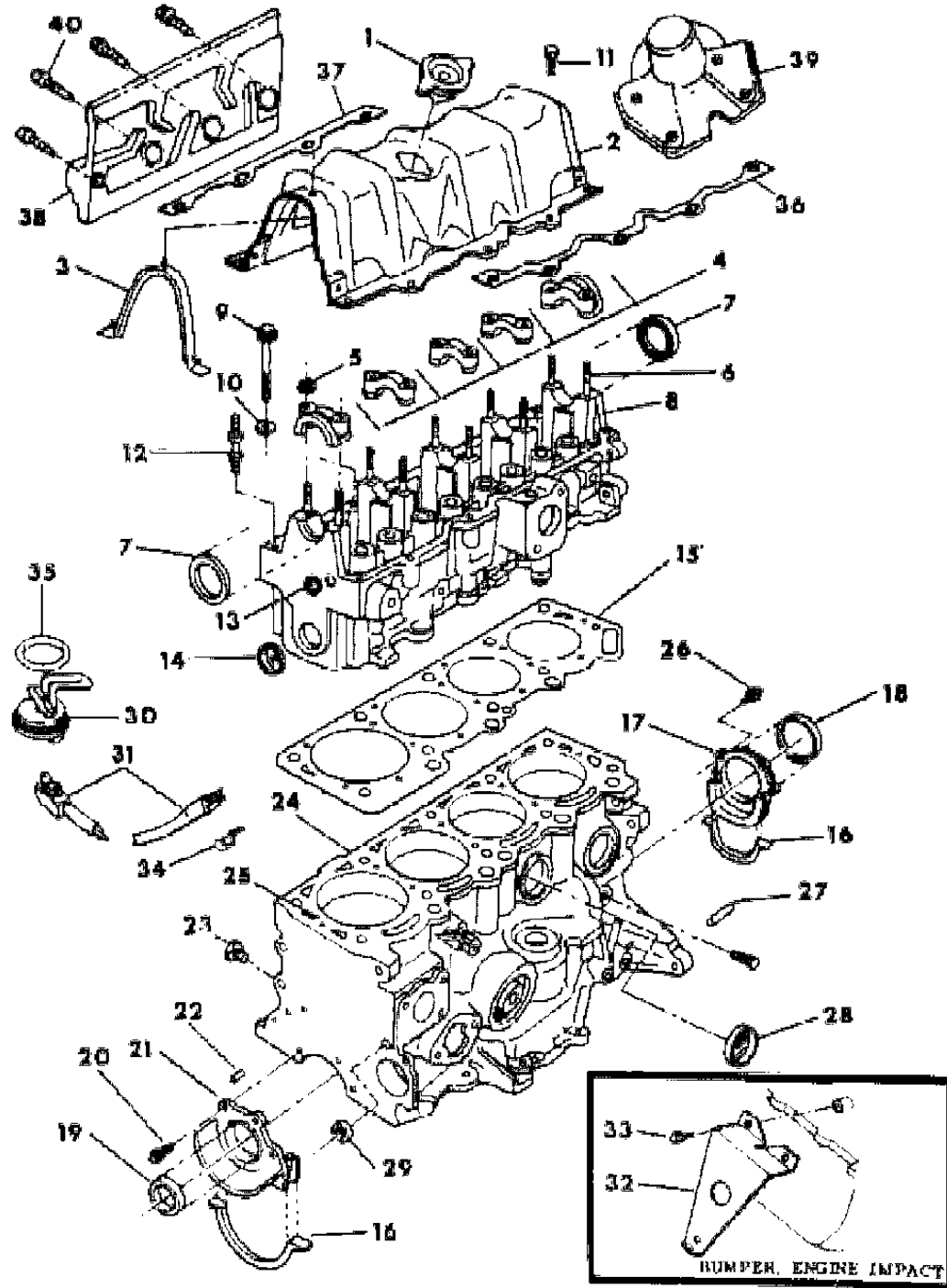
BODY STYLES

21 = 2-DOOR SEDAN	28 = FWD PICKUP	44 = 4-DOOR HATCHBACK
22 = 2-DOOR SPECIAL COUPE	35 = FWD VAN	45 = 4-DOOR STATION WAGON
24 = 2-DOOR HATCHBACK	36 = FWD WAGON	48 = 4-DOOR EXECUTIVE SEDAN
27 = 2-DOOR CONVERTIBLE	41 = 4-DOOR SEDAN	

AR = Use as Required - = Non Illustrated Part P.A.R. = Paint as Required

ENGINE, CYLINDER BLOCK, CYLINDER HEAD 4 CYLINDER 2.2 L. ENG. M,Z,P,D,C,V,E,T,H,K
Figure 9A-1100

4158 1100A



ITEM	PART NUMBER	QTY	BODY	MODEL	DESCRIPTION
	4105 396	1			(52.62 MM O.D.)
8	4105 443	1			HEAD ASSY. Cylinder (Partial) w/Std. Camshaft journals
		1			w/.050 O/S. Camshaft journals (See Note 2)
9	6500 754	10			SCREW, Cylinder Head (10x122.5 MM)
10	6500 543	10			WASHER, Cylinder Head Screw
11	6100 275	3			SCREW, w/Washer, Cyl. Head
12	6500 435	4			STUD, Cylinder Head Cover (M6) (Except EDG-Turbo Charge Eng.)
	6500 734	4			(w/EDG-Turbo Charge Eng.)
	6100 276	5			SCREW w/Washer (Except EDG-Turbo Eng.)
	6100 277	5			(w/EDG-Turbo Eng.)
13	5203 340	2			PLUG, Cyl. Head Oil Gallery Hole (5/8)
	4105 971	AR			(.065" O/Size)
14	5203 341	2			PLUG, Cyl. Head Water Hole (1-1/4")
	4105 972	AR			(1-1/4")
15	4105 468	1			GASKET, Cyl. Head
16	5203 778	2			SEALER, Oil Pan To Retainer
17	5214 784	1			RETAINER ASSY. Crankshaft Oil Seal Rear, w/Oil Seal, (See Note 1)
18	5203 590	1			OIL SEAL, Crankshaft Rear
19	4105 395	1			OIL SEAL, Crankshaft Front
20	6101 278	2			SCREW, w/Washer, Crankshaft Oil Seal Retainer, Front
21	5214 788	1			RETAINER ASSY., Crankshaft Oil Seal Front, w/Oil Seal, (See Note 1)
22		4			DOWEL, Cyl. Block To Crankshaft Seal Retainer (Not Serviced)
23		1			PLUG, Cyl. Block Water Jacket Drain 1/4" Pipe (Not Serviced)
24					BLOCK ASSY., Cyl. (Service in Short Eng. Assy.)
25					DOWEL, Cyl. Block To Cyl. Head (Not Serviced)
26	6101 278	2			SCREW, w/Washer, Crankshaft Oil Seal Retainer, Rear
27	5240 849	2			DOWEL, Cyl. Block To Clutch Housing or Trans. Case
28	5203 342	5			PLUG, Cyl. Block Water Hole 1-5/8"
	5203 344	AR			.065 O/S
29	5203 340	2			PLUG, Cyl. Block Oil Gallery 5/8"
	4105 971	AR			(.065 O/S)
30	5213 083	1			HEATER, Eng. Block
31	5206 359	1			CORD, Eng. Block Heater
32		1			BUMPER, Eng. Impact
33		2			SCREW w/Washer, Impact Bumper

MODEL CODES

B = GRAN FURY	F = FIFTH AVENUE/NEWPORT	P = RELIANT
C = LEBARON/TOWN & COUNTRY/EXC SEDAN	G = DIPLOMAT	T = E CLASS/NEW YORKER
C24 = LASER	H = VOYAGER	V = 600
D = ARIES	K = MINI RAM/CARAVAN/ROYAL	V24 = DAYTONA
E = 600	M = HORIZON/TURISMO	Z = OMNI/CHARGER/RAMPAGE

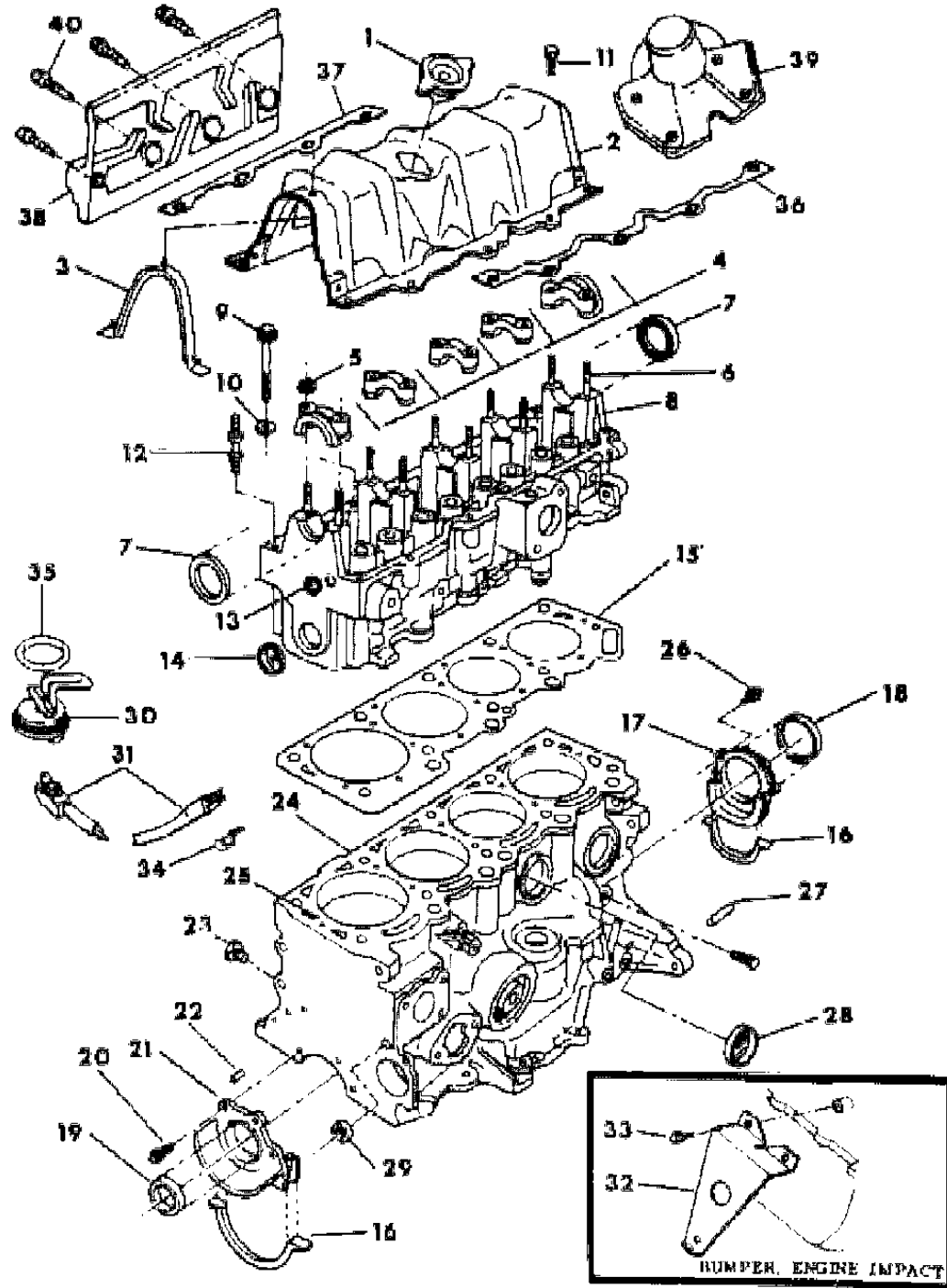
BODY STYLES

21 = 2-DOOR SEDAN	28 = FWD PICKUP	44 = 4-DOOR HATCHBACK
22 = 2-DOOR SPECIAL COUPE	35 = FWD VAN	45 = 4-DOOR STATION WAGON
24 = 2-DOOR HATCHBACK	36 = FWD WAGON	48 = 4-DOOR EXECUTIVE SEDAN
27 = 2-DOOR CONVERTIBLE	41 = 4-DOOR SEDAN	

AR = Use as Required - = Non Illustrated Part P.A.R. = Paint as Required

ENGINE, CYLINDER BLOCK, CYLINDER HEAD 4 CYLINDER 2.2 L. ENG. M,Z,P,D,C,V,E,T,H,K
Figure 9A-1100

4158 1100A



ITEM	PART NUMBER	QTY	BODY	MODEL	DESCRIPTION
34	6015 412	2			CLIP, Eng. Block Heater Cord
35	6027 513	AR			"O" RING, Eng. Block Heater
36	4201 977	1			DOUBLER, Cylinder Head Cover Front (Except EDG-Turbo Charge Eng.)
37	4201 978	1			DOUBLER, Cylinder Head Cover Rear (Except EDG-Turbo Charge Eng.)
38	4105 476	1			SEPARATOR, Cyl. Head Cover Oil (w/EDG-Turbo Charge Eng.)
39	4298 087	1			COVER, Camshaft Rear
40	6500 217	4			SCREW, Cyl. Head Cover Oil Separator (w/EDG-Turbo Eng.)

MODEL CODES
 B = GRAN FURY
 C = LEBARON/TOWN & COUNTRY/EXC SEDAN
 C24 = LASER
 D = ARIES
 E = 600
 F = FIFTH AVENUE/NEWPORT
 G = DIPLOMAT
 H = VOYAGER
 K = MINI RAM/CARAVAN/ROYAL
 M = HORIZON/TURISMO
 P = RELIANT
 T = E CLASS/NEW YORKER
 V = 600
 V24 = DAYTONA
 Z = OMNI/CHARGER/RAMPAGE

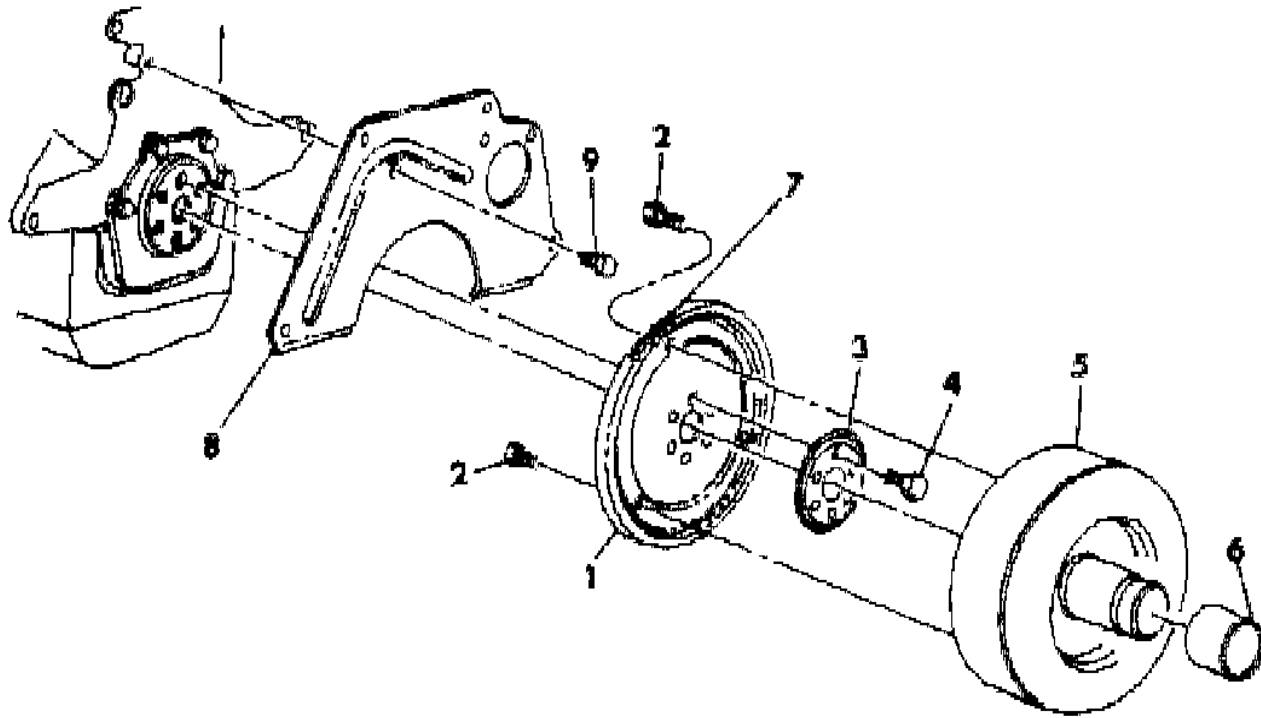
BODY STYLES
 21 = 2-DOOR SEDAN
 22 = 2-DOOR SPECIAL COUPE
 24 = 2-DOOR HATCHBACK
 27 = 2-DOOR CONVERTIBLE
 28 = FWD PICKUP
 35 = FWD VAN
 36 = FWD WAGON
 41 = 4-DOOR SEDAN
 44 = 4-DOOR HATCHBACK
 45 = 4-DOOR STATION WAGON
 48 = 4-DOOR EXECUTIVE SEDAN

AR = Use as Required - = Non Illustrated Part P.A.R. = Paint as Required

TORQUE CONVERTER, DRIVE PLATE 4 CYLINDER 2.2 L. ENG., M,Z,P,D,C,V,E,T,H,K
Figure 9A-1200

4100 1200

ITEM	PART NUMBER	QTY	BODY	MODEL	DESCRIPTION
1	5222 639	1			PLATE ASSY., Torque Converter Drive
2	6500 500	3			BOLT, Drive Plate To Torque Converter
3	5222 613	1			PLATE, Crankshaft Bolt Backing
4	6500 311	6			BOLT, Drive Plate To Crankshaft
5	4293 058	1			TORQUE CONVETER ASSY., (Except EDG Turbo Charge Eng.)
	4293 068	1			(w/EDG-Turbo Charge Eng.)
6	4269 057	1			SEAL, Torque Converter Impeller Hub To Trans.
7		1			GEAR, Torque Converter Ring (Serviced in Item 1)
8	4329 819	1			COVER, Trans. Case Upper (See Group 21)
9	6500 137	2			SCREW, Trans. Case Upper (See Group 21)



MODEL CODES

B = GRAN FURY	F = FIFTH AVENUE/NEWPORT	P = RELIANT
C = LEBARON/TOWN & COUNTRY/EXC SEDAN	G = DIPLOMAT	T = E CLASS/NEW YORKER
C24 = LASER	H = VOYAGER	V = 600
D = ARIES	K = MINI RAM/CARAVAN/ROYAL	V24 = DAYTONA
E = 600	M = HORIZON/TURISMO	Z = OMNI/CHARGER/RAMPAGE

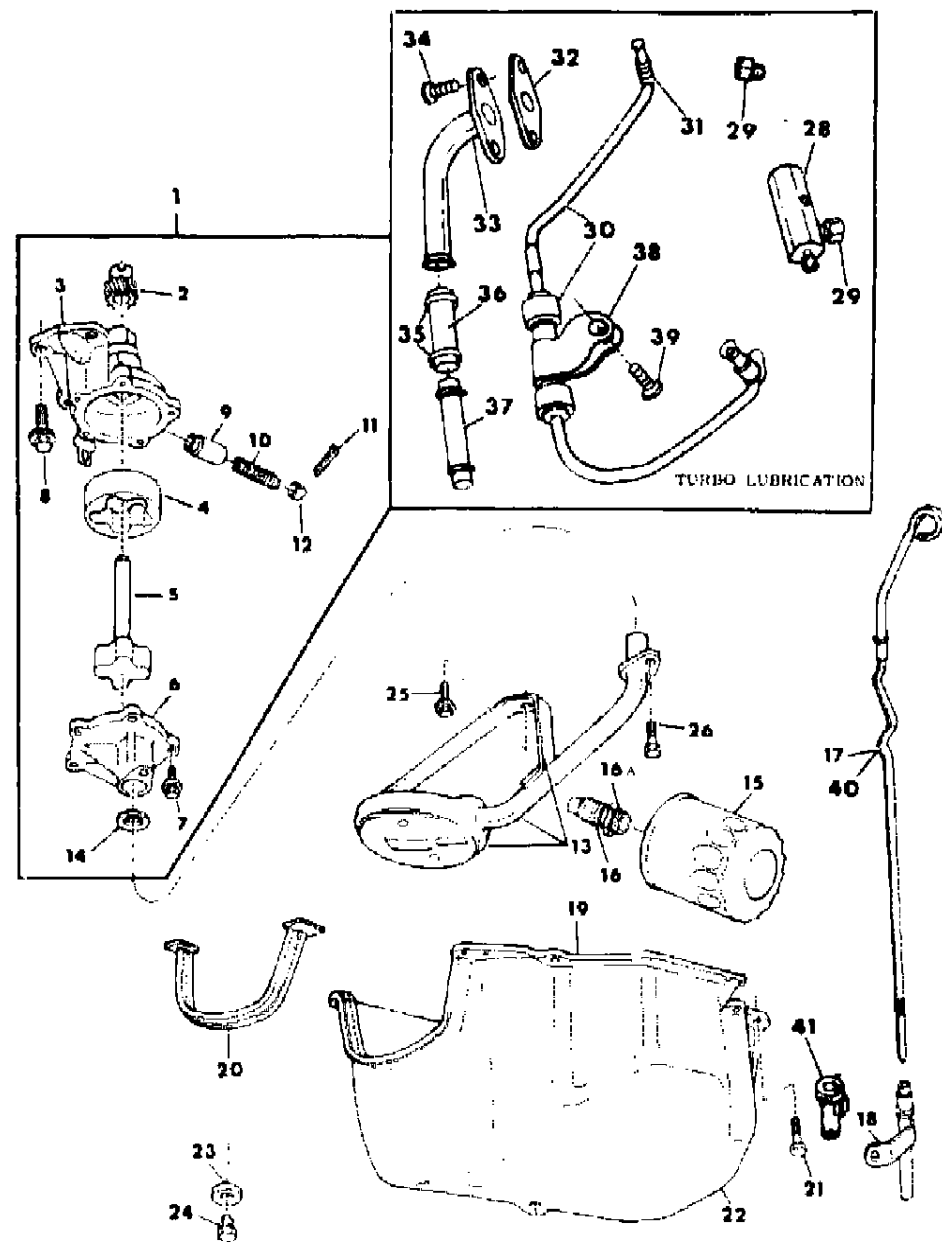
BODY STYLES

21 = 2-DOOR SEDAN	28 = FWD PICKUP	44 = 4-DOOR HATCHBACK
22 = 2-DOOR SPECIAL COUPE	35 = FWD VAN	45 = 4-DOOR STATION WAGON
24 = 2-DOOR HATCHBACK	36 = FWD WAGON	48 = 4-DOOR EXECUTIVE SEDAN
27 = 2-DOOR CONVERTIBLE	41 = 4-DOOR SEDAN	

AR = Use as Required - = Non Illustrated Part P.A.R. = Paint as Required

OIL PUMP, OIL PAN, OIL LEVEL INDICATOR, OIL FILTER, TURBOCHARGER LUBRICATION 4 CYLINDER 2.2 L. ENG., M,Z,P,D,C,V,E,T,H,K
Figure 9A-1400

415R 1400A



ITEM	PART NUMBER	QTY	BODY	MODEL	DESCRIPTION
NOTE 1 For all required sealings R.T.V, Sealer 4318025 and Gasket eliminator 4318029 must be used as described in the Chrysler Repair Manual. #4271910 for replacement.					
1	4293 888	1			PUMP ASSY. OIL
2		1			GEAR, Oil Pump and Distributor Drive (Service in Oil Pump Assy. 4293888)
3		1			BODY, Oil Pump (Service in Oil Pump 4293888)
4		1			ROTOR, Oil Pump Outer (Service in Oil Pump Drive Shaft and Rotor Pkg. 4240008)
5		1			ROTOR, Oil Pump Inner (Service in Oil Pump Drive Shaft and Rotor Pkg. 4240008)
6	5203 322	1			COVER, Oil Pump
7	6100 277	5			SCREW w/Washer, Oil Pump Cover
8	6500 151	2			SCREW w/Washer, Oil Pump Mounting
9	2120 764	1			PLUNGER, Oil Pressure Relief Valve
10	4323 326	1			SPRING, Oil Pressure Relief Valve
11		1			PIN, Oil Pressure Relief Valve (Not Serviced)
12	2806 273	1			CAP, Oil Pressure Relief Valve
13	5203 324	1			STRAINER ASSY. Oil Pump Suction Pipe
14	1407 748	1			SEAL, Oil Pump Cover To Oil Pump Suction Pipe
15	4105 409	1			FILTER ASSY., Oil
16	4273 323	1			STANDPIPE ASSY., Oil Filter Base to Oil Filter
16A	2120 017	1			GASKET, Oil Filter Standpipe Adapter
17	4105 446	1			INDICATER, Oil Level
18	4173 376	1			TUBE, Oil Level Indicator And Clip
	4173 376	1			(up to 11/21/83), (w/EDG-Turbo Charge Eng.)
	4343 632	1			(after 11/21/83), (w/EDG-Turbo Charge Eng.)
19		AR			SEALER, Oil Pan (Apply as Required), (See Note 1)
20	5203 778	2			SEAL, Oil Pan To Retainer
21	6500 507	11			SCREW w/Washer, Oil Pan Attaching
22	4173 393	1			PAN ASSY., Oil
23	3769 935	1			GASKET, Oil Pan Drain Plug
24	4271 941	1			PLUG, Oil Pan Drain
25	6100 276	1			SCREW w/Washer, Suction Pipe And Strainer Bracket Attaching
26	6500 070	1			SCREW, Suction Pipe And Strainer Bracket Assy. Attaching
28	4323 107	1			FITTING, Cyl. Block To Turbo Oil Feed Tube
29	6032 570	2			CONNECTOR, Turbo Oil Inlet
30	4323 108	1			TUBE Assy., Turbo Oil Feed
31	0137 398	2			NUT, Turbo Oil Feed Tube

MODEL CODES

B = GRAN FURY
C = LEBARON/TOWN & COUNTRY/EXC SEDAN
C24 = LASER
D = ARIES
E = 600
F = FIFTH AVENUE/NEWPORT
G = DIPLOMAT
H = VOYAGER
K = MINI RAM/CARAVAN/ROYAL
M = HORIZON/TURISMO
P = RELIANT
T = E CLASS/NEW YORKER
V = 600
V24 = DAYTONA
Z = OMNI/CHARGER/RAMPAGE

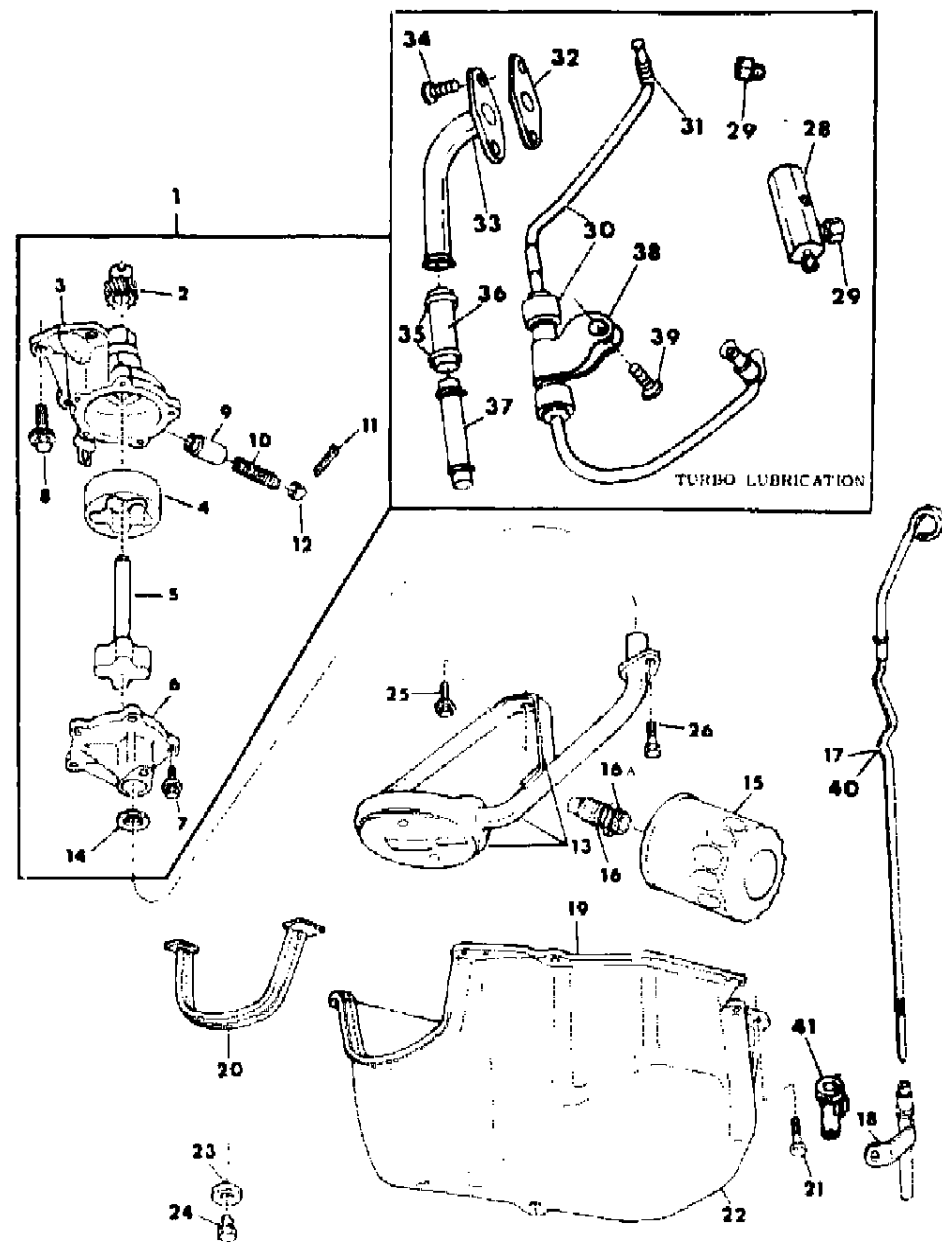
BODY STYLES

21 = 2-DOOR SEDAN
22 = 2-DOOR SPECIAL COUPE
24 = 2-DOOR HATCHBACK
27 = 2-DOOR CONVERTIBLE
28 = FWD PICKUP
35 = FWD VAN
36 = FWD WAGON
41 = 4-DOOR SEDAN
44 = 4-DOOR HATCHBACK
45 = 4-DOOR STATION WAGON
48 = 4-DOOR EXECUTIVE SEDAN

AR = Use as Required - = Non Illustrated Part P.A.R. = Paint as Required

OIL PUMP, OIL PAN, OIL LEVEL INDICATOR, OIL FILTER, TURBOCHARGER LUBRICATION 4 CYLINDER 2.2 L. ENG., M,Z,P,D,C,V,E,T,H,K
Figure 9A-1400

415R 1400A



ITEM	PART NUMBER	QTY	BODY	MODEL	DESCRIPTION
32	4227 980	1			GASKET, Turbo Oil Drain Back Tube
33	4323 111	1			TUBE Assy., Turbo Oil Drain Back
34	6100 296	2			SCREW w/Washer, Turbo Oil Drain Back Tube Assy.
35		2			CLAMP, Turbo Oil Drain Back Hose (Serviced in Item 33)
36	4105 457	1			HOSE, Turbo Oil Drain Back
37	4105 456	1			TUBE, Turbo Oil Drain Back Cyl Block
38	4323 125	1			CLAMP, Turbo Oil Feed Tube Assy.
39		1			SCREW, Turbo Oil Feed Tube Clamp
40	4221 690	1		V,C	DIPSTICK, Oil Level Indicator, w/Sensor
41	4221 450	1		V,C	BASE, w/Sensor, Oil Level Indicator

MODEL CODES

B = GRAN FURY	F = FIFTH AVENUE/NEWPORT	P = RELIANT
C = LEBARON/TOWN & COUNTRY/EXC SEDAN	G = DIPLOMAT	T = E CLASS/NEW YORKER
C24 = LASER	H = VOYAGER	V = 600
D = ARIES	K = MINI RAM/CARAVAN/ROYAL	V24 = DAYTONA
E = 600	M = HORIZON/TURISMO	Z = OMNI/CHARGER/RAMPAGE

BODY STYLES

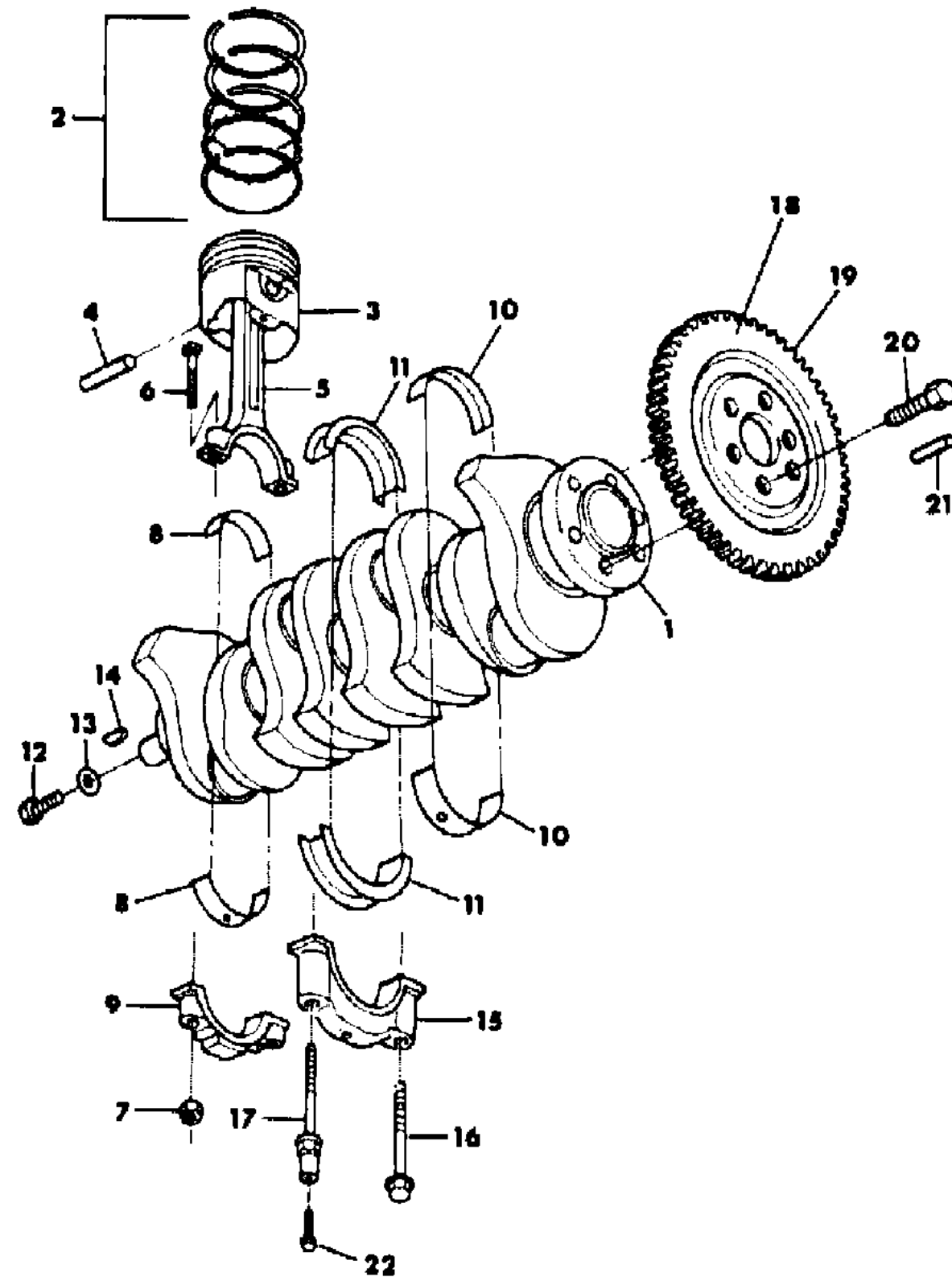
21 = 2-DOOR SEDAN	28 = FWD PICKUP	44 = 4-DOOR HATCHBACK
22 = 2-DOOR SPECIAL COUPE	35 = FWD VAN	45 = 4-DOOR STATION WAGON
24 = 2-DOOR HATCHBACK	36 = FWD WAGON	48 = 4-DOOR EXECUTIVE SEDAN
27 = 2-DOOR CONVERTIBLE	41 = 4-DOOR SEDAN	

AR = Use as Required - = Non Illustrated Part P.A.R. = Paint as Required

CRANKSHAFT, CONNECTING ROD, PISTONS, RINGS, FLYWHEEL 4 CYLINDER 2.2 L ENGINE M,Z,P,D,C,V,E,T,H,K

Figure 9A-1500

4168 1000



ITEM	PART NUMBER	QTY	BODY	MODEL	DESCRIPTION
1	5214 737	1			CRANKSHAFT, Except EDG-Turbo Charge Eng.
	4105 498	1			w/EDG-Turbo Charge Eng.
2	4240 137	1			RING SET, Piston, Std. (For Complete Engine), (Except EDG-Turbo Charge)
	4240 138	1			0.5 O/S
	4240 139	1			RING PKG., Piston, Std. (For Single Piston) (Except EDG-Turbo Charge Eng.)
	4240 140	1			0.5 O/S
	4293 799	1			RING SET, Piston, Std. For Complete Eng. w/EDG-Turbo Charge Eng.
	4293 800	1			0.50 O/S MM
3	4271 929	4			PISTON, w/Pin, Std., (Except EDG-Turbo Charge Eng.)
	4271 930	4			0.50 MM O/S
	4271 927	4			Std., w/EDG-Turbo Charge Eng.
	4271 928	4			0.50 MM O/S
4	5203 800	4			PIN, Piston (Except EDG-Turbo Charge Eng.)
5	5203 384	4			ROD ASSY, Connecting, w/Cap (Except EDG-Turbo Charge Eng.)
	4105 486	4			(W/EDG-Turbo Charge Eng.)
6	4273 343	8			BOLT, Connecting Rod Bearing Cap
7	4227 678	8			NUT, Connecting Rod Bearing Cap Bolt
8	4240 025	4			BEARING PACKAGE, Connecting Rod, Std.
					Consists of:
					2 ----- Bearings, Connecting Rod
	4240 026	4			0.025 U/S
	4240 027	4			0.050 U/S
	4240 028	4			0.250 U/S
	4240 029	4			0.275 U/S
	4240 030	4			0.300 U/S
9					CAP, Connecting Rod (Service in Connecting Rod Assy.)
10					BEARING PACKAGE, Crankshaft Upper And Lower No. 1,2,4,5 Std.
					Consists of:
					1 ----- Bearing, Upper No. 1,2,4,5
					1 ----- Bearing, Lower No. 1,2,4,5
	4293 824	4			Std.
	4293 825	4			0.025 MM U/S
	4293 826	4			0.050 MM U/S

MODEL CODES

B = GRAN FURY	F = FIFTH AVENUE/NEWPORT	P = RELIANT
C = LEBARON/TOWN & COUNTRY/EXC SEDAN	G = DIPLOMAT	T = E CLASS/NEW YORKER
C24 = LASER	H = VOYAGER	V = 600
D = ARIES	K = MINI RAM/CARAVAN/ROYAL	V24 = DAYTONA
E = 600	M = HORIZON/TURISMO	Z = OMNI/CHARGER/RAMPAGE

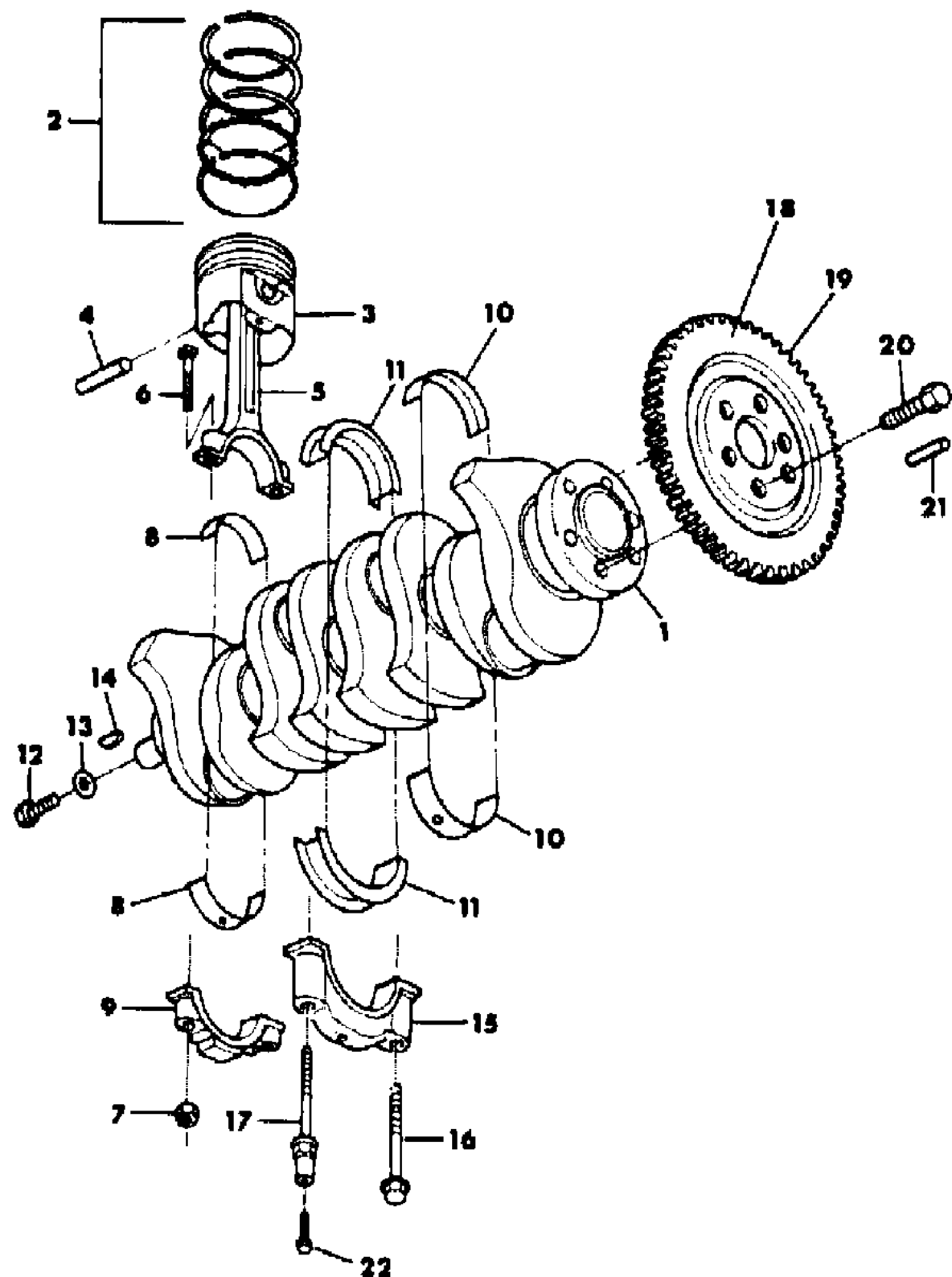
BODY STYLES

21 = 2-DOOR SEDAN	28 = FWD PICKUP	44 = 4-DOOR HATCHBACK
22 = 2-DOOR SPECIAL COUPE	35 = FWD VAN	45 = 4-DOOR STATION WAGON
24 = 2-DOOR HATCHBACK	36 = FWD WAGON	48 = 4-DOOR EXECUTIVE SEDAN
27 = 2-DOOR CONVERTIBLE	41 = 4-DOOR SEDAN	

AR = Use as Required - = Non Illustrated Part P.A.R. = Paint as Required

CRANKSHAFT, CONNECTING ROD, PISTONS, RINGS, FLYWHEEL 4 CYLINDER 2.2 L ENGINE M,Z,P,D,C,V,E,T,H,K
Figure 9A-1500

4168 1000



ITEM	PART NUMBER	QTY	BODY	MODEL	DESCRIPTION
	4293 827	4			0.250 MM U/S
	4293 828	4			0.275 MM U/S
	4293 829	4			0.300 MM U/S
11					BEARING PACKAGE, Crankshaft Upper and Lower No. 3 Consists of:
					1 ----- Bearing, Upper No.3
					1 ----- Bearing, Lower No.3
	4293 830	1			Std.
	4293 831	1			0.025 MM U/S
	4293 832	1			0.050 MM U/S
	4293 833	1			0.250 MM U/S
	4293 834	1			0.270 MM U/S
	4293 835	1			0.300 MM U/S
12	6500 430	1			SCREW, Crankshaft Sprocket
13	6500 431	1			WASHER, Crankshaft Sprocket Screw
14	6500 150	1			KEY, Crankshaft Sprocket
15	4105 211	1			CAP, Crankshaft Bearing No.1
	4105 212	1			No.2
	4105 213	1			No.3
	4105 214	1			No.4
	4105 215	1			No.5
16	6500 755	9			SCREW, Crankshaft Bearing Cap
17	6500 756	1			SCREW, Crankshaft Bearing Cap
18	4348 312	1		Except	FLYWHEEL ASSY., (w/Ring Gear) w/Man. Trans., (Except EDG-Turbo Charge Eng.)
	4348 314	1			w/EDG-Turbo Charge Eng.
	4348 314	1		H,K	
19		1			GEAR, Flywheel (Service in Flywheel Assy.)
20	6500 553	6			BOLT, Flywheel To Crankshaft
21	6031 923	3			DOWEL, Clutch Cover To Flywheel
22	6500 461	1			SCREW w/Washer

MODEL CODES

B = GRAN FURY	F = FIFTH AVENUE/NEWPORT	P = RELIANT
C = LEBARON/TOWN & COUNTRY/EXC SEDAN	G = DIPLOMAT	T = E CLASS/NEW YORKER
C24 = LASER	H = VOYAGER	V = 600
D = ARIES	K = MINI RAM/CARAVAN/ROYAL	V24 = DAYTONA
E = 600	M = HORIZON/TURISMO	Z = OMNI/CHARGER/RAMPAGE

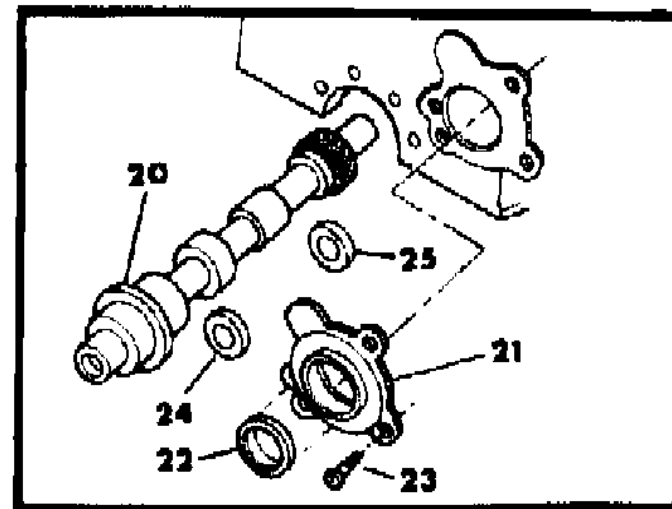
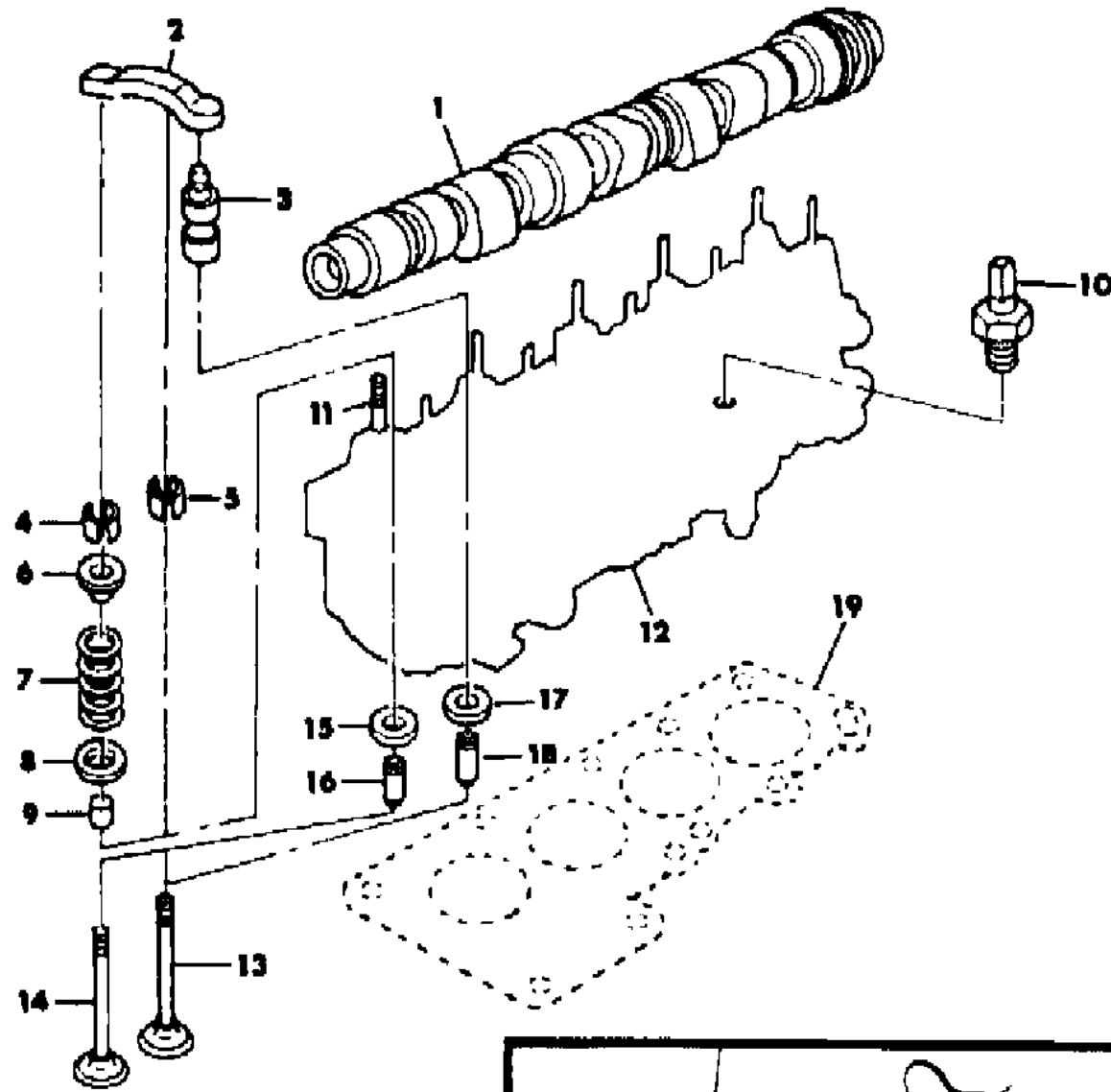
BODY STYLES

21 = 2-DOOR SEDAN	28 = FWD PICKUP	44 = 4-DOOR HATCHBACK
22 = 2-DOOR SPECIAL COUPE	35 = FWD VAN	45 = 4-DOOR STATION WAGON
24 = 2-DOOR HATCHBACK	36 = FWD WAGON	48 = 4-DOOR EXECUTIVE SEDAN
27 = 2-DOOR CONVERTIBLE	41 = 4-DOOR SEDAN	

AR = Use as Required - = Non Illustrated Part P.A.R. = Paint as Required

CAMSHAFT, INTERMEDIATE SHAFT, INTAKE AND EXHAUST VALVES 4 CYLINDER 2.2 L ENGINE, M,Z,P,D,C,V,E,T,H,K
Figure 9A-1600

4158 1600



ITEM	PART NUMBER	QTY	BODY	MODEL	DESCRIPTION
NOTE 1: GASKET Eliminator #4318029 must be used as described in the Chrysler repair Manual. #4271910 for replacement.					
1	4293 817	1			CAMSHAFT PACKAGE, w/Std. Journals (Except EDG-Turbo Charge Eng.) Consists of: 1----- Camshaft
	4293 818	1			8-5203491 Rocker, Valve CAMSHAFT PACKAGE, w/.050 O/S Journals (Except EDG-Turbo Charge Eng.) Consists of: 1----- Camshaft, w/50 O/S Journals (Stamped O/S.J) 8-5203491 Rocker, Valve
	4293 819	1			CAMSHAFT PACKAGE, W/Std. Journals, (w/EDG-Turbo Charge Eng.)
2	5203 491	8			ROCKER, Valve
3	4240 007	8			ADJUSTER, Valve Lash
4	5203 577	8			LOCK, Exhaust Valve Spring Retainer
5	4201 349	8			LOCK, Intake Valve Spring Retainer
6	5203 578	8			RETAINER, Valve Spring Intake and Exhaust
7	4323 225	8			SPRING (Except EDG Eng.)
	4105 793	8			w/EDG-Turbo Charge Eng.
8	5203 474	8			SEAT, Valve Spring
9	4201 332	8			SEAL, Valve Guide, Std.
	4105 366	8			0.15 O/S., (Green)
	4105 367	8			0.40 O/S., (Yellow)
	4105 368	8			0.80 O/S., (Red)
10	5203 339	1			NIPPLE, Thermostat Water By-Pass
11	6500 342	10			STUD, Camshaft Bearing Cap
12	4105 443	1			HEAD ASSY., Cylinder (partial)
13	5214 861	4			VALVE, Intake, Std. (Except EDG-Turbo Charge Eng.)
	5214 862	4			0.15 O/S
	5214 863	4			0.40 O/S
	5214 864	4			0.80 O/S
	5214 895	4			Std., w/EDG-Turbo Charge Eng.
	5214 896	4			0.15 O/S
	5214 897	4			0.40 O/S
	5214 898	4			0.80 O/S
14	5214 866	4			VALVE, Exhaust, Std., (Except EDG-Turbo Charge Eng.)
	5214 867	4			0.15 O/S

MODEL CODES

B = GRAN FURY	F = FIFTH AVENUE/NEWPORT	P = RELIANT
C = LEBARON/TOWN & COUNTRY/EXC SEDAN	G = DIPLOMAT	T = E CLASS/NEW YORKER
C24 = LASER	H = VOYAGER	V = 600
D = ARIES	K = MINI RAM/CARAVAN/ROYAL	V24 = DAYTONA
E = 600	M = HORIZON/TURISMO	Z = OMNI/CHARGER/RAMPAGE

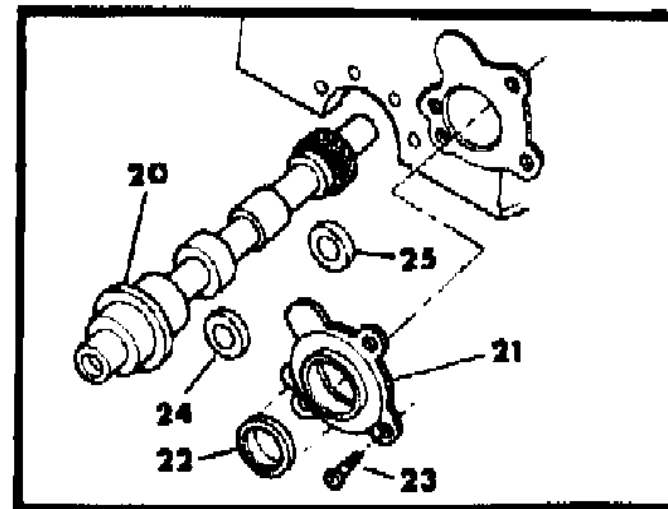
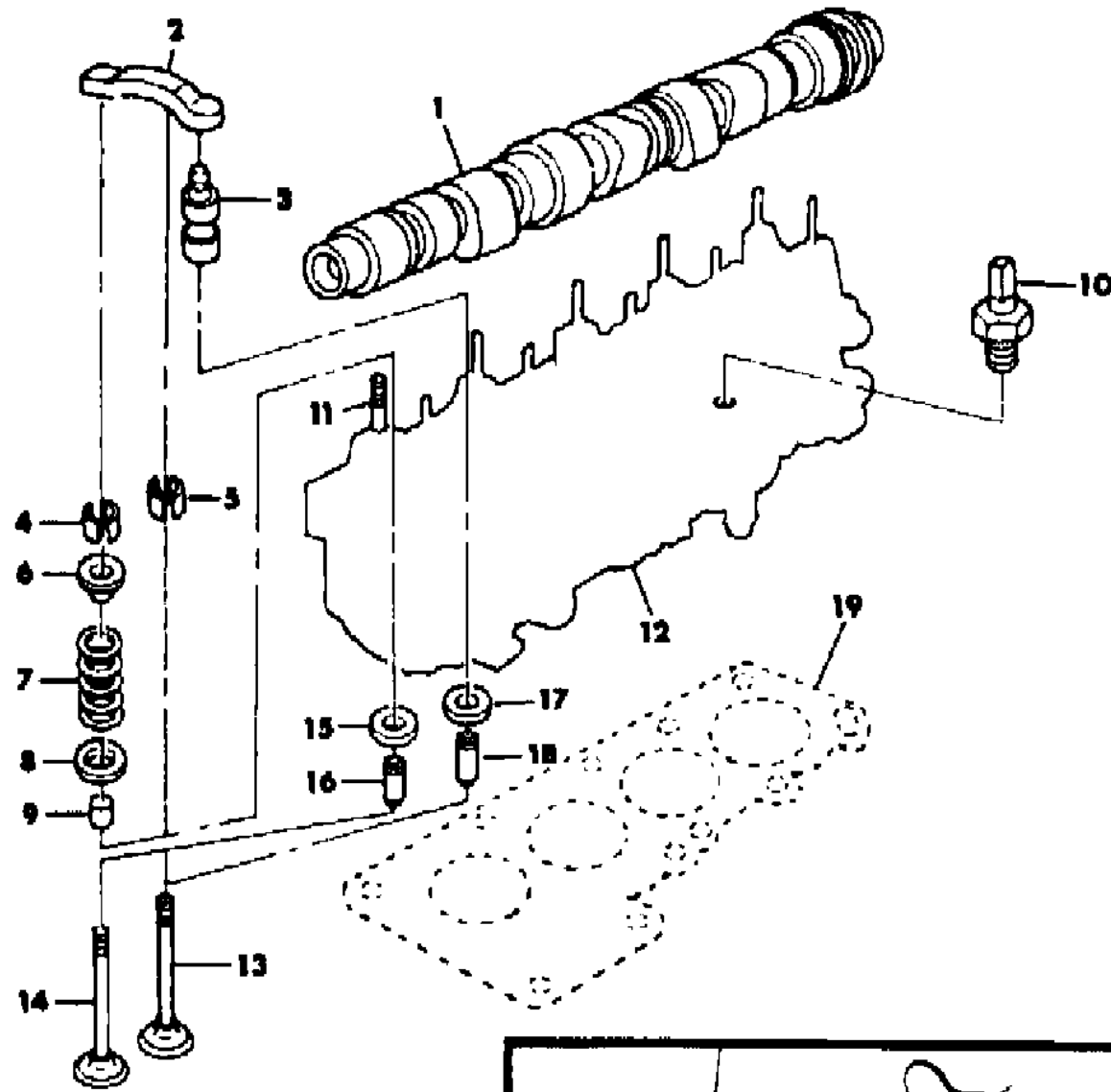
BODY STYLES

21 = 2-DOOR SEDAN	28 = FWD PICKUP	44 = 4-DOOR HATCHBACK
22 = 2-DOOR SPECIAL COUPE	35 = FWD VAN	45 = 4-DOOR STATION WAGON
24 = 2-DOOR HATCHBACK	36 = FWD WAGON	48 = 4-DOOR EXECUTIVE SEDAN
27 = 2-DOOR CONVERTIBLE	41 = 4-DOOR SEDAN	

AR = Use as Required - = Non Illustrated Part P.A.R. = Paint as Required

CAMSHAFT, INTERMEDIATE SHAFT, INTAKE AND EXHAUST VALVES 4 CYLINDER 2.2 L ENGINE, M,Z,P,D,C,V,E,T,H,K
Figure 9A-1600

4158 1600



ITEM	PART NUMBER	QTY	BODY	MODEL	DESCRIPTION
	5214 868	4			0.40 O/S
	5214 869	4			0.80 O/S
	5214 959	4			Std., w/EDG-Turbo Charge Eng.
	5214 960	4			0.15 MM O/S
	5214 961	4			0.40 MM O/S
	5214 962	4			0.80 MM O/S
15	5203 792	4			SEAT, Exhaust Valve 36.815 MM O/S
16	4105 715	4			GUIDE, Exhaust Valve, 43 MM Lgh., 12.740 MM O/D
17	5203 472	4			SEAT, Intake Valve, 43.375 MM O/D
18	4105 716	4			GUIDE, Intake Valve, 12.740 MM O/D, 40 MM Lgh.
19	4105 468	1			GASKET, Cyl. Head
20	4293 815	1			SHAFT, Intermediate
21	5203 325	1			RETAINER ASSY. Intermediate Shaft Oil Seal (See Note 1)
22	4105 395	1			SEAL, Intermediate Shaft
23	6101 278	3			SCREW, Intermediate Shaft Oil Seal Retainer Mounting
24	4105 216	1			BEARING, Intermediate Shaft, Front
25	4105 217	1			BEARING, Intermediate Shaft, Rear

MODEL CODES

B = GRAN FURY	F = FIFTH AVENUE/NEWPORT	P = RELIANT
C = LEBARON/TOWN & COUNTRY/EXC SEDAN	G = DIPLOMAT	T = E CLASS/NEW YORKER
C24 = LASER	H = VOYAGER	V = 600
D = ARIES	K = MINI RAM/CARAVAN/ROYAL	V24 = DAYTONA
E = 600	M = HORIZON/TURISMO	Z = OMNI/CHARGER/RAMPAGE

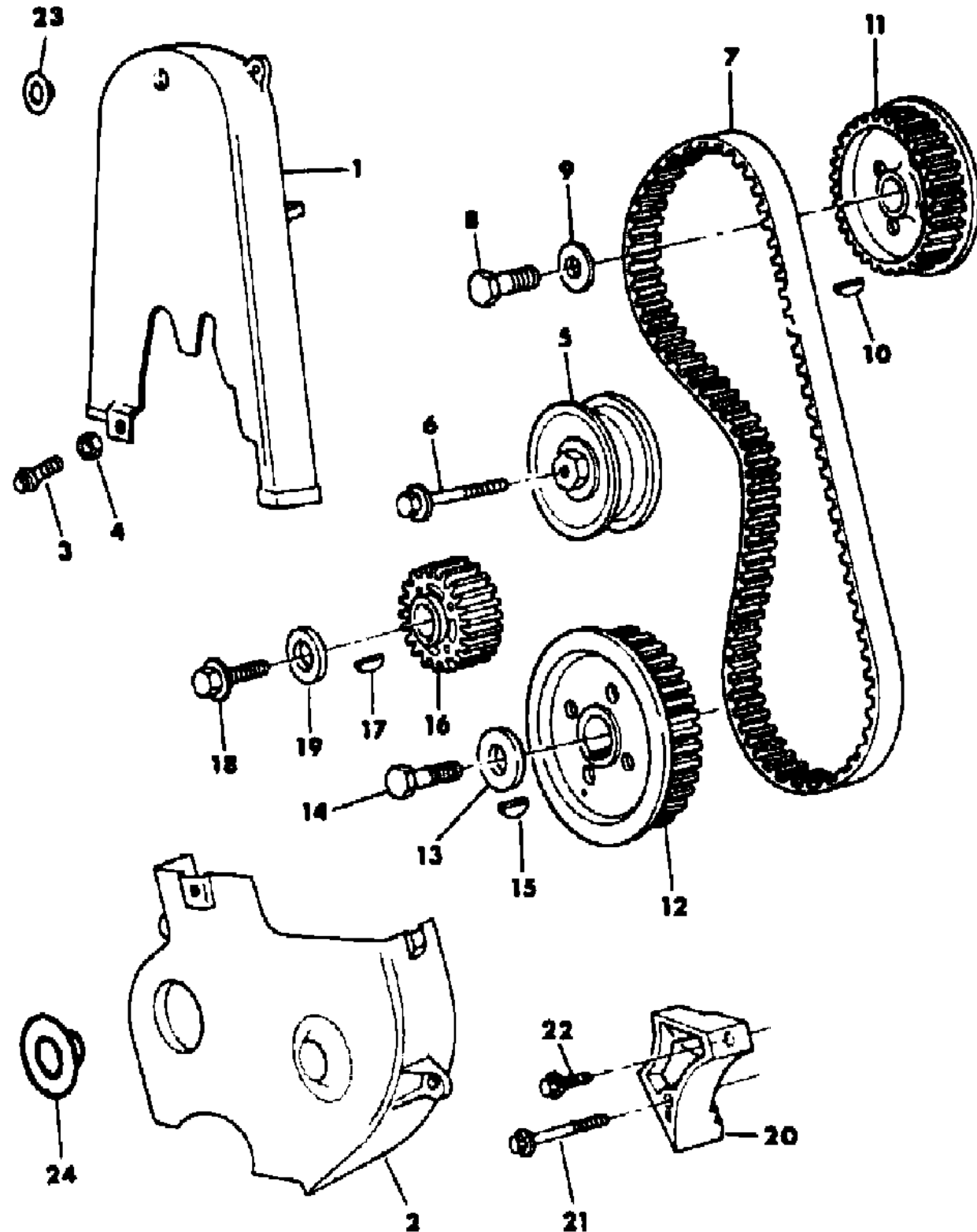
BODY STYLES

21 = 2-DOOR SEDAN	28 = FWD PICKUP	44 = 4-DOOR HATCHBACK
22 = 2-DOOR SPECIAL COUPE	35 = FWD VAN	45 = 4-DOOR STATION WAGON
24 = 2-DOOR HATCHBACK	36 = FWD WAGON	48 = 4-DOOR EXECUTIVE SEDAN
27 = 2-DOOR CONVERTIBLE	41 = 4-DOOR SEDAN	

AR = Use as Required - = Non Illustrated Part P.A.R. = Paint as Required

TIMING BELT, SPROCKETS, COVERS 4 CYLINDER 2.2 L ENGINE, M,Z,P,D,C,V,E,T,H,K
Figure 9A-1700

4188 1700



ITEM	PART NUMBER	QTY	BODY	MODEL	DESCRIPTION
1	4105 714	1			COVER, Timing Belt, Upper
2	4343 807	1			COVER, Timing Belt, Lower
3	6100 286	2			SCREW, Timing Belt Cover (M6x1.00 X 16 Lgh.)
	6500 778	1			(M6 x 20 Lgh.)
4	6500 274	2			NUT, Timing Belt Cover
	6100 041	1			U-NUT, Timing Belt Cover
5	5203 469	1			PULLEY, Tension
6	6101 277	1			SCREW w/Washer, Tension Pulley Mounting
7	5203 401	1			BELT, Timing
8	6500 831	1			SCREW, Camshaft Sprocket
9	6500 346	1			WASHER, Camshaft Sprocket Screw
10	6500 150	1			KEY, Camshaft Sprocket
11	4201 974	1			SPROCKET, Camshaft (Except EDJ-H/Perf. Eng.)
	4201 992	1	M,Z		W/(EDJ-H/Perf. Eng.
12	4201 974	1			SPROCKET, Intermediate Shaft (Except EDJ-H/Perf. Eng.)
	4201 992	1	M,Z		W/(EDJ-H/Perf. Eng.
13	6500 346	1			WASHER, Intermediate Shaft Sprocket Screw
14	6500 831	1			SCREW, Intermediate Shaft Sprocket
15	6500 150	1			KEY, Intermediate Shaft Sprocket
16	5203 575	1			SPROCKET, Crankshaft
17	6500 150	1			KEY, Crankshaft Sprocket
18	6500 430	1			SCREW, Crankshaft Sprocket
19	6500 431	1			WASHER, Crankshaft Sprocket Screw
20	5214 636	1			SHIELD, Timing Belt
21	6101 278	1			SCREW w/Washer, Timing Belt Shield Mounting (20mm lgh.)
22	6101 279	1			SCREW w/Washer, Timing Belt Shield Mounting (55mm lgh.)
23	2094 631	1			PLUG, Timing Belt Cover, Upper
24	4227 940	1			PLUG, Timing Belt Cover, Lower

MODEL CODES

B = GRAN FURY	F = FIFTH AVENUE/NEWPORT	P = RELIANT
C = LEBARON/TOWN & COUNTRY/EXC SEDAN	G = DIPLOMAT	T = E CLASS/NEW YORKER
C24 = LASER	H = VOYAGER	V = 600
D = ARIES	K = MINI RAM/CARAVAN/ROYAL	V24 = DAYTONA
E = 600	M = HORIZON/TURISMO	Z = OMNI/CHARGER/RAMPAGE

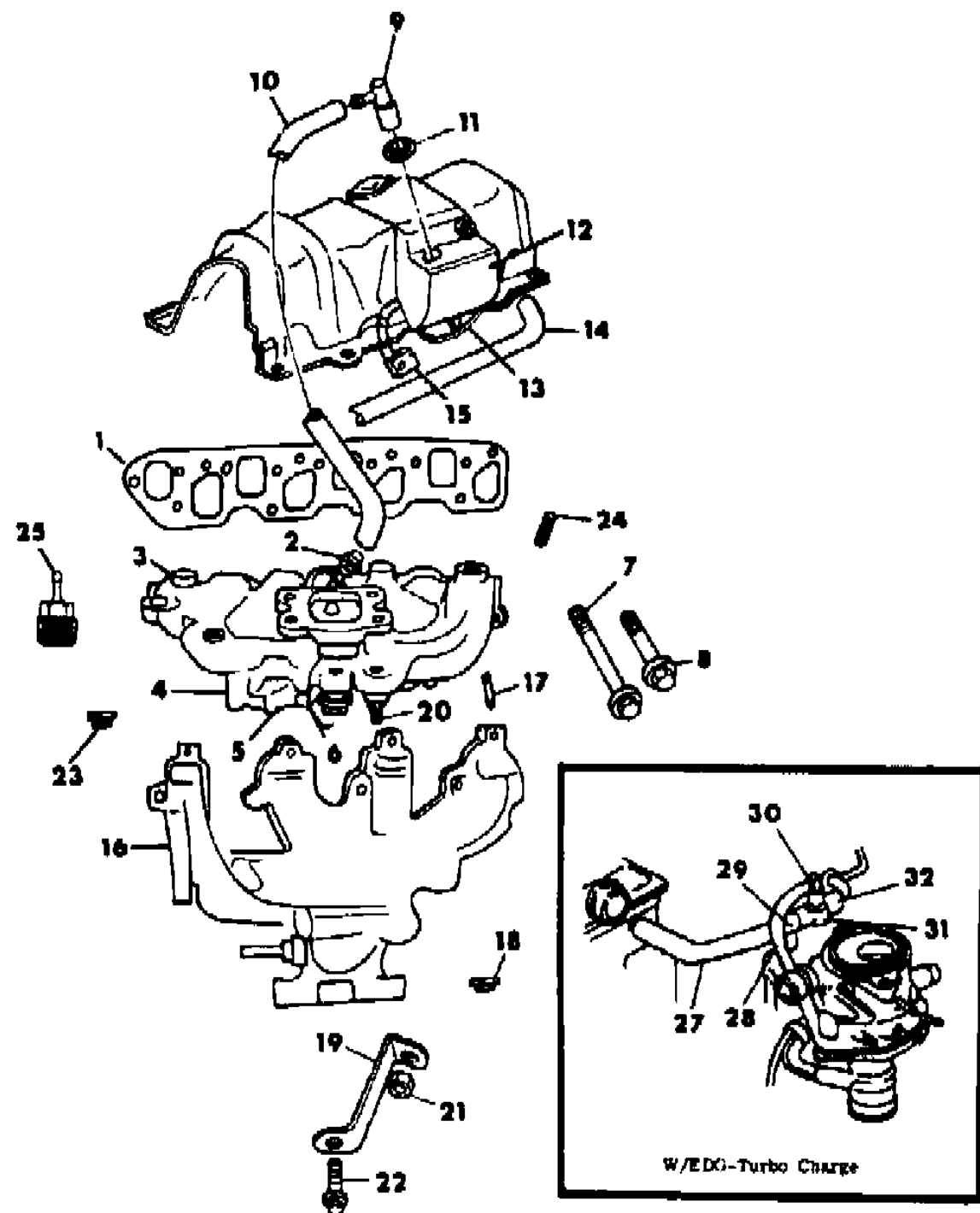
BODY STYLES

21 = 2-DOOR SEDAN	28 = FWD PICKUP	44 = 4-DOOR HATCHBACK
22 = 2-DOOR SPECIAL COUPE	35 = FWD VAN	45 = 4-DOOR STATION WAGON
24 = 2-DOOR HATCHBACK	36 = FWD WAGON	48 = 4-DOOR EXECUTIVE SEDAN
27 = 2-DOOR CONVERTIBLE	41 = 4-DOOR SEDAN	

AR = Use as Required - = Non Illustrated Part P.A.R. = Paint as Required

INTAKE AND EXHAUST MANIFOLD, CRANKCASE VENT SYSTEM 4 CYLINDER 2.2 L ENGINE, M,Z,P,D,C,V,E,T,H,K
Figure 9A-1800

4188 1800



ITEM	PART NUMBER	QTY	BODY	MODEL	DESCRIPTION
NOTE 1: These Packages do not contain Gaskets for all required sealings. R.T.V. Sealer #4318025 and Gasket Eliminator #4318029 must be used in addition as described in the Chrysler repair Manual.					
NOTE (2) Part No. 4026136 Consists of a 50 Foot Roll Hose (Use as Required) on as described in the Chrysler repair Manual.					
	4240 096	1			GASKET PACKAGE, Manifold (See Note 1) Consists of: 1-5214650 Gasket, Intake and Exhaust Manifold 1-4201384 Gasket, Exhaust Manifold Crossover Flange
1	4105 745	1			GASKET, Intake and Exhaust Manifold
2	5203 143	1			NIPPLE, Crankcase Vent Hole
3	4273 303	1			MANIFOLD, Intake, (Except EDF, EDG, EDJ Eng's)
	4105 752	1			w/EDF-Elect. Fuel Injection Eng.
	4105 466	1			w/EDG-Turbo Charge Eng.
	4323 365	1	M,Z		w/EDJ-H/Perf. Eng.
4	5203 614	1			COVER, Intake Manifold Water Crossover
5	5203 688	1			SEALER, Intake Manifold to Water Crossover (See Note 1)
6	6101 278	7			SCREW w/Washer, Crossover Cover to Intake Manifold
7	6500 391	4			BOLT, Intake Manifold to Cyl. Head (M8x90), (Except EDG-Turbo Charge Eng.)
8	6500 390	4			BOLT, Intake Manifold to Cyl. Head (M8x65), (Except EDG-Turbo Charge Eng.)
	6500 676	8			w/EDG-Turbo Charge Eng.
9	4273 145	1			VALVE, Crankcase Vent, Except EDG-Turbo Charge Eng.
10	4095 681	AR			HOSE, Crankcase Vent Valve to Intake Manifold (8.00 MM Lgh.), (See Note 2)
	4293 793	1			HEATER PKG. PCV System (7.50 MM Lgh.)
	4173 380	1			w/EDF-Elect. Fuel Injection Eng.
11	3751 510	1			GROMMET, Vent Valve
12	4201 993	1			MODULE ASSY, Crankcase Vent (Includes Grommet and Gasket)
13	5214 597	1			GASKET, Crankcase Vent Module
14	5214 572	1			HOSE, Crankcase Vent Module to Air Cleaner (Formed Hose) (up to 3/26/84)
	4343 637	1			(after 3/26/84)
	4173 378	1			w/EDF-Elect. Fuel Injection Eng.
15	4241 103	1			CLIP, Crankcase Vent Module Retaining
16	4273 099	1			MAINFOLD, Exhaust (Except EDG-Turbo Charge Eng.)
	4227 685	1			(w/EDG-Turbo Charge Eng.)
17	6500 679	8			STUD, Exhaust Manifold to Cyl. Head
18	6500 363	8			NUT, Exhaust Manifold to Cyl. Head Stud

MODEL CODES

B = GRAN FURY	F = FIFTH AVENUE/NEWPORT	P = RELIANT
C = LEBARON/TOWN & COUNTRY/EXC SEDAN	G = DIPLOMAT	T = E CLASS/NEW YORKER
C24 = LASER	H = VOYAGER	V = 600
D = ARIES	K = MINI RAM/CARAVAN/ROYAL	V24 = DAYTONA
E = 600	M = HORIZON/TURISMO	Z = OMNI/CHARGER/RAMPAGE

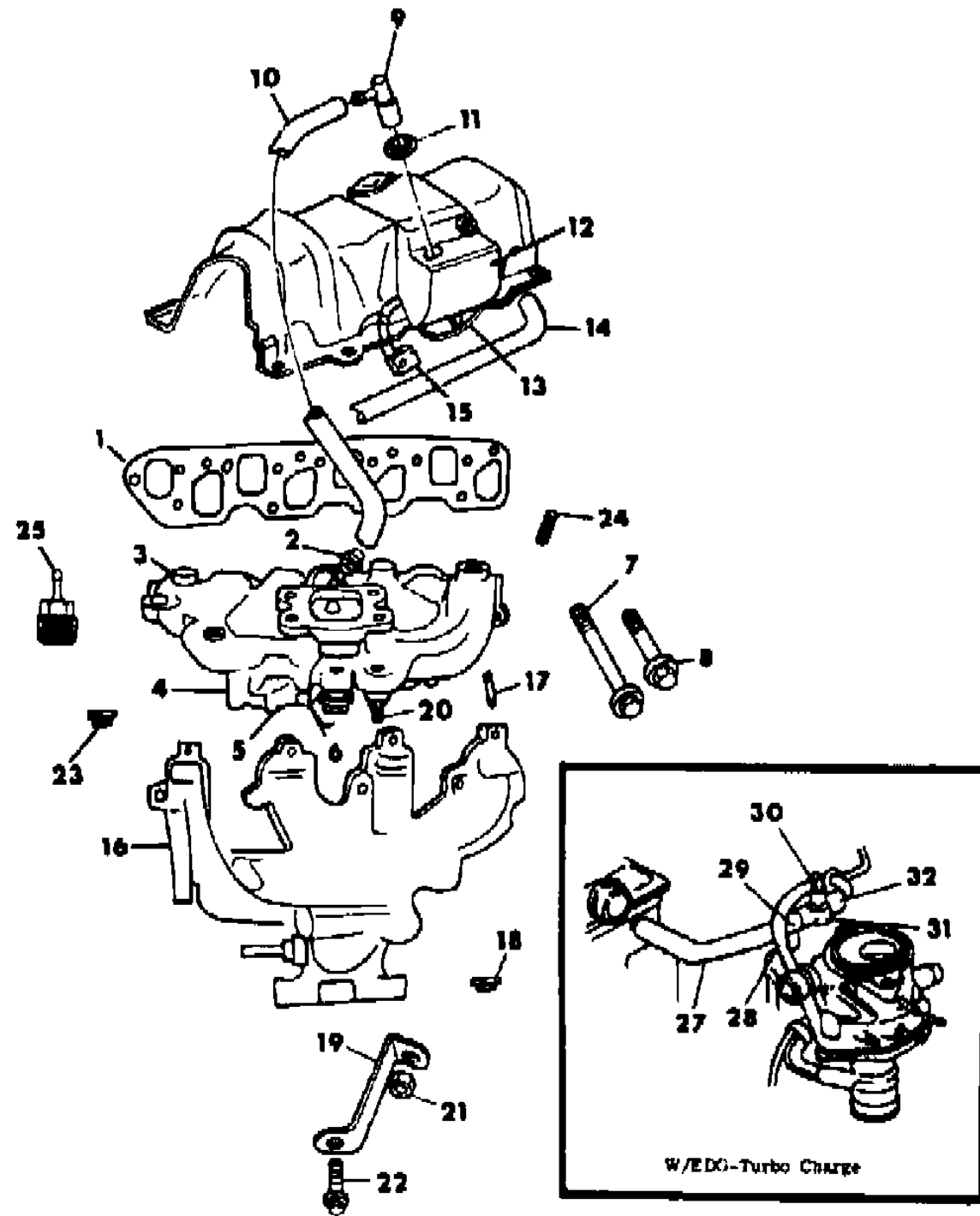
BODY STYLES

21 = 2-DOOR SEDAN	28 = FWD PICKUP	44 = 4-DOOR HATCHBACK
22 = 2-DOOR SPECIAL COUPE	35 = FWD VAN	45 = 4-DOOR STATION WAGON
24 = 2-DOOR HATCHBACK	36 = FWD WAGON	48 = 4-DOOR EXECUTIVE SEDAN
27 = 2-DOOR CONVERTIBLE	41 = 4-DOOR SEDAN	

AR = Use as Required - = Non Illustrated Part P.A.R. = Paint as Required

INTAKE AND EXHAUST MANIFOLD, CRANKCASE VENT SYSTEM 4 CYLINDER 2.2 L ENGINE, M,Z,P,D,C,V,E,T,H,K
Figure 9A-1800

4188 1800



ITEM	PART NUMBER	QTY	BODY	MODEL	DESCRIPTION
19	5203 144	1			BRACKET, Intake Manifold Support
20	6500 422	1			STUD Intake Manifold Support Bracket
21	6100 050	1			NUT w/Washer, Intake Manifold Support Bracket
22	6500 584	1			SCREW w/Washer, Intake Manifold Support Bracket to Exhaust Manifold Attaching
23	6500 362	1			PLUG, Exhaust Manifold (M18)
24	1859 127	1			PLUG, Intake Manifold Vaccumm
25	4026 117	1			CONNECTOR, Vaccumm Control (3/8")
	6031 789	1			CONNECTOR, Exhaust Manifold
	4105 193	1			CONNECTOR, Vac. Cont. w/Turbo (4 Way)
26	4275 550	1			ADAPTER, Exhaust Manifold, (w/EDG-Turbo Charge Eng.)
27	4105 732	1			HOSE, Vent Valve to Air Cleaner (w/EDG-Turbo Charge Eng.)
28	4298 440	1			HOSE, Vent Valve to Turbo (w/EDG-Turbo Charge Eng.)
29	4105 734	1			CONNECTOR, Vent Valve Hose (w/EDG-Turbo Charge Eng.)
30	3671 076	1			VALVE, Crankcase Vent (w/EDG-Turbo Charge Eng.)
31	4105 733	1			HOSE, Crankcase Vent Valve,(w/EDG-Turbo Charge Eng.)
32	4105 477	1			ELBOW, Crankcase Vent Valve(w/EDG-Turbo Charge Eng.)

MODEL CODES

B = GRAN FURY	F = FIFTH AVENUE/NEWPORT	P = RELIANT
C = LEBARON/TOWN & COUNTRY/EXC SEDAN	G = DIPLOMAT	T = E CLASS/NEW YORKER
C24 = LASER	H = VOYAGER	V = 600
D = ARIES	K = MINI RAM/CARAVAN/ROYAL	V24 = DAYTONA
E = 600	M = HORIZON/TURISMO	Z = OMNI/CHARGER/RAMPAGE

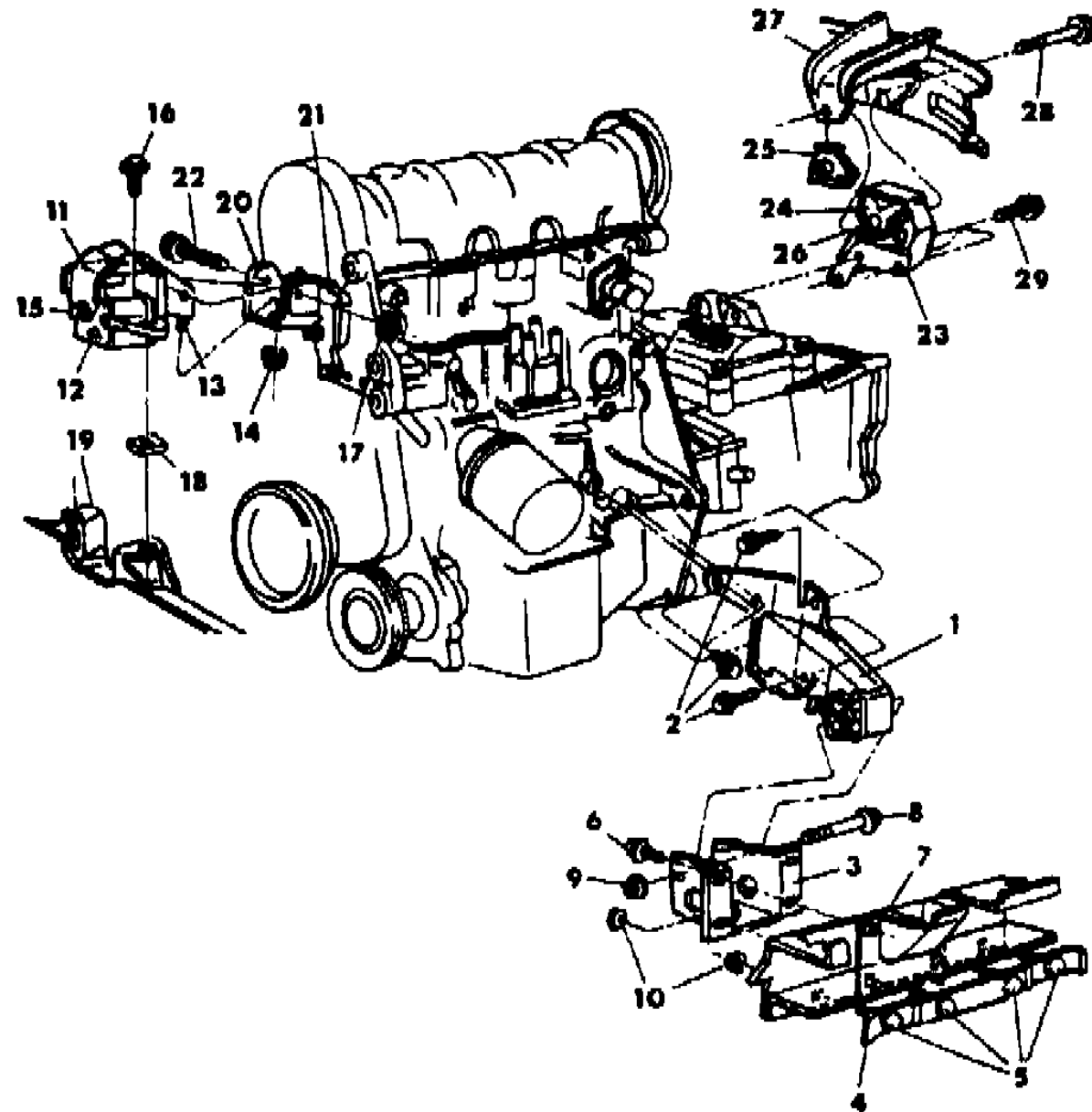
BODY STYLES

21 = 2-DOOR SEDAN	28 = FWD PICKUP	44 = 4-DOOR HATCHBACK
22 = 2-DOOR SPECIAL COUPE	35 = FWD VAN	45 = 4-DOOR STATION WAGON
24 = 2-DOOR HATCHBACK	36 = FWD WAGON	48 = 4-DOOR EXECUTIVE SEDAN
27 = 2-DOOR CONVERTIBLE	41 = 4-DOOR SEDAN	

AR = Use as Required - = Non Illustrated Part P.A.R. = Paint as Required

ENGINE MOUNTING 4 CYLINDER 2.2 L ENGINE, M,Z,P,D,C,V,E,T,H,K
Figure 9A-1900

4198 1900



ITEM	PART NUMBER	QTY	BODY	MODEL	DESCRIPTION
1	4269 279	1		M,Z	INSULATOR, Engine Support Front
	4295 018	1		Except	
2	6501 162	1			SCREW w/Washer, Eng. Support Insulator Bracket to Eng. Block, Left
	6501 033	1			SCREW w/Washer, Bracket to Trans. Front
	6501 163	2			SCREW w/Washer, Eng. Support Insulator Bracket to Eng. Block Front
3	4270 120	1			BRACKET, Front Side Rail Front Crossmember Engine Mounting Front
4	4296 258	1			TIEPLATE ASSY.,Front Crossmember Flange
5	6500 233	4			SCREW, Front Crossmember Flange Tie Plate
6	6500 535	2			SCREW w/Washer, Eng. Support Insulator Bracket to Eng. Mounting Front Bracket Front
7	6500 259	2			NUT, Eng. Support Insulator Bracket to Eng. Mounting Front Bracket Screw
8	4271 953	1			SCREW w/Washer, Eng. Support Insulator to Frame Front
9	6100 053	1			NUT, Eng. Support Insulator to Frame Front
10	6500 259	4			NUT, Front Crossmember Flange Tie Plate
11	4295 264	1		M,Z	BRACKET ASSY., Eng. Support Insulator Rt.
	4295 265	1		Except	
12	4295 260	1			BUSHING ASSY., Eng. Support Insulator, Rt.
13	4295 274	1			STUD, Eng. Support Insulator Bracket to Eng. Mounting Assy. Rt.
14	6500 164	1			NUT, Eng. Support Insulator Bracket to Eng. Mounting Assy. Stud Rt.
15	6500 839	1			SCREW w/Washer, Eng. Support Bushing
16	6500 555	2			SCREW w/Washer, Bushing to Frame Bracket
17	6100 519	2			NUT, Eng. Support Insulator Bracket to Eng. Mounting Assy. Bolt
18	4329 446	2			SPACER, Eng. Support Assy., Right (w/EDG-Turbo Charge Eng.)
19					SIDE RAIL (See Group 13) I
20	4298 169	1			BRACKET ASSY., Eng. Mounting, Rt.
21	4323 103	1			STRUT, Eng. Mounting Right, (w/EDG-Turbo Charge Eng.)
	6500 157	2			(M10 X1.50 - 25 lgh.)
22	6500 983	1			BOLT, Eng. Support Insulator Bracket To Eng. Mounting Assy., Right
23	4295 256	1		M,Z	SUPPORT, Engine Left, w/Man. Trans.
	4295 254	1		M,Z	w/Auto. Trans.
	4295 257	1		Except	w/Man. Trans.
	4295 255	1		Except	w/Auto. Trans.

MODEL CODES

B = GRAN FURY	F = FIFTH AVENUE/NEWPORT	P = RELIANT
C = LEBARON/TOWN & COUNTRY/EXC SEDAN	G = DIPLOMAT	T = E CLASS/NEW YORKER
C24 = LASER	H = VOYAGER	V = 600
D = ARIES	K = MINI RAM/CARAVAN/ROYAL	V24 = DAYTONA
E = 600	M = HORIZON/TURISMO	Z = OMNI/CHARGER/RAMPAGE

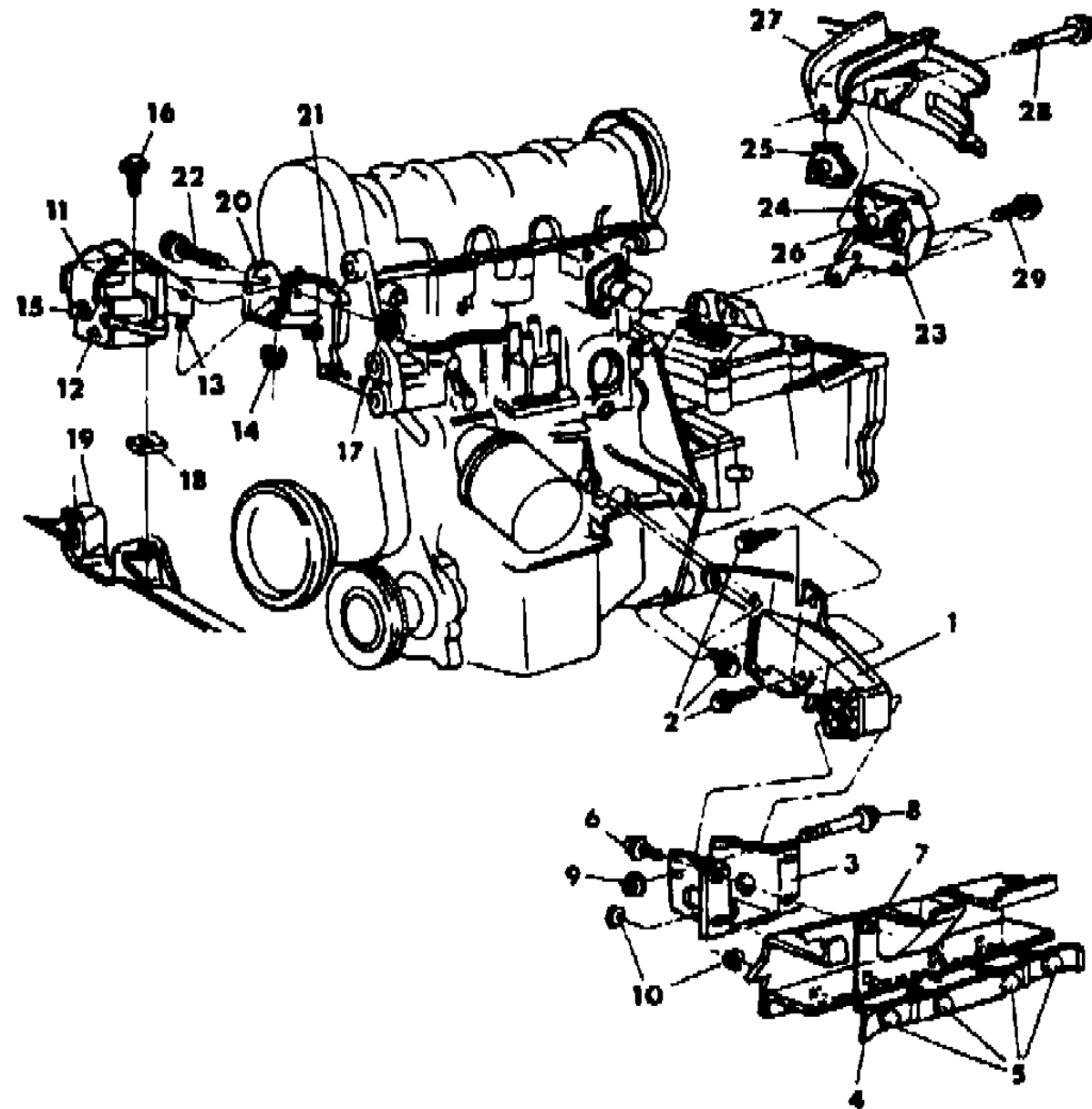
BODY STYLES

21 = 2-DOOR SEDAN	28 = FWD PICKUP	44 = 4-DOOR HATCHBACK
22 = 2-DOOR SPECIAL COUPE	35 = FWD VAN	45 = 4-DOOR STATION WAGON
24 = 2-DOOR HATCHBACK	36 = FWD WAGON	48 = 4-DOOR EXECUTIVE SEDAN
27 = 2-DOOR CONVERTIBLE	41 = 4-DOOR SEDAN	

AR = Use as Required - = Non Illustrated Part P.A.R. = Paint as Required

ENGINE MOUNTING 4 CYLINDER 2.2 L ENGINE, M,Z,P,D,C,V,E,T,H,K
Figure 9A-1900

4198 1900



ITEM	PART NUMBER	QTY	BODY	MODEL	DESCRIPTION
24	4295 237	1			BUSHING ASSY., Engine Support Insulator
25	6500 833	1			U-NUT, Insulator To Front Side Rail, Left
26		1			SPACER, Eng. Support Bushing, Left (Not Serviced)
27		1			BRACKET, Frame Side Rail (See Group 13)
28	6500 840	1			SCREW w/Washer, Engine Support Insulator to Frame Side Rail Bracket
29	6500 495	3			SCREW w/Washer, Engine Support Insulator Bracket to Trans. Case, Left
30	6500 960	1			STUD, Engine Mounting and Spacer to Block (10-1.50x 110 Lgh.)

MODEL CODES

B = GRAN FURY	F = FIFTH AVENUE/NEWPORT	P = RELIANT
C = LEBARON/TOWN & COUNTRY/EXC SEDAN	G = DIPLOMAT	T = E CLASS/NEW YORKER
C24 = LASER	H = VOYAGER	V = 600
D = ARIES	K = MINI RAM/CARAVAN/ROYAL	V24 = DAYTONA
E = 600	M = HORIZON/TURISMO	Z = OMNI/CHARGER/RAMPAGE

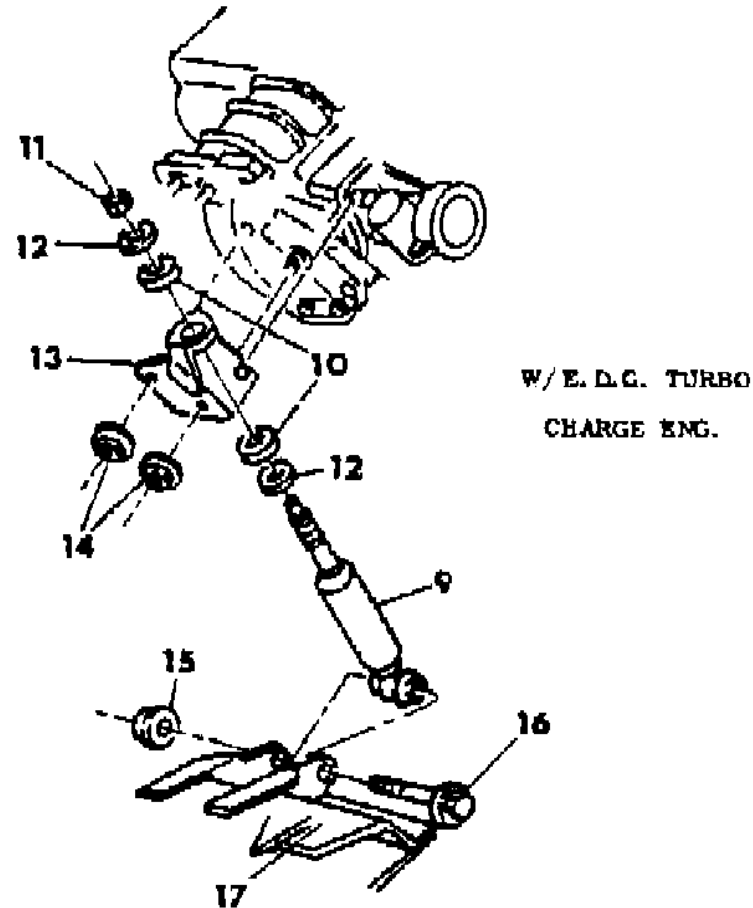
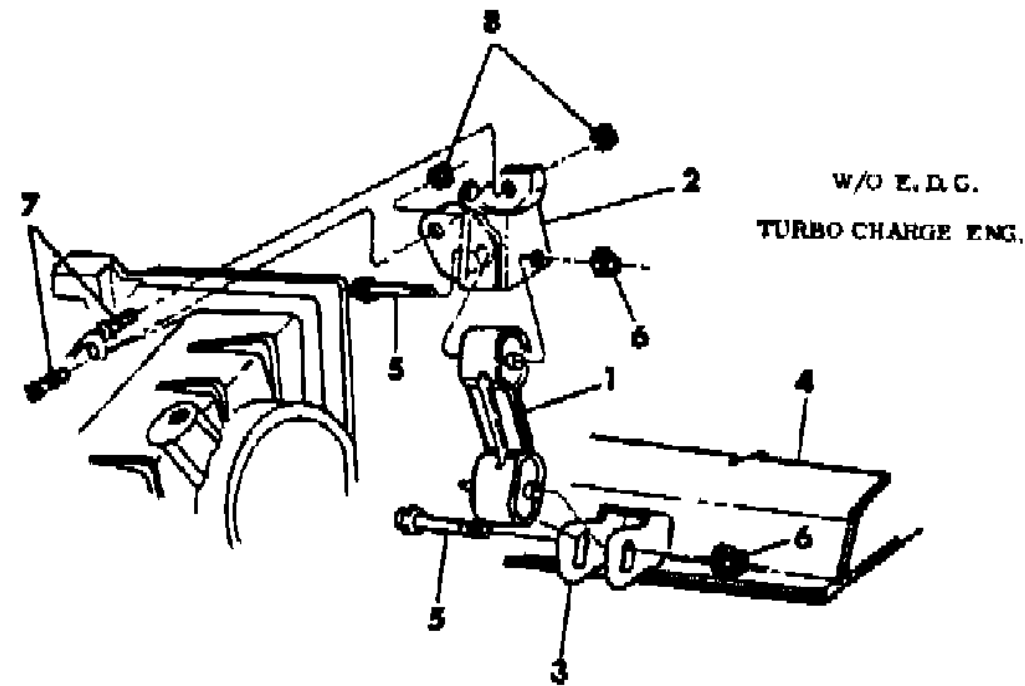
BODY STYLES

21 = 2-DOOR SEDAN	28 = FWD PICKUP	44 = 4-DOOR HATCHBACK
22 = 2-DOOR SPECIAL COUPE	35 = FWD VAN	45 = 4-DOOR STATION WAGON
24 = 2-DOOR HATCHBACK	36 = FWD WAGON	48 = 4-DOOR EXECUTIVE SEDAN
27 = 2-DOOR CONVERTIBLE	41 = 4-DOOR SEDAN	

AR = Use as Required - = Non Illustrated Part P.A.R. = Paint as Required

ENGINE STRUT, w/MAN. TRANS. 4 CYLINDER 2.2 L ENG., M,Z,P,D,C,V,E,T,H,K
Figure 9A-2000

4158 2000



ITEM	PART NUMBER	QTY	BODY	MODEL	DESCRIPTION
1	4191 282	1			STRUT, Man. Trans. to Support Crossmember Roll, w /Man. Trans.
2	4191 284	1			BRACKET, Man. Trans. to Engine Roll Strut, w/Man. Trans.
3		1			BRACKET, Support Crossmember to Eng. Roll Strut, Serviced in Front side Rail Front Crossmember(See Group 13)
4		1			CROSSMEMBER, Front Side Rail Front (See Group 13)
5	6101 342	2			SCREW W/Washer, Bracket to Strut
6	6100 053	2			NUT, Bracket to Strut Screw
7	6501 035	2			BOLT, Man. Trans. to Eng. Roll Strut Bracket
8	6100 517	2			NUT, Man. Trans. to Eng. Roll Strut Bracket Bolt
9	4364 770	1			DAMPER, Man. Trans. to Support Crossmember Eng. Roll
10	4329 163	2			BUSHING, Man. Trans. Damper to Bracket
11	6100 525	1			NUT, Damper Upper
12	6500 966	1			RETAINER, Damper Bushing, Upper
	6500 967	1			Lower
013	4329 160	1			BRACKET, Man. Trans. to Eng. Damper
014	6100 517	2			NUT, Man. Trans. to Eng. Roll Strut Bracket
015	6100 053	1			NUT, Man. Trans. to Support Crossmember Eng. Damper
016	6101 342	1			SCREW, Support Crossmember to Eng. Damper
017		1			CROSSMEMBER (See Group 13)

MODEL CODES

B = GRAN FURY	F = FIFTH AVENUE/NEWPORT	P = RELIANT
C = LEBARON/TOWN & COUNTRY/EXC SEDAN	G = DIPLOMAT	T = E CLASS/NEW YORKER
C24 = LASER	H = VOYAGER	V = 600
D = ARIES	K = MINI RAM/CARAVAN/ROYAL	V24 = DAYTONA
E = 600	M = HORIZON/TURISMO	Z = OMNI/CHARGER/RAMPAGE

BODY STYLES

21 = 2-DOOR SEDAN	28 = FWD PICKUP	44 = 4-DOOR HATCHBACK
22 = 2-DOOR SPECIAL COUPE	35 = FWD VAN	45 = 4-DOOR STATION WAGON
24 = 2-DOOR HATCHBACK	36 = FWD WAGON	48 = 4-DOOR EXECUTIVE SEDAN
27 = 2-DOOR CONVERTIBLE	41 = 4-DOOR SEDAN	

AR = Use as Required - = Non Illustrated Part P.A.R. = Paint as Required

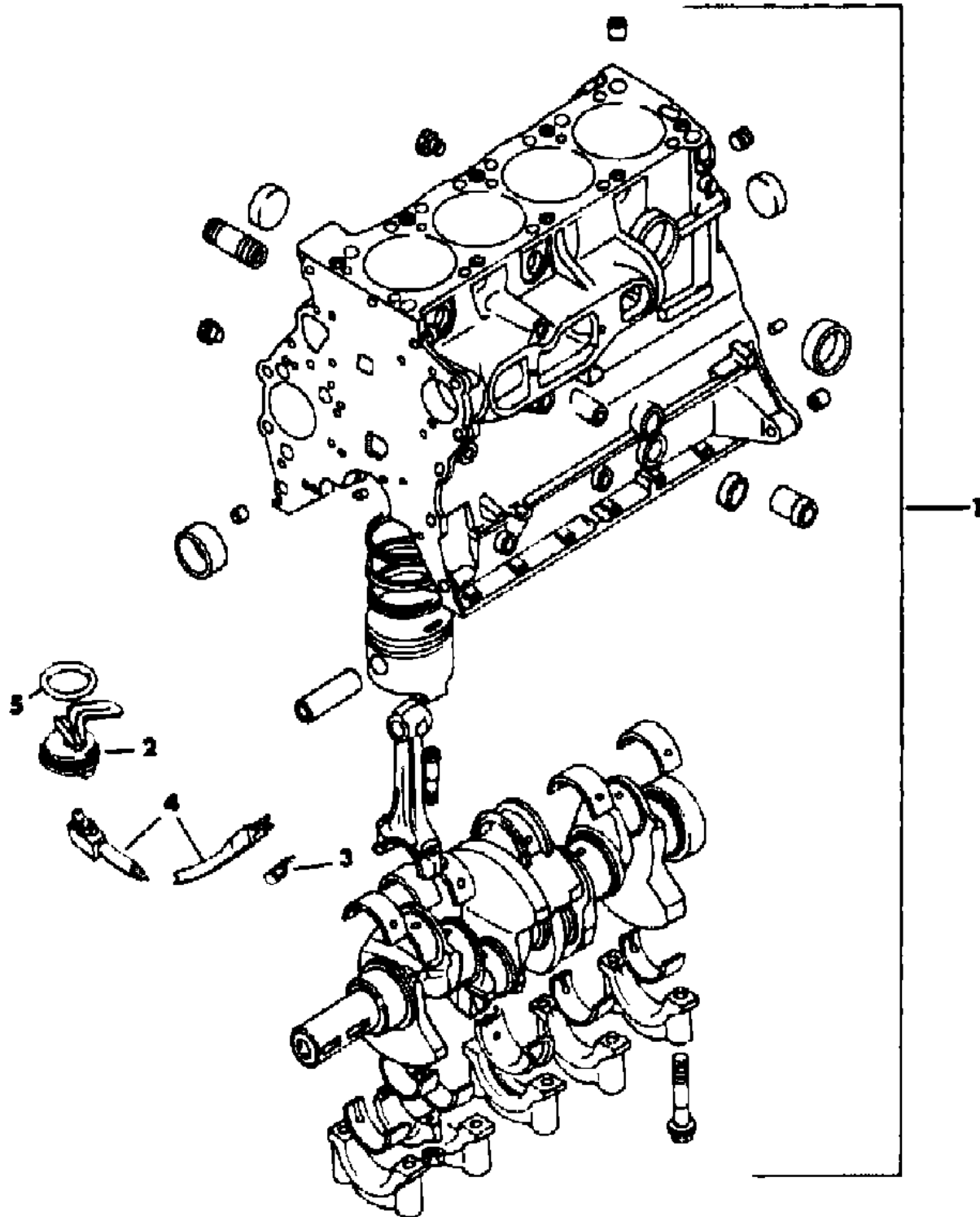
ENGINE, SHORT ENGINE 4 CYLINDER 2.6 L ENG., P,D,C,V,E,T,H,K
Figure 9A-2100

4158 2100

ITEM	PART NUMBER	QTY	BODY	MODEL	DESCRIPTION
------	-------------	-----	------	-------	-------------

Note: This Short Engine includes a Cylinder Block with Pistons and Rings, Connecting Rod and Bearings, Crankshaft and Bearings with Caps. on as described in the Chrysler repair Manual.

1	MD02 5787	1		P,D,C,V	ENGINE, Short (See Note) (up to 4/83) (Federal and Calif.)
	MD07 6310	1		P,D,C,V	(After 4/83) (Federal)
	MD07 6311	1		P,D,C,V	(After 4/83) (Calif.)
	MD07 6310	1		C-48	(Federal and Canada)
	MD09 1023	1		H,K	(Federal and Canada)
	MD07 6311	1		H,K	(Calif.)
	MD02 5788	1		P,D,C,V	(Up to 4/83) (Canada)
	MD09 1023	1		P,D,C,V	(After 4/83) (Canada)
2	5213 084	1			HEATER, Engine Block
3	6015 412	1			CLIP, Engine Block Heater Cord
4	3614 282	1			CORD, Engine Block Heater
5	6027 513	1			"O"RING, Engine Block Heater (.06 O/S)



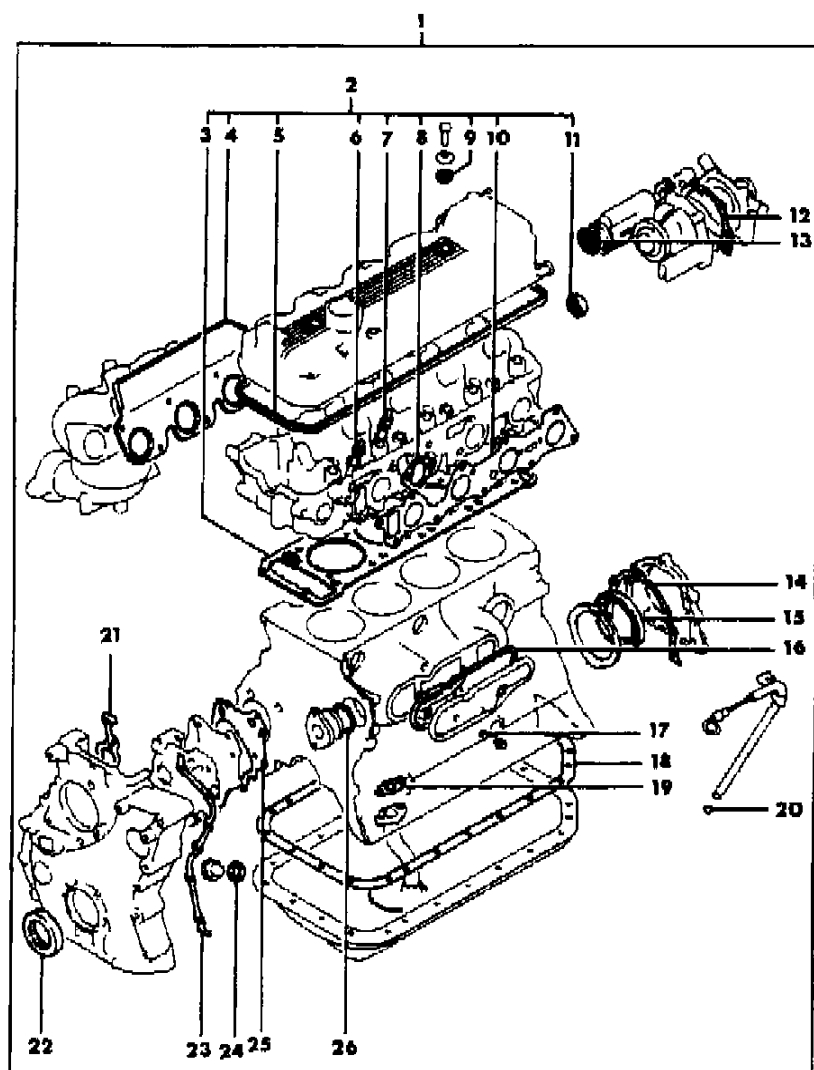
MODEL CODES
 B = GRAN FURY
 C = LEBARON/TOWN & COUNTRY/EXC SEDAN
 C24 = LASER
 D = ARIES
 E = 600
 F = FIFTH AVENUE/NEWPORT
 G = DIPLOMAT
 H = VOYAGER
 K = MINI RAM/CARAVAN/ROYAL
 M = HORIZON/TURISMO
 P = RELIANT
 T = E CLASS/NEW YORKER
 V = 600
 V24 = DAYTONA
 Z = OMNI/CHARGER/RAMPAGE

BODY STYLES
 21 = 2-DOOR SEDAN
 22 = 2-DOOR SPECIAL COUPE
 24 = 2-DOOR HATCHBACK
 27 = 2-DOOR CONVERTIBLE
 28 = FWD PICKUP
 35 = FWD VAN
 36 = FWD WAGON
 41 = 4-DOOR SEDAN
 44 = 4-DOOR HATCHBACK
 45 = 4-DOOR STATION WAGON
 48 = 4-DOOR EXECUTIVE SEDAN

AR = Use as Required - = Non Illustrated Part P.A.R. = Paint as Required

ENGINE OVERHAUL GASKET SET 4 CYLINDER 2.6 L ENG., P,D,C,V,E,T,H,K
Figure 9A-2200

4158 2200



ITEM	PART NUMBER	QTY	BODY	MODEL	DESCRIPTION
1	MD99 7050	1			GASKET SET, Engine Overhaul
2	MD99 7021	1			GASKET SET, Engine Upper
3	MDO2 6654	1			GASKET, Cylinder Head
4	MD02 5684	1			GASKET, Exhaust Manifold
5	MD02 4682	1			GASKET, Rocker Cover
6	MD00 0508	8			SEAL, Valve Stem
7	MD00 9786	4			"O"Ring
8	MD02 3388	2			GASKET, Fuel Pump
9	MD00 0523	2			Oil Seal
10	MD02 4628	1			Gasket, Inlet Manifold
11	MD02 4529	1			OIL SEAL
12	MD02 5196	1			GASKET, Water Pump
13	MD03 0764	1			O-RING, Water Pipe
14	MD02 0292	1			Gasket, Oil Seal Case
15	MD06 9947	1			Oil Seal
16	MD02 0239	1			GASKET, Cover
17	MD02 0256	2			O-RING
18	MD02 4777	1			GASKET, Oil Pan
19	MD02 1577	1			GASKET, Oil Screen
20	MF52 0004	1			O-RING
21	MD02 0324	1			GASKET, Chain Case
22	MD02 0308	1			OIL SEAL
23	MD02 0325	1			GASKET, Chain Case
24	MB00 1294	1			GASKET, Oil Drain Plug (18)
24	MD05 0317	1			GASKET, Oil Drain Plug (14)
25	MD06 0521	1			GASKET, Oil Pump
26	MD02 1045	1			O-RING

MODEL CODES

B = GRAN FURY	F = FIFTH AVENUE/NEWPORT	P = RELIANT
C = LEBARON/TOWN & COUNTRY/EXC SEDAN	G = DIPLOMAT	T = E CLASS/NEW YORKER
C24 = LASER	H = VOYAGER	V = 600
D = ARIES	K = MINI RAM/CARAVAN/ROYAL	V24 = DAYTONA
E = 600	M = HORIZON/TURISMO	Z = OMNI/CHARGER/RAMPAGE

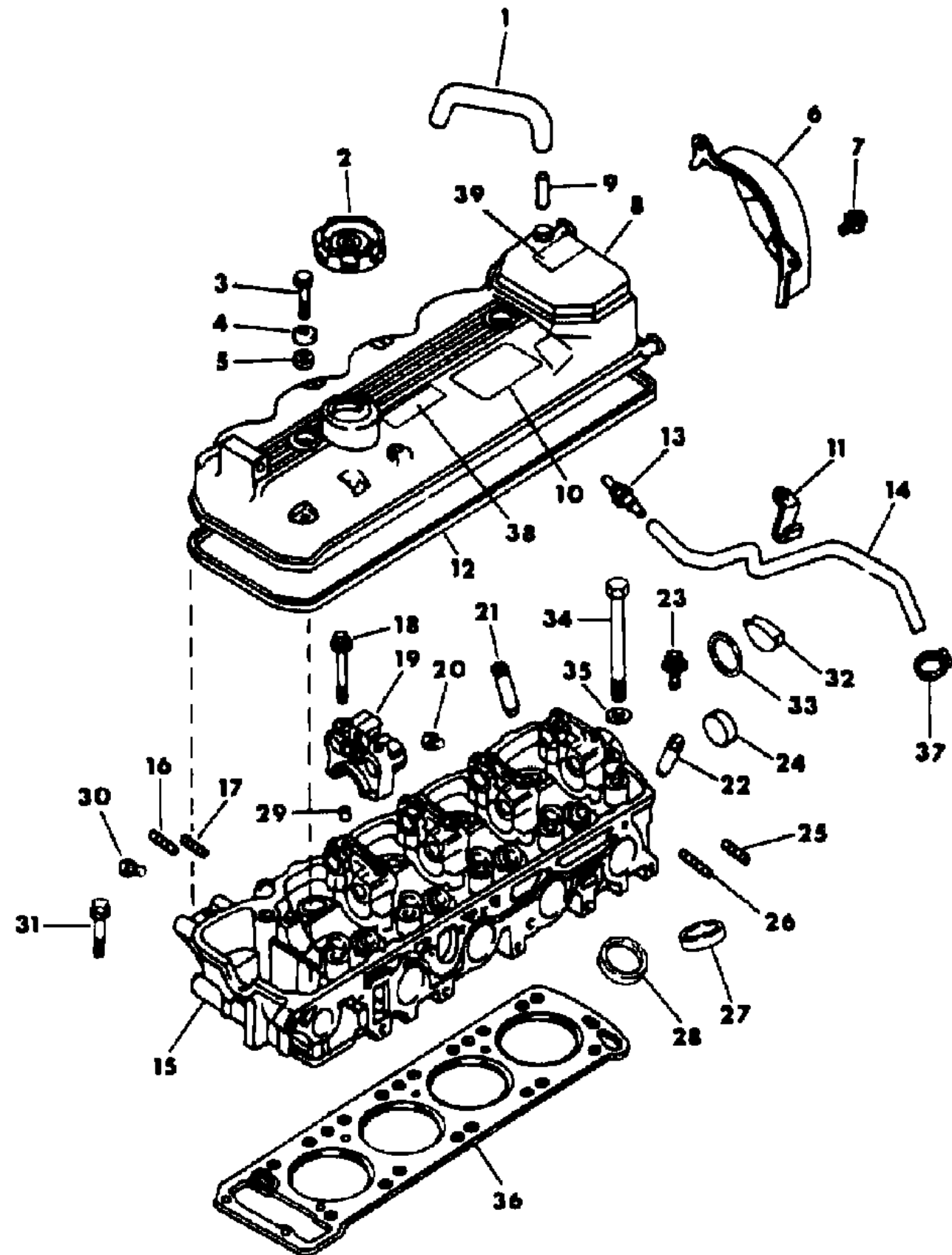
BODY STYLES

21 = 2-DOOR SEDAN	28 = FWD PICKUP	44 = 4-DOOR HATCHBACK
22 = 2-DOOR SPECIAL COUPE	35 = FWD VAN	45 = 4-DOOR STATION WAGON
24 = 2-DOOR HATCHBACK	36 = FWD WAGON	48 = 4-DOOR EXECUTIVE SEDAN
27 = 2-DOOR CONVERTIBLE	41 = 4-DOOR SEDAN	

AR = Use as Required - = Non Illustrated Part P.A.R. = Paint as Required

CYLINDER HEAD AND RELATED PARTS 4 CYLINDER 2.6 L ENG., P,D,C,V,E,T,H,K
Figure 9A-2300

4156 2300



ITEM	PART NUMBER	QTY	BODY	MODEL	DESCRIPTION
1	MD01 5753	1			HOSE, Breather
2	MD00 8784	1			CAP, Oil Filter
3	MF10 3663	2			BOLT (8x40)
4	MD00 0522	2			WASHER
5	MD00 0523	2			OIL SEAL
6	MD02 4883	1			COVER, Belt
7	MF14 0021	2			BOLT, Cover Belt (8x12)
8	MD07 2997	1		P,D,C,V	COVER, Rocker (Includes Pipe) (Federal)
	MD07 2998	1		P,D,C,V	(Calif.)
	MD07 2998	1		H,K	(Calif.)
	MD07 2999	1		P,C,D,V	(CANADA)
	MD07 2999	1		H,K	(CANADA)
	MD07 3802	1		C-48	(Federal and Canada)
	MD07 7842	1		H,K	(Federal)
9	MD02 6618	1			PIPE, Breather
10	MD00 9781	1			LABEL, Caution
11	MD02 4869	1			CLAMP, P.C.V. Hose
12	MD02 4682	1			GASKET, Rocker Cover
13	MD02 6613	1			VALVE, P.C.V.
14	MD02 6609	1			HOSE, P.C.V.
15	MD02 6510	1		C-48	HEAD, Cylinder (Federal and Canada)
	MD02 6510	1		P,D,C,V	(Federal and Calif.)
	MD02 6510	1		H,K	(Calif.)
	MD02 6520	1		P,D,C,V	(Canada)
	MD02 6520	1		H,K	(Federal and Canada)
16	MD03 1537	5			STUD, (8x25)
17	MD03 1537	3			STUD (8x25)
	MF40 1937	1			STUD (8x28)
18	MD02 0566	10			BOLT, Flange
19					CAP, Camshaft (Serviced in Head Assy.)
20	MD02 2295	1			PLUG, Taper
21					GUIDE, Valve, Exhaust
	MD02 0561	4			0.05 MM O/S
	MD02 0562	4			0.25 MM O/S
	MD02 0563	4			0.50 MM O/S
22					GUIDE, Valve Inlet
	MD02 0551	4			0.05 MM O/S
	MD02 0552	4			0.25 MM O/S

MODEL CODES

B = GRAN FURY	F = FIFTH AVENUE/NEWPORT	P = RELIANT
C = LEBARON/TOWN & COUNTRY/EXC SEDAN	G = DIPLOMAT	T = E CLASS/NEW YORKER
C24 = LASER	H = VOYAGER	V = 600
D = ARIES	K = MINI RAM/CARAVAN/ROYAL	V24 = DAYTONA
E = 600	M = HORIZON/TURISMO	Z = OMNI/CHARGER/RAMPAGE

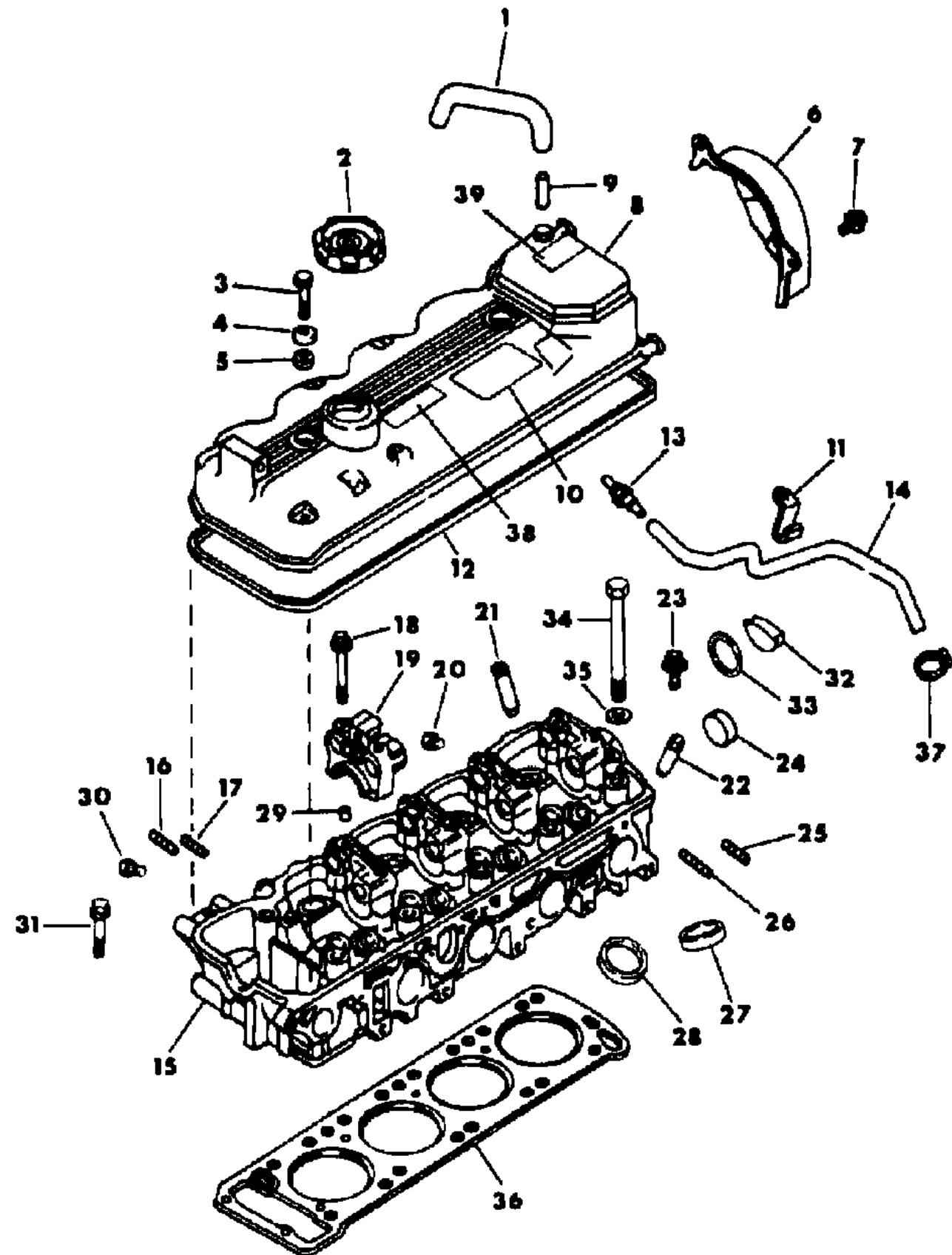
BODY STYLES

21 = 2-DOOR SEDAN	28 = FWD PICKUP	44 = 4-DOOR HATCHBACK
22 = 2-DOOR SPECIAL COUPE	35 = FWD VAN	45 = 4-DOOR STATION WAGON
24 = 2-DOOR HATCHBACK	36 = FWD WAGON	48 = 4-DOOR EXECUTIVE SEDAN
27 = 2-DOOR CONVERTIBLE	41 = 4-DOOR SEDAN	

AR = Use as Required - = Non Illustrated Part P.A.R. = Paint as Required

CYLINDER HEAD AND RELATED PARTS 4 CYLINDER 2.6 L ENG., P,D,C,V,E,T,H,K
Figure 9A-2300

4156 2300



ITEM	PART NUMBER	QTY	BODY	MODEL	DESCRIPTION
	MD02 0553	4			0.50 MM O/S
23	MS10 0941	2			BOLT, Flange (8x25)
24	MD00 0427	1			PLUG, Expansion
25	MS40 1428	6			STUD (8x28)
26	MS40 1428	6			STUD (8x25)
27	MD02 6517	4	C-48		SEAT, Valve, Exhaust 0.30 MM O/S (Federal and Canada)
	MD02 6517	4	P,D,C,V		0.30 MM O/S (Federal and Calif.)
	MD02 6517	4	H,K		0.30 MM O/S (Calif.)
	MD02 6518	4	C-48		0.60 MM O/S (Federal and Canada)
	MD02 6518	4	P,D,C,V		0.60 MM O/S (Federal and Calif.)
	MD02 6518	4	H,K		0.60 MM O/S (Calif.)
	MD02 4546	4	P,D,C,V		0.30 MM O/S (Canada)
	MD02 4546	4	H,K		0.30 MM O/S (Federal and Canada)
	MD02 4547	4	P,D,C,V		0.60 MM O/S (Canada)
	MD02 4547	4	H,K		0.60 MM O/S (Federal and Canada)
28		4			SEAT, Valve, Intake
	MD02 6514	4			0.30 MM O/S
	MD02 6515	4			0.60 MM O/S
29	MS47 1104	10			BUSHING, Knock (8x9)
30	MD00 0429	1			PLUG, Taper
31	MS24 1076	2			BOLT, w/Washer (8x50)
32	MD02 0718	1			PACKING, Semi- Circular
33	MD02 4529	1			SEAL, Camshaft
34	MD02 0730	10			BOLT, Cylinder Head
35	MD02 0733	10			WASHER, Cylinder Head Bolt
36	MD02 6654	1			GASKET, Cylinder Head
37	MS66 0164	1			CLIP, P.C.V., Hose
38	MD02 6700	1	P,D,C,V		LABEL (Federal and Calif.)
	MD02 6700	1	H,K		(Calif.)
	MD02 6701	1	P,D,C,V		(Canada)
	MD02 6701	1	H,K		(Federal and Canada)
39	MD07 2994	1	P,D,C,V		LABEL, Engine Part No. (Federal)
	MD07 2995	1	P,D,C,V		(Calif.)
	MD07 2995	1	H,K		(Calif.)
	MD07 2996	1	P,D,C,V		(Canada)
	MD07 2996	1	H,K		(Canada)
	MD07 3801	1	C-48		(Federal and Canada)
	MD07 7844	1	H,K		(Federal)

MODEL CODES

B = GRAN FURY	F = FIFTH AVENUE/NEWPORT	P = RELIANT
C = LEBARON/TOWN & COUNTRY/EXC SEDAN	G = DIPLOMAT	T = E CLASS/NEW YORKER
C24 = LASER	H = VOYAGER	V = 600
D = ARIES	K = MINI RAM/CARAVAN/ROYAL	V24 = DAYTONA
E = 600	M = HORIZON/TURISMO	Z = OMNI/CHARGER/RAMPAGE

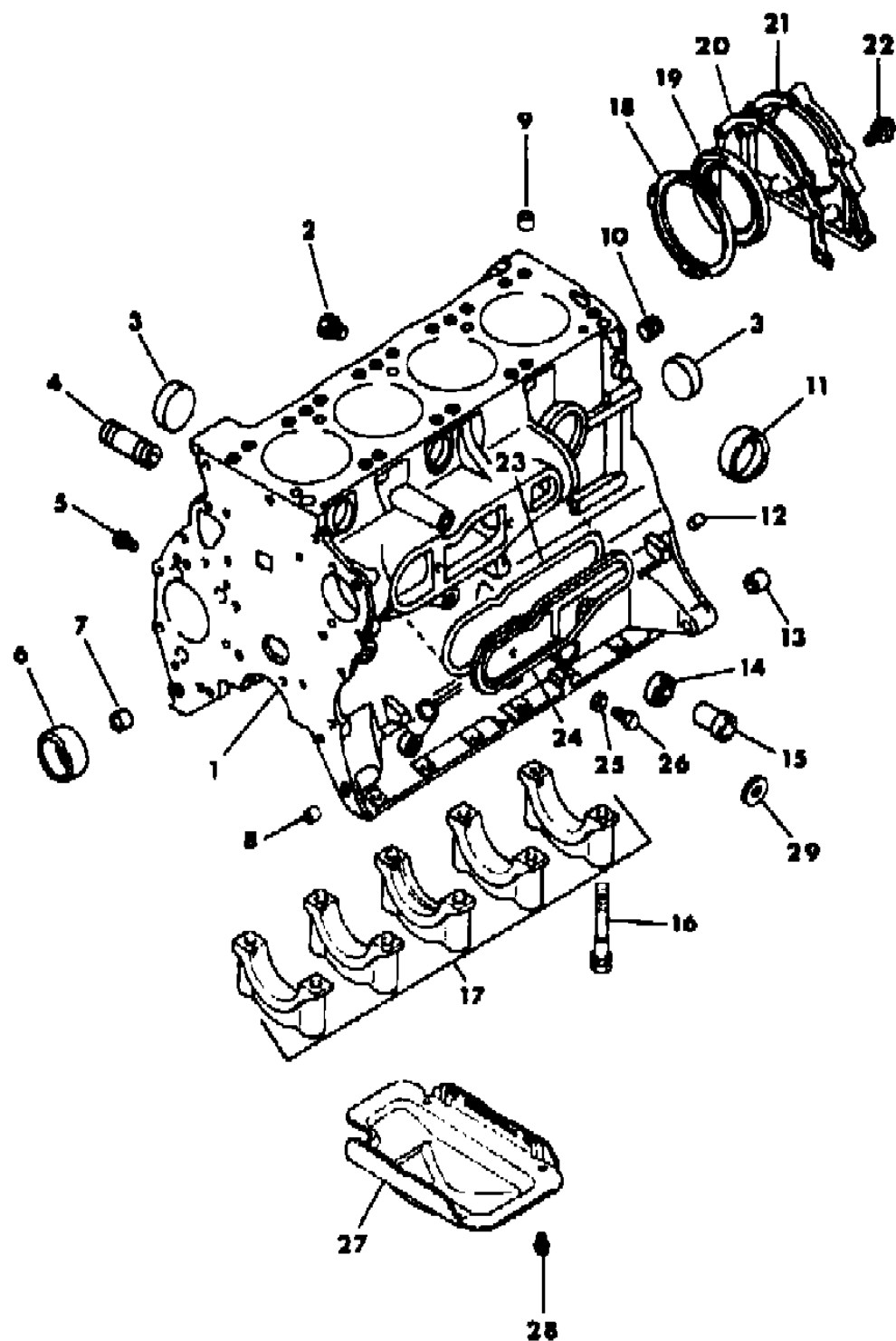
BODY STYLES

21 = 2-DOOR SEDAN	28 = FWD PICKUP	44 = 4-DOOR HATCHBACK
22 = 2-DOOR SPECIAL COUPE	35 = FWD VAN	45 = 4-DOOR STATION WAGON
24 = 2-DOOR HATCHBACK	36 = FWD WAGON	48 = 4-DOOR EXECUTIVE SEDAN
27 = 2-DOOR CONVERTIBLE	41 = 4-DOOR SEDAN	

AR = Use as Required - = Non Illustrated Part P.A.R. = Paint as Required

CYLINDER BLOCK AND RELATED PARTS 4 CYLINDER 2.6 L ENG., P,D,C,V,E,T,H,K
Figure 9A-2400

4188 2400



ITEM	PART NUMBER	QTY	BODY	MODEL	DESCRIPTION
1	MD02 6200	1		P,D,C,V	BLOCK Assy., Cylinder (Canada)
	MD02 6200	1		H,K	(Federal and Canada)
	MD02 4505	1		All	(California)
	MD07 6312	1		P,D,C,V	(Federal)
	MD07 6312	1		C-48	(Federal and Canada)
2	MD00 0269	1			PLUG, Taper
3	MD00 0427	3			CAP, Sealing (40)
4	MD02 0235	1			STUD, Oil Filter
5		1			PLUG, Taper (Not Serviced)
6	MD02 1118	2			BEARING, Rear
	MD08 2303	2			BEARING, Rear 1.0MM O/S
7	MD02 0234	1			NOZZLE
8	MS47 1104	2			BUSHING, Knock (8x9)
9	MS47 1111	2			BUSHING, Knock (12x13)
10	MS66 1142	1			PLUG, Taper (3/8)
11	MF66 5544	3			CAP, Sealing (50)
12	MF47 2403	2			PIN, Dowel (6)
13	MS47 1109	2			BUSHING, Knock
14	MF66 5539	4			CAP, Sealing (28)
15	MD02 5364	2			JOINT
16	MD02 0223	10			BOLT, Bearing Cap
17					CAP, Crankshaft Bearing (Serviced in Block Assy.)
18	MD02 0436	1			OIL SEPARATOR
19	MD06 9947	1			OIL SEAL, Rear
20	MD02 0292	1			GASKET, Oil Seal Case
21	MD02 4509	1			CASE, Oil Seal
22	MF14 0207	5			BOLT, Flange (6x22)
23	MD02 0239	1			GASKET, Cover
24	MD02 0237	1			COVER
25	MD02 0256	2			"O"RING
26	MF14 0003	2			BOLT (6x12)
27	MD02 4524	1			SEAL, Crankcase
28	MF24 1223	5			BOLT, w/Washer (6x12)
29	MD02 6203	2			CAP, Sealing

MODEL CODES

B = GRAN FURY	F = FIFTH AVENUE/NEWPORT	P = RELIANT
C = LEBARON/TOWN & COUNTRY/EXC SEDAN	G = DIPLOMAT	T = E CLASS/NEW YORKER
C24 = LASER	H = VOYAGER	V = 600
D = ARIES	K = MINI RAM/CARAVAN/ROYAL	V24 = DAYTONA
E = 600	M = HORIZON/TURISMO	Z = OMNI/CHARGER/RAMPAGE

BODY STYLES

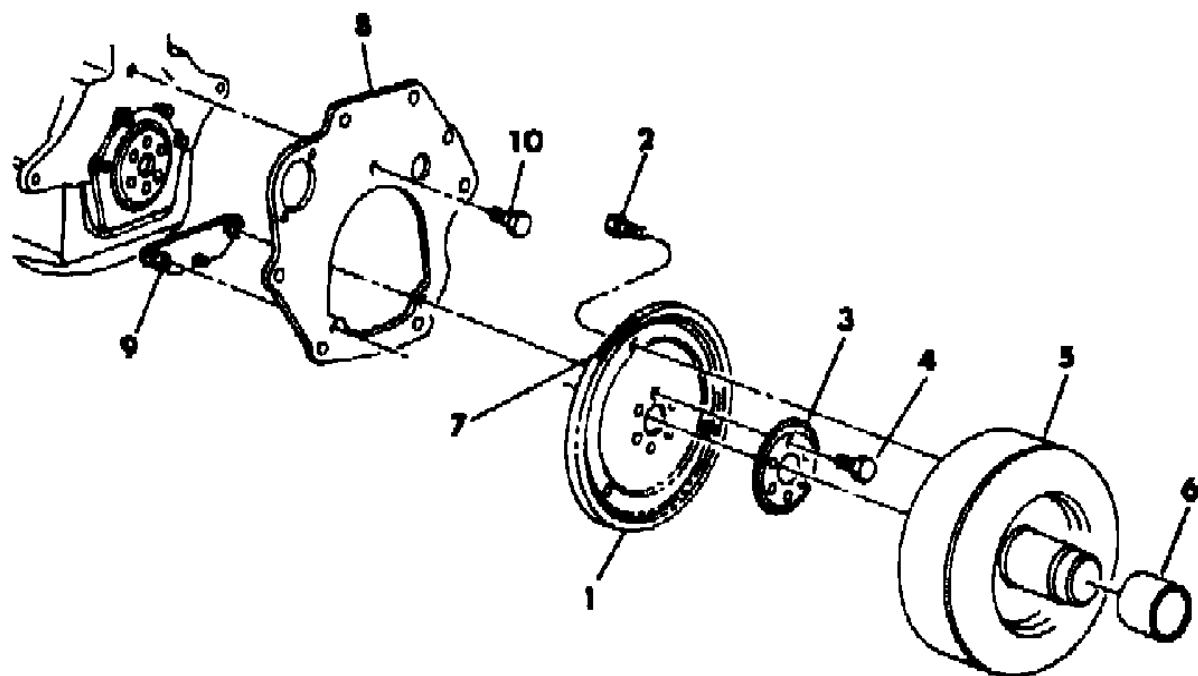
21 = 2-DOOR SEDAN	28 = FWD PICKUP	44 = 4-DOOR HATCHBACK
22 = 2-DOOR SPECIAL COUPE	35 = FWD VAN	45 = 4-DOOR STATION WAGON
24 = 2-DOOR HATCHBACK	36 = FWD WAGON	48 = 4-DOOR EXECUTIVE SEDAN
27 = 2-DOOR CONVERTIBLE	41 = 4-DOOR SEDAN	

AR = Use as Required - = Non Illustrated Part P.A.R. = Paint as Required

TORQUE CONVERTER, DRIVE PLATE 4 CYLINDER 2.6 L ENG. P,D,C,V,E,T,H,K
Figure 9A-2500

4100 2500

ITEM	PART NUMBER	QTY	BODY	MODEL	DESCRIPTION
1	5222 641	1			PLATE ASSY., Torque Converter
2	6500 500	3			BOLT, Drive Plate to Torque Converter
3	5222 585	1			PLATE, Crankshaft Bolt Backing
4	6500 269	6			BOLT, Drive Plate to Crankshaft
5	4293 058	1			TORQUE CONVERTER ASSY.
6	4269 057	1			SEAL, Trans. Torque Converter Impeller Hub
7		1			GEAR, Torque Converter Ring (Service in Drive Plate Assy.)
8	5224 388	1			SPACER, Plate Trans. (See Group 21)
9	5224 393	1			COVER, Trans. Torque Converter (See Group 21)
10	6101 221	1			SCREW, Trans. Spacer Plate



MODEL CODES

B = GRAN FURY	F = FIFTH AVENUE/NEWPORT	P = RELIANT
C = LEBARON/TOWN & COUNTRY/EXC SEDAN	G = DIPLOMAT	T = E CLASS/NEW YORKER
C24 = LASER	H = VOYAGER	V = 600
D = ARIES	K = MINI RAM/CARAVAN/ROYAL	V24 = DAYTONA
E = 600	M = HORIZON/TURISMO	Z = OMNI/CHARGER/RAMPAGE

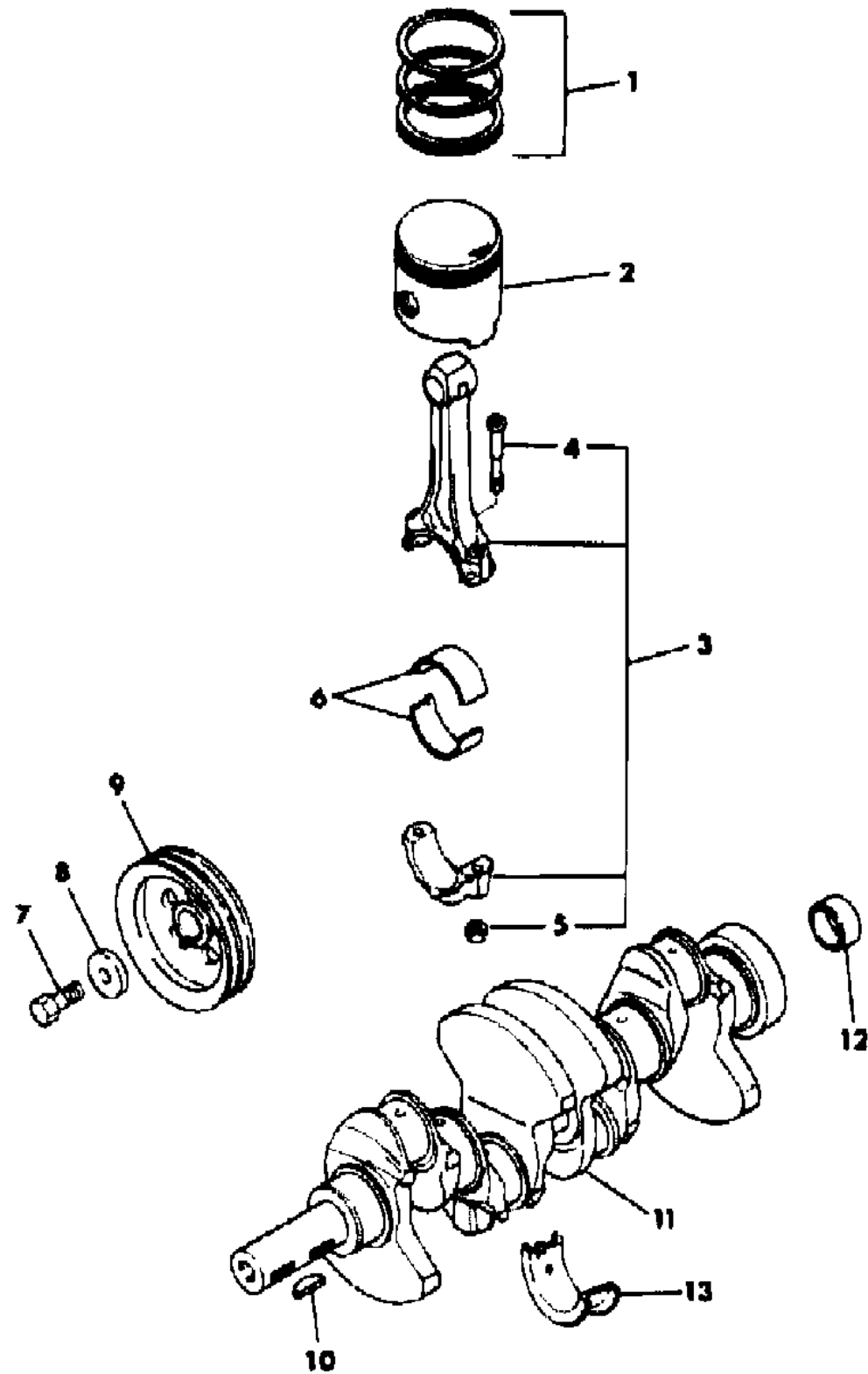
BODY STYLES

21 = 2-DOOR SEDAN	28 = FWD PICKUP	44 = 4-DOOR HATCHBACK
22 = 2-DOOR SPECIAL COUPE	35 = FWD VAN	45 = 4-DOOR STATION WAGON
24 = 2-DOOR HATCHBACK	36 = FWD WAGON	48 = 4-DOOR EXECUTIVE SEDAN
27 = 2-DOOR CONVERTIBLE	41 = 4-DOOR SEDAN	

AR = Use as Required - = Non Illustrated Part P.A.R. = Paint as Required

CRANKSHAFT, CONNECTING RODS, PISTONS, RINGS 4 CYLINDER 2.6 L ENG., P,D,C,V,E,T,H,K
Figure 9A-2700

4168 3700



ITEM	PART NUMBER	QTY	BODY	MODEL	DESCRIPTION
1	MD06 1258	1			RING SET, Piston, Std.
	MD06 1259	1			0.25 MM O/S
	MD06 1260	1			0.50 MM O/S
	MD06 1261	1			0.75 MM O/S
	MD06 1262	1			1.00 MM O/S
2	MD07 1172	4			PISTON, w/Pin, Std.
	MD07 1174	4			0.25 MM O/S
	MD07 1175	4			0.50 MM O/S
	MD07 1176	4			0.75 MM O/S
	MD07 1177	4			1.00 MM O/S
3	MD02 0855	4			ROD Assy. Connecting
4	MD02 1105	8			BOLT, Connecting Rod
5	MD00 6704	8			NUT, Connecting Rod
6	MD02 6430	1			BEARING SET, Connecting Rod, Std.
	MD02 6431	1			0.25 MM U/S
	MD02 6432	1			0.50 MM U/S
	MD02 6433	1			0.75 MM U/S
7	MD02 0830	1			BOLT Crankshaft Pulley
8	MD02 0831	1			WASHER
9	MD07 4096	1			PULLEY, Crankshaft
10	MD00 0606	2			KEY
11	MD02 6408	1			CRANKSHAFT
12	MD02 4893	1			BUSHING, Crankshaft
13	MD02 6815	1			BEARING SET, Crankshaft, Std.
	MD02 6816	1			0.25 MM U/S
	MD02 6817	1			0.50 MM U/S
	MD02 6818	1			0.75 MM U/S

MODEL CODES

B = GRAN FURY	F = FIFTH AVENUE/NEWPORT	P = RELIANT
C = LEBARON/TOWN & COUNTRY/EXC SEDAN	G = DIPLOMAT	T = E CLASS/NEW YORKER
C24 = LASER	H = VOYAGER	V = 600
D = ARIES	K = MINI RAM/CARAVAN/ROYAL	V24 = DAYTONA
E = 600	M = HORIZON/TURISMO	Z = OMNI/CHARGER/RAMPAGE

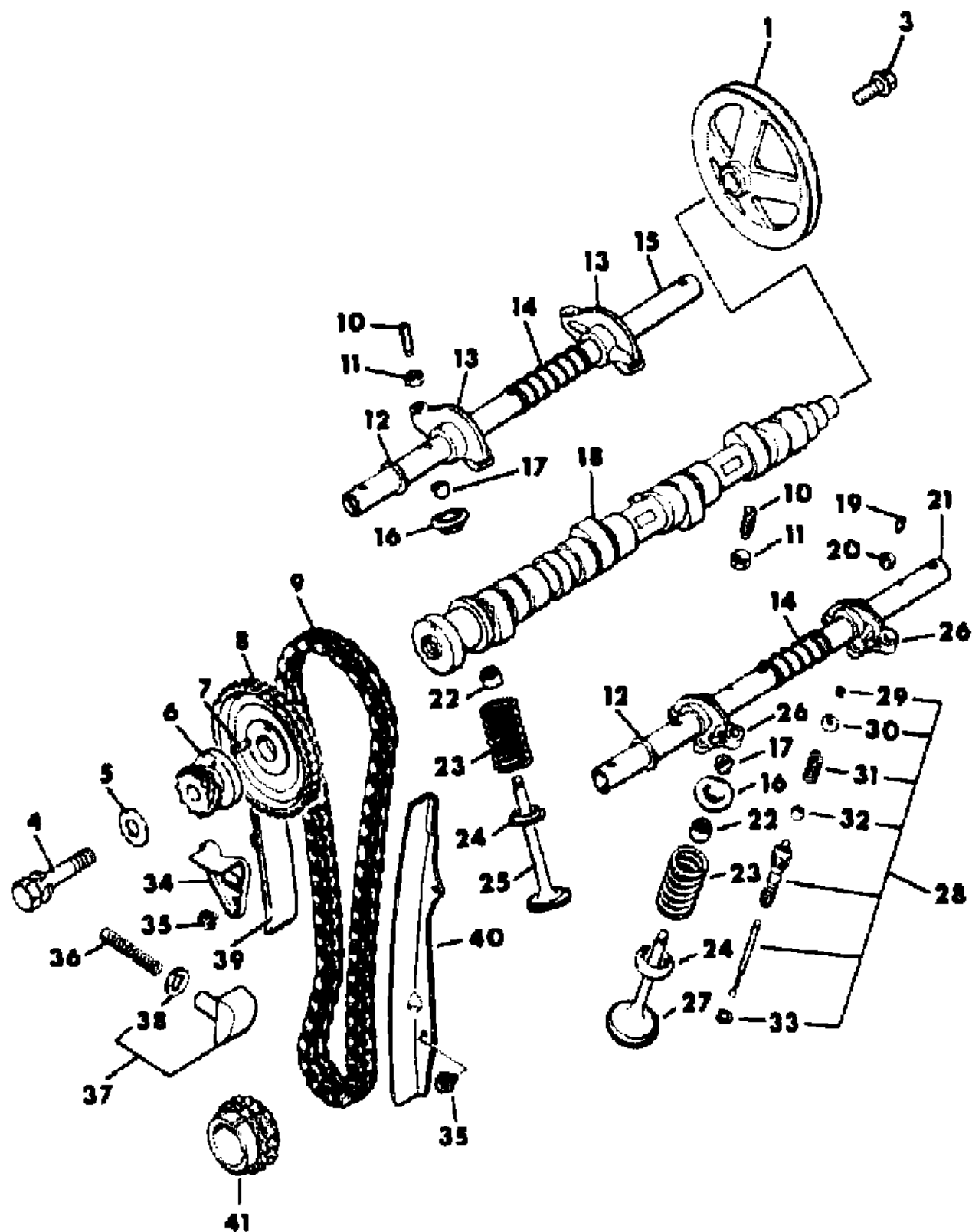
BODY STYLES

21 = 2-DOOR SEDAN	28 = FWD PICKUP	44 = 4-DOOR HATCHBACK
22 = 2-DOOR SPECIAL COUPE	35 = FWD VAN	45 = 4-DOOR STATION WAGON
24 = 2-DOOR HATCHBACK	36 = FWD WAGON	48 = 4-DOOR EXECUTIVE SEDAN
27 = 2-DOOR CONVERTIBLE	41 = 4-DOOR SEDAN	

AR = Use as Required - = Non Illustrated Part P.A.R. = Paint as Required

CAMSHAFT, VALVES, TIMING CHAIN AND RELATED PARTS 4 CYLINDER 2.6 L ENG., P,D,C,V,E,T,H,K
Figure 9A-2800

4158 2800



ITEM	PART NUMBER	QTY	BODY	MODEL	DESCRIPTION
1	MD02 5669	1			PULLEY, Camshaft
3	MD00 8835	1			BOLT, Flange (10x30)
4	MS24 1117	1			BOLT, w/Washer (14x70)
5	MF45 0008	1			WASHER, Plain (14)
6	MD02 1247	1			GEAR, Distributor
7	MD02 1219	1			PIN, Spring (6x18)
8	MD02 1246	1			SPROCKET, Camshaft
9	MD02 1230	1			CHAIN, Timing
10	MD01 9845	8			SCREW, Adjusting Rocker Arm
11	MD00 0961	8			NUT
12	MD00 0964	2			WASHER, Waved
13	MD02 3226	4			ARM, Rocker C, Right
14	MD02 1211	6			SPRING, Rocker Shaft
15	MD02 3198	1			SHAFT Assy., Rocker Arm Rt.
16	MD00 8761	8			RETAINER, Valve Spring
17	MD00 8760	16			LOCK, Valve Spring Retainer
18	MD02 6730	1			CAMSHAFT
19	MD00 9371	4			SCREW, Adjusting Rocker Arm w/Jet Valves
20	MD00 9372	4			NUT w/Jet Valves
21	MD02 3196	1			SHAFT, Assy. Rocker Arm, Lt.
22	MD00 0508	8			SEAL, Valve Stem
23	MD02 2591	8			SPRING, Valve
24	MD00 0507	8			SEAT, Valve Spring
25	MD02 4519	4			VALVE, Exhaust
26	MD02 3225	4			ARM, Rocker, Left w/Jet Valves
	MD02 3226	4			w/o Jet Valves
27	MD02 4518	4			VALVE, Inlet
28	MD00 9440	4			VALVE Assy. Jet
29	MD00 9365	8			LOCK, Valve Spring Retainer
30	MD00 9784	4			RETAINER, Valve Spring
31	MD00 9783	4			SPRING, Valve
32	MD00 6268	4			SEAL, Valve Stem
33	MD00 9786	4			"O"RING
34	MD02 1237	1			HOLDER, Camshaft Sprocket
35	MS10 1311	4			BOLT, Flange (6x10)
36	MD02 2235	1			SPRING, Tensioner
37	MD02 1233	1			SLEEVE, Complete
38	MD02 1242	1			SHEET, Rubber

MODEL CODES

B = GRAN FURY	F = FIFTH AVENUE/NEWPORT	P = RELIANT
C = LEBARON/TOWN & COUNTRY/EXC SEDAN	G = DIPLOMAT	T = E CLASS/NEW YORKER
C24 = LASER	H = VOYAGER	V = 600
D = ARIES	K = MINI RAM/CARAVAN/ROYAL	V24 = DAYTONA
E = 600	M = HORIZON/TURISMO	Z = OMNI/CHARGER/RAMPAGE

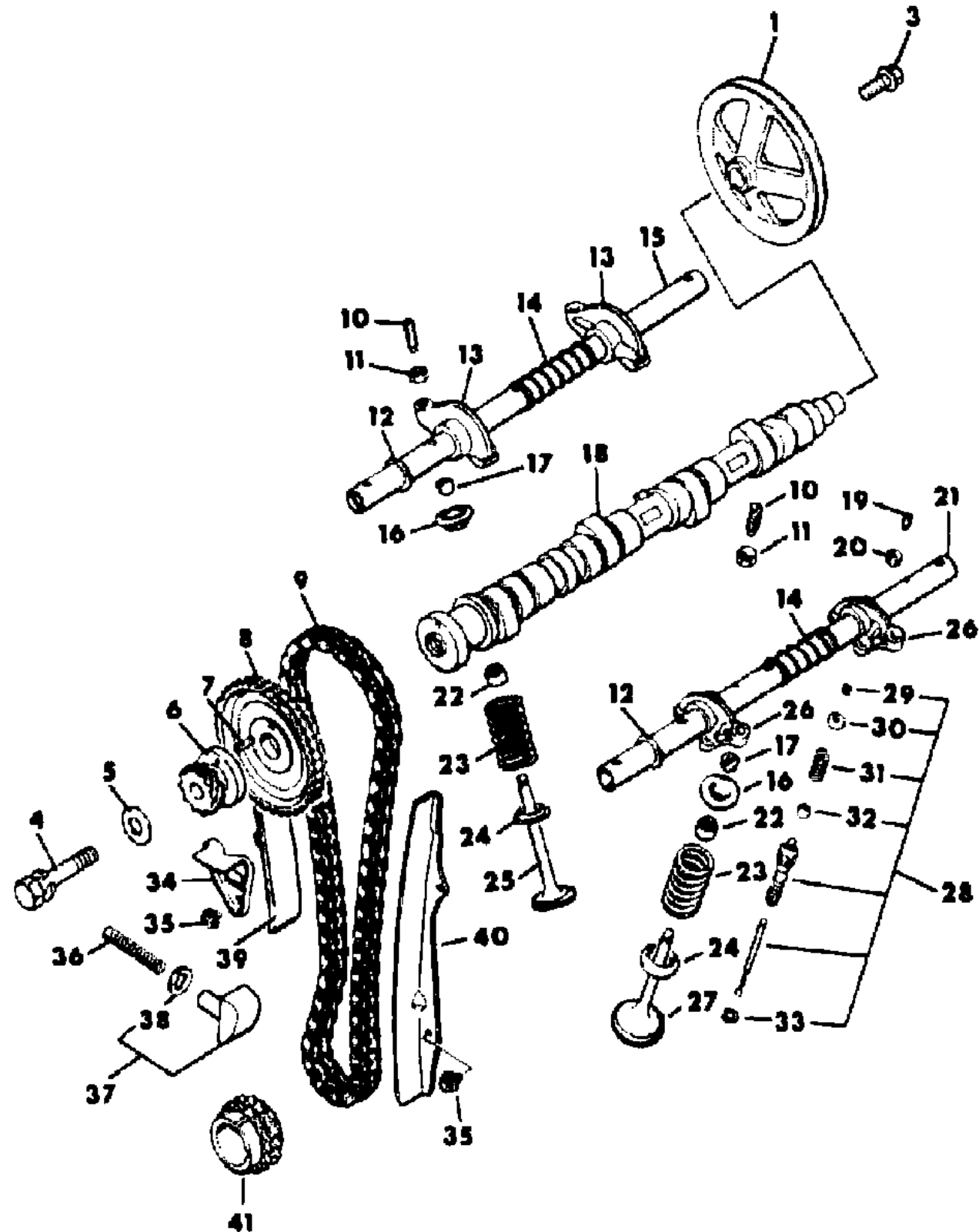
BODY STYLES

21 = 2-DOOR SEDAN	28 = FWD PICKUP	44 = 4-DOOR HATCHBACK
22 = 2-DOOR SPECIAL COUPE	35 = FWD VAN	45 = 4-DOOR STATION WAGON
24 = 2-DOOR HATCHBACK	36 = FWD WAGON	48 = 4-DOOR EXECUTIVE SEDAN
27 = 2-DOOR CONVERTIBLE	41 = 4-DOOR SEDAN	

AR = Use as Required - = Non Illustrated Part P.A.R. = Paint as Required

CAMSHAFT, VALVES, TIMING CHAIN AND RELATED PARTS 4 CYLINDER 2.6 L ENG., P,D,C,V,E,T,H,K
Figure 9A-2800

4158 2800



ITEM	PART NUMBER	QTY	BODY	MODEL	DESCRIPTION
39	MD02 1232	1			GUIDE, Chain Loose Side
40	MD02 1231	1			GUIDE, Chain Tension Side
41	MD02 0843	1			SPROCKET, Crankshaft

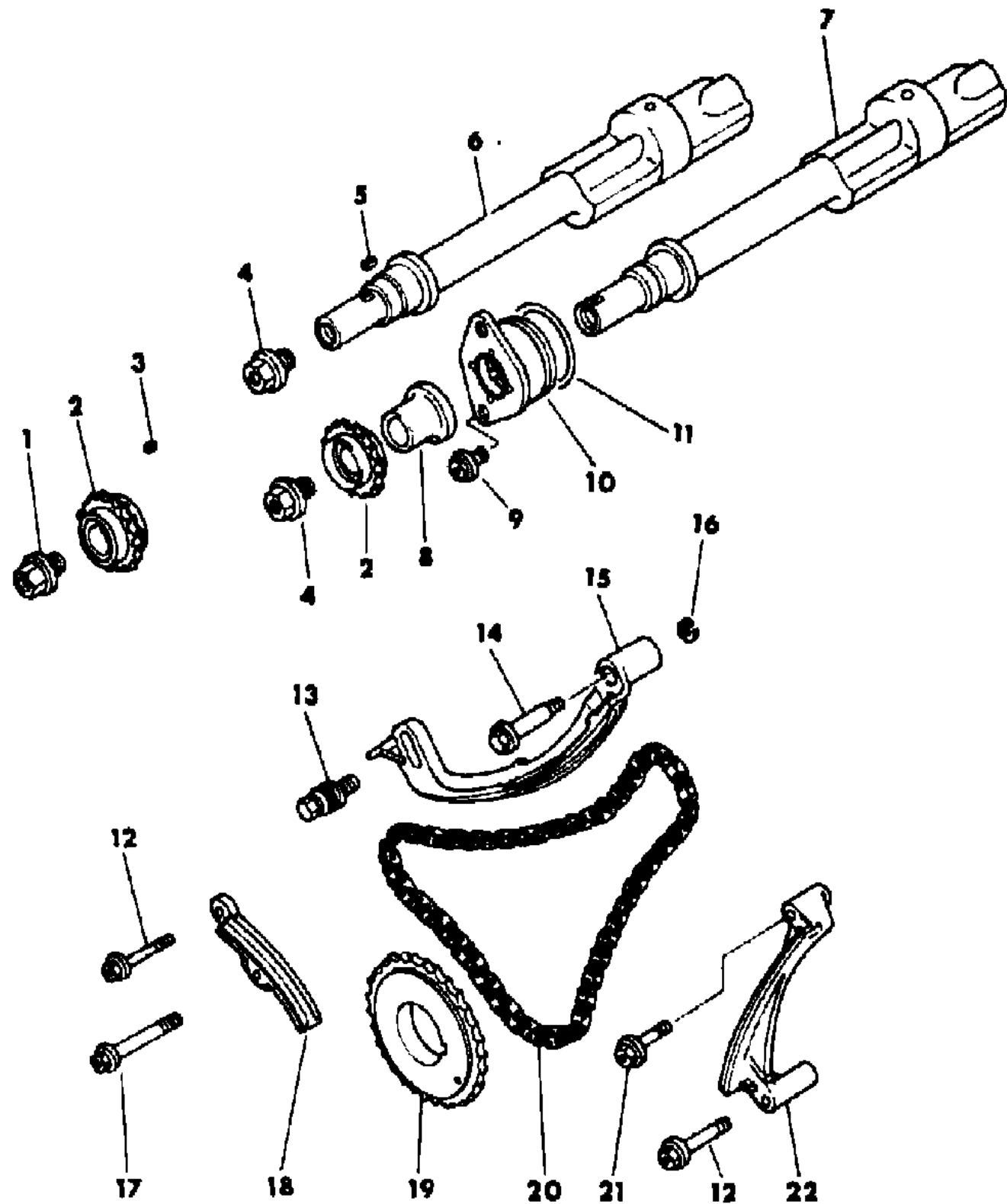
MODEL CODES
 B = GRAN FURY
 C = LEBARON/TOWN & COUNTRY/EXC SEDAN
 C24 = LASER
 D = ARIES
 E = 600
 F = FIFTH AVENUE/NEWPORT
 G = DIPLOMAT
 H = VOYAGER
 K = MINI RAM/CARAVAN/ROYAL
 M = HORIZON/TURISMO
 P = RELIANT
 T = E CLASS/NEW YORKER
 V = 600
 V24 = DAYTONA
 Z = OMNI/CHARGER/RAMPAGE

BODY STYLES
 21 = 2-DOOR SEDAN
 22 = 2-DOOR SPECIAL COUPE
 24 = 2-DOOR HATCHBACK
 27 = 2-DOOR CONVERTIBLE
 28 = FWD PICKUP
 35 = FWD VAN
 36 = FWD WAGON
 41 = 4-DOOR SEDAN
 44 = 4-DOOR HATCHBACK
 45 = 4-DOOR STATION WAGON
 48 = 4-DOOR EXECUTIVE SEDAN

AR = Use as Required - = Non Illustrated Part P.A.R. = Paint as Required

BALANCING SHAFT AND RELATED PARTS 4 CYLINDER 2.6 L ENG., P,D,C,V,E,T,H,K
Figure 9A-2900

4158 2900



ITEM	PART NUMBER	QTY	BODY	MODEL	DESCRIPTION
1	MD02 7152	1			BOLT (10x15)
2	MD02 1172	2			SPROCKET Assy.
3	MF47 6204	1			KEY, Woodruff (3x10)
4	MD02 7152	1			BOLT (10x15)
5	MF47 6204	2			KEY, Woodruff (3x10)
6	MD02 4845	1			SHAFT, Counterbalance Rt.
7	MD02 4846	1			SHAFT, Counterbalance Lt.
8	MD02 0255	1			SPACER
9	MF14 0204	2			BOLT Flange (6x14)
10	MD02 0897	1			PLATE Assy., Thrust
11	MD02 1045	1			"O"RING
12	MS10 1322	2			BOLT, Flange (6x45)
13	MD02 1158	1			BOLT, Special B
14	MD02 1157	1			BOLT, Special A
15	MD02 1156	1			GUIDE, Chain B
16	MF45 0404	1			WASHER, Spring (6)
17	MS10 1325	1			BOLT, Flange (6x60)
18	MD02 1114	1			GUIDE, Chain C
19	MD02 1170	1			SPROCKET, Crankshaft B
20	MD02 1155	1			CHAIN B
21	MS10 1317	1			BOLT, Flange (6x32)
22	MD02 1111	1			GUIDE, Chain A

MODEL CODES

B = GRAN FURY	F = FIFTH AVENUE/NEWPORT	P = RELIANT
C = LEBARON/TOWN & COUNTRY/EXC SEDAN	G = DIPLOMAT	T = E CLASS/NEW YORKER
C24 = LASER	H = VOYAGER	V = 600
D = ARIES	K = MINI RAM/CARAVAN/ROYAL	V24 = DAYTONA
E = 600	M = HORIZON/TURISMO	Z = OMNI/CHARGER/RAMPAGE

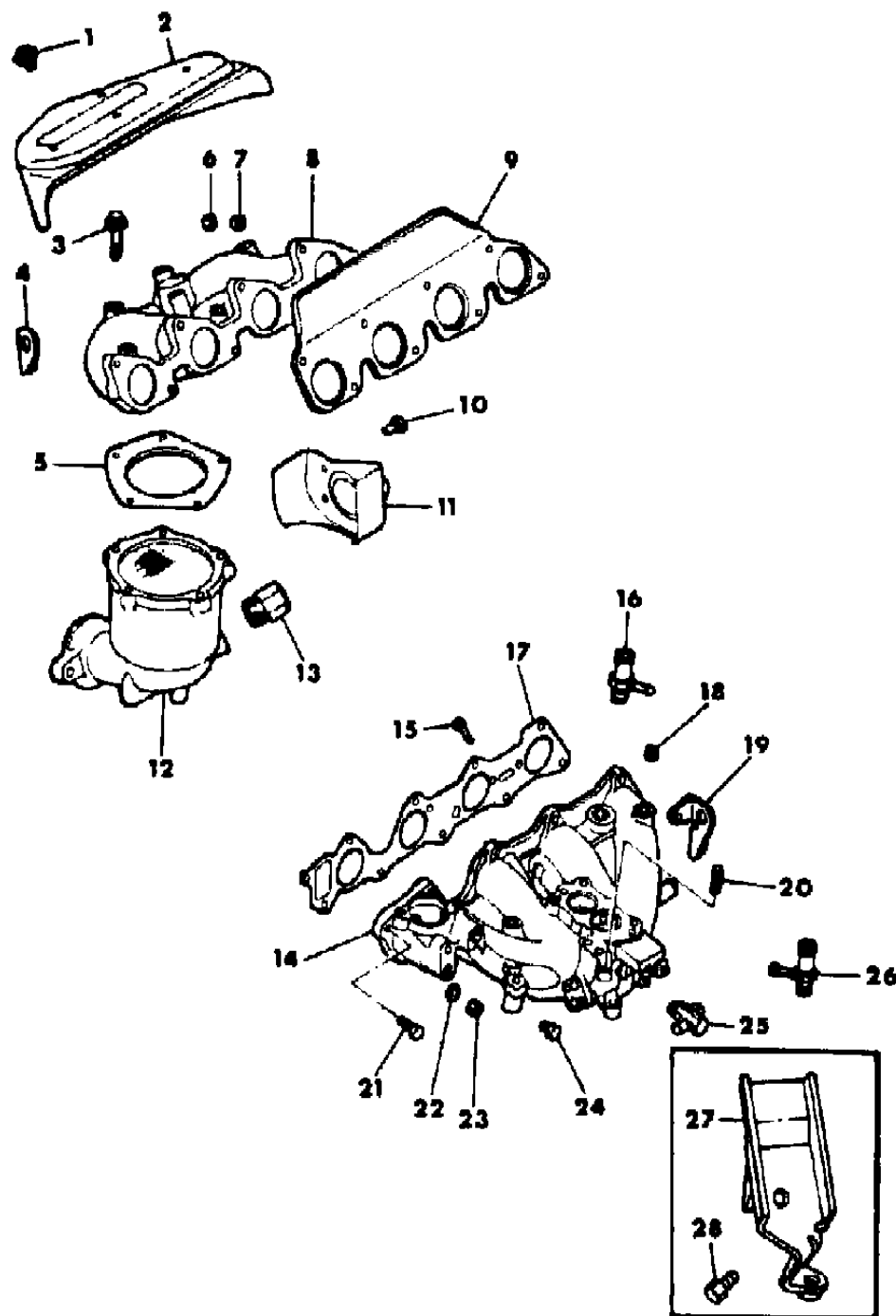
BODY STYLES

21 = 2-DOOR SEDAN	28 = FWD PICKUP	44 = 4-DOOR HATCHBACK
22 = 2-DOOR SPECIAL COUPE	35 = FWD VAN	45 = 4-DOOR STATION WAGON
24 = 2-DOOR HATCHBACK	36 = FWD WAGON	48 = 4-DOOR EXECUTIVE SEDAN
27 = 2-DOOR CONVERTIBLE	41 = 4-DOOR SEDAN	

AR = Use as Required - = Non Illustrated Part P.A.R. = Paint as Required

MANIFOLD, INTAKE AND EXHAUST 4 CYLINDER 2.6 L ENG., P,D,C,V,E,T,H,K
Figure 9A-3000

4188 3000



ITEM	PART NUMBER	QTY	BODY	MODEL	DESCRIPTION
1	MD00 9669	AR		All	BOLT & WASHER, Flange
2	MD07 0774	1		P,D,C,V	COWL, Heat (Federal)
	MD07 0774	1		C-48	(Federal and Canada)
	MD02 5543	1		All	(Calif.)
	MD02 5156	1		All Exc	(CANADA)
3	MD07 3159	1		H,K	(Federal)
	MD02 3492	5		C-48	BOLT, Flange (8x45) (Federal and Canada)
	MD02 3492	5		P,D,C,V	(Federal and Calif.)
4	MD00 0255	1		All	HANGER, Engine, Front
	MD02 5614	1		C-48	GASKET (Federal and Canada)
	MD02 5614	1		P,D,C,V	(Federal and Calif.)
5	MD02 5614	1		H,K	(Calif.)
	MD00 0569	8		All	NUT (8)
	MS45 0035	8			WASHER (8)
8	MD07 0898	1		C-48	MANIFOLD, Exhaust (Federal and Canada)
	MD02 5534	1		All	(Calif.)
	MD07 0898	1		P,D,C,V	(Federal)
	MD02 5155	1		All Exc	(Canada)
9	MD06 5963	1		H,K	(Federal)
	MD02 5684	1		All	GASKET, Exhaust Manifold
10	MD00 9669	AR		All	BOLT & WASHER, Flange
11	MD02 5544	1		C-48	COVER (Federal and Canada)
	MD02 5544	1		P,D,C,V	(Federal and Calif.)
	MD02 5544	1		H,K	(Calif.)
12	MD02 5153	1		All Exc	(Canada)
	MD02 5153	1		H,K	(Federal)
	MD07 1445	1		C-48	CASE, Catalyst (Federal and Canada)
13	MD07 1445	1		P,D,C,V	(Federal)
	MD02 7223	1		All	(Calif.)
14		1			JOINT (Not Required)
14	MD07 2162	1		C-48	MANIFOLD, Inlet (Federal and Canada)
	MD07 2162	1		P,D,C,V	(Federal)
	MD02 4626	1		All	(Calif.)
	MD02 4637	1		All Exc	(Canada)
15	MD02 4637	1		H,K	(Federal)
	MD02 4599	1		All	NIPPLE
16	MD02 4705	1		All	JOINT

MODEL CODES

B = GRAN FURY	F = FIFTH AVENUE/NEWPORT	P = RELIANT
C = LEBARON/TOWN & COUNTRY/EXC SEDAN	G = DIPLOMAT	T = E CLASS/NEW YORKER
C24 = LASER	H = VOYAGER	V = 600
D = ARIES	K = MINI RAM/CARAVAN/ROYAL	V24 = DAYTONA
E = 600	M = HORIZON/TURISMO	Z = OMNI/CHARGER/RAMPAGE

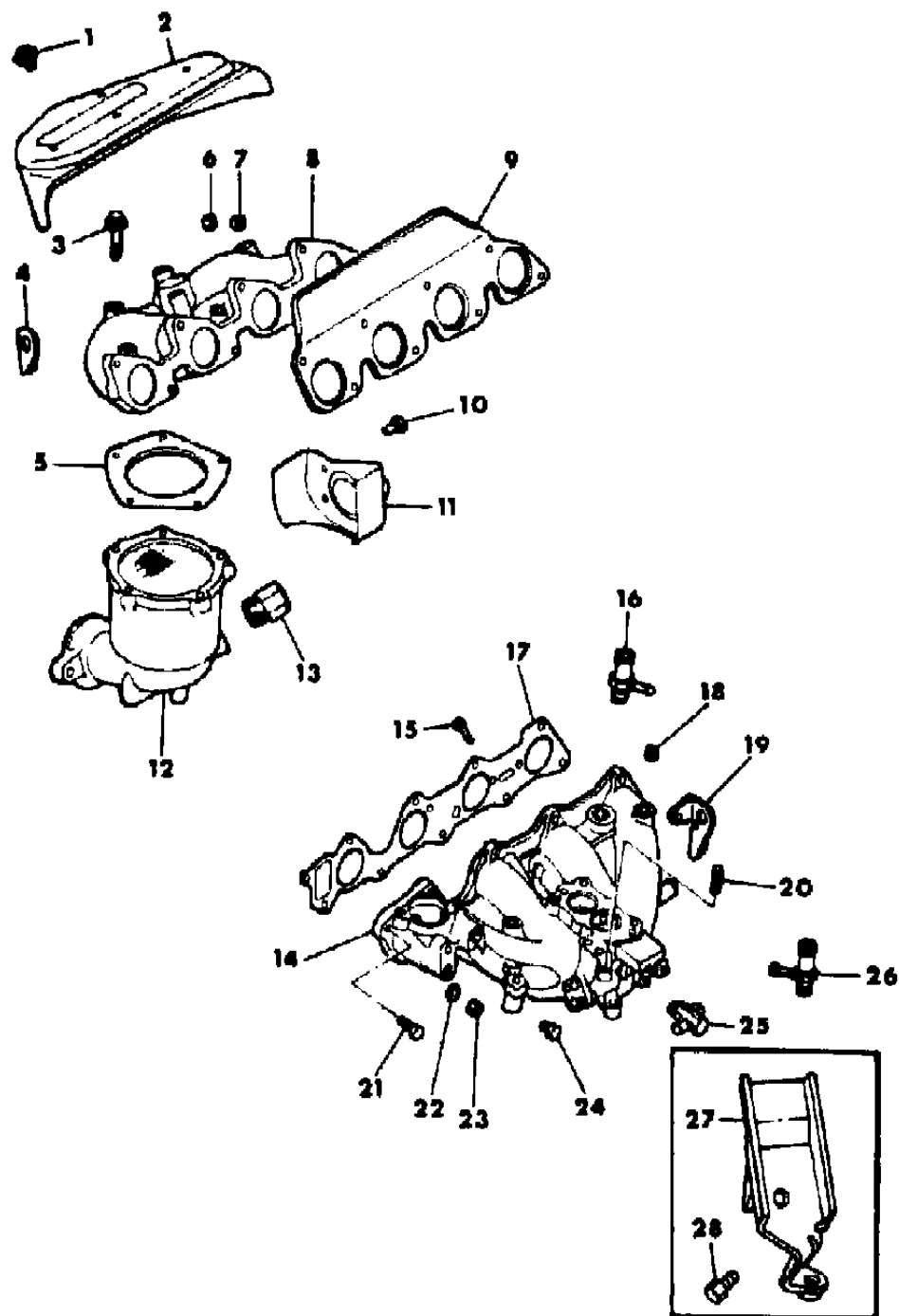
BODY STYLES

21 = 2-DOOR SEDAN	28 = FWD PICKUP	44 = 4-DOOR HATCHBACK
22 = 2-DOOR SPECIAL COUPE	35 = FWD VAN	45 = 4-DOOR STATION WAGON
24 = 2-DOOR HATCHBACK	36 = FWD WAGON	48 = 4-DOOR EXECUTIVE SEDAN
27 = 2-DOOR CONVERTIBLE	41 = 4-DOOR SEDAN	

AR = Use as Required - = Non Illustrated Part P.A.R. = Paint as Required

MANIFOLD, INTAKE AND EXHAUST 4 CYLINDER 2.6 L ENG., P,D,C,V,E,T,H,K
Figure 9A-3000

4188 3000



ITEM	PART NUMBER	QTY	BODY	MODEL	DESCRIPTION
17	MD02 4628	1		C-48	GASKET, Inlet Manifold (Federal and Canada)
	MD02 4628	1		P,D,C,V	(Federal)
	MD02 4628	1		ALL	(Calif.)
	MD02 6535	1		All Exc	(Canada)
	MD02 6535	1		H,K	(Federal)
18	MD02 6621	1		All	PLUG, Taper
19	MD02 6525	1		All	HANGER, Engine Rear
20	MS40 1403	1		C-48	STUD (6x18) (Federal and Canada)
	MS40 1403	1		P,D,C,V	(Federal)
	MS40 1403	1		All	(Calif.)
21	MF24 1256	1		All	BOLT & WASHER (8x28)
22	MF45 0405	9		All	WASHER, Spring (8)
23	MF43 0005	9		All	NUT (8)
24	MD02 5474	1		All	PLUG, Taper (NP TF-1/8)
25	MD02 6657	1		C-48	JOINT, Vacuum Connector (Federal and Canada)
	MD02 6657	1		P,D,C,V	(Federal)
	MD02 6657	1		All	(Calif.)
	MD02 6763	1		All Exc	(Canada)
	MD02 6763	1		H,K	(Federal)
26	MD02 4705	1		All	JOINT
27	MD02 6848	1			BLOCKER
28	MF14 0026	1			BOLT, Flange (8x22)
	MF14 0022	1			(8x14)
	4241 986	1			CONNECTOR, Vac. Control (Audible Message Center 2-3/8 Outlets(Not Shown))

MODEL CODES

B = GRAN FURY	F = FIFTH AVENUE/NEWPORT	P = RELIANT
C = LEBARON/TOWN & COUNTRY/EXC SEDAN	G = DIPLOMAT	T = E CLASS/NEW YORKER
C24 = LASER	H = VOYAGER	V = 600
D = ARIES	K = MINI RAM/CARAVAN/ROYAL	V24 = DAYTONA
E = 600	M = HORIZON/TURISMO	Z = OMNI/CHARGER/RAMPAGE

BODY STYLES

21 = 2-DOOR SEDAN	28 = FWD PICKUP	44 = 4-DOOR HATCHBACK
22 = 2-DOOR SPECIAL COUPE	35 = FWD VAN	45 = 4-DOOR STATION WAGON
24 = 2-DOOR HATCHBACK	36 = FWD WAGON	48 = 4-DOOR EXECUTIVE SEDAN
27 = 2-DOOR CONVERTIBLE	41 = 4-DOOR SEDAN	

AR = Use as Required - = Non Illustrated Part P.A.R. = Paint as Required

OIL PUMP, OIL PAN, OIL LEVEL INDICATOR, TIMING COVER 4 CYLINDER 2.6 L ENG., P,D,C,V,E,T,H,K
Figure 9A-3100

4188 3100

ITEM	PART NUMBER	QTY	BODY	MODEL	DESCRIPTION
1	MD02 4770	1			CASE, Timing Chain
2	MD02 0324	1			GASKET, Chain Case, Rt.
3	MD02 0325	1			GASKET, Chain Case, Lt.
4	MS10 1243	2			BOLT, Flange (8x58)
5	MD02 0353	1			GASKET
6	MD02 0349	1			COVER
7	MF14 0206	2			BOLT, Flange (6x18)
8	MS10 1245	3			BOLT, Flange (8x68)
9	MF24 1257	1			BOLT, w/Washer (8x30)
10	MF24 1269	5			BOLT, w/Washer (8x80)
11	MD07 1550	1			BRACKET, Engine Support, Right
12	MF24 1269	3			BOLT, w/Washer (8x75)
13	MD07 4097	1			BRACKET, Timing Indicator
14	MD02 4397	1			SPACER
15	MD02 0308	1			OIL SEAL, Front
16	MD02 1577	1			GASKET, Oil Screen
17	MS24 1071	2			BOLT, w/Washer
18	MD02 5223	1			SCREEN Assy., Oil
19	MD02 4775	1			PAN Assy., Oil
20	MD05 0316	1			PLUG, Oil Drain (M14)
21	MD05 0317	1			GASKET, Oil Drain Plug (M14)
22	MD02 4777	1			GASKET, Oil Pan
23	MF24 1223	24			BOLT, w/Washer (6x12)
24	MF24 0050	1			BOLT w/Washer, (8x14)
25	MD02 6762	1			ROD Assy., Oil Level Gauge
26	MD02 4928	1			GUIDE, Oil Level Gauge
27	MF52 0004	1			"O"RING (9)
28	MD06 0517	1			PUMP Assy., Oil
29	MD06 0518	1			BODY w/Cover Assy., Oil Pump
30	MD02 3415	2			PIN
31	MF35 0083	1			SCREW, w/Washer (6x40)
32	MD06 1314	1			GEAR, Oil Pump Driven
33	MD06 1313	1			GEAR, Oil Pump Drive
34	MD02 1563	1			PLUNGER, Relief
35	MD05 0299	1			SPRING, Relief
36	MD02 1564	1			PLUG
37	MS10 1315	1			BOLT, Flange (6x16)
38	MD03 1805	1			FILTER Assy., Oil

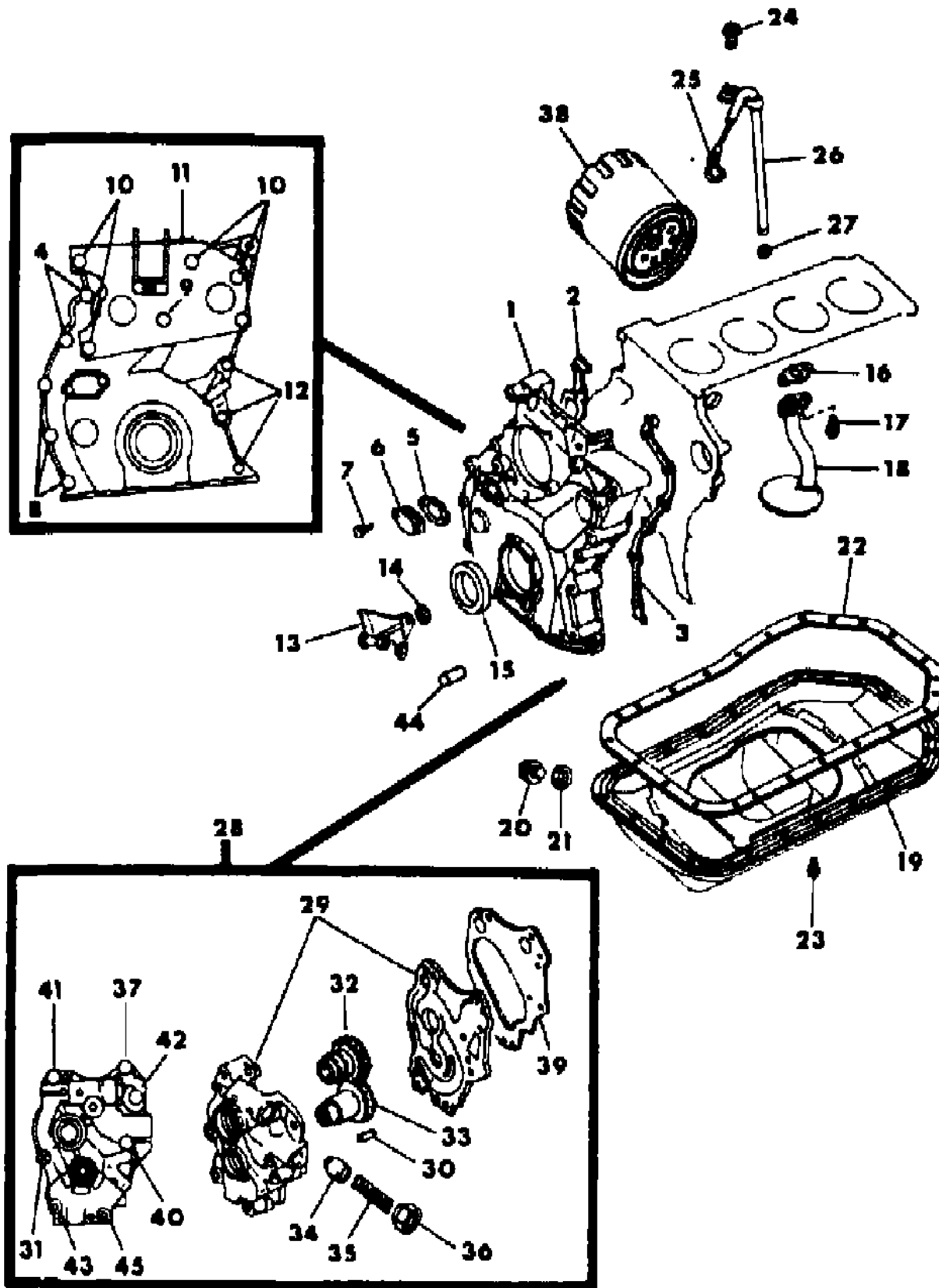
MODEL CODES

B = GRAN FURY	F = FIFTH AVENUE/NEWPORT	P = RELIANT
C = LEBARON/TOWN & COUNTRY/EXC SEDAN	G = DIPLOMAT	T = E CLASS/NEW YORKER
C24 = LASER	H = VOYAGER	V = 600
D = ARIES	K = MINI RAM/CARAVAN/ROYAL	V24 = DAYTONA
E = 600	M = HORIZON/TURISMO	Z = OMNI/CHARGER/RAMPAGE

BODY STYLES

21 = 2-DOOR SEDAN	28 = FWD PICKUP	44 = 4-DOOR HATCHBACK
22 = 2-DOOR SPECIAL COUPE	35 = FWD VAN	45 = 4-DOOR STATION WAGON
24 = 2-DOOR HATCHBACK	36 = FWD WAGON	48 = 4-DOOR EXECUTIVE SEDAN
27 = 2-DOOR CONVERTIBLE	41 = 4-DOOR SEDAN	

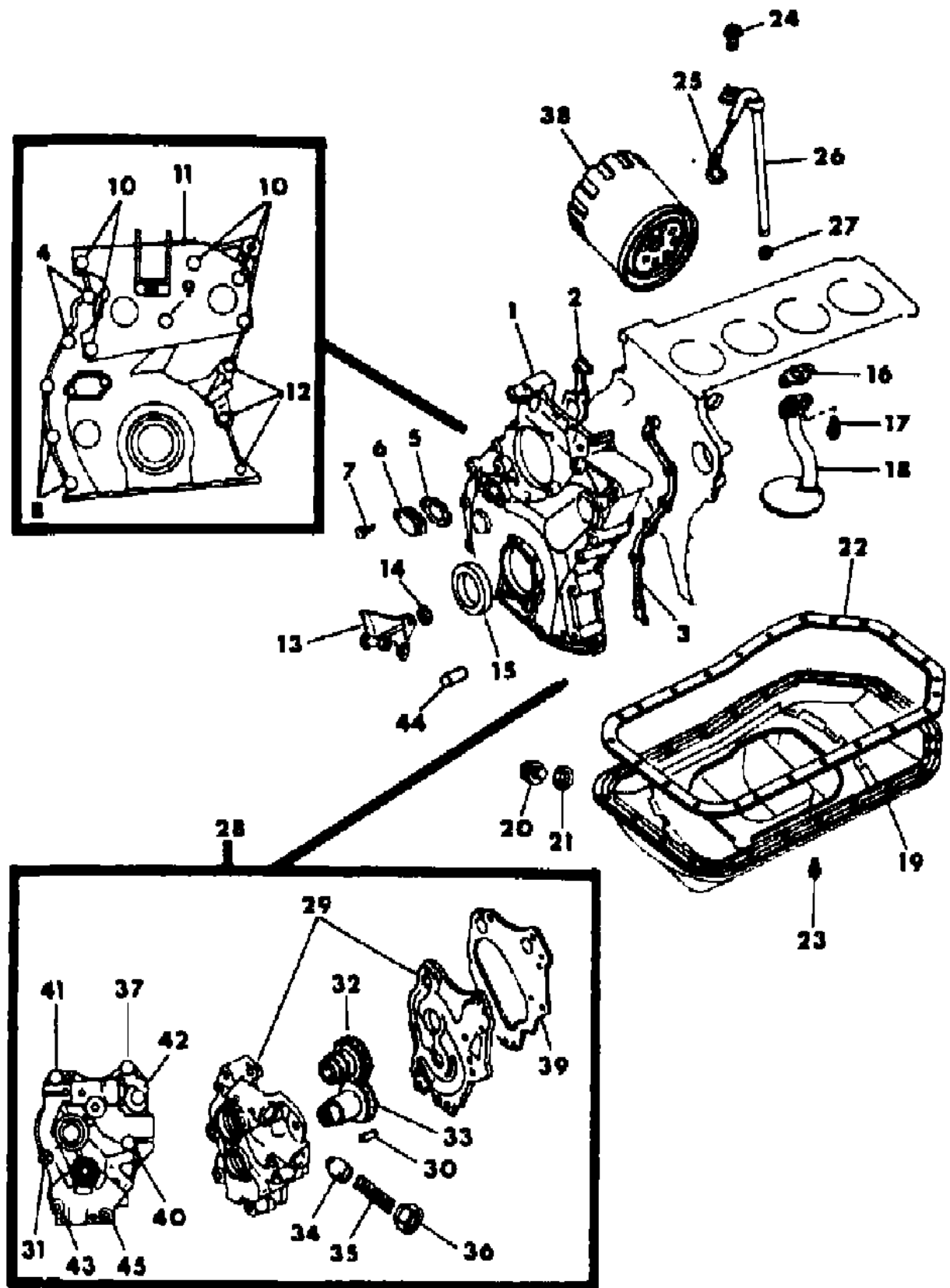
AR = Use as Required - = Non Illustrated Part P.A.R. = Paint as Required



OIL PUMP, OIL PAN, OIL LEVEL INDICATOR, TIMING COVER 4 CYLINDER 2.6 L ENG., P,D,C,V,E,T,H,K
Figure 9A-3100

4188 3100

ITEM	PART NUMBER	QTY	BODY	MODEL	DESCRIPTION
40	MD06 0521	1			GASKET, Oil Pump
40	MS10 1319	1			BOLT, Flange (6x38)
41	MS10 1322	1			BOLT, Flange (6x45)
42	MS10 1316	1			BOLT, Flange (6x22)
43	MD02 7152	1			BOLT w/Washer (8x14)
44	MD02 4419	1			SPACER
45	MD02 7152	1			BOLT



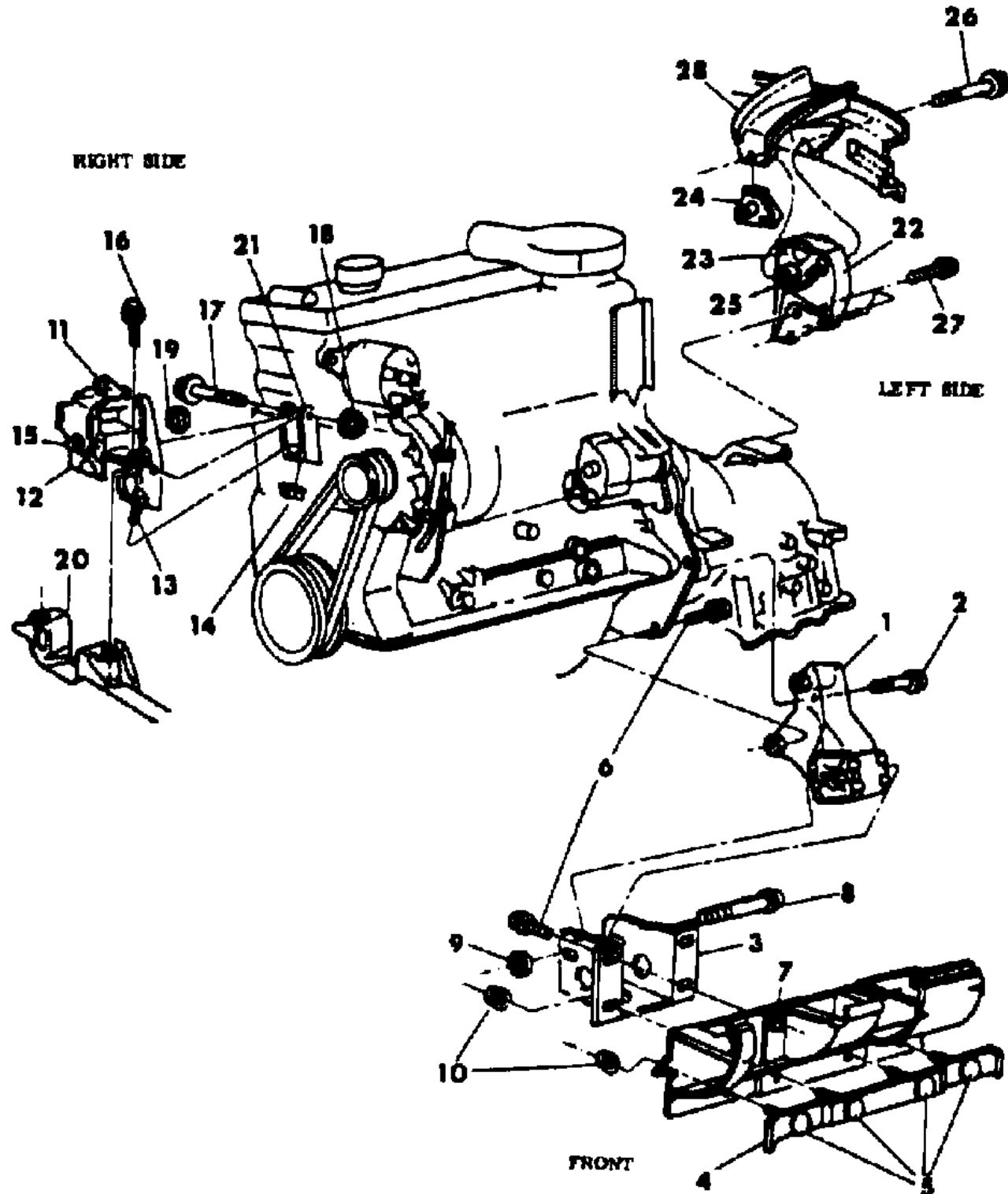
MODEL CODES
 B = GRAN FURY
 C = LEBARON/TOWN & COUNTRY/EXC SEDAN
 C24 = LASER
 D = ARIES
 E = 600
 F = FIFTH AVENUE/NEWPORT
 G = DIPLOMAT
 H = VOYAGER
 K = MINI RAM/CARAVAN/ROYAL
 M = HORIZON/TURISMO
 P = RELIANT
 T = E CLASS/NEW YORKER
 V = 600
 V24 = DAYTONA
 Z = OMNI/CHARGER/RAMPAGE

BODY STYLES
 21 = 2-DOOR SEDAN
 22 = 2-DOOR SPECIAL COUPE
 24 = 2-DOOR HATCHBACK
 27 = 2-DOOR CONVERTIBLE
 28 = FWD PICKUP
 35 = FWD VAN
 36 = FWD WAGON
 41 = 4-DOOR SEDAN
 44 = 4-DOOR HATCHBACK
 45 = 4-DOOR STATION WAGON
 48 = 4-DOOR EXECUTIVE SEDAN

AR = Use as Required - = Non Illustrated Part P.A.R. = Paint as Required

ENGINE MOUNTING 4 CYLINDER 2.6 L Engine, P,D,C,V,E,T,H,K
Figure 9A-3200

4198 1300



ITEM	PART NUMBER	QTY	BODY	MODEL	DESCRIPTION
1	4191 891	1			INSULATOR, Engine Support Front
2	6500 527	1			Bolt w/Washer, Eng. Support Insulator Bracket to Trans. Case
3	4270 120	1			BRACKET, Front Side Rail Front Crossmember Eng. Mounting Front Crossmember
4	4296 258	1			TIE PLATE ASSY., Front Crossmember Flange
5	6500 233	4			SCREW, Front Crossmember Flange Tie Plate
6	6500 535	3			SCREW w/Washer, Eng. Support Insulator to Adapter Plate
7	6500 259	2			NUT w/Washer, Eng. Support Insulator to Frame, Front
8	4271 953	1			SCREW w/Washer, Eng. Support Insulator Bracket to Adapter Plate
9	6100 053	1			NUT, Eng. Support Insulator to Frame, Front
10	6500 259	4			NUT, Front Crossmember Flange Tie Plate
11	4295 266	1			BRACKET ASSY., Eng. Support Insulator, Rt.
12	4295 260	1			BUSHING ASSY., Eng. Support Insulator
13	4295 274	1			STUD, Eng. Support Insulator Bracket to Eng. Mounting Assy. Rt.
14	6500 164	1			NUT, Eng. Support Insulator Bracket to Eng. Mounting Assy. Stud
15	6500 839	1			SCREW w/Washer, Eng. Support Insulator to Frame Bushing
16	6500 555	2			BOLT, Bushing Assy. to Bracket
17	6501 076	1			BOLT, Eng. Support Insulator Bracket to Eng. Mounting Assy., Right
18	6100 519	1			NUT, Eng. Support Insulator Bracket to Eng. Mounting Assy. Bolt, Right
19		1			NUT, Service in Bracket Assy. (4295266)
20		1			RAIL, Frame Front Side (See Group 13)
21	MD02 4884	1			BRACKET Assy. Engine Mounting, Right (up to April 83)
	MD07 1550	1			(after April 83)
22	4295 255	1			BRACKET ASSY., Eng. Support Insulator, Lt.
23	4295 237	1			BUSHING ASSY., Eng. Support Insulator
24	6500 833	1			U-NUT, Insulator to Frame, Left
25		1			SPACER, Eng. Support Insulator Bushing, Left (Not Serviced)
26	6500 840	1			SCREW w/Washer, Eng. Support Insulator to Frame, Left
27	6500 495	3			SCREW w/Washer, Eng. Support Insulator Bracket to Trans. Case Left
28					BRACKET, Side Rail Eng. Mounting Lt. (See Group 13 Front Frame Left Side Rail)

MODEL CODES

B = GRAN FURY	F = FIFTH AVENUE/NEWPORT	P = RELIANT
C = LEBARON/TOWN & COUNTRY/EXC SEDAN	G = DIPLOMAT	T = E CLASS/NEW YORKER
C24 = LASER	H = VOYAGER	V = 600
D = ARIES	K = MINI RAM/CARAVAN/ROYAL	V24 = DAYTONA
E = 600	M = HORIZON/TURISMO	Z = OMNI/CHARGER/RAMPAGE

BODY STYLES

21 = 2-DOOR SEDAN	28 = FWD PICKUP	44 = 4-DOOR HATCHBACK
22 = 2-DOOR SPECIAL COUPE	35 = FWD VAN	45 = 4-DOOR STATION WAGON
24 = 2-DOOR HATCHBACK	36 = FWD WAGON	48 = 4-DOOR EXECUTIVE SEDAN
27 = 2-DOOR CONVERTIBLE	41 = 4-DOOR SEDAN	

AR = Use as Required - = Non Illustrated Part P.A.R. = Paint as Required

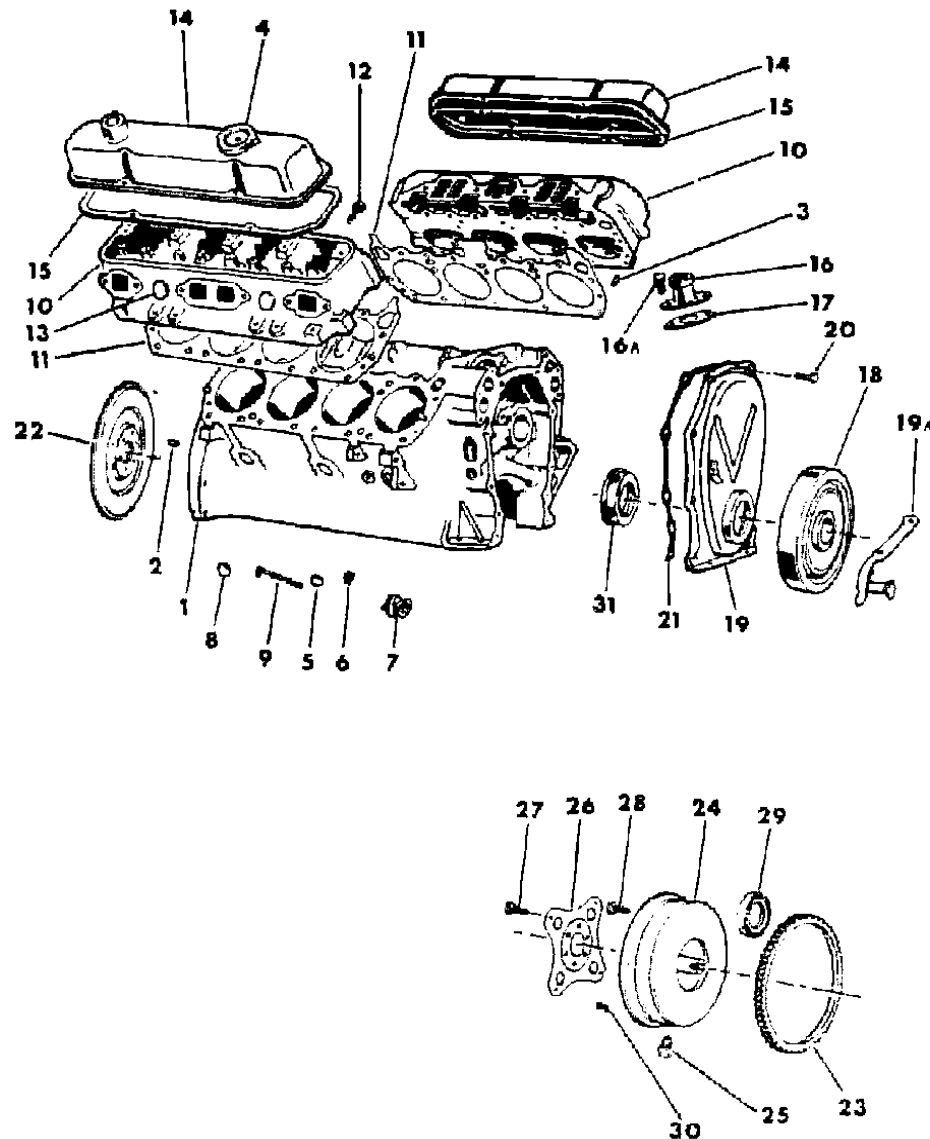
GROUP 9C - ENGINE, 8 CYLINDER

ILLUSTRATION TITLE	GROUP-FIG. NO.
5.2 L ENGINE	
ENGINE 8 CYLINDER	Fig. 9C-100
ENGINE OIL COOLER F,G,B 8 CYLINDER ENGINE	Fig. 9C-200
OIL PUMP AND OIL FILTER, OIL PAN, OIL LEVEL INDICATOR 8 CYLINDER ENGINE	Fig. 9C-500
CAMSHAFT, VALVES, ROCKERS, TIMING CHAIN, SPROCKET 8 CYLINDER ENGINE	Fig. 9C-600
CRANKSHAFT, PISTONS, AND RINGS 8 CYLINDER ENGINE	Fig. 9C-700
ENGINE MOUNTINGS 8 CYLINDER	Fig. 9C-800
MANIFOLD WITH HEAT CONTROL 8 CYLINDER	Fig. 9C-900
CRANKCASE VENT, CAP, HOSE, VALVE 8 CYLINDER ENGINE	Fig. 9C-1000

ILLUSTRATION NOT AVAILABLE AT TIME OF PUBLICATION

ENGINE 8 CYLINDER
Figure 9C-100

4109 100 A



ITEM	PART NUMBER	QTY	BODY	MODEL	DESCRIPTION
------	-------------	-----	------	-------	-------------

NOTE: The following symbols are used in connection with engine numbers. Engine numbers without symbols indicate Standard Cylinders and Crankshaft Bearings. The Letter "A" immediately following the engine number indicates Bore .020" (.508 MM) larger than the engine identification number indicates Main and Connecting Rod Bearings .010" (.254 MM) smaller than Standard. rings. The Letter "A" immediately following the engine number indicates Bore .020" (.508 MM) larger than Standard. The Letter "B" The Letters "AB" immediately following the engine identification number indicates Cylinder Bore .020" (.508 MM) larger than Standard. Main and Connecting Rod Bearings .010" (.254 MM) smaller than Standard. The Letters in the circular pads at either end of the engine numbers are for the use of factory inspectors only and should not be connected with the engine numbers. Always mention Serial Numbers when ordering major assemblies.

NOTE 1: When a complete overhaul engine gasket set is required for 8 cylinder engines use upper and lower Engine Gasket Sets, Intake Manifold Gasket, also Exhaust Manifold Gasket and Oil Pan Gaskets.

NOTE 2: When a valve grinding gasket set is required for 8 cylinder engines use Upper Engine Gasket Set, Intake Manifold Gasket also Exhaust Manifold Gasket

NOTE 3: All Parts listed are for 318 Engines Gasket

4049 264	1				GASKET SET, Engine, Upper, w/318 Except ELE-318 4BBI Police Eng. Consists of: 2 - 4186348 Gasket. Cyl. Head 2 - 4273129 Gasket. Cyl. Head Cover 8 - 2205958 Shield. Valve Stem Oil, Exhaust 8 - 4071006 Shield. Valve Stem Oil, Exhaust 8 - 4095543 Seal, Valve Guide, Intake
3837 644	1				2 - 3818115 Gasket, Exh. Pipe Flange GASKET SET, Engine, Lower w/318 Eng. Consists of: 1 - 2129012 Gasket, Chain Case Cover 1 - 50082 Gasket, Cyl. Water Outlet 2 - ----- Gasket, Oil Pan End 1 - 212903 Gasket, Water Pump Body 1 - 3577870 Gasket, Fuel Pump Flange 1 - 1326837 Gasket, Ignition Distributor 1 - 2899532 Seal, Chain Case Cover Oil 1 - 6027245 O-Ring, Ign. Dist. Housing 1 - 2875923 O-Ring, Ign. Dist. Housing
4049 265	1				GASKET SET, Engine, Upper (w/ELE-318 4BLL. Police Eng.) Consists of: 2 - 4131141 Gasket, Cyl. Head 2 - 4095088 Gasket, Cyl. Head Cover 1 - 3491023 Gasket, Cyl. Head Cover Oil Filler Pipe

MODEL CODES

B = GRAN FURY	F = FIFTH AVENUE/NEWPORT	P = RELIANT
C = LEBARON/TOWN & COUNTRY/EXC SEDAN	G = DIPLOMAT	T = E CLASS/NEW YORKER
C24 = LASER	H = VOYAGER	V = 600
D = ARIES	K = MINI RAM/CARAVAN/ROYAL	V24 = DAYTONA
E = 600	M = HORIZON/TURISMO	Z = OMNI/CHARGER/RAMPAGE

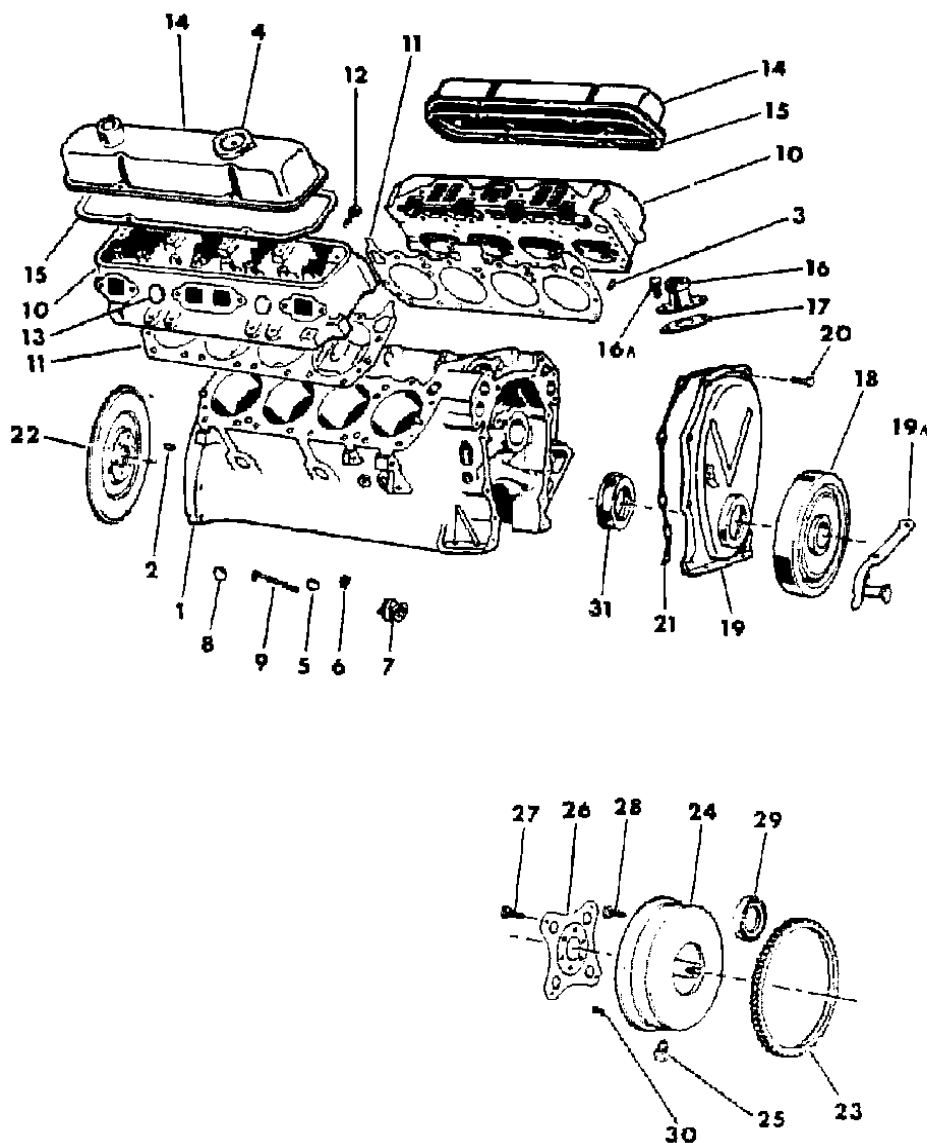
BODY STYLES

21 = 2-DOOR SEDAN	28 = FWD PICKUP	44 = 4-DOOR HATCHBACK
22 = 2-DOOR SPECIAL COUPE	35 = FWD VAN	45 = 4-DOOR STATION WAGON
24 = 2-DOOR HATCHBACK	36 = FWD WAGON	48 = 4-DOOR EXECUTIVE SEDAN
27 = 2-DOOR CONVERTIBLE	41 = 4-DOOR SEDAN	

AR = Use as Required - = Non Illustrated Part P.A.R. = Paint as Required

ENGINE 8 CYLINDER
Figure 9C-100

4109 100 A



ITEM	PART NUMBER	QTY	BODY	MODEL	DESCRIPTION
					8 - 4095543 Seal, Valve Guide, Intake
					2 - 3818115 Gasket, Exh. Pipe Flange
					8 - 4071006 Shield, Valve Stem Oil, Exhaust
NOTE: Short Engine Assemblies consists of the Cylinder Block with Pistons and Rings, Crankshaft and Bearings, Connecting Rods and Bearings. Gasket					
1	4105 987	1			SHORT ENGINE,(w/318 Except ELE-318 4BBL. Police Eng.)
	4105 989	1			w/ELE-318 4BBL. Police Eng.
2	1122 532	2			DOWEL, Cyl. Block to Clutch or Torque Converter Housing, Std.
	1736 347	AR			.007 Over Center
	1736 348	AR			.014 Over Center
	1736 353	AR			.021 Over Center
3	0141 215	4			DOWEL, Cyl. Block to Cyl. Head
4		1			(See Illust. #1000)
5	5203 342	AR			PLUG, Cyl. Block Core Hole, 1.635
	2406 575	AR			1.695
	5203 341	AR			1.2585
6	3462 871	1			PLUG, Cyl. Block Oil Line
	3751 818	2			PLUG, Cyl. Block Oil Hole
7	3755 677	2			HEATER, Engine Block
8	6027 513	AR			"O"RING, Engine Heater
9	3614 314	1			CORD, Engine Block Heater
	6015 412	3			CLIP, Engine Block Heater Cord (Not Shown)
10	4100 405	2			HEAD, Cylinder, w/318 Except ELE-318 4BBL. Police Eng.
	4227 948	2			w/(ELE-318 4BBL. Police Eng.)
11	4186 348	2			GASKET, Cyl. Head, w/318 Except ELE-318 4BBL. Police Eng.
	4131 141	2			w/ELE-318 4BBL. Police Eng.
12	6031 045	10			BOLT, Cyl. Head, 1/2 x 1-7/8"
	6031 101	8			1/2 x 3-5/8"
	2463 260	2			1/2 x 4-5/8"
13	5203 341	AR			PLUG, Cyl. Head Core Hole
14	4071 035	1			COVER, Cyl. Head, Right
	4041 016	1			Left
14a	6031 688	10			SCREW, Cyl. Head Cover
15	4273 129	2			GASKET, Cyl. Head Cover, w/318 Except ELE-318 4BBL. Police Eng.
	4095 088	2			w/(ELE-318 4BBL. Police Eng.)
16	4100 490	1			CONNECTOR, Cyl. Water Outlet
16a	6031 413	2			BOLT, Cyl. Water Outlet Connector

MODEL CODES

B = GRAN FURY	F = FIFTH AVENUE/NEWPORT	P = RELIANT
C = LEBARON/TOWN & COUNTRY/EXC SEDAN	G = DIPLOMAT	T = E CLASS/NEW YORKER
C24 = LASER	H = VOYAGER	V = 600
D = ARIES	K = MINI RAM/CARAVAN/ROYAL	V24 = DAYTONA
E = 600	M = HORIZON/TURISMO	Z = OMNI/CHARGER/RAMPAGE

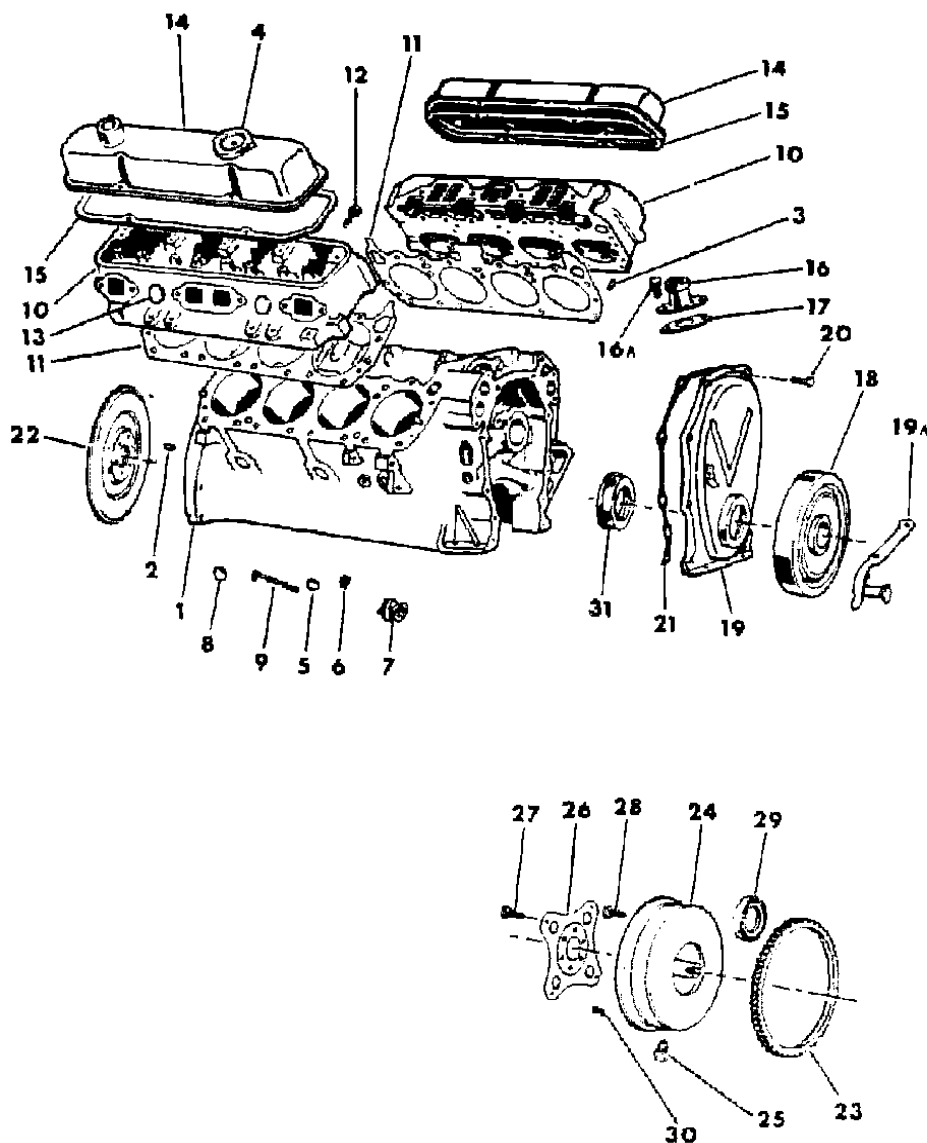
BODY STYLES

21 = 2-DOOR SEDAN	28 = FWD PICKUP	44 = 4-DOOR HATCHBACK
22 = 2-DOOR SPECIAL COUPE	35 = FWD VAN	45 = 4-DOOR STATION WAGON
24 = 2-DOOR HATCHBACK	36 = FWD WAGON	48 = 4-DOOR EXECUTIVE SEDAN
27 = 2-DOOR CONVERTIBLE	41 = 4-DOOR SEDAN	

AR = Use as Required - = Non Illustrated Part P.A.R. = Paint as Required

ENGINE 8 CYLINDER
Figure 9C-100

4109 100 A



ITEM	PART NUMBER	QTY	BODY	MODEL	DESCRIPTION
17	4173 461	1			GASKET, Cyl. Water Outlet Connector
18	4173 443	1			DAMPER, Crankshaft Vibration, w/318 Eng.
19	3769 964	1			COVER, Chain Case, Assy.
19A	4095 625	1			INDICATOR, Timing
20	0181 112	2			SCREW, Chain Case Cover, 3/8 x 1"
	9420 892	1			3/8 x 2-3/4"
21	2129 012	1			GASKET, Chain Case Cover
22					FLYWHEEL, w/Ring Gear (Not used)
23					GEAR, Flywheel Ring (Not used)
	2121 196	1			GEAR, Torque Converter Ring, (I.D. 11.250")
24	4293 052	1			TORQUE CONVERTER, (See Note)
25	6023 092	1			SCREW w/Washer, Torque Converter Drain
26	4058 429	1			PLATE, Torque Converter Drive
27	1949 424	6			SCREW, Drive Plate to Crankshaft
28	1949 765	4			SCREW, Drive Plate to Torque Converter
29	4269 057	1			SEAL, Trans. Torque Converter Impeller Hub, w/A904 Auto. Trans.
	3515 137	1			w/A727 Auto. Trans.
30	2808 673	8			SPRING, Torque Converter Overrunning Clutch Roller
31	3830 109	1			OIL SEAL, Chain Case Cover

NOTE: To replace the original Production Torque Converter look on the front cover surface for a Decal which will indicate a Lockup or a Non-Lockup Torque Converter. The Trans. Input Shaft and the Torque Converter Hub has one less spline for the Lockup. Lock units are not interchangeable. On the curved surface of the rear Torque Converter Cover will be stamped the last three digits of the production Part No. stamped (488) For service replacement use the following Cross Reference.

PRODUCTION	REMANUFACTURED
TORQUE CONVERTER	TORQUE CONVERTER
STAMPED	SERVICE
385	4106564
531	4293053
721	4202722
415	4106572
385	4106564
389	4106565
387	4186054
410	4186052

MODEL CODES

B = GRAN FURY	F = FIFTH AVENUE/NEWPORT	P = RELIANT
C = LEBARON/TOWN & COUNTRY/EXC SEDAN	G = DIPLOMAT	T = E CLASS/NEW YORKER
C24 = LASER	H = VOYAGER	V = 600
D = ARIES	K = MINI RAM/CARAVAN/ROYAL	V24 = DAYTONA
E = 600	M = HORIZON/TURISMO	Z = OMNI/CHARGER/RAMPAGE

BODY STYLES

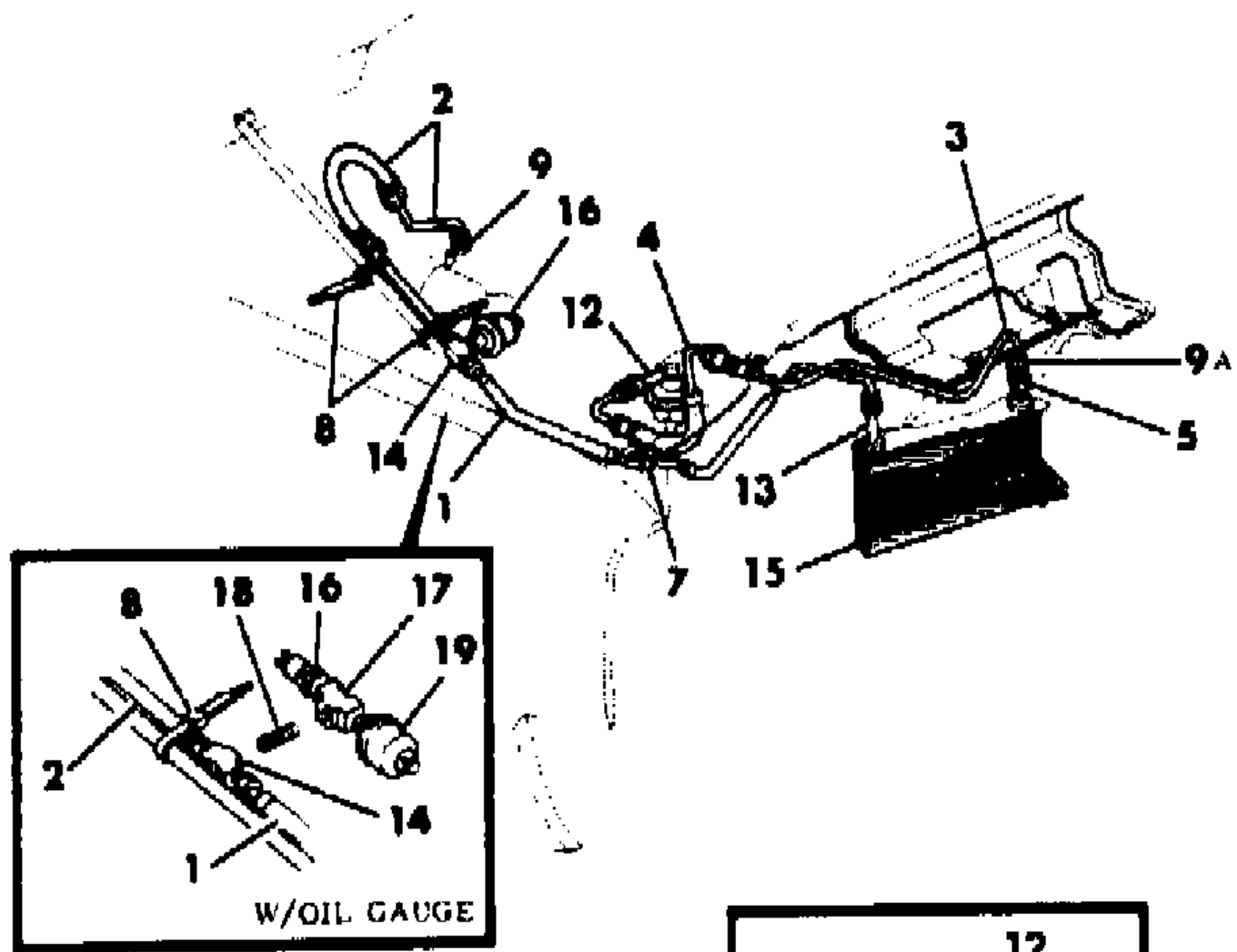
21 = 2-DOOR SEDAN	28 = FWD PICKUP	44 = 4-DOOR HATCHBACK
22 = 2-DOOR SPECIAL COUPE	35 = FWD VAN	45 = 4-DOOR STATION WAGON
24 = 2-DOOR HATCHBACK	36 = FWD WAGON	48 = 4-DOOR EXECUTIVE SEDAN
27 = 2-DOOR CONVERTIBLE	41 = 4-DOOR SEDAN	

AR = Use as Required - = Non Illustrated Part P.A.R. = Paint as Required

ENGINE OIL COOLER F,G,B 8 CYLINDER ENGINE

Figure 9C-200

4109 200



ITEM	PART NUMBER	QTY	BODY	MODEL	DESCRIPTION
NOTE 1 All tubes for all locations contained in Pkg. No. 4026548 rt No. stamped (488) For service replacement use the following Cross Reference.					
1	4140 400	1			TUBE, Engine Oil Cooler, Front
2		1			TUBE, Engine Oil Cooler, Rear (See Note 1)
3		1			TUBE, Oil Cooler to Engine, Front (See Note 1)
4		1			TUBE, Oil Cooler to Engine, Rear (See Note 1)
5	2264 514	1			VALVE, Engine Oil Cooler Check
6		1			CLIP, (Not Serviced)
7		1			CLIP, (Not Serviced)
8		2			CLIP, (Not Serviced)
9	6031 741	1			CONNECTOR, Engine to Oil Cooler Tube
9A	0137 406	1			CONNECTOR, Check Valve to Oil Cooler Tube
10	4071 712	1			SCREW, Fuel Pump
11		1			WASHER, (Not Serviced)
12	6032 002	1			PIPE Nipple, Return Line
13	6032 005	1			PIPE Nipple, Outlet Line
14	0128 275	1			TEE, Oil Pressure Sensing Unit
15	4140 394	1			OIL COOLER, Engine
16		1			SWITCH, Oil Pressure (See Group 8 Electrical)
17		1			TEE, Dual Sensing Unit (w/Oil Gauge) (Not Serviced)
18		1			NIPPLE, Connector (w/Oil Gauge) (Not Serviced)
19		1			SENDING UNIT, Oil Pressure w/(Oil Gauge) (See Group 8 Electrical)
20	1316 864	1			"O"RING, Engine Oil Cooler Tube Junction Seal (NotShown)

MODEL CODES

- | | | |
|--------------------------------------|----------------------------|--------------------------|
| B = GRAN FURY | F = FIFTH AVENUE/NEWPORT | P = RELIANT |
| C = LEBARON/TOWN & COUNTRY/EXC SEDAN | G = DIPLOMAT | T = E CLASS/NEW YORKER |
| C24 = LASER | H = VOYAGER | V = 600 |
| D = ARIES | K = MINI RAM/CARAVAN/ROYAL | V24 = DAYTONA |
| E = 600 | M = HORIZON/TURISMO | Z = OMNI/CHARGER/RAMPAGE |

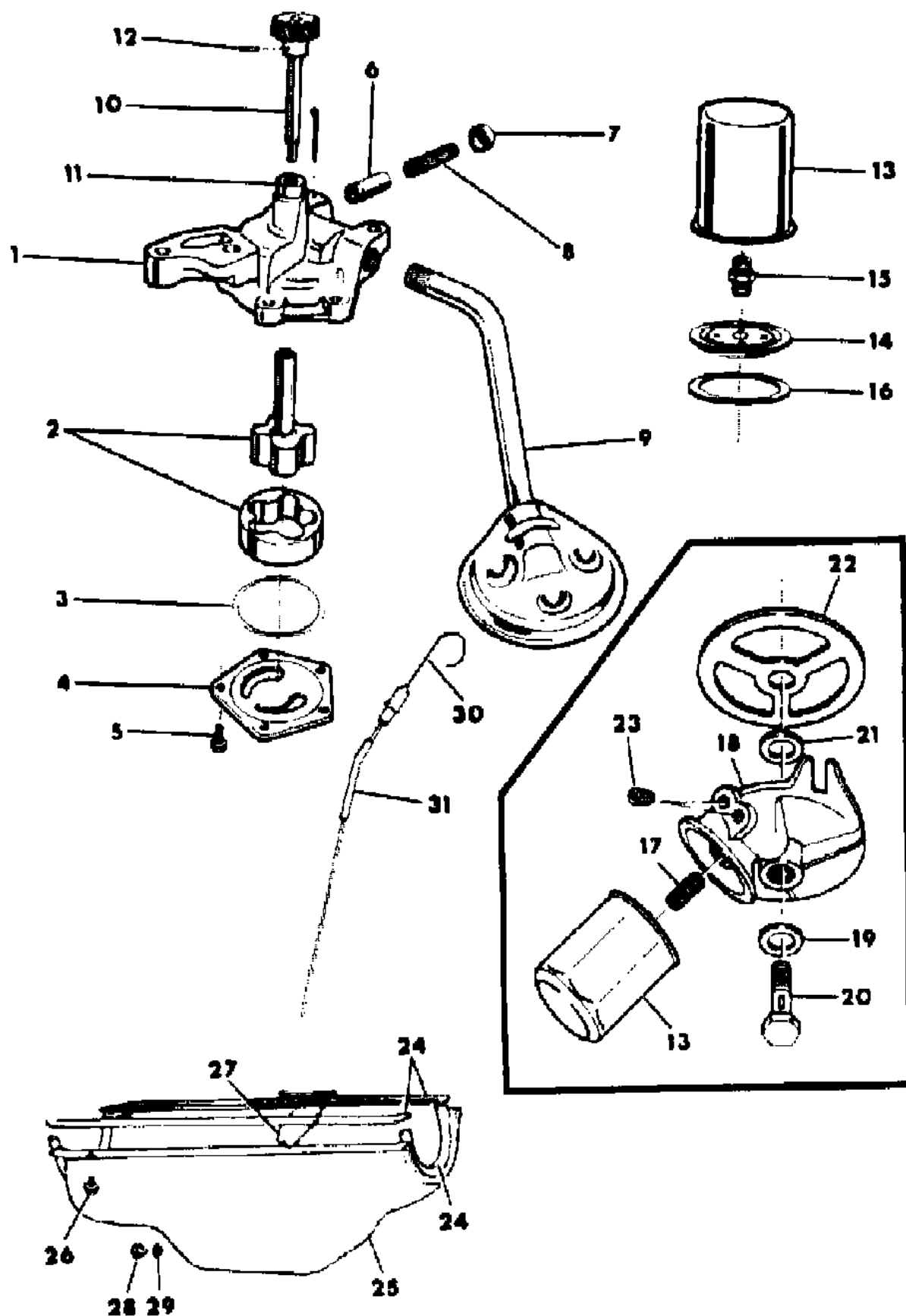
BODY STYLES

- | | | |
|---------------------------|-------------------|-----------------------------|
| 21 = 2-DOOR SEDAN | 28 = FWD PICKUP | 44 = 4-DOOR HATCHBACK |
| 22 = 2-DOOR SPECIAL COUPE | 35 = FWD VAN | 45 = 4-DOOR STATION WAGON |
| 24 = 2-DOOR HATCHBACK | 36 = FWD WAGON | 48 = 4-DOOR EXECUTIVE SEDAN |
| 27 = 2-DOOR CONVERTIBLE | 41 = 4-DOOR SEDAN | |

AR = Use as Required - = Non Illustrated Part P.A.R. = Paint as Required

OIL PUMP AND OIL FILTER, OIL PAN, OIL LEVEL INDICATOR 8 CYLINDER ENGINE
Figure 9C-500

4100 500



ITEM	PART NUMBER	QTY	BODY	MODEL	DESCRIPTION
1	2806 270	1			OIL PUMP
2	3837 648	1			DRIVE SHAFT AND ROTOR PACKAGE, Oil Pump Consists of: 1- ----- Shaft w/Inner Rotor 1- ----- Rotor, Outer
					1- 2268921 Gasket, Oil Pump Cover Consists of: 1- ----- Shaft, Assy. Oil Pump Drive 1- ----- Rotor Outer, Oil Pump
3	2268 921	1			GASKET, Oil Pump Cover
4	4071 043	1			COVER, Oil Pump
5		5			SCREW, Oil Pump Cover (1/4-20x.75") (Not Serviced)
6	2843 208	1			PLUNGER, Oil Pressure Relief Valve
7	2806 273	1			CAP, Oil Pressure Relief Valve
8	2402 473	1			SPRING, Oil Pressure Relief Valve
9	2468 849	1			STRAINER, w/Pipe
10	4095 260	1			SHAFT, Oil Pump and Distributer Drive . Assy.
11	2863 584	1			BUSHING, Oil Pump Distributer Drive Shaft
12		1			PIN, Oil Pump and Distributer Drive Gear (3/16 x 1.25") (Not Serviced)
13	3549 957	1			FILTER, Oil
14	2402 103	1			PLATE, Oil Filter Adapter
15	3671 602	1			ADAPTER, Oil Filter to Cylinder Block
16	3671 314	1			GASKET, Oil Filter Adapter Plate
17	4104 511	1			ADAPTER, Oil Filter to Oil Filter Base
18	4179 726	1			BASE, Oil Filter Assy.
19	4105 210	1			GASKET, Oil Filter Base Screw
20	4186 347	1			SCREW, Oil Filter Base
21	2463 512	1			SEAL, Oil Filter Base Screw
22	3577 674	1			GASKET, Oil Filter Base
23		1			PLUG, Oil Filter Base, (3/8 dia.)
24	4240 153	1			GASKET SET, Oil Pan Consists of: 2- ----- Gasket, Oil Pan Side 2- ----- Gasket, Oil Pan End
25	4006 387	1			PAN, Oil
26	6031 413	14			SCREW, w/Washer, Oil Pan 5/16" X 13/16"
	6025 926	4			SCREW, w/Washer, Oil Pan 5/16" X 1"

MODEL CODES

B = GRAN FURY	F = FIFTH AVENUE/NEWPORT	P = RELIANT
C = LEBARON/TOWN & COUNTRY/EXC SEDAN	G = DIPLOMAT	T = E CLASS/NEW YORKER
C24 = LASER	H = VOYAGER	V = 600
D = ARIES	K = MINI RAM/CARAVAN/ROYAL	V24 = DAYTONA
E = 600	M = HORIZON/TURISMO	Z = OMNI/CHARGER/RAMPAGE

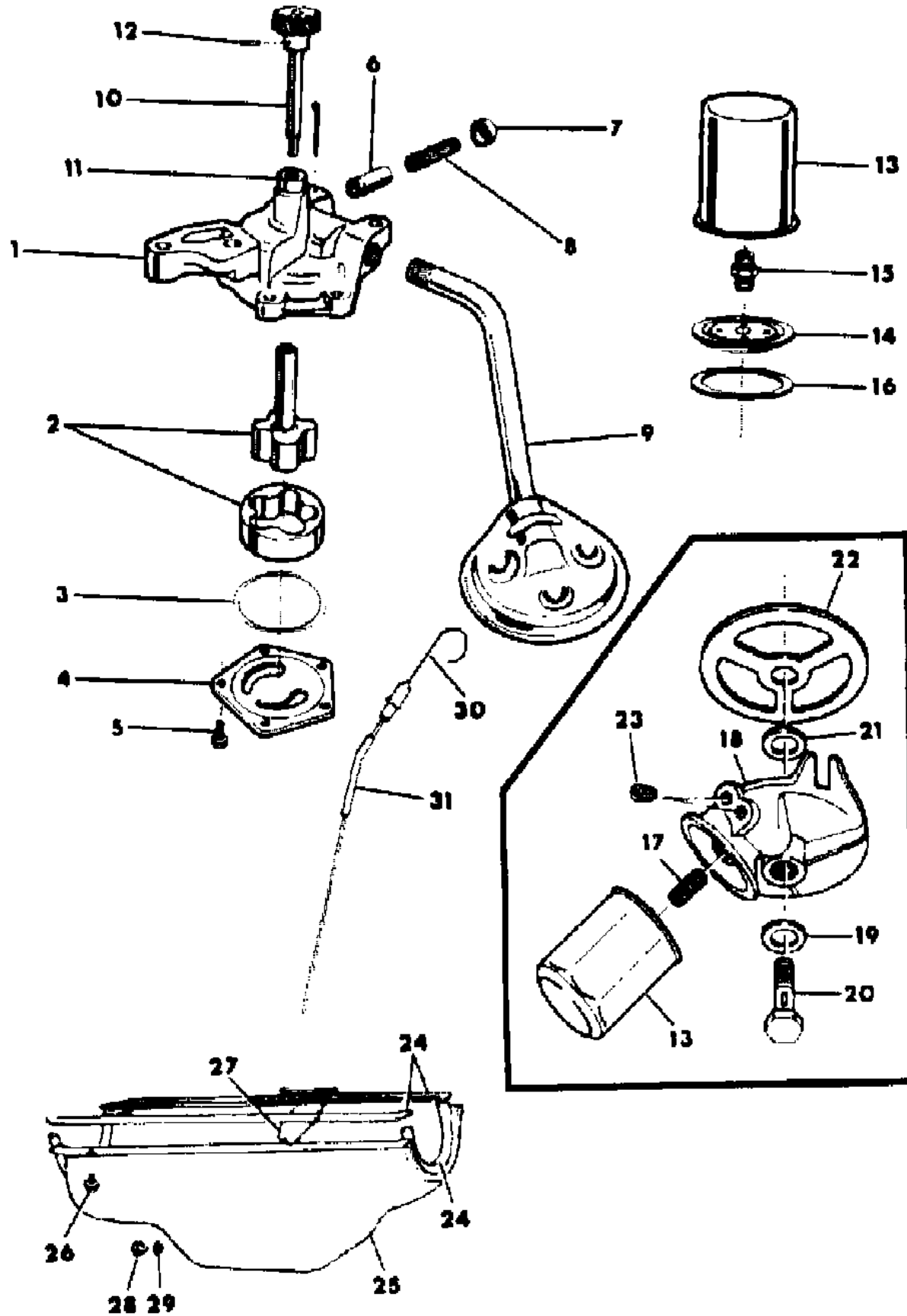
BODY STYLES

21 = 2-DOOR SEDAN	28 = FWD PICKUP	44 = 4-DOOR HATCHBACK
22 = 2-DOOR SPECIAL COUPE	35 = FWD VAN	45 = 4-DOOR STATION WAGON
24 = 2-DOOR HATCHBACK	36 = FWD WAGON	48 = 4-DOOR EXECUTIVE SEDAN
27 = 2-DOOR CONVERTIBLE	41 = 4-DOOR SEDAN	

AR = Use as Required - = Non Illustrated Part P.A.R. = Paint as Required

OIL PUMP AND OIL FILTER, OIL PAN, OIL LEVEL INDICATOR 8 CYLINDER ENGINE
Figure 9C-500

4100 500



ITEM	PART NUMBER	QTY	BODY	MODEL	DESCRIPTION
	6030 163	4			SCREW, w/Washer, Oil Scraper Baffle
27	3577 794	1			BAFFLE, Crankshaft Oil Scraper, (ELE-318 4BBL. Police Eng.)
28	4271 941	1			PLUG, Oil Pan Drain
29	3769 935	1			GASKET, Oil Pan Drain Plug
30	3870 265	1			INDICATOR, Oil Level
31	4027 249	1			TUBE, Oil Level Indicator

MODEL CODES

B = GRAN FURY	F = FIFTH AVENUE/NEWPORT	P = RELIANT
C = LEBARON/TOWN & COUNTRY/EXC SEDAN	G = DIPLOMAT	T = E CLASS/NEW YORKER
C24 = LASER	H = VOYAGER	V = 600
D = ARIES	K = MINI RAM/CARAVAN/ROYAL	V24 = DAYTONA
E = 600	M = HORIZON/TURISMO	Z = OMNI/CHARGER/RAMPAGE

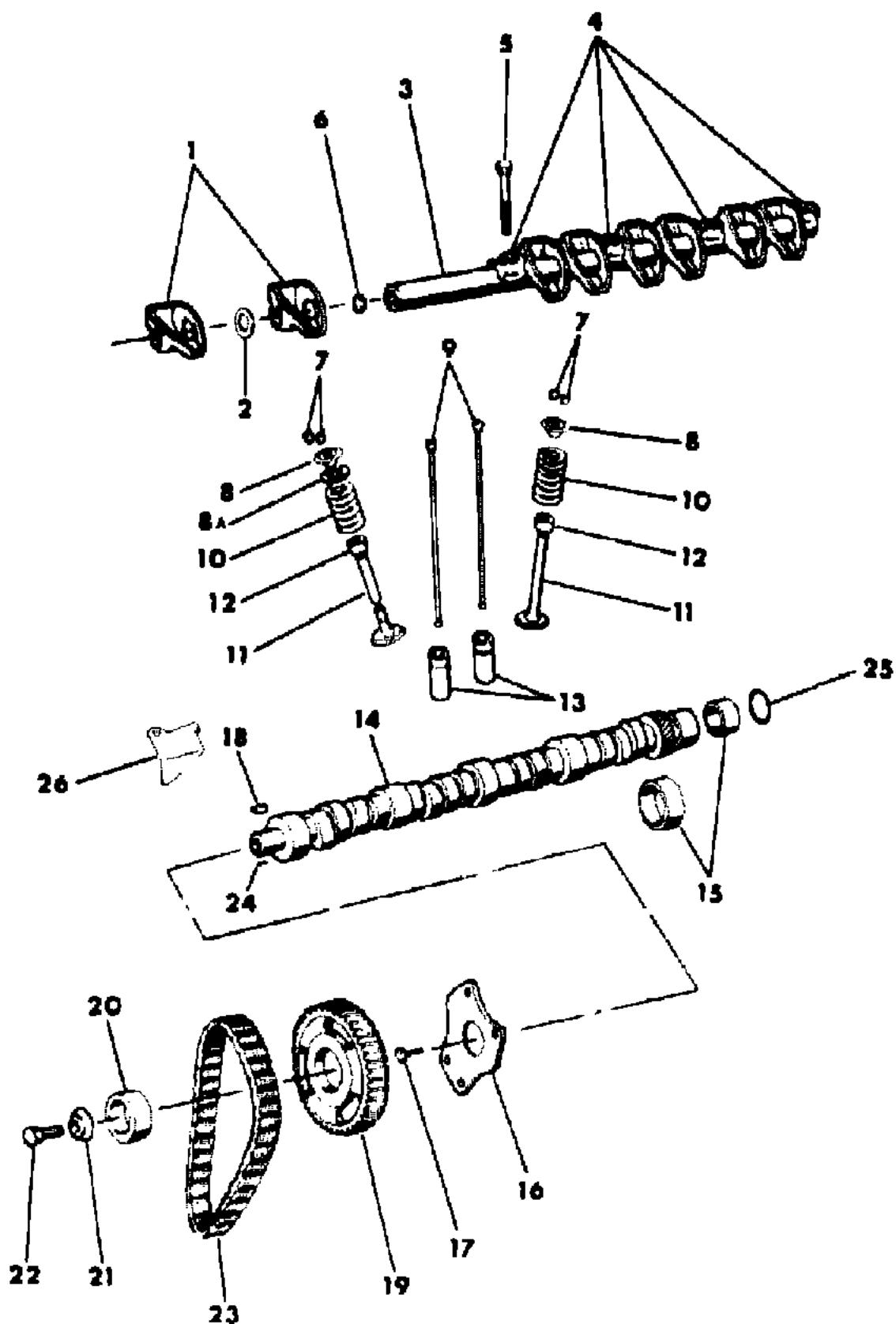
BODY STYLES

21 = 2-DOOR SEDAN	28 = FWD PICKUP	44 = 4-DOOR HATCHBACK
22 = 2-DOOR SPECIAL COUPE	35 = FWD VAN	45 = 4-DOOR STATION WAGON
24 = 2-DOOR HATCHBACK	36 = FWD WAGON	48 = 4-DOOR EXECUTIVE SEDAN
27 = 2-DOOR CONVERTIBLE	41 = 4-DOOR SEDAN	

AR = Use as Required - = Non Illustrated Part P.A.R. = Paint as Required

CAMSHAFT, VALVES, ROCKERS, TIMING CHAIN, SPROCKET 8 CYLINDER ENGINE
Figure 9C-600

4109 600



ITEM	PART NUMBER	QTY	BODY	MODEL	DESCRIPTION
1	4100 774	8			ROCKER, Valve, Right, w/318 Eng.
	4100 775	8			Left, w/318 Eng.
3	2532 149	2			SHAFT, Valve Rocker
4	2463 322	6			RETAINER, Valve Rocker Shaft, End and Center
	2463 323	4			Intermediate
5	0181 095	10			SCREW, Valve Rocker Shaft Retainer
6	1324 268	4			PLUG, Valve Rocker Shaft
7	0381 875	16			LOCK, Intake Valve Spring Retainer (w/2 Grooves)
	1614 666	16			LOCK, Exhaust Spring Retainer (w/4 Grooves)
8	2402 045	16			RETAINER, Valve Spring
8A	1859 144	AR			SPACER, Valve Spring
9	4095 291	16			ROD, Valve Push
10	1739 534	16			SPRING, Valve, w/318 except ELE-318 4BBL. Police Eng.
	3751 741	16			w/ELE-318 4BBL. Police Eng.
11	2465 335	8			VALVE, Intake, Std., w/318 Except ELE-318 4BBL. POlice Eng.
	2465 336	8			.005 O/S
	2465 337	8			.015 O/S
	2465 338	8			.030 O/S
	3683 801	8			Std., w/ELE-318 4BBL. Police Eng.
	3683 802	8			.005 O/S
	3683 803	8			.015 O/S
	3683 804	8			.030 O/S
	4100 387	8			VALVE, Exhaust, Std. w/318 Except ELE-318 4BBL. Police Eng.
	4100 388	8			.005 O/S
	4100 389	8			.015 O/S
	4100 390	8			.030 O/S
	4100 632	8			w/(ELE-318 4BBL. Police Eng.)
	4100 633	8			.005 O/S
	4100 634	8			.015 O/S
	4100 635	8			.030 O/S
12	4071 006	8			SHIELD, Valve Stem Oil Exhaust
	4095 543	8			SEAL, Valve Guide Intake
13	4049 338	16			TAPPET, Valve, Std.
	4049 339	16			.001 O/S
	4049 340	16			.008 O/S
	4049 341	16			.030 O/S
14	4227 879	1			CAMSHAFT

MODEL CODES

B = GRAN FURY	F = FIFTH AVENUE/NEWPORT	P = RELIANT
C = LEBARON/TOWN & COUNTRY/EXC SEDAN	G = DIPLOMAT	T = E CLASS/NEW YORKER
C24 = LASER	H = VOYAGER	V = 600
D = ARIES	K = MINI RAM/CARAVAN/ROYAL	V24 = DAYTONA
E = 600	M = HORIZON/TURISMO	Z = OMNI/CHARGER/RAMPAGE

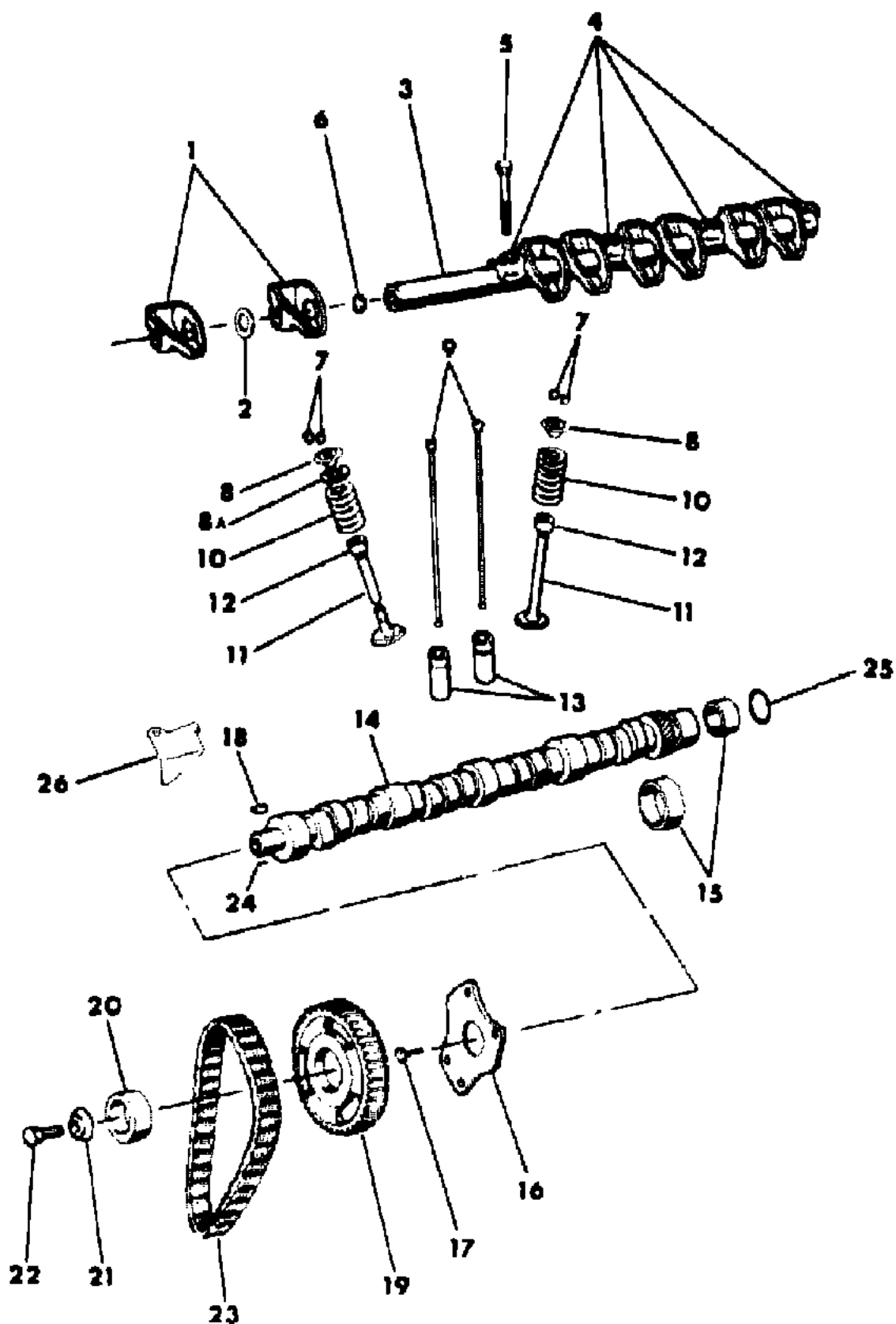
BODY STYLES

21 = 2-DOOR SEDAN	28 = FWD PICKUP	44 = 4-DOOR HATCHBACK
22 = 2-DOOR SPECIAL COUPE	35 = FWD VAN	45 = 4-DOOR STATION WAGON
24 = 2-DOOR HATCHBACK	36 = FWD WAGON	48 = 4-DOOR EXECUTIVE SEDAN
27 = 2-DOOR CONVERTIBLE	41 = 4-DOOR SEDAN	

AR = Use as Required - = Non Illustrated Part P.A.R. = Paint as Required

CAMSHAFT, VALVES, ROCKERS, TIMING CHAIN, SPROCKET 8 CYLINDER ENGINE
Figure 9C-600

4109 600



ITEM	PART NUMBER	QTY	BODY	MODEL	DESCRIPTION
15	3830 603	1			BEARING, Camshaft No. 1
	4179 776	1			No. 2
	4179 777	1			No. 3
	4179 778	1			No. 4
	1632 526	1			No. 5
16	1618 670	1			PLATE, Camshaft Sprocket Thrust
17	0191 674	3			SCREW, Thrust Plate
18	0106 751	1			KEY, Camshaft
19	2843 610	1			SPROCKET, Camshaft (Except ELE-318 4BBL. Police, ELD-318 2BBL. H-Duty)
	2899 556	1			w/(ELE-318 4BBL. Police Eng., ELD-318-2BBL. H-Duty Eng.)
20	2843 661	1			ECCENTRIC, Camshaft
21	1618 732	1			WASHER, Sprocket Retainer Screw
22	6024 027	1			SCREW, Camshaft Sprocket Retainer
23	3514 182	1			CHAIN, Timing, Except ELD, ELE-318 Engines
	1327 319	1			w/(ELD-318 2BBL. H-Duty, ELE-318 4BBL. Police Eng.)
25	1821 722	1			PLUG, Camshaft Rear Bearing
26	3671 649	1			TAB, Timing Chain Oil

NOTE: To Identify Between a Right & Left Rocker For the 318 Engine. The Left Rocker Push Rod Socket is approx. 1/16" to the Left and the Right Rocker SOCKET is approx. 1/16" to the right.

MODEL CODES

B = GRAN FURY	F = FIFTH AVENUE/NEWPORT	P = RELIANT
C = LEBARON/TOWN & COUNTRY/EXC SEDAN	G = DIPLOMAT	T = E CLASS/NEW YORKER
C24 = LASER	H = VOYAGER	V = 600
D = ARIES	K = MINI RAM/CARAVAN/ROYAL	V24 = DAYTONA
E = 600	M = HORIZON/TURISMO	Z = OMNI/CHARGER/RAMPAGE

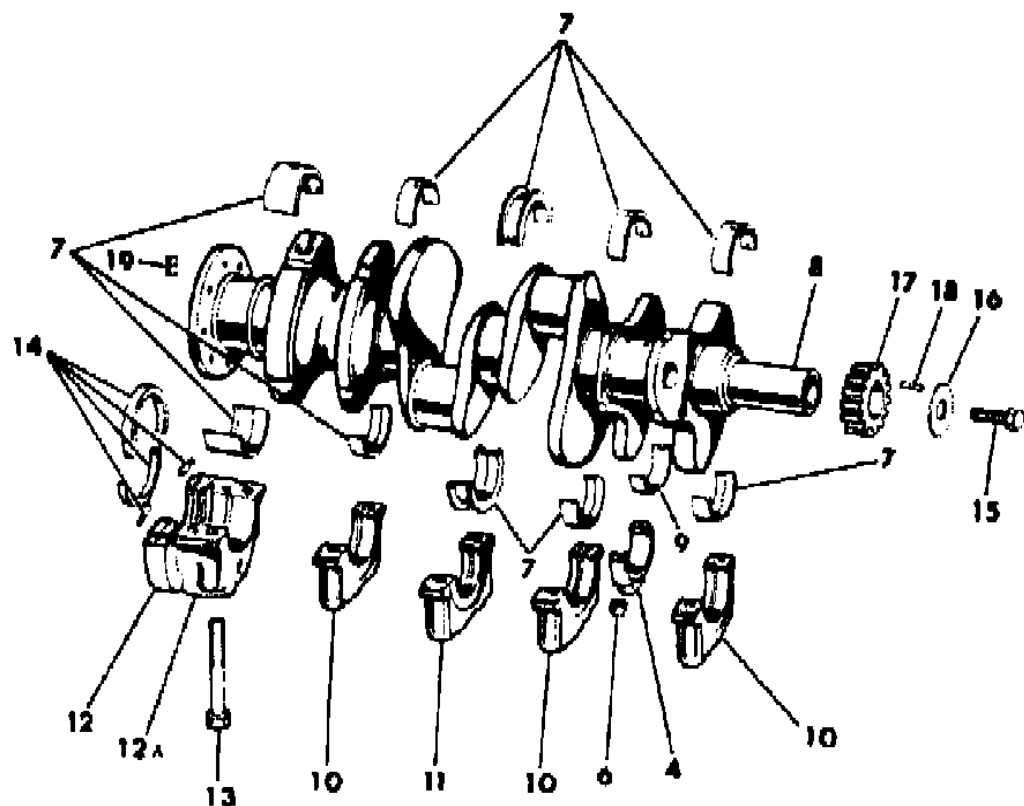
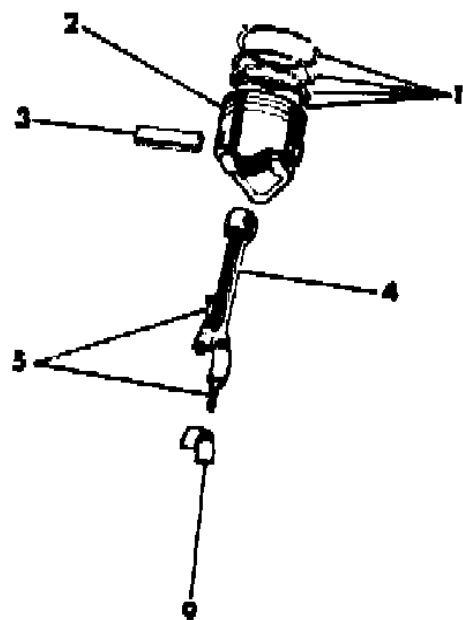
BODY STYLES

21 = 2-DOOR SEDAN	28 = FWD PICKUP	44 = 4-DOOR HATCHBACK
22 = 2-DOOR SPECIAL COUPE	35 = FWD VAN	45 = 4-DOOR STATION WAGON
24 = 2-DOOR HATCHBACK	36 = FWD WAGON	48 = 4-DOOR EXECUTIVE SEDAN
27 = 2-DOOR CONVERTIBLE	41 = 4-DOOR SEDAN	

AR = Use as Required - = Non Illustrated Part P.A.R. = Paint as Required

CRANKSHAFT, PISTONS, AND RINGS 8 CYLINDER ENGINE
Figure 9C-700

4109 700



ITEM	PART NUMBER	QTY	BODY	MODEL	DESCRIPTION
1	2808 553	1			RING SET, Piston, (Set for all Pistons) Std. to .009 O/S
	2808 554	1			.020 to .029 O/S
	3780 007	8			(Set for one Piston) Std. to .009 O/S
	3780 008	8			.020 to .029 O/S
NOTE: The following Pistons include Pin and Piston. SOCKET is approx. 1/16" to the right.					
2	3685 751	8			PISTON, w/Pin, w/318 Eng.
	3685 753	8			.020 O/S, w/318 Eng.
3	2658 878	8			PIN, Piston, Std.
	2658 879	8			.003 O/S
	2658 880	8			.008 O/S
NOTE: Connecting Rod includes Cap, Bolt, Nut, Lockwasher and Bushing. SOCKET is approx. 1/16" to the right.					
4	3751 015	8			ROD, Connecting
5	4273 344	16			BOLT, Connecting Rod Bearing Cap
6	1737 695	16			NUT, Rod Cap Bolt
NOTE: Crankshaft Bearing Package consists of one Upper and one Lower Bearing. SOCKET is approx. 1/16" to the right.					
7					BEARING PACKAGE, Crankshaft
	4106 009	1			No.1, w/318 Except ELE 318 4BBL. Police Eng. Std.
	4106 010	1			.001 U/S
	4106 011	1			.002 U/S
	4106 012	1			.003 U/S
	4106 013	1			.010 U/S
	4106 014	1			.012 U/S
	4186 194	2			Nos. 2,4, w/318 Except ELE 318 4BBL. Police Eng. Std.
	4186 195	2			.001 U/S
	4186 196	2			.002 U/S
	4186 197	2			.003 U/S
	4186 198	2			.010 U/S
	4186 199	2			.012 U/S
	4240 083	3			Nos. 1,2,4, w/(E48-318 Eng.) Std.
	4240 084	3			.001 U/S
	4240 085	3			.002 U/S
	4240 086	3			.003 U/S
	4240 087	3			.010 U/S
	4240 088	3			.012 U/S
	3780 075	1			No.3, w/(318 Eng.) Std .
	3780 076	1			.001 U/S
	3780 077	1			.002 U/S
	3780 078	1			.003 U/S

MODEL CODES

B = GRAN FURY	F = FIFTH AVENUE/NEWPORT	P = RELIANT
C = LEBARON/TOWN & COUNTRY/EXC SEDAN	G = DIPLOMAT	T = E CLASS/NEW YORKER
C24 = LASER	H = VOYAGER	V = 600
D = ARIES	K = MINI RAM/CARAVAN/ROYAL	V24 = DAYTONA
E = 600	M = HORIZON/TURISMO	Z = OMNI/CHARGER/RAMPAGE

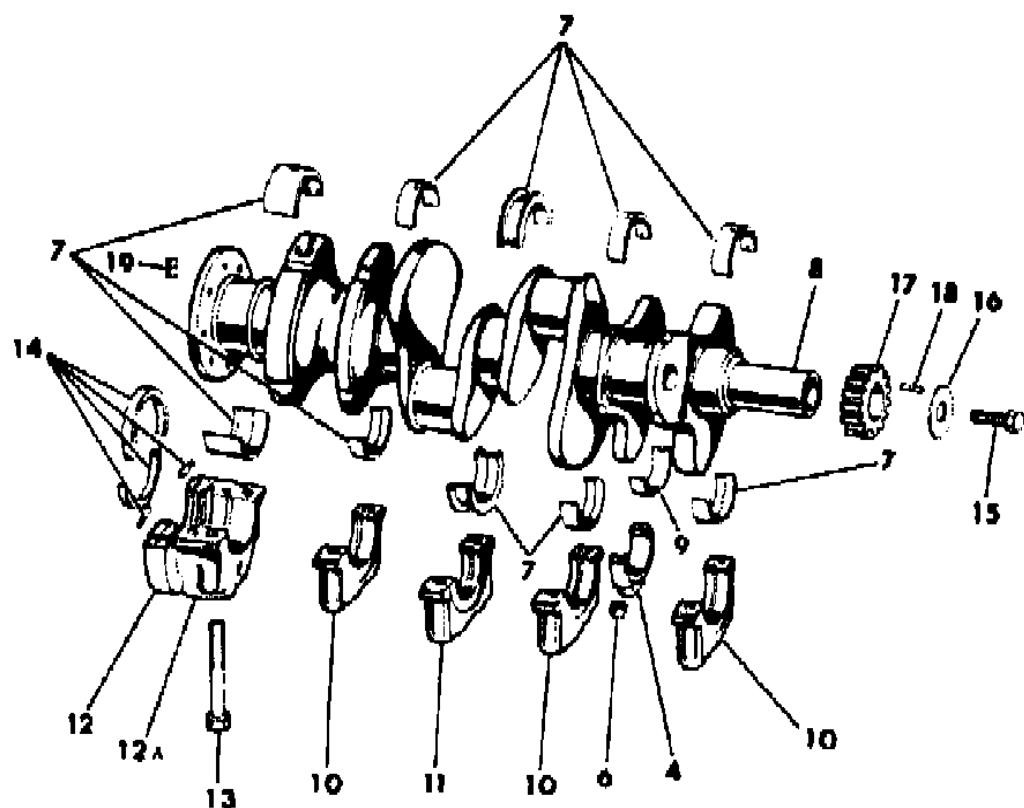
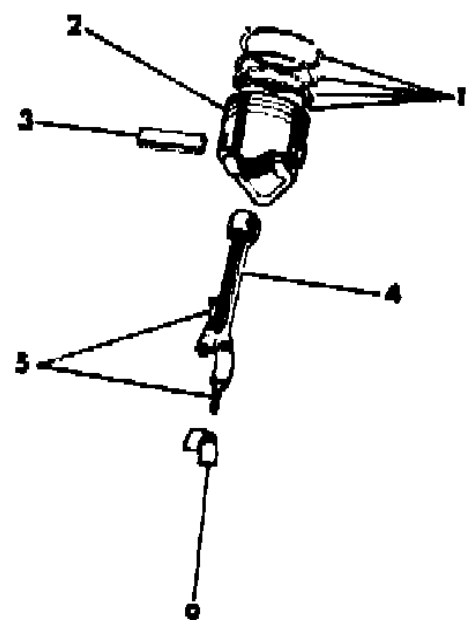
BODY STYLES

21 = 2-DOOR SEDAN	28 = FWD PICKUP	44 = 4-DOOR HATCHBACK
22 = 2-DOOR SPECIAL COUPE	35 = FWD VAN	45 = 4-DOOR STATION WAGON
24 = 2-DOOR HATCHBACK	36 = FWD WAGON	48 = 4-DOOR EXECUTIVE SEDAN
27 = 2-DOOR CONVERTIBLE	41 = 4-DOOR SEDAN	

AR = Use as Required - = Non Illustrated Part P.A.R. = Paint as Required

CRANKSHAFT, PISTONS, AND RINGS 8 CYLINDER ENGINE
Figure 9C-700

4109 700



ITEM	PART NUMBER	QTY	BODY	MODEL	DESCRIPTION
	3780 079	1			.010 U/S
	3780 080	1			.012 U/S
	3514 151	1			No. 5 w/318 Eng. Std.
	3514 152	1			.001 U/S
	3514 153	1			.002 U/S
	3514 154	1			.003 U/S
	3514 155	1			.010 U/S
	3514 156	1			.012 U/S
8	3751 831	1			CRANKSHAFT, w/318 Except ELE-318 4BBL. Police Eng.
	4227 880	1			w/ELE-318 4BBL. Police Eng.
9					BEARING PACKAGE, Connecting Rod
	4186 118	8			w/318 Except ELE-318 4BBL. Police Eng. Std.
	4186 119	8			.001 U/S
	4186 120	8			.002 U/S
	4186 121	8			.003 U/S
	4186 122	8			.010 U/S
	4186 123	8			.012 U/S
	2421 305	8			w/ELE-318 4BBL. Police Eng. Std.
	2421 306	8			.001 U/S
	2421 307	8			.002 U/S
	2421 308	8			.003 U/S
	2421 309	8			.010 U/S
	2421 310	8			.012 U/S
10					CAP, Crankshaft Bearing
	2863 854	3			Nos. 1,2,4 w/318Eng.
11	2863 855	1			CAP, Crankshaft Bearing, No. 3, w/318 Eng.
12	4173 189	1			CAP, Crankshaft Bearing, No. 5, w/318 Eng.
13	1618 695	AR			SCREW, Crankshaft Bearing Cap, w/318 Eng.
	6032 082	4			w/ELE-318 4BBL. Police Eng.
14	4240 044	1			OIL SEAL PACKAGE, Crankshaft Rear Bearing, w/318 Eng.
					Consists of:
					1 - Seal, Cap, Upper
					1 - Seal, Cap, Lower
15	1821 414	1			SCREW, Crankshaft
16	1855 561	1			WASHER Crankshaft Screw
17					SPROCKET, Crankshaft
	2463 385	1			Except ELD, ELE-318 Engines
	1637 657	1			w/(ELD-318 2BBL. H/Duty, ELE-318 4BBL. Police Eng.)

MODEL CODES

B = GRAN FURY	F = FIFTH AVENUE/NEWPORT	P = RELIANT
C = LEBARON/TOWN & COUNTRY/EXC SEDAN	G = DIPLOMAT	T = E CLASS/NEW YORKER
C24 = LASER	H = VOYAGER	V = 600
D = ARIES	K = MINI RAM/CARAVAN/ROYAL	V24 = DAYTONA
E = 600	M = HORIZON/TURISMO	Z = OMNI/CHARGER/RAMPAGE

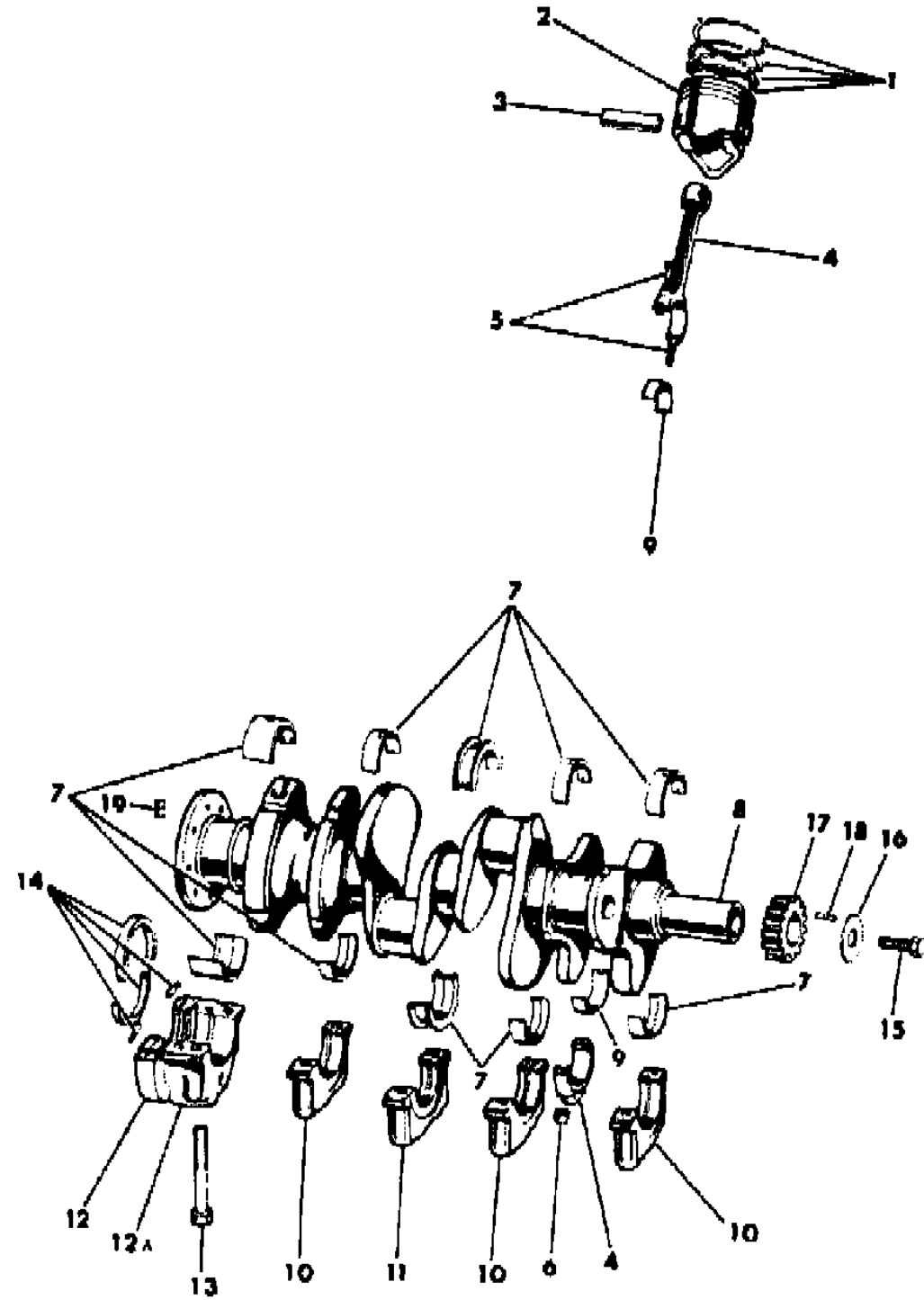
BODY STYLES

21 = 2-DOOR SEDAN	28 = FWD PICKUP	44 = 4-DOOR HATCHBACK
22 = 2-DOOR SPECIAL COUPE	35 = FWD VAN	45 = 4-DOOR STATION WAGON
24 = 2-DOOR HATCHBACK	36 = FWD WAGON	48 = 4-DOOR EXECUTIVE SEDAN
27 = 2-DOOR CONVERTIBLE	41 = 4-DOOR SEDAN	

AR = Use as Required - = Non Illustrated Part P.A.R. = Paint as Required

CRANKSHAFT, PISTONS, AND RINGS 8 CYLINDER ENGINE
Figure 9C-700

4109 700



ITEM	PART NUMBER	QTY	BODY	MODEL	DESCRIPTION
18	6029 411	1			KEY, Sprocket
19	0053 298	1			BUSHING, Crankshaft Trans. Pilot

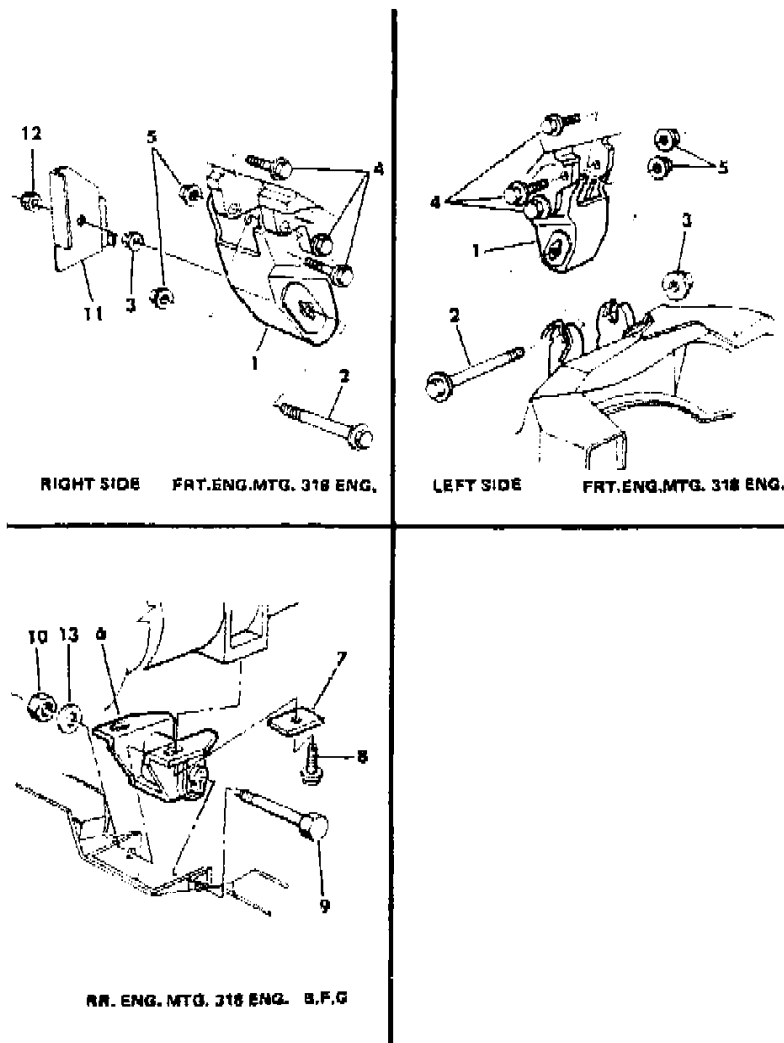
MODEL CODES
 B = GRAN FURY
 C = LEBARON/TOWN & COUNTRY/EXC SEDAN
 C24 = LASER
 D = ARIES
 E = 600
 F = FIFTH AVENUE/NEWPORT
 G = DIPLOMAT
 H = VOYAGER
 K = MINI RAM/CARAVAN/ROYAL
 M = HORIZON/TURISMO
 P = RELIANT
 T = E CLASS/NEW YORKER
 V = 600
 V24 = DAYTONA
 Z = OMNI/CHARGER/RAMPAGE

BODY STYLES
 21 = 2-DOOR SEDAN
 22 = 2-DOOR SPECIAL COUPE
 24 = 2-DOOR HATCHBACK
 27 = 2-DOOR CONVERTIBLE
 28 = FWD PICKUP
 35 = FWD VAN
 36 = FWD WAGON
 41 = 4-DOOR SEDAN
 44 = 4-DOOR HATCHBACK
 45 = 4-DOOR STATION WAGON
 48 = 4-DOOR EXECUTIVE SEDAN

AR = Use as Required - = Non Illustrated Part P.A.R. = Paint as Required

ENGINE MOUNTINGS 8 CYLINDER Figure 9C-800

4109 600 A



ITEM	PART NUMBER	QTY	BODY	MODEL	DESCRIPTION
1	3642 818	1		ALL	INSUATOR, Engine Front Support, Right, w/318 Eng.
	3817 237	1		ALL	Left, w/318 Eng.
2	6031 205	2			BOLT, Engine Front Support Insulator to Frame
3	6030 478	2			NUT, Insulator to Frame Bolt
4	0870 469	AR		ALL	SCREW, Insulator Bracket to Cylinder Block, Front Lug
	6030 713	2			SCREW, Insulator Bracket to Cylinder Block, Rear Lug
5		AR			NUT, Insulator Bracket to Cylinder Block (Not Serviced)
6					INSULATOR, Engine Rear Support
	4001 801	1			w/o Heavy Duty Crossmember, w/318 Eng.
	3817 295	1			w/Heavy Duty Crossmember, w/318 Eng.
7	3410 700	2			SPACER, Eng. Rear Support Insulator Brkt.
8	6029 770	2			SCREW, Eng. Rear Support
9	6028 237	1			BOLT, Eng. Rear Support Insulator to Crossmember Mounting
10	0152 348	1			NUT, Insulator to Crossmember Mounting Bolt
11	4237 022	1			SHIELD, Right, Engine Mount Heat, w/Catalytic Exhaust System
12	6030 478	1			NUT, Engine Mount Heat Shield
13	9417 098	2			WASHER, Insulator To Crossmember Mounting Bolt Nut

MODEL CODES

B = GRAN FURY	F = FIFTH AVENUE/NEWPORT	P = RELIANT
C = LEBARON/TOWN & COUNTRY/EXC SEDAN	G = DIPLOMAT	T = E CLASS/NEW YORKER
C24 = LASER	H = VOYAGER	V = 600
D = ARIES	K = MINI RAM/CARAVAN/ROYAL	V24 = DAYTONA
E = 600	M = HORIZON/TURISMO	Z = OMNI/CHARGER/RAMPAGE

BODY STYLES

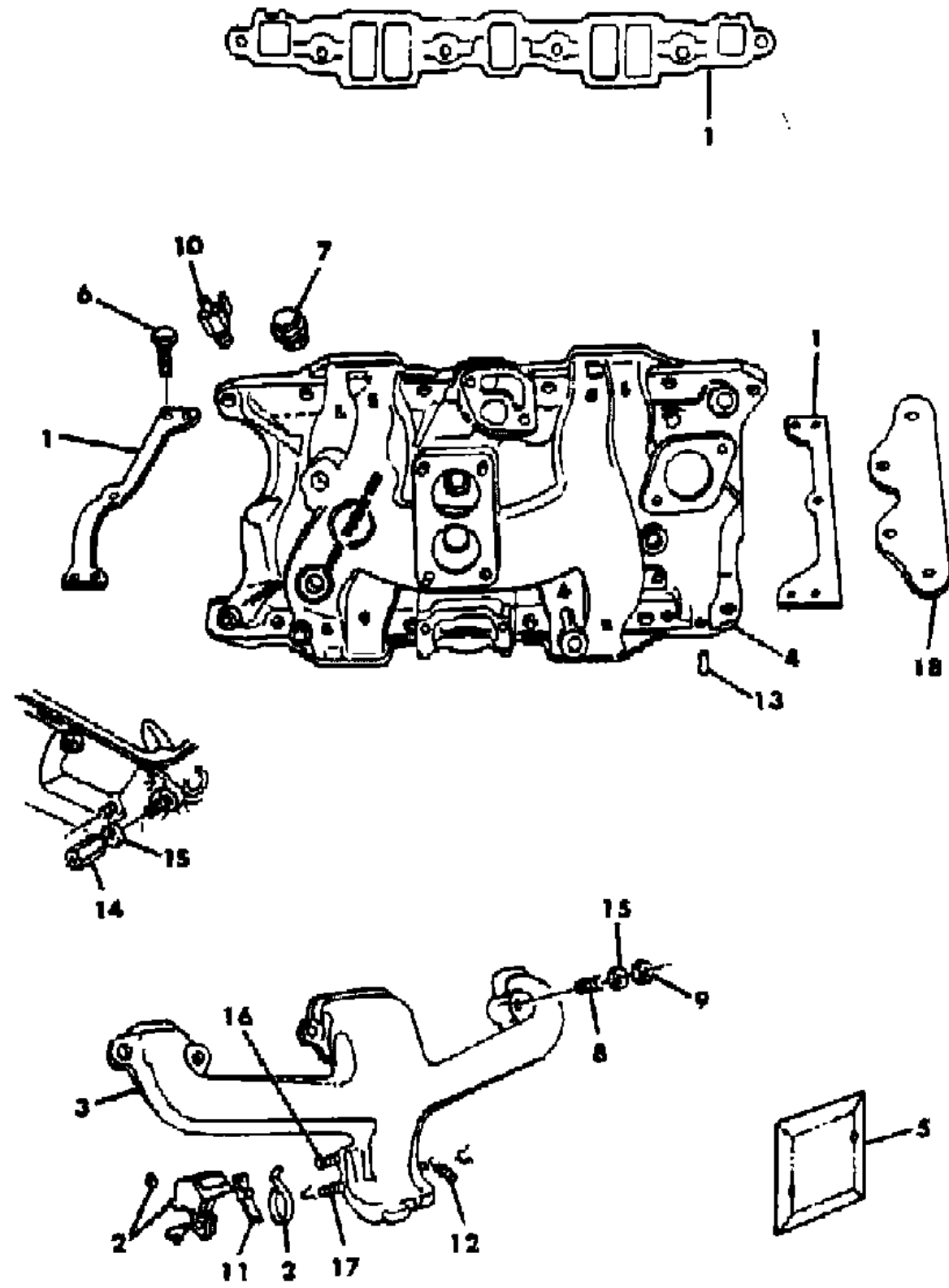
21 = 2-DOOR SEDAN	28 = FWD PICKUP	44 = 4-DOOR HATCHBACK
22 = 2-DOOR SPECIAL COUPE	35 = FWD VAN	45 = 4-DOOR STATION WAGON
24 = 2-DOOR HATCHBACK	36 = FWD WAGON	48 = 4-DOOR EXECUTIVE SEDAN
27 = 2-DOOR CONVERTIBLE	41 = 4-DOOR SEDAN	

AR = Use as Required - = Non Illustrated Part P.A.R. = Paint as Required

MANIFOLD WITH HEAT CONTROL 8 CYLINDER

Figure 9C-900

4109 800



318-360 ENGINE

ITEM	PART NUMBER	QTY	BODY	MODEL	DESCRIPTION
1	3837 605	1			GASKET SET, Intake Manifold, w/(318 Eng. 2BBL.) Consists of: 2 - ----- Gasket, Intake Manifold 1 - ----- Gasket, Intake Manifold Frt. 1 - ----- Gasket, Intake Manifold Rr.
	3514 187	1			GASKET SET, Intake Manifold, w/(318 4BBL.) Consists of: 2 - ----- Gasket, Intake Manifold 1 - ----- Gasket, Intake Manifold Frt. 1 - ----- Gasket, Intake Manifold Rr.
2	3683 947	1			PACKAGE, Manifold Heat Control Valve Consists of: 1 - ----- Plate, Valve 1 - ----- Shaft, Valve 1 - 2946083 Stop, Valve 1 - ----- Wheel 1 - ----- Thermostat, Valve 1 - 2951626 Spring, Valve Shaft 2 - ----- Bushing, Shaft 2 - ----- Seal, Shaft
3	4227 756	1			Manifold, Exhaust, Right, w/(318-2BBL. Eng. w/Catalyst, Aspirator)
	4105 058	1			Right, w/(318 2 and 4BBL., w/Air Pump except ELE-318 4BBL. Police Eng.)
	4105 059	1			Right, w/(ELE-318 4BBL. Police Eng.)
	4095 239	1			Left, w/(318-2BBL. Eng., w/Catlyst, Aspirator)
	4173 162	1			Left, w/(318-2 and 4BBL. Eng., w/Air Pump Except ELE-318 4BBL. Police Eng.)
	4173 165	1			Left, w/(ELE-318 4BBL. Police Eng.)
4					MANIFOLD, Intake
	4201 135	1		ALL	w/(318 2BBL. Eng.)
	4179 457	1		ALL	w/(318 4BBL. Eng.)
5	3698 458	1		ALL	SHIELD, Intake Manifold Heat
6	0454 467	11		ALL	BOLT, Intake Manifold, 3/8 x 1-5/8"
7	4041 067	1		ALL	JET, Intake Manifold Floor
8	6028 356	1		ALL	SCREW, Exhaust Manifold Left, 3-3/16" Lgh., w/Tapped Head
	6028 355	1		ALL	STUD, Exhaust Manifold Left, 1-14/16" Lgh. Hex.
	6030 622	1		ALL	2-15/16" Lgh. Hex.

MODEL CODES

B = GRAN FURY	F = FIFTH AVENUE/NEWPORT	P = RELIANT
C = LEBARON/TOWN & COUNTRY/EXC SEDAN	G = DIPLOMAT	T = E CLASS/NEW YORKER
C24 = LASER	H = VOYAGER	V = 600
D = ARIES	K = MINI RAM/CARAVAN/ROYAL	V24 = DAYTONA
E = 600	M = HORIZON/TURISMO	Z = OMNI/CHARGER/RAMPAGE

BODY STYLES

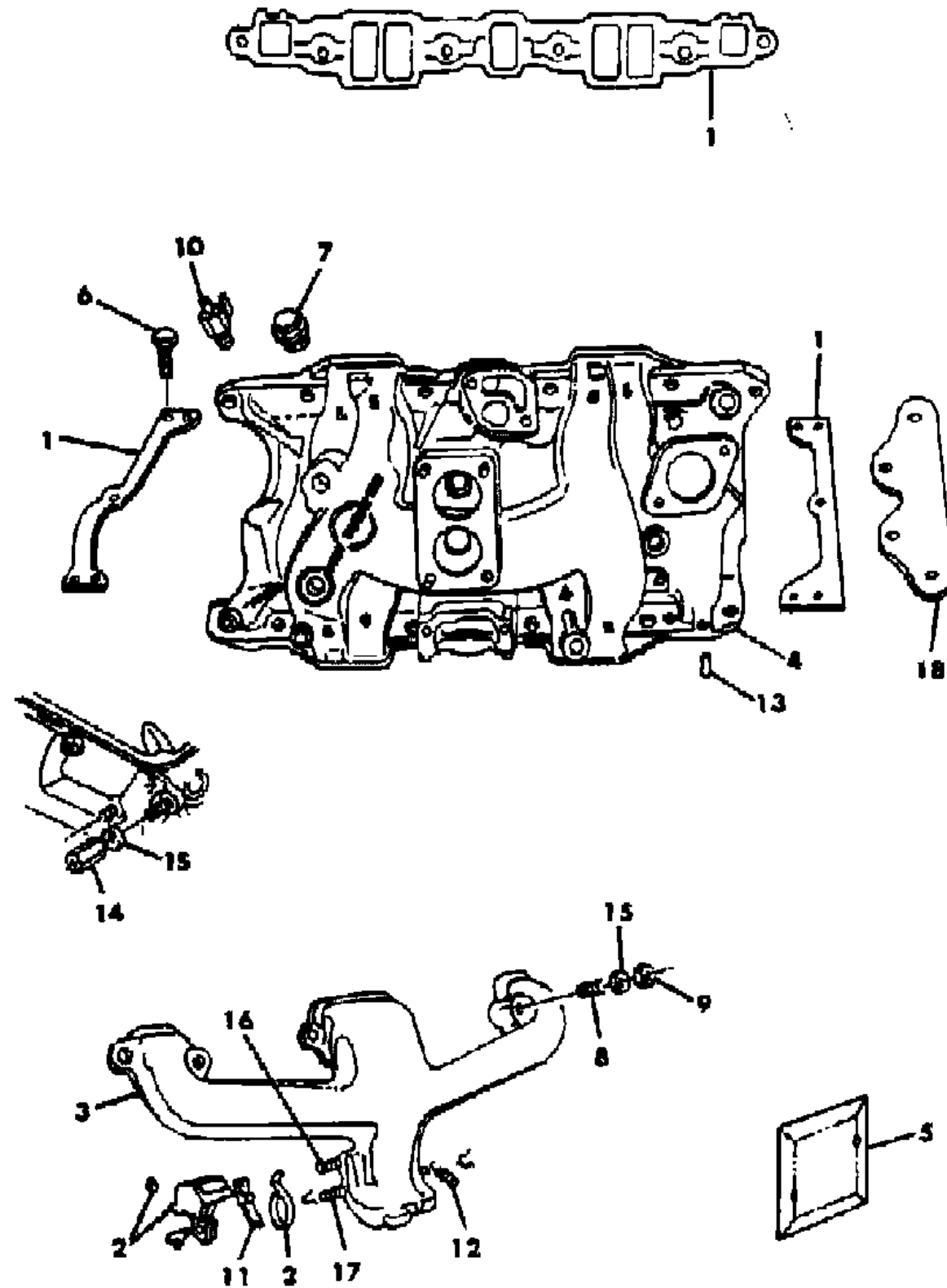
21 = 2-DOOR SEDAN	28 = FWD PICKUP	44 = 4-DOOR HATCHBACK
22 = 2-DOOR SPECIAL COUPE	35 = FWD VAN	45 = 4-DOOR STATION WAGON
24 = 2-DOOR HATCHBACK	36 = FWD WAGON	48 = 4-DOOR EXECUTIVE SEDAN
27 = 2-DOOR CONVERTIBLE	41 = 4-DOOR SEDAN	

AR = Use as Required - = Non Illustrated Part P.A.R. = Paint as Required

MANIFOLD WITH HEAT CONTROL 8 CYLINDER

Figure 9C-900

4109 800



318-360 ENGINE

ITEM	PART NUMBER	QTY	BODY	MODEL	DESCRIPTION
	0117 713	4		ALL	STUD, Exhaust End
	0181 097	3		ALL	SCREW, Exhaust Manifold Long, 5/16 x 2-1/8"
	0181 096	2		ALL	5/16 x 1-7/8"
	6029 832	3		ALL	5/16 x 1-1/8"
	2121 223	AR		ALL	WASHER
9	0120 368	AR		ALL	NUT, Exhaust Manifold
10		1		ALL	CONNECTOR, Intake Manifold Vacuum Control (See Group 5)
	4210 580	1		ALL	4-Connections 2-3/16", 1-1/8", 1-1/4"
11	2946 083	1		ALL	STOP, Exhaust Manifold Heat Control Valve
12	2951 626	1		ALL	SPRING, Exhaust Manifold Heat Control Valve Shaft
13	4006 583	2		ALL	DOWEL, Intake Manifold Gasket
14	6031 179	1		ALL	Nut, Exhaust Manifold End
15	2121 223	1		ALL	WASHER, Exhaust Manifold End
16	9409 667	1		ALL	PIN, Heat control Valve Stop
17	2951 627	1		ALL	PIN, Exhaust Manifold Heat Control
18	4105 671	1		ALL	BLOCKER, Intake Manifold Gasket Rear

MODEL CODES

B = GRAN FURY	F = FIFTH AVENUE/NEWPORT	P = RELIANT
C = LEBARON/TOWN & COUNTRY/EXC SEDAN	G = DIPLOMAT	T = E CLASS/NEW YORKER
C24 = LASER	H = VOYAGER	V = 600
D = ARIES	K = MINI RAM/CARAVAN/ROYAL	V24 = DAYTONA
E = 600	M = HORIZON/TURISMO	Z = OMNI/CHARGER/RAMPAGE

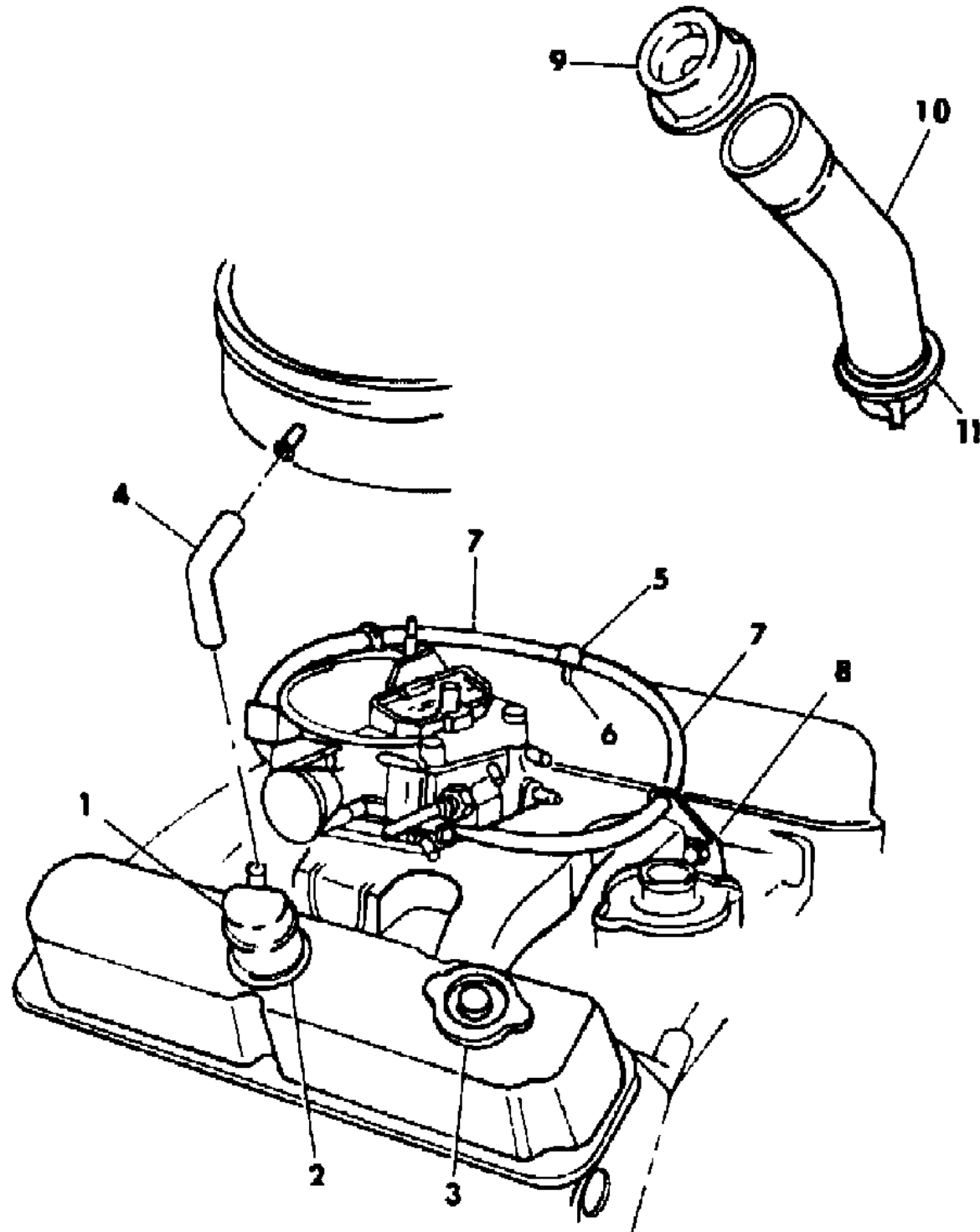
BODY STYLES

21 = 2-DOOR SEDAN	28 = FWD PICKUP	44 = 4-DOOR HATCHBACK
22 = 2-DOOR SPECIAL COUPE	35 = FWD VAN	45 = 4-DOOR STATION WAGON
24 = 2-DOOR HATCHBACK	36 = FWD WAGON	48 = 4-DOOR EXECUTIVE SEDAN
27 = 2-DOOR CONVERTIBLE	41 = 4-DOOR SEDAN	

AR = Use as Required - = Non Illustrated Part P.A.R. = Paint as Required

CRANKCASE VENT, CAP, HOSE, VALVE 8 CYLINDER ENGINE
Figure 9C-1000

4109 1000 A



ITEM	PART NUMBER	QTY	BODY	MODEL	DESCRIPTION
NOTE Part Number 4095681, 4026146 Consists of 50Ft. Roll (Use as Required) SOCKET is approx. 1/16" to the right.					
1	4273 322	1			AIR CLEANER, Crankcase Vent Inlet
2	2946 079	1			GROMMET, Crankcase Vent Inlet Air Cleaner
3	2946 051	1			CAP, Oil Filler (Except ELD 2BBL. H-Duty, ELE 4BBL. Police 318 Eng.)
4	4026 146	AR			HOSE, Crankcase Vent Inlet Air Cleaner to Air Cleaner, 5.25 Lgh. required w/(318 4BBL.) (See Note)
	3462 679	1			HOSE, Crankcase Vent Inlet Air Cleaner to Air Cleaner, (Molded Hose Cut to Fit 3x3")w/318 2BBL Eng.
5	3671 076	1			VALVE, Crankcase Vent
6	3751 510	1			GROMMET, Crankcase Vent Valve
7	4095 681	AR		See Not	HOSE, Crankcase Vent Valve to Carb., Cut to 14" Lgh. w/E43, E46,E48-318 Eng., 19" Lgh. w/E44,E45 Eng.
8	4179 924	1			BRACKET, Crankcase Vent Hose Retainer, (w/318 4BBL. Eng.)
9	2960 622	1			CAP, Oil Filler (w/ELD 2BBL. H-Duty, ELE 4BBL. Police 318 Eng.)
10	4173 223	1			TUBE, Oil Filler, w/(E43,E45,E48-318 Eng.),w/Police Pkg.
11	5214 876	1			GASKET, Oil Filler Tube (w/2BBL. H-Duty 4BBL. 318 Eng. Police Pkg.)

ection 27150.1 and with the Department of California Highway Patrols regulations adopted pursuant to Vehicle Code Section 27150.2 when used in the applications specified in this document.

da & Export. applications specified in this document.

xhaust System. Unleaded Fuel is required. applications specified in this document.

h Lean Burn, California Emission Control or High Altitude Emission Control. applications specified in this document.

State of California. applications specified in this document.

00 feet elevation. applications specified in this document.

MODEL CODES

B = GRAN FURY	F = FIFTH AVENUE/NEWPORT	P = RELIANT
C = LEBARON/TOWN & COUNTRY/EXC SEDAN	G = DIPLOMAT	T = E CLASS/NEW YORKER
C24 = LASER	H = VOYAGER	V = 600
D = ARIES	K = MINI RAM/CARAVAN/ROYAL	V24 = DAYTONA
E = 600	M = HORIZON/TURISMO	Z = OMNI/CHARGER/RAMPAGE

BODY STYLES

21 = 2-DOOR SEDAN	28 = FWD PICKUP	44 = 4-DOOR HATCHBACK
22 = 2-DOOR SPECIAL COUPE	35 = FWD VAN	45 = 4-DOOR STATION WAGON
24 = 2-DOOR HATCHBACK	36 = FWD WAGON	48 = 4-DOOR EXECUTIVE SEDAN
27 = 2-DOOR CONVERTIBLE	41 = 4-DOOR SEDAN	

AR = Use as Required - = Non Illustrated Part P.A.R. = Paint as Required

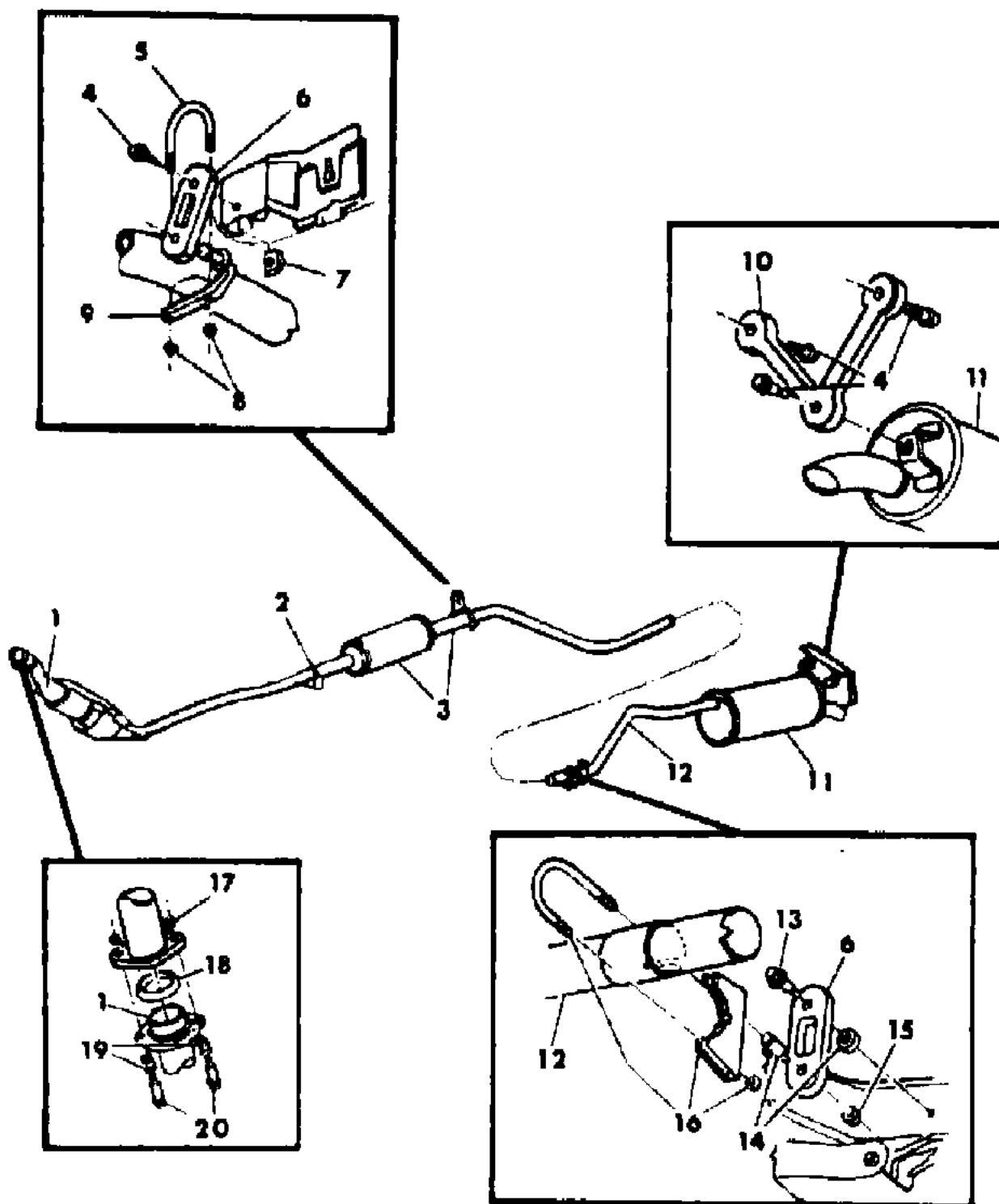
GROUP 11 - EXHAUST

ILLUSTRATION TITLE	GROUP-FIG. NO.
EXHAUST SYSTEM M,Z	Fig. 11-100
EXHAUST SYSTEM P,D,C,V,E,T	Fig. 11-200
EXHAUST SYSTEM H,K	Fig. 11-300
EXHAUST SYSTEM B,F,G	Fig. 11-400
HEAT SHIELDS - EXHAUST M,Z	Fig. 11-500
HEAT SHIELDS - EXHAUST P,D,C,V,E,T	Fig. 11-600
HEAT SHIELDS - EXHAUST H,K	Fig. 11-700
HEAT SHIELDS - EXHAUST B,F,G	Fig. 11-800

ILLUSTRATION NOT AVAILABLE AT TIME OF PUBLICATION

EXHAUST SYSTEM M,Z
Figure 11-100

4111 100A



ITEM	PART NUMBER	QTY	BODY	MODEL	DESCRIPTION
1					CONVERTER, Catalytic w/Pipes
	4301 324	1			1.6L Eng.
	4150 965	1			1.6L Eng. - Canada
	4301 262	1		24,44	2.2L Eng. w/(S/C - NAA, NAE, NAF)
	4301 262	1		28	2.2L Eng. w/(S/C - NAF)
	4301 270	1		28	2.2L Eng. w/(S/C - NAA)
	4301 434	1		28	2.2L Eng. w/(S/C - NAE)
2	4301 378	1			CLAMP
3					PIPE, Exhaust Extension
					w/Resonator
	4301 223	1		24	2.2L Eng. w/(S/C - EDE) w/(S/C - NEB)
	4301 223	1		24	2.2L Eng. w/(S/C - EDJ) w/(S/C - NED, NEB) - Shelby Charger
	4301 224	1		44	2.2L Eng. w/(S/C - EDJ) w/(S/C - NEB)
	4301 271	1		28	2.2L Eng. w/(S/C - NEB, NAA)
					w/o Resonator
	4301 220	1		24	1.6L Eng.
	4301 221	1		44	1.6L Eng.
	4301 220	1		24	2.2L Eng. w/(S/C - EDE) w/o (S/C - NEB)
	4301 221	1		44	2.2L Eng. w/(S/C - EDE) w/(S/C - NAA, NAE, NAF)
	4301 222	1		28	2.2L Eng. w/o (S/C - NEB)
4	6500 202	AR			SCREW
5	4301 556	1			U-BOLT, Exh. Pipe Support
6	5217 108	AR			INSULATOR
7	6101 283	AR			U-NUT
8	6500 274	2			NUT
9	4301 595	1			SUPPORT, Ext. Pipe
10	5217 133	1			INSULATOR, Tail Pipe Rear Support
11					MUFFLER
	4301 312	1			1.6L Eng.
	4301 159	1		24	2.2L Eng. w/(S/C - EDE) w/(S/C - NEB)
	4301 312	1		24	2.2L Eng. w/(S/C - EDE) w/o (S/C - NEB)
	4301 312	1		44	2.2L Eng. w/(S/C - EDE) w/(S/C - NAA, NAE, NAF)
	4301 159	1			2.2L Eng. w/(S/C - EDJ) w/(S/C - NEB)
	4301 281	1		28	2.2L Eng. w/(S/C - NAA w/NEB)
	4301 298	1		28	2.2L Eng. w/(S/C - NAE, NAF, NAA w/o NEB)
					PIPE, Tail w/Muffler
	4301 156	1		24	2.2L Eng. w/(S/C - EDE, EDJ) w/(S/C - NEB)
	4301 257	1		44	2.2L Eng. w/(S/C - EDJ) w/(S/C - NEB)

MODEL CODES

B = GRAN FURY
C = LEBARON/TOWN & COUNTRY/EXC SEDAN
C24 = LASER
D = ARIES
E = 600
F = FIFTH AVENUE/NEWPORT
G = DIPLOMAT
H = VOYAGER
K = MINI RAM/CARAVAN/ROYAL
M = HORIZON/TURISMO
P = RELIANT
T = E CLASS/NEW YORKER
V = 600
V24 = DAYTONA
Z = OMNI/CHARGER/RAMPAGE

BODY STYLES

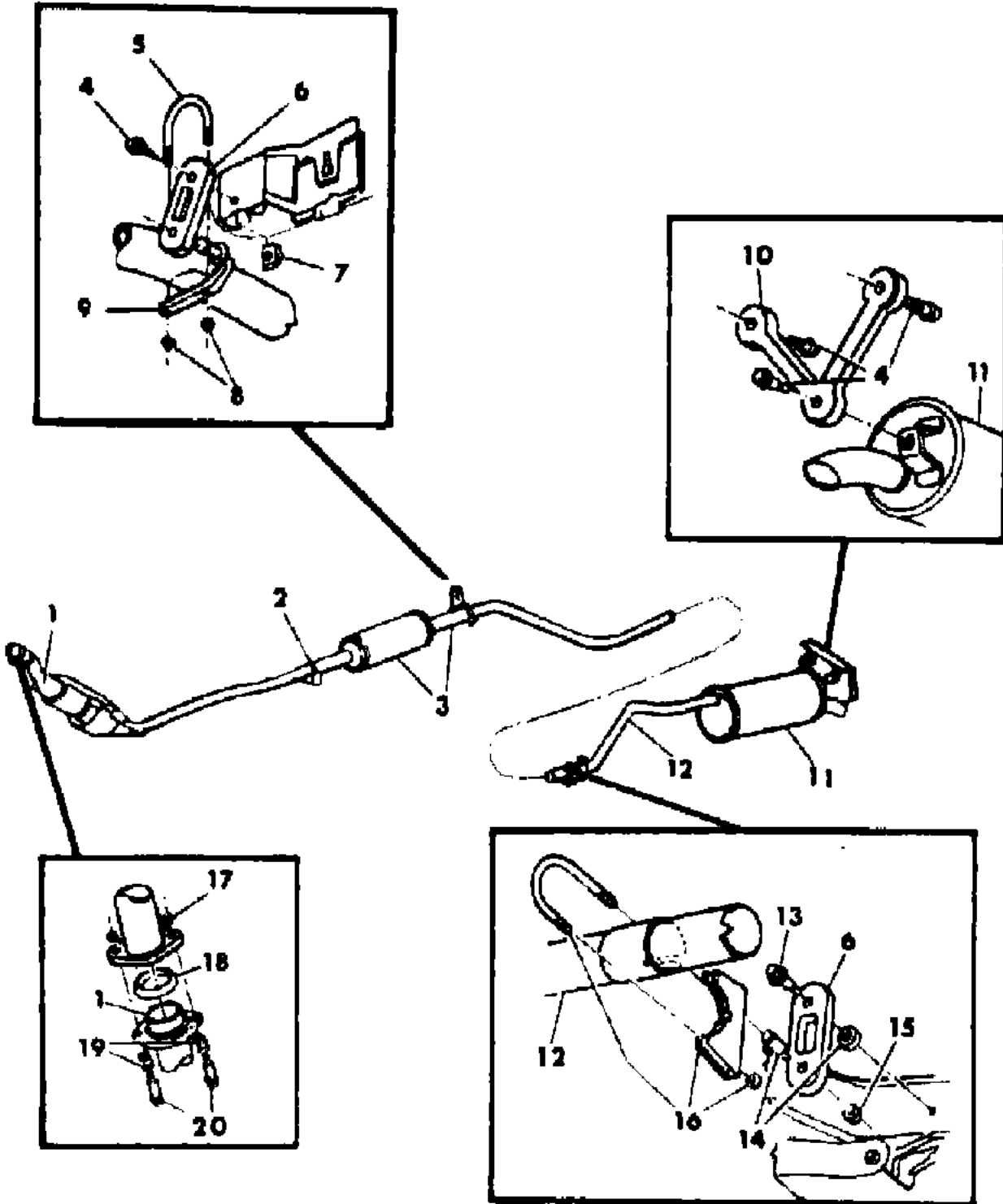
21 = 2-DOOR SEDAN
22 = 2-DOOR SPECIAL COUPE
24 = 2-DOOR HATCHBACK
27 = 2-DOOR CONVERTIBLE
28 = FWD PICKUP
35 = FWD VAN
36 = FWD WAGON
41 = 4-DOOR SEDAN
44 = 4-DOOR HATCHBACK
45 = 4-DOOR STATION WAGON
48 = 4-DOOR EXECUTIVE SEDAN

AR = Use as Required - = Non Illustrated Part P.A.R. = Paint as Required

EXHAUST SYSTEM M,Z
Figure 11-100

4111 100A

ITEM	PART NUMBER	QTY	BODY	MODEL	DESCRIPTION
	4301 187	1			2.2L Eng. w/(S/C - EDJ) w/(S/C - NEB) - Shelby Charger
12					PIPE, Tail
	4150 438	1	24		1.6L
	4150 439	1	44		1.6L Eng.
	4301 157	1	24		2.2L Eng. w/(S/C - EDE, EDJ) w/(S/C - NEB)
	4150 438	1	24		2.2L Eng. w/(S/C - EDE) w/o (S/C - NEB)
	4150 439	1	44		2.2L Eng. w/(S/C - EDE)
	4150 693	1	28		2.2L Eng. w/o (S/C - NEB)
13	6500 306	1			SCREW
14	4131 336	AR	24,44		SPACER, Tail Pipe Frt. Support Insulator
15	6500 305	1	24,44		NUT
16	4150 335	1	24,44		SUPPORT, Tail Pipe Front
	4301 617	1	28		
17	6100 499	2			NUT
18	4301 350	1			RING, Sealing
19	4301 631	2			SPRING
20	5217 003	2			BOLT



MODEL CODES

B = GRAN FURY	F = FIFTH AVENUE/NEWPORT	P = RELIANT
C = LEBARON/TOWN & COUNTRY/EXC SEDAN	G = DIPLOMAT	T = E CLASS/NEW YORKER
C24 = LASER	H = VOYAGER	V = 600
D = ARIES	K = MINI RAM/CARAVAN/ROYAL	V24 = DAYTONA
E = 600	M = HORIZON/TURISMO	Z = OMNI/CHARGER/RAMPAGE

BODY STYLES

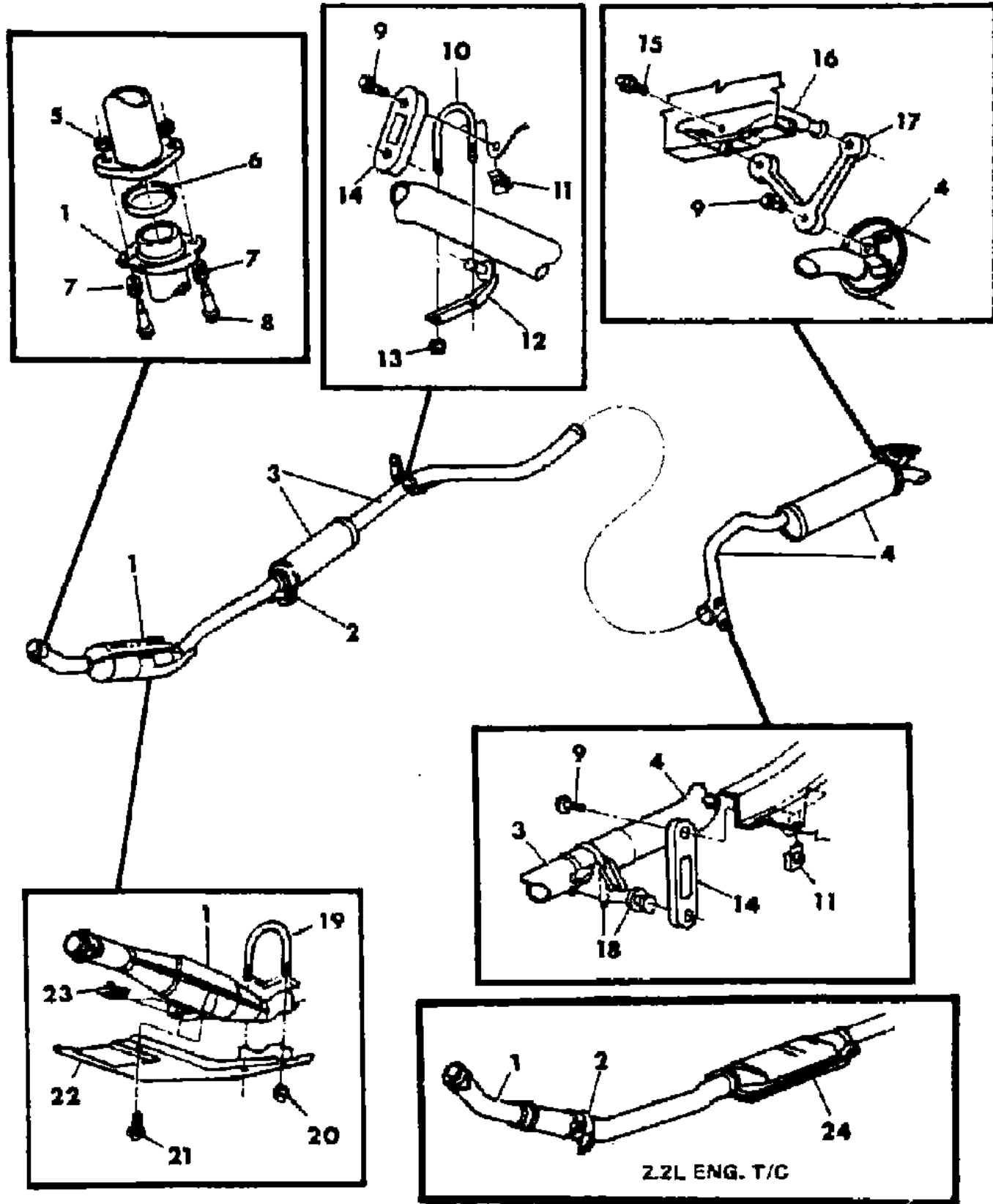
21 = 2-DOOR SEDAN	28 = FWD PICKUP	44 = 4-DOOR HATCHBACK
22 = 2-DOOR SPECIAL COUPE	35 = FWD VAN	45 = 4-DOOR STATION WAGON
24 = 2-DOOR HATCHBACK	36 = FWD WAGON	48 = 4-DOOR EXECUTIVE SEDAN
27 = 2-DOOR CONVERTIBLE	41 = 4-DOOR SEDAN	

AR = Use as Required - = Non Illustrated Part P.A.R. = Paint as Required

EXHAUST SYSTEM P,D,C,V,E,T

Figure 11-200

4111 300 B



ITEM	PART NUMBER	QTY	BODY	MODEL	DESCRIPTION
1					CONVERTER, Catalytic w/Pipes - Frt.
	4301 263	1	P,D,C,V		2.2L Eng. w/(S/C - EDE) w/(S/C - NAA, NAE, NAF) exc. C,V-24
	4301 266	1	exc. C,		2.2L Eng. w/(S/C - EDF)
	4301 441	1	C,V-24		2.2L Eng. w/(S/C - EDF)
	MD01 5531	1			2.6L Eng.
	4364 191	1			PIPE, Exhaust 2.6L Eng. (Executive Sedan)
	4342 154	1			2.6L Eng. (Limo) w/Resonator
	4150 847	1	E,T		2.2L Eng. w/(S/C - EDE)
	4301 016	1			2.6L Eng. w/(S/C - NAD) w/o Resonator
	4301 037	1			2.2L Eng. w/(S/C - EDG)
2	4301 378	1			CLAMP 2.2L Eng. w/(S/C - EDG)
3	4301 050	1			PIPE, Exhaust Ext. w/Resonator
	4301 227	1	P,D,C,V		2.2L Eng. w/(S/C - EDE, EDF) exc. C,V-24
	4301 225	1	E,T		2.2L Eng. w/(S/C - EDE, EDF)
	4301 228	1	P,D,C,V		2.6L Eng. w/(S/C - NAC, NAE, NAF)
	4301 226	1	E,T		2.6L Eng. w/(S/C - NAC, NAE, NAF)
	4364 191	1			2.6L Eng. (Executive Sedan)
	4342 154	1			2.6L Eng. (Limo) w/o Resonator
	4301 229	1	C,V-24		2.2L Eng. w/(S/C - EDF)
4					PIPE, Tail w/Muffler
	4150 783	1	P,D,C,V		2.2L Eng. w/(S/C - EDE, EDF) w/(S/C - NAA, NAE, NAF) exc. C,V-24
	4301 303	1	P,D,C,V		2.2L Eng. w/(S/C - EDE) w/(S/C - NAG, NAB) exc. C,V-24
	4301 305	1	E,T		2.2L Eng. w/(S/C - EDE) w/(S/C - NAB)
	4301 193	1	E,T		2.2L Eng. w/(S/C - EDF)
	4301 240	1	C,V-24		2.2L Eng. w/(S/C - EDE, EDF)
	4301 530	1	C,V-22,		2.2L Eng. w/(S/C - EDG) w/(S/C - NAE, NAA, NAF)
	4301 547	1	P,D,C-4		2.2L Eng. w/(S/C - EDG) w/(S/C - NAE, NAA, NAF)
	4301 251	1	E,T		2.2L Eng. w/(S/C - EDG)
	4301 406	1	C,V-24		2.2L Eng. w/(S/C - EDG)
	4150 784	1	P,D,C,V		2.6L Eng. w/(S/C - NAC, NAE, NAF)
	4301 296	1	P,D,C,V		2.6L Eng. w/(S/C - NAD)

MODEL CODES

B = GRAN FURY	F = FIFTH AVENUE/NEWPORT	P = RELIANT
C = LEBARON/TOWN & COUNTRY/EXC SEDAN	G = DIPLOMAT	T = E CLASS/NEW YORKER
C24 = LASER	H = VOYAGER	V = 600
D = ARIES	K = MINI RAM/CARAVAN/ROYAL	V24 = DAYTONA
E = 600	M = HORIZON/TURISMO	Z = OMNI/CHARGER/RAMPAGE

BODY STYLES

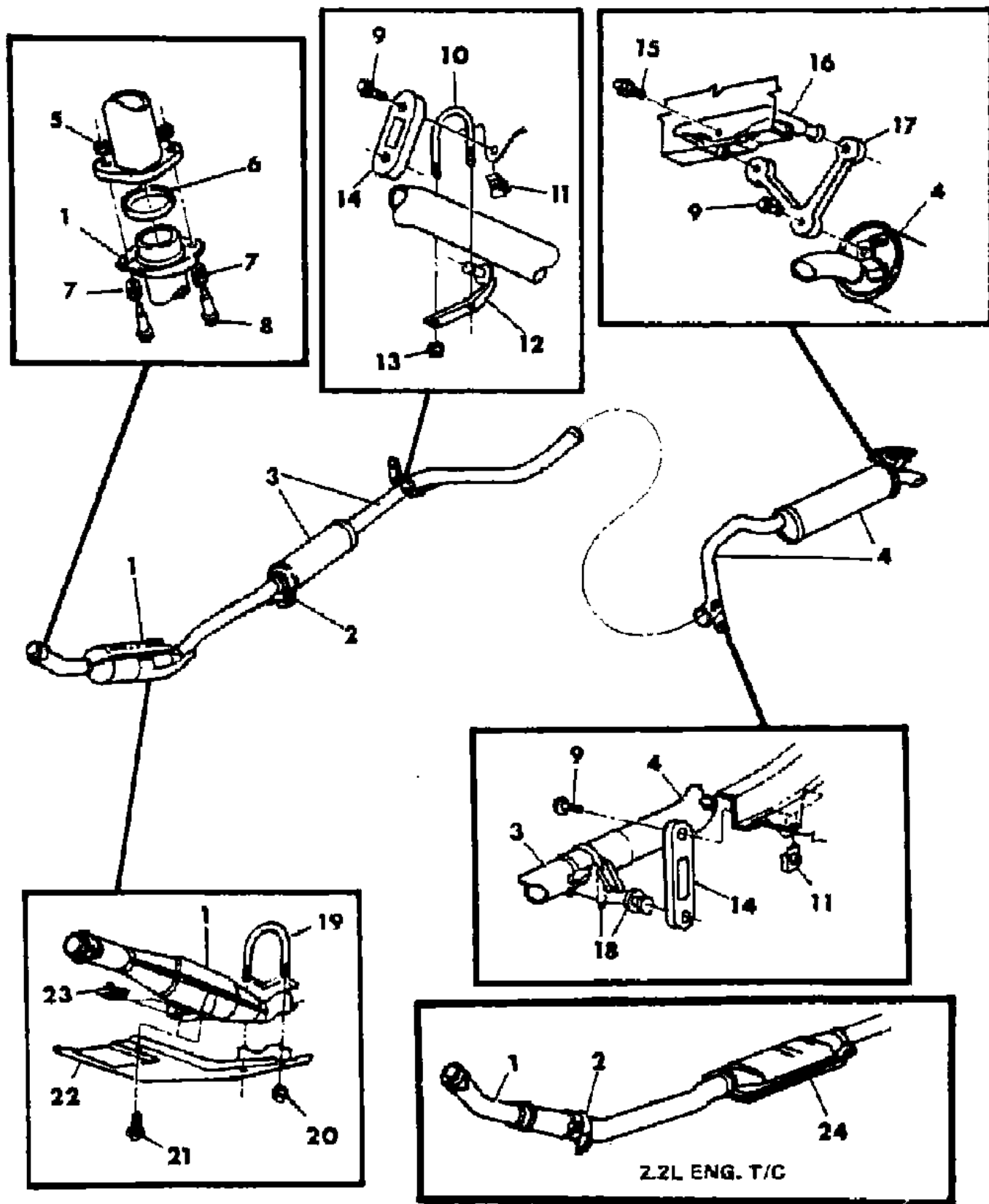
21 = 2-DOOR SEDAN	28 = FWD PICKUP	44 = 4-DOOR HATCHBACK
22 = 2-DOOR SPECIAL COUPE	35 = FWD VAN	45 = 4-DOOR STATION WAGON
24 = 2-DOOR HATCHBACK	36 = FWD WAGON	48 = 4-DOOR EXECUTIVE SEDAN
27 = 2-DOOR CONVERTIBLE	41 = 4-DOOR SEDAN	

AR = Use as Required - = Non Illustrated Part P.A.R. = Paint as Required

EXHAUST SYSTEM P,D,C,V,E,T

Figure 11-200

4111 300 B



ITEM	PART NUMBER	QTY	BODY	MODEL	DESCRIPTION
	4301 193	1		E,T	2.6L Eng. w/(S/C - NAC, NAE, NAF)
	4301 301	1		E,T	2.6L Eng. w/(S/C - NAD)
5	6100 499	2			NUT exc. w/(S/C - EDG)
	6100 499	1			NUT, Exh. Pipe Flange Bolt - Rt. w/(S/C - EDG)
	4301 250	1			Lt. w/(S/C - EDG)
6	4301 350	1			RING, Sealing
	4301 436	1			2.2L Eng. w/(S/C - EDG)
7	4301 631	2			SPRING
8	5217 003	2			BOLT
9	6500 202	3			BOLT, Shoulder
10	4301 556	1			U-BOLT
	4301 555	1			2.2L Eng. w/(S/C - EDG)
	4301 557	1			2.6L Eng. w/(S/C - NAD)
11	6101 283	2			U-NUT
12	4301 595	1			SUPPORT, Ext. Pipe
	4150 876	1			2.2L Eng. w/(S/C - EDG)
	4150 325	1			2.6L Eng. w/(S/C - NAD)
13	6500 274	AR			NUT
14	5217 108	AR			INSULATOR
15	6100 590	1			SCREW
16	4301 619	1			BRACKET, Tail Pipe Rear Support
17	5217 133	1		exc. C, C,V-24	INSULATOR, Tail Pipe Rear Support
	4150 798	1			
18	4301 617	1			SUPPORT, Tail Pipe Front
	4301 598	1			2.2L Eng. w/(S/C - EDG)
	4301 618	1			2.6L Eng. w/(S/C - NAD)
19	4150 513	1			U-BOLT 2.6L Eng.
20	6500 274	2			NUT 2.6L Eng.
21	6100 276	2			SCREW 2.6L Eng.
22	4150 939	1			SHIELD, Cat. Conv. Heat 2.6L Eng.
23	6101 308	2			U-NUT 2.6L Eng.
24					CONVERTER, Catalytic w/Pipes - Rear
	4301 231	1		P,D,C,V	2.2L Eng. w/(S/C - EDG) w/(S/C - NAA, NAE, NAF) exc. C,V-24
	4301 230	1		C,V-24	2.2L Eng. w/(S/C - EDG)
	4301 232	1		E,T	2.2L Eng. w/(S/C - EDG)

MODEL CODES

B = GRAN FURY	F = FIFTH AVENUE/NEWPORT	P = RELIANT
C = LEBARON/TOWN & COUNTRY/EXC SEDAN	G = DIPLOMAT	T = E CLASS/NEW YORKER
C24 = LASER	H = VOYAGER	V = 600
D = ARIES	K = MINI RAM/CARAVAN/ROYAL	V24 = DAYTONA
E = 600	M = HORIZON/TURISMO	Z = OMNI/CHARGER/RAMPAGE

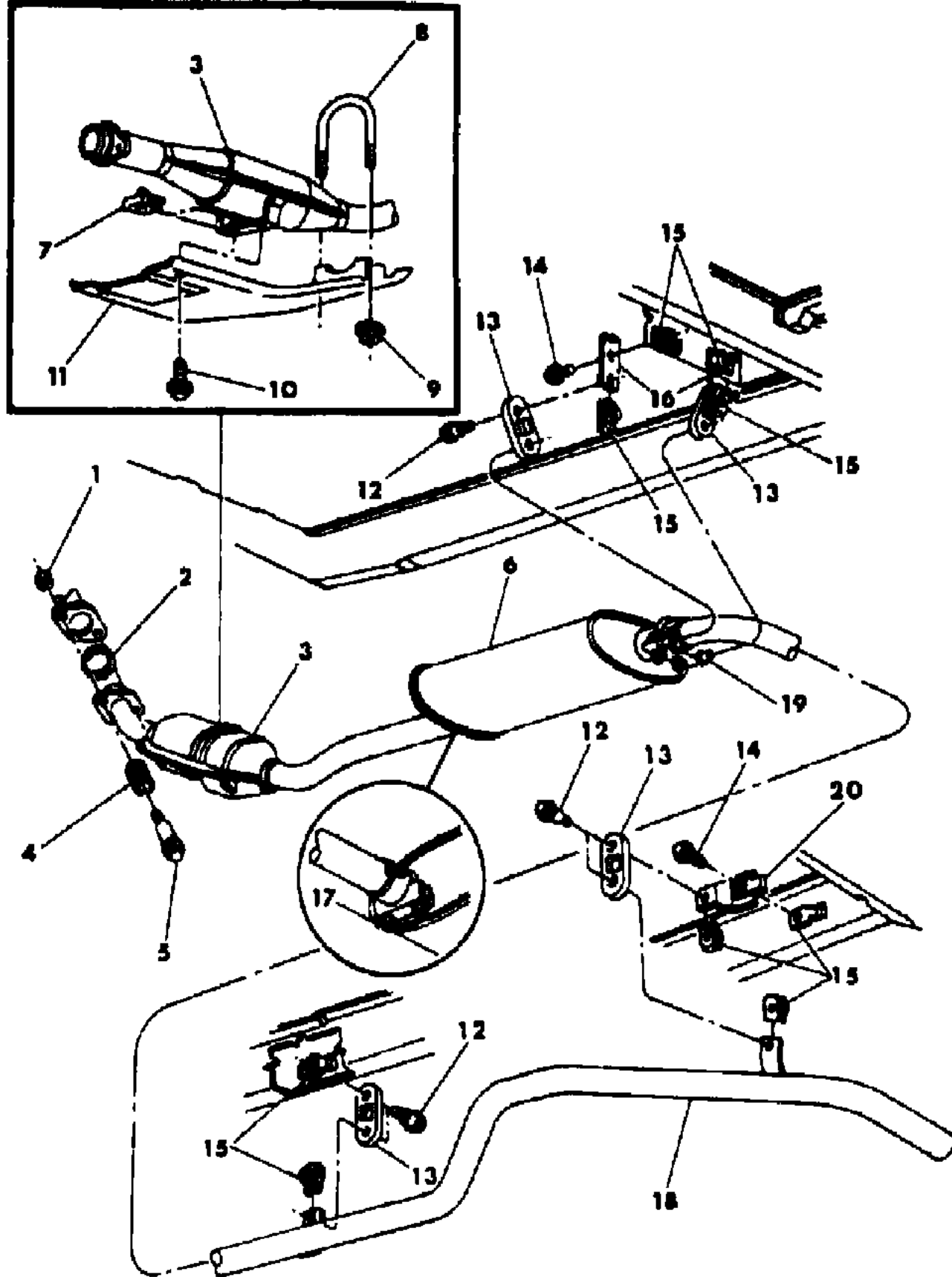
BODY STYLES

21 = 2-DOOR SEDAN	28 = FWD PICKUP	44 = 4-DOOR HATCHBACK
22 = 2-DOOR SPECIAL COUPE	35 = FWD VAN	45 = 4-DOOR STATION WAGON
24 = 2-DOOR HATCHBACK	36 = FWD WAGON	48 = 4-DOOR EXECUTIVE SEDAN
27 = 2-DOOR CONVERTIBLE	41 = 4-DOOR SEDAN	

AR = Use as Required - = Non Illustrated Part P.A.R. = Paint as Required

EXHAUST SYSTEM H,K
Figure 11-300

4111 300



ITEM	PART NUMBER	QTY	BODY	MODEL	DESCRIPTION
1	6100 499	2			NUT
2	4301 350	1			RING, Sealing
3					CONVERTER, Catalytic w/Pipes
	4301 451	1			2.2L Eng. w/(S/C - NAE)
	4301 269	1			2.2L Eng. w/(S/C - NAA)
	4301 264	1			2.2L Eng. w/(S/C - NAF)
	4301 184	1			2.2L Eng. - Canada
	4301 268	1			2.6L Eng. w/(S/C - NAC)
	MD07 2486	1			2.6L Eng. w/(S/C - NAE)
					PIPE, Exhaust w/Resonator
	4301 166	1			2.2L Eng. w/(S/C - NAB)
	4301 168	1			2.6L Eng. w/(S/C - NAD)
4	4301 631	2			SPRING
5	5217 003	2			BOLT
6	4301 012	1			MUFFLER
7	6101 308	2			U-NUT 2.6L Eng. w/(S/C - NAE)
8	4150 513	1			U-BOLT 2.6L Eng. w/(S/C - NAE)
9	6500 274	2			NUT 2.6L Eng. w/(S/C - NAE)
10	6100 276	2			SCREW w/WASHER 2.6L Eng. w/(S/C - NAE)
11	4150 939	1			SHIELD, Converter Heat 2.6L Eng. w/(S/C - NAE)
12	6500 202	AR			BOLT, Shoulder
13	5217 108	4			INSULATOR
14	6100 296	2			SCREW
	4131 336	1			SPACER
15	6101 283	11			U-NUT
16	4150 960	2			BRACKET, Muffler Support Ins. Mtg.
17	4301 081	1			CLAMP, Muffler Inlet
18	4301 259	1			PIPE, Tail
19	4150 993	1			SUPPORT, Saddle Clamp
	5217 115	2			SCREW
	6500 363	2			NUT
20	4150 999	1			BRACKET, Tail Pipe Rear Support

MODEL CODES

B = GRAN FURY	F = FIFTH AVENUE/NEWPORT	P = RELIANT
C = LEBARON/TOWN & COUNTRY/EXC SEDAN	G = DIPLOMAT	T = E CLASS/NEW YORKER
C24 = LASER	H = VOYAGER	V = 600
D = ARIES	K = MINI RAM/CARAVAN/ROYAL	V24 = DAYTONA
E = 600	M = HORIZON/TURISMO	Z = OMNI/CHARGER/RAMPAGE

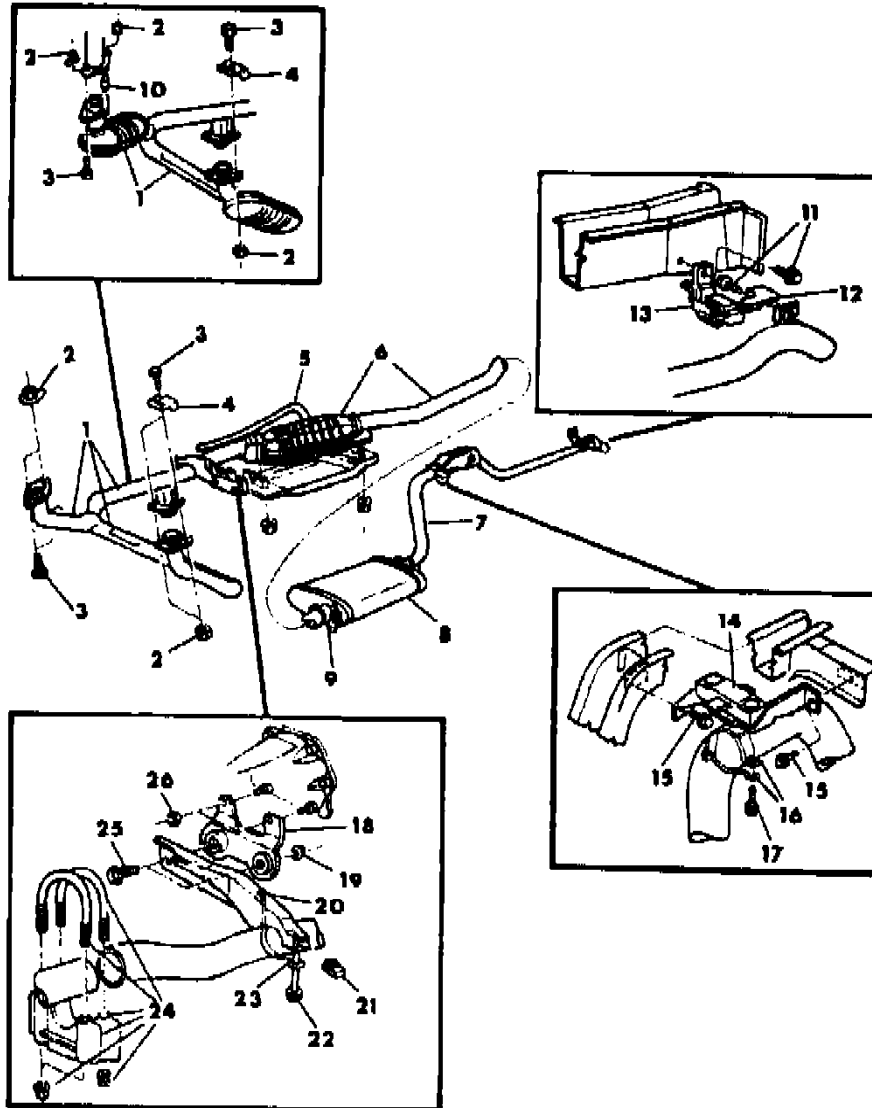
BODY STYLES

21 = 2-DOOR SEDAN	28 = FWD PICKUP	44 = 4-DOOR HATCHBACK
22 = 2-DOOR SPECIAL COUPE	35 = FWD VAN	45 = 4-DOOR STATION WAGON
24 = 2-DOOR HATCHBACK	36 = FWD WAGON	48 = 4-DOOR EXECUTIVE SEDAN
27 = 2-DOOR CONVERTIBLE	41 = 4-DOOR SEDAN	

AR = Use as Required - = Non Illustrated Part P.A.R. = Paint as Required

EXHAUST SYSTEM B,F,G
Figure 11-400

4111 400 A



ITEM	PART NUMBER	QTY	BODY	MODEL	DESCRIPTION
1					PIPE, Exhaust
	4150 324	1			318 Eng. 4 Bbl. - Export
	4150 342	1			318 Eng. 2 Bbl. - Canada
	4150 524	1			CONVERTER, Catalytic w/Pipes - Front
					318 Eng. 2 Bbl.
	4150 330	1			318 Eng. 4 Bbl.
2					NUT
	6031 959	AR			Right
	6025 405	AR			Left
3	0181 127	AR			BOLT
4	4004 001	2			RETAINER
5	4150 638	1			TUBE, Airline to Cat. Conv.
6					CONVERTER, Catalytic w/Pipes - Rear
	4150 744	1			318 Eng. 2 Bbl.
	4150 718	1			318 Eng. 4 Bbl.
	4150 354	1			318 Eng. - Canada
7					PIPE, Tail
	4150 170	1			318 Eng. 2 Bbl.
	4301 339	1			318 Eng. 4 Bbl.
8					MUFFLER
	4301 534	1			318 Eng. 2 Bbl.
	4301 341	1			318 Eng. 4 Bbl.
	4150 678	1			318 Eng. 4 Bbl. - Export
9					CLAMP, Saddle - Inlet
	4004 961	1			up to 4-12-84
	4301 378	1			after 4-12-84
	4004 988	1			Outlet
10	6031 888	1			STUD, Shoulder
11	6031 734	2			SCREW
12	4004 940	1			BLADE, Tail Pipe Rear Support
	4004 742	1			SUPPORT, Tail Pipe Rear
14	4004 581	1			BRACKET, Tail Pipe Front Support
15	6031 734	2			SCREW
					SUPPORT, Tail Pipe - Front
16	4004 552	1			Natural
	4004 553	1			Silver
17	6027 086	1			SCREW
18	4150 623	1			PLATE, Cat. Conv. Support Brkt.

MODEL CODES

B = GRAN FURY	F = FIFTH AVENUE/NEWPORT	P = RELIANT
C = LEBARON/TOWN & COUNTRY/EXC SEDAN	G = DIPLOMAT	T = E CLASS/NEW YORKER
C24 = LASER	H = VOYAGER	V = 600
D = ARIES	K = MINI RAM/CARAVAN/ROYAL	V24 = DAYTONA
E = 600	M = HORIZON/TURISMO	Z = OMNI/CHARGER/RAMPAGE

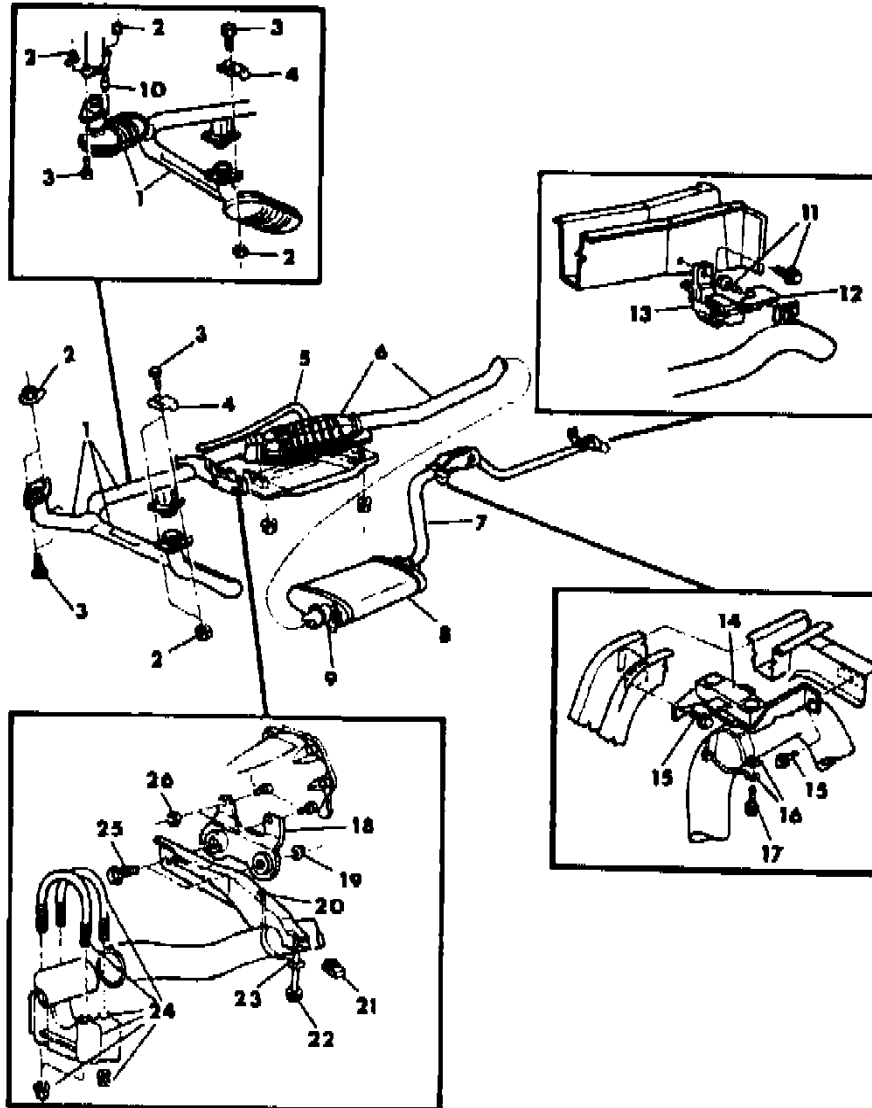
BODY STYLES

21 = 2-DOOR SEDAN	28 = FWD PICKUP	44 = 4-DOOR HATCHBACK
22 = 2-DOOR SPECIAL COUPE	35 = FWD VAN	45 = 4-DOOR STATION WAGON
24 = 2-DOOR HATCHBACK	36 = FWD WAGON	48 = 4-DOOR EXECUTIVE SEDAN
27 = 2-DOOR CONVERTIBLE	41 = 4-DOOR SEDAN	

AR = Use as Required - = Non Illustrated Part P.A.R. = Paint as Required

EXHAUST SYSTEM B,F,G
Figure 11-400

4111 400 A



ITEM	PART NUMBER	QTY	BODY	MODEL	DESCRIPTION
19	0118 614	2			NUT
20	4150 334	1			BRACKET, Cat. Conv. Support
21	6029 355	1			U-NUT
22	0153 190	1			SCREW
23	4150 219	1			CLAMP
24	4004 961	2			CLAMP, Saddle
25	6022 245	1			SCREW
26	6025 405	2			NUT

MODEL CODES

B = GRAN FURY	F = FIFTH AVENUE/NEWPORT	P = RELIANT
C = LEBARON/TOWN & COUNTRY/EXC SEDAN	G = DIPLOMAT	T = E CLASS/NEW YORKER
C24 = LASER	H = VOYAGER	V = 600
D = ARIES	K = MINI RAM/CARAVAN/ROYAL	V24 = DAYTONA
E = 600	M = HORIZON/TURISMO	Z = OMNI/CHARGER/RAMPAGE

BODY STYLES

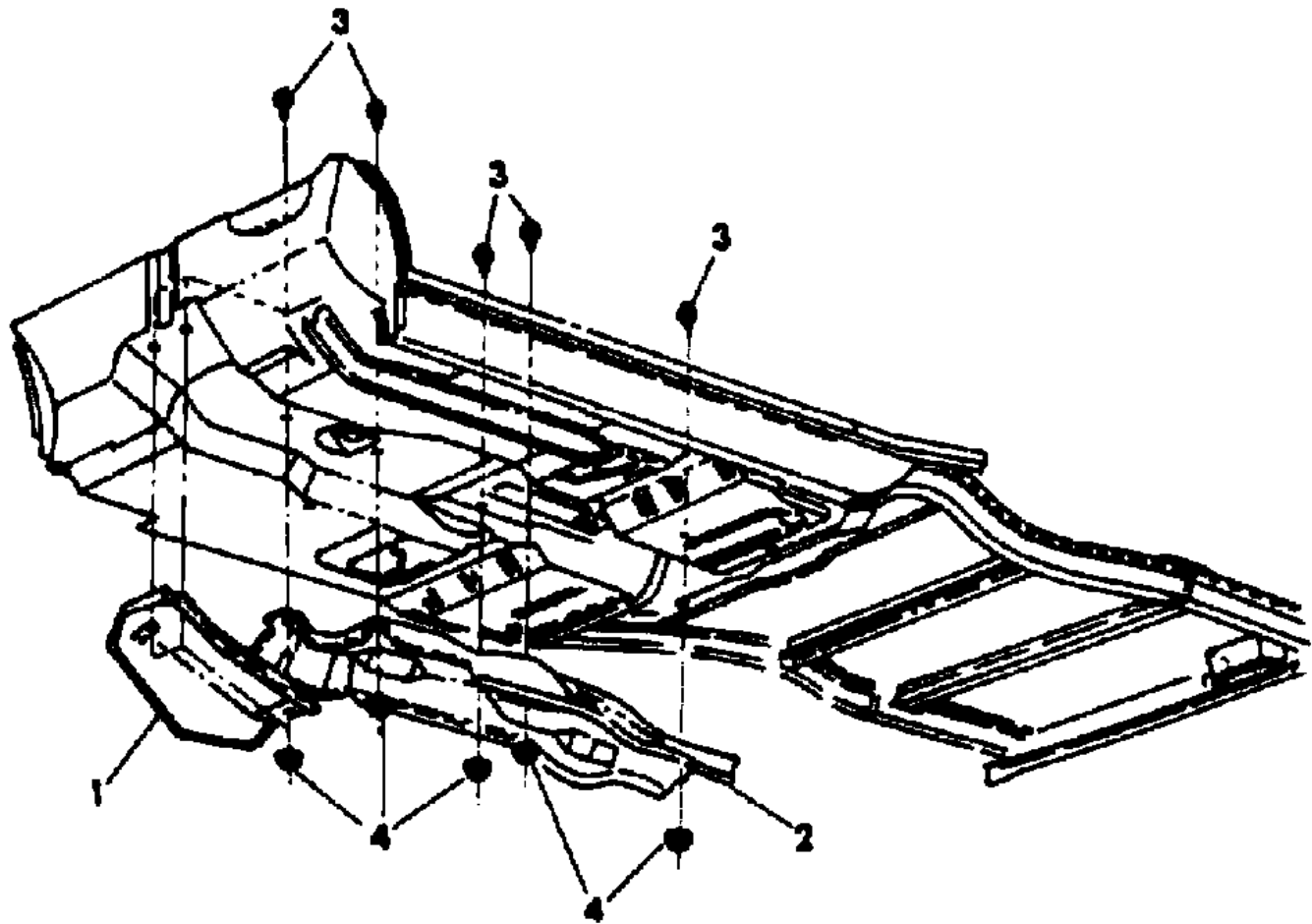
21 = 2-DOOR SEDAN	28 = FWD PICKUP	44 = 4-DOOR HATCHBACK
22 = 2-DOOR SPECIAL COUPE	35 = FWD VAN	45 = 4-DOOR STATION WAGON
24 = 2-DOOR HATCHBACK	36 = FWD WAGON	48 = 4-DOOR EXECUTIVE SEDAN
27 = 2-DOOR CONVERTIBLE	41 = 4-DOOR SEDAN	

AR = Use as Required - = Non Illustrated Part P.A.R. = Paint as Required

HEAT SHIELDS - EXHAUST M,Z
Figure 11-500

4111 600

ITEM	PART NUMBER	QTY	BODY	MODEL	DESCRIPTION
1	4266 737	1			SHIELD, Front Floor Pan
2	4266 098	1		24	SHIELD, Insulated Converter
	4266 095	1		28,44	
3		7			SCREW (not serviced)
4	0219 462	7			NUT



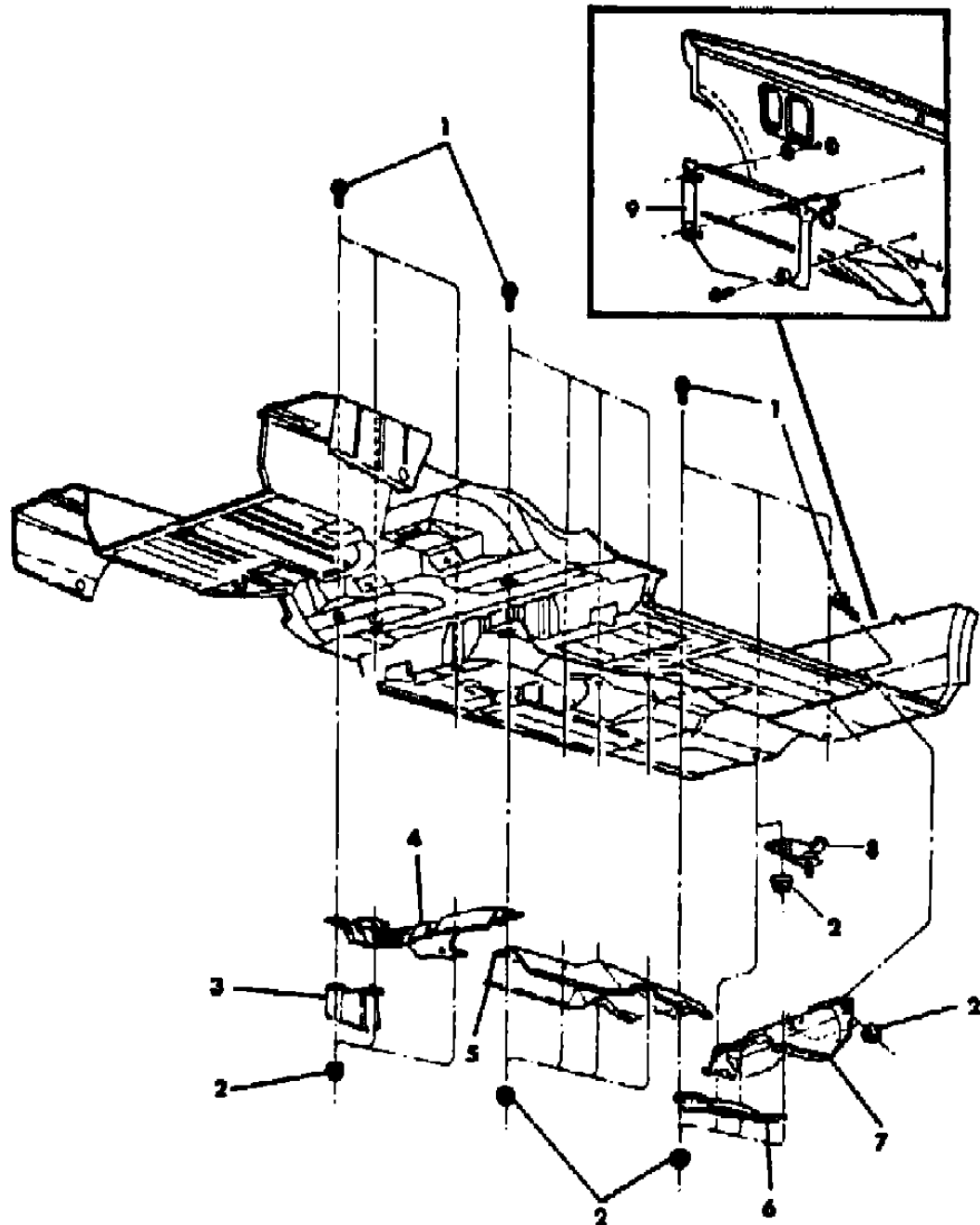
MODEL CODES
 B = GRAN FURY
 C = LEBARON/TOWN & COUNTRY/EXC SEDAN
 C24 = LASER
 D = ARIES
 E = 600
 F = FIFTH AVENUE/NEWPORT
 G = DIPLOMAT
 H = VOYAGER
 K = MINI RAM/CARAVAN/ROYAL
 M = HORIZON/TURISMO
 P = RELIANT
 T = E CLASS/NEW YORKER
 V = 600
 V24 = DAYTONA
 Z = OMNI/CHARGER/RAMPAGE

BODY STYLES
 21 = 2-DOOR SEDAN
 22 = 2-DOOR SPECIAL COUPE
 24 = 2-DOOR HATCHBACK
 27 = 2-DOOR CONVERTIBLE
 28 = FWD PICKUP
 35 = FWD VAN
 36 = FWD WAGON
 41 = 4-DOOR SEDAN
 44 = 4-DOOR HATCHBACK
 45 = 4-DOOR STATION WAGON
 48 = 4-DOOR EXECUTIVE SEDAN

AR = Use as Required - = Non Illustrated Part P.A.R. = Paint as Required

HEAT SHIELDS - EXHAUST P,D,C,V,E,T
Figure 11-600

4111 000



ITEM	PART NUMBER	QTY	BODY	MODEL	DESCRIPTION
1		AR			SCREW (not serviced)
2	0219 462	AR			NUT
3	4140 824	1			SHIELD, Front Floor Pan Rear Heat Aux.
4	4140 803	1			SHIELD, Front Floor Rear Heat
5					SHIELD, Underbody Cat. Heat
					Upper
	4266 273	1		P,D,C,V	2.2L Eng. w/(S/C - EDE) w/(S/C - NAA, NAE, NAF) exc. C,V-24
	4266 273	1		exc. C,	2.2L Eng. w/(S/C - EDF)
	4266 273	1		exc. C,	2.2L Eng. w/(S/C - EDG)
	4266 249	1		C,V-24	2.2L Eng.
	4266 273	1			2.6L Eng.
					Lower
	4266 246	1		exc. C,	2.2L Eng. w/(S/C - EDG)
	4266 250	1		C,V-24	2.2L Eng. w/(S/C - EDG)
6					SHIELD, Frt. Floor Frt. Heat
	4140 801	1		P,D,C,V	2.2L Eng. w/(S/C - EDE) exc. C,V-24
	4140 801	1		exc. C,	2.2L Eng. w/(S/C - EDF)
	4140 802	1		exc. C,	2.2L Eng. w/(S/C - EDG)
7					SHIELD, Dash Panel Heat
	4140 813	1		P,D,C,V	2.2L Eng. w/(S/C - EDE) w/(S/C - NAA, NAE, NAF) exc. C,V-24
	4140 813	1			2.2L Eng. w/(S/C - EDF)
	4140 811	1			SHIELD, Dash Panel Heat - Upper
8	4266 299	1			BRACKET, Dash Panel Heat Shield Attach. - Man. Trans.
9	4266 248	1			SHIELD, Firewall Heat 2.2L Eng. w/(S/C - EDG)
	4266 159	1		exc. C,	SHIELD, Muffler Heat w/o Trunk Dress Up (not shown)

MODEL CODES

B = GRAN FURY	F = FIFTH AVENUE/NEWPORT	P = RELIANT
C = LEBARON/TOWN & COUNTRY/EXC SEDAN	G = DIPLOMAT	T = E CLASS/NEW YORKER
C24 = LASER	H = VOYAGER	V = 600
D = ARIES	K = MINI RAM/CARAVAN/ROYAL	V24 = DAYTONA
E = 600	M = HORIZON/TURISMO	Z = OMNI/CHARGER/RAMPAGE

BODY STYLES

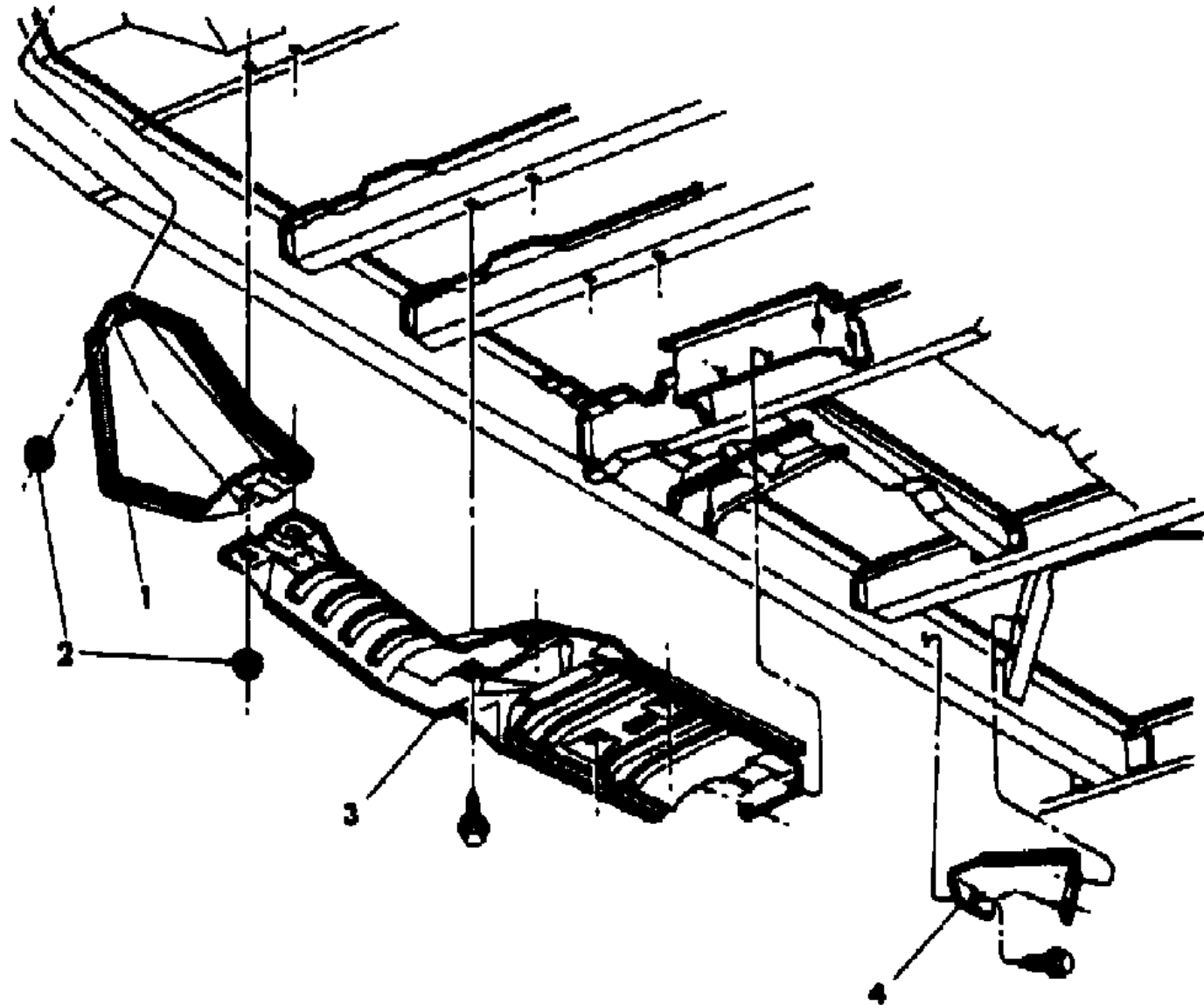
21 = 2-DOOR SEDAN	28 = FWD PICKUP	44 = 4-DOOR HATCHBACK
22 = 2-DOOR SPECIAL COUPE	35 = FWD VAN	45 = 4-DOOR STATION WAGON
24 = 2-DOOR HATCHBACK	36 = FWD WAGON	48 = 4-DOOR EXECUTIVE SEDAN
27 = 2-DOOR CONVERTIBLE	41 = 4-DOOR SEDAN	

AR = Use as Required - = Non Illustrated Part P.A.R. = Paint as Required

HEAT SHIELDS - EXHAUST H,K
Figure 11-700

4111 700

ITEM	PART NUMBER	QTY	BODY	MODEL	DESCRIPTION
1					SHIELD, Toeboard Heat
	4266 237	1			Upper
	4266 238	1			Lower
2	0219 462	3			NUT
3					SHIELD, Muffler Heat
	4266 240	1			Upper
	4266 241	1			Lower
4	4266 244	1			SHIELD, Kick Up Heat



MODEL CODES

B = GRAN FURY	F = FIFTH AVENUE/NEWPORT	P = RELIANT
C = LEBARON/TOWN & COUNTRY/EXC SEDAN	G = DIPLOMAT	T = E CLASS/NEW YORKER
C24 = LASER	H = VOYAGER	V = 600
D = ARIES	K = MINI RAM/CARAVAN/ROYAL	V24 = DAYTONA
E = 600	M = HORIZON/TURISMO	Z = OMNI/CHARGER/RAMPAGE

BODY STYLES

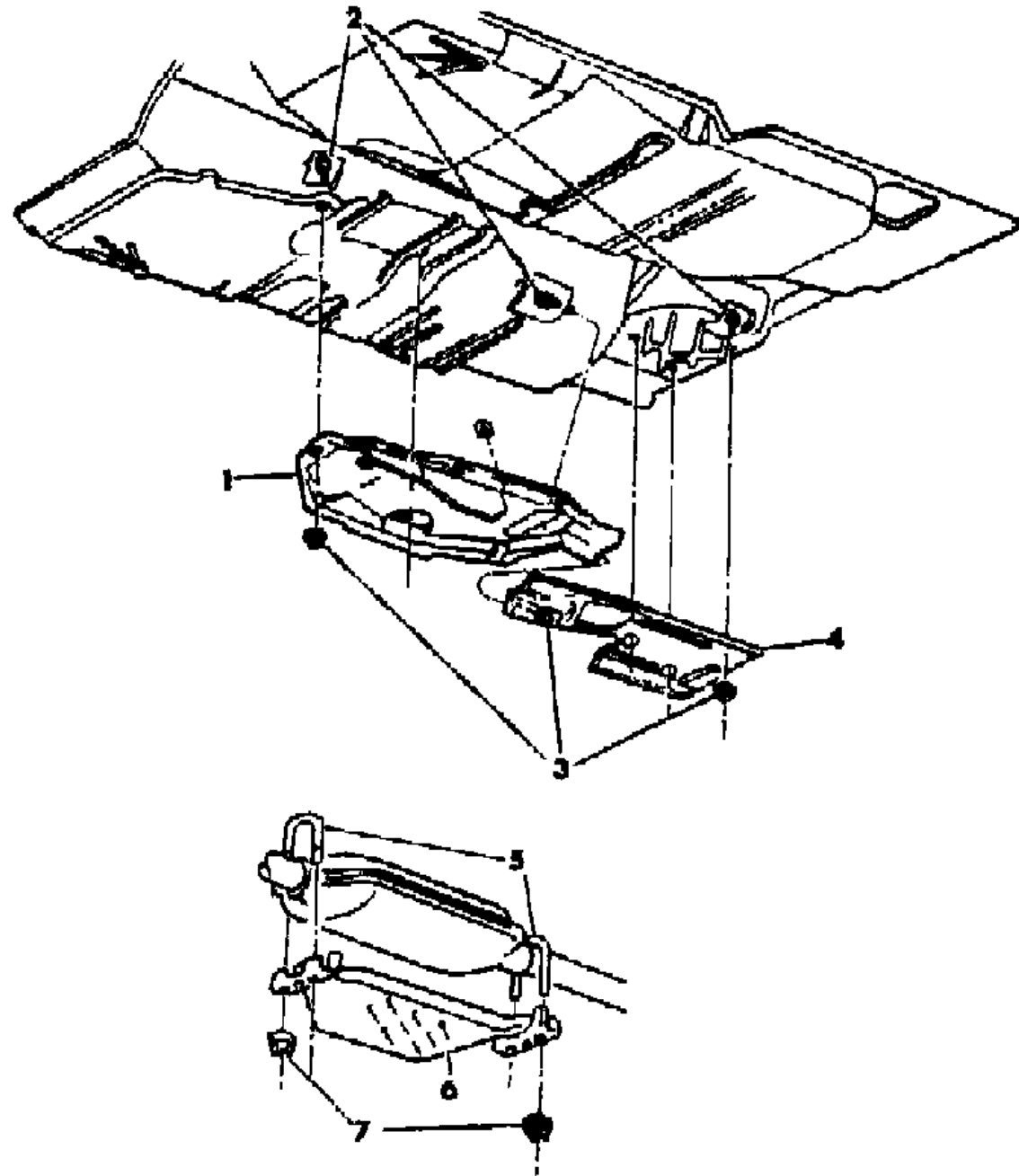
21 = 2-DOOR SEDAN	28 = FWD PICKUP	44 = 4-DOOR HATCHBACK
22 = 2-DOOR SPECIAL COUPE	35 = FWD VAN	45 = 4-DOOR STATION WAGON
24 = 2-DOOR HATCHBACK	36 = FWD WAGON	48 = 4-DOOR EXECUTIVE SEDAN
27 = 2-DOOR CONVERTIBLE	41 = 4-DOOR SEDAN	

AR = Use as Required - = Non Illustrated Part P.A.R. = Paint as Required

HEAT SHIELDS - EXHAUST B,F,G
Figure 11-800

4111 800

ITEM	PART NUMBER	QTY	BODY	MODEL	DESCRIPTION
1	4266 011	1			SHIELD, Front Floor Pan Heat
2	0181 063	AR			SCREW
3	0219 462	AR			NUT
4	3791 301	1			SHIELD, Center Floor Pan
5	4150 155	2			U-BOLT, Heat Shield Brkt. 2.25
	4004 050	2			Canada 2.50
6	4150 151	1			SHIELD, Catalytic Heat
	4004 385	1			Canada
7	6025 004	4			NUT



MODEL CODES

B = GRAN FURY	F = FIFTH AVENUE/NEWPORT	P = RELIANT
C = LEBARON/TOWN & COUNTRY/EXC SEDAN	G = DIPLOMAT	T = E CLASS/NEW YORKER
C24 = LASER	H = VOYAGER	V = 600
D = ARIES	K = MINI RAM/CARAVAN/ROYAL	V24 = DAYTONA
E = 600	M = HORIZON/TURISMO	Z = OMNI/CHARGER/RAMPAGE

BODY STYLES

21 = 2-DOOR SEDAN	28 = FWD PICKUP	44 = 4-DOOR HATCHBACK
22 = 2-DOOR SPECIAL COUPE	35 = FWD VAN	45 = 4-DOOR STATION WAGON
24 = 2-DOOR HATCHBACK	36 = FWD WAGON	48 = 4-DOOR EXECUTIVE SEDAN
27 = 2-DOOR CONVERTIBLE	41 = 4-DOOR SEDAN	

AR = Use as Required - = Non Illustrated Part P.A.R. = Paint as Required

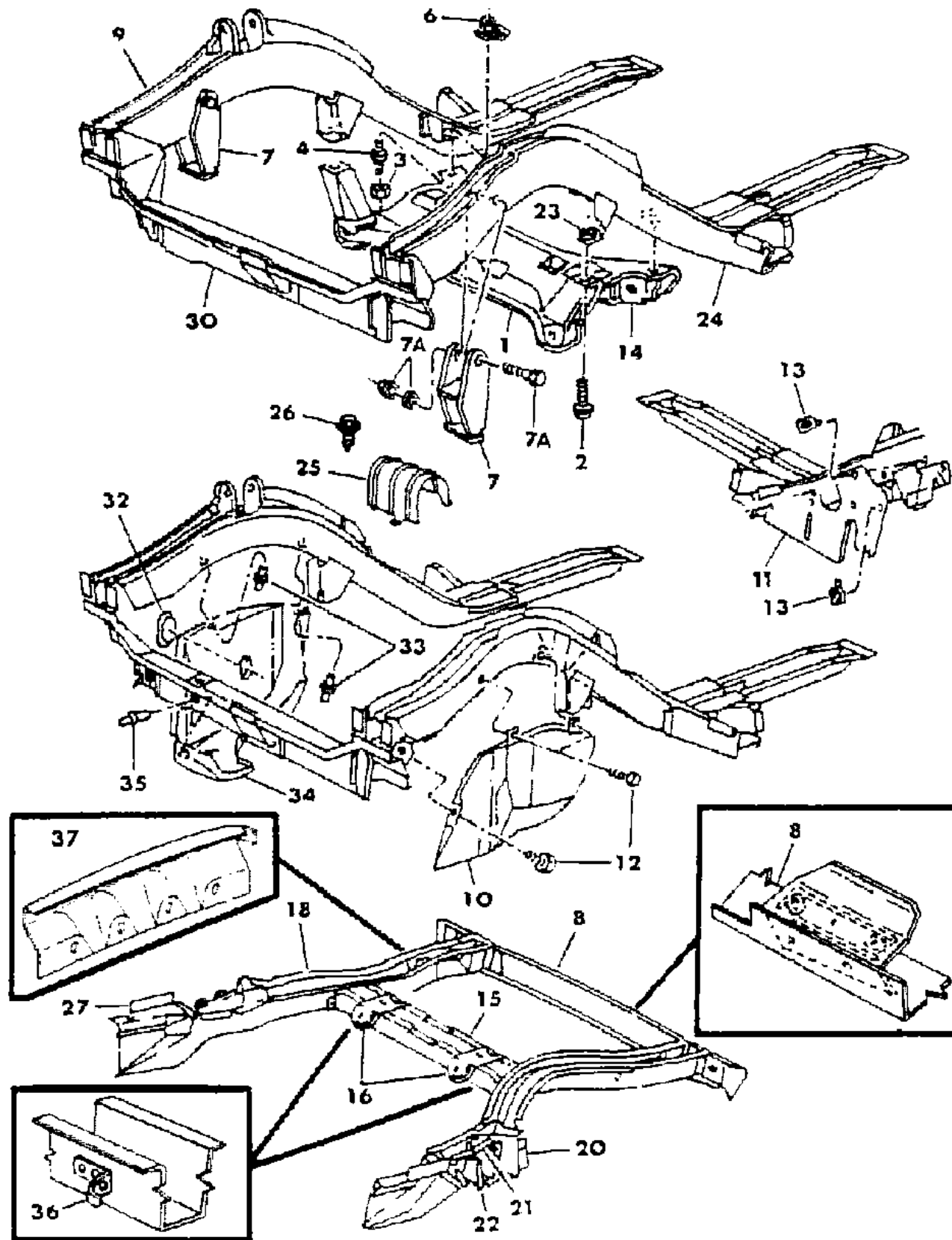
GROUP 13 - FRAME & BUMPERS

ILLUSTRATION TITLE	GROUP-FIG. NO.
FRAME M,Z	Fig. 13-100
FRAME P,D,V,C,E,T	Fig. 13-200
FRAME FRONT H,K	Fig. 13-300
FRAME REAR H,K	Fig. 13-400
SHIELD, BOOT AIR DEFLECTOR M,Z,P,D,V,C,E,T,H,K	Fig. 13-500
FRAME B,F,G	Fig. 13-600
FASCIA, BUMPER FRONT M,Z-24-28	Fig. 13-700
FASCIA, BUMPER REAR M,Z 24	Fig. 13-800
BUMPER, REAR M,Z-28	Fig. 13-900
BUMPER, FRONT and REAR M,Z 44	Fig. 13-1000
BUMPER, FRONT P,D	Fig. 13-1100
BUMPER, FRONT V,E	Fig. 13-1200
BUMPER, FRONT C,T	Fig. 13-1300
BUMPER, REAR P,D,V,C,E,T - 21,22,27,41	Fig. 13-1400
BUMPER, REAR P,D,C-45	Fig. 13-1500
FASCIA, BUMPER FRONT V,C-24	Fig. 13-1600
FASCIA, BUMPER REAR V,C-24	Fig. 13-1700
BUMPER, FRONT H,K	Fig. 13-1800
BUMPER, REAR H,K	Fig. 13-1900
BUMPER, FRONT B,F,G	Fig. 13-2000
BUMPER, REAR B,G - 41	Fig. 13-2100
BUMPER, REAR F-41	Fig. 13-2200
FILLER, BUMPER F	Fig. 13-2300
FILLER, BUMPER B,G	Fig. 13-2400

ILLUSTRATION NOT AVAILABLE AT TIME OF PUBLICATION

FRAME M,Z
Figure 13-100

4113 100A



ITEM	PART NUMBER	QTY	BODY	MODEL	DESCRIPTION
1	4322 244	1		All	CROSSMEMBER, Frt. Susp. Comp.
	4296 258	1		All	TIE-PLATE, Frt. C/Member Flange (Not Ill.)
2	6100 350	2		All	BOLT and Washer
3	6500 122	2		All	NUT, Stud
4	5202 246	2		All	STUD, Frt. Susp. C/Member Rr.
6	5202 328	2		All	NUT, Plate
	5202 288	1		All	REINFORCEMENT, Frt. C/MEM. Strg. Gear Mtg. Lt.(Not Ill.)
7		2		All	BRACKET, Frt. Side Rail Shipping Tie Down (Not Serviced)
7A		2		All	BOLT, NUT And WASHER (Not Serviced)
8	5218 411	1		All	CROSSMEMBER, Rear Floor Pan Rr.
9	5218 326-7	1		All	RAIL, Front Side
	4270 120	1		All	BRKT., Frt. Side Rail Eng. Mtg. Frt. (Not Ill.)
	4050 454	1		All	REINF., Frt. S/Rail Eng. Side Mtg., Rt. (Not Ill.)
10	4296 142	1		All	SHIELD, Trans Appearance Lt. (See Gr.7 For Rt. Side- GRILLE AND RELATED PARTS- SHIELD, Closure Panel To Rad. Air)
11	5202 617	1		All	SHIELD, Front Side Rail Rr. Splash, Rt. (Rubber)
12				All	SCREW (Not Serviced)
13	6029 886	AR		All	FASTENER, Shield Splash S/Rail
14	5202 186-7	1		All	BRACKET, Front Susp. C/Mbr. To S/Rail Rr. Supt.
15	5218 438	1	24,44		CROSSMEMBER, Rr. Floor Pan Front
		1	28		CROSSMEMBER, w/Load Sensing Brkt. Rr. Flr. Pan Frt. (Not Serviced)
16			24,44		REINF. Rr. Slat Belt Inner Anchor (Not Serviced)
18	5218 412-3	1	44		RAIL Rr. Floor Pan Side
	5218 416-7	1	24		
	5218 406-7	1	28		
	5218 404-5	1	28		EXTENSION, Rr. Floor Pan Side Rail (Not Ill.)
20			All		GUSSET w/NUT, Rr. Side Lt. (Not Serviced)
21	4314 326	4	All		REINFORCEMENT, w/Nut, Rear Susp. Mtg. Gusset
22	4314 974-5	1	All		SUPPORT, Rr. Floor Pan To Sill Lower Jacking
23	4191 299	2	All		PLATE, Front S/Rail Front Susp. C/Mbr. Front Supt.
24	5200 008-9	1	All		BRACE, Front Rail To Sill Inner Extension, Jacking Assist
25	5202 604	1	All		SHIELD, Strg. Gear Boot Splash, Rt.
	4052 597	1	All		Lt.
26			All		SCREW (Not Serviced)
27	5200 034-5	1	All		PANEL, Side Sill Inner Rear
30	5218 325	1	All		CROSSMEMBER, w/BRKT., Eng., Frt. Mtg.
32	2811 825	2	All		PLUG, Acc. Pulley Shield

MODEL CODES

B = GRAN FURY	F = FIFTH AVENUE/NEWPORT	P = RELIANT
C = LEBARON/TOWN & COUNTRY/EXC SEDAN	G = DIPLOMAT	T = E CLASS/NEW YORKER
C24 = LASER	H = VOYAGER	V = 600
D = ARIES	K = MINI RAM/CARAVAN/ROYAL	V24 = DAYTONA
E = 600	M = HORIZON/TURISMO	Z = OMNI/CHARGER/RAMPAGE

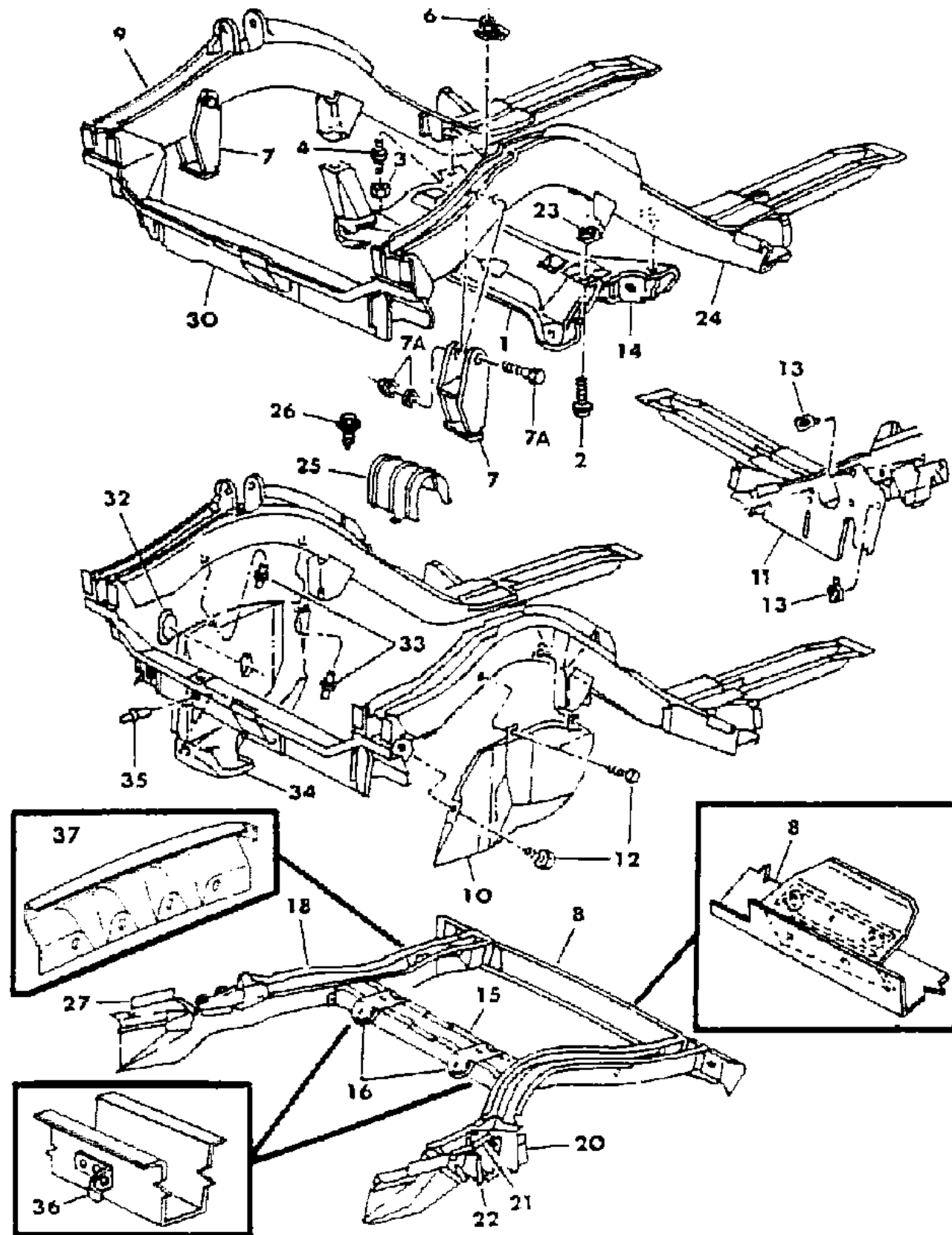
BODY STYLES

21 = 2-DOOR SEDAN	28 = FWD PICKUP	44 = 4-DOOR HATCHBACK
22 = 2-DOOR SPECIAL COUPE	35 = FWD VAN	45 = 4-DOOR STATION WAGON
24 = 2-DOOR HATCHBACK	36 = FWD WAGON	48 = 4-DOOR EXECUTIVE SEDAN
27 = 2-DOOR CONVERTIBLE	41 = 4-DOOR SEDAN	

AR = Use as Required - = Non Illustrated Part P.A.R. = Paint as Required

FRAME M,Z
Figure 13-100

4113 100A



ITEM	PART NUMBER	QTY	BODY	MODEL	DESCRIPTION
33	6032 049	AR		All	RETAINER
34	4341 304	1		All	SHIELD, Acc. Pulley Splash, Rt.
35	6031 390	AR		All	RETAINER
	5218 441	1		28	CROSSMEMBER,w/BRACKET, Brake Line Mtg. (Not Ill.)
36	4314 970-1	1		24,44	BRKT. Rr. Floor Pan C/Mem. Rr. Brake Line
37	5230 340	1		24	DEFLECTOR, Rr.FI.Pan Side Rail Fuel Filler Tube
		4		24	SCREW, Deflector Att. (Not Serviced)
	5218 424	1		28	CROSSMEMBER, w/BRACKET, Rr. Cargo Panel Shock Mtg. (Not Ill.)
	4314 211	1		28	CROSSMEMBER, Cargo Floor Panel Inter. (Not Ill.)

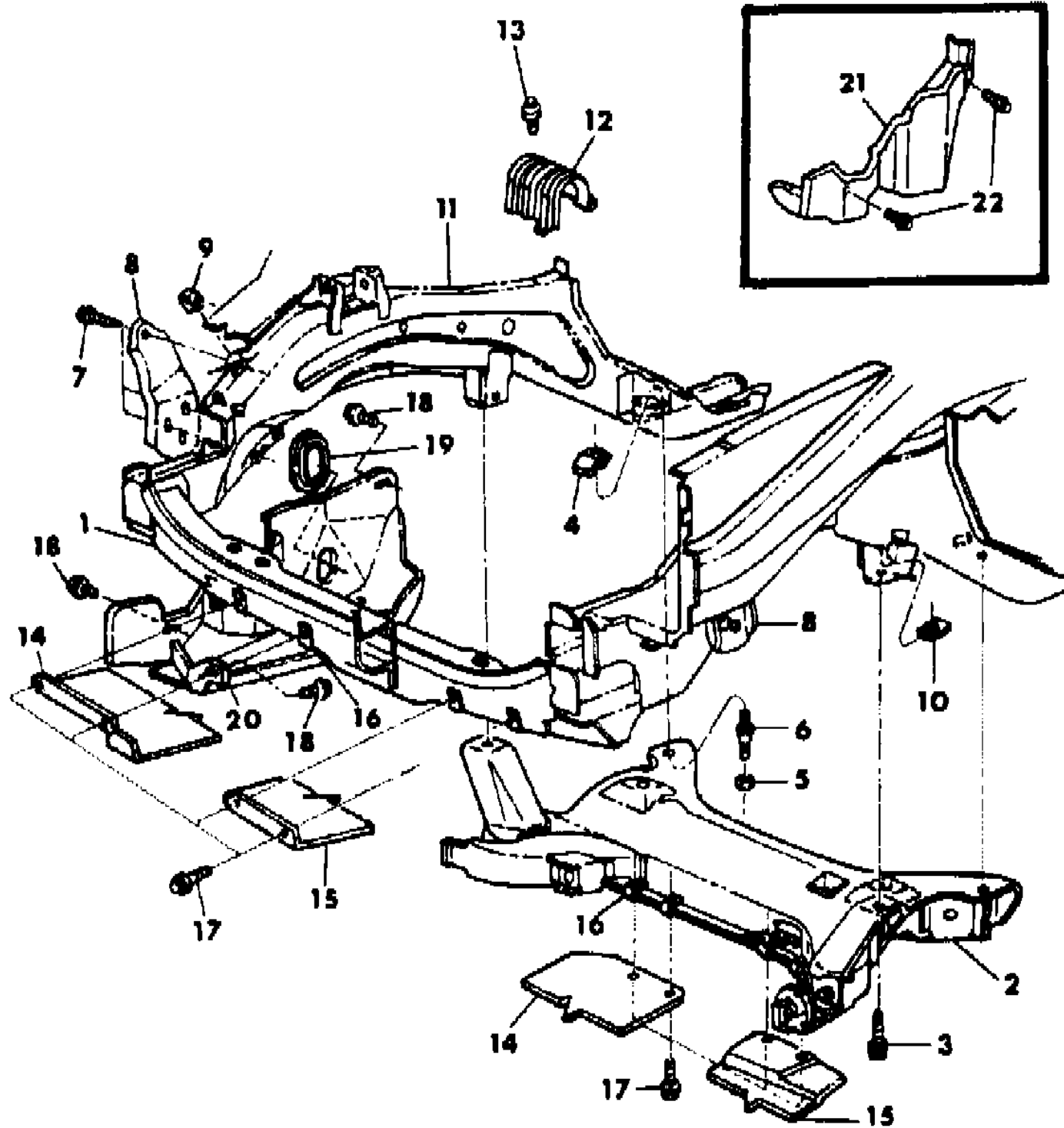
MODEL CODES
 B = GRAN FURY
 C = LEBARON/TOWN & COUNTRY/EXC SEDAN
 C24 = LASER
 D = ARIES
 E = 600
 F = FIFTH AVENUE/NEWPORT
 G = DIPLOMAT
 H = VOYAGER
 K = MINI RAM/CARAVAN/ROYAL
 M = HORIZON/TURISMO
 P = RELIANT
 T = E CLASS/NEW YORKER
 V = 600
 V24 = DAYTONA
 Z = OMNI/CHARGER/RAMPAGE

BODY STYLES
 21 = 2-DOOR SEDAN
 22 = 2-DOOR SPECIAL COUPE
 24 = 2-DOOR HATCHBACK
 27 = 2-DOOR CONVERTIBLE
 28 = FWD PICKUP
 35 = FWD VAN
 36 = FWD WAGON
 41 = 4-DOOR SEDAN
 44 = 4-DOOR HATCHBACK
 45 = 4-DOOR STATION WAGON
 48 = 4-DOOR EXECUTIVE SEDAN

AR = Use as Required - = Non Illustrated Part P.A.R. = Paint as Required

FRAME P,D,V,C,E,T
Figure 13-200

4113 200



ITEM	PART NUMBER	QTY	BODY	MODEL	DESCRIPTION
1	4341 678	1		All	CROSSMEMBER, Frt. S/Rail Frt. (Also Service 2 Of 4266328 Isolator)
2	4322 249	1		All	CROSSMEMBER, Frt. Susp. Comp.
	4322 250	1	V,C,E,T		w/Man Trans. W/Turbo Eng.
	4322 249	1	All		w/Auto. Trans. w/Turbo
3	4296 258	1		All	TIE-PLATE, Frt.C/Mem. Flange (Not Ill.)
	6100 350	2		All	SCREW,w/Washer, C/Member Mtg.
	4297 972	1		All	C/MEMBER, Rear Floor Pan Rr. Susp.(Not Ill.)
	4297 892	1		All	C/MEMBER, Rear Floor Pan Rr. (Not Ill.)
4	4200 978	1	V,C-24		C/MEMBER, Rear Floor Pan Rr. (Not Ill.)
	5202 328	2		All	NUT-PLATE, C/Member Mtg.,Rr.
	5202 288	1		All	REINFORCEMENT, Frt. C/Mem. Strg. Gear Mtg. Lt.(Not Ill.)
	4296 416	1		All	REINFORCEMENT, Frt. S/Rail Rr. Rail Pk.Brake Cable Rt.(Not Ill.)
5	6500 122	2		All	NUT, Stud
6	5202 246	2		All	STUD, C/Member Mtg.
7	6100 230	6		All	SCREW,w/WASHER
8				All	BRACKET, Frt. S/Rail Shipping Tie Down (Not Serviced)
	4296 417	1		All	BRACKET, Frt. S/Rail Pk.Brake Cable, Lt.(Not Ill.)
9		2		All	U-NUT (Not Serviced)
10	4191 299	2		All	PLATE, Frt. S/Rail C/Member Frt. Supt.
11	4297 906-7	1		All	RAIL, Frt. Side And Reinf. Frt. Side Rail Frt.
	4270 120	1		All	BRKT.,Frt. Side Rail Frt. Eng.Mtg.Frt. (NotIll.)
12	5202 604	1		All	SHIELD, Strg. Gear Boot Splash, Rt.
	4052 597	1		All	Lt.
13				All	SCREW (Not Serviced)
					RAIL, Rr. Floor Pan Side (Not Ill.)
	4325 414	1	P,D,V,C		Right
	4325 415	1	P,D,V,C		Left
	4325 432	1	E,T		Right
	4325 433	1	E,T		Left
	4297 954-5	1	V,C-24		
4297 918-9	1	All		RAIL & REINF. Frt. S/Rail Rr. & Park Brake Cable (Not Ill.)	
	4296 373	1		All	BRACKET, Front Side Rail Engine Mount-Upper Left (Not Ill.)
	4296 375	1		All	BRACKET, Front Side Rail Engine Mount-Lower Left (Not Ill.)
14	4322 259	1		All	SHIELD, Eng. Oil Pan w/H.D. Serv.Pkg.(S/C-F57)
15	4052 679	1		All	SHIELD, Trans. Oil Pan
16	6101 308	8		All	U-NUT

MODEL CODES

B = GRAN FURY	F = FIFTH AVENUE/NEWPORT	P = RELIANT
C = LEBARON/TOWN & COUNTRY/EXC SEDAN	G = DIPLOMAT	T = E CLASS/NEW YORKER
C24 = LASER	H = VOYAGER	V = 600
D = ARIES	K = MINI RAM/CARAVAN/ROYAL	V24 = DAYTONA
E = 600	M = HORIZON/TURISMO	Z = OMNI/CHARGER/RAMPAGE

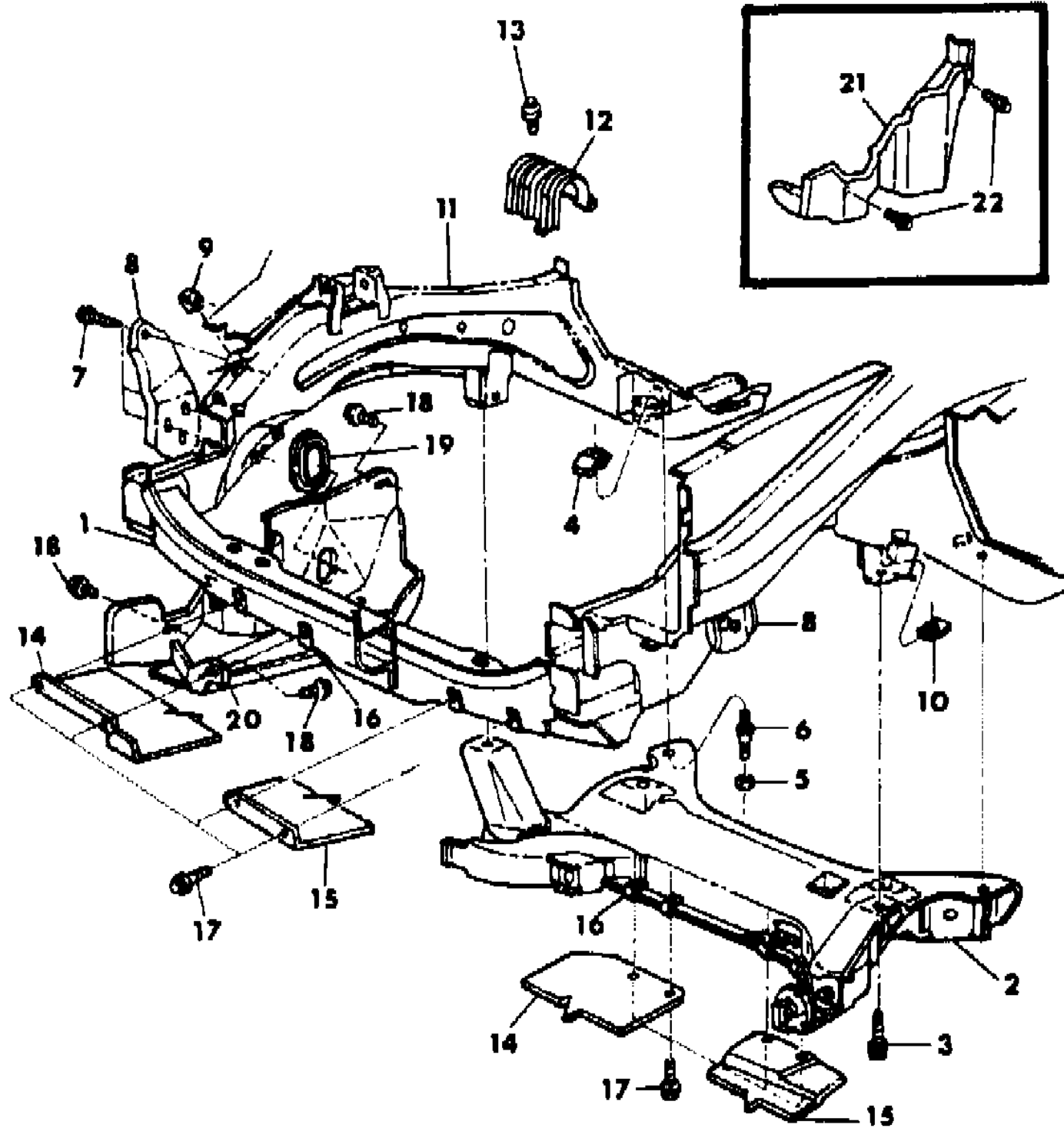
BODY STYLES

21 = 2-DOOR SEDAN	28 = FWD PICKUP	44 = 4-DOOR HATCHBACK
22 = 2-DOOR SPECIAL COUPE	35 = FWD VAN	45 = 4-DOOR STATION WAGON
24 = 2-DOOR HATCHBACK	36 = FWD WAGON	48 = 4-DOOR EXECUTIVE SEDAN
27 = 2-DOOR CONVERTIBLE	41 = 4-DOOR SEDAN	

AR = Use as Required - = Non Illustrated Part P.A.R. = Paint as Required

FRAME P,D,V,C,E,T
Figure 13-200

4113 200



ITEM	PART NUMBER	QTY	BODY	MODEL	DESCRIPTION
17	6100 287	8		All	BOLT,w/WASHER
18		AR		All	SCREW (Not Serviced)
19	2811 825	1		All	PLUG, Splash Shield
20				All	SHIELD, Accessory Splash
	4191 532	1		All	W/2.2 Eng.
	4191 534	1		All	W/2.6 Eng.
21	4296 107	1		All	SHIELD, Trans. Appearance, Lt.
22		2		All	SCREW w/WASHER (Not Serviced)

MODEL CODES

B = GRAN FURY	F = FIFTH AVENUE/NEWPORT	P = RELIANT
C = LEBARON/TOWN & COUNTRY/EXC SEDAN	G = DIPLOMAT	T = E CLASS/NEW YORKER
C24 = LASER	H = VOYAGER	V = 600
D = ARIES	K = MINI RAM/CARAVAN/ROYAL	V24 = DAYTONA
E = 600	M = HORIZON/TURISMO	Z = OMNI/CHARGER/RAMPAGE

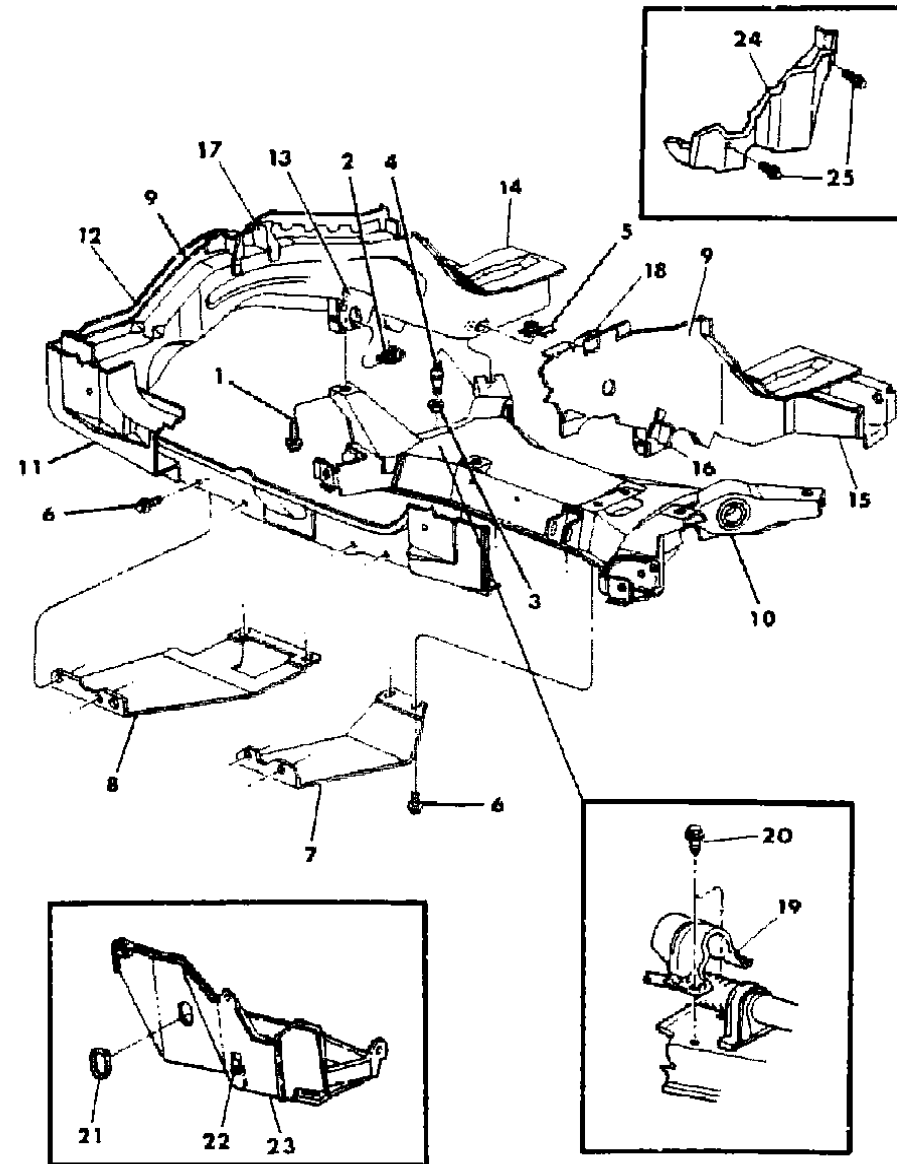
BODY STYLES

21 = 2-DOOR SEDAN	28 = FWD PICKUP	44 = 4-DOOR HATCHBACK
22 = 2-DOOR SPECIAL COUPE	35 = FWD VAN	45 = 4-DOOR STATION WAGON
24 = 2-DOOR HATCHBACK	36 = FWD WAGON	48 = 4-DOOR EXECUTIVE SEDAN
27 = 2-DOOR CONVERTIBLE	41 = 4-DOOR SEDAN	

AR = Use as Required - = Non Illustrated Part P.A.R. = Paint as Required

FRAME FRONT H,K
Figure 13-300

4113 300



ITEM	PART NUMBER	QTY	BODY	MODEL	DESCRIPTION
1	6500 604	2		All	BOLT,w/WASHER
2	4191 299	2		All	PLATE-NUT, C/Mem. To Frt. S/Rail
3	6500 122	2		All	NUT,Frnt. C/Mem. Rr.
4	5202 246	2		All	STUD, Frnt. C/Mem. Rr.
5	5202 328	2		All	PLATE-NUT, Frnt. C/Mem. Rr., Up To 4-16-84
	6501 075	2		All	After 4-16-84
6		8		All	BOLT,w/Washer (Not Serviced)
7	4322 019	1		All	SHIELD, Trans. Oil Pan
8	4322 018	1		All	SHIELD, Eng. Oil Pan
9	4341 652	1		All	RAIL-SIDE, Frt.Rt.
	4341 655	1		All	Lt.
	4270 120	1		All	BRKT.,Frt.Side Rail Frt.Eng.,Mtg.Frt.(Not Ill.)
	4270 106-7	1		All	REINFORCEMENT, Side Front Rail Inner (Not Ill.)
10	4322 669	1		All	C/MEMBER. Frt. Susp. Comp.
	4296 258	1		All	TIE PLATE, Front Crossmember Flange (Not Ill.)
11				All	PANEL Rad. Closure (Ref.)
12	4270 100-1	1		All	REINF., Side Frt. Rail, Outer
13	4270 212-3	1		All	BRACKET, C/Member Mtg.
14	4270 104	2		All	REINFORCEMENT, Side Front Rail to Dash Panel
15	4270 102-3	1		All	REINFORCEMENT, Side Front Rail to Sill Inner
16	4270 210-1	1		All	BRACKET, Side Front Rail Outer Reinforcement Brake Tube Support
17	4386 570	1		All	BRACKET, Front Side Rail Engine Mounting, Right
18	4296 373	1		All	BRACKET, Front Side Rail Engine Mount-Upper Left
	4296 375	1		All	BRACKET, Front Side Rail Engine Mount-Lower Left (Not Ill.)
19	4052 642	2		All	SHIELD, Front Suspension Crossmember Steering Gear Boot Splash Shield
20		4		All	SCREW (Not Serviced)
21	2811 825	1		All	PLUG
22	6029 509	2		All	U-NUT
23					SHIELD, Accessory Drive Splash
	4270 230	1		All	w/2.6 Eng.
	4270 228	1		All	w/2.2 Eng.
24	4296 932	1		All	SHIELD, Trans. Appearance, Lt.
25		2		All	SCREW w/WASHER (Not Serviced)

MODEL CODES

B = GRAN FURY	F = FIFTH AVENUE/NEWPORT	P = RELIANT
C = LEBARON/TOWN & COUNTRY/EXC SEDAN	G = DIPLOMAT	T = E CLASS/NEW YORKER
C24 = LASER	H = VOYAGER	V = 600
D = ARIES	K = MINI RAM/CARAVAN/ROYAL	V24 = DAYTONA
E = 600	M = HORIZON/TURISMO	Z = OMNI/CHARGER/RAMPAGE

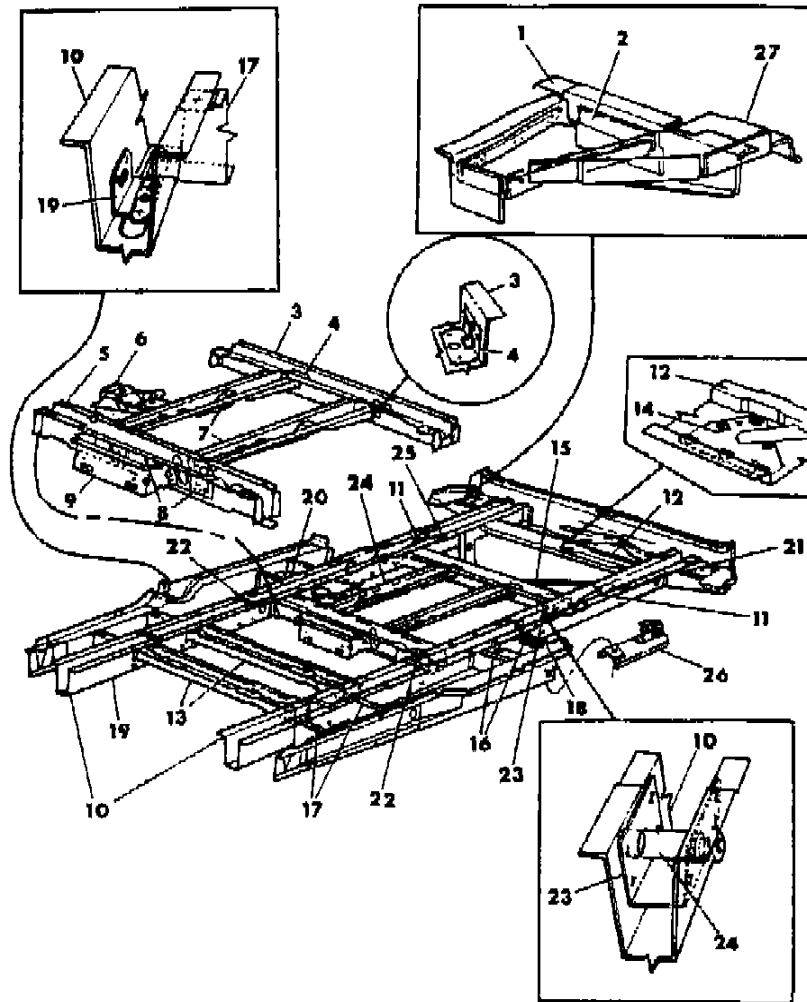
BODY STYLES

21 = 2-DOOR SEDAN	28 = FWD PICKUP	44 = 4-DOOR HATCHBACK
22 = 2-DOOR SPECIAL COUPE	35 = FWD VAN	45 = 4-DOOR STATION WAGON
24 = 2-DOOR HATCHBACK	36 = FWD WAGON	48 = 4-DOOR EXECUTIVE SEDAN
27 = 2-DOOR CONVERTIBLE	41 = 4-DOOR SEDAN	

AR = Use as Required - = Non Illustrated Part P.A.R. = Paint as Required

FRAME REAR H,K
Figure 13-400

4113 400



ITEM	PART NUMBER	QTY	BODY	MODEL	DESCRIPTION
1	4278 194-5	1		All	SUPT. Flr.Pan Rr.Susp.Hanger Rr.Brkt.
2	4278 398	2		All	PLATE,Flr.Pan Rr.Susp.Hanger Rr.Brkt.
3	4278 029	1		All	C/MEM,Flr.Pan Fuel Tank Supt.Rr.
4	4278 500	2		All	REINF.Flr.Pan Fuel Tank Supt.Rr. C/Mem.Strap Mtg.
5	4337 695	1		All	C/MEM,Flr.Pan Fuel Tank Supt. Frt.
6	4314 518	1		All	REINF.Flr.Pan Fuel Tank Supt. To S/Rail Rt.Side
7	4278 196	2		All	STRAINER, Flr.Pan Fuel Tank Supt.
8	4278 492	2		All	REINF.Flr.Pan Fuel Tank Supt.Frt. C/Mem.Strap Mtg.
9	4278 681	1		All	BRKT.Tail Pipe Hanger Frt.
10	4278 042	2		All	RAIL,Flr.Pan Side
11	4278 923	2		All	REINF.Flr.Pan S/Rail Jounce & Shipping Tie Down
12	4278 402	1		All	C/MEM,Flr.Pan Tire Stowage Supt.
13	4278 037	2		All	C/MEM,Flr.Pan Frt.& Rr.Seat Supt.
14	4314 734	1		All	REINF.Flr.Pan Tire Stowage C/Mem.
15	4337 961	1		All	BRKT.Sensing Valve & Tire Supt.Frt.Hanger Mtg.
16	4314 101	2		All	BRKT,Flr.Pan Rr.Susp.Hanger Frt.
17	4278 960	4		All	REINF.Flr.Pan S/Rail To Sill Inner
18	4314 333	1		All	SUPT.Rr.Spring To Fuel Filler Tube Ret.Frt.Lt.Side
19	4278 930	1		All	REINF.Body Side Rail Brake Cable Rt.Side
20	4314 103	2		All	PLATE,Rr.Susp.Hanger Brkt.Mtg.Frt.
21	4314 732	1		All	REINF.Flr.Pan Rr. S/Rail Winch Mtg.Lt.Side
22	4278 554	4		All	PLATE,Flr.Pan Rr. Rail Tie
23	4314 148	2		All	BRKT.,Flr.Pan Rr. Shock Abs. Sleeve Mtg.
24	4278 579	2		All	SLEEVE,Flr.Pan Rail Rr.Shock Abs.Mtg.
25	4337 039	4		All	STRAP, Flr.Pan S/Rail Rr.Seat Striker Reinf.
26	4314 329	1		All	RETAINER, Rr. Spring To Fuel Filler Tube Lt.
27	4278 192-3	1		All	BRACKET, Floor Pan Rear Suspension Hanger Rear

MODEL CODES

B = GRAN FURY	F = FIFTH AVENUE/NEWPORT	P = RELIANT
C = LEBARON/TOWN & COUNTRY/EXC SEDAN	G = DIPLOMAT	T = E CLASS/NEW YORKER
C24 = LASER	H = VOYAGER	V = 600
D = ARIES	K = MINI RAM/CARAVAN/ROYAL	V24 = DAYTONA
E = 600	M = HORIZON/TURISMO	Z = OMNI/CHARGER/RAMPAGE

BODY STYLES

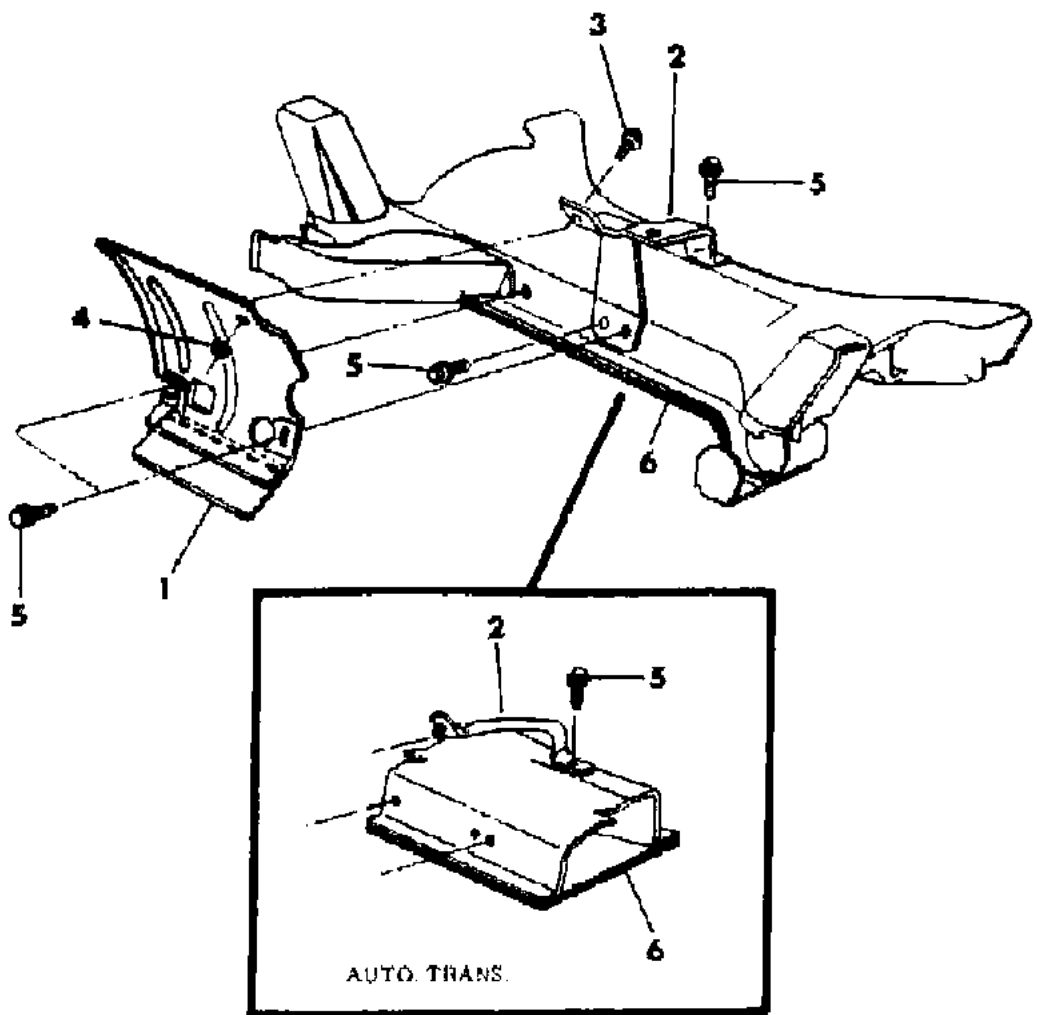
21 = 2-DOOR SEDAN	28 = FWD PICKUP	44 = 4-DOOR HATCHBACK
22 = 2-DOOR SPECIAL COUPE	35 = FWD VAN	45 = 4-DOOR STATION WAGON
24 = 2-DOOR HATCHBACK	36 = FWD WAGON	48 = 4-DOOR EXECUTIVE SEDAN
27 = 2-DOOR CONVERTIBLE	41 = 4-DOOR SEDAN	

AR = Use as Required - = Non Illustrated Part P.A.R. = Paint as Required

SHIELD, BOOT AIR DEFLECTOR M,Z,P,D,V,C,E,T,H,K

Figure 13-500

1113 500



ITEM	PART NUMBER	QTY	BODY	MODEL	DESCRIPTION
1	4266 744	1		Exc.H,K	SHIELD, Boot Air Deflector
	4266 321	1		H,K	
2	4188 375	1	All		BRACKET, Shield Att., Man.Trans.
	4140 765	1	All		Auto.Trans.
3	6100 286	1	All		SCREW,w/WASHER
4	6100 047	1	All		NUT,w/WASHER
5	6101 264	AR	All		BOLT,Up To 4-2-84
	6501 087	AR	All		After 4-2-84
6					C/MEMBER, Frt. (Ref.)

MODEL CODES

B = GRAN FURY	F = FIFTH AVENUE/NEWPORT	P = RELIANT
C = LEBARON/TOWN & COUNTRY/EXC SEDAN	G = DIPLOMAT	T = E CLASS/NEW YORKER
C24 = LASER	H = VOYAGER	V = 600
D = ARIES	K = MINI RAM/CARAVAN/ROYAL	V24 = DAYTONA
E = 600	M = HORIZON/TURISMO	Z = OMNI/CHARGER/RAMPAGE

BODY STYLES

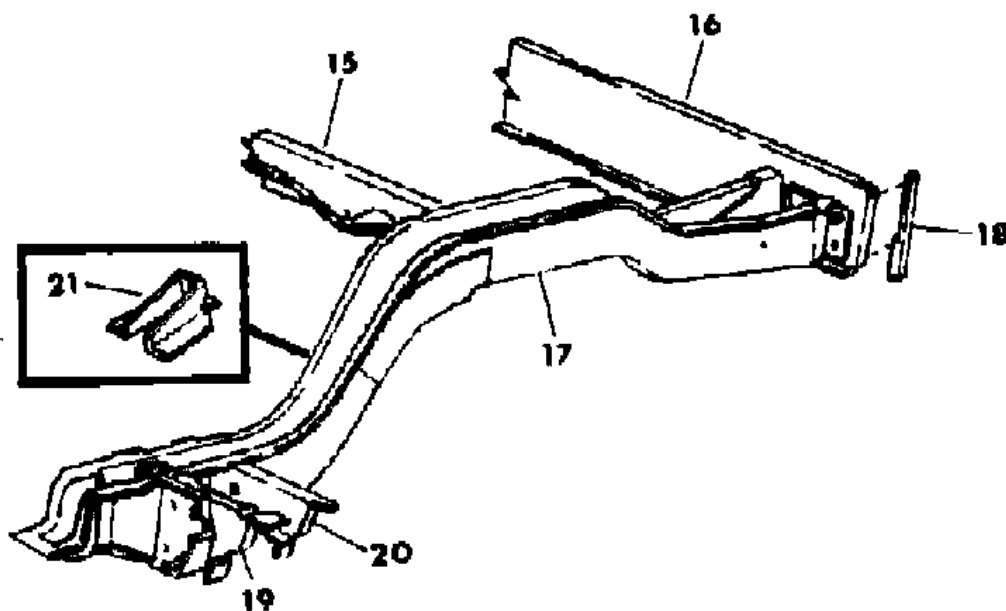
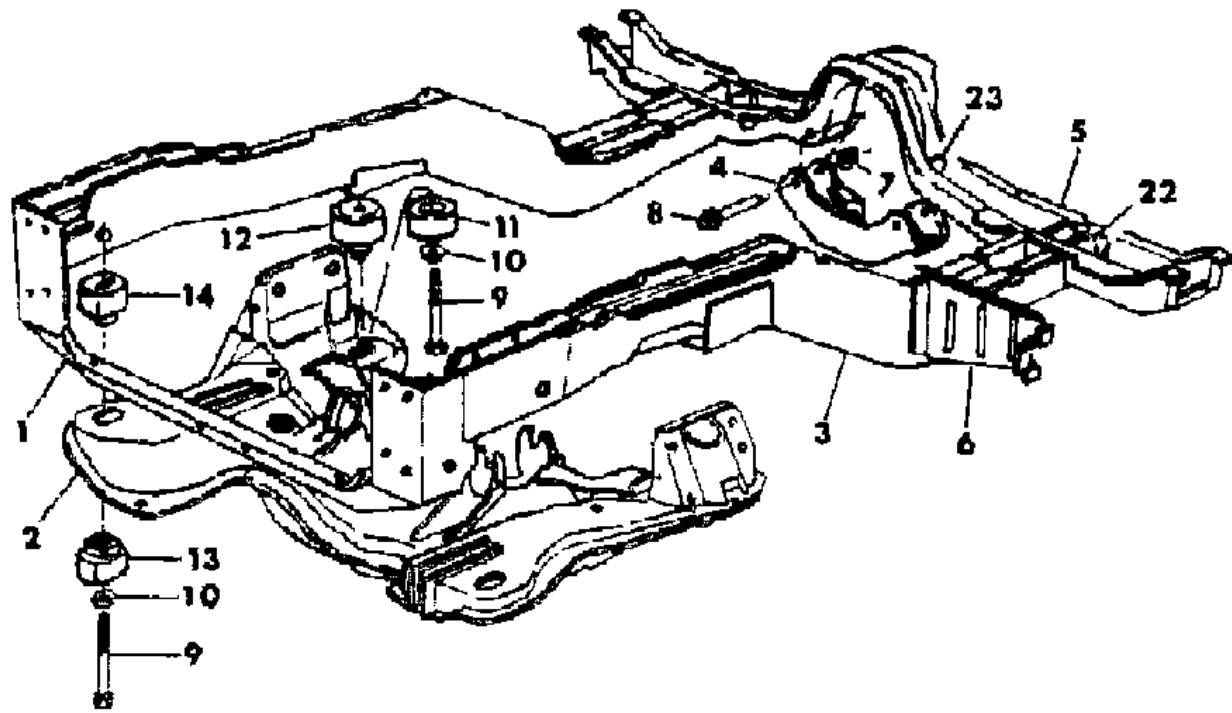
21 = 2-DOOR SEDAN	28 = FWD PICKUP	44 = 4-DOOR HATCHBACK
22 = 2-DOOR SPECIAL COUPE	35 = FWD VAN	45 = 4-DOOR STATION WAGON
24 = 2-DOOR HATCHBACK	36 = FWD WAGON	48 = 4-DOOR EXECUTIVE SEDAN
27 = 2-DOOR CONVERTIBLE	41 = 4-DOOR SEDAN	

AR = Use as Required - = Non Illustrated Part P.A.R. = Paint as Required

FRAME B,F,G
Figure 13-600

4113 600

ITEM	PART NUMBER	QTY	BODY	MODEL	DESCRIPTION
1	4296 620	1		All	CROSSMEMBER, Frt. Side Rail Frt.
2	4322 172	1		All	CROSSMEMBER, Frt. Suspension Comp.
3	4129 898-9	1		All	RAIL w/REINFORCEMENT, Front Side
4	4001 797	1		All	CROSSMEMBER, Frame Trans. Mtg.
5	4296 617	1		All	CROSSMEMBER, Frt. Side Rail Rr.
6	4314 640-1	1		All	REINFORCEMENT, Frt. Side Rail to Side Sill Inr.
7	0152 344	2		All	NUT, Std.
8	6029 550	2		All	BOLT, Std.
9	6031 150	4		All	BOLT, Body Hold Down
10	4001 701	4		All	WASHER, Body Hold Down
11	4001 552	2		All	ISOLATOR, Rr. Lwr. Cushion
12	4001 554	2		All	ISOLATOR, Rr. Upr. Cushion
13	4001 596	2		All	ISOLATOR, Frt. Lwr. Cushion
14	4001 595	2		All	ISOLATOR, Frt. Upr. Cushion
15	4314 665	1		All	CROSSMEMBER, Rr. Shock Abs.
16	4314 663	1		All	CROSSMEMBER, Rr. Floor Pan Rr.
17	4325 152-3	1		All	RAIL, Rr.Floor Pan, Rt.
18	4015 634	2		All	REINFORCEMENT,Rr. Floor Pan Rr. C/Member, w/H.D.Service Pkg. (S/C-F58)
19	4325 148-9	1		All	SUPPORT, w/Gusset Ctr. Flr. Pan Rr. Susp. Frt. Hgr. Brkt.
20		1		All	REINFORCEMENT, Rr. Side Rail to Side Sill Inr. Rr.(Not Serviced)
21	4314 662	2		All	BRACKET,Rear Side Rail Park Brake Cable
	4296 686-7	1		All	PLATE, Frt. S/Rail C/Member Reinf.Rr., H.D. (Not Ill.)
	4296 684-5	1		All	DOUBLER, Frt. S/Rail Frt. Susp.C/Member Reinf. OuTer,Rt, H. D.(Not Ill.)
22	4296 618	4		All	REINFORCEMENT, Front Side Rail Rear Crossmember Outer
23	4296 619	2		All	SPACER, Front Side Rail Rear Crossmember



MODEL CODES

B = GRAN FURY	F = FIFTH AVENUE/NEWPORT	P = RELIANT
C = LEBARON/TOWN & COUNTRY/EXC SEDAN	G = DIPLOMAT	T = E CLASS/NEW YORKER
C24 = LASER	H = VOYAGER	V = 600
D = ARIES	K = MINI RAM/CARAVAN/ROYAL	V24 = DAYTONA
E = 600	M = HORIZON/TURISMO	Z = OMNI/CHARGER/RAMPAGE

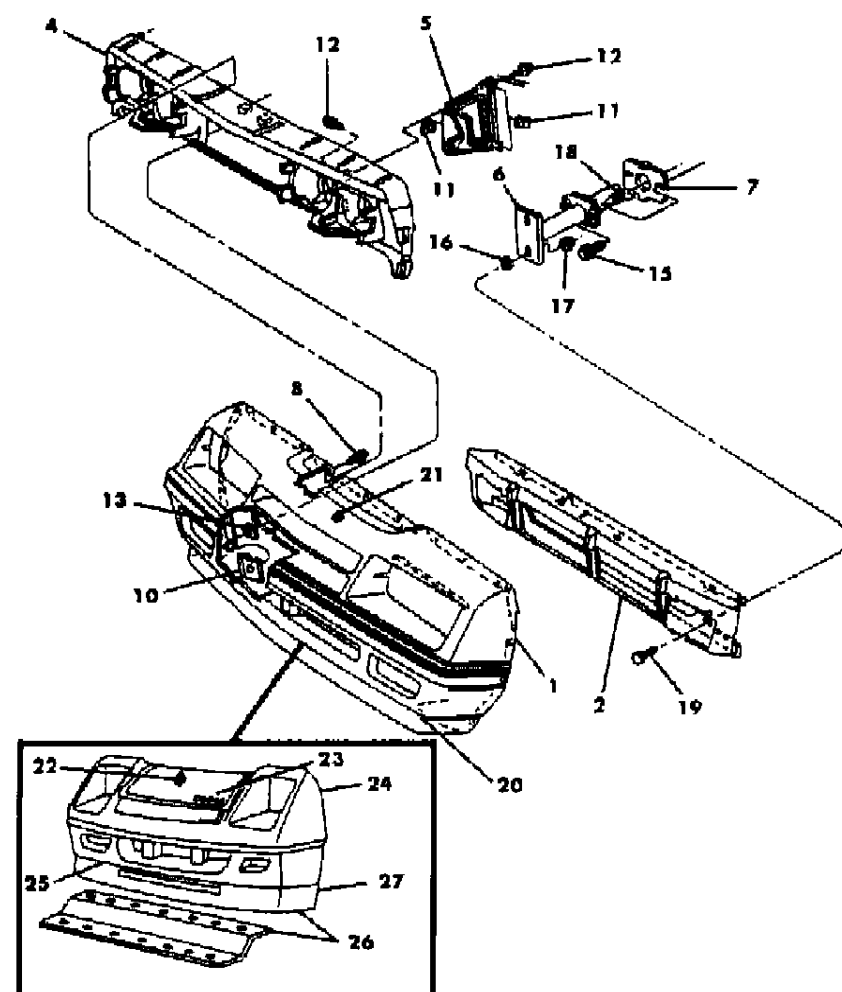
BODY STYLES

21 = 2-DOOR SEDAN	28 = FWD PICKUP	44 = 4-DOOR HATCHBACK
22 = 2-DOOR SPECIAL COUPE	35 = FWD VAN	45 = 4-DOOR STATION WAGON
24 = 2-DOOR HATCHBACK	36 = FWD WAGON	48 = 4-DOOR EXECUTIVE SEDAN
27 = 2-DOOR CONVERTIBLE	41 = 4-DOOR SEDAN	

AR = Use as Required - = Non Illustrated Part P.A.R. = Paint as Required

FASCIA, BUMPER FRONT M,Z-24-28
Figure 13-700

4113 700A



ITEM	PART NUMBER	QTY	BODY	MODEL	DESCRIPTION
1	4270 500	1		M,Z	FASCIA, Bumper Front
2	4270 520	1		M,Z	REINFORCEMENT, Fascia
	5216 104	1		Z,S-24	REINFORCEMENT, Fascia
4	4270 504	1		M,Z	PANEL, Fascia H/Lamp Mtg.
	5201 328	1		Z,S-24	
5	4270 596-7	1		M,Z	BRACE, Fascia H/Lamp Mtg.
6	4270 528	2		M,Z	ABSORBER, Impact, w/Man. Trans.
	4270 528	2		M,Z	Auto. Trans. w/o A/C
	4270 530	2		M,Z	Auto. Trans. w/A/C, Up To 11-29-83
	4270 645	2		M,Z	After 11-29-83
	5205 109	2		Z,S-24	Absorber (5 mile)
	4194 951	2		Z,S-24	Absorber (2 1/2 Mile)
7	4194 965	2		M,Z	LIMITER-BRKT.
8				M,Z	SCREW,w/WASHER (Not Serviced)
9	6100 049	10		M,Z	NUT,w/WASHER
10	6500 272	4		M,Z	STUD,w/RETAINER
11	6100 041	AR		M,Z	U-NUT
12	6100 566	AR		M,Z	SCREW,w/WASHER
13	6500 321	4		M,Z	SPRING-NUT
15	6500 702	4		M,Z	SCREW,w/WASHER
16				M,Z	PUSH-NUT (Not Serviced)
17	6500 086	4		M,Z	NUT,w/WASHER
18				M,Z	NUT,w/RETAINER (Not Serviced)
19	6500 381	4		M,Z	BOLT, Pad Impact
20	4270 512	1		M,Z	LICENSE-PLATE PKG.,Frt.
21	4270 517	1		M,Z	PENASTAR, Fascia, Chrome
	4103 380	1		P-24,S-	Painted
22	4270 369	1		Z,S-24	PENASTAR, Frt. Bumper Fascia
23	T444 BA1	1		Z,S-24	DECAL-DODGE, Silver
	T444 BB6	1		Z,S-24	Blue
	T444 CR6	1		Z,S-24	Red
	T444 CX9	1		Z,S-24	Black
24	4270 376	1		Z,S-24	FASCIA, Frt.Bumper (Paint As Req.)
25	4270 389	1		Z,S-24	LICENSE PLATE PKG. Frt.
26	X901 BAB	1		Z,S-24	AIR-DAM, Frt. Bumper Fascia,Silver w/Blue Accent
	X901 BBA	1		Z,S-24	Blue w/Silver Accent
	X901 CAR	1		Z,S-24	Red w/Silver Accent
	X901 DAX	1		Z,S-24	Black w/Silver Accent

MODEL CODES

B = GRAN FURY
C = LEBARON/TOWN & COUNTRY/EXC SEDAN
C24 = LASER
D = ARIES
E = 600
F = FIFTH AVENUE/NEWPORT
G = DIPLOMAT
H = VOYAGER
K = MINI RAM/CARAVAN/ROYAL
M = HORIZON/TURISMO
P = RELIANT
T = E CLASS/NEW YORKER
V = 600
V24 = DAYTONA
Z = OMNI/CHARGER/RAMPAGE

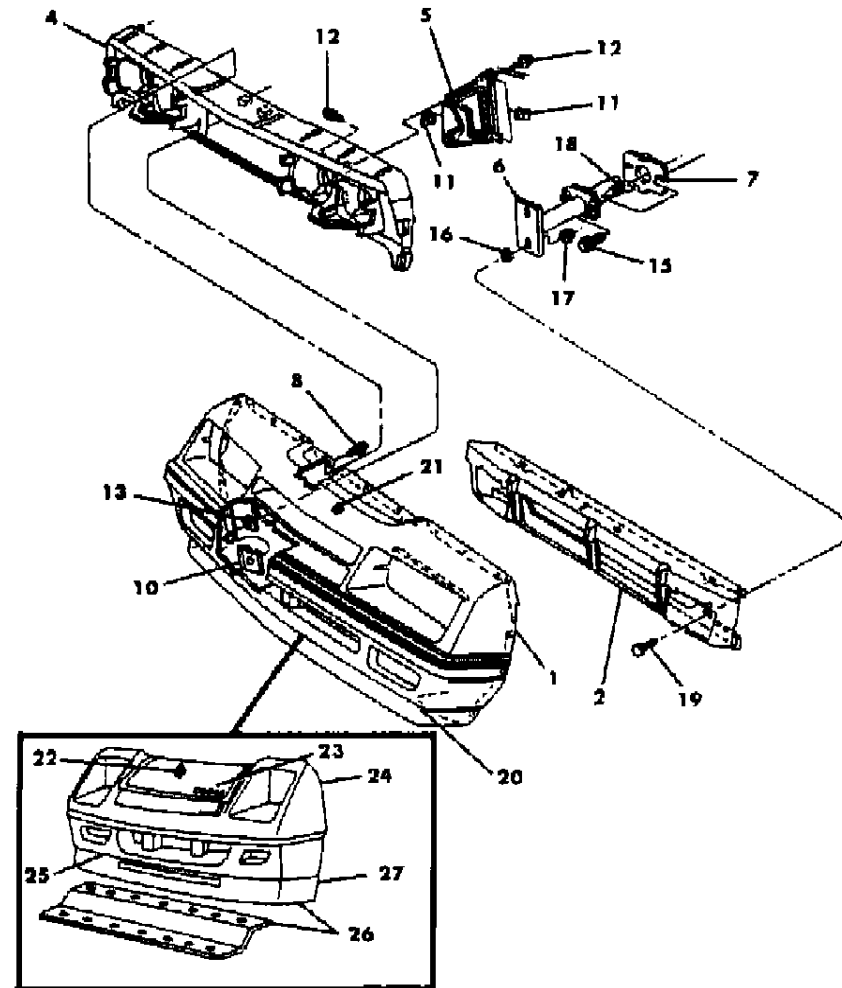
BODY STYLES

21 = 2-DOOR SEDAN
22 = 2-DOOR SPECIAL COUPE
24 = 2-DOOR HATCHBACK
27 = 2-DOOR CONVERTIBLE
28 = FWD PICKUP
35 = FWD VAN
36 = FWD WAGON
41 = 4-DOOR SEDAN
44 = 4-DOOR HATCHBACK
45 = 4-DOOR STATION WAGON
48 = 4-DOOR EXECUTIVE SEDAN

AR = Use as Required - = Non Illustrated Part P.A.R. = Paint as Required

FASCIA, BUMPER FRONT M,Z-24-28
Figure 13-700

4113 700A



ITEM	PART NUMBER	QTY	BODY	MODEL	DESCRIPTION
	6031 390	AR		Z,S-24	RETAINER, Air Dam (Not Ill.)
	6500 897	AR		Z,S-24	U-CLIP, Air-Dam Att.
	6500 898	AR		Z,S-24	RIVET, Air-Dam Att.
27	4293 604	1		Z,S-24	TAPE-SET, Air Dam Side, Blue
	4293 605	1		Z,S-24	Silver
	4270 472	2		Z,S-24	STRAP, Air-Dam To Fender Ext.(Not Ill.)
	4296 098-9	1		Z,S-24	BRACE, Fascia Supt. Closure Panel (Not Ill.)

MODEL CODES

B = GRAN FURY
 C = LEBARON/TOWN & COUNTRY/EXC SEDAN
 C24 = LASER
 D = ARIES
 E = 600
 F = FIFTH AVENUE/NEWPORT
 G = DIPLOMAT
 H = VOYAGER
 K = MINI RAM/CARAVAN/ROYAL
 M = HORIZON/TURISMO
 P = RELIANT
 T = E CLASS/NEW YORKER
 V = 600
 V24 = DAYTONA
 Z = OMNI/CHARGER/RAMPAGE

BODY STYLES

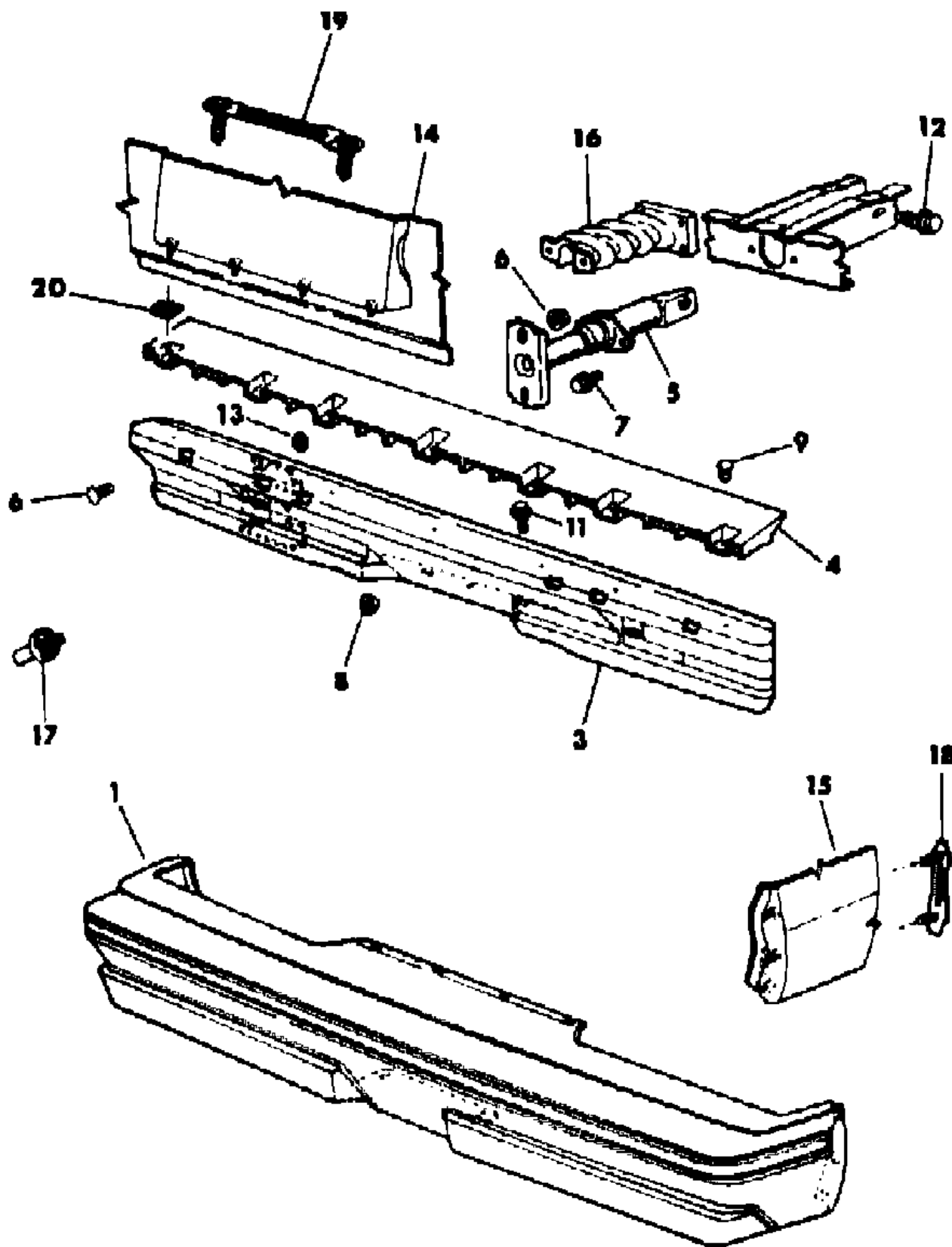
21 = 2-DOOR SEDAN
 22 = 2-DOOR SPECIAL COUPE
 24 = 2-DOOR HATCHBACK
 27 = 2-DOOR CONVERTIBLE
 28 = FWD PICKUP
 35 = FWD VAN
 36 = FWD WAGON
 41 = 4-DOOR SEDAN
 44 = 4-DOOR HATCHBACK
 45 = 4-DOOR STATION WAGON
 48 = 4-DOOR EXECUTIVE SEDAN

AR = Use as Required - = Non Illustrated Part P.A.R. = Paint as Required

FASCIA, BUMPER REAR M,Z 24
Figure 13-800

4113 800A

ITEM	PART NUMBER	QTY	BODY	MODEL	DESCRIPTION
1	5216 312	1		M,Z	FASCIA, Rear Bumper, Prime
	6500 321	AR		M,Z	NUT, Spring
3	4103 322	1		M,Z	REINFORCEMENT, Fascia
4	5216 308	1		M,Z	SUPPORT, Fascia
5	5205 165	2		M,Z	ABSORBER, Rear (5 Mile Impact)
	4194 976	2		M,Z	(2 1/2 Mile Impact)
6	6500 381	4		M,Z	BOLT
	6500 086	4		M,Z	SCREW & WASHER
7	6100 592	4		M,Z	SCREW & WASHER
9	6031 390	7		M,Z	RETAINER, Support To Reinforcement
12	6500 309	AR		M,Z	SCREW & WASHER
13				M,Z	PUSHNUT (Not Serviced)
14				M,Z	PANEL, Liftgate Opening (Ref.)
15				M,Z	PANEL, Qtr. (Ref.)
16	4103 213	2		M,Z	BOOT ,Absorber Unit
	6003 654	8		M,Z	RETAINER
17	6032 049	2		M,Z	RETAINER, Fascia To Reinf.
18	5230 144	2		M,Z	RETAINER, Qtr. O/S Panel Rr. Bumper Fascia
19	5230 140	2		M,Z	RETAINER, Lower Panel To Fascia
20	6500 321	9		M,Z	SPRING-NUT



MODEL CODES

B = GRAN FURY	F = FIFTH AVENUE/NEWPORT	P = RELIANT
C = LEBARON/TOWN & COUNTRY/EXC SEDAN	G = DIPLOMAT	T = E CLASS/NEW YORKER
C24 = LASER	H = VOYAGER	V = 600
D = ARIES	K = MINI RAM/CARAVAN/ROYAL	V24 = DAYTONA
E = 600	M = HORIZON/TURISMO	Z = OMNI/CHARGER/RAMPAGE

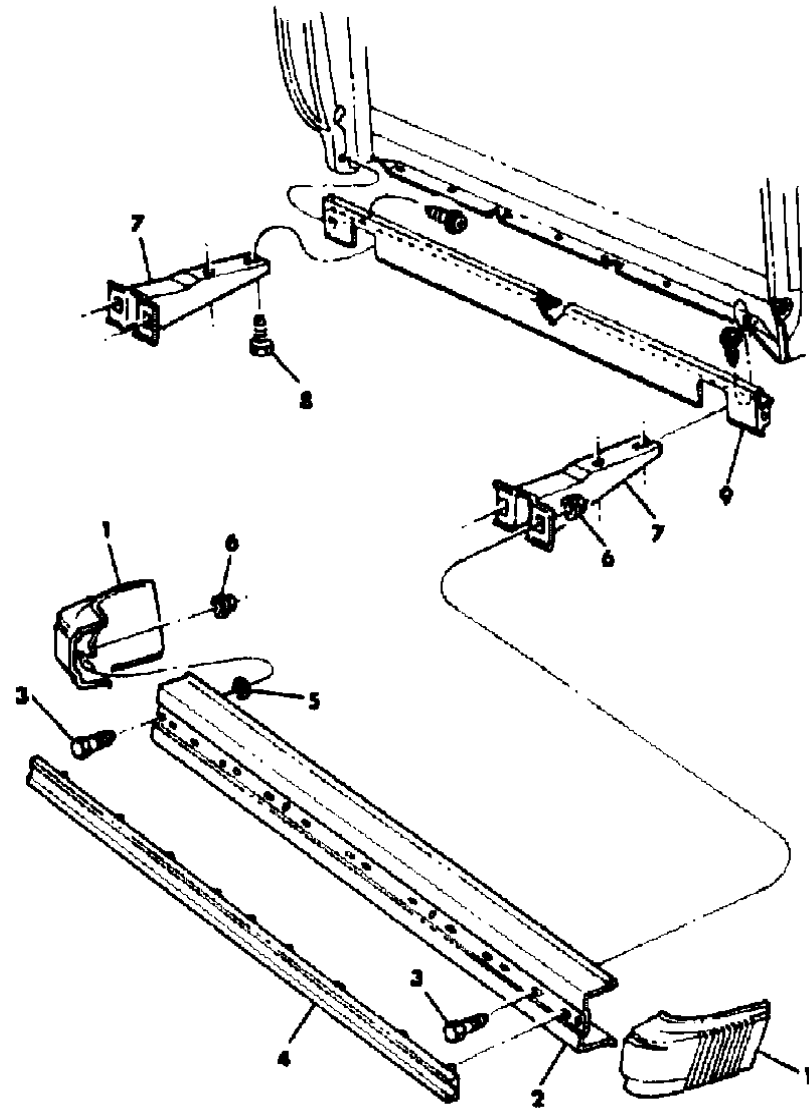
BODY STYLES

21 = 2-DOOR SEDAN	28 = FWD PICKUP	44 = 4-DOOR HATCHBACK
22 = 2-DOOR SPECIAL COUPE	35 = FWD VAN	45 = 4-DOOR STATION WAGON
24 = 2-DOOR HATCHBACK	36 = FWD WAGON	48 = 4-DOOR EXECUTIVE SEDAN
27 = 2-DOOR CONVERTIBLE	41 = 4-DOOR SEDAN	

AR = Use as Required - = Non Illustrated Part P.A.R. = Paint as Required

BUMPER, REAR M,Z-28
Figure 13-900

4113 800



ITEM	PART NUMBER	QTY	BODY	MODEL	DESCRIPTION
1	4194 854-5	1		All	CAP, Bumper End
2	4194 852	1		All	BUMPER, Rear, Black
	5216 001	1		All	Chrome
3	6500 381	6		All	BOLT, Bumper
4	4194 862	1		All	NERF, Bumper Rear
5				All	PUSH-NUT (Not Serviced)
6	6500 086	AR		All	NUT,w/WASHER
7	4194 858	2		All	SUPPORT,Bumper Rear
8		2		All	SCREW,w/WASHER (Not Serviced)
9				All	PANEL, Tailgate (Ref. See Gr.23)

MODEL CODES

B = GRAN FURY	F = FIFTH AVENUE/NEWPORT	P = RELIANT
C = LEBARON/TOWN & COUNTRY/EXC SEDAN	G = DIPLOMAT	T = E CLASS/NEW YORKER
C24 = LASER	H = VOYAGER	V = 600
D = ARIES	K = MINI RAM/CARAVAN/ROYAL	V24 = DAYTONA
E = 600	M = HORIZON/TURISMO	Z = OMNI/CHARGER/RAMPAGE

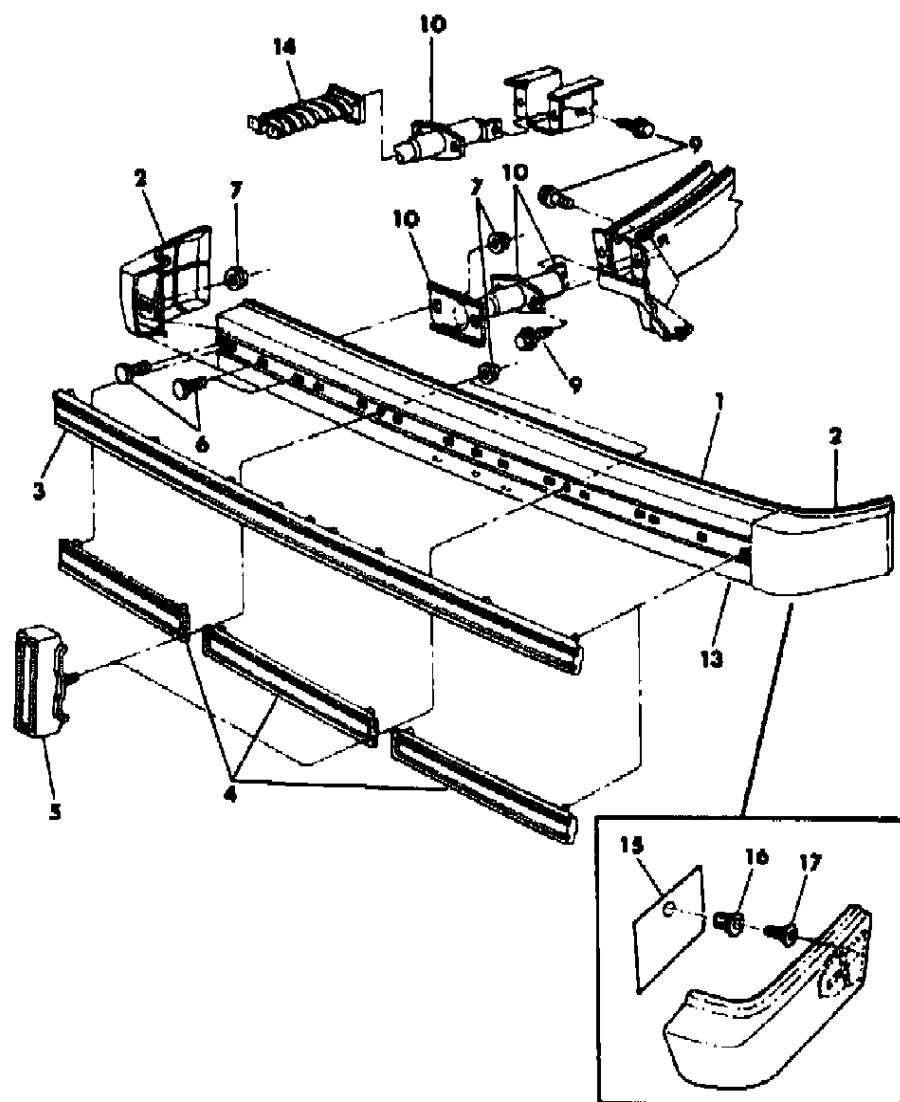
BODY STYLES

21 = 2-DOOR SEDAN	28 = FWD PICKUP	44 = 4-DOOR HATCHBACK
22 = 2-DOOR SPECIAL COUPE	35 = FWD VAN	45 = 4-DOOR STATION WAGON
24 = 2-DOOR HATCHBACK	36 = FWD WAGON	48 = 4-DOOR EXECUTIVE SEDAN
27 = 2-DOOR CONVERTIBLE	41 = 4-DOOR SEDAN	

AR = Use as Required - = Non Illustrated Part P.A.R. = Paint as Required

BUMPER, FRONT and REAR M,Z 44
Figure 13-1000

4113 1000



ITEM	PART NUMBER	QTY	BODY	MODEL	DESCRIPTION
1	5216 002	1		M,Z	BUMPER, Front and Rear W/Nerf and Guards
	4194 272	1		M,Z	w/Tape (Black)
2	4270 600-1	1		M,Z	CAP, Bumper End Front
	6500 750	2		M,Z	SCREW, Cap To Fender
	4270 612-3	1		M,Z	Rear
		2		M,Z	FASTENER, w/Nut, Rr.Bumper To Qtr.Panel (Not Serv.)
3	4194 862	1		M,Z	NERF STRIP, w/o Guards
4	5216 012	3		M,Z	NERF STRIP, w/Guards
5	5216 190	2		M,Z	GUARD, Front and Rear
6	6500 075	6		M,Z	BOLT
7	6500 086	8		M,Z	NUT and WASHER
9	6100 592	6		M,Z	SCREW and WASHER
10	4194 971	2		M,Z	ABSORBER, Front, w/Man. Trans.(2 1/2 Mile Impact)
	4194 971	2		M,Z	w/Auto. Trans. w/o A/C
	4194 963	2		M,Z	w/Auto.Trans. w/A/C
	4194 986	2		M,Z	ABSOBER, Rear (2 1/2 Mile Impact)
	4194 965	2		M,Z	LIMITER-BRACKET, Frt.Bumper (2 1/2 Mile Impact) Use w/ Auto. Trans. & A/C (Not Ill.)
13	4194 462	1		M,Z	LICENSE-PLATE PKG. Frt.
	5216 050	AR		M,Z	BUTTON, Rubber
	6023 925	AR		M,Z	NUT
14	4103 318	2		M,Z	BOOT, Absorber,Front
	4103 213	2		M,Z	Rear
	6003 654	AR		M,Z	RETAINER (Push-Nut)
15	4270 604	4		M,Z	TAPE, Isolator Bumper End Cap, Frt.& Rr.
16	6500 797	4		M,Z	RIVET-NUT
17	6500 750	4		M,Z	SCREW, Rivet-Nut

MODEL CODES

B = GRAN FURY	F = FIFTH AVENUE/NEWPORT	P = RELIANT
C = LEBARON/TOWN & COUNTRY/EXC SEDAN	G = DIPLOMAT	T = E CLASS/NEW YORKER
C24 = LASER	H = VOYAGER	V = 600
D = ARIES	K = MINI RAM/CARAVAN/ROYAL	V24 = DAYTONA
E = 600	M = HORIZON/TURISMO	Z = OMNI/CHARGER/RAMPAGE

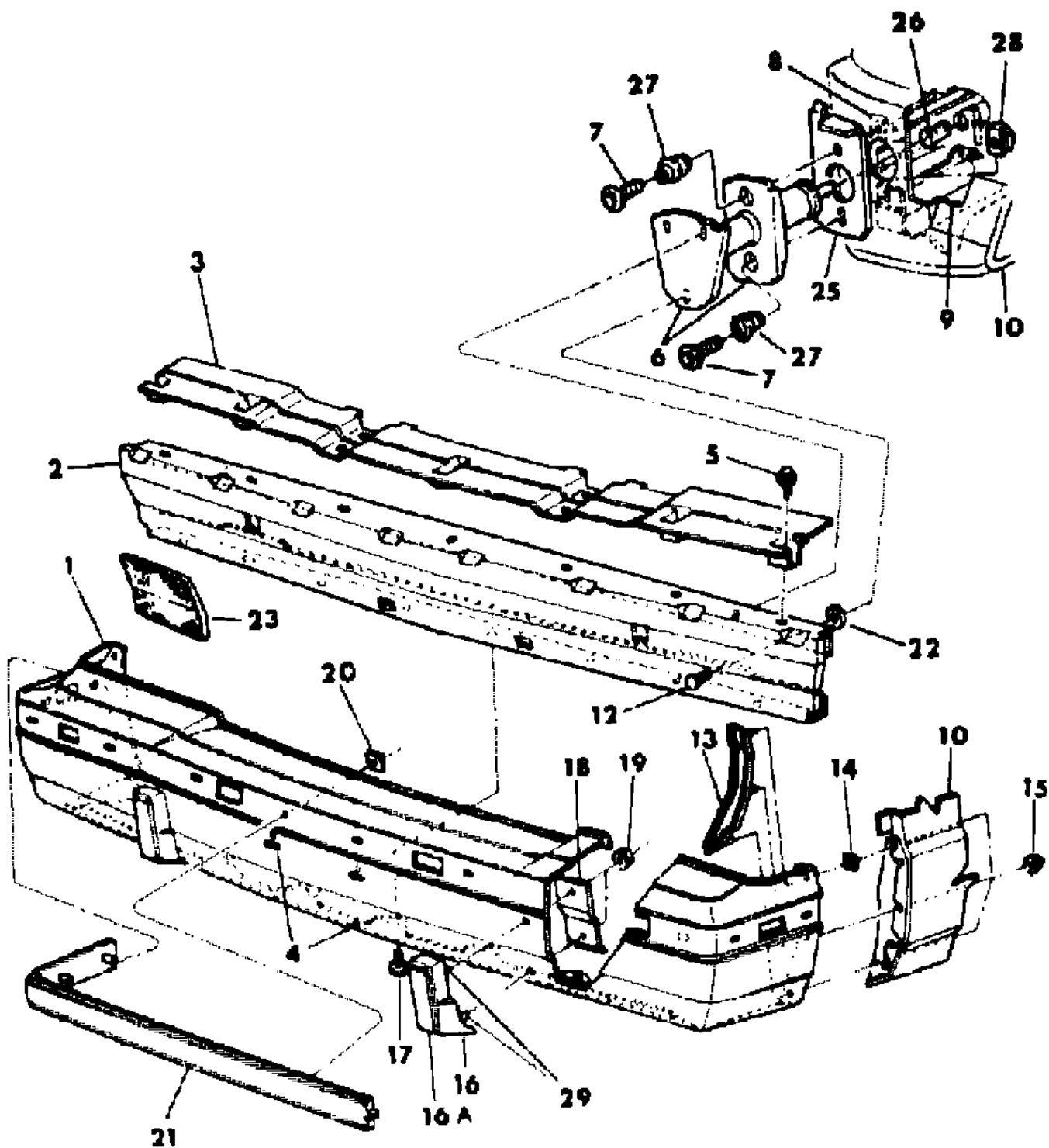
BODY STYLES

21 = 2-DOOR SEDAN	28 = FWD PICKUP	44 = 4-DOOR HATCHBACK
22 = 2-DOOR SPECIAL COUPE	35 = FWD VAN	45 = 4-DOOR STATION WAGON
24 = 2-DOOR HATCHBACK	36 = FWD WAGON	48 = 4-DOOR EXECUTIVE SEDAN
27 = 2-DOOR CONVERTIBLE	41 = 4-DOOR SEDAN	

AR = Use as Required - = Non Illustrated Part P.A.R. = Paint as Required

BUMPER, FRONT P,D
Figure 13-1100

4113 1100



ITEM	PART NUMBER	QTY	BODY	MODEL	DESCRIPTION
1	4103 698	1		All	FASCIA, Bumper Frt. (Paint As Req.)
2	4103 346	1		All	REINFORCEMENT, Fascia Frt.
3	4194 182	1		All	SUPPORT, Fascia Frt.
4	4194 463	1		All	LICENSE PLATE, Frt.Att.Pkg.
5				All	SCREW,W/WASHER (Not Serviced)
6	4147 743	2		All	ABSORBER, Frt., Use w/Man. Trans. (5 Mile Impact)
	4194 944	2		All	Use w/Auto. Trans., w/Grommet & Isolator (5 Mile Impact)
	4194 948	2		All	2 1/2 Mile Impact
7	6500 702	4		All	SCREW,w/WASHER
	4270 580	2		All	BRACKET, Fascia Mtg. w/Man. Trans.(2 1/2 Mile Impact (Not Ill.))
8				All	RAIL, Frt. Side (Ref.Only)
9				All	REINFORCEMENT, Frt. S/Rail (Ref.Only)
10				All	PANEL, Fender (Ref. Only)
12	6500 463	4		All	BOLT, Carriage
13	4194 274-5	1		All	RETAINER, Fascia
14	6100 840	1		All	PUSH-NUT
15	6101 289	6		All	NUT, Retainer
16	4271 409	2		All	GUARD, Front (Paint As Req.)
16A	4103 664	2		All	CUSHION, Guard Frt.
17	6030 441	8		All	RETAINER
18	4194 714	2		All	PLATE, Guard Att.
19	6100 047	4		All	NUT,w/WASHER
20	6500 321	12		All	SPRING-NUT
21	4194 883	1	45-P		NERF, Frt. Fascia, w/o Body Side Vinyl Mldg.,Brite
	X290 CC9	1	All		w/Body Side Vinyl Mldg., Blue
	X290 CA1	1	All		Radiant Silver
	X290 CM5	1	All		Red
	X290 CT6	1	All		Mink Brown
	X290 CW3	1	All		White
	X290 CX9	1	All		Black
22		4		All	RETAINER, Reinf. To Absorber (Not Serviced)
23		2		All	PAD, Bumper Fascia (Serviced In Reinf. Item 2)
25	4194 927	2		All	LIMITER-BRACKET, Abs. To Rail
26		2		All	GROMMET (Serviced In Absorber Item 6)
27		4		All	ISOLATOR (Serviced In Absorber Item 6)
28	6500 634	2		All	U-NUT
29	6500 489	4		All	BOLT, Guard

MODEL CODES

B = GRAN FURY	F = FIFTH AVENUE/NEWPORT	P = RELIANT
C = LEBARON/TOWN & COUNTRY/EXC SEDAN	G = DIPLOMAT	T = E CLASS/NEW YORKER
C24 = LASER	H = VOYAGER	V = 600
D = ARIES	K = MINI RAM/CARAVAN/ROYAL	V24 = DAYTONA
E = 600	M = HORIZON/TURISMO	Z = OMNI/CHARGER/RAMPAGE

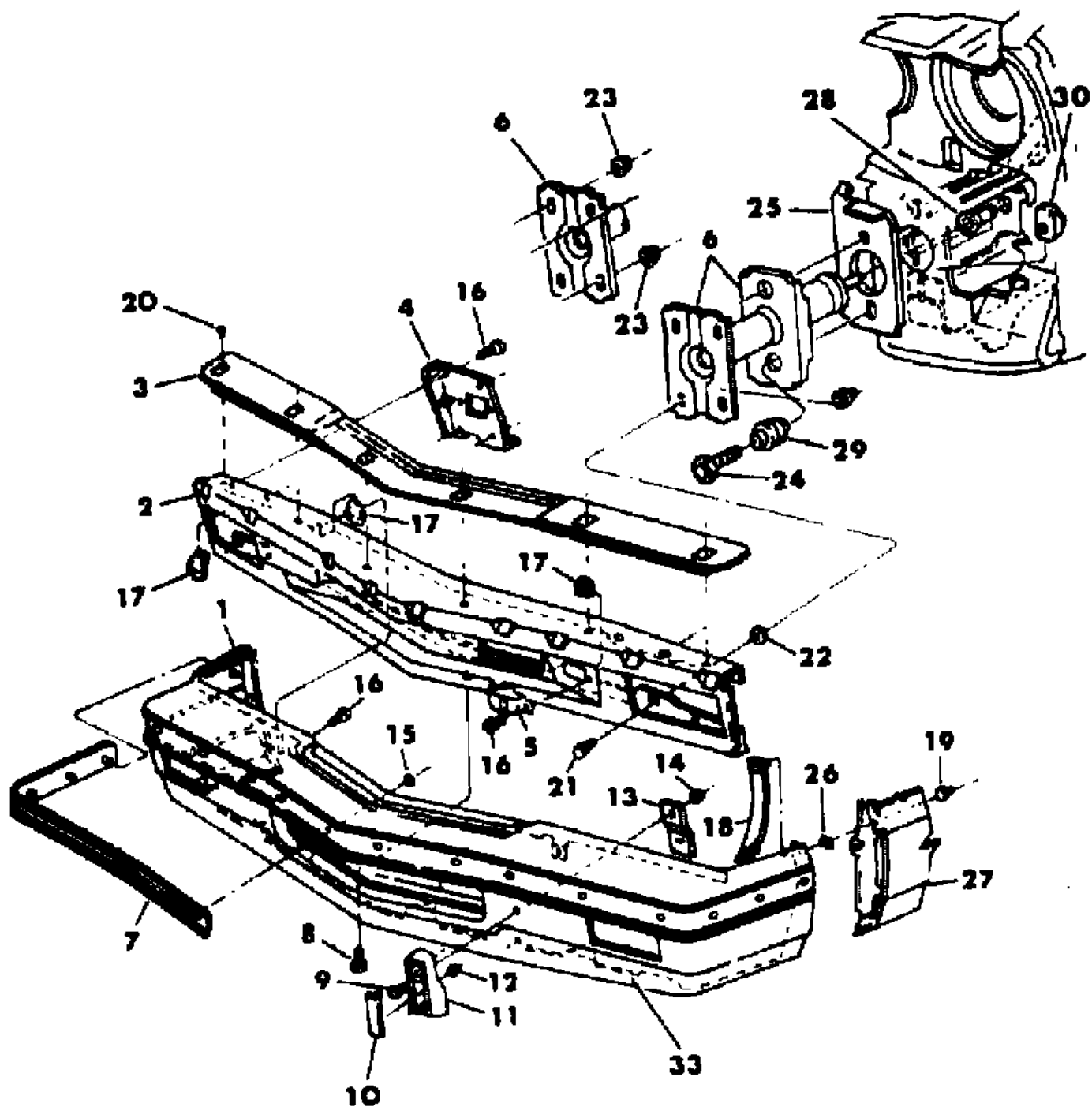
BODY STYLES

21 = 2-DOOR SEDAN	28 = FWD PICKUP	44 = 4-DOOR HATCHBACK
22 = 2-DOOR SPECIAL COUPE	35 = FWD VAN	45 = 4-DOOR STATION WAGON
24 = 2-DOOR HATCHBACK	36 = FWD WAGON	48 = 4-DOOR EXECUTIVE SEDAN
27 = 2-DOOR CONVERTIBLE	41 = 4-DOOR SEDAN	

AR = Use as Required - = Non Illustrated Part P.A.R. = Paint as Required

BUMPER, FRONT V,E
Figure 13-1200

4113 1200



ITEM	PART NUMBER	QTY	BODY	MODEL	DESCRIPTION
1	4194 440	1		All	FASCIA,Bumper Frt.(Paint As Req.)
2	4194 439	1		All	REINFORCEMENT, Fascia
3	4194 414	1		All	SUPPORT, Fascia
4	4194 356-7	1		All	BRACKET, Fascia, Park And Turn Lamp Mtg.
5	4194 386	2		All	BRACE, Fascia Guard
6	4194 946	2		All	ABSORBER, Frt. (5 Mile Impact)
	4194 917	2		All	2 1/2 Mile Impact,w/Auto.Trans.
	4194 950	2		All	2 1/2 Mile Impact,w/Man.,Trans.
7	X310 BL4	1		All	Nerf, Bumper Frt., Beige
	X310 BA2	1		All	Silver Met.
	X310 BM5	1		All	Red
	X310 CT6	1		All	Mink Brown
	X310 AC9	1		All	Nightwatch Blue
	X310 CC6	1		All	Gunmetal Blue
	X310 AW3	1		All	Pearl White
	X310 AX9	1		All	Black
	4074 504	1	E-S		Nerf
8	6030 441	8		All	RETAINER, Bumper To Reinf.
9	6500 489	4		All	BOLT, Guard
10	4194 422	2		All	CUSHION, Frt.
11	X574-5 AT3	1		All	GUARD,Frnt. (Paint As Req.)
12	6031 147	4		All	SPRING-NUT
13	4194 417	2		All	PLATE, Guard Att.
14	6100 047	4		All	NUT,w/WASHER
15				All	WASHER (Not Serviced)
16	6100 286	16		All	SCREW,w/WASHER
17	6100 041	16		All	U-NUT
18	4194 274-5	2		All	RETAINER
19	6101 289	4		All	NUT,Retainer
20				All	RIVET (Not Serviced)
21	6500 463	4		All	BOLT,Carriage
22				All	RETAINER (Not Serviced)
23	6100 051	5		All	NUT,w/WASHER
24	6500 702	4		All	SCREW,w/WASHER
25	4194 927	2		All	LIMITER-BRACKET
26	6100 840	4		All	PUSH-NUT, Retainer
27				All	PANEL (Fender Ref.)
28				All	GROMMET (Serviced In Absorber Item 6)

MODEL CODES

B = GRAN FURY	F = FIFTH AVENUE/NEWPORT	P = RELIANT
C = LEBARON/TOWN & COUNTRY/EXC SEDAN	G = DIPLOMAT	T = E CLASS/NEW YORKER
C24 = LASER	H = VOYAGER	V = 600
D = ARIES	K = MINI RAM/CARAVAN/ROYAL	V24 = DAYTONA
E = 600	M = HORIZON/TURISMO	Z = OMNI/CHARGER/RAMPAGE

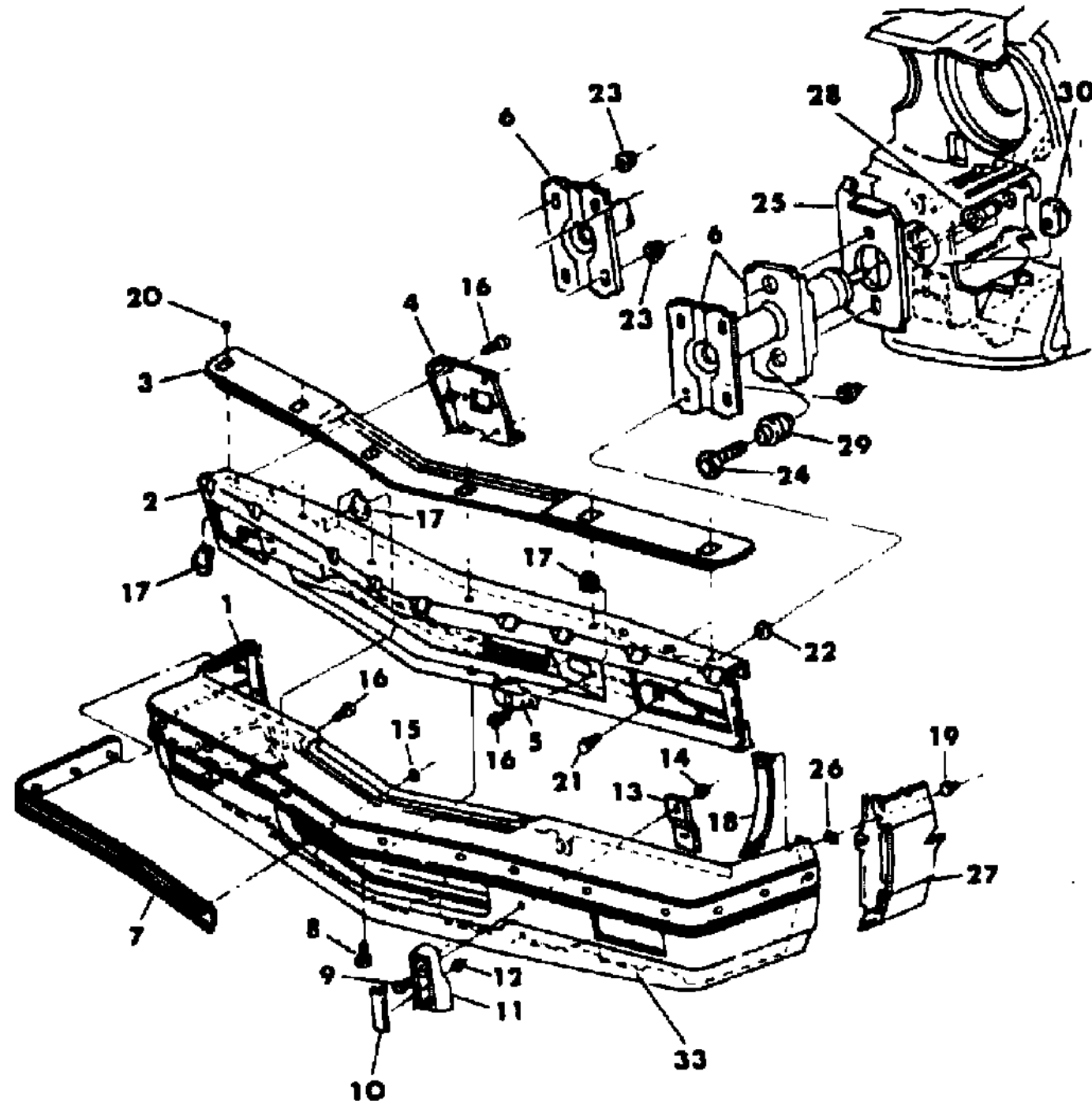
BODY STYLES

21 = 2-DOOR SEDAN	28 = FWD PICKUP	44 = 4-DOOR HATCHBACK
22 = 2-DOOR SPECIAL COUPE	35 = FWD VAN	45 = 4-DOOR STATION WAGON
24 = 2-DOOR HATCHBACK	36 = FWD WAGON	48 = 4-DOOR EXECUTIVE SEDAN
27 = 2-DOOR CONVERTIBLE	41 = 4-DOOR SEDAN	

AR = Use as Required - = Non Illustrated Part P.A.R. = Paint as Required

BUMPER, FRONT V,E
Figure 13-1200

4113 1200



ITEM	PART NUMBER	QTY	BODY	MODEL	DESCRIPTION
29				All	ISOLATOR (Serviced In Absorber Item 6)
30	6500 634	2		All	U-NUT
33	4194 434	1		All	LICENSE PLATE, Frt. Att.Pkg.

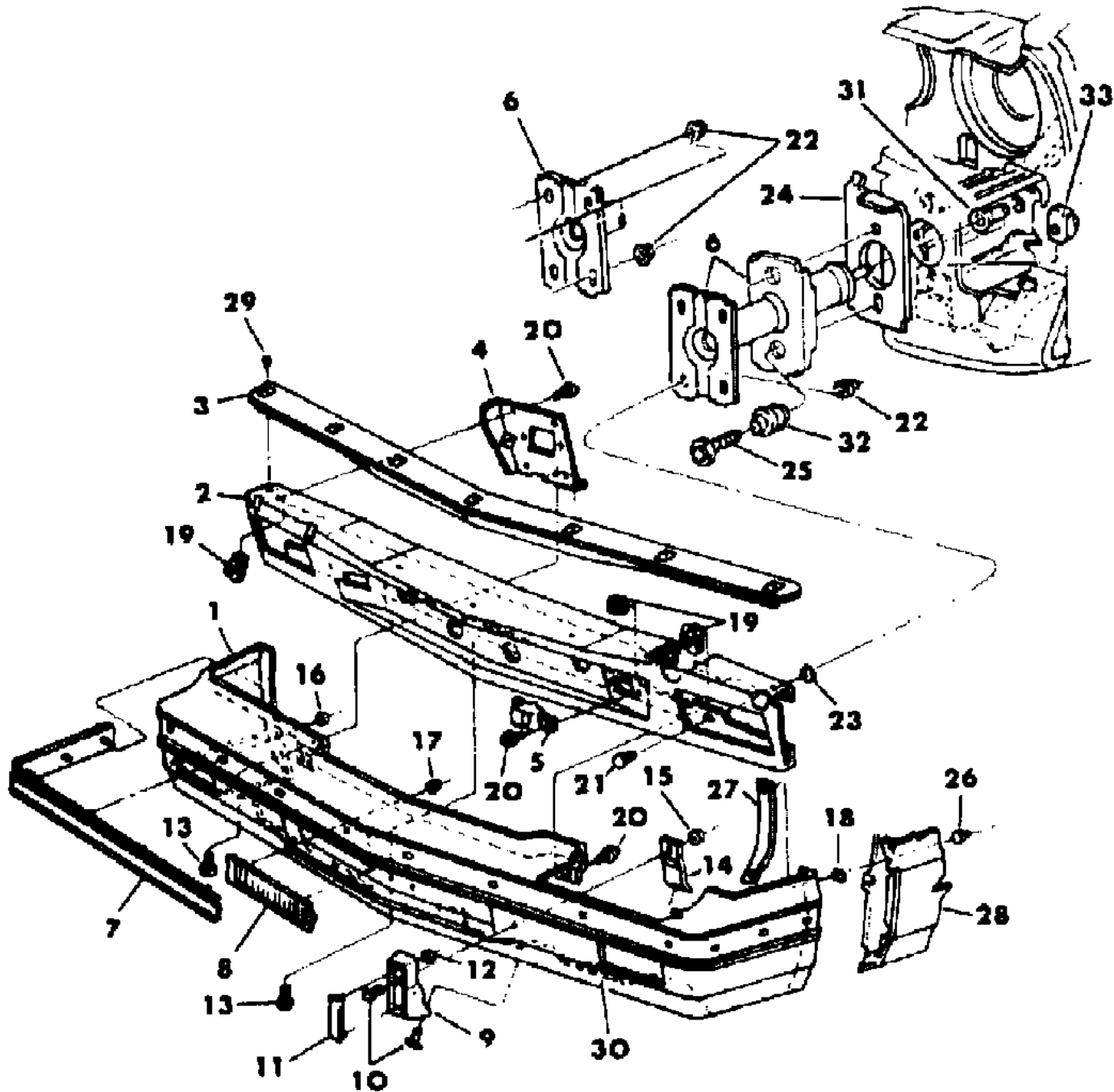
MODEL CODES
 B = GRAN FURY
 C = LEBARON/TOWN & COUNTRY/EXC SEDAN
 C24 = LASER
 D = ARIES
 E = 600
 F = FIFTH AVENUE/NEWPORT
 G = DIPLOMAT
 H = VOYAGER
 K = MINI RAM/CARAVAN/ROYAL
 M = HORIZON/TURISMO
 P = RELIANT
 T = E CLASS/NEW YORKER
 V = 600
 V24 = DAYTONA
 Z = OMNI/CHARGER/RAMPAGE

BODY STYLES
 21 = 2-DOOR SEDAN
 22 = 2-DOOR SPECIAL COUPE
 24 = 2-DOOR HATCHBACK
 27 = 2-DOOR CONVERTIBLE
 28 = FWD PICKUP
 35 = FWD VAN
 36 = FWD WAGON
 41 = 4-DOOR SEDAN
 44 = 4-DOOR HATCHBACK
 45 = 4-DOOR STATION WAGON
 48 = 4-DOOR EXECUTIVE SEDAN

AR = Use as Required - = Non Illustrated Part P.A.R. = Paint as Required

BUMPER, FRONT C,T
Figure 13-1300

4113 1300



ITEM	PART NUMBER	QTY	BODY	MODEL	DESCRIPTION
1	4103 379	1		All	FASCIA,Bumper Frt.(Paint As Req.)
2	4103 374	1		All	REINFORCEMENT, Fascia Frt.
3	4194 362	1		All	SUPPORT, Fascia Frt.
4	4194 356-7	1		All	BRACKET, Fascia Park And Turn Lamp Mtg.
5	4194 386	2		All	BRACE, Fascia Guard
6	4194 946	2		All	ABSORBER, Frt. (5 Mile Impact)
	4194 917	2		All	2 1/2 Mile Impact w/Auto.Trans.
	4194 950	2		All	2 1/2 Mile Impact w/Man.,Trans.
7	X284 BA2	1		All	NERF, Bumper Frt., Silver Met.
	X284 BM5	1		All	Red
	X284 CT6	1		All	Mink Brown
	X284 AC9	1		All	Nightwatch Blue
	X284 CC6	1		All	Gunmetal Blue
	X284 AW3	1		All	Pearl White
	X284 BL4	1		All	Beige
	X284 AX9	1		All	Black
	4103 337	1		T-P,C-4	NERF,Brite
8	4103 370	1		All	GRILLE,Fascia, Lower
9	X572-3 AT3	1		All	GUARD, Frt.(Paint As Req.)
10	6500 489	1		All	BOLT, Guard
11	4194 380	2		All	CUSHION, Guard
12	6031 147	4		All	SPRING-NUT
13	6030 441	8		All	RETAINER, Bumper To Reinf.
14	4194 382	2		All	PLATE,Guard Att.
15	6100 047	4		All	NUT,w/WASHER
16					WASHER (Not Serviced)
17					NUT (Not Serviced)
18	6100 840	4		All	PUSH-NUT
19	6100 041	14		All	U-NUT
20	6100 286	14		All	SCREW,w/WASHER
21	6500 463	4		All	BOLT,Carriage
22	6100 051	4		All	NUT,w/WASHER
23					RETAINER (Not Serviced)
24	4194 927	2		All	LIMITER-PLATE, Brkt. To Rail
25		4		All	SCREW,w/WASHER (Not Serviced)
26	6101 289	4		All	NUT,Retainer
27	4194 274-5	1		All	RETAINER, Fascia
28					PANEL (Fender Ref.)

MODEL CODES

B = GRAN FURY	F = FIFTH AVENUE/NEWPORT	P = RELIANT
C = LEBARON/TOWN & COUNTRY/EXC SEDAN	G = DIPLOMAT	T = E CLASS/NEW YORKER
C24 = LASER	H = VOYAGER	V = 600
D = ARIES	K = MINI RAM/CARAVAN/ROYAL	V24 = DAYTONA
E = 600	M = HORIZON/TURISMO	Z = OMNI/CHARGER/RAMPAGE

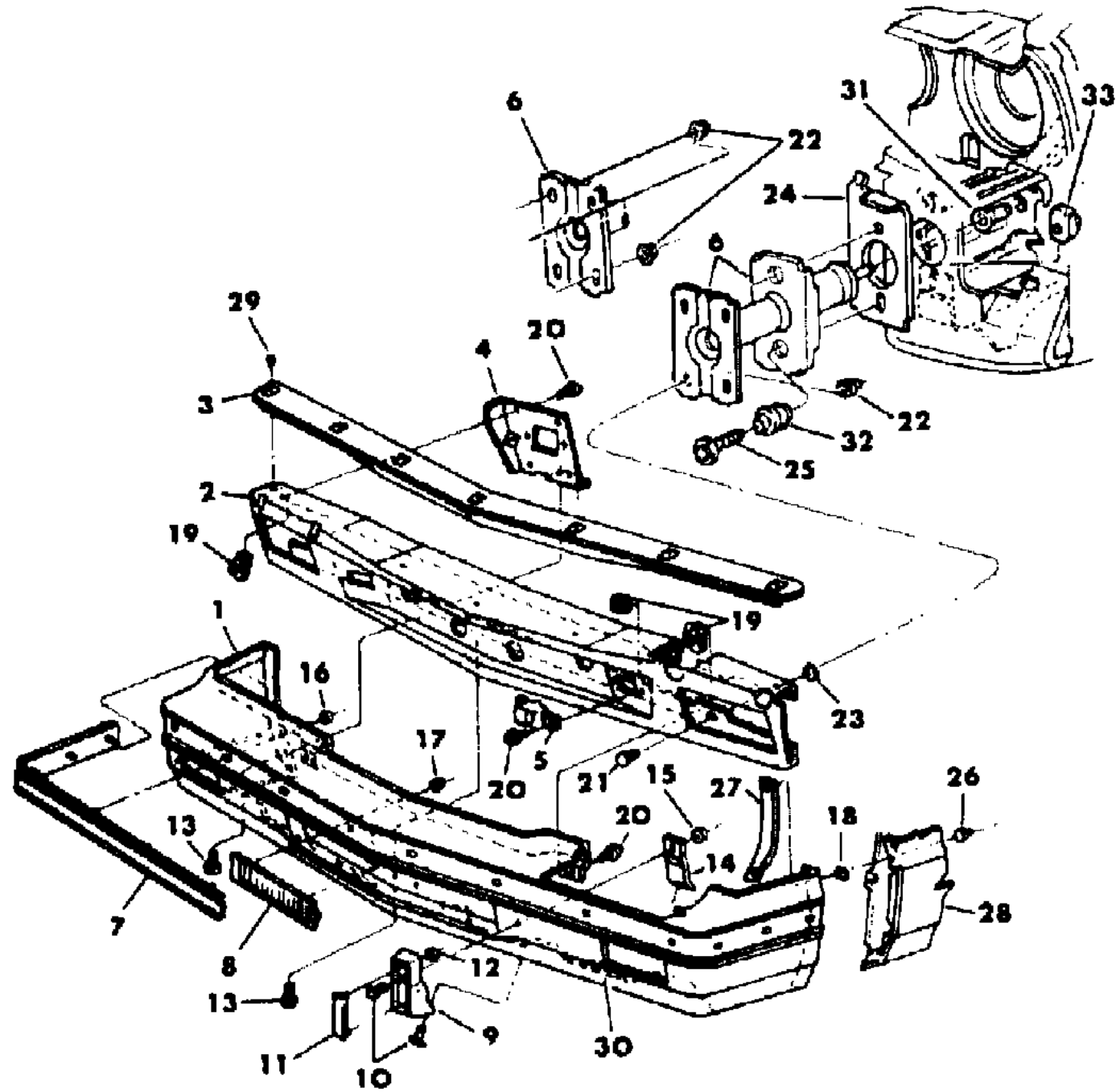
BODY STYLES

21 = 2-DOOR SEDAN	28 = FWD PICKUP	44 = 4-DOOR HATCHBACK
22 = 2-DOOR SPECIAL COUPE	35 = FWD VAN	45 = 4-DOOR STATION WAGON
24 = 2-DOOR HATCHBACK	36 = FWD WAGON	48 = 4-DOOR EXECUTIVE SEDAN
27 = 2-DOOR CONVERTIBLE	41 = 4-DOOR SEDAN	

AR = Use as Required - = Non Illustrated Part P.A.R. = Paint as Required

BUMPER, FRONT C,T
Figure 13-1300

4113 1300



ITEM	PART NUMBER	QTY	BODY	MODEL	DESCRIPTION
29					RIVET (Not Serviced)
30	4194 372	1		All	LICENSE-PLATE, Frt. Att.Pkg.
31					GROMMET (Serviced In Absorber Item 6)
32					ISOLATOR (Serviced In Absorber Item 6)
33	6500 634	2		All	U-NUT

MODEL CODES

B = GRAN FURY	F = FIFTH AVENUE/NEWPORT	P = RELIANT
C = LEBARON/TOWN & COUNTRY/EXC SEDAN	G = DIPLOMAT	T = E CLASS/NEW YORKER
C24 = LASER	H = VOYAGER	V = 600
D = ARIES	K = MINI RAM/CARAVAN/ROYAL	V24 = DAYTONA
E = 600	M = HORIZON/TURISMO	Z = OMNI/CHARGER/RAMPAGE

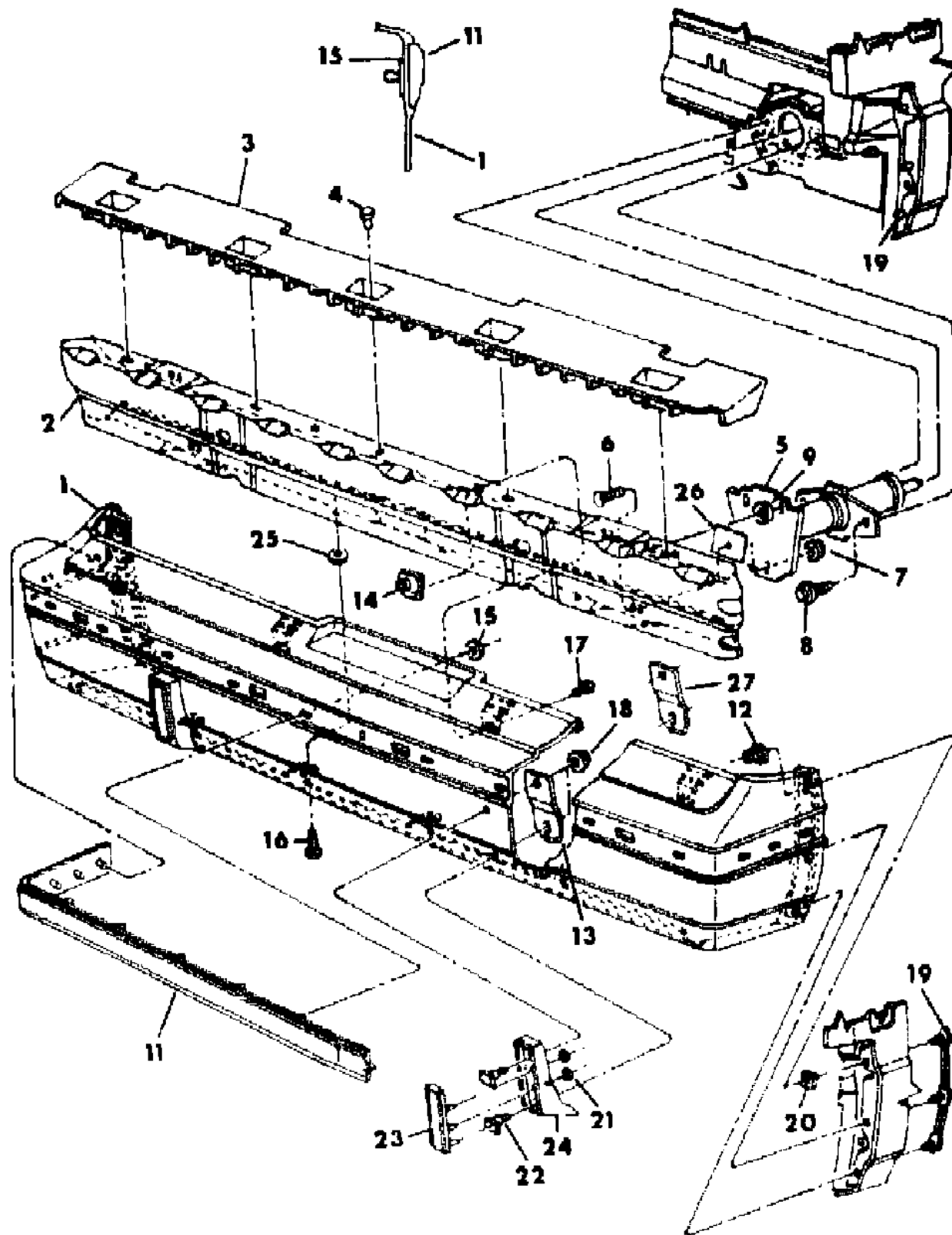
BODY STYLES

21 = 2-DOOR SEDAN	28 = FWD PICKUP	44 = 4-DOOR HATCHBACK
22 = 2-DOOR SPECIAL COUPE	35 = FWD VAN	45 = 4-DOOR STATION WAGON
24 = 2-DOOR HATCHBACK	36 = FWD WAGON	48 = 4-DOOR EXECUTIVE SEDAN
27 = 2-DOOR CONVERTIBLE	41 = 4-DOOR SEDAN	

AR = Use as Required - = Non Illustrated Part P.A.R. = Paint as Required

BUMPER, REAR P,D,V,C,E,T - 21,22,27,41
Figure 13-1400

4113 1400



ITEM	PART NUMBER	QTY	BODY	MODEL	DESCRIPTION
1	X586 AW3	1		All	FASCIA,Bumper Rr. (Paint As Req.)
2	4103 347	1		All	REINF. Fascia
3	4194 672	1		All	SUPPORT, Fascia
4					RIVET (Not Serviced)
5	4147 742	1		All	ABSORBER, Rr.Impact (5 Mile Impact)
	4194 740	1		All	(2 1/2 Mile Impact) Up To 4-16-84
	4334 195	1		All	After 4-16-84
6	6500 463	6		All	BOLT, Reinf.
7	6100 051	6		All	NUT,w/WASHER
8		4		All	SCREW,w/WASHER (Not Serviced)
9					PUSH-NUT (Not Serviced)
10	6100 840	4		All	PUSH-NUT
11	X287 BA2	1		V,C,E,T	NERF,w/Body Side Mldg., Silver Met.
	X287 BL4	1		V,C,E,T	Beige
	X287 AC9	1		V,C,E,T	Nightwatch Blue
	X287 CT6	1		V,C,E,T	Mink Brown
	X287 BM5	1		V,C,E,T	Red
	X287 AW3	1		V,C,E,T	Pearl White
	X287 AX9	1		V,C,E,T	Black
	X287 CC6	1		V,C,E,T	Gunmetal Blue
	X291 CA1	1		P,D	Radiant Silver
	X291 CC9	1		P,D	Blue
	X291 CM5	1		P,D	Red
	X291 CW3	1		P,D	White
	X291 CT6	1		P,D	Mink Brown
	X291 CX9	1		P,D	Black
	4074 558	1		E-S	NERF, Black
	4103 339	1		T-P,C-4	NERF, Brite
12	6101 289	6		All	NUT,Flange
13	4194 714	2		All	PLATE, Att.
14	6100 041	4		All	U-NUT
15					WASHER (Not Serviced)
16	6030 441	AR		All	RETAINER
17	6500 452	4		All	BOLT
18	6100 047	4		All	NUT,w/WASHER
19	4206 955	2			RETAINER
20	6500 321	6		All	SPRING-NUT
21	6031 147	4		All	SPRING-NUT

MODEL CODES

B = GRAN FURY	F = FIFTH AVENUE/NEWPORT	P = RELIANT
C = LEBARON/TOWN & COUNTRY/EXC SEDAN	G = DIPLOMAT	T = E CLASS/NEW YORKER
C24 = LASER	H = VOYAGER	V = 600
D = ARIES	K = MINI RAM/CARAVAN/ROYAL	V24 = DAYTONA
E = 600	M = HORIZON/TURISMO	Z = OMNI/CHARGER/RAMPAGE

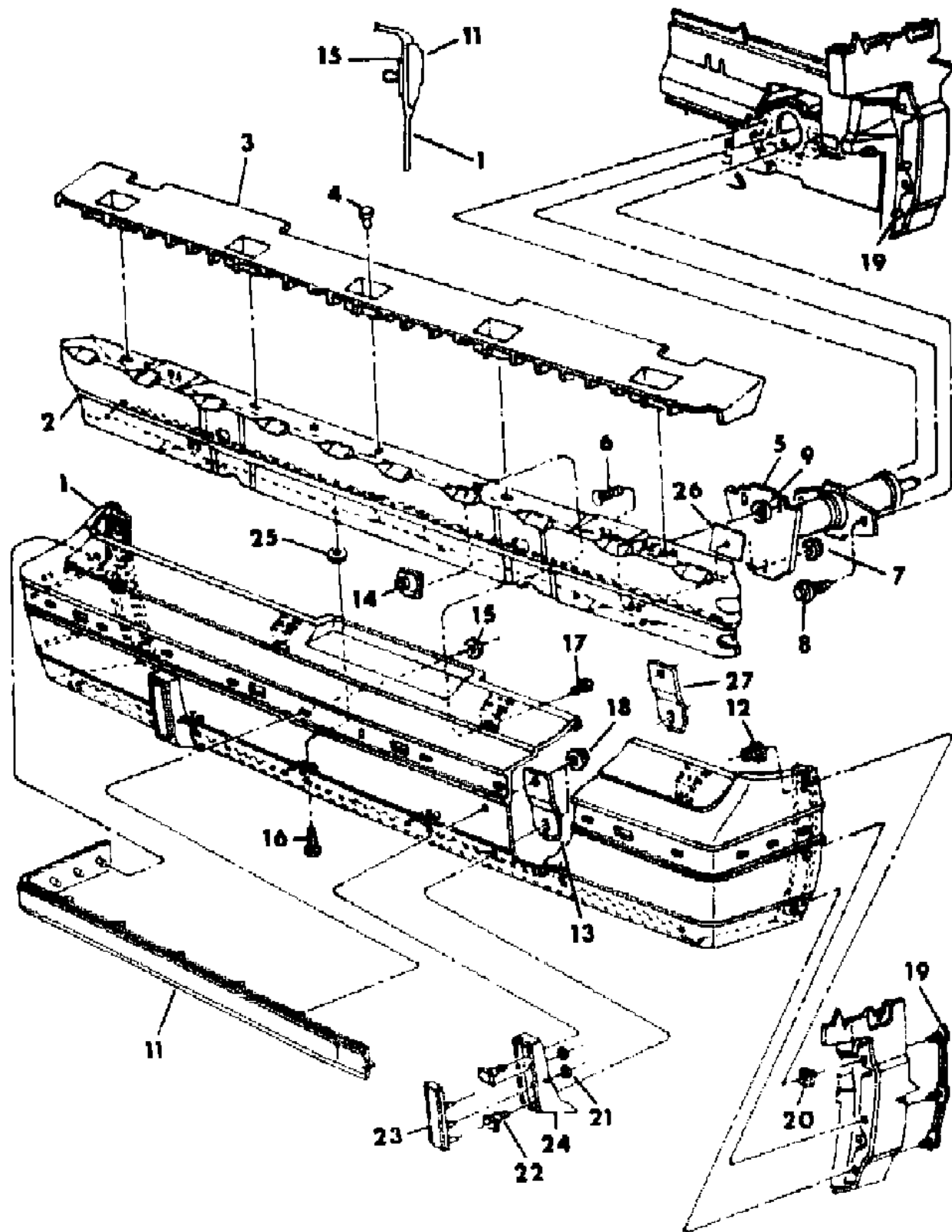
BODY STYLES

21 = 2-DOOR SEDAN	28 = FWD PICKUP	44 = 4-DOOR HATCHBACK
22 = 2-DOOR SPECIAL COUPE	35 = FWD VAN	45 = 4-DOOR STATION WAGON
24 = 2-DOOR HATCHBACK	36 = FWD WAGON	48 = 4-DOOR EXECUTIVE SEDAN
27 = 2-DOOR CONVERTIBLE	41 = 4-DOOR SEDAN	

AR = Use as Required - = Non Illustrated Part P.A.R. = Paint as Required

BUMPER, REAR P,D,V,C,E,T - 21,22,27,41
Figure 13-1400

4113 1400



ITEM	PART NUMBER	QTY	BODY	MODEL	DESCRIPTION
22	6500 489	4		All	BOLT
23	4103 664	2		All	CUSHION, Guard Rr.
24	4271 409	2		All	GUARD, Rear (Paint As Req.)
25	4194 690	6		All	SHIM, Fascia To Reinf. Rr. Bumper
26	4194 692	2		All	SHIM, Reinf. To Absorber Rr. Bumper
27	4194 715	2		All	ISOLATOR,Guard Plate Att.

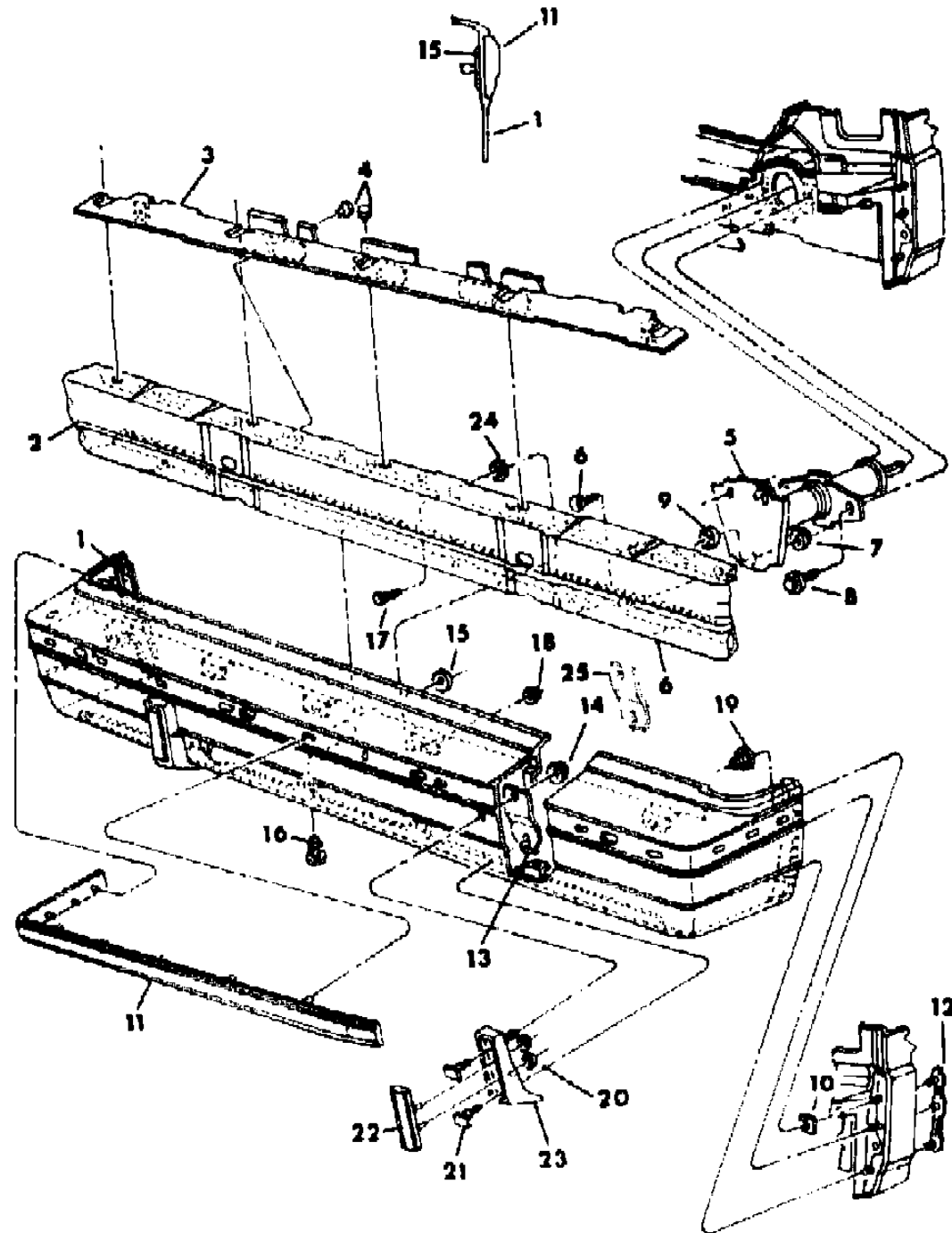
MODEL CODES
 B = GRAN FURY
 C = LEBARON/TOWN & COUNTRY/EXC SEDAN
 C24 = LASER
 D = ARIES
 E = 600
 F = FIFTH AVENUE/NEWPORT
 G = DIPLOMAT
 H = VOYAGER
 K = MINI RAM/CARAVAN/ROYAL
 M = HORIZON/TURISMO
 P = RELIANT
 T = E CLASS/NEW YORKER
 V = 600
 V24 = DAYTONA
 Z = OMNI/CHARGER/RAMPAGE

BODY STYLES
 21 = 2-DOOR SEDAN
 22 = 2-DOOR SPECIAL COUPE
 24 = 2-DOOR HATCHBACK
 27 = 2-DOOR CONVERTIBLE
 28 = FWD PICKUP
 35 = FWD VAN
 36 = FWD WAGON
 41 = 4-DOOR SEDAN
 44 = 4-DOOR HATCHBACK
 45 = 4-DOOR STATION WAGON
 48 = 4-DOOR EXECUTIVE SEDAN

AR = Use as Required - = Non Illustrated Part P.A.R. = Paint as Required

BUMPER, REAR P,D,C-45
Figure 13-1500

4112 1500



ITEM	PART NUMBER	QTY	BODY	MODEL	DESCRIPTION
1	4270 617	1		All	FASCIA,Bumper Rr., (Paint As Req.)
2	4103 348	1		All	REINF., Fascia
3	4194 725	1		All	SUPPORT, Fascia
4					RIVET (Not Serviced)
5	4147 742	2		All	ABSORBER, Rr., Impact (5 Mile Impact)
	4194 740	2		All	(2 1/2 Mile Impact)
6	6500 463	6		All	BOLT, Reinf.
7	6100 051	6		All	NUT,w/WASHER
8		4		All	SCREW,w/WASHER (Not Serviced)
9					PUSH-NUT (Not Serviced)
10	6500 321	6		All	SPRING-NUT
11	4103 375	1		All	NERF, Bumper Rr.,Brite
12	4206 956	2		All	RETAINER
13	4194 714	2		All	PLATE, Att.
14	6100 047	4		All	NUT,w/WASHER
15					WASHER (Not Serviced)
16	6030 441	AR		All	RETAINER
17	6500 452	6		All	BOLT
18	6500 284	6		All	NUT,w/WASHER
19	6101 289	6		All	NUT,Flange
20	6031 147	4		All	SPRING-NUT
21	6500 489	4		All	BOLT
22	4103 664	2		All	CUSHION, Guard Rr.
23	4271 409	2		All	GUARD, Rear (Paint As Req.)
24	6100 840	6		All	RETAINER
25	4194 715	2		All	ISOLATOR,Guard Plate Att.

MODEL CODES

B = GRAN FURY	F = FIFTH AVENUE/NEWPORT	P = RELIANT
C = LEBARON/TOWN & COUNTRY/EXC SEDAN	G = DIPLOMAT	T = E CLASS/NEW YORKER
C24 = LASER	H = VOYAGER	V = 600
D = ARIES	K = MINI RAM/CARAVAN/ROYAL	V24 = DAYTONA
E = 600	M = HORIZON/TURISMO	Z = OMNI/CHARGER/RAMPAGE

BODY STYLES

21 = 2-DOOR SEDAN	28 = FWD PICKUP	44 = 4-DOOR HATCHBACK
22 = 2-DOOR SPECIAL COUPE	35 = FWD VAN	45 = 4-DOOR STATION WAGON
24 = 2-DOOR HATCHBACK	36 = FWD WAGON	48 = 4-DOOR EXECUTIVE SEDAN
27 = 2-DOOR CONVERTIBLE	41 = 4-DOOR SEDAN	

AR = Use as Required - = Non Illustrated Part P.A.R. = Paint as Required

FASCIA, BUMPER FRONT V,C-24
Figure 13-1600

4113 1600

ITEM	PART NUMBER	QTY	BODY	MODEL	DESCRIPTION
1	4270 904	1		V,C	FASCIA, Front, w/o Turbo Z Pkg. (Paint As Req.)
	4270 495	1		V	w/Turbo Z Pkg. (Paint As Req.)
	4270 498-9	1		V	EXT.,Fascia Side-Sill, w/Turbo Z Pkg.(Paint As Req.)
2	4334 290	1	All		GRILLE,Fascia
	4270 675	1		V	GRILLE,Lower, w/Turbo Z Only
3	4270 913	1	All		REINF., Fascia
4	4270 922	1	All		SUPPORT, Fascia
5	4270 930-1	1		V	BEZEL, Fascia H/L
	4270 932-3	1		C	
6	4270 927	1	All		PANEL,Fascia H/L Mtg.
7	4270 938-9	1	All		SIGHT-SHIELD,H/L Mtg. Panel
8	4194 950	2	All		ABSORBER, Energy Impact, Man.Trans.
	4194 918	2	All		Auto.Trans.
9	4194 927	2	All		LIMITER-Brkt., Absorber Mtg.
10	4103 332	2	All		RETAINER, Fascia
12	4334 291	1		V	AIR-DAM, Fascia, w/Turbo Z Pkg.(Paint As Req.)
	4334 474	1		All	w/o Turbo Z Pkg. (Paint As Req.)
	6031 785	AR		V	U-NUT, Air-Dam To Fascia, w/Turbo Z Pkg.
13			All		Supt.Rad.Panel(Ref.)
14			All		Panel Fender (Ref.)
15			All		Rail Frt. (Ref.)
16			All		SCREW,w/WASHER (Not Serviced)
17	6030 441	9	All		RETAINER, Fascia
18	6100 286	2	All		SCREW,w/WASHER
19			All		RIVET (Not Serviced)
20			All		U-NUT (Not Serviced)
21	6500 381	4	All		BOLT, Reinf.
22	6100 840	6	All		PUSH-NUT
23	6500 284	10	All		NUT,w/WASHER
24			All		RIVET (Not Serviced)
25			All		SCREW (Not Serviced)
26	6031 138	10	All		NUT, Snap-In
27			All		PUSH-NUT (Not Serviced)
28	6100 051	4	All		NUT,w/WASHER
29	6500 702	4	All		BOLT,Absorber
30	6100 041	5	All		U-NUT
31	6500 634	4	All		U-NUT
32	6100 568	5	All		SCREW,w/WASHER

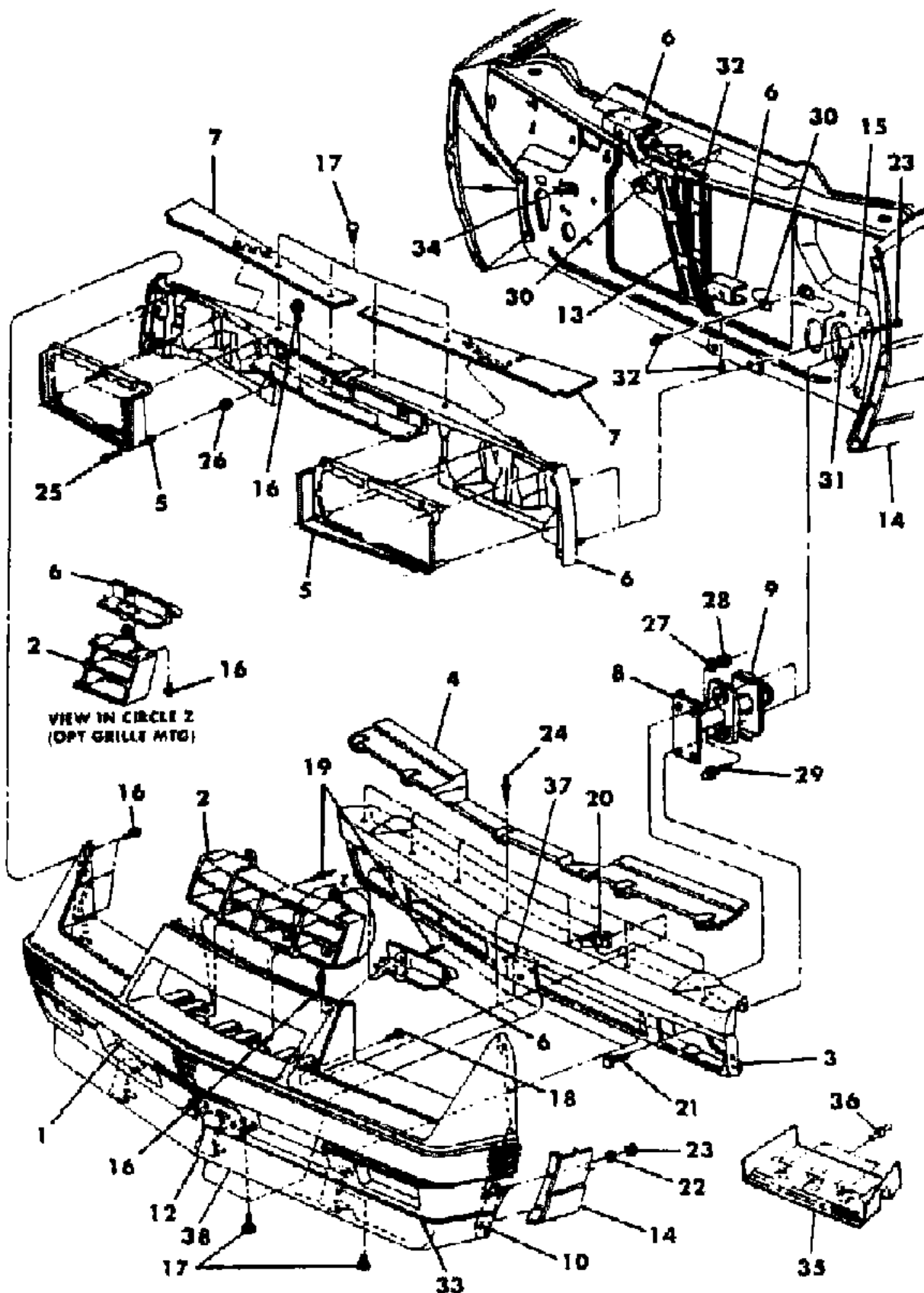
MODEL CODES

B = GRAN FURY	F = FIFTH AVENUE/NEWPORT	P = RELIANT
C = LEBARON/TOWN & COUNTRY/EXC SEDAN	G = DIPLOMAT	T = E CLASS/NEW YORKER
C24 = LASER	H = VOYAGER	V = 600
D = ARIES	K = MINI RAM/CARAVAN/ROYAL	V24 = DAYTONA
E = 600	M = HORIZON/TURISMO	Z = OMNI/CHARGER/RAMPAGE

BODY STYLES

21 = 2-DOOR SEDAN	28 = FWD PICKUP	44 = 4-DOOR HATCHBACK
22 = 2-DOOR SPECIAL COUPE	35 = FWD VAN	45 = 4-DOOR STATION WAGON
24 = 2-DOOR HATCHBACK	36 = FWD WAGON	48 = 4-DOOR EXECUTIVE SEDAN
27 = 2-DOOR CONVERTIBLE	41 = 4-DOOR SEDAN	

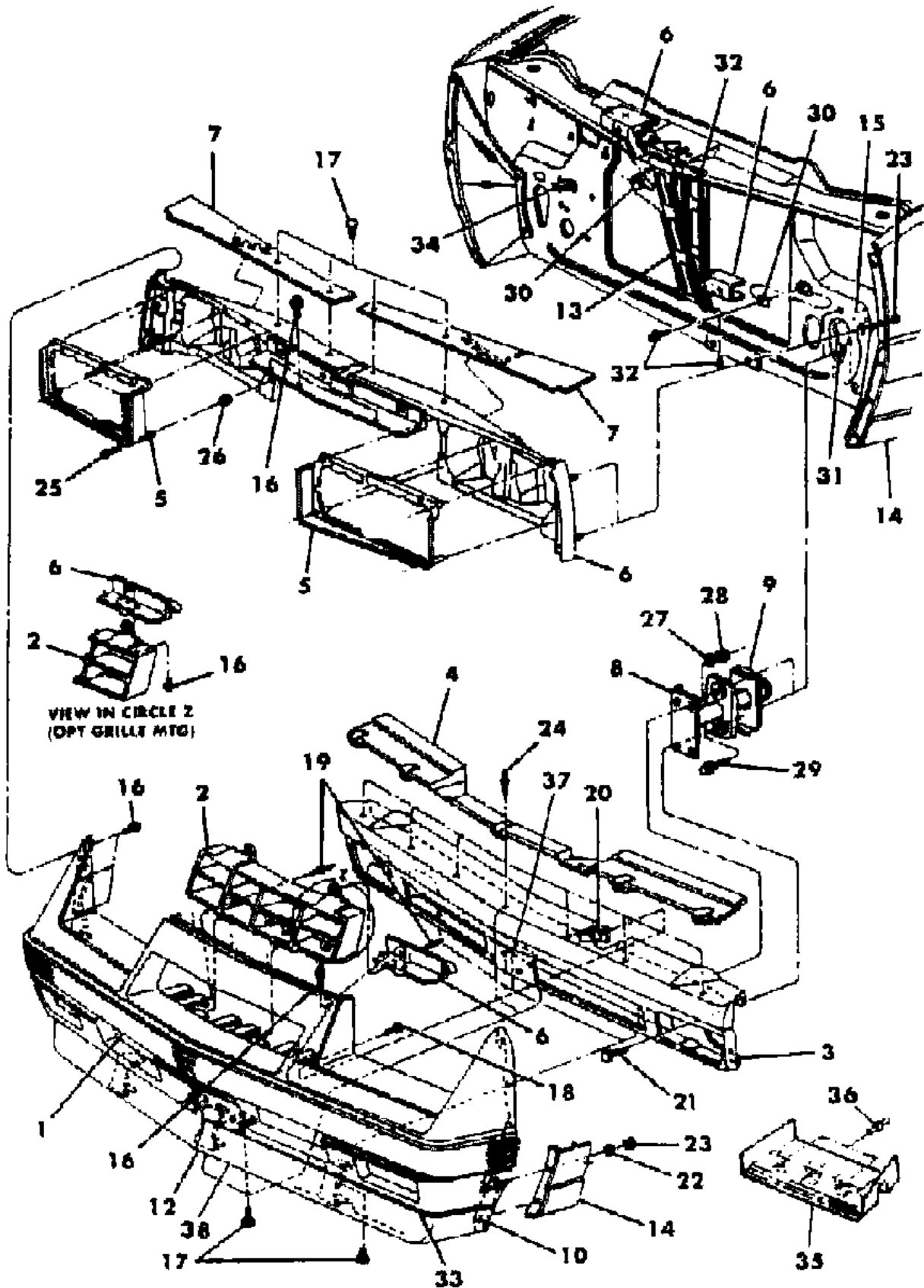
AR = Use as Required - = Non Illustrated Part P.A.R. = Paint as Required



FASCIA, BUMPER FRONT V,C-24
Figure 13-1600

4113 1600

ITEM	PART NUMBER	QTY	BODY	MODEL	DESCRIPTION
33	4103 831	1		All	LICENSE-PLATE PKG.,w/o Turbo Z Pkg.
	4334 170	1		V	w/Turbo Z Pkg.
34	4270 594-5	1		All	BRACE, H/Lamp Panel To Closure Panel
35	4103 898-9	1		All	SIGHT-SHIELD, Rein. Air Opening Bumper
36	6031 390	AR		All	RETAINER
37	4334 121	1		V	TAPE, Frt. Bumper Reinf.,w/Turbo Z Pkg.
38	4270 483	1		V	AIR-FENCE, Closure Panel (w/Turbo Z Pkg.)



MODEL CODES

B = GRAN FURY	F = FIFTH AVENUE/NEWPORT	P = RELIANT
C = LEBARON/TOWN & COUNTRY/EXC SEDAN	G = DIPLOMAT	T = E CLASS/NEW YORKER
C24 = LASER	H = VOYAGER	V = 600
D = ARIES	K = MINI RAM/CARAVAN/ROYAL	V24 = DAYTONA
E = 600	M = HORIZON/TURISMO	Z = OMNI/CHARGER/RAMPAGE

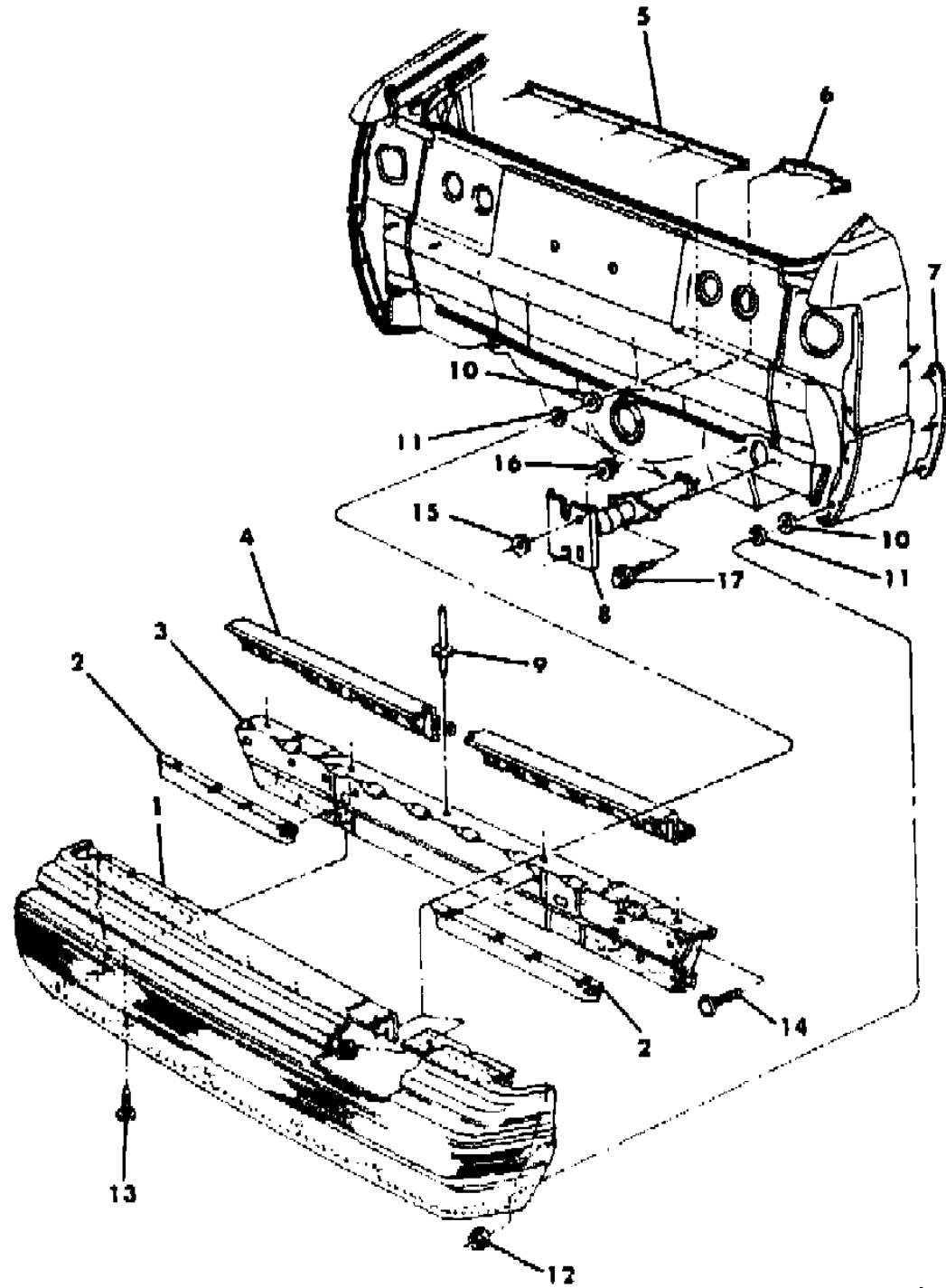
BODY STYLES

21 = 2-DOOR SEDAN	28 = FWD PICKUP	44 = 4-DOOR HATCHBACK
22 = 2-DOOR SPECIAL COUPE	35 = FWD VAN	45 = 4-DOOR STATION WAGON
24 = 2-DOOR HATCHBACK	36 = FWD WAGON	48 = 4-DOOR EXECUTIVE SEDAN
27 = 2-DOOR CONVERTIBLE	41 = 4-DOOR SEDAN	

AR = Use as Required - = Non Illustrated Part P.A.R. = Paint as Required

FASCIA, BUMPER REAR V,C-24
Figure 13-1700

4113 1700



ITEM	PART NUMBER	QTY	BODY	MODEL	DESCRIPTION
1	4103 859	1		V	FASCIA, Bumper Rear w/o Turbo Z Pkg. (Paint As Req.)
	4270 682	1		V	w/Turbo Z Pkg. (Paint As Req.)
	4103 859	1		C	
2	4103 892	2	All		PAD,Impact
3	4103 887	1	All		REINF.,Fascia
4	4103 886	2	All		SUPPORT, Fascia
5	4103 869	1	All		PLATE, Center
6	4103 874	2	All		PLATE, Outer
7	4103 882	2	All		RETAINER
8	4194 740	2	All		ABSORBER, Impact
9			All		RIVET (Not Serviced)
10	3835 550	15	All		WASHER-SEALING
11	6100 840	AR	All		PUSH-NUT
12	6500 284	AR	All		NUT,w/WASHER
13	6030 441	4	All		RETAINER, Reinf.
14	6500 381	AR	All		BOLT, Carriage
15			All		PUSH-NUT (Not Serviced)
16			All		NUT,w/WASHER (Not Serviced)
17			All		BOLT,w/WASHER (Not Serviced)

MODEL CODES

B = GRAN FURY	F = FIFTH AVENUE/NEWPORT	P = RELIANT
C = LEBARON/TOWN & COUNTRY/EXC SEDAN	G = DIPLOMAT	T = E CLASS/NEW YORKER
C24 = LASER	H = VOYAGER	V = 600
D = ARIES	K = MINI RAM/CARAVAN/ROYAL	V24 = DAYTONA
E = 600	M = HORIZON/TURISMO	Z = OMNI/CHARGER/RAMPAGE

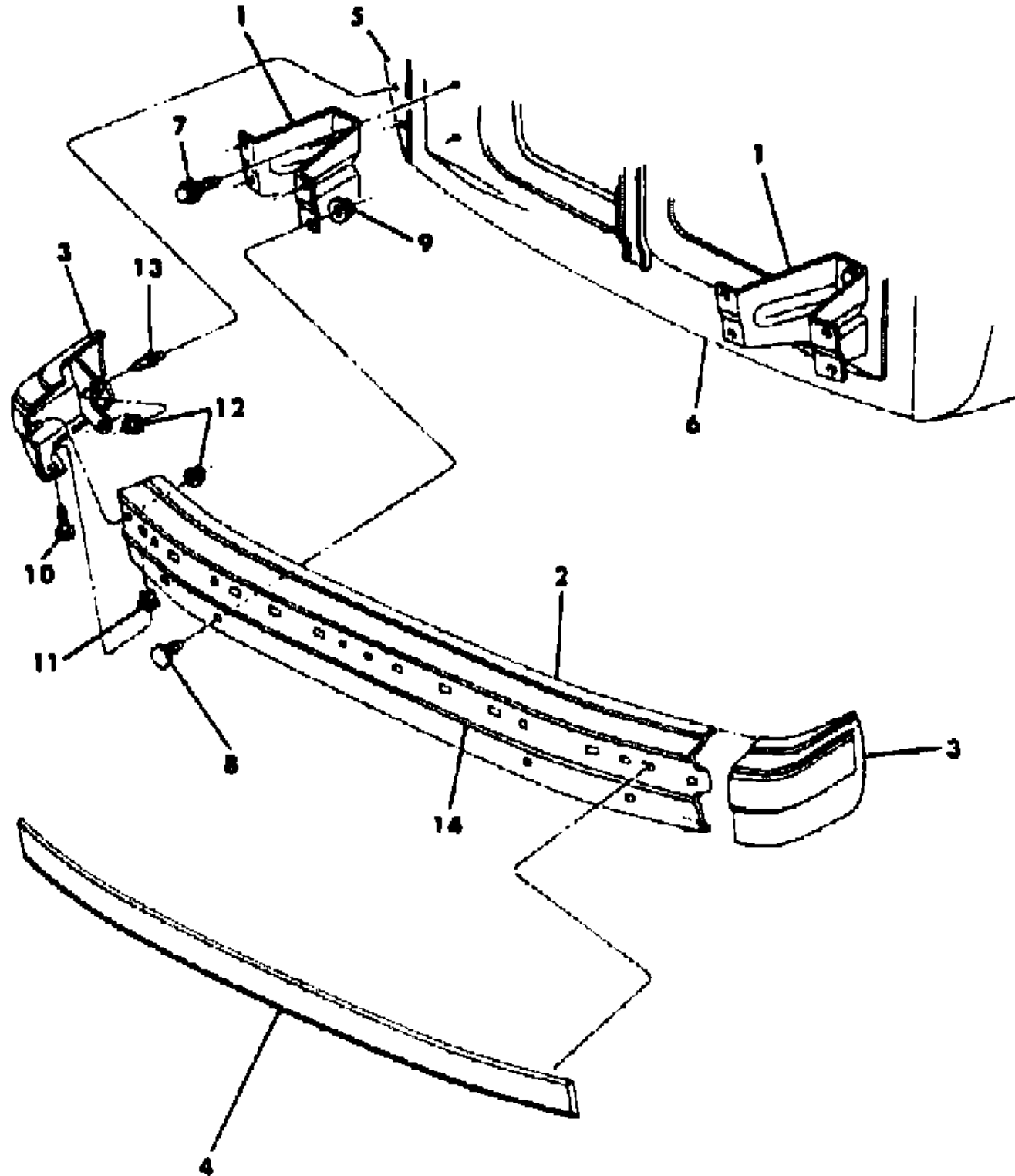
BODY STYLES

21 = 2-DOOR SEDAN	28 = FWD PICKUP	44 = 4-DOOR HATCHBACK
22 = 2-DOOR SPECIAL COUPE	35 = FWD VAN	45 = 4-DOOR STATION WAGON
24 = 2-DOOR HATCHBACK	36 = FWD WAGON	48 = 4-DOOR EXECUTIVE SEDAN
27 = 2-DOOR CONVERTIBLE	41 = 4-DOOR SEDAN	

AR = Use as Required - = Non Illustrated Part P.A.R. = Paint as Required

BUMPER, FRONT H,K
Figure 13-1800

4113 1800



ITEM	PART NUMBER	QTY	BODY	MODEL	DESCRIPTION
1	4270 344-5	1		All	SUPPORT, Bumper
2	4270 300	1		All	BUMPER, Frt. w/o Nerf
	4334 593	1		All	w/Nerf
3	4270 338-9	1		All	END-CAP, Bumper Frt..w/o Nerf, Black
	X556-7 CA6	1		All	w/Nerf, Charcoal
	X556-7 CC4	1		All	Glacier Blue
	X556-7 CC6	1		All	Gunmetal Blue
	X556-7 CX9	1		All	Black
	X556-7 CA1	1		All	Silver
	X556-7 CK5	1		All	Saddle Brown
	X556-7 CL4	1		All	Beige
	X556-7 CR6	1		All	Garnet
	X556-7 CT6	1		All	Mink Brown
	X556-7 CW3	1		All	White
	4270 585	2		All	PLATE, End-Cap To Fender (Not Ill.)
4	4270 308	1		All	NERF, Bumper Frt.
5				All	FENDER (Ref.)
6	4270 321	1		All	AIR-DAM, Rad. Closure Panel
7		4		All	BOLT,w/WASHER (Not Serviced)
8	6500 075	8		All	BOLT, Support
9	6100 051	8		All	NUT,w/WASHER
10				All	SCREW,w/WASHER (Not Serviced)
11				All	NUT-PLASTIC (Not Serviced)
12				All	NUT,w/WASHER (Not Serviced)
13				All	STUD (Serviced In Item 3)
14	4270 328	1		All	LICENSE-PLATE PKG.Frt.

MODEL CODES

B = GRAN FURY	F = FIFTH AVENUE/NEWPORT	P = RELIANT
C = LEBARON/TOWN & COUNTRY/EXC SEDAN	G = DIPLOMAT	T = E CLASS/NEW YORKER
C24 = LASER	H = VOYAGER	V = 600
D = ARIES	K = MINI RAM/CARAVAN/ROYAL	V24 = DAYTONA
E = 600	M = HORIZON/TURISMO	Z = OMNI/CHARGER/RAMPAGE

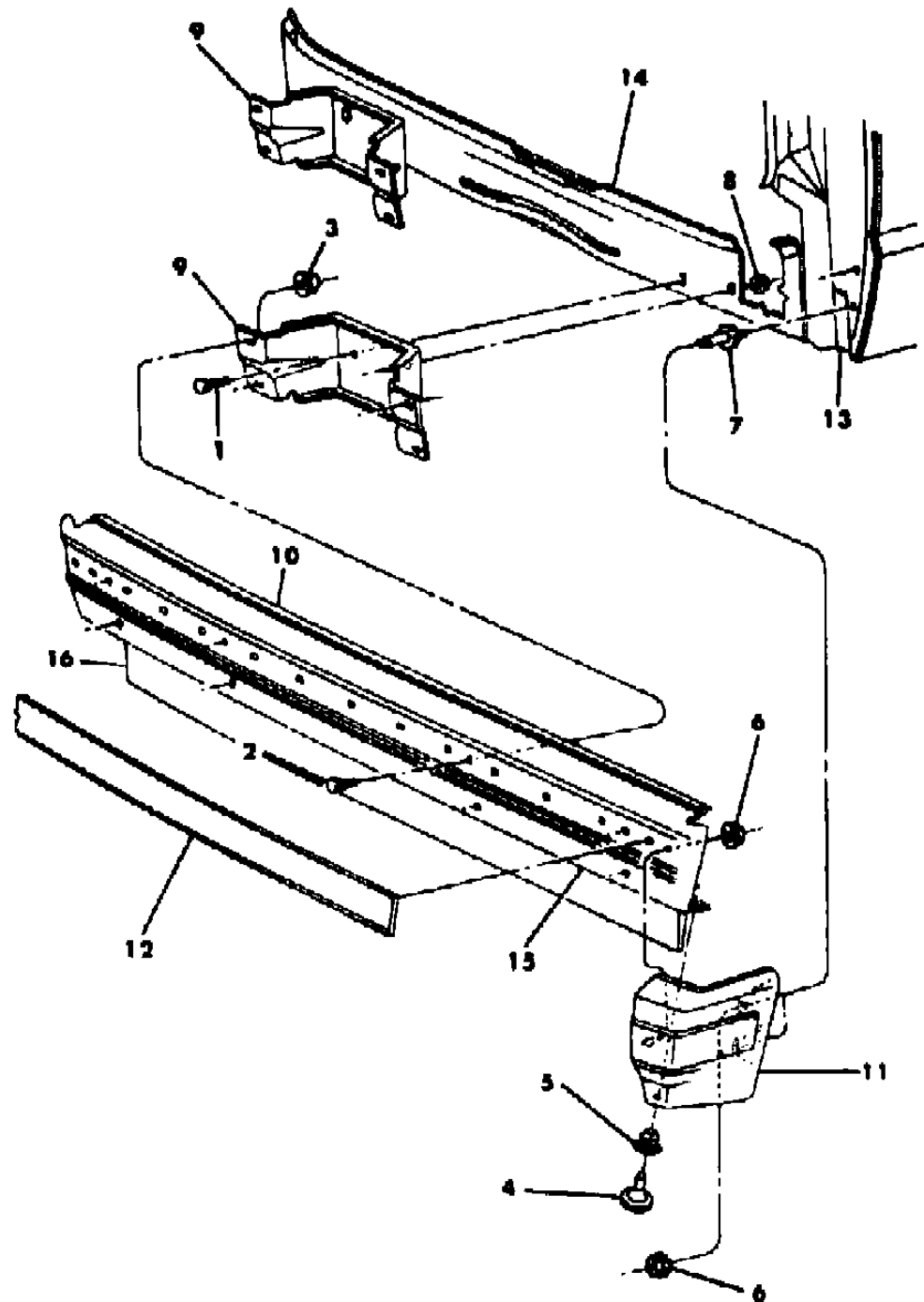
BODY STYLES

21 = 2-DOOR SEDAN	28 = FWD PICKUP	44 = 4-DOOR HATCHBACK
22 = 2-DOOR SPECIAL COUPE	35 = FWD VAN	45 = 4-DOOR STATION WAGON
24 = 2-DOOR HATCHBACK	36 = FWD WAGON	48 = 4-DOOR EXECUTIVE SEDAN
27 = 2-DOOR CONVERTIBLE	41 = 4-DOOR SEDAN	

AR = Use as Required - = Non Illustrated Part P.A.R. = Paint as Required

BUMPER, REAR H,K
Figure 13-1900

4113 1900



ITEM	PART NUMBER	QTY	BODY	MODEL	DESCRIPTION
1				All	BOLT (Not Serviced)
2	6500 075	8		All	BOLT, Support
3	6100 051	8		All	NUT,w/WASHER
4				All	SCREW (Not Serviced)
5				All	NUT-PLASTIC (Not Serviced)
6				All	NUT,w/WASHER (Not Serviced)
7		4		All	STUD (Serviced In Item 11)
8				All	NUT (Not Serviced)
9	4270 356-7	1		All	SUPPORT, Bumper
10	4270 350	1		All	BUMPER, w/o Nerf
	4270 351	1		All	w/NERF
11	4270 362-3	1		All	END-CAP, Bumper Rr. w/o Nerf, Black
	X558-9 CA6	1		All	w/Nerf, Charcoal
	X558-9 CC4	1		All	Glacier Blue
	X558-9 CC6	1		All	Gunmetal Blue
	X558-9 CX9	1		All	Black
	X558-9 CA1	1		All	Silver
	X558-9 CK5	1		All	Saddle Brown
	X558-9 CL4	1		All	Beige
	X558-9 CR6	1		All	Garnet
	X558-9 CT6	1		All	Mink Brown
	X558-9 CW3	1		All	White
	4270 585	2		All	PLATE, End-Cap Ext. Apert. Panel Att.(Not Ill.)
12	4270 358	1		All	NERF, Bumper
13				All	PANEL-BODY Side (Ref.)
14				All	PANEL- L/GATE (Ref.)
15	4270 974	1		All	LICENSE-PLATE, Att.Pkg. Rear
16	4103 421	1		All	SHIELD-SIGHT, Bumper Rear

MODEL CODES

B = GRAN FURY	F = FIFTH AVENUE/NEWPORT	P = RELIANT
C = LEBARON/TOWN & COUNTRY/EXC SEDAN	G = DIPLOMAT	T = E CLASS/NEW YORKER
C24 = LASER	H = VOYAGER	V = 600
D = ARIES	K = MINI RAM/CARAVAN/ROYAL	V24 = DAYTONA
E = 600	M = HORIZON/TURISMO	Z = OMNI/CHARGER/RAMPAGE

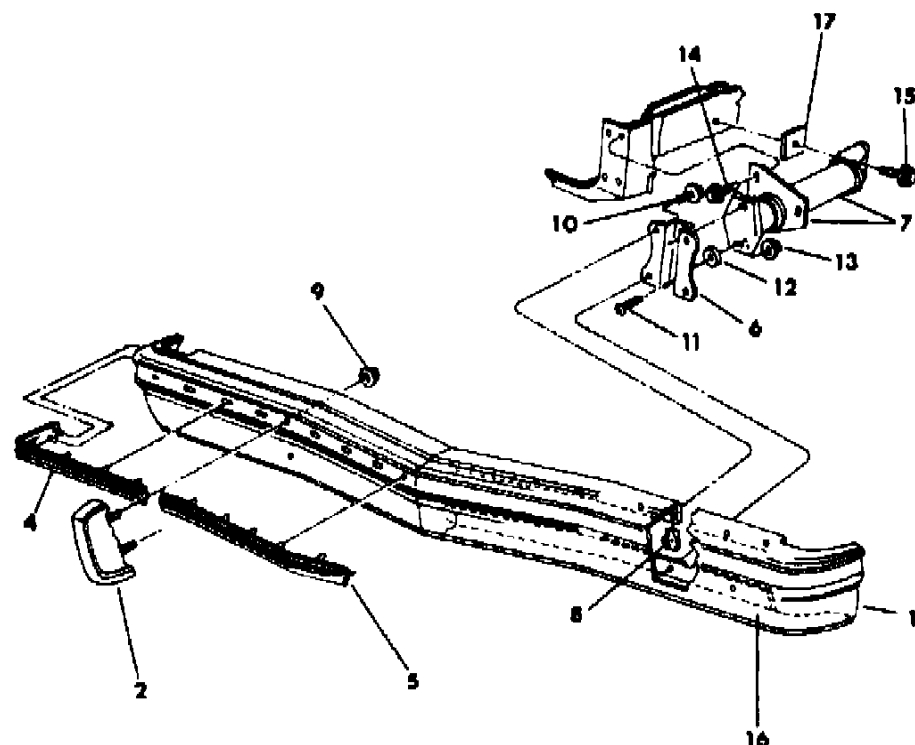
BODY STYLES

21 = 2-DOOR SEDAN	28 = FWD PICKUP	44 = 4-DOOR HATCHBACK
22 = 2-DOOR SPECIAL COUPE	35 = FWD VAN	45 = 4-DOOR STATION WAGON
24 = 2-DOOR HATCHBACK	36 = FWD WAGON	48 = 4-DOOR EXECUTIVE SEDAN
27 = 2-DOOR CONVERTIBLE	41 = 4-DOOR SEDAN	

AR = Use as Required - = Non Illustrated Part P.A.R. = Paint as Required

BUMPER, FRONT B,F,G
Figure 13-2000

4113 2000



ITEM	PART NUMBER	QTY	BODY	MODEL	DESCRIPTION
1	4110 263	1		All	BUMPER, Frt., w/Guards w/Nerf
2	4110 214	2		All	GUARD, Bumper Frt., w/Nerf
4	4110 266	2		All	NERF, Bumper End
5	4110 268	1		All	Nerf, Bumper Center
6	4110 269	2		All	ADAPTER, Bumper Frt.
7	4147 506-7	1		All	ABSORBER, Impact, Frt.
8				All	U-NUT (Not Serviced)
9	0118 614	4		All	NUT,w/WASHER, Guard Att.
10		8		All	SCREW,w/WASHER (Not Serviced)
11	0153 366	4		All	BOLT, Adapter Att.
12	6026 648	4		All	RETAINER, Adapter
13	6031 572	4		All	NUT, Bolt
14	6031 627	4		All	SCREW,w/WASHER, Absorber Att.
15	6030 471	2		All	SCREW,w/WASHER, Absorber Att.
16	4194 464	1		All	LICENSE-PLATE, Frt.Att.Pkg.
17	3753 122	2		All	PLATE, Anti-Slip

MODEL CODES

B = GRAN FURY	F = FIFTH AVENUE/NEWPORT	P = RELIANT
C = LEBARON/TOWN & COUNTRY/EXC SEDAN	G = DIPLOMAT	T = E CLASS/NEW YORKER
C24 = LASER	H = VOYAGER	V = 600
D = ARIES	K = MINI RAM/CARAVAN/ROYAL	V24 = DAYTONA
E = 600	M = HORIZON/TURISMO	Z = OMNI/CHARGER/RAMPAGE

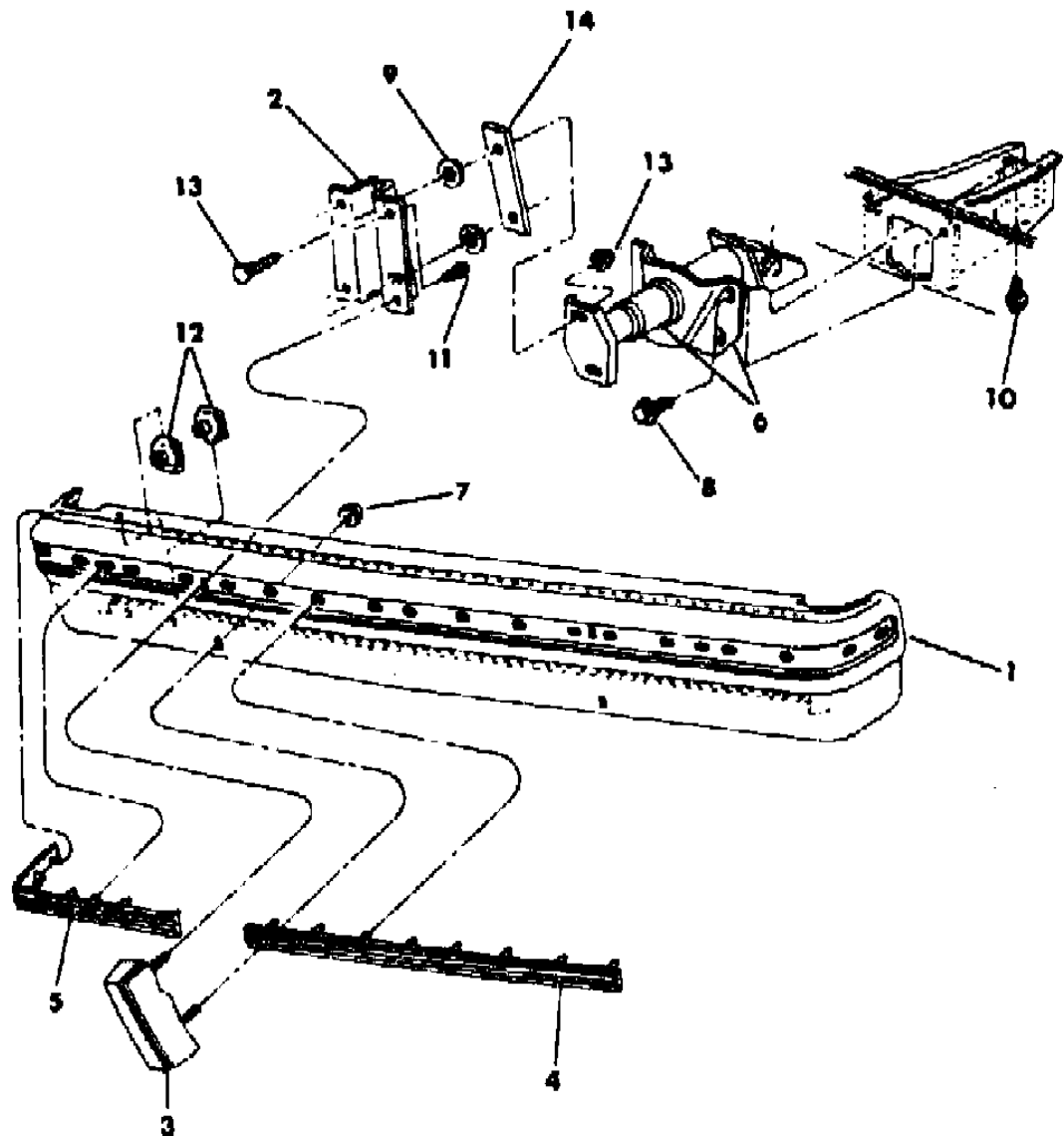
BODY STYLES

21 = 2-DOOR SEDAN	28 = FWD PICKUP	44 = 4-DOOR HATCHBACK
22 = 2-DOOR SPECIAL COUPE	35 = FWD VAN	45 = 4-DOOR STATION WAGON
24 = 2-DOOR HATCHBACK	36 = FWD WAGON	48 = 4-DOOR EXECUTIVE SEDAN
27 = 2-DOOR CONVERTIBLE	41 = 4-DOOR SEDAN	

AR = Use as Required - = Non Illustrated Part P.A.R. = Paint as Required

BUMPER, REAR B,G - 41
Figure 13-2100

4113 2100



ITEM	PART NUMBER	QTY	BODY	MODEL	DESCRIPTION
1	4110 578	1		All	BUMPER, Rear w/Guards, w/Nerf
2	4110 530	2		All	ADAPTER, Absorber
3	4110 508	2		All	GUARD, Bumper Rear, w/Nerf
4	4110 586	1		All	NERF, Bumper Center, w/Guards
	4110 583	1		All	w/o Guards
5	4110 584-5	1		All	NERF, Bumper End, w/Guards
6	4103 931	2		All	ABSORBER, Impact Rear
7	0118 614	4		All	Nut,w/WASHER, Guard Att.
8	6031 627	4		All	SCREW,w/WASHER, Absorber Mtg.
9	6026 648	4		All	RETAINER, Adapter
10	6030 471	2		All	SCREW,w/WASHER, Absorber Att.
11		8		All	SCREW,w/WASHER (Not Serviced)
12		8		All	U-NUT (Not Serviced)
13	0153 366	4		All	BOLT, Adapter
	6031 572	4		All	NUT,w/WASHER
14	3753 124	AR		All	SHIM
	4110 598	2		All	BLOCKER, Bumper Rr. (Not Ill.)

MODEL CODES

B = GRAN FURY	F = FIFTH AVENUE/NEWPORT	P = RELIANT
C = LEBARON/TOWN & COUNTRY/EXC SEDAN	G = DIPLOMAT	T = E CLASS/NEW YORKER
C24 = LASER	H = VOYAGER	V = 600
D = ARIES	K = MINI RAM/CARAVAN/ROYAL	V24 = DAYTONA
E = 600	M = HORIZON/TURISMO	Z = OMNI/CHARGER/RAMPAGE

BODY STYLES

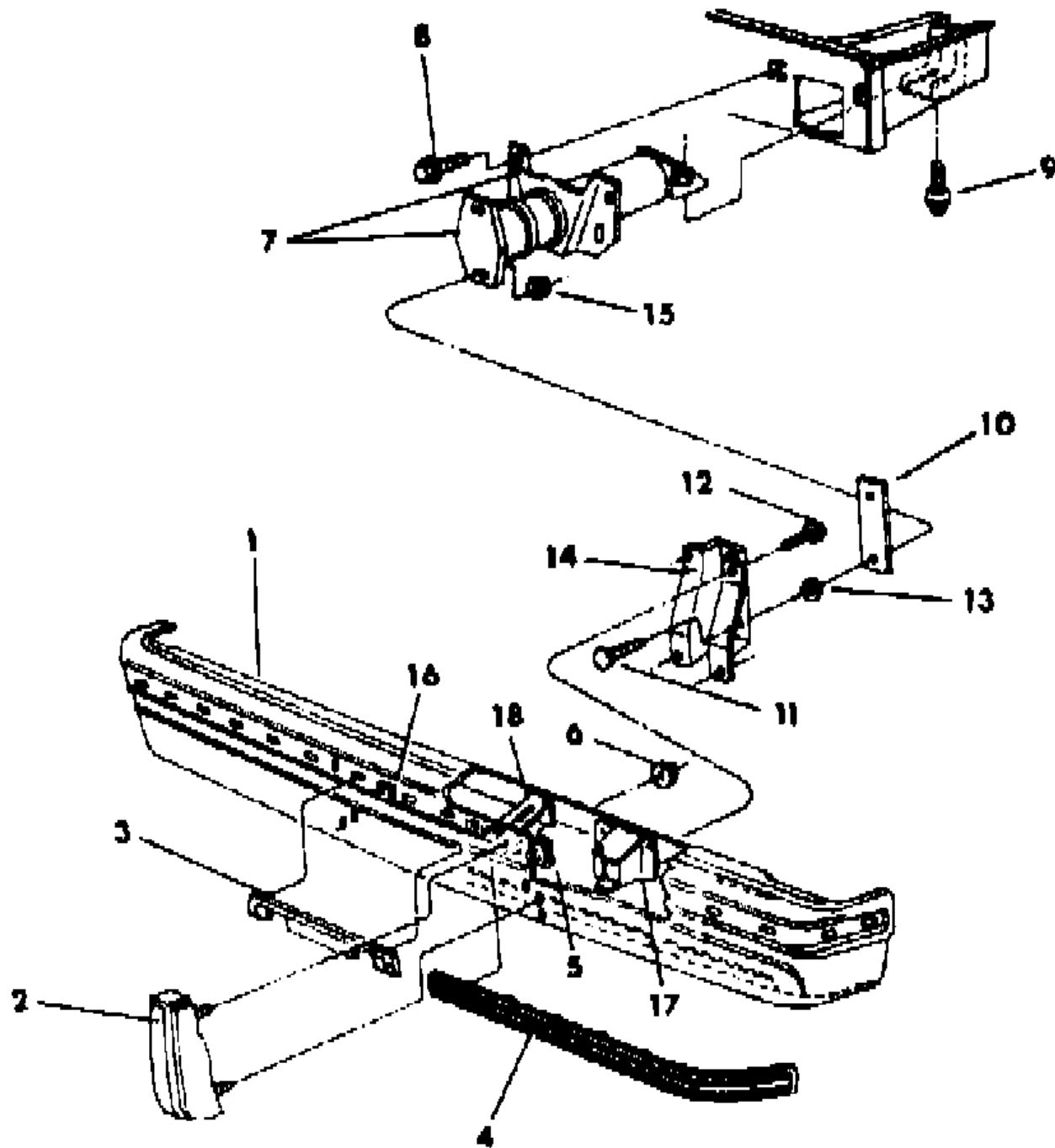
21 = 2-DOOR SEDAN	28 = FWD PICKUP	44 = 4-DOOR HATCHBACK
22 = 2-DOOR SPECIAL COUPE	35 = FWD VAN	45 = 4-DOOR STATION WAGON
24 = 2-DOOR HATCHBACK	36 = FWD WAGON	48 = 4-DOOR EXECUTIVE SEDAN
27 = 2-DOOR CONVERTIBLE	41 = 4-DOOR SEDAN	

AR = Use as Required - = Non Illustrated Part P.A.R. = Paint as Required

BUMPER, REAR F-41
Figure 13-2200

4113 2200

ITEM	PART NUMBER	QTY	BODY	MODEL	DESCRIPTION
1	4194 564	1		All	BUMPER, Rear,w/Guards w/Nerf
2	4194 566-7	1		All	GUARD, Bumper Rear, w/Nerf
3	4110 536	1		All	NERF, Bumper Center
4	4194 568-9	1		All	NERF, Bumper End
5		8		All	U-NUT (Not Serviced)
6	0118 614	4		All	NUT,w/WASHER, Guard Att.
7	4103 931	2		All	ABSORBER, Impact Rear
8	6031 627	4		All	SCREW,w/WASHER, Absorber Mtg.
9	6030 471	2		All	SCREW,w/WASHER, Absorber Mtg.
10	3753 124	AR		All	SHIM
11	0153 366	4		All	BOLT, Brkt.
12		8		All	SCREW,w/WASHER (Not Serviced)
13	6026 648	4		All	RETAINER, Brkt.
14	4110 530	2		All	BRACKET, Bumper Adapter
15	6031 572	4		All	NUT,w/WASHER, Absorber Mtg.
17	4110 598	2		All	BLOCKER, Bumper Rr.
18	4110 550	2		All	BULKHEAD, Bumper Rear



MODEL CODES

B = GRAN FURY	F = FIFTH AVENUE/NEWPORT	P = RELIANT
C = LEBARON/TOWN & COUNTRY/EXC SEDAN	G = DIPLOMAT	T = E CLASS/NEW YORKER
C24 = LASER	H = VOYAGER	V = 600
D = ARIES	K = MINI RAM/CARAVAN/ROYAL	V24 = DAYTONA
E = 600	M = HORIZON/TURISMO	Z = OMNI/CHARGER/RAMPAGE

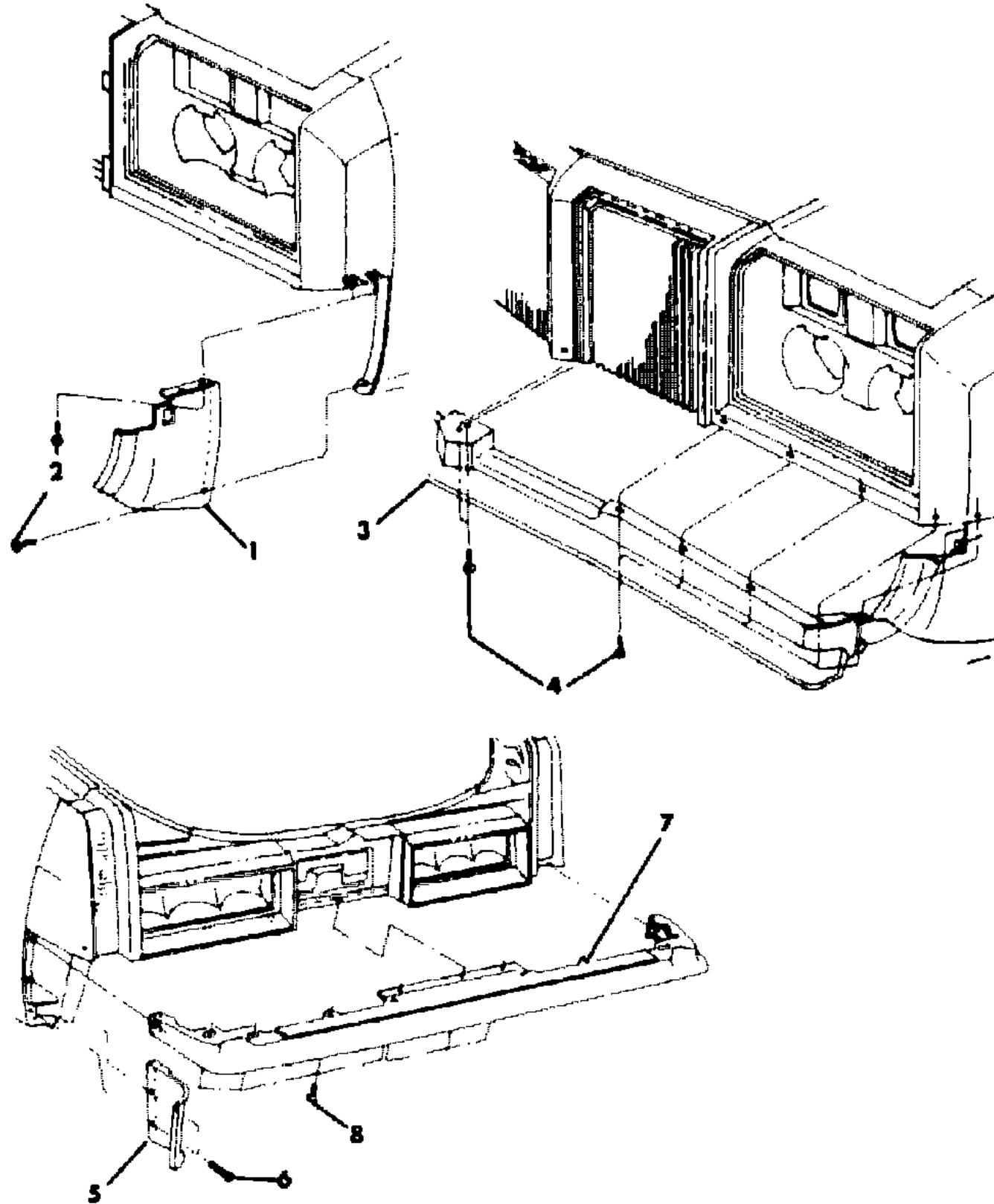
BODY STYLES

21 = 2-DOOR SEDAN	28 = FWD PICKUP	44 = 4-DOOR HATCHBACK
22 = 2-DOOR SPECIAL COUPE	35 = FWD VAN	45 = 4-DOOR STATION WAGON
24 = 2-DOOR HATCHBACK	36 = FWD WAGON	48 = 4-DOOR EXECUTIVE SEDAN
27 = 2-DOOR CONVERTIBLE	41 = 4-DOOR SEDAN	

AR = Use as Required - = Non Illustrated Part P.A.R. = Paint as Required

FILLER, BUMPER F
Figure 13-2300

4113 2300



ITEM	PART NUMBER	QTY	BODY	MODEL	DESCRIPTION
1	X518-9 VT5	1		All	FILLER, Frt. Fender Bumper Side (Paint As Req.)
2		AR		All	SCREW (Not Serviced)
3	4271 411	1		All	FILLER, Grille Closure Pnl. Bumper Frt. (Paint As Req.)
4					SCREW (Not Serviced)
	4074 501	AR		All	SUPPORT, Frt. Bumper Filler Edge Repair (Not Ill.)
	6031 939	AR		All	CLIP, Supt. (Not Ill.)
	4074 502	1		All	SPACER, Frt. Bumper Filler (Not Ill.)
5	X536-7 VW3	1		All	FILLER, Qtr. o/s Panel Bumper Rr.(Paint As Req.)
6					SCREW (Not Serviced)
7	X539 BT8	1		All	FILLER, Deck Opng. Rr. Bumper Center (Paint As Req.)
8					SCREW (Not Serviced)
	4206 338	AR		All	SUPPORT, Rr. Bumper Filler Lip Edge Repair (Not Ill.)

MODEL CODES

B = GRAN FURY	F = FIFTH AVENUE/NEWPORT	P = RELIANT
C = LEBARON/TOWN & COUNTRY/EXC SEDAN	G = DIPLOMAT	T = E CLASS/NEW YORKER
C24 = LASER	H = VOYAGER	V = 600
D = ARIES	K = MINI RAM/CARAVAN/ROYAL	V24 = DAYTONA
E = 600	M = HORIZON/TURISMO	Z = OMNI/CHARGER/RAMPAGE

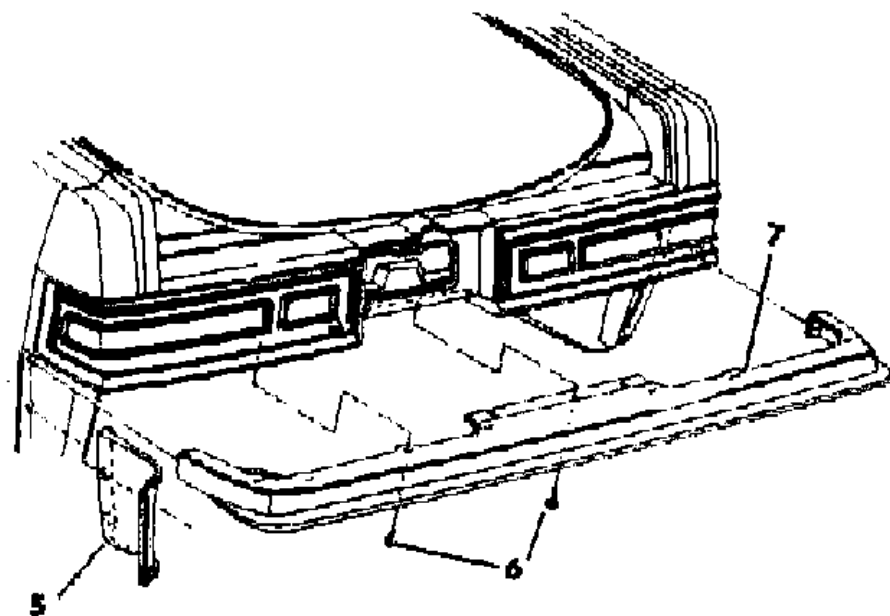
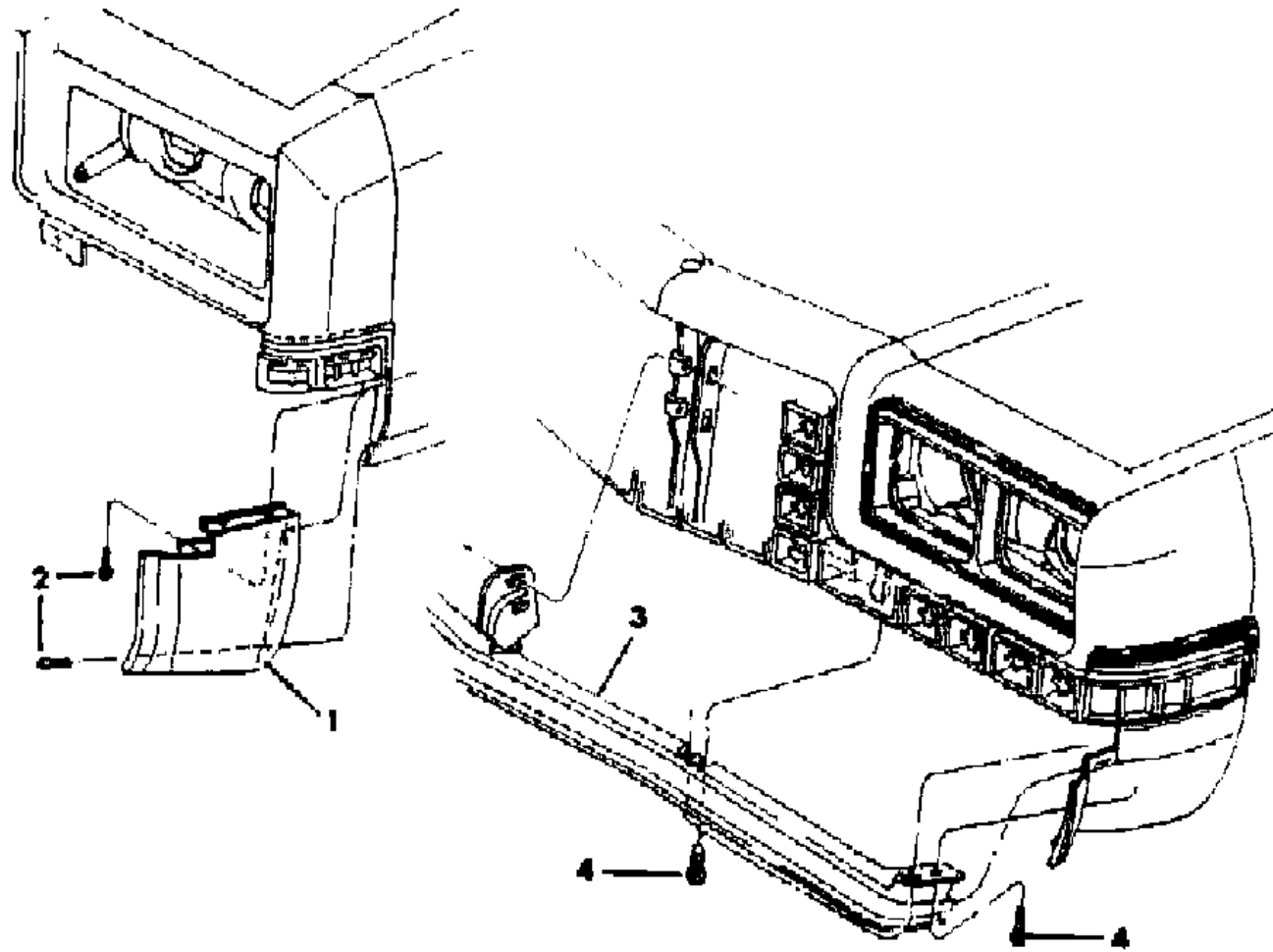
BODY STYLES

21 = 2-DOOR SEDAN	28 = FWD PICKUP	44 = 4-DOOR HATCHBACK
22 = 2-DOOR SPECIAL COUPE	35 = FWD VAN	45 = 4-DOOR STATION WAGON
24 = 2-DOOR HATCHBACK	36 = FWD WAGON	48 = 4-DOOR EXECUTIVE SEDAN
27 = 2-DOOR CONVERTIBLE	41 = 4-DOOR SEDAN	

AR = Use as Required - = Non Illustrated Part P.A.R. = Paint as Required

FILLER, BUMPER B,G
Figure 13-2400

4113 2400



ITEM	PART NUMBER	QTY	BODY	MODEL	DESCRIPTION
1	X532-3 TT1	1		F	FILLER, Fender Bumper Side, (Paint As Req.)
1	X532-3 TT1	1		G-L,G-H	
1	X518-9 VT5	1		G-P	
2		AR		All	SCREW (Not Serviced)
3	X522 VW3	1		All	Filler, Bumper Frt., (Paint As Req.)
4		AR		All	SCREW (Not Serviced)
	4074 501	AR		All	SUPPORT, Frt. Bumper Filler Edge Repair (Not Ill.)
	6031 939	AR		All	CLIP, Supt. (Not Ill.)
5	X536-7 VW3	1		All	FILLER, Qtr. O/S Panel Bumper Rr.(Paint As Req.)
		AR		All	SCREW (Not Serviced)
7	X539 BT8	1		All	FILLER, Deck Opng. Bumper Rr., (Paint As Req.)
	4206 338	AR		All	SUPPORT, Rr. Bumper Filler Lip Edge Repair (Not Ill.)

cars sold in the State of California. applications specified in this document.

Feet elevation. applications specified in this document.

MODEL CODES

B = GRAN FURY

C = LEBARON/TOWN & COUNTRY/EXC SEDAN

C24 = LASER

D = ARIES

E = 600

F = FIFTH AVENUE/NEWPORT

G = DIPLOMAT

H = VOYAGER

K = MINI RAM/CARAVAN/ROYAL

M = HORIZON/TURISMO

P = RELIANT

T = E CLASS/NEW YORKER

V = 600

V24 = DAYTONA

Z = OMNI/CHARGER/RAMPAGE

BODY STYLES

21 = 2-DOOR SEDAN

22 = 2-DOOR SPECIAL COUPE

24 = 2-DOOR HATCHBACK

27 = 2-DOOR CONVERTIBLE

28 = FWD PICKUP

35 = FWD VAN

36 = FWD WAGON

41 = 4-DOOR SEDAN

44 = 4-DOOR HATCHBACK

45 = 4-DOOR STATION WAGON

48 = 4-DOOR EXECUTIVE SEDAN

AR = Use as Required - = Non Illustrated Part P.A.R. = Paint as Required

GROUP 14 - FUEL

ILLUSTRATION TITLE **GROUP-FIG. NO.**

FRESH AIR INTAKE SYSTEM

FRESH AIR INLET SYSTEM Except B,F,G Fig. 14-100
 FRESH AIR INLET SYSTEM B,F,G Fig. 14-200

AIR CLEANER SYSTEM

AIR CLEANER - W/1.6 LITER ENGINE Fig. 14-300
 AIR CLEANER - W/2.2 LITER ENGINE Fig. 14-400
 AIR CLEANER - T.B.I Fig. 14-500
 AIR CLEANER - TURBO CHARGER Fig. 14-600
 AIR CLEANER - W/2.6 LITER ENGINE Fig. 14-700
 AIR CLEANER - W/318-2BBL ENGINE Fig. 14-800
 AIR CLEANER - W/318-4BBL ENGINE Fig. 14-900

CARBURETOR, EFI, TC AND COMPONENTS

CARBURETOR CROSS REFERENCE INDEX Fig. 14-1000
 CARBURETOR CHOKE, CHOKE CONTROL, FLANGE GASKETS Fig. 14-1100
 CARBURETOR AND COMPONENT PARTS HOLLEY-2BBL.(5220) Fig. 14-1200
 CARBURETOR AND COMPONENT PARTS HOLLEY-2BBL.(6520) 0 Fig. 14-1300
 CARBURETOR AND COMPONENT PARTS CARTER-2BBL. Fig. 14-1400
 CARBURETOR AND COMPONENT PARTS CARTER-4BBL. Fig. 14-1500
 CARBURETOR COMPONENT PARTS - W/2.6 LITRE ENGINE Fig. 14-1600
 CARBURETOR - W/2.6 LITER ENGINE Fig. 14-1700
 AIR CONDITION IDLE UP SYSTEM 2.2L ENGINE - M,Z Fig. 14-1800
 AIR CONDITION IDLE UP 2.2L ENGINE - P,D,C,V,J,E,T Fig. 14-1900
 AIR CONDITION IDLE UP 2.6L ENGINE - P,D,C,V,J,E,T Fig. 14-2000
 AIR CONDITION IDLE UP SYSTEM H,K BODY Fig. 14-2100
 HIGH ALTITUDE SYSTEM 2.2L ENGINE - M,Z BODY Fig. 14-2200
 HIGH ALTITUDE SYSTEM 2.2L ENGINE - P,D,C,V,E,T BODY Fig. 14-2300
 HIGH ALTITUDE SYSTEM 2.6L ENGINE - P,D,C,V,E,T BODY Fig. 14-2400
 HIGH ALTITUDE SYSTEM 2.2L ENGINE - H,K BODY Fig. 14-2500
 HIGH ALTITUDE SYSTEM 2.6L ENGINE - H,K BODY Fig. 14-2600
 HIGH ALTITUDE SYSTEM B,F,G BODY Fig. 14-2700
 THROTTLE BODY INJECTOR Fig. 14-2800
 THROTTLE BODY AND ADAPTER - TURBO CHARGER Fig. 14-2900
 TURBO CHARGER Fig. 14-3000
 FUEL RAIL AND RELEATED PARTS - TURBO CHARGER Fig. 14-3100

ILLUSTRATION NOT AVAILABLE AT TIME OF PUBLICATION



GROUP 14 - FUEL

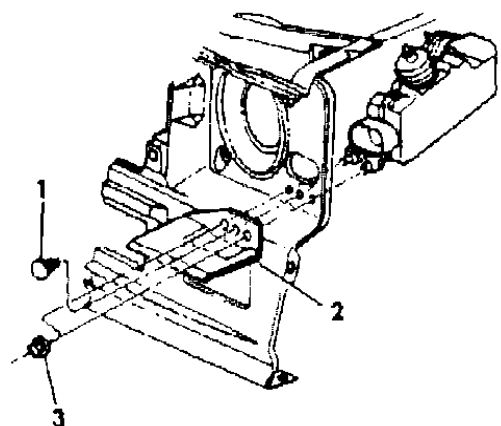
GROUP 14 - FUEL

ILLUSTRATION TITLE	GROUP-FIG. NO.
FUEL FILTERS	
CARBURETOR FUEL FILTER AND RELATED PARTS	Fig. 14-3200
FUEL FLOW SENSORS	Fig. 14-3300
FUEL FILTER T.B.I. and TURBO CHARGER	Fig. 14-3400
THROTTLE CONTROLS	
THROTTLE CONTROL W/1.6 LITER ENGINE	Fig. 14-3500
THROTTLE CONTROL - M,Z W/2.2 LITER ENGINE	Fig. 14-3600
THROTTLE CONTROL - P,D,C,V,E,T,H,K W/2.2 LITER ENGINE	Fig. 14-3700
THROTTLE CONTROLS - T.B.I.	Fig. 14-3800
THROTTLE CONTROLS - TURBO CHARGER	Fig. 14-3900
THROTTLE CONTROL - P,D,C,V,E,T,H,K W/2.6 LITER ENGINE	Fig. 14-4000
THROTTLE CONTROL W/318 - 2BBL AUTO TRANS. - F,G,B	Fig. 14-4100
THROTTLE CONTROL W/318 - 4BBL ENGINE w/AUTO TRANS. - F,G,B	Fig. 14-4200
SPEED CONTROL AND SPEED CONTROL CABLES	
SPEED CONTROL - M,Z	Fig. 14-4300
SPEED CONTROL - ELECTRONIC M,Z - W/ 1.6L and 2.2L ENGINE	Fig. 14-4400
SPEED CONTROL - P,D,C,V,E,T W/2.2 LITER ENGINE	Fig. 14-4500
SPEED CONTROL - ELECTRONIC P,D,C,V,E,T - w/ 2.2L AND 2.6L ENGINE	Fig. 14-4600
SPEED CONTROL - T.B.I.	Fig. 14-4700
SPEED CONTROL - TURBO CHARGER	Fig. 14-4800
SPEED CONTROL - ELECTRONIC W/ T.B.I. AND T.C.	Fig. 14-4900
SPEED CONTROL - P,D,C,V,E,T W/2.6 LITER ENGINE	Fig. 14-5000
SPEED CONTROL - H,K w/2.2 LITER ENGINE	Fig. 14-5100
SPEED CONTROL - H,K W/2.6 LITER ENGINE	Fig. 14-5200
SPEED CONTROL - ELECTRONIC H,K - w/ 2.2L AND 2.6L ENGINE	Fig. 14-5300
SPEED CONTROL - F,G,B	Fig. 14-5400
SPEED CONTROL - ELECTRONIC B,F,G	Fig. 14-5500
SPEED CONTROL CABLES	Fig. 14-5600
ACCELERATOR PEDAL	
ACCELERATOR PEDAL M,Z,P,D,C,V,E,T	Fig. 14-5700
ACCELERATOR PEDAL - H,K	Fig. 14-5800
ACCELERATOR PEDAL F,G,B	Fig. 14-5900
FUEL PUMPS	
FUEL PUMPS	Fig. 14-6000
FUEL PUMP AND FUEL FILTER - W/2.6 LITER ENGINE	Fig. 14-6100

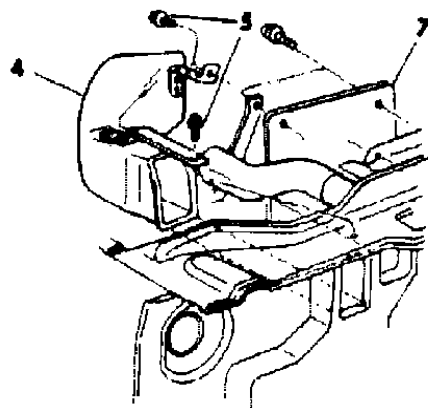
ILLUSTRATION TITLE	GROUP-FIG. NO.
FUEL PUMPS (Continued)	
FUEL PUMP AND FUEL FILTER - W/2.6 LITER ENGINE	Fig. 14-6100
FUEL PUMP AND SENDING UNIT W/T.B.I. AND TURBO CHARGER	Fig. 14-6200
FUEL LINES	
FUEL LINES - M,Z	Fig. 14-6300
FUEL LINES - P,D,C,V,E,T	Fig. 14-6400
FUEL LINES - TBI	Fig. 14-6500
FUEL LINES - TURBO CHARGER	Fig. 14-6600
FUEL LINES - H,K	Fig. 14-6700
FUEL LINES - F,G,B	Fig. 14-6800
FUEL TANKS	
FUEL TANK AND FUEL FILLER TUBES M,Z	Fig. 14-6900
FUEL TANK AND FILLER TUBES P,D,C,V,E,T	Fig. 14-7000
FUEL TANK AND FILLER TUBES T.B.I. AND TURBO CHARGER	Fig. 14-7100
FUEL TANK AND FUEL FILLER TUBES H,K	Fig. 14-7200
FUEL TANK AND FUEL FILLER TUBES F,G,B	Fig. 14-7300

FRESH AIR INLET SYSTEM Except B,F,G
Figure 14-100

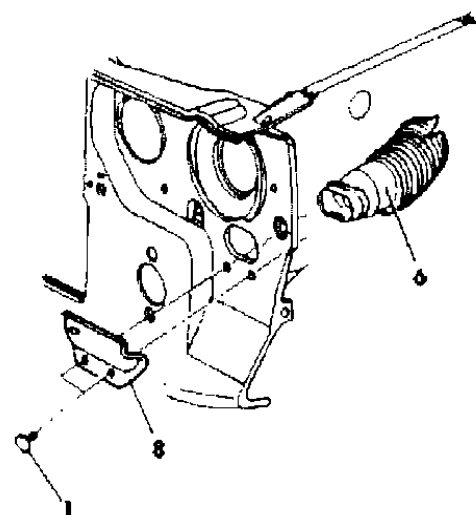
4114 100



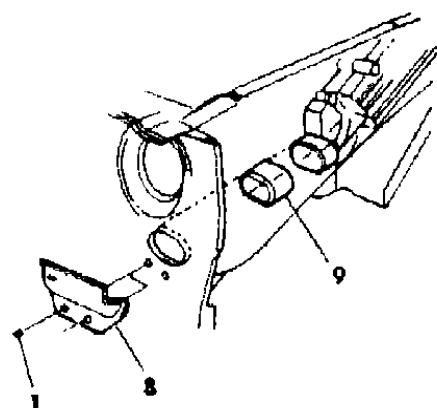
M,Z



P,D,C,V-W/2.2L ENGINE



P,D,C,V-W/2.6L ENGINE



P,D,C,V-W/2.2L ENGINE

ITEM	PART NUMBER	QTY	BODY	MODEL	DESCRIPTION
1	6031 299	AR			RETAINER
2	5201 395	1		M,Z	SHIELD, Air Inlet Closure Panel
3	6029 471	AR			NUT
4	4266 666	1		P,D,C,V	DUCT, Carburetor Air
5					SCREW (not serviced)
6	4287 977	1		PDCVETH	DUCT, Air Cleaner
7	4266 414	1		P,D,C,V	SHIELD, Carburetor Air
8	4103 277	1		P,D,C,V	BAFFLE, Air Inlet
	5201 394	1		H,K	ADAPTER, w/2.6L Engine
9	4103 182	1		PDCVETH	DUCT, Panel to E.S.A. Housing

MODEL CODES

B = GRAN FURY	F = FIFTH AVENUE/NEWPORT	P = RELIANT
C = LEBARON/TOWN & COUNTRY/EXC SEDAN	G = DIPLOMAT	T = E CLASS/NEW YORKER
C24 = LASER	H = VOYAGER	V = 600
D = ARIES	K = MINI RAM/CARAVAN/ROYAL	V24 = DAYTONA
E = 600	M = HORIZON/TURISMO	Z = OMNI/CHARGER/RAMPAGE

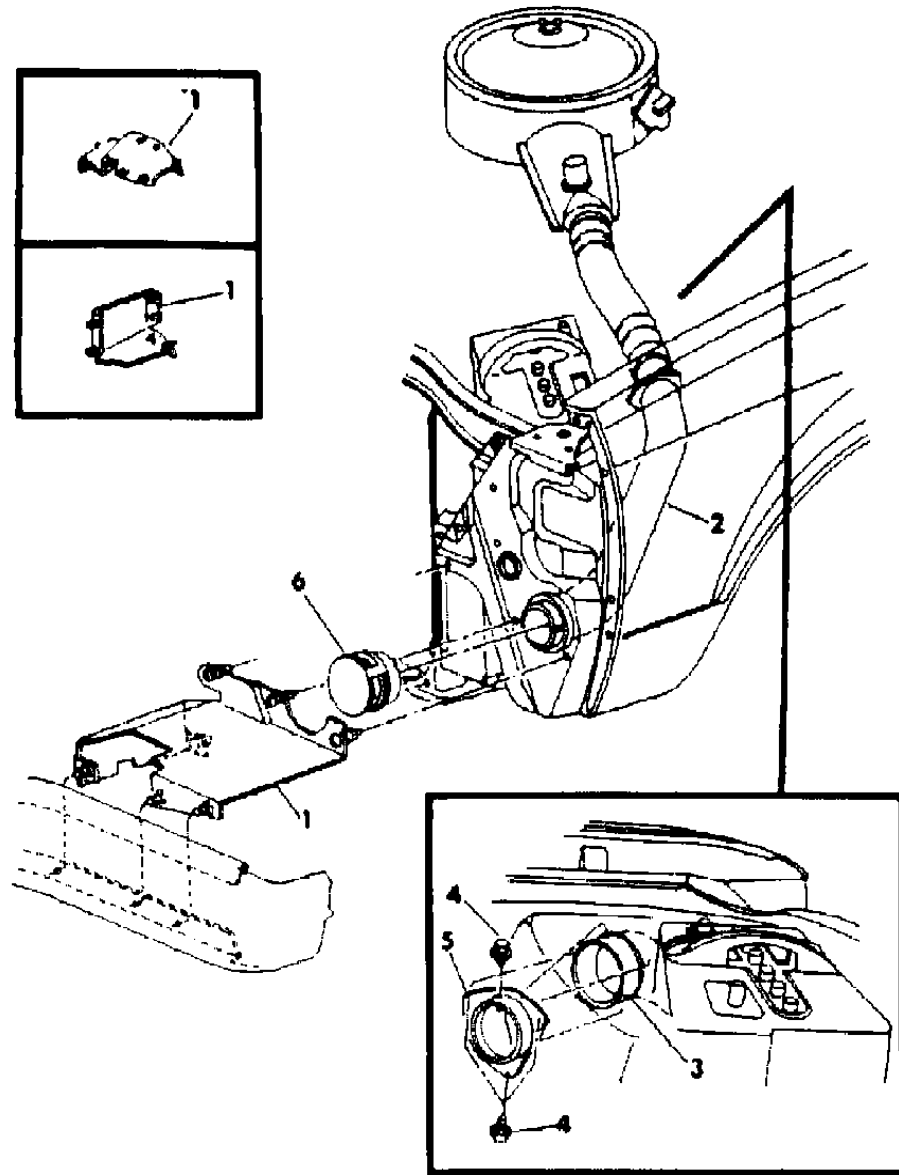
BODY STYLES

21 = 2-DOOR SEDAN	28 = FWD PICKUP	44 = 4-DOOR HATCHBACK
22 = 2-DOOR SPECIAL COUPE	35 = FWD VAN	45 = 4-DOOR STATION WAGON
24 = 2-DOOR HATCHBACK	36 = FWD WAGON	48 = 4-DOOR EXECUTIVE SEDAN
27 = 2-DOOR CONVERTIBLE	41 = 4-DOOR SEDAN	

AR = Use as Required - = Non Illustrated Part P.A.R. = Paint as Required

FRESH AIR INLET SYSTEM B,F,G
Figure 14-200

4114 200



ITEM	PART NUMBER	QTY	BODY	MODEL	DESCRIPTION
1	4074 745	1			BAFFLE, Engine Air
2	3868 689				DUCT, Engine Air
3	3868 920	1			SEAL, Air Duct
4		2			SCREW (not serviced)
5	3868 552	1			COLLAR, Air Duct
6	3868 957	1			DEFLECTOR and ADAPTER, Air Intake Duct
NOTE: The following items are not illustrated applications specified in this document.					
	6031 299	AR			RETAINER, Engine Air Baffle

MODEL CODES

B = GRAN FURY	F = FIFTH AVENUE/NEWPORT	P = RELIANT
C = LEBARON/TOWN & COUNTRY/EXC SEDAN	G = DIPLOMAT	T = E CLASS/NEW YORKER
C24 = LASER	H = VOYAGER	V = 600
D = ARIES	K = MINI RAM/CARAVAN/ROYAL	V24 = DAYTONA
E = 600	M = HORIZON/TURISMO	Z = OMNI/CHARGER/RAMPAGE

BODY STYLES

21 = 2-DOOR SEDAN	28 = FWD PICKUP	44 = 4-DOOR HATCHBACK
22 = 2-DOOR SPECIAL COUPE	35 = FWD VAN	45 = 4-DOOR STATION WAGON
24 = 2-DOOR HATCHBACK	36 = FWD WAGON	48 = 4-DOOR EXECUTIVE SEDAN
27 = 2-DOOR CONVERTIBLE	41 = 4-DOOR SEDAN	

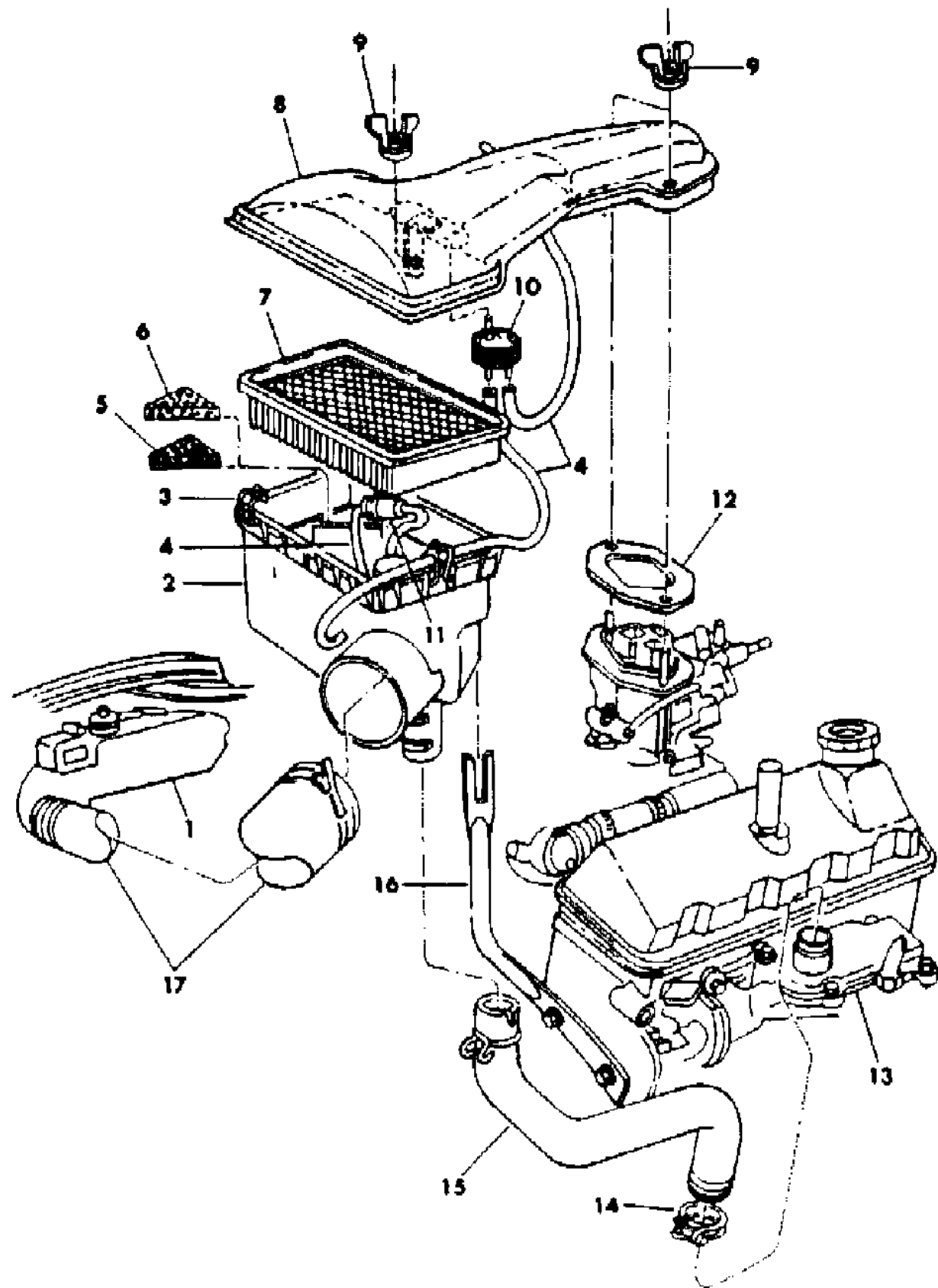
AR = Use as Required - = Non Illustrated Part P.A.R. = Paint as Required

AIR CLEANER - W/1.6 LITER ENGINE

Figure 14-300

4114 300

ITEM	PART NUMBER	QTY	BODY	MODEL	DESCRIPTION
1					CONTROL, Refer to GR. 8
2	4275 723	1			BODY, Air Cleaner
3	4227 053	3			LATCH, Air Cleaner Cover
4	4026 511	AR			HOSE
5	4275 087	1			FILTER, Crankcase Inlet Air
6	4275 088	1			ARRESTOR, Flame Crankcase
7	4342 801	1			FILTER, Air Cleaner
8					COVER, Air Cleaner
	4300 944	1			exc Canada
	4275 570	1			Canada
9	4275 973	1			WINGNUT, Air Cleaner
10	4131 147	1			SENSOR, Air Cleaner Temp.
	6031 147	2			NUT, Temp. Sensor
11	4201 385	1			VALVE, Heated Air Delay
12	5214 058	1			GASKET, Air Cleaner to Carb.
13					HEATER, Refer to Gr. 9
14					CLAMP, (not serviced)
15	4306 121	1			CONNECTOR, Air Heater to Air Cleaner
16	4227 154	1			BRACKET, Air Cleaner Mounting
17	4287 921	1			DUCT, Air Cleaner Fresh Air Inlet



MODEL CODES

B = GRAN FURY	F = FIFTH AVENUE/NEWPORT	P = RELIANT
C = LEBARON/TOWN & COUNTRY/EXC SEDAN	G = DIPLOMAT	T = E CLASS/NEW YORKER
C24 = LASER	H = VOYAGER	V = 600
D = ARIES	K = MINI RAM/CARAVAN/ROYAL	V24 = DAYTONA
E = 600	M = HORIZON/TURISMO	Z = OMNI/CHARGER/RAMPAGE

BODY STYLES

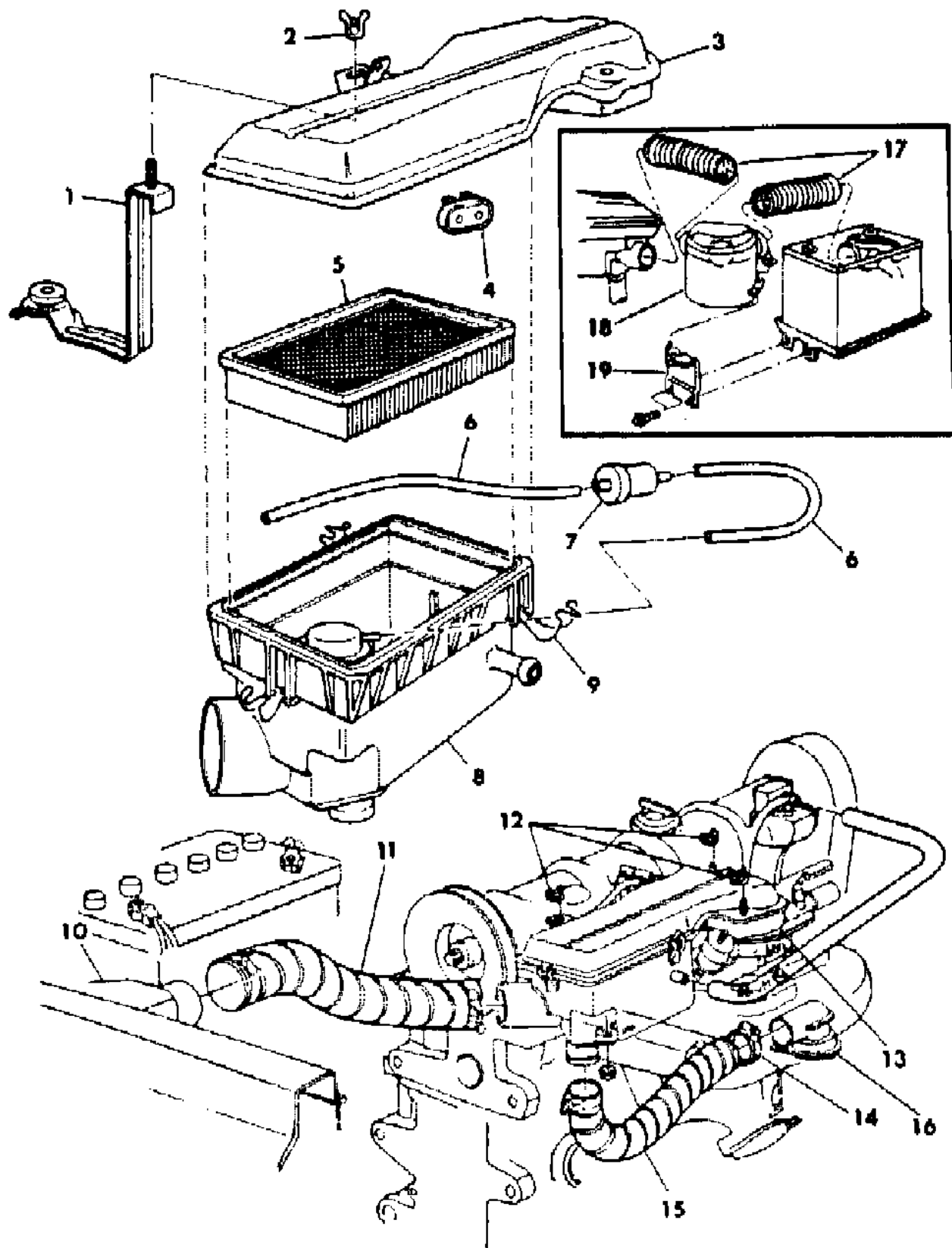
21 = 2-DOOR SEDAN	28 = FWD PICKUP	44 = 4-DOOR HATCHBACK
22 = 2-DOOR SPECIAL COUPE	35 = FWD VAN	45 = 4-DOOR STATION WAGON
24 = 2-DOOR HATCHBACK	36 = FWD WAGON	48 = 4-DOOR EXECUTIVE SEDAN
27 = 2-DOOR CONVERTIBLE	41 = 4-DOOR SEDAN	

AR = Use as Required - = Non Illustrated Part P.A.R. = Paint as Required

AIR CLEANER - W/2.2 LITER ENGINE

Figure 14-400

4114 400



ITEM	PART NUMBER	QTY	BODY	MODEL	DESCRIPTION
1	4268 570	1			BRACKET, Air Cleaner Support
2	4275 973	3			WINGNUT, Air Cleaner Attaching
3					COVER, Air Cleaner
	4275 561	1		M,Z	except High Performance
	4275 724	1		M,Z	w/ High Performance
	4275 724	1		PDCVETH	
	4275 702	1		M,Z-28	
4	4131 147	1			SENSOR, Air Cleaner Temp.
5	4342 801	1			FILTER, Air Cleaner
6	4026 511	AR			HOSE
7	4201 385	1			VALVE, Heated Air Delay
8	4275 723	1			BODY, Air Cleaner
9	4227 053	3			LATCH, Air Cleaner Cover
10					CONTROL, Ref. to Gr. 8
11					DUCT, Air Cleaner Fresh Air
	4287 921	1		P,D,C,V	
	4287 921	1		M,Z	UP to 5-3-84
	4287 919	1		M,Z	After 5-3-84
12	4275 973	3			WINGNUT, Air Cleaner
13	5214 058	1			GASKET, Air Cleaner to Carburetor
14	3683 824	1			CLAMP
15	4300 933	1			CONNECTOR, Carburetor Air Heater to Air Cleaner
16	5203 338	1			HEATER, Carburator Air
17	4287 915	2			DUCT, Fresh Air Resonator
18	4241 960	1			RESONATOR, Fresh Air Intake
19	4241 962	1			BRACKET, Resonator Mounting

MODEL CODES

B = GRAN FURY	F = FIFTH AVENUE/NEWPORT	P = RELIANT
C = LEBARON/TOWN & COUNTRY/EXC SEDAN	G = DIPLOMAT	T = E CLASS/NEW YORKER
C24 = LASER	H = VOYAGER	V = 600
D = ARIES	K = MINI RAM/CARAVAN/ROYAL	V24 = DAYTONA
E = 600	M = HORIZON/TURISMO	Z = OMNI/CHARGER/RAMPAGE

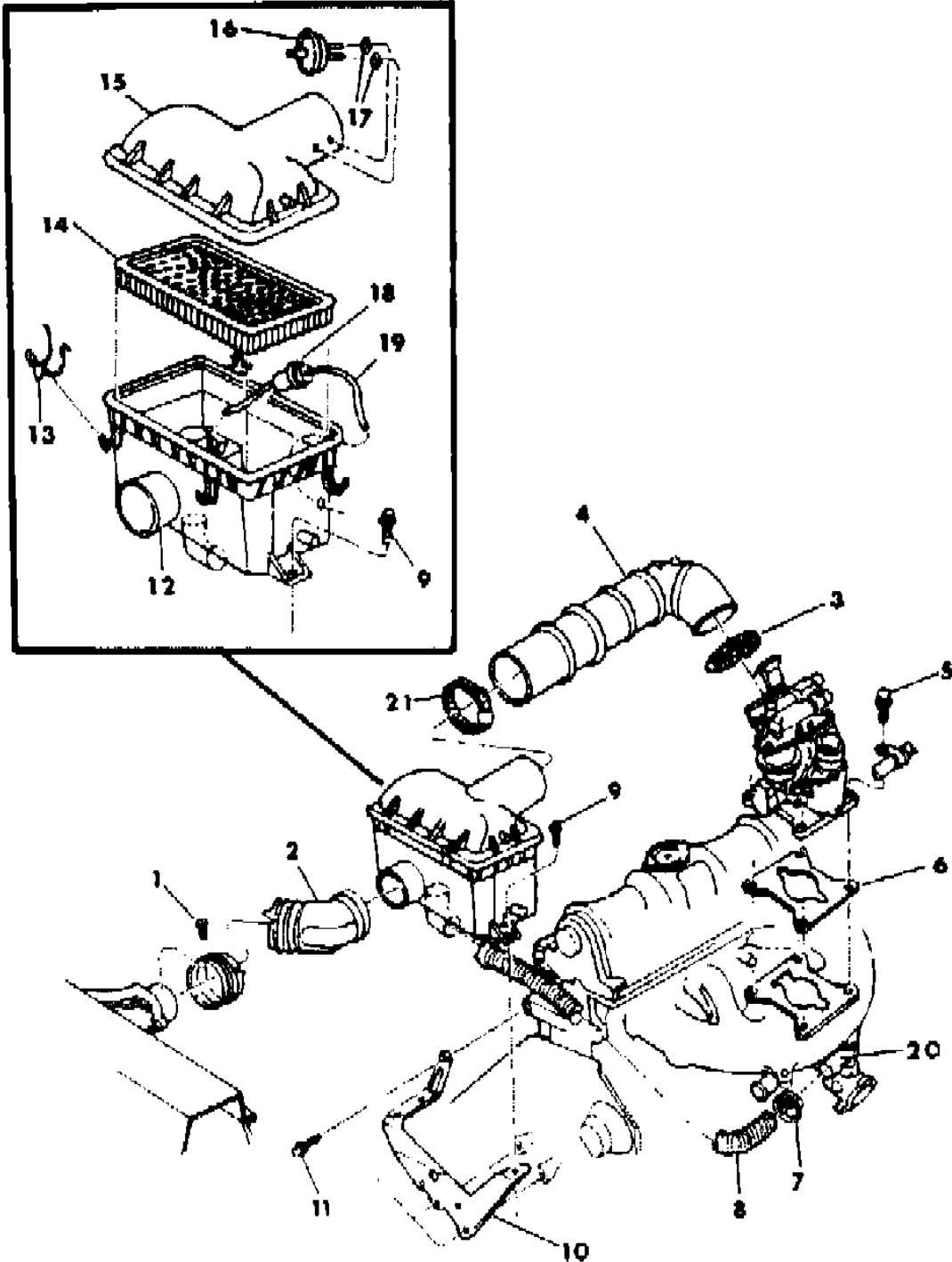
BODY STYLES

21 = 2-DOOR SEDAN	28 = FWD PICKUP	44 = 4-DOOR HATCHBACK
22 = 2-DOOR SPECIAL COUPE	35 = FWD VAN	45 = 4-DOOR STATION WAGON
24 = 2-DOOR HATCHBACK	36 = FWD WAGON	48 = 4-DOOR EXECUTIVE SEDAN
27 = 2-DOOR CONVERTIBLE	41 = 4-DOOR SEDAN	

AR = Use as Required - = Non Illustrated Part P.A.R. = Paint as Required

AIR CLEANER - T.B.I
Figure 14-500

4114 500



ITEM	PART NUMBER	QTY	BODY	MODEL	DESCRIPTION
1					SCREW (not serviced)
2	4287 916	1			DUCT, Air Cleaner Fresh Air
3	6032 742	1			CLAMP
4	4275 363	1			HOSE, Air Cleaner to Throttle Body
5	6500 134	4			SCREW and Washer
6	4275 531	1			GASKET, Throttle Body
7		1			CLAMP (not serviced)
8	4306 121	1			CONNECTOR, Heater Air
9		3			SCREW and WASHER (not serviced)
10	4275 357	1			BRACKET, Air Cleaner Mounting
11	6500 158	3			SCREW and WASHER
12	4275 361	1			BODY, Air Cleaner
13	4227 053	5			LATCH, Air Cleaner Cover
14	4342 800	1			FILTER, Air Cleaner
15	4275 360	1			COVER, Air Cleaner
16	4131 147	1			SENSOR, Air Cleaner Temp
17	6031 147	2			NUT, Temp Sensor
18	4201 385	1			DELAY, Heated Air
19	4026 511	AR			HOSE, Delay Valve
20	5203 338	1			HEATER, Carb. Air
21	6032 368	1			CLAMP

MODEL CODES

B = GRAN FURY	F = FIFTH AVENUE/NEWPORT	P = RELIANT
C = LEBARON/TOWN & COUNTRY/EXC SEDAN	G = DIPLOMAT	T = E CLASS/NEW YORKER
C24 = LASER	H = VOYAGER	V = 600
D = ARIES	K = MINI RAM/CARAVAN/ROYAL	V24 = DAYTONA
E = 600	M = HORIZON/TURISMO	Z = OMNI/CHARGER/RAMPAGE

BODY STYLES

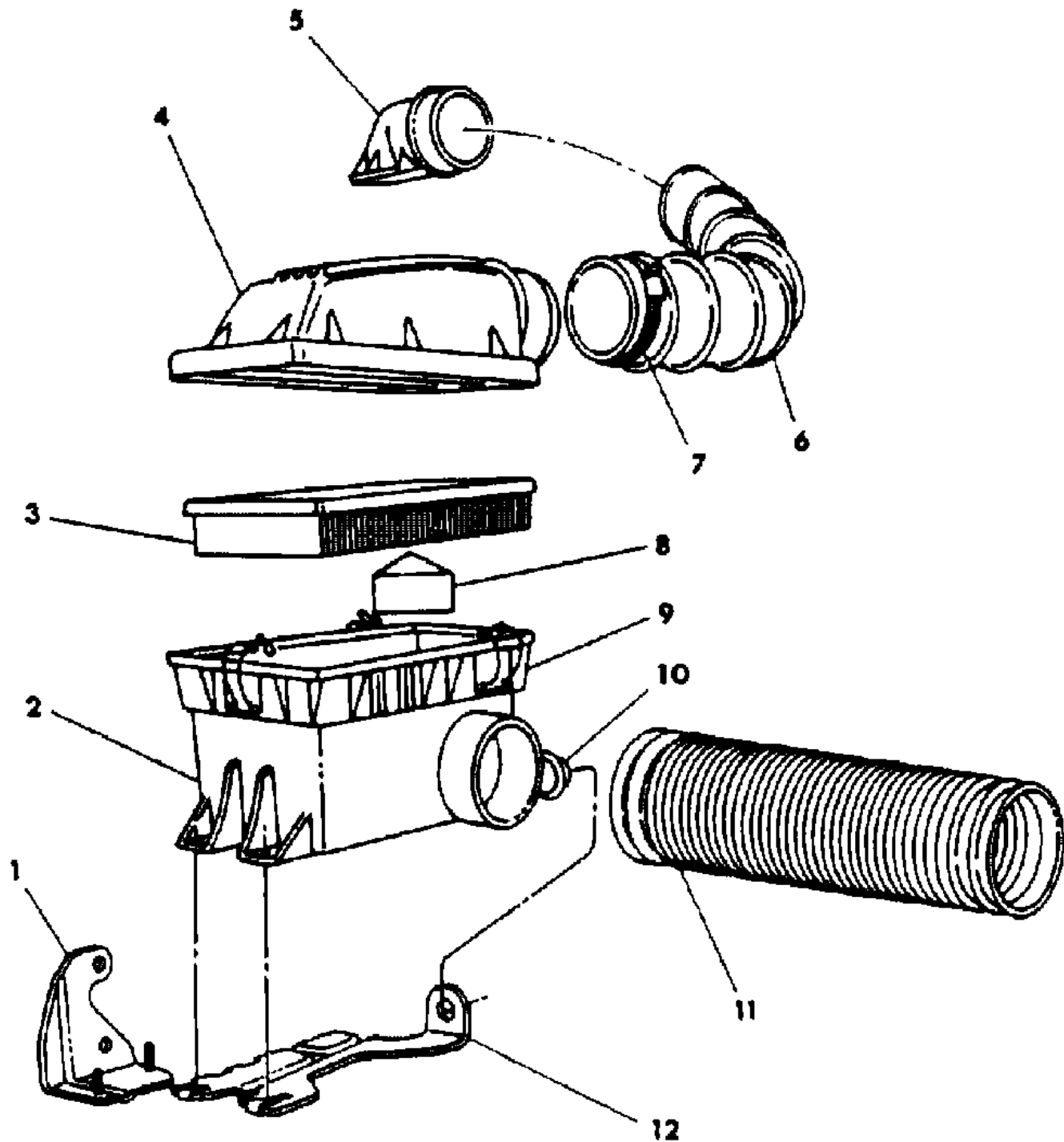
21 = 2-DOOR SEDAN	28 = FWD PICKUP	44 = 4-DOOR HATCHBACK
22 = 2-DOOR SPECIAL COUPE	35 = FWD VAN	45 = 4-DOOR STATION WAGON
24 = 2-DOOR HATCHBACK	36 = FWD WAGON	48 = 4-DOOR EXECUTIVE SEDAN
27 = 2-DOOR CONVERTIBLE	41 = 4-DOOR SEDAN	

AR = Use as Required - = Non Illustrated Part P.A.R. = Paint as Required

AIR CLEANER - TURBO CHARGER

Figure 14-600

4114 600



ITEM	PART NUMBER	QTY	BODY	MODEL	DESCRIPTION
1	4275 981	1			BRACKET, Air Cleaner Support
	6500 158	2			SCREW, w/WASHER, Support Bracket to Head
2	4275 665	1			BODY, Air Cleaner
	6101 308	2			U-NUT
	6100 286	2			SCREW, Air Cleaner to Bracket
3	4342 801	1			FILTER, Air Cleaner
4	4268 488	1			COVER, Air Cleaner
5	4275 355	1			ADAPTOR, Air Cleaner Hose to Throttle Body
	6500 512	2			NUT, Air Cleaner Adaptor to Throttle Body
6	4275 535	1			HOSE, Air Cleaner to Throttle Body Adaptor
7	6032 368	2			CLAMP, Hose
8	4275 087	1			FILTER, Crankcase Inlet Air
9	4227 053	3			LATCH, Air Cleaner Cover
10	4268 295	1			GROMMET, Air Cleaner Support Bracket
11	4287 917	1			DUCT, Air Cleaner
12	4275 660	1			BRACKET, Air Cleaner
	6500 284	2			NUT, w/WASHER, Bracket to Support

MODEL CODES

B = GRAN FURY	F = FIFTH AVENUE/NEWPORT	P = RELIANT
C = LEBARON/TOWN & COUNTRY/EXC SEDAN	G = DIPLOMAT	T = E CLASS/NEW YORKER
C24 = LASER	H = VOYAGER	V = 600
D = ARIES	K = MINI RAM/CARAVAN/ROYAL	V24 = DAYTONA
E = 600	M = HORIZON/TURISMO	Z = OMNI/CHARGER/RAMPAGE

BODY STYLES

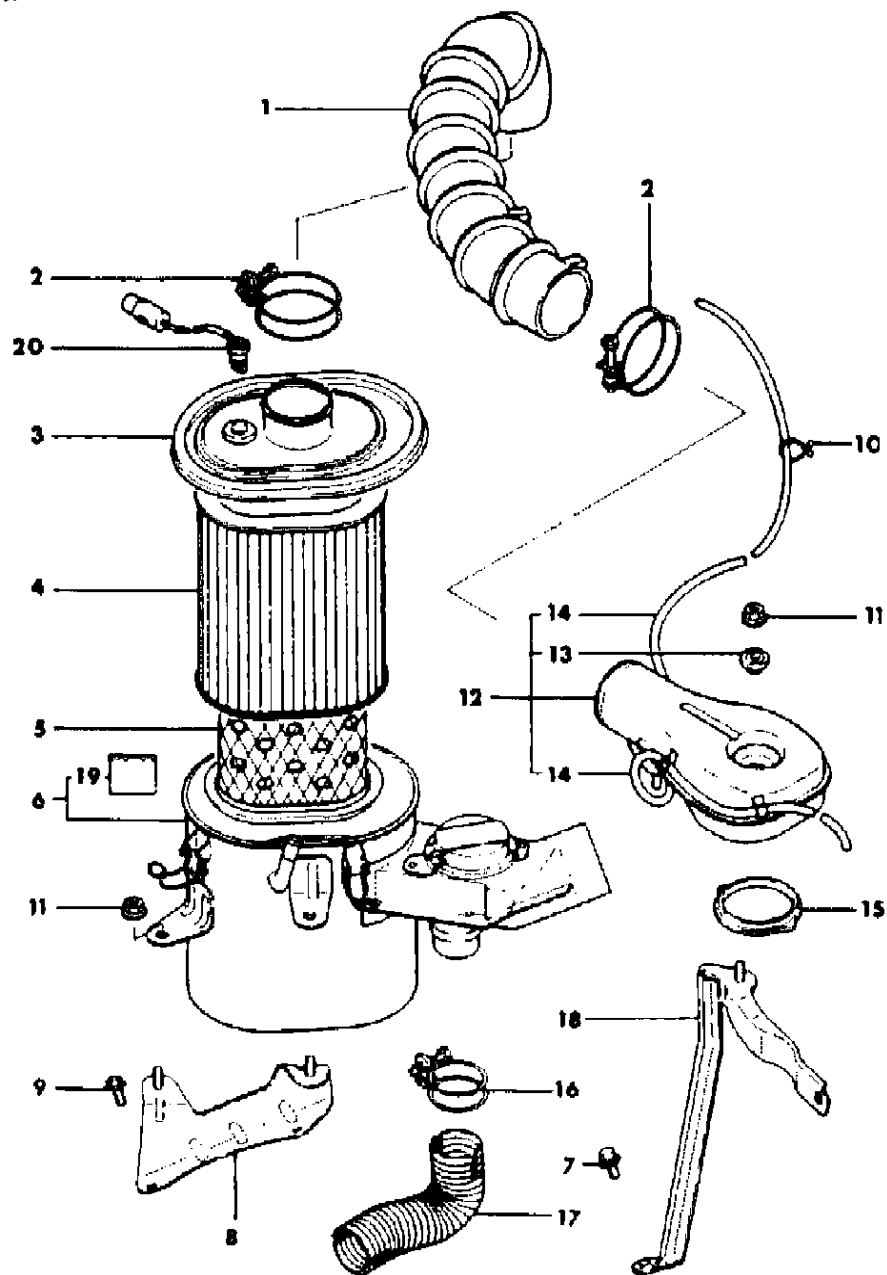
21 = 2-DOOR SEDAN	28 = FWD PICKUP	44 = 4-DOOR HATCHBACK
22 = 2-DOOR SPECIAL COUPE	35 = FWD VAN	45 = 4-DOOR STATION WAGON
24 = 2-DOOR HATCHBACK	36 = FWD WAGON	48 = 4-DOOR EXECUTIVE SEDAN
27 = 2-DOOR CONVERTIBLE	41 = 4-DOOR SEDAN	

AR = Use as Required - = Non Illustrated Part P.A.R. = Paint as Required

AIR CLEANER - W/2.6 LITER ENGINE

Figure 14-700

4114 700



ITEM	PART NUMBER	QTY	BODY	MODEL	DESCRIPTION
1	MD02 5188	1			HOSE, Air Intake
2	MF66 1034	2			CLAMP, Hose
3	MD60 3786	1			COVER, Air Cleaner
4	MD60 3340	1			ELEMENT, Air Cleaner
5	MD60 3341	1			ELEMENT, Carbon
6	MD60 3338	1			BODY, Air Cleaner
	MD60 3387	1			Canada
7	MS24 0125	1			BOLT w/WASHER
8					BRACKET, Air Cleaner
	MD07 1450	1			except H, K and except Calif, Canada
	MD02 7671	1		H,K	
	MD02 7671	1			except Limo, Canada
	MD07 1450	1			Limo, Canada
	MD02 7507	1			Calif.
9	MD02 5178	2			BOLT, Flange
10	MS47 0362	1			CLIP, Snap
11	MS44 0503	1			NUT
12	MD02 5187	1			HORN, Air
13	MD60 3366	1			WASHER, Seal
14	MD03 0216	1			HOSE
15	MD02 5181	1			GASKET, Air Cleaner
16	MF66 1023	2			CLAMP, Hose
17	MD02 5185	1			DUCT, Heat
18	MD02 7508	1			STAY, Air Cleaner
19	MD60 3386	1			FILTER, Crankcase Vent
20	MD07 6783	1			SENSOR, Air Temp

MODEL CODES

B = GRAN FURY	F = FIFTH AVENUE/NEWPORT	P = RELIANT
C = LEBARON/TOWN & COUNTRY/EXC SEDAN	G = DIPLOMAT	T = E CLASS/NEW YORKER
C24 = LASER	H = VOYAGER	V = 600
D = ARIES	K = MINI RAM/CARAVAN/ROYAL	V24 = DAYTONA
E = 600	M = HORIZON/TURISMO	Z = OMNI/CHARGER/RAMPAGE

BODY STYLES

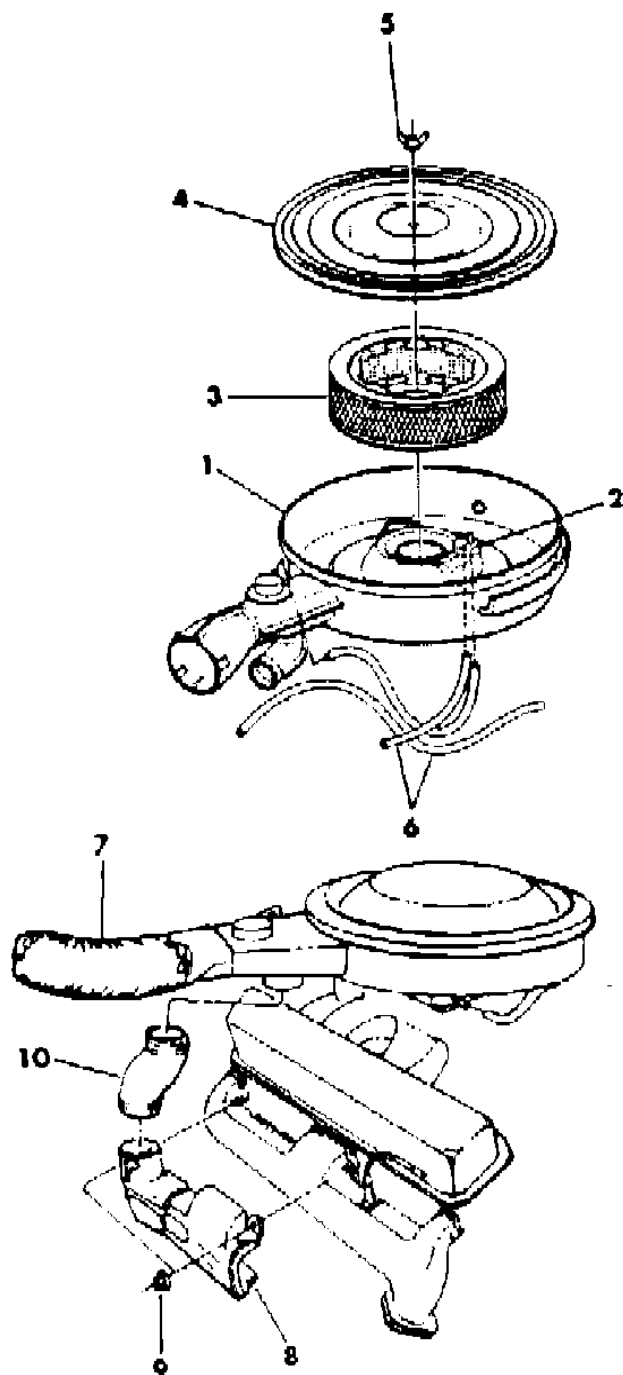
21 = 2-DOOR SEDAN	28 = FWD PICKUP	44 = 4-DOOR HATCHBACK
22 = 2-DOOR SPECIAL COUPE	35 = FWD VAN	45 = 4-DOOR STATION WAGON
24 = 2-DOOR HATCHBACK	36 = FWD WAGON	48 = 4-DOOR EXECUTIVE SEDAN
27 = 2-DOOR CONVERTIBLE	41 = 4-DOOR SEDAN	

AR = Use as Required - = Non Illustrated Part P.A.R. = Paint as Required

AIR CLEANER - W/318-2BBL ENGINE

Figure 14-800

4114 000



ITEM	PART NUMBER	QTY	BODY	MODEL	DESCRIPTION
1					BODY, Air Cleaner
	4227 075	1			w/ELD,ELA, w/(SC-NAA,NAE,NAF)
	4227 092	1			w/ELA w/(SC-NAA),Canada
2	4240 062	1			SENSOR, Air Cleaner Temp.
3					FILTER, Air Cleaner
	4201 103	1			w/ELA,ELD w/(SC-NAA,NAE,NAF,NCA)
	4306 393	1			w/ELA,ELD w/(SC-NAA) Canada
4	4041 654	1			COVER, Air Cleaner
5	0118 614	1			NUT, Air Cleaner
6	4026 511	AR			HOSE, Air Cleaner
7	4049 348	1			DUCT, Air Cleaner to Bodyside
8	4227 981	1			HEATER, Carburetor Air
9	6025 004	2			NUT, w/ WASHER
10	4241 310	1			CONNECTOR, Air Heater to Air Cleaner
NOTE: The following items are not illustrated. applications specified in this document.					
	2951 393	1			CLAMP, Air Cleaner
	2536 626	1			GASKET, Air Cleaner to Carb.
	4397 641	1			DIAPHRAGM, Air Cleaner Snorkel Vacuum
	4071 703	1			GASKET, Air Cleaner Cover
	4213 632	1			ADAPTER, Snorkel to Fresh Air Duct

MODEL CODES

B = GRAN FURY	F = FIFTH AVENUE/NEWPORT	P = RELIANT
C = LEBARON/TOWN & COUNTRY/EXC SEDAN	G = DIPLOMAT	T = E CLASS/NEW YORKER
C24 = LASER	H = VOYAGER	V = 600
D = ARIES	K = MINI RAM/CARAVAN/ROYAL	V24 = DAYTONA
E = 600	M = HORIZON/TURISMO	Z = OMNI/CHARGER/RAMPAGE

BODY STYLES

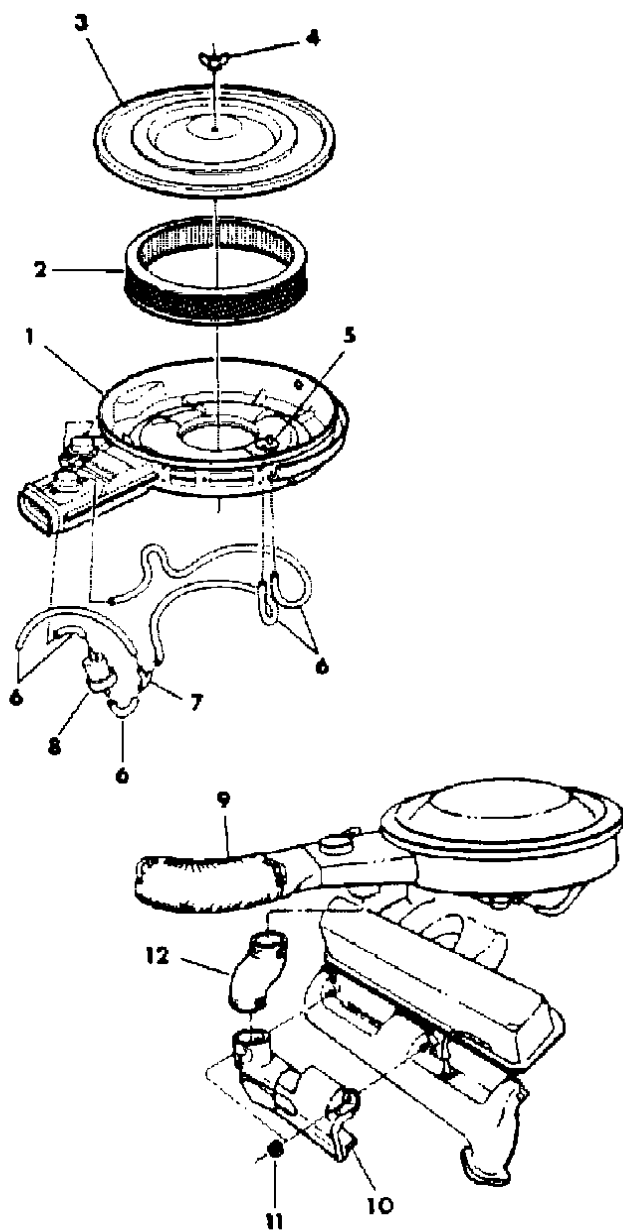
21 = 2-DOOR SEDAN	28 = FWD PICKUP	44 = 4-DOOR HATCHBACK
22 = 2-DOOR SPECIAL COUPE	35 = FWD VAN	45 = 4-DOOR STATION WAGON
24 = 2-DOOR HATCHBACK	36 = FWD WAGON	48 = 4-DOOR EXECUTIVE SEDAN
27 = 2-DOOR CONVERTIBLE	41 = 4-DOOR SEDAN	

AR = Use as Required - = Non Illustrated Part P.A.R. = Paint as Required

AIR CLEANER - W/318-4BBL ENGINE

Figure 14-900

4114 800



ITEM	PART NUMBER	QTY	BODY	MODEL	DESCRIPTION
1					BODY, Air Cleaner
	4227 099	1			w/ELC w/(SC-NAB)
	4105 944	1			w/ELE w/(SC-NAA)
2	2863 349	1			FILTER, Air Cleaner
3	2951 757	1			COVER, Air Cleaner
4	6031 609	1			WINGNUT, Air Cleaner
5	4240 062	1			SENSOR, Air Cleaner Temp.
6	4026 511	AR			HOSE, Air Cleaner
7	2857 908	2			TEE
8	4201 385	1			VALVE, Heated Air Delay
9					DUCT, Air Cleaner to Bodyside
	4049 348	1			w/ELC w/(SC-NAA)
	4179 789	1			w/ELE w/(SC-NAA,NAF)
10	4227 981	1			HEATER, Carburetor Air
11	6025 004	2			NUT, w/ WASHER
12	4241 310	1			CONNECTOR, Air Heater to Air Cleaner
NOTE: The following items are not illustrated. applications specified in this document.					
					DIAPHRAGM, Air Cleaner Snorkel Vacuum
	4397 641	1			w/ELC w/(SC-NAB)
	4201 010	1			w/ELE w/(SC-NAA)
	4071 703	1			GASKET, Air Cleaner Cover
	1826 286	1			STUD, Air Cleaner to Carb.
	4100 602	1			GASKET, Air Cleaner to Carb.
					ADAPTER, Snorkel to Fresh Air Duct
	4213 632	1			w/ELC w/(SC-NAB)
	4213 633	1			w/(SC N95)
	3830 144	1			WRAP, Air Filter, w/(SC-NAB)

MODEL CODES

B = GRAN FURY
 C = LEBARON/TOWN & COUNTRY/EXC SEDAN
 C24 = LASER
 D = ARIES
 E = 600
 F = FIFTH AVENUE/NEWPORT
 G = DIPLOMAT
 H = VOYAGER
 K = MINI RAM/CARAVAN/ROYAL
 M = HORIZON/TURISMO
 P = RELIANT
 T = E CLASS/NEW YORKER
 V = 600
 V24 = DAYTONA
 Z = OMNI/CHARGER/RAMPAGE

BODY STYLES

21 = 2-DOOR SEDAN
 22 = 2-DOOR SPECIAL COUPE
 24 = 2-DOOR HATCHBACK
 27 = 2-DOOR CONVERTIBLE
 28 = FWD PICKUP
 35 = FWD VAN
 36 = FWD WAGON
 41 = 4-DOOR SEDAN
 44 = 4-DOOR HATCHBACK
 45 = 4-DOOR STATION WAGON
 48 = 4-DOOR EXECUTIVE SEDAN

AR = Use as Required - = Non Illustrated Part P.A.R. = Paint as Required

CARBURETOR CROSS REFERENCE INDEX
Figure 14-1000

ITEM	PART NUMBER	QTY	BODY	MODEL	DESCRIPTION
					TQ 1400 N4179177 NTQ-9364 N318 N2
					BBD 1300 N4287023 NBBB-8369 N318 N2
					6520 1200 N4288414 NR-40071 N2.2L N10
					5220 1100 N4288425 NR-40076 N2.2L N3
					5220 1100 N4288428 NR-40078 N2.2L N4
					6520 1200 N4288433 NR-40122 N2.2L N11
					6520 1200 N4288436 NR-40058-1 N1.6L N1
					5220 1100 N4288438 NR-40060-1 N1.6L N1
					5220 1100 N4288439 NR-40085-1 N1.6L N2
					6520 1200 N4288440 NR-40064-1 N2.2L N4
					6520 1200 N4288441 NR-40065-1 N2.2L N5
					6520 1200 N4288444 NR-40061-1 N2.2L N6
					6520 1200 N4288445 NR-40062-1 N2.2L N7
					5220 1100 N4288450 NR-40067-1 N2.2L N7
					5220 1100 N4288451 NR-40068-1 N2.2L N8
					6520 1200 N4288456 NR-40072-2 N2.2L N3
					6520 1200 N4288458 NR-40070-2 N2.2L N9
					6520 1200 N4288459 NR-40063-2 N2.2L N8
					5220 1100 N4288460 NR-40128-2 N2.2L N5
					5220 1100 N4288461 NR-40129-2 N2.2L N6
					5220 1100 N4288463 NR-40075-2 N2.2L N10
					5220 1100 N4288482 NR-40170 N2.2L N12
					5220 1100 N4288483 NR-40171 N2.2L N13
					5220 1100 N4288484 NR-40060-2 N2.2L N11
					BBD 1300 N4300011 NBBB-8385 N318 N1
					TQ 1400 N4300012 NTQ-9389 N318 N1
					TQ 1400 N4300019 NTQ9391 N318 N3
					6520 1200 N4300032 NR-40183 N2.2L N12
					6520 1200 N4300033 NR-40184 N2.2L N13
					6520 1200 N4300034 NR-40185 N2.2L N14
					6520 1200 N4300035 NR-40186 N2.2L N15
					6520 1200 N4300038 NR-40189 N2.2L N16
					6520 1200 N4300039 NR-40190 N2.2L N17

ILLUSTRATION NOT AVAILABLE AT TIME OF PUBLICATION

MODEL CODES

B = GRAN FURY	F = FIFTH AVENUE/NEWPORT	P = RELIANT
C = LEBARON/TOWN & COUNTRY/EXC SEDAN	G = DIPLOMAT	T = E CLASS/NEW YORKER
C24 = LASER	H = VOYAGER	V = 600
D = ARIES	K = MINI RAM/CARAVAN/ROYAL	V24 = DAYTONA
E = 600	M = HORIZON/TURISMO	Z = OMNI/CHARGER/RAMPAGE

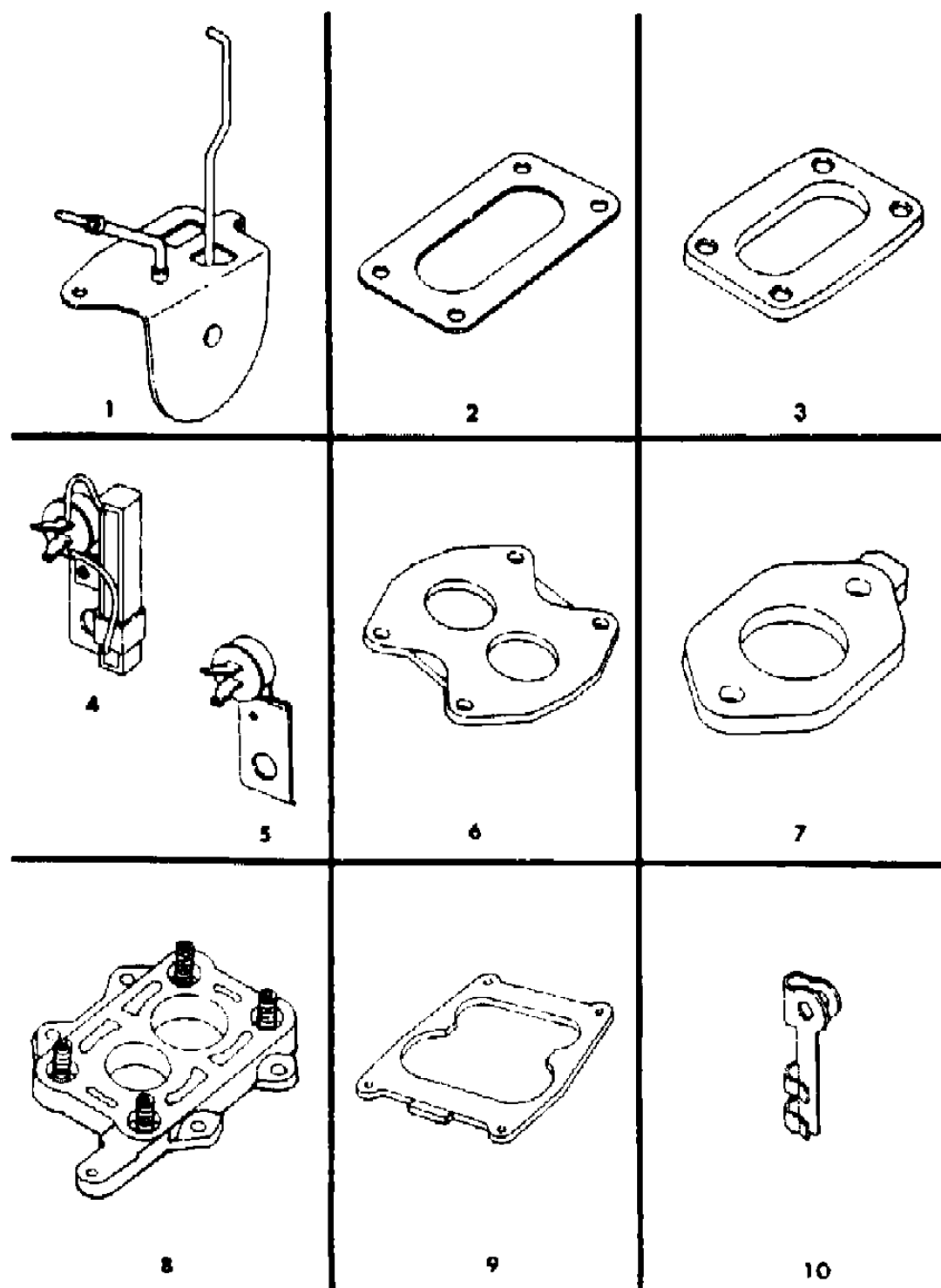
BODY STYLES

21 = 2-DOOR SEDAN	28 = FWD PICKUP	44 = 4-DOOR HATCHBACK
22 = 2-DOOR SPECIAL COUPE	35 = FWD VAN	45 = 4-DOOR STATION WAGON
24 = 2-DOOR HATCHBACK	36 = FWD WAGON	48 = 4-DOOR EXECUTIVE SEDAN
27 = 2-DOOR CONVERTIBLE	41 = 4-DOOR SEDAN	

AR = Use as Required - = Non Illustrated Part P.A.R. = Paint as Required

CARBURETOR CHOKE, CHOKE CONTROL, FLANGE GASKETS
Figure 14-1100

4114 1100



ITEM	PART NUMBER	QTY	BODY	MODEL	DESCRIPTION
1					CHOKE, Carburetor
	4095 338	1			w/318-2BBL.
	4095 331	1			w/318-4BBL., w/(SC-NAB)
	4095 984	1			w/318-4BBL., w/(SC-NAA,NAF)
2					GASKET
	4095 975	1			w/2.2 Liter Eng., Spacer to Carb.
	4095 975	1			w/1.6 Liter Eng., Carb. Flange
3					GASKET, Carb. Flange
	4095 970	1			w/318-2BBL.
4					CONTROL, Choke
	4049 777	1			w/318-2BBL.
	4106 096	1			w/318-4BBL., w/(SC-NAA)
	4049 777	1			w/318-4BBL., w/(SC-NAB)
6	4179 302	1			INSULATOR, Spacer, w/2.2 Liter Eng.
8	4293 755	1			SPACER, Carb., w/2.2 Liter Eng.
	4300 943	1		H,K	
9	3698 365	1			GASKET, Flange, w/318-4BBL.
10					CLIP, Choke Rod End
	4095 966	1			w/318-2BBL.
	4041 917	1			w/318-4BBL.

MODEL CODES

B = GRAN FURY	F = FIFTH AVENUE/NEWPORT	P = RELIANT
C = LEBARON/TOWN & COUNTRY/EXC SEDAN	G = DIPLOMAT	T = E CLASS/NEW YORKER
C24 = LASER	H = VOYAGER	V = 600
D = ARIES	K = MINI RAM/CARAVAN/ROYAL	V24 = DAYTONA
E = 600	M = HORIZON/TURISMO	Z = OMNI/CHARGER/RAMPAGE

BODY STYLES

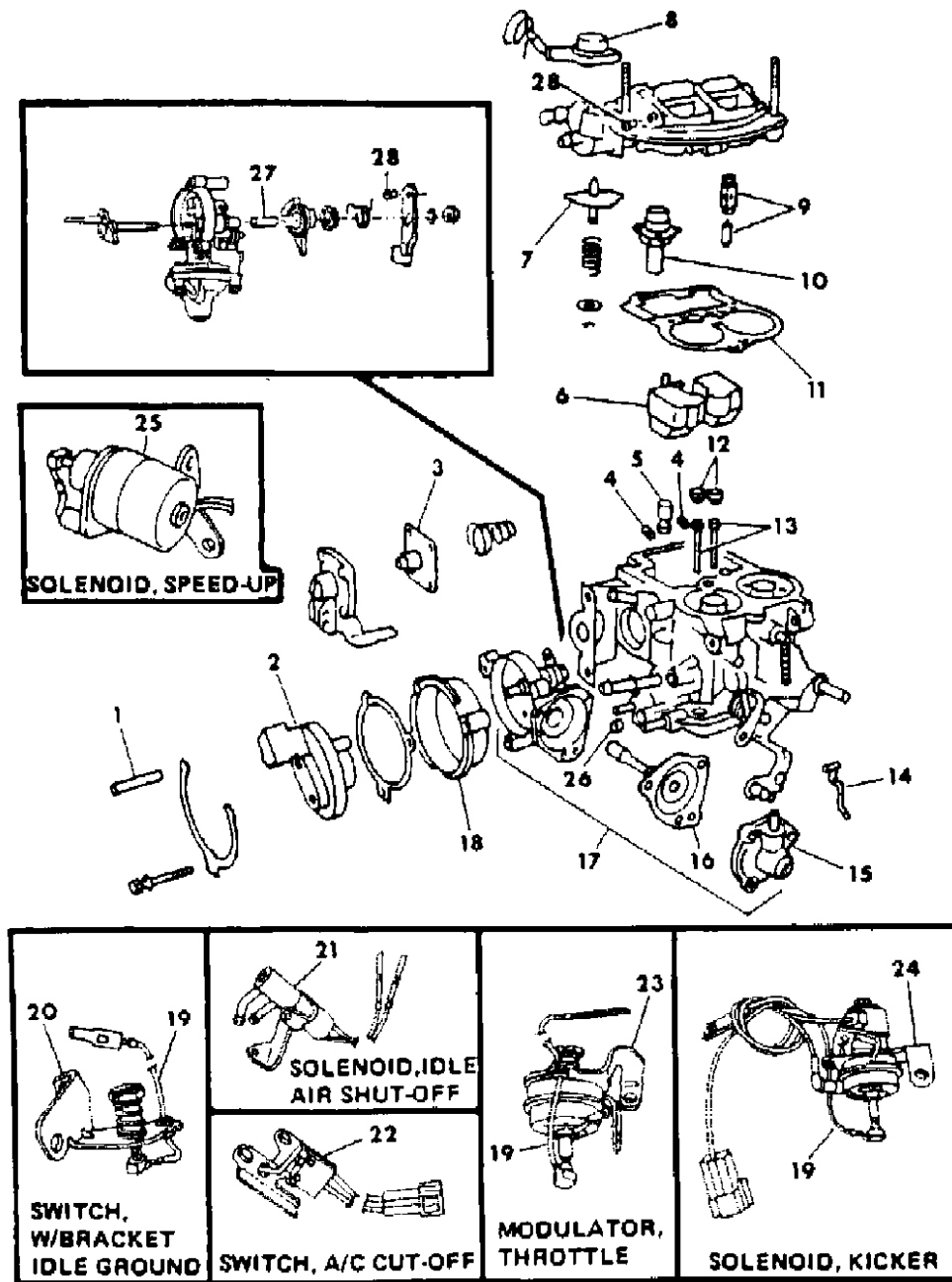
21 = 2-DOOR SEDAN	28 = FWD PICKUP	44 = 4-DOOR HATCHBACK
22 = 2-DOOR SPECIAL COUPE	35 = FWD VAN	45 = 4-DOOR STATION WAGON
24 = 2-DOOR HATCHBACK	36 = FWD WAGON	48 = 4-DOOR EXECUTIVE SEDAN
27 = 2-DOOR CONVERTIBLE	41 = 4-DOOR SEDAN	

AR = Use as Required - = Non Illustrated Part P.A.R. = Paint as Required

CARBURETOR AND COMPONENT PARTS HOLLEY-2BBL.(5220)

Figure 14-1200

4114 1200



ITEM	PART NUMBER	QTY	BODY	MODEL	DESCRIPTION
	4288 438				M,Z w/(SC-NAA) w/o Air Cond., Canada 1.6L/M NR-40060-1 N4288438 Y4288438 N1
	4288 439				M,Z w/(SC-NAA) w/o Air Cond., Canada 1.6L/A NR-40085-1 N4288439 Y4288439 N2
	4288 484				M,Z w/(SC-NAA) w/o Air Cond., Canada 1.6L/M NR-40060-2 N4288484 Y4288484 N11
	4288 482				J,E,T,V,C,P,D,M,Z w/(SC-NAG), Canada 2.2L/M NR-40076 N4288425 Y4288482 N3
	4288 483				J,E,T,V,C,P,D,M,Z w/(SC-NAG), Canada 2.2L/A NR-40078 N4288428 Y4288483 N4
	4288 460				H,K w/(SC-NAA) w or w/o Air Cond. 2.2L/M NR-40128-2 N4288460 Y4288460 N5
	4288 461				H,K w/(SC-NAA) w/o Air Cond. 2.2L/A NR-40129-2 N4288461 Y4288461 N6
	4288 450				M,Z w/(SC-NAA) w or w/o Air Cond. 2.2L/M NR-40067-1 N4288450 Y4288450 N7
	4288 451				M,Z w/(SC-NAA) w or w/o Air Cond. 2.2L/A NR-40068-1 N4288451 Y4288451 N8
	4288 463				H,K w/(SC-NAA) w/Air Cond. 2.2L/A NR-40075-2 N4288463 Y4288463 N10
	4288 482				M,Z,P,D,C,V exc. C,V 24, w/(SC-NAG) w or w/o Air Cond, Canada 2.2L/M NR-40170 N4288482 Y4288482 N12
	4288 483				M,Z,P,D,C,V exc. C,V 24, w/(SC-NAG) w or w/o Air Cond 2. 2L/A NR-40171 N4288483 Y4288483 N13
	4293 850				GASKET SET Y4293850 Y4293850 Y4293850 Y4293850
	4293 851				REPAIR KIT Y4293851 Y4293851 N4293854 N4293854
	4293 854				REPAIR KIT N4293851 N4293851 Y4293854 Y4293854
1	4293 790				RIVET, Thermostat Ring Y4293790 Y4293790 Y4293790 Y4293790
2	4186 295				THERMOSTAT, w/CAP, Choke Y4186295 Y4186295 Y4186295 Y4186295
3	4131 121				DIAPHRAGM, Pump Y4131121 Y4131121 Y4131121 Y4131121
4					JET, Main N N N N
	4293 868				Primary Y4293868 Y4293868 N4131123 N4131123
	4131 123				Primary N4293868 N4293868 Y4131123 Y4131123
	4240 006				Secondary Y4240006 Y4240006 N4293857 N4293857
	4293 857				Secondary N4240006 N4240006 Y4293857 Y4293857
5	4131 168				VALVE, Power Y4131168 Y4131168 Y4131168 Y4131168

MODEL CODES

B = GRAN FURY	F = FIFTH AVENUE/NEWPORT	P = RELIANT
C = LEBARON/TOWN & COUNTRY/EXC SEDAN	G = DIPLOMAT	T = E CLASS/NEW YORKER
C24 = LASER	H = VOYAGER	V = 600
D = ARIES	K = MINI RAM/CARAVAN/ROYAL	V24 = DAYTONA
E = 600	M = HORIZON/TURISMO	Z = OMNI/CHARGER/RAMPAGE

BODY STYLES

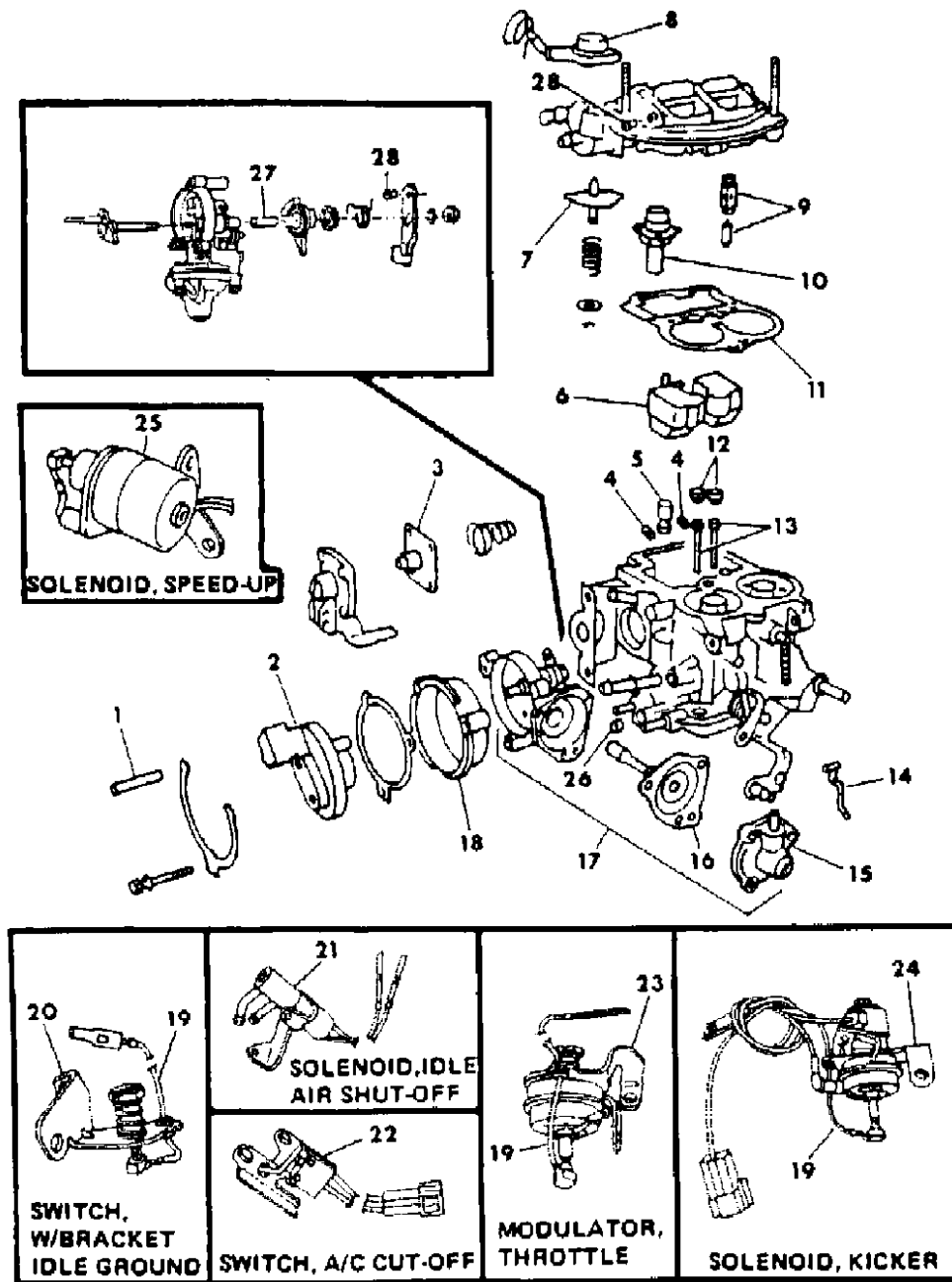
21 = 2-DOOR SEDAN	28 = FWD PICKUP	44 = 4-DOOR HATCHBACK
22 = 2-DOOR SPECIAL COUPE	35 = FWD VAN	45 = 4-DOOR STATION WAGON
24 = 2-DOOR HATCHBACK	36 = FWD WAGON	48 = 4-DOOR EXECUTIVE SEDAN
27 = 2-DOOR CONVERTIBLE	41 = 4-DOOR SEDAN	

AR = Use as Required - = Non Illustrated Part P.A.R. = Paint as Required

CARBURETOR AND COMPONENT PARTS HOLLEY-2BBL.(5220)

Figure 14-1200

4114 1200



ITEM	PART NUMBER	QTY	BODY	MODEL	DESCRIPTION
6	4240 081				FLOAT Y4240081 Y4240081 N4186293 N4186293
6	4186 293				FLOAT N4240081 N4240081 Y4186293 Y4186293
7	4131 139				DIAPHRAGM, w/SHAFT, E.A.V. Y4131139 Y4131139 Y4131139 Y4131139
8	4342 757				SOLENOID, E.A.V. Y4342757 N4293894 N N
8	4293 894				SOLENOID, E.A.V. N4342757 Y4293894 N N
9	4131 116				NEEDLE and SEAT Y4131116 Y4131116 Y4131116 Y4131116
10	4131 115				DIAPHRAGM, w/STEM, Power Valve Y4131115 Y4131115 Y4131115 Y4131115
11	4293 846				GASKET, Air Horn Y4293846 Y4293846 Y4293846 Y4293846
12					BLEED, Hi-Speed N N N N
	4267 107				Primary Y4267107 Y4267107 N4293847 N4293847
	4293 847				Primary N4267107 N4267107 Y4293847 Y4293847
	4131 128				Secondary Y4131128 Y4131128 N4271925 N4271925
	4271 925				Secondary N4131128 N4131128 Y4271925 Y4271925
13					TUBE, Main Well N N N N
	4186 291				Primary Y4186291 Y4186291 Y4186291 Y4186291
	4186 291				Secondary Y4186291 Y4186291 Y4186291 Y4186291
14	4271 948				LINK, Fast Idle Y4271948 Y4271948 Y4271948 Y4271948
15					COVER, Choke Diaphragm N N N N
16	4267 178				DIAPHRAGM, Choke Y4267178 Y4267178 Y4267178 Y4267178
17	4293 735				HOUSING, w/DIAPHRAGM, Choke Y4293735 N4293837 N4293779 N4293877
17	4293 837				HOUSING, w/DIAPHRAGM, Choke N4293735 Y4293837 N4293779 N4293877
17	4293 779				HOUSING, w/DIAPHRAGM, Choke N4293735 N4293837 Y4293779 N4293877
17	4293 877				HOUSING, w/DIAPHRAGM, Choke N4293735 N4293837 N4293779 Y4293877
18	4267 096				HOUSING, Thermostat Y4267096 Y4267096 Y4267096 Y4267096
19	4293 718				WIRE and TERMINAL N N Y4293718 Y4293718
20					SWITCH, w/BRACKET, Idle Ground N N N N
21					SOLENOID, Idle Shut-Off N N N N
22	4293 867				SWITCH, A/C Cut-Off N N Y4293867 N
23					MODULATOR, Throttle N N N N
24	4293 872				SOLENOID, Kicker N Y4293872 N4342796 N4372794
24	4342 796				SOLENOID, Kicker N N4293872 Y4342796 N4372794

MODEL CODES

B = GRAN FURY	F = FIFTH AVENUE/NEWPORT	P = RELIANT
C = LEBARON/TOWN & COUNTRY/EXC SEDAN	G = DIPLOMAT	T = E CLASS/NEW YORKER
C24 = LASER	H = VOYAGER	V = 600
D = ARIES	K = MINI RAM/CARAVAN/ROYAL	V24 = DAYTONA
E = 600	M = HORIZON/TURISMO	Z = OMNI/CHARGER/RAMPAGE

BODY STYLES

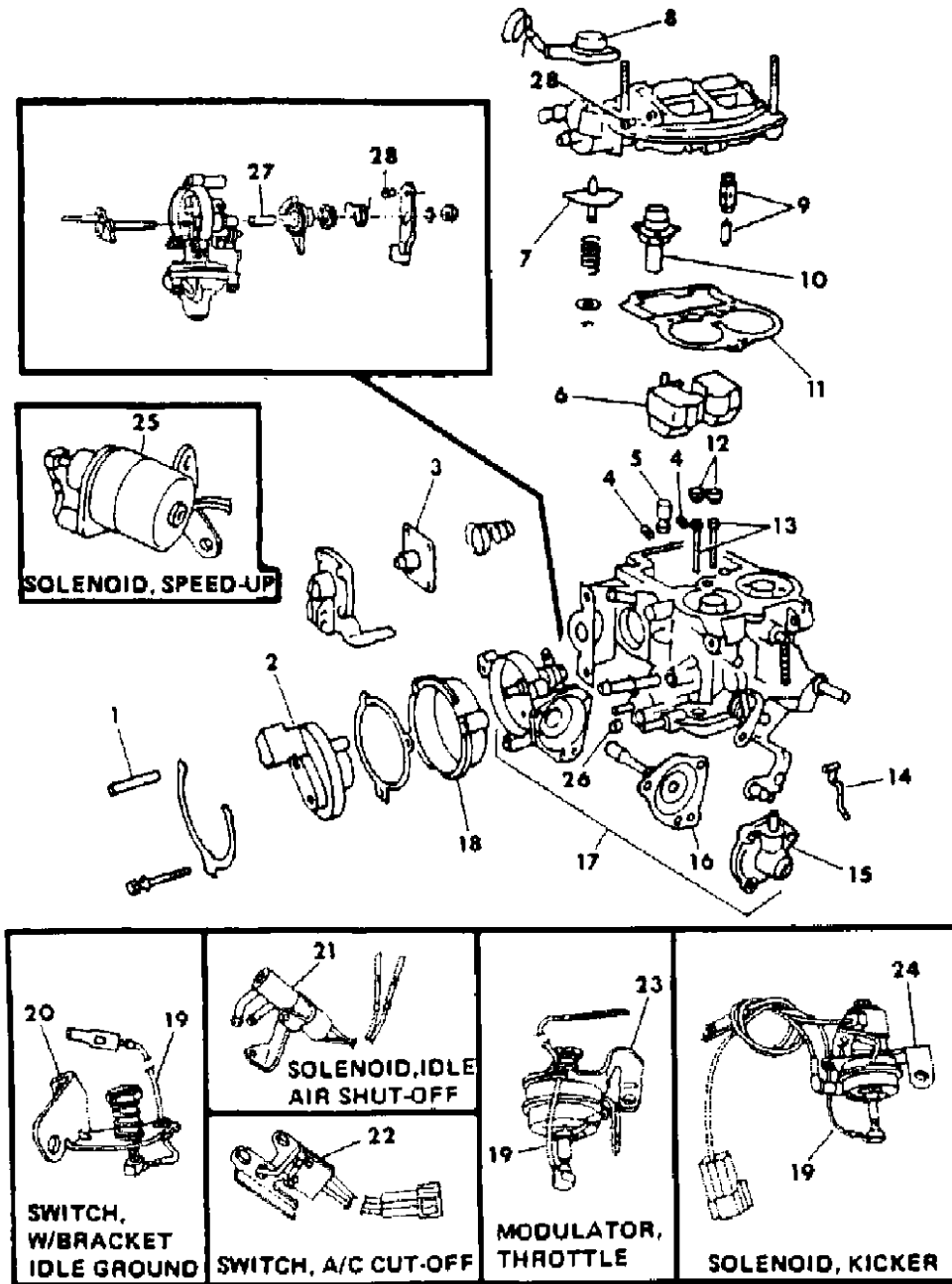
21 = 2-DOOR SEDAN	28 = FWD PICKUP	44 = 4-DOOR HATCHBACK
22 = 2-DOOR SPECIAL COUPE	35 = FWD VAN	45 = 4-DOOR STATION WAGON
24 = 2-DOOR HATCHBACK	36 = FWD WAGON	48 = 4-DOOR EXECUTIVE SEDAN
27 = 2-DOOR CONVERTIBLE	41 = 4-DOOR SEDAN	

AR = Use as Required - = Non Illustrated Part P.A.R. = Paint as Required

CARBURETOR AND COMPONENT PARTS HOLLEY-2BBL.(5220)

Figure 14-1200

4114 1200



ITEM	PART NUMBER	QTY	BODY	MODEL	DESCRIPTION
24	4372 794				SOLENOID, Kicker N N4293872 N4342796 Y4372794
25	4293 873				SOLENOID, Speed-Up Y4293873 Y4293873 N N
26	4267 140				PLUG, Idle Needle Y4267140 Y4267140 Y4267140 Y4267140
27	4131 131				BUSHING, Choke Housing Shaft Y4131131 Y4131131 Y4131131 Y4131131
28	4131 114				RETAINER, Choke Rod Y4131114 Y4131114 Y4131114 Y4131114
	4131 113				FILTER, Fuel (not illustrated) Y4131113 N N N
	4342 792				FITTING, Fuel Inlet (not illustrated) Y4342792 N N N
	4293 850				GASKET SET Y4293850 Y4293850 Y4293850 Y4293850
	4293 853				REPAIR KIT Y4293853 Y4293853 Y4293853 Y4293853
1	4293 790				RIVET, Thermostat Ring Y4293790 Y4293790 Y4293790 Y4293790
2	4186 295				THERMOSTAT, w/CAP, Choke Y4186295 Y4186295 Y4186295 Y4186295
3	4131 121				DIAPHRAGM, Pump Y4131121 Y4131121 Y4131121 Y4131121
4					JET, Main N N N N
	4131 138				Primary Y4131138 Y4131138 N4186127 Y4131138
	4186 127				Primary N4131138 N4131138 Y4186127 N4131138
	4131 170				Secondary Y4131170 Y4131170 Y4131170 Y4131170
5	4131 168				VALVE, Power Y4131168 Y4131168 Y4131168 Y4131168
6	4240 081				FLOAT Y4240081 Y4240081 N4186293 N4186293
6	4186 293				FLOAT N4240081 N4240081 Y4186293 Y4186293
7					DIAPHRAGM, w/SHAFT, E.A.V. N N N N
8					SOLENOID, E.A.V. N N N N
9	4131 116				NEEDLE and SEAT Y4131116 Y4131116 Y4131116 Y4131116
10	4131 115				DIAPHRAGM, w/STEM, Power Valve Y4131115 Y4131115 Y4131115 Y4131115
11	4293 846				GASKET, Air Horn Y4293846 Y4293846 Y4293846 Y4293846
12					BLEED, Hi-Speed N N N N
	4131 127				Primary Y4131127 Y4131127 Y4131127 Y4131127
	4271 295				Secondary Y4271295 Y4271295 Y4271295 Y4271295
13					TUBE, Main Well N N N N
	4186 291				Primary Y4186291 Y4186291 Y4186291 Y4186291
	4186 291				Secondary Y4186291 Y4186291 Y4186291 Y4186291
14	4271 948				LINK, Fast Idle Y4271948 Y4271948 Y4271948 Y4271948
15					COVER, Choke Diaphragm N N N N
16	4131 210				DIAPHRAGM, Choke Y4131210 Y4131210 Y4131210 Y4131210

MODEL CODES

B = GRAN FURY	F = FIFTH AVENUE/NEWPORT	P = RELIANT
C = LEBARON/TOWN & COUNTRY/EXC SEDAN	G = DIPLOMAT	T = E CLASS/NEW YORKER
C24 = LASER	H = VOYAGER	V = 600
D = ARIES	K = MINI RAM/CARAVAN/ROYAL	V24 = DAYTONA
E = 600	M = HORIZON/TURISMO	Z = OMNI/CHARGER/RAMPAGE

BODY STYLES

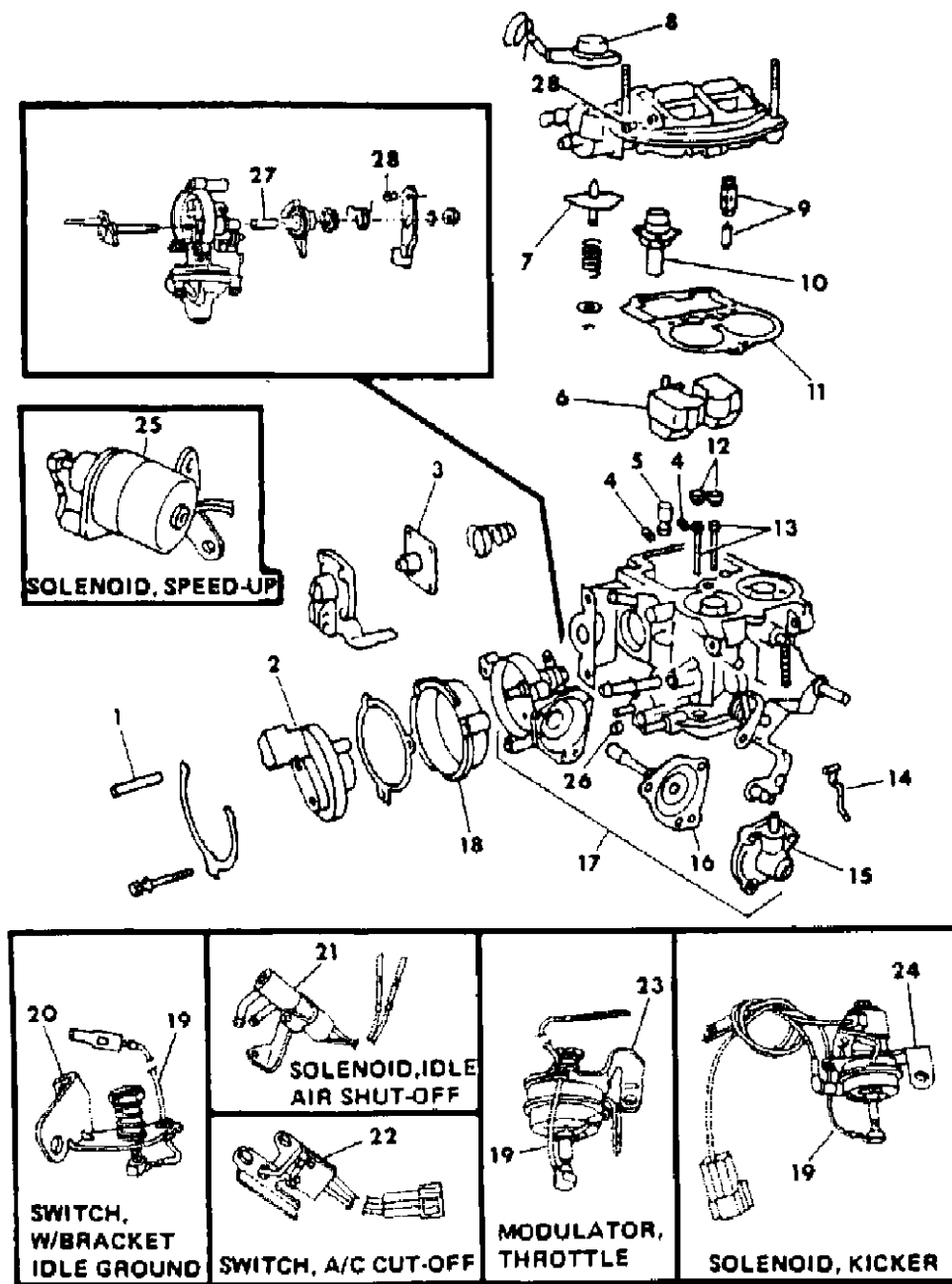
21 = 2-DOOR SEDAN	28 = FWD PICKUP	44 = 4-DOOR HATCHBACK
22 = 2-DOOR SPECIAL COUPE	35 = FWD VAN	45 = 4-DOOR STATION WAGON
24 = 2-DOOR HATCHBACK	36 = FWD WAGON	48 = 4-DOOR EXECUTIVE SEDAN
27 = 2-DOOR CONVERTIBLE	41 = 4-DOOR SEDAN	

AR = Use as Required - = Non Illustrated Part P.A.R. = Paint as Required

CARBURETOR AND COMPONENT PARTS HOLLEY-2BBL.(5220)

Figure 14-1200

4114 1200



ITEM	PART NUMBER	QTY	BODY	MODEL	DESCRIPTION
17	4293 778				HOUSING, w/DIAPHRAGM, Choke Y4293778 Y4293778 N4293780 N4293780
17	4293 780				HOUSING, w/DIAPHRAGM, Choke N4293778 N4293778 Y4293780 Y4293780
18	4267 096				HOUSING, Thermostat Y4267096 Y4267096 Y4267096 Y4267096
19	4293 718				WIRE and TERMINAL Y4293718 N Y4293718 Y4293718
21					SOLENOID, Idle Shut-Off N N N N
22					SWITCH, A/C Cut-Off N N N N
23					MODULATOR, Throttle N N N N
24	4342 796				SOLENOID, Kicker Y4342796 N4342798 N4342794 Y4342796
24	4342 798				SOLENOID, Kicker N4342796 Y4342798 N4342794 N4342796
24	4342 794				SOLENOID, Kicker N4342796 N4342798 Y4342794 N4342796
25					SOLENOID, Speed-Up N N N N
26	4267 140				PLUG, Idle Needle Y4267140 Y4267140 Y4267140 Y4267140
27	4131 131				BUSHING, Choke Housing Shaft Y4131131 Y4131131 Y4131131 Y4131131
28	4131 114				RETAINER, Choke Rod Y4131114 Y4131114 Y4131114 Y4131114
	4131 113				FILTER, Fuel (not illustrated) Y4131113 Y4131113 Y4131113 Y4131113
	4342 792				FITTING, Fuel Inlet (not illustrated) Y4342792 Y4342792 Y4342792 Y4342792
	4293 850				GASKET SET N Y4293850 Y4293850 Y4293850 Y4293850
	4293 853				REPAIR KIT N Y4293853 N4293851 N4293854
	4293 851				REPAIR KIT N N4293853 Y4293851 N4293854
	4293 854				REPAIR KIT N N4293853 N4293851 Y4293854
1	4293 790				RIVET, Thermostat Ring N Y4293790 Y4293790 Y4293790
2	4186 295				THERMOSTAT, w/CAP, Choke N Y4186295 Y4186295 Y4186295
3	4131 121				DIAPHRAGM, Pump N Y4131121 Y4131121 Y4131121
4					JET, Main N N N N
	4131 138				Primary N Y4131138 N4293868 N4131172
	4293 868				Primary N N4131138 Y4293868 N4131172
	4131 172				Primary N N4131138 N4293868 Y4131172
	4131 170				Secondary N Y4131170 N4240006 N4271902
	4240 006				Secondary N N4131170 Y4240006 N4271902
	4271 902				Secondary N N4131170 N4240006 Y4271902
5	4131 168				VALVE, Power N Y4131168 Y4131168 Y4131168

MODEL CODES

B = GRAN FURY	F = FIFTH AVENUE/NEWPORT	P = RELIANT
C = LEBARON/TOWN & COUNTRY/EXC SEDAN	G = DIPLOMAT	T = E CLASS/NEW YORKER
C24 = LASER	H = VOYAGER	V = 600
D = ARIES	K = MINI RAM/CARAVAN/ROYAL	V24 = DAYTONA
E = 600	M = HORIZON/TURISMO	Z = OMNI/CHARGER/RAMPAGE

BODY STYLES

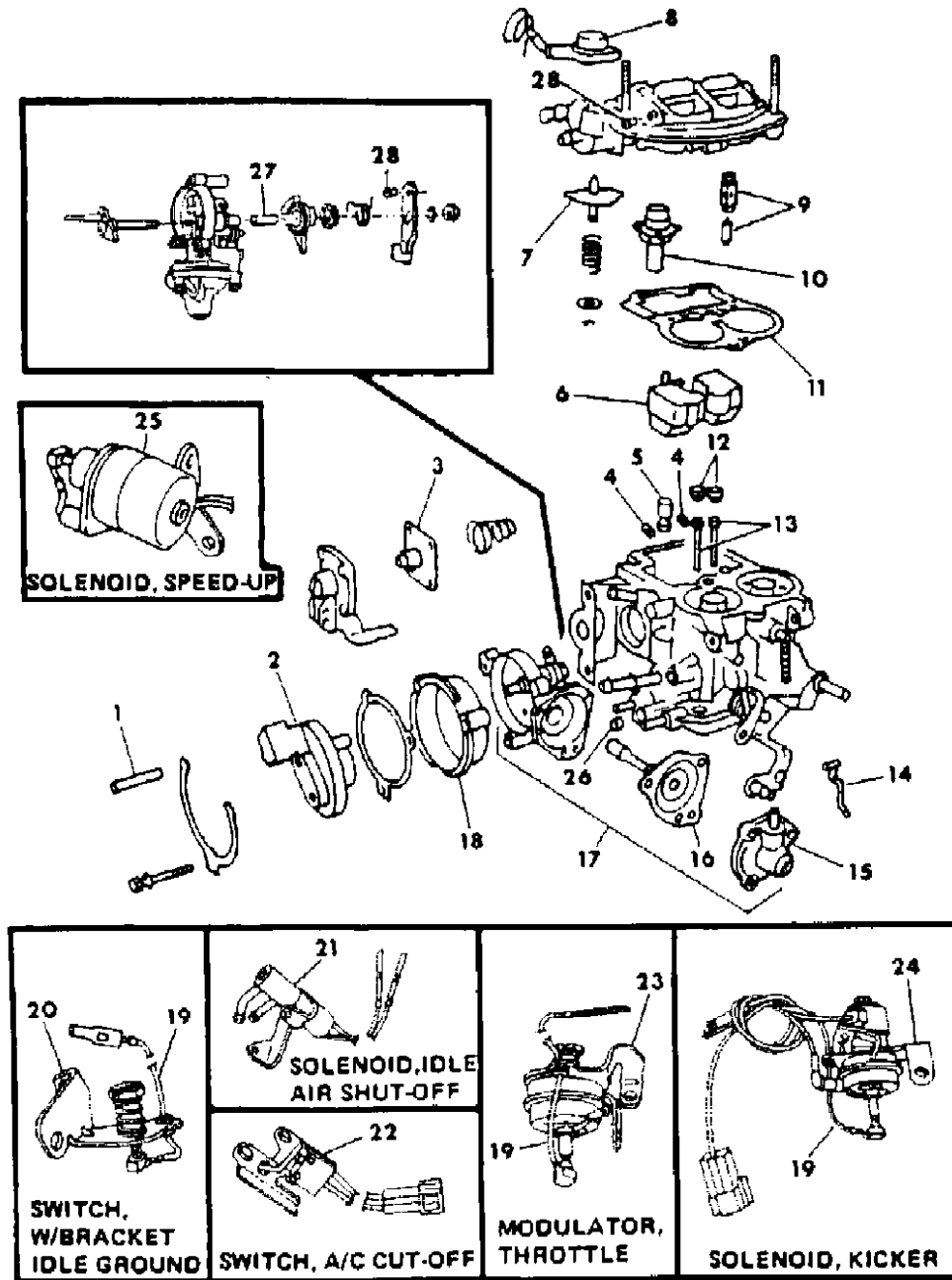
21 = 2-DOOR SEDAN	28 = FWD PICKUP	44 = 4-DOOR HATCHBACK
22 = 2-DOOR SPECIAL COUPE	35 = FWD VAN	45 = 4-DOOR STATION WAGON
24 = 2-DOOR HATCHBACK	36 = FWD WAGON	48 = 4-DOOR EXECUTIVE SEDAN
27 = 2-DOOR CONVERTIBLE	41 = 4-DOOR SEDAN	

AR = Use as Required - = Non Illustrated Part P.A.R. = Paint as Required

CARBURETOR AND COMPONENT PARTS HOLLEY-2BBL.(5220)

Figure 14-1200

4114 1200



ITEM	PART NUMBER	QTY	BODY	MODEL	DESCRIPTION
6	4240 081				FLOAT N Y4240081 Y4240081 N4186293
6	4186 293				FLOAT N N4240081 N4240081 Y4186293
7	4131 139				DIAPHRAGM, w/Shaft, E.V.A. N N Y4131139 N
8	4342 757				SOLENOID, E.V.A. N N Y4342757 N
9	4131 116				NEEDLE and SEAT N Y4131116 Y4131116 Y4131116
10	4131 115				DIAPHRAGM, w/STEM, Power Valve N Y4131115 Y4131115 Y4131115
11	4293 846				GASKET, Air Horn N Y4293846 Y4293846 Y4293846
12					BLEED, Hi-Speed N N N N
	4131 127				Primary N Y4131127 N4267107 N4293847
	4267 107				Primary N N4131127 Y4267107 N4293847
	4293 847				Primary N N4131127 N4267107 Y4293847
	4271 925				Secondary N Y4271925 N4131128 Y4271925
	4131 128				Secondary N N4271925 Y4131128 N4271925
13					TUBE, Main Well N N N N
	4186 291				Primary N Y4186291 Y4186291 Y4186291
	4186 291				Secondary N Y4186291 Y4186291 Y4186291
14	4271 948				LINK, Fast Idle N Y4271948 Y4271948 N
15					COVER, Choke Diaphragm N N N N
16	4131 210				DIAPHRAGM, Choke N Y4131210 N4267178 N4267178
16	4267 178				DIAPHRAGM, Choke N N4131210 Y4267178 Y4267178
17	4293 778				HOUSING, w/DIAPHRAGM, Choke N Y4293778 N4293735 N4342758
17	4293 735				HOUSING, w/DIAPHRAGM, Choke N N4293778 Y4293735 N4342758
17	4342 758				HOUSING, w/DIAPHRAGM, Choke N N4293778 N4293735 Y4342758
18	4267 096				HOUSING, Thermostat N Y4267096 Y4267096 Y4267096
19	4293 718				WIRE and TERMINAL N N N Y4293718
20					SWITCH, w/BRACKET, Idle Ground N N N N
21					SOLENOID, Idle Shut-Off N N N N
22	4293 867				SWITCH, A/C Cut-Off N Y4293867 N N
23					MODULATOR, Throttle N N N N
24	4342 798				SOLENOID, Kicker N Y4342798 N4342794 N4342794
24	4342 794				SOLENOID, Kicker N N4342798 Y4342794 Y4342794
25	4293 873				SOLENOID, Speed-Up N N Y4293873 N
26	4267 140				PLUG, Idle Needle N Y4267140 Y4267140 Y4267140

MODEL CODES

B = GRAN FURY	F = FIFTH AVENUE/NEWPORT	P = RELIANT
C = LEBARON/TOWN & COUNTRY/EXC SEDAN	G = DIPLOMAT	T = E CLASS/NEW YORKER
C24 = LASER	H = VOYAGER	V = 600
D = ARIES	K = MINI RAM/CARAVAN/ROYAL	V24 = DAYTONA
E = 600	M = HORIZON/TURISMO	Z = OMNI/CHARGER/RAMPAGE

BODY STYLES

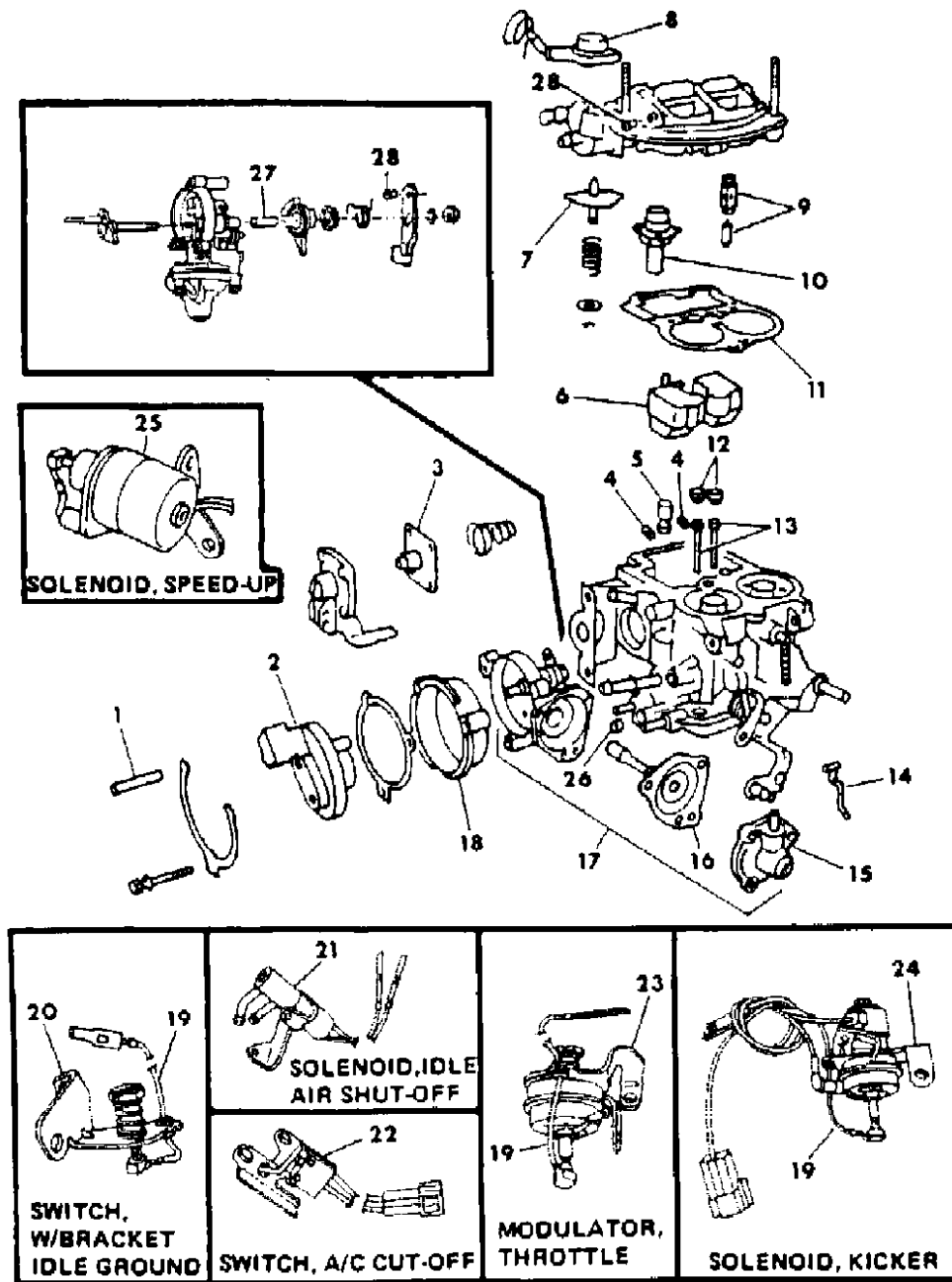
21 = 2-DOOR SEDAN	28 = FWD PICKUP	44 = 4-DOOR HATCHBACK
22 = 2-DOOR SPECIAL COUPE	35 = FWD VAN	45 = 4-DOOR STATION WAGON
24 = 2-DOOR HATCHBACK	36 = FWD WAGON	48 = 4-DOOR EXECUTIVE SEDAN
27 = 2-DOOR CONVERTIBLE	41 = 4-DOOR SEDAN	

AR = Use as Required - = Non Illustrated Part P.A.R. = Paint as Required

CARBURETOR AND COMPONENT PARTS HOLLEY-2BBL.(5220)

Figure 14-1200

4114 1200



ITEM	PART NUMBER	QTY	BODY	MODEL	DESCRIPTION
27	4131 131				BUSHING, Choke Housing Shaft N Y4131131 Y4131131 Y4131131
28	4131 114				RETAINER, Choke Rod N Y4131114 Y4131114 Y4131114
	4131 113				FILTER, Fuel (not illustrated) N Y4131113 Y4131113 Y4131113
	4293 850				GASKET SET Y4293850 N N N
	4293 854				REPAIR KIT Y4293854 N N N
1	4293 790				RIVET, Thermostat Housing Y4293790 N N N
2	4186 295				THERMOSTAT, w/CAP, Choke Y4186295 N N N
3	4131 121				DIAPHRAGM, Pump Y4131121 N N N
4					JET, Main N N N N Primary Y4131172 N N N Secondary Y4271902 N N N
5	4131 168				VALVE, Power Y4131168 N N N
6	4186 293				FLOAT Y4186293 N N N
7					DIAPHRAGM, w/SHAFT, E.V.A. N N N N
8					SOLENOID, E.V.A. N N N N
9	4131 116				NEEDLE and SEAT Y4131116 N N N
10	4131 115				DIAPHRAGM, w/STEM, Power Valve Y4131115 N N N
11	4293 846				GASKET, Air Horn Y4293846 N N N
12					BLEED, Hi-Speed N N N N Primary Y4293847 N N N Secondary Y4271925 N N N
13					TUBE, Main Well N N N N Primary Y4186291 N N N Secondary Y4186291 N N N
14					LINK, Fast Idle N N N N
15					COVER, Choke Diaphragm N N N N
16	4267 178				DIAPHRAGM, Choke Y4267178 N N N
17	4342 758				HOUSING, w/DIAPHRAGM, Choke Y4342758 N N N
18	4267 096				HOUSING, Thermostat Y4267096 N N N
19	4293 718				WIRE and TERMINAL Y4293718 N N N
20					SWITCH, w/BRACKET, Idle Ground N N N N
21					SOLENOID, Idle Shut-Off N N N N
22					SWITCH, A/C Cut-Off N N N N
23					MODULATOR, Throttle N N N N
24	4342 796				SOLENOID, Kicker Y4342796 N N N
25					SOLENOID, Speed-Up N N N N
26	4267 140				PLUG, Idle Needle Y4267140 N N N

MODEL CODES

B = GRAN FURY	F = FIFTH AVENUE/NEWPORT	P = RELIANT
C = LEBARON/TOWN & COUNTRY/EXC SEDAN	G = DIPLOMAT	T = E CLASS/NEW YORKER
C24 = LASER	H = VOYAGER	V = 600
D = ARIES	K = MINI RAM/CARAVAN/ROYAL	V24 = DAYTONA
E = 600	M = HORIZON/TURISMO	Z = OMNI/CHARGER/RAMPAGE

BODY STYLES

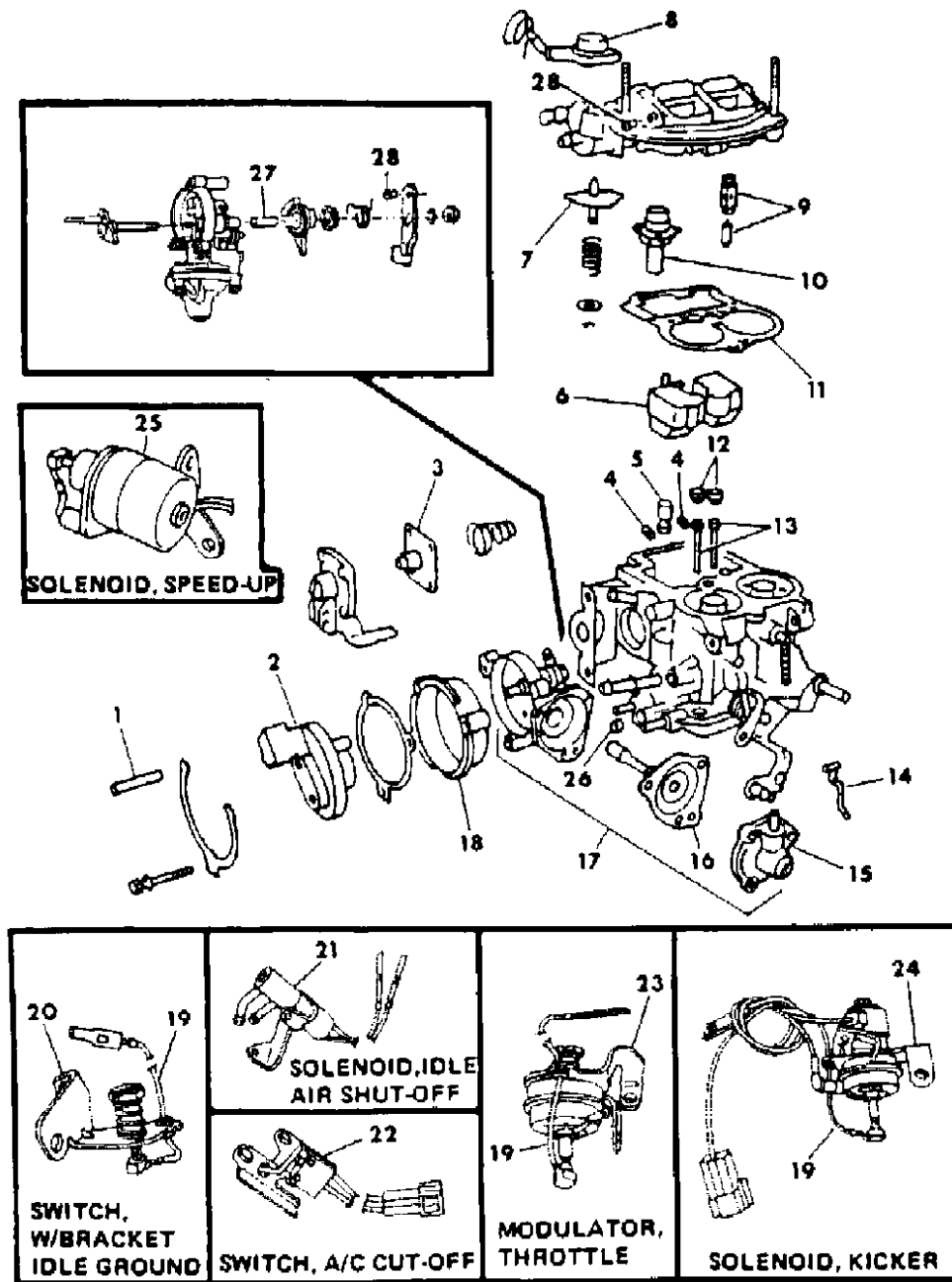
21 = 2-DOOR SEDAN	28 = FWD PICKUP	44 = 4-DOOR HATCHBACK
22 = 2-DOOR SPECIAL COUPE	35 = FWD VAN	45 = 4-DOOR STATION WAGON
24 = 2-DOOR HATCHBACK	36 = FWD WAGON	48 = 4-DOOR EXECUTIVE SEDAN
27 = 2-DOOR CONVERTIBLE	41 = 4-DOOR SEDAN	

AR = Use as Required - = Non Illustrated Part P.A.R. = Paint as Required

CARBURETOR AND COMPONENT PARTS HOLLEY-2BBL.(5220)

Figure 14-1200

4114 1200



ITEM	PART NUMBER	QTY	BODY	MODEL	DESCRIPTION
------	-------------	-----	------	-------	-------------

27	4131 131				BUSHING, Choke Shaft Y4131131 N N N
28	4131 114				RETAINER, Choke Rod Y4131114 N N N
28	4131 113				FILTER, Fuel (not illustrated) Y4131113 N N N

MODEL CODES

B = GRAN FURY	F = FIFTH AVENUE/NEWPORT	P = RELIANT
C = LEBARON/TOWN & COUNTRY/EXC SEDAN	G = DIPLOMAT	T = E CLASS/NEW YORKER
C24 = LASER	H = VOYAGER	V = 600
D = ARIES	K = MINI RAM/CARAVAN/ROYAL	V24 = DAYTONA
E = 600	M = HORIZON/TURISMO	Z = OMNI/CHARGER/RAMPAGE

BODY STYLES

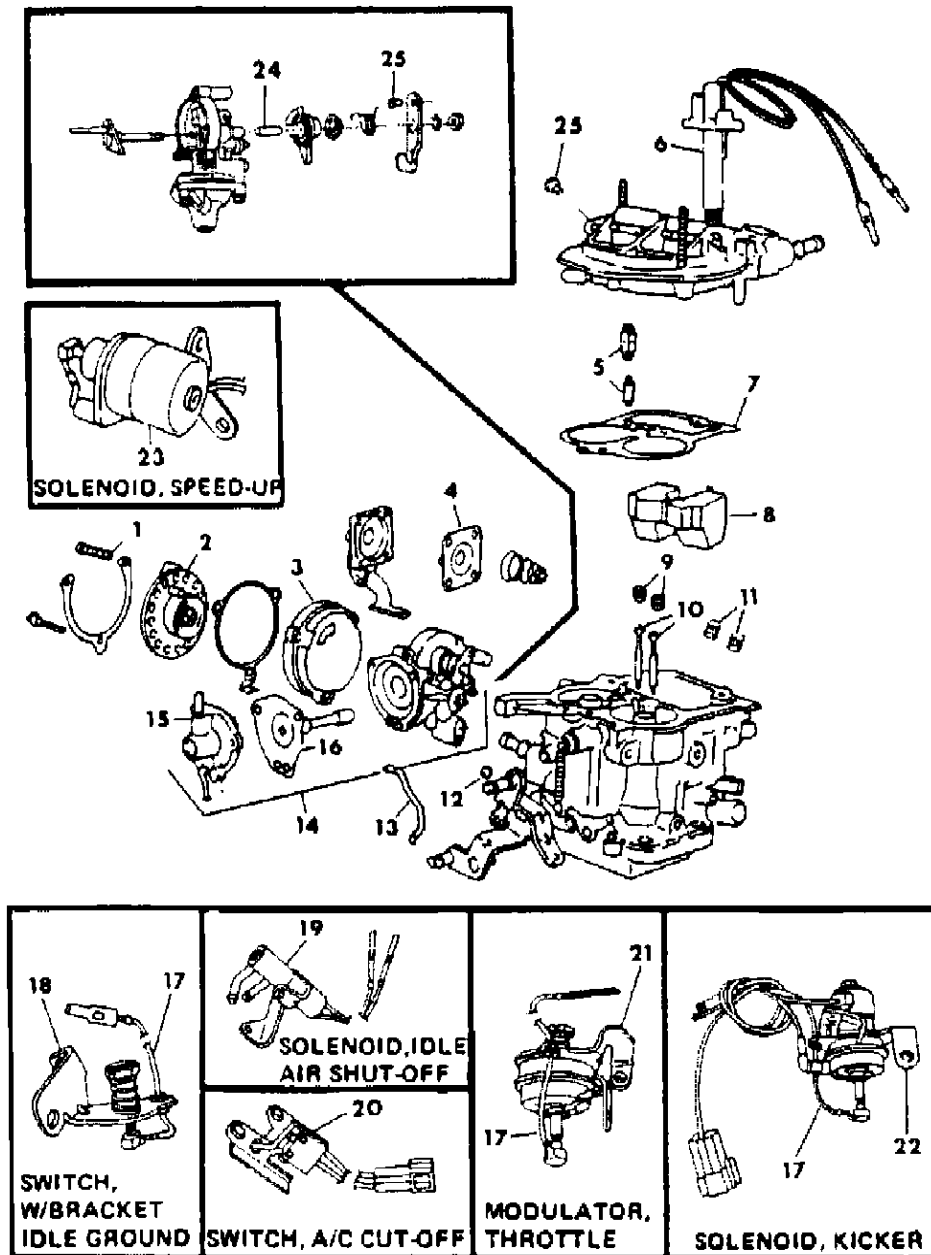
21 = 2-DOOR SEDAN	28 = FWD PICKUP	44 = 4-DOOR HATCHBACK
22 = 2-DOOR SPECIAL COUPE	35 = FWD VAN	45 = 4-DOOR STATION WAGON
24 = 2-DOOR HATCHBACK	36 = FWD WAGON	48 = 4-DOOR EXECUTIVE SEDAN
27 = 2-DOOR CONVERTIBLE	41 = 4-DOOR SEDAN	

AR = Use as Required - = Non Illustrated Part P.A.R. = Paint as Required

CARBURETOR AND COMPONENT PARTS HOLLEY-2BBL.(6520) 0

Figure 14-1300

1114 1300



ITEM	PART NUMBER	QTY	BODY	MODEL	DESCRIPTION
	4288 436				M,Z w/(SC-NAA,NAE) w/o Air Cond 1.6L/M NR-40058-1 N4288436 Y4288436 N1
	4288 456				H,K w/(SC-NAF) w or w/o Air Cond 2.2L/M NR-40072-2 N4288456 Y4288456 N3
	4288 440				P,D,V,C,M,Z w/(SC-NAA,NAF) w or w/o Air Cond 2.2L/M NR-40064-1 N4288440 Y4288440 N4
	4288 441				P,D,V,C,M,Z w/(SC-NAA,NAF) w or w/o Air Cond 2.2L/A NR-40065-1 N4288441 Y4288441 N5
	4288 444				P,D,V,C,M,Z w/(SC-NAE) w or w/o Air Cond 2.2L/M NR-40061-1 N4288444 Y4288444 N6
	4288 445				P,D,V,C,M,Z w/(SC-NAE) w or w/o Air Cond 2.2L/A NR-40062-1 N4288445 Y4288445 N7
	4288 459				H,K w/(SC-NAE) w or w/o Air Cond 2.2L/A NR-40063-2 N4288459 Y4288459 N8
	4288 458				H,K w/(SC-NAE) w or w/o Air Cond 2.2L/M NR-40070-2 N4288458 Y4288458 N9
	4288 414				M,Z w/(SC-NAA,NAF) w or w/o Air Cond 2.2L/A&M NR-40071 N4288414 Y4288414 N10
	4288 433				M,Z w/(SC-NAE) w or w/o Air Cond 2.2L/A&M NR-40122 N4288433 Y4288433 N11
	4300 032				M,Z,P,D,V,C w/(SC-NAA,NAF) w or w/o Air Cond. 2.2L/M NR-40183 N4300032 Y4300032 N12
	4300 033				M,Z,P,D,V,C w/(SC-NAA,NAF) w or w/o Air Cond. 2.2L/A NR-40184 N4300033 Y4300033 N13
	4300 034				M,Z,P,D,V,C w/(SC-NAE) w or w/o Air Cond. 2.2L/M NR-40185 N4300034 Y4300034 N14
	4300 035				M,Z,P,D,V,C w/(SC-NAE,NAA) w or w/o Air Cond 2.2L/A NR-40186 N4300035 Y4300035 N15
	4300 038				M,Z, w/(SC-NAF,NAA) w or w/o Air Cond 2.2L/M NR-40189 N4300038 Y4300038 N16
	4300 039				M,Z, w/(SC-NAE) w or w/o Air Cond 2.2L/M NR-40190 N4300039 Y4300039 N17
	4293 838				GASKET SET Y4293838 N Y4293838 Y4293838
	4293 839				REPAIR KIT Y4293839 N N4293856 N4293856
	4293 856				REPAIR KIT N4293839 N Y4293856 Y4293856
1	4293 790				RIVET, Thermostat Ring Y4293790 N Y4293790 Y4293790
2	4186 295				THERMOSTAT, w/CAP, Choke Y4186295 N Y4186295 Y4186295
3	4267 096				HOUSING, Thermostat Y4267096 N Y4267096 Y4267096

MODEL CODES

B = GRAN FURY	F = FIFTH AVENUE/NEWPORT	P = RELIANT
C = LEBARON/TOWN & COUNTRY/EXC SEDAN	G = DIPLOMAT	T = E CLASS/NEW YORKER
C24 = LASER	H = VOYAGER	V = 600
D = ARIES	K = MINI RAM/CARAVAN/ROYAL	V24 = DAYTONA
E = 600	M = HORIZON/TURISMO	Z = OMNI/CHARGER/RAMPAGE

BODY STYLES

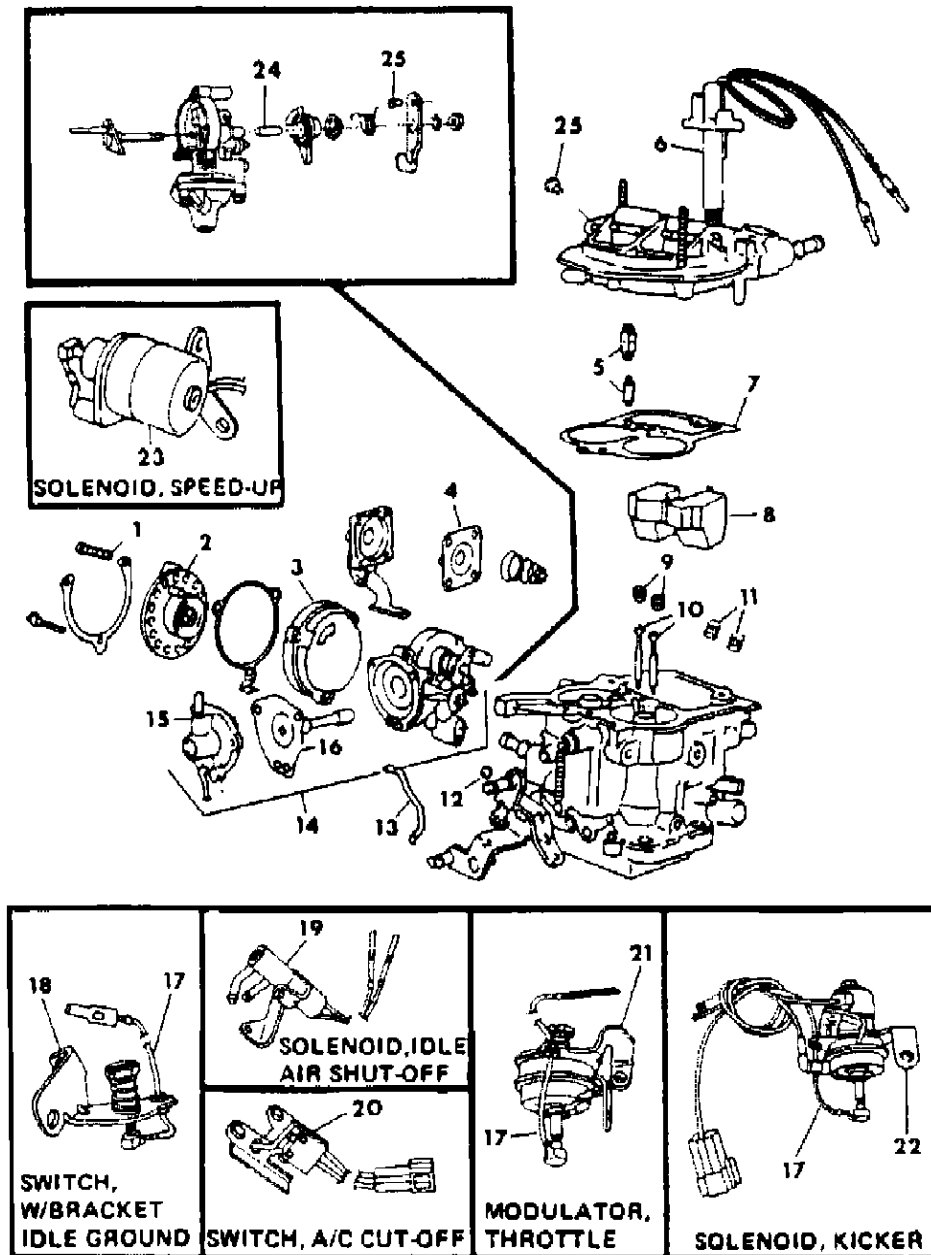
21 = 2-DOOR SEDAN	28 = FWD PICKUP	44 = 4-DOOR HATCHBACK
22 = 2-DOOR SPECIAL COUPE	35 = FWD VAN	45 = 4-DOOR STATION WAGON
24 = 2-DOOR HATCHBACK	36 = FWD WAGON	48 = 4-DOOR EXECUTIVE SEDAN
27 = 2-DOOR CONVERTIBLE	41 = 4-DOOR SEDAN	

AR = Use as Required - = Non Illustrated Part P.A.R. = Paint as Required

CARBURETOR AND COMPONENT PARTS HOLLEY-2BBL.(6520) 0

Figure 14-1300

4114 1300



ITEM	PART NUMBER	QTY	BODY	MODEL	DESCRIPTION
4	4131 121				DIAPHRAGM, Pump Y4131121 N Y4131121 Y4131121
5	4131 116				NEEDLE and SEAT Y4131116 N Y4131116 Y4131116
6	4293 736				SOLENOID, Duty-Cycle Y4293736 N N4293751 N4293751
6	4293 751				SOLENOID, Duty-Cycle N4293736 N Y4293751 Y4293751
	4267 165				O-Ring, Duty-Cycle Solenoid N N Y4267165 N
7	4293 836				GASKET, Air Horn Y4293836 N Y4293836 Y4293836
8	4186 293				FLOAT Y4186293 N Y4186293 Y4186293
9					BLEED, Hi-Speed N N N N
	4131 127				Primary Y4131127 N N4186340 N4186340
	4186 340				Primary N4131127 N Y4186340 Y4186340
	4271 925				Secondary Y4271925 N N4131128 N4131128
	4131 128				Secondary N4271925 N Y4131128 Y4131128
10					TUBE, Main Well N N N N
	4186 291				Primary Y4186291 N Y4186291 Y4186291
	4186 291				Secondary Y4186291 N Y4186291 Y4186291
11					JET, Main N N N N
	4271 899				Primary Y4271899 N N4293706 N4293706
	4293 706				Primary N4271899 N Y4293706 Y4293706
	4293 786				Secondary Y4293786 N N4293855 N4293855
	4293 855				Secondary N4293786 N Y4293855 Y4293855
12	4267 140				PLUG, Idle Needle Y4267140 N Y4267140 Y4267140
13					LINK, Fast Idle N N N N
14	4293 735				HOUSING, w/DIAPHRAGM, Choke Y4293735 N N4293770 N4293770
14	4293 770				HOUSING, w/DIAPHRAGM, Choke N4293735 N Y4293770 Y4293770
15					COVER, Choke Diaphragm N N N N
16	4267 178				DIAPHRAGM, w/SHAFT, Choke Y4267178 N N4293772 N4293772
16	4293 772				DIAPHRAGM, w/SHAFT, Choke N4267178 N Y4293772 Y4293772
17	4293 718				WIRE and TERMINAL N N Y4293718 Y4293718
18					SWITCH, w/BRACKET, Idle Ground N N N N
19					SOLENOID, Idle Shut-Off N N N N
20	4293 867				SWITCH, A/C Cut-Off N N Y4293867 N
21					MODULATOR, Throttle N N N N
22	4293 872				SOLENOID, Kicker N Y4293872 N4342796 N4342796
22	4342 796				SOLENOID, Kicker N N4293872 Y4342796 Y4342796

MODEL CODES

B = GRAN FURY
 C = LEBARON/TOWN & COUNTRY/EXC SEDAN
 C24 = LASER
 D = ARIES
 E = 600
 F = FIFTH AVENUE/NEWPORT
 G = DIPLOMAT
 H = VOYAGER
 K = MINI RAM/CARAVAN/ROYAL
 M = HORIZON/TURISMO
 P = RELIANT
 T = E CLASS/NEW YORKER
 V = 600
 V24 = DAYTONA
 Z = OMNI/CHARGER/RAMPAGE

BODY STYLES

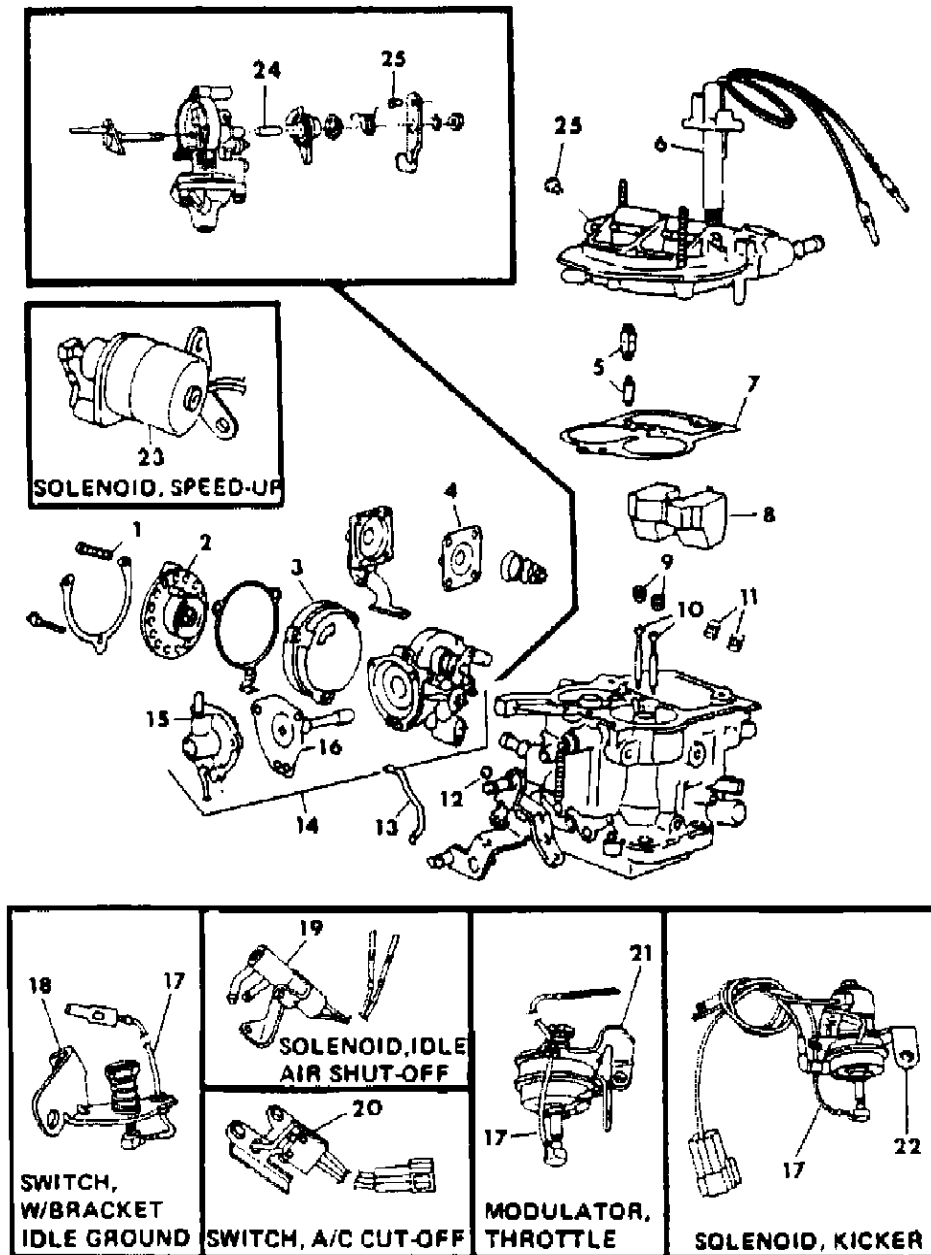
21 = 2-DOOR SEDAN
 22 = 2-DOOR SPECIAL COUPE
 24 = 2-DOOR HATCHBACK
 27 = 2-DOOR CONVERTIBLE
 28 = FWD PICKUP
 35 = FWD VAN
 36 = FWD WAGON
 41 = 4-DOOR SEDAN
 44 = 4-DOOR HATCHBACK
 45 = 4-DOOR STATION WAGON
 48 = 4-DOOR EXECUTIVE SEDAN

AR = Use as Required - = Non Illustrated Part P.A.R. = Paint as Required

CARBURETOR AND COMPONENT PARTS HOLLEY-2BBL.(6520) 0

Figure 14-1300

1114 1300



ITEM	PART NUMBER	QTY	BODY	MODEL	DESCRIPTION
23	4293 873				SOLENOID, Speed-Up Y4293873 N N N
24	4131 131				BUSHING, Choke Housing Shaft Y4131131 N Y4131131
25	4131 114				RETAINER, Rod Y4131114 N Y4131114 Y4131114
	4342 781				FITTING, Fuel Inlet (not illustrated) Y4342781 N Y4342781
	4293 838				GASKET SET Y4293838 Y4293838 Y4293838 Y4293838
	4293 856				REPAIR KIT Y4293856 Y4293856 Y4293856 Y4293856
1	4293 790				RIVET, Thermostat Ring Y4293790 Y4293790 Y4293790
2	4186 295				THERMOSTAT, w/CAP, Choke Y4186295 Y4186295 Y4186295
3	4267 096				HOUSING, Thermostat Y4267096 Y4267096 Y4267096
4	4131 121				DIAPHRAGM, Pump Y4131121 Y4131121 Y4131121 Y4131121
5	4131 116				NEEDLE and SEAT Y4131116 Y4131116 Y4131116 Y4131116
6	4293 751				SOLENOID, Duty-Cycle Y4293751 Y4293751 Y4293751
	4267 165				O-Ring, Duty-Cycle Solenoid N N N Y4267165
7	4293 836				GASKET, Air Horn Y4293836 Y4293836 Y4293836 Y4293836
8	4186 293				FLOAT Y4186293 Y4186293 Y4186293 Y4186293
9					BLEED, Hi-Speed N N N N
	4186 340				Primary Y4186340 Y4186340 Y4186340 Y4186340
	4131 128				Secondary Y4131128 Y4131128 Y4131128 Y4131128
10					TUBE, Main Well N N N N
	4186 291				Primary Y4186291 Y4186291 Y4186291 Y4186291
	4186 291				Secondary Y4186291 Y4186291 Y4186291 Y4186291
11					JET, Main N N N N
	4293 706				Primary Y4293706 Y4293706 Y4293706 Y4293706
	4293 855				Secondary Y4293855 Y4293855 Y4293855 Y4293855
12	4267 140				PLUG, Idle Needle Y4267140 Y4267140 Y4267140 Y4267140
13					LINK, Fast Idle N N N N
14	4293 770				HOUSING, w/DIAPHRAGM, Choke Y4293770 Y4293770
	4293 770				Y4293770 Y4293770
15					COVER, Choke Diaphragm N N N N
16	4293 772				DIAPHRAGM, w/SHAFT, Choke Y4293772 Y4293772 Y4293772
	4293 772				Y4293772
17	4293 718				WIRE and TERMINAL Y4293718 Y4293718 Y4293718 N

MODEL CODES

B = GRAN FURY	F = FIFTH AVENUE/NEWPORT	P = RELIANT
C = LEBARON/TOWN & COUNTRY/EXC SEDAN	G = DIPLOMAT	T = E CLASS/NEW YORKER
C24 = LASER	H = VOYAGER	V = 600
D = ARIES	K = MINI RAM/CARAVAN/ROYAL	V24 = DAYTONA
E = 600	M = HORIZON/TURISMO	Z = OMNI/CHARGER/RAMPAGE

BODY STYLES

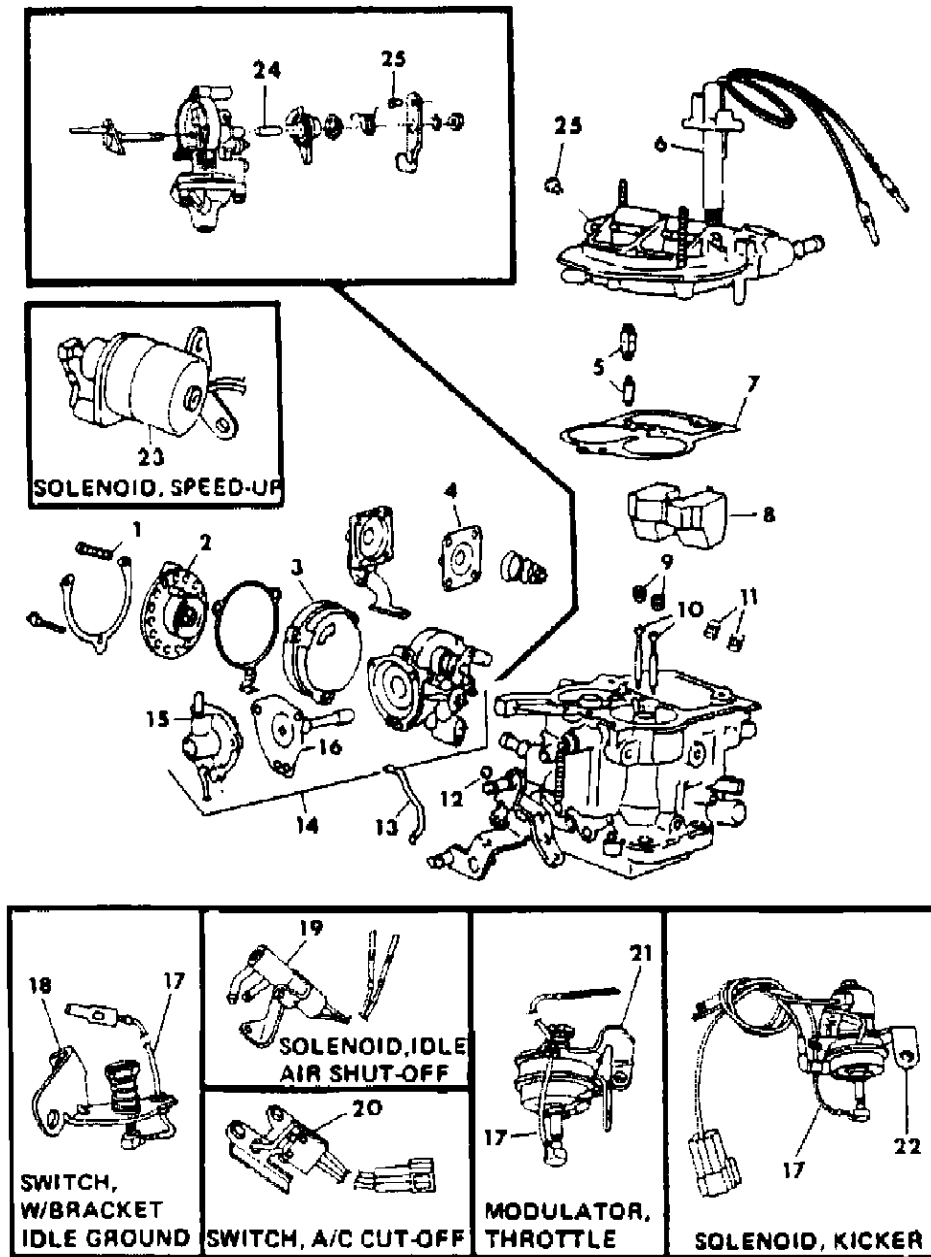
21 = 2-DOOR SEDAN	28 = FWD PICKUP	44 = 4-DOOR HATCHBACK
22 = 2-DOOR SPECIAL COUPE	35 = FWD VAN	45 = 4-DOOR STATION WAGON
24 = 2-DOOR HATCHBACK	36 = FWD WAGON	48 = 4-DOOR EXECUTIVE SEDAN
27 = 2-DOOR CONVERTIBLE	41 = 4-DOOR SEDAN	

AR = Use as Required - = Non Illustrated Part P.A.R. = Paint as Required

CARBURETOR AND COMPONENT PARTS HOLLEY-2BBL.(6520) 0

Figure 14-1300

1114 1300



ITEM	PART NUMBER	QTY	BODY	MODEL	DESCRIPTION
18					SWITCH, w/BRACKET, Idle Ground N N N N
19					SOLENOID, Idle Shut-Off N N N N
20	4293 867				SWITCH, A/C Cut-Off N N N Y4293867
21					MODULATOR, Throttle N N N N
22	4342 796				SOLENOID, Kicker Y4342796 Y4342796 Y4342796 Y4342796
23					SOLENOID, Speed-Up N N N N
24	4131 131				BUSHING, Choke Housing Shaft Y4131131 Y4131131 Y4131131 Y4131131
25	4131 114				RETAINER, Rod Y4131114 Y4131114 Y4131114 Y4131114
	4342 781				FITTING, Fuel Inlet (not illustrated) Y4342781 Y4342781 Y4342781 Y4342781
	4293 838				GASKET SET Y4293838 Y4293838 Y4293838 Y4293838
	4293 856				REPAIR KIT Y4293856 Y4293856 Y4293856 Y4293856
1	4293 790				RIVET, Thermostat Ring Y4293790 Y4293790 Y4293790 Y4293790
2	4186 295				THERMOSTAT, w/CAP, Choke Y4186295 Y4186295 Y4186295 Y4186295
3	4267 096				HOUSING, Thermostat Y4267096 Y4267096 Y4267096 Y4267096
4	4131 121				DIAPHRAGM, Pump Y4131121 Y4131121 Y4131121 Y4131121
5	4131 116				NEEDLE and SEAT Y4131116 Y4131116 Y4131116 Y4131116
6	4293 751				SOLENOID, Duty-Cycle Y4293751 Y4293751 Y4293751 Y4293751
	4267 165				O-RING, Duty-Cycle Solenoid Y4267165 N N Y4267165
7	4293 836				GASKET, Air Horn Y4293836 Y4293836 Y4293836 Y4293836
8	4186 293				FLOAT Y4186293 Y4186293 Y4186293 Y4186293
9					BLEED, Hi-Speed N N N N
	4186 340				Primary Y4186340 Y4186340 Y4186340 Y4186340
	4131 128				Secondary Y4131128 N4131127 N4131127 Y4131128
	4131 127				Secondary N4131128 Y4131127 Y4131127 N4131128
10					TUBE, Main Well N N N N
	4186 291				Primary Y4186291 Y4186291 Y4186291 Y4186291
	4186 291				Secondary Y4186291 Y4186291 Y4186291 Y4186291
11					JET, Main N N N N
	4293 706				Primary Y4293706 Y4293706 Y4293706 Y4293706
	4293 855				Secondary Y4293855 N N N4243775
	4243 775				Secondary N4293855 N N Y4243775
12	4267 140				PLUG, Idle Needle Y4267140 Y4267140 Y4267140 Y4267140

MODEL CODES

B = GRAN FURY	F = FIFTH AVENUE/NEWPORT	P = RELIANT
C = LEBARON/TOWN & COUNTRY/EXC SEDAN	G = DIPLOMAT	T = E CLASS/NEW YORKER
C24 = LASER	H = VOYAGER	V = 600
D = ARIES	K = MINI RAM/CARAVAN/ROYAL	V24 = DAYTONA
E = 600	M = HORIZON/TURISMO	Z = OMNI/CHARGER/RAMPAGE

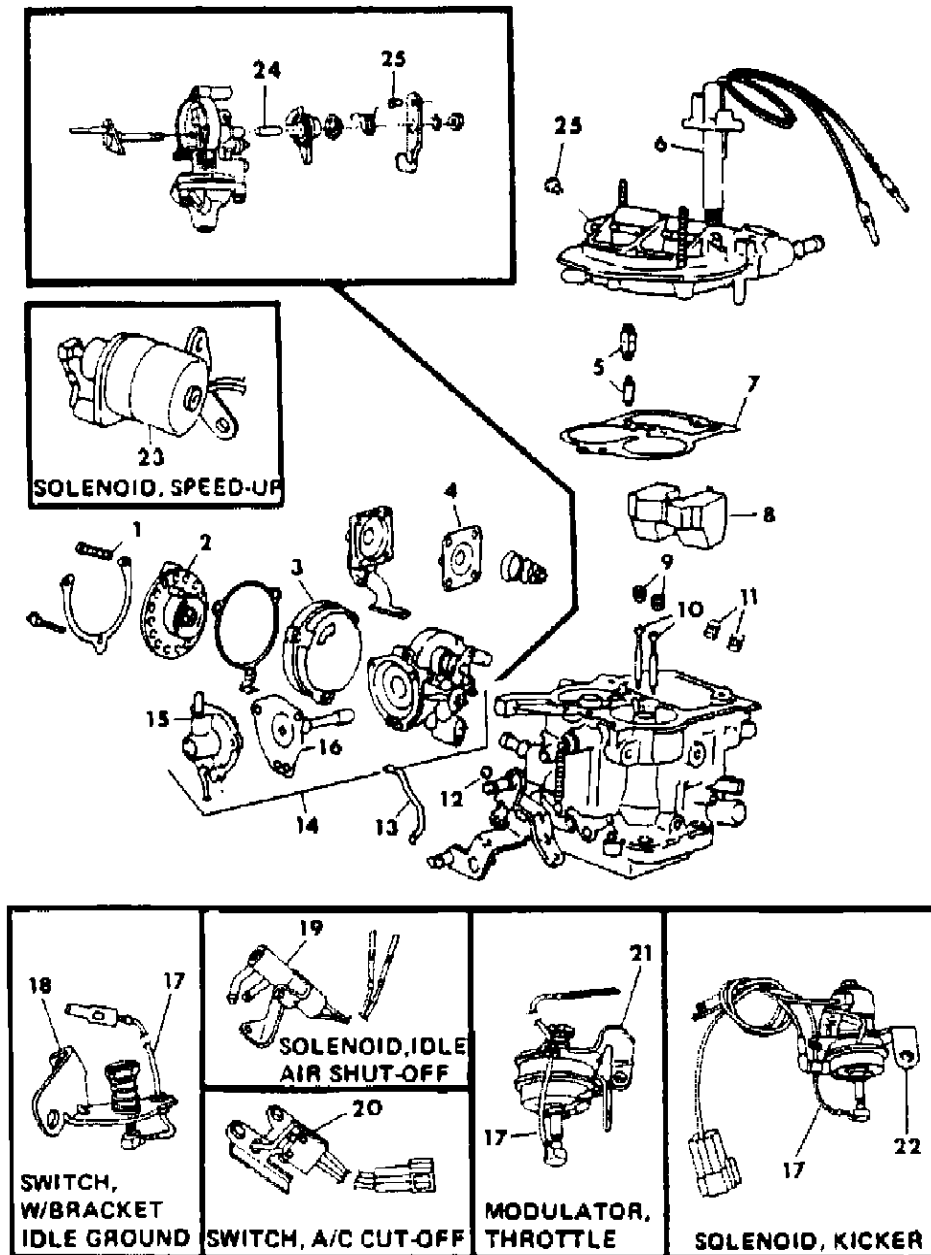
BODY STYLES

21 = 2-DOOR SEDAN	28 = FWD PICKUP	44 = 4-DOOR HATCHBACK
22 = 2-DOOR SPECIAL COUPE	35 = FWD VAN	45 = 4-DOOR STATION WAGON
24 = 2-DOOR HATCHBACK	36 = FWD WAGON	48 = 4-DOOR EXECUTIVE SEDAN
27 = 2-DOOR CONVERTIBLE	41 = 4-DOOR SEDAN	

AR = Use as Required - = Non Illustrated Part P.A.R. = Paint as Required

CARBURETOR AND COMPONENT PARTS HOLLEY-2BBL.(6520) 0
Figure 14-1300

4114 1300



ITEM	PART NUMBER	QTY	BODY	MODEL	DESCRIPTION
13					LINK, Fast Idle N N N N
14	4293 770				HOUSING, w/DIAPHRAGM, Choke Y4293770 Y4293770 Y4293770 Y4293770
15					COVER, Choke Diaphragm N N N N
16	4293 772				DIAPHRAGM, w/SHAFT, Choke Y4293772 Y4293772 Y4293772 Y4293772
17	4293 718				WIRE and TERMINAL Y4293718 N N N
18					SWITCH, w/BRACKET, Idle Ground N N N N
19					SOLENOID, Idle Shut-Off N N N N
20	4293 867				SWITCH, A/C Cut-Off Y4293867 Y4293867 Y4293867 N
21					MODULATOR, Throttle N N N N
22	4342 796				SOLENOID, Kicker Y4342796 Y4342796 Y4342796 Y4342796
23					SOLENOID, Speed-Up N N N N
24	4131 131				BUSHING, Choke Housing Shaft Y4131131 Y4131131 Y4131131 Y4131131
25	4131 114				RETAINER, Rod Y4131114 Y4131114 Y4131114 Y4131114
	4342 762				HOUSING, w/DIAPHRAGM, Secondary (not illustrated) N N N Y4342762
	4342 776				DIAPHRAGM, w/LINK, Secondary (not illustrated) N N N Y4342776
	4342 780				SOLENOID, Dump Valve (not illustrated) N N N Y4342780
	4342 781				FITTING, Fuel Inlet (not illustrated) Y4342781 Y4342781 Y4342781 Y4342781
	4293 838				GASKET SET Y4293838 Y4293838 Y4293838 Y4293838
	4293 856				REPAIR KIT Y4293856 Y4293856 Y4293856 Y4293856
1	4293 790				RIVET, Thermostat Ring Y4293790 Y4293790 Y4293790 Y4293790
2	4186 295				THERMOSTAT, w/CAP, Choke Y4186295 Y4186295 Y4186295 Y4186295
3	4267 096				HOUSING, Thermostat Y4267096 Y4267096 Y4267096 Y4267096
4	4131 121				DIAPHRAGM, Pump Y4131121 Y4131121 Y4131121 Y4131121
5	4131 116				NEEDLE and SEAT Y4131116 Y4131116 Y4131116 Y4131116
6	4293 751				SOLENOID, Duty - Cycle Y4293751 Y4293751 Y4293751 Y4293751
	4267 165				O-RING, Duty - Cycle Solenoid Y4267165 Y4267165 Y4267165 Y4267165
7	4293 836				GASKET, Air Horn Y4293836 Y4293836 Y4293836 Y4293836

MODEL CODES

B = GRAN FURY	F = FIFTH AVENUE/NEWPORT	P = RELIANT
C = LEBARON/TOWN & COUNTRY/EXC SEDAN	G = DIPLOMAT	T = E CLASS/NEW YORKER
C24 = LASER	H = VOYAGER	V = 600
D = ARIES	K = MINI RAM/CARAVAN/ROYAL	V24 = DAYTONA
E = 600	M = HORIZON/TURISMO	Z = OMNI/CHARGER/RAMPAGE

BODY STYLES

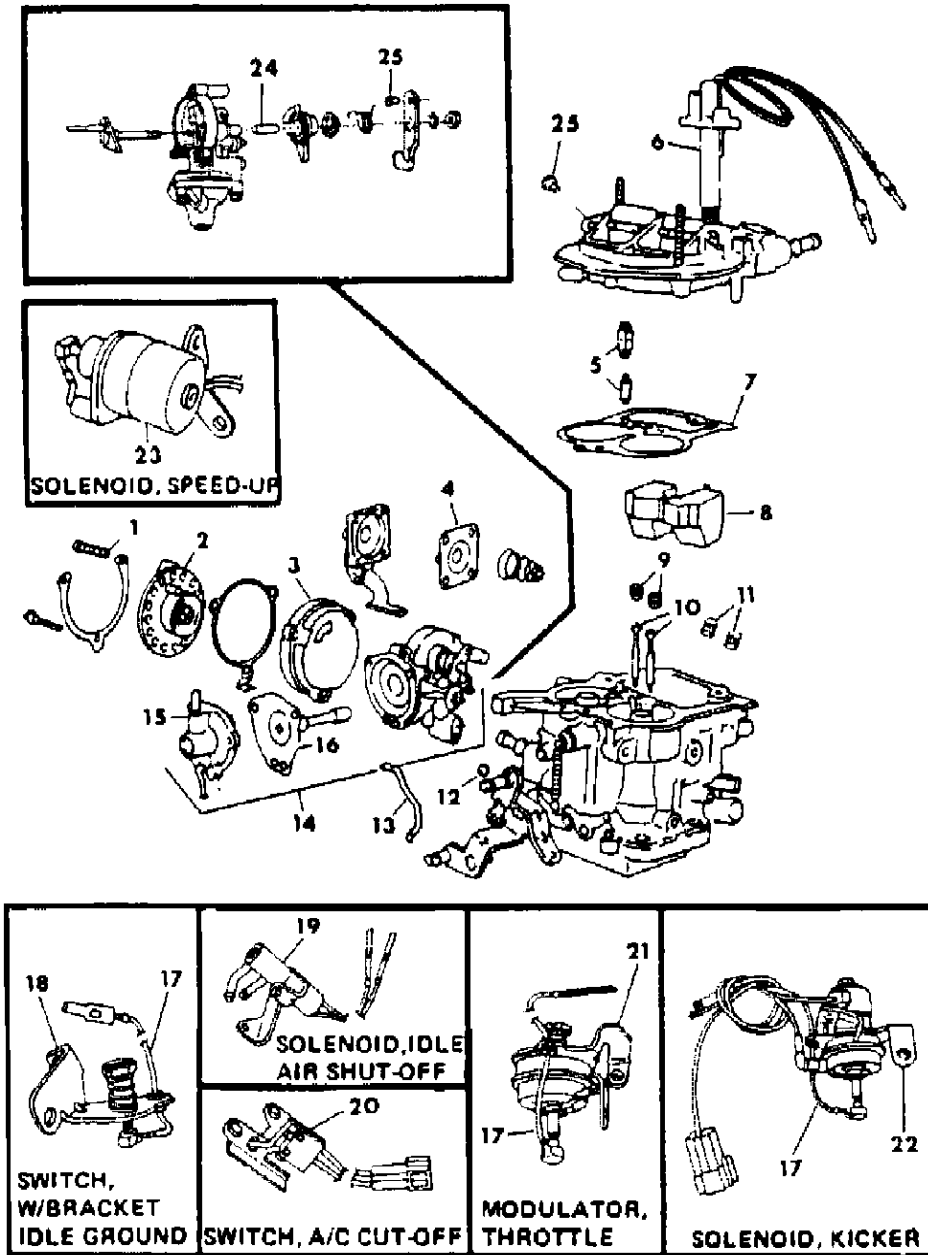
21 = 2-DOOR SEDAN	28 = FWD PICKUP	44 = 4-DOOR HATCHBACK
22 = 2-DOOR SPECIAL COUPE	35 = FWD VAN	45 = 4-DOOR STATION WAGON
24 = 2-DOOR HATCHBACK	36 = FWD WAGON	48 = 4-DOOR EXECUTIVE SEDAN
27 = 2-DOOR CONVERTIBLE	41 = 4-DOOR SEDAN	

AR = Use as Required - = Non Illustrated Part P.A.R. = Paint as Required

CARBURETOR AND COMPONENT PARTS HOLLEY-2BBL.(6520) 0

Figure 14-1300

4114 1300



ITEM	PART NUMBER	QTY	BODY	MODEL	DESCRIPTION
8	4186 293				FLOAT Y4186293 Y4186293 Y4186293 Y4186293
9	4186 340				BLEED, Hi - Speed N N N N Primary Y4186340 Y4186340 Y4186340 N
	4131 128				Secondary Y4131128 N N Y4131128
10	4186 291				TUBE, Main Well N N N N Primary Y4186291 Y4186291 Y4186291 Y4186291
	4186 291				Secondary Y4186291 Y4186291 Y4186291 Y4186291
11	4293 706				JET, Main N N N N Primary Y4293706 Y4293706 Y4293706 Y4293706
	4342 775				Secondary Y4342775 Y4342775 Y4342775 Y4342775
12	4267 140				PLUG, Idle Needle Y4267140 Y4267140 Y4267140 Y4267140
13					LINK, Fast Idle N N N N
14	4293 770				HOUSING, w/DIAPHRAGM, Choke Y4293770 Y4293770
					Y4293770 N
15					COVER, Choke Diaphragm N N N N
16	4293 772				DIAPHRAGM, w/SHAFT, Choke Y4293772 Y4293772 Y4293772
					N
17					WIRE and TERMINAL N N N N
18					SWITCH, w/BRACKET, Idle Ground N N N N
19					SOLENOID, Idle Shut - Off N N N N
20	4342 764				SWITCH, A/C Cut - Off N N N Y4342764
21					MODULATOR, Throttle N N N N
22	4342 796				SOLENOID, Kicker Y4342796 Y4342796 Y4342796 Y4342796
23					SOLENOID, Speed - Up N N N N
24	4131 131				BUSHING, Choke Shaft Y4131131 Y4131131 Y4131131
					Y4131131
25	4131 114				RETAINER, Rod Y4131114 Y4131114 Y4131114 Y4131114
	4342 879				HOUSING, w/DIAPHRAGM, Secondary (not illustrated)
					Y4342879 Y4342879 Y4342879 Y4342879
	4342 776				DIAPHRAGM, w/LINK, Secondary, (not illustrated) Y4342776
					Y4342776 Y4342776 Y4342776
	4342 780				SOLENOID, Dump Valve (not illustrated) Y4342780 Y4342780
					Y4342780 Y4342780
	4342 781				FITTING, Fuel Inlet (not illustrated) Y4342781 Y4342781
					Y4342781 Y4342781
	4293 838				GASKET SET Y4293838 N N N
					REPAIR KIT N N N N
1	4293 790				RIVET, Thermostat Housing Y4293790 N N N

MODEL CODES

B = GRAN FURY	F = FIFTH AVENUE/NEWPORT	P = RELIANT
C = LEBARON/TOWN & COUNTRY/EXC SEDAN	G = DIPLOMAT	T = E CLASS/NEW YORKER
C24 = LASER	H = VOYAGER	V = 600
D = ARIES	K = MINI RAM/CARAVAN/ROYAL	V24 = DAYTONA
E = 600	M = HORIZON/TURISMO	Z = OMNI/CHARGER/RAMPAGE

BODY STYLES

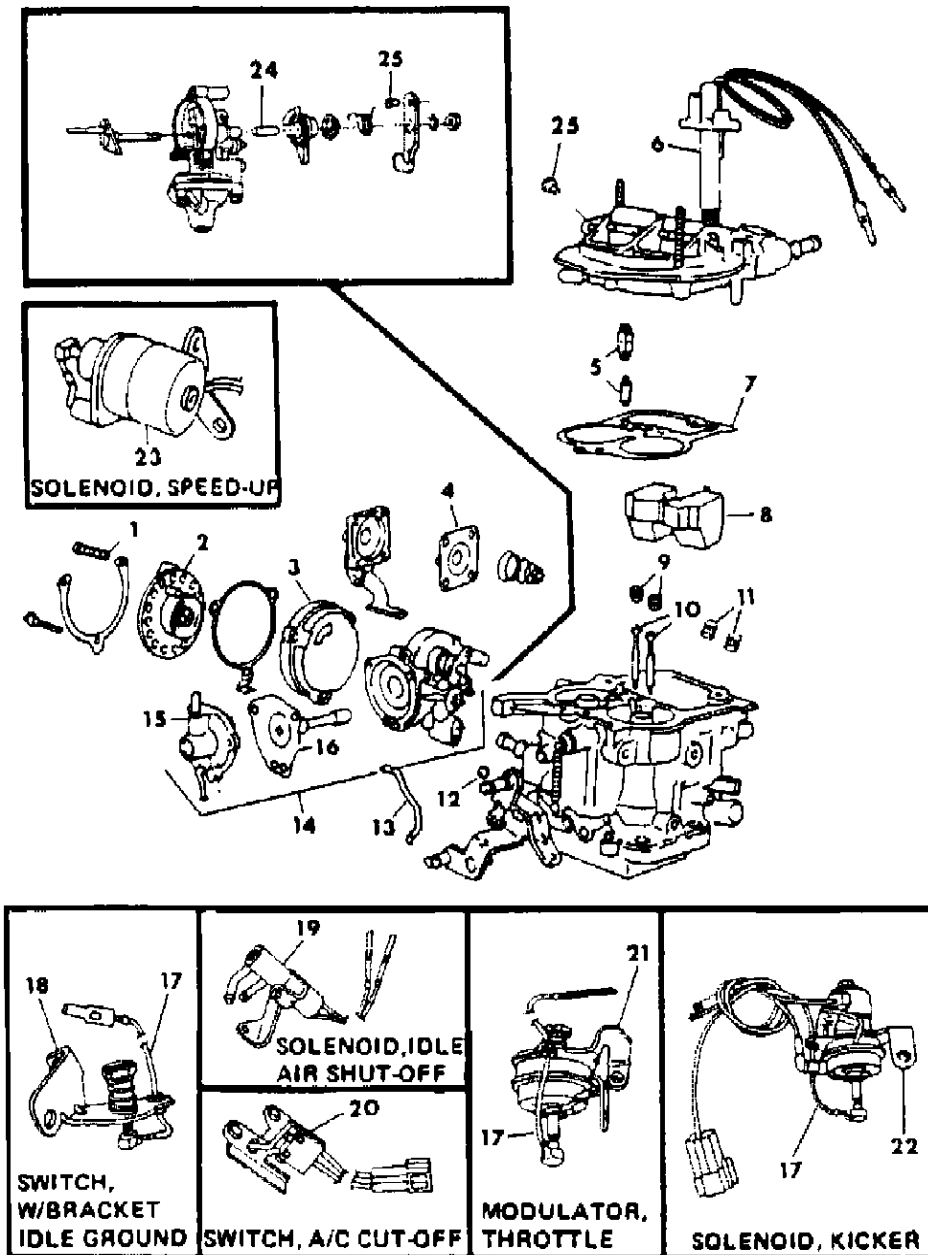
21 = 2-DOOR SEDAN	28 = FWD PICKUP	44 = 4-DOOR HATCHBACK
22 = 2-DOOR SPECIAL COUPE	35 = FWD VAN	45 = 4-DOOR STATION WAGON
24 = 2-DOOR HATCHBACK	36 = FWD WAGON	48 = 4-DOOR EXECUTIVE SEDAN
27 = 2-DOOR CONVERTIBLE	41 = 4-DOOR SEDAN	

AR = Use as Required - = Non Illustrated Part P.A.R. = Paint as Required

CARBURETOR AND COMPONENT PARTS HOLLEY-2BBL.(6520) 0

Figure 14-1300

4114 1300



ITEM	PART NUMBER	QTY	BODY	MODEL	DESCRIPTION
2	4186 295				THERMOSTAT, w/CAP, Choke Y4186295 N N N
3	4267 096				HOUSING, Thermostat Y4267096 N N N
4	4131 121				DIAPHRAGM, Pump Y4131121 N N N
5	4131 116				NEEDLE and SEAT Y4131116 N N N
6	4293 751				SOLENOID, Duty - Cycle Y4293751 N N N
	4267 165				O-RING, Duty - Cycle Solenoid Y4267165 N N N
7	4293 836				GASKET, Air Horn Y4293836 N N N
8	4186 293				FLOAT Y4186293 N N N
9					BLEED, Hi - Speed N N N N
					Primary N N N N
	4131 128				Secondary Y4131128 N N N
10					TUBE, Main Well N N N N
	4186 291				Primary Y4186291 N N N
	4186 291				Secondary Y4186291 N N N
11					JET, Main N N N N
	4293 706				Primary Y4293706 N N N
	4342 775				Secondary Y4342775 N N N
12	4267 140				PLUG, Idle Needle Y4267140 N N N
13					LINK, Fast Idle N N N N
14					HOUSING, w/DIAPHRAGM, Choke N N N N
15					COVER, Choke Diaphragm N N N N
16					DIAPHRAGM, w/SHAFT, Choke N N N N
17					WIRE and TERMINAL N N N N
18					SWITCH, w/BRACKET, Idle Ground N N N N
19					SOLENOID, Idle Shut - Off N N N N
20	4342 764				SWITCH, A/C Cut - Off Y4342764 N N N
21					MODULATOR, Throttle N N N N
22	4342 796				SOLENOID, Kicker Y4342796 N N N
23					SOLENOID, Speed - Up N N N N
24	4131 131				BUSHING, Choke Shaft Y4131131 N N N
25	4131 114				RETAINER, Rod Y4131114 N N N
	4342 879				HOUSING, w/DIAPHRAGM, Secondary (not illustrated) Y4342879 N N N
	4342 776				DIAPHRAGM, w/LINK, secondary (not illustrated) Y4342776 N N N
	4342 780				SOLENOID, Dump Valve (not illustrated) Y4342780 N N N
	4342 781				FITTING, Fuel Inlet (not illustrated) Y4342781 N N N

MODEL CODES

B = GRAN FURY	F = FIFTH AVENUE/NEWPORT	P = RELIANT
C = LEBARON/TOWN & COUNTRY/EXC SEDAN	G = DIPLOMAT	T = E CLASS/NEW YORKER
C24 = LASER	H = VOYAGER	V = 600
D = ARIES	K = MINI RAM/CARAVAN/ROYAL	V24 = DAYTONA
E = 600	M = HORIZON/TURISMO	Z = OMNI/CHARGER/RAMPAGE

BODY STYLES

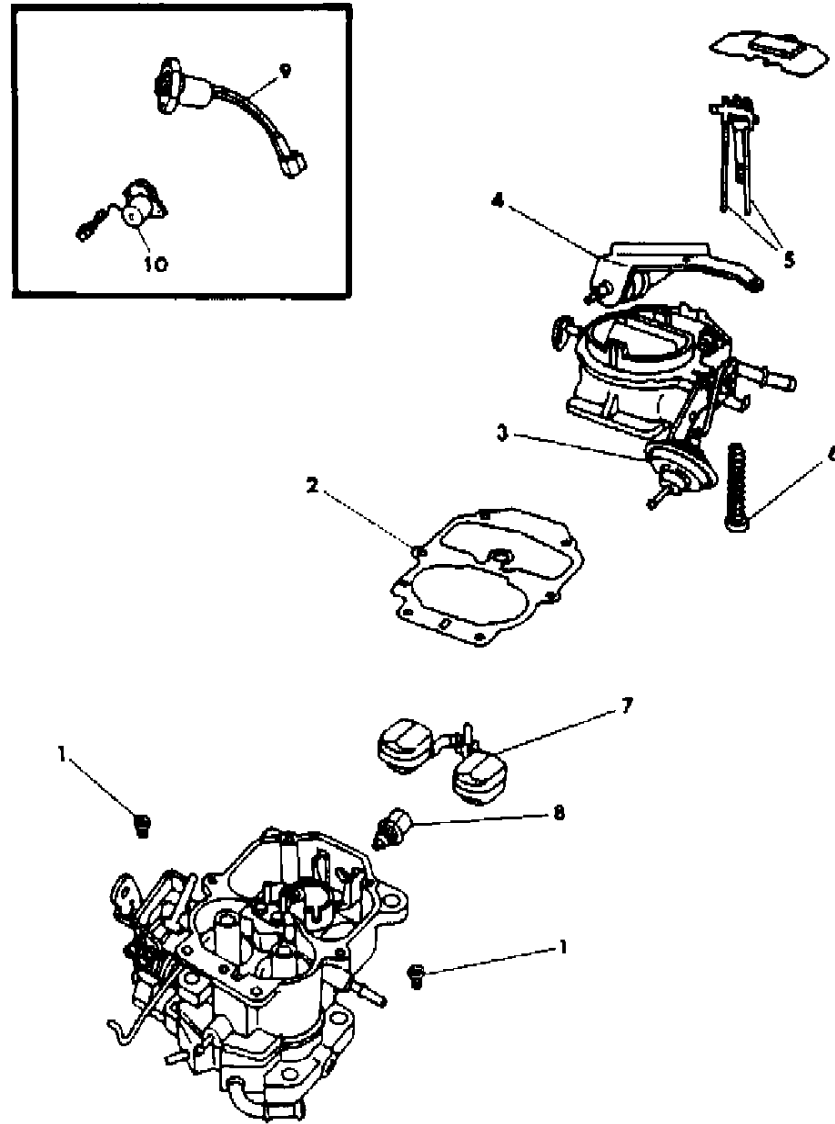
21 = 2-DOOR SEDAN	28 = FWD PICKUP	44 = 4-DOOR HATCHBACK
22 = 2-DOOR SPECIAL COUPE	35 = FWD VAN	45 = 4-DOOR STATION WAGON
24 = 2-DOOR HATCHBACK	36 = FWD WAGON	48 = 4-DOOR EXECUTIVE SEDAN
27 = 2-DOOR CONVERTIBLE	41 = 4-DOOR SEDAN	

AR = Use as Required - = Non Illustrated Part P.A.R. = Paint as Required

CARBURETOR AND COMPONENT PARTS CARTER-2BBL.

Figure 14-1400

4114 1400



ITEM	PART NUMBER	QTY	BODY	MODEL	DESCRIPTION
					B,F,G w/(SC-NAA,NAE) 318/A NBBB-8385 N4300011 N4300011 N1
					B,F,G w/(SC-NAA), Canada 318/A NBBB-8369 N4287023 N4287023 N2
					B,F,G w/(SC-NAE) 318/A NBBB-8397 N4300045 N4300011 N3
	4271 942				GASKET SET Y4271942 Y4271942 Y4271942 N
	4271 962				REPAIR KIT Y4271962 Y4271962 Y4271962 N
1	2933 008				JET, Main Metering Y2933008 N2809305 Y2933008 N
1	2809 305				JET, Main Metering N2933008 Y2809305 N2933008 N
2	4240 135				GASKET, Air Horn Y4240135 Y4240135 Y4240135 N
3	4271 956				DIAPHRAGM, w/BRACKET, Choke Y4271956 Y4271956 Y4271956 N
4	4267 146				SOLENOID, w/BRACKET Y4267146 N Y4267146 N
5	4267 217				ROD, Metering Y4267217 N4267218 Y4267217 N
5	4267 218				ROD, Metering N4267217 Y4267218 N4267217 N
6	4397 805				CUP, Accel Pump Y4397805 Y4397805 Y4397805 N
	4094 867				PLUNGER, Accel Pump N Y4094867 N N
7	3481 274				FLOAT Y3481274 N3481271 Y3481274 N
7	3481 271				FLOAT N3481274 Y3481271 N3481274 N
8	2933 042				NEEDLE and SEAT Y2933042 Y2933042 Y2933042 N
9	4240 040				SOLENOID, Bowl Vent Y4240040 N Y4240040 N
10	4240 127				SOLENOID, Pulsing Y4240127 N Y4240127 N
	4271 855				PLUG, Idle Needle (not illustrated) Y4271855 Y4271855 Y4271855 N
	4240 136				WIRE and BRACKET, Ground (not illustrated) N Y4240136 N N

MODEL CODES

B = GRAN FURY	F = FIFTH AVENUE/NEWPORT	P = RELIANT
C = LEBARON/TOWN & COUNTRY/EXC SEDAN	G = DIPLOMAT	T = E CLASS/NEW YORKER
C24 = LASER	H = VOYAGER	V = 600
D = ARIES	K = MINI RAM/CARAVAN/ROYAL	V24 = DAYTONA
E = 600	M = HORIZON/TURISMO	Z = OMNI/CHARGER/RAMPAGE

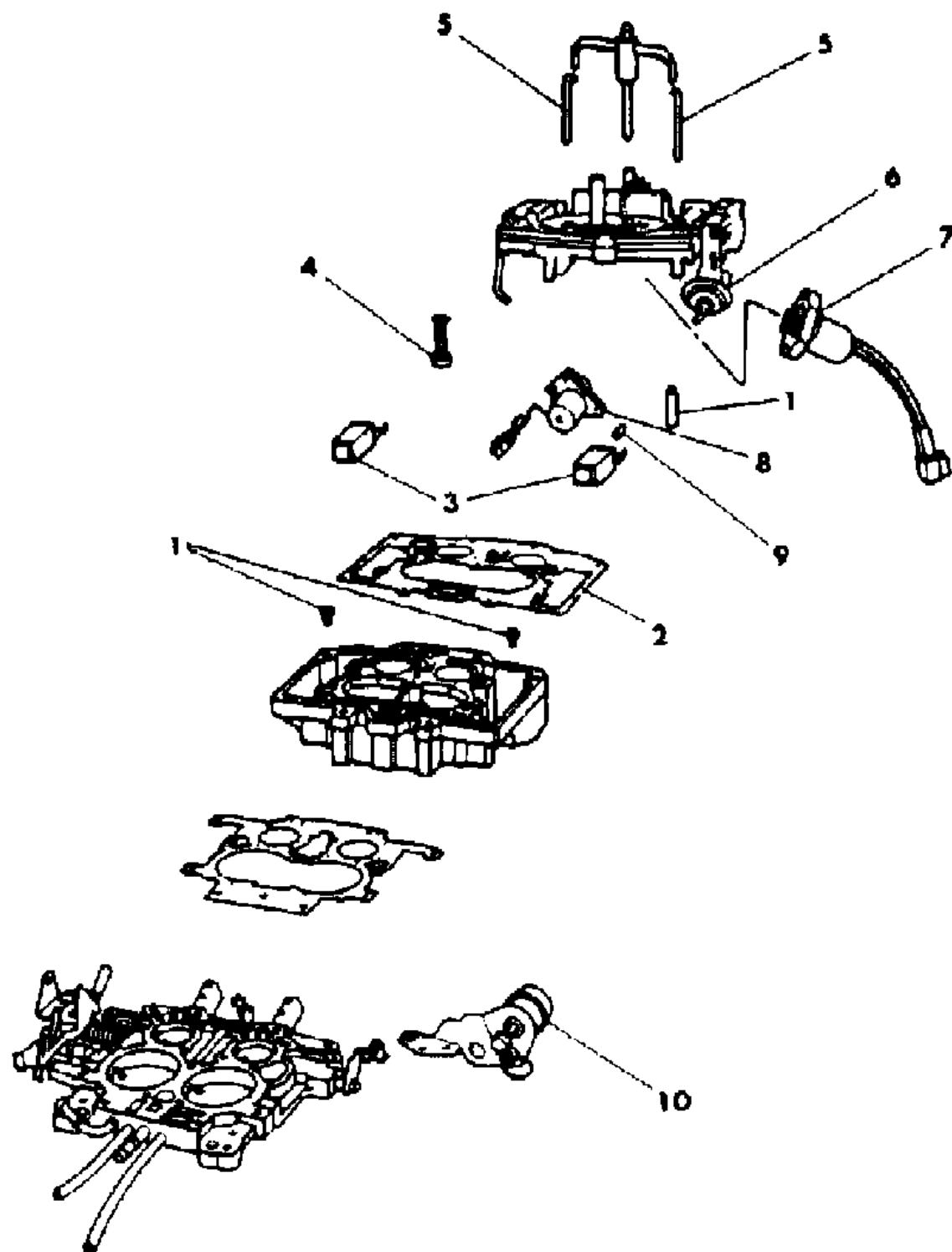
BODY STYLES

21 = 2-DOOR SEDAN	28 = FWD PICKUP	44 = 4-DOOR HATCHBACK
22 = 2-DOOR SPECIAL COUPE	35 = FWD VAN	45 = 4-DOOR STATION WAGON
24 = 2-DOOR HATCHBACK	36 = FWD WAGON	48 = 4-DOOR EXECUTIVE SEDAN
27 = 2-DOOR CONVERTIBLE	41 = 4-DOOR SEDAN	

AR = Use as Required - = Non Illustrated Part P.A.R. = Paint as Required

CARBURETOR AND COMPONENT PARTS CARTER-4BBL.
Figure 14-1500

4114 1500



ITEM	PART NUMBER	QTY	BODY	MODEL	DESCRIPTION
	R430 0019				B,F,G w/(SC-NAA) 318/A NTQ-9389 N4300012 YR4300019 N1
	4179 177				B,F,G w/(SC-NAB) 318/A NTQ-9364 N4179177 Y4179177 N2
	R430 0019				B,F,G w/(SC-NAA,NAF) 318/A NTQ-9391 N4300019 YR4300019 N3
	4267 212				GASKET SET Y4267212 Y4267212 Y4267212 N
	4271 945				REPAIR KIT Y4271945 Y4271945 Y4271945 N
1					JET, Metering N N N N
	4026 269				Primary Y4026269 N3683905 N N
	3683 905				Primary N4026269 Y3683905 N N
	4049 189				Secondary Y4049189 Y4049189 N N
2	4186 236				GASKET, Air Horn Y4186236 Y4186236 N N
3	3780 155				FLOAT Y3780155 Y3780155 N N
4					CUP, Accel Pump N N N N
	4094 867				PLUNGER, Accel Pump Y4094867 Y4094867 N N
5	4267 132				ROD, Metering Y4267132 N4131177 N N
5	4131 177				ROD, Metering N4267132 Y4131177 N N
6	4267 133				DIAPHRAGM, Choke Y4267133 N4131250 Y4267133 N
6	4131 250				DIAPHRAGM, Choke N4267133 Y4131250 N4267133 N
7	4240 185				SOLENOID, Bowl Vent Y4240185 N4267136 N4267136 N
7	4267 136				SOLENOID, Bowl Vent N4240185 Y4267136 Y4267136 N
8	4267 135				SOLENOID, Pulsing Y4267135 N Y4267135 N
9	3621 161				NEEDLE and SEAT Y3621161 Y3621161 N N
10	4267 134				SOLENOID, w/BRACKET Y4267134 N Y4267134 N
	4271 855				PLUG, Idle Needle (not illustrated) Y4271855 Y4271855 N
	4267 138				WIRE and BRACKET, Ground (not illustrated) N Y4267138 N N

MODEL CODES

B = GRAN FURY	F = FIFTH AVENUE/NEWPORT	P = RELIANT
C = LEBARON/TOWN & COUNTRY/EXC SEDAN	G = DIPLOMAT	T = E CLASS/NEW YORKER
C24 = LASER	H = VOYAGER	V = 600
D = ARIES	K = MINI RAM/CARAVAN/ROYAL	V24 = DAYTONA
E = 600	M = HORIZON/TURISMO	Z = OMNI/CHARGER/RAMPAGE

BODY STYLES

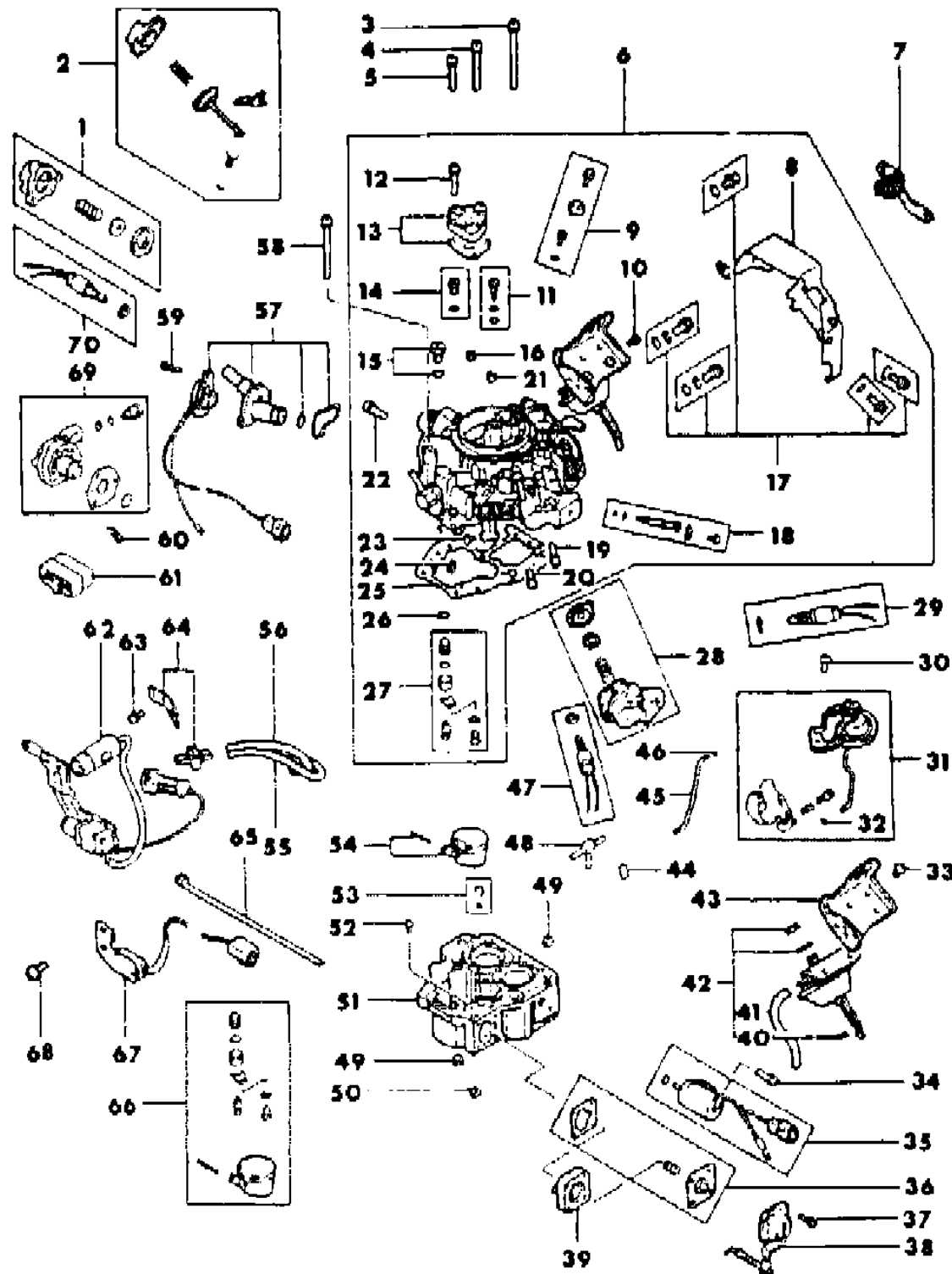
21 = 2-DOOR SEDAN	28 = FWD PICKUP	44 = 4-DOOR HATCHBACK
22 = 2-DOOR SPECIAL COUPE	35 = FWD VAN	45 = 4-DOOR STATION WAGON
24 = 2-DOOR HATCHBACK	36 = FWD WAGON	48 = 4-DOOR EXECUTIVE SEDAN
27 = 2-DOOR CONVERTIBLE	41 = 4-DOOR SEDAN	

AR = Use as Required - = Non Illustrated Part P.A.R. = Paint as Required

CARBURETOR COMPONENT PARTS - W/2.6 LITRE ENGINE

Figure 14-1600

4114 1600



ITEM	PART NUMBER	QTY	BODY	MODEL	DESCRIPTION
1	MD60 8567	1			VALVE KIT, Coasting Air, except Canada
2	MD60 8570	1			BREAKER KIT, Choke
3	MD60 6865	2			SCREW, w/WASHER
4	MF35 0061	1			SCREW, w/WASHER
5	MF35 0056	3			SCREW, w/WASHER
6	MD60 8641	1			COVER, Float Chamber except H,K, except Calif., Canada (stamped 740)
	MD60 8793	1			except H,K, except Calif., Canada (stamped 509)
	MD60 8601	1	H,K		except Calif.
	MD60 8600	1			Calif.
	MD60 8602	1			except Limo, Canada
	MD60 8641	1			Limo, Canada (stamped 740)
	MD60 8793	1			Limo, Canada (stamped 509)
7	MD60 8576	1			ARM and PINION
8	MD60 8612	1			COVER, Choke except H,K, except Calif., Canada
	MD60 8599	1	H,K		
	MD60 8599	1			Calif.
	MD60 8599	1			except Limo, Canada
	MD60 8612	1			Limo, Canada
9	MD60 6847	1			JET, Pilot (#75)
10	MF35 0048	1			SCREW, w/WASHER
11	MD60 8125	1			SCREW KIT, Hi-Altitude
12	MF35 0031	AR			SCREW, w/WASHER
13	MD60 6933	1			BODY, Enrichment Valve
14	MD60 8124	1			SCREW KIT, Hi-Altitude
15	MD60 6956	1			SCREW KIT, Fuel Level
16	MD60 6377	1			JET, Main Air (#95)
17	MD60 6977	1			SCREW KIT, Choke Cover
18	MD60 8281	1			JET, Pilot except Calif. (#60)
	MD60 8241	1			Calif. (#58.8)
19	MF35 0032	1			SCREW, w/WASHER, Calif and Canada
20	MF35 0026	2			SCREW, w/WASHER, Calif and Canada
21	MD60 0116	2			JET, Enrichment (#60)
	MD60 8003	1			JET, Econostat, except Calif. and Canada
22	MF35 0053	3			SCREW, w/WASHER except H,K and except Calif, Canada

MODEL CODES

B = GRAN FURY	F = FIFTH AVENUE/NEWPORT	P = RELIANT
C = LEBARON/TOWN & COUNTRY/EXC SEDAN	G = DIPLOMAT	T = E CLASS/NEW YORKER
C24 = LASER	H = VOYAGER	V = 600
D = ARIES	K = MINI RAM/CARAVAN/ROYAL	V24 = DAYTONA
E = 600	M = HORIZON/TURISMO	Z = OMNI/CHARGER/RAMPAGE

BODY STYLES

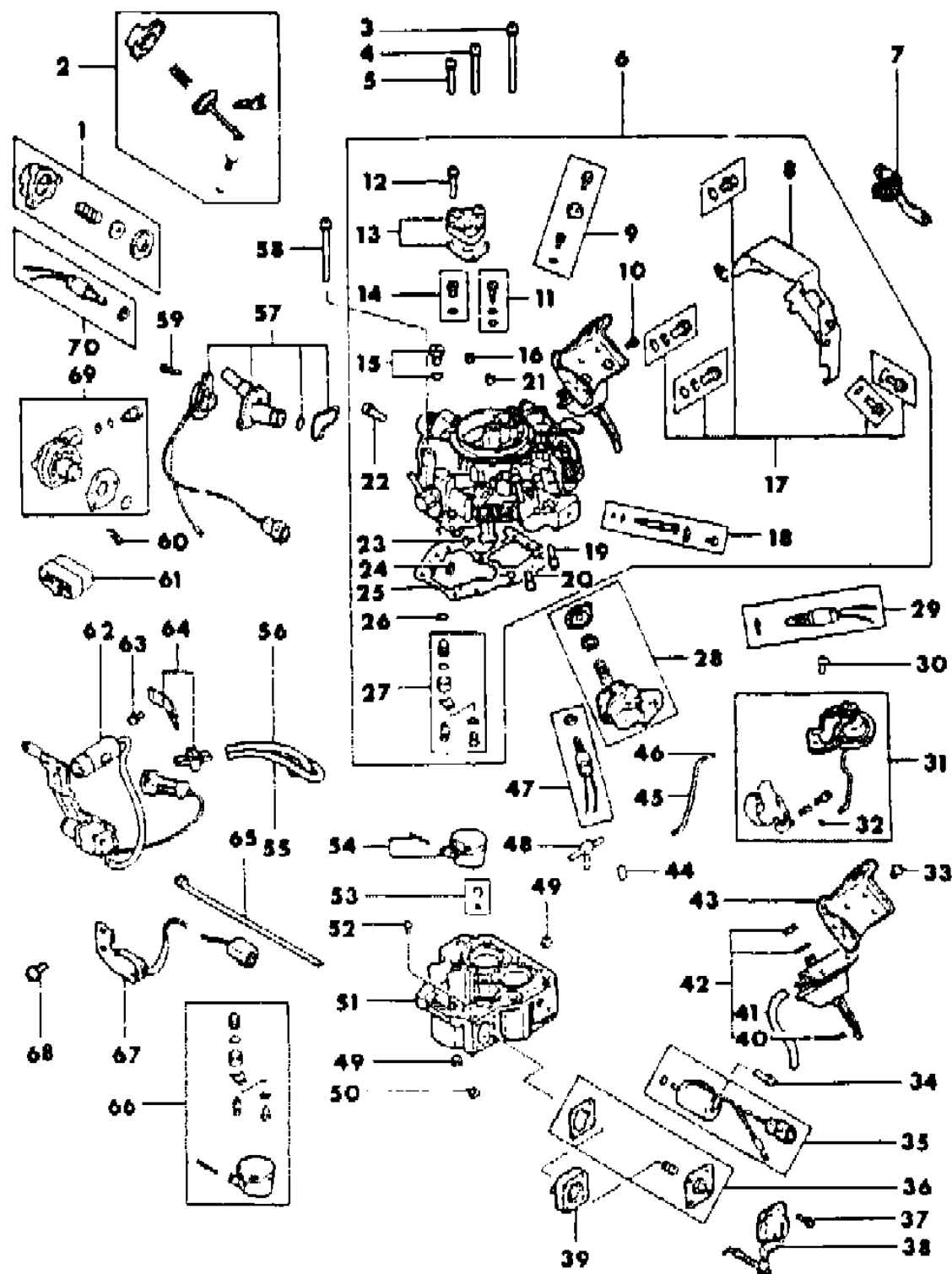
21 = 2-DOOR SEDAN	28 = FWD PICKUP	44 = 4-DOOR HATCHBACK
22 = 2-DOOR SPECIAL COUPE	35 = FWD VAN	45 = 4-DOOR STATION WAGON
24 = 2-DOOR HATCHBACK	36 = FWD WAGON	48 = 4-DOOR EXECUTIVE SEDAN
27 = 2-DOOR CONVERTIBLE	41 = 4-DOOR SEDAN	

AR = Use as Required - = Non Illustrated Part P.A.R. = Paint as Required

CARBURETOR COMPONENT PARTS - W/2.6 LITRE ENGINE

Figure 14-1600

4114 1600



ITEM	PART NUMBER	QTY	BODY	MODEL	DESCRIPTION
	MF35 0049	3			except H,K and except Calif, Canada
	MF35 0053	3			Limo, Canada
	MF35 0049	3			Limo, Canada
	MF35 0049	3			Calif
23					JET
	MD60 6195	1			Main (#106.3), except H,K and except Calif, Canada
	MD60 8280	1	H,K		Main (#114.4), except Calif
	MD60 8280	1			Main (#114.4), except Limo, Canada
	MD60 6195	1			Main (#106.3), Limo, Canada
24	MD60 8608	1			Primary, Calif
					JET, Main
	MD60 0844	1			(#175), except H,K and except Calif, Canada
	MD60 6234	1	H,K		(#185)
	MD60 6234	1			(#185), Calif
	MD60 6234	1			(#185), except Limo, Canada
	MD60 0844	1			(#175), Limo, Canada
25					GASKET, Float Chamber Cover
	MD60 8639	1			except H,K and except Calif, Canada
	MD60 8639	1			Limo, Canada
	MD60 8135	1			
26	MD60 6952	1			SHIM KIT, except H,K
27	MD60 6931	1			VALVE KIT, Needle
28	MD60 8563	1			VALVE KIT, Air Switching except Canada
29	MD60 8621	1			VALVE, Solenoid (DVS) except H,K and Calif, Canada(stamped 740)
	MD60 8796	1			except H,K and Calif, Canada(stamped 509)
	MD60 8621	1			Limo, Canada (stamped 740)
	MD60 8796	1			Limo, Canada (stamped 509)
30	MF35 0047	AR			SCREW, w/WASHER
31					OPENER KIT, Throttle
	MD60 8634	1			except H,K and except Calif, Canada
	MD60 8634	1			Limo, Canada
	MD60 8422	1			
32	MD60 0213	1			SNAP RING
33	MF35 0047	AR			SCREW, w/WASHER
34	MF35 0050	AR			SCREW, w/WASHER
35	MD60 6943	1			VALVE, Solenoid
36	MD60 6849	1			DIAPHRAGM KIT, Pump

MODEL CODES

B = GRAN FURY	F = FIFTH AVENUE/NEWPORT	P = RELIANT
C = LEBARON/TOWN & COUNTRY/EXC SEDAN	G = DIPLOMAT	T = E CLASS/NEW YORKER
C24 = LASER	H = VOYAGER	V = 600
D = ARIES	K = MINI RAM/CARAVAN/ROYAL	V24 = DAYTONA
E = 600	M = HORIZON/TURISMO	Z = OMNI/CHARGER/RAMPAGE

BODY STYLES

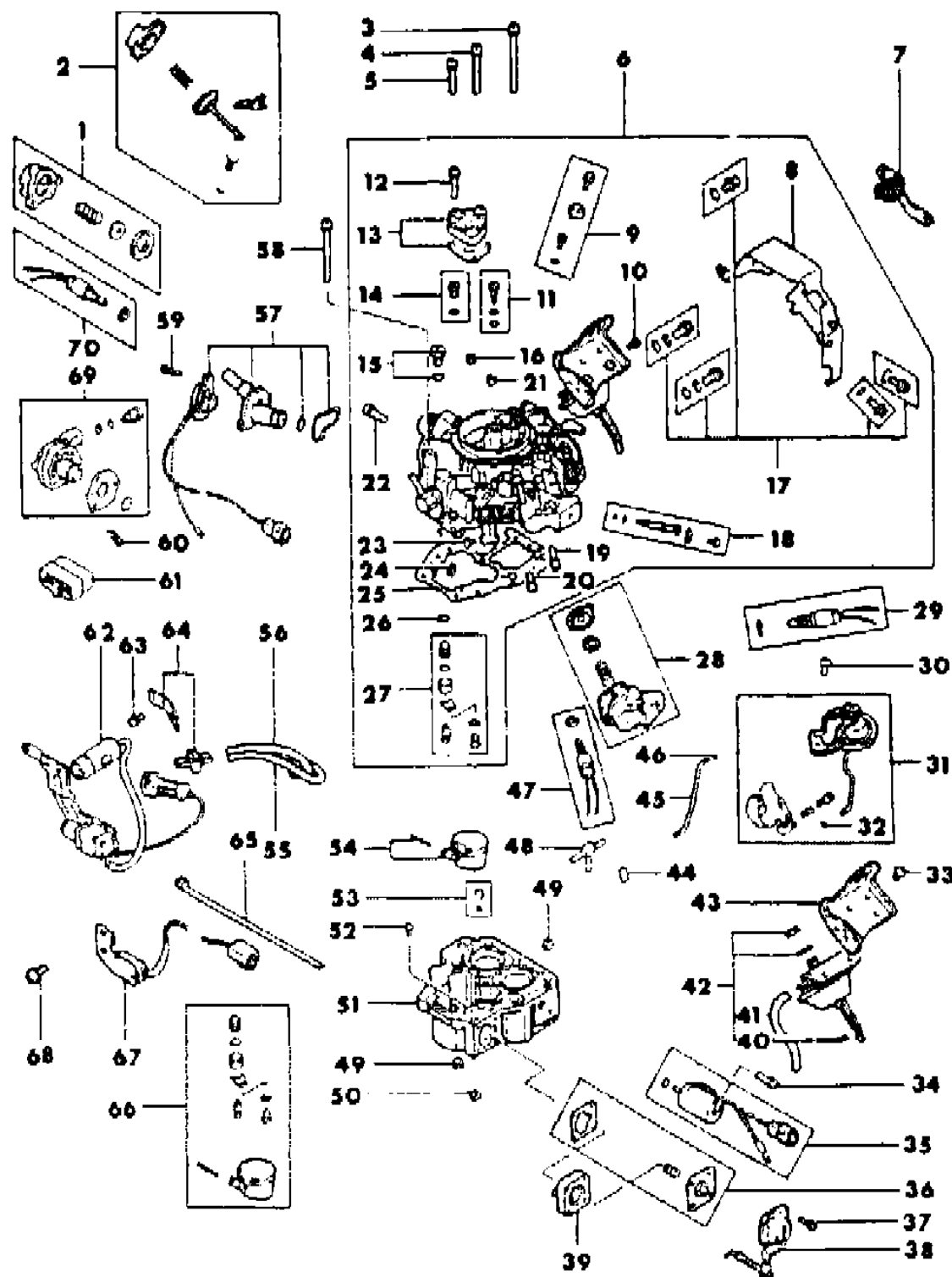
21 = 2-DOOR SEDAN	28 = FWD PICKUP	44 = 4-DOOR HATCHBACK
22 = 2-DOOR SPECIAL COUPE	35 = FWD VAN	45 = 4-DOOR STATION WAGON
24 = 2-DOOR HATCHBACK	36 = FWD WAGON	48 = 4-DOOR EXECUTIVE SEDAN
27 = 2-DOOR CONVERTIBLE	41 = 4-DOOR SEDAN	

AR = Use as Required - = Non Illustrated Part P.A.R. = Paint as Required

CARBURETOR COMPONENT PARTS - W/2.6 LITRE ENGINE

Figure 14-1600

4114 1600



ITEM	PART NUMBER	QTY	BODY	MODEL	DESCRIPTION
37	MF35 0031	AR			SCREW, w/WASHER
38	MD60 6850	1			COVER, Pump
39	MD60 6851	1			BODY, Pump
40	MD60 6527	1			RETAINER, Snap
41	MD60 6951	1			HOSE, Vacuum
42	MD60 8603	1			BODY, Depression Chamber
43	MD60 8640	1			BRACKET, Cable except H,K and except Calif.,Canada
	MD60 6949	1	H,K		
	MD60 6949	1			Calif.
	MD60 6949	1			except Limo, Canada
	MD60 8640	1			Limo, Canada
44	MD60 8126	1			CAP, Rubber
45	MD60 6854	1			ROD, Choke
46	MD60 0213	1			RING, Snap
47	MD60 8622	1			VALVE, Solenoid (ESV), except H,K and Calif, Canada
47	MD60 8622	1			Limo, Canada
48	MD02 5279	1	H,K		NIPPLE, except Calif
49	MF43 0003	4			NUT
50	MF43 0002	4			NUT
51	MD60 8619	1			BODY, Mixing except H,K and Calif, Canada
	MD60 6947	1	H,K		except Calif
	MD60 8166	1			Calif
	MD60 6947	1			except Limo, Canada
	MD60 8619	1			Limo, Canada
	MD60 8165	1			HI-Altitude
52	MD60 0116	1			JET, Enrichment (#60)
	MD60 8208	1			JET, Main Air (#67.5)
	MD60 6848	1			Enrichment (#65), except Limo, Canada
	MD60 6848	1	H,K		Enrichment (#65), except Calif
	MD60 8208	1			Main Air, except H,K and Calif, Canada
53	MD60 6852	1			VALVE KIT, Pump Check
54	MD60 6844	1			FLOAT, w/PIN
55	MD03 0241	1			HOSE (Green 140), except Calif
	MD03 1102	1			(Light Blue 150), Calif
56	MD03 0204	1			HOSE, Vacuum

MODEL CODES

B = GRAN FURY	F = FIFTH AVENUE/NEWPORT	P = RELIANT
C = LEBARON/TOWN & COUNTRY/EXC SEDAN	G = DIPLOMAT	T = E CLASS/NEW YORKER
C24 = LASER	H = VOYAGER	V = 600
D = ARIES	K = MINI RAM/CARAVAN/ROYAL	V24 = DAYTONA
E = 600	M = HORIZON/TURISMO	Z = OMNI/CHARGER/RAMPAGE

BODY STYLES

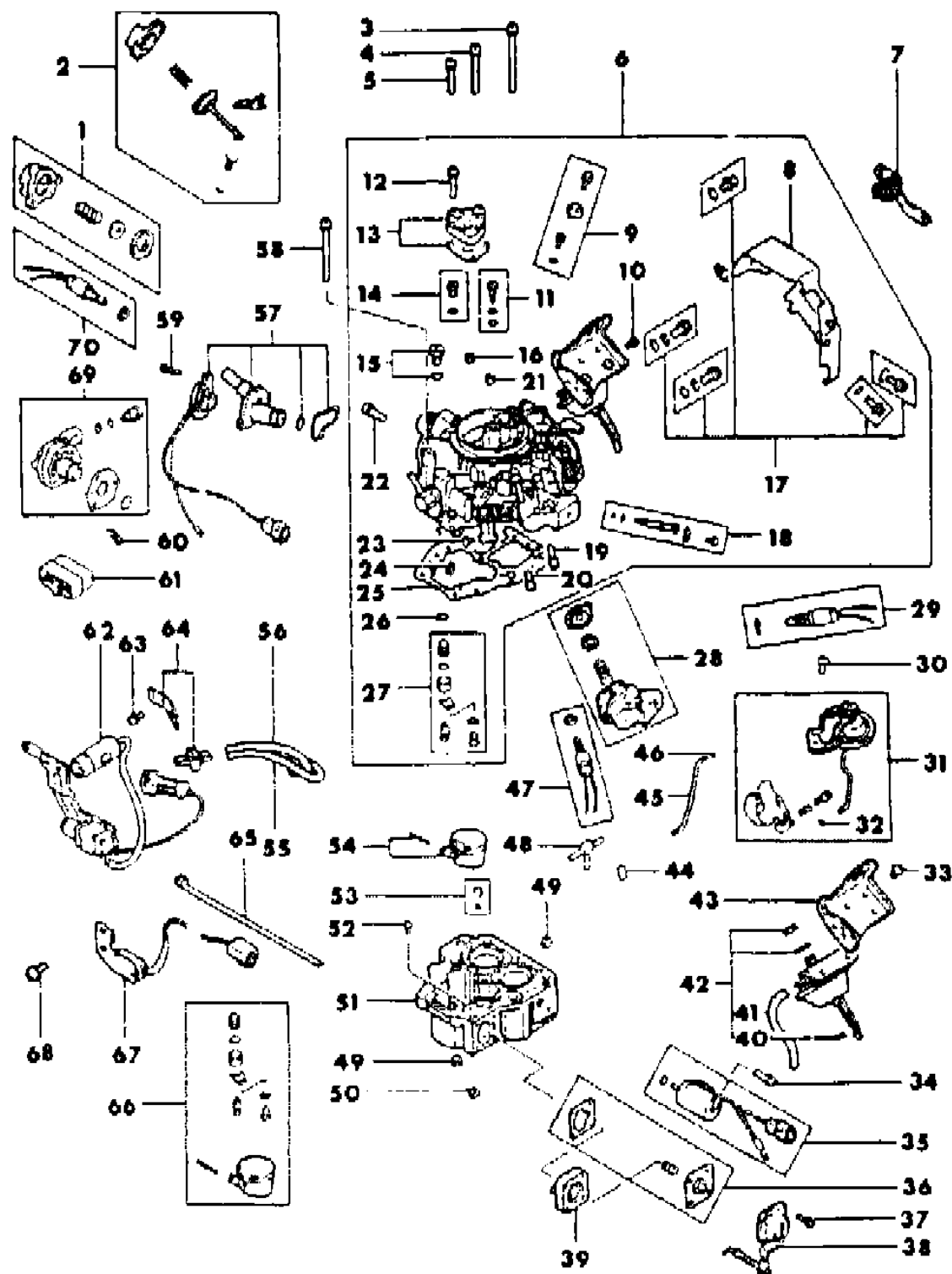
21 = 2-DOOR SEDAN	28 = FWD PICKUP	44 = 4-DOOR HATCHBACK
22 = 2-DOOR SPECIAL COUPE	35 = FWD VAN	45 = 4-DOOR STATION WAGON
24 = 2-DOOR HATCHBACK	36 = FWD WAGON	48 = 4-DOOR EXECUTIVE SEDAN
27 = 2-DOOR CONVERTIBLE	41 = 4-DOOR SEDAN	

AR = Use as Required - = Non Illustrated Part P.A.R. = Paint as Required

CARBURETOR COMPONENT PARTS - W/2.6 LITRE ENGINE

Figure 14-1600

4114 1600



ITEM	PART NUMBER	QTY	BODY	MODEL	DESCRIPTION
57					VALVE, Bowl Vent
	MD60 8635	1			except H,K and except Calif., Canada
	MD60 8222	1		H,K	
	MD60 8222	1			CALIF
	MD60 8222	1			except Limo, Canada
	MD60 8635	1			Limo, Canada
58	MD60 6948	1			SCREW, w/WASHER
59	MF35 0029	AR			SCREW, w/WASHER
60	MD60 8632	3			CLIP, except H,K and except Calif, Canada
	MD60 8632	3			Limo, Canada
61	MD60 8633	1			CONNECTOR KIT, except H,K and except Calif, Canada
	MD60 8633	1			Limo, Canada
62	MD60 8613	1			SENSOR, except H,K and Calif, Canada
	MD60 8613	1			Limo, Canada
63	MF35 0047	AR			SCREW, w/WASHER
64					JOINT KIT
	MD60 6953	1			except H,K and except Calif., Canada
	MD60 8605	1		H,K	
	MD60 8605	1			Calif
	MD60 8605	1			except Limo, Canada
	MD60 6953	1			Limo, Canada
65	MD60 6222	2			CLIP, Snap
66	MD60 6946	1			FLOAT and NEEDLE VALVE KIT
67	MD60 8610	1		H,K	SWITCH
67	MD60 8610	1			Calif
67	MD60 8610	1			except Limo, Canada
68	MD60 8609	2			SCREW, w/WASHER
69	MD60 6665	1			VALVE, Mixture Control, except H,K and except Calif,Canada
69	MD60 6665	1			Limo, Canada
70	MD60 8620	1			VALVE, Solenoid (JSV), except H,K and except Calif, Canada
					(stamped 740)
	MD60 8795	1			except H,K and except Calif, Canada (stamped 509)
	MD60 8620	1			Limo, Canada (stamped 740)
	MD60 8795	1			Limo, Canada (stamped 509)

MODEL CODES

B = GRAN FURY	F = FIFTH AVENUE/NEWPORT	P = RELIANT
C = LEBARON/TOWN & COUNTRY/EXC SEDAN	G = DIPLOMAT	T = E CLASS/NEW YORKER
C24 = LASER	H = VOYAGER	V = 600
D = ARIES	K = MINI RAM/CARAVAN/ROYAL	V24 = DAYTONA
E = 600	M = HORIZON/TURISMO	Z = OMNI/CHARGER/RAMPAGE

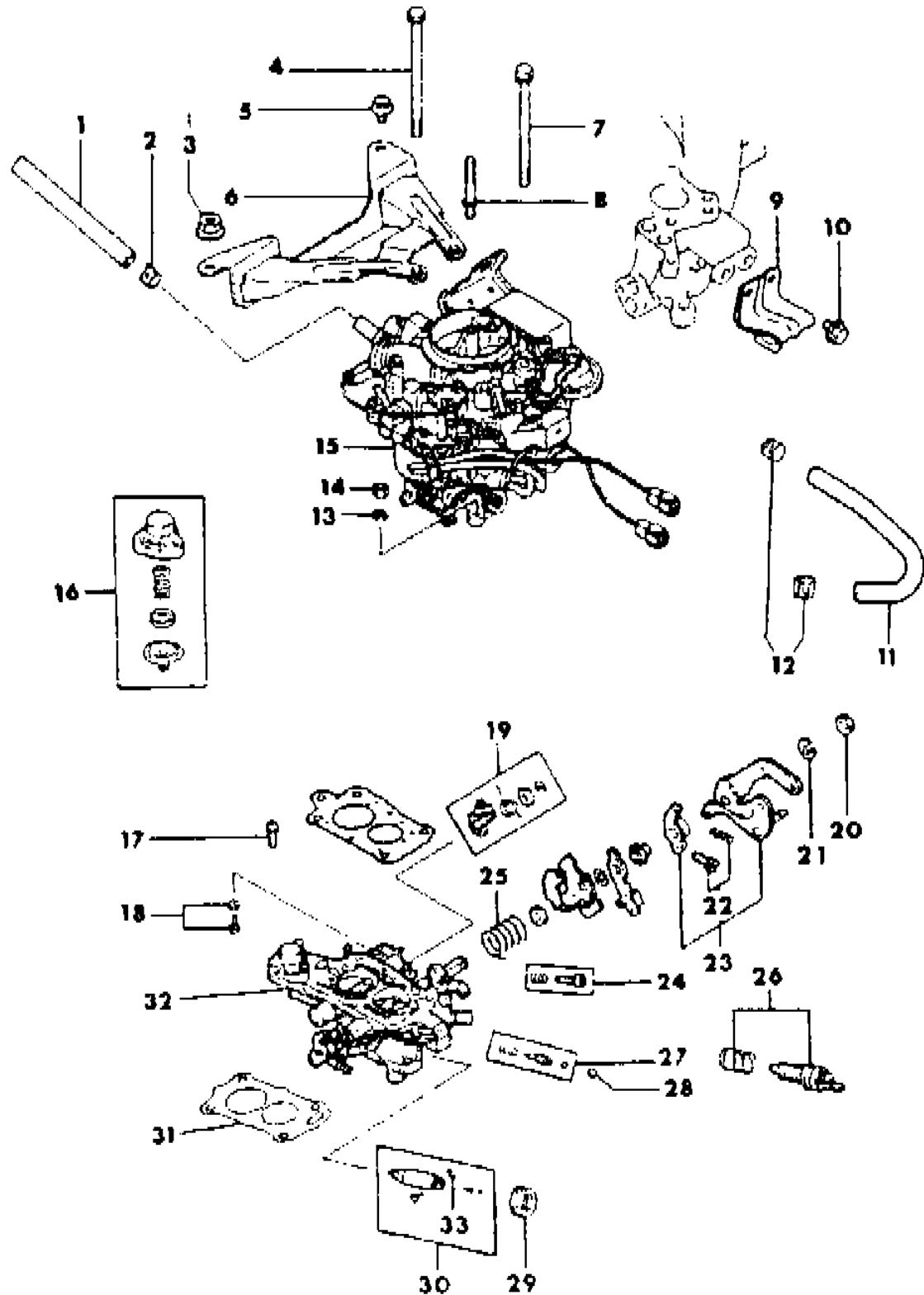
BODY STYLES

21 = 2-DOOR SEDAN	28 = FWD PICKUP	44 = 4-DOOR HATCHBACK
22 = 2-DOOR SPECIAL COUPE	35 = FWD VAN	45 = 4-DOOR STATION WAGON
24 = 2-DOOR HATCHBACK	36 = FWD WAGON	48 = 4-DOOR EXECUTIVE SEDAN
27 = 2-DOOR CONVERTIBLE	41 = 4-DOOR SEDAN	

AR = Use as Required - = Non Illustrated Part P.A.R. = Paint as Required

CARBURETOR - W/2.6 LITER ENGINE
Figure 14-1700

4314 1700



ITEM	PART NUMBER	QTY	BODY	MODEL	DESCRIPTION
					GASKET SET, Carburetor
	MD60 8643	1			except H,K and except Calif, Canada
	MD60 8604	1	H,K		except Calif
	MD60 8571	1			Calif
	MD60 8604	1			except Limo, Canada
	MD60 8643	1			Limo, Canada
1	MD07 1896	1			HOSE, Vapor
2	MS66 0165	1			CLIP
3	MF43 4104	1			NUT, Flange
4	MD02 7419	2			BOLT, w/WASHER
5	MF14 0202	1			BOLT, Flange
6	MD07 6040	1			SUPPORT, Carburetor
7	MD02 7419	2			BOLT, w/WASHER
8	MD02 5402	1			STUD
9	MD02 5438	1			BRACKET
10	MF14 0022	2			BOLT, Flange
11	MD60 6941	1			HOSE, Water
12	MS66 0164	2			CLIP, Hose
13	MF45 0404	1			WASHER, Spring
14	MF43 0004	1			NUT
15					CARBURETOR
	MD06 8740	1			except H,K and except Calif, Canada (stamped 740 on choke cover)
	MD08 1509	1			except H,K and except Calif, Canada (stamped 509 on choke cover)
	MD08 2750	1	H,K		except CALIF. and Canada
	MD06 8743	1			Up to 11-83
	MD08 4289	1			After 12-83
	MD06 8740	1			Hi-Altitude
					except Limo, Canada
	MD06 8744	1			Up to 11-83
	MD08 4655	1			After 12-83
	MD06 8740	1			Limo, Canada
16	MD60 8569	1			VALVE, Jet Air Control, Calif
17	MF35 0023	3			SCREW, w/WASHER
18	MD60 6833	1			SCREW KIT, Secondary Adjusting, except H,K
19	MD60 6938	1			SPRING KIT, Secondary

MODEL CODES

B = GRAN FURY	F = FIFTH AVENUE/NEWPORT	P = RELIANT
C = LEBARON/TOWN & COUNTRY/EXC SEDAN	G = DIPLOMAT	T = E CLASS/NEW YORKER
C24 = LASER	H = VOYAGER	V = 600
D = ARIES	K = MINI RAM/CARAVAN/ROYAL	V24 = DAYTONA
E = 600	M = HORIZON/TURISMO	Z = OMNI/CHARGER/RAMPAGE

BODY STYLES

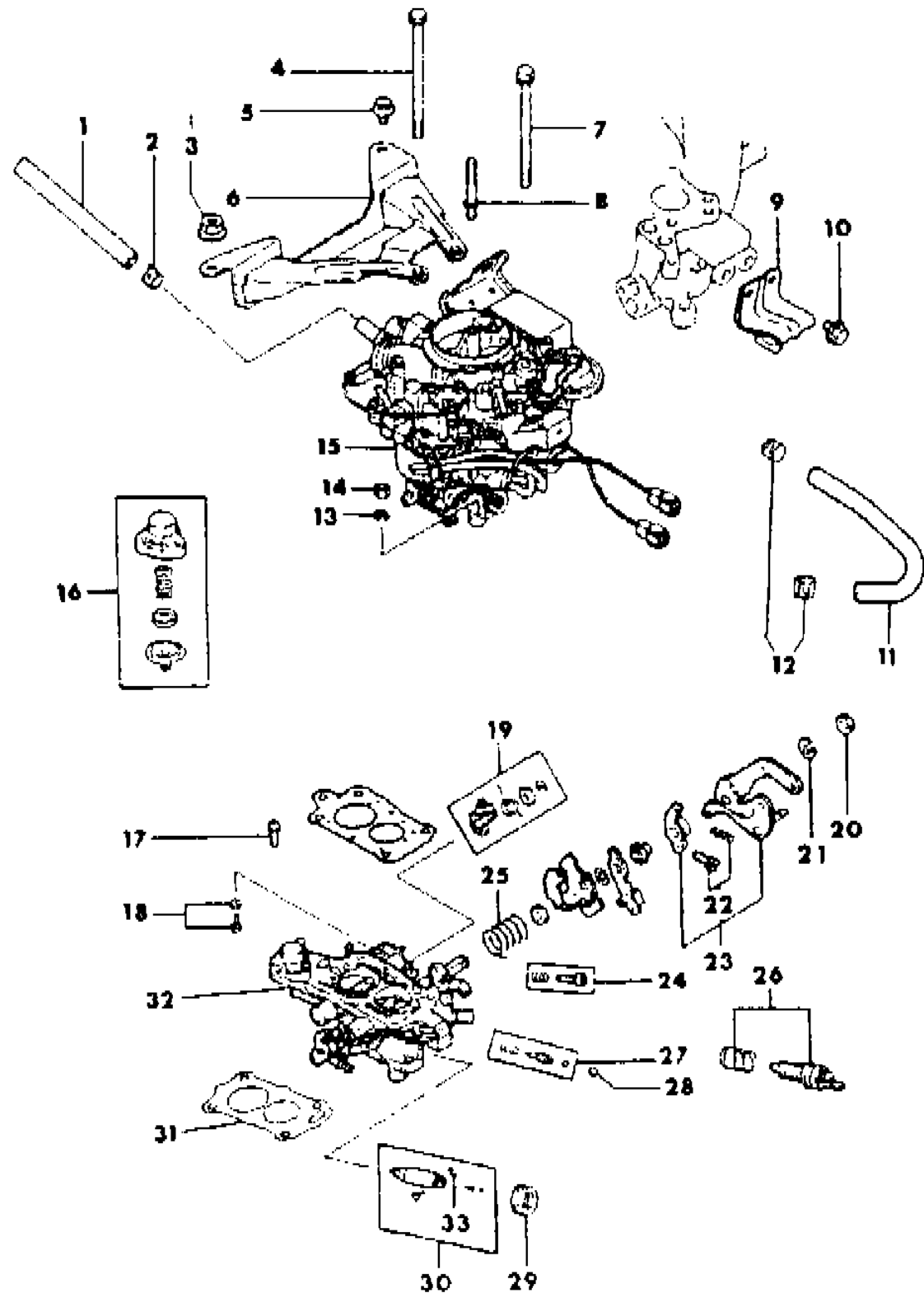
21 = 2-DOOR SEDAN	28 = FWD PICKUP	44 = 4-DOOR HATCHBACK
22 = 2-DOOR SPECIAL COUPE	35 = FWD VAN	45 = 4-DOOR STATION WAGON
24 = 2-DOOR HATCHBACK	36 = FWD WAGON	48 = 4-DOOR EXECUTIVE SEDAN
27 = 2-DOOR CONVERTIBLE	41 = 4-DOOR SEDAN	

AR = Use as Required - = Non Illustrated Part P.A.R. = Paint as Required

CARBURETOR - W/2.6 LITER ENGINE

Figure 14-1700

4314 1700



ITEM	PART NUMBER	QTY	BODY	MODEL	DESCRIPTION
20	MD60 0059	1			NUT
21	MF45 0405	1			WASHER, Spring
22	MD60 6517	1			SCREW KIT, Fast Idle Adjusting
23	MD60 8160	1			LEVER, Throttle
24	MD60 6855	1			SCREW KIT, Speed Adjusting
25					SPRING
	MD60 6944	1			except H,K and except Calif, Canada
	MD60 8116	1	H,K		except Calif
	MD60 6944	1			Calif
	MD60 8116	1			except Limo, Canada
	MD60 6944	1			Limo, Canada
26	MD60 8644	1			SWITCH KIT, Idle Position, except H,K and except Calif, Canada
	MD60 8644	1			Limo, Canada
27	MD60 6939	1			SCREW KIT, Mixture Adjusting
28	MD60 8086	1			PLUG
29	MD60 6523	1			CAP, Rubber
30	MD60 6660	1			VALVE KIT, Sub EGR
31					GASKET, Flange
	MD02 5344	1			except H,K and except Calif, Canada
	MD02 5344	1			Calif
	MD02 5434	1	H,K		except Calif
	MD02 5434	1			except Limo, Canada
	MD02 5344	1			Limo, Canada
32					BODY, Throttle
	MD60 8642	1			except H,K and Calif., Canada
	MD60 8642	1			Limo, Canada
	MD60 8607	1	H,K		except Calif
	MD60 8606	1			Calif
	MD60 8607	1			except Limo, Canada
33	MD60 6522	1			RING, Snap

MODEL CODES

B = GRAN FURY	F = FIFTH AVENUE/NEWPORT	P = RELIANT
C = LEBARON/TOWN & COUNTRY/EXC SEDAN	G = DIPLOMAT	T = E CLASS/NEW YORKER
C24 = LASER	H = VOYAGER	V = 600
D = ARIES	K = MINI RAM/CARAVAN/ROYAL	V24 = DAYTONA
E = 600	M = HORIZON/TURISMO	Z = OMNI/CHARGER/RAMPAGE

BODY STYLES

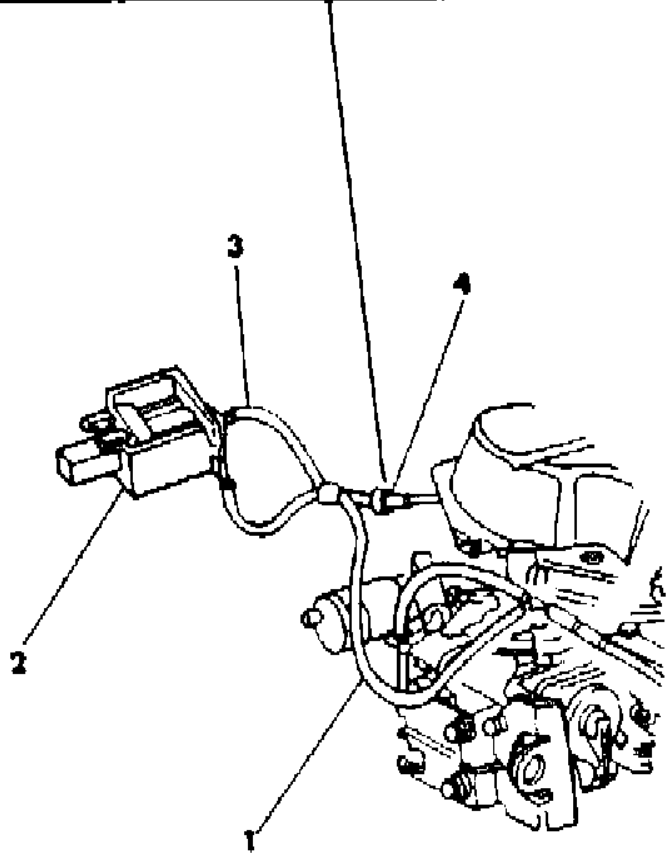
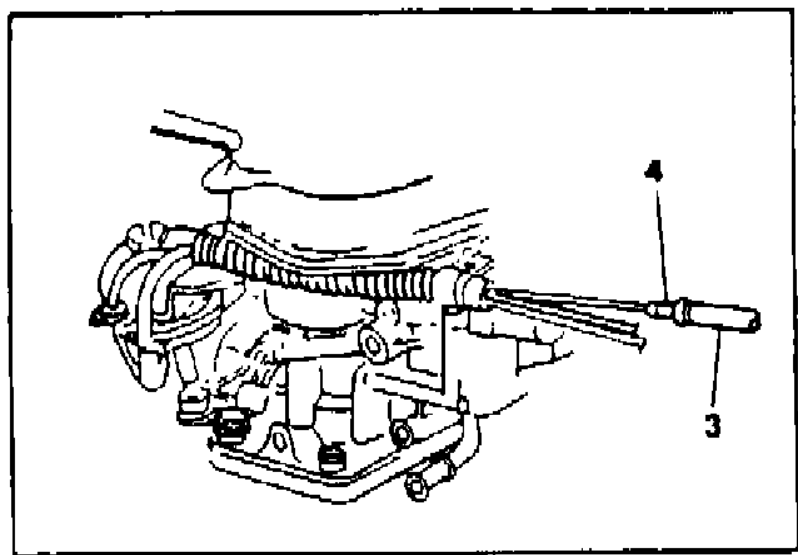
21 = 2-DOOR SEDAN	28 = FWD PICKUP	44 = 4-DOOR HATCHBACK
22 = 2-DOOR SPECIAL COUPE	35 = FWD VAN	45 = 4-DOOR STATION WAGON
24 = 2-DOOR HATCHBACK	36 = FWD WAGON	48 = 4-DOOR EXECUTIVE SEDAN
27 = 2-DOOR CONVERTIBLE	41 = 4-DOOR SEDAN	

AR = Use as Required - = Non Illustrated Part P.A.R. = Paint as Required

AIR CONDITION IDLE UP SYSTEM 2.2L ENGINE - M,Z
Figure 14-1800

4114 1800

ITEM	PART NUMBER	QTY	BODY	MODEL	DESCRIPTION
1	4201 247	1			HOSE
2	4240 417	1			SOLENOID, Idle Up
3	3780 508	AR			HOSE
4	4241 296	1			CONNECTOR



MODEL CODES

B = GRAN FURY	F = FIFTH AVENUE/NEWPORT	P = RELIANT
C = LEBARON/TOWN & COUNTRY/EXC SEDAN	G = DIPLOMAT	T = E CLASS/NEW YORKER
C24 = LASER	H = VOYAGER	V = 600
D = ARIES	K = MINI RAM/CARAVAN/ROYAL	V24 = DAYTONA
E = 600	M = HORIZON/TURISMO	Z = OMNI/CHARGER/RAMPAGE

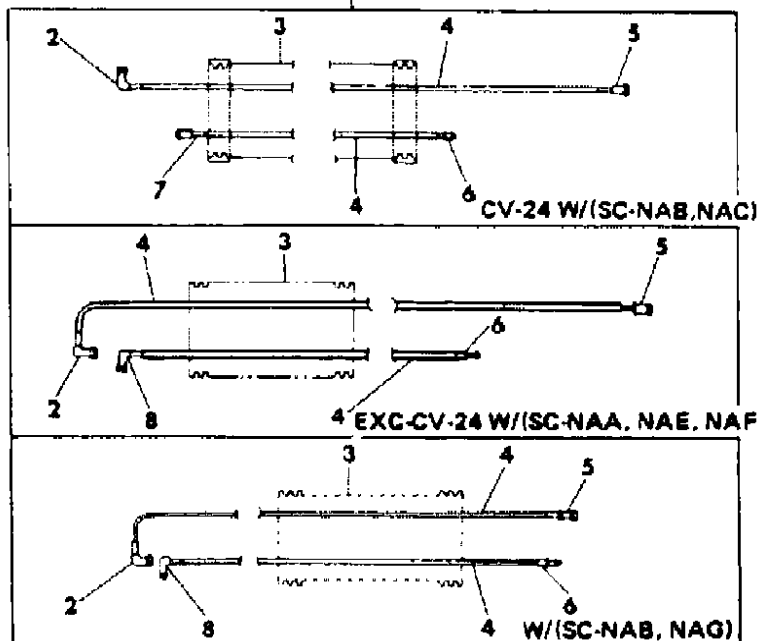
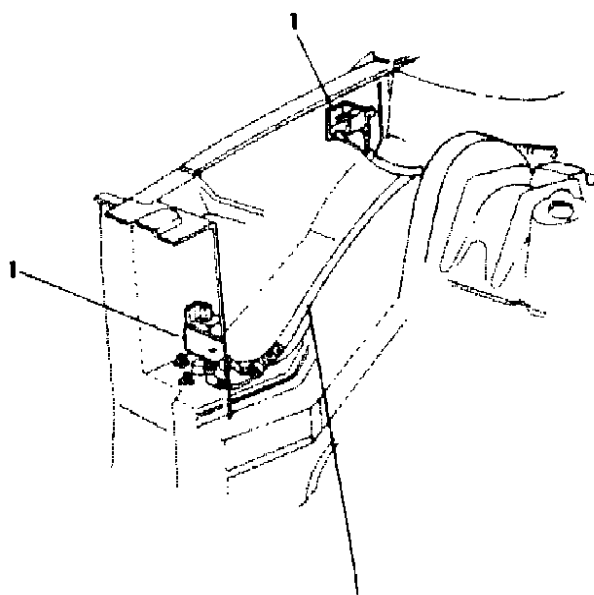
BODY STYLES

21 = 2-DOOR SEDAN	28 = FWD PICKUP	44 = 4-DOOR HATCHBACK
22 = 2-DOOR SPECIAL COUPE	35 = FWD VAN	45 = 4-DOOR STATION WAGON
24 = 2-DOOR HATCHBACK	36 = FWD WAGON	48 = 4-DOOR EXECUTIVE SEDAN
27 = 2-DOOR CONVERTIBLE	41 = 4-DOOR SEDAN	

AR = Use as Required - = Non Illustrated Part P.A.R. = Paint as Required

AIR CONDITION IDLE UP 2.2L ENGINE - P,D,C,V,J,E,T
Figure 14-1900

4114 1900



ITEM	PART NUMBER	QTY	BODY	MODEL	DESCRIPTION
1	4240 417	1			SOLENOID, Idle Up
2	4213 774	1			CONNECTOR
3	4364 375	AR			TUBE, Convolute
4	3780 508	AR			HOSE
5	4179 391	1			CONNECTOR
6	4268 687	1			CONNECTOR
7	4179 196	1			CONNECTOR
8	4213 766	1			CONNECTOR

MODEL CODES

B = GRAN FURY	F = FIFTH AVENUE/NEWPORT	P = RELIANT
C = LEBARON/TOWN & COUNTRY/EXC SEDAN	G = DIPLOMAT	T = E CLASS/NEW YORKER
C24 = LASER	H = VOYAGER	V = 600
D = ARIES	K = MINI RAM/CARAVAN/ROYAL	V24 = DAYTONA
E = 600	M = HORIZON/TURISMO	Z = OMNI/CHARGER/RAMPAGE

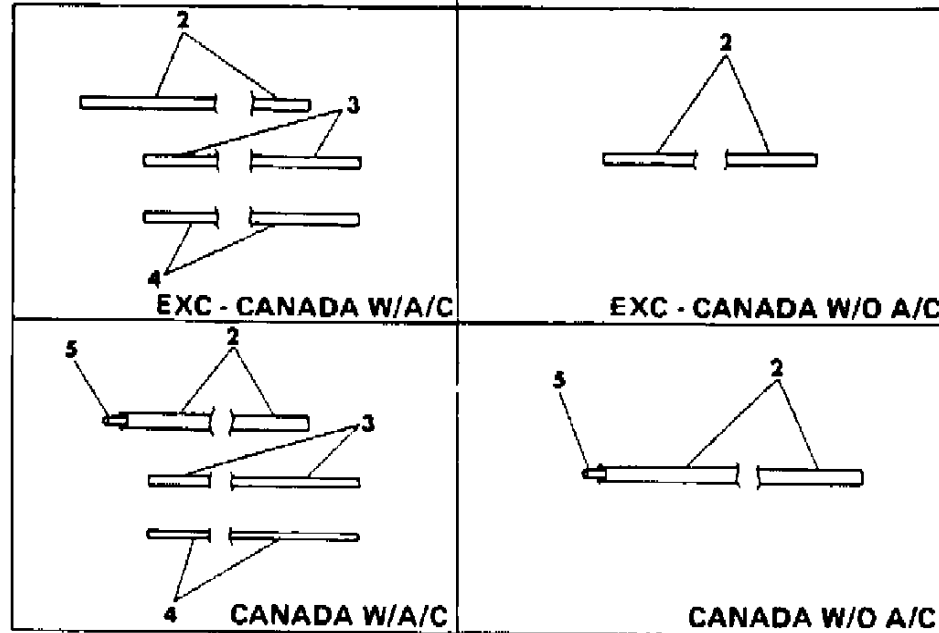
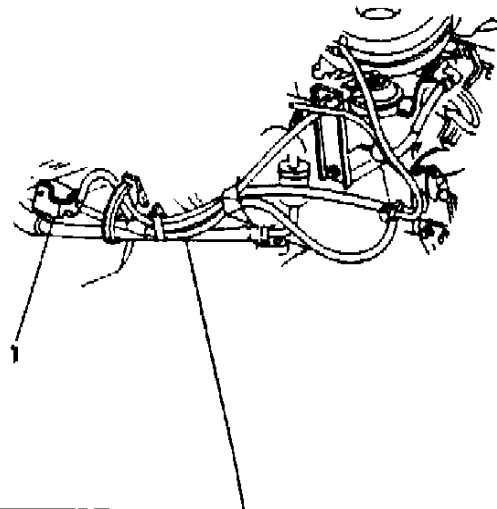
BODY STYLES

21 = 2-DOOR SEDAN	28 = FWD PICKUP	44 = 4-DOOR HATCHBACK
22 = 2-DOOR SPECIAL COUPE	35 = FWD VAN	45 = 4-DOOR STATION WAGON
24 = 2-DOOR HATCHBACK	36 = FWD WAGON	48 = 4-DOOR EXECUTIVE SEDAN
27 = 2-DOOR CONVERTIBLE	41 = 4-DOOR SEDAN	

AR = Use as Required - = Non Illustrated Part P.A.R. = Paint as Required

AIR CONDITION IDLE UP 2.6L ENGINE - P,D,C,V,J,E,T
Figure 14-2000

4114 2000



ITEM	PART NUMBER	QTY	BODY	MODEL	DESCRIPTION
1	5213 348	1			SOLENOID, Idle Up
2	4201 316	AR			HOSE, 5/16 ID
3	4105 167	AR			HOSE, 3/16 ID
4	3780 508	AR			HOSE, 1/8 ID
5	4179 981	1			CONNECTOR, 5/16 x 5/16

MODEL CODES

B = GRAN FURY	F = FIFTH AVENUE/NEWPORT	P = RELIANT
C = LEBARON/TOWN & COUNTRY/EXC SEDAN	G = DIPLOMAT	T = E CLASS/NEW YORKER
C24 = LASER	H = VOYAGER	V = 600
D = ARIES	K = MINI RAM/CARAVAN/ROYAL	V24 = DAYTONA
E = 600	M = HORIZON/TURISMO	Z = OMNI/CHARGER/RAMPAGE

BODY STYLES

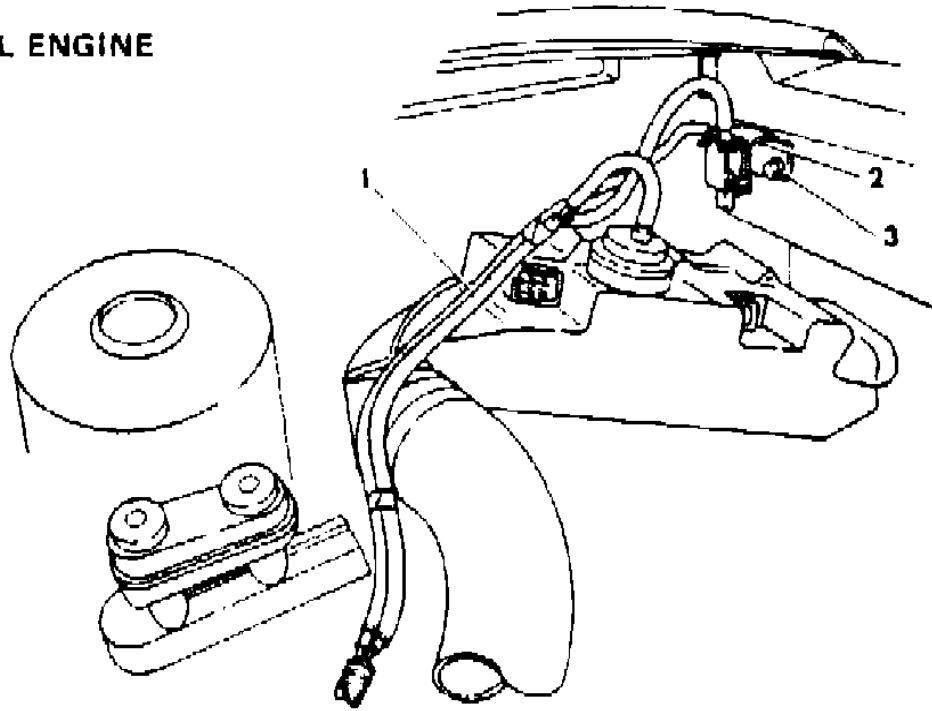
21 = 2-DOOR SEDAN	28 = FWD PICKUP	44 = 4-DOOR HATCHBACK
22 = 2-DOOR SPECIAL COUPE	35 = FWD VAN	45 = 4-DOOR STATION WAGON
24 = 2-DOOR HATCHBACK	36 = FWD WAGON	48 = 4-DOOR EXECUTIVE SEDAN
27 = 2-DOOR CONVERTIBLE	41 = 4-DOOR SEDAN	

AR = Use as Required - = Non Illustrated Part P.A.R. = Paint as Required

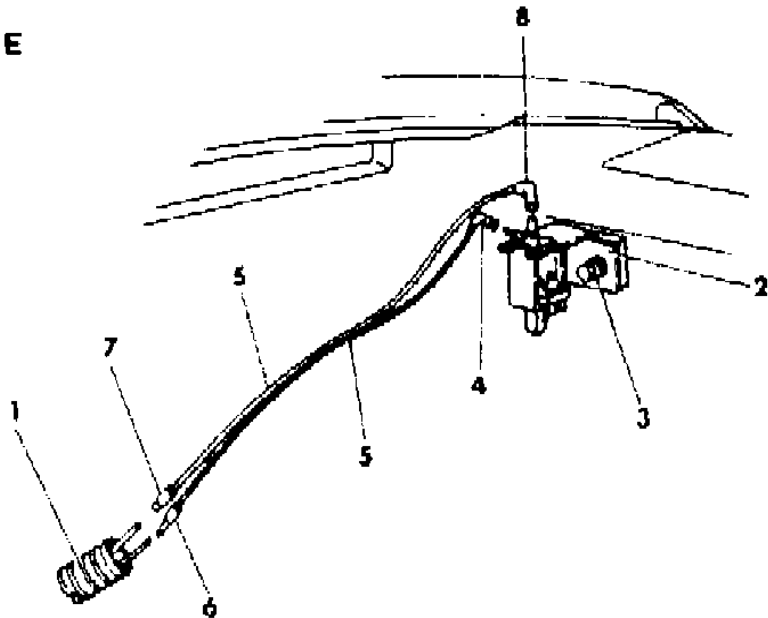
AIR CONDITION IDLE UP SYSTEM H,K BODY
Figure 14-2100

4114 2100

2.2L ENGINE



2.6L ENGINE



ITEM	PART NUMBER	QTY	BODY	MODEL	DESCRIPTION
1					HARNES, EGR (see Gr. 25)
2	4289 372	1			SOLENOID, Idle-Up w/2.2L Engine
	5226 467	1			w/2.6L Engine
3					BOLT, Solenoid Mounting
	6032 473	1			w/2.6L Engine
		1			w/2.2L Engine
	6025 004	1			NUT, Solenoid Mounting, w/2.2L Engine
4	4213 766	1			ELBOW
5	3780 508	AR			HOSE
6	4268 681	1			CONNECTOR
	4268 687	1			CONNECTOR
8	4213 774	1			ELBOW

MODEL CODES

B = GRAN FURY	F = FIFTH AVENUE/NEWPORT	P = RELIANT
C = LEBARON/TOWN & COUNTRY/EXC SEDAN	G = DIPLOMAT	T = E CLASS/NEW YORKER
C24 = LASER	H = VOYAGER	V = 600
D = ARIES	K = MINI RAM/CARAVAN/ROYAL	V24 = DAYTONA
E = 600	M = HORIZON/TURISMO	Z = OMNI/CHARGER/RAMPAGE

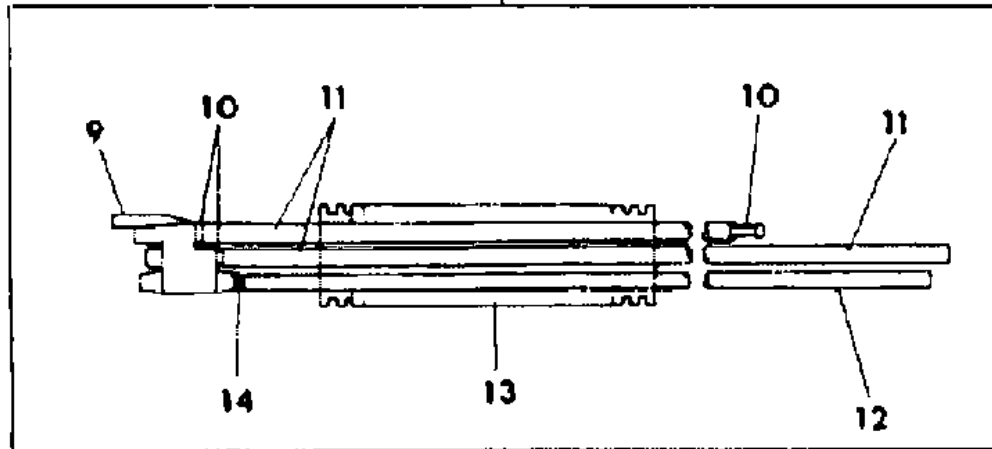
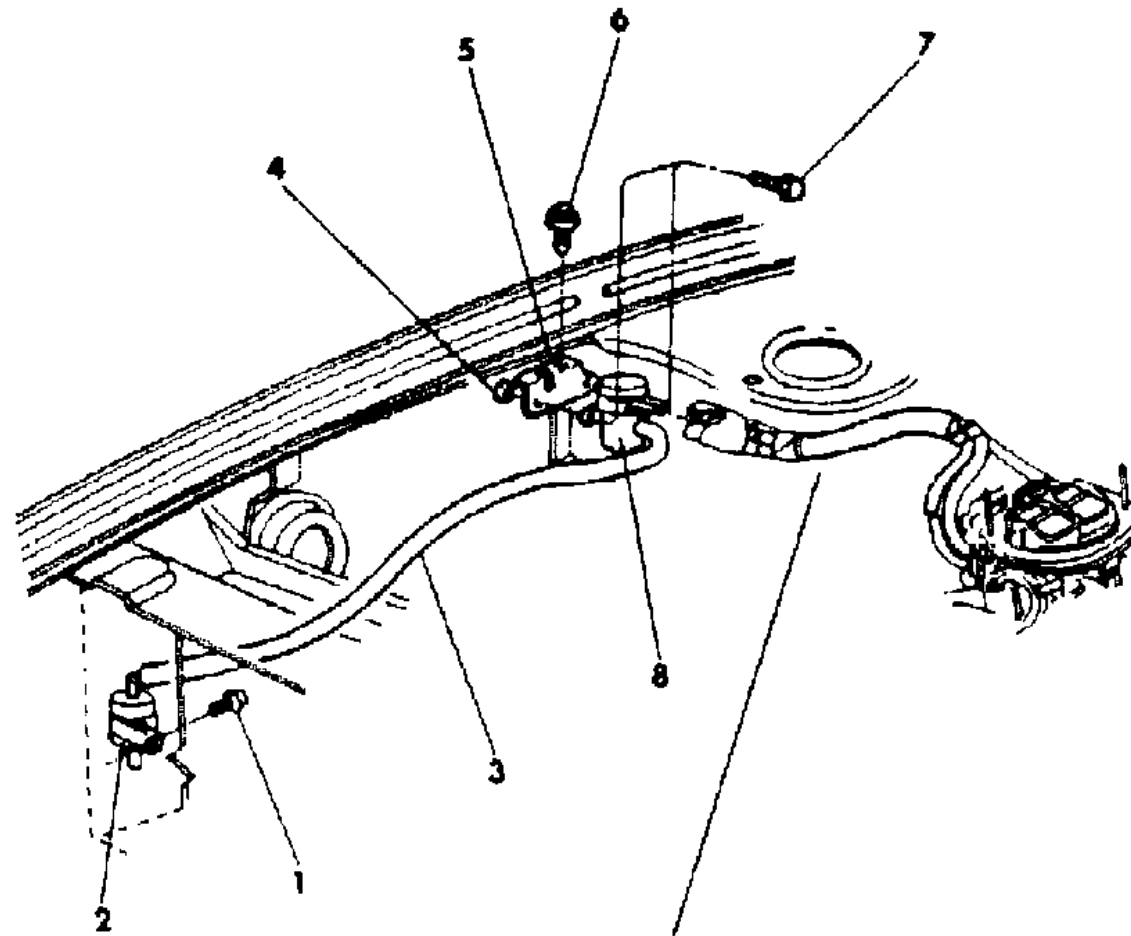
BODY STYLES

21 = 2-DOOR SEDAN	28 = FWD PICKUP	44 = 4-DOOR HATCHBACK
22 = 2-DOOR SPECIAL COUPE	35 = FWD VAN	45 = 4-DOOR STATION WAGON
24 = 2-DOOR HATCHBACK	36 = FWD WAGON	48 = 4-DOOR EXECUTIVE SEDAN
27 = 2-DOOR CONVERTIBLE	41 = 4-DOOR SEDAN	

AR = Use as Required - = Non Illustrated Part P.A.R. = Paint as Required

HIGH ALTITUDE SYSTEM 2.2L ENGINE - M,Z BODY
Figure 14-2200

4114 2200



ITEM	PART NUMBER	QTY	BODY	MODEL	DESCRIPTION
1	6032 473	1			SCREW
2	4275 667	1			FILTER, w/BRACKET
3	4275 783	1			HOSE, Aneroid Fresh Air
4	6100 217	2			NUT
5	4105 199	1			BRACKET, Compensator
6	6501 501	2			SCREW, w/WASHER
7	6100 276	2			SCREW
8	4241 591	1			COMPENSATOR, High Altitude
9	4241 599	1			CONNECTOR
10	4275 636	3			CONNECTOR, 1/4 x 1/4
11	4443 175	AR			HOSE, 1/4 I.D.
12	4443 177	AR			HOSE, 3/16 I.D.
13	4397 809	AR			TUBE, Convolute
14	4104 998	1			CONNECTOR, 3/16

MODEL CODES

B = GRAN FURY	F = FIFTH AVENUE/NEWPORT	P = RELIANT
C = LEBARON/TOWN & COUNTRY/EXC SEDAN	G = DIPLOMAT	T = E CLASS/NEW YORKER
C24 = LASER	H = VOYAGER	V = 600
D = ARIES	K = MINI RAM/CARAVAN/ROYAL	V24 = DAYTONA
E = 600	M = HORIZON/TURISMO	Z = OMNI/CHARGER/RAMPAGE

BODY STYLES

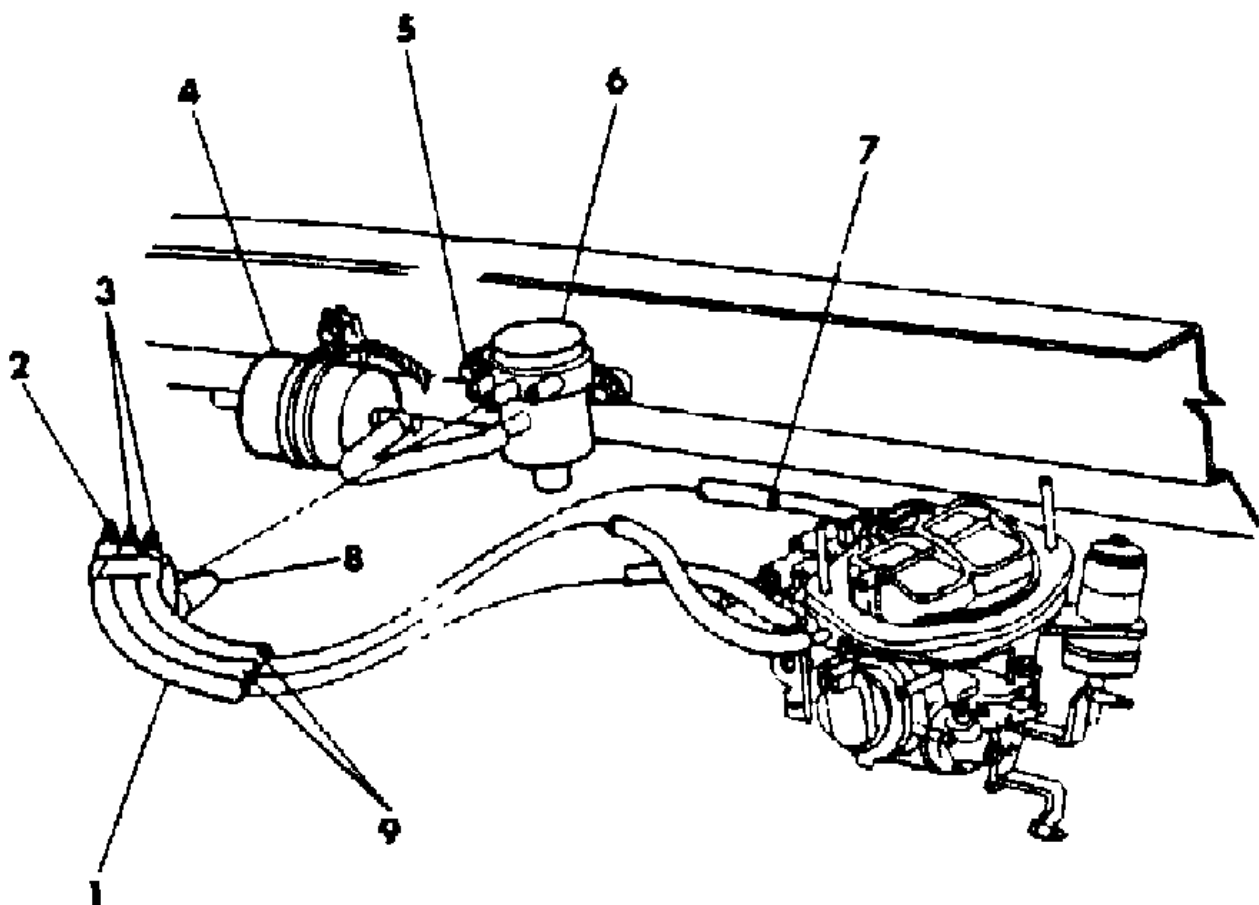
21 = 2-DOOR SEDAN	28 = FWD PICKUP	44 = 4-DOOR HATCHBACK
22 = 2-DOOR SPECIAL COUPE	35 = FWD VAN	45 = 4-DOOR STATION WAGON
24 = 2-DOOR HATCHBACK	36 = FWD WAGON	48 = 4-DOOR EXECUTIVE SEDAN
27 = 2-DOOR CONVERTIBLE	41 = 4-DOOR SEDAN	

AR = Use as Required - = Non Illustrated Part P.A.R. = Paint as Required

HIGH ALTITUDE SYSTEM 2.2L ENGINE - P,D,C,V,E,T BODY
Figure 14-2300

4114 2300

ITEM	PART NUMBER	QTY	BODY	MODEL	DESCRIPTION
1	4443 177	AR			HOSE, 3/16 I.D.
2	4100 727	1			CONNECTOR, 3/16 x 3/16
3	4275 637	2			CONNECTOR, 1/4 x 1/4
4	4275 667	1			FILTER, w/BRACKET
5					SCREW, (not serviced)
6	4241 591	1			COMPENSATOR, High Altitude
7	4275 636	1			CONNECTOR, 1/4 x 1/4
8	4288 000	1			CONNECTOR
9	4443 175	AR			HOSE, 1/4 I.D.



MODEL CODES

B = GRAN FURY	F = FIFTH AVENUE/NEWPORT	P = RELIANT
C = LEBARON/TOWN & COUNTRY/EXC SEDAN	G = DIPLOMAT	T = E CLASS/NEW YORKER
C24 = LASER	H = VOYAGER	V = 600
D = ARIES	K = MINI RAM/CARAVAN/ROYAL	V24 = DAYTONA
E = 600	M = HORIZON/TURISMO	Z = OMNI/CHARGER/RAMPAGE

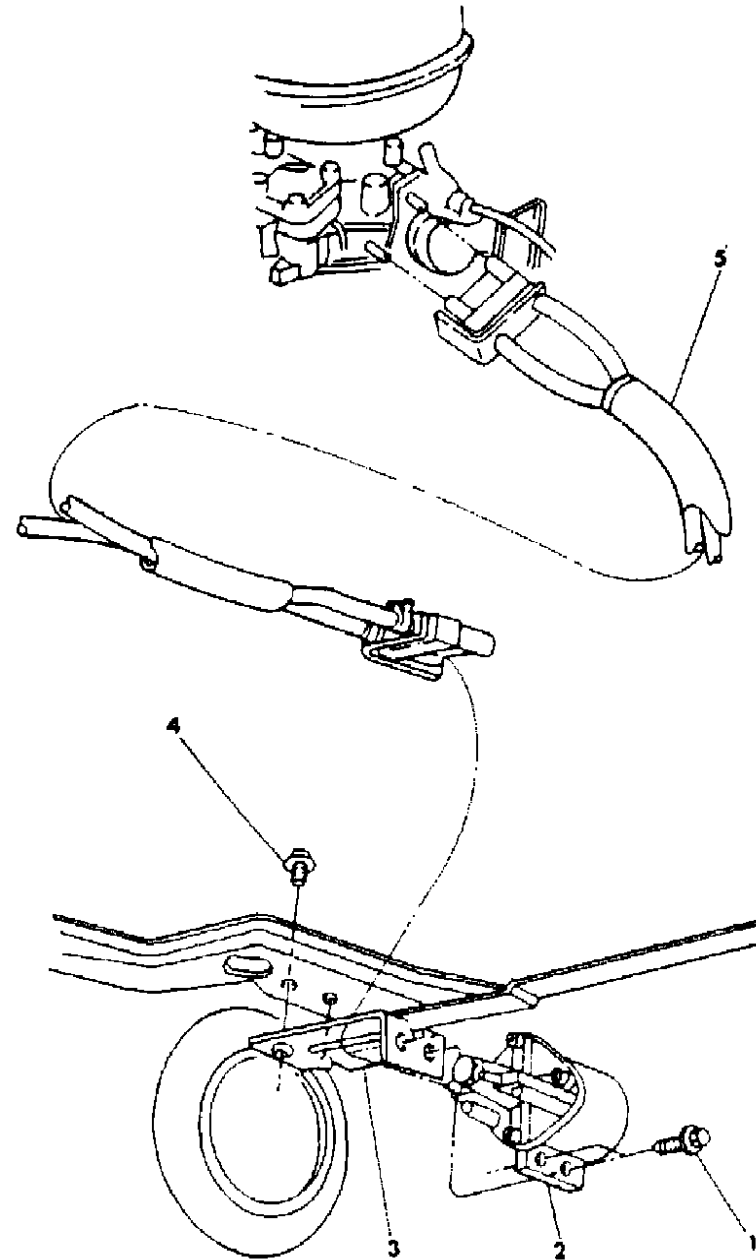
BODY STYLES

21 = 2-DOOR SEDAN	28 = FWD PICKUP	44 = 4-DOOR HATCHBACK
22 = 2-DOOR SPECIAL COUPE	35 = FWD VAN	45 = 4-DOOR STATION WAGON
24 = 2-DOOR HATCHBACK	36 = FWD WAGON	48 = 4-DOOR EXECUTIVE SEDAN
27 = 2-DOOR CONVERTIBLE	41 = 4-DOOR SEDAN	

AR = Use as Required - = Non Illustrated Part P.A.R. = Paint as Required

HIGH ALTITUDE SYSTEM 2.6L ENGINE - P,D,C,V,E,T BODY
Figure 14-2400

4114 2400



ITEM	PART NUMBER	QTY	BODY	MODEL	DESCRIPTION
1					SCREW, Compensator to Bracket (not serviced)
2	MD02 6708	1			COMPENSATOR, High Altitude
3	5214 335	1			BRACKET, Compensator Mounting
4					SCREW, (not serviced)
5	MD02 5243	1			HOSE, Compensator Vacuum

MODEL CODES

B = GRAN FURY	F = FIFTH AVENUE/NEWPORT	P = RELIANT
C = LEBARON/TOWN & COUNTRY/EXC SEDAN	G = DIPLOMAT	T = E CLASS/NEW YORKER
C24 = LASER	H = VOYAGER	V = 600
D = ARIES	K = MINI RAM/CARAVAN/ROYAL	V24 = DAYTONA
E = 600	M = HORIZON/TURISMO	Z = OMNI/CHARGER/RAMPAGE

BODY STYLES

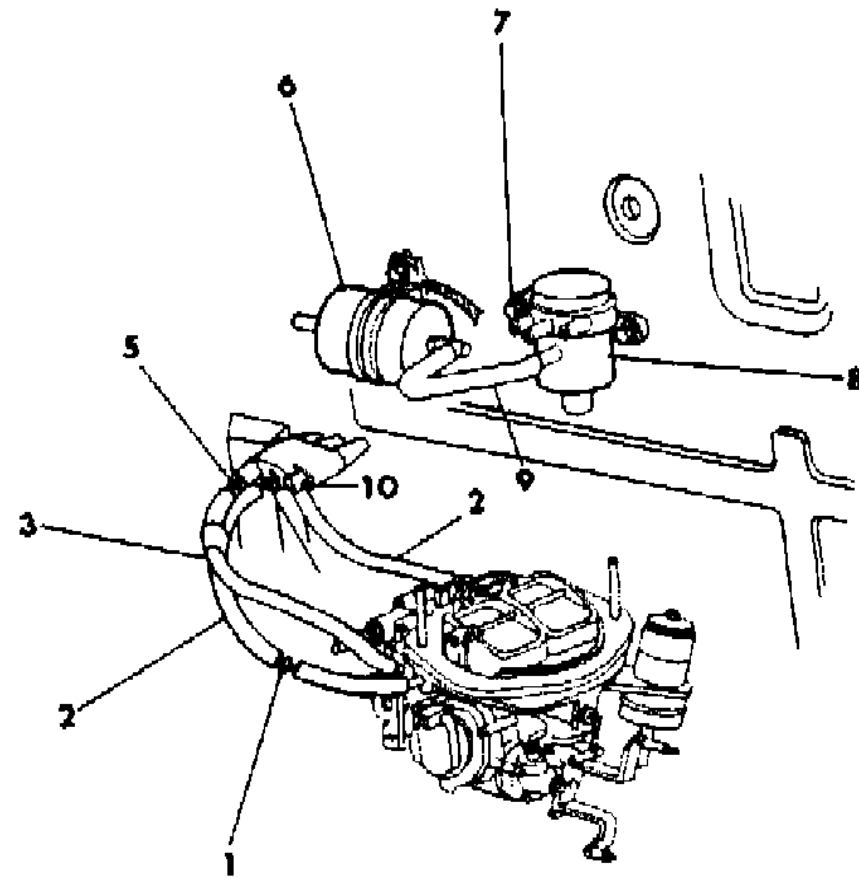
21 = 2-DOOR SEDAN	28 = FWD PICKUP	44 = 4-DOOR HATCHBACK
22 = 2-DOOR SPECIAL COUPE	35 = FWD VAN	45 = 4-DOOR STATION WAGON
24 = 2-DOOR HATCHBACK	36 = FWD WAGON	48 = 4-DOOR EXECUTIVE SEDAN
27 = 2-DOOR CONVERTIBLE	41 = 4-DOOR SEDAN	

AR = Use as Required - = Non Illustrated Part P.A.R. = Paint as Required

HIGH ALTITUDE SYSTEM 2.2L ENGINE - H,K BODY
Figure 14-2500

4114 2500

ITEM	PART NUMBER	QTY	BODY	MODEL	DESCRIPTION
1	4275 636	2			CONNECTOR, 1/4 x 1/4
2	4443 175	AR			HOSE, 1/4 I.D.
3	4443 177	AR			HOSE, 3/16 I.D.
4	4104 998	1			CONNECTOR, 3/16 x 3/16
5	4241 599	1			CONNECTOR
6	4275 667	1			FILTER, w/BRACKET
7					SCREW, (not serviced)
8	4241 591	1			COMPENSATOR, High Altitude
9	4275 785	1			TUBE, Aneroid Fresh Air
10	4275 637	1			CONNECTOR, 1/4 x 1/4



MODEL CODES

B = GRAN FURY	F = FIFTH AVENUE/NEWPORT	P = RELIANT
C = LEBARON/TOWN & COUNTRY/EXC SEDAN	G = DIPLOMAT	T = E CLASS/NEW YORKER
C24 = LASER	H = VOYAGER	V = 600
D = ARIES	K = MINI RAM/CARAVAN/ROYAL	V24 = DAYTONA
E = 600	M = HORIZON/TURISMO	Z = OMNI/CHARGER/RAMPAGE

BODY STYLES

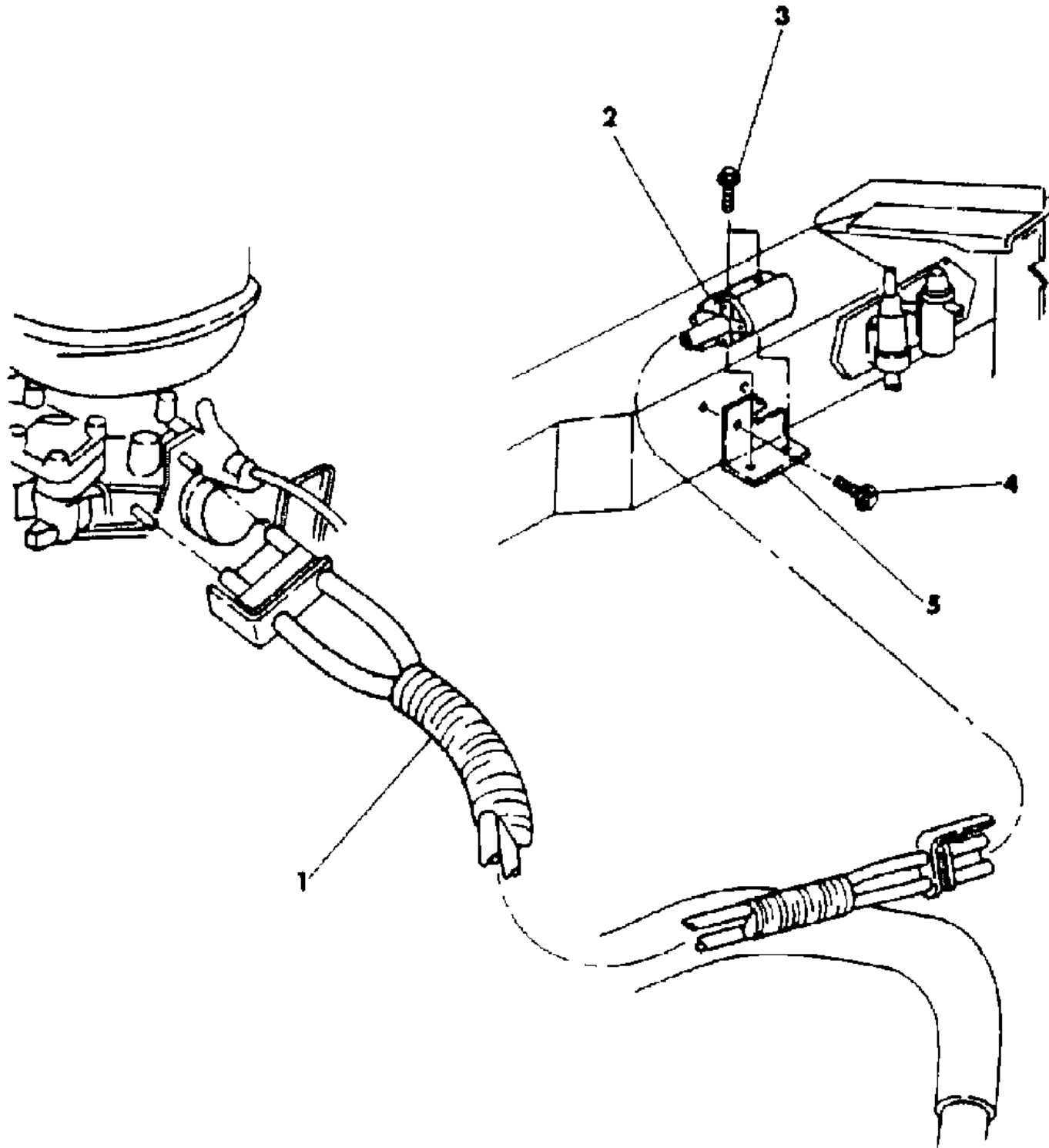
21 = 2-DOOR SEDAN	28 = FWD PICKUP	44 = 4-DOOR HATCHBACK
22 = 2-DOOR SPECIAL COUPE	35 = FWD VAN	45 = 4-DOOR STATION WAGON
24 = 2-DOOR HATCHBACK	36 = FWD WAGON	48 = 4-DOOR EXECUTIVE SEDAN
27 = 2-DOOR CONVERTIBLE	41 = 4-DOOR SEDAN	

AR = Use as Required - = Non Illustrated Part P.A.R. = Paint as Required

HIGH ALTITUDE SYSTEM 2.6L ENGINE - H,K BODY
Figure 14-2600

4114 2600

ITEM	PART NUMBER	QTY	BODY	MODEL	DESCRIPTION
1	MD02 5243	1			HARNES, Vacuum
2	MD02 6725	1			COMPENSATOR, High Altitude
3					SCREW, Compensator Mounting (not serviced)
4					SCREW, Compensator Bracket Mounting (not serviced)
5	4105 200	1			BRACKET, Compensator Mounting



MODEL CODES
 B = GRAN FURY
 C = LEBARON/TOWN & COUNTRY/EXC SEDAN
 C24 = LASER
 D = ARIES
 E = 600
 F = FIFTH AVENUE/NEWPORT
 G = DIPLOMAT
 H = VOYAGER
 K = MINI RAM/CARAVAN/ROYAL
 M = HORIZON/TURISMO
 P = RELIANT
 T = E CLASS/NEW YORKER
 V = 600
 V24 = DAYTONA
 Z = OMNI/CHARGER/RAMPAGE

BODY STYLES
 21 = 2-DOOR SEDAN
 22 = 2-DOOR SPECIAL COUPE
 24 = 2-DOOR HATCHBACK
 27 = 2-DOOR CONVERTIBLE
 28 = FWD PICKUP
 35 = FWD VAN
 36 = FWD WAGON
 41 = 4-DOOR SEDAN
 44 = 4-DOOR HATCHBACK
 45 = 4-DOOR STATION WAGON
 48 = 4-DOOR EXECUTIVE SEDAN

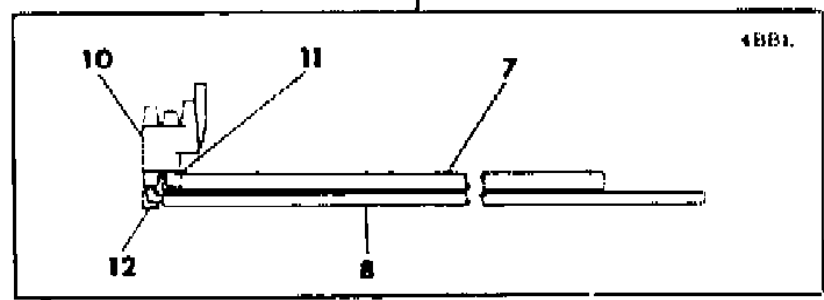
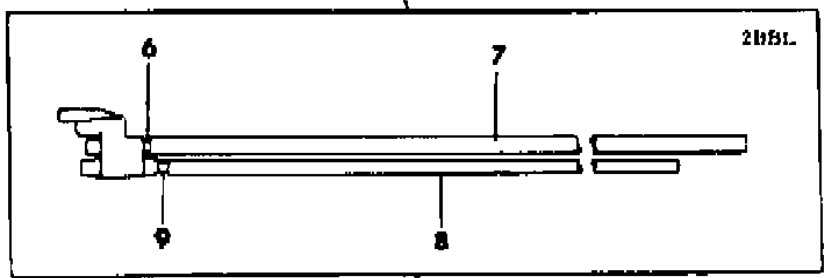
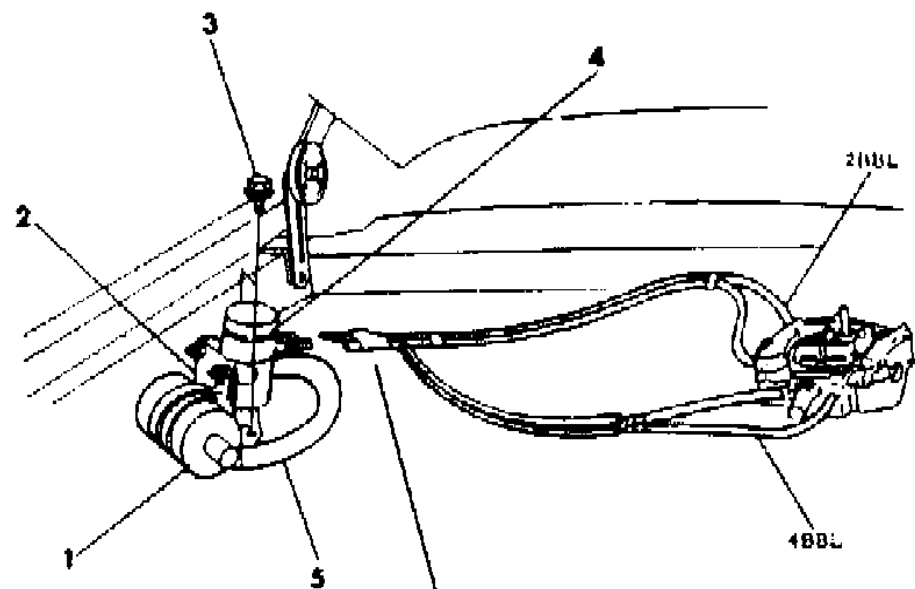
AR = Use as Required - = Non Illustrated Part P.A.R. = Paint as Required

HIGH ALTITUDE SYSTEM B,F,G BODY

Figure 14-2700

4114 2700

ITEM	PART NUMBER	QTY	BODY	MODEL	DESCRIPTION
1	4275 667	1			FILTER
2	4275 426	1			BRACKET
3	6032 473	2			SCREW
4					COMPENSATOR, High Altitude
	4241 594	1			w/2 Bbl.
	4275 430	1			w/4 Bbl.
5	4443 178	AR			HOSE, 3/8 I.D.
6	4275 636	1			CONNECTOR, 1/4 x 1/4
7	4443 175	AR			HOSE, 1/4 I.D.
8	4443 177	AR			HOSE, 3/16 I.D.
9	4104 998	1			CONNECTOR, 3/16 x 3/16
10	4241 599	1			CONNECTOR
11	4275 637	1			CONNECTOR, 1/4 x 1/4
12	4100 727	1			CONNECTOR, 3/16 x 3/16



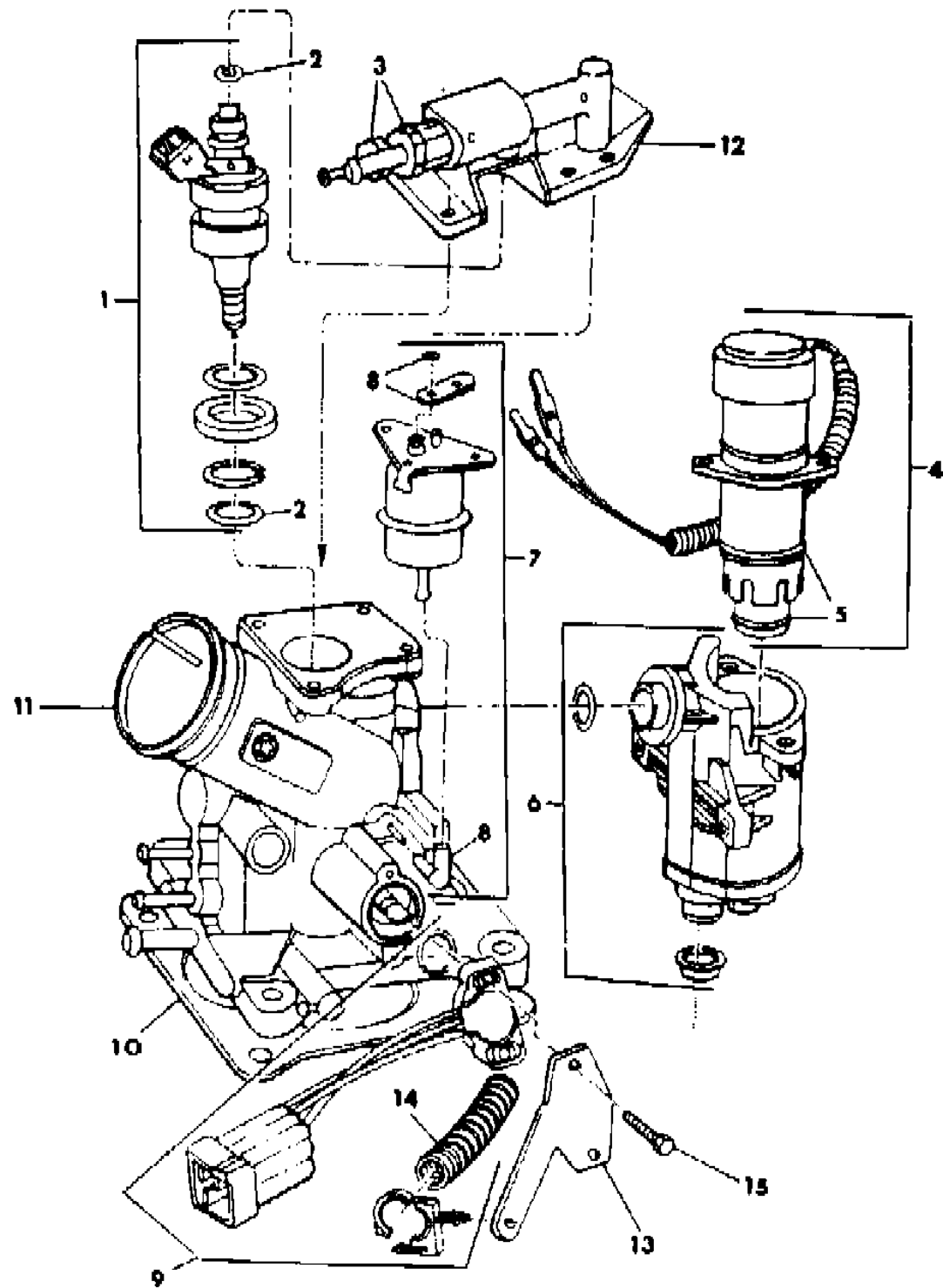
MODEL CODES
 B = GRAN FURY
 C = LEBARON/TOWN & COUNTRY/EXC SEDAN
 C24 = LASER
 D = ARIES
 E = 600
 F = FIFTH AVENUE/NEWPORT
 G = DIPLOMAT
 H = VOYAGER
 K = MINI RAM/CARAVAN/ROYAL
 M = HORIZON/TURISMO
 P = RELIANT
 T = E CLASS/NEW YORKER
 V = 600
 V24 = DAYTONA
 Z = OMNI/CHARGER/RAMPAGE

BODY STYLES
 21 = 2-DOOR SEDAN
 22 = 2-DOOR SPECIAL COUPE
 24 = 2-DOOR HATCHBACK
 27 = 2-DOOR CONVERTIBLE
 28 = FWD PICKUP
 35 = FWD VAN
 36 = FWD WAGON
 41 = 4-DOOR SEDAN
 44 = 4-DOOR HATCHBACK
 45 = 4-DOOR STATION WAGON
 48 = 4-DOOR EXECUTIVE SEDAN

AR = Use as Required - = Non Illustrated Part P.A.R. = Paint as Required

THROTTLE BODY INJECTOR
Figure 14-2800

4114 2800



ITEM	PART NUMBER	QTY	BODY	MODEL	DESCRIPTION
1	4275 985	1			INJECTOR KIT, Throttle Body
2	4275 991	1			O-RING KIT, Injector
3	4287 316	1			FITTING KIT, Hose
4	4288 087	1			MOTOR KIT, A.I.S.
5	4287 714	1			O-RING KIT, A.I.S. Motor
6	4287 730	1			HOUSING KIT, A.I.S. Motor
7	4287 320	1			REGULATOR KIT, Pressure
8	4287 324	1			HOSE and SEAL KIT, Pressure Regulator
9	5227 597	1			POTENTIOMETER KIT
10	4275 531	1			GASKET, Throttle Body to Intake Manifold
11	4419 111	1			BODY, Throttle
12	4241 499	1			HEAD, Power
13	4275 905	1			BRACKET
14	6016 059	1			TUBE, Convolute
15	6500 215	AR			SCREW, w/WASHER,
NOTE: The following item is not illustrated applications specified in this document.					
	4287 749	1			WIRE KIT, Ground

MODEL CODES

B = GRAN FURY	F = FIFTH AVENUE/NEWPORT	P = RELIANT
C = LEBARON/TOWN & COUNTRY/EXC SEDAN	G = DIPLOMAT	T = E CLASS/NEW YORKER
C24 = LASER	H = VOYAGER	V = 600
D = ARIES	K = MINI RAM/CARAVAN/ROYAL	V24 = DAYTONA
E = 600	M = HORIZON/TURISMO	Z = OMNI/CHARGER/RAMPAGE

BODY STYLES

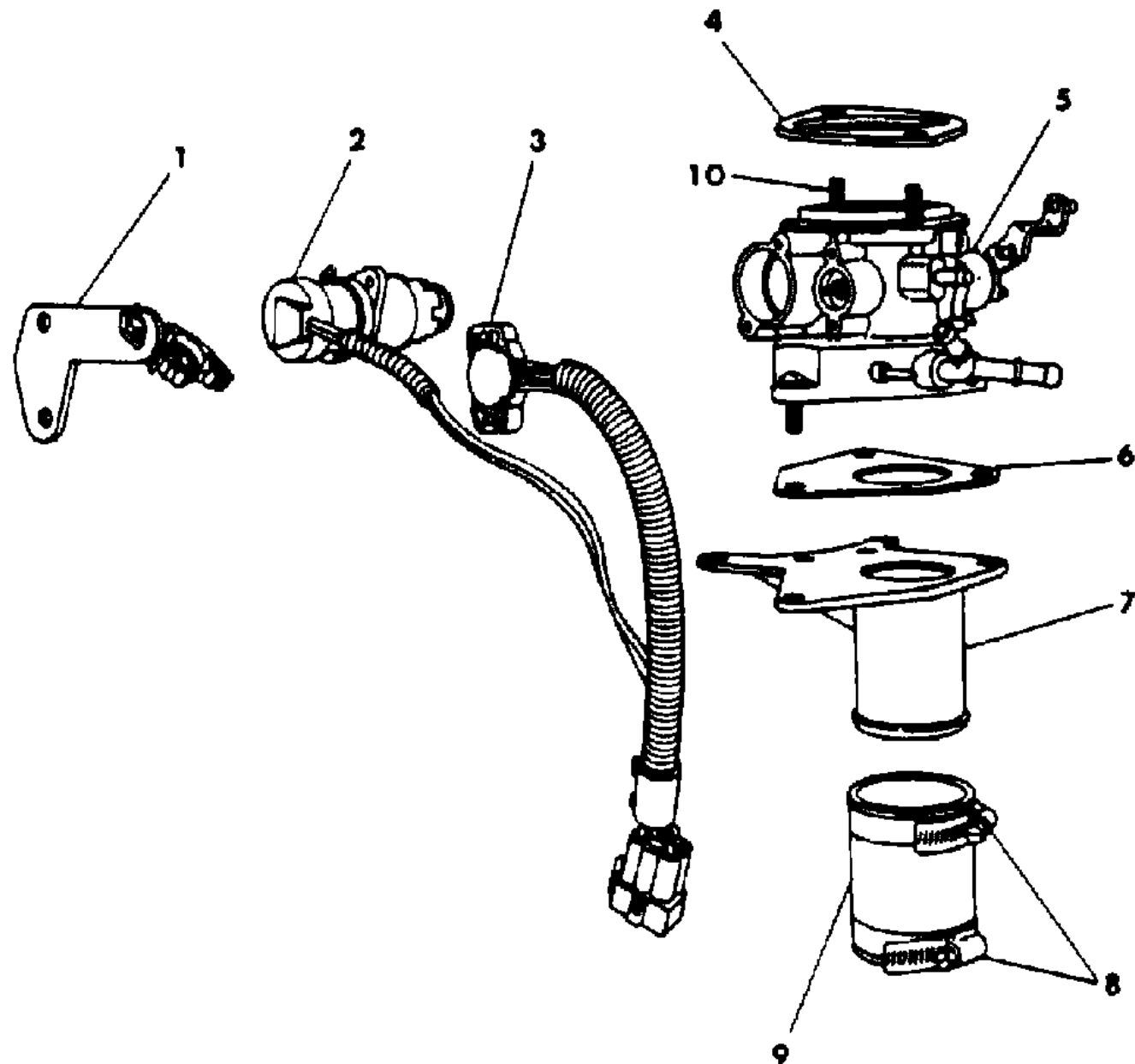
21 = 2-DOOR SEDAN	28 = FWD PICKUP	44 = 4-DOOR HATCHBACK
22 = 2-DOOR SPECIAL COUPE	35 = FWD VAN	45 = 4-DOOR STATION WAGON
24 = 2-DOOR HATCHBACK	36 = FWD WAGON	48 = 4-DOOR EXECUTIVE SEDAN
27 = 2-DOOR CONVERTIBLE	41 = 4-DOOR SEDAN	

AR = Use as Required - = Non Illustrated Part P.A.R. = Paint as Required

THROTTLE BODY AND ADAPTER - TURBO CHARGER

Figure 14-2900

4114 2900



ITEM	PART NUMBER	QTY	BODY	MODEL	DESCRIPTION
1	4275 905				BRACKET
2	4288 088	1			MOTOR KIT, A.I.S.
	4287 714	1			O-RING KIT, A.I.S. Motor
3	5227 597	1			POTENTIOMETER KIT
4	4275 356	1			GASKET, Throttle Body to Air Cleaner Adaptor
5	4268 801	1			BODY, Throttle
6	4268 804	1			GASKET, Throttle Body to Adaptor
7	4227 152	1			ADAPTOR, Throttle Body
8	6032 441	2			CLAMP
9	4323 444	1			HOSE
10	6501 068	2			STUD

MODEL CODES

B = GRAN FURY	F = FIFTH AVENUE/NEWPORT	P = RELIANT
C = LEBARON/TOWN & COUNTRY/EXC SEDAN	G = DIPLOMAT	T = E CLASS/NEW YORKER
C24 = LASER	H = VOYAGER	V = 600
D = ARIES	K = MINI RAM/CARAVAN/ROYAL	V24 = DAYTONA
E = 600	M = HORIZON/TURISMO	Z = OMNI/CHARGER/RAMPAGE

BODY STYLES

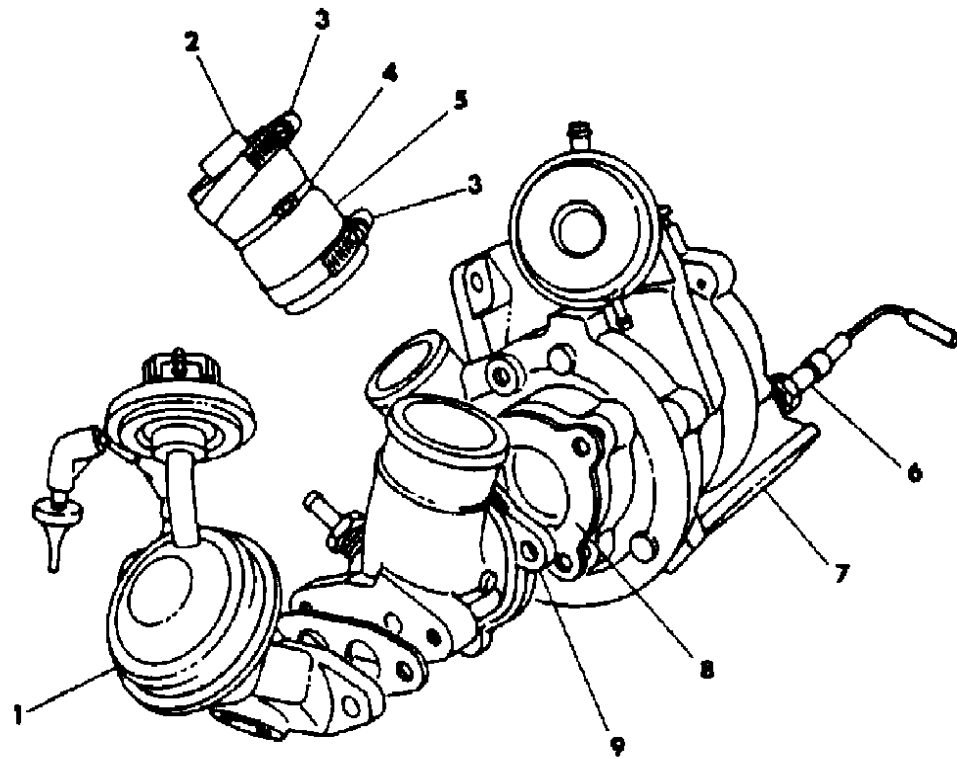
21 = 2-DOOR SEDAN	28 = FWD PICKUP	44 = 4-DOOR HATCHBACK
22 = 2-DOOR SPECIAL COUPE	35 = FWD VAN	45 = 4-DOOR STATION WAGON
24 = 2-DOOR HATCHBACK	36 = FWD WAGON	48 = 4-DOOR EXECUTIVE SEDAN
27 = 2-DOOR CONVERTIBLE	41 = 4-DOOR SEDAN	

AR = Use as Required - = Non Illustrated Part P.A.R. = Paint as Required

TURBO CHARGER

Figure 14-3000

4114 3000



ITEM	PART NUMBER	QTY	BODY	MODEL	DESCRIPTION
1					EGR (refer to GR. 25)
2	4105 465	1			VANE, Air Flow
3	6032 441	2			CLAMP
4	4105 719	1			STRAP, Vane to Hose
5	4323 444	1			HOSE, Connector
6					SENSOR, O2 Feedback (refer to GR. 25)
7	4105 794	1			CHARGER, Turbo
8	4227 973	1			GASKET, Inlet Elbow to Compressor
9	4105 461	1			ELBOW, Compressor Inlet
	4105 773	1			BRACKET, Support (not illustrated)

MODEL CODES

B = GRAN FURY	F = FIFTH AVENUE/NEWPORT	P = RELIANT
C = LEBARON/TOWN & COUNTRY/EXC SEDAN	G = DIPLOMAT	T = E CLASS/NEW YORKER
C24 = LASER	H = VOYAGER	V = 600
D = ARIES	K = MINI RAM/CARAVAN/ROYAL	V24 = DAYTONA
E = 600	M = HORIZON/TURISMO	Z = OMNI/CHARGER/RAMPAGE

BODY STYLES

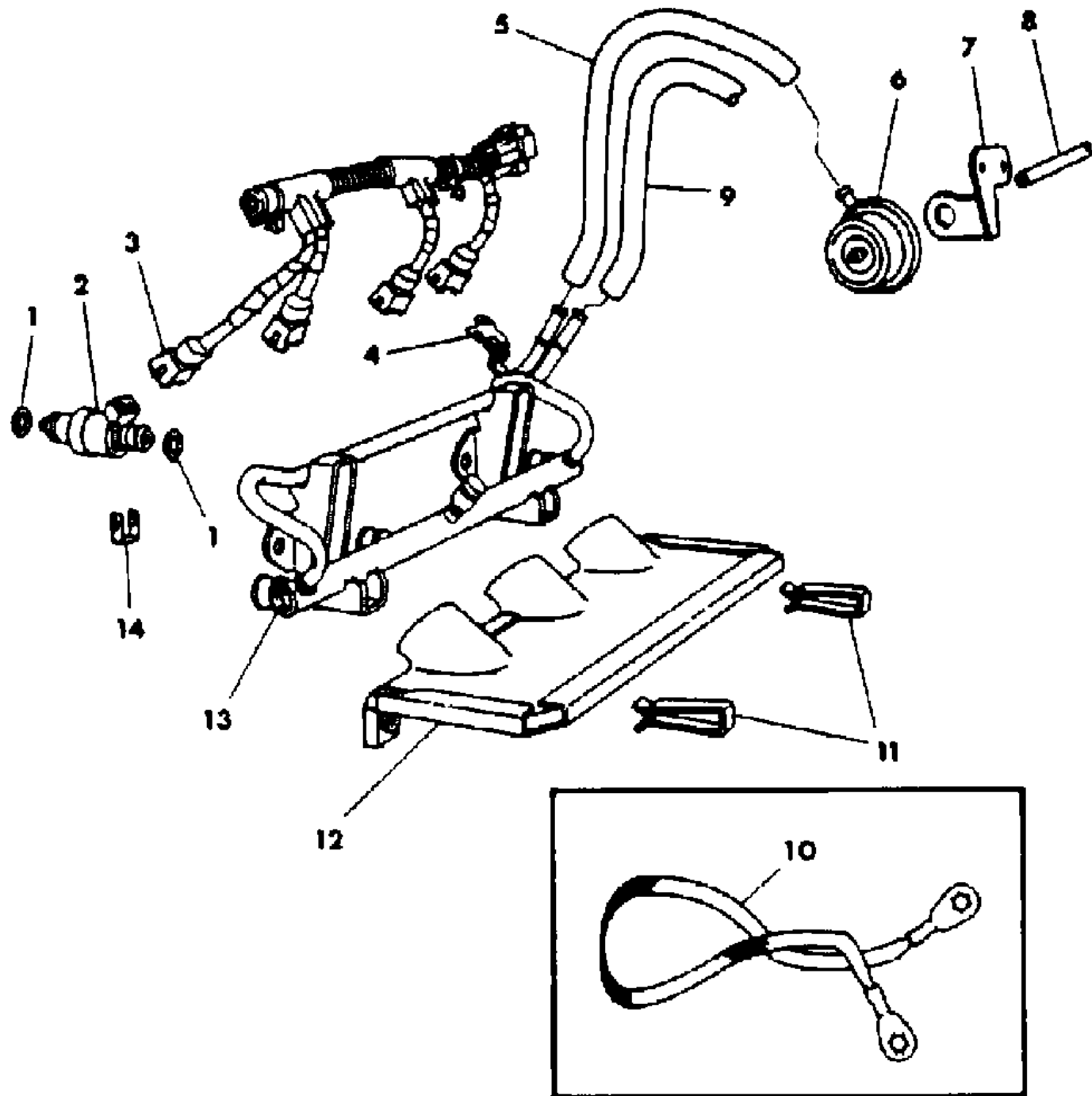
21 = 2-DOOR SEDAN	28 = FWD PICKUP	44 = 4-DOOR HATCHBACK
22 = 2-DOOR SPECIAL COUPE	35 = FWD VAN	45 = 4-DOOR STATION WAGON
24 = 2-DOOR HATCHBACK	36 = FWD WAGON	48 = 4-DOOR EXECUTIVE SEDAN
27 = 2-DOOR CONVERTIBLE	41 = 4-DOOR SEDAN	

AR = Use as Required - = Non Illustrated Part P.A.R. = Paint as Required

FUEL RAIL AND RELATED PARTS - TURBO CHARGER

Figure 14-3100

4114 3100



ITEM	PART NUMBER	QTY	BODY	MODEL	DESCRIPTION
1	4275 594	4			O - RING KIT
2	4275 312	4			INJECTOR, Fuel
3		1			WIRE, Fuel Injector (Refer to Gr. 8)
4	4275 306	1			BRACKET, Fuel Rail to Valve Cover
5	4279 828	AR			HOSE, Fuel Rail to Fuel Regulator
6	4275 313	1			REGULATOR, Fuel Pressure
	6500 748	1			NUT, Regulator Mounting
7	4293 899	1			BRACKET, Fuel Pressure Regulator
8	4443 179	AR			HOSE, Fuel Supply to Fuel Rail
9	4279 828	AR			HOSE, Fuel Supply to Fuel Rail
10		1			STRAP, Ground
11	6032 237	2			CLIP, Heat Shield to Fuel Rail
12	4275 436	1			SHIELD, Heat
13	4275 301	1			RAIL, Fuel
14	4275 317	4			CLIP, Fuel Injector

MODEL CODES

B = GRAN FURY	F = FIFTH AVENUE/NEWPORT	P = RELIANT
C = LEBARON/TOWN & COUNTRY/EXC SEDAN	G = DIPLOMAT	T = E CLASS/NEW YORKER
C24 = LASER	H = VOYAGER	V = 600
D = ARIES	K = MINI RAM/CARAVAN/ROYAL	V24 = DAYTONA
E = 600	M = HORIZON/TURISMO	Z = OMNI/CHARGER/RAMPAGE

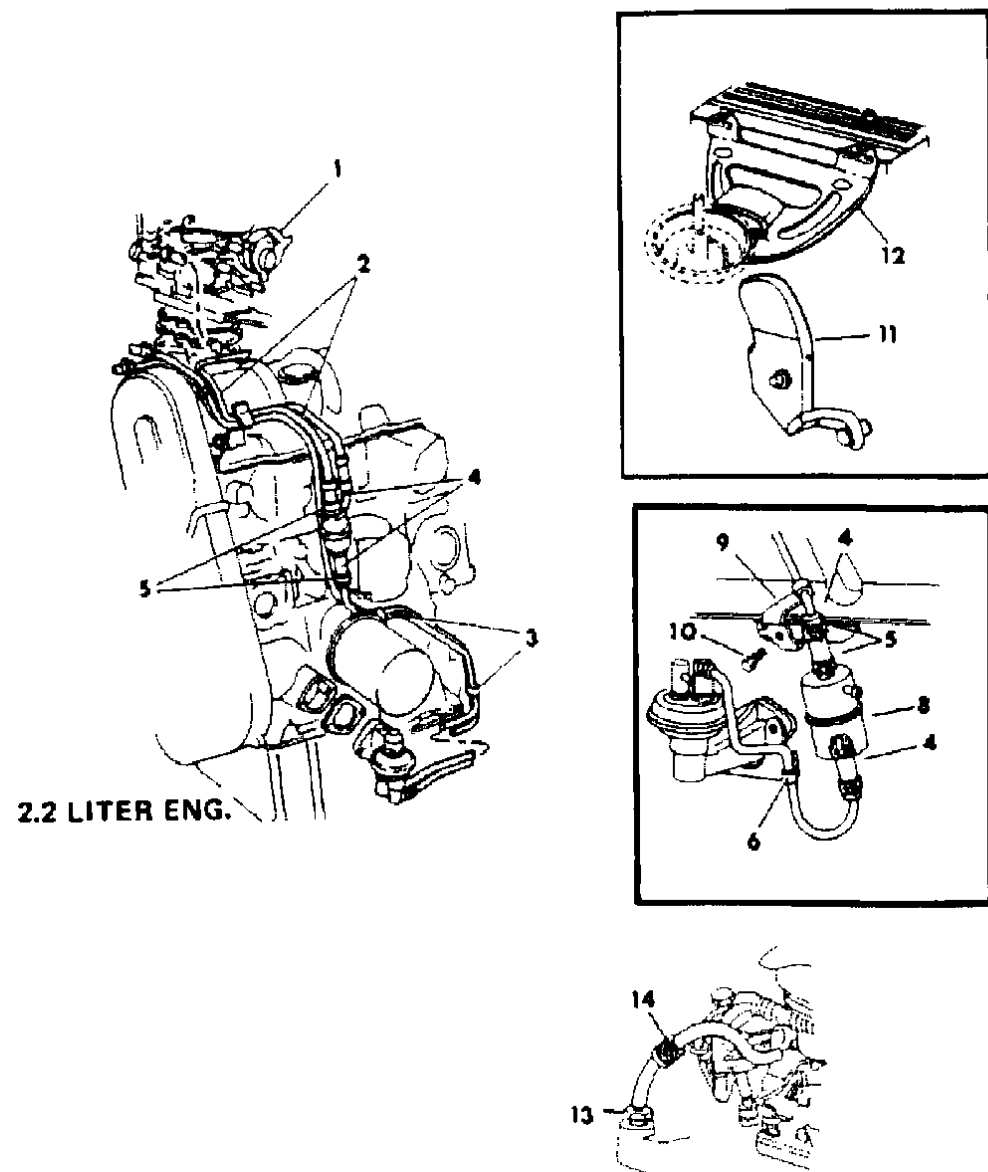
BODY STYLES

21 = 2-DOOR SEDAN	28 = FWD PICKUP	44 = 4-DOOR HATCHBACK
22 = 2-DOOR SPECIAL COUPE	35 = FWD VAN	45 = 4-DOOR STATION WAGON
24 = 2-DOOR HATCHBACK	36 = FWD WAGON	48 = 4-DOOR EXECUTIVE SEDAN
27 = 2-DOOR CONVERTIBLE	41 = 4-DOOR SEDAN	

AR = Use as Required - = Non Illustrated Part P.A.R. = Paint as Required

CARBURETOR FUEL FILTER AND RELATED PARTS Figure 14-3200

4114 3200



2.2 LITER ENG.

ITEM	PART NUMBER	QTY	BODY	MODEL	DESCRIPTION
Note: For P,D,C,V,E,T, w/2.6 Liter Engine see Illustration 14-4400 applications specified in this document.					
1					CARBURETOR, See Carburetor Charts
2	1843 253	AR			TUBE, Fuel Filter Hose to Carburetor (serviced in 50' roll)
	4268 268	AR			w/1.6 Liter Engine
3					TUBE, Fuel Pump to Fuel Filter
	4027 122	AR			w/318 Eng.
4	4443 176	AR			HOSE, Fuel Filter
5	2448 761	AR			CLAMP
6					CLIP, Fuel Pump to Fuel Filter Hose (not serviced)
7					STUD, Carburetor Attaching
	6500 579	4			w/1.6 Liter Engine
	0152 534	2			w/318 Eng. Front
	6032 436	2			w/318 Eng. Rear
8					FILTER, Fuel
	4240 049	1			w/1.6 Liter Engine
	4240 102	1			w/2.2 Liter Engine, w/Vapor Separator
	4186 209	1			w/2.2 Liter Engine, w/o Vapor Separator
	4049 224	1			w/2.2 Liter Engine, w/Vapor Separator, w/(SC-EDH)
	4049 224	1			w/318-2bbl. Engine, w/ Vapor Separator
	4186 209	1			w/318-2bbl. Engine, w/o Vapor Separator
	4106 001	1			w/318-4bbl. Engine, w/ Vapor Separator
	4186 209	1			w/318-4bbl. Engine, w/o Vapor Separator
9	4179 975	1			CLIP, Fuel Filter Hose to Carburetor Hose Tube
10	6028 370	1			SCREW w/WASHER
11	4241 239	1			BLOCKER, Front Impact, w/2.6L Eng. (E72)
12	MD07 6040	1			BLOCKER, Rear Impact, w/2.6L Eng. (E72)
13	4026 117	1			CONNECTOR, Intake Manifold Vacuum Control, w/2.2L Eng.
14	4213 590	1			VALVE, w/HOSE, Flow Control, w/2.2L Eng.
	6500 182	4			NUT, Carb. Attaching, 2.2L Eng. (not illustrated)

MODEL CODES

B = GRAN FURY	F = FIFTH AVENUE/NEWPORT	P = RELIANT
C = LEBARON/TOWN & COUNTRY/EXC SEDAN	G = DIPLOMAT	T = E CLASS/NEW YORKER
C24 = LASER	H = VOYAGER	V = 600
D = ARIES	K = MINI RAM/CARAVAN/ROYAL	V24 = DAYTONA
E = 600	M = HORIZON/TURISMO	Z = OMNI/CHARGER/RAMPAGE

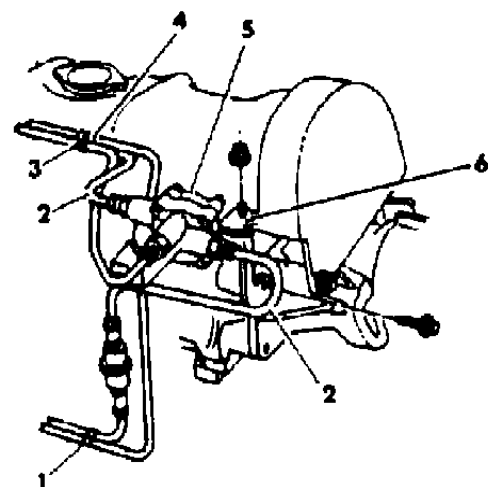
BODY STYLES

21 = 2-DOOR SEDAN	28 = FWD PICKUP	44 = 4-DOOR HATCHBACK
22 = 2-DOOR SPECIAL COUPE	35 = FWD VAN	45 = 4-DOOR STATION WAGON
24 = 2-DOOR HATCHBACK	36 = FWD WAGON	48 = 4-DOOR EXECUTIVE SEDAN
27 = 2-DOOR CONVERTIBLE	41 = 4-DOOR SEDAN	

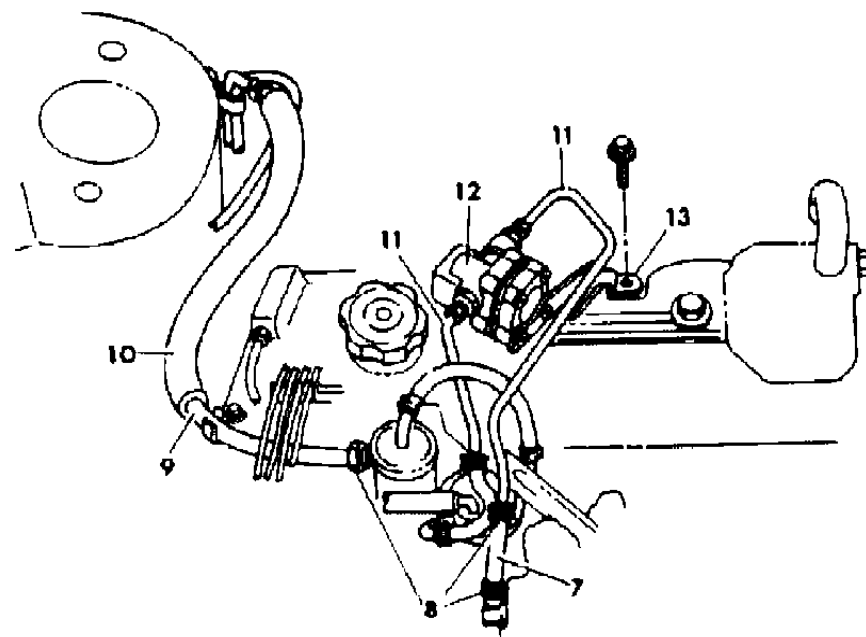
AR = Use as Required - = Non Illustrated Part P.A.R. = Paint as Required

FUEL FLOW SENSORS Figure 14-3300

4114 3300



2.2 LITER



2.6 LITER

ITEM	PART NUMBER	QTY	BODY	MODEL	DESCRIPTION
1	2925 705	1			CLIP
2	1843 253	AR			TUBE Fuel Meter to Carburetor Fuel Filter to Fuel Meter
3	2925 705	1			CLIP
4	2530 700	1			CLIP
5	4222 065	1			SENSOR, Fuel Flow
6	4275 521	1			BRACKET, Fuel Flow Sensor
7	4443 175	AR			HOSE
8	2448 761	3			CLAMP
9	4443 176	AR			HOSE
10	4279 397	AR			SLEEVE
11	1843 252	AR			TUBE Carburetor to Sensor Outlet Fuel Pump Outlet to Sensor Inlet
12	4222 920	1			SENSOR, Fuel Flow
13	4275 344	1			BRACKET, Fuel Flow Sensor

MODEL CODES

B = GRAN FURY	F = FIFTH AVENUE/NEWPORT	P = RELIANT
C = LEBARON/TOWN & COUNTRY/EXC SEDAN	G = DIPLOMAT	T = E CLASS/NEW YORKER
C24 = LASER	H = VOYAGER	V = 600
D = ARIES	K = MINI RAM/CARAVAN/ROYAL	V24 = DAYTONA
E = 600	M = HORIZON/TURISMO	Z = OMNI/CHARGER/RAMPAGE

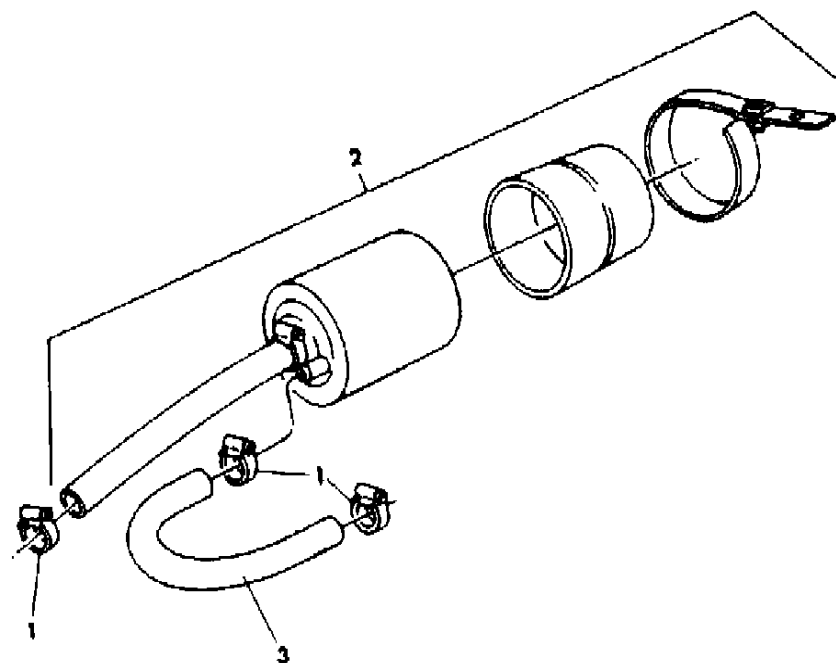
BODY STYLES

21 = 2-DOOR SEDAN	28 = FWD PICKUP	44 = 4-DOOR HATCHBACK
22 = 2-DOOR SPECIAL COUPE	35 = FWD VAN	45 = 4-DOOR STATION WAGON
24 = 2-DOOR HATCHBACK	36 = FWD WAGON	48 = 4-DOOR EXECUTIVE SEDAN
27 = 2-DOOR CONVERTIBLE	41 = 4-DOOR SEDAN	

AR = Use as Required - = Non Illustrated Part P.A.R. = Paint as Required

FUEL FILTER T.B.I. and TURBO CHARGER
Figure 14-3400

4114 3400



ITEM	PART NUMBER	QTY	BODY	MODEL	DESCRIPTION
1	6500 722	AR			CLAMP
2	4279 599	1			FILTER, Fuel
3	4279 597	1			HOSE

MODEL CODES

B = GRAN FURY	F = FIFTH AVENUE/NEWPORT	P = RELIANT
C = LEBARON/TOWN & COUNTRY/EXC SEDAN	G = DIPLOMAT	T = E CLASS/NEW YORKER
C24 = LASER	H = VOYAGER	V = 600
D = ARIES	K = MINI RAM/CARAVAN/ROYAL	V24 = DAYTONA
E = 600	M = HORIZON/TURISMO	Z = OMNI/CHARGER/RAMPAGE

BODY STYLES

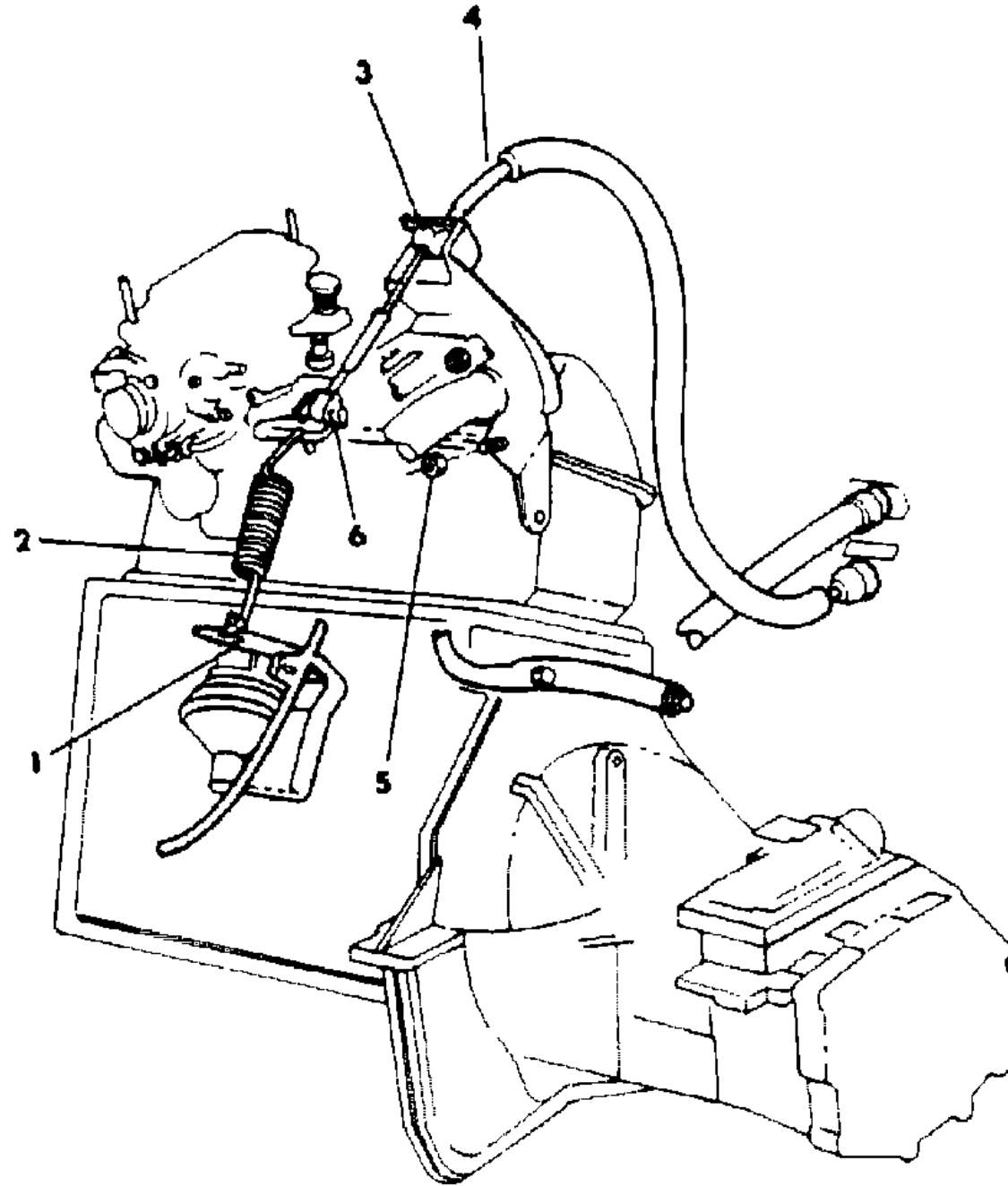
21 = 2-DOOR SEDAN	28 = FWD PICKUP	44 = 4-DOOR HATCHBACK
22 = 2-DOOR SPECIAL COUPE	35 = FWD VAN	45 = 4-DOOR STATION WAGON
24 = 2-DOOR HATCHBACK	36 = FWD WAGON	48 = 4-DOOR EXECUTIVE SEDAN
27 = 2-DOOR CONVERTIBLE	41 = 4-DOOR SEDAN	

AR = Use as Required - = Non Illustrated Part P.A.R. = Paint as Required

THROTTLE CONTROL W/1.6 LITER ENGINE
Figure 14-3500

4114 3500

ITEM	PART NUMBER	QTY	BODY	MODEL	DESCRIPTION
1	4268 846	1			BRACKET, Throttle Spring Mounting
2	4268 844	1			SPRING
3	4275 990	1			BRACKET, Throttle Control Mounting
4	4275 989	1			CABLE, Throttle Control
5	6500 363	1			NUT
6	6031 628	1			CLIP



MODEL CODES

B = GRAN FURY	F = FIFTH AVENUE/NEWPORT	P = RELIANT
C = LEBARON/TOWN & COUNTRY/EXC SEDAN	G = DIPLOMAT	T = E CLASS/NEW YORKER
C24 = LASER	H = VOYAGER	V = 600
D = ARIES	K = MINI RAM/CARAVAN/ROYAL	V24 = DAYTONA
E = 600	M = HORIZON/TURISMO	Z = OMNI/CHARGER/RAMPAGE

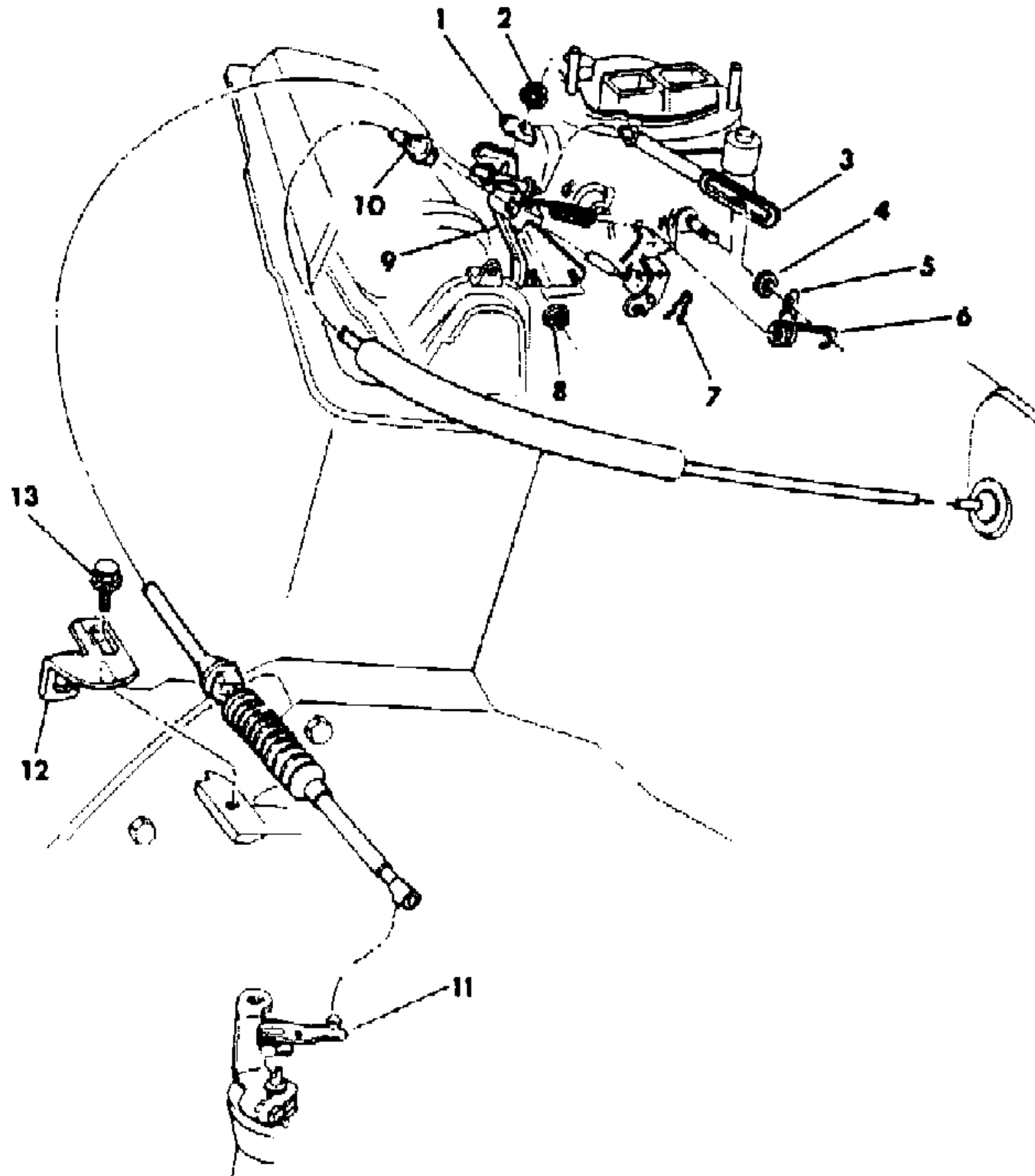
BODY STYLES

21 = 2-DOOR SEDAN	28 = FWD PICKUP	44 = 4-DOOR HATCHBACK
22 = 2-DOOR SPECIAL COUPE	35 = FWD VAN	45 = 4-DOOR STATION WAGON
24 = 2-DOOR HATCHBACK	36 = FWD WAGON	48 = 4-DOOR EXECUTIVE SEDAN
27 = 2-DOOR CONVERTIBLE	41 = 4-DOOR SEDAN	

AR = Use as Required - = Non Illustrated Part P.A.R. = Paint as Required

THROTTLE CONTROL - M,Z W/2.2 LITER ENGINE
Figure 14-3600

4114 3600



ITEM	PART NUMBER	QTY	BODY	MODEL	DESCRIPTION
1	2402 210	1			CLIP, Auto Trans. Cable Mounting
2	0219 462	1			NUT w/WASHER
3	4287 539	1			CABLE, Auto Trans.
4		1			WASHER, Carburetor Lever Stud, Auto Trans. (not serviced)
5	6031 511	1			CLIP, Carburetor Lever Stud, Auto Trans.
6					SPRING, Accel. Pedel Return
	4268 844	1			w/Manual Trans.
	4275 920	1			w/Auto Trans., Up to 3-15-84
	4288 188	1			w/Auto Trans., After 3-15-84
7	6031 628	1			CLIP, Throttle Control Cable
8	6100 047	2			NUT w/WASHER
9	4287 740	1			BRACKET, Cable Mounting
10	4275 906	1			CABLE, Throttle Control
11	5240 826	1			LEVER, Auto Trans. Throttle Control
12	5214 346	1			BRACKET, Atuo Trans. Cable Mounting
13	6500 136	1			SCREW w/WASHER
	5214 081	1			SPRING, Auto Trans. Cable

MODEL CODES

B = GRAN FURY	F = FIFTH AVENUE/NEWPORT	P = RELIANT
C = LEBARON/TOWN & COUNTRY/EXC SEDAN	G = DIPLOMAT	T = E CLASS/NEW YORKER
C24 = LASER	H = VOYAGER	V = 600
D = ARIES	K = MINI RAM/CARAVAN/ROYAL	V24 = DAYTONA
E = 600	M = HORIZON/TURISMO	Z = OMNI/CHARGER/RAMPAGE

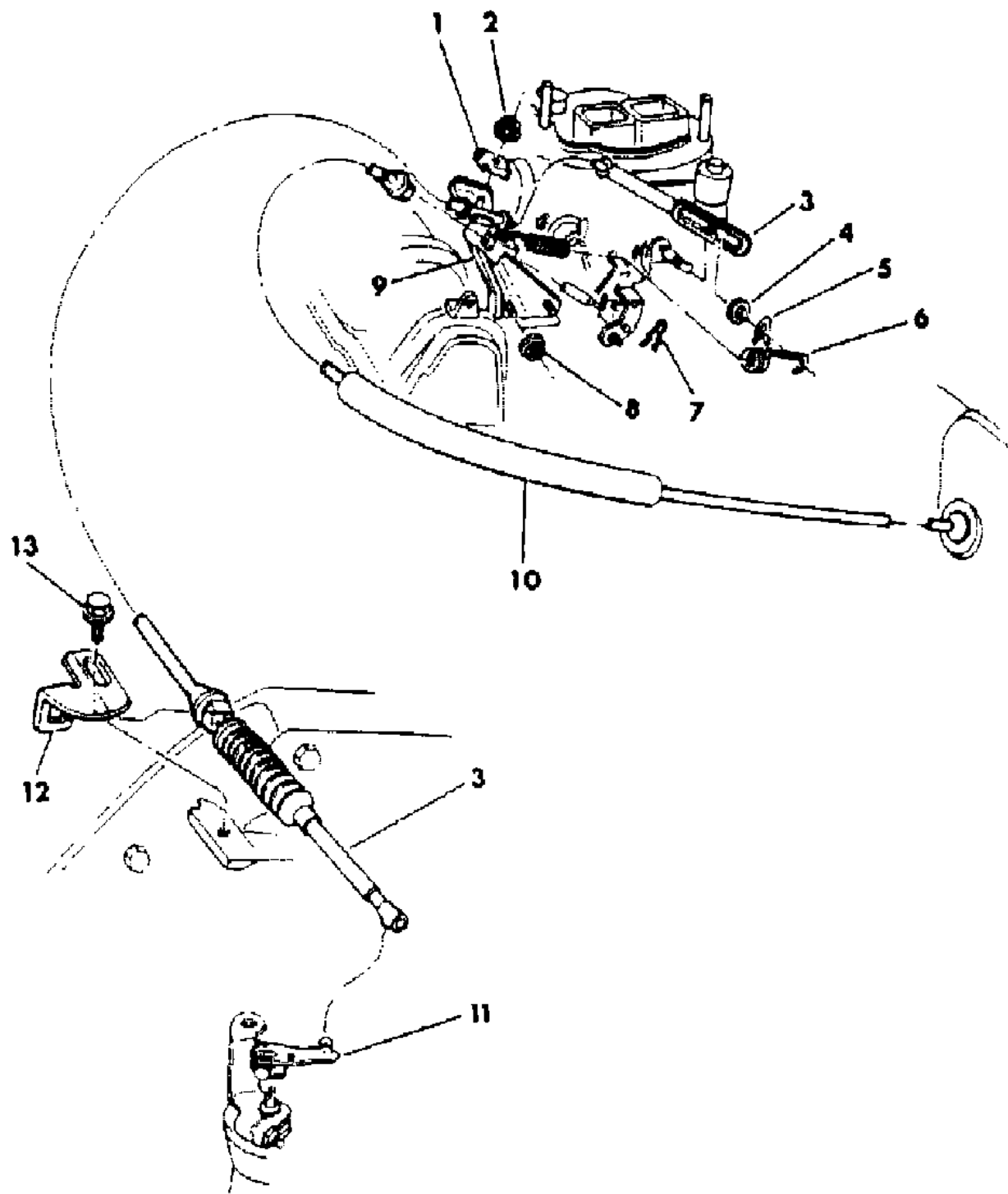
BODY STYLES

21 = 2-DOOR SEDAN	28 = FWD PICKUP	44 = 4-DOOR HATCHBACK
22 = 2-DOOR SPECIAL COUPE	35 = FWD VAN	45 = 4-DOOR STATION WAGON
24 = 2-DOOR HATCHBACK	36 = FWD WAGON	48 = 4-DOOR EXECUTIVE SEDAN
27 = 2-DOOR CONVERTIBLE	41 = 4-DOOR SEDAN	

AR = Use as Required - = Non Illustrated Part P.A.R. = Paint as Required

THROTTLE CONTROL - P,D,C,V,E,T,H,K W/2.2 LITER ENGINE
Figure 14-3700

4114 3700



ITEM	PART NUMBER	QTY	BODY	MODEL	DESCRIPTION
1	2402 210	1			CLIP, Auto Trans. Cable Mounting
2	0120 375	1			NUT w/WASHER
3	4275 912	1			CABLE, Auto Trans.
4		1			WASHER (not serviced)
5	6031 511	1			CLIP, Carburetor Lever Stud Auto Trans.
6					SPRING, Accel. Pedel Return
	4268 844	1			w/Manual Trans.
	4275 920	1			w/Auto Trans., Up to 3-15-84
	4288 188	1			w/Auto Trans., After 3-15-84
7	6031 628	1			CLIP, Throttle Control Cable Pin
8	6100 047	2			NUT w/WASHER
9	4287 740	1			BRACKET, Cable Mounting
10	4275 907	1			CABLE, Throttle Control
	4287 533	1		H,K	
11	5240 826	1			LEVER, Auto Trans. Throttle Control
12	5214 346	1			BRACKET, Auto Trans. Cable Mounting
13	6500 136	1			SCREW w/WASHER
	5214 081	1			SPRING, Auto Trans. Cable

MODEL CODES

B = GRAN FURY	F = FIFTH AVENUE/NEWPORT	P = RELIANT
C = LEBARON/TOWN & COUNTRY/EXC SEDAN	G = DIPLOMAT	T = E CLASS/NEW YORKER
C24 = LASER	H = VOYAGER	V = 600
D = ARIES	K = MINI RAM/CARAVAN/ROYAL	V24 = DAYTONA
E = 600	M = HORIZON/TURISMO	Z = OMNI/CHARGER/RAMPAGE

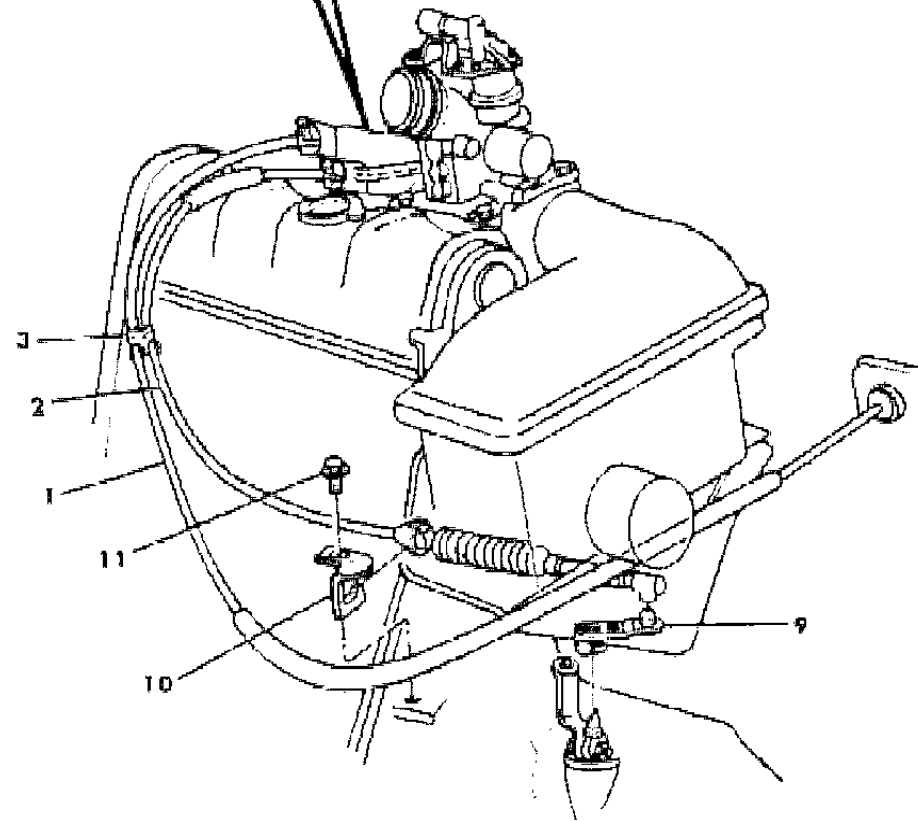
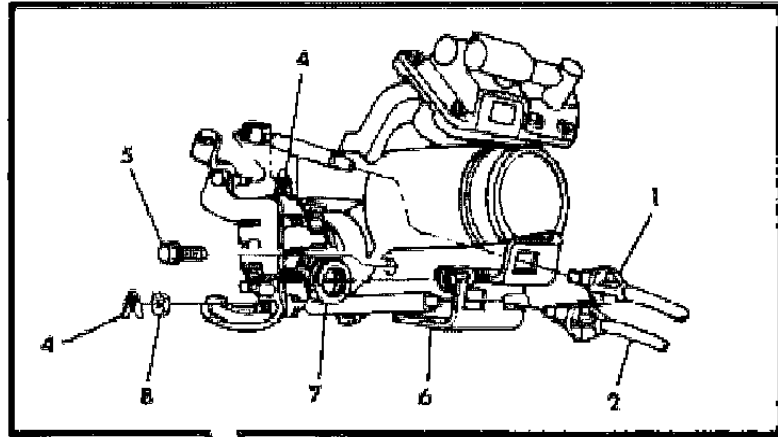
BODY STYLES

21 = 2-DOOR SEDAN	28 = FWD PICKUP	44 = 4-DOOR HATCHBACK
22 = 2-DOOR SPECIAL COUPE	35 = FWD VAN	45 = 4-DOOR STATION WAGON
24 = 2-DOOR HATCHBACK	36 = FWD WAGON	48 = 4-DOOR EXECUTIVE SEDAN
27 = 2-DOOR CONVERTIBLE	41 = 4-DOOR SEDAN	

AR = Use as Required - = Non Illustrated Part P.A.R. = Paint as Required

THROTTLE CONTROLS - T.B.I
Figure 14-3800

4114 3800



ITEM	PART NUMBER	QTY	BODY	MODEL	DESCRIPTION
1	4287 530	1			CABLE, Throttle Control
	4275 949	1		V,C24	Up to 10-17-83
	4287 530	1		V,C24	After 10-17-83
2	4287 503	1			CABLE, Auto Trans.
3	4241 555	1			RETAINER, Cable
4	6031 628	2			CLIP
5	6500 716	2			SCREW and WASHER, Bracket Attaching
6	4268 831	1			BRACKET, Cable Mounting
7	4268 832	1			SPRING, Accel. Pedal Return
8					WASHER (not serviced)
9	5240 826	1			LEVER, Auto Trans. Throttle Control
10	5214 346	1			BRACKET, Auto Trans. Cable Mounting
11	6500 136	1			SCREW and WASHER, Auto Trans. Cable Mounting

MODEL CODES

B = GRAN FURY	F = FIFTH AVENUE/NEWPORT	P = RELIANT
C = LEBARON/TOWN & COUNTRY/EXC SEDAN	G = DIPLOMAT	T = E CLASS/NEW YORKER
C24 = LASER	H = VOYAGER	V = 600
D = ARIES	K = MINI RAM/CARAVAN/ROYAL	V24 = DAYTONA
E = 600	M = HORIZON/TURISMO	Z = OMNI/CHARGER/RAMPAGE

BODY STYLES

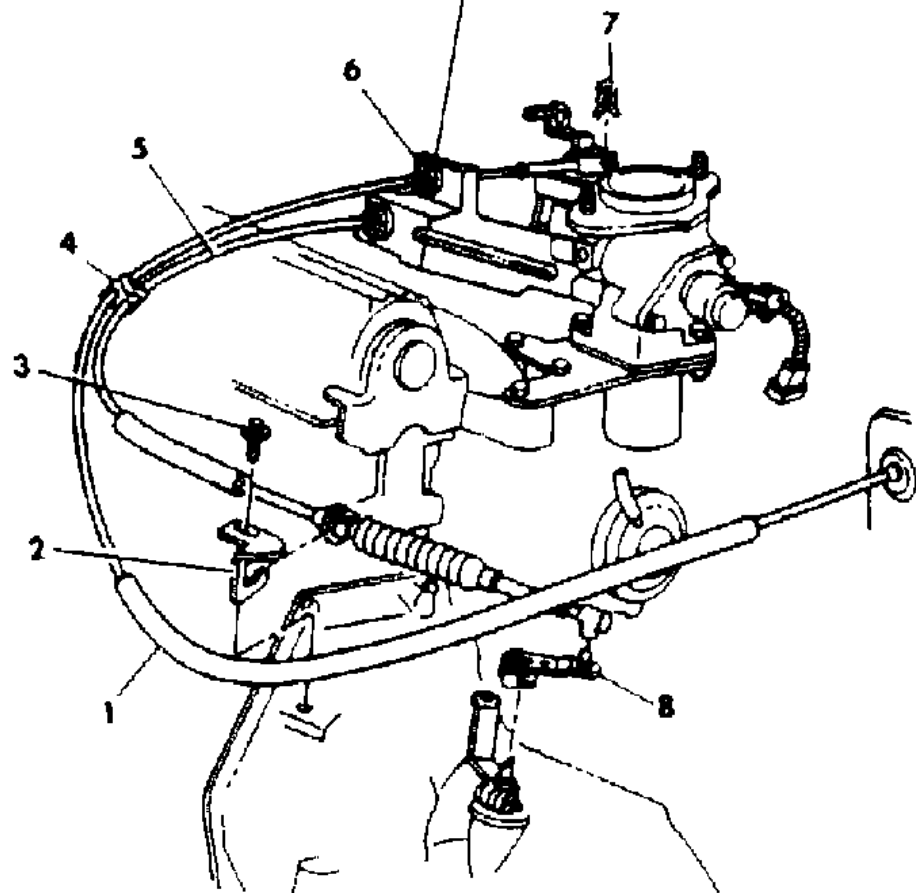
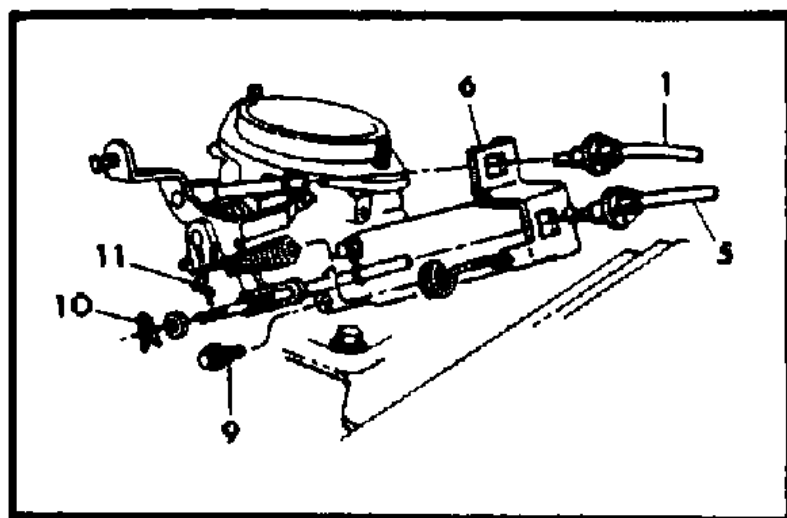
21 = 2-DOOR SEDAN	28 = FWD PICKUP	44 = 4-DOOR HATCHBACK
22 = 2-DOOR SPECIAL COUPE	35 = FWD VAN	45 = 4-DOOR STATION WAGON
24 = 2-DOOR HATCHBACK	36 = FWD WAGON	48 = 4-DOOR EXECUTIVE SEDAN
27 = 2-DOOR CONVERTIBLE	41 = 4-DOOR SEDAN	

AR = Use as Required - = Non Illustrated Part P.A.R. = Paint as Required

THROTTLE CONTROLS - TURBO CHARGER

Figure 14-3900

4114 3900



ITEM	PART NUMBER	QTY	BODY	MODEL	DESCRIPTION
1	4306 187	1			CABLE, Throttle Control
	4287 501	1		V,C24	Up to 10-17-83
	4306 187	1		V,C24	After 10-17-83
2	5214 346	1			BRACKET, Trans. Cable Mounting
3	6500 716	1			SCREW, w/WASHER
4	4241 555	1			RETAINER
5	4268 811	1			CABLE, Auto Trans.
6	4268 807	1			BRACKET, Cable Mounting
7	6031 628	1			CLIP, Throttle Control Cable
8	5240 826	1			LEVER, Throttle Control
9	6100 276	1			SCREW, w/WASHER
10	6031 511	1			CLIP, Auto Trans. Lever
11	4268 844	1			SPRING, Accel Pedal Return

MODEL CODES

B = GRAN FURY	F = FIFTH AVENUE/NEWPORT	P = RELIANT
C = LEBARON/TOWN & COUNTRY/EXC SEDAN	G = DIPLOMAT	T = E CLASS/NEW YORKER
C24 = LASER	H = VOYAGER	V = 600
D = ARIES	K = MINI RAM/CARAVAN/ROYAL	V24 = DAYTONA
E = 600	M = HORIZON/TURISMO	Z = OMNI/CHARGER/RAMPAGE

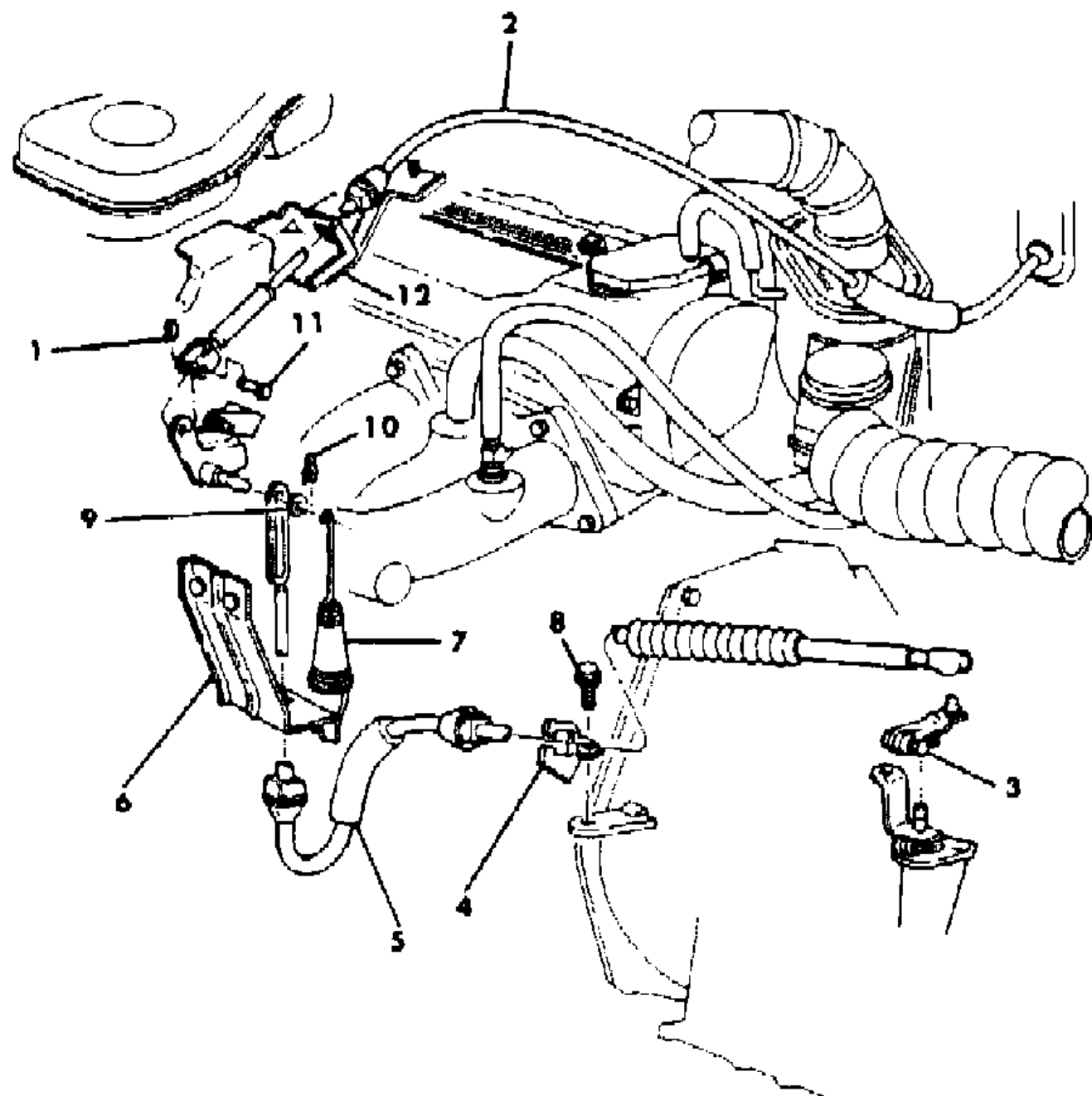
BODY STYLES

21 = 2-DOOR SEDAN	28 = FWD PICKUP	44 = 4-DOOR HATCHBACK
22 = 2-DOOR SPECIAL COUPE	35 = FWD VAN	45 = 4-DOOR STATION WAGON
24 = 2-DOOR HATCHBACK	36 = FWD WAGON	48 = 4-DOOR EXECUTIVE SEDAN
27 = 2-DOOR CONVERTIBLE	41 = 4-DOOR SEDAN	

AR = Use as Required - = Non Illustrated Part P.A.R. = Paint as Required

THROTTLE CONTROL - P,D,C,V,E,T,H,K W/2.6 LITER ENGINE
Figure 14-4000

4114 4000



ITEM	PART NUMBER	QTY	BODY	MODEL	DESCRIPTION
1	6023 285	1			CLIP, Throttle Control Cable
2	4268 825	1			CABLE, Throttle Control Up to 5-15-84
	4288 191	1			After 5-15-84
	4287 544	1		H,K	
3	5240 826	1			LEVER, Throttle Control
4	5214 344	1			BRACKET
5	4287 514	1			CABLE, Auto Trans
6					BRACKET
7	5214 579	1			SPRING, Accelerator Return
8	6500 136	1			SCREW, w/WASHER
9		1			WASHER (not serviced)
10	6031 511	1			CLIP, Carb Lever Stud
11	2264 706	1			PIN, Throttle Control Cable
12	MD60 6949	1			BRACKET, Throttle Control Cable
	5214 081	1			SPRING, Auto Trans. Cable

MODEL CODES

B = GRAN FURY	F = FIFTH AVENUE/NEWPORT	P = RELIANT
C = LEBARON/TOWN & COUNTRY/EXC SEDAN	G = DIPLOMAT	T = E CLASS/NEW YORKER
C24 = LASER	H = VOYAGER	V = 600
D = ARIES	K = MINI RAM/CARAVAN/ROYAL	V24 = DAYTONA
E = 600	M = HORIZON/TURISMO	Z = OMNI/CHARGER/RAMPAGE

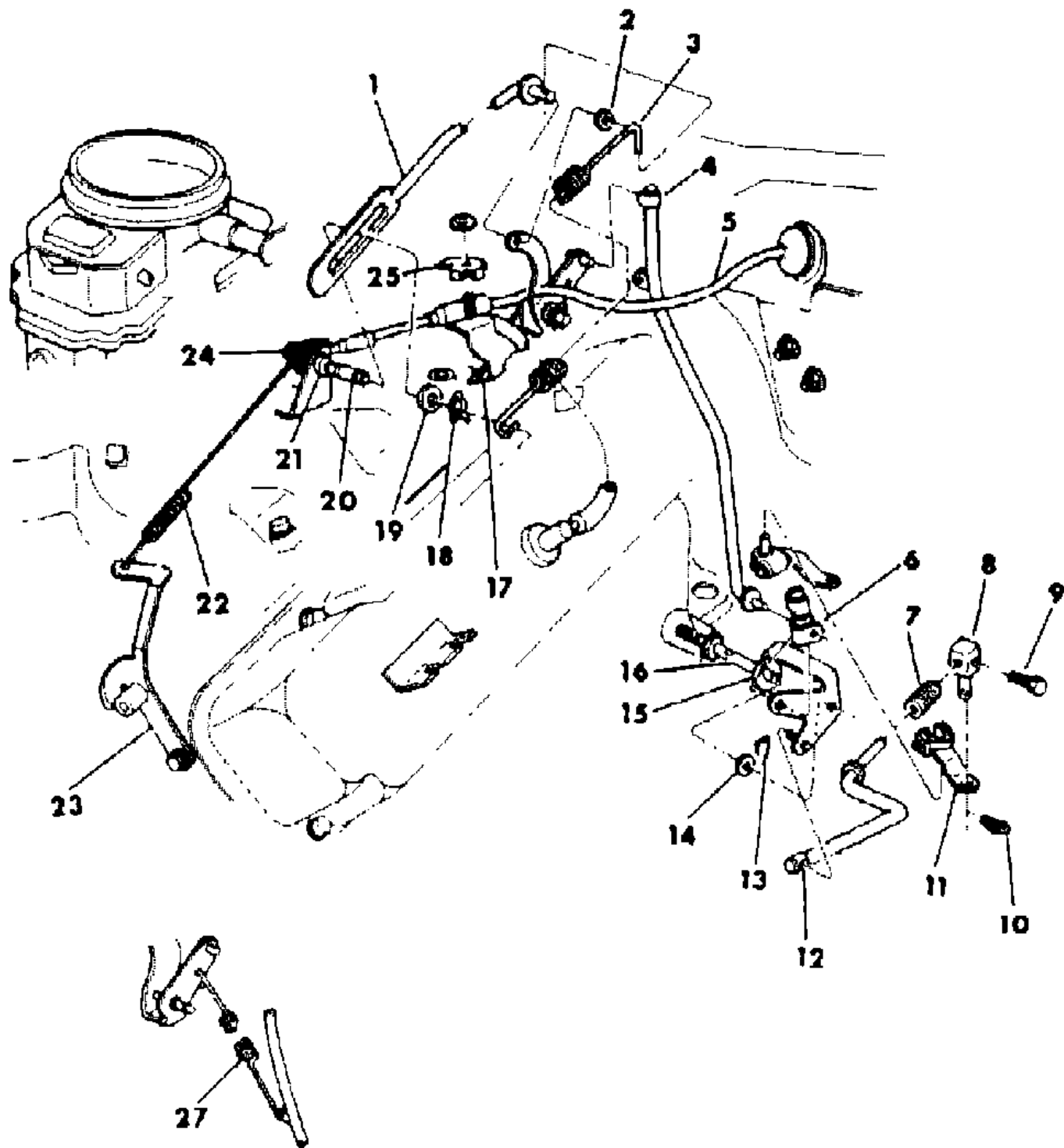
BODY STYLES

21 = 2-DOOR SEDAN	28 = FWD PICKUP	44 = 4-DOOR HATCHBACK
22 = 2-DOOR SPECIAL COUPE	35 = FWD VAN	45 = 4-DOOR STATION WAGON
24 = 2-DOOR HATCHBACK	36 = FWD WAGON	48 = 4-DOOR EXECUTIVE SEDAN
27 = 2-DOOR CONVERTIBLE	41 = 4-DOOR SEDAN	

AR = Use as Required - = Non Illustrated Part P.A.R. = Paint as Required

THROTTLE CONTROL W/318 - 2BBL AUTO TRANS. - F,G,B
Figure 14-4100

4114 4100



ITEM	PART NUMBER	QTY	BODY	MODEL	DESCRIPTION
1	3769 872	1			ROD
2	0120 393	1			WASHER
3	3870 696	1			SPRING
4					ROD
	4041 509	1			w/A904 Trans.
	4041 520	1			w/A727 Trans.
5	4027 358	1			CABLE
6	2899 361	1			CLIP
7	3769 198	1			SPRING
8	4027 374	1			SWIVEL
9	0181 082	1			SCREW
10	6025 867	1			CLIP
11					LEVER, Trans. See Group 21
12					ROD
	4071 978	1			w/904 Trans.
	4026 536	1			w/727 Trans.
13	6027 983	1			CLIP
14	0120 394	1			WASHER
15					BELLCRANK
	3751 529	1			w/A904 Trans.
	3751 535	1			w/A727 Trans.
16	3751 531	1			STUD, Trans. Bellcrank
17	3870 670	1			BRACKET, Cable Mounting
18	6026 776	1			CLIP
19					WASHER (not serviced)
20	3418 900	1			STUD
21	6030 607	1			NUT
22	3870 659	1			SPRING
23					BRACKET, See Group 25
24	6023 285	1			CLIP
25	2402 210	1			CLIP
26	0120 375	1			NUT w/WASHER
27	3870 666	1			SPRING, Linkage Assist

NOTE: The following items are used with the Fast Idle Throttle Control applications specified in this document.

2536 847	1				COLLAR, Cable Adjusting
4041 547	1				LEVER, Fast Idle Adjusting
4041 545	1				CABLE, Fast Idle
4041 546	1				BRACKET, Fast Idle Cable

MODEL CODES

B = GRAN FURY	F = FIFTH AVENUE/NEWPORT	P = RELIANT
C = LEBARON/TOWN & COUNTRY/EXC SEDAN	G = DIPLOMAT	T = E CLASS/NEW YORKER
C24 = LASER	H = VOYAGER	V = 600
D = ARIES	K = MINI RAM/CARAVAN/ROYAL	V24 = DAYTONA
E = 600	M = HORIZON/TURISMO	Z = OMNI/CHARGER/RAMPAGE

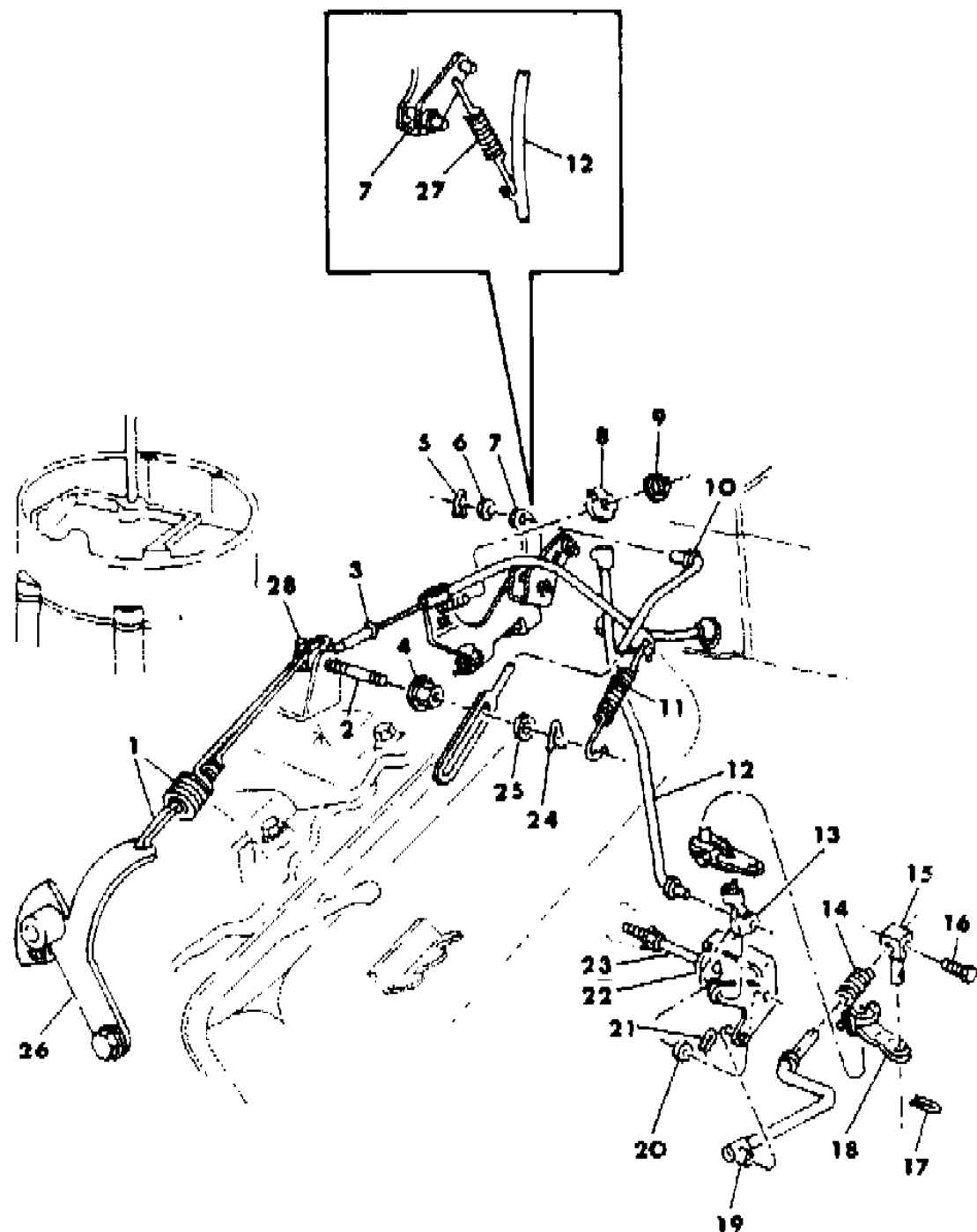
BODY STYLES

21 = 2-DOOR SEDAN	28 = FWD PICKUP	44 = 4-DOOR HATCHBACK
22 = 2-DOOR SPECIAL COUPE	35 = FWD VAN	45 = 4-DOOR STATION WAGON
24 = 2-DOOR HATCHBACK	36 = FWD WAGON	48 = 4-DOOR EXECUTIVE SEDAN
27 = 2-DOOR CONVERTIBLE	41 = 4-DOOR SEDAN	

AR = Use as Required - = Non Illustrated Part P.A.R. = Paint as Required

THROTTLE CONTROL W/318 - 4BBL ENGINE w/AUTO TRANS. - F,G,B
Figure 14-4200

4114 4200



ITEM	PART NUMBER	QTY	BODY	MODEL	DESCRIPTION
1					SPRING
	3870 659	1			Inner
	3870 660	1			Outer
2	3418 900	1			STUD
3	4306 179	1			CABLE, Throttle Control
4	6030 607	1			NUT
5	6025 867	1			CLIP
6	0120 393	1			WASHER
7	4027 101	1			BRACKET, Cable Mounting
8	2402 210	1			CLIP
9	0120 375	1			NUT w/WASHER
10	4041 548	1			ROD
11	4027 590	1			SPRING
12					ROD
	4041 509	1			w/A904 Trans.
	4041 520	1			w/A727 Trans.
13	2899 361	1			CLIP
14	3769 198	1			SPRING
15	4027 374	1			SWIVEL
16	0181 082	1			SCRRW
17	6025 867	1			CLIP
18					LEVER, See Group 21
19					ROD
	4071 978	1			w/A904 Trans.
	4173 225	1			w/A727 Trans.
20	0120 394	1			WASHER
21	6027 983	1			CLIP
22					BELLCRANK
	3751 529	1			w/A904 Trans.
	3751 535	1			w/A727 Trans.
23	3751 531	1			STUD
24	6026 776	1			CLIP
25		1			WASHER (not serviced)
26					BRACKET, See Group 25
27	3870 666	1			SPRING, Linkage Assist
28	6023 285	1			CLIP, Throttle Control
	2536 847	1			COLLAR, Cable Adjusting

NOTE: The following items are used with the Fast Idle Throttle Control applications specified in this document.

MODEL CODES

B = GRAN FURY	F = FIFTH AVENUE/NEWPORT	P = RELIANT
C = LEBARON/TOWN & COUNTRY/EXC SEDAN	G = DIPLOMAT	T = E CLASS/NEW YORKER
C24 = LASER	H = VOYAGER	V = 600
D = ARIES	K = MINI RAM/CARAVAN/ROYAL	V24 = DAYTONA
E = 600	M = HORIZON/TURISMO	Z = OMNI/CHARGER/RAMPAGE

BODY STYLES

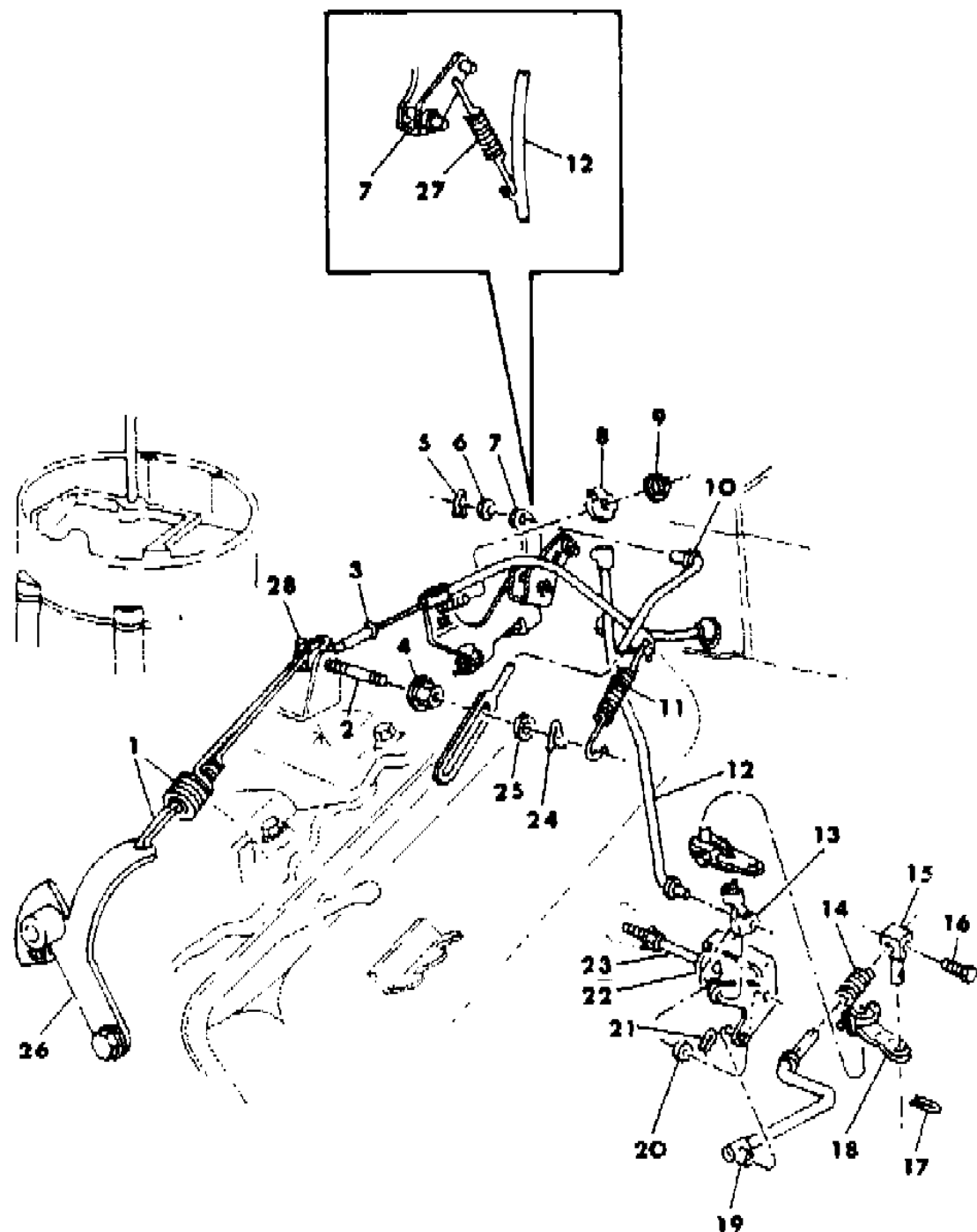
21 = 2-DOOR SEDAN	28 = FWD PICKUP	44 = 4-DOOR HATCHBACK
22 = 2-DOOR SPECIAL COUPE	35 = FWD VAN	45 = 4-DOOR STATION WAGON
24 = 2-DOOR HATCHBACK	36 = FWD WAGON	48 = 4-DOOR EXECUTIVE SEDAN
27 = 2-DOOR CONVERTIBLE	41 = 4-DOOR SEDAN	

AR = Use as Required - = Non Illustrated Part P.A.R. = Paint as Required

THROTTLE CONTROL W/318 - 4BBL ENGINE w/AUTO TRANS. - F,G,B
Figure 14-4200

ITEM	PART NUMBER	QTY	BODY	MODEL	DESCRIPTION
	4041 547	1			LEVER, Fast Idle Adjusting
	4041 545	1			CABLE, Fast Idle
	4041 546	1			BRACKET, Fast Idle Cable

4114 4200



MODEL CODES

B = GRAN FURY	F = FIFTH AVENUE/NEWPORT	P = RELIANT
C = LEBARON/TOWN & COUNTRY/EXC SEDAN	G = DIPLOMAT	T = E CLASS/NEW YORKER
C24 = LASER	H = VOYAGER	V = 600
D = ARIES	K = MINI RAM/CARAVAN/ROYAL	V24 = DAYTONA
E = 600	M = HORIZON/TURISMO	Z = OMNI/CHARGER/RAMPAGE

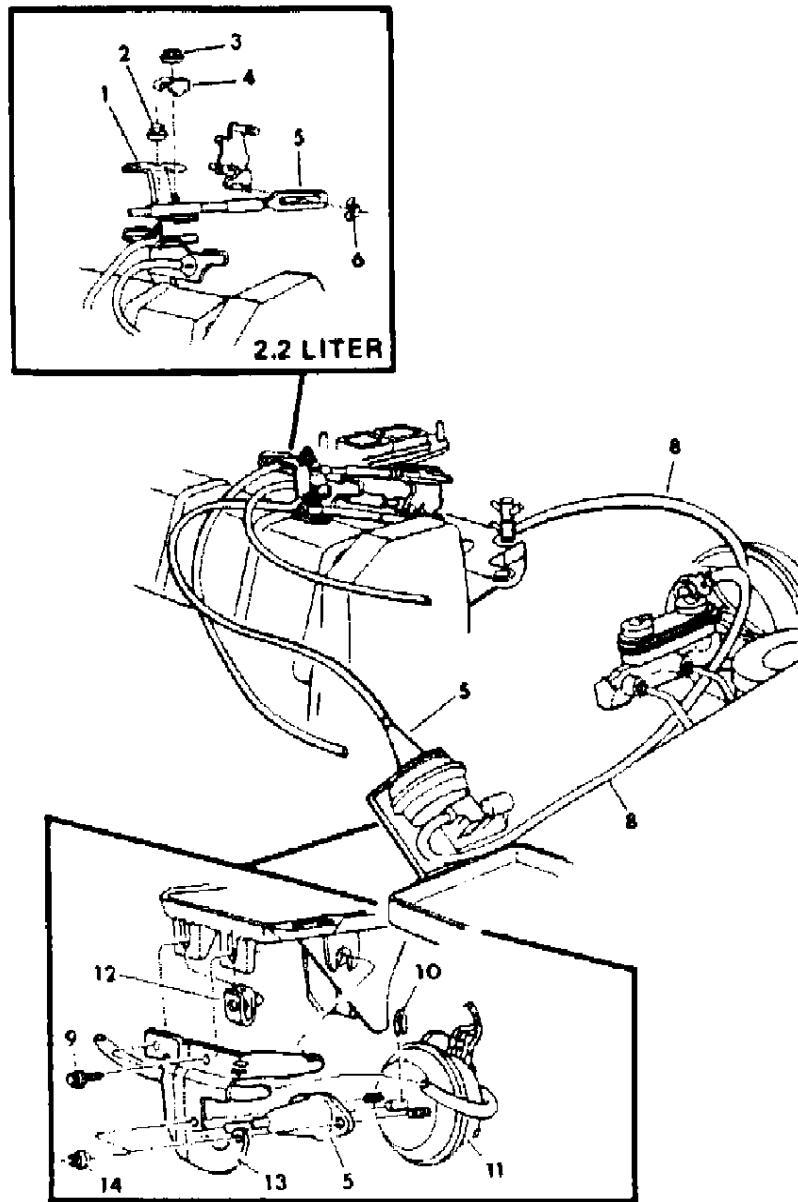
BODY STYLES

21 = 2-DOOR SEDAN	28 = FWD PICKUP	44 = 4-DOOR HATCHBACK
22 = 2-DOOR SPECIAL COUPE	35 = FWD VAN	45 = 4-DOOR STATION WAGON
24 = 2-DOOR HATCHBACK	36 = FWD WAGON	48 = 4-DOOR EXECUTIVE SEDAN
27 = 2-DOOR CONVERTIBLE	41 = 4-DOOR SEDAN	

AR = Use as Required - = Non Illustrated Part P.A.R. = Paint as Required

SPEED CONTROL - M,Z
Figure 14-4300

4114 4300



ITEM	PART NUMBER	QTY	BODY	MODEL	DESCRIPTION
	4364 360	1			SPEED CONTROL PACKAGE
1	4275 976	1			BRACKET, Speed Control Cable Mounting
2	6025 004	1			NUT, w/WASHER
3	0120 375	1			NUT, w/WASHER
4	2402 210	1			CLIP, Cable Mounting
5	4288 054	1			CABLE, Speed Control
6	6031 629	1			CLIP, Cable to Carb.
7	0219 462	1			SCREW, w/WASHER, Cable Mounting Bracket Attaching
8	4443 175	AR			HOSE
9	6025 004	2			NUT, w/WASHER
10	6025 867	1			CLIP, Cable to Servo
11	4241 551	1			SERVO, Speed Control
12	6500 300	1			SCREW, Bracket to Battery Tray Mounting, Inner
13	4307 398	1			BRACKET, Servo Mounting
14	6100 304	2			SCREW, Bracket to Battery Tray

MODEL CODES

B = GRAN FURY	F = FIFTH AVENUE/NEWPORT	P = RELIANT
C = LEBARON/TOWN & COUNTRY/EXC SEDAN	G = DIPLOMAT	T = E CLASS/NEW YORKER
C24 = LASER	H = VOYAGER	V = 600
D = ARIES	K = MINI RAM/CARAVAN/ROYAL	V24 = DAYTONA
E = 600	M = HORIZON/TURISMO	Z = OMNI/CHARGER/RAMPAGE

BODY STYLES

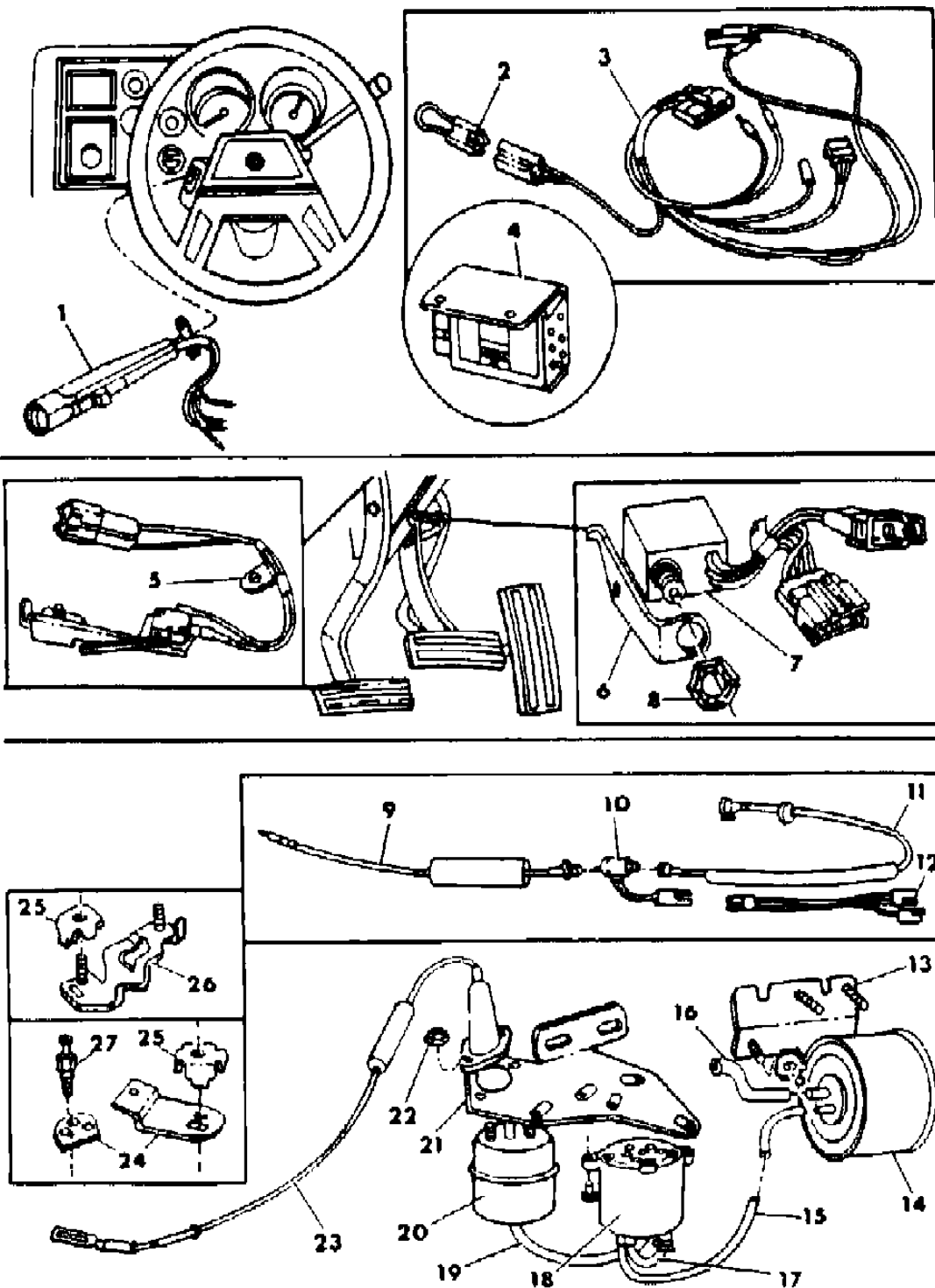
21 = 2-DOOR SEDAN	28 = FWD PICKUP	44 = 4-DOOR HATCHBACK
22 = 2-DOOR SPECIAL COUPE	35 = FWD VAN	45 = 4-DOOR STATION WAGON
24 = 2-DOOR HATCHBACK	36 = FWD WAGON	48 = 4-DOOR EXECUTIVE SEDAN
27 = 2-DOOR CONVERTIBLE	41 = 4-DOOR SEDAN	

AR = Use as Required - = Non Illustrated Part P.A.R. = Paint as Required

SPEED CONTROL - ELECTRONIC M,Z - W/ 1.6L and 2.2L ENGINE

Figure 14-4400

4114 4400



ITEM	PART NUMBER	QTY	BODY	MODEL	DESCRIPTION
	4364 360	1			SPEED CONTROL PACKAGE, w/ 1.6L and 2.2L Engine
1	4342 209	1			SWITCH, Control
	4209 534	1			PLUG, Connector
2	4304 099	1			JUMPER, w/ Auto - Trans
3	4318 831	1			HARNESS, Master Wire
4	4318 829	1			MODULE, Electronic
	6032 639	2			SCREW, Module Mounting
5	4221 678	1			SWITCH, w/BRACKET, Clutch
	6500 512	1			NUT
	6100 047	1			NUT
6	4221 580	1			BRACKET, Brake Switch
7	4221 980	1			SWITCH, Stop Lamp
8	0107 825	1			NUT, Stop Lamp Switch
9	4312 335	1			CABLE, Trans to Sensor
10	4312 186	1			SENSOR
11	4374 769	1			CABLE, Speedo to Sensor
12	4318 842	1			HARNESS, Sensor Adaptor
13	4318 823	1			BRACKET, Reservoir
14	4318 821	1			RESERVOIR, w/ BRACKET
	6024 682	2			SPACER, Reservoir Mounting
15	4318 826	AR			HOSE, Reservoir to Valve Body, 5/32 I.D. - 1/2 O.D. x 36"
16	4318 828	AR			HOSE, Reservoir to Booster Brake or Intake Manifold Fitting 7/32 I.D. x 70"
17	4318 822	1			HOSE, Moled Horseshoe
18	4318 818	1			BODY, Valve
19	4318 827	AR			HOSE, Vacuum Motor to Valve Body 5/32 x 50"
20	4318 819	1			MOTOR, Vacuum
21	4318 820	1			BRACKET, Valve Body and Motor Mounting
	6500 681	2			U - NUT, Bracket Mounting
	6100 288	2			SCREW, w/ WASHER, Bracket Mounting
22	6025 001	2			NUT, Cable Mounting
23	4288 057	1			CABLE, Servo
	6025 867	2			R - Clip, Servo Cable
	6015 327	2			CLIP, Servo Cable Harness
24	4318 824	1			BRACKET, Clamp and BRACKET, Throttle Link, w/1.6L Engine
25	2402 210	1			CLAMP, Cable
26	4275 976	1			BRACKET, Clamp, w/2.2L Engine
27	5214 596	1			STUD, w/1.6L Engine

MODEL CODES

B = GRAN FURY	F = FIFTH AVENUE/NEWPORT	P = RELIANT
C = LEBARON/TOWN & COUNTRY/EXC SEDAN	G = DIPLOMAT	T = E CLASS/NEW YORKER
C24 = LASER	H = VOYAGER	V = 600
D = ARIES	K = MINI RAM/CARAVAN/ROYAL	V24 = DAYTONA
E = 600	M = HORIZON/TURISMO	Z = OMNI/CHARGER/RAMPAGE

BODY STYLES

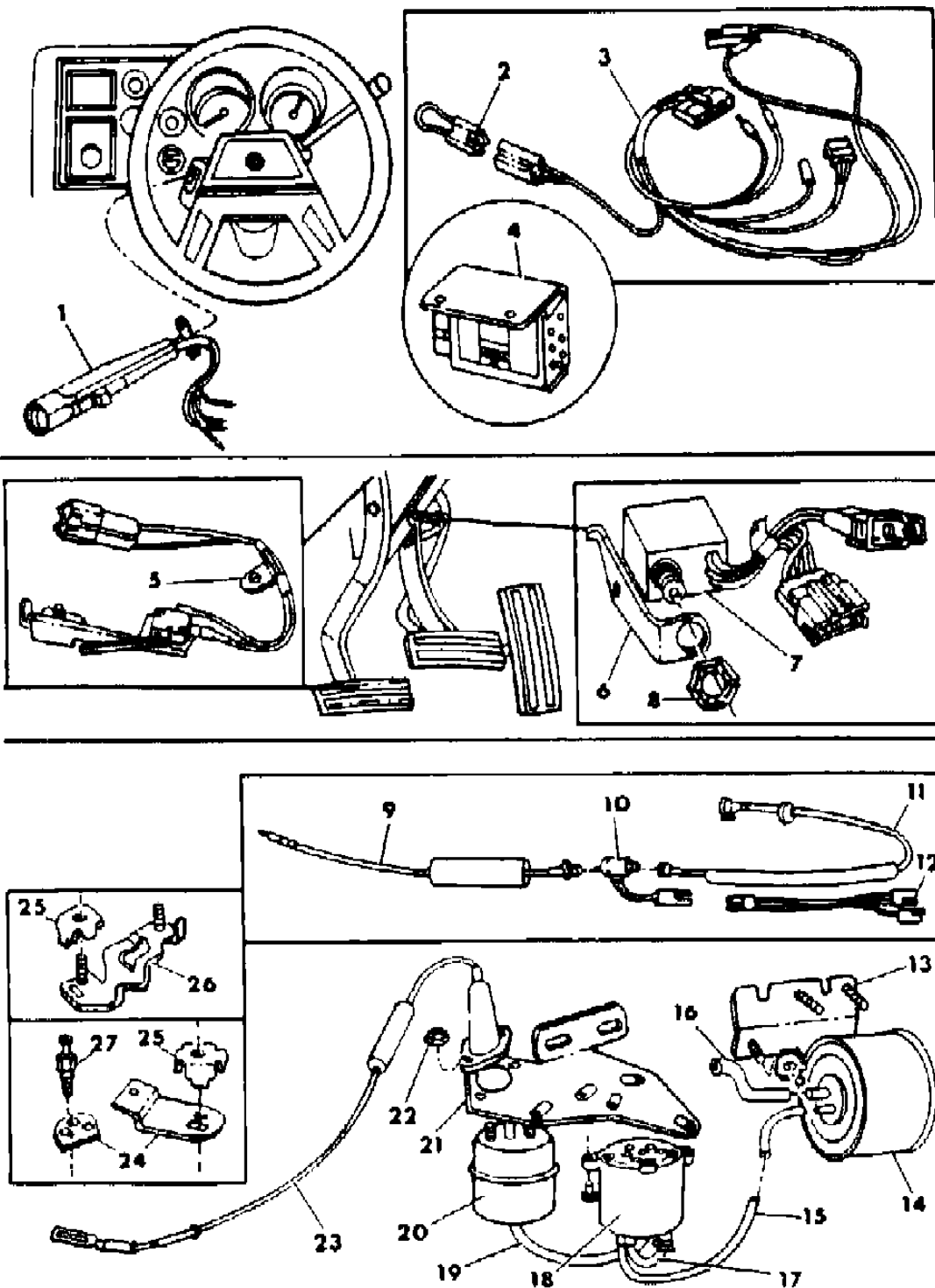
21 = 2-DOOR SEDAN	28 = FWD PICKUP	44 = 4-DOOR HATCHBACK
22 = 2-DOOR SPECIAL COUPE	35 = FWD VAN	45 = 4-DOOR STATION WAGON
24 = 2-DOOR HATCHBACK	36 = FWD WAGON	48 = 4-DOOR EXECUTIVE SEDAN
27 = 2-DOOR CONVERTIBLE	41 = 4-DOOR SEDAN	

AR = Use as Required - = Non Illustrated Part P.A.R. = Paint as Required

SPEED CONTROL - ELECTRONIC M,Z - W/ 1.6L and 2.2L ENGINE

Figure 14-4400

4114 4400



ITEM	PART NUMBER	QTY	BODY	MODEL	DESCRIPTION
	6100 496	1			NUT
	6101 131	1			FUSE, ATC 3 Amp.

MODEL CODES

- | | | |
|--------------------------------------|----------------------------|--------------------------|
| B = GRAN FURY | F = FIFTH AVENUE/NEWPORT | P = RELIANT |
| C = LEBARON/TOWN & COUNTRY/EXC SEDAN | G = DIPLOMAT | T = E CLASS/NEW YORKER |
| C24 = LASER | H = VOYAGER | V = 600 |
| D = ARIES | K = MINI RAM/CARAVAN/ROYAL | V24 = DAYTONA |
| E = 600 | M = HORIZON/TURISMO | Z = OMNI/CHARGER/RAMPAGE |

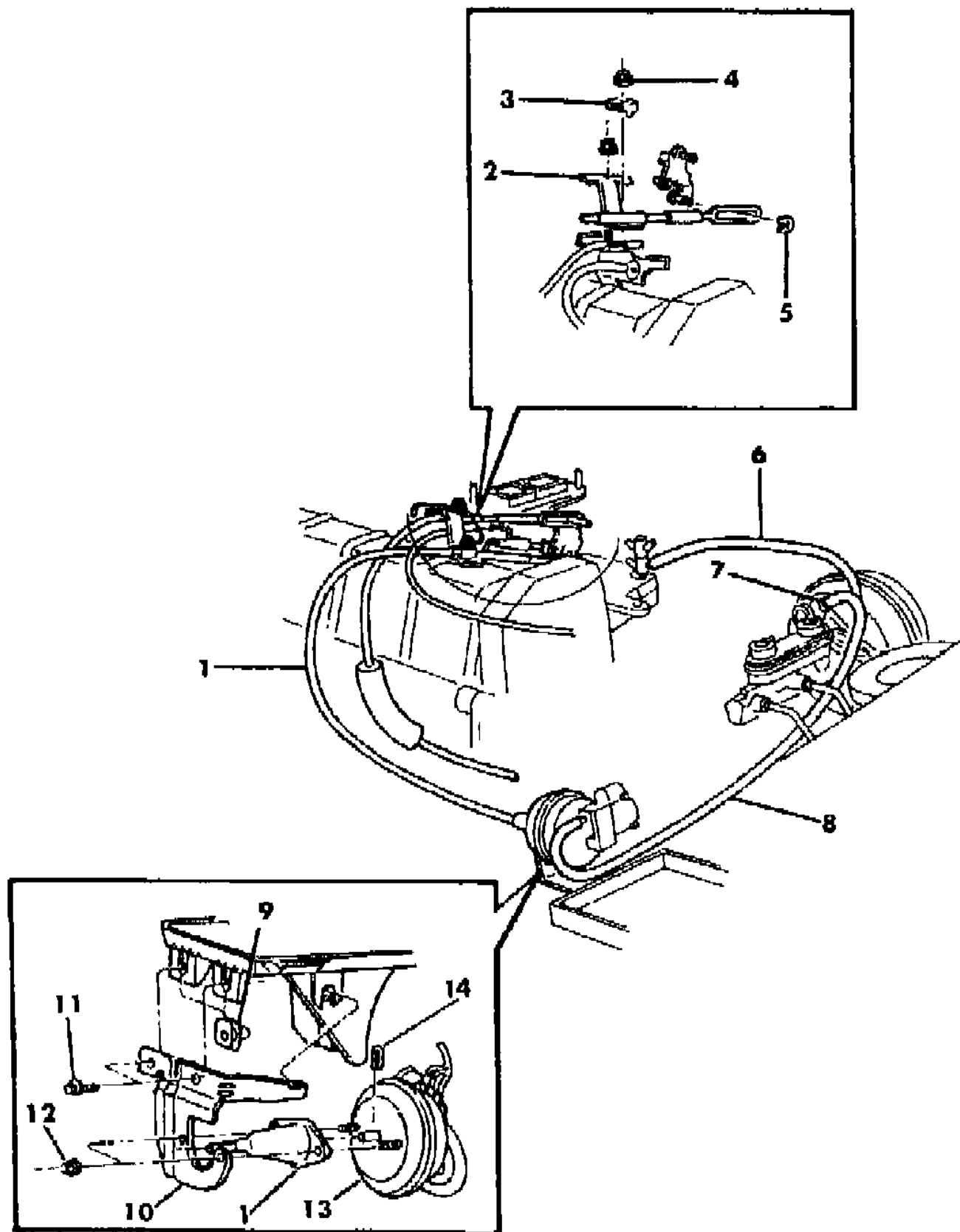
BODY STYLES

- | | | |
|---------------------------|-------------------|-----------------------------|
| 21 = 2-DOOR SEDAN | 28 = FWD PICKUP | 44 = 4-DOOR HATCHBACK |
| 22 = 2-DOOR SPECIAL COUPE | 35 = FWD VAN | 45 = 4-DOOR STATION WAGON |
| 24 = 2-DOOR HATCHBACK | 36 = FWD WAGON | 48 = 4-DOOR EXECUTIVE SEDAN |
| 27 = 2-DOOR CONVERTIBLE | 41 = 4-DOOR SEDAN | |

AR = Use as Required - = Non Illustrated Part P.A.R. = Paint as Required

SPEED CONTROL - P,D,C,V,E,T W/2.2 LITER ENGINE
Figure 14-4500

4114 4500A



ITEM	PART NUMBER	QTY	BODY	MODEL	DESCRIPTION
	4364 352	1			SPEED CONTROL PACKAGE (see note 1,2,3)
1	4288 055	1			CABLE, Speed Control
2	4275 976	1			BRACKET, Cable Mounting
3	2402 210	1			CLIP, Cable Mounting
4	6025 004	1			NUT, w/WASHER
5	6031 629	1			CLIP, Cable to Carb
6		AR			HOSE, w/Manual Brakes (not serviced)
7	2448 761	1			CLAMP
8	3744 953	AR			HOSE, w/Power Brakes
9	6500 681	2			U-NUT
10	4241 770	1			BRACKET, Servo Mounting
11	6100 288	2			SCREW, w/WASHER
12	6025 004	2			NUT
13	4179 306	1			SERVO, Speed Control
14	6025 867	1			CLIP

NOTE 1: Units equipped with a Tilt Steering Wheel also specify part no. 3747881 Lever. Lever which is in the package may be returned for credit with an offsetting order for part no. 3747881

NOTE 2: For vehicles which are not equipped with Intermittant Wipers you must also specify part no. 4293098 Intermittant Wiper Conversion Pkg. an offsetting order for part no. 3747881

NOTE 3: For vehicles which are equipped with a Trip Compertor order Speed Cable part no. 4220751 an offsetting order for part no. 3747881

MODEL CODES

B = GRAN FURY	F = FIFTH AVENUE/NEWPORT	P = RELIANT
C = LEBARON/TOWN & COUNTRY/EXC SEDAN	G = DIPLOMAT	T = E CLASS/NEW YORKER
C24 = LASER	H = VOYAGER	V = 600
D = ARIES	K = MINI RAM/CARAVAN/ROYAL	V24 = DAYTONA
E = 600	M = HORIZON/TURISMO	Z = OMNI/CHARGER/RAMPAGE

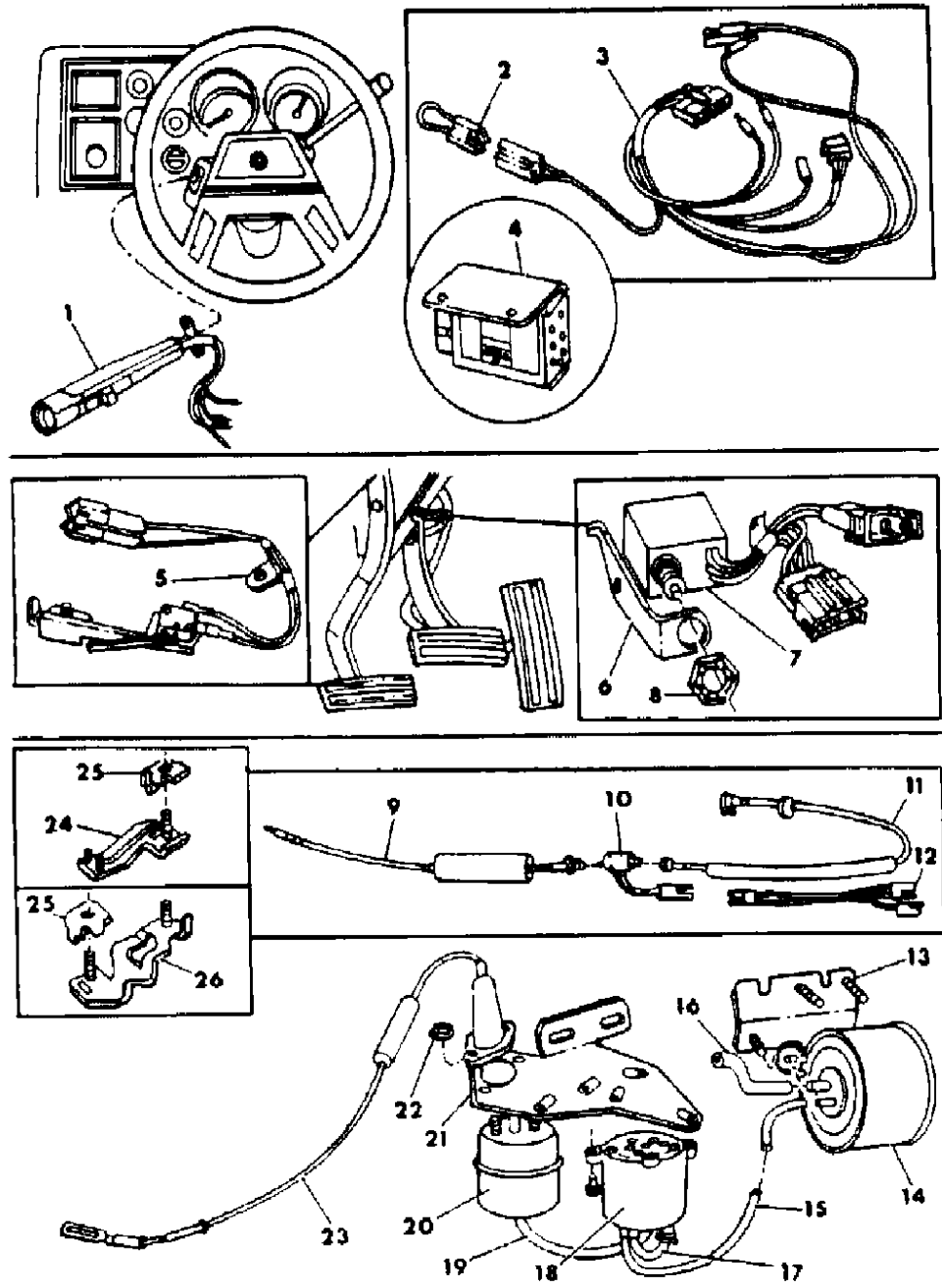
BODY STYLES

21 = 2-DOOR SEDAN	28 = FWD PICKUP	44 = 4-DOOR HATCHBACK
22 = 2-DOOR SPECIAL COUPE	35 = FWD VAN	45 = 4-DOOR STATION WAGON
24 = 2-DOOR HATCHBACK	36 = FWD WAGON	48 = 4-DOOR EXECUTIVE SEDAN
27 = 2-DOOR CONVERTIBLE	41 = 4-DOOR SEDAN	

AR = Use as Required - = Non Illustrated Part P.A.R. = Paint as Required

SPEED CONTROL - ELECTRONIC P,D,C,V,E,T - w/ 2.2L AND 2.6L ENGINE
Figure 14-4600

4114 4600



ITEM	PART NUMBER	QTY	BODY	MODEL	DESCRIPTION
	4364 361	1			SPEED CONTROL PACKAGE, w/2.2L and 2.6L Engine
1	4342 209	1			SWITCH, Control
	4209 534	1			PLUG, Connector
2	4304 099	1			JUMPER, w/ Auto - Trans
3	4318 831	1			HARNESS, Master Wire
4	4318 829	1			MODULE, Electronic
	6032 639	2			SCREW, Module Mounting
5	4221 677	1			SWITCH, w/ BRACKET, Clutch
	6500 512	1			NUT
	6100 047	1			NUT
6	4221 580	1			BRACKET, Brake Switch
7	4221 976	1			SWITCH, Stop Lamp
8	0107 825	1			NUT, Stop Lamp Switch
9	4312 335	1			CABLE, Trans to Sensor
10	4312 186	1			SENSOR
11	4374 769	1			CABLE, Speedo to Sensor
12	4318 842	1			HARNESS, Sensor Adaptor
13	4318 822	1			BRACKET, Reservoir Mounting
14	4318 821	1			RESERVOIR, w/ BRACKET
	6024 682	2			SPACER, Reservoir Mounting
15	4318 826	1			HOSE, Reservoir to Valve Body, 5/32 I.D. - 1/2 O.D. x 36"
16	4318 828	AR			HOSE, Reservoir to Booster Brake or Intake Manifold Fitting, 7/32 x 70"
17	4318 822	1			HOSE, MOLDED Horseshoe
18	4318 818	1			BODY, Valve
19	4318 827	AR			HOSE, Vacuum Motor to Valve Body, 5/32 x 50"
20	4318 819	1			MOTOR, Vacuum
21	4318 820	1			BRACKET, Valve Body and Motor Mounting
	6500 681	2			U - NUT, Bracket Mounting
	6100 288	2			SCREW, w/ WASHER, Bracket Mounting
22	6025 001	2			NUT, Cable Mounting
23	4288 057	1			CABLE, Servo
	6025 867	2			R - CLIP, Servo Cable
	6015 327	1			CLIP, Servo Cable Harness
24	4287 504	1			BRACKET, Clamp, w/ 2.6L Engine
25	2402 210	1			CLAMP, Cable
26	4275 976	1			BRACKET, Clamp, w/ 2.2L Engine
	5214 596	1			STUD, w/ 2.6L Engine

MODEL CODES

B = GRAN FURY	F = FIFTH AVENUE/NEWPORT	P = RELIANT
C = LEBARON/TOWN & COUNTRY/EXC SEDAN	G = DIPLOMAT	T = E CLASS/NEW YORKER
C24 = LASER	H = VOYAGER	V = 600
D = ARIES	K = MINI RAM/CARAVAN/ROYAL	V24 = DAYTONA
E = 600	M = HORIZON/TURISMO	Z = OMNI/CHARGER/RAMPAGE

BODY STYLES

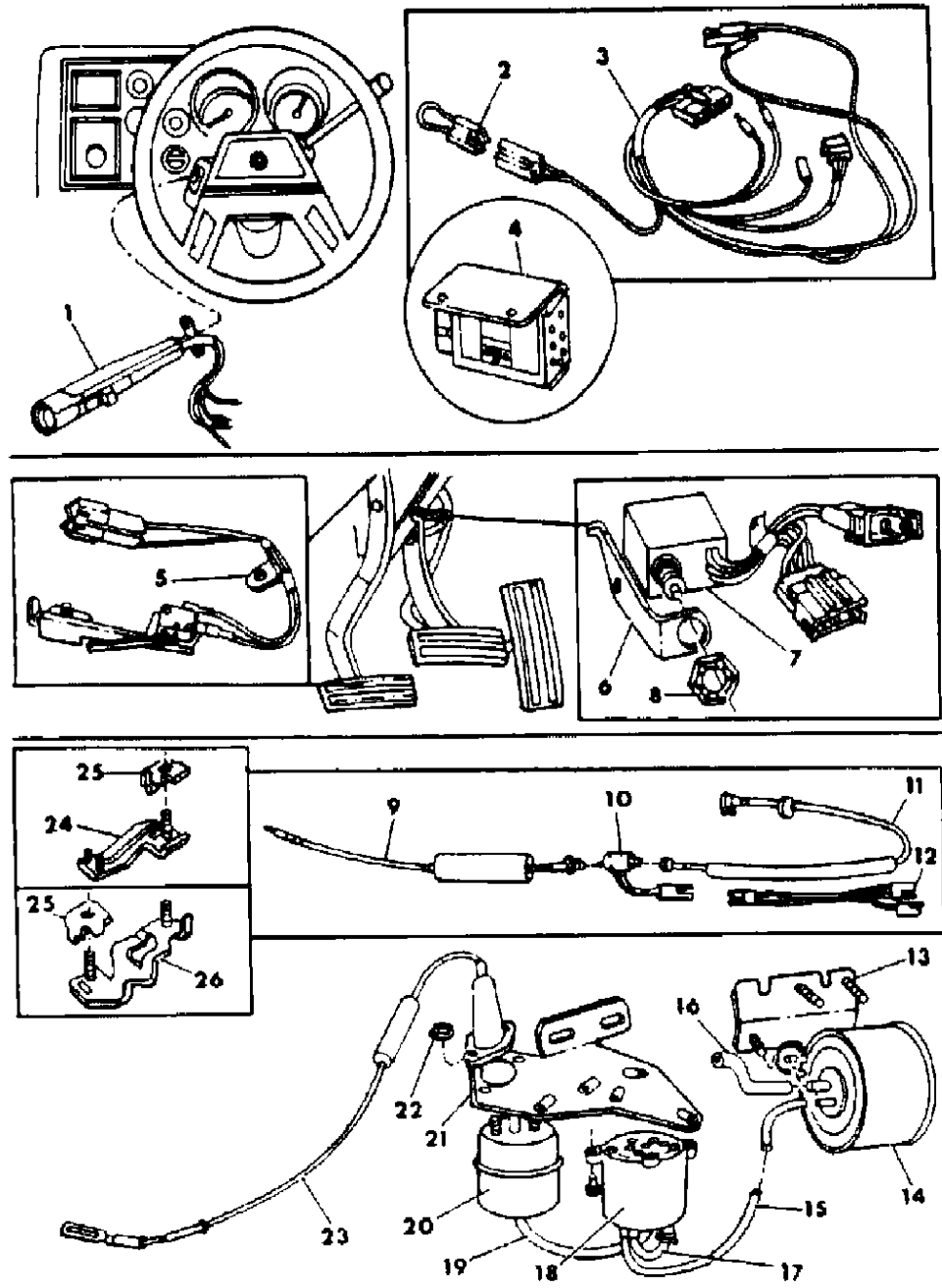
21 = 2-DOOR SEDAN	28 = FWD PICKUP	44 = 4-DOOR HATCHBACK
22 = 2-DOOR SPECIAL COUPE	35 = FWD VAN	45 = 4-DOOR STATION WAGON
24 = 2-DOOR HATCHBACK	36 = FWD WAGON	48 = 4-DOOR EXECUTIVE SEDAN
27 = 2-DOOR CONVERTIBLE	41 = 4-DOOR SEDAN	

AR = Use as Required - = Non Illustrated Part P.A.R. = Paint as Required

SPEED CONTROL - ELECTRONIC P,D,C,V,E,T - w/ 2.2L AND 2.6L ENGINE
Figure 14-4600

ITEM	PART NUMBER	QTY	BODY	MODEL	DESCRIPTION
	6100 496	1			NUT, Stud, w/ 2.6L Engine
	6101 131	1			FUSE, ATC 3 Amp.

4114 4600



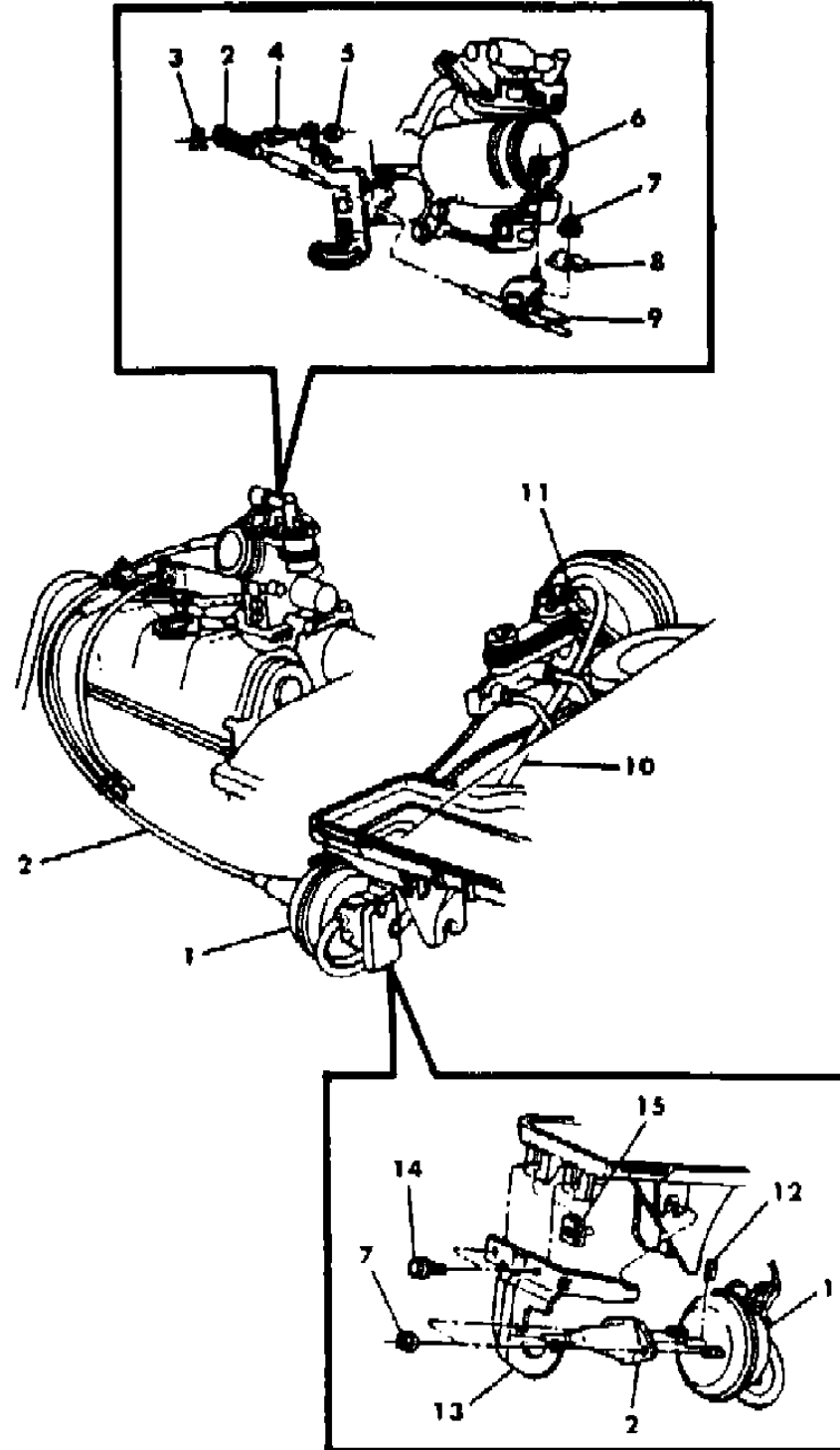
MODEL CODES
 B = GRAN FURY
 C = LEBARON/TOWN & COUNTRY/EXC SEDAN
 C24 = LASER
 D = ARIES
 E = 600
 F = FIFTH AVENUE/NEWPORT
 G = DIPLOMAT
 H = VOYAGER
 K = MINI RAM/CARAVAN/ROYAL
 M = HORIZON/TURISMO
 P = RELIANT
 T = E CLASS/NEW YORKER
 V = 600
 V24 = DAYTONA
 Z = OMNI/CHARGER/RAMPAGE

BODY STYLES
 21 = 2-DOOR SEDAN
 22 = 2-DOOR SPECIAL COUPE
 24 = 2-DOOR HATCHBACK
 27 = 2-DOOR CONVERTIBLE
 28 = FWD PICKUP
 35 = FWD VAN
 36 = FWD WAGON
 41 = 4-DOOR SEDAN
 44 = 4-DOOR HATCHBACK
 45 = 4-DOOR STATION WAGON
 48 = 4-DOOR EXECUTIVE SEDAN

AR = Use as Required - = Non Illustrated Part P.A.R. = Paint as Required

SPEED CONTROL - T.B.I.
Figure 14-4700

4114 4700



ITEM	PART NUMBER	QTY	BODY	MODEL	DESCRIPTION
	4364 357	1			SPEED CONTROL PACKAGE (see note 1,2)
1	4241 575	1			SERVO, Speed Control
2	4288 057	1			CABLE, Servo to Throttle Body
3	6031 629	1			CLIP, Cable to Stud
4	5214 596	1			STUD
5	6100 496	1			NUT, Lock
6	6025 001	1			NUT and WASHER, Cable Mounting Bracket
7	6025 004	3			NUT and WASHER
8	2402 210	1			CLIP, Cable Mounting
9	4287 506	1			BRACKET, Speed Control Cable Mounting
10	4443 175	AR			HOSE
11	2448 761	1			CLAMP
12	6025 867	1			CLIP
13	4241 770	1			BRACKET, Servo Mounting
14	6100 288	2			SCREW and WASHER
15	6500 681	2			U-NUT

NOTE 1: Units equipped with a Tilt Steering Wheel also specify part no. 4221456 Lever. Lever which is in the package may be returned for credit with an offsetting order for part no. 4221456

NOTE 2: For vehicles which are not equipped with Intermittant Wipers you must also specify part no. 4293098 Intermittant Wiper Conversion Pkg. an offsetting order for part no. 4221456

MODEL CODES

B = GRAN FURY	F = FIFTH AVENUE/NEWPORT	P = RELIANT
C = LEBARON/TOWN & COUNTRY/EXC SEDAN	G = DIPLOMAT	T = E CLASS/NEW YORKER
C24 = LASER	H = VOYAGER	V = 600
D = ARIES	K = MINI RAM/CARAVAN/ROYAL	V24 = DAYTONA
E = 600	M = HORIZON/TURISMO	Z = OMNI/CHARGER/RAMPAGE

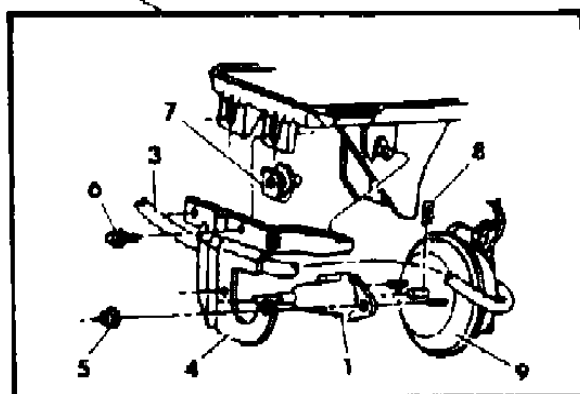
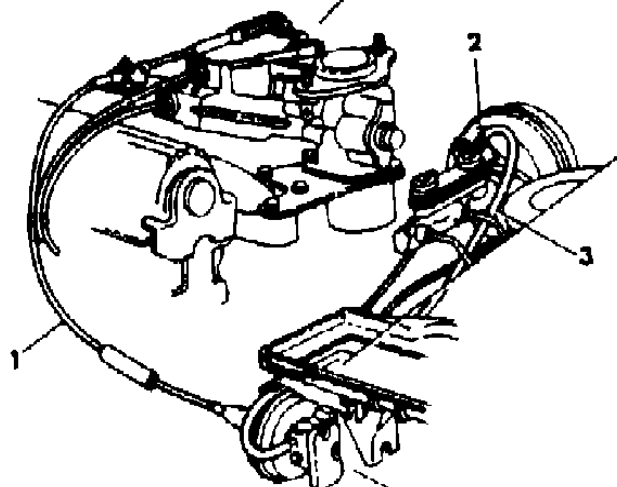
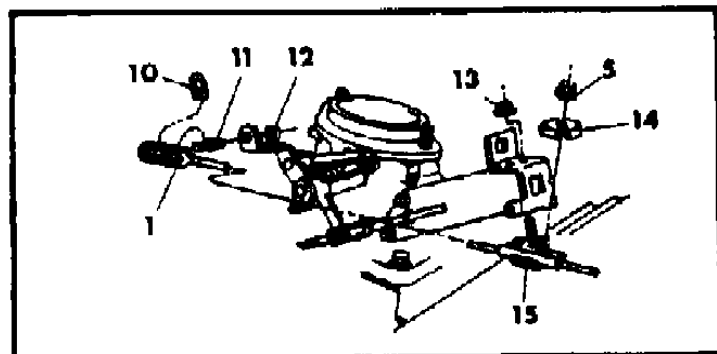
BODY STYLES

21 = 2-DOOR SEDAN	28 = FWD PICKUP	44 = 4-DOOR HATCHBACK
22 = 2-DOOR SPECIAL COUPE	35 = FWD VAN	45 = 4-DOOR STATION WAGON
24 = 2-DOOR HATCHBACK	36 = FWD WAGON	48 = 4-DOOR EXECUTIVE SEDAN
27 = 2-DOOR CONVERTIBLE	41 = 4-DOOR SEDAN	

AR = Use as Required - = Non Illustrated Part P.A.R. = Paint as Required

SPEED CONTROL - TURBO CHARGER
Figure 14-4800

4114 4800



ITEM	PART NUMBER	QTY	BODY	MODEL	DESCRIPTION
	4364 353	1			SPEED CONTROL PACKAGE (see note 1,2)
1	4288 058	1			CABLE, Servo
2	2448 761	1			CLAMP
3	4443 175	AR			HOSE
4	4241 770	1			BRACKET, Servo Mounting
5	6025 004	3			NUT,w/WASHER
6	6100 288	2			SCREW, w/WASHER
7	6500 681	2			U-NUT
8	6025 867	1			CLIP
9	4241 575	1			SERVO
10	6031 629	1			CLIP
11	5214 596	1			STUD
12	6100 496	1			NUT
13	6025 001	1			NUT, w/WASHER
14	2402 210	1			CLIP, Cable Mounting
15	4287 508	1			BRACKET, Cable Mounting

NOTE 1: Units equipped with a Tilt Steering Wheel also specify part no. 4221456 Lever. Lever which is in the package may be returned for credit with an offsetting order for part no. 4221456

NOTE 2: For vehicles which are not equipped with Intermittant Wipers you must also specify part no. 4293098 Intermittant Wiper Conversion Pkg. an offsetting order for part no. 4221456

MODEL CODES

B = GRAN FURY	F = FIFTH AVENUE/NEWPORT	P = RELIANT
C = LEBARON/TOWN & COUNTRY/EXC SEDAN	G = DIPLOMAT	T = E CLASS/NEW YORKER
C24 = LASER	H = VOYAGER	V = 600
D = ARIES	K = MINI RAM/CARAVAN/ROYAL	V24 = DAYTONA
E = 600	M = HORIZON/TURISMO	Z = OMNI/CHARGER/RAMPAGE

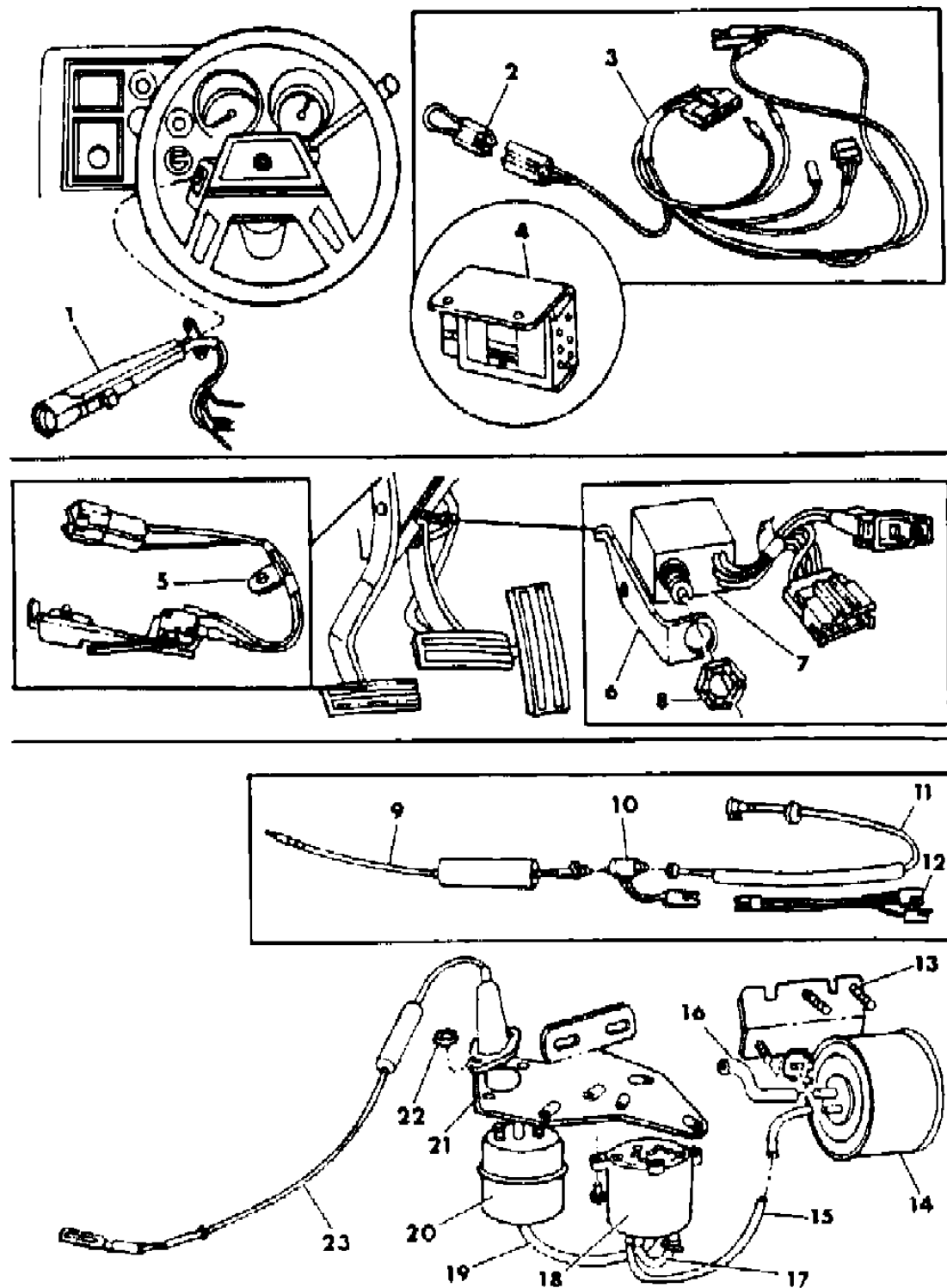
BODY STYLES

21 = 2-DOOR SEDAN	28 = FWD PICKUP	44 = 4-DOOR HATCHBACK
22 = 2-DOOR SPECIAL COUPE	35 = FWD VAN	45 = 4-DOOR STATION WAGON
24 = 2-DOOR HATCHBACK	36 = FWD WAGON	48 = 4-DOOR EXECUTIVE SEDAN
27 = 2-DOOR CONVERTIBLE	41 = 4-DOOR SEDAN	

AR = Use as Required - = Non Illustrated Part P.A.R. = Paint as Required

SPEED CONTROL - ELECTRONIC W/ T.B.I. AND T.C.
Figure 14-4900

4114 4900



ITEM	PART NUMBER	QTY	BODY	MODEL	DESCRIPTION
	4364 362	1			SPEED CONTROL PACKAGE, w/T.B.I. and T.C.
1	4342 207	1			SWITCH, Control
	4209 534	1			PLUG, Connector
2	4304 099	1			JUMPER, w/ Auto - Trans.
3	4318 831	1			HARNESS, Master Wire
4	4318 829	1			MODULE, Electronic
	6032 639	2			SCREW, Module Mounting
5	4221 678	1			SWITCH, w/ BRACKET, Clutch
	6500 512	1			NUT
	6100 047	1			NUT
6	4221 580	1			BRACKET, Brake Switch
7	4221 980	1			SWITCH, Stop Lamp
8	0107 825	1			NUT, Stop Lamp Switch
9	4312 335	1			CABLE, Trans to Sensor
10	4312 186	1			SENSOR
11	4374 769	1			CABLE, Speedo to Sensor
12	4318 842	1			HARNESS, Sensor Adapter
13	4318 822	1			BRACKET, Reservoir Mounting
14	4318 821	1			RESERVOIR, w/ BRACKET
	6024 682	2			SPACER, Reservoir Mounting
15	4318 826	1			HOSE, Reservoir to Valve Body 5/32 I.D. - 1/2 O.D. x 36"
16	4318 828	AR			HOSE, Reservoir to Booster Brake or intake Manifold Fitting 7/32 x 70"
17	4318 822	1			HOSE, Molded Horseshoe
18	4318 818	1			BODY, Valve
19	4318 827	AR			HOSE, Vacuum Motor to Valve Body 5/32 x 50"
20	4318 819	1			MOTOR, Vacuum
21	4318 820	1			BRACKET, Valve Body and Motor Mounting
	6500 681	2			U - NUT, Bracket Mounting
	6100 288	2			SCREW, w/WASHER, Bracket Mounting
22	6025 001	2			NUT, Cable Mounting
23	4288 057	1			CABLE, Servo
	6025 867	2			R - CLIP, Servo Cable
	6015 327	1			CLIP, Servo Cable Harness
	4287 506	1			BRACKET, Clamp, w/T.B.I.
	2402 210	1			CLAMP, Cable
	4287 508	1			BRACKET, Clamp, w/ T.C.
	5214 596	1			STUD

MODEL CODES

B = GRAN FURY	F = FIFTH AVENUE/NEWPORT	P = RELIANT
C = LEBARON/TOWN & COUNTRY/EXC SEDAN	G = DIPLOMAT	T = E CLASS/NEW YORKER
C24 = LASER	H = VOYAGER	V = 600
D = ARIES	K = MINI RAM/CARAVAN/ROYAL	V24 = DAYTONA
E = 600	M = HORIZON/TURISMO	Z = OMNI/CHARGER/RAMPAGE

BODY STYLES

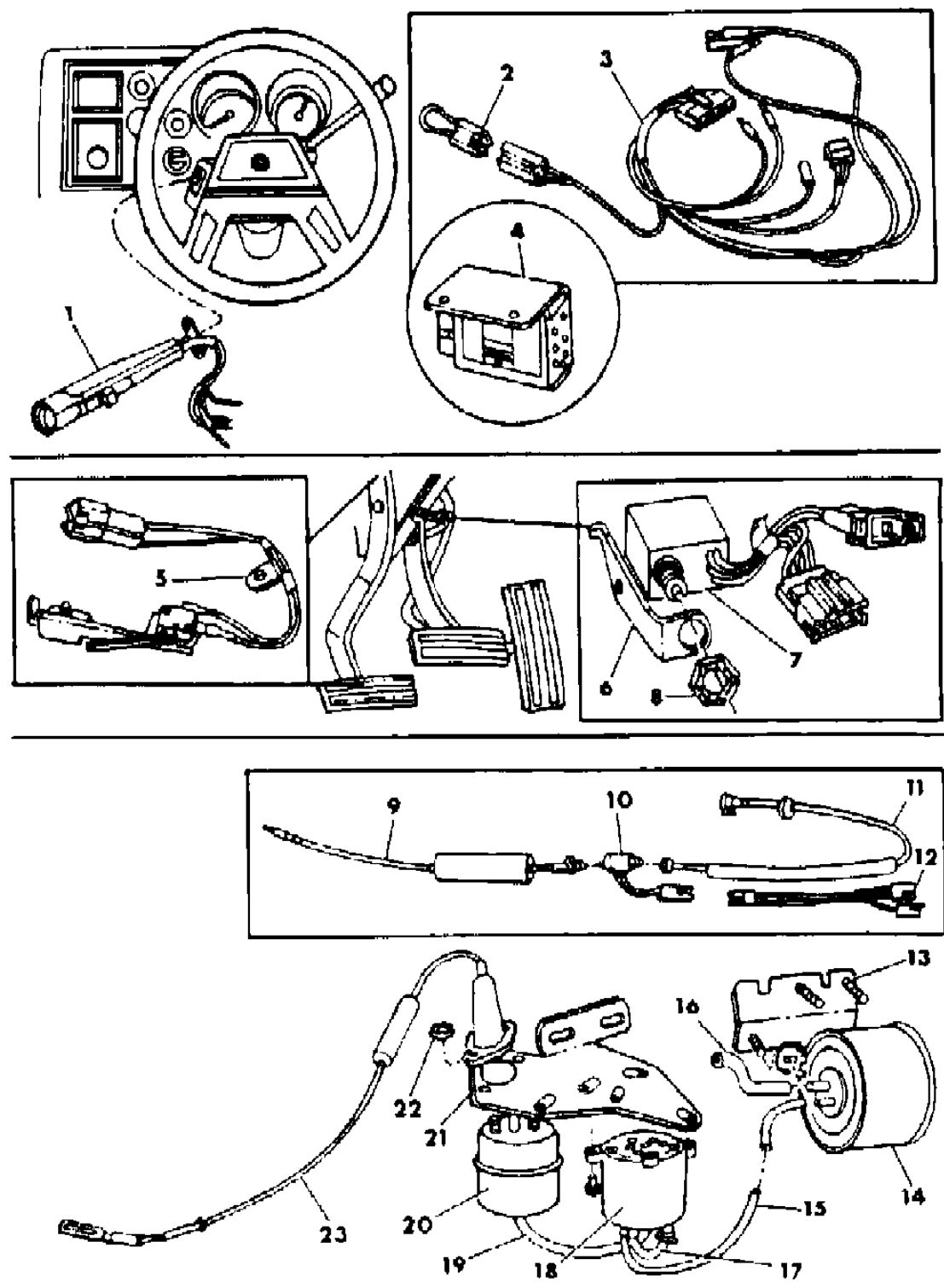
21 = 2-DOOR SEDAN	28 = FWD PICKUP	44 = 4-DOOR HATCHBACK
22 = 2-DOOR SPECIAL COUPE	35 = FWD VAN	45 = 4-DOOR STATION WAGON
24 = 2-DOOR HATCHBACK	36 = FWD WAGON	48 = 4-DOOR EXECUTIVE SEDAN
27 = 2-DOOR CONVERTIBLE	41 = 4-DOOR SEDAN	

AR = Use as Required - = Non Illustrated Part P.A.R. = Paint as Required

SPEED CONTROL - ELECTRONIC W/ T.B.I. AND T.C.
Figure 14-4900

ITEM	PART NUMBER	QTY	BODY	MODEL	DESCRIPTION
	6100 496	1			NUT
	6101 131	1			FUSE, ATC 3 Amp.

4114 4900



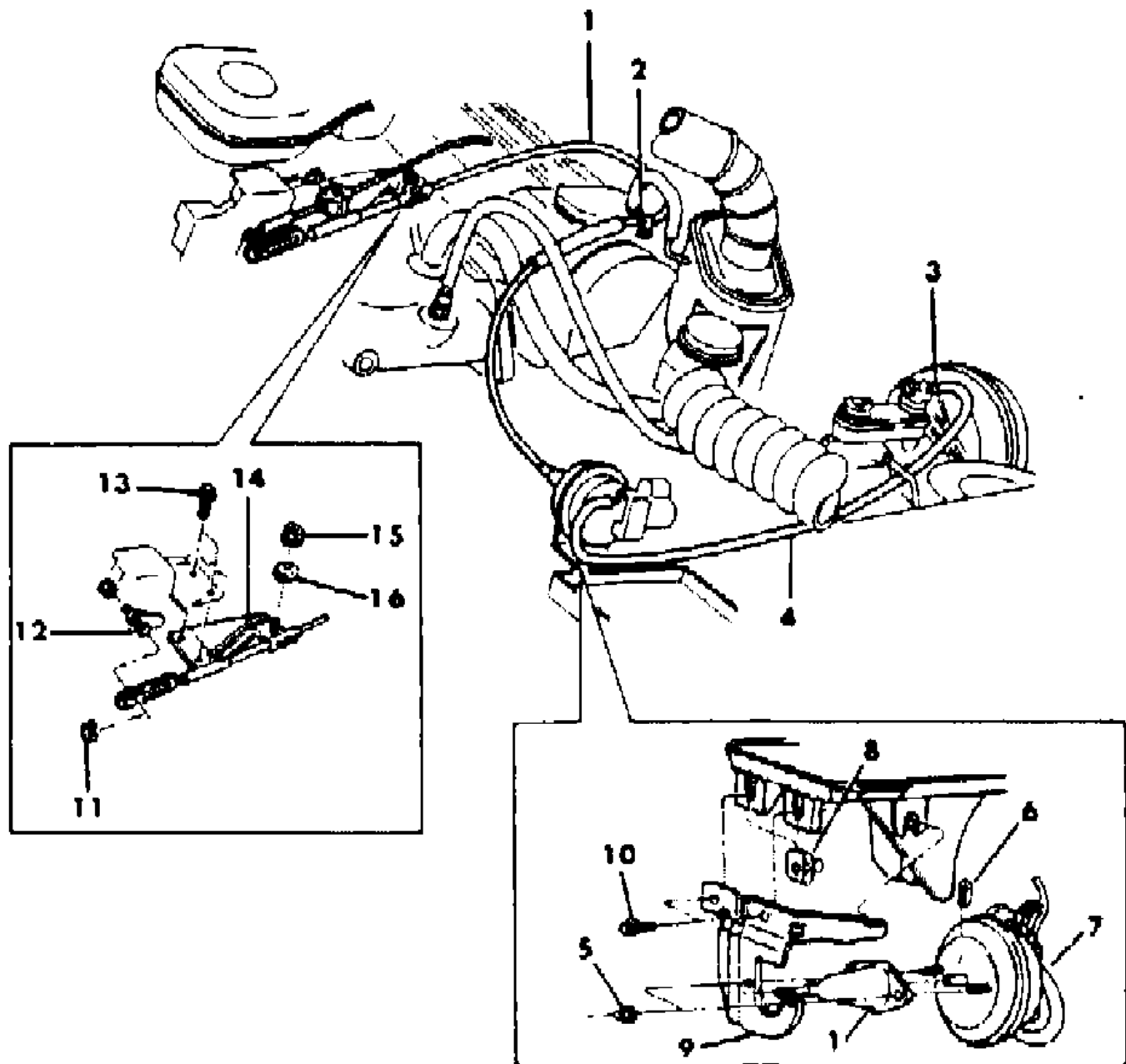
MODEL CODES
 B = GRAN FURY
 C = LEBARON/TOWN & COUNTRY/EXC SEDAN
 C24 = LASER
 D = ARIES
 E = 600
 F = FIFTH AVENUE/NEWPORT
 G = DIPLOMAT
 H = VOYAGER
 K = MINI RAM/CARAVAN/ROYAL
 M = HORIZON/TURISMO
 P = RELIANT
 T = E CLASS/NEW YORKER
 V = 600
 V24 = DAYTONA
 Z = OMNI/CHARGER/RAMPAGE

BODY STYLES
 21 = 2-DOOR SEDAN
 22 = 2-DOOR SPECIAL COUPE
 24 = 2-DOOR HATCHBACK
 27 = 2-DOOR CONVERTIBLE
 28 = FWD PICKUP
 35 = FWD VAN
 36 = FWD WAGON
 41 = 4-DOOR SEDAN
 44 = 4-DOOR HATCHBACK
 45 = 4-DOOR STATION WAGON
 48 = 4-DOOR EXECUTIVE SEDAN

AR = Use as Required - = Non Illustrated Part P.A.R. = Paint as Required

SPEED CONTROL - P,D,C,V,E,T W/2.6 LITER ENGINE
Figure 14-5000

4114 5000



ITEM	PART NUMBER	QTY	BODY	MODEL	DESCRIPTION
	4364 352	1			SPEED CONTROL PACKAGE, (see note 1,2,3)
1	4288 059	1			CABLE, Speed Control
2	5214 591	1			CLIP
3	2448 761	1			CLAMP
4	4443 175	AR			HOSE
5	6025 004	2			NUT
6	6025 867	1			CLIP
7	4179 306	1			SERVO, Speed Control
8	6500 681	2			U-NUT
9	4241 770	1			BRACKET, Servo Mounting
10	6100 288	2			SCREW, w/WASHER
11	6031 629	1			CLIP
12	5214 596	1			STUD, Carb Lever
13	6100 239	1			SCREW, w/WASHER
14	4287 504	1			BRACKET, Cable Mounting
15	6025 004	1			NUT, w/WASHER
16	2402 210	1			CLIP, Cable Mounting

NOTE 1: Units equipped with a Tilt Steering Wheel also specify part no. 3747881 Lever. Lever which is in the package may be returned for credit with an offsetting order for part no. 3747881

NOTE 2: For vehicles which are not equipped with Intermittant Wipers you must also specify part no. 4293098 Intermittant Wiper Conversion Pkg. an offsetting order for part no. 3747881

NOTE 3: For vehicles which are equipped with a Trip Compertor order Speed Cable part no. 4220751 an offsetting order for part no. 3747881

MODEL CODES

B = GRAN FURY	F = FIFTH AVENUE/NEWPORT	P = RELIANT
C = LEBARON/TOWN & COUNTRY/EXC SEDAN	G = DIPLOMAT	T = E CLASS/NEW YORKER
C24 = LASER	H = VOYAGER	V = 600
D = ARIES	K = MINI RAM/CARAVAN/ROYAL	V24 = DAYTONA
E = 600	M = HORIZON/TURISMO	Z = OMNI/CHARGER/RAMPAGE

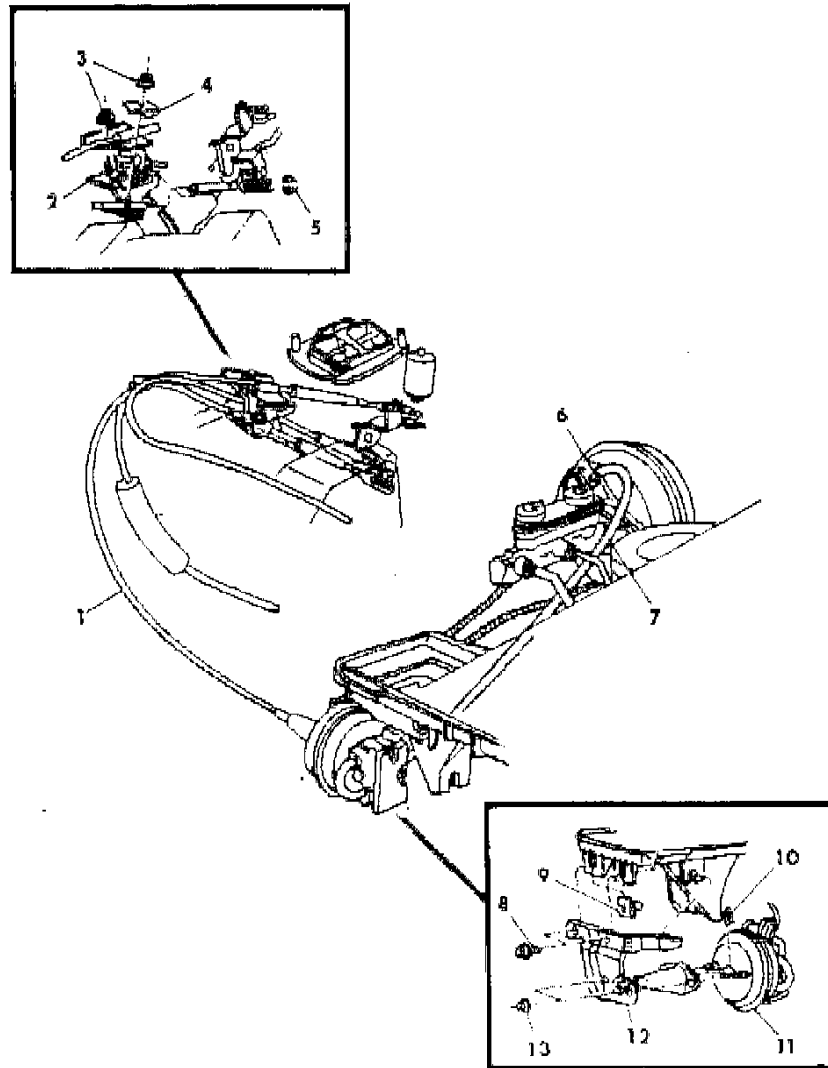
BODY STYLES

21 = 2-DOOR SEDAN	28 = FWD PICKUP	44 = 4-DOOR HATCHBACK
22 = 2-DOOR SPECIAL COUPE	35 = FWD VAN	45 = 4-DOOR STATION WAGON
24 = 2-DOOR HATCHBACK	36 = FWD WAGON	48 = 4-DOOR EXECUTIVE SEDAN
27 = 2-DOOR CONVERTIBLE	41 = 4-DOOR SEDAN	

AR = Use as Required - = Non Illustrated Part P.A.R. = Paint as Required

SPEED CONTROL - H,K w/2.2 LITER ENGINE
Figure 14-5100

4114 5100



ITEM	PART NUMBER	QTY	BODY	MODEL	DESCRIPTION
	4364 354	1			SPEED CONTROL PACKAGE (see note 1,2,3,4)
1	4288 056	1			CABLE, Speed Control
2	4275 976	1			BRACKET
3	6100 047	2			NUT, w/WASHER
4	2402 210	1			CLIP, Cable Mounting
5	6031 629	1			CLIP, Cable to Carb.
6	2448 761	1			CLAMP
7	4443 175	AR			HOSE
8	6100 288	2			SCREW, w/WASHER, Bracket to Battery Tray
9	6500 681	2			U-NUT, Bracket to Battery Tray
10	6025 867	1			CLIP
11	4179 306	1			SERVO, Speed Control
12	4275 437	1			BRACKET, Servo Mounting
13	6025 004	2			NUT, w/WASHER

NOTE 1: Units equipped with a Tilt Steering Wheel also specify part no. 3747881 Lever. Lever which is in the package may be returned for credit with an offsetting order for part no. 3747881

NOTE 2: For vehicles which are not equipped with Intermittant Wipers you must also specify part no. 4293097 Intermittant Wiper Conversion Pkg. an offsetting order for part no. 3747881

NOTE 3: For vehicles which are not equipped with any of the following accessories, Light Pkg. (ADA), Basic Group (ADG), Power Door Locks (JPB), Defroster, Lift Gate (GFA), Power Windows (JPA), Power Lift Gate Release (JPC), Wiper/Washer Lift Gate 4304792 er, Lift Gate (GFA), Power Windows (JPA), Power Lift Gate Release (JPC), Wiper/Washer Lift Gate (JHB) will have to order a electrical overlay part no.

NOTE 4: For vechiles equipped with a trip comperter order speed cable part no. 4220751 er, Lift Gate (GFA), Power Windows (JPA), Power Lift Gate Release (JPC), Wiper/Washer Lift Gate (JHB) will have to order a electrical overlay part no.

MODEL CODES

B = GRAN FURY	F = FIFTH AVENUE/NEWPORT	P = RELIANT
C = LEBARON/TOWN & COUNTRY/EXC SEDAN	G = DIPLOMAT	T = E CLASS/NEW YORKER
C24 = LASER	H = VOYAGER	V = 600
D = ARIES	K = MINI RAM/CARAVAN/ROYAL	V24 = DAYTONA
E = 600	M = HORIZON/TURISMO	Z = OMNI/CHARGER/RAMPAGE

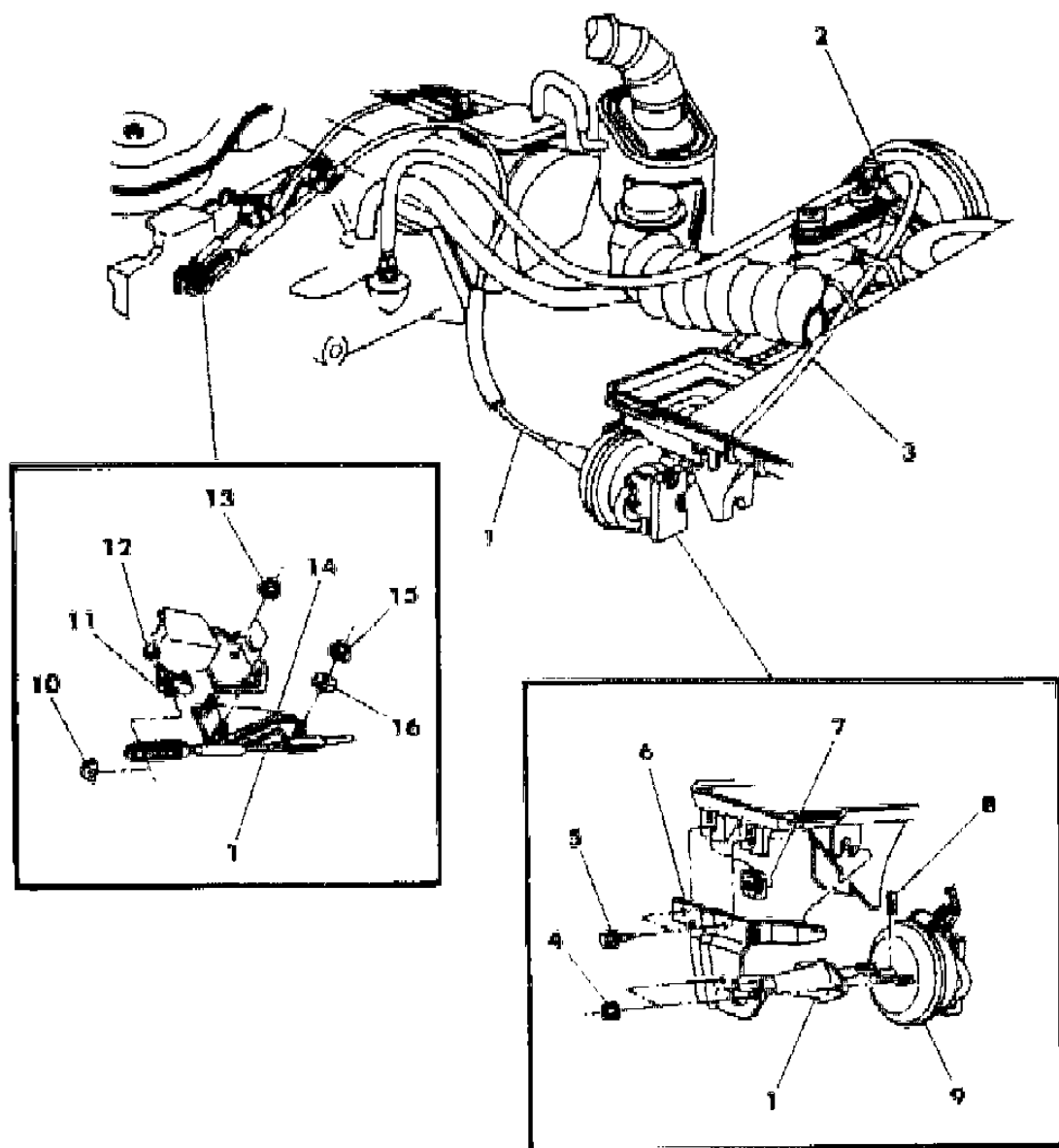
BODY STYLES

21 = 2-DOOR SEDAN	28 = FWD PICKUP	44 = 4-DOOR HATCHBACK
22 = 2-DOOR SPECIAL COUPE	35 = FWD VAN	45 = 4-DOOR STATION WAGON
24 = 2-DOOR HATCHBACK	36 = FWD WAGON	48 = 4-DOOR EXECUTIVE SEDAN
27 = 2-DOOR CONVERTIBLE	41 = 4-DOOR SEDAN	

AR = Use as Required - = Non Illustrated Part P.A.R. = Paint as Required

SPEED CONTROL - H,K W/2.6 LITER ENGINE
Figure 14-5200

4114 5200



ITEM	PART NUMBER	QTY	BODY	MODEL	DESCRIPTION
	4364 354	1			SPEED CONTROL PACKAGE (see note 1,2,3,4)
1	4288 059	1			CABLE, Servo
2	2448 761	1			CLAMP
3	4443 175	AR			HOSE
4	6025 004	2			NUT, w/WASHER
5	6100 288	2			SCREW, w/WASHER
6	4275 437	1			BRACKET, Servo Mounting
7	6500 681	2			U-NUT
8	6025 867	1			CLIP
9	4179 306	1			SERVO
10	6031 629	1			CLIP
11	5214 596	1			STUD
12	6100 496	1			NUT, Lock
13	6025 001	2			NUT, w/WASHER
14	4287 504	1			BRACKET, Cable Mounting
15	6100 047	1			NUT, w/WASHER
16	2402 210	1			CLIP, Cable Mounting

NOTE 1: Units equipped with a Tilt Steering Wheel also specify part no. 3747881 Lever. Lever which is in the package may be returned for credit with an offsetting order for part no. 3747881

NOTE 2: For vehicles which are not equipped with Intermittant Wipers you must also specify part no. 4293097 Intermittant Wiper Conversion Pkg. an offsetting order for part no. 3747881

NOTE 3: For vehicles which are not equipped with any of the following accessories, Light Pkg. (ADA), Basic Group (ADG), Power Door Locks (JPB), Defroster, Lift Gate (GFA), Power Windows (JPA), Power Lift Gate Release (JPC), Wiper/Washer Lift Gate 4304792 er, Lift Gate (GFA), Power Windows (JPA), Power Lift Gate Release (JPC), Wiper/Washer Lift Gate (JHB) will have to order a electrical overlay part no.

NOTE 4: For vechiles equipped with a trip comperter order speed cable part no. 4220751 er, Lift Gate (GFA), Power Windows (JPA), Power Lift Gate Release (JPC), Wiper/Washer Lift Gate (JHB) will have to order a electrical overlay part no.

MODEL CODES

B = GRAN FURY	F = FIFTH AVENUE/NEWPORT	P = RELIANT
C = LEBARON/TOWN & COUNTRY/EXC SEDAN	G = DIPLOMAT	T = E CLASS/NEW YORKER
C24 = LASER	H = VOYAGER	V = 600
D = ARIES	K = MINI RAM/CARAVAN/ROYAL	V24 = DAYTONA
E = 600	M = HORIZON/TURISMO	Z = OMNI/CHARGER/RAMPAGE

BODY STYLES

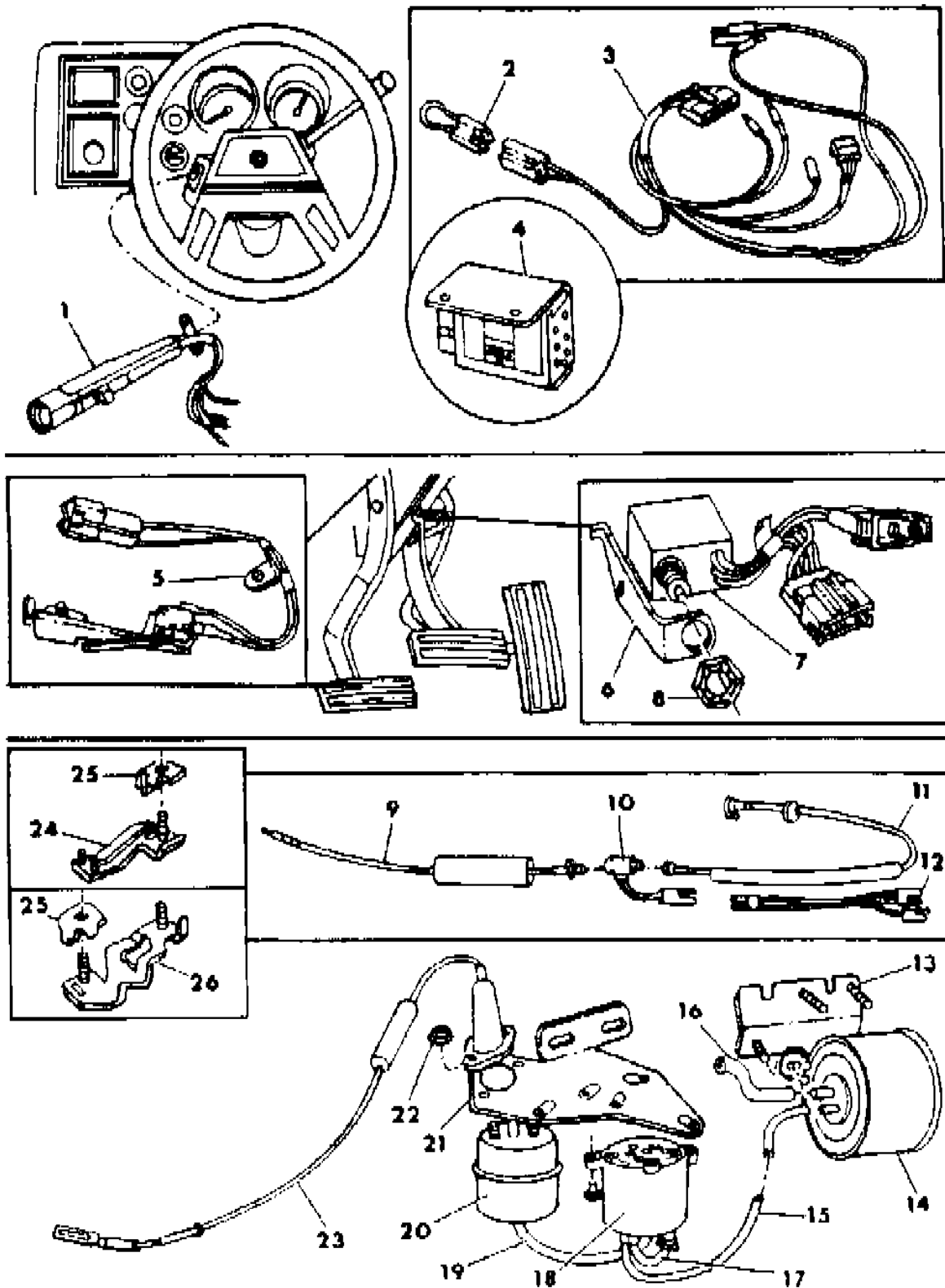
21 = 2-DOOR SEDAN	28 = FWD PICKUP	44 = 4-DOOR HATCHBACK
22 = 2-DOOR SPECIAL COUPE	35 = FWD VAN	45 = 4-DOOR STATION WAGON
24 = 2-DOOR HATCHBACK	36 = FWD WAGON	48 = 4-DOOR EXECUTIVE SEDAN
27 = 2-DOOR CONVERTIBLE	41 = 4-DOOR SEDAN	

AR = Use as Required - = Non Illustrated Part P.A.R. = Paint as Required

SPEED CONTROL - ELECTRONIC H,K - w/ 2.2L AND 2.6L ENGINE

Figure 14-5300

4114 5300



ITEM	PART NUMBER	QTY	BODY	MODEL	DESCRIPTION
	4364 363	1			SPEED CONTROL PACKAGE, w/ 2.2L and 2.6L Engine
1	4342 209	1			SWITCH, Control
	4209 534	1			PLUG, Connector
2	4304 099	1			JUMPER, w/ Auto - Trans
3	4318 831	1			HARNESS, Master Wire
4	4318 829	1			MODULE, Electronic
	6032 639	2			SCREW, Module Mounting
5	4397 039	1			SWITCH, w/ BRACKET, Clutch
	6100 044	1			NUT, w/ WASHER
6	4221 580	1			BRACKET, Brake Switch
7	4221 978	1			SWITCH, Stop Lamp
8	0107 825	1			NUT, Stop Lamp Switch
9	4312 335	1			CABLE, Trans to Sensor
10	4312 186	1			SENSOR
11	4374 769	1			CABLE, Speedo to Sensor
12	4318 842	1			HARNESS, Sensor Adapter
13	4318 822	1			BRACKET, Reservoir Mounting
14	4318 821	1			RESERVOIR, w/ BRACKET
	6024 682	2			SPACER, Reservoir Mounting
15	4318 826	1			HOSE, Reservoir to Valve Body, 5/32 I.D. - 1/2 O.D. x 36"
16	4318 828	AR			HOSE, Reservoir to Booster Brake or Intake Manifold Fitting, 7/32 x 70"
17	4318 822	1			HOSE, Molded Horseshoe
18	4318 818	1			BODY, Valve
19	4318 827	AR			HOSE, Vacuum Motor to Valve Body, 5/32 x 50"
20	4318 819	1			MOTOR, Vacuum
21	4318 820	1			BRACKET, Valve Body and Motor Mounting
	6500 681	2			U - NUT, Bracket Mounting
	6100 288	2			SCREW, w/ WASHER, Bracket Mounting
22	6025 001	2			NUT, Cable Mounting
23	4288 057	1			CABLE, Servo
	6025 867	2			R - CLIP, Servo Cable
	6015 327	1			CLIP, Servo Cable Harness
24	4287 504	1			BRACKET, Clamp, w/ 2.6L Engine
25	2402 210	1			CLAMP, Cable
26	4275 976	1			BRACKET, Clamp, w/ 2.2L Engine
	5214 596	1			STUD, w/ 2.6L Engine
	6100 496	1			NUT, Stud, w/ 2.6L Engine

MODEL CODES

B = GRAN FURY	F = FIFTH AVENUE/NEWPORT	P = RELIANT
C = LEBARON/TOWN & COUNTRY/EXC SEDAN	G = DIPLOMAT	T = E CLASS/NEW YORKER
C24 = LASER	H = VOYAGER	V = 600
D = ARIES	K = MINI RAM/CARAVAN/ROYAL	V24 = DAYTONA
E = 600	M = HORIZON/TURISMO	Z = OMNI/CHARGER/RAMPAGE

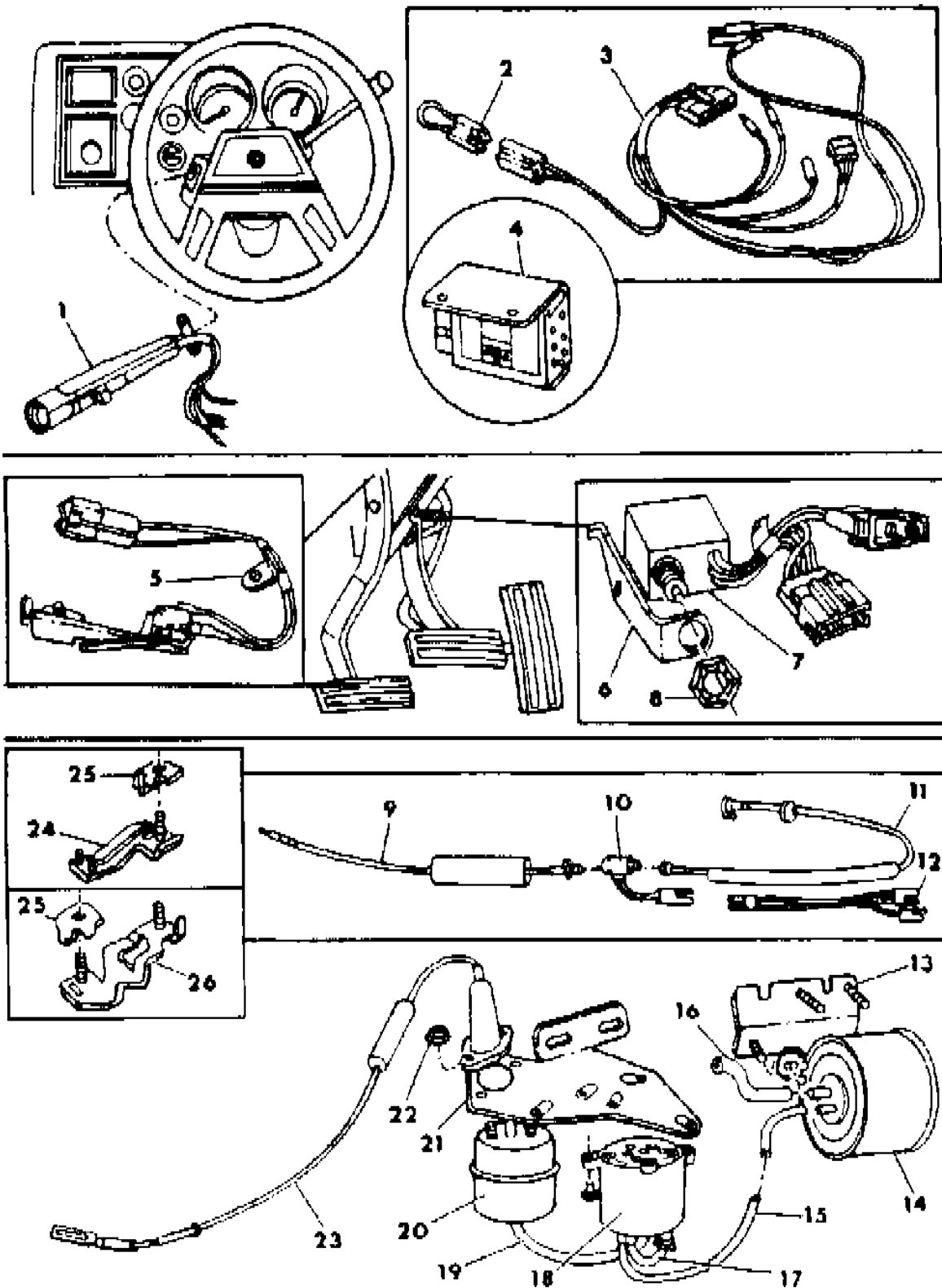
BODY STYLES

21 = 2-DOOR SEDAN	28 = FWD PICKUP	44 = 4-DOOR HATCHBACK
22 = 2-DOOR SPECIAL COUPE	35 = FWD VAN	45 = 4-DOOR STATION WAGON
24 = 2-DOOR HATCHBACK	36 = FWD WAGON	48 = 4-DOOR EXECUTIVE SEDAN
27 = 2-DOOR CONVERTIBLE	41 = 4-DOOR SEDAN	

AR = Use as Required - = Non Illustrated Part P.A.R. = Paint as Required

SPEED CONTROL - ELECTRONIC H,K - w/ 2.2L AND 2.6L ENGINE
Figure 14-5300

4114 5300



ITEM	PART NUMBER	QTY	BODY	MODEL	DESCRIPTION
	6101 131	1			FUSE, ATC 3 Amp.

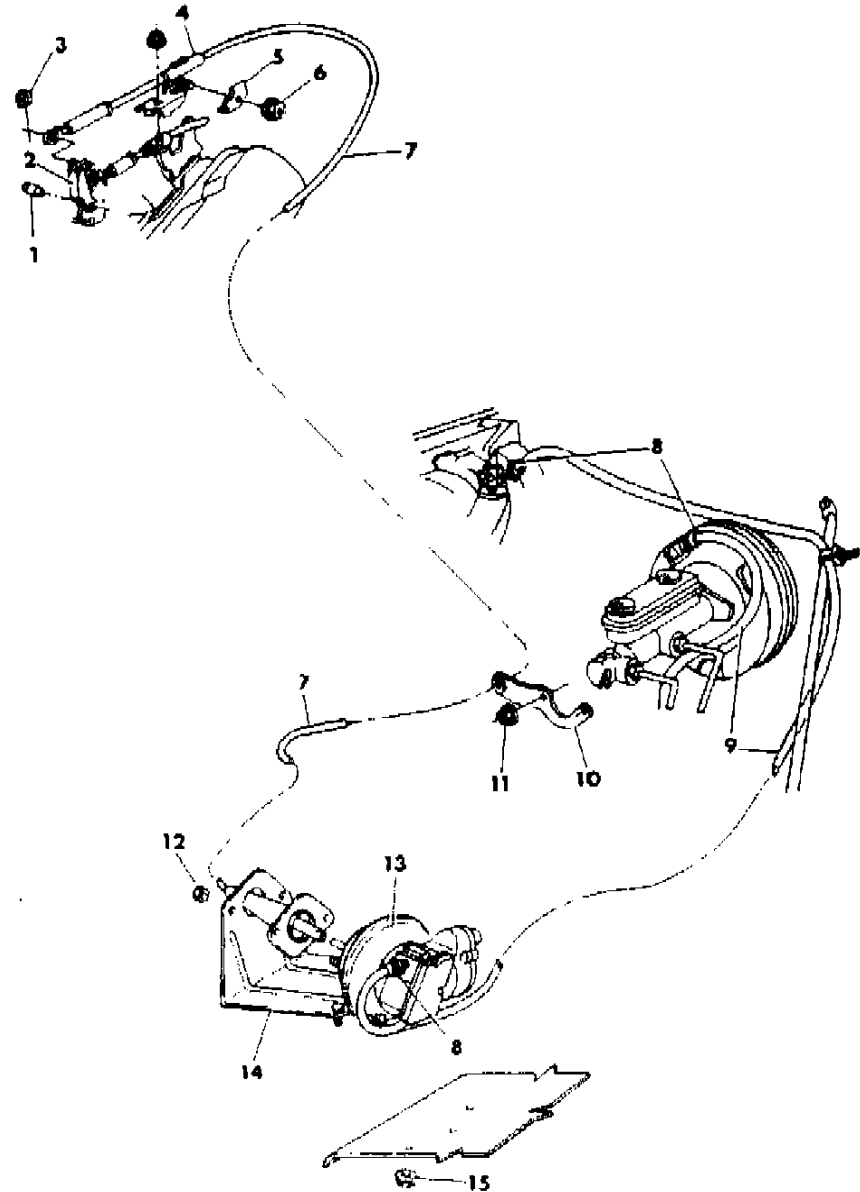
MODEL CODES
 B = GRAN FURY
 C = LEBARON/TOWN & COUNTRY/EXC SEDAN
 C24 = LASER
 D = ARIES
 E = 600
 F = FIFTH AVENUE/NEWPORT
 G = DIPLOMAT
 H = VOYAGER
 K = MINI RAM/CARAVAN/ROYAL
 M = HORIZON/TURISMO
 P = RELIANT
 T = E CLASS/NEW YORKER
 V = 600
 V24 = DAYTONA
 Z = OMNI/CHARGER/RAMPAGE

BODY STYLES
 21 = 2-DOOR SEDAN
 22 = 2-DOOR SPECIAL COUPE
 24 = 2-DOOR HATCHBACK
 27 = 2-DOOR CONVERTIBLE
 28 = FWD PICKUP
 35 = FWD VAN
 36 = FWD WAGON
 41 = 4-DOOR SEDAN
 44 = 4-DOOR HATCHBACK
 45 = 4-DOOR STATION WAGON
 48 = 4-DOOR EXECUTIVE SEDAN

AR = Use as Required - = Non Illustrated Part P.A.R. = Paint as Required

SPEED CONTROL - F,G,B
Figure 14-5400

4114 5400



ITEM	PART NUMBER	QTY	BODY	MODEL	DESCRIPTION
	4364 355	1			SPEED CONTROL PACKAGE, also order i of 4124736 Wiring, (see note 1,2)
1	6032 134	1			PIN, Lost Motion Link
2	3769 261	1			LINK, Lost Motion
3	6030 479	1			CLIP
4					BRACKET
	2899 376	1			w/318-2BBL.
	3830 868	1			w/318-4BBL.
5	2402 210	1			CLIP
6	0120 375	1			NUT, w/WASHER
7	4241 249	1			CABLE, Speed Control
8	2448 761	AR			CLAMP
9	4443 175	AR			HOSE
10	4173 480	1			BRACKET, Cable Routing
11	0118 614	1			NUT
12	6025 004	2			NUT
13	4241 551	1			SERVO, Speed Control
14	4104 323	1			BRACKET
15	0120 375	3			NUT

NOTE 1: Units equipped with a Tilt Steering Wheel also specify part no. 3747881 Lever. Lever which is in the package may be returned for credit with an offsetting order for part no. 3747881

NOTE 2: For vehicles which are not equipped with Intermittant Wipers you must also specify part no. 4293096 Intermittant Wiper Conversion Pkg. an offsetting order for part no. 3747881

MODEL CODES

B = GRAN FURY	F = FIFTH AVENUE/NEWPORT	P = RELIANT
C = LEBARON/TOWN & COUNTRY/EXC SEDAN	G = DIPLOMAT	T = E CLASS/NEW YORKER
C24 = LASER	H = VOYAGER	V = 600
D = ARIES	K = MINI RAM/CARAVAN/ROYAL	V24 = DAYTONA
E = 600	M = HORIZON/TURISMO	Z = OMNI/CHARGER/RAMPAGE

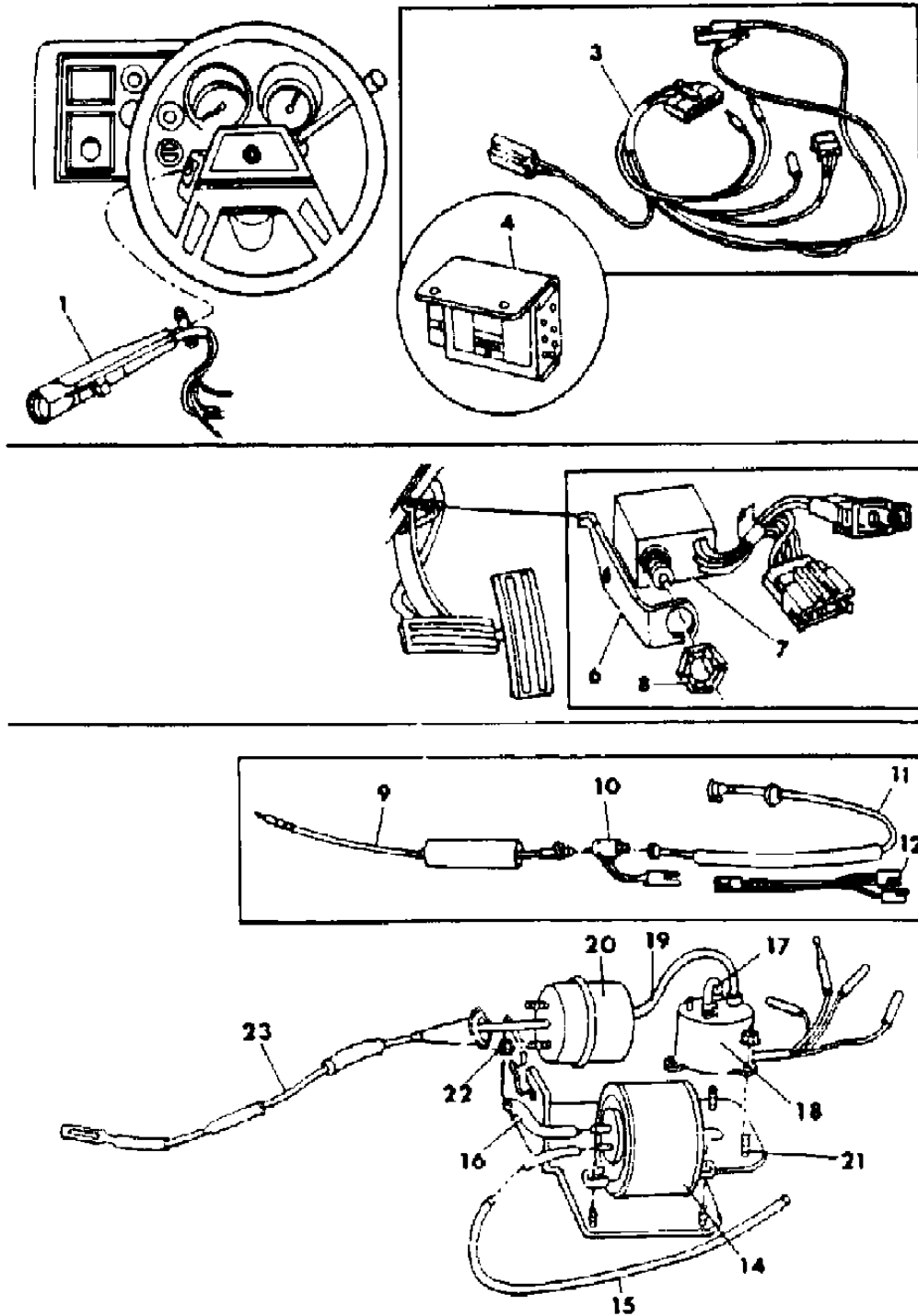
BODY STYLES

21 = 2-DOOR SEDAN	28 = FWD PICKUP	44 = 4-DOOR HATCHBACK
22 = 2-DOOR SPECIAL COUPE	35 = FWD VAN	45 = 4-DOOR STATION WAGON
24 = 2-DOOR HATCHBACK	36 = FWD WAGON	48 = 4-DOOR EXECUTIVE SEDAN
27 = 2-DOOR CONVERTIBLE	41 = 4-DOOR SEDAN	

AR = Use as Required - = Non Illustrated Part P.A.R. = Paint as Required

SPEED CONTROL - ELECTRONIC B,F,G
Figure 14-5500

4114 5500



ITEM	PART NUMBER	QTY	BODY	MODEL	DESCRIPTION
	4318 811	1			SPEED CONTROL PACKAGE
1	4342 209	1			SWITCH, Control
	4209 534	1			PLUG, Connector
3	4318 831	1			HARNESS, Master Wire
4	4318 829	1			MODULE, Electronic
6	4221 632	1			BRACKET, Stop Light Switch
7	4221 980	1			SWITCH, Stop Light
8	0107 825	1			NUT, Switch Mounting
9	4312 342	1			CABLE, Sensor to Transmission
10	4312 186	1			SENSOR
11	4312 349	1			CABLE, Speedo to Sensor
14	4318 821	1			RESVERIOR, w/BRACKET
15	4318 826	1			HOSE, 5/32 ID - 1/2 OD x 36
16	4318 828	1			HOSE, 7/32 x 70
17	4318 822	1			HOSE, Horseshoe
18	4318 818	1			BODY, Valve
19	4318 827	1			HOSE, 5/32 x 50
20	4318 819	1			MOTOR, Vacuum
21	4318 843	1			BRACKET, Mounting
22	6025 005	1			NUT, w/WASHER, Cable Mounting
23	4241 249	1			CABLE, Servo
	2402 210	1			CLAMP
	3769 261	1			LINK
	6032 134	1			PIN, Link to Lever
	6030 479	1			CLIP, Mounting to Lost Motion
	2899 376	1			BRACKET, Cable Mounting w/2Bbl
	3830 868	1			BRACKET, Cable Mounting w/4Bbl
	6101 131	1			FUSE, 3 Amp ATC

MODEL CODES

B = GRAN FURY	F = FIFTH AVENUE/NEWPORT	P = RELIANT
C = LEBARON/TOWN & COUNTRY/EXC SEDAN	G = DIPLOMAT	T = E CLASS/NEW YORKER
C24 = LASER	H = VOYAGER	V = 600
D = ARIES	K = MINI RAM/CARAVAN/ROYAL	V24 = DAYTONA
E = 600	M = HORIZON/TURISMO	Z = OMNI/CHARGER/RAMPAGE

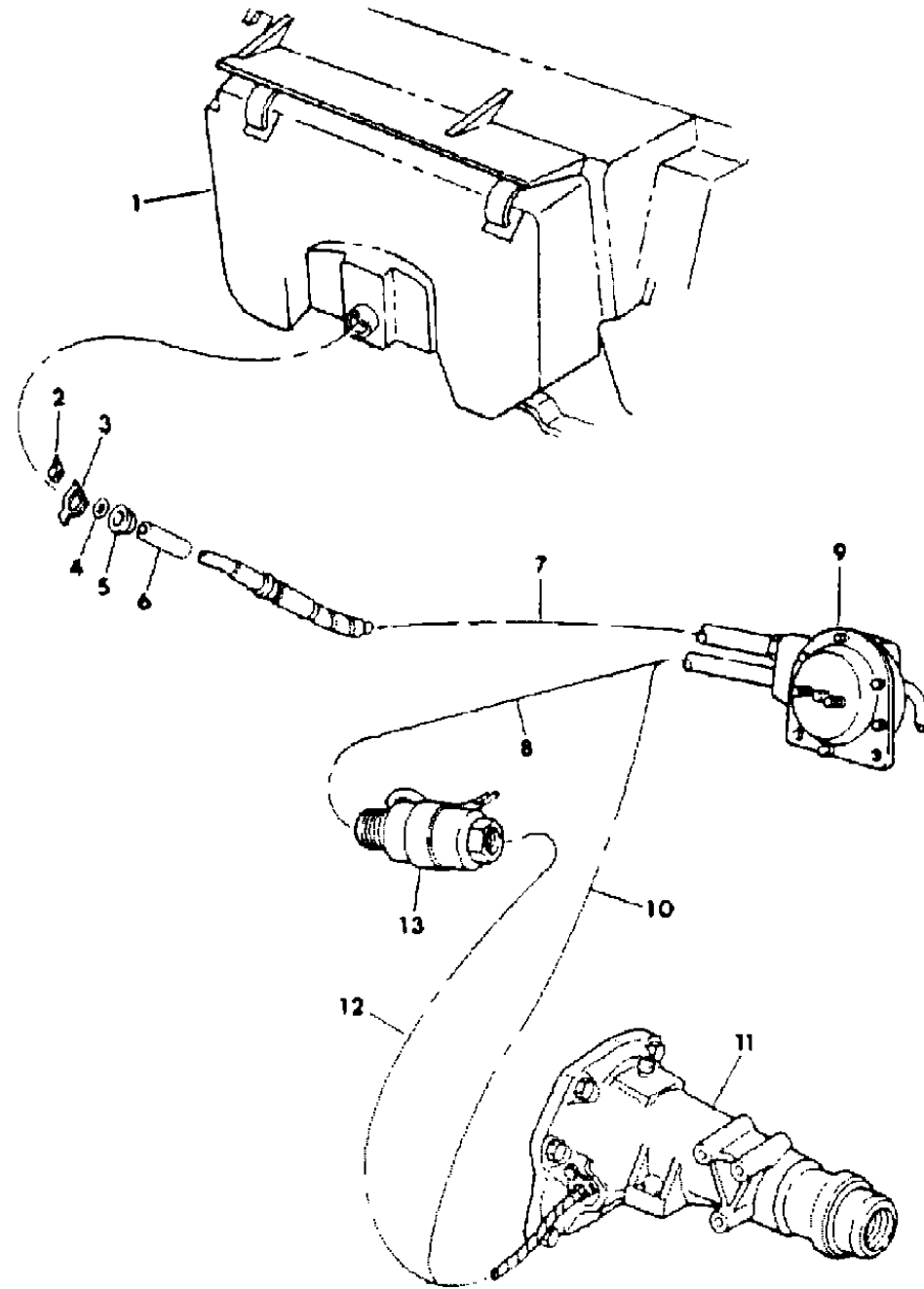
BODY STYLES

21 = 2-DOOR SEDAN	28 = FWD PICKUP	44 = 4-DOOR HATCHBACK
22 = 2-DOOR SPECIAL COUPE	35 = FWD VAN	45 = 4-DOOR STATION WAGON
24 = 2-DOOR HATCHBACK	36 = FWD WAGON	48 = 4-DOOR EXECUTIVE SEDAN
27 = 2-DOOR CONVERTIBLE	41 = 4-DOOR SEDAN	

AR = Use as Required - = Non Illustrated Part P.A.R. = Paint as Required

SPEED CONTROL CABLES
Figure 14-5600

4114 5600



ITEM	PART NUMBER	QTY	BODY	MODEL	DESCRIPTION
NOTE: Speed Control Cables listed below are for use with Factory or Electro Mechincal Speed Controls an offsetting order for part no. 3747881					
1					SPEEDOMETER (Ref.)
2	0152 490	1			U-NUT, Cable Retainer
3	3593 310	1			RETAINER, Speedo Cable to Speedo
4	6030 565	1			"O" RING, Speedo Shaft Lower
5	3593 446	1			GROMMET, Speedo Cable Dash
6	4057 046	1			RETAINER, SEALS and RING PACKAGE,Speedometer Pinion
7					CABLE, Speedometer to Speed Control
	4374 386	1		M,Z	2.2 Liter Engine, 40" Long
	4374 769	1			2.2 Liter Engine, 44" Long
	4374 769	1			2.2 Liter Engine, TBI, 44" Long
	4374 769	1			2.2 Liter Engine, TC, 44" Long
	4312 337	1		H,K	2.2 Liter Engine, 42" Long
	4374 769	1			2.6 Liter Engine, 44" Long
	4312 337	1		H,K	2.6 Liter Engine, 42" Long
	4312 634	1			318 Engine, 35" Long
8					CABLE, Speed Control to Speed Sensor Switch
	4220 751	1			2.2 Liter Engine, 12" Long
	4220 751	1			2.2 Liter Engine, TBI, 12" Long
	4220 751	1			2.2 Liter Engine, TC, 12" Long
	4220 751	1			2.6 Liter Engine, 12" Long
9					SERVO, Speed Control (Ref)
10					CABLE, Speed Control to Transmission
	4312 329	1		M,Z	2.2 Liter Engine, 31" Long
	4312 333	1			2.2 Liter Engine, 37" Long
	4312 338	1		H,K	2.2 Liter Engine, 33" Long
	4312 333	1			2.6 Liter Engine, 37" Long
	4312 338	1		H,K	2.6 Liter Engine, 33" Long
	3591 615	1			318 Engine, 52" Long
11					TRANSMISSION (Ref)
12					CABLE, Speed Sensor Switch to Transmission
	4312 335	1			2.2 Liter Engine, 23" Long
	4312 335	1			2.2 Liter Engine, TBI, 23" Long
	4312 335	1			2.2 Liter Engine, TC, 23" Long
	4312 335	1			2.6 Liter Engine, 23" Long
13					SWITCH, Speed Sensor (Ref)

MODEL CODES

B = GRAN FURY	F = FIFTH AVENUE/NEWPORT	P = RELIANT
C = LEBARON/TOWN & COUNTRY/EXC SEDAN	G = DIPLOMAT	T = E CLASS/NEW YORKER
C24 = LASER	H = VOYAGER	V = 600
D = ARIES	K = MINI RAM/CARAVAN/ROYAL	V24 = DAYTONA
E = 600	M = HORIZON/TURISMO	Z = OMNI/CHARGER/RAMPAGE

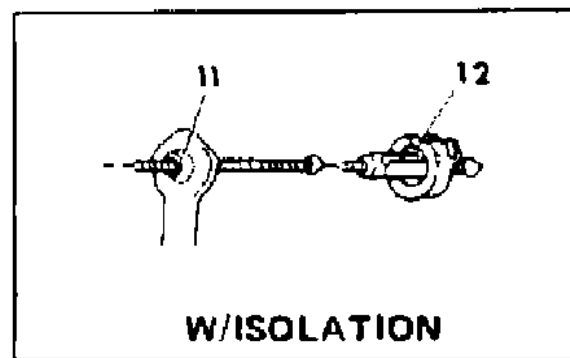
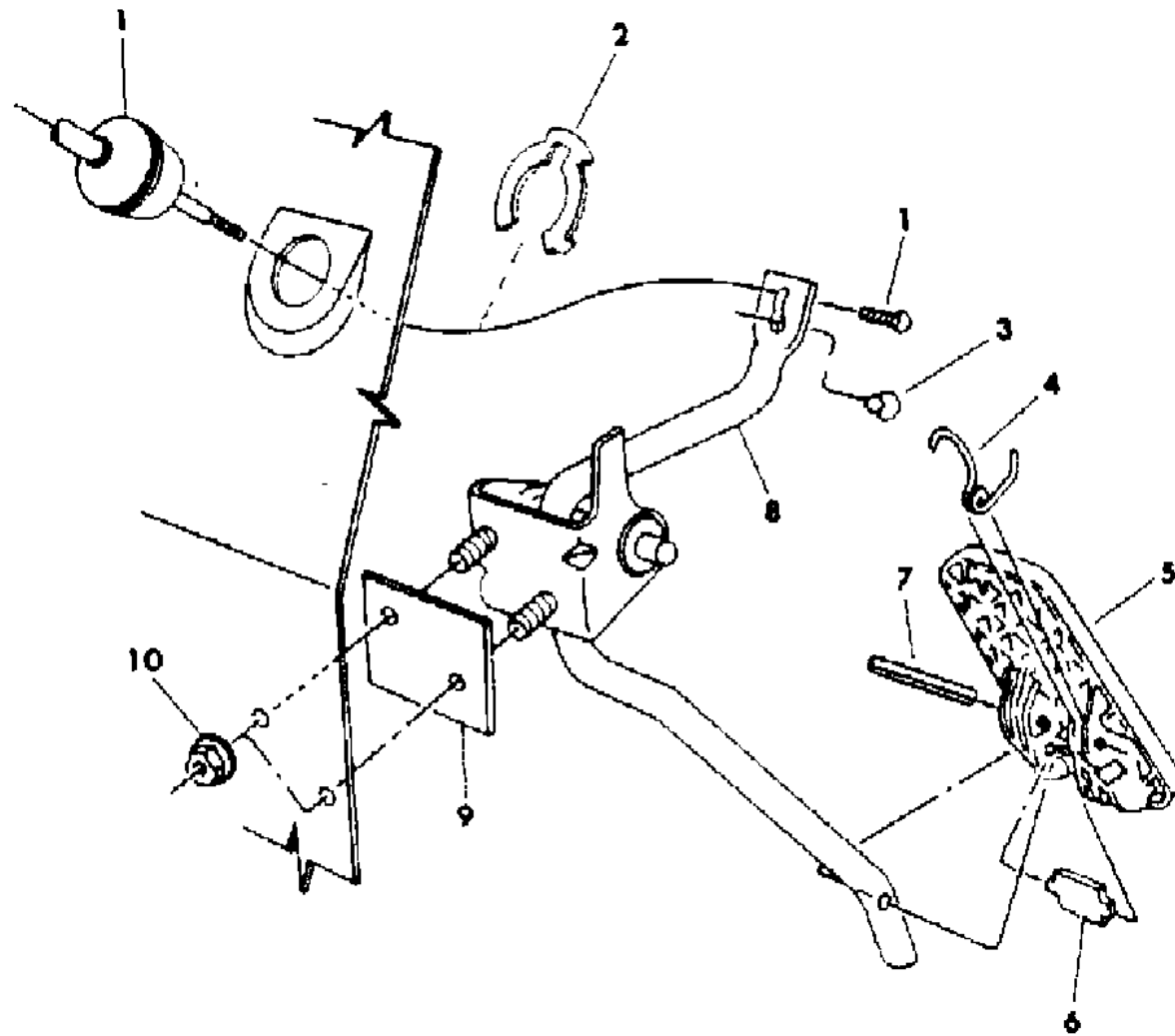
BODY STYLES

21 = 2-DOOR SEDAN	28 = FWD PICKUP	44 = 4-DOOR HATCHBACK
22 = 2-DOOR SPECIAL COUPE	35 = FWD VAN	45 = 4-DOOR STATION WAGON
24 = 2-DOOR HATCHBACK	36 = FWD WAGON	48 = 4-DOOR EXECUTIVE SEDAN
27 = 2-DOOR CONVERTIBLE	41 = 4-DOOR SEDAN	

AR = Use as Required - = Non Illustrated Part P.A.R. = Paint as Required

ACCELERATOR PEDAL M,Z,P,D,C,V,E,T
Figure 14-5700

4114 5700



ITEM	PART NUMBER	QTY	BODY	MODEL	DESCRIPTION
1					CABLE, Throttle Control, see Throttle Control Illustration
2	5214 613	1			CLIP, Retainer
3	2465 483	1			PLUG
4	2899 354	1			SPRING
	4104 196	1			w/2.2l Eng. (EDJ)
5	4105 073	1			PEDAL, Accelerator
	4227 170	1			w/2.2L Eng. (EDJ)
	4105 073	1			w/2.2L Eng., w/o (EDJ)
	4105 073	1		V,C 24	w/Auto Trans.
	4227 170	1		V,C 24	w/Manual Trans.
6	2899 342	1			PAD
7	9429 032	1			PIN, Spring
8					BRACKET and SHAFT, Accelerator
	4275 543	1		M,Z	except Shelby Charger
	4288 036	1		M,Z	Shelby Charger, Manual Trans.
	4288 032	1		P,D,C,V	w/o Isolator
	4288 034	1		P,D,C,V	w/Isolator
9	4201 048	1		P,D,C,V	SEAL, Bracket Mounting
	4275 540	1		M,Z	
10	6500 284	2			NUT w/WASHER
	4105 073	1		P,D,C,V	BEZEL, Accel Pedal
	5214 416	1			GROMMET, Throttle Control (not illustrated)
11	4306 150	1			ISOLATOR, Throttle Cable
12	4287 736	1			RETAINER, w/Isolator

MODEL CODES

B = GRAN FURY	F = FIFTH AVENUE/NEWPORT	P = RELIANT
C = LEBARON/TOWN & COUNTRY/EXC SEDAN	G = DIPLOMAT	T = E CLASS/NEW YORKER
C24 = LASER	H = VOYAGER	V = 600
D = ARIES	K = MINI RAM/CARAVAN/ROYAL	V24 = DAYTONA
E = 600	M = HORIZON/TURISMO	Z = OMNI/CHARGER/RAMPAGE

BODY STYLES

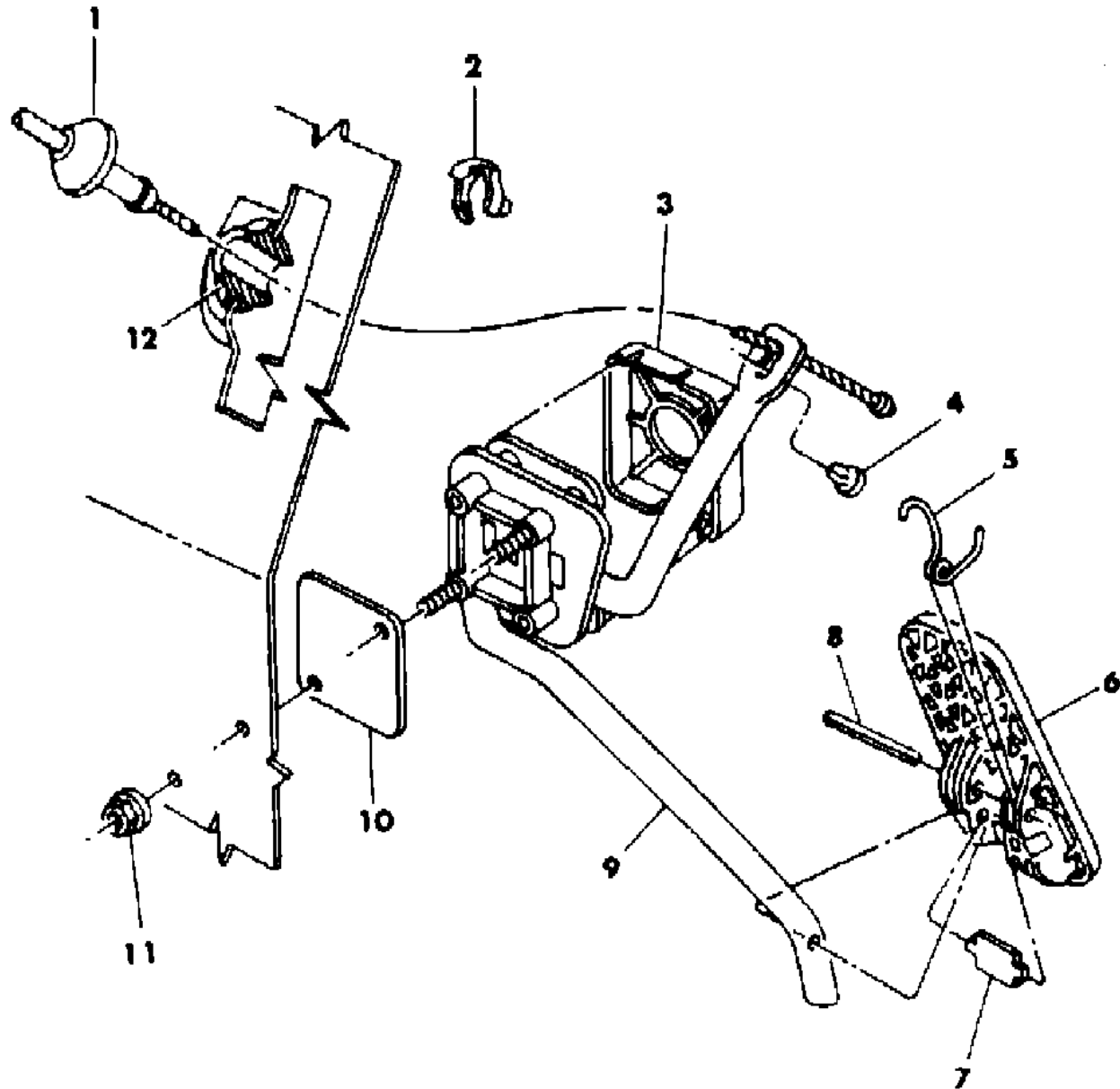
21 = 2-DOOR SEDAN	28 = FWD PICKUP	44 = 4-DOOR HATCHBACK
22 = 2-DOOR SPECIAL COUPE	35 = FWD VAN	45 = 4-DOOR STATION WAGON
24 = 2-DOOR HATCHBACK	36 = FWD WAGON	48 = 4-DOOR EXECUTIVE SEDAN
27 = 2-DOOR CONVERTIBLE	41 = 4-DOOR SEDAN	

AR = Use as Required - = Non Illustrated Part P.A.R. = Paint as Required

ACCELERATOR PEDAL - H,K
Figure 14-5800

4114 5800

ITEM	PART NUMBER	QTY	BODY	MODEL	DESCRIPTION
1					CABLE, Throttle Control see Throttle Control Illustration
2	5214 613	1			CLIP, Retainer
3	4275 539	1			COVER, Dress up
4	2465 483	1			PLUG
5	4104 196	1			SPRING
6	4105 073	1			PEDAL, Accelerator
7	2899 342	1			PAD
8	9429 032	1			PIN, Spring
9	4287 982	1			BRACKET and SHAFT, Accelerator
10	4275 099	1			SEAL
11	6500 274	2			NUT, w/WASHER
12	5214 416	1			GROMMET



MODEL CODES

B = GRAN FURY	F = FIFTH AVENUE/NEWPORT	P = RELIANT
C = LEBARON/TOWN & COUNTRY/EXC SEDAN	G = DIPLOMAT	T = E CLASS/NEW YORKER
C24 = LASER	H = VOYAGER	V = 600
D = ARIES	K = MINI RAM/CARAVAN/ROYAL	V24 = DAYTONA
E = 600	M = HORIZON/TURISMO	Z = OMNI/CHARGER/RAMPAGE

BODY STYLES

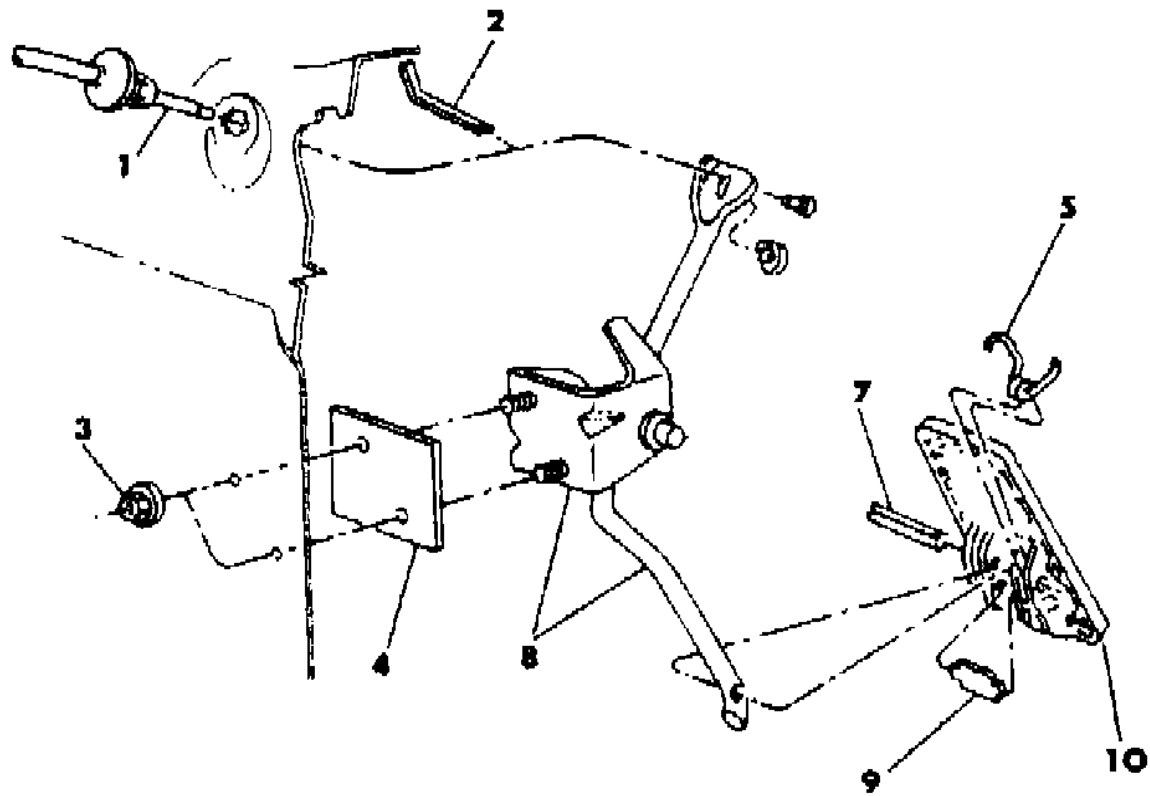
21 = 2-DOOR SEDAN	28 = FWD PICKUP	44 = 4-DOOR HATCHBACK
22 = 2-DOOR SPECIAL COUPE	35 = FWD VAN	45 = 4-DOOR STATION WAGON
24 = 2-DOOR HATCHBACK	36 = FWD WAGON	48 = 4-DOOR EXECUTIVE SEDAN
27 = 2-DOOR CONVERTIBLE	41 = 4-DOOR SEDAN	

AR = Use as Required - = Non Illustrated Part P.A.R. = Paint as Required

ACCELERATOR PEDAL F,G,B
Figure 14-5900

4114 5900

ITEM	PART NUMBER	QTY	BODY	MODEL	DESCRIPTION
1					CABLE, Throttle Control, see Throttle Control Illustration
2	3462 725	1			RETAINER
3	6025 004	2			NUT w/WASHER
4	1242 974	1			SEAL
5	2899 354	1			SPRING
6	2465 483	1			PLUG
7	0273 752	1			PIN, Spring
8	3870 689	1			BRACKET, Accelerator Shaft
9	2899 342	1			PAD
10	4105 073	1			PEDAL, Accelecator
NOTE: The following items are not illustrated an offsetting order for part no. 3747881					
	4241 256	1			SPACER, Accel. Pedal Bracket
	2129 856	1			SPACER, Accel. Pedal Bracket Spacer, w/318 Engine
	2899 351	2			BUSHING, Accel. Shaft Bracket



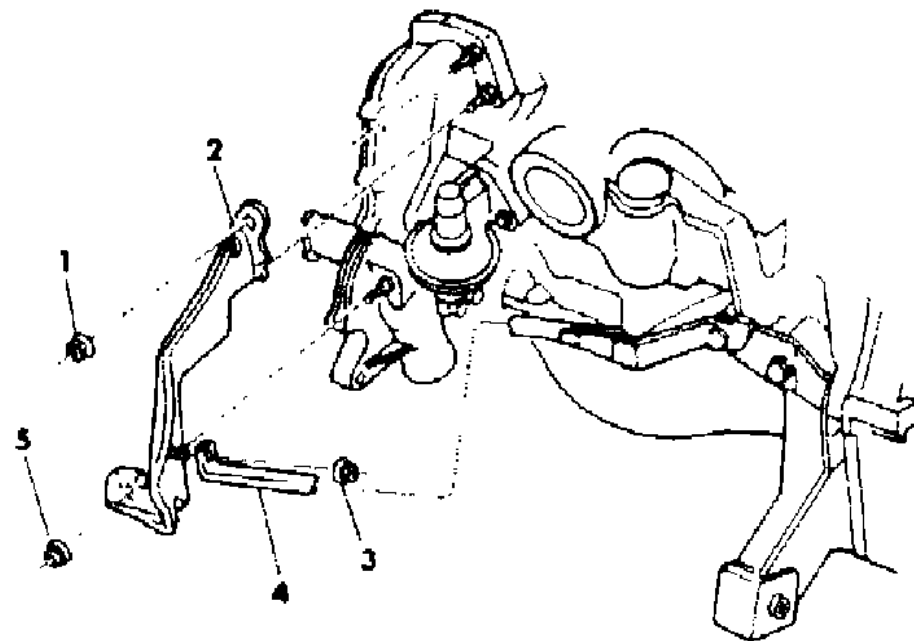
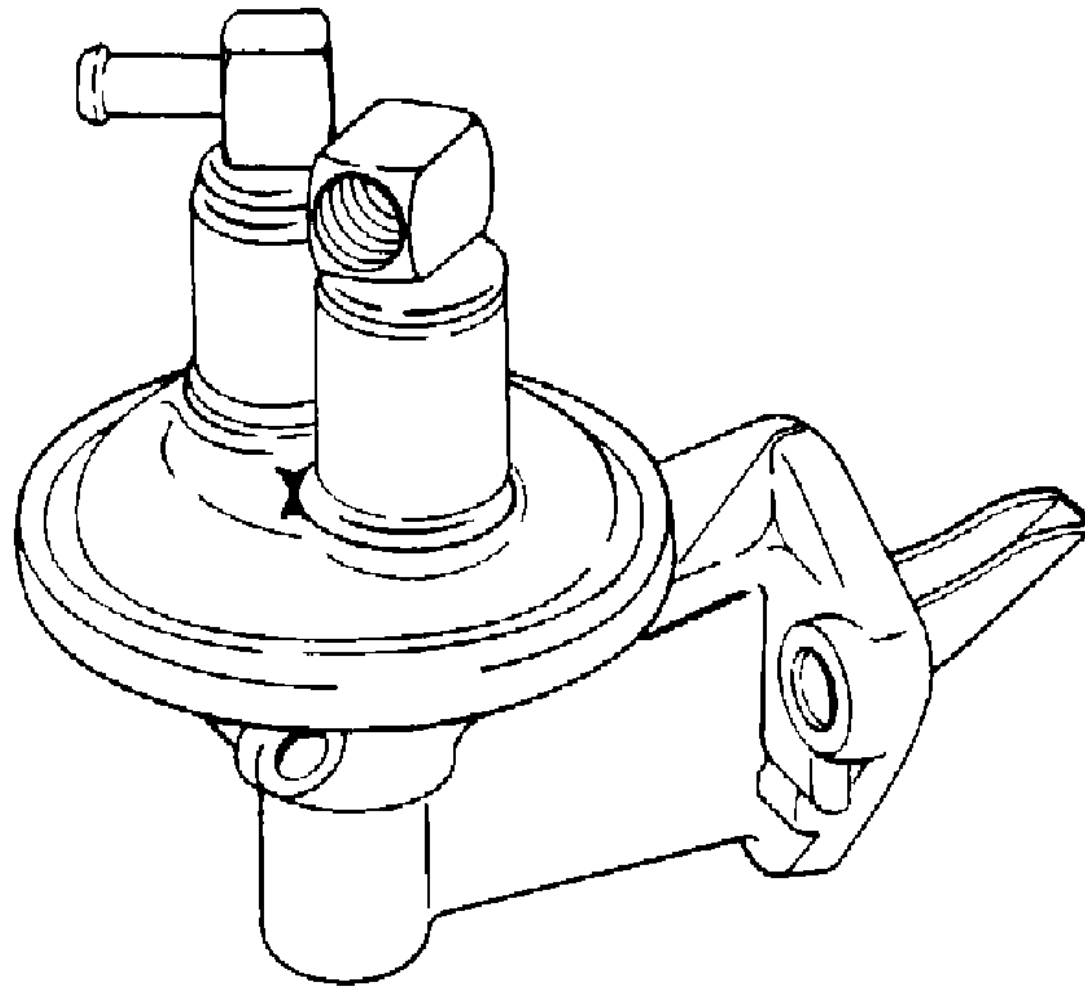
MODEL CODES
 B = GRAN FURY
 C = LEBARON/TOWN & COUNTRY/EXC SEDAN
 C24 = LASER
 D = ARIES
 E = 600
 F = FIFTH AVENUE/NEWPORT
 G = DIPLOMAT
 H = VOYAGER
 K = MINI RAM/CARAVAN/ROYAL
 M = HORIZON/TURISMO
 P = RELIANT
 T = E CLASS/NEW YORKER
 V = 600
 V24 = DAYTONA
 Z = OMNI/CHARGER/RAMPAGE

BODY STYLES
 21 = 2-DOOR SEDAN
 22 = 2-DOOR SPECIAL COUPE
 24 = 2-DOOR HATCHBACK
 27 = 2-DOOR CONVERTIBLE
 28 = FWD PICKUP
 35 = FWD VAN
 36 = FWD WAGON
 41 = 4-DOOR SEDAN
 44 = 4-DOOR HATCHBACK
 45 = 4-DOOR STATION WAGON
 48 = 4-DOOR EXECUTIVE SEDAN

AR = Use as Required - = Non Illustrated Part P.A.R. = Paint as Required

FUEL PUMPS
Figure 14-6000

4114 6000



ITEM	PART NUMBER	QTY	BODY	MODEL	DESCRIPTION
------	-------------	-----	------	-------	-------------

NOTE: For P,D,C,V,E,T Model w/2.6 Liter Engine see Illustration 14-6100 an offsetting order for part no. 3747881

					PUMP, Fuel
	4293 801	1			w/1.6 Liter Engine
	4293 802	1			w/2.2 Liter Engine
	4293 803	1			w/318 Engine
					GASKET, Fuel Pump Flange
	5240 332	1			w/1.6 Liter Engine
	5214 680	1			w/2.2 Liter Engine
	3577 870	1			w/318 Engine
					BOLT, Fuel Pump Attaching
	6500 564	2			w/1.6 Liter Engine
	6023 526	2			w/318 Engine
1	6500 363	1			NUT, Hex Lock, w/2.2 Liter Eng.
2	4104 182	1			BLOCKER, Fuel Pump, w/2.2 Liter Eng.
	4275 448	1		H,K	
3	6500 274	1			NUT, Hex Lock, w/2.2 Liter Eng.
4	4418 043	1			STRUT, Fuel Pump Blocker, w/2.2 Liter Eng.
	4275 449	1		H,K	
5	6500 259	1			NUT, Hex Lock, w/2.2 Liter Eng.

MODEL CODES

B = GRAN FURY	F = FIFTH AVENUE/NEWPORT	P = RELIANT
C = LEBARON/TOWN & COUNTRY/EXC SEDAN	G = DIPLOMAT	T = E CLASS/NEW YORKER
C24 = LASER	H = VOYAGER	V = 600
D = ARIES	K = MINI RAM/CARAVAN/ROYAL	V24 = DAYTONA
E = 600	M = HORIZON/TURISMO	Z = OMNI/CHARGER/RAMPAGE

BODY STYLES

21 = 2-DOOR SEDAN	28 = FWD PICKUP	44 = 4-DOOR HATCHBACK
22 = 2-DOOR SPECIAL COUPE	35 = FWD VAN	45 = 4-DOOR STATION WAGON
24 = 2-DOOR HATCHBACK	36 = FWD WAGON	48 = 4-DOOR EXECUTIVE SEDAN
27 = 2-DOOR CONVERTIBLE	41 = 4-DOOR SEDAN	

AR = Use as Required - = Non Illustrated Part P.A.R. = Paint as Required

FUEL PUMP AND FUEL FILTER - W/2.6 LITER ENGINE

Figure 14-6100

4114 6100A

ITEM	PART NUMBER	QTY	BODY	MODEL	DESCRIPTION
1	MD06 3139	1			HOSE and CLIPS, Fuel, except H,K and Limo
2	MS66 0175	4			CLIP, Hose, except H,K and Limo
3	MD00 1521	1			WASHER, Plain
4	MF14 0027	1			BOLT, Flange
5	MD02 6606	1			HOSE and CLIPS, Fuel
6	4397 736	1			FILTER, Fuel
7	MS66 0162	1			CLIP, Hose
8	MD02 6607	1			HOSE and CLIPS, Fuel
9	MF43 0005	2			NUT
10	MF45 0405	2			WASHER, Spring
11	MD02 6591	1			PUMP, Fuel
12	MD06 3140	1			HOSE and CLIPS, Fuel, except H,K and Limo
13	MD02 6604	1			CLAMP, Fuel Hose
14	MF14 0202	1			BOLT, Flange
15	MD02 3388	2			GASKET, Fuel Pump
16	MD02 3389	1			INSULATOR, Fuel Pump
17	MS66 0162	2			CLIP, Hose

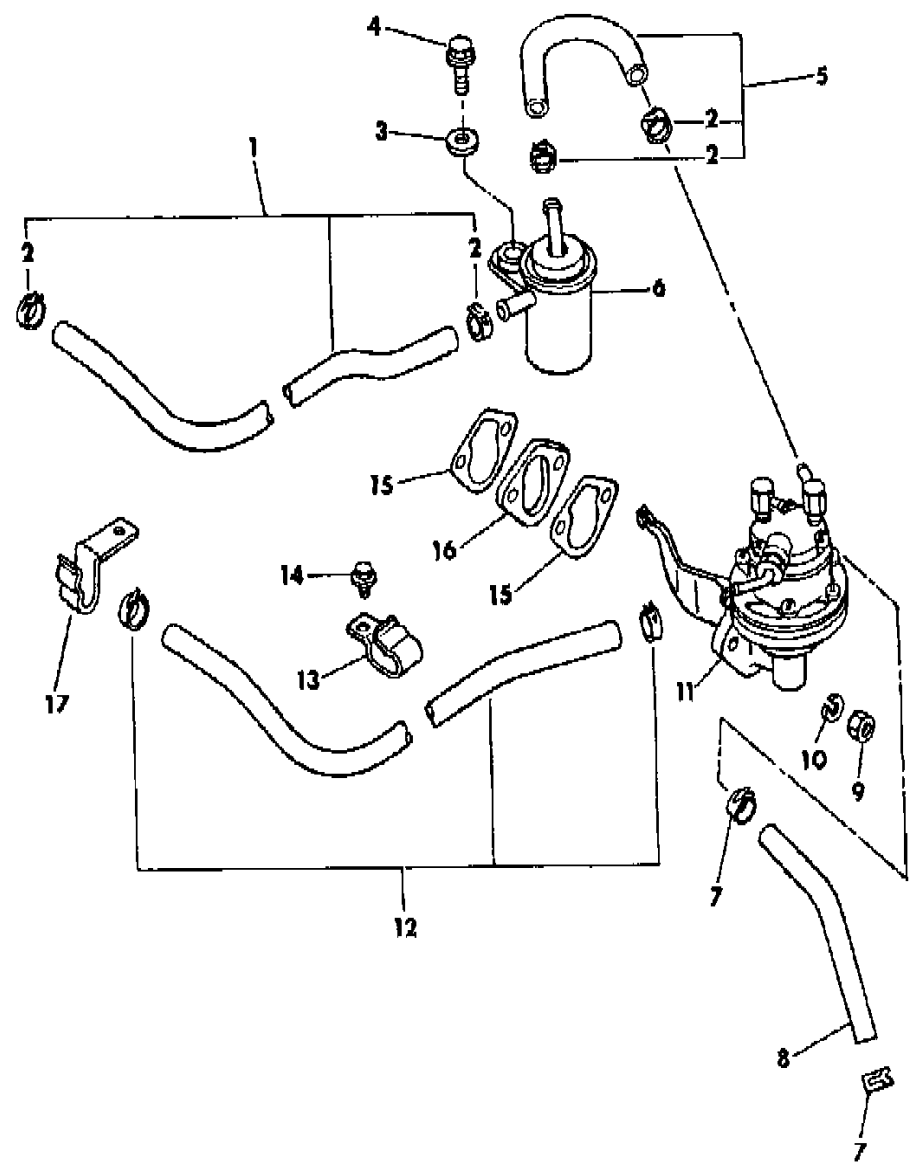
MODEL CODES

B = GRAN FURY	F = FIFTH AVENUE/NEWPORT	P = RELIANT
C = LEBARON/TOWN & COUNTRY/EXC SEDAN	G = DIPLOMAT	T = E CLASS/NEW YORKER
C24 = LASER	H = VOYAGER	V = 600
D = ARIES	K = MINI RAM/CARAVAN/ROYAL	V24 = DAYTONA
E = 600	M = HORIZON/TURISMO	Z = OMNI/CHARGER/RAMPAGE

BODY STYLES

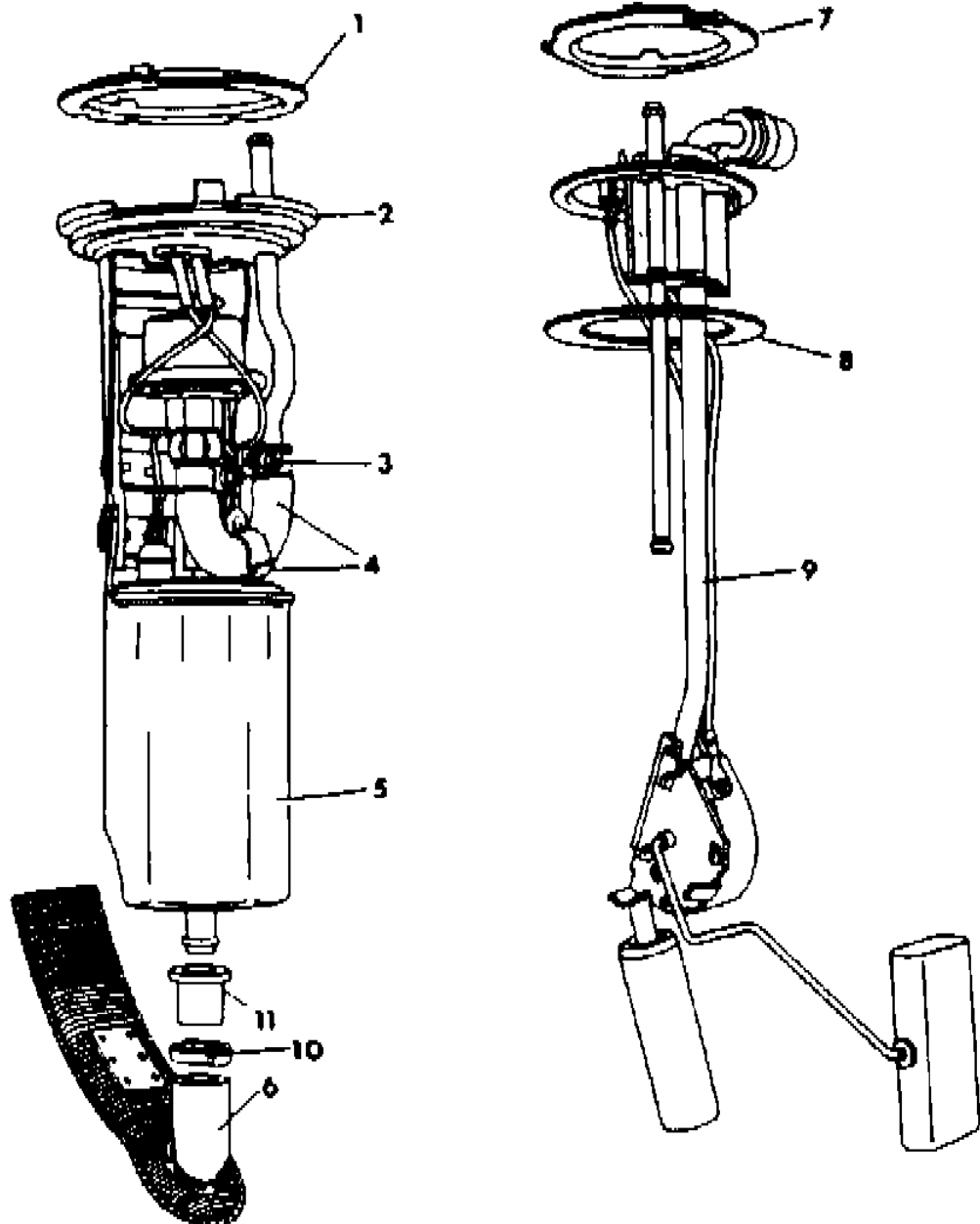
21 = 2-DOOR SEDAN	28 = FWD PICKUP	44 = 4-DOOR HATCHBACK
22 = 2-DOOR SPECIAL COUPE	35 = FWD VAN	45 = 4-DOOR STATION WAGON
24 = 2-DOOR HATCHBACK	36 = FWD WAGON	48 = 4-DOOR EXECUTIVE SEDAN
27 = 2-DOOR CONVERTIBLE	41 = 4-DOOR SEDAN	

AR = Use as Required - = Non Illustrated Part P.A.R. = Paint as Required



FUEL PUMP AND SENDING UNIT W/T.B.I. AND TURBO CHARGER
Figure 14-6200

4114 6200



ITEM	PART NUMBER	QTY	BODY	MODEL	DESCRIPTION
1	4279 445	1			RETAINER, Fuel PUMP
2	6033 095	1			SEAL, Fuel Pump
3	6500 651	2			CLAMP
4	4279 405	1			HOSE, w/SLEEVE
5	4203 941	1			PUMP, Less Filter, Fuel
6	4279 940	1			FILTER, w/ADAPTOR, Fuel Pump
7	1730 095	1			RETAINER, Fuel Sending Unit
8	1948 757	1			SEAL, Fuel Sending Unit
9					UNIT, Fuel Sending
	4051 663	1			Up to 3-20-84 St Louis, 3-22-84 Newark, 3-27-84 Jefferson
	4051 851	1			AFTER 3-20-84 St Louis, 3-22-84 Newark, 3-27-84 Jefferson
10	6032 263	1			CLAMP, Fuel Pump Filter
11					ADAPTER, Fuel Pump Filter (serviced in Filter item 6)
	4275 325	1			COVER, Fuel Pump Pad (not illustrated)
	5214 680	1			GASKET, Fuel Pump Pad Cover (not illustrated)
	4221 279	1			RELAY, Fuel Pump (not illustrated)

MODEL CODES

B = GRAN FURY	F = FIFTH AVENUE/NEWPORT	P = RELIANT
C = LEBARON/TOWN & COUNTRY/EXC SEDAN	G = DIPLOMAT	T = E CLASS/NEW YORKER
C24 = LASER	H = VOYAGER	V = 600
D = ARIES	K = MINI RAM/CARAVAN/ROYAL	V24 = DAYTONA
E = 600	M = HORIZON/TURISMO	Z = OMNI/CHARGER/RAMPAGE

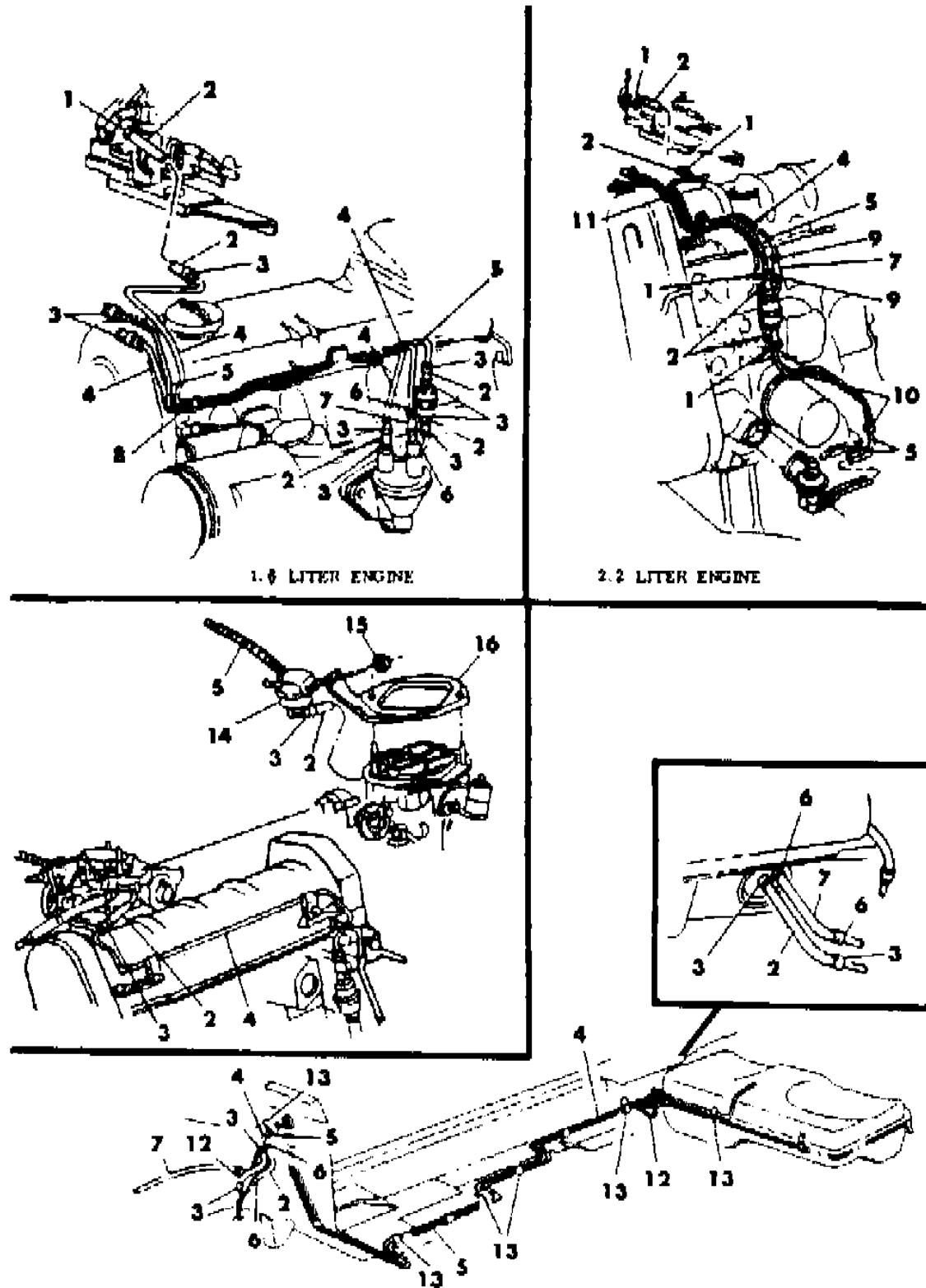
BODY STYLES

21 = 2-DOOR SEDAN	28 = FWD PICKUP	44 = 4-DOOR HATCHBACK
22 = 2-DOOR SPECIAL COUPE	35 = FWD VAN	45 = 4-DOOR STATION WAGON
24 = 2-DOOR HATCHBACK	36 = FWD WAGON	48 = 4-DOOR EXECUTIVE SEDAN
27 = 2-DOOR CONVERTIBLE	41 = 4-DOOR SEDAN	

AR = Use as Required - = Non Illustrated Part P.A.R. = Paint as Required

FUEL LINES - M,Z
Figure 14-6300

4114 6300



ITEM	PART NUMBER	QTY	BODY	MODEL	DESCRIPTION
1	2463 937	AR			CLAMP
2	4443 176	AR			HOSE, (50 ft. roll) 5/16 I.D. Carb. to Fuel Tube Fuel Filter Fuel Pump Return Tube Front to Engine Fuel Return Tube Fuel Tube Front to Engine Fuel Pump Tube Fuel Tube Rear to Fuel Tank Fuel Filter Tube to Reservoir Fuel Reservoir to Carb.
3	2448 761	AR			CLAMP
4	1843 253	AR			TUBE, (25 ft. roll) 5/16 I.D. Fuel Filter Hose to Carb. Hose Fuel Pump to Fuel Tank Tube Hose Fuel Fuel Filter to Reservoir TUBE, Fuel Filter Hose to Carb. Hose, w/1.6 Liter Engine
5	4268 268 1843 252	AR AR			TUBE, (25 ft. roll) 1/4 O.D. Fuel Vapor Return Fuel Pump to Filter Hose Fuel Pump to Fuel Tank Tube Hose Fuel Vapor Return Fuel Return
6		AR			CLAMP (not serviced)
7	4443 175	AR			HOSE, (50 ft. roll) 1/4 I.D. Fuel Pump Fuel Filter to Fuel Vapor Return Tube Vapor Tube Front to Canister Fuel Return Tube Rear to Fuel Tank
8	4418 093	AR			CLIP, Fuel Tubes
9		AR			CLAMP (not serviced)
10	2925 705	AR			CLIP
11	2530 700	AR			CLIP
12	1843 251	AR			TUBE, (25 ft. roll) 3/16 O.D. Fuel Vapor
13		AR			CLIP (not serviced)
14	4288 043	1			RESERVOR, w/2.2L Eng.
15	6100 047	2			NUT, Reservoir Mounting

MODEL CODES

B = GRAN FURY	F = FIFTH AVENUE/NEWPORT	P = RELIANT
C = LEBARON/TOWN & COUNTRY/EXC SEDAN	G = DIPLOMAT	T = E CLASS/NEW YORKER
C24 = LASER	H = VOYAGER	V = 600
D = ARIES	K = MINI RAM/CARAVAN/ROYAL	V24 = DAYTONA
E = 600	M = HORIZON/TURISMO	Z = OMNI/CHARGER/RAMPAGE

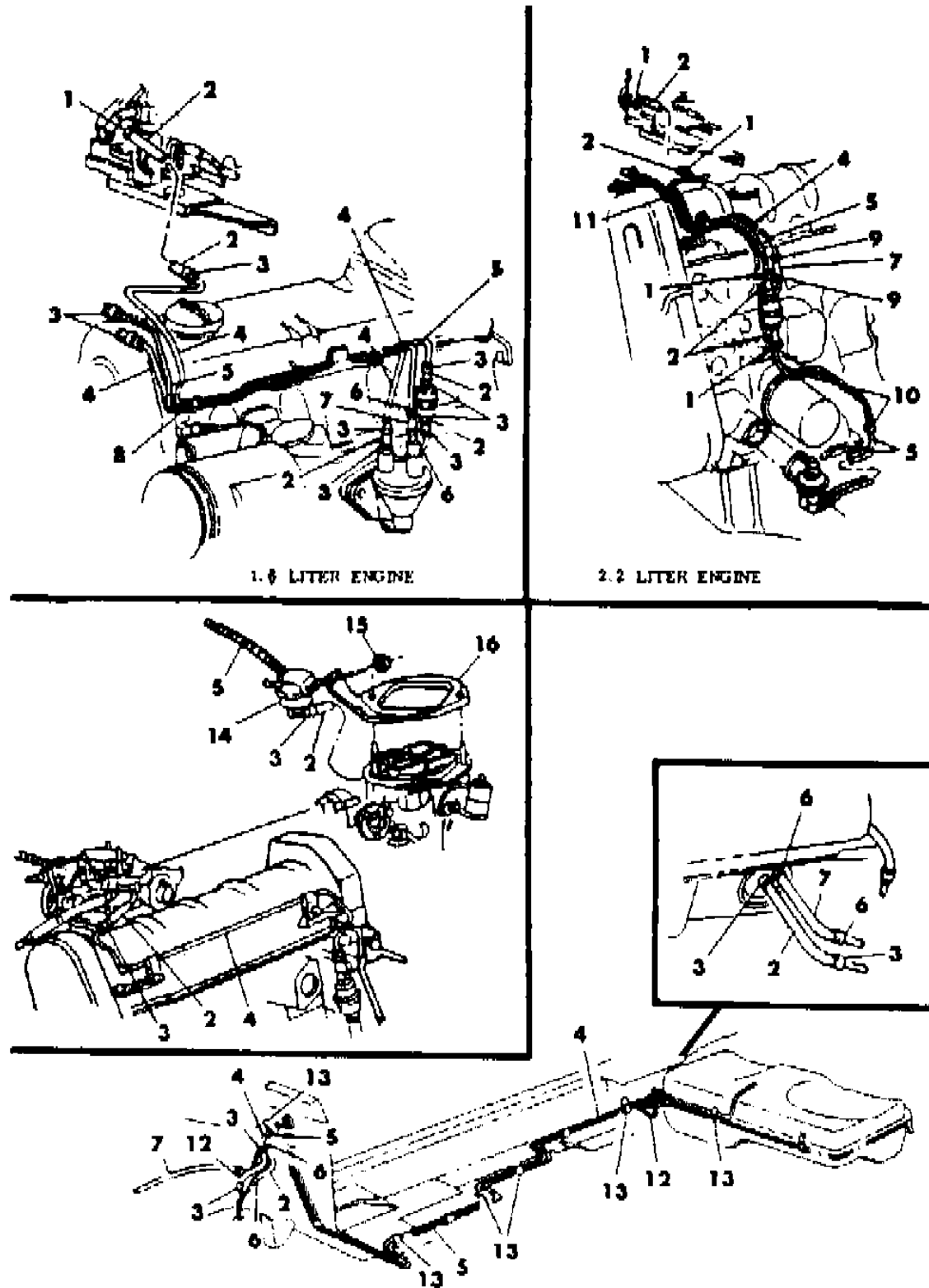
BODY STYLES

21 = 2-DOOR SEDAN	28 = FWD PICKUP	44 = 4-DOOR HATCHBACK
22 = 2-DOOR SPECIAL COUPE	35 = FWD VAN	45 = 4-DOOR STATION WAGON
24 = 2-DOOR HATCHBACK	36 = FWD WAGON	48 = 4-DOOR EXECUTIVE SEDAN
27 = 2-DOOR CONVERTIBLE	41 = 4-DOOR SEDAN	

AR = Use as Required - = Non Illustrated Part P.A.R. = Paint as Required

FUEL LINES - M,Z
Figure 14-6300

4114 6300



ITEM	PART NUMBER	QTY	BODY	MODEL	DESCRIPTION
16	4306 932	1			GASKET, Air Cleaner and BRACKET, Fuel Reservoir Mounting

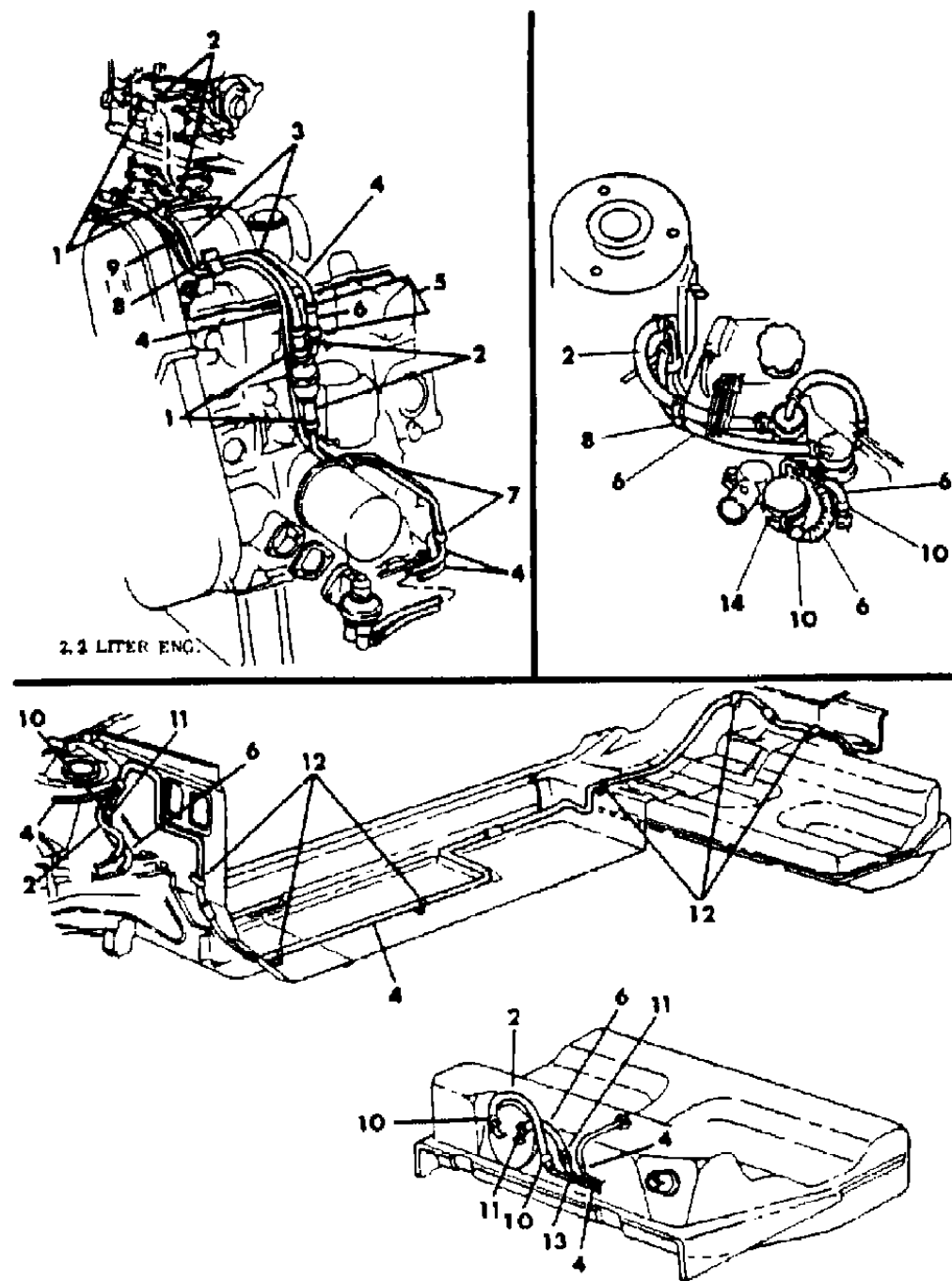
- MODEL CODES
- | | | |
|--------------------------------------|----------------------------|--------------------------|
| B = GRAN FURY | F = FIFTH AVENUE/NEWPORT | P = RELIANT |
| C = LEBARON/TOWN & COUNTRY/EXC SEDAN | G = DIPLOMAT | T = E CLASS/NEW YORKER |
| C24 = LASER | H = VOYAGER | V = 600 |
| D = ARIES | K = MINI RAM/CARAVAN/ROYAL | V24 = DAYTONA |
| E = 600 | M = HORIZON/TURISMO | Z = OMNI/CHARGER/RAMPAGE |

- BODY STYLES
- | | | |
|---------------------------|-------------------|-----------------------------|
| 21 = 2-DOOR SEDAN | 28 = FWD PICKUP | 44 = 4-DOOR HATCHBACK |
| 22 = 2-DOOR SPECIAL COUPE | 35 = FWD VAN | 45 = 4-DOOR STATION WAGON |
| 24 = 2-DOOR HATCHBACK | 36 = FWD WAGON | 48 = 4-DOOR EXECUTIVE SEDAN |
| 27 = 2-DOOR CONVERTIBLE | 41 = 4-DOOR SEDAN | |

AR = Use as Required - = Non Illustrated Part P.A.R. = Paint as Required

FUEL LINES - P,D,C,V,E,T
Figure 14-6400

4114 6400



ITEM	PART NUMBER	QTY	BODY	MODEL	DESCRIPTION
1	2463 937	AR			CLAMP
2	4443 176	AR			HOSE, (50 ft. roll) 5/16 I.D. Fuel Filter Hose Tube to Carb. Fuel Filter Hose Fuel Tube Front to Fuel Pump Fuel Tube Rear to Fuel Tank
3	1843 253	AR			TUBE, (25 ft. roll) 5/16 O.D. Fuel Filter Hose to Carb. Hose
4	1843 252	AR			TUBE, (25 ft. roll) 1/4 O.D. Fuel Vapor Return Fuel Pump to Filter Hose Fuel Pump to Fuel Tank Tube Hose Fuel
5		AR			Fuel Vapor CLAMP (not serviced)
6	4443 175	AR			HOSE, (50 ft. roll) 1/4 I.D. Fuel Filter to Fuel Vapor Return Tube Fuel Return Front to Engine Fuel Return Rear to Fuel Tank Reservoir to Fuel Pump Reservoir to Carburetor
7	2925 705	2			CLIP
8		AR			CLIP (not serviced)
9	2530 700	1			CLIP
10	2448 761	AR			CLAMP
11		AR			CLAMP (not serviced)
12		AR			CLIP (not serviced)
13	1843 252	1			TUBE, Fuel Return
14					RESERVOIR, Fuel
	4288 248	1			w/2.2L Eng.
	4288 209	1			w/2.6L Eng.
	4306 932	1			GASKET, Air Cleaner and BRACKET, Fuel Reservoir Mounting (not illustrated)
	6100 047	2			NUT, Reservoir Mounting (not illustrated)

MODEL CODES

B = GRAN FURY
C = LEBARON/TOWN & COUNTRY/EXC SEDAN
C24 = LASER
D = ARIES
E = 600

F = FIFTH AVENUE/NEWPORT
G = DIPLOMAT
H = VOYAGER
K = MINI RAM/CARAVAN/ROYAL
M = HORIZON/TURISMO

P = RELIANT
T = E CLASS/NEW YORKER
V = 600
V24 = DAYTONA
Z = OMNI/CHARGER/RAMPAGE

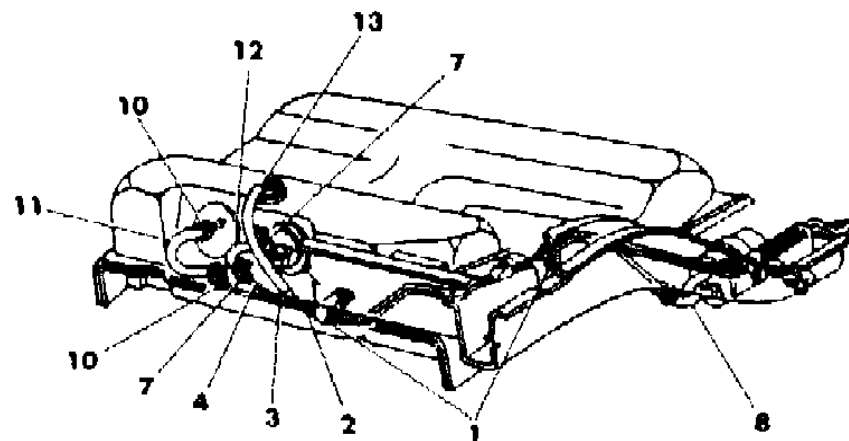
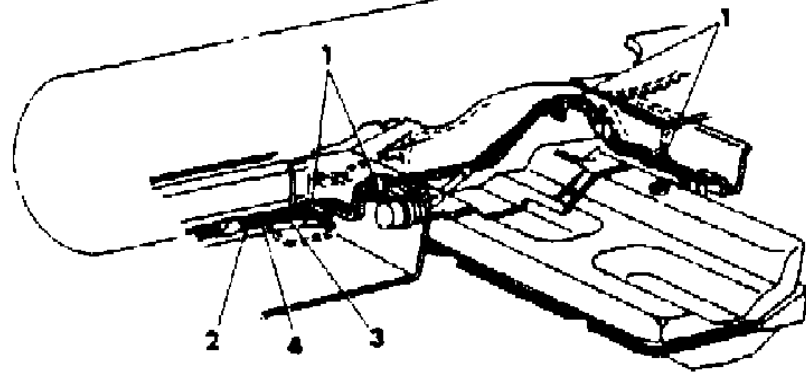
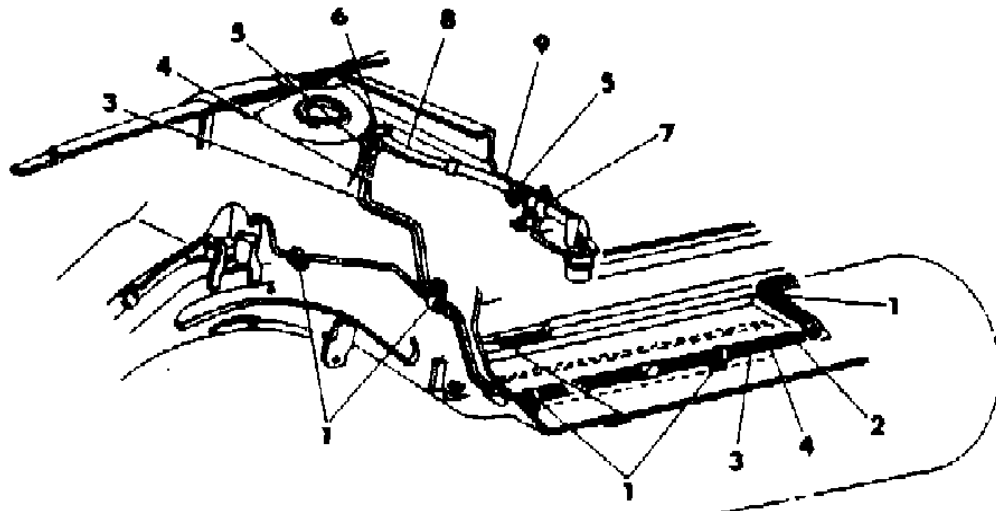
BODY STYLES

21 = 2-DOOR SEDAN
22 = 2-DOOR SPECIAL COUPE
24 = 2-DOOR HATCHBACK
27 = 2-DOOR CONVERTIBLE
28 = FWD PICKUP
35 = FWD VAN
36 = FWD WAGON
41 = 4-DOOR SEDAN
44 = 4-DOOR HATCHBACK
45 = 4-DOOR STATION WAGON
48 = 4-DOOR EXECUTIVE SEDAN

AR = Use as Required - = Non Illustrated Part P.A.R. = Paint as Required

FUEL LINES - TBI
Figure 14-6500

4114 6500



ITEM	PART NUMBER	QTY	BODY	MODEL	DESCRIPTION
1		AR			CLIP, Fuel Lines (not serviced)
2	1843 251	AR			TUBE, 3/16 O.D., 25 FT. Length, Vapor
3	1843 254	AR			TUBE, 3/8 O.D., 25 FT. Length, Fuel Supply
4	1843 252	AR			TUBE, 1/4 O.D., 25 FT. Length, Fuel Return
5	6032 287	1			CLIP
6	6500 722	2			CLAMP
7	6500 650	4			CLAMP
8	4279 828	AR			HOSE Fuel Supply
9	4443 179	AR		P,D,C,V	Rear Fuel Tube to Fuel Filter Fuel Supply Tube to Throttle Body
10	6500 651	2			CLAMP
11	4279 877	1			HOSE, Fuel
12	4279 366	1			HOSE, Return (Formed)
13	4443 177	AR			HOSE, Vapor

MODEL CODES

B = GRAN FURY	F = FIFTH AVENUE/NEWPORT	P = RELIANT
C = LEBARON/TOWN & COUNTRY/EXC SEDAN	G = DIPLOMAT	T = E CLASS/NEW YORKER
C24 = LASER	H = VOYAGER	V = 600
D = ARIES	K = MINI RAM/CARAVAN/ROYAL	V24 = DAYTONA
E = 600	M = HORIZON/TURISMO	Z = OMNI/CHARGER/RAMPAGE

BODY STYLES

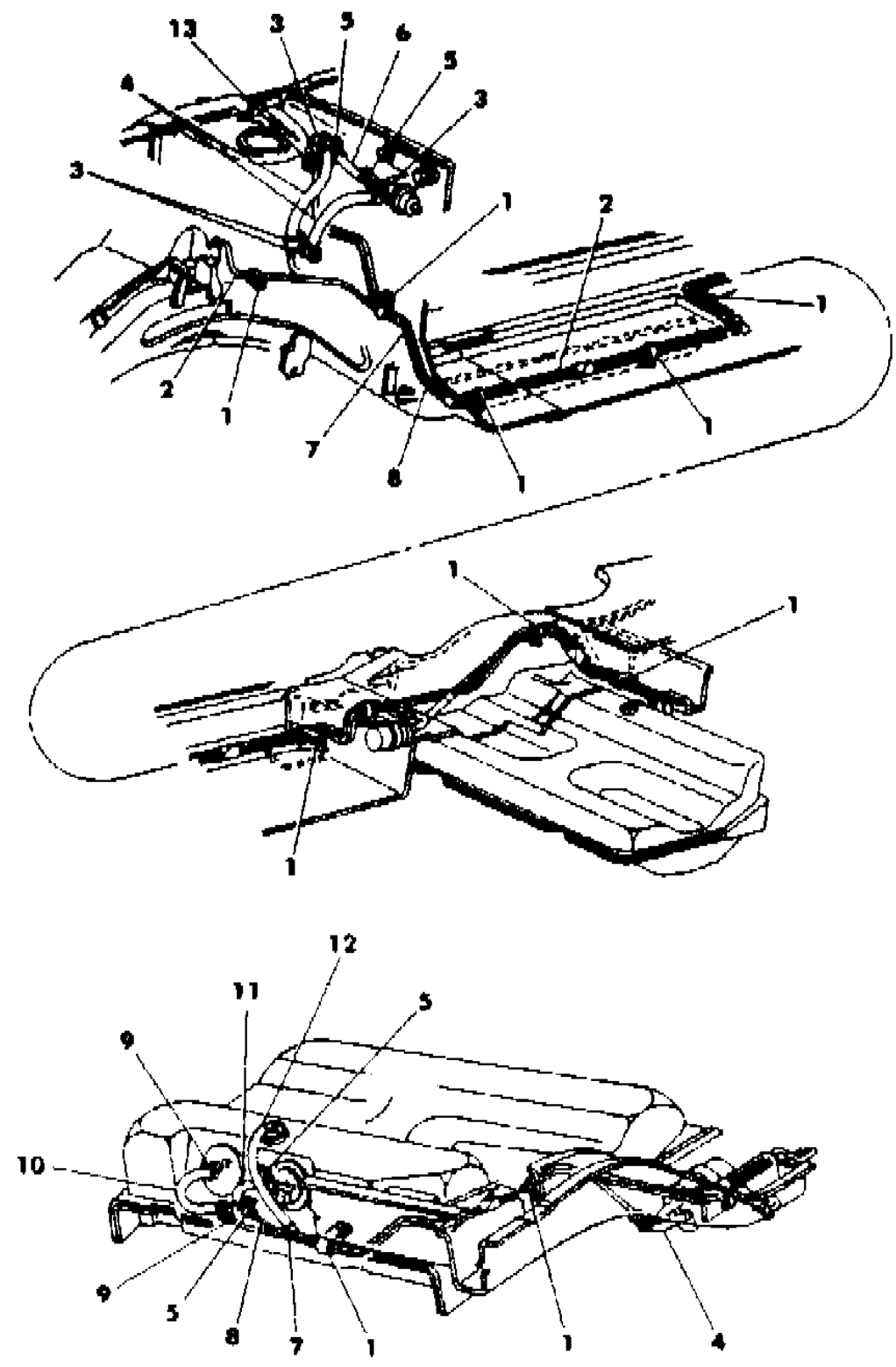
21 = 2-DOOR SEDAN	28 = FWD PICKUP	44 = 4-DOOR HATCHBACK
22 = 2-DOOR SPECIAL COUPE	35 = FWD VAN	45 = 4-DOOR STATION WAGON
24 = 2-DOOR HATCHBACK	36 = FWD WAGON	48 = 4-DOOR EXECUTIVE SEDAN
27 = 2-DOOR CONVERTIBLE	41 = 4-DOOR SEDAN	

AR = Use as Required - = Non Illustrated Part P.A.R. = Paint as Required

FUEL LINES - TURBO CHARGER
Figure 14-6600

ITEM	PART NUMBER	QTY	BODY	MODEL	DESCRIPTION
1					CLIP (not serviced)
2	1843 251	AR			TUBE, Vapor
3	6500 722	4			CLAMP
4	4279 828	AR			HOSE
					Fuel Pressure Regulator to Fuel Rail
					Fuel Supply Tube to Fuel Rail
					Rear Fuel tube to Fuel Filter
5	6500 650	4			CLAMP
6	4279 992	AR			HOSE, Fuel Return Front Tube Pressure Regulator
7	1843 254	AR			TUBE, (25 Ft. Roll) 3/8 O.D.
					Fuel Supply
					Fuel Rear
8	1843 252	AR			TUBE, Fuel Return (25 Ft. Roll) 1/4 O.D.
9	6500 651	2			CLAMP
10	4279 877	1			HOSE, Fuel
11	4279 366	1			HOSE, Return (Formed)
12	4443 177	AR			HOSE, Vapor
13	6032 287	1			CLIP

4114 6600



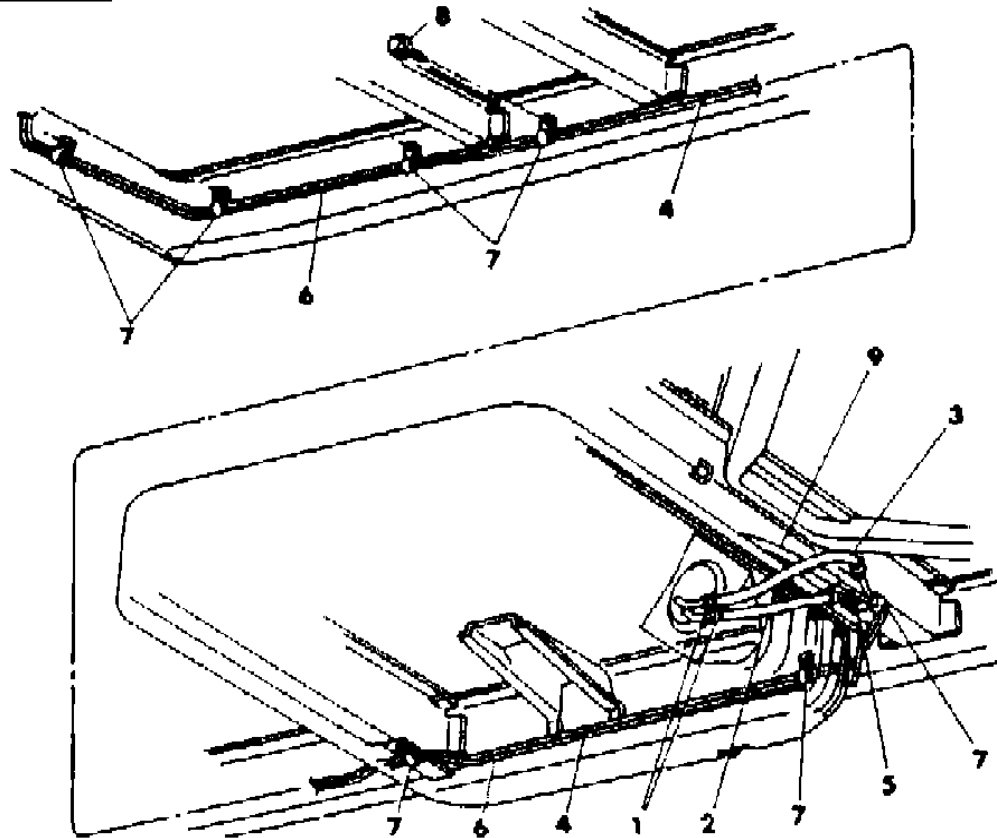
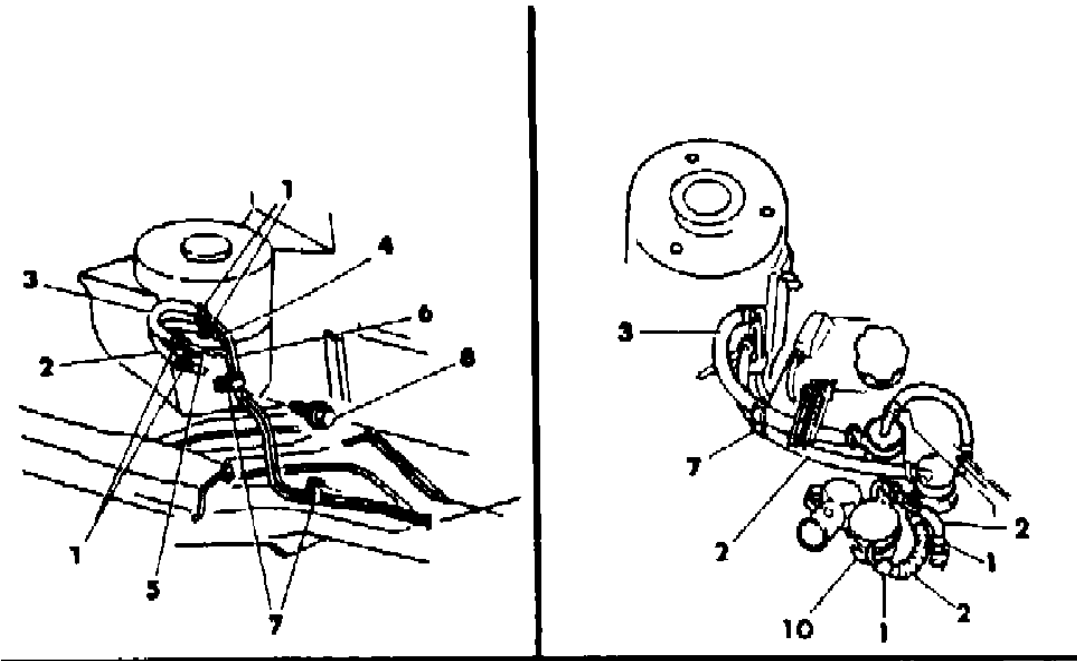
MODEL CODES
 B = GRAN FURY
 C = LEBARON/TOWN & COUNTRY/EXC SEDAN
 C24 = LASER
 D = ARIES
 E = 600
 F = FIFTH AVENUE/NEWPORT
 G = DIPLOMAT
 H = VOYAGER
 K = MINI RAM/CARAVAN/ROYAL
 M = HORIZON/TURISMO
 P = RELIANT
 T = E CLASS/NEW YORKER
 V = 600
 V24 = DAYTONA
 Z = OMNI/CHARGER/RAMPAGE

BODY STYLES
 21 = 2-DOOR SEDAN
 22 = 2-DOOR SPECIAL COUPE
 24 = 2-DOOR HATCHBACK
 27 = 2-DOOR CONVERTIBLE
 28 = FWD PICKUP
 35 = FWD VAN
 36 = FWD WAGON
 41 = 4-DOOR SEDAN
 44 = 4-DOOR HATCHBACK
 45 = 4-DOOR STATION WAGON
 48 = 4-DOOR EXECUTIVE SEDAN

AR = Use as Required - = Non Illustrated Part P.A.R. = Paint as Required

FUEL LINES - H,K
Figure 14-6700

4114 6700



ITEM	PART NUMBER	QTY	BODY	MODEL	DESCRIPTION
1	2448 761	AR			CLAMP
2	4443 175	AR			HOSE Fuel Return Tube Front to Engine Fuel Return Tube Rear to Fuel Tank Reservoir to Fuel Pump Reservoir to Carburetor
3	4443 176	AR			HOSE Fuel Supply Tube Front to Engine Fuel Supply Tube Rear to Fuel Tank
4	1843 252	AR			TUBE, Fuel Return (25 Ft. Roll) 1/4 O.D.
5	1843 251	AR			TUBE, Vapor (25 Ft. Roll) 3/16 O.D.
6	1843 253	AR			TUBE, Fuel Supply (25 Ft. Roll) 3/8 O.D.
7					CLIP (not serviced)
8					SCREW (not serviced)
9	4443 177	AR			HOSE, Vapor Tube Rear to Rollover Valve
10	4288 209	1			RESEVOIR, Fuel

MODEL CODES

B = GRAN FURY	F = FIFTH AVENUE/NEWPORT	P = RELIANT
C = LEBARON/TOWN & COUNTRY/EXC SEDAN	G = DIPLOMAT	T = E CLASS/NEW YORKER
C24 = LASER	H = VOYAGER	V = 600
D = ARIES	K = MINI RAM/CARAVAN/ROYAL	V24 = DAYTONA
E = 600	M = HORIZON/TURISMO	Z = OMNI/CHARGER/RAMPAGE

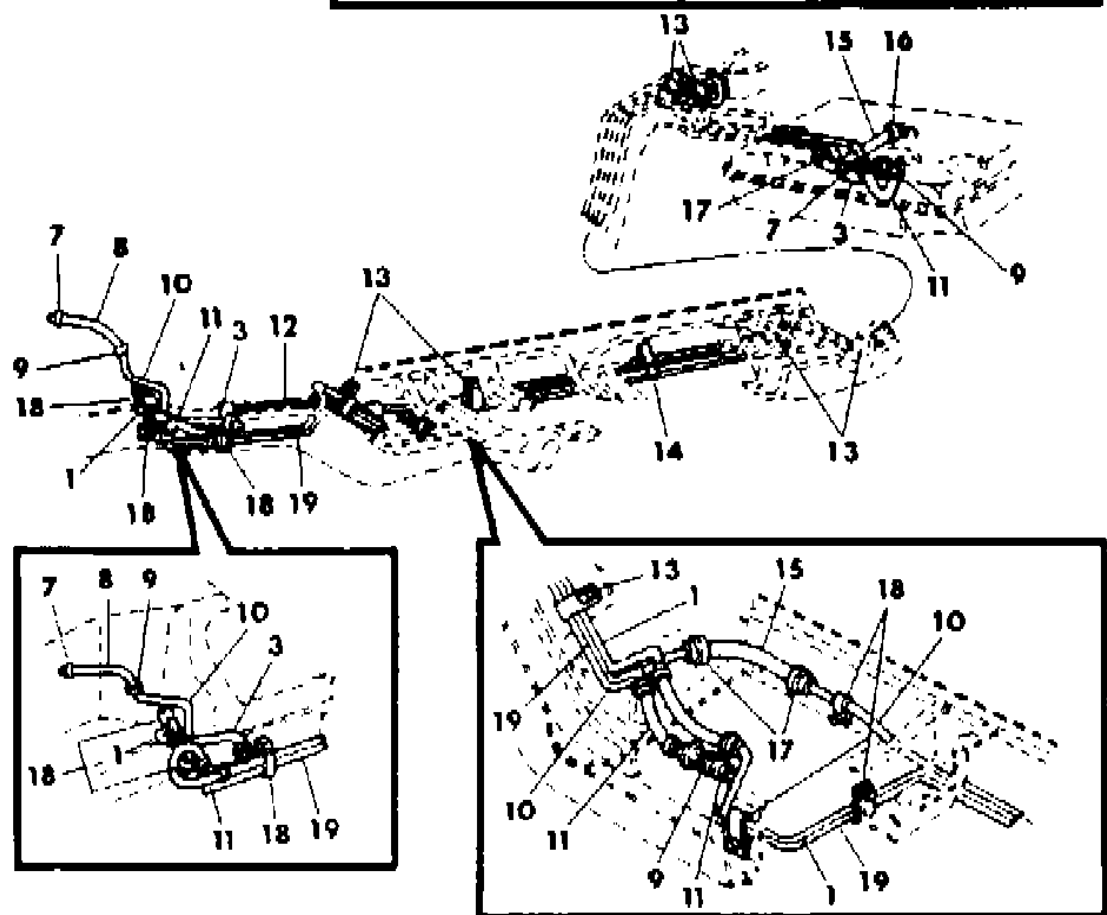
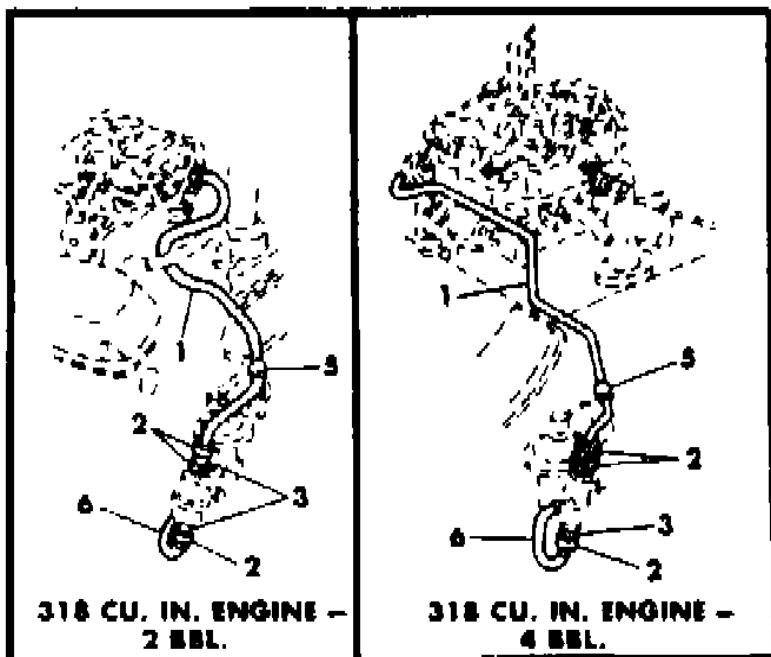
BODY STYLES

21 = 2-DOOR SEDAN	28 = FWD PICKUP	44 = 4-DOOR HATCHBACK
22 = 2-DOOR SPECIAL COUPE	35 = FWD VAN	45 = 4-DOOR STATION WAGON
24 = 2-DOOR HATCHBACK	36 = FWD WAGON	48 = 4-DOOR EXECUTIVE SEDAN
27 = 2-DOOR CONVERTIBLE	41 = 4-DOOR SEDAN	

AR = Use as Required - = Non Illustrated Part P.A.R. = Paint as Required

FUEL LINES - F,G,B
Figure 14-6800

4114 6800



ITEM	PART NUMBER	QTY	BODY	MODEL	DESCRIPTION
1	1843 253	AR			TUBE, (25 ft. roll) 5/16 O.D. Fuel Filter Hose to Carb. Fuel Pump to Fuel Filter Hose Fuel Front Fuel Rear
2	2463 937	AR			CLAMP
3	4443 176	AR			HOSE, (50 ft. roll) 5/16 Fuel Filter Fuel Pump
4	4179 975	1			Fuel Tube Rear to Tank Front Fuel to Rear CLIP, Fuel Filter Hose to Carb. Tube
5	4179 759	1			CLIP, Fuel Tube Locating
6	4027 122	1			TUBE, Fuel Pump to Fuel Filter Hose
7	2448 761	AR			CLAMP
8	4210 989	1			HOSE, Vapor Canister to Fuel Tank Vapor Tube Front
9		AR			CLAMP (not serviced)
10	1843 251	AR			TUBE, (25 ft. roll) 3/16 O.D. Fuel Vapor Front Fuel Vapor Rear
11	4443 175	AR			HOSE, (50 ft. roll) 1/4 I.D. Fuel Return Tube Front to Filter Separator Fuel Return Tube Rear to Tank Fuel Return Tube Front to Fuel Return Tube Rear
12	4185 424	1			PLATE, Fuel Tube Cover
13	3583 483	AR			CLIP
14		AR			CLIP, Fuel Vapor Tube Sill Push-On (not serviced)
15	4443 177	AR			HOSE, (50 ft. roll) 3/16 I.D. Fuel Vapor Tube Rear to Tank Fuel Vapor Tube Front to Fuel Vapor Tube Rear
16		AR			CLAMP (not serviced)
17	6032 282	AR			CLAMP
18		AR			CLIP (not serviced)
19	1843 252	AR			TUBE, (25 ft. roll) 1/4 O.D. Fuel Return Front Fuel Return Rear

MODEL CODES

B = GRAN FURY	F = FIFTH AVENUE/NEWPORT	P = RELIANT
C = LEBARON/TOWN & COUNTRY/EXC SEDAN	G = DIPLOMAT	T = E CLASS/NEW YORKER
C24 = LASER	H = VOYAGER	V = 600
D = ARIES	K = MINI RAM/CARAVAN/ROYAL	V24 = DAYTONA
E = 600	M = HORIZON/TURISMO	Z = OMNI/CHARGER/RAMPAGE

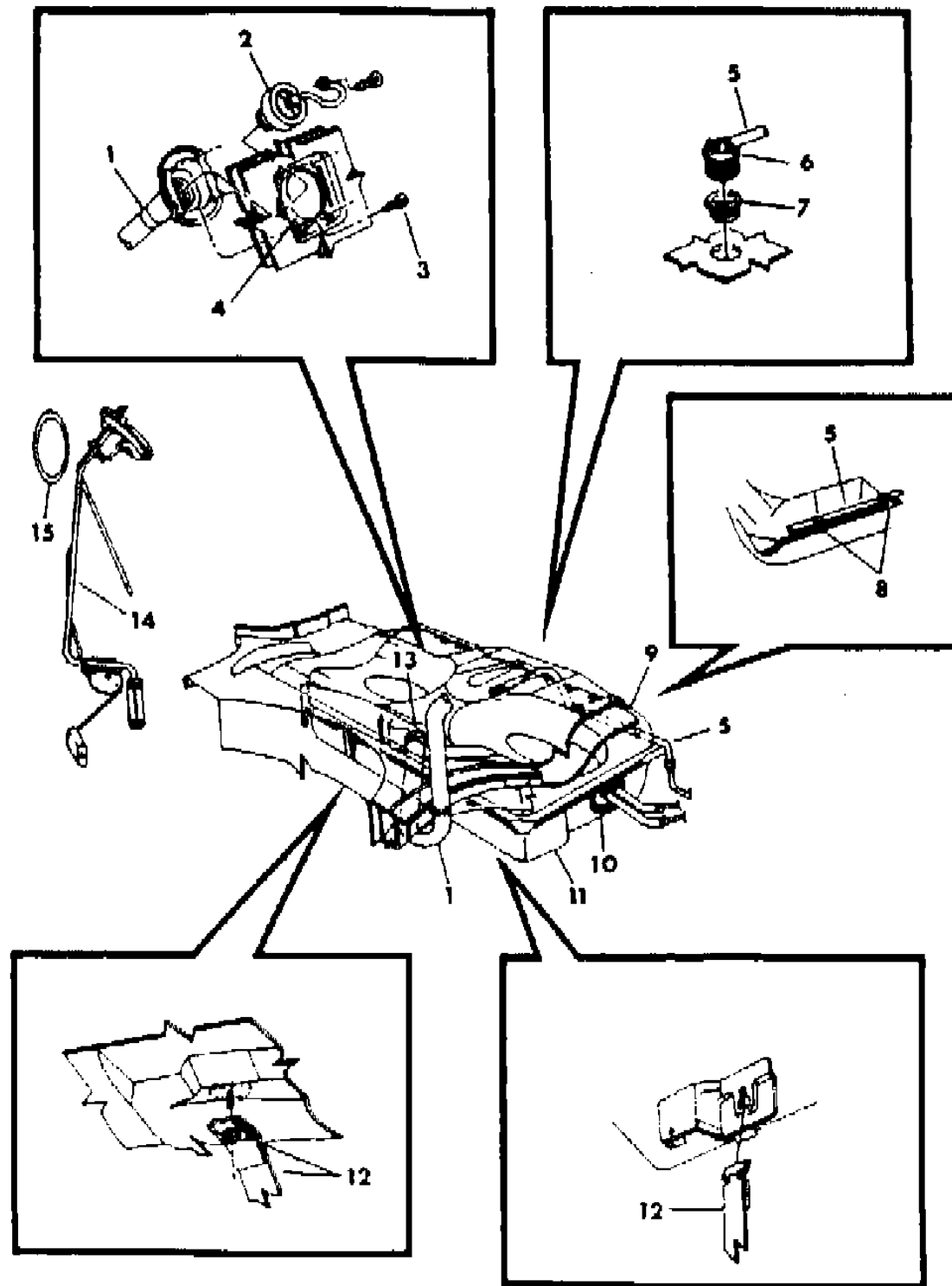
BODY STYLES

21 = 2-DOOR SEDAN	28 = FWD PICKUP	44 = 4-DOOR HATCHBACK
22 = 2-DOOR SPECIAL COUPE	35 = FWD VAN	45 = 4-DOOR STATION WAGON
24 = 2-DOOR HATCHBACK	36 = FWD WAGON	48 = 4-DOOR EXECUTIVE SEDAN
27 = 2-DOOR CONVERTIBLE	41 = 4-DOOR SEDAN	

AR = Use as Required - = Non Illustrated Part P.A.R. = Paint as Required

FUEL TANK AND FUEL FILLER TUBES M,Z
Figure 14-6900

4114 4000



ITEM	PART NUMBER	QTY	BODY	MODEL	DESCRIPTION
1					TUBE, Fuel Tank Filler
	4279 855	1	44		w/Unleaded Gas
	4279 853	1	24		w/Unleaded Gas
	4279 426	1	28		w/Unleaded Gas
	4279 218	1	28		w/Leaded Gas, Canada & Export
	4185 379	1	44		w/Leaded Gas, Canada & Export
	4185 377	1	24		w/Leaded Gas, Canada & Export
2					CAP, Gas
	4279 839	1	44,28		Non Locking
	4279 835	1	24		Non Locking, Up to 6-18-84
	4279 835	1	24		Non Locking, After 6-18-84
	5217 646	1	24		Locking
	4279 841	1	28		Locking
	4279 144	1	44,28		TETHER, Gas Cap
3		AR			SCREW (not serviced)
4	5200 436	1	24		GASKET
5	4443 177	AR			HOSE, Vapor Tube Rear to Rollover Valve
6	4185 254	1			VALVE, Rollover and Vapor Separator
7	4002 149	1			GROMMET, Valve
8	5217 564	AR			CLIP, Vapor Hose to Fuel Tank
9	5217 516	2			INSULATOR, Fuel Tank
10	4279 445	1			RETAINER, Fuel Gauge
11	4279 896	1			TANK, Fuel
12	4185 520-1	1			STRAP, Fuel Tank Support
13	5217 578	1			GROMMET, Tank to Tube
14	4051 720	1			GAUGE, Tank Unit
15	6033 095	1			SEAL, O-Ring
NOTE: The following items are not illustrated an offsetting order for part no. 3747881					
	3792 550	1			LABEL, Unleaded Fuel Only
	4304 651	1			Unleaded Gas Premium Recommend

MODEL CODES

B = GRAN FURY	F = FIFTH AVENUE/NEWPORT	P = RELIANT
C = LEBARON/TOWN & COUNTRY/EXC SEDAN	G = DIPLOMAT	T = E CLASS/NEW YORKER
C24 = LASER	H = VOYAGER	V = 600
D = ARIES	K = MINI RAM/CARAVAN/ROYAL	V24 = DAYTONA
E = 600	M = HORIZON/TURISMO	Z = OMNI/CHARGER/RAMPAGE

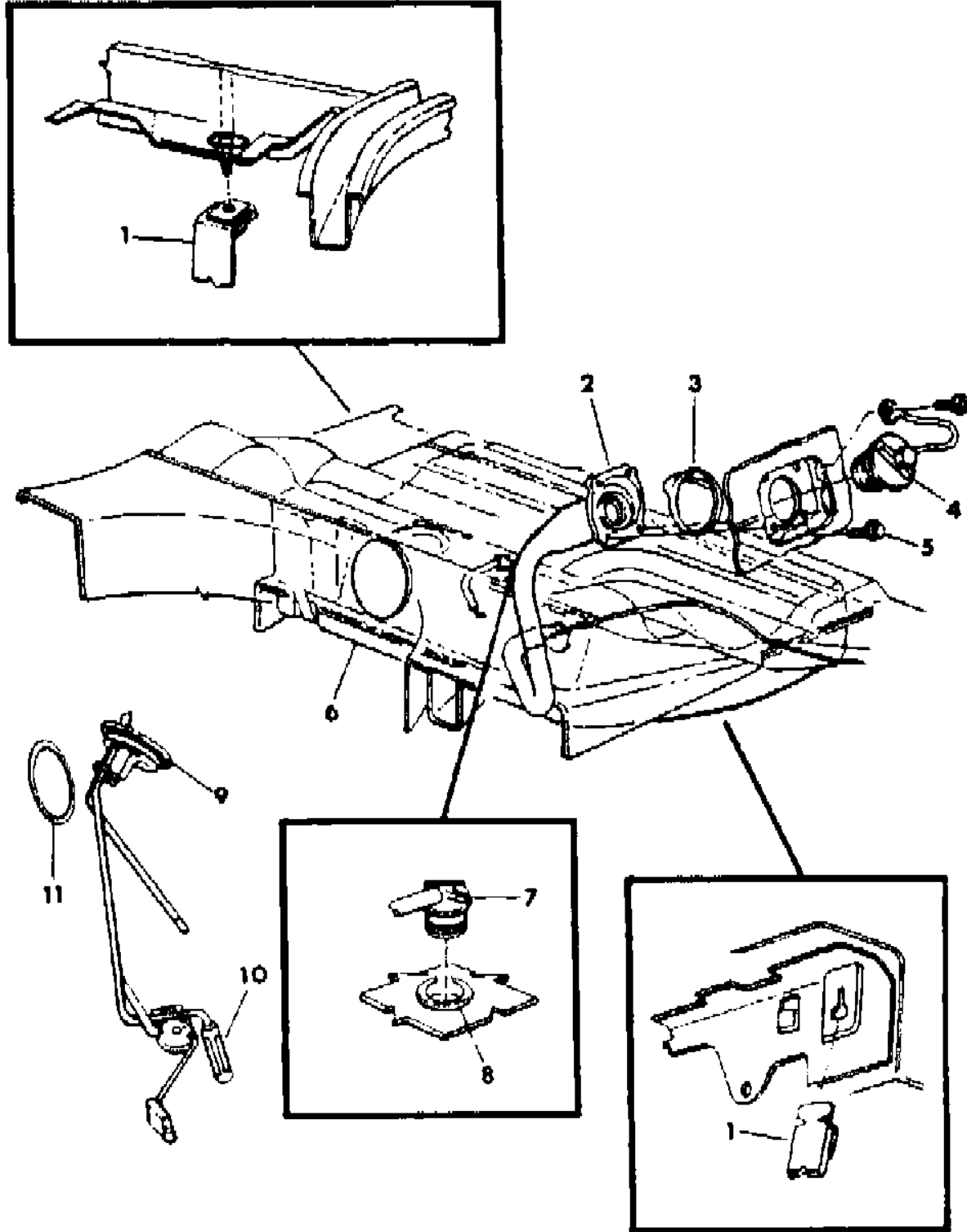
BODY STYLES

21 = 2-DOOR SEDAN	28 = FWD PICKUP	44 = 4-DOOR HATCHBACK
22 = 2-DOOR SPECIAL COUPE	35 = FWD VAN	45 = 4-DOOR STATION WAGON
24 = 2-DOOR HATCHBACK	36 = FWD WAGON	48 = 4-DOOR EXECUTIVE SEDAN
27 = 2-DOOR CONVERTIBLE	41 = 4-DOOR SEDAN	

AR = Use as Required - = Non Illustrated Part P.A.R. = Paint as Required

FUEL TANK AND FILLER TUBES P,D,C,V,E,T
Figure 14-7000

4114 7000



ITEM	PART NUMBER	QTY	BODY	MODEL	DESCRIPTION
1	4279 174-5	1			STRAP, Fuel Tank Support
2	4279 594	1			TUBE, Fuel Tank Filler w/ Unleaded Gas
	4279 595	1			w/ Leaded Gas, Canada & Export
	4279 131	1		C,V-24	w/ Unleaded Gas
	4279 132	1		C,V-24	w/ Leaded Gas
3					GASKET, Filler Tube to Panel (serviced in Tube)
4					CAP, Gas Non Locking
	4279 839	1			Locking
	4279 841	1			TETHER, Gas Cap
5		4			SCREW, Filler tube to Panel (not serviced)
6	4279 605	1			TANK, Fuel
7	4185 254	1			VALVE, Rollover
8	4002 149	1			GROMMET, Rollover Valve
9	4051 867	1			GAUGE, Tank Unit
10	1670 694	1			FILTER, Tank Unit Gauge
11	1948 757	1			SEAL, Tank Unit Gauge
NOTE: The following items are not illustrated an offsetting order for part no. 3747881					
	5217 578	1			GROMMET, Fuel Tank to Filler Tube
	3792 550	1			LABEL, Unleaded Gas
	4185 506	1			PAD, Fuel Tank Positioning
	1730 095	1			RETAINER, Fuel Tank Gauge

MODEL CODES

B = GRAN FURY	F = FIFTH AVENUE/NEWPORT	P = RELIANT
C = LEBARON/TOWN & COUNTRY/EXC SEDAN	G = DIPLOMAT	T = E CLASS/NEW YORKER
C24 = LASER	H = VOYAGER	V = 600
D = ARIES	K = MINI RAM/CARAVAN/ROYAL	V24 = DAYTONA
E = 600	M = HORIZON/TURISMO	Z = OMNI/CHARGER/RAMPAGE

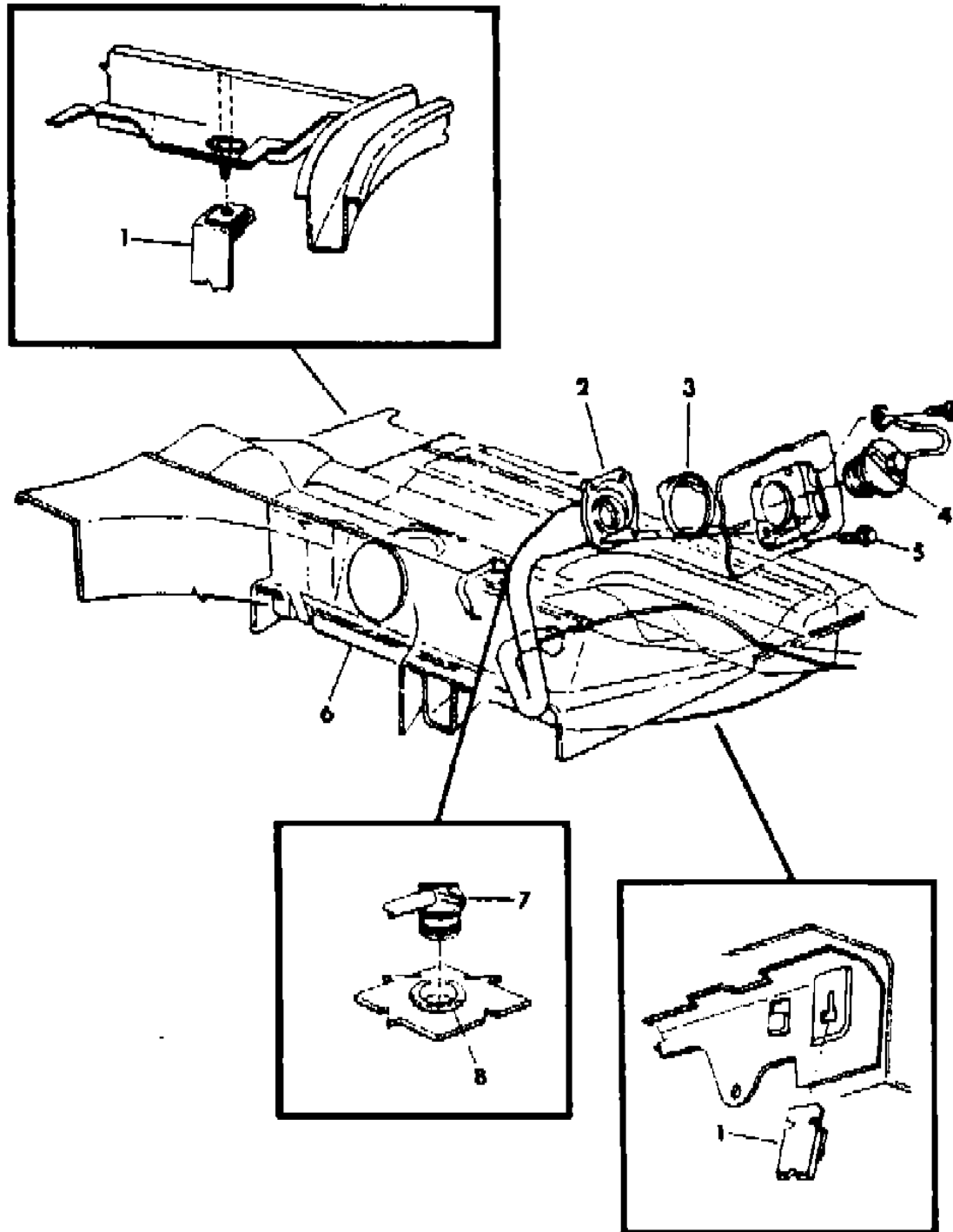
BODY STYLES

21 = 2-DOOR SEDAN	28 = FWD PICKUP	44 = 4-DOOR HATCHBACK
22 = 2-DOOR SPECIAL COUPE	35 = FWD VAN	45 = 4-DOOR STATION WAGON
24 = 2-DOOR HATCHBACK	36 = FWD WAGON	48 = 4-DOOR EXECUTIVE SEDAN
27 = 2-DOOR CONVERTIBLE	41 = 4-DOOR SEDAN	

AR = Use as Required - = Non Illustrated Part P.A.R. = Paint as Required

FUEL TANK AND FILLER TUBES T.B.I. AND TURBO CHARGER
Figure 14-7100

4114 7100



ITEM	PART NUMBER	QTY	BODY	MODEL	DESCRIPTION
1	4279 174-5	1			STRAP, Fuel Tank Support
2	4279 594	1			TUBE, Fuel Tank Filler
3					GASKET, Filler Tube to Panel (serviced in Tube)
4					CAP, Gas
	4279 839	1			Non Locking
	4279 841	1			Locking
	4279 144	1			TETHER, Gas Cap
5					SCREW, Filler Tube to panel (not serviced)
6	4279 603				TANK, Fuel
7	4185 254	1			VALVE, Rollover
8	4002 149	1			GROMMET, Rollover Valve
NOTE: The following items are not illustrated an offsetting order for part no. 3747881					
	4185 506	1			PAD, Fuel Tank Positioning
	5217 578	1			GROMMET, Fuel Filler Tube
	4304 718	1			LABEL, Turbo, Unleaded Gas (English)
	4274 754	1			WIRING, Fuel Tank Jumper

MODEL CODES
 B = GRAN FURY
 C = LEBARON/TOWN & COUNTRY/EXC SEDAN
 C24 = LASER
 D = ARIES
 E = 600
 F = FIFTH AVENUE/NEWPORT
 G = DIPLOMAT
 H = VOYAGER
 K = MINI RAM/CARAVAN/ROYAL
 M = HORIZON/TURISMO
 P = RELIANT
 T = E CLASS/NEW YORKER
 V = 600
 V24 = DAYTONA
 Z = OMNI/CHARGER/RAMPAGE

BODY STYLES
 21 = 2-DOOR SEDAN
 22 = 2-DOOR SPECIAL COUPE
 24 = 2-DOOR HATCHBACK
 27 = 2-DOOR CONVERTIBLE
 28 = FWD PICKUP
 35 = FWD VAN
 36 = FWD WAGON
 41 = 4-DOOR SEDAN
 44 = 4-DOOR HATCHBACK
 45 = 4-DOOR STATION WAGON
 48 = 4-DOOR EXECUTIVE SEDAN

AR = Use as Required - = Non Illustrated Part P.A.R. = Paint as Required

FUEL TANK AND FUEL FILLER TUBES H,K
Figure 14-7200

ITEM	PART NUMBER	QTY	BODY	MODEL	DESCRIPTION
1	4002 149	1			GROMMET, Rollover Valve
2	4185 254	1			VALVE, Rollover
3	6033 095	1			SEAL, Fuel Tank Sending Unit
	4279 445	1			RETAINER, Fuel Tank Sending Unit
4					UNIT, Fuel Tank Sending
	5217 742	1			w/15 Gal. Tank
	4279 996	1			w/20 Gal. Tank
5	4203 673	1			TANK, Fuel
6	4279 205	1			SLEEVE, Fuel Filler Vent Hose
7					CAP, Gas
	4279 839	1			Non - Locking
	4279 841	1			Locking
	4279 144	1			TETHER, Gas Cap
8					TUBE, Fuel Tank Filler
	4203 660	1			Unleaded Gas
	4279 583	1			Leaded Gas
9	5217 578	1			GROMMET, Fuel Filler Tube
10	6101 341	2			BOLT, Fuel Tank Strap
	6101 340	2			U-NUT, Fuel Tank Strap Bolt
11	4279 691	2			STRAP, Fuel Tank Mounting
12	4279 279	1			GROMMET, Fuel Tank to Fuel Filler Vent Tube
13	4279 284	1			HOSE, Fuel Filler Vent Tube
14					INSULATOR, Fuel Tank to Floor Pan (not serviced)
15	4279 275	1			TUBE, Fuel Filler Vent
16					SHIELD, Filler Tube Stone
	4279 822	1			Up to 11-14-83
	4279 904	1			After 11-14-83
17		2			SCREW, Stone Shield (not serviced)
18					NIPPLE, Fuel Tank Tube Vent
	4279 273	1			w/ 15 Gal. Tank (Red)
	4279 274	1			w/ 20 Gal. Tank (Black)

MODEL CODES

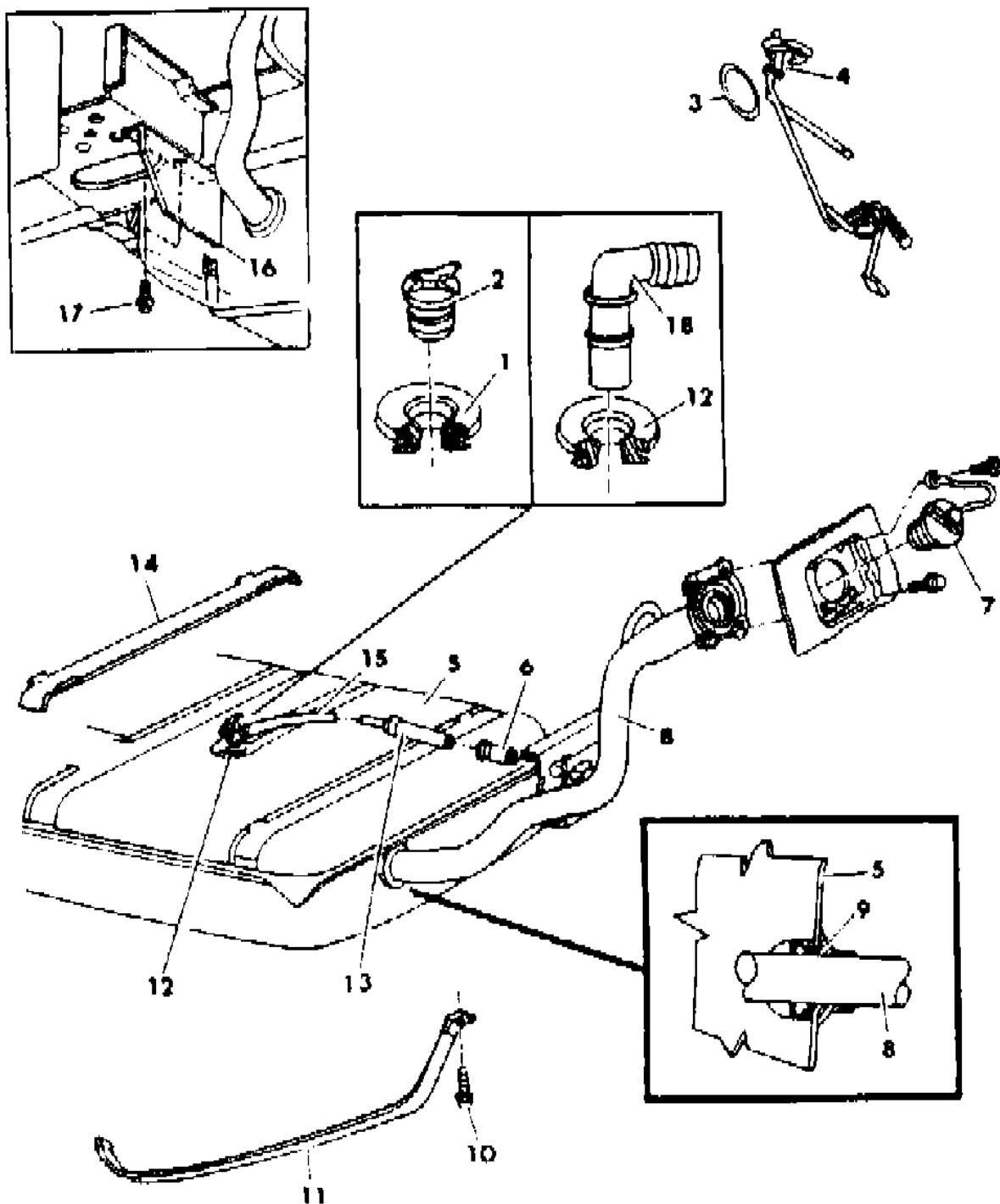
B = GRAN FURY	F = FIFTH AVENUE/NEWPORT	P = RELIANT
C = LEBARON/TOWN & COUNTRY/EXC SEDAN	G = DIPLOMAT	T = E CLASS/NEW YORKER
C24 = LASER	H = VOYAGER	V = 600
D = ARIES	K = MINI RAM/CARAVAN/ROYAL	V24 = DAYTONA
E = 600	M = HORIZON/TURISMO	Z = OMNI/CHARGER/RAMPAGE

BODY STYLES

21 = 2-DOOR SEDAN	28 = FWD PICKUP	44 = 4-DOOR HATCHBACK
22 = 2-DOOR SPECIAL COUPE	35 = FWD VAN	45 = 4-DOOR STATION WAGON
24 = 2-DOOR HATCHBACK	36 = FWD WAGON	48 = 4-DOOR EXECUTIVE SEDAN
27 = 2-DOOR CONVERTIBLE	41 = 4-DOOR SEDAN	

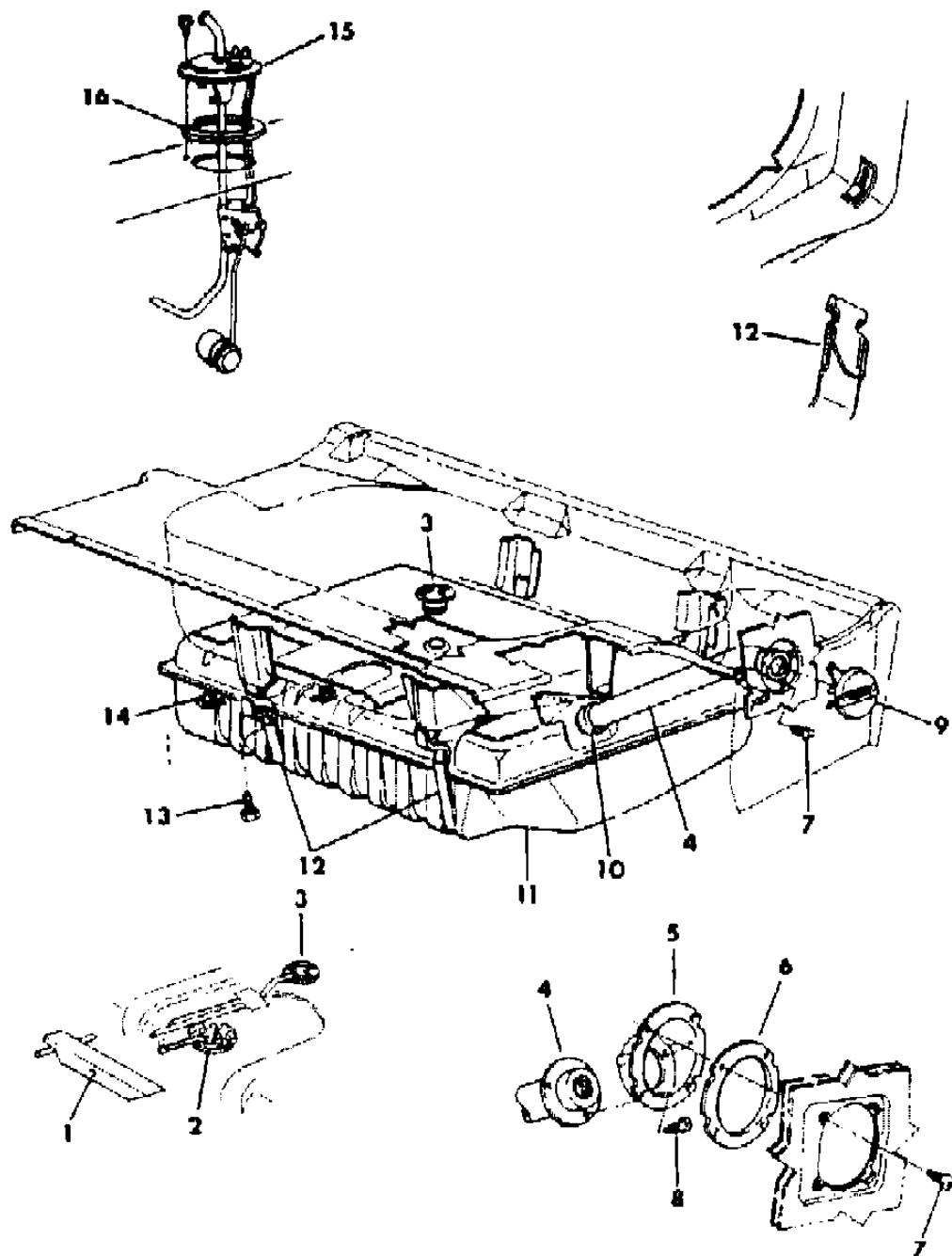
AR = Use as Required - = Non Illustrated Part P.A.R. = Paint as Required

4114 7200



FUEL TANK AND FUEL FILLER TUBES F,G,B
Figure 14-7300

4114 7300



ITEM	PART NUMBER	QTY	BODY	MODEL	DESCRIPTION
1	4185 449	1			SHIELD, Fuel Tank to Floor Pan Splash
	4002 677	1			
2	4279 445	1			RETAINER, Fuel Gauge
3	4002 252	1			VALVE, Rollover
4					TUBE, Fuel Tank Filler
	4279 429	1			Unleaded Gas
	4185 312	1			Leaded Gas
5	4185 019	1			HOUSING, Filler Tube
6	4185 037	1			GASKET, Filler Tube to Wheel House Panel
7		4			SCREW, Housing to Body Panel (not serviced)
8	9414 722	3			SCREW, Housing to Filler Tube
9					CAP, Filler Tube
	4279 839	1			Non Locking
	4279 841	1			Locking
10	4002 010	1			GROMMET, Fuel Tank to Filler Tube
11	4279 479	1			TANK, Fuel
12					STRAP, Fuel Tank Mounting
	4185 452	1			Right
	4185 453	1			Left
13	6031 706	2			BOLT
14		2			U-NUT (not serviced)
15	4051 398	1			GAUGE, Tank Unit
16	6033 095	1			SEAL, Fuel Tank Gauge
	4002 149	1			GROMMET, Rollover Valve

MODEL CODES

B = GRAN FURY	F = FIFTH AVENUE/NEWPORT	P = RELIANT
C = LEBARON/TOWN & COUNTRY/EXC SEDAN	G = DIPLOMAT	T = E CLASS/NEW YORKER
C24 = LASER	H = VOYAGER	V = 600
D = ARIES	K = MINI RAM/CARAVAN/ROYAL	V24 = DAYTONA
E = 600	M = HORIZON/TURISMO	Z = OMNI/CHARGER/RAMPAGE

BODY STYLES

21 = 2-DOOR SEDAN	28 = FWD PICKUP	44 = 4-DOOR HATCHBACK
22 = 2-DOOR SPECIAL COUPE	35 = FWD VAN	45 = 4-DOOR STATION WAGON
24 = 2-DOOR HATCHBACK	36 = FWD WAGON	48 = 4-DOOR EXECUTIVE SEDAN
27 = 2-DOOR CONVERTIBLE	41 = 4-DOOR SEDAN	

AR = Use as Required - = Non Illustrated Part P.A.R. = Paint as Required

GROUP 16 - PROP.SHAFT

ILLUSTRATION TITLE	GROUP-FIG. NO.
SHAFT, PROPELLER IDENTIFICATION-7260	Fig. 16-100
SHAFT, PROPELLER AND UNIVERSAL JOINT	Fig. 16-200

ILLUSTRATION NOT AVAILABLE AT TIME OF PUBLICATION

SHAFT, PROPELLER IDENTIFICATION-7260

Figure 16-100

4116 100

ITEM	PART NUMBER	QTY	BODY	MODEL	DESCRIPTION
------	-------------	-----	------	-------	-------------

NOTE: The following Trans. Sale Codes are defined. an offsetting order for part no. 3747881

w/(S/C-DGG = A999 Auto Trans.) an offsetting order for part no. 3747881

w/(S/C-DGF = A904 H. D. Auto Trans.) an offsetting order for part no. 3747881

B,F,G,-41, w/7.25 Axle | All NAI N54.35 N3 N3578426

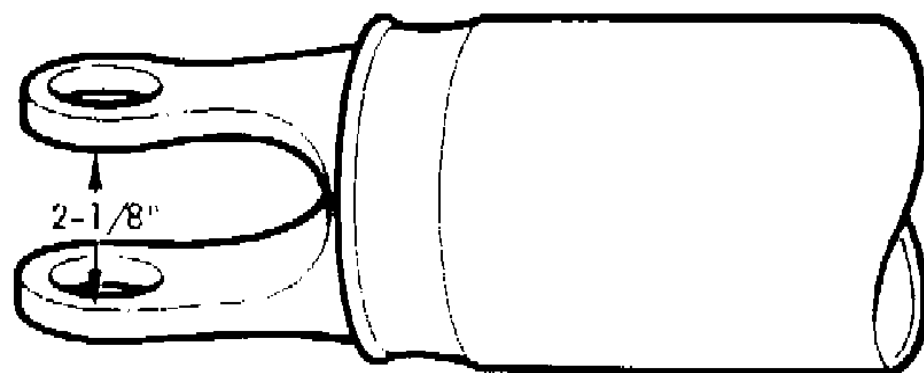
B,F,G,-41, w/8.25 Axle, w/Silicone | All NAI N52.70 N3 1/4

N4137430

B,F,G,-41, w/8.25 Axle, w/o Silicone | All NAI N52.70 N3"

N3467155

PROPELLER SHAFT TYPE IDENTIFICATION
CAN BE DETERMINED BY
INSIDE MEASUREMENT
OF YOKE AREA AS FOLLOWS:



TYPE 7260
2-1/8" INSIDE YOKE

MODEL CODES

B = GRAN FURY	F = FIFTH AVENUE/NEWPORT	P = RELIANT
C = LEBARON/TOWN & COUNTRY/EXC SEDAN	G = DIPLOMAT	T = E CLASS/NEW YORKER
C24 = LASER	H = VOYAGER	V = 600
D = ARIES	K = MINI RAM/CARAVAN/ROYAL	V24 = DAYTONA
E = 600	M = HORIZON/TURISMO	Z = OMNI/CHARGER/RAMPAGE

BODY STYLES

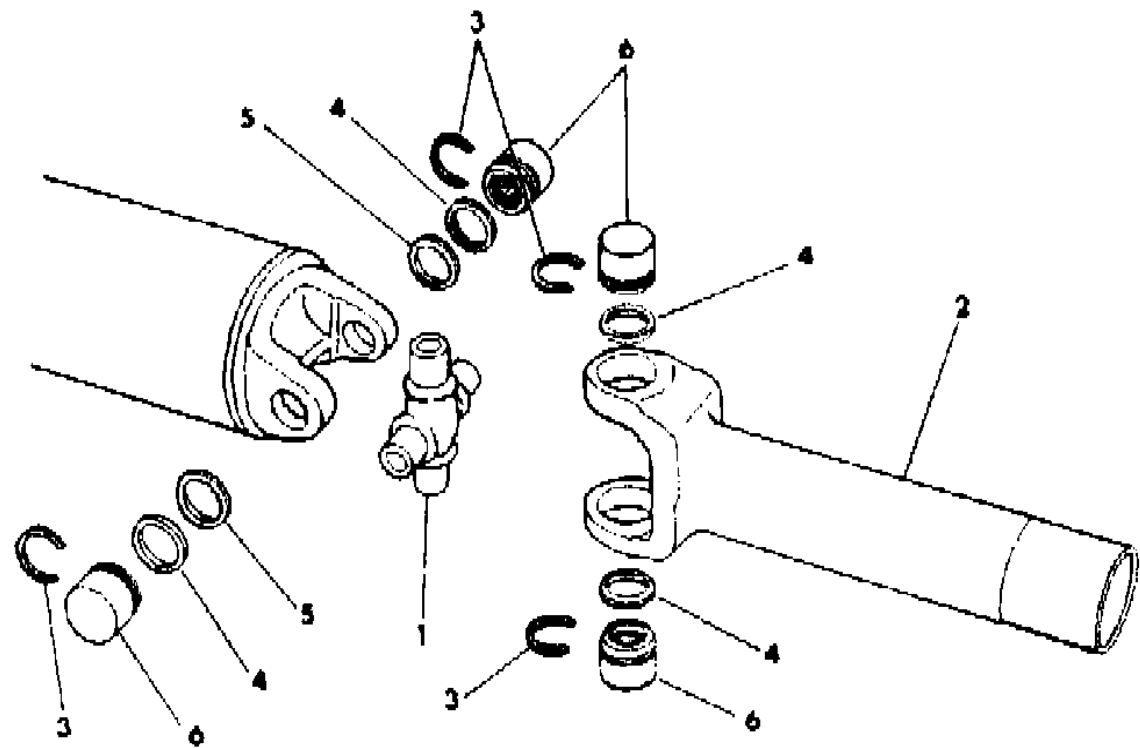
21 = 2-DOOR SEDAN	28 = FWD PICKUP	44 = 4-DOOR HATCHBACK
22 = 2-DOOR SPECIAL COUPE	35 = FWD VAN	45 = 4-DOOR STATION WAGON
24 = 2-DOOR HATCHBACK	36 = FWD WAGON	48 = 4-DOOR EXECUTIVE SEDAN
27 = 2-DOOR CONVERTIBLE	41 = 4-DOOR SEDAN	

AR = Use as Required - = Non Illustrated Part P.A.R. = Paint as Required

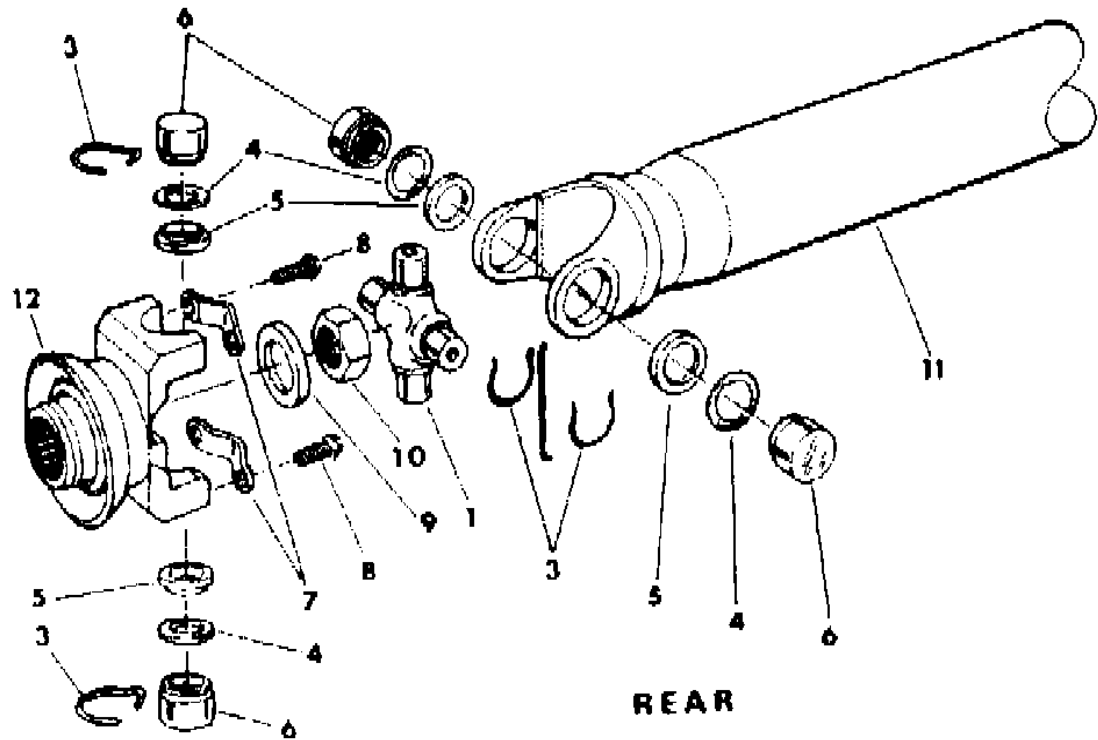
SHAFT, PROPELLER AND UNIVERSAL JOINT

Figure 16-200

4116 200



FRONT



REAR

ITEM	PART NUMBER	QTY	BODY	MODEL	DESCRIPTION
	3780 250	1		All	CROSS and Roller BUSHING PKG., Consists of: 4- ---- Cross Roller and Bushing 1- ---- Cross 4- 858006 Retainer
1	3780 250	1		All	CROSS PKG.
2	3578 223	1		All	YOKE, Assy., U/Jnt. Slip Spline, 8.03 Lgh., 29 Tooth Spline, w/ 727 Auto. Trans.
	3578 220	1		All	6.86 Lgh., 25 Tooth Spline, all except 727 Auto. Trans.
3	0858 006	AR		All	RETAINER, U/Jnt. Cross Roller Bushing
	3516 517	AR		All	(Oversize)
				All	RETAINER, U/Jnt. Cross Roller (Served In Item No. 1)
4				All	SEAL (Served In Item No. 1)
5				All	RETAINER, Roller Dust Shield (Served In Item No. 1)
6		AR		All	ROLLER and BUSHING (Served in above Pkg.)
7	1828 824	2		All	CLAMP
8	6029 562	4		All	SCREW
9	2070 117	1		All	WASHER
10	6028 041	1		All	NUT
11		1		All	SHAFT (See Chart)
12	3723 251	1		All	YOKE, Assy. Axle Drive Pinion, w/7-1/4", 8-1/4" Axle

MODEL CODES

B = GRAN FURY	F = FIFTH AVENUE/NEWPORT	P = RELIANT
C = LEBARON/TOWN & COUNTRY/EXC SEDAN	G = DIPLOMAT	T = E CLASS/NEW YORKER
C24 = LASER	H = VOYAGER	V = 600
D = ARIES	K = MINI RAM/CARAVAN/ROYAL	V24 = DAYTONA
E = 600	M = HORIZON/TURISMO	Z = OMNI/CHARGER/RAMPAGE

BODY STYLES

21 = 2-DOOR SEDAN	28 = FWD PICKUP	44 = 4-DOOR HATCHBACK
22 = 2-DOOR SPECIAL COUPE	35 = FWD VAN	45 = 4-DOOR STATION WAGON
24 = 2-DOOR HATCHBACK	36 = FWD WAGON	48 = 4-DOOR EXECUTIVE SEDAN
27 = 2-DOOR CONVERTIBLE	41 = 4-DOOR SEDAN	

AR = Use as Required - = Non Illustrated Part P.A.R. = Paint as Required

GROUP 17 - REAR SUSPENSION

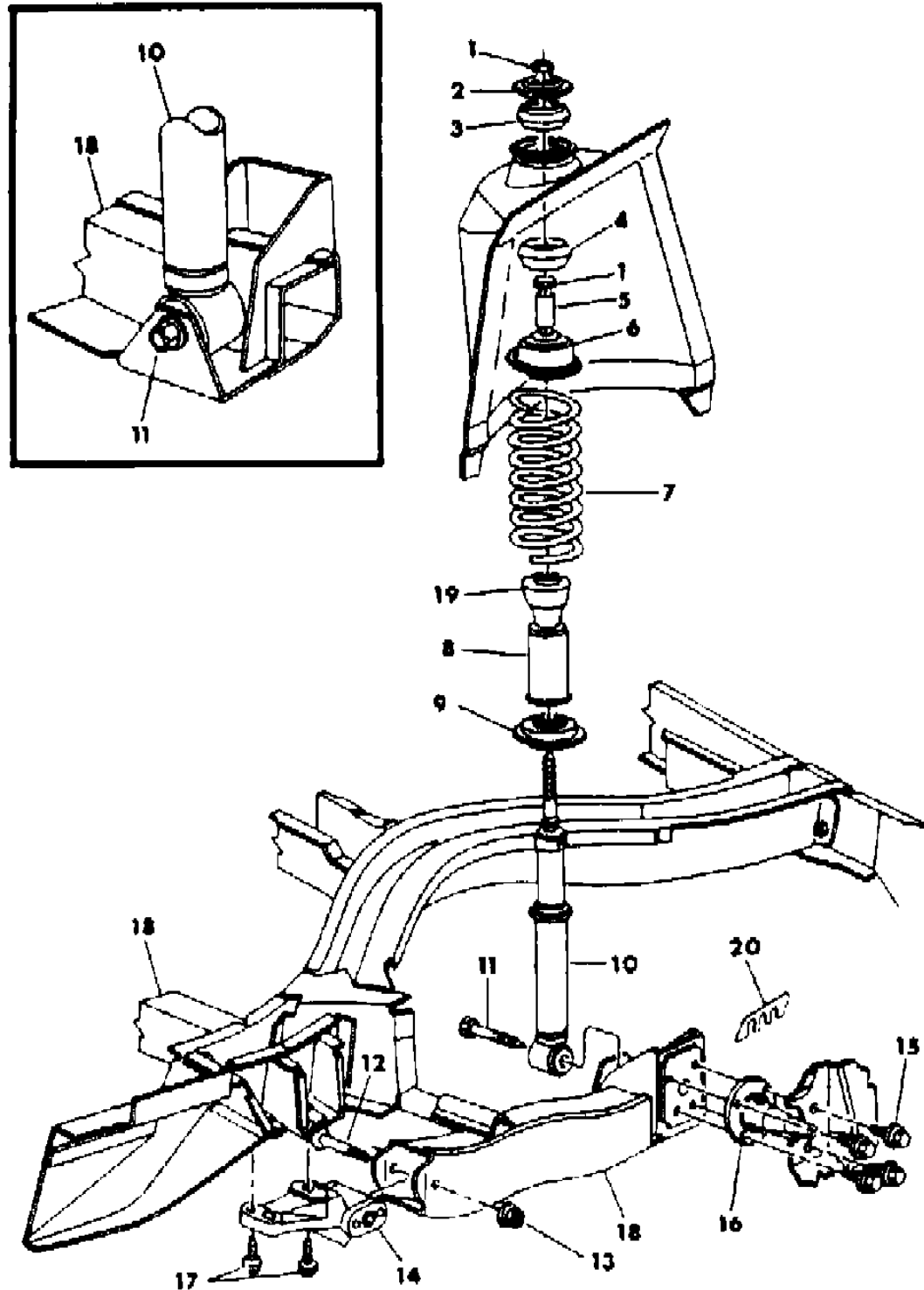
ILLUSTRATION TITLE	GROUP-FIG. NO.
SUSPENSION, REAR M,Z 24,44	Fig. 17-100
SUSPENSION, REAR Z 28	Fig. 17-200
SUSPENSION, REAR H,K	Fig. 17-300
SUSPENSION, REAR P,D,V,C,E,T	Fig. 17-400
SUSPENSION, REAR B,F,G	Fig. 17-500
SWAY BAR, REAR B,F,G	Fig. 17-600

ILLUSTRATION NOT AVAILABLE AT TIME OF PUBLICATION

SUSPENSION, REAR M,Z 24,44

Figure 17-100

4117 100



ITEM	PART NUMBER	QTY	BODY	MODEL	DESCRIPTION
1	6100 219	4		All	NUT, Shock Mtg.
2	5205 032	2		All	RETAINER, Upper
3	5204 969	2		All	ISOLATOR, Upper
4	5204 932	2		All	ISOLATOR, Lower
5	5204 939	2		All	SLEEVE, Seat
6	5205 185	2		All	SEAT, Upper
7	5205 154	2		All	COIL-SPRING, Rear Std. (Exc. Shelby)
	5205 174	2		All	H.D. Or w/Firm Feel Susp. (Exc. Shelby)
	4228 324	2		Z24	Shelby
8	5204 937	2		All	DUST-SHIELD
9	5205 186	2		All	SEAT, Lower
10	5205 194	2		44	SHOCK ABSORBER, Rear, Std.
	5205 195	2		24	STD. (Except Shelby)
	5205 191	2		24	H.D. (Except Shelby)
	5205 189	2		44	H.D.
	5205 196	2		24	(w/Shelby)
	5205 197	2		E44	Extra Heavy Duty Shocks
11	6500 115	2		All	BOLT, Shock Mtg. Lower
12	6100 986	2		All	BOLT, Hanger To Cont. Arm
13	6100 518	2		All	NUT, Bolt
14	5205 097	2		All	HANGER, w/Bushing, Rear Pivot, Std.
	5205 142	2		All	w/Firm Feel Suspension
15	6500 844	8		All	BOLT, Spindle
16	4318 741	2		All	SPINDLE, Rear Wheel Mtg.
17	6501 165	4		All	SCREW,w/WASHER, Rear Hanger Mtg.
18	5205 038	1		All	CONTROL ARM & C/MEMBER, Rear Susp. Lwr. w/Sway Bar Shaft, Std. & H.D. (Except Shelby)
	4228 310	1		24	w/Firm Feel & Special Sport - Shelby
19	5205 182	2		All	BUMPER, Jounce (Except Shelby)
	4228 330	2		24	w/Shelby
	5208 884	2		44	INSULATOR,Rear Shock (In Rear Wheel Well Area) (Not Ill.)
	5208 537	2		44	COVER,Rear Shock (In Rear Wheel Well Area) (Not Ill.)
20	5205 114	AR		All	SHIM, Rear Wheel Alignment
	5205 125	2		24	COVER, Insulator Sound (Not Ill.)
	5205 126	2		24	RETAINER, Cover Insulator Sound (Not Ill.)

MODEL CODES

B = GRAN FURY	F = FIFTH AVENUE/NEWPORT	P = RELIANT
C = LEBARON/TOWN & COUNTRY/EXC SEDAN	G = DIPLOMAT	T = E CLASS/NEW YORKER
C24 = LASER	H = VOYAGER	V = 600
D = ARIES	K = MINI RAM/CARAVAN/ROYAL	V24 = DAYTONA
E = 600	M = HORIZON/TURISMO	Z = OMNI/CHARGER/RAMPAGE

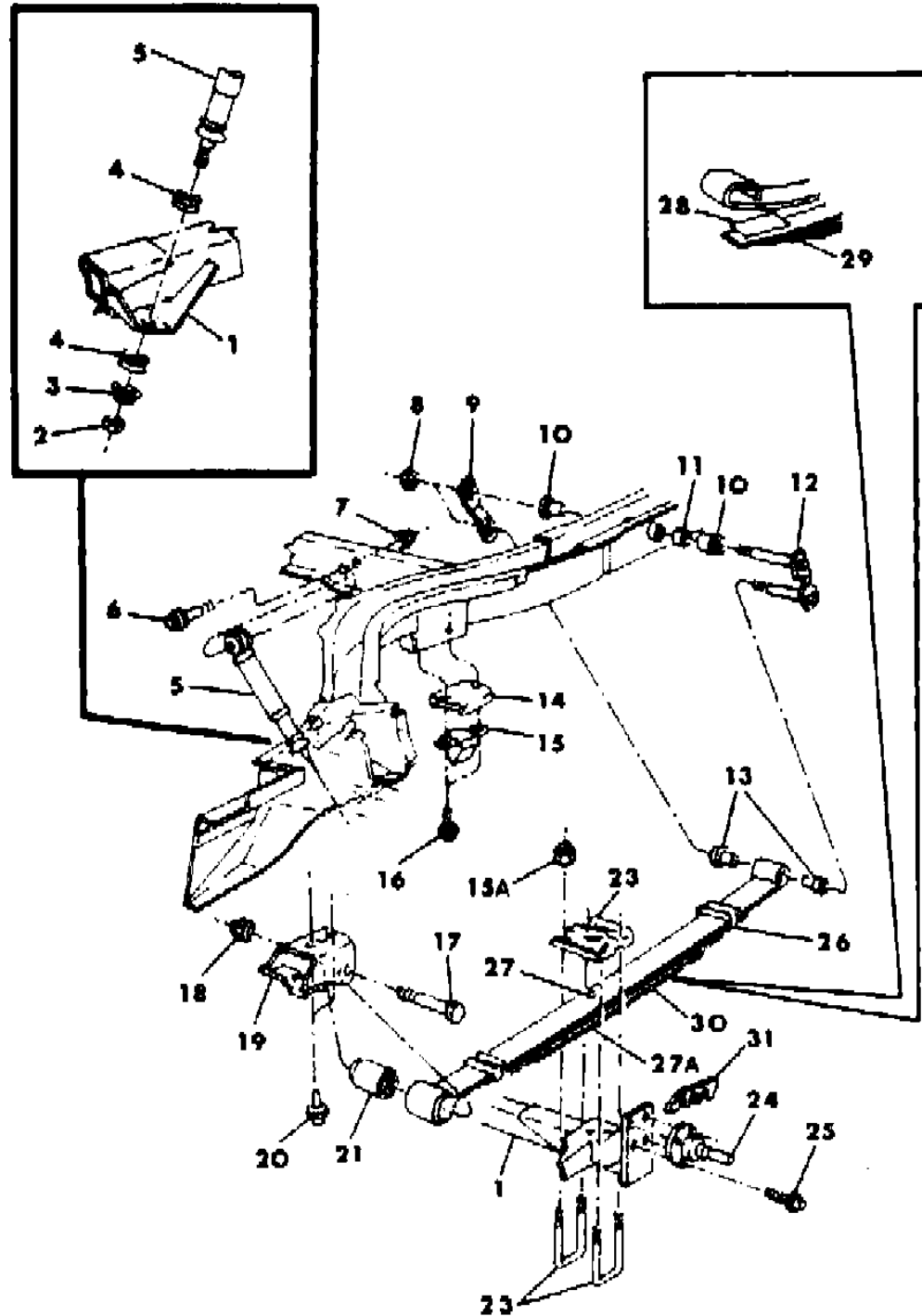
BODY STYLES

21 = 2-DOOR SEDAN	28 = FWD PICKUP	44 = 4-DOOR HATCHBACK
22 = 2-DOOR SPECIAL COUPE	35 = FWD VAN	45 = 4-DOOR STATION WAGON
24 = 2-DOOR HATCHBACK	36 = FWD WAGON	48 = 4-DOOR EXECUTIVE SEDAN
27 = 2-DOOR CONVERTIBLE	41 = 4-DOOR SEDAN	

AR = Use as Required - = Non Illustrated Part P.A.R. = Paint as Required

SUSPENSION, REAR Z 28
Figure 17-200

4117 200



ITEM	PART NUMBER	QTY	BODY	MODEL	DESCRIPTION
1	4228 061	1		All	AXLE-TUBE, Rear
2	6100 219	2		All	NUT, Shock
3		2		All	RETAINER (Not Serviced)
4	3643 891	4		All	BUSHING, Shock Lower
5	4271 393	2		All	SHOCK ABSORBER PKG., Rear
					Consists Of:
					1 ----- Shock
					2 - 3643891 Bushing
					1 ----- Retainer
					1 -6100219 Nut
6	6101 272	2		All	BOLT, Shock, Upper
7	6500 197	2		All	NUT, Bolt
8	0271 502	4		All	NUT, Shackle
9	4014 703	2		All	PLATE, Shackle, Loose
10	3643 989	8		All	BUSHING, Shackle
11	3722 073	2		All	INSERT, Shackle Bushing
12	4094 060	2		All	SHACKLE & BUSHING PKG.
13	3643 989	8		All	BUSHING, Shackle
14	4228 043	2		All	BRACKET, Jounce Bumper Stop
15	4228 044	2		All	BUMPER, Axle Jounce
15A	6500 480	8		All	NUT, Clip
16		4		All	SCREW, w/WASHER (Not Serviced)
17	6500 767	2		All	BOLT, Pivot Frt. Bushing
18	6100 502	2		All	NUT, Bolt Pivot
19	4228 012-3	1		All	HANGER, Spring Frt.
20	6501 165	4		All	BOLT, Hanger Frt. Att.
21	3815 221	2		All	BUSHING, Spring Frt. Pivot
23	4293 161	2		All	CLIP w/PLATE, Spring Mtg.
24	4228 123	2		All	SPINDLE, Wheel Mtg.
25	6500 844	8		All	BOLT, Spindle Mtg.
26	2808 399	AR		All	CLIP And CLAMP PKG.
					Consists Of:
					1----- Insulator
					1----- Clip
					1----- Clamp
27	2961 233	2		All	BOLT, Spring Center
27A	0114 942	2		All	NUT, Bolt
28	3638 666	AR		All	INTERLINER

MODEL CODES

B = GRAN FURY	F = FIFTH AVENUE/NEWPORT	P = RELIANT
C = LEBARON/TOWN & COUNTRY/EXC SEDAN	G = DIPLOMAT	T = E CLASS/NEW YORKER
C24 = LASER	H = VOYAGER	V = 600
D = ARIES	K = MINI RAM/CARAVAN/ROYAL	V24 = DAYTONA
E = 600	M = HORIZON/TURISMO	Z = OMNI/CHARGER/RAMPAGE

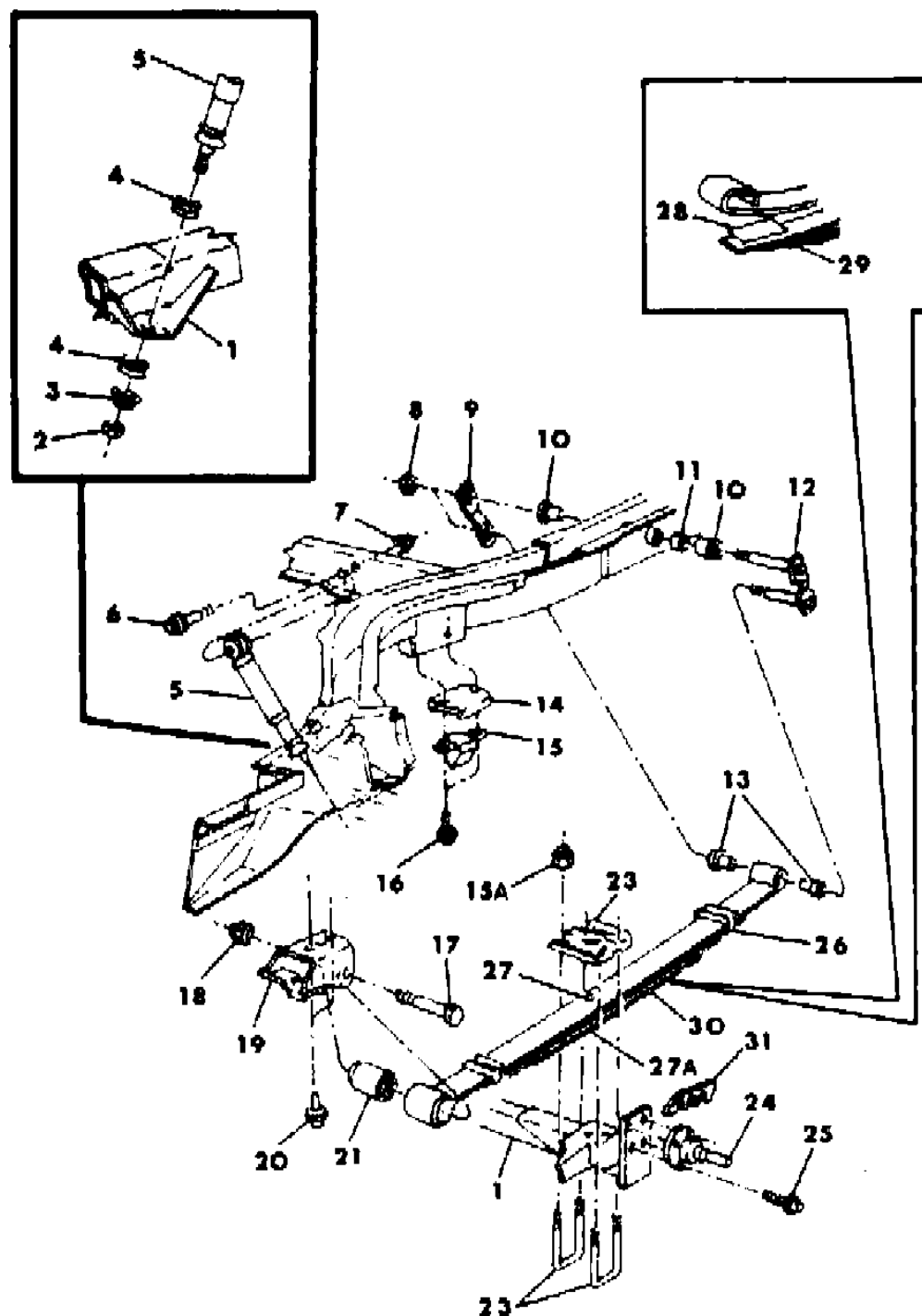
BODY STYLES

21 = 2-DOOR SEDAN	28 = FWD PICKUP	44 = 4-DOOR HATCHBACK
22 = 2-DOOR SPECIAL COUPE	35 = FWD VAN	45 = 4-DOOR STATION WAGON
24 = 2-DOOR HATCHBACK	36 = FWD WAGON	48 = 4-DOOR EXECUTIVE SEDAN
27 = 2-DOOR CONVERTIBLE	41 = 4-DOOR SEDAN	

AR = Use as Required - = Non Illustrated Part P.A.R. = Paint as Required

SUSPENSION, REAR Z 28
Figure 17-200

4117 200



ITEM	PART NUMBER	QTY	BODY	MODEL	DESCRIPTION
------	-------------	-----	------	-------	-------------

29	2539 512	AR		All	INTERLEAF
30	4228 025	2		All	SPRING, Rear, Std.Or H.D.
31	5205 114	AR		All	SHIM, Rr. Wheel Alignment

MODEL CODES

B = GRAN FURY	F = FIFTH AVENUE/NEWPORT	P = RELIANT
C = LEBARON/TOWN & COUNTRY/EXC SEDAN	G = DIPLOMAT	T = E CLASS/NEW YORKER
C24 = LASER	H = VOYAGER	V = 600
D = ARIES	K = MINI RAM/CARAVAN/ROYAL	V24 = DAYTONA
E = 600	M = HORIZON/TURISMO	Z = OMNI/CHARGER/RAMPAGE

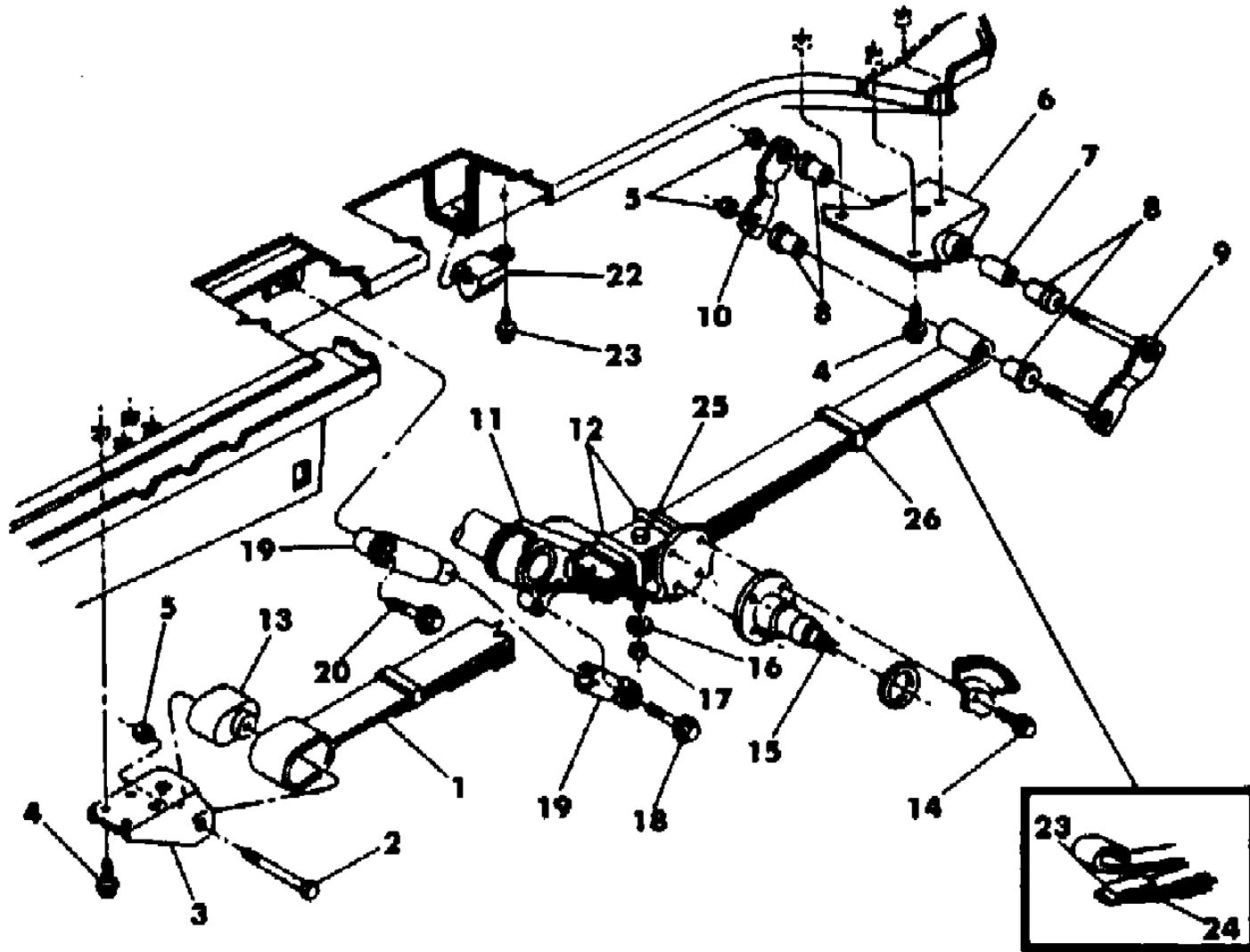
BODY STYLES

21 = 2-DOOR SEDAN	28 = FWD PICKUP	44 = 4-DOOR HATCHBACK
22 = 2-DOOR SPECIAL COUPE	35 = FWD VAN	45 = 4-DOOR STATION WAGON
24 = 2-DOOR HATCHBACK	36 = FWD WAGON	48 = 4-DOOR EXECUTIVE SEDAN
27 = 2-DOOR CONVERTIBLE	41 = 4-DOOR SEDAN	

AR = Use as Required - = Non Illustrated Part P.A.R. = Paint as Required

SUSPENSION, REAR H,K
Figure 17-300

4117 300A



ITEM	PART NUMBER	QTY	BODY	MODEL	DESCRIPTION
1	4228 216	2		H,K36	SPRING, Rr. Leaf 5 Pass. - Std.
	4228 224	2		H,K36	H.D.
	4228 226	2		H,K36	SPRING, Rr. Leaf 7 Pass. - Std.
	4228 236	2		H,K36	H.D.
	4228 224	2		H,K35	SPRING, Rr. w/3900# GVW
2	4228 236	2		H,K35	w/4400# GVW
	6101 376	2		H,K	PIVOT BOLT, Rr. Sprg. Frt. Bushing
3	4147 938-9	1		H,K	HANGER, Rr. Sprg. Frt.
4	6101 076	14		H,K	BOLT, Frt. & Rr. Hanger
5	6100 502	6		H,K	NUT
6	4147 927	2		H,K	HANGER, Rr. Sprg. Rr.
7	3722 073	2		H,K	INSERT, Rr. Sprg. Shackle Bushing
8	1400 269	8		H,K	BUSHING, Rr. Sprg. Shackle
9	4094 060	2		H,K	SHACKLE & BUSHING PKG. Rr. Spring
10	4014 703	2		H,K	PLATE, Rr. Sprg. Shackle - Loose
11	4228 100	1		H,K	AXLE & TUBE, Rear
12	4228 112	4		H,K	CLIP, Rr. Spring
13	3815 210	2		H,K	BUSHING, Rr. Sprg. Frt. Pivot
14	6500 815	8		H,K	SCREW w/Washer, Rr. Susp. Spindle Mtg.
15	4228 120	2		H,K	SPINDLE, Rr. Susp. Whl. Mtg.
16	6100 132	8		H,K	WASHER
17	6500 480	8		H,K	NUT (Up To 2-7-84)
	6501 101	8		H,K	(After 2-7-84)
18	6101 364	2		H,K	SCREW w/WASHER, Rr. Shock Lwr.
19	4147 884	2		H,K	SHOCK ABS. & Busing Rr. - Std.
20	4147 885	2		H,K	H.D.
	6101 364	2		H,K	BOLT, w/Washer, Rr. Shock Abs. Upr. Mtg.
22	4228 114	2		H,K	BUMPER ASSY., Rr. Susp., Rr. Axle
23	3638 666	AR		H,K	INTERLINER, Leaf Spring - Std.
24	4228 030	AR		H,K	H.D.
	2539 512	AR		H,K	INTER LEAF - Leaf Spring
25	2953 358	2		H,K	BOLT, Rr. Spring Ctr. - Std.
	2961 234	2		H,K	H.D.
26	2808 399	4		H,K	CLIP & CLAMP PKG.
					CONSIST OF:
					1---- Insulator
					1---- Clip

MODEL CODES

B = GRAN FURY	F = FIFTH AVENUE/NEWPORT	P = RELIANT
C = LEBARON/TOWN & COUNTRY/EXC SEDAN	G = DIPLOMAT	T = E CLASS/NEW YORKER
C24 = LASER	H = VOYAGER	V = 600
D = ARIES	K = MINI RAM/CARAVAN/ROYAL	V24 = DAYTONA
E = 600	M = HORIZON/TURISMO	Z = OMNI/CHARGER/RAMPAGE

BODY STYLES

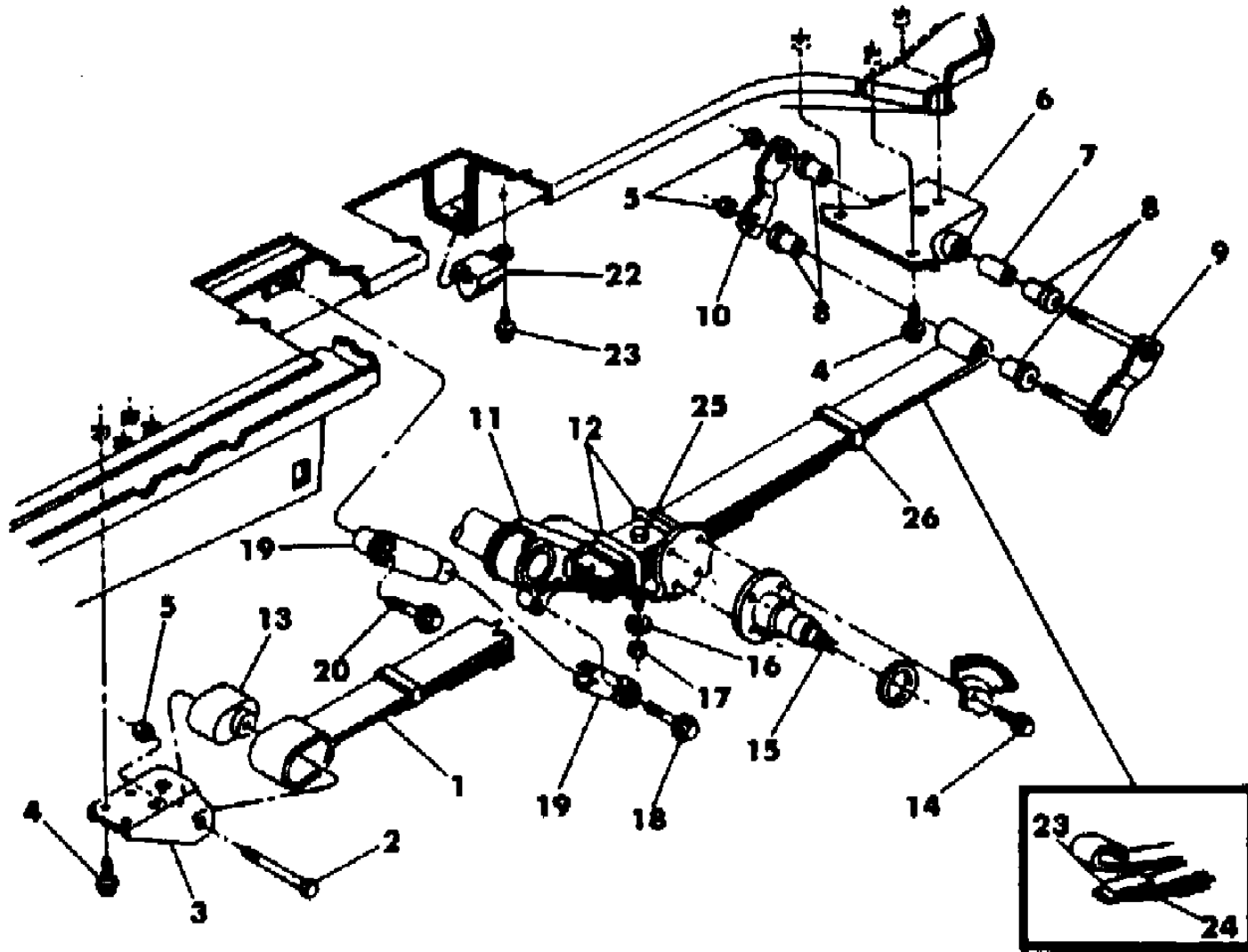
21 = 2-DOOR SEDAN	28 = FWD PICKUP	44 = 4-DOOR HATCHBACK
22 = 2-DOOR SPECIAL COUPE	35 = FWD VAN	45 = 4-DOOR STATION WAGON
24 = 2-DOOR HATCHBACK	36 = FWD WAGON	48 = 4-DOOR EXECUTIVE SEDAN
27 = 2-DOOR CONVERTIBLE	41 = 4-DOOR SEDAN	

AR = Use as Required - = Non Illustrated Part P.A.R. = Paint as Required

SUSPENSION, REAR H,K
Figure 17-300

ITEM	PART NUMBER	QTY	BODY	MODEL	DESCRIPTION
	4228 129	2		H,K	SEAT, Rr. Spring Clip

4117 300A



MODEL CODES

B = GRAN FURY	F = FIFTH AVENUE/NEWPORT	P = RELIANT
C = LEBARON/TOWN & COUNTRY/EXC SEDAN	G = DIPLOMAT	T = E CLASS/NEW YORKER
C24 = LASER	H = VOYAGER	V = 600
D = ARIES	K = MINI RAM/CARAVAN/ROYAL	V24 = DAYTONA
E = 600	M = HORIZON/TURISMO	Z = OMNI/CHARGER/RAMPAGE

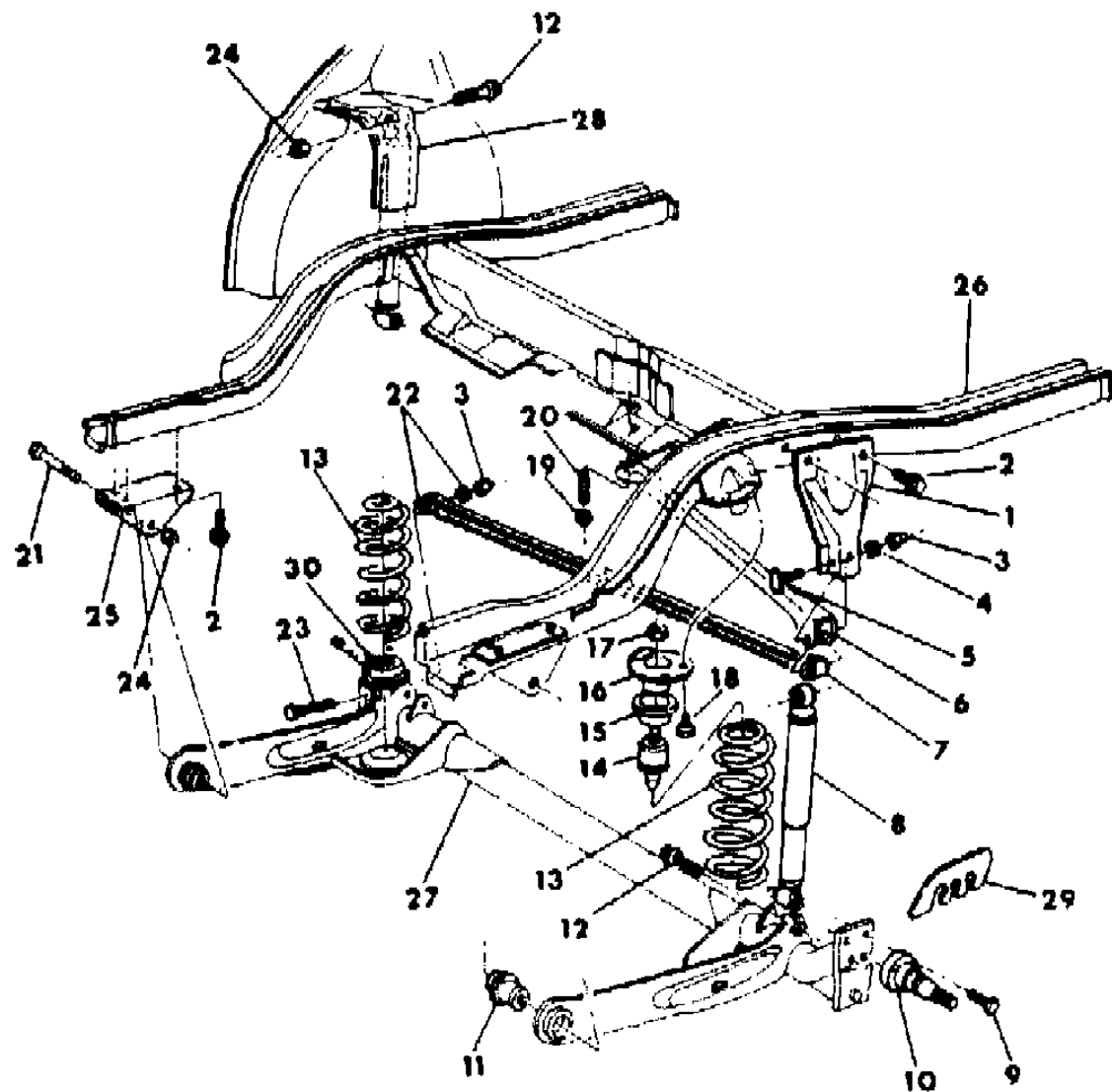
BODY STYLES

21 = 2-DOOR SEDAN	28 = FWD PICKUP	44 = 4-DOOR HATCHBACK
22 = 2-DOOR SPECIAL COUPE	35 = FWD VAN	45 = 4-DOOR STATION WAGON
24 = 2-DOOR HATCHBACK	36 = FWD WAGON	48 = 4-DOOR EXECUTIVE SEDAN
27 = 2-DOOR CONVERTIBLE	41 = 4-DOOR SEDAN	

AR = Use as Required - = Non Illustrated Part P.A.R. = Paint as Required

SUSPENSION, REAR P,D,V,C,E,T
Figure 17-400

4117 400



ITEM	PART NUMBER	QTY	BODY	MODEL	DESCRIPTION
	4271 374	1		All	ASSIST PACKAGE, Rear Suspension Consists Of: 1- 4147921 Tubing, w/Tee & Valve 2- 4147922 Cylinder (Up To 10-17-83) 2- 4147954 Cylinder (After 10-17-83) 2- 4147937 Sleeve 2- 6032174 Clamp 1----- Label 2-4147936 Valve-Cap 9-6015945 Strap 1----- Instruction Sheet
1	4228 316	1		All	BRACKET, Track Bar Mtg.
2	6501 231	6		All	BOLT, Rr. Hanger Brkt. To Body
3	6500 480	1		All	NUT, Pivot Bolt
4	6100 132	1		All	WASHER, Pivot Bolt
5	6500 415	1		All	PIVOT-BOLT
6	4147 852	1		All	BRACE, Track Bar Mtg.
7	4318 723	1		All	TRACK-BAR, PKG.
8	4147 848	2		P,D	SHOCK ABSORBER, w/Bushing, Std.
	4228 377	2		V,C,E,T	Premium Shock, (Gas Filled)
	4228 334	2		V,C24	w/Std. Susp. (Gas Filled)
	4228 260	2		All	w/H.D. Susp. (Exc. V,C,24)
	4228 333	2		V,C24	w/Firm Feel Susp.
	4228 261	2		P,D	Extra Duty
9	6500 844	8		All	BOLT, Spindle
10	4228 117	2		All	SPINDLE, Rear Wheel Mtg.
11	4147 857	2		All	BUSHING, Cont. Arm Pivot, Std. Or H.D.
	4147 951	2		P,D	Extra Duty
12	6101 272	4		All	BOLT, Shock Mtg.
13	4147 823	2		P,D,21	COIL-SPRING, Std. or w/Firm Feel
	4147 897	1		P,D,21	H.D. or w/Extra Duty Susp. Rt.
	4147 833	1		P,D,21	H.D. or w/Extra Duty, Lt.
	4147 824	2		P,D,41	Std. or w/Firm Feel Susp.
	4147 897	1		P,D,41	H.D. or w/Extra Duty Susp. Rt.
	4147 834	1		P,D,41	H.D. or w/Extra Duty Susp. Lt.
	4147 828	2		P,D,45	Std. or w/Firm Feel Susp.
	4147 899	1		P,D,45	H.D. or w/Extra Duty Susp. Rt.
	4147 836	1		P,D,45	H.D. or w/Extra Duty Susp. Lt.

MODEL CODES

B = GRAN FURY	F = FIFTH AVENUE/NEWPORT	P = RELIANT
C = LEBARON/TOWN & COUNTRY/EXC SEDAN	G = DIPLOMAT	T = E CLASS/NEW YORKER
C24 = LASER	H = VOYAGER	V = 600
D = ARIES	K = MINI RAM/CARAVAN/ROYAL	V24 = DAYTONA
E = 600	M = HORIZON/TURISMO	Z = OMNI/CHARGER/RAMPAGE

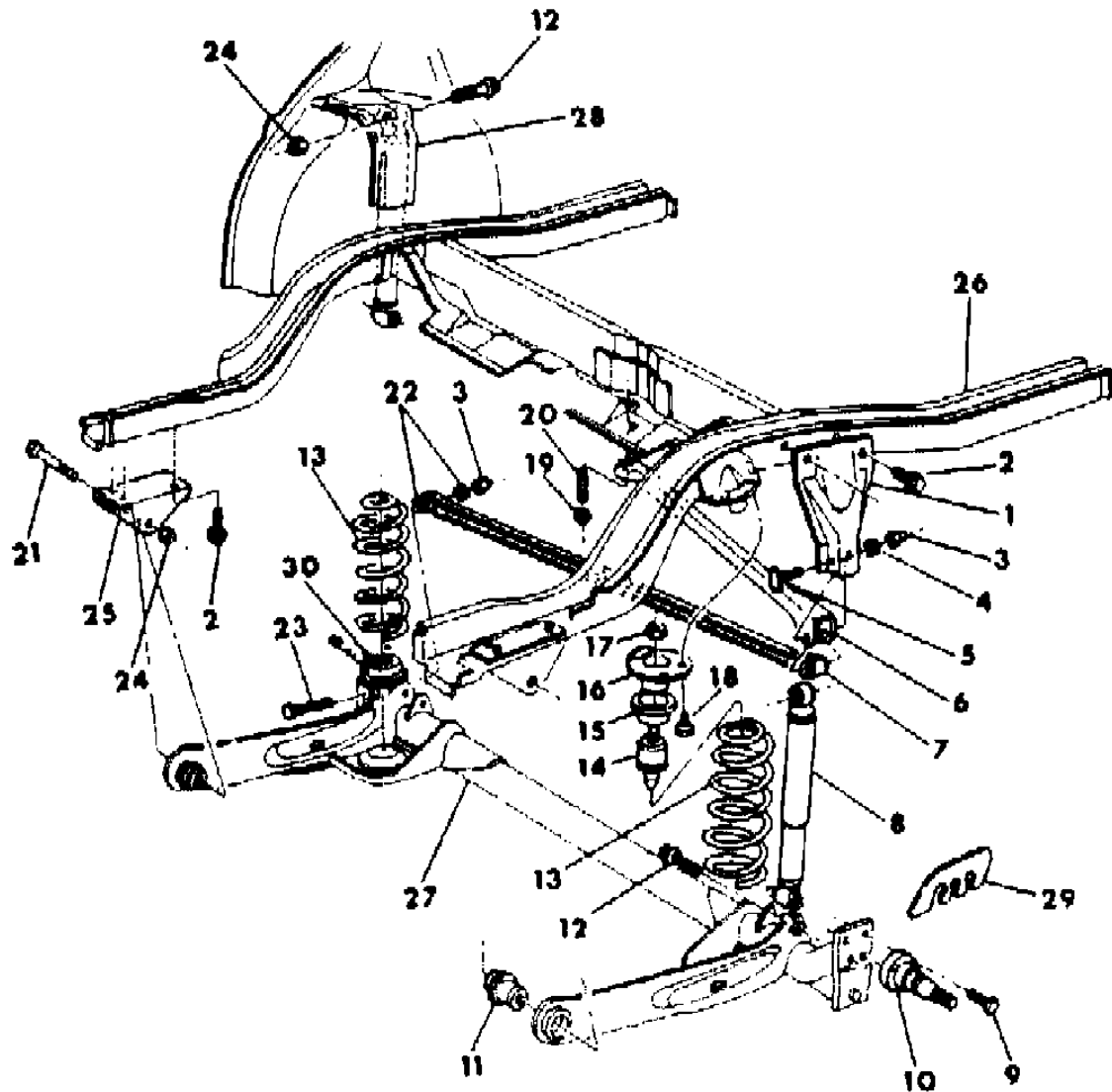
BODY STYLES

21 = 2-DOOR SEDAN	28 = FWD PICKUP	44 = 4-DOOR HATCHBACK
22 = 2-DOOR SPECIAL COUPE	35 = FWD VAN	45 = 4-DOOR STATION WAGON
24 = 2-DOOR HATCHBACK	36 = FWD WAGON	48 = 4-DOOR EXECUTIVE SEDAN
27 = 2-DOOR CONVERTIBLE	41 = 4-DOOR SEDAN	

AR = Use as Required - = Non Illustrated Part P.A.R. = Paint as Required

SUSPENSION, REAR P,D,V,C,E,T
Figure 17-400

4117 400



ITEM	PART NUMBER	QTY	BODY	MODEL	DESCRIPTION
	4147 823	2		V,C,22,	STD. or w/Firm Feel Susp.
	4147 833	2		V,C,22,	H.D. or w/Extra Duty Susp.
	4147 824	2		V,C,E,T	STD. or w/Firm Feel Susp.
	4147 834	2		V,C,E,T	H.D. or w/Extra Duty Susp.
	4147 828	2		C,45	STD. or w/Firm Feel Susp.
	4147 838	2		C,45	H.D. or w/Extra Duty Susp.
	4147 821	2		V,C24	STD. or w/Firm Feel Susp.
	4147 893	2		V,C24	H.D. or w/Extra Duty Susp.
	4147 838	2		C48	H.D. or w/Extra Duty Susp.
14	4147 708	2	All		BUMPER, Jounce
15	4147 759	2	All		ISOLATOR, Spring Upper
16	4147 752	2	All		CUP, Jounce Bumper, w/p185/75 R14 SBA-w/W,W Tires w/P185/70 R14 SBR w/B,SW Tires w/P185/70 R14 FBR w/B,SW Tires w/P185/70 R14 SBR w/WW Tires (Exc. V,C24)
17	4147 813	2	P,D,V,C		
	6100 518	2	All		NUT, Bumper
	6026 648	2	All		Retainer
18			All		SCREW (Not Serviced)
19	6500 691	1	All		NUT, Stud
20	6500 909	1	All		STUD, Brace
21	6100 412	1	All		BOLT, Hanger
22	6500 547	2	All		WASHER, Pivot Bolt
23	6500 836	1	All		PIVOT-BOLT
24	6500 197	3	All		NUT, Bolt
25	4228 312-3	1	All		HANGER, Frt. Pivot (Exc. V,C24)
	4228 098-9	1	V,C24		
26			All		FRAME (Ref.)
27	4147 814	1	All		CONTROL-ARM, w/AXLE CHANNEL, Rr. Axle, Std. Or H.D., w/o H.D. Serv. Pkg.- Exc. V,C24 w/Firm Feel Susp.,Extra Duty Or w/H.D. Service Pkg.
28	4147 903	1	All		REINF. w/House (Ref.)
29	5205 114	AR	All		SHIM, Rear Wheel Alignment
30	4147 853	2	All		ISOLATOR, Spring Lower (Exc. V,C24)
	4147 916	1	All		DAMPER, Axle Torque Shaft, use w/H.D. Service Pkg.(Not Ill.)

MODEL CODES

B = GRAN FURY	F = FIFTH AVENUE/NEWPORT	P = RELIANT
C = LEBARON/TOWN & COUNTRY/EXC SEDAN	G = DIPLOMAT	T = E CLASS/NEW YORKER
C24 = LASER	H = VOYAGER	V = 600
D = ARIES	K = MINI RAM/CARAVAN/ROYAL	V24 = DAYTONA
E = 600	M = HORIZON/TURISMO	Z = OMNI/CHARGER/RAMPAGE

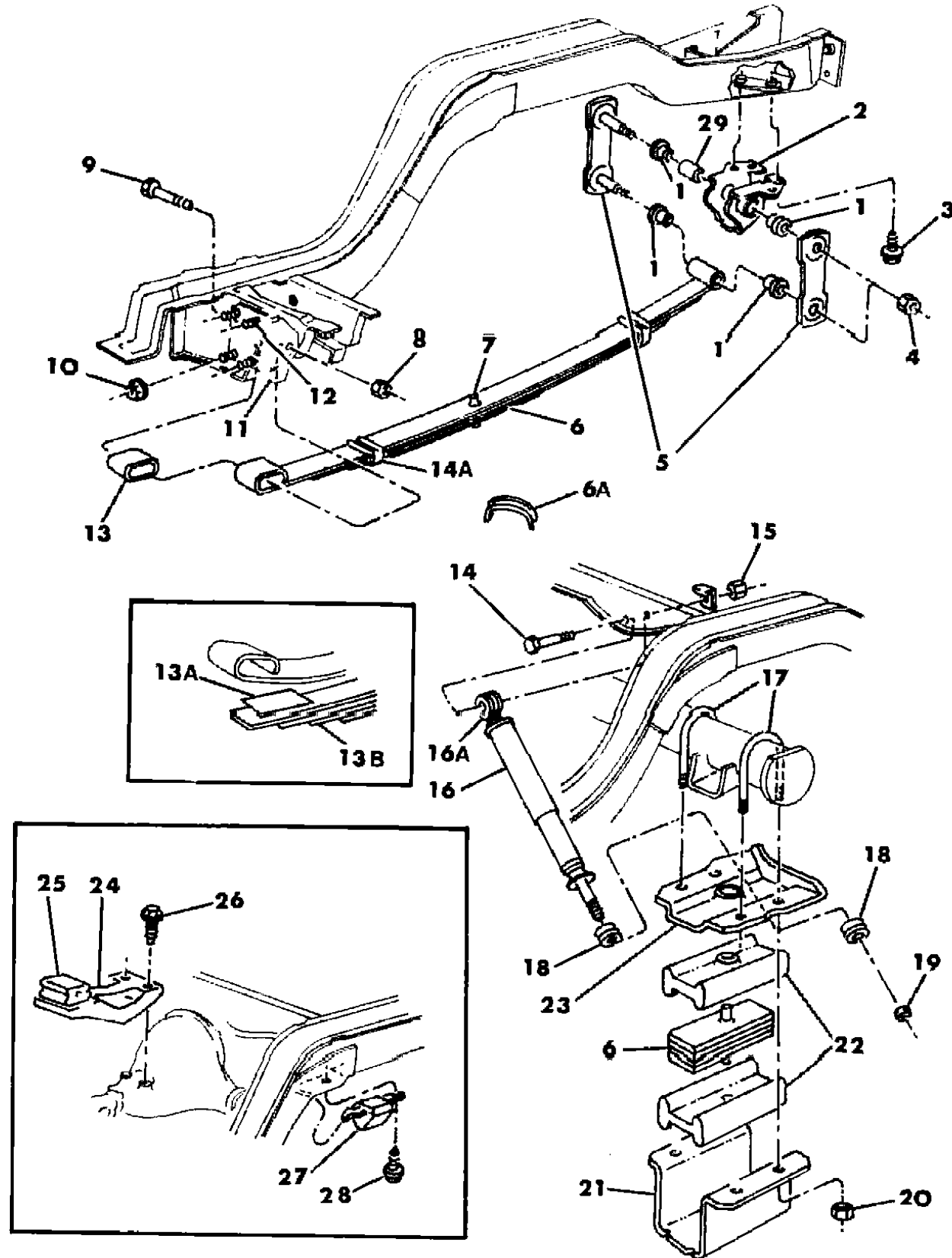
BODY STYLES

21 = 2-DOOR SEDAN	28 = FWD PICKUP	44 = 4-DOOR HATCHBACK
22 = 2-DOOR SPECIAL COUPE	35 = FWD VAN	45 = 4-DOOR STATION WAGON
24 = 2-DOOR HATCHBACK	36 = FWD WAGON	48 = 4-DOOR EXECUTIVE SEDAN
27 = 2-DOOR CONVERTIBLE	41 = 4-DOOR SEDAN	

AR = Use as Required - = Non Illustrated Part P.A.R. = Paint as Required

SUSPENSION, REAR B,F,G
Figure 17-500

4117 500A



ITEM	PART NUMBER	QTY	BODY	MODEL	DESCRIPTION
1	3643 989	8		All	BUSHING, Shackle Pivot
2	4014 634-5	1		All	HANGER, Rear,Std. Or H.D. w/o Rear Sway Bar
	4014 704-5	1		All	w/Rear Sway Bar
3	6030 876	4		All	BOLT, Hanger
4	0271 502	4		All	NUT, Shackle
5	3780 515	2		All	SHACKLE AND BUSHING PKG., STD. Or H.D. w/o Rear Sway Bar
					Consists of:
					1 - ---- Shackle w/Pin
					1 - ---- Plate
					4 - 3643 989 Bushing
					2 - 271 502 Nut
	4094 060	2		All	SHACKLE AND BUSHING PKG., w/7 1/4 Or 8 1/4" Axle, w/ Rear Sway Bar
					Consists of:
					1 - ---- Shackle w/Pin
					1 - 4014 703 Plate
					4 - 3643 989 Bushing
					2 - 271 502 Nut
					1 - ---- Insert
6	4026 817	2		All	SPRING,w/BUSHING, Std. (4 Leaf)
	4131 332	2		All	H.D. Police Cars Only (5 Leaf)
	4186 001	2		All	H.D. (5 Leaf)
6A	1829 929	AR		All	INSULATOR, Alignment Clip
7	3643 558	2		All	BOLT, Rear Spring Center
8	0152 370	2		All	NUT, Bolt Pivot
9	0433 179	2		All	BOLT, Bushing Pivot
10	6025 011	8		All	NUT, Hanger, Frt.
11	4052 205	2		All	HANGER, Frt.
12	2403 247	8		All	BOLT, Hanger, Frt.
13	3815 210	2		All	BUSHING, Frt. Pivot
	4052 125	2		All	w/Extra Duty Susp.
13A	3638 666	AR		All	INTERLINER
13B	2539 512	AR		All	INTERLEAF
14	0181 173	2		All	Bolt, Rear Shock Upper Mtg.
14A	2808 399	AR		All	CLIP AND CLAMP PKG.
					Consists of:
					1 - ---- Insulator

MODEL CODES

B = GRAN FURY	F = FIFTH AVENUE/NEWPORT	P = RELIANT
C = LEBARON/TOWN & COUNTRY/EXC SEDAN	G = DIPLOMAT	T = E CLASS/NEW YORKER
C24 = LASER	H = VOYAGER	V = 600
D = ARIES	K = MINI RAM/CARAVAN/ROYAL	V24 = DAYTONA
E = 600	M = HORIZON/TURISMO	Z = OMNI/CHARGER/RAMPAGE

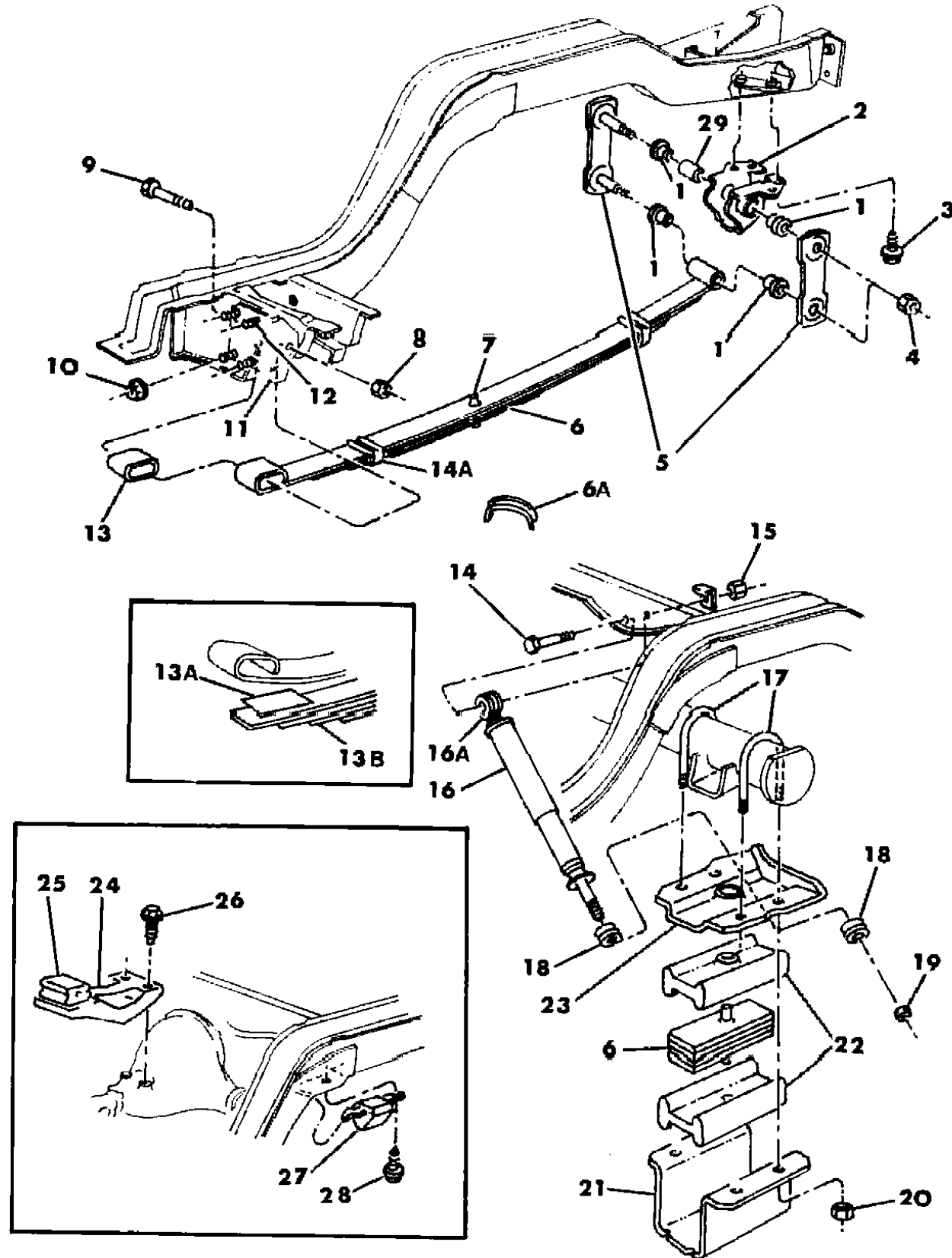
BODY STYLES

21 = 2-DOOR SEDAN	28 = FWD PICKUP	44 = 4-DOOR HATCHBACK
22 = 2-DOOR SPECIAL COUPE	35 = FWD VAN	45 = 4-DOOR STATION WAGON
24 = 2-DOOR HATCHBACK	36 = FWD WAGON	48 = 4-DOOR EXECUTIVE SEDAN
27 = 2-DOOR CONVERTIBLE	41 = 4-DOOR SEDAN	

AR = Use as Required - = Non Illustrated Part P.A.R. = Paint as Required

SUSPENSION, REAR B,F,G
Figure 17-500

4117 500A



ITEM	PART NUMBER	QTY	BODY	MODEL	DESCRIPTION
					1 - ---- --- Clip
					1 - ---- --- Clamp
15	0152 348	2	All		NUT, Bolt
16	4228 413	2	All		SHOCK, Rear, Std.
	4228 414	2	All		H.D., 1" Dia.
	4057 094	2	All		H.D., 1-3/8" Dia. (Blue)
16A	1319 902	2	All		BUSHING, Rear Shock Upper Mtg., 1" Dia. Std. Or H.D.
17	3845 264	4	All		CLIP, 4-3/8" Lgh., 7/16-20 Thd.
18	3643 891	4	All		BUSHING, Lower Mtg.
19	0272 235	2	All		NUT, Lower Mtg.
20	0152 347	8	All		NUT, Clip
21	3815 206	2	All		CLAMP, Spring Isolator, Std.
	3815 309	2	All		H.D. Or Firm Feel Susp.
22	3815 207	4	All		ISOLATOR
23	3845 128-9	1	All		SPRING-PLATE, 7-1/4" or 8-1/4" Axle w/o Sway Bar
	4014 710-1	1	All		7-1/4" Or 8-1/4" Axle w/Sway Bar
24	3845 241	1	All		SUPPORT, Pinion Carrier Bumper, w/7-1/4" Axle
	3845 249	1	All		w/8-1/4"
25	3845 139	1	All		BUMPER, w/o Support
26	0181 086	2	All		SCREW, w/WASHER, Support Mtg. Std.
	0181 112	2	All		H.D.
27	3845 988	2	All		BUMPER, w/Support Side Rail, Std. Or H.D., w/o Rear Sway Bar
	4014 503	2	All		w/Support, w/Rear Sway Bar
	2834 767	2	All		w/o Support, w/Rear Sway Bar
28		2	All		SCREW, w/WASHER, Side Rail Att. (Not Serv.)
	2403 462	4	All		SPACER, Spring Center Bolt (Not Shown)
	4014 703	2	All		PLATE, Spring Shackle, Loose, w/Rear Sway Bar (Not Ill.)
29	3722 073	2	All		INSERT, Extra Duty

MODEL CODES

B = GRAN FURY	F = FIFTH AVENUE/NEWPORT	P = RELIANT
C = LEBARON/TOWN & COUNTRY/EXC SEDAN	G = DIPLOMAT	T = E CLASS/NEW YORKER
C24 = LASER	H = VOYAGER	V = 600
D = ARIES	K = MINI RAM/CARAVAN/ROYAL	V24 = DAYTONA
E = 600	M = HORIZON/TURISMO	Z = OMNI/CHARGER/RAMPAGE

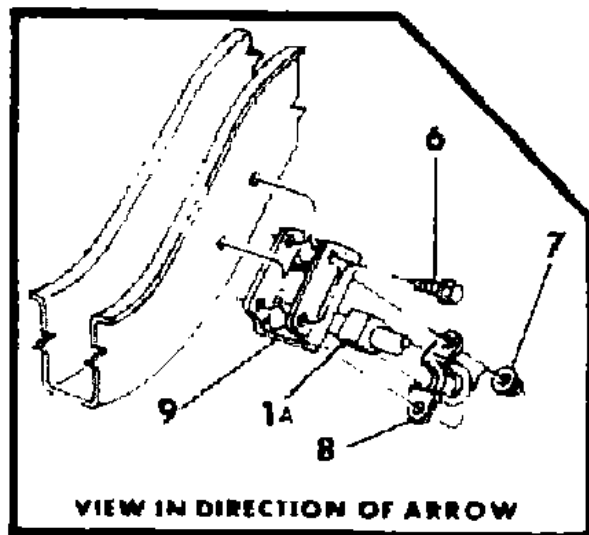
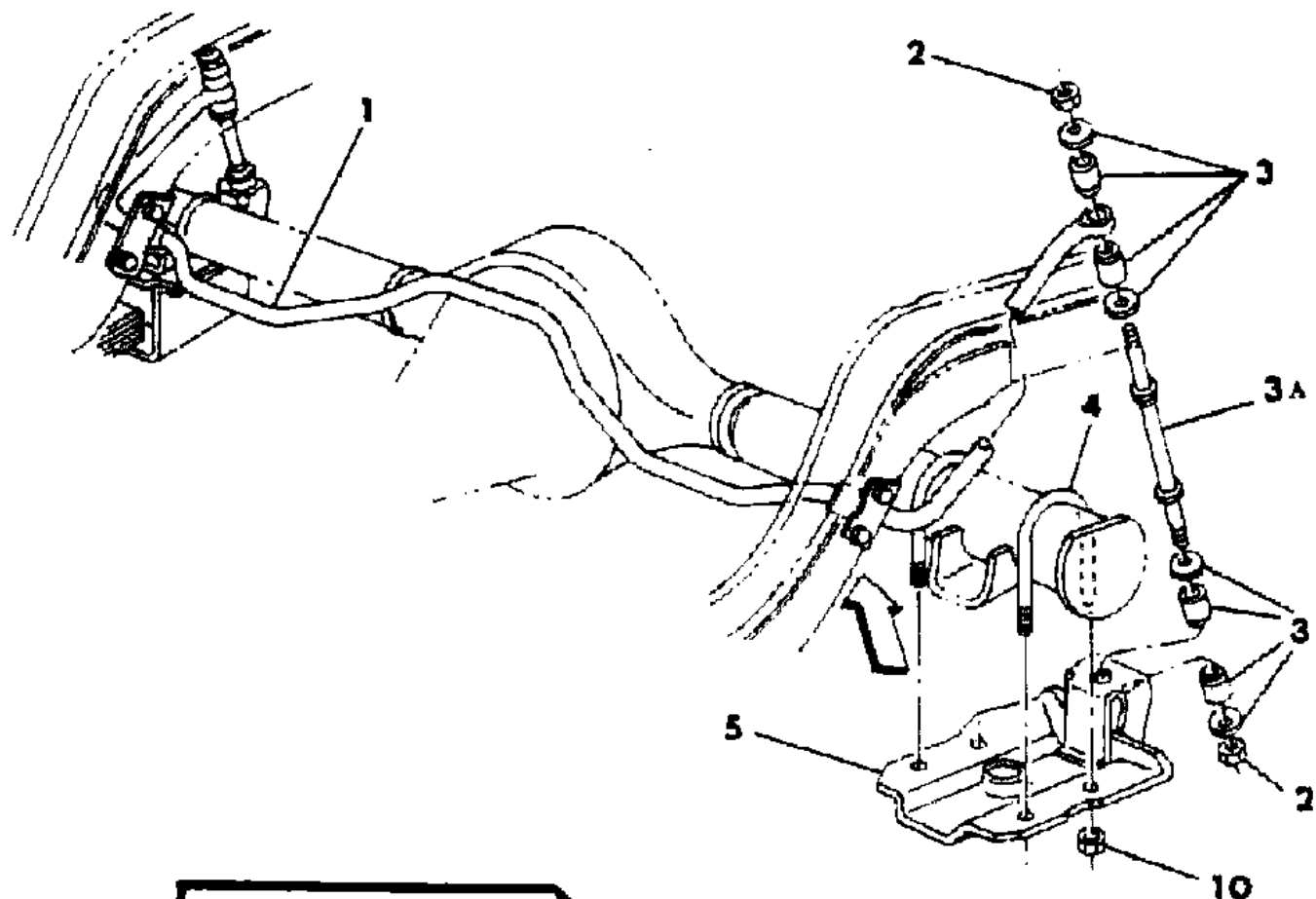
BODY STYLES

21 = 2-DOOR SEDAN	28 = FWD PICKUP	44 = 4-DOOR HATCHBACK
22 = 2-DOOR SPECIAL COUPE	35 = FWD VAN	45 = 4-DOOR STATION WAGON
24 = 2-DOOR HATCHBACK	36 = FWD WAGON	48 = 4-DOOR EXECUTIVE SEDAN
27 = 2-DOOR CONVERTIBLE	41 = 4-DOOR SEDAN	

AR = Use as Required - = Non Illustrated Part P.A.R. = Paint as Required

SWAY BAR, REAR B,F,G
Figure 17-600

4117 600A



ITEM	PART NUMBER	QTY	BODY	MODEL	DESCRIPTION
1	4014 714	1		All	SHAFT, Sway Bar, Rear
1A	3722 992	1		All	BUSHING, Shaft
2	0118 614	4		All	NUT, Link
3	3879 212	2		All	ATTACHING PKG.,Sway Bar Rear
					Consists of:
					2 - ---- --- Insulator
					1 - 118 614 Nut
					2 - ---- --- Retainer
3A	4057 086	2		All	LINK AND INSULATOR PKG.
					Consists of:
					1 - ---- --- Link
					4 - ---- --- Insulator
					2 - 118 614 Nut
4	3845 264	4		All	CLIP, 4-3/8" Lgh., 7/16-20 Thd.
5	4014 710-1	2		All	PLATE, Shaft
6	6030 466	8		All	SCREW, Brkt. Att.
7	6030 607	8		All	NUT, Brkt.
8	3643 506	2		All	STRAP, Shaft Brkt.
9	4014 708-9	1		All	BRACKET, Shaft
10	6023 018	8		All	NUT, CLIP

nits that have been changed in compliance with a bulletin. an offsetting order for part no. 3747881
bulletin and the applicable service part . "NOT ALL BULLETIN PART NUMBERS ARE AVAILABLE FOR SERVICE
REPLACEMENT." Additional bulletins will be added as information becomes available.

MODEL CODES

B = GRAN FURY	F = FIFTH AVENUE/NEWPORT	P = RELIANT
C = LEBARON/TOWN & COUNTRY/EXC SEDAN	G = DIPLOMAT	T = E CLASS/NEW YORKER
C24 = LASER	H = VOYAGER	V = 600
D = ARIES	K = MINI RAM/CARAVAN/ROYAL	V24 = DAYTONA
E = 600	M = HORIZON/TURISMO	Z = OMNI/CHARGER/RAMPAGE

BODY STYLES

21 = 2-DOOR SEDAN	28 = FWD PICKUP	44 = 4-DOOR HATCHBACK
22 = 2-DOOR SPECIAL COUPE	35 = FWD VAN	45 = 4-DOOR STATION WAGON
24 = 2-DOOR HATCHBACK	36 = FWD WAGON	48 = 4-DOOR EXECUTIVE SEDAN
27 = 2-DOOR CONVERTIBLE	41 = 4-DOOR SEDAN	

AR = Use as Required - = Non Illustrated Part P.A.R. = Paint as Required

GROUP 18 - SERVICE BULLETINS

ILLUSTRATION TITLE	GROUP-FIG. NO.
TECHNICAL SERVICE BULLETIN INDEX	Fig. 18-100
SERVICE BULLETINS GROUP 2 - FRONT SUSPENSION	Fig. 18-200
SERVICE BULLETINS GROUP 6 - CLUTCH	Fig. 18-600
SERVICE BULLETINS GROUP 8 - ELECTRICAL	Fig. 18-800
SERVICE BULLETINS GROUP 9 - ENGINE	Fig. 18-900
SERVICE BULLETINS GROUP 11 - EXHAUST	Fig. 18-1100
SERVICE BULLETINS GROUP 14 - FUEL	Fig. 18-1400
SERVICE BULLETINS GROUP 18 - DRIVEABILITY	Fig. 18-1800
SERVICE BULLETINS GROUP 21 - TRANSMISSION	Fig. 18-2100
SERVICE BULLETINS GROUP 23 - BODY	Fig. 18-2300
SERVICE BULLETINS GROUP 24 - AIR CONDITIONING	Fig. 18-2400
SERVICE BULLETINS GROUP 25 - EMISSION CONTROLS	Fig. 18-2500

ILLUSTRATION NOT AVAILABLE AT TIME OF PUBLICATION

TECHNICAL SERVICE BULLETIN INDEX
Figure 18-100

ILLUSTRATION NOT AVAILABLE AT TIME OF PUBLICATION

ITEM	PART NUMBER	QTY	BODY	MODEL	DESCRIPTION
					GROUP 2 - FRONT SUSPENSION (see illustration 18-200) N N N N N N N N FRONT STRUT UPPER STRUT CHATTER NKEGS BODY N N N2-2-84
					Install Revised Spring Seat N N N N N N N N INSUFFICIENT POSITIVE CAMBER ADJUSTMENT NM N N N2-5-86A
					Install Upper Control Arm Spacers N N N N N N N N SWAY BUSHING SQUAWK DURING LOW TEMPERATURE NKEGHS BODY N N N2-9-85
					Install New Bar to Crossmember Bushing N N N N N N N N GROUP 6 - CLUTCH (see illustration 18-600) N N N N N N N N
					NEUTRAL GEAR RATTLE NLKEGH BODY N N N6-6-85 Install New Clutch Disc N N N N N N N N GROUP 8 - ELECTRICAL (see illustration 18-800) N N N N N N N N
					INSTRUMENT CLUSTER/ODOMETER CHIP SERVICE NE,G BODY N N N8-1-84 Electronic Memory Chip N N N N
					N N N N COOLANT SENSOR CONNECTOR IMPROVEMENT NLKEGS BODY N N N8-2-84 New Coolant Sensor Repair Package N N N N
					N N N N POOR RADIO RECEPTION IN FM MODE NE,G,H BODY N N N8-7-85 Install Noise Supression Package N N N N
					N N N N ELECTRONIC COMPONENT MALFUNCTION NE BODY N2.6L N N8-9-84 Reroute Wiring Harness N N N N N N N N

MODEL CODES

B = GRAN FURY	F = FIFTH AVENUE/NEWPORT	P = RELIANT
C = LEBARON/TOWN & COUNTRY/EXC SEDAN	G = DIPLOMAT	T = E CLASS/NEW YORKER
C24 = LASER	H = VOYAGER	V = 600
D = ARIES	K = MINI RAM/CARAVAN/ROYAL	V24 = DAYTONA
E = 600	M = HORIZON/TURISMO	Z = OMNI/CHARGER/RAMPAGE

BODY STYLES

21 = 2-DOOR SEDAN	28 = FWD PICKUP	44 = 4-DOOR HATCHBACK
22 = 2-DOOR SPECIAL COUPE	35 = FWD VAN	45 = 4-DOOR STATION WAGON
24 = 2-DOOR HATCHBACK	36 = FWD WAGON	48 = 4-DOOR EXECUTIVE SEDAN
27 = 2-DOOR CONVERTIBLE	41 = 4-DOOR SEDAN	

AR = Use as Required - = Non Illustrated Part P.A.R. = Paint as Required

TECHNICAL SERVICE BULLETIN INDEX
Figure 18-100

ILLUSTRATION NOT AVAILABLE AT TIME OF PUBLICATION

ITEM	PART NUMBER	QTY	BODY	MODEL	DESCRIPTION
					INTERMITTENT TACHOMETER OPERATION NL BODY NRALLEY PKG. N N8-14-84 Install New Printed Circuit Board N N N N N N N N
					INTERMITTENT LOSS OF POWER NL BODY N N N8-16-84 Install Terminal Insulators N N N N N N N N
					RADIO NOISE WHILE PLAYING CASSETTE TAPES NE BODY N N N8-24-84 Install Cassette Wiring Overlay N N N N N N N N
					RADIO NOISE FROM WARNING BUZZER NALL N N N8-26-84 Replace Warning Buzzer N N N N N N N N
					GROUP 9 - ENGINE (see illustration 18-900) N N N N N N N N
					UNDERSIZED CRANK-TO-TORQUE CONVERTOR ADAPTER NALL N2.6L N N9-1-84 Procedure to Measure Crankshaft Adapter Bushing for Torque Convertor N N N N
					N N N N TIMING BELT SKIPPING DUE TO SNOW INTRUSION NALL N2.2L N N9-2-84 Install Sealing Packing N N N N
					N N N N MOAN OR DRONE AT 1600-2100 RPM NM BODY N5.2L N N9-2-86 Damper and Rear Transmission Insulator N N N N
					N N N N START UP KNOCK NALL N2.6L N N9-9-84 Install Timing Chain Tensioner Damper N N N N N N N N
					VALVE ROCKER ARM BREAKAGE NM BODY N5.2L,5.9L N N9-11-84 Install New Part Number Rocker Arms N N N N N N N N
					USE OF 5W-30 ENGINE OIL NALL NALL N N9-17-85

MODEL CODES

B = GRAN FURY	F = FIFTH AVENUE/NEWPORT	P = RELIANT
C = LEBARON/TOWN & COUNTRY/EXC SEDAN	G = DIPLOMAT	T = E CLASS/NEW YORKER
C24 = LASER	H = VOYAGER	V = 600
D = ARIES	K = MINI RAM/CARAVAN/ROYAL	V24 = DAYTONA
E = 600	M = HORIZON/TURISMO	Z = OMNI/CHARGER/RAMPAGE

BODY STYLES

21 = 2-DOOR SEDAN	28 = FWD PICKUP	44 = 4-DOOR HATCHBACK
22 = 2-DOOR SPECIAL COUPE	35 = FWD VAN	45 = 4-DOOR STATION WAGON
24 = 2-DOOR HATCHBACK	36 = FWD WAGON	48 = 4-DOOR EXECUTIVE SEDAN
27 = 2-DOOR CONVERTIBLE	41 = 4-DOOR SEDAN	

AR = Use as Required - = Non Illustrated Part P.A.R. = Paint as Required

TECHNICAL SERVICE BULLETIN INDEX
Figure 18-100

ILLUSTRATION NOT AVAILABLE AT TIME OF PUBLICATION

ITEM	PART NUMBER	QTY	BODY	MODEL	DESCRIPTION
					N N N N
					GROUP 11 - EXHAUST (see illustration 18-1100) N N N N
					N N N N
					EXHAUST JOINT FLEX SQUEAK NL,K,E BODY N N N11-1-84
					Replace Exhaust Pipe Joint Sealing Ring N N N N
					N N N N
					EXHAUST FELX JOINT SQUEAK/LEAKAGE NL,K,E,H
					BODYNTURBO N N11-1-85
					Replace Exhaust Pipe Joint Seal Ring N N N N
					N N N N
					EXHAUST JOINT FLEX SQUEAK NS BODY N2.6L N N11-2-85
					Replace Exhaust Pipe Joint Seal Ring N N N N
					N N N N
					GROUP 14 - FUEL (see illustration 18-1400) N N N N
					N N N N
					FUEL PRESSURE REGULATOR CLICKING NOISE NE,G,K
					BODY NTURBO N N14-1-84
					Install New Bracket N N N N
					N N N N
					GURGLING SOUND FROM INSIDE FUEL TANK NS BODY N
					N N14-2-85
					Install "T" Shaped Check Valve N N N N
					N N N N
					SPARK KNOCK ON ACCELERATION NL,K,E BODY N2.2L N
					N14-3-84
					Install Vacuum Reducer Package N N N N
					N N N N
					LONG CRANK/ROUGH IDLE (after Hot Restart) NE,G,H,K
					BODYNTURBO N N14-3-85
					Install Fuel Rail Spacers N N N N
					N N N N
					FUEL DISCHARGING FROM VAPOR CANISTER NK,E BODY
					N2.6L N N14-5-85
					Extend Vent to Vapor Canister Hose N N N N
					N N N N
					SLOW ROUGH IDLE AFTER HOT RESTART OR w/A/C ON
					NL,K BODY N2.2L N N14-7-84

MODEL CODES

B = GRAN FURY	F = FIFTH AVENUE/NEWPORT	P = RELIANT
C = LEBARON/TOWN & COUNTRY/EXC SEDAN	G = DIPLOMAT	T = E CLASS/NEW YORKER
C24 = LASER	H = VOYAGER	V = 600
D = ARIES	K = MINI RAM/CARAVAN/ROYAL	V24 = DAYTONA
E = 600	M = HORIZON/TURISMO	Z = OMNI/CHARGER/RAMPAGE

BODY STYLES

21 = 2-DOOR SEDAN	28 = FWD PICKUP	44 = 4-DOOR HATCHBACK
22 = 2-DOOR SPECIAL COUPE	35 = FWD VAN	45 = 4-DOOR STATION WAGON
24 = 2-DOOR HATCHBACK	36 = FWD WAGON	48 = 4-DOOR EXECUTIVE SEDAN
27 = 2-DOOR CONVERTIBLE	41 = 4-DOOR SEDAN	

AR = Use as Required - = Non Illustrated Part P.A.R. = Paint as Required

TECHNICAL SERVICE BULLETIN INDEX
Figure 18-100

ILLUSTRATION NOT AVAILABLE AT TIME OF PUBLICATION

ITEM	PART NUMBER	QTY	BODY	MODEL	DESCRIPTION
					Replace Carb Sole Kicker (Vehicles w/MDH Prior to 10-03-XX) N N N N
					NOISY THROTTLE VACUUM SOLENOID NL BODY N2.2L N N14-14-85
					Replace Solenoid N N N N N N N N LACK OF POWER DURING COLD WEATHER OPERATION NS BODY N2.6L N N14-17-85
					Install Air Cleaner Temp. Sensor N N N N N N N N LACK OF POWER DURING COLD WEATHER OPERATION NS BODY N2.6L N N14-18-84
					Install Air Cleaner Temp. Sensor N N N N N N N N OIL IN AIR FILTER BOX NLKEGHS BODY N N N14-18-85 Install New PCV Valve N N N N
					N N N N ROUGH FAST IDLE/SAG ON ACCELERATION NM BODY N5. 2L N N14-24-84 Install Vacuum Switch Package N N N N
					N N N N COMPONENT SERV OF EFI THROTTLE BODY NALL NEFI N N14-24-85 Parts List for Component Serving of Throttle Body N N N N
					N N N N WARM SURGE NS BODY N2.2L N N14-25-84 Install Purge Orifice N N N N N N N N
					PART THROTTLE LOSS OF POWER NK,E BODY N2.6L N N14-26-84 Install New Jet Block N N N N N N N N
					FUEL FILLER TUBE SPITBACK DURING FUEL FILL NS BODY N N N14-33-84 Install New Filler Tube N N N N N N N N
					OFF IDLE SAG NG,E BODY NEFI N N14-36-84

MODEL CODES

B = GRAN FURY	F = FIFTH AVENUE/NEWPORT	P = RELIANT
C = LEBARON/TOWN & COUNTRY/EXC SEDAN	G = DIPLOMAT	T = E CLASS/NEW YORKER
C24 = LASER	H = VOYAGER	V = 600
D = ARIES	K = MINI RAM/CARAVAN/ROYAL	V24 = DAYTONA
E = 600	M = HORIZON/TURISMO	Z = OMNI/CHARGER/RAMPAGE

BODY STYLES

21 = 2-DOOR SEDAN	28 = FWD PICKUP	44 = 4-DOOR HATCHBACK
22 = 2-DOOR SPECIAL COUPE	35 = FWD VAN	45 = 4-DOOR STATION WAGON
24 = 2-DOOR HATCHBACK	36 = FWD WAGON	48 = 4-DOOR EXECUTIVE SEDAN
27 = 2-DOOR CONVERTIBLE	41 = 4-DOOR SEDAN	

AR = Use as Required - = Non Illustrated Part P.A.R. = Paint as Required

TECHNICAL SERVICE BULLETIN INDEX
Figure 18-100

ITEM	PART NUMBER	QTY	BODY	MODEL	DESCRIPTION
					Install Purge Orifice N N N N N N N N
					SURGE AND DECEL BUCKING NM BODY N5.2L N N14-39-84 Install Vacuum Reducer Package N N N N N N N N
					FUEL PRESSURE REGULATOR CLICKING NOISE NE,G,K BODY NTURBO N N14-47-84 Install Damper Package N N N N N N N N
					LONG CRANK TIME/DIE OUT-COLD START NL,K BODY N2. 2L N N14-48-83 Install Choke Vacuum Delay Valve N N N N N N N N
					FUEL FOAMING NL,K,E BODY N N N14-48-84 Install After Run Fan Package/Fuel Reservoir N N N N N N N N
					SAG ON HARD LEFT TURN NE,G,K BODY NEFI & TC N N14- 49-84 Replace Fuel Tank N N N N N N N N
					HARD COLD START AND DIE OUT AFTER COLD START NL,S BODY N2.2L N N14-50-83 Install Vacuum Delay Package N N N N N N N N
					PART THROTTLE LOSS OF POWER, COLD DRIVE SAG NK,E BODY N2.6L N N14-50-84 Revised Jet Block Package N N N N N N N N
					OIL IN AIR FILTER BOX NL,K,S BODY N2.2L N N14-55-84 Install New Crankcase Vent Valve N N N N N N N N
					GROUP 18 - DRIVEABILITY (see illustration 18-1800) N N N N
					NOTE: Some bulletins in Group 18 are listed in Groups 8,14,25 s information becomes available. N N N N
					INTERMITTENT LOSS OF POWER NL BODY N N N8-16-84 Install Terminal Insulators N N N N N N N N

ILLUSTRATION NOT AVAILABLE AT TIME OF PUBLICATION

MODEL CODES

B = GRAN FURY	F = FIFTH AVENUE/NEWPORT	P = RELIANT
C = LEBARON/TOWN & COUNTRY/EXC SEDAN	G = DIPLOMAT	T = E CLASS/NEW YORKER
C24 = LASER	H = VOYAGER	V = 600
D = ARIES	K = MINI RAM/CARAVAN/ROYAL	V24 = DAYTONA
E = 600	M = HORIZON/TURISMO	Z = OMNI/CHARGER/RAMPAGE

BODY STYLES

21 = 2-DOOR SEDAN	28 = FWD PICKUP	44 = 4-DOOR HATCHBACK
22 = 2-DOOR SPECIAL COUPE	35 = FWD VAN	45 = 4-DOOR STATION WAGON
24 = 2-DOOR HATCHBACK	36 = FWD WAGON	48 = 4-DOOR EXECUTIVE SEDAN
27 = 2-DOOR CONVERTIBLE	41 = 4-DOOR SEDAN	

AR = Use as Required - = Non Illustrated Part P.A.R. = Paint as Required

TECHNICAL SERVICE BULLETIN INDEX
Figure 18-100

ITEM	PART NUMBER	QTY	BODY	MODEL	DESCRIPTION
					FUEL PRESSURE REGULATOR CLICKING NOISE NE,G,K BODY NTURBO N N14-1-84 Install New Bracket N N N N N N N N
					SPARK KNOCK ON ACCELERATION NL,K,E BODY N2.2L N N14-3-84 Install Vacuum Reducer Package N N N N N N N N
					LONG CRANK/ROUGH IDLE (after Hot Restart) NE,G,H,K BODYNTURBO N N14-3-85 Install Fuel Rail Spacers N N N N N N N N
					FUEL DISCHARGING FROM VAPOR CANISTER NK,E BODY N2.6L N N14-5-85 Extend Vent to Vapor Canister Hose N N N N N N N N
					SLOW ROUGH IDLE AFTER HOT RESTART OR w/A/C ON NL,K BODY N2.2L N N14-7-84 Replace Sole Kicker (Vehicles w/MDH prior to 10-03-XX) N N N N
					NOISY THROTTLE VACUUM SOLENOID NL BODY N2.2L N N14-14-85 Replace Solenoid N N N N N N N N
					LACK OF POWER DURING COLD WEATHER OPERATION NS BODY N2.6L N N14-17-85 Install Air Cleaner Temp Sensor N N N N N N N N
					LACK OF POWER DURING COLD WEATHER OPERATION NS BODY N2.6L N N14-18-84 Install Air Cleaner Temp Sensor N N N N N N N N
					ROUGH FAST IDLE/SAG ON ACCELERATION NM BODY N5. 2L N N14-24-84 Install Vacuum Switch Package N N N N N N N N

ILLUSTRATION NOT AVAILABLE AT TIME OF PUBLICATION

MODEL CODES

B = GRAN FURY	F = FIFTH AVENUE/NEWPORT	P = RELIANT
C = LEBARON/TOWN & COUNTRY/EXC SEDAN	G = DIPLOMAT	T = E CLASS/NEW YORKER
C24 = LASER	H = VOYAGER	V = 600
D = ARIES	K = MINI RAM/CARAVAN/ROYAL	V24 = DAYTONA
E = 600	M = HORIZON/TURISMO	Z = OMNI/CHARGER/RAMPAGE

BODY STYLES

21 = 2-DOOR SEDAN	28 = FWD PICKUP	44 = 4-DOOR HATCHBACK
22 = 2-DOOR SPECIAL COUPE	35 = FWD VAN	45 = 4-DOOR STATION WAGON
24 = 2-DOOR HATCHBACK	36 = FWD WAGON	48 = 4-DOOR EXECUTIVE SEDAN
27 = 2-DOOR CONVERTIBLE	41 = 4-DOOR SEDAN	

AR = Use as Required - = Non Illustrated Part P.A.R. = Paint as Required

TECHNICAL SERVICE BULLETIN INDEX
Figure 18-100

ITEM	PART NUMBER	QTY	BODY	MODEL	DESCRIPTION
					COMPONENT SERVICE OF EFI THROTTLE BODY NALL NEFI N N14-24-85 Parts List for Component Servicing of Throttle Body N N N N N N N N WARM SURGE NS BODY N2.2L N N14-25-84
					Install Purge Orifice N N N N N N N N PART THROTTLE LOSS OF POWER NK,E BODY N2.6L N N14-26-84
					Install New Jet Block N N N N N N N N OFF IDLE SAG NG,E BODY NEFI N N14-36-84 Install Purge Orifice N N N N
					N N N N SURGE AND DECEL BUCKING NM BODY N5.2L N N14-39-84 Install Vacuum Reducer Package N N N N N N N N
					FUEL PRESSURE REGULATOR CLICKING NOISE NE,G,K BODY NTURBO N N14-47-84 Install Damper Package N N N N N N N N
					LONG CRANK TIME/DIE OUT-COLD START NL,K BODY N2. 2L N N14-48-83 Install Choke Vacuum Delay Valve N N N N N N N N
					SAG ON HARD LEFT TURN NE,G,K BODY NEFI&TC N N14- 49-84 Replace Fuel Tank N N N N N N N N
					HARD COLD START AND DIE OUT AFTER COLD START NL,S BODY N2.2L N N14-50-83 Install Vacuum Delay Valve Package N N N N N N N N
					PART THROTTLE LOSS OF POWER, COLD DRIVE SAG NK,E BODY N2.6L N N14-50-84 Revised Jet Block Package N N N N N N N N
					OIL IN AIR FILTER BOX NL,K,S BODY N2.2L N N14-55-84

ILLUSTRATION NOT AVAILABLE AT TIME OF PUBLICATION

MODEL CODES

B = GRAN FURY	F = FIFTH AVENUE/NEWPORT	P = RELIANT
C = LEBARON/TOWN & COUNTRY/EXC SEDAN	G = DIPLOMAT	T = E CLASS/NEW YORKER
C24 = LASER	H = VOYAGER	V = 600
D = ARIES	K = MINI RAM/CARAVAN/ROYAL	V24 = DAYTONA
E = 600	M = HORIZON/TURISMO	Z = OMNI/CHARGER/RAMPAGE

BODY STYLES

21 = 2-DOOR SEDAN	28 = FWD PICKUP	44 = 4-DOOR HATCHBACK
22 = 2-DOOR SPECIAL COUPE	35 = FWD VAN	45 = 4-DOOR STATION WAGON
24 = 2-DOOR HATCHBACK	36 = FWD WAGON	48 = 4-DOOR EXECUTIVE SEDAN
27 = 2-DOOR CONVERTIBLE	41 = 4-DOOR SEDAN	

AR = Use as Required - = Non Illustrated Part P.A.R. = Paint as Required

TECHNICAL SERVICE BULLETIN INDEX
Figure 18-100

ITEM	PART NUMBER	QTY	BODY	MODEL	DESCRIPTION
					N N N N POWER LOSS LAMP COMES ON AT START UP NG,E BODY NEFI N N18-2-85 Install New Relay Wiring N N N N N N N N
					VAPOR LOCK/FUEL FOAMING NK BODY N2.2L N N18-3-85 Install In-Tank Electric Fuel Pump N N N N N N N N VAPOR LOCK/FUEL FOAMING NK,E BODY N2.2L N N18-4- 86 Install Fuel Foaming Package N N N N N N N N
					SAG/POOR PERFORMANCE DUE TO FUEL FOAMING NS BODY N2.6L N N18-5-85 Install Pressure Regulator and Fuel Reservoir Package N N N N N N N N
					VAPOR LOCK NK,E BODY N2.6L N N18-5-86 Installation of Vapor Lock Package N N N N N N N N SAG/POOR PERFORMANCE DUE TO FUEL FOAMING NE,K BODY N2.6L N N18-6-85 Install Pressure Regulator and Fuel Reservoir Package N N N N N N N N
					SURGE AND DECEL BUCKING NM BODY N5.2L N N18-7-85 Install Vacuum Reducer Package N N N N N N N N SPARK KNOCK ON LIGHT ACCELERATION NM BODY N5.2L N N18-9-85 Install Spark Knock Reduction Package N N N N N N N N
					VAPOR LOCK FUEL, FUEL FOAMING NL BODY N2.2L N N18-10-85 Install In-Tank Electric Fuel Pump N N N N N N N N VAPOR LOCK/FUEL FOAMING NS BODY N2.2L N N18-13- 85A

ILLUSTRATION NOT AVAILABLE AT TIME OF PUBLICATION

MODEL CODES

B = GRAN FURY	F = FIFTH AVENUE/NEWPORT	P = RELIANT
C = LEBARON/TOWN & COUNTRY/EXC SEDAN	G = DIPLOMAT	T = E CLASS/NEW YORKER
C24 = LASER	H = VOYAGER	V = 600
D = ARIES	K = MINI RAM/CARAVAN/ROYAL	V24 = DAYTONA
E = 600	M = HORIZON/TURISMO	Z = OMNI/CHARGER/RAMPAGE

BODY STYLES

21 = 2-DOOR SEDAN	28 = FWD PICKUP	44 = 4-DOOR HATCHBACK
22 = 2-DOOR SPECIAL COUPE	35 = FWD VAN	45 = 4-DOOR STATION WAGON
24 = 2-DOOR HATCHBACK	36 = FWD WAGON	48 = 4-DOOR EXECUTIVE SEDAN
27 = 2-DOOR CONVERTIBLE	41 = 4-DOOR SEDAN	

AR = Use as Required - = Non Illustrated Part P.A.R. = Paint as Required

TECHNICAL SERVICE BULLETIN INDEX
Figure 18-100

ILLUSTRATION NOT AVAILABLE AT TIME OF PUBLICATION

ITEM	PART NUMBER	QTY	BODY	MODEL	DESCRIPTION
					Install Electric Fuel Pump N N N N
					N N N N LACK OF POWER DURING COLD WEATHER OPERATION NS BODY N2.6L N N18-14-85
					Install Thermal Valve Package N N N N
					N N N N WARM SAG/ACCELERATION SURGE NK,E BODY N2.6L N N18-15-85
					New EGR Valve and Thermo Valve N N N N
					N N N N VAPOR LOCK NM BODY N5.2L N N18-16-85A Install Electric Fuel Pump N N N N
					N N N N VAPOR LOCK NS BODY N2.6L N N18-18-85A Install Electric Fuel Pump N N N N
					N N N N POWER LOSS LAMP COMES ON AT START UP OR COLD NO START NLKEGH NEFI,TC N N18-18-86
					Install Package per Bulletin Instructions N N N N
					N N N N PREMATURE CHOKE CLOSING, HOT RESTARTS NM BODY N5.2L,5.9L N N18-19-86
					Install Water Valve N N N N
					N N N N COLD DRIVE SAG OCCURING DURING ACCELERATION NS BODY N2.6L N N18-20-86
					Install Driveability Package N N N N
					N N N N POWER LOSS/LIMIT LIGHT ON/ERRATIC IDLE/SAG NK,E,G BODY NEFI&TC N N18-22-85
					Replace Throttle Position Sensor N N N N
					N N N N WEAK ACCELERATION-COLD AND WARM NL,K BODY N2. 2L N N18-23-85
					Install VOS Carburetor Package N N N N
					N N N N LOW SPEED SURGE/ROUGH IDLE WITH A/C ON NS BODY N2.6L N N18-23-86

MODEL CODES

B = GRAN FURY	F = FIFTH AVENUE/NEWPORT	P = RELIANT
C = LEBARON/TOWN & COUNTRY/EXC SEDAN	G = DIPLOMAT	T = E CLASS/NEW YORKER
C24 = LASER	H = VOYAGER	V = 600
D = ARIES	K = MINI RAM/CARAVAN/ROYAL	V24 = DAYTONA
E = 600	M = HORIZON/TURISMO	Z = OMNI/CHARGER/RAMPAGE

BODY STYLES

21 = 2-DOOR SEDAN	28 = FWD PICKUP	44 = 4-DOOR HATCHBACK
22 = 2-DOOR SPECIAL COUPE	35 = FWD VAN	45 = 4-DOOR STATION WAGON
24 = 2-DOOR HATCHBACK	36 = FWD WAGON	48 = 4-DOOR EXECUTIVE SEDAN
27 = 2-DOOR CONVERTIBLE	41 = 4-DOOR SEDAN	

AR = Use as Required - = Non Illustrated Part P.A.R. = Paint as Required

TECHNICAL SERVICE BULLETIN INDEX
Figure 18-100

ILLUSTRATION NOT AVAILABLE AT TIME OF PUBLICATION

ITEM	PART NUMBER	QTY	BODY	MODEL	DESCRIPTION
					Install EGR Bleed Delay Valve Package N N N N
					N N N N
					VAPOR LOCK/FUEL FOAMING NL BODY N2.2L N N18-24-86A
					Install Vapor Lock/Fuel Foaming Package N N N N
					N N N N
					LONG COLD CRANK TIMES NL,K,S BODY N2.2L N N18-31-85
					Install Thermal Bowl Vent Package N N N N
					N N N N
					HESITATION AND SAG WITH A COLD ENGINE NK,E BODY N2.6L N N18-32-86
					Install Driveability Package N N N N
					N N N N
					FUEL FOAMING NS BODY N2.6L N N18-41-86
					Install Carburetor N N N N
					N N N N
					FUEL FOAMING NK,E BODY N2.6L N N18-42-86
					Install New Carburetor N N N N
					N N N N
					ENGINE SAGS AN HARD RIGHT TURN NL,K,E BODY N2.2L N N18-43-86
					Install Carburetor N N N N
					N N N N
					CARBURETOR ICING NS N2.6L N N18-46-86
					Install Carburetor Icing Kit N N N N
					N N N N
					SAG AND/OR POOR PERFORMANCE DUE TO FUEL FOAMING NS BODY N2.6L N N18-48-86
					Install Fuel Foaming Package N N N N
					N N N N
					VAPOR LOCK NM BODY N5.2L N N18-49-86
					Install Vapor Lock Kit N N N N
					N N N N
					FAILING STATE "CO" EMISSION INSPECTION NK,E,G BODY NEFI N N25-1-85
					Replace Logic Module N N N N
					N N N N

MODEL CODES

B = GRAN FURY	F = FIFTH AVENUE/NEWPORT	P = RELIANT
C = LEBARON/TOWN & COUNTRY/EXC SEDAN	G = DIPLOMAT	T = E CLASS/NEW YORKER
C24 = LASER	H = VOYAGER	V = 600
D = ARIES	K = MINI RAM/CARAVAN/ROYAL	V24 = DAYTONA
E = 600	M = HORIZON/TURISMO	Z = OMNI/CHARGER/RAMPAGE

BODY STYLES

21 = 2-DOOR SEDAN	28 = FWD PICKUP	44 = 4-DOOR HATCHBACK
22 = 2-DOOR SPECIAL COUPE	35 = FWD VAN	45 = 4-DOOR STATION WAGON
24 = 2-DOOR HATCHBACK	36 = FWD WAGON	48 = 4-DOOR EXECUTIVE SEDAN
27 = 2-DOOR CONVERTIBLE	41 = 4-DOOR SEDAN	

AR = Use as Required - = Non Illustrated Part P.A.R. = Paint as Required

TECHNICAL SERVICE BULLETIN INDEX
Figure 18-100

ILLUSTRATION NOT AVAILABLE AT TIME OF PUBLICATION

ITEM	PART NUMBER	QTY	BODY	MODEL	DESCRIPTION
					FAILING STATE "CO" EMISSION INSPECTION NS BODY N2. 6L N N25-7-85 Install Altitude Emission Package N N N N N N N N GROUP 21 - TRANSMISSION (see illustration 18-2100) N N N N N N N N SHIFT LINKAGE BALL SOCKET DISENGAGEMENT NALL N NMan T/AXLE N21-5-86
					Install New Ball Socket Retainer Clip N N N N N N N N HARD SHIFTING INTO AND OUT OF 5th GEAR NALL N NA- 525 TRANS N21-7-86
					Install Revised 5th Speed Synchronizer Strut Retainer Plate N N N N N N N N HIGH PITCHED WHINE NL BODY N NAUTO T/AXLE N21-10- 86 Replace Shift Cable with Insulated Sleeve to Reduce Whine N N N N N N N N
					CLASH WHEN SHIFTING INTO 5th GEAR NLKEGS BODY N N N21-11-84 Replace Transmission End Cover N N N N N N N N
					MANUAL TRANSAXLE ROD SHIFT RATTLE NL,K BODY N Nw/ROD SHIFT N21-20-83 Install Silicone Rubber Silencer N N N N N N N N
					DRIVE GEAR WHINE NALL N NFRT WHEEL DRN21-20-85 Install Damper Weight on Motor Mount N N N N N N N N AUTO SHIFT LINKAGE NOISE NJ,M,Y BODY N NCOLUMN N21-22-83 Install Swivel and Spring Clip N N N N N N N N GROUP 23 - BODY (see illustration 18-2300) N N N N N N N N

MODEL CODES

B = GRAN FURY	F = FIFTH AVENUE/NEWPORT	P = RELIANT
C = LEBARON/TOWN & COUNTRY/EXC SEDAN	G = DIPLOMAT	T = E CLASS/NEW YORKER
C24 = LASER	H = VOYAGER	V = 600
D = ARIES	K = MINI RAM/CARAVAN/ROYAL	V24 = DAYTONA
E = 600	M = HORIZON/TURISMO	Z = OMNI/CHARGER/RAMPAGE

BODY STYLES

21 = 2-DOOR SEDAN	28 = FWD PICKUP	44 = 4-DOOR HATCHBACK
22 = 2-DOOR SPECIAL COUPE	35 = FWD VAN	45 = 4-DOOR STATION WAGON
24 = 2-DOOR HATCHBACK	36 = FWD WAGON	48 = 4-DOOR EXECUTIVE SEDAN
27 = 2-DOOR CONVERTIBLE	41 = 4-DOOR SEDAN	

AR = Use as Required - = Non Illustrated Part P.A.R. = Paint as Required

TECHNICAL SERVICE BULLETIN INDEX
Figure 18-100

ILLUSTRATION NOT AVAILABLE AT TIME OF PUBLICATION

ITEM	PART NUMBER	QTY	BODY	MODEL	DESCRIPTION
					HOOD FLUTTER NL BODY N N N23-1-85
					Use Urethane to Correct Hood Flutter N N N N N N N N
					TONNEAU COVER NL,G BODY N N N23-3-85
					Part Numbers for Tonneau Cover End Caps N N N N N N N N
					L.S. OUTSIDE REMOTE MIRROR SHAKE NG BODY N N N23-6-84
					Replace Mirror N N N N
					N N N N
					THIRD SEAT RATTLE NS BODY N N N23-6-84
					Install Spring and Shims N N N N N N N N
					HEADLINER SAG OR FLUTTER NE BODY N N N23-6-85
					Install New Fasteners N N N N N N N N
					ASH RECEIVER HOUSING TO QUARTER PANEL RETENTION NS BODY N N N23-8-84
					Install Screws in Housing for Improved Retention N N N N N N N N
					SEAT BELT EXTENSION NALL N N N23-8-85
					Information Regarding Seat Belt Extenders N N N N N N N N
					HEADLINER SAGGING NS BODY N N N23-9-84
					Procedure and Parts for Correcting Headliner Sag N N N N N N N N
					INOPERATIVE REMOTE QUARTER WINDOW NS N N N23- 12-86
					Install Handle and Lock Package N N N N N N N N
					RELOCATION OF INSIDE REAR VIEW MIRROR NE BODY N NCONVERTIBLE N23-13-84
					Procedure to Relocate Rear View Mirror for Improved Rear Vision N N N N N N N N
					BINDING ELECTRIC WINDOW REGULATOR NK,E BODY N N N23-15-83

MODEL CODES

B = GRAN FURY	F = FIFTH AVENUE/NEWPORT	P = RELIANT
C = LEBARON/TOWN & COUNTRY/EXC SEDAN	G = DIPLOMAT	T = E CLASS/NEW YORKER
C24 = LASER	H = VOYAGER	V = 600
D = ARIES	K = MINI RAM/CARAVAN/ROYAL	V24 = DAYTONA
E = 600	M = HORIZON/TURISMO	Z = OMNI/CHARGER/RAMPAGE

BODY STYLES

21 = 2-DOOR SEDAN	28 = FWD PICKUP	44 = 4-DOOR HATCHBACK
22 = 2-DOOR SPECIAL COUPE	35 = FWD VAN	45 = 4-DOOR STATION WAGON
24 = 2-DOOR HATCHBACK	36 = FWD WAGON	48 = 4-DOOR EXECUTIVE SEDAN
27 = 2-DOOR CONVERTIBLE	41 = 4-DOOR SEDAN	

AR = Use as Required - = Non Illustrated Part P.A.R. = Paint as Required

TECHNICAL SERVICE BULLETIN INDEX
Figure 18-100

ILLUSTRATION NOT AVAILABLE AT TIME OF PUBLICATION

ITEM	PART NUMBER	QTY	BODY	MODEL	DESCRIPTION
					Procedure for Installing Foam Pad to Prevent Binding of Window Regulator N N N N N N N N INADEQUATE TRIM RETENTION OF SEAT TRIM RETAINERS NS BODY N N N23-15-84
					Procedure to Correct Inadequate Seat Trim Retainer Retention N N N N N N N N ARMREST RETENTION - FRONT AND 1st REAR SEAT NS BODY N N N23-16-84
					Install New Armrest and Retainer N N N N N N N N TAPE STRIPE REPLACEMENT NL BODY N NSHELBY PKG. N23-20-84
					Part Numbers for Tape Strips N N N N N N N N GROUP 24 - AIR CONDITIONING (see illustration 18-2400) N N N N
					A/C CONDENSER SUPPORT PACKAGE NS BODY N N N24-1-86
					Install New Condenser Support Package N N N N N N N N INSUFFICIENT HEAT DUE TO SLOW WARM UP NL,K,E BODY N N N24-2-83
					Procedure and Parts Required to Improve Heater Output N N N N N N N N INADEQUATE HEATER DISTRIBUTION NS BODY N N N24-6-85
					Install New Distrubition Duct N N N N N N N N GROUP 25 - EMISSION CONTROLS (see illustration 18-2500) N N N N
					FAILING STATE "CO" EMISSION INSPECTION NK,E,G BODY NEFI N N25-1-85
					Replace Logic Module N N N N

MODEL CODES

B = GRAN FURY	F = FIFTH AVENUE/NEWPORT	P = RELIANT
C = LEBARON/TOWN & COUNTRY/EXC SEDAN	G = DIPLOMAT	T = E CLASS/NEW YORKER
C24 = LASER	H = VOYAGER	V = 600
D = ARIES	K = MINI RAM/CARAVAN/ROYAL	V24 = DAYTONA
E = 600	M = HORIZON/TURISMO	Z = OMNI/CHARGER/RAMPAGE

BODY STYLES

21 = 2-DOOR SEDAN	28 = FWD PICKUP	44 = 4-DOOR HATCHBACK
22 = 2-DOOR SPECIAL COUPE	35 = FWD VAN	45 = 4-DOOR STATION WAGON
24 = 2-DOOR HATCHBACK	36 = FWD WAGON	48 = 4-DOOR EXECUTIVE SEDAN
27 = 2-DOOR CONVERTIBLE	41 = 4-DOOR SEDAN	

AR = Use as Required - = Non Illustrated Part P.A.R. = Paint as Required

TECHNICAL SERVICE BULLETIN INDEX
Figure 18-100

ITEM	PART NUMBER	QTY	BODY	MODEL	DESCRIPTION
					N N N N
					HIGH ALTITUDE CONVERSION NL BODY N NPICK-UP N25-4-84 High Altitude Conversion Instructions N N N N
					N N N N
					FAILING STATE "CO" EMISSION INSPECTION NS BODY N2.6L N N25-7-85 Install Altitude Emission Package N N N N

ILLUSTRATION NOT AVAILABLE AT TIME OF PUBLICATION

MODEL CODES
B = GRAN FURY
C = LEBARON/TOWN & COUNTRY/EXC SEDAN
C24 = LASER
D = ARIES
E = 600
F = FIFTH AVENUE/NEWPORT
G = DIPLOMAT
H = VOYAGER
K = MINI RAM/CARAVAN/ROYAL
M = HORIZON/TURISMO
P = RELIANT
T = E CLASS/NEW YORKER
V = 600
V24 = DAYTONA
Z = OMNI/CHARGER/RAMPAGE

BODY STYLES
21 = 2-DOOR SEDAN
22 = 2-DOOR SPECIAL COUPE
24 = 2-DOOR HATCHBACK
27 = 2-DOOR CONVERTIBLE
28 = FWD PICKUP
35 = FWD VAN
36 = FWD WAGON
41 = 4-DOOR SEDAN
44 = 4-DOOR HATCHBACK
45 = 4-DOOR STATION WAGON
48 = 4-DOOR EXECUTIVE SEDAN

AR = Use as Required - = Non Illustrated Part P.A.R. = Paint as Required

SERVICE BULLETINS GROUP 2 - FRONT SUSPENSION

Figure 18-200

ITEM	PART NUMBER	QTY	BODY	MODEL	DESCRIPTION
	4322 701				Front Strut Upper Strut Chatter 2-2-84 NK,E,G,S BodyN N N SEAT, Spring N N Y4322701 Y4322701 N N Y Y Insufficient Positive Camber Adjustment 2-5-86A NM Body N N N
	4014 352				SPACER, Front Suspension Upper Contrl Arm Pivot Support, Front N N N4014352 Y4014352
	4014 353				SPACER, Front Suspension Upper Control Arm Pivot Support, Rear N N N4014353 Y4014353 N N N N
	4322 677				Sway Bar Squawk 2-9-85 NKEGHS Body N N N CUSHION (Color Code Begie) N N Y4322677 Y4322677 BUSHING N N N N
	4322 751				Voyager, Caravan, Ram Van (Color Code None) N N Y4322751 Y4322751
	4322 099				Caravelle, 600 (4DR), New Yorker (Color Code White) N N Y4322099 Y4322099
	4322 751				Daytona and Laser, exc. w/Sport Suspension (Color Code None) N N Y4322751 Y4322751
	4322 751				Reliant, Aries, Lancer, LeBaron GTS, N N N N Town and Country, Limousine, LeBaron, 600 (2 Dr.) (Color Code None) N N Y4322751 Y4322751

ILLUSTRATION NOT AVAILABLE AT TIME OF PUBLICATION

MODEL CODES

B = GRAN FURY	F = FIFTH AVENUE/NEWPORT	P = RELIANT
C = LEBARON/TOWN & COUNTRY/EXC SEDAN	G = DIPLOMAT	T = E CLASS/NEW YORKER
C24 = LASER	H = VOYAGER	V = 600
D = ARIES	K = MINI RAM/CARAVAN/ROYAL	V24 = DAYTONA
E = 600	M = HORIZON/TURISMO	Z = OMNI/CHARGER/RAMPAGE

BODY STYLES

21 = 2-DOOR SEDAN	28 = FWD PICKUP	44 = 4-DOOR HATCHBACK
22 = 2-DOOR SPECIAL COUPE	35 = FWD VAN	45 = 4-DOOR STATION WAGON
24 = 2-DOOR HATCHBACK	36 = FWD WAGON	48 = 4-DOOR EXECUTIVE SEDAN
27 = 2-DOOR CONVERTIBLE	41 = 4-DOOR SEDAN	

AR = Use as Required - = Non Illustrated Part P.A.R. = Paint as Required

SERVICE BULLETINS GROUP 6 - CLUTCH
Figure 18-600

ITEM	PART NUMBER	QTY	BODY	MODEL	DESCRIPTION
					Neutral Gear Rattle 6-6-85 NLKEGH Body N N N
	4377 521				DISC N N N N w/Turbo N N Y4377521 Y4377521
	4377 472				Ram Van, Caravan, Voyager, w/2.2L Engine N N Y4377472 Y4377472

ILLUSTRATION NOT AVAILABLE AT TIME OF PUBLICATION

MODEL CODES

B = GRAN FURY	F = FIFTH AVENUE/NEWPORT	P = RELIANT
C = LEBARON/TOWN & COUNTRY/EXC SEDAN	G = DIPLOMAT	T = E CLASS/NEW YORKER
C24 = LASER	H = VOYAGER	V = 600
D = ARIES	K = MINI RAM/CARAVAN/ROYAL	V24 = DAYTONA
E = 600	M = HORIZON/TURISMO	Z = OMNI/CHARGER/RAMPAGE

BODY STYLES

21 = 2-DOOR SEDAN	28 = FWD PICKUP	44 = 4-DOOR HATCHBACK
22 = 2-DOOR SPECIAL COUPE	35 = FWD VAN	45 = 4-DOOR STATION WAGON
24 = 2-DOOR HATCHBACK	36 = FWD WAGON	48 = 4-DOOR EXECUTIVE SEDAN
27 = 2-DOOR CONVERTIBLE	41 = 4-DOOR SEDAN	

AR = Use as Required - = Non Illustrated Part P.A.R. = Paint as Required

SERVICE BULLETINS GROUP 8 - ELECTRICAL
Figure 18-800

ILLUSTRATION NOT AVAILABLE AT TIME OF PUBLICATION

ITEM	PART NUMBER	QTY	BODY	MODEL	DESCRIPTION
					Instrument Cluster/Odometer Chip Service 8-1-84 NE,G Body N N N
	4342 218				CHIP PACKAGE, Odometer NVM N N Y4342218 Y4342218 N N N N
					Coolant Sensor Connector Improvement 8-2-84 NLKEGS Body N N N
	4304 938				CONNECTOR, Coolant Temp Sensor N N Y4304938 Y4304938 N N N N
					Poor Radio Reception in FM Mode 8-7-85 NE,G,H Body N N N
	4374 085				SUPPRESSION PACKAGE, G and H Body N N Y4374085 Y4374085
	4374 075				MODULE, Noise Suppression N N Y4374075 NS Pkg.
	9414 711				SCREW, Self-Tapping 3/8" N N Y9414711 NDNS
	4374 086				SUPPRESSION PACKAGE, E Body N N Y4374086 Y4374086
	4374 077				MODULE, Noise Suppression N N Y4374077 NS PKG
	9414 711				SCREW, Self-Tapping 3/8" N N Y9414711 NDNS N N N N
					Electronic Component Malfunction 8-9-84 NE Body N2.6L N N STRAP, Tie N N Y6015756 Y6015756
	6015 756				N N N N
					Intermittent Tachometer Operation 8-14-84 NL Body N N N BOARD, Printed Circuit N N Y4051899 Y4051899 N N N N
	4124 686				Intermittent Loss of Power 8-16-84 NL Body N N N
	4124 687				INSULATOR, Male (Purple) N N Y4124686 Y4124686
	4274 267				INSULATOR, Female (Purple) N N Y4124687 Y4124687
	3843 754				INSULATOR, Male (Natural) N N Y4274267 Y4274267
	4318 063				INSULATOR, Female (Natural) N N Y3843754 Y3843754 GREASE N N Y4318063 Y4318063 N N N N
					Radio Noise While Playing Cassette Tapes 8-24-84 NE Body N N N
	4364 472				OVERLAY PACKAGE, Wiring N N Y4364472 Y4364472
	4331 839				OVERLAY, Wiring N N Y4331839 Y4331839
	6015 328				CLIPS N N Y6015328 NDNS
	4274 258				TAPE, Foam N N Y4274258 NS PKG

MODEL CODES

B = GRAN FURY	F = FIFTH AVENUE/NEWPORT	P = RELIANT
C = LEBARON/TOWN & COUNTRY/EXC SEDAN	G = DIPLOMAT	T = E CLASS/NEW YORKER
C24 = LASER	H = VOYAGER	V = 600
D = ARIES	K = MINI RAM/CARAVAN/ROYAL	V24 = DAYTONA
E = 600	M = HORIZON/TURISMO	Z = OMNI/CHARGER/RAMPAGE

BODY STYLES

21 = 2-DOOR SEDAN	28 = FWD PICKUP	44 = 4-DOOR HATCHBACK
22 = 2-DOOR SPECIAL COUPE	35 = FWD VAN	45 = 4-DOOR STATION WAGON
24 = 2-DOOR HATCHBACK	36 = FWD WAGON	48 = 4-DOOR EXECUTIVE SEDAN
27 = 2-DOOR CONVERTIBLE	41 = 4-DOOR SEDAN	

AR = Use as Required - = Non Illustrated Part P.A.R. = Paint as Required

SERVICE BULLETINS GROUP 8 - ELECTRICAL
Figure 18-800

ITEM	PART NUMBER	QTY	BODY	MODEL	DESCRIPTION
					N N N N
					Radio Noise from Warning Buzzer on AM Band 8-26-84 NALL
					N N N
	4221 730				BUZZER, Warning N N Y4221730 N4373067
	4373 067				BUZZER, Warning N N N4221730 Y4373067

ILLUSTRATION NOT AVAILABLE AT TIME OF PUBLICATION

MODEL CODES
 B = GRAN FURY
 C = LEBARON/TOWN & COUNTRY/EXC SEDAN
 C24 = LASER
 D = ARIES
 E = 600
 F = FIFTH AVENUE/NEWPORT
 G = DIPLOMAT
 H = VOYAGER
 K = MINI RAM/CARAVAN/ROYAL
 M = HORIZON/TURISMO
 P = RELIANT
 T = E CLASS/NEW YORKER
 V = 600
 V24 = DAYTONA
 Z = OMNI/CHARGER/RAMPAGE

BODY STYLES
 21 = 2-DOOR SEDAN
 22 = 2-DOOR SPECIAL COUPE
 24 = 2-DOOR HATCHBACK
 27 = 2-DOOR CONVERTIBLE
 28 = FWD PICKUP
 35 = FWD VAN
 36 = FWD WAGON
 41 = 4-DOOR SEDAN
 44 = 4-DOOR HATCHBACK
 45 = 4-DOOR STATION WAGON
 48 = 4-DOOR EXECUTIVE SEDAN

AR = Use as Required - = Non Illustrated Part P.A.R. = Paint as Required

SERVICE BULLETINS GROUP 9 - ENGINE
Figure 18-900

ITEM	PART NUMBER	QTY	BODY	MODEL	DESCRIPTION
					Undersized Crank-to-Torque Converter Adapter 9-1-84 NALL N2.6L N N
	MD02 4893				ADAPTER N N YMD024893 YMD024893 N N N N Timing Belt Skipping Due to Snow Intrusion 9-2-84 NALL N2.2L N N
	4293 186				SEALING PACKAGE N N Y4293186 Y4293186 N N N N Moan or Drone at 1600-2100 RPM 9-2-86 NM Body N5.2L N N
	4412 542				WEIGHT, Damper N N Y4412542 Y4412542
	3681 618				PLATE N N Y3681618 Y3681618
	6032 046				WASHER N N Y6032046 Y6032046
	6032 047				SCREW N N Y6032047 Y6032047 N N N N START UP KNOCK 9-9-84 NALL N2.6L N N
	MD08 4945				SPACER N N YMD084945 YMD084945 N N N N Valve Rocker Arm Breakage 9-11-84 NM Body N5.2L,5.9L N N
	4100 774				ARM, Rocker N N Y4100774 Y4100774
	4100 775				ARM, Rocker N N Y4100775 Y4100775 N N N N Use of 5w-30 Engine Oil 9-17-85 NALL NALL N N
	4318 075				OIL, 5w-30 SF/CC (quart) N N Y4318075 Y4318075
	4318 076				OIL, 5w-30 SF/CC (drum) N N Y4318076 Y4318076

ILLUSTRATION NOT AVAILABLE AT TIME OF PUBLICATION

MODEL CODES

B = GRAN FURY	F = FIFTH AVENUE/NEWPORT	P = RELIANT
C = LEBARON/TOWN & COUNTRY/EXC SEDAN	G = DIPLOMAT	T = E CLASS/NEW YORKER
C24 = LASER	H = VOYAGER	V = 600
D = ARIES	K = MINI RAM/CARAVAN/ROYAL	V24 = DAYTONA
E = 600	M = HORIZON/TURISMO	Z = OMNI/CHARGER/RAMPAGE

BODY STYLES

21 = 2-DOOR SEDAN	28 = FWD PICKUP	44 = 4-DOOR HATCHBACK
22 = 2-DOOR SPECIAL COUPE	35 = FWD VAN	45 = 4-DOOR STATION WAGON
24 = 2-DOOR HATCHBACK	36 = FWD WAGON	48 = 4-DOOR EXECUTIVE SEDAN
27 = 2-DOOR CONVERTIBLE	41 = 4-DOOR SEDAN	

AR = Use as Required - = Non Illustrated Part P.A.R. = Paint as Required

SERVICE BULLETINS GROUP 11 - EXHAUST
Figure 18-1100

ITEM	PART NUMBER	QTY	BODY	MODEL	DESCRIPTION
					Exhaust Joint Flex Squeak 11-1-84 NL,K,E Body N N N
	4301 350				RING, Exhaust Seal N N Y4301350 Y4301350 N N N N
					Exhaust Flex Joint Squeak/Leakage 11-1-85 NL,K,E,H BodyNTurbo N N
	4301 436				RING, Exhaust Seal N N Y4301436 Y4301436 N N N N
	6100 233				Exhaust Joint Flex Squeak 11-2-85 NS Body N2.6L N N WASHER, Cone N N Y6100233 Y6100233
	5217 003				BOLT N N Y5217003 Y5217003
	6100 499				NUT N N Y6100499 Y6100499

ILLUSTRATION NOT AVAILABLE AT TIME OF PUBLICATION

MODEL CODES
 B = GRAN FURY
 C = LEBARON/TOWN & COUNTRY/EXC SEDAN
 C24 = LASER
 D = ARIES
 E = 600
 F = FIFTH AVENUE/NEWPORT
 G = DIPLOMAT
 H = VOYAGER
 K = MINI RAM/CARAVAN/ROYAL
 M = HORIZON/TURISMO
 P = RELIANT
 T = E CLASS/NEW YORKER
 V = 600
 V24 = DAYTONA
 Z = OMNI/CHARGER/RAMPAGE

BODY STYLES
 21 = 2-DOOR SEDAN
 22 = 2-DOOR SPECIAL COUPE
 24 = 2-DOOR HATCHBACK
 27 = 2-DOOR CONVERTIBLE
 28 = FWD PICKUP
 35 = FWD VAN
 36 = FWD WAGON
 41 = 4-DOOR SEDAN
 44 = 4-DOOR HATCHBACK
 45 = 4-DOOR STATION WAGON
 48 = 4-DOOR EXECUTIVE SEDAN

AR = Use as Required - = Non Illustrated Part P.A.R. = Paint as Required

SERVICE BULLETINS GROUP 14 - FUEL
Figure 18-1400

ILLUSTRATION NOT AVAILABLE AT TIME OF PUBLICATION

ITEM	PART NUMBER	QTY	BODY	MODEL	DESCRIPTION
					Fuel Pressure Regulator Clicking Noise 14-1-84 NE,G,K Body NTurbo N N
	4293 899				BRACKET, Fuel Pressure Regulator N N Y4293899 Y4293899 N N N N
					Gurgling Sound from Inside Fuel Tank 14-2-85 NS Body N N
	4279 936				VALVE, T-Shaped Check N N Y4279936 Y4279936 N N N N
	4293 900				Spark Knock on Acceleration 14-3-84 NL,K,E Body N2.2L N N
	4275 688				DRIVEABILITY PACKAGE N N Y4293900 Y4293900 VALVE, 1.5" Vacuum Reducer N N Y4275688 NS Pkg. PAD, Foam N N N NS pkg. WRAP, Tie N N N NS Pkg.
	4179 824				LABEL, Hose Routing N N Y4179824 NDNS N N N N
					Long Crank/Rough Idle (After Hot Restart) 14-3-85 NE,G,H,K BodyNTurbo N N
	4307 245				SPACER, Fuel Rail N N Y4307245 Y4307245 N N N N
					Fuel Dischargeing from Vapor Canister 14-5-85 NK,E Body N2.6L N N
	4104 998				CONNECTOR, 3/16" Hose N N Y4104998 Y4104998
	4203 106				HOSE, 16" Length of 3/16" Fuel N N Y4203106 Y4203106
	6015 756				STRAP, Tie N N Y6015756 Y6015756 N N N N
					Slow Rough Idle After Hot Restart or w/A/C on 14-7-84 NL,K Body N2.2L N N
	4293 882				SOLEKICKER PACKAGE N N Y4293882 Y4293882 SOLEKICKER, .040 Stroke N N N NS Pkg.
	4124 686				INSULATOR N N Y4124686 Y4124686 SCREW, Throttle Stop Speed N N N NS Pkg. SPRING, Throttle Stop Speed Screw N N N NS Pkg. WARP, Tie N N N NS Pkg.
	4293 881				SOLEKICKER PACKAGE N N Y4293881 N4342794 SOLEKICKER, .055 Stroke N N N NS Pkg.
	4124 686				INSULATOR N N Y4124686 Y4124686 SCREW, Throttle Speed Stop N N N NS Pkg. SPRING, Throttle Stop Speed Screw N N N NS Pkg.

MODEL CODES

B = GRAN FURY	F = FIFTH AVENUE/NEWPORT	P = RELIANT
C = LEBARON/TOWN & COUNTRY/EXC SEDAN	G = DIPLOMAT	T = E CLASS/NEW YORKER
C24 = LASER	H = VOYAGER	V = 600
D = ARIES	K = MINI RAM/CARAVAN/ROYAL	V24 = DAYTONA
E = 600	M = HORIZON/TURISMO	Z = OMNI/CHARGER/RAMPAGE

BODY STYLES

21 = 2-DOOR SEDAN	28 = FWD PICKUP	44 = 4-DOOR HATCHBACK
22 = 2-DOOR SPECIAL COUPE	35 = FWD VAN	45 = 4-DOOR STATION WAGON
24 = 2-DOOR HATCHBACK	36 = FWD WAGON	48 = 4-DOOR EXECUTIVE SEDAN
27 = 2-DOOR CONVERTIBLE	41 = 4-DOOR SEDAN	

AR = Use as Required - = Non Illustrated Part P.A.R. = Paint as Required

SERVICE BULLETINS GROUP 14 - FUEL
Figure 18-1400

ILLUSTRATION NOT AVAILABLE AT TIME OF PUBLICATION

ITEM	PART NUMBER	QTY	BODY	MODEL	DESCRIPTION
					WRAP, Tie N N N NS Pkg. N N N N
					Noisy Throttle Vacuum Solenoid 14-14-85 NL,S Body N2.2L N N
	4342 844				SOLENOID, L Body N N Y4342844 Y4342844
	4342 843				SOLENOID, S Body N N Y4342843 Y4342843 N N N N
					Lack of Power During Cold Weather Operation 14-17-85 NS Body N2.6L N N
	4342 923				SENSOR PACKAGE, Air Cleaner Temp N N Y4342923 Y4342923 SENSOR, Air Cleaner Temp N N N NS Pkg. GASKET, Air Cleaner Temp Sensor N N N NS Pkg.
	4201 385				NUT, Temp Sensor Push N N N NS Pkg. VALVE, Heated Air Delay N N Y4201385 Y4201385 MOTOR, Air Cleaner Vacuum N N N NS Pkg.
	MD08 9793				COVER, Exhaust Manifold N N YMD089793 YMD089793
	MD09 0483				BOLT, w/WASHER N N YMD090483 YMD090483
	MD09 0483				COWL, Heat N N YMD090483 YMD090483
	6031 596				RIVET, Pop 5/32" N N Y6031596 NS Pkg.
	4300 376				VALVE, Aspirator N N Y4300376 Y4300376
	4179 642				LABEL, Hose Routing N N Y4179642 Y4179642
	4179 834				LABEL, Hose Routing N N Y4179834 Y4179834 N N N N
					Lack of Power During Cold Weather Operation 14-18-84 NS BODY N2.6L N N
	4342 774				SENSOR PACKAGE, Air Cleaner Temp N N N4342774 Y4342774
	0000 OSP				GASKET, Air Cleaner Temp Sensor N N N YS Pkg.
	6031 147				CLIP N N N6031147 Y6031147 SENSOR N N N NS Pkg.
	4201 385				VALVE, Vacuum Delay N N N4201385 Y4201385 SHEET, Instruction N N N NS Pkg.
					N N N N Oil in Air Filter Box 14-18-85 NLKEGHS Body N N N VALVE, Hi Flow PCV N N N5214088 Y5214088 N N N Y
	5214 088				Rough Fast Idle/Sag on Acceleration NM Body N5.2L N N

MODEL CODES

B = GRAN FURY	F = FIFTH AVENUE/NEWPORT	P = RELIANT
C = LEBARON/TOWN & COUNTRY/EXC SEDAN	G = DIPLOMAT	T = E CLASS/NEW YORKER
C24 = LASER	H = VOYAGER	V = 600
D = ARIES	K = MINI RAM/CARAVAN/ROYAL	V24 = DAYTONA
E = 600	M = HORIZON/TURISMO	Z = OMNI/CHARGER/RAMPAGE

BODY STYLES

21 = 2-DOOR SEDAN	28 = FWD PICKUP	44 = 4-DOOR HATCHBACK
22 = 2-DOOR SPECIAL COUPE	35 = FWD VAN	45 = 4-DOOR STATION WAGON
24 = 2-DOOR HATCHBACK	36 = FWD WAGON	48 = 4-DOOR EXECUTIVE SEDAN
27 = 2-DOOR CONVERTIBLE	41 = 4-DOOR SEDAN	

AR = Use as Required - = Non Illustrated Part P.A.R. = Paint as Required

SERVICE BULLETINS GROUP 14 - FUEL
Figure 18-1400

ILLUSTRATION NOT AVAILABLE AT TIME OF PUBLICATION

ITEM	PART NUMBER	QTY	BODY	MODEL	DESCRIPTION
	4342 778				DRIVEABILITY PACKAGE, Cold Improvement N N N4342778 Y4342778
	4041 235				SWITCH, Cold Vacuum - 3 Port N N N4041235 Y4041235 HARNESS, Vacuum Hose N N N NS Pkg. N N N N
	4419 111				Component Serv of EFI Throttle Body 14-24-85 NAll NEFI N N
	4241 499				BODY, Main N N N4419111 Y4419111
	4275 905				HEAD, Pressure N N N4241499 Y4241499
	4287 316				BRACKET, Potentiometer N N N4275905 Y4275905
	4306 154				FITTING PACKAGE, Hose N N N4287316 Y4287316
	4275 985				SPRING, Throttle Return N N N4306154 Y4306154
	4275 991				INJECTOR PACKAGE N N N4275985 Y4275985
	4287 712				O-RING PACKAGE N N N4275991 Y4275991
	4287 714				MOTOR, AIS N N N4287712 Y4287712
	4287 730				O-RING PACKAGE, AIS Motor N N N4287714 Y4287714
	4287 320				HOUSING PACKAGE, AIS Motor N N N4287730 Y4287730
	4287 324				REGULATOR PACKAGE, Pressure N N N4287320 Y4287320
	5227 597				HOSE and SEAL PACKAGE, Pressure Regulator N N N4287324 Y4287324
	4275 531				POTENTIOMETER PACKAGE N N N4287743 Y5227597
	4287 749				GASKET, Throttle Body to Manifold N N N4275531 Y4275531
	4275 586				WIRE, Ground N N N4287749 Y4287749 N N N N Warm Surge 14-25-84 NS Body N2.2L N N
	4342 770				ORIFICE, Purge N N N4275586 Y4275586 N N N N Part Throttle Loss of Power 14-26-84 NK,E Body N2.6L N N
	MD08 2907				DRIVEABILITY PACKAGE N N N4342770 Y4342770
	MD60 8135				BLOCK and GASKET PACKAGE, Primary Jet N N NMD082907 YMD082907
	MD60 8003				GASKET, Float Chamber Cover N N NMD608135 YMD608135
	MD02 5344				JET, Enrichment N N NMD608003 YMD608003
	MD60 6799				OVERLAY, Vacuum Harness N N N NS Pkg. LABEL, Hose Routing Calif. Pass Car N N N NS Pkg. GASKET, Carb. Flange N N NMD025344 YMD025344 SCREW PACKAGE, Choke Cover N N NMD606797 YMD606799

MODEL CODES

B = GRAN FURY	F = FIFTH AVENUE/NEWPORT	P = RELIANT
C = LEBARON/TOWN & COUNTRY/EXC SEDAN	G = DIPLOMAT	T = E CLASS/NEW YORKER
C24 = LASER	H = VOYAGER	V = 600
D = ARIES	K = MINI RAM/CARAVAN/ROYAL	V24 = DAYTONA
E = 600	M = HORIZON/TURISMO	Z = OMNI/CHARGER/RAMPAGE

BODY STYLES

21 = 2-DOOR SEDAN	28 = FWD PICKUP	44 = 4-DOOR HATCHBACK
22 = 2-DOOR SPECIAL COUPE	35 = FWD VAN	45 = 4-DOOR STATION WAGON
24 = 2-DOOR HATCHBACK	36 = FWD WAGON	48 = 4-DOOR EXECUTIVE SEDAN
27 = 2-DOOR CONVERTIBLE	41 = 4-DOOR SEDAN	

AR = Use as Required - = Non Illustrated Part P.A.R. = Paint as Required

SERVICE BULLETINS GROUP 14 - FUEL
Figure 18-1400

ITEM	PART NUMBER	QTY	BODY	MODEL	DESCRIPTION
					N N N N Fuel Filler Tube Spitback During Fuel Fill 14-33-84 NS Body N
	4279 985				N N TUBE, Fuel Filler, Unleaded Gas N N N4279985 Y4279985 N N N N
	4300 907				Off Idle Sag 14-36-84 NG,E Body NEFI N N ORIFICE, Purge N N N4300907 Y4300907 N N N N
	4342 804				Surge and Decel Bucking 14-39-84 NM Body N5.2L N N DRIVEABILITY PACKAGE N N N4342804 Y4342804
	4104 184				VALVE, Vacuum Bleed Off N N N4104184 Y4104184
	4091 910				VALVE, Vacuum Reducer N N N4091910 Y4091910
	4202 672				SPRING, Trans Lock-Up N N N4202672 Y4202672
	4241 296				REDUCER, 3/16" to 1/8" Vacuum Hose N N N3870264 Y4241296
	4095 987				CONNECTOR, F-Shaped Vacuum N N N4095987 Y4095987 WARP, Tie N N N NS Pkg.
	4203 640				N N N N Fuel Pressure Regulator Clicking Noise 14-47-84 NE,K,G Body NTurbo N N DAMPER PACKAGE N N N4203640 Y4203640
	6500 650				DAMPER, w/HOSE N N N4203639 NS Pkg. CLAMP N N N6500650 Y6500650 N N N N
	4173 433				Long Crank Time/Die Out-Cold Start 14-48-83 NL,K Body N2. 2L N N VALVE PACKAGE, Choke Vacuum Delay N N N N Federal and High Altitude N N N4293889 N4293889 VALVE, 4-Second Vacuum Delay N N N4173433 Y4173433
	4293 890				LABEL, Vacuum Hose Routing N N N4307495 NDNS California N N N4293890 Y4293890
	4173 433				VALVE, 4-Second Vacuum Delay N N N4173433 Y4173433 LABEL, Vacuum Hose Routing N N N4307496 NDNS
	4318 148				N N N N Fuel Foaming 14-48-84 NL,K,E Body N N N FAN PACKAGE, After-Run Radiator, w/2.2L N N N4318148 Y4318148

ILLUSTRATION NOT AVAILABLE AT TIME OF PUBLICATION

MODEL CODES

B = GRAN FURY	F = FIFTH AVENUE/NEWPORT	P = RELIANT
C = LEBARON/TOWN & COUNTRY/EXC SEDAN	G = DIPLOMAT	T = E CLASS/NEW YORKER
C24 = LASER	H = VOYAGER	V = 600
D = ARIES	K = MINI RAM/CARAVAN/ROYAL	V24 = DAYTONA
E = 600	M = HORIZON/TURISMO	Z = OMNI/CHARGER/RAMPAGE

BODY STYLES

21 = 2-DOOR SEDAN	28 = FWD PICKUP	44 = 4-DOOR HATCHBACK
22 = 2-DOOR SPECIAL COUPE	35 = FWD VAN	45 = 4-DOOR STATION WAGON
24 = 2-DOOR HATCHBACK	36 = FWD WAGON	48 = 4-DOOR EXECUTIVE SEDAN
27 = 2-DOOR CONVERTIBLE	41 = 4-DOOR SEDAN	

AR = Use as Required - = Non Illustrated Part P.A.R. = Paint as Required

SERVICE BULLETINS GROUP 14 - FUEL
Figure 18-1400

ILLUSTRATION NOT AVAILABLE AT TIME OF PUBLICATION

ITEM	PART NUMBER	QTY	BODY	MODEL	DESCRIPTION
					HOSE PACKAGE, Vapor Canister Vent, w/2.2L Engine N N N N
	4342 763				Turismo/Charger/024/TC3 N N N4342763 Y4342763
	4300 989				HOSE, Molded Vacuum N N N4300989 Y4300989
					CAP, Vacuum Hose N N N4041910 N4041910
	4201 385				CLAMP N N N6030541 NS Pkg. VALVE, Vacuum Delay N N N4201385 Y4201385
	4293 897				LABEL, Calif. Hose Routing N N N4307522 NS Pkg. Scamp/Rampage N N N4293897 Y4293897
	5214 560				HOSE, Molded Vacuum N N N4041919 Y5214560
	4041 910				CAP, Vacuum Hose N N N4041910 Y4041910
	6030 541				CLAMP N N N6030541 Y6030541
	4342 821				RESERVOIR PACKAGE, Fuel, w/2.2L Engine N N N N Omni/Horizon/Charger/Turismo/Rampage N N N4342821 Y4342821
	4293 887				Aries/Reliant/LeBaron/Dodge 400/E Class/Dodge600/New Yorker (FWD) N N N4293887 Y4293887
	4293 878				FAN PACKAGE, After Run Radiator, w/2.6L Engine, exc. Carvan /Voyager/Ram Van N N N4318149 N4318149 RESERVOIR PACKAGE, Fuel, w/2.6L Engine N N N4293878 Y4293878
	4279 603				N N N N Sag on Hard Left Turn 14-49-84 NE,K,G Body NEFI & TC N N TANK, Fuel N N N4279603 Y4279603
	4051 663				UNIT, Fuel Sending N N N4051866 Y4051663
	1948 757				SEAL, Sending Unit N N N1948757 Y1948757
	4279 366				HOSE, Fuel Return Tube to Tank N N N4279366 Y4279366
	6500 650				CLAMP, Return Hose 1/4" N N N6500650 Y6500650
	6500 651				CLAMP, Supply Hose 5/16" N N N6500651 Y6500651
	4173 433				N N N N Hard Cold Start and Die Out After Cold Start 14-50-83 NL,S Body N2.2L N N VALVE, 4 Second Vacuum Delay N N N4173433 Y4173433
	4342 903				N N N N Part Throttle Loss of Power, Cold Drive Sag 14-50-84 NK,E Body N2.6L N N DRIVEABILITY PACKAGE N N N4342903 Y4342903

MODEL CODES

B = GRAN FURY	F = FIFTH AVENUE/NEWPORT	P = RELIANT
C = LEBARON/TOWN & COUNTRY/EXC SEDAN	G = DIPLOMAT	T = E CLASS/NEW YORKER
C24 = LASER	H = VOYAGER	V = 600
D = ARIES	K = MINI RAM/CARAVAN/ROYAL	V24 = DAYTONA
E = 600	M = HORIZON/TURISMO	Z = OMNI/CHARGER/RAMPAGE

BODY STYLES

21 = 2-DOOR SEDAN	28 = FWD PICKUP	44 = 4-DOOR HATCHBACK
22 = 2-DOOR SPECIAL COUPE	35 = FWD VAN	45 = 4-DOOR STATION WAGON
24 = 2-DOOR HATCHBACK	36 = FWD WAGON	48 = 4-DOOR EXECUTIVE SEDAN
27 = 2-DOOR CONVERTIBLE	41 = 4-DOOR SEDAN	

AR = Use as Required - = Non Illustrated Part P.A.R. = Paint as Required

SERVICE BULLETINS GROUP 14 - FUEL
Figure 18-1400

ITEM	PART NUMBER	QTY	BODY	MODEL	DESCRIPTION
	MD08 2907				BLOCK and GASKET PACKAGE, Primary Jet N N NMD082907 YMD082907
	MD60 8639				GASKET, Float Chamber Cover N N NMD608639 YMD608639
	MD02 5344				GASKET, Carburetor Flange N N NMD025344 YMD025344
	MD60 6977				SCREW PACKAGE, Choke Cover N N NMD606977 YMD606977
	MD08 1274				VALVE, Thermo - 3 Port N N NMD081274 YMD081274 HARNES, Thermo Valve Vacuum Hose N N NMD084688 NS Pkg.
	5214 088				N N N N Oil in Air Filter Box 14-55-84 NL,K,S Body N2.2L N N VALVE, Hi-Flow PCV N N N5214088 Y5214088

ILLUSTRATION NOT AVAILABLE AT TIME OF PUBLICATION

MODEL CODES

B = GRAN FURY	F = FIFTH AVENUE/NEWPORT	P = RELIANT
C = LEBARON/TOWN & COUNTRY/EXC SEDAN	G = DIPLOMAT	T = E CLASS/NEW YORKER
C24 = LASER	H = VOYAGER	V = 600
D = ARIES	K = MINI RAM/CARAVAN/ROYAL	V24 = DAYTONA
E = 600	M = HORIZON/TURISMO	Z = OMNI/CHARGER/RAMPAGE

BODY STYLES

21 = 2-DOOR SEDAN	28 = FWD PICKUP	44 = 4-DOOR HATCHBACK
22 = 2-DOOR SPECIAL COUPE	35 = FWD VAN	45 = 4-DOOR STATION WAGON
24 = 2-DOOR HATCHBACK	36 = FWD WAGON	48 = 4-DOOR EXECUTIVE SEDAN
27 = 2-DOOR CONVERTIBLE	41 = 4-DOOR SEDAN	

AR = Use as Required - = Non Illustrated Part P.A.R. = Paint as Required

SERVICE BULLETINS GROUP 18 - DRIVEABILITY
Figure 18-1800

ITEM	PART NUMBER	QTY	BODY	MODEL	DESCRIPTION
					Power Loss Lamp Comes on at Start Up 18-2-85 NG,E Body NEFI N N INTERRUPTION PACKAGE, Ignition Switch Fix N N N4397614 N4419151 WIRING, w/RELAY N N N4331865 NS Pkg.
	4339 495				WIRING, Interruption N N N4304998 NS Pkg. RELAY N N N4221576 Y4339495
	4331 924				DIODE, Wiring Jumper N N N4331924 Y4331924
	6032 114				SCREW, Ground N N N6032114 Y6032114
	6032 473				SCREW, Relay Attachment N N N6032473 Y6032473 N N N N
	4342 917				Vapor Lock/Fuel Foaming 18-3-85 NK Body N2.2L N N DRIVEABILITY PACKAGE N N N4342917 Y4342917
	5226 640				MODULE, Control N N N5226640 Y5226640
	6015 756				WRAP, Tie N N N6015756 Y6015756 HARNESS, Jumper N N N4209344 NDNS
	4331 801				HARNESS, Instrument Panel Overlay N N N4331801 Y4331801
	4304 992				HARNESS, Engine Compartment Overlay N N N4304992 Y4304992
	4331 855				HARNESS, Body Overlay N N N4331855 Y4331855
	4331 122				HARNESS, Sending Unit Jumper N N N4331122 Y4331122
	6023 201				NUT, Instrument Panel Ground N N N6023201 Y6023201
	6101 135				FUSE, 10 AMP N N N6101135 Y6101135 TANK, Fuel Complete N N N4203720 NSCP
	4279 653				TANK, Fuel N N N4279653 Y4279653
	5217 578				GROMMET, Fuel Tank to Filler Tube N N N5217578 Y5217578
	4002 149				GROMMET, Fuel Tank to Rollover Valve N N N4002149 Y4002149
	4279 445				RETAINER, Fuel Pump and Level Unit N N N4279445 Y4279445
	4397 829				PUMP and LEVEL UNIT N N N4203718 NSCP PUMP and SEAL PACKAGE N N N4397829 Y4397829
	4397 830				LEVEL UNIT and SEAL PACKAGE N N N4397830 Y4397830
	4397 832				FILTER and SEAL PACKAGE, Fuel Pump N N N4397832 Y4397832
	4288 337				RESERVOIR/FILTER, Fuel N N N4288337 Y4288337

ILLUSTRATION NOT AVAILABLE AT TIME OF PUBLICATION

MODEL CODES

B = GRAN FURY	F = FIFTH AVENUE/NEWPORT	P = RELIANT
C = LEBARON/TOWN & COUNTRY/EXC SEDAN	G = DIPLOMAT	T = E CLASS/NEW YORKER
C24 = LASER	H = VOYAGER	V = 600
D = ARIES	K = MINI RAM/CARAVAN/ROYAL	V24 = DAYTONA
E = 600	M = HORIZON/TURISMO	Z = OMNI/CHARGER/RAMPAGE

BODY STYLES

21 = 2-DOOR SEDAN	28 = FWD PICKUP	44 = 4-DOOR HATCHBACK
22 = 2-DOOR SPECIAL COUPE	35 = FWD VAN	45 = 4-DOOR STATION WAGON
24 = 2-DOOR HATCHBACK	36 = FWD WAGON	48 = 4-DOOR EXECUTIVE SEDAN
27 = 2-DOOR CONVERTIBLE	41 = 4-DOOR SEDAN	

AR = Use as Required - = Non Illustrated Part P.A.R. = Paint as Required

SERVICE BULLETINS GROUP 18 - DRIVEABILITY
Figure 18-1800

ILLUSTRATION NOT AVAILABLE AT TIME OF PUBLICATION

ITEM	PART NUMBER	QTY	BODY	MODEL	DESCRIPTION
	4306 932				BRACKET, w/GASKET, Fuel Reservoir N N N4306932 Y4306932
	6100 047				NUT, Reservoir Mounting N N N6100047 Y6100047
	4275 325				COVER, Fuel Pump Pad N N N4275325 Y4275325
	5214 680				GASKET, Fuel Pump Pad N N N5214680 Y5214680
	6500 799				SCREW, w/WASHER N N N6500799 Y6500799
	4279 175				STRAP, Fuel Tank, Left, 14 Gal. N N N4279175 Y4279175
	4279 174				STRAP, Fuel Tank, Right, 14 Gal. N N N4279174 Y4279174
	4185 506				PAD, Fuel Tank Positioning N N N4185506 Y4185506
					INSULATOR, Fuel Tank to Floor Pan, Front N N N4185395 NDNS
					INSULATOR, Fuel Tank to Floor Pan, Right N N N4279340 NDNS
	6500 651				CLAMP, Hose 5/16" N N N6500651 Y6500651
	6500 650				CLAMP, Hose 1/4" N N N6500650 Y6500650
	4307 233				REGULATOR, Fuel Pressure N N N4307233 Y4307233
	4306 973				BRACKET, Fuel Pressure Regulator N N N4306973 Y4306973
					SCREW, Self-Tapping, Bracket to Body N N N6031991 NDNS
	6033 066				SCREW, Self-Tapping, Pressure Regulator to Bracket N N N6033066 Y6033066
	4203 837				HOSE, Fuel Supply, Chassis Line to Pressure Regulator 14" N N N4203837 Y4203837
	4203 838				HOSE, Fuel Supply, Pressure Regulator to Reservoir, 21" N N N4203838 Y4203838
					TEMPLATE, Pressure Regulator Bracket N N N4275240 NDNS
	4203 535				HOSE, Fuel Reservoir, Return 14" N N N4203535 Y4203535
	6032 114				SCREW, Self-Tapping, Ground N N N6032114 Y6032114 N N N N
					Vapor Lock/Fuel Foaming 18-4-86 NK,E Body N2.2L N N
	4342 917				DRIVEABILITY PACKAGE N N N4342917 Y4342917
	5226 640				MODULE, Control N N N5226640 Y5226640
	6015 756				WRAP, Tie N N N6015756 Y6015756
					HARNESS, Jumper N N N4209344 NDNS
	4331 801				HARNESS, Instrument Panel Overlay N N N4331801 Y4331801
	4304 992				HARNESS, Engine Compartment Overlay N N N4304992 Y4304992
	4331 855				HARNESS, Body Overlay N N N4331855 Y4331855

MODEL CODES

B = GRAN FURY	F = FIFTH AVENUE/NEWPORT	P = RELIANT
C = LEBARON/TOWN & COUNTRY/EXC SEDAN	G = DIPLOMAT	T = E CLASS/NEW YORKER
C24 = LASER	H = VOYAGER	V = 600
D = ARIES	K = MINI RAM/CARAVAN/ROYAL	V24 = DAYTONA
E = 600	M = HORIZON/TURISMO	Z = OMNI/CHARGER/RAMPAGE

BODY STYLES

21 = 2-DOOR SEDAN	28 = FWD PICKUP	44 = 4-DOOR HATCHBACK
22 = 2-DOOR SPECIAL COUPE	35 = FWD VAN	45 = 4-DOOR STATION WAGON
24 = 2-DOOR HATCHBACK	36 = FWD WAGON	48 = 4-DOOR EXECUTIVE SEDAN
27 = 2-DOOR CONVERTIBLE	41 = 4-DOOR SEDAN	

AR = Use as Required - = Non Illustrated Part P.A.R. = Paint as Required

SERVICE BULLETINS GROUP 18 - DRIVEABILITY
Figure 18-1800

ILLUSTRATION NOT AVAILABLE AT TIME OF PUBLICATION

ITEM	PART NUMBER	QTY	BODY	MODEL	DESCRIPTION
	4331 122				HARNES, Sending Unit Jumper N N N4331122 Y4331122
	6023 201				NUT, Instrument Panel Ground N N N6023201 Y6023201
	6101 135				FUSE, 10 AMP N N N6101135 Y6101135
	4279 653				TANK, Fuel Complete N N N4203720 NSCP TANK, Fuel N N N4279653 Y4279653
	5217 578				GROMMET, Fuel Tank to Filler Tube N N N5217578 Y5217578
	4002 149				GROMMET, Fuel Tank to Rollover Valve N N N4002149 Y4002149
	4279 445				RETAINER, Fuel Pump and Level Unit N N N4279445 Y4279445
	4397 829				PUMP and LEVEL UNIT N N N4203718 NSCP
	4397 830				PUMP and SEAL PACKAGE N N N4397829 Y4397829
	4397 832				LEVEL UNIT and SEAL PACKAGE N N N4397830 Y4397830 FILTER and SEAL PACKAGE, Fuel Pump N N N4397832 Y4397832
	4288 337				RESERVOIR/FILTER, Fuel N N N4288337 Y4288337
	4306 932				BRACKET, w/GASKET, Fuel Reservoir N N N4306932 Y4306932
	6100 047				NUT, Reservoir Retaining N N N6100047 Y6100047
	4275 325				COVER, Fuel Pump Pad N N N4275325 Y4275325
	5214 680				GASKET, Fuel Pump Pad N N N5214680 Y5214680
	6500 799				SCREW, w/WASHER N N N6500799 Y6500799
	4279 175				STRAP, Fuel Tank, Left, 14 Gal. N N N4279175 Y4279175
	4279 174				STRAP, Fuel Tank, Right, 14 Gal. N N N4279174 Y4279174
	4185 506				PAD, Fuel Tank Positioning N N N4185506 Y4185506
					INSULATOR, Fuel Tank to Floor Pan, Front N N N4185395 NDNS
	6500 651				INSULATOR, Fuel Tank to Floor, Rear N N N4279340 NDNS CLAMP, Hose 5/16" N N N6500651 Y6500651
	6500 650				CLAMP, Hose 1/4" N N N6500650 Y6500650
	4307 233				REGULATOR, Fuel Pressure N N N4307233 Y4307233
	4306 973				BRACKET, Pressure Regulator N N N4306973 Y4306973 SCREW, Self-Tapping, Bracket to Body N N N6031991 NDNS
	6033 066				SCREW, Self-Tapping, Pressure Regulator to Bracket N N N6033066 Y6033066
	4203 837				HOSE, Fuel Supply, Chassis Line to Pressure Regulator, 14" N N N4203837 Y4203837

MODEL CODES

B = GRAN FURY	F = FIFTH AVENUE/NEWPORT	P = RELIANT
C = LEBARON/TOWN & COUNTRY/EXC SEDAN	G = DIPLOMAT	T = E CLASS/NEW YORKER
C24 = LASER	H = VOYAGER	V = 600
D = ARIES	K = MINI RAM/CARAVAN/ROYAL	V24 = DAYTONA
E = 600	M = HORIZON/TURISMO	Z = OMNI/CHARGER/RAMPAGE

BODY STYLES

21 = 2-DOOR SEDAN	28 = FWD PICKUP	44 = 4-DOOR HATCHBACK
22 = 2-DOOR SPECIAL COUPE	35 = FWD VAN	45 = 4-DOOR STATION WAGON
24 = 2-DOOR HATCHBACK	36 = FWD WAGON	48 = 4-DOOR EXECUTIVE SEDAN
27 = 2-DOOR CONVERTIBLE	41 = 4-DOOR SEDAN	

AR = Use as Required - = Non Illustrated Part P.A.R. = Paint as Required

SERVICE BULLETINS GROUP 18 - DRIVEABILITY
Figure 18-1800

ILLUSTRATION NOT AVAILABLE AT TIME OF PUBLICATION

ITEM	PART NUMBER	QTY	BODY	MODEL	DESCRIPTION
	4203 838				HOSE, Fuel Supply, Pressure Regulator to Reservoir, 21" N N N4203838 Y4203838
	4203 535				TEMPLATE, Pressure Regulator Bracket N N N4275240 NDNS
	6032 114				HOSE, Fuel Reservoir, Return, 14" N N N4203535 Y4203535 SCREW, Self-Tapping, Ground N N N6032114 Y6032114 N N N N
	4342 938				Sag/Poor Performance Due to Fuel Foaming 18-5-85 N N N Y REGULATOR and RESERVOIR PACKAGE, Fuel N N N4342938 Y4342938
	4307 381				REGULATOR, Pressure N N N4307381 Y4307381
	4306 972				BRACKET, Pressure N N N4306972 Y4306972
	6033 066				SCREW, Bracket to Body N N N6031991 NDNS SCREW, Pressure Regulator to Bracket N N N6033066 Y6033066
	4307 358				RESERVOIR, Fuel N N N4307358 Y4307358
	6500 650				CLAMP, Hose 1/4" N N N6500650 Y6500650 N N N N
	4342 946				Vapor Lock 18-5-86 NK,E Body N2.6L N N DRIVEABILITY PACKAGE N N N4342946 Y4342946
	5226 640				MODULE, Control N N N5226640 Y5226640
	6015 756				WRAP, Tie N N N6015756 Y6015756
	4209 344				HARNESS, Jumper N N N4209344 Y4209344
	4331 801				HARNESS, Instrument Panel Overlay N N N4331801 Y4331801
	4304 992				HARNESS, Engine Compartment Overlay N N N4304992 Y4304992
	4331 855				HARNESS, Body Overlay N N N4331855 Y4331855
	4331 122				HARNESS, Sending Unit Jumper N N N4331122 Y4331122
	6023 201				NUT, Instrument Panel Ground N N N6023201 Y6023201
	6101 135				FUSE, 10 AMP N N N6101135 Y6101135
	4279 653				TANK, Fuel Complete N N N4203720 NSCP
	5217 578				TANK, Fuel N N N4279653 Y4279653
	4002 149				GROMMET, Fuel Tank to Filler Tube N N N5217578 Y5217578 GROMMET, Fuel Tank to Rollover Valve N N N4002149 Y4002149
	4279 445				RETAINER, Fuel Pump and Level Unit N N N4279445 Y4279445
					PUMP and LEVEL UNIT N N N4203718 NSCP

MODEL CODES

B = GRAN FURY	F = FIFTH AVENUE/NEWPORT	P = RELIANT
C = LEBARON/TOWN & COUNTRY/EXC SEDAN	G = DIPLOMAT	T = E CLASS/NEW YORKER
C24 = LASER	H = VOYAGER	V = 600
D = ARIES	K = MINI RAM/CARAVAN/ROYAL	V24 = DAYTONA
E = 600	M = HORIZON/TURISMO	Z = OMNI/CHARGER/RAMPAGE

BODY STYLES

21 = 2-DOOR SEDAN	28 = FWD PICKUP	44 = 4-DOOR HATCHBACK
22 = 2-DOOR SPECIAL COUPE	35 = FWD VAN	45 = 4-DOOR STATION WAGON
24 = 2-DOOR HATCHBACK	36 = FWD WAGON	48 = 4-DOOR EXECUTIVE SEDAN
27 = 2-DOOR CONVERTIBLE	41 = 4-DOOR SEDAN	

AR = Use as Required - = Non Illustrated Part P.A.R. = Paint as Required

SERVICE BULLETINS GROUP 18 - DRIVEABILITY
Figure 18-1800

ILLUSTRATION NOT AVAILABLE AT TIME OF PUBLICATION

ITEM	PART NUMBER	QTY	BODY	MODEL	DESCRIPTION
	4397 829				PUMP and SEAL PACKAGE N N N4397829 Y4397829
	4397 830				LEVEL UNIT and SEAL PACKAGE N N N4397830 Y4397830
	4397 832				FILTER and SEAL PACKAGE, Fuel Pump N N N4397832 Y4397832
	4279 175				STRAP, Fuel Tank, Left, 14 Gal. N N N4279175 Y4279175
	4279 174				STRAP, Fuel Tank, Right, 14 Gal N N N4279174 Y4279174
	4185 506				PAD, Fuel Tank Positioning N N N4185506 Y4185506
					INSULATOR, Fuel Tank to Floor Pan, Front N N N4185395 NDNS
					INSULATOR, Fuel Tank to Floor Pan, Rear N N N4279340 NDNS
	6500 651				CLAMP, Hose 5/16" N N N6500651 Y6500651
	6500 650				CLAMP, Hose 1/4" N N N6500650 Y6500650
	4279 877				HOSE, Fuel Supply Rear to Tank N N N4279877 Y4279877
	4279 992				HOSE, Fuel Return, Rear to Tank N N N4279874 Y4279992
	4269 589				REGULATOR, Pressure N N N4307234 Y4269589
	4306 973				BRACKET, Pressure Regulator N N N4306973 Y4306973
					SCREW, Self-Tapping, Bracket to Body N N N6031991 NDNS
	6033 066				SCREW, Self-Tapping, Pressure Regulator to Bracket N N N6033066 Y6033066
	4307 358				RESERVOIR, Fuel N N N4307358 Y4307358
	6500 650				CLAMP, Hose 1/4" N N N6500650 Y6500650
	4307 397				Y-CONNECTOR, Hose N N N4307397 Y4307397
	4307 762				HOSE, Reservoir to Pressure Regulator, 18.5" N N N4307762 Y4307762
	4307 763				HOSE, Pressure Regulator to Carb. 24" N N N4307763 Y4307763
	4307 242				CLIP, Hose to Valve Cover-Four Position N N N4307242 Y4307242
	4307 236				TEMPLATE, Pressure Regulator Bracket N N N4275240 NDNS
					NIPPLE, Fuel Flow Sensor Inlet (30 deg.) N N N4307236 Y4307236
	4279 993				TUBE, Convoluted N N N4279993 Y4279993
					N N N N
					Sag/Poor Performance Due to Fuel Foaming 18-6-85 NE,K
					Body N2.6L N N
	4342 937				REGULATOR and RESERVOIR PACKAGE, Fuel N N N4342937 Y4342937

MODEL CODES

B = GRAN FURY	F = FIFTH AVENUE/NEWPORT	P = RELIANT
C = LEBARON/TOWN & COUNTRY/EXC SEDAN	G = DIPLOMAT	T = E CLASS/NEW YORKER
C24 = LASER	H = VOYAGER	V = 600
D = ARIES	K = MINI RAM/CARAVAN/ROYAL	V24 = DAYTONA
E = 600	M = HORIZON/TURISMO	Z = OMNI/CHARGER/RAMPAGE

BODY STYLES

21 = 2-DOOR SEDAN	28 = FWD PICKUP	44 = 4-DOOR HATCHBACK
22 = 2-DOOR SPECIAL COUPE	35 = FWD VAN	45 = 4-DOOR STATION WAGON
24 = 2-DOOR HATCHBACK	36 = FWD WAGON	48 = 4-DOOR EXECUTIVE SEDAN
27 = 2-DOOR CONVERTIBLE	41 = 4-DOOR SEDAN	

AR = Use as Required - = Non Illustrated Part P.A.R. = Paint as Required

SERVICE BULLETINS GROUP 18 - DRIVEABILITY
Figure 18-1800

ILLUSTRATION NOT AVAILABLE AT TIME OF PUBLICATION

ITEM	PART NUMBER	QTY	BODY	MODEL	DESCRIPTION
	4307 234				REGULATOR, Pressure N N N4307234 Y4307234
	4306 973				BRACKET, Pressure Regulator N N N4306973 Y4306973
	6033 066				SCREW, Self-Tapping, Bracket to Body N N N6031991 NDNS SCREW, Self-Tapping, Pressure Regulator to Bracket N N N6033066 Y6033066
	4307 358				RESERVOIR, Fuel N N N4307358 Y4307358
	6500 650				CLAMP, Hose 1/4" N N N6500650 Y6500650
	4307 397				Y-CONNECTOR, Hose N N N4307397 Y4307397
	4307 762				HOSE, Reservoir to Pressure Regulator N N N4307762 Y4307762
	4307 763				HOSE, Pressure Regulator to Carb N N N4307763 Y4307763
	4307 242				CLIP, Hose to Valve Cover-Four Position N N N4307242 Y4307242
	4307 236				TEMPLATE, Pressure Regulator Bracket N N N4275240 NDNS NIPPLE, Fuel Flow Sensor Inlet (30 deg.) N N N4307236 Y4307236
	4279 993				TUBE, Convoluted N N N4279993 Y4279993 N N N N
	4342 804				Surge and Decel Bucking 18-7-85 NM Body N5.2L N N DRIVEABILITY PACKAGE N N N4342804 Y4342804
	4104 184				VALVE, Vacuum Bleedoff N N N4104184 Y4104184
	4091 910				VALVE, Vacuum Reducer 3.5 HG N N N4091910 Y4091910
	4202 672				SPRING, 6.2# Trans Lock-Up N N N4202672 Y4202672
	4241 296				REDUCERS, 3/16 to 1/8" Vacuum Hose N N N3870264 Y4241296
	4095 987				CONNECTOR, F-Shaped Vacuum N N N4095987 Y4095987 WRAP, Tie N N N NS Pkg. N N N N Spark Knock on Light Acceleration 18-9-85 NM Body N5.2L N N
	4342 944				REDUCTION PACKAGE, Spark Knock N N N4342944 Y4342944
	4091 190				REDUCER, 3-1/2" Vacuum N N N4091190 Y4091190
	4364 381				LABEL, Hose Routing (Calif Pass Car) N N N4307537 NDNS N N N N Vapor Lock, Fuel Foaming 18-10-85 NL Body N2.2L N N DRIVEABILITY PACKAGE N N N4364381 Y4364381
	5226 640				MODULE, Control N N N5226640 Y5226640

MODEL CODES

B = GRAN FURY	F = FIFTH AVENUE/NEWPORT	P = RELIANT
C = LEBARON/TOWN & COUNTRY/EXC SEDAN	G = DIPLOMAT	T = E CLASS/NEW YORKER
C24 = LASER	H = VOYAGER	V = 600
D = ARIES	K = MINI RAM/CARAVAN/ROYAL	V24 = DAYTONA
E = 600	M = HORIZON/TURISMO	Z = OMNI/CHARGER/RAMPAGE

BODY STYLES

21 = 2-DOOR SEDAN	28 = FWD PICKUP	44 = 4-DOOR HATCHBACK
22 = 2-DOOR SPECIAL COUPE	35 = FWD VAN	45 = 4-DOOR STATION WAGON
24 = 2-DOOR HATCHBACK	36 = FWD WAGON	48 = 4-DOOR EXECUTIVE SEDAN
27 = 2-DOOR CONVERTIBLE	41 = 4-DOOR SEDAN	

AR = Use as Required - = Non Illustrated Part P.A.R. = Paint as Required

SERVICE BULLETINS GROUP 18 - DRIVEABILITY
Figure 18-1800

ITEM	PART NUMBER	QTY	BODY	MODEL	DESCRIPTION
	6015 756				WRAP, Tie N N N6015756 Y6015756
	4304 901				HARNESS, Instrument Panel Overlay N N N4304901 Y4304901
	4331 826				WIRE, Electric Fuel Pump N N N4331826 Y4331826 HOSE, 13-1/2" Long x 5/15" ID N N N4279613 NSCP
	4185 590				HOSE, 5" Long x 5/16" ID N N N4279893 Y4185590
	4275 325				COVER, Fuel Pump Pad N N N4275325 Y4275325
	5214 680				GASKET, Fuel Pump Pad Cover N N N5214680 Y5214680
	6500 799				SCREW, W/WASHER N N N6500799 Y6500799
	4306 932				BRACKET, w/GASKET, Fuel Reservoir N N N4306932 Y4306932
	4306 286				RESERVOIR/FILTER, Fuel N N N4306286 Y4306286
	6100 047				NUT N N N6100047 Y6100047
	6500 651				CLAMP, 5/16" N N N6500651 Y6500651
	6500 650				CLAMP, 1/4" N N N6500650 Y6500650
	4307 372				TUBE, Engine Fuel N N N4307372 Y4307372 SPACERS, Fuel Tube N N N4275610 NDNS
	4331 763				WIRING, In Tank Fuel Pump N N N4331763 Y4331763 PUMP and LEVEL UNIT N N N4203713 NSCP
	4397 820				PUMP and SEAL PACKAGE N N N4397820 Y4397820
	4397 818				LEVEL UNIT and SEAL PACKAGE N N N4397818 Y4397818
	4397 813				FILTER and SEAL PACKAGE, Fuel Pump N N N4397813 Y4397813
	6033 095				SEAL, Fuel Tank Gauge Unit N N N6031475 Y6033095
	6101 135				FUSE, 10 AMP N N N6101135 Y6101135
	4203 802				REGULATOR, Fuel Pressure N N N4203802 Y4203802
	4203 799				BRACKET, Fuel Pressure Regulator N N N4203799 Y4203799 SCREW, Bracket Attaching 1/4-14 x 5/8 N N N6031540 NDNS
	6033 066				SCREW, Regulator Attaching 12-24 x 1/2 N N N6033066 Y6033066
	4203 797				HOSE, Pressure Regulator Outlet N N N4203797 Y4203797
	4203 798				HOSE, Pressure Regulator Inlet N N N4203798 Y4203798
	4203 804				SLEEVE, Vapor Vent Hose Protecting N N N4203804 Y4203804
	4203 553				HOSE, Fuel Return N N N4203557 Y4203553 N N N N Vapor Lock/Fuel Foaming 18-13-85A NS Body N2.2L N N

ILLUSTRATION NOT AVAILABLE AT TIME OF PUBLICATION

MODEL CODES

B = GRAN FURY
C = LEBARON/TOWN & COUNTRY/EXC SEDAN
C24 = LASER
D = ARIES
E = 600

F = FIFTH AVENUE/NEWPORT
G = DIPLOMAT
H = VOYAGER
K = MINI RAM/CARAVAN/ROYAL
M = HORIZON/TURISMO

P = RELIANT
T = E CLASS/NEW YORKER
V = 600
V24 = DAYTONA
Z = OMNI/CHARGER/RAMPAGE

BODY STYLES

21 = 2-DOOR SEDAN
22 = 2-DOOR SPECIAL COUPE
24 = 2-DOOR HATCHBACK
27 = 2-DOOR CONVERTIBLE

28 = FWD PICKUP
35 = FWD VAN
36 = FWD WAGON
41 = 4-DOOR SEDAN

44 = 4-DOOR HATCHBACK
45 = 4-DOOR STATION WAGON
48 = 4-DOOR EXECUTIVE SEDAN

AR = Use as Required - = Non Illustrated Part P.A.R. = Paint as Required

SERVICE BULLETINS GROUP 18 - DRIVEABILITY
Figure 18-1800

ITEM	PART NUMBER	QTY	BODY	MODEL	DESCRIPTION
	4397 604				DRIVEABILITY PACKAGE, w/15 Gal. Tank N N N4397604 Y4397604
	4397 605				DRIVEABILITY PACKAGE, w/20 Gal Tank N N N4397605 Y4397605
	5226 640				MODULE, Control N N N5226640 Y5226640
	6015 756				SCREW, Ground 8-18x3/4 N N N9422247 NDNS
	4331 935				WRAP, Tie N N N6015756 Y6015756 HARNES, Engine Compartment Wiring N N N4331935 Y4331935
	4331 724				HARNES, Body Wiring N N N4331724 Y4331724
	4331 754				HARNES, Instrument Panel Wiring N N N4331574 Y4331754
	4397 833				PUMP and LEVEL UNIT, w/15 Gal. Tank N N N4075448 NSCP PUMP and SEAL PACKAGE N N N4397833 Y4397833
	4397 834				LEVEL UNIT and SEAL PACKAGE N N N4397834 Y4397834
	4397 840				FILTER, Fuel Pump N N N4397840 Y4397840
	4397 833				PUMP and LEVEL UNIT, w/20 Gal. Tank N N N4075449 NSCP PUMP and SEAL PACKAGE N N N4397833 Y4397833
	4397 840				LEVEL UNIT and SEAL PACKAGE N N N4397835 N4397835 FILTER and SEAL PACKAGE, Fuel Pump N N N4397840 Y4397840
	6033 095				SEAL, Fuel Pump and Level Unit N N N6031475 Y6033095
	4288 337				RESERVOIR/FILTER, Fuel N N N4288337 Y4288337
	6100 047				NUT, Fuel Reservoir/Filter Retaining N N N6100047 Y6100047
	4306 932				BRACKET, w/GASKET, Fuel Reservoir N N N4306932 Y4306932
	4275 325				COVER, Fuel Pump Pad N N N4275325 Y4275325
	5214 680				GASKET, Fuel Pump Pad Cover N N N5214680 Y5214680
	6500 799				SCREW, w/WASHER, Fuel Pump Pad Cover N N N6500799 Y6500799
	4307 380				REGULATOR, Fuel Pressure N N N4307380 Y4307380
	4306 972				BRACKET, Fuel Pressure Regulator N N N4306972 Y4306972
	6033 066				SCREW, Bracket to Body N N N6031991 NDNS SCREW, Pressure Regulator to Bracket N N N6033066 Y6033066
	4203 866				HOSE, Chassis Line to Pressure Regulator N N N4203866 Y4203866
	4203 837				HOSE, Pressure Regulator to Reservoir N N N4203837 Y4203837

ILLUSTRATION NOT AVAILABLE AT TIME OF PUBLICATION

MODEL CODES

B = GRAN FURY	F = FIFTH AVENUE/NEWPORT	P = RELIANT
C = LEBARON/TOWN & COUNTRY/EXC SEDAN	G = DIPLOMAT	T = E CLASS/NEW YORKER
C24 = LASER	H = VOYAGER	V = 600
D = ARIES	K = MINI RAM/CARAVAN/ROYAL	V24 = DAYTONA
E = 600	M = HORIZON/TURISMO	Z = OMNI/CHARGER/RAMPAGE

BODY STYLES

21 = 2-DOOR SEDAN	28 = FWD PICKUP	44 = 4-DOOR HATCHBACK
22 = 2-DOOR SPECIAL COUPE	35 = FWD VAN	45 = 4-DOOR STATION WAGON
24 = 2-DOOR HATCHBACK	36 = FWD WAGON	48 = 4-DOOR EXECUTIVE SEDAN
27 = 2-DOOR CONVERTIBLE	41 = 4-DOOR SEDAN	

AR = Use as Required - = Non Illustrated Part P.A.R. = Paint as Required

SERVICE BULLETINS GROUP 18 - DRIVEABILITY
Figure 18-1800

ITEM	PART NUMBER	QTY	BODY	MODEL	DESCRIPTION
	4203 860				HOSE, Fuel Reservoir Vapor Return N N N4203860 Y4203860
	6500 651				CLAMP, Hose 5/16" N N N6500651 Y6500651
	6500 650				CLAMP, Hose 1/4" N N N6500650 Y6500650
					CLIP, Brake Booster Hose Retainer N N N6015682 NDNS
	4331 924				DIODE, Wiring Jumper N N N4331924 Y4331924
					N N N N
					Lack of Power During Cold Weather Operation 18-14-85 NS
					Body N2.6L N N
	4397 638				VALVE PACKAGE, Thermal Check N N N4379638 Y4397638
	4275 241				VALVE, Thermal Check N N N4275241 Y4275241
	4201 268				CLIP, Spring N N N4201268 Y4201268
	4095 145				CONNECTOR, Rubber 1/8 x 1/8 N N N4095145 Y4095145
	4241 296				CONNECTOR, Rubber 1/8 x 3/16 N N N4241296 Y4241296
					LABEL, Hose Routing (Calif) N N N4201272 NDNS
					N N N N
					Warm Sag/Acceleration Surge 18-15-85 NK,E Body N2.6L N
					N
	4397 640				DRIVEABILITY PACKAGE N N N4397640 Y4397640
	MD60 7474				GOVERNOR SET, Distributor N N NMD607474 YMD607474
	MD09 7314				VALVE, EGR N N NMD097314 YMD097314
	MD08 1274				VALVE, Thermo-3 Port N N NMD081274 YMD081274
	MD09 7333				HOSE, Vacuum N N NMD097333 YMD097333
	MD02 6057				GASKET, EGR Valve N N NMD026567 YMD026057
					LABEL, Hose Routing N N N4179571 NDNS
					N N N N
					Vapor Lock 18-16-85A NM Body N5.2L N N
	4397 613				LOCK PACKAGE, Vapor N N N4397613 Y4397613
					PUMP and LEVEL UNIT N N N4075447 N4075447
	4419 101				PUMP and SEAL PACKAGE N N N4419101 Y4419101
	4397 841				LEVEL UNIT and SEAL PACKAGE N N N4397841 Y4397841
	4397 840				FILTER and SEAL PACKAGE, Fuel Pump N N N4397840
					Y4397840
	4362 295				HARNESS, Engine Compartment Wiring N N N4362295
					Y4362295
	4331 718				HARNESS, Instrument Panel Wiring N N N4331718 Y4331718
	4331 719				HARNESS, Body Wiring N N N4331719 Y4331719
	5226 640				MODULE, Control N N N5226640 Y5226640
	6015 756				WRAP, Tie N N N6015756 Y6015756

ILLUSTRATION NOT AVAILABLE AT TIME OF PUBLICATION

MODEL CODES

B = GRAN FURY	F = FIFTH AVENUE/NEWPORT	P = RELIANT
C = LEBARON/TOWN & COUNTRY/EXC SEDAN	G = DIPLOMAT	T = E CLASS/NEW YORKER
C24 = LASER	H = VOYAGER	V = 600
D = ARIES	K = MINI RAM/CARAVAN/ROYAL	V24 = DAYTONA
E = 600	M = HORIZON/TURISMO	Z = OMNI/CHARGER/RAMPAGE

BODY STYLES

21 = 2-DOOR SEDAN	28 = FWD PICKUP	44 = 4-DOOR HATCHBACK
22 = 2-DOOR SPECIAL COUPE	35 = FWD VAN	45 = 4-DOOR STATION WAGON
24 = 2-DOOR HATCHBACK	36 = FWD WAGON	48 = 4-DOOR EXECUTIVE SEDAN
27 = 2-DOOR CONVERTIBLE	41 = 4-DOOR SEDAN	

AR = Use as Required - = Non Illustrated Part P.A.R. = Paint as Required

SERVICE BULLETINS GROUP 18 - DRIVEABILITY
Figure 18-1800

ITEM	PART NUMBER	QTY	BODY	MODEL	DESCRIPTION
	4106 001				FILTER, Fuel N N N4071965 Y4106001
	4230 316				HOSE, 5/16 x 2 Long N N N4203215 Y4230316
	6500 651				CLAMP, Hose 5/16" N N N6500651 Y6500651
	6500 650				CLAMP, Hose 1/4" N N N6500650 Y6500650
	6033 095				SEAL, Fuel Tank Gauge N N N6031475 Y6033095
	4397 656				REGULATOR PACKAGE, 5.2L-4Bbl. N N N4397656 Y4397656
	4418 009				REGULATOR, Pressure N N N4418009 Y4418009
	4418 010				BRACKET, Pressure Regulator N N N4418010 Y4418010
	0181 112				SCREW, w/WASHER, Bracket to Intake Manifold N N N6022254 Y0181112
	6033 066				SCREW, Pressure Regulator to Bracket N N N6033066 Y6033066
					TUBE, Fuel Filter Hose to Pressure Regulator N N N4418007 NS Pkg.
	4418 008				TUBE, Pressure Regulator to Carb. N N N4418008 Y4418008
	6500 651				CLAMP, Hose 5/16" N N N6500651 Y6500651 N N N N
	4397 606				Vapor Lock 18-18-85A NS Body N2.6L N N VAPOR LOCK PACKAGE, w/15 Gal. Tank N N N4397606 Y4397606
	4397 607				VAPOR LOCK PACKAGE, w/20 Gal. Tank N N N4397607 Y4397607
	5226 640				MODULE, Control N N N5226640 Y5226640
	6015 756				SCREW, Ground 8-18 x 3/4 N N N9422247 NDNS
	4331 935				WRAP, Tie N N N6015756 Y6015756
	4331 935				HARNESS, Engine Compartment Wiring N N N4331935 Y4331935
	4331 724				HARNESS, Body Wiring N N N4331724 Y4331724
	4331 574				HARNESS, Instrument Panel Wiring N N N4331574 Y4331574
	4397 833				PUMP and LEVEL UNIT, w/15 Gal. Tank N N N4075448 NSCP
	4397 834				PUMP and SEAL PACKAGE N N N4397833 Y4397833
	4397 840				LEVEL UNIT and SEAL PACKAGE N N N4397834 Y4397834
					FILTER and SEAL PACKAGE, Fuel Pump N N N4397840 Y4397840
	4397 833				PUMP and LEVEL UNIT, w/20 Gal. Tank N N N4075449 NSCP
	4397 835				PUMP and SEAL PACKAGE N N N4397833 Y4397833
					LEVEL UNIT and SEAL PACKAGE N N N4397835 Y4397835

ILLUSTRATION NOT AVAILABLE AT TIME OF PUBLICATION

MODEL CODES

B = GRAN FURY	F = FIFTH AVENUE/NEWPORT	P = RELIANT
C = LEBARON/TOWN & COUNTRY/EXC SEDAN	G = DIPLOMAT	T = E CLASS/NEW YORKER
C24 = LASER	H = VOYAGER	V = 600
D = ARIES	K = MINI RAM/CARAVAN/ROYAL	V24 = DAYTONA
E = 600	M = HORIZON/TURISMO	Z = OMNI/CHARGER/RAMPAGE

BODY STYLES

21 = 2-DOOR SEDAN	28 = FWD PICKUP	44 = 4-DOOR HATCHBACK
22 = 2-DOOR SPECIAL COUPE	35 = FWD VAN	45 = 4-DOOR STATION WAGON
24 = 2-DOOR HATCHBACK	36 = FWD WAGON	48 = 4-DOOR EXECUTIVE SEDAN
27 = 2-DOOR CONVERTIBLE	41 = 4-DOOR SEDAN	

AR = Use as Required - = Non Illustrated Part P.A.R. = Paint as Required

SERVICE BULLETINS GROUP 18 - DRIVEABILITY
Figure 18-1800

ILLUSTRATION NOT AVAILABLE AT TIME OF PUBLICATION

ITEM	PART NUMBER	QTY	BODY	MODEL	DESCRIPTION
	4397 840				FILTER and SEAL PACKAGE, Fuel Pump N N N4397840 Y4397840
	6033 095				SEAL, Fuel Pump and Level Unit N N N6031475 Y6033095
	6500 651				CLAMP, Hose 5/16" N N N6500651 Y6500651
	6500 650				CLAMP, Hose 1/4" N N N6500650 Y6500650
	4342 938				DIODE, Jumper Wire N N N4331924 NS Pkg. REGULATOR and RESERVOIR PACKAGE, Fuel N N N4342938 Y4342938
	4307 381				REGULATOR, Pressure N N N4307381 Y4307381
	4306 972				BRACKET, Pressure Regulator N N N4306972 Y4306972 SCREW, Bracket to Body N N N6031991 NDNS
	6033 066				SCREW, Regulator to Bracket N N N6033066 Y6033066
	4307 358				RESERVOIR, Fuel N N N4307358 Y4307358
	6500 650				CLAMP, Hose 1/4" N N N6500650 Y6500650
	4307 384				Y-CONNECTOR, Hose N N N4307384 Y4307384
	4307 382				HOSE, Reservoir to Regulator N N N4307382 Y4307382
	4307 383				HOSE, Regulator to Carb. N N N4307383 Y4307383
	4307 242				CLIP, Hose to Valve Cover N N N4307242 Y4307242
	6015 945				WRAP, Tie N N N6015945 Y6015945 N N N N Power Loss Lamp Comes on at Start Up or Cold No Start Up 18-18-86 NLKEGH NEFI,TC N N
	4419 151				DROP-OUT PACKAGE, Ignition Switch N N N4419151 Y4419151
	4368 729				WIRING ASSEMBLY, Ignition Switch Drop Out N N N4368729 Y4368729
	5227 542				RELAY, Time Delay 0.65 Second N N N5227542 Y5227542
	9436 885				SCREW, Ground N N N6032114 Y9436885
	6032 473				SCREW, Relay Attachment N N N6032473 Y6032473
	4275 086				LABEL, Authorized Modification N N N4275086 Y4275086 N N N N Premature Choke Closing, Hot Restarts 18-19-86 NM Body N5.2L,5.9L N N
	4397 683				DRIVEABILITY PACKAGE N N N4397683 Y4397683
	4307 576				BRACKET, Heater Hose N N N4307576 Y4307576 HOSE, Heater (Preformed) N N N4361146 NSCP HOSE, Heater N N N3849197 NSCP
	3730 000				SCREW N N N3730000 Y3730000

MODEL CODES

B = GRAN FURY	F = FIFTH AVENUE/NEWPORT	P = RELIANT
C = LEBARON/TOWN & COUNTRY/EXC SEDAN	G = DIPLOMAT	T = E CLASS/NEW YORKER
C24 = LASER	H = VOYAGER	V = 600
D = ARIES	K = MINI RAM/CARAVAN/ROYAL	V24 = DAYTONA
E = 600	M = HORIZON/TURISMO	Z = OMNI/CHARGER/RAMPAGE

BODY STYLES

21 = 2-DOOR SEDAN	28 = FWD PICKUP	44 = 4-DOOR HATCHBACK
22 = 2-DOOR SPECIAL COUPE	35 = FWD VAN	45 = 4-DOOR STATION WAGON
24 = 2-DOOR HATCHBACK	36 = FWD WAGON	48 = 4-DOOR EXECUTIVE SEDAN
27 = 2-DOOR CONVERTIBLE	41 = 4-DOOR SEDAN	

AR = Use as Required - = Non Illustrated Part P.A.R. = Paint as Required

SERVICE BULLETINS GROUP 18 - DRIVEABILITY
Figure 18-1800

ILLUSTRATION NOT AVAILABLE AT TIME OF PUBLICATION

ITEM	PART NUMBER	QTY	BODY	MODEL	DESCRIPTION
	4240 422				VALVE, Water N N N4085474 Y4240422
	6015 756				WRAP, Tie N N N6015756 Y6015756
	4397 684				DRIVEABILITY PACKAGE (w/Police Pkg.) N N N4397684 Y4397684
	4307 756				BRACKET, Heater Hose N N N4307756 Y4307756
	3849 564				HOSE, Heater N N N3849564 Y3849564
	4240 422				VALVE, Water N N N4085474 Y4240422
	3730 000				SCREW N N N3730000 Y3730000
	6015 756				WRAP, Tie N N N6015756 Y6015756 N N N N Cold Drive Sag Occurring During Acceleration 18-20-86 NS Body N2.6L N N
	4419 403				DRIVEABILITY PACKAGE N N N4419403 Y4419403
	MD10 7136				OVERLAY, Vacuum Harness N N NMD107136 YMD107136
	MD09 7330				VALVE, 3-Port Thermal N N NMD097330 YMD097330
	MD10 0733				BRACKET, Mounting N N NMD100733 YMD100733
	MD61 1398				ADVANCE, Dual Diaphragm Dist. N N NMD611398 YMD611398
	MS47 0362				CLIP, Snap N N NMS470362 YMS470362
	4104 172				TEE, Vacuum, w/A/C N N N3671410 Y4104172
	4443 175				HOSE, w/SLEEVE, Fuel N N N4418103 NSCP
	4279 699				HOSE N N N4443175 Y4443175
	6015 756				SLEEVE N N N4279699 Y4279699
	4275 086				TIE, Wrap N N N6015756 Y6015756
					LABEL, Authorized Modification N N N4275086 Y4275086 N N N N Power Loss/Limit Light On/Erratic Idle/Sag 18-22-85 NK,E,G Body NEFI&TC N N
	5227 597				REPAIR PACKAGE, Throttle Position Sensor N N N5227597 Y5227597
	4300 247				SENSOR, Throttle Position N N N5227488 NS Pkg. GREASE PACKET N N N4300247 Y4300247
	6015 756				WRAP, Tie N N N6015756 Y6015756 N N N N Weak Acceleration-Cold and Warm 18-23-85 NL,K Body N2. 2L N N

MODEL CODES

B = GRAN FURY	F = FIFTH AVENUE/NEWPORT	P = RELIANT
C = LEBARON/TOWN & COUNTRY/EXC SEDAN	G = DIPLOMAT	T = E CLASS/NEW YORKER
C24 = LASER	H = VOYAGER	V = 600
D = ARIES	K = MINI RAM/CARAVAN/ROYAL	V24 = DAYTONA
E = 600	M = HORIZON/TURISMO	Z = OMNI/CHARGER/RAMPAGE

BODY STYLES

21 = 2-DOOR SEDAN	28 = FWD PICKUP	44 = 4-DOOR HATCHBACK
22 = 2-DOOR SPECIAL COUPE	35 = FWD VAN	45 = 4-DOOR STATION WAGON
24 = 2-DOOR HATCHBACK	36 = FWD WAGON	48 = 4-DOOR EXECUTIVE SEDAN
27 = 2-DOOR CONVERTIBLE	41 = 4-DOOR SEDAN	

AR = Use as Required - = Non Illustrated Part P.A.R. = Paint as Required

SERVICE BULLETINS GROUP 18 - DRIVEABILITY
Figure 18-1800

ITEM	PART NUMBER	QTY	BODY	MODEL	DESCRIPTION
	4342 782				DRIVEABILITY PACKAGE, K Body (Federal), w/Auto Trans. N N N4342782 Y4342782
	4293 741				VALVE, EGR N N N N w/A/C, 2 Dr and 4 Dr N N N4287419 Y4293741
	4293 741				N N N4300419 Y4293741
	4287 426				w/o A/C, 2 Dr and 4 Dr N N N4287426 Y4287426
	4300 426				N N N4300426 Y4300426
	4287 403				w and w/o A/C, Wagon N N N4287403 Y4287403
	4300 403				N N N4000403 Y4300403
	4300 035				CARBURETOR N N N4300035 Y4300035
	5226 502				MODULE, ESA/EFC N N N5226502 Y5226502 LABEL, VECI N N N4288833 NDNS LABEL, Hose Routing N N N4307521 NDNS
	4294 292				HOSE, Brake Booster N N N4294292 Y4294292
	4343 637				HOSE, Crankcase Vent N N N4343637 Y4343637 OVERLAY, Wiring Harness N N N4331609 NS Pkg. WRAP, Tie N N N6016060 NDNS
	4201 384				GASKET, EGR Valve to Tube Flange N N N4201384 Y4201384
	4201 313				GASKET, EGR Valve to Exhaust manifold N N N4201313 Y4201313
	4095 975				GASKET, Spacer to Carb. N N N4095975 Y4095975
	2448 761				CLAMP, Brake Booster Hose N N N2448761 Y2448761
	4342 787				DRIVEABILITY PACKAGE, w/Auto Trans.- L Body (Fed & H/ Alt) exc Shelby, Rampage (H/Alt), K Body(H/Alt)N N N4342787 Y4342787
	4393 741				VALVE, EGR N N N N exc K Body, w/A/C N N N4287419 Y4393741
	4293 741				N N N4300419 Y4293741
	4287 426				exc K Body, w/O A/C N N N4287426 Y4287426
	4300 426				N N N4300426 Y4300426
	4293 741				K Body, w/A/C, 2Dr and 4 Dr N N N4287419 Y4293741
	4293 741				N N N4300419 Y4293741
	4287 426				K Body, w/o A/C, 2 Dr and 4 Dr N N N4287426 Y4287426
	4300 426				N N N4300426 Y4300426
	4287 403				K Body, w or w/o A/C, Wagon N N N4287403 Y4287403
	4300 426				N N N4300426 Y4300426
	4300 033				CARBURETOR N N N4300033 Y4300033

ILLUSTRATION NOT AVAILABLE AT TIME OF PUBLICATION

MODEL CODES

B = GRAN FURY	F = FIFTH AVENUE/NEWPORT	P = RELIANT
C = LEBARON/TOWN & COUNTRY/EXC SEDAN	G = DIPLOMAT	T = E CLASS/NEW YORKER
C24 = LASER	H = VOYAGER	V = 600
D = ARIES	K = MINI RAM/CARAVAN/ROYAL	V24 = DAYTONA
E = 600	M = HORIZON/TURISMO	Z = OMNI/CHARGER/RAMPAGE

BODY STYLES

21 = 2-DOOR SEDAN	28 = FWD PICKUP	44 = 4-DOOR HATCHBACK
22 = 2-DOOR SPECIAL COUPE	35 = FWD VAN	45 = 4-DOOR STATION WAGON
24 = 2-DOOR HATCHBACK	36 = FWD WAGON	48 = 4-DOOR EXECUTIVE SEDAN
27 = 2-DOOR CONVERTIBLE	41 = 4-DOOR SEDAN	

AR = Use as Required - = Non Illustrated Part P.A.R. = Paint as Required

SERVICE BULLETINS GROUP 18 - DRIVEABILITY
Figure 18-1800

ITEM	PART NUMBER	QTY	BODY	MODEL	DESCRIPTION
	5226 502				MODULE, ESA/EFC N N N5226502 Y5226502 LABEL, VECI N N N N K Body N N N4288831 NDNS L Body, except Rampage N N N4288831 NDNS Rampage N N N4288830 NDNS
					LABEL, Hose Routing N N N N K Body N N N4307521 NDNS L Body, exc Rampage, w/Standard Cooling N N N4307521 NDNS
					L Body, exc Rampage, w/Max Cooling or A/C N N N4307526 NDNS Rampage N N N4307518 NDNS
	4294 292				HOSE, Brake Booster N N N4294292 Y4294292
	4343 637				HOSE, Crankcase Vent N N N4343637 Y4343637 HARNESS, H/Alt Compensator N N N Y L Body and Rampage N N N4287003 NDNS K Body N N N4287995 NDNS
					OVERLAY, Wiring Harness N N N4331609 NS Pkg. WRAP, Tie N N N6016060 NDNS
	4201 384				GASKET, EGR Valve to Tube Flange N N N4201384 Y4201384
	4201 313				GASKET, EGR Valve to Exhaust Manifold N N N4201313 Y4201313
	4095 975				GASKET, Spacer to Carb. N N N4095975 Y4095975
	2448 761				CLAMP, Brake Booster Hose N N N2448761 Y2448761
	4342 786				DRIVEABILITY PACKAGE, W/Manual Trans.-K and L Body(Fed & H/Alt) exc Rampage, Rampage (H/Alt) N N N4342786 Y4342786 VALVE, EGR N N N N
	4287 408				w/A/C N N N4287408 Y4287408
	4300 408				N N N4300408 Y4300408
	4271 907				w/o A/C N N N4287413 Y4271907
	4271 907				N N N4300413 Y4271907
	4300 032				CARBURETOR N N N4300032 Y4300032
	5226 510				MODULE, ESA/EFC N N N5226510 Y5226510 LABEL, VECI N N N N exc Rampage N N N4288831 NDNS Rampage N N N4288830 NDNS

ILLUSTRATION NOT AVAILABLE AT TIME OF PUBLICATION

MODEL CODES

B = GRAN FURY	F = FIFTH AVENUE/NEWPORT	P = RELIANT
C = LEBARON/TOWN & COUNTRY/EXC SEDAN	G = DIPLOMAT	T = E CLASS/NEW YORKER
C24 = LASER	H = VOYAGER	V = 600
D = ARIES	K = MINI RAM/CARAVAN/ROYAL	V24 = DAYTONA
E = 600	M = HORIZON/TURISMO	Z = OMNI/CHARGER/RAMPAGE

BODY STYLES

21 = 2-DOOR SEDAN	28 = FWD PICKUP	44 = 4-DOOR HATCHBACK
22 = 2-DOOR SPECIAL COUPE	35 = FWD VAN	45 = 4-DOOR STATION WAGON
24 = 2-DOOR HATCHBACK	36 = FWD WAGON	48 = 4-DOOR EXECUTIVE SEDAN
27 = 2-DOOR CONVERTIBLE	41 = 4-DOOR SEDAN	

AR = Use as Required - = Non Illustrated Part P.A.R. = Paint as Required

SERVICE BULLETINS GROUP 18 - DRIVEABILITY
Figure 18-1800

ILLUSTRATION NOT AVAILABLE AT TIME OF PUBLICATION

ITEM	PART NUMBER	QTY	BODY	MODEL	DESCRIPTION
					LABEL, Hose Routing N N N N
					K Body N N N4307521 NDNS
					L Body, exc Rampage, w/Standard Cooling N N N4307521 NDNS
					L Body, exc Rampage, w/Max Cooling or A/C N N N4307526 NDNS
					Rampage N N N4307518 NDNS
	4294 292				HOSE, Brake Booster N N N4294292 Y4294292
	4343 637				HOSE, Crankcase Vent N N N4343637 Y4343637
					HARNES, H/Alt Compensator N N N N
					K Body N N N4287995 NDNS
					L Body and Rampage N N N4287003 NDNS
					OVERLAY, Wiring Harness N N N4331609 NS Pkg.
	4201 384				WRAP, Tie N N N6016060 NDNS
					GASKET, EGR Valve to Tube Flange N N N4201384 Y4201384
	4201 313				GASKET, EGR Valve to Exhaust Manifold N N N4201313 Y4201313
	4095 975				GASKET, Spacer to Carburetor N N N4095975 Y4095975
	2448 761				CLAMP, Brake Booster Hose N N N2448761 Y2448761
	4342 788				DRIVEABILITY PACKAGE, w/EDJ Engine and Manual Trans. -
					Shelby Charger and GLH (Fed & H/Alt) N N N4342788 Y4342788
	4287 408				VALVE, EGR N N N4287408 Y4287408
					N N N4300408 N4300408
	4300 038				CARBURETOR N N N4300038 Y4300038
	5226 520				MODULE, ESA/EFC N N N5226520 Y5226520
					LABEL, VECI N N N4288832 NDNS
					LABEL, Hose Routing N N N N
					Shelby Charger N N N4307526 NDNS
					GLH, w/Standard Cooling N N N4307521 NDNS
					GLH, w/Max Cooling or A/C N N N4307526 NDNS
	4294 294				HOSE, Brake Booster N N N4294294 Y4294294
	4343 637				HOSE, Crankcase Vent N N N4343637 Y4343637
					HARNES, H/Alt Compensator N N N4287003 NDNS
					OVERLAY, Wiring Harness N N N4331609 NS Pkg.
					WIRING, W.O.T. Switch Jumper N N N4304899 NS Pkg.
					WRAP, Tie N N N6016060 NDNS

MODEL CODES

B = GRAN FURY	F = FIFTH AVENUE/NEWPORT	P = RELIANT
C = LEBARON/TOWN & COUNTRY/EXC SEDAN	G = DIPLOMAT	T = E CLASS/NEW YORKER
C24 = LASER	H = VOYAGER	V = 600
D = ARIES	K = MINI RAM/CARAVAN/ROYAL	V24 = DAYTONA
E = 600	M = HORIZON/TURISMO	Z = OMNI/CHARGER/RAMPAGE

BODY STYLES

21 = 2-DOOR SEDAN	28 = FWD PICKUP	44 = 4-DOOR HATCHBACK
22 = 2-DOOR SPECIAL COUPE	35 = FWD VAN	45 = 4-DOOR STATION WAGON
24 = 2-DOOR HATCHBACK	36 = FWD WAGON	48 = 4-DOOR EXECUTIVE SEDAN
27 = 2-DOOR CONVERTIBLE	41 = 4-DOOR SEDAN	

AR = Use as Required - = Non Illustrated Part P.A.R. = Paint as Required

SERVICE BULLETINS GROUP 18 - DRIVEABILITY
Figure 18-1800

ILLUSTRATION NOT AVAILABLE AT TIME OF PUBLICATION

ITEM	PART NUMBER	QTY	BODY	MODEL	DESCRIPTION
	4201 384				GASKET, EGR Valve to Tube Flange N N N4201384 Y4201384
	4201 313				GASKET, EGR Valve to Exhaust Manifold N N N4201313 Y4201313
	4095 975				GASKET, Spacer to Carburetor N N N4095975 Y4095975
	2448 761				CLAMP, Brake Booster Hose N N N2448761 Y2448761
	4342 783				DRIVEABILITY PACKAGE, w/Auto Trans.- L Body (Calif) exc Shelby, K Body (Calif) N N N4342783 Y4342783 VALVE, EGR N N N N
	4287 404				L Body N N N4287404 Y4287404
	4300 404				N N N4300404 Y4300404
	4287 404				K Body, 2 Dr and 4 Dr N N N4287404 Y4287404
	4300 404				N N N4300404 Y4300404
	4297 738				K Body, Wagon N N N4287422 Y4297738
	4293 738				N N N4300422 Y4293738
	4300 035				CARBURETOR N N N4300035 Y4300035
	5226 512				MODULE, ESA/EFC N N N5226512 Y5226512
					LABEL, VECI N N N4288834 NDNS
					LABEL, Hose Routing N N N N
					K Body N N N4307523 NDNS
					L Body, w/Standard Cooling N N N4307523 NDNS
					L Body, w/Max Cooling or A/C N N N4307527 NDNS
					HOSE, Brake Booster N N N N
	4294 292				K Body N N N4394292 Y4294292
	4294 294				L Body N N N4294294 Y4294294
	4343 637				HOSE, Crankcase Vent N N N4343637 Y4343637 OVERLAY, Wiring Harness N N N4331609 NS Pkg. WRAP, Tie N N N6016060 NDNS
	4201 384				GASKET, EGR Valve to Tube Flange N N N4201384 Y4201384
	4201 313				GASKET, EGR Valve to Exhaust Manifold N N N4201313 Y4201313
	4095 975				GASKET, Spacer to Carburetor N N N4095975 Y4095975
	2448 761				CLAMP, Brake Booster Hose N N N2448761 Y2448761
	4342 785				DRIVEABILITY PACKAGE, w/Manual Trans. - L Body (Calif) exc Shelby, K Body (Calif) N N N4342785 Y4342785
	4287 430				VALVE, EGR N N N4287430 Y4287430
	4300 430				N N N4300430 Y4300430

MODEL CODES

B = GRAN FURY	F = FIFTH AVENUE/NEWPORT	P = RELIANT
C = LEBARON/TOWN & COUNTRY/EXC SEDAN	G = DIPLOMAT	T = E CLASS/NEW YORKER
C24 = LASER	H = VOYAGER	V = 600
D = ARIES	K = MINI RAM/CARAVAN/ROYAL	V24 = DAYTONA
E = 600	M = HORIZON/TURISMO	Z = OMNI/CHARGER/RAMPAGE

BODY STYLES

21 = 2-DOOR SEDAN	28 = FWD PICKUP	44 = 4-DOOR HATCHBACK
22 = 2-DOOR SPECIAL COUPE	35 = FWD VAN	45 = 4-DOOR STATION WAGON
24 = 2-DOOR HATCHBACK	36 = FWD WAGON	48 = 4-DOOR EXECUTIVE SEDAN
27 = 2-DOOR CONVERTIBLE	41 = 4-DOOR SEDAN	

AR = Use as Required - = Non Illustrated Part P.A.R. = Paint as Required

SERVICE BULLETINS GROUP 18 - DRIVEABILITY
Figure 18-1800

ILLUSTRATION NOT AVAILABLE AT TIME OF PUBLICATION

ITEM	PART NUMBER	QTY	BODY	MODEL	DESCRIPTION
	4300 034				CARBURETOR N N N4300034 Y4300034
	5226 518				MODULE, ESA/EFC N N N5226518 Y5226518 LABEL, VECI N N N4288834 NDNS LABEL, Hose Routing N N N N K Body N N N4307523 NDNS
	0000 DNS				L Body, w/Standard Cooling N N N4307523 NDNS L Body, w/Max Cooling or A/C N N N4307527 YDNS HOSE, Brake Booster N N N Y K Body N N N4294292 Y4294292
	4294 292				L Body N N N4294294 Y4294294
	4294 294				HOSE, Crankcase Vent N N N4343637 Y4343637
	4343 637				OVERLAY, Wiring Harness N N N4331609 NS Pkg. WRAP, Tie N N N6016060 NDNS
	4201 384				GASKET, EGR Valve to Tube Flange N N N4201384 Y4201384
	4201 313				GASKET, EGR Valve to Exhaust Manifold N N N4201313 Y4201313
	4095 975				GASKET, Spacer to Carburetor N N N4095975 Y4095975
	2448 761				CLAMP, Brake Hose N N N2448761 Y2448761
	4342 784				DRIVEABILITY PACKAGE, w/Manual Trans. - Shelby Charger (Calif) N N N4342784 Y4342784
	4267 249				VALVE, EGR N N N4287405 Y4267249
	4267 249				N N N4300405 Y4267249
	4300 039				CARBURETOR N N N4300039 Y4300039
	5226 522				MODULE, ESA/EFC N N N5226522 Y5226522 LABEL, VECI N N N4288836 NDNS LABEL, Hose Routing N N N N w/Standard Cooling N N N4307523 NDNS w/Max Cooling or A/C N N N4307527 NDNS
	4294 294				HOSE, Brake Booster N N N4294294 Y4294294
	4343 637				HOSE, Crankcase Vent N N N4343637 Y4343637 OVERLAY, Wiring Harness N N N4331609 NS Pkg. WIRING, W.O.T. Switch Jumper N N N4304899 NS Pkg.
	4201 384				WRAP, Tie N N N6016060 NDNS GASKET, EGR Valve to Tube Flange N N N4201384 Y4201384
	4201 313				GASKET, EGR Valve to Exhaust Manifold N N N4201313 Y4201313

MODEL CODES

B = GRAN FURY	F = FIFTH AVENUE/NEWPORT	P = RELIANT
C = LEBARON/TOWN & COUNTRY/EXC SEDAN	G = DIPLOMAT	T = E CLASS/NEW YORKER
C24 = LASER	H = VOYAGER	V = 600
D = ARIES	K = MINI RAM/CARAVAN/ROYAL	V24 = DAYTONA
E = 600	M = HORIZON/TURISMO	Z = OMNI/CHARGER/RAMPAGE

BODY STYLES

21 = 2-DOOR SEDAN	28 = FWD PICKUP	44 = 4-DOOR HATCHBACK
22 = 2-DOOR SPECIAL COUPE	35 = FWD VAN	45 = 4-DOOR STATION WAGON
24 = 2-DOOR HATCHBACK	36 = FWD WAGON	48 = 4-DOOR EXECUTIVE SEDAN
27 = 2-DOOR CONVERTIBLE	41 = 4-DOOR SEDAN	

AR = Use as Required - = Non Illustrated Part P.A.R. = Paint as Required

SERVICE BULLETINS GROUP 18 - DRIVEABILITY
Figure 18-1800

ITEM	PART NUMBER	QTY	BODY	MODEL	DESCRIPTION
	4095 975				GASKET, Spacer to Carburetor N N N4095975 Y4095975
	2448 761				CLAMP, Brake Booster Hose N N N2448761 Y2448761
	4342 790				DRIVEABILITY PACKAGE, w/Auto Trans. - Rampage (Calif) N N N4342790 Y4342790
	4287 426				VALVE, EGR N N N4287426 Y4287426
	4300 426				N N N4300426 Y4300426
	4300 035				CARBURETOR N N N4300035 Y4300035
	5226 502				MODULE, ESA/EFC N N N5226502 Y5226502
					LABEL, VECI N N N4288835 NDNS
					LABEL, Hose Routing N N N4307519 NDNS
	4294 294				HOSE, Brake Booster N N N4294294 Y4294294
	4343 637				HOSE, Crankcase Vent N N N4343637 Y4343637
					OVERLAY, Wiring Harness N N N4331609 NS Pkg.
					WRAP, Tie N N N6016060 NDNS
	4201 384				GASKET, EGR Valve to Tube Flange N N N4201384 Y4201384
	4201 313				GASKET, EGR Valve to Exhaust manifold N N N4201313 Y4201313
	4095 975				GASKET, Spacer to Carburetor N N N4095975 Y4095975
	2448 761				CLAMP, Brake Booster Hose N N N2448761 Y2448761
	4342 789				DRIVEABILITY PACKAGE, w/Manual Trans. - Rampage (Calif) N N N4342789 Y4342789
	4287 407				VALVE, EGR N N N4287407 Y4287407
	4300 407				N N N4300407 Y4300407
	4300 034				CARBURETOR N N N4300034 Y4300034
	5226 510				MODULE, ESA/EFC N N N5226510 Y5226510
					LABEL, VECI N N N4288835 NDNS
					LABEL, Hose Routing N N N4307519 NDNS
	4294 294				HOSE, Brake Booster N N N4294294 Y4294294
	4343 637				HOSE, Crankcase Vent N N N4343637 Y4343637
					OVERLAY, Wiring Harness N N N4331609 NS Pkg.
					WRAP, Tie N N N6016060 NDNS
	4201 384				GASKET, EGR Valve to Tube Flange N N N4201384 Y4201384
	4201 313				GASKET, EGR Valve to Exhaust Manifold N N N4201313 Y4201313
	4095 975				GASKET, Spacer to Carburetor N N N4095975 Y4095975
	2448 761				CLAMP, Brake Booster Hose N N N2448761 Y2448761

ILLUSTRATION NOT AVAILABLE AT TIME OF PUBLICATION

MODEL CODES

B = GRAN FURY	F = FIFTH AVENUE/NEWPORT	P = RELIANT
C = LEBARON/TOWN & COUNTRY/EXC SEDAN	G = DIPLOMAT	T = E CLASS/NEW YORKER
C24 = LASER	H = VOYAGER	V = 600
D = ARIES	K = MINI RAM/CARAVAN/ROYAL	V24 = DAYTONA
E = 600	M = HORIZON/TURISMO	Z = OMNI/CHARGER/RAMPAGE

BODY STYLES

21 = 2-DOOR SEDAN	28 = FWD PICKUP	44 = 4-DOOR HATCHBACK
22 = 2-DOOR SPECIAL COUPE	35 = FWD VAN	45 = 4-DOOR STATION WAGON
24 = 2-DOOR HATCHBACK	36 = FWD WAGON	48 = 4-DOOR EXECUTIVE SEDAN
27 = 2-DOOR CONVERTIBLE	41 = 4-DOOR SEDAN	

AR = Use as Required - = Non Illustrated Part P.A.R. = Paint as Required

SERVICE BULLETINS GROUP 18 - DRIVEABILITY
Figure 18-1800

ILLUSTRATION NOT AVAILABLE AT TIME OF PUBLICATION

ITEM	PART NUMBER	QTY	BODY	MODEL	DESCRIPTION
					N N N N
					Low Speed Surge/Rough Idle with A/C on 18-23-86 NS Body N2.6L N N
	4419 407				VALVE PACKAGE, EGR Bleed Delay N N N4419407 Y4419407
	4324 017				DELAY, EGR Bleed N N N4324017 Y4324017
	4275 086				LABEL, Authorized Modification N N N4275086 Y4275086 N N N N
					Vapor Lock/Fuel Foaming 18-24-86A NL Body N2.2L N N
	4364 381				DRIVEABILITY PACKAGE N N N4364381 Y4364381
	5226 640				MODULE, Control N N N5226640 Y5226640
	6015 756				TIE, Wrap N N N6015756 Y6015756
	4304 901				HARNESS, Instrument Panel Wiring N N N4304901 Y4304901
	4331 826				WIRE, Electric Fuel Pump N N N4331826 Y4331826
					HOSE, (13-1/2" x 5/16 ID) N N N4279613 NSCP
	4443 176				HOSE N N N4443176 Y4443176
	4364 392				SLEEVE N N N4364392 Y4364392
	4443 180				HOSE, (5" x 5/16 ID) N N N4279893 Y4443180
	4275 325				COVER, Fuel Pump Pad N N N4275325 Y4275325
	5214 680				GASKET, Fuel Pump Pad Cover N N N5214680 Y5214680
	6500 799				SCREW, w/WASHER N N N6500799 Y6500799
	4306 932				BRACKET and GASKET, Fuel Reservoir N N N4306932 Y4306932
	4306 286				RESERVOIR/FILTER, Fuel N N N4306286 Y4306286
	6100 047				NUT N N N6100047 Y6100047
	6500 651				CLAMP, (5/16) N N N6500651 Y6500651
	6500 650				CLAMP, (1/4) N N N6500650 Y6500650
	4307 372				TUBE, Engine Fuel N N N4307372 Y4307372
					SPACERS, Fuel Tube N N N4275610 NDNS
	4331 763				WIRING, In Tank Fuel Pump (2 Term) N N N4331763 Y4331763
					GAUGE/PUMP, In Tank Fuel N N N4203713 NSCP
	4397 813				FILTER, w/SEAL, In Tank Pump N N N4397813 Y4397813
	4397 820				PUMP, w/SEAL, In Tank Fuel N N N4397820 Y4397820
	4397 818				LEVEL, w/SEAL, In Tank Fuel N N N4397818 Y4397818
	6033 095				SEAL, Fuel Tank Gauge Unit N N N6031475 Y6033095
	6101 135				FUSE, 10 Amp N N N6101135 Y6101135
	4203 799				BRACKET, Fuel Pressure Regulator N N N4203799 Y4203799

MODEL CODES

B = GRAN FURY	F = FIFTH AVENUE/NEWPORT	P = RELIANT
C = LEBARON/TOWN & COUNTRY/EXC SEDAN	G = DIPLOMAT	T = E CLASS/NEW YORKER
C24 = LASER	H = VOYAGER	V = 600
D = ARIES	K = MINI RAM/CARAVAN/ROYAL	V24 = DAYTONA
E = 600	M = HORIZON/TURISMO	Z = OMNI/CHARGER/RAMPAGE

BODY STYLES

21 = 2-DOOR SEDAN	28 = FWD PICKUP	44 = 4-DOOR HATCHBACK
22 = 2-DOOR SPECIAL COUPE	35 = FWD VAN	45 = 4-DOOR STATION WAGON
24 = 2-DOOR HATCHBACK	36 = FWD WAGON	48 = 4-DOOR EXECUTIVE SEDAN
27 = 2-DOOR CONVERTIBLE	41 = 4-DOOR SEDAN	

AR = Use as Required - = Non Illustrated Part P.A.R. = Paint as Required

SERVICE BULLETINS GROUP 18 - DRIVEABILITY
Figure 18-1800

ITEM	PART NUMBER	QTY	BODY	MODEL	DESCRIPTION
					SCREW, Bracket Attaching (1/4-14 x 5/8) N N N6031540
	6033 066				NDNS SCREW, Regulator Attaching (12-24 x 1/2) N N N6033066 Y6033066
	4203 797				HOSE, Pressure Regulator Outlet N N N4203797 Y4203797
	4203 798				HOSE, Pressure Regulator Inlet N N N4203798 Y4203798
	4203 804				SLEEVE, Vapor Vent Hose Protecting N N N4203804 Y4203804
	4443 175				HOSE, Fuel Return (6.5 x 1/4) N N N4203557 Y4443175
	4203 802				REGULATOR, Fuel Pressure N N N4203802 Y4203802 N N N Y
	4241 223				Long Cold Crank Times 18-31-85 NL,K,S Body N2.2L N N VALVE, Thermal Bowl Vent (Fed) N N N4241223 Y4241223
	4397 673				VALVE PACKAGE, Thermal Bowl Vent (Calif) N N N4397673 Y4397673
	4241 223				VALVE, Thermal Bowl Vent (Calif) N N N4241223 Y4241223 LABEL, Hose Routing (Calif) N N N4179645 NDNS N N N N
	4419 404				Hesitation and Sag with a Cold Engine 18-32-86 NK,E Body N2.6L N N DRIVEABILITY PACKAGE N N N4419404 Y4419404
	MD60 7474				GOVERNOR SET N N NMD607474 YMD607474
	MD10 7136				OVERLAY, Vacuum Harness N N NMD107136 YMD107136
	MD08 1274				VALVE, 3-Port Thermo N N NMD081274 YMD081274
	MD10 0733				BRACKET, Mounting N N NMD100733 YMD100733
	MD61 1472				ADVANCE, Dual Diaphragm Dist N N NMD611472 YMD611472
	MS47 0362				CLIP, Snap N N NMS470362 YMS470362
	MD09 7314				VALVE, EGR N N NMD097314 YMD097314
	3671 410				TEE, Vacuum, w/A/C N N N3671410 Y3671410
	4443 175				HOSE and SLEEVE N N N4418103 NSCP HOSE N N N4443175 Y4443175
	4279 699				SLEEVE N N N4279699 Y4279699
	6015 756				TIE, Wrap N N N6015756 Y6015756
	4275 086				LABEL, Hose Routing N N N4306845 NDNS
	MD08 0152				LABEL, Authorized Modification N N N4275086 Y4275086 UNIT, Electronic Control N N NMD080152 YMD080152 N N N N
					Fuel Foaming 18-41-86 NS Body N2.6L N N

ILLUSTRATION NOT AVAILABLE AT TIME OF PUBLICATION

MODEL CODES

B = GRAN FURY	F = FIFTH AVENUE/NEWPORT	P = RELIANT
C = LEBARON/TOWN & COUNTRY/EXC SEDAN	G = DIPLOMAT	T = E CLASS/NEW YORKER
C24 = LASER	H = VOYAGER	V = 600
D = ARIES	K = MINI RAM/CARAVAN/ROYAL	V24 = DAYTONA
E = 600	M = HORIZON/TURISMO	Z = OMNI/CHARGER/RAMPAGE

BODY STYLES

21 = 2-DOOR SEDAN	28 = FWD PICKUP	44 = 4-DOOR HATCHBACK
22 = 2-DOOR SPECIAL COUPE	35 = FWD VAN	45 = 4-DOOR STATION WAGON
24 = 2-DOOR HATCHBACK	36 = FWD WAGON	48 = 4-DOOR EXECUTIVE SEDAN
27 = 2-DOOR CONVERTIBLE	41 = 4-DOOR SEDAN	

AR = Use as Required - = Non Illustrated Part P.A.R. = Paint as Required

SERVICE BULLETINS GROUP 18 - DRIVEABILITY
Figure 18-1800

ITEM	PART NUMBER	QTY	BODY	MODEL	DESCRIPTION
	4324 017				VALVE, EGR Delay N N N4324017 Y4324017
	0997 258				CARBURETOR, w/GASKET N N NMD997258 Ymd997258
	4275 086				LABEL, Authorized Modification N N N4275086 Y4275086
	4306 058				VALVE, Tank Vent N N N4306058 Y4306058 N N N N
	0997 300				Fuel Foaming 18-42-86 NK,E Body N2.6L N N CARBURETOR N N NMD997300 Ymd997300 N N N Y Engine Sags on Hard Right Hand Turns 18-43-86 NL,K,E Body N2.2L N N
	4419 423				DRIVEABILITY PACKAGE N N N4419423 Y4419423
	4324 751				CARBUTETOR, (R-40310) N N N4324751 Y4324751
	4267 140				PLUG, Idle Concealment N N N4267140 Y4267140
	4275 086				LABEL, Authorized Modification N N N4275086 Y4275086
	3580 171				CAP, Rubber (3/16) N N N3580171 Y3580171
	3580 172				CAP, Rubber (1/4) N N N3580172 Y3580172 N N N N
					Sag and/or Poor Performance Due to Fuel Foaming 18-48-86 NS Body N2.6L N N
	4342 938				FOAMING PACKAGE, Fuel N N N4342938 Y4342938
	4307 381				REGULATOR, Pressure N N N4307381 Y4307381
	4306 972				BRACKET, Pressure Regulator N N N4306972 Y4306972
					SCREW, Bracket to Body N N N6031991 NDNS
	6033 066				SCREW, Pressure Regulator to Bracket N N N6033066 Y6033066
	4307 358				RESERVOIR, Fuel N N N4307358 Y4307358
	6500 650				CLAMP, Hose (1/4) N N N6500650 Y6500650
	4307 384				Y-CONNECTOR, w/3-HOSE N N N4307384 Y4307384
	4307 382				HOSE, Reservoir to Pressure Regulator (28 1/2) N N N4307382 Y4307382
	4307 383				HOSE, Pressure Regulator to Carb. (34) N N N4307383 Y4307383
	4307 242				CLIP, Hose to Valve Cover N N N4307242 Y4307242
	6015 945				TIE, Wrap N N N6015945 Y6015945
	4275 086				LABEL, Authorized Modification N N N4275086 Y4275086 N N N N Carburetor Icing 18-46-86 NS N2.6L N N
	4419 436				DRIVEABILITY KIT N N N4419436 Y4419436

ILLUSTRATION NOT AVAILABLE AT TIME OF PUBLICATION

MODEL CODES

B = GRAN FURY	F = FIFTH AVENUE/NEWPORT	P = RELIANT
C = LEBARON/TOWN & COUNTRY/EXC SEDAN	G = DIPLOMAT	T = E CLASS/NEW YORKER
C24 = LASER	H = VOYAGER	V = 600
D = ARIES	K = MINI RAM/CARAVAN/ROYAL	V24 = DAYTONA
E = 600	M = HORIZON/TURISMO	Z = OMNI/CHARGER/RAMPAGE

BODY STYLES

21 = 2-DOOR SEDAN	28 = FWD PICKUP	44 = 4-DOOR HATCHBACK
22 = 2-DOOR SPECIAL COUPE	35 = FWD VAN	45 = 4-DOOR STATION WAGON
24 = 2-DOOR HATCHBACK	36 = FWD WAGON	48 = 4-DOOR EXECUTIVE SEDAN
27 = 2-DOOR CONVERTIBLE	41 = 4-DOOR SEDAN	

AR = Use as Required - = Non Illustrated Part P.A.R. = Paint as Required

SERVICE BULLETINS GROUP 18 - DRIVEABILITY
Figure 18-1800

ILLUSTRATION NOT AVAILABLE AT TIME OF PUBLICATION

ITEM	PART NUMBER	QTY	BODY	MODEL	DESCRIPTION
	4287 369				ASPIRATOR/FILTER ASSEMBLY N N N4287369 Y4287369
	4201 111				CAP, Air Cleaner Nipple N N N4201111 Y4201111
	4397 729				SENSOR PACKAGE, Heated Air N N N4397729 Y4397729
	4275 086				LABEL, Authorized Modification N N N4275086 Y4275086 N N N N
	4397 613				Vapor Lock 18-49-86 NM Body N5.2L N N LOCK PACKAGE, Vapor N N N4397613 Y4397613
	4397 840				GAUGE/PUMP, In Tank Fuel N N N4075447 NSCP FILTER, w/SEAL, In Tank Pump N N N4397840 Y4397840
	4419 101				PUMP, w/SEAL, In Tank Fuel N N N4419101 Y4419101
	4397 841				LEVEL, w/SEAL, In Tank Fuel N N N4397841 Y4397841
	4362 295				HARNES, Engine Compartment Wiring N N N4362295 Y4362295
	4331 718				HARNES, Instrument Panel Wiring N N N4331718 Y4331718
	4331 719				HARNES, Body Wiring N N N4331719 Y4331719
	5226 640				MODULE, Control N N N5226640 Y5226640
	6015 756				TIE, Wrap N N N6015756 Y6015756
	4106 001				FILTER, Fuel N N N4071965 Y4106001
	4443 176				HOSE, (5/16 x 2) N N N4203215 Y4443176
	6500 651				CLAMP, Hose (5/16) N N N6500651 Y6500651
	6500 650				CLAMP, Hose (1/4) N N N6500650 Y6500650
	6033 095				SEAL, Fuel Tank Gauge N N N6031475 Y6033095
	4397 656				REGULATOR PACKAGE, Fuel Pressure, w/Carter Thermoquad 4Bbl. Carb. N N N4397656 Y4397656
	4418 009				REGULATOR, Pressure N N N4418009 Y4418009
	4418 010				BRACKET, Pressure Regulator N N N4418010 Y4418010
	0181 112				SCREW, w/WASHER, Bracket to Intake Manifold N N N6022254 Y0181112
	6033 066				SCREW, Pressure Regulator to Bracket N N N6033066 Y6033066
	4418 008				TUBE, Fuel Filter Hose to Pressure Regulator N N N4418007 NS Pkg.
	6500 651				TUBE, Pressure Regulator to Carb. N N N4418008 Y4418008 CLAMP, (5/16) N N N6500651 Y6500651

MODEL CODES

B = GRAN FURY	F = FIFTH AVENUE/NEWPORT	P = RELIANT
C = LEBARON/TOWN & COUNTRY/EXC SEDAN	G = DIPLOMAT	T = E CLASS/NEW YORKER
C24 = LASER	H = VOYAGER	V = 600
D = ARIES	K = MINI RAM/CARAVAN/ROYAL	V24 = DAYTONA
E = 600	M = HORIZON/TURISMO	Z = OMNI/CHARGER/RAMPAGE

BODY STYLES

21 = 2-DOOR SEDAN	28 = FWD PICKUP	44 = 4-DOOR HATCHBACK
22 = 2-DOOR SPECIAL COUPE	35 = FWD VAN	45 = 4-DOOR STATION WAGON
24 = 2-DOOR HATCHBACK	36 = FWD WAGON	48 = 4-DOOR EXECUTIVE SEDAN
27 = 2-DOOR CONVERTIBLE	41 = 4-DOOR SEDAN	

AR = Use as Required - = Non Illustrated Part P.A.R. = Paint as Required

SERVICE BULLETINS GROUP 21 - TRANSMISSION
Figure 18-2100

ILLUSTRATION NOT AVAILABLE AT TIME OF PUBLICATION

ITEM	PART NUMBER	QTY	BODY	MODEL	DESCRIPTION
					Shift Linkage Ball Socket Disengagement, w/Manual Transaxle 21-5-86 NALL N N N
	4340 118				CLIP, Ball Socket Retaining N N N4340118 Y4340118 N N N N Hard Shifting into and out of 5th Gear, w/A-525, 5 Speed
	4431 894				Manual Transaxle 21-7-86 N N N N PLATE, Strut Retainer N N N4431894 Y4431894 N N N N High Pitched Whine, w/Auto Transaxle 21-10-86 NL Body N N
	4377 301				CABLE, Gearshift Control N N N4377301 Y4377301 N N N N Clash when Shifting into 5th Gear 21-11-84 NLKEGS Body N N
	4411 970				COVER N N N4202860 Y4411970 N N N N Manual Transaxle Rod Shift Rattle, w/Rod Shift 21-20-83 NL,K
	4340 107				Body N N N SILENCER, Silicone Rubber N N N4340107 Y4340107 N N N N Drive Gear Whine, Front Wheel Drive 21-20-85 NALL N N N
	4431 107				WEIGHT N N N4431107 Y4431107 N N N N Auto Shift Linkage, w/Columm Shift 21-22-83 NJ,M,Y Body N N
	6500 596				CLIP, Spring N N N6500596 Y6500596
	4188 437				SWIVEL, Adjustment N N N4188437 Y4188437

MODEL CODES

B = GRAN FURY	F = FIFTH AVENUE/NEWPORT	P = RELIANT
C = LEBARON/TOWN & COUNTRY/EXC SEDAN	G = DIPLOMAT	T = E CLASS/NEW YORKER
C24 = LASER	H = VOYAGER	V = 600
D = ARIES	K = MINI RAM/CARAVAN/ROYAL	V24 = DAYTONA
E = 600	M = HORIZON/TURISMO	Z = OMNI/CHARGER/RAMPAGE

BODY STYLES

21 = 2-DOOR SEDAN	28 = FWD PICKUP	44 = 4-DOOR HATCHBACK
22 = 2-DOOR SPECIAL COUPE	35 = FWD VAN	45 = 4-DOOR STATION WAGON
24 = 2-DOOR HATCHBACK	36 = FWD WAGON	48 = 4-DOOR EXECUTIVE SEDAN
27 = 2-DOOR CONVERTIBLE	41 = 4-DOOR SEDAN	

AR = Use as Required - = Non Illustrated Part P.A.R. = Paint as Required

SERVICE BULLETINS GROUP 23 - BODY
Figure 18-2300

ITEM	PART NUMBER	QTY	BODY	MODEL	DESCRIPTION
					Hood Flutter 23-1-85 NL Body N N N
	4267 906				URETHANE PACKAGE N N N4267906 Y4267906 BRUSH, Wire N N N NS Pkg GUN, Caulking N N N NS Pkg N N N N
	4271 047				Tonneau Cover 23-3-85 NL,G Body N N N CAP, End N N N4271047 Y4271047 GROMMET N N N N
	00H5 443				Silver N N NH544DA3 YH544da3
	H544 DB5				Blue N N NH544DB5 YH544DB5
	H544 DC7				Blue N N NH544DC7 YH544DC7
	H544 DM6				Red N N NH544DM6 YH544DM6
	H544 DS8				Charcoal N N NH544DS8 YH544DS8
	H544 DT3				Tan N N NH544DT3 YH544DT3
	H544 DT5				Tan N N NH544DT5 YH544DT5
	H544 DX9				Black N N NH544DX9 YH544DX9 N N N Y
	4318 257				L. S. Outside Remote Mirror Shake 23-5-84 NG Body N N N MIRROR N N N4318267 Y4318267 N N N N Third Seat Rattle 23-6-84 NS Body N N N
	4277 534				SPRING N N N4277534 Y4277534
	4293 288				SHIM N N N4293288 Y4293288 ----- N N N N Headliner Sag or Flutter 23-6-85 NE Body N N N
	H452 AA3				FASTENERS N N N N Silver N N NH452AA3 YH452AA3
	H452 BB5				Blue N N NH452BB5 YH452BB5
	H452 TM6				Red N N NH452TM6 YH452TM6
	H452 BL3				Beige N N NH452BL3 YH452BL3
	H452 CK5				Saddle N N NH452CK5 YH452CK5 Ash Receiver Housing to Quarter Panel Retention 23-7-84 NS Body N N N
	6032 456				SCREW N N N6032456 Y6032456 N N N N Seat Belt Extension 23-8-85 N All N N N
	4364 849				EXTENSION, Seat Belt N N N4364849 N N N N

ILLUSTRATION NOT AVAILABLE AT TIME OF PUBLICATION

MODEL CODES

B = GRAN FURY	F = FIFTH AVENUE/NEWPORT	P = RELIANT
C = LEBARON/TOWN & COUNTRY/EXC SEDAN	G = DIPLOMAT	T = E CLASS/NEW YORKER
C24 = LASER	H = VOYAGER	V = 600
D = ARIES	K = MINI RAM/CARAVAN/ROYAL	V24 = DAYTONA
E = 600	M = HORIZON/TURISMO	Z = OMNI/CHARGER/RAMPAGE

BODY STYLES

21 = 2-DOOR SEDAN	28 = FWD PICKUP	44 = 4-DOOR HATCHBACK
22 = 2-DOOR SPECIAL COUPE	35 = FWD VAN	45 = 4-DOOR STATION WAGON
24 = 2-DOOR HATCHBACK	36 = FWD WAGON	48 = 4-DOOR EXECUTIVE SEDAN
27 = 2-DOOR CONVERTIBLE	41 = 4-DOOR SEDAN	

AR = Use as Required - = Non Illustrated Part P.A.R. = Paint as Required

SERVICE BULLETINS GROUP 23 - BODY
Figure 18-2300

ILLUSTRATION NOT AVAILABLE AT TIME OF PUBLICATION

ITEM	PART NUMBER	QTY	BODY	MODEL	DESCRIPTION
					Headliner Sagging 23-9-84 NS Body N N N
	H452 AA3				FASTENERS N N N N Silver N N NH452AA3 YH452AA3
	H452 BB5				Blue N N NH452BB5 YH452BB5
	H452 TM6				Red N N NH452TM6 YH452TM6
	H452 BL3				Beige N N NH452BL3 YH452BL3
	H452 CK5				Saddle N N NH452CK5 YH452CK5 N N N N Inoperative Quarter Window 23-12-86 NS N N N
	4310 970-1				LEVER PACKAGE, Rear Quarter Window Remote Latch (right or left) N N Y4310970 Y4310970
	4396 984-5				LINK N N N4396986 NSA HANDLE N N Y4396984 Y4396984
					ROLL PIN N N N6033503 NSA N N N N Relocation of Inside Rear View Mirror, Convertible 23-13-84 NE Body N N N
	4293 039				ADHESIVE PACKAGE, Mirror N N N4293039 Y4293039 N N N N Binding Electric Window Regulator 23-15-83 NK,E Body N N N
	4040 710				PAD, Foam N N N4040710 Y4040710 N N N N Inadequate Trim Retention of Seat Rrim Retainers 23-15-84 NS Body N N N
	0153 341				SCREW N N N0153341 Y0153341 N N N N Armrest Retention - Front and 1st Rear Seat 23-16-84 NS Body N N N
	6032 721				RETAINER, Armrest N N N6032721 Y6032721 ARMREST N N N N
	G730 CS8				Charcoal N N NG712CS8 YG730CS8
	G730 CB5				Blue N N NG712CB5 YG730CB5
	G712 CM6				Red N N NG712CM6 YG712CM6
	G712 CL3				Beige N N NG712CL3 YG712CL3
	G712 CT8				Brown N N NG712CT8 YG712CT8 N N N N

MODEL CODES

B = GRAN FURY	F = FIFTH AVENUE/NEWPORT	P = RELIANT
C = LEBARON/TOWN & COUNTRY/EXC SEDAN	G = DIPLOMAT	T = E CLASS/NEW YORKER
C24 = LASER	H = VOYAGER	V = 600
D = ARIES	K = MINI RAM/CARAVAN/ROYAL	V24 = DAYTONA
E = 600	M = HORIZON/TURISMO	Z = OMNI/CHARGER/RAMPAGE

BODY STYLES

21 = 2-DOOR SEDAN	28 = FWD PICKUP	44 = 4-DOOR HATCHBACK
22 = 2-DOOR SPECIAL COUPE	35 = FWD VAN	45 = 4-DOOR STATION WAGON
24 = 2-DOOR HATCHBACK	36 = FWD WAGON	48 = 4-DOOR EXECUTIVE SEDAN
27 = 2-DOOR CONVERTIBLE	41 = 4-DOOR SEDAN	

AR = Use as Required - = Non Illustrated Part P.A.R. = Paint as Required

SERVICE BULLETINS GROUP 23 - BODY
Figure 18-2300

ITEM	PART NUMBER	QTY	BODY	MODEL	DESCRIPTION
					Tape Stripe Replacement, Shelby Package 23-20-84 NL Body N N N
					TAPE STRIPE N N N N
					Fascia, Upper Front N N N N
	T390 BBJ				Blue/Silver N N NT390BBJ YT390BBJ
	T390 BBK				Silver/Blue N N NT390BBK YT390BBK
					Hood N N N N
	4411 658				Blue/Silver N N NT392BBJ Y4411658
	4411 659				Silver/Blue N N NT392BBK Y4411659
					Cowl N N N N
	4411 658				Blue/Silver N N NT392BBJ Y4411658
	4411 659				Silver/Blue N N NT392BBK Y4411659
					Roof N N N N
	T394 BBJ				Blue/Silver N N NT394BBJ YT394BBJ
	T394 BBK				Silver/Blue N N NT394BBK YT394BBK
					Liftgate Upper N N N N
	T391 BBJ				Blue/Silver N N NT391BBJ YT391BBJ
	T391 BBK				Silver/Blue N N NT391BBK YT391BBK
					Liftgate, Air Spoiler, Upper N N N N
	T396 BBJ				Blue/Silver N N NT396BBJ YT396BBJ
	T396 BBK				Silver/Blue N N NT396BBK YT396BBK
					Liftgate Lower N N N N
	T391 BBJ				Blue/Silver N N NT391BBJ YT391BBJ
	T391 BBK				Silver/Blue N N NT391BBK YT391BBK

ILLUSTRATION NOT AVAILABLE AT TIME OF PUBLICATION

MODEL CODES

B = GRAN FURY	F = FIFTH AVENUE/NEWPORT	P = RELIANT
C = LEBARON/TOWN & COUNTRY/EXC SEDAN	G = DIPLOMAT	T = E CLASS/NEW YORKER
C24 = LASER	H = VOYAGER	V = 600
D = ARIES	K = MINI RAM/CARAVAN/ROYAL	V24 = DAYTONA
E = 600	M = HORIZON/TURISMO	Z = OMNI/CHARGER/RAMPAGE

BODY STYLES

21 = 2-DOOR SEDAN	28 = FWD PICKUP	44 = 4-DOOR HATCHBACK
22 = 2-DOOR SPECIAL COUPE	35 = FWD VAN	45 = 4-DOOR STATION WAGON
24 = 2-DOOR HATCHBACK	36 = FWD WAGON	48 = 4-DOOR EXECUTIVE SEDAN
27 = 2-DOOR CONVERTIBLE	41 = 4-DOOR SEDAN	

AR = Use as Required - = Non Illustrated Part P.A.R. = Paint as Required

SERVICE BULLETINS GROUP 24 - AIR CONDITIONING
Figure 18-2400

ITEM	PART NUMBER	QTY	BODY	MODEL	DESCRIPTION
					A/C Condenser Support Package 24-1-86 NS Body N N N
	3849 712				CONDENSER PACKAGE N N N3848374 Y3849712 N N N N
					Insufficient Heat Due to Slow Engine Warm Up 24-2-83 NL, K,E Body N N N
	0873 469				CLAMP N N N0870469 Y0873469
	4041 608				CLAMP N N N4041608 Y4041608
	2128 425				CAP N N N2128425 Y2128425
	4179 895				GASKET N N N4179895 Y4179895
	4105 768				THERMOSTAT N N N4105768 Y4105768
	4266 410				T-CONNECTOR N N N4266410 Y4266410 N N N N
					Inadequate Heat Distribution 24-6-85 NS Body N N N
	3849 219				DUCT, Distribution N N N3849219 Y3849219

ILLUSTRATION NOT AVAILABLE AT TIME OF PUBLICATION

MODEL CODES

B = GRAN FURY	F = FIFTH AVENUE/NEWPORT	P = RELIANT
C = LEBARON/TOWN & COUNTRY/EXC SEDAN	G = DIPLOMAT	T = E CLASS/NEW YORKER
C24 = LASER	H = VOYAGER	V = 600
D = ARIES	K = MINI RAM/CARAVAN/ROYAL	V24 = DAYTONA
E = 600	M = HORIZON/TURISMO	Z = OMNI/CHARGER/RAMPAGE

BODY STYLES

21 = 2-DOOR SEDAN	28 = FWD PICKUP	44 = 4-DOOR HATCHBACK
22 = 2-DOOR SPECIAL COUPE	35 = FWD VAN	45 = 4-DOOR STATION WAGON
24 = 2-DOOR HATCHBACK	36 = FWD WAGON	48 = 4-DOOR EXECUTIVE SEDAN
27 = 2-DOOR CONVERTIBLE	41 = 4-DOOR SEDAN	

AR = Use as Required - = Non Illustrated Part P.A.R. = Paint as Required

SERVICE BULLETINS GROUP 25 - EMISSION CONTROLS
Figure 18-2500

ITEM	PART NUMBER	QTY	BODY	MODEL	DESCRIPTION
					Failing State "CO" Inspection 25-1-85 NK,E,G Body NEFI N N
	5226 870				MODULE, Logic N N N5226870 Y5226870 N N N N
	4342 767				High Altitude Conversion - Pick-Up 25-4-84 NL Body N N N CONVERSION PACKAGE, High Altitude N N N4342767 Y4342767
	4293 711				JET, Primary Main Metering, Stamped #211 N N N NS Pkg. JET, Secondary Main Metering, Stamped #223 N N N4293711 Y4293711
	4104 172				TRANSDUCER, Vacuum N N N NS Pkg VALVE, Check N N N NS Pkg WRAP, Tie N N N NS Pkg TEE, Vacuum N N N4104172 Y4104172
	4100 727				ELBOW, Vacuum (90Deg.) N N N4100727 Y4100727 N N N N
	4397 622				Failing State "CO" Emission Inspection 25-7-85 NS Body N2. 6L N N
	MD60 0613				EMISSION PACKAGE, Altitude N N N4397622 Y4397622
	4104 184				JET, Primary Air Bleed #120 N N NMD600613 YMD600613
	4306 280				VALVE, Vacuum Bleed Off N N N4104184 Y4104184 VALVE, Vacuum Delay N N N4306280 Y4306280
	4104 172				ORIFICE, Fuel Inlet (.095") N N N4418021 NS Pkg
	6015 756				TEE, Vacuum N N N3671410 Y4104172 WRAP, Tie N N N6015756 Y6015756

ILLUSTRATION NOT AVAILABLE AT TIME OF PUBLICATION

MODEL CODES

B = GRAN FURY	F = FIFTH AVENUE/NEWPORT	P = RELIANT
C = LEBARON/TOWN & COUNTRY/EXC SEDAN	G = DIPLOMAT	T = E CLASS/NEW YORKER
C24 = LASER	H = VOYAGER	V = 600
D = ARIES	K = MINI RAM/CARAVAN/ROYAL	V24 = DAYTONA
E = 600	M = HORIZON/TURISMO	Z = OMNI/CHARGER/RAMPAGE

BODY STYLES

21 = 2-DOOR SEDAN	28 = FWD PICKUP	44 = 4-DOOR HATCHBACK
22 = 2-DOOR SPECIAL COUPE	35 = FWD VAN	45 = 4-DOOR STATION WAGON
24 = 2-DOOR HATCHBACK	36 = FWD WAGON	48 = 4-DOOR EXECUTIVE SEDAN
27 = 2-DOOR CONVERTIBLE	41 = 4-DOOR SEDAN	

AR = Use as Required - = Non Illustrated Part P.A.R. = Paint as Required

GROUP 19 - STEERING

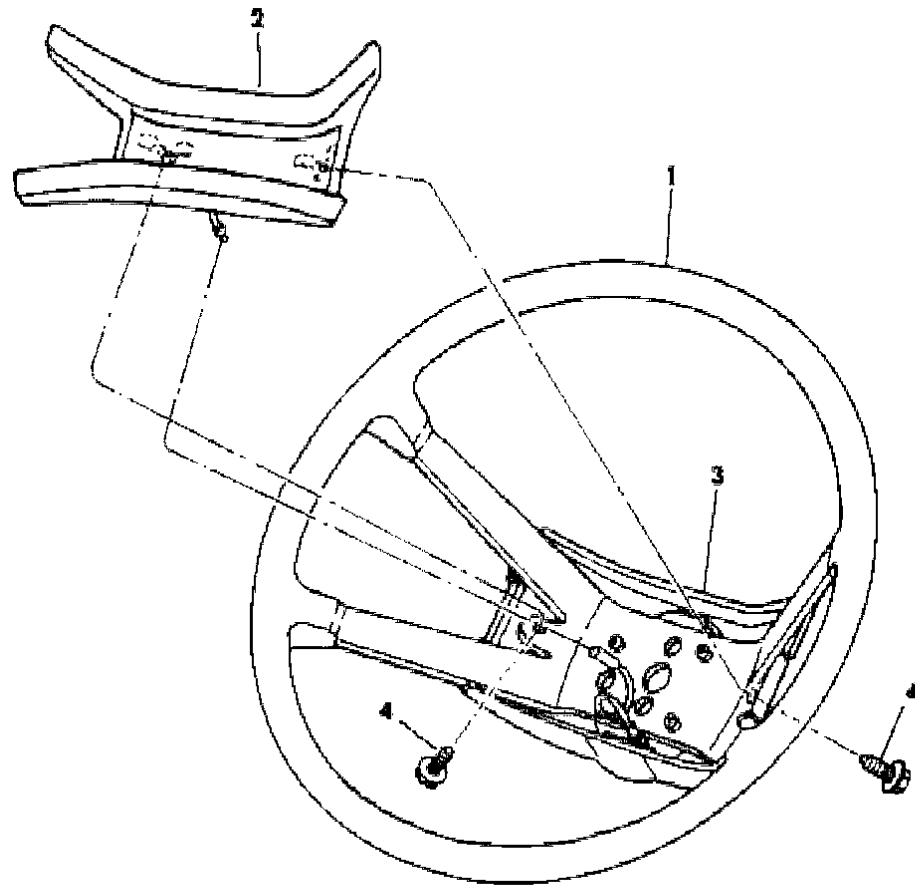
ILLUSTRATION TITLE	GROUP-FIG. NO.
WHEEL, STEERING 4 SPOKE M,Z	Fig. 19-100
WHEEL, STEERING 2 SPOKE P,D,H,K	Fig. 19-200
WHEEL, STEERING 4 SPOKE SPORT V,S24 - V,P27	Fig. 19-300
WHEEL, STEERING 2 SPOKE WITH OR WITHOUT LEATHER WRAPPED P,D,C,V,E,T,B,F,G,H,K	Fig. 19-400
COLUMN ATTACHING PARTS STUDS, BOLTS, COVER, SEAL M,Z	Fig. 19-500
COLUMN, STEERING JACKET SHAFT AND COUPLING ASSY. M,Z	Fig. 19-600
COLUMN, STEERING UPPER WITHOUT TILT P,D,V,C,E,T,B,F,G,H,K	Fig. 19-700
COLUMN, STEERING LOWER WITHOUT TILT B,F,G,	Fig. 19-800
COLUMN, STEERING LOWER & RELATED PARTS WITH OR WITHOUT TILT STRG. P,D,V,C,E,T,H,K	Fig. 19-900
COLUMN, TILT STEERING, UPPER P,D,V,C,B,F,G,E,T,H,K	Fig. 19-1000
COLUMN, TILT STEERING, LOWER B,F,G	Fig. 19-1100
GEAR, RACK & PINION MANUAL STEERING AND ATTACHING PARTS M,Z,P,D,V,C	Fig. 19-1200
GEAR, RACK & PINION MANUAL STEERING AND ATTACHING PARTS H,K	Fig. 19-1300
GEAR, RACK & PINION POWER STEERING AND ATTACHING PARTS (SAGINAW) M,Z,P,D,V,C,E,T	Fig. 19-1400
GEAR, RACK & PINION POWER STEERING AND ATTACHING PARTS (TRW) P,D,V,C,E,T,H,K, (EXC. V, C24)	Fig. 19-1500
GEAR, POWER STEERING B,F,G	Fig. 19-1600
TIE RODS AND LINKAGE, STRG. GEAR B,F,G	Fig. 19-1700
PUMP, POWER STEERING & ATTACHING PARTS M,Z,P,D,V,C,E,T,H,K, W/2.2, & 2.6 ENG.	Fig. 19-1800
PUMP, POWER STEERING & ATTACHING PARTS M,Z W/1.6 ENG.	Fig. 19-1900
PUMP, POWER STEERING PULLEY, BRACKETS, OIL COOLER B,F,G	Fig. 19-2000
POWER STEERING PUMP ENGINE BRACKETS B,F,G	Fig. 19-2100
POWER STEERING PUMP HOSE CHART M,Z,P,D,V,C,E,T,H,K	Fig. 19-2200
POWER STEERING PUMP HOSE CHART, B,F,G	Fig. 19-2300

ILLUSTRATION NOT AVAILABLE AT TIME OF PUBLICATION

WHEEL, STEERING 4 SPOKE M,Z
Figure 19-100

ITEM	PART NUMBER	QTY	BODY	MODEL	DESCRIPTION
1	P065 BC7	1			WHEEL, Strg. 4 Spoke, Blue
	P065 AM6	1			Red
	P065 BT8	1			Sable Brown
	P065 CS8	1			Charcoal
2	P203 BC7	1			PAD, Assy. Strg. Wheel Horn, Blue
	P203 AM6	1			Red
	P203 BT8	1			Sable Brown
	P203 CS8	1			Charcoal
3	P058 BC7	1			SHROUD, Strg. Wheel Hub, Blue (Izumi, Stamped # 41530)
	P058 AM6	1			Red
	P058 BT8	1			Sable Brown
	P058 CS8	1			Charcoal
	P068 BC7	1			Blue (Sheller Globe, Stamped # 26387)
	P068 AM6	1			Red
	P068 BT8	1			Sable Brown
	P068 CS8	1			Charcoal
4	6031 652	2			SCREW, Strg. Wheel Horn Pad

4119 100



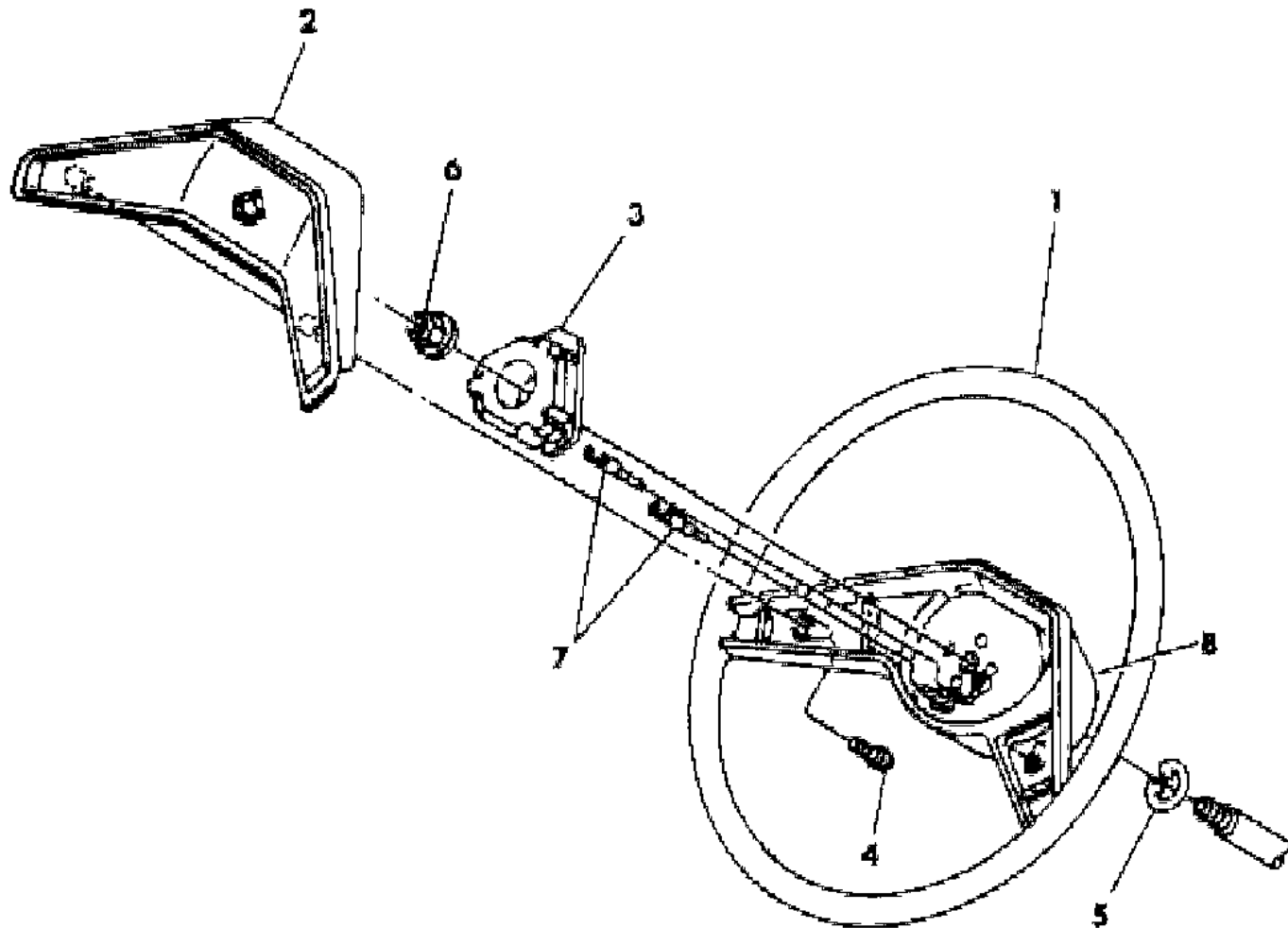
MODEL CODES
 B = GRAN FURY
 C = LEBARON/TOWN & COUNTRY/EXC SEDAN
 C24 = LASER
 D = ARIES
 E = 600
 F = FIFTH AVENUE/NEWPORT
 G = DIPLOMAT
 H = VOYAGER
 K = MINI RAM/CARAVAN/ROYAL
 M = HORIZON/TURISMO
 P = RELIANT
 T = E CLASS/NEW YORKER
 V = 600
 V24 = DAYTONA
 Z = OMNI/CHARGER/RAMPAGE

BODY STYLES
 21 = 2-DOOR SEDAN
 22 = 2-DOOR SPECIAL COUPE
 24 = 2-DOOR HATCHBACK
 27 = 2-DOOR CONVERTIBLE
 28 = FWD PICKUP
 35 = FWD VAN
 36 = FWD WAGON
 41 = 4-DOOR SEDAN
 44 = 4-DOOR HATCHBACK
 45 = 4-DOOR STATION WAGON
 48 = 4-DOOR EXECUTIVE SEDAN

AR = Use as Required - = Non Illustrated Part P.A.R. = Paint as Required

WHEEL, STEERING 2 SPOKE P,D,H,K
Figure 19-200

4119 200



ITEM	PART NUMBER	QTY	BODY	MODEL	DESCRIPTION
1	P074 CB5	1		H,K	WHEEL ASSY. Strg.,(Med. Blue)
	P074 CC7	1		D,P	(Blue)
	P074 CM6	1		P,D,H,K	(Red)
	P074 CT8	1		P,D,H,K	(Sable Brown)
	P074 CS8	1		D,P,H,K	(Charcoal)
2	P212 CB5	1		H,K	PAD ASSY., Strg. Whl. (Med. Blue.)
	P215 CC7	1		P,D	(Blue)
	P212 CM6	1		D,P,H,K	(Red)
	P212 CT8	1		D,P,H,K	(Sable Brown)
	P212 CS8	1		D,P,H,K	(Charcoal)
3	4147 070	1		D,P	DAMPER ASSY., Strg. Whl. (w/Auto Trans.)
4		2			SCREW, (Not Serv.)
5	3747 899	1			CAM, Turn Signal Cancelling (w/o Tilt)
6	6500 906	1			NUT, Strg. Wheel
7		2			CONTACT WIRES, (Serv. in Group 8)
8	P193 CB5	1		H,K	SHROUD, Strg. Whl. Hub (Med. Blue)
	P193 CC7	1		D,P	(Blue)
	P193 CM6	1		D,P,K	(Red)
	P193 CS8	1		D,P,H,K	(Charcoal)
	P193 CT8	1		D,P,H,K	(Sable Brown)

MODEL CODES

B = GRAN FURY	F = FIFTH AVENUE/NEWPORT	P = RELIANT
C = LEBARON/TOWN & COUNTRY/EXC SEDAN	G = DIPLOMAT	T = E CLASS/NEW YORKER
C24 = LASER	H = VOYAGER	V = 600
D = ARIES	K = MINI RAM/CARAVAN/ROYAL	V24 = DAYTONA
E = 600	M = HORIZON/TURISMO	Z = OMNI/CHARGER/RAMPAGE

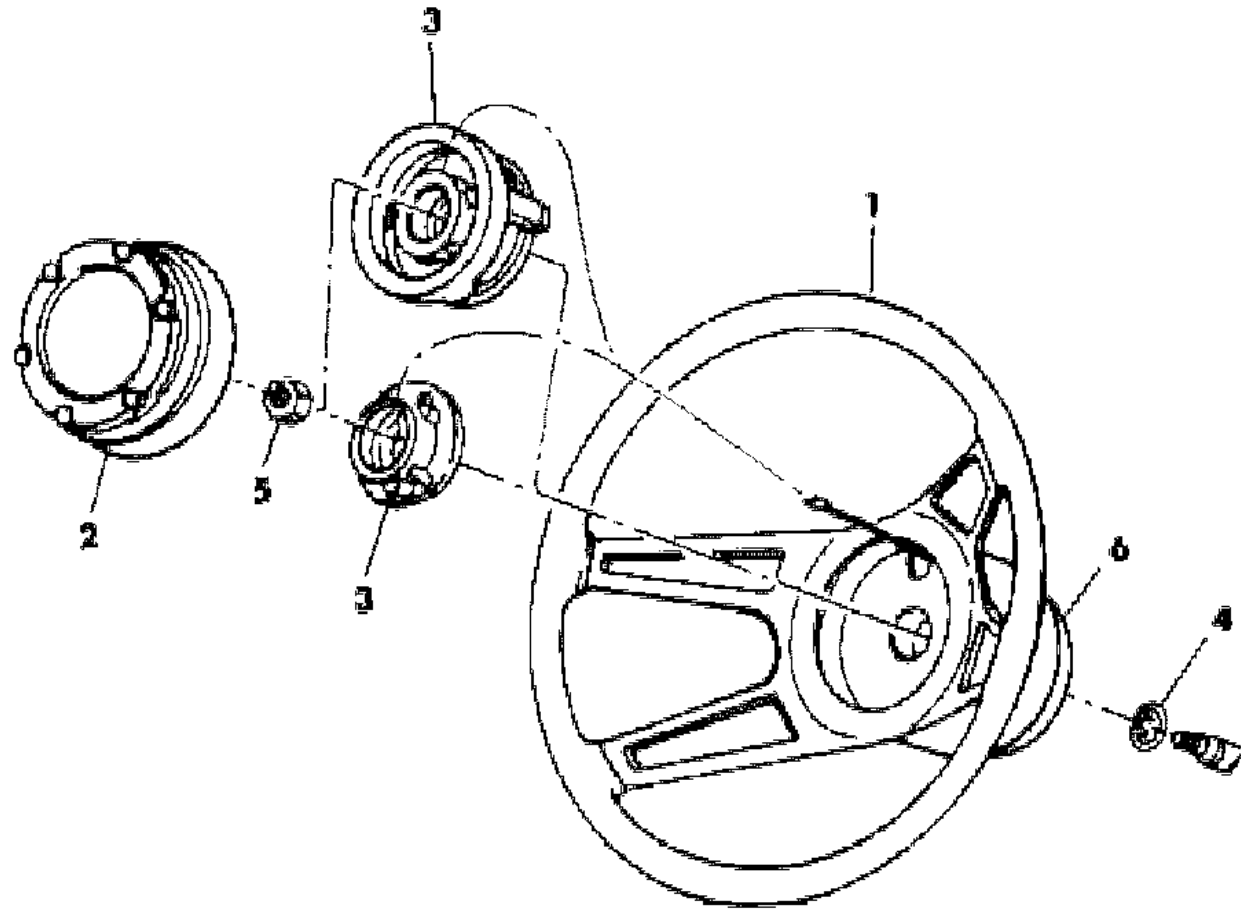
BODY STYLES

21 = 2-DOOR SEDAN	28 = FWD PICKUP	44 = 4-DOOR HATCHBACK
22 = 2-DOOR SPECIAL COUPE	35 = FWD VAN	45 = 4-DOOR STATION WAGON
24 = 2-DOOR HATCHBACK	36 = FWD WAGON	48 = 4-DOOR EXECUTIVE SEDAN
27 = 2-DOOR CONVERTIBLE	41 = 4-DOOR SEDAN	

AR = Use as Required - = Non Illustrated Part P.A.R. = Paint as Required

WHEEL, STEERING 4 SPOKE SPORT V,S24 - V,P27
Figure 19-300

4110 300



ITEM	PART NUMBER	QTY	BODY	MODEL	DESCRIPTION
1	P071 CX9	1			WHEEL, Strg. w/4 Spoke, Black
	P071 CM5	1			Red
	P071 CT9	1			Brown
	P071 CS9	1			Charcoal
2	P211 CX9	1			PAD, Strg. Wheel Horn, Black
	P211 CM6	1			Red
	P211 CT8	1			Brown
3	P211 CS8	1			Charcoal
	4221 016	1			SWITCH, Horn
	4147 010	1			SWITCH, w/Damper, w/Auto Trans.
4	3747 899	1			CAM, Turn Signal Cancelling
5	6500 126	1			NUT, Strg. Whl.
6	P201 CX9	1			SHROUD, Strg. Wheel Hub, Black
	P201 AM6	1			Red
	P201 BT8	1			Brown
	P201 CS8	1			Charcoal

MODEL CODES
 B = GRAN FURY
 C = LEBARON/TOWN & COUNTRY/EXC SEDAN
 C24 = LASER
 D = ARIES
 E = 600
 F = FIFTH AVENUE/NEWPORT
 G = DIPLOMAT
 H = VOYAGER
 K = MINI RAM/CARAVAN/ROYAL
 M = HORIZON/TURISMO
 P = RELIANT
 T = E CLASS/NEW YORKER
 V = 600
 V24 = DAYTONA
 Z = OMNI/CHARGER/RAMPAGE

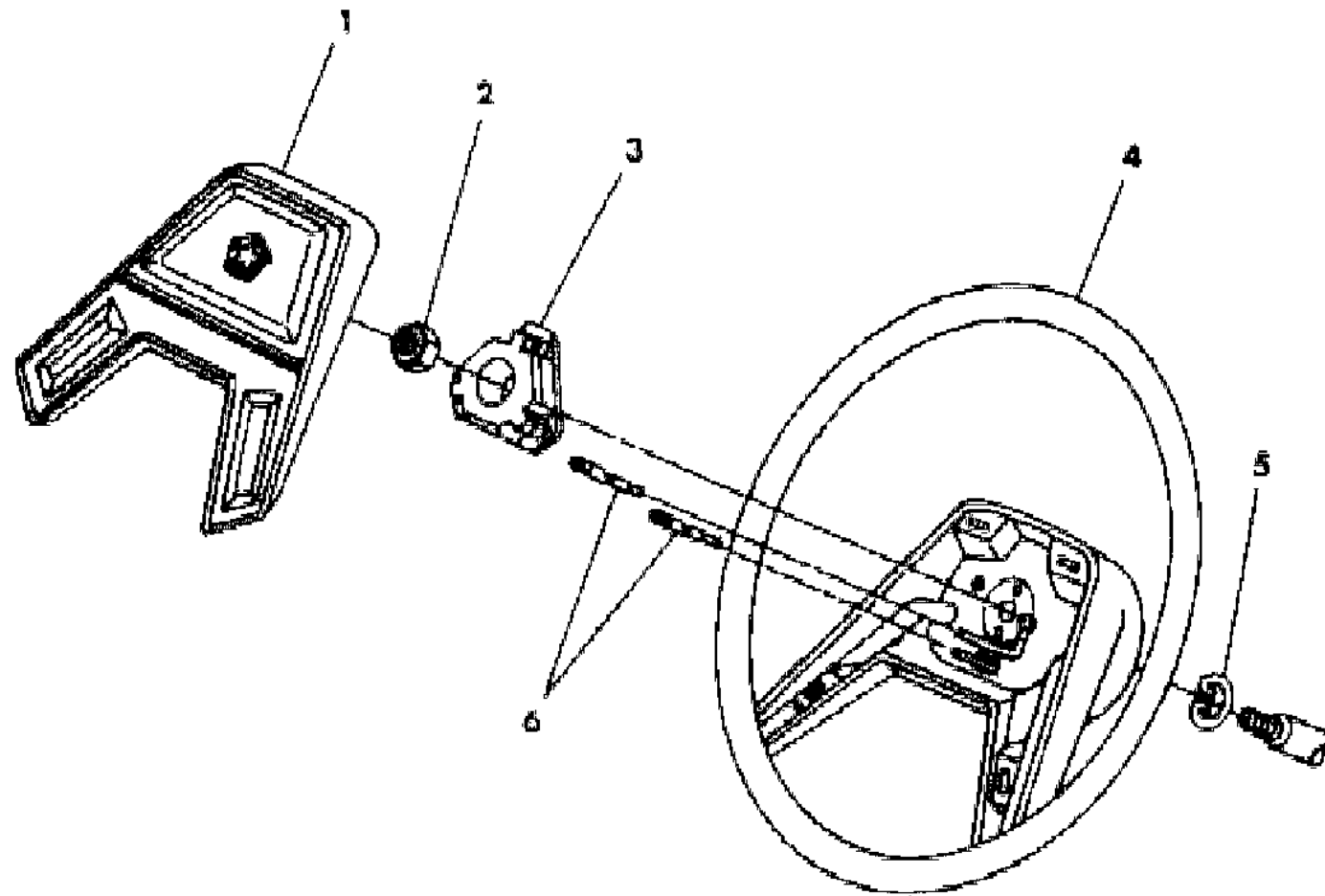
BODY STYLES
 21 = 2-DOOR SEDAN
 22 = 2-DOOR SPECIAL COUPE
 24 = 2-DOOR HATCHBACK
 27 = 2-DOOR CONVERTIBLE
 28 = FWD PICKUP
 35 = FWD VAN
 36 = FWD WAGON
 41 = 4-DOOR SEDAN
 44 = 4-DOOR HATCHBACK
 45 = 4-DOOR STATION WAGON
 48 = 4-DOOR EXECUTIVE SEDAN

AR = Use as Required - = Non Illustrated Part P.A.R. = Paint as Required

WHEEL, STEERING 2 SPOKE WITH OR WITHOUT LEATHER WRAPPED P,D,C,V,E,T,B,F,G,H,K

Figure 19-400

4115 400



ITEM	PART NUMBER	QTY	BODY	MODEL	DESCRIPTION	
1	P198 CB5	1		H,K	PAD ASSY., Strg. Whl., Med. Blue	
	P198 CC7	1		PDVCETB	Dark Blue, (Exc. V,C24) Up To 4-15-84	
	P209 CC7	1		PDVCETB	Dark Blue, (Exc. V,C24) After 4-15-84	
	P198 CM6	1		ALL	Red - Up To 4-15-84	
	P209 CM6	1		ALL	Red - After 4-15-84	
	P198 CT8	1		ALL	Brown - Up To 4-15-84	
	P209 CT8	1		ALL	Brown - After 4-15-84	
	P198 CS8	1		ALL	Charcoal - Up To 4-15-84	
P209 CS8	1		ALL	Charcoal - After 4-15-84		
2	P198 CX9	1		C,V24	Black	
	P198 CA7	1		ALL	Silver - Up To 4-15-84	
	P209 CA7	1		ALL	Silver - After 4-15-84	
	6500 126	1		ALL	NUT, Strg. Whl.	
	3	4147 070	1		ALL	DAMPER ASSY., Strg. Whl. (w/Auto Trans.)
		4	P067 CB5	1		H,K
	P067 CC7		1		PDVCETB	Dark Blue, (Exc. V.C.24)
P067 CM6	1			ALL	Red	
P067 CT8	1			ALL	Brown	
P067 CS8	1			ALL	Charcoal	
P067 CX9	1			V24	Black	
P067 CA7	1			ALL	SILVER	
5	P072 CC7	1		VCETBFG	WHEEL ASSY.,Strg. Whl. w/Leather Wrap, Dark Blue	
	P072 CM5	1		VCETBFG	Red	
	P072 CT9	1		VCETBFG	Brown	
	P072 CS9	1		V,C,E,T	Charcoal	
	P072 CX9	1		C24	Black	
	P072 CA7	1		ALL	Silver	
5	3747 899	1		ALL	CAM, Turn Signal Cancelling	
6	4304 852	1		ALL	CONTACT WIRES	

MODEL CODES

B = GRAN FURY
 C = LEBARON/TOWN & COUNTRY/EXC SEDAN
 C24 = LASER
 D = ARIES
 E = 600
 F = FIFTH AVENUE/NEWPORT
 G = DIPLOMAT
 H = VOYAGER
 K = MINI RAM/CARAVAN/ROYAL
 M = HORIZON/TURISMO
 P = RELIANT
 T = E CLASS/NEW YORKER
 V = 600
 V24 = DAYTONA
 Z = OMNI/CHARGER/RAMPAGE

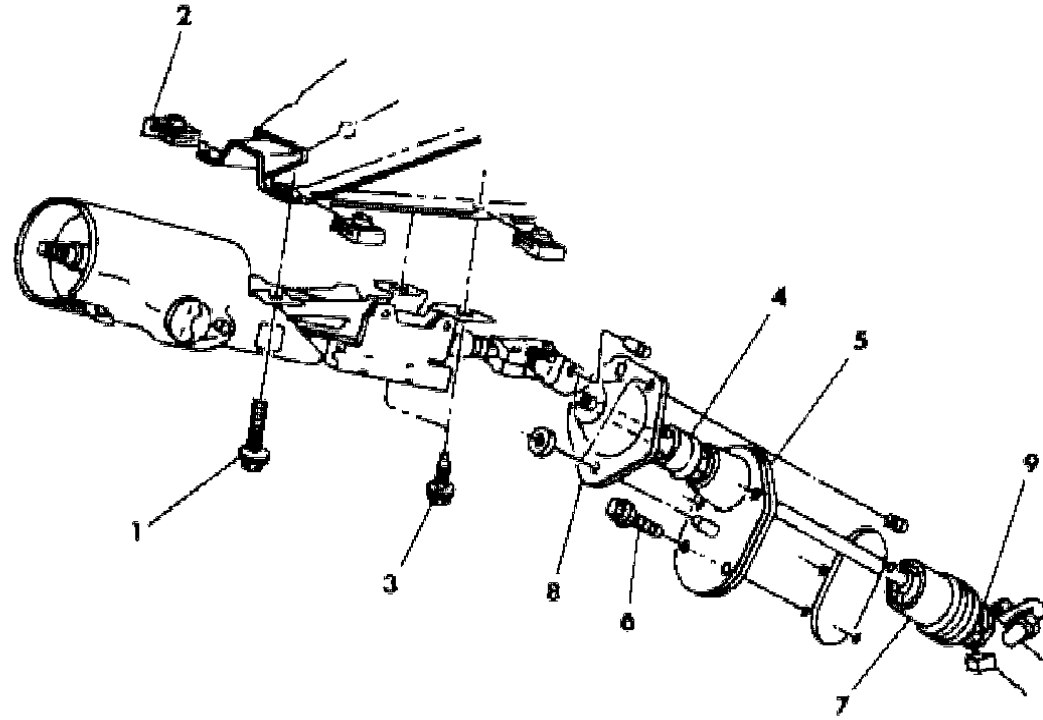
BODY STYLES

21 = 2-DOOR SEDAN
 22 = 2-DOOR SPECIAL COUPE
 24 = 2-DOOR HATCHBACK
 27 = 2-DOOR CONVERTIBLE
 28 = FWD PICKUP
 35 = FWD VAN
 36 = FWD WAGON
 41 = 4-DOOR SEDAN
 44 = 4-DOOR HATCHBACK
 45 = 4-DOOR STATION WAGON
 48 = 4-DOOR EXECUTIVE SEDAN

AR = Use as Required - = Non Illustrated Part P.A.R. = Paint as Required

COLUMN ATTACHING PARTS STUDS, BOLTS, COVER, SEAL M,Z
Figure 19-500

4119 500



ITEM	PART NUMBER	QTY	BODY	MODEL	DESCRIPTION
1	6101 371	2			STUD, Strg. Col. Attaching
2		2			NUT, Strg. Col. Attaching Stud (Not Serv.)
3	6101 370	2			SCREW, w/Washer, Strg. Col. Attaching
4	5206 038	1			SEAL, Strg. Shaft
5	4147 165	1			COVER, w/Seal Strg. Column Dash
6		4			SCREW, Strg. Col. Dash Cover (Not Serv.)
7	4147 157	1			SHIELD, Strg. Col. Intermediate Shaft Coupling
8	4147 156	1			SHELL & SILENCER ASSY, Dash Pnl.
9	6032 326	1			CLAMP

MODEL CODES

B = GRAN FURY	F = FIFTH AVENUE/NEWPORT	P = RELIANT
C = LEBARON/TOWN & COUNTRY/EXC SEDAN	G = DIPLOMAT	T = E CLASS/NEW YORKER
C24 = LASER	H = VOYAGER	V = 600
D = ARIES	K = MINI RAM/CARAVAN/ROYAL	V24 = DAYTONA
E = 600	M = HORIZON/TURISMO	Z = OMNI/CHARGER/RAMPAGE

BODY STYLES

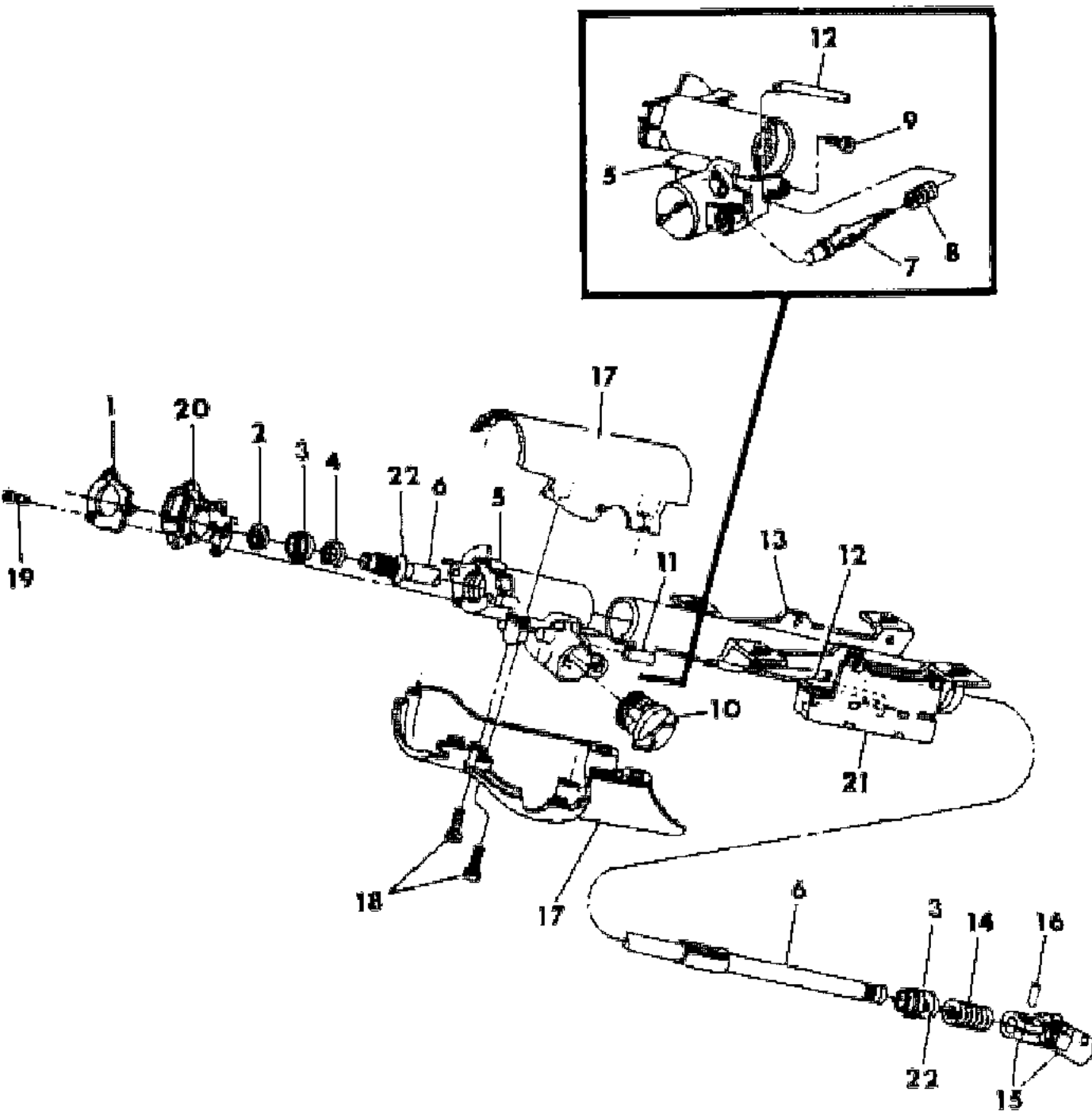
21 = 2-DOOR SEDAN	28 = FWD PICKUP	44 = 4-DOOR HATCHBACK
22 = 2-DOOR SPECIAL COUPE	35 = FWD VAN	45 = 4-DOOR STATION WAGON
24 = 2-DOOR HATCHBACK	36 = FWD WAGON	48 = 4-DOOR EXECUTIVE SEDAN
27 = 2-DOOR CONVERTIBLE	41 = 4-DOOR SEDAN	

AR = Use as Required - = Non Illustrated Part P.A.R. = Paint as Required

COLUMN, STEERING JACKET SHAFT AND COUPLING ASSY. M,Z

Figure 19-600

411B 600



ITEM	PART NUMBER	QTY	BODY	MODEL	DESCRIPTION
1	4188 927	1			PLATE, Strg. Column Shaft Bearing Retainer
		3			SCREW, Strg. Column Shaft Bearing Retainer Plate (Not Serviced)
2	6032 364	1			SNAP RING, Strg. Column Shaft Bearing, Upper
3	5211 820	2			BEARING, Strg. Shaft Shift
4	6023 045	1			SNAP RING, Strg. Column Shaft Bearing, Lower
5	4147 001	1			HOUSING, Strg. Lock, Assy.
6	4188 795	1			SHAFT, Strg., Upper, Assy.
7	5206 177	1			LEVER, Lock Inhibitor, Assy.
8	5206 010	1			SPRING, Lock Inhibitor Lever
8	5206 070	1			SPRING, Lock Bolt
9		1			SCREW, Lock Inhibitor Lever (Not Serviced)
10		1			LOCK, Ignition (See Cylinder and Key Illustration in Body Section)
11	6100 685	1			PIN, Ignition Lock Cylinder Spring
12	5206 025	1			ACTUATOR, Ignition Switch
13	5211 956	1			JACKET, Strg. Column, Assy.
14	5206 183	1			SPRING, Strg. Column Lower Bearing
15	4147 171	1			COUPLING, Upper Strg. Shaft
	4147 168	1			w/Lower Strg. Shaft (w/Man. Strg.)
	4147 170	1			(w/Power Strg.)
16	6500 148	3			PIN, Strg. Shaft Coupling Spring
17	P678 VX9	1			SHROUD, Strg. Column, Upper
	P679 VX9	1			Strg. Column, Lower
18	9414 716	4			SCREW, Strg. Column Shroud
19		3			SCREW, Strg. Column Shaft Bearing Retainer Plate (Not Serviced)
20		1			SWITCH, Turn Signal And Hazzard Warning (See Group 8)
21		1			SWITCH, Ignition And Starter (SEE GROUP 8)
22	6030 655	1			"O" RING

MODEL CODES

B = GRAN FURY	F = FIFTH AVENUE/NEWPORT	P = RELIANT
C = LEBARON/TOWN & COUNTRY/EXC SEDAN	G = DIPLOMAT	T = E CLASS/NEW YORKER
C24 = LASER	H = VOYAGER	V = 600
D = ARIES	K = MINI RAM/CARAVAN/ROYAL	V24 = DAYTONA
E = 600	M = HORIZON/TURISMO	Z = OMNI/CHARGER/RAMPAGE

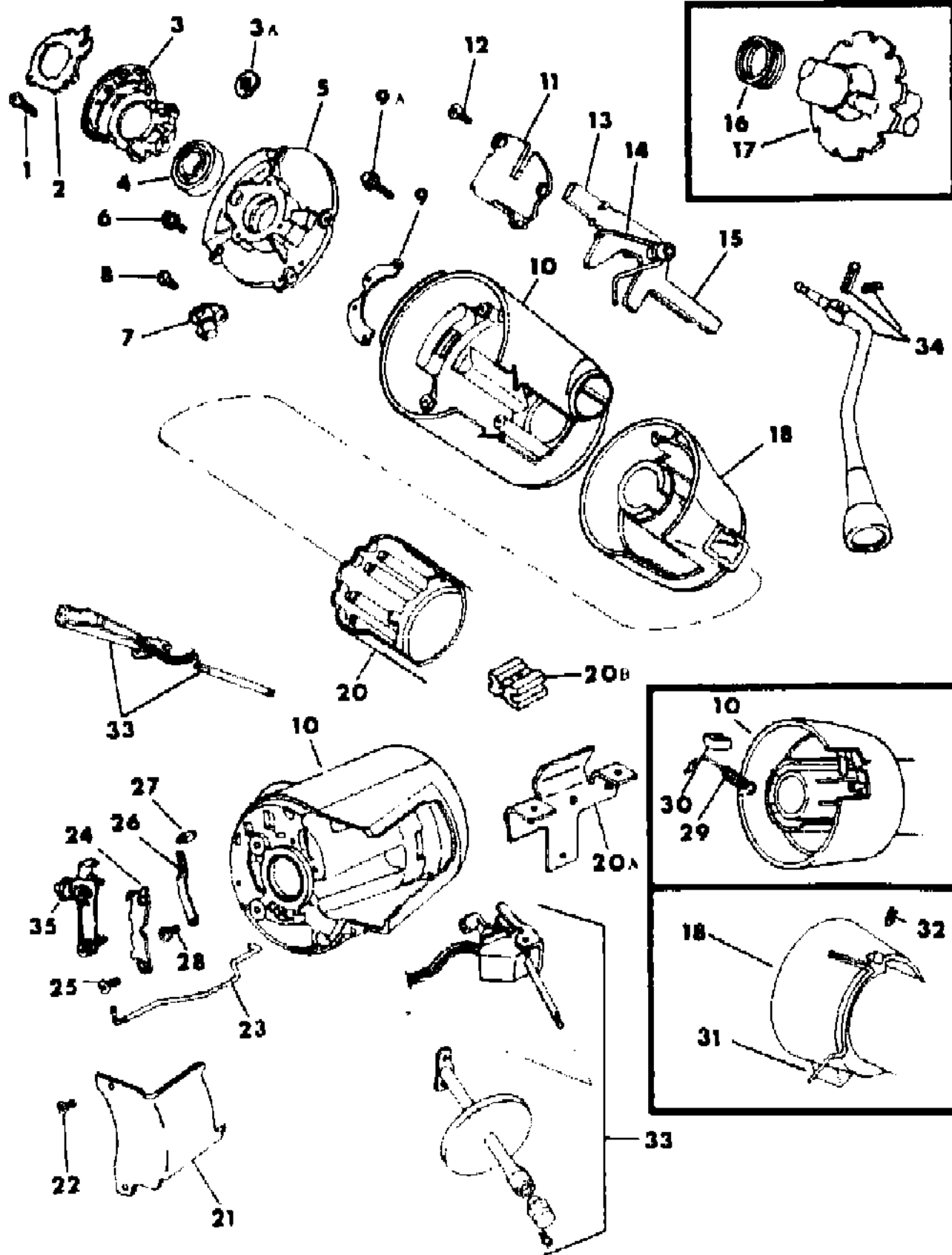
BODY STYLES

21 = 2-DOOR SEDAN	28 = FWD PICKUP	44 = 4-DOOR HATCHBACK
22 = 2-DOOR SPECIAL COUPE	35 = FWD VAN	45 = 4-DOOR STATION WAGON
24 = 2-DOOR HATCHBACK	36 = FWD WAGON	48 = 4-DOOR EXECUTIVE SEDAN
27 = 2-DOOR CONVERTIBLE	41 = 4-DOOR SEDAN	

AR = Use as Required - = Non Illustrated Part P.A.R. = Paint as Required

COLUMN, STEERING UPPER WITHOUT TILT P,D,V,C,E,T,B,F,G,H,K
Figure 19-700

4119 700A



ITEM	PART NUMBER	QTY	BODY	MODEL	DESCRIPTION
1		1			SCREW, Strg. Column Shaft Brg. Retainer(Not Serviced)
2	4188 907	1			PLATE, Strg. Column Shaft Brg. Retainer
3					SWITCH, Turn Sig. & Flasher (See Group 8)
3A	6032 364	1			SNAP RING, Bearing
4	2265 656	1			BEARING, Strg. Col. Upper Shaft
5	4188 908	1			HOUSING, Strg. Col. Shaft Bearing
6		1			SCREW, Bearing Housing (Not Serviced)
7					LAMP, Ign. & Starter Sw. (See Group 8)
8					SCREW, Lamp (See Group 8)
9	4188 076	1			PLATE, Strg. Col. Lock Housing
9A		4			SCREW, Plate (Not Serviced)
10	4019 875	1			HOUSING, Strg. Column Lock
11	4188 063	1			BELLCRANK, Ignition Switch, Assy.
12		4			SCREW, Bellcrank (Not Serviced)
13	2950 840	1			LEVER, Strg. Col. Shaft Lock
14	2996 858				SPRING, Strg. Col. Lock
15	2950 844	1			LEVER, Strg. Col. Gearshift Housing Lock Assy.
16	4019 549	1			SPRING, Strg. Column Shaft Lock Plate
17	4019 612	1			PLATE, Strg. Col. Shaft Lock
18	4188 190	1		PDVCETB	HOUSING, Strg. Col. Gearshift, w/Auto Trans., Col. Shift (Exc. V, C24) - Up To 4-2-84
	4147 474	1		PDVCETB	After 4-2-84
	4188 966	1		H,K	w/ Column Shift
	2996 799	1			SUPPORT, Strg. Col. Gearshift Housing
18A	4147 049	1		PDVCETB	HOUSING, Strg. Col. Lock Control (Floor Shift)
	4188 836	1		H,K,- V	HOUSING, Strg. Col. Lock Control (Floor Shift)
20	4019 897	1		B,F,G	JACKET, Strg. Col.
	4188 288	1		P,D,C,V	JACKET, Strg. Col. (Exc. V,C24)
	4188 974	1		H,K	JACKET, Strg. Col.
	4188 586	1		V,C24	JACKET, Strg. Col.
20A	4019 759	1		B,F,G	PLATE, Strg. Col. Switch Mounting
	4188 283	1		PDVCETH	Exc. V,C24
20B	3748 492	1			SPACER, Strg. Col. Support Bracket
21	4188 699	1			COVER, Strg. Col. Lock
22		2			SCREW, Cover (Not Serviced)
23	4019 902	1		B,F,G	ACTUATOR, Ignition Switch
	4188 590	1		V,C24	"
	4188 291	1		PDVCETH	" (Exc. V,C24)

MODEL CODES
 B = GRAN FURY
 C = LEBARON/TOWN & COUNTRY/EXC SEDAN
 C24 = LASER
 D = ARIES
 E = 600
 F = FIFTH AVENUE/NEWPORT
 G = DIPLOMAT
 H = VOYAGER
 K = MINI RAM/CARAVAN/ROYAL
 M = HORIZON/TURISMO
 P = RELIANT
 T = E CLASS/NEW YORKER
 V = 600
 V24 = DAYTONA
 Z = OMNI/CHARGER/RAMPAGE

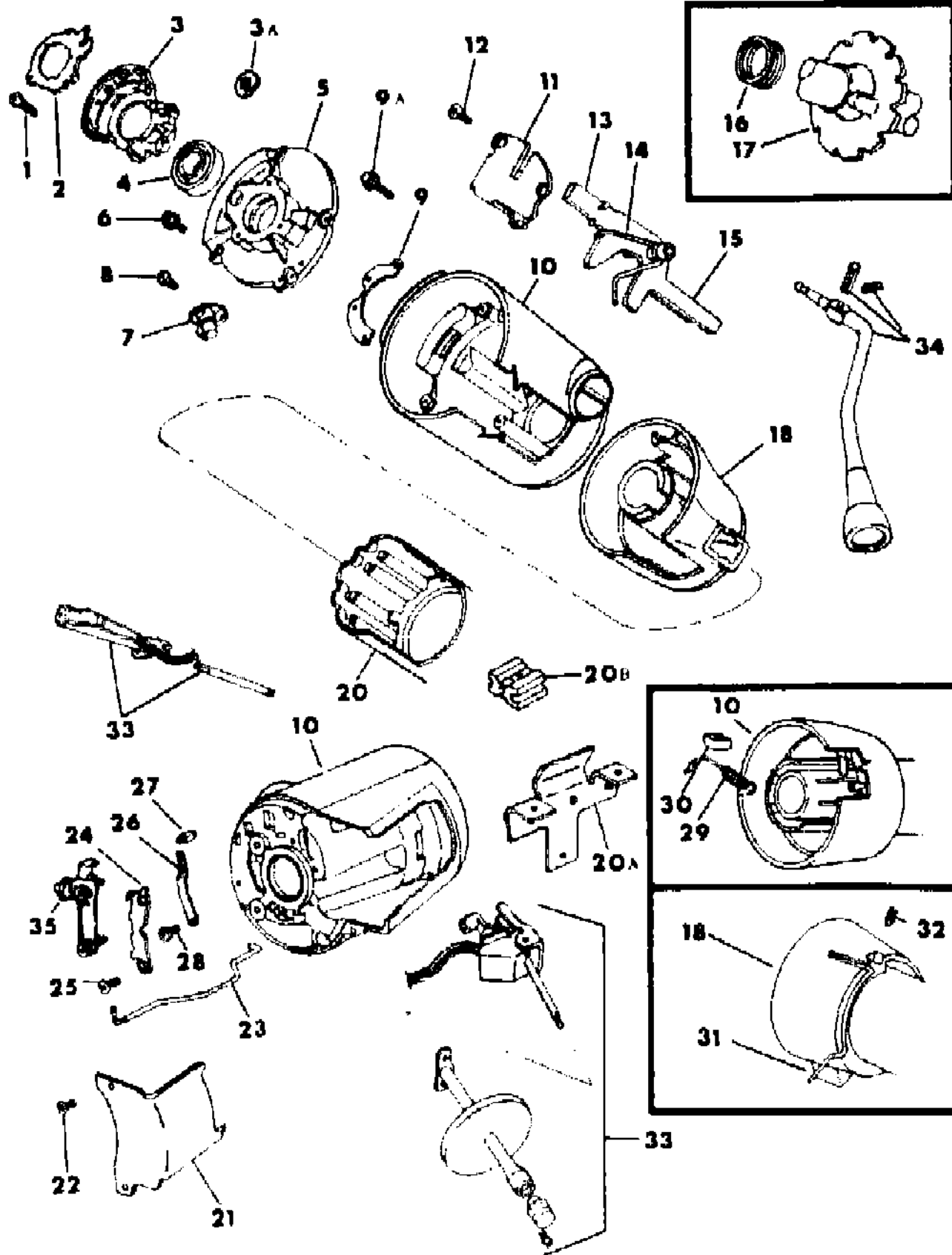
BODY STYLES
 21 = 2-DOOR SEDAN
 22 = 2-DOOR SPECIAL COUPE
 24 = 2-DOOR HATCHBACK
 27 = 2-DOOR CONVERTIBLE
 28 = FWD PICKUP
 35 = FWD VAN
 36 = FWD WAGON
 41 = 4-DOOR SEDAN
 44 = 4-DOOR HATCHBACK
 45 = 4-DOOR STATION WAGON
 48 = 4-DOOR EXECUTIVE SEDAN

AR = Use as Required - = Non Illustrated Part P.A.R. = Paint as Required

COLUMN, STEERING UPPER WITHOUT TILT P,D,V,C,E,T,B,F,G,H,K

Figure 19-700

4119 700A



ITEM	PART NUMBER	QTY	BODY	MODEL	DESCRIPTION
24	4188 572	1	B,F,G		GATE, Col. Gearshift Lever
	4147 146	1	PDVCETH		GATE, Col. Gearshift Lever (Exc. V,C24) Up To 5-7-84
	4333 072	1	PDVCETH		After 5-7-84
25					SCREW,(Not Serviced)
26	4019 588	1			SPRING, Lock Cylinder Retainer
27	4019 548	1			PLUNGER, Lock Cylinder Retainer
28					SCREW (Not Serviced)
29	3575 256	1			SPRING, Strg. Col. Lock Control Housing (Floor Shift)
30	3575 257	1			BUMPER, Strg. Col. Lock Control Housing (Floor Shift)
31		1			POINTER, Gear Selector Indicator (See Group 21)
32	0125 735	1			SCREW, Set, Col. Shift
33					SEE Group 8 Electrical
34					LEVER, Assy. Strg. Col. Gearshift (See Group 21)
35	4147 443	1			LOCK INHIBITOR, Flr. Shift

MODEL CODES

B = GRAN FURY	F = FIFTH AVENUE/NEWPORT	P = RELIANT
C = LEBARON/TOWN & COUNTRY/EXC SEDAN	G = DIPLOMAT	T = E CLASS/NEW YORKER
C24 = LASER	H = VOYAGER	V = 600
D = ARIES	K = MINI RAM/CARAVAN/ROYAL	V24 = DAYTONA
E = 600	M = HORIZON/TURISMO	Z = OMNI/CHARGER/RAMPAGE

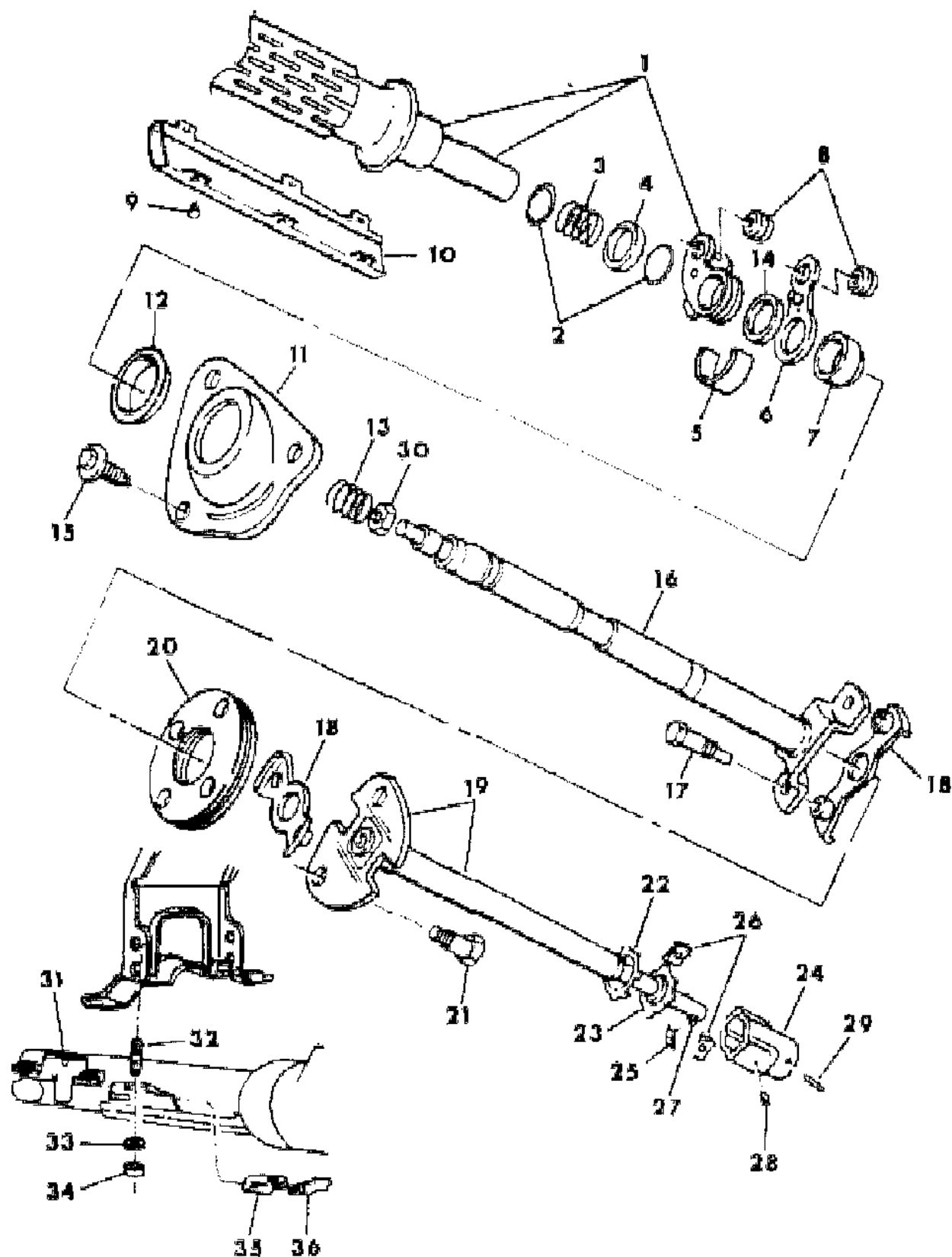
BODY STYLES

21 = 2-DOOR SEDAN	28 = FWD PICKUP	44 = 4-DOOR HATCHBACK
22 = 2-DOOR SPECIAL COUPE	35 = FWD VAN	45 = 4-DOOR STATION WAGON
24 = 2-DOOR HATCHBACK	36 = FWD WAGON	48 = 4-DOOR EXECUTIVE SEDAN
27 = 2-DOOR CONVERTIBLE	41 = 4-DOOR SEDAN	

AR = Use as Required - = Non Illustrated Part P.A.R. = Paint as Required

**COLUMN, STEERING LOWER WITHOUT TILT B,F,G,
Figure 19-800**

4119 Doc



ITEM	PART NUMBER	QTY	BODY	MODEL	DESCRIPTION
1	3748 247	1			TUBE, Strg. Col. Gearshift, w/Auto. Trans., w/Col.Shift
2		2			WASHER, Tube Retainer (Serviced in Tube Assy.)
3		1			SPRING, Tube Retainer (Serviced in Tube Assy.)
4	4147 318	1			BEARING, Strg. Col. Shaft
	4147 319	1			WEDGE, Shaft Bearing (After 3-1-84)
5	3575 082	1			SEAL, Strg. Col. Jacket to Tube
6		1			
7	3748 229	1			SUPPORT, Shaft Bearing (Floor Shift)
8					
9	6015 925	4			RETAINER, Wiring Trough
10	4188 202	1			TROUGH, Strg. Col. Wiring
11	3748 802	1			PLATE, Jacket Support
12	3748 634	1			GROMMET, Strg. Col.
13	3748 242	1			SPRING, Strg. Col. Lower Bearing
15	0181 088	3			SCREW and WASHER, Jacket Support Plate
16	4094 080	1			SHAFT, Strg. Col. Upper,
17	6031 801	2			BOLT, Strg. Col. Shaft Coupling
18	4186 826	2			STRAP PKG., Steering Col. Coupling, w/Bolts
19	3748 649	1			SHAFT, Strg. Col. Coupling, Intermediate, w/Power Strg.
20	3748 310	1			COUPLING, Strg. Col. Shaft
21	6031 802	2			BOLT, Strg. Col. Shaft Coupling
22	2530 538	1			COVER, Shaft Coupling Body
23	4019 278	1			SEAL, Shaft Coupling Body
24	3748 268	1			BODY, Strg. Col. Shaft Coupling, w/Power Strg.
25	2925 492	1			SPRING, Shaft Coupling Body
26	2800 738	2			SHOE, Strg. Col. Shaft Coupling Body
27	2266 743	1			PIN, Strg. Col. Intermediate Shaft Coupling
28	6029 951	1			PIN, Coupling Body
29	6028 750	1			PIN, Spring Coupling
30	6500 126	1			NUT, Steering Wheel
31	4019 759	1			PLATE, Strg. Col. Switch Mounting
32	6027 947	2			STUD, Strg. Col. Mounting
33		2			WASHER, Stud (Not Serviced)
34	6027 403	2			Nut, Stud
35		1			CLIP, Strg. Col. Ground (Not Serviced)
36	4188 843	2			SPACER, Strg. Col. Ground Clip

MODEL CODES

B = GRAN FURY	F = FIFTH AVENUE/NEWPORT	P = RELIANT
C = LEBARON/TOWN & COUNTRY/EXC SEDAN	G = DIPLOMAT	T = E CLASS/NEW YORKER
C24 = LASER	H = VOYAGER	V = 600
D = ARIES	K = MINI RAM/CARAVAN/ROYAL	V24 = DAYTONA
E = 600	M = HORIZON/TURISMO	Z = OMNI/CHARGER/RAMPAGE

BODY STYLES

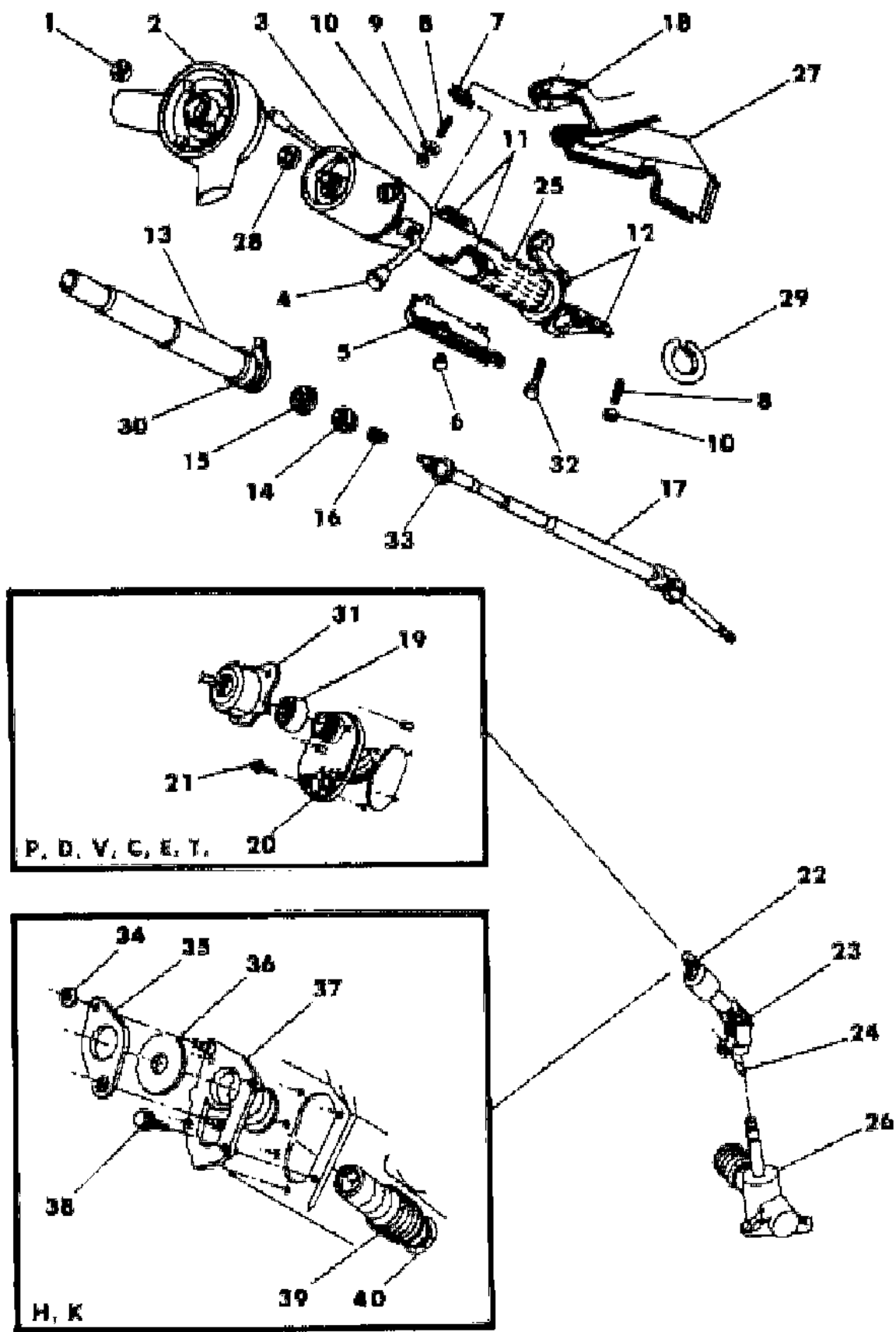
21 = 2-DOOR SEDAN	28 = FWD PICKUP	44 = 4-DOOR HATCHBACK
22 = 2-DOOR SPECIAL COUPE	35 = FWD VAN	45 = 4-DOOR STATION WAGON
24 = 2-DOOR HATCHBACK	36 = FWD WAGON	48 = 4-DOOR EXECUTIVE SEDAN
27 = 2-DOOR CONVERTIBLE	41 = 4-DOOR SEDAN	

AR = Use as Required - = Non Illustrated Part P.A.R. = Paint as Required

COLUMN, STEERING LOWER & RELATED PARTS WITH OR WITHOUT TILT STRG. P,D,V,C,E,T,H,K

Figure 19-900

4119 900



ITEM	PART NUMBER	QTY	BODY	MODEL	DESCRIPTION
1	6500 906	1			NUT, Strg. Wheel
2					WHEEL, Strg. (See Strg. Wheels)
3					STEERING COLUMN (See Strg. Column Upper)
4					LEVER, Gear Shift (See Group 21)
5	5211 997	1			TROUGH, Strg. Col. Wiring
6	6015 925	4			RETAINER, Trough
7	3748 492	2		PDVCETH	SPACER, Strg. Col. Support Bracket (Exc. V,C24)
	4188 843	2		V,C24	
8	6500 240	5			STUD, Strg. Col. Mounting
9					WASHER (Not Serviced)
10	6500 512	5			NUT, Strg. Col. Mounting Stud
11		1			BRACKET, Strg. Col. Support Upper (Serviced in Jacket Assy.)
12		1			BRACKET, Strg. Col. Support Lwr. w/o Tilt (Serv. in Assy.)
	4188 284	1		P,D,V,C	BRACKET, Strg. Col. Support Lwr. w/Tilt (Exc. V,C24)
	4188 845	1		V,C24	BRACKET, Strg. Col. Support Lwr. w/Tilt
	4147 020	1		H,K	BRACKET, Strg. Col. Support Lwr. w/Tilt
13	4188 295	1		PDVCETH	TUBE, Strg. Col. g/Shift w/o Tilt w/Auto - Col. Shift (Exc. V,C24)
	4188 320	1		PDVCETH	w/Tilt,w/o Console
14	4147 318	1			BEARING, Strg. Col. Shaft (Col Shift), w/o Tilt Strg.
	4147 319	1			Wedge, Shaft Bearing (After 3-1-84)
	4188 307	1			BEARING, w/Tilt Strg.
15	3748 229	1			SUPPORT, Strg. Col. Shaft Bearing (Floor Shift), w/o Tilt Strg.
	4188 314	1			RETAINER, Bearing, w/Tilt Strg.
16	3748 242	1			SPRING, Strg. Col. Lower Bearing
17	4188 275	1		P,D,V,C	SHAFT, Strg. Col. Upper, (Except Tilt Strg.)
	4188 964	1		H,K	(Except Tilt Strg.)
	4188 273	1		P,D,V,C	w/Tilt Strg.
	4188 963	1		H,K	w/Tilt Strg.
18		1			BRACKET, Strg. Col. Support (See Brake Group 5)
19	4188 794	1		P,D,V,C	SEAL, Strg. Shaft
20	4188 896	1		P,D,V,C	COVER, Dash Seal
21	6032 332	4			SCREW, Dash Seal Cover
22	4188 296	1			SPRING, Strg. Shaft Coupling
23	4147 169	1			COUPLING ASSY. Lower Strg. Shaft (Man. Strg.)
	4188 281	1			(Power Strg.)
24	6500 148	1			PIN, Strg. Shaft Coupling
25	4188 312	1			JACKET ASSY., Pwr. Strg. w/Tilt, w/Floor Shift (Exc. V.C24)
	4188 311	1			w/Tilt, w/Col. Shift (Exc. V.C24)

MODEL CODES

B = GRAN FURY	F = FIFTH AVENUE/NEWPORT	P = RELIANT
C = LEBARON/TOWN & COUNTRY/EXC SEDAN	G = DIPLOMAT	T = E CLASS/NEW YORKER
C24 = LASER	H = VOYAGER	V = 600
D = ARIES	K = MINI RAM/CARAVAN/ROYAL	V24 = DAYTONA
E = 600	M = HORIZON/TURISMO	Z = OMNI/CHARGER/RAMPAGE

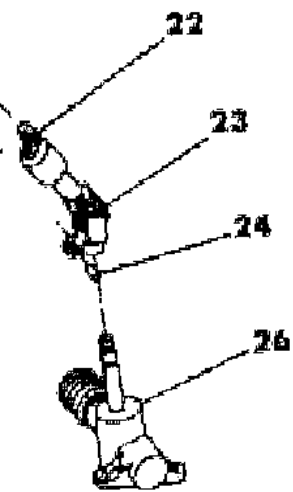
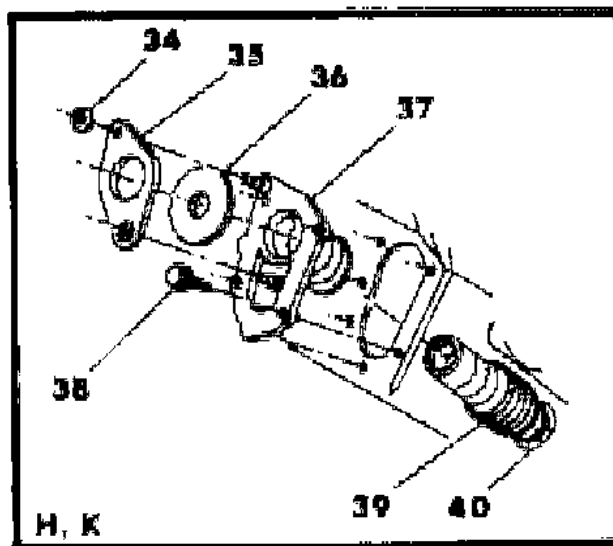
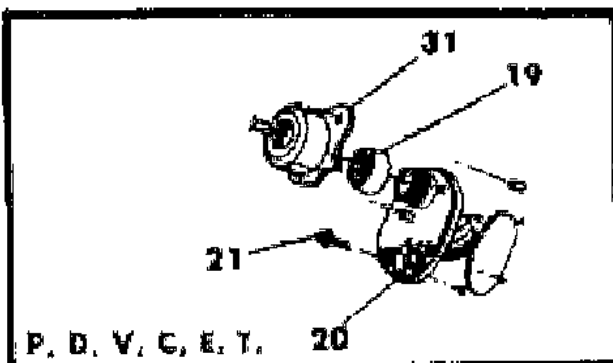
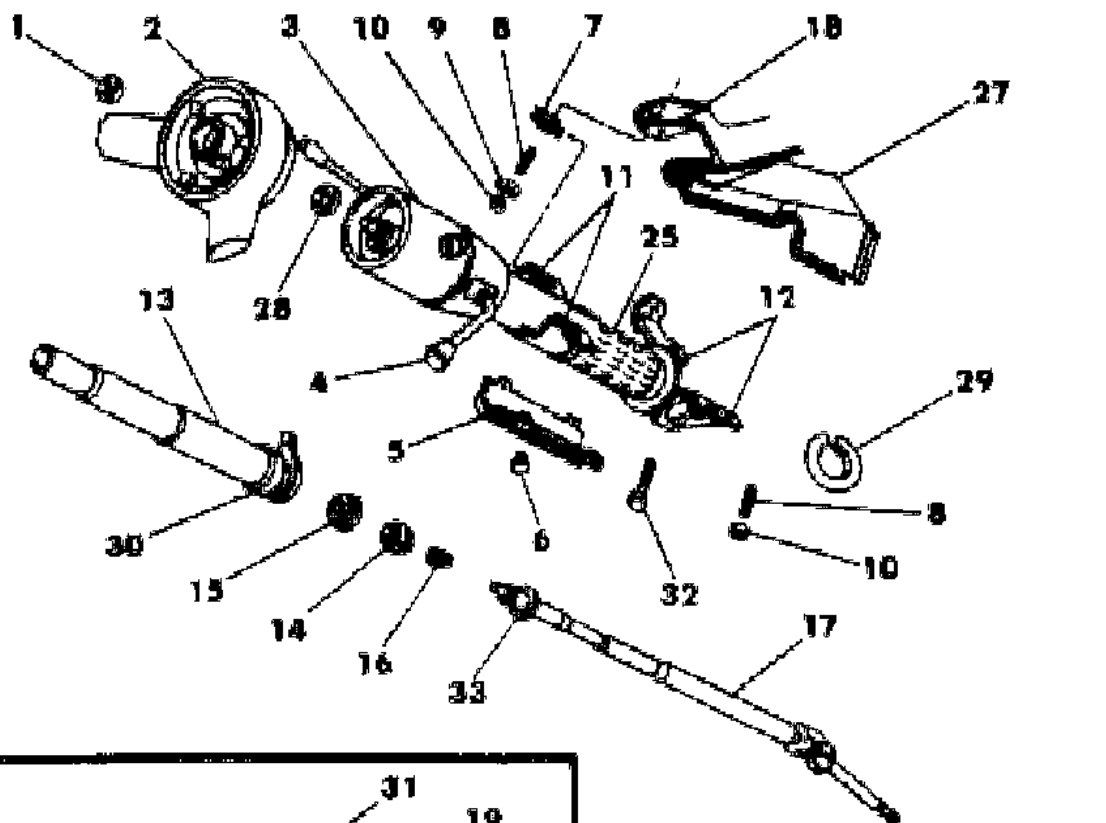
BODY STYLES

21 = 2-DOOR SEDAN	28 = FWD PICKUP	44 = 4-DOOR HATCHBACK
22 = 2-DOOR SPECIAL COUPE	35 = FWD VAN	45 = 4-DOOR STATION WAGON
24 = 2-DOOR HATCHBACK	36 = FWD WAGON	48 = 4-DOOR EXECUTIVE SEDAN
27 = 2-DOOR CONVERTIBLE	41 = 4-DOOR SEDAN	

AR = Use as Required - = Non Illustrated Part P.A.R. = Paint as Required

COLUMN, STEERING LOWER & RELATED PARTS WITH OR WITHOUT TILT STRG. P,D,V,C,E,T,H,K
Figure 19-900

4119 900



ITEM	PART NUMBER	QTY	BODY	MODEL	DESCRIPTION
	4188 854	1		V,C24	JACKET, w/Pwr Strg. w/Tilt
	4188 586	1		V,C24	w/o Tilt Wheel
26					GEAR ASSY. (See Strg. Gear)
27					BRACKET, Brake Pedal (See Brake Group 5)
28	6032 364	1			SNAP RING, Strg. Col. Shaft Bearing Upper
29	P446 BT8	1			SHIELD, Instrument Panel to Steering Column (Paint as required)
30	3575 082	1			SEAL, Strg. Col. Jacket to Tube (Exc. V.C24)
31	4188 868	1		P,D,V,C	COVER, Dash, Strg. Col.
32	6101 221	2			BOLT, Strg. Col. Support Bracket, w/Tilt Strg.
33	1733 612	1			"O"RING, Strg. Col. Shaft
34	6031 147	2		H,K	NUT, Push On
35	4188 993	1		H,K	RETAINER, Seal & Dash Liner
36	4188 994	1		H,K	SEAL, Dash
37	4188 983	1		H,K	COVER, Dash Seal (Up to 4-2-84)
	4147 355	1		H,K	(After 4-2-84)
38	6032 332	4		H,K	SCREW, Cover To Dash
39	4188 986	1		H,K	BOOT, Strg. Coupling
40	6032 326	1		H,K	CLAMP, Boot To Strg. Gear

MODEL CODES

B = GRAN FURY	F = FIFTH AVENUE/NEWPORT	P = RELIANT
C = LEBARON/TOWN & COUNTRY/EXC SEDAN	G = DIPLOMAT	T = E CLASS/NEW YORKER
C24 = LASER	H = VOYAGER	V = 600
D = ARIES	K = MINI RAM/CARAVAN/ROYAL	V24 = DAYTONA
E = 600	M = HORIZON/TURISMO	Z = OMNI/CHARGER/RAMPAGE

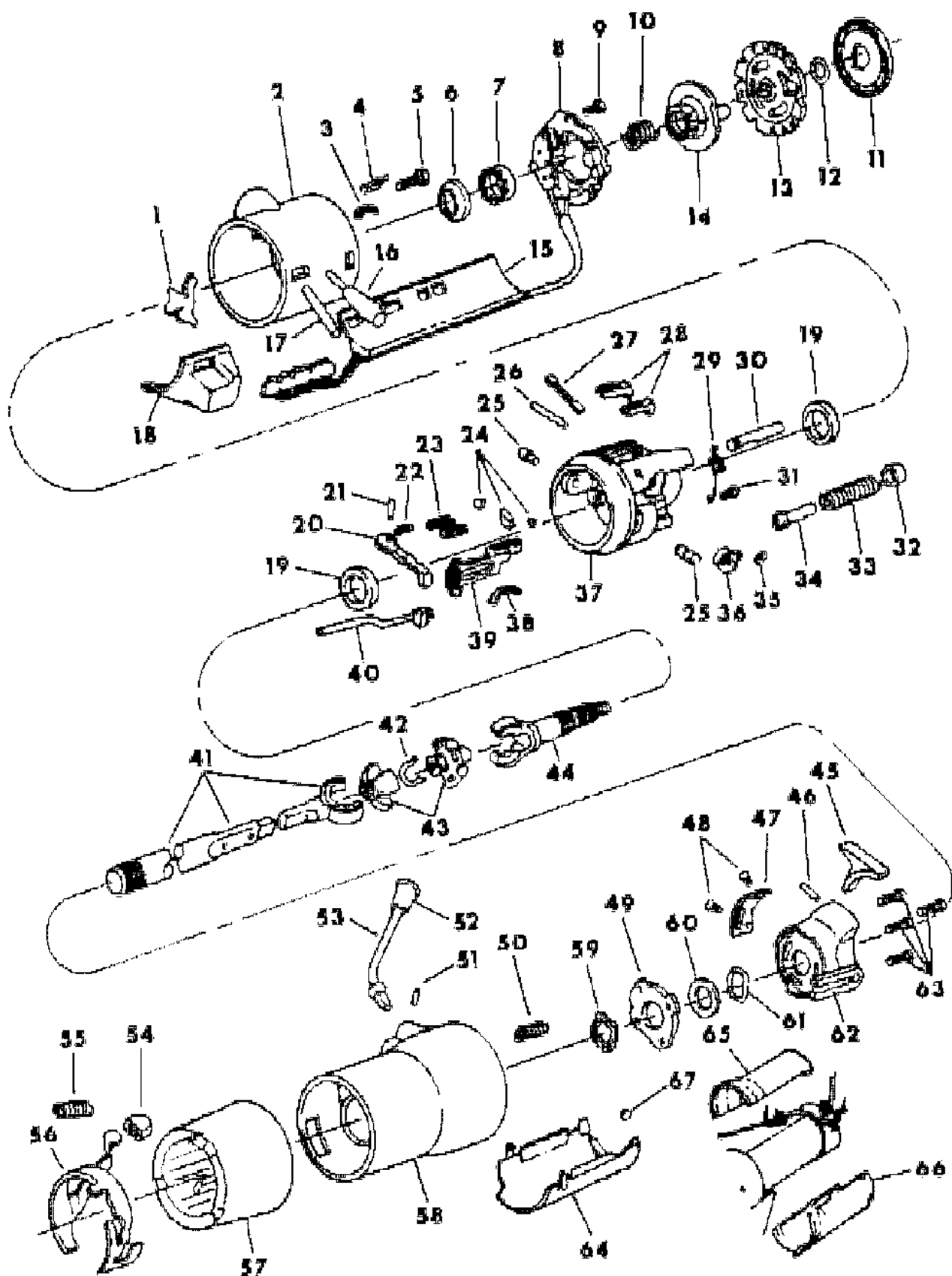
BODY STYLES

21 = 2-DOOR SEDAN	28 = FWD PICKUP	44 = 4-DOOR HATCHBACK
22 = 2-DOOR SPECIAL COUPE	35 = FWD VAN	45 = 4-DOOR STATION WAGON
24 = 2-DOOR HATCHBACK	36 = FWD WAGON	48 = 4-DOOR EXECUTIVE SEDAN
27 = 2-DOOR CONVERTIBLE	41 = 4-DOOR SEDAN	

AR = Use as Required - = Non Illustrated Part P.A.R. = Paint as Required

COLUMN, TILT STEERING, UPPER P,D,V,C,B,F,G,E,T,H,K
Figure 19-1000

4119 1000



ITEM	PART NUMBER	QTY	BODY	MODEL	DESCRIPTION
1	4019 778	1			SHIELD, Tilt Lever Opening
2	4188 838	1			COVER, Lock Housing
3	4019 793	1			CLIP, Buzzer Switch Retaining
4	3488 432	1			SWITCH, Ignition Key Buzzer
5	3467 402	2			SCREW, Oval Head Cross Recess
6		1			RACE, Inner (Serv. in Kit 4147363)
7		1			SEAT, Upper Bearing Inner Race (Serv. in Kit 4147363)
8		1			SWITCH, Turn Signal & Hazzard Warning (See Group 8)
8A	4019 782	1			ARM ASSY., Switch (Not Shown)
9	3467 814	3			SCREW, Binding Head Cross Recess
10	3575 981	1			SPRING, Upper Bearing
11		1			COVER, Shaft Lock
12	2925 062	1			RING, Retainer
13	4019 336	1			LOCK, Shaft
14	4188 484	1			CAM, Turn Signal Switch Cancelling
15	4188 202	1	B,F,G		TROUGH, Strg. Column Wiring
	5211 997	1	PDVCETH		
16		1			LEVER, Turn Signal Indicator, (See Group 8)
17	4019 909	1			LEVER, Strg. Col. Release Lock (Exc. V,C24)
	4147 166	1	V,C24		
18	4147 002	1			CAP, End Cover
19		2			BEARING, Strg. Shaft Upper (Serv. in 4147364 Kit)
20	4188 478	1			LEVER, Shoe Release
21	2880 259	1			PIN, Shoe Release Lever
22	2880 262	1			SPRING, Shoe Release Lever
23	3467 392	2			SPRING, Shoe
24	3467 378	3			BUMPER
25		2			PIN, Pivot (Serv. in Kit 4147363)
26	3467 382	1			PIN, Dowel
27	4188 835	1			SHAFT, Drive
28	3467 388	1			SHOE, Strg. Wheel Lock, w/3 Position
	4019 785	1			w/4 Position
29		1			SPRING, Lock Bolt (Serv. in Kit 4147364)
30	3467 377	1			BOLT, Lock
31	3467 431	1			SCREW, Hex. Washer Head
		1			SCREW, Hex. Washer Head (Serv in Kit 4147363)
32		1			RETAINER, Spring (Serv. in Kit 4147363)
33		1			SPRING, Wheel Tilt (Serv. in Kit 4147363)

MODEL CODES

B = GRAN FURY	F = FIFTH AVENUE/NEWPORT	P = RELIANT
C = LEBARON/TOWN & COUNTRY/EXC SEDAN	G = DIPLOMAT	T = E CLASS/NEW YORKER
C24 = LASER	H = VOYAGER	V = 600
D = ARIES	K = MINI RAM/CARAVAN/ROYAL	V24 = DAYTONA
E = 600	M = HORIZON/TURISMO	Z = OMNI/CHARGER/RAMPAGE

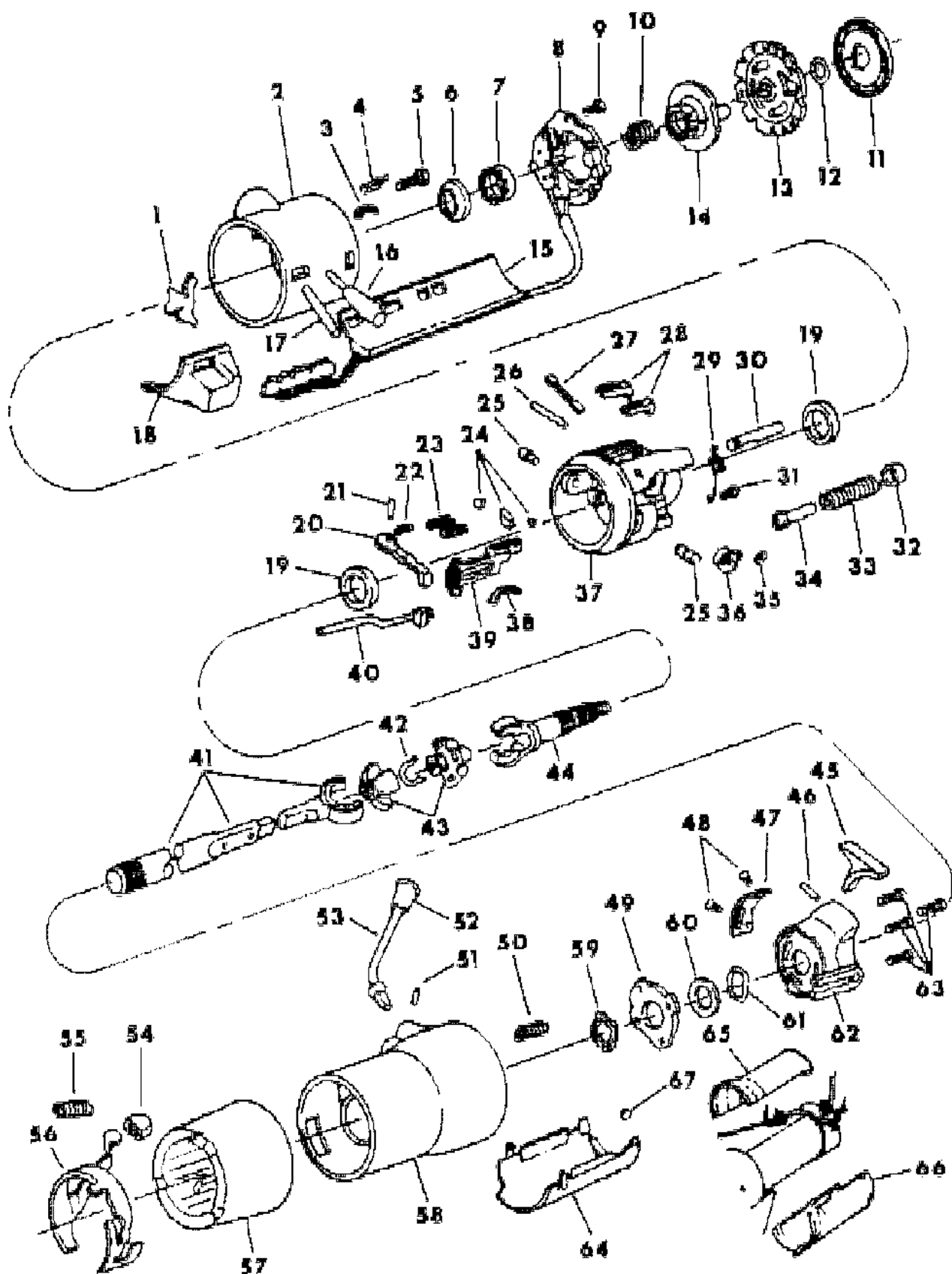
BODY STYLES

21 = 2-DOOR SEDAN	28 = FWD PICKUP	44 = 4-DOOR HATCHBACK
22 = 2-DOOR SPECIAL COUPE	35 = FWD VAN	45 = 4-DOOR STATION WAGON
24 = 2-DOOR HATCHBACK	36 = FWD WAGON	48 = 4-DOOR EXECUTIVE SEDAN
27 = 2-DOOR CONVERTIBLE	41 = 4-DOOR SEDAN	

AR = Use as Required - = Non Illustrated Part P.A.R. = Paint as Required

COLUMN, TILT STEERING, UPPER P,D,V,C,B,F,G,E,T,H,K
Figure 19-1000

4119 1000



ITEM	PART NUMBER	QTY	BODY	MODEL	DESCRIPTION
34		1			GUIDE, Spring (Serv. in Kit 4147363)
35	3467 384	1			RING, Retaining
36		1			SECTOR, Switch Actuator (Serv. Kit 4147364)
37	4188 479	1			HOUSING, Steering Col. Shaft, Upper Bearing
38	3467 391	1			SPRING, Rack Preload
39		1			RACK, Switch Actuator (Serv. in Rack Kit 4147364)
40	4188 486	1	B,F,G		ACTUATOR, Ignition Switch w/o Console
	4188 716	1	P,D,V,C		w/o Console (Exc. V,C24)
	4188 716	1	H,K		w/Auto Trans.
	4188 487	1	B,F,G		w/Console
	4188 717	1	P,D,V,C		w/Console (Exc. V,C24)
	4188 855	1	V,C24		w/Console, All Trans. All Eng.
	4188 717	1	H,K		w/Man. Trans.
41	4188 315	1	B,F,G		SHAFT ASSY. Strg. Column
	4188 316	1	P,D,V,C		Strg. Col.
	4147 203	1	H,K		Strg. Col.
	4188 476	1	B,F,G		SHAFT ASSY., Lower
	4188 322	1	P,D,V,C		Lower
	4147 205	1	H,K		Lower
42		1			SPRING, (Service in 4147365 Kit)
43		1			SPHERE, and Spring,(Serv. Kit 4147365)
44	4094 094	1			SHAFT, Upper w/Race, Strg. Column
44A	3748 501	1	B,F,G		SPACER, Upper Strg. Shaft (Col. Shift)
45	4019 296	1	PDVCETH		PLATE, Shroud Retaing, w/Floor Shift
46	2880 259	1			PIN, Release Lever
47	3748 497	1	B,F,G		GATE, Shift Lever
	4147 429	1	PDVCETH		GATE, Shift Lever
48	3467 402	2			SCREW, Oval Head Cross Recess
49	3748 498	1			PLATE, Lock
50	2880 284	1			SPRING, Strg. Column Shift Lever (Exc. V,C24)
51	0152 233	1			PIN, Lever Spring (Exc. V,C24)
52	2883 402	1			KNOB, Column Shift Lever (Exc. V,C24)
53					LEVER W/Knob, Column Gear Shift (See Group 21)
54	4019 619	1			PAD, Key Release Lever, w/Floor Shift
55	4019 298	1			SPRING, Key Release, w/Floor Shift
56	4019 297	1			LEVER, Key Release, w/Floor Shift
57	4188 325	1	P,D,V,C		SHROUD, Col. Housing, w/Floor Shift (Exc. V,C24)
	4188 030	1	H,K-V,C		SHROUD, Col. Housing, w/Floor Shift

MODEL CODES

B = GRAN FURY	F = FIFTH AVENUE/NEWPORT	P = RELIANT
C = LEBARON/TOWN & COUNTRY/EXC SEDAN	G = DIPLOMAT	T = E CLASS/NEW YORKER
C24 = LASER	H = VOYAGER	V = 600
D = ARIES	K = MINI RAM/CARAVAN/ROYAL	V24 = DAYTONA
E = 600	M = HORIZON/TURISMO	Z = OMNI/CHARGER/RAMPAGE

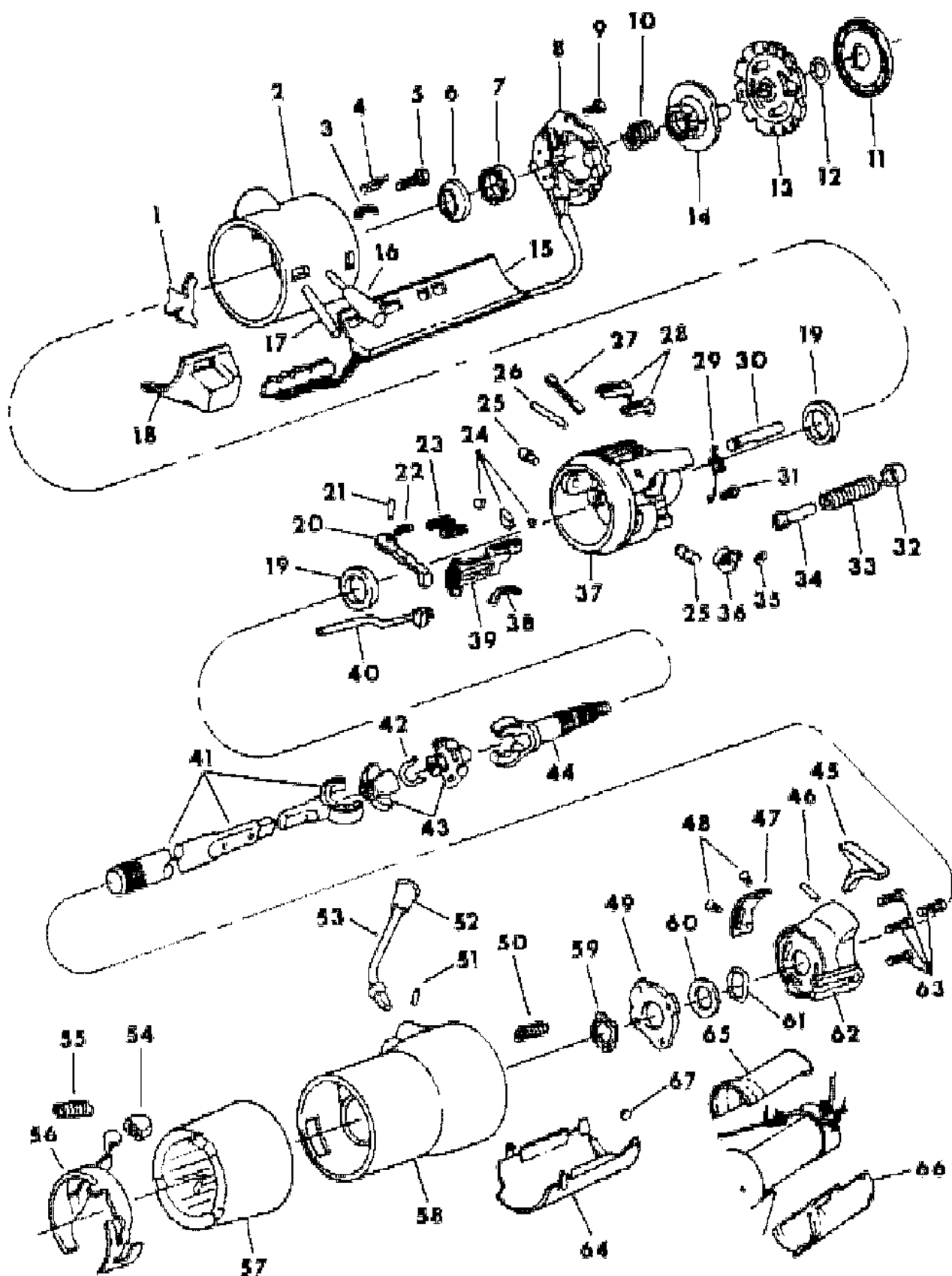
BODY STYLES

21 = 2-DOOR SEDAN	28 = FWD PICKUP	44 = 4-DOOR HATCHBACK
22 = 2-DOOR SPECIAL COUPE	35 = FWD VAN	45 = 4-DOOR STATION WAGON
24 = 2-DOOR HATCHBACK	36 = FWD WAGON	48 = 4-DOOR EXECUTIVE SEDAN
27 = 2-DOOR CONVERTIBLE	41 = 4-DOOR SEDAN	

AR = Use as Required - = Non Illustrated Part P.A.R. = Paint as Required

COLUMN, TILT STEERING, UPPER P,D,V,C,B,F,G,E,T,H,K
Figure 19-1000

4119 1000



ITEM	PART NUMBER	QTY	BODY	MODEL	DESCRIPTION
58	#4364 810	1		PDVCETB	BOWL & LEVER PKG. w/Pin (1/4")
	4364 811	1		F-S41	
	4364 814	1		H,K	
59	3748 592	1			WASHER, Wave ,Col. Shift (Exc. V,C24)
60	3467 423	1			WASHER, Thrust (Exc. V,C24)
61	3467 415	1			RING, Shift Tube Retainer (Exc. V,C24)
62	4147 073	1		B,F,G	SUPPORT, Bearing Housing, w/o Console
	4147 074	1		P,D,V,C	Exc. V,C24
	4147 074	1		H,K	w/Auto Trans.
	4147 019	1		P,D,V,C	w/Console
	4147 019	1		H,K	w/Man. Trans.
63	3748 500	4			SCREW, Support
67	6015 925	4			RETAINER, Strg. Col. Wiring Trough
69		1			SEAL, Strg. Shaft, w/Floor Shift (Serv. In Jacket Assy)
70	6500 906	1			NUT, Strg. Wheel
71	4188 872	1			PIN, Switch Actuator Pivot
---	4147 363	1		All	PARTS KIT, Upper Column
---	4147 364	1		All	RACK KIT, Column Sector
---	4147 365	1		All	SPHERE KIT, Tilt Column

MODEL CODES

B = GRAN FURY	F = FIFTH AVENUE/NEWPORT	P = RELIANT
C = LEBARON/TOWN & COUNTRY/EXC SEDAN	G = DIPLOMAT	T = E CLASS/NEW YORKER
C24 = LASER	H = VOYAGER	V = 600
D = ARIES	K = MINI RAM/CARAVAN/ROYAL	V24 = DAYTONA
E = 600	M = HORIZON/TURISMO	Z = OMNI/CHARGER/RAMPAGE

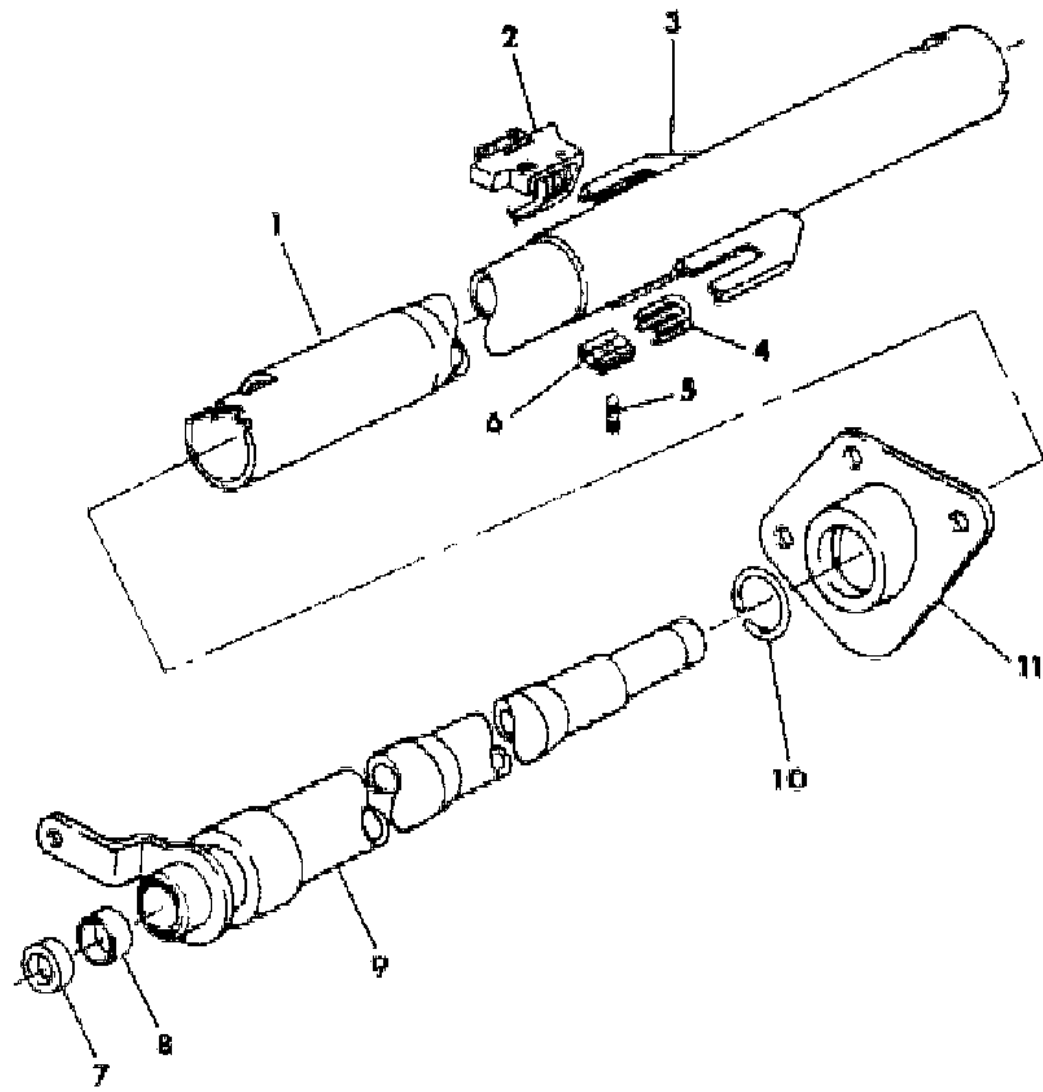
BODY STYLES

21 = 2-DOOR SEDAN	28 = FWD PICKUP	44 = 4-DOOR HATCHBACK
22 = 2-DOOR SPECIAL COUPE	35 = FWD VAN	45 = 4-DOOR STATION WAGON
24 = 2-DOOR HATCHBACK	36 = FWD WAGON	48 = 4-DOOR EXECUTIVE SEDAN
27 = 2-DOOR CONVERTIBLE	41 = 4-DOOR SEDAN	

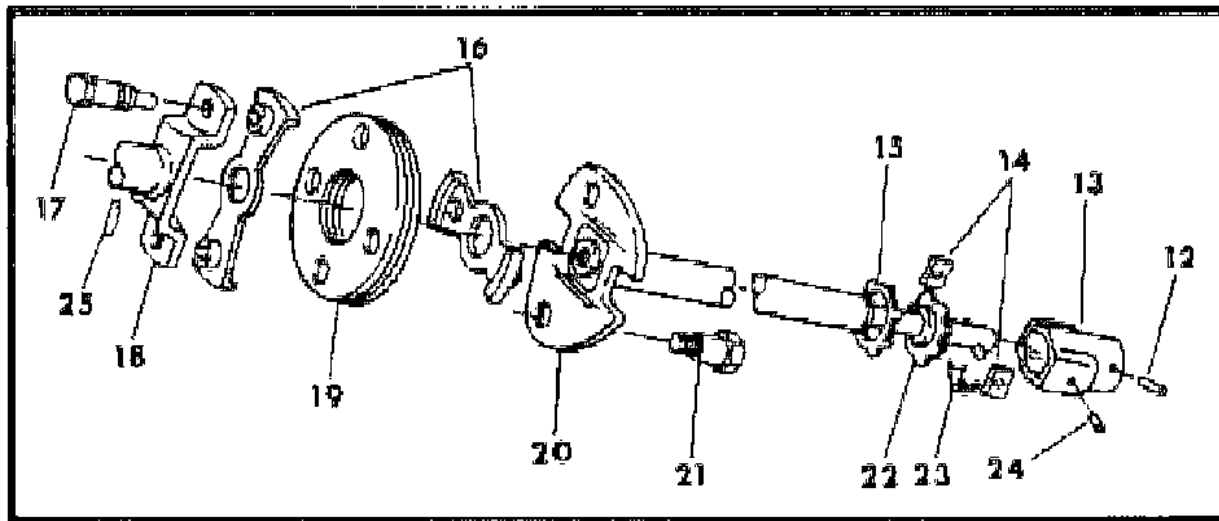
AR = Use as Required - = Non Illustrated Part P.A.R. = Paint as Required

COLUMN, TILT STEERING, LOWER B,F,G
Figure 19-1100

411F 1100



ITEM	PART NUMBER	QTY	BODY	MODEL	DESCRIPTION
1	4147 366	1		B,F,G	JACKET ASSY. Strg. Col., w/ Col. Shift
2					(See Group 8)
3	4019 271	1		B,F,G	BRACKET, Strg. Col. Support
4		1			CLIP, Strg. Col. Ground (Not Serviced)
5	6500 127	4		B,F,G	SCREW, w/Washer, Bracket To Strg. Col.
	6027 947	2		B,F,G,	STUD, Strg. Col. Mounting
6	3748 492	2		B,F,G	SPACER, Strg. Col. Support Bracket
7	4019 501	1		B,F,G	BEARING, Strg. Shaft, Lower, w/Col. Shift
	4019 294	1		F,G	w/Floor Shift
8	4019 501	1		B,F,G	INSULATOR, Bearing (Col, Shift)
9	4188 319	1		B,F,G	TUBE, Strg. Col. Gearshift, w/o Console
10	3748 400	1		B,F,G	GROMMET, Strg. Col.
11	4019 274	1		B,F,G	PLATE, Strg. Col. Jacket Support
12	2266 743	1		B,F,G	PIN, Strg. Col. Shaft Lower Coupling
13	3748 268	1		B,F,G	Body, Strg. Col. Shaft Coupling
14	2800 738	2		B,F,G	SHOE, Coupling Body
15	2530 538	1		B,F,G	COVER, Coupling Body
16	4186 826	1		B,F,G	STRAP PACKAGE, Strg. Col. Coupling, w/Bolts
17	6030 999	2		B,F,G	BOLT, Coupling
18	3748 271	1		B,F,G	FLANGE, Strg. Col. Shaft Coupling
19	3748 310	1		B,F,G	COUPLING, Strg. Col. Shaft
20	4019 262	1		B,F,G	SHAFT, Strg. Col. Coupling Intermediate, 6.34" Lgh
21	6031 168	2		B,F,G	BOLT, Coupling
22	4019 278	1		B,F,G	SEAL, Coupling Body
23	2925 492	1		B,F,G	SPRING, Strg. Col. Shaft Coupling Body
24	6029 951	1		B,F,G	PIN, Coupling Body
25	6028 750	1		B,F,G	PIN, Coupling Body



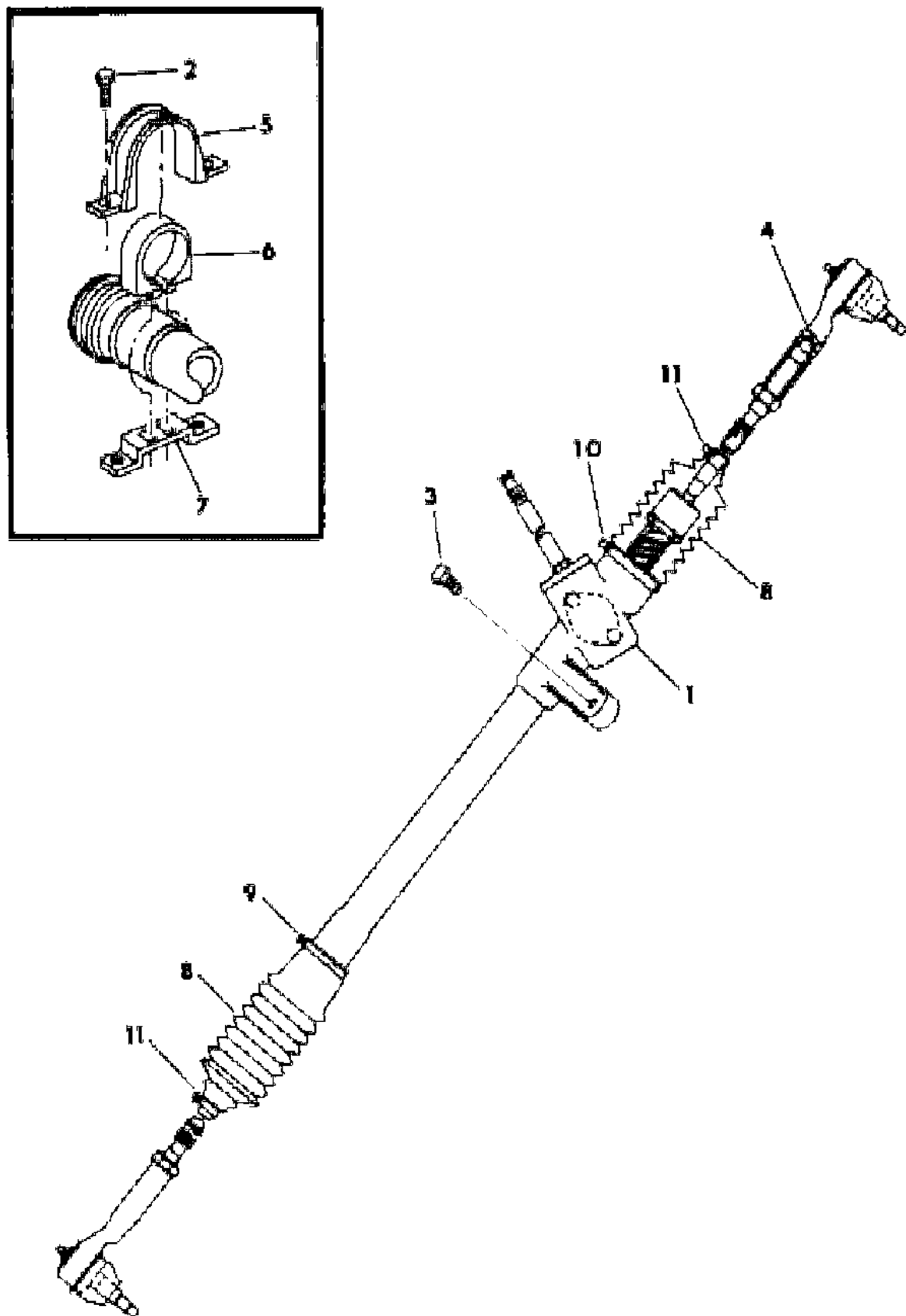
MODEL CODES
 B = GRAN FURY
 C = LEBARON/TOWN & COUNTRY/EXC SEDAN
 C24 = LASER
 D = ARIES
 E = 600
 F = FIFTH AVENUE/NEWPORT
 G = DIPLOMAT
 H = VOYAGER
 K = MINI RAM/CARAVAN/ROYAL
 M = HORIZON/TURISMO
 P = RELIANT
 T = E CLASS/NEW YORKER
 V = 600
 V24 = DAYTONA
 Z = OMNI/CHARGER/RAMPAGE

BODY STYLES
 21 = 2-DOOR SEDAN
 22 = 2-DOOR SPECIAL COUPE
 24 = 2-DOOR HATCHBACK
 27 = 2-DOOR CONVERTIBLE
 28 = FWD PICKUP
 35 = FWD VAN
 36 = FWD WAGON
 41 = 4-DOOR SEDAN
 44 = 4-DOOR HATCHBACK
 45 = 4-DOOR STATION WAGON
 48 = 4-DOOR EXECUTIVE SEDAN

AR = Use as Required - = Non Illustrated Part P.A.R. = Paint as Required

GEAR, RACK & PINION MANUAL STEERING AND ATTACHING PARTS M,Z,P,D,V,C
Figure 19-1200

411E 1200



ITEM	PART NUMBER	QTY	BODY	MODEL	DESCRIPTION
1	4147 230	1		M,Z	GEAR, Rack and Pinion (Manual Strg.)
	4147 231	1		P,D,V,C	
2	6100 576	2			BOLT, Rack and Pinion Strg. Gear, Rt.
3	6101 265	2			BOLT, Rack and Pinion Strg. Gear, Lt.
4	4106 180	2			TIE ROD, Strg. Gear, Outer End
5	5205 225	1		M,Z,P,D	BRACKET, Rack Pinion Strg. Gear Mounting Outer
6	5205 227	1		M,Z,P,D	BUSHING, Rack and Pinion Strg. Gear Mounting
7	5205 226	1		M,Z,P,D	BRACKET, Rack and Pinion Strg. Gear Mounting Inner
8	4131 348	1			SERVICE KIT, Boot and Clamp, Rt.
					Consists of: 1 - 4147138 Boot, Tie Rod to Rack Tube, Rt. 1 - 5205313 Clamp, Boot to Tie Rod 1 - 5205315 Clamp, Boot to Tube, Rt.
---	4147 071	1		M,Z,P,D	ADAPTOR, Tube To Boot - Rt.
	4131 349	1			SERVICE KIT, Boot and Clamp, Lt.
					Consists of: 1 - 4147137 Boot, Tie Rod to Housing, Lt. 1 - 5205313 Clamp, Boot to Tie Rod 1 - 5205314 Clamp, Boot to Casting, Lt.
9	3815 816	1		M,Z,P,D	CLAMP, Boot to Tube, Rt.
10	3815 811	1		M,Z,P,D	CLAMP, Boot to Tube, Lt. (Gear Housing)
11	5205 313	2			CLAMP, Boot to Tie Rod

MODEL CODES

B = GRAN FURY	F = FIFTH AVENUE/NEWPORT	P = RELIANT
C = LEBARON/TOWN & COUNTRY/EXC SEDAN	G = DIPLOMAT	T = E CLASS/NEW YORKER
C24 = LASER	H = VOYAGER	V = 600
D = ARIES	K = MINI RAM/CARAVAN/ROYAL	V24 = DAYTONA
E = 600	M = HORIZON/TURISMO	Z = OMNI/CHARGER/RAMPAGE

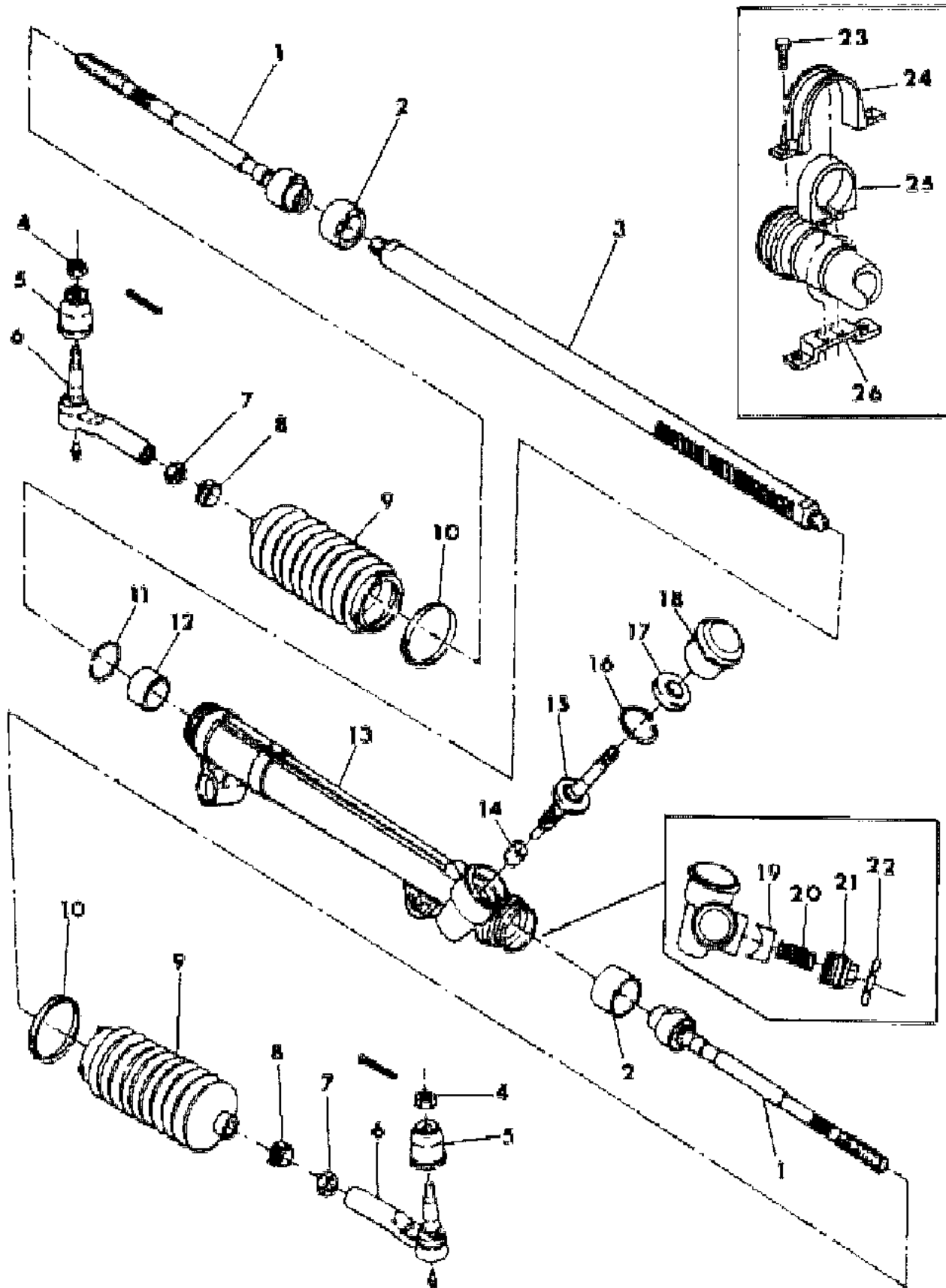
BODY STYLES

21 = 2-DOOR SEDAN	28 = FWD PICKUP	44 = 4-DOOR HATCHBACK
22 = 2-DOOR SPECIAL COUPE	35 = FWD VAN	45 = 4-DOOR STATION WAGON
24 = 2-DOOR HATCHBACK	36 = FWD WAGON	48 = 4-DOOR EXECUTIVE SEDAN
27 = 2-DOOR CONVERTIBLE	41 = 4-DOOR SEDAN	

AR = Use as Required - = Non Illustrated Part P.A.R. = Paint as Required

GEAR, RACK & PINION MANUAL STEERING AND ATTACHING PARTS H,K
Figure 19-1300

4119 1300A



ITEM	PART NUMBER	QTY	BODY	MODEL	DESCRIPTION
---	4147 075	1	H,K		GEAR, Rack & Pinion (Manual Strg.)
1	4147 136	1	H,K		ROD ASSY., Inner Tie - Kit
2	5205 287	1	H,K		RING, Shock Dampener
3	4147 243	1	H,K		RACK, Steering
4	5205 268	1	H,K		NUT, Hex Lock
5	4147 241	1	H,K		SEAL, Tie Rod
6	4106 180	1	H,K		ROD ASSY., Outer Tie - Kit
7	5205 275	1	H,K		NUT, Hex Jam
8		1	H,K		CLAMP, Boot -(Serv. in Kit 4147245)
9		1	H,K		BOOT, Rack & Pinion - (Serv. in Kit 4147245)
10		1	H,K		CLAMP, Boot - (Serv. in Kit 4147245)
11	4147 238	1	H,K		RING, Bushing Retaining
12	4147 294	1	H,K		BUSHING, Rack
13	4147 236	1	H,K		HOUSING ASSY., Rack & Pinion
14	4147 237	1	H,K		BEARING ASSY., Roller
15	4147 239	1	H,K		PINION ASSY., Bearing
16	4147 244	1	H,K		RING, Retaining
17		1	H,K		SEAL, Strg. Pinion - (Serv. in 4147246 Kit)
18	4147 242	1	H,K		ADAPTER, Seal
19	5205 282	1	H,K		BEARING, Rack
20	5205 280	1	H,K		SPRING, Adjuster
21	5205 286	1	H,K		PLUG, Adjuster
22	5205 285	1	H,K		NUT, Adjuster Plug Lock
23	6100 576	2	H,K		BOLT, Rack & Pinion Strg. Gear - Rt.
24	3643 470	1	H,K		BRACKET, Rack & Pinion Strg. Gear Mtg.- Outer
25	3643 471	1	H,K		BUSHING, Rack & Pinion Strg. Gear Mtg.- Outer
26	3643 469	1	H,K		BRACKET, Rack & Pinion Strg. Gear Mtg.

MODEL CODES

B = GRAN FURY	F = FIFTH AVENUE/NEWPORT	P = RELIANT
C = LEBARON/TOWN & COUNTRY/EXC SEDAN	G = DIPLOMAT	T = E CLASS/NEW YORKER
C24 = LASER	H = VOYAGER	V = 600
D = ARIES	K = MINI RAM/CARAVAN/ROYAL	V24 = DAYTONA
E = 600	M = HORIZON/TURISMO	Z = OMNI/CHARGER/RAMPAGE

BODY STYLES

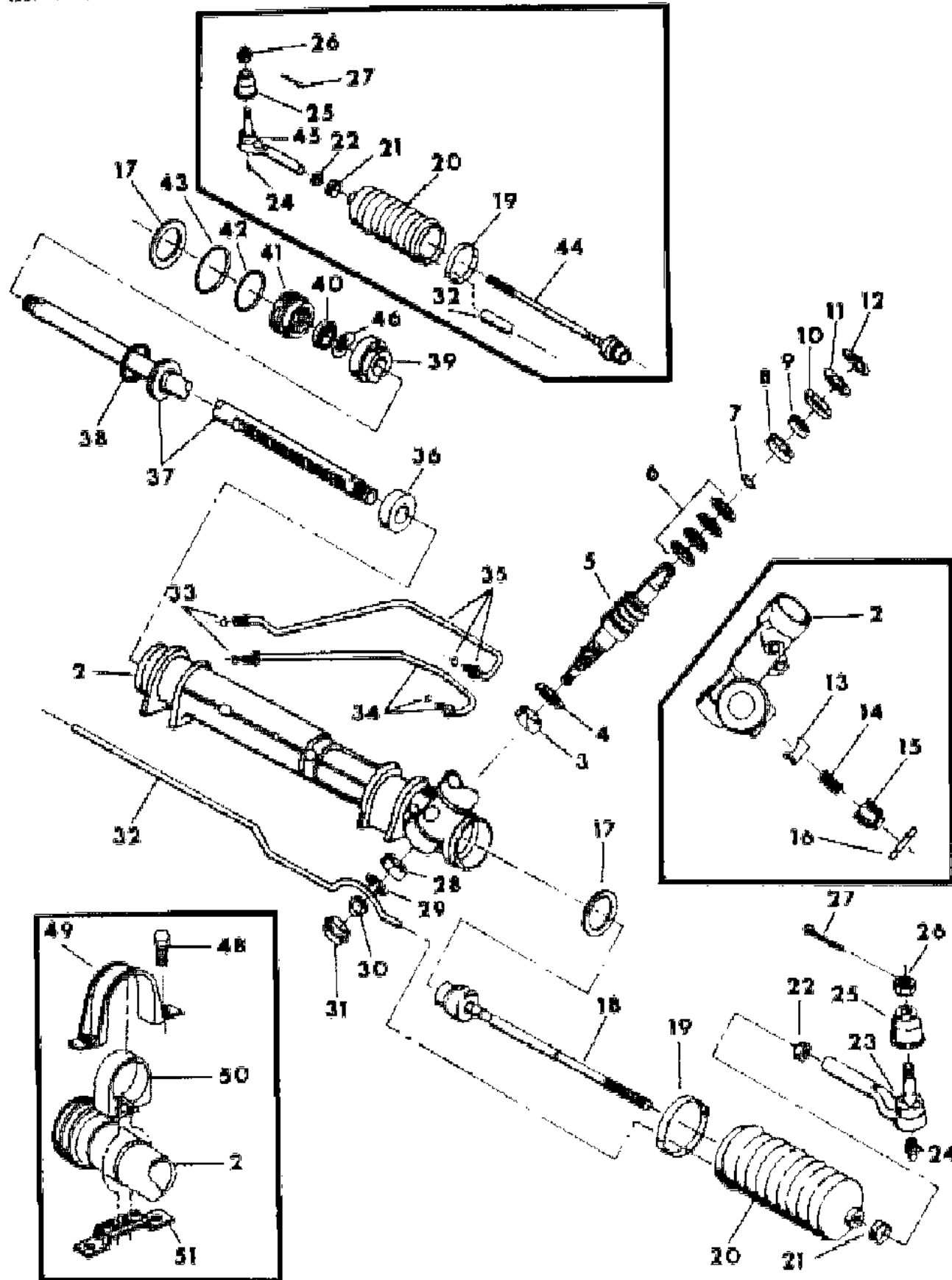
21 = 2-DOOR SEDAN	28 = FWD PICKUP	44 = 4-DOOR HATCHBACK
22 = 2-DOOR SPECIAL COUPE	35 = FWD VAN	45 = 4-DOOR STATION WAGON
24 = 2-DOOR HATCHBACK	36 = FWD WAGON	48 = 4-DOOR EXECUTIVE SEDAN
27 = 2-DOOR CONVERTIBLE	41 = 4-DOOR SEDAN	

AR = Use as Required - = Non Illustrated Part P.A.R. = Paint as Required

GEAR, RACK & PINION POWER STEERING AND ATTACHING PARTS (SAGINAW) M,Z,P,D,V,C,E,T

Figure 19-1400

4118 1400A



ITEM	PART NUMBER	QTY	BODY	MODEL	DESCRIPTION
	4106 180	2			PACKAGE, Tie Rod, Outer Consists of: 1 ----- Tie Rod, Outer 1- 6500121 Nut 1 ----- Pin, Cotter
	5205 328	1			SERVICE KIT, Valve Pinion, w/Std. or H.D Susp. (Except Shelby)
	4147 091	1	M,Z		w/Shelby
	4147 091	1	P,D,V,C		Firm Feel Suspension Consists of: 1 ----- Bushing, Upper Pinion 1 ----- Seal, Rack and Pinion 1 ----- Valve Assy. w/Pinion
					4 ----- Ring, Valve Body 1- 5205288 Ring, Retaining, Spool Shaft 1 ----- Seal, Stub Shaft 1 ----- Seal, Stub Shaft Dust
	4147 092	1			SERVICE KIT, Boot, Strg. Gear, Right
	4147 093	1			Left Consists, of: 1 ----- Boot, Rack and Pinion 1- ----- Clamp, Boot
	4147 094	1	M,Z		SERVICE KIT, Inner Tie Rod, Assy. Right
	4147 133	1	M,Z		Left
	4147 095	1	P,D,V,C		Right
	4147 136	1	P,D,V,C		Left Consists of: 1- 5205287 Ring, Shock Dampener 1----- Clamp, Boot
					1- 5205275 Nut, Hex Jam
	4147 096	1			SERVICE KIT, Bulkhead, Assy. Consists, of: 1----- Clamp, Boot 1 ----- Bulkhead, Cylinder Inner 1 ----- Seal, Rack and Pinion (Bulkhead) 1 ----- Seal, "O"Ring 1 ----- Bulkhead, Cylinder Outer 1 ----- Ring, Bulkhead Retaining

MODEL CODES

B = GRAN FURY	F = FIFTH AVENUE/NEWPORT	P = RELIANT
C = LEBARON/TOWN & COUNTRY/EXC SEDAN	G = DIPLOMAT	T = E CLASS/NEW YORKER
C24 = LASER	H = VOYAGER	V = 600
D = ARIES	K = MINI RAM/CARAVAN/ROYAL	V24 = DAYTONA
E = 600	M = HORIZON/TURISMO	Z = OMNI/CHARGER/RAMPAGE

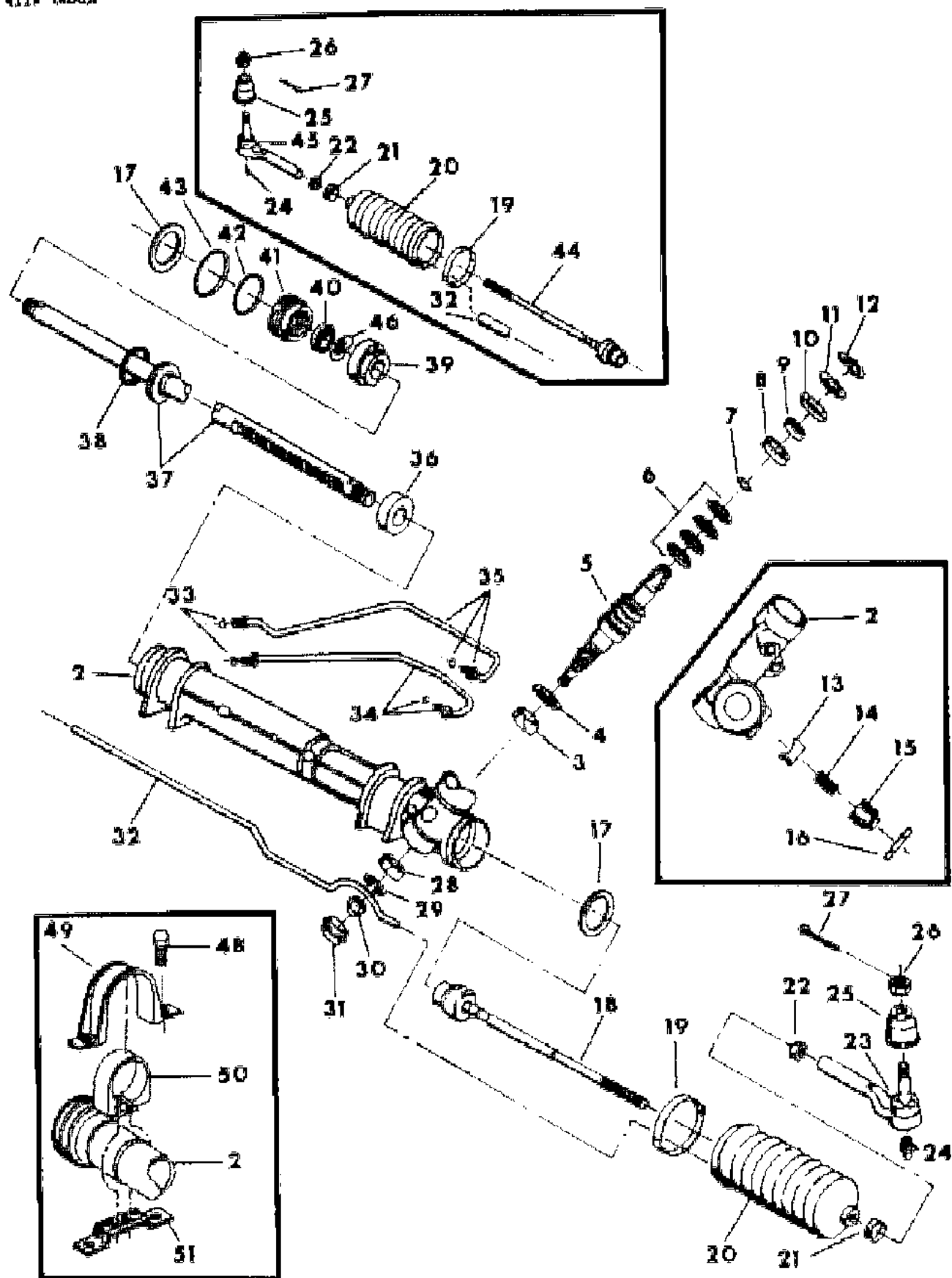
BODY STYLES

21 = 2-DOOR SEDAN	28 = FWD PICKUP	44 = 4-DOOR HATCHBACK
22 = 2-DOOR SPECIAL COUPE	35 = FWD VAN	45 = 4-DOOR STATION WAGON
24 = 2-DOOR HATCHBACK	36 = FWD WAGON	48 = 4-DOOR EXECUTIVE SEDAN
27 = 2-DOOR CONVERTIBLE	41 = 4-DOOR SEDAN	

AR = Use as Required - = Non Illustrated Part P.A.R. = Paint as Required

GEAR, RACK & PINION POWER STEERING AND ATTACHING PARTS (SAGINAW) M,Z,P,D,V,C,E,T
Figure 19-1400

4118 1400A



ITEM	PART NUMBER	QTY	BODY	MODEL	DESCRIPTION
					1 ----- Tie Rod, Assy., Inner
					1 ----- Spring, Wave Washer
	4147 098	1			SERVICE KIT, Seal, Rack and Pinion Consists of: 1----- Clamp, Boot
					1 ----- Seal, Inner Rack
					1 ----- Ring, Piston
					1 ----- Seal, Rack and Pinion (Bulkhead)
					1 ----- Seal, "O"Ring
	4147 099	1			1 ----- Ring, Bulkhead Retaining SERVICE KIT, Seal, Strg. Gear Bulkhead Consists of: 1----- Clamp, Boot
					1----- Ring, Bulkhead Retaining
					1----- Seal, Outer Rack
					1----- Seal, Ring
	5205 295	1			SERVICE KIT, Pinion Bearing Consists of: 1 ----- Seal, Rack and Pinion 1 ----- Seal, Stub Shaft 1- 5205278 Ring, Seal Retaining
					1 ----- Seal, Stub Shaft Dust
					1 ----- Bearing, Ball, Assy.
	5205 296	1			SERVICE KIT, Seal, Stub Shaft, Hyd. Strg. Gear
	4147 100	1			SERVICE KIT, Valve Ring Seal . Consists of: 4 ----- Ring, Valve Body 1 ----- Seal, Stub Shaft
					1 ----- Seal, Stub Shaft Dust
	5205 298	1			SERVICE KIT, Pinion and Shaft Seal Consists of: 1 ----- Bushing Upper Pinion
					1 ----- Seal, Rack and Pinion
					1 ----- Seal, Stub Shaft
					1 ----- Seal, Stub Shaft Dust
	5205 299	1			SERVICE KIT, Spool Shaft Bearing, Assy. Consists of:

MODEL CODES

B = GRAN FURY	F = FIFTH AVENUE/NEWPORT	P = RELIANT
C = LEBARON/TOWN & COUNTRY/EXC SEDAN	G = DIPLOMAT	T = E CLASS/NEW YORKER
C24 = LASER	H = VOYAGER	V = 600
D = ARIES	K = MINI RAM/CARAVAN/ROYAL	V24 = DAYTONA
E = 600	M = HORIZON/TURISMO	Z = OMNI/CHARGER/RAMPAGE

BODY STYLES

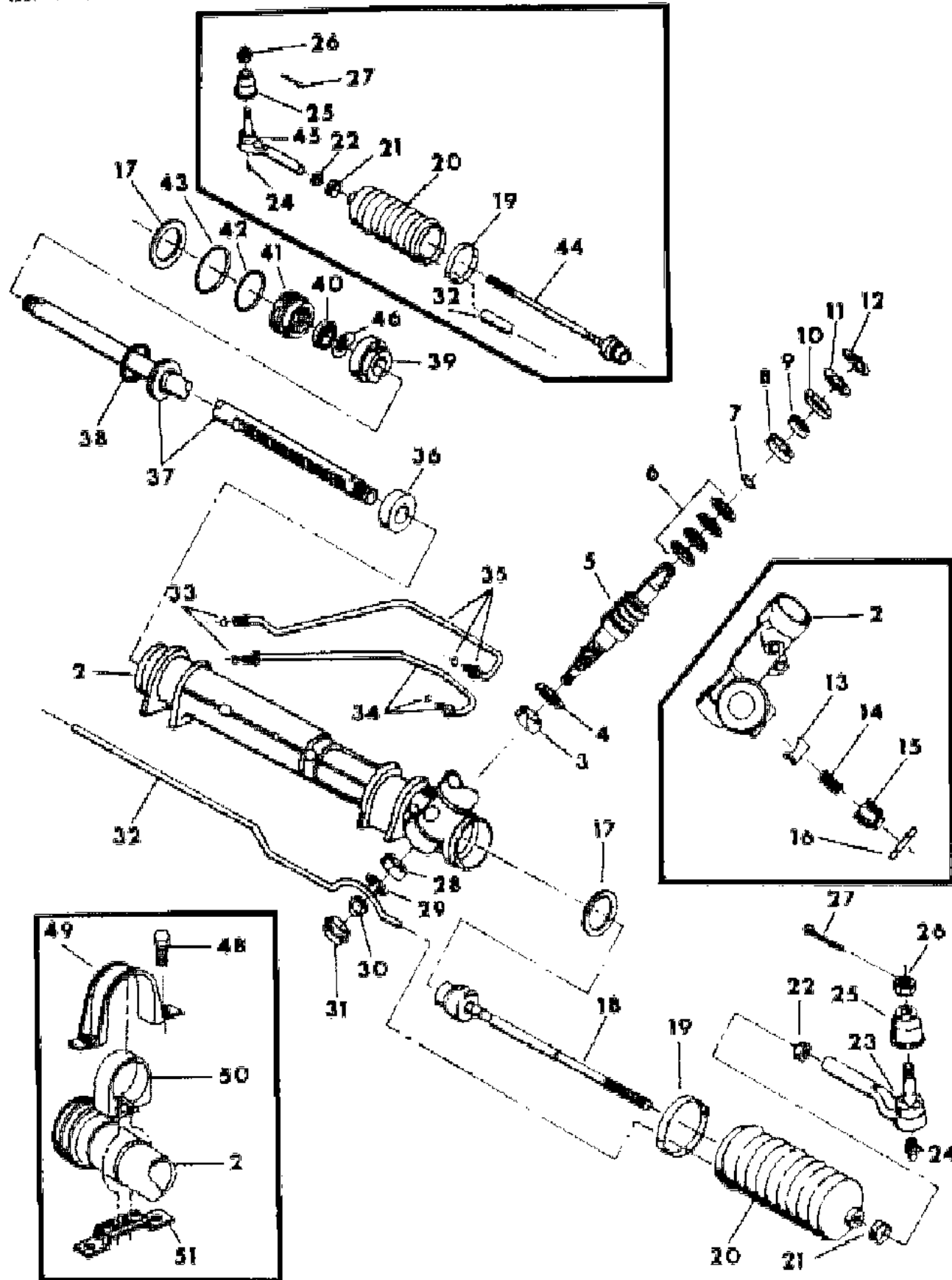
21 = 2-DOOR SEDAN	28 = FWD PICKUP	44 = 4-DOOR HATCHBACK
22 = 2-DOOR SPECIAL COUPE	35 = FWD VAN	45 = 4-DOOR STATION WAGON
24 = 2-DOOR HATCHBACK	36 = FWD WAGON	48 = 4-DOOR EXECUTIVE SEDAN
27 = 2-DOOR CONVERTIBLE	41 = 4-DOOR SEDAN	

AR = Use as Required - = Non Illustrated Part P.A.R. = Paint as Required

GEAR, RACK & PINION POWER STEERING AND ATTACHING PARTS (SAGINAW) M,Z,P,D,V,C,E,T

Figure 19-1400

4118 1400A



ITEM	PART NUMBER	QTY	BODY	MODEL	DESCRIPTION
					1 ----- Seal, Rack and Pinion
					1 ----- Annulus, Stub Shaft Bearing
					1 ----- Bearing, Needle
					1 ----- Seal, Stub Shaft
					1 ----- Seal, Stub Shaft Dust
1-46	4147 225	1	M,Z		GEAR, Assy. Rack and Pinion w/Normal Suspension And H.D. Susp. (Except Shelby)
	4147 228	1	M,Z		w/Shelby
	4293 164	1	P,D,V,C		GEAR ASSY. PKG. (w/Normal & H.D. Susp.) Exc. V,C24
	4147 009	1	V,C24		(Saginaw Strg. Gear) Firm Feel Power Strg.
	4147 009	1	P,D,V,C		Firm Feel, Exc. V,C24 (Up To 4-2-84)
	4147 451	1	P,D,V,C		Firm Feel (After 4-2-84)
	4147 009	1	E,T		Firm Feel (Up To 3-12-84)
	4147 451	1	E,T		Firm Feel (After 3-12-84)
2	4147 082	1	M,Z		HOUSING, Assy.
	4147 083	1	P,D,V,C		
3		1			Bushing, Upper Pinion (Serviced in 5205328, 5205298)
4		1			SEAL, Rack and Pinion (Serviced in 5205328, 5205298, 5205299)
5		1			PINION, w/Valve Assy. (Serviced in 5205328 or 5205336)
6		4			RING, Valve Body (Serviced in 5205328, 4147100)
7	5205 288	1			RING, Spool Shaft Retaining (Also Serviced in 5205328)
8		1			ANNULUS, Stub Shaft Bearing (Serviced in 5205299)
9		1			BEARING, Needle, Assy. (Serviced in 5205299)
10		1			SEAL, Stub Shaft (Serviced in 5205328, 5205295, 5205298, 5205299)
11		1			SEAL, Stub Shaft Dust (Serviced in 5205328, 5205295, 4147100, 5205298, 5205299)
12	5205 278	1			RING, Seal Retaining (Also Serviced in 5205295)
13	5205 282	1			BEARING, Rack
14	5205 280	1			SPRING, Adjuster
15	5205 286	1			PLUG, Adjuster
16	5205 285	1			NUT, Adjuster Plug Lock
17	5205 287	2	P,D,V,C		RING, Shock Dampener
	4147 088	2	M,Z		
18		1			TIE ROD, Assy. Inner (Serviced in Package)
19	4147 084	2			CLAMP, Boot (Also Serviced in Package)
20		1			BOOT, Rack and Pinion (Serviced in 4147092 Rt., 4147093 Lt. Pkg.)

MODEL CODES

B = GRAN FURY	F = FIFTH AVENUE/NEWPORT	P = RELIANT
C = LEBARON/TOWN & COUNTRY/EXC SEDAN	G = DIPLOMAT	T = E CLASS/NEW YORKER
C24 = LASER	H = VOYAGER	V = 600
D = ARIES	K = MINI RAM/CARAVAN/ROYAL	V24 = DAYTONA
E = 600	M = HORIZON/TURISMO	Z = OMNI/CHARGER/RAMPAGE

BODY STYLES

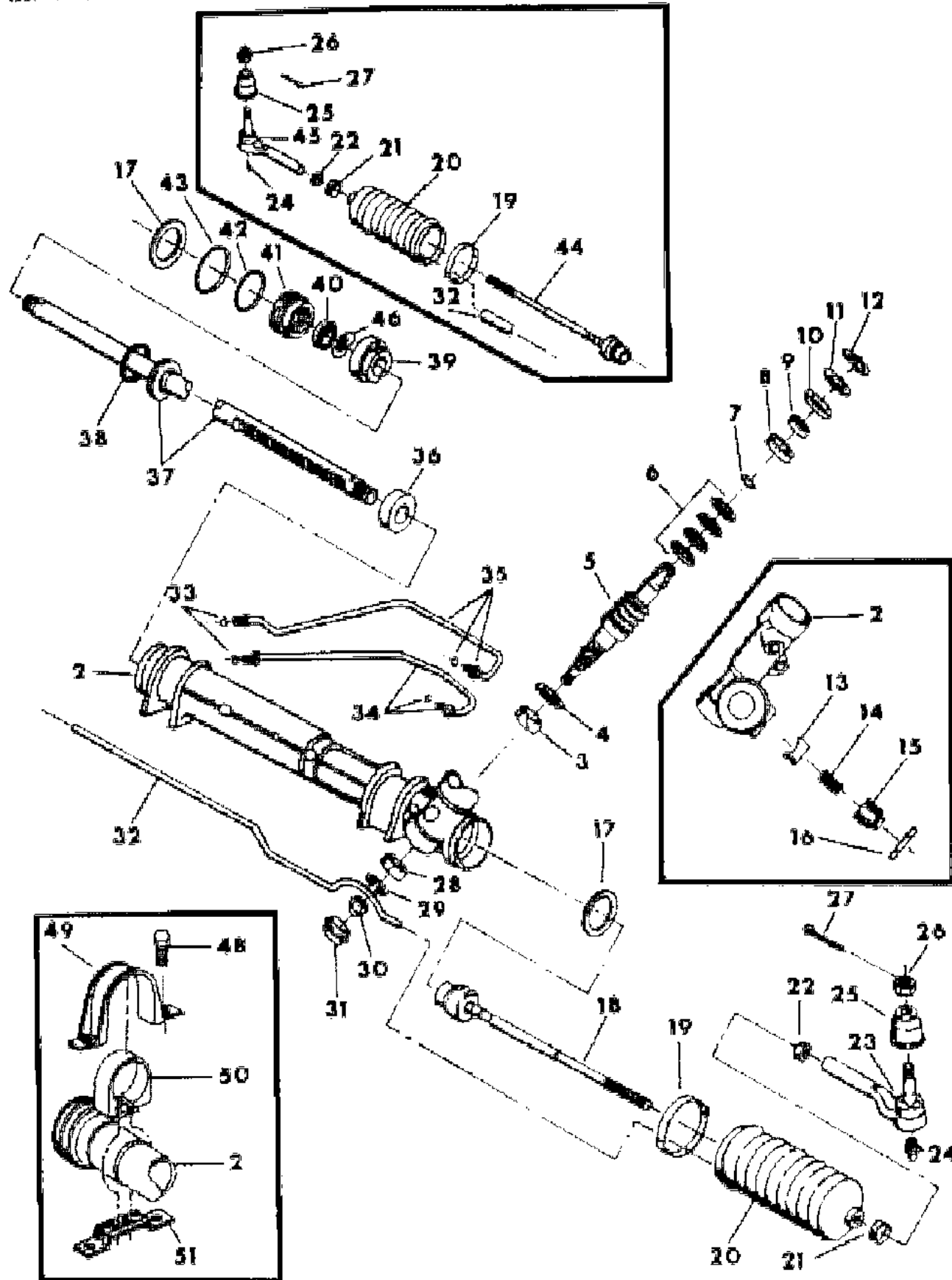
21 = 2-DOOR SEDAN	28 = FWD PICKUP	44 = 4-DOOR HATCHBACK
22 = 2-DOOR SPECIAL COUPE	35 = FWD VAN	45 = 4-DOOR STATION WAGON
24 = 2-DOOR HATCHBACK	36 = FWD WAGON	48 = 4-DOOR EXECUTIVE SEDAN
27 = 2-DOOR CONVERTIBLE	41 = 4-DOOR SEDAN	

AR = Use as Required - = Non Illustrated Part P.A.R. = Paint as Required

GEAR, RACK & PINION POWER STEERING AND ATTACHING PARTS (SAGINAW) M,Z,P,D,V,C,E,T

Figure 19-1400

4118 1400A



ITEM	PART NUMBER	QTY	BODY	MODEL	DESCRIPTION
21	4147 085	2			CLAMP, Boot (Tie Rod End)
22	5205 275	2			NUT, Hex Jam
23		1			TIE ROD, Outer, Left (Serviced in 4106180)
24		2			FITTING, Lubrication (Not Serviced)
25		2			SEAL, Tie Rod (Serviced in 4106180)
26	6500 121	2			NUT, Outer Tie Rod
27		2			PIN, Cotter (Not Serviced)
28		1			BEARING, Ball, Assy. (Serviced in 5205295)
29	5205 279	1			RING, Pinion Bearing Retaining
30	5205 268	1			NUT, Hex Lock
31	5205 284	1			COVER, Dust
32	4147 086	1		M,Z	TUBE, Breather
	4147 087	1		P,D,V,C	
33	3815 859	4			SEAL, Cylinder Oil Line "O"Ring
34	4147 090	1			KIT, Cylinder Oil Line, Left, w/"O"Ring Seal
35	4147 089	1			KIT, Cylinder Oil Line, Right w/"O"Ring Seal
36		1			SEAL, Inner Rack (Serviced in 4147098)
37	4147 079	1		M,Z	RACK, Assy. w/Piston, Strg. (Except Shelby)
	4147 224	1		M,Z	w/Shelby
	4147 080	1		P,D,V,C	Except (Firm Feel Power Strg.)
	4147 081	1		P,D,V,C	With (Firm Feel Power Strg.)
38		1			RING, Piston (Serviced in 4147098)
39		1			BULKHEAD, Cylinder Inner (Serviced in 4147096)
40		1			SEAL, Rack and Pinion (Bulkhead) (Serviced in 4147096, 4147098)
41		1			Bulkhead, Cylinder Outer (Serviced in 4147096)
42		1			SEAL, "O"Ring (Serviced in 4147096, 4147098)
43	4147 097	1			RING, Bulkhead Retaining (Serviced also in 4147096, 4147098)
44		1			TIE ROD, Assy., Inner, Right (Serviced in 4147133, 4147094, 4147095, 4147136)
45		1			TIE ROD, Assy., Outer, Right (Serviced in 4106180)
46		1			SPRING, Wave Washer (Serviced in 4147096)
47	6101 265	2			BOLT, Rack and Pinion Strg. Gear Mounting, Left
48	6100 576	2			BOLT, Rack and Pinion Strg. Gear Mounting, Right
49	3643 424	1			BRACKET, Rack and Pinion Strg. Gear Mounting, Outer, Left
	3643 470	1			Right
50	3643 425	1			BUSHING, Rack and Pinion Strg. Gear, Left
	3643 471	1			Right

MODEL CODES

B = GRAN FURY	F = FIFTH AVENUE/NEWPORT	P = RELIANT
C = LEBARON/TOWN & COUNTRY/EXC SEDAN	G = DIPLOMAT	T = E CLASS/NEW YORKER
C24 = LASER	H = VOYAGER	V = 600
D = ARIES	K = MINI RAM/CARAVAN/ROYAL	V24 = DAYTONA
E = 600	M = HORIZON/TURISMO	Z = OMNI/CHARGER/RAMPAGE

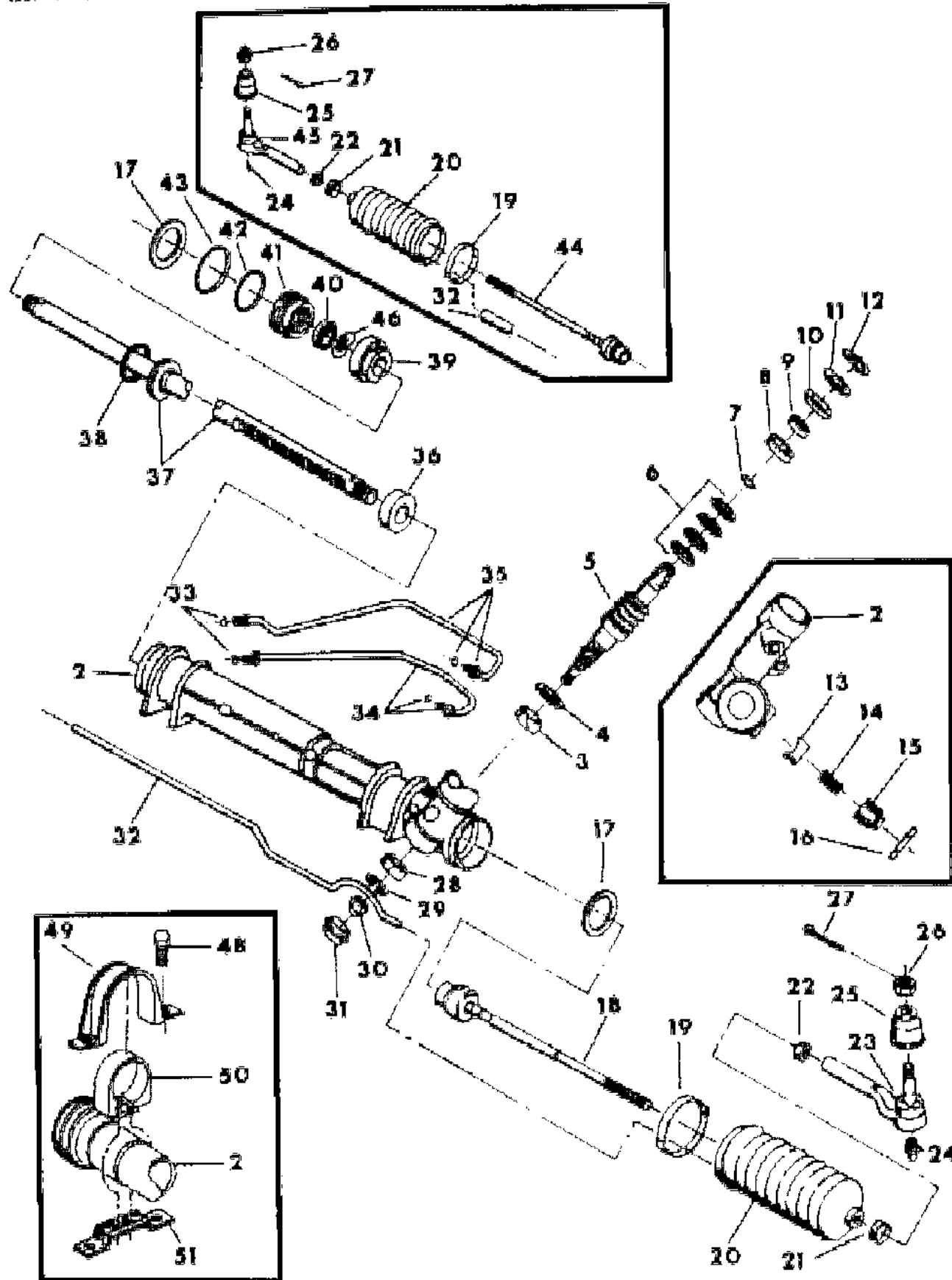
BODY STYLES

21 = 2-DOOR SEDAN	28 = FWD PICKUP	44 = 4-DOOR HATCHBACK
22 = 2-DOOR SPECIAL COUPE	35 = FWD VAN	45 = 4-DOOR STATION WAGON
24 = 2-DOOR HATCHBACK	36 = FWD WAGON	48 = 4-DOOR EXECUTIVE SEDAN
27 = 2-DOOR CONVERTIBLE	41 = 4-DOOR SEDAN	

AR = Use as Required - = Non Illustrated Part P.A.R. = Paint as Required

GEAR, RACK & PINION POWER STEERING AND ATTACHING PARTS (SAGINAW) M,Z,P,D,V,C,E,T
Figure 19-1400

4118 1400A



ITEM	PART NUMBER	QTY	BODY	MODEL	DESCRIPTION
51	3643 423	1			BRACKET, Rack and Pinion Strg. Gear Mounting, Inner, Left
	3643 469	1			Right

MODEL CODES
 B = GRAN FURY
 C = LEBARON/TOWN & COUNTRY/EXC SEDAN
 C24 = LASER
 D = ARIES
 E = 600
 F = FIFTH AVENUE/NEWPORT
 G = DIPLOMAT
 H = VOYAGER
 K = MINI RAM/CARAVAN/ROYAL
 M = HORIZON/TURISMO
 P = RELIANT
 T = E CLASS/NEW YORKER
 V = 600
 V24 = DAYTONA
 Z = OMNI/CHARGER/RAMPAGE

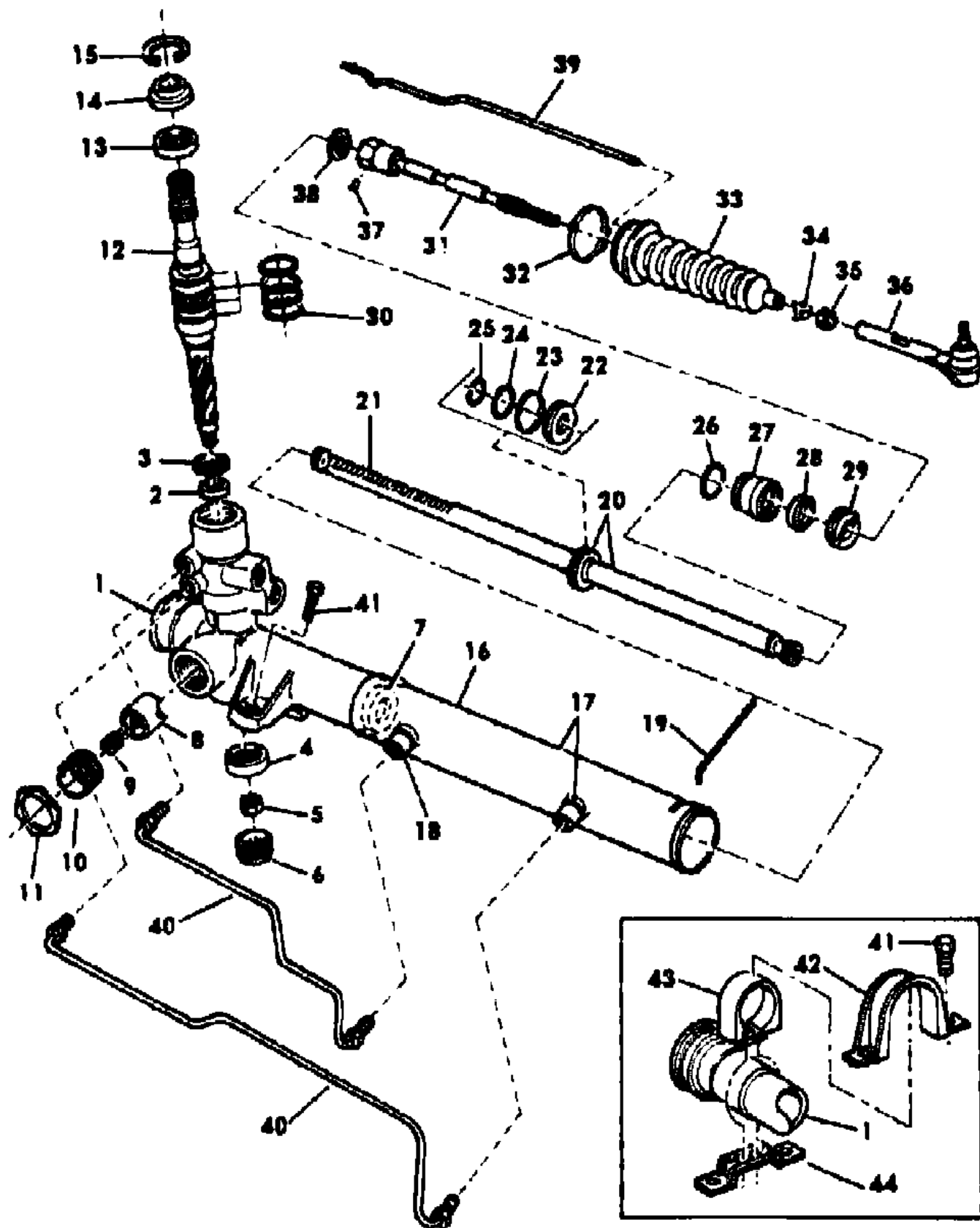
BODY STYLES
 21 = 2-DOOR SEDAN
 22 = 2-DOOR SPECIAL COUPE
 24 = 2-DOOR HATCHBACK
 27 = 2-DOOR CONVERTIBLE
 28 = FWD PICKUP
 35 = FWD VAN
 36 = FWD WAGON
 41 = 4-DOOR SEDAN
 44 = 4-DOOR HATCHBACK
 45 = 4-DOOR STATION WAGON
 48 = 4-DOOR EXECUTIVE SEDAN

AR = Use as Required - = Non Illustrated Part P.A.R. = Paint as Required

GEAR, RACK & PINION POWER STEERING AND ATTACHING PARTS (TRW) P,D,V,C,E,T,H,K, (EXC. V,C24)

Figure 19-1500

4119 3500A



ITEM	PART NUMBER	QTY	BODY	MODEL	DESCRIPTION
	4106 180	2			PACKAGE, Tie Rod Outer Consists of: 1 ----- Tie Rod Outer 1-6500121 Nut 1 ----- Pin Cotter
	3815 865	1			SERVICE KIT, Yoke Consists of: 1 ----- Bearing, Yoke 1 ----- Spring, Yoke
	3815 866	1			SERVICE KIT, Yoke Plug Consists of: 1 ----- Plug 1 ----- Locknut
	3815 874	2			SERVICE RING KIT, Shock Dampner Consists of: 1 ----- Dampner, Shock 1-3815885 Spring Pin, Inner Tie Rod
	3815 875	1	P,D,V,C		SERVICE KIT, Valve (Up To 9-30-83)
	4147 352	1	P,D,V,C		(After 9-30-83)
	3815 875	1	H,K		(Up To 11-7-83)
	4147 352	1	H,K		(After 11-7-83)
	3815 876	1	P,D,V,C		Consists of: 1 ----- Valve Assy. 4 ----- Valve Rings SERVICE KIT, Seal, Pinion & Shaft (Up To 9-30-83)
	4147 421	1	P,D,V,C		(After 9-30-83)
	3815 876	1	H,K		(Up To 11-7-83)
	4147 421	1	H,K		(After 11-7-83)
	3815 878	1			Consists of: 1 ----- Seal, Input Shaft 1 ----- Seal, Upper Pinion 1 ----- Ring, Retaining 4 ----- Rings, Valve SERVICE KIT, Rack Seal
					Consists of: 1 ----- Seal, Rack 1 ----- Seal, Rack 1 ----- "O"Ring

MODEL CODES

B = GRAN FURY	F = FIFTH AVENUE/NEWPORT	P = RELIANT
C = LEBARON/TOWN & COUNTRY/EXC SEDAN	G = DIPLOMAT	T = E CLASS/NEW YORKER
C24 = LASER	H = VOYAGER	V = 600
D = ARIES	K = MINI RAM/CARAVAN/ROYAL	V24 = DAYTONA
E = 600	M = HORIZON/TURISMO	Z = OMNI/CHARGER/RAMPAGE

BODY STYLES

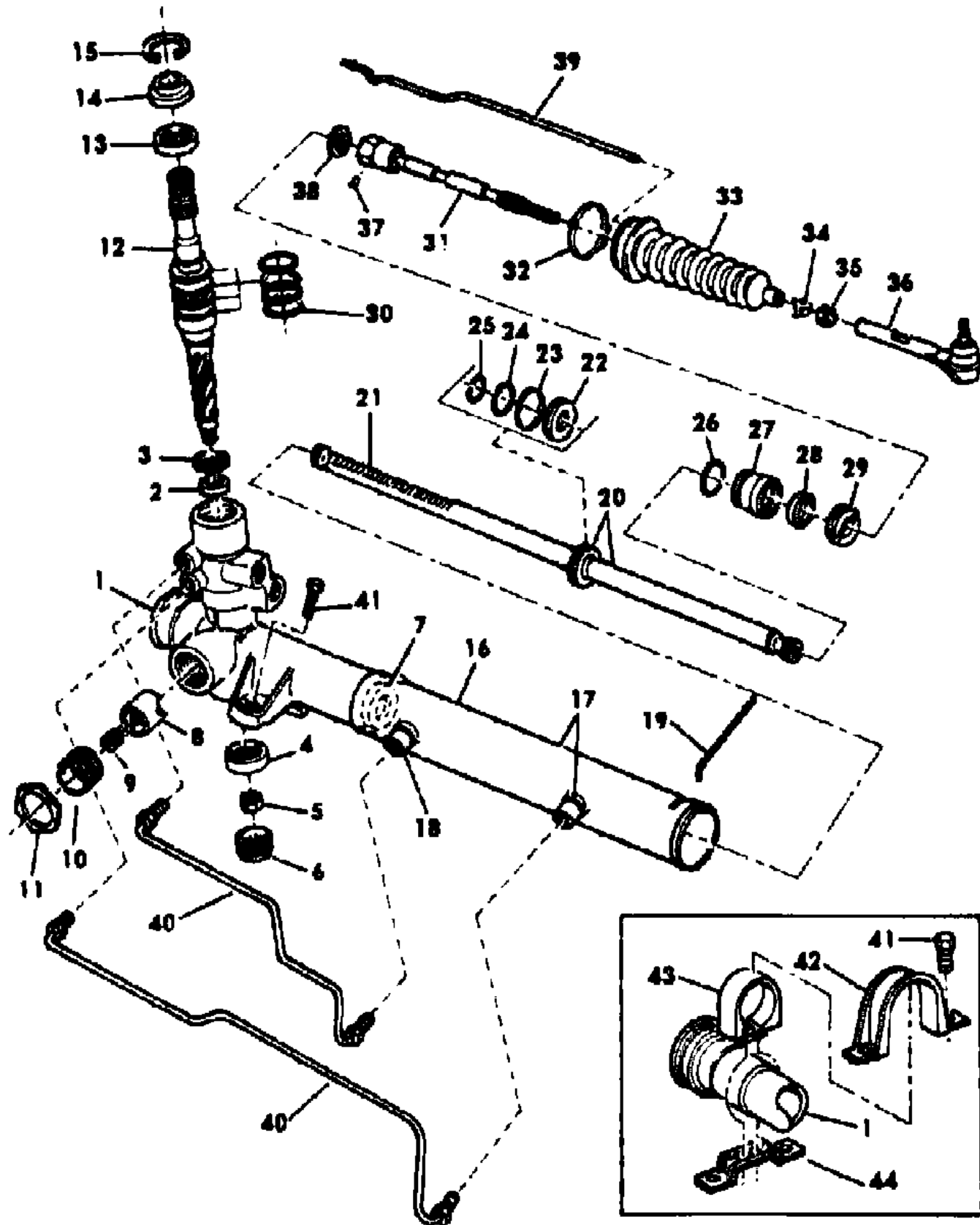
21 = 2-DOOR SEDAN	28 = FWD PICKUP	44 = 4-DOOR HATCHBACK
22 = 2-DOOR SPECIAL COUPE	35 = FWD VAN	45 = 4-DOOR STATION WAGON
24 = 2-DOOR HATCHBACK	36 = FWD WAGON	48 = 4-DOOR EXECUTIVE SEDAN
27 = 2-DOOR CONVERTIBLE	41 = 4-DOOR SEDAN	

AR = Use as Required - = Non Illustrated Part P.A.R. = Paint as Required

GEAR, RACK & PINION POWER STEERING AND ATTACHING PARTS (TRW) P,D,V,C,E,T,H,K, (EXC. V,C24)

Figure 19-1500

4119 3500A



ITEM	PART NUMBER	QTY	BODY	MODEL	DESCRIPTION
					1 ----- "O"Ring
					1 ----- Ring, Piston
	3815 879	2	P,D,V,C		SERVICE KIT, Tie Rod, Inner (Up To 9-30-83)
	4147 356	2	P,D,V,C		(After 9-30-83)
	3815 879	2	H,K		(Up To 11-7-83)
	4147 356	2	H,K		(After 11-7-83)
					Consists of:
					1 ----- Horizontal Socket, Assy.
					1- 3815885 Pin, Spring
	3815 880	2	P,D,V,C		SERVICE KIT, Boot (Tapered Boot) - Up To 9-30-83
	4147 303	2	P,D,V,C		(After 9-30-83)
	3815 880	2	H,K		(Up To 11-7-83)
	4147 303	2	H,K		(After 11-7-83)
					1- 3815863 Clamp, Inboard (Up To Kit)
					1- 4147301 Clamp, Inboard (After Kit)
					1 ----- Bellows
	3815 881	1			SERVICE KIT, Bushing Rack
					Consists of:
					1 ----- Bushing
					1 ----- "O"Ring
					1 ----- Seal
	3815 882	1	P,D,V,C		SERVICE KIT, Pinion Shaft Bearing (Up To 9-30-83)
	4147 420	1	P,D,V,C		(After 9-30-83)
	3815 882	1	H,K		(Up To 11-7-83)
	4147 420	1	H,K		(After 11-7-83)
					Consists of:
					1 ----- Bearing
					1 ----- Bushing
					1 ----- Seal
					1 ----- Seal
---		1	P,D,V,C		GEAR ASSY., Pwr. Strg. (Serv. # 4293164 PKG.)
---	4147 323	1	H,K		GEAR ASSY., Pwr. Strg. Rack & Pinion
1	3815 862	1	P,D,V,C		HOUSING, Pwr. Strg. Rack & Pinion (Up To 9-30-83)
	4147 307	1	P,D,V,C		(After 9-30-83)
	3815 862	1	H,K		(Up To 11-7-83)
	4147 285	1	H,K		(After 11-7-83)
2		1	PDVCETH		BUSHING, Pinion (Serv. in 3815882, 3815862)- Up To Dates)

MODEL CODES

B = GRAN FURY	F = FIFTH AVENUE/NEWPORT	P = RELIANT
C = LEBARON/TOWN & COUNTRY/EXC SEDAN	G = DIPLOMAT	T = E CLASS/NEW YORKER
C24 = LASER	H = VOYAGER	V = 600
D = ARIES	K = MINI RAM/CARAVAN/ROYAL	V24 = DAYTONA
E = 600	M = HORIZON/TURISMO	Z = OMNI/CHARGER/RAMPAGE

BODY STYLES

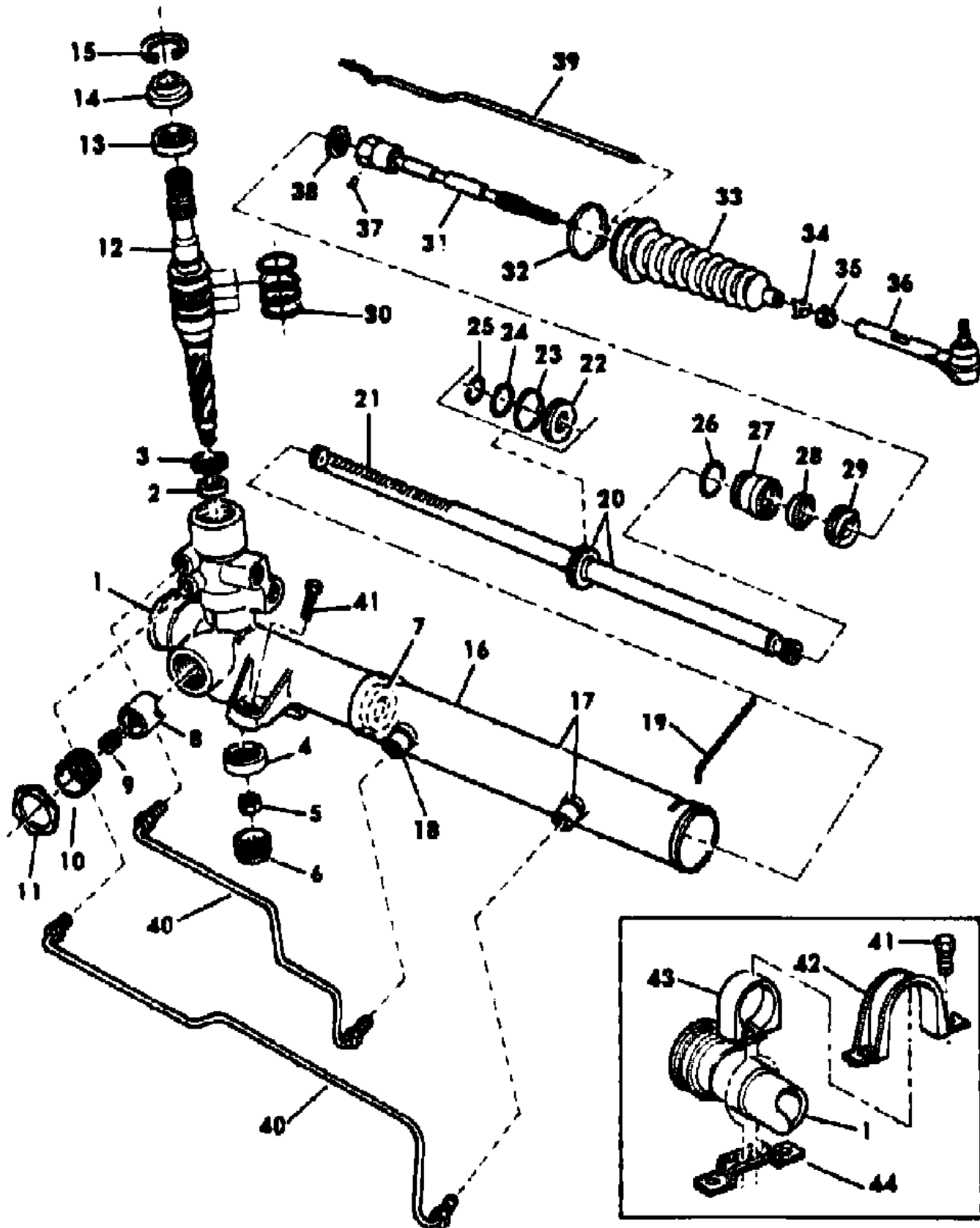
21 = 2-DOOR SEDAN	28 = FWD PICKUP	44 = 4-DOOR HATCHBACK
22 = 2-DOOR SPECIAL COUPE	35 = FWD VAN	45 = 4-DOOR STATION WAGON
24 = 2-DOOR HATCHBACK	36 = FWD WAGON	48 = 4-DOOR EXECUTIVE SEDAN
27 = 2-DOOR CONVERTIBLE	41 = 4-DOOR SEDAN	

AR = Use as Required - = Non Illustrated Part P.A.R. = Paint as Required

GEAR, RACK & PINION POWER STEERING AND ATTACHING PARTS (TRW) P,D,V,C,E,T,H,K, (EXC. V,C24)

Figure 19-1500

4119 3500A



ITEM	PART NUMBER	QTY	BODY	MODEL	DESCRIPTION
		1		P,D,V,C	(After 9-30-83) Serv. in Bearing Kit 4147420
		1		H,K	(After 11-7-83) Serv. in Bearing Kit 4147420
3		1		PDVCETH	SEAL (Serv. in 3815876, 3815862, 3815882)- Up To Dates
		1		P,D,V,C	(After 9-30-83) Serv. in Bearing Kit 4147420
		1		H,K	(After 11-7-83) Serv. in Bearing Kit 4147420
4	3815 868	1			BEARING Assy., Pinion (Also Serviced in Hsg.)
5	3815 869	1			LOCKNUT, Pinion
6	3815 870	1		P,D,V,C	PLUG, Pinion (Up To 9-30-83)
	4147 306	1		P,D,V,C	(After 9-30-83)
	3815 870	1		H,K	(Up To 11-7-83)
	4147 306	1		H,K	(After 11-7-83)
7		1			SEAL (Serviced in 3815878 Kit)
8		1			BEARING YOKE (Serviced in 3815865)
9		1			SPRING (Serviced in 3815865)
10		1			PLUG (Serviced in 3815866)
11		1			LOCKNUT (Serviced in 3815866)
12		1		PDVCETH	VALVE ASSY. (Serv. in Kit)
13		1			BEARING (Serviced in Kit)
14	3815 877	1			SEAL, Shaft (Also Serviced in Kits)
15	3815 886	1			RETAINING RING (Also Serviced in Kit)
16		1			TUBE ASSY. (Serviced in Housing)
17		1			TUBE RACK (Serviced in Housing)
18		1			WELD STUD (Serviced in Housing)
19	3815 884	1			RETAINING WIRE, Lock Ring
20	3815 861	1		P,D,V,C	RACK ASSY. Pwr. Strg.
	4147 330	1		H,K	Pwr. Strg.
21		1			RACK (Serviced in Rack Assy.)
22		1			PISTON (Serviced in Rack Assy.)
23		1			PISTON RING (Serviced in 3815878 Kit)
24		1			"O"RING (Serviced in 3815878 Kit)
25		1			RETAINING RING (Serviced in Rack Assy.)
26		1			"O"RING, Bushing (Serviced in 3815878 Kit)
27		1			BUSHING, Rack (Serviced in 3815881)
28		1			SEAL (Serviced in 3815878, 3815881)
29	3815 883	1			LOCK RING, Bushing
30		4			VALVE RINGS (Serviced in Kit)
31		1			HORIZONTAL SOCKET ASSY. (Serviced in 3815879)- Up To Dates

MODEL CODES

B = GRAN FURY	F = FIFTH AVENUE/NEWPORT	P = RELIANT
C = LEBARON/TOWN & COUNTRY/EXC SEDAN	G = DIPLOMAT	T = E CLASS/NEW YORKER
C24 = LASER	H = VOYAGER	V = 600
D = ARIES	K = MINI RAM/CARAVAN/ROYAL	V24 = DAYTONA
E = 600	M = HORIZON/TURISMO	Z = OMNI/CHARGER/RAMPAGE

BODY STYLES

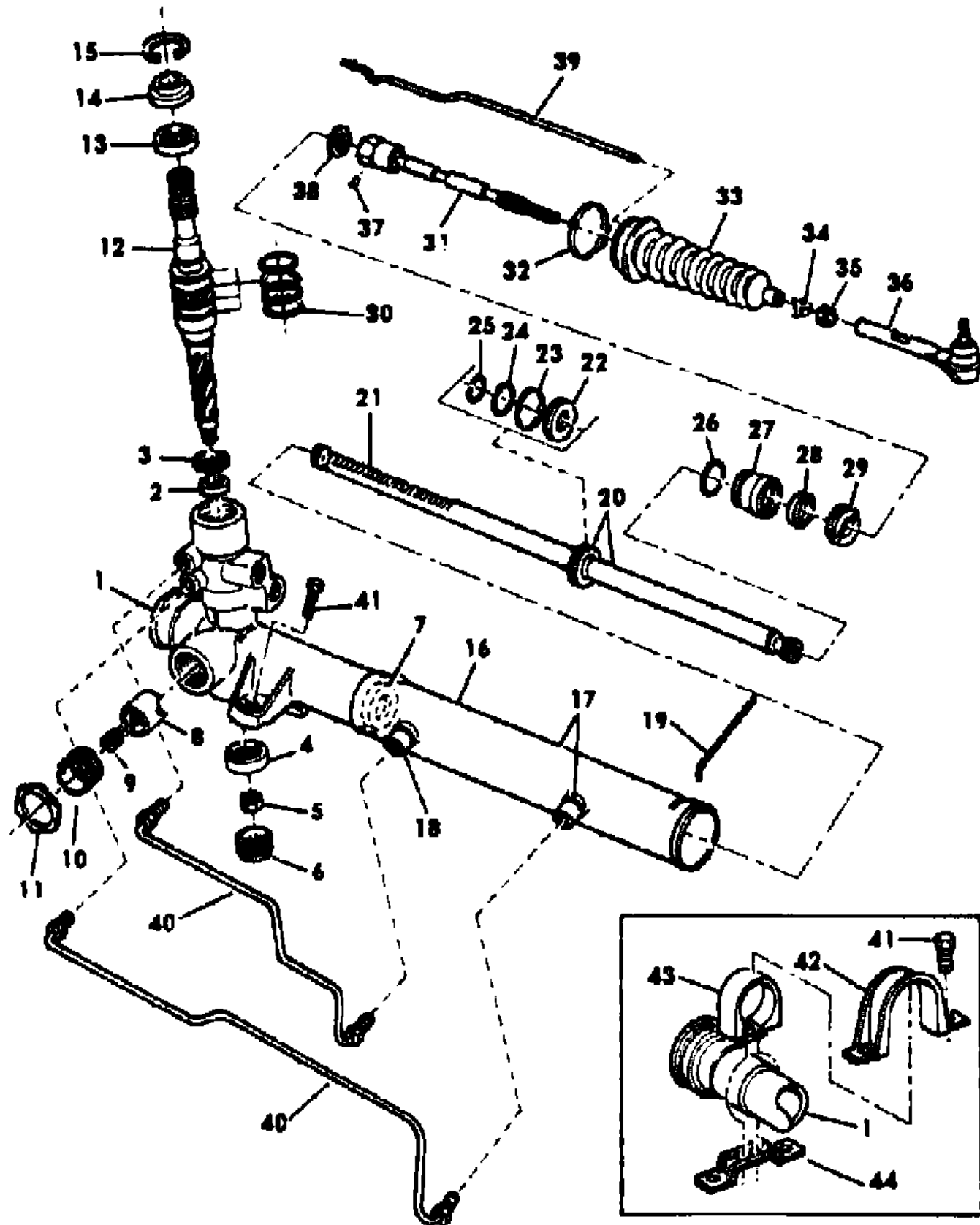
21 = 2-DOOR SEDAN	28 = FWD PICKUP	44 = 4-DOOR HATCHBACK
22 = 2-DOOR SPECIAL COUPE	35 = FWD VAN	45 = 4-DOOR STATION WAGON
24 = 2-DOOR HATCHBACK	36 = FWD WAGON	48 = 4-DOOR EXECUTIVE SEDAN
27 = 2-DOOR CONVERTIBLE	41 = 4-DOOR SEDAN	

AR = Use as Required - = Non Illustrated Part P.A.R. = Paint as Required

GEAR, RACK & PINION POWER STEERING AND ATTACHING PARTS (TRW) P,D,V,C,E,T,H,K, (EXC. V,C24)

Figure 19-1500

4119 3500A



ITEM	PART NUMBER	QTY	BODY	MODEL	DESCRIPTION
		1		All	(After 9-30-83) Serv. in Tie Rod Kit 4147356
32	3815 863	2	P,D,V,C		INBOARD CLAMP (Also Serviced in Kit)- Up To 9-30-83)
	4147 301	2	P,D,V,C		(After 9-30-83)
	3815 863	2	H,K		(Up To 11-7-83)
	4147 301	2	H,K		(After 11-7-83)
33		1			BELLOWS, Tapered (Serv. in Boot Kit 4147303)
34	3815 864	2	P,D,V,C		OUTBOARD CLAMP (Up To 9-30-83)
	4147 424	2	P,D,V,C		(After 9-30-83)
	3815 864	2	H,K		(Up To 11-7-83)
	4147 424	2	H,K		(After 11-7-83)
35	3815 867	2			LOCK NUT
36		2			VERTICAL SOCKET ASSY. (Serviced in 4106180 Tie Rod Outer Pkg.)
37	3815 885	2			SPRING PIN, Inner Tie Rod (Also Serviced in Kits)
38		2			SHOCK DAMPER (Serviced in 3815874 Kit)
39	3815 871	1	P,D,V,C		BREATHER TUBE, Rack
	4147 342	1	H,K		Rack
40	3815 872	1	P,D,V,C		LINE ASSY., Cylinder, Left
	4147 346	1	H,K		Left
	3815 873	1	P,D,V,C		Right
	4147 351	1	H,K		Right
41	6100 576	2			BOLT, Rack and Pinion Power Strg. Gear Mounting, Rt.
	6101 265	2			Lt.
42	3643 470	1			BRACKET, Rack and Pinion Power Strg. Gear Mounting, Outer Rt.
43	3643 471	1			BUSHING, Rack and Pinion Power Strg. Gear Mounting
44	3643 469	1			BRACKET, Rack and Pinion Power Strg. Gear Mounting, Inner RT.

MODEL CODES

B = GRAN FURY
 C = LEBARON/TOWN & COUNTRY/EXC SEDAN
 C24 = LASER
 D = ARIES
 E = 600
 F = FIFTH AVENUE/NEWPORT
 G = DIPLOMAT
 H = VOYAGER
 K = MINI RAM/CARAVAN/ROYAL
 M = HORIZON/TURISMO
 P = RELIANT
 T = E CLASS/NEW YORKER
 V = 600
 V24 = DAYTONA
 Z = OMNI/CHARGER/RAMPAGE

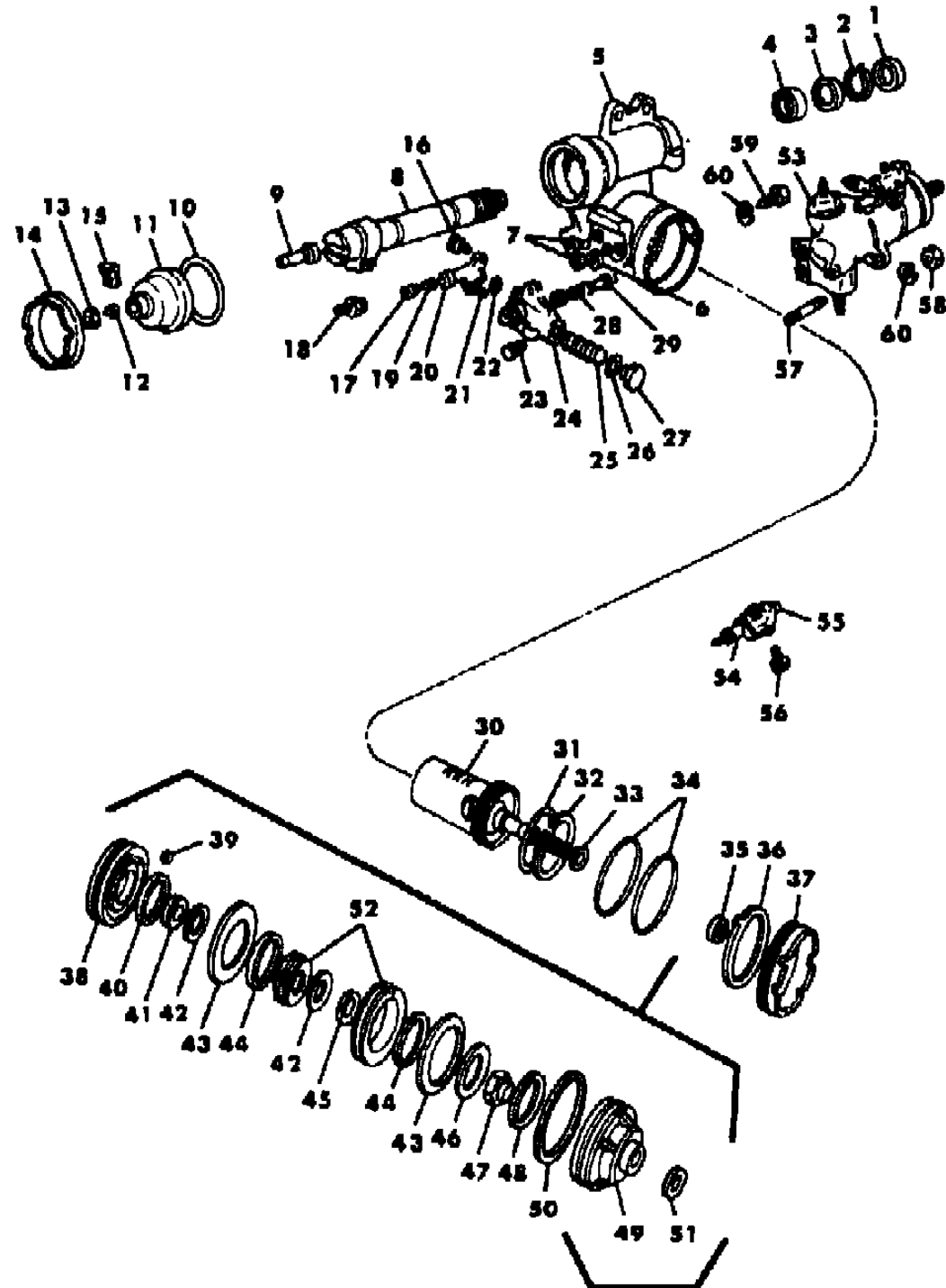
BODY STYLES

21 = 2-DOOR SEDAN
 22 = 2-DOOR SPECIAL COUPE
 24 = 2-DOOR HATCHBACK
 27 = 2-DOOR CONVERTIBLE
 28 = FWD PICKUP
 35 = FWD VAN
 36 = FWD WAGON
 41 = 4-DOOR SEDAN
 44 = 4-DOOR HATCHBACK
 45 = 4-DOOR STATION WAGON
 48 = 4-DOOR EXECUTIVE SEDAN

AR = Use as Required - = Non Illustrated Part P.A.R. = Paint as Required

GEAR, POWER STEERING B,F,G
Figure 19-1600

4110 1000R



ITEM	PART NUMBER	QTY	BODY	MODEL	DESCRIPTION
	3879 921	1			PACKAGE, Strg. Gear Lower Sector Seal Consists of: 1 - ----- Seal, Strg. Gear Shaft Oil 1 - ----- Seal, Strg. Gear Shaft Dust
	3879 920	1			PACKAGE, Strg. Gear Sector Cover Seal Consists of: 1 - ----- "O" Ring, Gear Shaft Cvr. 1 - ----- "O" Ring, Gear Shaft Cvr. 1 - ----- "O" Ring, Gear Shaft Cvr.
	4057 085	1			1 - ----- Seal, Adj. Screw 1 - ----- Gasket, Gear Shaft Adjusting Nut PACKAGE, Valve and "O" Ring, Strg. Gear Consists of: 1 - 3643281 Valve, Gear Pressure 1 - 6030655 "O" Ring, Gear Valve Hsg. 1 - 6030656 "O" Ring, Gear Pressure Control Valve 1 - ----- Sleeve, Hose Return
	3879 919	1			PACKAGE, Strg. Valve Body Seal Consists of: 1 - 6030655 "O" Ring, Gear Valve Hsg. 1 - 6030656 "O" Ring, Gear Press. Control Valve
	3879 924	1			2 - 6030657 "O" Ring, Gear Hsg. Port 1 - 6030658 "O" Ring, Hsg. to Valve PACKAGE, Strg. Gear Power Train Consists of: 1 - ----- Ring, Strg. Gear Ferrule 2 - ----- "O" Ring, Strg. Gear Cyl. Head 1 - ----- Seal, Strg. Gear Reaction Upper 1 - 1733602 "O" Ring, Strg. Gear Hsg. Head 1 - ----- Seal, Worm Sleeve 1 - ----- Ring, Worm Seal 1 - ----- Ring, Gear Reaction Lwr. 1 - ----- "O" Ring, Gear Piston Ring
	4057 088	1			1 - ----- Ring, Gear Piston 1 - ----- Washer, Gear Hsg. Head Nut PACKAGE, Strg. Gear Valve Housing and Seal Consists of: 1 - ----- Housing, Strg. Gear Valve Assy.

MODEL CODES

B = GRAN FURY	F = FIFTH AVENUE/NEWPORT	P = RELIANT
C = LEBARON/TOWN & COUNTRY/EXC SEDAN	G = DIPLOMAT	T = E CLASS/NEW YORKER
C24 = LASER	H = VOYAGER	V = 600
D = ARIES	K = MINI RAM/CARAVAN/ROYAL	V24 = DAYTONA
E = 600	M = HORIZON/TURISMO	Z = OMNI/CHARGER/RAMPAGE

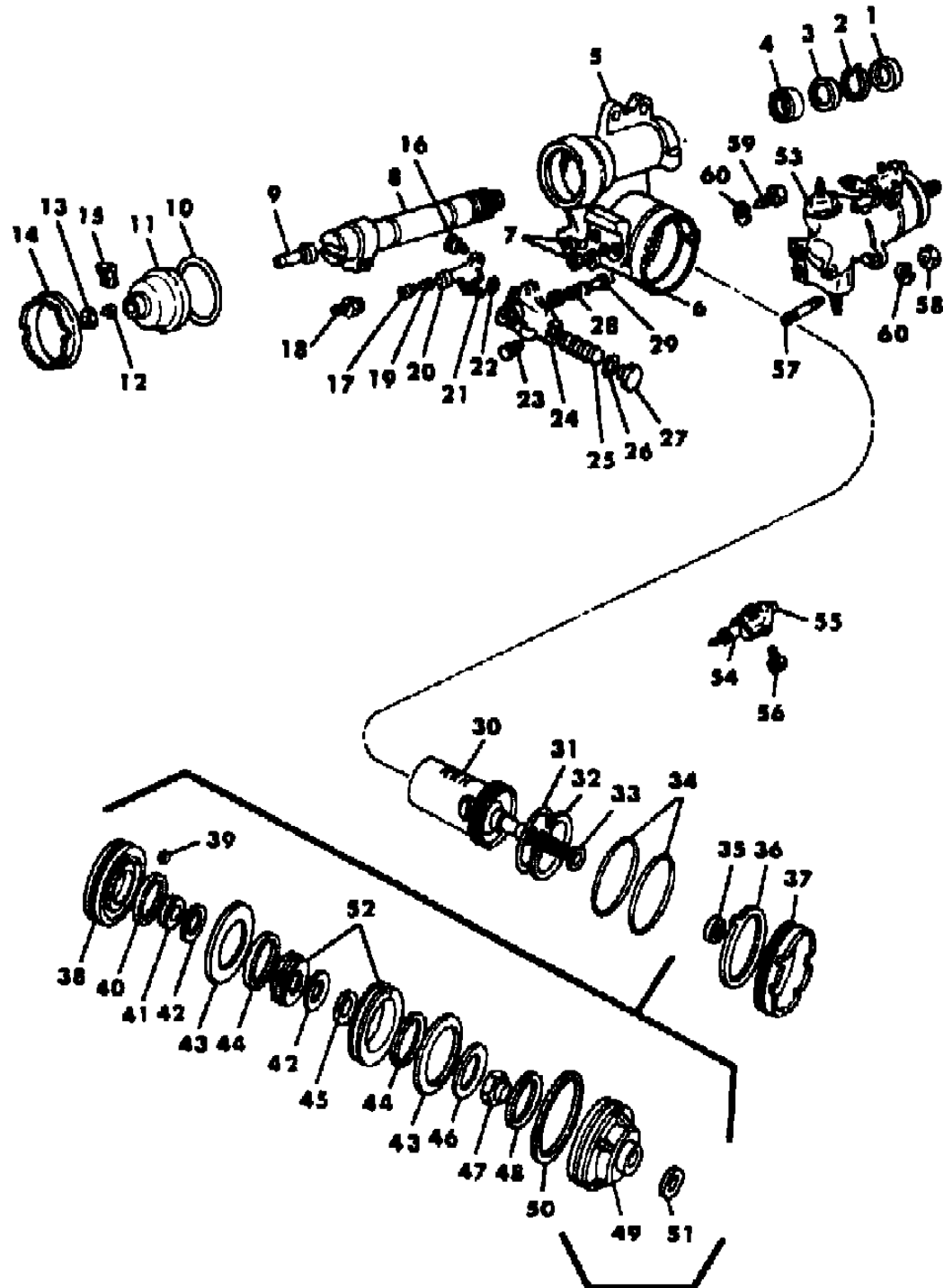
BODY STYLES

21 = 2-DOOR SEDAN	28 = FWD PICKUP	44 = 4-DOOR HATCHBACK
22 = 2-DOOR SPECIAL COUPE	35 = FWD VAN	45 = 4-DOOR STATION WAGON
24 = 2-DOOR HATCHBACK	36 = FWD WAGON	48 = 4-DOOR EXECUTIVE SEDAN
27 = 2-DOOR CONVERTIBLE	41 = 4-DOOR SEDAN	

AR = Use as Required - = Non Illustrated Part P.A.R. = Paint as Required

GEAR, POWER STEERING B,F,G
Figure 19-1600

4119 1900B



ITEM	PART NUMBER	QTY	BODY	MODEL	DESCRIPTION
					1 - 3879919 Package, Strg. Gear Valve Seal
1		1			DUST SEAL, Strg. Gear Shaft (Serviced in Pkg. 3879921)
2	2127 049	1			SNAP RING, Strg. Gear Shaft Dust Seal
3	1670 356	1			RETAINER, Strg. Gear Shaft Seal
4		1			OIL SEAL, Strg. Gear Shaft (Serviced in Pkg. 3879921)
5	3643 317	1			HOUSING, Strg. Gear
6	6030 658	1			"O" RING, Gear Housing to Valve (also serviced in 3879919)
7	6030 657	2			"O" RING, Gear Housing Port (also Serviced in 3879919)
8	3643 302	1			SHAFT, Strg. Gear
9	2948 857	1			SCREW, Gear Shaft Adjusting
10		1			"O" RING, Strg. Gear Shaft Cover (Serviced in Pkg.3879920)
11	3643 301	1			COVER, Strg. Gear Shaft
12		1			BUTTON, Strg. Gear Identification Tester (Not Serv.)
13	6028 983	1			Nut, Strg. Gear Shaft Adjusting Screw
14	1733 627	1			Nut, Strg. Gear Shaft Cover
15		1			GASKET, Strg. Shaft Adj. Screw Nut (Serviced in Pkg. 3879920)
16	9408 948	2			SCREW, Pressure Control Valve Att.
17		1			PISTON, Pressure Control Valve (Serviced in 4057085 Valve)
18		1			ADAPTER, Strg. Gear Return Hose (Serviced in Pkg. 4057085)
19		1			SPRING, Pressure Control Valve (Serviced in Pkg. 4057085)
20		1			BODY, Pressure Control Valve (Serviced in Pkg. 4057085)
21	6030 656	1			"O" RING, Strg. Gear Pressure Control Valve (also serviced in Pkg. 3879919)
22	6030 655	1			"O" RING, Strg. Gear Valve Housing (also serviced in Pkg. 3879919)
23		1			PLUG, Strg. Gear Valve (Serviced in Housing and Seal Pkg. 3643280)
24		1			HOUSING, Strg. Gear Valve (Serviced in Housing and Seal Pkg. 3643280)
25		1			PISTON, Strg. Gear Valve (Serviced in Housing and Seal Pkg. 3643280)
26	1733 724	1			GASKET, Strg. Gear Valve Plug
27		1			PLUG, Strg. Gear Valve (Serviced in Valve 3643280)
28	1823 151	1			SPRING, Strg. Gear Valve
29	1822 380	1			LEVER, Strg. Gear Valve
30	2948 855	1			WORM w/PISTON, Strg. Gear
31		1			RING, Strg. Gear Piston (Serviced in Pkg. 3879924)
32		1			RING, Strg. Gear Piston Sealing (Serviced in Pkg. 3879924)

MODEL CODES

B = GRAN FURY	F = FIFTH AVENUE/NEWPORT	P = RELIANT
C = LEBARON/TOWN & COUNTRY/EXC SEDAN	G = DIPLOMAT	T = E CLASS/NEW YORKER
C24 = LASER	H = VOYAGER	V = 600
D = ARIES	K = MINI RAM/CARAVAN/ROYAL	V24 = DAYTONA
E = 600	M = HORIZON/TURISMO	Z = OMNI/CHARGER/RAMPAGE

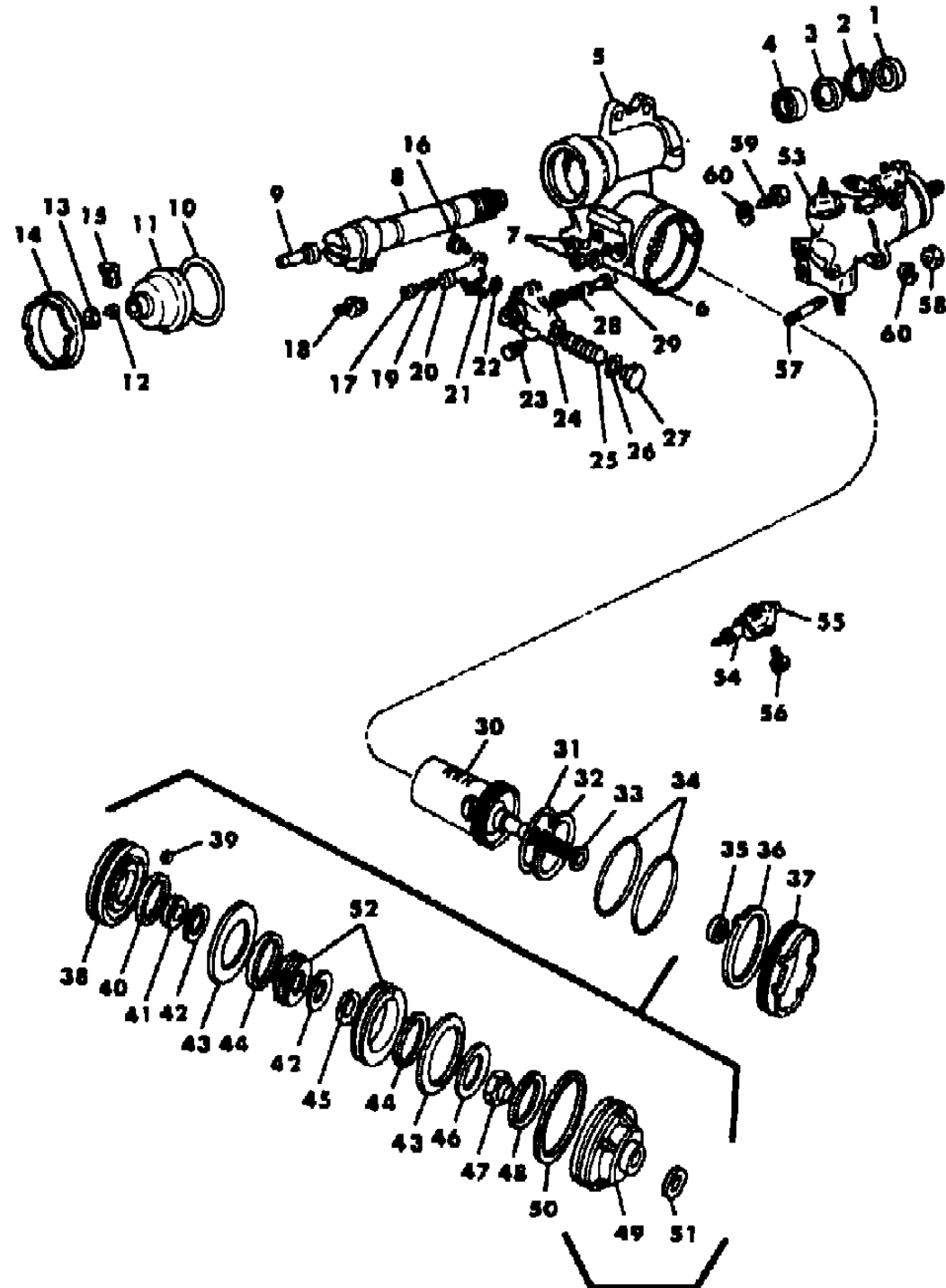
BODY STYLES

21 = 2-DOOR SEDAN	28 = FWD PICKUP	44 = 4-DOOR HATCHBACK
22 = 2-DOOR SPECIAL COUPE	35 = FWD VAN	45 = 4-DOOR STATION WAGON
24 = 2-DOOR HATCHBACK	36 = FWD WAGON	48 = 4-DOOR EXECUTIVE SEDAN
27 = 2-DOOR CONVERTIBLE	41 = 4-DOOR SEDAN	

AR = Use as Required - = Non Illustrated Part P.A.R. = Paint as Required

GEAR, POWER STEERING B,F,G
Figure 19-1600

4119 19008



ITEM	PART NUMBER	QTY	BODY	MODEL	DESCRIPTION
33		1			RING, Strg. Gear Worm Seal (Serv. in Pkg.)
34		2			"O" RING, Strg. Gear Cyl. Head (Serviced in Pkg. 3879924)
35	2537 796	1			BEARING, Strg. Gear Worm
36		1			WASHER, Strg. Gear Hsg. Head Nut (Serviced in Pkg. 3879924)
37	1733 625	1			NUT, Strg. Gear Hsg. Head
38	3643 173	1			HEAD, Strg. Gear Cylinder
39		1			"O" RING, Strg. Gear Ferruel (Serv. In Pkg. 3879924)
40		1			"O" RING, Strg. Gear Reaction (Serviced in Pkg. 3879924)
41	1856 292	1			RACE, Strg. Gear Thrust Brg., Inner
42	1822 158	2			BEARING, Strg. Gear Thrust
43	3643 129	2			SPRING, Strg. Gear Reaction (Exc. Police Cars)
	3643 169	2			(Police Cars)
44	1822 150	2			RING, Strg. Gear Reaction
45	1822 156	1			RACE, Strg. Gear Thrust Bearing, Outer
46	1733 790	1			WASHER, Strg. Gear Reaction
47	1822 157	1			NUT, Strg. Gear Thrust Bearing
48	1822 151	1			SEAL, Strg. Gear Reaction Upper
49	3643 315	1			HEAD, Strg. Gear Housing
50	1733 602	1			"O" RING, Strg. Gear Hsg. Head
51	3643 321	1			SEAL, Strg. Gear Worm Shaft
52	1822 390	1			SPACER, w/Center Race, Strg. Gear
53	4026 481	1			CHUCK, Power Strg. Gear, Exc. Police Cars (Remanufactured Part)
	3643 334	1			(Police Cars)
54	4057 085	1			VALVE and "O"Ring PKg., Strg. Gear
55	3643 280	1			VALVE, Strg. Gear Assy. (Includes Valve 3643281)
56	0220 800	2			SCREW, Strg. Gear Valve Mounting
57	6030 443	1			STUD, Strg. Gear Mounting
58	0219 467	1			Nut
59	6031 732	2			BOLT, Strg. Gear Mounting
60	6027 224	AR			WASHER, Strg. Gear Mounting
61	1822 321	1			SNAP RING, Strg. Gear Cyl. Head
62	1822 320	1			SLEEVE, Strg. Gear Worm
63	1822 151	1			SEAL, Strg. Gear Reaction, Upper
64	2084 215	1			PLUG, Strg. Gear Recirculating Ball Guide

MODEL CODES

B = GRAN FURY	F = FIFTH AVENUE/NEWPORT	P = RELIANT
C = LEBARON/TOWN & COUNTRY/EXC SEDAN	G = DIPLOMAT	T = E CLASS/NEW YORKER
C24 = LASER	H = VOYAGER	V = 600
D = ARIES	K = MINI RAM/CARAVAN/ROYAL	V24 = DAYTONA
E = 600	M = HORIZON/TURISMO	Z = OMNI/CHARGER/RAMPAGE

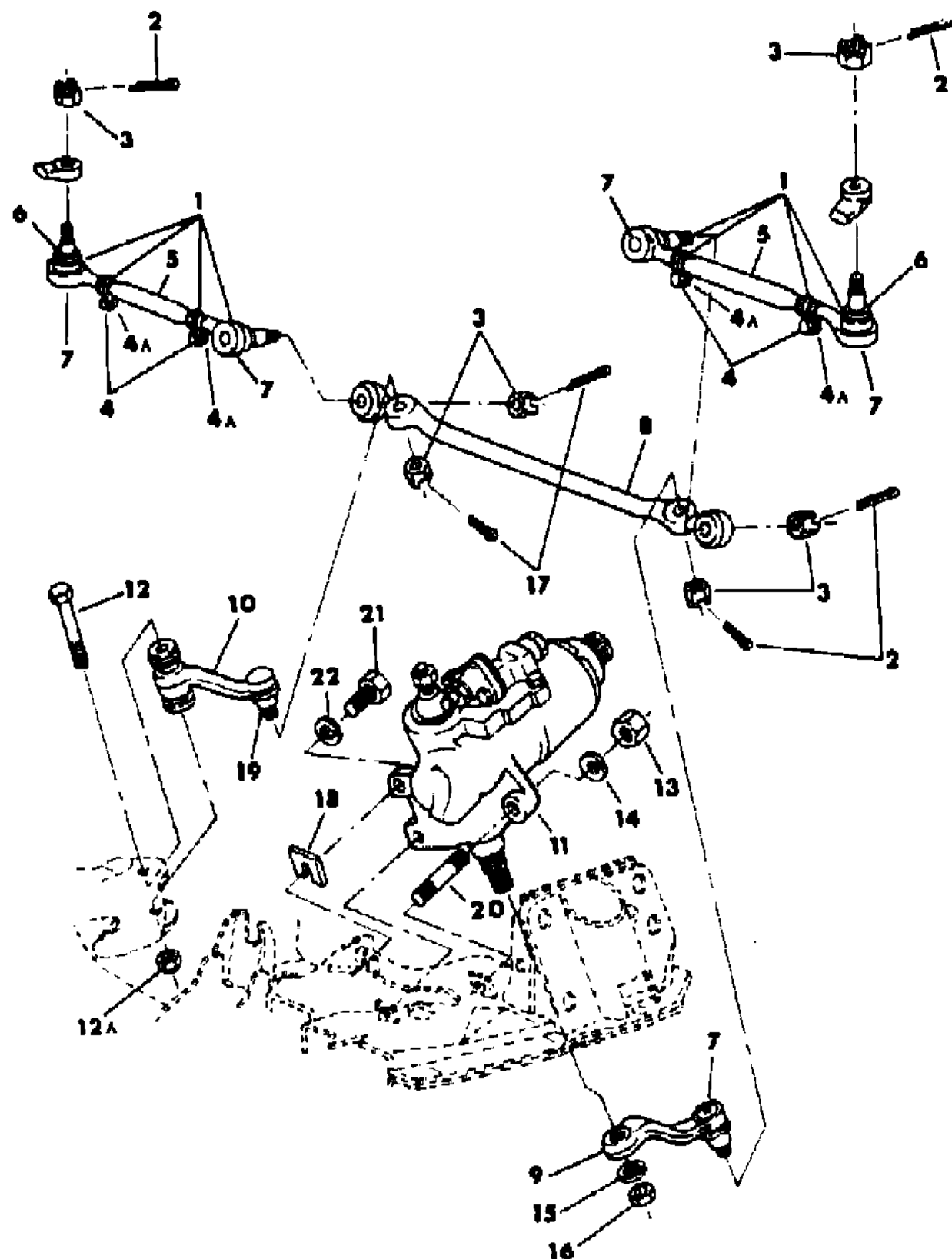
BODY STYLES

21 = 2-DOOR SEDAN	28 = FWD PICKUP	44 = 4-DOOR HATCHBACK
22 = 2-DOOR SPECIAL COUPE	35 = FWD VAN	45 = 4-DOOR STATION WAGON
24 = 2-DOOR HATCHBACK	36 = FWD WAGON	48 = 4-DOOR EXECUTIVE SEDAN
27 = 2-DOOR CONVERTIBLE	41 = 4-DOOR SEDAN	

AR = Use as Required - = Non Illustrated Part P.A.R. = Paint as Required

TIE RODS AND LINKAGE, STRG. GEAR B,F,G
Figure 19-1700

4119 1700A



ITEM	PART NUMBER	QTY	BODY	MODEL	DESCRIPTION
1	3420 155	2		All	END PACKAGE, Tie Rod Inner, L.H. THD. (9/16-18 Thd.) Consists of: 1 - 6028556 Bolt 1 - ---- --- Clamp 1 - ---- --- Clamp 1 - ---- --- End 1 - 9425132 Nut, Stud 1 - 152363 Nut, Clamp Bolt
	3420 154	2		All	END PACKAGE, Tie Rod Outer, R.H. THD. (9/16-18 Thd.) Consists of: 1 - 6028 556 Bolt 1 - ---- --- Clamp 1 - ---- --- C/Pin 1 - ---- --- End 1 - 9425 132 Nut,Stud 1 - 152 363 Nut,Clamp Bolt
2		AR		All	C/PIN (Not Serv.)
3	9425 132	AR		All	NUT
4	0153 283	4		All	BOLT, Strg. Link Tie Rod Tube Clamp
4A	6030 607	4		All	NUT,Tube Clamp Bolt
5	4014 085	2		All	TUBE, Steering Link Tie Rod, (9/16-18 Thd.) w/Green Paint Stripe
6	2835 896	5		All	SEAL,Tie Rod Dust and Strg. Gear Arm
7	6030 099	5		All	FITTING, Tie Rod End and Strg. Gear Arm
8	3815 727	1		All	LINK, Steering Center
9	3815 777	1		All	ARM, Steering Link Gear, w/Power Strg.
10	4014 089	1		All	ARM, Steering Link Idler
11					CHUCK, Steering Gear (See Illus. 19-1600)
12	0182 809	1		All	BOLT, Strg. Link Idler Arm Pivot Bushing
12A	6030 585	1		All	NUT, Pivot Bushing Bolt
13	0219 467	1		All	BOLT
14	6028 087	1		All	WASHER
15	6028 088	1		All	WASHER
16	6029 964	1		All	NUT
17		AR		All	C/PIN (Not Serv.)
18	6027 224	AR		All	WASHER
19	2835 895	1		All	SEAL, Steering Link Idler Arm
20	6030 443	1		All	STUD, Strg. Gear Mounting
21	6031 732	2		All	BOLT, Strg. Gear Mounting

MODEL CODES

B = GRAN FURY
C = LEBARON/TOWN & COUNTRY/EXC SEDAN
C24 = LASER
D = ARIES
E = 600
F = FIFTH AVENUE/NEWPORT
G = DIPLOMAT
H = VOYAGER
K = MINI RAM/CARAVAN/ROYAL
M = HORIZON/TURISMO
P = RELIANT
T = E CLASS/NEW YORKER
V = 600
V24 = DAYTONA
Z = OMNI/CHARGER/RAMPAGE

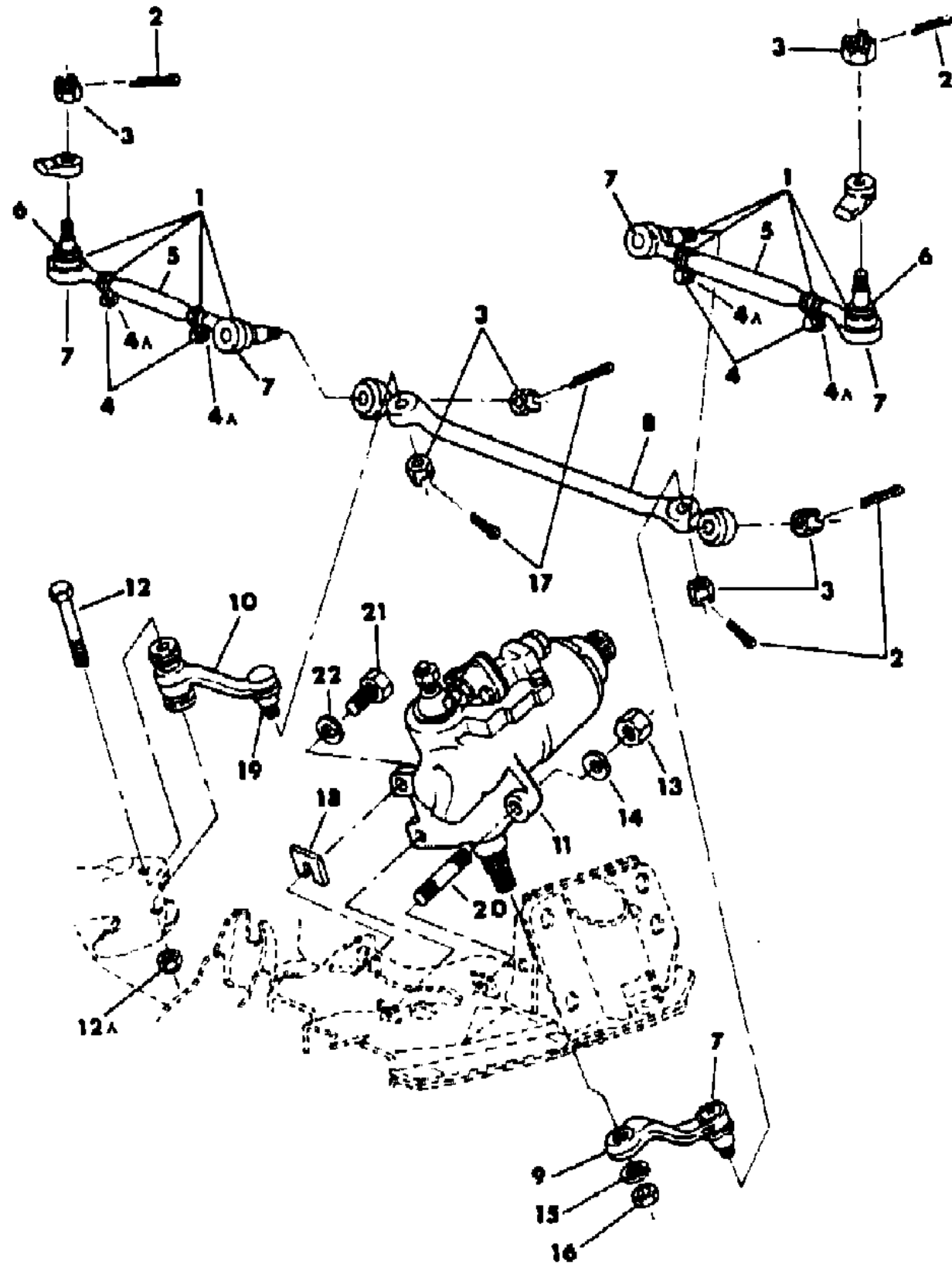
BODY STYLES

21 = 2-DOOR SEDAN
22 = 2-DOOR SPECIAL COUPE
24 = 2-DOOR HATCHBACK
27 = 2-DOOR CONVERTIBLE
28 = FWD PICKUP
35 = FWD VAN
36 = FWD WAGON
41 = 4-DOOR SEDAN
44 = 4-DOOR HATCHBACK
45 = 4-DOOR STATION WAGON
48 = 4-DOOR EXECUTIVE SEDAN

AR = Use as Required - = Non Illustrated Part P.A.R. = Paint as Required

TIE RODS AND LINKAGE, STRG. GEAR B,F,G
Figure 19-1700

4119 1700A



ITEM	PART NUMBER	QTY	BODY	MODEL	DESCRIPTION
------	-------------	-----	------	-------	-------------

22	6028 087	AR		All	WASHER, Strg. Gear Housing to Frame
----	----------	----	--	-----	-------------------------------------

MODEL CODES

B = GRAN FURY	F = FIFTH AVENUE/NEWPORT	P = RELIANT
C = LEBARON/TOWN & COUNTRY/EXC SEDAN	G = DIPLOMAT	T = E CLASS/NEW YORKER
C24 = LASER	H = VOYAGER	V = 600
D = ARIES	K = MINI RAM/CARAVAN/ROYAL	V24 = DAYTONA
E = 600	M = HORIZON/TURISMO	Z = OMNI/CHARGER/RAMPAGE

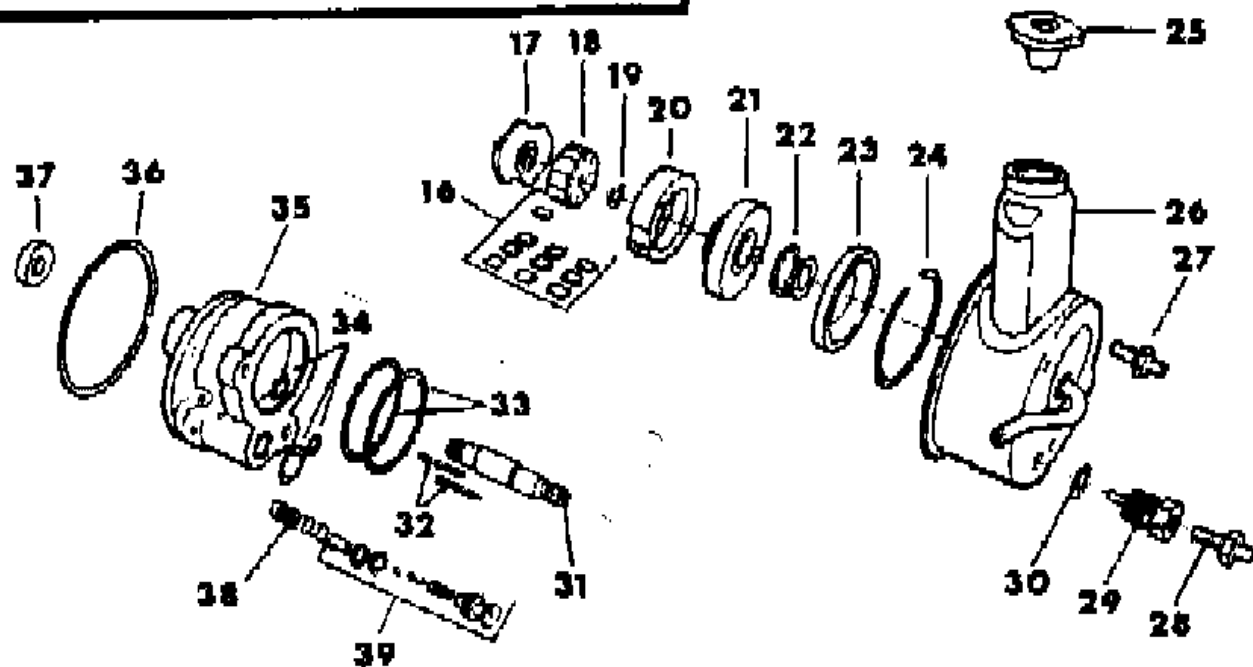
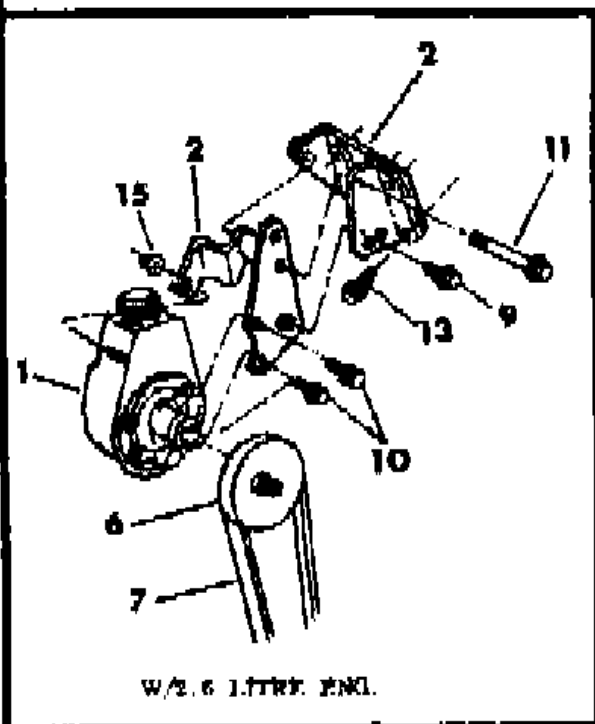
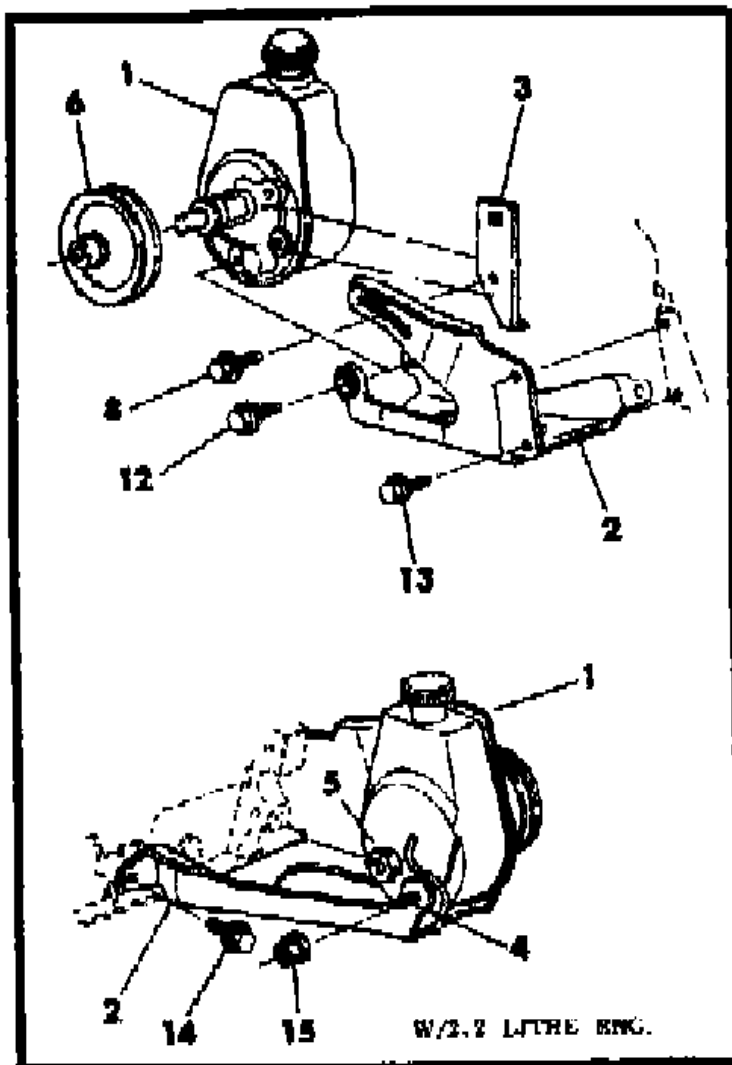
BODY STYLES

21 = 2-DOOR SEDAN	28 = FWD PICKUP	44 = 4-DOOR HATCHBACK
22 = 2-DOOR SPECIAL COUPE	35 = FWD VAN	45 = 4-DOOR STATION WAGON
24 = 2-DOOR HATCHBACK	36 = FWD WAGON	48 = 4-DOOR EXECUTIVE SEDAN
27 = 2-DOOR CONVERTIBLE	41 = 4-DOOR SEDAN	

AR = Use as Required - = Non Illustrated Part P.A.R. = Paint as Required

PUMP, POWER STEERING & ATTACHING PARTS M,Z,P,D,V,C,E,T,H,K, W/2.2, & 2.6 ENG.
Figure 19-1800

4119 1800A



ITEM	PART NUMBER	QTY	BODY	MODEL	DESCRIPTION
	2537 838	1			SERVICE KIT, Seal Consists of: 1 ----- Magnet 1 ----- Seal, Drive Shaft 1 ----- Seal, "O"Ring
					2 ----- Seal, "O"Ring 1 ----- Seal, "O"Ring 2 ----- Seal, "O"Ring 1 ----- Seal, "O"Ring
	3815 961	1			SERVICE KIT, Retaining Ring and Drive Shaft Consists of: 1 ----- Ring, Shaft Retaining 1 ----- Shaft, Drive
	3815 960				SERVICE KIT, Ring Retaining
	3815 964	1			SERVICE KIT, Rotor, Vane and Ring Consists of: 1 ----- Ring, Pump 1 ----- Ring, Shaft Retaining 1 ----- Rotor, Pump 10 ----- Vane, Pump
	3643 453	1			SERVICE KIT, Pump Reservoir Consists of: 1 ----- Reservoir 1 ----- Seal, "O"Ring 1 ----- Seal, "O"Ring 2 ----- Seal, "O"Ring
1	3815 956	1	M,Z		PUMP, Power Strg., Assy. (Except Shelby)
	4188 832	1	M,Z		(w/Shelby)
1	3815 956	1	PDVCETH		w/Std. or H.D Suspension) - Exc. V,C24
1	4188 832	1	P,D,V,C		w/Firm Feel Susp.)
2	5214 491	1	ALL		BRACKET, Power Strg. Pump Mounting,(w/2.2L Eng.)
	4105 054	1	PDVCETH		BRACKET, Power Strg. Mounting, Pump Side, w/2.6L Eng.)
	4173 238	1	PDVCETH		BRACKET, Power Strg. Mounting, Eng. Side, (w/2.6L Eng.)
3	5203 743	1	ALL		BRACKET, Power Strg. Pump Adjusting, (w/2.2L Eng.)
4	3815 915	2			STUD, Power Strg. Pump Mounting
5	5205 269				STUD, Power Strg. Pump Mounting
6	5214 734	1			PULLEY, Power Strg. Pump, (w/2.2L Eng.)
	4173 230	1	PDVCETH		(w/2.6L Eng.)

MODEL CODES

B = GRAN FURY	F = FIFTH AVENUE/NEWPORT	P = RELIANT
C = LEBARON/TOWN & COUNTRY/EXC SEDAN	G = DIPLOMAT	T = E CLASS/NEW YORKER
C24 = LASER	H = VOYAGER	V = 600
D = ARIES	K = MINI RAM/CARAVAN/ROYAL	V24 = DAYTONA
E = 600	M = HORIZON/TURISMO	Z = OMNI/CHARGER/RAMPAGE

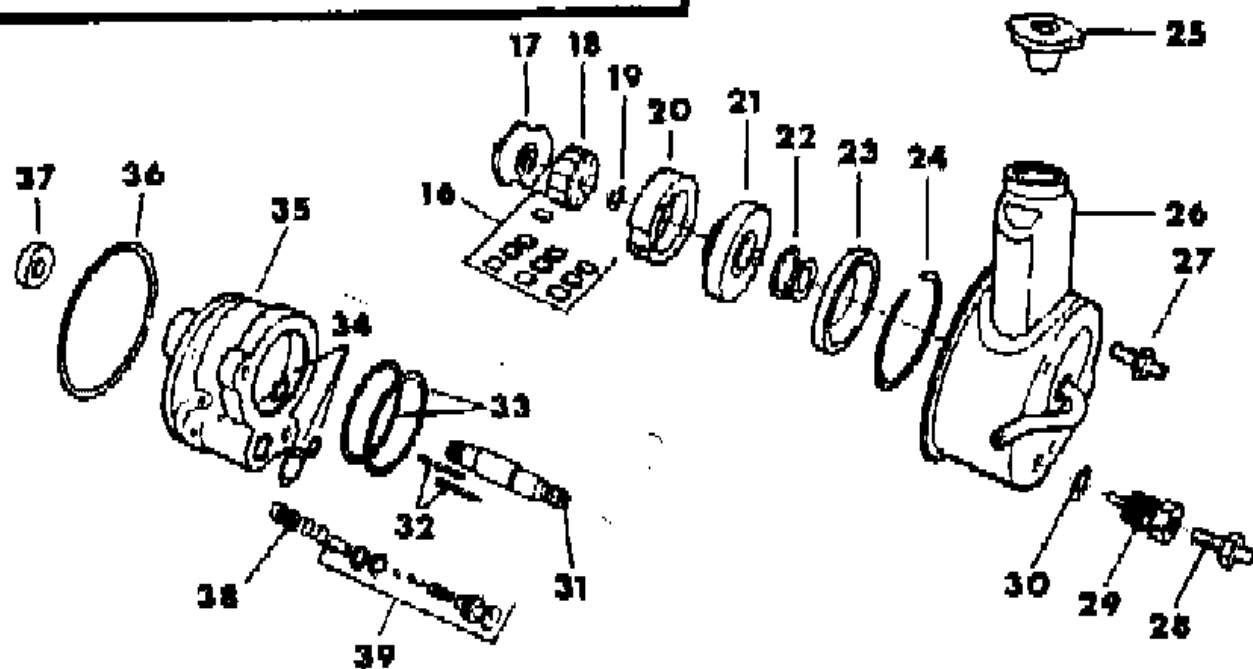
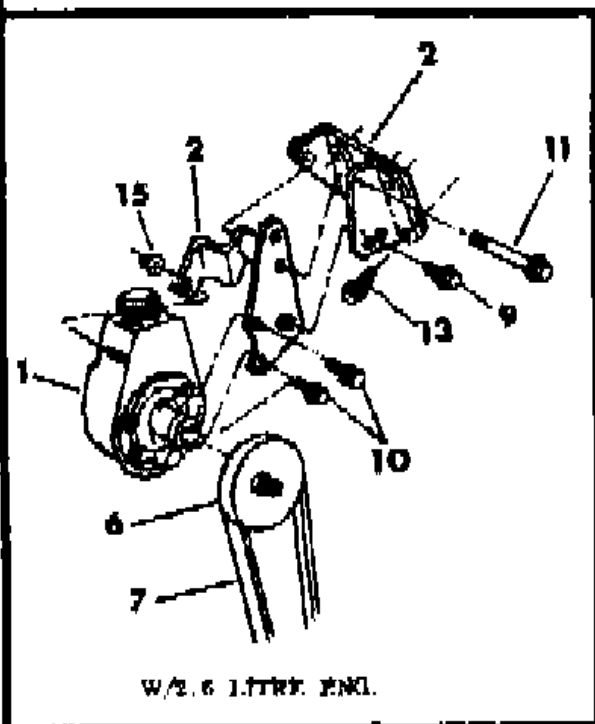
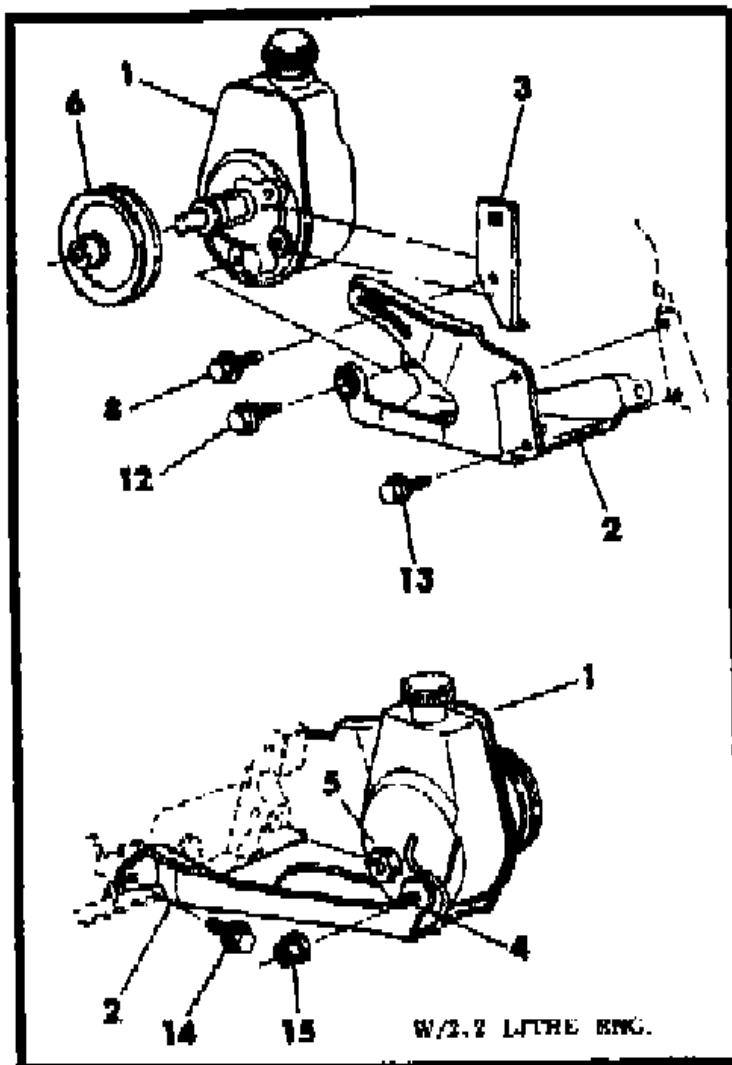
BODY STYLES

21 = 2-DOOR SEDAN	28 = FWD PICKUP	44 = 4-DOOR HATCHBACK
22 = 2-DOOR SPECIAL COUPE	35 = FWD VAN	45 = 4-DOOR STATION WAGON
24 = 2-DOOR HATCHBACK	36 = FWD WAGON	48 = 4-DOOR EXECUTIVE SEDAN
27 = 2-DOOR CONVERTIBLE	41 = 4-DOOR SEDAN	

AR = Use as Required - = Non Illustrated Part P.A.R. = Paint as Required

PUMP, POWER STEERING & ATTACHING PARTS M,Z,P,D,V,C,E,T,H,K, W/2.2, & 2.6 ENG.
Figure 19-1800

4119 1800A



ITEM	PART NUMBER	QTY	BODY	MODEL	DESCRIPTION
7		1			BELT, Power Strg. Pump, Drive (Refer To Group 7)
8	6500 416	1			SCREW, w/Washer, Mounting Bracket To Cylinder Block
9	6500 158	AR		PDVCETH	SCREW, w/Washer, Power Strg. Pump Adjusting Slot (w/2.6L Eng.)
	6500 416	AR		M,Z	(w/2.2L Eng.)
	6500 157	AR		PDVCETH	(w/2.2L Eng.)
10	6500 267	AR		PDVCETH	SCREW, w/Washer, Engine Side Bracket To Pump (w/2.6L Eng.)
11	6500 438	AR		PDVCETH	SCREW, w/Washer, Pump Pivot (w/2.6L Eng.)
12	6500 399	1			SCREW,w/Washer, Power Strg. Pump Mounting Bracket To Power Strg. Pump
13	6500 253	1			SCREW,w/Washer, Power Strg. Bracket To Block (w/2.2L Eng.)
	6500 253	4		PDVCETH	SCREW,w/Washer, Power Strg. Bracket To Cyl. Head (w/2.6L Eng.)
14	6500 399	1			SCREW,w/Washer, Power Strg. Pump Mounting Bracket To Block
15	6100 518	1			NUT, Power Strg. Pump Mounting Stud
16		10			VANE, (Serviced in 4031303 Repair Kit)
17	3815 914	1			PLATE, Pump Thrust
18		1			ROTOR, Pump (Serviced in 3815964 Repair Kit)
19	2891 166	1			RING, Pump Drive Shaft Retaining
20		1			RING, Pump (Serviced in 4031303 Repair Kit)
21	3815 967	1			PLATE, Pump Pressure
22	3815 966	1			SPRING, Pump Pressure Plate
23	2537 820	1			PLATE, Pump End
24	2537 823	1			RING, End Plate Retaining
25	4219 036	1			CAP, Oil Pump Reservoir
26	3643 453	1			SERVICE KIT, Reservoir
27	3815 915	1			STUD, Pump Mounting
28	3815 915	1			STUD, Pump Mounting
29	5205 267	1			FITTING, Union Assy. Std. Susp. (Exc. V,C24 & Shelby)
	3815 983	1		P,D,V,C	FITTING, Union Assy., w/Firm Feel Suspension,& H. D Susp.
	3815 983	1		Z-S24	FITTING, Union Assy., (Shelby)
30	2537 838	1			SERVICE Kit, Seal
31	3815 961	1			SERVICE Kit, Pump Drive Shaft and Retaining Ring
	3815 960	1			SERVICE Kit, Ring Retaining
32	2537 819	2			PIN, Pump Ring Dowel
33	2537 838	1			SERVICE KIT, Seal
34	2537 838	1			SERVICE KIT, Seal
35		1			HOUSING, Assy. Pump (Serviced in Pump Assy.)

MODEL CODES

B = GRAN FURY
C = LEBARON/TOWN & COUNTRY/EXC SEDAN
C24 = LASER
D = ARIES
E = 600

F = FIFTH AVENUE/NEWPORT
G = DIPLOMAT
H = VOYAGER
K = MINI RAM/CARAVAN/ROYAL
M = HORIZON/TURISMO

P = RELIANT
T = E CLASS/NEW YORKER
V = 600
V24 = DAYTONA
Z = OMNI/CHARGER/RAMPAGE

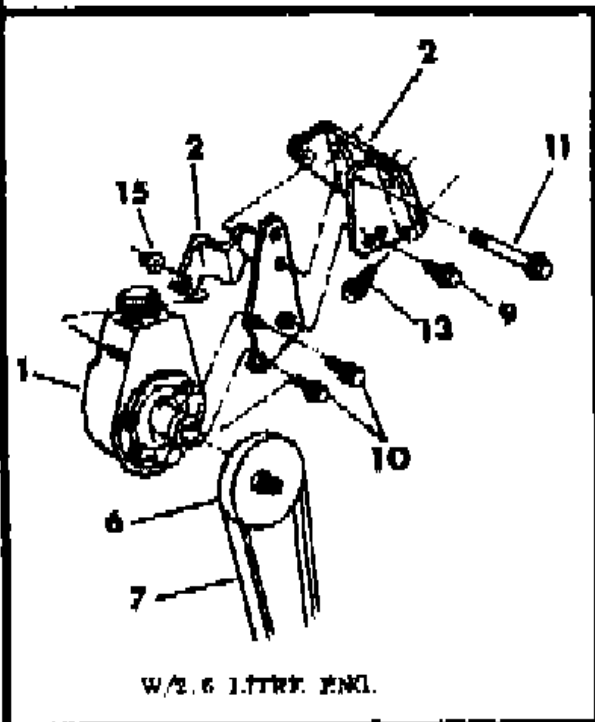
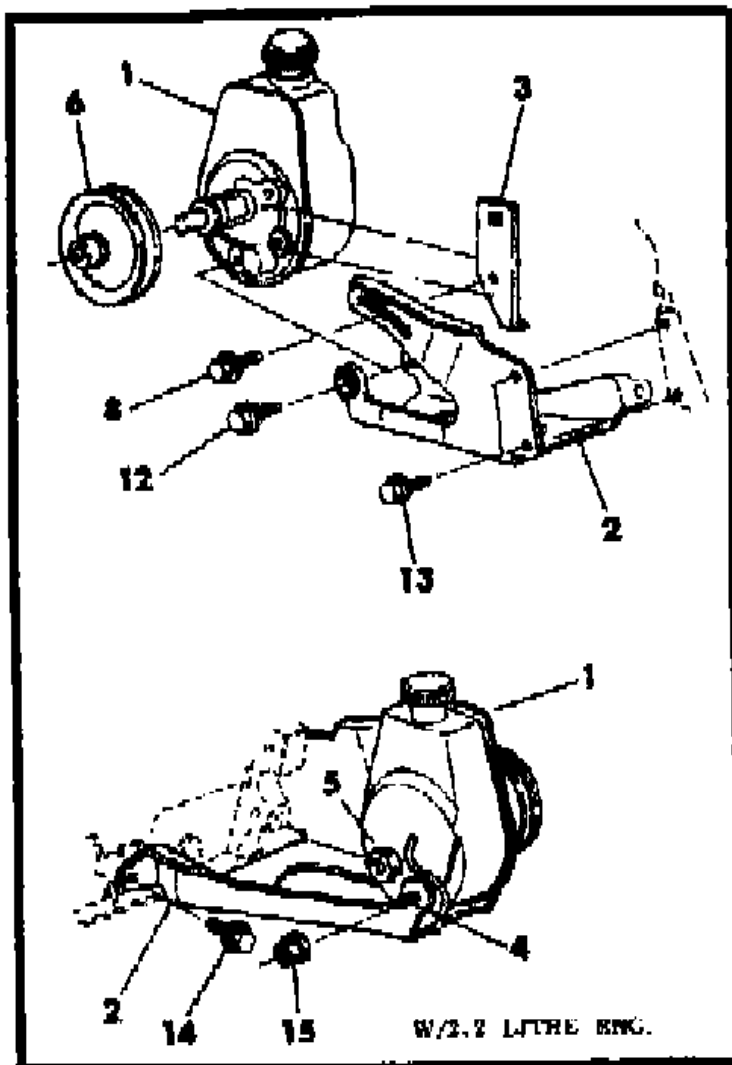
BODY STYLES

21 = 2-DOOR SEDAN
22 = 2-DOOR SPECIAL COUPE
24 = 2-DOOR HATCHBACK
27 = 2-DOOR CONVERTIBLE
28 = FWD PICKUP
35 = FWD VAN
36 = FWD WAGON
41 = 4-DOOR SEDAN
44 = 4-DOOR HATCHBACK
45 = 4-DOOR STATION WAGON
48 = 4-DOOR EXECUTIVE SEDAN

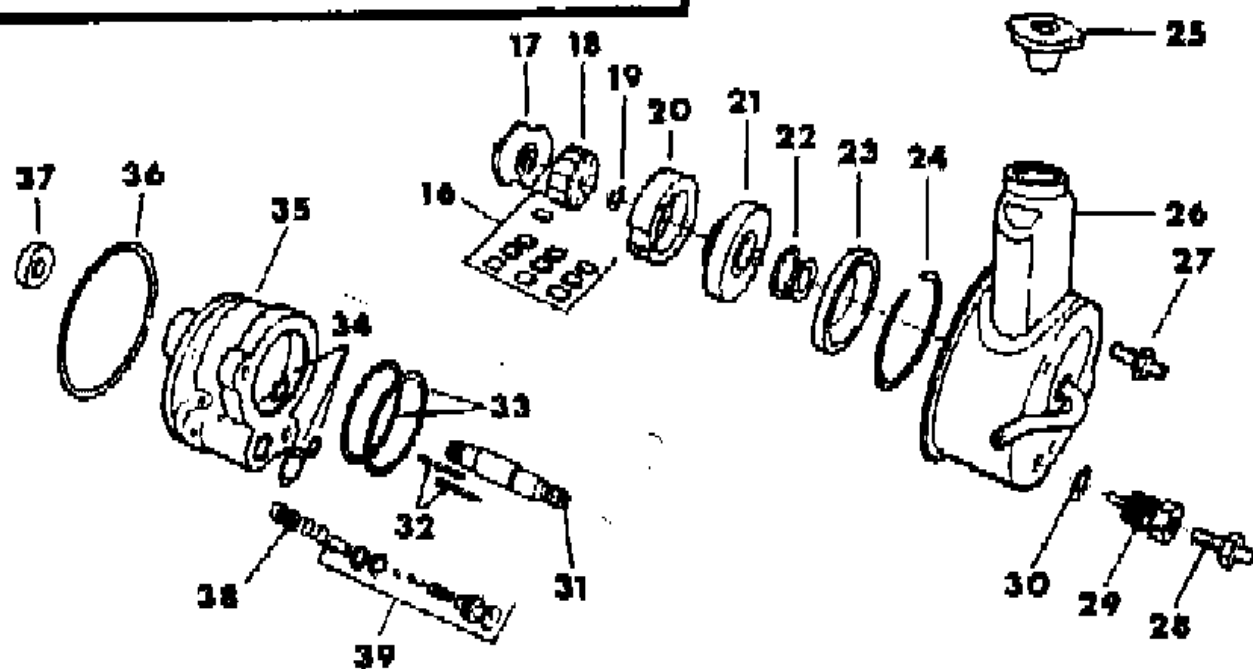
AR = Use as Required - = Non Illustrated Part P.A.R. = Paint as Required

PUMP, POWER STEERING & ATTACHING PARTS M,Z,P,D,V,C,E,T,H,K, W/2.2, & 2.6 ENG.
Figure 19-1800

4119 1800A



W/2.6 LITRE ENGL.



ITEM	PART NUMBER	QTY	BODY	MODEL	DESCRIPTION
36	2537 828	1			SEAL, Pump Reservoir "O"Ring
		1			SEAL, Pump Reservoir "O"Ring (Serv. in Seal Kit 2537838)
37	2537 899	1			SEAL, Pump Drive Shaft
38	2537 833	1			SPRING, Pump Flow Control
39	3815 965	1			VALVE, Pump Flow Control, Assy. Std. Susp. (Exc. V,C24 & Shelby)
	2891 695	1		P,D,V,C	w/Firm Feel Susp. & H.D Susp.
	2891 695	1		Z-S24	Shelby

MODEL CODES

B = GRAN FURY	F = FIFTH AVENUE/NEWPORT	P = RELIANT
C = LEBARON/TOWN & COUNTRY/EXC SEDAN	G = DIPLOMAT	T = E CLASS/NEW YORKER
C24 = LASER	H = VOYAGER	V = 600
D = ARIES	K = MINI RAM/CARAVAN/ROYAL	V24 = DAYTONA
E = 600	M = HORIZON/TURISMO	Z = OMNI/CHARGER/RAMPAGE

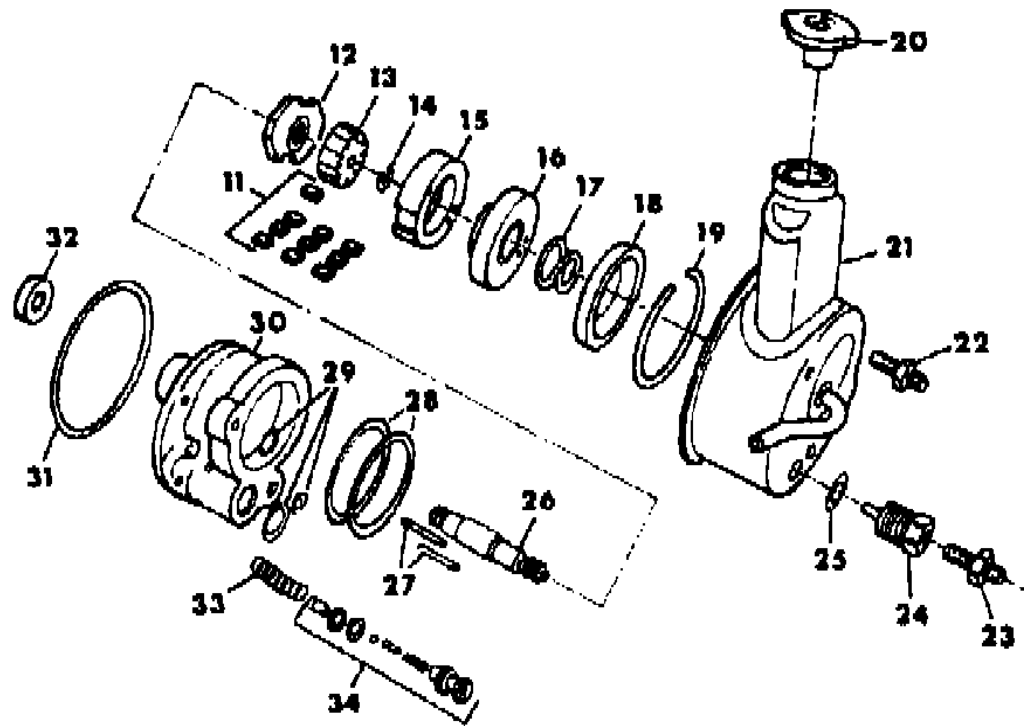
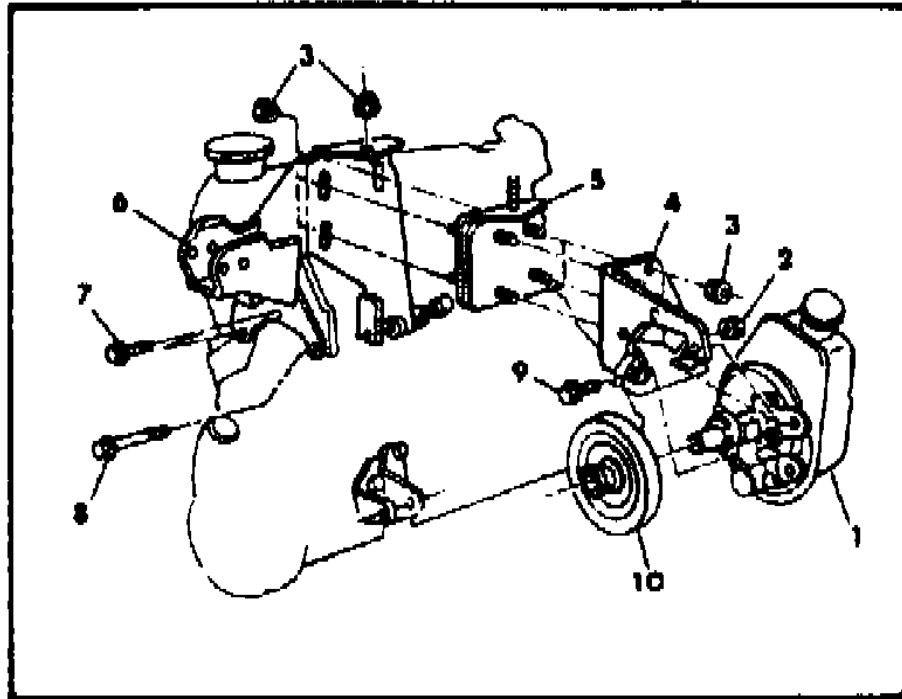
BODY STYLES

21 = 2-DOOR SEDAN	28 = FWD PICKUP	44 = 4-DOOR HATCHBACK
22 = 2-DOOR SPECIAL COUPE	35 = FWD VAN	45 = 4-DOOR STATION WAGON
24 = 2-DOOR HATCHBACK	36 = FWD WAGON	48 = 4-DOOR EXECUTIVE SEDAN
27 = 2-DOOR CONVERTIBLE	41 = 4-DOOR SEDAN	

AR = Use as Required - = Non Illustrated Part P.A.R. = Paint as Required

PUMP, POWER STEERING & ATTACHING PARTS M,Z W/1.6 ENG.
Figure 19-1900

4119 1900A



ITEM	PART NUMBER	QTY	BODY	MODEL	DESCRIPTION
	2537 838	1			SERVICE KIT, Seal Consists of: 1 ----- Magnet 1 ----- Seal, "O"Ring 2 ----- Seal, "O"Ring
	3815 961	1			SERVICE KIT, Retaining Ring and Drive Shaft Consists of: 1 ----- Seal, "O"Ring 2 ----- Seal, "O"Ring 1 ----- Seal, "O"Ring
	3815 960				SERVICE KIT, Ring Retaining
	3815 964	1			SERVICE KIT, Rotor, Vane and Ring Consists of: 1 ----- Ring, Pump 1 ----- Ring, Shaft Retaining 1 ----- Rotor, Pump 10 ----- Vane, Pump
	2891 741	1			SERVICE KIT, Pump Reservoir Consists of: 1 ----- Reservoir 1 ----- Seal, "O"Ring 1 ----- Seal, "O"Ring 2 ----- Seal, "O"Ring
1	3815 982	1			PUMP, Power Strg., Assy.
2	6100 518	1			NUT, Lock
3	6100 517	9			NUT, Lock
4	4273 141	1			BRACKET, p/Strg. Pump Mtg.
5	4273 140	1			ISOLATOR, p/Strg. Pump
6	4273 018	1			BRACKET, Eng. Mtg. Rt. & p/Strg. Pump Mtg.
7	6500 192	2			SCREW & WASHER
8		1			SCREW & WASHER (Not Serv.)
9	6500 399	2			SCREW & WASHER
10	4273 071	1			PULLEY, p/Strg. Pump
11		10			VANE, (Serviced in 3815964 Repair Kit)
12	3815 914	1			PLATE, Pump Thrust
13		1			ROTOR, Pump (Serviced in 3815964 Repair Kit)

MODEL CODES

B = GRAN FURY	F = FIFTH AVENUE/NEWPORT	P = RELIANT
C = LEBARON/TOWN & COUNTRY/EXC SEDAN	G = DIPLOMAT	T = E CLASS/NEW YORKER
C24 = LASER	H = VOYAGER	V = 600
D = ARIES	K = MINI RAM/CARAVAN/ROYAL	V24 = DAYTONA
E = 600	M = HORIZON/TURISMO	Z = OMNI/CHARGER/RAMPAGE

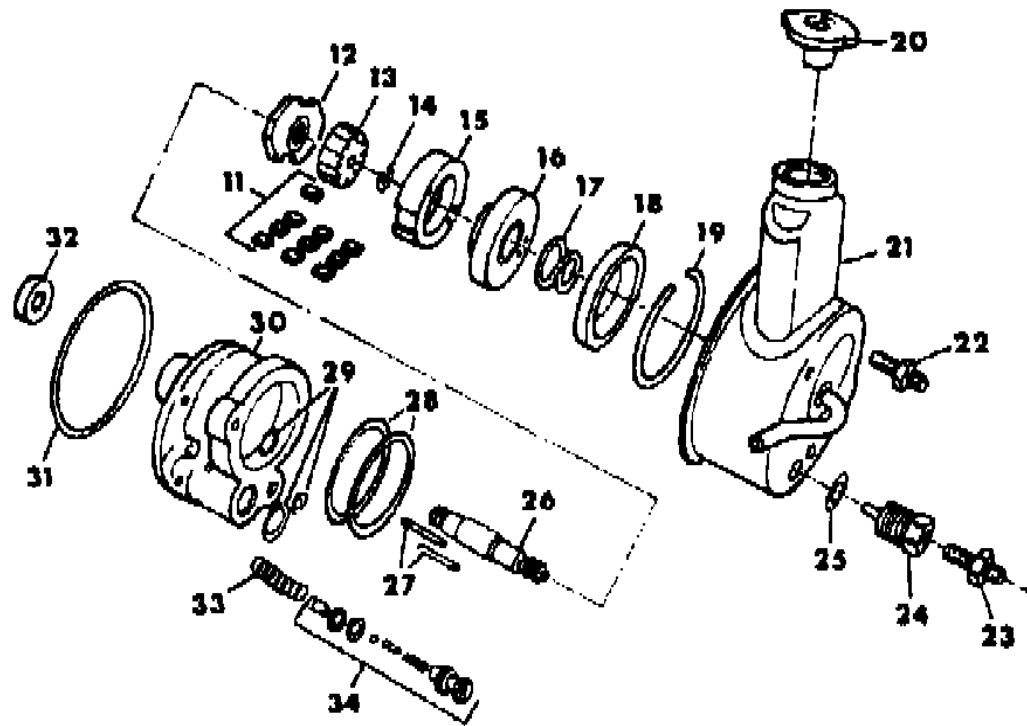
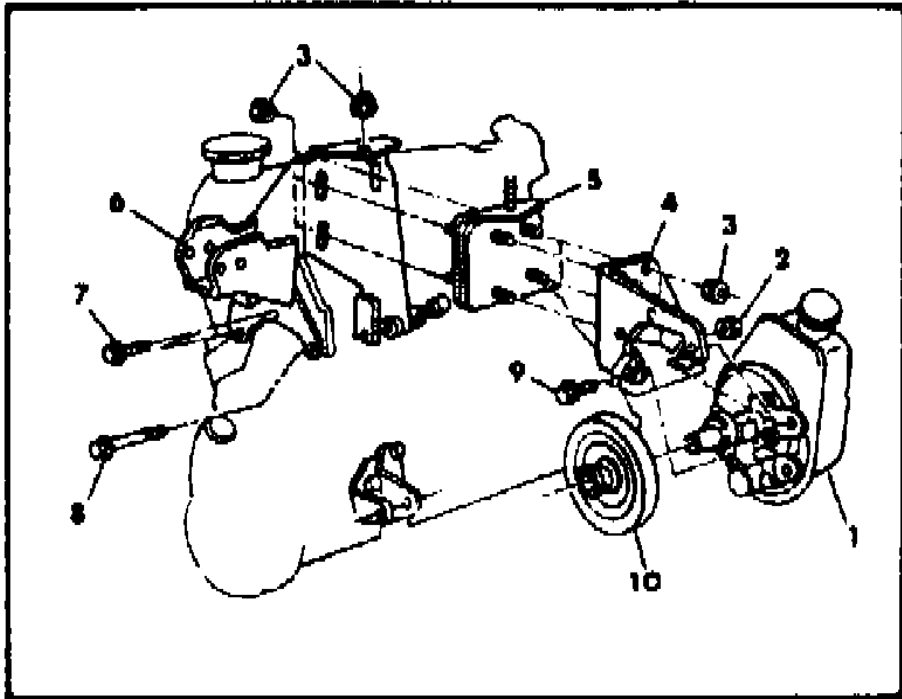
BODY STYLES

21 = 2-DOOR SEDAN	28 = FWD PICKUP	44 = 4-DOOR HATCHBACK
22 = 2-DOOR SPECIAL COUPE	35 = FWD VAN	45 = 4-DOOR STATION WAGON
24 = 2-DOOR HATCHBACK	36 = FWD WAGON	48 = 4-DOOR EXECUTIVE SEDAN
27 = 2-DOOR CONVERTIBLE	41 = 4-DOOR SEDAN	

AR = Use as Required - = Non Illustrated Part P.A.R. = Paint as Required

PUMP, POWER STEERING & ATTACHING PARTS M,Z W/1.6 ENG.
Figure 19-1900

4119 1900A



ITEM	PART NUMBER	QTY	BODY	MODEL	DESCRIPTION
14	2891 166	1			RING, Pump Drive Shaft Retaining
15		1			RING, Pump (Serviced in 3815964 Repair Kit)
16	3815 967	1			PLATE, Pump Pressure
17	3815 966	1			SPRING, Pump Pressure Plate
18	2537 820	1			PLATE, Pump End
19	2537 823	1			RING, End Plate Retaining
20	4219 036	1			CAP, Oil Pump Reservoir
21	2891 741	1			SERVICE KIT, Reservoir
22	3815 915	1			STUD, Pump Mounting
23	3815 915	1			STUD, Pump Mounting
24	5205 267	1			FITTING, Union Assy.
	3815 983	1			FITTING, Union Assy., w/Firm Feel & H.D Susp.
25	2537 838	1			SERVICE Kit, Seal
26	3815 961	1			SERVICE Kit, Pump Drive Shaft and Retaining Ring
	3815 960	1			SERVICE Kit, Ring Retaining
27	2537 819	2			PIN, Pump Ring Dowel
28	2537 838	1			SERVICE KIT, Seal
29	2537 838	1			SERVICE KIT, Seal
30		1			HOUSING, Assy. Pump (Serviced in Pump Assy.)
31	2537 828	1			SEAL, Pump Reservoir "O"Ring
		1			SEAL, Pump Reservoir "O"Ring (Serv. in Seal Kit 2537838)
32	2537 899	1			SEAL, Pump Drive Shaft
33	2537 833	1			SPRING, Pump Flow Control
34	3815 965	1			VALVE, Pump Flow Control, Assy.

MODEL CODES

B = GRAN FURY	F = FIFTH AVENUE/NEWPORT	P = RELIANT
C = LEBARON/TOWN & COUNTRY/EXC SEDAN	G = DIPLOMAT	T = E CLASS/NEW YORKER
C24 = LASER	H = VOYAGER	V = 600
D = ARIES	K = MINI RAM/CARAVAN/ROYAL	V24 = DAYTONA
E = 600	M = HORIZON/TURISMO	Z = OMNI/CHARGER/RAMPAGE

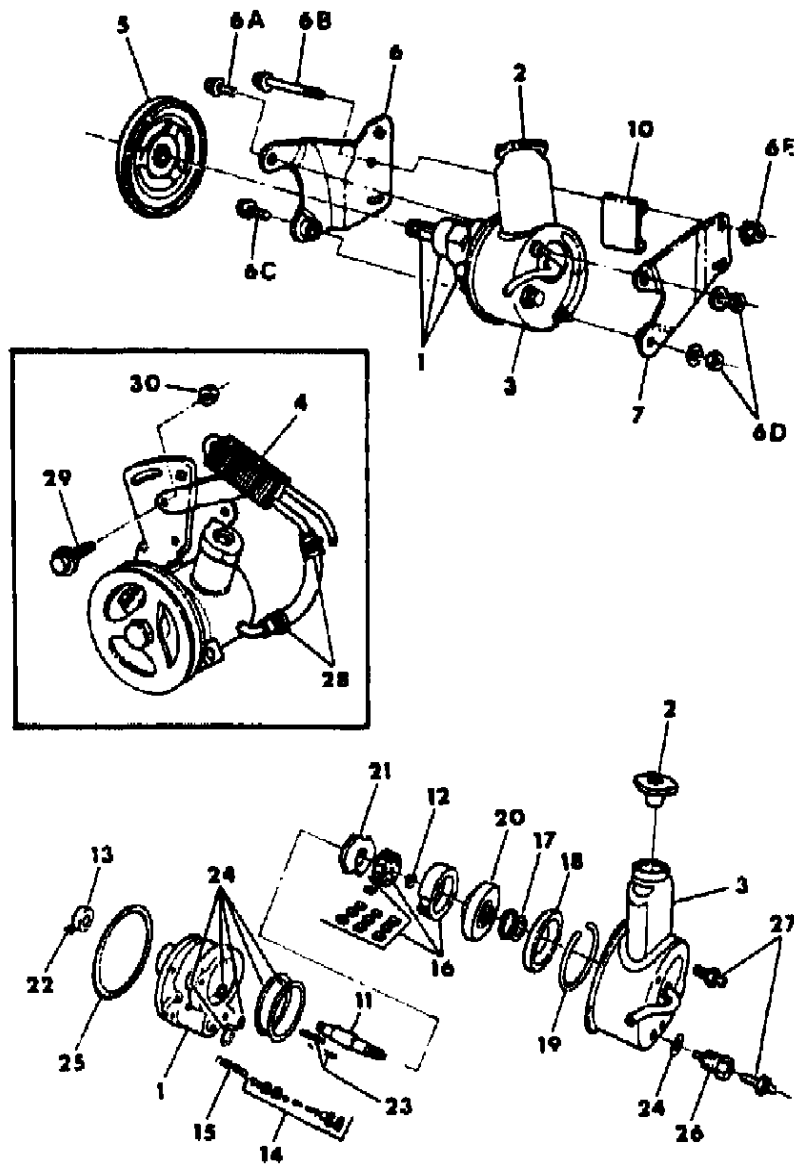
BODY STYLES

21 = 2-DOOR SEDAN	28 = FWD PICKUP	44 = 4-DOOR HATCHBACK
22 = 2-DOOR SPECIAL COUPE	35 = FWD VAN	45 = 4-DOOR STATION WAGON
24 = 2-DOOR HATCHBACK	36 = FWD WAGON	48 = 4-DOOR EXECUTIVE SEDAN
27 = 2-DOOR CONVERTIBLE	41 = 4-DOOR SEDAN	

AR = Use as Required - = Non Illustrated Part P.A.R. = Paint as Required

PUMP, POWER STEERING PULLEY, BRACKETS, OIL COOLER B,F,G
Figure 19-2000

ITEM	PART NUMBER	QTY	BODY	MODEL	DESCRIPTION
1	3815 971	1			OIL PUMP, Power Strg.
2	4219 036	1			CAP, Oil Pump Reservoir
3	2891 741	1			RESERVOIR, Power Strg. Oil Pump
4	3643 482	1			COOLER, Power Strg. Pump Oil
NOTE: Steering pump pulleys can be identified by the Part No. stamped on the Pulley, the last 2 digits are twice the size of the first 5 digits. s information becomes available.					
5	3870 089	1			PULLEY, Strg. Pump w/318 Eng. (See Note)
6	4179 736	1			BRACKET, Power Strg. Pump, Front, w/318 Eng.
6A	6500 374	1			BOLT, Pump Mounting Bracket
6B	6500 399	1			BOLT, Pump Mounting Bracket Spacer
6C	0433 105	1			BOLT, Pump Mounting Bracket, w/318 Eng.
6D	6100 525	2			NUT, Bolt Mounting Bracket
7	4179 738	1			BRACKET, Power Strg. Pump Rear, w/318 Eng.
10	6029 507	1			SPACER, Pump Mounting Bracket, w/318 Eng.
11	3815 961	1			SHAFT and Retaining RING PACKAGE, Pump
	3815 960	1			SERVICE KIT, Ring Retaining
12	2891 166	1			RING, Pump Drive Shaft Retaining
13	2537 899	1			SEAL, Pump Drive Shaft
14	2891 460	1			VALVE, Pump Flow Control Pressure Relief
15	2537 833	1			SPRING, Pump Flow Control
16	3815 962	1			REPAIR KIT, Pump Ring and Rotor Vane
17	3815 966	1			SPRING, Pump Pressure Plate
18	2537 820	1			PLATE, Pump End
19	2537 823	1			RING, Pump End Plate Retainer
20	3815 967	1			PLATE, Pump Pressure
21	3815 914	1			PLATE, Pump Thrust
22	2537 818	1			KEY, Pump Drive Shaft
23	2537 819	2			PIN, Pump Ring Dowel
24	2537 838	1			SEAL Kit, Pump
25	2537 828	1			SEAL, Oil Pump Reservoir
		1			O RING, Oil Pump Reservoir (Serv. in Seal Kit 2537838)
26	3643 493	1			FITTING, Pump Discharge
27	3643 466	2			STUD, Pump Mounting
28		AR			CLAMP, Oil Cooler Hose (Not Serviced)
29		1			BOLT, Oil Cooler Mounting (Not Serviced)
30	6025 020	1			NUT, Oil Cooler Mounting
31	5205 254	1			O RING, Power Strg. Pressure Hose (Pump End)



MODEL CODES

B = GRAN FURY	F = FIFTH AVENUE/NEWPORT	P = RELIANT
C = LEBARON/TOWN & COUNTRY/EXC SEDAN	G = DIPLOMAT	T = E CLASS/NEW YORKER
C24 = LASER	H = VOYAGER	V = 600
D = ARIES	K = MINI RAM/CARAVAN/ROYAL	V24 = DAYTONA
E = 600	M = HORIZON/TURISMO	Z = OMNI/CHARGER/RAMPAGE

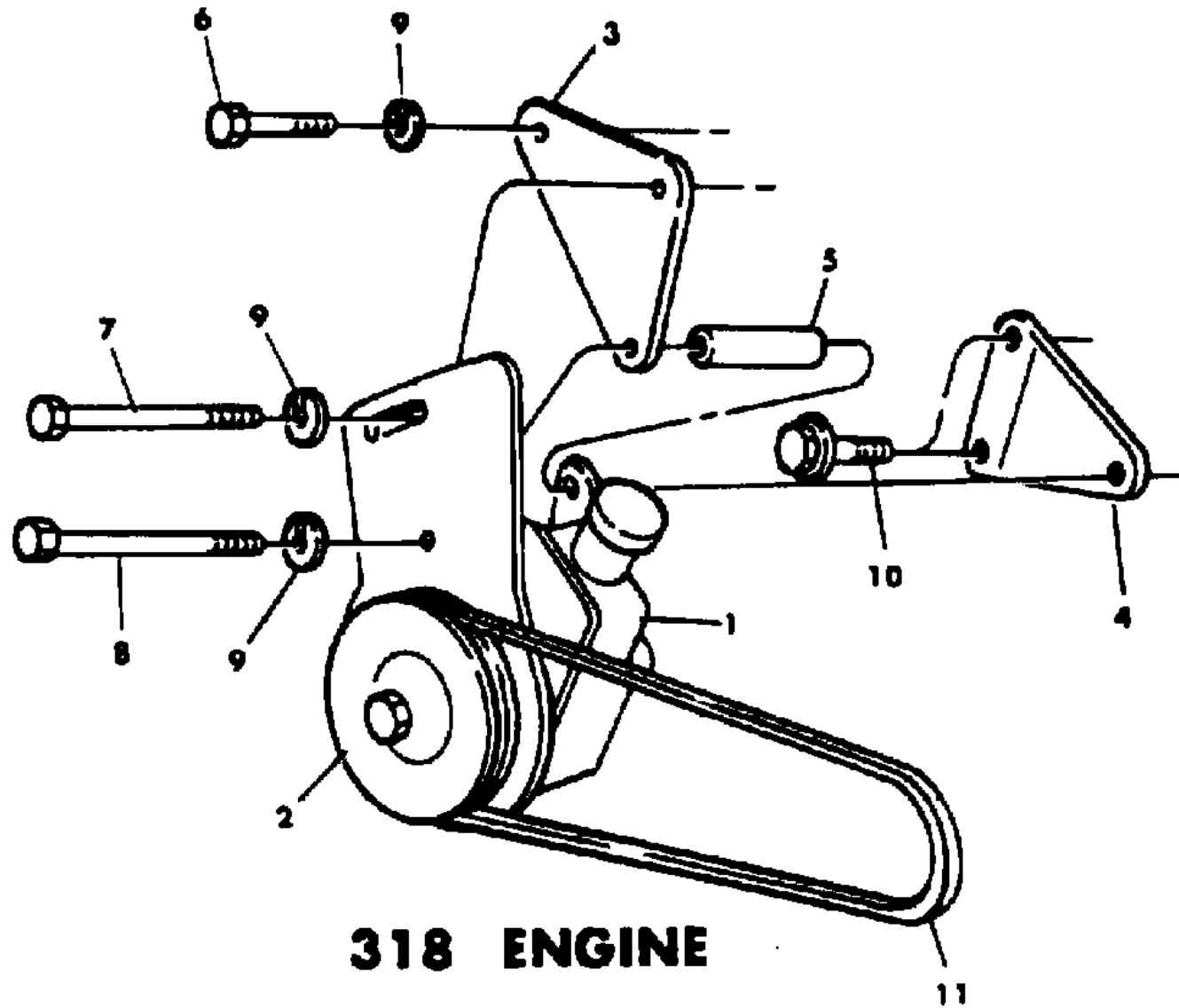
BODY STYLES

21 = 2-DOOR SEDAN	28 = FWD PICKUP	44 = 4-DOOR HATCHBACK
22 = 2-DOOR SPECIAL COUPE	35 = FWD VAN	45 = 4-DOOR STATION WAGON
24 = 2-DOOR HATCHBACK	36 = FWD WAGON	48 = 4-DOOR EXECUTIVE SEDAN
27 = 2-DOOR CONVERTIBLE	41 = 4-DOOR SEDAN	

AR = Use as Required - = Non Illustrated Part P.A.R. = Paint as Required

POWER STEERING PUMP ENGINE BRACKETS B,F,G
Figure 19-2100

4119 3100A



ITEM	PART NUMBER	QTY	BODY	MODEL	DESCRIPTION
1	3815 971	1			OIL PUMP, Power Strg.
2	3870 089	1			PULLEY, Power Strg. Pump
3	2951 747	1			BRACKET, Power Strg. Pump Engine, Front
4	2951 852	1			BRACKET, Pump Engine, Rear
5	6029 507	1			SPACER, Power Strg. Pump Mounting Bracket
6	9420 892	1			BOLT, Water Pump
7	6028 166	1			BOLT, Water Pump
8	0433 105	1			BOLT, Power Strg. Pump Mountung Bracket .
9		3			WASHER (Not Serviced)
10	0181 112	1			SCREW, Rear Bracket,
11	4027 321	1			BELT, Power Strg. Pump Drive

MODEL CODES

B = GRAN FURY	F = FIFTH AVENUE/NEWPORT	P = RELIANT
C = LEBARON/TOWN & COUNTRY/EXC SEDAN	G = DIPLOMAT	T = E CLASS/NEW YORKER
C24 = LASER	H = VOYAGER	V = 600
D = ARIES	K = MINI RAM/CARAVAN/ROYAL	V24 = DAYTONA
E = 600	M = HORIZON/TURISMO	Z = OMNI/CHARGER/RAMPAGE

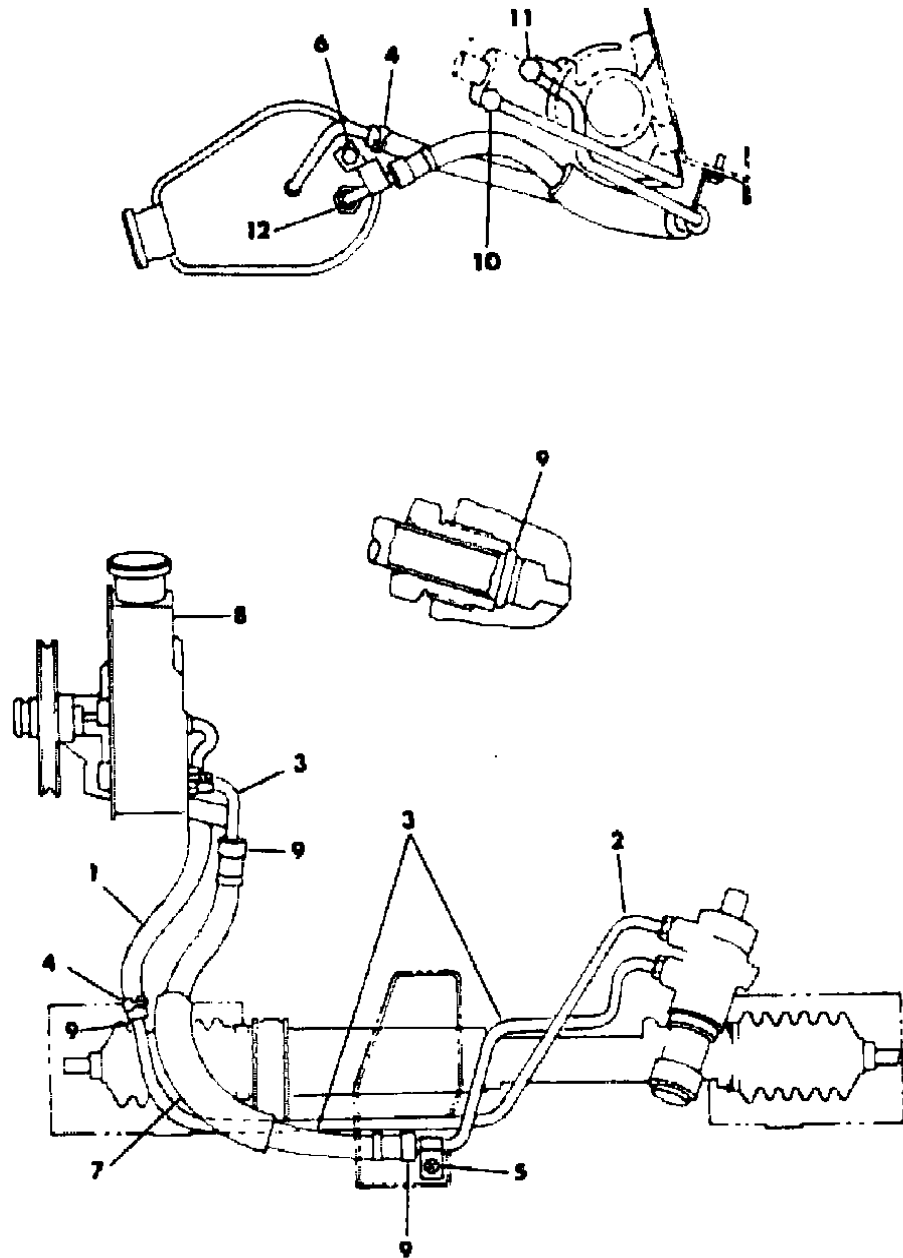
BODY STYLES

21 = 2-DOOR SEDAN	28 = FWD PICKUP	44 = 4-DOOR HATCHBACK
22 = 2-DOOR SPECIAL COUPE	35 = FWD VAN	45 = 4-DOOR STATION WAGON
24 = 2-DOOR HATCHBACK	36 = FWD WAGON	48 = 4-DOOR EXECUTIVE SEDAN
27 = 2-DOOR CONVERTIBLE	41 = 4-DOOR SEDAN	

AR = Use as Required - = Non Illustrated Part P.A.R. = Paint as Required

POWER STEERING PUMP HOSE CHART M,Z,P,D,V,C,E,T,H,K
Figure 19-2200

4119 2200



ITEM	PART NUMBER	QTY	BODY	MODEL	DESCRIPTION
NOTE 1: Part No. 3879925 Consists of a 50' Foot Roll use as required s information becomes available.					
1		1		ALL	HOSE, Return, Power Strg. Pump (Cut to 11" From Part No. 3879925 See Note 1)
2	3815 979	1		M,Z	TUBE w/Nut, Power Strg. Pump Return Hose, w/(1.6 Litre Eng.)
	3815 846	1		M,Z	w/(2.2 Litre Eng.)
	4147 015	1		H,K	TUBE w/Nut, Power Strg. Pump Return Hose
	4147 281	1		P,D,V,C	w/(2.2 and 2.6 Litre Eng's), W/(T.R.W Strg. Gear)
3	4147 282	1		P,D,V,C	w/(2.2 and 2.6 Litre Eng's), W/(Saginaw Strg. Gear)
	3815 980	1		M,Z	HOSE, Pressure, Strg. Pump, w/(1.6 Litre Eng.)
	3815 987	1		M,Z	w/(2.2 Litre Eng.)
	4147 280	1		P,D,V,C	w/(2.2 and 2.6 Litre Eng's)
4	4147 023	1		H,K	w/(2.2 and 2.6 Litre Eng's)
	3643 496	1		M,Z	TUBE & NUT ASSY., P/Strg. Pump Pressure Hose Pump End
		2			CLAMP, Power Strg. Pump Return Hose (Not Serviced)
5	6500 151	1		M,Z	SCREW, Power Strg. Pump Pressure Hose Clamp To Frame
6	0118 615	1			NUT, Pressure Hose Clamp To Power Strg. Pump
7		1			SLEEVE, Power Strg. Pump Pressure Hose (Service inPressure Hose)
8		1			PUMP, Power Strg. (See 19-1600)
9	5205 254	3			"O"Ring, Power Strg. Hose
10		1			NUT, Power Strg. Pump Return Hose Strg. Gear End (Serviced in Tube Assy.)
11		1			NUT, Power Strg. Pump Pressure Hose, Strg. Gear End (Serviced in Pressure Hose)
12	5205 324	1			NUT, Power Strg. Pump Pressure Hose, Pump End (Serviced in Pressure Hose)

MODEL CODES

B = GRAN FURY	F = FIFTH AVENUE/NEWPORT	P = RELIANT
C = LEBARON/TOWN & COUNTRY/EXC SEDAN	G = DIPLOMAT	T = E CLASS/NEW YORKER
C24 = LASER	H = VOYAGER	V = 600
D = ARIES	K = MINI RAM/CARAVAN/ROYAL	V24 = DAYTONA
E = 600	M = HORIZON/TURISMO	Z = OMNI/CHARGER/RAMPAGE

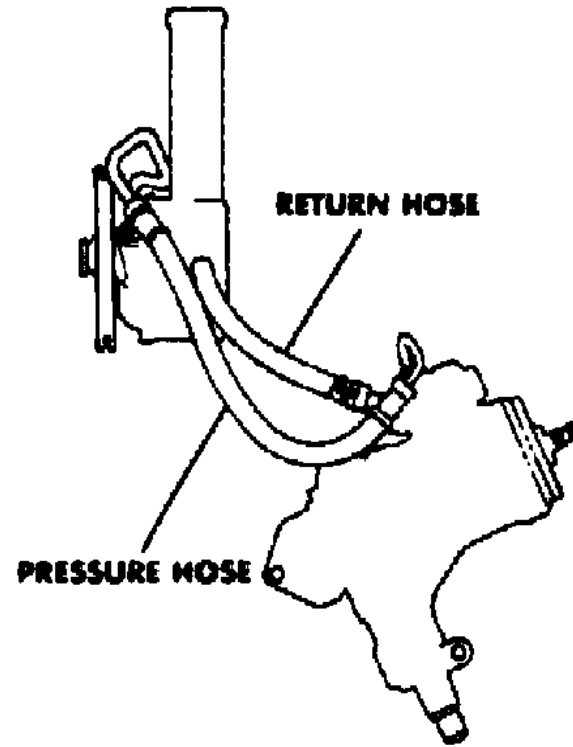
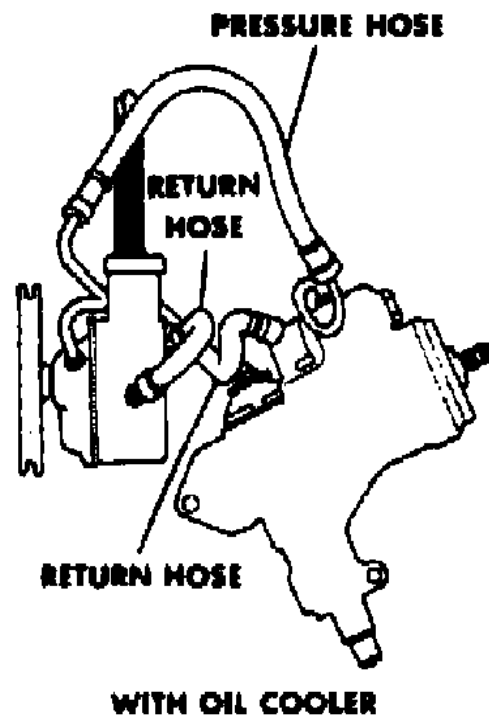
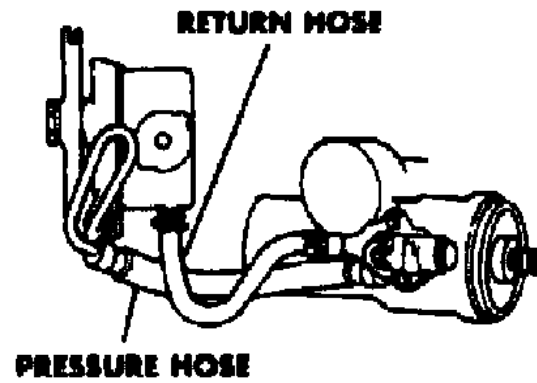
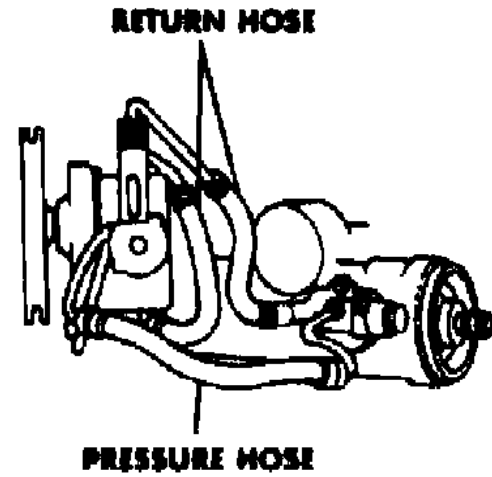
BODY STYLES

21 = 2-DOOR SEDAN	28 = FWD PICKUP	44 = 4-DOOR HATCHBACK
22 = 2-DOOR SPECIAL COUPE	35 = FWD VAN	45 = 4-DOOR STATION WAGON
24 = 2-DOOR HATCHBACK	36 = FWD WAGON	48 = 4-DOOR EXECUTIVE SEDAN
27 = 2-DOOR CONVERTIBLE	41 = 4-DOOR SEDAN	

AR = Use as Required - = Non Illustrated Part P.A.R. = Paint as Required

POWER STEERING PUMP HOSE CHART, B,F,G
Figure 19-2300

6119 2300



**SEE CHART
FOR QUANTITY
AND PART NUMBERS**

WITHOUT OIL COOLER

ITEM	PART NUMBER	QTY	BODY	MODEL	DESCRIPTION
------	-------------	-----	------	-------	-------------

NOTE A - Hose Return Power Steering Pump, 50 ft.Roll - Part No. 3879925 Cut To Length Shown s information becomes available

	3815 991				w/318 Eng. w/o Oil Cooler (See Note A) N10 of Note N N Y3815991
					w/318 Eng. w/Oil Cooler (See Note A) N N10 of Note N2-3/4 of A N3815991

MODEL CODES

B = GRAN FURY	F = FIFTH AVENUE/NEWPORT	P = RELIANT
C = LEBARON/TOWN & COUNTRY/EXC SEDAN	G = DIPLOMAT	T = E CLASS/NEW YORKER
C24 = LASER	H = VOYAGER	V = 600
D = ARIES	K = MINI RAM/CARAVAN/ROYAL	V24 = DAYTONA
E = 600	M = HORIZON/TURISMO	Z = OMNI/CHARGER/RAMPAGE

BODY STYLES

21 = 2-DOOR SEDAN	28 = FWD PICKUP	44 = 4-DOOR HATCHBACK
22 = 2-DOOR SPECIAL COUPE	35 = FWD VAN	45 = 4-DOOR STATION WAGON
24 = 2-DOOR HATCHBACK	36 = FWD WAGON	48 = 4-DOOR EXECUTIVE SEDAN
27 = 2-DOOR CONVERTIBLE	41 = 4-DOOR SEDAN	

AR = Use as Required - = Non Illustrated Part P.A.R. = Paint as Required

GROUP 21M - TRANSMISSION, MANUAL

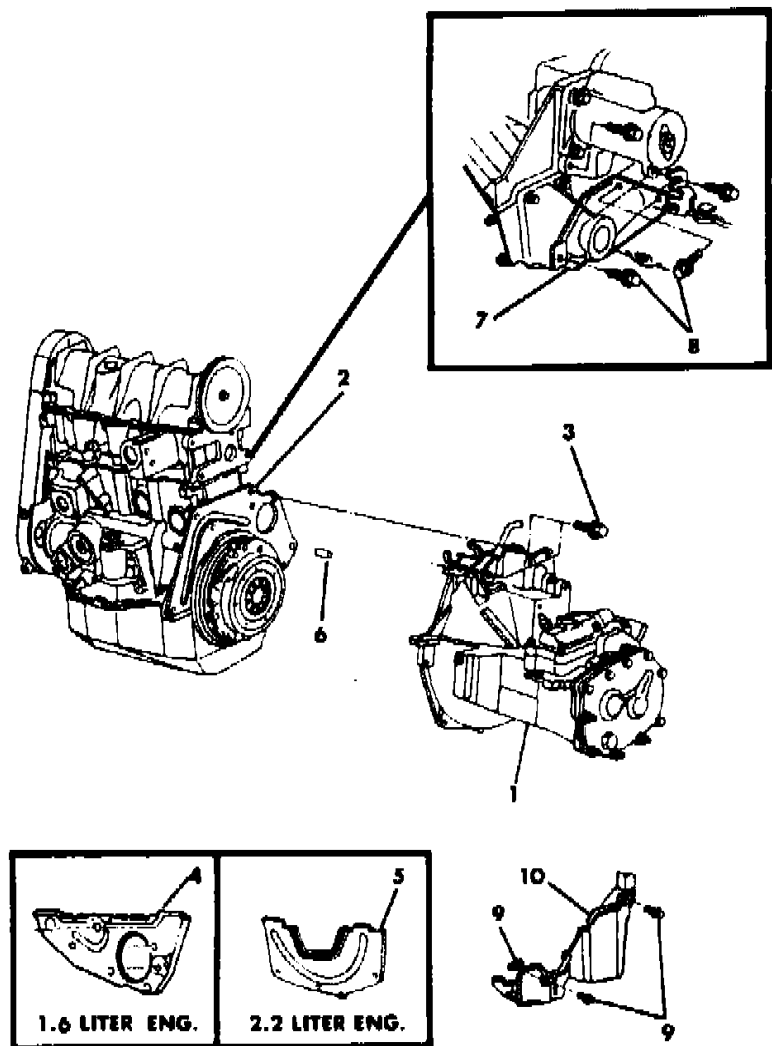
ILLUSTRATION TITLE	GROUP-FIG. NO.
TRANSAXLE ASSEMBLIES, AND MOUNTING MANUAL CHRYSLER, A460,A465,A525 4,5 SPEED	Fig. 21M-50
CASE, TRANSAXLE AND RELATED PARTS MANUAL TRANSAXLE, A460 4-SPEED	Fig. 21M-100
GEAR TRAIN MANUAL TRANSAXLE, A460 4-SPEED	Fig. 21M-200
CONTROLS, INTERNAL MANUAL TRANSAXLE, A460 4-SPEED	Fig. 21M-300
DIFFERENTIAL MANUAL TRANSAXLE, A460 4-SPEED	Fig. 21M-400
CASE, TRANSAXLE AND RELATED PARTS MANUAL TRANSAXLE, A465,A525 5-SPEED	Fig. 21M-500
GEAR TRAIN MANUAL TRANSAXLE, A465,A525 5-SPEED	Fig. 21M-600
CONTROLS, INTERNAL MANUAL TRANSAXLE, A465,A525 5-SPEED	Fig. 21M-700
DIFFERENTIAL MANUAL TRANSAXLE, A465,A525 5-SPEED	Fig. 21M-800
CONTROLS, GEARSHIFT MANUAL TRANSAXLE, A460,A525 4,5-SPEED M,Z	Fig. 21M-900
CONTROLS, GEARSHIFT, BENCH SEAT MANUAL TRANSAXLE, A460 4-SPEED P,D	Fig. 21M-1000
CONTROLS, GEARSHIFT, BUCKET SEATS MANUAL TRANSAXLE, A525 5-SPEED P,D,V,C (EXCEPT V,C- 24) E-S-41	Fig. 21M-1100
CONTROLS, GEARSHIFT MANUAL TRANSAXLE, A525 5-SPEED V,C-24	Fig. 21M-1200
CONTROLS, GEARSHIFT MANUAL TRANSAXLE, A460,A465,A525 4,5-SPEED H,K	Fig. 21M-1300
CABLE, SPEEDOMETER MANUAL TRANSAXLE	Fig. 21M-1400
PINION, SPEEDOMETER CABLE DRIVE MANUAL TRANSAXLE	Fig. 21M-1500

ILLUSTRATION NOT AVAILABLE AT TIME OF PUBLICATION

TRANSAXLE ASSEMBLIES, AND MOUNTING MANUAL CHRYSLER, A460,A465,A525 4,5 SPEED

Figure 21M-50

4121 90



ITEM	PART NUMBER	QTY	BODY	MODEL	DESCRIPTION
NOTE: The Transaxle Part No. is Stamped on a Tag That is Attached to an End Cover s information becomes available.					
1					TRANSAXLE, 4-SPEED
	4295 753	1		M,Z	w/1.6 Liter Engine, w/2.69 Overall Ratio, A460
	4295 752	1		H,K	w/2.2 Liter Engine, w/3.13 Overall Ratio, A460
	4295 751	1		M,Z,P,D	w/2.2 Liter Engine, w/2.69 Overall Ratio, A460
					TRANSAXLE, 5-SPEED
	4295 755	1		M,Z,P,D	w/2.2 Liter Eng., w/2.20 Overall Ratio, A525
	4329 151	1		M,Z,P,D	w/2.2 Liter Eng., w/2.57 Overall Ratio, A525
	4329 521	1		Z-S-24	w/2.2 HI-PERF., w/2.78 Overall Ratio, SHELBY, A525
	4295 754	1		E,V,C-2	w/2.2 TURBO-CHARGED, w/2.57 Overall Ratio, A525
	4295 754	1		H,K	w/2.2 Liter Eng., w/2.57 Overall Ratio, A525
	4295 746	1		H,K	w/2.2 Liter Eng., w/2.57 Overall Ratio, A465
2	4202 931	1		M,Z	COVER, Case Upper, w/1.6 Liter Eng.
	4329 819	1			w/2.2 Liter Eng.
3	6500 817	AR			SCREW, Trans. to Cyl. Block, M10x1.25x45
	6500 768	AR			M10x1.25x55
	6500 527	AR			M10x1.25x60
	6501 036	AR			M12x1.75x50
	6100 989	AR			M12x1.75x60
4	4202 932	1		M,Z	COVER, Case Lower, w/1.6 Liter Eng.
5	5222 453	1			COVER, Case Lower, w/2.2 Liter Eng.
	6100 149	AR			SCREW, Case Cover, M6x1x10
	6500 136	AR			M6x1x14
	6500 137	AR			M6x1x16
	6500 440	AR			M8x1.25x22
	6500 770	1		M,Z	M10x1.25x14, w/1.6 Liter Eng.
6	5240 849	2			DOWEL, Cyl. Block To Cluch Hsg.
7	5224 214	1			STRUT, Trans to Cyl. Block
8	6501 163	2			SCREW w/WA., Strut To Case, M12x1.75x30
	6101 377	AR			M10x1.75x45, Right
	6100 350	AR			M12x1.75x35
	6100 344	1			M12x1.75x40, w/Turbo Eng.
9					SCREW w/WA. (Not Serviced)
10					SHIELD, Trans. Appearance
	4296 142	1		M,Z	
	4386 625	1		P,D,V,C	
	4296 932	1		H,K	

MODEL CODES

B = GRAN FURY	F = FIFTH AVENUE/NEWPORT	P = RELIANT
C = LEBARON/TOWN & COUNTRY/EXC SEDAN	G = DIPLOMAT	T = E CLASS/NEW YORKER
C24 = LASER	H = VOYAGER	V = 600
D = ARIES	K = MINI RAM/CARAVAN/ROYAL	V24 = DAYTONA
E = 600	M = HORIZON/TURISMO	Z = OMNI/CHARGER/RAMPAGE

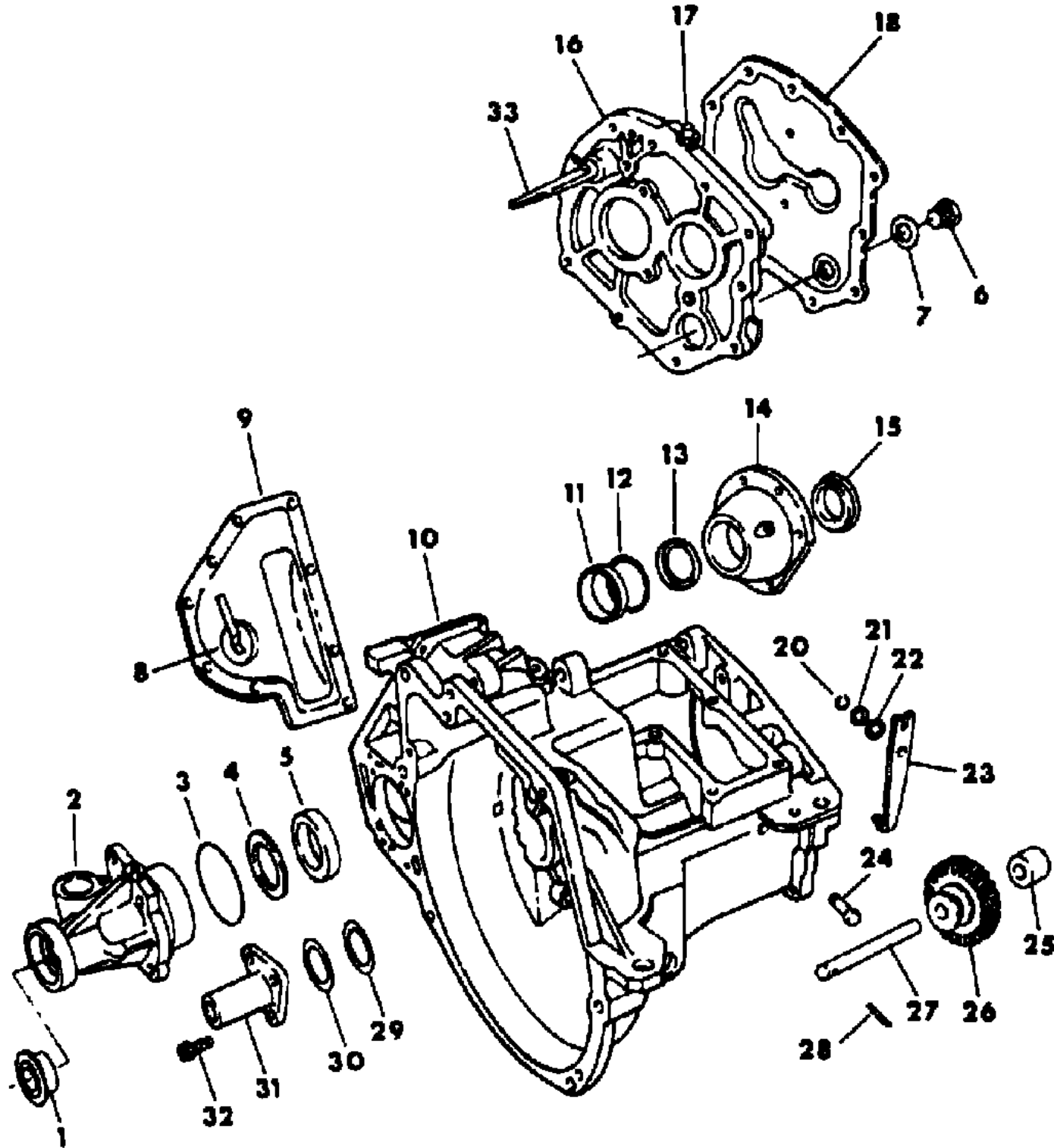
BODY STYLES

21 = 2-DOOR SEDAN	28 = FWD PICKUP	44 = 4-DOOR HATCHBACK
22 = 2-DOOR SPECIAL COUPE	35 = FWD VAN	45 = 4-DOOR STATION WAGON
24 = 2-DOOR HATCHBACK	36 = FWD WAGON	48 = 4-DOOR EXECUTIVE SEDAN
27 = 2-DOOR CONVERTIBLE	41 = 4-DOOR SEDAN	

AR = Use as Required - = Non Illustrated Part P.A.R. = Paint as Required

CASE, TRANSAXLE AND RELATED PARTS MANUAL TRANSAXLE, A460 4-SPEED
Figure 21M-100

4121 100



ITEM	PART NUMBER	QTY	BODY	MODEL	DESCRIPTION
1	4295 904	1			SEAL, Trans. Extension
2	4269 961	1			EXTENSION w/BUSHING, Trans.
3	6500 511	4			SCREW, Ext. to Case, M8x1.25x33
3	6500 111	1			"O"-Ring, Trans. Extension
4	5222 255	1			RETAINER, Trans. Extension Oil
5	4269 676	1			CUP, Trans. Retainer Diff.
6	4202 535	2			PLUG, Drain and Fill
7	2070 122	2			GASKET, Drain and Fill Plug
8	3681 601	1			MAGNET, Trans. Chip Collector
9	4329 464	1			PAN, Trans. Diff. Oil
	6500 739	8			SCREW, Oil Pan To Case, M8x1.25x16
	6500 921	3			STUD, Oil Pan To Case, M8x1.25x44
	6500 470	3			NUT, Oil Pan To Case Stud, M8x1.25
10	4295 666	1			CASE, Transaxle, w/4295753 Trans.
	4329 545	1			w/4295751,752 Trans.
11	4269 676	1			CUP, Diff Retainer Bearing
12					SPACER, Trans Final Drive
	4207 134	1			0.50mm (.020")
	4207 135	1			0.55mm (.022")
	4207 136	1			0.60mm (.024")
	4207 137	1			0.65mm (.026")
	4207 138	1			0.70mm (.027")
	4207 139	1			0.75mm (.029")
	4207 140	1			0.80mm (.031")
	4207 141	1			0.85mm (.033")
	4207 142	1			0.90mm (.035")
	4207 143	1			0.95mm (.037")
	4207 144	1			1.00mm (.039")
	4207 145	1			1.05mm (.041")
13	5222 256	1			BAFFLE, Oil Feed
14	4329 549	1			RETAINER, Diff Bearing
	6500 368	AR			SCREW, Diff. Brg. Retainer, M8x1.25x23
15	4295 904	1			SEAL, Bearing Retainer
16	4340 091	1			PLATE, Trans Bearing Retainer
17	2124 715	1			VENT, Trans
18	4411 969	1			COVER, Rear
	6101 235	10			SCREW, Cover Rear M8x1.25x40
	6500 440	2			M8x1.25x22

MODEL CODES

B = GRAN FURY	F = FIFTH AVENUE/NEWPORT	P = RELIANT
C = LEBARON/TOWN & COUNTRY/EXC SEDAN	G = DIPLOMAT	T = E CLASS/NEW YORKER
C24 = LASER	H = VOYAGER	V = 600
D = ARIES	K = MINI RAM/CARAVAN/ROYAL	V24 = DAYTONA
E = 600	M = HORIZON/TURISMO	Z = OMNI/CHARGER/RAMPAGE

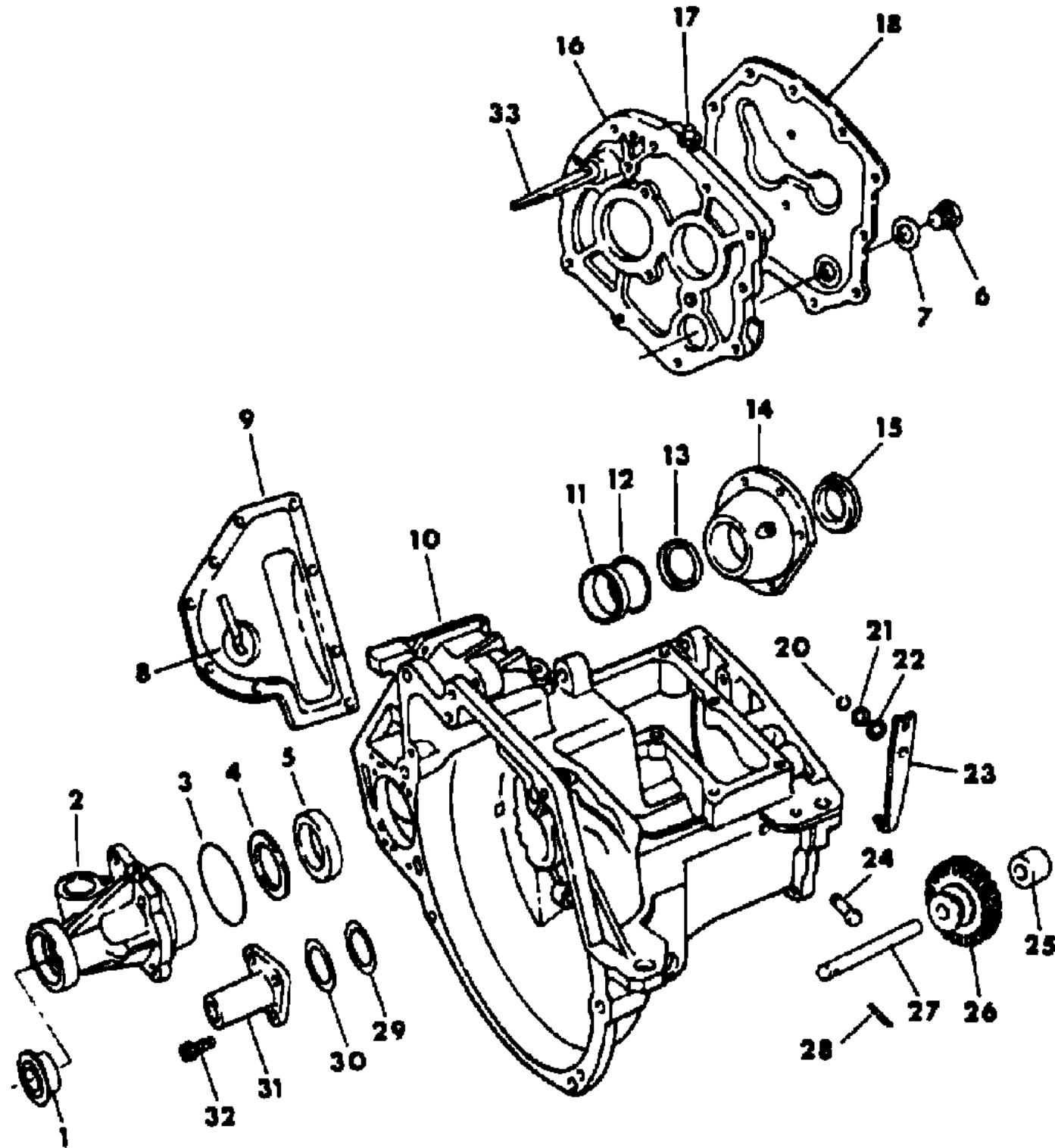
BODY STYLES

21 = 2-DOOR SEDAN	28 = FWD PICKUP	44 = 4-DOOR HATCHBACK
22 = 2-DOOR SPECIAL COUPE	35 = FWD VAN	45 = 4-DOOR STATION WAGON
24 = 2-DOOR HATCHBACK	36 = FWD WAGON	48 = 4-DOOR EXECUTIVE SEDAN
27 = 2-DOOR CONVERTIBLE	41 = 4-DOOR SEDAN	

AR = Use as Required - = Non Illustrated Part P.A.R. = Paint as Required

CASE, TRANSAXLE AND RELATED PARTS MANUAL TRANSAXLE, A460 4-SPEED
Figure 21M-100

4121 100



ITEM	PART NUMBER	QTY	BODY	MODEL	DESCRIPTION
20	6026 125	1			E-CLIP, Reverse Lever Pivot
21	0391 888	1			WASHER, Spring Wave
22	5205 609	1			WASHER, Reverse Lever Pivot
23	5222 656	1			LEVER, Gearshift Reverse
24	5205 625	1			PIN, Reverse Lever Clevis
25	4202 367	1			SPACER, Reverse Idler
26	5222 651	1			GEAR, Reverse Idler
27	5222 654	1			SHAFT, Reverse Idler
28	6100 234	1			PIN, Reverse Idler, Slotted Spring 4.20x14
29					SPACER, Input Shaft
	4202 751	1			0.62mm (.024")
	4202 301	1			0.66mm (.026")
	4202 302	1			0.70mm (.028")
	4202 303	1			0.74mm (.029")
	4202 304	1			0.78mm (.031")
	4202 305	1			0.82mm (.032")
	4202 306	1			0.86mm (.034")
	4202 307	1			0.90mm (.035")
	4202 308	1			0.94mm (.037")
	4202 309	1			0.98mm (.039")
	4202 310	1			1.02mm (.040")
	4202 311	1			1.06mm (.042")
	4202 312	1			1.10mm (.043")
	4202 313	1			1.14mm (.045")
	4202 314	1			1.18mm (.046")
	4202 315	1			1.22mm (.048")
	4202 316	1			1.26mm (.050")
	4202 317	1			1.30mm (.051")
	4202 318	1			1.34mm (.053")
	4202 319	1			1.38mm (.054")
	4202 320	1			1.42mm (.056")
	4202 321	1			1.46mm (.057")
	4202 322	1			1.50mm (.059")
	4202 323	1			1.54mm (.061")
	4202 324	1			1.58mm (.062")
	4202 325	1			1.62mm (.064")
	4202 326	1			1.66mm (.065")
	4202 752	1			1.70mm (.067")

MODEL CODES

B = GRAN FURY	F = FIFTH AVENUE/NEWPORT	P = RELIANT
C = LEBARON/TOWN & COUNTRY/EXC SEDAN	G = DIPLOMAT	T = E CLASS/NEW YORKER
C24 = LASER	H = VOYAGER	V = 600
D = ARIES	K = MINI RAM/CARAVAN/ROYAL	V24 = DAYTONA
E = 600	M = HORIZON/TURISMO	Z = OMNI/CHARGER/RAMPAGE

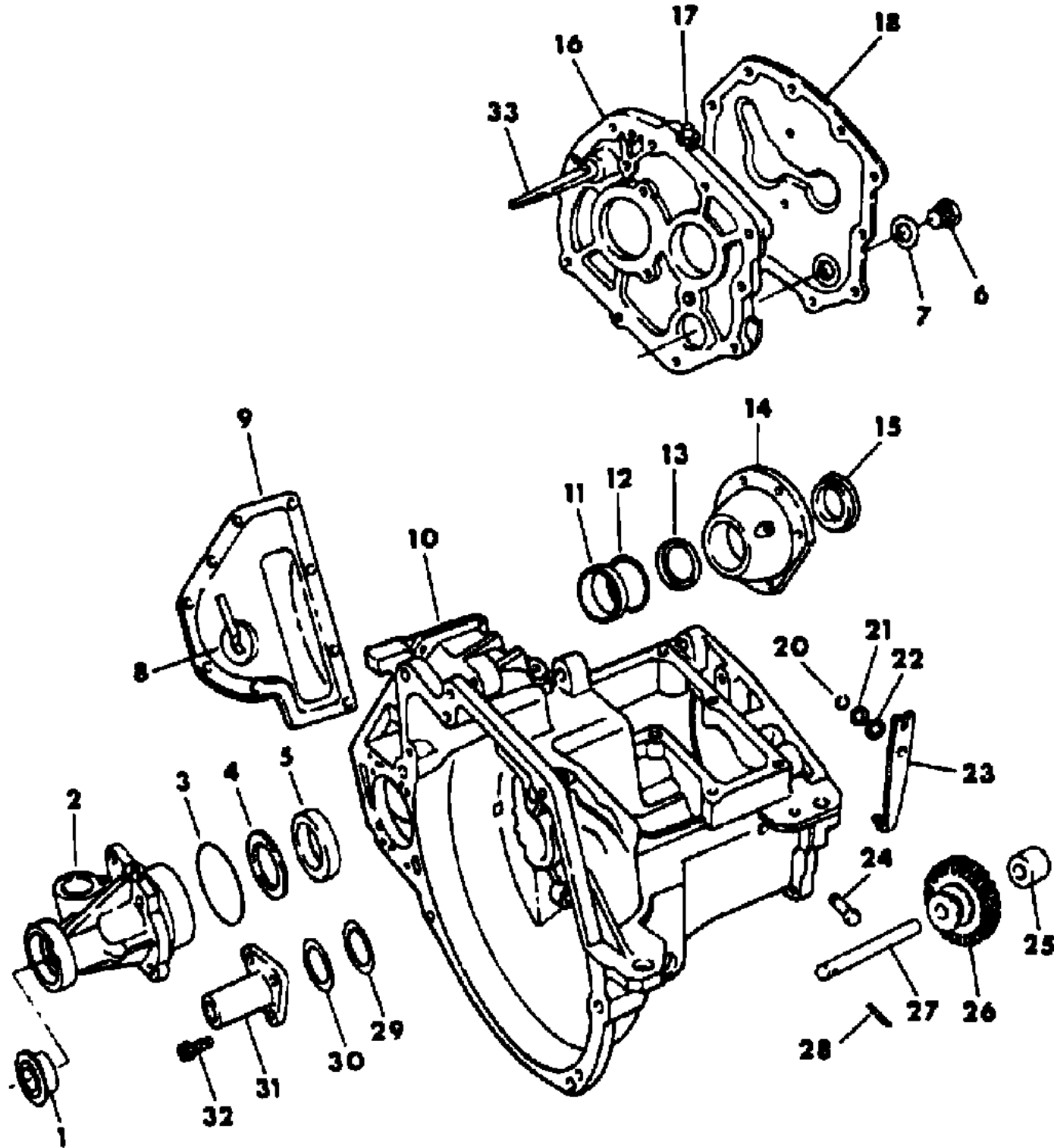
BODY STYLES

21 = 2-DOOR SEDAN	28 = FWD PICKUP	44 = 4-DOOR HATCHBACK
22 = 2-DOOR SPECIAL COUPE	35 = FWD VAN	45 = 4-DOOR STATION WAGON
24 = 2-DOOR HATCHBACK	36 = FWD WAGON	48 = 4-DOOR EXECUTIVE SEDAN
27 = 2-DOOR CONVERTIBLE	41 = 4-DOOR SEDAN	

AR = Use as Required - = Non Illustrated Part P.A.R. = Paint as Required

CASE, TRANSAXLE AND RELATED PARTS MANUAL TRANSAXLE, A460 4-SPEED
Figure 21M-100

4121 100



ITEM	PART NUMBER	QTY	BODY	MODEL	DESCRIPTION
	4202 753	1			1.74mm (.069")
	4202 754	1			1.78mm (.070")
30	5222 721	1			SEAL, Trans Input Shaft
31	4295 175	1			RETAINER, Trans Bearing Pilot and Seal
	4202 093	1			STRAP, Trans. Bearing Retainer
	6500 138	2			SCREW w/WA., Bearing Retainer Strap
32	6500 318	3			BOLT, Retainer to Case, M8x1.25x25
33	4329 581	1			OIL SCOOP, Trans Bearing Rear
NOTE: The following items are not illustrated s information becomes available.					
	5222 723	1			COVER, Timing Window
	5222 757	2			DOWEL, Case to Bearing Retainer

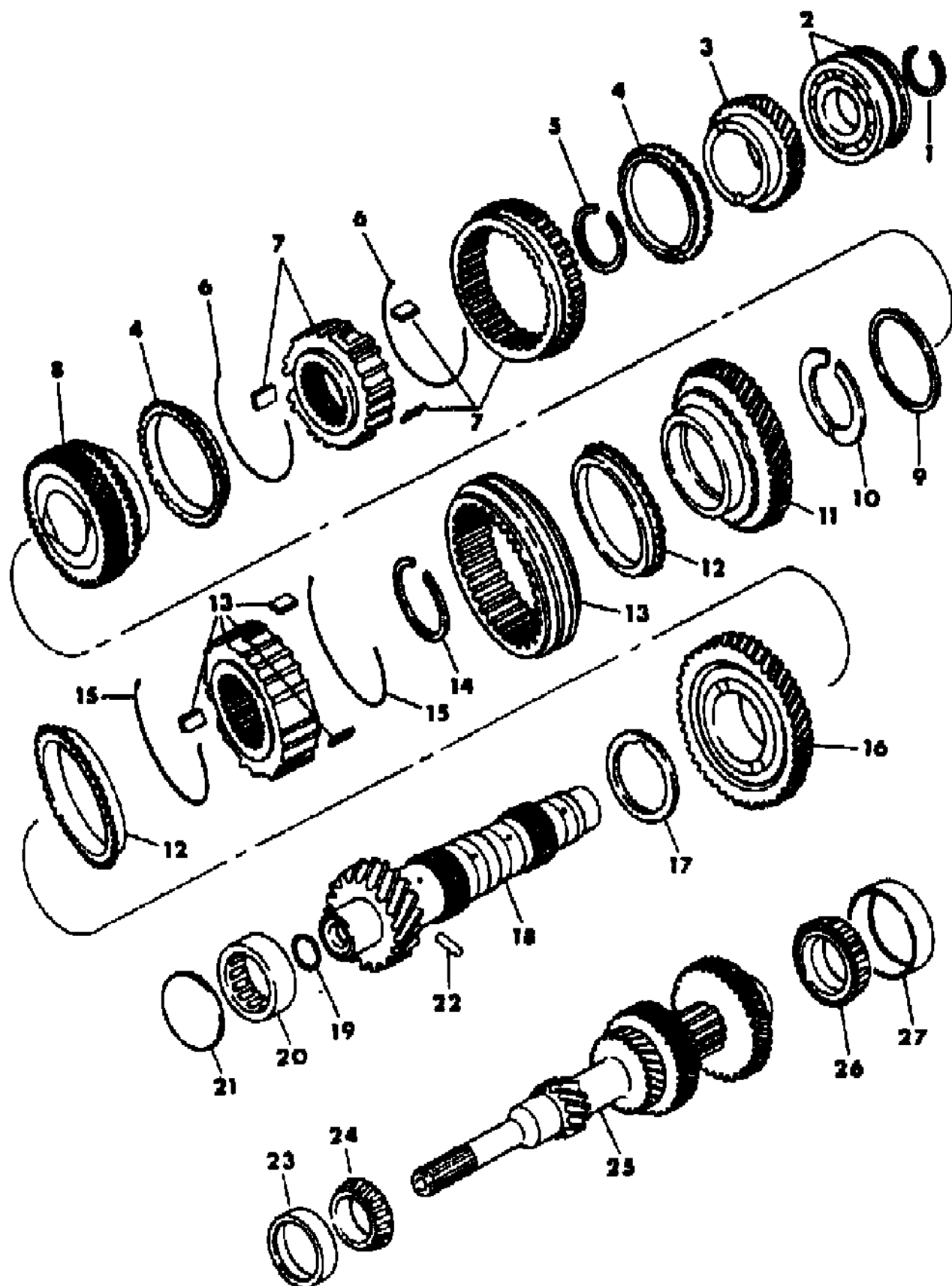
MODEL CODES
 B = GRAN FURY
 C = LEBARON/TOWN & COUNTRY/EXC SEDAN
 C24 = LASER
 D = ARIES
 E = 600
 F = FIFTH AVENUE/NEWPORT
 G = DIPLOMAT
 H = VOYAGER
 K = MINI RAM/CARAVAN/ROYAL
 M = HORIZON/TURISMO
 P = RELIANT
 T = E CLASS/NEW YORKER
 V = 600
 V24 = DAYTONA
 Z = OMNI/CHARGER/RAMPAGE

BODY STYLES
 21 = 2-DOOR SEDAN
 22 = 2-DOOR SPECIAL COUPE
 24 = 2-DOOR HATCHBACK
 27 = 2-DOOR CONVERTIBLE
 28 = FWD PICKUP
 35 = FWD VAN
 36 = FWD WAGON
 41 = 4-DOOR SEDAN
 44 = 4-DOOR HATCHBACK
 45 = 4-DOOR STATION WAGON
 48 = 4-DOOR EXECUTIVE SEDAN

AR = Use as Required - = Non Illustrated Part P.A.R. = Paint as Required

GEAR TRAIN MANUAL TRANSAXLE, A460 4-SPEED
Figure 21M-200

4131 300



ITEM	PART NUMBER	QTY	BODY	MODEL	DESCRIPTION
1	6500 315	1			SNAP RING, Inter Shaft Inner
2	4348 270	1			BEARING, Inter Shaft Rear
3	4269 066	1			GEAR, Fourth Speed, 34-44T
4	4295 799	2			RING, Third and Fourth Synchronizer Stop
5	6500 316	1			SNAP RING, Third and Fourth Gear, Inner
6	4202 124	2			SPRING, Third and Fourth Gear Synchroizer
7	4411 968	1			SYCHRONIZER, Third and Fourth Gear
8	4269 065	1			GEAR, Third Speed, 36-51T
9	5222 749	1			RING, Washer Retaining
10	4202 533	2			WASHER, Split Thrust
11	4295 728	1			GEAR, Second Speed, 39-53T
12	4329 142	2			RING, First and Second Synchronizer Stop
13	4295 725	1			SYNCHRONIZER, First and Second Speed
14	6024 131	1			SNAP RING, First and Second Speed Gear, Inner
15	4269 350	2			SPRING, First and Second Speed Gear Synchrozier
16	4295 714	1			GEAR, First Speed, 39-46T
17	4202 534	1			WASHER, Low Gear Thrust
18	4202 110	1			SHAFT, Intermediate, w/2.69 Overall Ratio, 9-7/8" Lg.
	4207 945	1			w/3.13 Overall Ratio
19	5222 959	1			RING, Inter Shaft Oil Retaining
20	4202 590	1			BEARING, Inter Shaft Roller
21	5222 957	1			FEEDER, Inter Shaft Inner Oil
22	6032 705	1			PIN, First Gear Thrust Plate Driving
23	5205 564	1			CUP, Input Shaft Bearing, Front
24	5205 565	1			CONE BEARING, Input Shaft, Front
25	4269 349	1			SHAFT, Input
26	5205 568	1			CONE BEARING, Input Shaft, Rear
27	5205 567	1			CUP, Input Shaft Rear Bearing

MODEL CODES

B = GRAN FURY	F = FIFTH AVENUE/NEWPORT	P = RELIANT
C = LEBARON/TOWN & COUNTRY/EXC SEDAN	G = DIPLOMAT	T = E CLASS/NEW YORKER
C24 = LASER	H = VOYAGER	V = 600
D = ARIES	K = MINI RAM/CARAVAN/ROYAL	V24 = DAYTONA
E = 600	M = HORIZON/TURISMO	Z = OMNI/CHARGER/RAMPAGE

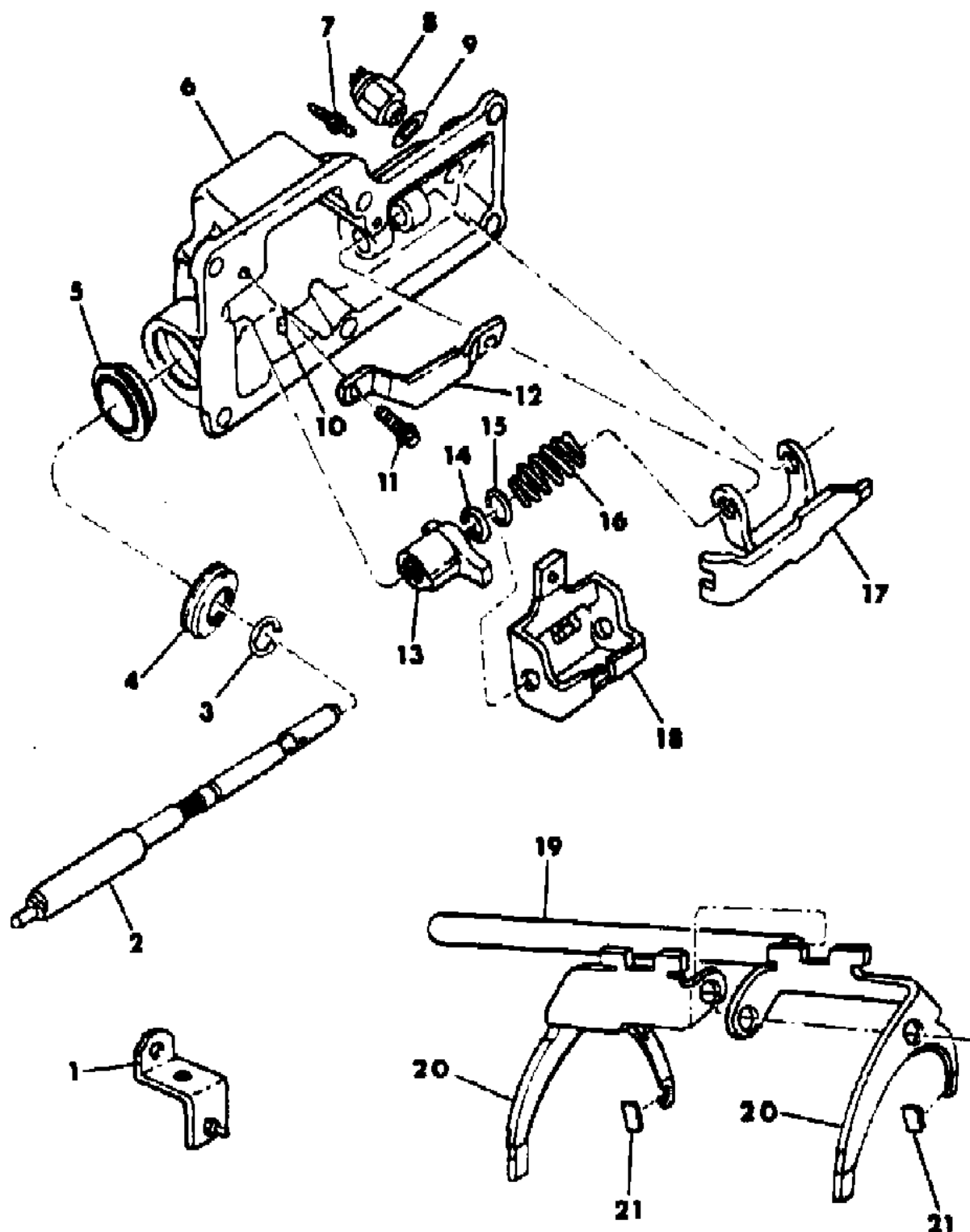
BODY STYLES

21 = 2-DOOR SEDAN	28 = FWD PICKUP	44 = 4-DOOR HATCHBACK
22 = 2-DOOR SPECIAL COUPE	35 = FWD VAN	45 = 4-DOOR STATION WAGON
24 = 2-DOOR HATCHBACK	36 = FWD WAGON	48 = 4-DOOR EXECUTIVE SEDAN
27 = 2-DOOR CONVERTIBLE	41 = 4-DOOR SEDAN	

AR = Use as Required - = Non Illustrated Part P.A.R. = Paint as Required

CONTROLS, INTERNAL MANUAL TRANSAXLE, A460 4-SPEED
Figure 21M-300

4121 300



ITEM	PART NUMBER	QTY	BODY	MODEL	DESCRIPTION
1	4329 147	1			LEVER w/BALL STUD, G/Shift Operating
	6500 568	1			NUT, Hex Flange Lock (Not Illustrated)
2	4269 100	1			SHAFT, Gearshift Selector
3	6030 595	1			SNAP RING
4	4202 486	1			BOOT
5	4295 197	1			SEAL, Trans Gearshift Housing
6	4269 164	1			HOUSING, Gearshift
7	5222 638	1			PLUG, First And Second Shift Adjusting
8	4221 949	1			SWITCH, Back-Up Light
9	1302 807	1			WASHER, Back-Up Light Switch
10	4130 888	1			PIN, Selector Stop
11	6500 417	2			BOLT, Stop Plate, M6x1.00x22
12	4205 856	1			PLATE, Gearshift Fork Stop
13	4269 262	1			SELECTOR, Gearshift Detent
14	6500 328	1			E-CLIP, Gearshift
15	4202 471	1			WASHER, Crossover Spring
16	4295 731	1			SPRING, Crossover
17	4205 856	1			LEVER, Reverse Shift
18	4329 440	1			BLOCKER, Gearshift
19	4269 219	1			RAIL, Trans G/Shift
20	4411 961	1			FORK w/INSERTS And LUG PKG., Gearshift Third & Fourth
	4411 960	1			FORK w/INSERTS And LUG PKG., Gearshift, First & Second
21	2514 621	2			INSERT, Gearshift Fork, Third & Fourth Speed
	4295 519	2			First & Second Speed
NOTE: The following items are not illustrated s information becomes available.					
	6100 929	2			BOLT, Gearshift Housing to Case, M8x1.25x45
	6500 313	2			M8x1.25x28
	6500 318	2			M8x1.25x25

MODEL CODES

B = GRAN FURY	F = FIFTH AVENUE/NEWPORT	P = RELIANT
C = LEBARON/TOWN & COUNTRY/EXC SEDAN	G = DIPLOMAT	T = E CLASS/NEW YORKER
C24 = LASER	H = VOYAGER	V = 600
D = ARIES	K = MINI RAM/CARAVAN/ROYAL	V24 = DAYTONA
E = 600	M = HORIZON/TURISMO	Z = OMNI/CHARGER/RAMPAGE

BODY STYLES

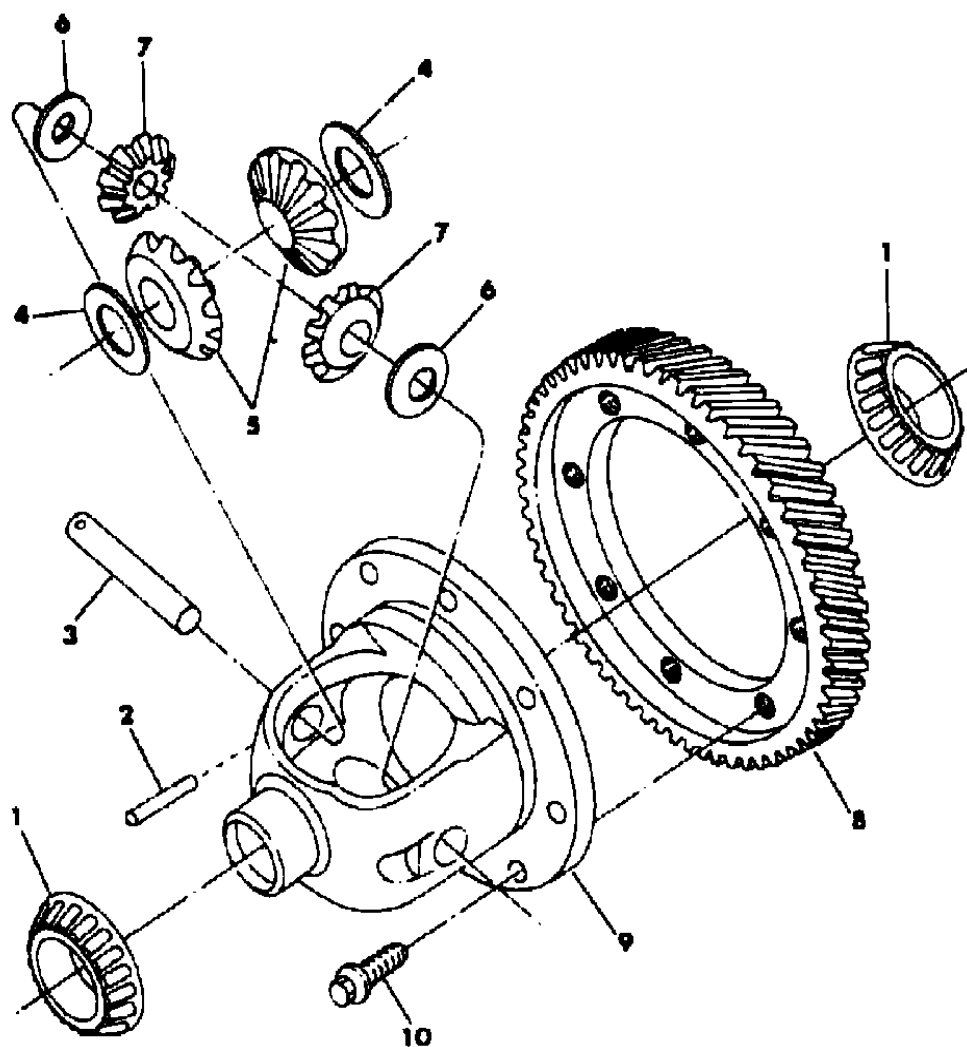
21 = 2-DOOR SEDAN	28 = FWD PICKUP	44 = 4-DOOR HATCHBACK
22 = 2-DOOR SPECIAL COUPE	35 = FWD VAN	45 = 4-DOOR STATION WAGON
24 = 2-DOOR HATCHBACK	36 = FWD WAGON	48 = 4-DOOR EXECUTIVE SEDAN
27 = 2-DOOR CONVERTIBLE	41 = 4-DOOR SEDAN	

AR = Use as Required - = Non Illustrated Part P.A.R. = Paint as Required

DIFFERENTIAL MANUAL TRANSAXLE, A460 4-SPEED
Figure 21M-400

4121 400

ITEM	PART NUMBER	QTY	BODY	MODEL	DESCRIPTION
1	4269 677	2			CONE BEARING, Differential
2	6101 284	1			PIN, Differential Roll
3	4207 073	1			SHAFT, Differential
4	5212 212	2			WASHER, Differential Side Gear
5	4412 048	2			GEAR, Differential Side
6	5212 211	2			WASHER, Pinion
7	4412 050	2			PINION, Differential
8	5222 772	1			GEAR, Final Drive, 7-1/2" Dia., 58T, Except 4295752 Trans.
	4295 417	1			57T, w/4295752 Trans.
9	5222 775	1			CASE, Differential
10	6501 032	8			BOLT, Drive Gear to Case, M10x1.5x25



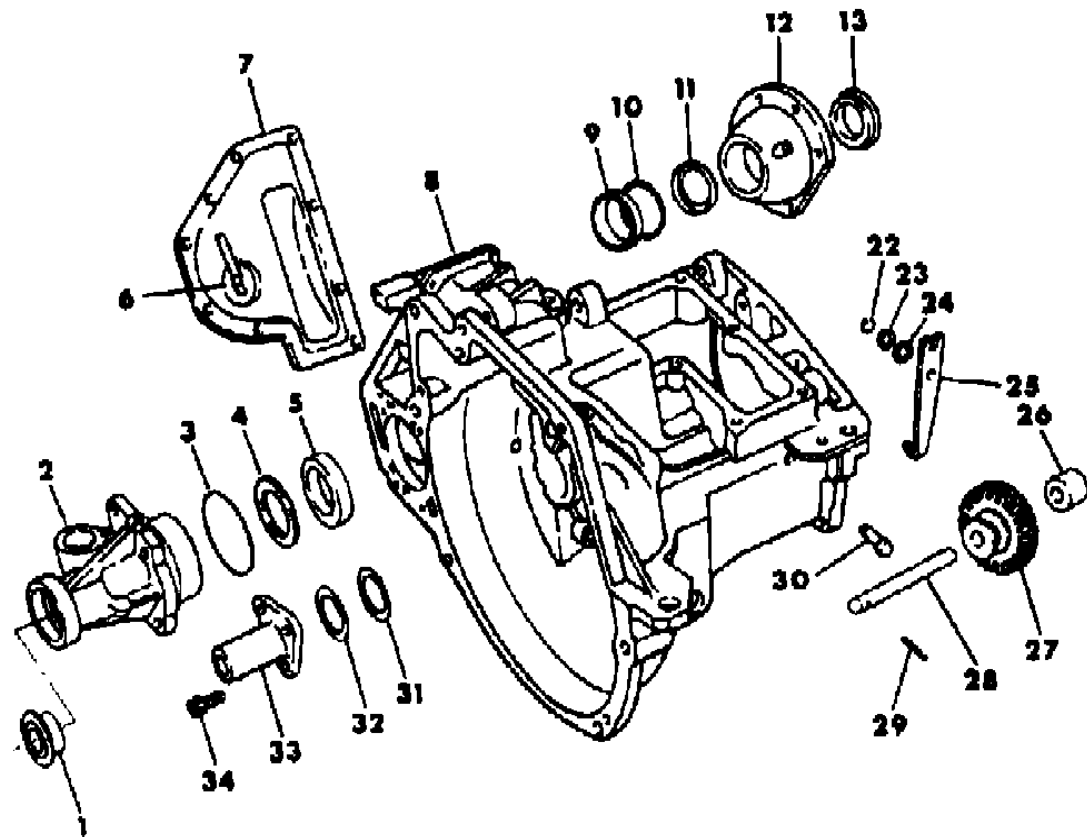
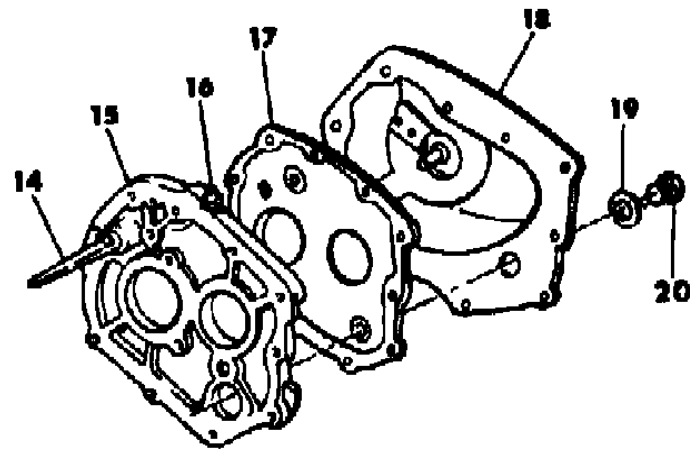
MODEL CODES
 B = GRAN FURY
 C = LEBARON/TOWN & COUNTRY/EXC SEDAN
 C24 = LASER
 D = ARIES
 E = 600
 F = FIFTH AVENUE/NEWPORT
 G = DIPLOMAT
 H = VOYAGER
 K = MINI RAM/CARAVAN/ROYAL
 M = HORIZON/TURISMO
 P = RELIANT
 T = E CLASS/NEW YORKER
 V = 600
 V24 = DAYTONA
 Z = OMNI/CHARGER/RAMPAGE

BODY STYLES
 21 = 2-DOOR SEDAN
 22 = 2-DOOR SPECIAL COUPE
 24 = 2-DOOR HATCHBACK
 27 = 2-DOOR CONVERTIBLE
 28 = FWD PICKUP
 35 = FWD VAN
 36 = FWD WAGON
 41 = 4-DOOR SEDAN
 44 = 4-DOOR HATCHBACK
 45 = 4-DOOR STATION WAGON
 48 = 4-DOOR EXECUTIVE SEDAN

AR = Use as Required - = Non Illustrated Part P.A.R. = Paint as Required

CASE, TRANSAXLE AND RELATED PARTS MANUAL TRANSAXLE, A465,A525 5-SPEED
Figure 21M-500

4181 500



ITEM	PART NUMBER	QTY	BODY	MODEL	DESCRIPTION
1	4295 904	1			SEAL, Trans. Extension
2	4269 961	1			EXTENSION w/BUSHING, Trans.
	6500 511	4			SCREW, Ext. to Case, M8x1.25x33
3	6500 111	1			"O"-RING, Trans. Extension
4	5222 255	1			RETAINER, Trans. Extension Oil
5	4269 676	1			CUP, Trans. Retainer Diff.
6	3681 601	1			MAGNET, Trans. Chip Collector
7	4329 464	1			PAN, Trans. Diff. Oil
	6500 559	2			STUD, Oil Pan To Case, M8x1.25x40
	6500 470	3			NUT, Oil Pan To Case Stud, M8x1.25
	6500 921	3			STUD, Oil Pan To Case, M8x1.25x44
	6500 739	5			SCREW w/WA., M8x1.25x16
8	4329 545	1			CASE, Transaxle
9	4269 676	1			CUP, Diff. Retainer Bearing
10					SPACER, Trans. Final Drive
	4207 134	1			0.50mm (.020")
	4207 135	1			0.55mm (.022")
	4207 136	1			0.60mm (.024")
	4207 137	1			0.65mm (.026")
	4207 138	1			0.70mm (.027")
	4207 139	1			0.75mm (.029")
	4207 140	1			0.80mm (.031")
	4207 141	1			0.85mm (.033")
	4207 142	1			0.90mm (.035")
	4207 143	1			0.95mm (.037")
	4207 144	1			1.00mm (.039")
	4207 145	1			1.05mm (.041")
11	5222 256	1			BAFFLE, Oil Feed
12	4329 549	1			RETAINER, Diff. Bearing
	6500 368	AR			SCREW, Diff. Brg. Retainer, M8x1.25x23
13	4295 904	1			SEAL, Bearing Retainer
14	4329 583	1			OIL SCOOP, Trans. Bearing Rear
15	4340 091	1			PLATE, Trans. Bearing Retainer
16	2124 715	1			VENT, Trans.
17	5222 758	1			PLATE, Trans. Bearing Back-Up
18	4202 860	1			COVER, Rear Oil Feed
	6101 235	10			SCREW, Cover Rear, M8x1.25x40
	6500 440	2			M8x1.25x22

MODEL CODES

B = GRAN FURY	F = FIFTH AVENUE/NEWPORT	P = RELIANT
C = LEBARON/TOWN & COUNTRY/EXC SEDAN	G = DIPLOMAT	T = E CLASS/NEW YORKER
C24 = LASER	H = VOYAGER	V = 600
D = ARIES	K = MINI RAM/CARAVAN/ROYAL	V24 = DAYTONA
E = 600	M = HORIZON/TURISMO	Z = OMNI/CHARGER/RAMPAGE

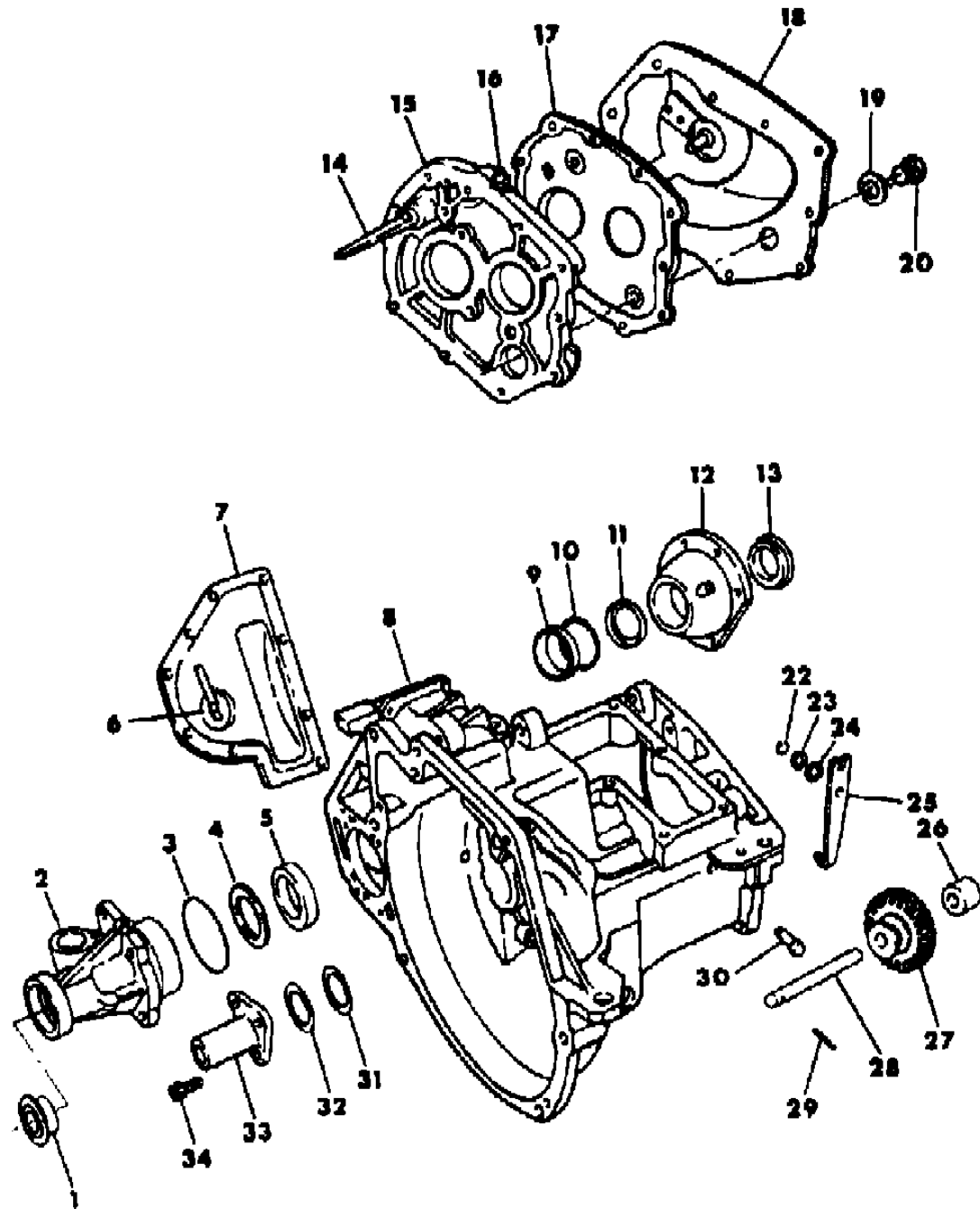
BODY STYLES

21 = 2-DOOR SEDAN	28 = FWD PICKUP	44 = 4-DOOR HATCHBACK
22 = 2-DOOR SPECIAL COUPE	35 = FWD VAN	45 = 4-DOOR STATION WAGON
24 = 2-DOOR HATCHBACK	36 = FWD WAGON	48 = 4-DOOR EXECUTIVE SEDAN
27 = 2-DOOR CONVERTIBLE	41 = 4-DOOR SEDAN	

AR = Use as Required - = Non Illustrated Part P.A.R. = Paint as Required

CASE, TRANSAXLE AND RELATED PARTS MANUAL TRANSAXLE, A465,A525 5-SPEED
Figure 21M-500

4181 500



ITEM	PART NUMBER	QTY	BODY	MODEL	DESCRIPTION
19	2070 122	1			GASKET, Drain and Fill Plug
20	4202 535	1			PLUG, Drain and Fill
22	6026 125	1			E-CLIP, Reverse Lever Pivot
23	0391 888	1			WASHER, Spring Wave
24	5205 609	1			WASHER, Reverse Lever Pivot
25	5222 656	1			LEVER, Gearshift Reverse
26	4202 367	1			SPACER, Reverse Idler
27	5222 651	1			GEAR, Reverse Idler
28	5222 654	1			SHAFT, Reverse Idler
29	6100 234	1			ROLL PIN, Reverse Idler
30	5205 625	1			PIN, Reverse Lever Clevis
31					SPACER, Input Shaft
	4202 751	1			0.62mm (.024")
	4202 301	1			0.66mm (.026")
	4202 302	1			0.70mm (.028")
	4202 303	1			0.74mm (.029")
	4202 304	1			0.78mm (.031")
	4202 305	1			0.82mm (.032")
	4202 306	1			0.86mm (.034")
	4202 307	1			0.90mm (.035")
	4202 308	1			0.94mm (.037")
	4202 309	1			0.98mm (.039")
	4202 310	1			1.02mm (.040")
	4202 311	1			1.06mm (.042")
	4202 312	1			1.10mm (.043")
	4202 313	1			1.14mm (.045")
	4202 314	1			1.18mm (.046")
	4202 315	1			1.22mm (.048")
	4202 316	1			1.26mm (.050")
	4202 317	1			1.30mm (.051")
	4202 318	1			1.34mm (.053")
	4202 319	1			1.38mm (.054")
	4202 320	1			1.42mm (.056")
	4202 321	1			1.46mm (.057")
	4202 322	1			1.50mm (.059")
	4202 323	1			1.54mm (.061")
	4202 324	1			1.58mm (.062")
	4202 325	1			1.62mm (.064")

MODEL CODES

B = GRAN FURY	F = FIFTH AVENUE/NEWPORT	P = RELIANT
C = LEBARON/TOWN & COUNTRY/EXC SEDAN	G = DIPLOMAT	T = E CLASS/NEW YORKER
C24 = LASER	H = VOYAGER	V = 600
D = ARIES	K = MINI RAM/CARAVAN/ROYAL	V24 = DAYTONA
E = 600	M = HORIZON/TURISMO	Z = OMNI/CHARGER/RAMPAGE

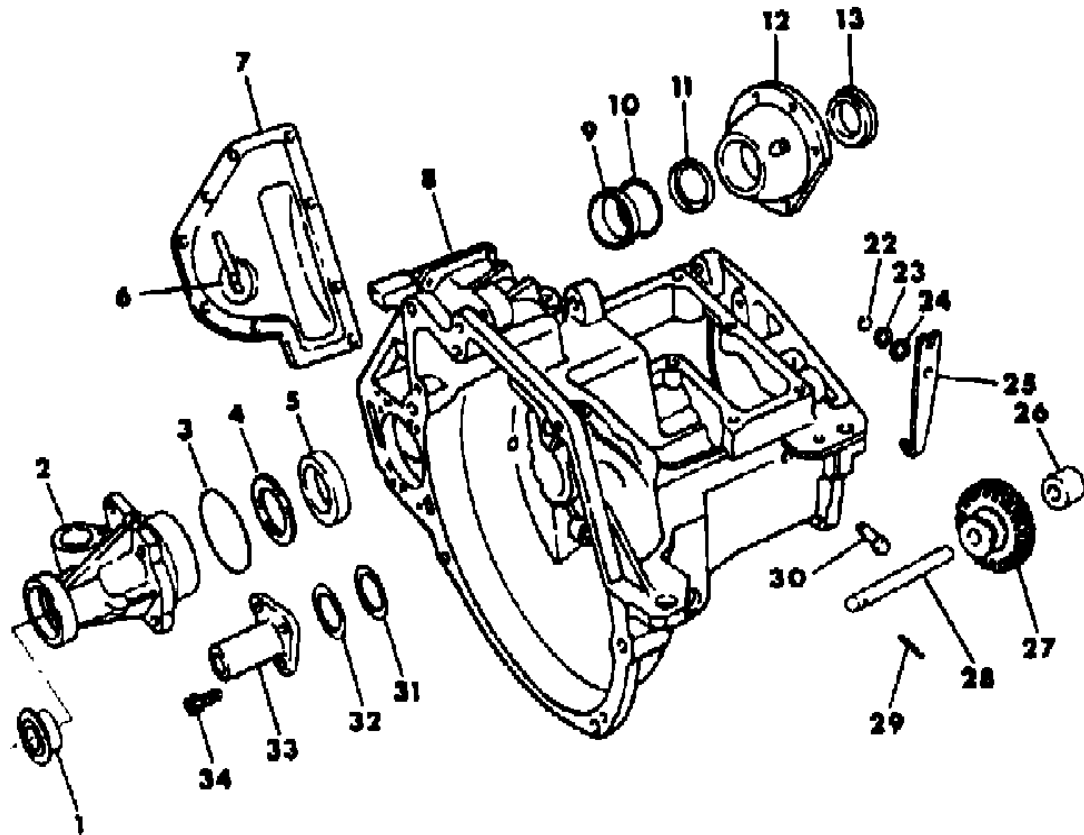
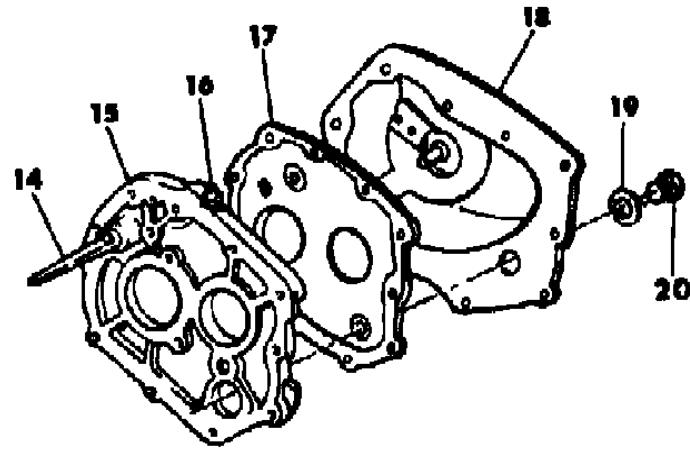
BODY STYLES

21 = 2-DOOR SEDAN	28 = FWD PICKUP	44 = 4-DOOR HATCHBACK
22 = 2-DOOR SPECIAL COUPE	35 = FWD VAN	45 = 4-DOOR STATION WAGON
24 = 2-DOOR HATCHBACK	36 = FWD WAGON	48 = 4-DOOR EXECUTIVE SEDAN
27 = 2-DOOR CONVERTIBLE	41 = 4-DOOR SEDAN	

AR = Use as Required - = Non Illustrated Part P.A.R. = Paint as Required

CASE, TRANSAXLE AND RELATED PARTS MANUAL TRANSAXLE, A465,A525 5-SPEED
Figure 21M-500

4181 500



ITEM	PART NUMBER	QTY	BODY	MODEL	DESCRIPTION
	4202 326	1			1.66mm (.065")
	4202 752	1			1.70mm (.067")
	4202 753	1			1.74mm (.069")
	4202 754	1			1.78mm (.070")
32	5222 721	1			SEAL, Trans. Input Shaft
33	4295 175	1			RETAINER, Trans. Bearing Pilot and Seal
	4202 093	1			STRAP, Trans. Bearing Retainer
34	6500 318	3			BOLT, Retainer to Case, M8x1.25x25
NOTE: The following items are not illustrated s information becomes available.					
	0106 959	1			PLUG, Expansion
	5222 723	1			COVER, Timing Window
	5222 757	2			DOWEL, Case to Bearing Retainer

MODEL CODES

B = GRAN FURY	F = FIFTH AVENUE/NEWPORT	P = RELIANT
C = LEBARON/TOWN & COUNTRY/EXC SEDAN	G = DIPLOMAT	T = E CLASS/NEW YORKER
C24 = LASER	H = VOYAGER	V = 600
D = ARIES	K = MINI RAM/CARAVAN/ROYAL	V24 = DAYTONA
E = 600	M = HORIZON/TURISMO	Z = OMNI/CHARGER/RAMPAGE

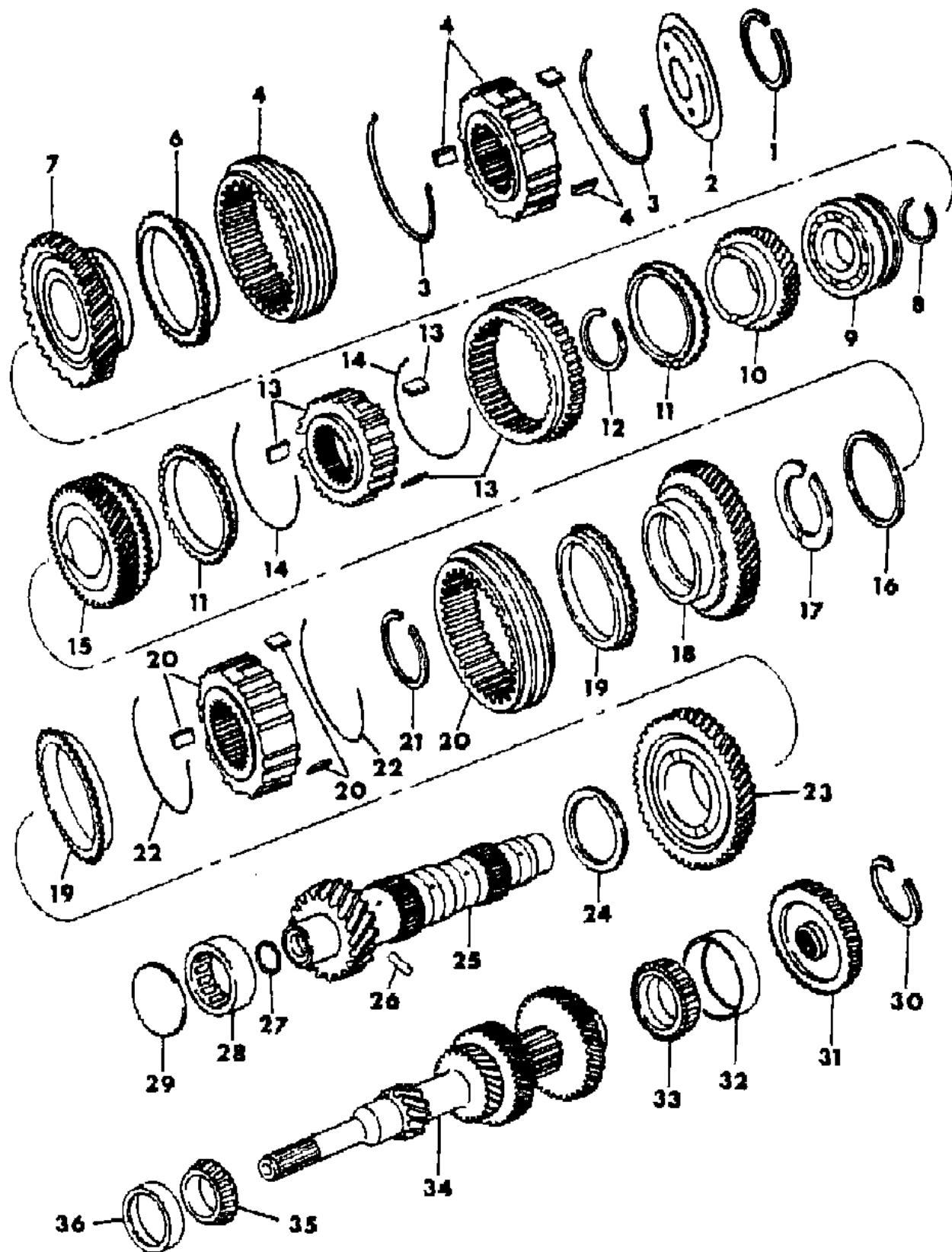
BODY STYLES

21 = 2-DOOR SEDAN	28 = FWD PICKUP	44 = 4-DOOR HATCHBACK
22 = 2-DOOR SPECIAL COUPE	35 = FWD VAN	45 = 4-DOOR STATION WAGON
24 = 2-DOOR HATCHBACK	36 = FWD WAGON	48 = 4-DOOR EXECUTIVE SEDAN
27 = 2-DOOR CONVERTIBLE	41 = 4-DOOR SEDAN	

AR = Use as Required - = Non Illustrated Part P.A.R. = Paint as Required

GEAR TRAIN MANUAL TRANSAXLE, A465,A525 5-SPEED
Figure 21M-600

4121 600



ITEM	PART NUMBER	QTY	BODY	MODEL	DESCRIPTION
1	6500 980	1			SNAP RING, Inter Shaft Fifth Speed
2	4431 894	1			PLATE, Fifth Speed Synchronizer Retainer
3	4202 124	2			SPRING, Fifth Speed Synchronizer
4	4411 967	1			SYNCHRONIZER, Fifth Speed
6	4295 799	1			RING, Fifth Speed Synchronizer Stop
7	4329 355	1			GEAR, Fifth Speed
8	6500 315	1			SNAP RING, Inter Shaft Inner
9	4348 270	1			BEARING, Inter Shaft Rear
10	4269 066	1			GEAR, Fourth Speed w/4295746 Trans., 34-44T
	4295 660	1			Except 4295746 Trans., 34-48T
11	4295 799	2			RING, Fourth Speed Synchronizer Stop
12	6500 316	1			SNAP RING, Third and Fourth Gear, Inner
13	4411 968	1			SYNCHRONIZER, Third and Fourth Gear
14	4202 124	2			SPRING, Third and Fourth Gear Synchronizer
15	4269 065	1			GEAR, Third Speed w/4295746 Trans., 36-51T
	4295 659	1			Except 4295746 Trans., 36-55T
16	5222 749	1			RING, Washer Retaining
17	4202 533	2			WASHER, Split Thrust
18					GEAR, Second Speed
	4295 728	1			w/4295746 Trans., 39-53T, 2-Oil Grooves
	4295 721	1			w/4295754 Trans., 39-54T, 3-Oil Grooves
	4295 719	1			w/4329151,521,4295755 Trans., 39-54T, 2-Oil Grooves
	4295 719	1	H,K		w/4295754 Trans., Except Turbo Eng.
19	4329 142	2			RING, First and Second Synchronizer Stop
20	4295 725	1			SYNCHRONIZER, First and Second Speed
21	6024 131	1			SNAP RING, First and Second Speed Gear, Inner
22	4269 350	2			SPRING, First and Second Speed Gear Synchronizer
23					GEAR, First Speed
	4295 714	1			w/4329151,521,4295755 Trans., 39-46T, 2-Oil Grooves
	4295 714	1	H,K		w/4295754 Trans., Except Turbo Eng.
	4295 716	1			w/4295746,754 Trans., 39-46T, 3-Oil Grooves
24	4202 534	1			WASHER, Low Gear Thrust
25					SHAFT, Intermediate
	5222 753	1			w/4295755 Trans. 19T
	5222 755	1			w/4329151 Trans. 16T
	5222 755	1	H,K		w/4295754 Trans. 16T, Except Turbo Eng.
	4295 420	1			w/4295746,754 Trans. 16T
	4295 525	1			w/4329521 Trans. 15T

MODEL CODES

B = GRAN FURY	F = FIFTH AVENUE/NEWPORT	P = RELIANT
C = LEBARON/TOWN & COUNTRY/EXC SEDAN	G = DIPLOMAT	T = E CLASS/NEW YORKER
C24 = LASER	H = VOYAGER	V = 600
D = ARIES	K = MINI RAM/CARAVAN/ROYAL	V24 = DAYTONA
E = 600	M = HORIZON/TURISMO	Z = OMNI/CHARGER/RAMPAGE

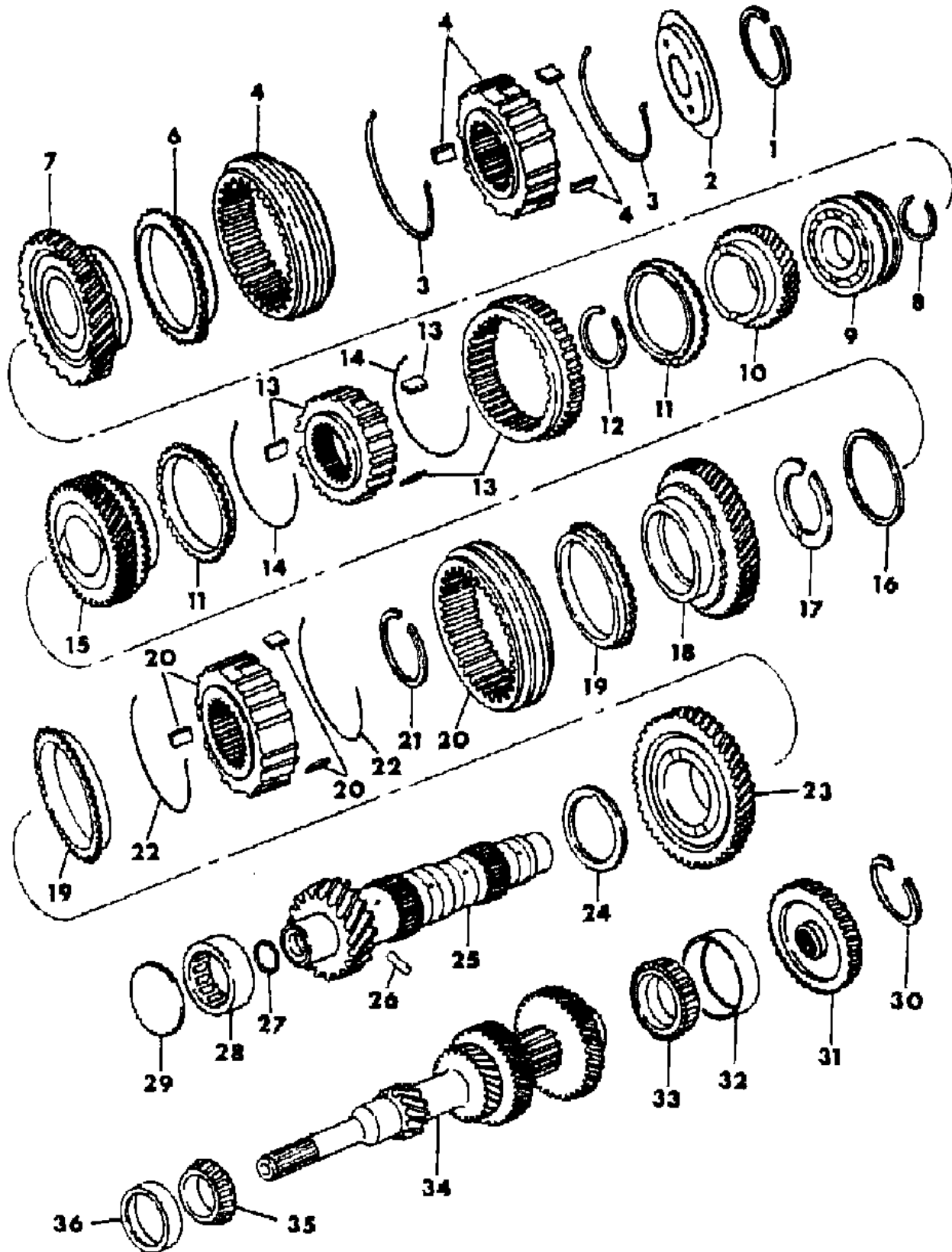
BODY STYLES

21 = 2-DOOR SEDAN	28 = FWD PICKUP	44 = 4-DOOR HATCHBACK
22 = 2-DOOR SPECIAL COUPE	35 = FWD VAN	45 = 4-DOOR STATION WAGON
24 = 2-DOOR HATCHBACK	36 = FWD WAGON	48 = 4-DOOR EXECUTIVE SEDAN
27 = 2-DOOR CONVERTIBLE	41 = 4-DOOR SEDAN	

AR = Use as Required - = Non Illustrated Part P.A.R. = Paint as Required

GEAR TRAIN MANUAL TRANSAXLE, A465,A525 5-SPEED
Figure 21M-600

4121 600



ITEM	PART NUMBER	QTY	BODY	MODEL	DESCRIPTION
26	6032 705	1			PIN, First Gear Thrust Plate Driving
27	5222 959	1			RING, Inner Shaft Oil Retaining
28	4202 590	1			BEARING, Inter Shaft Roller
29	5222 957	1			FEEDER, Inter Shaft Inner Oil
30	6500 980	1			SNAP RING, Fifth Speed Gear Input Shaft
31	4295 548	1			GEAR, Fifth Speed Input Shaft, Helical
	5222 659	1			Spur
32	5205 567	1			CUP, Input Shaft Rear Bearing
33	5205 568	1			CONE BEARING, Input Shaft Rear
34					SHAFT, Input
	4295 657	1			w/4295754 Trans., Spur
	4295 547	1			w/4295746 Trans., Helical
	4295 683	1			w/4295755,4329151,521 Trans., Spur
	4295 683	1		H,K	w/4295754 Trans., Except Turbo Eng., Spur
35	5205 565	1			CONE BEARING, Input Shaft Front
36	5205 564	1			CUP, Input Shaft Bearing Front

MODEL CODES

B = GRAN FURY	F = FIFTH AVENUE/NEWPORT	P = RELIANT
C = LEBARON/TOWN & COUNTRY/EXC SEDAN	G = DIPLOMAT	T = E CLASS/NEW YORKER
C24 = LASER	H = VOYAGER	V = 600
D = ARIES	K = MINI RAM/CARAVAN/ROYAL	V24 = DAYTONA
E = 600	M = HORIZON/TURISMO	Z = OMNI/CHARGER/RAMPAGE

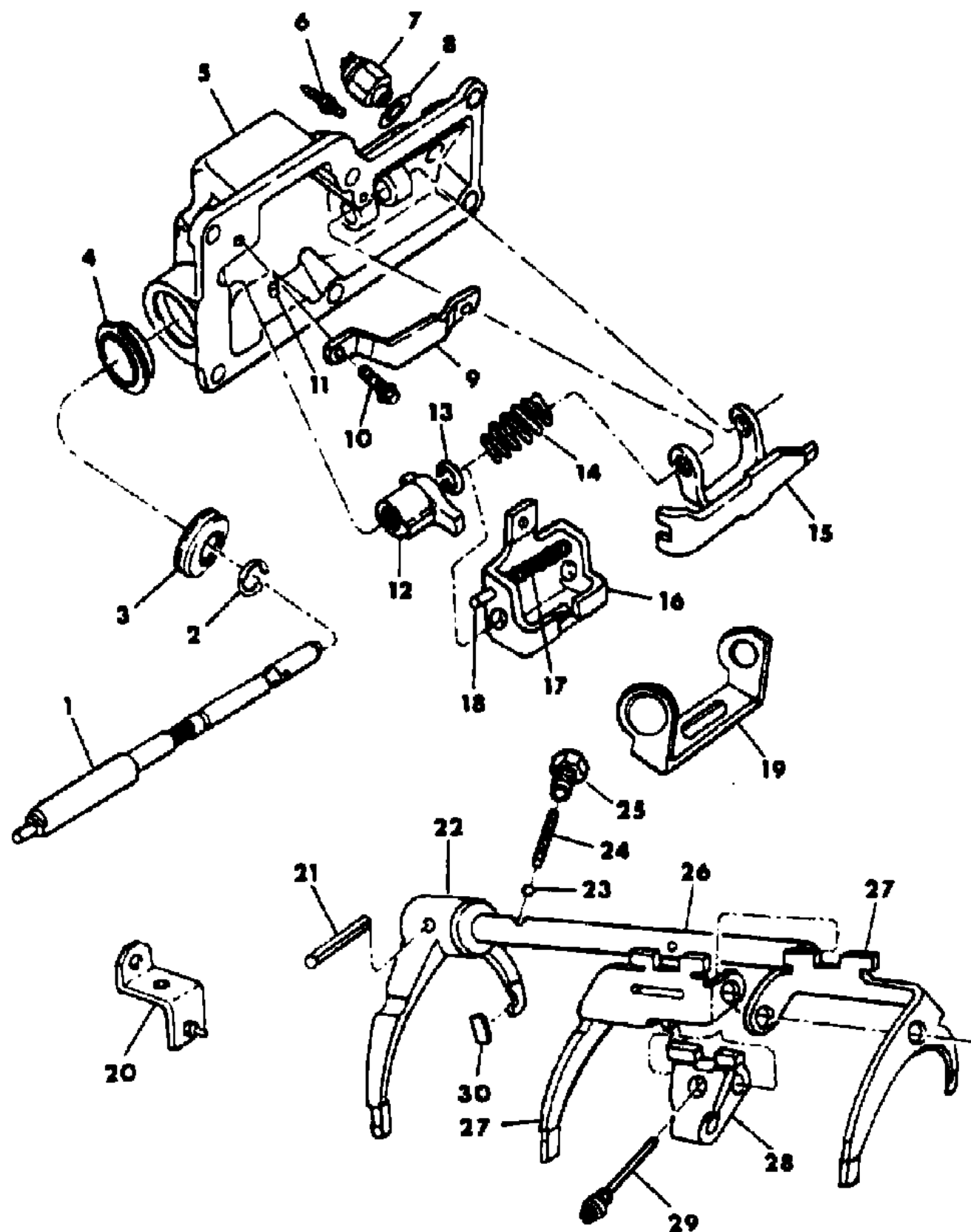
BODY STYLES

21 = 2-DOOR SEDAN	28 = FWD PICKUP	44 = 4-DOOR HATCHBACK
22 = 2-DOOR SPECIAL COUPE	35 = FWD VAN	45 = 4-DOOR STATION WAGON
24 = 2-DOOR HATCHBACK	36 = FWD WAGON	48 = 4-DOOR EXECUTIVE SEDAN
27 = 2-DOOR CONVERTIBLE	41 = 4-DOOR SEDAN	

AR = Use as Required - = Non Illustrated Part P.A.R. = Paint as Required

**CONTROLS, INTERNAL MANUAL TRANSAXLE, A465,A525 5-SPEED
Figure 21M-700**

4131 700



ITEM	PART NUMBER	QTY	BODY	MODEL	DESCRIPTION
1	4269 100	1			SHAFT, Gearshift Selector
2	6030 595	1			SNAP RING
3	4202 486	1			BOOT
4	4295 197	1			SEAL, Trans. Gearshift Housing
5	4269 164	1			HOUSING, Gearshift
6	5222 638	1			PLUG, First And Second Shift Adjusting
7	4221 949	1			SWITCH, Back-Up Light
8	1302 807	1			GASKET, Back-Up Light Switch
9	4205 856	1			PLATE & LEVER, Gearshift Fork Stop
10	6500 417	2			BOLT, Stop Plate, M6x1.00x22
11	4130 888	1			PIN, Selector Stop
	6032 156	1			RING, Selector Stop Pin
12	4269 262	1			SELECTOR, Gearshift Detent
13	6500 328	1			E-CLIP, Gearshift
14	4295 731	1			SPRING, Crossover
15	4205 856	1			LEVER w/PLATE, Reverse Shift
16	4329 437	1			BLOCKER, Gearshift
17	4295 046	1			SPRING, Fifth Speed Shift Load
18	4295 028	1			PIN, Fifth Speed Shift Load Spring
19	4269 355	1			PLATE, Spring Stop
20	4329 147	1			LEVER, Gearshift Operating
21		1			PIN, Slotted Spring, Not Serviced
22	4269 086	1			FORK w/INSERTS, Fifth Speed
23	0104 918	1			BALL, Fifth Speed Detent
24	4295 296	1			SPRING, Rail Detent
25	6500 619	1			SCREW, Detent Spring
26	4269 137	1			RAIL, Trans. Gearshift
27	4411 960	1			FORK w/INSERTS And LUG., Gearshift, First & Second
	4411 961	1			FORK w/INSERTS And LUG PKG., Gearshift Third & Fourth
28	4269 089	1			SHIFTER, Fifth Speed
29	4202 883	1			PIN, Shifter Guide
30	4295 519	2			INSERT, Gearshift Fork, First & Second Speed
	2514 621	2			Third & Fourth Speed
	2514 621	2			Fifth Speed
NOTE: The following items are not illustrated s information becomes available.					
	6100 929	2			BOLT, G/Shift Housing to Case, M8x1.25x45
	6500 313	2			M8x1.25x28
	6500 318	2			M8x1.25x25

MODEL CODES

B = GRAN FURY	F = FIFTH AVENUE/NEWPORT	P = RELIANT
C = LEBARON/TOWN & COUNTRY/EXC SEDAN	G = DIPLOMAT	T = E CLASS/NEW YORKER
C24 = LASER	H = VOYAGER	V = 600
D = ARIES	K = MINI RAM/CARAVAN/ROYAL	V24 = DAYTONA
E = 600	M = HORIZON/TURISMO	Z = OMNI/CHARGER/RAMPAGE

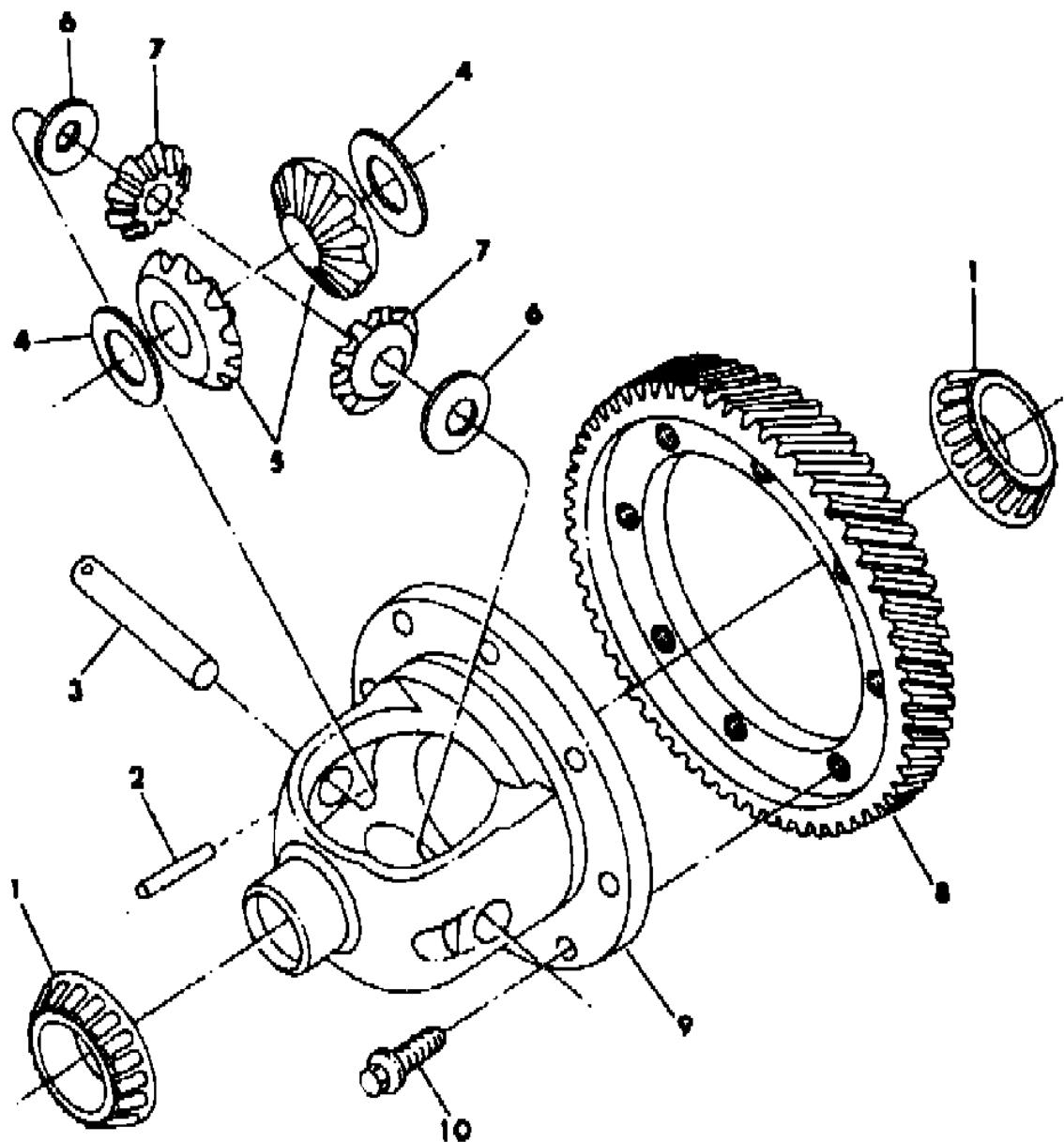
BODY STYLES

21 = 2-DOOR SEDAN	28 = FWD PICKUP	44 = 4-DOOR HATCHBACK
22 = 2-DOOR SPECIAL COUPE	35 = FWD VAN	45 = 4-DOOR STATION WAGON
24 = 2-DOOR HATCHBACK	36 = FWD WAGON	48 = 4-DOOR EXECUTIVE SEDAN
27 = 2-DOOR CONVERTIBLE	41 = 4-DOOR SEDAN	

AR = Use as Required - = Non Illustrated Part P.A.R. = Paint as Required

DIFFERENTIAL MANUAL TRANSAXLE, A465,A525 5-SPEED
Figure 21M-800

4121 800



ITEM	PART NUMBER	QTY	BODY	MODEL	DESCRIPTION
1	4269 677	2			CONE BEARING, Differential
2	6101 284	1			PIN, Differential Roll
3	4207 073	1			SHAFT, Differential
4	5212 212	2			WASHER, Differential Side Gear, Flat
5	4412 048	2			GEAR, Differential Side
6	5212 211	2			WASHER, Pinion, Spherical
7	4412 050	2			PINION, Differential
8					GEAR, Final Drive
	5222 772	1			w/4295755 Trans., 7-1/2" Dia., 58T
	5222 774	1			w/4329151 Trans., 7-3/4" Dia., 57T
	4295 523	1			w/4329521 Trans., 58T
	4295 417	1			w/4295746,754 Trans., 57T
9	5222 775	1			CASE, Differential
10	6501 032	8			BOLT, Drive Gear to Case, M10x1.5x25

MODEL CODES

B = GRAN FURY	F = FIFTH AVENUE/NEWPORT	P = RELIANT
C = LEBARON/TOWN & COUNTRY/EXC SEDAN	G = DIPLOMAT	T = E CLASS/NEW YORKER
C24 = LASER	H = VOYAGER	V = 600
D = ARIES	K = MINI RAM/CARAVAN/ROYAL	V24 = DAYTONA
E = 600	M = HORIZON/TURISMO	Z = OMNI/CHARGER/RAMPAGE

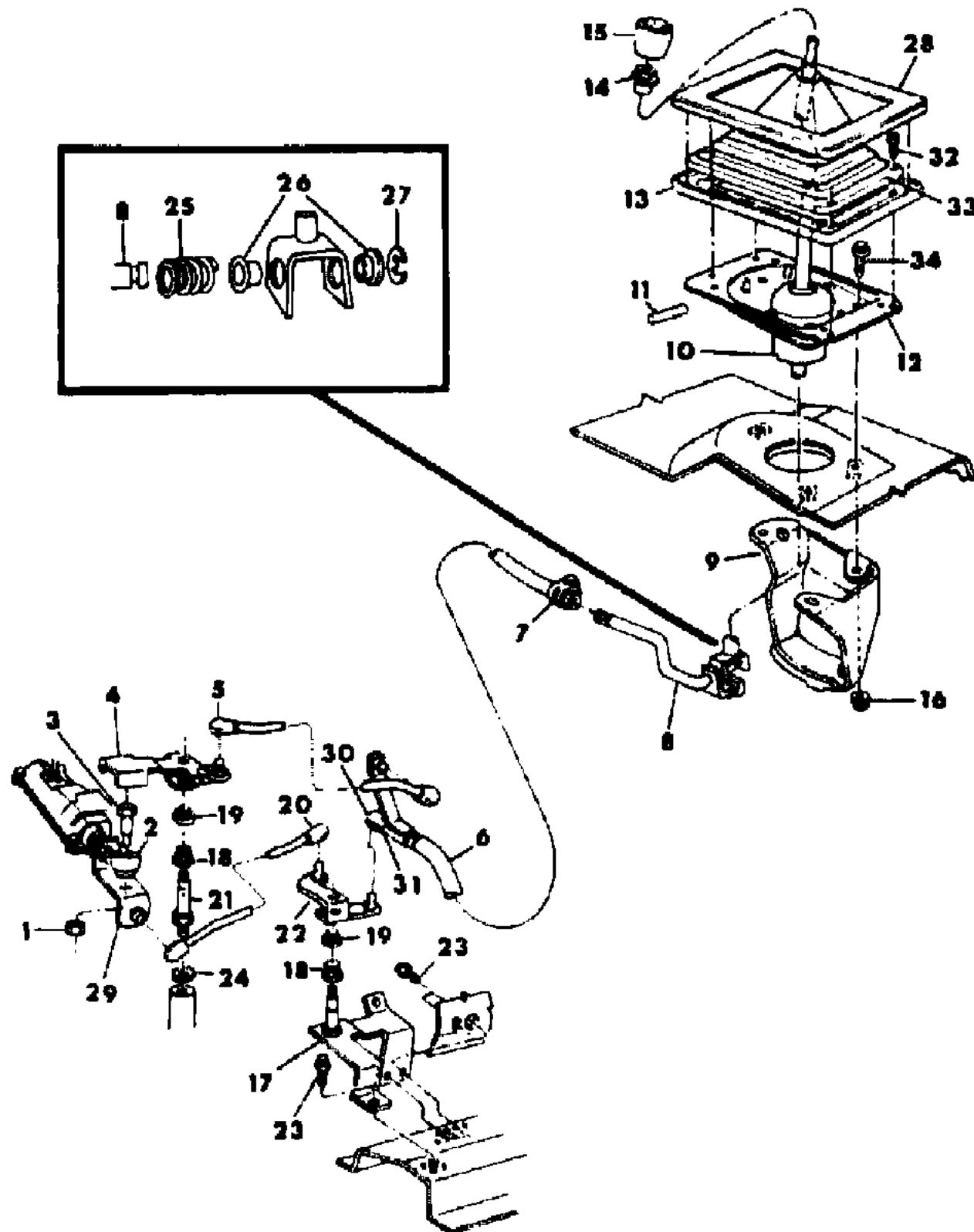
BODY STYLES

21 = 2-DOOR SEDAN	28 = FWD PICKUP	44 = 4-DOOR HATCHBACK
22 = 2-DOOR SPECIAL COUPE	35 = FWD VAN	45 = 4-DOOR STATION WAGON
24 = 2-DOOR HATCHBACK	36 = FWD WAGON	48 = 4-DOOR EXECUTIVE SEDAN
27 = 2-DOOR CONVERTIBLE	41 = 4-DOOR SEDAN	

AR = Use as Required - = Non Illustrated Part P.A.R. = Paint as Required

CONTROLS, GEARSHIFT MANUAL TRANSAXLE, A460,A525 4,5-SPEED M,Z
Figure 21M-900

4121 000



ITEM	PART NUMBER	QTY	BODY	MODEL	DESCRIPTION
1	6100 499	1			NUT, Lock, M8x1.25
2	4188 456	1			BALL, Selector Lever
3	6500 562	1			BOLT, Shoulder
4	4329 053	1			LEVER, Crossover
5	4269 872	1			ROD, Crossover
6	4269 873	1			TUBE, Control Selector
	4340 107	5			SILENCER, Tube or Rod to Ball Joint (Not Shown)
7	6500 246	1			NUT, Tube Connector Clamp Bolt
	6500 247	1			BOLT, Tube Connector Clamp
8	4269 435	1			CONNECTOR
9	4348 413	1			BRACKET, Reverse Lock-Out
10	5206 154	1			BOOT, G/Shift Mech., Lower
11	0455 277	1			PIN, Mech. Lever
12	4364 766	1			MECHANISM, Gearshift
13	4295 382	1			PLATE, Lever Boot Base
14	4295 374	1			NUT, G/Shift Lever Knob
15					KNOB, Gearshift Lever
	4295 375	1			w/A460 Trans.
	4295 380	1			w/A465,A525 Trans.
16	6100 050	3			NUT w/WA., M8x1.25
17	4329 057	1			BRACKET, Link Pivot
18	5206 161	4			BEARING
19	5211 845	2			GROMMET
20	4329 034	1			ROD, Control Selector, Blue
21	4329 051	1			STUD, Pivot
	6500 328	2			E-RING, Pivot Stud Clevis
22	4348 433	1			CLEVIS, G/Shift Control Lever
23	6500 879	3			SCREW w/WA., Pivot Bracket
24	6100 132	1			WASHER, Pivot Stud Coned
25	4269 885	1			SPRING
26	4269 405	2			BUSHING
27	6030 913	1			RING
28	4295 381	1			BEZEL, Lever Boot Base
29	4295 293	1			LEVER w/BALL STUD, G/Shift Operating
30	4269 864	1			BALL JOINT, Tube Clevis
31	6100 525	1			NUT, Ball Joint Clevis, M10x1.50
32		4			SCREW, Not Serviced
33	4295 392	1			BOOT, G/Shift Mechanism, Upper

MODEL CODES

B = GRAN FURY	F = FIFTH AVENUE/NEWPORT	P = RELIANT
C = LEBARON/TOWN & COUNTRY/EXC SEDAN	G = DIPLOMAT	T = E CLASS/NEW YORKER
C24 = LASER	H = VOYAGER	V = 600
D = ARIES	K = MINI RAM/CARAVAN/ROYAL	V24 = DAYTONA
E = 600	M = HORIZON/TURISMO	Z = OMNI/CHARGER/RAMPAGE

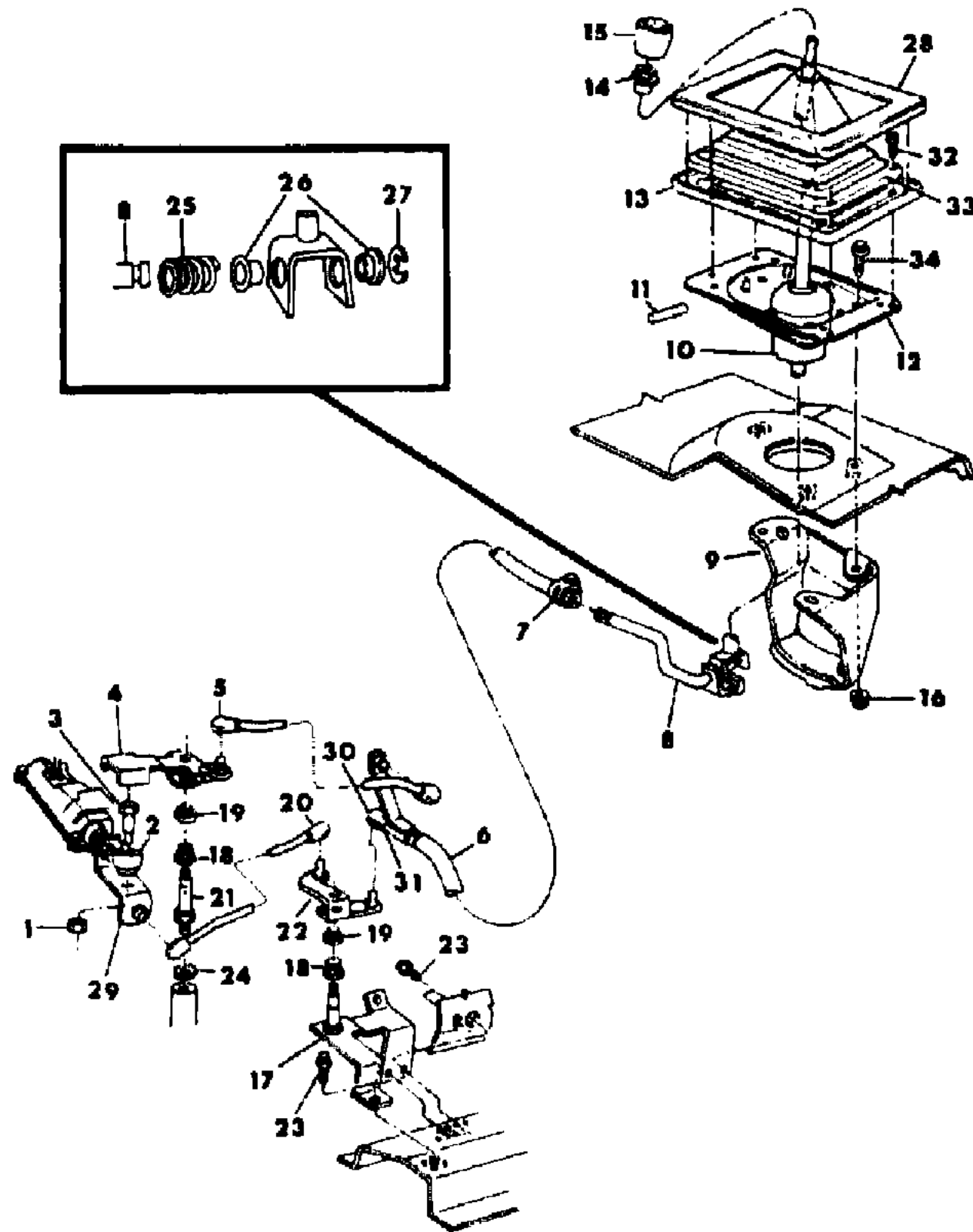
BODY STYLES

21 = 2-DOOR SEDAN	28 = FWD PICKUP	44 = 4-DOOR HATCHBACK
22 = 2-DOOR SPECIAL COUPE	35 = FWD VAN	45 = 4-DOOR STATION WAGON
24 = 2-DOOR HATCHBACK	36 = FWD WAGON	48 = 4-DOOR EXECUTIVE SEDAN
27 = 2-DOOR CONVERTIBLE	41 = 4-DOOR SEDAN	

AR = Use as Required - = Non Illustrated Part P.A.R. = Paint as Required

CONTROLS, GEARSHIFT MANUAL TRANSAXLE, A460,A525 4,5-SPEED M,Z
Figure 21M-900

4121 000



ITEM	PART NUMBER	QTY	BODY	MODEL	DESCRIPTION
34	6100 577	3			SCREW w/WA., Pivot Bracket, M8x1.25x35

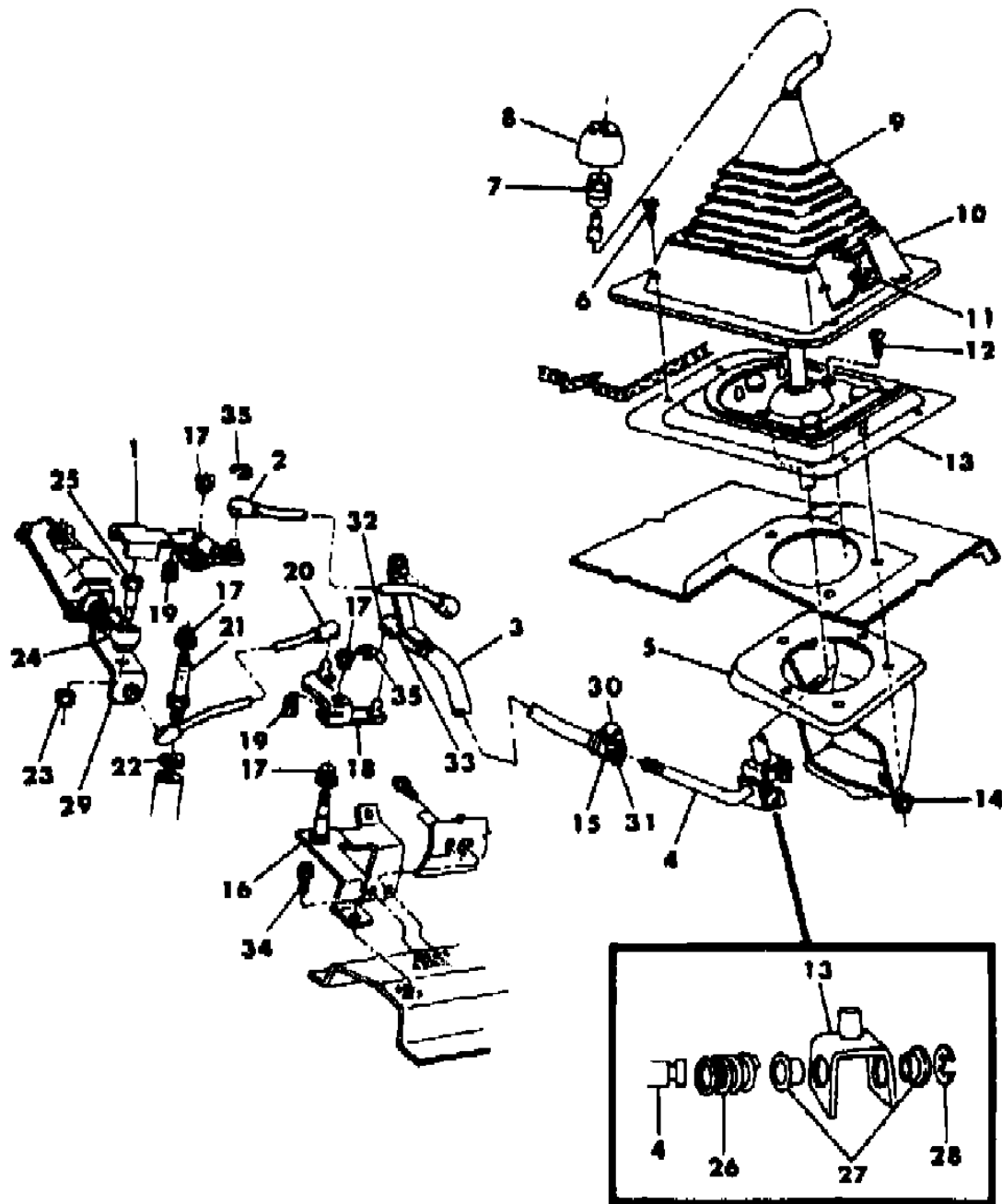
MODEL CODES
 B = GRAN FURY
 C = LEBARON/TOWN & COUNTRY/EXC SEDAN
 C24 = LASER
 D = ARIES
 E = 600
 F = FIFTH AVENUE/NEWPORT
 G = DIPLOMAT
 H = VOYAGER
 K = MINI RAM/CARAVAN/ROYAL
 M = HORIZON/TURISMO
 P = RELIANT
 T = E CLASS/NEW YORKER
 V = 600
 V24 = DAYTONA
 Z = OMNI/CHARGER/RAMPAGE

BODY STYLES
 21 = 2-DOOR SEDAN
 22 = 2-DOOR SPECIAL COUPE
 24 = 2-DOOR HATCHBACK
 27 = 2-DOOR CONVERTIBLE
 28 = FWD PICKUP
 35 = FWD VAN
 36 = FWD WAGON
 41 = 4-DOOR SEDAN
 44 = 4-DOOR HATCHBACK
 45 = 4-DOOR STATION WAGON
 48 = 4-DOOR EXECUTIVE SEDAN

AR = Use as Required - = Non Illustrated Part P.A.R. = Paint as Required

CONTROLS, GEARSHIFT, BENCH SEAT MANUAL TRANSAXLE, A460 4-SPEED P,D
Figure 21M-1000

4121 1000



ITEM	PART NUMBER	QTY	BODY	MODEL	DESCRIPTION
1	4348 431	1			LEVER, Trans. Crossover
2	4269 862	1			ROD, Crossover
3	4269 870	1			TUBE, Selector
	4340 107	5			SILENCER, Tube or Rod to Ball Joint (Not Shown)
4	4269 434	1			CONNECTOR
5	4348 430	1			BRACKET, Reverse Lock-Out
6		4			SCREW (Not Serviced)
7	4295 374	1			NUT, G/Shift Lever Knob
8	4295 375	1			KNOB w/RETAINER, G/Shift Lever
9	4188 418	1			BOOT
10	F236 CX9	1			BASE
11	6100 839	4			NUT, Push On
12	0153 638	1			SCREW
13	4269 480	1			MECHANISM, Gearshift
	0455 277	1			PIN, Selector Mechanism Lever
14	6100 050	3			NUT w/WA., M8x1.25
15		1			NUT (Not Serviced)
16	4329 057	1			BRACKET, Linkage Pivot
17	5206 161	4			BEARING
18	4348 433	1			CLEVIS, Crossmember Lever
19	5211 845	2			GROMMET
20	4329 033	1			ROD, Control Selector, Gold
21	4329 051	1			STUD
22	6100 132	1			WASHER, Coned
23	6100 499	1			NUT, Lock, M8x1.25
24	4188 456	1			BALL
25	6500 562	1			SCREW, Shoulder
26	4269 885	1			SPRING
27	4269 405	2			BUSHING
28	6030 913	1			RING, Selector Lever
29	4329 147	1			LEVER w/BALL STUD, G/Shift Operating
30	6500 247	1			BOLT, Tube Connector Clamp
31	6500 246	1			NUT, Tube Connector Clamp Bolt
32	4269 864	1			BALL JOINT, Tube Clevis
33	6100 525	1			NUT, Ball Joint Clevis, M10x1.50
34	6500 879	3			SCREW w/WA., Pivot Bracket
35	6500 328	2			E-RING, Pivot Stud Clevis

MODEL CODES

B = GRAN FURY	F = FIFTH AVENUE/NEWPORT	P = RELIANT
C = LEBARON/TOWN & COUNTRY/EXC SEDAN	G = DIPLOMAT	T = E CLASS/NEW YORKER
C24 = LASER	H = VOYAGER	V = 600
D = ARIES	K = MINI RAM/CARAVAN/ROYAL	V24 = DAYTONA
E = 600	M = HORIZON/TURISMO	Z = OMNI/CHARGER/RAMPAGE

BODY STYLES

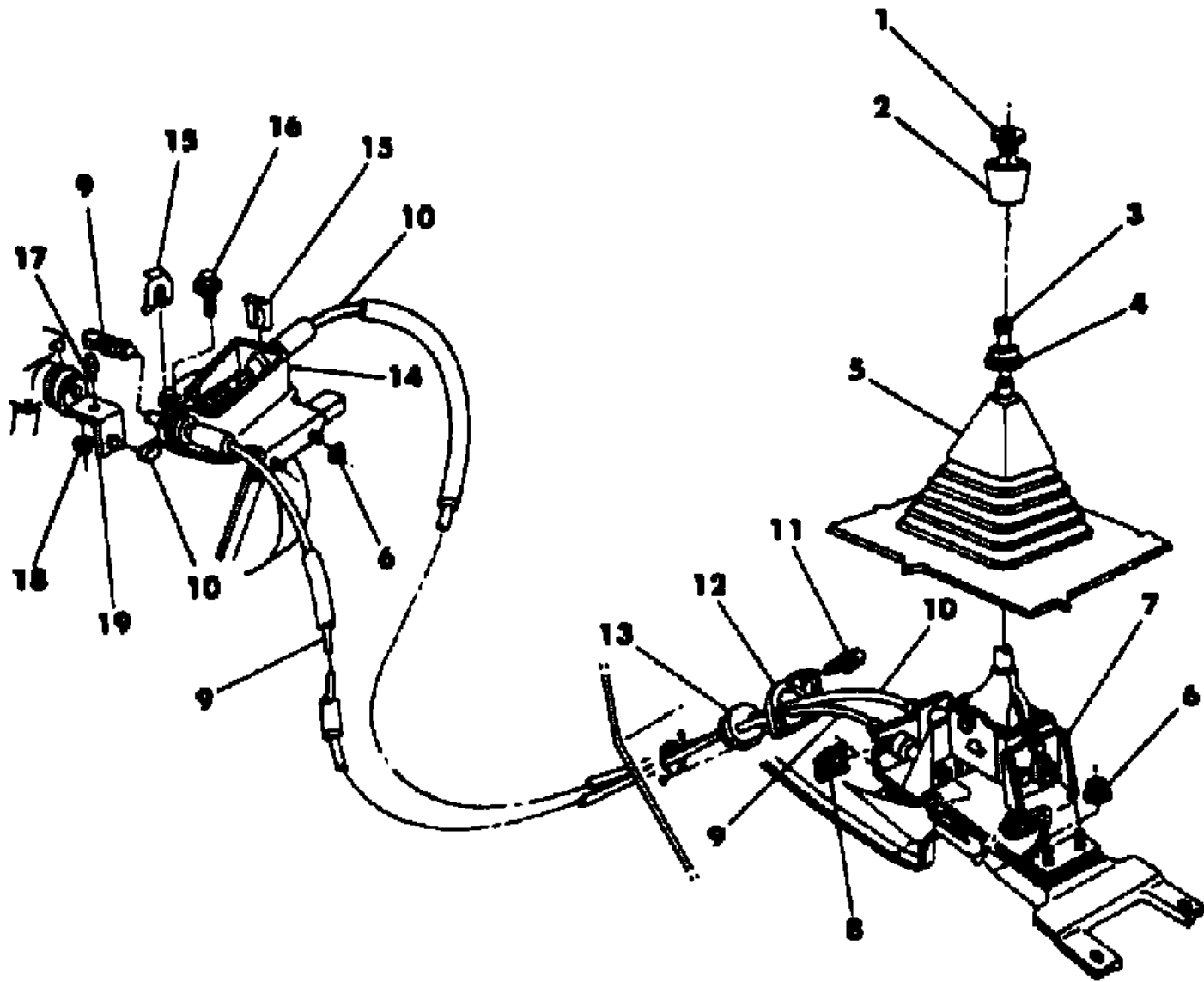
21 = 2-DOOR SEDAN	28 = FWD PICKUP	44 = 4-DOOR HATCHBACK
22 = 2-DOOR SPECIAL COUPE	35 = FWD VAN	45 = 4-DOOR STATION WAGON
24 = 2-DOOR HATCHBACK	36 = FWD WAGON	48 = 4-DOOR EXECUTIVE SEDAN
27 = 2-DOOR CONVERTIBLE	41 = 4-DOOR SEDAN	

AR = Use as Required - = Non Illustrated Part P.A.R. = Paint as Required

CONTROLS, GEARSHIFT, BUCKET SEATS MANUAL TRANSAXLE, A525 5-SPEED P,D,V,C (EXCEPT V,C-24) E-S-41

Figure 21M-1100

4121 1100



ITEM	PART NUMBER	QTY	BODY	MODEL	DESCRIPTION
1	4269 817	1			RETAINER and DECAL, Shift Knob
	4269 819	1			DECAL, Knob Retainer
2	4329 068	1			KNOB, G/Shift Lever
3	6500 780	1			NUT, G/Shift Lever Knob
4	4269 859	1			RING, Pull-Up
05	4269 408	1			BOOT, G/Shift Lever
06	6100 050	6			NUT w/WA., M8x1.25
07	4318 704	1			MECHANISM, Gearshift
08	4269 831	2			CLIP, Rear
09	4269 853	1			CABLE, Crossover, 47.32" Lg.
10	4329 073	1			CABLE, Selector, 49.80" Lg.
11	6032 238	2			SCREW, Grommet Retainer
12	4329 013	1			PLATE, Dash Grommet
13	4295 366	1			GROMMET, Dash Cable Retainer
14	4329 011	1			BRACKET, Cable Mtg. Front
15	4269 830	2			CLIP, Front
16	6100 341	1			SCREW, Brkt. Retaining, M12x1.75x25
17	4269 461	1			STUD, Crossover Cable
18	6100 499	1			NUT, Lock, M8x1.25
19	4329 147	1			LEVER w/BALL STUD, G/Shift Operating
	4340 107	2			SILENCER, Cable to Ball Joint

MODEL CODES

B = GRAN FURY	F = FIFTH AVENUE/NEWPORT	P = RELIANT
C = LEBARON/TOWN & COUNTRY/EXC SEDAN	G = DIPLOMAT	T = E CLASS/NEW YORKER
C24 = LASER	H = VOYAGER	V = 600
D = ARIES	K = MINI RAM/CARAVAN/ROYAL	V24 = DAYTONA
E = 600	M = HORIZON/TURISMO	Z = OMNI/CHARGER/RAMPAGE

BODY STYLES

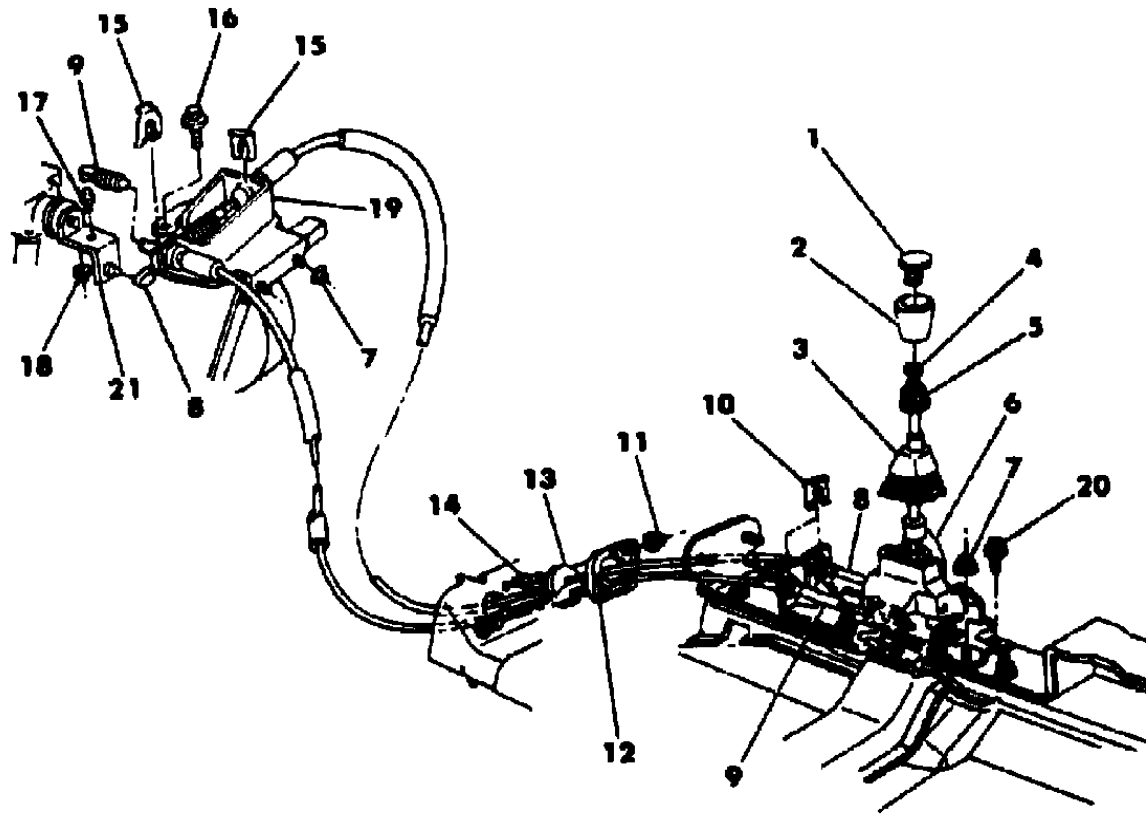
21 = 2-DOOR SEDAN	28 = FWD PICKUP	44 = 4-DOOR HATCHBACK
22 = 2-DOOR SPECIAL COUPE	35 = FWD VAN	45 = 4-DOOR STATION WAGON
24 = 2-DOOR HATCHBACK	36 = FWD WAGON	48 = 4-DOOR EXECUTIVE SEDAN
27 = 2-DOOR CONVERTIBLE	41 = 4-DOOR SEDAN	

AR = Use as Required - = Non Illustrated Part P.A.R. = Paint as Required

CONTROLS, GEARSHIFT MANUAL TRANSAXLE, A525 5-SPEED V,C-24
Figure 21M-1200

ITEM	PART NUMBER	QTY	BODY	MODEL	DESCRIPTION
1	4295 345	1			RETAINER and DECAL, Shift Knob
2	4329 068	1			KNOB, G/Shift Lever
3	4295 350	1			BOOT, G/Shift Lever
4	6500 780	1			NUT, G/Shift Lever Knob
5	4269 859	1			RING, Pull-Up
6	4342 723	1			MECHANISM, Gearshift
7	6100 050	4			NUT w/WA., M8x1.25
8	4419 830	1			CABLE, Selector, 53.94" Lg.
9	4377 259	1			CABLE, Crossover, 50.78" Lg.
10	4269 831	2			CLIP, Rear
11	6025 002	2			NUT
12	4329 013	1			PLATE, Cable Grommet
13	4295 366	1			GROMMET, Cable Retaining
14	6032 482	2			STUD, Grommet Retaining
15	4269 830	2			CLIP, Front
16	6100 341	1			SCREW w/WA., Bracket Mtg., M12x1.75x25
17	4269 461	1			STUD, Crossover Cable
18	6100 499	1			NUT, Lock, M8x1.25
19	4329 011	1			BRACKET, Cable Mtg. Front
20		2			SCREW, (Not Serviced)
21	4329 147	1			LEVER, G/Shift Operating

4121 1200



MODEL CODES

B = GRAN FURY	F = FIFTH AVENUE/NEWPORT	P = RELIANT
C = LEBARON/TOWN & COUNTRY/EXC SEDAN	G = DIPLOMAT	T = E CLASS/NEW YORKER
C24 = LASER	H = VOYAGER	V = 600
D = ARIES	K = MINI RAM/CARAVAN/ROYAL	V24 = DAYTONA
E = 600	M = HORIZON/TURISMO	Z = OMNI/CHARGER/RAMPAGE

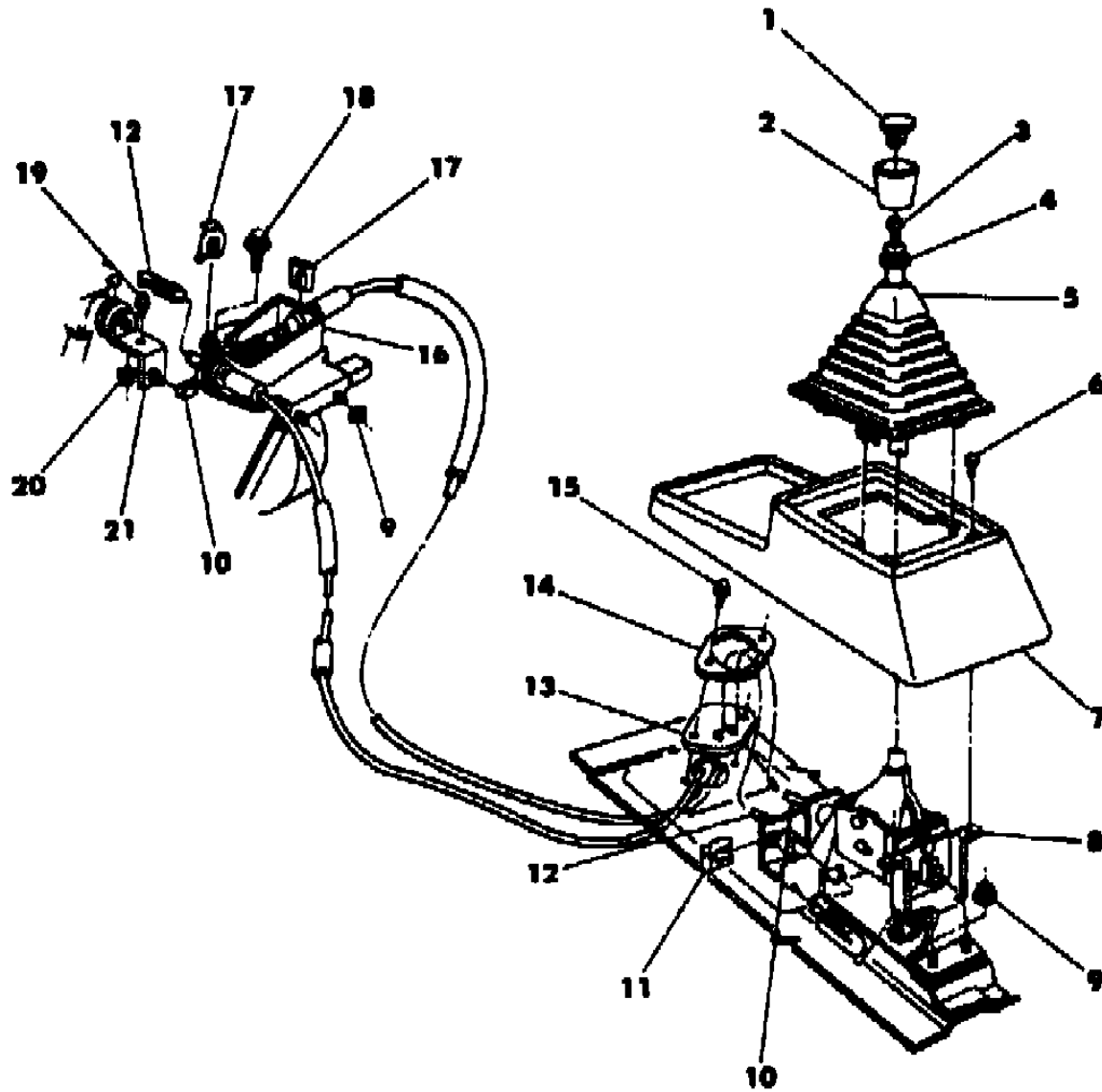
BODY STYLES

21 = 2-DOOR SEDAN	28 = FWD PICKUP	44 = 4-DOOR HATCHBACK
22 = 2-DOOR SPECIAL COUPE	35 = FWD VAN	45 = 4-DOOR STATION WAGON
24 = 2-DOOR HATCHBACK	36 = FWD WAGON	48 = 4-DOOR EXECUTIVE SEDAN
27 = 2-DOOR CONVERTIBLE	41 = 4-DOOR SEDAN	

AR = Use as Required - = Non Illustrated Part P.A.R. = Paint as Required

CONTROLS, GEARSHIFT MANUAL TRANSAXLE, A460,A465,A525 4,5-SPEED H,K
Figure 21M-1300

4121 1300



ITEM	PART NUMBER	QTY	BODY	MODEL	DESCRIPTION
1	4269 816	1			RETAINER w/DECAL, G/Shift Knob, w/4 Speed
	4269 817	1			w/5 Speed
	4269 818	1			DECAL, Knob Retainer w/4 Speed
	4269 819	1			w/5 Speed
2	4329 068	1			KNOB, G/Shift Lever
3	6500 780	1			NUT, G/Shift Lever Knob
4	4269 859	1			RING, Pull-Up
5	4269 442	1			BOOT, G/Shift Lever
6		2			SCREW
	F239 CT8	1			BASE, G/Shift Mechanism, Brown
	F239 CS8	1			Charcoal
	F239 CM6	1			Red
	F239 CB5	1			Blue Medium
8	4342 725	1			MECHANISM, G/Shift
9	6100 050	6			NUT w/WA., M8x1.25
10	4340 103	1			CABLE, G/Shift Selector, 51.18" Lg.
11	4269 831	2			CLIP, Cable, Rear
12	4419 831	1			CABLE, G/Shift Crossover, 46.85" Lg.
13	4295 318	1			GROMMET
14	4295 319	1			PLATE, Cable Grommet
15	6032 238	2			SCREW, Plate, Up To 4-9-84
	6032 817	2			After 4-9-84
16	4329 014	1			BRACKET, Cable Mtg.
17	4269 830	2			CLIP, Cable Mtg., Front
18	6100 341	1			SCREW w/WA., Bracket Mtg., M12x1.75x25
19	4269 461	1			STUD, Crossover Cable
20	6100 499	1			NUT, Lock Lever Stud, M8x1.25
21	4329 147	1			LEVER, G/Shift Operating

MODEL CODES

B = GRAN FURY	F = FIFTH AVENUE/NEWPORT	P = RELIANT
C = LEBARON/TOWN & COUNTRY/EXC SEDAN	G = DIPLOMAT	T = E CLASS/NEW YORKER
C24 = LASER	H = VOYAGER	V = 600
D = ARIES	K = MINI RAM/CARAVAN/ROYAL	V24 = DAYTONA
E = 600	M = HORIZON/TURISMO	Z = OMNI/CHARGER/RAMPAGE

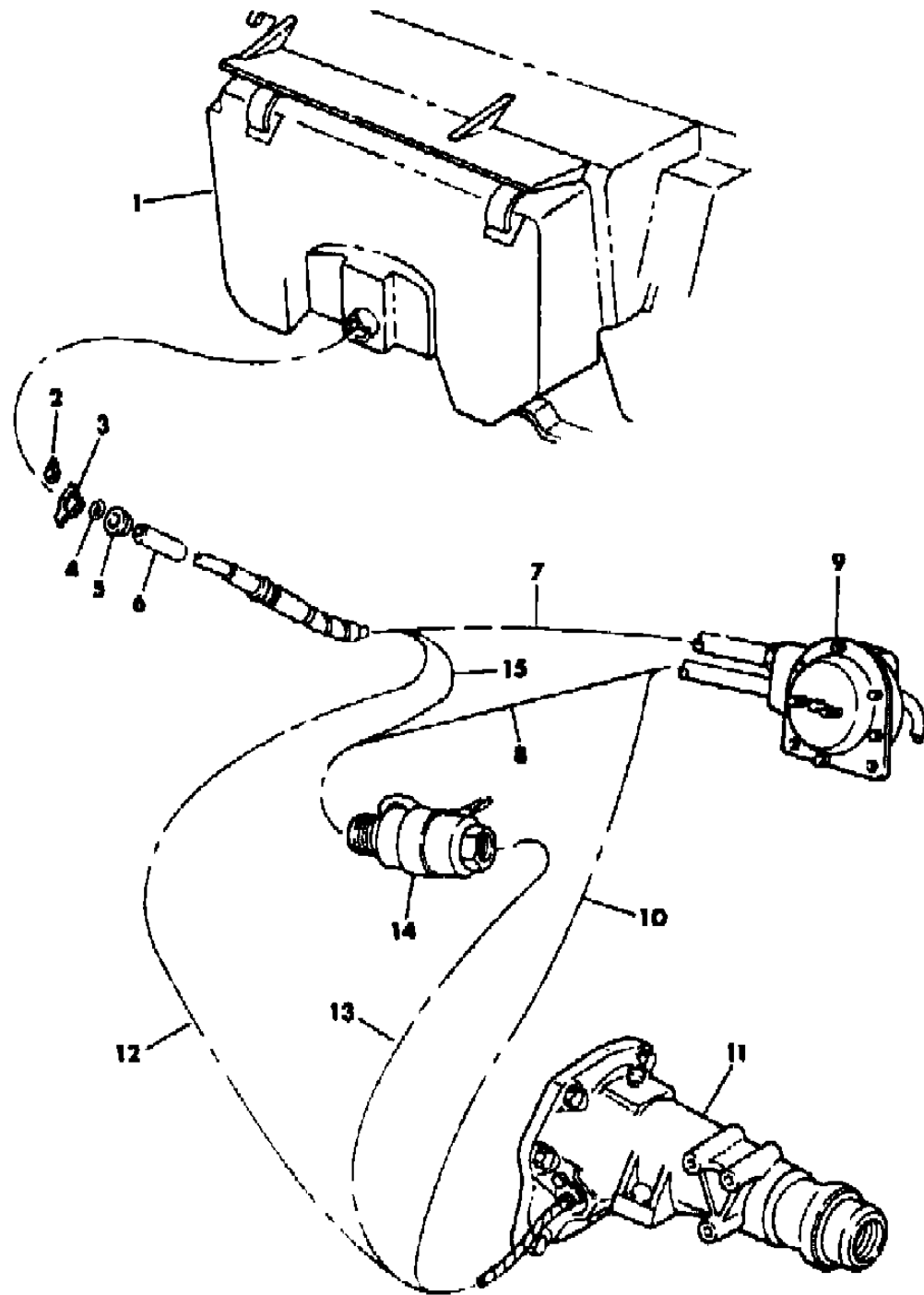
BODY STYLES

21 = 2-DOOR SEDAN	28 = FWD PICKUP	44 = 4-DOOR HATCHBACK
22 = 2-DOOR SPECIAL COUPE	35 = FWD VAN	45 = 4-DOOR STATION WAGON
24 = 2-DOOR HATCHBACK	36 = FWD WAGON	48 = 4-DOOR EXECUTIVE SEDAN
27 = 2-DOOR CONVERTIBLE	41 = 4-DOOR SEDAN	

AR = Use as Required - = Non Illustrated Part P.A.R. = Paint as Required

CABLE, SPEEDOMETER MANUAL TRANSAXLE
Figure 21M-1400

4121 1400



ITEM	PART NUMBER	QTY	BODY	MODEL	DESCRIPTION
1					SPEEDOMETER (Ref.)
2	0152 490	1			"U" NUT, Cable Retainer
3	3593 310	1			RETAINER, Speedo Cable to Speedo
4	6030 656	1			"O" RING, Speedo Cable Shaft, Lower
5	3593 446	1			GROMMET, Speedo Cable Dash
	6015 756	1			CLIP, Speedo. Cable To Heater Hose
6	4057 046	1			RETAINERS, SEALS, and RINGS PACKAGE, Speedo Pinion
7					CABLE, Speedometer to Speed Control
	4374 386	1		M,Z	40" Long, 1/2" Clip-On Upper, 5/8" Fem. Lower
	4312 332	1		P,D,V,C	44" Long, 1/2" Clip-On Upper, 5/8" Fem. Lower
	4312 332	1		V,C-24	44" Long, 1/2" Clip-On Upper, 5/8" Fem. Lower
	4312 337	1		H,K	42" Long, 1/2" Clip-On Upper, 5/8" Fem. Lower
8					CABLE, SPEED CONTROL TO SPEED SENSOR SWITCH
	4220 751	1		PD,V,C,	14" Long, 5/8" Female Both Ends
	4220 751	1		V,C-24	14" Long, 5/8" Female Both Ends
9					CONTROL, Speed (Ref.)
10					CABLE, SPEED CONTROL TO TRANSMISSION
	4312 329	1		M,Z	31" Long, 5/8" Fem. Upper, 1/2" Push-On Lower
	4312 333	1		P,D,V,C	37" Long, 5/8" Fem. Upper, 1/2" Push-On Lower
	4312 333	1		V,C-24	37" Long, 5/8" Fem. Upper, 1/2" Push-On Lower
	4312 338	1		H,K	33" Long, 5/8" Fem. Upper, 1/2" Push-On Lower
11					TRANSMISSION (Ref.)
12					CABLE, SPEEDOMETER TO TRANSMISSION
	4312 327	1		M,Z	37" Long, 1/2" Clip-On Upper, 1/2" Push-On Lower
	4312 973	1		P,D,V,C	56" Long, 1/2" Clip-On Upper, 1/2" Push-On Lower
	4312 973	1		V,C-24	56" Long, 1/2" Clip-On Upper, 1/2" Push-On Lower
	4312 336	1		H,K	43" Long, 1/2" Clip-On Upper, 1/2" Push-On Lower
	4374 386	1		M,Z	40" Long, Upper, 1/2" Clip-On Upper, 5/8" Fem. Lower
	4312 334	1		M,Z	23" Long, Lower, 5/8" Male Upper, 1/2" Push-On Lower
	4312 332	1		P,D,V,C	44" Long, Upper, 1/2" Clip-On Upper, 5/8" Fem. Lower
	4312 332	1		V,C-24	44" Long, Upper, 1/2" Clip-On Upper, 5/8" Fem. Lower
	4312 334	1		P,D,V,C	23" Long, Lower, 5/8" Male Upper, 1/2" Push-On Lower
	4312 334	1		V,C-24	23" Long, Lower, 5/8" Male Upper, 1/2" Push-On Lower
13					CABLE, SPEED SENSOR SWITCH TO TRANSMISSION
	4312 335	1		P,D,V,C	23" Long, Except TURBO CHARGED Eng., 5/8" Male Upper, 1/2" Push-On Lower
	4312 395	1		E,V,C-2	21" Long, w/2.2 TURBO CHARGED Eng., 5/8" Male Upper, 1/2" Push-On Lower

MODEL CODES

B = GRAN FURY
 C = LEBARON/TOWN & COUNTRY/EXC SEDAN
 C24 = LASER
 D = ARIES
 E = 600

F = FIFTH AVENUE/NEWPORT
 G = DIPLOMAT
 H = VOYAGER
 K = MINI RAM/CARAVAN/ROYAL
 M = HORIZON/TURISMO

P = RELIANT
 T = E CLASS/NEW YORKER
 V = 600
 V24 = DAYTONA
 Z = OMNI/CHARGER/RAMPAGE

BODY STYLES

21 = 2-DOOR SEDAN
 22 = 2-DOOR SPECIAL COUPE
 24 = 2-DOOR HATCHBACK
 27 = 2-DOOR CONVERTIBLE

28 = FWD PICKUP
 35 = FWD VAN
 36 = FWD WAGON
 41 = 4-DOOR SEDAN

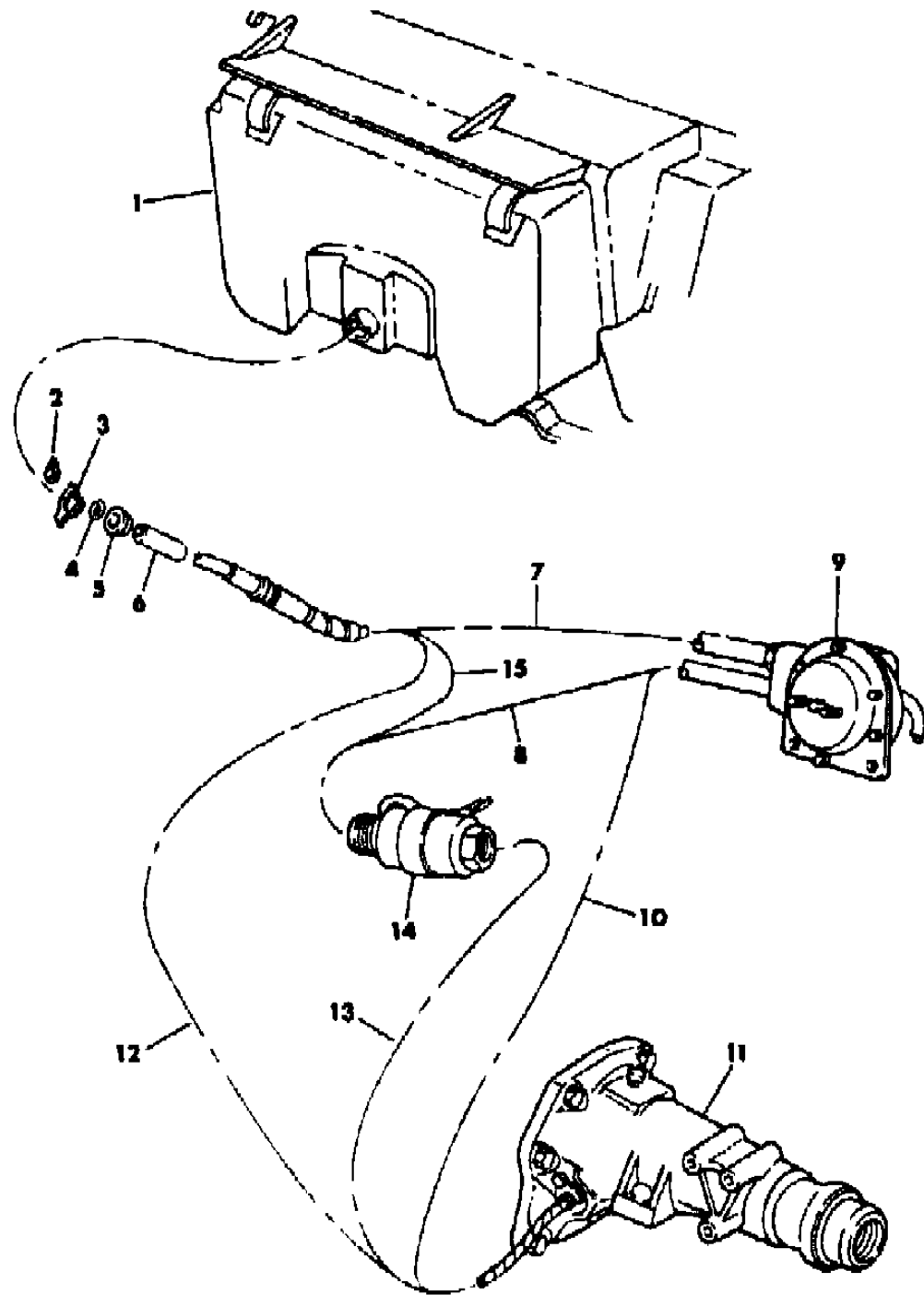
44 = 4-DOOR HATCHBACK
 45 = 4-DOOR STATION WAGON
 48 = 4-DOOR EXECUTIVE SEDAN

AR = Use as Required - = Non Illustrated Part P.A.R. = Paint as Required

CABLE, SPEEDOMETER MANUAL TRANSAXLE

Figure 21M-1400

4121 1400



ITEM	PART NUMBER	QTY	BODY	MODEL	DESCRIPTION
14	4312 186	1			SWITCH, Speed Sensor
15	4312 332	1	P,D,V,C		CABLE, SPEEDOMETER TO SPEED SENSOR SWITCH 44" Long, 1/2" Clip-On Upper, 5/8" Fem. Lower
	4312 332	1	V,C-24		44" Long, 1/2" Clip-On Upper, 5/8" Fem. Lower
					SHAFT, CABLE DRIVE, UNIVERSAL DRIVE TYPE (Not Illustrated)
	2448 294	1			80" Long
	2448 295	1			113" Long

MODEL CODES

B = GRAN FURY	F = FIFTH AVENUE/NEWPORT	P = RELIANT
C = LEBARON/TOWN & COUNTRY/EXC SEDAN	G = DIPLOMAT	T = E CLASS/NEW YORKER
C24 = LASER	H = VOYAGER	V = 600
D = ARIES	K = MINI RAM/CARAVAN/ROYAL	V24 = DAYTONA
E = 600	M = HORIZON/TURISMO	Z = OMNI/CHARGER/RAMPAGE

BODY STYLES

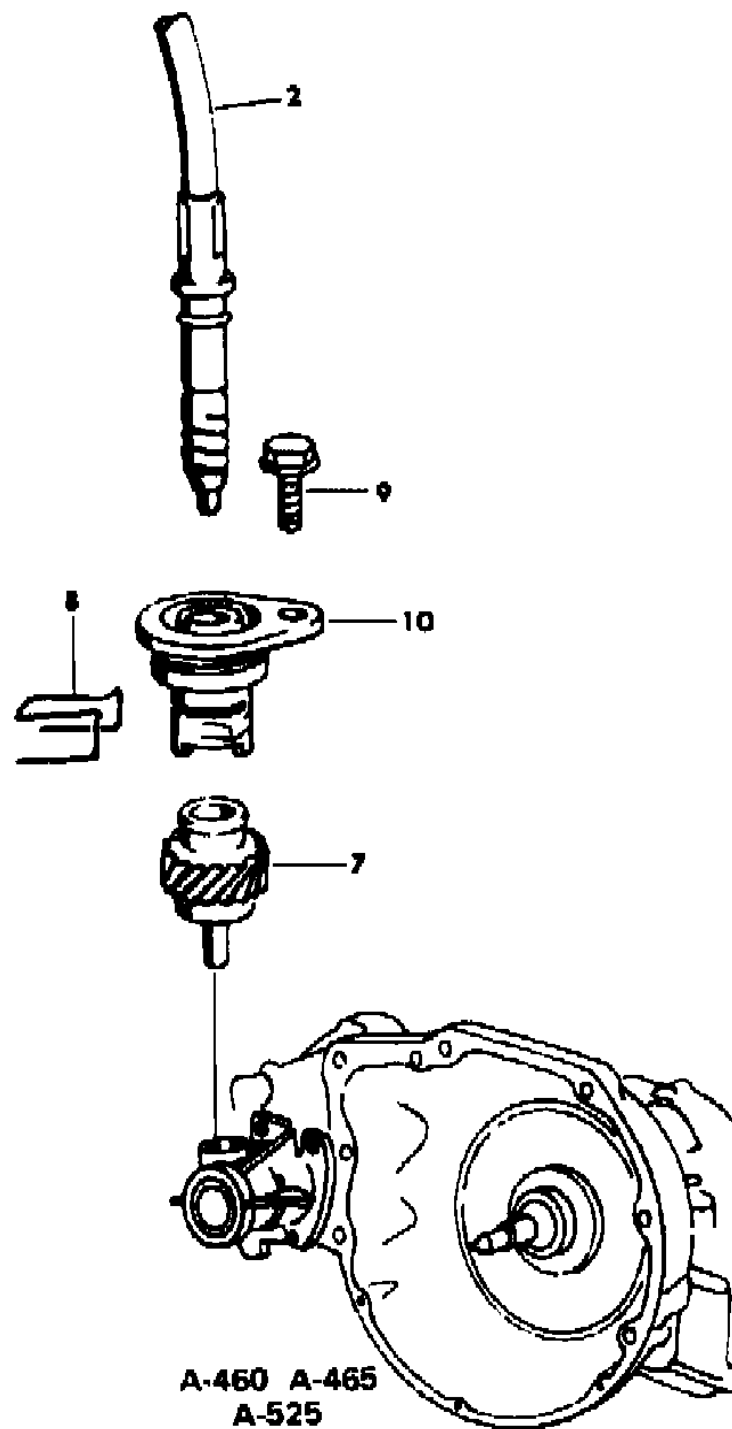
21 = 2-DOOR SEDAN	28 = FWD PICKUP	44 = 4-DOOR HATCHBACK
22 = 2-DOOR SPECIAL COUPE	35 = FWD VAN	45 = 4-DOOR STATION WAGON
24 = 2-DOOR HATCHBACK	36 = FWD WAGON	48 = 4-DOOR EXECUTIVE SEDAN
27 = 2-DOOR CONVERTIBLE	41 = 4-DOOR SEDAN	

AR = Use as Required - = Non Illustrated Part P.A.R. = Paint as Required

PINION, SPEEDOMETER CABLE DRIVE MANUAL TRANSAXLE

Figure 21M-1500

4121 1500



ITEM	PART NUMBER	QTY	BODY	MODEL	DESCRIPTION
2					CABLE w/HOUSING, see Speedometer Cable Illustration
7					PINION, Speedo Drive
	4269 950	1			19 Teeth, w/P185/75 R14 P/S WSW Misch. Tire
	5222 390	1			20 Teeth, w/13" And 14" Tire
	5222 388	1			21 Teeth, w/15" Tire
8	5222 006	1			RETAINER, Speedo Cable
9	6500 137	1			SCREW w/WA., Pinion Adapter
10	4295 857	1			ADAPTER, Speedo Drive Pinion
	5212 152	1			"O" RING, Pinion Adapter

MODEL CODES

B = GRAN FURY	F = FIFTH AVENUE/NEWPORT	P = RELIANT
C = LEBARON/TOWN & COUNTRY/EXC SEDAN	G = DIPLOMAT	T = E CLASS/NEW YORKER
C24 = LASER	H = VOYAGER	V = 600
D = ARIES	K = MINI RAM/CARAVAN/ROYAL	V24 = DAYTONA
E = 600	M = HORIZON/TURISMO	Z = OMNI/CHARGER/RAMPAGE

BODY STYLES

21 = 2-DOOR SEDAN	28 = FWD PICKUP	44 = 4-DOOR HATCHBACK
22 = 2-DOOR SPECIAL COUPE	35 = FWD VAN	45 = 4-DOOR STATION WAGON
24 = 2-DOOR HATCHBACK	36 = FWD WAGON	48 = 4-DOOR EXECUTIVE SEDAN
27 = 2-DOOR CONVERTIBLE	41 = 4-DOOR SEDAN	

AR = Use as Required - = Non Illustrated Part P.A.R. = Paint as Required

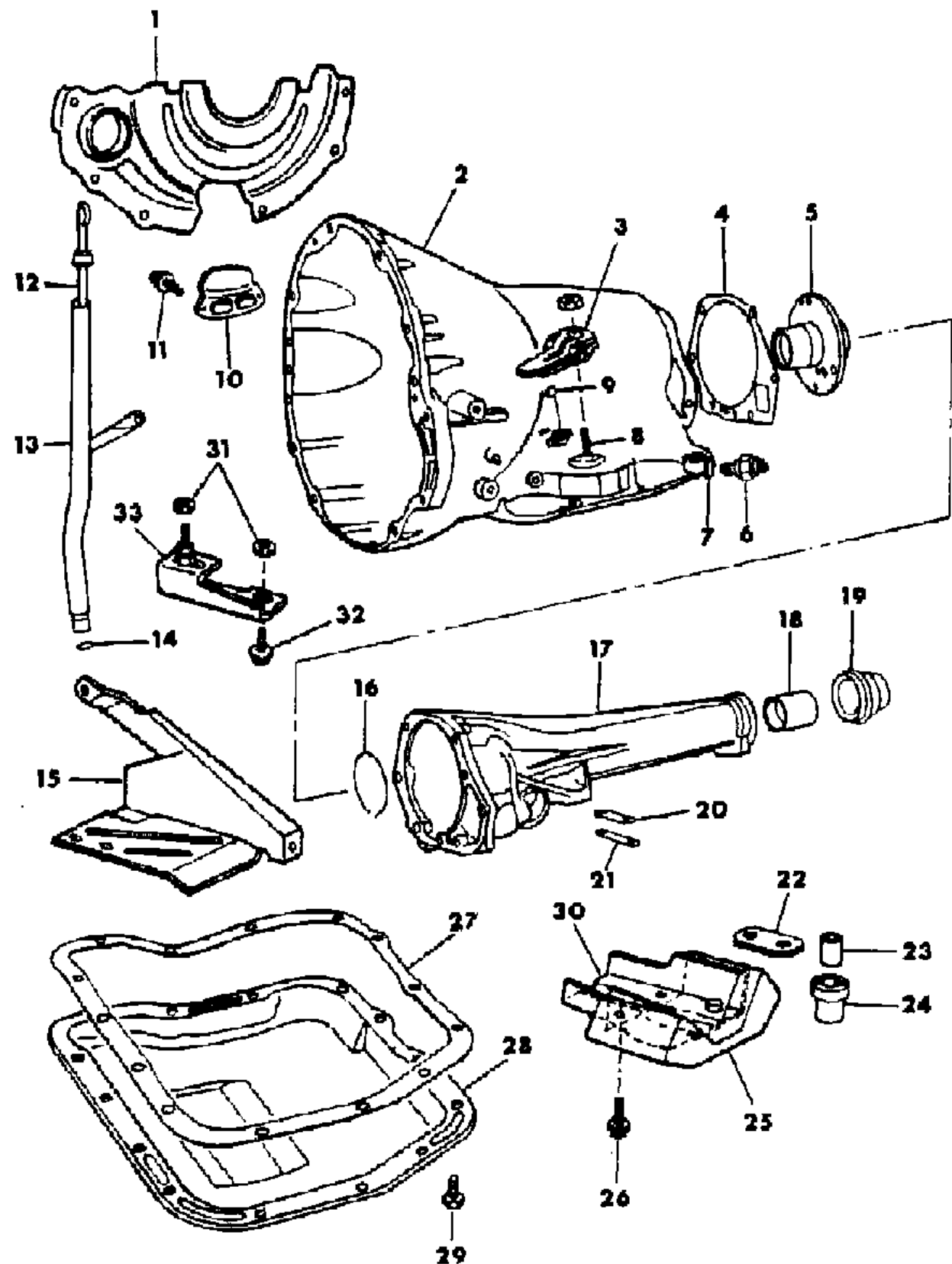
GROUP 21A - TRANSMISSION, AUTO.

ILLUSTRATION TITLE	GROUP-FIG. NO.
TRANSMISSION, w/CASE AND EXTENSION AUTOMATIC, A904	Fig. 21A-100
PUMP, OIL w/REACTION SHAFT AUTOMATIC TRANSMISSION, A904	Fig. 21A-150
GOVERNOR AND PARKING SPRAG AUTOMATIC TRANSMISSION, A904	Fig. 21A-200
SERVOS, ACCUMULATOR, PISTON AND SPRINGS AUTOMATIC TRANSMISSION, A904	Fig. 21A-300
BANDS, REVERSE AND KICKDOWN w/LINKAGE AUTOMATIC TRANSMISSION, A904	Fig. 21A-400
VALVE BODY AUTOMATIC TRANSMISSION, A904	Fig. 21A-500
CLUTCH, FRONT AND REAR w/GEAR TRAIN AUTOMATIC TRANSMISSION, A904	Fig. 21A-700
GEAR TRAIN AND OUTPUT SHAFT AUTOMATIC TRANSMISSION, A904	Fig. 21A-900
TRANSAXLE ASSEMBLIES AND MOUNTING AUTOMATIC CHRYSLER, A413,A470	Fig. 21A-1400
CASE, EXTENSION AND RETAINER AUTOMATIC TRANSAXLE, A413,A470	Fig. 21A-1500
PUMP, OIL w/REACTION SHAFT AUTOMATIC TRANSAXLE, A413,A470	Fig. 21A-1600
GOVERNOR AUTOMATIC TRANSAXLE, A413,A470	Fig. 21A-1700
SERVOS, ACCUMULATOR PISTON AND SPRINGS AUTOMATIC TRANSAXLE, A413,A470	Fig. 21A-1800
BANDS, REVERSE AND KICKDOWN w/PARKING SPRAG AUTOMATIC TRANSAXLE, A413,A470	Fig. 21A-1900
VALVE BODY AUTOMATIC TRANSAXLE, A413,A470	Fig. 21A-2000
SHAFT, TRANSFER AUTOMATIC TRANSAXLE, A413,A470	Fig. 21A-2100
CLUTCH, FRONT AUTOMATIC TRANSAXLE, A413,A470	Fig. 21A-2200
CLUTCH, REAR AND INPUT SHAFT AUTOMATIC TRANSAXLE, A413,A470	Fig. 21A-2300
GEAR, FRONT ANNULUS AND SUN AUTOMATIC TRANSAXLE, A413,A470	Fig. 21A-2400
SHAFT, OUTPUT w/REAR CARRIER, REVERSE DRUM AND OVERRUNING CLUTCH AUTOMATIC TRANSAXLE, A413,A470	Fig. 21A-2500
DIFFERENTIAL AUTOMATIC TRANSAXLE, A413,A470	Fig. 21A-2600
CONTROLS, GEARSHIFT, FLOOR SHIFT AUTOMATIC TRANSAXLE M,Z	Fig. 21A-2700
CONTROLS, GEARSHIFT, FLOOR SHIFT AUTOMATIC TRANSAXLE P,D,V,C,E,T	Fig. 21A-2800
CONTROLS, GEARSHIFT, COLUMN SHIFT AUTOMATIC TRANSAXLE P,D,V,C,E,T,H,K EXCEPT V,C-24 ..	Fig. 21A-2900
CONTROLS, GEARSHIFT, FLOOR SHIFT AUTOMATIC TRANSAXLE V,C-24	Fig. 21A-3000
CONTROLS, GEARSHIFT, LOWER w/COLUMN SHIFT AUTOMATIC TRANSMISSION, A904 B,F,G	Fig. 21A-3100
LEVER, COLUMN SHIFT, w/INDICATOR AUTOMATIC TRANSMISSION	Fig. 21A-3200
CABLES, SPEEDOMETER AUTOMATIC TRANSMISSION	Fig. 21A-3300
PINION AND ADAPTER, SPEEDOMETER CABLE DRIVE AUTOMATIC TRANSAXLE	Fig. 21A-3400
PINION AND ADAPTER, SPEEDOMETER CABLE DRIVE AUTOMATIC TRANSMISSION, B,F,G	Fig. 21A-3500

ILLUSTRATION NOT AVAILABLE AT TIME OF PUBLICATION

TRANSMISSION, w/CASE AND EXTENSION AUTOMATIC, A904
Figure 21A-100

4151 100



ITEM	PART NUMBER	QTY	BODY	MODEL	DESCRIPTION
NOTE: The Seven Digit Transmission Assembly Part Number is Stamped on the Left Side of the Transmisson Oil Pan Rail. s information becomes available.					
TRANSMISSION CROSS REFERENCE CHART PROD. SERV. ASSY. ASSY.					
The following are for Model A904:					
4058398 4058398					
4329436 4329436					
4295887 4295887					
4329631 4329631					
	4186 862	1	All		SEAL and GASKET PACKAGE, Complete Trans.
	4295 887	1	B,F,G		THE FOLLOWING TRANSMISSIONS LISTED ARE A904 w/318 Eng., w/(SC ELA) 2.24 Axle Ratio w/LU
	4329 436	1	B,F,G		w/318 Eng., w/(SC ELD H.D.) 2.6 Axle Ratio w/LU
	4058 398	1	B,F,G		w/318 Eng., w/(SC ELE) 2.94 Axle Ratio w/LU Police
	4329 631	1	B,F,G		w/318 Eng., w/(SC ELA & ELD) 2.94 Axle Ratio, N/LU
1	4295 849	1	All		SHIELD, Case Torque Converter
2	4130 977	1	All		CASE, Transmission
	3681 601	1	All		MAGNET, Case Chip Collector
	0118 749	2	All		CONNECTOR, Oil Cooler Tube Trans. End
	6024 863	AR	All		SCREW, Cyl. Block to Trans. Case, 7/16"-14 x 2-1/8"
	6027 891	2	All		7/16"-14 x 2"
	6024 473	AR	All		7/16"-14 X 1-7/8"
	6024 864	AR	All		3/8"-16 X 1-7/8"
	6027 865	4	All		Case to Cyl. Block, 3/8"-16 x 1-3/8"
	6027 252	3	All		3/8"-16 x 2-5/8"ck, 3/8"-16 x 1-3/8"
3	4071 980	1			LEVER, Throttle Control, w/o Bolt and Nut, w/3 Holes, Straight Type, 2.40" Lgh. Center to Center of Large Holes
	2538 064	1			Manual Control, w/Console w/1/4" Hole at Rod End
4	2466 954	1	All		GASKET, Trans. Extension
5	2466 881	1	All		SUPPORT, Output Shaft
	0179 818	4	All		SCREW, Support, 5/16"-18 x 1"
6	4057 750	1	All		SWITCH, Trans. Neutral Starter and Back-Up Light, w/3 Prongs
7	2408 143	1	All		WASHER, Switch Mounting
8	3878 447	1	All		SEAL, Manual Valve Shaft
9	1942 477	1	All		SCREW, Kickdown Band Adjusting
		1	All		NUT, Lock, 1/2"-20 (Not Serviced)
10	2464 551	1	All		COVER, Torque Converter Drain

MODEL CODES

B = GRAN FURY	F = FIFTH AVENUE/NEWPORT	P = RELIANT
C = LEBARON/TOWN & COUNTRY/EXC SEDAN	G = DIPLOMAT	T = E CLASS/NEW YORKER
C24 = LASER	H = VOYAGER	V = 600
D = ARIES	K = MINI RAM/CARAVAN/ROYAL	V24 = DAYTONA
E = 600	M = HORIZON/TURISMO	Z = OMNI/CHARGER/RAMPAGE

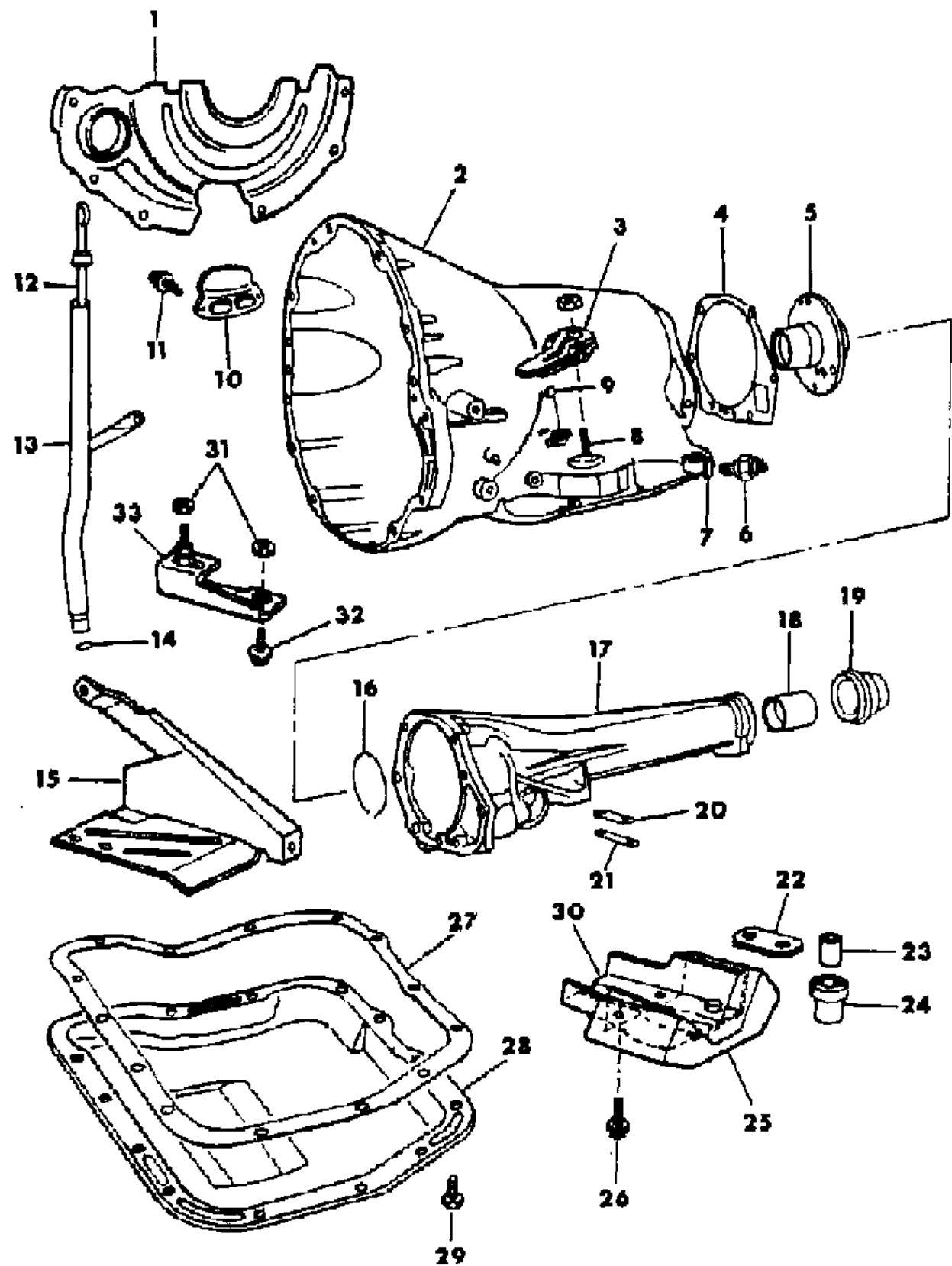
BODY STYLES

21 = 2-DOOR SEDAN	28 = FWD PICKUP	44 = 4-DOOR HATCHBACK
22 = 2-DOOR SPECIAL COUPE	35 = FWD VAN	45 = 4-DOOR STATION WAGON
24 = 2-DOOR HATCHBACK	36 = FWD WAGON	48 = 4-DOOR EXECUTIVE SEDAN
27 = 2-DOOR CONVERTIBLE	41 = 4-DOOR SEDAN	

AR = Use as Required - = Non Illustrated Part P.A.R. = Paint as Required

TRANSMISSION, w/CASE AND EXTENSION AUTOMATIC, A904
Figure 21A-100

4151 100



ITEM	PART NUMBER	QTY	BODY	MODEL	DESCRIPTION
11	6023 092	3		All	SCREW w/WA.
12	4202 953	1			INDICATOR, Oil Level
13	4028 181	1		All	TUBE, Oil Pan Oil Filler
14	1316 815	1		All	SEAL, Oil Filler Tube
15	4071 089	1		All	STRUT, Trans. to Cyl. Block, Lt.
	4130 693	1		All	Trans. to Cyl. Block, Rt.
	6023 143	2		All	SCREW, Strut to Cyl. Block, 7/16"-14 x 1-1/8"
	0181 112	2		All	3/8-16 x 1"
	6024 473	1		All	Strut to Case, Lt., 7/16"-14 x 2"
	6023 143	AR		All	Strut to Case, 7/16"-14 x 1-1/8"
16	2400 185	1		All	SNAP RING, Output Shaft Brg., Outer
17	3780 230	1		All	EXTENSION w/BUSHING, Trans. Extension
	6027 150	4		All	SCREW, 1-1/8" Lgh.
	6031 229	2		All	STUD
18	2801 726	1		All	BUSHING, Trans. Extension
19	4058 047	1		All	SEAL, Yoke
20	2801 398	1		All	GASKET, Output Shaft Brg., Inspection Cover
21	2466 957	1		All	COVER, Output Shaft Brg., Inspection
	6028 022	2		All	SCREW
22	3681 614	1		All	PLATE, Damper Weight
23	3681 189	2		All	SPACER, Damper Weight
24	3681 514	2		All	INSULATOR, Damper Weight, Yellow
25	4412 542	1		All	WEIGHT w/SPACERS and INSULATORS
26	6032 047	2		All	BOLT, Damper Weight, 5/16"-18 x 1-1/2"
	6032 046	2		All	WASHER, Damper Weight Bolt
27	4295 875	1		All	GASKET, Trans. Oil Pan
28	4202 005	1		All	PAN w/PLUG, Trans. Oil
29	6023 355	14		All	SCREW, 5/16"-18 x 5/8"
30		1		All	SUPPORT, Damper Weight
31	3681 189	2		All	SPACER
32	0181 088	2		All	SCREW w/WA., 5/16"-18 x 1"
33	4028 635	1			BRACKET, Trans. Manual Low Blockout

MODEL CODES

B = GRAN FURY	F = FIFTH AVENUE/NEWPORT	P = RELIANT
C = LEBARON/TOWN & COUNTRY/EXC SEDAN	G = DIPLOMAT	T = E CLASS/NEW YORKER
C24 = LASER	H = VOYAGER	V = 600
D = ARIES	K = MINI RAM/CARAVAN/ROYAL	V24 = DAYTONA
E = 600	M = HORIZON/TURISMO	Z = OMNI/CHARGER/RAMPAGE

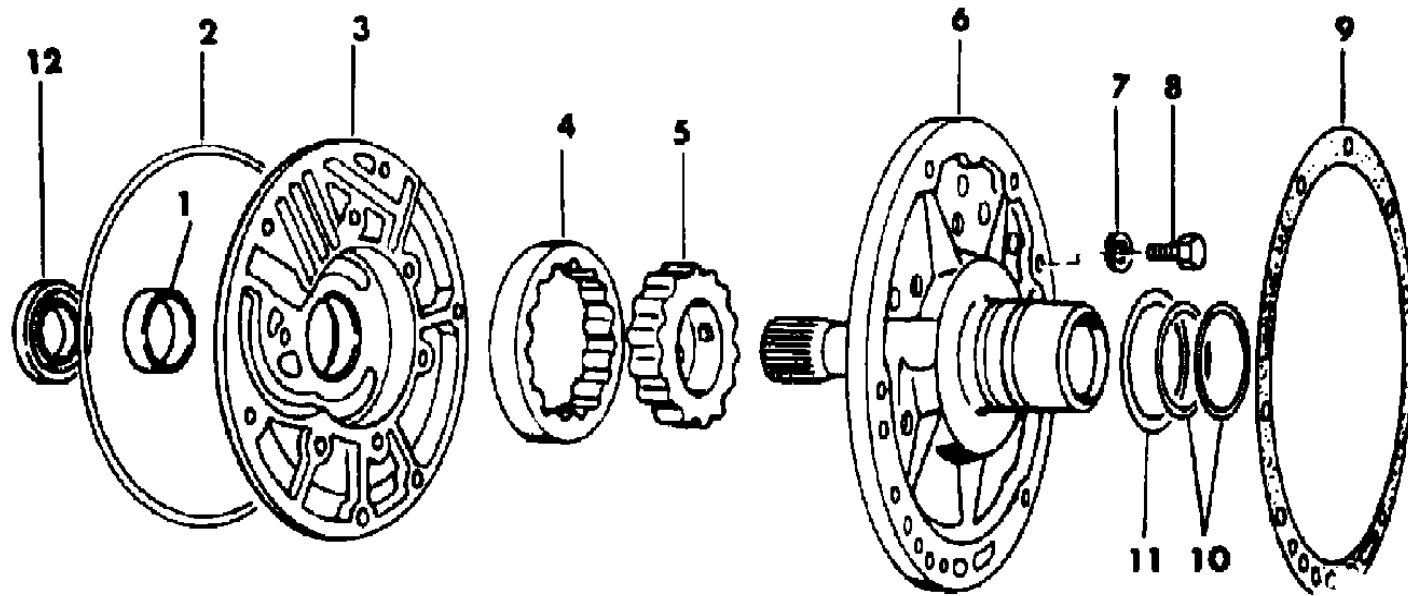
BODY STYLES

21 = 2-DOOR SEDAN	28 = FWD PICKUP	44 = 4-DOOR HATCHBACK
22 = 2-DOOR SPECIAL COUPE	35 = FWD VAN	45 = 4-DOOR STATION WAGON
24 = 2-DOOR HATCHBACK	36 = FWD WAGON	48 = 4-DOOR EXECUTIVE SEDAN
27 = 2-DOOR CONVERTIBLE	41 = 4-DOOR SEDAN	

AR = Use as Required - = Non Illustrated Part P.A.R. = Paint as Required

PUMP, OIL w/REACTION SHAFT AUTOMATIC TRANSMISSION, A904
Figure 21A-150

4151 150



Oil Pump and Reaction Shaft Support Disassembled

ITEM	PART NUMBER	QTY	BODY	MODEL	DESCRIPTION
	4131 042	1			SEAL and GASKET PACKAGE, Frt. Pump
					Consists of:
					1 - ----- Seal, T/C Impeller Hub
					1 - ----- Seal, Oil Pump
					1 - ----- Gasket, T/C Reaction Shaft Support
					2 - ----- Ring Seal, Reaction Shaft Support
					1 - ----- Ring Seal, Input Shaft, Front
					1 - ----- Ring Seal, Rr. Clutch Retainer
					1 - ----- Ring Seal, Rr. Clutch Retainer
					1 - ----- Sheet, Instruction
1	2466 796	1		All	BUSHING, Frt. Pump Housing
2	2204 709	1		All	SEAL, Frt. Pump Housing, 8-17/64" O.D.
3	4130 192	1		All	HOUSING w/BUSHING, ROTORS and SEAL, Frt. Pump
	4202 089	1		All	HOUSING w/SUPPORT and REACTION SHAFT, Except 4329631 Trans.
	4202 298	1		All	w/4329631 Trans.
	6023 943	6		All	SCREW w/WA., Oil Pump Housing
4		1		All	ROTOR (Serviced in Housing Assy.)
5		1		All	ROTOR (Serviced in Housing Assy.)
6	4058 413	1		All	SHAFT w/SUPPORT, Reaction, Except 4329631 Trans.
	4058 941	1		All	w/4329631 Trans.
	4058 635	1		All	BUSHING, Reaction Shaft
	0104 918	AR		All	BALL, 1/4" Dia.
7		AR		All	WASHER, Lock (Not Serviced)
8	0179 815	6		All	SCREW w/WA.
9	4028 364	1		All	GASKET, Reaction Shaft Support
10	1942 389	2		All	RING, Reaction Shaft Support Seal, 2-1/16" I.D.
11	3410 572	1		All	WASHER, Clutch Thrust, 2.60" O.D.
12	4269 057	1		All	SEAL, T/C Impeller Hub

MODEL CODES

B = GRAN FURY	F = FIFTH AVENUE/NEWPORT	P = RELIANT
C = LEBARON/TOWN & COUNTRY/EXC SEDAN	G = DIPLOMAT	T = E CLASS/NEW YORKER
C24 = LASER	H = VOYAGER	V = 600
D = ARIES	K = MINI RAM/CARAVAN/ROYAL	V24 = DAYTONA
E = 600	M = HORIZON/TURISMO	Z = OMNI/CHARGER/RAMPAGE

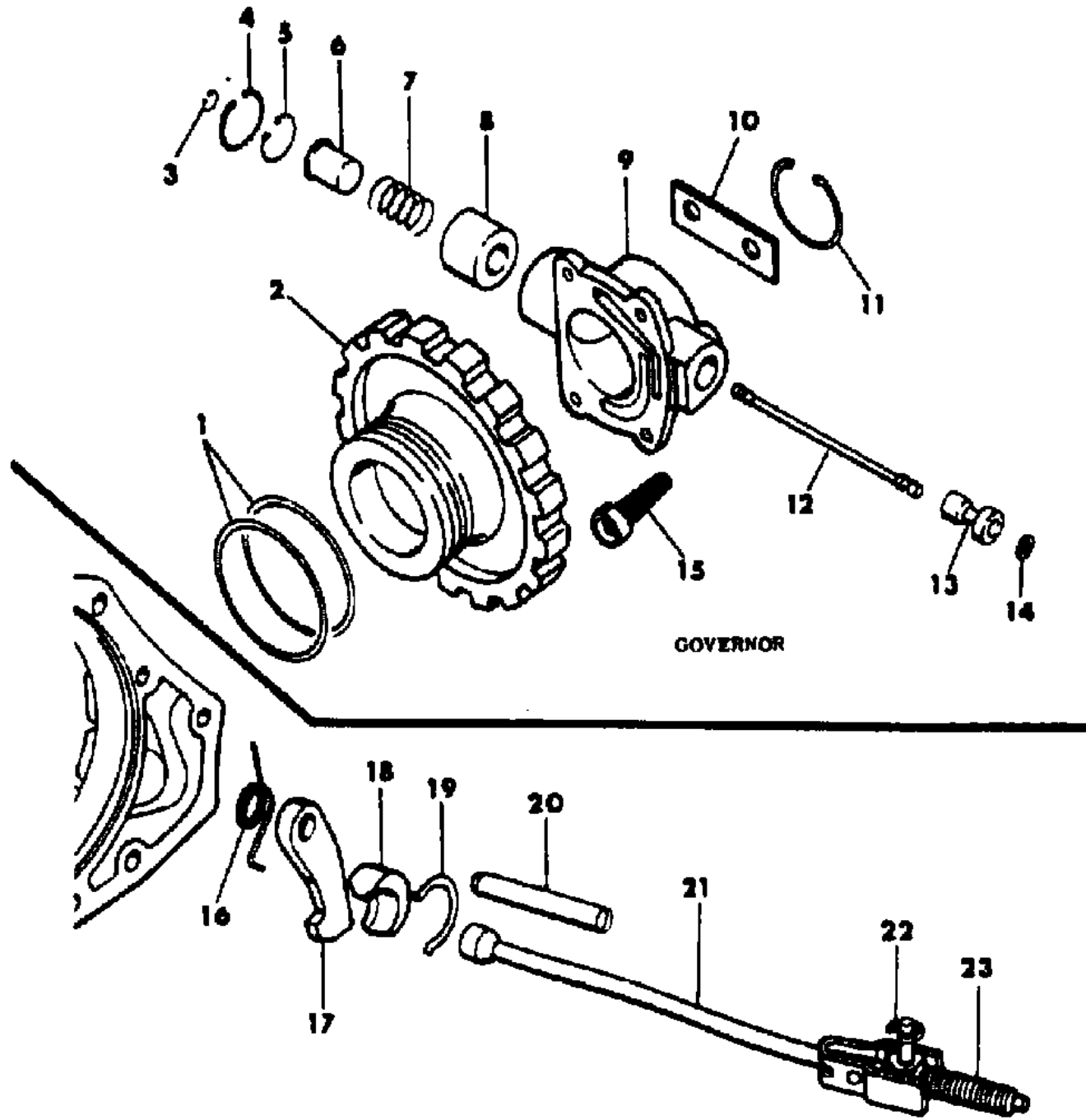
BODY STYLES

21 = 2-DOOR SEDAN	28 = FWD PICKUP	44 = 4-DOOR HATCHBACK
22 = 2-DOOR SPECIAL COUPE	35 = FWD VAN	45 = 4-DOOR STATION WAGON
24 = 2-DOOR HATCHBACK	36 = FWD WAGON	48 = 4-DOOR EXECUTIVE SEDAN
27 = 2-DOOR CONVERTIBLE	41 = 4-DOOR SEDAN	

AR = Use as Required - = Non Illustrated Part P.A.R. = Paint as Required

GOVERNOR AND PARKING SPRAG AUTOMATIC TRANSMISSION, A904
Figure 21A-200

4151 200



GOVERNOR

PARKING LOCK

ITEM	PART NUMBER	QTY	BODY	MODEL	DESCRIPTION
	4106 556	1			SEALS,GASKET and FILTER PACKAGE, Governor Consists of: 1 - ----- Speedo. Pinion Small Parts Pkg. 1 - ----- Filter, Governor 1 - ----- Seal, Yoke (Small) 1 - ----- Gasket, Extension 1 - ----- Gasket, Output Shaft Brg. Cover 1 - ----- Seal, Oil Filter Tube 2 - ----- RING SEAL, Governor Support
	4202 658	1			WEIGHT PACKAGE, Governor Consists of: 1- ----- WEIGHT, Inner 1- ----- WEIGHT, Outer 1- ----- SPRING
1	1942 109	2	All		RING, Gov. Support Seal, Frt. and Rr.
2	3743 518	1	All		SUPPORT, Gov. .
3	1638 461	2	All		SNAP RING, Gov. Valve Shaft
4	6025 031	1	All		SNAP RING, Gov. Weight, Outer
5	1636 464	1	All		SNAP RING, Gov. Weight, Inner
6					WEIGHT, Gov., Inner (Serv. in Wt. Pkg. 4202658)
7			All		SPRING, Gov. Weight (Serv. in Wt. Pkg. 4202658)
8			All		WEIGHT, Trans. Gov., Outer (Serv. in Wt. Pkg. 4202658)
9	4186 874	1	All		BODY PKG., Governor
	6031 613	4	All		BOLT, Trans. Governor Body
10	3743 520	2	All		LOCK, Gov. Body Bolt, Off-Set Type
11	6027 271	1	All		SNAP RING, Gov. Body
12	1556 082	1	All		SHAFT, Gov. Valve
13	3515 479	1	All		VALVE, Gov.
14	1638 461	2	All		SNAP RING, Gov. Valve Shaft
15	3743 519	1	All		FILTER, Trans. Governor
16	2466 909	1	All		SPRING, Trans. Parking Sprag, Blue
17	2801 157	1	All		SPRAG, Trans. Parking
18	2538 042	1	All		PLUG, Parking, Sprag Reaction
		1	All		PIN, Parking Sprag Reaction Plug (Not Serviced)
19	2538 034	1	All		SNAP RING, Parking Sprag Reaction Plug
20	2466 892	1	All		SHAFT, Trans. Parking Sprag
21	2466 906	1	All		ROD ASSEMBLY, Parking Sprag
22	1626 749	1	All		E-RING, Rod Stud

MODEL CODES

B = GRAN FURY	F = FIFTH AVENUE/NEWPORT	P = RELIANT
C = LEBARON/TOWN & COUNTRY/EXC SEDAN	G = DIPLOMAT	T = E CLASS/NEW YORKER
C24 = LASER	H = VOYAGER	V = 600
D = ARIES	K = MINI RAM/CARAVAN/ROYAL	V24 = DAYTONA
E = 600	M = HORIZON/TURISMO	Z = OMNI/CHARGER/RAMPAGE

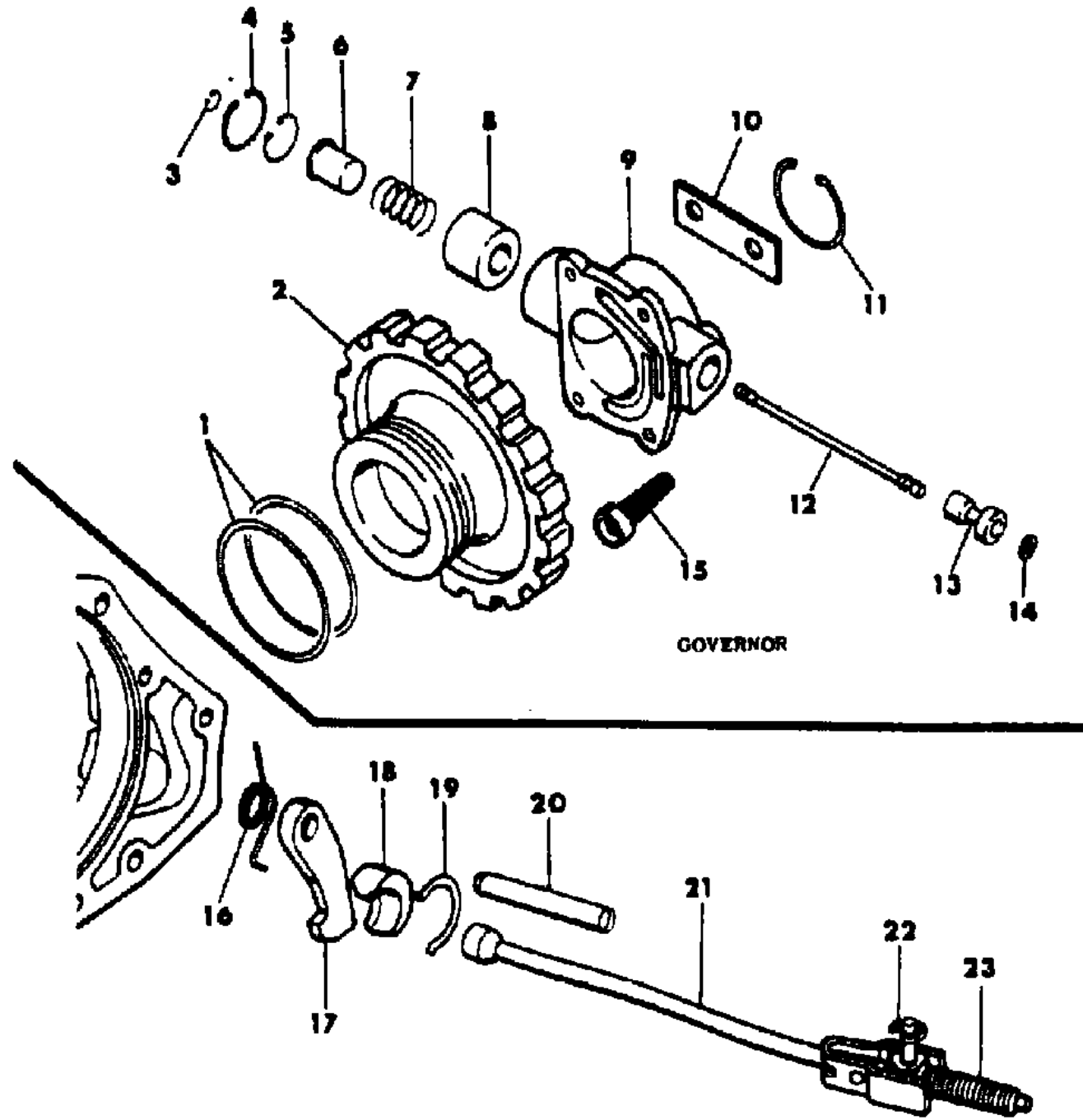
BODY STYLES

21 = 2-DOOR SEDAN	28 = FWD PICKUP	44 = 4-DOOR HATCHBACK
22 = 2-DOOR SPECIAL COUPE	35 = FWD VAN	45 = 4-DOOR STATION WAGON
24 = 2-DOOR HATCHBACK	36 = FWD WAGON	48 = 4-DOOR EXECUTIVE SEDAN
27 = 2-DOOR CONVERTIBLE	41 = 4-DOOR SEDAN	

AR = Use as Required - = Non Illustrated Part P.A.R. = Paint as Required

GOVERNOR AND PARKING SPRAG AUTOMATIC TRANSMISSION, A904
Figure 21A-200

4151 200



GOVERNOR

PARKING LOCK

ITEM	PART NUMBER	QTY	BODY	MODEL	DESCRIPTION
------	-------------	-----	------	-------	-------------

23		1		All	SPRING, Parking Rod (Serv. in Parking Sprag Rod Assy.)
----	--	---	--	-----	--

MODEL CODES

B = GRAN FURY	F = FIFTH AVENUE/NEWPORT	P = RELIANT
C = LEBARON/TOWN & COUNTRY/EXC SEDAN	G = DIPLOMAT	T = E CLASS/NEW YORKER
C24 = LASER	H = VOYAGER	V = 600
D = ARIES	K = MINI RAM/CARAVAN/ROYAL	V24 = DAYTONA
E = 600	M = HORIZON/TURISMO	Z = OMNI/CHARGER/RAMPAGE

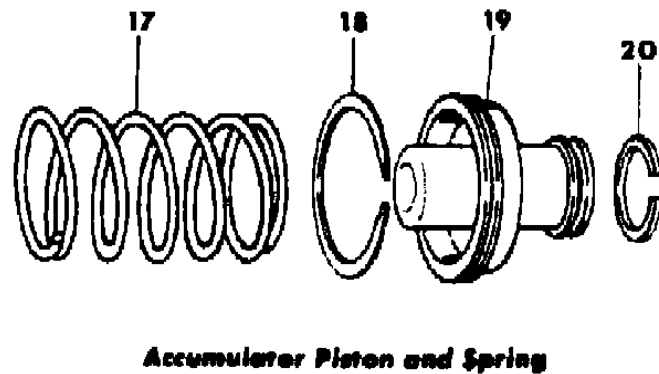
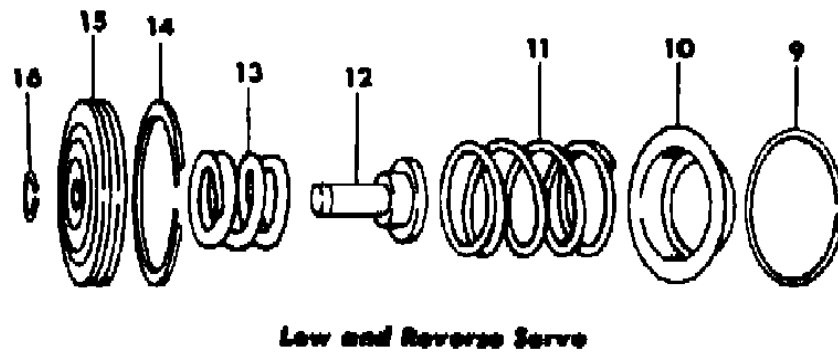
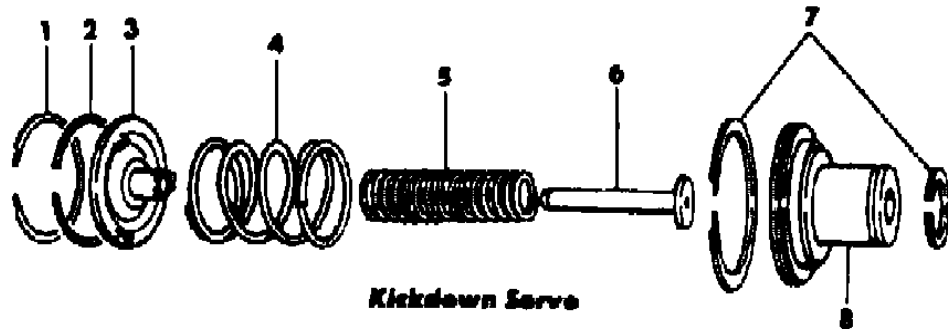
BODY STYLES

21 = 2-DOOR SEDAN	28 = FWD PICKUP	44 = 4-DOOR HATCHBACK
22 = 2-DOOR SPECIAL COUPE	35 = FWD VAN	45 = 4-DOOR STATION WAGON
24 = 2-DOOR HATCHBACK	36 = FWD WAGON	48 = 4-DOOR EXECUTIVE SEDAN
27 = 2-DOOR CONVERTIBLE	41 = 4-DOOR SEDAN	

AR = Use as Required - = Non Illustrated Part P.A.R. = Paint as Required

SERVOS, ACCUMULATOR, PISTON AND SPRINGS AUTOMATIC TRANSMISSION, A904
Figure 21A-300

4151 300



ITEM	PART NUMBER	QTY	BODY	MODEL	DESCRIPTION
1	6028 863	1		All	SNAP RING, Kickdown Servo Guide, 2-3/8" I.D.
2	3410 372	1		All	RING, Kickdown Servo Guide Seal, 2-3/8" O.D.
3	3410 332	1		All	GUIDE, Kickdown Servo
4	4058 885	1		All	SPRING, Kickdown Servo Piston, Outer, 4.5 Coils, 1-3/4" O.D.
6	4058 780	1		All	ROD, Kickdown Servo Piston
7	3410 374	1		All	RING, Kickdown Servo Piston Seal, Small, 1" O.D.
	3410 372	1		All	Large, 2-3/8" O.D.
8	4058 777	1		All	PISTON, Inner w/Rod and Seal, Kickdown Servo
	6028 864	1		All	SEAL, Inner, 15/16"
	6024 336	1		All	SNAP RING, Inner, 1-1/8" I.D.
9	2464 464	1		All	SNAP RING, Reverse Servo Piston Spring Retainer
10	2464 463	1		All	RETAINER, Reverse Servo Piston
11	2801 274	1		All	SPRING, Reverse Servo Piston
12	3743 353	1		All	PLUG, Reverse Servo Piston
13	4130 824	1		All	SPRING, Reverse Servo Cushion, Orange
14	4202 864	1		All	SEAL, Reverse Servo Piston
15	2801 271	1		All	Piston, Reverse Servo
16	6027 153	1		All	RING, Reverse Servo Piston Plug, 7/16" I.D.
17	3515 079	1		All	SPRING, Accumulator, Lower
18	3743 013	1		All	RING, Accumulator Piston Seal, Large
19	3410 908	1		All	PISTON, Trans. Accumulator
20	3743 010	1		All	RING, Accumulator Piston Seal, Small

MODEL CODES

B = GRAN FURY	F = FIFTH AVENUE/NEWPORT	P = RELIANT
C = LEBARON/TOWN & COUNTRY/EXC SEDAN	G = DIPLOMAT	T = E CLASS/NEW YORKER
C24 = LASER	H = VOYAGER	V = 600
D = ARIES	K = MINI RAM/CARAVAN/ROYAL	V24 = DAYTONA
E = 600	M = HORIZON/TURISMO	Z = OMNI/CHARGER/RAMPAGE

BODY STYLES

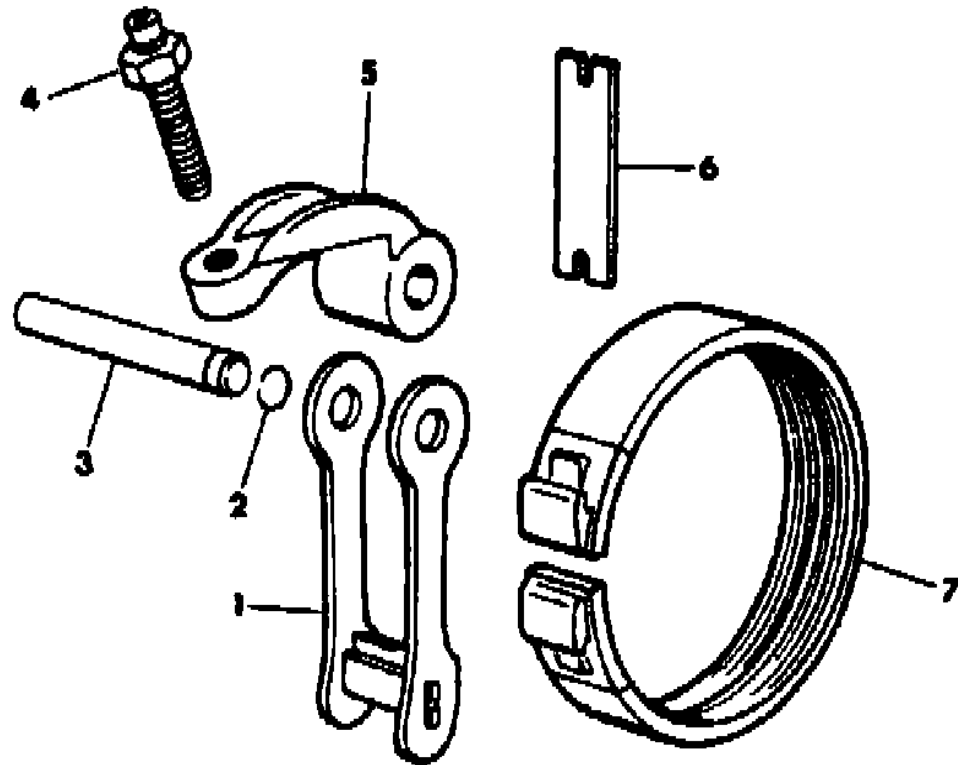
21 = 2-DOOR SEDAN	28 = FWD PICKUP	44 = 4-DOOR HATCHBACK
22 = 2-DOOR SPECIAL COUPE	35 = FWD VAN	45 = 4-DOOR STATION WAGON
24 = 2-DOOR HATCHBACK	36 = FWD WAGON	48 = 4-DOOR EXECUTIVE SEDAN
27 = 2-DOOR CONVERTIBLE	41 = 4-DOOR SEDAN	

AR = Use as Required - = Non Illustrated Part P.A.R. = Paint as Required

BANDS, REVERSE AND KICKDOWN w/LINKAGE AUTOMATIC TRANSMISSION, A904
Figure 21A-400

4131 400

ITEM	PART NUMBER	QTY	BODY	MODEL	DESCRIPTION
1	2464 439	1		All	LINK w/ANCHOR, Reverse Band
2	6030 657	1		All	SEAL, Reverse Band Shaft
	6030 657	1		All	Reverse Band Reaction Shaft
3	3410 102	1		All	SHAFT, Reverse Band Lever
	3410 102	1		All	Reverse Band Reaction
	1942 132	1		All	Kickdown
4	2538 472	1		All	SCREW, Reverse Band Adj., 3/8"-24
	1942 477	1		All	Kickdown Band Adj.
	0120 369	1		All	NUT, Reverse Band Adj. Screw Lock, 3/8"-24
5	2801 815	1		All	LEVER w/STEM, Reverse Band
6	3515 084	1		All	STRUT, Kickdown Band
7	4058 863	1		All	BAND, Trans. Kickdown
	4130 981	1		All	Reverse
8	2124 666	1		All	LEVER, Kickdown Band,(3.2 Ratio stamped on part) w/4295887 Trans.
	2125 067	1		All	(3.8 Ratio stamped on part) Except 4295887 Trans.



MODEL CODES

B = GRAN FURY	F = FIFTH AVENUE/NEWPORT	P = RELIANT
C = LEBARON/TOWN & COUNTRY/EXC SEDAN	G = DIPLOMAT	T = E CLASS/NEW YORKER
C24 = LASER	H = VOYAGER	V = 600
D = ARIES	K = MINI RAM/CARAVAN/ROYAL	V24 = DAYTONA
E = 600	M = HORIZON/TURISMO	Z = OMNI/CHARGER/RAMPAGE

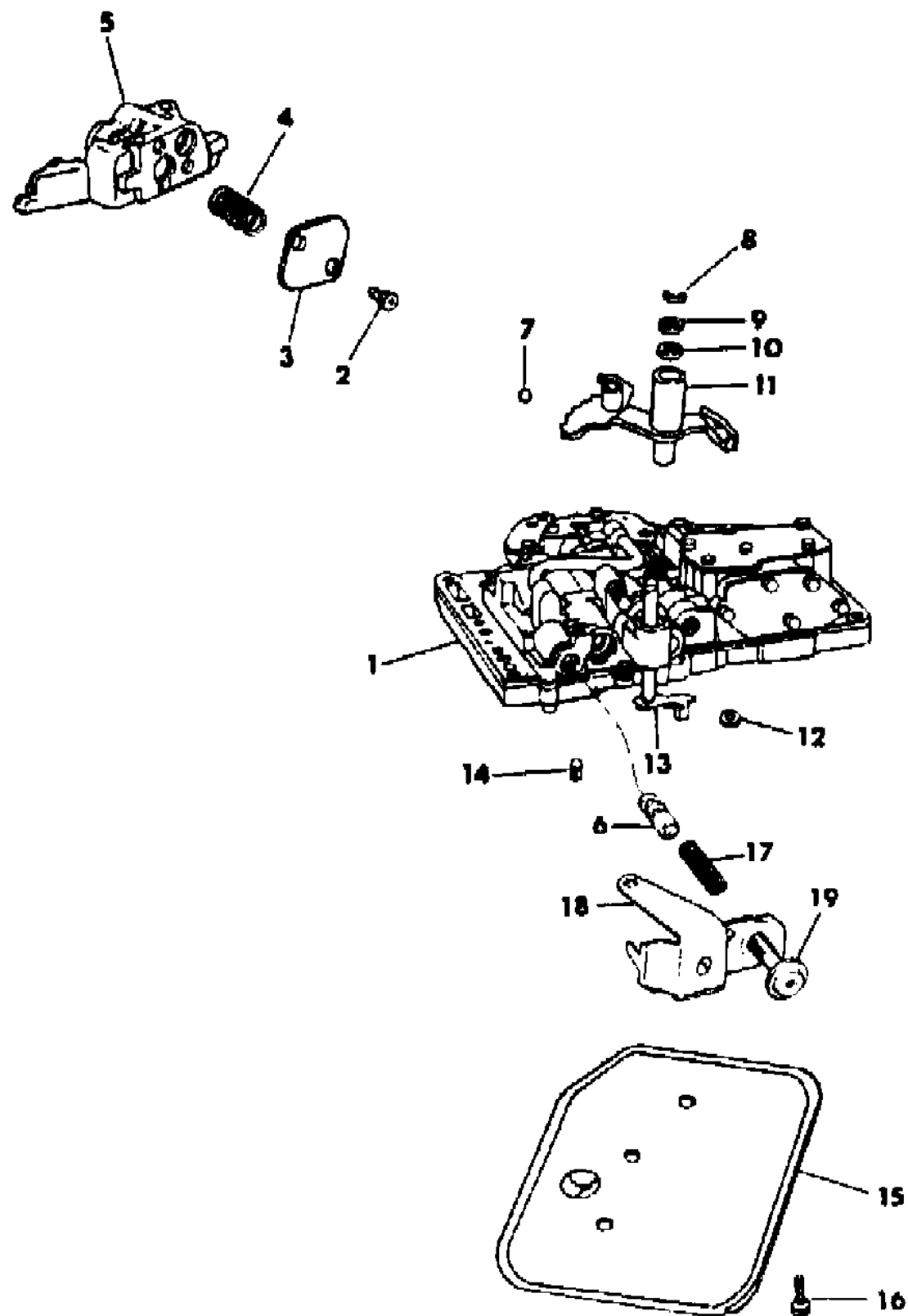
BODY STYLES

21 = 2-DOOR SEDAN	28 = FWD PICKUP	44 = 4-DOOR HATCHBACK
22 = 2-DOOR SPECIAL COUPE	35 = FWD VAN	45 = 4-DOOR STATION WAGON
24 = 2-DOOR HATCHBACK	36 = FWD WAGON	48 = 4-DOOR EXECUTIVE SEDAN
27 = 2-DOOR CONVERTIBLE	41 = 4-DOOR SEDAN	

AR = Use as Required - = Non Illustrated Part P.A.R. = Paint as Required

VALVE BODY AUTOMATIC TRANSMISSION, A904
Figure 21A-500

4151 500A



ITEM	PART NUMBER	QTY	BODY	MODEL	DESCRIPTION
	4205 872	1			SEALS and GASKET PACKAGE, Valve Body and Servo Consists of: 1 - ----- Screen, Reg. Valve 1 - ----- Seal, Manual Valve Shaft 1 - ----- Seal, Reverse Band Lever Shaft 1 - ----- Seal, Reverse Servo Piston 1 - ----- Seal, Throttle Lever Shaft 1 - ----- Gasket, Oil Pan 1 - ----- Ring Seal, Kickdown Servo Piston, Small 1 - ----- Ring Seal, Kickdown Servo Piston, Small 2 - ----- Ring Seal, Kickdown Servo Piston, Large 2 - ----- Ring Seal, Kickdown Servo Piston, Large 1 - ----- Ring Seal, Accumulator, Small 1 - ----- Ring Seal, Accumulator, Large 1 - ----- Filter, Oil
1	4348 759	1		All	VALVE BODY, w/TRANSFER PLATE w/4058398 Trans., Olive
	4269 125	1		All	w/4329631 Trans., Olive
	4348 964	1		All	w/4295887,4329436 Trans., Blue
2	6030 888	2		All	SCREW, Lock Up Valve Body Cover, 10-24 x 7/16"
2	6030 889	AR		All	10-24 x 1"
3				All	COVER (serviced in Valve Body)
4	4202 642	1		All	SPRING, Trans. Lock Up Valve
5	4202 209	1		All	BODY, L/U Valve
6	4202 474	1		All	VALVE, Trans. Switch
	6030 366	2		All	SCREW, L/U Valve Body to T/Plate, 10-24 x 1-1/2"
7	0147 488	1		All	BALL, Manual Lever Detent, 11/32
8	6025 857	1		All	"E" RING, Throttle Valve Lever Shaft
9	2538 062	1		All	WASHER, Throttle Valve Lever Shaft
10	2466 548	1		All	SEAL, Throttle Valve Lever Shaft
11	3410 484	1		All	LEVER w/INSULATOR, Manual Valve
12	3878 447	1		All	SEAL, Manual Valve Shaft
13	3681 227	1		All	LEVER, Throttle Valve
14	3878 313	1		All	SCREEN, Regulator Valve
15	3515 996	1		All	FILTER or STRAINER, Trans. Oil
16	6030 895	AR		All	SCREW, Oil Filter
17	4130 492	1		All	SPRING, Switch Valve
18	3743 840	1		All	BRACKET, Throttle Pressure Adj. Screw

MODEL CODES

B = GRAN FURY	F = FIFTH AVENUE/NEWPORT	P = RELIANT
C = LEBARON/TOWN & COUNTRY/EXC SEDAN	G = DIPLOMAT	T = E CLASS/NEW YORKER
C24 = LASER	H = VOYAGER	V = 600
D = ARIES	K = MINI RAM/CARAVAN/ROYAL	V24 = DAYTONA
E = 600	M = HORIZON/TURISMO	Z = OMNI/CHARGER/RAMPAGE

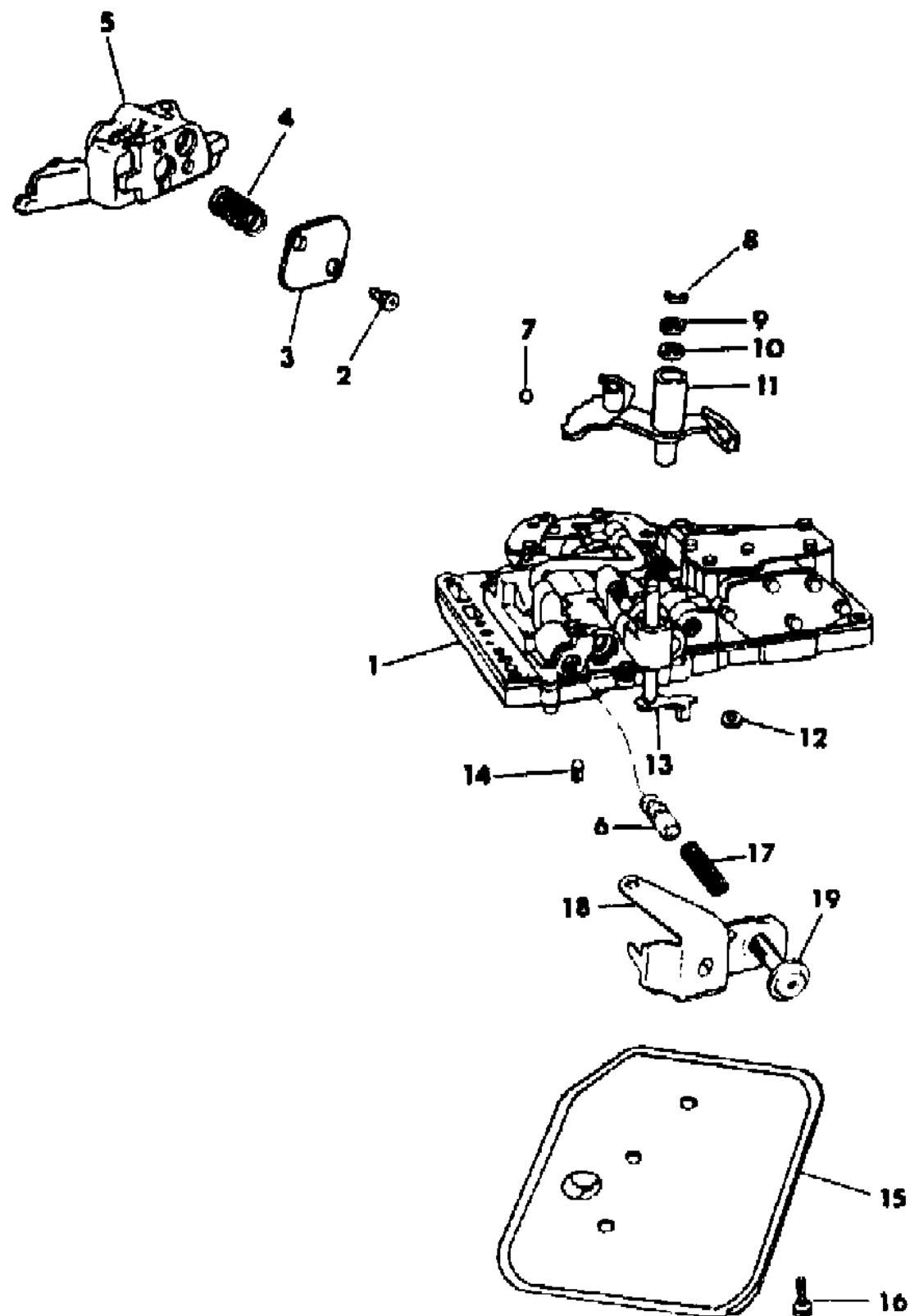
BODY STYLES

21 = 2-DOOR SEDAN	28 = FWD PICKUP	44 = 4-DOOR HATCHBACK
22 = 2-DOOR SPECIAL COUPE	35 = FWD VAN	45 = 4-DOOR STATION WAGON
24 = 2-DOOR HATCHBACK	36 = FWD WAGON	48 = 4-DOOR EXECUTIVE SEDAN
27 = 2-DOOR CONVERTIBLE	41 = 4-DOOR SEDAN	

AR = Use as Required - = Non Illustrated Part P.A.R. = Paint as Required

VALVE BODY AUTOMATIC TRANSMISSION, A904
Figure 21A-500

4151 500A



ITEM	PART NUMBER	QTY	BODY	MODEL	DESCRIPTION
19	6030 609	1		All	SCREW, Throttle Pressure Adj.

MODEL CODES

B = GRAN FURY	F = FIFTH AVENUE/NEWPORT	P = RELIANT
C = LEBARON/TOWN & COUNTRY/EXC SEDAN	G = DIPLOMAT	T = E CLASS/NEW YORKER
C24 = LASER	H = VOYAGER	V = 600
D = ARIES	K = MINI RAM/CARAVAN/ROYAL	V24 = DAYTONA
E = 600	M = HORIZON/TURISMO	Z = OMNI/CHARGER/RAMPAGE

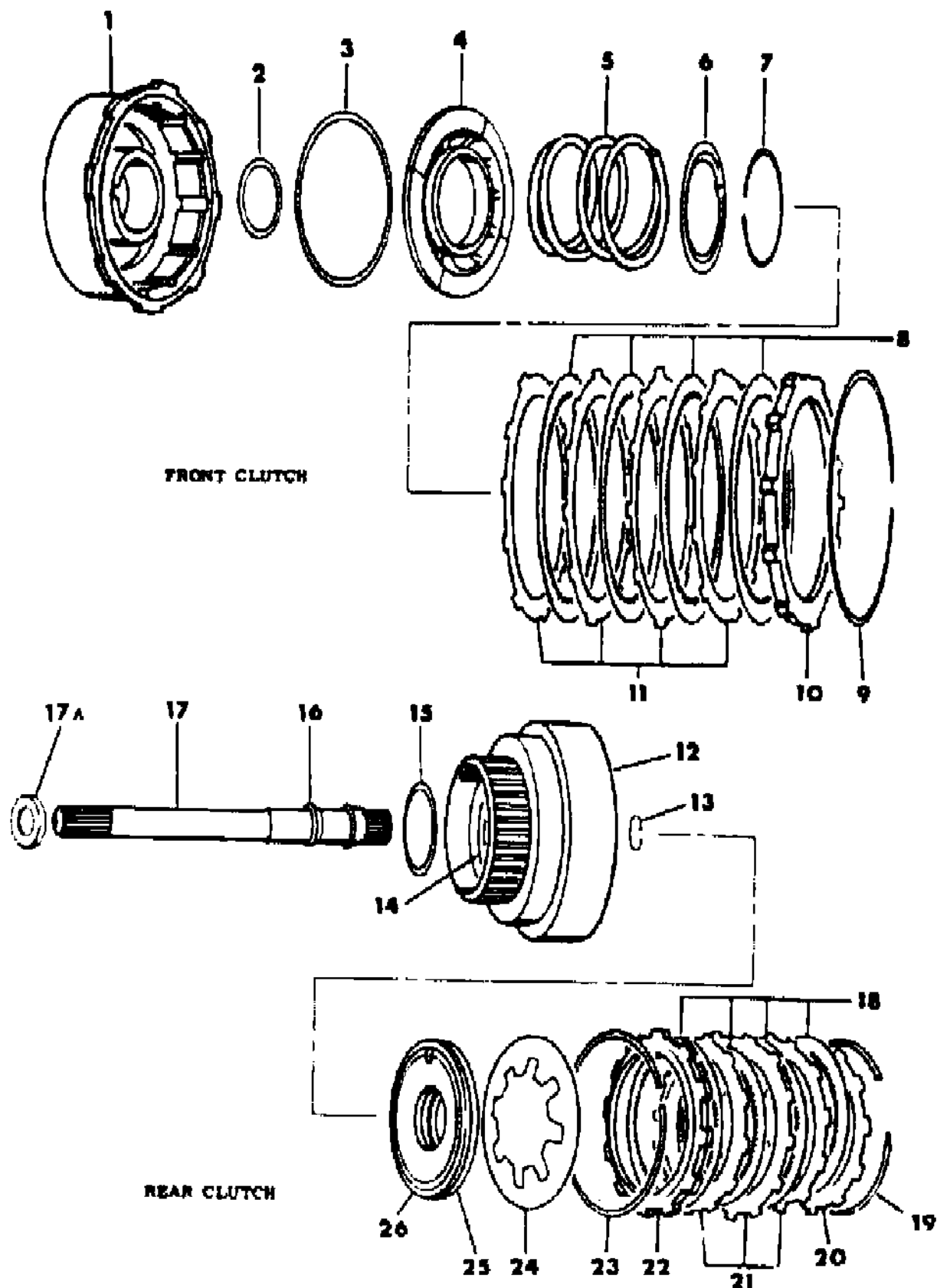
BODY STYLES

21 = 2-DOOR SEDAN	28 = FWD PICKUP	44 = 4-DOOR HATCHBACK
22 = 2-DOOR SPECIAL COUPE	35 = FWD VAN	45 = 4-DOOR STATION WAGON
24 = 2-DOOR HATCHBACK	36 = FWD WAGON	48 = 4-DOOR EXECUTIVE SEDAN
27 = 2-DOOR CONVERTIBLE	41 = 4-DOOR SEDAN	

AR = Use as Required - = Non Illustrated Part P.A.R. = Paint as Required

CLUTCH, FRONT AND REAR w/GEAR TRAIN AUTOMATIC TRANSMISSION, A904
Figure 21A-700

4191 700



ITEM	PART NUMBER	QTY	BODY	MODEL	DESCRIPTION
	4186 058				SEALS and WASHERS PACKAGE, Frt. and Rr. Clutch
					Consists of:
					1 - ----- Seal, Frt. Clutch Piston, Inner
					1 - ----- Seal, Frt. Clutch Piston, Outer
					1 - ----- Seal, Rear Clutch Piston, Inner
					1 - ----- Seal, Rear Clutch Piston, Outer
					AR- ----- Washer, Output Shaft Thrust
					AR- ----- Washer, Output Shaft Thrust Flat and Notched
1	3743 382	1	All		RETAINER w/BUSHING, Frt. Clutch
	2801 727	1	All		BUSHING, Frt. Clutch Retainer
2	3515 176	1	All		SEAL, Frt. Clutch Piston, Rubber, Inner
3	4058 487	1	All		SEAL, Frt. Clutch Piston, Outer
4	3743 384	1	All		PISTON, Frt. Clutch
	0147 483	1	All		BALL, 3/16"
5	3515 054	1	All		SPRING, Frt. Clutch Piston, 3.25 Coils, 3.38" O.D., 273" Wire, Yellow, Except 4329631 Trans.
	4329 809	1	All		w/4329631 Trans.
6	1942 399	1	All		RETAINER, Frt. Clutch Piston Spring
	0147 483	1	All		BALL, Check Valve, 3/16"
7	1942 400	1	All		SNAP RING, Frt. Cl., 2-7/16" O.D., .060" Thk., Inner
8	4329 805	5	All		DISC, Frt. Clutch
9	3410 571	1	All		SNAP RING, Frt. Clutch, Outer
10	2801 969	1	All		PLATE, Clutch Pressure
11	1942 403	5	All		PLATE, Frt. Clutch
12	4186 879	1	All		RETAINER, Rr. Clutch
	0147 483	1	All		BALL, Check Valve, 3/16"
13	6022 859	1	All		SNAP RING, Input Shaft, 57/64, .059" Thk.
14	2538 695	1	All		SEAL, Rr. Clutch Piston, Rubber, Outer.
	4028 333	1	All		Rr. Clutch Retainer Ring, 1-1/2" O.D., .09" Thk.
15	3410 572	2	All		WASHER, Frt. Clutch Thrust, 2-5/8" O.D.
16	1401 221	2	All		RING or SEAL, Input Shaft, Rear
17	4130 194	1	All		SHAFT, Input, Except 4329631 Trans.
	4130 399	1	All		w/4329631 Trans.
	1401 221	1	All		SEAL, Input Shaft Ring, Frt.
17A	4058 982	1	All		PLATE, Input Shaft Thrust, 1" O.D.
18	3780 285	4	All		DISC, Rr. Clutch
19	4130 761	AR	All		SNAP RING, Rr. Clutch Retainer, 5-11/32" O.D., .060" Thk.
	4130 762	AR	All		.076" Thk.

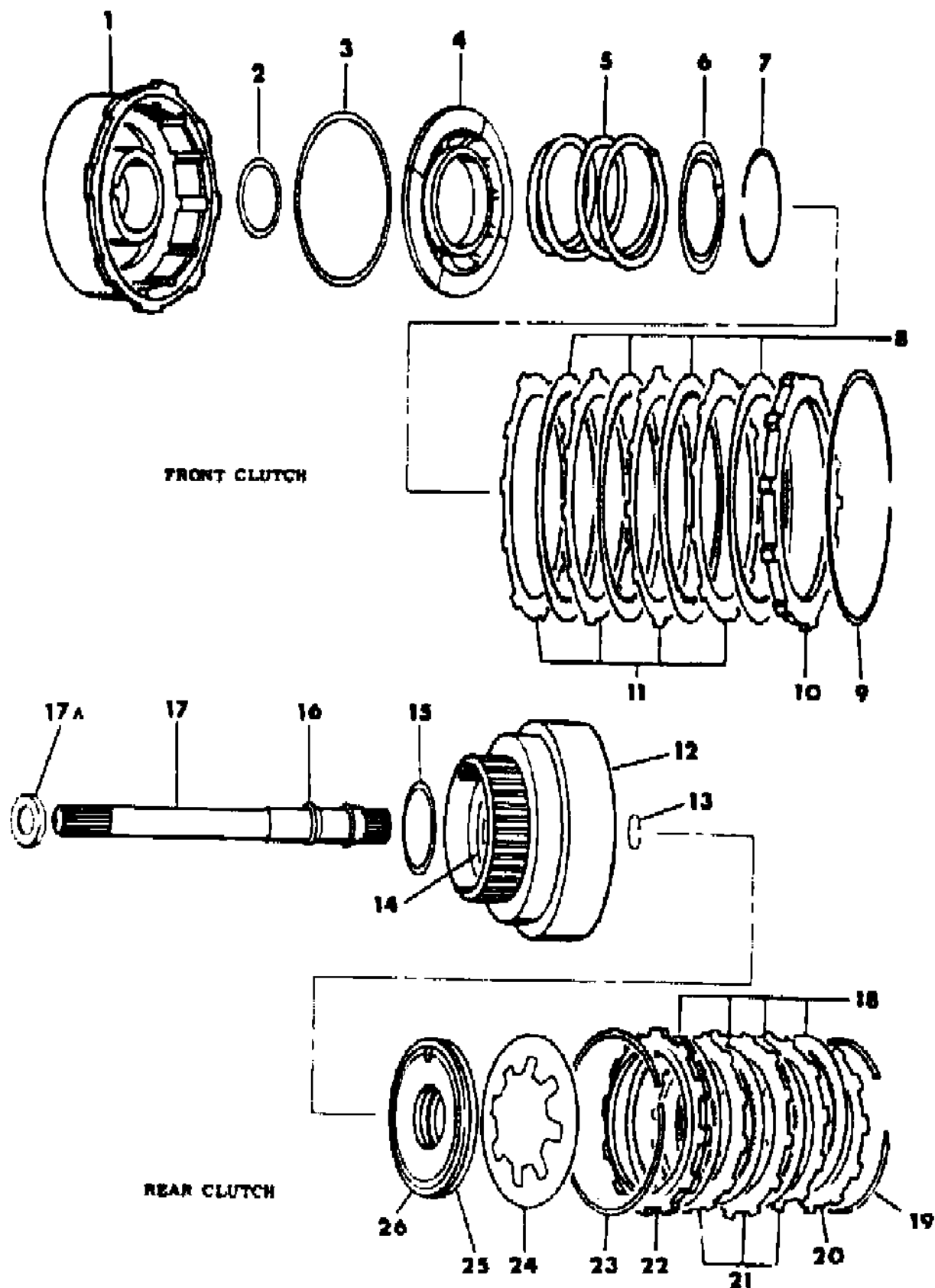
MODEL CODES
 B = GRAN FURY
 C = LEBARON/TOWN & COUNTRY/EXC SEDAN
 C24 = LASER
 D = ARIES
 E = 600
 F = FIFTH AVENUE/NEWPORT
 G = DIPLOMAT
 H = VOYAGER
 K = MINI RAM/CARAVAN/ROYAL
 M = HORIZON/TURISMO
 P = RELIANT
 T = E CLASS/NEW YORKER
 V = 600
 V24 = DAYTONA
 Z = OMNI/CHARGER/RAMPAGE

BODY STYLES
 21 = 2-DOOR SEDAN
 22 = 2-DOOR SPECIAL COUPE
 24 = 2-DOOR HATCHBACK
 27 = 2-DOOR CONVERTIBLE
 28 = FWD PICKUP
 35 = FWD VAN
 36 = FWD WAGON
 41 = 4-DOOR SEDAN
 44 = 4-DOOR HATCHBACK
 45 = 4-DOOR STATION WAGON
 48 = 4-DOOR EXECUTIVE SEDAN

AR = Use as Required - = Non Illustrated Part P.A.R. = Paint as Required

CLUTCH, FRONT AND REAR w/GEAR TRAIN AUTOMATIC TRANSMISSION, A904
Figure 21A-700

4191 700



ITEM	PART NUMBER	QTY	BODY	MODEL	DESCRIPTION
	4130 763	AR	All		.098" Thk.
20	2801 969	1	All		PLATE, Rr. Clutch Pressure, Rear
21	1942 403	3	All		PLATE, Rr. Clutch
22	2466 281	1	All		PLATE, Rr. Clutch Pressure, Frt.
23	2466 283	1	All		SPRING, Rr. Clutch Wave
24	1942 414	1	All		SPRING, Rr. Clutch Piston
25	2538 510	1	All		SEAL, Rr. Clutch Piston Rubber, Inner
26	3515 716	1	All		PISTON, Rr. Clutch
	0147 483	1	All		BALL, Check Valve, 3/16"

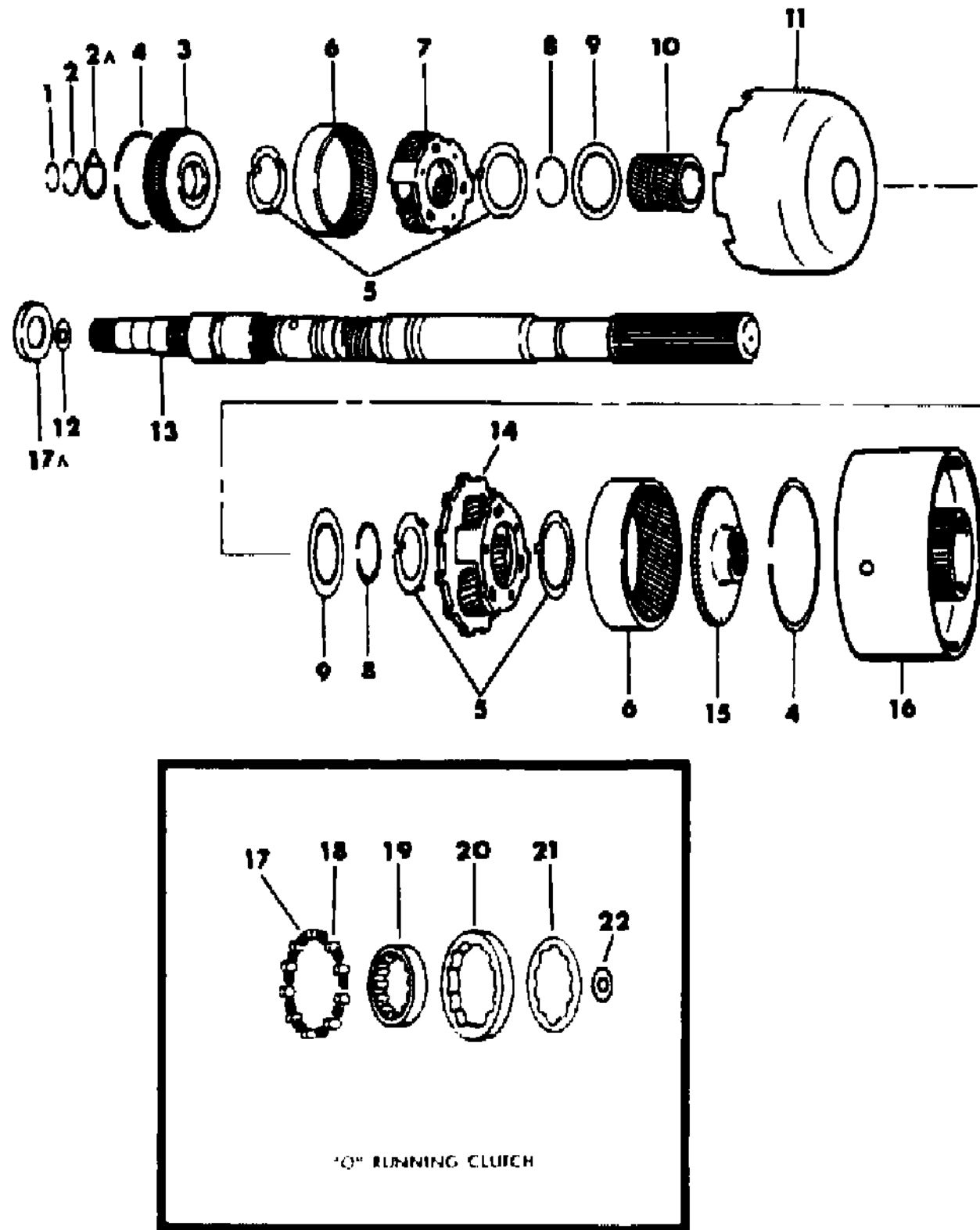
MODEL CODES
 B = GRAN FURY
 C = LEBARON/TOWN & COUNTRY/EXC SEDAN
 C24 = LASER
 D = ARIES
 E = 600
 F = FIFTH AVENUE/NEWPORT
 G = DIPLOMAT
 H = VOYAGER
 K = MINI RAM/CARAVAN/ROYAL
 M = HORIZON/TURISMO
 P = RELIANT
 T = E CLASS/NEW YORKER
 V = 600
 V24 = DAYTONA
 Z = OMNI/CHARGER/RAMPAGE

BODY STYLES
 21 = 2-DOOR SEDAN
 22 = 2-DOOR SPECIAL COUPE
 24 = 2-DOOR HATCHBACK
 27 = 2-DOOR CONVERTIBLE
 28 = FWD PICKUP
 35 = FWD VAN
 36 = FWD WAGON
 41 = 4-DOOR SEDAN
 44 = 4-DOOR HATCHBACK
 45 = 4-DOOR STATION WAGON
 48 = 4-DOOR EXECUTIVE SEDAN

AR = Use as Required - = Non Illustrated Part P.A.R. = Paint as Required

GEAR TRAIN AND OUTPUT SHAFT AUTOMATIC TRANSMISSION, A904
Figure 21A-900

4151 000



ITEM	PART NUMBER	QTY	BODY	MODEL	DESCRIPTION
	3420 023	1			RACE, ROLLER and SPRING PACKAGE, "O" Running Clutch Consists of: 1 - ----- Race 10 - ----- Roller 10 - ----- Spring
	3780 221	1			CAM, RETAINER, SCREW and WASHER PACKAGE, "O" Running Clutch Consists of: 1 - ----- Retainer, Trans. "O" Running Clutch Spring 1 - ----- Cam, "O" Running Clutch 7 - ----- Screw, Trans. "O" Running Clutch Cam 7 - ----- Washer, Trans. "O" Running Clutch Screw
1	6026 289	AR		All	SNAP RING, Output Shaft, .946" I.D., .040" Thk.
	6030 938	AR		All	.910" I.D., .062" Thk., Green
	6030 404	AR		All	.906" I.D., .084" Thk., White
2	6030 576	1		All	SNAP RING, Frt. Annulus Gear Support
2A	3681 969	1		All	WASHER, Frt. Annulus Gear Support Thrust w/Lip, Steel Backed Bronze, 2-1/8" O.D.
3	4130 510	1		All	SUPPORT w/BUSHING, Frt. Annulus Gear
4	4130 513	1		All	SNAP RING, Annulus Gear Front
	1942 444	1		All	Rear
5	4130 518	2		All	WASHER, Planet Pinion Carrier Thrust, Front 4 Tabs I.D., 2-5/8" I.D. Rear, 3 Tabs O.D., 2" I.D.
	3681 935	2		All	
	3681 949	8		All	RING, Planet Pinion Roller Thrust, Front
	3681 949	8		All	Rear
6	4130 512	1		All	GEAR, Annulus, Front
	3743 184	1		All	Rear
7	4130 514	1		All	CARRIER w/PINIONS, SHAFTS, ROLLERS, RINGS, PINS and WASHERS, Frt. Planet Pinion, 4 Pinion
8	1942 439	AR		All	RING, Sun Driving Shell Lock, Steel, 1-41/64" O.D.
9	4130 600	2		All	PLATE, Sun Gear Driving Shell
10	4130 685	1		All	GEAR w/BUSHING, Trans. Sun, 38T-28T
	4130 736	1		All	SPACER, Sun Gear
11	4130 509	1			SHELL, Sun Gear Driving
12	4269 196	AR		All	WASHER, Output Shaft Thrust, 7/8" O.D., .052" Thk., Steel Backed Bronze

MODEL CODES

B = GRAN FURY	F = FIFTH AVENUE/NEWPORT	P = RELIANT
C = LEBARON/TOWN & COUNTRY/EXC SEDAN	G = DIPLOMAT	T = E CLASS/NEW YORKER
C24 = LASER	H = VOYAGER	V = 600
D = ARIES	K = MINI RAM/CARAVAN/ROYAL	V24 = DAYTONA
E = 600	M = HORIZON/TURISMO	Z = OMNI/CHARGER/RAMPAGE

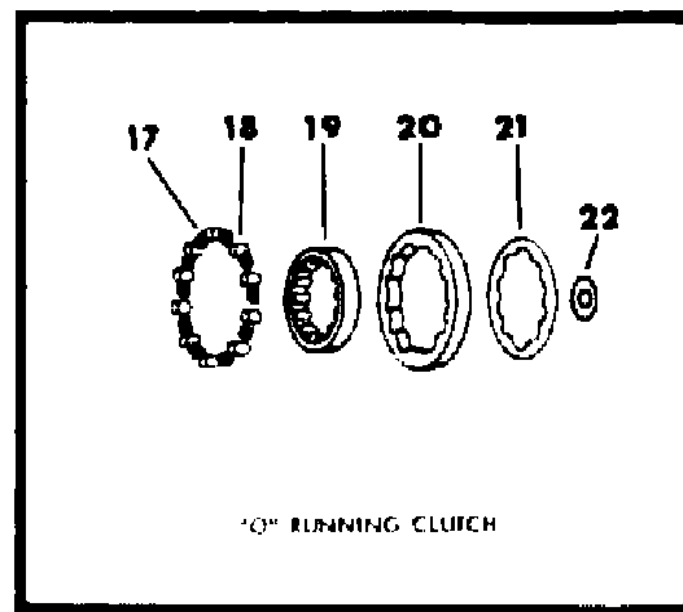
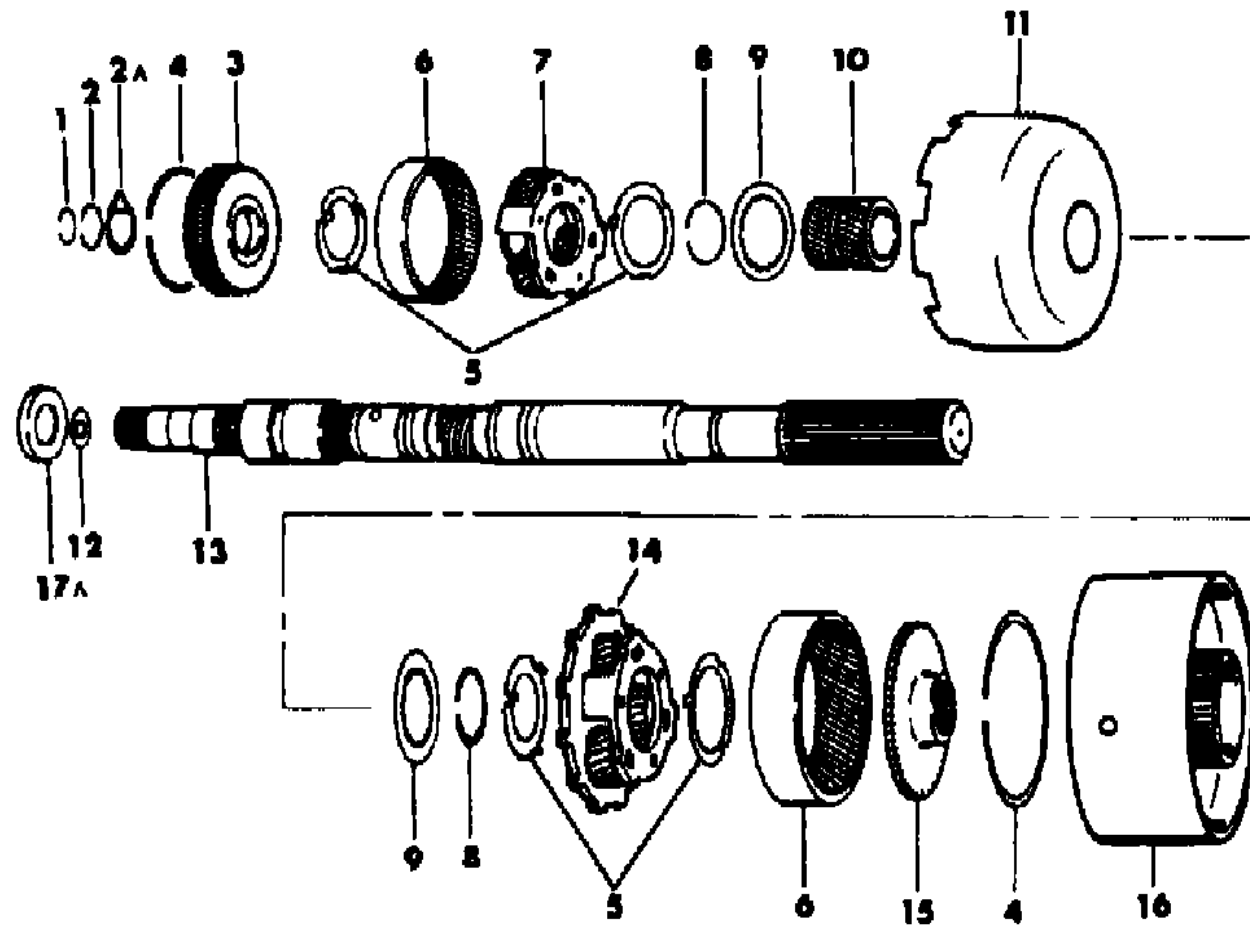
BODY STYLES

21 = 2-DOOR SEDAN	28 = FWD PICKUP	44 = 4-DOOR HATCHBACK
22 = 2-DOOR SPECIAL COUPE	35 = FWD VAN	45 = 4-DOOR STATION WAGON
24 = 2-DOOR HATCHBACK	36 = FWD WAGON	48 = 4-DOOR EXECUTIVE SEDAN
27 = 2-DOOR CONVERTIBLE	41 = 4-DOOR SEDAN	

AR = Use as Required - = Non Illustrated Part P.A.R. = Paint as Required

**GEAR TRAIN AND OUTPUT SHAFT AUTOMATIC TRANSMISSION, A904
Figure 21A-900**

4151 000



ITEM	PART NUMBER	QTY	BODY	MODEL	DESCRIPTION
	4269 197	AR		All	.068" Thk.
	4269 198	AR		All	.083" Thk.
13	4186 093	1		All	SHAFT w/PLUG, Output
	2466 881	1		All	SUPPORT, O/P Shaft (Not Shown)(See Fig. 21A-100)
	3410 465	1		All	BEARING, Output Shaft
14	6029 675	1		All	SNAP RING, Brg., 1-37/64" O.D.
	3681 988	1		All	CARRIER w/PINIONS, SHAFTS, ROLLERS and WASHERS, Rear Planet Pinion .
15	3515 501	1		All	SUPPORT, Rr. Annulus Gear, 62T., 28T., 4" O.D.
16	4130 867	1		All	DRUM, Reverse
17	2464 446	10		All	SPRING, "O" Running Clutch Roller
17A	4058 982	1		All	PLATE, Input Shaft Thrust
18	2464 888	10		All	ROLLER, "O" Running Clutch
19	3420 023	1		All	RACE, ROLLER and SPRING PACKAGE, "O" Running Cl., 24T
20	3780 221	1		All	CAM, RETAINER, SCREW and WASHER PACKAGE, "O" Running Clutch
21		1		All	RETAINER, "O" Running Clutch Spring (Serv. in Item No. 20)
22	1559 489	7		All	WASHER, "O" Running Clutch Cam Screw, 7/16" O.D.

MODEL CODES

B = GRAN FURY	F = FIFTH AVENUE/NEWPORT	P = RELIANT
C = LEBARON/TOWN & COUNTRY/EXC SEDAN	G = DIPLOMAT	T = E CLASS/NEW YORKER
C24 = LASER	H = VOYAGER	V = 600
D = ARIES	K = MINI RAM/CARAVAN/ROYAL	V24 = DAYTONA
E = 600	M = HORIZON/TURISMO	Z = OMNI/CHARGER/RAMPAGE

BODY STYLES

21 = 2-DOOR SEDAN	28 = FWD PICKUP	44 = 4-DOOR HATCHBACK
22 = 2-DOOR SPECIAL COUPE	35 = FWD VAN	45 = 4-DOOR STATION WAGON
24 = 2-DOOR HATCHBACK	36 = FWD WAGON	48 = 4-DOOR EXECUTIVE SEDAN
27 = 2-DOOR CONVERTIBLE	41 = 4-DOOR SEDAN	

AR = Use as Required - = Non Illustrated Part P.A.R. = Paint as Required

TRANSAXLE ASSEMBLIES AND MOUNTING AUTOMATIC CHRYSLER, A413,A470
Figure 21A-1400

4151 1400A

ITEM	PART NUMBER	QTY	BODY	MODEL	DESCRIPTION
	4293 083	1			GASKETS, SEALS, BUSHING And SCREEN, LESS FILTERS REPAIR PACKAGE, Transaxle TRANSAXLE, CROSS REFERENCE CHART PROD. SERV. REMAN. ASSY. ASSY. ASSY.
	4295512	4295512			
	4295513	4295513			
	4295515	4295515			
	4295517	4295517			
	4295763	4295763			
	4329554	4329554			
	4329555	4329555			
	4329556	4329556			
	4329827	4329827			
NOTE: The Transaxle Assembly Part Number is Stamped on the Oil Pan Rail. s information becomes available.					
1					TRANSAXLE ASSEMBLY
	4295 512	1		M,Z,P,D	w/2.2 Liter Eng., w/2.78 Overall Ratio
	4295 763	1		H,K	w/2.2 Liter Eng., w/3.22 Overall Ratio
	4295 513	1		M,Z,PD,	w/2.2,2.2 EFI Liter Eng., w/3.02 Overall Ratio
	4329 827	1		V,C,ET,	w/2.2 EFI-TURBO CHARGED Eng., w/3.02 Overall Ratio
	4329 827	1		P,D-41,	w/2.2 Eng., w/3.02 Overall Ratio, Police & Taxi
	4295 515	1		P,D,V,C	w/2.6 Liter Eng., w/3.02 Overall Ratio, Up To APPROX. Jan. 84
	4329 554	1		P,D,V,C	After APPROX. Jan. 84
	4295 517	1		H,K,P,D	w/2.6 Liter Eng., w/3.22 Overall Ratio (P,D-C48 LIMO.), UP TO APPROX. 12-15-83
	4329 555	1		H,K,P,D	AFTER APPROX. 12-15-83
	4329 556	1		P,D-41,	w/2.6 Liter Eng., w/3.22 Overall Ratio, Police & Taxi
2	4329 819	1			COVER, Case Upper, w/2.2 Liter Eng.
3	5224 266	1			LEVER, Manual Control
	5240 826				Throttle Control
	6100 279	1			BOLT w/NUT
	5212 384	1			NUT
4	4269 530	1			BRACKET, Low Gear Blockout
5	6500 672	1			BOLT, Brkt. Adjusting
6	6100 218	1			NUT, Brkt. Adjusting Bolt
7					SCREW, (Refer To Item No. 7)
9	6500 527	AR			SCREW w/WA., Case To Block, M10x1.25x60
	6101 238	AR			M10 x 1.50 x 35

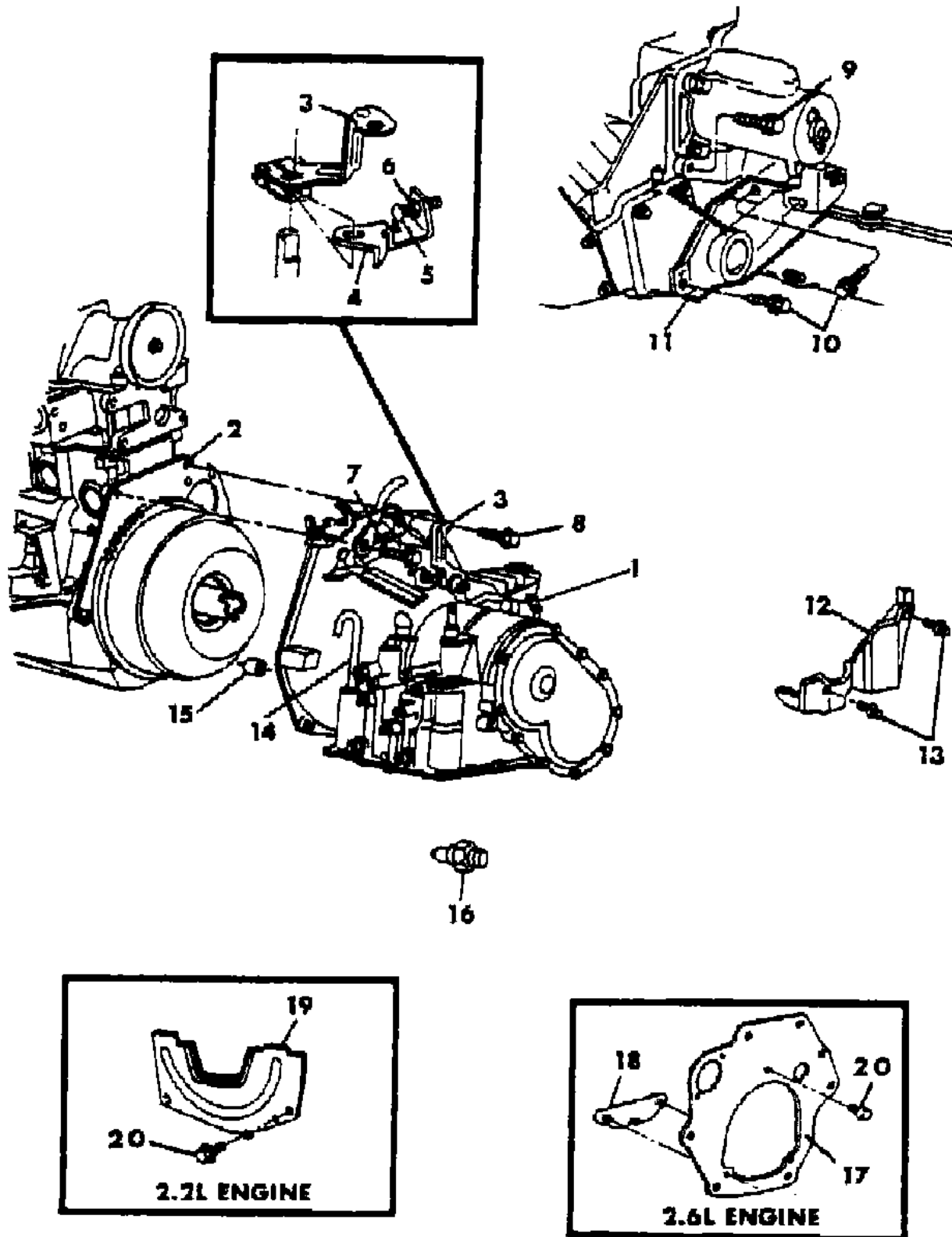
MODEL CODES

B = GRAN FURY	F = FIFTH AVENUE/NEWPORT	P = RELIANT
C = LEBARON/TOWN & COUNTRY/EXC SEDAN	G = DIPLOMAT	T = E CLASS/NEW YORKER
C24 = LASER	H = VOYAGER	V = 600
D = ARIES	K = MINI RAM/CARAVAN/ROYAL	V24 = DAYTONA
E = 600	M = HORIZON/TURISMO	Z = OMNI/CHARGER/RAMPAGE

BODY STYLES

21 = 2-DOOR SEDAN	28 = FWD PICKUP	44 = 4-DOOR HATCHBACK
22 = 2-DOOR SPECIAL COUPE	35 = FWD VAN	45 = 4-DOOR STATION WAGON
24 = 2-DOOR HATCHBACK	36 = FWD WAGON	48 = 4-DOOR EXECUTIVE SEDAN
27 = 2-DOOR CONVERTIBLE	41 = 4-DOOR SEDAN	

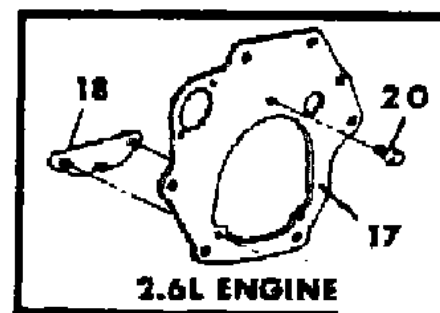
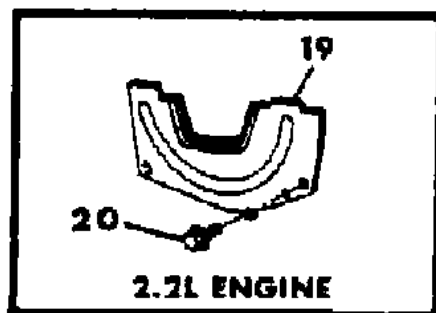
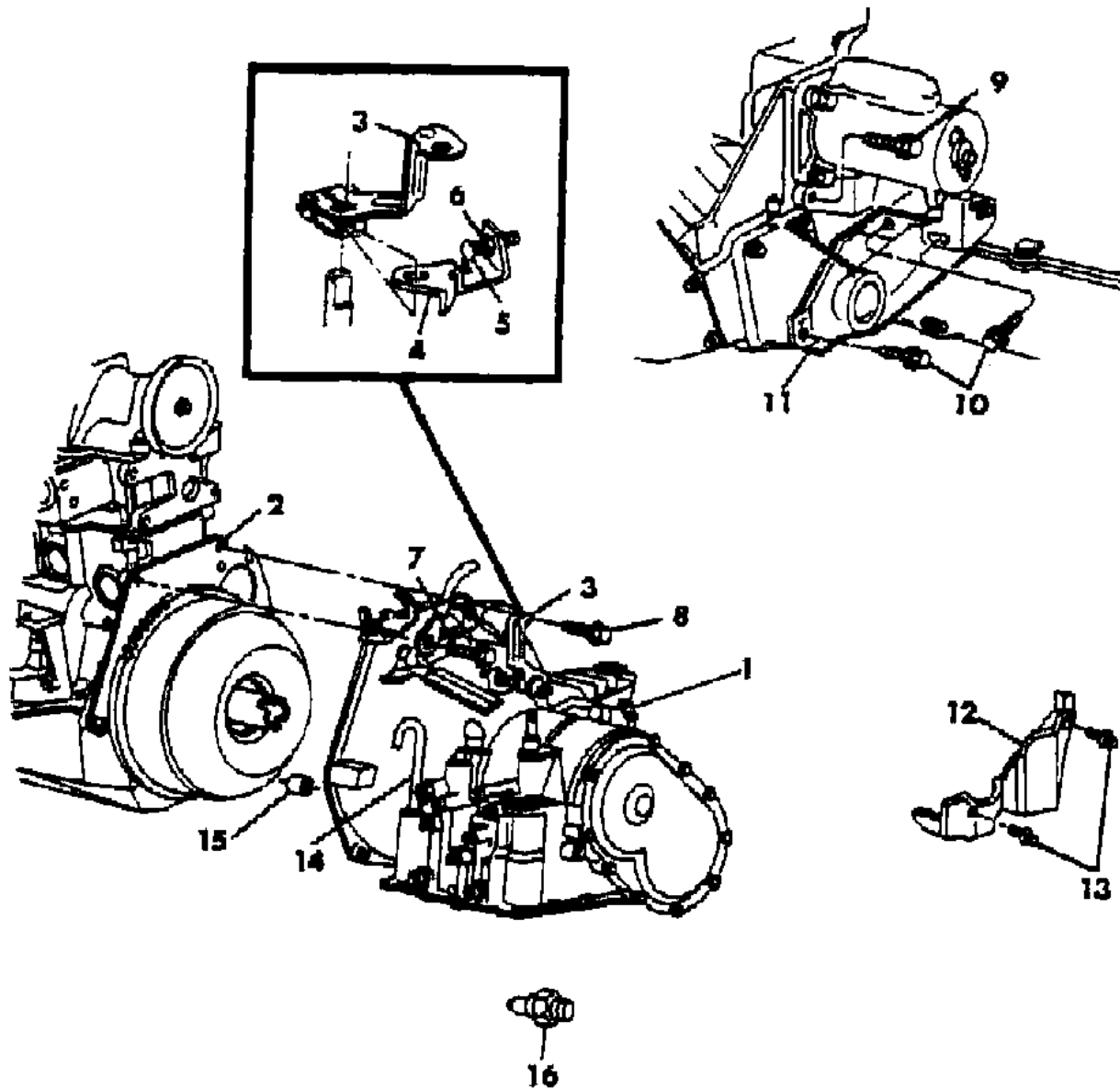
AR = Use as Required - = Non Illustrated Part P.A.R. = Paint as Required



TRANSAXLE ASSEMBLIES AND MOUNTING AUTOMATIC CHRYSLER, A413,A470
Figure 21A-1400

4151 1400A

ITEM	PART NUMBER	QTY	BODY	MODEL	DESCRIPTION
	6101 377	AR			M12 x 1.75 x 40
	6501 036	AR			M12 x 1.75 x 50
	6100 989	AR			M12 x 1.75 x 65
8					SCREW, (Refer To Item No. 7)
10	6501 163	2			SCREW, Strut To Cyl. Block, M12x1.75x30
11	5224 214	1			STRUT, Trans. Hsg. To Cyl. Block Rear
12	4386 625	1	P,D,C,V		SHIELD, Trans. Appearance, Left
	4296 142	1	M,Z		
	4296 932	1	H,K		
13					SCREW w/WA. (Not Serviced)
14	4295 947	1			INDICATOR, Trans. Fluid
15	5240 849	2			DOWEL, Trans. To Eng. Alignment
16	4057 750	1			SWITCH, Neutral Starter and Back-Up Light
	2408 143	1			WASHER, Neutral Starter and Back-Up Light Switch
17	5224 388	1			SPACER, Trans. Plate w/2.6 Liter Eng.
18	5224 393	1			COVER, T/C Access, w/2.6 Liter Eng.
19	5222 453	1			COVER, Case Cover, Lower, w/2.2 Liter Eng.
20	6500 136	AR			SCREW, Case Cover, Lower, M6x1x14
	6500 137	AR			M6x1x16
	4221 346	1			SWITCH, Oil Pressure, w/Electronic Message Center
	6032 269	1			FITTING, Switch, Elbow, 1/8x27 Fem. - 1/16x27 Male Thd.



MODEL CODES

B = GRAN FURY	F = FIFTH AVENUE/NEWPORT	P = RELIANT
C = LEBARON/TOWN & COUNTRY/EXC SEDAN	G = DIPLOMAT	T = E CLASS/NEW YORKER
C24 = LASER	H = VOYAGER	V = 600
D = ARIES	K = MINI RAM/CARAVAN/ROYAL	V24 = DAYTONA
E = 600	M = HORIZON/TURISMO	Z = OMNI/CHARGER/RAMPAGE

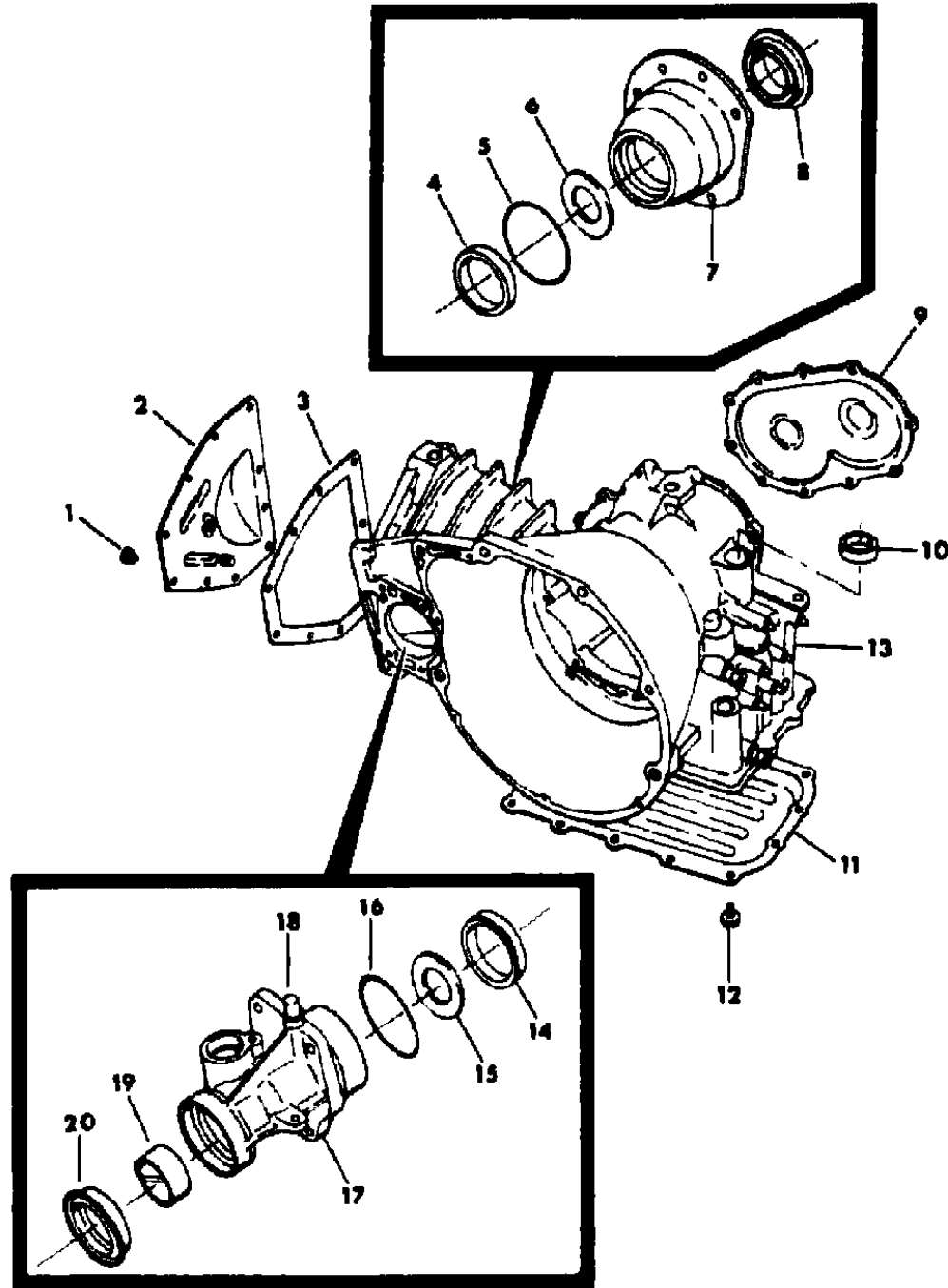
BODY STYLES

21 = 2-DOOR SEDAN	28 = FWD PICKUP	44 = 4-DOOR HATCHBACK
22 = 2-DOOR SPECIAL COUPE	35 = FWD VAN	45 = 4-DOOR STATION WAGON
24 = 2-DOOR HATCHBACK	36 = FWD WAGON	48 = 4-DOOR EXECUTIVE SEDAN
27 = 2-DOOR CONVERTIBLE	41 = 4-DOOR SEDAN	

AR = Use as Required - = Non Illustrated Part P.A.R. = Paint as Required

CASE, EXTENSION AND RETAINER AUTOMATIC TRANSAXLE, A413,A470
Figure 21A-1500

4131 1500



ITEM	PART NUMBER	QTY	BODY	MODEL	DESCRIPTION
NOTE: The Transaxle Assembly Part Number is Stamped on the Oil Pan Rail. s information becomes available.					
1	6500 739	10			SCREW w/WA., Diff. Oil Pan to Case
2	4269 657	1			PAN, Transaxle Diff. Oil
3		1			GASKET, Trans. Diff. Oil Pan (Use Silicone Adhesive)
4	4269 676	1			CUP, Differential
5					SPACER, Trans. Final Drive
	4207 134	AR			0.50mm(.020")
	4207 135	AR			0.55mm(.022")
	4207 136	AR			0.60mm(.024")
	4207 137	AR			0.65mm(.026")
	4207 138	AR			0.70mm(.027")
	4207 139	AR			0.75mm(.029")
	4207 140	AR			0.80mm(.031")
	4207 141	AR			0.85mm(.033")
	4207 142	AR			0.90mm(.035")
	4207 143	AR			0.95mm(.037")
	4207 144	AR			1.00mm(.039")
	4207 145	AR			1.05mm(.041")
6	4269 787	1			RETAINER, Trans. Diff. Oil
7	4205 855	1			RETAINER, Trans. Diff. Bearing
	6500 368	6			SCREW, Diff. Brg. Retainer, M8x1.25x23
8	4295 904	1			SEAL, Trans. Diff. Brg. Retainer, Rubber and Metal
9	4295 929	1			COVER, Trans. End, Rr. Gasket (Use Silicone Adhesive)
	6500 739	10			SCREW w/WA., End Cover
10	3878 447	1			SEAL, Manual Valve Lever Shaft
11	4269 674	1			PAN, Transaxle Oil
	4052 679	1		P,D	SHIELD, Oil Pan (Not Shown)
	3681 601	1			MAGNET, Case Chip Collector
					GASKET (Use Silicone Adhesive)
12	6500 739	12			SCREW w/WA., Trans. Oil Pan to Case, M8x1.25x16
	6500 739	1			M8x1.25x16
13					CASE ASSEMBLY, Transaxle
	4269 720	1			w/2.2 Liter Eng.
	4411 966	1			CASE PACKAGE, w/2.6 Liter Eng.
	6100 994	1			PIN, Dowel
	6030 035	AR			PLUG
	4329 864	2			FITTING, Trans. Oil Cooler Line

MODEL CODES

B = GRAN FURY	F = FIFTH AVENUE/NEWPORT	P = RELIANT
C = LEBARON/TOWN & COUNTRY/EXC SEDAN	G = DIPLOMAT	T = E CLASS/NEW YORKER
C24 = LASER	H = VOYAGER	V = 600
D = ARIES	K = MINI RAM/CARAVAN/ROYAL	V24 = DAYTONA
E = 600	M = HORIZON/TURISMO	Z = OMNI/CHARGER/RAMPAGE

BODY STYLES

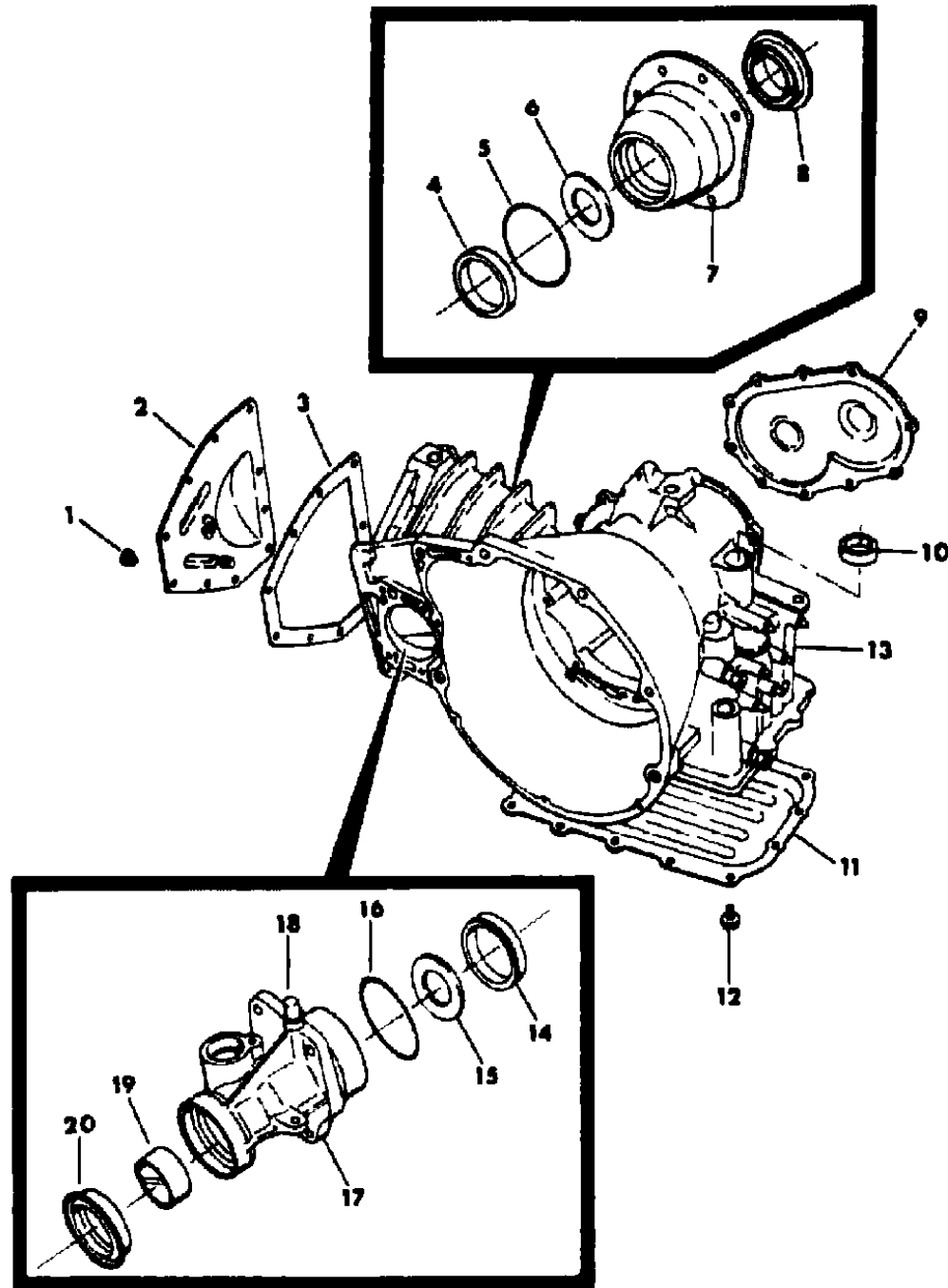
21 = 2-DOOR SEDAN	28 = FWD PICKUP	44 = 4-DOOR HATCHBACK
22 = 2-DOOR SPECIAL COUPE	35 = FWD VAN	45 = 4-DOOR STATION WAGON
24 = 2-DOOR HATCHBACK	36 = FWD WAGON	48 = 4-DOOR EXECUTIVE SEDAN
27 = 2-DOOR CONVERTIBLE	41 = 4-DOOR SEDAN	

AR = Use as Required - = Non Illustrated Part P.A.R. = Paint as Required

CASE, EXTENSION AND RETAINER AUTOMATIC TRANSAXLE, A413,A470

Figure 21A-1500

4131 1500



ITEM	PART NUMBER	QTY	BODY	MODEL	DESCRIPTION
14	4269 676	1			CUP, Extension
15	5222 255	1			RETAINER, Trans. Extension Oil
16	6500 111	1			"O" RING, Trans. Extension
17	4269 961	1			EXTENSION w/BUSHING, Transaxle
	6500 511	4			SCREW, Ext. to Case, M8x1.25x33
18	2124 715	1			VENT, Trans. Extension
19		1			BUSHING, Trans. Extension (Serviced in Ext.)
20	4295 904	1			SEAL, Trans. Extension, Rubber and Metal

MODEL CODES

B = GRAN FURY	F = FIFTH AVENUE/NEWPORT	P = RELIANT
C = LEBARON/TOWN & COUNTRY/EXC SEDAN	G = DIPLOMAT	T = E CLASS/NEW YORKER
C24 = LASER	H = VOYAGER	V = 600
D = ARIES	K = MINI RAM/CARAVAN/ROYAL	V24 = DAYTONA
E = 600	M = HORIZON/TURISMO	Z = OMNI/CHARGER/RAMPAGE

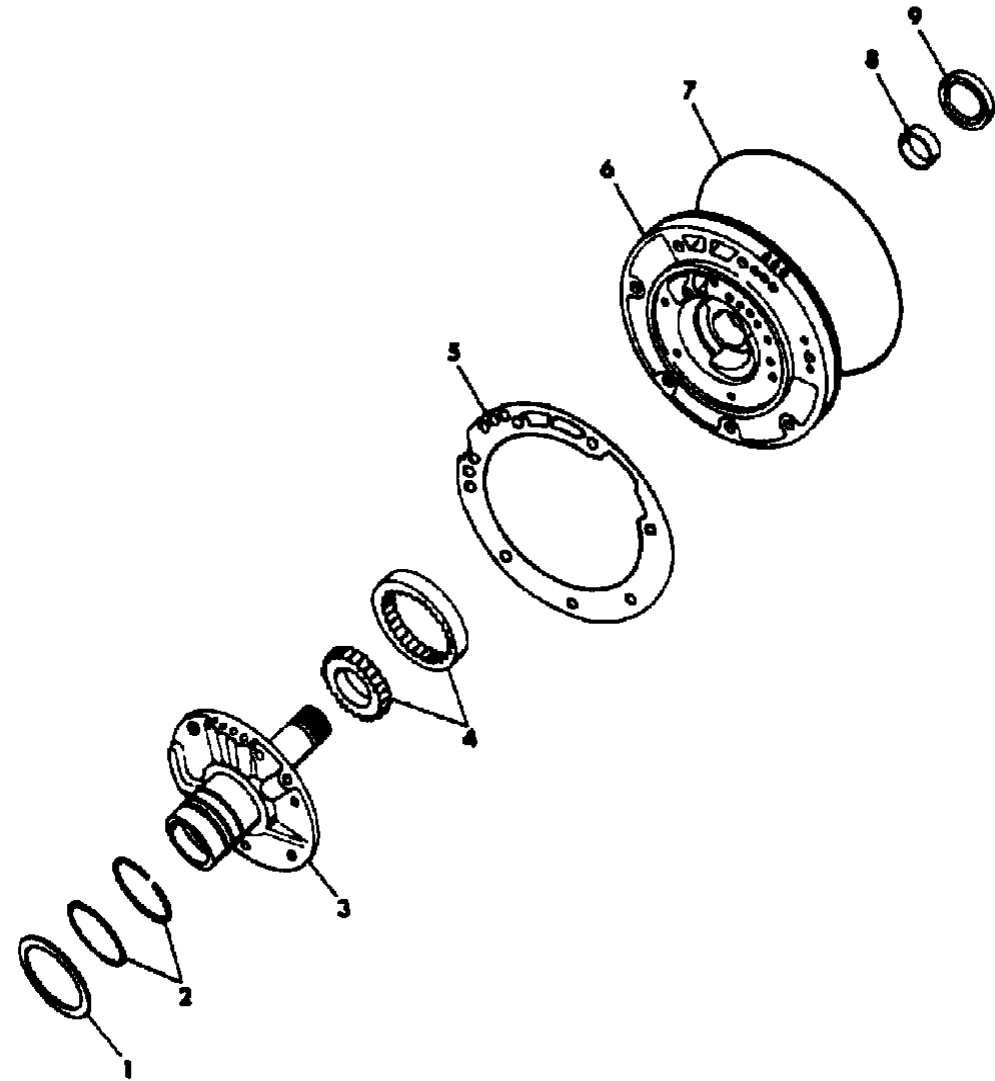
BODY STYLES

21 = 2-DOOR SEDAN	28 = FWD PICKUP	44 = 4-DOOR HATCHBACK
22 = 2-DOOR SPECIAL COUPE	35 = FWD VAN	45 = 4-DOOR STATION WAGON
24 = 2-DOOR HATCHBACK	36 = FWD WAGON	48 = 4-DOOR EXECUTIVE SEDAN
27 = 2-DOOR CONVERTIBLE	41 = 4-DOOR SEDAN	

AR = Use as Required - = Non Illustrated Part P.A.R. = Paint as Required

PUMP, OIL w/REACTION SHAFT AUTOMATIC TRANSAXLE, A413,A470
Figure 21A-1600

4131 1600



ITEM	PART NUMBER	QTY	BODY	MODEL	DESCRIPTION
------	-------------	-----	------	-------	-------------

NOTE: There is No SEAL and GASKET PACKAGE for the FRONT PUMP in 1984, Order Individual Parts. s information becomes available.

1	5205 679	1			WASHER, Frt. Clutch Thrust, Frt., Plastic, 71.5 O.D.
2	5212 305	2			SEAL, Trans. Reaction Shaft Support Ring
3	5222 412	1			SHAFT w/SUPPORT, Trans. Reaction
	2801 728	1			BUSHING, Reaction Shaft
	6500 211	6			BOLT
	0104 919	6			BALL
	0104 918	2			BALL
4		1			ROTOR or GEAR, Oil Pump (Serviced in Hsg.)
5	4269 661	1			GASKET, Transaxle Oil Pump Housing
6	4207 217	1			HOUSING w/BUSHING and ROTORS, Trans. Oil Pump
	6501 106	7			SCREW w/WA., Oil Pump to Case
7	5205 660	1			SEAL, Trans. Oil Pump Housing, Rubber
8		1			BUSHING, Trans. Oil Pump Housing (Serv. in Hsg.)
9	4269 057	1			SEAL, Torque Converter Impeller Hub, Rubber and Steel

MODEL CODES

B = GRAN FURY	F = FIFTH AVENUE/NEWPORT	P = RELIANT
C = LEBARON/TOWN & COUNTRY/EXC SEDAN	G = DIPLOMAT	T = E CLASS/NEW YORKER
C24 = LASER	H = VOYAGER	V = 600
D = ARIES	K = MINI RAM/CARAVAN/ROYAL	V24 = DAYTONA
E = 600	M = HORIZON/TURISMO	Z = OMNI/CHARGER/RAMPAGE

BODY STYLES

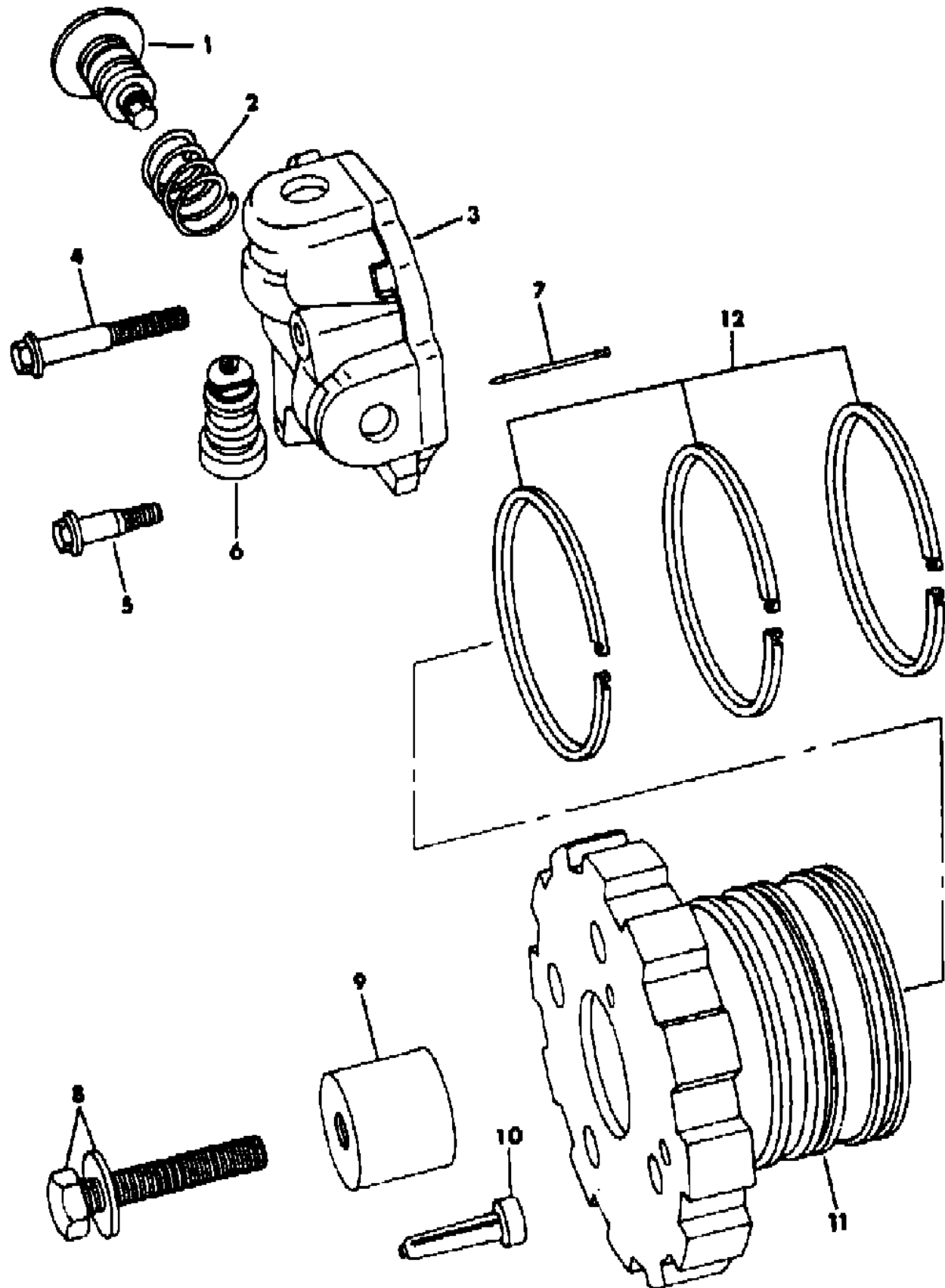
21 = 2-DOOR SEDAN	28 = FWD PICKUP	44 = 4-DOOR HATCHBACK
22 = 2-DOOR SPECIAL COUPE	35 = FWD VAN	45 = 4-DOOR STATION WAGON
24 = 2-DOOR HATCHBACK	36 = FWD WAGON	48 = 4-DOOR EXECUTIVE SEDAN
27 = 2-DOOR CONVERTIBLE	41 = 4-DOOR SEDAN	

AR = Use as Required - = Non Illustrated Part P.A.R. = Paint as Required

GOVERNOR AUTOMATIC TRANSAXLE, A413,A470

Figure 21A-1700

4151 1700



ITEM	PART NUMBER	QTY	BODY	MODEL	DESCRIPTION
1					VALVE, Gov. Secondary
	4207 185	1			w/4295512 Trans.
	4207 183	1			w/4295513,515,517,763,4329827 Trans.
	4295 956	1			w/4329554,555,556 Trans.
2					SPRING, Gov. Valve
	4207 194	1			w/4295513,515,517,763,4329827 Trans., Orange
	4207 193	1			w/4295512,4329554,555,556 Trans., Blue
3	4207 055	1			BODY, Governor
4	6500 209	1			SCREW, Gov. Body, M5x0.8x37
5	6500 208	1			SCREW, Gov. Body, M5x0.8x20
6					Valve, Gov. Primary
	4207 186	1			w/4295512 Trans.
	4269 641	1			w/4329827 Trans.
	4269 568	1			w/4295513,515,517,763 Trans.
	4295 955	1			w/4329554,555,556 Trans.
7		1			PIN, Gov. Weight Retaining (Not Serviced)
8	6100 306	1			SCREW w/WA., Counterweight to Gov. Support
9	5212 265	1			COUNTERWEIGHT, Gov.
10	5205 839	1			FILTER, Transaxle Governor
11	5212 249	1			SUPPORT, Gov.
12	5212 092	3			RING, Gov. Support Seal

MODEL CODES

B = GRAN FURY	F = FIFTH AVENUE/NEWPORT	P = RELIANT
C = LEBARON/TOWN & COUNTRY/EXC SEDAN	G = DIPLOMAT	T = E CLASS/NEW YORKER
C24 = LASER	H = VOYAGER	V = 600
D = ARIES	K = MINI RAM/CARAVAN/ROYAL	V24 = DAYTONA
E = 600	M = HORIZON/TURISMO	Z = OMNI/CHARGER/RAMPAGE

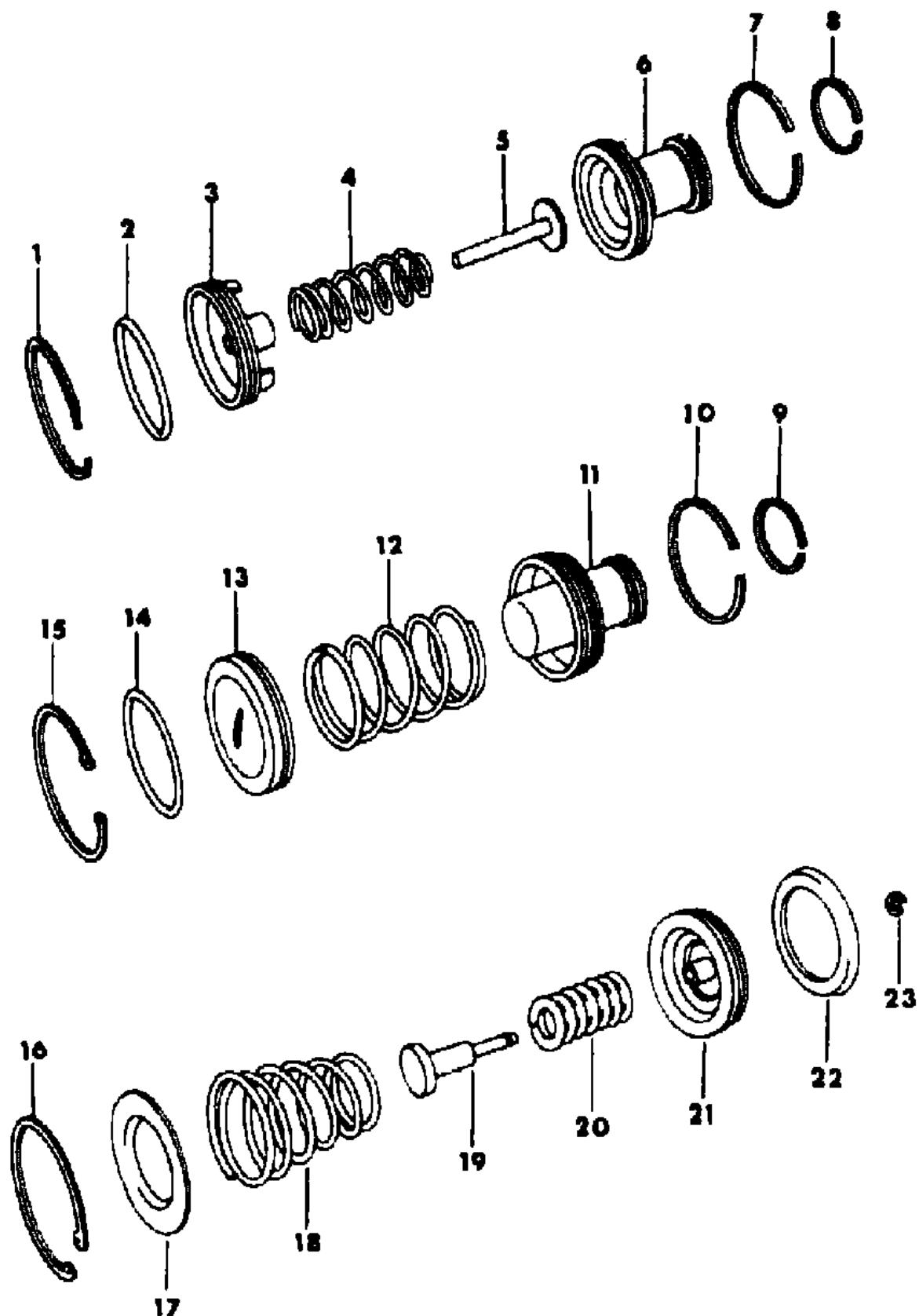
BODY STYLES

21 = 2-DOOR SEDAN	28 = FWD PICKUP	44 = 4-DOOR HATCHBACK
22 = 2-DOOR SPECIAL COUPE	35 = FWD VAN	45 = 4-DOOR STATION WAGON
24 = 2-DOOR HATCHBACK	36 = FWD WAGON	48 = 4-DOOR EXECUTIVE SEDAN
27 = 2-DOOR CONVERTIBLE	41 = 4-DOOR SEDAN	

AR = Use as Required - = Non Illustrated Part P.A.R. = Paint as Required

SERVOS, ACCUMULATOR PISTON AND SPRINGS AUTOMATIC TRANSAXLE, A413,A470
Figure 21A-1800

4151 1800



ITEM	PART NUMBER	QTY	BODY	MODEL	DESCRIPTION
1	6031 765	1			SNAP RING, Kickdown Servo
2	6031 545	1			RING, Kickdown Servo Guide
3	5224 344	1			GUIDE, Kickdown Servo
4	4207 229	1			SPRING, Kickdown Servo Piston, Except 4329827 Trans., White
	4207 205	1			w/4329827 Trans., Green
5	4058 943	1			ROD, Kickdown Servo Piston
6	4269 524	1			Piston, Transaxle Kickdown Servo
	6025 031	1			SNAP RING, Inner
	6031 410	1			SEAL, Kickdown Servo Inner Piston
7	3743 014	1			RING, Kickdown Servo Piston, Large
8	3743 033	1			RING, Kickdown Servo Piston, Seal, Small
9	3743 010	1			SEAL, Accumulator Piston Ring, Small
10	3743 013	1			SEAL, Accumulator Piston Ring, Large
11	3410 908	1			PISTON, Accumulator
12	4207 211	1			SPRING, Accumulator, Except 4329827 Trans., Blue
	4329 807	1			w/4329827 Trans., Tan
13	4205 857	1			PLATE, Accumulator
14	6031 545	1			SEAL, Accumulator Plate Ring
15	5212 252	1			SNAP RING, Accumulator
	4205 854	1			REVERSE SERVO PKG. (Consists of Items 16,17,18,19,20,22, 23)
16	6031 909	1			SNAP RING, Reverse Servo Piston Spring Retainer
17		1			RETAINER, Reverse Servo Piston Spring (Serv. in Pkg.)
18	3681 434	1			SPRING, Reverse Servo Piston
19	4269 707	1			PLUG, Reverse Servo Piston
20		1			SPRING, Reverse Servo Cushion (Serv. in Pkg.)
21	3743 898	1			PISTON, Reverse Servo
22	4269 736	1			SEAL, Reverse Servo Piston, Rubber
23	1638 461	1			RING, Reverse Servo Plug

MODEL CODES

B = GRAN FURY	F = FIFTH AVENUE/NEWPORT	P = RELIANT
C = LEBARON/TOWN & COUNTRY/EXC SEDAN	G = DIPLOMAT	T = E CLASS/NEW YORKER
C24 = LASER	H = VOYAGER	V = 600
D = ARIES	K = MINI RAM/CARAVAN/ROYAL	V24 = DAYTONA
E = 600	M = HORIZON/TURISMO	Z = OMNI/CHARGER/RAMPAGE

BODY STYLES

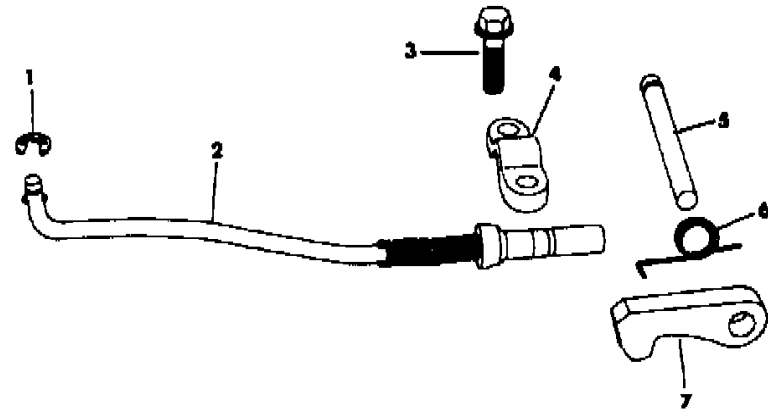
21 = 2-DOOR SEDAN	28 = FWD PICKUP	44 = 4-DOOR HATCHBACK
22 = 2-DOOR SPECIAL COUPE	35 = FWD VAN	45 = 4-DOOR STATION WAGON
24 = 2-DOOR HATCHBACK	36 = FWD WAGON	48 = 4-DOOR EXECUTIVE SEDAN
27 = 2-DOOR CONVERTIBLE	41 = 4-DOOR SEDAN	

AR = Use as Required - = Non Illustrated Part P.A.R. = Paint as Required

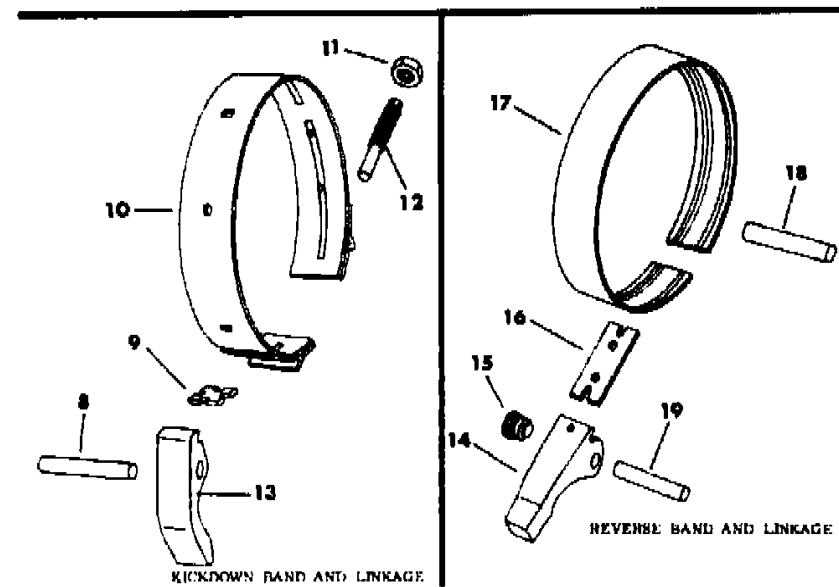
BANDS, REVERSE AND KICKDOWN w/PARKING SPRAG AUTOMATIC TRANSAXLE, A413,A470

Figure 21A-1900

4151 1900



PARKING SPRAG



KICKDOWN BAND AND LINKAGE

REVERSE BAND AND LINKAGE

ITEM	PART NUMBER	QTY	BODY	MODEL	DESCRIPTION
1	1626 749	1			E-RING, Parking Sprag Rod Retainer
2	4207 130	1			ROD w/SPRING,SLEEVE and END, Parking Sprag
3	6500 368	2			BOLT, Parking Sprag Support Attaching
4	5212 296	1			SUPPORT, Parking Sprag Rod
5	5212 010	1			SHAFT, Parking Sprag
6	5222 244	1			SPRING, Parking Sprag Pawl
7	5224 468	1			PAWL, Parking Sprag
8	5212 047	1			SHAFT, Kickdown Band Lever
9	5212 343	1			STRUT, Kickdown Band
10	4269 663	1			BAND, Transaxle Kickdown
11	5212 206	1			NUT, Kickdown Band Adj. Screw Lock
12	5212 255	1			SCREW, Kickdown Band Adjusting
13	4207 009	1			LEVER w/PIN, Kickdown Band
14	5224 203	1			LEVER w/PIN and STEM, Reverse Band, Short
	4207 182	1			INTERGAL
15		1			PLUG, Trans. Pipe 1/4"-18 (Not Serviced)
16	5224 264	1			STRUT, Reverse Band
17	5205 765	1			BAND, Transaxle Reverse
	5224 140	1			SCREW, Reverse Band Adjusting
18	5212 344	1			ANCHOR, Reverse Band
19	5222 090	1			SHAFT, Reverse Band Lever

MODEL CODES

B = GRAN FURY	F = FIFTH AVENUE/NEWPORT	P = RELIANT
C = LEBARON/TOWN & COUNTRY/EXC SEDAN	G = DIPLOMAT	T = E CLASS/NEW YORKER
C24 = LASER	H = VOYAGER	V = 600
D = ARIES	K = MINI RAM/CARAVAN/ROYAL	V24 = DAYTONA
E = 600	M = HORIZON/TURISMO	Z = OMNI/CHARGER/RAMPAGE

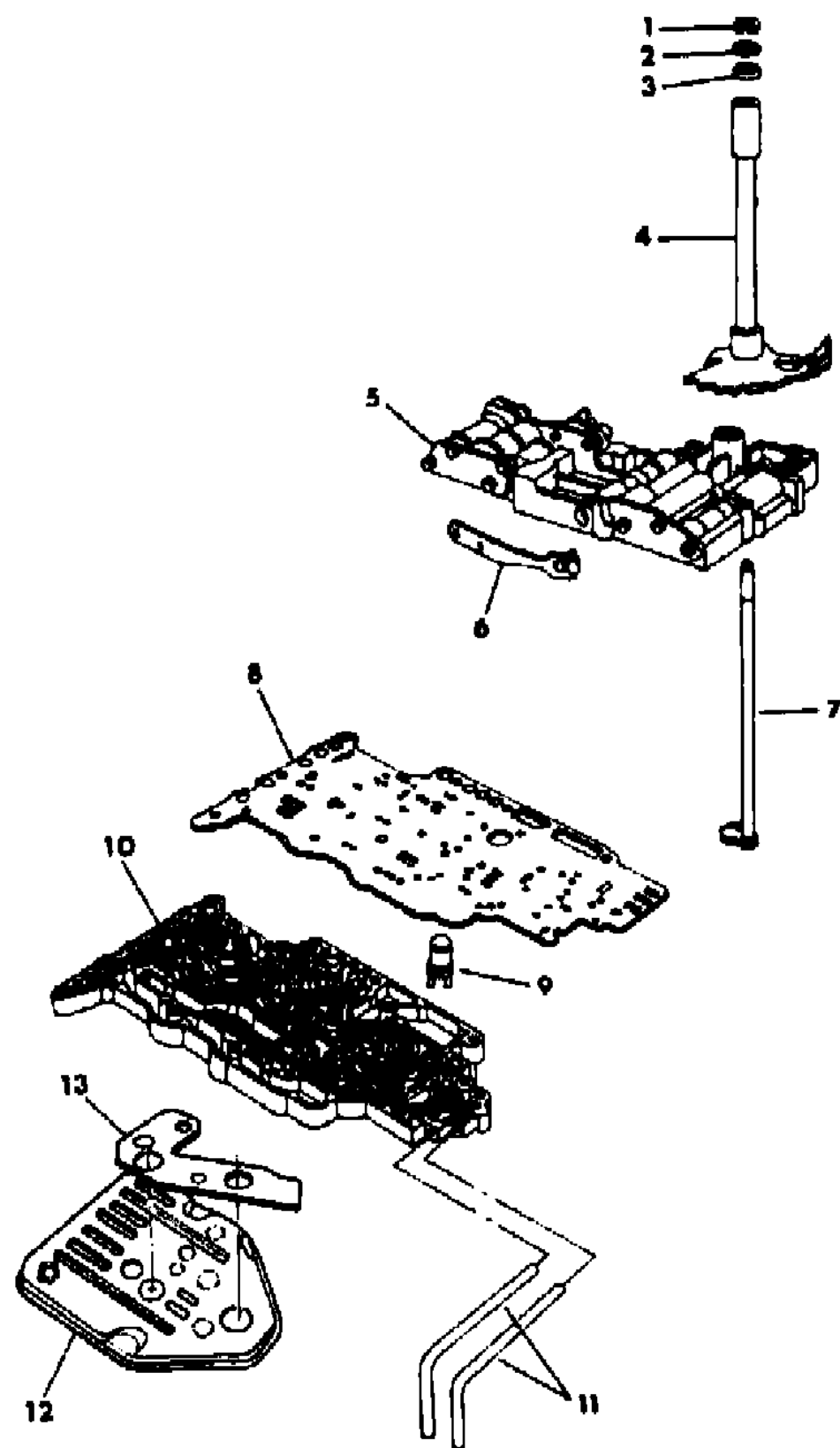
BODY STYLES

21 = 2-DOOR SEDAN	28 = FWD PICKUP	44 = 4-DOOR HATCHBACK
22 = 2-DOOR SPECIAL COUPE	35 = FWD VAN	45 = 4-DOOR STATION WAGON
24 = 2-DOOR HATCHBACK	36 = FWD WAGON	48 = 4-DOOR EXECUTIVE SEDAN
27 = 2-DOOR CONVERTIBLE	41 = 4-DOOR SEDAN	

AR = Use as Required - = Non Illustrated Part P.A.R. = Paint as Required

VALVE BODY AUTOMATIC TRANSAXLE, A413,A470
Figure 21A-2000

4151 3000



ITEM	PART NUMBER	QTY	BODY	MODEL	DESCRIPTION
1	6025 857	1			SNAP RING, Throttle Valve Lever Shaft
2	2538 062	1			WASHER, Throttle Valve Lever Shaft
3	2466 548	1			SEAL, Throttle Shaft
4	6500 207	1			SCREW, Throttle Pressure Adj.
4	4269 555	1			LEVER w/INSULATOR, Manual Valve
5		1			RIVET, (Not Serviced)
5	4269 716	1			VALVE BODY w/TRANSFER PLATE, Transaxle, Except 4329827 Trans.
	4269 929	1			w/4329827 Trans.
	6100 994	1			PIN, Valve Body to Case Dowel
	4329 873	1			VALVE, Valve Body Throttle (Not Shown)
6	4269 584	1			DETENT ASSEMBLY, Manual Valve Lever
7	5212 244	1			SHAFT ASSEMBLY, Throttle Valve Lever
8		1			PLATE, Valve Body (Serviced in Valve Body)
	6500 215	15			SCREW w/WA., Valve Body to Transfer Plate
9	3878 313	1			SCREEN, Regulator Valve
10		1			PLATE, Transfer (Serviced in Valve Body)
	6100 155	7			SCREW, Transfer Plate to Case
11	5222 020	2			TUBE, Governor Oil
12	4269 649	1			FILTER, Transaxle Oil
	6500 216	2			SCREW w/WA., Oil Filter to Valve Body, M5x0.8x30
13	4269 671	1			GASKET, Oil Filter

MODEL CODES

B = GRAN FURY	F = FIFTH AVENUE/NEWPORT	P = RELIANT
C = LEBARON/TOWN & COUNTRY/EXC SEDAN	G = DIPLOMAT	T = E CLASS/NEW YORKER
C24 = LASER	H = VOYAGER	V = 600
D = ARIES	K = MINI RAM/CARAVAN/ROYAL	V24 = DAYTONA
E = 600	M = HORIZON/TURISMO	Z = OMNI/CHARGER/RAMPAGE

BODY STYLES

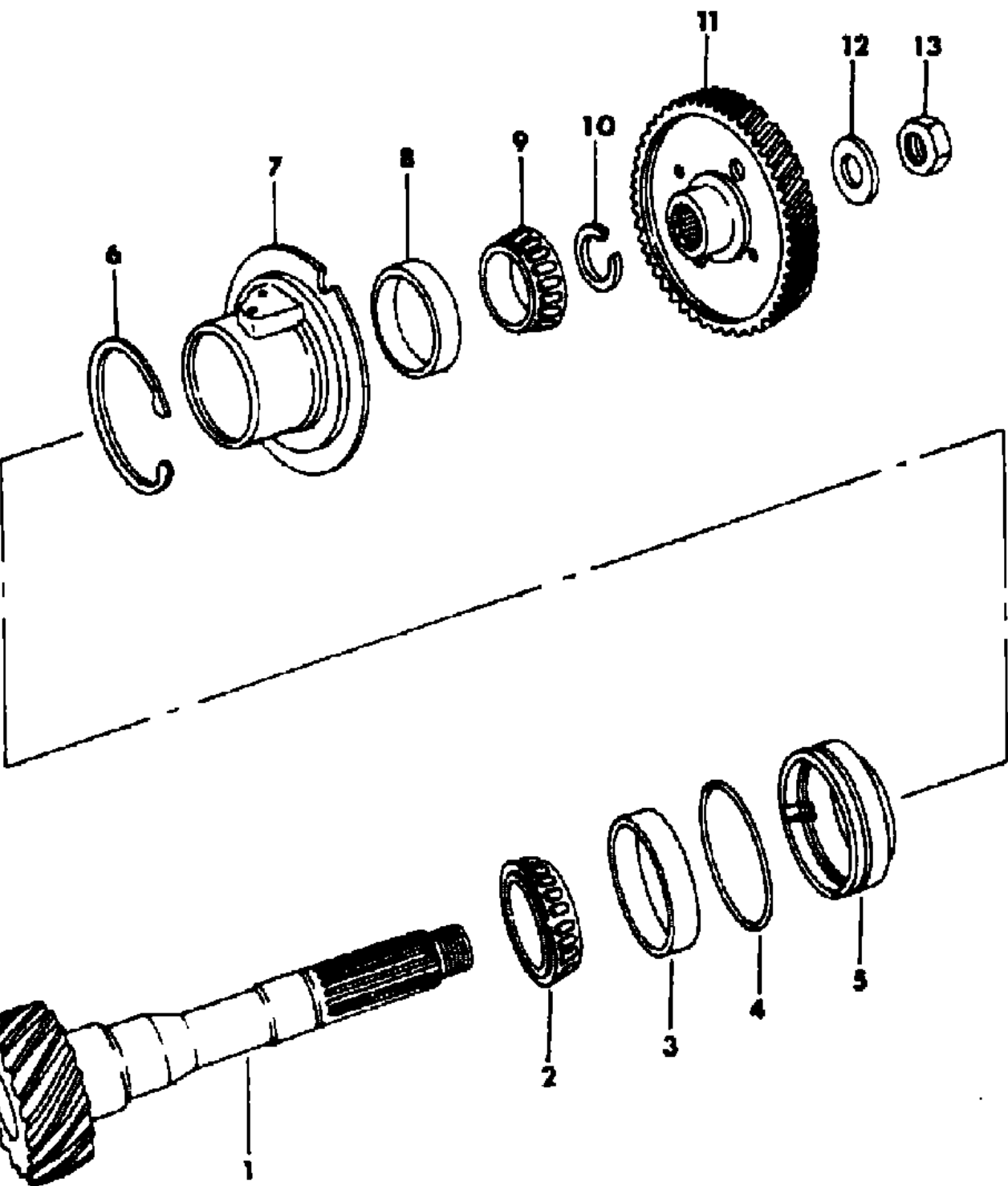
21 = 2-DOOR SEDAN	28 = FWD PICKUP	44 = 4-DOOR HATCHBACK
22 = 2-DOOR SPECIAL COUPE	35 = FWD VAN	45 = 4-DOOR STATION WAGON
24 = 2-DOOR HATCHBACK	36 = FWD WAGON	48 = 4-DOOR EXECUTIVE SEDAN
27 = 2-DOOR CONVERTIBLE	41 = 4-DOOR SEDAN	

AR = Use as Required - = Non Illustrated Part P.A.R. = Paint as Required

SHAFT, TRANSFER AUTOMATIC TRANSAXLE, A413,A470

Figure 21A-2100

4151 2100



ITEM	PART NUMBER	QTY	BODY	MODEL	DESCRIPTION
1					TRANSFER SHAFT, Transaxle
	5224 209	1			w/4295513,515,4329554 Trans., 21T
	5224 211	1			w/4295512 Trans., 20T
	4295 842	1			w/4329827 Trans., 21T
	4269 172	1			w/4295517,763,4329555,556 Trans., 20T
2	4269 677	1			CONE, Transfer Shaft
3	4269 676	1			CUP, Transfer Shaft
4	6500 169	1			"O" RING, Transfer Shaft Brg. Retainer
5	4269 688	1			RETAINER PACKAGE, Transfer Shaft Bearing
6	5212 353	1			SNAP RING, Transfer Shaft Brg. Retainer
7	5212 371	1			RETAINER, Trans. Governor Support
8	4269 676	1			CUP, Transfer Shaft Gear
9	4269 677	1			CONE, Transfer Shaft Gear
10					SPACER, Transfer Shaft Brg.
	4207 166	AR			0.94mm(.037")
	4207 167	AR			0.99mm(.039")
	4207 168	AR			1.04mm(.041")
	4207 169	AR			1.09mm(.043")
	4207 170	AR			1.14mm(.045")
	4207 171	AR			1.19mm(.047")
	4207 172	AR			1.20mm(.051")
	4207 173	AR			1.29mm
	4207 174	AR			1.35mm(.053")
	4207 175	AR			1.39mm(.055")
	4207 176	AR			1.84mm(.072")
	4207 177	AR			2.29mm(.090")
11	4205 871	1			GEAR SET, Transfer Shaft and Output Shaft, Except 4295512 Trans., 56T-53T
	4186 871	1			w/4295512 Trans., 52T-57T
12	5222 010	1			WASHER, Transfer Shaft Nut
13	5222 009	1			NUT, Transfer Shaft Gear M20x1.5

MODEL CODES

B = GRAN FURY	F = FIFTH AVENUE/NEWPORT	P = RELIANT
C = LEBARON/TOWN & COUNTRY/EXC SEDAN	G = DIPLOMAT	T = E CLASS/NEW YORKER
C24 = LASER	H = VOYAGER	V = 600
D = ARIES	K = MINI RAM/CARAVAN/ROYAL	V24 = DAYTONA
E = 600	M = HORIZON/TURISMO	Z = OMNI/CHARGER/RAMPAGE

BODY STYLES

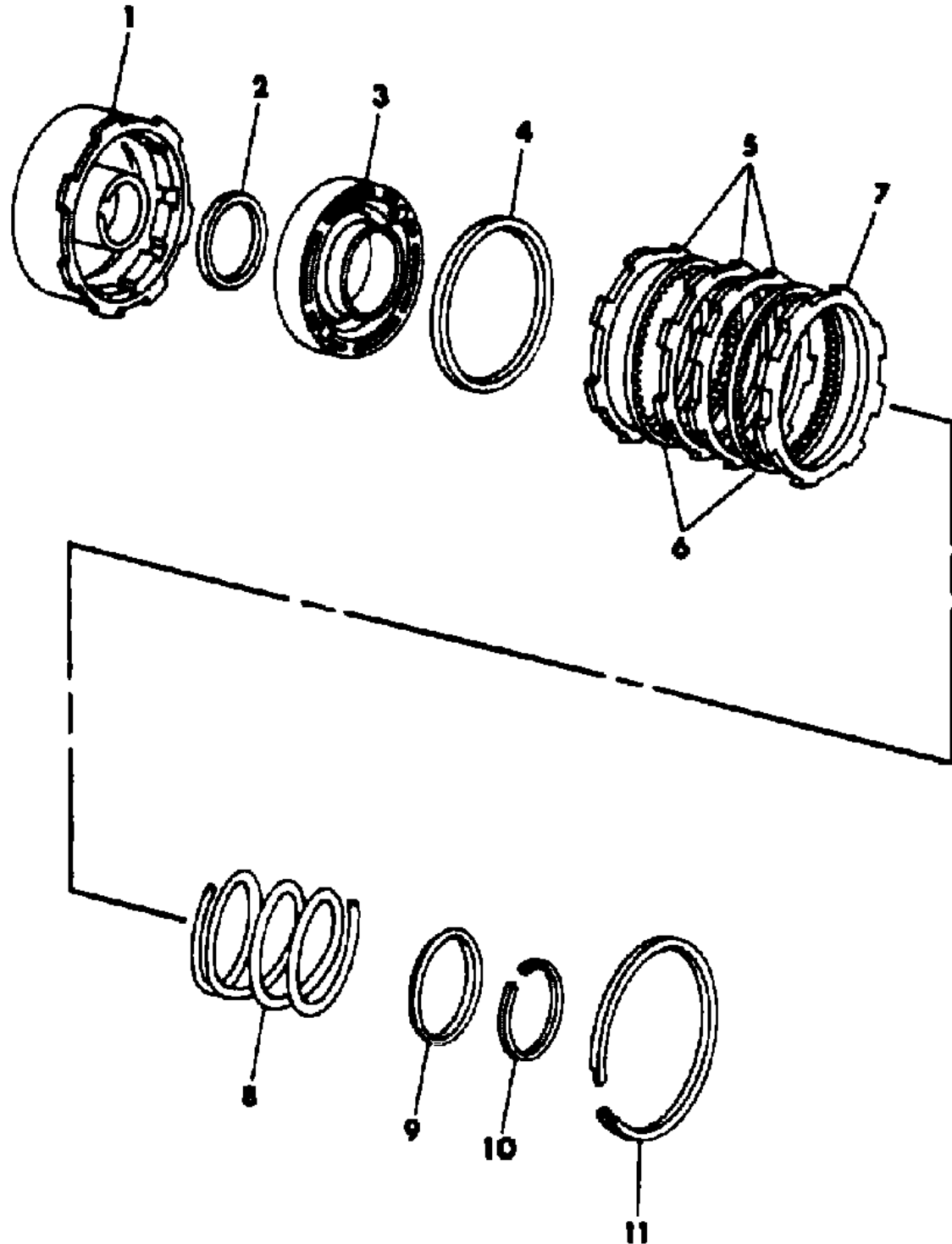
21 = 2-DOOR SEDAN	28 = FWD PICKUP	44 = 4-DOOR HATCHBACK
22 = 2-DOOR SPECIAL COUPE	35 = FWD VAN	45 = 4-DOOR STATION WAGON
24 = 2-DOOR HATCHBACK	36 = FWD WAGON	48 = 4-DOOR EXECUTIVE SEDAN
27 = 2-DOOR CONVERTIBLE	41 = 4-DOOR SEDAN	

AR = Use as Required - = Non Illustrated Part P.A.R. = Paint as Required

CLUTCH, FRONT AUTOMATIC TRANSAXLE, A413,A470

Figure 21A-2200

4181 2200



ITEM	PART NUMBER	QTY	BODY	MODEL	DESCRIPTION
1	5224 316	1			RETAINER w/BUSHINGS, Front Clutch
2	5205 670	1			SEAL, Frt. Clutch Piston, Inner
3	5224 171	1			PISTON, Frt. Clutch
4	4058 487	1			SEAL, Frt. Clutch Piston, Outer
5	4207 208	3			PLATE, Frt. Clutch, 1/10" Thk.
6	5205 675	3			DISC, Transaxle Frt. Clutch
7	4207 209	1			PLATE, Frt. Clutch Reaction, 1/5" Thk.
8	5224 144	1			SPRING, Frt. Clutch Piston, Except 4329827 Trans., w/Turbo Eng.
	4207 227	1			w/4329827 Trans., w/Turbo Eng., Red
9	5205 673	1			RETAINER, Frt. Clutch Spring
10	5205 674	1			SNAP RING, Frt. Clutch, Inner
11	5212 096	1			SNAP RING, Frt. Clutch, Outer, Steel

MODEL CODES

B = GRAN FURY
 C = LEBARON/TOWN & COUNTRY/EXC SEDAN
 C24 = LASER
 D = ARIES
 E = 600

F = FIFTH AVENUE/NEWPORT
 G = DIPLOMAT
 H = VOYAGER
 K = MINI RAM/CARAVAN/ROYAL
 M = HORIZON/TURISMO

P = RELIANT
 T = E CLASS/NEW YORKER
 V = 600
 V24 = DAYTONA
 Z = OMNI/CHARGER/RAMPAGE

BODY STYLES

21 = 2-DOOR SEDAN
 22 = 2-DOOR SPECIAL COUPE
 24 = 2-DOOR HATCHBACK
 27 = 2-DOOR CONVERTIBLE

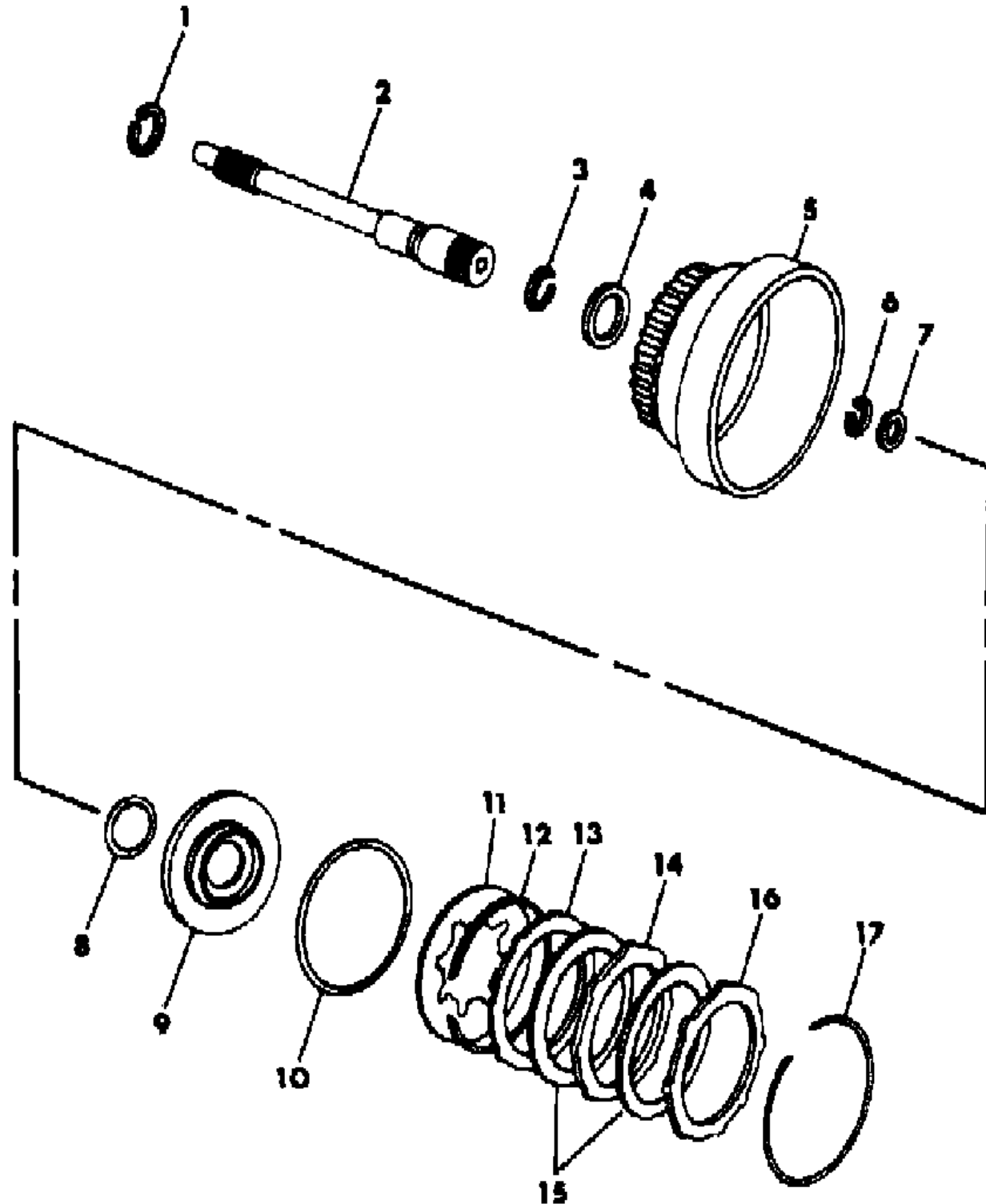
28 = FWD PICKUP
 35 = FWD VAN
 36 = FWD WAGON
 41 = 4-DOOR SEDAN

44 = 4-DOOR HATCHBACK
 45 = 4-DOOR STATION WAGON
 48 = 4-DOOR EXECUTIVE SEDAN

AR = Use as Required - = Non Illustrated Part P.A.R. = Paint as Required

CLUTCH, REAR AND INPUT SHAFT AUTOMATIC TRANSAXLE, A413,A470
Figure 21A-2300

4151 2300



ITEM	PART NUMBER	QTY	BODY	MODEL	DESCRIPTION
1	1401 221	1			RING, Input Shaft Seal
2	5222 400	1			SHAFT, Input
3	4269 593	1			RING, Rr. Clutch Retainer Seal
4	5205 680	1			WASHER, Frt. Cl. Thrust, Rr., Plastic, 63.5 O.D.
5					RETAINER, Rear Clutch
	4269 624	1			w/4295512,513,515,4329554 Trans.
	4269 616	1			w/4295517,763,4329555,556,827 Trans.
6	5205 691	1			SNAP RING, Input Shaft, 7/8"
7	5224 039	1			WASHER, Output Shaft Thrust 1.98-2.03
	5224 040	1			2.16-2.21
	5224 041	1			2.34-2.39
8	5212 373	1			SEAL, Rr. Cl. Piston, Inner, Rubber
9	4207 202	1			PISTON, Rr. Clutch
10	5205 701	1			SEAL, Rr. Cl. Piston, Outer, Rubber
11					SPRING, Rr. Clutch Piston
	4207 246	1			w/4295512,513,515,4329554 Trans.
	4269 623	1			w/4295517,763,4329555,556,827 Trans.
12	4207 265	1			SPRING, Rr. Clutch Wave
13	4269 618	1			PLATE, Rr. Clutch Pressure w/Lip, 3/8" Thk.
14					PLATE, Rear Clutch Plate, 1/16" Thk.
	5224 073	2			w/4295512,513,515,4329554 Trans.
	5224 073	3			w/4295517,763,4329555,556,827 Trans.
15					DISC, Rear Clutch
	5224 084	3			w/4295512,513,515,4329554 Trans.
	5224 084	4			w/4295517,763,4329555,556,827 Trans.
16	4269 619	1			PLATE, Rr. Clutch Reaction, 1/5" Thk.
17					SNAP RING, Rr. Clutch Retainer
	4269 670	AR			.048 - .050" Thk.
	1942 421	AR			.060 - .062" Thk.
	4130 774	AR			.074 - .076" Thk.
	4130 775	AR			.087 - .089" Thk.

MODEL CODES

B = GRAN FURY	F = FIFTH AVENUE/NEWPORT	P = RELIANT
C = LEBARON/TOWN & COUNTRY/EXC SEDAN	G = DIPLOMAT	T = E CLASS/NEW YORKER
C24 = LASER	H = VOYAGER	V = 600
D = ARIES	K = MINI RAM/CARAVAN/ROYAL	V24 = DAYTONA
E = 600	M = HORIZON/TURISMO	Z = OMNI/CHARGER/RAMPAGE

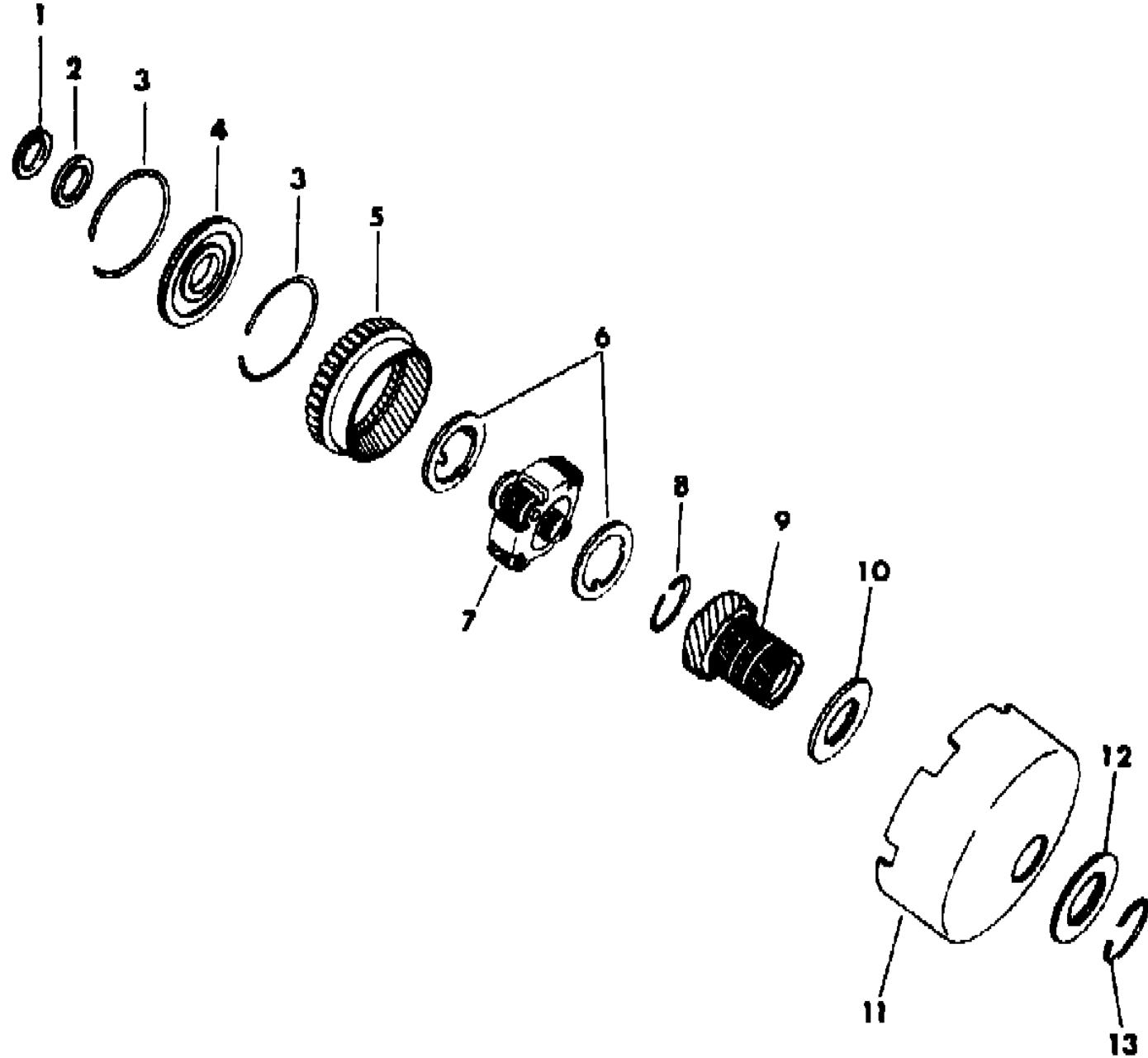
BODY STYLES

21 = 2-DOOR SEDAN	28 = FWD PICKUP	44 = 4-DOOR HATCHBACK
22 = 2-DOOR SPECIAL COUPE	35 = FWD VAN	45 = 4-DOOR STATION WAGON
24 = 2-DOOR HATCHBACK	36 = FWD WAGON	48 = 4-DOOR EXECUTIVE SEDAN
27 = 2-DOOR CONVERTIBLE	41 = 4-DOOR SEDAN	

AR = Use as Required - = Non Illustrated Part P.A.R. = Paint as Required

GEAR, FRONT ANNULUS AND SUN AUTOMATIC TRANSAXLE, A413,A470
Figure 21A-2400

4151 2400 A



ITEM	PART NUMBER	QTY	BODY	MODEL	DESCRIPTION
1	5222 022	1			SNAP RING, Frt. Annulus, Inner, 1-1/8" I.D.
2	5222 493	1			WASHER, Frt. Annulus Gear Thrust
3	5224 079	2			SNAP RING, Frt. Annulus, Outer
4	5224 070	1			SUPPORT w/BUSHING, Frt. Annulus Gear
5	4269 620	1			GEAR, Transaxle Frt. Annulus
6	5224 066	2			WASHER, Frt. Planet Pinion Carrier Thrust
7	4269 941	1			CARRIER w/HUB,CUP,PLATE,PINION,SHAFT,ROLLERS and WASHERS, Transaxle Frt. Planet Pinion
	4269 937	64			ROLLER, Planet Pinion Carrier, Front (Not Shown)
	4269 938	4			PINION, Planet Carrier, Front (Not Shown)
	4269 940	8			WASHER, Planet Pinion Roller Thrust, Steel (Not Shown)
		8			WASHER, Planet Pinion Roller Thrust, Bronze (Not Shown) (Serv. in Carrier Assy.)
		4			PINS, Planet Pinion, Welded (Not Shown) (Serv. in Carrier Assy.)
8	5205 739	1			RING, Sun Gear Driving Shell Lock
9	5224 192	1			GEAR w/BUSHING, Transaxle Sun
10	5224 236	1			SPACER, Sun Gear Plate
11	4207 195	1			SHELL, Sun Gear Driving
12	5205 737	1			PLATE, Sun Gear Driving Shell Thrust
13	5205 739	1			RING, Sun Gear Driving Shell Lock

MODEL CODES

B = GRAN FURY	F = FIFTH AVENUE/NEWPORT	P = RELIANT
C = LEBARON/TOWN & COUNTRY/EXC SEDAN	G = DIPLOMAT	T = E CLASS/NEW YORKER
C24 = LASER	H = VOYAGER	V = 600
D = ARIES	K = MINI RAM/CARAVAN/ROYAL	V24 = DAYTONA
E = 600	M = HORIZON/TURISMO	Z = OMNI/CHARGER/RAMPAGE

BODY STYLES

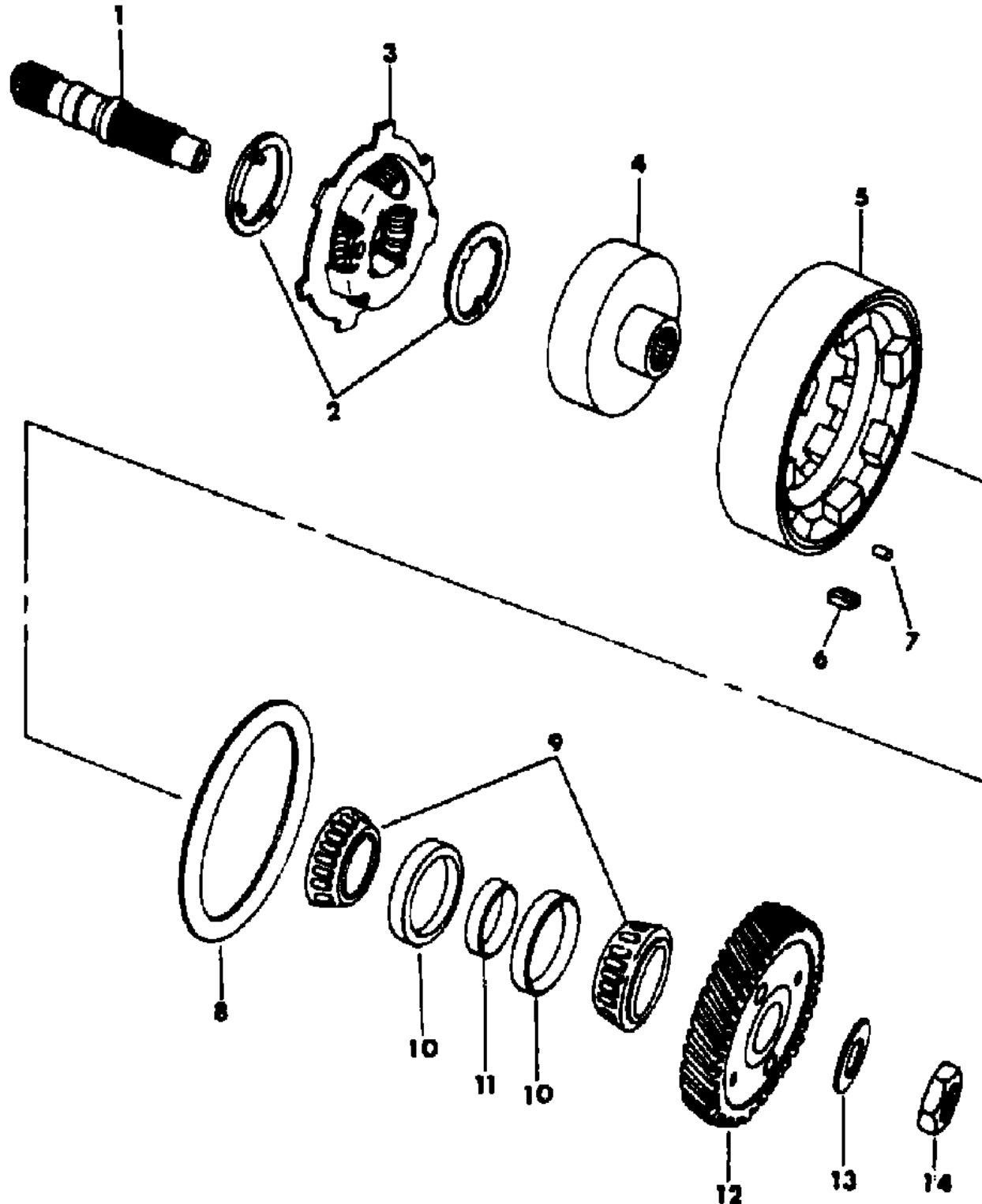
21 = 2-DOOR SEDAN	28 = FWD PICKUP	44 = 4-DOOR HATCHBACK
22 = 2-DOOR SPECIAL COUPE	35 = FWD VAN	45 = 4-DOOR STATION WAGON
24 = 2-DOOR HATCHBACK	36 = FWD WAGON	48 = 4-DOOR EXECUTIVE SEDAN
27 = 2-DOOR CONVERTIBLE	41 = 4-DOOR SEDAN	

AR = Use as Required - = Non Illustrated Part P.A.R. = Paint as Required

SHAFT, OUTPUT w/REAR CARRIER, REVERSE DRUM AND OVERRUNNING CLUTCH AUTOMATIC TRANSAXLE, A413,A470

Figure 21A-2500

4151 2500



ITEM	PART NUMBER	QTY	BODY	MODEL	DESCRIPTION
1	4329 822	1			SHAFT, Transaxle Output
	5205 691	1			SNAP RING, Output Shaft, 7/8"
2	5205 724	2			WASHER, Rr. Planet Pinion Carrier
3	4269 942	1			CARRIER w/PINION,PLATE,SHAFT,ROLLERS and WASHERS, Rear Planet Pinion
	4269 937	64			ROLLER, Planet Pinion Carrier, Rear (Not Shown)
	4269 938	4			PINION, Planet Pinion Carrier, Rear (Not Shown)
	4269 940	8			WASHER, Planet Pinion Carrier Roller Thrust, Rear Steel (Not Shown)
	4269 921	8			WASHER, Planet Pinion Carrier Roller Thrust, Rear Bronze (Not Shown)
		4			PINS, Planet Pinion Carrier, Rear, Welded (Not Shown) (Serv. in Carrier Assy.)
4	5222 047	1			GEAR, Rr. Annulus
5	4207 117	1			DRUM w/CAM, Low and Reverse
	5222 137	1			BUSHING, Low and Reverse Drum
6	4186 886	1			SPRING and ROLLER PACKAGE, "O" Running Clutch
	5212 355	8			SPRING, "O" Running Clutch Roller
7					ROLLER, "O" Running Clutch Serviced in Spring and Roller Package
8	5205 772	1			WASHER, "O" Running Clutch Cam Thrust
9	5224 300	2			CONE, Transaxle Output Shaft
10	5224 299	2			CUP PACKAGE
11					SPACER, Output Shaft Brg.
	4207 162	1			12.65
	4207 163	1			13.15
	4207 164	1			13.65
	5224 152	1			14.99, w/4295512 Trans.
12	4205 871	1			GEAR SET, Output Shaft and Transfer Shaft, Except 4295512 Trans., 53T-56T
	4186 871	1			w/4295512 Trans., 57T-52T
13	5222 010	1			WASHER, Output Shaft Gear Nut
14	5222 009	1			NUT, Output Shaft Gear M20x1.5

MODEL CODES

B = GRAN FURY	F = FIFTH AVENUE/NEWPORT	P = RELIANT
C = LEBARON/TOWN & COUNTRY/EXC SEDAN	G = DIPLOMAT	T = E CLASS/NEW YORKER
C24 = LASER	H = VOYAGER	V = 600
D = ARIES	K = MINI RAM/CARAVAN/ROYAL	V24 = DAYTONA
E = 600	M = HORIZON/TURISMO	Z = OMNI/CHARGER/RAMPAGE

BODY STYLES

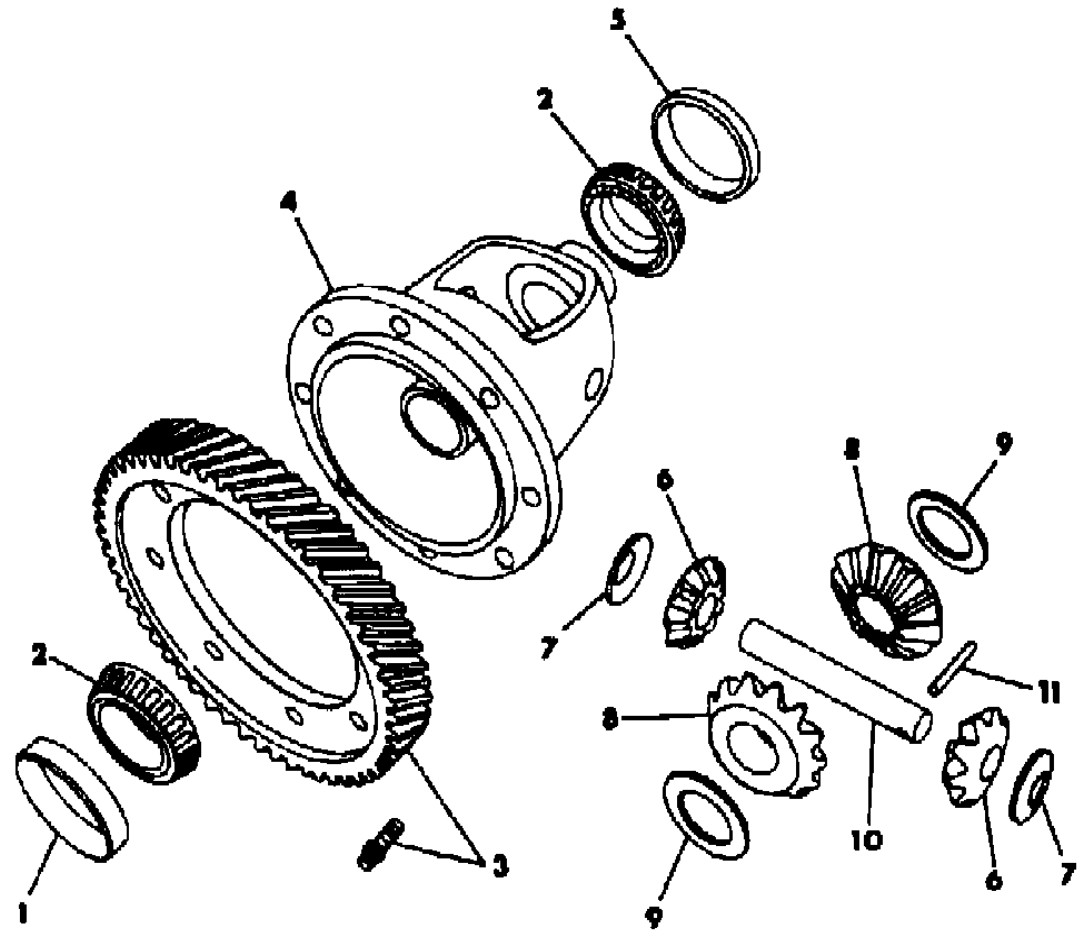
21 = 2-DOOR SEDAN	28 = FWD PICKUP	44 = 4-DOOR HATCHBACK
22 = 2-DOOR SPECIAL COUPE	35 = FWD VAN	45 = 4-DOOR STATION WAGON
24 = 2-DOOR HATCHBACK	36 = FWD WAGON	48 = 4-DOOR EXECUTIVE SEDAN
27 = 2-DOOR CONVERTIBLE	41 = 4-DOOR SEDAN	

AR = Use as Required - = Non Illustrated Part P.A.R. = Paint as Required

DIFFERENTIAL AUTOMATIC TRANSAXLE, A413,A470

Figure 21A-2600

4151 2600



ITEM	PART NUMBER	QTY	BODY	MODEL	DESCRIPTION
1	4269 676	1			CUP, Transaxle Extension
2	4269 677	2			CONE, Transaxle Differential
3					GEAR, Final Drive
	4295 841	1			w/4295513,515,4329554 Trans., 60T
	4269 171	1			w/4295512 Trans., 61T
	4269 171	1			w/4295517,763,4329555,556 Trans., 61T
	4295 841	1			w/4329827 Trans., 60T
	6501 032	8			SCREW, Diff. Ring Gear to Diff., M10x1.5x25
4	4269 768	1			CASE, Transaxle Differential
5	4269 676	1			CUP, Differential
6	4412 050	2			PINION, Differential
7	4269 755	2			WASHER, Diff. Pinion Thrust, Spherical w/Tab
8	4412 048	2			GEAR, Differential, Side
9	4269 754	2			WASHER, Diff. Side Gear Thrust, Flat w/Tab
10	4207 073	1			SHAFT
11	6101 284	1			PIN, Diff. Roll

MODEL CODES

B = GRAN FURY	F = FIFTH AVENUE/NEWPORT	P = RELIANT
C = LEBARON/TOWN & COUNTRY/EXC SEDAN	G = DIPLOMAT	T = E CLASS/NEW YORKER
C24 = LASER	H = VOYAGER	V = 600
D = ARIES	K = MINI RAM/CARAVAN/ROYAL	V24 = DAYTONA
E = 600	M = HORIZON/TURISMO	Z = OMNI/CHARGER/RAMPAGE

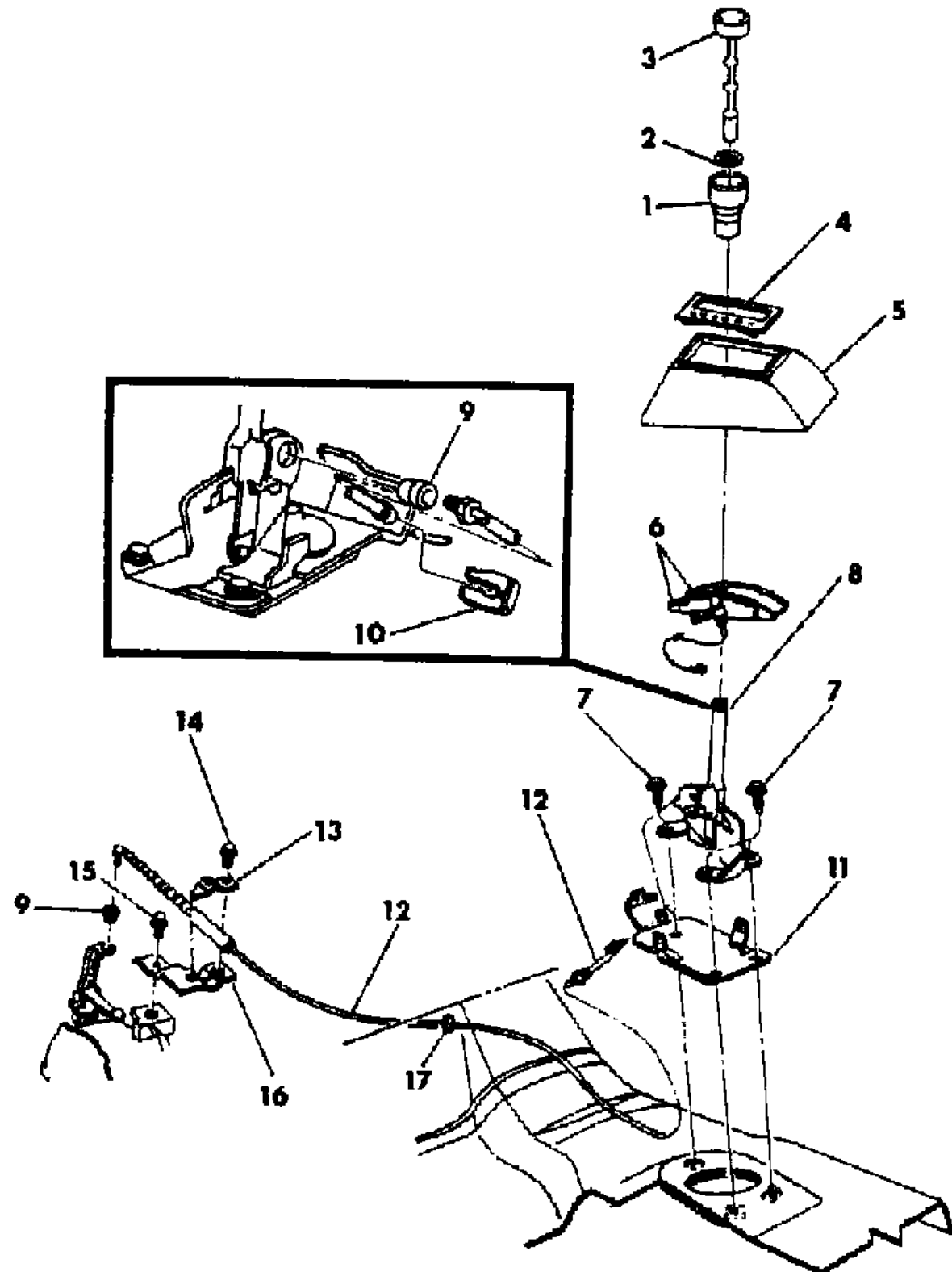
BODY STYLES

21 = 2-DOOR SEDAN	28 = FWD PICKUP	44 = 4-DOOR HATCHBACK
22 = 2-DOOR SPECIAL COUPE	35 = FWD VAN	45 = 4-DOOR STATION WAGON
24 = 2-DOOR HATCHBACK	36 = FWD WAGON	48 = 4-DOOR EXECUTIVE SEDAN
27 = 2-DOOR CONVERTIBLE	41 = 4-DOOR SEDAN	

AR = Use as Required - = Non Illustrated Part P.A.R. = Paint as Required

CONTROLS, GEARSHIFT, FLOOR SHIFT AUTOMATIC TRANSAXLE M,Z
Figure 21A-2700

4151 2700A



ITEM	PART NUMBER	QTY	BODY	MODEL	DESCRIPTION
1	5206 117	1			KNOB, Gearshift
2	5211 832	1			CLIP, Gearshift Knob
3	4019 991	1			BUTTON, Gearshift Knob
4	5209 966	1			LENS, Console Gear Selector Indicator
5					CONSOLE, Mini, (Refer to Group 8A)
6	4221 479	1			BRACKET w/SLIDE, LAMP and CLIP, Console Gear Shift Selector Indicator
7	6100 577	3			SCREW w/WA., M8x1.25x35
8	5211 920	1			ACTUATOR, Gearshift Control
9	3575 333	2			GROMMET
10	4295 369	1			CLIP, Gearshift Control Cable
11	5211 875	1			BRACKET, Gearshift Control Mounting
12	4377 301	1			CABLE, Gearshift Control, 52.26" Lg.
13	5211 887	1			CLAMP, Gearshift Control
14	6100 560	1			BOLT, Cable Mounting Front, M6x1.00x35
15	6100 315	1			SCREW w/WA., Bracket Mounting Front, M8x1.25x35
16	4269 802	1			BRACKET, Gearshift Control Cable Mounting Front
17	3593 446	1			GROMMET, G/Shift Cable to Dash Panel

MODEL CODES

B = GRAN FURY	F = FIFTH AVENUE/NEWPORT	P = RELIANT
C = LEBARON/TOWN & COUNTRY/EXC SEDAN	G = DIPLOMAT	T = E CLASS/NEW YORKER
C24 = LASER	H = VOYAGER	V = 600
D = ARIES	K = MINI RAM/CARAVAN/ROYAL	V24 = DAYTONA
E = 600	M = HORIZON/TURISMO	Z = OMNI/CHARGER/RAMPAGE

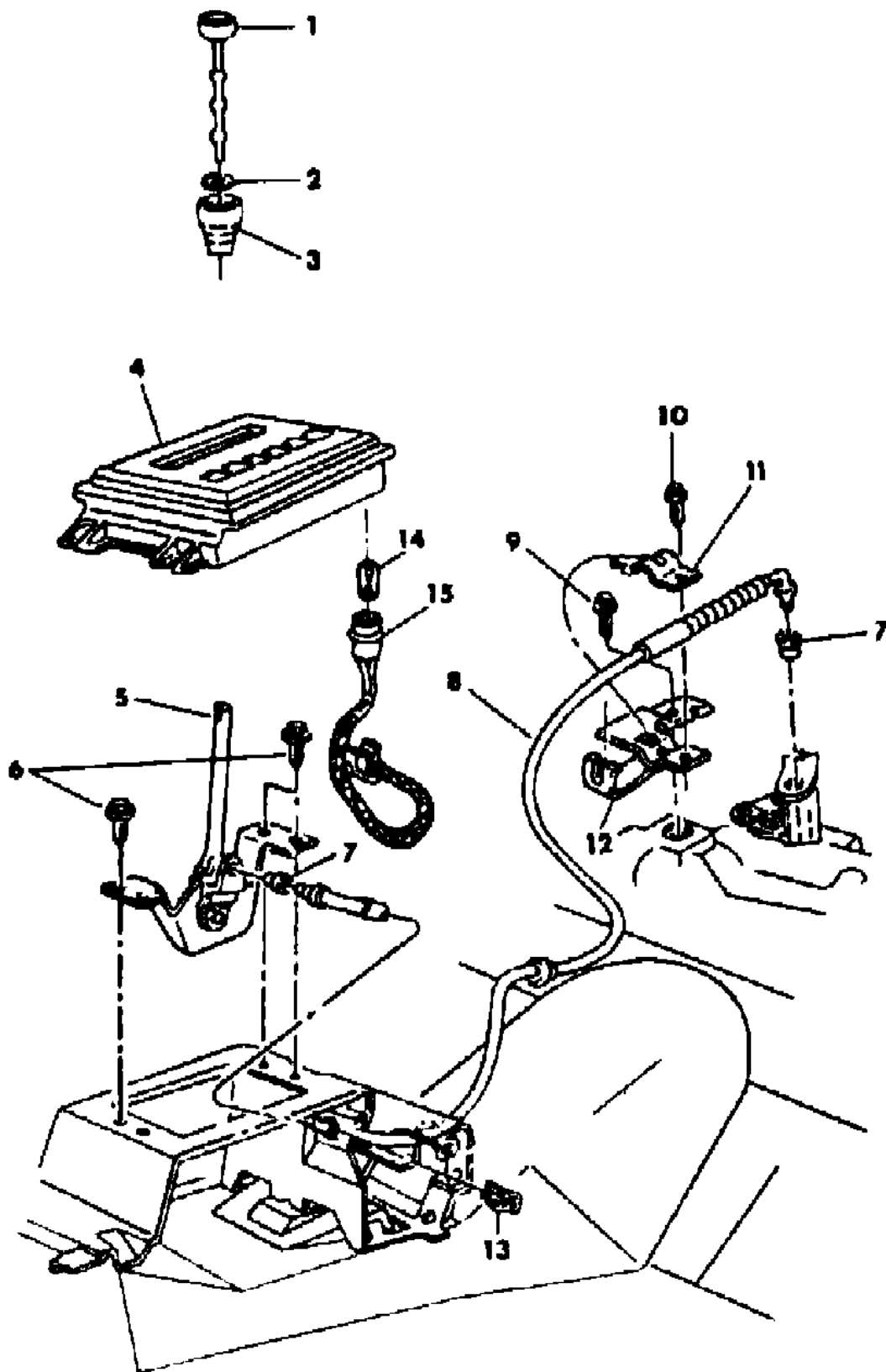
BODY STYLES

21 = 2-DOOR SEDAN	28 = FWD PICKUP	44 = 4-DOOR HATCHBACK
22 = 2-DOOR SPECIAL COUPE	35 = FWD VAN	45 = 4-DOOR STATION WAGON
24 = 2-DOOR HATCHBACK	36 = FWD WAGON	48 = 4-DOOR EXECUTIVE SEDAN
27 = 2-DOOR CONVERTIBLE	41 = 4-DOOR SEDAN	

AR = Use as Required - = Non Illustrated Part P.A.R. = Paint as Required

CONTROLS, GEARSHIFT, FLOOR SHIFT AUTOMATIC TRANSAXLE P,D,V,C,E,T
Figure 21A-2800

4151 2800



ITEM	PART NUMBER	QTY	BODY	MODEL	DESCRIPTION
1	4019 991	1			BUTTON w/DECAL, G/Shift Control Knob
2	5211 832	1			CLIP, Gearshift Knob
3	5206 117	1			KNOB, Gearshift
4	4373 183	1			INDICATOR, Console Gear Selector
5	4269 893	1			ACTUATOR, Gearshift
6	6100 539	3			SCREW w/WA., Gearshift Actuator, M5x0.80x20
7	3575 333	2			GROMMET
8	4340 185	1			CABLE, Gearshift, E Body & (K41 Jefferson Built) 52.26" Lg.
	4377 301	1			K Body 21,22,45,48 & (K41 Newark Built) 52.26" Lg.
	4295 314	1			GROMMET, Gearshift Control Cable
	3593 446	1			GROMMET, G/Shift Cable to Dash Panel (Not Shown)
9	6100 315	1			SCREW w/WA., M8x1.25x35
10	6100 560	1			BOLT, M6x1.00x35
11	5211 887	1			CLAMP
12	4329 050	1			BRACKET, Gearshift Cable Mtg., Front
13	4295 369	1			CLIP, Cable Mounting
14	9415 969	1			BULB, Console Lamp
15					SOCKET, Bulb (Serviced in Body Wiring Harness)

MODEL CODES

B = GRAN FURY	F = FIFTH AVENUE/NEWPORT	P = RELIANT
C = LEBARON/TOWN & COUNTRY/EXC SEDAN	G = DIPLOMAT	T = E CLASS/NEW YORKER
C24 = LASER	H = VOYAGER	V = 600
D = ARIES	K = MINI RAM/CARAVAN/ROYAL	V24 = DAYTONA
E = 600	M = HORIZON/TURISMO	Z = OMNI/CHARGER/RAMPAGE

BODY STYLES

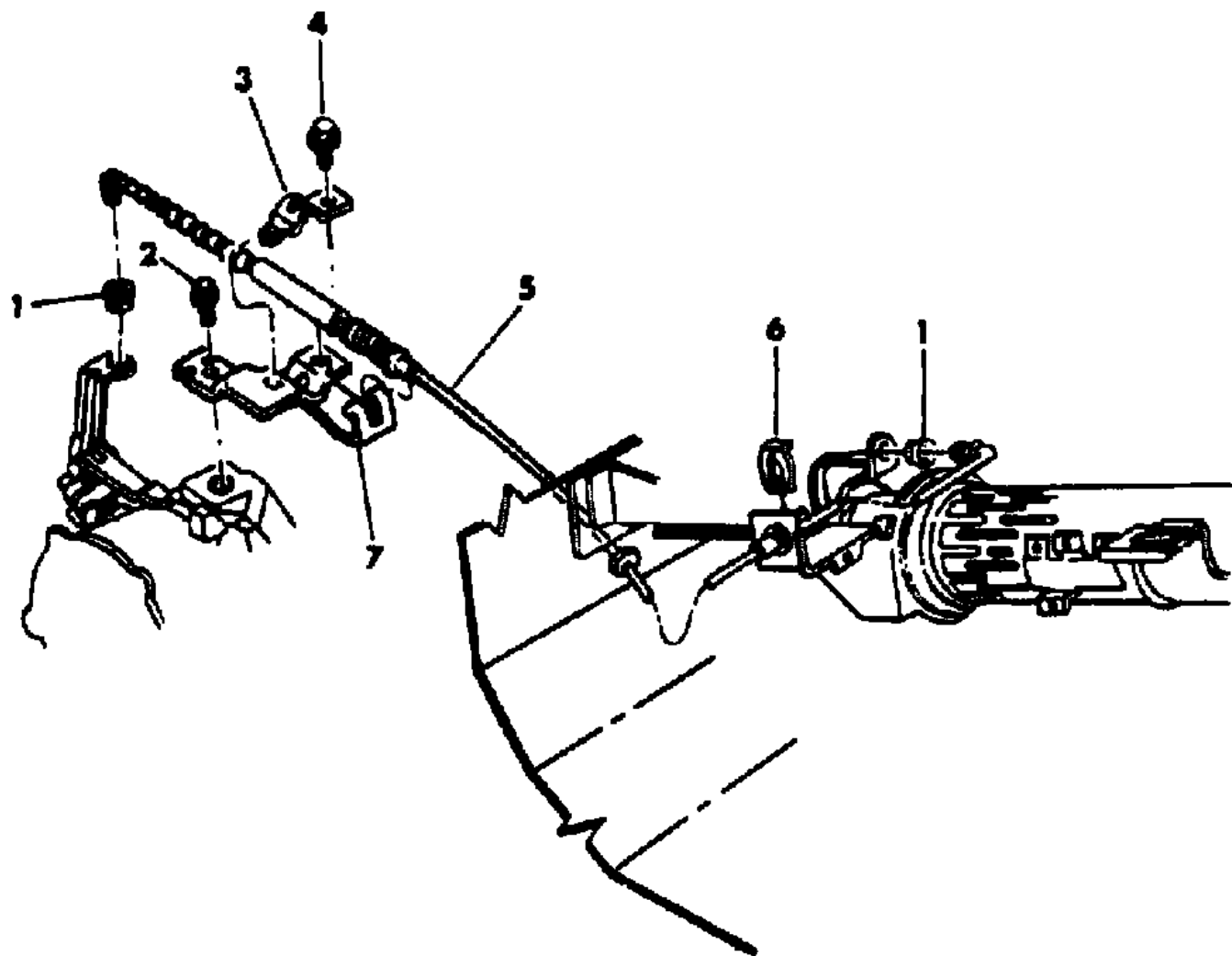
21 = 2-DOOR SEDAN	28 = FWD PICKUP	44 = 4-DOOR HATCHBACK
22 = 2-DOOR SPECIAL COUPE	35 = FWD VAN	45 = 4-DOOR STATION WAGON
24 = 2-DOOR HATCHBACK	36 = FWD WAGON	48 = 4-DOOR EXECUTIVE SEDAN
27 = 2-DOOR CONVERTIBLE	41 = 4-DOOR SEDAN	

AR = Use as Required - = Non Illustrated Part P.A.R. = Paint as Required

CONTROLS, GEARSHIFT, COLUMN SHIFT AUTOMATIC TRANSAXLE P,D,V,C,E,T,H,K EXCEPT V,C-24
Figure 21A-2900

4161 2900

ITEM	PART NUMBER	QTY	BODY	MODEL	DESCRIPTION
1	3575 333	2			GROMMET
2	6100 315	1			SCREW w/WA., Bracket Mounting Front, M8x1.25x35
3	5211 887	1			CLAMP, Control Cable Mounting Front
4	6100 560	1			BOLT, Cable Mounting Clamp, M6x1.00x35
5					CABLE, Gearshift Control
	4377 317	1		P,D,V,C	42.13" Lg.
	4377 315	1		H,K	45.08" Lg.
	3593 446	1			GROMMET, G/Shift Cable to Dash Panel (Not Shown)
	4295 314	1			GROMMET, G/Shift Control Cable (Not Shown)
6	4295 369	1			CLIP, G/Shift Control Cable
7	4269 802	1		H,K	BRACKET, Cable Mounting Front, w/H,K
	4329 050	1			Except H,K



MODEL CODES

B = GRAN FURY	F = FIFTH AVENUE/NEWPORT	P = RELIANT
C = LEBARON/TOWN & COUNTRY/EXC SEDAN	G = DIPLOMAT	T = E CLASS/NEW YORKER
C24 = LASER	H = VOYAGER	V = 600
D = ARIES	K = MINI RAM/CARAVAN/ROYAL	V24 = DAYTONA
E = 600	M = HORIZON/TURISMO	Z = OMNI/CHARGER/RAMPAGE

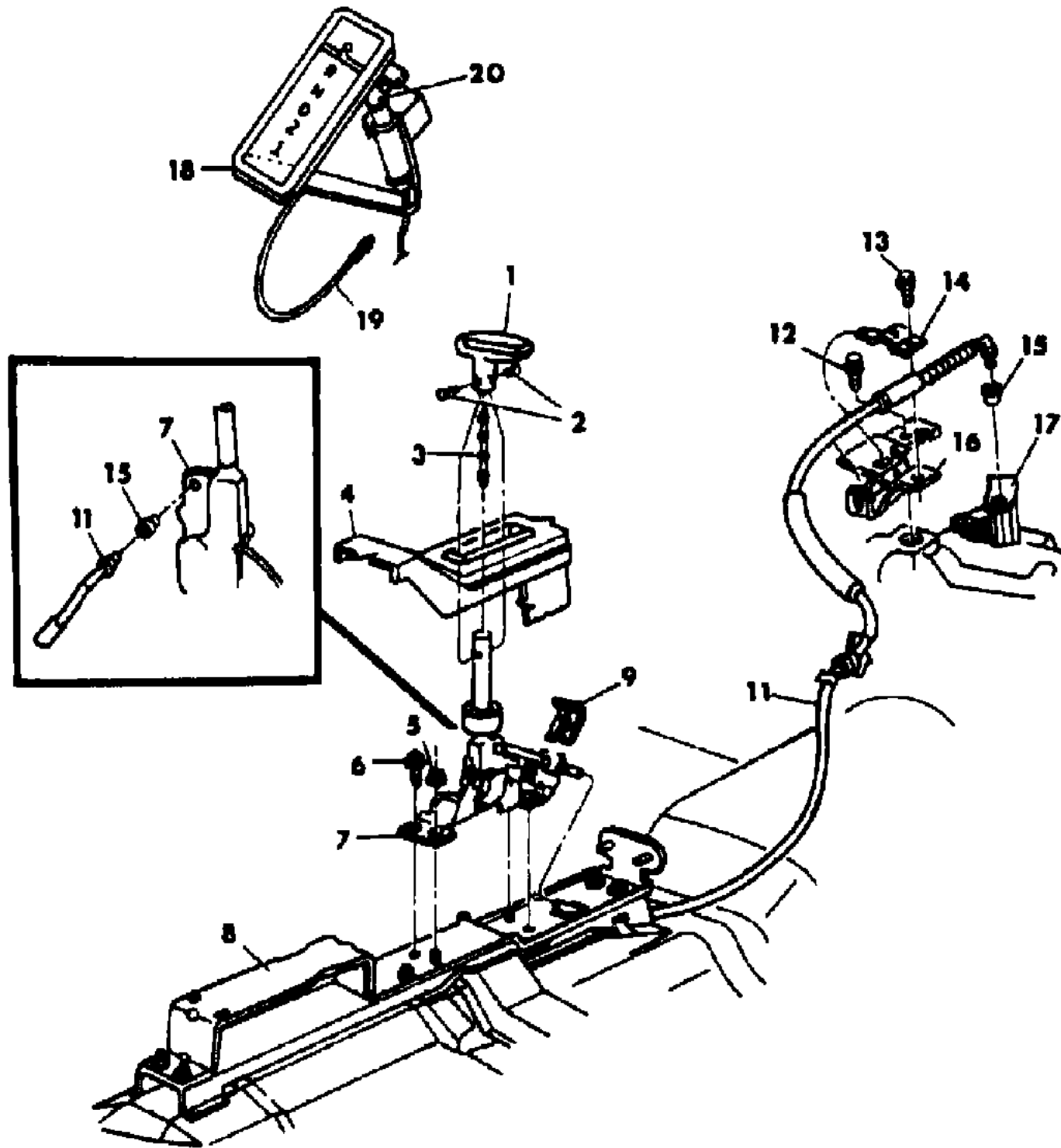
BODY STYLES

21 = 2-DOOR SEDAN	28 = FWD PICKUP	44 = 4-DOOR HATCHBACK
22 = 2-DOOR SPECIAL COUPE	35 = FWD VAN	45 = 4-DOOR STATION WAGON
24 = 2-DOOR HATCHBACK	36 = FWD WAGON	48 = 4-DOOR EXECUTIVE SEDAN
27 = 2-DOOR CONVERTIBLE	41 = 4-DOOR SEDAN	

AR = Use as Required - = Non Illustrated Part P.A.R. = Paint as Required

CONTROLS, GEARSHIFT, FLOOR SHIFT AUTOMATIC TRANSAXLE V,C-24
Figure 21A-3000

4181 3000



ITEM	PART NUMBER	QTY	BODY	MODEL	DESCRIPTION
1	4340 146	1			T-HANDLE, Gearshift Control Selector
	6100 629	1			PIN, G/Shift Control Selector Actuator Finger
2	6500 870	2			SCREW, Gearshift Handle
3	4295 334	1			ROD, Gearshift Control Selector
4		1			CONSOLE, (Refer to Group 8A)
5	6100 050	2			NUT w/WA., Actuator Mtg., M8x1.25
6		2			SCREW, Actuator Mtg.
7	4364 847	1			ACTUATOR, Gearshift Control
	4329 069	2			PLATE, Gearshift Control Actuator
8		1			BRACKET, Rr. Floor Console (Refer to Group 8A)
9	4295 369	1			CLIP, Cable Mounting
11	4377 302	1			CABLE, Gearshift Control, 61.02" Lg.
	3593 446	1			GROMMET, G/Shift Control Cable To Dash Panel
12	6100 315	1			SCREW w/WA., M8x1.25x35
13	6100 560	1			SCREW w/WA., M6x1.00x35
14	5211 887	1			CLAMP, Cable Mtg.
15	3575 333	2			GROMMET, Cable End
16	4329 050	1			BRACKET, Cable Mtg., Front
17	5224 266	1			LEVER, Manual Control
18	4221 802	1			LAMP ASSY., Console Selector Indicator
19	4221 192	1			CABLE, Console Selector Indicator Lamp
20	4221 194	1			LAMP, Acc. SW Nomenclature

MODEL CODES

B = GRAN FURY	F = FIFTH AVENUE/NEWPORT	P = RELIANT
C = LEBARON/TOWN & COUNTRY/EXC SEDAN	G = DIPLOMAT	T = E CLASS/NEW YORKER
C24 = LASER	H = VOYAGER	V = 600
D = ARIES	K = MINI RAM/CARAVAN/ROYAL	V24 = DAYTONA
E = 600	M = HORIZON/TURISMO	Z = OMNI/CHARGER/RAMPAGE

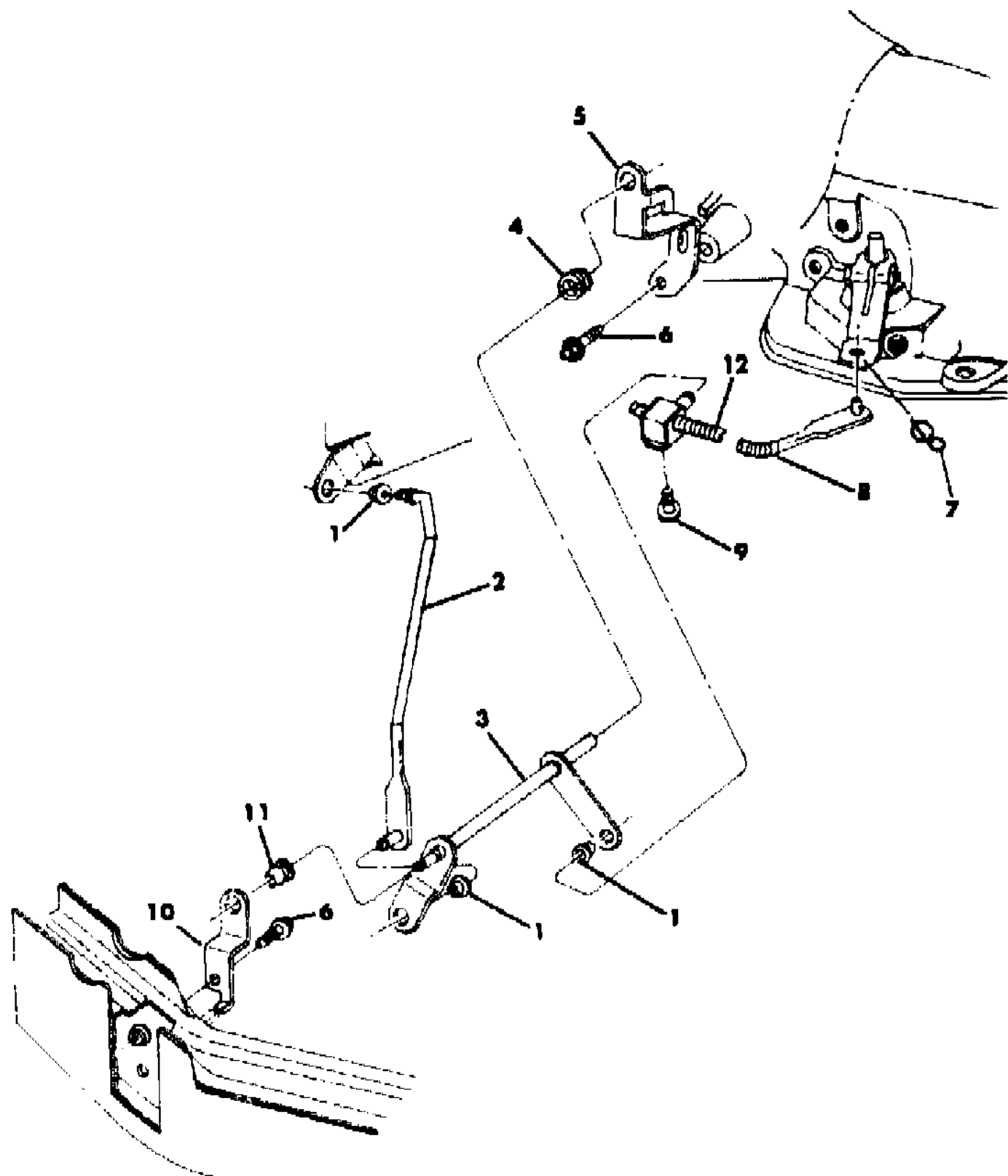
BODY STYLES

21 = 2-DOOR SEDAN	28 = FWD PICKUP	44 = 4-DOOR HATCHBACK
22 = 2-DOOR SPECIAL COUPE	35 = FWD VAN	45 = 4-DOOR STATION WAGON
24 = 2-DOOR HATCHBACK	36 = FWD WAGON	48 = 4-DOOR EXECUTIVE SEDAN
27 = 2-DOOR CONVERTIBLE	41 = 4-DOOR SEDAN	

AR = Use as Required - = Non Illustrated Part P.A.R. = Paint as Required

CONTROLS, GEARSHIFT, LOWER w/COLUMN SHIFT AUTOMATIC TRANSMISSION, A904 B,F,G
Figure 21A-3100

4151 3100



ITEM	PART NUMBER	QTY	BODY	MODEL	DESCRIPTION
1	3575 333	3		All	GROMMET
2	4188 469	1		All	ROD, Gear Shift Control Front
3	4188 446	1		All	SHAFT, Torque
4	3575 434	1		All	BUSHING, Torque Shaft Bracket
5	4019 234	1		All	BRACKET, Torque Shaft
6	0181 088	2		All	SCREW, w/WA., 5/16"-18 x 1"
7	6500 596	AR		All	S-CLIP, Rod Frt. and Rear
8	4188 429	1		All	ROD, Gear Shift, Rear
	4188 437	1		All	SWIVEL, Gear Shift Rod (Not Illustrated)
9	0181 082	1		All	SCREW, Swivel Rod Holding, 5/16"-18 x 1-1/2"
10	4019 233	1		All	BRACKET, Torque Shaft Frame
11	5211 845	1		All	GROMMET, Torque Shaft Frame Bracket
12	3575 354	1		All	SPRING, Control Rod Adjusting

MODEL CODES

B = GRAN FURY	F = FIFTH AVENUE/NEWPORT	P = RELIANT
C = LEBARON/TOWN & COUNTRY/EXC SEDAN	G = DIPLOMAT	T = E CLASS/NEW YORKER
C24 = LASER	H = VOYAGER	V = 600
D = ARIES	K = MINI RAM/CARAVAN/ROYAL	V24 = DAYTONA
E = 600	M = HORIZON/TURISMO	Z = OMNI/CHARGER/RAMPAGE

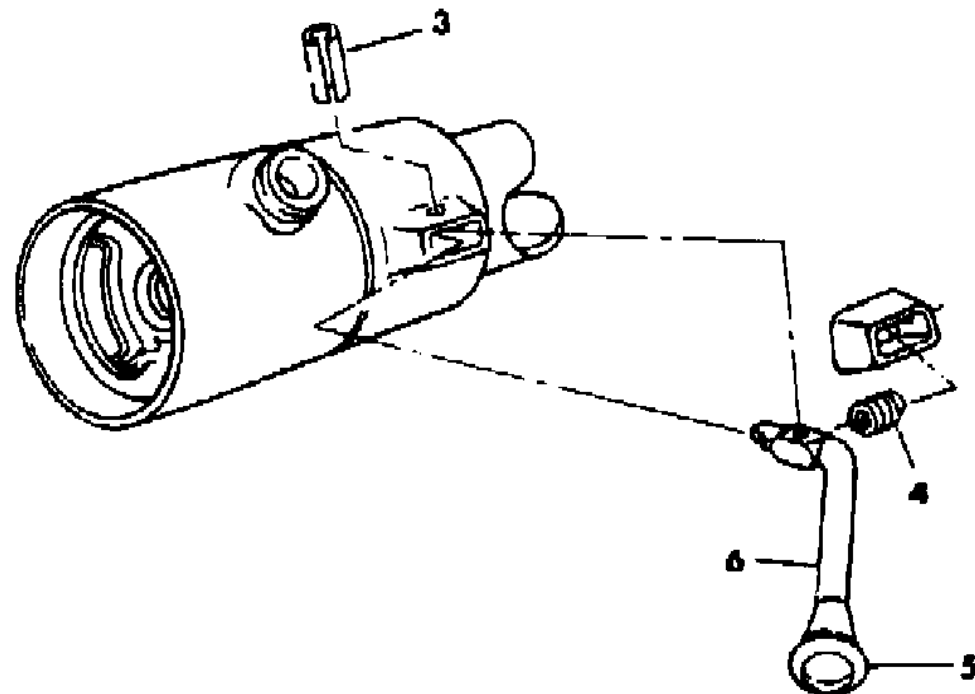
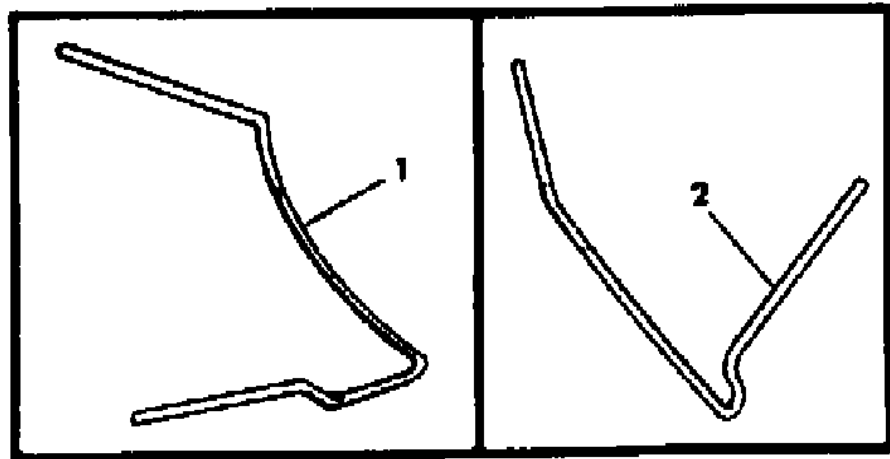
BODY STYLES

21 = 2-DOOR SEDAN	28 = FWD PICKUP	44 = 4-DOOR HATCHBACK
22 = 2-DOOR SPECIAL COUPE	35 = FWD VAN	45 = 4-DOOR STATION WAGON
24 = 2-DOOR HATCHBACK	36 = FWD WAGON	48 = 4-DOOR EXECUTIVE SEDAN
27 = 2-DOOR CONVERTIBLE	41 = 4-DOOR SEDAN	

AR = Use as Required - = Non Illustrated Part P.A.R. = Paint as Required

**LEVER, COLUMN SHIFT, w/INDICATOR AUTOMATIC TRANSMISSION
Figure 21A-3200**

4151 3200



ITEM	PART NUMBER	QTY	BODY	MODEL	DESCRIPTION
1					POINTER, Gearshift Indicator
	4047 964	1		P,D,C,V	w/o Tilt
	4047 965	1		P,D,C,V	w/Tilt
2					POINTER, Gearshit Indicator
	3591 595	1		B,F,G	w/o Tilt
	4047 722	1		B,F,G H,K	w/Tilt INDICATOR ASSY. w/CABLE, (Refer to Group 8A)
3					PIN, Spring
	9412 281	1			w/o Tilt, 1/4 x 1", (Refer To Levers Below)
	0152 233	1			w/Tilt, 3/16 x 7/8", (Refer To Levers Below)
4					SPRING
	2996 786	1			w/o TiIT
	2880 284	1			w/TiIT
5					KNOB, Gearshift Lever, Black (Use w/4147163,4188197 Levers Only)
6					LEVER w/KNOB, Column Gearshift
	4147 163	1			w/o Tilt
	4188 197	1		P,D-21-	w/Tilt, Black Knob, 3/16" Pin Hole, Up To 5-22-84 ST. Louis #1 Assy.
	4188 197	1		V,C-22-	Up To 5-22-84, ST. LOUIS #1 Assy.
	4188 197	1		P,D,C-4	Up To 6-18-84, NEWARK Assy.
	4188 197	1		C-41,E,	Up To 5-4-84, JEFFERSON Assy.
	4188 197	1		H,K	Up To 4-27-84 WINDSOR Assy.
	4188 197	1		B,F,G	Up To 5-4-84 ST. LOUIS #2 Assy., (Exc. F-S-41)
	4147 360	1		P,D-21-	w/Tilt, Black Knob, 1/4" Pin Hole, After 5-22-84 ST. Louis #1 Assy.
	4147 360	1		V,C-22-	After 5-22-84, ST. LOUIS #1 Assy.
	4147 360	1		P,D,C-4	After 6-18-84, NEWARK Assy.
	4147 360	1		C-41,E,	After 5-4-84, JEFFERSON Assy.
	4147 360	1		H,K	After 4-27-84 WINDSOR Assy.
	4147 360	1		B,F,G	After 5-4-84 ST. LOUIS #2 Assy., (Exc. F-S-41)
	4188 304	1		F-S-41	w/Tilt, Bright Finish Knob, 3/16" Pin Hole, Up To 5-4-84, ST. LOUIS #2 Assy.
	4147 375	1		F-S-41	1/4" Pin Hole, After 5-4-84, ST. LOUIS #2 Assy.

MODEL CODES

B = GRAN FURY	F = FIFTH AVENUE/NEWPORT	P = RELIANT
C = LEBARON/TOWN & COUNTRY/EXC SEDAN	G = DIPLOMAT	T = E CLASS/NEW YORKER
C24 = LASER	H = VOYAGER	V = 600
D = ARIES	K = MINI RAM/CARAVAN/ROYAL	V24 = DAYTONA
E = 600	M = HORIZON/TURISMO	Z = OMNI/CHARGER/RAMPAGE

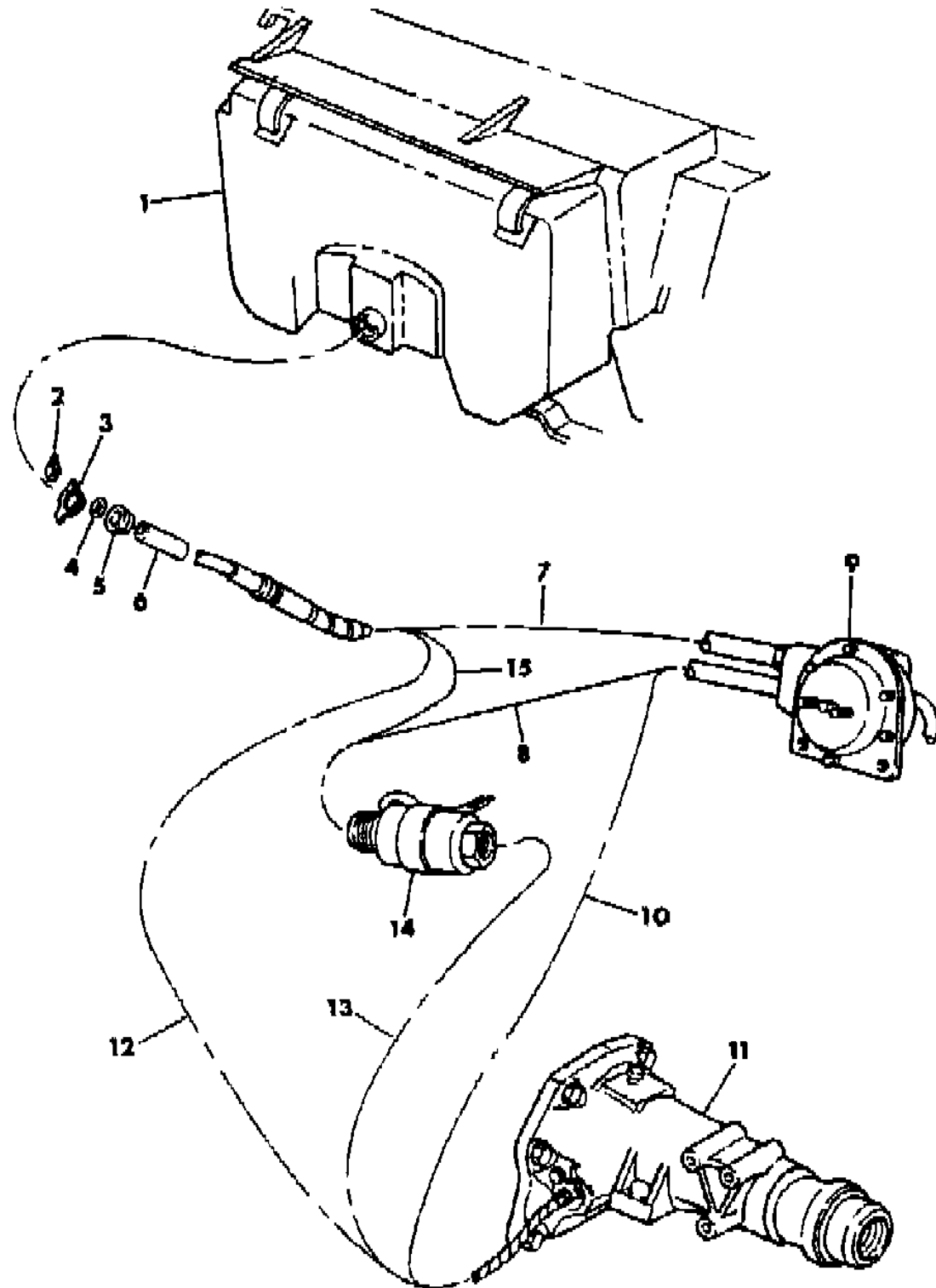
BODY STYLES

21 = 2-DOOR SEDAN	28 = FWD PICKUP	44 = 4-DOOR HATCHBACK
22 = 2-DOOR SPECIAL COUPE	35 = FWD VAN	45 = 4-DOOR STATION WAGON
24 = 2-DOOR HATCHBACK	36 = FWD WAGON	48 = 4-DOOR EXECUTIVE SEDAN
27 = 2-DOOR CONVERTIBLE	41 = 4-DOOR SEDAN	

AR = Use as Required - = Non Illustrated Part P.A.R. = Paint as Required

CABLES, SPEEDOMETER AUTOMATIC TRANSMISSION
Figure 21A-3300

4151 3300



ITEM	PART NUMBER	QTY	BODY	MODEL	DESCRIPTION
1					SPEEDOMETER (Ref.)
2	0152 490	1			"U" NUT, Cable Retainer
3	3593 310	1			RETAINER, Speedo Cable to Speedo
4	6030 656	1			"O" RING, Speedo Cable Shaft Lower
5	3593 446	1			GROMMET, Speedo Cable Dash
6	3445 939	1		C,E,T	PLUG, Speedo Cable Dash Hole, w/Electronic Inst. Panel
7	4057 046	1			RETAINER, SEALS and RINGS PACKAGE, Speedometer Pinion
7	4374 386	1		M,Z	CABLE, SPEEDOMETER TO SPEED CONTROL 40" Long, 1/2" Clip-On Upper, 5/8" Fem. Lower
	4312 332	1		P,D,V,C	44" Long, 1/2" Clip-On Upper, 5/8" Fem. Lower
	4312 332	1		V,C-24	44" Long, 1/2" Clip-On Upper, 5/8" Fem. Lower
	4312 337	1		H,K	42" Long, 1/2" Clip-On Upper, 5/8" Fem. Lower
	4312 634	1		B,F,G	35" Long, 1/2" Clip-On Upper, 5/8" Fem. Lower
8					CABLE, SPEED CONTROL TO SPEED SENSOR SWITCH
	4220 751	1		P,D,V,C	14" Long, 5/8" Female Both Ends
	4220 751	1		V,C-24	14" Long, 5/8" Female Both Ends
9					CONTROL, Speed (Ref.)
10					CABLE, SPEED CONTROL TO TRANSMISSION
	4312 329	1		M,Z	31" Long, 5/8" Fem. Upper, 1/2" Push-On Lower
	4312 333	1		P,D,V,C	37" Long, 5/8" Fem. Upper, 1/2" Push-On Lower
	4312 333	1		V,C-24	37" Long, 5/8" Fem. Upper, 1/2" Push-On Lower
	4312 338	1		H,K	33" Long, 5/8" Fem. Upper, 1/2" Push-On Lower
	3591 615	1		B,F,G	52" Long, 5/8" Fem. Upper, 1/2" Push-On Lower
11					TRANSMISSION (Ref.)
12					CABLE, SPEEDOMETER TO TRANSMISSION
	4312 327	1		M,Z	37" Long, 1/2" Clip-On Upper, 1/2" Push-On Lower
	4312 973	1		P,D,V,C	56" Long, 1/2" Clip-On Upper, 1/2" Push-On Lower
	4312 973	1		V,C-24	56" Long, 1/2" Clip-On Upper, 1/2" Push-On Lower
	4312 336	1		H,K	43" Long, 1/2" Clip-On Upper, 1/2" Push-On Lower
	3591 189	1		B,F,G	59" Long, 1/2" Clip-On Upper, 1/2" Push-On Lower
	4196 607	1		P,D	Three Piece (FLEET CARS)
	4196 136	1		B,G	Two Piece, 10" Long, 1/2" Clip-On Upper, 5/8" Female (FLEET CARS)
	4196 137	1		B,G	47" Long, 5/8" Female, 1/2" Push-On Lower (FLEET CARS)
13					CABLE, SPEED SENSOR SWITCH TO TRANSMISSION
	4312 335	1		P,D,V,C	23" Long, 5/8" Male Upper, 1/2" Push-On Lower
	4312 335	1		V,C-24	23" Long, 5/8" Male Upper, 1/2" Push-On Lower
14	4312 186	1			SWITCH, Speed Sensor

MODEL CODES

B = GRAN FURY	F = FIFTH AVENUE/NEWPORT	P = RELIANT
C = LEBARON/TOWN & COUNTRY/EXC SEDAN	G = DIPLOMAT	T = E CLASS/NEW YORKER
C24 = LASER	H = VOYAGER	V = 600
D = ARIES	K = MINI RAM/CARAVAN/ROYAL	V24 = DAYTONA
E = 600	M = HORIZON/TURISMO	Z = OMNI/CHARGER/RAMPAGE

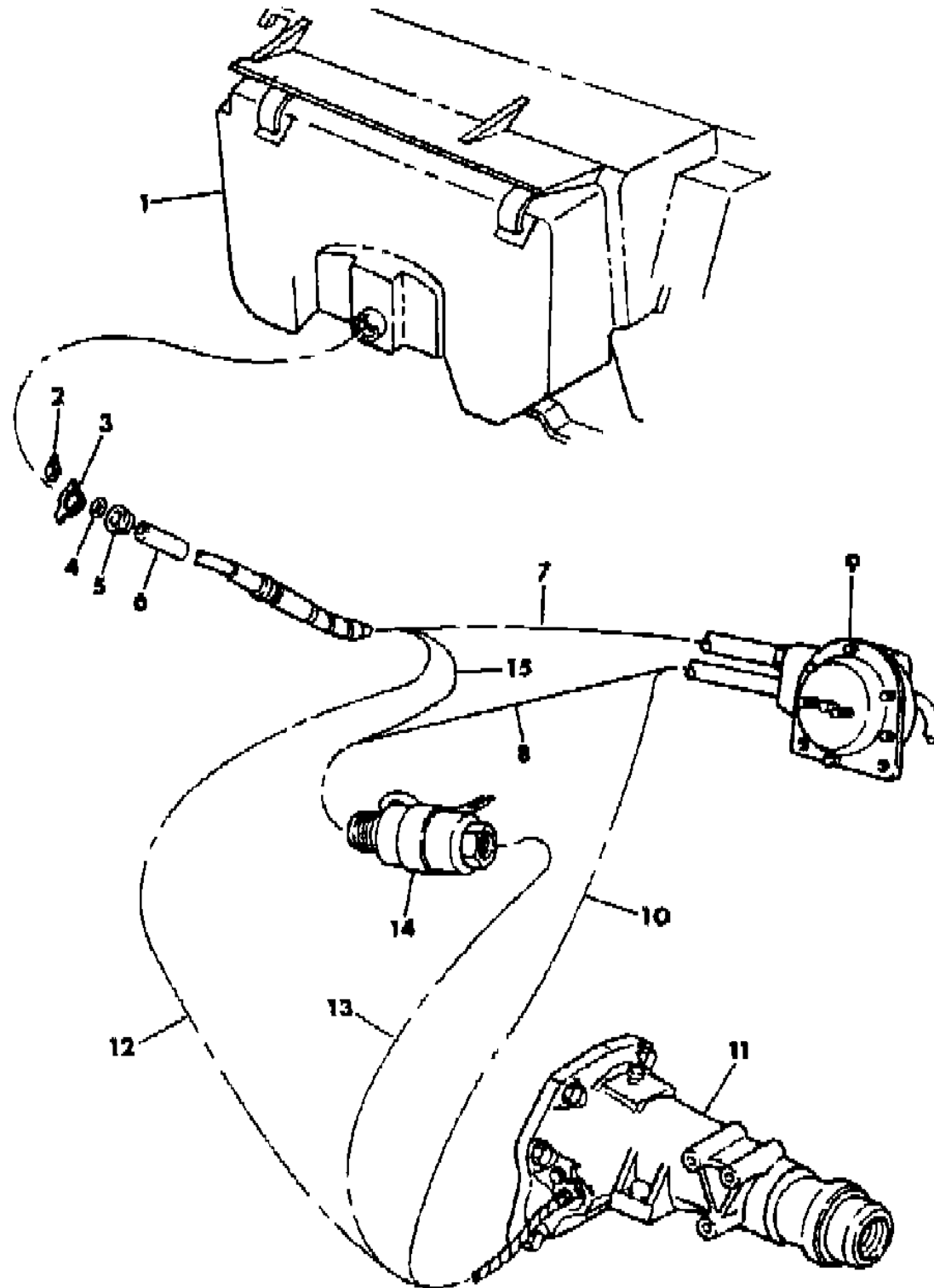
BODY STYLES

21 = 2-DOOR SEDAN	28 = FWD PICKUP	44 = 4-DOOR HATCHBACK
22 = 2-DOOR SPECIAL COUPE	35 = FWD VAN	45 = 4-DOOR STATION WAGON
24 = 2-DOOR HATCHBACK	36 = FWD WAGON	48 = 4-DOOR EXECUTIVE SEDAN
27 = 2-DOOR CONVERTIBLE	41 = 4-DOOR SEDAN	

AR = Use as Required - = Non Illustrated Part P.A.R. = Paint as Required

CABLES, SPEEDOMETER AUTOMATIC TRANSMISSION
Figure 21A-3300

4151 3300



ITEM	PART NUMBER	QTY	BODY	MODEL	DESCRIPTION
15					CABLE, SPEEDOMETER TO SPEED SENSOR SWITCH
	4312 332	1		P,D,V,C	44" Long, 1/2" Clip-On Upper, 5/8" Fem. Lower
	4312 332	1		V,C-24	44" Long, 1/2" Clip-On Upper, 5/8" Fem. Lower
	2448 294	1			SHAFT, Cable Drive, Universal Drive Type (Not Illustrated)
	2448 295	1			80" Long
	6015 756	AR			113" Long
					CLIP, Speedo. Cable to Htr. Hose

MODEL CODES

B = GRAN FURY	F = FIFTH AVENUE/NEWPORT	P = RELIANT
C = LEBARON/TOWN & COUNTRY/EXC SEDAN	G = DIPLOMAT	T = E CLASS/NEW YORKER
C24 = LASER	H = VOYAGER	V = 600
D = ARIES	K = MINI RAM/CARAVAN/ROYAL	V24 = DAYTONA
E = 600	M = HORIZON/TURISMO	Z = OMNI/CHARGER/RAMPAGE

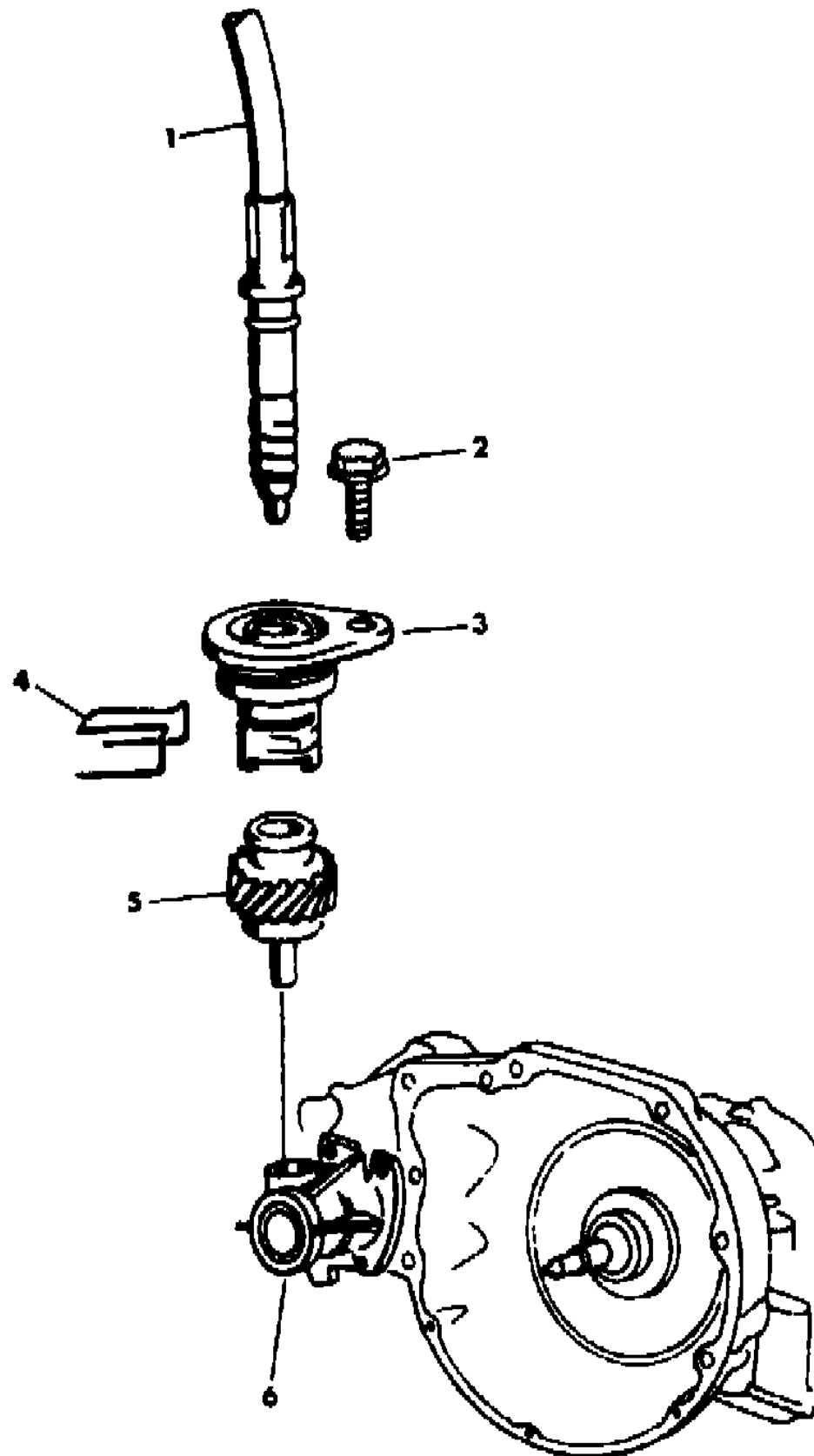
BODY STYLES

21 = 2-DOOR SEDAN	28 = FWD PICKUP	44 = 4-DOOR HATCHBACK
22 = 2-DOOR SPECIAL COUPE	35 = FWD VAN	45 = 4-DOOR STATION WAGON
24 = 2-DOOR HATCHBACK	36 = FWD WAGON	48 = 4-DOOR EXECUTIVE SEDAN
27 = 2-DOOR CONVERTIBLE	41 = 4-DOOR SEDAN	

AR = Use as Required - = Non Illustrated Part P.A.R. = Paint as Required

PINION AND ADAPTER, SPEEDOMETER CABLE DRIVE AUTOMATIC TRANSAXLE
Figure 21A-3400

4151 3400



ITEM	PART NUMBER	QTY	BODY	MODEL	DESCRIPTION
1					CABLE w/HOUSING, See Speedometer Cable Illustration
2	6500 137	1			SCREW w/WA., Speedo. Pinion Adapter
3	4295 857	1			ADAPTER, Speedo. Drive Pinion
	5212 152	1			"O" RING, Adapter, Rubber, 26.49-26.80" I.D.
4	5222 006	1			RETAINER, Speedo.
5					PINION, Trans. Speedo. Drive
	4269 950	1			19 Teeth w/P185/75 R14 P/S W.S.W. Michelin
	5222 390	1			20 Teeth, w/13" & 14" Tire
	5222 388	1			21 Teeth, w/15" Tire
	4186 884	1			SEAL PACKAGE, Pinion Adapter, Steel, 29/64" O.D.
6		1			EXTENSION, Trans. (Refer To Illus. 1500)

MODEL CODES

B = GRAN FURY	F = FIFTH AVENUE/NEWPORT	P = RELIANT
C = LEBARON/TOWN & COUNTRY/EXC SEDAN	G = DIPLOMAT	T = E CLASS/NEW YORKER
C24 = LASER	H = VOYAGER	V = 600
D = ARIES	K = MINI RAM/CARAVAN/ROYAL	V24 = DAYTONA
E = 600	M = HORIZON/TURISMO	Z = OMNI/CHARGER/RAMPAGE

BODY STYLES

21 = 2-DOOR SEDAN	28 = FWD PICKUP	44 = 4-DOOR HATCHBACK
22 = 2-DOOR SPECIAL COUPE	35 = FWD VAN	45 = 4-DOOR STATION WAGON
24 = 2-DOOR HATCHBACK	36 = FWD WAGON	48 = 4-DOOR EXECUTIVE SEDAN
27 = 2-DOOR CONVERTIBLE	41 = 4-DOOR SEDAN	

AR = Use as Required - = Non Illustrated Part P.A.R. = Paint as Required

PINION AND ADAPTER, SPEEDOMETER CABLE DRIVE AUTOMATIC TRANSMISSION, B,F,G
Figure 21A-3500

4151 3500

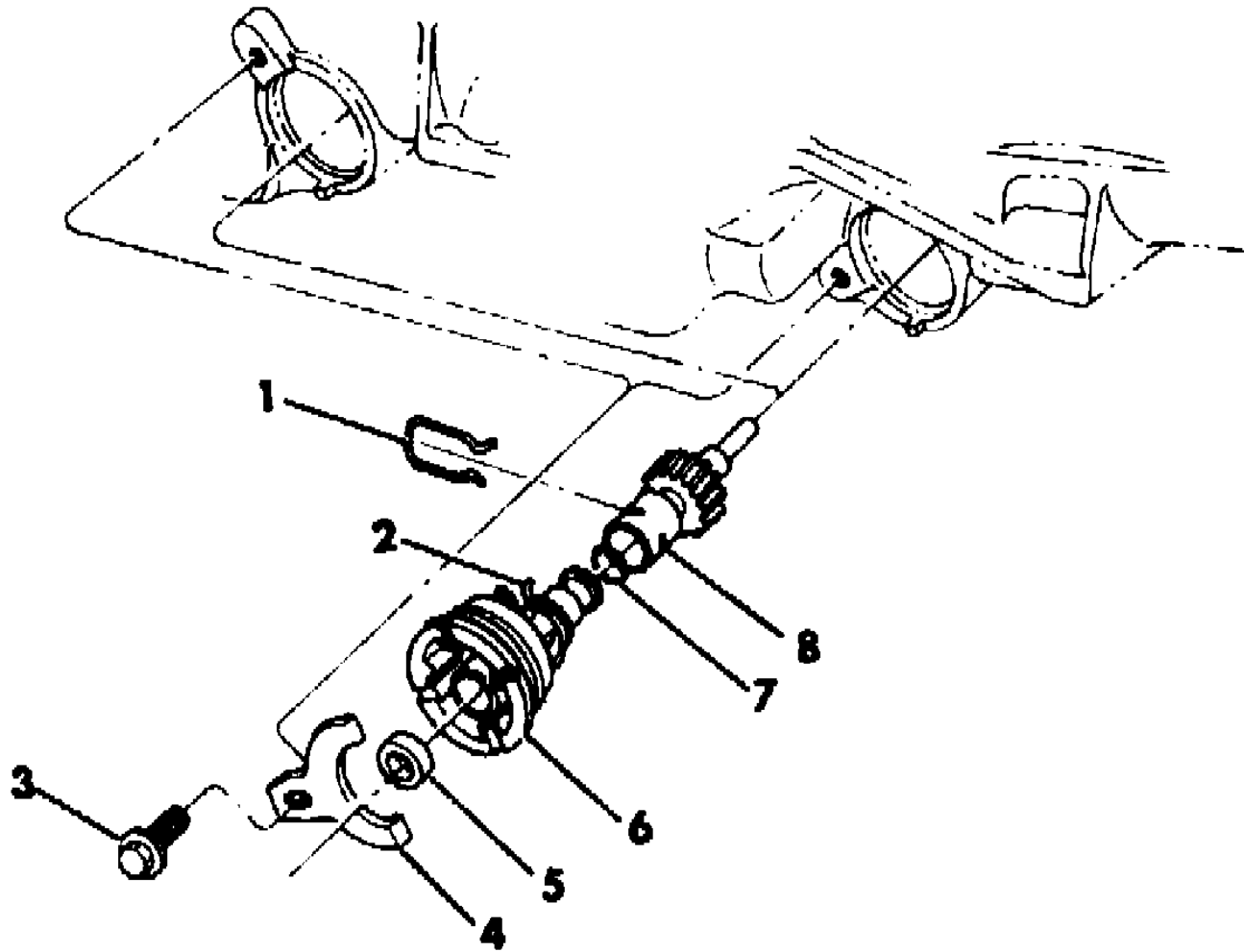
ITEM	PART NUMBER	QTY	BODY	MODEL	DESCRIPTION
------	-------------	-----	------	-------	-------------

NOTE: Items 1 Thru 7 are Common to all Rear Axles s information becomes available.

COLOR OF PINIONS: G = Green; R = Red; Y = Yellow; BL = Black s information becomes available.

NOTE: PG = Glass, PS = Steel, PR = Rayon s information becomes available.

1					RETAINER, Speedo Drive Pinion (Prod. Only-Not Required for Service) N N N N
2					RETAINER, Speedo Cable N4058156 N N N
3					SCREW, Clamp N180077 N N N
4					CLAMP N2892399 N N N
5					RETAINER, SEALS and RINGS PACKAGE, Speedometer Pinion N4057046 N N N
6					ADAPTER, Speedo Drive Pinion N N N N
	4202 923				22-25 Teeth Pinion Y4202923 N N N
	4202 924				26-33 Teeth Pinion Y4202924 N N N
7					"O" RING, Adapter N4130829 N N N
8					PINION, Drive N N N N
					P195/75xR15-PG N4058123/23R N4058130/30Y N N
					P205/75xR15-PS N4058122/22G N4058129/29BLN N
					P215/70xR15-PR N4058123/23R N4058129/29BLN N
					P215/70xR15-PS N4058123/23R N4058129/29BLN N
					P215/75xR15-PR N N4058129/29BLN N
					P215/75xR15-PS N N4058129/29BLN N



MODEL CODES

B = GRAN FURY	F = FIFTH AVENUE/NEWPORT	P = RELIANT
C = LEBARON/TOWN & COUNTRY/EXC SEDAN	G = DIPLOMAT	T = E CLASS/NEW YORKER
C24 = LASER	H = VOYAGER	V = 600
D = ARIES	K = MINI RAM/CARAVAN/ROYAL	V24 = DAYTONA
E = 600	M = HORIZON/TURISMO	Z = OMNI/CHARGER/RAMPAGE

BODY STYLES

21 = 2-DOOR SEDAN	28 = FWD PICKUP	44 = 4-DOOR HATCHBACK
22 = 2-DOOR SPECIAL COUPE	35 = FWD VAN	45 = 4-DOOR STATION WAGON
24 = 2-DOOR HATCHBACK	36 = FWD WAGON	48 = 4-DOOR EXECUTIVE SEDAN
27 = 2-DOOR CONVERTIBLE	41 = 4-DOOR SEDAN	

AR = Use as Required - = Non Illustrated Part P.A.R. = Paint as Required

GROUP 22 - WHEELS

ILLUSTRATION TITLE	GROUP-FIG. NO.
WHEELS AND COVERS M,Z	Fig. 22-100
WHEELS AND COVERS P,D	Fig. 22-200
WHEELS AND COVERS C,V,E,T	Fig. 22-300
WHEELS AND COVERS C,V-24	Fig. 22-400
WHEELS AND COVERS H,K	Fig. 22-500
WHEELS AND COVERS F,G	Fig. 22-600
SPARE TIRE AND JACK STOWAGE M,Z	Fig. 22-700
SPARE TIRE AND JACK STOWAGE M,Z, 28	Fig. 22-800
SPARE TIRE AND JACK STOWAGE P,D,C,V,E,T, EXCEPT 45	Fig. 22-900
SPARE TIRE AND JACK STOWAGE P,D,C, WAGON 45	Fig. 22-1000
SPARE TIRE AND JACK STOWAGE C,V-24	Fig. 22-1100
JACK STOWAGE H,K,	Fig. 22-1200
SPARE TIRE STOWAGE H,K	Fig. 22-1300
SPARE TIRE AND JACK STOWAGE B,F,G	Fig. 22-1400
WEIGHTS, STEMS AND EXTENDSIONS	Fig. 22-1500

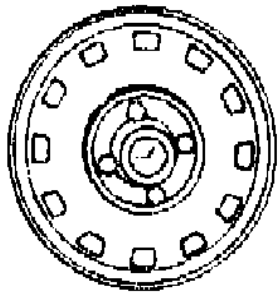
ILLUSTRATION NOT AVAILABLE AT TIME OF PUBLICATION

WHEELS AND COVERS M,Z
Figure 22-100

4122 100

WHEELS AND COVERS
M + Z

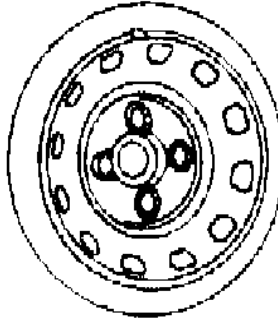
(1) ROAD WHEEL — 13"



STD. — OMNI
STD. — HORIZON

SALES CODE — WMB

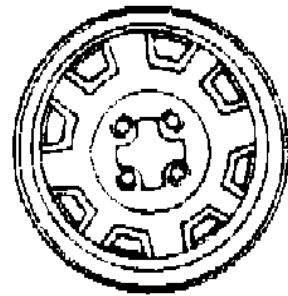
(2) RALLYE WHEEL — 13"



STD. — CHARGER
STD. — TURISMO
OPT. — OMNI SE
OPT. — HORIZON SE

SALES CODE — WGA

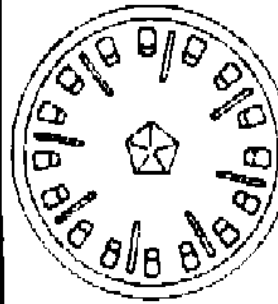
(3) RALLYE WHEEL — 14"



STD. — CHARGER 2.2
STD. — TURISMO 2.2
STD. — RAMPAGE 2.2

SALES CODE — WHA

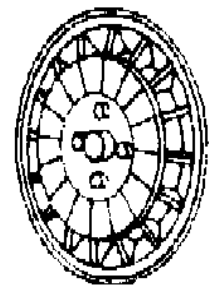
(4) WHEEL COVER — 13"



STD. — OMNI SE
STD. — HORIZON SE
STD. — CHARGER
STD. — TURISMO

SALES CODE — WNA

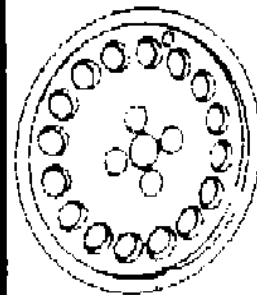
(5) ALUMINUM ROAD WHEEL — 14"



OPT. — CHARGER 2.2
OPT. — TURISMO 2.2
OPT. — RAMPAGE 2.2

SALES CODE — WHB

(6) ALUMINUM ROAD WHEEL — 15"



STD. — SHELBY
CHARGER

SALES CODE — WJC

(7) SPARE WHEEL

(8) WHEEL NUTS

ITEM	PART NUMBER	QTY	BODY	MODEL	DESCRIPTION
1	4284 170	4			WHEEL, 13x5.0
	4126 981	4			RING, Trim
	5204 447	4			CAP
	4284 170	4			WHEEL, 13x5.0
2	4126 981	4			RING, Trim
	5204 013	4			CAP
	5204 012	4			DOME
	6029 190	16			SCREW
	4284 057	4			WHEEL, 14x5.5 (up to 11-3-83)
	4284 030	4			WHEEL, 14x5.5 (After 11-3-83)
3	4126 767	4			RING, Trim
	4284 079	4			DOME
	4205 863	4			DECAL
	6029 190	16			SCREW
4	4284 061	4			COVER, 13" (WNA)
	4284 056	4			WHEEL, u/w 4284061 Cvr.
5	4284 017	4			WHEEL, 14x5.5 (Aluminum)
	4126 988	4			DOME, w/Black center
	4284 226	4			DOME, w/Chrome center
	4284 111	4			WHEEL, 15x6.0 (Aluminum)(SHELBY)
6	4284 005	4			WHEEL, 15x6.0 (Aluminum)(GLH)
	4284 004	4			CAP
7	4284 056	1			WHEEL, Spare w/WNA,WGA,WHB + Emergency Spare
	4284 030	1			WHEEL, w/ Emergency Spare
	4284 030	1			WHEEL, Spare w/WHA,WHB
	4284 111	1			WHEEL, Spare w/WJC
8	6500 526	16			NUT, Wheel Std.
	6500 294	16			NUT, Wheel Chrome

MODEL CODES

B = GRAN FURY	F = FIFTH AVENUE/NEWPORT	P = RELIANT
C = LEBARON/TOWN & COUNTRY/EXC SEDAN	G = DIPLOMAT	T = E CLASS/NEW YORKER
C24 = LASER	H = VOYAGER	V = 600
D = ARIES	K = MINI RAM/CARAVAN/ROYAL	V24 = DAYTONA
E = 600	M = HORIZON/TURISMO	Z = OMNI/CHARGER/RAMPAGE

BODY STYLES

21 = 2-DOOR SEDAN	28 = FWD PICKUP	44 = 4-DOOR HATCHBACK
22 = 2-DOOR SPECIAL COUPE	35 = FWD VAN	45 = 4-DOOR STATION WAGON
24 = 2-DOOR HATCHBACK	36 = FWD WAGON	48 = 4-DOOR EXECUTIVE SEDAN
27 = 2-DOOR CONVERTIBLE	41 = 4-DOOR SEDAN	

AR = Use as Required - = Non Illustrated Part P.A.R. = Paint as Required

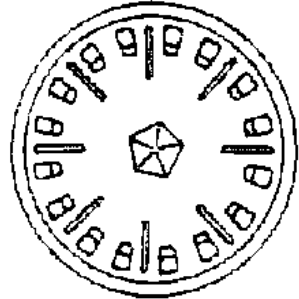
WHEELS AND COVERS P,D

Figure 22-200

4122 Z00

WHEELS AND COVERS
P, D

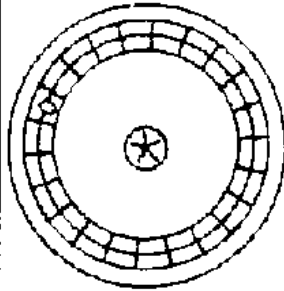
(1) WHEEL COVER — 13"



STD. — ARIES
STD. — RELIANT

SALES CODE — WNA

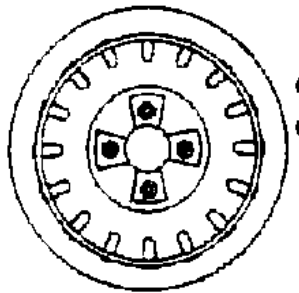
(2) WHEEL COVER — 13"



OPT. — ARIES
OPT. — RELIANT

SALES CODE — WNC

(3) ROAD WHEEL — 13"



OPT. — ARIES
OPT. — RELIANT

SALES CODE — WGA

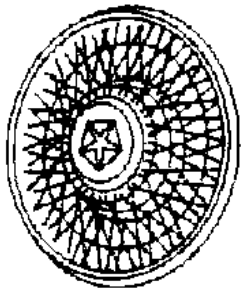
(4) WHEEL COVER — 14"



OPT. — ARIES SE
OPT. — RELIANT SE
OPT. — ALL WAGONS

SALES CODE — WNA

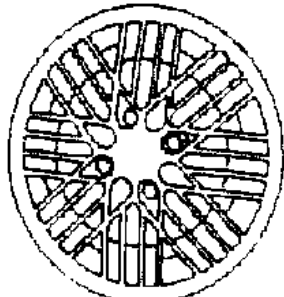
(5) WHEEL COVER — 14"



OPT. — ARIES SE
OPT. — RELIANT SE
OPT. — ALL WAGONS

SALES CODE — WNE

(6) ROAD WHEEL — 14"



OPT. — ARIES SE
OPT. — RELIANT SE
OPT. — ALL WAGONS

SALES CODE — WHB

(7) SPARE WHEEL

(8) WHEEL NUTS

ITEM	PART NUMBER	QTY	BODY	MODEL	DESCRIPTION
1	4284 061	4			COVER, 13" (WNA)
	4284 029	4			WHEEL, 13x5.0 u/w 4284061 Cvr.
2	4284 025	4			COVER, 13" (WNC)
	4284 029	4			WHEEL, 13x5.0 u/w 4284025 Cvr.
3	4126 685	4			WHEEL, 13x5.0 (WGA)
	4126 792	4			DOME, (up to 10-3-83)
	4284 079	4			DOME, (After 10-3-83)
	4126 981	4			RING, Trim
4	4284 064	4			COVER, (WNA)
	4238 524	4			MEDALLION
	4126 869	4			WHEEL, 14x5.5
	4284 086	4			COVER, w/Fleet use (WND)
	4238 510	4			WHEEL, 14x6.0 w/Fleet use
5	4284 101	4			COVER, Partial
	4126 954	4			CAP
	4284 038	4			RETAINER
	4284 352	4			BOLT, Cvr. Lock
	6029 190	16			SCREW
	4284 109	4			KEY
	4240 505	4			SPOKE
	4126 869	4			WHEEL, 14x5.5 u/w 4284101 Cvr.
6	4293 182	4			WHEEL, 14x5.5 (WHB)
	4284 004	4			CAP
7					CONVENTIONAL Spare Whl.
	4126 685	1			WHEEL, 13x5.0 w/ WGA
	4284 029	1			WHEEL, 13x5.0 w/ WNA,WNC
	4126 869	1			WHEEL, 14x5.5 w/ WNA,WNE,WHB
	4238 510	1			WHEEL, 14x6.0 w/Fleet use WND
					COMPACT Spare Whl.
	4284 066	1			WHEEL, 14x4.0
8	6500 526	1			NUT, Wheel Std.
	6500 294	1			NUT, Wheel Chrome

MODEL CODES

B = GRAN FURY
C = LEBARON/TOWN & COUNTRY/EXC SEDAN
C24 = LASER
D = ARIES
E = 600

F = FIFTH AVENUE/NEWPORT
G = DIPLOMAT
H = VOYAGER
K = MINI RAM/CARAVAN/ROYAL
M = HORIZON/TURISMO

P = RELIANT
T = E CLASS/NEW YORKER
V = 600
V24 = DAYTONA
Z = OMNI/CHARGER/RAMPAGE

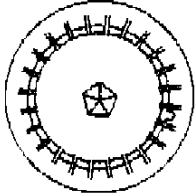
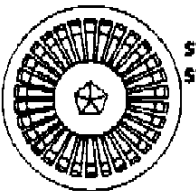
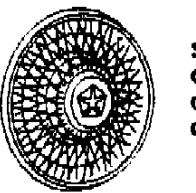
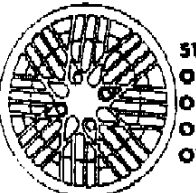
BODY STYLES

21 = 2-DOOR SEDAN
22 = 2-DOOR SPECIAL COUPE
24 = 2-DOOR HATCHBACK
27 = 2-DOOR CONVERTIBLE
28 = FWD PICKUP
35 = FWD VAN
36 = FWD WAGON
41 = 4-DOOR SEDAN
44 = 4-DOOR HATCHBACK
45 = 4-DOOR STATION WAGON
48 = 4-DOOR EXECUTIVE SEDAN

AR = Use as Required - = Non Illustrated Part P.A.R. = Paint as Required

WHEELS AND COVERS C,V,E,T
Figure 22-300

WHEELS AND COVERS
C, V, E, T

<p>(1) WHEEL COVER — 14"</p>  <p>STD. — ALL 600</p> <p>SALES CODE — WNC</p>	<p>(2) WHEEL COVER-PREMIUM — 14"</p>  <p>STD. — ALL LEBARON STD. — E CLASS</p> <p>SALES CODE — WND</p>
<p>(3) WHEEL COVER-WIRE — 14"</p>  <p>STD. — NEW YORKER OPT. — ALL LEBARON OPT. — E CLASS OPT. — 600 (NA 600ES)</p> <p>SALES CODE — WNE</p>	<p>(4) ROAD WHEEL — 14"</p>  <p>STD. — 600ES OPT. — ALL 600 OPT. — ALL LEBARON OPT. — ALL E CLASS OPT. — NEW YORKER</p> <p>SALES CODE — WHB</p>
<p>(5) SPARE WHEEL</p>	<p>(6) WHEEL NUTS</p>

ITEM	PART NUMBER	QTY	BODY	MODEL	DESCRIPTION
1	4284 081	4			COVER, 14" (WNC)(up to 10-12-83)
	4284 067	4			COVER, 14" (WNC)(After 10-12-83)
2	4126 869	4			WHEEL, 14x5.5 u/w 4284081+4284067 Cvr.
	4284 086	4			COVER, 14" (WND)
3	4126 869	4			WHEEL, 14x5.5 u/w 4284086 Cvr.
	4284 101	4			COVER, Partial (WNE)
4	4126 954	4			CAP
	4284 038	4			RETAINER
	4284 352	4			BOLT, Cvr. Lock
	6029 190	16			SCREW
	4284 109	1			KEY
	4284 052	1			SPOKE
	4126 869	4			WHEEL, 14x5.5 u/w 4284101 Cvr.
5	4293 182	4			WHEEL, 14x5.5 (WHB)
	4284 004	4			CAP
6	X100 CL4	4	V		WHEEL, 15x6.0 (Aluminum)(TAN)
	X100 CX9	4	V		WHEEL, 15x6.0 (Aluminum)(BLACK)
	4284 111	4	V		WHEEL, 15x6.0 (Aluminum)(Silver)
	X099 CL4	4	V		CAP, (TAN)
	X099 CX9	4	V		CAP, (BLACK)
	4284 004	4	V		CAP, (Silver)
7	4126 869	1			CONVENTIONAL Spare Wheel WHEEL, 14x5.5 w/All
	4284 066	1			COMPACT Spare Wheel WHEEL, w/All
7	6500 526	16			NUT, Wheel Std.
	6500 294	16			NUT, Wheel Chrome

MODEL CODES

B = GRAN FURY	F = FIFTH AVENUE/NEWPORT	P = RELIANT
C = LEBARON/TOWN & COUNTRY/EXC SEDAN	G = DIPLOMAT	T = E CLASS/NEW YORKER
C24 = LASER	H = VOYAGER	V = 600
D = ARIES	K = MINI RAM/CARAVAN/ROYAL	V24 = DAYTONA
E = 600	M = HORIZON/TURISMO	Z = OMNI/CHARGER/RAMPAGE

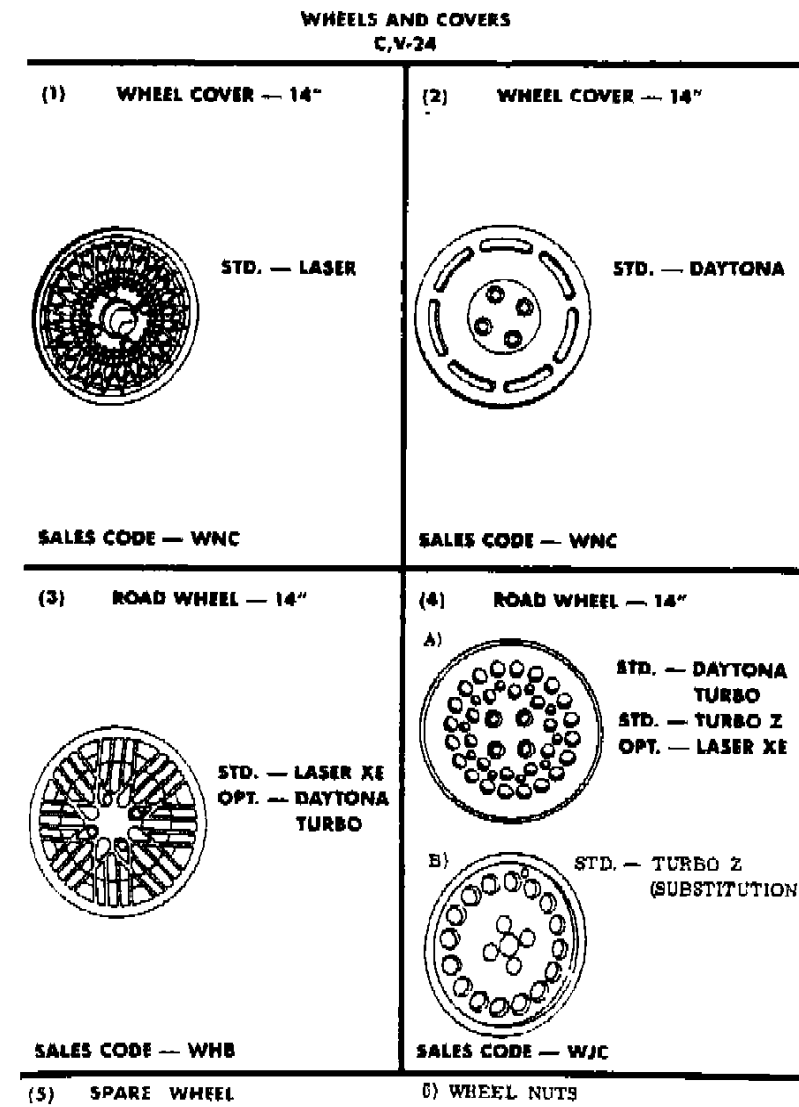
BODY STYLES

21 = 2-DOOR SEDAN	28 = FWD PICKUP	44 = 4-DOOR HATCHBACK
22 = 2-DOOR SPECIAL COUPE	35 = FWD VAN	45 = 4-DOOR STATION WAGON
24 = 2-DOOR HATCHBACK	36 = FWD WAGON	48 = 4-DOOR EXECUTIVE SEDAN
27 = 2-DOOR CONVERTIBLE	41 = 4-DOOR SEDAN	

AR = Use as Required - = Non Illustrated Part P.A.R. = Paint as Required

WHEELS AND COVERS C,V-24
Figure 22-400

4122 400



ITEM	PART NUMBER	QTY	BODY	MODEL	DESCRIPTION
1	4284 021	4			COVER, 14" (WND) up to 10-26-83
	4284 084	4			After 10-26-83
	4126 869	4			WHEEL, 14x5.5 u/w 4284021 + 4284084 Cvr.
2	4284 085	4			COVER, 14" (WNC)
	4126 869	4			WHEEL, 14x5.5 u/w 4284085 Cvr.
3	4293 182	4			WHEEL, 14x5.5 (WHB)
	4284 004	4			CAP
4	4284 005	4			WHEEL, 15x6.0 (WJC)
	4284 111	4			WHEEL, 15x6.0 (WJC)(w/Turbo "Z")(Substitution)
	4284 004	4			CAP
5					CONVENTIONAL Spare Wheel
	4126 869	1			WHEEL, 14x5.5 w/ WND,WNC,WHB
	4284 005	1			WHEEL, 15x6.0 w/ WJC
6					COMPACT Spare Wheel
	4284 066	1			WHEEL, 14x4.0 w/All
	6500 526	1			NUT, Wheel Std.
	6500 294	1			NUT, Wheel Chrome

MODEL CODES

B = GRAN FURY	F = FIFTH AVENUE/NEWPORT	P = RELIANT
C = LEBARON/TOWN & COUNTRY/EXC SEDAN	G = DIPLOMAT	T = E CLASS/NEW YORKER
C24 = LASER	H = VOYAGER	V = 600
D = ARIES	K = MINI RAM/CARAVAN/ROYAL	V24 = DAYTONA
E = 600	M = HORIZON/TURISMO	Z = OMNI/CHARGER/RAMPAGE

BODY STYLES

21 = 2-DOOR SEDAN	28 = FWD PICKUP	44 = 4-DOOR HATCHBACK
22 = 2-DOOR SPECIAL COUPE	35 = FWD VAN	45 = 4-DOOR STATION WAGON
24 = 2-DOOR HATCHBACK	36 = FWD WAGON	48 = 4-DOOR EXECUTIVE SEDAN
27 = 2-DOOR CONVERTIBLE	41 = 4-DOOR SEDAN	

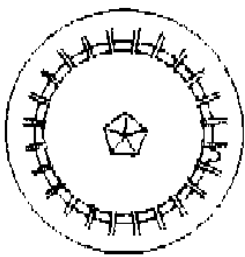
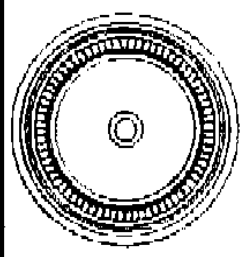
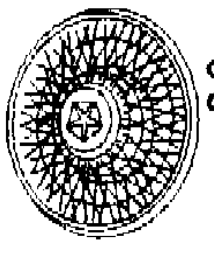
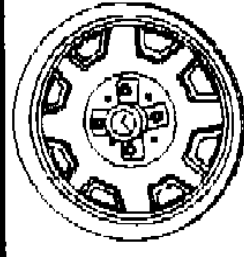
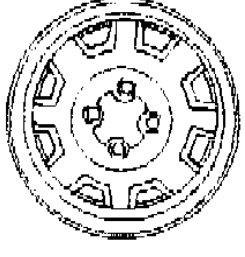
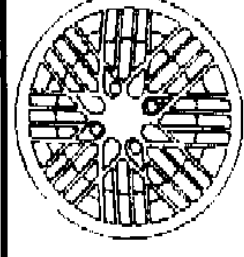
AR = Use as Required - = Non Illustrated Part P.A.R. = Paint as Required

WHEELS AND COVERS H,K

Figure 22-500

4122 500

WHEELS AND COVERS H, K

<p>(1) WHEEL COVER — 14"</p>  <p style="text-align: right;">OPT. — ALL MODELS</p> <p>SALES CODE — WNC</p>	<p>(2) WHEEL COVER — 14"</p>  <p style="text-align: right;">STD. — VOYAGER SE, LE OPT. — VOYAGER</p> <p>SALES CODE — WNA</p>
<p>(3) WHEEL COVER-WIRE — 14"</p>  <p style="text-align: right;">OPT. — CARAVAN SE, LE OPT. — VOYAGER SE, LE</p> <p>SALES CODE — WNE</p>	<p>(4) STYLED WHEEL — 14"</p>  <p style="text-align: right;">STD. — CARAVAN STD. — VOYAGER STD. — MINI RAM</p> <p>SALES CODE — WBA</p>
<p>(5) ROAD WHEEL — 14"</p>  <p style="text-align: right;">OPT. — ALL MODELS</p> <p>SALES CODE — WHA</p>	<p>(6) ROAD WHEEL — 14"</p>  <p style="text-align: right;">STD.-W/OPT. — AYA OPT. — MINI RAM ROYAL</p> <p>SALES CODE — WHB</p>
<p>(7) SPARE WHEEL</p>	<p>(8) WHEEL NUTS</p>

ITEM	PART NUMBER	QTY	BODY	MODEL	DESCRIPTION
1	4284 081	4			COVER, 14" (WNC)
	4284 272	4			WHEEL, 14x5.5 u/w 4284067 Cvr.
2	4284 064	4			COVER, 14" w/ (WNC)
	4238 524	4			MEDALLION
	4284 272	4			WHEEL, 14x5.5 u/w 4284064 Cvr.
3	4284 101	4			COVER, Partial 14" (WNE)
	4126 954	4			CAP
	4284 038	4			RETAINER
	6500 294	4			NUT, Cap
	6029 190	16			SCREW
	4284 352	4			BOLT, Cvr. Lock
	4284 109	4			KEY
	4284 052	4			SPOKE
	4284 272	4			WHEEL, 14x5.5 u/w 4284101 Cvr.
4	4284 030	4			WHEEL, 14x5.5 (WBA)
	5204 447	4			CAP
5	4284 030	4			WHEEL, 14x5.5 (WHA)
	4284 079	4			DOME
	4126 767	4			RING, Trim
	4284 100	4			SOCKET, Dome
	4284 115	4			CLIP, Socket
	5204 250	16			CAP, Wheel Nut
	6029 190	16			SCREW
6	4293 182	4			WHEEL, 14x5.5 (WHB)
	4284 004	4			CAP
7					CONVENTIONAL Spare Wheel
	4284 057	1			WHEEL, 14x5.5 w/WBA, WHA, WHB
	4284 272	1			WHEEL, 14x5.5 w/WNA, WNC, WNE
					COMPACT Spare Wheel
	4284 051	1			WHEEL, 15x4.0 w/All
8	6500 526	16			NUT, Wheel Std.
	6500 294	16			NUT, Wheel Chrome

MODEL CODES

B = GRAN FURY	F = FIFTH AVENUE/NEWPORT	P = RELIANT
C = LEBARON/TOWN & COUNTRY/EXC SEDAN	G = DIPLOMAT	T = E CLASS/NEW YORKER
C24 = LASER	H = VOYAGER	V = 600
D = ARIES	K = MINI RAM/CARAVAN/ROYAL	V24 = DAYTONA
E = 600	M = HORIZON/TURISMO	Z = OMNI/CHARGER/RAMPAGE

BODY STYLES

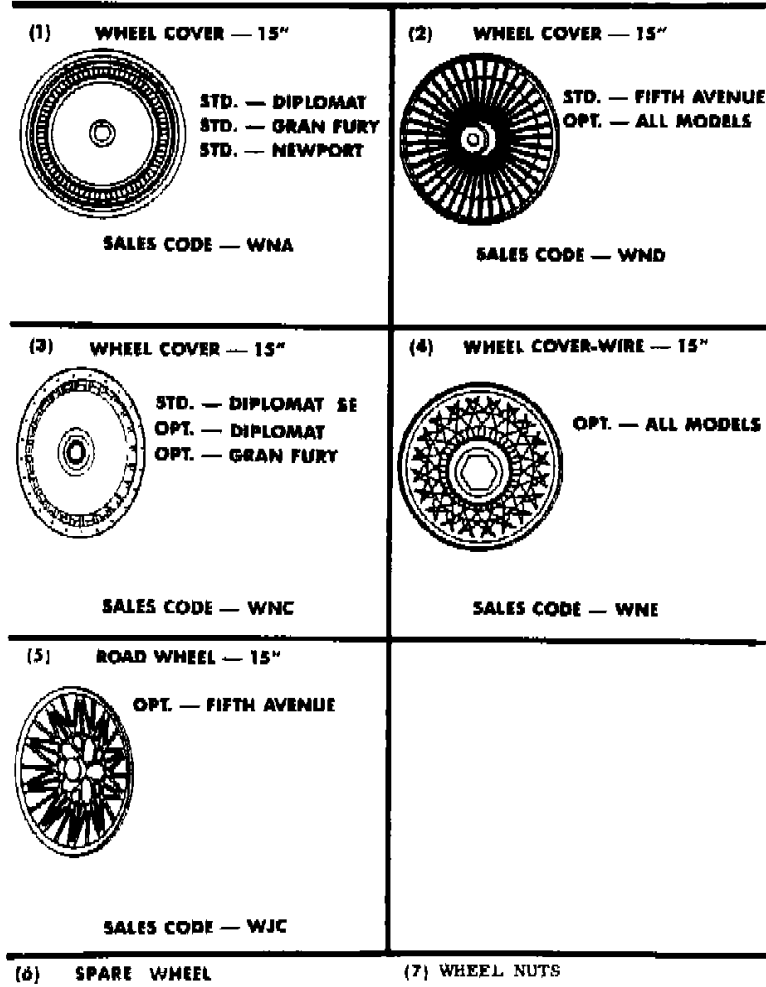
21 = 2-DOOR SEDAN	28 = FWD PICKUP	44 = 4-DOOR HATCHBACK
22 = 2-DOOR SPECIAL COUPE	35 = FWD VAN	45 = 4-DOOR STATION WAGON
24 = 2-DOOR HATCHBACK	36 = FWD WAGON	48 = 4-DOOR EXECUTIVE SEDAN
27 = 2-DOOR CONVERTIBLE	41 = 4-DOOR SEDAN	

AR = Use as Required - = Non Illustrated Part P.A.R. = Paint as Required

WHEELS AND COVERS F,G
Figure 22-600

4122 600

**WHEELS AND COVERS
F, G**



ITEM	PART NUMBER	QTY	BODY	MODEL	DESCRIPTION
1	3880 966	4			COVER, 15" (WNA)
	4126 519	4			DECAL
	4126 675	4			WHEEL, 15x7.0 u/w 3880966 Cvr.
	3766 077	4			WHEEL, 15x7.0 H.D.(WCE)
2	4126 697	4			COVER, 15" (WND)
	4126 519	4			DECAL
	4126 675	4			WHEEL, 15x7.0 u/w 4126631 Cvr.
	4126 626	4			COVER, 15" (WNC)
3	4126 946	4			DECAL
	4126 675	4			WHEEL, 15x7.0 u/w 4126626 Cvr.
	4126 537	4			COVER, 15" Partial
	4126 536	4			CAP
4	4126 541	4			RETAINER
	4238 500	12			CLIP, Cap hold
	4126 692	4			ADAPTER, Lock bolt
	4284 352	4			BOLT, Lock
5	4284 109	1			KEY
	4284 027	1			SPOKE
	6031 712	12			SCREW, Adapter
	4126 675	4			WHEEL, 15x7.0 u/w 4126537 Cvr.
6	4126 694	4			WHEEL, 15x7.0 (WJC)
	4284 122	4			CAP
	4126 675	1			CONVENTIONAL Spare Wheel
	3766 077	1			WHEEL, 15x7.0 w/All WHEEL, 15x7.0 w/H.D.(WCE)+(WJC)
7	3880 940	1			COMPACT Spare Wheel
	2409 826				WHEEL, 15x4.0 w/All
					NUT, Wheel Std.
					NUT, Wheel Chrome
3	6500 294	16			NUT, Chrome

MODEL CODES

B = GRAN FURY
C = LEBARON/TOWN & COUNTRY/EXC SEDAN
C24 = LASER
D = ARIES
E = 600

F = FIFTH AVENUE/NEWPORT
G = DIPLOMAT
H = VOYAGER
K = MINI RAM/CARAVAN/ROYAL
M = HORIZON/TURISMO

P = RELIANT
T = E CLASS/NEW YORKER
V = 600
V24 = DAYTONA
Z = OMNI/CHARGER/RAMPAGE

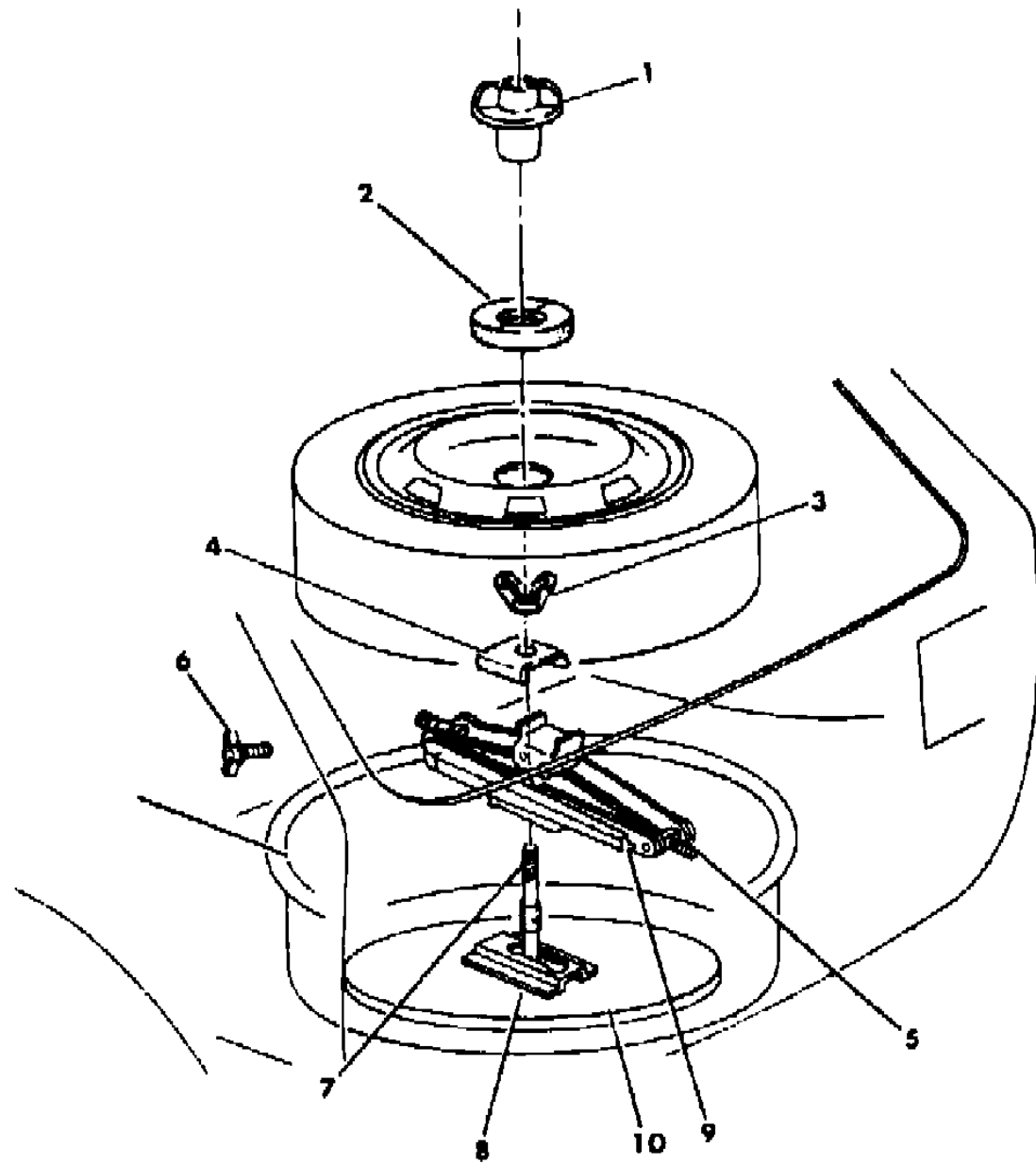
BODY STYLES

21 = 2-DOOR SEDAN
22 = 2-DOOR SPECIAL COUPE
24 = 2-DOOR HATCHBACK
27 = 2-DOOR CONVERTIBLE
28 = FWD PICKUP
35 = FWD VAN
36 = FWD WAGON
41 = 4-DOOR SEDAN
44 = 4-DOOR HATCHBACK
45 = 4-DOOR STATION WAGON
48 = 4-DOOR EXECUTIVE SEDAN

AR = Use as Required - = Non Illustrated Part P.A.R. = Paint as Required

SPARE TIRE AND JACK STOWAGE M,Z
Figure 22-700

4122 700



ITEM	PART NUMBER	QTY	BODY	MODEL	DESCRIPTION
1	4278 272	1			NUT
2		1			SPACER (Do not service)
3		1			WING NUT, Do Not Service
4	4206 747	1			RETAINER
5	5216 020	1			JACK
	4270 383	1		ZS-24	JACK
6	6031 833	1			WING-SCREW
7	6032 172	1			BOLT
	6032 521	1		ZS-24	BOLT
8	3791 040	1			BRACKET
9	5216 018	1			HANDLE
10		1			PAD (Do not service)

MODEL CODES

B = GRAN FURY	F = FIFTH AVENUE/NEWPORT	P = RELIANT
C = LEBARON/TOWN & COUNTRY/EXC SEDAN	G = DIPLOMAT	T = E CLASS/NEW YORKER
C24 = LASER	H = VOYAGER	V = 600
D = ARIES	K = MINI RAM/CARAVAN/ROYAL	V24 = DAYTONA
E = 600	M = HORIZON/TURISMO	Z = OMNI/CHARGER/RAMPAGE

BODY STYLES

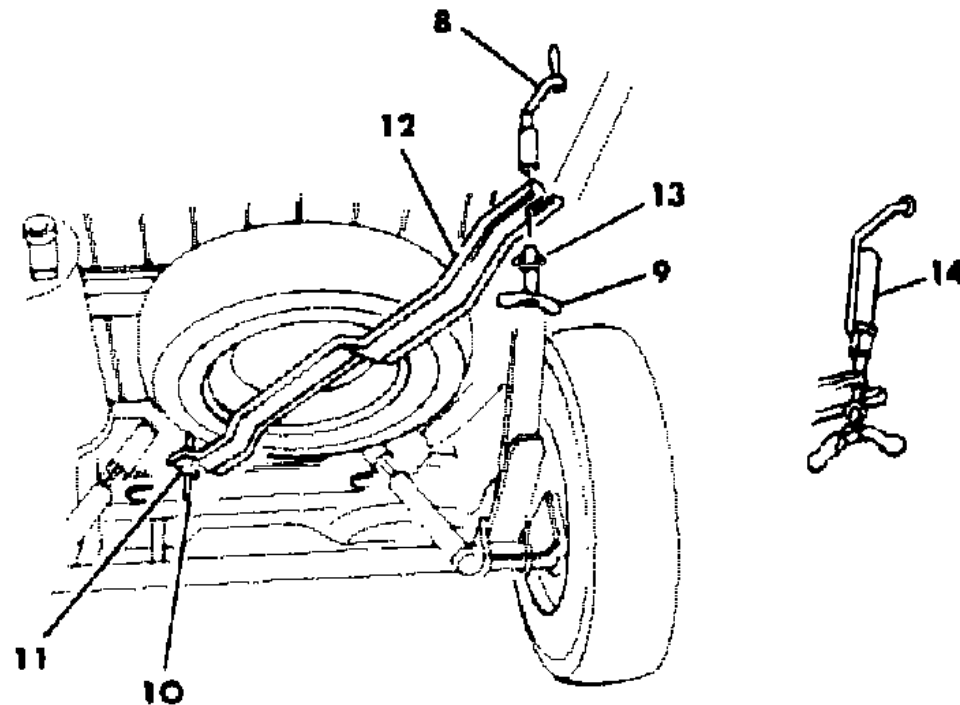
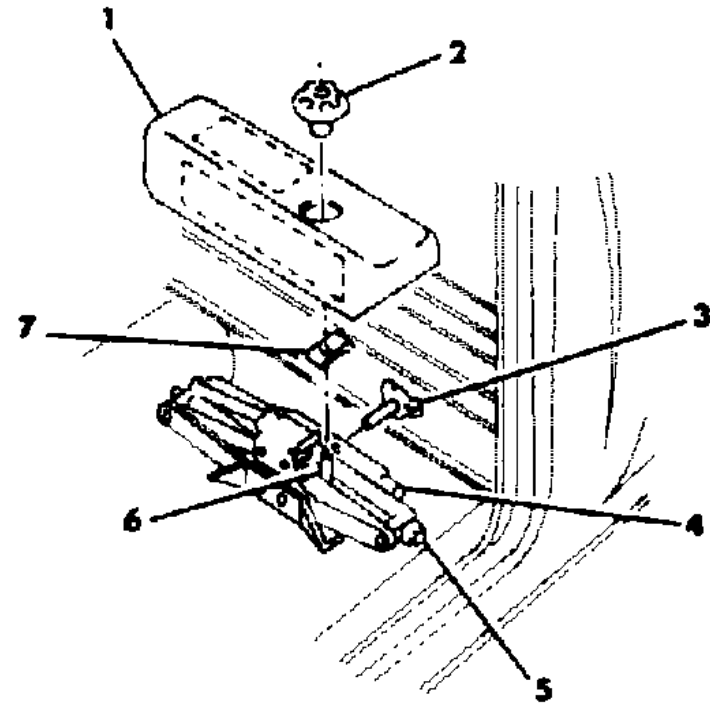
21 = 2-DOOR SEDAN	28 = FWD PICKUP	44 = 4-DOOR HATCHBACK
22 = 2-DOOR SPECIAL COUPE	35 = FWD VAN	45 = 4-DOOR STATION WAGON
24 = 2-DOOR HATCHBACK	36 = FWD WAGON	48 = 4-DOOR EXECUTIVE SEDAN
27 = 2-DOOR CONVERTIBLE	41 = 4-DOOR SEDAN	

AR = Use as Required - = Non Illustrated Part P.A.R. = Paint as Required

SPARE TIRE AND JACK STOWAGE M,Z, 28
Figure 22-800

4122 800

ITEM	PART NUMBER	QTY	BODY	MODEL	DESCRIPTION
1	W818 AM6	1			COVER, Jack Stowage Red
	W818 BT9	1			TAN
2	4206 200	1			NUT
3	6031 833	1			WING, Screw
4	5216 018	1			HANDLE, Jack
5	5216 020	1			JACK, Sissors
6	6032 267	1			BOLT
7	4206 747	1			RETAINER
8	6032 373	1			SLEEVE w/Hook
9	6032 373	1			WING w/Bolt
10	4206 785	1			BOLT, J
11	6025 011	1			NUT /Washer
12	4206 782	1			HANGER
13	6032 199	1			WASHER
14	6032 373	1			HOOK, Tire Hanger Complete
					Consists of:
					1-6032375 Hook w/Sleeve
					1-6032371 Wing w/Bolt
					1- --- --- Thread Protector
					1- --- --- Washer
					1- --- --- Clamp
	4296 088	1			LABEL, Jack (not shown)
	4296 089	1			LABEL, Jack and Tire Stowage (not shown)



MODEL CODES

B = GRAN FURY	F = FIFTH AVENUE/NEWPORT	P = RELIANT
C = LEBARON/TOWN & COUNTRY/EXC SEDAN	G = DIPLOMAT	T = E CLASS/NEW YORKER
C24 = LASER	H = VOYAGER	V = 600
D = ARIES	K = MINI RAM/CARAVAN/ROYAL	V24 = DAYTONA
E = 600	M = HORIZON/TURISMO	Z = OMNI/CHARGER/RAMPAGE

BODY STYLES

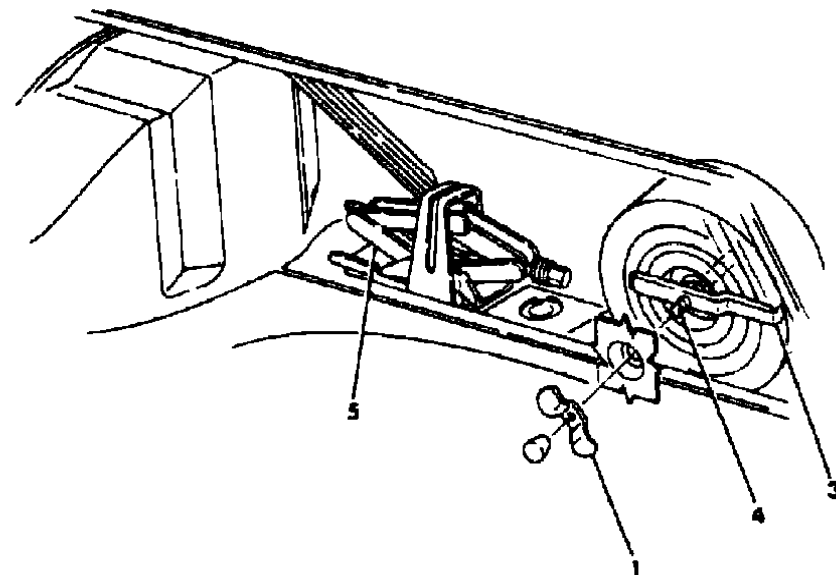
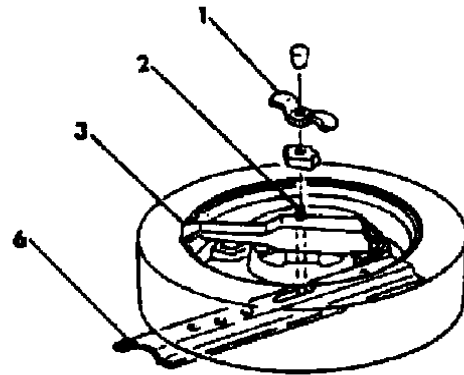
21 = 2-DOOR SEDAN	28 = FWD PICKUP	44 = 4-DOOR HATCHBACK
22 = 2-DOOR SPECIAL COUPE	35 = FWD VAN	45 = 4-DOOR STATION WAGON
24 = 2-DOOR HATCHBACK	36 = FWD WAGON	48 = 4-DOOR EXECUTIVE SEDAN
27 = 2-DOOR CONVERTIBLE	41 = 4-DOOR SEDAN	

AR = Use as Required - = Non Illustrated Part P.A.R. = Paint as Required

SPARE TIRE AND JACK STOWAGE P,D,C,V,E,T, EXCEPT 45

Figure 22-900

4122 900



ITEM	PART NUMBER	QTY	BODY	MODEL	DESCRIPTION
1	6032 004	1			WING NUT
2	6031 994	1			BOLT
3	5216 018	1			HANDLE Jack
4					BOLT (Not Serviced)
5	4194 172	1			JACK, Scissors
6	4206 247	1			BRACKET, Tire Stowage
	4200 811	1			BRACKET, Reinf. Tire Storage (not shown)
	4206 628	1			BRACKET, Jack Mtg. (not shown)
	4223 730	1			COVER, Conventional Spare (not shown)
	4296 078	1			LABEL, Jack, Tire w/Trunk Dress up (not shown)
	4304 152	1		E	LABEL, Jack, Tire w/Trunk Dress up (not shown)
	4304 152	1			w/o Trunk Dress up (not shown)
	4206 628	1			BRACKET, Jack Mtg.
	4247 900	1		E	COVER, Jack Stowage (up to 11-10-83)
	4282 551	1		E	COVER, Jack Stowage (After 11-10-83)

MODEL CODES

B = GRAN FURY	F = FIFTH AVENUE/NEWPORT	P = RELIANT
C = LEBARON/TOWN & COUNTRY/EXC SEDAN	G = DIPLOMAT	T = E CLASS/NEW YORKER
C24 = LASER	H = VOYAGER	V = 600
D = ARIES	K = MINI RAM/CARAVAN/ROYAL	V24 = DAYTONA
E = 600	M = HORIZON/TURISMO	Z = OMNI/CHARGER/RAMPAGE

BODY STYLES

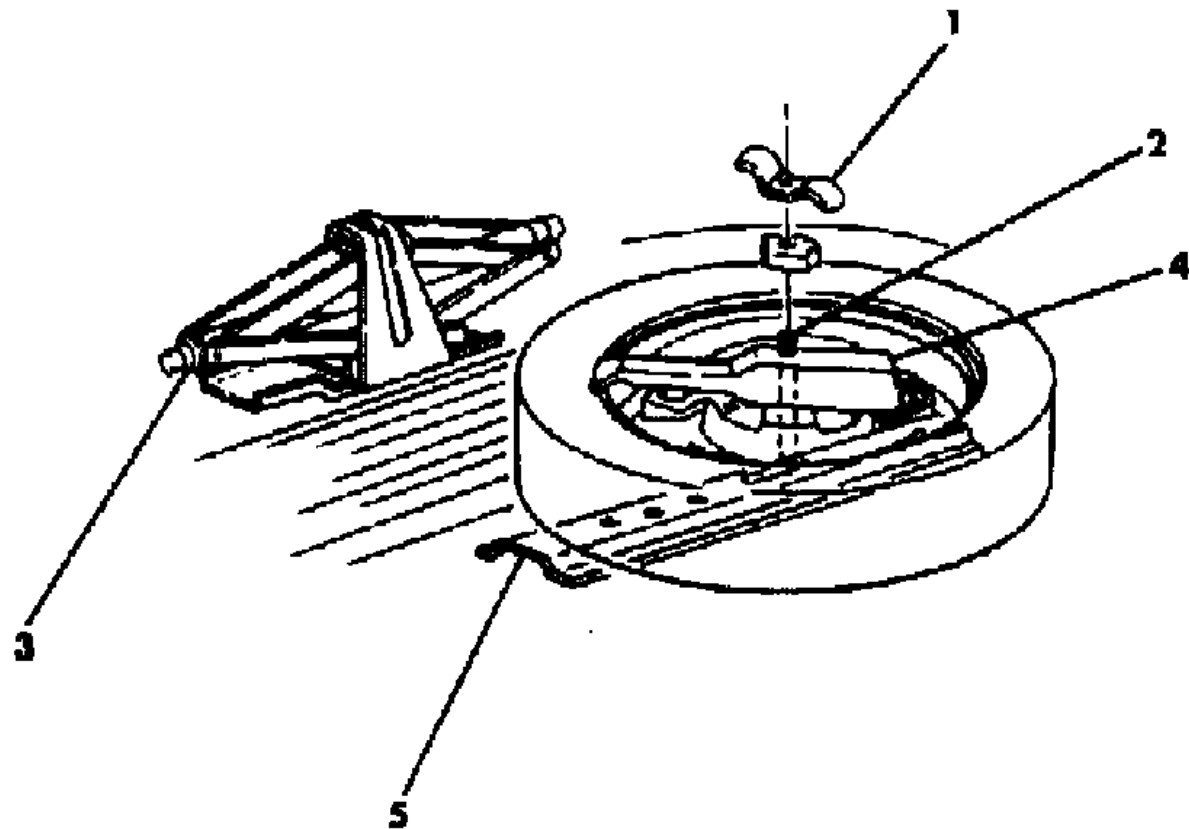
21 = 2-DOOR SEDAN	28 = FWD PICKUP	44 = 4-DOOR HATCHBACK
22 = 2-DOOR SPECIAL COUPE	35 = FWD VAN	45 = 4-DOOR STATION WAGON
24 = 2-DOOR HATCHBACK	36 = FWD WAGON	48 = 4-DOOR EXECUTIVE SEDAN
27 = 2-DOOR CONVERTIBLE	41 = 4-DOOR SEDAN	

AR = Use as Required - = Non Illustrated Part P.A.R. = Paint as Required

SPARE TIRE AND JACK STOWAGE P,D,C, WAGON 45
Figure 22-1000

4122 1000

ITEM	PART NUMBER	QTY	BODY	MODEL	DESCRIPTION
1	6032 004	1			WING NUT
2	6031 994	1			BOLT
3	4194 172	1			JACK, Scissors
4	5216 018	1			HANDLE, Jack
5	4206 247	1			BRACKET, Tire Stowage
	4304 152	1			LABEL, Jack, Tire (not shown)
	4206 629	1			BRACKET, Jack Mtg.(not shown)



MODEL CODES

B = GRAN FURY	F = FIFTH AVENUE/NEWPORT	P = RELIANT
C = LEBARON/TOWN & COUNTRY/EXC SEDAN	G = DIPLOMAT	T = E CLASS/NEW YORKER
C24 = LASER	H = VOYAGER	V = 600
D = ARIES	K = MINI RAM/CARAVAN/ROYAL	V24 = DAYTONA
E = 600	M = HORIZON/TURISMO	Z = OMNI/CHARGER/RAMPAGE

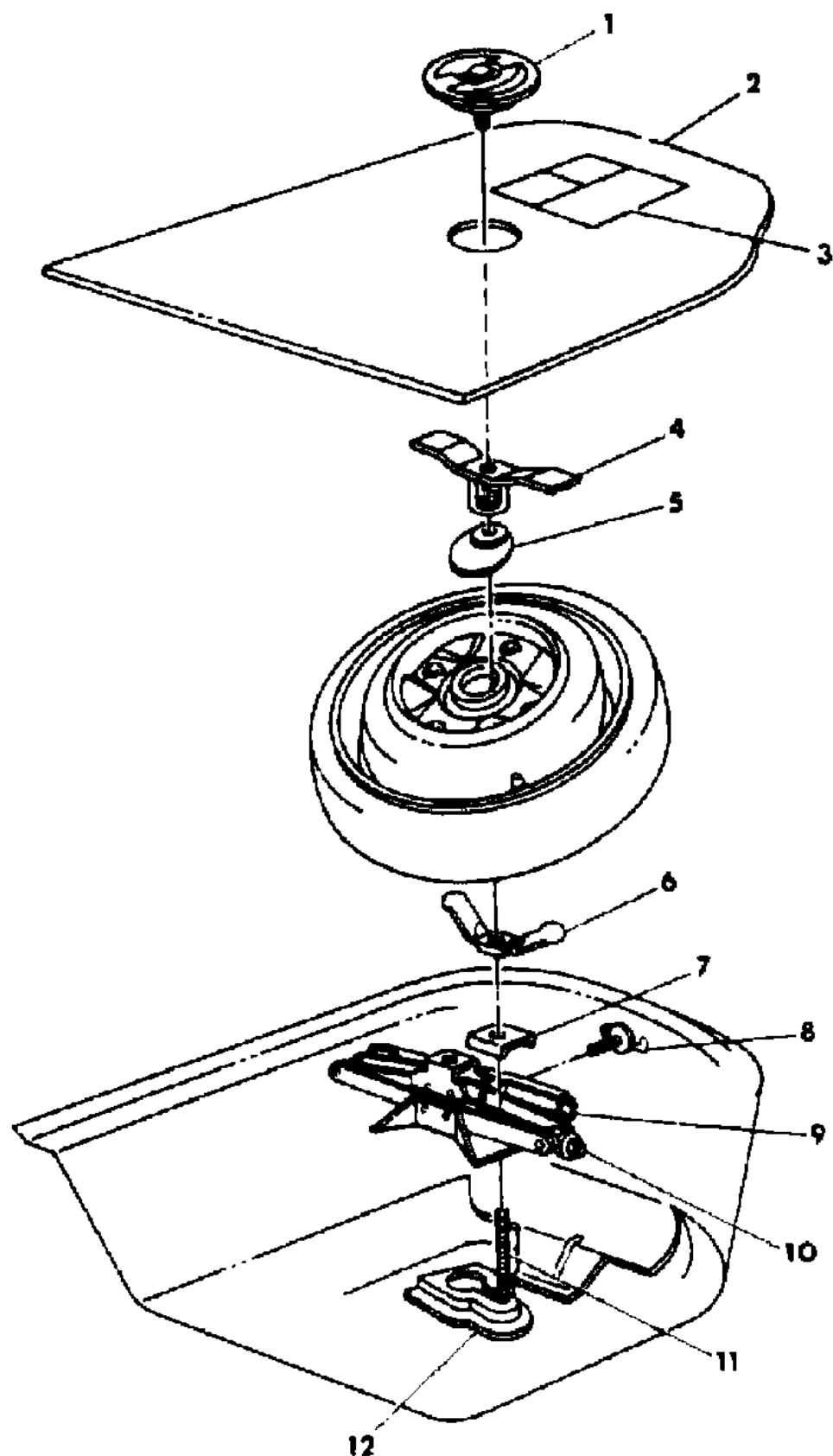
BODY STYLES

21 = 2-DOOR SEDAN	28 = FWD PICKUP	44 = 4-DOOR HATCHBACK
22 = 2-DOOR SPECIAL COUPE	35 = FWD VAN	45 = 4-DOOR STATION WAGON
24 = 2-DOOR HATCHBACK	36 = FWD WAGON	48 = 4-DOOR EXECUTIVE SEDAN
27 = 2-DOOR CONVERTIBLE	41 = 4-DOOR SEDAN	

AR = Use as Required - = Non Illustrated Part P.A.R. = Paint as Required

SPARE TIRE AND JACK STOWAGE C,V-24
Figure 22-1100

4122 1100



ITEM	PART NUMBER	QTY	BODY	MODEL	DESCRIPTION
1	4248 953	1			PLATE, Cvr. Hold Down
2	4248 912	1			COVER, Tire Well
3	4304 673	1			LABEL
	4341 429	1			LABEL, w/TURBO "Z"
4	4314 617	1			BRACKET
5		1			PLATE, Not Serviced
6	6032 004	1			WING NUT
7	4206 747	1			RETAINER
8	6031 833	1			WING SCREW
9	5216 018	1			HANDLE, Jack
10	4270 334	1			JACK, Sissors
11		1			BOLT, Carraige
12		1			BRACKET, Not Serviced

MODEL CODES

B = GRAN FURY	F = FIFTH AVENUE/NEWPORT	P = RELIANT
C = LEBARON/TOWN & COUNTRY/EXC SEDAN	G = DIPLOMAT	T = E CLASS/NEW YORKER
C24 = LASER	H = VOYAGER	V = 600
D = ARIES	K = MINI RAM/CARAVAN/ROYAL	V24 = DAYTONA
E = 600	M = HORIZON/TURISMO	Z = OMNI/CHARGER/RAMPAGE

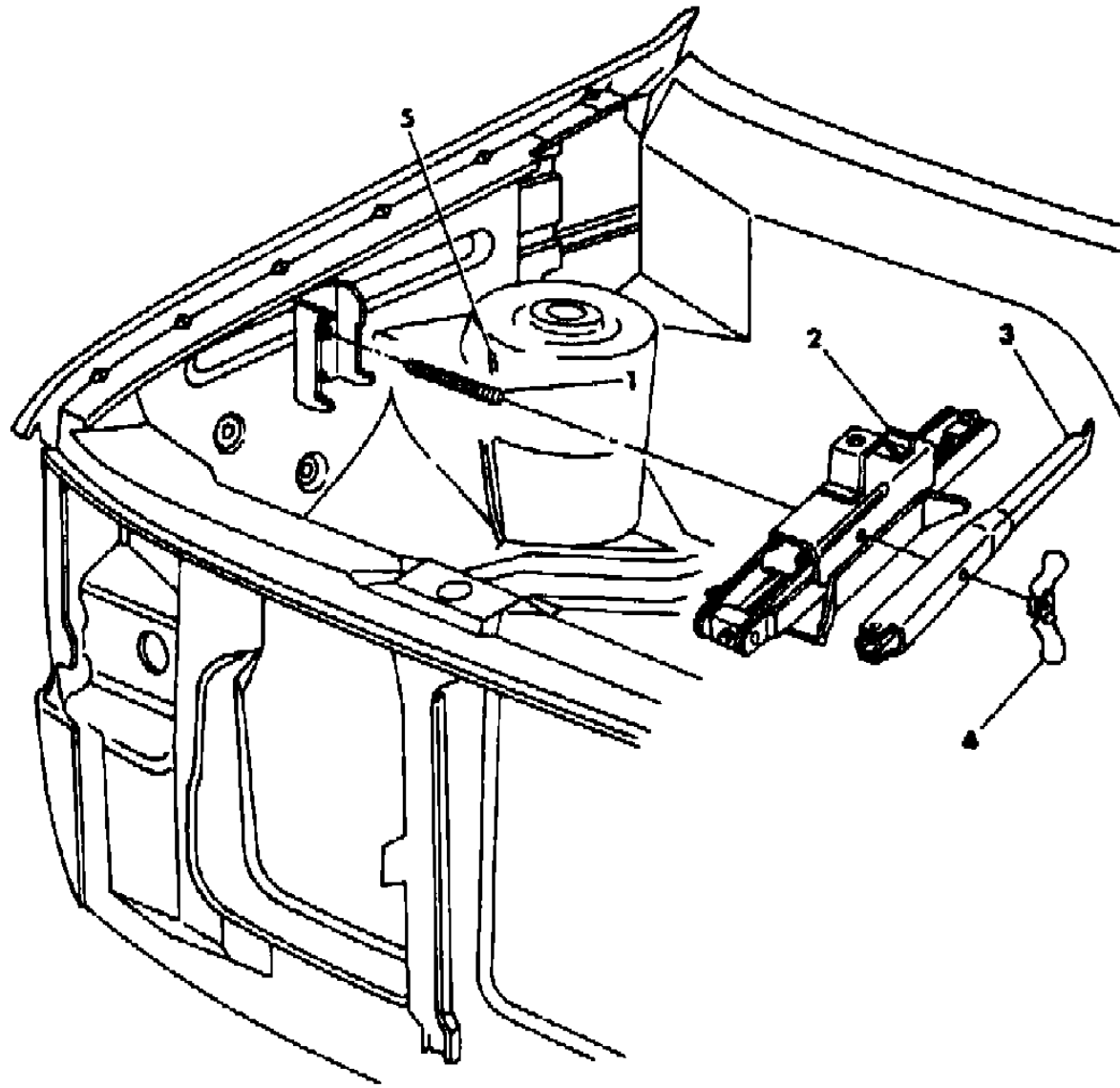
BODY STYLES

21 = 2-DOOR SEDAN	28 = FWD PICKUP	44 = 4-DOOR HATCHBACK
22 = 2-DOOR SPECIAL COUPE	35 = FWD VAN	45 = 4-DOOR STATION WAGON
24 = 2-DOOR HATCHBACK	36 = FWD WAGON	48 = 4-DOOR EXECUTIVE SEDAN
27 = 2-DOOR CONVERTIBLE	41 = 4-DOOR SEDAN	

AR = Use as Required - = Non Illustrated Part P.A.R. = Paint as Required

JACK STOWAGE H,K,
Figure 22-1200

4122 1200



ITEM	PART NUMBER	QTY	BODY	MODEL	DESCRIPTION
1	6032 651	1			BOLT
2	4270 334	1			JACK
3	5216 018	1			HANDLE
4	6032 619	1			WING NUT
5	6027 983	1			CLIP
6	6500 716	3			SCREW, w/Washer
7	4341 078	1			BRACKET

MODEL CODES

B = GRAN FURY	F = FIFTH AVENUE/NEWPORT	P = RELIANT
C = LEBARON/TOWN & COUNTRY/EXC SEDAN	G = DIPLOMAT	T = E CLASS/NEW YORKER
C24 = LASER	H = VOYAGER	V = 600
D = ARIES	K = MINI RAM/CARAVAN/ROYAL	V24 = DAYTONA
E = 600	M = HORIZON/TURISMO	Z = OMNI/CHARGER/RAMPAGE

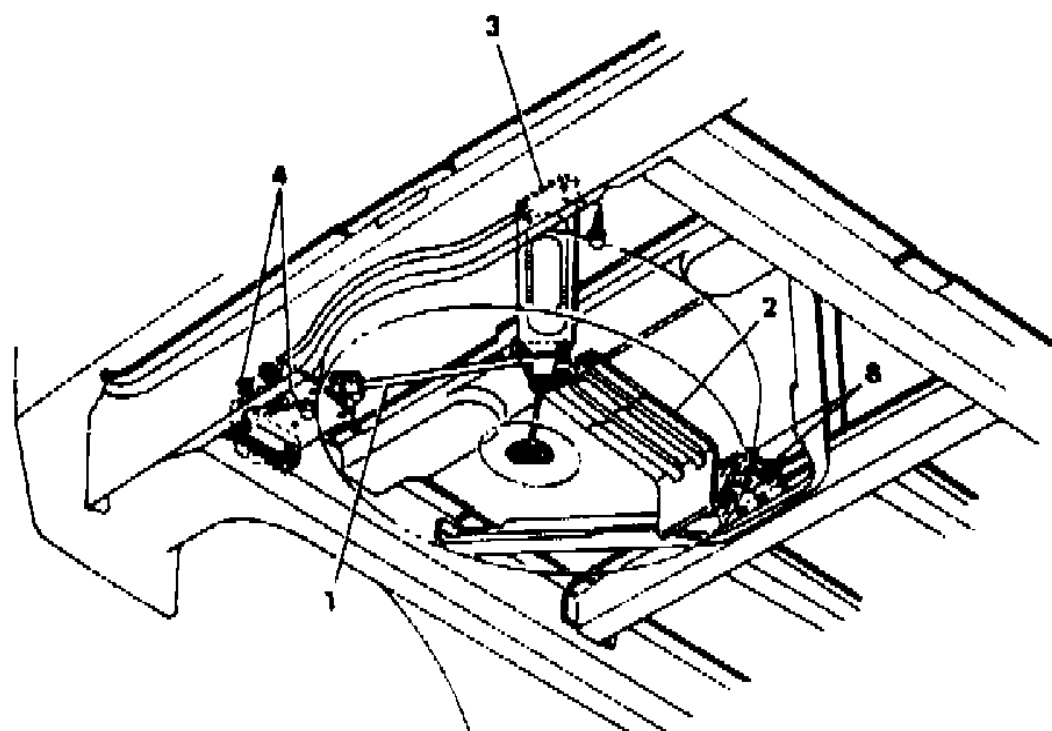
BODY STYLES

21 = 2-DOOR SEDAN	28 = FWD PICKUP	44 = 4-DOOR HATCHBACK
22 = 2-DOOR SPECIAL COUPE	35 = FWD VAN	45 = 4-DOOR STATION WAGON
24 = 2-DOOR HATCHBACK	36 = FWD WAGON	48 = 4-DOOR EXECUTIVE SEDAN
27 = 2-DOOR CONVERTIBLE	41 = 4-DOOR SEDAN	

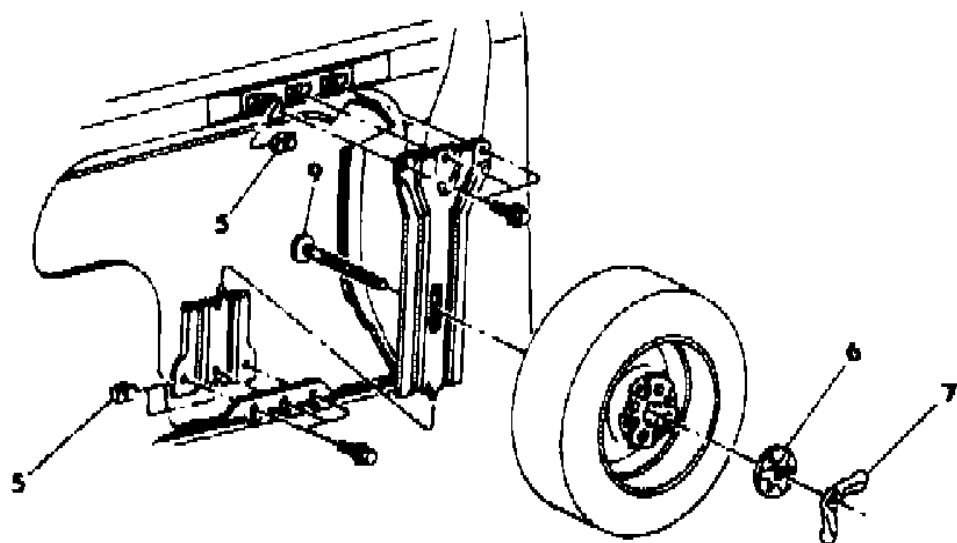
AR = Use as Required - = Non Illustrated Part P.A.R. = Paint as Required

SPARE TIRE STOWAGE H,K
Figure 22-1300

4122 1300



WAGON INSTALLATION UNDER REAR



VAN INSTALLATION LT. SIDE

ITEM	PART NUMBER	QTY	BODY	MODEL	DESCRIPTION
1	4314 728	1			WINCH
2	4314 828	1			DEFLECTER
3	4314 892	1			SUPPORT
4	6101 393	10			SCREW And WASHER
5	6100 041	6			U-NUT
6	4314 852	1			RETAINER
7	6032 619	1			WING NUT

MODEL CODES

B = GRAN FURY	F = FIFTH AVENUE/NEWPORT	P = RELIANT
C = LEBARON/TOWN & COUNTRY/EXC SEDAN	G = DIPLOMAT	T = E CLASS/NEW YORKER
C24 = LASER	H = VOYAGER	V = 600
D = ARIES	K = MINI RAM/CARAVAN/ROYAL	V24 = DAYTONA
E = 600	M = HORIZON/TURISMO	Z = OMNI/CHARGER/RAMPAGE

BODY STYLES

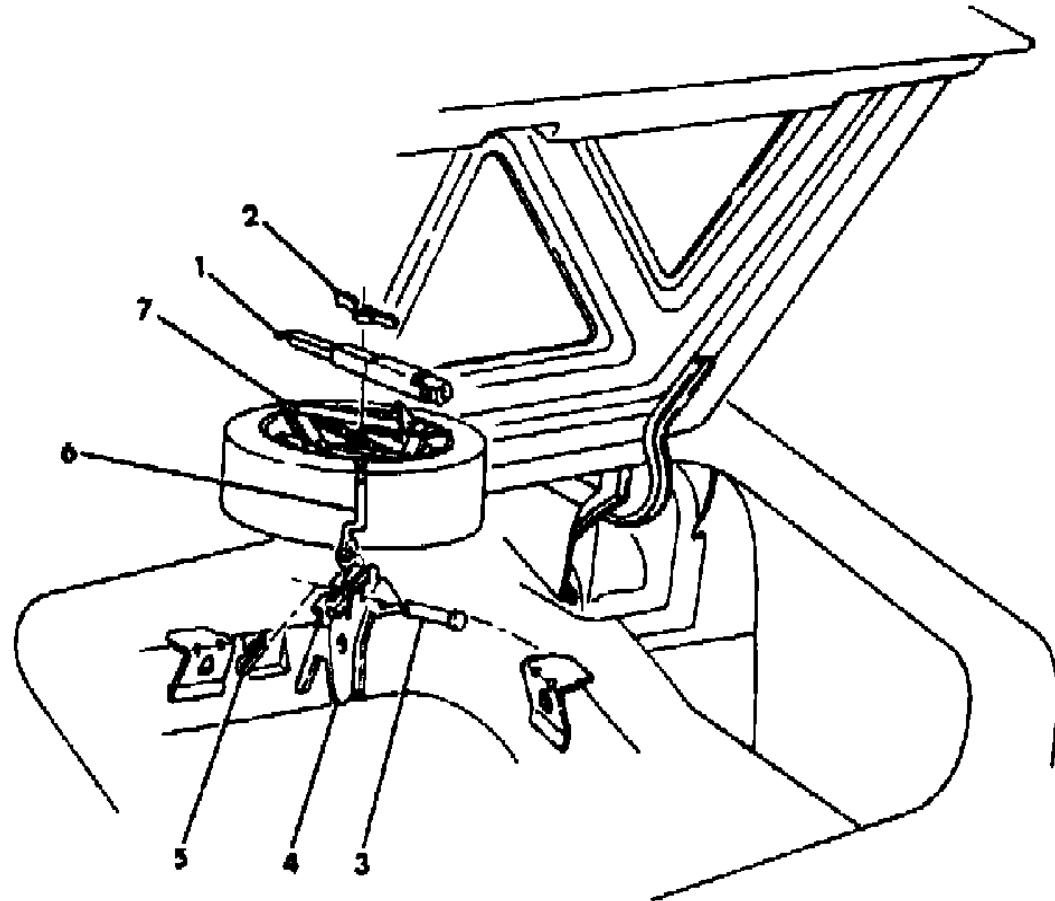
21 = 2-DOOR SEDAN	28 = FWD PICKUP	44 = 4-DOOR HATCHBACK
22 = 2-DOOR SPECIAL COUPE	35 = FWD VAN	45 = 4-DOOR STATION WAGON
24 = 2-DOOR HATCHBACK	36 = FWD WAGON	48 = 4-DOOR EXECUTIVE SEDAN
27 = 2-DOOR CONVERTIBLE	41 = 4-DOOR SEDAN	

AR = Use as Required - = Non Illustrated Part P.A.R. = Paint as Required

SPARE TIRE AND JACK STOWAGE B,F,G
Figure 22-1400

4122 1400

ITEM	PART NUMBER	QTY	BODY	MODEL	DESCRIPTION
1	5216 018	1		All	HANDLE
2	6032 004	1		All	WING Nut
3					PIN (not serviced)
4	4134 408	1		All	BRACKET Anchor Bolt
5	6027 983	1		All	CLIP
6	4134 409	1		All	ROD
7	4110 232	1		All	JACK
	4304 012	1		All	LABEL, Jack, Tire (not shown)



MODEL CODES
 B = GRAN FURY
 C = LEBARON/TOWN & COUNTRY/EXC SEDAN
 C24 = LASER
 D = ARIES
 E = 600
 F = FIFTH AVENUE/NEWPORT
 G = DIPLOMAT
 H = VOYAGER
 K = MINI RAM/CARAVAN/ROYAL
 M = HORIZON/TURISMO
 P = RELIANT
 T = E CLASS/NEW YORKER
 V = 600
 V24 = DAYTONA
 Z = OMNI/CHARGER/RAMPAGE

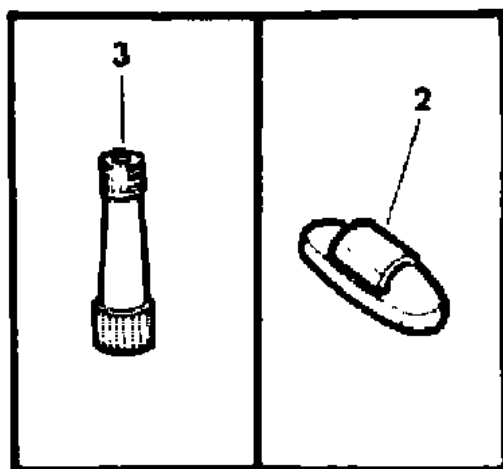
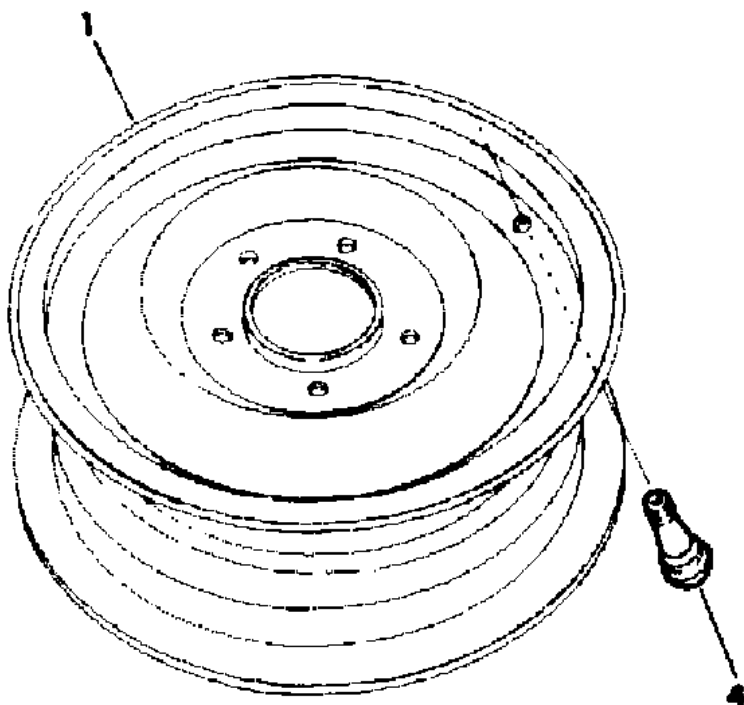
BODY STYLES
 21 = 2-DOOR SEDAN
 22 = 2-DOOR SPECIAL COUPE
 24 = 2-DOOR HATCHBACK
 27 = 2-DOOR CONVERTIBLE
 28 = FWD PICKUP
 35 = FWD VAN
 36 = FWD WAGON
 41 = 4-DOOR SEDAN
 44 = 4-DOOR HATCHBACK
 45 = 4-DOOR STATION WAGON
 48 = 4-DOOR EXECUTIVE SEDAN

AR = Use as Required - = Non Illustrated Part P.A.R. = Paint as Required

WEIGHTS, STEMS AND EXTENSIONS
Figure 22-1500

4122 1500

ITEM	PART NUMBER	QTY	BODY	MODEL	DESCRIPTION
1					WHEEL, (See wheels and covers)
2	1615 354	AR			WEIGHT BALANCE, 3 oz.
3	2660 315	1			EXTENSION PKG., 1/2"
	2401 840	1			3/4"
	3461 079	1			1"
4	2073 355	5			VALVE STEM, 1-1/4 Lgh.



MODEL CODES

B = GRAN FURY	F = FIFTH AVENUE/NEWPORT	P = RELIANT
C = LEBARON/TOWN & COUNTRY/EXC SEDAN	G = DIPLOMAT	T = E CLASS/NEW YORKER
C24 = LASER	H = VOYAGER	V = 600
D = ARIES	K = MINI RAM/CARAVAN/ROYAL	V24 = DAYTONA
E = 600	M = HORIZON/TURISMO	Z = OMNI/CHARGER/RAMPAGE

BODY STYLES

21 = 2-DOOR SEDAN	28 = FWD PICKUP	44 = 4-DOOR HATCHBACK
22 = 2-DOOR SPECIAL COUPE	35 = FWD VAN	45 = 4-DOOR STATION WAGON
24 = 2-DOOR HATCHBACK	36 = FWD WAGON	48 = 4-DOOR EXECUTIVE SEDAN
27 = 2-DOOR CONVERTIBLE	41 = 4-DOOR SEDAN	

AR = Use as Required - = Non Illustrated Part P.A.R. = Paint as Required

GROUP 23 - BODY - EXTERIOR ORNAMENTATION

ILLUSTRATION TITLE **GROUP-FIG. NO.**

L BODY M,Z

MOULDINGS, WINDSHIELD OUTSIDE M,Z Fig. 23-100

MOULDINGS and ORNAMENTATION - EXTERIOR VIEW PLYMOUTH TURISMO, TURISMO 2.2 Fig. 23-200

MOULDINGS and ORNAMENTATION - EXTERIOR VIEW PLYMOUTH HORIZON - 4 DOOR HATCHBACK .. Fig. 23-300

TAPE STRIPES and DECALS - EXTERIOR VIEW PLYMOUTH TURISMO and TURISMO 2.2 Fig. 23-400

TAPE STRIPES and DECALS - EXTERIOR VIEW PLYMOUTH HORIZON Fig. 23-500

MOULDINGS and ORNAMENTATIONS - EXTERIOR VIEW DODGE CHARGER, CHARGER 2.2 Fig. 23-600

GROUND EFFECTS PACKAGE - EXTERIOR VIEW DODGE SHELBY CHARGER Fig. 23-700

TAPE STRIPES and DECALS - EXTERIOR VIEW DODGE SHELBY CHARGER 2.2 Fig. 23-800

MOULDINGS and ORNAMENTATION - EXTERIOR VIEW DODGE RAMPAGE - Z-28 Fig. 23-900

MOULDINGS and ORNAMENTATION - EXTERIOR VIEW DODGE OMNI - 4 DOOR HATCHBACK Fig. 23-1000

TAPE STRIPES and DECALS - EXTERIOR VIEW DODGE CHARGER and CHARGER 2.2 Fig. 23-1100

TAPE STRIPES and DECALS - EXTERIOR VIEW DODGE RAMPAGE - Z-28 Fig. 23-1200

TAPE STRIPES and DECALS - EXTERIOR VIEW DODGE OMNI Fig. 23-1300

K BODY P,D,V,C

MOULDINGS, WINDSHIELD and REAR WINDOW OUTSIDE P,D,V,C Fig. 23-1400

COVER, ROOF - EXTERIOR VIEW PLYMOUTH RELIANT 2 DOOR Fig. 23-1500

MOULDINGS and ORNAMENTATION - EXTERIOR VIEW PLYMOUTH RELIANT 2 DOOR Fig. 23-1600

COVER, ROOF - EXTERIOR VIEW PLYMOUTH RELIANT 4 DOOR Fig. 23-1700

MOULDINGS and ORNAMENTATION - EXTERIOR VIEW PLYMOUTH RELIANT 4 DOOR Fig. 23-1800

MOULDINGS and ORNAMENTATION - EXTERIOR VIEW PLYMOUTH RELIANT SUBURBAN Fig. 23-1900

TAPE STRIPES and DECALS - EXTERIOR VIEW PLYMOUTH RELIANT 2 DOOR - 4 DOOR - SUBURBAN . Fig. 23-2000

COVER, ROOF - EXTERIOR VIEW DODGE ARIES 2 DOOR Fig. 23-2100

MOULDINGS and ORNAMENTATION - EXTERIOR VIEW DODGE ARIES - 2 DOOR Fig. 23-2200

COVER, ROOF - EXTERIOR VIEW DODGE ARIES 4 DOOR Fig. 23-2300

MOULDINGS and ORNAMENTATION - EXTERIOR VIEW DODGE ARIES - 4 DOOR Fig. 23-2400

MOULDINGS and ORNAMENTATION - EXTERIOR VIEW DODGE ARIES - SUBURBAN Fig. 23-2500

TAPE STRIPES and DECALS - EXTERIOR VIEW DODGE ARIES - 2 DOOR - 4 DOOR - SUBURBAN Fig. 23-2600

COVER, ROOF - EXTERIOR VIEW DODGE 600 - 22 Fig. 23-2700

MOULDINGS and ORNAMENTATION - EXTERIOR VIEW DODGE 600 - 22,27 Fig. 23-2800

TAPE STRIPES and DECALS - EXTERIOR VIEW DODGE 600 - 22,27 Fig. 23-2900

COVER, ROOF - EXTERIOR VIEW CHRYSLER LEBARON - 22 Fig. 23-3000

MOULDINGS and ORNAMENTATION - EXTERIOR VIEW CHRYSLER LEBARON - 22,27 Fig. 23-3100

COVER, ROOF - EXTERIOR VIEW CHRYSLER LEBARON - 4 DOOR Fig. 23-3200

MOULDING and ORNAMENTATION - EXTERIOR VIEW CHRYSLER LEBARON 4 DOOR Fig. 23-3300

MOULDINGS and ORNAMENTATION - EXTERIOR VIEW CHRYSLER TOWN AND COUNTRY Fig. 23-3400

ILLUSTRATION NOT AVAILABLE AT TIME OF PUBLICATION

GROUP 23 - BODY - EXTERIOR ORNAMENTATION**GROUP 23 - BODY - EXTERIOR ORNAMENTATION****ILLUSTRATION TITLE****GROUP-FIG. NO.****ILLUSTRATION TITLE****GROUP-FIG. NO.****K BODY P,D,V,C (Continued)**

MOULDINGS and ORNAMENTATION - EXTERIOR VIEW CHRYSLER TOWN AND COUNTRY	Fig. 23-3400
TAPE STRIPES and DECALS - EXTERIOR VIEW CHRYSLER LEBARON	Fig. 23-3500
MOULDINGS and ORNAMENTATION - EXTERIOR VIEW EXEC. SEDAN C-P,48	Fig. 23-3600
MOULDINGS and ORNAMENTATION - EXTERIOR VIEW EXEC. SEDAN C-P,48	Fig. 23-3700
MOULDINGS and ORNAMENTATION - EXTERIOR VIEW LIMOUSINE	Fig. 23-3800
MOULDINGS AND ORNAMENTATION - EXTERIOR VIEW LIMOUSINE	Fig. 23-3900
TAPE STRIPES and DECAL - EXTERIOR VIEW EXEC. SEDAN and LIMOUSINE	Fig. 23-4000

G BODY V,C

MOULDINGS, WINDSHIELD OUTSIDE DAYTONA,LASER	Fig. 23-4100
MOULDINGS and ORNAMENTATION - EXTERIOR VIEW DODGE DAYTONA and DAYTONA TURBO	Fig. 23-4200
GROUND EFFECTS PACKAGE - EXTERIOR VIEW DODGE DAYTONA TURBO Z	Fig. 23-4300
TAPE STRIPES and DECALS - EXTERIOR VIEW DODGE DAYTONA and TURBO Z	Fig. 23-4400
MOULDINGS and ORNAMENTATION - EXTERIOR VIEW CHRYSLER LASER and LASER XE	Fig. 23-4500
TAPE STRIPES and DECALS - EXTERIOR VIEW CHRYSLER LASER and LASER XE	Fig. 23-4600

E BODY E,T

MOULDINGS, WINDSHIELD and REAR WINDOW OUTSIDE E,T	Fig. 23-4700
MOULDINGS and ORNAMENTATION - EXTERIOR VIEW DODGE 600,600ES	Fig. 23-4800
TAPE STRIPES and DECALS - EXTERIOR VIEW DODGE 600,600ES	Fig. 23-4900
MOULDINGS and ORNAMENTATION - EXTERIOR VIEW CHRYSLER E CLASS,CHRYSLER NEW YORKER	Fig. 23-5000
MOULDINGS and ORNAMENTATION - EXTERIOR VIEW CHRYSLER NEW YORKER - PADDED LANDAU ROOF - T-P	Fig. 23-5100
TAPE STRIPES and DECALS - EXTERIOR VIEW CHRYSLER E CLASS,NEW YORKER	Fig. 23-5200

S BODY H,K

MOULDINGS and ORNAMENTATION - EXTERIOR VIEW PLYMOUTH VOYAGER WAGON	Fig. 23-5300
TAPE STRIPES and DECALS - EXTERIOR VIEW PLYMOUTH VOYAGER WAGON	Fig. 23-5400
MOULDINGS and ORNAMENTATION - EXTERIOR VIEW DODGE MINI RAM VAN and ROYAL	Fig. 23-5500
MOULDINGS and ORNAMENTATION - EXTERIOR VIEW DODGE CARAVAN WAGON	Fig. 23-5600
TAPE STRIPES and DECALS - EXTERIOR VIEW DODGE CARAVAN WAGON	Fig. 23-5700

M BODY B,F,G

MOULDINGS, WINDSHIELD and REAR WINDOW OUTSIDE B,F,G	Fig. 23-5800
COVER, ROOF - PLYMOUTH FURY - DODGE DIPLOMAT - CHRYSLER FIFTH AVENUE	Fig. 23-5900
MOULDINGS and ORNAMENTATION - EXTERIOR VIEW PLYMOUTH GRAN FURY	Fig. 23-6000
TAPE STRIPES and DECALS - EXTERIOR VIEW PLYMOUTH GRAN FURY	Fig. 23-6100
MOULDINGS and ORNAMENTATION - EXTERIOR VIEW DODGE DIPLOMAT	Fig. 23-6200

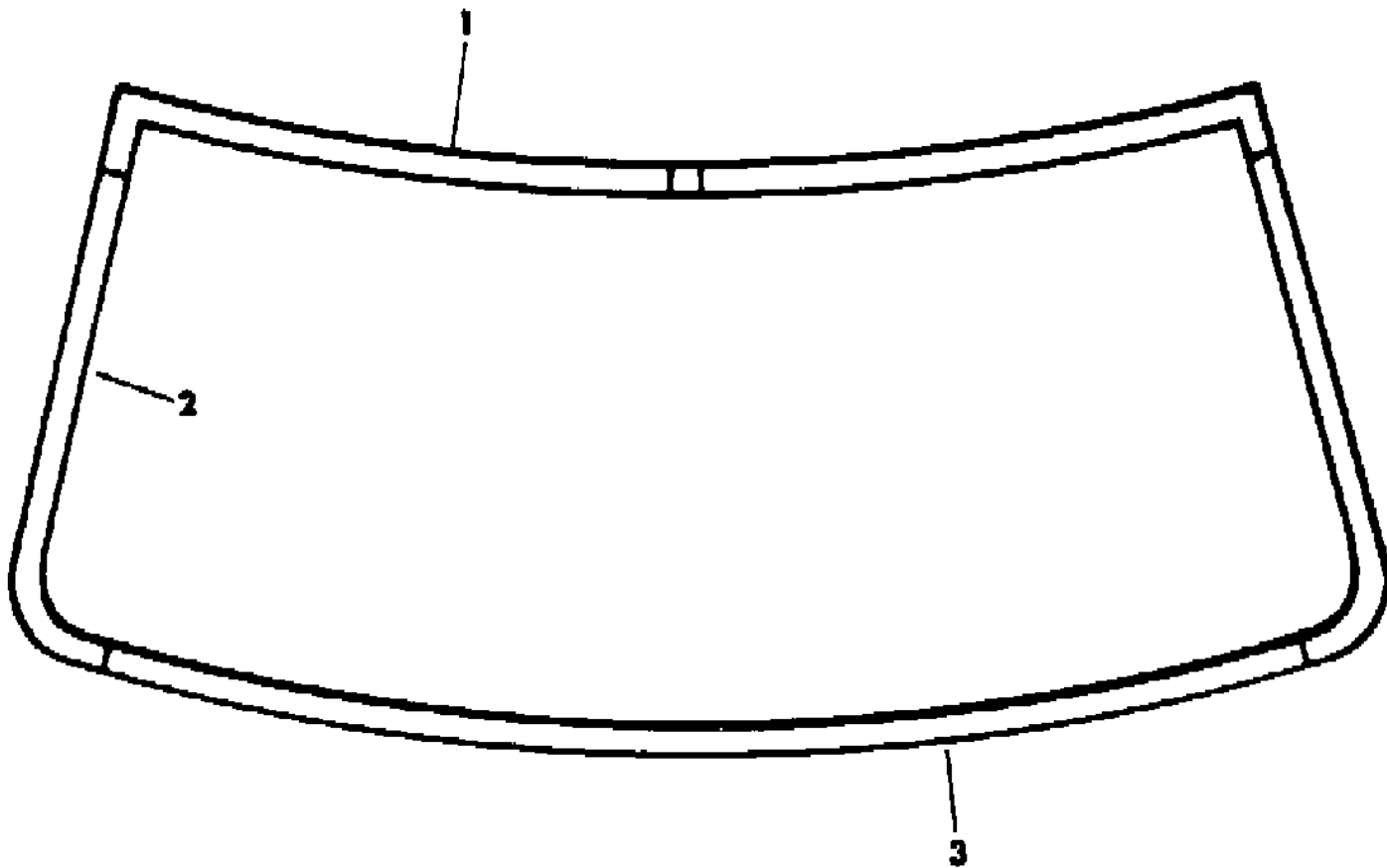
M BODY B,F,G (Continued)

MOULDINGS and ORNAMENTATION - EXTERIOR VIEW DODGE DIPLOMAT	Fig. 23-6200
TAPE STRIPES and DECALS - EXTERIOR VIEW DODGE DIPLOMAT	Fig. 23-6300
MOULDINGS and ORNAMENTATION - EXTERIOR VIEW CHRYSLER NEW YORKER	Fig. 23-6400
TAPE STRIPES and DECALS - EXTERIOR VIEW CHRYSLER NEW YORKER	Fig. 23-6500

MOULDINGS, WINDSHIELD OUTSIDE M,Z
Figure 23-100

4188 100

ITEM	PART NUMBER	QTY	BODY	MODEL	DESCRIPTION
1	5230 806-7	1		24,28	MOULDING, W/Shield Upr., Black
	6003 878	AR		24,28	RETAINER
	6003 879	AR		24,28	RETAINER and SCREW
	5209 362-3	1		44	MOULDING, W/Shield Upr., Black
	6003 878	AR		44	RETAINER
2	6003 304	AR		44	RETAINER and SCREW
	5230 808-9	1		24,28	MOULDING, W/Shield Side, Black
	6003 878	AR		24,28	RETAINER
	6003 879	AR		24,28	RETAINER and SCREW
	5209 364-5	1		44	MOULDING, W/Shield Side, Black
3	6003 878	AR		44	RETAINER
	6003 304	AR		44	RETAINER and SCREW
	5230 805	1		24,28	MOULDING, W/Shield Lwr., Black
	6003 878	AR		24,28	RETAINER
	6003 879	AR		24,28	RETAINER and SCREW
	5209 339	1		44	MOULDING, W/Shield Lwr., Black
	6003 878	AR		44	RETAINER
	6003 304	AR		44	RETAINER and SCREW



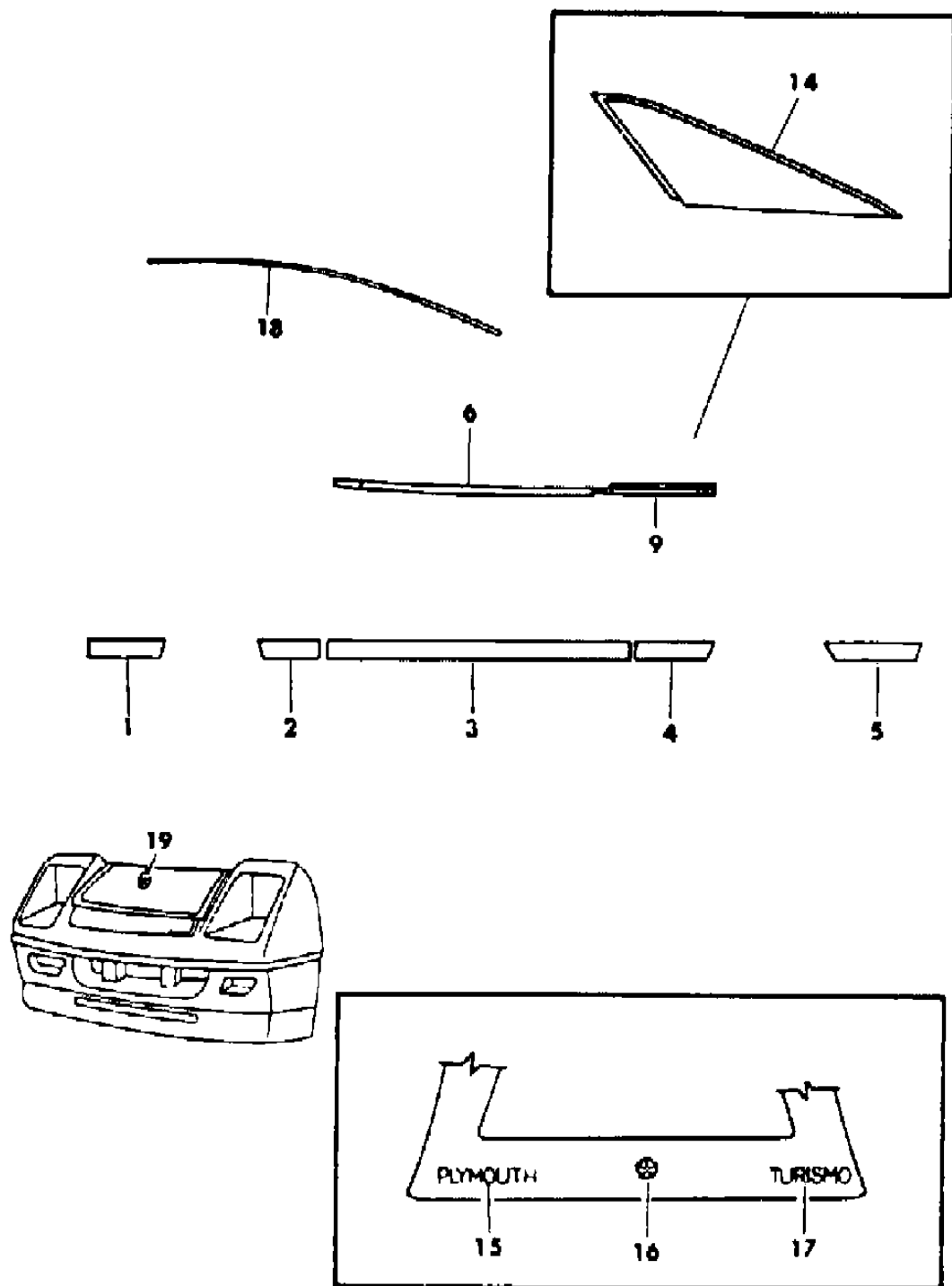
MODEL CODES
 B = GRAN FURY
 C = LEBARON/TOWN & COUNTRY/EXC SEDAN
 C24 = LASER
 D = ARIES
 E = 600
 F = FIFTH AVENUE/NEWPORT
 G = DIPLOMAT
 H = VOYAGER
 K = MINI RAM/CARAVAN/ROYAL
 M = HORIZON/TURISMO
 P = RELIANT
 T = E CLASS/NEW YORKER
 V = 600
 V24 = DAYTONA
 Z = OMNI/CHARGER/RAMPAGE

BODY STYLES
 21 = 2-DOOR SEDAN
 22 = 2-DOOR SPECIAL COUPE
 24 = 2-DOOR HATCHBACK
 27 = 2-DOOR CONVERTIBLE
 28 = FWD PICKUP
 35 = FWD VAN
 36 = FWD WAGON
 41 = 4-DOOR SEDAN
 44 = 4-DOOR HATCHBACK
 45 = 4-DOOR STATION WAGON
 48 = 4-DOOR EXECUTIVE SEDAN

AR = Use as Required - = Non Illustrated Part P.A.R. = Paint as Required

MOULDINGS and ORNAMENTATION - EXTERIOR VIEW PLYMOUTH TURISMO, TURISMO 2.2
Figure 23-200

4108 200 B



ITEM	PART NUMBER	QTY	BODY	MODEL	DESCRIPTION
1	5230 728-9	1			MOULDING, Fndr. Frt.
2	5230 730-1	1			MOULDING, Fndr. Rear
3	5230 732-3	1			MOULDING, Door
4	5230 734-5	1			MOULDING, Qtr. Frt.
5	5230 736-7	1			MOULDING, Qtr. Rear
6	5230 846	1			MOULDING, Door Belt, Rt., Black, Use w/Mirror
	5230 847	1			MOULDING, Door Belt, Lt., Black
	5230 850	1			MOULDING, Door Belt, Rt., Black, Use w/o Mirror
9	5230 726-7	1			MOULDING, Qtr. Wdo. Belt, Black
14					APPLIQUE, Qtr. Wdo.
	X604-5 BA1	1			Silver Met.
	X604-5 CC4	1			Glacier Blue
	X604-5 CC9	1			Night Watch Blue
	X604-5 CL4	1			Beige Met.
	X604-5 CW3	1			White
	X604-5 CK6	1			Spice Met.
	X604-5 CR6	1			Garnet
	X604-5 CR4	1			Graphic Red
	X604-5 CX9	1			Black
	X604-5 CA9	1			Charcoal Gray
	5230 661	AR			RETAINER
					SCREW, (Not Serv.)
	6025 002	AR			NUT
15	4328 876	1			NAMEPLATE, L/Gate, "PLYMOUTH"
16	4319 496	1		M-P	MEDALLION, L/Gate Pentastar, Black
	4319 497	1		M-H	MEDALLION, L/Gate Pentastar
17	5230 876	1		M-H	NAMEPLATE, L/Gate, "TURISMO"
18	5230 654-5	1			MOULDING, Roof Side Drain Trough
19	4270 517	1			PENTASTAR, Fascia, Chrome
	4103 380	1			PENTASTAR, Fascia, Painted

MODEL CODES
 B = GRAN FURY
 C = LEBARON/TOWN & COUNTRY/EXC SEDAN
 C24 = LASER
 D = ARIES
 E = 600
 F = FIFTH AVENUE/NEWPORT
 G = DIPLOMAT
 H = VOYAGER
 K = MINI RAM/CARAVAN/ROYAL
 M = HORIZON/TURISMO
 P = RELIANT
 T = E CLASS/NEW YORKER
 V = 600
 V24 = DAYTONA
 Z = OMNI/CHARGER/RAMPAGE

BODY STYLES
 21 = 2-DOOR SEDAN
 22 = 2-DOOR SPECIAL COUPE
 24 = 2-DOOR HATCHBACK
 27 = 2-DOOR CONVERTIBLE
 28 = FWD PICKUP
 35 = FWD VAN
 36 = FWD WAGON
 41 = 4-DOOR SEDAN
 44 = 4-DOOR HATCHBACK
 45 = 4-DOOR STATION WAGON
 48 = 4-DOOR EXECUTIVE SEDAN

AR = Use as Required - = Non Illustrated Part P.A.R. = Paint as Required

MOULDINGS and ORNAMENTATION - EXTERIOR VIEW PLYMOUTH HORIZON - 4 DOOR HATCHBACK

Figure 23-300

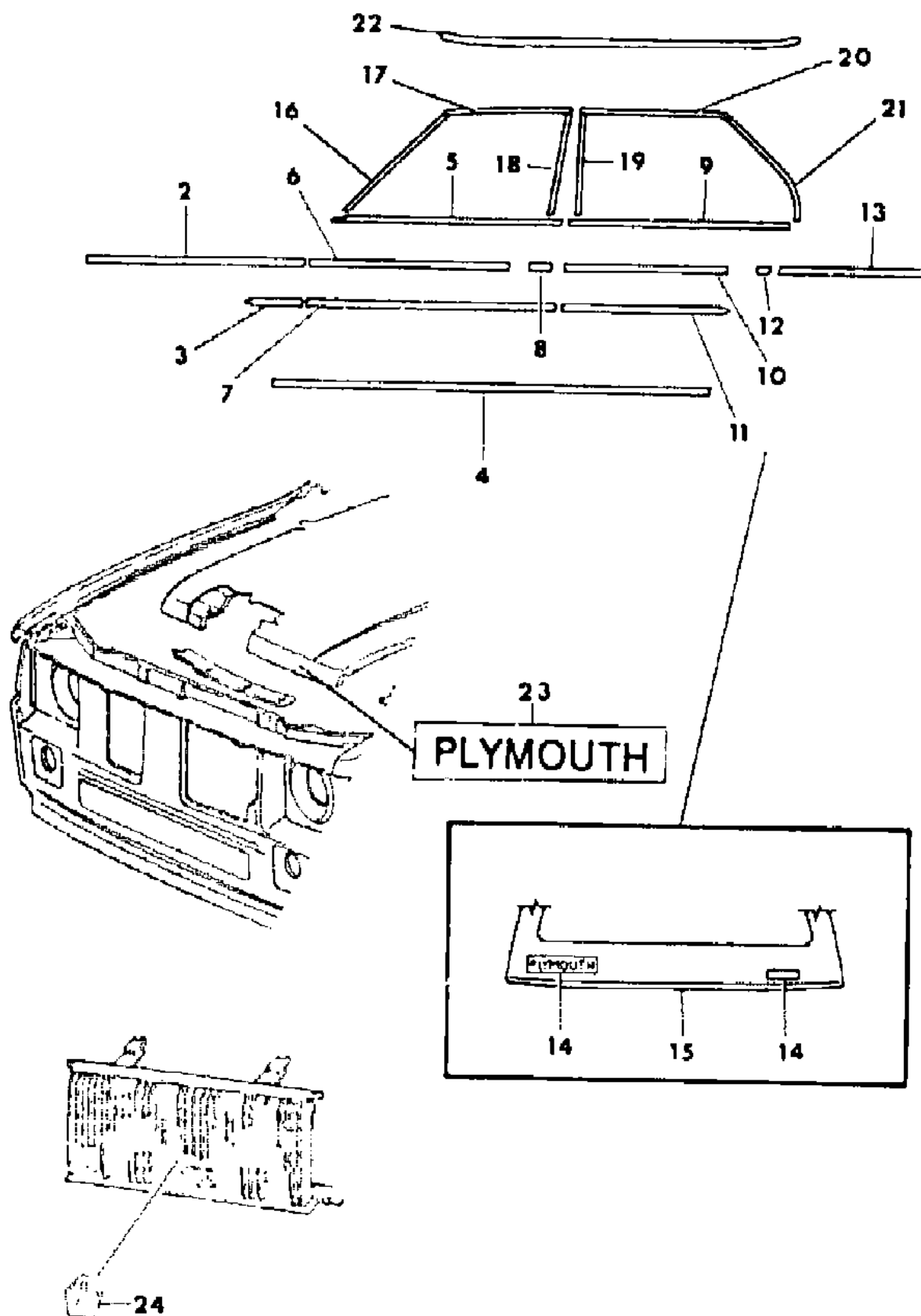
4168 300

ITEM	PART NUMBER	QTY	BODY	MODEL	DESCRIPTION
2	5209 280-1	1			MOULDING, Fndr, Black Vinyl (Tape Applied)
	4339 062-3	1		M-H	MOULDING PACKAGE, Fndr., Bright and Black
	6003 679	AR			RETAINER
	6003 644	AR			RETAINER
	4057 555	AR			RETAINER PACKAGE
3	4293 616	AR			SCREW PACKAGE, (Repair)
	5230 909	2			MOULDING, Fndr., w/Black Insert
	4293 619	2		M-H	MOULDING, Body Side Sill
	4293 624	AR			RETAINER and STUD PACKAGE
4	6003 627	AR			RETAINER, Push on Type
	5209 232-3	1		M-H	MOULDING, Frt. Door Belt
	4280 878-9	1		M-E	MOULDING and WEATHERSTRIP, Frt. Door Belt, Outer, Black
	5209 284-5	1			MOULDING, Frt. Door Frt., Black Vinyl (Tape Applied)
5	4339 064-5	1		M-H	MOULDING PACKAGE, Frt. Door Frt., Bright and Black
	6003 644	AR			RETAINER
	4293 616	AR			SCREW PACKAGE, (Repair)
	4057 555	AR			RETAINER PACKAGE
	5230 910	2			MOULDING, Frt. Door, w/Black Insert
6	5209 288	2			MOULDING, Frt. Door Rear, w/Black Vinyl (Tape Applied)
	4339 019	2		M-H	MOULDING, Frt. Door Rear, Bright and Black
	6003 644	AR			RETAINER
	6002 818	AR			RETAINER
	6026 523	AR			NUT
7	4293 616	AR			SCREW PACKAGE, (Repair)
	5209 234-5	1		M-H	MOULDING, Rear Door Belt
	4280 882-3	1		M-E	MOULDING and WEATHERSTRIP, Rear Door Belt, Outer, Black
	5209 292	2			MOULDING, Rear Door Frt., w/Black Vinyl (Tape Applied)
8	4339 066-7	1		M-H	MOULDING PACKAGE, Rear Door Frt., Bright and Black
	6003 644	AR			RETAINER
	4293 616	AR			SCREW PACKAGE, (Repair)
	4057 555	AR			RETAINER PACKAGE
	5230 911	2			MOULDING, Rear Door, w/Black Insert
9	5209 296-7	1			MOULDING, Rear Door Rear, w/Black Vinyl (Tape Applied)
	5209 156-7	1		M-H	MOULDING PACKAGE, Rear Door Rear, Bright and Black
	3780 453	AR			RETAINER PACKAGE
	5209 300-1	1			MOULDING, Qtr., w/Black Vinyl (Tape Applied)
10	4339 068-9	1		M-H	MOULDING PACKAGE, Qtr., Bright and Black

MODEL CODES
 B = GRAN FURY
 C = LEBARON/TOWN & COUNTRY/EXC SEDAN
 C24 = LASER
 D = ARIES
 E = 600
 F = FIFTH AVENUE/NEWPORT
 G = DIPLOMAT
 H = VOYAGER
 K = MINI RAM/CARAVAN/ROYAL
 M = HORIZON/TURISMO
 P = RELIANT
 T = E CLASS/NEW YORKER
 V = 600
 V24 = DAYTONA
 Z = OMNI/CHARGER/RAMPAGE

BODY STYLES
 21 = 2-DOOR SEDAN
 22 = 2-DOOR SPECIAL COUPE
 24 = 2-DOOR HATCHBACK
 27 = 2-DOOR CONVERTIBLE
 28 = FWD PICKUP
 35 = FWD VAN
 36 = FWD WAGON
 41 = 4-DOOR SEDAN
 44 = 4-DOOR HATCHBACK
 45 = 4-DOOR STATION WAGON
 48 = 4-DOOR EXECUTIVE SEDAN

AR = Use as Required - = Non Illustrated Part P.A.R. = Paint as Required



MOULDINGS and ORNAMENTATION - EXTERIOR VIEW PLYMOUTH HORIZON - 4 DOOR HATCHBACK

Figure 23-300

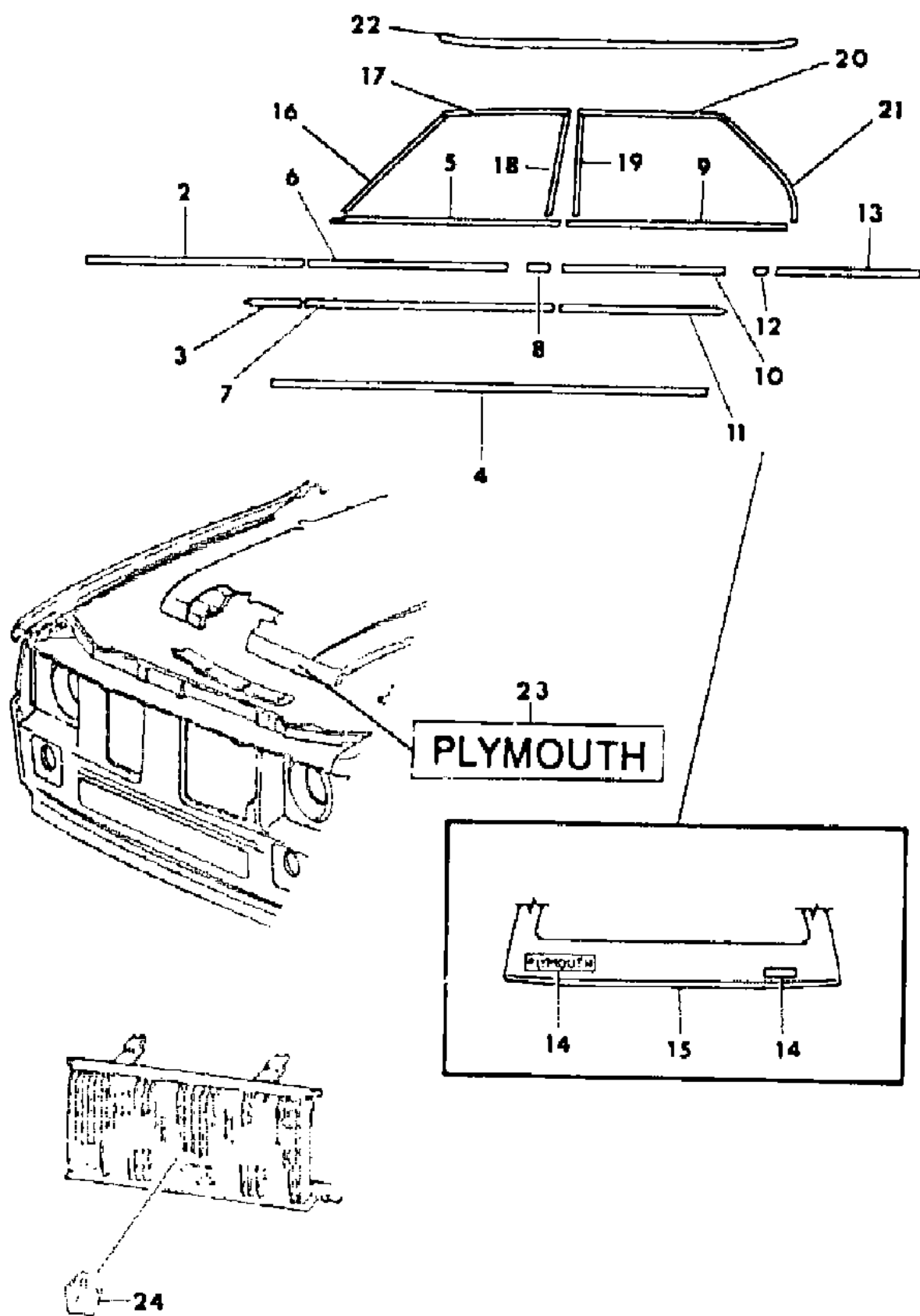
4168 300

ITEM	PART NUMBER	QTY	BODY	MODEL	DESCRIPTION
	6002 818	AR			RETAINER
	6003 644	AR			RETAINER
	6026 523	AR			NUT
14	5209 430	1			NAMEPLATE, L/Gate, "HORIZON"
	4328 876	1			NAMEPLATE, L/Gate, "PLYMOUTH"
15	5209 303	1			MOULDING, L/Gate, w/Black Vinyl (Tape Applied)
	4319 000	1		M-H	MOULDING PACKAGE, L/Gate, Bright and Black
	6002 818	AR			RETAINER
	6003 644	AR			RETAINER
	6026 523	AR			NUT
16	5209 340-1	1		M-H	MOULDING, Frt. Door Wdo. Opng. Frame, Frt.
17	5209 346-7	1		M-H	MOULDING, Frt. Door Wdo. Opng. Frame, Upr.
18	5209 348-9	1		M-H	MOULDING, Frt. Door Wdo. Opng. Frame, Rear, Use Up to 11-1-83
	5209 414-5	1		M-H	MOULDING, Frt. Door Wdo. Opng. Frame, Rear, Use After 11-1-83
19	5209 352-3	1		M-H	MOULDING, Rear Door Wdo. Opng. Frame, Frt., Use Up to 11-1-83
	5209 418-9	1		M-H	MOULDING, Rear Door Wdo. Opng. Frame, Frt., Use After 11-1-83
20	5209 356-7	1		M-H	MOULDING, Rear Door Wdo. Opng. Frame, Upr.
21	5209 358-9	1		M-H	MOULDING, Rear Door Wdo. Opng. Frame, Rear
22	5209 036	2		M-H	MOULDING, Roof Side Drain Trough, Repair, Bright
	5209 222	2		M-H	MOULDING, Roof Side Drain Trough, Repair, Black
23	3444 927	1			NAMEPLATE, Hood, "PLYMOUTH"
24	4270 608	1			PENTASTAR, Grille Ornament

MODEL CODES
 B = GRAN FURY
 C = LEBARON/TOWN & COUNTRY/EXC SEDAN
 C24 = LASER
 D = ARIES
 E = 600
 F = FIFTH AVENUE/NEWPORT
 G = DIPLOMAT
 H = VOYAGER
 K = MINI RAM/CARAVAN/ROYAL
 M = HORIZON/TURISMO
 P = RELIANT
 T = E CLASS/NEW YORKER
 V = 600
 V24 = DAYTONA
 Z = OMNI/CHARGER/RAMPAGE

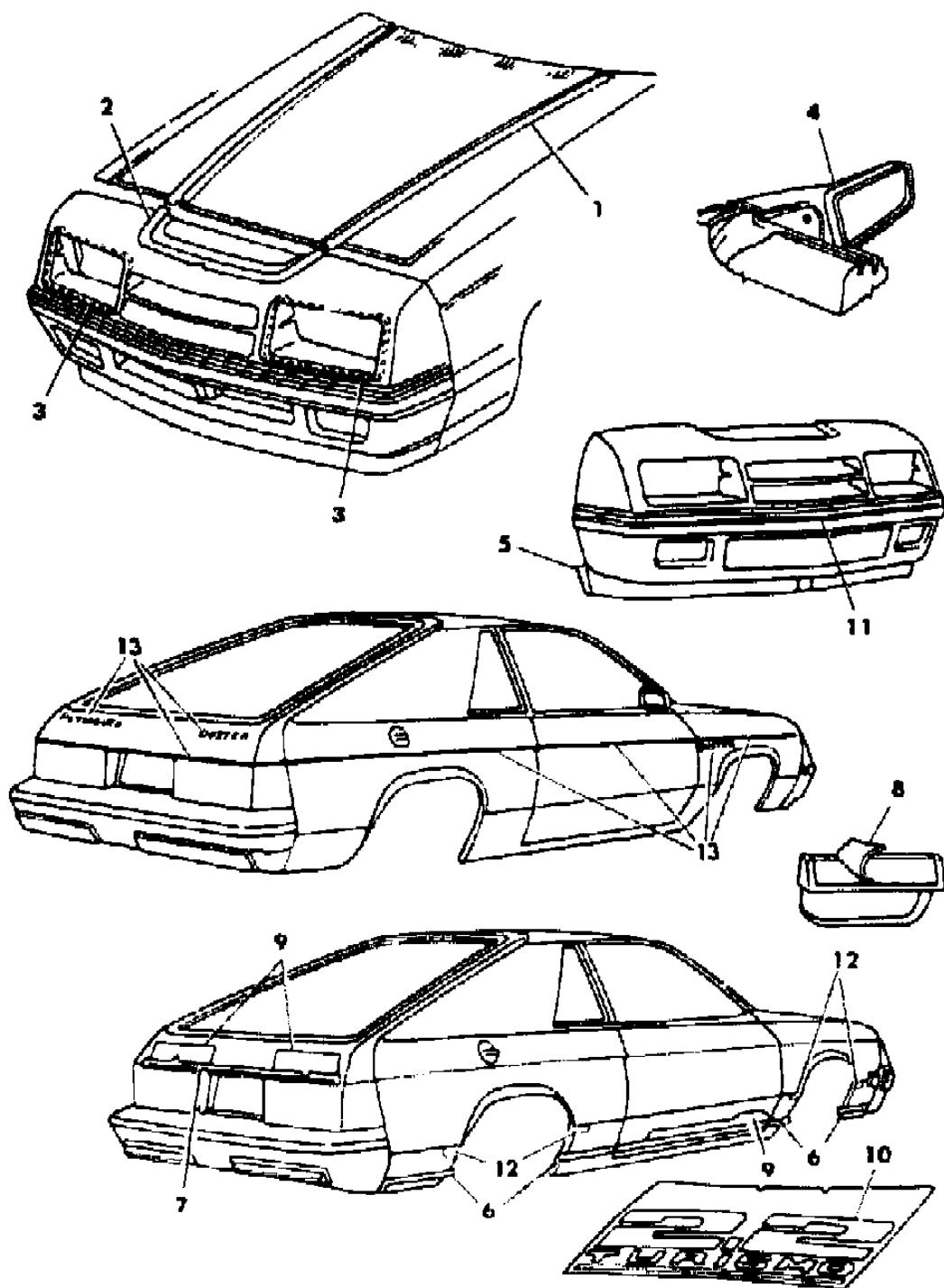
BODY STYLES
 21 = 2-DOOR SEDAN
 22 = 2-DOOR SPECIAL COUPE
 24 = 2-DOOR HATCHBACK
 27 = 2-DOOR CONVERTIBLE
 28 = FWD PICKUP
 35 = FWD VAN
 36 = FWD WAGON
 41 = 4-DOOR SEDAN
 44 = 4-DOOR HATCHBACK
 45 = 4-DOOR STATION WAGON
 48 = 4-DOOR EXECUTIVE SEDAN

AR = Use as Required - = Non Illustrated Part P.A.R. = Paint as Required



TAPE STRIPES and DECALS - EXTERIOR VIEW PLYMOUTH TURISMO and TURISMO 2.2
Figure 23-400

411-411



ITEM	PART NUMBER	QTY	BODY	MODEL	DESCRIPTION
1	T654-5 CEL	1		M-P	TAPE, Hood, Russet, Orange (KDT)
	T654-5 CEK	1		M-P	Red, Orange, Russet (KFR)
	T654-5 CEM	1		M-P	Dark Red, Bright Red (KFA)
	T654-5 CEM	1		M-P	Dark Red, Bright Red (KDS)
2	T656 CEL	1		M-P	TAPE, Fascia Upr., Russet, Orange (KDT)
	T656 CEK	1		M-P	Red, Orange, Russet (KFR)
	T656 CEM	1		M-P	Dark Red, Bright Red (KFA)
	T656 CEM	1		M-P	Dark Red, Bright Red (KDS)
3	T652-3 CEL	1		M-P	TAPE, Fascia H/Lamp Opng., Russet, Orange (KDT)
	T652-3 CEK	1		M-P	Red, Orange, Russet (KFR)
	T652-3 CEM	1		M-P	Dark Red, Bright Red (KFA), Use Up to 12-1-83
	T652-3 CEP	1		M-P	Dark Red, Bright Red, Silver (KDA), Use After 12-1-83
4	T650-1 CEL	1		M-P	TAPE, Door Mirror, Russet, Orange (KDT)
	T650-1 CEK	1		M-P	Red, Orange, Russet (KFR)
	T650-1 CEM	1		M-P	Dark Red, Bright Red (KFA), Use Up to 12-1-83
	T650-1 CEM	1		M-P	Dark Red, Bright Red (KDA), Use After 12-1-83
5	T641 CAF	1		M-P	TAPE, Fascia Lwr., Red, Silver, Orange (KFR)
	T641 CAK	1		M-P	Dark Red, Charcoal, Bright Red (KFA)
	T706 CLA	1		M-P	Orange, Spice, Russet (KDT)
	T706 CLB	1		M-P	Bright Red, Charcoal, Dark Red (KDA)
6	4318 662-3	1		M-P	TAPE PACKAGE, Fndr., Door, Qtr., Red, Silver, Orange (KFR)
	4318 664-5	1		M-P	Dark Red, Charcoal, Bright Red (KFA)
	4318 928-9	1		M-P	Bright Red, Charcoal, Dark Red (KDS)
	4318 930-1	1		M-P	Orange, Beige, Russet (KDT)
7	T640 CEL	1		M-P	TAPE, L/Gate, Russet, Orange (KDT)
	T640 CEM	1		M-P	Dark Red, Bright Red (KFA)
	T640 CEM	1		M-P	Dark Red, Bright Red (KDS)
	T640 CEK	1		M-P	Red, Orange (KFR)
8	4339 239	2		M	TAPE, Door Handle
9	T663 CEL	2		M-P	DECAL, Door, "TURISMO 2.2". Russet, Orange (KDT)
	T663 CEM	2		M-P	Dark Red, Bright Red (KDS)
	T663 CEK	2		M-P	Red, Orange (KFR)
	T663 CEM	2		M-P	Dark Red, Bright Red (KFA)
10	T664 CEL	1		M-P	DECAL, L/Gate, "TURISMO 2.2", Russet, Orange (KDT)
	T664 CEM	1		M-P	Dark Red, Bright Red (KDS)
	T664 CEK	1		M-P	Red, Orange (KFR)

MODEL CODES

B = GRAN FURY	F = FIFTH AVENUE/NEWPORT	P = RELIANT
C = LEBARON/TOWN & COUNTRY/EXC SEDAN	G = DIPLOMAT	T = E CLASS/NEW YORKER
C24 = LASER	H = VOYAGER	V = 600
D = ARIES	K = MINI RAM/CARAVAN/ROYAL	V24 = DAYTONA
E = 600	M = HORIZON/TURISMO	Z = OMNI/CHARGER/RAMPAGE

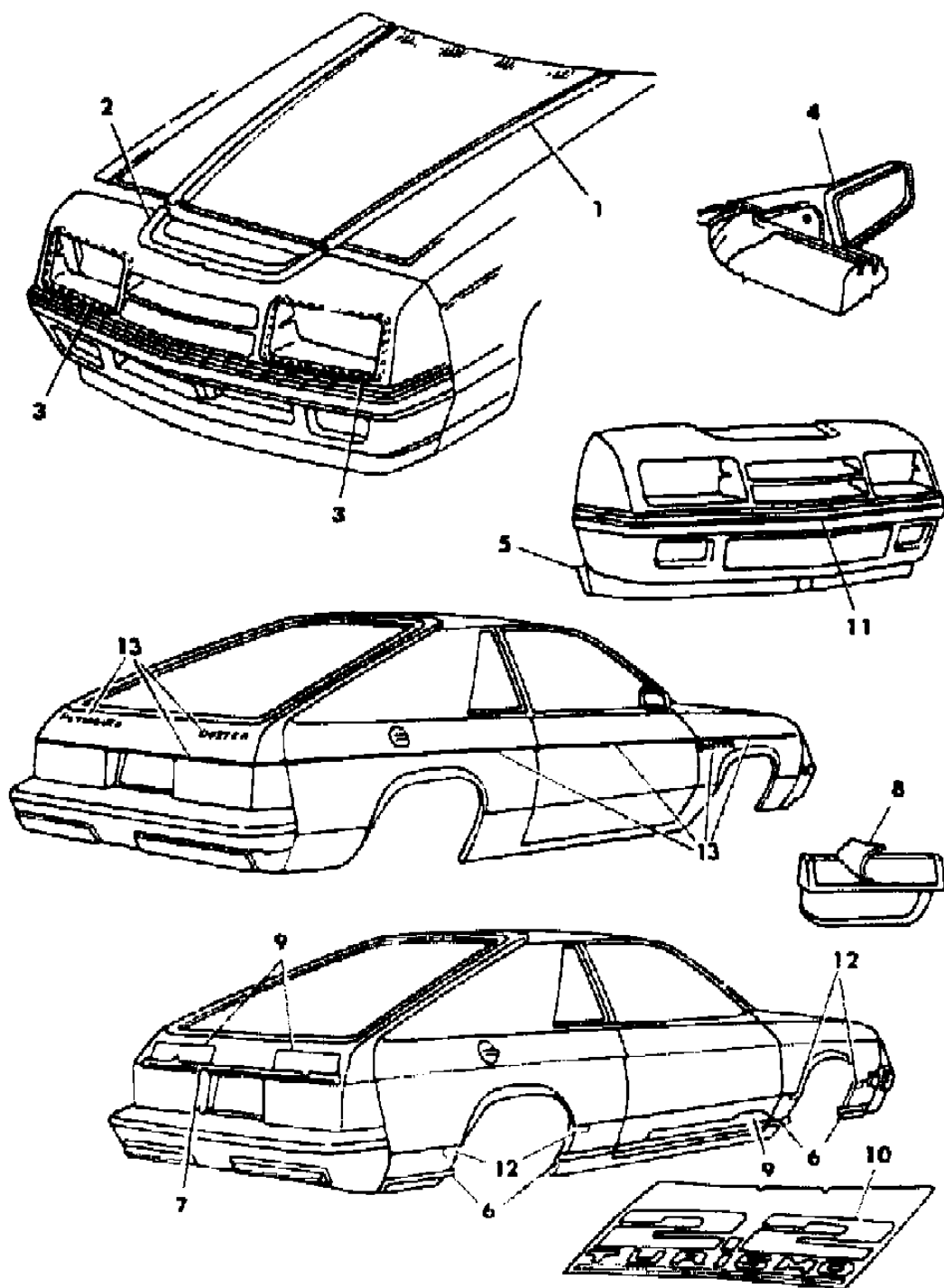
BODY STYLES

21 = 2-DOOR SEDAN	28 = FWD PICKUP	44 = 4-DOOR HATCHBACK
22 = 2-DOOR SPECIAL COUPE	35 = FWD VAN	45 = 4-DOOR STATION WAGON
24 = 2-DOOR HATCHBACK	36 = FWD WAGON	48 = 4-DOOR EXECUTIVE SEDAN
27 = 2-DOOR CONVERTIBLE	41 = 4-DOOR SEDAN	

AR = Use as Required - = Non Illustrated Part P.A.R. = Paint as Required

TAPE STRIPES and DECALS - EXTERIOR VIEW PLYMOUTH TURISMO and TURISMO 2.2
Figure 23-400

411-400



ITEM	PART NUMBER	QTY	BODY	MODEL	DESCRIPTION
	T664 CEM	1		M-P	Dark Red, Bright Red (KFA)
	T665 CV6	1		M-P	DECAL, L/Gate, "PLYMOUTH", Orange (KDT)
	T665 CR4	1		M-P	Bright Red (KDS)
	T665 CV6	1		M-P	Orange (KFR)
	T665 CR4	1		M-P	Bright Red (KFA)
10	T662 CEL	1		M-P	DECAL, Hood, "TURISMO 2.2", Russet, Orange (KDT)
	T662 CEM	1		M-P	Dark Red, Bright Red (KDS)
	T662 CEK	1		M-P	Red, Orange (KFR)
	T662 CEM	1		M-P	Dark Red, Bright Red (KFA)
11	4339 023	1		M-H	TAPE, Frt. Fascia
12	4339 300	1		M-H,M-P	TAPE PACKAGE, Fndr. Frt., Rear, Qtr. Frt., Rear, 3' Length, Use on Two Tone Paint, Charcoal Gray
	4342 501	1		M-H,M-P	Night Watch Blue
	4342 502	1		M-H,M-P	Spice
	4342 503	1		M-H,M-P	Black
13	4342 986-7	1		M-H Dus	TAPE PACKAGE, Fndr., Door, Qtr., Silver (KBA)
	4342 988-9	1		M-H Dus	Charcoal (KBS)
	4342 990	1		M-H Dus	TAPE PACKAGE, L/Gate, Silver (KBA)
	4342 991	1		M-H Dus	Charcoal (KBS)
	T580 CA1	2		M-H Dus	DECAL, Fndr, "DUSTER", Silver (KBA)
	T580 CA5	2		M-H Dus	Charcoal (KBS)
	T582 CA1	2		M-H Dus	DECAL, L/Gate, "DUSTER", Silver (KBA)
	T582 CA5	2		M-H Dus	Charcoal (KBS)
	T583 CA1	1		M-H Dus	DECAL, L/Gate, "PLYMOUTH", Silver (KBA)
	T583 CA5	1		M-H Dus	Charcoal (KBS)

MODEL CODES

B = GRAN FURY	F = FIFTH AVENUE/NEWPORT	P = RELIANT
C = LEBARON/TOWN & COUNTRY/EXC SEDAN	G = DIPLOMAT	T = E CLASS/NEW YORKER
C24 = LASER	H = VOYAGER	V = 600
D = ARIES	K = MINI RAM/CARAVAN/ROYAL	V24 = DAYTONA
E = 600	M = HORIZON/TURISMO	Z = OMNI/CHARGER/RAMPAGE

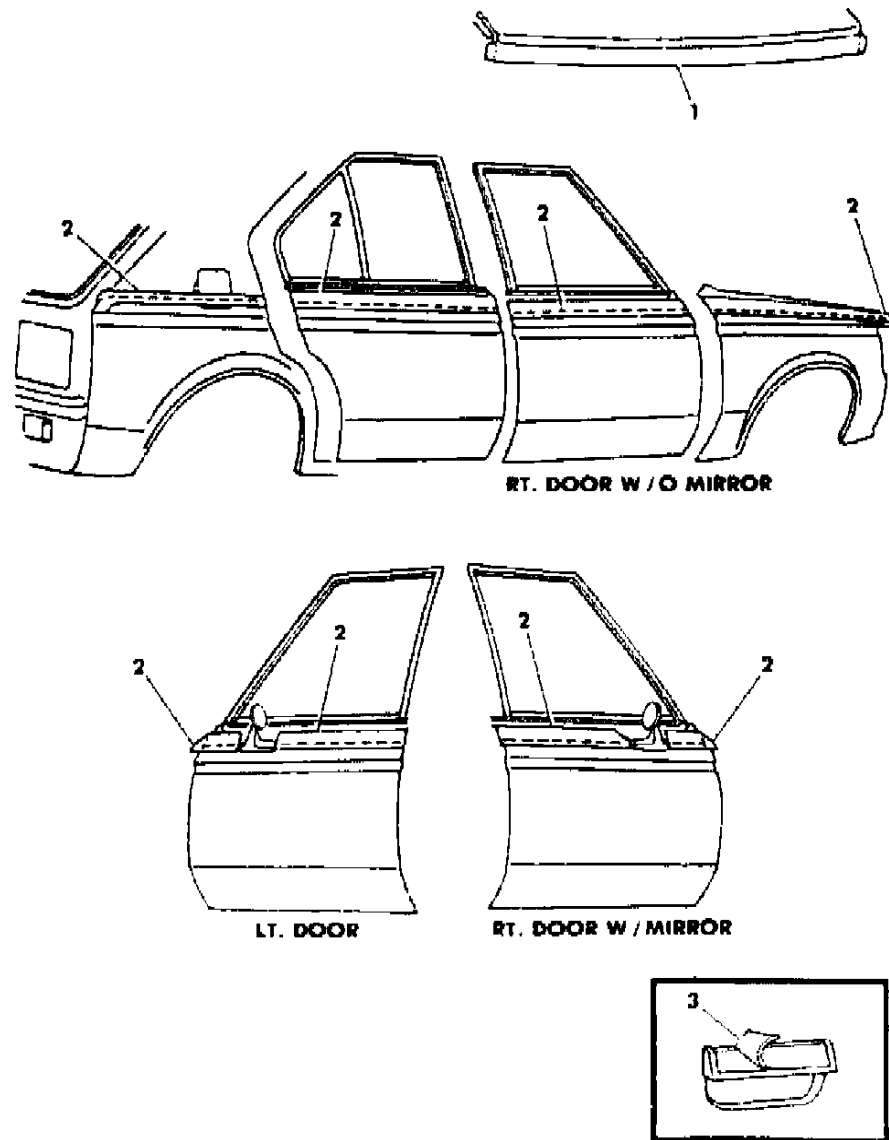
BODY STYLES

21 = 2-DOOR SEDAN	28 = FWD PICKUP	44 = 4-DOOR HATCHBACK
22 = 2-DOOR SPECIAL COUPE	35 = FWD VAN	45 = 4-DOOR STATION WAGON
24 = 2-DOOR HATCHBACK	36 = FWD WAGON	48 = 4-DOOR EXECUTIVE SEDAN
27 = 2-DOOR CONVERTIBLE	41 = 4-DOOR SEDAN	

AR = Use as Required - = Non Illustrated Part P.A.R. = Paint as Required

TAPE STRIPES and DECALS - EXTERIOR VIEW PLYMOUTH HORIZON
Figure 23-500

416-K 500



ITEM	PART NUMBER	QTY	BODY	MODEL	DESCRIPTION
1	T738 CAA	1		M-H	TAPE, Hood, Garnet, Bright Red, Silver (KJY)
	T738 CAB	1		M-H	Beige, Orange, Spice (KJC)
	T738 CAC	1		M-H	Silver, Bright Red, Charcoal (KJR)
2	4318 578-9	1		M-H	TAPE PACKAGE, Fndr., Door, Qtr., Garnet, Bright Red, Silver (KJY) (Paint Sales Code PR6 QA1)
	4318 580-1	1		M-H	Beige, Orange, Spice (KJC) (Paint Sales Code PL4 QK6)
	4318 582-3	1		M-H	Silver, Bright Red, Charcoal (KJR) (Paint Sales Code PA1 QA9)
3	4339 239	4		M	TAPE, Door Handle

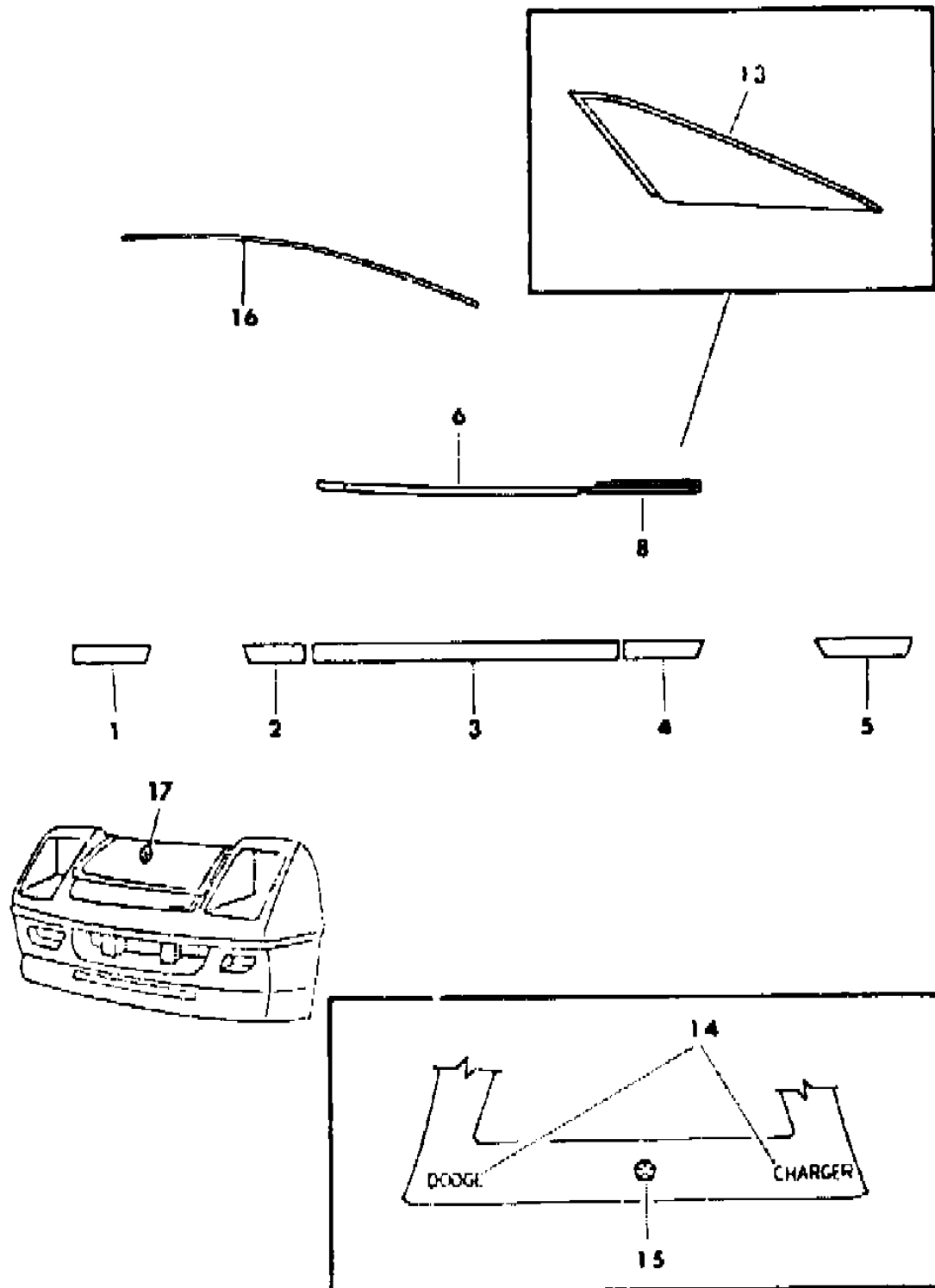
MODEL CODES
 B = GRAN FURY
 C = LEBARON/TOWN & COUNTRY/EXC SEDAN
 C24 = LASER
 D = ARIES
 E = 600
 F = FIFTH AVENUE/NEWPORT
 G = DIPLOMAT
 H = VOYAGER
 K = MINI RAM/CARAVAN/ROYAL
 M = HORIZON/TURISMO
 P = RELIANT
 T = E CLASS/NEW YORKER
 V = 600
 V24 = DAYTONA
 Z = OMNI/CHARGER/RAMPAGE

BODY STYLES
 21 = 2-DOOR SEDAN
 22 = 2-DOOR SPECIAL COUPE
 24 = 2-DOOR HATCHBACK
 27 = 2-DOOR CONVERTIBLE
 28 = FWD PICKUP
 35 = FWD VAN
 36 = FWD WAGON
 41 = 4-DOOR SEDAN
 44 = 4-DOOR HATCHBACK
 45 = 4-DOOR STATION WAGON
 48 = 4-DOOR EXECUTIVE SEDAN

AR = Use as Required - = Non Illustrated Part P.A.R. = Paint as Required

MOULDINGS and ORNAMENTATIONS - EXTERIOR VIEW DODGE CHARGER, CHARGER 2.2
Figure 23-600

4108 (R)



ITEM	PART NUMBER	QTY	BODY	MODEL	DESCRIPTION
1	5230 728-9	1			MOULDING, Fndr. Frt.
2	5230 730-1	1			MOULDING, Fndr. Rear
3	5230 732-3	1			MOULDING, Door
4	5230 734-5	1			MOULDING, Qtr. Frt.
5	5230 736-7	1			MOULDING, Qtr. Rear
6	5230 850	1			MOULDING, Door Belt, Rt., Black, Use w/o Mirror
	5230 846	1			MOULDING, Door Belt, Rt., Black, Use w/Mirror
	5230 847	1			MOULDING, Door Belt, Lt., Black
8	5230 726-7	1			MOULDING, Qtr. Wdo. Belt, Black
13					APPLIQUE, Qtr. Wdo.
	X604-5 BA1	1			Silver Met.
	X604-5 CC4	1			Glacier Blue
	X604-5 CC9	1			Night Watch Blue
	X604-5 BB6	1			Blue (Shelby Charger)
	X604-5 CW3	1			White
	X604-5 CX9	1			Black
	X604-5 CK6	1			Spice Met.
	X604-5 CR6	1			Garnet
	X604-5 CR4	1			Graphic Red
	X604-5 CA9	1			Charcoal Gray
	X604-5 CL4	1			Beige Met.
	5230 661	AR			RETAINER SCREW, (Not Serv.)
	6025 002	AR			NUT
14	4319 769	1		Z-H,Z-S	NAME PLATE, L/Gate, "DODGE"
	5230 875	1		Z-H,Z-S	"CHARGER"
15	4319 496	1		Z-P,Z-S	MEDALLION, L/Gate Pentastar, Black
	4319 497	1		Z-H	MEDALLION, L/Gate Pentastar
16	5230 654-5	1			MOULDING, Roof Side Drain Trough
17	4270 517	1			PENTASTAR, Fascia, Chrome
	4103 380	1			PENTASTAR, Fascia, Painted

MODEL CODES

B = GRAN FURY	F = FIFTH AVENUE/NEWPORT	P = RELIANT
C = LEBARON/TOWN & COUNTRY/EXC SEDAN	G = DIPLOMAT	T = E CLASS/NEW YORKER
C24 = LASER	H = VOYAGER	V = 600
D = ARIES	K = MINI RAM/CARAVAN/ROYAL	V24 = DAYTONA
E = 600	M = HORIZON/TURISMO	Z = OMNI/CHARGER/RAMPAGE

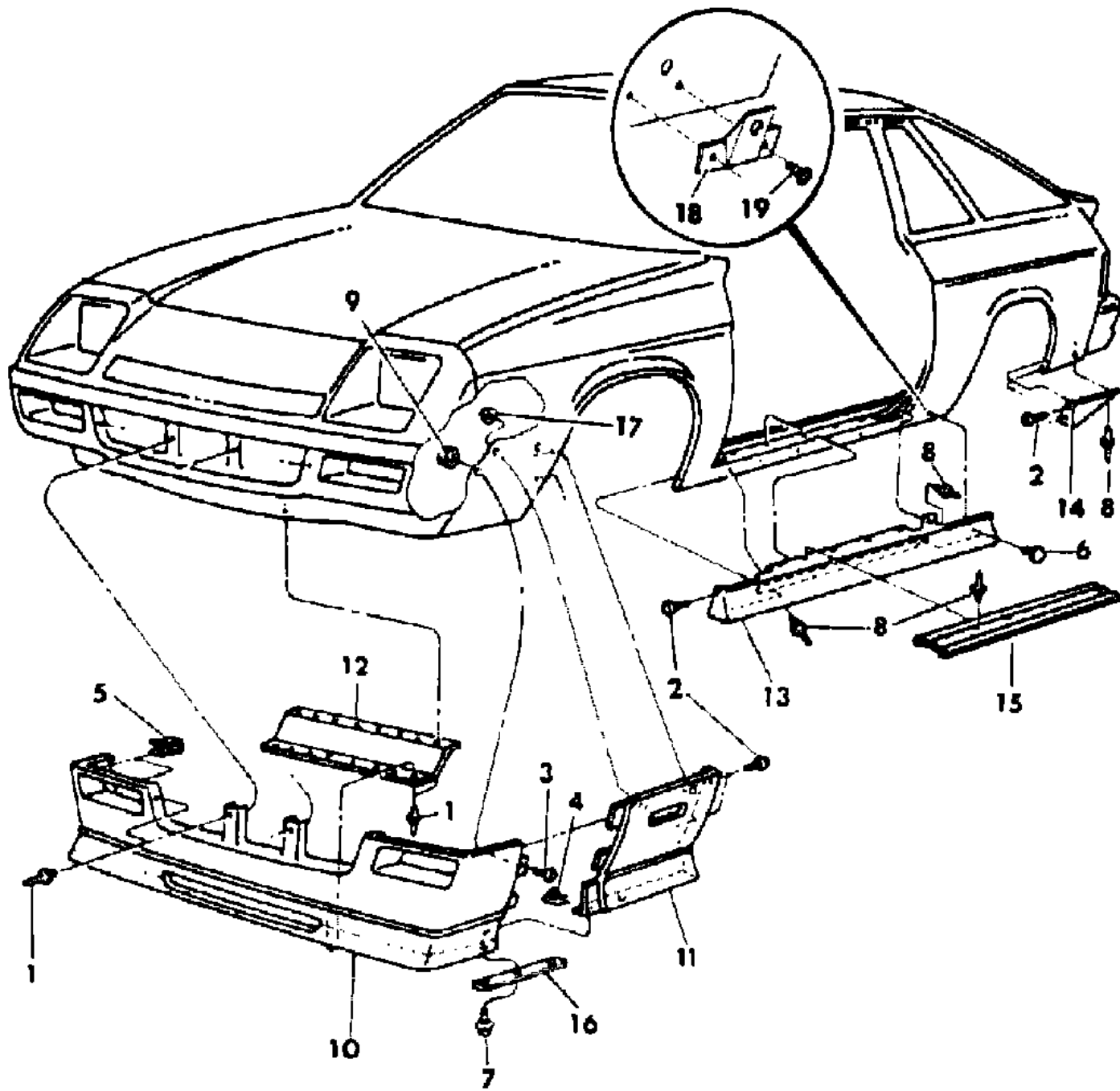
BODY STYLES

21 = 2-DOOR SEDAN	28 = FWD PICKUP	44 = 4-DOOR HATCHBACK
22 = 2-DOOR SPECIAL COUPE	35 = FWD VAN	45 = 4-DOOR STATION WAGON
24 = 2-DOOR HATCHBACK	36 = FWD WAGON	48 = 4-DOOR EXECUTIVE SEDAN
27 = 2-DOOR CONVERTIBLE	41 = 4-DOOR SEDAN	

AR = Use as Required - = Non Illustrated Part P.A.R. = Paint as Required

GROUND EFFECTS PACKAGE - EXTERIOR VIEW DODGE SHELBY CHARGER
Figure 23-700

4166 700



ITEM	PART NUMBER	QTY	BODY	MODEL	DESCRIPTION
1	6500 898	AR			RIVET
2	6031 694	AR			SCREW and WASHER
3	6023 531	AR			BOLT and WASHER
4	6500 284	AR			NUT and WASHER
5	6500 897	4			C/CLIP
6	X910 BA1	2			FASTENER, Push Pin, Silver
	X910 BB6	2			Blue
7	6100 286	AR			SCREW and WASHER
8		AR			RIVET, (Not Serv.)
9	6025 010	2			NUT and WASHER
10	X901 BAB	1			AIR DAM, Frt. Fascia, Blue w/Silver Paint and Tape
	X901 BBA	1			Silver w/Blue Paint and Tape
	X901 CAR	1			Red w/Silver Paint and Tape
	X901 DAX	1			Black w/Silver Paint and Tape
11	X904-5 BAB	1			SKIRT, Fndr., Blue w/Silver Paint and Tape
	X904-5 BBA	1			Silver w/Blue Paint and Tape
	X904-5 CAR	1			Red w/Silver Paint and Tape
	X904-5 CAX	1			Black w/Silver Paint and Tape
12					PANEL, Air Dam Mtg. (Serv. in Item 10)
13	X906-7 BA1	1			COVER, Body Sill, Silver
	X906-7 BB6	1			Blue
14	X908-9 BA1	1			SKIRT, Rear Aperture, Silver
	X908-9 BB6	1			Blue
15	4319 998-9	1			PLATE, Sill Cover
16	4270 472	2			STRAP, Air Dam to Fndr. Skirt
17	6026 430	4			NUT, Fndr. Skirt to Fndr.
18	4270 473	2			BRACKET, Aperture to Body Sill Cover
19		AR			SCREW, (Not Serv.)

MODEL CODES

B = GRAN FURY	F = FIFTH AVENUE/NEWPORT	P = RELIANT
C = LEBARON/TOWN & COUNTRY/EXC SEDAN	G = DIPLOMAT	T = E CLASS/NEW YORKER
C24 = LASER	H = VOYAGER	V = 600
D = ARIES	K = MINI RAM/CARAVAN/ROYAL	V24 = DAYTONA
E = 600	M = HORIZON/TURISMO	Z = OMNI/CHARGER/RAMPAGE

BODY STYLES

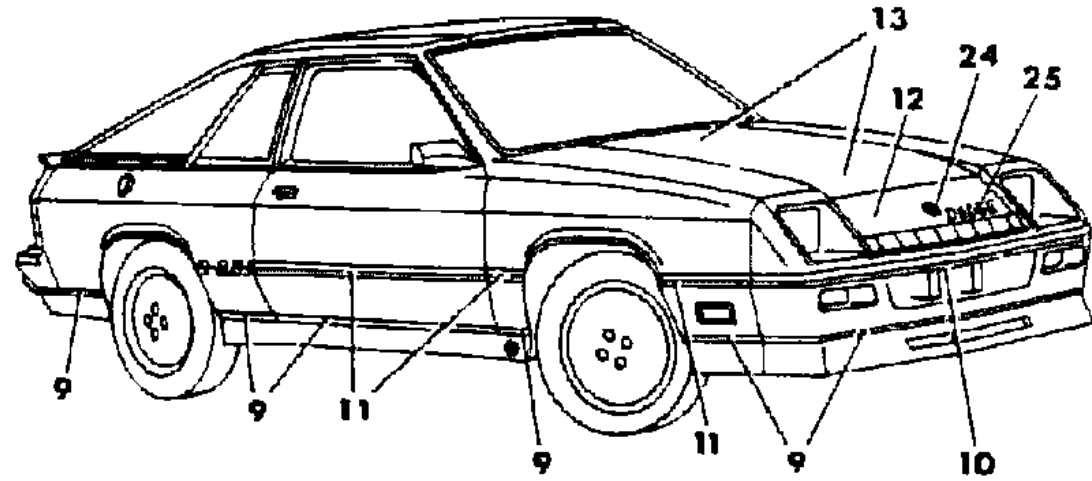
21 = 2-DOOR SEDAN	28 = FWD PICKUP	44 = 4-DOOR HATCHBACK
22 = 2-DOOR SPECIAL COUPE	35 = FWD VAN	45 = 4-DOOR STATION WAGON
24 = 2-DOOR HATCHBACK	36 = FWD WAGON	48 = 4-DOOR EXECUTIVE SEDAN
27 = 2-DOOR CONVERTIBLE	41 = 4-DOOR SEDAN	

AR = Use as Required - = Non Illustrated Part P.A.R. = Paint as Required

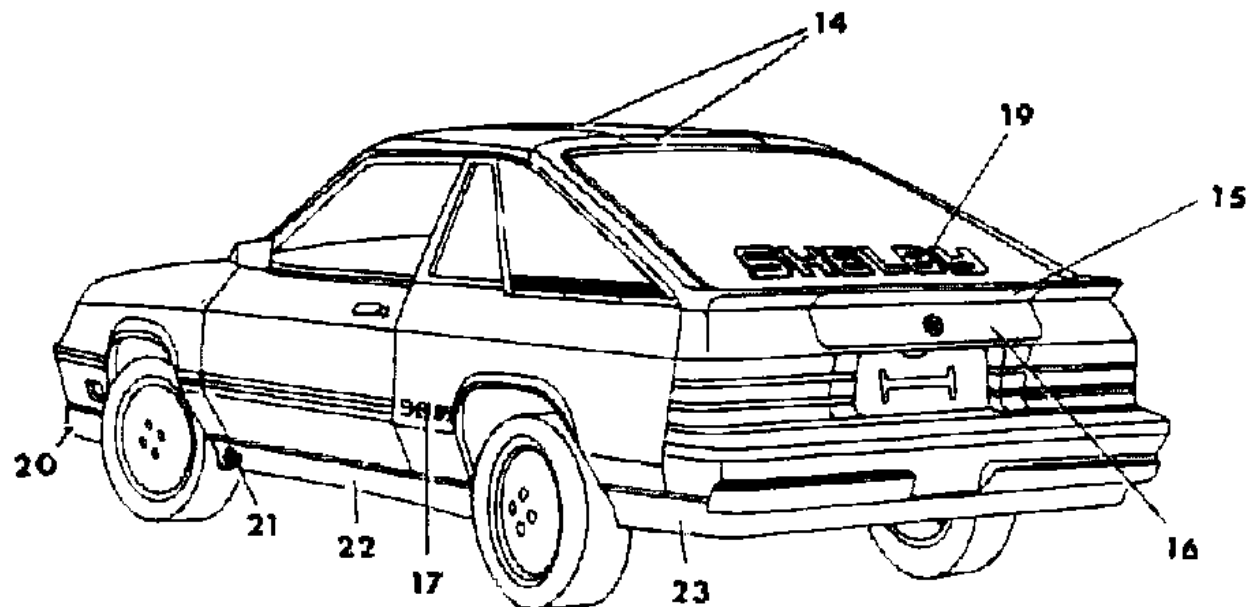
TAPE STRIPES and DECALS - EXTERIOR VIEW DODGE SHELBY CHARGER 2.2

Figure 23-800

416 800



ITEM	PART NUMBER	QTY	BODY	MODEL	DESCRIPTION
9	4293 604	1			TAPE, Body Side, Silver, 25' Roll (KAA)
	4293 605	1			Blue (KAC)
10	T870 BA1	1			TAPE, Frt. Fascia Nerf, Silver (KAC)
	T870 BB6	1			Blue (KAA)
	T870 CR6	1			Red (KAR)
	T870 CX9	1			Black (KAX)
11	4293 600-1	1			TAPE PACKAGE, Body Side Upr., Silver (KAA)
	4293 602-3	1			Blue (KAC)
12	T354 BBL	1			TAPE, Fascia Upr., Frt., Blue, Silver, Blue Silver, Approx. 33" Wide (KAA)
	T354 BBM	1			Silver, Blue, Silver, Blue (KAC)
	T354 CJA	1			Red, Silver (KAR)
	T354 CJB	1			Black, Silver (KAX)
	T390 BBJ	1			TAPE, Fascia Upr., Frt. Blue, Silver, Approx. 3/8" Wide (KAA)
	T390 BBK	1			Silver, Blue (KAC)
	T390 CJA	1			Red, Silver (KAR)
13	T355 BBP	1			TAPE, Hood, Silver, Approx. 33" Wide (KAA)
	T355 BBR	1			Blue (KAC)
	T356 BBP	1			TAPE, Cowl, Silver Approx. 33" Wide (KAA)
	T356 BBR	1			Blue (KAC)
	T392 BBJ	AR			TAPE, Hood and Cowl, Blue, Silver, Approx. 3/8" Wide (KAA)
	T392 BBK	AR			Silver, Blue (KAC)
14	T392 CJA	AR			Red, Silver (KAR)
	T357 BBP	1			TAPE, Roof, Silver, Approx. 33" Wide (KAA)
	T357 BBR	1			Blue (KAC)
15	T358 BBP	1			TAPE, L/Gate Upr., Silver, Approx. 33" Wide (KAA)
	T358 BBR	1			Blue (KAC)
	T394 BBJ	1			TAPE, Roof and L/Gate Upr., Blue, Silver, Approx. 3/8" Wide (KAA)
	T394 BBK	1			Silver, Blue (KAC)
	T394 CJA	1			Red, Silver (KAR)
16	T359 BBP	1			TAPE, L/Gate Air Spoiler, Silver, Approx. 33" Wide (KAA)
	T359 BBR	1			Blue (KAC)
	T447 BBP	1			TAPE, L/Gate Air Spoiler Lwr., Silver, Approx. 33" Wide
	T447 BBR	1			Blue (KAC)
	T396 BBJ	1			TAPE, L/Gate Air Spoiler Lwr., Blue, Silver, Approx. 33" Wide (KAA)
	T396 BBK	1			Silver, Blue (KAC)



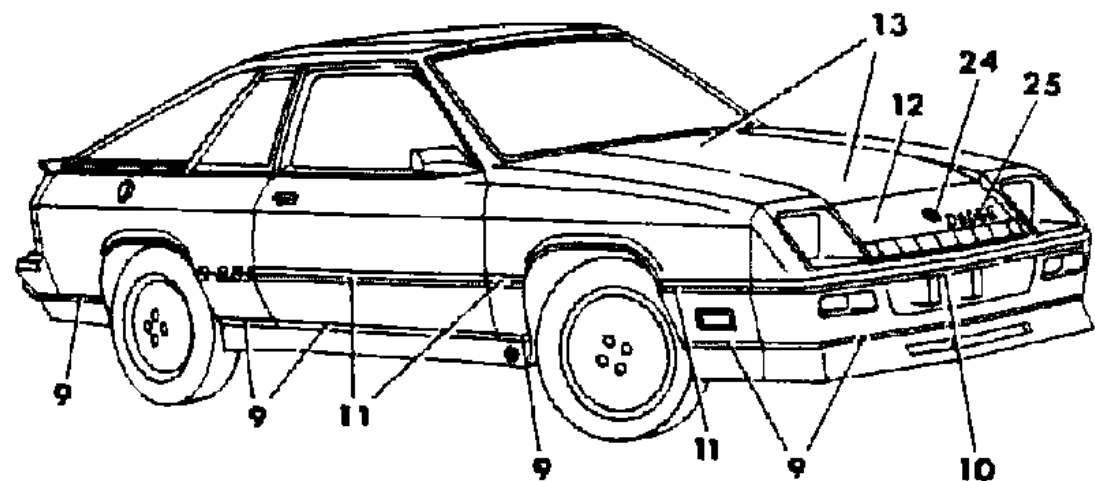
MODEL CODES
 B = GRAN FURY
 C = LEBARON/TOWN & COUNTRY/EXC SEDAN
 C24 = LASER
 D = ARIES
 E = 600
 F = FIFTH AVENUE/NEWPORT
 G = DIPLOMAT
 H = VOYAGER
 K = MINI RAM/CARAVAN/ROYAL
 M = HORIZON/TURISMO
 P = RELIANT
 T = E CLASS/NEW YORKER
 V = 600
 V24 = DAYTONA
 Z = OMNI/CHARGER/RAMPAGE

BODY STYLES
 21 = 2-DOOR SEDAN
 22 = 2-DOOR SPECIAL COUPE
 24 = 2-DOOR HATCHBACK
 27 = 2-DOOR CONVERTIBLE
 28 = FWD PICKUP
 35 = FWD VAN
 36 = FWD WAGON
 41 = 4-DOOR SEDAN
 44 = 4-DOOR HATCHBACK
 45 = 4-DOOR STATION WAGON
 48 = 4-DOOR EXECUTIVE SEDAN

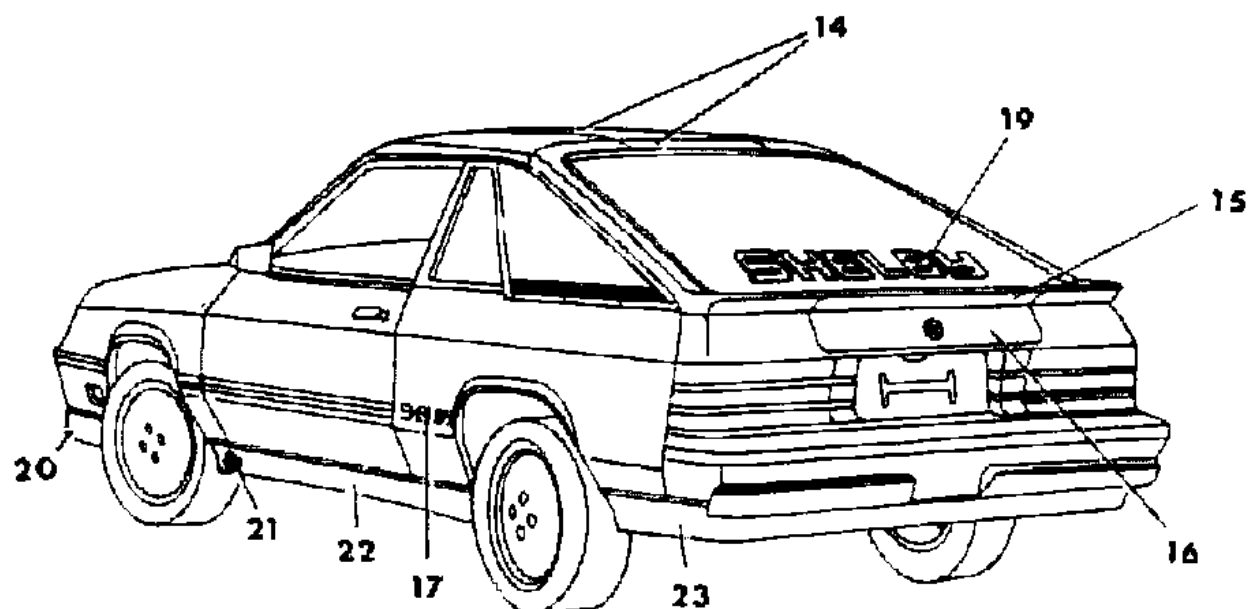
AR = Use as Required - = Non Illustrated Part P.A.R. = Paint as Required

TAPE STRIPES and DECALS - EXTERIOR VIEW DODGE SHELBY CHARGER 2.2
Figure 23-800

416 800



ITEM	PART NUMBER	QTY	BODY	MODEL	DESCRIPTION
	T396 CJA	1			Red, Silver (KAR)
16	T448 BBP	1			TAPE, L/Gate Lwr., Silver, Approx. 33" Wide
	T448 BBR	1			Blue (KAC)
	T391 BBJ	1			TAPE, L/Gate Lwr., Blue, Silver, Approx. 33" Wide (KAA)
	T391 BBK	1			Silver, Blue (KAC)
17	T391 CJA	1			Red, Silver (KAR)
	T445 BA1	1			DECAL, Qtr. Pnl., "SHELBY", Silver (KAC)
19	T445 BB6	1			Blue (KAA)
	T446 BB6	1			DECAL, L/Gate Glass, "SHELBY", Blue
	T446 CA5	1			Silver
20					SKIRT, Frt. Fndr. (See Illus. 850, Item 11)
21	4270 395	2			DECAL, Pentastar Cover Body Sill
22					COVER, Sill Spoiler (See Illus. 850, Item 13)
23					SKIRT, Rear Aperture (See Illus. 850, Item 14)
24	4270 369	1			PENTASTAR, Frt. Bumper Fascia
25	T444 BA1	1			DECAL, "DODGE", Silver
	T444 BB6	1			Blue
	T444 CR6	1			Red
	T444 CX9	1			Black



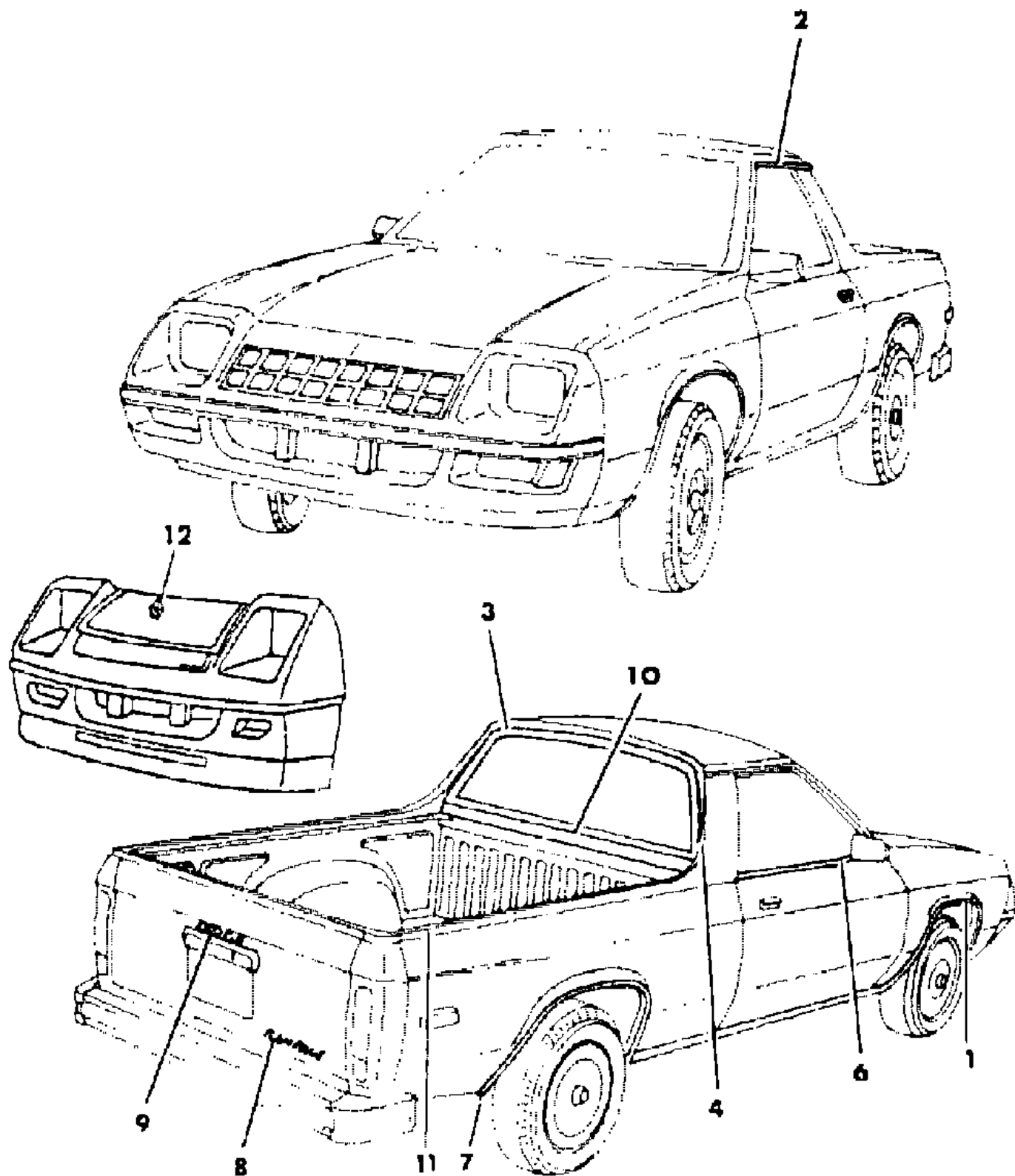
MODEL CODES
 B = GRAN FURY
 C = LEBARON/TOWN & COUNTRY/EXC SEDAN
 C24 = LASER
 D = ARIES
 E = 600
 F = FIFTH AVENUE/NEWPORT
 G = DIPLOMAT
 H = VOYAGER
 K = MINI RAM/CARAVAN/ROYAL
 M = HORIZON/TURISMO
 P = RELIANT
 T = E CLASS/NEW YORKER
 V = 600
 V24 = DAYTONA
 Z = OMNI/CHARGER/RAMPAGE

BODY STYLES
 21 = 2-DOOR SEDAN
 22 = 2-DOOR SPECIAL COUPE
 24 = 2-DOOR HATCHBACK
 27 = 2-DOOR CONVERTIBLE
 28 = FWD PICKUP
 35 = FWD VAN
 36 = FWD WAGON
 41 = 4-DOOR SEDAN
 44 = 4-DOOR HATCHBACK
 45 = 4-DOOR STATION WAGON
 48 = 4-DOOR EXECUTIVE SEDAN

AR = Use as Required - = Non Illustrated Part P.A.R. = Paint as Required

MOULDINGS and ORNAMENTATION - EXTERIOR VIEW DODGE RAMPAGE - Z-28
Figure 23-900

4168 900



ITEM	PART NUMBER	QTY	BODY	MODEL	DESCRIPTION
1	5230 510-1	1			MOULDING, Fndr. Wheel Opng. SCREW, (Not Serv.)
2	5230 738-9	1			MOULDING, Roof Side Drain Trough, Repair
3	X800 AA9	1			MOULDING, Roof Rear (Paint as Req.)
	4267 919	AR			RETAINER PACKAGE WELD STUD, (Not Serv.)
4	X810-1 CW3	1			MOULDING, Body Side Aper. Pnl. Upr. Frt. (Paint as Req.)
6	5230 846	1			MOULDING, Door Belt, Rt., Black, Use w/Mirror
	5230 847	1			MOULDING, Door Belt, Lt., Black
	5230 850	1			MOULDING, Door Belt, Rt., Black, Use w/o Mirror
7	5230 814-5	1			MOULDING, Qtr. Wheel Opng., Use Up to 11-15-83
	5230 680-1	1			MOULDING, Qtr. Wheel Opng., Use After 11-15-83 SCREW, (Not Serv.)
8	5230 871	1			NAMEPLATE, T/Gate, "RAMPAGE"
9	5230 874	1			NAMEPLATE, T/Gate, "DODGE"
10	5230 758	1			MOULDING, Back Pnl. Glass Lwr.
	6003 818	7			RETAINER, Back Pnl. Glass Lwr. Mldg. WELD STUD, (Not Serv.)
11	X808-9 AX9	1			MOULDING, Cargo Box Trim
	4057 555	AR			RETAINER PACKAGE
12	4270 517	1			PENTASTAR, Fascia, Chrome
	4103 380	1			PENTASTAR, Fascia, Painted

MODEL CODES

B = GRAN FURY	F = FIFTH AVENUE/NEWPORT	P = RELIANT
C = LEBARON/TOWN & COUNTRY/EXC SEDAN	G = DIPLOMAT	T = E CLASS/NEW YORKER
C24 = LASER	H = VOYAGER	V = 600
D = ARIES	K = MINI RAM/CARAVAN/ROYAL	V24 = DAYTONA
E = 600	M = HORIZON/TURISMO	Z = OMNI/CHARGER/RAMPAGE

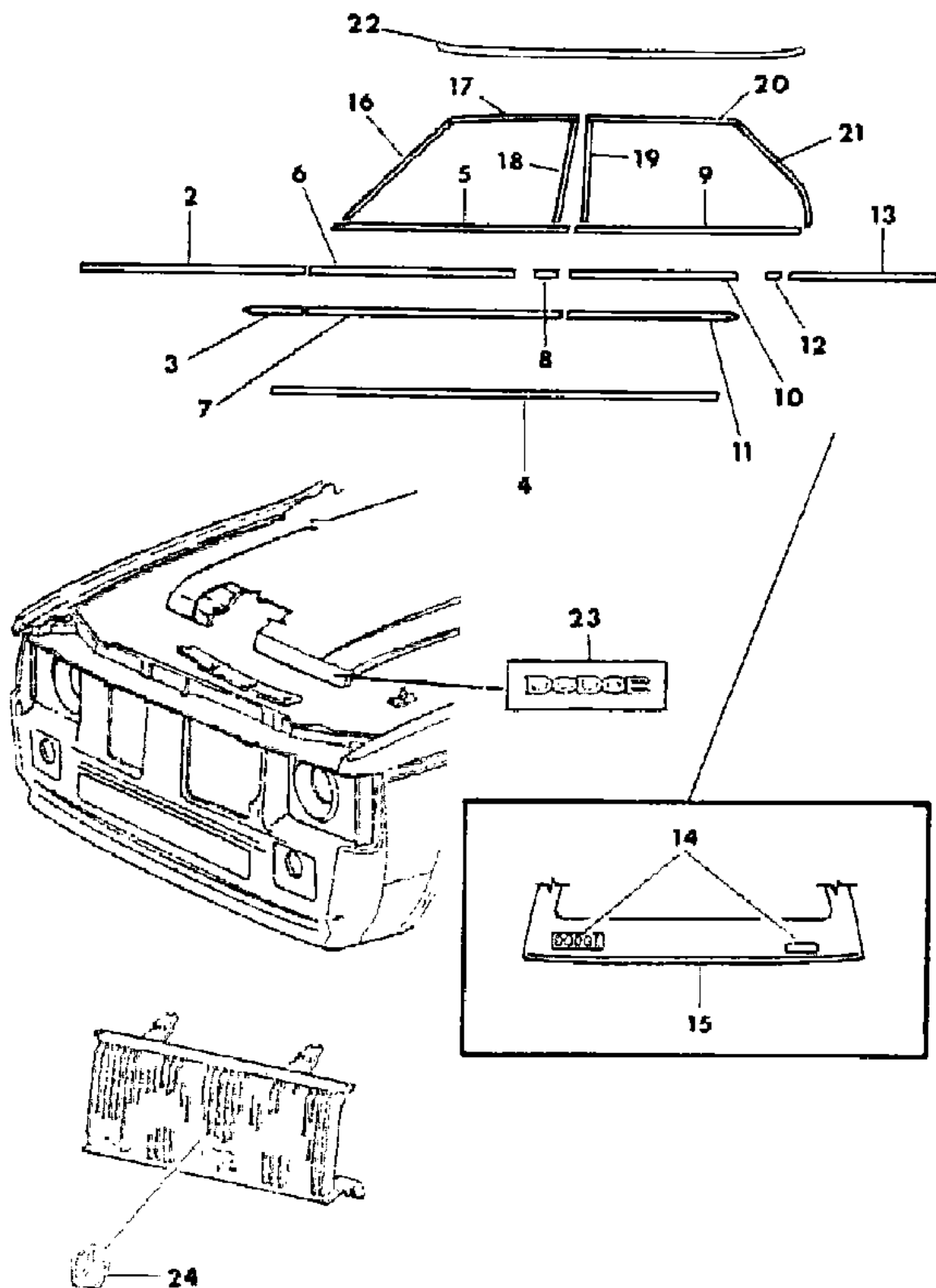
BODY STYLES

21 = 2-DOOR SEDAN	28 = FWD PICKUP	44 = 4-DOOR HATCHBACK
22 = 2-DOOR SPECIAL COUPE	35 = FWD VAN	45 = 4-DOOR STATION WAGON
24 = 2-DOOR HATCHBACK	36 = FWD WAGON	48 = 4-DOOR EXECUTIVE SEDAN
27 = 2-DOOR CONVERTIBLE	41 = 4-DOOR SEDAN	

AR = Use as Required - = Non Illustrated Part P.A.R. = Paint as Required

MOULDINGS and ORNAMENTATION - EXTERIOR VIEW DODGE OMNI - 4 DOOR HATCHBACK
Figure 23-1000

4108 1000



ITEM	PART NUMBER	QTY	BODY	MODEL	DESCRIPTION
2	5209 280-1	1			MOULDING, Fndr., Black Vinyl (Tape Applied)
	4339 062-3	1		Z-H	MOULDING PACKAGE, Fndr., Bright and Black
	6003 679	AR			RETAINER
	6003 644	AR			RETAINER
	4057 555	AR			RETAINER PACKAGE
3	4293 616	AR			SCREW PACKAGE, (Repair)
	5230 909	2			MOULDING, Fndr., w/Black Insert
4	4293 619	2		Z-H	MOULDING, Body Side Sill
	4293 624	AR			RETAINER and STUD PACKAGE
5	6003 627	AR			RETAINER, Push on Type
	5209 232-3	1		Z-H	MOULDING, Frt. Door Belt
6	4280 878-9	1		Z-E	MOULDING and WEATHERSTRIP, Frt. Door Belt, Outer, Black
	5209 284-5	1			MOULDING, Frt. Door Frt., Black Vinyl (Tape Applied)
7	4339 064-5	1		Z-H	MOULDING PACKAGE, Frt. Door Frt., Bright and Black
	6003 644	AR			RETAINER
	4293 616	AR			SCREW PACKAGE, (Repair)
	4057 555	AR			RETAINER PACKAGE
8	5230 910	2			MOULDING, Frt. Door, w/Black Insert
9	5209 288	2			MOULDING, Frt. Door Rear, Black Vinyl (Tape Applied)
	4339 019	2		Z-H	MOULDING, Frt. Door Rear, Bright and Black
	6003 644	AR			RETAINER
10	6002 818	AR			RETAINER
	6026 523	AR			NUT
	4293 616	AR			SCREW PACKAGE, (Repair)
11	5209 234-5	1		Z-H	MOULDING, Rear Door Belt
	4280 882-3	1		Z-E	MOULDING w/WEATHERSTRIP, Rear Door Belt Outer, Black
12	5209 292	2			MOULDING, Rear Door Frt., Black Vinyl (Tape Applied)
	4339 066-7	1		Z-H	MOULDING PACKAGE, Rear Door Frt., Bright and Black
	6003 644	AR			RETAINER
13	4293 616	AR			SCREW PACKAGE, (Repair)
	4057 555	AR			RETAINER PACKAGE
	5230 911	2			MOULDING, Rear Door, w/Black Insert
14	5209 296-7	1			MOULDING, Rear Door Rear, Black Vinyl (Tape Applied)
	5209 156-7	1		Z-H	MOULDING PACKAGE, Rear Door Rear, Bright and Black
	3780 453	AR			RETAINER PACKAGE
	4293 616	AR			SCREW PACKAGE, (Repair)
15	5209 300-1	1			MOULDING, Qtr, Black Vinyl (Tape Applied)
	4339 068-9	1		Z-H	MOULDING PACKAGE, Qtr., Bright and Black

MODEL CODES

B = GRAN FURY	F = FIFTH AVENUE/NEWPORT	P = RELIANT
C = LEBARON/TOWN & COUNTRY/EXC SEDAN	G = DIPLOMAT	T = E CLASS/NEW YORKER
C24 = LASER	H = VOYAGER	V = 600
D = ARIES	K = MINI RAM/CARAVAN/ROYAL	V24 = DAYTONA
E = 600	M = HORIZON/TURISMO	Z = OMNI/CHARGER/RAMPAGE

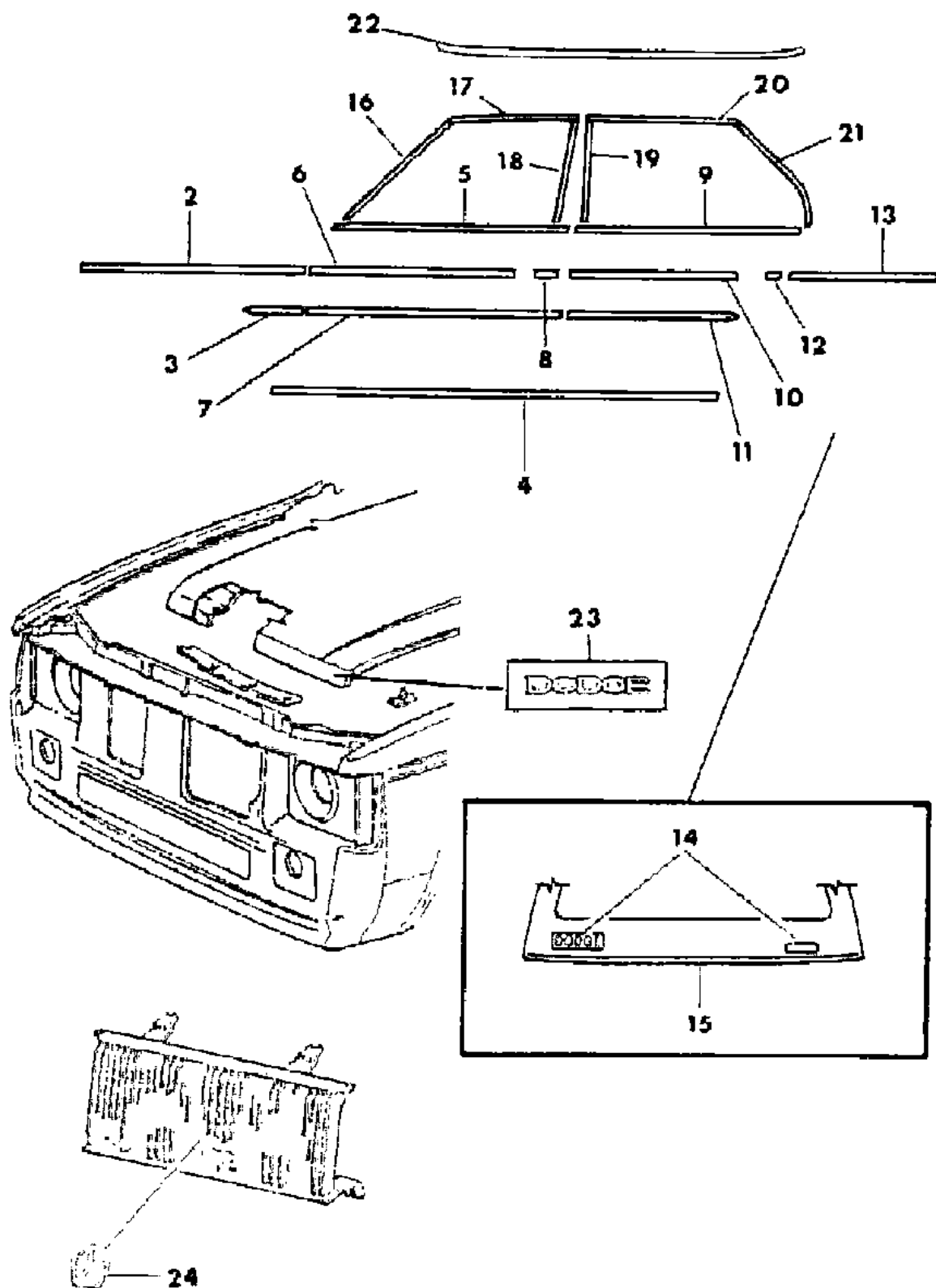
BODY STYLES

21 = 2-DOOR SEDAN	28 = FWD PICKUP	44 = 4-DOOR HATCHBACK
22 = 2-DOOR SPECIAL COUPE	35 = FWD VAN	45 = 4-DOOR STATION WAGON
24 = 2-DOOR HATCHBACK	36 = FWD WAGON	48 = 4-DOOR EXECUTIVE SEDAN
27 = 2-DOOR CONVERTIBLE	41 = 4-DOOR SEDAN	

AR = Use as Required - = Non Illustrated Part P.A.R. = Paint as Required

MOULDINGS and ORNAMENTATION - EXTERIOR VIEW DODGE OMNI - 4 DOOR HATCHBACK
Figure 23-1000

4108 1000



ITEM	PART NUMBER	QTY	BODY	MODEL	DESCRIPTION
	6003 644	AR			RETAINER
	6002 818	AR			RETAINER
	6026 523	AR			NUT
14	4319 769	1			NAMEPLATE, L/Gate, "DODGE"
	5209 099	1			NAMEPLATE, L/Gate, "OMNI"
15	5209 303	1			MOULDING, L/Gate, Black Vinyl (Tape Applied
	4319 000	1	Z-H		MOULDING PACKAGE, L/Gate, Bright and Black
	6002 818	AR			RETAINER
	6003 644	AR			RETAINER
	6026 523	AR			NUT
16	5209 340-1	1	Z-H		MOULDING, Frt. Door Wdo. Opng. Frame, Frt.
17	5209 346-7	1	Z-H		MOULDING, Frt. Door Wdo. Opng. Frame, Up.
18	5209 348-9	1	Z-H		MOULDING, Frt. Door Wdo. Opng. Frame, Rear, Use Up to 11-1-
					83
	5209 414-5	1	Z-H		MOULDING, Frt. Door Wdo. Opng. Frame, Rear, Use After 11-1-
					1-83
19	5209 352-3	1	Z-H		MOULDING, Rear Door Wdo. Opng. Frame, Frt., Use Up to 11-1-
					83
	5209 418-9	1	Z-H		MOULDING, Rear Door Wdo. Opng. Frame, Frt., Use After 11-1-
					1-83
20	5209 356-7	1	Z-H		MOULDING, Rear Door Wdo. Opng. Frame, Up.
21	5209 358-9	1	Z-H		MOULDING, Rear Door Wdo. Opng. Frame, Rear
22	5209 036	2	Z-H		MOULDING, Roof Side Drain Trough, Repair, Bright
23	5209 376	1			NAMEPLATE, Hood, "DODGE"
24	4270 608	1			PENTASTAR, Grille Ornament, w/o Perf. Pkg.
	4103 304	1			PENTASTAR, Grille Ornament, w/Perf. Pkg.
	5209 222	2	Z-H		MOULDING, Roof Side Drain Trough, Repair, Black

MODEL CODES

B = GRAN FURY	F = FIFTH AVENUE/NEWPORT	P = RELIANT
C = LEBARON/TOWN & COUNTRY/EXC SEDAN	G = DIPLOMAT	T = E CLASS/NEW YORKER
C24 = LASER	H = VOYAGER	V = 600
D = ARIES	K = MINI RAM/CARAVAN/ROYAL	V24 = DAYTONA
E = 600	M = HORIZON/TURISMO	Z = OMNI/CHARGER/RAMPAGE

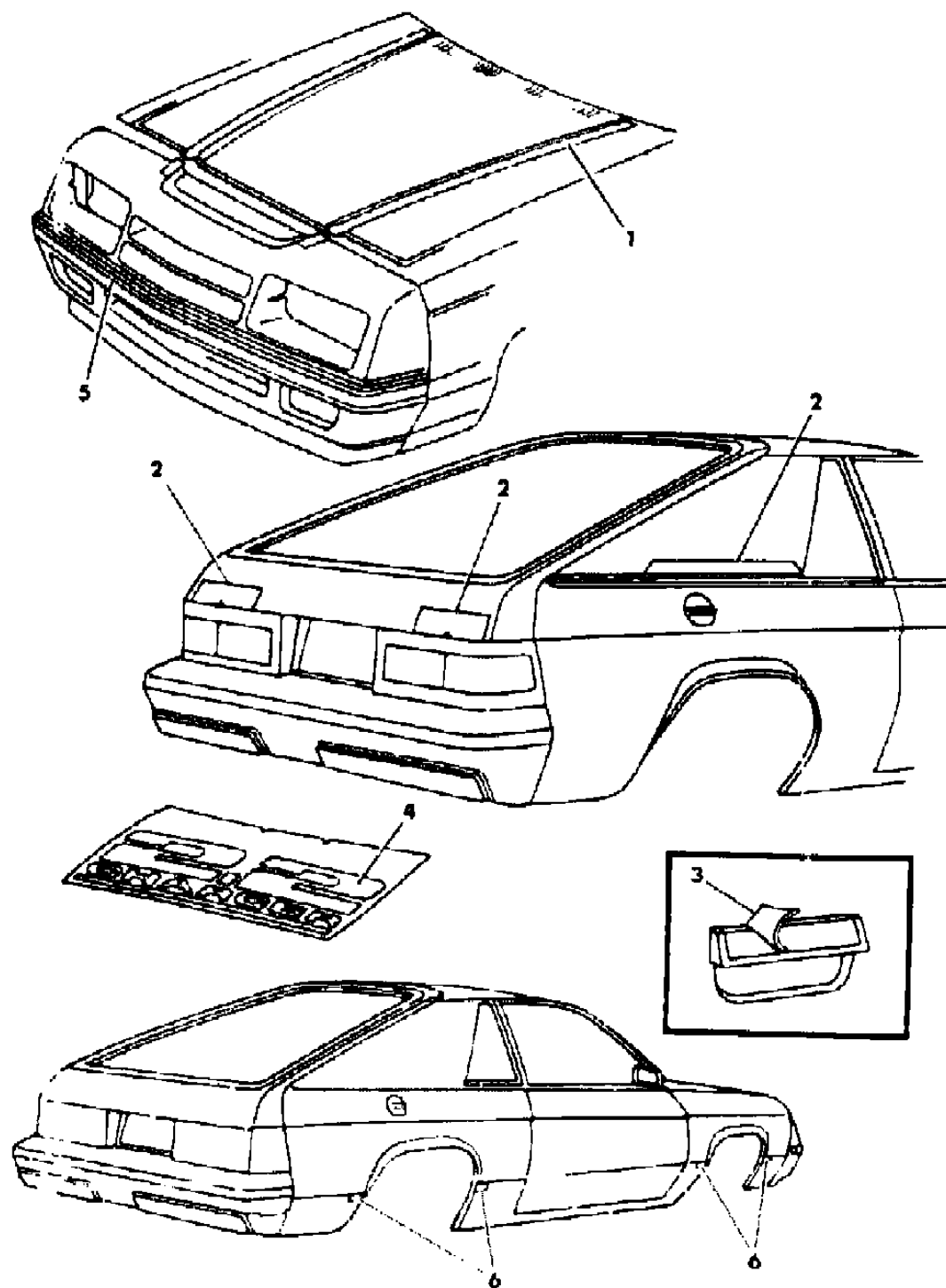
BODY STYLES

21 = 2-DOOR SEDAN	28 = FWD PICKUP	44 = 4-DOOR HATCHBACK
22 = 2-DOOR SPECIAL COUPE	35 = FWD VAN	45 = 4-DOOR STATION WAGON
24 = 2-DOOR HATCHBACK	36 = FWD WAGON	48 = 4-DOOR EXECUTIVE SEDAN
27 = 2-DOOR CONVERTIBLE	41 = 4-DOOR SEDAN	

AR = Use as Required - = Non Illustrated Part P.A.R. = Paint as Required

TAPE STRIPES and DECALS - EXTERIOR VIEW DODGE CHARGER and CHARGER 2.2
Figure 23-1100

416-1100



ITEM	PART NUMBER	QTY	BODY	MODEL	DESCRIPTION
1	T740-1 CBA	1		Z-P	TAPE, Hood, Orange, Red (KEM)
	T740-1 CBD	1		Z-P	Silver, Dark Silver (KEA)
	T740-1 CGE	1		Z-P	Ginger, Dark Brown (KEK)
	T740-1 CGF	1		Z-P	Light Blue, Med. Blue (KEB)
2	T959 CBA	2		Z-P	DECAL, Qtr. Wdo. Applique, "CHARGER 2.2", Orange, Red (KEM)
	T959 CGE	2		Z-P	Ginger, Dark Brown (KEK)
	T959 CGF	2		Z-P	Light Blue, Ned. Blue (KEB)
	T959 CBD	2		Z-P	Silver, Dark Silver (KEA)
	T960 CR4	2		Z-P	DECAL, L/Gate, "DODGE", Red (KEM)
	T960 CA4	2		Z-P	Silver (KEA)
	T960 CT9	2		Z-P	Dark Brown (KEK)
T960 CB4	2		Z-P	Med. Blue (KEB)	
3	T961 CBA	1		Z-P	DECAL, L/Gate, "CHARGER 2.2", Orange, Red (KEM)
	T961 CGE	1		Z-P	Ginger, Dark Brown (KEK)
	T961 CGF	1		Z-P	Light Blue, Med. Blue (KEB)
	T961 CBD	1		Z-P	Silver, Dark Silver (KEA)
4	4339 239	2	Z		TAPE, Door Handle
5	T958 CBA	1		Z-P	TAPE, Hood, "CHARGER 2.2", Orange, Red (KEM)
	T958 CBD	1		Z-P	Silver, Dark Silver (KEA)
	T958 CGE	1		Z-P	Ginger, Dark Brown (KEK)
6	T958 CGF	1		Z-P	Light Blue, Med. Blue (KEB)
	4339 023	1	Z		TAPE, Frt. Fascia
-	4339 300	1	Z		TAPE PACKAGE, Fndr. Frt, Rear, Qtr. Frt., Rear, 3' Length, Use on Two Tone Paint, Charcoal Gray
	4342 501	1	Z		Night Watch Blue
	4342 502	1	Z		Spice
	4342 503	1	Z		Black
-	5230 428-9	1	Z-P		TAPE, Frt. Qtr. Wdo. Black Out
	5230 430-1	1	Z-P		TAPE, Rear Qtr. Wdo. Black Out

MODEL CODES

B = GRAN FURY	F = FIFTH AVENUE/NEWPORT	P = RELIANT
C = LEBARON/TOWN & COUNTRY/EXC SEDAN	G = DIPLOMAT	T = E CLASS/NEW YORKER
C24 = LASER	H = VOYAGER	V = 600
D = ARIES	K = MINI RAM/CARAVAN/ROYAL	V24 = DAYTONA
E = 600	M = HORIZON/TURISMO	Z = OMNI/CHARGER/RAMPAGE

BODY STYLES

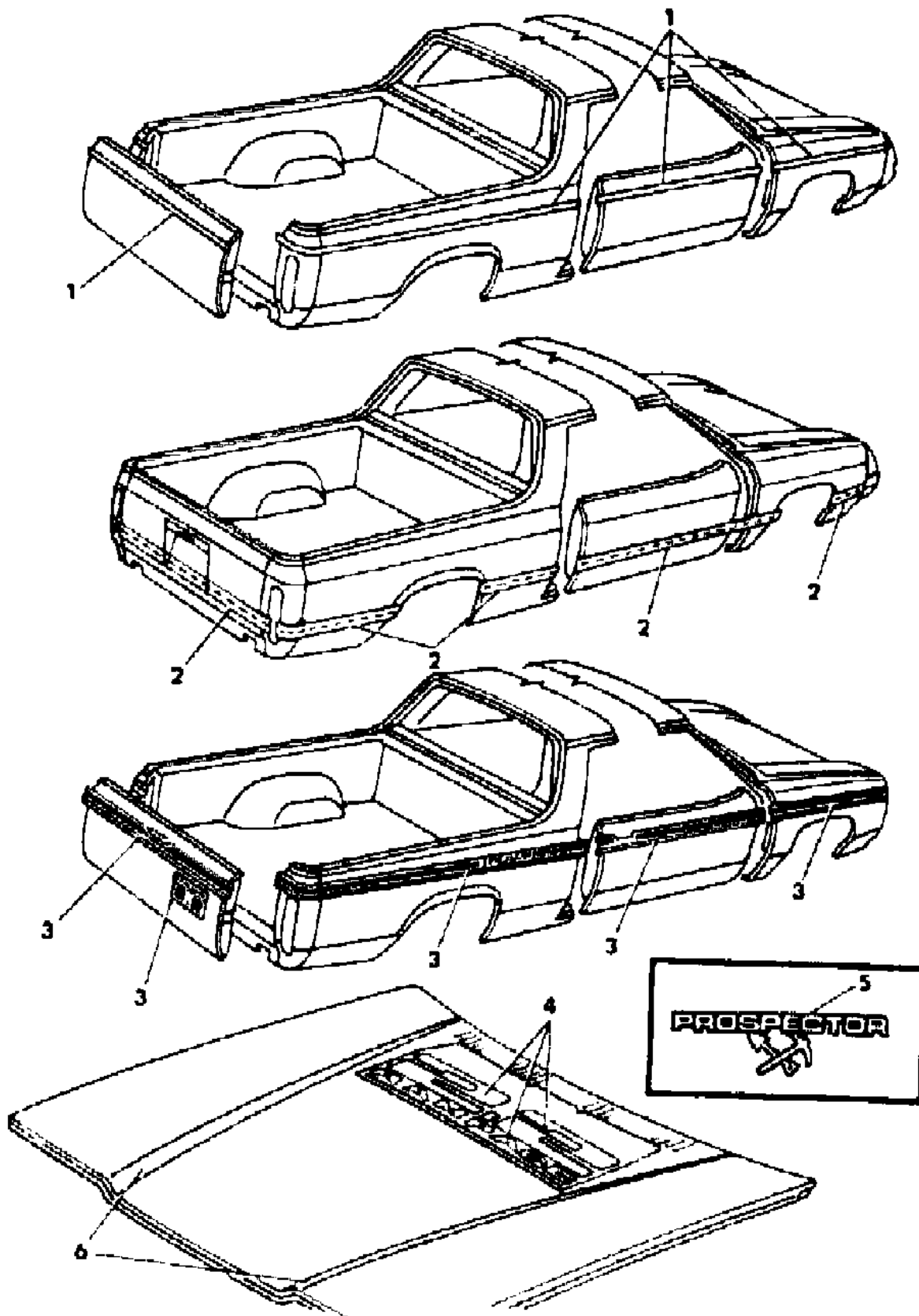
21 = 2-DOOR SEDAN	28 = FWD PICKUP	44 = 4-DOOR HATCHBACK
22 = 2-DOOR SPECIAL COUPE	35 = FWD VAN	45 = 4-DOOR STATION WAGON
24 = 2-DOOR HATCHBACK	36 = FWD WAGON	48 = 4-DOOR EXECUTIVE SEDAN
27 = 2-DOOR CONVERTIBLE	41 = 4-DOOR SEDAN	

AR = Use as Required - = Non Illustrated Part P.A.R. = Paint as Required

TAPE STRIPES and DECALS - EXTERIOR VIEW DODGE RAMPAGE - Z-28
Figure 23-1200

4116 1210

ITEM	PART NUMBER	QTY	BODY	MODEL	DESCRIPTION
1	4318 666-7	1		Z-H	TAPE PACKAGE, Fndr., Door, Qtr., Silver (KGA)
	4318 668-9	1		Z-H	Red (KGR)
	4318 670-1	1		Z-H	Saddle Brown (KGT)
	T441 CA1	1		Z-H	TAPE, T/Gate, Silver (KGA)
	T441 CR4	1		Z-H	Red (KGR)
2	T441 CT8	1		Z-H	Saddle Brown (KGT)
	4318 932-3	1		Z-H,Z-S	TAPE PACKAGE, Fndr., Door, Qtr., Black, Red, Black (KHX) (Paint Sales Code PR4 QX9)
	4318 934-5	1		Z-H,Z-S	Charcoal, Silver, Charcoal (KHA) (Paint Sales Code PA1 QA9)
	4318 936-7	1		Z-H,Z-S	Spice, Beige, Spice (KHK) (Paint Sales Code PL4 QK6)
	4318 938-9	1		Z-H,Z-S	Black, Spice, Black (KHT) (Paint Sales Code PK6 QX9)
	T974 CEA	1		Z-H,Z-S	TAPE, T/Gate, Black Red, Black (KHX) (Paint Sales Code PR4 QX9)
	T974 CEB	1		Z-H,Z-S	Charcoal, Silver, Charcoal (KHA) (Paint Sales Code PA1 QA9)
3	T974 CGD	1		Z-H,Z-S	Spice, Beige, Spice (KHK) (Paint Sales Code PL4 QK6)
	T974 CED	1		Z-H,Z-S	Black, Spice, Black (KHT) (Paint Sales Code PK6 QX9)
	4318 654-5	1		Z-S	TAPE PACKAGE, Fndr., Door, Qtr., Charcoal (KCS)
	4318 656-7	1		Z-S	Black (KCX)
	T340 CA9	1		Z-S	TAPE, T/Gate, Charcoal (KCS)
4	T340 CX9	1		Z-S	Black (KCX)
	T590 CA9	1		Z-S	DECAL, T/Gate, Charcoal (KCS)
	T590 CX9	1		Z-S	Black (KCX)
	T609 CA9	1		Z-S	DECAL, Hood, "RAMPAGE 2.2", Charcoal (KCS)
5	T609 CX9	1		Z-S	Black (KCX)
	5230 878	2		28	DECAL, Qtr., "PROSPECTOR", Black and Gold
6	T578-9 CA9	1		Z-S	TAPE, Hood, Charcoal Gray (KCS)
	T578-9 CX9	1		Z-S	Black (KCX)



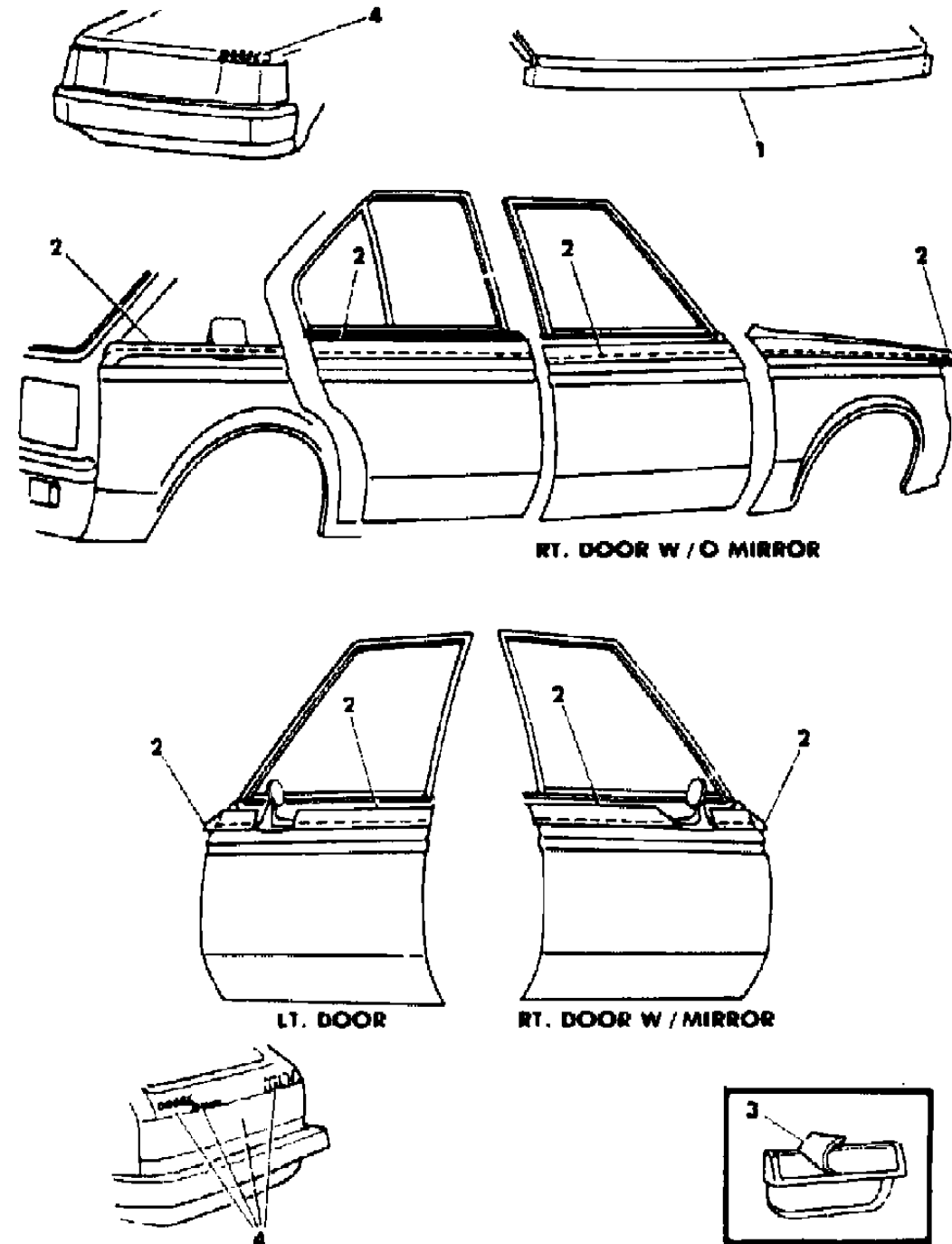
MODEL CODES
 B = GRAN FURY
 C = LEBARON/TOWN & COUNTRY/EXC SEDAN
 C24 = LASER
 D = ARIES
 E = 600
 F = FIFTH AVENUE/NEWPORT
 G = DIPLOMAT
 H = VOYAGER
 K = MINI RAM/CARAVAN/ROYAL
 M = HORIZON/TURISMO
 P = RELIANT
 T = E CLASS/NEW YORKER
 V = 600
 V24 = DAYTONA
 Z = OMNI/CHARGER/RAMPAGE

BODY STYLES
 21 = 2-DOOR SEDAN
 22 = 2-DOOR SPECIAL COUPE
 24 = 2-DOOR HATCHBACK
 27 = 2-DOOR CONVERTIBLE
 28 = FWD PICKUP
 35 = FWD VAN
 36 = FWD WAGON
 41 = 4-DOOR SEDAN
 44 = 4-DOOR HATCHBACK
 45 = 4-DOOR STATION WAGON
 48 = 4-DOOR EXECUTIVE SEDAN

AR = Use as Required - = Non Illustrated Part P.A.R. = Paint as Required

TAPE STRIPES and DECALS - EXTERIOR VIEW DODGE OMNI
Figure 23-1300

4168 1300



ITEM	PART NUMBER	QTY	BODY	MODEL	DESCRIPTION
1	T738 CAA	1		Z-H	TAPE, Hood, Garnet, Bright Red, Silver (KJY)
	T738 CAB	1		Z-H	Beige, Orange, Spice (KJC)
	T738 CAC	1		Z-H	Silver, Bright Red, Charcoal (KJR)
2	4318 578-9	1		Z-H	TAPE PACKAGE, Fndr., Door, Qtr., Garnet, Bright Red, Silver (KJY) (Paint Sales Code PK6 QA1)
	4318 580-1	1		Z-H	Beige, Orange, Spice (KJC) (Paint Sales Code PL4 QK6)
	4318 582-3	1		Z-H	Silver, Bright Red, Charcoal (KJR) (Paint Sales Code PA1 QA9)
3	4339 239	AR		Z	TAPE, Door Handle
4	5209 437	1		Z-E	DECAL, Hood, "DODGE"
	5209 436	1		Z-E	DECAL, L/Gate, "DODGE OMNI"
	5209 435	1		Z-E	DECAL, L/Gate, "GLH"
	5209 438	1		Z-E	TAPE, L/Gate Lwr. Pnl.

MODEL CODES

B = GRAN FURY	F = FIFTH AVENUE/NEWPORT	P = RELIANT
C = LEBARON/TOWN & COUNTRY/EXC SEDAN	G = DIPLOMAT	T = E CLASS/NEW YORKER
C24 = LASER	H = VOYAGER	V = 600
D = ARIES	K = MINI RAM/CARAVAN/ROYAL	V24 = DAYTONA
E = 600	M = HORIZON/TURISMO	Z = OMNI/CHARGER/RAMPAGE

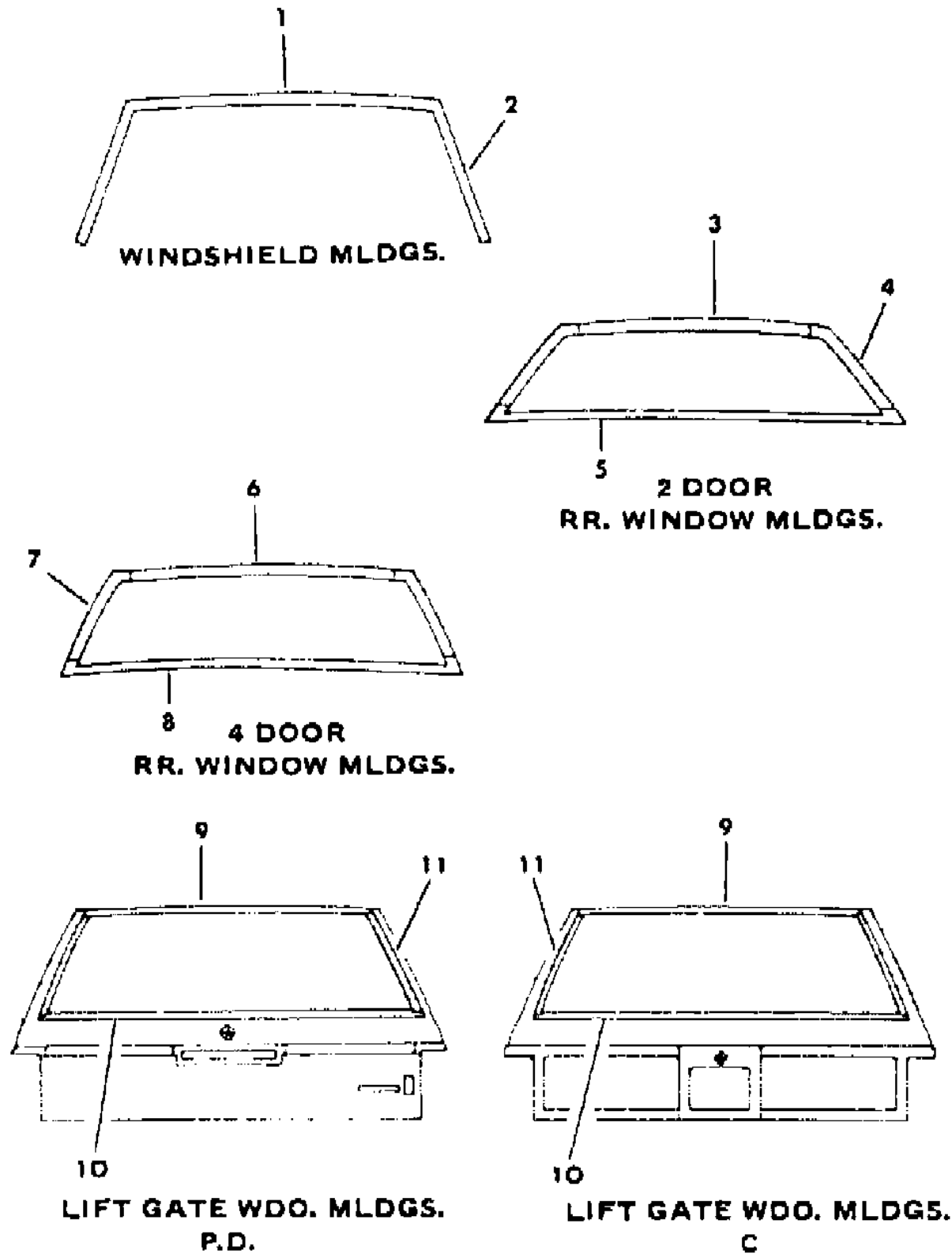
BODY STYLES

21 = 2-DOOR SEDAN	28 = FWD PICKUP	44 = 4-DOOR HATCHBACK
22 = 2-DOOR SPECIAL COUPE	35 = FWD VAN	45 = 4-DOOR STATION WAGON
24 = 2-DOOR HATCHBACK	36 = FWD WAGON	48 = 4-DOOR EXECUTIVE SEDAN
27 = 2-DOOR CONVERTIBLE	41 = 4-DOOR SEDAN	

AR = Use as Required - = Non Illustrated Part P.A.R. = Paint as Required

MOULDINGS, WINDSHIELD and REAR WINDOW OUTSIDE P,D,V,C
Figure 23-1400

4108 1400



ITEM	PART NUMBER	QTY	BODY	MODEL	DESCRIPTION
1	4319 638	1		Except	MOULDING, W/Shield Upr., Bright
	4328 615	1		27	MOULDING, W/Shield Upr., Bright
	4328 858	1		27	MOULDING, W/Shield Upr., Black
	4319 639	1		V,27 Tu	MOULDING, W/Shield Upr., Gloss Black
		AR		27	SCREW, (Not Serv.)
2	4305 123	AR		27	WELT, W/Shield outside Mldg., Rubber, 8' Length
	6003 878	AR		Except	RETAINER, W/Shield Upr. Mldg.
	4319 318-9	1		Except	MOULDING, W/Shield Side, Bright
	4328 616-7	1		27	MOULDING, W/Shield Side, Bright
	4328 860-1	1		27	MOULDING, W/Shield Side, Black
3	4319 320-1	1		V,27 Tu	MOULDING, W/Shield Side, Gloss Black
	6003 878	AR		Except	RETAINER, W/Shield Side Mldg.
	6003 879	AR		Except	RETAINER, W/Shield Side Mldg.
	4319 631	1		P,D,21	MOULDING, Rear Wdo. Upr., Bright
	4319 308-9	1		P,D,21	MOULDING, Rear Wdo. Side, Bright
4	4276 636	2		P,D,21	SPACER, Rear Wdo. Side Mldg.
	6003 878	AR		P,D,21	RETAINER, Rear Wdo. Side
	6003 879	AR		P,D,21	RETAINER, Rear Wdo. Side
	4319 306-7	1		P,D,21	MOULDING, Rear Wdo. Lwr., Bright
	4319 633	1		41	MOULDING, Rear Wdo. Upr.
5	4319 316-7	1		41	MOULDING, Rear Wdo. Side w/Spacer, Bright
	4276 631	2		41	SPACER, Rear Wdo. Side
	6003 878	AR		41	RETAINER, Rear Wdo. Side
	4319 314-5	1		41	MOULDING, Rear Wdo. Lwr., Bright
	4319 322	1		41	MOULDING, L/Gate Upr.
4319 323	1		P,D,C	MOULDING, L/Gate Lwr.	
4319 324-5	1		P,D,C	MOULDING, L/Gate Side	

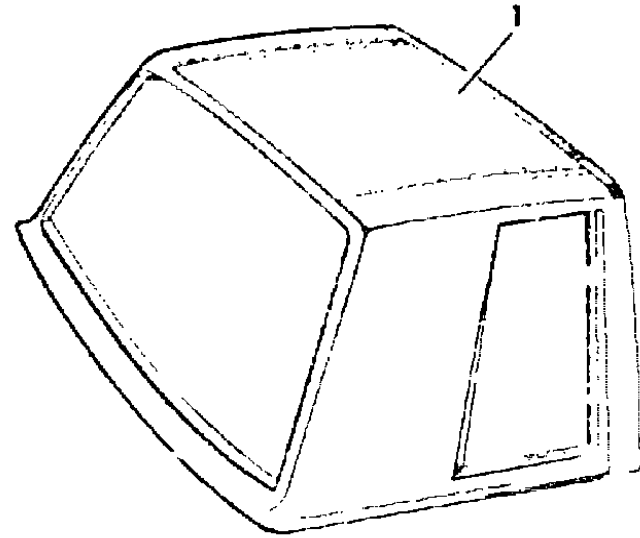
MODEL CODES
 B = GRAN FURY
 C = LEBARON/TOWN & COUNTRY/EXC SEDAN
 C24 = LASER
 D = ARIES
 E = 600
 F = FIFTH AVENUE/NEWPORT
 G = DIPLOMAT
 H = VOYAGER
 K = MINI RAM/CARAVAN/ROYAL
 M = HORIZON/TURISMO
 P = RELIANT
 T = E CLASS/NEW YORKER
 V = 600
 V24 = DAYTONA
 Z = OMNI/CHARGER/RAMPAGE

BODY STYLES
 21 = 2-DOOR SEDAN
 22 = 2-DOOR SPECIAL COUPE
 24 = 2-DOOR HATCHBACK
 27 = 2-DOOR CONVERTIBLE
 28 = FWD PICKUP
 35 = FWD VAN
 36 = FWD WAGON
 41 = 4-DOOR SEDAN
 44 = 4-DOOR HATCHBACK
 45 = 4-DOOR STATION WAGON
 48 = 4-DOOR EXECUTIVE SEDAN

AR = Use as Required - = Non Illustrated Part P.A.R. = Paint as Required

COVER, ROOF - EXTERIOR VIEW PLYMOUTH RELIANT 2 DOOR
Figure 23-1500

4168 1.500



ITEM	PART NUMBER	QTY	BODY	MODEL	DESCRIPTION
1	T928 BA2	1			COVER, Roof Landau, Silver (Trim Code VCA)
	T928 VC9	1			Night Watch Blue (Trim Code VCC)
	T928 CM6	1			Red (Trim Code VCM)
	T928 CT6	1			Tan (Trim Code VCT)
	T928 VW3	1			White (Trim Code VCW)
	T928 VX9	1			Black (Trim Code VCX)
	4229 777	1			PAD, Roof

MODEL CODES

B = GRAN FURY	F = FIFTH AVENUE/NEWPORT	P = RELIANT
C = LEBARON/TOWN & COUNTRY/EXC SEDAN	G = DIPLOMAT	T = E CLASS/NEW YORKER
C24 = LASER	H = VOYAGER	V = 600
D = ARIES	K = MINI RAM/CARAVAN/ROYAL	V24 = DAYTONA
E = 600	M = HORIZON/TURISMO	Z = OMNI/CHARGER/RAMPAGE

BODY STYLES

21 = 2-DOOR SEDAN	28 = FWD PICKUP	44 = 4-DOOR HATCHBACK
22 = 2-DOOR SPECIAL COUPE	35 = FWD VAN	45 = 4-DOOR STATION WAGON
24 = 2-DOOR HATCHBACK	36 = FWD WAGON	48 = 4-DOOR EXECUTIVE SEDAN
27 = 2-DOOR CONVERTIBLE	41 = 4-DOOR SEDAN	

AR = Use as Required - = Non Illustrated Part P.A.R. = Paint as Required

MOULDINGS and ORNAMENTATION - EXTERIOR VIEW PLYMOUTH RELIANT 2 DOOR
Figure 23-1600

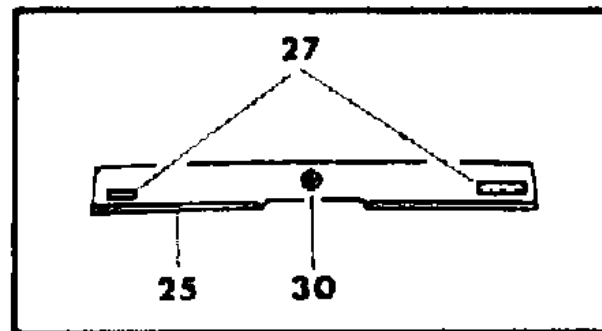
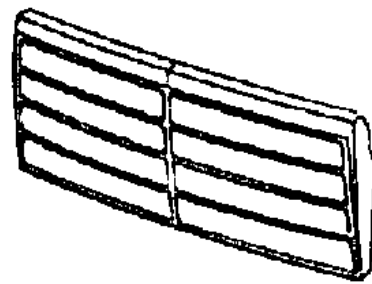
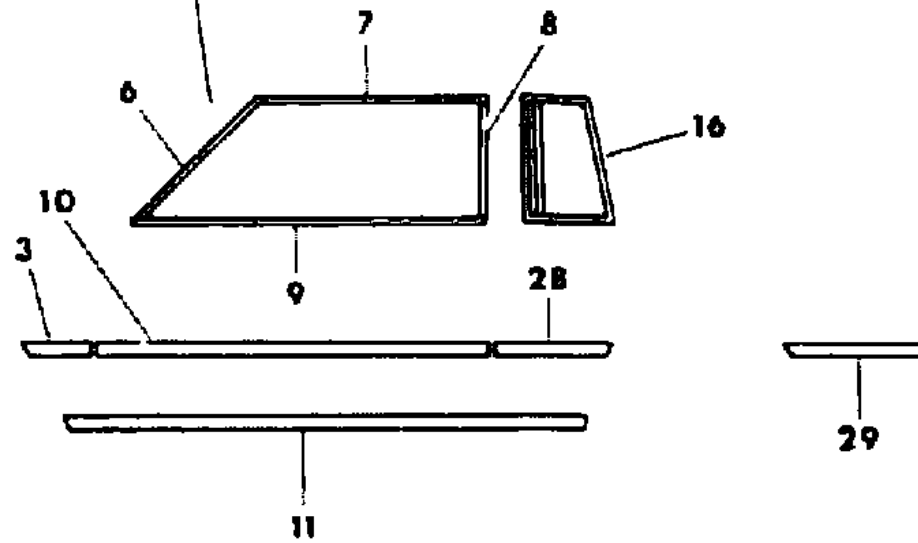
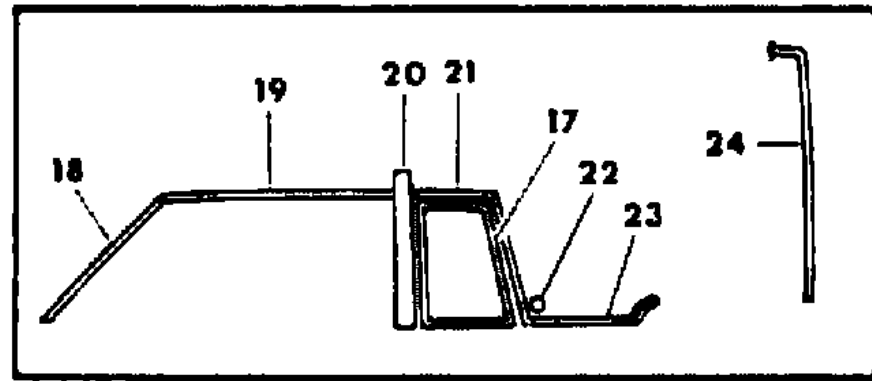
4168 1600 A

ITEM	PART NUMBER	QTY	BODY	MODEL	DESCRIPTION
1	X402-3 CA1	1			MOULDING, Fndr. Frt., Silver
	X402-3 CC9	1			Blue
	X402-3 CM5	1			Red
	X402-3 CT6	1			Mink Brown
	X402-3 CW3	1			White
3	X402-3 CX9	1			Black
	X406-7 CA1	1			MOULDING, Fndr. Rear, Silver
	X406-7 CC9	1			Blue
	X406-7 CM5	1			Red
	X406-7 CT6	1			Mink Brown
6	X406-7 CW3	1			White
	X406-7 CX9	1			Black
	4276 063	1			MOULDING, Door Wdo. Opng. Frame Frt., Lt.
	4319 218	1			MOULDING, Door Wdo. Opng. Frame Frt., Rt., Use w/o Mirror
	4276 062	1			MOULDING, Door Wdo. Opng. Frame Frt., Rt., Use w/Mirror
7	4319 224-5	1			MOULDING, Door Wdo. Opng. Frame Up.
8	4319 230-1	1			MOULDING, Door Wdo. Opng. Frame Rear
9	4293 634	1			MOULDING, Door Belt, Rt., w/Mirror
	4364 539	1			MOULDING, Door Belt, Lt.
	4339 188	1			MOULDING, Door Belt, Rt., w/o Mirror
	4057 555	AR			RETAINER PACKAGE
	10	X410-1 CA1	1		
X410-1 CC9		1			Blue
X410-1 CM5		1			Red
X410-1 CT6		1			Mink Brown
X410-1 CW3		1			White
11	X410-1 CX9	1			Black
	4293 688-9	1			MOULDING PACKAGE, Body Side Sill
	6003 777	AR			RETAINER
	4293 616	AR			SCREW PACKAGE, (Repair)
					SCREW, (Not Serv.)
16	4319 368-9	1		P-H	MOULDING, Qtr. Opera Wdo., Louvered, Argent
17	4319 364-5	1		P-L	MOULDING, Qtr. Wdo., Black
18	4276 416-7	1			MOULDING, Body Frt. Pillar Drain Trough
	4328 572-3	1			MOULDING and SEAL, Body Frt. Pillar Drain Trough
	4229 764-5	1			SEAL, Body Frt. Pillar Drain Trough Mldg. Inner
					SCREW, (Not Serv.)
19	4229 686-7	1			MOULDING, Roof Side Drain Trough w/Padded Landau Roof

MODEL CODES
 B = GRAN FURY
 C = LEBARON/TOWN & COUNTRY/EXC SEDAN
 C24 = LASER
 D = ARIES
 E = 600
 F = FIFTH AVENUE/NEWPORT
 G = DIPLOMAT
 H = VOYAGER
 K = MINI RAM/CARAVAN/ROYAL
 M = HORIZON/TURISMO
 P = RELIANT
 T = E CLASS/NEW YORKER
 V = 600
 V24 = DAYTONA
 Z = OMNI/CHARGER/RAMPAGE

BODY STYLES
 21 = 2-DOOR SEDAN
 22 = 2-DOOR SPECIAL COUPE
 24 = 2-DOOR HATCHBACK
 27 = 2-DOOR CONVERTIBLE
 28 = FWD PICKUP
 35 = FWD VAN
 36 = FWD WAGON
 41 = 4-DOOR SEDAN
 44 = 4-DOOR HATCHBACK
 45 = 4-DOOR STATION WAGON
 48 = 4-DOOR EXECUTIVE SEDAN

AR = Use as Required - = Non Illustrated Part P.A.R. = Paint as Required



MOULDINGS and ORNAMENTATION - EXTERIOR VIEW PLYMOUTH RELIANT 2 DOOR
Figure 23-1600

4168 1600 A

ITEM	PART NUMBER	QTY	BODY	MODEL	DESCRIPTION	
	4319 378-9	1			w/o Padded Landau Roof	
20	X210-1 BC9	1			MOULDING, Roof Transverse w/Padded Landau Roof, Blue	
	X210-1 BM5	1			Red	
	X210-1 CT6	1			Mink Brown	
	X210-1 VW3	1			White	
	X210-1 BA2	1			Silver	
	X210-1 VX9	1			Black	
	6002 013	AR			RETAINER NUT, (Not Serv.)	
21	4319 260-1	1			MOULDING, Qtr. Wdo. Opng. w/Padded Landau Roof	
	6003 627	AR			RETAINER	
	4319 752	2	P-H		MEDALLION, Qtr. Pnl., "SE"	
	6003 627	AR			RETAINER	
23	4293 620-1	1			MOULDING PACKAGE, Qtr. Belt w/Padded Landau Roof	
	6003 627	AR			RETAINER	
24	4293 614	1			MOULDING PACKAGE, Deck Opng. Upr. Pnl., Rt., Use Up to 11-15-83	
	4205 654	1			MOULDING PACKAGE, Deck Opng. Upr. Pnl., Rt., Use After 11-15-83	
	4293 615	1			MOULDING PACKAGE, Deck Opng. Upr. Pnl, Lt.	
	4293 617	AR			RETAINER PACKAGE	
					SCREW, (Not Serv.)	
25	4293 610-1	1			MOULDING, Deck Lid Lwr.	
	4293 618	AR			RETAINER PACKAGE	
27	4328 877	1			NAME PLATE, Deck Lid, "RELIANT"	
	4328 876	1			"PLYMOUTH"	
28	X414-5 CA1	1			MOULDING, Qtr. Frt., Silver	
	X414-5 CC9	1			Blue	
	X414-5 CM5	1			Red	
	X414-5 CT6	1			Mink Brown	
	X414-5 CW3	1			White	
	X414-5 CX9	1			Black	
	29	X416-7 CA1	1			MOULDING, Qtr. Rear, Silver
		X416-7 CC9	1			Blue
X416-7 CM5		1			Red	
X416-7 CT6		1			Mink Brown	
X416-7 CW3		1			White	
	X416-7 CX9	1			Black	

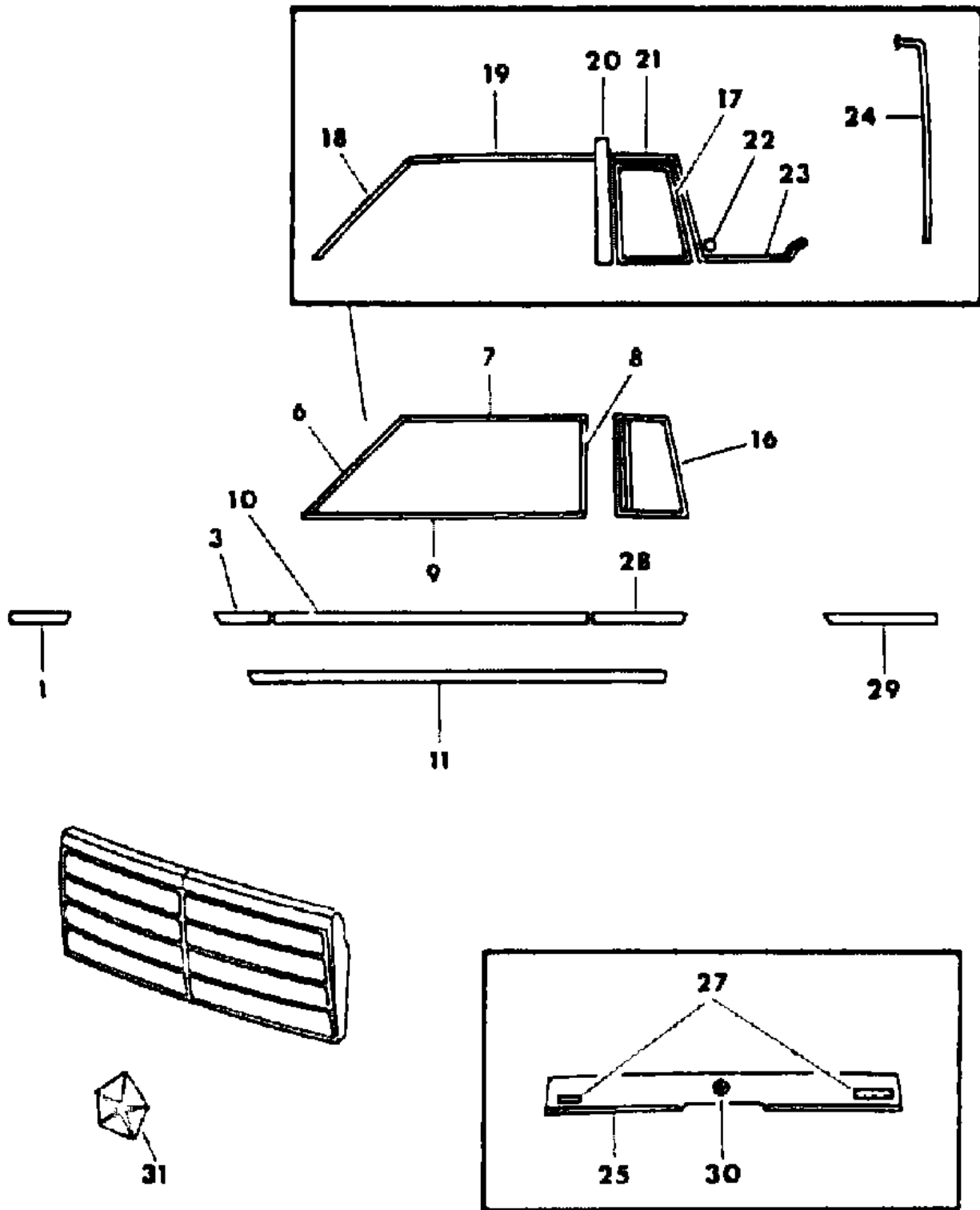
MODEL CODES

B = GRAN FURY	F = FIFTH AVENUE/NEWPORT	P = RELIANT
C = LEBARON/TOWN & COUNTRY/EXC SEDAN	G = DIPLOMAT	T = E CLASS/NEW YORKER
C24 = LASER	H = VOYAGER	V = 600
D = ARIES	K = MINI RAM/CARAVAN/ROYAL	V24 = DAYTONA
E = 600	M = HORIZON/TURISMO	Z = OMNI/CHARGER/RAMPAGE

BODY STYLES

21 = 2-DOOR SEDAN	28 = FWD PICKUP	44 = 4-DOOR HATCHBACK
22 = 2-DOOR SPECIAL COUPE	35 = FWD VAN	45 = 4-DOOR STATION WAGON
24 = 2-DOOR HATCHBACK	36 = FWD WAGON	48 = 4-DOOR EXECUTIVE SEDAN
27 = 2-DOOR CONVERTIBLE	41 = 4-DOOR SEDAN	

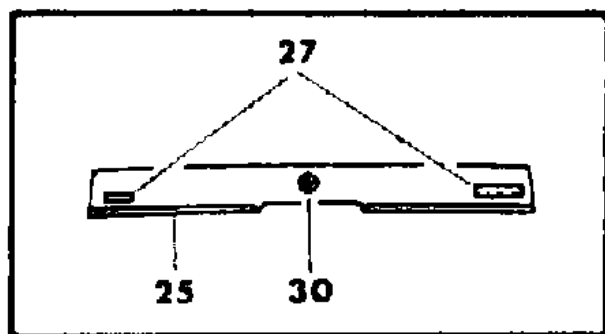
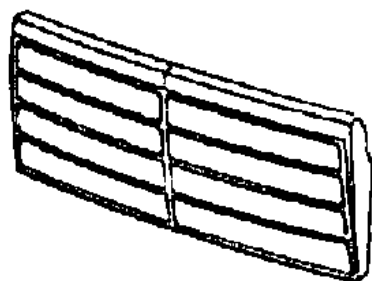
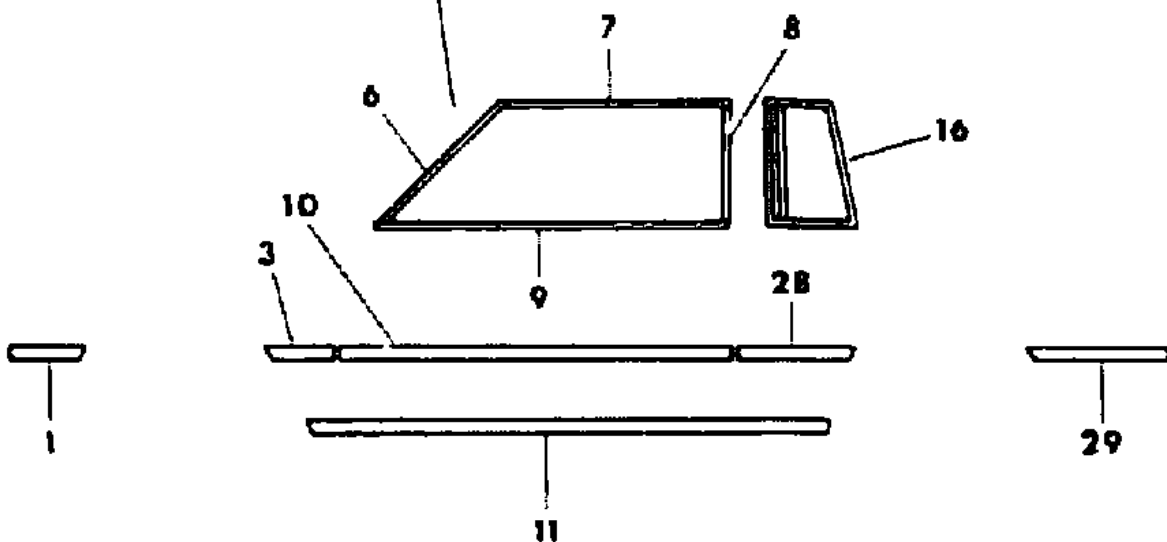
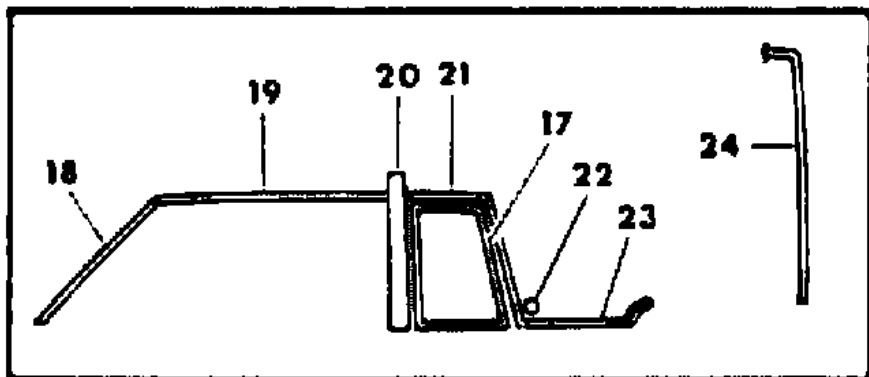
AR = Use as Required - = Non Illustrated Part P.A.R. = Paint as Required



MOULDINGS and ORNAMENTATION - EXTERIOR VIEW PLYMOUTH RELIANT 2 DOOR
Figure 23-1600

4168 1600 A

ITEM	PART NUMBER	QTY	BODY	MODEL	DESCRIPTION
30	X269 CA2	1			MEDALLION, Deck Lid Lock Cyl., Silver
	X269 CC9	1			Night Watch Blue
	X269 CC4	1			Glacier Blue
	X269 CM5	1			Red
	X269 CL4	1			Beige Met.
	X269 CT6	1			Mink Brown
	X269 CW3	1			White
	X269 CX9	1			Black
NOTE: The Colored Medallion Used is Determined by the Exterior Paint of Car s information becomes available.					
31	4103 551	1			ORNAMENT, Radiator Grille Pentastar



MODEL CODES

B = GRAN FURY
C = LEBARON/TOWN & COUNTRY/EXC SEDAN
C24 = LASER
D = ARIES
E = 600
F = FIFTH AVENUE/NEWPORT
G = DIPLOMAT
H = VOYAGER
K = MINI RAM/CARAVAN/ROYAL
M = HORIZON/TURISMO
P = RELIANT
T = E CLASS/NEW YORKER
V = 600
V24 = DAYTONA
Z = OMNI/CHARGER/RAMPAGE

BODY STYLES

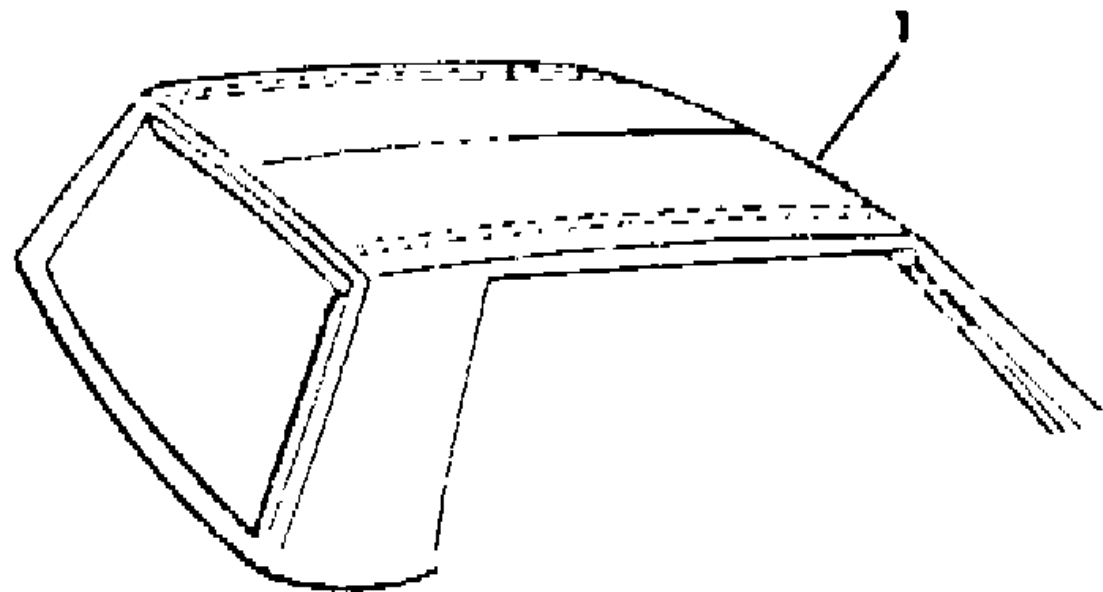
21 = 2-DOOR SEDAN
22 = 2-DOOR SPECIAL COUPE
24 = 2-DOOR HATCHBACK
27 = 2-DOOR CONVERTIBLE
28 = FWD PICKUP
35 = FWD VAN
36 = FWD WAGON
41 = 4-DOOR SEDAN
44 = 4-DOOR HATCHBACK
45 = 4-DOOR STATION WAGON
48 = 4-DOOR EXECUTIVE SEDAN

AR = Use as Required - = Non Illustrated Part P.A.R. = Paint as Required

COVER, ROOF - EXTERIOR VIEW PLYMOUTH RELIANT 4 DOOR
Figure 23-1700

ITEM	PART NUMBER	QTY	BODY	MODEL	DESCRIPTION
1	T927 BA2	1			COVER, Full Vinyl Roof, Silver (Trim Code VAA)
	T927 VC9	1			Night Watch Blue (Trim Code VAC)
	T927 CM6	1			Red (Trim Code VAM)
	T927 CT6	1			Tan (Trim Code VAT)
	T927 VW3	1			White (Trim Code VAW)
	T927 AX9	1			Black (Trim Code VAX)

FIG 1700



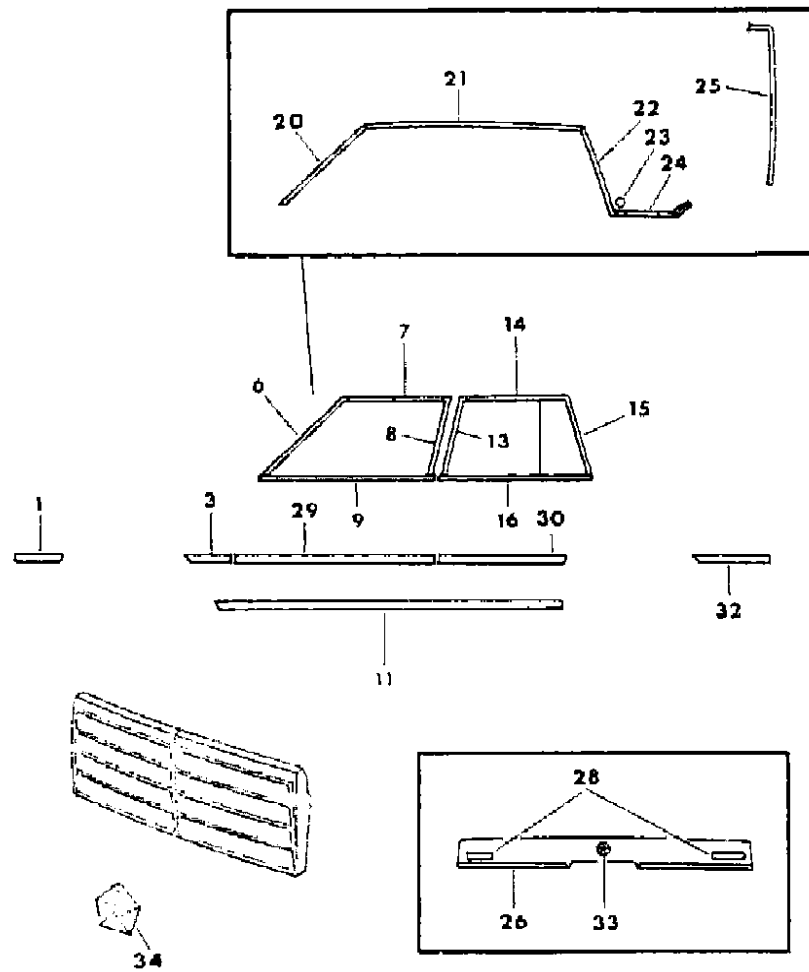
MODEL CODES
 B = GRAN FURY
 C = LEBARON/TOWN & COUNTRY/EXC SEDAN
 C24 = LASER
 D = ARIES
 E = 600
 F = FIFTH AVENUE/NEWPORT
 G = DIPLOMAT
 H = VOYAGER
 K = MINI RAM/CARAVAN/ROYAL
 M = HORIZON/TURISMO
 P = RELIANT
 T = E CLASS/NEW YORKER
 V = 600
 V24 = DAYTONA
 Z = OMNI/CHARGER/RAMPAGE

BODY STYLES
 21 = 2-DOOR SEDAN
 22 = 2-DOOR SPECIAL COUPE
 24 = 2-DOOR HATCHBACK
 27 = 2-DOOR CONVERTIBLE
 28 = FWD PICKUP
 35 = FWD VAN
 36 = FWD WAGON
 41 = 4-DOOR SEDAN
 44 = 4-DOOR HATCHBACK
 45 = 4-DOOR STATION WAGON
 48 = 4-DOOR EXECUTIVE SEDAN

AR = Use as Required - = Non Illustrated Part P.A.R. = Paint as Required

MOULDINGS and ORNAMENTATION - EXTERIOR VIEW PLYMOUTH RELIANT 4 DOOR
Figure 23-1800

23-1800



ITEM	PART NUMBER	QTY	BODY	MODEL	DESCRIPTION
1	X402-3 CA1	1			MOULDING, Fndr. Frt., Silver
	X402-3 CC9	1			Blue
	X402-3 CM5	1			Red
	X402-3 CT6	1			Mink Brown
	X402-3 CW3	1			White
3	X402-3 CX9	1			Black
	X406-7 CA1	1			MOULDING, Fndr. Rear, Silver
	X406-7 CC9	1			Blue
	X406-7 CM5	1			Red
	X406-7 CT6	1			Mink Brown
6	X406-7 CW3	1			White
	X406-7 CX9	1			Black
	4276 063	1			MOULDING, Door Wdo. Opng. Frame Frt., Lt.
	4319 218	1			MOULDING, Door Wdo. Opng. Frame Frt., Rt., Use w/o Mirror
	4276 062	1			MOULDING, Door Wdo. Opng. Frame Frt., Rt., Use w/Mirror
7	4319 222-3	1			MOULDING, Door Wdo. Opng. Frame Up.
8	4319 226-7	1			MOULDING, Door Wdo. Opng. Frame Rear, Use Up to 11-1-83
	4328 304-5	1			MOULDING, Door Wdo. Opng. Frame Rear, Use After 11-1-83
9	4293 628	1			MOULDING PACKAGE, Frt. Door Belt, Rt., w/Mirror
	4293 629	1			MOULDING PACKAGE, Frt. Door Belt, Lt.
	4293 626	1			MOULDING PACKAGE, Frt. Door Belt, Rt., w/o Mirror, Use Up to 2-1-84
	4339 190	1			MOULDING PACKAGE, Frt. Door Belt, Rt., w/o Mirror, Use After 2-1-84
	4057 555	AR			RETAINER PACKAGE
11	4293 688-9	1			MOULDING PACKAGE, Body Side Sill
	6003 777	AR			RETAINER
	4293 616	AR			RETAINER PACKAGE
					SCREW, (Not Serv.)
13	4319 234-5	1			MOULDING, Rear Door Wdo. Opng. Frame Frt., Use Up to 11-1-83
	4328 308-9	1			MOULDING, Rear Door Wdo. Opng. Frame Frt., Use After 11-1-83
14	4319 238-9	1			MOULDING, Rear Door Wdo. Opng. Frame Up., Use w/Qtr. Wdo. Frame and Louver
15	X340-1 BXX	1			FRAME & LOUVER, Rear Door Wdo., Black
	6003 828	AR			RETAINER
					SCREW, (Not Serv.)

MODEL CODES

B = GRAN FURY	F = FIFTH AVENUE/NEWPORT	P = RELIANT
C = LEBARON/TOWN & COUNTRY/EXC SEDAN	G = DIPLOMAT	T = E CLASS/NEW YORKER
C24 = LASER	H = VOYAGER	V = 600
D = ARIES	K = MINI RAM/CARAVAN/ROYAL	V24 = DAYTONA
E = 600	M = HORIZON/TURISMO	Z = OMNI/CHARGER/RAMPAGE

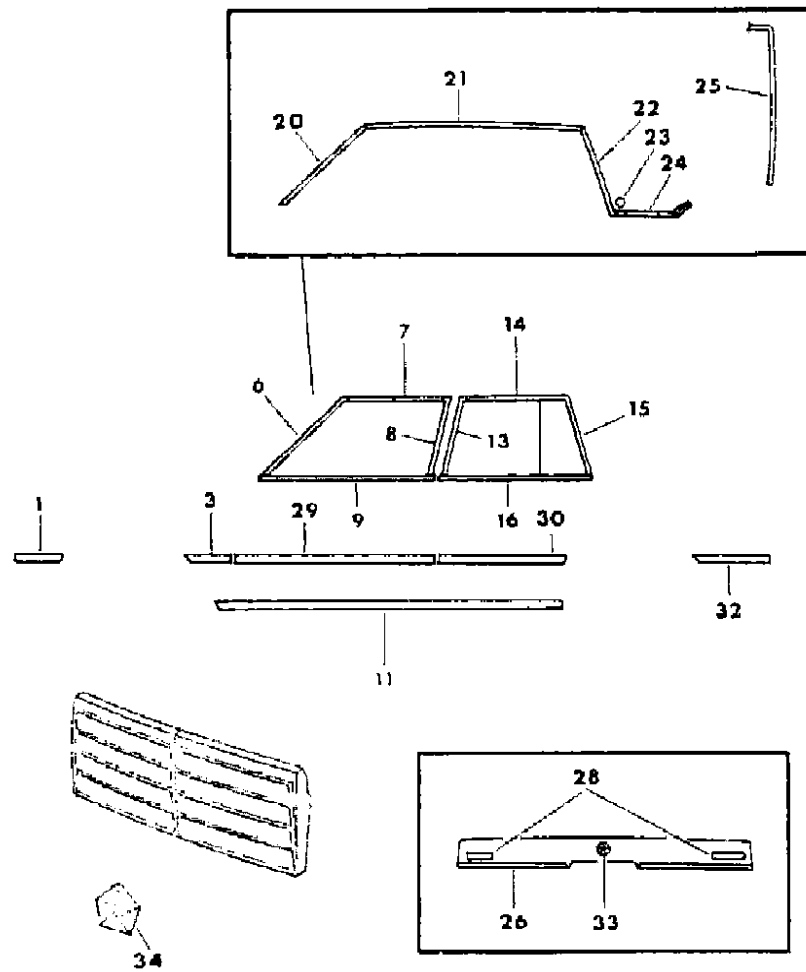
BODY STYLES

21 = 2-DOOR SEDAN	28 = FWD PICKUP	44 = 4-DOOR HATCHBACK
22 = 2-DOOR SPECIAL COUPE	35 = FWD VAN	45 = 4-DOOR STATION WAGON
24 = 2-DOOR HATCHBACK	36 = FWD WAGON	48 = 4-DOOR EXECUTIVE SEDAN
27 = 2-DOOR CONVERTIBLE	41 = 4-DOOR SEDAN	

AR = Use as Required - = Non Illustrated Part P.A.R. = Paint as Required

MOULDINGS and ORNAMENTATION - EXTERIOR VIEW PLYMOUTH RELIANT 4 DOOR
Figure 23-1800

23-1800



ITEM	PART NUMBER	QTY	BODY	MODEL	DESCRIPTION
16	4293 622-3	1			MOULDING PACKAGE, Rear Door Belt, Use w/Qtr. Wdo. Frame and Louver
	4057 555	AR			RETAINER PACKAGE
20	4276 416-7	1			MOULDING, Body Frt. Pillar Drain Trough
	4328 572-3	1			MOULDING and SEAL, Body Frt. Pillar Drain Trough
	4229 764-5	1			SEAL, Body Frt. Pillar Drain Trough Mldg. Inner
21	4319 372-3	1			MOULDING, Roof Side Drain Trough Frt., w/o Vinyl Roof
	4229 682-3	1			w/ Vinyl Roof
22	4175 592-3	1			MOULDING, Roof Drain Trough Rear, w/Vinyl Roof
23	4319 752	2		P-H	MEDALLION, Qtr. Pnl., "SE"
	6003 627	AR			RETAINER
24	4293 630-1	1			MOULDING, Qtr. Belt, w/Vinyl Roof
	6003 627	AR			RETAINER
25	4293 614	1			MOULDING PACKAGE, Deck Opng. Upr. Pnl., Rt., Use Up to 11-15-83
	4205 654	1			MOULDING PACKAGE, Deck Opng. Upr. Pnl., Rt., Use After 11-15-83
	4293 615	1			MOULDING PACKAGE, Deck Opng. Upr. Pnl., Lt.
					SCREW, (Not Serv.)
	4293 617	AR			RETAINER PACKAGE
26	4293 610-1	1			MOULDING, Deck Lid Lwr.
	4293 618	AR			RETAINER PACKAGE
28	4328 877	1			NAME PLATE, Deck Lid, "RELIANT"
	4328 876	1			"PLYMOUTH"
29	X408-9 CA1	1			MOULDING, Frt. Door, Silver
	X408-9 CC9	1			Blue
	X408-9 CM5	1			Red
	X408-9 CT6	1			Mink Brown
	X408-9 CW3	1			White
	X408-9 CX9	1			Black
30	X412-3 CA1	1			MOULDING, Rear Door, Silver
	X412-3 CC9	1			Blue
	X412-3 CM5	1			Red
	X412-3 CT6	1			Mink Brown
	X412-3 CW3	1			White
	X412-3 CX9	1			Black
32	X416-7 CA1	1			MOULDING, Qtr., Silver
	X416-7 CC9	1			Blue

MODEL CODES

B = GRAN FURY	F = FIFTH AVENUE/NEWPORT	P = RELIANT
C = LEBARON/TOWN & COUNTRY/EXC SEDAN	G = DIPLOMAT	T = E CLASS/NEW YORKER
C24 = LASER	H = VOYAGER	V = 600
D = ARIES	K = MINI RAM/CARAVAN/ROYAL	V24 = DAYTONA
E = 600	M = HORIZON/TURISMO	Z = OMNI/CHARGER/RAMPAGE

BODY STYLES

21 = 2-DOOR SEDAN	28 = FWD PICKUP	44 = 4-DOOR HATCHBACK
22 = 2-DOOR SPECIAL COUPE	35 = FWD VAN	45 = 4-DOOR STATION WAGON
24 = 2-DOOR HATCHBACK	36 = FWD WAGON	48 = 4-DOOR EXECUTIVE SEDAN
27 = 2-DOOR CONVERTIBLE	41 = 4-DOOR SEDAN	

AR = Use as Required - = Non Illustrated Part P.A.R. = Paint as Required

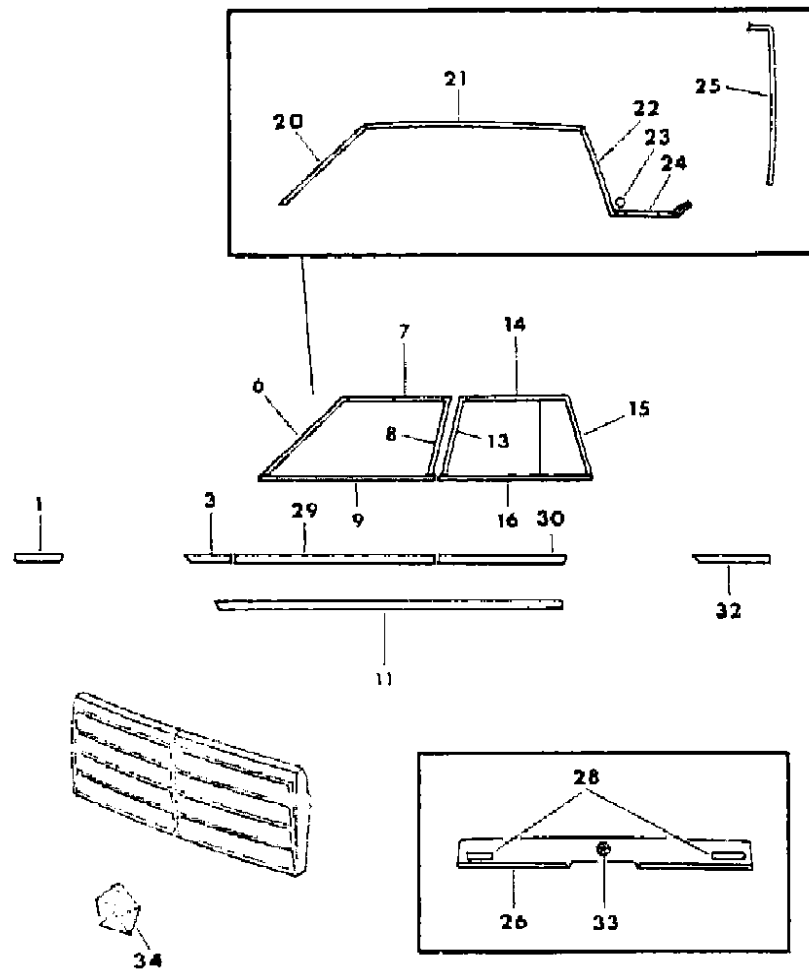
MOULDINGS and ORNAMENTATION - EXTERIOR VIEW PLYMOUTH RELIANT 4 DOOR
Figure 23-1800

ITEM	PART NUMBER	QTY	BODY	MODEL	DESCRIPTION
	X416-7 CM5	1			Red
	X416-7 CT6	1			Mink Brown
	X416-7 CW3	1			White
	X416-7 CX9	1			Black
33	X269 CA2	1			MEDALLION, Deck Lid Lock Cyl., Silver
	X269 CC9	1			Night Watch Blue
	X269 CC4	1			Glacier Blue
	X269 CM5	1			Red
	X269 CL4	1			Beige Met.
	X269 CT6	1			Mink Brown
	X269 CW3	1			White
	X269 CX9	1			Black

NOTE: The Colored Medallion Used is Determined by the Exterior Paint of Car s information becomes available.

34	4103 551	1			ORNAMENT, Radiator Grille Pentastar
----	----------	---	--	--	-------------------------------------

4103 1800



MODEL CODES

B = GRAN FURY	F = FIFTH AVENUE/NEWPORT	P = RELIANT
C = LEBARON/TOWN & COUNTRY/EXC SEDAN	G = DIPLOMAT	T = E CLASS/NEW YORKER
C24 = LASER	H = VOYAGER	V = 600
D = ARIES	K = MINI RAM/CARAVAN/ROYAL	V24 = DAYTONA
E = 600	M = HORIZON/TURISMO	Z = OMNI/CHARGER/RAMPAGE

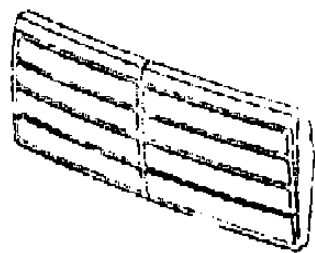
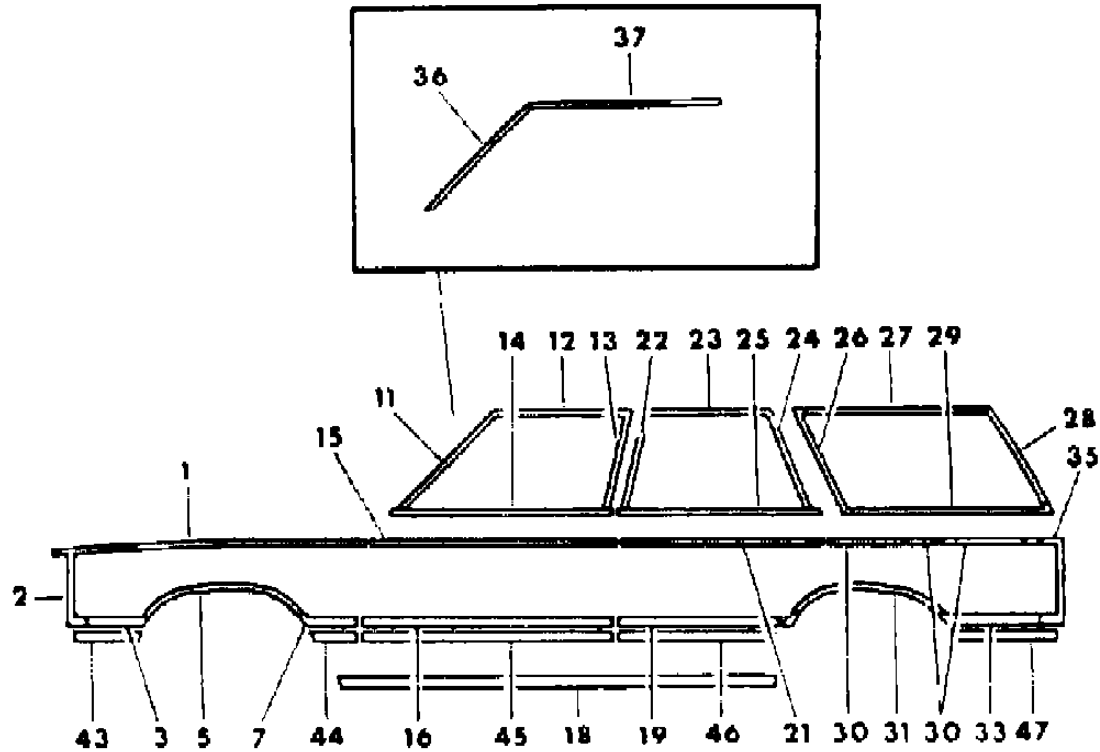
BODY STYLES

21 = 2-DOOR SEDAN	28 = FWD PICKUP	44 = 4-DOOR HATCHBACK
22 = 2-DOOR SPECIAL COUPE	35 = FWD VAN	45 = 4-DOOR STATION WAGON
24 = 2-DOOR HATCHBACK	36 = FWD WAGON	48 = 4-DOOR EXECUTIVE SEDAN
27 = 2-DOOR CONVERTIBLE	41 = 4-DOOR SEDAN	

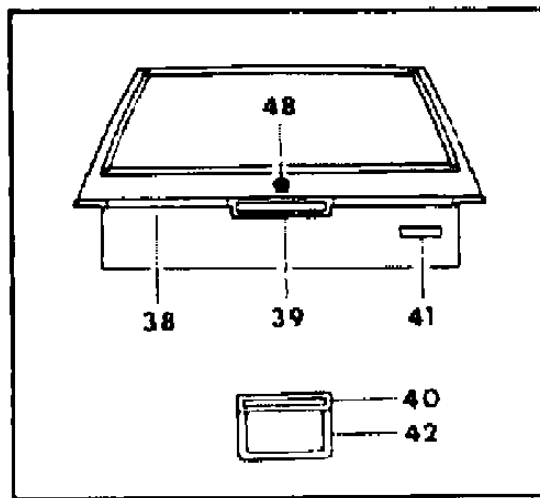
AR = Use as Required - = Non Illustrated Part P.A.R. = Paint as Required

MOULDINGS and ORNAMENTATION - EXTERIOR VIEW PLYMOUTH RELIANT SUBURBAN
Figure 23-1900

4166 190a



49



ITEM	PART NUMBER	QTY	BODY	MODEL	DESCRIPTION
1	4293 676-7	1			MOULDING PACKAGE, Fndr. Up., Woodgrain
	4205 640	AR			RETAINER PACKAGE
	4057 555	AR			RETAINER PACKAGE
2	4293 678-9	1			MOULDING PACKAGE, Fndr. Frt., Woodgrain
	4057 555	AR			RETAINER PACKAGE
3	4293 674-5	1			MOULDING PACKAGE, Fndr. Lwr. Frt., Woodgrain
	6003 790	AR			RETAINER SCREW, (Not Serv.)
5	4175 722-3	1			MOULDING, Fndr. Wheel Opng., Woodgrain
					SCREW, (Not Serv.)
7	4293 672-3	1			MOULDING PACKAGE, Fndr. Lwr. Rear, Woodgrain
	4205 636	AR			RETAINER PACKAGE
11	4276 063	1			MOULDING, Door Wdo. Opng. Frame Frt., Lt.
	4319 218	1			MOULDING, Door Wdo. Opng. Frame Frt., Rt., Use w/o Mirror
	4276 062	1			MOULDING, Door Wdo. Opng. Frame Frt., Rt., Use w/Mirror
	4319 222-3	1			MOULDING, Door Wdo. Opng. Frame Up.
12	4319 222-3	1			MOULDING, Door Wdo. Opng. Frame Up.
	4319 226-7	1			MOULDING, Door Wdo. Opng. Frame Rear, Use Up to 11-1-83
14	4328 304-5	1			MOULDING, Door Wdo. Opng. Frame Rear, Use After 11-1-83
	4293 628	1			MOULDING PACKAGE, Frt. Door Belt, Rt., w/Mirror
	4293 629	1			MOULDING PACKAGE, Frt. Door Belt., Lt.
	4293 626	1			MOULDING PACKAGE, Frt. Door Belt, Rt.,w/o Mirror, Use Up to 2-1-84
15	4339 190	1			MOULDING PACKAGE, Frt. Door Belt, Rt., w/o Mirror, Use After 2-1-84
	4057 555	AR			RETAINER PACKAGE
	4293 680-1	1			MOULDING PACKAGE, Frt. Door Up., Woodgrain
16	4205 637	AR			RETAINER PACKAGE
	4293 666-7	1			MOULDING PACKAGE, Frt. Door Lwr., Woodgrain
	4205 636	AR			RETAINER PACKAGE
18	4057 555	AR			RETAINER PACKAGE
	4293 688-9	1			MOULDING PACKAGE, Body Side Sill
	4293 616	AR			SCREW PACKAGE, (Repair)
	6003 777	AR			RETAINER PACKAGE
19	4293 668-9	1			MOULDING PACKAGE, Rear Door Lwr., Woodgrain
	4205 636	AR			RETAINER PACKAGE
	4057 555	AR			RETAINER PACKAGE
21	4293 682-3	1			MOULDING PACKAGE, Rear Door Up., Woodgrain
	4205 637	AR			RETAINER PACKAGE

MODEL CODES

B = GRAN FURY	F = FIFTH AVENUE/NEWPORT	P = RELIANT
C = LEBARON/TOWN & COUNTRY/EXC SEDAN	G = DIPLOMAT	T = E CLASS/NEW YORKER
C24 = LASER	H = VOYAGER	V = 600
D = ARIES	K = MINI RAM/CARAVAN/ROYAL	V24 = DAYTONA
E = 600	M = HORIZON/TURISMO	Z = OMNI/CHARGER/RAMPAGE

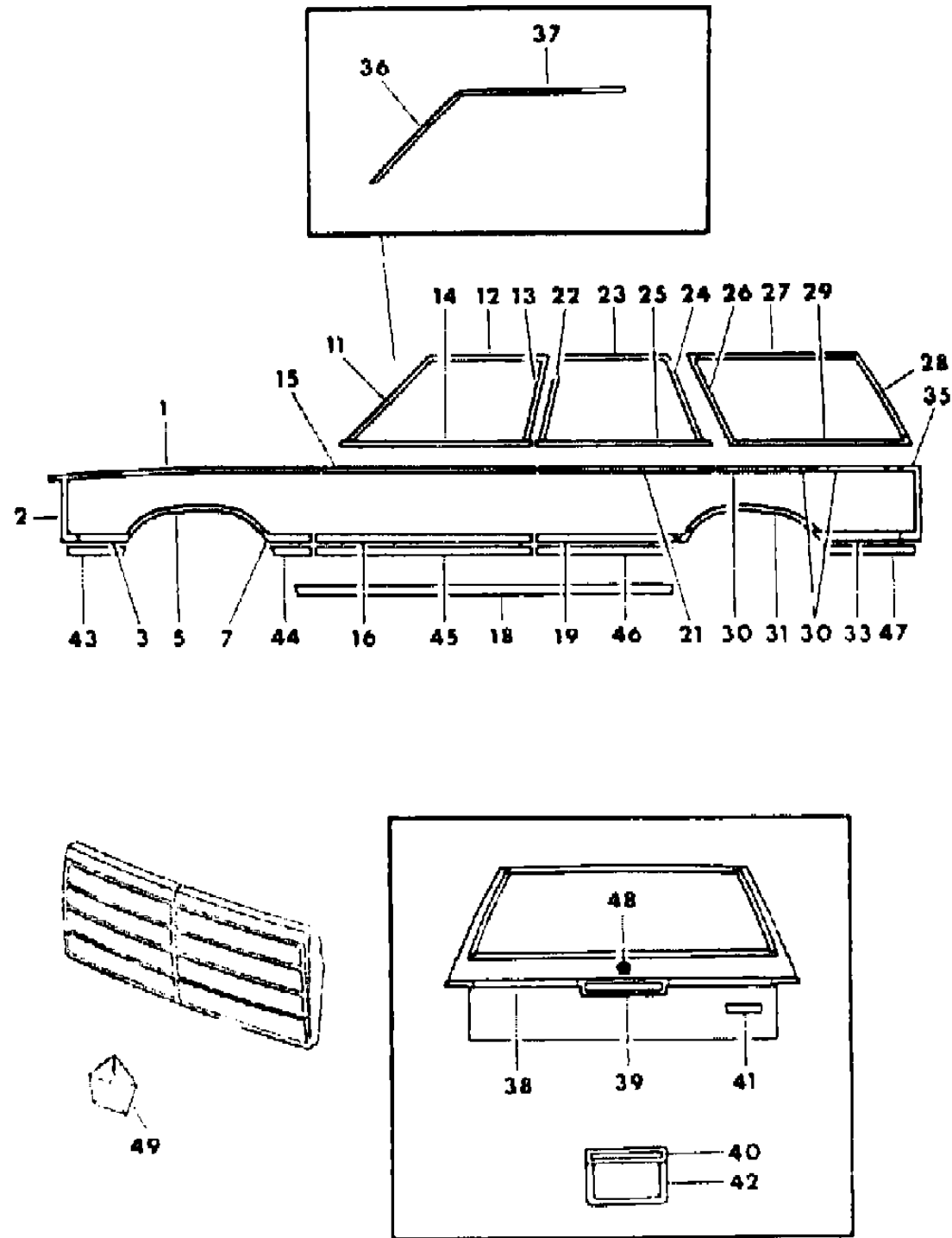
BODY STYLES

21 = 2-DOOR SEDAN	28 = FWD PICKUP	44 = 4-DOOR HATCHBACK
22 = 2-DOOR SPECIAL COUPE	35 = FWD VAN	45 = 4-DOOR STATION WAGON
24 = 2-DOOR HATCHBACK	36 = FWD WAGON	48 = 4-DOOR EXECUTIVE SEDAN
27 = 2-DOOR CONVERTIBLE	41 = 4-DOOR SEDAN	

AR = Use as Required - = Non Illustrated Part P.A.R. = Paint as Required

MOULDINGS and ORNAMENTATION - EXTERIOR VIEW PLYMOUTH RELIANT SUBURBAN
Figure 23-1900

4166-190a



ITEM	PART NUMBER	QTY	BODY	MODEL	DESCRIPTION
22	4319 234-5	1			MOULDING, Rear Door Wdo. Opng. Frame, Frt., Use Up to 11-1-83
	4328 308-9	1			MOULDING, Rear Door Wdo. Opng. Frame Frt., Use After 11-1-83
23	4319 244-5	1			MOULDING, Rear Door Wdo. Opng. Frame Up.
24	4319 248-9	1			MOULDING, Rear Door Wdo. Opng. Frame Rear
25	4293 640-1	1			MOULDING PACKAGE, Rear Door Belt
	4057 555	AR			RETAINER PACKAGE
26	4319 326-7	1			MOULDING, Qtr. Wdo Frt.
	6003 878	AR			RETAINER
27	4319 328	2			MOULDING, Qtr. Wdo. Up.
	6003 878	AR			RETAINER
	6003 879	AR			RETAINER
28	4319 330-1	1			MOULDING, Qtr. Wdo. Rear
29	4319 332-3	1			MOULDING, Qtr. Wdo. Lwr.
	6003 878	AR			RETAINER
30	4293 692	1			MOULDING PACKAGE, Qtr. Up. Frt., Rt., Woodgrain
	4293 693	1			MOULDING PACKAGE, Qtr. Up., Lt., Woodgrain
	4293 690	1			MOULDING PACKAGE, Qtr. Up. Rear, Rt., Woodgrain
	4293 627	1			MOULDING PACKAGE, Qtr. Fuel Filler Door, Woodgrain
	4205 637	AR			RETAINER PACKAGE
31	4319 482-3	1			MOULDING, Qtr. Lwr. Frt. and Wheel Opng., Woodgrain
					SCREW, (Not Serv.)
33	4293 686-7	1			MOULDING PACKAGE, Qtr. Lwr. Rear, Woodgrain
	4205 636	AR			RETAINER PACKAGE
					STUD, (Not Serv.)
					SCREW, (Not Serv.)
35	4293 670-1	1			MOULDING PACKAGE, Qtr. Rear, Woodgrain
	4057 555	AR			RETAINER PACKAGE
36	4328 572-3	1			MOULDING and SEAL, Body Frt. Pillar Drain Trough
	4229 764-5	1			SEAL, Body Frt. Pillar Drain Trough Mldg. Inner
37	4319 374-5	1			MOULDING, Roof Side Drain Trough Frt.
38	4293 684-5	1			MOULDING PACKAGE, L/Gate, Woodgrain
	4205 637	AR			RETAINER PACKAGE
	4293 616	AR			SCREW PACKAGE, (Repair)
39	4319 490	1			HANDLE and MOULDING, L/Gate, Woodgrain
	0116 000	AR			NUT and WASHER
40	4319 793	1			HANDLE and GASKET, L/Gate

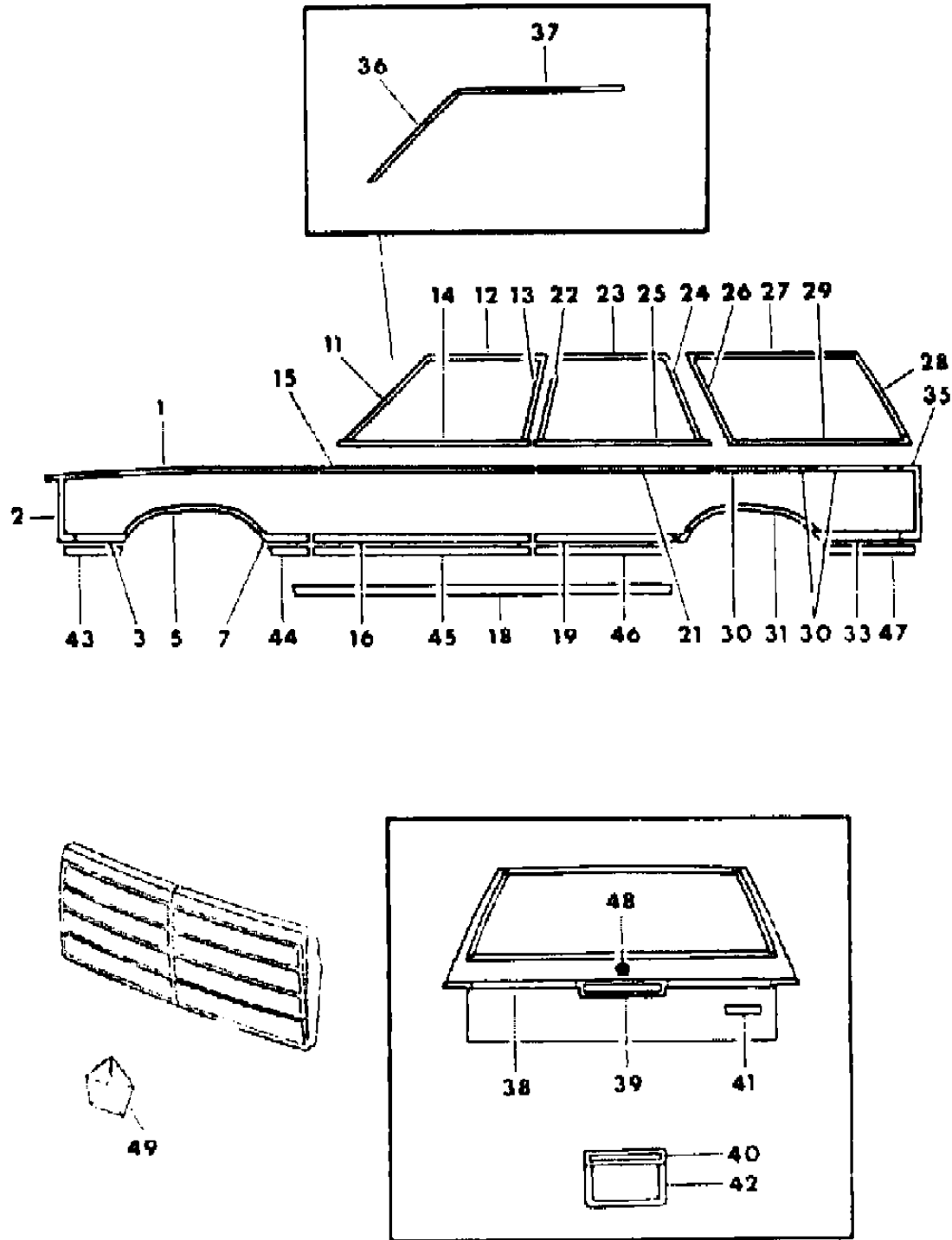
MODEL CODES
 B = GRAN FURY
 C = LEBARON/TOWN & COUNTRY/EXC SEDAN
 C24 = LASER
 D = ARIES
 E = 600
 F = FIFTH AVENUE/NEWPORT
 G = DIPLOMAT
 H = VOYAGER
 K = MINI RAM/CARAVAN/ROYAL
 M = HORIZON/TURISMO
 P = RELIANT
 T = E CLASS/NEW YORKER
 V = 600
 V24 = DAYTONA
 Z = OMNI/CHARGER/RAMPAGE

BODY STYLES
 21 = 2-DOOR SEDAN
 22 = 2-DOOR SPECIAL COUPE
 24 = 2-DOOR HATCHBACK
 27 = 2-DOOR CONVERTIBLE
 28 = FWD PICKUP
 35 = FWD VAN
 36 = FWD WAGON
 41 = 4-DOOR SEDAN
 44 = 4-DOOR HATCHBACK
 45 = 4-DOOR STATION WAGON
 48 = 4-DOOR EXECUTIVE SEDAN

AR = Use as Required - = Non Illustrated Part P.A.R. = Paint as Required

MOULDINGS and ORNAMENTATION - EXTERIOR VIEW PLYMOUTH RELIANT SUBURBAN
Figure 23-1900

4166 1900



ITEM	PART NUMBER	QTY	BODY	MODEL	DESCRIPTION
41	4328 877	1			NAME PLATE, L/Gate, "RELIANT"
42	4175 749	1			MOULDING, L/Gate Lic. Plate Periphery
43	X402-3 CA1	1			MOULDING, Fndr. Frt., Silver
	X402-3 CC9	1			Blue
	X402-3 CM5	1			Red
	X402-3 CT6	1			Mink Brown
	X402-3 CW3	1			White
	X402-3 CX9	1			Black
44	X406-7 CA1	1			MOULDING, Fndr. Rear, Silver
	X406-7 CC9	1			Blue
	X406-7 CM5	1			Red
	X406-7 CT6	1			Mink Brown
	X406-7 CW3	1			White
	X406-7 CX9	1			Black
45	X408-9 CA1	1			MOULDING, Frt. Door, Silver
	X408-9 CC9	1			Blue
	X408-9 CM5	1			Red
	X408-9 CT6	1			Mink Brown
	X408-9 CW3	1			White
	X408-9 CX9	1			Black
46	X412-3 CA1	1			MOULDING, Rear Door, Silver
	X412-3 CC9	1			Blue
	X412-3 CM5	1			Red
	X412-3 CT6	1			Mink Brown
	X412-3 CW3	1			White
	X412-3 CX9	1			Black
47	X404-5 CA1	1			MOULDING, Qtr. Rear, Silver
	X404-5 CC9	1			Blue
	X404-5 CM5	1			Red
	X404-5 CT6	1			Mink Brown
	X404-5 CW3	1			White
	X404-5 CX9	1			Black
48	X562 CA2	1			MEDALLION, L/Gate, Silver
	X562 CC9	1			Night Watch Blue
	X562 CM5	1			Red
	X562 CL4	1			Beige Met.
	X562 CT6	1			Mink Brown
	X562 CW3	1			White

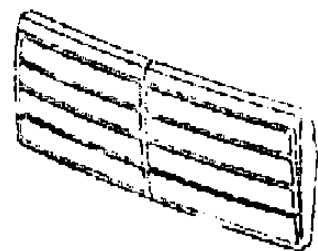
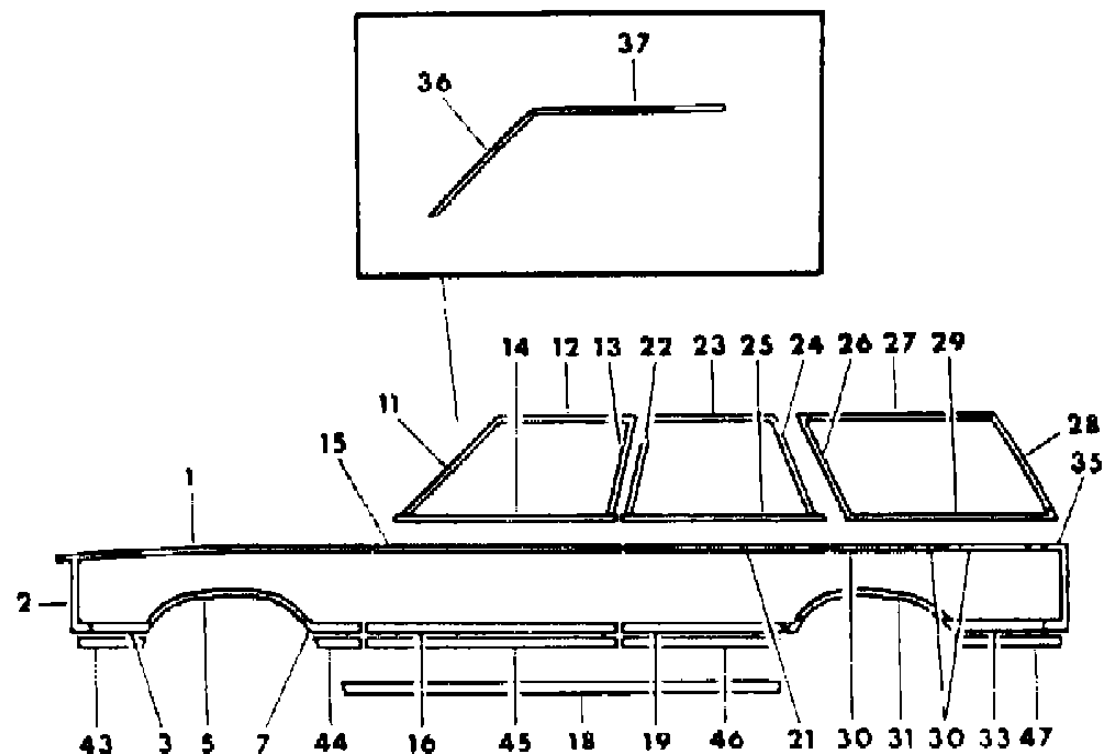
MODEL CODES
 B = GRAN FURY
 C = LEBARON/TOWN & COUNTRY/EXC SEDAN
 C24 = LASER
 D = ARIES
 E = 600
 F = FIFTH AVENUE/NEWPORT
 G = DIPLOMAT
 H = VOYAGER
 K = MINI RAM/CARAVAN/ROYAL
 M = HORIZON/TURISMO
 P = RELIANT
 T = E CLASS/NEW YORKER
 V = 600
 V24 = DAYTONA
 Z = OMNI/CHARGER/RAMPAGE

BODY STYLES
 21 = 2-DOOR SEDAN
 22 = 2-DOOR SPECIAL COUPE
 24 = 2-DOOR HATCHBACK
 27 = 2-DOOR CONVERTIBLE
 28 = FWD PICKUP
 35 = FWD VAN
 36 = FWD WAGON
 41 = 4-DOOR SEDAN
 44 = 4-DOOR HATCHBACK
 45 = 4-DOOR STATION WAGON
 48 = 4-DOOR EXECUTIVE SEDAN

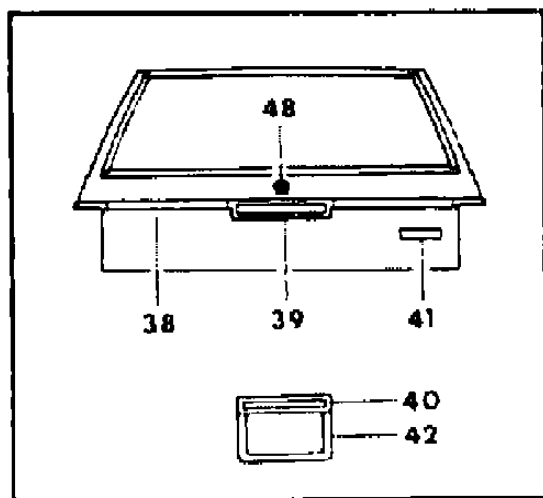
AR = Use as Required - = Non Illustrated Part P.A.R. = Paint as Required

MOULDINGS and ORNAMENTATION - EXTERIOR VIEW PLYMOUTH RELIANT SUBURBAN
Figure 23-1900

4166-1900



49



ITEM	PART NUMBER	QTY	BODY	MODEL	DESCRIPTION
------	-------------	-----	------	-------	-------------

X562 CX9 1 Black

NOTE: The Colored Medallion Used is Determined by the Exterior Paint of CAR s information becomes available.

49 4103 551 1 ORNAMENT, Radiator Grille Pentastar

MODEL CODES

B = GRAN FURY	F = FIFTH AVENUE/NEWPORT	P = RELIANT
C = LEBARON/TOWN & COUNTRY/EXC SEDAN	G = DIPLOMAT	T = E CLASS/NEW YORKER
C24 = LASER	H = VOYAGER	V = 600
D = ARIES	K = MINI RAM/CARAVAN/ROYAL	V24 = DAYTONA
E = 600	M = HORIZON/TURISMO	Z = OMNI/CHARGER/RAMPAGE

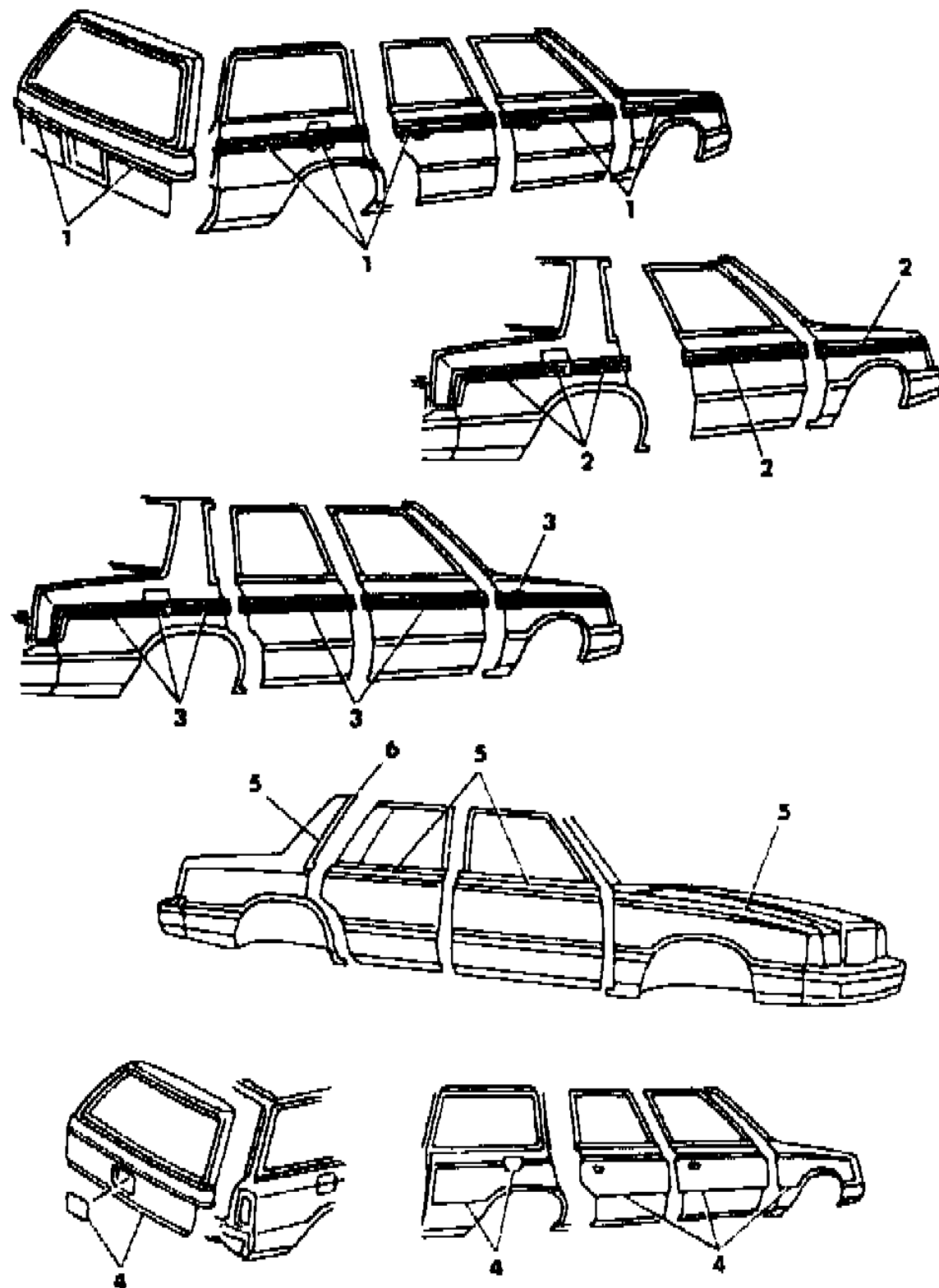
BODY STYLES

21 = 2-DOOR SEDAN	28 = FWD PICKUP	44 = 4-DOOR HATCHBACK
22 = 2-DOOR SPECIAL COUPE	35 = FWD VAN	45 = 4-DOOR STATION WAGON
24 = 2-DOOR HATCHBACK	36 = FWD WAGON	48 = 4-DOOR EXECUTIVE SEDAN
27 = 2-DOOR CONVERTIBLE	41 = 4-DOOR SEDAN	

AR = Use as Required - = Non Illustrated Part P.A.R. = Paint as Required

TAPE STRIPES and DECALS - EXTERIOR VIEW PLYMOUTH RELIANT 2 DOOR - 4 DOOR - SUBURBAN
Figure 23-2000

4318 2000



ITEM	PART NUMBER	QTY	BODY	MODEL	DESCRIPTION
1	4318 594-5	1		P-H,45	TAPE PACKAGE, Fndr., Door, Qtr., Silver (KKA)
	4318 596-7	1		P-H,45	Red (KKR)
	4293 290-1	1		P-H,45	Gold (KKY)
	4318 908-9	1		P-H,45	Saddle Brown (KKK)
	4293 699	1		P-H,45	TAPE SET, L/Gate, Silver (KKA)
	4293 700	1		P-H,45	Red (KKR)
2	4293 295	1		P-H,45	Gold (KKY)
	4339 021	1		P-H,45	Saddle Brown (KKK)
	4318 696-7	1	21		TAPE PACKAGE, Fndr., Door, Qtr., Silver (KKA)
	4293 302-3	1	21		Gold (KKY)
	4318 902-3	1	21		Saddle Brown (KKK)
3	4318 698-9	1	21		Blue (KKC)
	4318 904-5	1	21		Red (KKR)
	4318 694-5	1	P-L,P-H		TAPE PACKAGE, Fndr., Door, Qtr., Red (KKR)
	4293 316-7	1	P-L,P-H		Gold (KKY)
	4318 692-3	1	P-L,P-H		Saddle Brown (KKK)
4	4318 690-1	1	P-L,P-H		Blue (KKC)
	4318 688-9	1	P-L,P-H		Silver (KKA)
5	4319 013	AR	45		OVERLAY, Fndr., Door, Qtr., Filler Door, L/Gate Lic. Plate Depr.
6	4318 574-5	1	P-L,P-H		TAPE PACKAGE, Fndr., Door, Qtr., Gray Sable, Beige, Dark Beige (KAR) (Paint Sales Code PT6 QL4)
	4318 576-7	1	P-L,P-H		Charcoal, Silver, Bright Red (KAT) (Paint Sales Code PA6 QA1)
	T682 CAD	1	P-L,P-H		TAPE, Roof Transverse, Gray Sable, Beige, Dark Beige (KAR) (Paint Sales Code PT6 QL4)
	T682 CAE	1	P-L,P-H		Charcoal, Silver, Bright Red (KAT) (Paint Sales Code PA6 QA1)

MODEL CODES
 B = GRAN FURY
 C = LEBARON/TOWN & COUNTRY/EXC SEDAN
 C24 = LASER
 D = ARIES
 E = 600
 F = FIFTH AVENUE/NEWPORT
 G = DIPLOMAT
 H = VOYAGER
 K = MINI RAM/CARAVAN/ROYAL
 M = HORIZON/TURISMO
 P = RELIANT
 T = E CLASS/NEW YORKER
 V = 600
 V24 = DAYTONA
 Z = OMNI/CHARGER/RAMPAGE

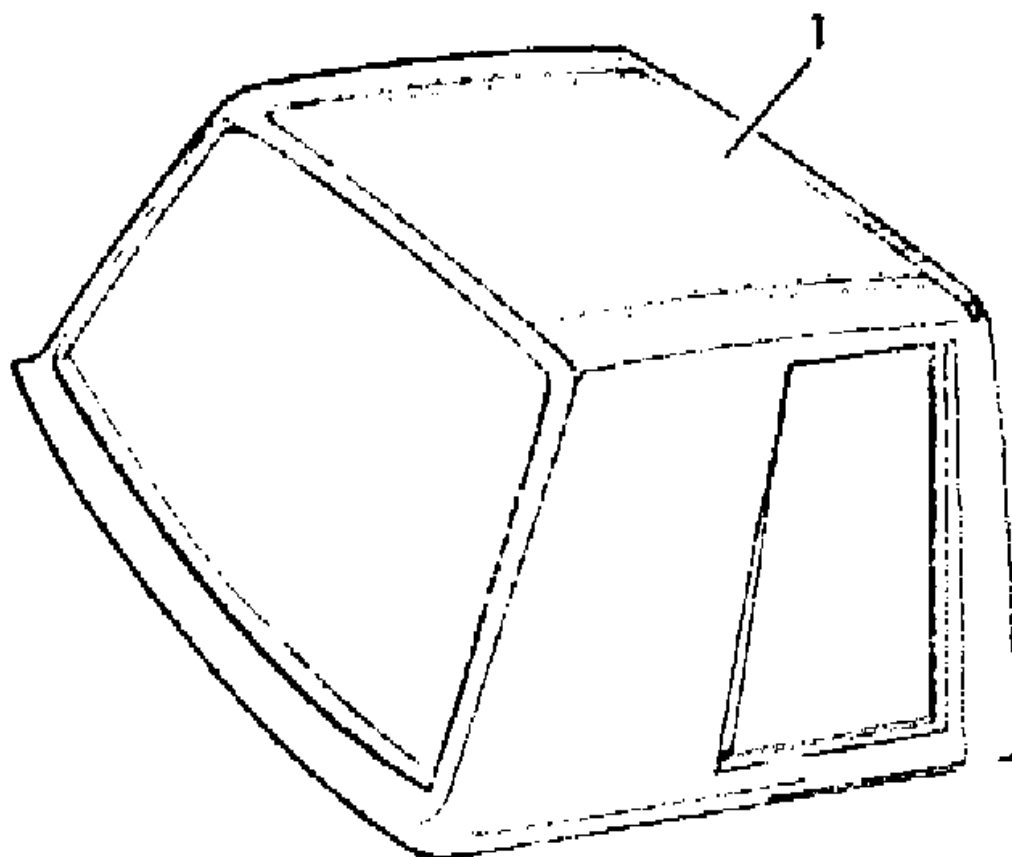
BODY STYLES
 21 = 2-DOOR SEDAN
 22 = 2-DOOR SPECIAL COUPE
 24 = 2-DOOR HATCHBACK
 27 = 2-DOOR CONVERTIBLE
 28 = FWD PICKUP
 35 = FWD VAN
 36 = FWD WAGON
 41 = 4-DOOR SEDAN
 44 = 4-DOOR HATCHBACK
 45 = 4-DOOR STATION WAGON
 48 = 4-DOOR EXECUTIVE SEDAN

AR = Use as Required - = Non Illustrated Part P.A.R. = Paint as Required

COVER, ROOF - EXTERIOR VIEW DODGE ARIES 2 DOOR
Figure 23-2100

4168 2100

ITEM	PART NUMBER	QTY	BODY	MODEL	DESCRIPTION
1	T928 BA2	1			COVER, Roof Landau, Silver (Trim Code VCA)
	T928 VC9	1			Night Watch Blue (Trim Code VCC)
	T928 CM6	1			Red (Trim Code VCM)
	T928 CT6	1			Tan (Trim Code VCT)
	T928 VW3	1			White (Trim Code VCW)
	T928 VX9	1			Black (Trim Code VCX)
	4229 777	1			PAD, Roof



MODEL CODES

B = GRAN FURY	F = FIFTH AVENUE/NEWPORT	P = RELIANT
C = LEBARON/TOWN & COUNTRY/EXC SEDAN	G = DIPLOMAT	T = E CLASS/NEW YORKER
C24 = LASER	H = VOYAGER	V = 600
D = ARIES	K = MINI RAM/CARAVAN/ROYAL	V24 = DAYTONA
E = 600	M = HORIZON/TURISMO	Z = OMNI/CHARGER/RAMPAGE

BODY STYLES

21 = 2-DOOR SEDAN	28 = FWD PICKUP	44 = 4-DOOR HATCHBACK
22 = 2-DOOR SPECIAL COUPE	35 = FWD VAN	45 = 4-DOOR STATION WAGON
24 = 2-DOOR HATCHBACK	36 = FWD WAGON	48 = 4-DOOR EXECUTIVE SEDAN
27 = 2-DOOR CONVERTIBLE	41 = 4-DOOR SEDAN	

AR = Use as Required - = Non Illustrated Part P.A.R. = Paint as Required

MOULDINGS and ORNAMENTATION - EXTERIOR VIEW DODGE ARIES - 2 DOOR
Figure 23-2200

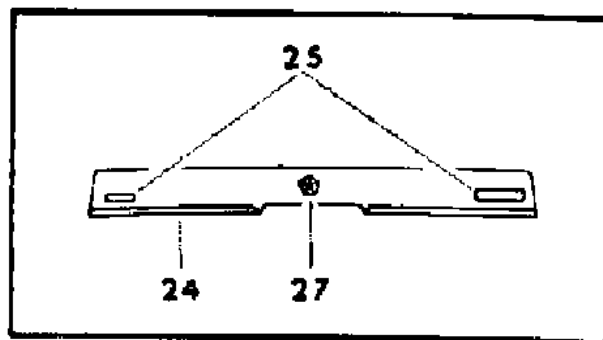
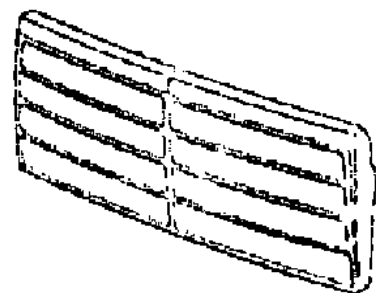
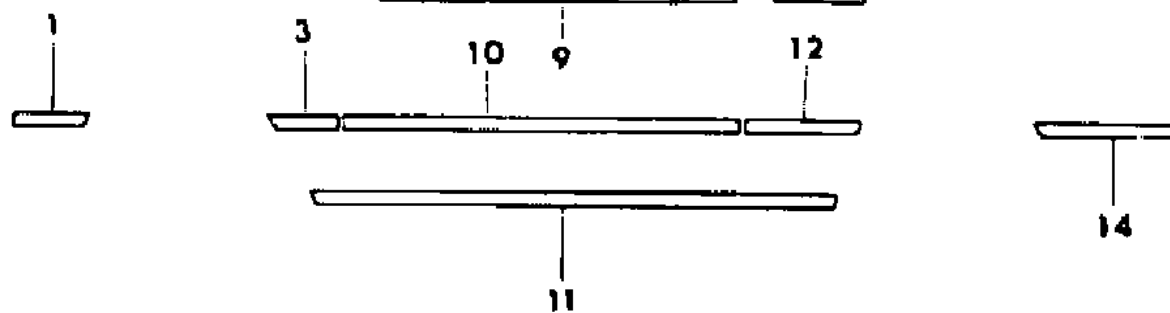
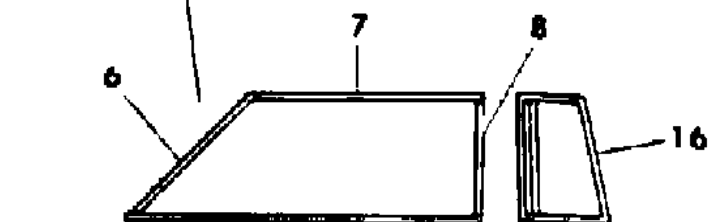
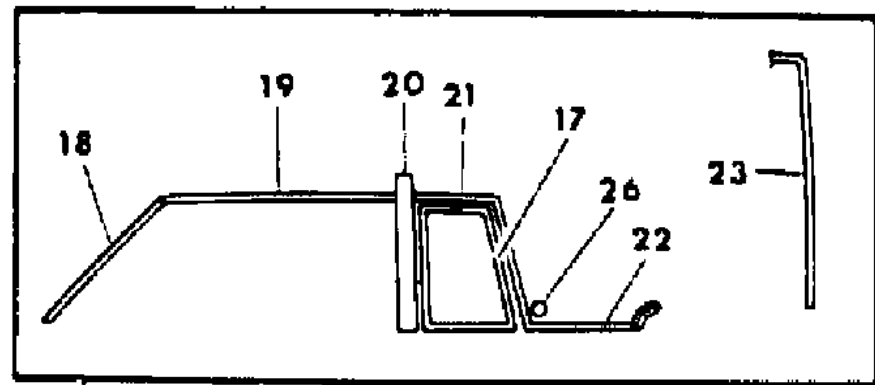
4164 22(h)

ITEM	PART NUMBER	QTY	BODY	MODEL	DESCRIPTION
1	X402-3 CA1	1			MOULDING, Fndr. Frt., Silver
	X402-3 CC9	1			Blue
	X402-3 CM5	1			Red
	X402-3 CT6	1			Mink Brown
	X402-3 CW3	1			White
3	X402-3 CX9	1			Black
	X406-7 CA1	1			MOULDING, Fndr. Rear, Silver
	X406-7 CC9	1			Blue
	X406-7 CM5	1			Red
	X406-7 CT6	1			Mink Brown
6	X406-7 CW3	1			White
	X406-7 CX9	1			Black
	4276 063	1			MOULDING, Door Wdo. Opng. Frame Frt., Lt.
	4319 218	1			MOULDING, Door Wdo. Opng. Frame Frt., Rt., w/o Mirror
7	4276 062	1			MOULDING, Door Wdo. Opng. Frame Frt., Rt., w/Mirror
	4319 224-5	1			MOULDING, Door Wdo. Opng. Frame Up.
	4319 230-1	1			MOULDING, Door Wdo. Opng. Frame Rear
9	4293 634	1			MOULDING PACKAGE, Door Belt, Rt., w/Mirror
	4293 635	1			MOULDING PACKAGE, Door Belt, Lt.
	4293 636	1			MOULDING PACKAGE, Door Belt, Rt., w/o Mirror, Use Up to 2-1-84
	4339 188	1			MOULDING PACKAGE, Door Belt, Rt., w/o Mirror, Use After 2-1-84
10	4057 555	AR			RETAINER PACKAGE
	X410-1 CA1	1			MOULDING, Door, Silver
	X410-1 CC9	1			Blue
	X410-1 CM5	1			Red
	X410-1 CT6	1			Mink Brown
11	X410-1 CW3	1			White
	X410-1 CX9	1			Black
	4293 688-9	1			MOULDING PACKAGE, Body Side Sill
	6003 777	AR			RETAINER
12	4293 616	AR			SCREW PACKAGE, (Repair)
	X414-5 CA1	1			MOULDING, Qtr. Frt., Silver
	X414-5 CC9	1			Blue
	X414-5 CM5	1			Red
	X414-5 CT6	1			Mink Brown

MODEL CODES
 B = GRAN FURY
 C = LEBARON/TOWN & COUNTRY/EXC SEDAN
 C24 = LASER
 D = ARIES
 E = 600
 F = FIFTH AVENUE/NEWPORT
 G = DIPLOMAT
 H = VOYAGER
 K = MINI RAM/CARAVAN/ROYAL
 M = HORIZON/TURISMO
 P = RELIANT
 T = E CLASS/NEW YORKER
 V = 600
 V24 = DAYTONA
 Z = OMNI/CHARGER/RAMPAGE

BODY STYLES
 21 = 2-DOOR SEDAN
 22 = 2-DOOR SPECIAL COUPE
 24 = 2-DOOR HATCHBACK
 27 = 2-DOOR CONVERTIBLE
 28 = FWD PICKUP
 35 = FWD VAN
 36 = FWD WAGON
 41 = 4-DOOR SEDAN
 44 = 4-DOOR HATCHBACK
 45 = 4-DOOR STATION WAGON
 48 = 4-DOOR EXECUTIVE SEDAN

AR = Use as Required - = Non Illustrated Part P.A.R. = Paint as Required



MOULDINGS and ORNAMENTATION - EXTERIOR VIEW DODGE ARIES - 2 DOOR
Figure 23-2200

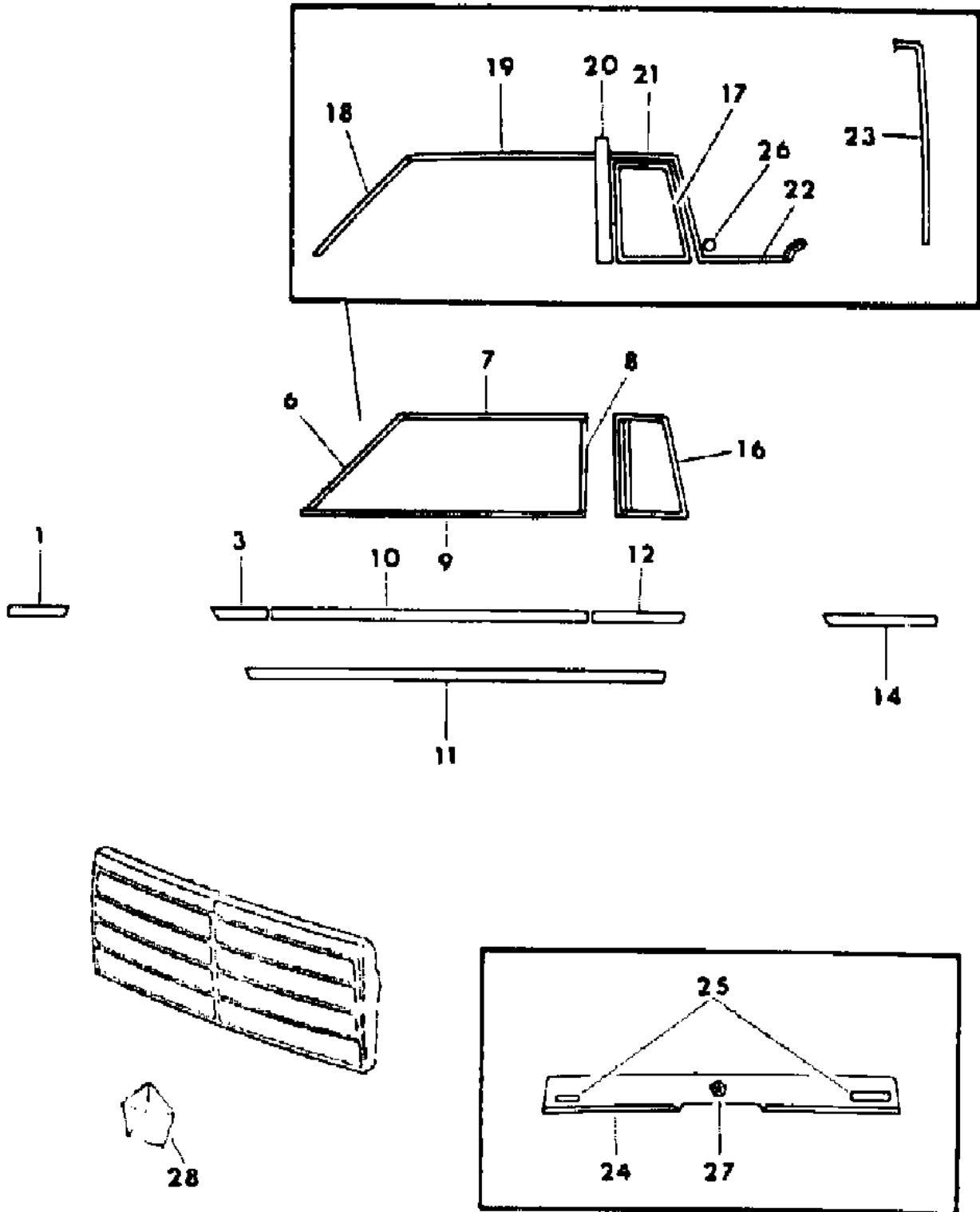
4164 22(h)

ITEM	PART NUMBER	QTY	BODY	MODEL	DESCRIPTION
	X414-5 CW3	1			White
	X414-5 CX9	1			Black
14	X416-7 CA1	1			MOULDING, Qtr. Rear, Silver
	X416-7 CC9	1			Blue
	X416-7 CM5	1			Red
	X416-7 CT6	1			Mink Brown
	X416-7 CW3	1			White
	X416-7 CX9	1			Black
16	4319 368-9	1		D-H	MOULDING, Qtr. Opera Wdo., Louvered, Argent
	4319 364-5	1		D-L	MOULDING, Qtr. Wdo., Black
18	4276 416-7	1			MOULDING, Body Frt. Pillar Drain Trough
	4328 572-3	1			MOULDING and SEAL, Body Frt. Pillar Drain Trough
	4229 764-5	1			SEAL, Body Frt. Pillar Drain Trough Mldg. Inner
					SCREW, (Not Serv.)
19	4229 686-7	1			MOULDING, Roof Side Drain Trough w/Padded Landau Roof
	4319 378-9	1			w/o Padded Landau Roof
20	X210-1 BC9	1			MOULDING, Roof Transverse w/Padded Landau Roof, Blue
	X210-1 BM5	1			Red
	X210-1 CT6	1			Mink Brown
	X210-1 VW3	1			White
	X210-1 BA2	1			Silver
	X210-1 VX9	1			Black
	6002 013	AR			RETAINER NUT, (Not Serv.)
21	4319 260-1	1			MOULDING, Qtr. Wdo. Opng. w/Padded Landau Roof
	6003 627	AR			RETAINER
22	4293 620-1	1			MOULDING PACKAGE, Qtr. Belt w/Padded Landau Roof
	6003 627	AR			RETAINER
23	4293 614	1			MOULDING PACKAGE, Deck Opng. Upr. Pnl., Rt., Use Up to 11-15-83
	4205 654	1			MOULDING PACKAGE, Deck Opng. Upr. Pnl., Rt., Use After 11-15-83
	4293 615	1			MOULDING PACKAGE, Deck Opng. Upr. Pnl, Lt.
	4293 617	AR			RETAINER PACKAGE
24	4293 610-1	1			MOULDING, Deck Lid Lwr.
	4293 618	AR			RETAINER PACKAGE
25	4319 774	1			NAME PLATE, Deck Lid, "ARIES"

MODEL CODES
 B = GRAN FURY
 C = LEBARON/TOWN & COUNTRY/EXC SEDAN
 C24 = LASER
 D = ARIES
 E = 600
 F = FIFTH AVENUE/NEWPORT
 G = DIPLOMAT
 H = VOYAGER
 K = MINI RAM/CARAVAN/ROYAL
 M = HORIZON/TURISMO
 P = RELIANT
 T = E CLASS/NEW YORKER
 V = 600
 V24 = DAYTONA
 Z = OMNI/CHARGER/RAMPAGE

BODY STYLES
 21 = 2-DOOR SEDAN
 22 = 2-DOOR SPECIAL COUPE
 24 = 2-DOOR HATCHBACK
 27 = 2-DOOR CONVERTIBLE
 28 = FWD PICKUP
 35 = FWD VAN
 36 = FWD WAGON
 41 = 4-DOOR SEDAN
 44 = 4-DOOR HATCHBACK
 45 = 4-DOOR STATION WAGON
 48 = 4-DOOR EXECUTIVE SEDAN

AR = Use as Required - = Non Illustrated Part P.A.R. = Paint as Required

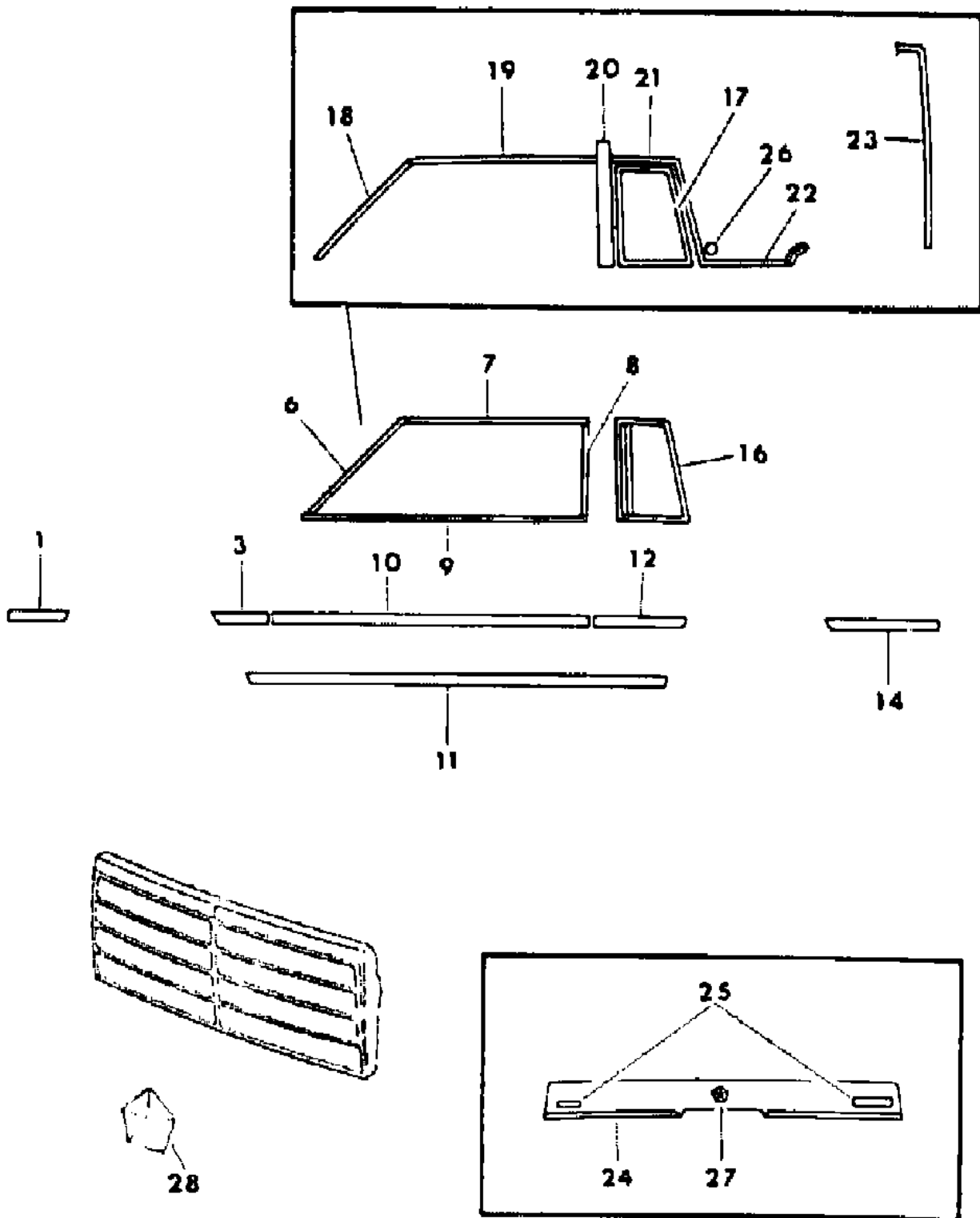


MOULDINGS and ORNAMENTATION - EXTERIOR VIEW DODGE ARIES - 2 DOOR
Figure 23-2200

4164 22(h)

ITEM	PART NUMBER	QTY	BODY	MODEL	DESCRIPTION
	4319 769	2			NAMEPLATE, Deck Lid, "DODGE"
26	4319 752	2		D-H	MEDALLION, Qtr. Pnl., "SE"
	6003 627	AR			RETAINER
27	X269 CA2	1			MEDALLION, Deck Lid Lock Cyl., Silver
	X269 CC9	1			Night Watch Blue
	X269 CC4	1			Glacier Blue
	X269 CM5	1			Red
	X269 CL4	1			Beige Met.
	X269 CT6	1			Mink Brown
	X269 CW3	1			White
	X269 CX9	1			Black
NOTE: The Colored Medallion Used is Determined by the Exterior Paint of Car s information becomes available.					
28	4103 553	1			ORNAMENT, Radiator Grille Pentastar
	4103 565	1			BASE, (Not Shown)
	4103 567	1			BRACKET, (Not Shown)

NOTE: The Colored Medallion Used is Determined by the Exterior Paint of Car s information becomes available.



MODEL CODES

B = GRAN FURY	F = FIFTH AVENUE/NEWPORT	P = RELIANT
C = LEBARON/TOWN & COUNTRY/EXC SEDAN	G = DIPLOMAT	T = E CLASS/NEW YORKER
C24 = LASER	H = VOYAGER	V = 600
D = ARIES	K = MINI RAM/CARAVAN/ROYAL	V24 = DAYTONA
E = 600	M = HORIZON/TURISMO	Z = OMNI/CHARGER/RAMPAGE

BODY STYLES

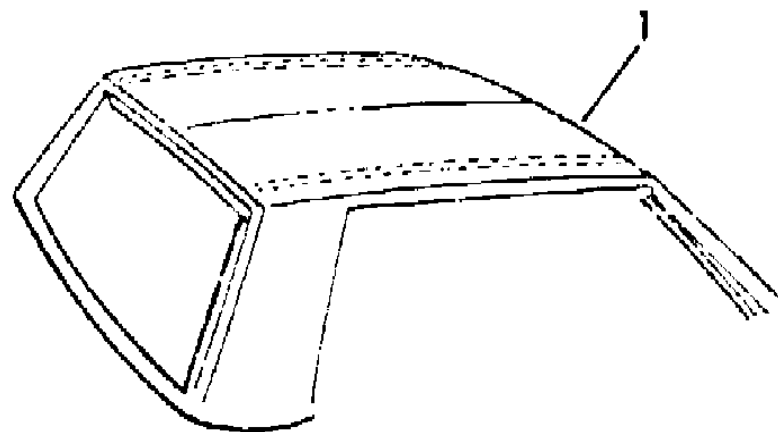
21 = 2-DOOR SEDAN	28 = FWD PICKUP	44 = 4-DOOR HATCHBACK
22 = 2-DOOR SPECIAL COUPE	35 = FWD VAN	45 = 4-DOOR STATION WAGON
24 = 2-DOOR HATCHBACK	36 = FWD WAGON	48 = 4-DOOR EXECUTIVE SEDAN
27 = 2-DOOR CONVERTIBLE	41 = 4-DOOR SEDAN	

AR = Use as Required - = Non Illustrated Part P.A.R. = Paint as Required

COVER, ROOF - EXTERIOR VIEW DODGE ARIES 4 DOOR
Figure 23-2300

4168 2300

ITEM	PART NUMBER	QTY	BODY	MODEL	DESCRIPTION
1	T927 BA2	1			COVER, Full Vinyl Roof, Silver (Trim Code VAA)
	T927 VC9	1			Night Watch Blue (Trim Code VAC)
	T927 CM6	1			Red (Trim Code VAM)
	T927 CT6	1			Tan (Trim Code VAT)
	T927 VW3	1			White (Trim Code VAW)
	T927 AX9	1			Black (Trim Code VAX)



MODEL CODES

B = GRAN FURY	F = FIFTH AVENUE/NEWPORT	P = RELIANT
C = LEBARON/TOWN & COUNTRY/EXC SEDAN	G = DIPLOMAT	T = E CLASS/NEW YORKER
C24 = LASER	H = VOYAGER	V = 600
D = ARIES	K = MINI RAM/CARAVAN/ROYAL	V24 = DAYTONA
E = 600	M = HORIZON/TURISMO	Z = OMNI/CHARGER/RAMPAGE

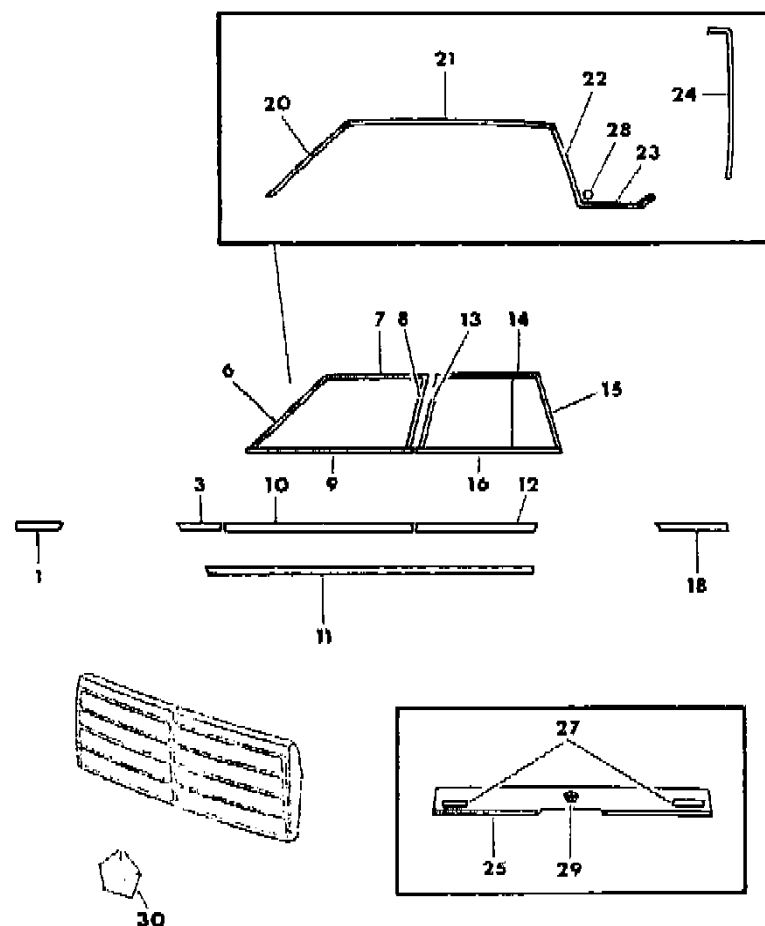
BODY STYLES

21 = 2-DOOR SEDAN	28 = FWD PICKUP	44 = 4-DOOR HATCHBACK
22 = 2-DOOR SPECIAL COUPE	35 = FWD VAN	45 = 4-DOOR STATION WAGON
24 = 2-DOOR HATCHBACK	36 = FWD WAGON	48 = 4-DOOR EXECUTIVE SEDAN
27 = 2-DOOR CONVERTIBLE	41 = 4-DOOR SEDAN	

AR = Use as Required - = Non Illustrated Part P.A.R. = Paint as Required

MOULDINGS and ORNAMENTATION - EXTERIOR VIEW DODGE ARIES - 4 DOOR
Figure 23-2400

4168 2400



ITEM	PART NUMBER	QTY	BODY	MODEL	DESCRIPTION
1	X402-3 CA1	1			MOULDING, Fndr. Frt., Silver
	X402-3 CC9	1			Blue
	X402-3 CM5	1			Red
	X402-3 CT6	1			Mink Brown
	X402-3 CW3	1			White
3	X402-3 CX9	1			Black
	X406-7 CA1	1			MOULDING, Fndr. Rear, Silver
	X406-7 CC9	1			Blue
	X406-7 CM5	1			Red
	X406-7 CT6	1			Mink Brown
6	X406-7 CW3	1			White
	X406-7 CX9	1			Black
	4276 063	1			MOULDING, Door Wdo. Opng. Frame Frt., Lt.
7	4319 218	1			MOULDING, Door Wdo. Opng. Frame Frt., Rt., Use w/o Mirror
	4276 062	1			MOULDING, Door Wdo. Opng. Frame Frt., Rt., Use w/Mirror
	4319 222-3	1			MOULDING, Door Wdo. Opng. Frame Up.
8	4319 226-7	1			MOULDING, Door Wdo. Opng. Frame Rear, Use Up to 11-1-83
	4328 304-5	1			MOULDING, Door Wdo. Opng. Frame Rear, Use After 11-1-83
9	4293 628	1			MOULDING PACKAGE, Frt. Door Belt, Rt., w/Mirror
	4293 629	1			MOULDING PACKAGE, Frt. Door Belt, Lt.
	4293 626	1			MOULDING PACKAGE, Frt. Door Belt, Rt., w/o Mirror, Use Uo to 2-1-84
	4339 190	1			MOULDING PACKAGE, Frt. Door Belt, Rt., w/o Mirror, Use After 2-1-84
	4057 555	AR			RETAINER PACKAGE
10	X408-9 CA1	1			MOULDING, Frt. Door, Silver
	X408-9 CC9	1			Blue
	X408-9 CM5	1			Red
	X408-9 CT6	1			Mink Brown
	X408-9 CW3	1			White
11	X408-9 CX9	1			Black
	4293 688-9	1			MOULDING PACKAGE, Body Side Sill
	6003 777	AR			RETAINER
	4293 616	AR			SCREW PACKAGE, (Repair)
12					STUD, (Not Serv.)
	X412-3 CA1	1			MOULDING, Rear Door, Silver
	X412-3 CC9	1			Blue
	X412-3 CM5	1			Red

MODEL CODES

B = GRAN FURY	F = FIFTH AVENUE/NEWPORT	P = RELIANT
C = LEBARON/TOWN & COUNTRY/EXC SEDAN	G = DIPLOMAT	T = E CLASS/NEW YORKER
C24 = LASER	H = VOYAGER	V = 600
D = ARIES	K = MINI RAM/CARAVAN/ROYAL	V24 = DAYTONA
E = 600	M = HORIZON/TURISMO	Z = OMNI/CHARGER/RAMPAGE

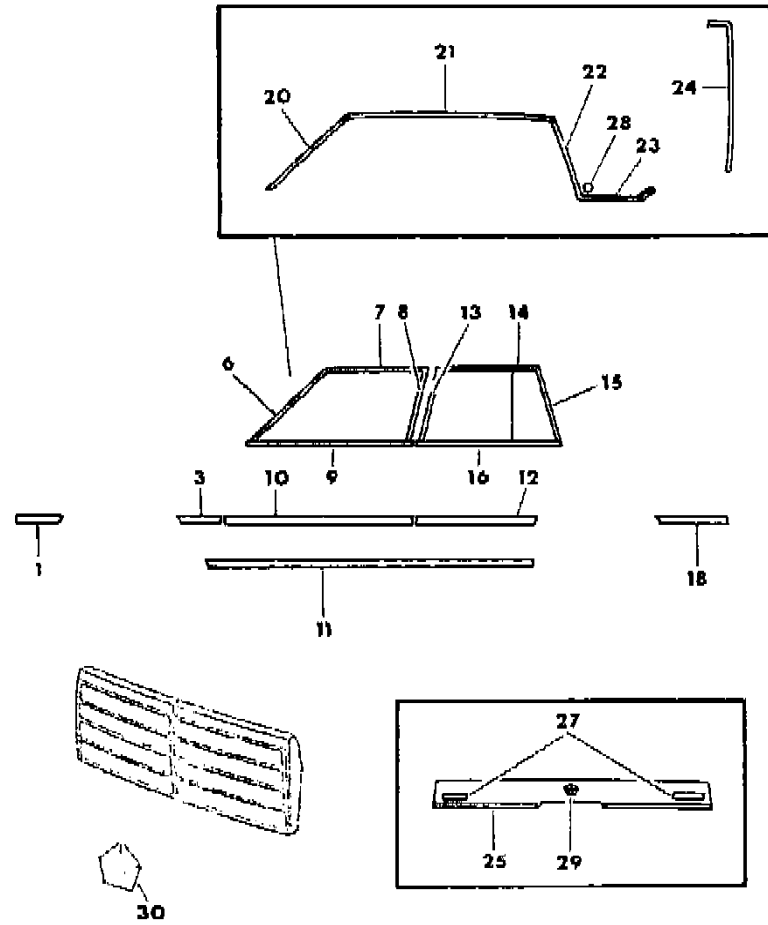
BODY STYLES

21 = 2-DOOR SEDAN	28 = FWD PICKUP	44 = 4-DOOR HATCHBACK
22 = 2-DOOR SPECIAL COUPE	35 = FWD VAN	45 = 4-DOOR STATION WAGON
24 = 2-DOOR HATCHBACK	36 = FWD WAGON	48 = 4-DOOR EXECUTIVE SEDAN
27 = 2-DOOR CONVERTIBLE	41 = 4-DOOR SEDAN	

AR = Use as Required - = Non Illustrated Part P.A.R. = Paint as Required

MOULDINGS and ORNAMENTATION - EXTERIOR VIEW DODGE ARIES - 4 DOOR
Figure 23-2400

4168 2400



ITEM	PART NUMBER	QTY	BODY	MODEL	DESCRIPTION
	X412-3 CT6	1			Mink Brown
	X412-3 CW3	1			White
	X412-3 CX9	1			Black
13	4319 234-5	1			MOULDING, Rear Door Wdo. Opng. Frame Frt., Use Up to 11-1-83
	4328 308-9	1			MOULDING, Rear Door Wdo. Opng. Frame Frt., Use After 11-1-83
14	4319 238-9	1			MOULDING, Rear Door Wdo. Opng. Frame Uprr., Use w/Qtr. Wdo. Frame and Louver
15	X340-1 BXX	1			FRAME and LOUVER, Rear Door Wdo., Black
	6003 828	AR			RETAINER NUT, (Not Serv.)
16	4293 622-3	1			MOULDING PACKAGE, Rear Door Belt, Use w/Qtr. Wdo. Frame and Louver
	4057 555	AR			RETAINER PACKAGE
18	X416-7 CA1	1			MOULDING, Qtr. Rear, Silver
	X416-7 CC9	1			Blue
	X416-7 CM5	1			Red
	X416-7 CT6	1			Mink Brown
	X416-7 CW3	1			White
	X416-7 CX9	1			Black
20	4276 416-7	1			MOULDING, Body Frt. Pillar Drain Trough
	4328 572-3	1			MOULDING and SEAL, Body Frt. Pillar Drain Trough
	4229 764-5	1			SEAL, Body Frt. Pillar Drain Trough Mldg. Inner
21	4319 372-3	1			MOULDING, Roof Side Drain Trough Frt., w/o Vinyl Roof
	4229 682-3	1			w/Vinyl Roof
22	4175 592-3	1			MOULDING, Roof Drain Trough Rear, w/Vinyl Roof
23	4293 630-1	1			MOULDING, Qtr. Belt, w/Vinyl Roof
	6003 627	AR			RETAINER
24	4293 614	1			MOULDING PACKAGE, Deck Opng. Uprr. Pnl., Rt., Use Up to 11-15-83
	4205 654	1			MOULDING PACKAGE, Deck Opng. Uprr. Pnl., Rt., Use After 11-15-83
	4293 615	1			MOULDING PACKAGE, Deck Opng. Uprr. Pnl., Lt.
	4293 617	AR			RETAINER PACKAGE
					SCREW, (Not Serv.)
25	4293 610-1	1			MOULDING, Deck Lid Lwr.
	4293 618	AR			RETAINER PACKAGE

MODEL CODES

B = GRAN FURY	F = FIFTH AVENUE/NEWPORT	P = RELIANT
C = LEBARON/TOWN & COUNTRY/EXC SEDAN	G = DIPLOMAT	T = E CLASS/NEW YORKER
C24 = LASER	H = VOYAGER	V = 600
D = ARIES	K = MINI RAM/CARAVAN/ROYAL	V24 = DAYTONA
E = 600	M = HORIZON/TURISMO	Z = OMNI/CHARGER/RAMPAGE

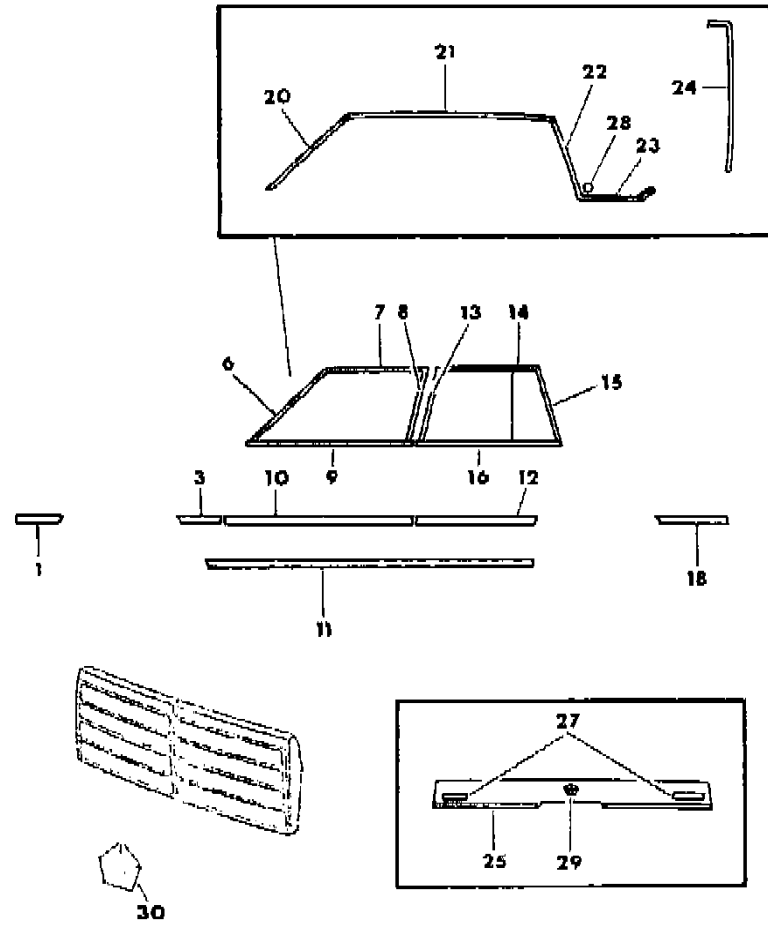
BODY STYLES

21 = 2-DOOR SEDAN	28 = FWD PICKUP	44 = 4-DOOR HATCHBACK
22 = 2-DOOR SPECIAL COUPE	35 = FWD VAN	45 = 4-DOOR STATION WAGON
24 = 2-DOOR HATCHBACK	36 = FWD WAGON	48 = 4-DOOR EXECUTIVE SEDAN
27 = 2-DOOR CONVERTIBLE	41 = 4-DOOR SEDAN	

AR = Use as Required - = Non Illustrated Part P.A.R. = Paint as Required

MOULDINGS and ORNAMENTATION - EXTERIOR VIEW DODGE ARIES - 4 DOOR
Figure 23-2400

4168 2400



ITEM	PART NUMBER	QTY	BODY	MODEL	DESCRIPTION
27	4319 774	1			NAME PLATE, Deck Lid, "ARIES"
	4319 769	1			NAMEPLATE, Deck Lid, "DODGE"
28	4319 752	2	D-H		MEDALLION, Qtr. Pnl., "SE"
	6003 627	AR			RETAINER
29	X269 CA2	1			MEDALLION, Deck Lid Lock Cyl., Silver
	X269 CC9	1			Night Watch Blue
	X269 CC4	1			Glacier Blue
	X269 CM5	1			Red
	X269 CL4	1			Beige Met.
	X269 CT6	1			Mink Brown
	X269 CW3	1			White
	X269 CX9	1			Black
NOTE: The Colored Medallion Used is Determined by the Exterior Paint of Car s information becomes available.					
30	4103 553	1			ORNAMENT, Radiator Grille Pentastar
	4103 565	1			BASE, (Not Shown)
	4103 567	1			BRACKET, (Not Shown)

MODEL CODES

B = GRAN FURY	F = FIFTH AVENUE/NEWPORT	P = RELIANT
C = LEBARON/TOWN & COUNTRY/EXC SEDAN	G = DIPLOMAT	T = E CLASS/NEW YORKER
C24 = LASER	H = VOYAGER	V = 600
D = ARIES	K = MINI RAM/CARAVAN/ROYAL	V24 = DAYTONA
E = 600	M = HORIZON/TURISMO	Z = OMNI/CHARGER/RAMPAGE

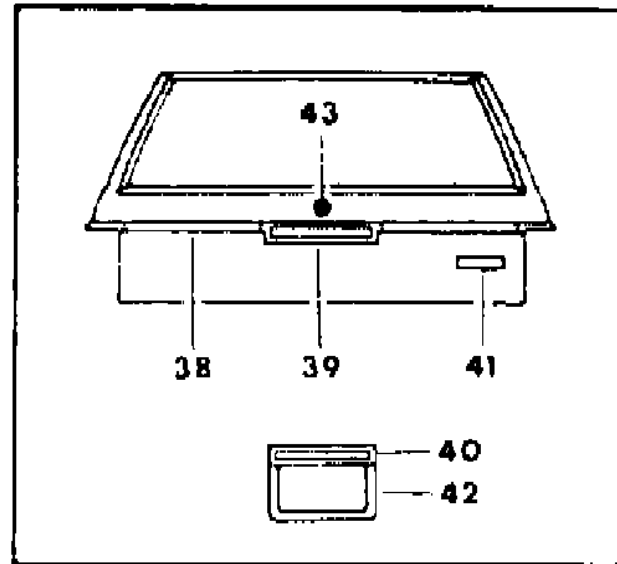
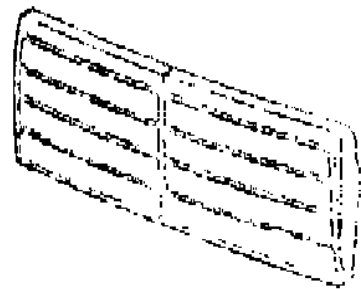
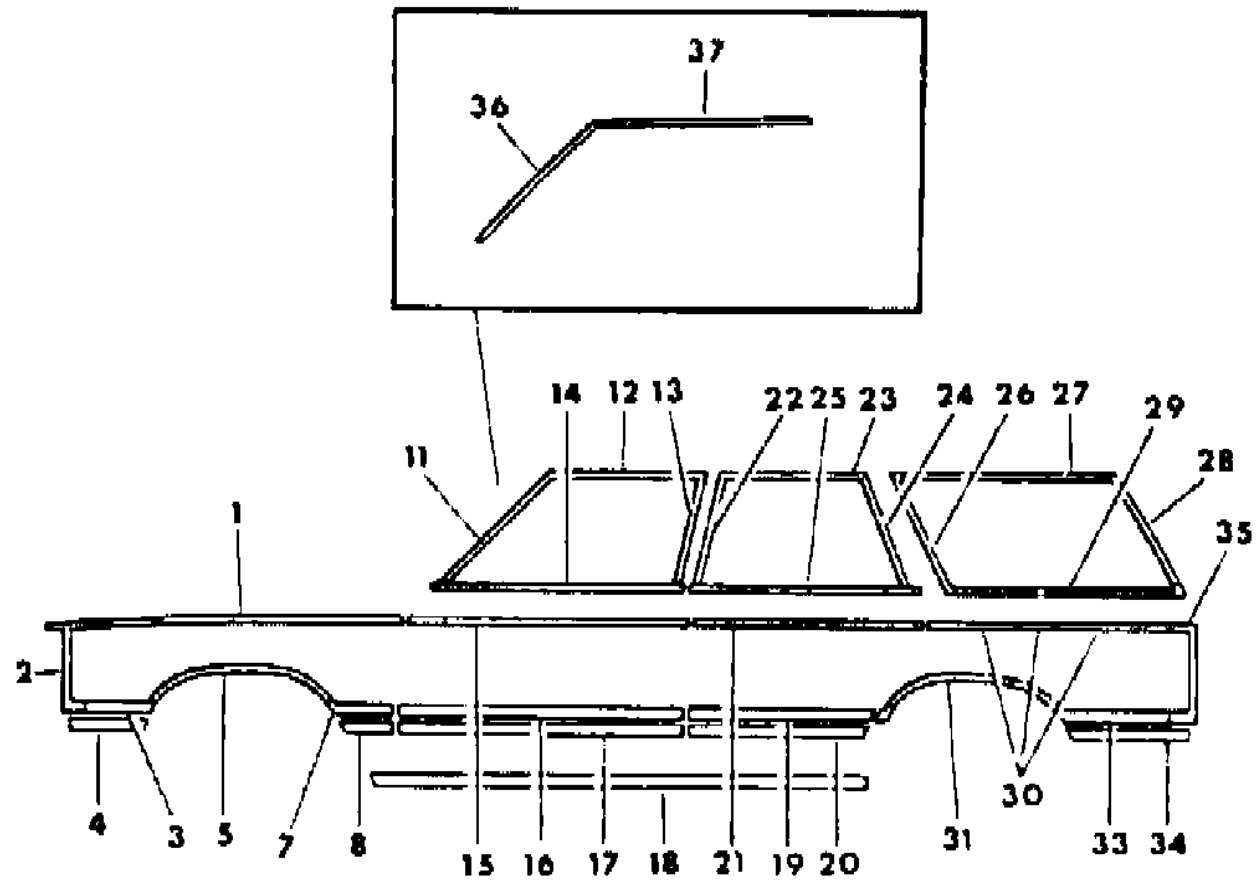
BODY STYLES

21 = 2-DOOR SEDAN	28 = FWD PICKUP	44 = 4-DOOR HATCHBACK
22 = 2-DOOR SPECIAL COUPE	35 = FWD VAN	45 = 4-DOOR STATION WAGON
24 = 2-DOOR HATCHBACK	36 = FWD WAGON	48 = 4-DOOR EXECUTIVE SEDAN
27 = 2-DOOR CONVERTIBLE	41 = 4-DOOR SEDAN	

AR = Use as Required - = Non Illustrated Part P.A.R. = Paint as Required

MOULDINGS and ORNAMENTATION - EXTERIOR VIEW DODGE ARIES - SUBURBAN
Figure 23-2500

4168 2500



ITEM	PART NUMBER	QTY	BODY	MODEL	DESCRIPTION
1	4293 676-7	1			MOULDING PACKAGE, Fndr. Upr., Woodgrain
	4205 640	AR			RETAINER PACKAGE
	4057 555	AR			RETAINER PACKAGE
2	4293 678-9	1			MOULDING PACKAGE, Fndr. Frt., Woodgrain
	4057 555	AR			RETAINER PACKAGE
3	4293 674-5	1			MOULDING PACKAGE, Fndr. Lwr., Woodgrain
	6003 790	AR			RETAINER
					SCREW, (Not Serv.)
4	X402-3 CA1	1			MOULDING, Fndr. Frt., Silver
	X402-3 CC9	1			Blue
	X402-3 CM5	1			Red
	X402-3 CT6	1			Mink Brown
	X402-3 CW3	1			White
5	X402-3 CX9	1			Black
	4175 722-3	1			MOULDING, Fndr. Wheel Opng., Woodgrain
7	4293 672-3	1			MOULDING PACKAGE, Fndr. Lwr. Rear, Woodgrain
	4205 636	AR			RETAINER PACKAGE
					STUD, (Not Serv.)
8					SCREW, (Not Serv.)
	X406-7 CA1	1			MOULDING, Fndr. Rear, Silver
	X406-7 CC9	1			Blue
	X406-7 CM5	1			Red
	X406-7 CT6	1			Mink Brown
11	X406-7 CW3	1			White
	X406-7 CX9	1			Black
12	4276 063	1			MOULDING, Frt. Door Wdo. Opng. Frame Frt., Lt.
	4319 218	1			MOULDING, Frt. Door Wdo. Opng. Frame Frt., Rt., Use w/o Mirror
	4276 062	1			MOULDING, Frt. Door Wdo. Opng. Frame Frt., Rt., Use w/ Mirror
13	4319 222-3	1			MOULDING, Frt. Door Wdo. Opng. Frame Upr.
	4319 226-7	1			MOULDING, Frt. Door Wdo. Opng. Frame Rear, Use Up to 11-1-83
14	4328 304-5	1			MOULDING, Frt. Door Wdo. Opng. Frame Rear, Use After 11-1-83
	4293 628	1			MOULDING PACKAGE, Frt. Door Belt, Rt., w/Mirror
	4293 629	1			MOULDING PACKAGE, Frt. Door Belt, Lt.

MODEL CODES

B = GRAN FURY	F = FIFTH AVENUE/NEWPORT	P = RELIANT
C = LEBARON/TOWN & COUNTRY/EXC SEDAN	G = DIPLOMAT	T = E CLASS/NEW YORKER
C24 = LASER	H = VOYAGER	V = 600
D = ARIES	K = MINI RAM/CARAVAN/ROYAL	V24 = DAYTONA
E = 600	M = HORIZON/TURISMO	Z = OMNI/CHARGER/RAMPAGE

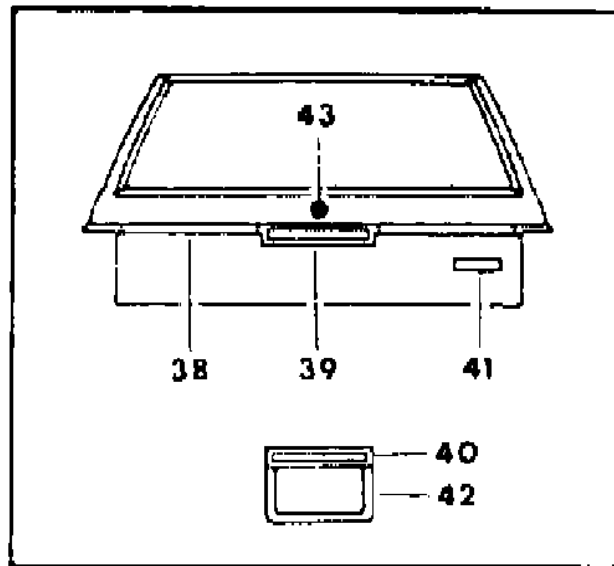
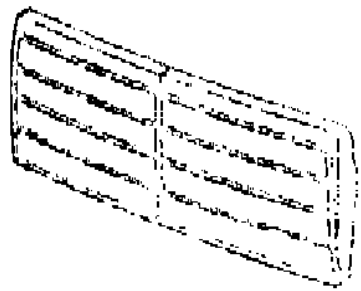
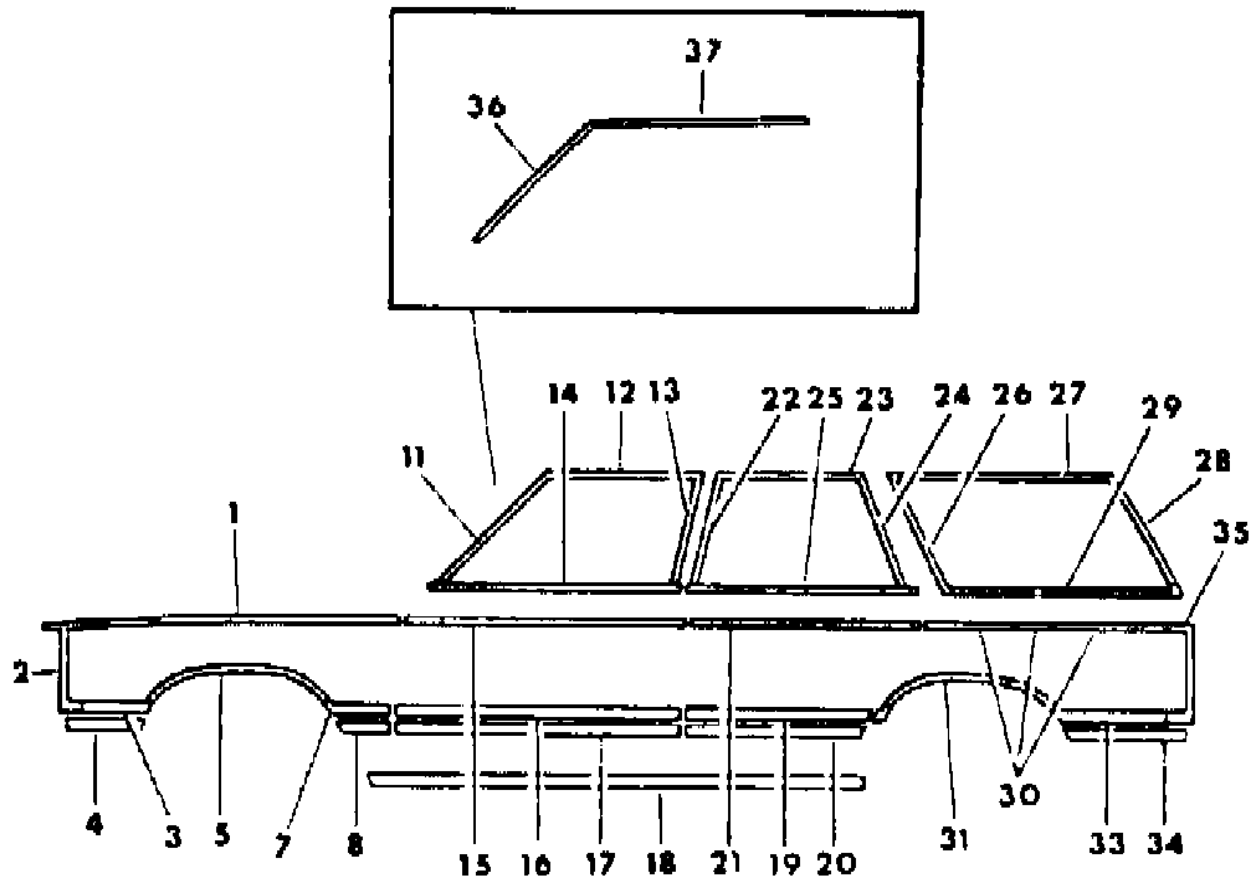
BODY STYLES

21 = 2-DOOR SEDAN	28 = FWD PICKUP	44 = 4-DOOR HATCHBACK
22 = 2-DOOR SPECIAL COUPE	35 = FWD VAN	45 = 4-DOOR STATION WAGON
24 = 2-DOOR HATCHBACK	36 = FWD WAGON	48 = 4-DOOR EXECUTIVE SEDAN
27 = 2-DOOR CONVERTIBLE	41 = 4-DOOR SEDAN	

AR = Use as Required - = Non Illustrated Part P.A.R. = Paint as Required

MOULDINGS and ORNAMENTATION - EXTERIOR VIEW DODGE ARIES - SUBURBAN
Figure 23-2500

4168 2500



ITEM	PART NUMBER	QTY	BODY	MODEL	DESCRIPTION
	4293 626	1			MOULDING PACKAGE, Frt. Door Belt, Rt., w/o Mirror, Use Up to 2-1-84
	4339 190	1			MOULDING PACKAGE, Frt. Door Belt, Rt., w/o Mirror, Use After 2-1-84
	4057 555	AR			RETAINER PACKAGE
15	4293 680-1	1			MOULDING PACKAGE, Frt. Door Upr., Woodgrain
	4205 637	AR			RETAINER PACKAGE
16	4293 666-7	1			MOULDING PACKAGE, Frt. Door Lwr., Woodgrain
	4205 636	AR			RETAINER PACKAGE
	4057 555	AR			RETAINER PACKAGE
17	X408-9 CA1	1			MOULDING, Frt. Door, Silver
	X408-9 CC9	1			Blue
	X408-9 CM5	1			Red
	X408-9 CT6	1			Mink Brown
	X408-9 CW3	1			White
	X408-9 CX9	1			Black
18	4293 688-9	1			MOULDING PACKAGE, Body Side Sill
	6003 777	AR			RETAINER
	4293 616	AR			SCREW PACKAGE, (Repair)
19	4293 668-9	1			MOULDING PACKAGE, Rear Door Lwr., Woodgrain
	4057 555	AR			RETAINER PACKAGE
	4205 636	AR			RETAINER PACKAGE
20	X412-3 CA1	1			MOULDING, Rear Door, Silver
	X412-3 CC9	1			Blue
	X412-3 CM5	1			Red
	X412-3 CT6	1			Mink Brown
	X412-3 CW3	1			White
	X412-3 CX9	1			Black
21	4293 682-3	1			MOULDING PACKAGE, Rear Door Upr., Woodgrain
	4205 637	AR			RETAINER PACKAGE
22	4319 234-5	1			MOULDING, Rear Door Wdo. Opng. Frame Frt., Use Up to 11-1-83
	4328 308-9	1			MOULDING, Rear Door Wdo. Opng. Frame Frt., Use After 11-1-83
23	4319 244-5	1			MOULDING, Rear Door Wdo. Opng. Frame Upr.
24	4319 248-9	1			MOULDING, Rear Door Wdo. Opng. Frame Rear
25	4293 640-1	1			MOULDING PACKAGE, Rear Door Belt
	4057 555	AR			RETAINER PACKAGE

MODEL CODES

B = GRAN FURY	F = FIFTH AVENUE/NEWPORT	P = RELIANT
C = LEBARON/TOWN & COUNTRY/EXC SEDAN	G = DIPLOMAT	T = E CLASS/NEW YORKER
C24 = LASER	H = VOYAGER	V = 600
D = ARIES	K = MINI RAM/CARAVAN/ROYAL	V24 = DAYTONA
E = 600	M = HORIZON/TURISMO	Z = OMNI/CHARGER/RAMPAGE

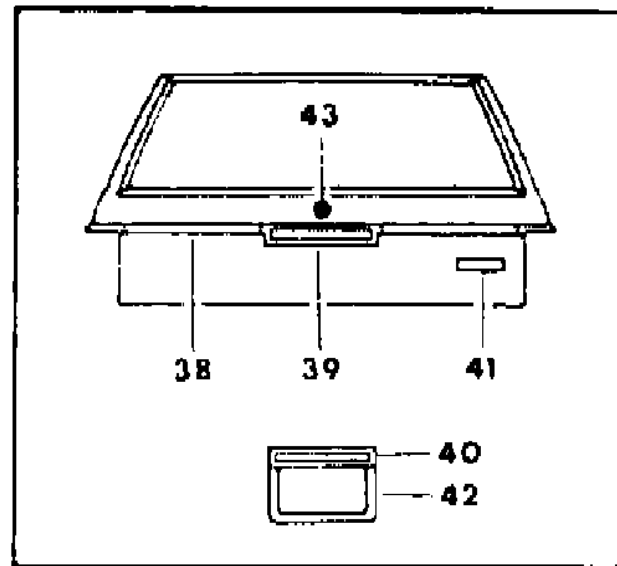
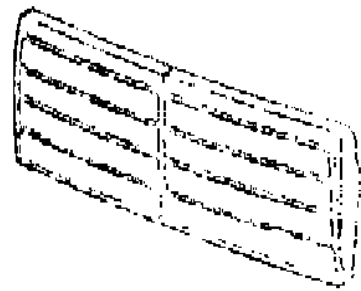
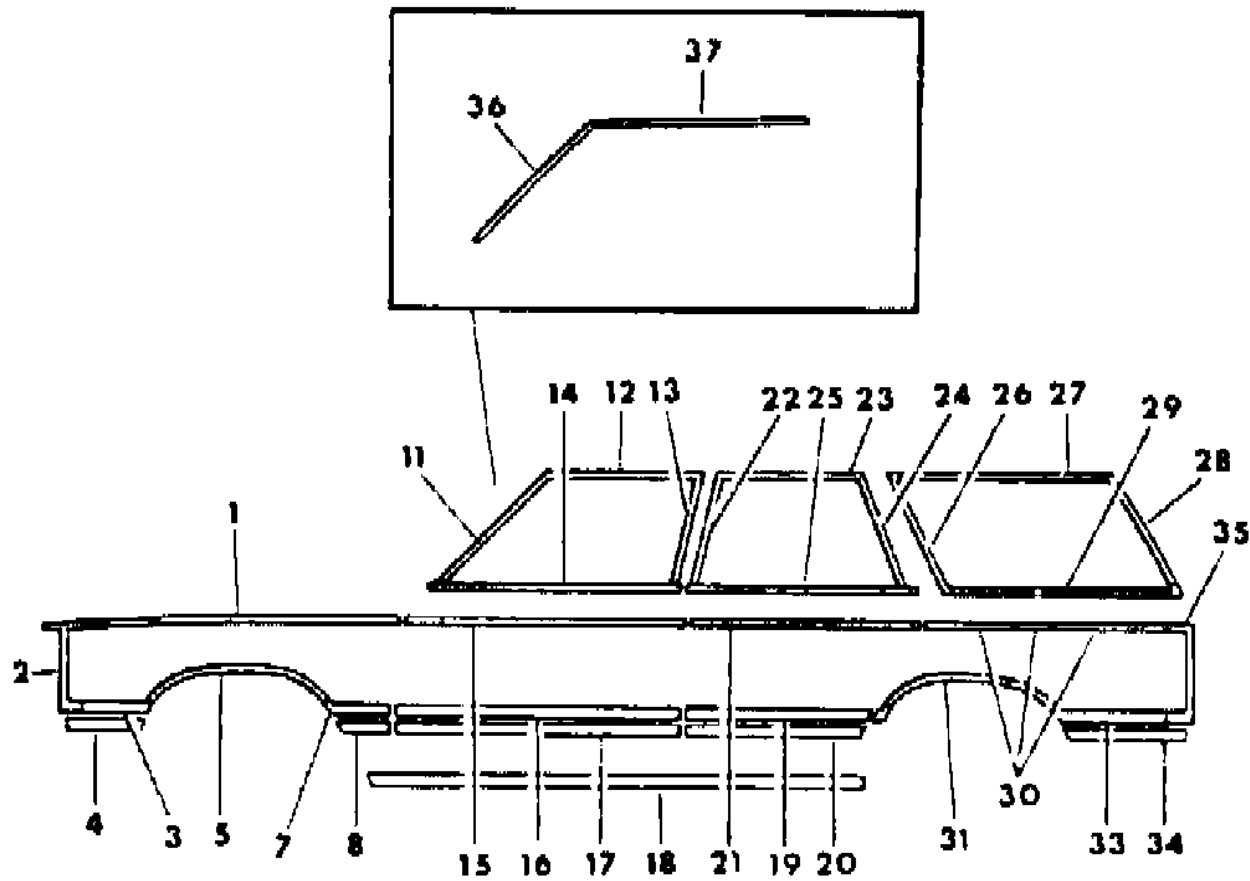
BODY STYLES

21 = 2-DOOR SEDAN	28 = FWD PICKUP	44 = 4-DOOR HATCHBACK
22 = 2-DOOR SPECIAL COUPE	35 = FWD VAN	45 = 4-DOOR STATION WAGON
24 = 2-DOOR HATCHBACK	36 = FWD WAGON	48 = 4-DOOR EXECUTIVE SEDAN
27 = 2-DOOR CONVERTIBLE	41 = 4-DOOR SEDAN	

AR = Use as Required - = Non Illustrated Part P.A.R. = Paint as Required

MOULDINGS and ORNAMENTATION - EXTERIOR VIEW DODGE ARIES - SUBURBAN
Figure 23-2500

4168 2500



ITEM	PART NUMBER	QTY	BODY	MODEL	DESCRIPTION
26	4319 326-7	1			MOULDING, Qtr. Wdo. Frt.
	6003 731	AR			RETAINER
	4319 328	2			MOULDING, Qtr. Wdo. Upr.
27	6003 878	AR			RETAINER
	6003 879	AR			RETAINER
	4319 330-1	1			MOULDING, Qtr. Wdo. Rear
29	4319 332-3	1			MOULDING, Qtr. Wdo. Lwr.
	6003 878	AR			RETAINER
	30	4293 692	1		
4293 693		1			MOULDING PACKAGE, Qtr. Upr., Lt., Woodgrain
4293 690		1			MOULDING PACKAGE, Qtr. Upr. Rear, Rt., Woodgrain
4293 627		1			MOULDING PACKAGE, Qtr. Fuel Filler Door, Woodgrain
4205 637		AR			RETAINER PACKAGE
31	4319 482-3	1			MOULDING, Qtr. Lwr. Frt. and Wheel Opng., Woodgrain
					SCREW, (Not Serv.)
33	4293 686-7	1			MOULDING PACKAGE, Qtr. Lwr. Rear, Woodgrain
	4205 636	AR			RETAINER PACKAGE
					STUD, (Not Serv.)
34					SCREW, (Not Serv.)
	X404-5 CA1	1			MOULDING, Qtr. Rear, Silver
	X404-5 CC9	1			Blue
	X404-5 CM5	1			Red
	X404-5 CT6	1			Mink Brown
	X404-5 CW3	1			White
35	X404-5 CX9	1			Black
	4293 670-1	1			MOULDING PACKAGE, Qtr. Rear, Woodgrain
36	4057 555	AR			RETAINER PACKAGE
	4328 572-3	1			MOULDING and SEAL, Body Frt. Pillar Drain Trough
	4229 764-5	1			SEAL, Body Frt. Pillar Drain Trough Mldg. Inner
37	4319 374-5	1			MOULDING, Roof Drain Trough
	4293 684-5	1			MOULDING PACKAGE, L/Gate, Woodgrain
38	4205 637	AR			RETAINER PACKAGE
	4293 616	AR			SCREW PACKAGE, (Repair)
	39	4319 491	1		
0116 000		AR			NUT and WASHER
40	4319 794	1			HANDLE and GASKET, L/Gate
41	4319 774	1			NAME PLATE, L/Gate, "ARIES"
42	4175 749	1			MOULDING, L/Gate Lic. Plate Periphery

MODEL CODES

B = GRAN FURY	F = FIFTH AVENUE/NEWPORT	P = RELIANT
C = LEBARON/TOWN & COUNTRY/EXC SEDAN	G = DIPLOMAT	T = E CLASS/NEW YORKER
C24 = LASER	H = VOYAGER	V = 600
D = ARIES	K = MINI RAM/CARAVAN/ROYAL	V24 = DAYTONA
E = 600	M = HORIZON/TURISMO	Z = OMNI/CHARGER/RAMPAGE

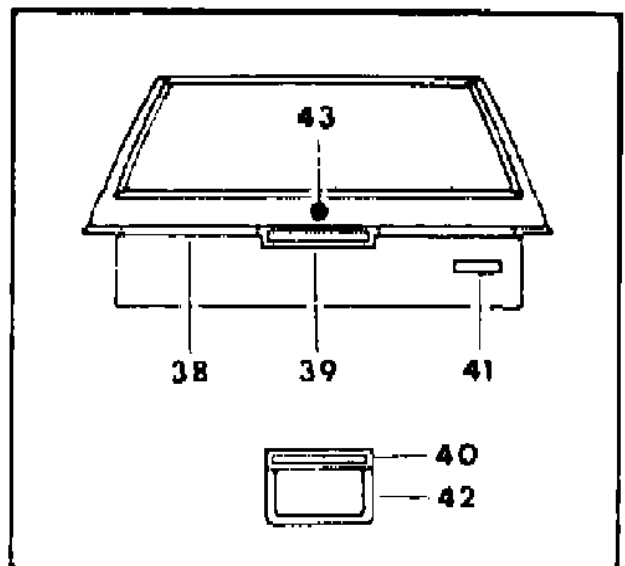
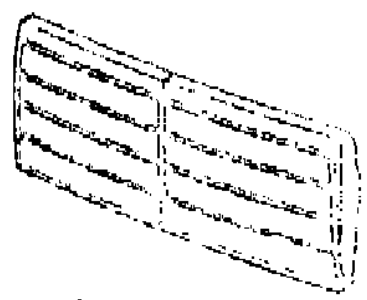
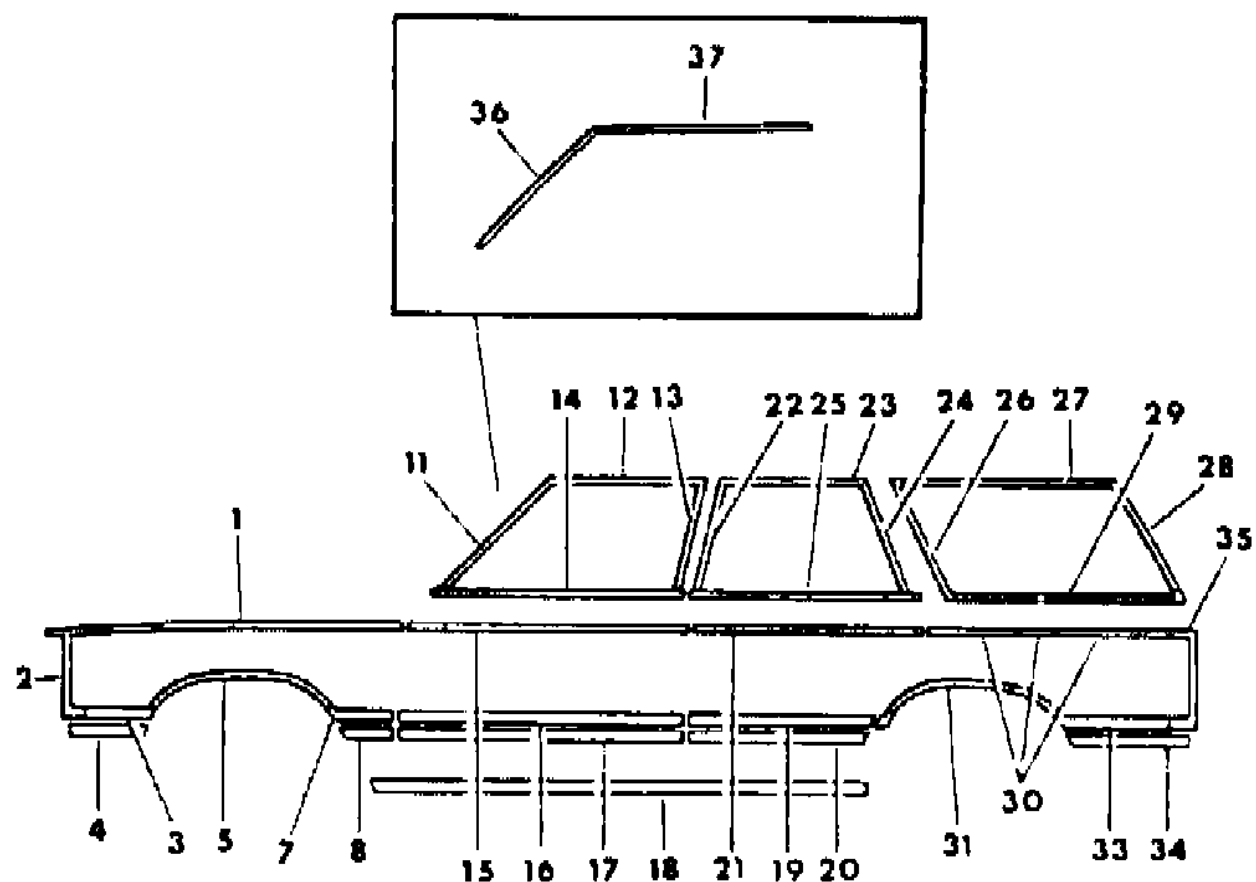
BODY STYLES

21 = 2-DOOR SEDAN	28 = FWD PICKUP	44 = 4-DOOR HATCHBACK
22 = 2-DOOR SPECIAL COUPE	35 = FWD VAN	45 = 4-DOOR STATION WAGON
24 = 2-DOOR HATCHBACK	36 = FWD WAGON	48 = 4-DOOR EXECUTIVE SEDAN
27 = 2-DOOR CONVERTIBLE	41 = 4-DOOR SEDAN	

AR = Use as Required - = Non Illustrated Part P.A.R. = Paint as Required

MOULDINGS and ORNAMENTATION - EXTERIOR VIEW DODGE ARIES - SUBURBAN
Figure 23-2500

4168 2500



ITEM	PART NUMBER	QTY	BODY	MODEL	DESCRIPTION
	0116 000	AR			NUT and WASHER
43	X562 CA2	1			MEDALLION, L/Gate, Silver
	X562 CC9	1			Night Watch Blue
	X562 CM5	1			Red
	X562 CL4	1			Beige Met.
	X562 CT6	1			Mink Brown
	X562 CW3	1			White
	X562 CX9	1			Black
NOTE: The Colored Medallion Used is Determined by the Exterior Paint of Car s information becomes available.					
44	4103 553	1			ORNAMENT, Radiator Grille Pentastar
	4103 565	1			BASE, (Not Shown)
	4103 567	1			BRACKET, (Not Shown)

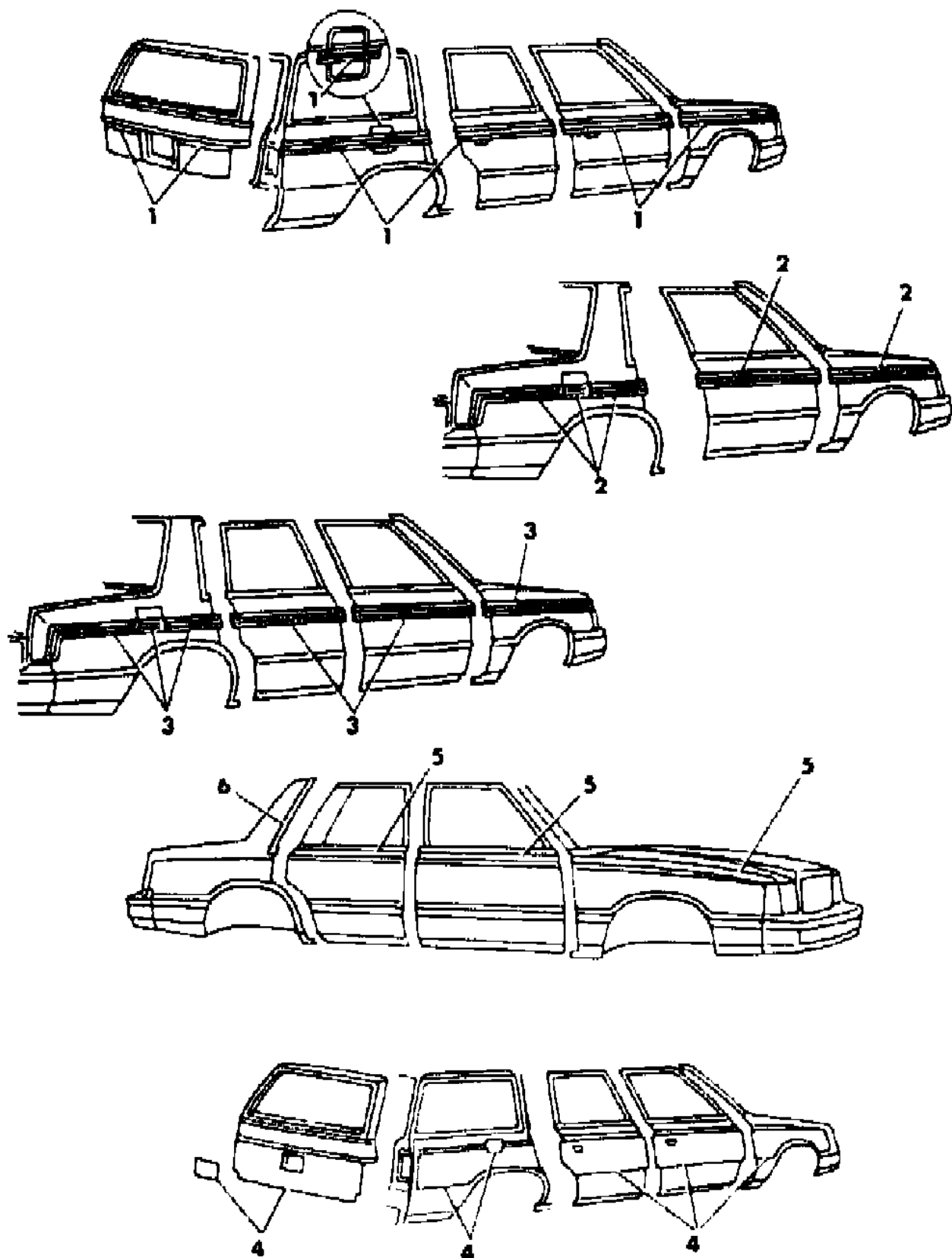
- MODEL CODES**
- | | | |
|--------------------------------------|----------------------------|--------------------------|
| B = GRAN FURY | F = FIFTH AVENUE/NEWPORT | P = RELIANT |
| C = LEBARON/TOWN & COUNTRY/EXC SEDAN | G = DIPLOMAT | T = E CLASS/NEW YORKER |
| C24 = LASER | H = VOYAGER | V = 600 |
| D = ARIES | K = MINI RAM/CARAVAN/ROYAL | V24 = DAYTONA |
| E = 600 | M = HORIZON/TURISMO | Z = OMNI/CHARGER/RAMPAGE |

- BODY STYLES**
- | | | |
|---------------------------|-------------------|-----------------------------|
| 21 = 2-DOOR SEDAN | 28 = FWD PICKUP | 44 = 4-DOOR HATCHBACK |
| 22 = 2-DOOR SPECIAL COUPE | 35 = FWD VAN | 45 = 4-DOOR STATION WAGON |
| 24 = 2-DOOR HATCHBACK | 36 = FWD WAGON | 48 = 4-DOOR EXECUTIVE SEDAN |
| 27 = 2-DOOR CONVERTIBLE | 41 = 4-DOOR SEDAN | |

AR = Use as Required - = Non Illustrated Part P.A.R. = Paint as Required

TAPE STRIPES and DECALS - EXTERIOR VIEW DODGE ARIES - 2 DOOR - 4 DOOR - SUBURBAN
Figure 23-2600

4100 2000



ITEM	PART NUMBER	QTY	BODY	MODEL	DESCRIPTION
1	4318 594-5	1		D-H,45	TAPE PACKAGE, Fndr., Door, Qtr., Silver (KKA)
	4318 596-7	1		D-H,45	Red (KKR)
	4293 290-1	1		D-H,45	Gold (KKY)
	4318 908-9	1		D-H,45	Saddle Brown (KKK)
	4293 699	1		D-H,45	TAPE PACKAGE, L/Gate, Silver (KKA)
2	4293 700	1		D-H,45	Red (KKR)
	4293 295	1		D-H,45	Gold (KKY)
	4339 021	1		D-H,45	Saddle Brown (KKK)
	4318 904-5	1		21	TAPE PACKAGE, Fndr., Door, Qtr., Red (KKR)
	4293 302-3	1		21	Gold (KKY)
3	4318 902-3	1		21	Saddle Brown (KKK)
	4318 698-9	1		21	Blue (KKC)
	4318 696-7	1		21	Silver (KKA)
	4318 694-5	1		D-L,D-H	TAPE PACKAGE, Fndr., Door, Wtr., Red (KKR)
	4293 316-7	1		D-L,D-H	Gold (KKY)
4	4318 692-3	1		D-L,D-H	Saddle Brown (KKK)
	4318 690-1	1		D-L,D-H	Blue (KKC)
	4318 688-9	1		D-L,D-H	Silver (KKA)
	4319 013	AR		45	OVERLAY, Fndr., Door, Qtr., Filler Door, L/Gate, L/Gate Lic Plate Depr.
	5	4318 574-5	1		D-L,D-H
4318 576-7		1		D-L,D-H	Charcoal, Silver, Bright Red (KAT) (Paint Sales Code PA6 QA1)
6	T682 CAD	1		D-L,D-H	TAPE, Roof Transverse, Gray Sable, Beige, Darl Beige (KAR) (Paint Sales Code PT6 QL4)
	T682 CAE	1		D-L,D-H	Charcoal, Silver, Bright Red (KAT) (Paint Sales Code PA6 QA1)

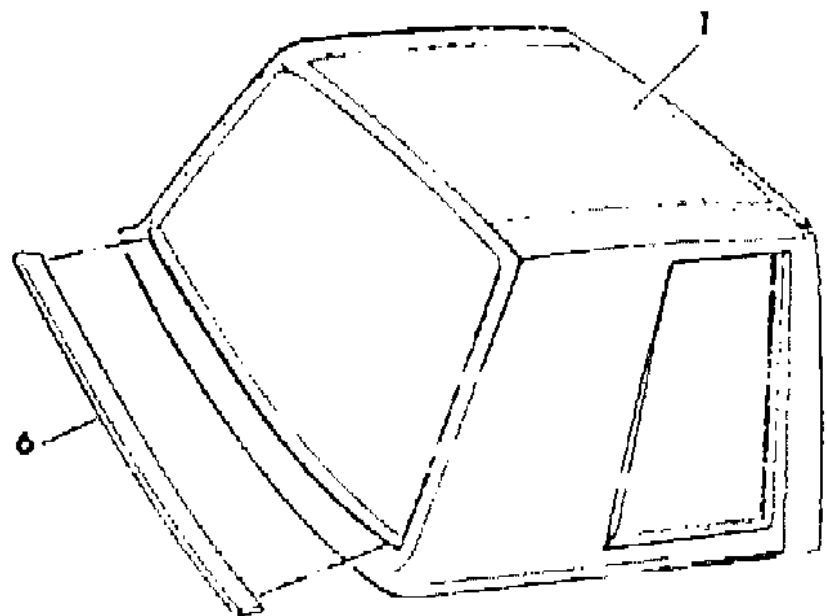
MODEL CODES
 B = GRAN FURY
 C = LEBARON/TOWN & COUNTRY/EXC SEDAN
 C24 = LASER
 D = ARIES
 E = 600
 F = FIFTH AVENUE/NEWPORT
 G = DIPLOMAT
 H = VOYAGER
 K = MINI RAM/CARAVAN/ROYAL
 M = HORIZON/TURISMO
 P = RELIANT
 T = E CLASS/NEW YORKER
 V = 600
 V24 = DAYTONA
 Z = OMNI/CHARGER/RAMPAGE

BODY STYLES
 21 = 2-DOOR SEDAN
 22 = 2-DOOR SPECIAL COUPE
 24 = 2-DOOR HATCHBACK
 27 = 2-DOOR CONVERTIBLE
 28 = FWD PICKUP
 35 = FWD VAN
 36 = FWD WAGON
 41 = 4-DOOR SEDAN
 44 = 4-DOOR HATCHBACK
 45 = 4-DOOR STATION WAGON
 48 = 4-DOOR EXECUTIVE SEDAN

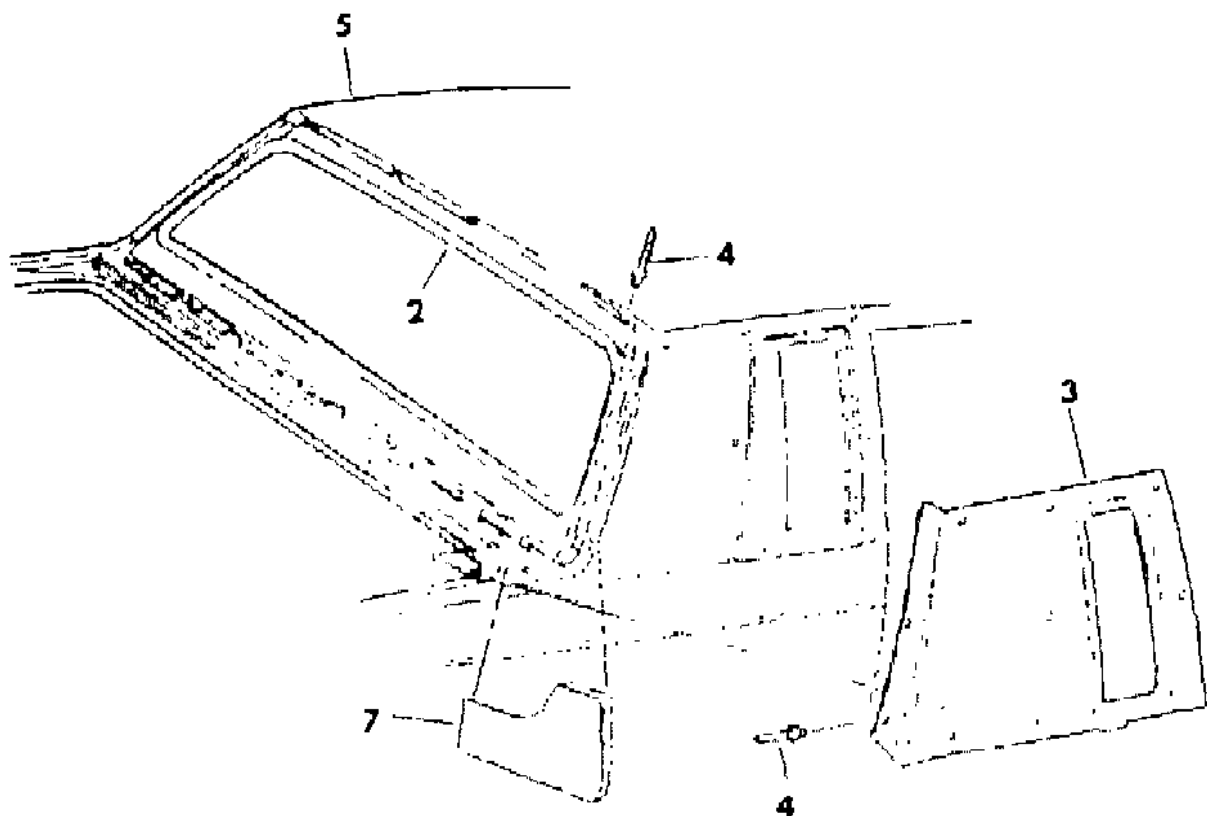
AR = Use as Required - = Non Illustrated Part P.A.R. = Paint as Required

COVER, ROOF - EXTERIOR VIEW DODGE 600 - 22
Figure 23-2700

23-2700



ITEM	PART NUMBER	QTY	BODY	MODEL	DESCRIPTION
1	T931 BA2	1			COVER, Padded Landau Roof, Silver (Trim Code VCA)
	T931 AC9	1			Night Watch Blue (Trim Code VCC)
	T931 CC6	1			Gunmetal Blue (Trim Code VCB)
	T931 CM6	1			Crimson Red (Trim Code VCM)
	T931 CT6	1			Mink Brown (Trim Code VCT)
	T931 AW3	1			White (Trim Code VCW)
	T931 AX9	1			Black (Trim Code VCX)
2	4229 503	1			FOUNDATION, Roof Back Lite
3	4229 558-9	1			FOUNDATION, Roof Qtr. Wdo.
4		AR			RIVET, (Not Serv.)
5	4229 975	1			PAD, Roof
6	4229 778	1			PAD, Rear Wdo. Opng. Lwr.
7	4276 202	3			FILLER STRIP, Rear Wdo. Lwr. Corner



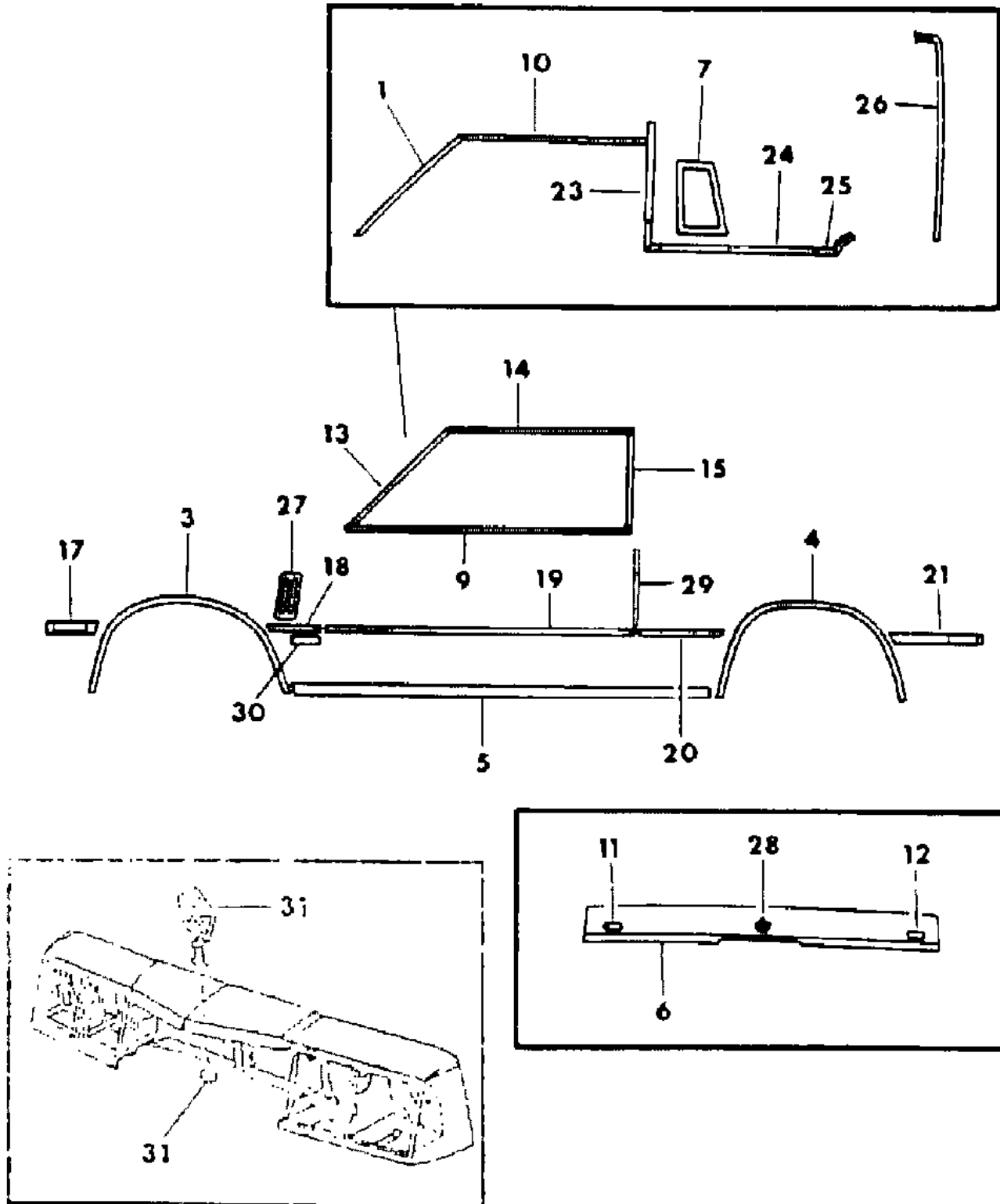
MODEL CODES
 B = GRAN FURY
 C = LEBARON/TOWN & COUNTRY/EXC SEDAN
 C24 = LASER
 D = ARIES
 E = 600
 F = FIFTH AVENUE/NEWPORT
 G = DIPLOMAT
 H = VOYAGER
 K = MINI RAM/CARAVAN/ROYAL
 M = HORIZON/TURISMO
 P = RELIANT
 T = E CLASS/NEW YORKER
 V = 600
 V24 = DAYTONA
 Z = OMNI/CHARGER/RAMPAGE

BODY STYLES
 21 = 2-DOOR SEDAN
 22 = 2-DOOR SPECIAL COUPE
 24 = 2-DOOR HATCHBACK
 27 = 2-DOOR CONVERTIBLE
 28 = FWD PICKUP
 35 = FWD VAN
 36 = FWD WAGON
 41 = 4-DOOR SEDAN
 44 = 4-DOOR HATCHBACK
 45 = 4-DOOR STATION WAGON
 48 = 4-DOOR EXECUTIVE SEDAN

AR = Use as Required - = Non Illustrated Part P.A.R. = Paint as Required

MOULDINGS and ORNAMENTATION - EXTERIOR VIEW DODGE 600 - 22,27
Figure 23-2800

4114 2800



ITEM	PART NUMBER	QTY	BODY	MODEL	DESCRIPTION
1	4328 572-3	1		22	MOULDING and SEAL, Body Frt. Pillar Drain Trough
	4229 764-5	1		22	SEAL, Body Frt. Pillar Drain Trough Mldg. Inner SCREW, (Not Serv.)
3	4319 022-3	1		22,27	MOULDING, Fndr. Wheel Opng., Use Up to 11-15-83
	4319 024-5	1		22,27	MOULDING, Fndr. Wheel Opng., Use After 11-15-83
4	4319 030-1	1		22,27	MOULDING, Qtr. Wheel Opng.
5	4293 638-9	1		22,27	MOULDING PACKAGE, Body Side Sill
6	4276 610	1		22,27	MOULDING, Deck Lid Lwr.
	6003 861	AR			RETAINER
7	4293 616	AR			SCREW PACKAGE, (Repair)
	X298-9 AC9	1		22	MOULDING, Qtr. Wdo., Use w/Padded Landau, Blue (Paint as Req.)
9	4293 634	1		22,27	MOULDING, Door Belt., Rt., w/Mirror
	4339 188	1		22,27	Rt., Use w/o Mirror
	4364 539	1		22,27	Lt.
10	4229 686-7	1		22	MOULDING, Roof Side Drain Trough, Use w/Padded Landau
	4319 378-9	1		22	Use w/o Padded Landau
					ADHESIVE, (Not Serv.)
11	4319 769	1		22,27	NAMEPLATE, Deck Lid, "DODGE"
12	4276 399	1		22,27	NAMEPLATE, Deck Lid, "600"
	4276 488	1		27 Turb	NAMEPLATE, Deck Lid, "600ES"
13	4276 062-3	1		22	MOULDING, Frt. Door Wdo. Opng. Frame Frt., w/Mirror
	4319 218	1		22	MOULDING, Frt. Door Wdo. Opng. Frame Frt., Rt., w/o Mirror
14	4319 224-5	1		22	MOULDING, Frt. Door Wdo. Opng. Frame Upr.
15	4319 230-1	1		22	MOULDING, Frt. Door Wdo. Opng. Frame Rear
17	4339 028-9	1		22,27	MOULDING and SEAL PACKAGE, Fndr. Frt., Silver
	4339 032-3	1		22,27	Night Watch Blue
	4339 038-9	1		22,27	Mink Brown
	4339 036-7	1		22,27	Red
	4339 030-1	1		22,27	Gunmetal Blue
	4339 040-1	1		22,27	White
	4339 042-3	1		22,27	Black
	4293 660-1	1		27 Turb	MOULDING and SEAL PACKAGE, Fndr. Frt., Black
	6003 790	AR		22,27	RETAINER
18	X234-5 BA2	1		22,27	MOULDING, Fndr. Rear, Silver
	X234-5 CT6	1		22,27	Mink Brown
	X234-5 BW3	1		22,27	White
	X234-5 BX9	1		22,27	Black

MODEL CODES

B = GRAN FURY	F = FIFTH AVENUE/NEWPORT	P = RELIANT
C = LEBARON/TOWN & COUNTRY/EXC SEDAN	G = DIPLOMAT	T = E CLASS/NEW YORKER
C24 = LASER	H = VOYAGER	V = 600
D = ARIES	K = MINI RAM/CARAVAN/ROYAL	V24 = DAYTONA
E = 600	M = HORIZON/TURISMO	Z = OMNI/CHARGER/RAMPAGE

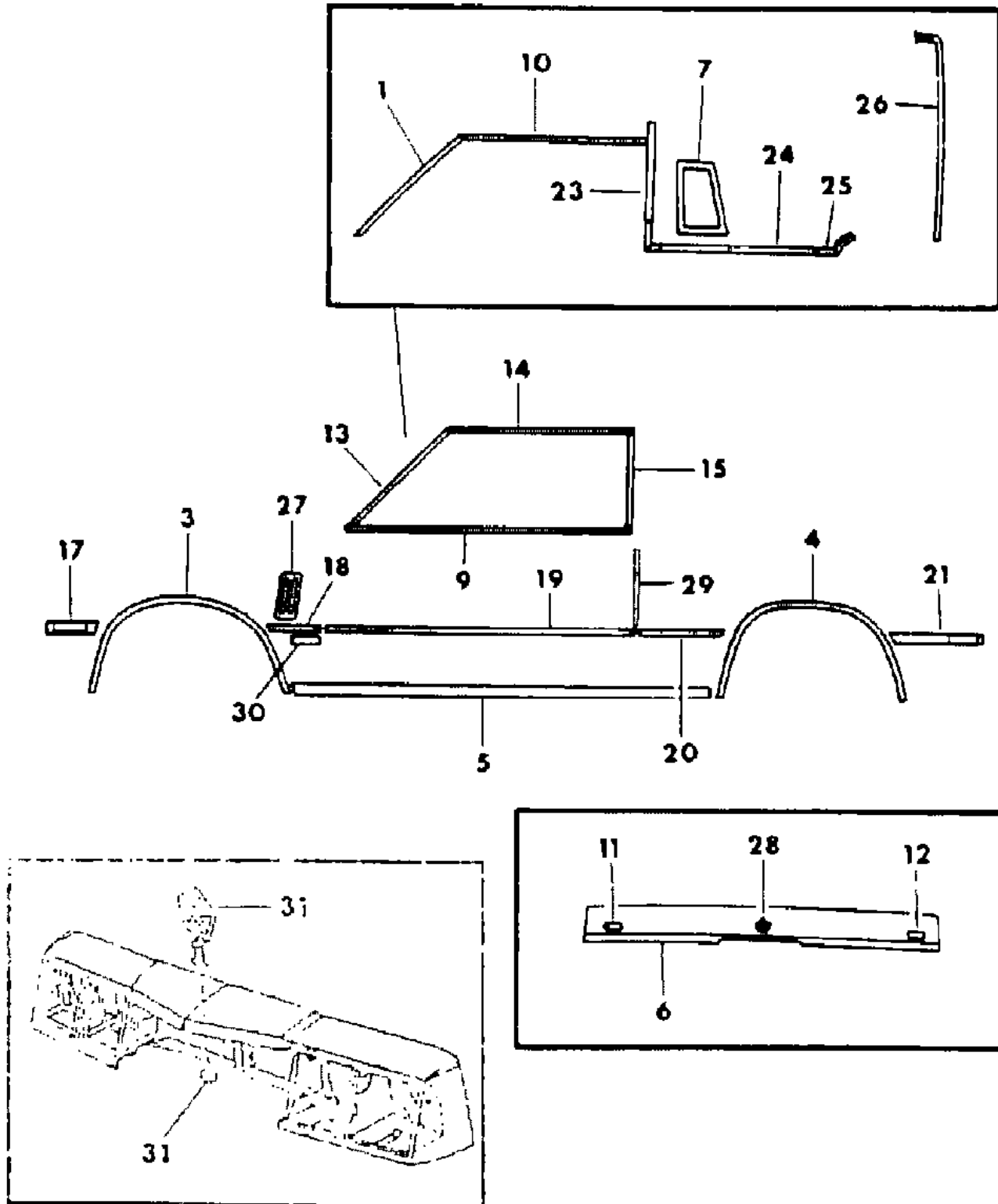
BODY STYLES

21 = 2-DOOR SEDAN	28 = FWD PICKUP	44 = 4-DOOR HATCHBACK
22 = 2-DOOR SPECIAL COUPE	35 = FWD VAN	45 = 4-DOOR STATION WAGON
24 = 2-DOOR HATCHBACK	36 = FWD WAGON	48 = 4-DOOR EXECUTIVE SEDAN
27 = 2-DOOR CONVERTIBLE	41 = 4-DOOR SEDAN	

AR = Use as Required - = Non Illustrated Part P.A.R. = Paint as Required

MOULDINGS and ORNAMENTATION - EXTERIOR VIEW DODGE 600 - 22,27
Figure 23-2800

4114-2800



ITEM	PART NUMBER	QTY	BODY	MODEL	DESCRIPTION	
	X234-5 BC9	1		22,27	Night Watch Blue	
	X234-5 CC6	1		22,27	Gunmetal Blue	
	X234-5 BM5	1		22,27	Red	
19	4319 112-3	1		27 Turb	MOULDING, Fndr. Rear, Black	
	X240 CA2	2		22,27	MOULDING, Door, Silver	
	X240 CC6	2		22,27	Gunmetal Blue	
	X240 CW3	2		22,27	White	
	X240 CX9	2		22,27	Black	
	X240 CC9	2		22,27	Night Watch Blue	
	X240 CT6	2		22,27	Mink Brown	
20	X240 CM5	2		22,27	Red	
	4328 496	2		27 Turb	MOULDING, Door, Black	
	X244-5 CA2	1		22,27	MOULDING, Qtr. Frt., Silver	
	X244-5 CC6	1		22,27	Gunmetal Blue	
	X244-5 CW3	1		22,27	White	
	X244-5 CX9	1		22,27	Black	
	X244-5 CC9	1		22,27	Night Watch Blue	
	X244-5 CT6	1		22,27	Mink Brown	
	X244-5 CM5	1		22,27	Red	
	4328 502-3	1		27 Turb	MOULDING, Qtr. Frt., Black	
21	4318 994-5	1		22,27	MOULDING and SEAL PACKAGE, Qtr. Rear, Silver	
	4318 998-9	1		22,27	Night Watch Blue	
	4339 004-5	1		22,27	Mink Brown	
	4339 002-3	1		22,27	Red	
	4318 996-7	1		22,27	Gunmetal Blue	
	4339 006-7	1		22,27	White	
	4339 024-5	1		22,27	Black	
	4339 290-1	1		27 Turb	MOULDING and SEAL PACKAGE, Qtr. Rear, Black	
	6003 790	AR		22,27	RETAINER	
	23	X280-1 CA2	1		22	MOULDING, Roof Transverse, Use w/Padded Landau, Silver
		X330-1 AC9	1		22	Night Watch Blue
X330-1 CT6		1		22	Mink Brown	
X330-1 BM5		1		22	Red	
X330-1 CC6		1		22	Gunmetal Blue	
X330-1 AW3		1		22	White	
X330-1 AX9		1		22	Black	
4293 617		AR			RETAINER PKG.	
6003 627		AR			RETAINER	

MODEL CODES

B = GRAN FURY	F = FIFTH AVENUE/NEWPORT	P = RELIANT
C = LEBARON/TOWN & COUNTRY/EXC SEDAN	G = DIPLOMAT	T = E CLASS/NEW YORKER
C24 = LASER	H = VOYAGER	V = 600
D = ARIES	K = MINI RAM/CARAVAN/ROYAL	V24 = DAYTONA
E = 600	M = HORIZON/TURISMO	Z = OMNI/CHARGER/RAMPAGE

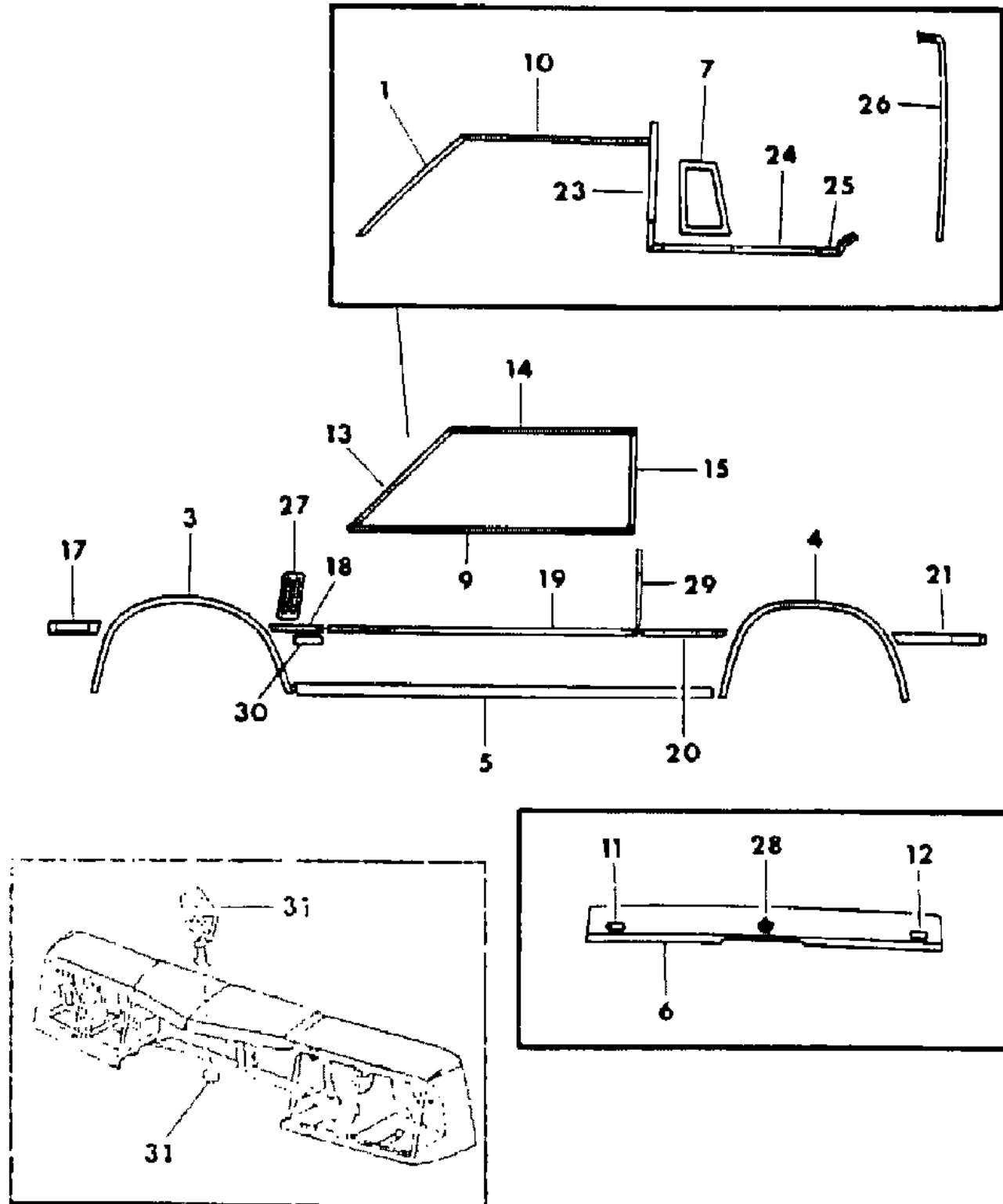
BODY STYLES

21 = 2-DOOR SEDAN	28 = FWD PICKUP	44 = 4-DOOR HATCHBACK
22 = 2-DOOR SPECIAL COUPE	35 = FWD VAN	45 = 4-DOOR STATION WAGON
24 = 2-DOOR HATCHBACK	36 = FWD WAGON	48 = 4-DOOR EXECUTIVE SEDAN
27 = 2-DOOR CONVERTIBLE	41 = 4-DOOR SEDAN	

AR = Use as Required - = Non Illustrated Part P.A.R. = Paint as Required

MOULDINGS and ORNAMENTATION - EXTERIOR VIEW DODGE 600 - 22,27
Figure 23-2800

4114-2800



ITEM	PART NUMBER	QTY	BODY	MODEL	DESCRIPTION
	6003 821	AR			RETAINER
					WELD STUD, (Not Serv.)
24	4318 990-1	1		22	MOULDING, Qtr. Frt. and Belt, Use w/Padded Landau, Silver
	4318 980-1	1		22	Night Watch Blue
	4318 984-5	1		22	Mink Brown
	4318 982-3	1		22	Red
	4318 978-9	1		22	Gunmetal Blue
	4318 986-7	1		22	White
	4318 988-9	1		22	Black
	4319 720-1	1		27	MOULDING, Qtr. Belt with Pillar End Cap Mldg.
	6003 627	AR			RETAINER
	4293 617	AR			RETAINER PACKAGE
	6003 876	AR		27	RETAINER
					WELD STUD, (Not Serv.)
25	X390-1 CA2	1		22	MOULDING, Qtr. Belt Rear Corner, Silver
	X390-1 CC9	1		22	Night Watch Blue
	X390-1 CT6	1		22	Mink Brown
	X390-1 CM5	1		22	Red
	X390-1 CC6	1		22	Gunmetal Blue
	X390-1 CW3	1		22	White
	X390-1 CX9	1		22	Black
	4328 046-7	1		27	MOULDING, Qtr. Belt Corner
26	4339 020	1		22	MOULDING, Deck Opng. Upr. Pnl., Rt., Use w/Padded Landau, Silver
	4293 497	1		22	MOULDING, Deck Opng. Upr. Pnl., Lt., Use w/Padded Landau, Silver
	4339 010	1		22	Night Watch Blue, Rt.
	4267 793	1		22	Night Watch Blue, Lt.
	4339 014	1		22	Mink Brown, Rt.
	4339 011	1		22	Mink Brown, Lt.
	4339 012	1		22	Red, Rt.
	4293 353	1		22	Red, Lt.
	4339 008	1		22	Gunmetal Blue, Rt.
	4339 009	1		22	Gunmetal Blue, Lt.
	4339 016	1		22	White, Rt.
	4267 973	1		22	White, Lt.
	4339 018	1		22	Black, Rt.
	4267 975	1		22	Black, Lt.

MODEL CODES

B = GRAN FURY	F = FIFTH AVENUE/NEWPORT	P = RELIANT
C = LEBARON/TOWN & COUNTRY/EXC SEDAN	G = DIPLOMAT	T = E CLASS/NEW YORKER
C24 = LASER	H = VOYAGER	V = 600
D = ARIES	K = MINI RAM/CARAVAN/ROYAL	V24 = DAYTONA
E = 600	M = HORIZON/TURISMO	Z = OMNI/CHARGER/RAMPAGE

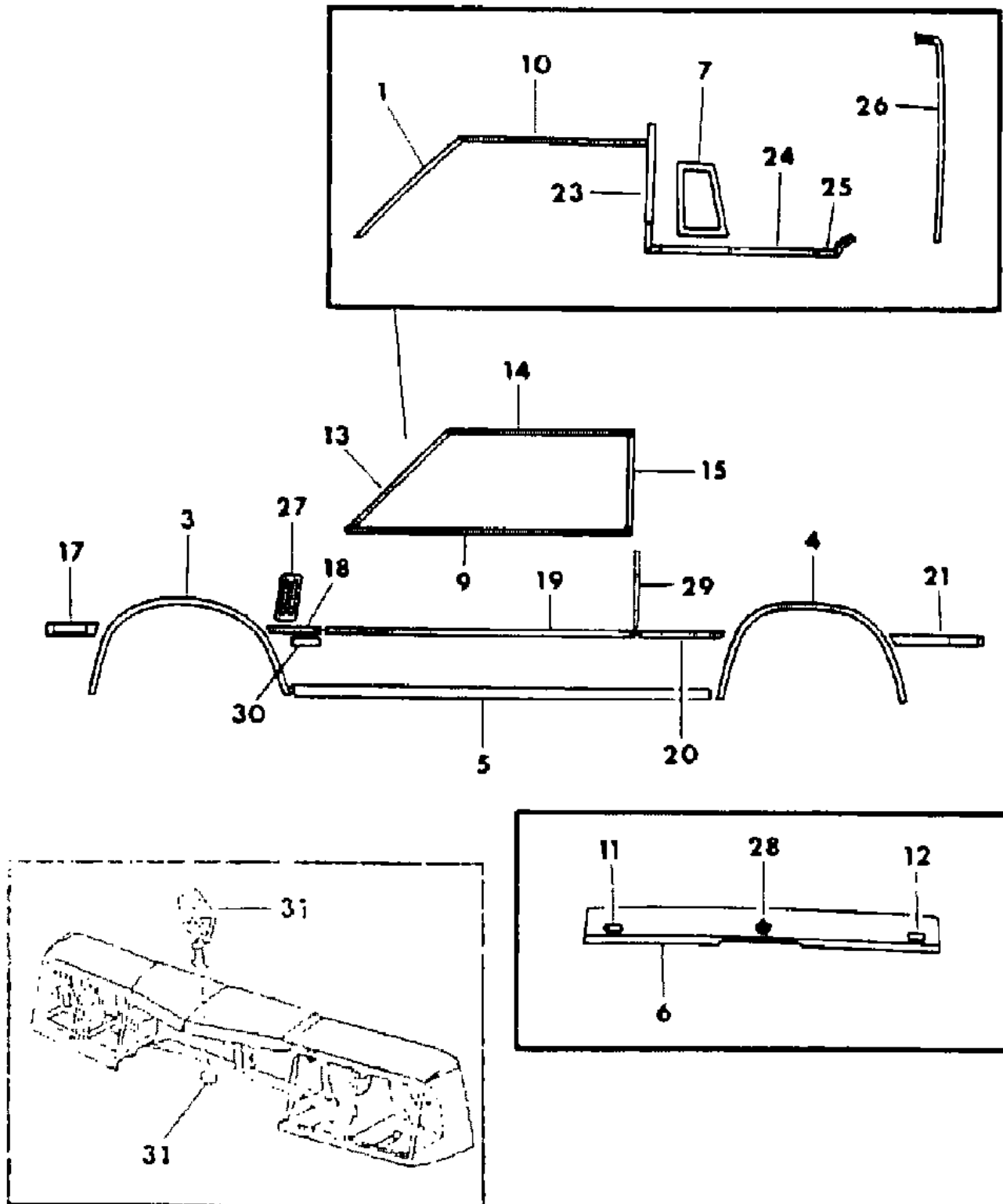
BODY STYLES

21 = 2-DOOR SEDAN	28 = FWD PICKUP	44 = 4-DOOR HATCHBACK
22 = 2-DOOR SPECIAL COUPE	35 = FWD VAN	45 = 4-DOOR STATION WAGON
24 = 2-DOOR HATCHBACK	36 = FWD WAGON	48 = 4-DOOR EXECUTIVE SEDAN
27 = 2-DOOR CONVERTIBLE	41 = 4-DOOR SEDAN	

AR = Use as Required - = Non Illustrated Part P.A.R. = Paint as Required

MOULDINGS and ORNAMENTATION - EXTERIOR VIEW DODGE 600 - 22,27
Figure 23-2800

4114 2800



ITEM	PART NUMBER	QTY	BODY	MODEL	DESCRIPTION
	3744 671	AR			RETAINER PACKAGE
					SCREW, (Not Serv.)
27	4328 218-9	1		27	MOULDING, Deck Opng. Upr. Pnl.
	X282-3 CA1	1		22,27	LOUVER, Fndr., Silver
	X282-3 BL4	1		22,27	Beige Met.
					SCREW, (Not Serv.)
28	X269 CA2	1		22,27	MEDALLION, Deck Lid Lock Cyl., Silver
	X269 CC6	1		22,27	Gunmetal Blue
	X269 CC9	1		22,27	Night Watch Blue
	X269 CM5	1		22,27	Red
	X269 CL4	1		22,27	Beige Met.
	X269 CT6	1		22,27	Mink Brown
	X269 CW3	1		22,27	White
	X269 CX9	1		22,27	Black
					RIVET, (Not Serv.)
29	4097 774	2		27	MOULDING, Door Edge
30	4319 147	2			NAMEPLATE, Fndr. Side, "TURBO EFI"
31	4229 725	1			ORNAMENT
	4270 561	1			PENTASTAR
	6030 435	1			NUT

MODEL CODES
 B = GRAN FURY
 C = LEBARON/TOWN & COUNTRY/EXC SEDAN
 C24 = LASER
 D = ARIES
 E = 600
 F = FIFTH AVENUE/NEWPORT
 G = DIPLOMAT
 H = VOYAGER
 K = MINI RAM/CARAVAN/ROYAL
 M = HORIZON/TURISMO
 P = RELIANT
 T = E CLASS/NEW YORKER
 V = 600
 V24 = DAYTONA
 Z = OMNI/CHARGER/RAMPAGE

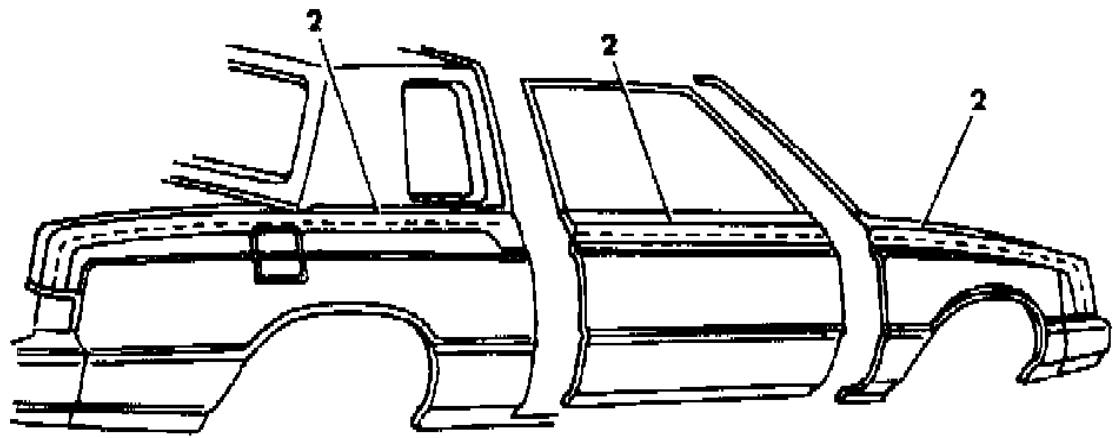
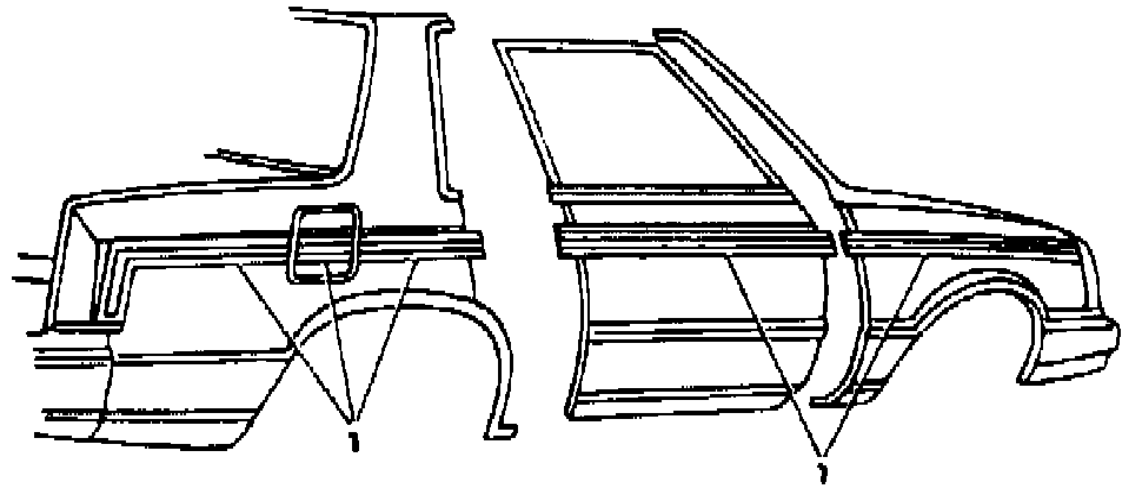
BODY STYLES
 21 = 2-DOOR SEDAN
 22 = 2-DOOR SPECIAL COUPE
 24 = 2-DOOR HATCHBACK
 27 = 2-DOOR CONVERTIBLE
 28 = FWD PICKUP
 35 = FWD VAN
 36 = FWD WAGON
 41 = 4-DOOR SEDAN
 44 = 4-DOOR HATCHBACK
 45 = 4-DOOR STATION WAGON
 48 = 4-DOOR EXECUTIVE SEDAN

AR = Use as Required - = Non Illustrated Part P.A.R. = Paint as Required

TAPE STRIPES and DECALS - EXTERIOR VIEW DODGE 600 - 22,27
Figure 23-2900

4168 2900

ITEM	PART NUMBER	QTY	BODY	MODEL	DESCRIPTION
1	4318 672-3	1		22,27	TAPE PACKAGE, Fndr., Door, Door, Silver (KEA)
	4318 674-5	1		22,27	Blue (KEC)
	4318 678-9	1		22,27	Red (KER)
	4271 610-1	1		22,27	Orange (KEV)
	4318 676-7	1		22,27	Saddle Brown (KEK)
	4271 614-5	1		22,27	White (KEW)
	4293 308-9	1		22,27	Gold (KEY)
	4339 296-7	1		22,27	Black (KEX)
2	4318 598-9	1		22,27	TAPE PACKAGE, Fndr., Door, Qtr., Gray Sable, Beige, Dark Beige (KJT) (Paint Sales Code PT6 QL4)
	4318 600-1	1		22,27	Gunmetal, Silver, Light Blue (KJC) (Paint Sales Code PC6 QA1)



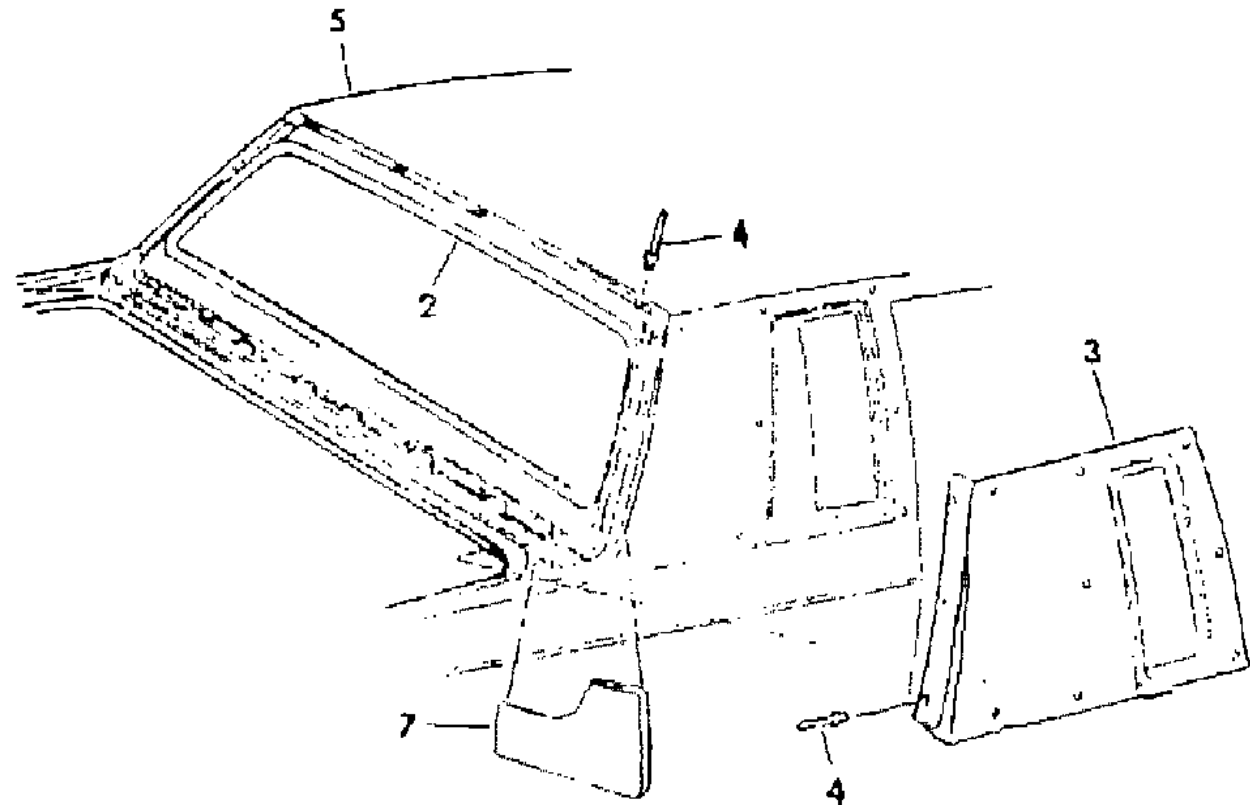
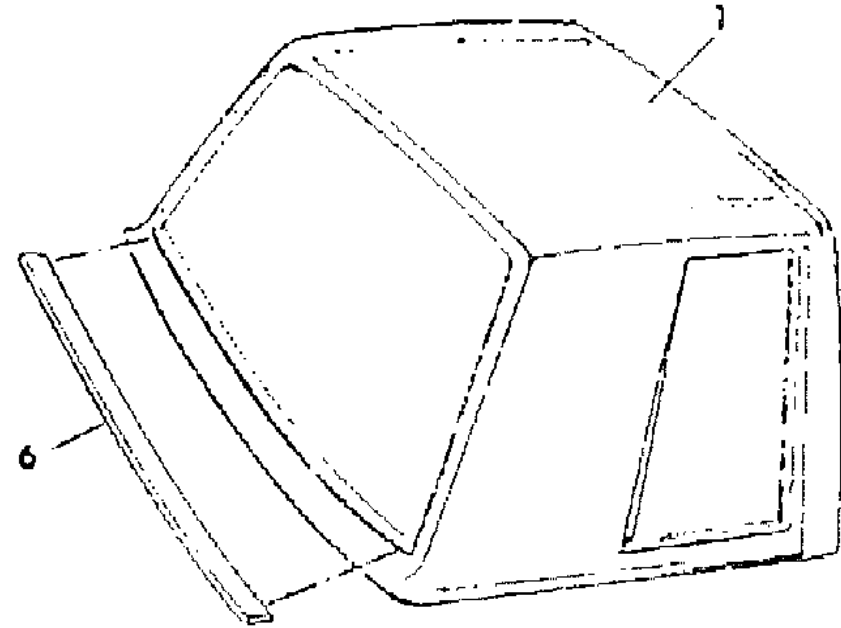
MODEL CODES
 B = GRAN FURY
 C = LEBARON/TOWN & COUNTRY/EXC SEDAN
 C24 = LASER
 D = ARIES
 E = 600
 F = FIFTH AVENUE/NEWPORT
 G = DIPLOMAT
 H = VOYAGER
 K = MINI RAM/CARAVAN/ROYAL
 M = HORIZON/TURISMO
 P = RELIANT
 T = E CLASS/NEW YORKER
 V = 600
 V24 = DAYTONA
 Z = OMNI/CHARGER/RAMPAGE

BODY STYLES
 21 = 2-DOOR SEDAN
 22 = 2-DOOR SPECIAL COUPE
 24 = 2-DOOR HATCHBACK
 27 = 2-DOOR CONVERTIBLE
 28 = FWD PICKUP
 35 = FWD VAN
 36 = FWD WAGON
 41 = 4-DOOR SEDAN
 44 = 4-DOOR HATCHBACK
 45 = 4-DOOR STATION WAGON
 48 = 4-DOOR EXECUTIVE SEDAN

AR = Use as Required - = Non Illustrated Part P.A.R. = Paint as Required

COVER, ROOF - EXTERIOR VIEW CHRYSLER LEBARON - 22
Figure 23-3000

4168 34KH



ITEM	PART NUMBER	QTY	BODY	MODEL	DESCRIPTION
1	T931 BA2	1			COVER, Padded Landau Roof, Silver (Trim Code VCA)
	T931 AC9	1			Night Watch Blue (Trim Code VCC)
	T931 CC6	1			Gunmetal Blue (Trim Code VCB)
	T931 CM6	1			Crimson Red (Trim Code VCM)
	T931 CT6	1			Mink Brown (Trim Code VCT)
	T931 AW3	1			White (Trim Code VCW)
	T931 AX9	1			Black (Trim Code VCX)
2	4229 503	1			FOUNDATION, Roof Back Lite
3	4229 558-9	1			FOUNDATION, Roof Qtr. Wdo.
4		AR			RIVET, (Not Serv.)
5	4229 975	1			PAD, Roof
6	4229 778	1			PAD, Rear Wdo. Opng. Lwr.
7	4276 202	3			FILLER STRIP, Rear Wdo. Lwr. Corner

MODEL CODES

B = GRAN FURY	F = FIFTH AVENUE/NEWPORT	P = RELIANT
C = LEBARON/TOWN & COUNTRY/EXC SEDAN	G = DIPLOMAT	T = E CLASS/NEW YORKER
C24 = LASER	H = VOYAGER	V = 600
D = ARIES	K = MINI RAM/CARAVAN/ROYAL	V24 = DAYTONA
E = 600	M = HORIZON/TURISMO	Z = OMNI/CHARGER/RAMPAGE

BODY STYLES

21 = 2-DOOR SEDAN	28 = FWD PICKUP	44 = 4-DOOR HATCHBACK
22 = 2-DOOR SPECIAL COUPE	35 = FWD VAN	45 = 4-DOOR STATION WAGON
24 = 2-DOOR HATCHBACK	36 = FWD WAGON	48 = 4-DOOR EXECUTIVE SEDAN
27 = 2-DOOR CONVERTIBLE	41 = 4-DOOR SEDAN	

AR = Use as Required - = Non Illustrated Part P.A.R. = Paint as Required

MOULDINGS and ORNAMENTATION - EXTERIOR VIEW CHRYSLER LEBARON - 22,27
Figure 23-3100

4105 3100

ITEM	PART NUMBER	QTY	BODY	MODEL	DESCRIPTION
1	4328 572-3	1		22	MOULDING and SEAL, Body Frt. Pillar Drain Trough
	4229 764-5	1		22	SEAL, Body Frt. Pillar Drain Trough Mldg. Inner SCREW, (Not Serv.)
3	4319 022-3	1		22,27	MOULDING, Fndr. Wheel Opng., Use Up to 11-15-83
	4319 024-5	1		22,27	MOULDING, Fndr. Wheel Opng., Use After 11-15-83
4	4319 030-1	1		22,27	MOULDING, Qtr. Wheel Opng.
5	4293 638-9	1		22,27	MOULDING PACKAGE, Body Side Sill
6	4276 610	1		22,27	MOULDING, Deck Lid Lwr.
	6003 861	AR			RETAINER
7	4293 616	AR			SCREW PACKAGE, (Repair)
	X298-9 AC9	1		22	MOULDING, Qtr. Wdo., Use w/Padded Landau, Blue (Paint as Req.)
9	4293 634	1		22,27	MOULDING PACKAGE, Door Belt, Rt., Use w/Mirror
	4339 188	1		22,27	Rt., Use w/o Mirror
	4364 539	1		22,27	Lt.
10	4229 686-7	1		22	MOULDING, Roof Side Drain Trough, Use w/Padded Landau
	4319 378-9	1		22	Use w/o Padded Landau
					ADHESIVE, (Not Serv.)
11	4319 770	1		22,27	NAMEPLATE, Deck Lid, "LEBARON"
12	4319 771	1		22,27	NAMEPLATE, Deck Lid, "CHRYSLER"
13	4276 062-3	1		22	MOULDING, Frt. Door Wdo. Opng. Frame Frt., w/Mirror
	4319 218	1		22	MOULDING, Frt. Door Wdo. Opng. Frame Frt., Rt., w/o Mirror
14	4319 224-5	1		22	MOULDING, Frt. Door Wdo. Opng. Frame Up.
15	4319 230-1	1		22	MOULDING, Frt. Door Wdo. Opng. Frame Rear
17	4339 028-9	1		22,27	MOULDING and SEAL PACKAGE, Fndr. Frt., Silver
	4339 032-3	1		22,27	Night Watch Blue
	4339 038-9	1		22,27	Mink Brown
	4339 036-7	1		22,27	Red
	4339 030-1	1		22,27	Gunmetal Blue
	4339 040-1	1		22,27	White
	4339 042-3	1		22,27	Black
18	6003 790	AR		22,27	RETAINER
	X234-5 BA2	1		22,27	MOULDING, Fndr. Rear, Silver
	X234-5 CT6	1		22,27	Mink Brown
	X234-5 BW3	1		22,27	White
	X234-5 BX9	1		22,27	Black
	X234-5 BC9	1		22,27	Night Watch Blue
	X234-5 CC6	1		22,27	Gunmetal Blue

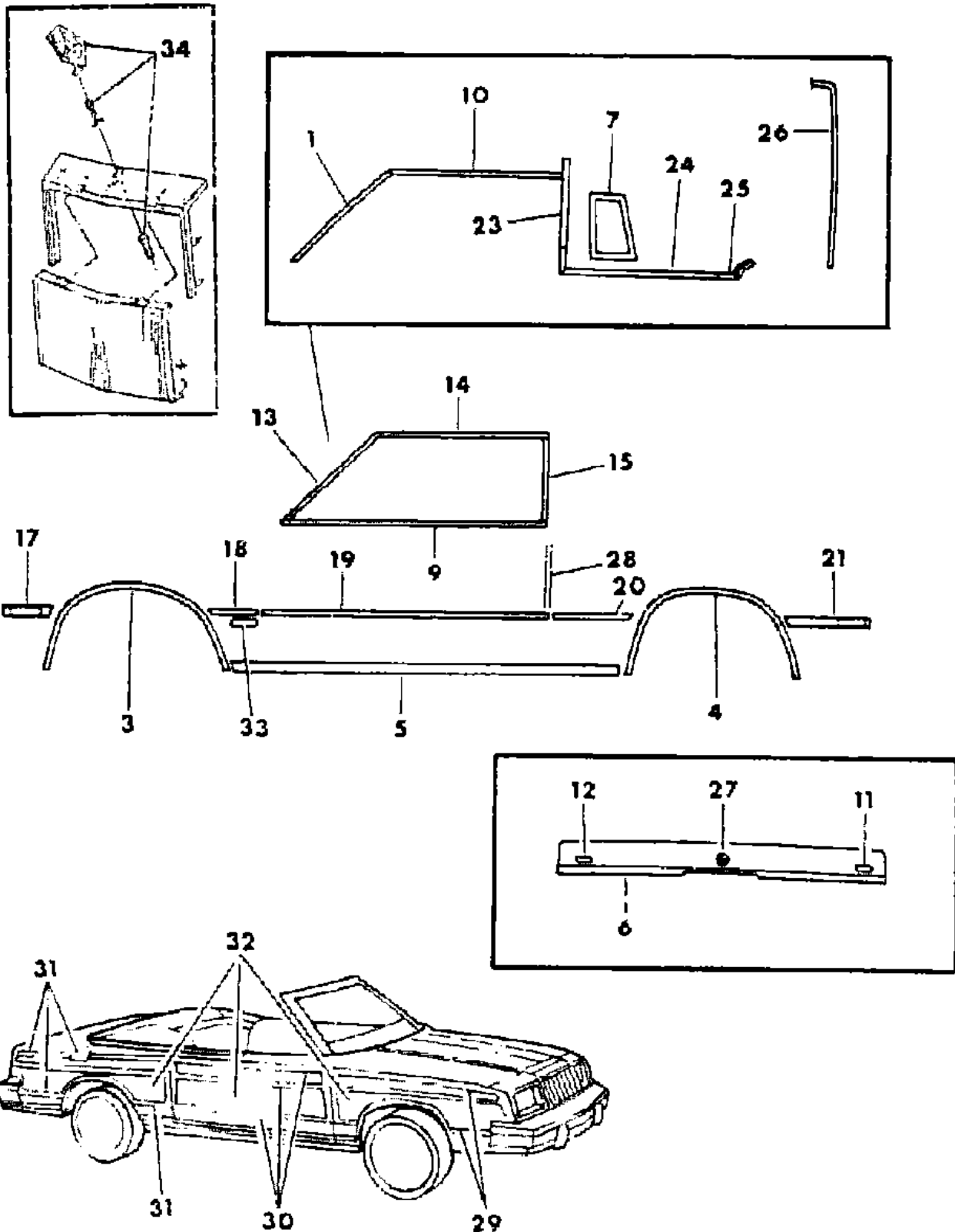
MODEL CODES

B = GRAN FURY	F = FIFTH AVENUE/NEWPORT	P = RELIANT
C = LEBARON/TOWN & COUNTRY/EXC SEDAN	G = DIPLOMAT	T = E CLASS/NEW YORKER
C24 = LASER	H = VOYAGER	V = 600
D = ARIES	K = MINI RAM/CARAVAN/ROYAL	V24 = DAYTONA
E = 600	M = HORIZON/TURISMO	Z = OMNI/CHARGER/RAMPAGE

BODY STYLES

21 = 2-DOOR SEDAN	28 = FWD PICKUP	44 = 4-DOOR HATCHBACK
22 = 2-DOOR SPECIAL COUPE	35 = FWD VAN	45 = 4-DOOR STATION WAGON
24 = 2-DOOR HATCHBACK	36 = FWD WAGON	48 = 4-DOOR EXECUTIVE SEDAN
27 = 2-DOOR CONVERTIBLE	41 = 4-DOOR SEDAN	

AR = Use as Required - = Non Illustrated Part P.A.R. = Paint as Required



MOULDINGS and ORNAMENTATION - EXTERIOR VIEW CHRYSLER LEBARON - 22,27
Figure 23-3100

1108 3100

ITEM	PART NUMBER	QTY	BODY	MODEL	DESCRIPTION
	X234-5 BM5	1		22,27	Red
19	X240 CA2	2		22,27	MOULDING, Door, Silver
	X240 CC6	2		22,27	Gunmetal Blue
	X240 CW3	2		22,27	White
	X240 CX9	2		22,27	Black
	X240 CC9	2		22,27	Night Watch Blue
20	X240 CT6	2		22,27	Mink Brown
	X240 CM5	2		22,27	Red
	X244-5 CA2	1		22,27	MOULDING, Qtr. Frt., Silver
	X244-5 CC6	1		22,27	Gunmetal Blue
	X244-5 CW3	1		22,27	White
21	X244-5 CX9	1		22,27	Black
	X244-5 CC9	1		22,27	Night Watch Blue
	X244-5 CT6	1		22,27	Mink Brown
	X244-5 CM5	1		22,27	Red
	4318 994-5	1		22,27	MOULDING and SEAL PACKAGE, Qtr. Rear, Silver
	4318 998-9	1		22,27	Night Watch Blue
	4339 004-5	1		22,27	Mink Brown
	4339 002-3	1		22,27	Red
	4318 996-7	1		22,27	Gunmetal Blue
	4339 006-7	1		22,27	White
23	4339 024-5	1		22,27	Black
	6003 790	AR		22,27	RETAINER
	X280-1 CA2	1		22	MOULDING, Roof Transverse, Use w/Padded Landau, Silver
	X330-1 AC9	1		22	Night Watch Blue
	X330-1 CT6	1		22	Mink Brown
	X330-1 BM5	1		22	Red
	X330-1 CC6	1		22	Gunmetal Blue
	X330-1 AW3	1		22	White
	X330-1 AX9	1		22	Black
	4293 617	AR			RETAINER PACKAGE
24	6003 627	AR			RETAINER
	6003 821	AR			RETAINER
					WELD STUD, (Not Serv.)
	4318 990-1	1		22	MOULDING, Qtr. Frt. and Belt, Use w/Padded Landau, Silver
	4318 980-1	1		22	Night Watch Blue
	4318 984-5	1		22	Mink Brown
	4318 982-3	1		22	Red

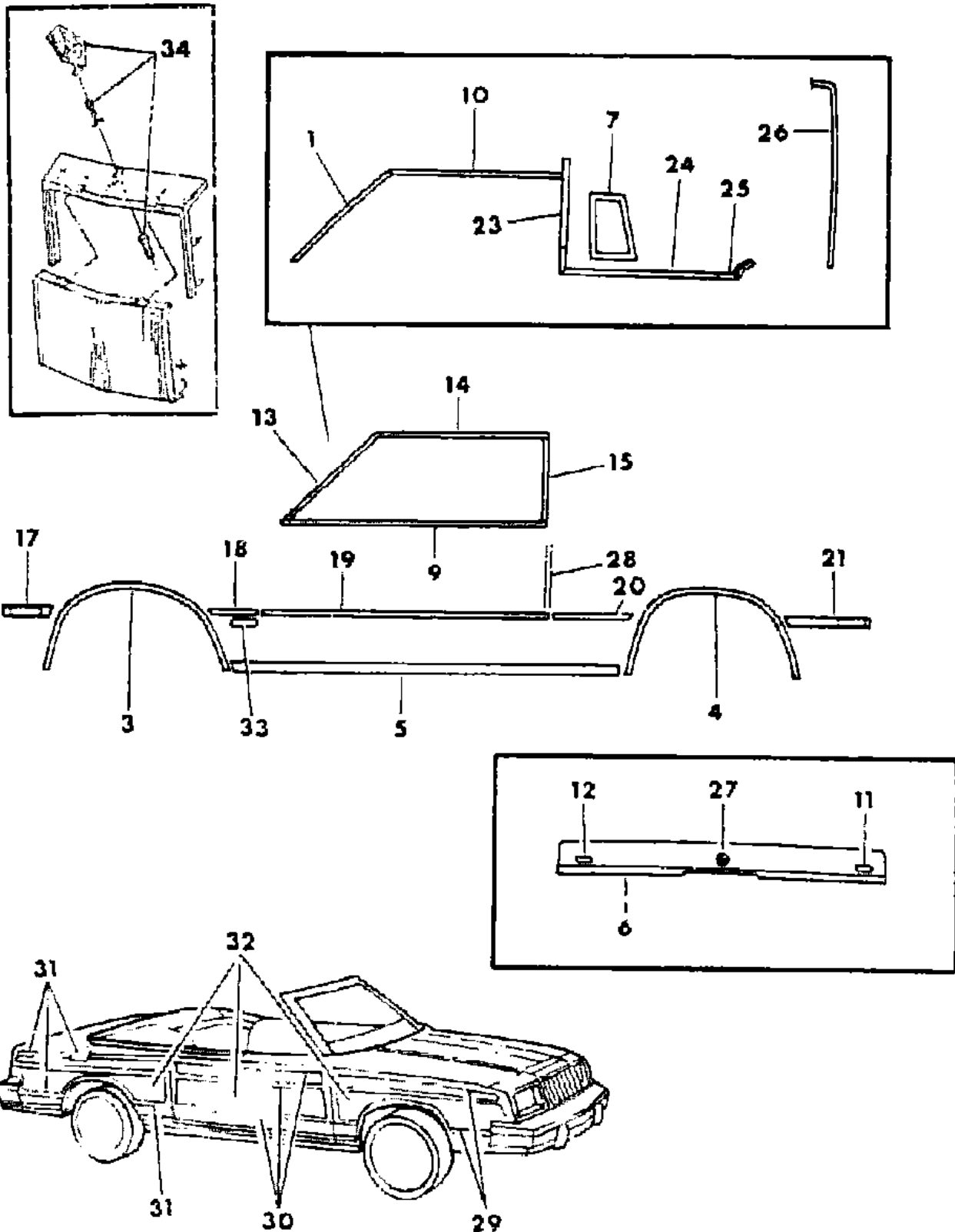
MODEL CODES

B = GRAN FURY
 C = LEBARON/TOWN & COUNTRY/EXC SEDAN
 C24 = LASER
 D = ARIES
 E = 600
 F = FIFTH AVENUE/NEWPORT
 G = DIPLOMAT
 H = VOYAGER
 K = MINI RAM/CARAVAN/ROYAL
 M = HORIZON/TURISMO
 P = RELIANT
 T = E CLASS/NEW YORKER
 V = 600
 V24 = DAYTONA
 Z = OMNI/CHARGER/RAMPAGE

BODY STYLES

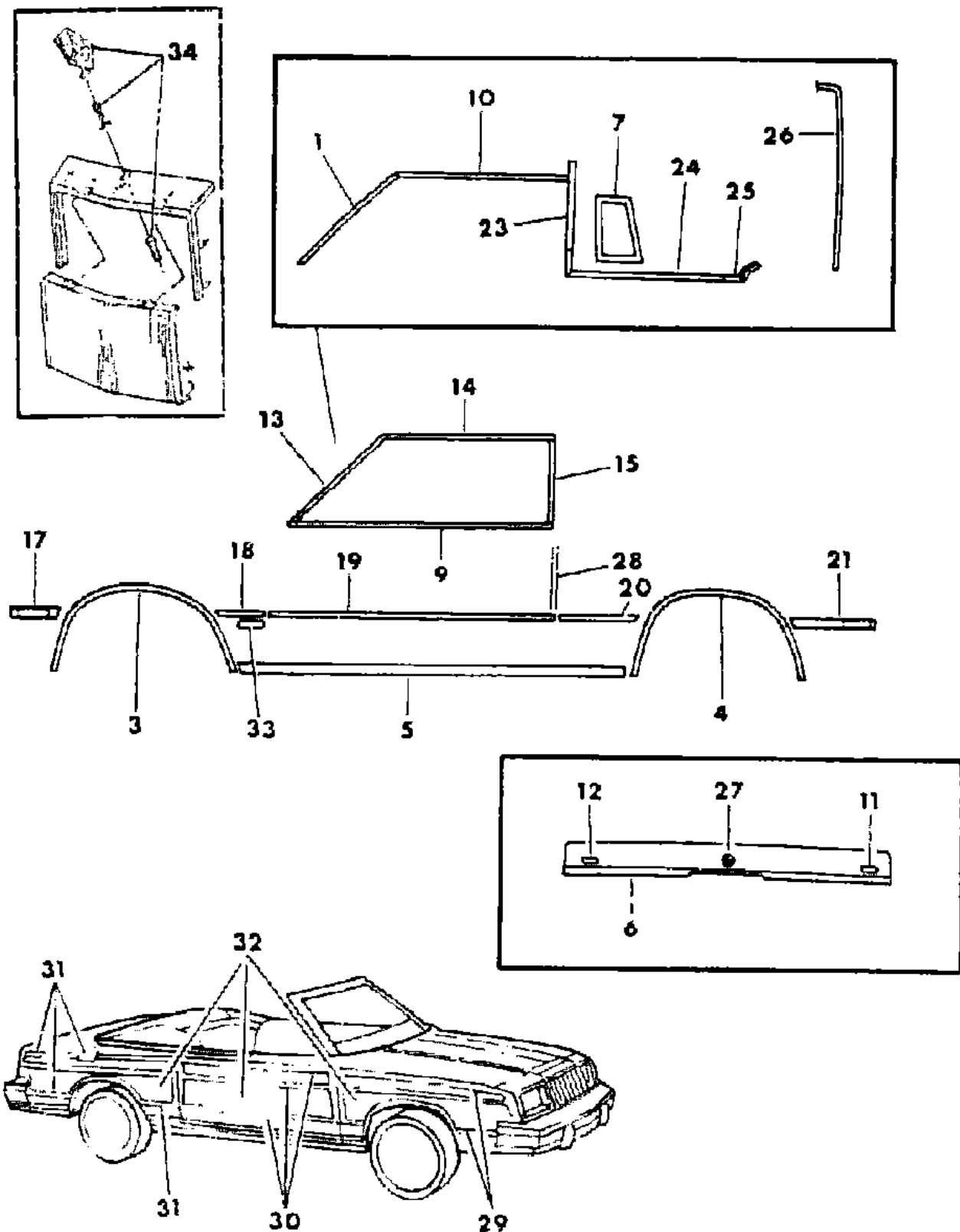
21 = 2-DOOR SEDAN
 22 = 2-DOOR SPECIAL COUPE
 24 = 2-DOOR HATCHBACK
 27 = 2-DOOR CONVERTIBLE
 28 = FWD PICKUP
 35 = FWD VAN
 36 = FWD WAGON
 41 = 4-DOOR SEDAN
 44 = 4-DOOR HATCHBACK
 45 = 4-DOOR STATION WAGON
 48 = 4-DOOR EXECUTIVE SEDAN

AR = Use as Required - = Non Illustrated Part P.A.R. = Paint as Required



MOULDINGS and ORNAMENTATION - EXTERIOR VIEW CHRYSLER LEBARON - 22,27
Figure 23-3100

1108 3100



ITEM	PART NUMBER	QTY	BODY	MODEL	DESCRIPTION
	4318 978-9	1		22	Gunmetal Blue
	4318 986-7	1		22	White
	4318 988-9	1		22	Black
	4319 720-1	1		27	MOULDING, Qtr. Belt with Pillar End Cap Mldg.
	6003 627	AR			RETAINER
	4293 617	AR			RETAINER PACKAGE
	6003 876	AR		27	RETAINER
25	X390-1 CA2	1		22	MOULDING, Qtr. Belt Rear Corner, Silver
	X390-1 CC9	1		22	Night Watch Blue
	X390-1 CT6	1		22	Mink Brown
	X390-1 CM5	1		22	Red
	X390-1 CC6	1		22	Gunmetal Blue
	X390-1 CW3	1		22	White
	X390-1 CX9	1		22	Black
	4328 046-7	1		27	MOULDING, Qtr. Belt Corner
26	4339 020	1		22	MOULDING, Deck Opng. Upr. Pnl., Rt., Use w/Padded Landau, Silver
	4293 497	1		22	MOULDING, Deck Opng. Upr Pnl., Lt., Use w/Padded Landau, Silver
	4339 010	1		22	Night Watch Blue, Rt.
	4267 793	1		22	Night Watch Blue, Lt.
	4339 014	1		22	Mink Brown, Rt.
	4339 011	1		22	Mink Brown, Lt.
	4339 012	1		22	Red, Rt.
	4293 353	1		22	Red, Lt.
	4339 008	1		22	Gunmetal Blue, Rt.
	4339 009	1		22	Gunmetal Blue, Lt.
	4339 016	1		22	White, Rt.
	4267 973	1		22	White, Lt.
	4339 018	1		22	Black, Rt.
	4267 975	1		22	Black, Lt.
	3744 671	AR			RETAINER PACKAGE
	4328 218-9	1		27	MOULDING, Deck Opng. Upr. Pnl.
27	X269 CA2	1		22,27	MEDALLION, Deck Lid Lock Cyl., Silver
	X269 CC6	1		22,27	Gunmetal Blue
	X269 CC9	1		22,27	Night Watch Blue

MODEL CODES

B = GRAN FURY	F = FIFTH AVENUE/NEWPORT	P = RELIANT
C = LEBARON/TOWN & COUNTRY/EXC SEDAN	G = DIPLOMAT	T = E CLASS/NEW YORKER
C24 = LASER	H = VOYAGER	V = 600
D = ARIES	K = MINI RAM/CARAVAN/ROYAL	V24 = DAYTONA
E = 600	M = HORIZON/TURISMO	Z = OMNI/CHARGER/RAMPAGE

BODY STYLES

21 = 2-DOOR SEDAN	28 = FWD PICKUP	44 = 4-DOOR HATCHBACK
22 = 2-DOOR SPECIAL COUPE	35 = FWD VAN	45 = 4-DOOR STATION WAGON
24 = 2-DOOR HATCHBACK	36 = FWD WAGON	48 = 4-DOOR EXECUTIVE SEDAN
27 = 2-DOOR CONVERTIBLE	41 = 4-DOOR SEDAN	

AR = Use as Required - = Non Illustrated Part P.A.R. = Paint as Required

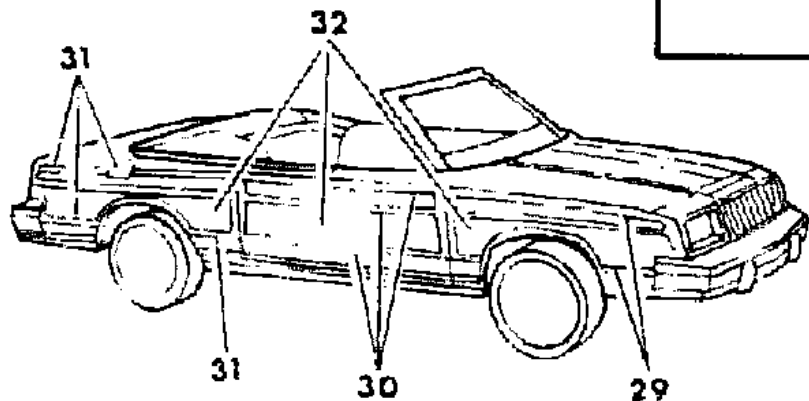
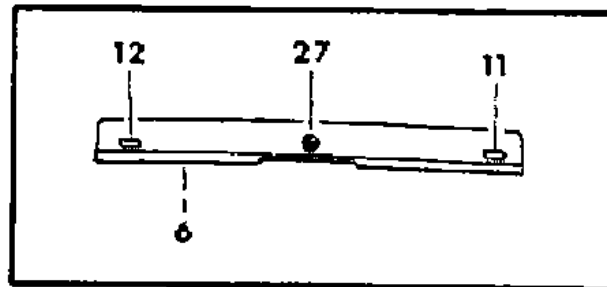
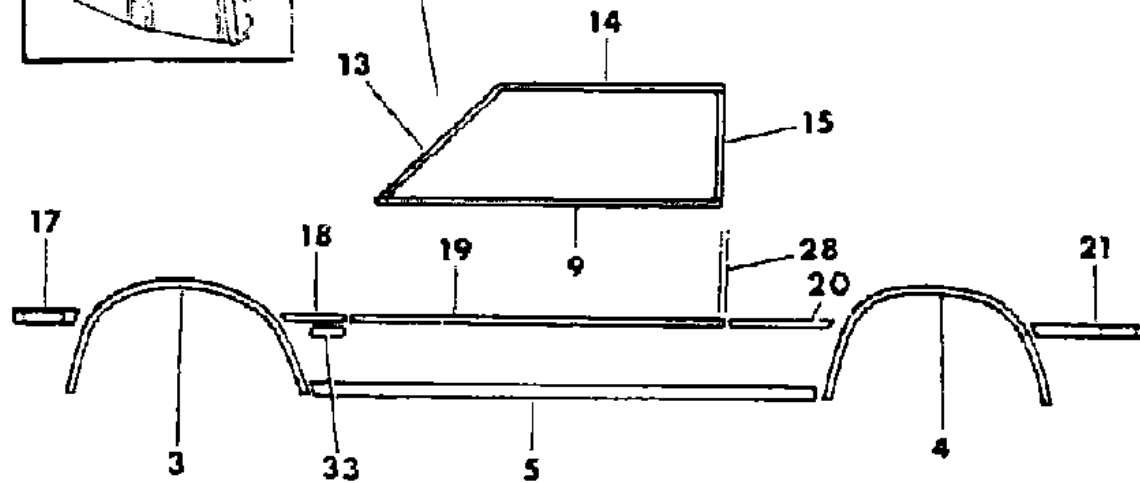
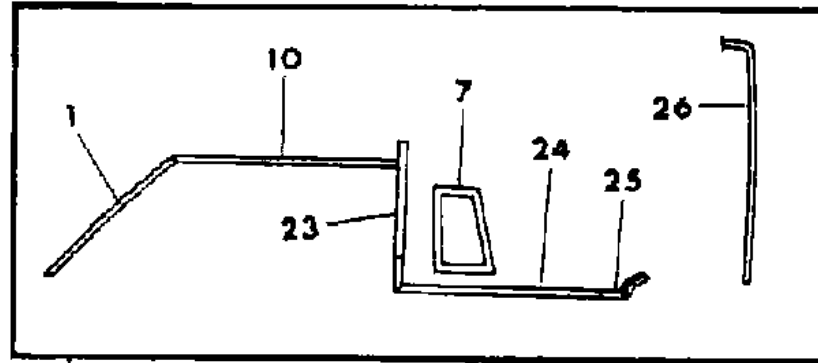
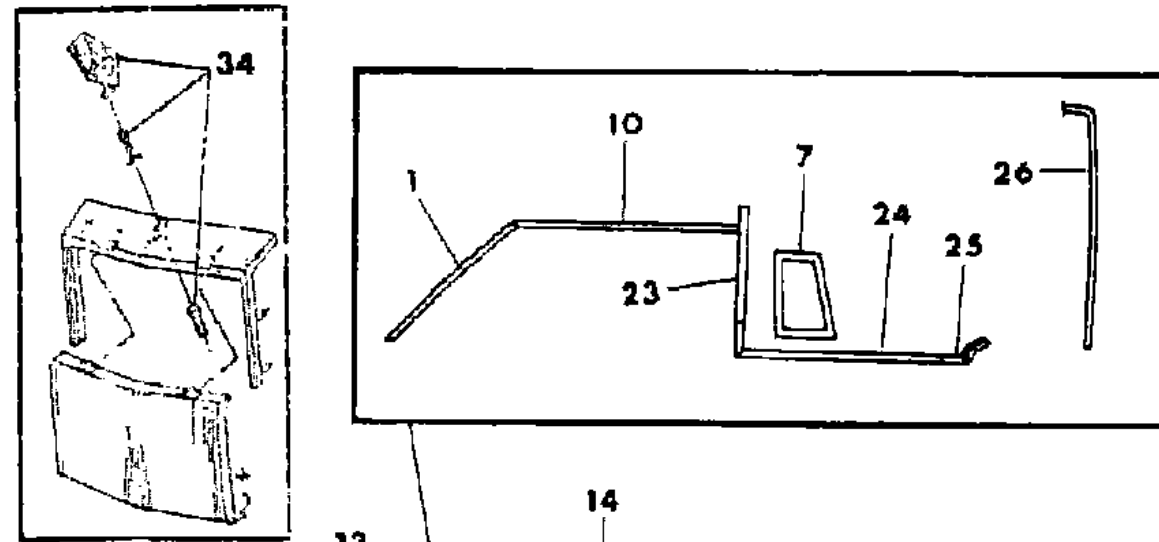
MOULDINGS and ORNAMENTATION - EXTERIOR VIEW CHRYSLER LEBARON - 22,27
Figure 23-3100

1108 3100

ITEM	PART NUMBER	QTY	BODY	MODEL	DESCRIPTION
	X269 CM5	1		22,27	Red
	X269 CL4	1		22,27	Beige Met.
	X269 CT6	1		22,27	Mink Brown
	X269 CW3	1		22,27	White
	X269 CX9	1		22,27	Black

NOTE: The Colored Medallion Used is Determined by the Exterior Paint of Car s information becomes available.

					RIVET, (Not Serv.)
28	4097 774	2		27	MOULDING, Door Edge
29	4276 012-3	1		27	MOULDING, Fndr. (Woody)
	4017 657	AR			COVER
	4022 878	AR			COVER
					SCREW, (Not Serv.)
30	4328 120-1	1		27	MOULDING, Door (Woody)
	4017 657	AR			COVER
	4022 878	AR			COVER
					SCREW, (Not Serv.)
31	4328 122-3	1		27	MOULDING PACKAGE, Qtr. Pnl. (Woody)
	4017 657	AR			COVER
	4022 878	AR			COVER
					SCREW, (Not Serv.)
	4276 028	1		27	MOULDING, Qtr. Pnl. Fuel Filler Door, Rt. (Woody)
32	4319 887	AR		27	OVERLAY, Body Side (Woody)
33	4319 147	2			NAMEPLATE, Fndr. Side, "TURBO EFI"
34	4270 563	1			ORNAMENT, Radiator Grille
	3672 780	1			RETAINER
	3672 672	1			SPRING



MODEL CODES

B = GRAN FURY	F = FIFTH AVENUE/NEWPORT	P = RELIANT
C = LEBARON/TOWN & COUNTRY/EXC SEDAN	G = DIPLOMAT	T = E CLASS/NEW YORKER
C24 = LASER	H = VOYAGER	V = 600
D = ARIES	K = MINI RAM/CARAVAN/ROYAL	V24 = DAYTONA
E = 600	M = HORIZON/TURISMO	Z = OMNI/CHARGER/RAMPAGE

BODY STYLES

21 = 2-DOOR SEDAN	28 = FWD PICKUP	44 = 4-DOOR HATCHBACK
22 = 2-DOOR SPECIAL COUPE	35 = FWD VAN	45 = 4-DOOR STATION WAGON
24 = 2-DOOR HATCHBACK	36 = FWD WAGON	48 = 4-DOOR EXECUTIVE SEDAN
27 = 2-DOOR CONVERTIBLE	41 = 4-DOOR SEDAN	

AR = Use as Required - = Non Illustrated Part P.A.R. = Paint as Required

COVER, ROOF - EXTERIOR VIEW CHRYSLER LEBARON - 4 DOOR
Figure 23-3200

ITEM	PART NUMBER	QTY	BODY	MODEL	DESCRIPTION
1	T932 BA2	1			COVER, Full Padded Roof, Silver (Trim Code VEA)
	T932 AC9	1			Night Watch Blue (Trim Code VEC)
	T932 CC6	1			Gunmetal Blue (Trim Code VEB)
	T932 CM6	1			Crimson Red (Trim Code VEM)
	T932 CT6	1			Mink Brown (Trim Code VET)
	T932 AW3	1			White (Trim Code VEW)
2	T932 AX9	1			Black (Trim Code VEX)
	X542-3 BA2	1			COVER, NAMEPLATE and MLDG., Rear Door Rear Outer Silver (Trim Code VEA)
	X542-3 AC9	1			Night Watch Blue (Trim Code VEC)
	X542-3 CC6	1			Gunmetal Blue (Trim Code VEB)
	X542-3 CM6	1			Crimson Red (Trim Code VEM)
	X542-3 CT6	1			Mink Brown (Trim Code VET)
	X542-3 AW3	1			White (Trim Code VEW)
	X542-3 AX9	1			Black (Trim Code VEX)
3	4229 716	1			FOUNDATION
4	4229 718-9	1			FOUNDATION, Qtr.
5		AR			RIVET, (Not Serv.)
6	4229 977	1			PAD, Roof
7	4229 979	1			PAD, Rear Wdo. Lwr.
8	4229 978	2			PAD, Frt. Pillar
9	X324 AW3	3			RETAINER, Rear Door Opng. Vinyl Roof
10	4198 958-9	1			MOULDING, Frt.
11	4198 960-1	1			MOULDING, Lwr.
12	4017 688	2			NAMEPLATE, "LEBARON"

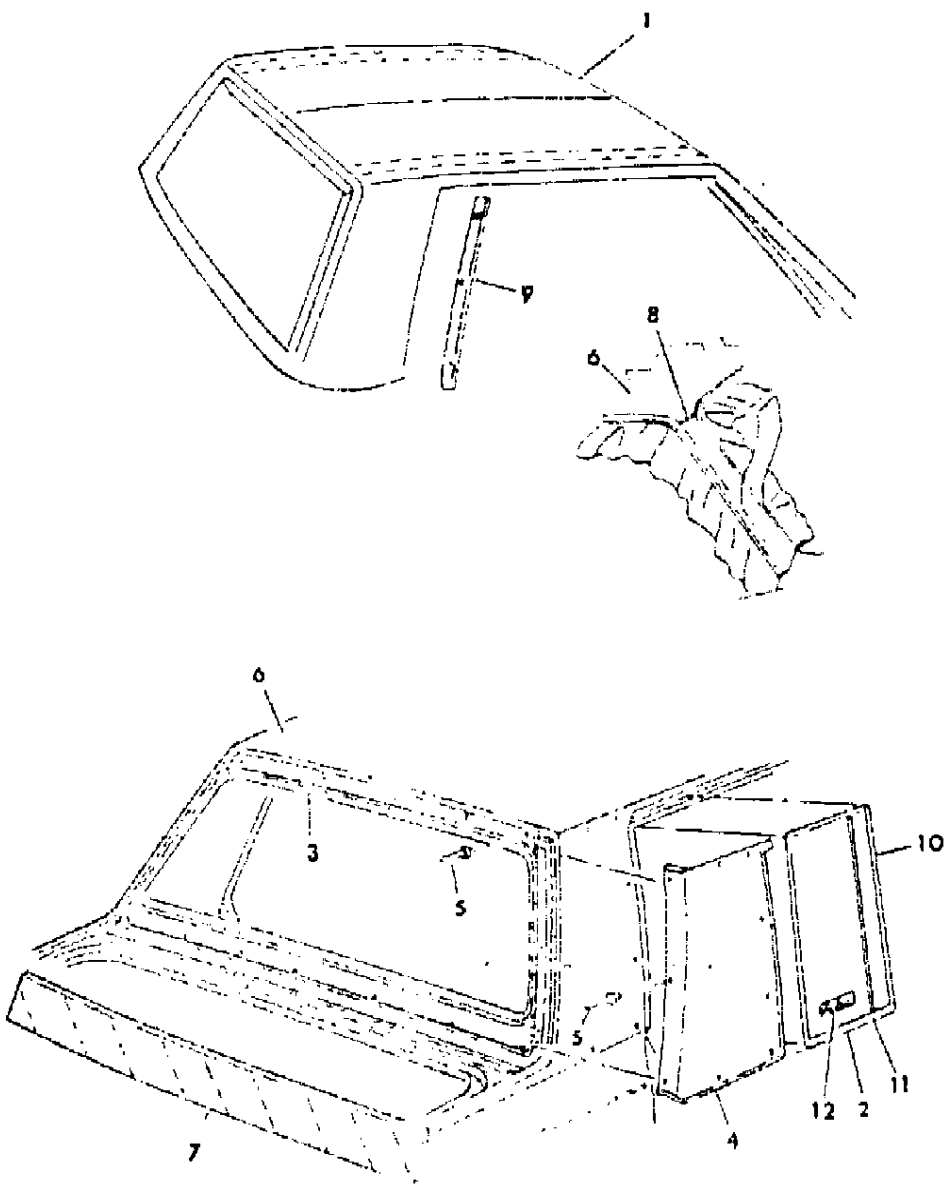
MODEL CODES

B = GRAN FURY	F = FIFTH AVENUE/NEWPORT	P = RELIANT
C = LEBARON/TOWN & COUNTRY/EXC SEDAN	G = DIPLOMAT	T = E CLASS/NEW YORKER
C24 = LASER	H = VOYAGER	V = 600
D = ARIES	K = MINI RAM/CARAVAN/ROYAL	V24 = DAYTONA
E = 600	M = HORIZON/TURISMO	Z = OMNI/CHARGER/RAMPAGE

BODY STYLES

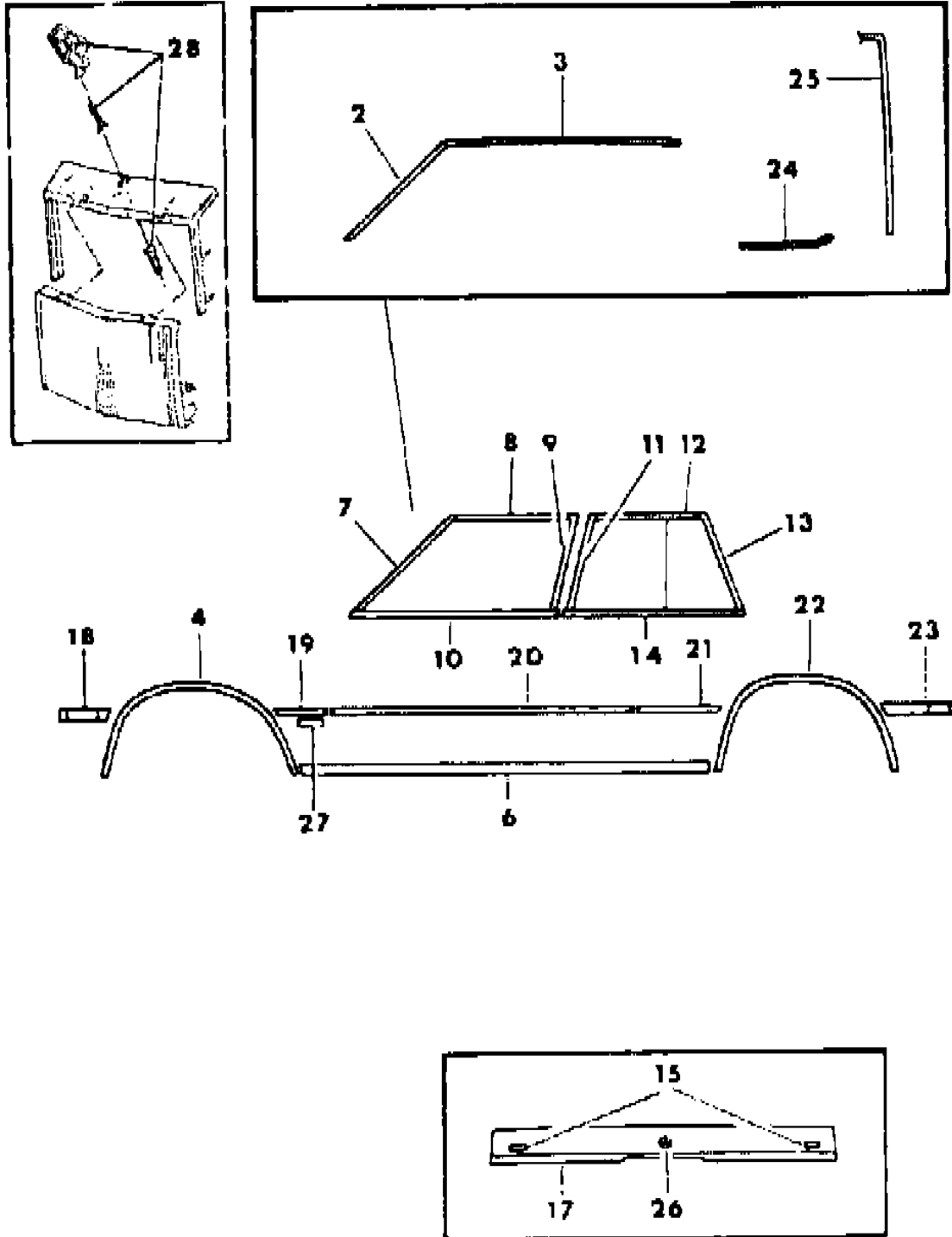
21 = 2-DOOR SEDAN	28 = FWD PICKUP	44 = 4-DOOR HATCHBACK
22 = 2-DOOR SPECIAL COUPE	35 = FWD VAN	45 = 4-DOOR STATION WAGON
24 = 2-DOOR HATCHBACK	36 = FWD WAGON	48 = 4-DOOR EXECUTIVE SEDAN
27 = 2-DOOR CONVERTIBLE	41 = 4-DOOR SEDAN	

AR = Use as Required - = Non Illustrated Part P.A.R. = Paint as Required



MOULDING and ORNAMENTATION - EXTERIOR VIEW CHRYSLER LEBARON 4 DOOR
Figure 23-3300

4168 3300



ITEM	PART NUMBER	QTY	BODY	MODEL	DESCRIPTION
2	4328 572-3	1			MOULDING and SEAL, Body Frt. Pillar Drain Trough
	4229 764-5	1			SEAL, Body Frt. Pillar Drain Trough Mldg. Inner SCREW, (Not Serv.)
3	4319 372-3	1			MOULDING, Roof Side Drain Trough Frt., Use w/o Padded Full Vinyl Roof
	X322-3 AW3	1			MOULDING, Roof Side Drain Trough, Use w/Padded Full Vinyl Roof (Paint as Req.) ADHESIVE, (Not Serv.)
4	4319 022-3	1			MOULDING, Fndr. Wheel Opng. Use Up to 11-15-83
	4319 024-5	1			MOULDING, Fndr. Wheel Opng., Use After 11-15-83
6	4293 638-9	1			MOULDING PACKAGE, Body Side Sill
7	4276 062-3	1			MOULDING, Frt. Door Wdo. Opng. Frame Frt., w/Mirror
	4319 218	1			MOULDING, Frt. Door Wdo. Opng. Frame Frt., Rt., w/o Mirror
8	4319 222-3	1			MOULDING, Frt. Door Wdo. Opng. Frame Up.
9	4319 226-7	1			MOULDING, Frt. Door Wdo. Opng. Frame Rear, Use Up to 11-1-83
	4328 304-5	1			MOULDING, Frt. Door Wdo. Opng. Frame Rear, Use After 11-1-83
10	4293 628	1			MOULDING PACKAGE, Frt. Door Belt, Rt., Use w/Mirror
	4293 626	1			MOULDING PACKAGE, Frt. Door Belt, Rt., Use w/o Mirror, Use Up to 2-1-84
	4339 190	1			MOULDING PACKAGE, Frt. Door Belt, Rt., Use w/o Mirror, Use After 2-1-84
	4293 629	1			MOULDING, Frt. Door Belt, Lt.
	6003 627	AR			RETAINER
11	4319 234-5	1			MOULDING, Rear Door Wdo. Opng. Frame Frt., Use Up to 11-1-83
	4328 308-9	1			MOULDING, Rear Door Wdo. Opng. Frame Frt., Use After 11-1-83
12	4319 242-3	1			MOULDING, Rear Door Wdo. Opng. Frame Up., Use w/Padded Full Vinyl Roof
	4319 240-1	1			MOULDING, Rear Door Wdo. Opng. Frame Up., Use w/o Padded Full Vinyl Roof
13	4319 250-1	1			MOULDING, Rear Door Wdo. Opng. Frame Rear, Use w/o Padded Full Vinyl Roof
14	4293 642-3	1			MOULDING PACKAGE, Rear Door Belt, Use w/Padded Full Vinyl Roof

MODEL CODES

B = GRAN FURY	F = FIFTH AVENUE/NEWPORT	P = RELIANT
C = LEBARON/TOWN & COUNTRY/EXC SEDAN	G = DIPLOMAT	T = E CLASS/NEW YORKER
C24 = LASER	H = VOYAGER	V = 600
D = ARIES	K = MINI RAM/CARAVAN/ROYAL	V24 = DAYTONA
E = 600	M = HORIZON/TURISMO	Z = OMNI/CHARGER/RAMPAGE

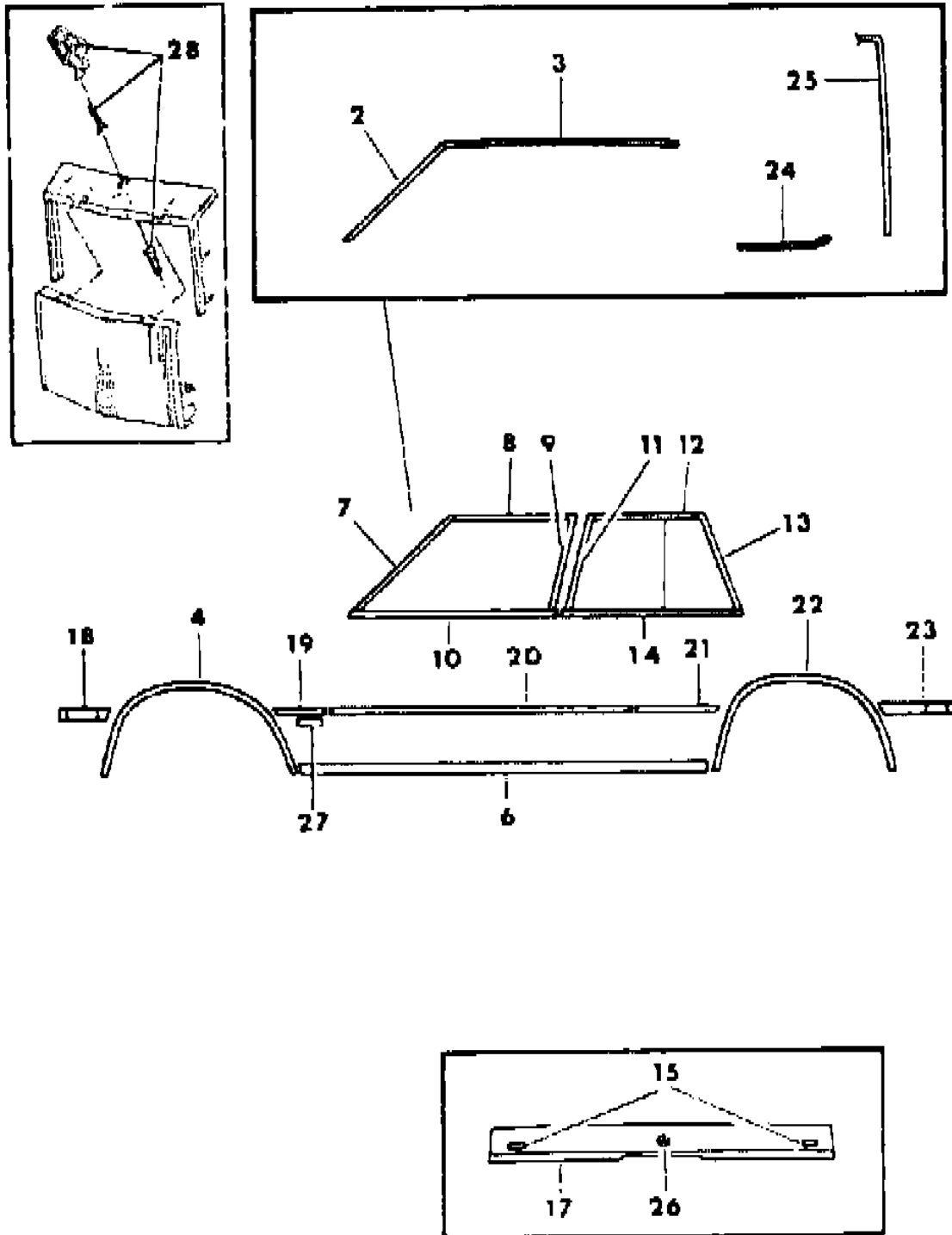
BODY STYLES

21 = 2-DOOR SEDAN	28 = FWD PICKUP	44 = 4-DOOR HATCHBACK
22 = 2-DOOR SPECIAL COUPE	35 = FWD VAN	45 = 4-DOOR STATION WAGON
24 = 2-DOOR HATCHBACK	36 = FWD WAGON	48 = 4-DOOR EXECUTIVE SEDAN
27 = 2-DOOR CONVERTIBLE	41 = 4-DOOR SEDAN	

AR = Use as Required - = Non Illustrated Part P.A.R. = Paint as Required

MOULDING and ORNAMENTATION - EXTERIOR VIEW CHRYSLER LEBARON 4 DOOR
Figure 23-3300

4168 3300



ITEM	PART NUMBER	QTY	BODY	MODEL	DESCRIPTION
	4293 640-1	1			MOULDING PACKAGE, Rear Door Belt, Use w/o Full Vinyl Roof
	6003 627	AR			RETAINER
15	4319 770	1			NAMEPLATE, Deck Lid, "LEBARON"
	4319 771	1			NAMEPLATE, Deck Lid, "CHRYSLER"
17	4276 610	1			MOULDING, Deck Lid Lwr.
	6003 861	AR			RETAINER
	4293 616	AR			SCREW PACKAGE, (Repair)
18	4339 028-9	1			MOULDING and SEAL PACKAGE, Fndr. Frt., Silver
	4339 032-3	1			Night Watch Blue
	4339 038-9	1			Mink Brown
	4339 036-7	1			Red
	4339 030-1	1			Gunmetal Blue
	4339 040-1	1			White
	4339 042-3	1			Black
	6003 790	AR			RETAINER
19	X234-5 BA2	1			MOULDING, Fndr. Rear, Silver
	X234-5 CC6	1			Gunmetal Blue
	X234-5 BW3	1			White
	X234-5 BX9	1			Black
	X234-5 BC9	1			Night Watch Blue
	X234-5 CT6	1			Mink Brown
	X234-5 BM5	1			Red
20	X236 BA2	2			MOULDING, Frt. Door, Silver
	X236 CT6	2			Mink Brown
	X236 BW3	2			White
	X236 BX9	2			Black
	X236 BC9	2			Night Watch Blue
	X236 CC6	2			Gunmetal Blue
	X236 BM5	2			Red
21	X246-7 CA2	1			MOULDING, Rear Door, Silver
	X246-7 CC6	1			Gunmetal Blue
	X246-7 CW3	1			White
	X246-7 CX9	1			Black
	X246-7 CC9	1			Night Watch Blue
	X246-7 CT6	1			Mink Brown
	X246-7 CM5	1			Red
22	4319 030-1	1			MOULDING, Qtr. Wheel Opng.

MODEL CODES

B = GRAN FURY
 C = LEBARON/TOWN & COUNTRY/EXC SEDAN
 C24 = LASER
 D = ARIES
 E = 600

F = FIFTH AVENUE/NEWPORT
 G = DIPLOMAT
 H = VOYAGER
 K = MINI RAM/CARAVAN/ROYAL
 M = HORIZON/TURISMO

P = RELIANT
 T = E CLASS/NEW YORKER
 V = 600
 V24 = DAYTONA
 Z = OMNI/CHARGER/RAMPAGE

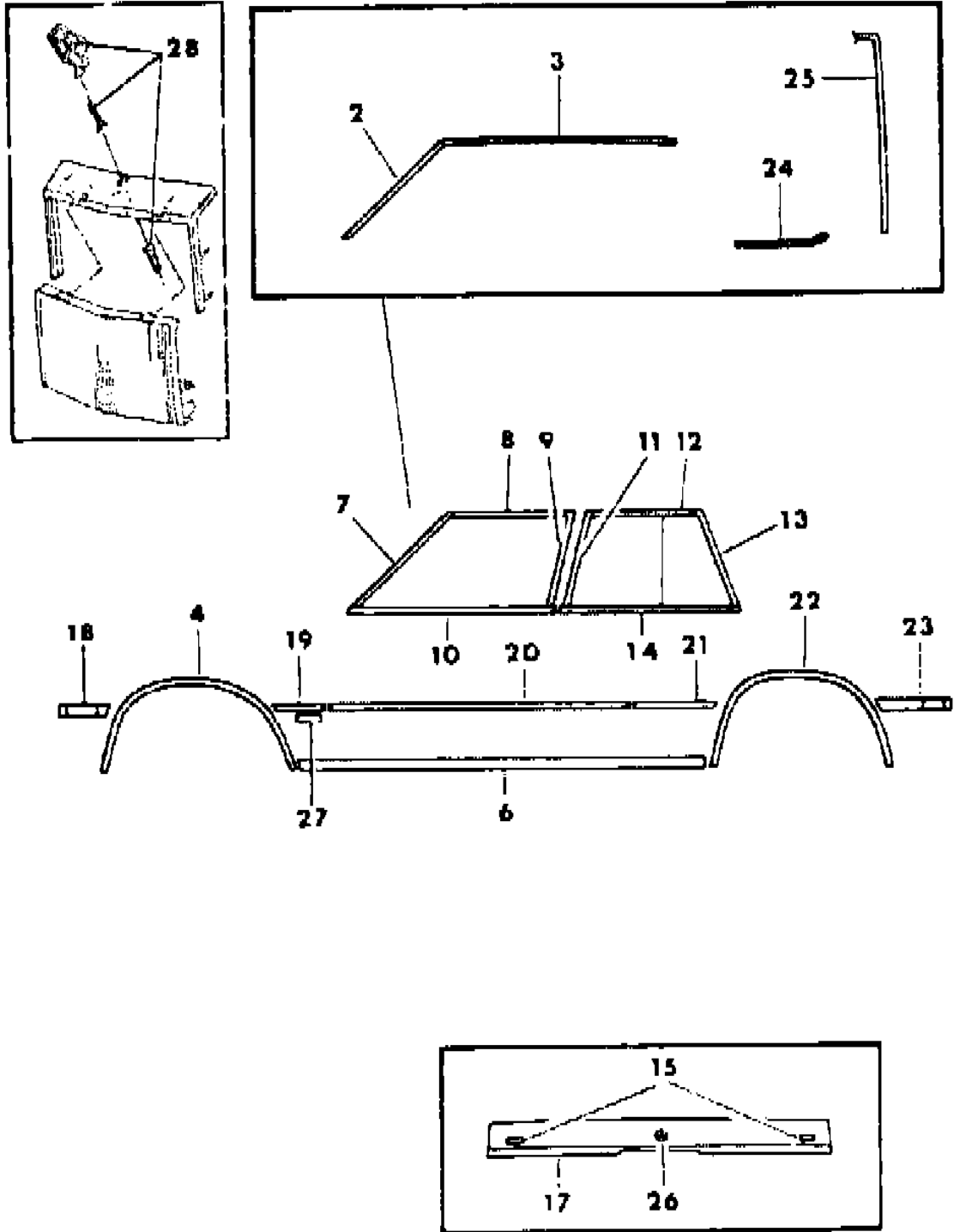
BODY STYLES

21 = 2-DOOR SEDAN
 22 = 2-DOOR SPECIAL COUPE
 24 = 2-DOOR HATCHBACK
 27 = 2-DOOR CONVERTIBLE
 28 = FWD PICKUP
 35 = FWD VAN
 36 = FWD WAGON
 41 = 4-DOOR SEDAN
 44 = 4-DOOR HATCHBACK
 45 = 4-DOOR STATION WAGON
 48 = 4-DOOR EXECUTIVE SEDAN

AR = Use as Required - = Non Illustrated Part P.A.R. = Paint as Required

MOULDING and ORNAMENTATION - EXTERIOR VIEW CHRYSLER LEBARON 4 DOOR
Figure 23-3300

4168 3300



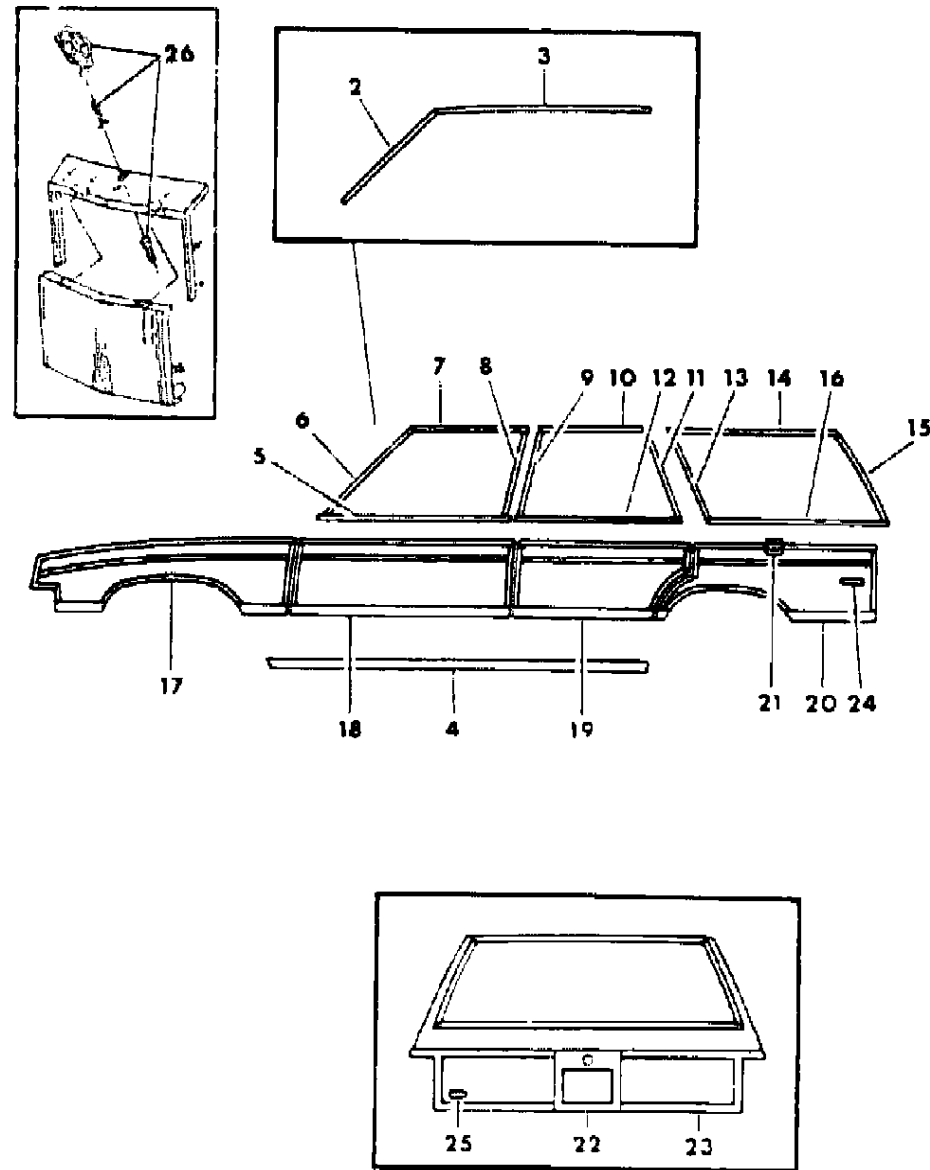
ITEM	PART NUMBER	QTY	BODY	MODEL	DESCRIPTION	
23	4318 994-5	1			MOULDING and SEAL PACKAGE, Qtr. Rear, Silver	
	4318 998-9	1			Night Watch Blue	
	4339 004-5	1			Mink Brown	
	4339 002-3	1			Red	
	4318 996-7	1			Gunmetal Blue	
	4339 006-7	1			White	
	4339 024-5	1			Black	
	6003 790	AR			RETAINER	
	24	4318 992-3	1			MOULDING, Qtr. Belt, White, Use on Padded Full Vinyl Roof (Paint as Req.) WELD STUD, (Not Serv.) RETAINER PACKAGE
		4293 589	AR			RETAINER PACKAGE
25	4339 022	1			MOULDING, Deck Opng. Upr. Pnl., Rt., White, Use on Padded Full Vinyl Roof (Paint as Req.)	
	4267 979	1			MOULDING, Deck Opng. Upr. Pnl., Lt., White, Use on Padded Full VINYL Roof (Paint as Req.) RETAINER, (Not Serv.) SCREW, (Not Serv.)	
26	X269 CA2	1			MEDALLION, Deck Lid Lock Cyl., Silver	
	X269 CC6	1			Gunmetal Blue	
	X269 CC9	1			Night Watch Blue	
	X269 CM5	1			Red	
	X269 CL4	1			Beige Met.	
	X269 CT6	1			Mink Brown	
	X269 CW3	1			White	
	X269 CX9	1			Black	
	NOTE: The Colored Medallion Used is Determined by the Exterior Paint of Car s information becomes available.					
27	4319 147	2			RIVET, (Not Serv.) NAMEPLATE, Fndr. Side, "TURBO EFI"	
28	4270 563	1			ORNAMENT, Radiator Grille	
	3672 780	1			RETAINER	
	3672 672	1			SPRING	

MODEL CODES
 B = GRAN FURY
 C = LEBARON/TOWN & COUNTRY/EXC SEDAN
 C24 = LASER
 D = ARIES
 E = 600
 F = FIFTH AVENUE/NEWPORT
 G = DIPLOMAT
 H = VOYAGER
 K = MINI RAM/CARAVAN/ROYAL
 M = HORIZON/TURISMO
 P = RELIANT
 T = E CLASS/NEW YORKER
 V = 600
 V24 = DAYTONA
 Z = OMNI/CHARGER/RAMPAGE

BODY STYLES
 21 = 2-DOOR SEDAN
 22 = 2-DOOR SPECIAL COUPE
 24 = 2-DOOR HATCHBACK
 27 = 2-DOOR CONVERTIBLE
 28 = FWD PICKUP
 35 = FWD VAN
 36 = FWD WAGON
 41 = 4-DOOR SEDAN
 44 = 4-DOOR HATCHBACK
 45 = 4-DOOR STATION WAGON
 48 = 4-DOOR EXECUTIVE SEDAN

AR = Use as Required - = Non Illustrated Part P.A.R. = Paint as Required

MOULDINGS and ORNAMENTATION - EXTERIOR VIEW CHRYSLER TOWN AND COUNTRY
Figure 23-3400



ITEM	PART NUMBER	QTY	BODY	MODEL	DESCRIPTION
2	4328 572-3	1			MOULDING and SEAL, Body Frt. Pillar Drain Trough
	4229 764-5	1			SEAL, Body Frt. Pillar Drain Trough Mldg. Inner SCREW, (Not Serv.)
3	4319 374-5	1			MOULDING, Roof Side Drain Trough
4	4293 638-9	1			MOULDING PACKAGE, Body Side Sill
	6003 777	AR			RETAINER SCREW, (Not Serv.) WELD STUD, (Not Serv.)
5	4293 628	1			MOULDING PACKAGE, Frt. Door Belt, Rt., w/Mirror
	4293 626	1			MOULDING PACKAGE, Frt. Door Belt, Rt., w/o Mirror, Use Up to 2-1-84
	4339 190	1			MOULDING PACKAGE, Frt. Door Belt, Rt., w/o Mirror, Use After 2-1-84
	4293 629	1			MOULDING PACKAGE, Frt. Door Belt, Lt.
	6003 627	AR			RETAINER
6	4276 062-3	1			MOULDING, Frt. Door Wdo. Opng. Frame Frt., w/Mirror
	4319 218	1			MOULDING, Frt. Door Wdo. Opng. Frame Frt., Rt.,w/o Mirror
7	4319 222-3	1			MOULDING, Frt. Door Wdo. Opng. Frame Up.
8	4319 226-7	1			MOULDING, Frt. Door Wdo. Opng. Frame Rear, Use Up to 11-1-83
	4328 304-5	1			MOULDING, Frt. Door Wdo. Opng. Frame Rear, Use After 11-1-83
9	4319 234-5	1			MOULDING, Rear Door Wdo. Opng. Frame Frt., Use Up to 11-1-83
	4328 308-9	1			MOULDING, Rear Door Wdo. Opng. Frame Frt., Use After 11-1-83
10	4319 244-5	1			MOULDING, Rear Door Wdo. Opng. Frame Up.
11	4319 248-9	1			MOULDING, Rear Door Wdo. Opng. Frame Rear
	4293 640-1	1			MOULDING PACKAGE, Rear Door Belt
	6003 627	AR			RETAINER
13	4319 326-7	1			MOULDING, Qtr. Wdo. Frt.
	6003 731	AR			RETAINER
14	4319 328	2			MOULDING, Qtr. Wdo. Up.
	6003 878	AR			RETAINER
	6003 879	AR			RETAINER
15	4319 330-1	1			MOULDING, Qtr. Wdo. Rear SCREW, (Not Serv.)
16	4319 332-3	1			MOULDING, Qtr. Wdo. Lwr.

MODEL CODES

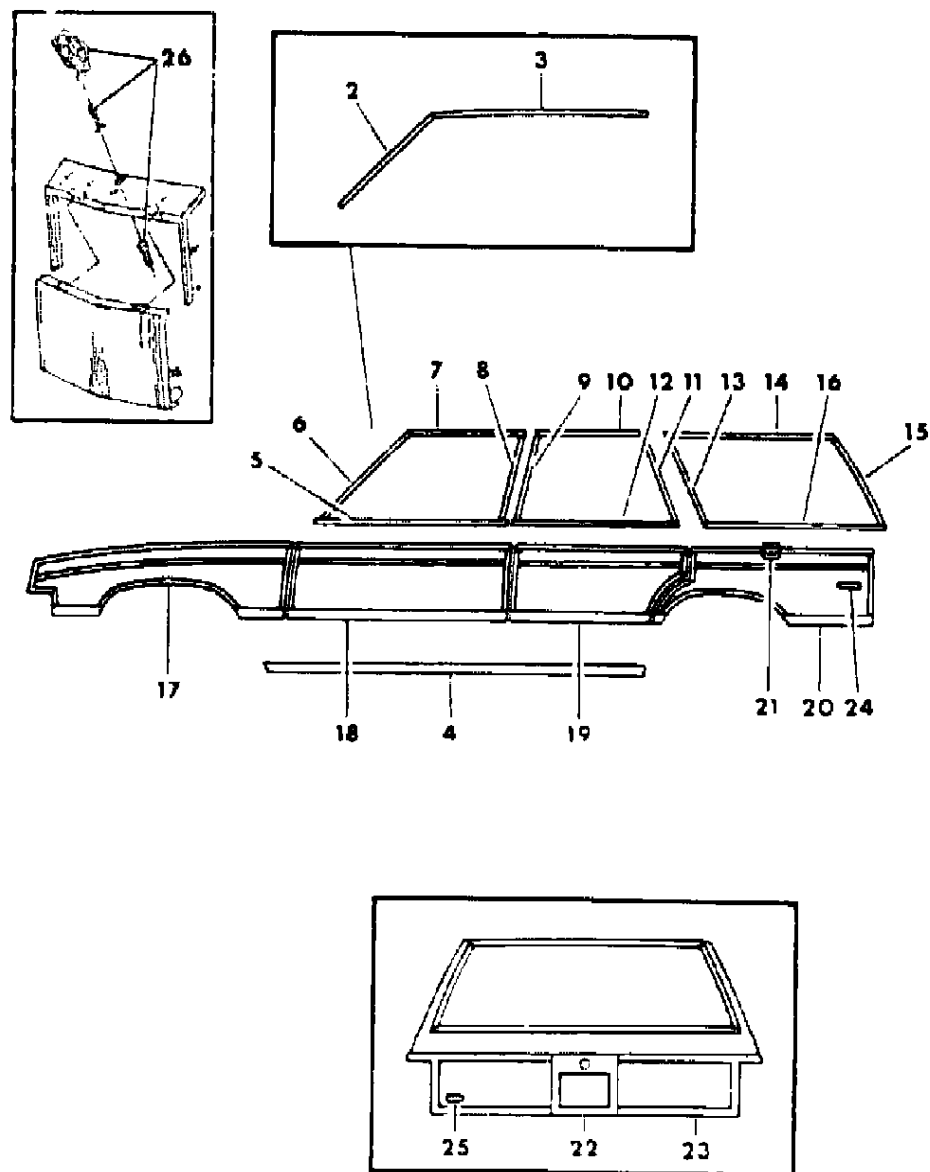
B = GRAN FURY	F = FIFTH AVENUE/NEWPORT	P = RELIANT
C = LEBARON/TOWN & COUNTRY/EXC SEDAN	G = DIPLOMAT	T = E CLASS/NEW YORKER
C24 = LASER	H = VOYAGER	V = 600
D = ARIES	K = MINI RAM/CARAVAN/ROYAL	V24 = DAYTONA
E = 600	M = HORIZON/TURISMO	Z = OMNI/CHARGER/RAMPAGE

BODY STYLES

21 = 2-DOOR SEDAN	28 = FWD PICKUP	44 = 4-DOOR HATCHBACK
22 = 2-DOOR SPECIAL COUPE	35 = FWD VAN	45 = 4-DOOR STATION WAGON
24 = 2-DOOR HATCHBACK	36 = FWD WAGON	48 = 4-DOOR EXECUTIVE SEDAN
27 = 2-DOOR CONVERTIBLE	41 = 4-DOOR SEDAN	

AR = Use as Required - = Non Illustrated Part P.A.R. = Paint as Required

MOULDINGS and ORNAMENTATION - EXTERIOR VIEW CHRYSLER TOWN AND COUNTRY
Figure 23-3400



ITEM	PART NUMBER	QTY	BODY	MODEL	DESCRIPTION
	6003 878	AR			RETAINER
	6003 879	AR			WELD STUD
17	4276 012-3	1			MOULDING, Fndr. Side, Woodgrain
	4017 657	AR			COVER, Fndr. Side Mldg. Attach.
	4022 878	AR			COVER, Fndr. Side Mldg. Attach.
18	4276 016-7	1			MOULDING, Frt. Door, Woodgrain
	4017 657	AR			COVER, Frt. Door Mldg. Attach.
	4022 878	AR			COVER, Frt. Door Mldg. Attach.
19	4276 020-1	1			MOULDING, Rear Door, Woodgrain
	4017 657	AR			COVER, Rear Door Mldg. Attach.
	4022 878	AR			COVER, Rear Door Mldg. Attach.
20	4276 024-5	1			MOULDING, Qtr., Woodgrain
	4017 657	AR			COVER, Qtr. Mldg. Attach.
	4022 878	AR			COVER, Qtr. Mldg. Attach.
21	4276 028	1			MOULDING, Qtr. Fuel Filler Door, Woodgrain
	4017 657	AR			COVER, Qtr. Fuel Filler Door Mldg.
					WELD STUD, (Not Serv.)
22	4319 790	1			MOULDING, L/Gate Center, Woodgrain
	4017 657	AR			COVER, L/Gate Center Mldg. Attach.
	4022 878	AR			COVER, L/Gate Center Mldg. Attach.
23	4276 004-5	1			MOULDING, L/Gate Side, Woodgrain
	4017 657	AR			COVER, L/Gate Side Mldg. Attach.
24	4319 753	2			NAMEPLATE, Qtr., "TOWN and COUNTRY"
25	4319 771	1			NAMEPLATE, L/Gate, "CHRYSLER"
26	4270 563	1			ORNAMENT, Radiator Grille
	3672 780	1			RETAINER
	3672 672	1			SPRING

MODEL CODES

B = GRAN FURY	F = FIFTH AVENUE/NEWPORT	P = RELIANT
C = LEBARON/TOWN & COUNTRY/EXC SEDAN	G = DIPLOMAT	T = E CLASS/NEW YORKER
C24 = LASER	H = VOYAGER	V = 600
D = ARIES	K = MINI RAM/CARAVAN/ROYAL	V24 = DAYTONA
E = 600	M = HORIZON/TURISMO	Z = OMNI/CHARGER/RAMPAGE

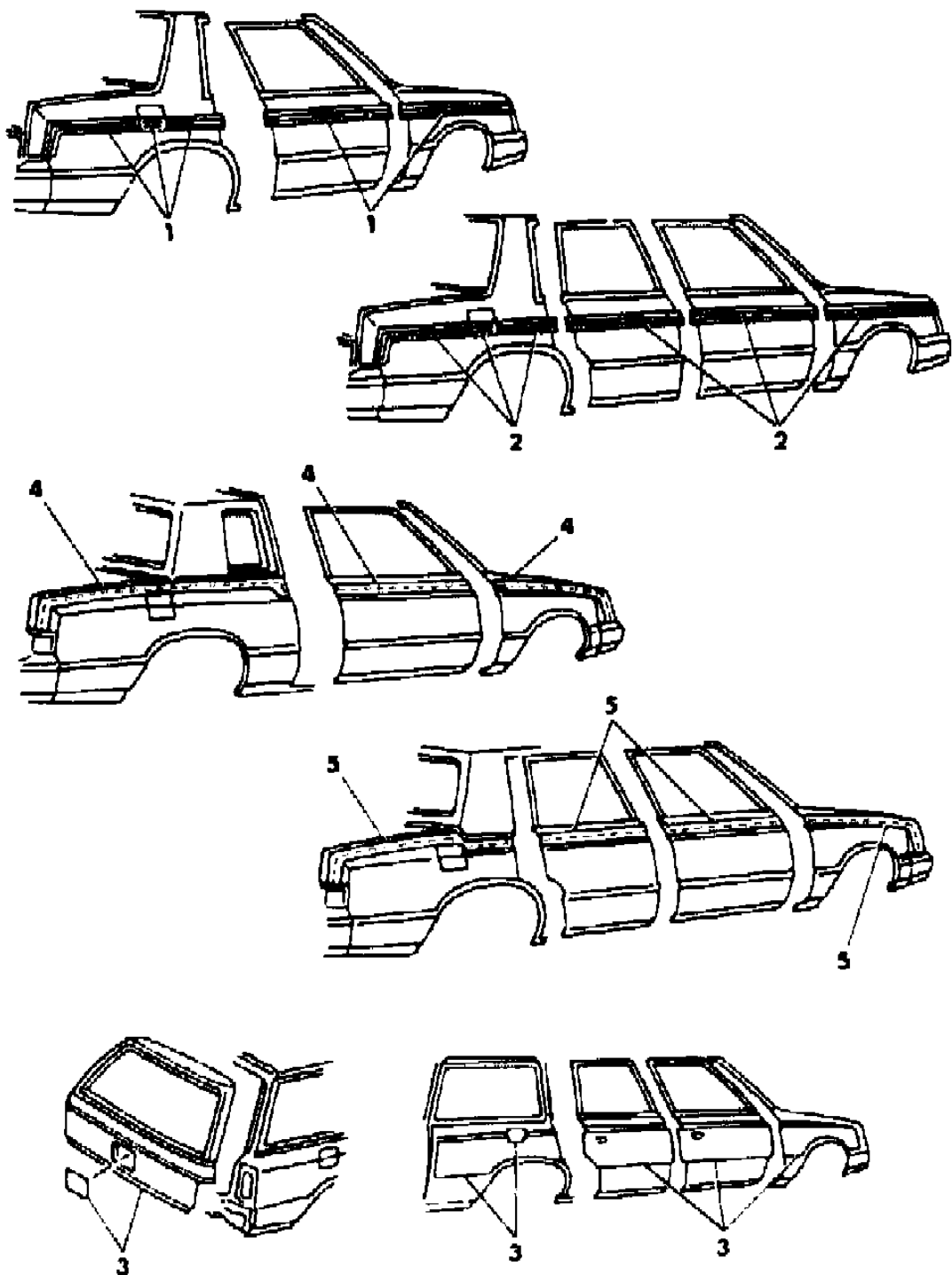
BODY STYLES

21 = 2-DOOR SEDAN	28 = FWD PICKUP	44 = 4-DOOR HATCHBACK
22 = 2-DOOR SPECIAL COUPE	35 = FWD VAN	45 = 4-DOOR STATION WAGON
24 = 2-DOOR HATCHBACK	36 = FWD WAGON	48 = 4-DOOR EXECUTIVE SEDAN
27 = 2-DOOR CONVERTIBLE	41 = 4-DOOR SEDAN	

AR = Use as Required - = Non Illustrated Part P.A.R. = Paint as Required

TAPE STRIPES and DECALS - EXTERIOR VIEW CHRYSLER LEBARON
Figure 23-3500

4166 2000



ITEM	PART NUMBER	QTY	BODY	MODEL	DESCRIPTION	
1	4318 672-3	1		22,27	TAPE PACKAGE, Fndr., Door, Qtr., Silver (KEA)	
	4318 674-5	1		22,27	Blue (KEC)	
	4318 678-9	1		22,27	Red (KER)	
	4271 610-1	1		22,27	Orange (KEV)	
	4318 676-7	1		22,27	Saddle Brown (KEK)	
	4271 614-5	1		22,27	White (KEW)	
	4293 308-9	1		22,27	Gold (KEY)	
	4339 296-7	1		22,27	Black (KEX)	
	2	4293 322-3	1	41		TAPE PACKAGE, Fndr., Door, Qtr., Gold (KEY)
		4271 594-5	1	41		Orange (KEV)
4318 682-3		1	41		Blue (KEC)	
4318 684-5		1	41		Saddle Brown (KEK)	
4318 680-1		1	41		Silver (KEA)	
3	4318 686-7	1	41		Red (KER)	
	4276 103	AR	45		OVERLAY, Fndr., Door, Qtr., Filler Door, L/Gate, L/Gate Lic. Plate Depr.	
4	4318 598-9	1	22		TAPE PACKAGE, Fndr., Door, Qtr., Gray Sable, Beige, Dark Beige (KJT) (Paint Sales Code PT6 QL4)	
	4318 600-1	1	22		Gunmetal, Silver, Light Blue (KJC) (Paint Sales Code PC6 QA1)	
5	4318 646-7	1	41		TAPE PACKAGE, Fndr., Door, Qtr., Gray Sable, Beige, Dark Beige (KJT) (Paint Sales Code PT6 QL4)	
	4318 648-9	1	41		Gunmetal, Silver, Light Blue (KJC) (Paint Sales Code PC6 QA1)	

MODEL CODES

B = GRAN FURY	F = FIFTH AVENUE/NEWPORT	P = RELIANT
C = LEBARON/TOWN & COUNTRY/EXC SEDAN	G = DIPLOMAT	T = E CLASS/NEW YORKER
C24 = LASER	H = VOYAGER	V = 600
D = ARIES	K = MINI RAM/CARAVAN/ROYAL	V24 = DAYTONA
E = 600	M = HORIZON/TURISMO	Z = OMNI/CHARGER/RAMPAGE

BODY STYLES

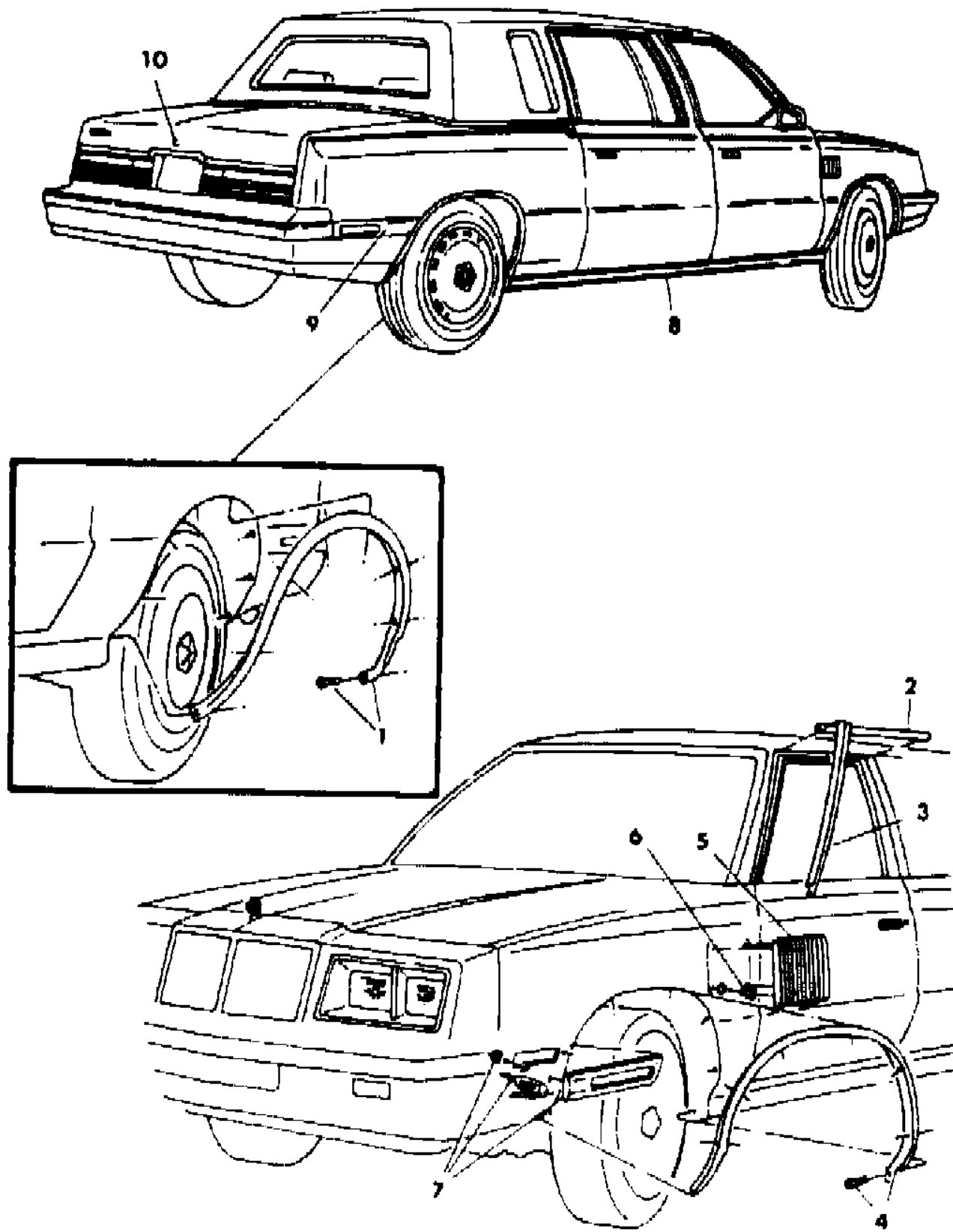
21 = 2-DOOR SEDAN	28 = FWD PICKUP	44 = 4-DOOR HATCHBACK
22 = 2-DOOR SPECIAL COUPE	35 = FWD VAN	45 = 4-DOOR STATION WAGON
24 = 2-DOOR HATCHBACK	36 = FWD WAGON	48 = 4-DOOR EXECUTIVE SEDAN
27 = 2-DOOR CONVERTIBLE	41 = 4-DOOR SEDAN	

AR = Use as Required - = Non Illustrated Part P.A.R. = Paint as Required

MOULDINGS and ORNAMENTATION - EXTERIOR VIEW EXEC. SEDAN C-P,48
Figure 23-3600

11-0000

ITEM	PART NUMBER	QTY	BODY	MODEL	DESCRIPTION
1	4339 722-3	1			MOULDING, Qtr. Wheel Opng.
		AR			SCREW, (Not Serv.)
2	4339 724-5	1			MOULDING, Drip Rail
3	4328 572-3	1			MOULDING and SEAL, Body Frt. Pillar Drain Trough
4	4339 720-1	1			MOULDING, Fndr. Wheel Opng.
		AR			SCREW, (Not Serv.)
5	X560 CA1	2			LOUVER, Fndr. Side, Silver
	X560 CA6	2			Charcoal
	X560 CC9	2			Night Watch Blue
	X560 CW3	2			White
	X560 CX9	2			Black
6	4057 555	AR			RETAINER PACKAGE
7	4293 658-9	1			MOULDING PACKAGE, Fndr. Side Frt.
	6003 790	AR			RETAINER and SEAL
		AR			NUT, (Not Serv.)
8	4339 638-9	1			MOULDING, Body Side Sill
	4339 640-1	1			END CAP ASSEMBLY, Body Side Sill
	4339 784	AR			CLIP
9	4339 736-7	1			MOULDING PACKAGE, Qtr. Rear
	6003 790	AR			RETAINER
10	4342 183	1			MEDALLION, Deck Lid, Charcoal



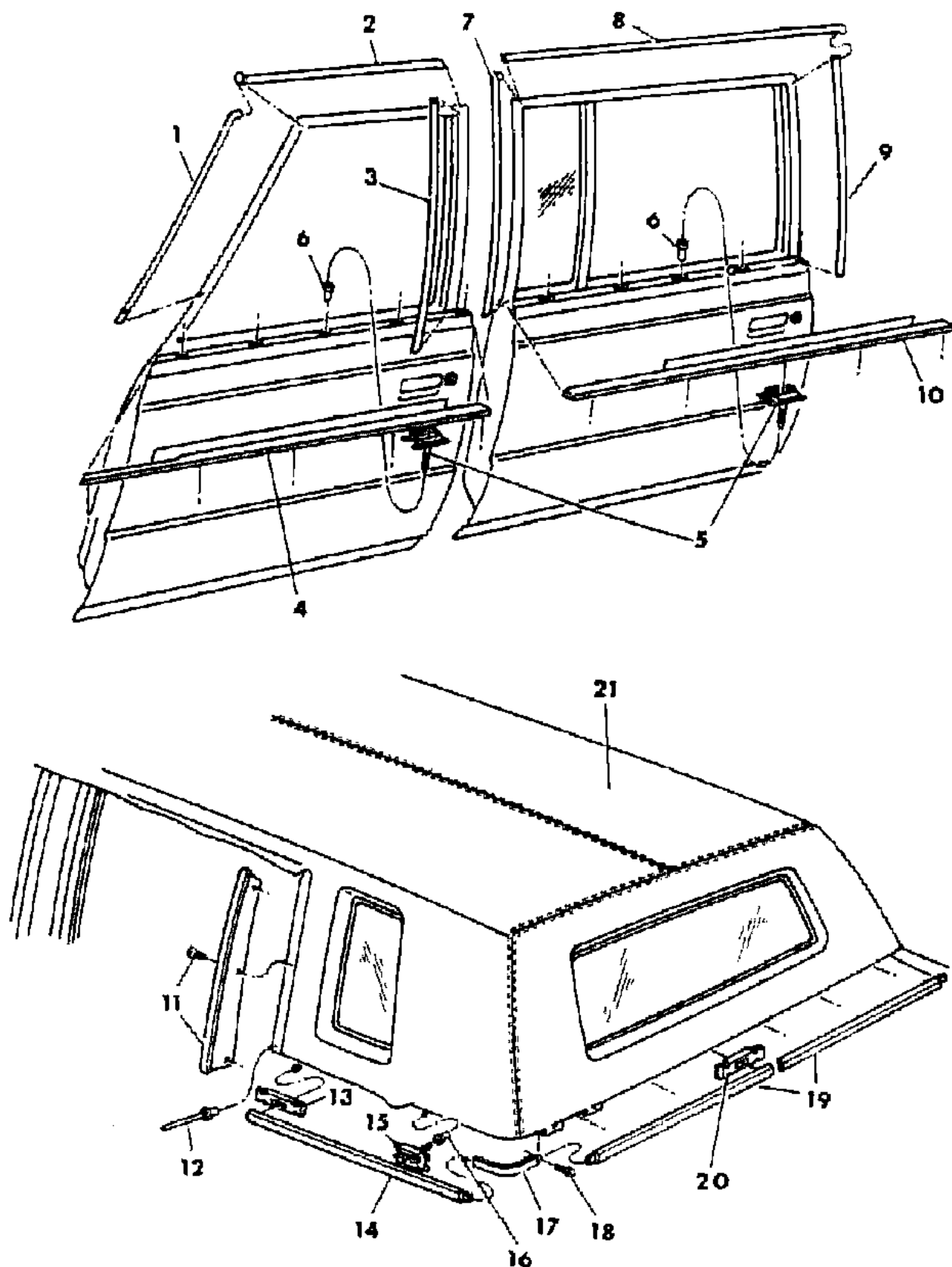
MODEL CODES
 B = GRAN FURY
 C = LEBARON/TOWN & COUNTRY/EXC SEDAN
 C24 = LASER
 D = ARIES
 E = 600
 F = FIFTH AVENUE/NEWPORT
 G = DIPLOMAT
 H = VOYAGER
 K = MINI RAM/CARAVAN/ROYAL
 M = HORIZON/TURISMO
 P = RELIANT
 T = E CLASS/NEW YORKER
 V = 600
 V24 = DAYTONA
 Z = OMNI/CHARGER/RAMPAGE

BODY STYLES
 21 = 2-DOOR SEDAN
 22 = 2-DOOR SPECIAL COUPE
 24 = 2-DOOR HATCHBACK
 27 = 2-DOOR CONVERTIBLE
 28 = FWD PICKUP
 35 = FWD VAN
 36 = FWD WAGON
 41 = 4-DOOR SEDAN
 44 = 4-DOOR HATCHBACK
 45 = 4-DOOR STATION WAGON
 48 = 4-DOOR EXECUTIVE SEDAN

AR = Use as Required - = Non Illustrated Part P.A.R. = Paint as Required

MOULDINGS and ORNAMENTATION - EXTERIOR VIEW EXEC. SEDAN C-P,48
Figure 23-3600

Fig. 200



ITEM	PART NUMBER	QTY	BODY	MODEL	DESCRIPTION
1	4276 062-3	1			MOULDING, Frt. Door Wdo. Opng. Frame Frt.
2	4319 222-3	1			MOULDING, Frt. Door Wdo. Opng. Frame Up.
3	4328 304-5	1			MOULDING, Frt. Door Wdo. Opng. Frame Rear
4	4293 628-9	1			MOULDING, Frt. Door Belt
5	4205 634	AR			CLIP PACKAGE
6	6003 627	AR			BARREL NUT
7	4328 308-9	1			MOULDING, Rear Door Wdo. Opng. Frame Frt.
8	4339 728-9	1			MOULDING, Rear Door Wdo. Opng. Frame Up.
9	4319 230-1	1			MOULDING, Rear Door Wdo. Opng. Frame Rear
10	4339 738-9	1			MOULDING, Rear Door Belt
	4205 634	AR			RETAINER
	6003 627	AR			NUT
11	4339 726-7	1			MOULDING, Center Pillar Frt.
	4339 811	AR			CLIP
		AR			SCREW, (Not Serv.)
12		AR			RIVET
13	3744 671	AR			RETAINER PACKAGE
14	4339 764-5	1			MOULDING PACKAGE, Qtr. Roof, Silver
	4339 766-7	1			Blue
	4339 770-1	1			Black
	4342 114-5	1			White
15	4293 617	AR			RETAINER
16		AR			NUT
17	4339 772-3	1			MOULDING PACKAGE, Qtr. Roof Corner, Silver
	4339 774-5	1			Blue
	4339 776-7	1			Charcoal
	4339 778-9	1			Black
	4342 116-7	1			White
18		AR			SCREW, (Not Serv.)
19	4267 978-9	1			MOULDING PACKAGE, Roof Rear (Paint as Req.)
20	6003 801	AR			RETAINER
21	4339 661	1			CAP ASSEMBLY, Roof Top
	4339 667	1			COVER and PAD ASSEMBLY, Roof, Silver
	4339 668	1			Blue
	4339 669	1			Black
	4364 200	1			White

MODEL CODES

B = GRAN FURY	F = FIFTH AVENUE/NEWPORT	P = RELIANT
C = LEBARON/TOWN & COUNTRY/EXC SEDAN	G = DIPLOMAT	T = E CLASS/NEW YORKER
C24 = LASER	H = VOYAGER	V = 600
D = ARIES	K = MINI RAM/CARAVAN/ROYAL	V24 = DAYTONA
E = 600	M = HORIZON/TURISMO	Z = OMNI/CHARGER/RAMPAGE

BODY STYLES

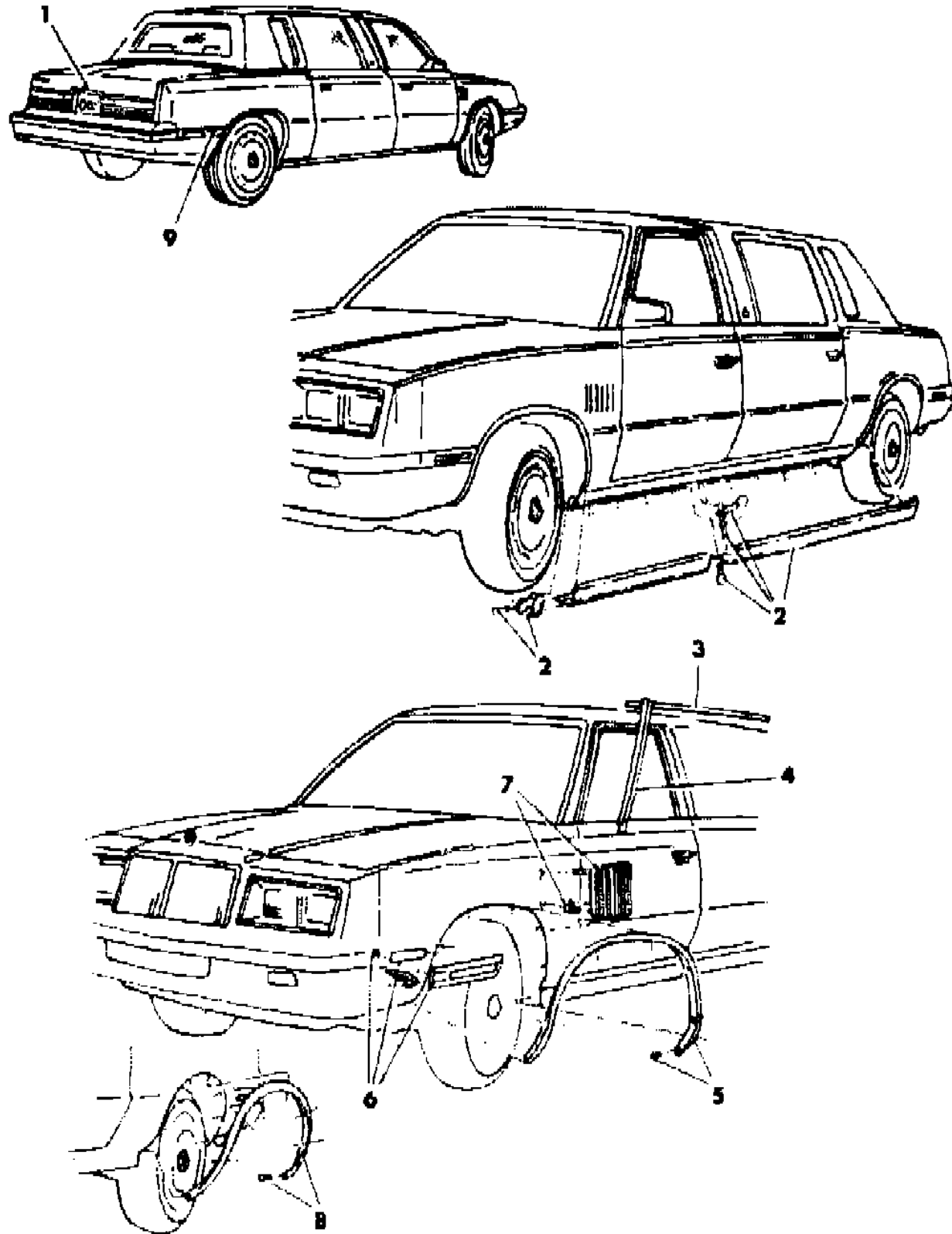
21 = 2-DOOR SEDAN	28 = FWD PICKUP	44 = 4-DOOR HATCHBACK
22 = 2-DOOR SPECIAL COUPE	35 = FWD VAN	45 = 4-DOOR STATION WAGON
24 = 2-DOOR HATCHBACK	36 = FWD WAGON	48 = 4-DOOR EXECUTIVE SEDAN
27 = 2-DOOR CONVERTIBLE	41 = 4-DOOR SEDAN	

AR = Use as Required - = Non Illustrated Part P.A.R. = Paint as Required

MOULDINGS and ORNAMENTATION - EXTERIOR VIEW LIMOUSINE

Figure 23-3800

4168 0401



ITEM	PART NUMBER	QTY	BODY	MODEL	DESCRIPTION
1	4342 183	1			MEDALLION, Deck Lid, Charcoal
2	4339 966-7	1			MOULDING, Body Side Sill
	4339 640-1	1			CAP ASSEMBLY, Body Side Sill Mldg., End
	4339 784	AR			CLIP
		AR			RIVET
		AR			SCREW and WAX SEALER
3	4339 968-9	1			MOULDING, Drip Rail Frt.
4	4328 572-3	1			MOULDING, "A" Pillar
5	4339 720-1	1			MOULDING, Fndr. Wheel Opng.
		AR			SCREW, (Not Serv.)
6	4293 658-9	1			MOULDING PACKAGE, Fndr. Side Frt.
	6003 790	AR			RETAINER and SEAL
		AR			NUT, (Not Serv.)
7	X560 CA1	2			LOUVER, Fndr. Side, Silver
	X560 CA6	2			Charcoal
	X560 CC9	2			Night Watch Blue
	X560 CW3	2			White
	X560 CX9	2			Black
	4057 555	AR			RETAINER PACKAGE
8	4339 722-3	1			MOULDING, Qtr. Wheel Opng.
		AR			SCREW, (Not Serv.)
9	4339 736-7	1			MOULDING PACKAGE, Qtr. Rear
	6003 790	AR			RETAINER

MODEL CODES

B = GRAN FURY	F = FIFTH AVENUE/NEWPORT	P = RELIANT
C = LEBARON/TOWN & COUNTRY/EXC SEDAN	G = DIPLOMAT	T = E CLASS/NEW YORKER
C24 = LASER	H = VOYAGER	V = 600
D = ARIES	K = MINI RAM/CARAVAN/ROYAL	V24 = DAYTONA
E = 600	M = HORIZON/TURISMO	Z = OMNI/CHARGER/RAMPAGE

BODY STYLES

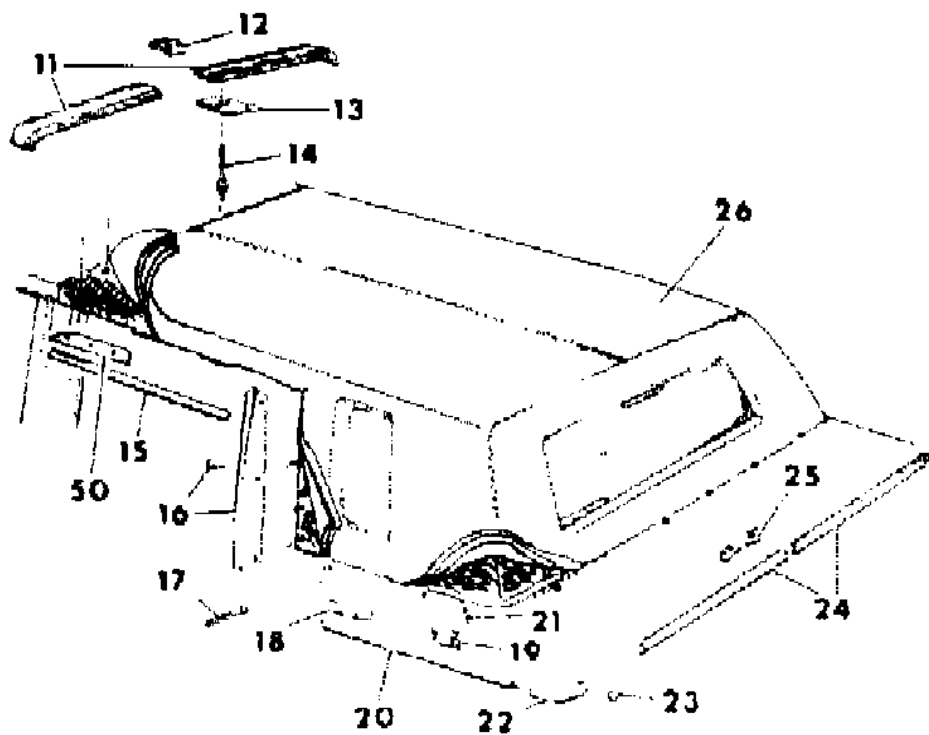
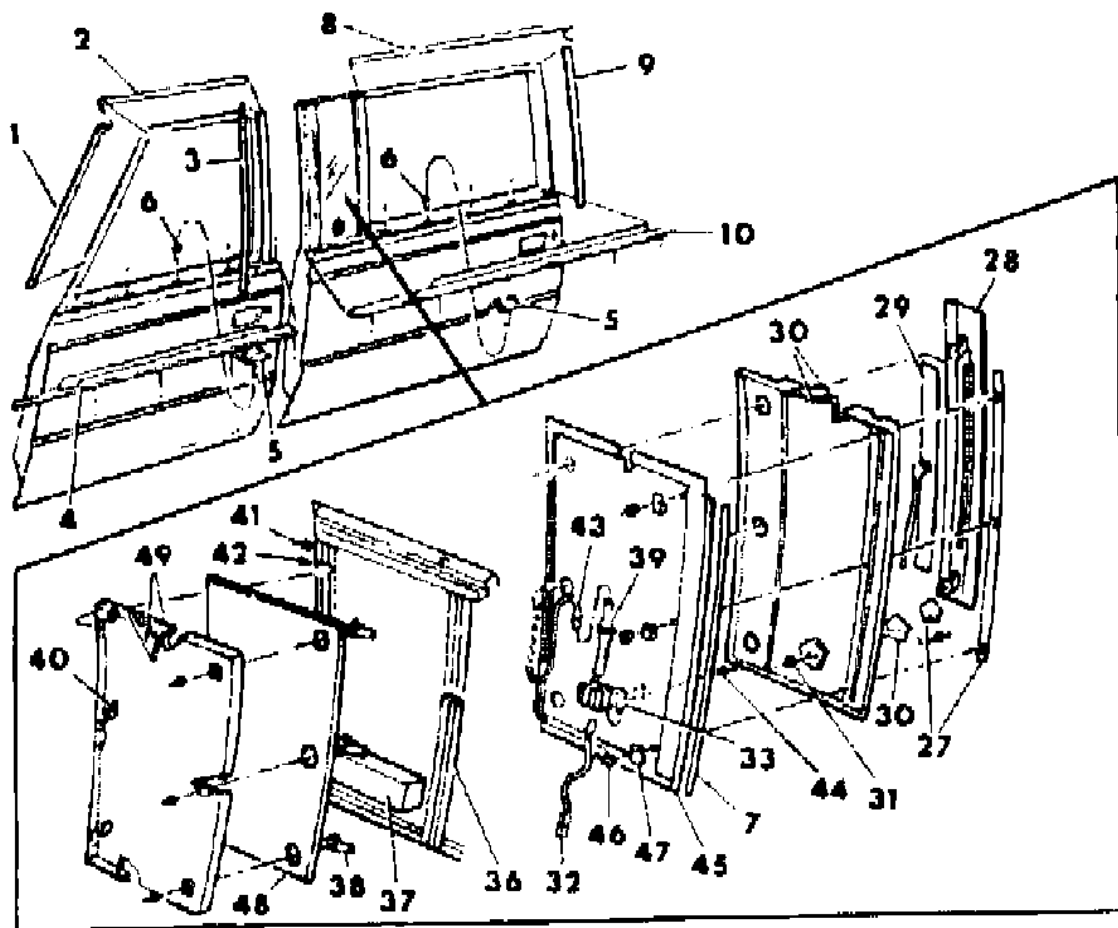
21 = 2-DOOR SEDAN	28 = FWD PICKUP	44 = 4-DOOR HATCHBACK
22 = 2-DOOR SPECIAL COUPE	35 = FWD VAN	45 = 4-DOOR STATION WAGON
24 = 2-DOOR HATCHBACK	36 = FWD WAGON	48 = 4-DOOR EXECUTIVE SEDAN
27 = 2-DOOR CONVERTIBLE	41 = 4-DOOR SEDAN	

AR = Use as Required - = Non Illustrated Part P.A.R. = Paint as Required

MOULDINGS AND ORNAMENTATION - EXTERIOR VIEW LIMOUSINE

Figure 23-3900

FIG. 23-3900



ITEM	PART NUMBER	QTY	BODY	MODEL	DESCRIPTION
1	4276 062-3	1			MOULDING, Frt. Door Wdo. Opng. Frame Frt.
2	4319 222-3	1			MOULDING, Frt. Door Wdo, Opng. Frame Up.
3	4328 304-5	1			MOULDING, Frt. Door Wdo. Opng. Frame Rear
4	4293 628-9	1			MOULDING, Frt. Door Belt
5	4205 634	AR			CLIP PACKAGE
6	6003 627	AR			BARREL NUT
7	4328 308-9	1			MOULDING, Rear Door Frame Frt.
8	4339 974	2			MOULDING, Rear Door Frame Up.
9	4319 230-1	1			MOULDING, Rear Door Frame Rear
10	4342 002-3	1			MOULDING PACKAGE, Rear Door Belt
	4205 634	AR			CLIP PACKAGE
	6003 627	AR			BARREL NUT
11	4339 980-1	1			MOULDING PACKAGE, Top Band
	4339 982	1			WELT, Top Band Mldg., Silver
	4339 983	1			Blue
	4339 984	1			Black
	4342 164	1			White
12	4276 296	1			CLIP, Center Top Band Insert
13		AR			RETAINER
14		AR			PIN, Retainer
15	4339 970-1	1			MOULDING, Drip Rail Rear
16	4339 726-7	1			MOULDING, Center Pillar Frt.
	4339 811	AR			CLIP, Center Pillar Mldg.
		AR			SCREW, (Not Serv.)
17		AR			RIVET
18	3744 671	AR			RETAINER PACKAGE
19	4293 589	AR			RETAINER PACKAGE
20	4339 764-5	1			MOULDING PACKAGE, Qtr. Roof, Silver
	4339 766-7	1			Blue
	4339 770-1	1			Black
	4342 114-5	1			White
21		AR			BARREL NUT
22	4339 772-3	1			MOULDING PACKAGE, Qtr. Roof Corner, Silver
	4339 774-5	1			Blue
	4339 776-7	1			Charcoal
	4339 778-9	1			Black
	4342 116-7	1			White
23		AR			SCREW, (Not Serv.)

MODEL CODES

B = GRAN FURY	F = FIFTH AVENUE/NEWPORT	P = RELIANT
C = LEBARON/TOWN & COUNTRY/EXC SEDAN	G = DIPLOMAT	T = E CLASS/NEW YORKER
C24 = LASER	H = VOYAGER	V = 600
D = ARIES	K = MINI RAM/CARAVAN/ROYAL	V24 = DAYTONA
E = 600	M = HORIZON/TURISMO	Z = OMNI/CHARGER/RAMPAGE

BODY STYLES

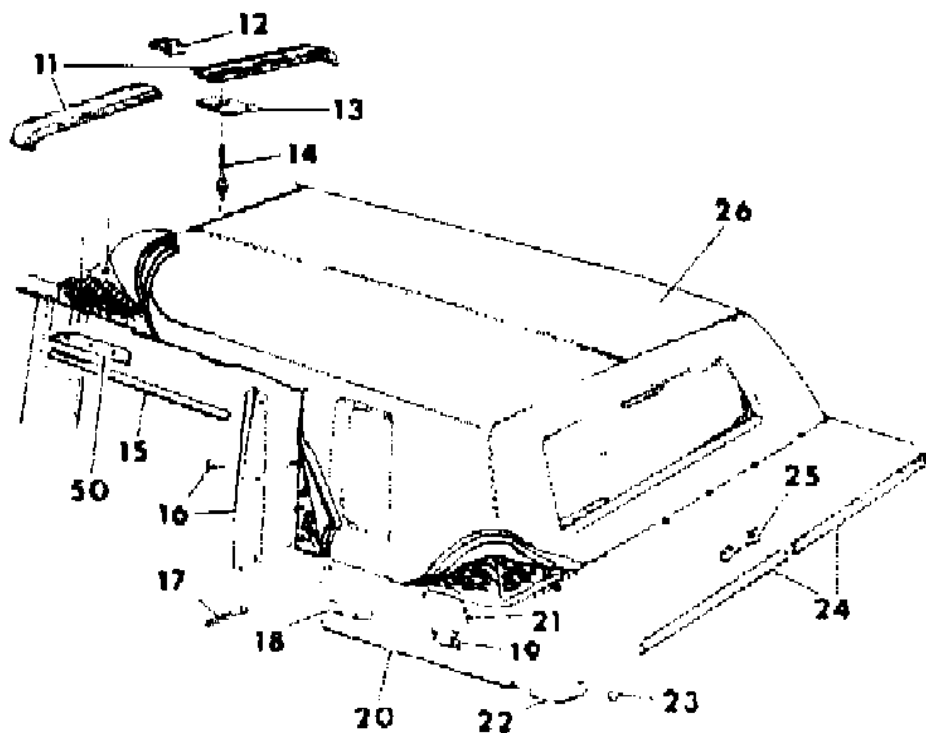
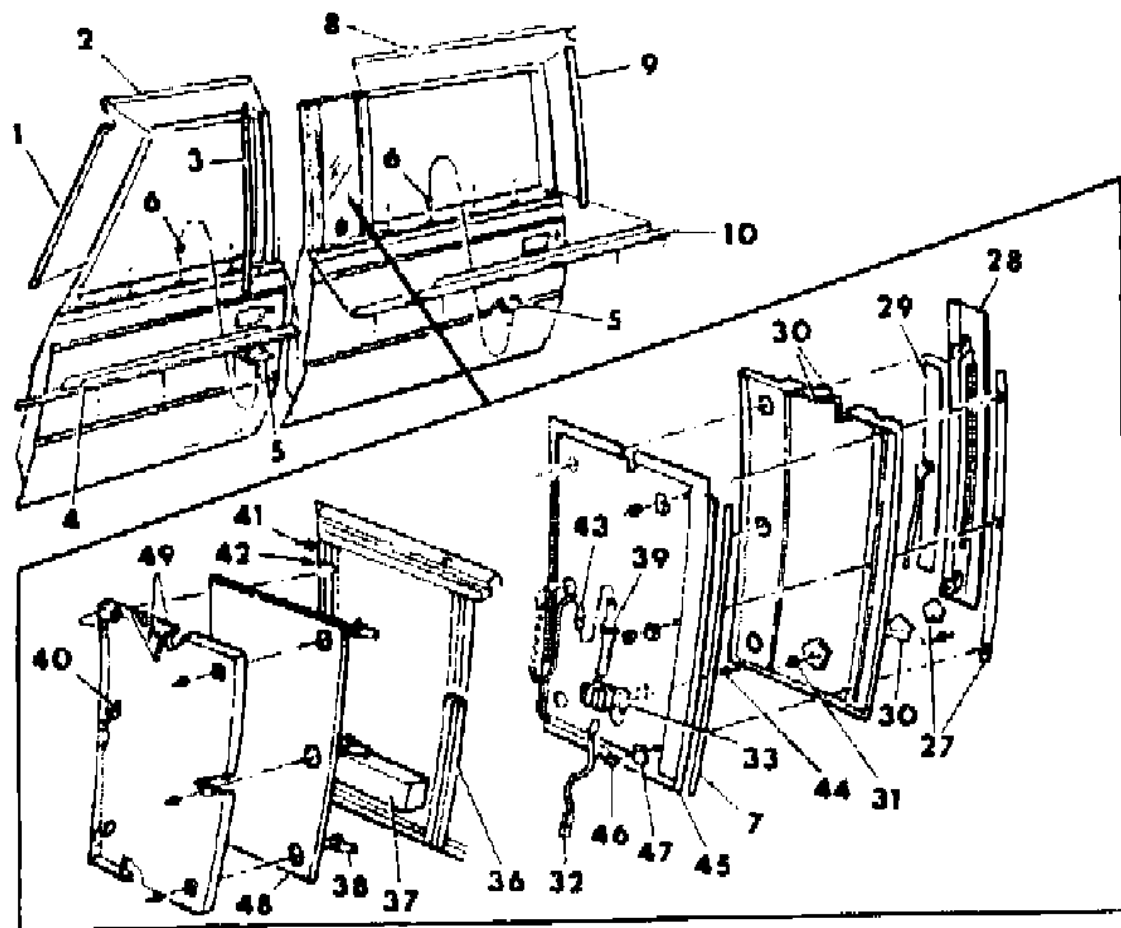
21 = 2-DOOR SEDAN	28 = FWD PICKUP	44 = 4-DOOR HATCHBACK
22 = 2-DOOR SPECIAL COUPE	35 = FWD VAN	45 = 4-DOOR STATION WAGON
24 = 2-DOOR HATCHBACK	36 = FWD WAGON	48 = 4-DOOR EXECUTIVE SEDAN
27 = 2-DOOR CONVERTIBLE	41 = 4-DOOR SEDAN	

AR = Use as Required - = Non Illustrated Part P.A.R. = Paint as Required

MOULDINGS AND ORNAMENTATION - EXTERIOR VIEW LIMOUSINE

Figure 23-3900

FIG. 233900



ITEM	PART NUMBER	QTY	BODY	MODEL	DESCRIPTION
24	4267 978-9	1			MOULDING PACKAGE, Roof Rear (Paint as Req.)
25	6003 801	AR			RETAINER
26	4339 976	1			CAP ASSEMBLY, Roof Top
	4339 977	1			COVER and PAD PACKAGE, Roof, Silver
	4339 978	1			Blue
	4339 979	1			Black
	4342 200	1			White
27	4342 056-7	1			MOULDING ASSEMBLY, Rear Door Applique Frt.
	4342 015	2			ORNAMENT, Rear Door Frt., Pentastar
28	4342 064-5	1			MOULDING ASSEMBLY, Rear Door Side Band Ext.
29	4229 160-1	1			LENS ASSEMBLY
30	4364 228-9	1			PANEL, Rear Door Outer Applique, Complete, Silver
	4364 230-1	1			Blue
	4364 232-3	1			Black
	4364 244-5	1			White
NOTE: The Above Assy's Contain the Following Items, 27, 33, 44, 45, 46 as well as the Cover Assy. Lited Below s information becomes available.					
	4364 234-5	1			COVER, Rear Door Frt., w/Pentastar Base, Silver
	4364 236-7	1			Blue
	4364 238-9	1			Black
	4364 252-3	1			White
31		AR			WASHER, (Not Serv.)
32	4229 163	AR			WIRE ASSEMBLY, (12 Volts)
33	4229 291	1			RETAINER, Inverter Assy.
36		2			DIVISION BAR, Rear Door (Refer to Illus. in Group 23C)
37		2			SEAL, (Not Serv.)
38	4342 007	AR			CLIP, Inner Pnl. to Div. Bar
39	4229 162	2			INVERTER ASSEMBLY, Lens
40	4342 008	AR			RETAINER
41		AR			RIVET, (Not Serv.)
42		AR			SCREW, (Not Serv.)
43					WIRE ASSEMBLY, (110 Volts)
44					RIVET
45					PANEL, Reinforcement
46					NUT
47					BRACKET, Panel Outer Assy. to Div. Bar
48					PAD, Door Insulator, Inner
49	4364 240-1	1			PANEL ASSEMBLY, Rear Door Applique, Inner, Silver

MODEL CODES

B = GRAN FURY	F = FIFTH AVENUE/NEWPORT	P = RELIANT
C = LEBARON/TOWN & COUNTRY/EXC SEDAN	G = DIPLOMAT	T = E CLASS/NEW YORKER
C24 = LASER	H = VOYAGER	V = 600
D = ARIES	K = MINI RAM/CARAVAN/ROYAL	V24 = DAYTONA
E = 600	M = HORIZON/TURISMO	Z = OMNI/CHARGER/RAMPAGE

BODY STYLES

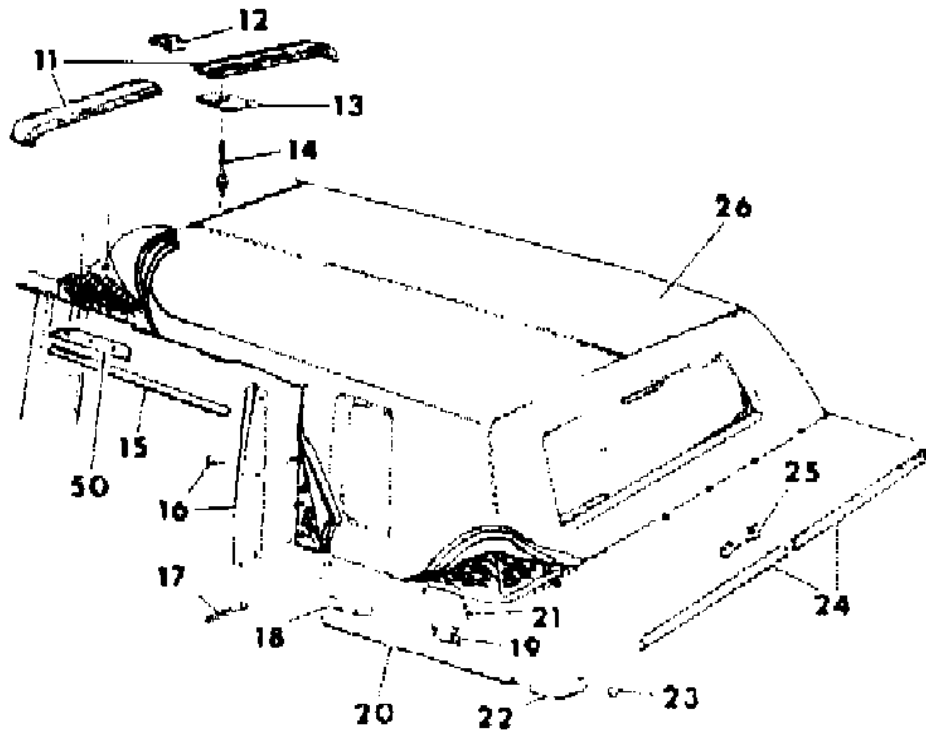
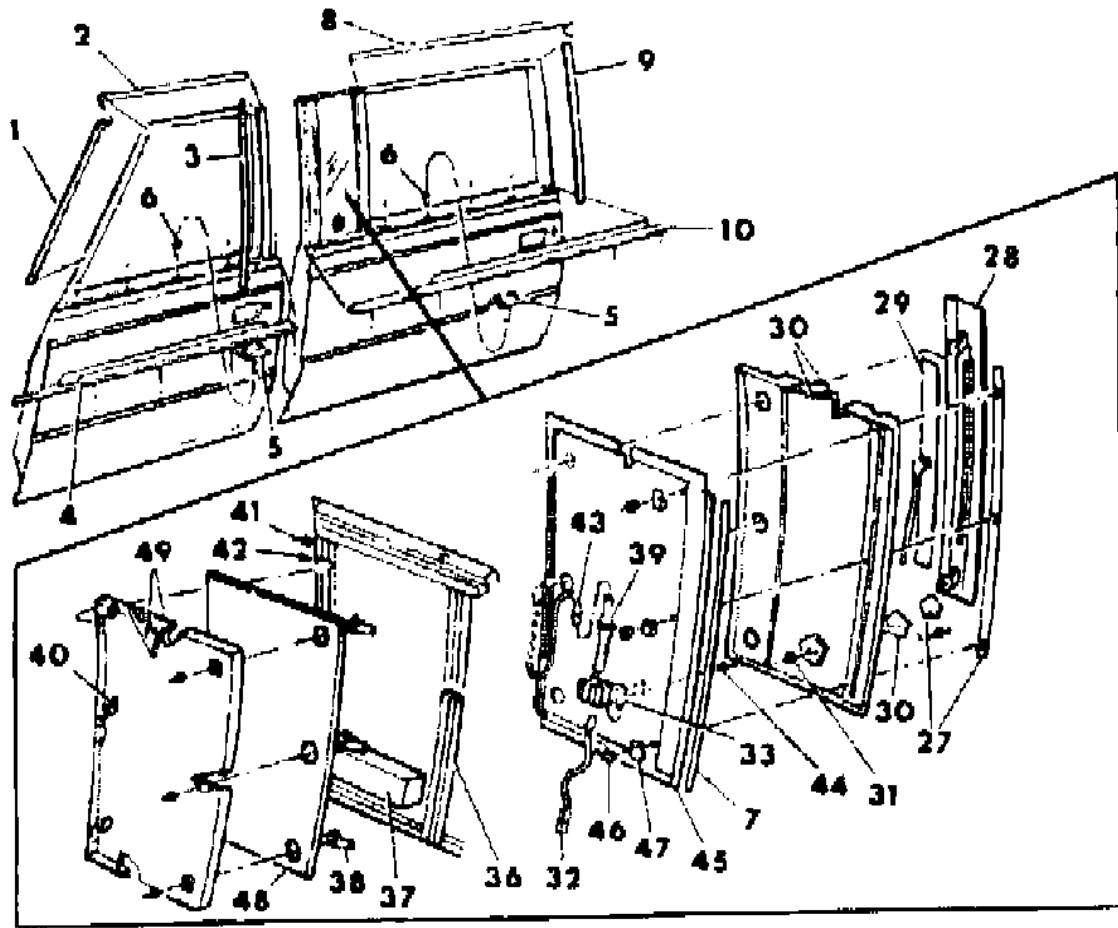
21 = 2-DOOR SEDAN	28 = FWD PICKUP	44 = 4-DOOR HATCHBACK
22 = 2-DOOR SPECIAL COUPE	35 = FWD VAN	45 = 4-DOOR STATION WAGON
24 = 2-DOOR HATCHBACK	36 = FWD WAGON	48 = 4-DOOR EXECUTIVE SEDAN
27 = 2-DOOR CONVERTIBLE	41 = 4-DOOR SEDAN	

AR = Use as Required - = Non Illustrated Part P.A.R. = Paint as Required

MOULDINGS AND ORNAMENTATION - EXTERIOR VIEW LIMOUSINE

Figure 23-3900

FIG. 23-3900



ITEM	PART NUMBER	QTY	BODY	MODEL	DESCRIPTION
------	-------------	-----	------	-------	-------------

	4364 242-3	1			Blue
50	4364 270-1	1			PANEL ASSEMBLY, Vinyl Top Close Out, Black

MODEL CODES

B = GRAN FURY	F = FIFTH AVENUE/NEWPORT	P = RELIANT
C = LEBARON/TOWN & COUNTRY/EXC SEDAN	G = DIPLOMAT	T = E CLASS/NEW YORKER
C24 = LASER	H = VOYAGER	V = 600
D = ARIES	K = MINI RAM/CARAVAN/ROYAL	V24 = DAYTONA
E = 600	M = HORIZON/TURISMO	Z = OMNI/CHARGER/RAMPAGE

BODY STYLES

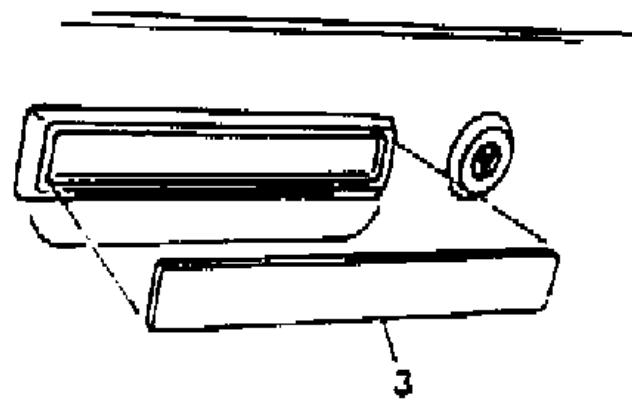
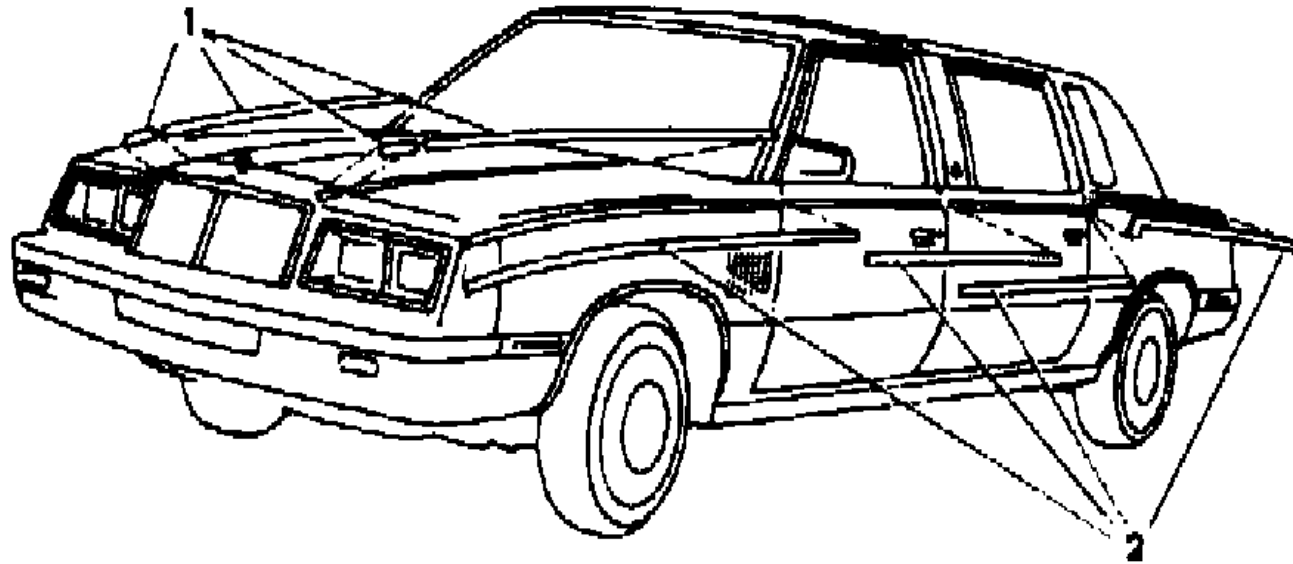
21 = 2-DOOR SEDAN	28 = FWD PICKUP	44 = 4-DOOR HATCHBACK
22 = 2-DOOR SPECIAL COUPE	35 = FWD VAN	45 = 4-DOOR STATION WAGON
24 = 2-DOOR HATCHBACK	36 = FWD WAGON	48 = 4-DOOR EXECUTIVE SEDAN
27 = 2-DOOR CONVERTIBLE	41 = 4-DOOR SEDAN	

AR = Use as Required - = Non Illustrated Part P.A.R. = Paint as Required

TAPE STRIPES and DECAL - EXTERIOR VIEW EXEC. SEDAN and LIMOUSINE
Figure 23-4000

23 of 4000

ITEM	PART NUMBER	QTY	BODY	MODEL	DESCRIPTION
1	4339 678	1			TAPE PACKAGE, Hood and Closure Pnl., Silver
	4342 078	1			Gold
	4342 079	1			Charcoal
2	4339 674-5	1			TAPE PACKAGE, Body Side, Silver
	4342 074-5	1			Gold
	4342 076-7	1			Charcoal
3					DECAL, Door Handle (See Illus. 23-3500, Item 3 for Colors)
-	4339 086-7	1			TAPE PACKAGE, Radiator Grille Lwr. Ext. and Ctr. Mldg., Silver
	4339 088-9	1			Charcoal
	4339 092-3	1			Night Watch Blue
	4339 102-3	1			White
	4339 104-5	1			Black



MODEL CODES

B = GRAN FURY	F = FIFTH AVENUE/NEWPORT	P = RELIANT
C = LEBARON/TOWN & COUNTRY/EXC SEDAN	G = DIPLOMAT	T = E CLASS/NEW YORKER
C24 = LASER	H = VOYAGER	V = 600
D = ARIES	K = MINI RAM/CARAVAN/ROYAL	V24 = DAYTONA
E = 600	M = HORIZON/TURISMO	Z = OMNI/CHARGER/RAMPAGE

BODY STYLES

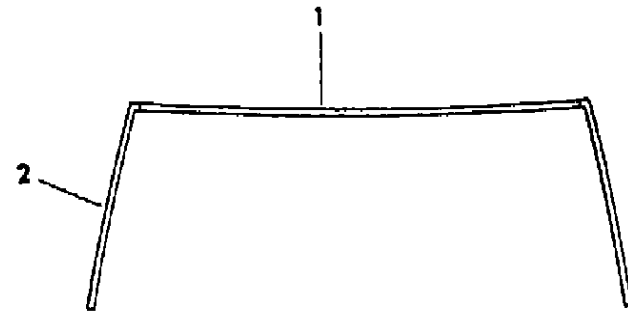
21 = 2-DOOR SEDAN	28 = FWD PICKUP	44 = 4-DOOR HATCHBACK
22 = 2-DOOR SPECIAL COUPE	35 = FWD VAN	45 = 4-DOOR STATION WAGON
24 = 2-DOOR HATCHBACK	36 = FWD WAGON	48 = 4-DOOR EXECUTIVE SEDAN
27 = 2-DOOR CONVERTIBLE	41 = 4-DOOR SEDAN	

AR = Use as Required - = Non Illustrated Part P.A.R. = Paint as Required

MOULDINGS, WINDSHIELD OUTSIDE DAYTONA, LASER
Figure 23-4100

4168 4100

ITEM	PART NUMBER	QTY	BODY	MODEL	DESCRIPTION
1	4276 318	1			MOULDING, W/Shield Upr.
	6003 827	AR			RETAINER
2	4276 320-1	1			MOULDING and SEAL, W/Shield Side SCREW, (Not Serv.)



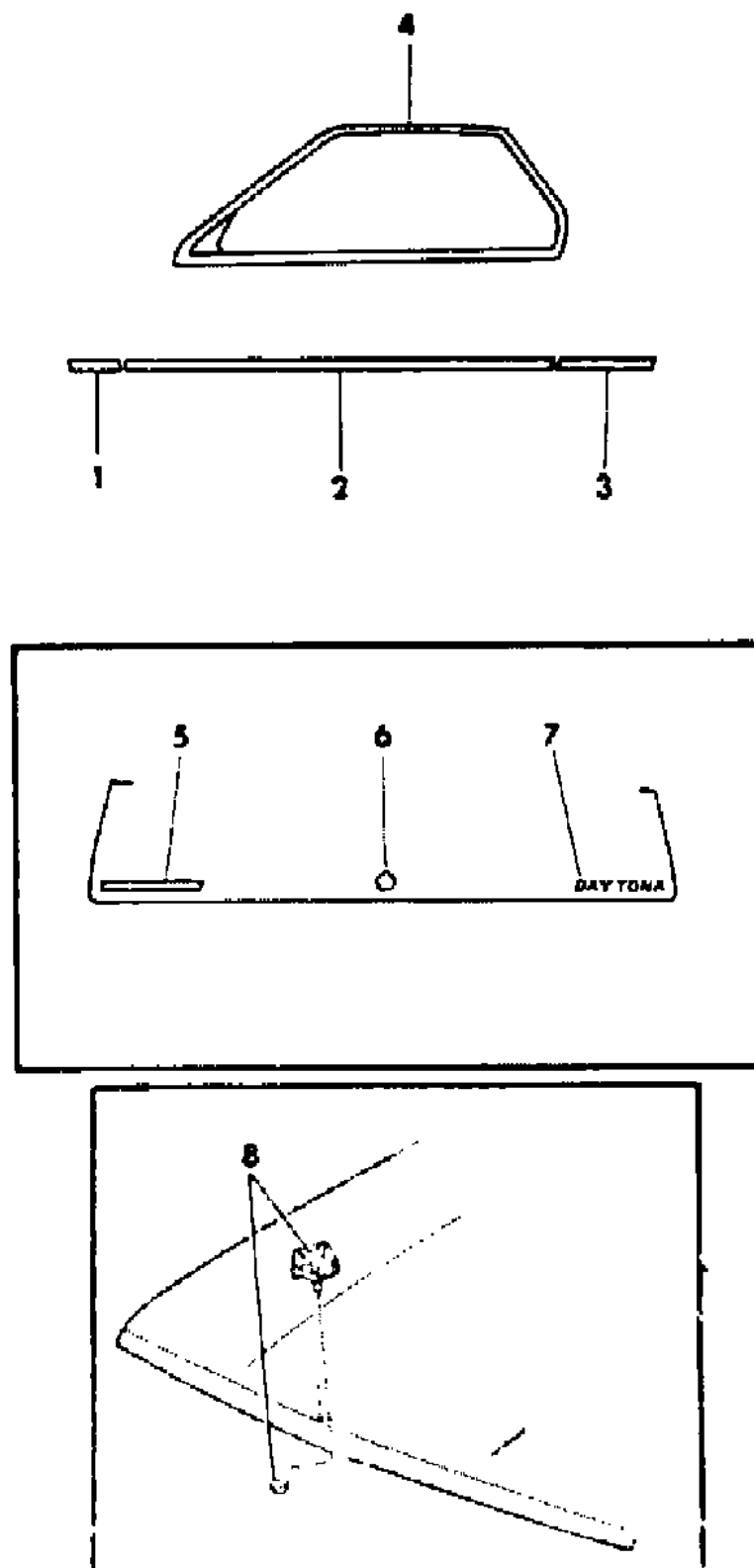
MODEL CODES
 B = GRAN FURY
 C = LEBARON/TOWN & COUNTRY/EXC SEDAN
 C24 = LASER
 D = ARIES
 E = 600
 F = FIFTH AVENUE/NEWPORT
 G = DIPLOMAT
 H = VOYAGER
 K = MINI RAM/CARAVAN/ROYAL
 M = HORIZON/TURISMO
 P = RELIANT
 T = E CLASS/NEW YORKER
 V = 600
 V24 = DAYTONA
 Z = OMNI/CHARGER/RAMPAGE

BODY STYLES
 21 = 2-DOOR SEDAN
 22 = 2-DOOR SPECIAL COUPE
 24 = 2-DOOR HATCHBACK
 27 = 2-DOOR CONVERTIBLE
 28 = FWD PICKUP
 35 = FWD VAN
 36 = FWD WAGON
 41 = 4-DOOR SEDAN
 44 = 4-DOOR HATCHBACK
 45 = 4-DOOR STATION WAGON
 48 = 4-DOOR EXECUTIVE SEDAN

AR = Use as Required - = Non Illustrated Part P.A.R. = Paint as Required

MOULDINGS and ORNAMENTATION - EXTERIOR VIEW DODGE DAYTONA and DAYTONA TURBO
Figure 23-4200

2160 4214



ITEM	PART NUMBER	QTY	BODY	MODEL	DESCRIPTION
1	4276 162-3	1		V-H	MOULDING, Fndr.
	X470-1 CRA	1		V-S	MOULDING, Fndr, Black, Red, Black, Silver
	X470-1 CRX	1		V-S	Black, Red, Black, Black
	X470-1 CYX	1		V-S	Black, Gold, Black, Black
2	4276 164-5	1		V-H	MOULDING, Door
	X472-3 CRA	1		V-S	MOULDING, Door, Black, Red, Black, Silver
	X472-3 CRX	1		V-S	Black, Red, Black, Black
	X472-3 CYX	1		V-S	Black, Gold, Black, Black
3	4276 166-7	1		V-H	MOULDING, Qtr.
	X474-5 CRA	1		V-S	MOULDING, Qtr., Black, Red, Black, Silver
	X474-5 CRX	1		V-S	Black, Red, Black, Black
	X474-5 CYX	1		V-S	Black, Gold, Black, Black
4	4280 148	1			MOULDING and CLIP, Door Wdo. Opng. Surround w/Mirror, Rt.
	4280 149	1			w/Mirror, Lt.
	4198 993	16			CLIP, Door Wdo. Opng. Outer Mldg. Upr.
5	X814 CA4	1			NAMEPLATE, L/Gate, "DODGE", Silver
	X814 CR4	1			Red
	X814 CY3	1			Gold
6	4319 496	1			MEDALLION, L/Gate Pentastar, Black
7	X815 CA4	1			NAMEPLATE, L/Gate, "DAYTONA", Silver
	X815 CR4	1			Red
	X815 CY3	1			Gold
8	4328 634	1			MEDALLION, Hood, Black
		AR			NUT, (Not Serv.)

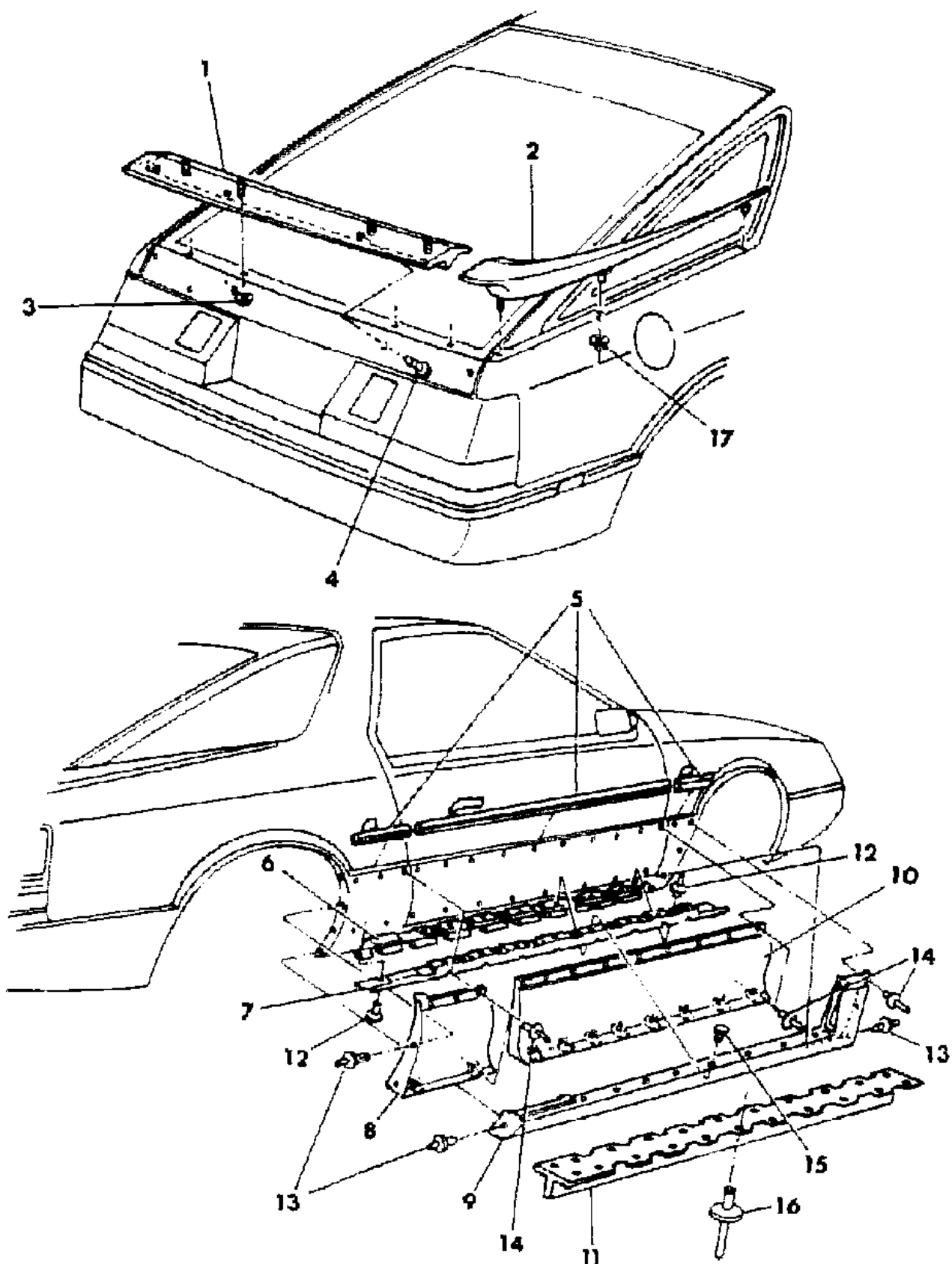
MODEL CODES
 B = GRAN FURY
 C = LEBARON/TOWN & COUNTRY/EXC SEDAN
 C24 = LASER
 D = ARIES
 E = 600
 F = FIFTH AVENUE/NEWPORT
 G = DIPLOMAT
 H = VOYAGER
 K = MINI RAM/CARAVAN/ROYAL
 M = HORIZON/TURISMO
 P = RELIANT
 T = E CLASS/NEW YORKER
 V = 600
 V24 = DAYTONA
 Z = OMNI/CHARGER/RAMPAGE

BODY STYLES
 21 = 2-DOOR SEDAN
 22 = 2-DOOR SPECIAL COUPE
 24 = 2-DOOR HATCHBACK
 27 = 2-DOOR CONVERTIBLE
 28 = FWD PICKUP
 35 = FWD VAN
 36 = FWD WAGON
 41 = 4-DOOR SEDAN
 44 = 4-DOOR HATCHBACK
 45 = 4-DOOR STATION WAGON
 48 = 4-DOOR EXECUTIVE SEDAN

AR = Use as Required - = Non Illustrated Part P.A.R. = Paint as Required

GROUND EFFECTS PACKAGE - EXTERIOR VIEW DODGE DAYTONA TURBO Z
Figure 23-4300

4100 4300



ITEM	PART NUMBER	QTY	BODY	MODEL	DESCRIPTION
1	X364 DA1	1			SPOILER, Liftgate, Silver
2	X362-3 DA1	1			SPOILER, Body Side, Rear, Silver
3	6028 172	4			NUT
4		AR			SCREW and WASHER, (Not Serv.)
5					MOULDING, Body Side (See Exterior Illus. 3700)
6	4270 534-5	1			REINFORCEMENT, Side Sill Extension Inner
7	4270 484-5	1			REINFORCEMENT, Side Sill Extension Outer
8	4270 678-9	1			SKIRT, Aperture Pnl.
9	4270 498-9	1			FASCIA and PLUG, Side Sill Extension
10	4270 676-7	1			SKIRT, Door, Lwr.
11	4270 536	2			FENCE, Side Sill Extension Air
12		AR			RIVET, (Not Serv.)
13	6031 390	AR			RETAINER
14		AR			RIVET, (Not Serv.)
15	6501 086	AR			RETAINER
16		AR			RIVET, (Not Serv.)
17	9420 867	6			NUT

MODEL CODES

B = GRAN FURY	F = FIFTH AVENUE/NEWPORT	P = RELIANT
C = LEBARON/TOWN & COUNTRY/EXC SEDAN	G = DIPLOMAT	T = E CLASS/NEW YORKER
C24 = LASER	H = VOYAGER	V = 600
D = ARIES	K = MINI RAM/CARAVAN/ROYAL	V24 = DAYTONA
E = 600	M = HORIZON/TURISMO	Z = OMNI/CHARGER/RAMPAGE

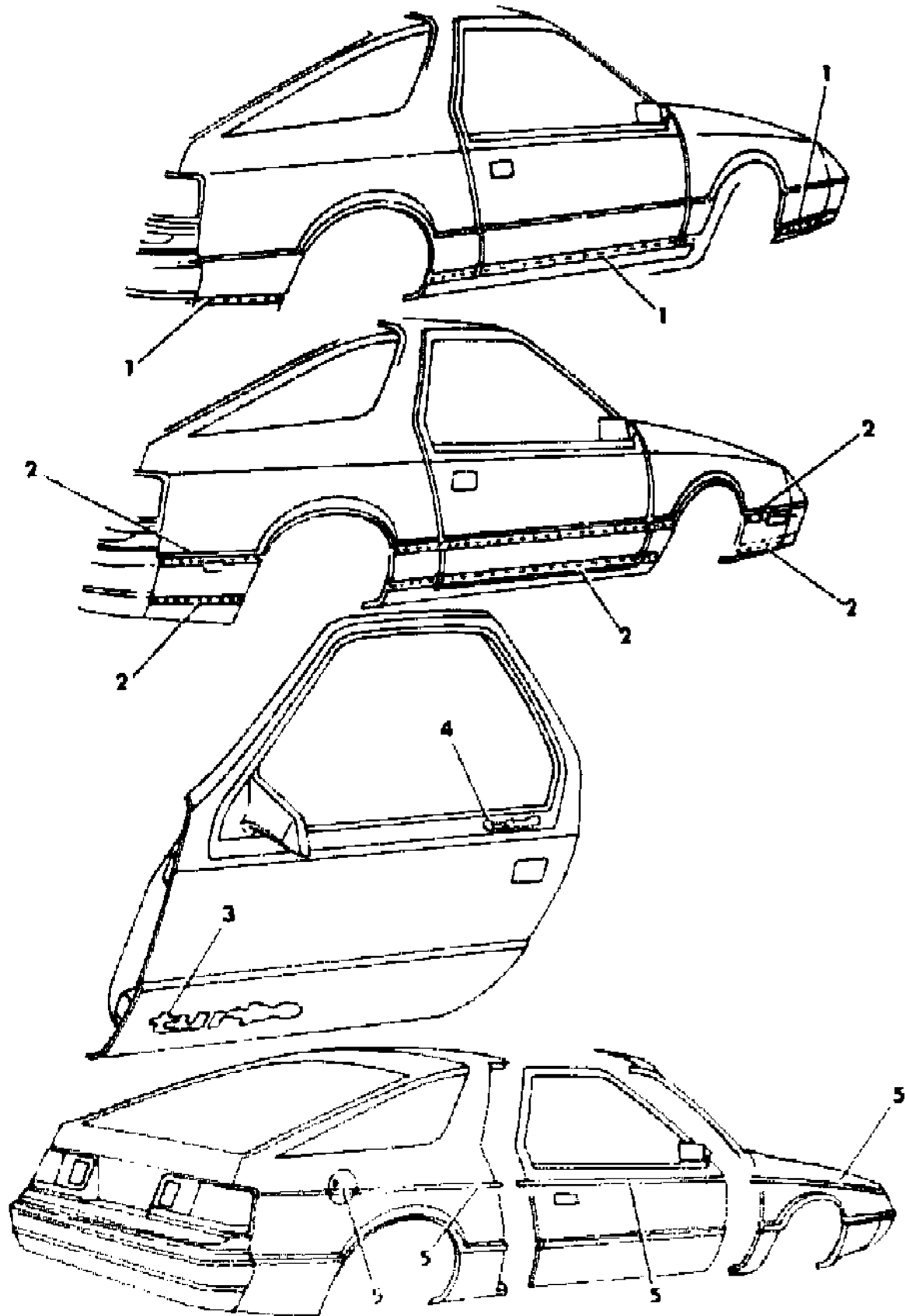
BODY STYLES

21 = 2-DOOR SEDAN	28 = FWD PICKUP	44 = 4-DOOR HATCHBACK
22 = 2-DOOR SPECIAL COUPE	35 = FWD VAN	45 = 4-DOOR STATION WAGON
24 = 2-DOOR HATCHBACK	36 = FWD WAGON	48 = 4-DOOR EXECUTIVE SEDAN
27 = 2-DOOR CONVERTIBLE	41 = 4-DOOR SEDAN	

AR = Use as Required - = Non Illustrated Part P.A.R. = Paint as Required

TAPE STRIPES and DECALS - EXTERIOR VIEW DODGE DAYTONA and TURBO Z
Figure 23-4400

4106 4400



ITEM	PART NUMBER	QTY	BODY	MODEL	DESCRIPTION
1	4318 624-5	1		V-H	TAPE PACKAGE, Fndr., Door, Qtr., Silver and Blue (KHC) (Paint Sales Code PC6 QX9)
	4318 626-7	1		V-H	Dark Orange, Russet, Black (KHL) (Paint Sales Code PL4 QX9)
	4318 628-9	1		V-H	Red and Orange (KHJ)(Paint Sales Code PR6 QX9)
	4318 630-1	1		V-H	Russet, Dark Orange, Black (KHT) (Paint Sales Code PT6 QX9)
	4318 632-3	1		V-H	Dark Silver, Charcoal, Black (KHW) (Paint Sales Code PA1 QX9)
	T975 CBE	1		V-H	TAPE, Fascia Frt. Bumper, Red and Orange (KHJ)
T975 CGG	1		V-H	Russet, Dark Orange (KHT)	
T975 CGH	1		V-H	Dark Orange, Russet (KHL)	
T975 CBM	1		V-H	Silver and Blue (KHC)	
T975 CGJ	1		V-H	Dark Silver, Charcoal, Black (KHW)	
2	4318 616-7	1		V-S	TAPE PACKAGE, Fndr., Door, Qtr. Upr., Silver, Dark Silver, Black Lwr., Charcoal, Dark Silver, Silver (KBA) (Paint Sales Code PA1 QX9)
	4318 618-9	1		V-S	Upr., Silver, Light Blue, Black Lwr., Gunmetal Blue, Light Blue, Silver (KBK) (Paint Sales Code PC6 QX9) Upr., Orange, Red, Black
	4318 620-1	1		V-S	Lwr., Garnet Red, Bright Red, Orange (KBM) (Paint Sales code PR6 QX9) Upr., Orange, Ginger, Black
	4318 622-3	1		V-S	Lwr., Spice, Ginger, Orange (KBX) (Paint Sales Code PK5 QX9)
	4339 125	1		V-S	TAPE, Fascia Frt. and Rear Upr., Radiant Silver (KBK)
	4339 124	1		V-S	Burnish Silver (KBA)
	4339 126	1		V-S	Bright Orange (KBM)
	4339 127	1		V-S	Dark Orange (KBX)
	T977 CBP	1		V-S	TAPE, Fascia Frt. Bumper Lwr., Garnet Red, Bright Red, Orange (KBM)
	T977 CGK	1		V-S	Spice, Ginger, Orange (KBX)
	T977 CGM	1		V-S	Gunmetal Blue, Light Blue, Silver (KBK)
	T977 CGP	1		V-S	Charcoal, Dark Silver, Silver (KBA)
	T979 CBP	1		V-S	TAPE, Fascia Rear Bumper Lwr., Garnet Red, Bright Red, Orange (KBM)
	T979 CGK	1		V-S	Spice, Ginger, Orange (KBX)

MODEL CODES

B = GRAN FURY	F = FIFTH AVENUE/NEWPORT	P = RELIANT
C = LEBARON/TOWN & COUNTRY/EXC SEDAN	G = DIPLOMAT	T = E CLASS/NEW YORKER
C24 = LASER	H = VOYAGER	V = 600
D = ARIES	K = MINI RAM/CARAVAN/ROYAL	V24 = DAYTONA
E = 600	M = HORIZON/TURISMO	Z = OMNI/CHARGER/RAMPAGE

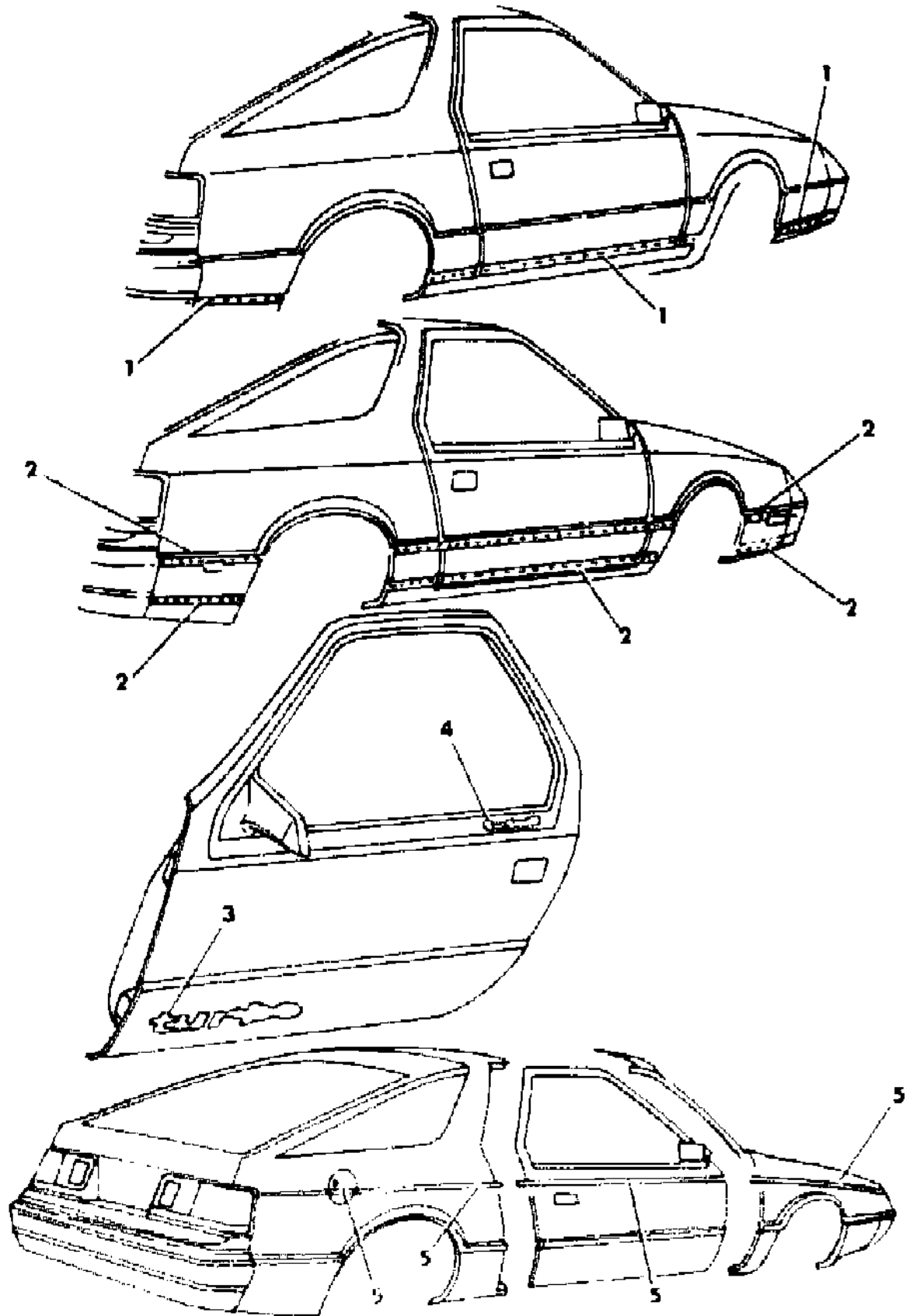
BODY STYLES

21 = 2-DOOR SEDAN	28 = FWD PICKUP	44 = 4-DOOR HATCHBACK
22 = 2-DOOR SPECIAL COUPE	35 = FWD VAN	45 = 4-DOOR STATION WAGON
24 = 2-DOOR HATCHBACK	36 = FWD WAGON	48 = 4-DOOR EXECUTIVE SEDAN
27 = 2-DOOR CONVERTIBLE	41 = 4-DOOR SEDAN	

AR = Use as Required - = Non Illustrated Part P.A.R. = Paint as Required

TAPE STRIPES and DECALS - EXTERIOR VIEW DODGE DAYTONA and TURBO Z
Figure 23-4400

4106 4400



ITEM	PART NUMBER	QTY	BODY	MODEL	DESCRIPTION
	T979 CGM	1		V-S	Gunmetal Blue, Light Blue, Silver (KBK)
	T979 CGP	1		V-S	Charcoal, Dark Silver, Silver (KBA)
3	T670 CEF	2		V-S	DECAL, Door, "TURBO", Orange Edge and Red Center (KVM)
	T670 CGL	2		V-S	Orange Edge and Saddle Brown Center (KVX)
	T670 CGN	2		V-S	Silver Edge and Gunmetal Blue Center (KVK)
	T670 CGQ	2		V-S	Dark Silver Edge and Silver Center (KVA)
4	T668 CR4	2		V-S	DECAL, Door Belt Mldg., "TURBO", Red (KMR) (KME)
	T668 CR1	2		V-S	RED (KMR) Use After 3-1-84
	T668 CY3	2		V-S	Gold (KMY)
	4328 184	2		V	DECAL, Door Belt Mldg., "ELEC. FUEL INJ.", Use Up to 10-1-83
	4328 814	2		V	DECAL, Door Belt Mldg., "ELEC. FUEL INJ.", Use After 10-1-83
	4328 191	2		V-H	DECAL, Door Belt Mldg., "TURBO", Use Up to 10-1-83
	4328 815	2		V-H	DECAL, Door Belt Mldg., "TURBO", Use After 10-1-83
5	4318 602-3	1		V-H	TAPE PACKAGE, Fndr., Door, Qtr., Fuel Filler Door, Radiant Silver (KGA)
	4318 604-5	1		V-H	Dark Silver (KGS)
	4318 606-7	1		V-H	Orange (KGT)
	4318 608-9	1		V-H	Red (KGR)
-	4339 189	1		V-S	TAPE, Fascia Frt. and Rear Bumper, Red
	4339 191	1		V-S	Gold

MODEL CODES

B = GRAN FURY	F = FIFTH AVENUE/NEWPORT	P = RELIANT
C = LEBARON/TOWN & COUNTRY/EXC SEDAN	G = DIPLOMAT	T = E CLASS/NEW YORKER
C24 = LASER	H = VOYAGER	V = 600
D = ARIES	K = MINI RAM/CARAVAN/ROYAL	V24 = DAYTONA
E = 600	M = HORIZON/TURISMO	Z = OMNI/CHARGER/RAMPAGE

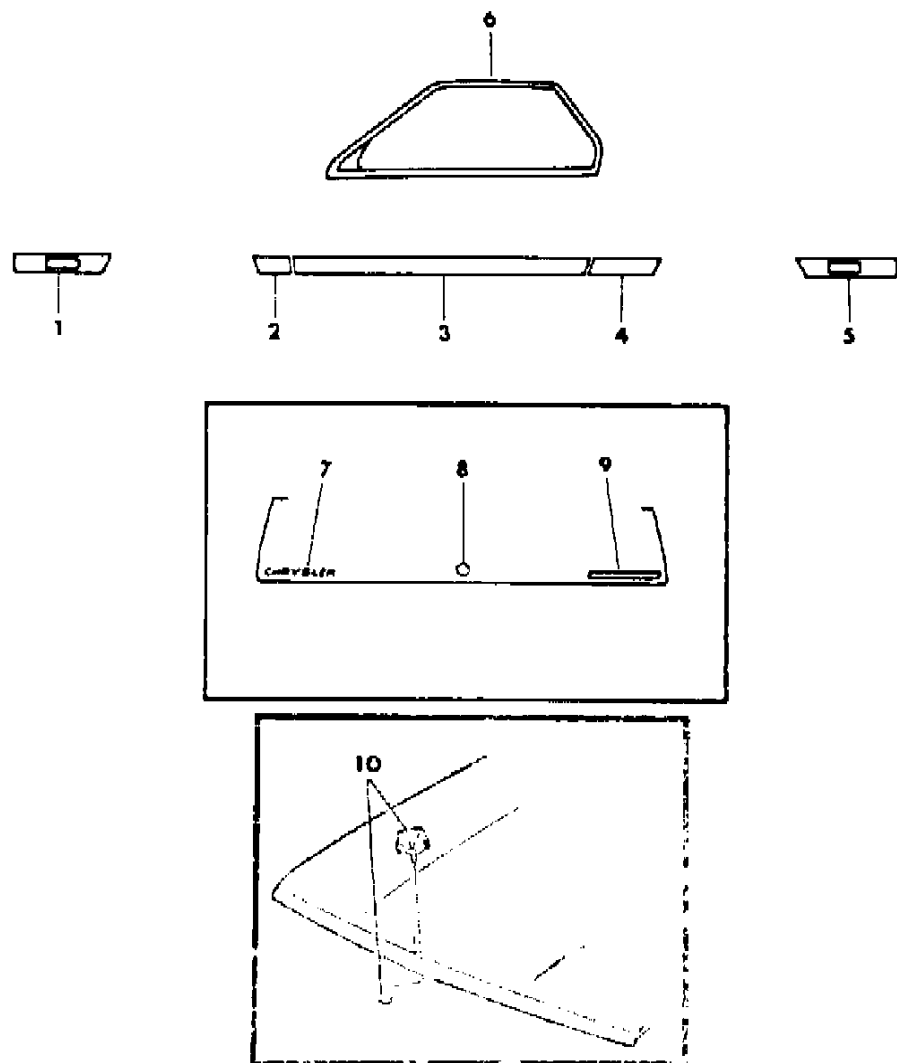
BODY STYLES

21 = 2-DOOR SEDAN	28 = FWD PICKUP	44 = 4-DOOR HATCHBACK
22 = 2-DOOR SPECIAL COUPE	35 = FWD VAN	45 = 4-DOOR STATION WAGON
24 = 2-DOOR HATCHBACK	36 = FWD WAGON	48 = 4-DOOR EXECUTIVE SEDAN
27 = 2-DOOR CONVERTIBLE	41 = 4-DOOR SEDAN	

AR = Use as Required - = Non Illustrated Part P.A.R. = Paint as Required

MOULDINGS and ORNAMENTATION - EXTERIOR VIEW CHRYSLER LASER and LASER XE
Figure 23-4500

4168 4500



ITEM	PART NUMBER	QTY	BODY	MODEL	DESCRIPTION
1	4318 506-7	1			MOULDING PACKAGE, Fndr. Frt., Beige
	4364 148-9	1			Silver
	4364 502-3	1			Saddle Brown
	4364 504-5	1			Garnet Red
	4364 506-7	1			Mink Brown
	4364 508-9	1			Black
2	4364 516-7	1			Gunmetal Blue
					NUT, (Not Serv.)
	X114-5 CL4	1			MOULDING, Fndr. Rear, Beige
	X114-5 CA1	1			Silver
	X114-5 CC6	1			Gunmetal Blue
	X114-5 CK5	1			Saddle Brown
	X114-5 CR6	1			Garnet Red
	X114-5 CT6	1			Mink Brown
	X114-5 CX9	1			Black
	3	X116-7 CL4	1		
X116-7 CA1		1			Silver
X116-7 CC6		1			Gunmetal Blue
X116-7 CK5		1			Saddle Brown
X116-7 CR6		1			Garnet Red
X116-7 CT6		1			Mink Brown
4	X116-7 CX9	1			Black
	X118-9 CL4	1			MOULDING, Qtr. Frt., Beige
	X118-9 CA1	1			Silver
	X118-9 CC6	1			Gunmetal Blue
	X118-9 CK5	1			Saddle Brown
	X118-9 CR6	1			Garnet Red
	X118-9 CT6	1			Mink Brown
	X118-9 CX9	1			Black
5	4318 508-9	1			MOULDING PACKAGE, Qtr. Rear, Beige
	4364 518-9	1			Silver
	4364 520-1	1			Gunmetal Blue
	4364 522-3	1			Saddle Brown
	4364 524-5	1			Garnet Red
	4364 526-7	1			Mink Brown
	4364 528-9	1			Black
				NUT (Not Serv.)	
6	4280 148	1			MOULDING and CLIP, Door Wdo. Opng. Surround w/Mirror, Rt.

MODEL CODES

B = GRAN FURY	F = FIFTH AVENUE/NEWPORT	P = RELIANT
C = LEBARON/TOWN & COUNTRY/EXC SEDAN	G = DIPLOMAT	T = E CLASS/NEW YORKER
C24 = LASER	H = VOYAGER	V = 600
D = ARIES	K = MINI RAM/CARAVAN/ROYAL	V24 = DAYTONA
E = 600	M = HORIZON/TURISMO	Z = OMNI/CHARGER/RAMPAGE

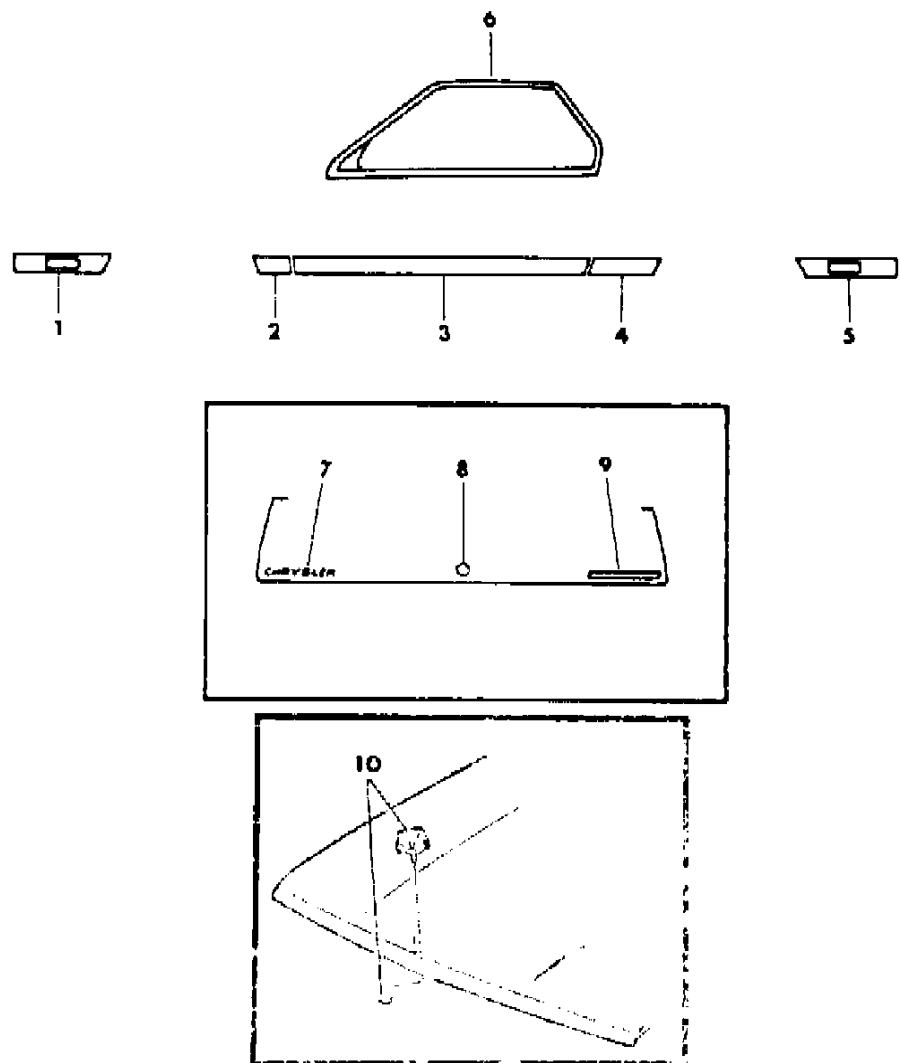
BODY STYLES

21 = 2-DOOR SEDAN	28 = FWD PICKUP	44 = 4-DOOR HATCHBACK
22 = 2-DOOR SPECIAL COUPE	35 = FWD VAN	45 = 4-DOOR STATION WAGON
24 = 2-DOOR HATCHBACK	36 = FWD WAGON	48 = 4-DOOR EXECUTIVE SEDAN
27 = 2-DOOR CONVERTIBLE	41 = 4-DOOR SEDAN	

AR = Use as Required - = Non Illustrated Part P.A.R. = Paint as Required

MOULDINGS and ORNAMENTATION - EXTERIOR VIEW CHRYSLER LASER and LASER XE
Figure 23-4500

4188 4500



ITEM	PART NUMBER	QTY	BODY	MODEL	DESCRIPTION
	4280 149	1			w/Mirror, Lt.
	4198 993	16			CLIP, Door Wdo. Opng. Outer Mldg. Upr.
7	4319 860	1			NAMEPLATE, L/Gate, "CHRYSLER"
8	4319 497	1			MEDALLION, L/Gate Pentastar
9	4319 989	1		C-H	NAMEPLATE, L/Gate, "LASER"
	4319 991	1		C-P	NAMEPLATE, L/Gate, "LASER XE"
10	4328 635	1			MEDALLION, Hood, Bright
		AR			NUT, (Not Serv.)

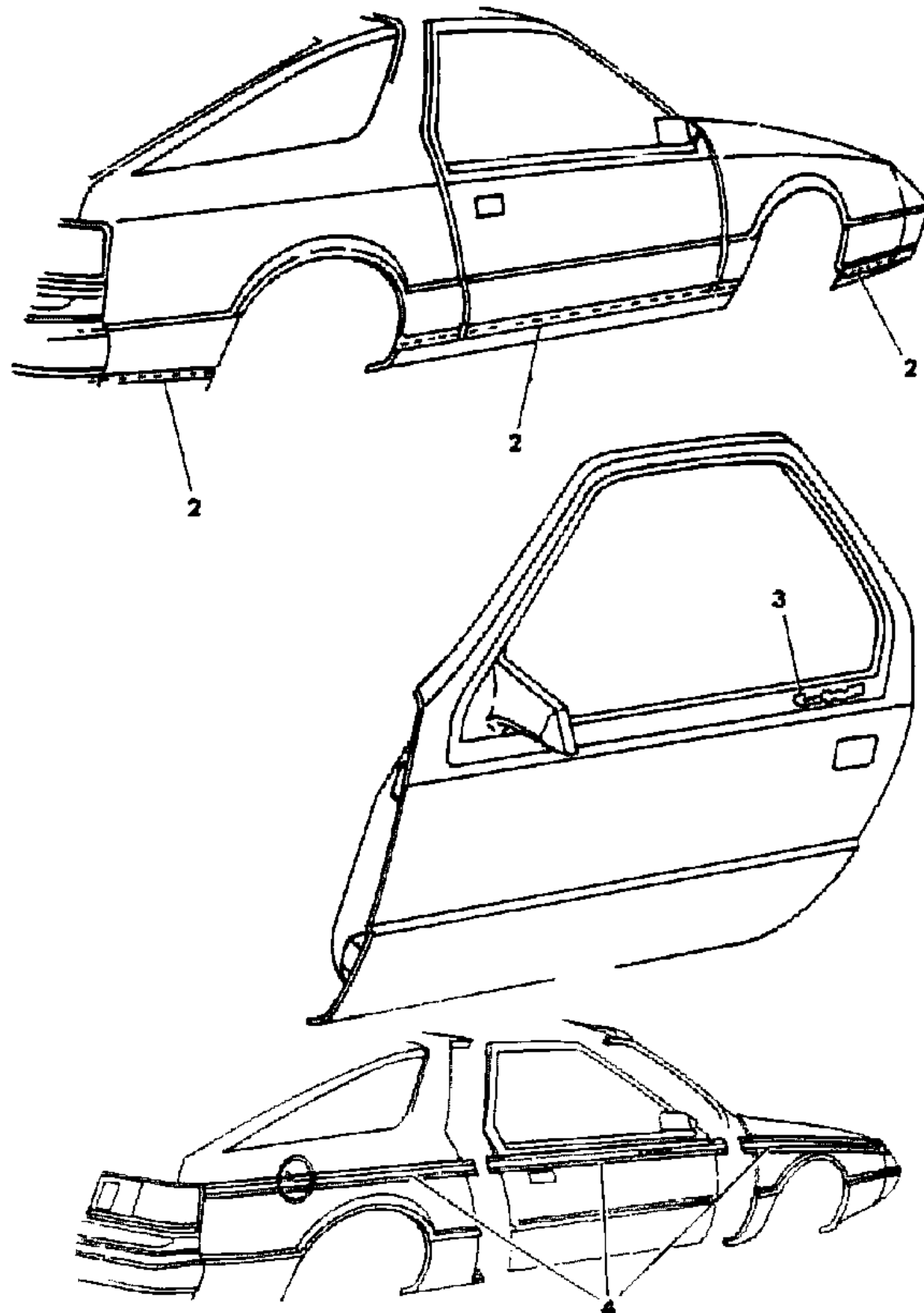
MODEL CODES
 B = GRAN FURY
 C = LEBARON/TOWN & COUNTRY/EXC SEDAN
 C24 = LASER
 D = ARIES
 E = 600
 F = FIFTH AVENUE/NEWPORT
 G = DIPLOMAT
 H = VOYAGER
 K = MINI RAM/CARAVAN/ROYAL
 M = HORIZON/TURISMO
 P = RELIANT
 T = E CLASS/NEW YORKER
 V = 600
 V24 = DAYTONA
 Z = OMNI/CHARGER/RAMPAGE

BODY STYLES
 21 = 2-DOOR SEDAN
 22 = 2-DOOR SPECIAL COUPE
 24 = 2-DOOR HATCHBACK
 27 = 2-DOOR CONVERTIBLE
 28 = FWD PICKUP
 35 = FWD VAN
 36 = FWD WAGON
 41 = 4-DOOR SEDAN
 44 = 4-DOOR HATCHBACK
 45 = 4-DOOR STATION WAGON
 48 = 4-DOOR EXECUTIVE SEDAN

AR = Use as Required - = Non Illustrated Part P.A.R. = Paint as Required

TAPE STRIPES and DECALS - EXTERIOR VIEW CHRYSLER LASER and LASER XE
Figure 23-4600

4108 46.01



ITEM	PART NUMBER	QTY	BODY	MODEL	DESCRIPTION	
2	4318 634-5	1		C-P	TAPE PACKAGE, Fndr., Door, Qtr., Gunmetal Blue, Silver, Gunmetal Blue (KLA) (Paint Sales Code PA1 QC6)	
	4318 636-7	1		C-P	Silver, Gunmetal Blue, Silver (KLC) (Paint Sales Code PC6 QA1)	
	4318 638-9	1		C-P	Black, Saddle Brown, Black (KLK) (Paint Sales Code PK5 QX9)	
	4318 640-1	1		C-P	Silver, Red, Silver (KLR) (Paint Sales Code PR6 QA1)	
	4318 642-3	1		C-P	Beige, Mink Brown, Beige (KLT) (Paint Sales Code PT6 QL4)	
	4339 142-3	1		C-P	Silver, Black, Silver (KLX) (Paint Sales Code PX9 QA3)	
	-	T978 CCA	1		C-P	TAPE, Fascia Frt. Bumper, Silver Red, Silver (KLR)
		T978 CCB	1		C-P	Beige, Mink Brown, Beige (KLT)
		T978 CCC	1		C-P	Black, Saddle Brown, Black (KLK)
		T978 CGS	1		C-P	Silver, Gunmetal Blue, Silver (KLC)
	T978 CCH	1		C-P	Gunmetal Blue, Silver, Gunmetal Blue (KLA)	
	T978 CGT	1		C-P	Silver, Black, Silver (KLX)	
3	4328 191	2		C	DECAL, Door Belt Mldg., "TURBO", Use Up to 10-1-83	
	4328 815	2		C	DECAL, Door Belt Mldg., "TURBO", Use After 10-1-83	
	4328 184	2		C	DECAL, Door Belt Mldg., "ELECT. FUEL INJ.", Use Up to 10-1-83	
	4328 814	2		C	DECAL, Door Belt Mldg., "ELEC. FUEL INJ.", Use After 10-1-83	
4	4339 128-9	1		C-H,C-P	TAPE PACKAGE, Fndr., Door, Qtr., Silver (KCA)	
	4339 130-1	1		C-P	Gunmetal Blue (KCC)	
	4339 132-3	1		C-H,C-P	Saddle Brown (KCK)	
	4339 134-5	1		C-H,C-P	Red (KCR)	
	4339 136-7	1		C-H,C-P	Black (KCX)	
	4339 138-9	1		C-H,C-P	Gold (KCY)	

MODEL CODES

B = GRAN FURY	F = FIFTH AVENUE/NEWPORT	P = RELIANT
C = LEBARON/TOWN & COUNTRY/EXC SEDAN	G = DIPLOMAT	T = E CLASS/NEW YORKER
C24 = LASER	H = VOYAGER	V = 600
D = ARIES	K = MINI RAM/CARAVAN/ROYAL	V24 = DAYTONA
E = 600	M = HORIZON/TURISMO	Z = OMNI/CHARGER/RAMPAGE

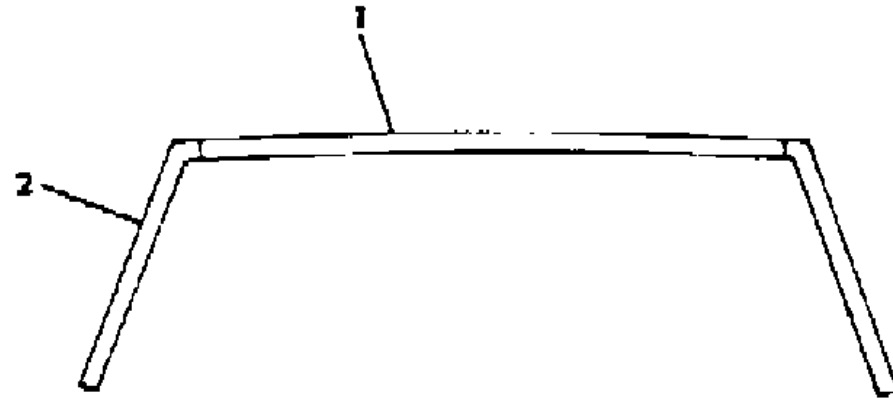
BODY STYLES

21 = 2-DOOR SEDAN	28 = FWD PICKUP	44 = 4-DOOR HATCHBACK
22 = 2-DOOR SPECIAL COUPE	35 = FWD VAN	45 = 4-DOOR STATION WAGON
24 = 2-DOOR HATCHBACK	36 = FWD WAGON	48 = 4-DOOR EXECUTIVE SEDAN
27 = 2-DOOR CONVERTIBLE	41 = 4-DOOR SEDAN	

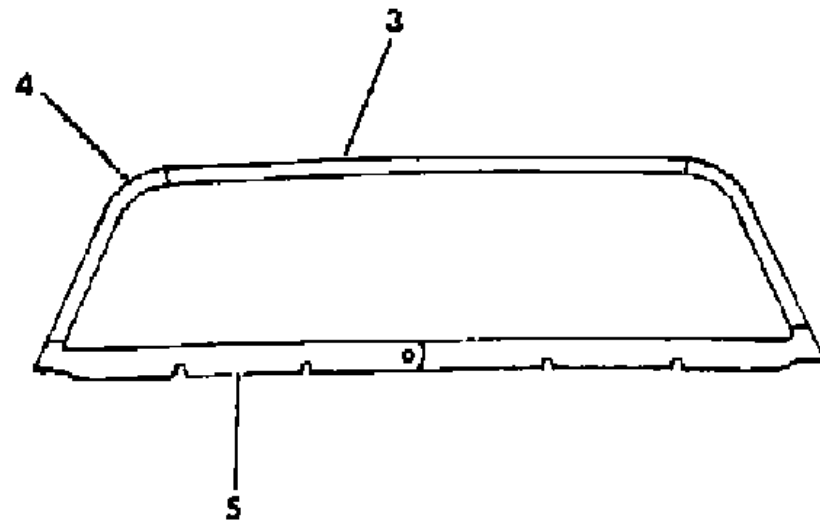
AR = Use as Required - = Non Illustrated Part P.A.R. = Paint as Required

MOULDINGS, WINDSHIELD and REAR WINDOW OUTSIDE E,T
Figure 23-4700

4700 4700



W/SHLD MLDGS



RR WDO MLDGS

ITEM	PART NUMBER	QTY	BODY	MODEL	DESCRIPTION
1	4319 638	1		E-H,T-H	MOULDING, W/Shield Upr., Bright
	4319 639	1		E-S	MOULDING, W/Shield Upr., Black
	6003 878	AR			RETAINER
	6003 879	AR			WELD STUD
2	4319 318-9	1		E-H,T-H	MOULDING, W/Shield Side, Bright
	4319 320-1	1		E-S	MOULDING, W/Shield Side, Black
	6003 878	AR			RETAINER
	6003 879	AR			WELD STUD
3	4319 334	1		E-H,T-H	MOULDING, Rear Wdo. Upr., Bright
	4319 335	1		E-S	MOULDING, Rear Wdo. Upr., Black
	6003 878	AR			RETAINER
	6003 879	AR			WELD STUD
4	4319 336-7	1		E-H,T-H	MOULDING, Rear Wdo. Side, Bright
	4319 338-9	1		E-S	MOULDING, Rear Wdo. Side, Black
	6003 878	AR			RETAINER
	6003 879	AR			WELD STUD
5	4319 340-1	1		E-H,T-H	MOULDING, Rear Wdo. Lwr., Bright
	4319 342-3	1		E-S	MOULDING, Rear Wdo. Lwr., Black

MODEL CODES

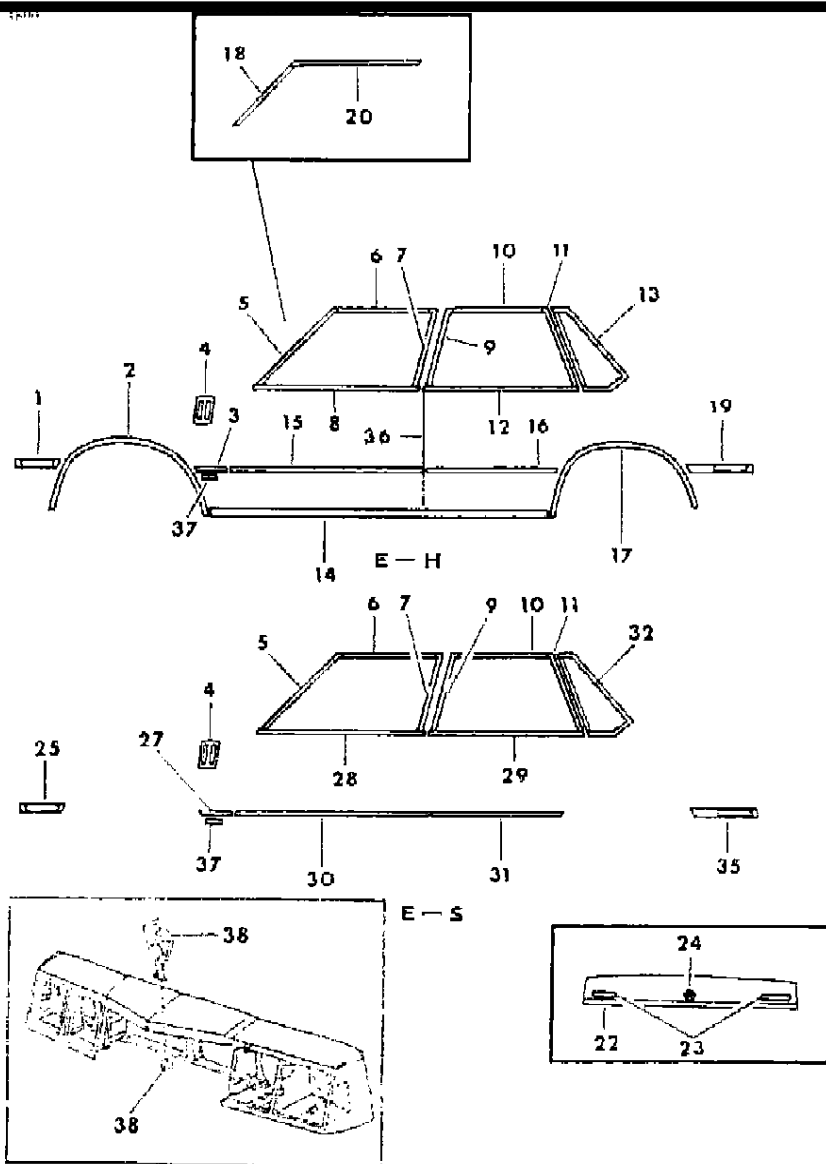
B = GRAN FURY	F = FIFTH AVENUE/NEWPORT	P = RELIANT
C = LEBARON/TOWN & COUNTRY/EXC SEDAN	G = DIPLOMAT	T = E CLASS/NEW YORKER
C24 = LASER	H = VOYAGER	V = 600
D = ARIES	K = MINI RAM/CARAVAN/ROYAL	V24 = DAYTONA
E = 600	M = HORIZON/TURISMO	Z = OMNI/CHARGER/RAMPAGE

BODY STYLES

21 = 2-DOOR SEDAN	28 = FWD PICKUP	44 = 4-DOOR HATCHBACK
22 = 2-DOOR SPECIAL COUPE	35 = FWD VAN	45 = 4-DOOR STATION WAGON
24 = 2-DOOR HATCHBACK	36 = FWD WAGON	48 = 4-DOOR EXECUTIVE SEDAN
27 = 2-DOOR CONVERTIBLE	41 = 4-DOOR SEDAN	

AR = Use as Required - = Non Illustrated Part P.A.R. = Paint as Required

MOULDINGS and ORNAMENTATION - EXTERIOR VIEW DODGE 600,600ES
Figure 23-4800



ITEM	PART NUMBER	QTY	BODY	MODEL	DESCRIPTION	
1	4339 030-1	1		E-H	MOULDING and SEAL PACKAGE, Fndr. Frt., Gunmetal Blue	
	4339 040-1	1		E-H	White	
	4339 032-3	1		E-H	Night Watch Blue	
	4339 042-3	1		E-H	Black	
	4339 028-9	1		E-H	Silver	
	4339 034-5	1		E-H	Beige Met.	
	4339 036-7	1		E-H	Red	
	4339 038-9	1		E-H	Mink Brown	
	6003 790	AR			RETAINER	
2					NUT, (Not Serv.)	
	4319 022-3	1		E-H	MOULDING, Fndr. Wheel Opng., Use Up to 11-15-83	
	4319 024-5	1		E-H	MOULDING, Fndr. Wheel Opng., Use After 11-15-83 SCREW, (Not Serv.)	
3	X234-5 BW3	1		E-H	MOULDING, Fndr. Rear, White	
	X234-5 BX9	1		E-H	Black	
	X234-5 BC9	1		E-H	Night Watch Blue	
	X234-5 CC6	1		E-H	Gunmetal Blue	
	X234-5 CA1	1		E-H	Silver	
	X234-5 BL4	1		E-H	Beige Met.	
	X234-5 BM5	1		E-H	Red	
	X234-5 CT6	1		E-H	Mink Brown	
4	X282-3 CA1	1			LOUVER, Fndr. Side, Silver	
	X282-3 CA6	1			Charcoal	
	X282-3 CC6	1			Gunmetal Blue	
	X282-3 ABB	1			Night Watch Blue	
	X282-3 BL4	1			Beige Met.	
	X282-3 BM5	1			Red	
	X282-3 CR6	1			Garnet	
	X282-3 CT6	1			Mink Brown	
	X282-3 AW3	1			White	
	X282-3 AXX	1			Black	
5					NUT, (Not Serv.)	
	4276 062-3	1		E-H	MOULDING, Frt. Door Wdo. Opng. Frame Frt.	
6					E-S	No Mouldings Used (Area Painted Black)
	4319 222-3	1		E-H	MOULDING, Frt. Door Wdo. Opng. Frame Up.	
7					E-S	No Mouldings Used (Area Painted Black)
	4319 226-7	1		E-H	MOULDING, Frt. Door Wdo. Opng. Frame Rear, Use Up to 11-1-83	

MODEL CODES

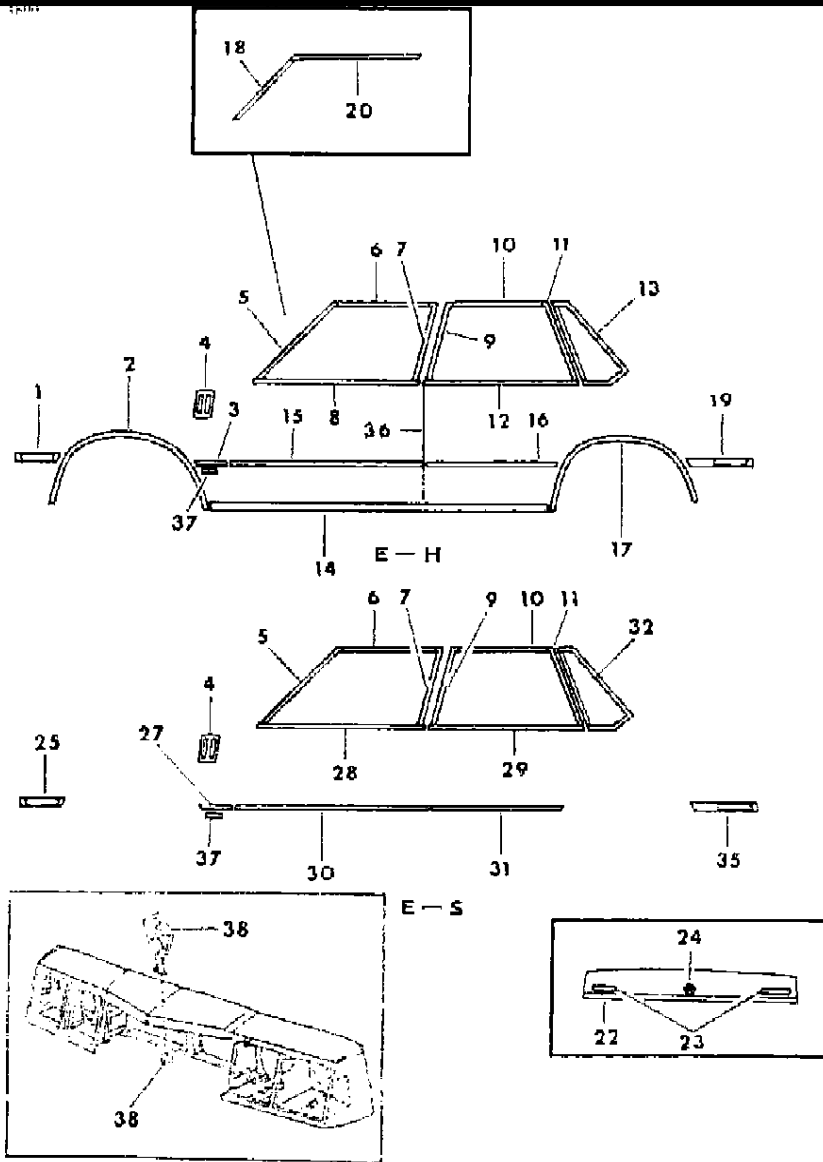
B = GRAN FURY	F = FIFTH AVENUE/NEWPORT	P = RELIANT
C = LEBARON/TOWN & COUNTRY/EXC SEDAN	G = DIPLOMAT	T = E CLASS/NEW YORKER
C24 = LASER	H = VOYAGER	V = 600
D = ARIES	K = MINI RAM/CARAVAN/ROYAL	V24 = DAYTONA
E = 600	M = HORIZON/TURISMO	Z = OMNI/CHARGER/RAMPAGE

BODY STYLES

21 = 2-DOOR SEDAN	28 = FWD PICKUP	44 = 4-DOOR HATCHBACK
22 = 2-DOOR SPECIAL COUPE	35 = FWD VAN	45 = 4-DOOR STATION WAGON
24 = 2-DOOR HATCHBACK	36 = FWD WAGON	48 = 4-DOOR EXECUTIVE SEDAN
27 = 2-DOOR CONVERTIBLE	41 = 4-DOOR SEDAN	

AR = Use as Required - = Non Illustrated Part P.A.R. = Paint as Required

MOULDINGS and ORNAMENTATION - EXTERIOR VIEW DODGE 600,600ES
Figure 23-4800



ITEM	PART NUMBER	QTY	BODY	MODEL	DESCRIPTION
	4328 304-5	1		E-H	MOULDING, Frt. Door Wdo. Opng. Frame Rear, Use After 11-1-83
8	4293 628-9	1		E-S E-H	No Mouldings Used (Area Painted Black) MOULDING PACKAGE, Frt. Door Belt, Use w/Mirror, Use Up to 8-18-83
	4319 096-7	1		E-H	MOULDING PACKAGE, Frt. Door Belt, Use w/Mirror, Use After 8-18-83
9	6003 627	AR			RETAINER
	4319 234-5	1		E-H	MOULDING, Rear Door Wdo. Opng. Frame Frt., Use Up to 11-1-83
	4328 308-9	1		E-H	MOULDING, Rear Door Wdo. Opng. Frame Frt., Use After 11-1-83
				E-S	No Mouldings Used (Area Painted Black)
10	4319 246-7	1		E-H	MOULDING, Rear Door Wdo. Opng. Frame Up.
				E-S	No Mouldings Used (Area Painted Black)
11	4319 252-3	1		E-H	MOULDING, Rear Door Wdo. Opng. Frame Rear
				E-S	No Mouldings Used (Area Painted Black)
12	4293 644-5	1		E-H	MOULDING, Rear Door Belt
	6003 627	AR			RETAINER
13	4319 360-1	1		E-H	MOULDING, Qtr. Wdo.
14	4293 664-5	1		E-H	MOULDING PACKAGE, Body Side Sill
	6003 777	AR			RETAINER CLIP
					WELD STUD, (Not Serv.)
					SCREW, (Not Serv.)
15	X236 BW3	2		E-H	MOULDING, Frt. Door, White
	X236 BX9	2		E-H	Black
	X236 BC9	2		E-H	Night Watch Blue
	X236 CC6	2		E-H	Gunmetal Blue
	X236 CA1	2		E-H	Silver
	X236 BL4	2		E-H	Beige Met.
	X236 BM5	2		E-H	Red
	X236 CT6	2		E-H	Mink Brown
16	X232-3 CA1	1		E-H	MOULDING, Rear Door, Silver
	X232-3 BC9	1		E-H	Night Watch Blue
	X232-3 CC6	1		E-H	Gunmetal Blue
	X232-3 BL4	1		E-H	Beige Met.
	X232-3 BM5	1		E-H	Red
	X232-3 CT6	1		E-H	Mink Brown

MODEL CODES

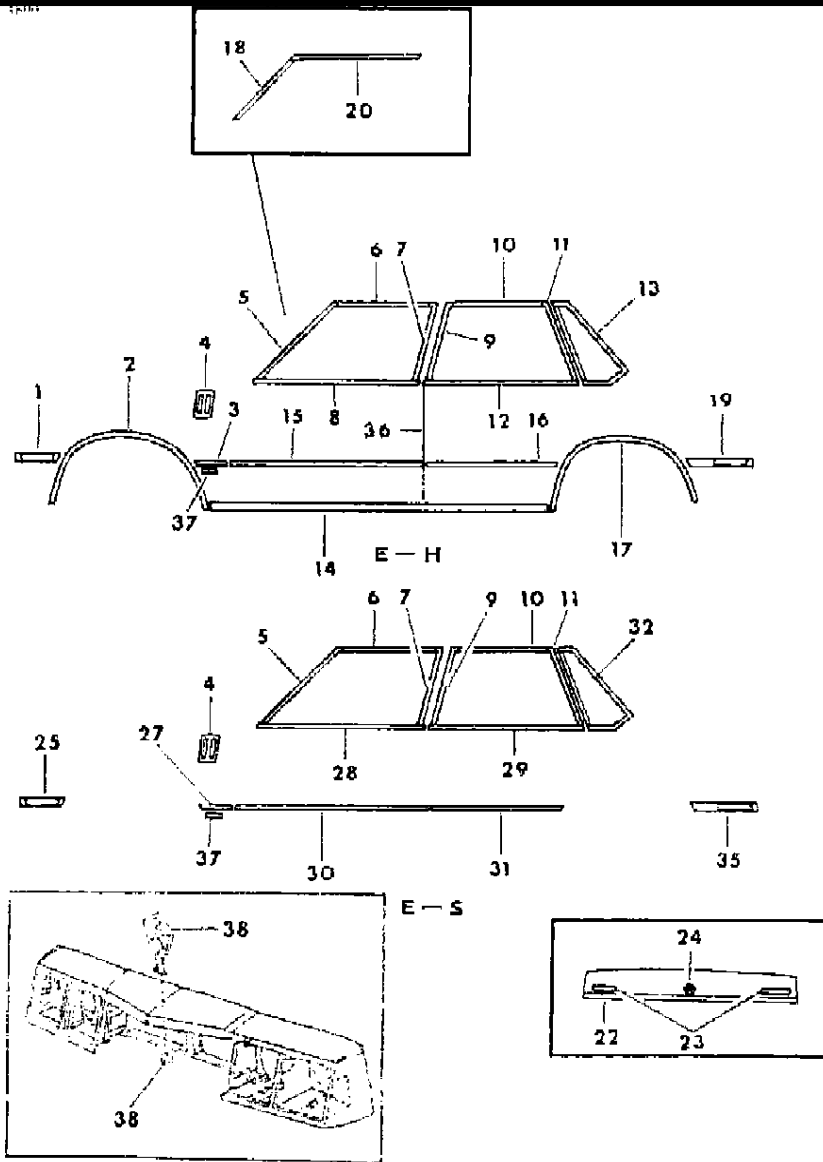
B = GRAN FURY	F = FIFTH AVENUE/NEWPORT	P = RELIANT
C = LEBARON/TOWN & COUNTRY/EXC SEDAN	G = DIPLOMAT	T = E CLASS/NEW YORKER
C24 = LASER	H = VOYAGER	V = 600
D = ARIES	K = MINI RAM/CARAVAN/ROYAL	V24 = DAYTONA
E = 600	M = HORIZON/TURISMO	Z = OMNI/CHARGER/RAMPAGE

BODY STYLES

21 = 2-DOOR SEDAN	28 = FWD PICKUP	44 = 4-DOOR HATCHBACK
22 = 2-DOOR SPECIAL COUPE	35 = FWD VAN	45 = 4-DOOR STATION WAGON
24 = 2-DOOR HATCHBACK	36 = FWD WAGON	48 = 4-DOOR EXECUTIVE SEDAN
27 = 2-DOOR CONVERTIBLE	41 = 4-DOOR SEDAN	

AR = Use as Required - = Non Illustrated Part P.A.R. = Paint as Required

MOULDINGS and ORNAMENTATION - EXTERIOR VIEW DODGE 600,600ES
Figure 23-4800



ITEM	PART NUMBER	QTY	BODY	MODEL	DESCRIPTION
	X232-3 BX9	1		E-H	Black
	X232-3 BW3	1		E-H	White
17	4319 030-1	1		E-H	MOULDING, Qtr. Wheel Opng.
18	4328 572-3	1		E	MOULDING and SEAL, Body Frt. Pillar Drain Trough
	4229 764-5	1		E	SEAL, Body Frt. Pillar Drain Trough Mldg. Inner
					SCREW, (Not Serv.)
19	4339 044-5	1		E-H	MOULDING and SEAL PACKAGE, Qtr. Rear, Silver
	4339 046-7	1		E-H	Gunmetal Blue
	4339 048-9	1		E-H	Night Watch Blue
	4339 050-1	1		E-H	Beige Met.
	4339 052-3	1		E-H	Red
	4339 054-5	1		E-H	Mink Brown
	4339 058-9	1		E-H	Black
	4339 056-7	1		E-H	White
	6003 790	AR			RETAINER
					NUT, (Not Serv.)
20	4276 890-1	1		E	MOULDING, Roof Side Drain Trough
22	4276 617	1		E	MOULDING, Deck Lid Lwr.
	6003 858	AR			RETAINER
23	4319 769	1		E	NAMEPLATE, Deck Lid, "DODGE"
	4276 399	1		E	NAMEPLATE, Deck Lid, "600"
	4276 488	1		E-S	NAMEPLATE, Deck Lid, "600ES"
24	X269 CA2	1		E	MEDALLION, Deck Lid Lock Cyl., Silver
	X269 CC6	1		E	Gunmetal Blue
	X269 CM5	1		E	Red
	X269 CW3	1		E	White
	X269 CX9	1		E	Black
	X269 CL4	1		E	Beige Met.
	X269 CT6	1		E	Mink Brown
	X269 CC9	1		E	Night Watch Blue
					RIVET, (Not Serv.)
25	4293 660-1	1		E-S	MOULDING, Fndr. Frt., Black
27	4319 112-3	1		E-S	MOULDING, Fndr. Rear, Black
28	4293 646-7	1		E-S	MOULDING, Frt. Door Belt, Black
	6003 627	AR			RETAINER
29	4293 648-9	1		E-S	MOULDING, Rear Door Belt, Black
	6003 627	AR			RETAINER

NOTE: The Colored Medallion Used is Determined by the Exterior Paint of Car s information becomes available.

MODEL CODES

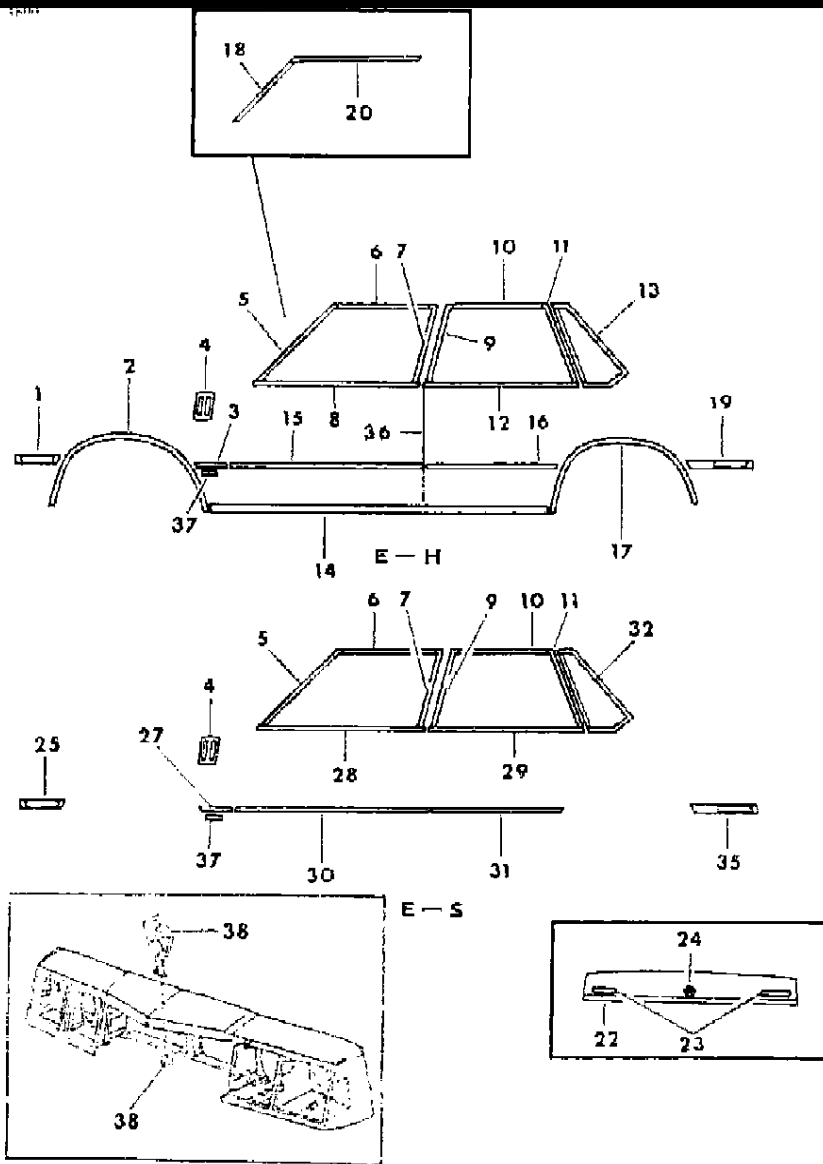
B = GRAN FURY	F = FIFTH AVENUE/NEWPORT	P = RELIANT
C = LEBARON/TOWN & COUNTRY/EXC SEDAN	G = DIPLOMAT	T = E CLASS/NEW YORKER
C24 = LASER	H = VOYAGER	V = 600
D = ARIES	K = MINI RAM/CARAVAN/ROYAL	V24 = DAYTONA
E = 600	M = HORIZON/TURISMO	Z = OMNI/CHARGER/RAMPAGE

BODY STYLES

21 = 2-DOOR SEDAN	28 = FWD PICKUP	44 = 4-DOOR HATCHBACK
22 = 2-DOOR SPECIAL COUPE	35 = FWD VAN	45 = 4-DOOR STATION WAGON
24 = 2-DOOR HATCHBACK	36 = FWD WAGON	48 = 4-DOOR EXECUTIVE SEDAN
27 = 2-DOOR CONVERTIBLE	41 = 4-DOOR SEDAN	

AR = Use as Required - = Non Illustrated Part P.A.R. = Paint as Required

MOULDINGS and ORNAMENTATION - EXTERIOR VIEW DODGE 600,600ES
Figure 23-4800



ITEM	PART NUMBER	QTY	BODY	MODEL	DESCRIPTION
30	4319 114	2		E-S	MOULDING, Frt. Door, Black
31	4319 116-7	1		E-S	MOULDING, Rear Door, Black
32	4319 362-3	1		E-S	MOULDING, Qtr. Wdo., Black
35	4293 662-3	1		E-S	MOULDING and SEAL, Qtr. Rear, Black
36	4276 786	AR		E-H,E-S	STRIP PACKAGE, Door Edge Protector
37	4319 147	2			NAMEPLATE, Fndr. Side, "TURBO EFI"
38	4229 725	1			ORNAMENT
	4270 561	1			PENTASTAR
	6030 435	1			NUT

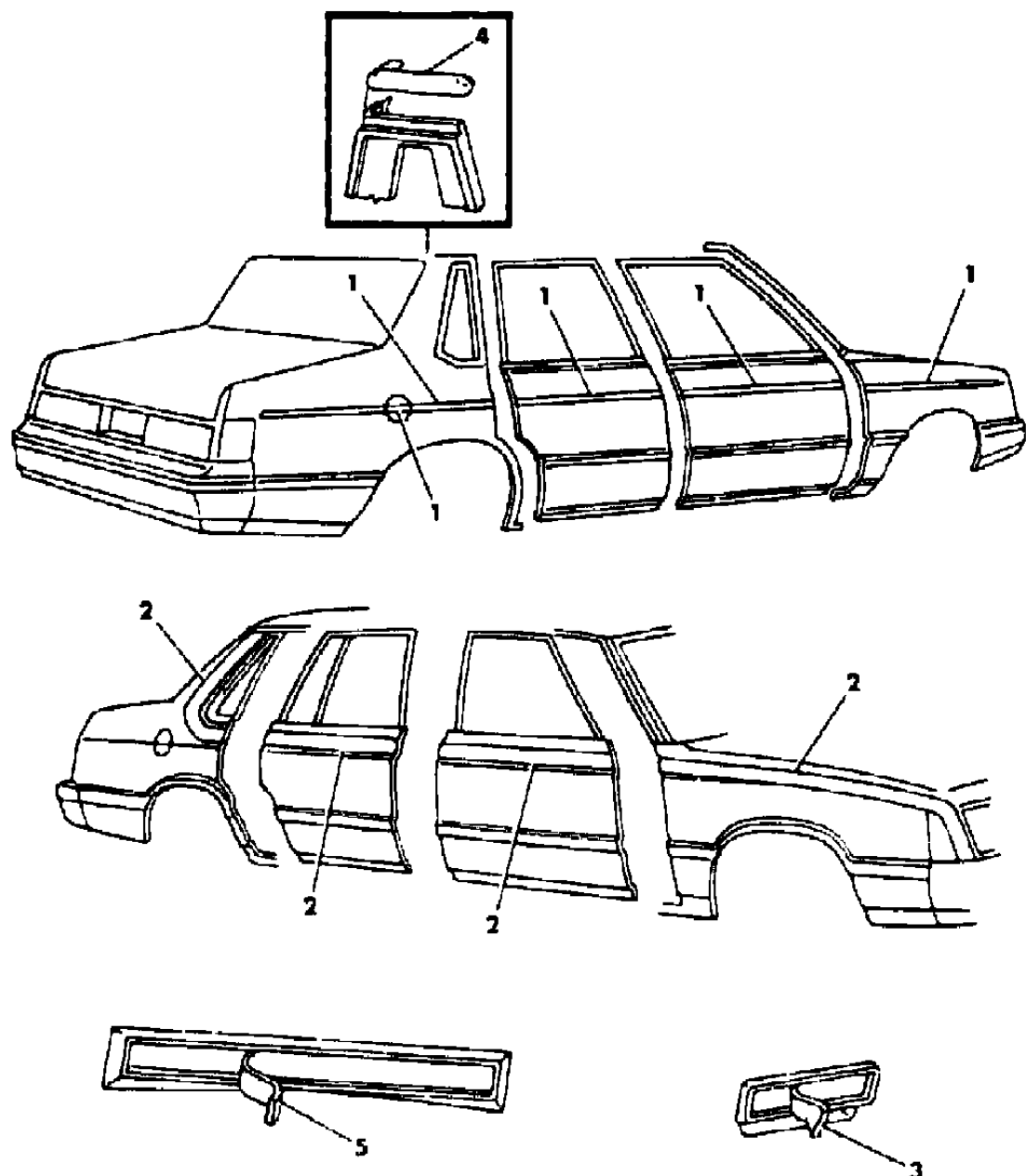
MODEL CODES
 B = GRAN FURY
 C = LEBARON/TOWN & COUNTRY/EXC SEDAN
 C24 = LASER
 D = ARIES
 E = 600
 F = FIFTH AVENUE/NEWPORT
 G = DIPLOMAT
 H = VOYAGER
 K = MINI RAM/CARAVAN/ROYAL
 M = HORIZON/TURISMO
 P = RELIANT
 T = E CLASS/NEW YORKER
 V = 600
 V24 = DAYTONA
 Z = OMNI/CHARGER/RAMPAGE

BODY STYLES
 21 = 2-DOOR SEDAN
 22 = 2-DOOR SPECIAL COUPE
 24 = 2-DOOR HATCHBACK
 27 = 2-DOOR CONVERTIBLE
 28 = FWD PICKUP
 35 = FWD VAN
 36 = FWD WAGON
 41 = 4-DOOR SEDAN
 44 = 4-DOOR HATCHBACK
 45 = 4-DOOR STATION WAGON
 48 = 4-DOOR EXECUTIVE SEDAN

AR = Use as Required - = Non Illustrated Part P.A.R. = Paint as Required

TAPE STRIPES and DECALS - EXTERIOR VIEW DODGE 600,600ES
Figure 23-4900

2106 4900



ITEM	PART NUMBER	QTY	BODY	MODEL	DESCRIPTION
1	4318 912-3	1		E-H	TAPE PACKAGE, Fndr., Door, Qtr., Silver (KCA)
	4318 914-5	1		E-H	Light Blue (KCB)
	4318 916-7	1		E-H	Saddle Brown (KCK)
	4318 918-9	1		E-H	Red (KCR)
	4318 920-1	1		E-H	Bright Blue (KCC)
	4318 922-3	1		E-H	Beige (KCL)
	4318 924-5	1		E-S	Black (KCX)
	T525 CA1	1		E-H	TAPE, Qtr. Pnl. Fuel Filler Door, Repair, Silver (KCA)
	T525 CB7	1		E-H	Bright Blue (KCC)
	T525 CC5	1		E-H	Light Blue (KCB)
	T525 CK4	1		E-H	Saddle Brown (KCK)
	T525 CL2	1		E-H	Beige (KCL)
	T525 CR4	1		E-H	Red (KCR)
	T525 CX9	1		E-S	Black (KCX)
2	4318 650-1	1		E-H	TAPE PACKAGE, Fndr., Door, Qtr., Sable Gray, Beige, Dark Beige (KFT) (Paint Sales Code PT6 QL4)
	4318 652-3	1		E-H	Gunmetal Blue, Light Blue (KFC) (Paint Sales Code PC6 QA1)
3	T752 BX9	1		E-S	TAPE, Frt. and Rear Door Handle, Black
4	T024-5 CA1	1		E-H	TAPE, Qtr. Wdo. Mldg., Use w/Qtr. Wdo. Louvers, Ornament, Silver
	T024-5 CA6	1		E-H	Charcoal Gray
	T024-5 CC6	1		E-H	Gunmetal Blue
	T024-5 BC9	1		E-H	Night Watch Blue
	T024-5 BL4	1		E-H	Beige Met.
	T024-5 BM5	1		E-H	Crimson Red
	T024-5 CR6	1		E-H	Garnet
	T024 CT6	1		E-H	Mink Brown
	T024-5 BW3	1		E-H	White
	T024-5 BX9	1		E-H,E-S	Black
5	T672 CER	2		E-H	DECAL, Frt. Door Handle, "EFI"
	T672 CES	2		E-S	DECAL, Frt. Door Handle, "EFI"

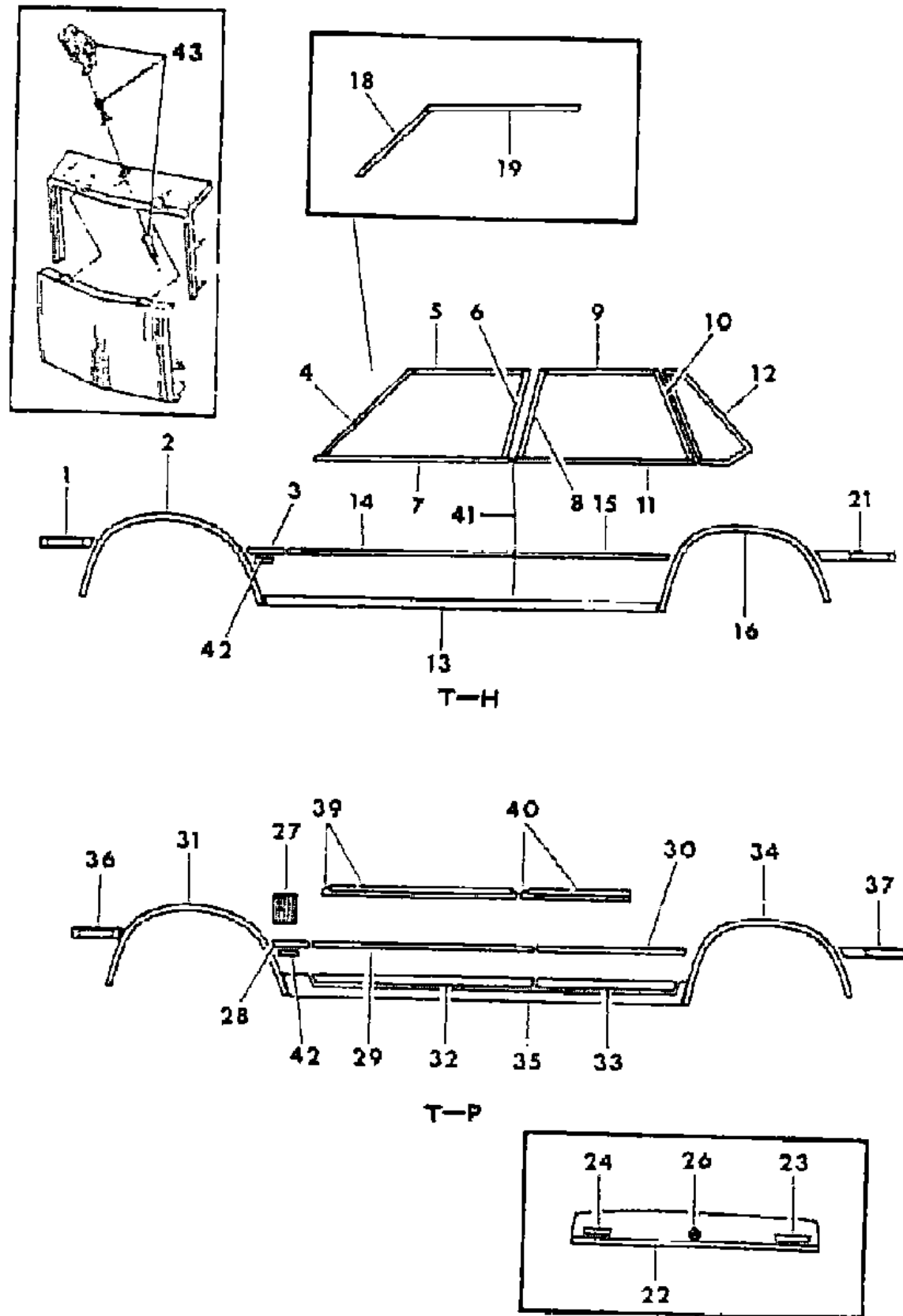
MODEL CODES
 B = GRAN FURY
 C = LEBARON/TOWN & COUNTRY/EXC SEDAN
 C24 = LASER
 D = ARIES
 E = 600
 F = FIFTH AVENUE/NEWPORT
 G = DIPLOMAT
 H = VOYAGER
 K = MINI RAM/CARAVAN/ROYAL
 M = HORIZON/TURISMO
 P = RELIANT
 T = E CLASS/NEW YORKER
 V = 600
 V24 = DAYTONA
 Z = OMNI/CHARGER/RAMPAGE

BODY STYLES
 21 = 2-DOOR SEDAN
 22 = 2-DOOR SPECIAL COUPE
 24 = 2-DOOR HATCHBACK
 27 = 2-DOOR CONVERTIBLE
 28 = FWD PICKUP
 35 = FWD VAN
 36 = FWD WAGON
 41 = 4-DOOR SEDAN
 44 = 4-DOOR HATCHBACK
 45 = 4-DOOR STATION WAGON
 48 = 4-DOOR EXECUTIVE SEDAN

AR = Use as Required - = Non Illustrated Part P.A.R. = Paint as Required

MOULDINGS and ORNAMENTATION - EXTERIOR VIEW CHRYSLER E CLASS, CHRYSLER NEW YORKER
Figure 23-5000

4108 5000



ITEM	PART NUMBER	QTY	BODY	MODEL	DESCRIPTION
1	4339 030-1	1		T-H	MOULDING and SEAL PACKAGE, Fndr. Frt., Gunmetal Blue
	4339 032-3	1		T-H	Night Watch Blue
	4339 040-1	1		T-H	White
	4339 042-3	1		T-H	Black
	4339 028-9	1		T-H	Silver
	4339 034-5	1		T-H	Beige Met.
	4339 036-7	1		T-H	Red
	4339 038-9	1		T-H	Mink Brown
2	6003 790	AR			RETAINER
	4319 022-3	1		T-H	MOULDING, Fndr. Wheel Opng., Use Up to 11-15-83
	4319 024-5	1		T-H	MOULDING, Fndr. Wheel Opng, Use After 11-15-83
					SCREW, (Not Serv.)
3	X234-5 BW3	1		T-H	MOULDING, Fndr. Rear, White
	X234-5 BX9	1		T-H	Black
	X234-5 BC9	1		T-H	Night Watch Blue
	X234-5 CC6	1		T-H	Gunmetal Blue
	X234-5 CA1	1		T-H	Silver
	X234-5 BL4	1		T-H	Beige Met.
	X234-5 BM5	1		T-H	Red
	X234-5 CT6	1		T-H	Mink Brown
4	4276 062-3	1		T	MOULDING, Frt. Door Wdo. Opng. Frame Frt.
5	4319 222-3	1		T	MOULDING, Frt. Door Wdo. Opng. Frame Upr.
6	4319 226-7	1		T	MOULDING, Frt. Door Wdo. Opng. Frame Rear, Use Up to 11-1-83
	4328 304-5	1		T	MOULDING, Frt. Door Wdo. Opng. Frame Rear, Use After 11-1-83
7	4293 628-9	1		T-H	MOULDING PACKAGE, Frt. Door Belt, Use Up to 8-18-83
	4319 096-7	1		T-H	MOULDING PACKAGE, Frt. Door Belt, Use After 8-18-83
	6003 627	AR			RETAINER
8	4319 234-5	1		T	MOULDING, Rear Door Wdo. Opng. Frame Frt., Use Up to 11-1-83
	4328 308-9	1		T	MOULDING, Rear Door Wdo. Opng. Frame Frt., Use After 11-1-83
9	4319 246-7	1		T	MOULDING, Rear Door Wdo. Opng. Frame Upr.
10	4319 252-3	1		T-H	MOULDING, Rear Door Wdo. Opng. Frame Rear
	4328 200-1	1		T-P	MOULDING, Rear Door Wdo. Opng. Frame Rear, Use Up to 8-18-83

MODEL CODES
 B = GRAN FURY
 C = LEBARON/TOWN & COUNTRY/EXC SEDAN
 C24 = LASER
 D = ARIES
 E = 600
 F = FIFTH AVENUE/NEWPORT
 G = DIPLOMAT
 H = VOYAGER
 K = MINI RAM/CARAVAN/ROYAL
 M = HORIZON/TURISMO
 P = RELIANT
 T = E CLASS/NEW YORKER
 V = 600
 V24 = DAYTONA
 Z = OMNI/CHARGER/RAMPAGE

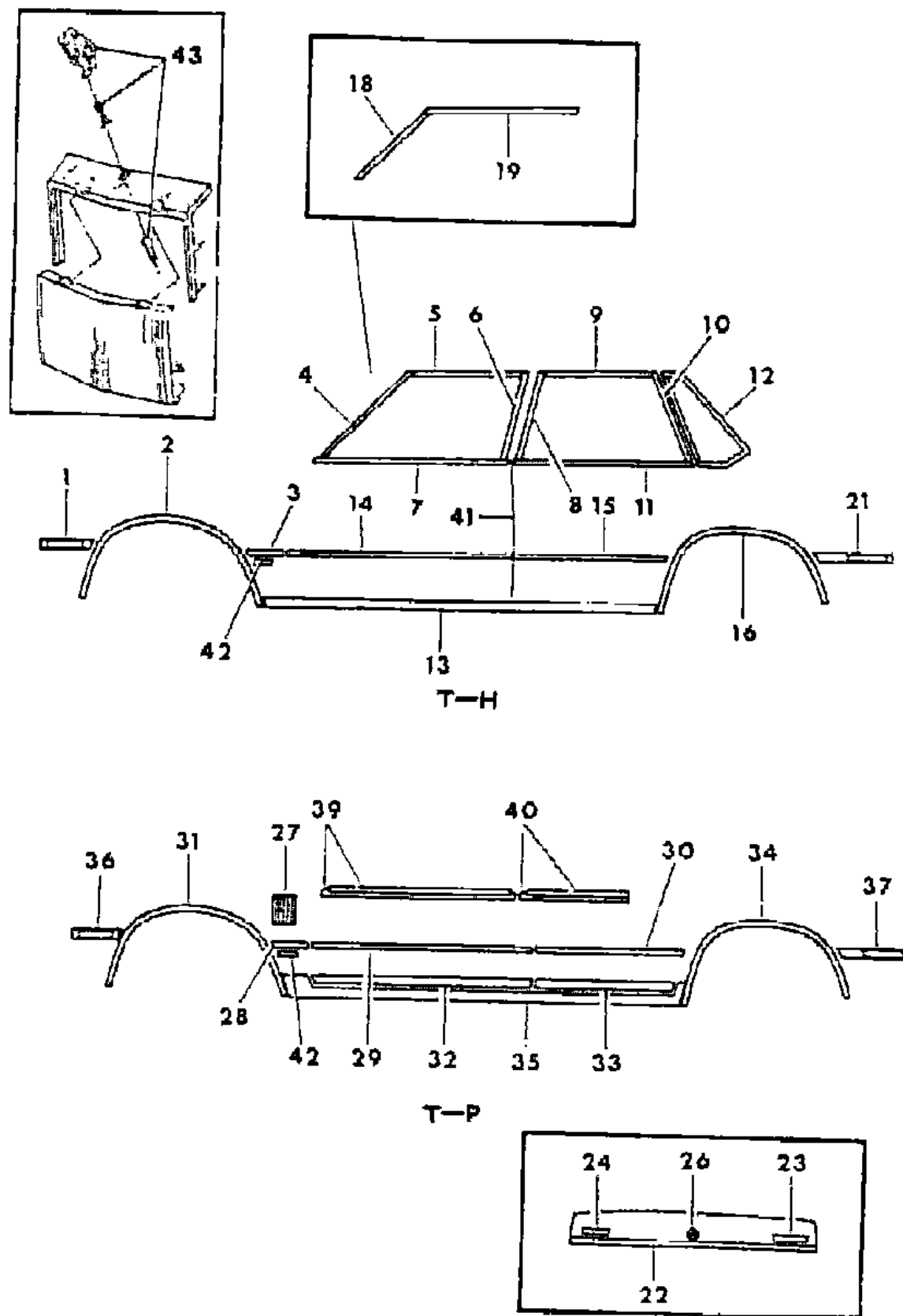
BODY STYLES
 21 = 2-DOOR SEDAN
 22 = 2-DOOR SPECIAL COUPE
 24 = 2-DOOR HATCHBACK
 27 = 2-DOOR CONVERTIBLE
 28 = FWD PICKUP
 35 = FWD VAN
 36 = FWD WAGON
 41 = 4-DOOR SEDAN
 44 = 4-DOOR HATCHBACK
 45 = 4-DOOR STATION WAGON
 48 = 4-DOOR EXECUTIVE SEDAN

AR = Use as Required - = Non Illustrated Part P.A.R. = Paint as Required

MOULDINGS and ORNAMENTATION - EXTERIOR VIEW CHRYSLER E CLASS, CHRYSLER NEW YORKER

Figure 23-5000

4108 5000



ITEM	PART NUMBER	QTY	BODY	MODEL	DESCRIPTION
	4319 172-3	1		T-P	MOULDING, Rear Door Wdo. Opng. Frame Rear, Use After 8-18-83
11	4293 644-5	1		T-H	MOULDING, Rear Door Belt
	6003 627	AR			RETAINER
12	4319 360-1	1		T-H	MOULDING, Qtr. Wdo.
13	4293 664-5	1		T-H	MOULDING PACKAGE, Body Side Sill
	6003 777	AR			RETAINER CLIP
					WELD STUD, (Not Serv.)
					SCREW, (Not Serv.)
14	X236 BW3	2		T-H	MOULDING, Frt. Door, White
	X236 BX9	2		T-H	Black
	X236 BC9	2		T-H	Night Watch Blue
	X236 CC6	2		T-H	Gunmetal Blue
	X236 CA1	2		T-H	Silver
	X236 BL4	2		T-H	Beige Met.
	X236 BM5	2		T-H	Red
	X236 CT6	2		T-H	Mink Brown
15	X232-3 CA1	1		T-H	MOULDING, Rear Door, Silver
	X232-3 BC9	1		T-H	Night Watch Blue
	X232-3 CC6	1		T-H	Gunmetal Blue
	X232-3 BL4	1		T-H	Beige Met.
	X232-3 BM5	1		T-H	Red
	X232-3 CT6	1		T-H	Mink Brown
	X232-3 BX9	1		T-H	Black
	X232-3 BW3	1		T-H	White
16	4319 030-1	1		T-H	MOULDING, Qtr. Wheel Opng.
18	4328 572-3	1		T	MOULDING and SEAL, Body Frt. Pillar Drain Trough
	4229 764-5	1		T	SEAL, Body Frt. Pillar Drain Trough Mldg. Inner
					SCREW, (Not Serv.)
19	4276 890-1	1		T-H	MOULDING, Roof Side Drain Trough
	4319 204-5	1		T-P	MOULDING, Roof Side Drain Trough
21	4339 044-5	1		T-H	MOULDING and SEAL PACKAGE, Qtr. Rear, Silver
	4339 046-7	1		T-H	Gunmetal Blue
	4339 048-9	1		T-H	Night Watch Blue
	4339 050-1	1		T-H	Beige Met.
	4339 052-3	1		T-H	Red
	4339 054-5	1		T-H	Mink Brown
	4339 058-9	1		T-H	Black

MODEL CODES

B = GRAN FURY	F = FIFTH AVENUE/NEWPORT	P = RELIANT
C = LEBARON/TOWN & COUNTRY/EXC SEDAN	G = DIPLOMAT	T = E CLASS/NEW YORKER
C24 = LASER	H = VOYAGER	V = 600
D = ARIES	K = MINI RAM/CARAVAN/ROYAL	V24 = DAYTONA
E = 600	M = HORIZON/TURISMO	Z = OMNI/CHARGER/RAMPAGE

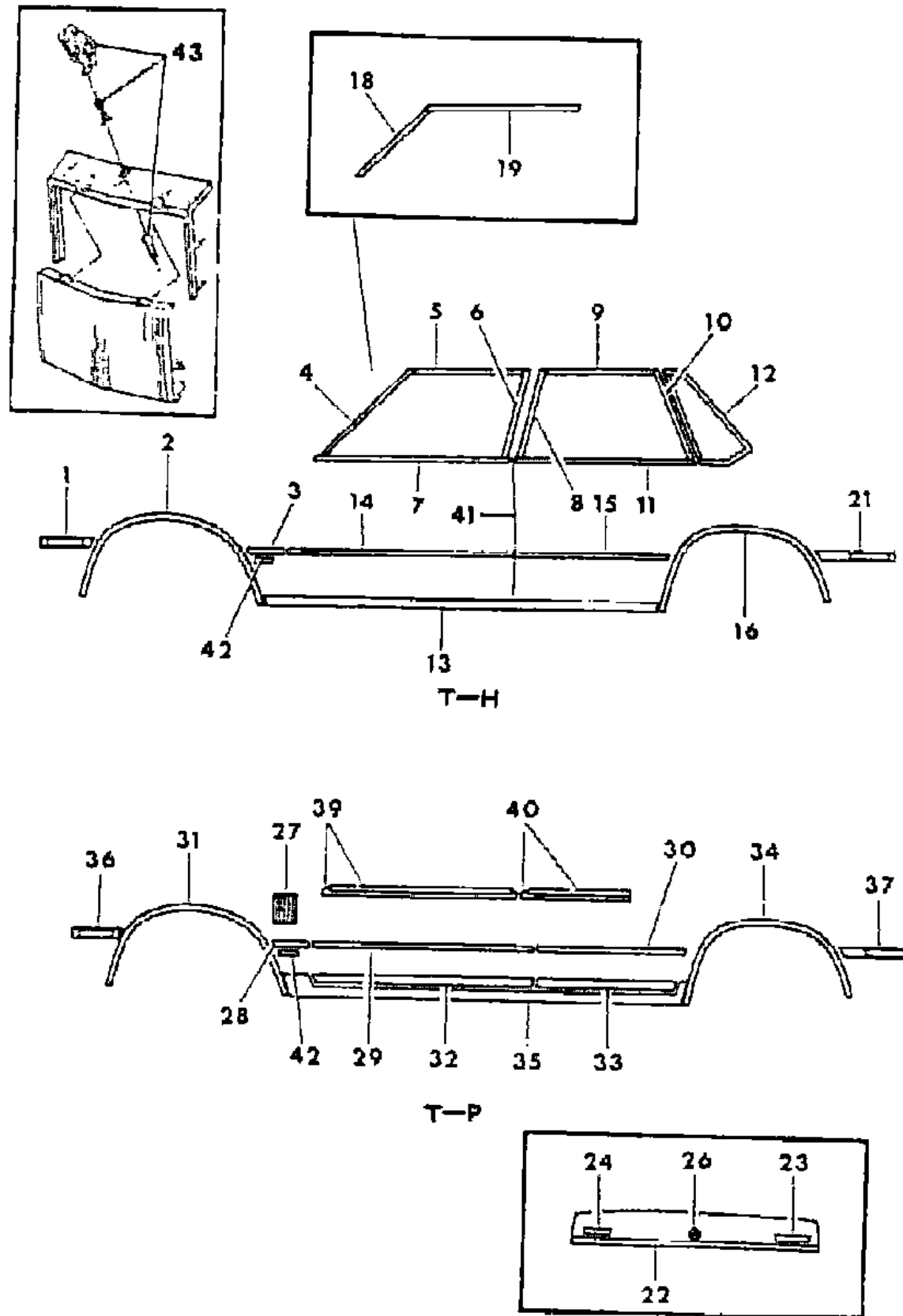
BODY STYLES

21 = 2-DOOR SEDAN	28 = FWD PICKUP	44 = 4-DOOR HATCHBACK
22 = 2-DOOR SPECIAL COUPE	35 = FWD VAN	45 = 4-DOOR STATION WAGON
24 = 2-DOOR HATCHBACK	36 = FWD WAGON	48 = 4-DOOR EXECUTIVE SEDAN
27 = 2-DOOR CONVERTIBLE	41 = 4-DOOR SEDAN	

AR = Use as Required - = Non Illustrated Part P.A.R. = Paint as Required

MOULDINGS and ORNAMENTATION - EXTERIOR VIEW CHRYSLER E CLASS, CHRYSLER NEW YORKER
Figure 23-5000

4108 5000



ITEM	PART NUMBER	QTY	BODY	MODEL	DESCRIPTION
	4339 056-7	1		T-H	White
	6003 790	AR			RETAINER NUT, (Not Serv.)
22	4276 617	1		T	MOULDING, Deck Lid Lwr.
	6003 858	AR			RETAINER
23	4319 667	1		T-H	NAMEPLATE, Deck Lid, "E CLASS"
	4276 398	1		T-P	NAMEPLATE, Deck Lid, "NEW YORKER"
24	4319 771	1		T-H,T-P	NAMEPLATE, Deck Lid, "CHRYSLER"
26	X269 CA2	1		T	MEDALLION, Deck Lid Lock Cyl., Silver
	X269 CC6	1		T	Gunmetal Blue
	X269 CM5	1		T	Red
	X269 CW3	1		T	White
	X269 CX9	1		T	Black
	X269 CL4	1		T	Beige Met.
	X269 CT6	1		T	Mink Brown
	X269 CC9	1		T	Night Watch Blue
NOTE: The Colored Medallion Used is Determined by the Exterior Paint of Car s information becomes available.					
					RIVET, (Not Serv.)
27	X560 CA6	2		T-P	LOUVER, Fndr. Side, Charcoal
	X560 CA1	2		T-P	Silver
	X560 CC9	2		T-P	Night Watch Blue
	X560 CC6	2		T-P	Gunmetal Blue
	X560 CL4	2		T-P	Beige Met.
	X560 CM5	2		T-P	Red
	X560 CT6	2		T-P	Mink Brown
	X560 CR6	2		T-P	Garnet
	X560 CX9	2		T-P	Black
	X560 CW3	2		T-P	White
					NUT, (Not Serv.)
28	X234-5 CA1	1		T-P	MOULDING, Fndr. Rear, Silver
	X234-5 BC9	1		T-P	Night Watch Blue
	X234-5 CC6	1		T-P	Gunmetal Blue
	X234-5 BL4	1		T-P	Beige Met.
	X234-5 BM5	1		T-P	Red
	X234-5 CT6	1		T-P	Mink Brown
	X234-5 BW3	1		T-P	White
	X234-5 BX9	1		T-P	Black
29	X236 CA1	2		T-P	MOULDING, Frt. Door, Silver

MODEL CODES

B = GRAN FURY	F = FIFTH AVENUE/NEWPORT	P = RELIANT
C = LEBARON/TOWN & COUNTRY/EXC SEDAN	G = DIPLOMAT	T = E CLASS/NEW YORKER
C24 = LASER	H = VOYAGER	V = 600
D = ARIES	K = MINI RAM/CARAVAN/ROYAL	V24 = DAYTONA
E = 600	M = HORIZON/TURISMO	Z = OMNI/CHARGER/RAMPAGE

BODY STYLES

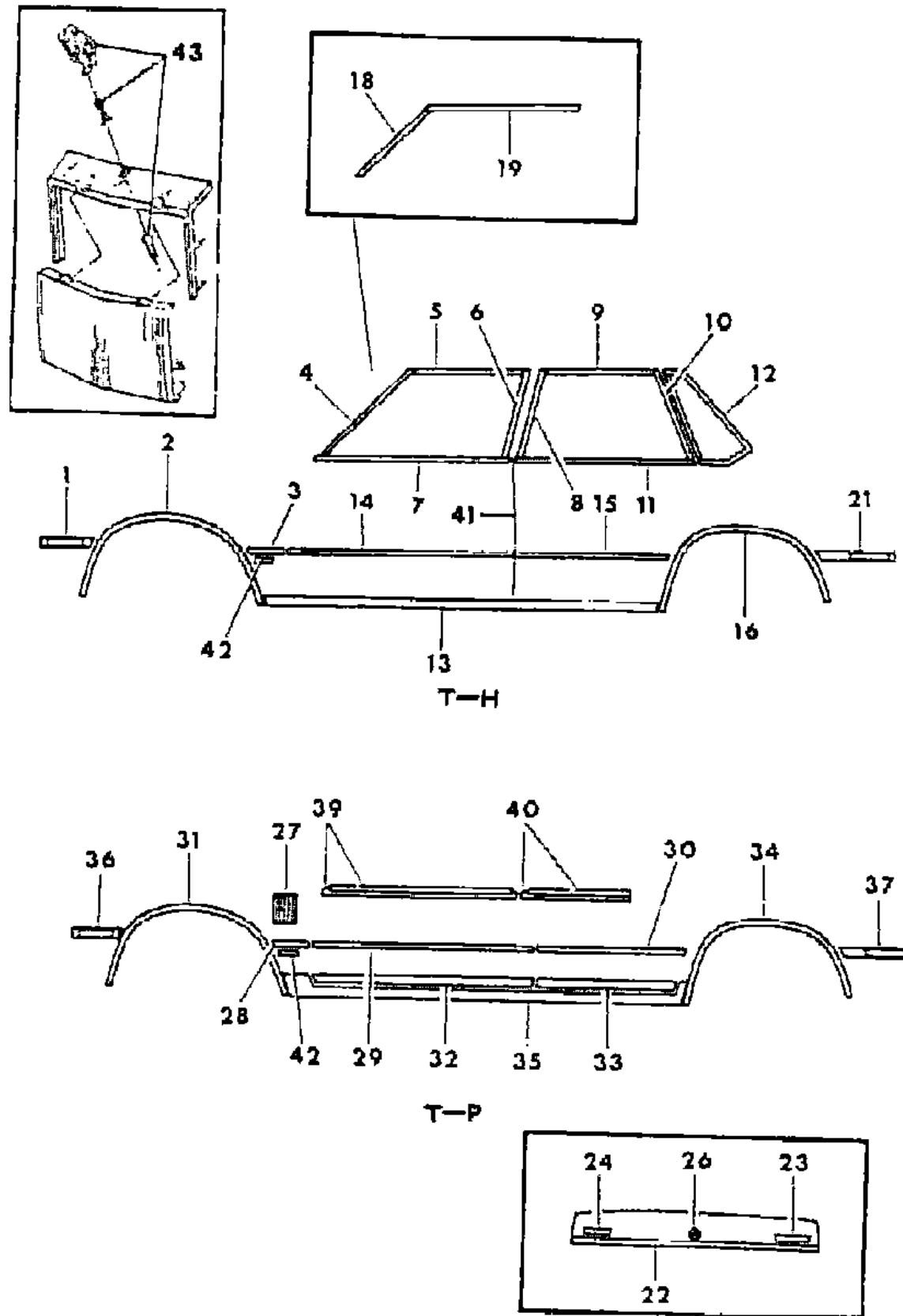
21 = 2-DOOR SEDAN	28 = FWD PICKUP	44 = 4-DOOR HATCHBACK
22 = 2-DOOR SPECIAL COUPE	35 = FWD VAN	45 = 4-DOOR STATION WAGON
24 = 2-DOOR HATCHBACK	36 = FWD WAGON	48 = 4-DOOR EXECUTIVE SEDAN
27 = 2-DOOR CONVERTIBLE	41 = 4-DOOR SEDAN	

AR = Use as Required - = Non Illustrated Part P.A.R. = Paint as Required

MOULDINGS and ORNAMENTATION - EXTERIOR VIEW CHRYSLER E CLASS, CHRYSLER NEW YORKER

Figure 23-5000

4108 5000



ITEM	PART NUMBER	QTY	BODY	MODEL	DESCRIPTION
	X236 BC9	2		T-P	Night Watch Blue
	X236 CC6	2		T-P	Gunmetal Blue
	X236 BL4	2		T-P	Beige Met.
	X236 BM5	2		T-P	Red
	X236 CT6	2		T-P	Mink Brown
	X236 BW3	2		T-P	White
	X236 BX9	2		T-P	Black
30	X232-3 CA1	1		T-P	MOULDING, Rear Door, Silver
	X232-3 BC9	1		T-P	Night Watch Blue
	X232-3 CC6	1		T-P	Gunmetal Blue
	X232-3 BL4	1		T-P	Beige Met.
	X232-3 BM5	1		T-P	Red
	X232-3 CT6	1		T-P	Mink Brown
	X232-3 BW3	1		T-P	White
	X232-3 BX9	1		T-P	Black
31	4328 136-7	1		T-P	MOULDING, Fndr. Wheel Opng., Use Up to 11-15-83
	4328 138-9	1		T-P	MOULDING, Fndr. Wheel Opng., Use After 11-15-83
32	4293 654-5	1		T-P	MOULDING PACKAGE, Frt. Door
	6003 842	AR		T-P	RETAINER
33	4293 656-7	1		T-P	MOULDING, Rear Door
	6003 842	AR		T-P	RETAINER
34	4328 140-1	1		T-P	MOULDING, Qtr. Wheel Opng., Use Up to 11-15-83
	4328 142-3	1		T-P	MOULDING, Qtr. Wheel Opng., Use After 11-15-83
35	4293 652-3	1		T-P	MOULDING PACKAGE, Body Side Sill
	6003 843	AR		T-P	RETAINER
	6003 844	AR		T-P	RETAINER
36	4293 658-9	1		T-P	MOULDING PACKAGE, Fndr. Side
	6003 790	AR		T-P	RETAINER
37	4293 650-1	1		T-P	MOULDING PACKAGE, Qtr. Pnl.
	6003 790	AR		T-P	RETAINER
39	4319 054-5	1		T-P	MOULDING, Frt. Door Belt, Use Up to 8-18-83
	4293 628-9	1		T-P	MOULDING PACKAGE, Frt. Door Belt, Use After 8-18-83
	6003 627	AR			RETAINER, Use After 8-18-83
	4293 590-1	1		T-P	INSERT PACKAGE, Frt. Door Belt Mldg.
	4057 555	AR		T-P	RETAINER PACKAGE
	6003 866	AR		T-P	RETAINER
				T-P	SCREW, (Not Serv.)
40	4319 056-7	1		T-P	MOULDING, Rear Door Belt, Use Up to 8-18-83

MODEL CODES

B = GRAN FURY	F = FIFTH AVENUE/NEWPORT	P = RELIANT
C = LEBARON/TOWN & COUNTRY/EXC SEDAN	G = DIPLOMAT	T = E CLASS/NEW YORKER
C24 = LASER	H = VOYAGER	V = 600
D = ARIES	K = MINI RAM/CARAVAN/ROYAL	V24 = DAYTONA
E = 600	M = HORIZON/TURISMO	Z = OMNI/CHARGER/RAMPAGE

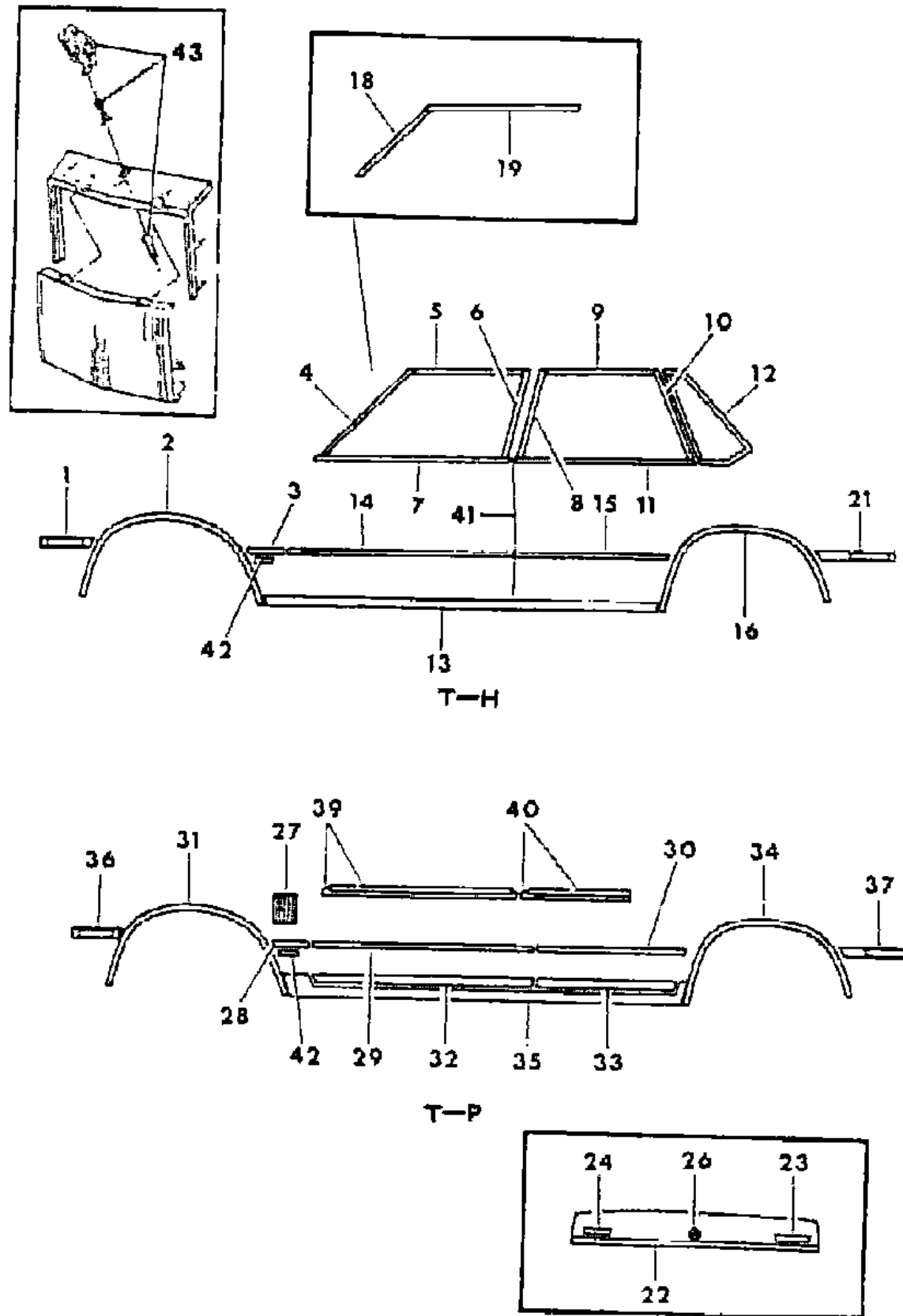
BODY STYLES

21 = 2-DOOR SEDAN	28 = FWD PICKUP	44 = 4-DOOR HATCHBACK
22 = 2-DOOR SPECIAL COUPE	35 = FWD VAN	45 = 4-DOOR STATION WAGON
24 = 2-DOOR HATCHBACK	36 = FWD WAGON	48 = 4-DOOR EXECUTIVE SEDAN
27 = 2-DOOR CONVERTIBLE	41 = 4-DOOR SEDAN	

AR = Use as Required - = Non Illustrated Part P.A.R. = Paint as Required

MOULDINGS and ORNAMENTATION - EXTERIOR VIEW CHRYSLER E CLASS, CHRYSLER NEW YORKER
Figure 23-5000

4108 5000



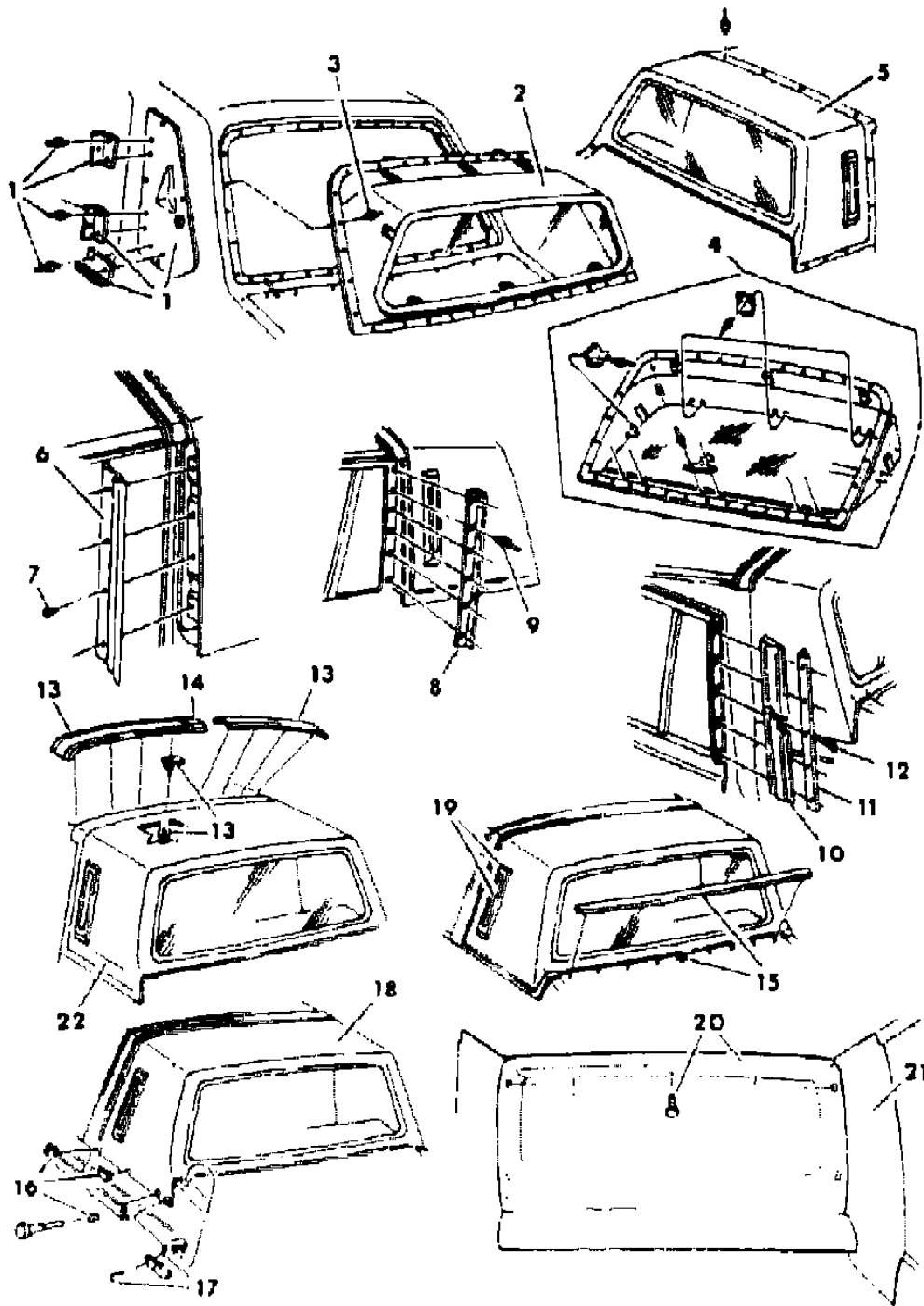
ITEM	PART NUMBER	QTY	BODY	MODEL	DESCRIPTION
	4293 640-1	1		T-P	MOULDING PACKAGE, Rear Door Belt, Use After 8-18-83
	6003 627	AR			RETAINER
	4293 592-3	1		T-P	INSERT PACKAGE, Rear Door Belt Mldg.
	4057 555	AR		T-P	RETAINER PACKAGE
	6003 866	AR		T-P	RETAINER
				T-P	SCREW, (Not Serv.)
41	4276 786	AR		T-H	STRIP PACKAGE, Door Edge Protector
	4328 173	AR		T-P	STRIP PACKAGE, Door Edge Protector
42	4319 147	2			NAMEPLATE, Fndr. Side, "TURBO EFI"
NOTE: See Illus. 3400 for New Yorker Padded Landau Roof T-P s information becomes available.					
43	4270 563	1			ORNAMENT, Radiator Grille
	3672 780	1			RETAINER
	3672 672	1			SPRING

MODEL CODES
 B = GRAN FURY
 C = LEBARON/TOWN & COUNTRY/EXC SEDAN
 C24 = LASER
 D = ARIES
 E = 600
 F = FIFTH AVENUE/NEWPORT
 G = DIPLOMAT
 H = VOYAGER
 K = MINI RAM/CARAVAN/ROYAL
 M = HORIZON/TURISMO
 P = RELIANT
 T = E CLASS/NEW YORKER
 V = 600
 V24 = DAYTONA
 Z = OMNI/CHARGER/RAMPAGE

BODY STYLES
 21 = 2-DOOR SEDAN
 22 = 2-DOOR SPECIAL COUPE
 24 = 2-DOOR HATCHBACK
 27 = 2-DOOR CONVERTIBLE
 28 = FWD PICKUP
 35 = FWD VAN
 36 = FWD WAGON
 41 = 4-DOOR SEDAN
 44 = 4-DOOR HATCHBACK
 45 = 4-DOOR STATION WAGON
 48 = 4-DOOR EXECUTIVE SEDAN

AR = Use as Required - = Non Illustrated Part P.A.R. = Paint as Required

MOULDINGS and ORNAMENTATION - EXTERIOR VIEW CHRYSLER NEW YORKER - PADDED LANDAU ROOF - T-P
Figure 23-5100



ITEM	PART NUMBER	QTY	BODY	MODEL	DESCRIPTION
1	4318 206-7	1			FILLER PACKAGE, Qtr. Wdo. Consist of: 1-4296380-1 Closure Pnl. 2-4276995 Bracket, Center 2-4276994 Bracket, Upper 2-4276996 Bracket, Lower
2	4296 379	1			FRAME, Rear Wdo. Opng.
3		AR			RIVET, (Not Serv.)
4	4318 201	1			RETAINER PACKAGE, Rear Wdo. Frame Attach. Consist of: 2-4296382 Retainer, Side 3-4296384 Retainer, Upr. 3-4296492 Retainer, Lwr.
5	4318 204	1			CAP PACKAGE, Roof Consist of: 1-4319161 Cap 2-4319166 Bracket 2-4319164 Retainer 2-4319666 Plate 4276 855 1 4276 996 2 RETAINER, Roof Cap Rear Lwr. BRACKET, Roof Cap Attach. Lwr.
6	4328 052-3	1			COVER, Rear Door Opng., C Pillar, Black
7					SCREW, (Not Serv.)
8	4319 180-1	1			BRACKET, Rear Door Frame
9					RIVET, (Not Serv.)
10	4328 200-1	1			MOULDING ASSEMBLY, Rear Door Wdo. Frame Rear, Use Up to 8-18-83
	4319 172-3	1			MOULDING ASSEMBLY, Rear Door Wdo. Frame Rear, Use After 8-18-83
11	4328 198-9	1			COVER, Rear Door Wdo. Frame Rear Mldg., Black
12					SCREW, (Not Serv.)
13	4318 226-7	1			MOULDING PACKAGE, Roof Transverse
	6003 881	AR			RETAINER NUT, (Not Serv.)
14	4319 199	1			CAP, Roof Transverse Mldg.
15	4318 258	1			MOULDING PACKAGE, Deck Lid Upr., Silver
	4339 084	1			Charcoal Gray
	4318 259	1			Night Watch Blue

MODEL CODES

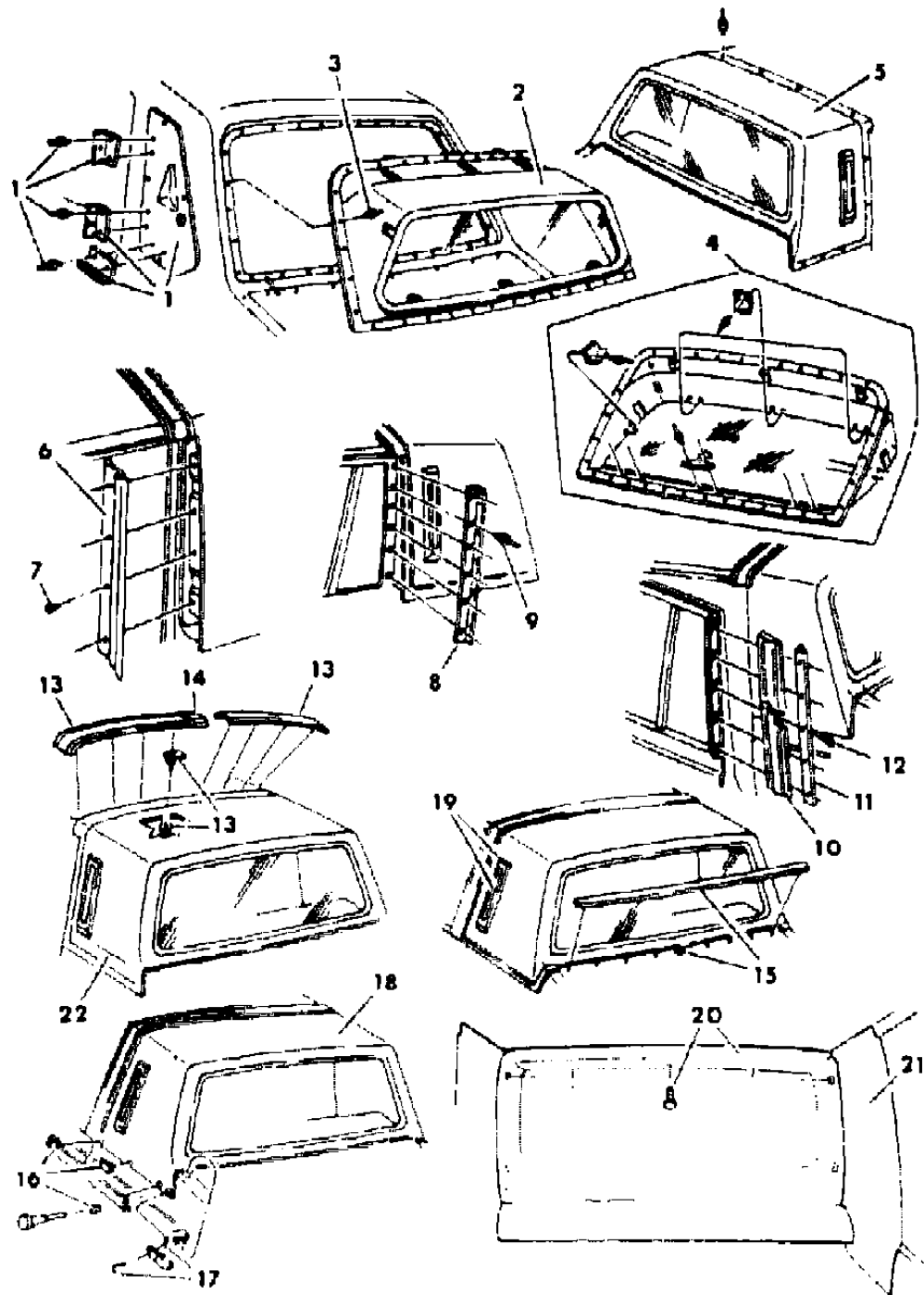
B = GRAN FURY	F = FIFTH AVENUE/NEWPORT	P = RELIANT
C = LEBARON/TOWN & COUNTRY/EXC SEDAN	G = DIPLOMAT	T = E CLASS/NEW YORKER
C24 = LASER	H = VOYAGER	V = 600
D = ARIES	K = MINI RAM/CARAVAN/ROYAL	V24 = DAYTONA
E = 600	M = HORIZON/TURISMO	Z = OMNI/CHARGER/RAMPAGE

BODY STYLES

21 = 2-DOOR SEDAN	28 = FWD PICKUP	44 = 4-DOOR HATCHBACK
22 = 2-DOOR SPECIAL COUPE	35 = FWD VAN	45 = 4-DOOR STATION WAGON
24 = 2-DOOR HATCHBACK	36 = FWD WAGON	48 = 4-DOOR EXECUTIVE SEDAN
27 = 2-DOOR CONVERTIBLE	41 = 4-DOOR SEDAN	

AR = Use as Required - = Non Illustrated Part P.A.R. = Paint as Required

MOULDINGS and ORNAMENTATION - EXTERIOR VIEW CHRYSLER NEW YORKER - PADDED LANDAU ROOF - T-P
Figure 23-5100



ITEM	PART NUMBER	QTY	BODY	MODEL	DESCRIPTION
	4339 082	1			Gunmetal Blue
	4318 260	1			Beige
	4318 261	1			Red
	4339 083	1			Mink Brown
	4318 263	1			White
16	4318 264	1			Black
	4318 228-9	1			MOULDING PACKAGE, Qtr. Belt Frt., Silver
	4339 074-5	1			Charcoal Gray
	4318 230-1	1			Night Watch Blue
	4339 070-1	1			Gunmetal Blue
	4318 232-3	1			Beige
	4318 234-5	1			Red
	4339 072-3	1			Mink Brown
	4318 238-9	1			White
	4318 240-1	1			Black
					RETAINER, (Serv. in Assy.)
	4057 555	AR			BARREL NUT PACKAGE
17	4318 244-5	1			MOULDING PACKAGE, Qtr. Belt Rear, Silver
	4339 080-1	1			Charcoal Gray
	4318 246-7	1			Night Watch Blue
	4339 076-7	1			Gunmetal Blue
	4318 248-9	1			Beige
	4318 250-1	1			Red
	4339 078-9	1			Mink Brown
	4318 254-5	1			White
	4318 256-7	1			Black
					RETAINER, (Serv. in Assy.)
	4057 555	AR			BARREL NUT PACKAGE
18	4318 208	1			COVER and PAD PACKAGE, Roof, Silver
	4271 067	1			Charcoal
	4318 209	1			Night Watch Blue
	4271 070	1			Gunmetal Blue
	4318 210	1			Beige
	4271 072	1			Red
	4271 071	1			Mink Brown
	4318 213	1			White
	4318 214	1			Black
19					LENS ASSEMBLY, (See Illus. in Group 8)

MODEL CODES

B = GRAN FURY	F = FIFTH AVENUE/NEWPORT	P = RELIANT
C = LEBARON/TOWN & COUNTRY/EXC SEDAN	G = DIPLOMAT	T = E CLASS/NEW YORKER
C24 = LASER	H = VOYAGER	V = 600
D = ARIES	K = MINI RAM/CARAVAN/ROYAL	V24 = DAYTONA
E = 600	M = HORIZON/TURISMO	Z = OMNI/CHARGER/RAMPAGE

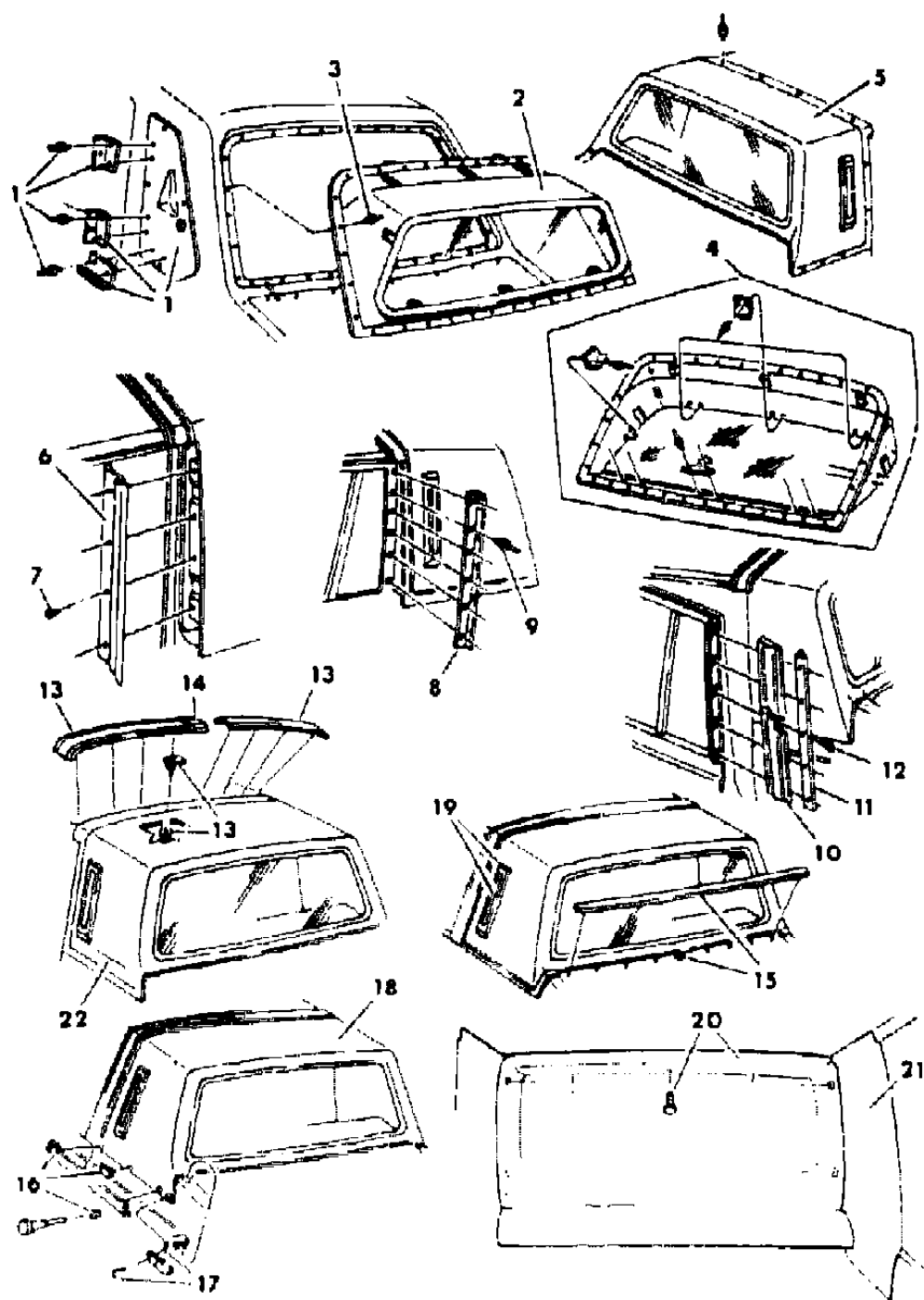
BODY STYLES

21 = 2-DOOR SEDAN	28 = FWD PICKUP	44 = 4-DOOR HATCHBACK
22 = 2-DOOR SPECIAL COUPE	35 = FWD VAN	45 = 4-DOOR STATION WAGON
24 = 2-DOOR HATCHBACK	36 = FWD WAGON	48 = 4-DOOR EXECUTIVE SEDAN
27 = 2-DOOR CONVERTIBLE	41 = 4-DOOR SEDAN	

AR = Use as Required - = Non Illustrated Part P.A.R. = Paint as Required

MOULDINGS and ORNAMENTATION - EXTERIOR VIEW CHRYSLER NEW YORKER - PADDED LANDAU ROOF - T-P
Figure 23-5100

4164 5100



ITEM	PART NUMBER	QTY	BODY	MODEL	DESCRIPTION
					BEZEL, Opera Lamp (See Illus. in Group 8)
20	F237 CS8	1			PANEL, Rear Wdo. Trim, Charcoal, Use Up to 3-15-84
	F237 BC7	1			Blue
	F237 BL3	1			Beige
	F237 BM6	1			Red
	F237 BT8	1			Dark Sable
	F238 CS8	1			PANEL, Rear Wdo. Trim, Charcoal, Use After 3-15-84
	F238 BC7	1			Blue
	F238 BM6	1			Red
21	F238 BT8	1			Dark Sable
	F238 BL3	1			Beige
					SCREW, (Not Serv.)
	H256-7 CS8	1			PANEL, Qtr. Trim Upr., Charcoal
	H256-7 CC7	1			Blue
22	H256-7 CL3	1			Beige
	H256-7 CM6	1			Red
	H256-7 CT8	1			Dark Sable
	4114 785	AR			FASTENER
	4247 931	2			BRACKET, Qtr. Trim Pnl. Upr.
	3569 954	2			NAMEPLATE, Roof Cap, "NEW YORKER"
	4057 555	4			RETAINER, Roof Cap Nameplate

MODEL CODES

B = GRAN FURY	F = FIFTH AVENUE/NEWPORT	P = RELIANT
C = LEBARON/TOWN & COUNTRY/EXC SEDAN	G = DIPLOMAT	T = E CLASS/NEW YORKER
C24 = LASER	H = VOYAGER	V = 600
D = ARIES	K = MINI RAM/CARAVAN/ROYAL	V24 = DAYTONA
E = 600	M = HORIZON/TURISMO	Z = OMNI/CHARGER/RAMPAGE

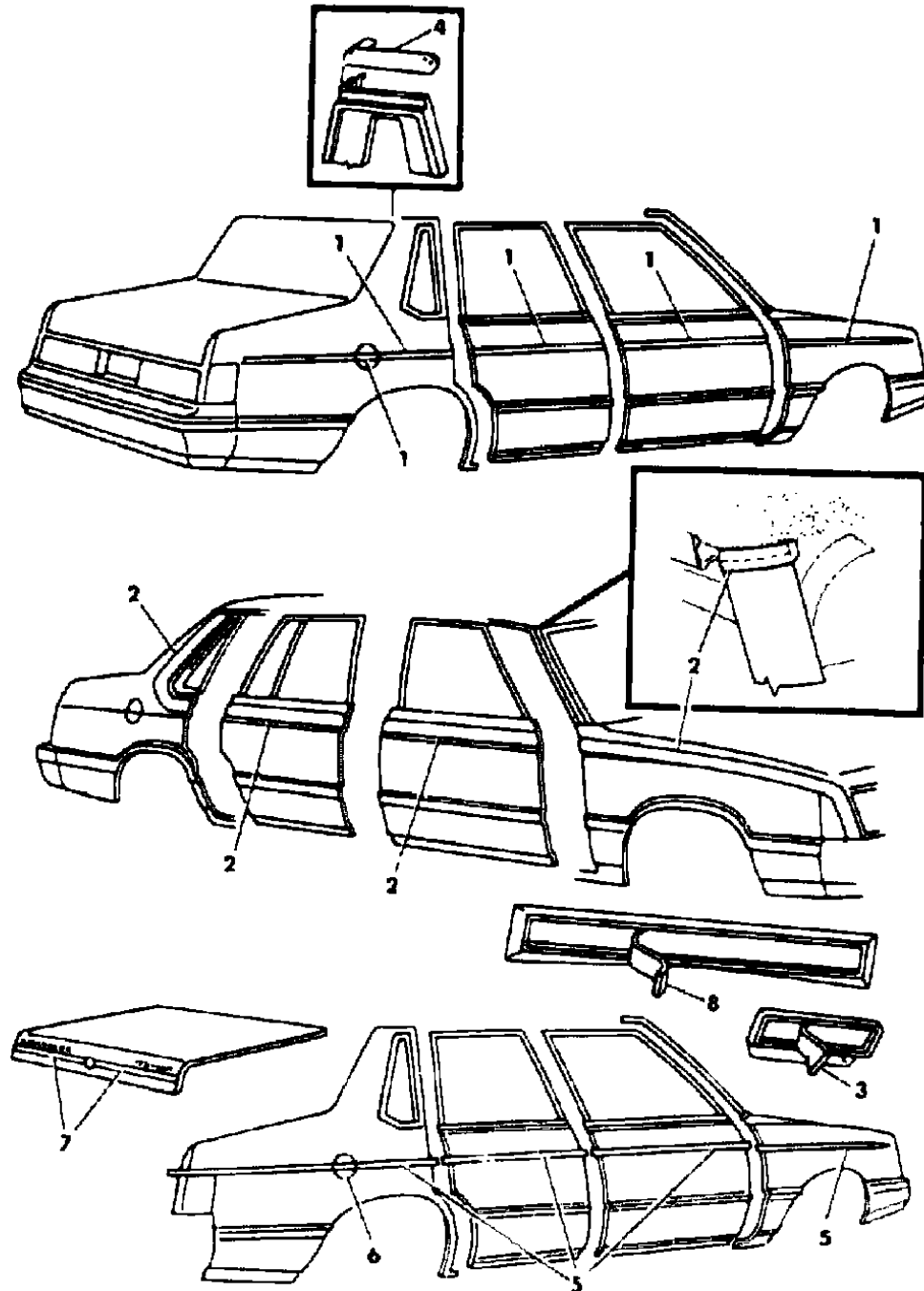
BODY STYLES

21 = 2-DOOR SEDAN	28 = FWD PICKUP	44 = 4-DOOR HATCHBACK
22 = 2-DOOR SPECIAL COUPE	35 = FWD VAN	45 = 4-DOOR STATION WAGON
24 = 2-DOOR HATCHBACK	36 = FWD WAGON	48 = 4-DOOR EXECUTIVE SEDAN
27 = 2-DOOR CONVERTIBLE	41 = 4-DOOR SEDAN	

AR = Use as Required - = Non Illustrated Part P.A.R. = Paint as Required

TAPE STRIPES and DECALS - EXTERIOR VIEW CHRYSLER E CLASS, NEW YORKER
Figure 23-5200

4108-5200



ITEM	PART NUMBER	QTY	BODY	MODEL	DESCRIPTION
1	4318 912-3	1		T-H	TAPE PACKAGE, Fndr., Door, Qtr., Silver (KCA)
	4318 914-5	1		T-H	Light Blue (KCB)
	4318 916-7	1		T-H	Saddle Brown (KCK)
	4318 918-9	1		T-H	Red (KCR)
	4318 920-1	1		T-H	Bright Blue (KCC)
	4318 922-3	1		T-H	Beige (KCL)
	T525 CA1	1		T-H	TAPE, Qtr. Pnl. Fuel Filler Door, Repair, Silver (KCA)
	T525 CB7	1		T-H	Bright Blue (KCC)
	T525 CC5	1		T-H	Light Blue (KCB)
	T525 CK4	1		T-H	Saddle Brown (KCK)
T525 CL2	1		T-H	Beige (KCL)	
T525 CR4	1		T-H	Red (KCR)	
2	4318 650-1	1		T-H	TAPE PACKAGE, Fndr., Door, Qtr., Sable Gray, Beige, Dark Beige (KFT) (Paint Sales Code PT6 QL4)
	4318 652-3	1		T-H	Gunmetal Blue, Light Blue (KFC) (Paint Sales Code PC6 QA1)
	T426 CC6	2		T-H	TAPE, Frt. Pillar, Gunmetal Blue (KFC)
	T426 CT6	2		T-H	Mink Brown (KFT)
3	T752 CA1	2		T-P	TAPE, Frt. and Rear Door Handle, Silver
	T752 CA6	2		T-P	Charcoal Gray
	T752 CC6	2		T-P	Gunmetal Blue
	T752 BC9	2		T-P	Night Watch Blue
	T752 BL4	2		T-P	Beige Met.
	T752 BM5	2		T-P	Crimson Red
	T752 CT6	2		T-P	Mink Brown
	T752 BW3	2		T-P	White
	T752 BX9	2		T-P	Black
	T752 CR6	2		T-P	Garnet Red
4	T024-5 CA1	1		T-H	TAPE, Qtr. Wdo. Mldg, Use w/Qtr. Wdo. Louvers, Ornament, Silver
	T024-5 CA6	1		T-H	Charcoal Gray
	T024-5 CC6	1		T-H	Gunmetal Blue
	T024-5 BC9	1		T-H	Night Watch Blue
	T024-5 BL4	1		T-H	Beige Met.
	T024-5 BM5	1		T-H	Crimson Red
	T024-5 CR6	1		T-H	Garnet
	T024-5 CT6	1		T-H	Mink Brown
	T024-5 BW3	1		T-H	White
	T024-5 BX9	1		T-H	Black

MODEL CODES

B = GRAN FURY	F = FIFTH AVENUE/NEWPORT	P = RELIANT
C = LEBARON/TOWN & COUNTRY/EXC SEDAN	G = DIPLOMAT	T = E CLASS/NEW YORKER
C24 = LASER	H = VOYAGER	V = 600
D = ARIES	K = MINI RAM/CARAVAN/ROYAL	V24 = DAYTONA
E = 600	M = HORIZON/TURISMO	Z = OMNI/CHARGER/RAMPAGE

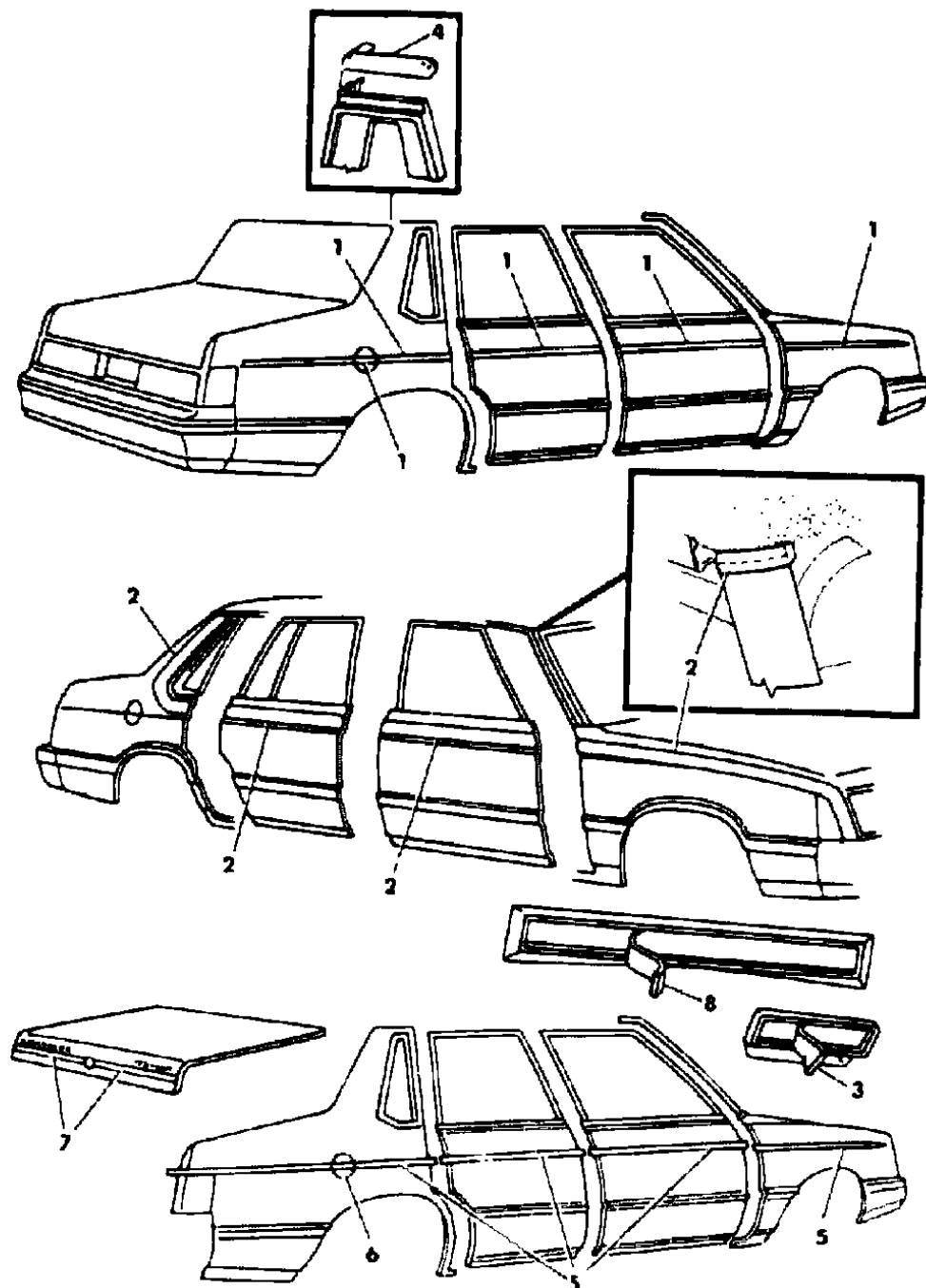
BODY STYLES

21 = 2-DOOR SEDAN	28 = FWD PICKUP	44 = 4-DOOR HATCHBACK
22 = 2-DOOR SPECIAL COUPE	35 = FWD VAN	45 = 4-DOOR STATION WAGON
24 = 2-DOOR HATCHBACK	36 = FWD WAGON	48 = 4-DOOR EXECUTIVE SEDAN
27 = 2-DOOR CONVERTIBLE	41 = 4-DOOR SEDAN	

AR = Use as Required - = Non Illustrated Part P.A.R. = Paint as Required

TAPE STRIPES and DECALS - EXTERIOR VIEW CHRYSLER E CLASS, NEW YORKER
Figure 23-5200

4108 5200



ITEM	PART NUMBER	QTY	BODY	MODEL	DESCRIPTION
5	4318 584-5	1		T-P	TAPE PACKAGE, Fndr., Door, Qtr., Silver (KDA)
	4318 586-7	1		T-P	Light Blue (KDB)
	4318 588-9	1		T-P	Santa Fe Blue (KDC)
	4318 592-3	1		T-P	Graphic Red (KDR)
	4318 590-1	1		T-P	Saddle Brown (KDK)
6	4318 224-5	1		T-P	Gold (KDY)
	T389 CA1	1		T-P	TAPE, Qtr. Pnl. Fuel Door, Repair, Silver (KDA)
	T389 CB6	1		T-P	Santa Fe Blue (KDC)
	T389 CC3	1		T-P	Light Blue (KDB)
	T389 CR4	1		T-P	Graphic Red (KDR)
	T389 CK5	1		T-P	Saddle Brown (KDK)
	T389 BY3	1		T-P	Gold (KDY)
7	T388 CA1	1		T-P	TAPE, Deck Lid, Silver (KDA)
	T388 CB6	1		T-P	Santa Fe Blue (KDC)
	T388 CC3	1		T-P	Light Blue (KDB)
	T388 CR4	1		T-P	Graphic Red (KDR)
	T388 CK5	1		T-P	Saddle Brown (KDK)
	T388 BY3	1		T-P	Gold (KDY)
8	T672 CER	2		T-H	DECAL, Frt. Door Handle, "EFI"
-	4339 086-7	1		T-P	TAPE PACKAGE, Radiator Grille, Lwr. Ext. and Ctr. Mldg., Silver
	4339 088-9	1		T-P	Charcoal
	4339 090-1	1		T-P	Gunmetal Blue
	4339 092-3	1		T-P	Night Watch Blue
	4339 094-5	1		T-P	Beige
	4339 096-7	1		T-P	Crimson Red
	4339 098-9	1		T-P	Garnet
	4339 102-3	1		T-P	White
	4339 104-5	1		T-P	Black

MODEL CODES

B = GRAN FURY	F = FIFTH AVENUE/NEWPORT	P = RELIANT
C = LEBARON/TOWN & COUNTRY/EXC SEDAN	G = DIPLOMAT	T = E CLASS/NEW YORKER
C24 = LASER	H = VOYAGER	V = 600
D = ARIES	K = MINI RAM/CARAVAN/ROYAL	V24 = DAYTONA
E = 600	M = HORIZON/TURISMO	Z = OMNI/CHARGER/RAMPAGE

BODY STYLES

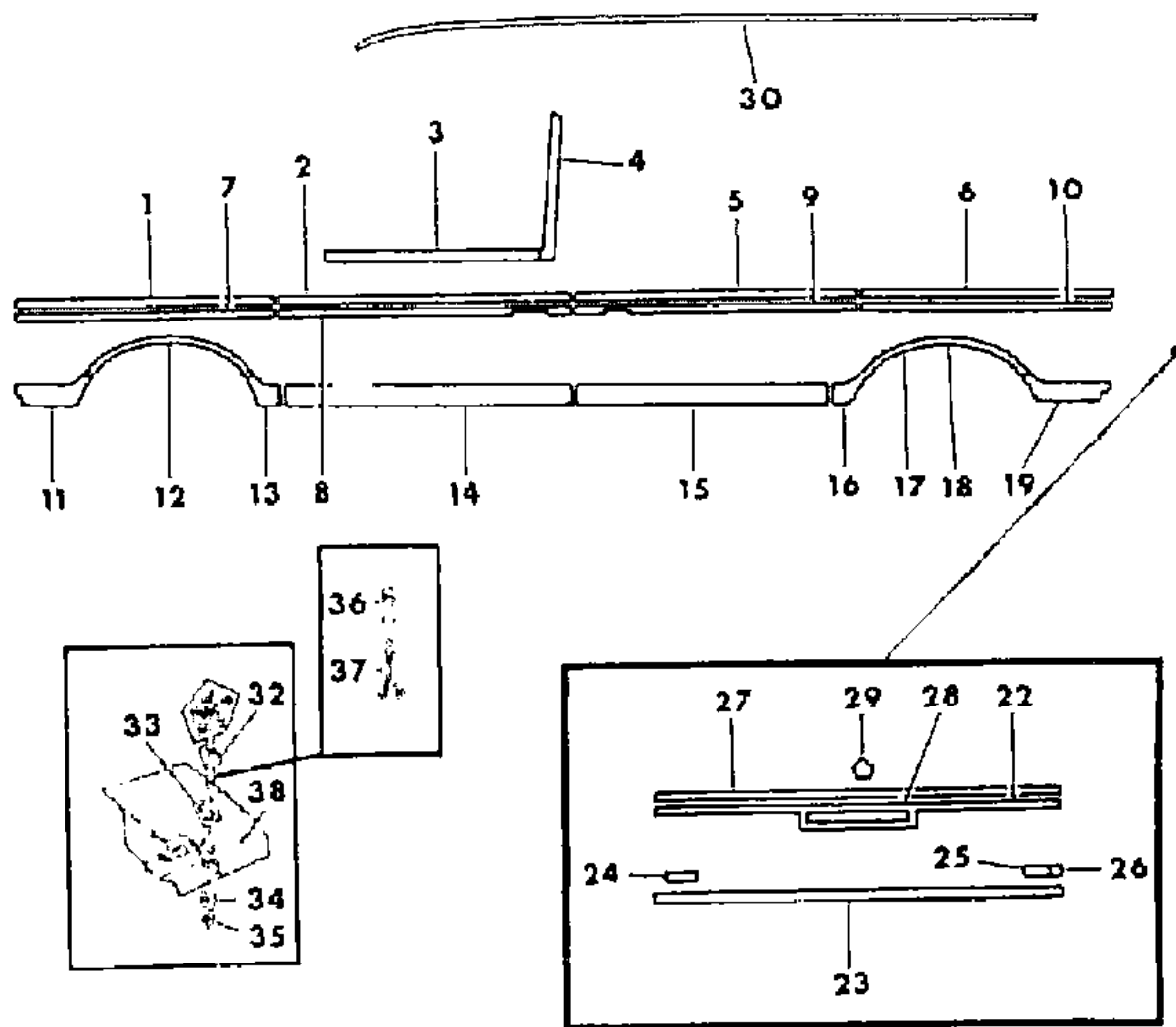
21 = 2-DOOR SEDAN	28 = FWD PICKUP	44 = 4-DOOR HATCHBACK
22 = 2-DOOR SPECIAL COUPE	35 = FWD VAN	45 = 4-DOOR STATION WAGON
24 = 2-DOOR HATCHBACK	36 = FWD WAGON	48 = 4-DOOR EXECUTIVE SEDAN
27 = 2-DOOR CONVERTIBLE	41 = 4-DOOR SEDAN	

AR = Use as Required - = Non Illustrated Part P.A.R. = Paint as Required

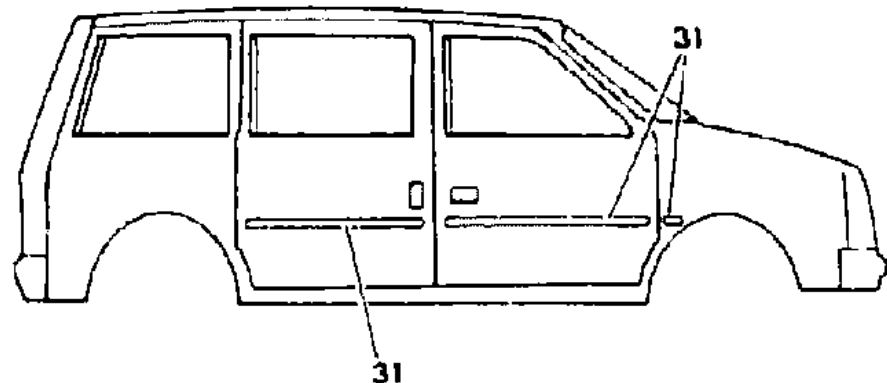
MOULDINGS and ORNAMENTATION - EXTERIOR VIEW PLYMOUTH VOYAGER WAGON
Figure 23-5300

416 5300

ITEM	PART NUMBER	QTY	BODY	MODEL	DESCRIPTION
1	4293 694-5	1		H-H	MOULDING PACKAGE, Fndr. Side
	4293 606	AR			RETAINER PACKAGE
	4057 555	AR			RETAINER PACKAGE
2	4293 696-7	1		H-H	MOULDING PACKAGE, Frt. Door
	6003 873	AR			RETAINER
	6003 627	AR			RETAINER
3	4319 148-9	1		H	WEATHERSTRIP, Frt. Door Belt
	6032 456	AR			SCREW
	4319 152-3	1		H	MOULDING, Frt. Door Wdo. Opng. Frame Rear
4	4057 555	AR			RETAINER PACKAGE
	4293 698	1		H-H	MOULDING PACKAGE, Sliding Door
	6003 873	AR			RETAINER
5	6003 627	AR			RETAINER
	4318 502	1		H-H	MOULDING PACKAGE, Qtr., Rt.
	4318 503	1		H-H	MOULDING PACKAGE, Qtr., Lt.
6	6003 873	AR			RETAINER
	6003 627	AR			RETAINER
	4293 572-3	1		H-P	MOULDING PACKAGE, Fndr. Side Upr., Woodgrain
7	4293 606	AR			RETAINER PACKAGE
	4057 555	AR			RETAINER PACKAGE
	4293 574-5	1		H-P	MOULDING PACKAGE, Frt. Door Upr., Woodgrain
8	6003 873	AR			RETAINER
	6003 627	AR			RETAINER
	4293 607	1		H-P	MOULDING PACKAGE, Sliding Door Upr., Woodgrain
9	4293 606	AR			RETAINER PACKAGE
	4057 555	AR			RETAINER PACKAGE
	4293 608	1		H-P	MOULDING PACKAGE, Qtr. Upr., Rt., Woodgrain
10	4293 609	1		H-P	MOULDING PACKAGE, Qtr. Upr., Lt., Woodgrain
	4293 606	AR			RETAINER PACKAGE
	4057 555	AR			RETAINER PACKAGE
11	4276 724-5	1		H-P	MOULDING, Fndr. Frt. Lwr., Woodgrain
	6003 874	AR			RETAINER
					SCREW, (Not Serv.)
12	4276 726-7	1		H-P	MOULDING, Fndr. Wheel Opng., Woodgrain
13					SCREW, (Not Serv.)
	4319 600-1	1		H-P	MOULDING, Fndr. Lwr. Rear, Woodgrain
	4057 555	AR			RETAINER PACKAGE
	6003 882	AR			RETAINER



PLYMOUTH --39



MODEL CODES
 B = GRAN FURY
 C = LEBARON/TOWN & COUNTRY/EXC SEDAN
 C24 = LASER
 D = ARIES
 E = 600
 F = FIFTH AVENUE/NEWPORT
 G = DIPLOMAT
 H = VOYAGER
 K = MINI RAM/CARAVAN/ROYAL
 M = HORIZON/TURISMO
 P = RELIANT
 T = E CLASS/NEW YORKER
 V = 600
 V24 = DAYTONA
 Z = OMNI/CHARGER/RAMPAGE

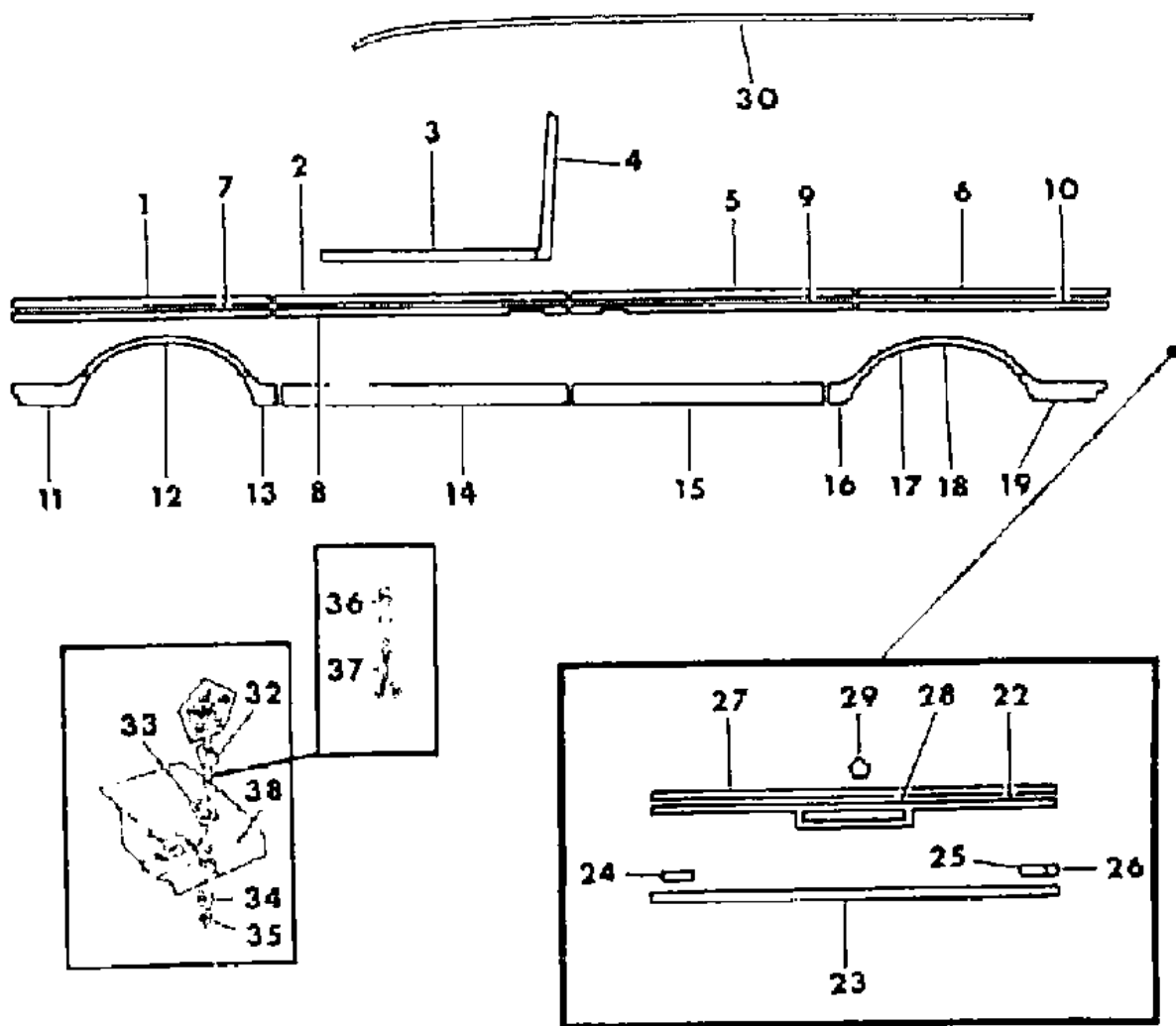
BODY STYLES
 21 = 2-DOOR SEDAN
 22 = 2-DOOR SPECIAL COUPE
 24 = 2-DOOR HATCHBACK
 27 = 2-DOOR CONVERTIBLE
 28 = FWD PICKUP
 35 = FWD VAN
 36 = FWD WAGON
 41 = 4-DOOR SEDAN
 44 = 4-DOOR HATCHBACK
 45 = 4-DOOR STATION WAGON
 48 = 4-DOOR EXECUTIVE SEDAN

AR = Use as Required - = Non Illustrated Part P.A.R. = Paint as Required

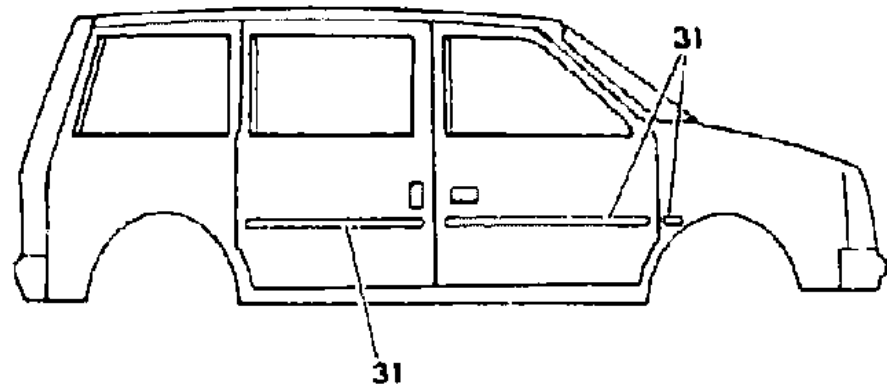
MOULDINGS and ORNAMENTATION - EXTERIOR VIEW PLYMOUTH VOYAGER WAGON
Figure 23-5300

416 5300

ITEM	PART NUMBER	QTY	BODY	MODEL	DESCRIPTION
					END CAP, (Serv. in Mldg. Assy.)
					SCREW, (Not Serv.)
14	4276 730-1	1		H-P	MOULDING, Frt. Door Lwr., Woodgrain
	6003 855	AR			RETAINER
15	4276 734	1		H-P	MOULDING, Sliding Door Lwr., Woodgrain
	6003 855	AR			RETAINER
16	4276 739	1		H-P	MOULDING, Qtr. Lwr. Frt., Lt., Woodgrain
	6003 855	AR			RETAINER
					SCREW, (Not Serv.)
17	4276 743	1		H-P	MOULDING, Qtr. Wheel Opng., Lt., Woodgrain
					SCREW, (Not Serv.)
18	4319 610	1		H-P	MOULDING, Qtr. Lwr. Frt. and Wheel Opng., Rt., Woodgrain
					SCREW, (Not Serv.)
19	4276 744-5	1		H-P	MOULDING, Qtr. Lwr. Rear, Woodgrain
	6003 874	AR			RETAINER
					SCREW, (Not Serv.)
22	4293 586-7	1		H-P	MOULDING PACKAGE, L/Gate Up. Outer, Woodgrain
	4293 606	AR			RETAINER PACKAGE
23	4293 588	1		H-P	MOULDING, L/Gate Lwr., Woodgrain
	6003 849	AR			RETAINER
24	4328 117	1		H	NAMEPLATE, L/Gate, "PLYMOUTH"
25	4319 995	1		H	NAMEPLATE, L/Gate, "VOYAGER"
26	4328 383	1		H-H	NAMEPLATE, L/Gate, "SE"
	4328 384	1		H-S	NAMEPLATE, L/Gate, "LE"
27	4318 504-5	1		H-H	MOULDING PACKAGE, L/Gate
	6003 873	AR			RETAINER
	6026 523	AR			NUT
28	4328 156	1		H	HANDLE ASSEMBLY, L/Gate
	0116 000	AR			NUT and WASHER
	4328 159	1		H-P	HANDLE and MOULDING, L/Gate, Woodgrain
	0116 000	AR			NUT and WASHER
29	4319 497	1		H	MEDALLION, L/Gate Pentastar
30	4328 338-9	1			MOULDING, Roof Side Drain Trough, Repair
31	X126-7 CC4	1			MOULDING, Fndr. Rear, Blue
	X126-7 CW3	1			White
	X126-7 CX9	1			Black
	X129 CC4	2			MOULDING, Frt. Door, Blue
	X129 CW3	2			White



PLYMOUTH --39



MODEL CODES

B = GRAN FURY	F = FIFTH AVENUE/NEWPORT	P = RELIANT
C = LEBARON/TOWN & COUNTRY/EXC SEDAN	G = DIPLOMAT	T = E CLASS/NEW YORKER
C24 = LASER	H = VOYAGER	V = 600
D = ARIES	K = MINI RAM/CARAVAN/ROYAL	V24 = DAYTONA
E = 600	M = HORIZON/TURISMO	Z = OMNI/CHARGER/RAMPAGE

BODY STYLES

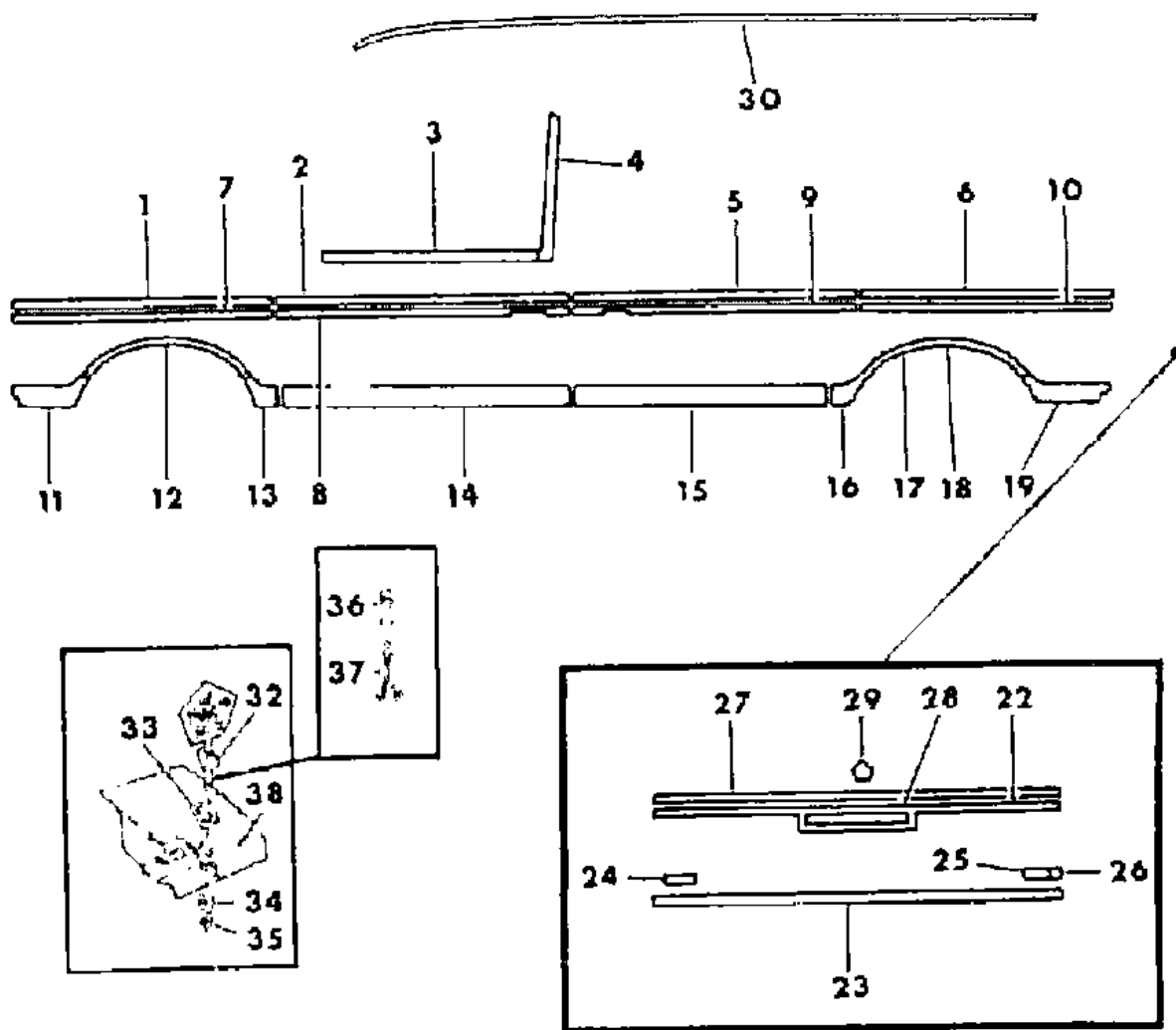
21 = 2-DOOR SEDAN	28 = FWD PICKUP	44 = 4-DOOR HATCHBACK
22 = 2-DOOR SPECIAL COUPE	35 = FWD VAN	45 = 4-DOOR STATION WAGON
24 = 2-DOOR HATCHBACK	36 = FWD WAGON	48 = 4-DOOR EXECUTIVE SEDAN
27 = 2-DOOR CONVERTIBLE	41 = 4-DOOR SEDAN	

AR = Use as Required - = Non Illustrated Part P.A.R. = Paint as Required

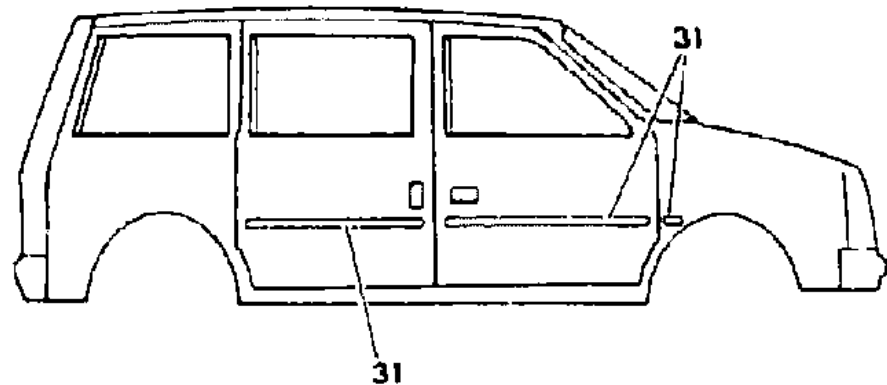
MOULDINGS and ORNAMENTATION - EXTERIOR VIEW PLYMOUTH VOYAGER WAGON
Figure 23-5300

4100 5300

ITEM	PART NUMBER	QTY	BODY	MODEL	DESCRIPTION
	X129 CX9	2			Black
	X130 CC4	1			MOULDING, Sliding Door, Rt., Blue
	X130 CW3	1			White
	X130 CX9	1			Black
	X131 CC4	1			MOULDING, Qtr. Pnl., Lt., Blue
	X131 CW3	1			White
	X131 CX9	1			Black
32	4339 013	1			ORNAMENT, Hood (Includes Items 33,34,35,36,37)
33		1			GASKET
34		1			SPACER
35		1			NUT
36	3672 672	1			SPRING
37	3672 780	1			RETAINER
38		1			HOOD, (See Illus. in Group 23A)
39	4270 952	1			NAMEPLATE, Hood, "PLYMOUTH"



PLYMOUTH --39



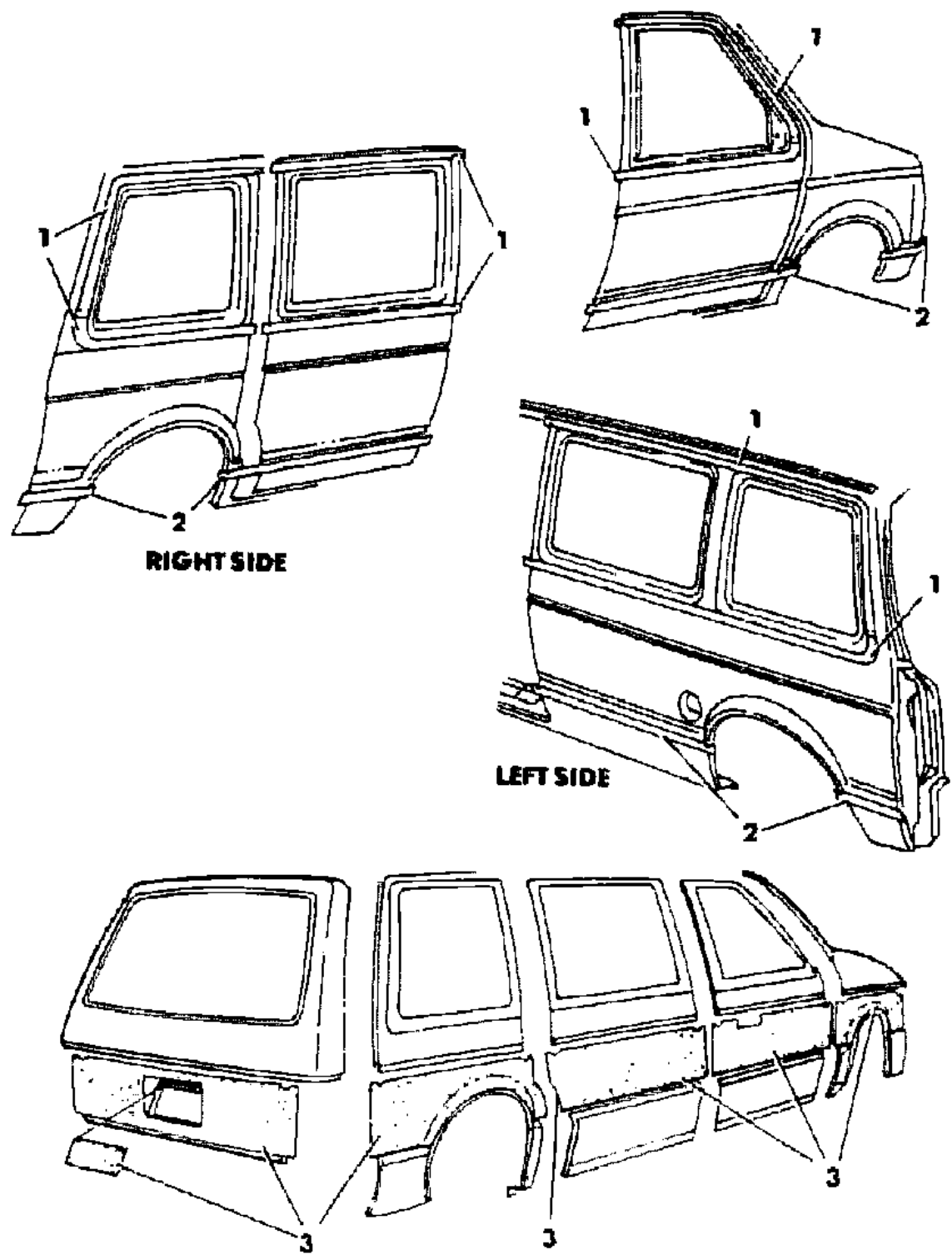
MODEL CODES
 B = GRAN FURY
 C = LEBARON/TOWN & COUNTRY/EXC SEDAN
 C24 = LASER
 D = ARIES
 E = 600
 F = FIFTH AVENUE/NEWPORT
 G = DIPLOMAT
 H = VOYAGER
 K = MINI RAM/CARAVAN/ROYAL
 M = HORIZON/TURISMO
 P = RELIANT
 T = E CLASS/NEW YORKER
 V = 600
 V24 = DAYTONA
 Z = OMNI/CHARGER/RAMPAGE

BODY STYLES
 21 = 2-DOOR SEDAN
 22 = 2-DOOR SPECIAL COUPE
 24 = 2-DOOR HATCHBACK
 27 = 2-DOOR CONVERTIBLE
 28 = FWD PICKUP
 35 = FWD VAN
 36 = FWD WAGON
 41 = 4-DOOR SEDAN
 44 = 4-DOOR HATCHBACK
 45 = 4-DOOR STATION WAGON
 48 = 4-DOOR EXECUTIVE SEDAN

AR = Use as Required - = Non Illustrated Part P.A.R. = Paint as Required

TAPE STRIPES and DECALS - EXTERIOR VIEW PLYMOUTH VOYAGER WAGON
Figure 23-5400

4168 5400



ITEM	PART NUMBER	QTY	BODY	MODEL	DESCRIPTION
1	4318 962-3	1			TAPE PACKAGE, Frt. Door Wdo. Upr., Lwr., Qtr. Wdo. Upr. and Rear Lwr., Dark Red, Bright Red, (KCD) (Paint Sales Code PR6 QX9)
	4318 968-9	1			Dark Brown, Russet, (KCE) (Paint Sales Code PT6 QX9)
	4318 972-3	1			Dark Beige, Russet, (KCF) (Paint Sales Code PL4 QT6)
	4318 974-5	1			Dark Brown, Dark Orange, (KCG) (Paint Sales Code PK5 QX9)
	4318 970-1	1			Dark Silver, Bright Red, (KCH) (Paint Sales Code PA6 QX9)
	4318 976-7	1			Light Blue, Red, (KCJ) (Paint Sales Code PA1 QC6)
	4318 964-5	1			Ginger, Brown, (KCK) (Paint Sales Code PW3 QK5)
	4318 966-7	1			Light Blue, Med. Blue, (KCL)(Paint Sales Code PW3 QC4)
	4318 962	1			TAPE PACKAGE, Sliding Door Wdo. Upr. and Lwr., Dark Red, Bright Red, (KCD) (Sales Code PR6 QX9)
	4318 968	1			Dark Brown, Russet, (KCE) (Paint Sales PT6 QX9)
	4318 972	1			Dark Beige, Russet (KCF) (Paint Sales Code PL4 QT6)
	4318 974	1			Dark Brown, Dark Orange (KCG) (Paint Sales Code PK5 QX9)
	4318 970	1			Dark Silver, Bright Red (KCH) (Paint Sales Code PA6 QX9)
	4318 976	1			Light Blue, Red (KCJ) (Paint Sales Code PA1 QC6)
	4318 964	1			Ginger, Brown (KCK)(Paint Sales Code PW3 QK5)
	4318 966	1			Light Blue, Med. Blue (KCL) (Paint SaleCode PW3 Q C4)
2	4318 946-7	1			TAPE PACKAGE, Fndr. Lwr., Door Lwr., Sliding Door and Qtr. Lwr., Dark Red, Bright Red (KCD) (Paint Sales Code PR6 QX9)
	4318 952-3	1			Dark Brown, Russet (KCE) (Paint Sales Code PT6 QX9)
	4318 956-7	1			Dark Beige Met., Russet (KCF) (Paint Sales Code PL4 QT6)
	4318 958-9	1			Dark Brown, Dark Orange (KCG) (Paint Sales Code PK5 QX9)
	4318 954-5	1			Dark Silver, Bright Red (KCH) (Paint Sales Code PA6 QX9)
	4318 960-1	1			Light Blue, Red (KCJ) (Paint Sales Code PA1 QC6)
	4318 948-9	1			Ginger, Brown (KCK)(Paint Sales Code PW3 QK5)
	4318 950-1	1			Light Blue, Med. Blue (KCL) (Paint Sales Code PW3 QC4)
3	4276 763	AR			OVERLAY, Fndr., Frt. Door, Sliding Door, Qtr., L/Gate, Lic. Plate Depr., Approx. 12.2" Wide, 78.7" Long

MODEL CODES

B = GRAN FURY	F = FIFTH AVENUE/NEWPORT	P = RELIANT
C = LEBARON/TOWN & COUNTRY/EXC SEDAN	G = DIPLOMAT	T = E CLASS/NEW YORKER
C24 = LASER	H = VOYAGER	V = 600
D = ARIES	K = MINI RAM/CARAVAN/ROYAL	V24 = DAYTONA
E = 600	M = HORIZON/TURISMO	Z = OMNI/CHARGER/RAMPAGE

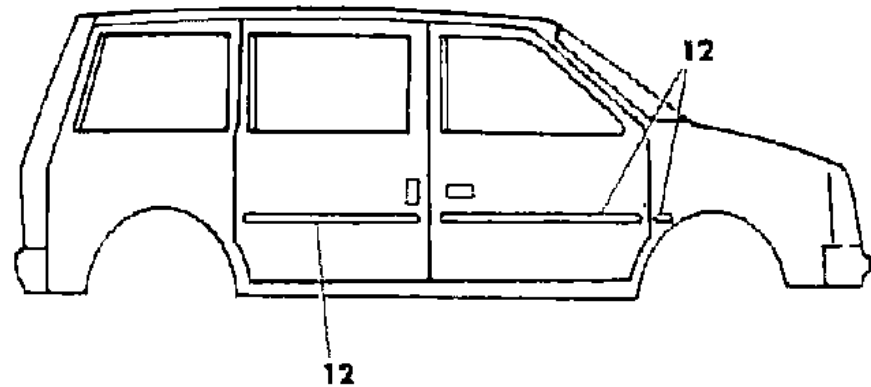
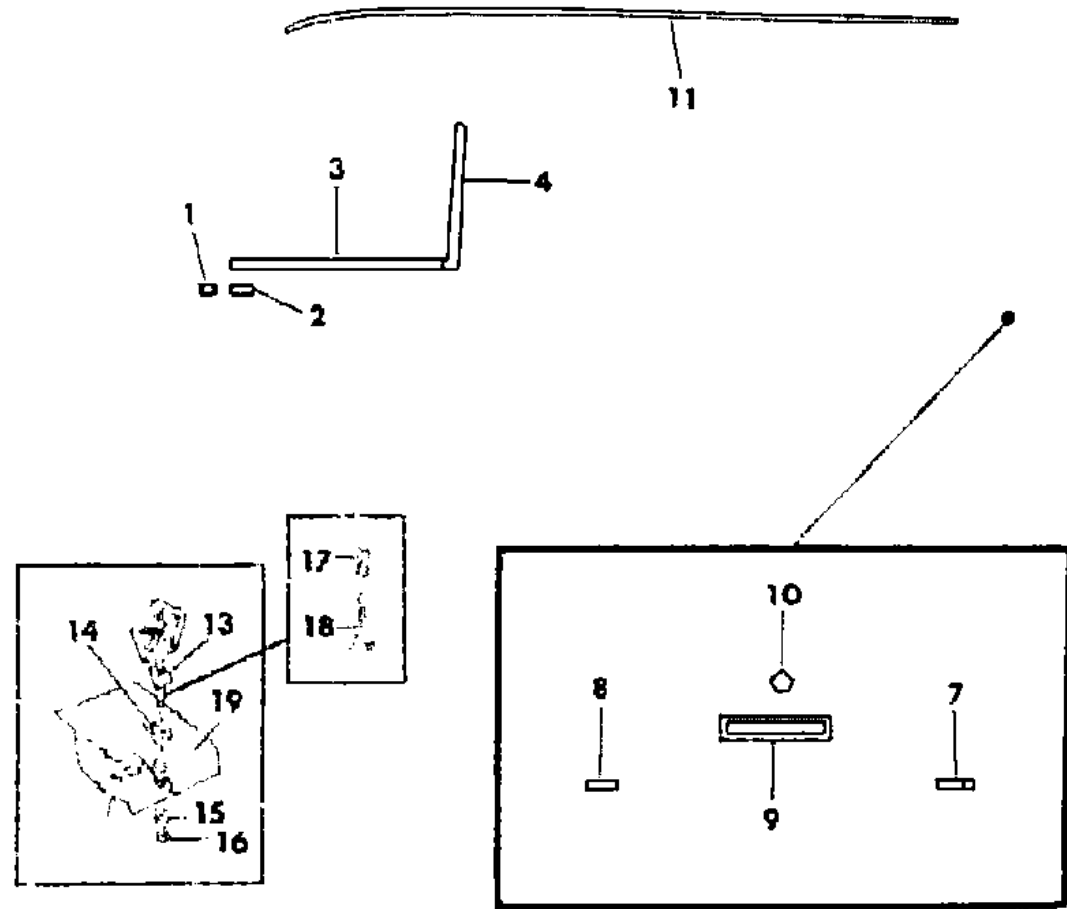
BODY STYLES

21 = 2-DOOR SEDAN	28 = FWD PICKUP	44 = 4-DOOR HATCHBACK
22 = 2-DOOR SPECIAL COUPE	35 = FWD VAN	45 = 4-DOOR STATION WAGON
24 = 2-DOOR HATCHBACK	36 = FWD WAGON	48 = 4-DOOR EXECUTIVE SEDAN
27 = 2-DOOR CONVERTIBLE	41 = 4-DOOR SEDAN	

AR = Use as Required - = Non Illustrated Part P.A.R. = Paint as Required

MOULDINGS and ORNAMENTATION - EXTERIOR VIEW DODGE MINI RAM VAN and ROYAL
Figure 23-5500

ITEM	PART NUMBER	QTY	BODY	MODEL	DESCRIPTION
1	4328 544-5	1		K-S	MEDALLION, Frt. Door, Royal
2	4328 382	2		K	NAMEPLATE, Frt. Door, "RAM"
3	4319 148-9	1		K	WEATHERSTRIP, Frt. Door Belt
4	6032 456	AR			SCREW
	4319 152-3	1		K	MOULDING, Frt. Door Wdo. Opng. Frame Rear
	4057 555	AR			RETAINER PACKAGE
7	4319 994	1		K	NAMEPLATE, L/Gate, "RAM VAN"
8	4328 118	1		K	NAMEPLATE, L/Gate, "DODGE"
9	4328 156	1		K	HANDLE ASSEMBLY, L/Gate
	0116 000	AR			NUT and WASHER
10	4319 497	1		K	MEDALLION, L/Gate Pentastar
11	4328 338-9	1			MOULDING, Roof Side Drain Trough, Repair
12	X126-7 CC4	1			MOULDING, Fndr. Rear, Blue
	X126-7 CW3	1			White
	X126-7 CX9	1			Black
	X129 CC4	2			MOULDING, Frt. Door, Blue
	X129 CW3	2			White
	X129 CX9	2			Black
	X130 CC4	1			MOULDING, Sliding Door, Rt., Blue
	X130 CW3	1			White
	X130 CX9	1			Black
	X131 CC4	1			MOULDING, Qtr. Pnl., Lt., Blue
	X131 CW3	1			White
	X131 CX9	1			Black
13	4339 013	1			ORNAMENT, Hood (Includes Items 14,15,16,17,18)
14		1			GASKET
15		1			SPACER
16		1			NUT
17	3672 672	1			SPRING
18	3672 780	1			RETAINER
19		1			HOOD, (See Illus. in Group 23A)
20	4339 085	1			NAMEPLATE, Hood, "DODGE"



DODGE - -20

MODEL CODES

B = GRAN FURY	F = FIFTH AVENUE/NEWPORT	P = RELIANT
C = LEBARON/TOWN & COUNTRY/EXC SEDAN	G = DIPLOMAT	T = E CLASS/NEW YORKER
C24 = LASER	H = VOYAGER	V = 600
D = ARIES	K = MINI RAM/CARAVAN/ROYAL	V24 = DAYTONA
E = 600	M = HORIZON/TURISMO	Z = OMNI/CHARGER/RAMPAGE

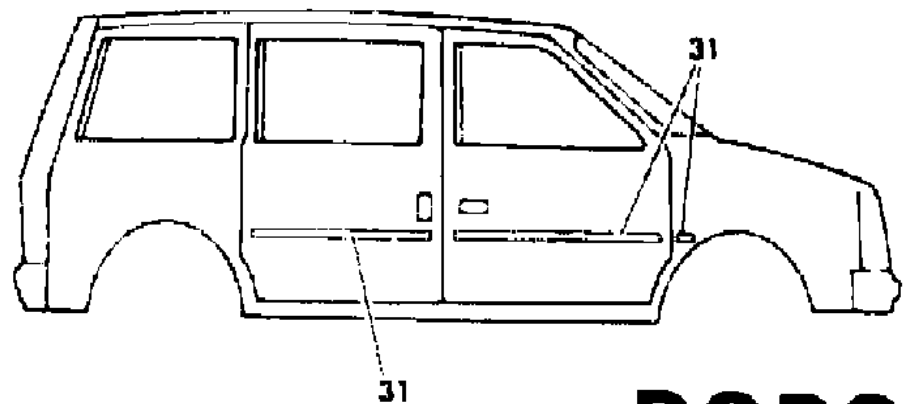
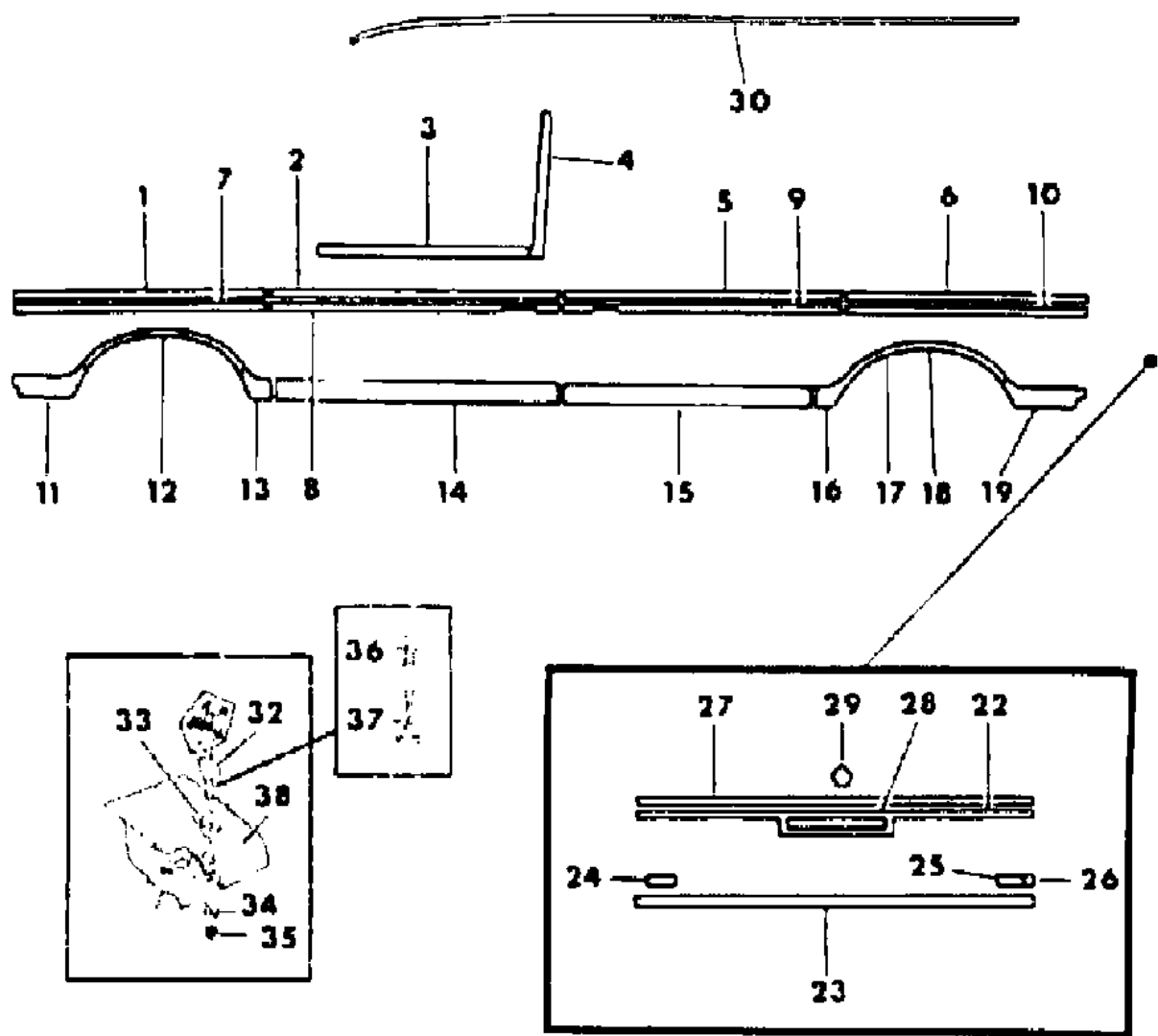
BODY STYLES

21 = 2-DOOR SEDAN	28 = FWD PICKUP	44 = 4-DOOR HATCHBACK
22 = 2-DOOR SPECIAL COUPE	35 = FWD VAN	45 = 4-DOOR STATION WAGON
24 = 2-DOOR HATCHBACK	36 = FWD WAGON	48 = 4-DOOR EXECUTIVE SEDAN
27 = 2-DOOR CONVERTIBLE	41 = 4-DOOR SEDAN	

AR = Use as Required - = Non Illustrated Part P.A.R. = Paint as Required

MOULDINGS and ORNAMENTATION - EXTERIOR VIEW DODGE CARAVAN WAGON
Figure 23-5600

4116a (up)



DODGE - 39

ITEM	PART NUMBER	QTY	BODY	MODEL	DESCRIPTION
1	4293 694-5	1		K-H	MOULDING PACKAGE, Fndr. Side
	4293 606	AR			RETAINER PACKAGE
	4057 555	AR			RETAINER PACKAGE
2	4293 696-7	1		K-H	MOULDING PACKAGE, Frt. Door
	6003 873	AR			RETAINER
	6003 627	AR			RETAINER
3	4319 148-9	1		K	WEATHERSTRIP, Frt. Door Belt
	6032 456	AR			SCREW
	4319 152-3	1		K	MOULDING, Frt. Door Wdo. Opng. Frame Rear
4	4057 555	AR			RETAINER PACKAGE
	4293 698	1		K-H	MOULDING PACKAGE, Sliding Door
	6003 873	AR			RETAINER
5	6003 627	AR			RETAINER
	4318 502	1		K-H	MOULDING PACKAGE, Qtr., Rt.
	4318 503	1		K-H	MOULDING PACKAGE, Qtr., Lt.
6	6003 873	AR			RETAINER
	6003 627	AR			RETAINER
	4293 572-3	1		K-P	MOULDING PACKAGE, Fndr. Side Uprr., Woodgrain
7	4293 606	AR			RETAINER PACKAGE
	4057 555	AR			RETAINER PACKAGE
	4293 574-5	1		K-P	MOULDING PACKAGE, Frt. Door Uprr., Woodgrain
8	6003 873	AR			RETAINER
	6003 627	AR			RETAINER
	4293 607	1		K-P	MOULDING PACKAGE, Sliding Door Uprr., Woodgrain
9	4293 606	AR			RETAINER PACKAGE
	4057 555	AR			RETAINER PACKAGE
	4293 608	1		K-P	MOULDING PACKAGE, Qtr. Uprr., Rt., Woodgrain
10	4293 609	1		K-P	MOULDING PACKAGE, Qtr. Uprr., Lt., Woodgrain
	4293 606	AR			RETAINER PACKAGE
	4057 555	AR			RETAINER PACKAGE
11	4276 724-5	1		K-P	MOULDING, Fndr. Frt. Lwr., Woodgrain
	6003 874	AR			RETAINER
					SCREW, (Not Serv.)
12	4276 726-7	1		K-P	MOULDING, Fndr. Wheel Opng., Woodgrain
13					SCREW, (Not Serv.)
	4319 600-1	1		K-P	MOULDING, Fndr. Lwr. Rear, Woodgrain
	4057 555	AR			RETAINER PACKAGE
	6003 882	AR			RETAINER

MODEL CODES

B = GRAN FURY	F = FIFTH AVENUE/NEWPORT	P = RELIANT
C = LEBARON/TOWN & COUNTRY/EXC SEDAN	G = DIPLOMAT	T = E CLASS/NEW YORKER
C24 = LASER	H = VOYAGER	V = 600
D = ARIES	K = MINI RAM/CARAVAN/ROYAL	V24 = DAYTONA
E = 600	M = HORIZON/TURISMO	Z = OMNI/CHARGER/RAMPAGE

BODY STYLES

21 = 2-DOOR SEDAN	28 = FWD PICKUP	44 = 4-DOOR HATCHBACK
22 = 2-DOOR SPECIAL COUPE	35 = FWD VAN	45 = 4-DOOR STATION WAGON
24 = 2-DOOR HATCHBACK	36 = FWD WAGON	48 = 4-DOOR EXECUTIVE SEDAN
27 = 2-DOOR CONVERTIBLE	41 = 4-DOOR SEDAN	

AR = Use as Required - = Non Illustrated Part P.A.R. = Paint as Required

MOULDINGS and ORNAMENTATION - EXTERIOR VIEW DODGE CARAVAN WAGON
Figure 23-5600

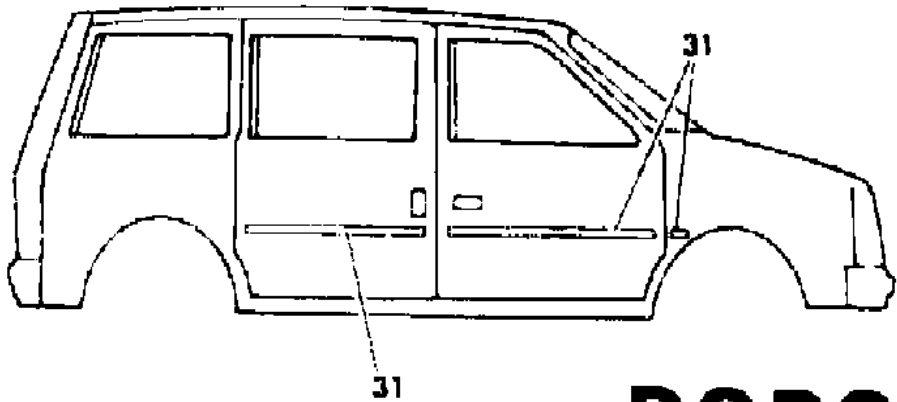
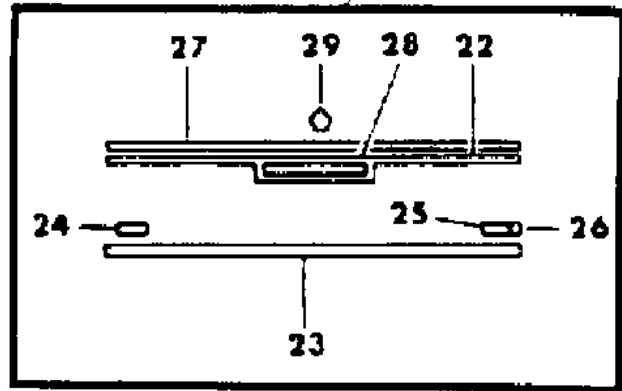
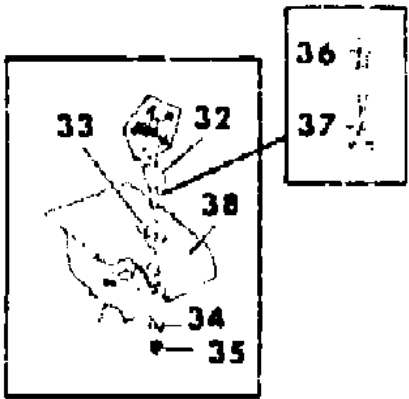
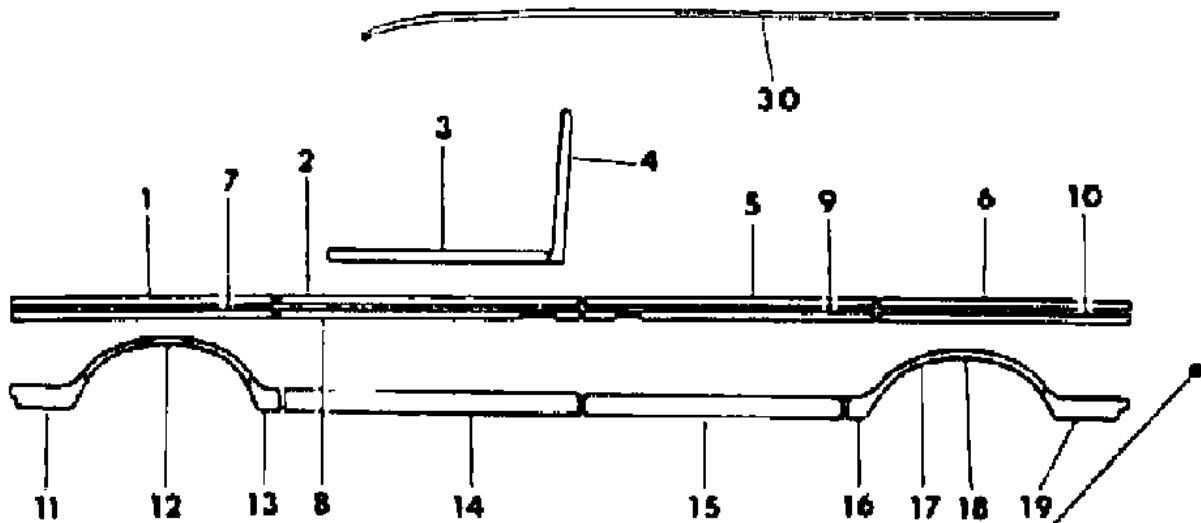
4116 (up)

ITEM	PART NUMBER	QTY	BODY	MODEL	DESCRIPTION
					END CAP, (Serv. in Mldg. Assy.)
					SCREW, (Not Serv.)
14	4276 730-1	1		K-P	MOULDING, Frt. Door Lwr., Woodgrain
	6003 855	AR			RETAINER
15	4276 734	1		K-P	MOULDING, Sliding Door Lwr., Woodgrain
	6003 855	AR			RETAINER
16	4276 739	1		K-P	MOULDING, Qtr. Lwr. Frt., Lt., Woodgrain
					SCREW, (Not Serv.)
	6003 855	AR			RETAINER
17	4276 743	1		K-P	MOULDING, Qtr. Wheel Opng., Woodgrain
					SCREW, (Not Serv.)
18	4319 610	1		K-P	MOULDING, Qtr. Lwr. Frt. and Wheel Opng., Rt., Woodgrain
					SCREW, (Not Serv.)
19	4276 744-5	1		K-P	MOULDING, Qtr. Lwr. Rear, Woodgrain
	6003 874	AR			RETAINER
					SCREW, (Not Serv.)
22	4293 586-7	1		K-P	MOULDING PACKAGE, L/Gate Up. Outer, Woodgrain
	4293 606	AR			RETAINER PACKAGE
23	4293 588	1		K-P	MOULDING, L/Gate Lwr., Woodgrain
	6003 849	AR			RETAINER
24	4328 118	1		K	NAMEPLATE, L/Gate, "DODGE"
25	4319 993	1		K	NAMEPLATE, L/Gate, "CARAVAN"
26	4328 383	1		K-H	NAMEPLATE, L/Gate, "SE"
	4328 384	1		K-P	NAMEPLATE, L/Gate, "LE"
27	4318 504-5	1		K-H	MOULDING PACKAGE, L/Gate
	6003 873	AR			RETAINER
	6026 523	AR			NUT
28	4328 156	1		K	HANDLE ASSEMBLY, L/Gate
	0116 000	AR			NUT and WASHER
	4328 159	1		K-P	HANDLE and MOULDING., L/Gate, Woodgrain
	0116 000	AR			NUT and WASHER
29	4319 497	1		K	MEDALLION, L/Gate Pentastar
30	4328 338-9	1			MOULDING, Roof Side Drain Trough, Repair
31	X126-7 CC4	1			MOULDING, Fndr. Rear, Blue
	X126-7 CW3	1			White
	X126-7 CX9	1			Black
	X129 CC4	2			MOULDING, Frt. Door, Blue
	X129 CW3	2			White

MODEL CODES
 B = GRAN FURY
 C = LEBARON/TOWN & COUNTRY/EXC SEDAN
 C24 = LASER
 D = ARIES
 E = 600
 F = FIFTH AVENUE/NEWPORT
 G = DIPLOMAT
 H = VOYAGER
 K = MINI RAM/CARAVAN/ROYAL
 M = HORIZON/TURISMO
 P = RELIANT
 T = E CLASS/NEW YORKER
 V = 600
 V24 = DAYTONA
 Z = OMNI/CHARGER/RAMPAGE

BODY STYLES
 21 = 2-DOOR SEDAN
 22 = 2-DOOR SPECIAL COUPE
 24 = 2-DOOR HATCHBACK
 27 = 2-DOOR CONVERTIBLE
 28 = FWD PICKUP
 35 = FWD VAN
 36 = FWD WAGON
 41 = 4-DOOR SEDAN
 44 = 4-DOOR HATCHBACK
 45 = 4-DOOR STATION WAGON
 48 = 4-DOOR EXECUTIVE SEDAN

AR = Use as Required - = Non Illustrated Part P.A.R. = Paint as Required

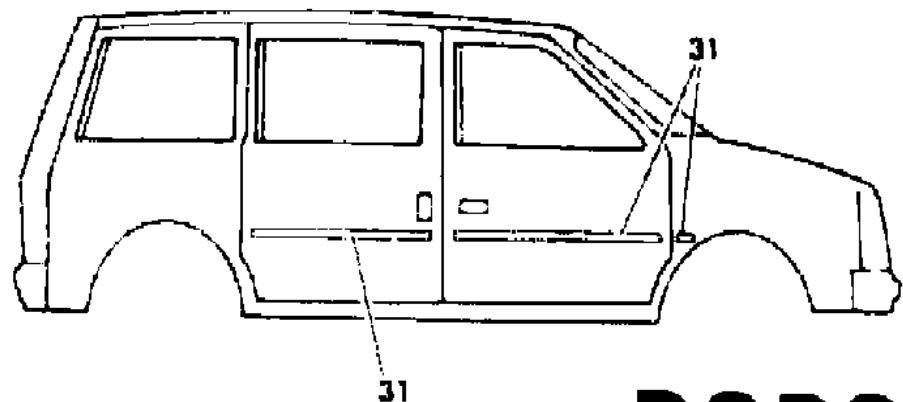
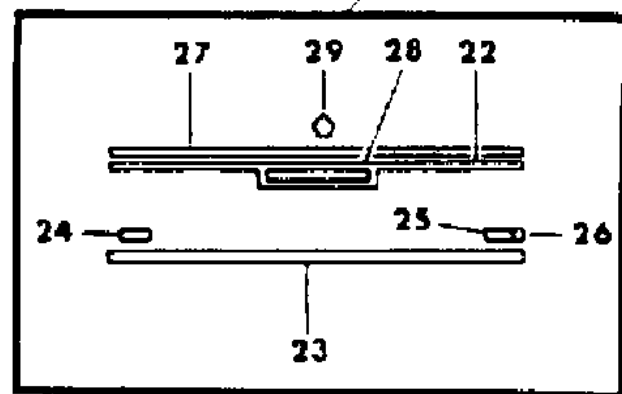
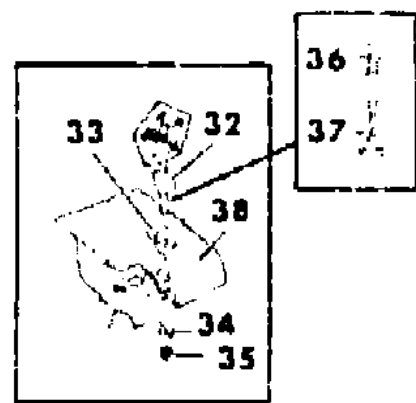
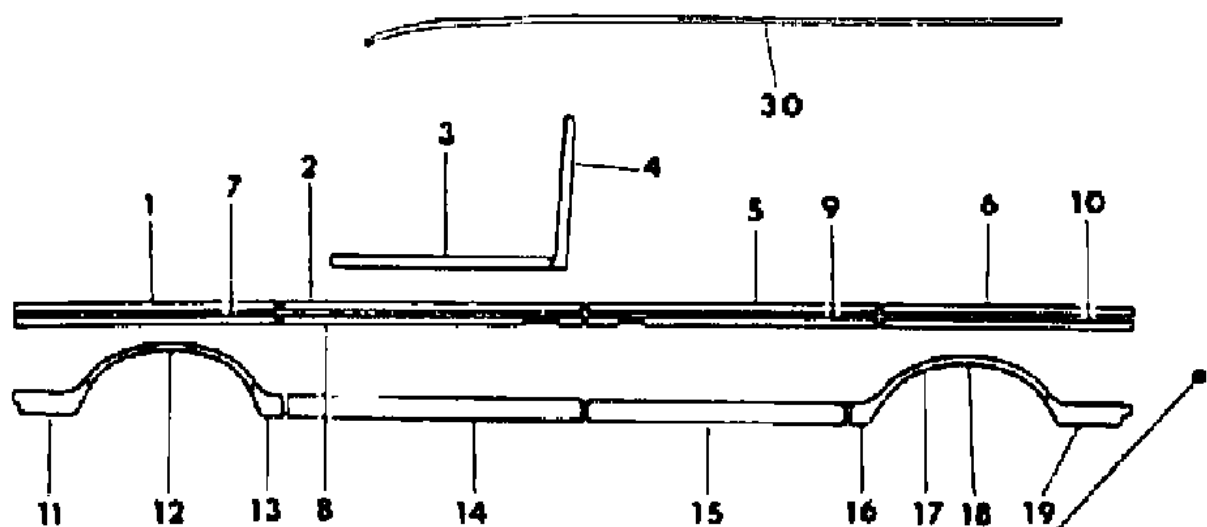


DODGE - 39

MOULDINGS and ORNAMENTATION - EXTERIOR VIEW DODGE CARAVAN WAGON
Figure 23-5600

4116a (single)

ITEM	PART NUMBER	QTY	BODY	MODEL	DESCRIPTION
	X129 CX9	2			Black
	X130 CC4	1			MOULDING, Sliding Door, Rt., Blue
	X130 CW3	1			White
	X130 CX9	1			Black
	X131 CC4	1			MOULDING, Qtr. Pnl., Lt., Blue
	X131 CW3	1			White
	X131 CX9	1			Black
32	4339 013	1			ORNAMENT, Hood (Includes Items 33,34,35,36,37)
33		1			GASKET
34		1			SPACER
35		1			NUT
36	3672 672	1			SPRING
37	3672 780	1			RETAINER
38		1			HOOD, (See Illus. in Group 23A)
39	4339 085	1			NAMEPLATE, Hood, "DODGE"



DODGE - 39

MODEL CODES

B = GRAN FURY	F = FIFTH AVENUE/NEWPORT	P = RELIANT
C = LEBARON/TOWN & COUNTRY/EXC SEDAN	G = DIPLOMAT	T = E CLASS/NEW YORKER
C24 = LASER	H = VOYAGER	V = 600
D = ARIES	K = MINI RAM/CARAVAN/ROYAL	V24 = DAYTONA
E = 600	M = HORIZON/TURISMO	Z = OMNI/CHARGER/RAMPAGE

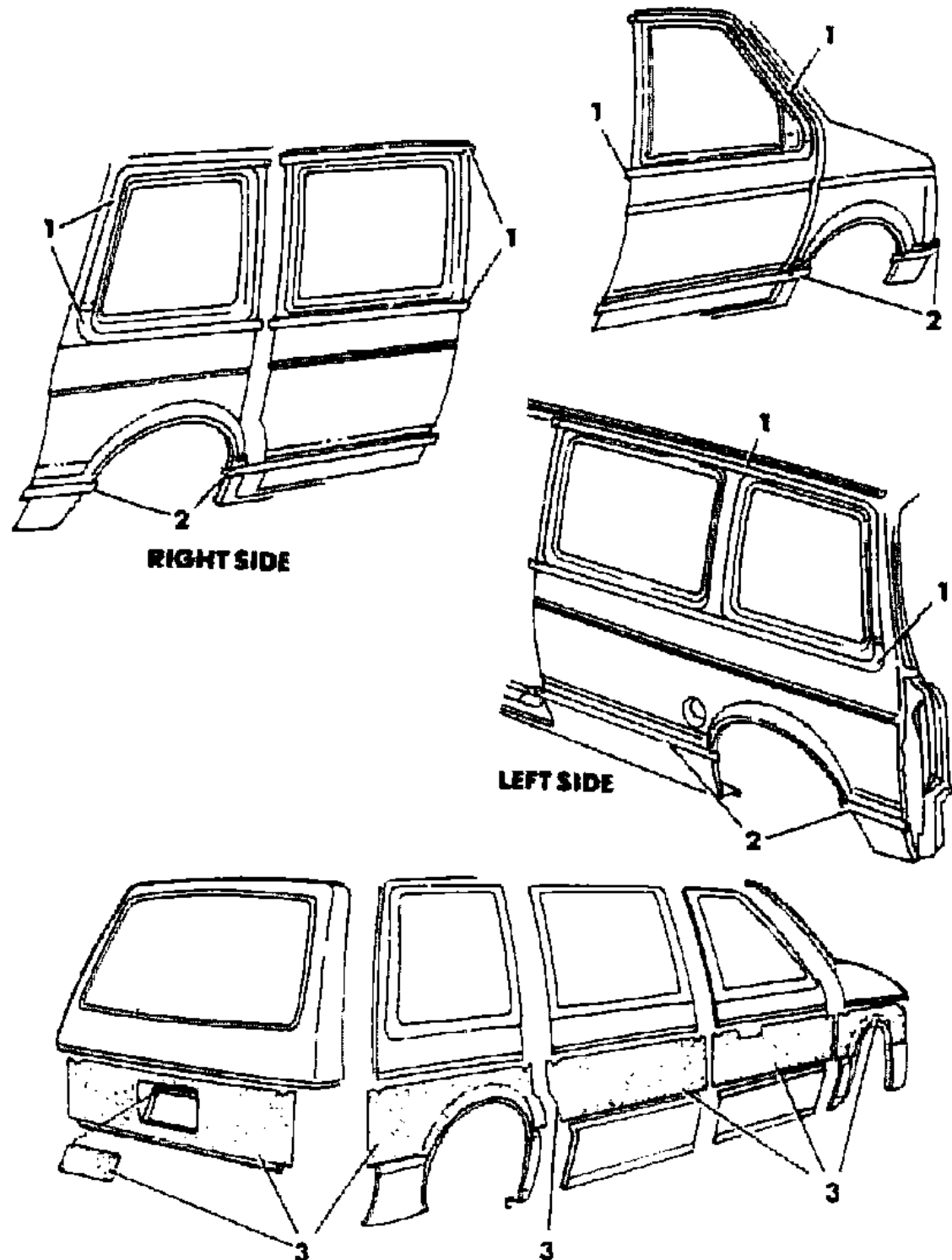
BODY STYLES

21 = 2-DOOR SEDAN	28 = FWD PICKUP	44 = 4-DOOR HATCHBACK
22 = 2-DOOR SPECIAL COUPE	35 = FWD VAN	45 = 4-DOOR STATION WAGON
24 = 2-DOOR HATCHBACK	36 = FWD WAGON	48 = 4-DOOR EXECUTIVE SEDAN
27 = 2-DOOR CONVERTIBLE	41 = 4-DOOR SEDAN	

AR = Use as Required - = Non Illustrated Part P.A.R. = Paint as Required

TAPE STRIPES and DECALS - EXTERIOR VIEW DODGE CARAVAN WAGON
Figure 23-5700

310a 5700



ITEM	PART NUMBER	QTY	BODY	MODEL	DESCRIPTION	
1	4318 962-3	1			TAPE PACKAGE, Frt. Door Wdo. Upr., Lwr., Qtr. Wdo. Upr. and Rear Lwr., Dark Red, Bright Red, (KCD) (Paint Sales PR6 QX9)	
	4318 968-9	1			Dark Brown, Russet, (KCE) (Paint Sales Code PT6 QX9)	
	4318 972-3	1			Dark Beige, Russet, (KCF) (Paint Sales Code PL4 QT6)	
	4318 974-5	1			Dark Brown, Dark Orange, (KCG) (Paint Sales Code PK5 QX9)	
	4318 970-1	1			Dark Silver, Bright Red, (KCH) (Paint Sales Code PA6 QX9)	
	4318 976-7	1			Light Blue, Red, (KCJ) (Paint Sales Code PA1 QC6)	
	4318 964-5	1			Ginger, Brown, (KCK) (Paint Sales Code PW3 QK5)	
	4318 966-7	1			Light Blue, Med. Blue, (KCL) (Paint Sales Code PW3 QC4)	
	4318 962	1			TAPE PACKAGE, Sliding Door Wdo. Upr. and Lwr., Dark Red, Bright Red, (KCD) (Sales Code PR6 QX9)	
	4318 968	1			Dark Brown, Russet, (KCE) (Paint Sales Code PT6 QX9)	
4318 972	1			Dark Beige, Russet, (KCF) (Paint Sales Code PL4 QT6)		
4318 974	1			Dark Brown, Dark Orange, (KCG) (Paint Sales Code PK5 QX9)		
4318 970	1			Dark Silver, Bright Red, (KCH) (Paint Sales Code PA6 QX9)		
4318 976	1			Light Blue, Red, (KCJ) (Paint Sales Code PA1 QC6)		
4318 964	1			Ginger, Brown, (KCK)(Paint Sales Code PW3 QK5)		
4318 966	1			Light Blue, Med. Blue, (KCL) (Paint Sales Code PW3 QC4)		
2	4318 946-7	1			TAPE PACKAGE, Fndr. Lwr., Door Lwr., Sliding Door and Qtr. Lwr., Dark Red, Bright Red, (KCD) (Paint Sales Code PR6 QX9)	
	4318 952-3	1			Dark Brown, Russet, (KCE) (Paint Sales Code PT6 QX9)	
	4318 956-7	1			Dark Beige Met., Russet, (KCF) (Paint Sales Code PL4 QT6)	
	4318 958-9	1			Dark Brown, Dark Orange, (KCG) (Paint Sales Code PK5 QX9)	
	4318 954-5	1			Dark Silver, Bright Red, (KCH) (Paint Sales Code PA6 QX9)	
	4318 960-1	1			Light Blue, Red, (KCJ)(Paint Sales Code PA1 QC6)	
	4318 948-9	1			Ginger, Brown, (KCK) (Paint Sales Code PW3 QK5)	
	4318 950-1	1			Light Blue, Med. Blue, (KCL) (Paint Sales Code PW3 QC4)	
	3	4276 763	AR			OVERLAY, Fndr. Frt., Door, Sliding Door, Qtr., L/Gate, Lic. Plate Depr., Approx. 12.2" Wide, 78.7" Long

MODEL CODES

B = GRAN FURY	F = FIFTH AVENUE/NEWPORT	P = RELIANT
C = LEBARON/TOWN & COUNTRY/EXC SEDAN	G = DIPLOMAT	T = E CLASS/NEW YORKER
C24 = LASER	H = VOYAGER	V = 600
D = ARIES	K = MINI RAM/CARAVAN/ROYAL	V24 = DAYTONA
E = 600	M = HORIZON/TURISMO	Z = OMNI/CHARGER/RAMPAGE

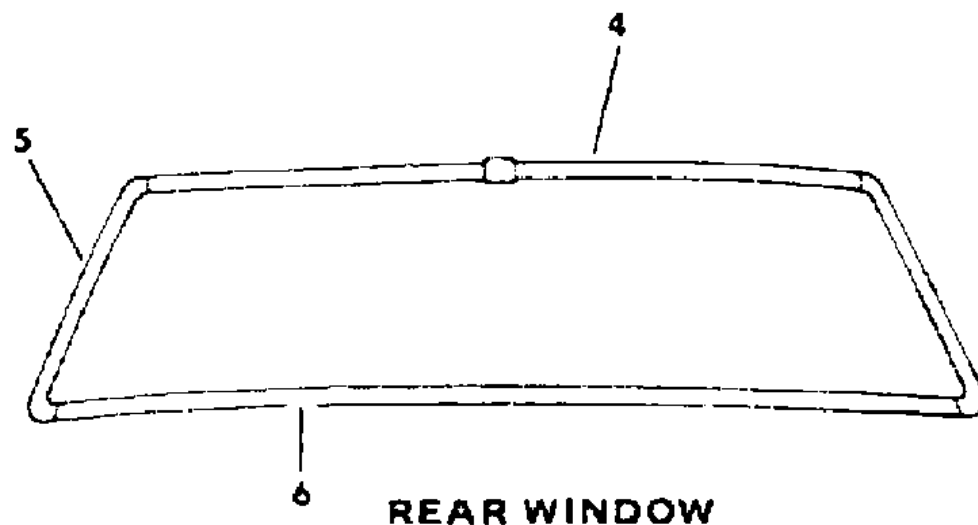
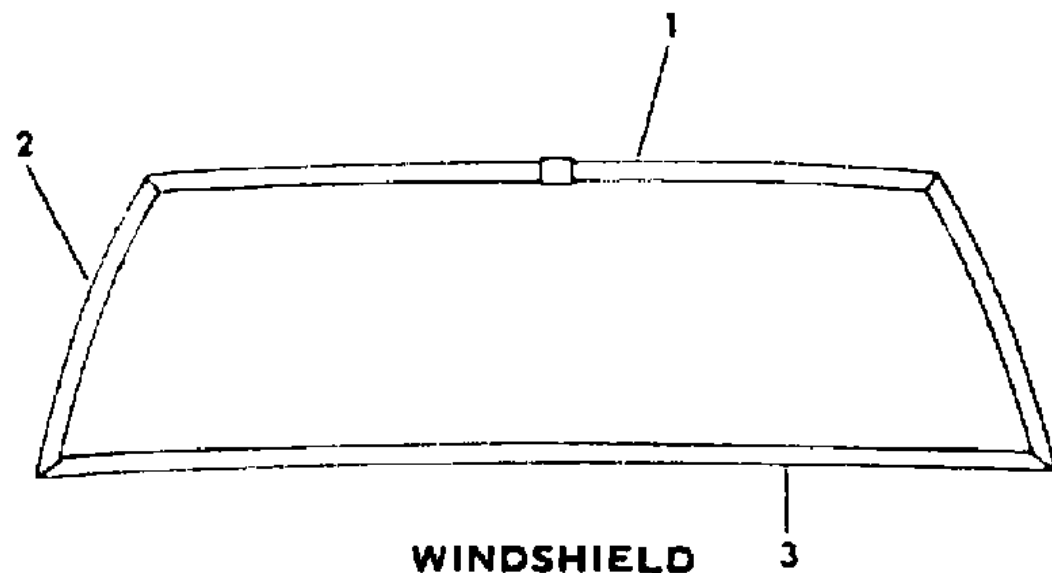
BODY STYLES

21 = 2-DOOR SEDAN	28 = FWD PICKUP	44 = 4-DOOR HATCHBACK
22 = 2-DOOR SPECIAL COUPE	35 = FWD VAN	45 = 4-DOOR STATION WAGON
24 = 2-DOOR HATCHBACK	36 = FWD WAGON	48 = 4-DOOR EXECUTIVE SEDAN
27 = 2-DOOR CONVERTIBLE	41 = 4-DOOR SEDAN	

AR = Use as Required - = Non Illustrated Part P.A.R. = Paint as Required

MOULDINGS, WINDSHIELD and REAR WINDOW OUTSIDE B,F,G
Figure 23-5800

4168 5800



ITEM	PART NUMBER	QTY	BODY	MODEL	DESCRIPTION
1	4022 712-3	1			MOULDING, W/Shield Upr.
	6003 878	AR			RETAINER, Upr.
	6003 753	AR			RETAINER, Upr.
					WELD NUT, (Not Serv.)
2	4022 714-5	1			MOULDING, W/Shield Side
	6003 878	AR			RETAINER, Side
	6003 753	AR			RETAINER
					WELD STUD, (Not Serv.)
3	4022 707	1			MOULDING, W/Shield Lwr.
	4022 706	AR			SPACER, Lwr.
	6003 753	AR			RETAINER
4	4175 054-5	1		B,G	MOULDING, Rear Wdo. Upr., Bright
	6003 753	AR			RETAINER
	6003 878	AR			RETAINER
5	4175 052-3	1		B,G	MOULDING, Rear Wdo. Side, Bright
	6003 753	AR			RETAINER
	6003 878	AR			RETAINER
6	4175 050	1		B,G	MOULDING, Rear Wdo. Lwr., Bright
	6003 753	AR			RETAINER
	6003 878	AR			RETAINER

MODEL CODES

B = GRAN FURY	F = FIFTH AVENUE/NEWPORT	P = RELIANT
C = LEBARON/TOWN & COUNTRY/EXC SEDAN	G = DIPLOMAT	T = E CLASS/NEW YORKER
C24 = LASER	H = VOYAGER	V = 600
D = ARIES	K = MINI RAM/CARAVAN/ROYAL	V24 = DAYTONA
E = 600	M = HORIZON/TURISMO	Z = OMNI/CHARGER/RAMPAGE

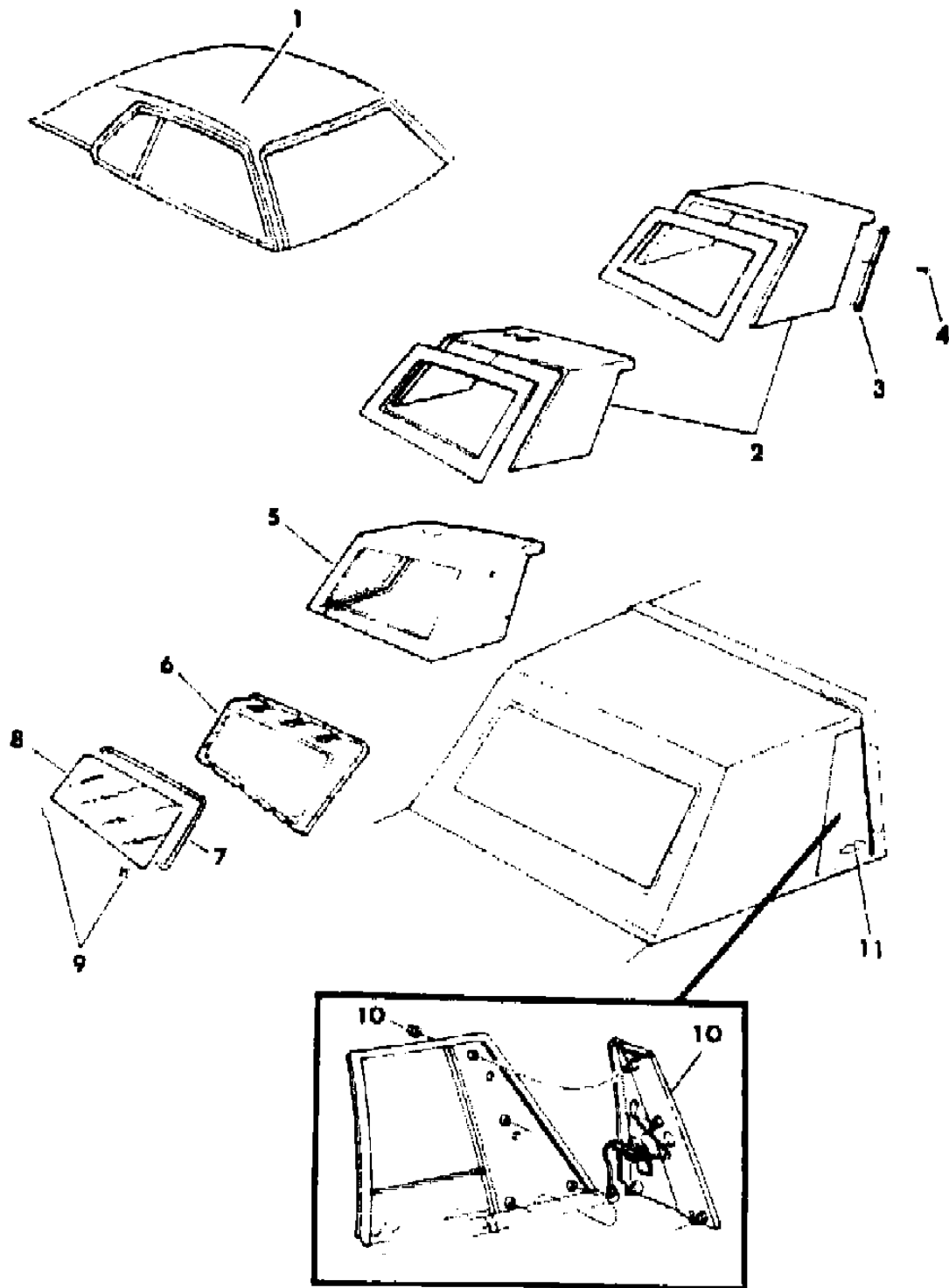
BODY STYLES

21 = 2-DOOR SEDAN	28 = FWD PICKUP	44 = 4-DOOR HATCHBACK
22 = 2-DOOR SPECIAL COUPE	35 = FWD VAN	45 = 4-DOOR STATION WAGON
24 = 2-DOOR HATCHBACK	36 = FWD WAGON	48 = 4-DOOR EXECUTIVE SEDAN
27 = 2-DOOR CONVERTIBLE	41 = 4-DOOR SEDAN	

AR = Use as Required - = Non Illustrated Part P.A.R. = Paint as Required

COVER, ROOF - PLYMOUTH FURY - DODGE DIPLOMAT - CHRYSLER FIFTH AVENUE
Figure 23-5900

4100-000



ITEM	PART NUMBER	QTY	BODY	MODEL	DESCRIPTION
1	T914 BA2	1		B,G	COVER, Roof, Silver
	T914 TC9	1		B,G	Blue
	T914 CM6	1		B,G	Red
	T914 BL4	1		B,G	Tan
2	T944 BA2	1		F	COVER ASSEMBLY, Roof, Silver
	T944 BC9	1		F	Blue
	T944 CM6	1		F	Red
	T944 BL4	1		F	Tan
	T944 BT8	1		F	Brown
	T944 BX9	1		F	Black
3	T944 BW3	1		F	White
	4229 804-5	1		F	RETAINER, Qtr. Wdo. Upr.
4	0153 341	AR		F	SCREW
5	4229 802	1		F	CAP, Roof Bonnet
6	4229 998	1		F	EXTENSION and SUPPORT, Rear Wdo. Mtg.
7		AR		F	TAPE, Butyl 5/16" Thick
8	4229 801	1		F	GLASS ASSEMBLY, Rear Wdo. Heated
9		AR		F	RETAINER, (Not Serv.)
10	X372-3 BA2	1		F	FRAME, Rear Door Qtr. Wdo., w/o Lamp, Complete, Silver
	X372-3 BC9	1		F	Blue
	X372-3 CM6	1		F	Red
	X372-3 BL4	1		F	Tan
	X372-3 BT8	1		F	Brown
	X372-3 BW3	1		F	White
	X372-3 BX9	1		F	Black
	X386-7 BA2	1		F	FRAME, Rear Door Qtr. Wdo.,w/Lamp, Complete, Silver
	X386-7 BC9	1		F	Blue
	X386-7 CM6	1		F	Red
X386-7 BL4	1		F	Tan	
X386-7 BT8	1		F	Brown	
X386-7 BW3	1		F	White	
X386-7 BX9	1		F	Black	
11	X308 BA2	2		F	NAMEPLATE, "FIFTH AVENUE", Silver
	X308 BC9	2		F	Blue
	X308 BM5	2		F	Med. Red
	X308 CM6	2		F	Dark Red
	X308 BL4	2		F	Tan
	X308 BT8	2		F	Brown

MODEL CODES

B = GRAN FURY	F = FIFTH AVENUE/NEWPORT	P = RELIANT
C = LEBARON/TOWN & COUNTRY/EXC SEDAN	G = DIPLOMAT	T = E CLASS/NEW YORKER
C24 = LASER	H = VOYAGER	V = 600
D = ARIES	K = MINI RAM/CARAVAN/ROYAL	V24 = DAYTONA
E = 600	M = HORIZON/TURISMO	Z = OMNI/CHARGER/RAMPAGE

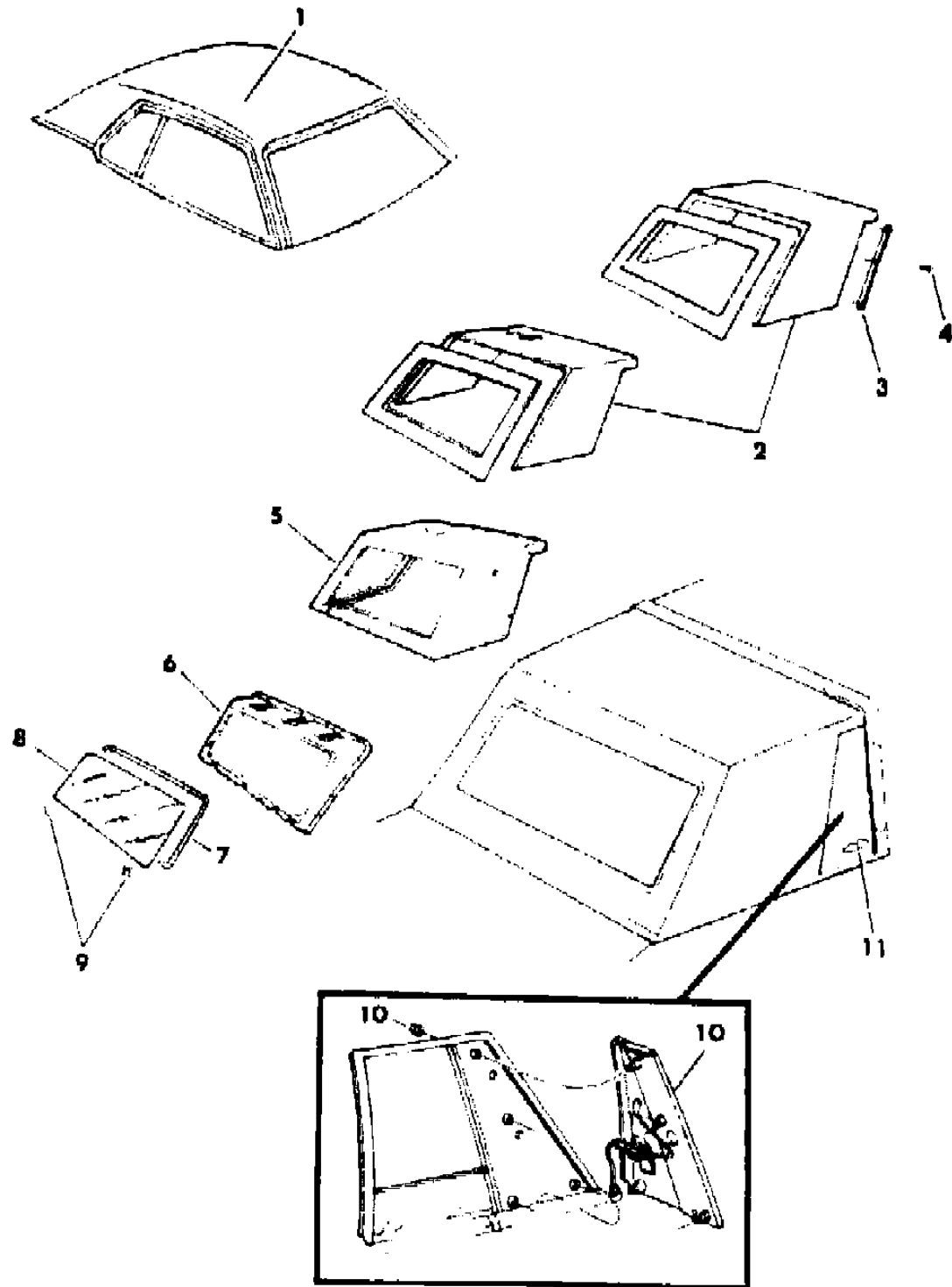
BODY STYLES

21 = 2-DOOR SEDAN	28 = FWD PICKUP	44 = 4-DOOR HATCHBACK
22 = 2-DOOR SPECIAL COUPE	35 = FWD VAN	45 = 4-DOOR STATION WAGON
24 = 2-DOOR HATCHBACK	36 = FWD WAGON	48 = 4-DOOR EXECUTIVE SEDAN
27 = 2-DOOR CONVERTIBLE	41 = 4-DOOR SEDAN	

AR = Use as Required - = Non Illustrated Part P.A.R. = Paint as Required

COVER, ROOF - PLYMOUTH FURY - DODGE DIPLOMAT - CHRYSLER FIFTH AVENUE
Figure 23-5900

4198-emp



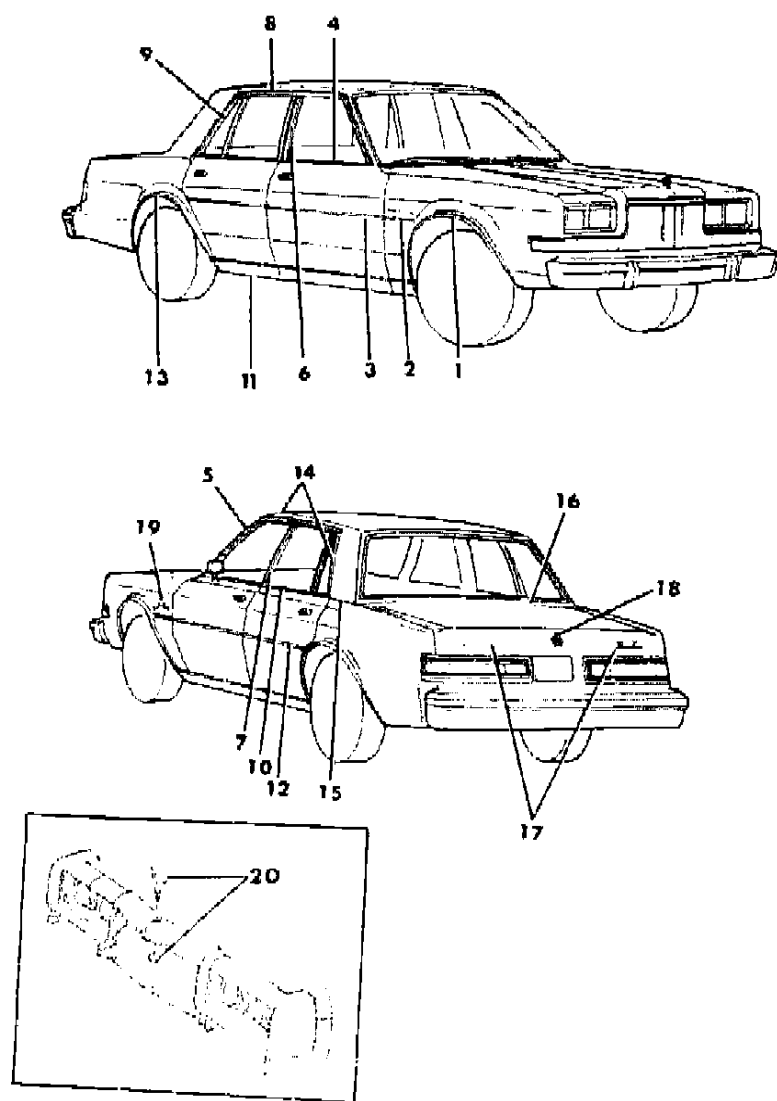
ITEM	PART NUMBER	QTY	BODY	MODEL	DESCRIPTION
	X308 BW3	2		F	White
	X308 BX9	2		F	Black
NOTE: The Following Parts are not shown on Illustration. s information becomes available.					
	4276 471	6			FILLER, Roof Cover

MODEL CODES
 B = GRAN FURY
 C = LEBARON/TOWN & COUNTRY/EXC SEDAN
 C24 = LASER
 D = ARIES
 E = 600
 F = FIFTH AVENUE/NEWPORT
 G = DIPLOMAT
 H = VOYAGER
 K = MINI RAM/CARAVAN/ROYAL
 M = HORIZON/TURISMO
 P = RELIANT
 T = E CLASS/NEW YORKER
 V = 600
 V24 = DAYTONA
 Z = OMNI/CHARGER/RAMPAGE

BODY STYLES
 21 = 2-DOOR SEDAN
 22 = 2-DOOR SPECIAL COUPE
 24 = 2-DOOR HATCHBACK
 27 = 2-DOOR CONVERTIBLE
 28 = FWD PICKUP
 35 = FWD VAN
 36 = FWD WAGON
 41 = 4-DOOR SEDAN
 44 = 4-DOOR HATCHBACK
 45 = 4-DOOR STATION WAGON
 48 = 4-DOOR EXECUTIVE SEDAN

AR = Use as Required - = Non Illustrated Part P.A.R. = Paint as Required

MOULDINGS and ORNAMENTATION - EXTERIOR VIEW PLYMOUTH GRAN FURY
Figure 23-6000



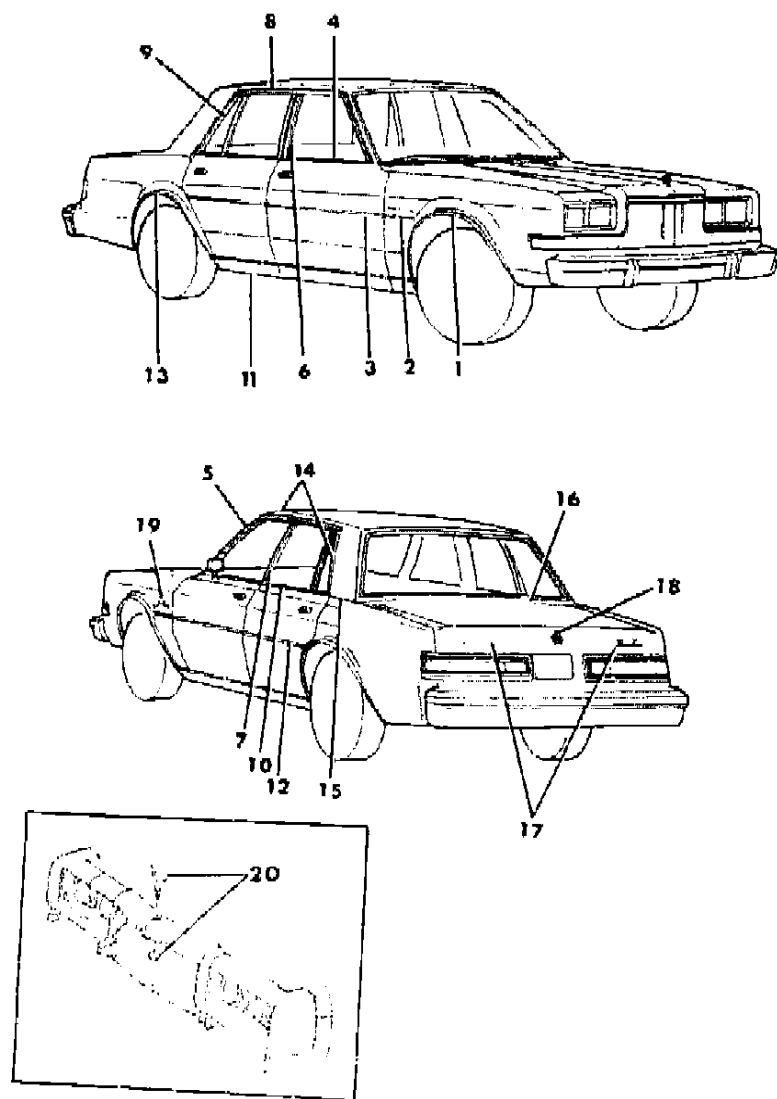
ITEM	PART NUMBER	QTY	BODY	MODEL	DESCRIPTION
1	4175 286-7	1			MOULDING, Fndr. Wheel Opng. SCREW, (Not Serv.)
2	X122 TC9	2			MOULDING, Fndr. Side, Night Watch Blue
	X122 TX9	2			Black
	X122 BM5	2			Red
	X122 VW3	2			White
	X122 BL4	2			Beige Met.
3	X123 TC9	2			MOULDING, Frt. Door, Night Watch Blue
	X123 TX9	2			Black
	X123 VW3	2			White
	X124 BM5	2			Red
	X124 BL4	2			Beige Met.
4	3811 794-5	1			MOULDING, Frt. Door Belt
5	4022 052-3	1			MOULDING, Frt. Door Wdo. Opng. Frame Frt.
6	4022 056-7	1			MOULDING, Frt. Door Wdo. Opng. Frame Rear
7	4022 056	1			MOULDING, Rear Door Wdo. Opng. Frame Frt., Lt.
	4022 057	1			MOULDING, Rear Door Wdo. Opng. Frame Frt., Rt.
8	4175 100-1	1			MOULDING, Rear Door Wdo. Opng. Frame Up.
9	4175 102-3	1			MOULDING, Rear Door Wdo. Opng. Frame Rear
10	3811 796-7	1			MOULDING, Rear Door Belt
	3780 999	AR			RETAINER and SEAL PACKAGE
	3780 434	AR			RETAINER and SEAL PACKAGE
11	4328 102-3	1			MOULDING, Body Side Sill, Use Up to 11-15-83
	4175 312-3	1			MOULDING, Body Side Sill, Use After 11-15-83
	6003 718	AR			RETAINER
	6028 674	AR			SCREW
12					MOULDING, Rear Door
	X125 BM5	2			Red
	X125 BL4	2			Beige Met.
	X125 TC9	2			Night Watch Blue
	X125 VW3	2			White
13	X125 TX9	2			Black
	4328 100-1	1			MOULDING, Qtr. Wheel Opng., Use Up to 11-15-83
	4175 290-1	1			MOULDING, Qtr. Wheel Opng., Use After 11-15-83
14					SCREW, (Not Serv.)
	4229 984-5	1			MOULDING, Roof Side Drain Trough Frt.
	4175 086-7	1			MOULDING, Roof Side Drain Trough Rear
					SCREW, (Not Serv.)

MODEL CODES
B = GRAN FURY
C = LEBARON/TOWN & COUNTRY/EXC SEDAN
C24 = LASER
D = ARIES
E = 600
F = FIFTH AVENUE/NEWPORT
G = DIPLOMAT
H = VOYAGER
K = MINI RAM/CARAVAN/ROYAL
M = HORIZON/TURISMO
P = RELIANT
T = E CLASS/NEW YORKER
V = 600
V24 = DAYTONA
Z = OMNI/CHARGER/RAMPAGE

BODY STYLES
21 = 2-DOOR SEDAN
22 = 2-DOOR SPECIAL COUPE
24 = 2-DOOR HATCHBACK
27 = 2-DOOR CONVERTIBLE
28 = FWD PICKUP
35 = FWD VAN
36 = FWD WAGON
41 = 4-DOOR SEDAN
44 = 4-DOOR HATCHBACK
45 = 4-DOOR STATION WAGON
48 = 4-DOOR EXECUTIVE SEDAN

AR = Use as Required - = Non Illustrated Part P.A.R. = Paint as Required

MOULDINGS and ORNAMENTATION - EXTERIOR VIEW PLYMOUTH GRAN FURY
Figure 23-6000



ITEM	PART NUMBER	QTY	BODY	MODEL	DESCRIPTION	
	4017 830-1	1			SEAL, Roof Side Drain Trough Mldg.	
15	4240 996-7	1			MOULDING, Qtr. Belt, Use w/Unpadded Full Vinyl Roof	
	3744 367	AR			RETAINER PACKAGE	
	4057 555	AR			RETAINER PACKAGE	
	3744 671	AR			RETAINER PACKAGE	
16	4186 533	1			MOULDING, Deck Opng. Upr. Pnl., Use w/Unpadded Full Vinyl Roof	
	3744 671	AR			RETAINER PACKAGE	
17	4328 876	1			NAMEPLATE, Deck Lid, "PLYMOUTH"	
	4319 757	1			NAMEPLATE, Deck Lid, "GRAN FURY"	
	18	X561 CA2	1			MEDALLION, Deck Lid Lock Cyl., Silver
		X561 CA9	1			Charcoal Gray
		X561 CC4	1			Blue
		X561 CM5	1			Red
		X561 CL4	1			Beige Met.
		X561 CT8	1			Sable Tan
		X561 CW3	1			White
		X561 CX9	1			Black
NOTE: The Colored Medallion Used is Determined by the Exterior Paint of Car s information becomes available.						
19		4319 757	2			NAMEPLATE, Fndr. Side, "GRAN FURY"
20	4103 313	1			ORNAMENT	
	6030 435	1			NUT	

MODEL CODES

B = GRAN FURY	F = FIFTH AVENUE/NEWPORT	P = RELIANT
C = LEBARON/TOWN & COUNTRY/EXC SEDAN	G = DIPLOMAT	T = E CLASS/NEW YORKER
C24 = LASER	H = VOYAGER	V = 600
D = ARIES	K = MINI RAM/CARAVAN/ROYAL	V24 = DAYTONA
E = 600	M = HORIZON/TURISMO	Z = OMNI/CHARGER/RAMPAGE

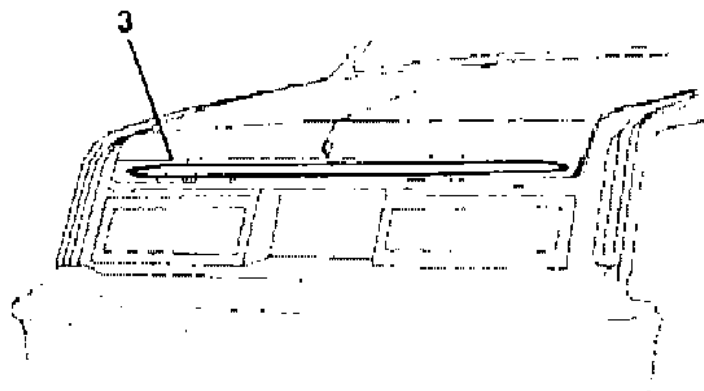
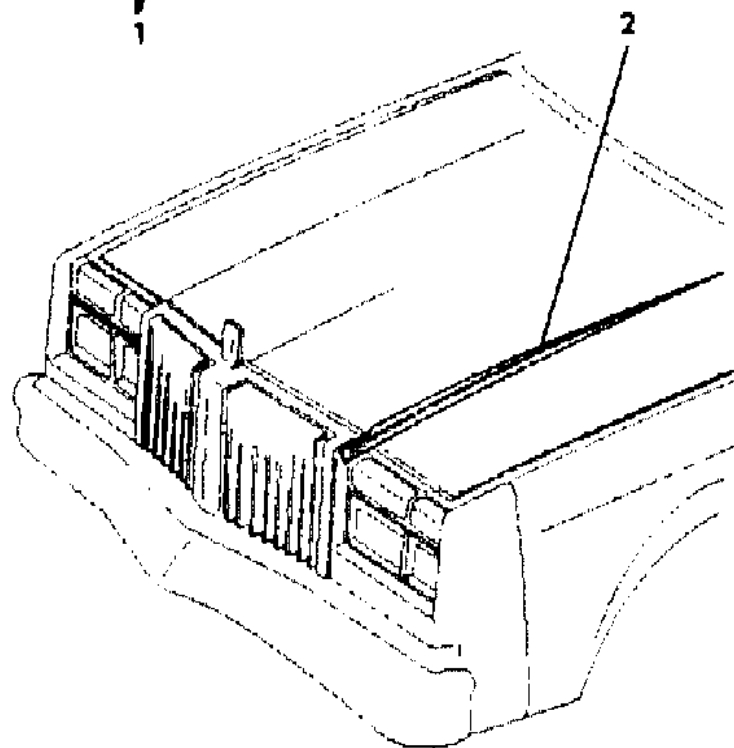
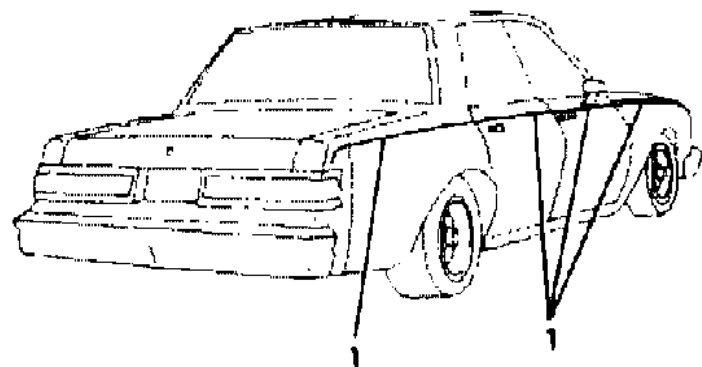
BODY STYLES

21 = 2-DOOR SEDAN	28 = FWD PICKUP	44 = 4-DOOR HATCHBACK
22 = 2-DOOR SPECIAL COUPE	35 = FWD VAN	45 = 4-DOOR STATION WAGON
24 = 2-DOOR HATCHBACK	36 = FWD WAGON	48 = 4-DOOR EXECUTIVE SEDAN
27 = 2-DOOR CONVERTIBLE	41 = 4-DOOR SEDAN	

AR = Use as Required - = Non Illustrated Part P.A.R. = Paint as Required

TAPE STRIPES and DECALS - EXTERIOR VIEW PLYMOUTH GRAN FURY
Figure 23-6100

4106 6100



ITEM	PART NUMBER	QTY	BODY	MODEL	DESCRIPTION
1	4271 564-5	1			TAPE PACKAGE, Fndr., Door, Qtr., Silver (KEA)
	4293 282-3	1			Gold (KEY)
	4271 678-9	1			Red (KER)
	4293 278-9	1			Tan (KEK)
	4271 584-5	1			Blue (KEC)
2	T039 TC6	1			TAPE, Hood, Blue (KCC)
	T039 TE5	1			Red (KCR)
	T039 BY3	1			Gold (KCY)
	T039 AA2	1			Silver (KCA)
3	T039 BK6	1			Tan (KCK)
	T591 TC6	1			TAPE, Deck Lid, Blue (KFC)
	T591 TE5	1			Red (KFR)
	T591 BY3	1			Gold (KFY)
	T591 AA2	1			Silver (KFA)
	T591 BK6	1			Tan (KFK)

MODEL CODES

B = GRAN FURY	F = FIFTH AVENUE/NEWPORT	P = RELIANT
C = LEBARON/TOWN & COUNTRY/EXC SEDAN	G = DIPLOMAT	T = E CLASS/NEW YORKER
C24 = LASER	H = VOYAGER	V = 600
D = ARIES	K = MINI RAM/CARAVAN/ROYAL	V24 = DAYTONA
E = 600	M = HORIZON/TURISMO	Z = OMNI/CHARGER/RAMPAGE

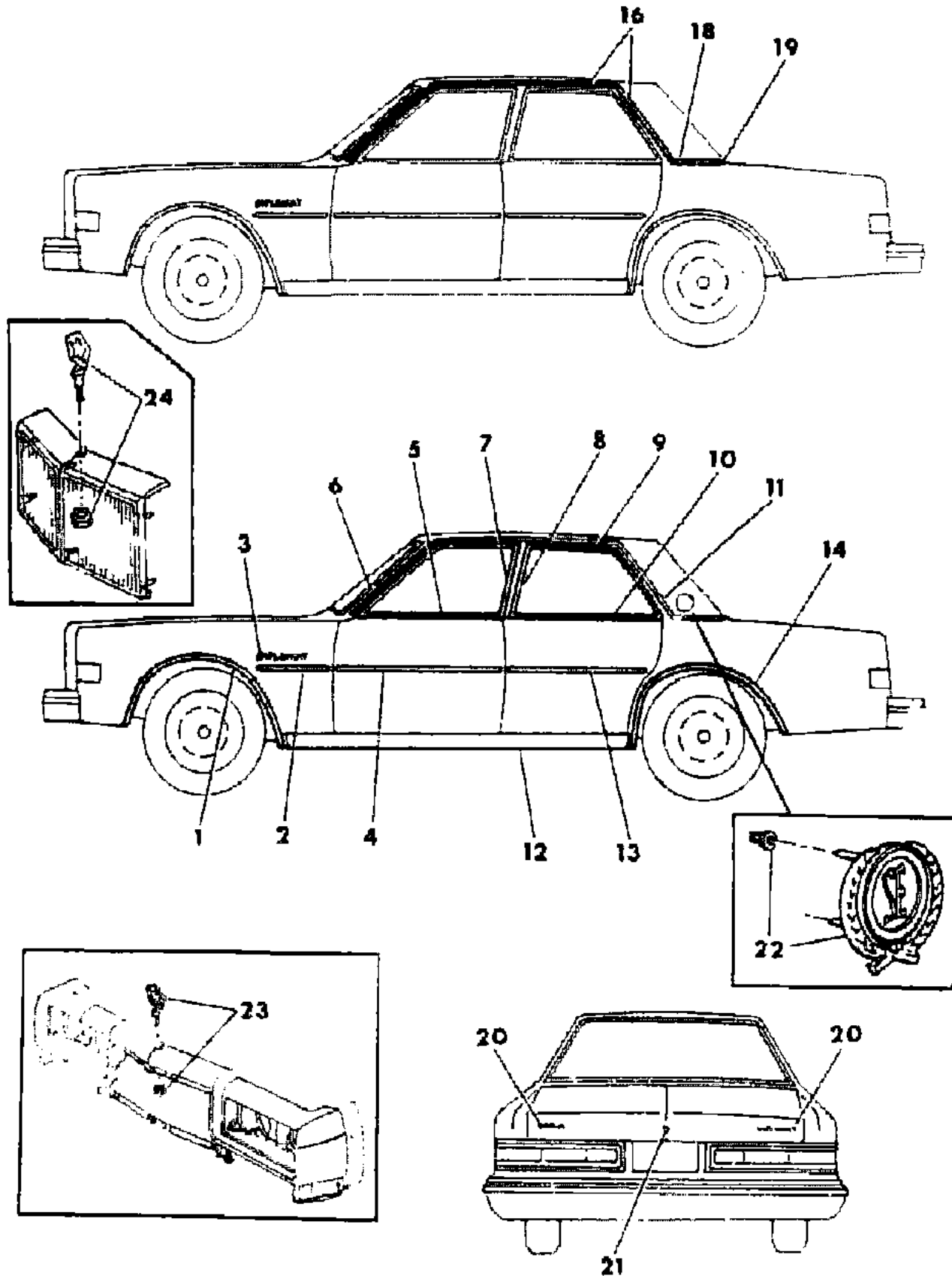
BODY STYLES

21 = 2-DOOR SEDAN	28 = FWD PICKUP	44 = 4-DOOR HATCHBACK
22 = 2-DOOR SPECIAL COUPE	35 = FWD VAN	45 = 4-DOOR STATION WAGON
24 = 2-DOOR HATCHBACK	36 = FWD WAGON	48 = 4-DOOR EXECUTIVE SEDAN
27 = 2-DOOR CONVERTIBLE	41 = 4-DOOR SEDAN	

AR = Use as Required - = Non Illustrated Part P.A.R. = Paint as Required

MOULDINGS and ORNAMENTATION - EXTERIOR VIEW DODGE DIPLOMAT
Figure 23-6200

4168 6200



ITEM	PART NUMBER	QTY	BODY	MODEL	DESCRIPTION
1	4175 286-7	1			MOULDING, Fndr. Wheel Opng. SCREW, (Not Serv.)
2	X122 TC9	2			MOULDING, Fndr. Side, Night Watch Blue
	X122 TX9	2			Black
	X122 BM5	2			Red
	X122 VW3	2			Pearl White
3	X122 BL4	2			Beige Met.
	4319 776	2			NAMEPLATE, Fndr. Side, "DIPLOMAT"
3	4319 770	2			"LE BARON", Export
	4	X123 TC9	2		
X123 TX9		2			Black
X124 BM5		2			Red
X124 BL4		2			Beige Met.
5	X123 VW3	2			Pearl White
	3811 794-5	1			MOULDING, Frt. Door Belt
	3780 434	AR			RETAINER and SEAL PACKAGE
	3780 999	AR			RETAINER and SEAL PACKAGE
6	4022 052-3	1			MOULDING, Frt. Door Wdo. Opng. Frame Frt.
7	4022 056-7	1			MOULDING, Frt. Door Wdo. Opng. Frame Rear
8	4022 056	1			MOULDING, Rear Door Wdo. Opng. Frame Frt., Lt.
	4022 057	1			Rt.
9	4175 100-1	1			MOULDING, Rear Door Wdo. Opng. Frame Up.
10	3811 796-7	1			MOULDING, Rear Door Belt
	3780 999	AR			RETAINER and SEAL PACKAGE
	3780 434	AR			RETAINER and SEAL PACKAGE
11	4175 102-3	1			MOULDING, Rear Door Wdo. Opng. Frame Rear
12	4328 102-3	1			MOULDING, Body Side Sill, Use Up to 11-15-83
	4175 312-3	1			MOULDING, Body Side Sill, Use After 11-15-83
	6003 718	AR			RETAINER
	6028 674	AR			SCREW
13	X125 TC9	2			MOULDING, Rear Door, Night Watch Blue
	X125 TX9	2			Black
	X125 BM5	2			Red
	X125 VW3	2			Pearl White
14	X125 BL4	2			Beige Met.
	4328 100-1	1			MOULDING, Qtr. Pnl. Wheel Opng., Use Up to 11-15-83
	4175 290-1	1			MOULDING, Qtr. Pnl. Wheel Opng., Use After 11-15-83
					SCREW, (Not Serv.)

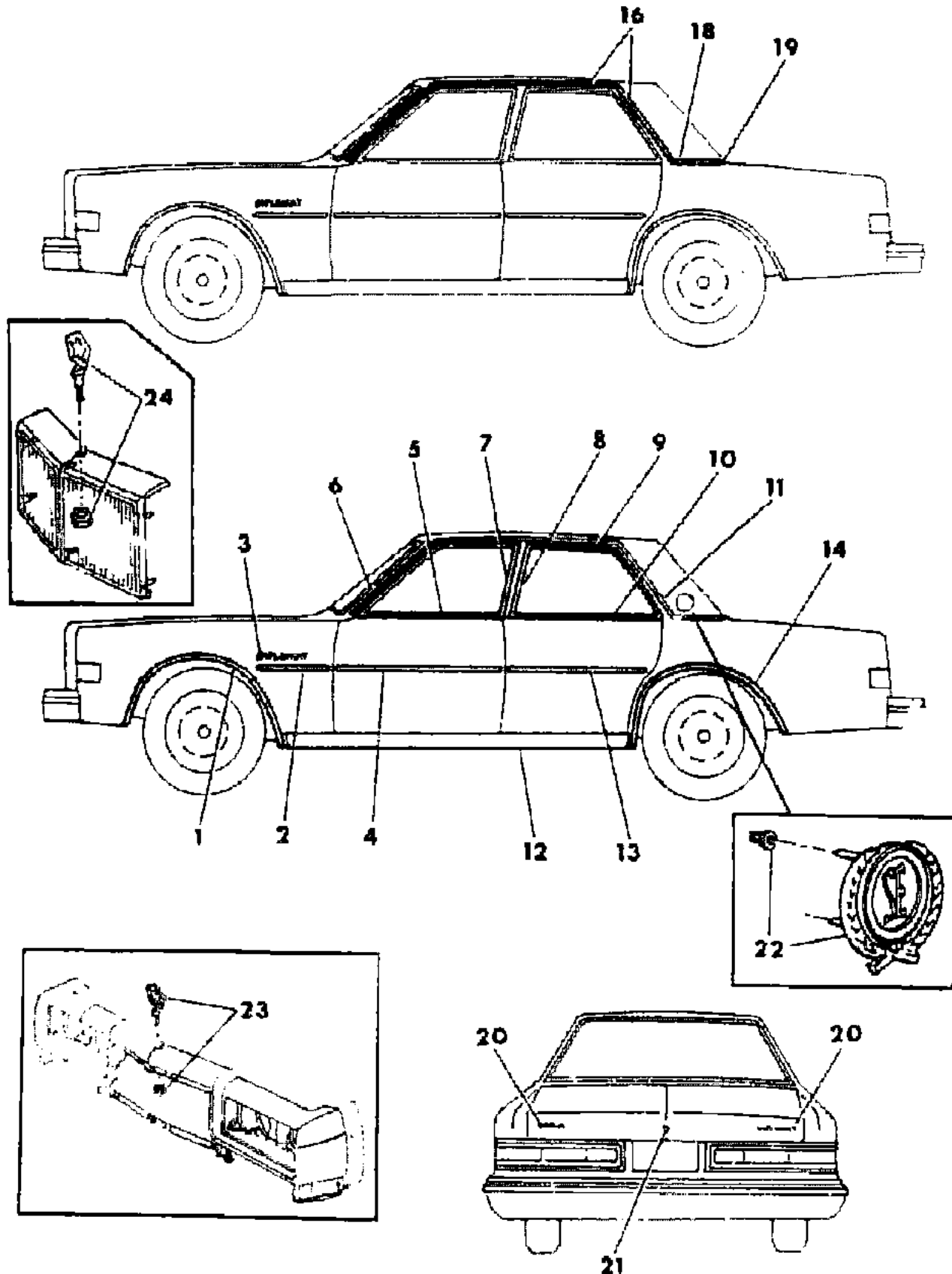
MODEL CODES
 B = GRAN FURY
 C = LEBARON/TOWN & COUNTRY/EXC SEDAN
 C24 = LASER
 D = ARIES
 E = 600
 F = FIFTH AVENUE/NEWPORT
 G = DIPLOMAT
 H = VOYAGER
 K = MINI RAM/CARAVAN/ROYAL
 M = HORIZON/TURISMO
 P = RELIANT
 T = E CLASS/NEW YORKER
 V = 600
 V24 = DAYTONA
 Z = OMNI/CHARGER/RAMPAGE

BODY STYLES
 21 = 2-DOOR SEDAN
 22 = 2-DOOR SPECIAL COUPE
 24 = 2-DOOR HATCHBACK
 27 = 2-DOOR CONVERTIBLE
 28 = FWD PICKUP
 35 = FWD VAN
 36 = FWD WAGON
 41 = 4-DOOR SEDAN
 44 = 4-DOOR HATCHBACK
 45 = 4-DOOR STATION WAGON
 48 = 4-DOOR EXECUTIVE SEDAN

AR = Use as Required - = Non Illustrated Part P.A.R. = Paint as Required

MOULDINGS and ORNAMENTATION - EXTERIOR VIEW DODGE DIPLOMAT
Figure 23-6200

4108 6200



ITEM	PART NUMBER	QTY	BODY	MODEL	DESCRIPTION
16	4229 984-5	1			MOULDING, Roof Side Drain Trough Frt.
					SCREW, (Not Serv.)
	4175 086-7	1			MOULDING, Roof Side Drain Trough Rear
	4017 830-1	1			SEAL, Roof Side Drain Trough Mldg.
18	4240 996-7	1			MOULDING, Qtr. Belt, Use w/Unpadded Full Vinyl Roof
	3744 367	AR			RETAINER PACKAGE
	4057 555	AR			RETAINER PACKAGE
	3744 671	AR			RETAINER PACKAGE
19	4186 533	1			MOULDING, Deck Opng. Upr. Pnl., Use w/Unpadded Full Vinyl Roof
	3744 671	AR			RETAINER PACKAGE
20	4319 769	1			NAMEPLATE, Deck Lid, "DODGE"
	4319 776	1		G-L,G-H	"DIPLOMAT"
	4328 561	1		G-P	"DIPLOMAT"
	4319 770	1			"LE BARON", Export
21	X561 CA2	1			MEDALLION, Deck Lid Lock Cyl., Silver
	X561 CA9	1			Charcoal Gray
	X561 CC4	1			Blue
	X561 CM5	1			Red
	X561 CL4	1			Beige Met.
	X561 CT8	1			Sable Tan
	X561 CW3	1			White
	X561 CX9	1			Black
NOTE: The Colored Medallion Used is Determined by the Exterior Paint of Car s information becomes available.					
22	4319 752	2		G-P	MEDALLION, Qtr., "SE"
	6003 627	4		G-P	RETAINER, Qtr. Medallion
23	4103 313	1		G-L,G-H	ORNAMENT
	6030 435	1		G-L,G-H	NUT
24	4270 561	1		G-P	ORNAMENT
	3672 780	1		G-P	RETAINER
	3672 672	1		G-P	SPRING
	4103 623	1		G-P	BASE
	6030 435	1		G-P	NUT

MODEL CODES
 B = GRAN FURY
 C = LEBARON/TOWN & COUNTRY/EXC SEDAN
 C24 = LASER
 D = ARIES
 E = 600
 F = FIFTH AVENUE/NEWPORT
 G = DIPLOMAT
 H = VOYAGER
 K = MINI RAM/CARAVAN/ROYAL
 M = HORIZON/TURISMO
 P = RELIANT
 T = E CLASS/NEW YORKER
 V = 600
 V24 = DAYTONA
 Z = OMNI/CHARGER/RAMPAGE

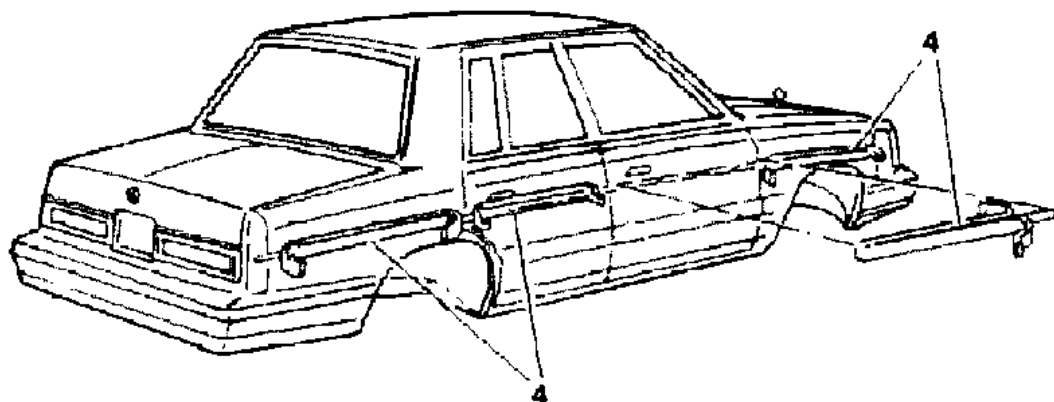
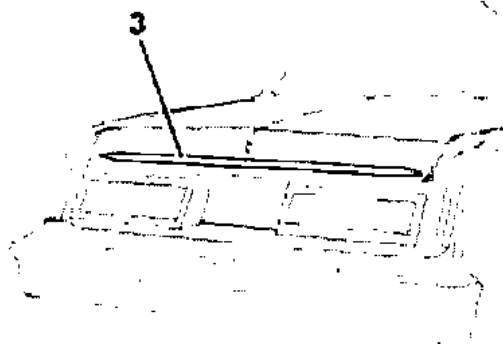
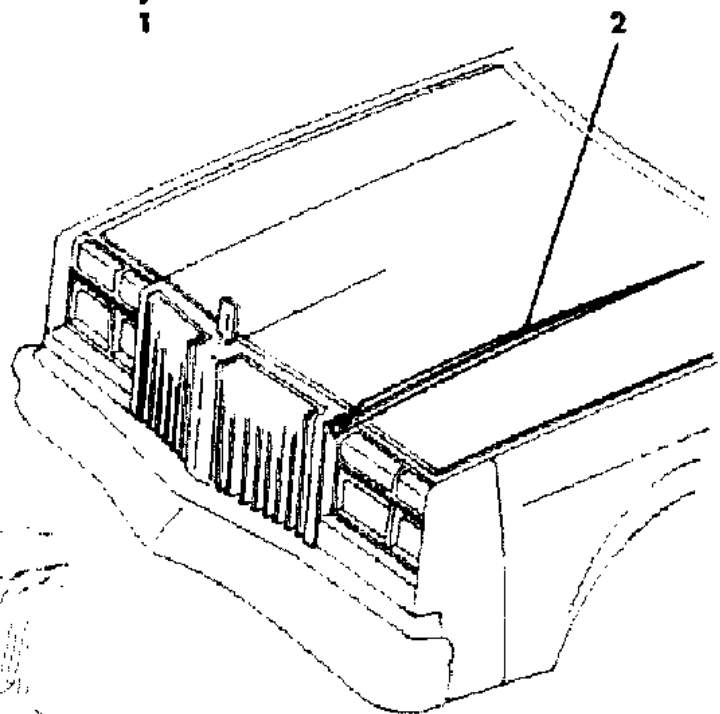
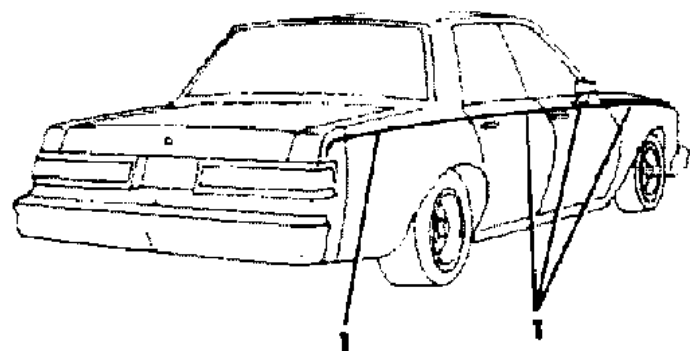
BODY STYLES
 21 = 2-DOOR SEDAN
 22 = 2-DOOR SPECIAL COUPE
 24 = 2-DOOR HATCHBACK
 27 = 2-DOOR CONVERTIBLE
 28 = FWD PICKUP
 35 = FWD VAN
 36 = FWD WAGON
 41 = 4-DOOR SEDAN
 44 = 4-DOOR HATCHBACK
 45 = 4-DOOR STATION WAGON
 48 = 4-DOOR EXECUTIVE SEDAN

AR = Use as Required - = Non Illustrated Part P.A.R. = Paint as Required

TAPE STRIPES and DECALS - EXTERIOR VIEW DODGE DIPLOMAT
Figure 23-6300

11/85 6300

ITEM	PART NUMBER	QTY	BODY	MODEL	DESCRIPTION
1	4271 564-5	1		G-L,G-H	TAPE PACKAGE, Fndr., Door, Qtr., Silver (KEA)
	4293 282-3	1		G-L,G-H	Gold (KEY)
	4271 678-9	1		G-L,G-H	Red (KER)
	4293 278-9	1		G-L,G-H	Tan (KEK)
	4271 584-5	1		G-L,G-H	Blue (KEC)
2	T039 TC6	1		G-L,G-H	TAPE, Hood, Blue (KCC)
	T039 TE5	1		G-L,G-H	Red (KCR)
	T039 BY3	1		G-L,G-H	Gold (KCY)
	T039 AA2	1		G-L,G-H	Silver (KCA)
3	T039 BK6	1		G-L,G-H	Tan (KCK)
	T591 TC6	1		G-L,G-H	TAPE, Deck Lid, Blue (KFC)
	T591 TE5	1		G-L,G-H	Red (KFR)
	T591 BY3	1		G-L,G-H	Gold (KFY)
	T591 AA2	1		G-L,G-H	Silver (KFA)
4	T591 BK6	1		G-L,G-H	Tan (KFK)
	4339 244-5	1		G-P	TAPE PACKAGE, Fndr., Door, Qtr., Silver (KDA)
	4339 246-7	1		G-P	Red (KDR)
	4339 248-9	1		G-P	Beige (KDL)
	4339 250-1	1		G-P	Gunmetal Blue (KDC)
	4339 252-3	1		G-P	Saddle Brown (KDK)
					RIVET, (Not Serv.)



MODEL CODES

B = GRAN FURY	F = FIFTH AVENUE/NEWPORT	P = RELIANT
C = LEBARON/TOWN & COUNTRY/EXC SEDAN	G = DIPLOMAT	T = E CLASS/NEW YORKER
C24 = LASER	H = VOYAGER	V = 600
D = ARIES	K = MINI RAM/CARAVAN/ROYAL	V24 = DAYTONA
E = 600	M = HORIZON/TURISMO	Z = OMNI/CHARGER/RAMPAGE

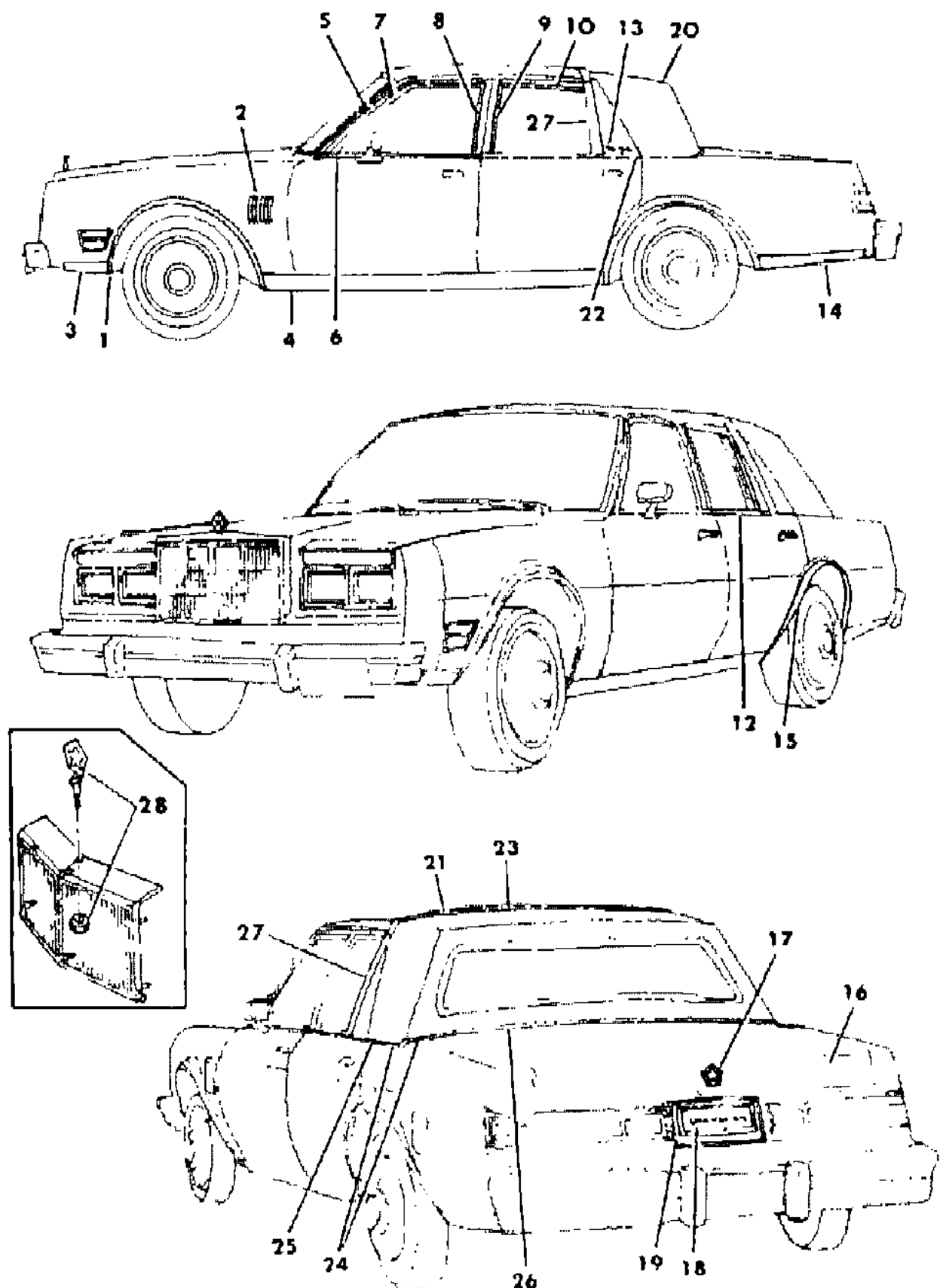
BODY STYLES

21 = 2-DOOR SEDAN	28 = FWD PICKUP	44 = 4-DOOR HATCHBACK
22 = 2-DOOR SPECIAL COUPE	35 = FWD VAN	45 = 4-DOOR STATION WAGON
24 = 2-DOOR HATCHBACK	36 = FWD WAGON	48 = 4-DOOR EXECUTIVE SEDAN
27 = 2-DOOR CONVERTIBLE	41 = 4-DOOR SEDAN	

AR = Use as Required - = Non Illustrated Part P.A.R. = Paint as Required

MOULDINGS and ORNAMENTATION - EXTERIOR VIEW CHRYSLER NEW YORKER
Figure 23-6400

4100-1000



ITEM	PART NUMBER	QTY	BODY	MODEL	DESCRIPTION
1	4175 286-7	1			MOULDING, Fndr. Wheel Opng. SCREW, (Not Serv.)
2	X560 CA1	2			LOUVER, Fndr. Side, Silver
	X560 CA6	2			Dark Silver
	X560 CM5	2			Crimson Red
	X560 CR6	2			Garnet
	X560 CT8	2			Sable Tan
	X560 CL4	2			Beige Met.
	X560 CC9	2			Night Watch Blue
	X560 CX9	2			Black
	X560 CW3	2			White NUT, (Not Serv.)
3	4175 314-5	1			MOULDING, Fndr. Side
	6003 673	AR			RETAINER and STUD
	6003 726	AR			RETAINER
	9420 867	AR			NUT
	4175 451	2			PLATE, Fndr. Side Mldg. Attach.
4	4328 102-3	1			MOULDING, Body Side Sill, Use Up to 11-15-83
	4175 312-3	1			MOULDING, Body Side Sill, Use After 11-15-83
	6003 718	AR			RETAINER
	6028 674	AR			SCREW
					STUD, (Not Serv.)
5	4276 154-5	1			MOULDING, Roof Side Drain Trough Frt. SCREW, (Not Serv.)
	4017 830-1	1			SEAL, Roof Side Drain Trough Mldg.
6	4328 540-1	1			MOULDING, Frt. Door Belt
	4229 468-9	1			INSERT, Frt. Door Belt Mldg.
7	4022 052-3	1			MOULDING, Frt. Door Wdo. Opng. Frame Frt.
8	4022 056-7	1			MOULDING, Frt. Door Wdo. Opng. Frame Rear
9	4022 056	1			MOULDING, Rear Door Wdo. Opng. Frame Frt., Lt.
	4022 057	1			MOULDING, Rear Door Wdo. Opng. Frame Frt., Rt.
10	4175 100-1	1			MOULDING, Rear Door Wdo. Opng. Frame Up.
12	4229 758-9	1			MOULDING, Rear Door Belt
	4229 470-1	1			INSERT, Rear Door Belt Mldg.
13					NAMEPLATE, Rear Door Qtr. Wdo. Frame (See Illus. 4650, Item 11)
14	4175 316-7	1			MOULDING, Qtr. Pnl.
	6003 725	AR			RETAINER

MODEL CODES

B = GRAN FURY	F = FIFTH AVENUE/NEWPORT	P = RELIANT
C = LEBARON/TOWN & COUNTRY/EXC SEDAN	G = DIPLOMAT	T = E CLASS/NEW YORKER
C24 = LASER	H = VOYAGER	V = 600
D = ARIES	K = MINI RAM/CARAVAN/ROYAL	V24 = DAYTONA
E = 600	M = HORIZON/TURISMO	Z = OMNI/CHARGER/RAMPAGE

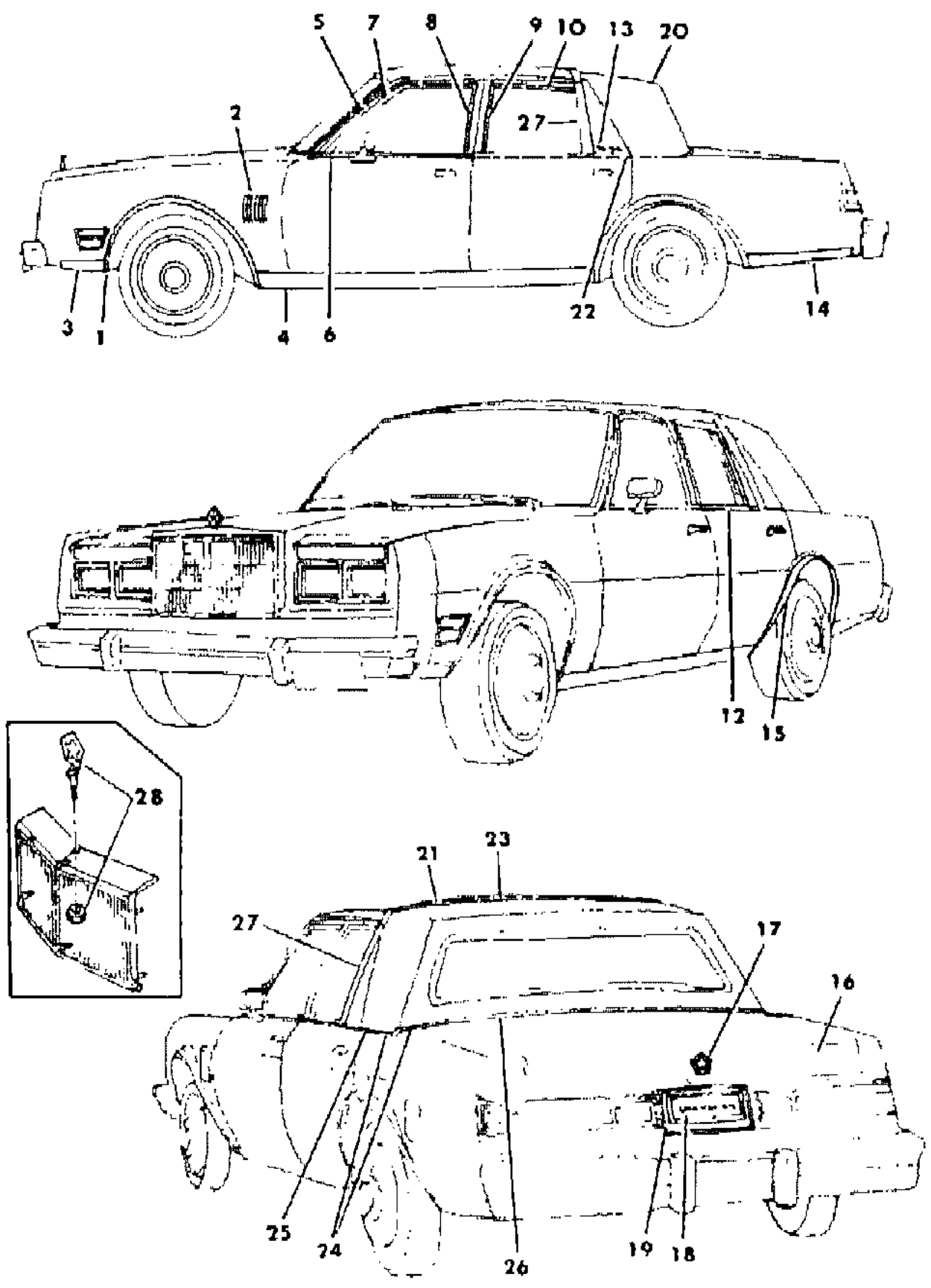
BODY STYLES

21 = 2-DOOR SEDAN	28 = FWD PICKUP	44 = 4-DOOR HATCHBACK
22 = 2-DOOR SPECIAL COUPE	35 = FWD VAN	45 = 4-DOOR STATION WAGON
24 = 2-DOOR HATCHBACK	36 = FWD WAGON	48 = 4-DOOR EXECUTIVE SEDAN
27 = 2-DOOR CONVERTIBLE	41 = 4-DOOR SEDAN	

AR = Use as Required - = Non Illustrated Part P.A.R. = Paint as Required

MOULDINGS and ORNAMENTATION - EXTERIOR VIEW CHRYSLER NEW YORKER
Figure 23-6400

4100-100



ITEM	PART NUMBER	QTY	BODY	MODEL	DESCRIPTION
	6003 719	AR			RETAINER
	6003 720	AR			RETAINER
	4175 450	2			PLATE, Qtr. Pnl. Mldg. Attach.
	9420 867	AR			NUT
	6001 927	AR			RETAINER and SEAL
					WELD STUD, (Not Serv.)
15	4328 100-1	1			MOULDING, Qtr. Wheel Opng., Use Up to 11-15-83
	4175 290-1	1			MOULDING, Qtr. Wheel Opng., Use After 11-15-83
					SCREW, (Not Serv.)
16	4276 400	1			NAMEPLATE, Deck Lid, "FIFTH AVENUE"
17	X561 CA2	1			MEDALLION, Deck Lid Lock Cyl., Silver
	X561 CA9	1			Charcoal Gray
	X561 CC4	1			Blue
	X561 CM5	1			Red
	X561 CL4	1			Beige Met.
	X561 CT8	1			Sable Tan
	X561 CW3	1			White
	X561 CX9	1			Black
NOTE: The Colored Medallion Used is Determined by the Exterior Paint of Car s information becomes available.					
18	4339 140	1			INSERT PACKAGE, Deck Opng. Lwr. Pnl. Applique
19	4229 653	1			APPLIQUE, Deck Opng. Lwr. Pnl.
	4229 652	1			SUPPORT, Deck Opng. Lwr. Pnl. Applique
	0044 170	8			NUT
20					CAP, Roof Bonnet (See Illus. 4650, Item 5)
21	4276 814-5	1			MOULDING PACKAGE, Roof Transverse, Complete w/Cap and Attaching Parts
		AR			RETAINER and STUD, (Not Serv.)
	4229 755	2			RETAINER and STUD
	4276 119	2			SPACER, Roof Transverse Mldg.
22	4276 316	2			MOULDING PACKAGE, Rear Door Belt Rear
23	4276 296	1			CAP ASSEMBLY, Roof Transverse Mldg. (Also Serv. in Mldg. Pkg. 4276814-5, Item 21)
24	4229 816	2			MOULDING, Qtr. Belt
	4328 064-5	1			MOULDING PACKAGE, Qtr. Belt and Corner Mldg.
25	4328 580-1	1			CAP, Qtr. Belt Mldg. Frt.
26	4276 310-1	1			MOULDING PACKAGE, Deck Opng. Upr. Pnl. (Note: A Cap Comes With the Rt. Side Mldg. Pkg. Only)
	4229 787	1			MOULDING, Deck Opng. Upr. Pnl., Lt.

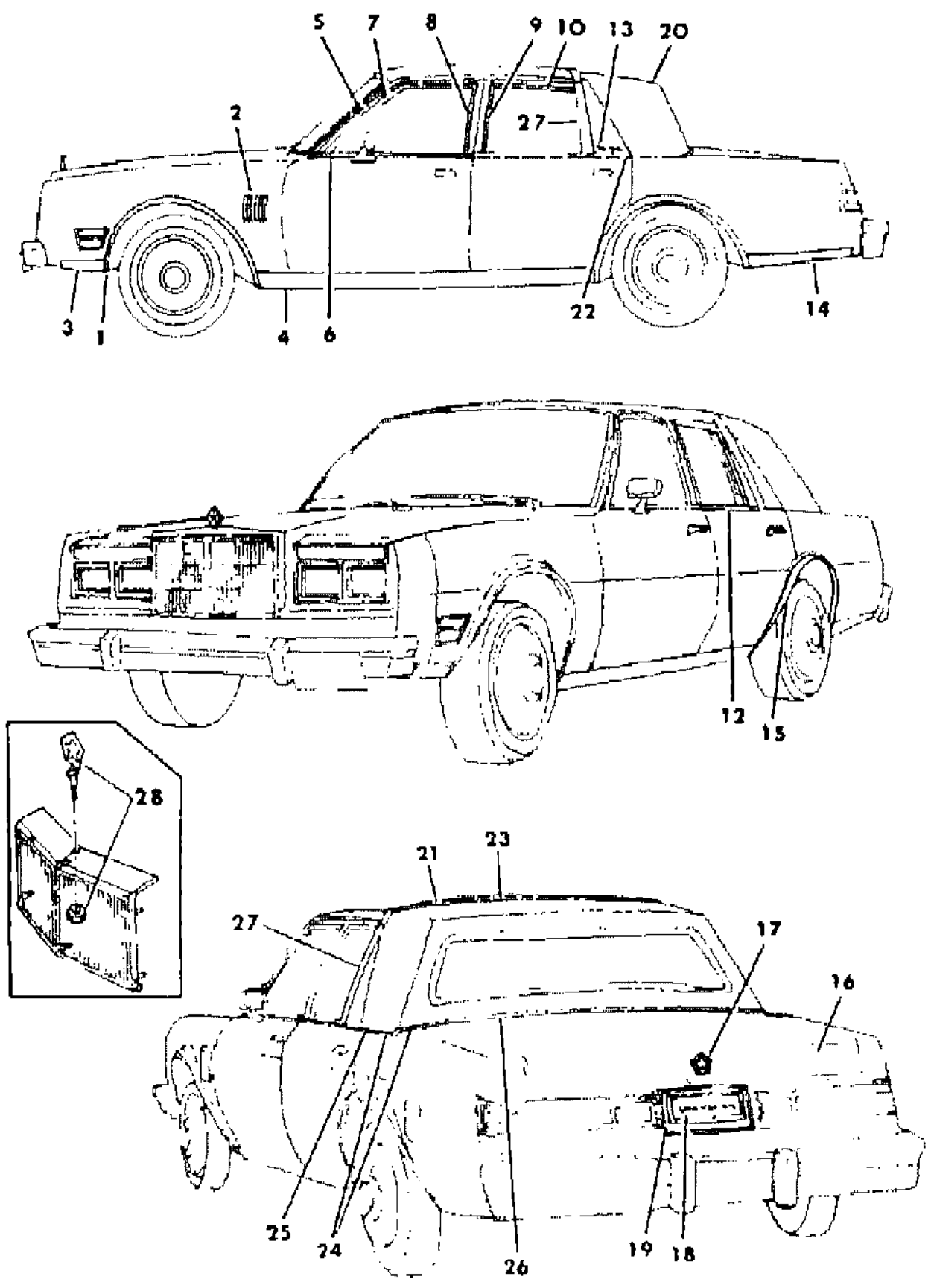
MODEL CODES
 B = GRAN FURY
 C = LEBARON/TOWN & COUNTRY/EXC SEDAN
 C24 = LASER
 D = ARIES
 E = 600
 F = FIFTH AVENUE/NEWPORT
 G = DIPLOMAT
 H = VOYAGER
 K = MINI RAM/CARAVAN/ROYAL
 M = HORIZON/TURISMO
 P = RELIANT
 T = E CLASS/NEW YORKER
 V = 600
 V24 = DAYTONA
 Z = OMNI/CHARGER/RAMPAGE

BODY STYLES
 21 = 2-DOOR SEDAN
 22 = 2-DOOR SPECIAL COUPE
 24 = 2-DOOR HATCHBACK
 27 = 2-DOOR CONVERTIBLE
 28 = FWD PICKUP
 35 = FWD VAN
 36 = FWD WAGON
 41 = 4-DOOR SEDAN
 44 = 4-DOOR HATCHBACK
 45 = 4-DOOR STATION WAGON
 48 = 4-DOOR EXECUTIVE SEDAN

AR = Use as Required - = Non Illustrated Part P.A.R. = Paint as Required

MOULDINGS and ORNAMENTATION - EXTERIOR VIEW CHRYSLER NEW YORKER
Figure 23-6400

4100-1000



ITEM	PART NUMBER	QTY	BODY	MODEL	DESCRIPTION
27	4276 462-3	1			MOULDING ASSEMBLY, Rear Door Qtr. Wdo. Frame
					NUT, (Not Serv.)
28	4270 563	1			ORNAMENT, Pentastar
	3672 780	1			RETAINER
	3672 672	1			SPRING
	4103 623	1			BASE
	6030 435	1			NUT
-	3792 367	AR			TAPE, Backlite Plug Ext. to Glass

MODEL CODES
 B = GRAN FURY
 C = LEBARON/TOWN & COUNTRY/EXC SEDAN
 C24 = LASER
 D = ARIES
 E = 600
 F = FIFTH AVENUE/NEWPORT
 G = DIPLOMAT
 H = VOYAGER
 K = MINI RAM/CARAVAN/ROYAL
 M = HORIZON/TURISMO
 P = RELIANT
 T = E CLASS/NEW YORKER
 V = 600
 V24 = DAYTONA
 Z = OMNI/CHARGER/RAMPAGE

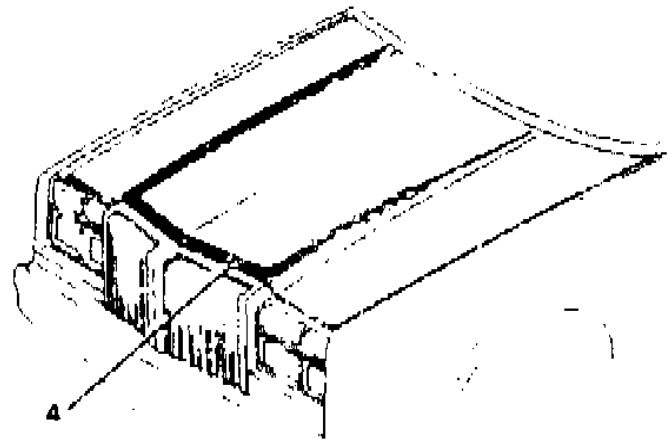
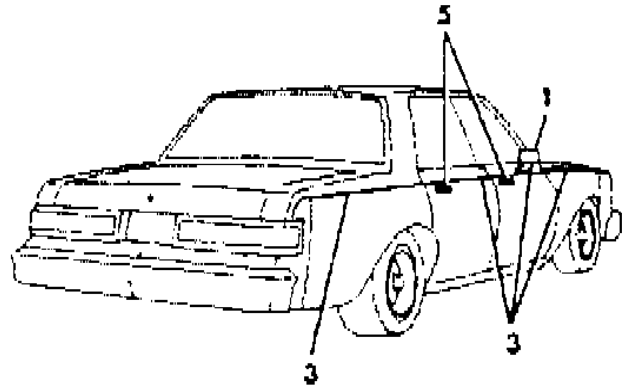
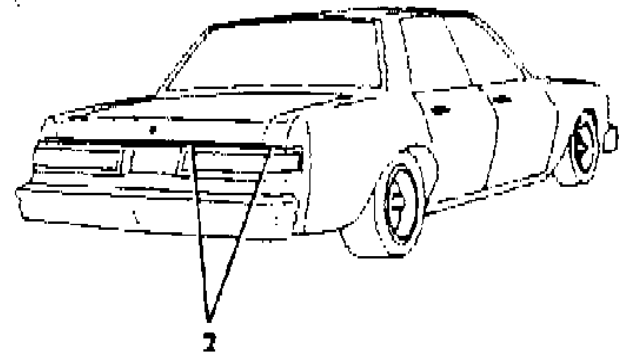
BODY STYLES
 21 = 2-DOOR SEDAN
 22 = 2-DOOR SPECIAL COUPE
 24 = 2-DOOR HATCHBACK
 27 = 2-DOOR CONVERTIBLE
 28 = FWD PICKUP
 35 = FWD VAN
 36 = FWD WAGON
 41 = 4-DOOR SEDAN
 44 = 4-DOOR HATCHBACK
 45 = 4-DOOR STATION WAGON
 48 = 4-DOOR EXECUTIVE SEDAN

AR = Use as Required - = Non Illustrated Part P.A.R. = Paint as Required

TAPE STRIPES and DECALS - EXTERIOR VIEW CHRYSLER NEW YORKER
Figure 23-6500

3115 05/81

ITEM	PART NUMBER	QTY	BODY	MODEL	DESCRIPTION
1	E324-5 CA1	1			TAPE, Door Mirror, Silver
	E324-5 CA6	1			Dark Silver
	E324-5 BM5	1			Red
	E324-5 BT8	1			Sable Tan
	E324-5 AC9	1			Blue
	E324-5 BL4	1			Beige Met.
	E324-5 AX9	1			Black
2	E324-5 AW3	1			White
	T086 BE5	1			TAPE, Deck Lid and Qtr. End Ext., Red (KGR)
	T086 BK6	1			Tan (KGK)
	T086 BY3	1			Gold (KGY)
	T086 BC6	1			Blue (KGC)
3	T086 AA2	1			Silver (KGA)
	4271 564-5	1			TAPE PACKAGE, Fndr., Door, Qtr., Silver (KEA)
	4293 282-3	1			Gold (KEY)
	4271 678-9	1			Red (KER)
	4293 278-9	1			Tan (KEK)
4	4271 584-5	1			Blue (KEC)
	T088 BY3	1			TAPE, Hood, Gold (KBY)
	T088 BE5	1			Red (KBR)
	T088 BC6	1			Blue (KBC)
	T088 BK6	1			Tan (KBK)
5	T088 AA2	1			Silver (KBA)
	T360 CA1	AR			TAPE, Door Handle, Silver
	T360 CA6	AR			Dark Silver
	T360 AC9	AR			Blue
	T360 BL4	AR			Beige Met.
	T360 BM5	AR			Red
	T360 BT8	AR			Sable Tan
	T360 AX9	AR			Black
T360 AW3	AR			White	



MODEL CODES

B = GRAN FURY	F = FIFTH AVENUE/NEWPORT	P = RELIANT
C = LEBARON/TOWN & COUNTRY/EXC SEDAN	G = DIPLOMAT	T = E CLASS/NEW YORKER
C24 = LASER	H = VOYAGER	V = 600
D = ARIES	K = MINI RAM/CARAVAN/ROYAL	V24 = DAYTONA
E = 600	M = HORIZON/TURISMO	Z = OMNI/CHARGER/RAMPAGE

BODY STYLES

21 = 2-DOOR SEDAN	28 = FWD PICKUP	44 = 4-DOOR HATCHBACK
22 = 2-DOOR SPECIAL COUPE	35 = FWD VAN	45 = 4-DOOR STATION WAGON
24 = 2-DOOR HATCHBACK	36 = FWD WAGON	48 = 4-DOOR EXECUTIVE SEDAN
27 = 2-DOOR CONVERTIBLE	41 = 4-DOOR SEDAN	

AR = Use as Required - = Non Illustrated Part P.A.R. = Paint as Required

GROUP 23A - BODY - SHEET METAL EXCEPT DOORS

ILLUSTRATION TITLE	GROUP-FIG. NO.
L BODY M,Z	
FLOOR PAN FRONT - M,Z	Fig. 23A-100
FLOOR PAN REAR - M,Z 24,44	Fig. 23A-200
FLOOR PAN REAR - M,Z 28	Fig. 23A-300
FENDER - M,Z	Fig. 23A-400
HOOD - M,Z	Fig. 23A-500
COWL AND DASH PANEL - M,Z	Fig. 23A-600
GLASS WINDSHIELD - M,Z	Fig. 23A-700
BODY FRONT PILLAR - M,Z	Fig. 23A-800
BODY REAR QUARTER - M,Z 24	Fig. 23A-900
BODY REAR QUARTER - M,Z 28	Fig. 23A-1000
BODY REAR QUARTER - M,Z 44	Fig. 23A-1100
LIFTGATE OPENING - M,Z 24	Fig. 23A-1200
TAILGATE OPENING AND CARGO BOX - M,Z 28	Fig. 23A-1300
LIFTGATE OPENING - M,Z 44	Fig. 23A-1400
GLASS QUARTER WINDOW - M,Z 24	Fig. 23A-1500
ROOF PANEL - M,Z	Fig. 23A-1600
SUN ROOF - M,Z 24	Fig. 23A-1700
ROOF LUGGAGE RACK - M,Z	Fig. 23A-1800
GLASS REAR WINDOW - M,Z 28	Fig. 23A-1900
LIFTGATE - M,Z 24	Fig. 23A-2000
LIFTGATE - M,Z 44	Fig. 23A-2100
GLASSLIFT GATE - M,Z	Fig. 23A-2200
TAILGATE - M,Z 28	Fig. 23A-2300
K,E BODY P,D,V,C,E,T	
FLOOR PAN - P,D,V,C,E,T	Fig. 23A-2400
CONVERTIBLE FLOOR PAN REINFORCEMENTS - V,C 27	Fig. 23A-2500
PLUGS FLOOR PAN - P,D,V,C,E,T	Fig. 23A-2600
FENDER - P,D,V,C,E,T	Fig. 23A-2700
BUMPERS PLUGS FENDER HOOD - P,D,V,C,E,T	Fig. 23A-2800
HOOD - P,D,V,C,E,T	Fig. 23A-2900
HOOD RELEASE REMOTE CONTROL - P,D,V,C,E,T	Fig. 23A-3000
COWL AND DASH PANEL - P,D,V,C,E,T	Fig. 23A-3100
PLUGS COWL DASH - P,D,V,C,E,T	Fig. 23A-3200
GLASS WINDSHIELD - P,D,V,C,E,T	Fig. 23A-3300
BODY FRONT PILLAR - P,D,V,C,E,T	Fig. 23A-3400

ILLUSTRATION NOT AVAILABLE AT TIME OF PUBLICATION

GROUP 23A - BODY - SHEET METAL EXCEPT DOORS

GROUP 23A - BODY - SHEET METAL EXCEPT DOORS

ILLUSTRATION TITLE

GROUP-FIG. NO.

ILLUSTRATION TITLE

GROUP-FIG. NO.

K,E BODY P,D,V,C,E,T (Continued)

BODY FRONT PILLAR - P,D,V,C,E,T
 APERTURE PANELS - P,D,V,C,E,T
 PLUGS BODY SIDE - P,D,V,C,E,T
 BODY SIDE - P,D,V,C 21,22,27,48
 BODY SIDE - P,D,C 41
 BODY SIDE - E,T
 BODY SIDE - P,D,C 45
 BODY EXTENSIONS AND REINFORCEMENT - C 48
 SIDE SILL AND CENTER PILLAR - P,D,V,C,E,T
 QUARTER INSIDE AND WHEELHOUSE OUTER PANEL - P,D,V,C 21,22,27,48
 CONVERTIBLE QUARTER INNER AND DECK OPENING UPPER - V,C 27
 QUARTER INSIDE AND WHEELHOUSE OUTER PANEL - P,D,C 41
 QUARTER INSIDE AND WHEELHOUSE OUTER PANEL - E,T
 QUARTER INSIDE AND WHEELHOUSE OUTER PANEL - P,D,C 45
 GLASS QUARTER WINDOW - P,D,V,C 21,22,48
 CONVERTIBLE QUARTER WINDOW - V,C 27
 GLASS QUARTER WINDOW - E,T
 GLASS QUARTER WINDOW - P,D,C 45
 ROOF PANEL - P,D,V,C,E,T
 CONVERTIBLE FOLDING TOP - V,C 27
 CONVERTIBLE WINDSHIELD HEADER - V,C 27
 ROOF LUGGAGE RACK - P,D,C 45
 GLASS REAR WINDOW - P,D,V,C 21,22,41
 GLASS REAR WINDOW - E,T
 DECK OPENING - P,D,V,C
 DECK OPENING - E,T
 LIFTGATE OPENING - P,D,C 45
 DECK LID - P,D,V,C
 DECK LID - E,T
 BUMPERS PLUGS DECK LID - P,D,V,C,E,T
 DECK LID ELECTRIC - P,D,V,C,E,T
 LIFTGATE - P,D,C 45
 PLUGS LIFTGATE - P,D,C 45

G BODY C,V

FLOOR PAN FRONT - C,V 24
 FLOOR PAN REAR - C,V 24

Fig. 23A-3400
 Fig. 23A-3500
 Fig. 23A-3600
 Fig. 23A-3700
 Fig. 23A-3800
 Fig. 23A-3900
 Fig. 23A-4000
 Fig. 23A-4100
 Fig. 23A-4200
 Fig. 23A-4300
 Fig. 23A-4400
 Fig. 23A-4500
 Fig. 23A-4600
 Fig. 23A-4700
 Fig. 23A-4800
 Fig. 23A-4900
 Fig. 23A-5000
 Fig. 23A-5100
 Fig. 23A-5200
 Fig. 23A-5300
 Fig. 23A-5400
 Fig. 23A-5500
 Fig. 23A-5600
 Fig. 23A-5700
 Fig. 23A-5800
 Fig. 23A-5900
 Fig. 23A-6000
 Fig. 23A-6100
 Fig. 23A-6200
 Fig. 23A-6300
 Fig. 23A-6400
 Fig. 23A-6500
 Fig. 23A-6600

 Fig. 23A-6700
 Fig. 23A-6800

G BODY C,V (Continued)

FLOOR PAN REAR - C,V 24
 FENDER - C,V 24
 HOOD - C,V 24
 COWL AND DASH PANEL - V,C 24
 GLASS WINDSHIELD - C,V 24
 BODY FRONT PILLAR - C,V 24
 BODY REAR QUARTER - C,V 24
 LIFTGATE OPENING - C,V 24
 GLASS QUARTER WINDOW - C,V 24
 ROOF PANEL - C,V 24
 SUN ROOF - C,V 24
 LIFTGATE - C,V 24
 GLASS LIFTGATE - C,V 24

S BODY H,K

FLOOR PAN - H,K
 FENDER - H,K
 HOOD - H,K
 COWL AND DASH PANEL - H,K
 GLASS WINDSHIELD - H,K
 BODY FRONT PILLAR - H,K
 BODY REAR QUARTER RIGHT - H,K
 BODY REAR QUARTER LEFT - H,K
 FUEL FILLER DOOR REMOTE RELEASE - H,K
 LIFTGATE OPENING - H,K
 GLASS QUARTER WINDOW - H,K
 ROOF PANEL - H,K
 ROOF LUGGAGE RACK - H,K
 LIFTGATE - H,K
 GLASS LIFTGATE - H,K

M BODY B,F,G

FLOOR PAN - B,F,G
 PLUGS FLOOR PAN - B,F,G
 FENDER - B,F,G
 BUMPERS PLUGS FENDER HOOD - B,F,G
 HOOD - B,F,G

Fig. 23A-6800
 Fig. 23A-6900
 Fig. 23A-7000
 Fig. 23A-7100
 Fig. 23A-7200
 Fig. 23A-7300
 Fig. 23A-7400
 Fig. 23A-7500
 Fig. 23A-7600
 Fig. 23A-7700
 Fig. 23A-7800
 Fig. 23A-7900
 Fig. 23A-8000

 Fig. 23A-8100
 Fig. 23A-8200
 Fig. 23A-8300
 Fig. 23A-8400
 Fig. 23A-8500
 Fig. 23A-8600
 Fig. 23A-8700
 Fig. 23A-8800
 Fig. 23A-8900
 Fig. 23A-9000
 Fig. 23A-9100
 Fig. 23A-9200
 Fig. 23A-9300
 Fig. 23A-9400
 Fig. 23A-9500

 Fig. 23A-9600
 Fig. 23A-9700
 Fig. 23A-9800
 Fig. 23A-9900
 Fig. 23A-10000

GROUP 23A - BODY - SHEET METAL EXCEPT DOORS

ILLUSTRATION TITLE

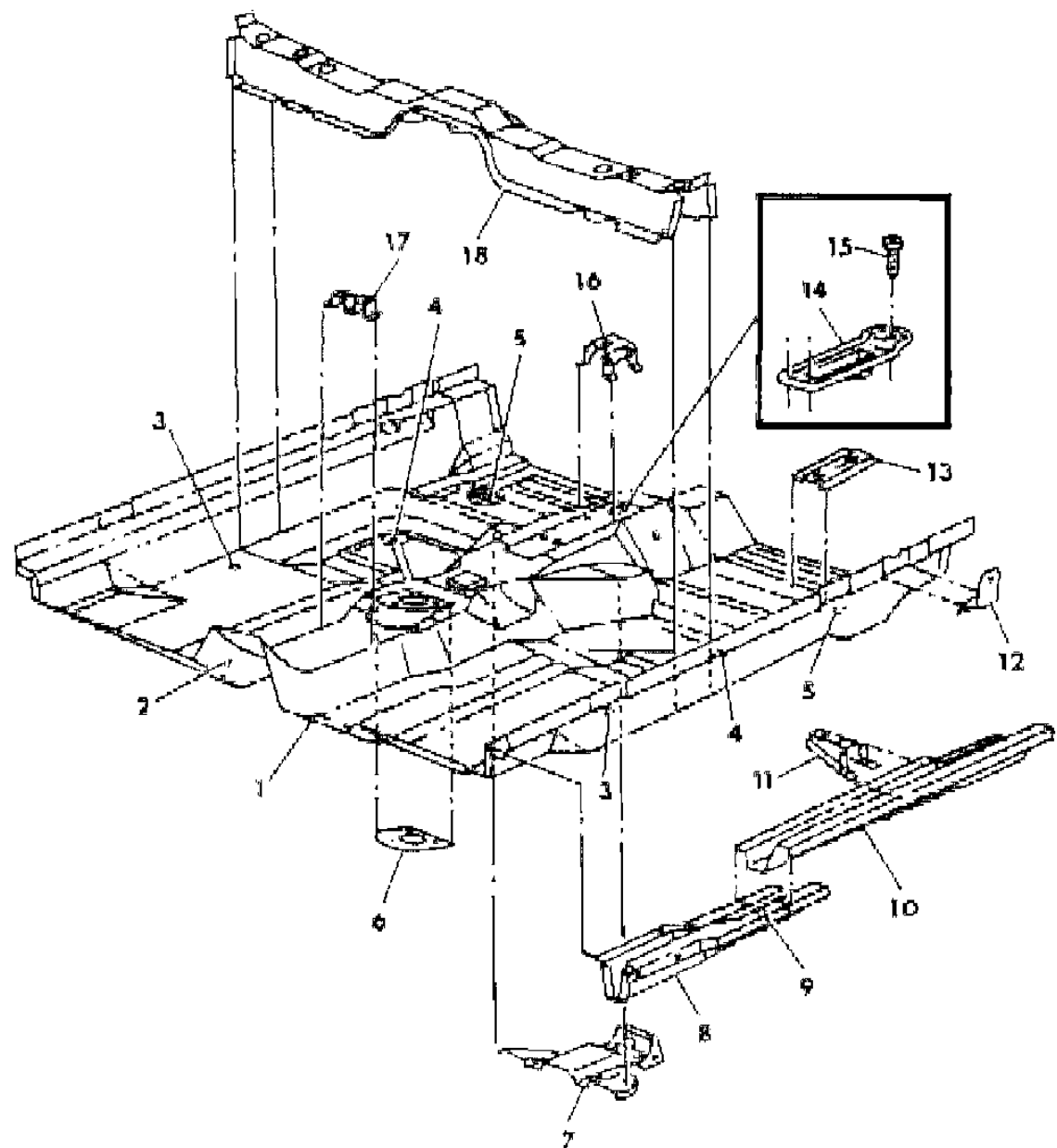
GROUP-FIG. NO.

M BODY B,F,G (Continued)

HOOD - B,F,G	Fig. 23A-10000
HOOD RELEASE REMOTE CONTROL - B,F,G	Fig. 23A-10100
COWL AND DASH PANEL - B,F,G	Fig. 23A-10200
PLUGS COWL AND DASH B,F,G	Fig. 23A-10300
GLASS WINDSHIELD - B,F,G	Fig. 23A-10400
SIDE SILL AND CENTER PILLAR - B,F,G	Fig. 23A-10500
PLUGS BODY SIDE - B,F,G	Fig. 23A-10600
QUARTER PANEL - B,F,G	Fig. 23A-10700
ROOF PANEL - B,F,G	Fig. 23A-10800
SUN ROOF - B,F,G	Fig. 23A-10900
SUN ROOF - B,F,G	Fig. 23A-11000
GLASS REAR WINDOW - B,F,G	Fig. 23A-11100
DECK OPENING - B,F,G	Fig. 23A-11200
DECK LID - B,F,G	Fig. 23A-11300
BUMPERS PLUGS DECK LID - B,F,G	Fig. 23A-11400
DECK LID ELECTRIC - B,F,G	Fig. 23A-11500

FLOOR PAN FRONT - M,Z
Figure 23A-100

4100 100



ITEM	PART NUMBER	QTY	BODY	MODEL	DESCRIPTION
1	4314 752	1		24	PAN, Front Floor
	4314 753	1		28,44	
2	2424 864	1		24,28,4	PLUG, 1.75" Dia./44.5 mm
3	2480 957	2		24,28,4	PLUG, 1.00" Dia./25.4 mm
4	4073 485	2		24,28,4	PLUG, 1.50" Dia./38 mm
5	5200 456	2		24,28,4	PLUG, 2.75" Dia./70 mm
6	5200 207	1		24,28,4	REINFORCEMENT and NUT, Gearshift Mounting
7	5230 421	1		24,28,4	REINFORCEMENT and NUT, Handbrake, Front Seat Inner Track Rear, Mounting
8	5200 004-5	1		24,28,4	EXTENSION, Lower Side Sill, Front
9	1774 076	2		24,44	PLUG, .630" Dia./16 mm
10	5230 076-7	1		24	PANEL, Lower Sill
	5200 006-7	1		28,44	
	4050 466-7	1		28,44	PANEL and REINFORCEMENT, Lower Sill (Includes Item 11)
11	5200 176	2		24,28,4	REINFORCEMENT, Front Seat Outer Track Rear, Mounting
12	5230 006	2		24	REINFORCEMENT and NUT, Front Seat Belt Outer, Mounting
	5200 205	2		28,44	
13	3791 040	1		28	BRACKET, Jack Stowage
14	5200 384	1		24,28,4	SEAL, Handbrake Cable
15		3		24,28,4	SCREW, #10-16 x .375" (Not Serviced)
16	4314 178	1		24,28,4	BRACKET, Console Rear
17	4314 177	1		24,28,4	BRACKET, Console Front
18	5230 314	1		24,28,4	CROSSMEMBER, Front Seat Track Front, Mounting

MODEL CODES

B = GRAN FURY	F = FIFTH AVENUE/NEWPORT	P = RELIANT
C = LEBARON/TOWN & COUNTRY/EXC SEDAN	G = DIPLOMAT	T = E CLASS/NEW YORKER
C24 = LASER	H = VOYAGER	V = 600
D = ARIES	K = MINI RAM/CARAVAN/ROYAL	V24 = DAYTONA
E = 600	M = HORIZON/TURISMO	Z = OMNI/CHARGER/RAMPAGE

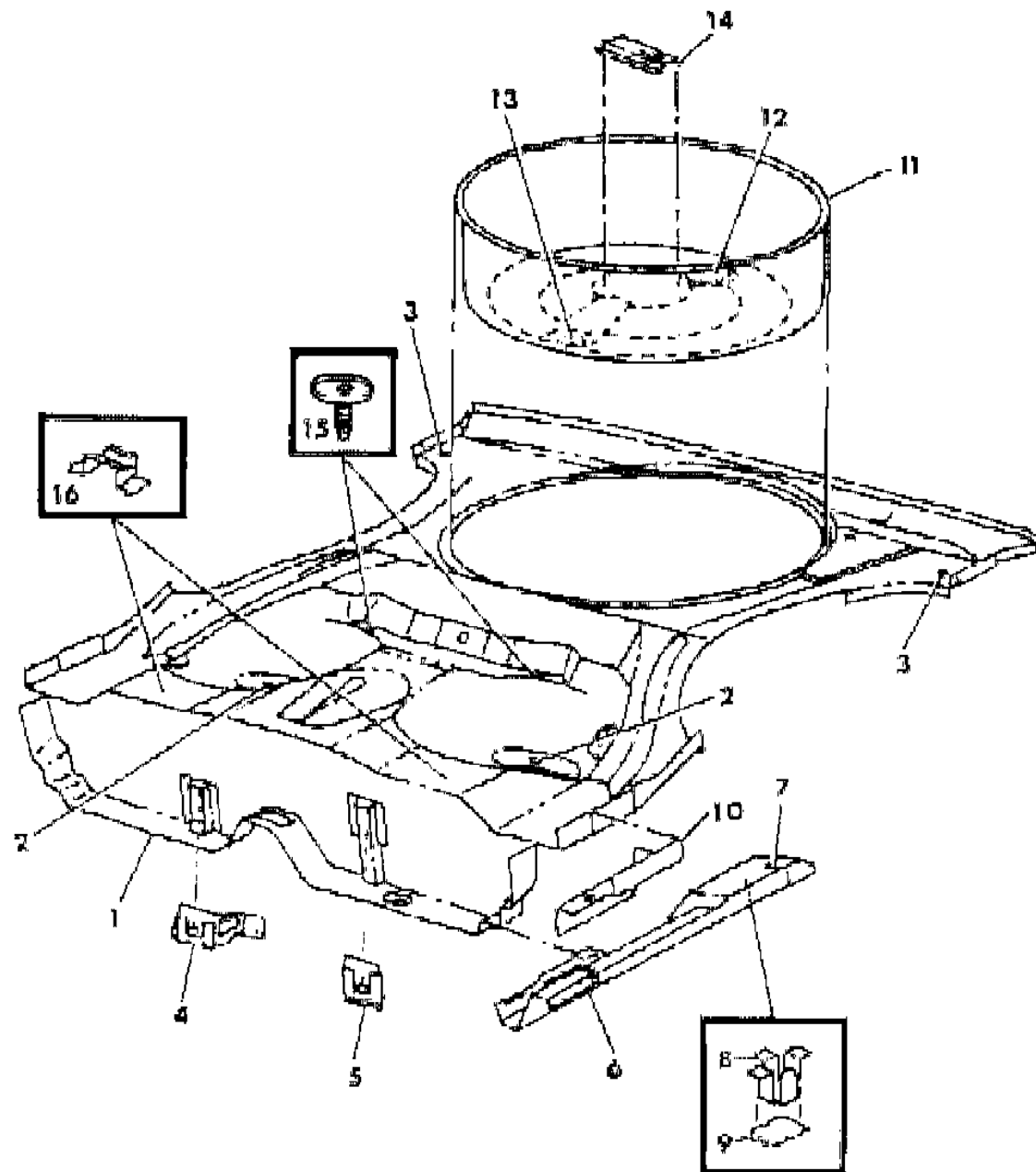
BODY STYLES

21 = 2-DOOR SEDAN	28 = FWD PICKUP	44 = 4-DOOR HATCHBACK
22 = 2-DOOR SPECIAL COUPE	35 = FWD VAN	45 = 4-DOOR STATION WAGON
24 = 2-DOOR HATCHBACK	36 = FWD WAGON	48 = 4-DOOR EXECUTIVE SEDAN
27 = 2-DOOR CONVERTIBLE	41 = 4-DOOR SEDAN	

AR = Use as Required - = Non Illustrated Part P.A.R. = Paint as Required

FLOOR PAN REAR - M,Z 24,44
Figure 23A-200

4189 200



ITEM	PART NUMBER	QTY	BODY	MODEL	DESCRIPTION
1	4337 416	1		24	PAN, Rear Floor
	4314 878	1		44	
2	5200 474	2		24,44	PLUG, .838" Dia./21.3 mm
3	2480 957	2		24,44	PLUG, 1.00" Dia./25.4 mm
4	5218 306	1		24,44	PLATE and NUT, Fuel Tank Strap & Exhaust Hanger
5	5200 266	1		24,44	PLATE, Fuel Tank Strap Hanger
6	5200 162-3	1		24,44	EXTENSION, Lower Side Sill, Rear
7	1774 076	2		24,44	PLUG, .630" Dia./16 mm
8	5200 312	2		24,44	BRACKET, Jacking, Rear
9		2		24,44	PLATE, Jacking Bracket (Not Serviced)
10	5200 034-5	1		24,44	PANEL, Inner Sill, Rear
11	4337 584	1		24,44	PANEL, Tire Stowage
12	2424 864	1		24,44	PLUG, 1.75" Dia./44.5 mm
13	5200 456	1		24,44	PLUG, 2.75" Dia./70 mm
14	3791 040	1		24,44	BRACKET, Tire Stowage
15	4314 256	2		24,44	REINFORCEMENT and BOLT, Fuel Tank Strap Rear
16	5200 388	2		24,44	RETAINER, Rear Seat Cushion

MODEL CODES

B = GRAN FURY	F = FIFTH AVENUE/NEWPORT	P = RELIANT
C = LEBARON/TOWN & COUNTRY/EXC SEDAN	G = DIPLOMAT	T = E CLASS/NEW YORKER
C24 = LASER	H = VOYAGER	V = 600
D = ARIES	K = MINI RAM/CARAVAN/ROYAL	V24 = DAYTONA
E = 600	M = HORIZON/TURISMO	Z = OMNI/CHARGER/RAMPAGE

BODY STYLES

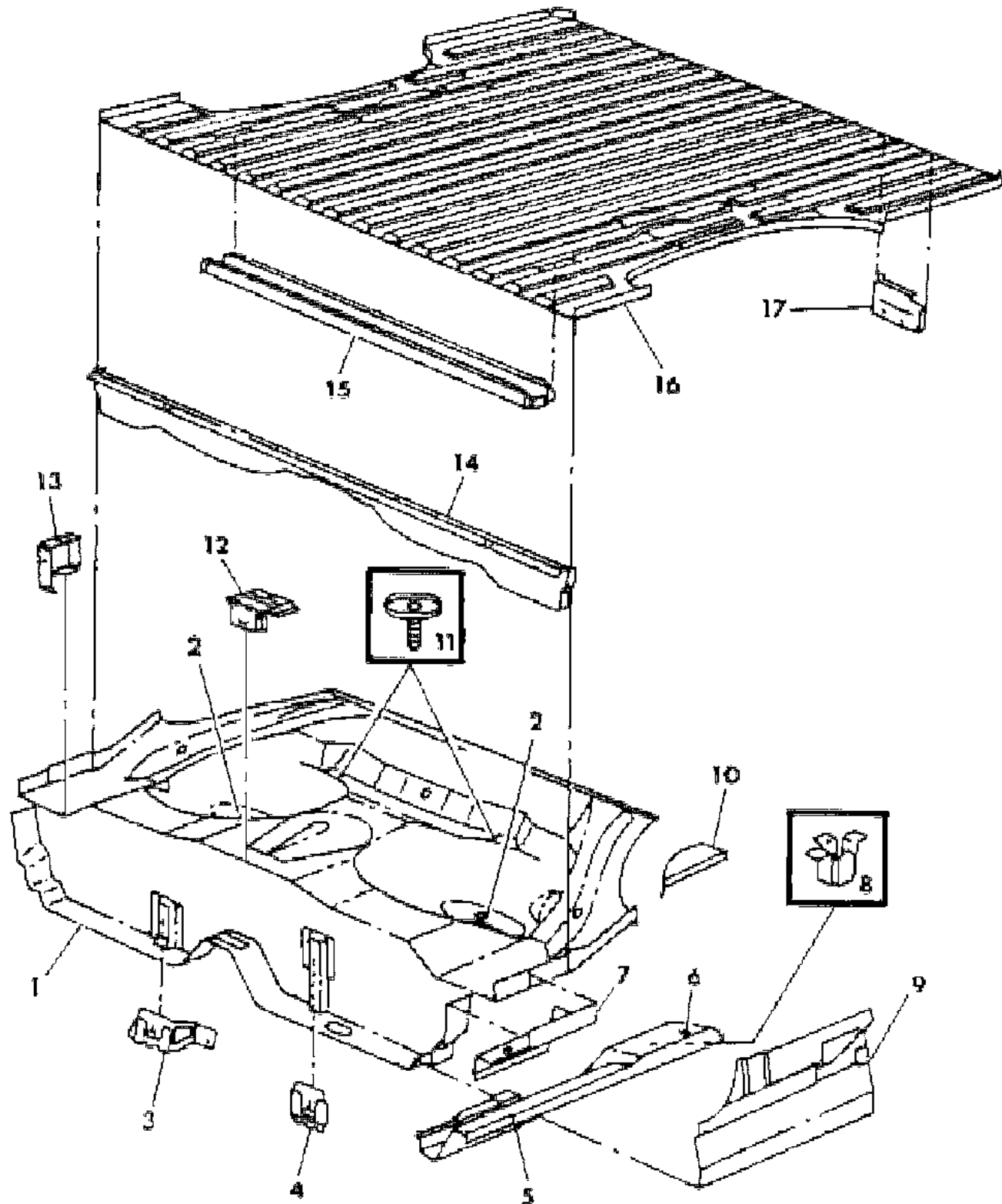
21 = 2-DOOR SEDAN	28 = FWD PICKUP	44 = 4-DOOR HATCHBACK
22 = 2-DOOR SPECIAL COUPE	35 = FWD VAN	45 = 4-DOOR STATION WAGON
24 = 2-DOOR HATCHBACK	36 = FWD WAGON	48 = 4-DOOR EXECUTIVE SEDAN
27 = 2-DOOR CONVERTIBLE	41 = 4-DOOR SEDAN	

AR = Use as Required - = Non Illustrated Part P.A.R. = Paint as Required

FLOOR PAN REAR - M,Z 28

Figure 23A-300

4169 300



ITEM	PART NUMBER	QTY	BODY	MODEL	DESCRIPTION
1	4314 876	1		28	PAN, Rear Floor
2	5200 474	2		28	PLUG, .838" Dia./21.3 mm
3	5218 306	1		28	PLATE and NUT, Fuel Tank Strap & Exhaust Hanger
4	5200 266	1		28	PLATE, Fuel Tank Strap Hanger
5	5200 162-3	1		28	EXTENSION, Lower Side Sill, Rear
6	1774 076	2		28	PLUG, .630" Dia./16 mm
7	5200 034-5	1		28	PANEL, Inner Sill, Rear
8	5200 312	2		28	BRACKET, Jacking Rear
9	4206 678-9	1		28	EXTENSION, Cargo Floor Front, Side
10		1		28	PANEL, Wheelhouse Closure (Serviced in Rear Side Rail Assembly - See Group 13 Illustrations)
11	4314 256	2		28	REINFORCEMENT and BOLT, Fuel Tank Strap Rear
12	4206 774	1		28	SUPPORT, Stowage Tray, Center
13	4206 772-3	1		28	SUPPORT, Stowage Tray, Outer
14		1		28	SUPPORT, Cab Back Panel NS3
15		1		28	CROSSMEMBER, Cargo Floor Front NS3
16	4206 579	1		28	PANEL, Cargo Floor
17	4206 732	1		28	BRACKET, Muffler Hanger

MODEL CODES

B = GRAN FURY	F = FIFTH AVENUE/NEWPORT	P = RELIANT
C = LEBARON/TOWN & COUNTRY/EXC SEDAN	G = DIPLOMAT	T = E CLASS/NEW YORKER
C24 = LASER	H = VOYAGER	V = 600
D = ARIES	K = MINI RAM/CARAVAN/ROYAL	V24 = DAYTONA
E = 600	M = HORIZON/TURISMO	Z = OMNI/CHARGER/RAMPAGE

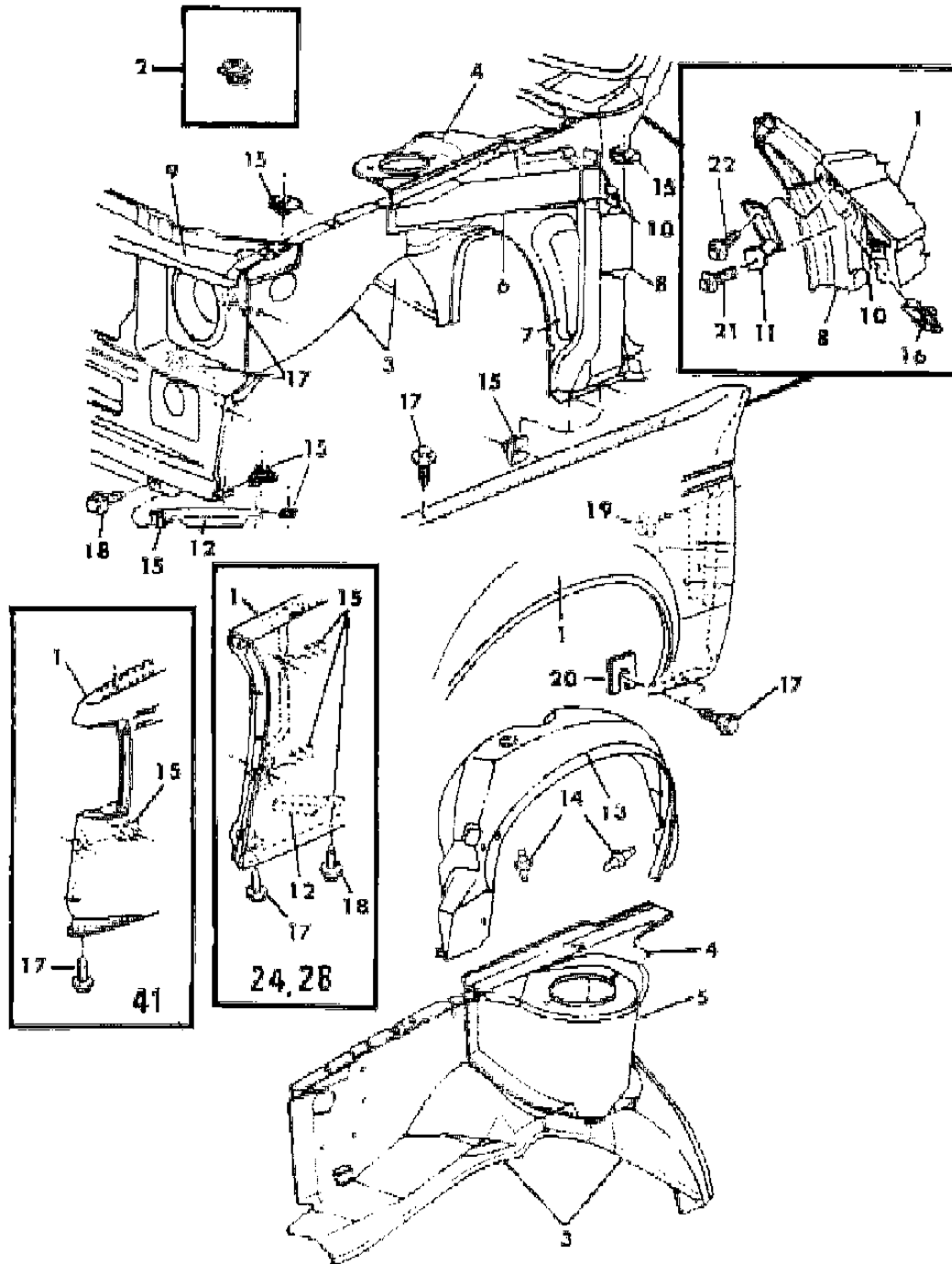
BODY STYLES

21 = 2-DOOR SEDAN	28 = FWD PICKUP	44 = 4-DOOR HATCHBACK
22 = 2-DOOR SPECIAL COUPE	35 = FWD VAN	45 = 4-DOOR STATION WAGON
24 = 2-DOOR HATCHBACK	36 = FWD WAGON	48 = 4-DOOR EXECUTIVE SEDAN
27 = 2-DOOR CONVERTIBLE	41 = 4-DOOR SEDAN	

AR = Use as Required - = Non Illustrated Part P.A.R. = Paint as Required

FENDER - M,Z
Figure 23A-400

4169 400



ITEM	PART NUMBER	QTY	BODY	MODEL	DESCRIPTION
1	4318 310-1	1		24,28	PANEL, Fender
	4296 858-9	1		44	
2	4222 731	1		24,28,4	PLUG, Fender Antenna Hole
3	4296 908	1		24,28,4	PANEL, Fender Shield, Right
	4296 861	1		24,28,4	Left
4	4296 094-5	1		24,28,4	REINFORCEMENT, Front Suspension Iso-Strut, Mounting Tower
5	4296 080-1	1		24,28,4	TOWER, Front Suspension Iso-Strut, Mounting
6	5200 804-5	1		24,28,4	SUPPORT, Cowl Side Panel to Iso-Strut Mounting Tower
7				24,28,4	PANEL, Cowl Side (See Cowl & Dash Panel Illustration)
8				24,28,4	PILLAR, Front Hinge (See "Body, Front Pillar" Illustration)
9				24,28,4	PANEL, Fender Closure & Headlamp Mounting (See Group 7 Illustration)
10	5231 324-5	1		24,28	BRACKET and NUT
	5231 084-5	1		44	
11	4103 438-9	1		24,28	BRACKET, Fender Rear to Windshield Opening Frame
12	4103 230-1	1		24,28	BRACE, Fender Closure & Headlamp Mounting Panel
13	5201 336-7	1		24,28	SHIELD, Fender Splash
	4296 130-1	1		44	
14	6031 390	AR		24,28,4	RETAINER, Drive Pin Type
15	6100 041	AR		24,28,4	U-NUT
16	6100 040	AR		24,28	U-NUT
17	6100 568	AR		24,28,4	SCREW and WASHER
18	6100 566	AR		24,28	SCREW and WASHER
19	6100 302	AR		24,28,4	SCREW and WASHER
20	6010 031	AR		24,28,4	SHIM
21		2		24,28	SCREW, #10-16 x .75" (Not Serviced)
22	6100 534	2		24,28	SCREW and WASHER

MODEL CODES

B = GRAN FURY	F = FIFTH AVENUE/NEWPORT	P = RELIANT
C = LEBARON/TOWN & COUNTRY/EXC SEDAN	G = DIPLOMAT	T = E CLASS/NEW YORKER
C24 = LASER	H = VOYAGER	V = 600
D = ARIES	K = MINI RAM/CARAVAN/ROYAL	V24 = DAYTONA
E = 600	M = HORIZON/TURISMO	Z = OMNI/CHARGER/RAMPAGE

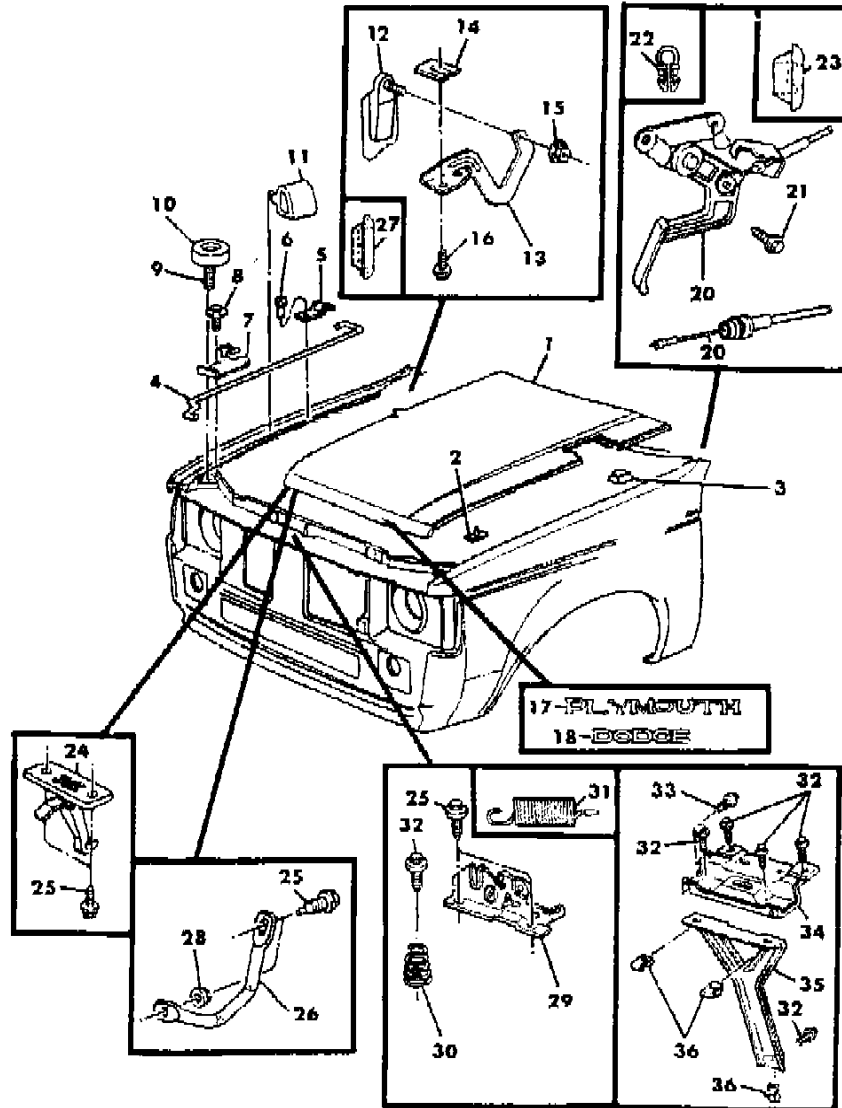
BODY STYLES

21 = 2-DOOR SEDAN	28 = FWD PICKUP	44 = 4-DOOR HATCHBACK
22 = 2-DOOR SPECIAL COUPE	35 = FWD VAN	45 = 4-DOOR STATION WAGON
24 = 2-DOOR HATCHBACK	36 = FWD WAGON	48 = 4-DOOR EXECUTIVE SEDAN
27 = 2-DOOR CONVERTIBLE	41 = 4-DOOR SEDAN	

AR = Use as Required - = Non Illustrated Part P.A.R. = Paint as Required

HOOD - M,Z Figure 23A-500

4100 500



ITEM	PART NUMBER	QTY	BODY	MODEL	DESCRIPTION
1	5218 366	1		24,28	PANEL, Hood (exc. Z-S 24)
	5218 478	1		24	(Z-S 24)
	5218 471	1		44	
2	6003 351	AR		24,28,4	FASTENER, Hood Panel Silencer
	4049 601	AR		24,28,4	SILENCER, Hood Panel, Cut to Fit, 36" x 72"
3	5201 342	2		24,28	SEAL, Hood Panel to Fender Ledge
	5201 146	2		44	
4	5201 270	1		24,28,4	ROD, Hood Panel Prop
5	5201 370	1		24,28,4	BRACKET, Hood Panel Prop Rod, Anchor
6	6031 115	1		24,28,4	RIVET
7	5201 356	1		24,28,4	CLIP, Hood Panel Prop Rod, Stowage
8	6100 568	1		24,28,4	SCREW and WASHER
9	6023 531	2		24,28,4	SCREW, Hood Panel Front Bumper Mounting, Up To 12/15/83
10	3788 362	2		24,28,4	BUMPER, Hood Panel, Front, Up To 12/15/83
	4103 165	2		24,28,4	After 12/15/83
11	5201 343	2		24,28	BUMPER, Hood Panel to Fender Ledge
	5201 051	2		44	
12	5231 228-9	1		24,28,4	HINGE and SCREW, Hood Panel Body Half
13	5201 084-5	1		24,28,4	HINGE, Hood Panel, Hood Half
14	6010 031	AR		24,28,4	SHIM
15	6500 201	2		24,28,4	NUT and WASHER
16	6100 567	4		24,28,4	SCREW and WASHER
17	3444 927	1		44	NAMEPLATE, Hood "Plymouth"
18	5209 376	1		44	NAMEPLATE, Hood "Dodge"
20	5207 049	1		24,28,4	RELEASE ASSEMBLY, Inside Hood Latch
	6022 149	1		24,28,4	SPRING NUT
21	9421 073	3		24,28,4	SCREW
22		2		24,28,4	CLIP, Not Serviced
23	5207 294	1		24,28,4	GROMMET, Inside Hood Latch, Release Cable
24	4296 208	1		24,28	CATCH, Hood Safety (exc. Z-S 24)
	5207 417	1		24	(Z-S 24)
	5207 417	1		44	
25	6101 339	AR		24,28,4	SCREW and WASHER
26	5207 038	1		24,28,4	STRIKER, Hood Latch
27	2860 332	AR		44	PLUG, Hood Hinge Hole Repair
28	6100 047	1		24,28,4	NUT and WASHER
29	5232 057	1		24,28	LATCH, Hood Inside Release
	5207 088	1		44	

MODEL CODES

B = GRAN FURY	F = FIFTH AVENUE/NEWPORT	P = RELIANT
C = LEBARON/TOWN & COUNTRY/EXC SEDAN	G = DIPLOMAT	T = E CLASS/NEW YORKER
C24 = LASER	H = VOYAGER	V = 600
D = ARIES	K = MINI RAM/CARAVAN/ROYAL	V24 = DAYTONA
E = 600	M = HORIZON/TURISMO	Z = OMNI/CHARGER/RAMPAGE

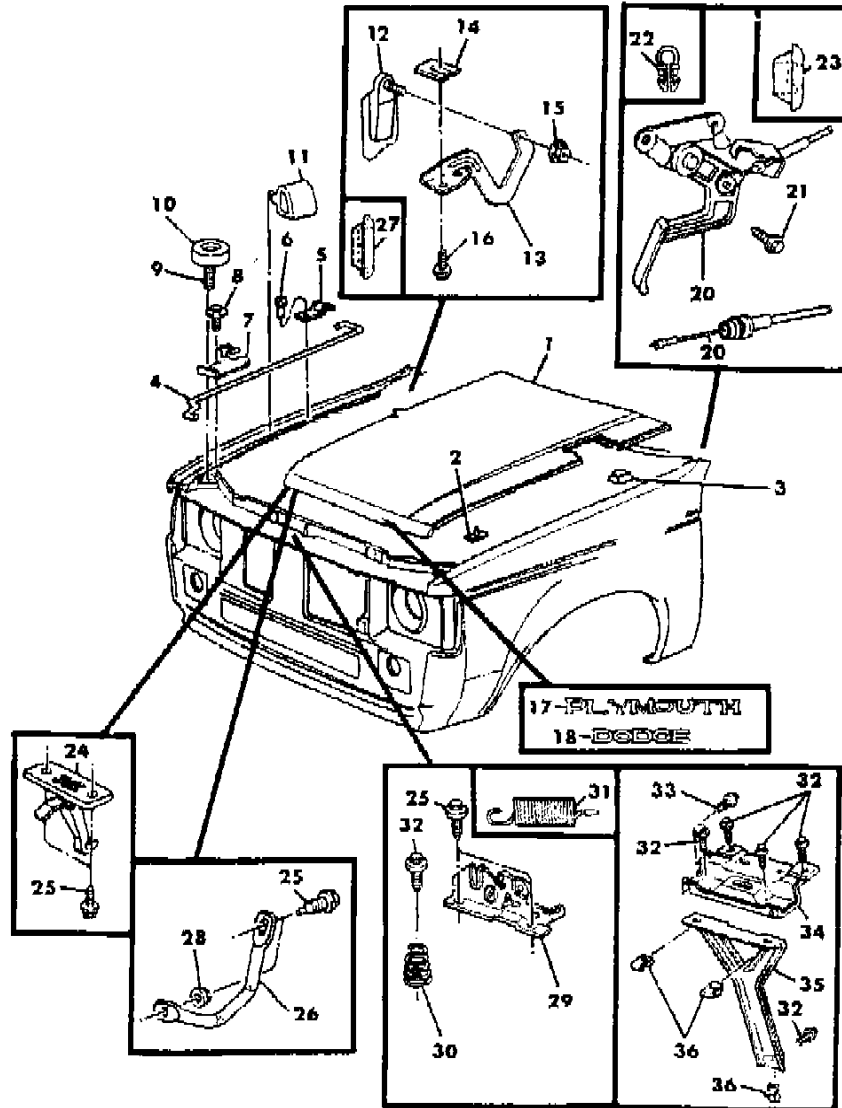
BODY STYLES

21 = 2-DOOR SEDAN	28 = FWD PICKUP	44 = 4-DOOR HATCHBACK
22 = 2-DOOR SPECIAL COUPE	35 = FWD VAN	45 = 4-DOOR STATION WAGON
24 = 2-DOOR HATCHBACK	36 = FWD WAGON	48 = 4-DOOR EXECUTIVE SEDAN
27 = 2-DOOR CONVERTIBLE	41 = 4-DOOR SEDAN	

AR = Use as Required - = Non Illustrated Part P.A.R. = Paint as Required

HOOD - M,Z Figure 23A-500

4100 500



ITEM	PART NUMBER	QTY	BODY	MODEL	DESCRIPTION
30	4240 535	1		24,28	SPRING, Hood Panel Pop-Up
	4240 536	1		44	
31	5207 447	1		24,28,4	SPRING, Hood Panel Latch Lever
32	6100 566	AR		24,28,4	SCREW and WASHER
33		AR		24,28	SCREW and WASHER, Not Serviced
34	5201 326	1		24,28	PLATE, Hood Lock Support
35	4103 221	1		24,28	SUPPORT, Hood Vertical Lock
36	6100 041	3		24,28	U-NUT

MODEL CODES

B = GRAN FURY	F = FIFTH AVENUE/NEWPORT	P = RELIANT
C = LEBARON/TOWN & COUNTRY/EXC SEDAN	G = DIPLOMAT	T = E CLASS/NEW YORKER
C24 = LASER	H = VOYAGER	V = 600
D = ARIES	K = MINI RAM/CARAVAN/ROYAL	V24 = DAYTONA
E = 600	M = HORIZON/TURISMO	Z = OMNI/CHARGER/RAMPAGE

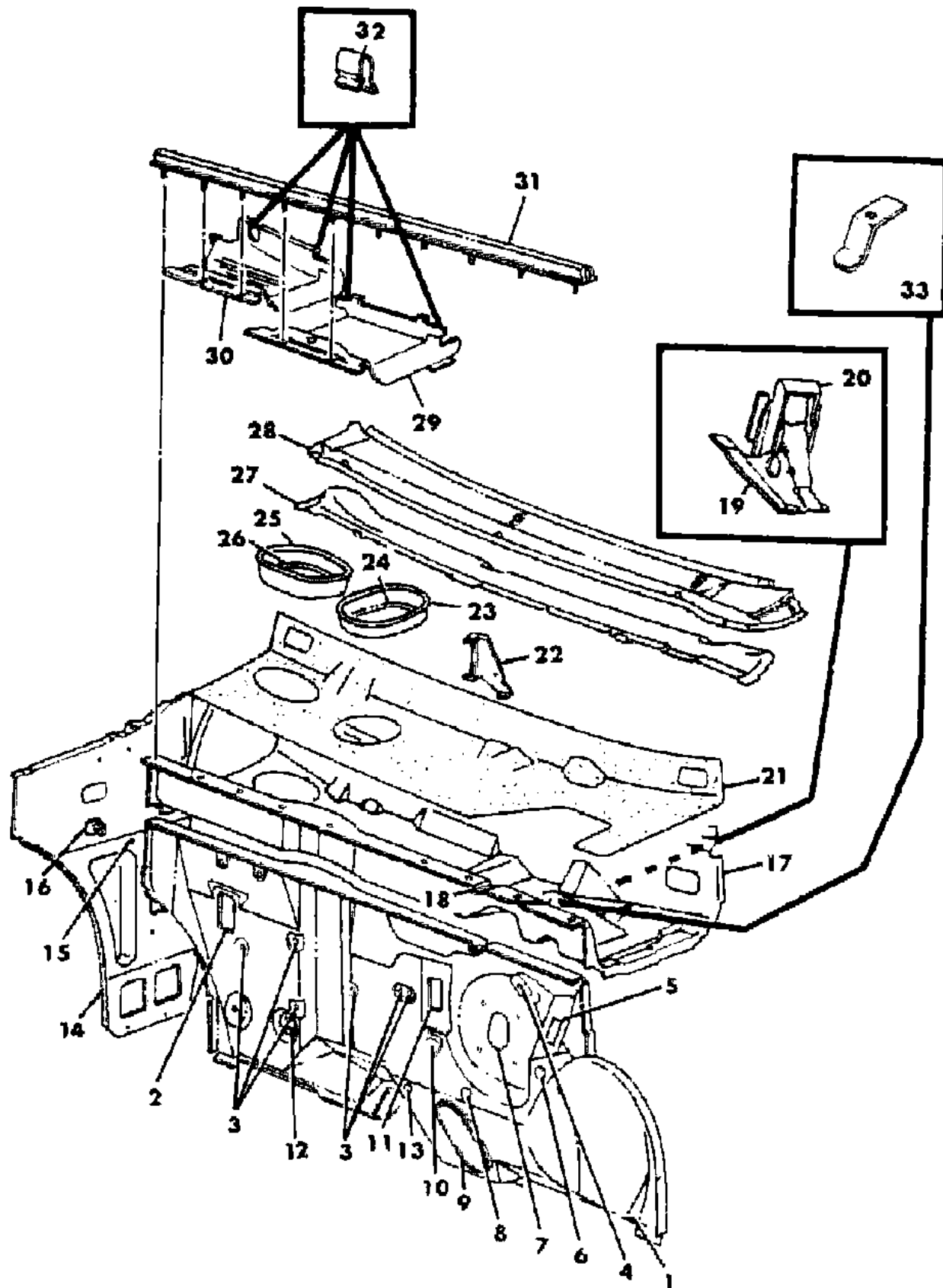
BODY STYLES

21 = 2-DOOR SEDAN	28 = FWD PICKUP	44 = 4-DOOR HATCHBACK
22 = 2-DOOR SPECIAL COUPE	35 = FWD VAN	45 = 4-DOOR STATION WAGON
24 = 2-DOOR HATCHBACK	36 = FWD WAGON	48 = 4-DOOR EXECUTIVE SEDAN
27 = 2-DOOR CONVERTIBLE	41 = 4-DOOR SEDAN	

AR = Use as Required - = Non Illustrated Part P.A.R. = Paint as Required

COWL AND DASH PANEL - M,Z
Figure 23A-600

4169 600



ITEM	PART NUMBER	QTY	BODY	MODEL	DESCRIPTION
1	4314 750	1		24,28,4	PANEL ASSEMBLY, Dash, w/A/C, Up To 3/21/84
	4337 655	1		24,28,4	After 3/21/84
	4314 751	1		24,28,4	w/o A/C
2	5210 228	1		24,28,4	SEAL, A/C Unit Coil to Dash
3		AR		24,28,4	SEAL, Heater or A/C Unit Mounting Stud (Not Serviced)
4	3593 446	1		24,28,4	GROMMET, Clutch Cable
5		1		24,28,4	SEAL, Bulkhead Connector (Not Serviced)
6	5207 294	1		24,28,4	GROMMET, Inside Hood Latch, Release Cable
7	5204 061	1		24,28,4	SEAL, Power Brake Booster
8	3593 446	1		24,28,4	GROMMET, Speedometer Cable
9	5206 041	1		24,28,4	SEAL and COVER ASSEMBLY, Dash
10		1		24,28,4	GROMMET, Throttle Cable (See Group 14 Illustration-Serviced In Throttle Cable Assembly)
11	5210 109	1		24,28,4	SEAL, Heater Core to Dash
12		1		24,28,4	SEAL, A/C Unit Drain (Not Serviced)
13	3445 939	1		24,28,4	PLUG, .906" Dia./23 mm
14	4337 658	1		24,28,4	PANEL, Cowl Side, Right
	5231 777	1		24,28,4	Left
15	2860 332	1		24,28,4	PLUG, Cowl Side, Antenna Hole
16	5200 979	1		24,28,4	BRACKET, Cowl Side, Fuse & Relay Block, Mounting (Left Side Only)
17	4278 813	1		24,28,4	PANEL, Cowl Plenum, w/o A/C
	4278 812	1		24,28,4	w/A/C, Up To 3/2/84
	4337 443	1		24,28,4	After 3/2/84
18		1		24,28,4	GROMMET, Windshield Wiper Wiring (Not Serviced)
19	4278 124	1		24,28,4	SUPPORT, Cowl Plenum, Steering Column Bracket
		2		24,28,4	U-NUT, Not Serviced
20	5231 746	1		24,28,4	BRACKET, Steering Column Support to Cowl Plenum
21	3837 683	AR		24,28,4	SILENCER, Cowl Plenum, Cut to Fit, 24" x 48
22	5200 969	1		24,28,4	SUPPORT and NUT, Cowl Plenum to Cowl Top Panel
23		1		24,28,4	DEFLECTOR, Cowl Plenum Water, w/o A/C (Serviced in Item #17)
24	5210 147	1		24,28,4	SEAL, Heater Unit to Plenum
25		1		24,28,4	DEFLECTOR, Cowl Plenum Water, w/A/C (Serviced in Item #17)
26	5210 065	1		24,28,4	SEAL, A/C Unit to Plenum
27		1		24,28,4	REINFORCEMENT, Cowl Plenum to Cowl Top Panel (Serviced in Item #28)
28	5218 481	1		24,28	PANEL, Cowl Top Complete

MODEL CODES

B = GRAN FURY	F = FIFTH AVENUE/NEWPORT	P = RELIANT
C = LEBARON/TOWN & COUNTRY/EXC SEDAN	G = DIPLOMAT	T = E CLASS/NEW YORKER
C24 = LASER	H = VOYAGER	V = 600
D = ARIES	K = MINI RAM/CARAVAN/ROYAL	V24 = DAYTONA
E = 600	M = HORIZON/TURISMO	Z = OMNI/CHARGER/RAMPAGE

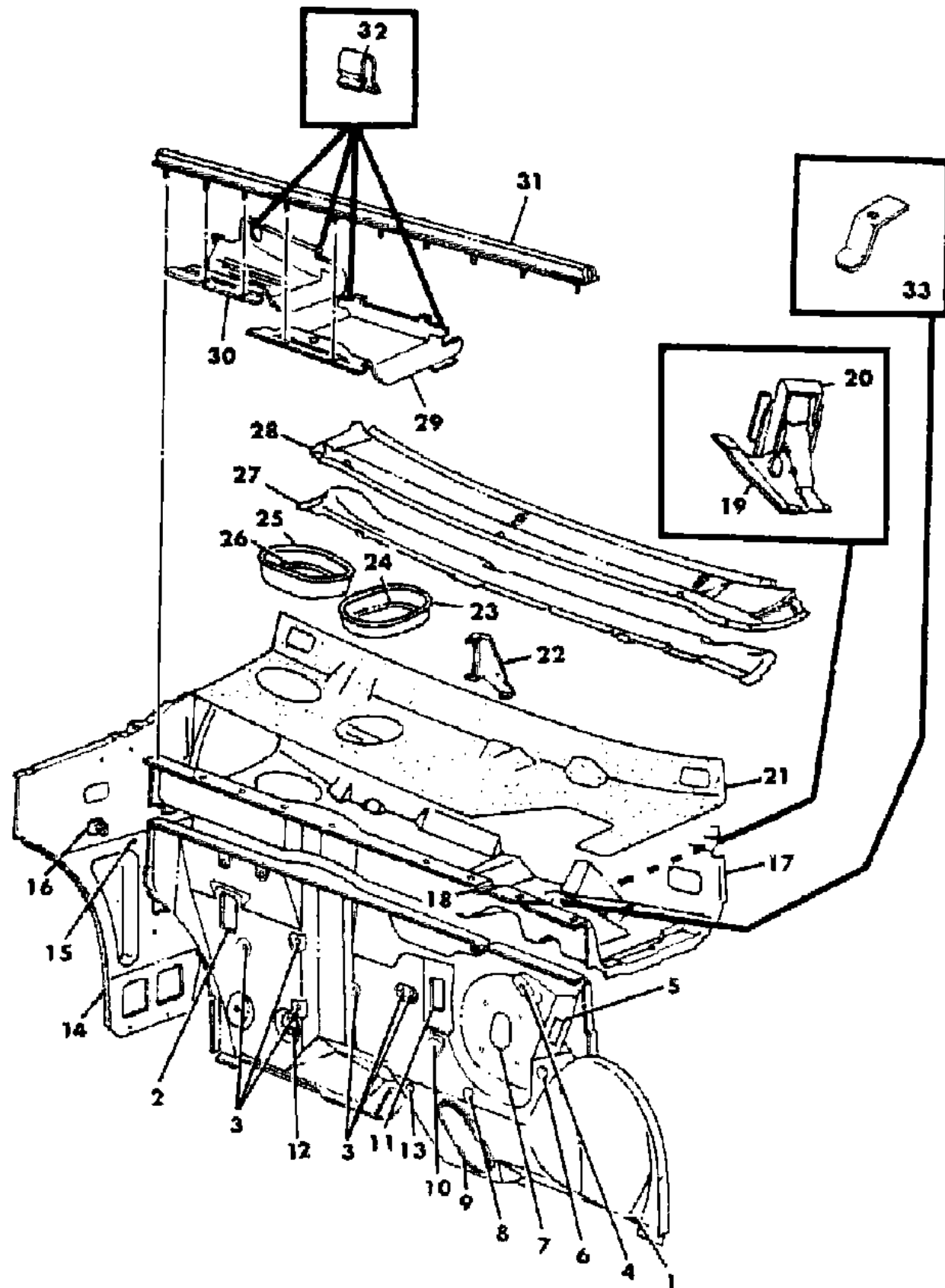
BODY STYLES

21 = 2-DOOR SEDAN	28 = FWD PICKUP	44 = 4-DOOR HATCHBACK
22 = 2-DOOR SPECIAL COUPE	35 = FWD VAN	45 = 4-DOOR STATION WAGON
24 = 2-DOOR HATCHBACK	36 = FWD WAGON	48 = 4-DOOR EXECUTIVE SEDAN
27 = 2-DOOR CONVERTIBLE	41 = 4-DOOR SEDAN	

AR = Use as Required - = Non Illustrated Part P.A.R. = Paint as Required

COWL AND DASH PANEL - M,Z
Figure 23A-600

4169 600



ITEM	PART NUMBER	QTY	BODY	MODEL	DESCRIPTION
	5218 480	1		44	
29	5231 168	1		24,28,4	COVER, Cowl Plenum Water Deflector, w/o A/C
30	5200 988	1		24,28,4	COVER, Cowl Plenum Water Deflector, w/A/C
31	5230 419	1		24,28,4	SEAL and RETAINER, Plenum to Hood
	3759 944	10		24,28,4	RETAINER, Cowl Plenum to Hood Seal
32	5231 620	2		24,28,4	RETAINER, Cowl Plenum Water Deflector Cover
33	4278 814	1		24,28,4	BRACKET, Cowl Plenum Panel Windshield Washer Reservoir

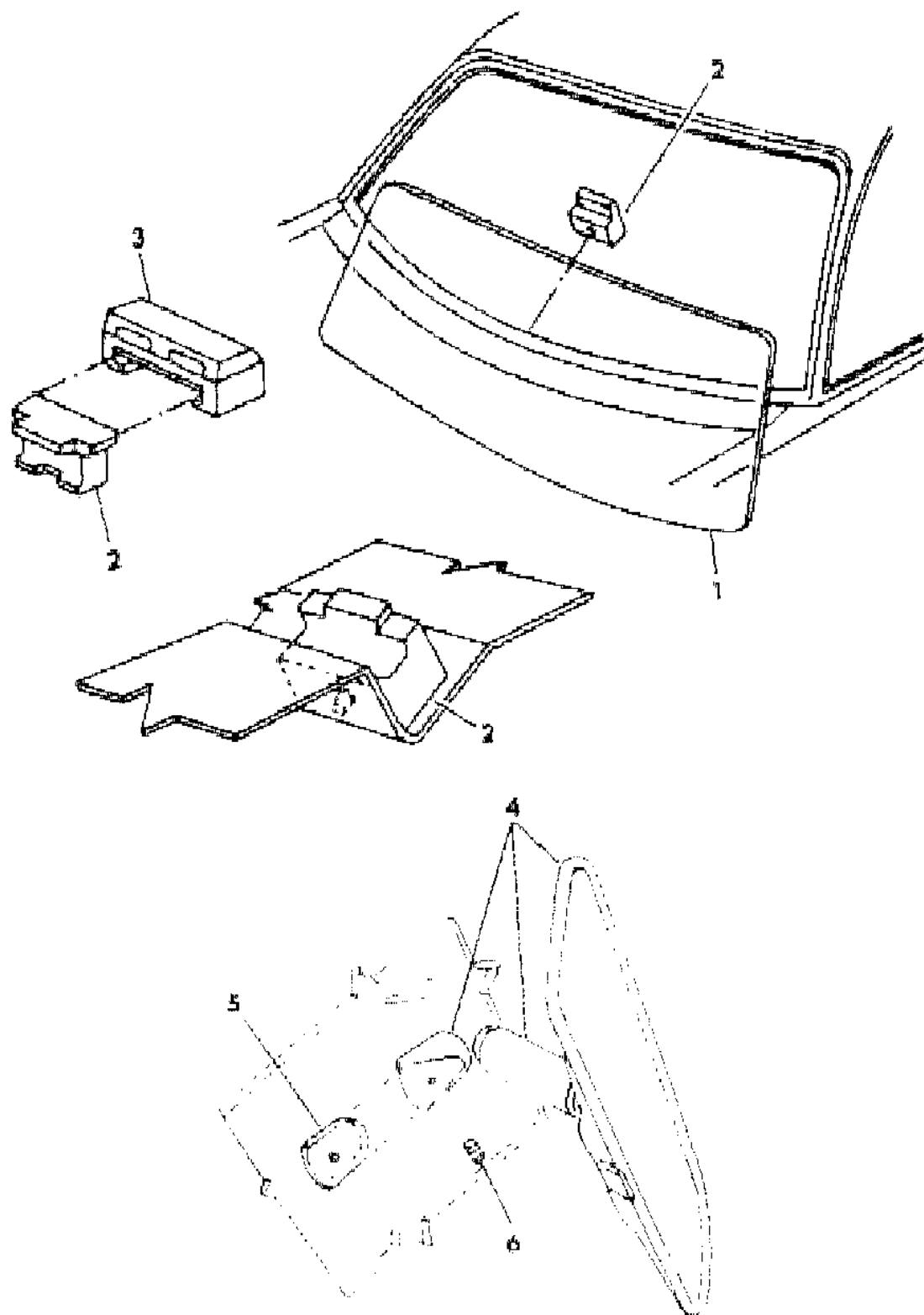
MODEL CODES
 B = GRAN FURY
 C = LEBARON/TOWN & COUNTRY/EXC SEDAN
 C24 = LASER
 D = ARIES
 E = 600
 F = FIFTH AVENUE/NEWPORT
 G = DIPLOMAT
 H = VOYAGER
 K = MINI RAM/CARAVAN/ROYAL
 M = HORIZON/TURISMO
 P = RELIANT
 T = E CLASS/NEW YORKER
 V = 600
 V24 = DAYTONA
 Z = OMNI/CHARGER/RAMPAGE

BODY STYLES
 21 = 2-DOOR SEDAN
 22 = 2-DOOR SPECIAL COUPE
 24 = 2-DOOR HATCHBACK
 27 = 2-DOOR CONVERTIBLE
 28 = FWD PICKUP
 35 = FWD VAN
 36 = FWD WAGON
 41 = 4-DOOR SEDAN
 44 = 4-DOOR HATCHBACK
 45 = 4-DOOR STATION WAGON
 48 = 4-DOOR EXECUTIVE SEDAN

AR = Use as Required - = Non Illustrated Part P.A.R. = Paint as Required

GLASS WINDSHIELD - M,Z
Figure 23A-700

4169 700



ITEM	PART NUMBER	QTY	BODY	MODEL	DESCRIPTION
------	-------------	-----	------	-------	-------------

NOTE: GLASS, WINDSHIELD - ORDER FROM YOUR LOCAL "MOPAR" GLASS DISTRIBUTOR s information becomes available.

1	4314 788	1	24,28		GLASS, Windshield, (Tinted)
	4337 862	1	44		Clear
	4337 861	1	44		Tinted
2	3794 035	AR	24,28,4		SPACER, Windshield Glass, Lower (.39")
	4314 777	AR	24,28,4		(.31")
3	3767 767	AR	24,28,4		SHIM, Windshield Glass Spacer (.07")
4	5207 117	1	24,28,4		MIRROR, Inside Rear View
5	4054 066	1	24,28,4		BUTTON, Inside Rear View Mirror Mounting
	4293 039	1	24,28,4		BUTTON PACKAGE, Rear View Mirror Mounting (Includes Button, Adhesive, & Instructions)
6	6031 094	1	24,28,4		SCREW

NOTE: The Following Items Are Not Shown On Illustration. s information becomes available.

4057 957	1	24,28,4		FIXED GLASS REPAIR PACKAGE, Windshield (Butyl)
CONSISTS OF:				
1- ----- Tape,Butyl (171")				
1- ----- Primer,Glass (1 oz.)				
1- ----- Primer,Fence (2 oz.)				
2- 3674698 Spacer,Rubber (.2")				
2- 3793290 Spacer,Rubber (.3")				
2- 3767767 Shim (.07")				
2- ----- Sponges,Disposable				

MODEL CODES

B = GRAN FURY	F = FIFTH AVENUE/NEWPORT	P = RELIANT
C = LEBARON/TOWN & COUNTRY/EXC SEDAN	G = DIPLOMAT	T = E CLASS/NEW YORKER
C24 = LASER	H = VOYAGER	V = 600
D = ARIES	K = MINI RAM/CARAVAN/ROYAL	V24 = DAYTONA
E = 600	M = HORIZON/TURISMO	Z = OMNI/CHARGER/RAMPAGE

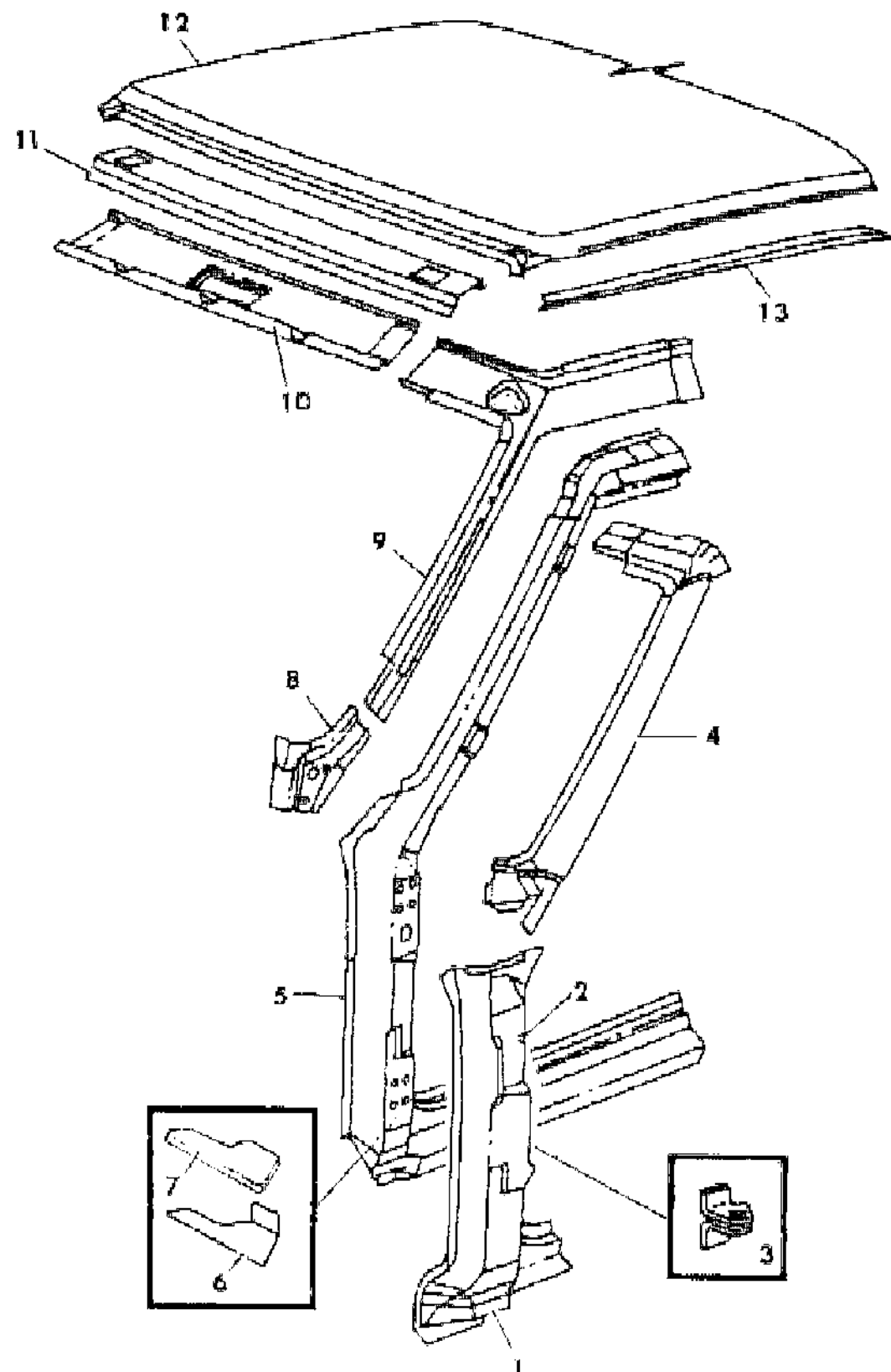
BODY STYLES

21 = 2-DOOR SEDAN	28 = FWD PICKUP	44 = 4-DOOR HATCHBACK
22 = 2-DOOR SPECIAL COUPE	35 = FWD VAN	45 = 4-DOOR STATION WAGON
24 = 2-DOOR HATCHBACK	36 = FWD WAGON	48 = 4-DOOR EXECUTIVE SEDAN
27 = 2-DOOR CONVERTIBLE	41 = 4-DOOR SEDAN	

AR = Use as Required - = Non Illustrated Part P.A.R. = Paint as Required

BODY FRONT PILLAR - M,Z
Figure 23A-800

4169 RD0



ITEM	PART NUMBER	QTY	BODY	MODEL	DESCRIPTION
1	5218 462-3	1		24,28	PILLAR and PIVOT, Front Hinge Includes Item #3
	5218 452-3	1		44	
2	2860 332	2		24,28,4	PLUG, .500" Dia./13 mm
3	5231 576	2		24,28,4	PIVOT, Front Door Check Strap
4	4314 782-3	1		24,28	FRAME, Windshield Opening Side, Outer
	4314 780-1	1		44	
5	4314 630-1	1		24	PANEL, Body Side Aperture, Front
	4314 626-7	1		28	
	4314 836-7	1		44	
6	4278 740-1	1		28	SUPPORT, Aperture to Cowl Side Seal
7		2		28	SEAL, Aperture to Cowl Side (Service Kit #4187122)
8	5231 006-7	1		24,28	EXTENSION, Windshield Opening Side Inner Frame, Lower
	5200 902-3	1		44	
9	5231 004-5	1		24	FRAME, Windshield Opening Side, Inner
	4206 630-1	1		28	
	5200 900-1	1		44	
10	4050 977	1		24,28	FRAME and REINFORCEMENT, Windshield Opening Upper (Includes Item #11)
	4050 529	1		44	
11		1		24,28,4	REINFORCEMENT, Windshield Opening, Upper (Serviced in Item #10)
12	4341 325	1		24	PANEL and TROUGH, w/Sunroof, Up To 2/15/84
	4341 325	1		24	After 2/15/84
	4341 323	1		24	PANEL, Roof w/o Sunroof, Up To 12/13/83
	4341 323	1		24	After 12/13/83
	4296 695	1		28	Up To 12/8/83
	4296 695	1		28	After 12/8/83
	5200 922	1		44	
13	5230 496-7	1		24	TROUGH, Roof Side Drain
	4206 600-1	1		28	
	5230 498-9	1		44	
NOTE: The Following Items Are Not Shown On Illustration. s information becomes available.					
	4187 122	AR		28	SEALER REPAIR PACKAGE, Urethane Aperture To Cowl Side
	4337 528-9	1		44	PANEL, Body Side Sill Outer
	4337 530-1	1		24,28	

MODEL CODES

B = GRAN FURY	F = FIFTH AVENUE/NEWPORT	P = RELIANT
C = LEBARON/TOWN & COUNTRY/EXC SEDAN	G = DIPLOMAT	T = E CLASS/NEW YORKER
C24 = LASER	H = VOYAGER	V = 600
D = ARIES	K = MINI RAM/CARAVAN/ROYAL	V24 = DAYTONA
E = 600	M = HORIZON/TURISMO	Z = OMNI/CHARGER/RAMPAGE

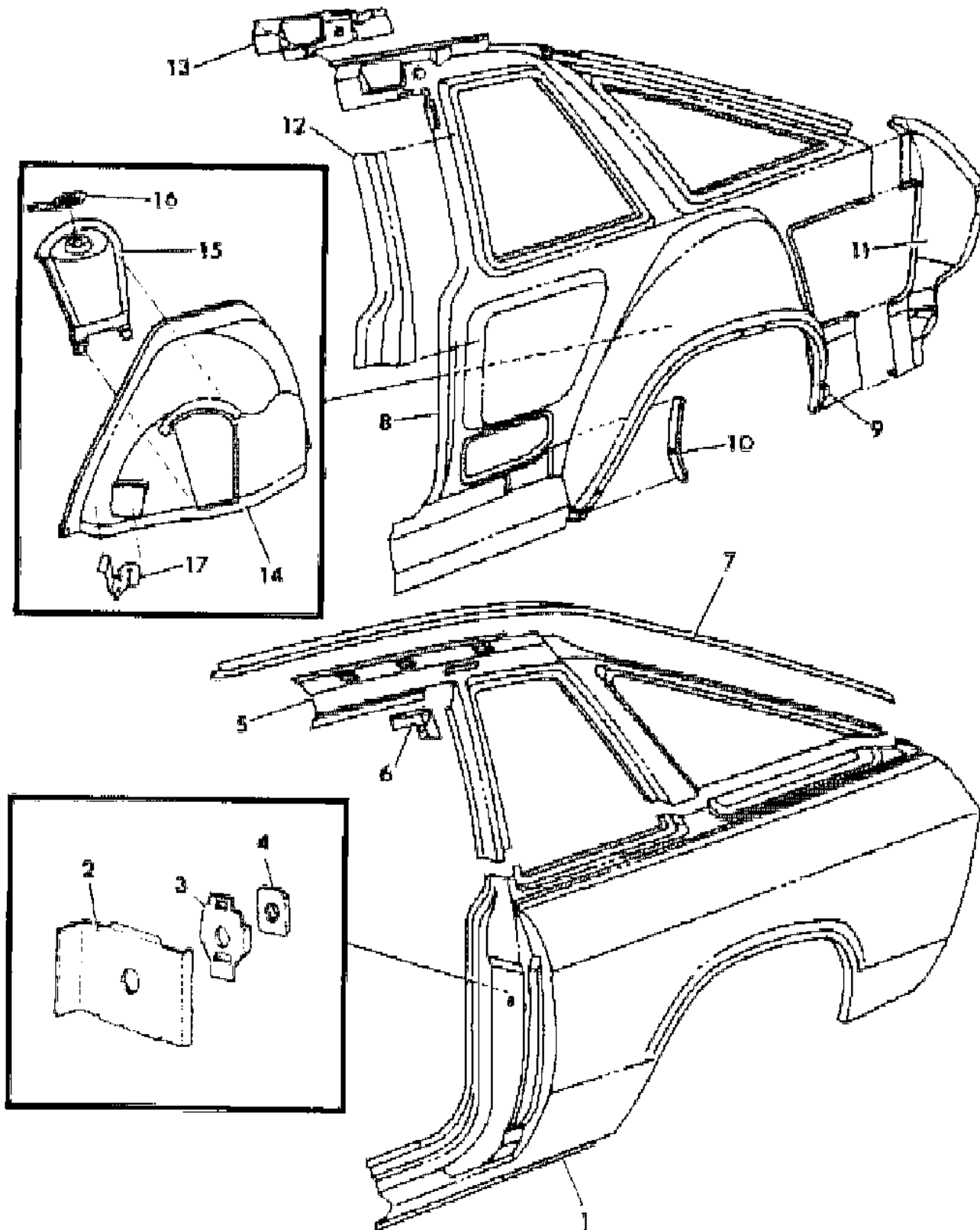
BODY STYLES

21 = 2-DOOR SEDAN	28 = FWD PICKUP	44 = 4-DOOR HATCHBACK
22 = 2-DOOR SPECIAL COUPE	35 = FWD VAN	45 = 4-DOOR STATION WAGON
24 = 2-DOOR HATCHBACK	36 = FWD WAGON	48 = 4-DOOR EXECUTIVE SEDAN
27 = 2-DOOR CONVERTIBLE	41 = 4-DOOR SEDAN	

AR = Use as Required - = Non Illustrated Part P.A.R. = Paint as Required

BODY REAR QUARTER - M,Z 24
Figure 23A-900

4169 900



ITEM	PART NUMBER	QTY	BODY	MODEL	DESCRIPTION
1	4314 152-3	1		24	PANEL, Body Side Aperture, Rear Lower
2	5230 472	2		24	REINFORCEMENT, Door Latch Striker
3	4134 972	2		24	RETAINER, Door Latch Striker Nut
4	6500 483	2		24	NUT, Door Latch Striker
5	4314 154-5	1		24	PANEL, Body Side Aperture, Rear Upper
6	5230 134-5	1		24	FILLER, Door Opening, Rear Upper
7	5230 496-7	1		24	TROUGH, Roof Side Drain
8	4296 580-1	1		24	PANEL, Quarter Inner & Wheelhouse Outer
9	4073 485	2		24	PLUG, 1.50" Dia./38 mm
10	5230 128-9	1		24	CAP, Quarter Inner to Sill Lower Rear
11	5230 468-9	1		24	EXTENSION, Quarter Inner Panel, Rear
12	5230 270-1	1		24	REINFORCEMENT, Quarter Inner Panel, Belt
13	5231 614-5	1		24	EXTENSION, Windshield Opening Side Inner Frame, Upper
14	5230 180-1	1		24	PANEL, Wheelhouse Inner
15	5200 058-9	1		24	REINFORCEMENT, Shock Absorber Mounting
16	5218 032-3	1		24	BRACKET and REINFORCEMENT, Shock Absorber Mounting (Includes Item #15)
17	5230 344-5	1		24	BRACKET, Rear Seat Back Hinge Pivot
	4337 530-1	1		24	PANEL, Body Sill Outer

MODEL CODES

B = GRAN FURY	F = FIFTH AVENUE/NEWPORT	P = RELIANT
C = LEBARON/TOWN & COUNTRY/EXC SEDAN	G = DIPLOMAT	T = E CLASS/NEW YORKER
C24 = LASER	H = VOYAGER	V = 600
D = ARIES	K = MINI RAM/CARAVAN/ROYAL	V24 = DAYTONA
E = 600	M = HORIZON/TURISMO	Z = OMNI/CHARGER/RAMPAGE

BODY STYLES

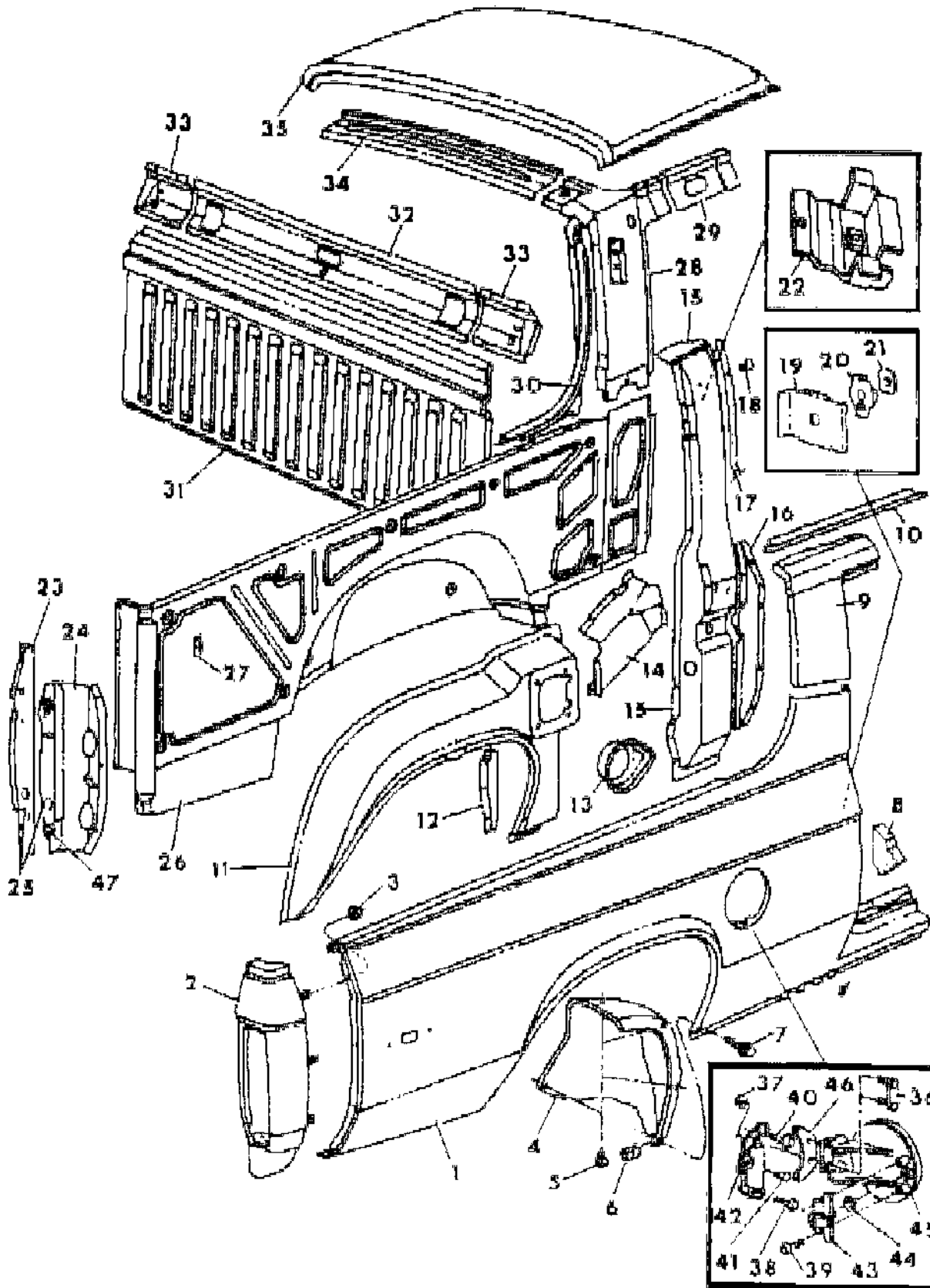
21 = 2-DOOR SEDAN	28 = FWD PICKUP	44 = 4-DOOR HATCHBACK
22 = 2-DOOR SPECIAL COUPE	35 = FWD VAN	45 = 4-DOOR STATION WAGON
24 = 2-DOOR HATCHBACK	36 = FWD WAGON	48 = 4-DOOR EXECUTIVE SEDAN
27 = 2-DOOR CONVERTIBLE	41 = 4-DOOR SEDAN	

AR = Use as Required - = Non Illustrated Part P.A.R. = Paint as Required

BODY REAR QUARTER - M,Z 28

Figure 23A-1000

4100 10000



ITEM	PART NUMBER	QTY	BODY	MODEL	DESCRIPTION
1	4314 622-3	1	28	28	PANEL, Body Side Aperture, Rear Lower
2	4278 848-9	1	28	28	PANEL and STUD, Rear Corner
3	6027 422	6	28	28	NUT
4	4278 134-5	1	28	28	SHIELD, Quarter & Wheelhouse Inner Panel
5	6030 538	8	28	28	RETAINER
6		2	28	28	U-NUT, #10-16 (Not Serviced)
7		2	28	28	SCREW, #10-16 x .625" (Not Serviced)
8		2	28	28	SEAL, Aperture to Cargo Floor Side Extension (Service Kit #4187122)
9	4314 624-5	1	28	28	PANEL, Body Side Aperture, Rear Upper
10	4206 600-1	1	28	28	TROUGH, Roof Side Drain
11	4206 594-5	1	28	28	PANEL, Wheelhouse Outer
12	4206 636-7	1	28	28	EXTENSION, Wheelhouse Outer to Sill Lower Rear
13	4278 601	1	28	28	CUP, Quarter Outer to Quarter Inner Fuel Filler
14	4206 606-7	1	28	28	REINFORCEMENT, Quarter Inner Pillar to Wheelhouse Outer
15	5218 454-5	1	28	28	PILLAR and REINFORCEMENT, Qtr. Inner to Body Side
16	4206 616-7	1	28	28	FILLER, Quarter Inner Pillar to Body Side
17	4206 851	2	28	28	SEAL, Quarter Inner Pillar to Body Side
18	3759 944	10	28	28	RETAINER
19	5230 472	2	28	28	REINFORCEMENT, Door Latch Striker
20	4134 972	2	28	28	RETAINER, Door Latch Striker Nut
21	6500 483	2	28	28	NUT, Door Latch Striker
22		2	28	28	REINFORCEMENT and NUT, Shoulder Belt (Serviced in Item #15)
23	4278 654-5	1	28	28	EXTENSION, Quarter Inner Panel Rear Corner
24	4297 062-3	1	28	28	REINFORCEMENT, Retainer Quarter Inner Panel Rear Latch Striker
25	2480 957	2	28	28	PLUG, 1.00" Dia./25.4 mm
26	4278 656-7	1	28	28	PANEL, Quarter Inner & Wheelhouse Inner
27	4278 719	2	28	28	BRACKET, Quarter Inner to Quarter Inner Rear Reinforcement
28	4206 604-5	1	28	28	PANEL, Quarter Inner, Upper
29	4206 602-3	1	28	28	RAIL, Roof Side Inner
30	4206 598-9	1	28	28	FILLER, Body Side Aperture
31	4206 588	1	28	28	PANEL, Cab Back
32	4206 587	1	28	28	REINFORCEMENT, Back Panel, Belt
33	4206 686-7	1	28	28	EXTENSION, Back Panel Belt Reinforcement
34	4206 618	1	28	28	HEADER, Roof Rear
35	4296 695	1	28	28	PANEL, Roof, Up To 12/8/83

MODEL CODES

B = GRAN FURY	F = FIFTH AVENUE/NEWPORT	P = RELIANT
C = LEBARON/TOWN & COUNTRY/EXC SEDAN	G = DIPLOMAT	T = E CLASS/NEW YORKER
C24 = LASER	H = VOYAGER	V = 600
D = ARIES	K = MINI RAM/CARAVAN/ROYAL	V24 = DAYTONA
E = 600	M = HORIZON/TURISMO	Z = OMNI/CHARGER/RAMPAGE

BODY STYLES

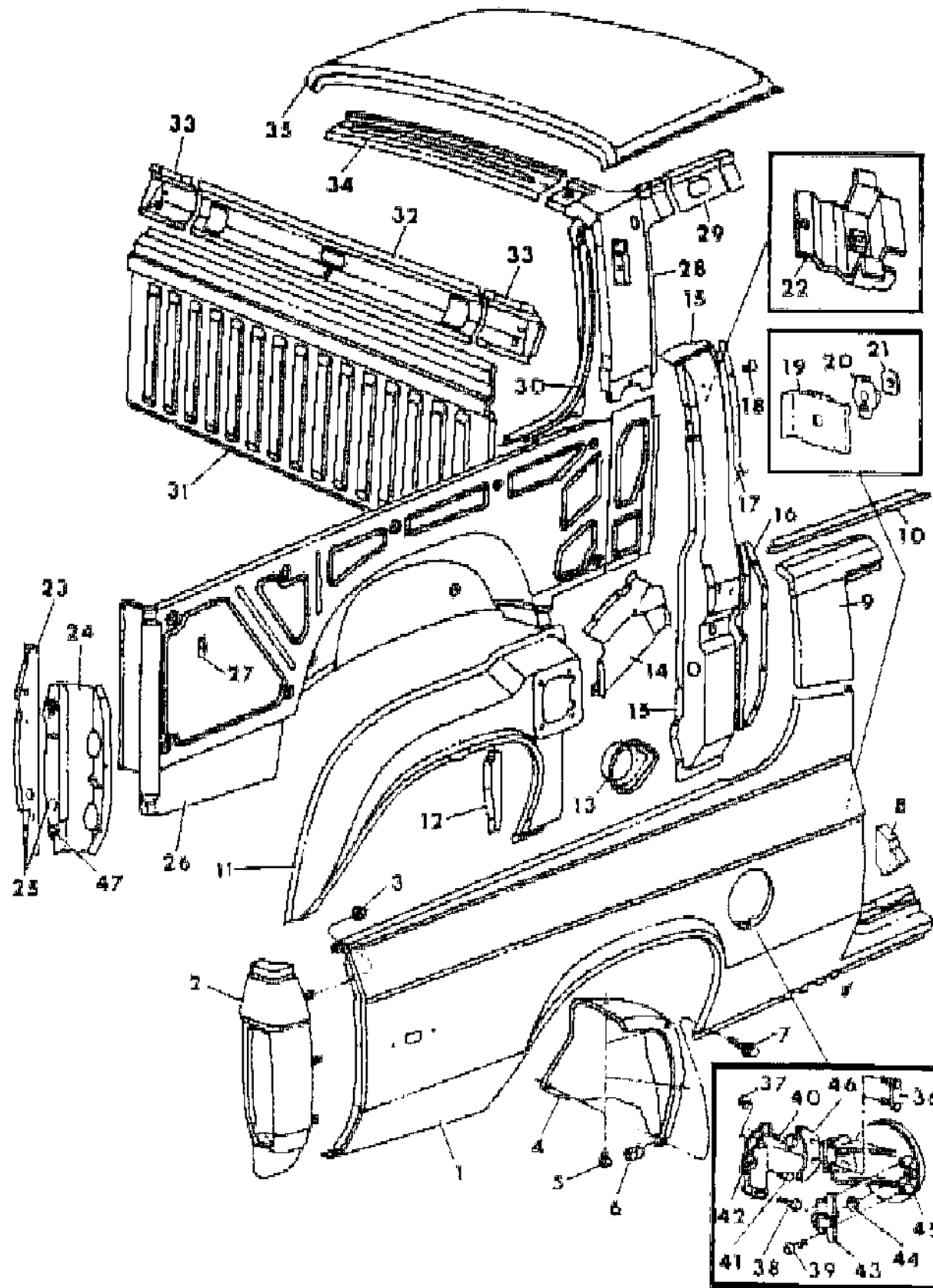
21 = 2-DOOR SEDAN	28 = FWD PICKUP	44 = 4-DOOR HATCHBACK
22 = 2-DOOR SPECIAL COUPE	35 = FWD VAN	45 = 4-DOOR STATION WAGON
24 = 2-DOOR HATCHBACK	36 = FWD WAGON	48 = 4-DOOR EXECUTIVE SEDAN
27 = 2-DOOR CONVERTIBLE	41 = 4-DOOR SEDAN	

AR = Use as Required - = Non Illustrated Part P.A.R. = Paint as Required

BODY REAR QUARTER - M,Z 28

Figure 23A-1000

4100 10000



ITEM	PART NUMBER	QTY	BODY	MODEL	DESCRIPTION
	4296 695	1		28	After 12/8/83
36	4206 750	1	28		PLATE and SCREW, Up To 1-2-84
	4337 147	1	28		After 1/2/84
37	6025 002	2	28		NUT and WASHER, Up To 10-17-83
	6032 641	2	28		After 10/17/83
38		1	28		SCREW, #10-16 x .75" (Not Serviced)
39		2	28		SCREW, #8-32 x .625" (Not Serviced)
40		1	28		SCREW, #10-16 x .50" (Not Serviced)
41	2811 139	2	28		BUMPER, Fuel Filler Door
42	4172 464	1	28		STRIKER, Fuel Filler Door Latch
43	4246 463	1	28		LATCH and LOCK, Fuel Filler Door
44		1	28		GASKET, Fuel Filler Door Latch NS3
45	4278 163	1	28		DOOR and HINGE, Fuel Filler
46		AR	28		SHIM, Fuel Filler Door (Not Serviced)
47	4206 597	2	28		PIVOT, Tailgate, Body Half
	4337 530-1	1	28		PANEL, Body Side Sill Outer
NOTE: The Following Items Are Not Shown On Illustration. s information becomes available.					
	4187 122	AR	28		SEALER REPAIR PACKAGE, Urethane Aperture To Cargo Floor Side Extension

MODEL CODES

B = GRAN FURY	F = FIFTH AVENUE/NEWPORT	P = RELIANT
C = LEBARON/TOWN & COUNTRY/EXC SEDAN	G = DIPLOMAT	T = E CLASS/NEW YORKER
C24 = LASER	H = VOYAGER	V = 600
D = ARIES	K = MINI RAM/CARAVAN/ROYAL	V24 = DAYTONA
E = 600	M = HORIZON/TURISMO	Z = OMNI/CHARGER/RAMPAGE

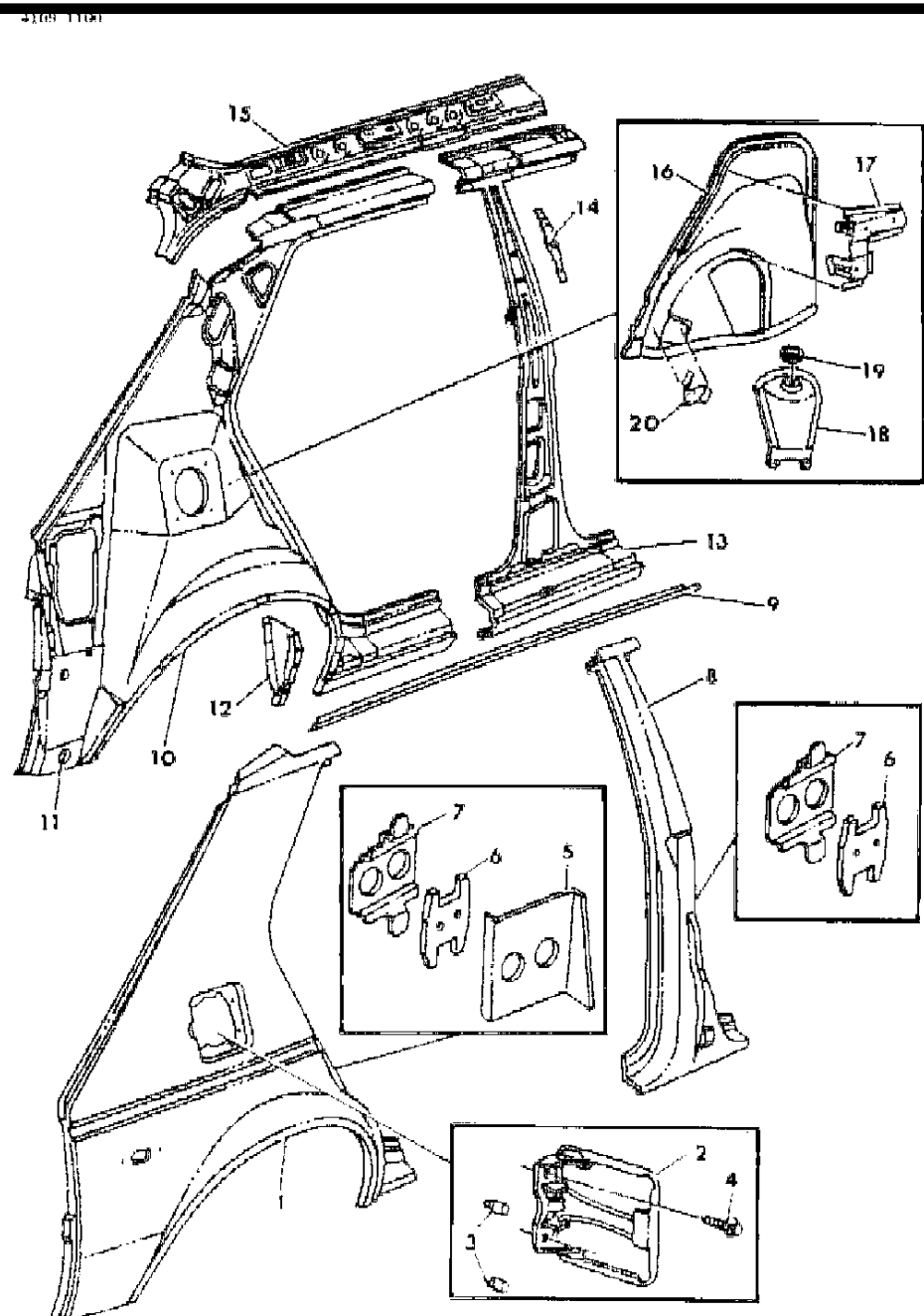
BODY STYLES

21 = 2-DOOR SEDAN	28 = FWD PICKUP	44 = 4-DOOR HATCHBACK
22 = 2-DOOR SPECIAL COUPE	35 = FWD VAN	45 = 4-DOOR STATION WAGON
24 = 2-DOOR HATCHBACK	36 = FWD WAGON	48 = 4-DOOR EXECUTIVE SEDAN
27 = 2-DOOR CONVERTIBLE	41 = 4-DOOR SEDAN	

AR = Use as Required - = Non Illustrated Part P.A.R. = Paint as Required

BODY REAR QUARTER - M,Z 44

Figure 23A-1100



ITEM	PART NUMBER	QTY	BODY	MODEL	DESCRIPTION
1	4341 520-1	1		44	PANEL, Quarter Outside, Up To 11/22/83
	4341 520-1	1		44	After 11/22/83
2	5215 891	1		44	DOOR and HINGE, Fuel Filler
3	5220 250	2		44	BUMPER, Fuel Filler Door, Up To 5/16/84
	4337 838	2		44	After 5/16/84
4		2		44	SCREW, #10-16 x .50" (Not Serviced)
5	5215 294-5	1		44	REINFORCEMENT, Rear Door Latch Striker
6	5200 368	4		44	T-PLATE, Door Latch Striker
7	5200 366	4		44	RETAINER, Door Latch Striker T/Plate
8	5218 450-1	1		44	PILLAR, Center
9	5230 498-9	1		44	TROUGH, Roof Side Drain
10	4314 832-3	1		44	PANEL, Body Side Aperture, Rear
11	4073 485	2		44	PLUG, 1.50" Dia./38 mm
12	5200 838-9	1		44	CAP, Body Side to Lower Sill Rear Extension
13	4314 834-5	1		44	PANEL, Body Side Aperture, Center
14	5231 102	2		44	REINFORCEMENT and NUT, Seat Belt Anchor
15	5231 086-7	1		44	RAIL and NUT, Roof Side Inner
16	5200 056-7	1		44	PANEL, Wheelhouse Inner
17	5200 298-9	1		44	SUPPORT and NUT, Quarter Trim & Seat Back Latch
18	5200 058-9	1		44	REINFORCEMENT, Shock Absorber Mounting
19	4050 648-9	1		44	CUP and REINFORCEMENT, Shock Absorber (Includes Item #18)
20	5230 344-5	1		44	BRACKET, Wheelhouse Rear Seat Back Hinge Pivot

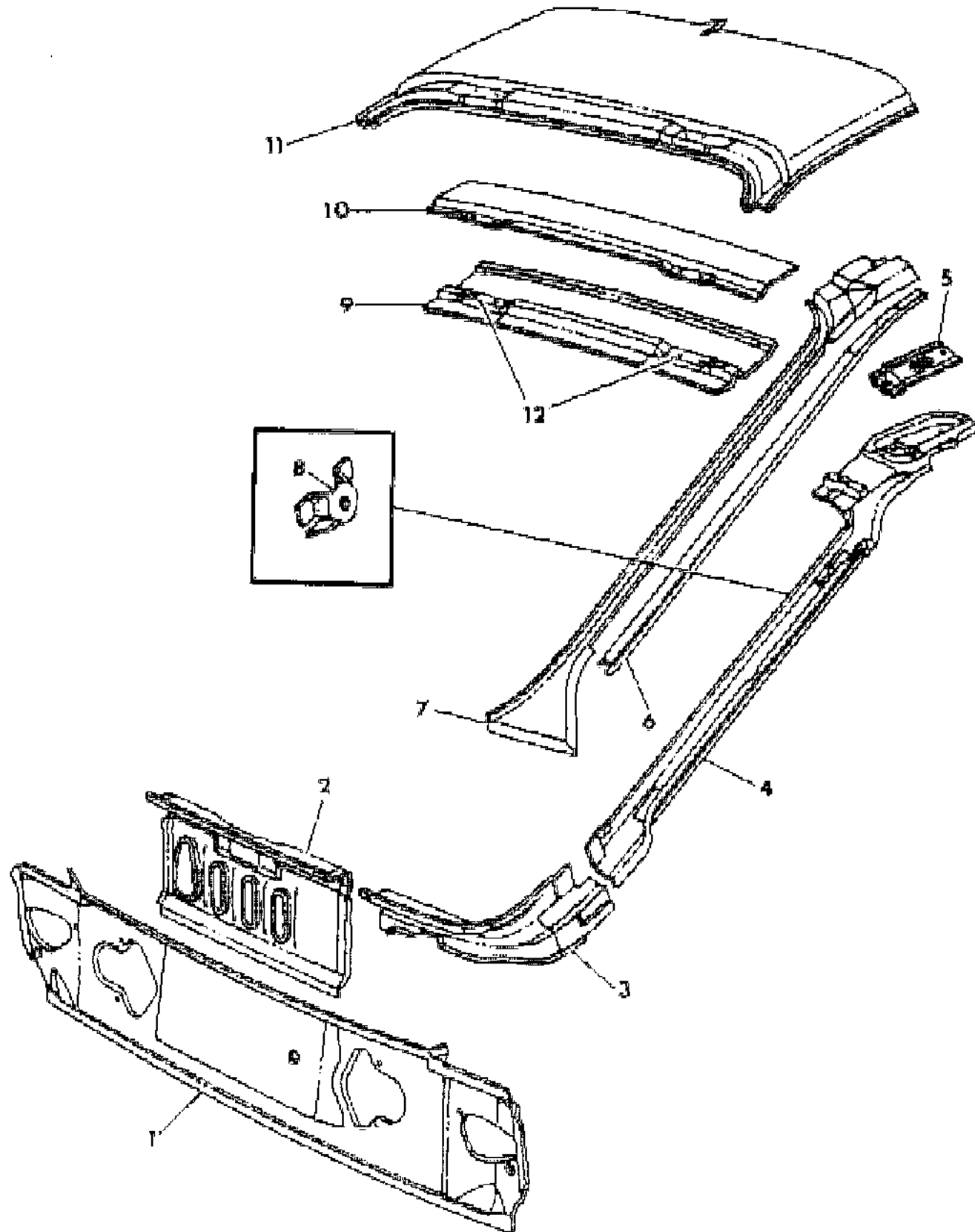
MODEL CODES
 B = GRAN FURY
 C = LEBARON/TOWN & COUNTRY/EXC SEDAN
 C24 = LASER
 D = ARIES
 E = 600
 F = FIFTH AVENUE/NEWPORT
 G = DIPLOMAT
 H = VOYAGER
 K = MINI RAM/CARAVAN/ROYAL
 M = HORIZON/TURISMO
 P = RELIANT
 T = E CLASS/NEW YORKER
 V = 600
 V24 = DAYTONA
 Z = OMNI/CHARGER/RAMPAGE

BODY STYLES
 21 = 2-DOOR SEDAN
 22 = 2-DOOR SPECIAL COUPE
 24 = 2-DOOR HATCHBACK
 27 = 2-DOOR CONVERTIBLE
 28 = FWD PICKUP
 35 = FWD VAN
 36 = FWD WAGON
 41 = 4-DOOR SEDAN
 44 = 4-DOOR HATCHBACK
 45 = 4-DOOR STATION WAGON
 48 = 4-DOOR EXECUTIVE SEDAN

AR = Use as Required - = Non Illustrated Part P.A.R. = Paint as Required

LIFTGATE OPENING - M,Z 24
Figure 23A-1200

4169 12(a)



ITEM	PART NUMBER	QTY	BODY	MODEL	DESCRIPTION
1	4296 998	1		24	PANEL, Liftgate Opening Lower, Up To 12/7/83
	4296 998	1		24	After 12/7/83
2	5230 424	1		24	REINFORCEMENT and NUT, Liftgate Opening Lower Panel
3	5230 026-7	1		24	EXTENSION, Quarter Inner to Liftgate Opening Lower Panel Reinforcement
4	5230 070-1	1		24	REINFORCEMENT, Quarter Inner Panel Liftgate Opening Pillar
5		2		24	PLATE and SCREW, Shoulder Belt Retractor Mounting (Not Serviced)
6	5230 496-7	1		24	TROUGH, Roof Side Drain
7	5230 078-9	1		24	TROUGH, Quarter Liftgate Side Drain
8	5230 164	2		24	BRACKET and NUT, Liftgate Prop Mounting
9	5218 009	1		24	FRAME and REINFORCEMENT, Roof Liftgate Opening
10		1		24	REINFORCEMENT, Roof Liftgate Opening (Serviced in Item #9)
11	4341 323	1		24	PANEL, Roof Outer, w/o Sunroof, Up To 12/13/83
	4341 323	1		24	After 12/13/83
	4341 325	1		24	PANEL and TROUGH, w/Sunroof, Up To 2/15/84
	4341 325	1		24	After 2/15/84
12		2		24	REINFORCEMENT, Liftgate Opening Hinge Mounting (Serviced in Item #9)

MODEL CODES

B = GRAN FURY	F = FIFTH AVENUE/NEWPORT	P = RELIANT
C = LEBARON/TOWN & COUNTRY/EXC SEDAN	G = DIPLOMAT	T = E CLASS/NEW YORKER
C24 = LASER	H = VOYAGER	V = 600
D = ARIES	K = MINI RAM/CARAVAN/ROYAL	V24 = DAYTONA
E = 600	M = HORIZON/TURISMO	Z = OMNI/CHARGER/RAMPAGE

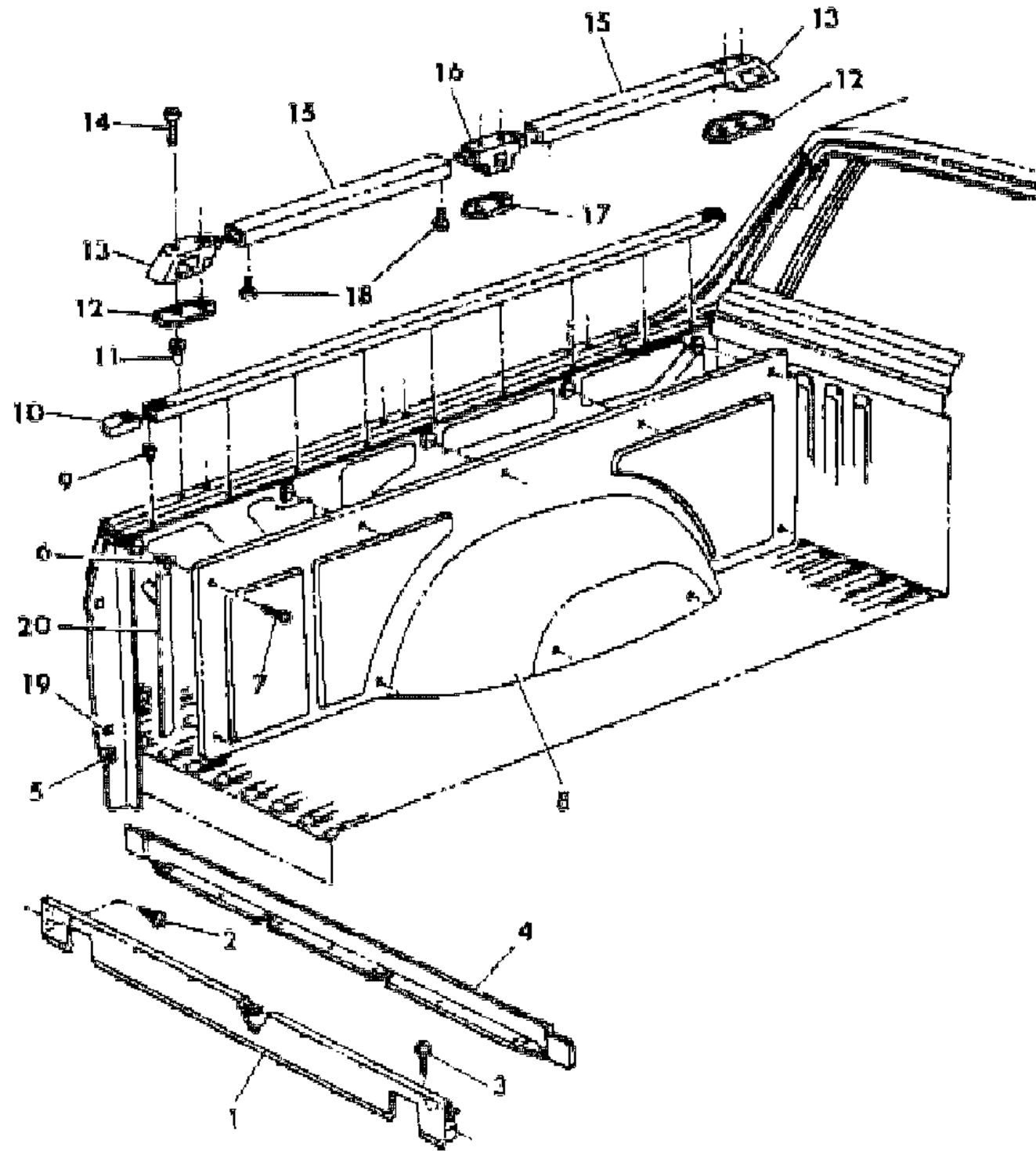
BODY STYLES

21 = 2-DOOR SEDAN	28 = FWD PICKUP	44 = 4-DOOR HATCHBACK
22 = 2-DOOR SPECIAL COUPE	35 = FWD VAN	45 = 4-DOOR STATION WAGON
24 = 2-DOOR HATCHBACK	36 = FWD WAGON	48 = 4-DOOR EXECUTIVE SEDAN
27 = 2-DOOR CONVERTIBLE	41 = 4-DOOR SEDAN	

AR = Use as Required - = Non Illustrated Part P.A.R. = Paint as Required

TAILGATE OPENING AND CARGO BOX - M,Z 28
Figure 23A-1300

4159 1100



ITEM	PART NUMBER	QTY	BODY	MODEL	DESCRIPTION
1	4206 677	1		28	PANEL, Tailgate Opening, Lower
2		2		28	SCREW, #10-16 x .625" (Not Serviced)
3		7		28	SCREW, #10-16 x .50" (Not Serviced)
4	4278 103	1		28	BRACKET, Cargo Floor to Tailgate Opening Lower Panel
5	4206 597	2		28	PIVOT, Tailgate, Body Half
6	6032 058	20		28	GROMMET, Cargo Box Side Inner Panel Mounting
7		20		28	SCREW, #10-16 x .75" (Not Serviced)
8	4206 718-9	1		28	PANEL, Cargo Box Side, Inner
9	4057 555	3		28	RETAINER PACKAGE, Quarter Inner Flange Cover (Each Package Contains 6 Retainers)
10	X808-9 AX9	1		28	COVER and FASTENER, Quarter Inner Flange
	6500 733	18		28	FASTENER, Flange Cover
11	2094 869	12		28	NUT, Side Rail Mounting
12		4		28	PAD, End Support Serviced In Item #13
13	5230 710	4		28	SUPPORT, w/Pad Side Rail End
14		12		28	SCREW, 1/4-20 x 2" (Not Serviced)
15	4319 118	4		28	RAIL, Cargo Side
16	5230 711	2		28	SUPPORT, w/Pad Side Rail Center
17		2		28	PAD, Center Support Serviced in Item #16
18		8		28	SCREW, #10-16 x .625" (Not Serviced)
19	2480 957	2		28	PLUG, 1.00" Dia./25.4 mm
20	4206 849	16		28	SPACER, Cargo Box Side Inner Panel
	4319 120	1		28	RAIL PACKAGE, Cargo Box Side (Includes Items #11-18)

NOTE: The Following Items Are Not Shown On Illustration. s information becomes available.

MODEL CODES

B = GRAN FURY	F = FIFTH AVENUE/NEWPORT	P = RELIANT
C = LEBARON/TOWN & COUNTRY/EXC SEDAN	G = DIPLOMAT	T = E CLASS/NEW YORKER
C24 = LASER	H = VOYAGER	V = 600
D = ARIES	K = MINI RAM/CARAVAN/ROYAL	V24 = DAYTONA
E = 600	M = HORIZON/TURISMO	Z = OMNI/CHARGER/RAMPAGE

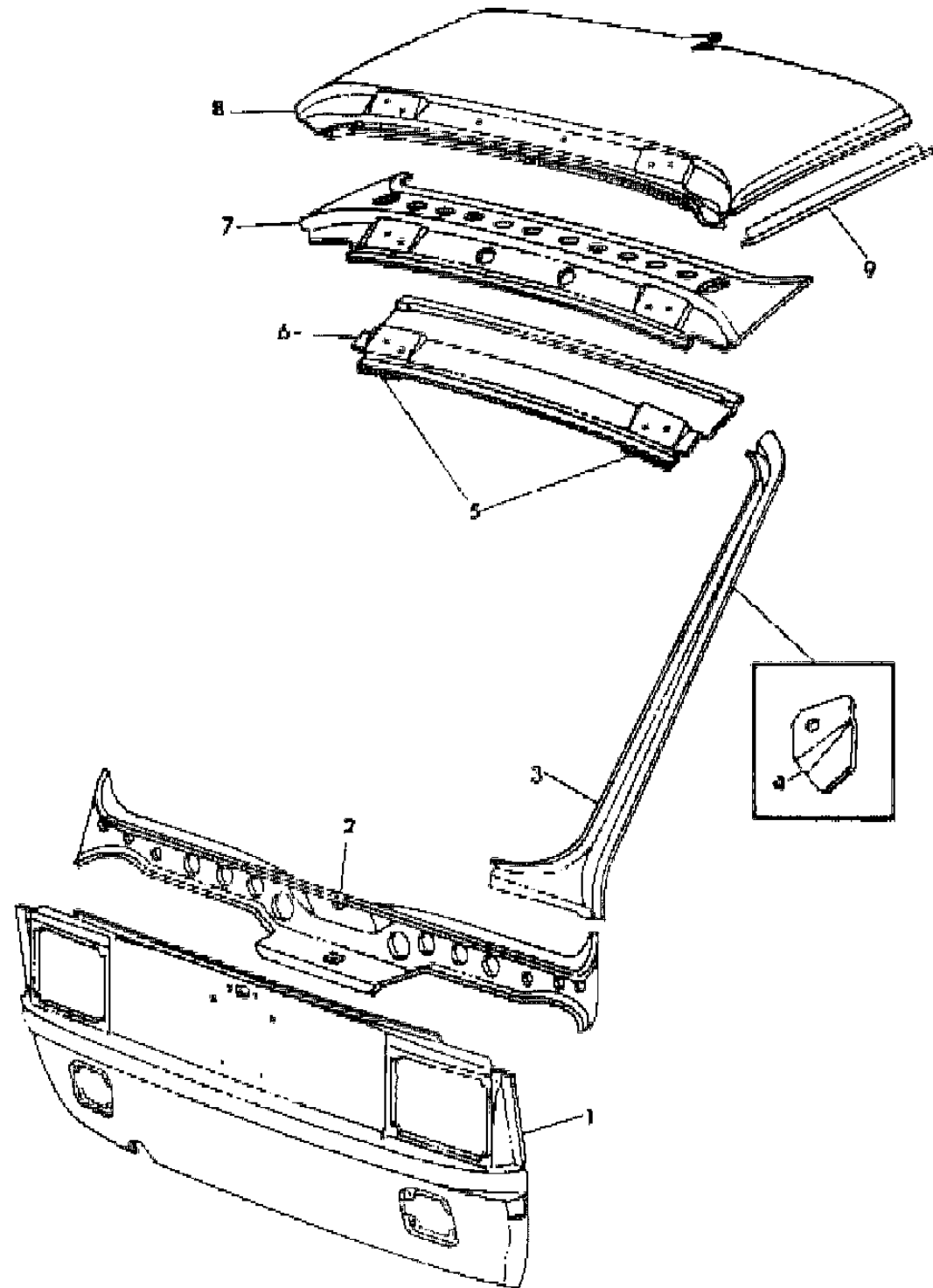
BODY STYLES

21 = 2-DOOR SEDAN	28 = FWD PICKUP	44 = 4-DOOR HATCHBACK
22 = 2-DOOR SPECIAL COUPE	35 = FWD VAN	45 = 4-DOOR STATION WAGON
24 = 2-DOOR HATCHBACK	36 = FWD WAGON	48 = 4-DOOR EXECUTIVE SEDAN
27 = 2-DOOR CONVERTIBLE	41 = 4-DOOR SEDAN	

AR = Use as Required - = Non Illustrated Part P.A.R. = Paint as Required

LIFTGATE OPENING - M,Z 44
Figure 23A-1400

4102 1400



ITEM	PART NUMBER	QTY	BODY	MODEL	DESCRIPTION
1	4296 997	1		44	PANEL, Liftgate Opening Lower, Up To 12/12/83
	4296 997	1		44	After 12/12/83
2	5230 450	1		44	REINFORCEMENT and NUT, Liftgate Opening Lower Panel
3	4341 104	1		44	TROUGH, Quarter Liftgate Side Drain, Right, Up To 10/6/83
	4341 105	1		44	Left, Up To 10/6/83
	4341 104-5	1		44	After 10/6/83
4	5200 380-1	1		44	REINFORCEMENT and NUT, Liftgate Prop to Trough Mounting
5		2		44	SUPPORT, Liftgate Hinge Mounting (Serviced in Item #6)
6	4050 586	1		44	FRAME and REINFOECEMENT, Liftgate Opening Upper
7		1		44	REINFORCEMENT, Liftgate Opening Frame (Serviced in Item #6)
8	5200 922	1		44	PANEL, Roof Outer
9	5230 498-9	1		44	TROUGH, Roof Side Drain

MODEL CODES

B = GRAN FURY	F = FIFTH AVENUE/NEWPORT	P = RELIANT
C = LEBARON/TOWN & COUNTRY/EXC SEDAN	G = DIPLOMAT	T = E CLASS/NEW YORKER
C24 = LASER	H = VOYAGER	V = 600
D = ARIES	K = MINI RAM/CARAVAN/ROYAL	V24 = DAYTONA
E = 600	M = HORIZON/TURISMO	Z = OMNI/CHARGER/RAMPAGE

BODY STYLES

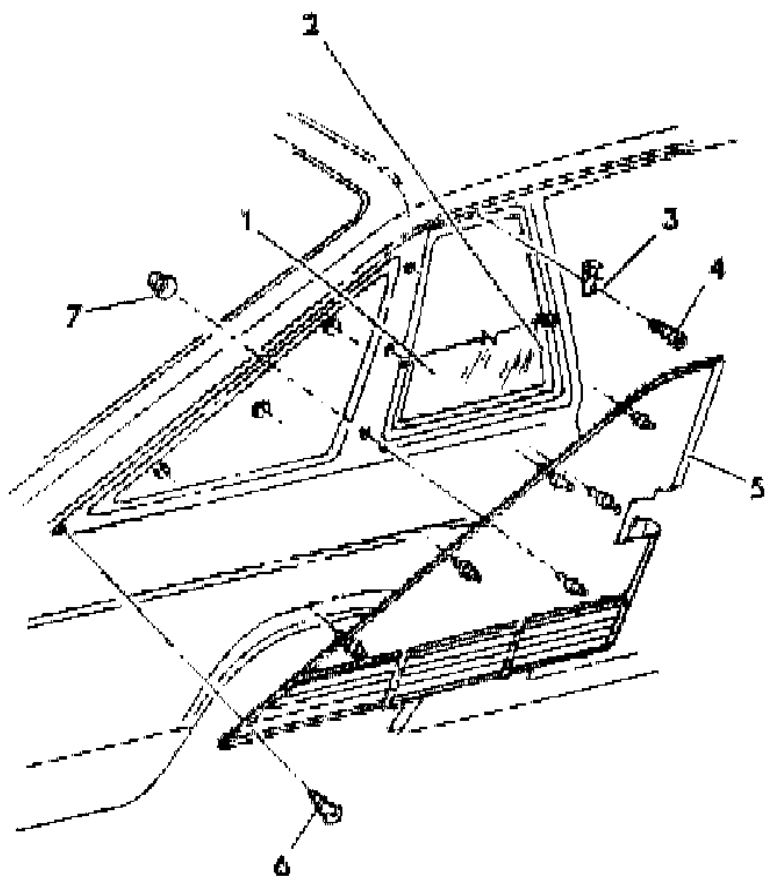
21 = 2-DOOR SEDAN	28 = FWD PICKUP	44 = 4-DOOR HATCHBACK
22 = 2-DOOR SPECIAL COUPE	35 = FWD VAN	45 = 4-DOOR STATION WAGON
24 = 2-DOOR HATCHBACK	36 = FWD WAGON	48 = 4-DOOR EXECUTIVE SEDAN
27 = 2-DOOR CONVERTIBLE	41 = 4-DOOR SEDAN	

AR = Use as Required - = Non Illustrated Part P.A.R. = Paint as Required

GLASS QUARTER WINDOW - M,Z 24
Figure 23A-1500

ITEM	PART NUMBER	QTY	BODY	MODEL	DESCRIPTION
1	5230 404-5	1		24	GLASS, Quarter Window, Front
2	5230 150-1	1		24	WEATHERSTRIP, Quarter Window, Front
3	5230 661	2		24	RETAINER, Quarter Window Frame or Applique
4		2		24	SCREW, #8-18 x .50" (Not Serviced)
5				24	APPLIQUE, Rear Quarter Window (See Exterior Ornamentation)
6		2		24	SCREW, #8-18 x .75" (Not Serviced)
7	9420 867	12		24	NUT and SEAL

4167 1500



MODEL CODES

B = GRAN FURY	F = FIFTH AVENUE/NEWPORT	P = RELIANT
C = LEBARON/TOWN & COUNTRY/EXC SEDAN	G = DIPLOMAT	T = E CLASS/NEW YORKER
C24 = LASER	H = VOYAGER	V = 600
D = ARIES	K = MINI RAM/CARAVAN/ROYAL	V24 = DAYTONA
E = 600	M = HORIZON/TURISMO	Z = OMNI/CHARGER/RAMPAGE

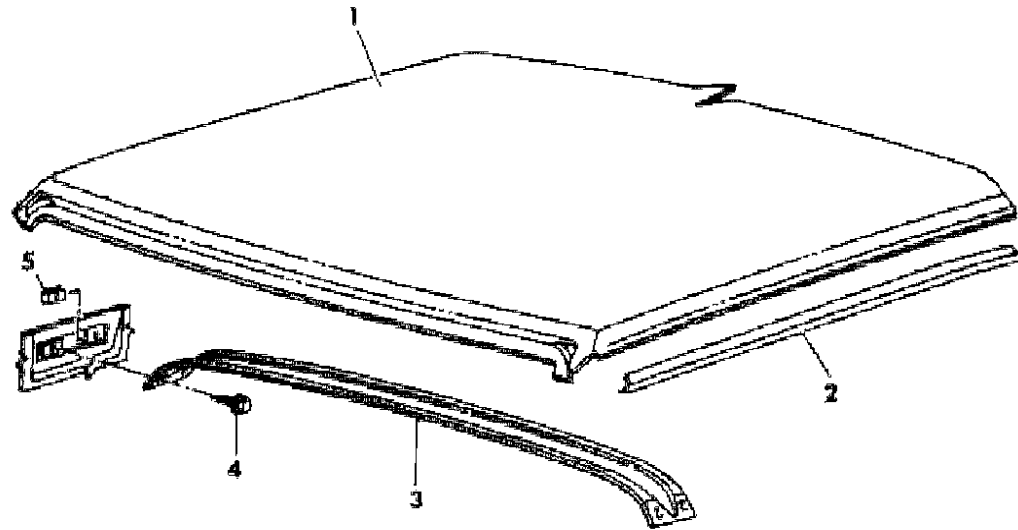
BODY STYLES

21 = 2-DOOR SEDAN	28 = FWD PICKUP	44 = 4-DOOR HATCHBACK
22 = 2-DOOR SPECIAL COUPE	35 = FWD VAN	45 = 4-DOOR STATION WAGON
24 = 2-DOOR HATCHBACK	36 = FWD WAGON	48 = 4-DOOR EXECUTIVE SEDAN
27 = 2-DOOR CONVERTIBLE	41 = 4-DOOR SEDAN	

AR = Use as Required - = Non Illustrated Part P.A.R. = Paint as Required

ROOF PANEL - M,Z
Figure 23A-1600

4188 1600



ITEM	PART NUMBER	QTY	BODY	MODEL	DESCRIPTION
1	4341 323	1		24	PANEL, Roof Outer, w/o Sunroof, Up To 12/13/83
	4341 323	1		24	After 12/13/83
	4296 695	1		28	Up To 12/8/83
	4296 695	1		28	After 12/8/83
	5200 922	1		44	
2	4341 325	1		24	PANEL and TROUGH, w/Sunroof, Up To 2/15/84
	4341 325	1		24	After 2/15/84
	5230 496-7	1		24	TROUGH, Roof Side Drain
3	4206 600-1	1		28	
	5230 498-9	1		44	
4	5231 029	1		24	BOW, Roof
	5200 521	AR		44	
5	6100 565	AR		24,44	SCREW and WASHER
	6100 041	AR		44	U-NUT

MODEL CODES

B = GRAN FURY	F = FIFTH AVENUE/NEWPORT	P = RELIANT
C = LEBARON/TOWN & COUNTRY/EXC SEDAN	G = DIPLOMAT	T = E CLASS/NEW YORKER
C24 = LASER	H = VOYAGER	V = 600
D = ARIES	K = MINI RAM/CARAVAN/ROYAL	V24 = DAYTONA
E = 600	M = HORIZON/TURISMO	Z = OMNI/CHARGER/RAMPAGE

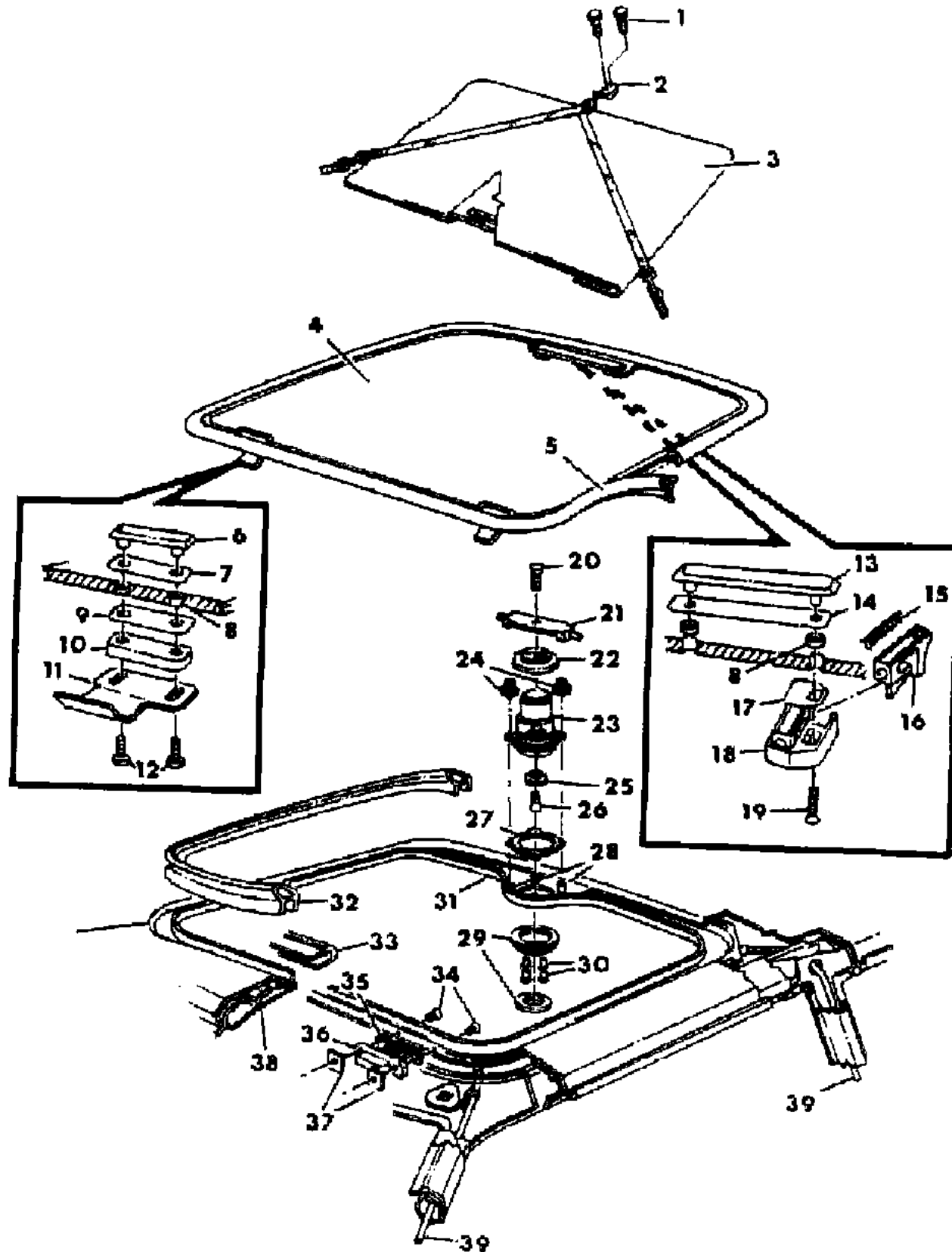
BODY STYLES

21 = 2-DOOR SEDAN	28 = FWD PICKUP	44 = 4-DOOR HATCHBACK
22 = 2-DOOR SPECIAL COUPE	35 = FWD VAN	45 = 4-DOOR STATION WAGON
24 = 2-DOOR HATCHBACK	36 = FWD WAGON	48 = 4-DOOR EXECUTIVE SEDAN
27 = 2-DOOR CONVERTIBLE	41 = 4-DOOR SEDAN	

AR = Use as Required - = Non Illustrated Part P.A.R. = Paint as Required

SUN ROOF - M,Z 24
Figure 23A-1700

4169 1700



ITEM	PART NUMBER	QTY	BODY	MODEL	DESCRIPTION
1	9436 676	6	24		SCREW
2	5216 587	3	24		BRACKET, Stowage Bag D-Ring Retainer
3	E858 BX7	1	24		BAG, Stowage (Black)
4	5232 068	1	24		PANEL, Glass w/Frame (Bonded)
	5207 474	2	24		PIN, Glass Frame Connecting
5	5232 046	1	24		SEAL, Sun Roof (Secondary)
6		2	24		T-PLATE, Serviced in Package #4106874
7		2	24		GASKET, Serviced In Pkg. 4106874
8		6	24		GROMMET, Serviced In Pkg. #4106874
9		2	24		GASKET, Serviced In Pkg. #4106874
10		2	24		SPACER, Serviced in Package #4106874
11		2	24		HINGE, Serviced In Pkg. #4106874
12		4	24		SCREW, Serviced in Package #4106874
13	5207 322	1	24		T-PLATE, Latch
14	5207 368	1	24		GASKET, Latch T/Plate
15		2	24		SPRING, Serviced in Package #4106872-3
16		2	24		LATCH, Serviced In Pkg. #4106872-3
17		2	24		GASKET, Serviced In Pkg. #4106872-3
18		2	24		HOUSING, Serviced In Pkg. #4106872-3
19		2	24		SCREW, Serviced in Package #4106872-3
20		1	24		SCREW, #10-16 x .75" (Not Serviced)
21	5207 327	1	24		STRIKER, Latch
22	4341 037	1	24		GASKET and RETAINER, Adjuster
23	4341 035	1	24		ADJUSTER, Latch (Includes Items #20-23 & 25,26)
24	6050 140	4	24		NUT, Up To 4/2/84
	6501 140	4	24		After 4/2/84
25	5232 094	1	24		WASHER, Latch Striker Stop
26		1	24		SCREW, #8-18 x .75" (Not Serviced)
27	5232 052	1	24		GASKET, Latch Adjuster to Trough
28		4	24		SCREW, Weld, M5 x 15mm (Serviced in Item #31)
29	H808 BX9	1	24		HANDLE, Latch Adjuster (Complete)
30	6031 171	4	24		SCREW
31	4341 325	1	24		PANEL and TROUGH, (Includes Item #28)
32	5207 319	1	24		SEAL, Sun Roof (Primary)
33	H611 BA2	1	24		WELT, Headliner Opening, Silver
	H611 BB5	1	24		Blue
	H611 BL3	1	24		Beige
	H611 BM6	1	24		Red

MODEL CODES

B = GRAN FURY	F = FIFTH AVENUE/NEWPORT	P = RELIANT
C = LEBARON/TOWN & COUNTRY/EXC SEDAN	G = DIPLOMAT	T = E CLASS/NEW YORKER
C24 = LASER	H = VOYAGER	V = 600
D = ARIES	K = MINI RAM/CARAVAN/ROYAL	V24 = DAYTONA
E = 600	M = HORIZON/TURISMO	Z = OMNI/CHARGER/RAMPAGE

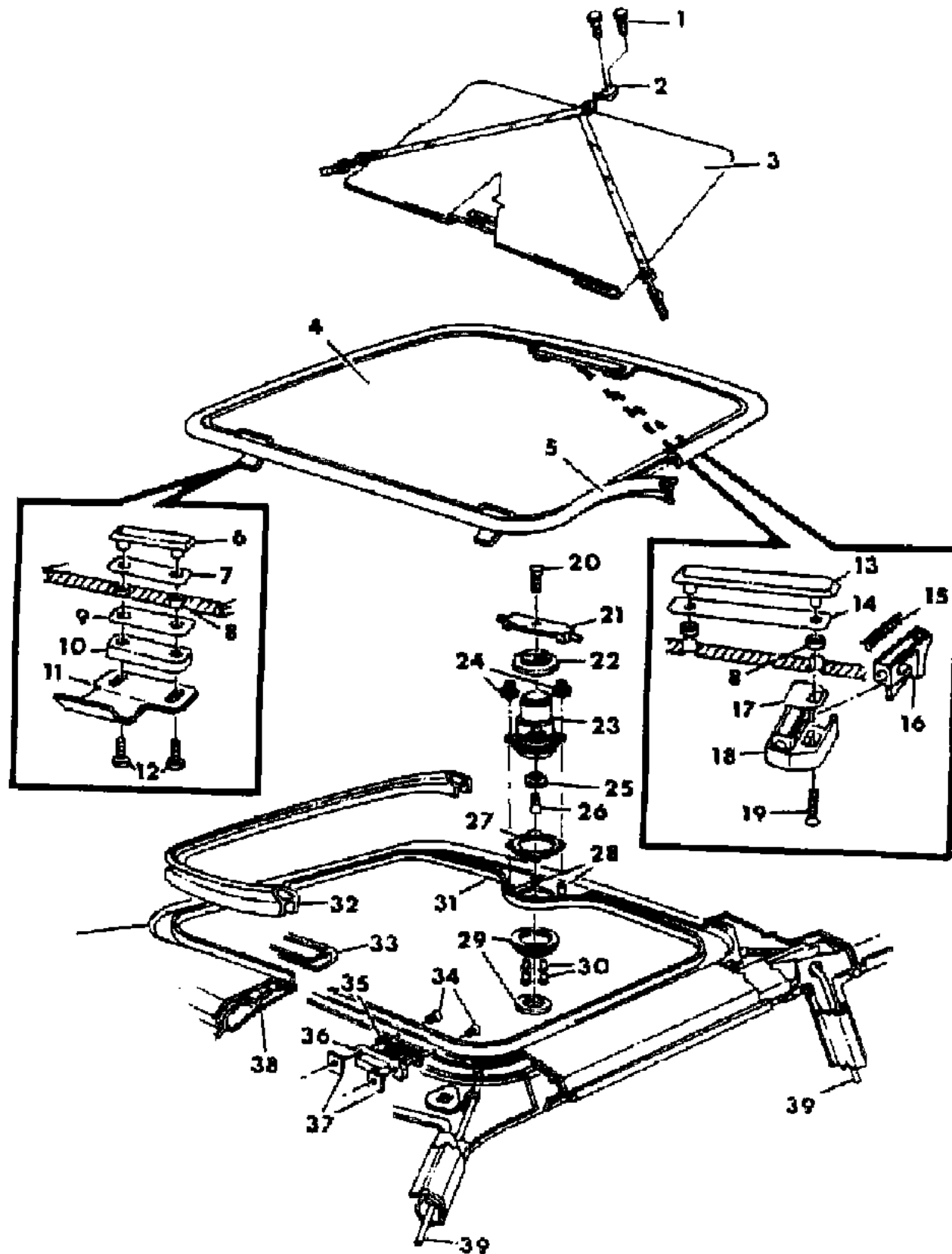
BODY STYLES

21 = 2-DOOR SEDAN	28 = FWD PICKUP	44 = 4-DOOR HATCHBACK
22 = 2-DOOR SPECIAL COUPE	35 = FWD VAN	45 = 4-DOOR STATION WAGON
24 = 2-DOOR HATCHBACK	36 = FWD WAGON	48 = 4-DOOR EXECUTIVE SEDAN
27 = 2-DOOR CONVERTIBLE	41 = 4-DOOR SEDAN	

AR = Use as Required - = Non Illustrated Part P.A.R. = Paint as Required

SUN ROOF - M,Z 24
Figure 23A-1700

4169 1700



ITEM	PART NUMBER	QTY	BODY	MODEL	DESCRIPTION
	H611 CS8	1		24	Charcoal
	H611 CT8	1		24	Brown
34	6101 127	4		24	SCREW
35	5232 050-1	1		24	GASKET, Hinge Receiver
36	5207 374-5	1		24	RECEIVER, Hinge (Includes Items #35 & 37)
37	5207 378	4		24	NUT PLATE, Hinge Receiver
38		1		24	HEADLINER, See Group 23-Interior Illustrations
39		AR		24	HOSE, Drain (3/8 I.D. x 50' Roll Stock) NS1
NOTE: The Following Items Are Not Shown On Illustration. s information becomes available.					
	4106 872-3	1		24	HOUSING and LATCH, Includes Items #15-19
	4106 874	2		24	HINGE and T-PLATE, (Includes Items #6-12)

MODEL CODES

B = GRAN FURY	F = FIFTH AVENUE/NEWPORT	P = RELIANT
C = LEBARON/TOWN & COUNTRY/EXC SEDAN	G = DIPLOMAT	T = E CLASS/NEW YORKER
C24 = LASER	H = VOYAGER	V = 600
D = ARIES	K = MINI RAM/CARAVAN/ROYAL	V24 = DAYTONA
E = 600	M = HORIZON/TURISMO	Z = OMNI/CHARGER/RAMPAGE

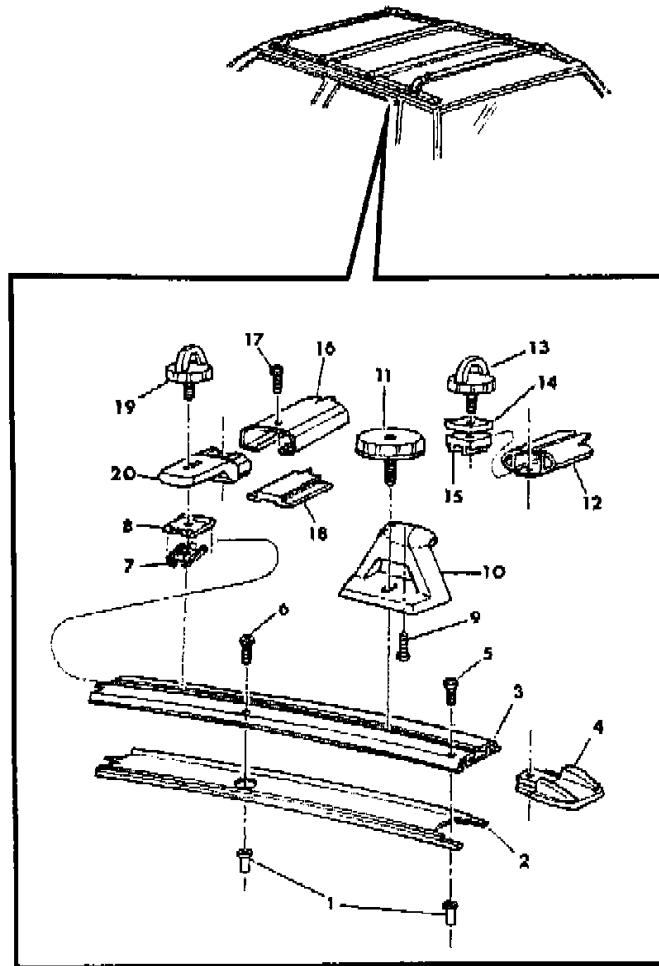
BODY STYLES

21 = 2-DOOR SEDAN	28 = FWD PICKUP	44 = 4-DOOR HATCHBACK
22 = 2-DOOR SPECIAL COUPE	35 = FWD VAN	45 = 4-DOOR STATION WAGON
24 = 2-DOOR HATCHBACK	36 = FWD WAGON	48 = 4-DOOR EXECUTIVE SEDAN
27 = 2-DOOR CONVERTIBLE	41 = 4-DOOR SEDAN	

AR = Use as Required - = Non Illustrated Part P.A.R. = Paint as Required

ROOF LUGGAGE RACK - M,Z
Figure 23A-1800

4109 1800



ITEM	PART NUMBER	QTY	BODY	MODEL	DESCRIPTION
1	2094 869	8		44	NUT, Blind
2	5209 079	2		44	PAD, Skid Strip
3	5209 379	2		44	STRIP, Skid w/Pad (Includes Item #2)
4	5209 377	4		44	CAP, Skid Strip End
5		4		44	SCREW, Not Serviced 1/4-20 x .625"
6	6031 567	4		44	SCREW, Low Head
7	4229 335	8		44	RETAINER, Skid Strip T/Plate
8	5209 080	8		44	T-PLATE, Skid Strip
9	6032 069	4		44	SCREW, Cross Bar to Support
10	4229 318	4		44	SUPPORT, Cross Bar
11	4229 320	4		44	KNOB, Cross Bar
12		2		44	BAR, Cross (Serviced in Assembly #5230750)
13	4229 334	4		44	LOOP, Cross Bar
14	4229 321	4		44	T-PLATE, Cross Bar Loop
15	4229 322	4		44	RETAINER, Cross Bar Loop T/Plate
16		2		44	STRIP, Cross (Serviced in Assembly #5230755)
17	6032 070	4		44	SCREW, Cross Strip to End Cap
18		2		44	PAD, Cross Strip Serviced In Assembly #5230755
19	4229 334	4		44	LOOP, Cross Strip
20	4229 325	4		44	CAP, Cross Strip End
NOTE: The Following Items Are Not Shown On Illustration. s information becomes available.					
	5209 231	2		44	STRIP ASSEMBLY, Skid (Includes Items #2,3,4,7,& 8)
	5230 750	2		44	BAR ASSEMBLY, Cross Includes Items #9-15
	5230 755	2		44	STRIP ASSEMBLY, Cross (Includes Items #16-20)
	4240 275	1		44	LUGGAGE RACK PACKAGE, Roof (Field Installed)
	4205 324	1		24	LUGGAGE RACK PACKAGE, Roof (Field Installed)
					ABOVE PACKAGES CONSIST OF:
					2 - 5209074 Skid Strip w/Pad (M,Z-44 Only)
					2 - 5209079 Pad, Skid Strip (M,Z-44 Only)
					2 - 5230568 Strip, Skid w/Pad (M,Z-24 Only)
					4 - 5209082 Cap, Skid Strip End
					4 - 5209076 Support, Cross Bar
					2 - 4240951 Bar, Cross
					4 - 5209078 Bracket, Tie Down
					22- 5209080 T/Plate
					4 - 5209083 Cap, Cross Bar End
					4 - ----- Screw (Not Serviced) #10-24 x .625"
					20- 6500189 Screw

MODEL CODES

B = GRAN FURY	F = FIFTH AVENUE/NEWPORT	P = RELIANT
C = LEBARON/TOWN & COUNTRY/EXC SEDAN	G = DIPLOMAT	T = E CLASS/NEW YORKER
C24 = LASER	H = VOYAGER	V = 600
D = ARIES	K = MINI RAM/CARAVAN/ROYAL	V24 = DAYTONA
E = 600	M = HORIZON/TURISMO	Z = OMNI/CHARGER/RAMPAGE

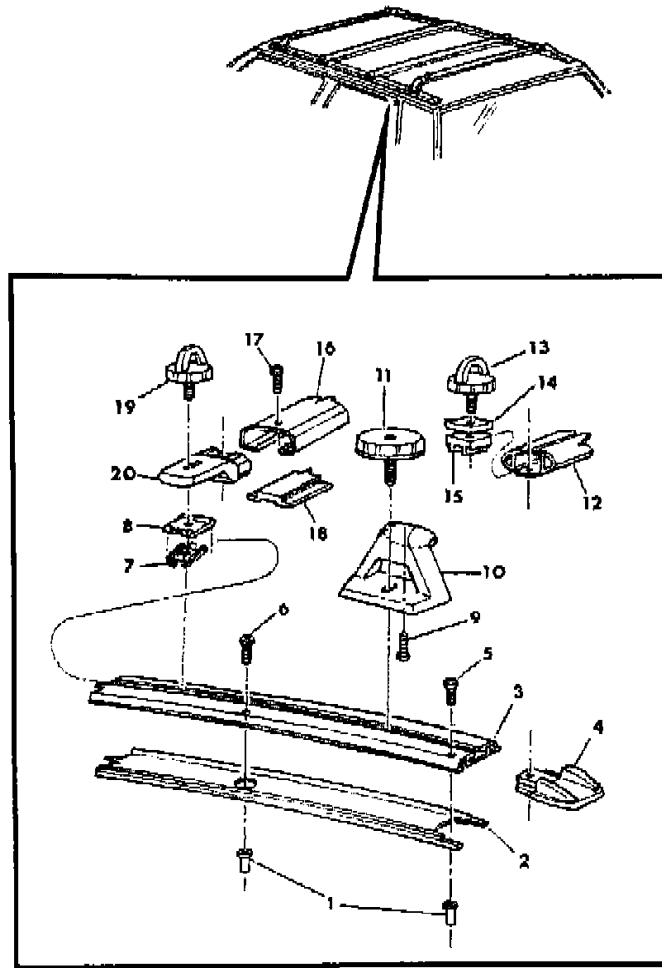
BODY STYLES

21 = 2-DOOR SEDAN	28 = FWD PICKUP	44 = 4-DOOR HATCHBACK
22 = 2-DOOR SPECIAL COUPE	35 = FWD VAN	45 = 4-DOOR STATION WAGON
24 = 2-DOOR HATCHBACK	36 = FWD WAGON	48 = 4-DOOR EXECUTIVE SEDAN
27 = 2-DOOR CONVERTIBLE	41 = 4-DOOR SEDAN	

AR = Use as Required - = Non Illustrated Part P.A.R. = Paint as Required

ROOF LUGGAGE RACK - M,Z
Figure 23A-1800

4109 1800



ITEM	PART NUMBER	QTY	BODY	MODEL	DESCRIPTION
					3 - 4241000 Strip, Cross
					3 - 4240950 Pad, Cross Strip
					6 - 4186521 Plug, Cross Strip End
					6 - 4267851 Screw 1/4-14 x .50"
					6 - 4186525 Adjuster, Tie Down
					4 - ----- Screw, High Head (Not Serviced) 1/4-20 x .625"
					4 - 6031567 Screw, Low Head
					8 - 2094869 Nut, Blind
					14- 4186524 Retainer, T/Plate

MODEL CODES

B = GRAN FURY	F = FIFTH AVENUE/NEWPORT	P = RELIANT
C = LEBARON/TOWN & COUNTRY/EXC SEDAN	G = DIPLOMAT	T = E CLASS/NEW YORKER
C24 = LASER	H = VOYAGER	V = 600
D = ARIES	K = MINI RAM/CARAVAN/ROYAL	V24 = DAYTONA
E = 600	M = HORIZON/TURISMO	Z = OMNI/CHARGER/RAMPAGE

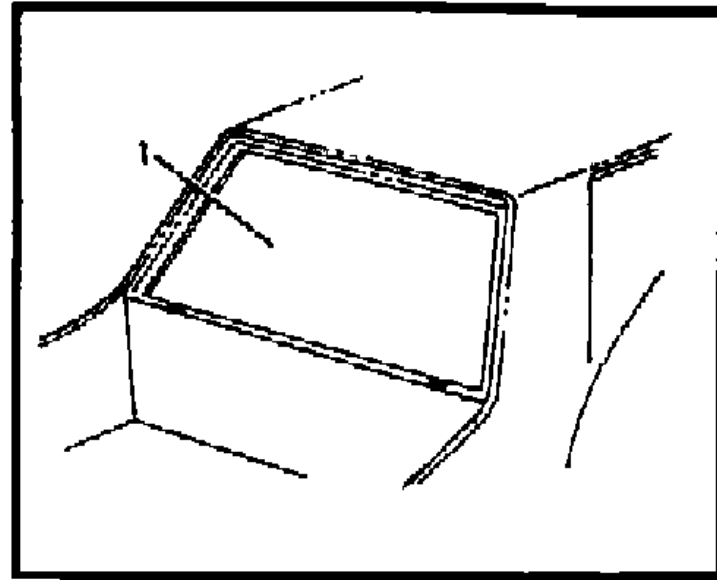
BODY STYLES

21 = 2-DOOR SEDAN	28 = FWD PICKUP	44 = 4-DOOR HATCHBACK
22 = 2-DOOR SPECIAL COUPE	35 = FWD VAN	45 = 4-DOOR STATION WAGON
24 = 2-DOOR HATCHBACK	36 = FWD WAGON	48 = 4-DOOR EXECUTIVE SEDAN
27 = 2-DOOR CONVERTIBLE	41 = 4-DOOR SEDAN	

AR = Use as Required - = Non Illustrated Part P.A.R. = Paint as Required

GLASS REAR WINDOW - M,Z 28
Figure 23A-1900

4109 1900



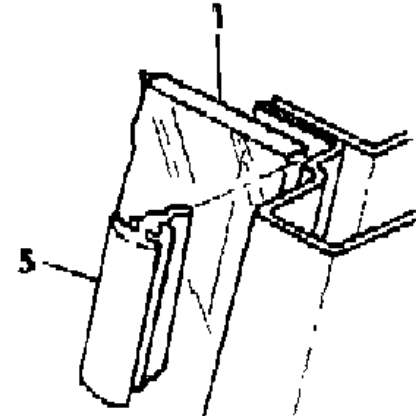
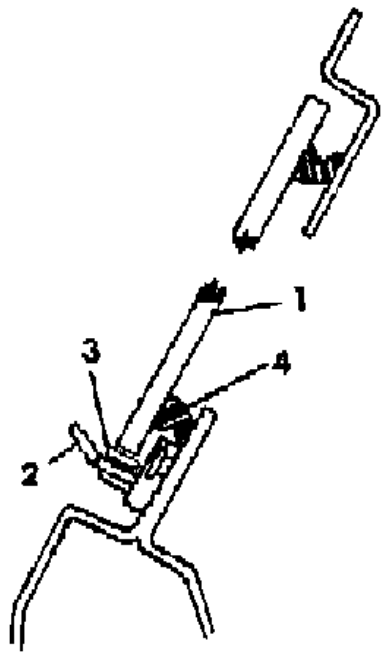
ITEM	PART NUMBER	QTY	BODY	MODEL	DESCRIPTION
------	-------------	-----	------	-------	-------------

NOTE: GLASS, REAR WINDOW - ORDER FROM YOUR LOCAL "MOPAR" GLASS DISTRIBUTOR s information becomes available.

1	4206 591	1		28	GLASS, Rear Window (Tinted)
2	4207 000	2		28	SPACER, Glass Lower
3	4278 076	AR		28	SHIM, Lower Spacer (.1625")
	4278 077	AR		28	(.2187")
	4278 511	AR		28	(.2875")
4	4206 848	1		28	DAM, Glass Adhesive (119")
5	4278 003	1		28	LOCKSTRIP, Rear Window Glass, Installation (69")
	4278 642	AR		28	Repair (69")

NOTE: The Following Items Are Not Shown On Illustration. s information becomes available.

	4267 906	1		28	FIXED GLASS REPAIR PACKAGE (Polyurethane)
CONSISTS OF:					
					1- ----- Polyurethane, 11.5 oz.
					1- ----- Fence Primer, 1 oz.
					1- ----- Glass Wipe-Off Primer, 1 oz.
					1- ----- Glass Black-Out Primer, 1 oz.
					3- ----- Dabbers
					1- ----- Nozzle



MODEL CODES

B = GRAN FURY	F = FIFTH AVENUE/NEWPORT	P = RELIANT
C = LEBARON/TOWN & COUNTRY/EXC SEDAN	G = DIPLOMAT	T = E CLASS/NEW YORKER
C24 = LASER	H = VOYAGER	V = 600
D = ARIES	K = MINI RAM/CARAVAN/ROYAL	V24 = DAYTONA
E = 600	M = HORIZON/TURISMO	Z = OMNI/CHARGER/RAMPAGE

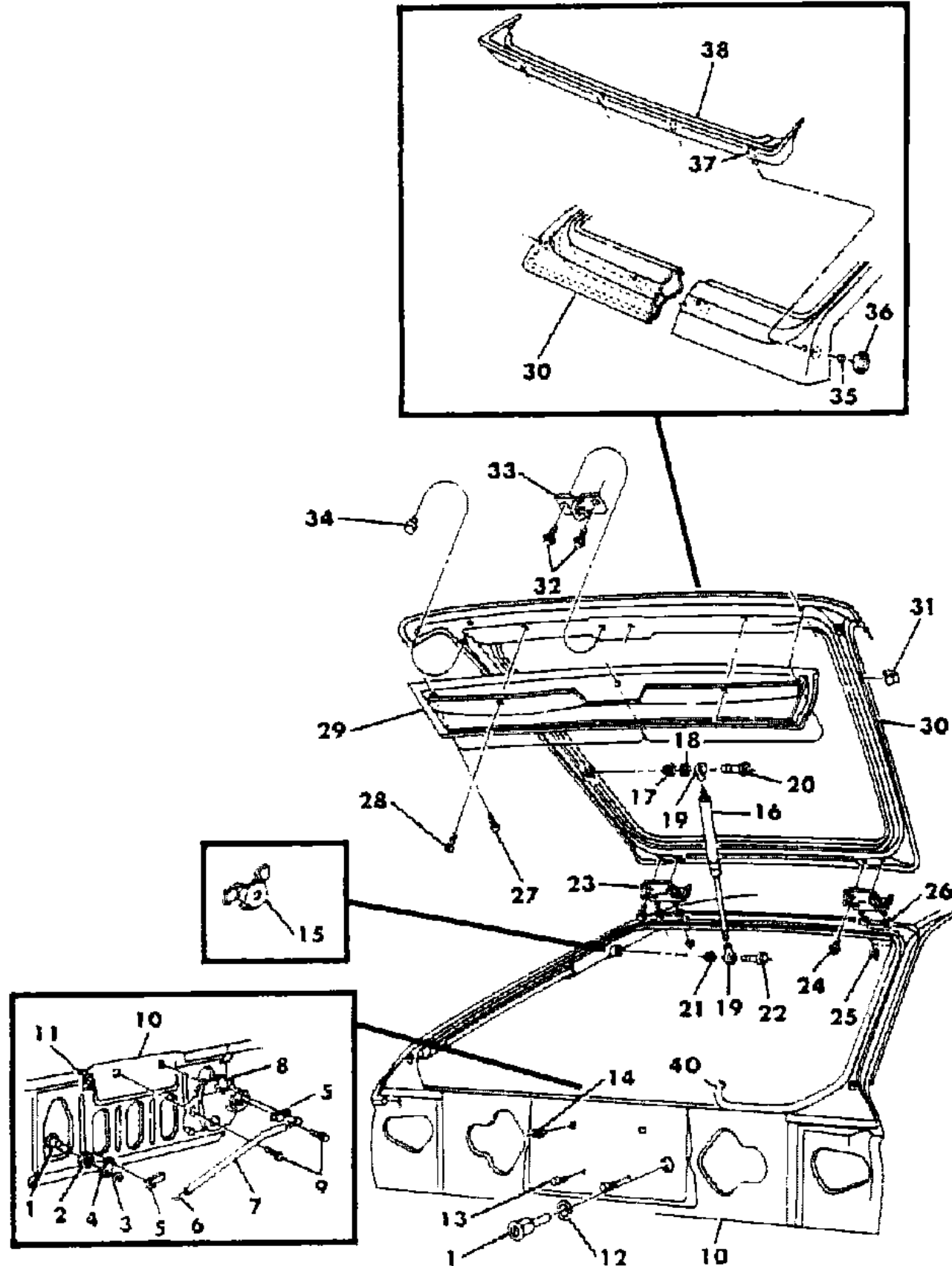
BODY STYLES

21 = 2-DOOR SEDAN	28 = FWD PICKUP	44 = 4-DOOR HATCHBACK
22 = 2-DOOR SPECIAL COUPE	35 = FWD VAN	45 = 4-DOOR STATION WAGON
24 = 2-DOOR HATCHBACK	36 = FWD WAGON	48 = 4-DOOR EXECUTIVE SEDAN
27 = 2-DOOR CONVERTIBLE	41 = 4-DOOR SEDAN	

AR = Use as Required - = Non Illustrated Part P.A.R. = Paint as Required

LIFTGATE - M,Z 24
Figure 23A-2000

4113 2000



ITEM	PART NUMBER	QTY	BODY	MODEL	DESCRIPTION
1		1		24	CYLINDER, Lock See Group 23D Illustrations
2	4054 202	1		24	NUT, Lock Cylinder
3	6026 125	1		24	RETAINER, Lock Cylinder Lever
4		1		24	LEVER, Lock Cylinder Serviced in Item #6
5	3454 221	2		24	CLIP, Link Attaching
6	4246 648	1		24	LINK, Latch Release Includes Items #4-7
7		1		24	SLEEVE, Link (Serviced in Item #6)
8	4246 675	1		24	LATCH, Electric
	6032 107	1		24	RETAINER, Latch Lever
	6028 976	2		24	PUSHNUT, Latch Spring (Electric)
9	6101 255	2		24	SCREW and WASHER
10				24	PANEL, Liftgate Opening (Reference Only)
11		1		24	BUMPER, Latch Link Not Serviced 2" Foam Tape
12	3695 321	1		24	GASKET, Lock Cylinder
13	5200 365	2		24	BUMPER, License Plate
14	6500 229	2		24	NUT, License Plate
15	5230 164	2		24	BRACKET and NUT, Prop to Pillar
16		2		24	PROP, Liftgate w/o Spoiler (Serviced in Package # 4240301)
		2		24	w/Spoiler (Serviced in Package #4240302)
17		2		24	NUT and WASHER, Tube End Serviced In Item 19
18		2		24	WASHER, Tube End (Serviced in Item #19)
19	4172 829	2		24	CLEVIS, Prop Rod End Includes Items #21 & 22
	4172 830	2		24	Tube End (Includes Items #17,18 & 20)
20	6500 457	2		24	SCREW, Tube End
21	6500 159	2		24	NUT and WASHER, Rod End
22	6500 183	2		24	SCREW, Rod End
23	4246 776	2		24	HINGE, Liftgate, Up To 9/12/83
	4246 776	2		24	After 9/12/83
	4336 555	2		24	GASKET, Liftgate Hinge to Body, After 5/1/84
24	6100 275	4		24	SCREW and WASHER
25	6500 284	4		24	NUT and WASHER
26	5231 207	4		24	WASHER, Sealing
27		3		24	SCREW, #8-18 x 1.25" (Not Serviced)
28		2		24	SCREW, #8-18 x 1.75" (Not Serviced)
29	H455 EA3	1		24	COVER, Liftgate, Silver
	H455 EB5	1		24	Blue
	H429 BL3	1		24	Beige
	H429 TM6	1		24	Red

MODEL CODES

B = GRAN FURY	F = FIFTH AVENUE/NEWPORT	P = RELIANT
C = LEBARON/TOWN & COUNTRY/EXC SEDAN	G = DIPLOMAT	T = E CLASS/NEW YORKER
C24 = LASER	H = VOYAGER	V = 600
D = ARIES	K = MINI RAM/CARAVAN/ROYAL	V24 = DAYTONA
E = 600	M = HORIZON/TURISMO	Z = OMNI/CHARGER/RAMPAGE

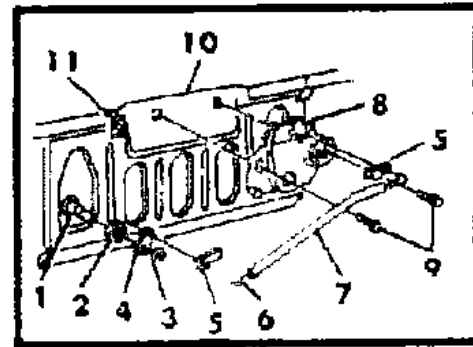
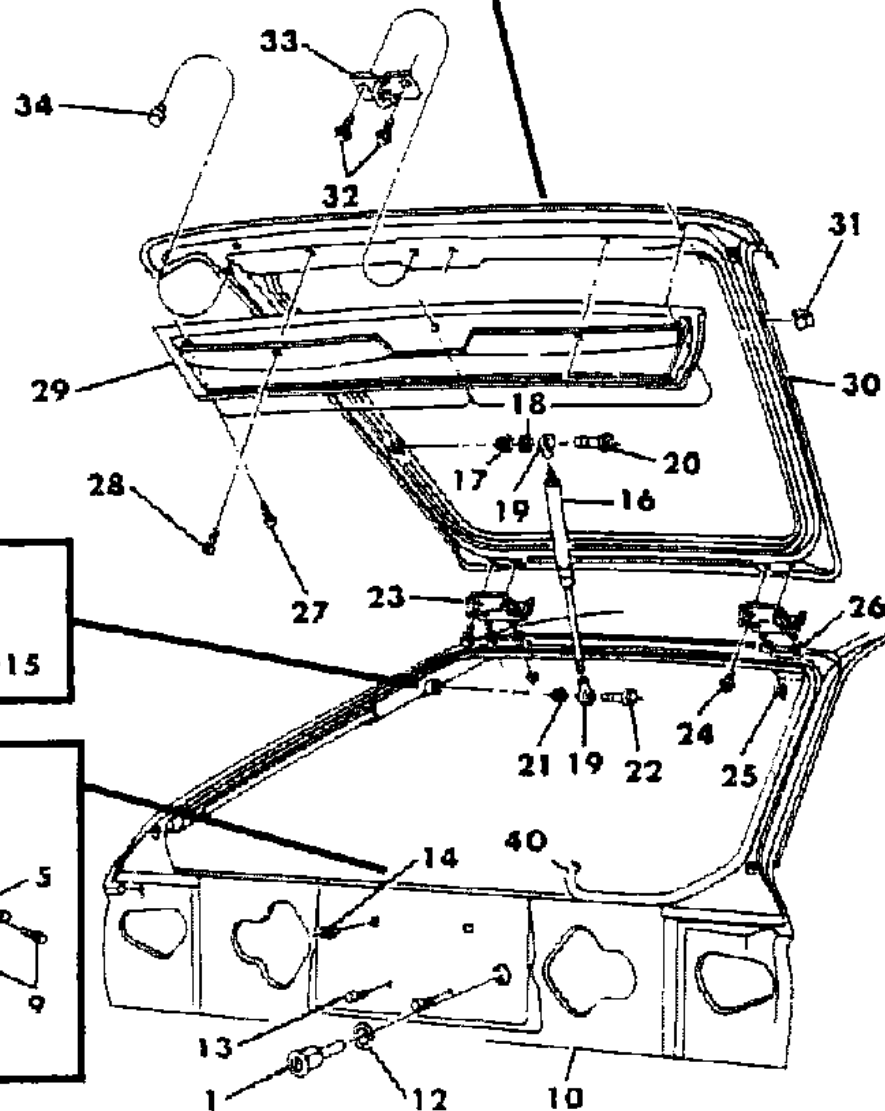
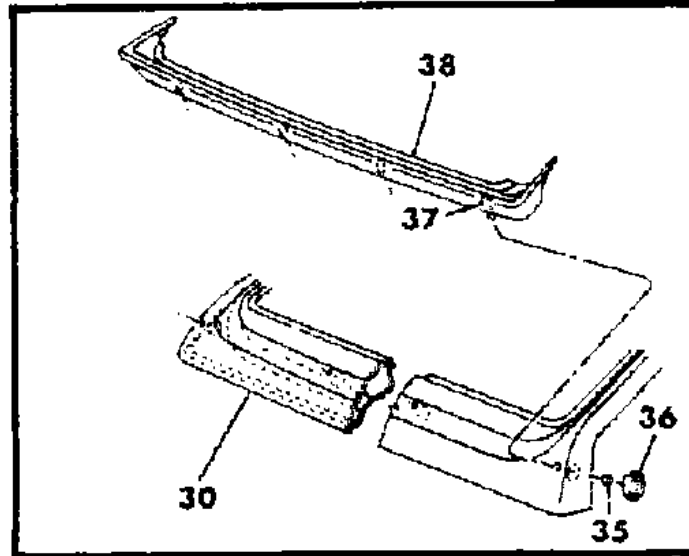
BODY STYLES

21 = 2-DOOR SEDAN	28 = FWD PICKUP	44 = 4-DOOR HATCHBACK
22 = 2-DOOR SPECIAL COUPE	35 = FWD VAN	45 = 4-DOOR STATION WAGON
24 = 2-DOOR HATCHBACK	36 = FWD WAGON	48 = 4-DOOR EXECUTIVE SEDAN
27 = 2-DOOR CONVERTIBLE	41 = 4-DOOR SEDAN	

AR = Use as Required - = Non Illustrated Part P.A.R. = Paint as Required

LIFTGATE - M,Z 24
Figure 23A-2000

4113 2000



ITEM	PART NUMBER	QTY	BODY	MODEL	DESCRIPTION
	H429 SX9	1		24	Black
30	5218 420	1		24	LIFT GATE, Primed
31	5207 475	2		24	BUMPER, Anti-Shuffle
32	6101 255	2		24	SCREW and WASHER
33	5207 389	1		24	STRIKER, Latch
34	5230 376	2		24	BUMPER, Inner Panel
35	6027 422	6		24	NUT and SEAL
36	1963 755	4		24	PLUG, Spoiler Access Hole
37		6		24	STUD, Serviced in Item #38
38	4280 546	1		24	SPOILER, Liftgate
40	5231 926	1		24	WEATHERSTRIP, Liftgate Opening

NOTE: The Following Items Are Not Shown On Illustration. s information becomes available.

4240 301	2	24	PROP PACKAGE, w/o Spoiler (Includes Items #16-22)
4240 302	2	24	PROP PACKAGE, w/Spoiler (Includes Items #16-22)

PACKAGES CONSIST OF:

- 1- ----- Prop, Complete
- 1- 4124957 Wiring, Heated Glass
- 1- 3513544 Terminal
- 1- 3588781 Insulator
- 1- ----- Instruction Sheet

MODEL CODES

B = GRAN FURY	F = FIFTH AVENUE/NEWPORT	P = RELIANT
C = LEBARON/TOWN & COUNTRY/EXC SEDAN	G = DIPLOMAT	T = E CLASS/NEW YORKER
C24 = LASER	H = VOYAGER	V = 600
D = ARIES	K = MINI RAM/CARAVAN/ROYAL	V24 = DAYTONA
E = 600	M = HORIZON/TURISMO	Z = OMNI/CHARGER/RAMPAGE

BODY STYLES

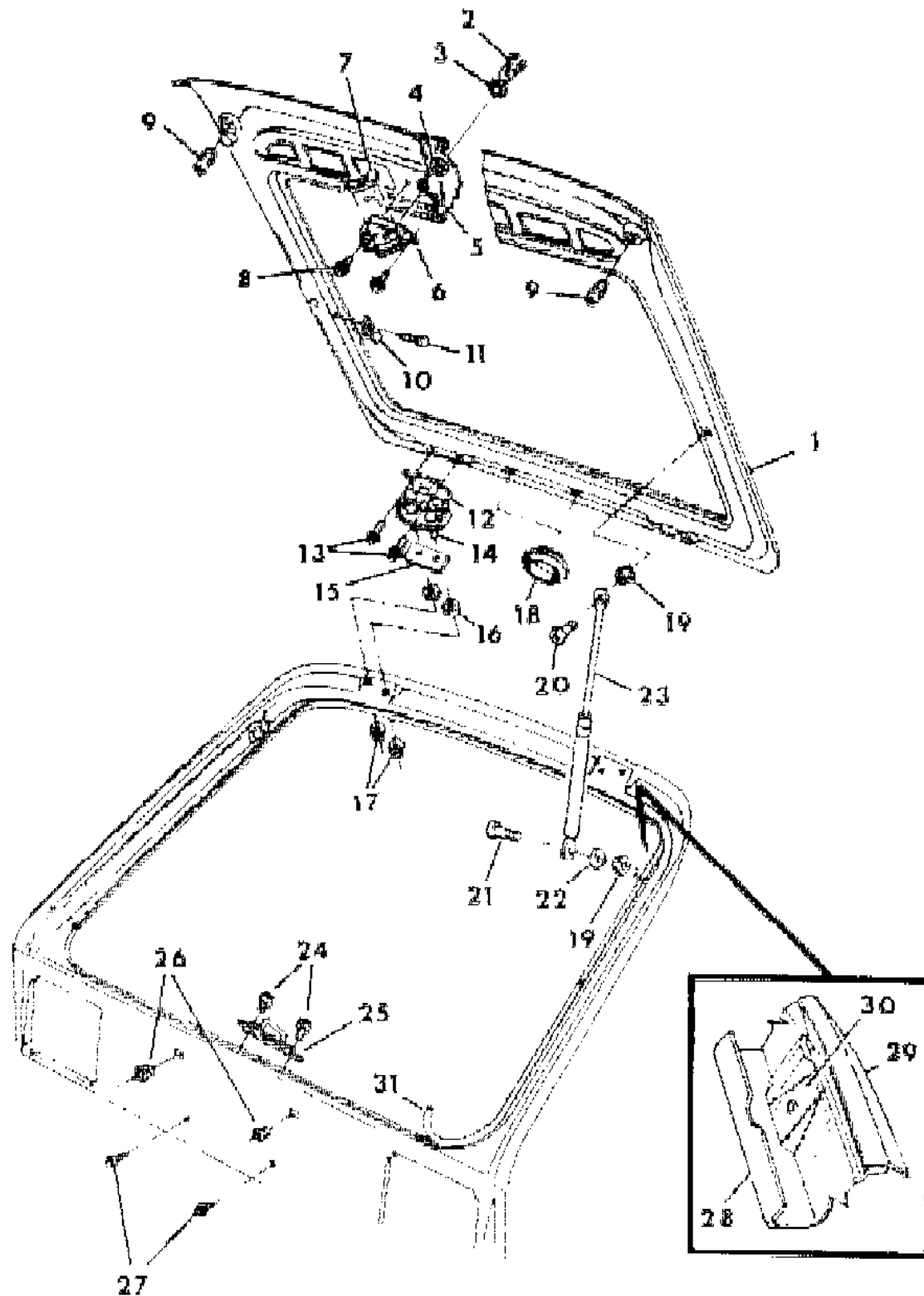
21 = 2-DOOR SEDAN	28 = FWD PICKUP	44 = 4-DOOR HATCHBACK
22 = 2-DOOR SPECIAL COUPE	35 = FWD VAN	45 = 4-DOOR STATION WAGON
24 = 2-DOOR HATCHBACK	36 = FWD WAGON	48 = 4-DOOR EXECUTIVE SEDAN
27 = 2-DOOR CONVERTIBLE	41 = 4-DOOR SEDAN	

AR = Use as Required - = Non Illustrated Part P.A.R. = Paint as Required

LIFTGATE - M,Z 44
Figure 23A-2100

4169 2100

ITEM	PART NUMBER	QTY	BODY	MODEL	DESCRIPTION
1	5218 373	1		44	LIFTGATE, Primed
2		1		44	CYLINDER, Lock See Group 23D Illustrations
3	3695 321	1		44	GASKET, Lock Cylinder
4	4054 202	1		44	NUT, Lock Cylinder
5	5207 246	1		44	SHIELD, Water
6	5207 383	1		44	LATCH, Liftgate
	6030 592	1		44	SPRING NUT, Latch Cam Retaining
7	5207 244	1		44	BUMPER, Latch
8	6101 255	2		44	SCREW and WASHER
9	5230 376	2		44	BUMPER, Liftgate
10	5200 311	2		44	BRACKET, Shelf Strap
11		2		44	RIVET, Pop, 3/16" Dia. x 1/8-1/4" Grip Range (Not Serviced)
12	5207 340-1	1		44	HINGE, Liftgate Includes Item #14 (Up To 9/12/83)
	4246 774-5	1		44	After 9/12/83
	4336 566-7	1		44	GASKET, Liftgate Hinge to Body, After 5/1/84
13	6100 275	4		44	SCREW and WASHER, Gate Half
14	6500 257	4		44	BOLT, Body Half
15		AR		44	SHIM, Not Serviced
16	5231 207	4		44	WASHER, Sealing
17	6100 049	4		44	NUT and WASHER
18	2574 792	2		44	PLUG, .75" Diameter
19	6500 159	4		44	NUT and WASHER
20	6500 142	2		44	SCREW, Rod End
21	6500 183	2		44	SCREW, Tube End
22		2		44	WASHER, Tube End (Serviced in Item #23)
23	5207 121	2		44	PROP, Liftgate (Includes Items #19-22)
24	6101 255	2		44	SCREW and WASHER
25	5207 184	1		44	STRIKER, Latch
26	6500 229	2		44	NUT, License Plate
27	5200 365	2		44	BUMPER, License Plate
28		1		44	TROUGH, Liftgate Opening (Reference Only)
29		1		44	PANEL, Quarter (Reference Only)
30	5200 380-1	1		44	REINFORCEMENT and NUT, Prop Mounting
31	5231 926	1		44	WEATHERSTRIP, Liftgate Opening



MODEL CODES

B = GRAN FURY	F = FIFTH AVENUE/NEWPORT	P = RELIANT
C = LEBARON/TOWN & COUNTRY/EXC SEDAN	G = DIPLOMAT	T = E CLASS/NEW YORKER
C24 = LASER	H = VOYAGER	V = 600
D = ARIES	K = MINI RAM/CARAVAN/ROYAL	V24 = DAYTONA
E = 600	M = HORIZON/TURISMO	Z = OMNI/CHARGER/RAMPAGE

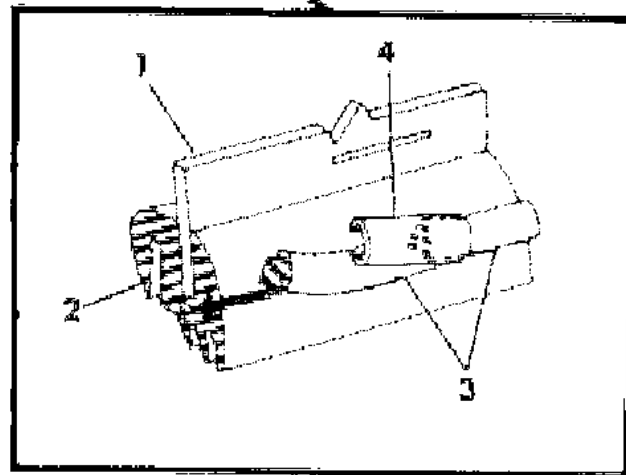
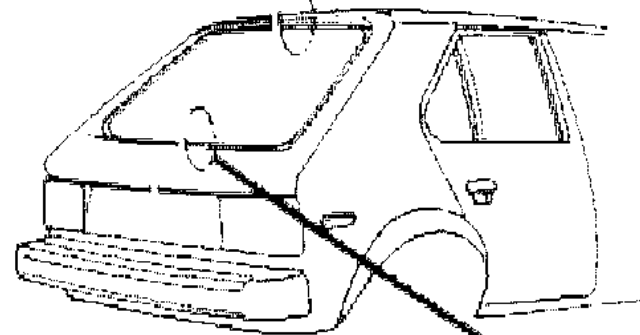
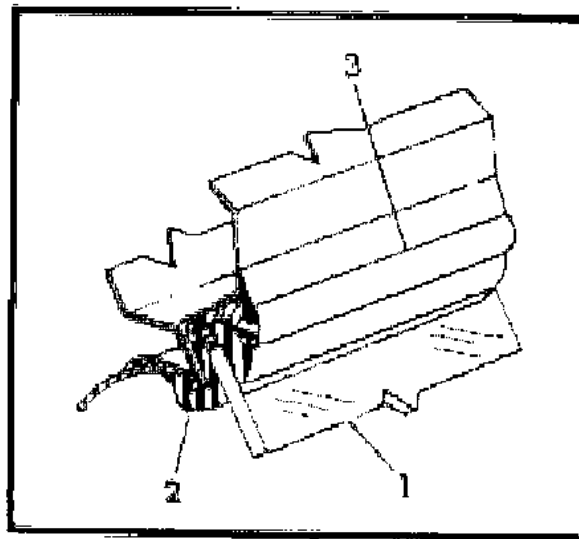
BODY STYLES

21 = 2-DOOR SEDAN	28 = FWD PICKUP	44 = 4-DOOR HATCHBACK
22 = 2-DOOR SPECIAL COUPE	35 = FWD VAN	45 = 4-DOOR STATION WAGON
24 = 2-DOOR HATCHBACK	36 = FWD WAGON	48 = 4-DOOR EXECUTIVE SEDAN
27 = 2-DOOR CONVERTIBLE	41 = 4-DOOR SEDAN	

AR = Use as Required - = Non Illustrated Part P.A.R. = Paint as Required

GLASSLIFT GATE - M,Z
Figure 23A-2200

4160 2200



ITEM	PART NUMBER	QTY	BODY	MODEL	DESCRIPTION
1	5230 047	1		24	GLASS, Liftgate, Tinted
	4198 980	1		24	Tinted, Electric Heated
	5231 924	1		44	Tinted
	4198 982	1		44	Tinted, Electric Heated
2	5230 226	1		24	WEATHERSTRIP, Liftgate Glass, Up To 11/1/83
	4310 953	1		24	After 11/1/83
	5208 558	1		44	Up To 11/1/83
	4310 952	1		44	After 11/1/83
3	5230 302	1		24	LOCKSTRIP, Liftgate Glass Weatherstrip, Black
	5231 774	1		44	Black
	5208 602	1		44	Bright
4	5230 305	1		24	CAP, Lockstrip, Black
	5231 778	1		44	Black
	5208 603	1		44	Bright
NOTE: The Following Items Are Not Shown On Illustration. s information becomes available.					
	4267 922	1		24,44	ELECTRIC GRID REPAIR PACKAGE
CONSISTS OF:					
1- ----- Cement, Cho-Bond, 1/2 oz.					
1- ----- Instruction Sheet					

MODEL CODES

B = GRAN FURY	F = FIFTH AVENUE/NEWPORT	P = RELIANT
C = LEBARON/TOWN & COUNTRY/EXC SEDAN	G = DIPLOMAT	T = E CLASS/NEW YORKER
C24 = LASER	H = VOYAGER	V = 600
D = ARIES	K = MINI RAM/CARAVAN/ROYAL	V24 = DAYTONA
E = 600	M = HORIZON/TURISMO	Z = OMNI/CHARGER/RAMPAGE

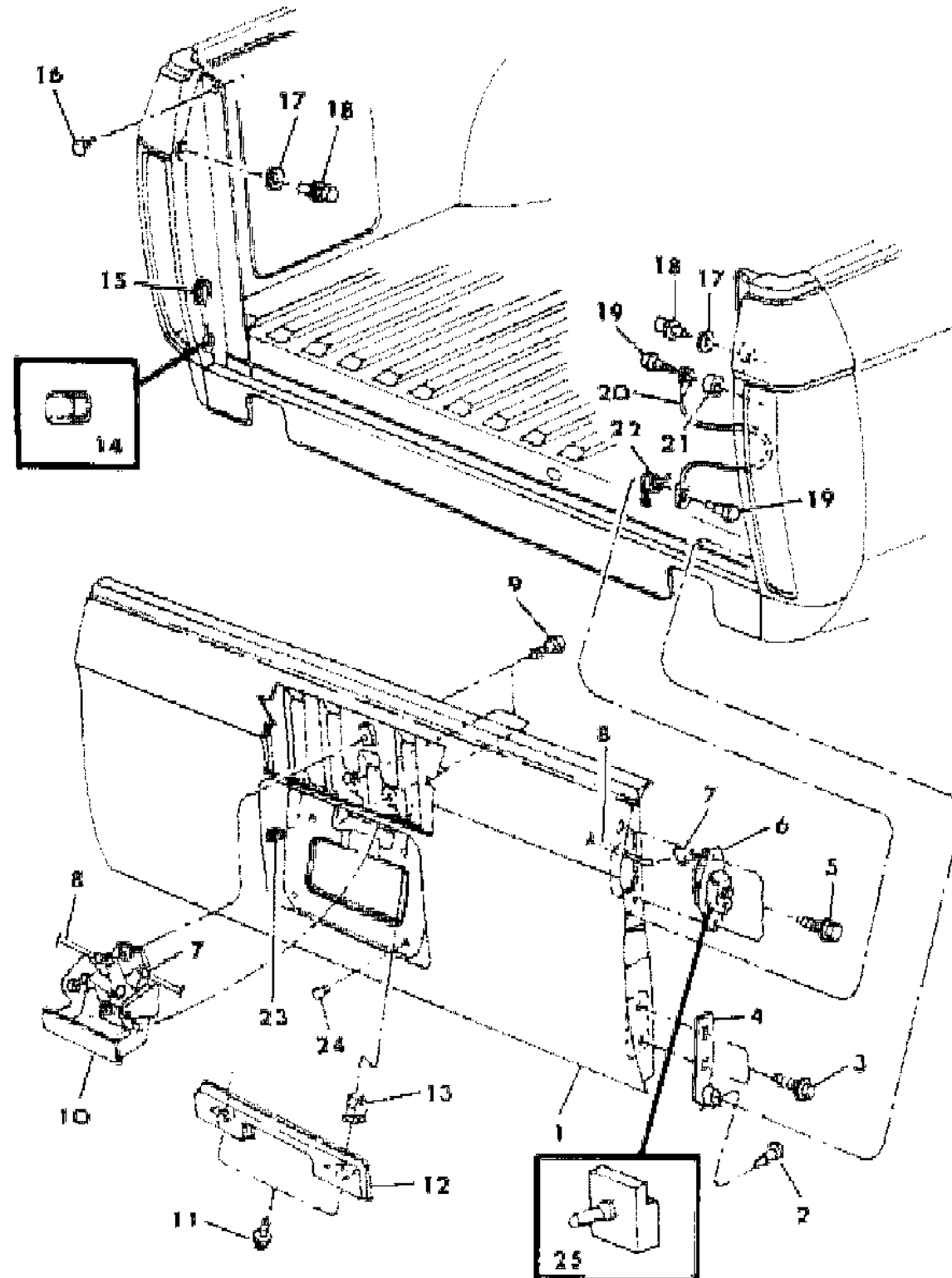
BODY STYLES

21 = 2-DOOR SEDAN	28 = FWD PICKUP	44 = 4-DOOR HATCHBACK
22 = 2-DOOR SPECIAL COUPE	35 = FWD VAN	45 = 4-DOOR STATION WAGON
24 = 2-DOOR HATCHBACK	36 = FWD WAGON	48 = 4-DOOR EXECUTIVE SEDAN
27 = 2-DOOR CONVERTIBLE	41 = 4-DOOR SEDAN	

AR = Use as Required - = Non Illustrated Part P.A.R. = Paint as Required

TAILGATE - M,Z 28
Figure 23A-2300

4169 2300



ITEM	PART NUMBER	QTY	BODY	MODEL	DESCRIPTION
1	4336 594	1		28	PANEL, Tailgate, Up To 2/29/84
	4336 594	1		28	After 2/29/84
2		1		28	SCREW, #10-16 x .75" (Not Serviced)
3	6500 715	4		28	SCREW and WASHER
4	4280 168-9	1		28	BRACKET, Tailgate Pivot
5	6500 715	4		28	SCREW and WASHER
6	4168 176-7	1		28	LATCH, Tailgate Caliper
7	2945 108-9	2		28	CLIP, Tailgate Rod Retaining
8	4184 334	2		28	ROD, Tailgate Latch Release
9	6032 244	3		28	SCREW
10	4184 332	1		28	HANDLE, Tailgate Latch Remote Control
11	6032 244	3		28	SCREW, Tailgate Handle Attaching
12	4198 762	1		28	BEZEL and GASKET, Tailgate Handle
	4280 158	1		28	SPACER, Tailgate Handle Bezel
13	6031 883	2		28	NUT
14	4206 597	2		28	PIVOT, Tailgate, Body Half
15	4280 079	AR		28	SPACER, Tailgate Pivot, Body Half
16	5200 365	2		28	BUMPER
17	6026 361	2		28	WASHER
18	6031 954	2		28	STRIKER, Tailgate Latch
19	6500 711	4		28	BOLT, Tailgate Cable Attaching
20	4310 929	2		28	CABLE, Tailgate Down Position Support, Up To 12/21/83
	4310 929	2		28	After 12/21/83
21	6500 647	2		28	SPACER, Tailgate Cable
22	4280 088-9	1		28	SPRING, Tailgate Support Cable Return
23	6500 524	2		28	NUT, Tailgate License Plate Mounting
24	4015 873	2		28	BUMPER, Tailgate License Plate
25	4212 877	2		28	STOP, Tailgate Caliper Latch

MODEL CODES

B = GRAN FURY	F = FIFTH AVENUE/NEWPORT	P = RELIANT
C = LEBARON/TOWN & COUNTRY/EXC SEDAN	G = DIPLOMAT	T = E CLASS/NEW YORKER
C24 = LASER	H = VOYAGER	V = 600
D = ARIES	K = MINI RAM/CARAVAN/ROYAL	V24 = DAYTONA
E = 600	M = HORIZON/TURISMO	Z = OMNI/CHARGER/RAMPAGE

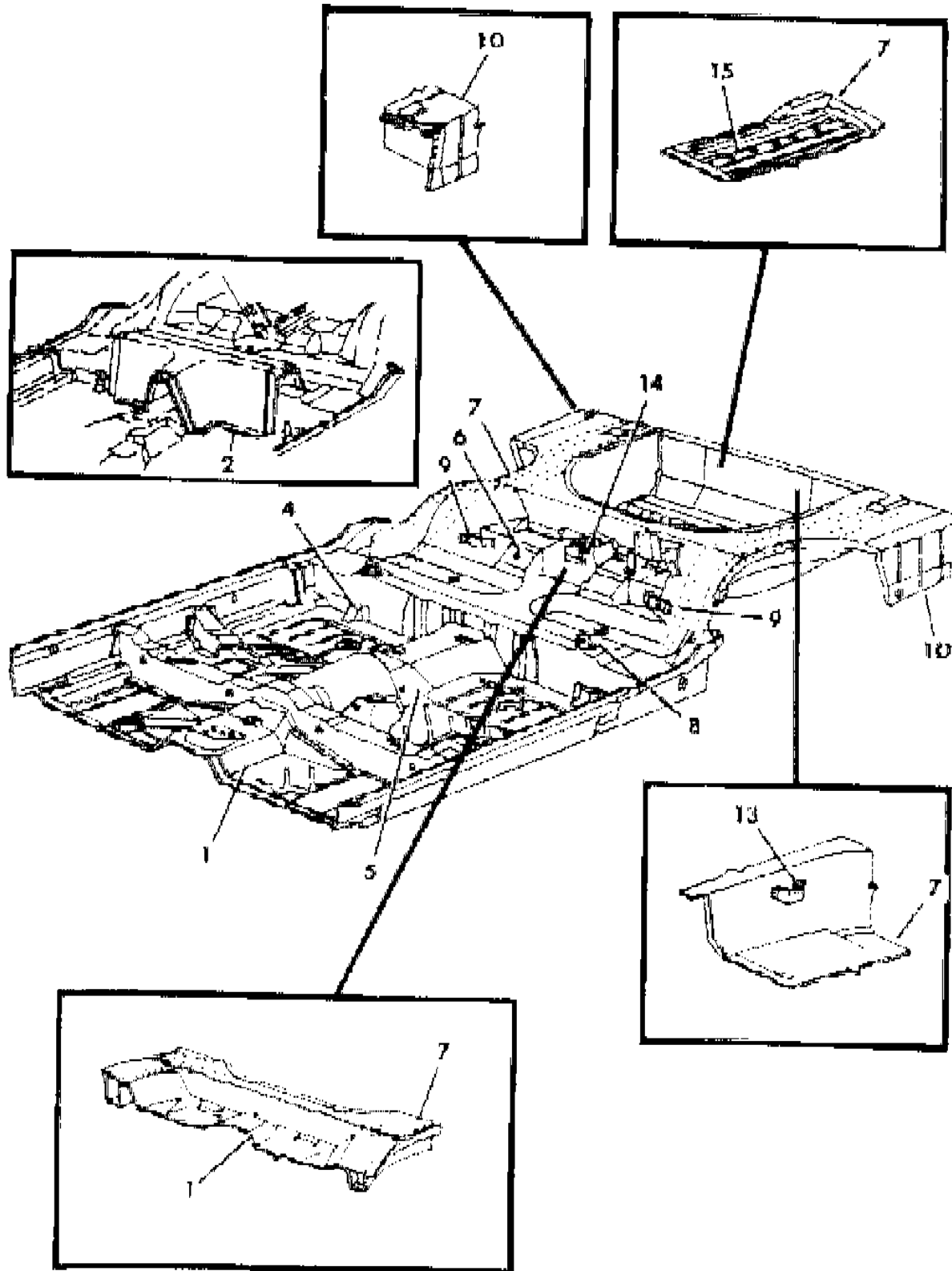
BODY STYLES

21 = 2-DOOR SEDAN	28 = FWD PICKUP	44 = 4-DOOR HATCHBACK
22 = 2-DOOR SPECIAL COUPE	35 = FWD VAN	45 = 4-DOOR STATION WAGON
24 = 2-DOOR HATCHBACK	36 = FWD WAGON	48 = 4-DOOR EXECUTIVE SEDAN
27 = 2-DOOR CONVERTIBLE	41 = 4-DOOR SEDAN	

AR = Use as Required - = Non Illustrated Part P.A.R. = Paint as Required

FLOOR PAN - P,D,V,C,E,T
Figure 23A-2400

4100 2400



ITEM	PART NUMBER	QTY	BODY	MODEL	DESCRIPTION
1	4314 933	1		P,D,V,C	PAN, Front Floor (See Note "1")
	4314 935	1		E,T	
4	4314 318-9	1			BRACKET, Front Floor Pan, Lift Hoisting
5	4314 259	2			REINFORCEMENT, Front Floor Pan Front Seat Belt Inner
6	4314 260	2			REINFORCEMENT, Front Floor Pan Rear Seat Belt Inner
7	4314 934	1		P,D,V,C	PAN, Rear Floor
	4314 936	1		E,T	
8	4134 647	2		P,D,V,C	RETAINER, Front Floor Pan Rear Seat Cushion
	4206 904	2		E,T	
9	4134 938-9	1		21,22,4	BRACKET, Front Floor Pan Rear Seat Back Mtg.
10	4134 674-5	1		P,D,V,C	EXTENSION, Rear Floor Pan Side
	4206 988-9	1		E,T	
12	4206 628	1		21,22,2	BRACKET, Front Floor Pan Jack Stowage
14	4206 216	1		45	SUPPORT, Front Floor Pan Seat Back Center
15	4206 247	1			BRACKET, Spare Wheel Anchor Bolt
NOTE: The Following Items Are Not Shown On Illustration. s information becomes available.					
	4325 053	1			CROSSMEMBER, Floor Pan Seat Track Mounting
	4314 326	2			REINFORCEMENT and NUT, Front Seat Belt Outer Anchor
	4314 256	2			REINFORCEMENT, w/Bolt Front Floor Pan Fuel Tank Strap Mounting
	4106 550	1			PLATE PACKAGE, Front Floor Pan Fuel Tank Strap
	4278 520	2			TAPPING PLATE, Rear Floor Side Rail Suspension
	4314 267	1			BRACKET, Rear Floor Pan Side Rail Exhaust Mounting Front, Lt.
	4206 629	1		45	BRACKET, Rear Floor Pan Jack Stowage
	4314 494-5	1			REINFORCEMENT and SCREW, Front Floor Pan Front Seat Rear Outer Attaching
	4314 502-3	1			REINFORCEMENT and SCREW, Front Floor Pan Front Seat Rear Inner Attaching, w/Reclining Seats
	4206 072-3	1			REINFORCEMENT, Front Floor Pan Rear Seat Belt Anchor Outer
	4278 574	2			PLATE, Front Floor Pan Front Seat Rear Outer Attaching Reinforcement (w/Heavy Service Pkg.)
	4278 575	2			REINFORCEMENT, Front Floor Pan Seat Track Mounting Crossmember (w/Heavy Service Pkg.) Up To 4/19/84
	4337 480	2			After 4/19/84
	4278 538-9	1			REINFORCEMENT, Rear Floor Pan Side Rail Suspension Mounting Lower (w/Heavy Service Pkg.)

MODEL CODES

B = GRAN FURY	F = FIFTH AVENUE/NEWPORT	P = RELIANT
C = LEBARON/TOWN & COUNTRY/EXC SEDAN	G = DIPLOMAT	T = E CLASS/NEW YORKER
C24 = LASER	H = VOYAGER	V = 600
D = ARIES	K = MINI RAM/CARAVAN/ROYAL	V24 = DAYTONA
E = 600	M = HORIZON/TURISMO	Z = OMNI/CHARGER/RAMPAGE

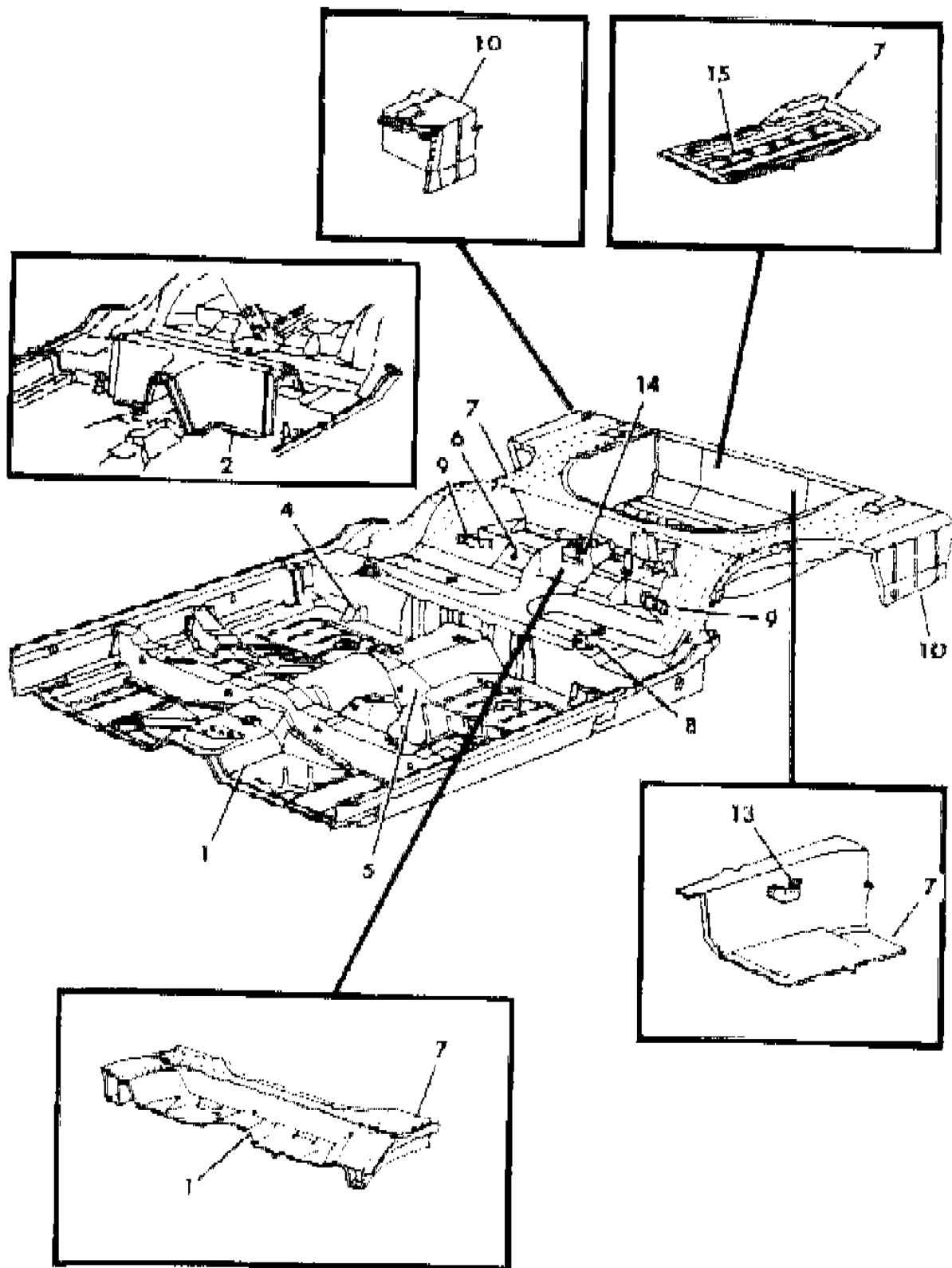
BODY STYLES

21 = 2-DOOR SEDAN	28 = FWD PICKUP	44 = 4-DOOR HATCHBACK
22 = 2-DOOR SPECIAL COUPE	35 = FWD VAN	45 = 4-DOOR STATION WAGON
24 = 2-DOOR HATCHBACK	36 = FWD WAGON	48 = 4-DOOR EXECUTIVE SEDAN
27 = 2-DOOR CONVERTIBLE	41 = 4-DOOR SEDAN	

AR = Use as Required - = Non Illustrated Part P.A.R. = Paint as Required

FLOOR PAN - P,D,V,C,E,T
Figure 23A-2400

4100 2400



ITEM	PART NUMBER	QTY	BODY	MODEL	DESCRIPTION
	4278 606	1			REINFORCEMENT, Rear Floor Pan Rear Suspension Crossmember Track Bar Mounting (w/Heavy Service Pkg.)
	4314 754	1			REINFORCEMENT, Rear Floor Pan Tire Well (w/Heavy Service Package) Use After 6/1/83
	4206 521	1			BRACKET, Console Mounting w/Manual Trans.
NOTE "1": These parts may require modification for 27 or 48 Body Styles. s information becomes available.					

MODEL CODES

B = GRAN FURY	F = FIFTH AVENUE/NEWPORT	P = RELIANT
C = LEBARON/TOWN & COUNTRY/EXC SEDAN	G = DIPLOMAT	T = E CLASS/NEW YORKER
C24 = LASER	H = VOYAGER	V = 600
D = ARIES	K = MINI RAM/CARAVAN/ROYAL	V24 = DAYTONA
E = 600	M = HORIZON/TURISMO	Z = OMNI/CHARGER/RAMPAGE

BODY STYLES

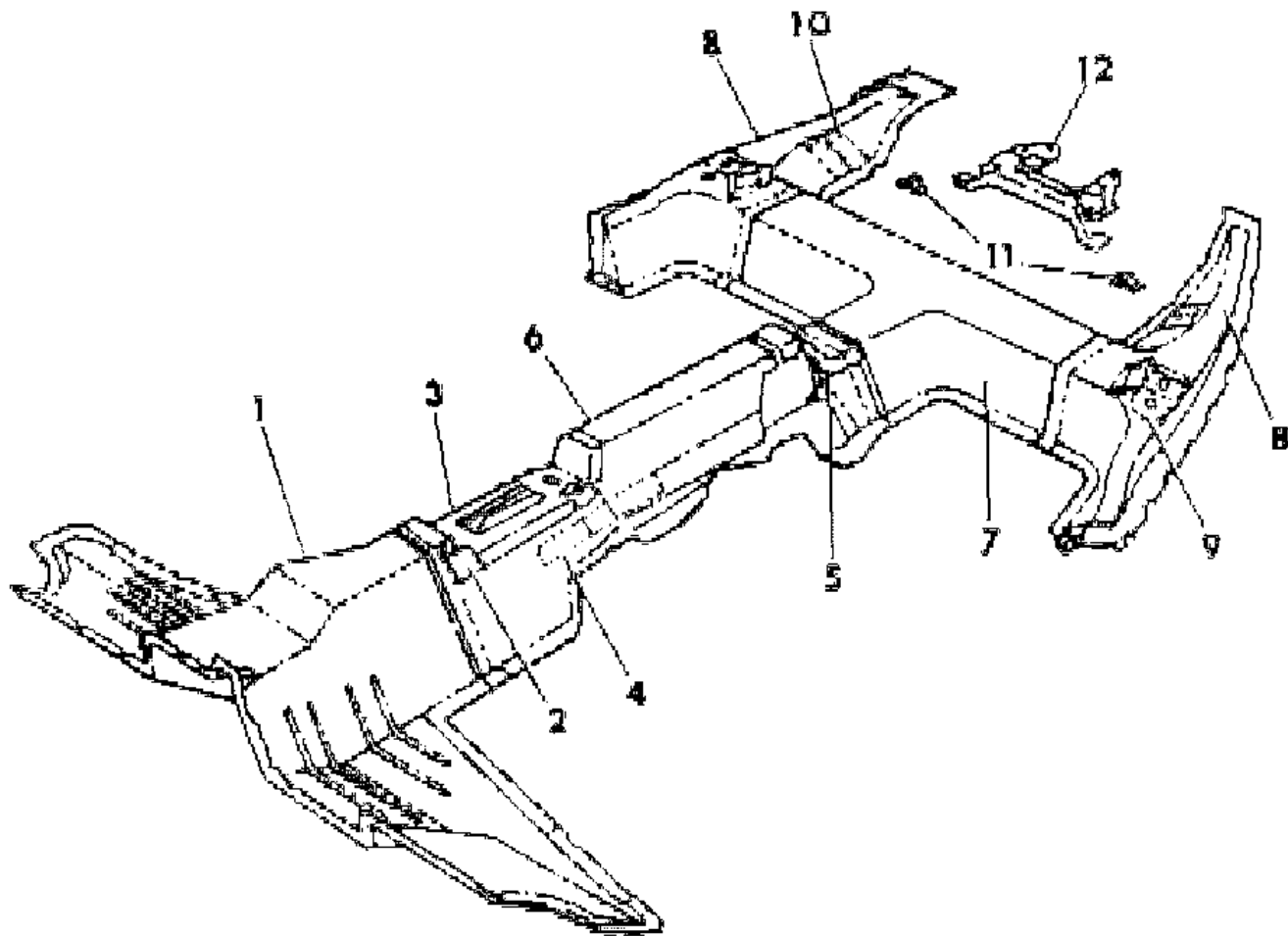
21 = 2-DOOR SEDAN	28 = FWD PICKUP	44 = 4-DOOR HATCHBACK
22 = 2-DOOR SPECIAL COUPE	35 = FWD VAN	45 = 4-DOOR STATION WAGON
24 = 2-DOOR HATCHBACK	36 = FWD WAGON	48 = 4-DOOR EXECUTIVE SEDAN
27 = 2-DOOR CONVERTIBLE	41 = 4-DOOR SEDAN	

AR = Use as Required - = Non Illustrated Part P.A.R. = Paint as Required

CONVERTIBLE FLOOR PAN REINFORCEMENTS - V,C 27
Figure 23A-2500

4169 2500

ITEM	PART NUMBER	QTY	BODY	MODEL	DESCRIPTION
1	4305 040	1		27	REINFORCEMENT, Front Floor Pan Tunnel, Front
2		2		27	PAD, Center Tunnel Reinforcement Console Mounting Bracket (Serviced in Item #6)
3		1		27	BRACKET and NUT, Center Tunnel Reinforcement Console Mounting (Serviced in Item #6)
4		1		27	REINFORCEMENT, Front Floor Pan Center Tunnel Reinforcement Side (Serviced in Item #6)
5		1		27	REINFORCEMENT, Front Floor Pan Center Tunnel Reinforcement Rear (Serviced in Item #6)
6	4325 025	1		27	TUNNEL and REINFORCEMENT, w/Bracket Floor Pan Console Includes Items #2-5
7	4314 392	1		27	REINFORCEMENT, Front Floor Pan Tunnel Rear
8	4325 020-1	1		27	REINFORCEMENT, Front Floor Pan Outer Rear (Includes Items #9 & 10)
9		2		27	REINFORCEMENT, Front Floor Pan Brace & Shoulder Belt Attaching (Serviced in Item #8)
10		2		27	REINFORCEMENT and NUT, Front Floor Pan Outer Rear Reinforcement Seat Belt Attaching (Serviced in Item #8)
11	4314 603	2		27	BRACKET, Front Floor Pan Rear Seat Back Center Panel
12	4314 393	1		27	BRACKET, Folding Top Motor & Pump Mounting



MODEL CODES

B = GRAN FURY	F = FIFTH AVENUE/NEWPORT	P = RELIANT
C = LEBARON/TOWN & COUNTRY/EXC SEDAN	G = DIPLOMAT	T = E CLASS/NEW YORKER
C24 = LASER	H = VOYAGER	V = 600
D = ARIES	K = MINI RAM/CARAVAN/ROYAL	V24 = DAYTONA
E = 600	M = HORIZON/TURISMO	Z = OMNI/CHARGER/RAMPAGE

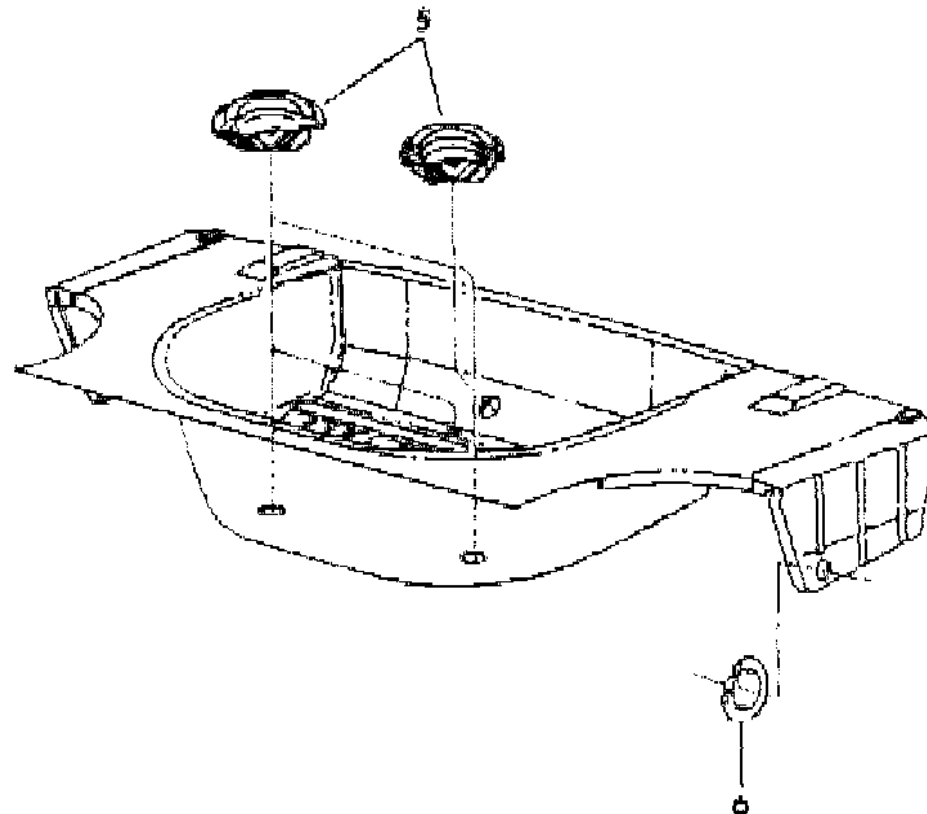
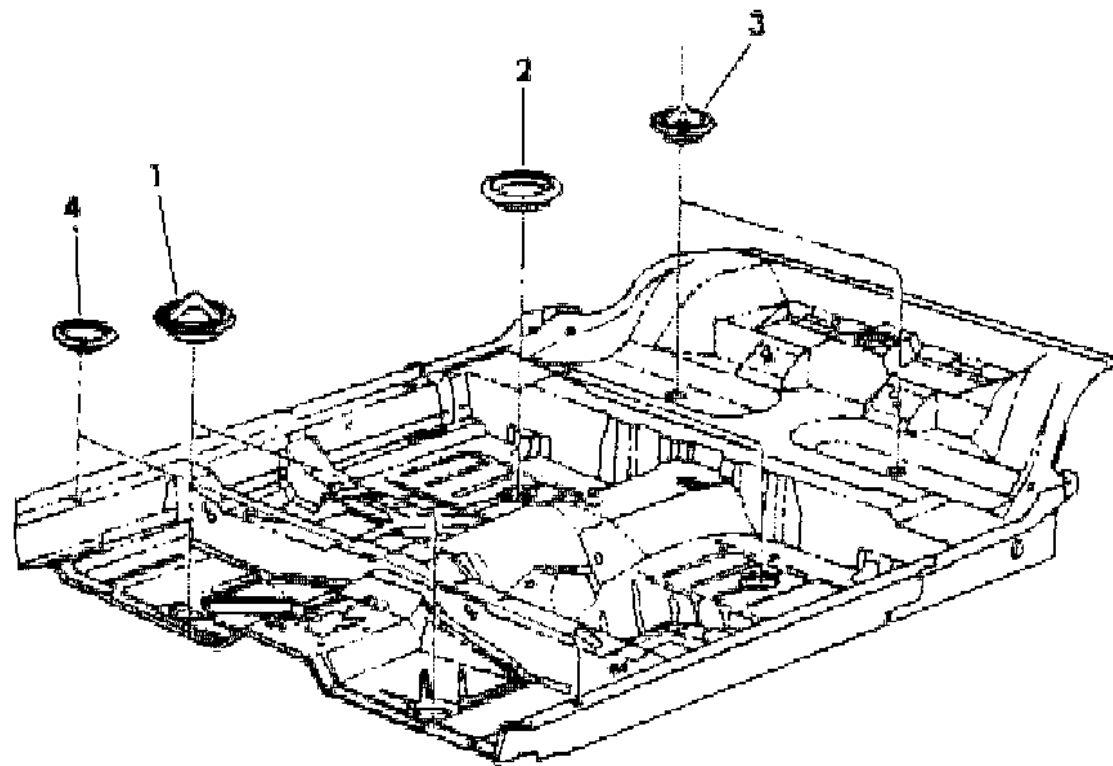
BODY STYLES

21 = 2-DOOR SEDAN	28 = FWD PICKUP	44 = 4-DOOR HATCHBACK
22 = 2-DOOR SPECIAL COUPE	35 = FWD VAN	45 = 4-DOOR STATION WAGON
24 = 2-DOOR HATCHBACK	36 = FWD WAGON	48 = 4-DOOR EXECUTIVE SEDAN
27 = 2-DOOR CONVERTIBLE	41 = 4-DOOR SEDAN	

AR = Use as Required - = Non Illustrated Part P.A.R. = Paint as Required

PLUGS FLOOR PAN - P,D,V,C,E,T
Figure 23A-2600

4169 2000



ITEM	PART NUMBER	QTY	BODY	MODEL	DESCRIPTION
1	5200 456	2			PLUG
2	2424 864	2			PLUG
3	4073 475	2			PLUG
4	2574 792	2			PLUG
5	6030 773	4			PLUG
6	4073 485	2			PLUG
NOTE: The Following Items Are Not Shown On Illustration s information becomes available.					
	5200 384	1			SEAL, Front Floor Pan, Park Brake Cable
	9414 722	3			SCREW, Park Brake Cable Seal
	3794 032	2		27	SEAL, Side Sill Inner Panel Drain Hole

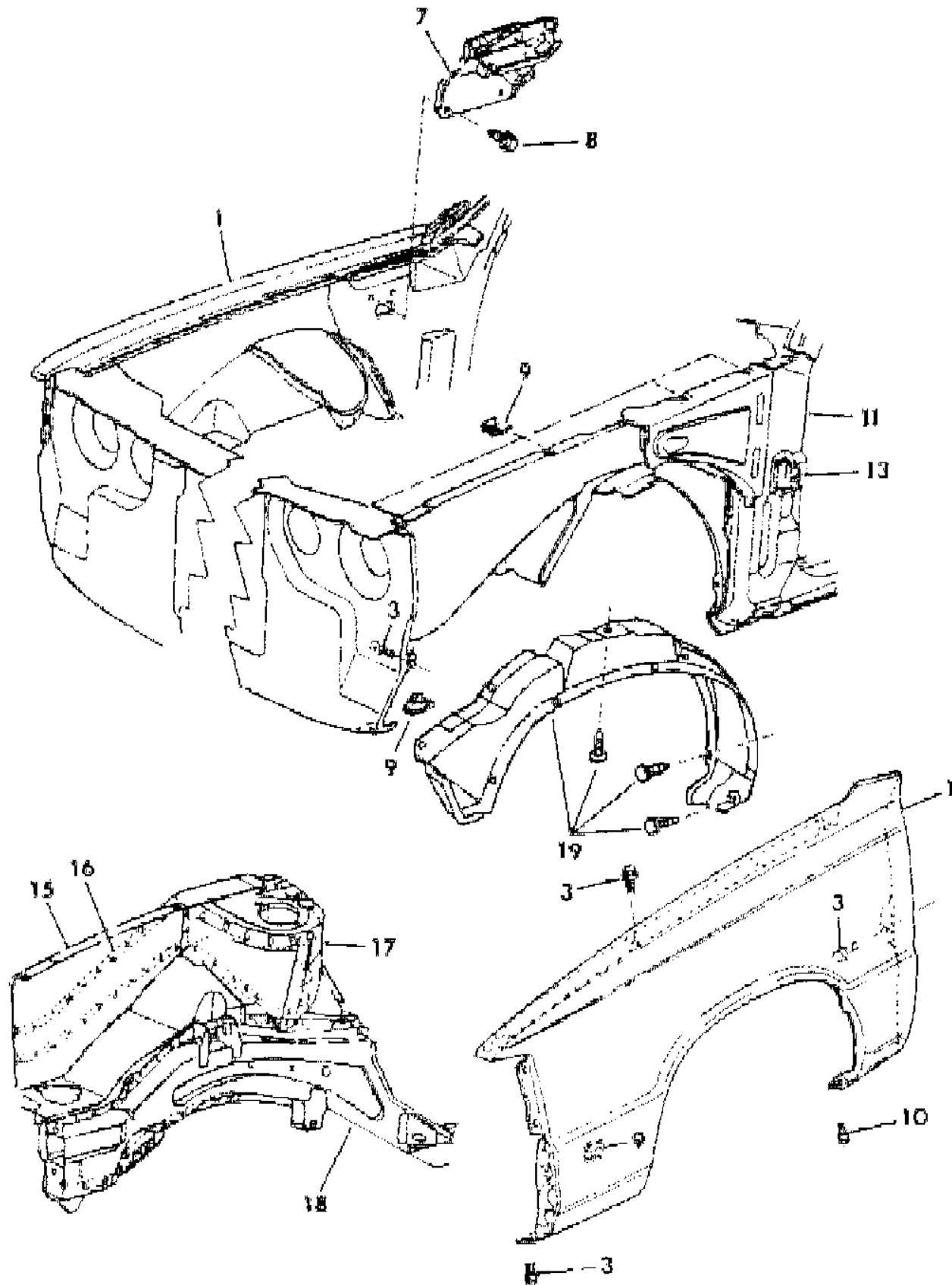
MODEL CODES
 B = GRAN FURY
 C = LEBARON/TOWN & COUNTRY/EXC SEDAN
 C24 = LASER
 D = ARIES
 E = 600
 F = FIFTH AVENUE/NEWPORT
 G = DIPLOMAT
 H = VOYAGER
 K = MINI RAM/CARAVAN/ROYAL
 M = HORIZON/TURISMO
 P = RELIANT
 T = E CLASS/NEW YORKER
 V = 600
 V24 = DAYTONA
 Z = OMNI/CHARGER/RAMPAGE

BODY STYLES
 21 = 2-DOOR SEDAN
 22 = 2-DOOR SPECIAL COUPE
 24 = 2-DOOR HATCHBACK
 27 = 2-DOOR CONVERTIBLE
 28 = FWD PICKUP
 35 = FWD VAN
 36 = FWD WAGON
 41 = 4-DOOR SEDAN
 44 = 4-DOOR HATCHBACK
 45 = 4-DOOR STATION WAGON
 48 = 4-DOOR EXECUTIVE SEDAN

AR = Use as Required - = Non Illustrated Part P.A.R. = Paint as Required

FENDER - P,D,V,C,E,T
Figure 23A-2700

4109 2700



ITEM	PART NUMBER	QTY	BODY	MODEL	DESCRIPTION
1	4318 316-7	1		P,D	FENDER
	4318 326-7	1		V,E	FENDER, w/Louver, w/o Cornering Lamp
	4318 328-9	1		V,E	FENDER, w/Louver & Cornering Lamp
	4318 314-5	1		C,T	FENDER, w/o Cornering Lamp
	4318 312-3	1		C,T	FENDER, w/Cornering Lamp
3	6100 568	AR			SCREW and WASHER
7					HINGE,Hood (See Hood Illustration)
8		AR			SCREW and WASHER, Not Serviced
9	6100 041	AR			U-NUT
10					SCREW and WASHER, Not Serviced
11	4314 183	1			EXTENSION,Strut Tower to Body Frt. Hge. Pillar, Left
	4297 956	1			EXTENSION, Strut Tower to Body Frt. Hge. Pillar Rt.
13	4206 553	2			SUPPORT and NUT, Body Frt. Hge. Plr. to Fndr. Att.
15					PANEL,Fndr. Shield
	4341 570	1			Rt.
	4341 571	1			Lt.
16	4296 326-7	1			BEAM,Fndr. Shield Upr. Load Path Frt.
17	4296 796-7	1			TOWER, w/Reinforcement Iso-Strut Mounting
18					RAIL,Frnt. Side (See Illus. in Group 13 Frame)
19	4103 308-9	1		P,D	SHIELD,Fndr. Wheel House Splash
	4296 276-7	1		V,C,E,T	
	6030 441	AR			RETAINER, Fender Splash Shield to Front Side Shield Panel
NOTE: The Following Items Are Not Shown On Illustration. s information becomes available.					
	4296 538	2			STABILIZER, Fender to Hood
	4270 122	1			REINFORCEMENT,Fender Side Shield Panel Battery Tray (Fleet, Heavy Duty Package)
	4073 485	1			PLUG, Frnt. Fndr. S/Shield, Left, Up To 12/1/83
	4341 376	1			After 12/1/83
	4296 808-9	1			EXTENSION, Iso-Strut Twr. to Dash Pnl.

MODEL CODES

B = GRAN FURY	F = FIFTH AVENUE/NEWPORT	P = RELIANT
C = LEBARON/TOWN & COUNTRY/EXC SEDAN	G = DIPLOMAT	T = E CLASS/NEW YORKER
C24 = LASER	H = VOYAGER	V = 600
D = ARIES	K = MINI RAM/CARAVAN/ROYAL	V24 = DAYTONA
E = 600	M = HORIZON/TURISMO	Z = OMNI/CHARGER/RAMPAGE

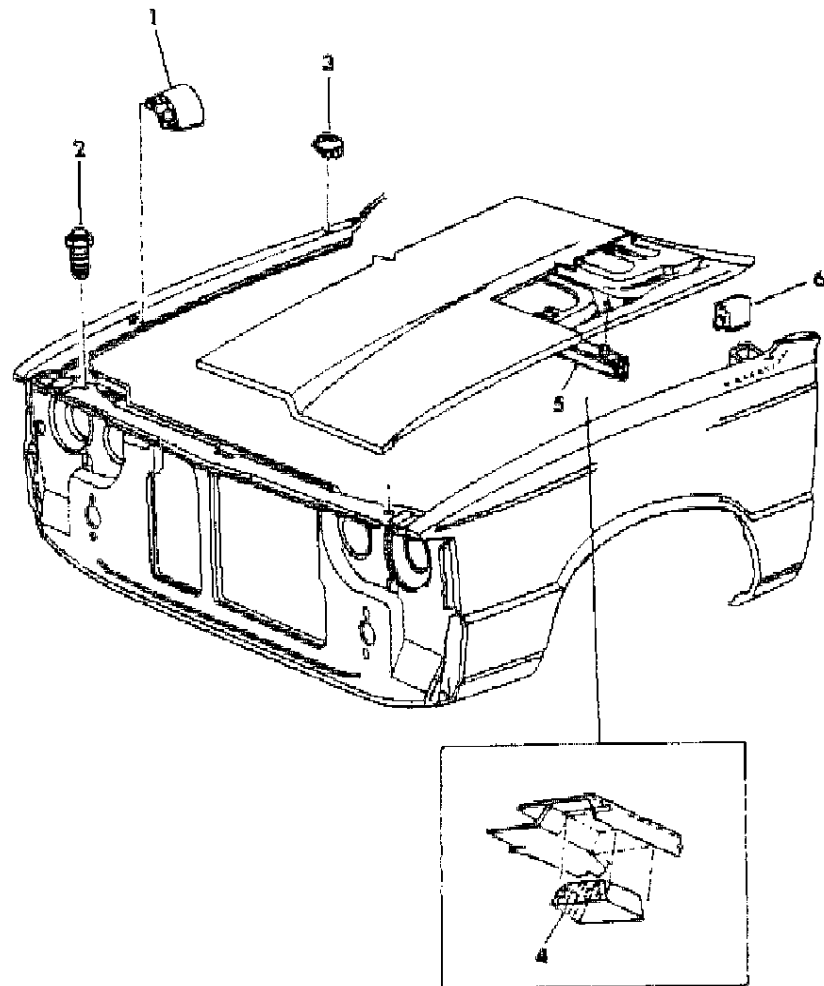
BODY STYLES

21 = 2-DOOR SEDAN	28 = FWD PICKUP	44 = 4-DOOR HATCHBACK
22 = 2-DOOR SPECIAL COUPE	35 = FWD VAN	45 = 4-DOOR STATION WAGON
24 = 2-DOOR HATCHBACK	36 = FWD WAGON	48 = 4-DOOR EXECUTIVE SEDAN
27 = 2-DOOR CONVERTIBLE	41 = 4-DOOR SEDAN	

AR = Use as Required - = Non Illustrated Part P.A.R. = Paint as Required

BUMPERS PLUGS FENDER HOOD - P,D,V,C,E,T
Figure 23A-2800

4189 2800



ITEM	PART NUMBER	QTY	BODY	MODEL	DESCRIPTION
1	5201 343	2			BUMPER, Fender, Hood Side
2	4103 165	2			BUMPER, Crossmember to Hood
3	5211 168	1			PLUG, w/o Antenna
4	4103 134	2			SEAL, Hood to Cowl
5	4314 070	1			SEAL, Dash Panel to Hood
6		2			BUMPER, Not Srevised
NOTE: The Following Items Are Not Shown On Illustration. s information becomes available.					
	4073 485	1			PLUG, Front Fender Side Shield, Left, Up To 12/1/83
	4341 376	1			After 12/1/83
	6031 044	2			CAP, Frt. Susp. Iso-Strut Mounting Tower Sealer
	2895 126	4			PLUG, Hood Inner Panel Sealing, After 1/3/84

MODEL CODES

B = GRAN FURY	F = FIFTH AVENUE/NEWPORT	P = RELIANT
C = LEBARON/TOWN & COUNTRY/EXC SEDAN	G = DIPLOMAT	T = E CLASS/NEW YORKER
C24 = LASER	H = VOYAGER	V = 600
D = ARIES	K = MINI RAM/CARAVAN/ROYAL	V24 = DAYTONA
E = 600	M = HORIZON/TURISMO	Z = OMNI/CHARGER/RAMPAGE

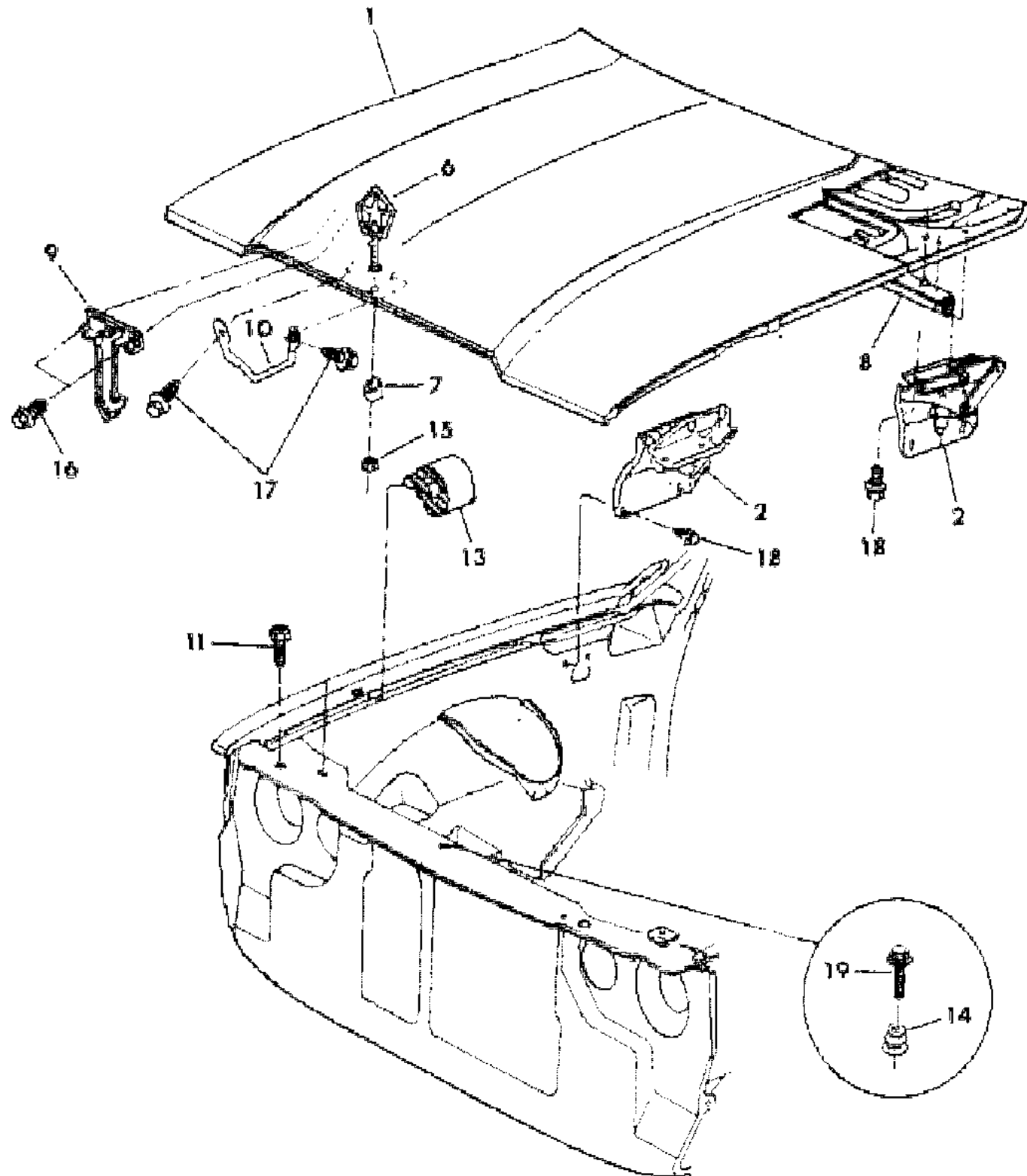
BODY STYLES

21 = 2-DOOR SEDAN	28 = FWD PICKUP	44 = 4-DOOR HATCHBACK
22 = 2-DOOR SPECIAL COUPE	35 = FWD VAN	45 = 4-DOOR STATION WAGON
24 = 2-DOOR HATCHBACK	36 = FWD WAGON	48 = 4-DOOR EXECUTIVE SEDAN
27 = 2-DOOR CONVERTIBLE	41 = 4-DOOR SEDAN	

AR = Use as Required - = Non Illustrated Part P.A.R. = Paint as Required

HOOD - P,D,V,C,E,T
Figure 23A-2900

4109 2900



ITEM	PART NUMBER	QTY	BODY	MODEL	DESCRIPTION
1	4325 234	1		P,D	PANEL, Hood
	4341 336	1		V,C,E,T	w/o Turbo Pkg.
	4341 337	1		V,C,E,T	w/Turbo Pkg.
2	4103 760-1	1			HINGE,Hood
	4270 152	2			SPRING,Hood Hinge
6	4229 725	1		P,D	ORNAMENT, Hood Pentastar (Complete)
	4270 561	1		P,D	ORNAMENT, Hood Pentastar
	6030 435	1		P,D	NUT,Hood Ornament Base
	3672 672	1		P,D	SPRING,Hood Ornament
	3672 780	1		P,D	RETAINER,Hood Ornament Spring
7	4103 189	1		P,D	SPACER,Hood Ornament
8	4314 070	1			SEAL,Dash Panel to Hood
9	4103 194	1			CATCH,Hood Safety
10	4296 046	1			STRIKER,Hood Latch
11	4103 165	2			BUMPER,C/Member to Hood Adj.
13	5201 343	2			BUMPER,Fndr. Hood Side
14	4103 288	1			SPRING,Hood Pop-Up
15	6030 435	1		P,D	NUT
16	6100 566	AR			SCREW and WASHER
17	6101 339	AR			SCREW and WASHER
18	6500 515	AR			SCREW and WASHER
19	6500 191	AR			SCREW and WASHER
NOTE: The Following Items are not Shown on Illus. s information becomes available.					
	2860 332	1			PLUG,Dash Pnl. Hood Release Cable
	4103 122	2			REINFORCEMENT,Cowl Side to Hood Hge.
	4103 122	2			REINFORCEMENT,Hood Hge.,Hood Side .
	4103 134	2			SEAL,Hood to Fndr. Ledge
	3759 944	11			FASTENER, Hood Inner Pnl. to Cowl Plenum Seal
	4198 305	2			SEAL,Cowl Side Pnl. to Cowl Plenum Pnl.
	4049 601	1			SILENCER,Hood Inner Pnl.
	6003 351	AR			FASTENER,Hood Inner Pnl. Silencer
	0181 063	AR			SCREW, Hood Latch Striker (Repair)
	X580-1 CA1	1		V,C,E,T	LOUVER, Hood w/Turbo Pkg., Silver
	X580-1 CA6	1		V,C,E,T	Charcoal
	X580-1 CC6	1		V,C,E,T	Gunmetal Blue
	X580-1 CC9	1		V,C,E,T	Nightwatch Blue
	X580-1 CL4	1		V,C,E,T	Beige
	X580-1 CM5	1		V,C,E,T	Crimson Red

MODEL CODES

B = GRAN FURY	F = FIFTH AVENUE/NEWPORT	P = RELIANT
C = LEBARON/TOWN & COUNTRY/EXC SEDAN	G = DIPLOMAT	T = E CLASS/NEW YORKER
C24 = LASER	H = VOYAGER	V = 600
D = ARIES	K = MINI RAM/CARAVAN/ROYAL	V24 = DAYTONA
E = 600	M = HORIZON/TURISMO	Z = OMNI/CHARGER/RAMPAGE

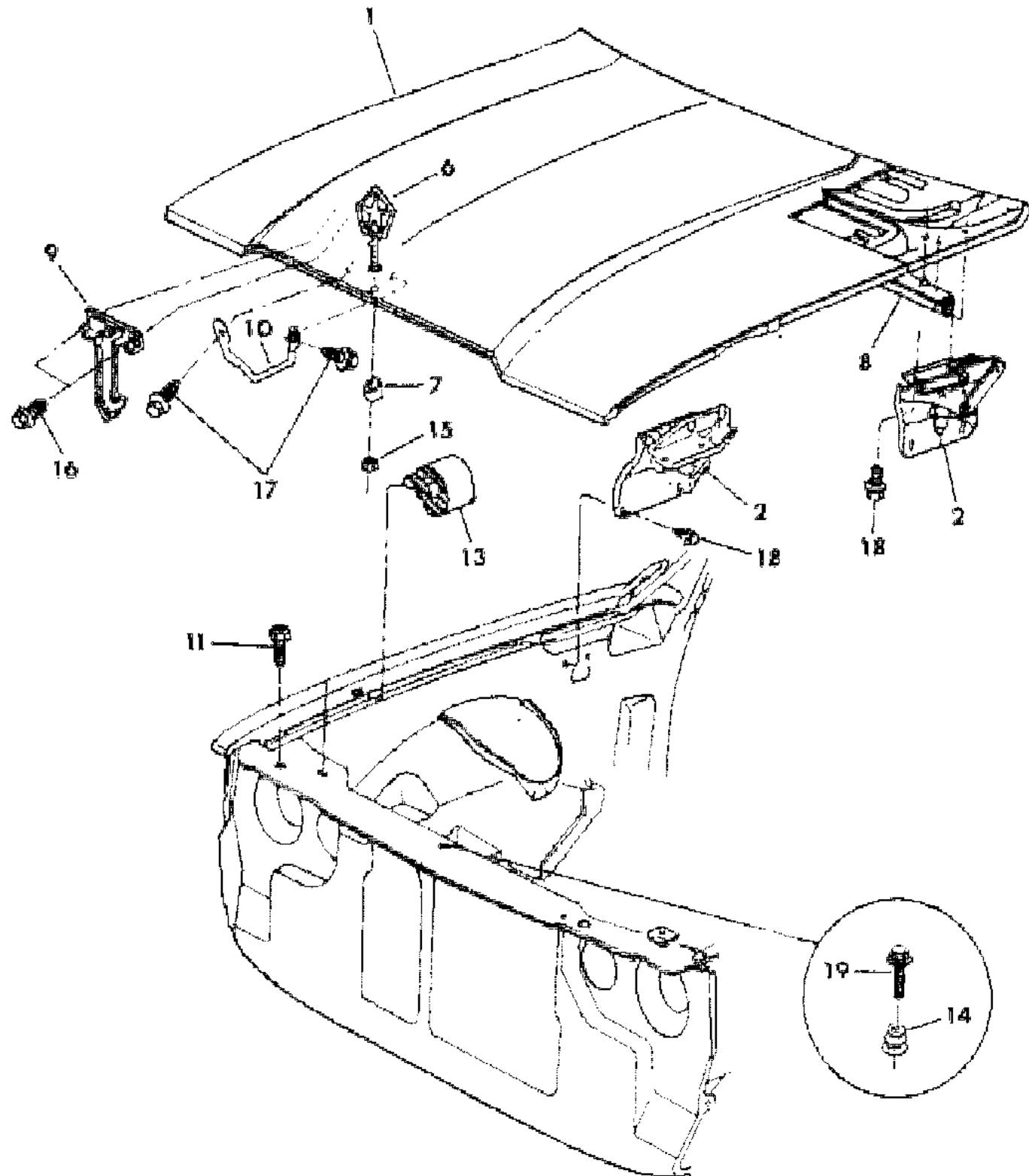
BODY STYLES

21 = 2-DOOR SEDAN	28 = FWD PICKUP	44 = 4-DOOR HATCHBACK
22 = 2-DOOR SPECIAL COUPE	35 = FWD VAN	45 = 4-DOOR STATION WAGON
24 = 2-DOOR HATCHBACK	36 = FWD WAGON	48 = 4-DOOR EXECUTIVE SEDAN
27 = 2-DOOR CONVERTIBLE	41 = 4-DOOR SEDAN	

AR = Use as Required - = Non Illustrated Part P.A.R. = Paint as Required

HOOD - P,D,V,C,E,T
Figure 23A-2900

4109 2900



ITEM	PART NUMBER	QTY	BODY	MODEL	DESCRIPTION
	X580-1 CR6	1		V,C,E,T	Garnet
	X580-1 CT6	1		V,C,E,T	Mink Brown
	X580-1 CW3	1		V,C,E,T	White
	X580-1 CX9	1		V,C,E,T	Black
	3882 767	4			SPACER, Fastener to Hood Silencer
	6003 423	4			FASTENER, Hood Silencer to Shield
	4341 250	1			PLATE, Hood Outer Panel Shield

MODEL CODES

B = GRAN FURY	F = FIFTH AVENUE/NEWPORT	P = RELIANT
C = LEBARON/TOWN & COUNTRY/EXC SEDAN	G = DIPLOMAT	T = E CLASS/NEW YORKER
C24 = LASER	H = VOYAGER	V = 600
D = ARIES	K = MINI RAM/CARAVAN/ROYAL	V24 = DAYTONA
E = 600	M = HORIZON/TURISMO	Z = OMNI/CHARGER/RAMPAGE

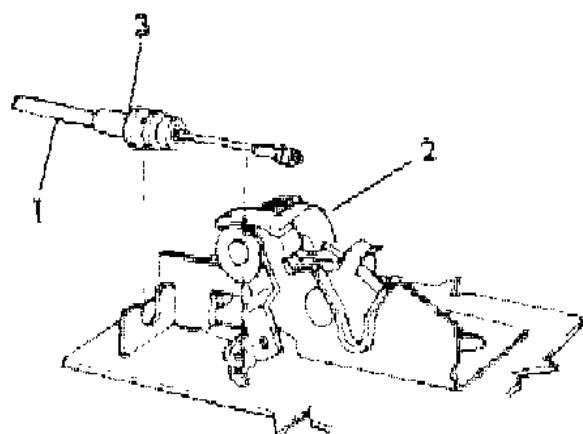
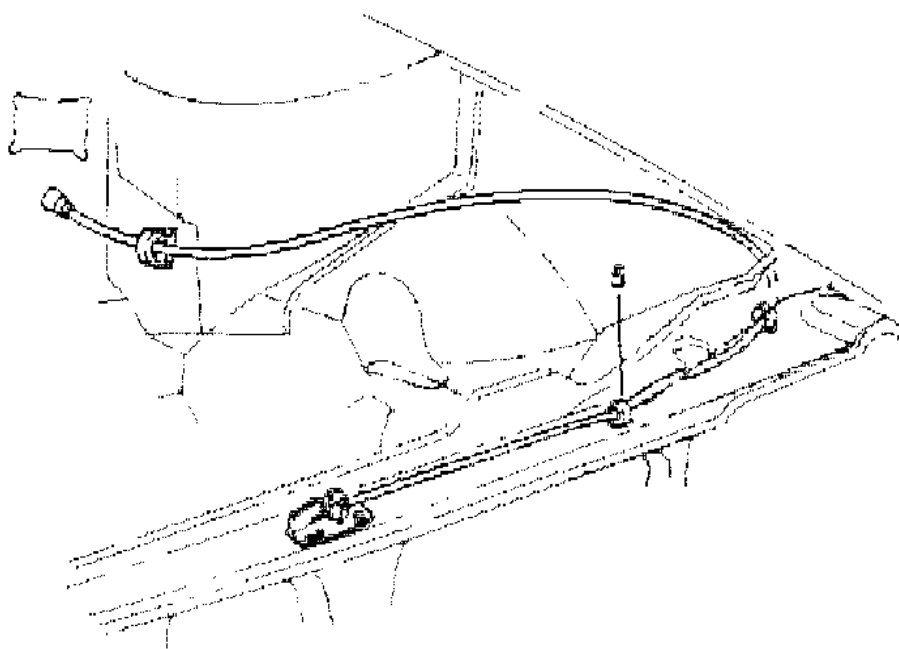
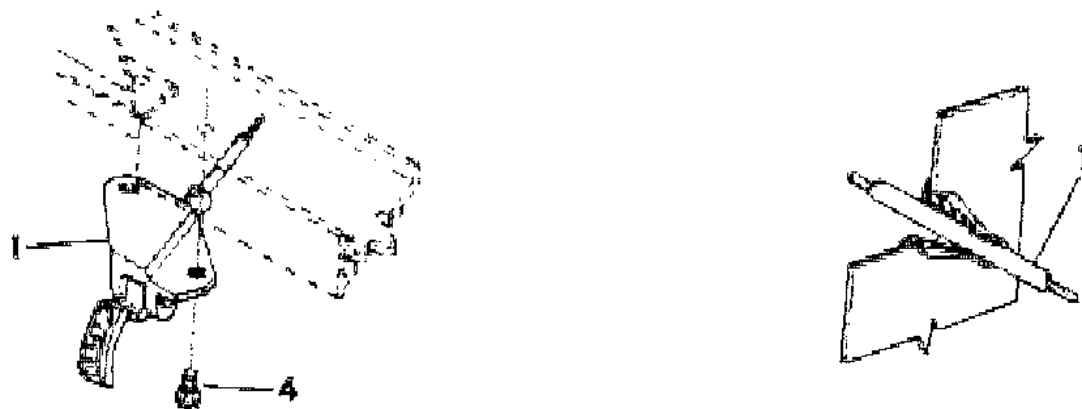
BODY STYLES

21 = 2-DOOR SEDAN	28 = FWD PICKUP	44 = 4-DOOR HATCHBACK
22 = 2-DOOR SPECIAL COUPE	35 = FWD VAN	45 = 4-DOOR STATION WAGON
24 = 2-DOOR HATCHBACK	36 = FWD WAGON	48 = 4-DOOR EXECUTIVE SEDAN
27 = 2-DOOR CONVERTIBLE	41 = 4-DOOR SEDAN	

AR = Use as Required - = Non Illustrated Part P.A.R. = Paint as Required

HOOD RELEASE REMOTE CONTROL - P,D,V,C,E,T
Figure 23A-3000

4188 3000



ITEM	PART NUMBER	QTY	BODY	MODEL	DESCRIPTION
1	4172 527	1			RELEASE,Inside Hood Latch
2	5232 057	1			LATCH, Hood Inside Release
	5207 447	1			SPRING,Hood Latch Inside Release Lever
3	5207 294	1			GROMMET,Inst. Pnl. Hood Latch Release Handle Cable
4					SCREW, Not Serviced
5	6015 756	2			CLIP

MODEL CODES

B = GRAN FURY	F = FIFTH AVENUE/NEWPORT	P = RELIANT
C = LEBARON/TOWN & COUNTRY/EXC SEDAN	G = DIPLOMAT	T = E CLASS/NEW YORKER
C24 = LASER	H = VOYAGER	V = 600
D = ARIES	K = MINI RAM/CARAVAN/ROYAL	V24 = DAYTONA
E = 600	M = HORIZON/TURISMO	Z = OMNI/CHARGER/RAMPAGE

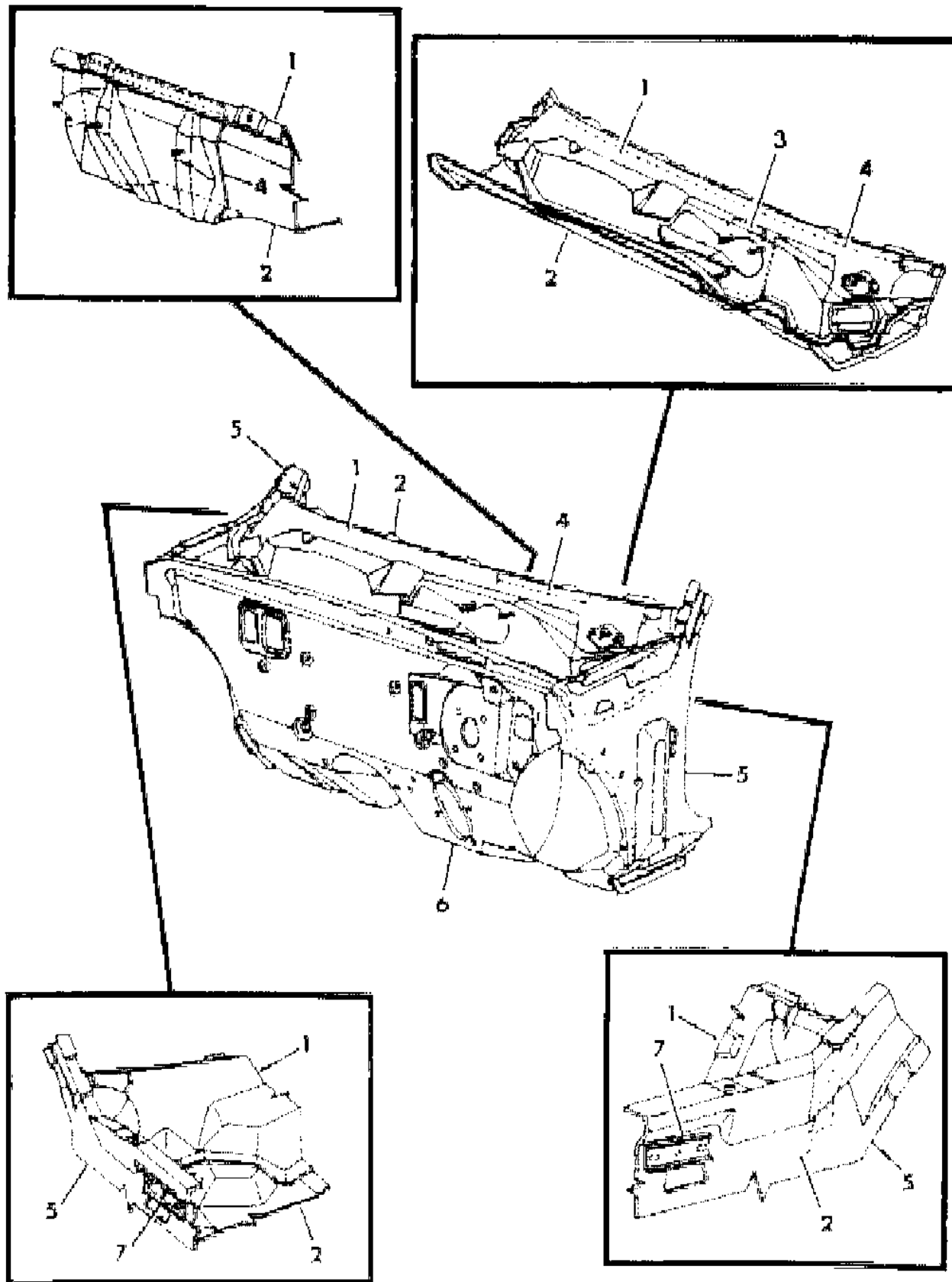
BODY STYLES

21 = 2-DOOR SEDAN	28 = FWD PICKUP	44 = 4-DOOR HATCHBACK
22 = 2-DOOR SPECIAL COUPE	35 = FWD VAN	45 = 4-DOOR STATION WAGON
24 = 2-DOOR HATCHBACK	36 = FWD WAGON	48 = 4-DOOR EXECUTIVE SEDAN
27 = 2-DOOR CONVERTIBLE	41 = 4-DOOR SEDAN	

AR = Use as Required - = Non Illustrated Part P.A.R. = Paint as Required

COWL AND DASH PANEL - P,D,V,C,E,T
Figure 23A-3100

4169 J109



ITEM	PART NUMBER	QTY	BODY	MODEL	DESCRIPTION
1	4337 292	1			PANEL, Cowl Top, Up To 3/7/84
	4337 292	1			After 3/7/84
2	4314 323	1			PANEL, Cowl Plenum, Up To 12/7/83
	4337 694	1			After 12/7/83
3	4314 338	1			REINFORCEMENT and SCREW, Cowl Top Wiper Motor Mounting
4	4278 589	1			SUPPORT and SCREW, Cowl Plenum Steering Column Bracket
5	4337 100-1	1			PANEL, Cowl Side
7		2			REINFORCEMENT, Hood Hinge (see Hood Illustration)
NOTE: The Following Items Are Not Shown On Illustration. s information becomes available.					
	4206 551	1			BRACE, Dash Panel to Plenum Panel, Lt.
	4198 378	1			SCREEN, Cowl Plenum
	3445 939	1			PLUG, .906 Dia./23 mm
	4278 626	1			PLATE, Dash Panel Accelerator Reinforcement (w/Heavy Service Pkg.)
	4314 618	1			SCREEN, Cowl Top, Right
	4314 477	1			Left
	6100 098	1			SCREW, Dash to Plenum Panel Brace Mounting Bracket Left
	6030 441	4			RETAINER, Dash Panel to Front Rail
	4337 341	1			SEAL and RETAINER, Plenum to Cowl Side, Left, After 6/1/84
	4337 342	1			SEAL and RETAINER, Plenum to Cowl Side, Right, After 6/1/84

MODEL CODES

B = GRAN FURY	F = FIFTH AVENUE/NEWPORT	P = RELIANT
C = LEBARON/TOWN & COUNTRY/EXC SEDAN	G = DIPLOMAT	T = E CLASS/NEW YORKER
C24 = LASER	H = VOYAGER	V = 600
D = ARIES	K = MINI RAM/CARAVAN/ROYAL	V24 = DAYTONA
E = 600	M = HORIZON/TURISMO	Z = OMNI/CHARGER/RAMPAGE

BODY STYLES

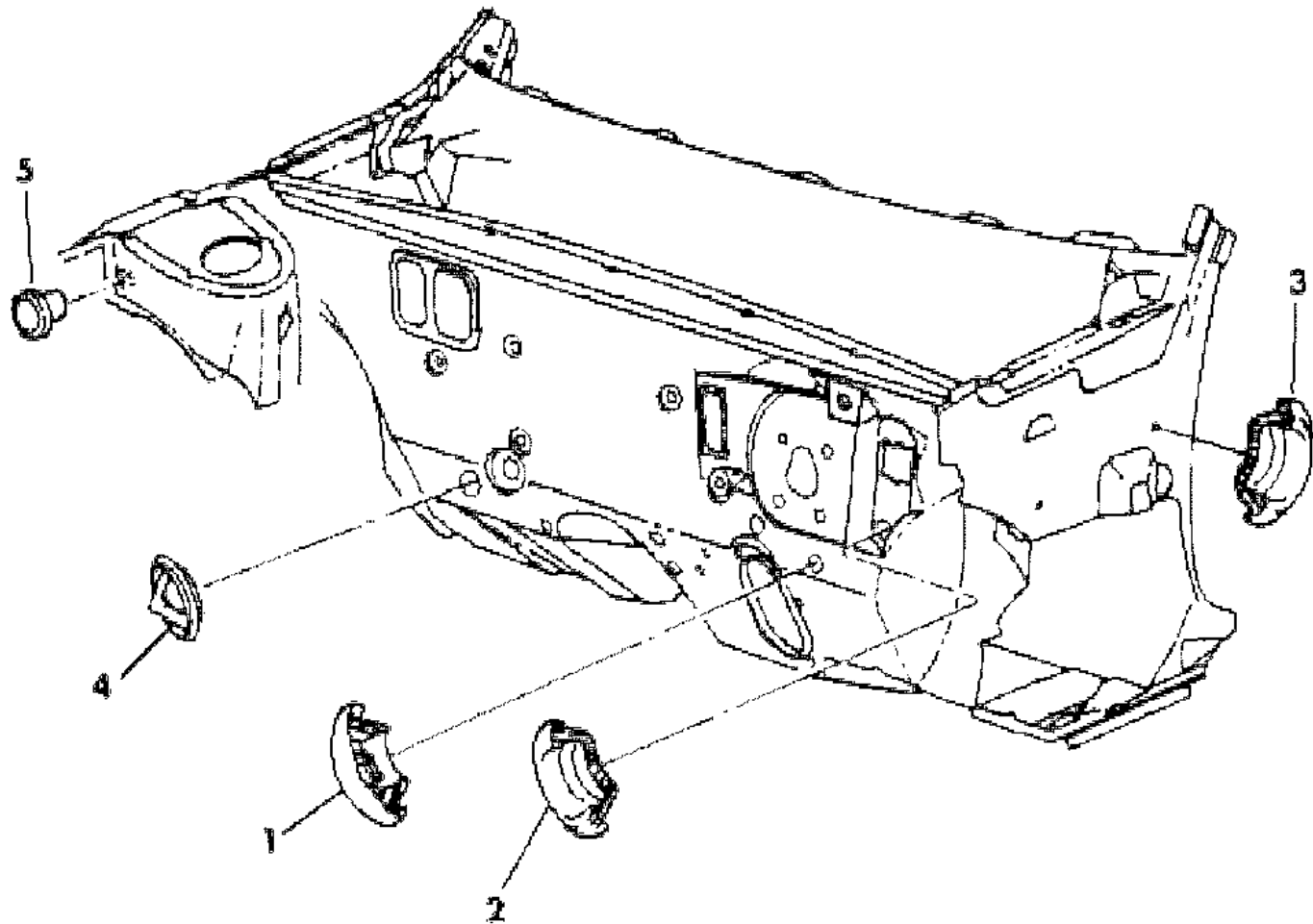
21 = 2-DOOR SEDAN	28 = FWD PICKUP	44 = 4-DOOR HATCHBACK
22 = 2-DOOR SPECIAL COUPE	35 = FWD VAN	45 = 4-DOOR STATION WAGON
24 = 2-DOOR HATCHBACK	36 = FWD WAGON	48 = 4-DOOR EXECUTIVE SEDAN
27 = 2-DOOR CONVERTIBLE	41 = 4-DOOR SEDAN	

AR = Use as Required - = Non Illustrated Part P.A.R. = Paint as Required

PLUGS COWL DASH - P,D,V,C,E,T
Figure 23A-3200

4169 3200

ITEM	PART NUMBER	QTY	BODY	MODEL	DESCRIPTION
1	3445 939	1			PLUG, .906 Dia./23 mm
2	2860 332	1			PLUG, Hood Release Cable
3	2860 332	1			PLUG, Antenna Hole
4	5200 456	1			PLUG, Drain Hole
5	2423 737	1			PLUG, Strut Mounting Tower, Left
NOTE: The Following Items Are Not Shown On Illustration. s information becomes available.					
	4073 475	1			PLUG, Dash Panel Transmission Cable Hole



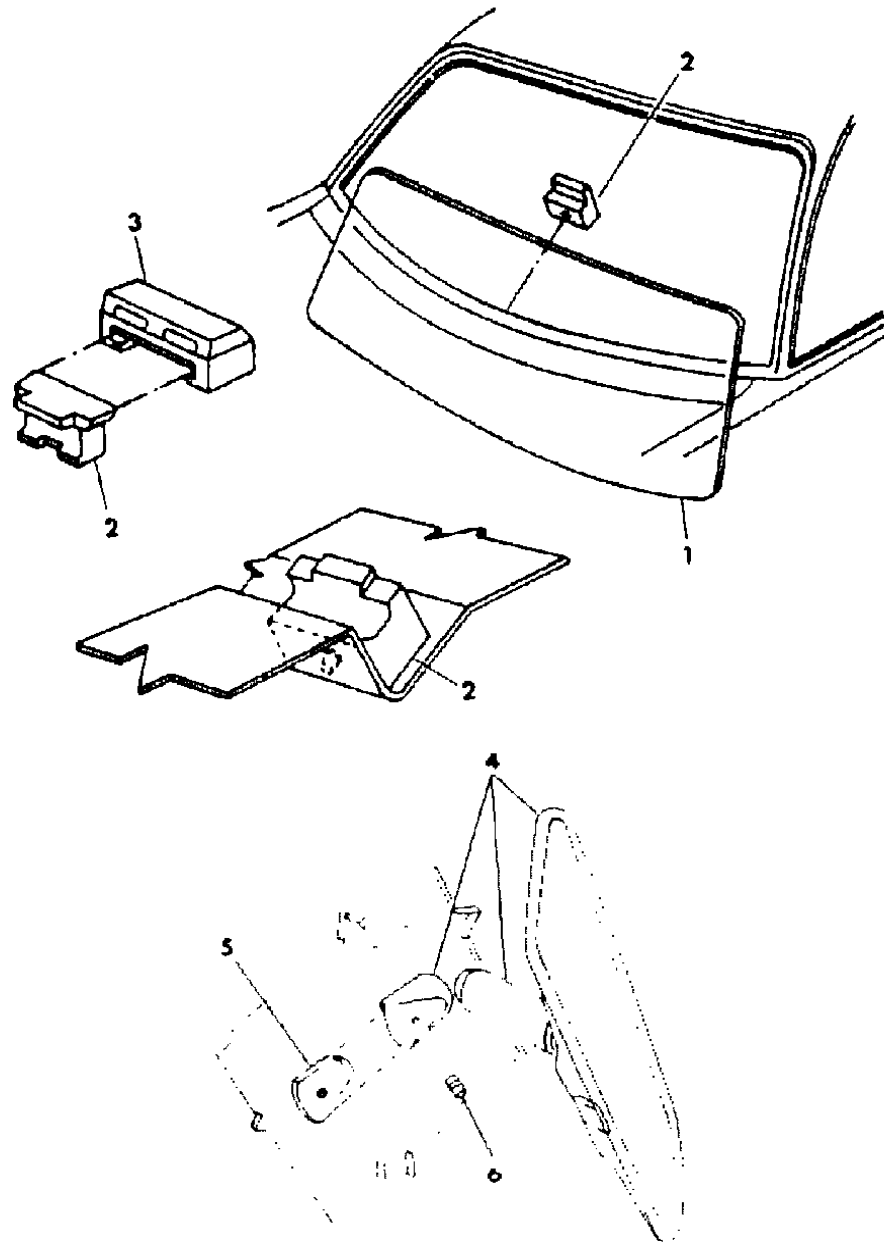
MODEL CODES
 B = GRAN FURY
 C = LEBARON/TOWN & COUNTRY/EXC SEDAN
 C24 = LASER
 D = ARIES
 E = 600
 F = FIFTH AVENUE/NEWPORT
 G = DIPLOMAT
 H = VOYAGER
 K = MINI RAM/CARAVAN/ROYAL
 M = HORIZON/TURISMO
 P = RELIANT
 T = E CLASS/NEW YORKER
 V = 600
 V24 = DAYTONA
 Z = OMNI/CHARGER/RAMPAGE

BODY STYLES
 21 = 2-DOOR SEDAN
 22 = 2-DOOR SPECIAL COUPE
 24 = 2-DOOR HATCHBACK
 27 = 2-DOOR CONVERTIBLE
 28 = FWD PICKUP
 35 = FWD VAN
 36 = FWD WAGON
 41 = 4-DOOR SEDAN
 44 = 4-DOOR HATCHBACK
 45 = 4-DOOR STATION WAGON
 48 = 4-DOOR EXECUTIVE SEDAN

AR = Use as Required - = Non Illustrated Part P.A.R. = Paint as Required

GLASS WINDSHIELD - P,D,V,C,E,T
Figure 23A-3300

4169 3300



ITEM	PART NUMBER	QTY	BODY	MODEL	DESCRIPTION
------	-------------	-----	------	-------	-------------

NOTE: GLASS, WINDSHIELD - ORDER FROM YOUR LOCAL "MOPAR" GLASS DISTRIBUTOR s information becomes available.

1	4206 858	1		21,22,4	GLASS, Windshield Clear
	4136 897	1		21,22,4	Tinted
	4097 507	1		27	Tinted
2	4206 543	2			SPACER, W/Shield Glass Lower
3	3767 767	AR			SHIM, W/Shield Glass Spacer, Lower (Approximately .218" Thick)
	3767 196	AR			(Apprximately .106" Thick)
4	4082 199	1			MIRROR, Rear View
5	4054 066	1			BUTTON, Rear View Mirror Mounting
	4293 039	1			BUTTON PACKAGE, Rear View Mirror Mounting (Includes Button, Adhesive, & Instructions)
6	6031 094	1			SCREW, Rear View Mirror Mounting

NOTE: The Following Items Are Not Shown On Illustration. s information becomes available.

	4336 513	3		21,22,2	SPACER, Windshield Support, After 1/3/84
	4267 906	1			REPAIR PACKAGE, W/Shield Glass (Not Shown)
					CONSISTS OF:
					1- ----- Polyurethane, 11.5 Oz.
					1- ----- Primer, Fence, 1 Oz.
					1- ----- Primer, Wipe Off, 1 Oz.
					1- ----- Primer, Blackout 1 Oz.
					3- ----- Dabbers
					1- ----- Nozzle
					1- ----- Instruction Sheet
	4057 957	1			FIXED GLASS REPAIR PACKAGE, W/Shield Glass (Not Shown)
					CONSISTS OF:
					1- ----- Tape, Butyl, 171.00"
					1- ----- Primer, Glass
					1- ----- Primer, Fence
					2- 3674698 Spacer 0.2"
					2- 3793290 Spacer 0.3"
					2- 3667767 Shim 0.07"
					2- ----- Sponges Disposable
					1- ----- Instruction Sheet

MODEL CODES

B = GRAN FURY	F = FIFTH AVENUE/NEWPORT	P = RELIANT
C = LEBARON/TOWN & COUNTRY/EXC SEDAN	G = DIPLOMAT	T = E CLASS/NEW YORKER
C24 = LASER	H = VOYAGER	V = 600
D = ARIES	K = MINI RAM/CARAVAN/ROYAL	V24 = DAYTONA
E = 600	M = HORIZON/TURISMO	Z = OMNI/CHARGER/RAMPAGE

BODY STYLES

21 = 2-DOOR SEDAN	28 = FWD PICKUP	44 = 4-DOOR HATCHBACK
22 = 2-DOOR SPECIAL COUPE	35 = FWD VAN	45 = 4-DOOR STATION WAGON
24 = 2-DOOR HATCHBACK	36 = FWD WAGON	48 = 4-DOOR EXECUTIVE SEDAN
27 = 2-DOOR CONVERTIBLE	41 = 4-DOOR SEDAN	

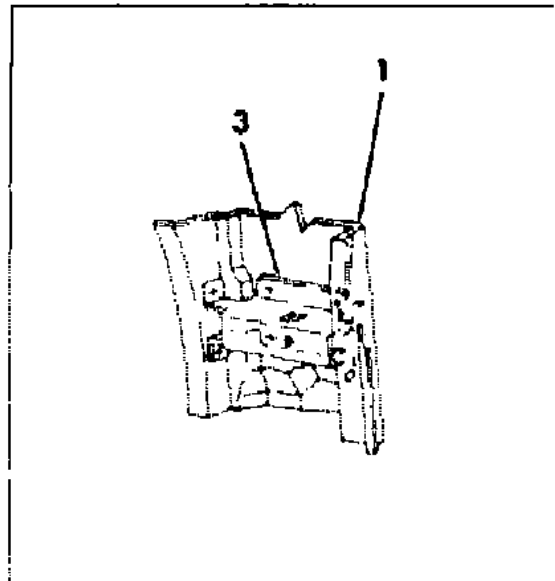
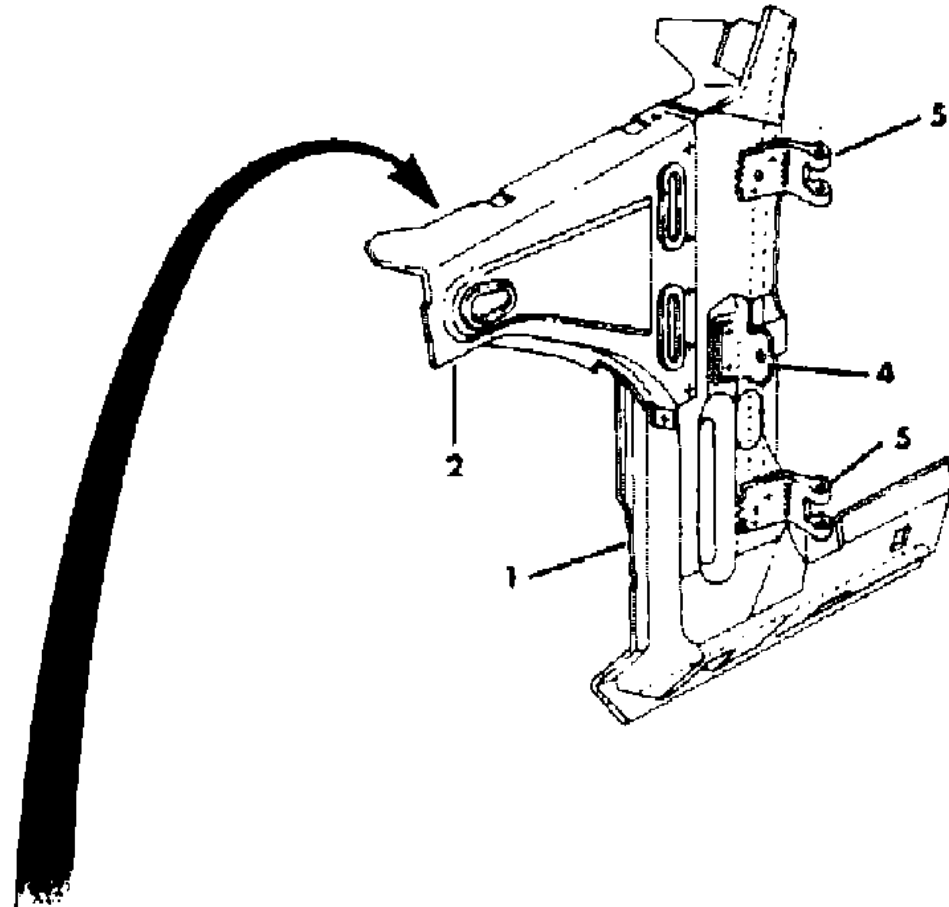
AR = Use as Required - = Non Illustrated Part P.A.R. = Paint as Required

BODY FRONT PILLAR - P,D,V,C,E,T
Figure 23A-3400

4169 3400

ITEM	PART NUMBER	QTY	BODY	MODEL	DESCRIPTION
1	4314 272-3	1			PILLAR, Body Front Hinge
2	4297 956	1			EXTENSION, Strut Tower to Body Front Hinge Pillar Right
	4314 183	1			Left
3	4198 175	1			REINFORCEMENT, Pillar to Cowl Side Parking Brake Bracket, Lt.
4	4206 553	2			SUPPORT, w/Nut Body Front Hinge Pillar to Fender
5		2			HINGE, (See Door Illustration)
	4206 410-1	1			REINFORCEMENT, Body Front Pillar Spotlight (w/Police Package)

NOTE: The Following Items Are Not Shown On Illustration. s information becomes available.



MODEL CODES

B = GRAN FURY	F = FIFTH AVENUE/NEWPORT	P = RELIANT
C = LEBARON/TOWN & COUNTRY/EXC SEDAN	G = DIPLOMAT	T = E CLASS/NEW YORKER
C24 = LASER	H = VOYAGER	V = 600
D = ARIES	K = MINI RAM/CARAVAN/ROYAL	V24 = DAYTONA
E = 600	M = HORIZON/TURISMO	Z = OMNI/CHARGER/RAMPAGE

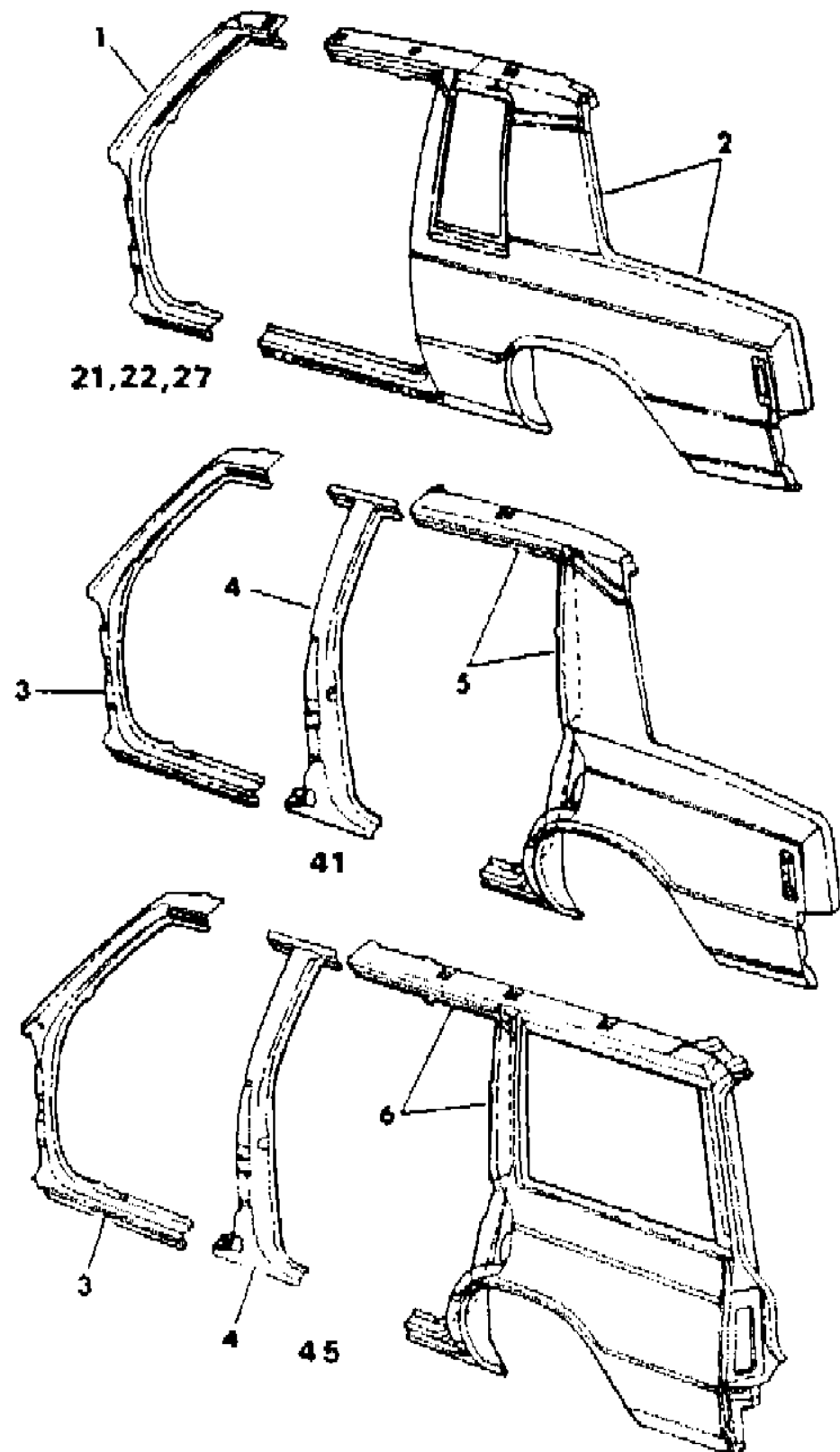
BODY STYLES

21 = 2-DOOR SEDAN	28 = FWD PICKUP	44 = 4-DOOR HATCHBACK
22 = 2-DOOR SPECIAL COUPE	35 = FWD VAN	45 = 4-DOOR STATION WAGON
24 = 2-DOOR HATCHBACK	36 = FWD WAGON	48 = 4-DOOR EXECUTIVE SEDAN
27 = 2-DOOR CONVERTIBLE	41 = 4-DOOR SEDAN	

AR = Use as Required - = Non Illustrated Part P.A.R. = Paint as Required

APERTURE PANELS - P,D,V,C,E,T
Figure 23A-3500

4169 3500



ITEM	PART NUMBER	QTY	BODY	MODEL	DESCRIPTION
1					PANEL, Body Outside
	4314 446-7	1		21,22,2	Front (See Note "1")
2	4314 884-5	1		21	Rear, Up To 3/16/84
	4337 848-9	1		21	Rear, After 3/16/84
	4314 886-7	1		22,27,4	Rear (See Note "1") Up To 2/27/84
	4337 828-9	1		22,27,4	Rear (See Note "1") After 2/27/84
3	4314 438-9	1		41,45	Front
4	4314 444-5	1		P,D,C	Center
	4314 454-5	1		E,T	Center
5	4314 442-3	1		P,D,41	Rear
	4314 436-7	1		C 41	Rear
	4314 452-3	1		E,T	Rear
6	4314 440-1	1		45	Rear
	4337 524-5	1		41,45	PANEL, Body Side Sill Outer
	4337 534-5	1		21,22,2	PANEL, Body Side Sill Outer (See Note #1)

NOTE: For Related Components, See Body Side Illustrations. s information becomes available.

NOTE "1": These parts may require modification for 27 or 48 Body Styles. s information becomes available.

MODEL CODES

B = GRAN FURY	F = FIFTH AVENUE/NEWPORT	P = RELIANT
C = LEBARON/TOWN & COUNTRY/EXC SEDAN	G = DIPLOMAT	T = E CLASS/NEW YORKER
C24 = LASER	H = VOYAGER	V = 600
D = ARIES	K = MINI RAM/CARAVAN/ROYAL	V24 = DAYTONA
E = 600	M = HORIZON/TURISMO	Z = OMNI/CHARGER/RAMPAGE

BODY STYLES

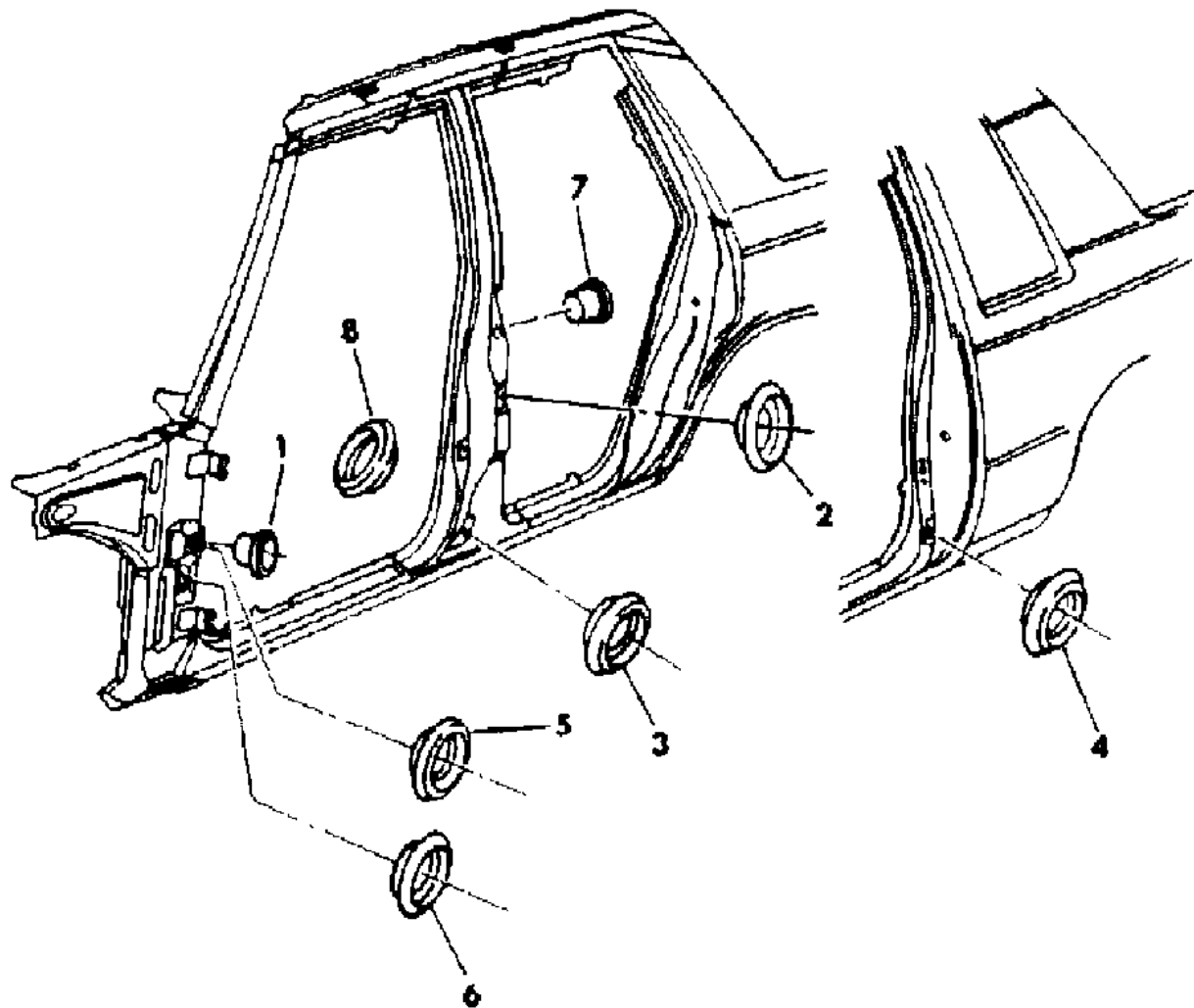
21 = 2-DOOR SEDAN	28 = FWD PICKUP	44 = 4-DOOR HATCHBACK
22 = 2-DOOR SPECIAL COUPE	35 = FWD VAN	45 = 4-DOOR STATION WAGON
24 = 2-DOOR HATCHBACK	36 = FWD WAGON	48 = 4-DOOR EXECUTIVE SEDAN
27 = 2-DOOR CONVERTIBLE	41 = 4-DOOR SEDAN	

AR = Use as Required - = Non Illustrated Part P.A.R. = Paint as Required

PLUGS BODY SIDE - P,D,V,C,E,T
Figure 23A-3600

4169 3600

ITEM	PART NUMBER	QTY	BODY	MODEL	DESCRIPTION
1	6025 871	1			PLUG
2	2480 957	2			PLUG
3	4172 862	2			PLUG
4	4172 862	2			PLUG
5	2860 332	1			PLUG
6		2			PLUG, (Not Serviced)
7	6025 871	2			PLUG
8	2574 792	2			PLUG
NOTE: The Following Items Are Not Shown On Illustration. s information becomes available.					
	6031 488	2			PLUG, Front or Rear Door Hinge Pillar Wiring Hole



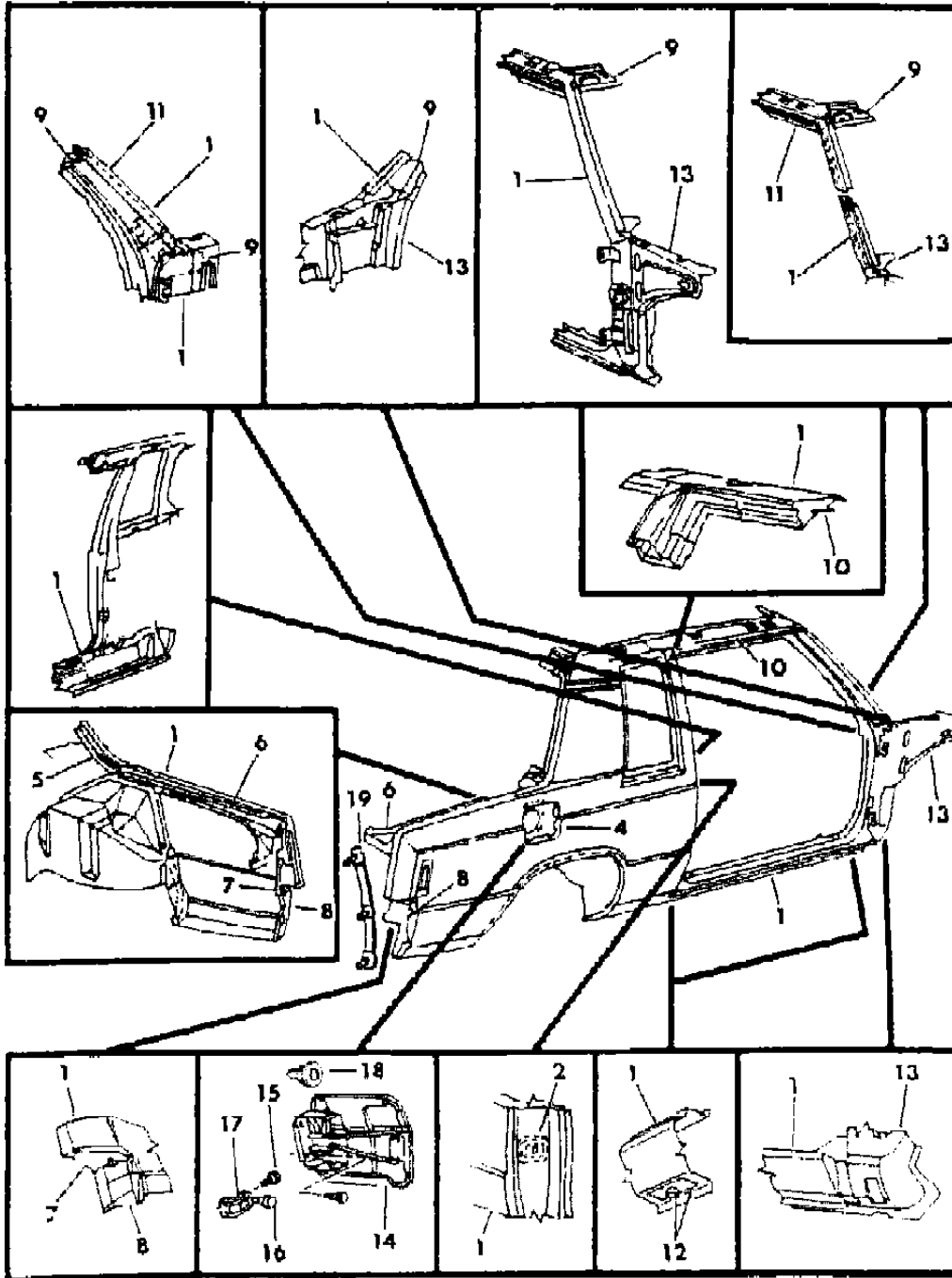
MODEL CODES
 B = GRAN FURY
 C = LEBARON/TOWN & COUNTRY/EXC SEDAN
 C24 = LASER
 D = ARIES
 E = 600
 F = FIFTH AVENUE/NEWPORT
 G = DIPLOMAT
 H = VOYAGER
 K = MINI RAM/CARAVAN/ROYAL
 M = HORIZON/TURISMO
 P = RELIANT
 T = E CLASS/NEW YORKER
 V = 600
 V24 = DAYTONA
 Z = OMNI/CHARGER/RAMPAGE

BODY STYLES
 21 = 2-DOOR SEDAN
 22 = 2-DOOR SPECIAL COUPE
 24 = 2-DOOR HATCHBACK
 27 = 2-DOOR CONVERTIBLE
 28 = FWD PICKUP
 35 = FWD VAN
 36 = FWD WAGON
 41 = 4-DOOR SEDAN
 44 = 4-DOOR HATCHBACK
 45 = 4-DOOR STATION WAGON
 48 = 4-DOOR EXECUTIVE SEDAN

AR = Use as Required - = Non Illustrated Part P.A.R. = Paint as Required

BODY SIDE - P,D,V,C 21,22,27,48
Figure 23A-3700

4160 3700



ITEM	PART NUMBER	QTY	BODY	MODEL	DESCRIPTION
1					PANEL, Body Side Aperture
	4314 446-7	1			Front (See Note "1")
	4314 884-5	1		P,D,21	Rear, Up To 3/16/84
	4337 848-9	1		P,D,21	Rear, After 3/16/84
	4314 886-7	1		V,C,22,	Rear (See Note "1") Up To 2/27/84
	4337 828-9	1		V,C,22,	Rear (See Note "1") After 2/27/84
2	4200 774-5	1			REINFORCEMENT, w/Retainer Body Side Aperture Panel Door Latch Striker Nut
	4134 972	2			RETAINER, Body Side Aperture Panel Door Latch Striker Nut
	6500 483	2			NUT, Striker
4	4314 298	1			REINFORCEMENT, Body Side Aperture Fuel Filler Door Opening
5	4134 852-3	1			REINFORCEMENT, Aperture Panel Lower Corner Back Lite Opening to Quarter Inside Panel
6	4314 282-3	1			TROUGH, Body Side Aperture Side Drain (See Note "1")
7	4296 396-7	1			EXTENSION, Deck Opening Lower Panel Side Drain Trough, Upper
8	4296 402-3	1			EXTENSION, Deck Opening Lower Panel Side Drain Trough, Lower
9	4314 778-9	1			FRAME and NUT, W/Shield Opening Side Inner (See Note "1")
10	4136 944-5	1		21,22,4	TROUGH, Roof Panel Aperture Side Drain (See Note "1")
11	4136 952-3	1			REINFORCEMENT, Windshield Opening Side Inner Frame Lower (See Note "1")
12	4314 277	4			PLATE, Body Side Aperture Jack Locator
13					PILLAR, See Front Hinge Pillar Illustration
14					DOOR and HINGE, w/Spring Side Aperture Fuel Filler
	4314 484	1			Up To 6/7/84
	4314 484	1			After 6/7/84
	4206 746	1			BAND, Fuel Filler Door Hinge Spring Pin Noise Dampener
15		4			SCREW, Not Serviced
16	5200 365	2			BUTTON, Body Side Aperture Fuel Filler Door Stop Bumper
17	4314 302	1			BRACKET, Body Side Aperture Fuel Filler Door Stop
18		2			NUT, Body Side Aperture Fuel Filler Door Attaching (Not Serviced)
19	4206 955	2			RETAINER, w/Studs Quarter Outside Panel Rear Bumper Fascia
		1			SEAL, Body Side Aperture Fuel Filler Door Reinforcement NS2
	4206 237	2			SEAL, Quarter Outside Aperture Panel to Back Lite Lower Corner Reinforcement

MODEL CODES

B = GRAN FURY	F = FIFTH AVENUE/NEWPORT	P = RELIANT
C = LEBARON/TOWN & COUNTRY/EXC SEDAN	G = DIPLOMAT	T = E CLASS/NEW YORKER
C24 = LASER	H = VOYAGER	V = 600
D = ARIES	K = MINI RAM/CARAVAN/ROYAL	V24 = DAYTONA
E = 600	M = HORIZON/TURISMO	Z = OMNI/CHARGER/RAMPAGE

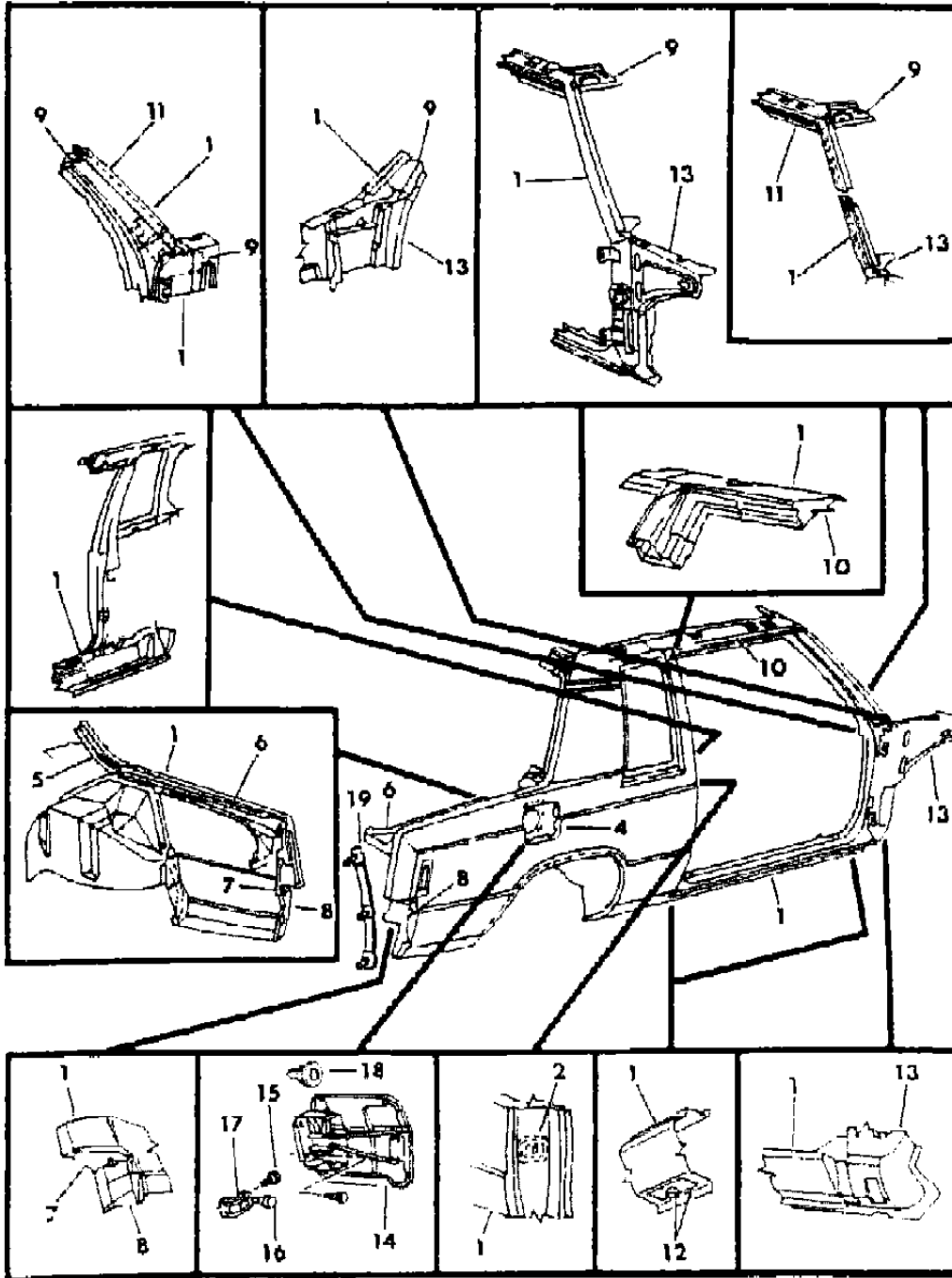
BODY STYLES

21 = 2-DOOR SEDAN	28 = FWD PICKUP	44 = 4-DOOR HATCHBACK
22 = 2-DOOR SPECIAL COUPE	35 = FWD VAN	45 = 4-DOOR STATION WAGON
24 = 2-DOOR HATCHBACK	36 = FWD WAGON	48 = 4-DOOR EXECUTIVE SEDAN
27 = 2-DOOR CONVERTIBLE	41 = 4-DOOR SEDAN	

AR = Use as Required - = Non Illustrated Part P.A.R. = Paint as Required

BODY SIDE - P,D,V,C 21,22,27,48
Figure 23A-3700

4160 3700



ITEM	PART NUMBER	QTY	BODY	MODEL	DESCRIPTION
	4206 486	2			SEAL, Body Side Aperture to Lower Front Pillar
	4206 690-1	1		V,C,22,	REINFORCEMENT, Body Side Aperture Panel (See Note "1")
	5200 365	1			BUTTON, Fuel Filler Door Hinge Bumper
	6032 294	3			FASTENER, Fuel Filler Opening Reinforcement Gasket Adhesive
	4314 299	1		V,C 27	BEZEL, Quarter Outside Fuel Filler Opening (Town & Country)
	6032 650	2		21,22,2	SCREW and WASHER, Drain Trough "A" Pillar Filler Mounting, After 1/4/84
	4337 395	1		21,22,2	ADHESIVE and FASTENER
	4337 534-5	1		21,22,2	PANEL, Body Side Sill Outer (See NOTE "1")
	4337 136-7	1		21,22,2	FILLER and TAPE, Drain Trough Front End To "A" Pillar

NOTE "1": These parts may require modification for 27 or 48 Body Styles. s information becomes available.

MODEL CODES

B = GRAN FURY	F = FIFTH AVENUE/NEWPORT	P = RELIANT
C = LEBARON/TOWN & COUNTRY/EXC SEDAN	G = DIPLOMAT	T = E CLASS/NEW YORKER
C24 = LASER	H = VOYAGER	V = 600
D = ARIES	K = MINI RAM/CARAVAN/ROYAL	V24 = DAYTONA
E = 600	M = HORIZON/TURISMO	Z = OMNI/CHARGER/RAMPAGE

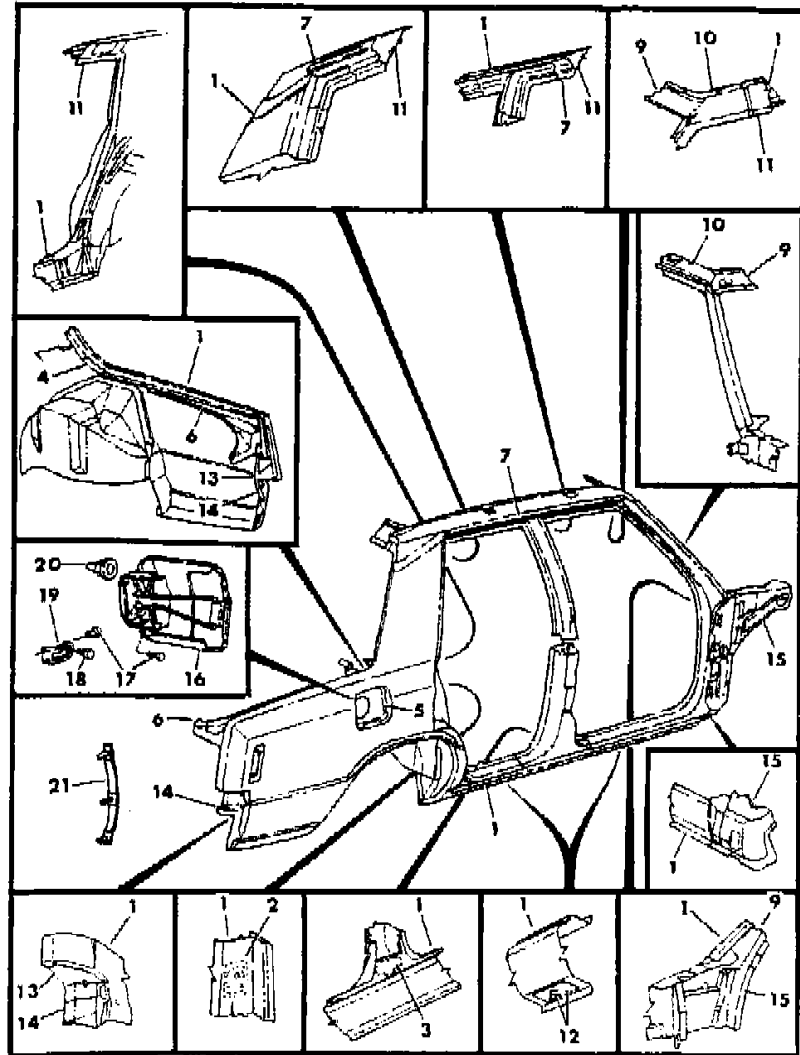
BODY STYLES

21 = 2-DOOR SEDAN	28 = FWD PICKUP	44 = 4-DOOR HATCHBACK
22 = 2-DOOR SPECIAL COUPE	35 = FWD VAN	45 = 4-DOOR STATION WAGON
24 = 2-DOOR HATCHBACK	36 = FWD WAGON	48 = 4-DOOR EXECUTIVE SEDAN
27 = 2-DOOR CONVERTIBLE	41 = 4-DOOR SEDAN	

AR = Use as Required - = Non Illustrated Part P.A.R. = Paint as Required

BODY SIDE - P,D,C 41
Figure 23A-3800

4100 3800



ITEM	PART NUMBER	QTY	BODY	MODEL	DESCRIPTION
1					PANEL, Body Side Aperture
	4314 438-9	1			Front
	4314 444-5	1			Center
	4314 442-3	1		P,D	Rear
	4314 436-7	1		C	Rear
2	4297 188-9	1			REINFORCEMENT, w/Retainer Body Side Aperture Panel Door Latch Striker Nut
	4134 972	2			RETAINER, Body Side Aperture Panel Door Latch Striker Nut
	6500 483	2			NUT, Striker
3	4314 306	2			REINFORCEMENT, Body Side Aperture Panel Seat Belt Anchor, Lower
	4206 198-9	1			Upper
4	4134 830-1	1			REINFORCEMENT, Aperture Panel Lower Corner Back Lite to Quarter Inside Panel
5	4314 298	1			REINFORCEMENT, Body Side Aperture Fuel Filler Door Opening
	4206 410-1	1			REINFORCEMENT, Body Front Pillar (Spot Light) w/Police Pkg.
6	4314 282-3	1			TROUGH, Body Side Aperture Side Drain
7	4136 946-7	1			TROUGH, Aperture Panel Roof Side Drain
9	4314 738-9	1			FRAME, Windshield Opening Side Inner
10	4136 902-3	1			REINFORCEMENT, Windshield Opening Side Aperture Upper
11	4296 718-9	1			RAIL and NUT, Roof Side Inner
12	4314 277	4			PLATE, Body Side Aperture Jack Locator
13	4296 396-7	1			EXTENSION, Deck Opening Lower Panel Side Drain Trough, Upper
14	4296 402-3	1			EXTENSION, Deck Opening Lower Panel Side Drain Trough, Lower
15					PILLAR, See Front Hinge Pillar Illustration
16	4314 486	1			DOOR and HINGE, w/Spring Side Aperture Fuel Filler
	4206 746	1			BAND, Fuel Filler Door Hinge Spring Pin Noise Dampener
17		4			SCREW, Not Serviced
18	5200 365	2			BUTTON, Body Side Aperture Fuel Filler Door Stop Bumper
19	4314 302	1			BRACKET, Body Side Aperture Fuel Filler Door Stop
20		2			NUT, Body Side Aperture Fuel Filler Door Attaching (Not Serviced)
21	4206 955	2			RETAINER, w/Studs Quarter Outside Panel Rear Bumper Fascia
		1			SEAL, Body Side Aperture Fuel Filler Door Reinforcement NS2

NOTE: The following Items are not shown on illustration. s information becomes available.

MODEL CODES

B = GRAN FURY	F = FIFTH AVENUE/NEWPORT	P = RELIANT
C = LEBARON/TOWN & COUNTRY/EXC SEDAN	G = DIPLOMAT	T = E CLASS/NEW YORKER
C24 = LASER	H = VOYAGER	V = 600
D = ARIES	K = MINI RAM/CARAVAN/ROYAL	V24 = DAYTONA
E = 600	M = HORIZON/TURISMO	Z = OMNI/CHARGER/RAMPAGE

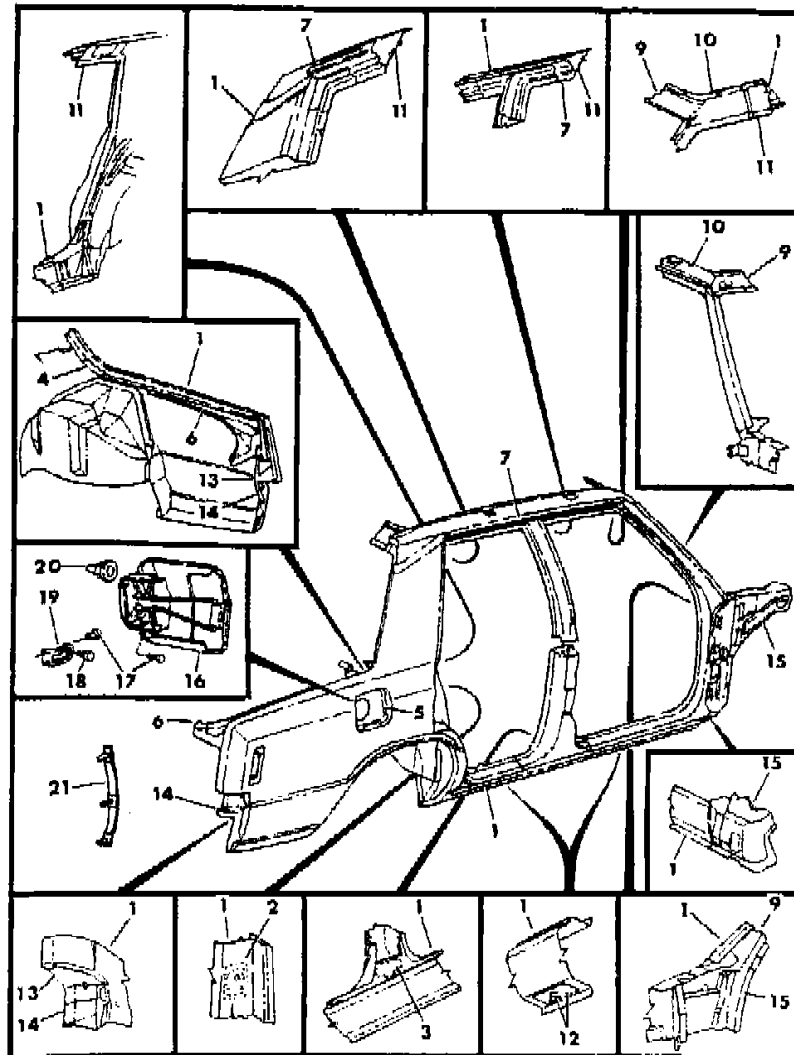
BODY STYLES

21 = 2-DOOR SEDAN	28 = FWD PICKUP	44 = 4-DOOR HATCHBACK
22 = 2-DOOR SPECIAL COUPE	35 = FWD VAN	45 = 4-DOOR STATION WAGON
24 = 2-DOOR HATCHBACK	36 = FWD WAGON	48 = 4-DOOR EXECUTIVE SEDAN
27 = 2-DOOR CONVERTIBLE	41 = 4-DOOR SEDAN	

AR = Use as Required - = Non Illustrated Part P.A.R. = Paint as Required

BODY SIDE - P,D,C 41
Figure 23A-3800

4100 3800



ITEM	PART NUMBER	QTY	BODY	MODEL	DESCRIPTION
	4206 237	2			SEAL, Quarter Outside Aperture panel to Back Lite Lower Corner Reinforcement
	4206 486	2			SEAL, Body Side Aperture to Lower Front Pillar
	4206 487	2			SEAL, Center Pillar to Drain Trough
	4278 536-7	1			REINFORCEMENT, Body Side Aperture Panel Door Latch Striker (w/Heavy Service Pkg.)
	5200 365	1			BUTTON, Fuel Filler Door Hinge Bumper
	6032 294	3			FASTENER, Fuel Filler Opening Reinforcement Gasket Adhesive
	6032 650	2			SCREW and WASHER, Drain Trough "A" Pillar Filler Mounting, After 1/4/84
	4337 395	1			ADHESIVE and FASTENER
	4337 136-7	1			FILLER and TAPE, Drain Trough Front End To "A" Pillar

MODEL CODES

B = GRAN FURY	F = FIFTH AVENUE/NEWPORT	P = RELIANT
C = LEBARON/TOWN & COUNTRY/EXC SEDAN	G = DIPLOMAT	T = E CLASS/NEW YORKER
C24 = LASER	H = VOYAGER	V = 600
D = ARIES	K = MINI RAM/CARAVAN/ROYAL	V24 = DAYTONA
E = 600	M = HORIZON/TURISMO	Z = OMNI/CHARGER/RAMPAGE

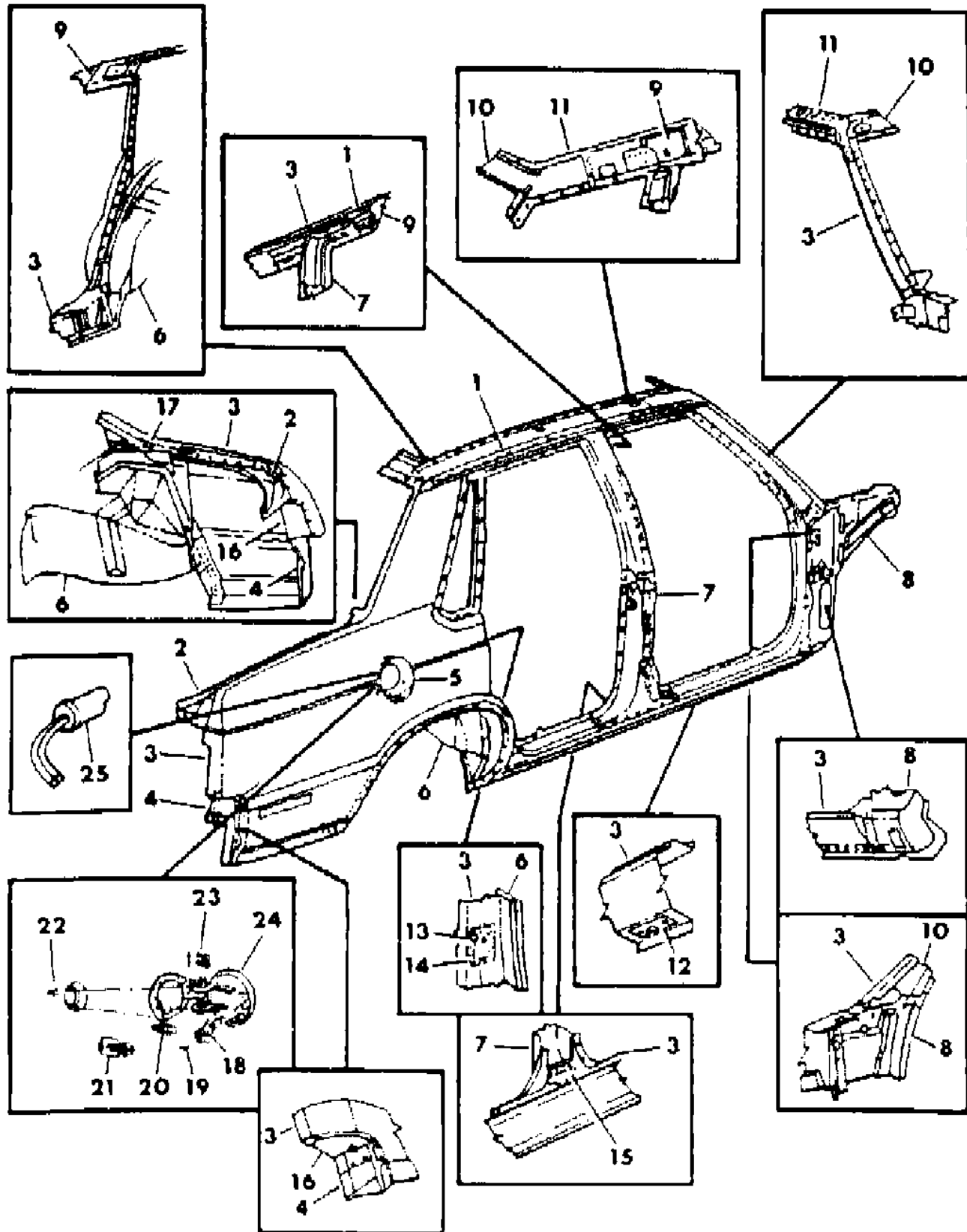
BODY STYLES

21 = 2-DOOR SEDAN	28 = FWD PICKUP	44 = 4-DOOR HATCHBACK
22 = 2-DOOR SPECIAL COUPE	35 = FWD VAN	45 = 4-DOOR STATION WAGON
24 = 2-DOOR HATCHBACK	36 = FWD WAGON	48 = 4-DOOR EXECUTIVE SEDAN
27 = 2-DOOR CONVERTIBLE	41 = 4-DOOR SEDAN	

AR = Use as Required - = Non Illustrated Part P.A.R. = Paint as Required

BODY SIDE - E,T
Figure 23A-3900

41GP 190A1



ITEM	PART NUMBER	QTY	BODY	MODEL	DESCRIPTION
1	4206 810-1	1			TROUGH, Roof Side Drain
2	4206 934-5	1			TROUGH, Body Side Aperture Drain
3	4314 438-9	1			PANEL, Body Side Aperture Front
	4314 454-5	1			Center
	4314 452-3	1			Rear
4	4296 400-1	1			EXTENSION, Deck Opening Lower Panel Side Drain Trough, Upper
5	4314 288	1			REINFORCEMENT, Body Side Aperture Fuel Filler Door Opening
6					PANEL, See Qtr. Inside and Wheelhouse Outer Illustration
7					PILLAR, See Sill and Center Pillar Illustration
8					PILLAR, See Front Hinge Pillar Illustration
9	4296 574-5	1			RAIL and NUT, Roof Side Inner
10	4314 738-9	1			FRAME, Windshield Opening Side Inner
11	4136 902-3	1			REINFORCEMENT, Windshield Opening Side Aperture, Upper
12	4314 277	4			PLATE, Body Side Aperture Jack Locator
13	4134 972	2			RETAINER, Body Side Aperture Panel Door Lock Striker Nut
14	4297 188-9	1			REINFORCEMENT, w/Retainer Body Side Aperture Panel Door Latch Striker Nut
15	4314 306	2			REINFORCEMENT, Body Side Aperture Seat Belt Anchor, Lower
	4206 198-9	1			Upper
16	4296 400-1	1			EXTENSION, Deck Opening Lower Panel Side Drain Trough, Upper
	4296 402-3	1			Lower
17	4206 942-3	1			REINFORCEMENT, Body Side Aperture Lower Corner Back Lite
18		1			LATCH, See Cylinder and Key Illustration
19		2			SCREW, Not Serviced
20		AR			SCREW, Not Serviced
21	4015 682	2			BUMPER, Body Side Aperture Fuel Filler Door
22	6025 002	2			NUT and WASHER, Qtr. Fuel Filler Door and Hinge Attaching, Up To 10/17/83
	6032 641	2			After 10/17/83
23	4206 750	1			PLATE and SCREW, Qtr. Panel Fuel Filler Door and Hinge Up To 1/2/84
	4337 147	1			After 1/2/84
24	4278 302	1			DOOR, Body Side Aperture Fuel Filler, Complete
25	4246 575	1			SOLENOID, Fuel Filler Door
NOTE: The Following Items Are Not Shown On Illustration. s information becomes available.					
	4206 970	1			TROUGH, Deck Opening Upper Drain

MODEL CODES

B = GRAN FURY	F = FIFTH AVENUE/NEWPORT	P = RELIANT
C = LEBARON/TOWN & COUNTRY/EXC SEDAN	G = DIPLOMAT	T = E CLASS/NEW YORKER
C24 = LASER	H = VOYAGER	V = 600
D = ARIES	K = MINI RAM/CARAVAN/ROYAL	V24 = DAYTONA
E = 600	M = HORIZON/TURISMO	Z = OMNI/CHARGER/RAMPAGE

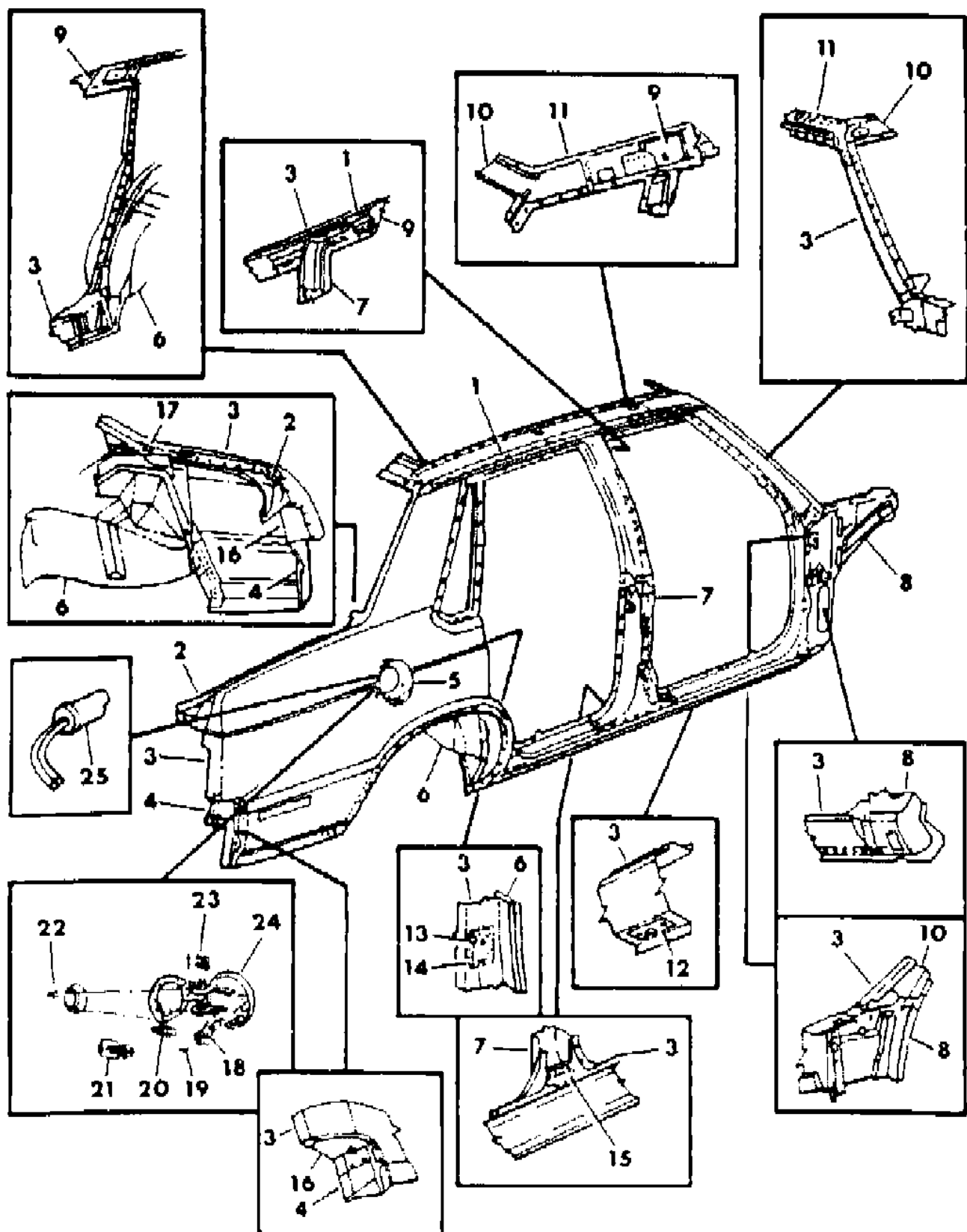
BODY STYLES

21 = 2-DOOR SEDAN	28 = FWD PICKUP	44 = 4-DOOR HATCHBACK
22 = 2-DOOR SPECIAL COUPE	35 = FWD VAN	45 = 4-DOOR STATION WAGON
24 = 2-DOOR HATCHBACK	36 = FWD WAGON	48 = 4-DOOR EXECUTIVE SEDAN
27 = 2-DOOR CONVERTIBLE	41 = 4-DOOR SEDAN	

AR = Use as Required - = Non Illustrated Part P.A.R. = Paint as Required

BODY SIDE - E,T
Figure 23A-3900

41GP 190A1



ITEM	PART NUMBER	QTY	BODY	MODEL	DESCRIPTION
		1			SEAL, Body Side Aperture Fuel Filler Door Reinforcement NS2
	4206 486	2			SEAL, Body Side Aperture to Lower Front Pillar
	4206 487	2			SEAL, Center Pillar to Drain Trough
	6032 294	3			FASTENER, Fuel Filler Opening Reinforcement Gasket Adhesive
	4206 955	2			RETAINER, w/Studs Qtr. Pnl. Rr. Bumper Fascia
	6500 483	2			NUT, Door Latch Striker
	4337 136-7	2			FILLER and TAPE, Drain Trough Front End To "A" Pillar
	6032 650	2			SCREW and WASHER, Drain Trough "A" Pillar Filler Mounting, After 1/4/84
	4337 395	1			ADHESIVE and FASTENER

MODEL CODES

B = GRAN FURY	F = FIFTH AVENUE/NEWPORT	P = RELIANT
C = LEBARON/TOWN & COUNTRY/EXC SEDAN	G = DIPLOMAT	T = E CLASS/NEW YORKER
C24 = LASER	H = VOYAGER	V = 600
D = ARIES	K = MINI RAM/CARAVAN/ROYAL	V24 = DAYTONA
E = 600	M = HORIZON/TURISMO	Z = OMNI/CHARGER/RAMPAGE

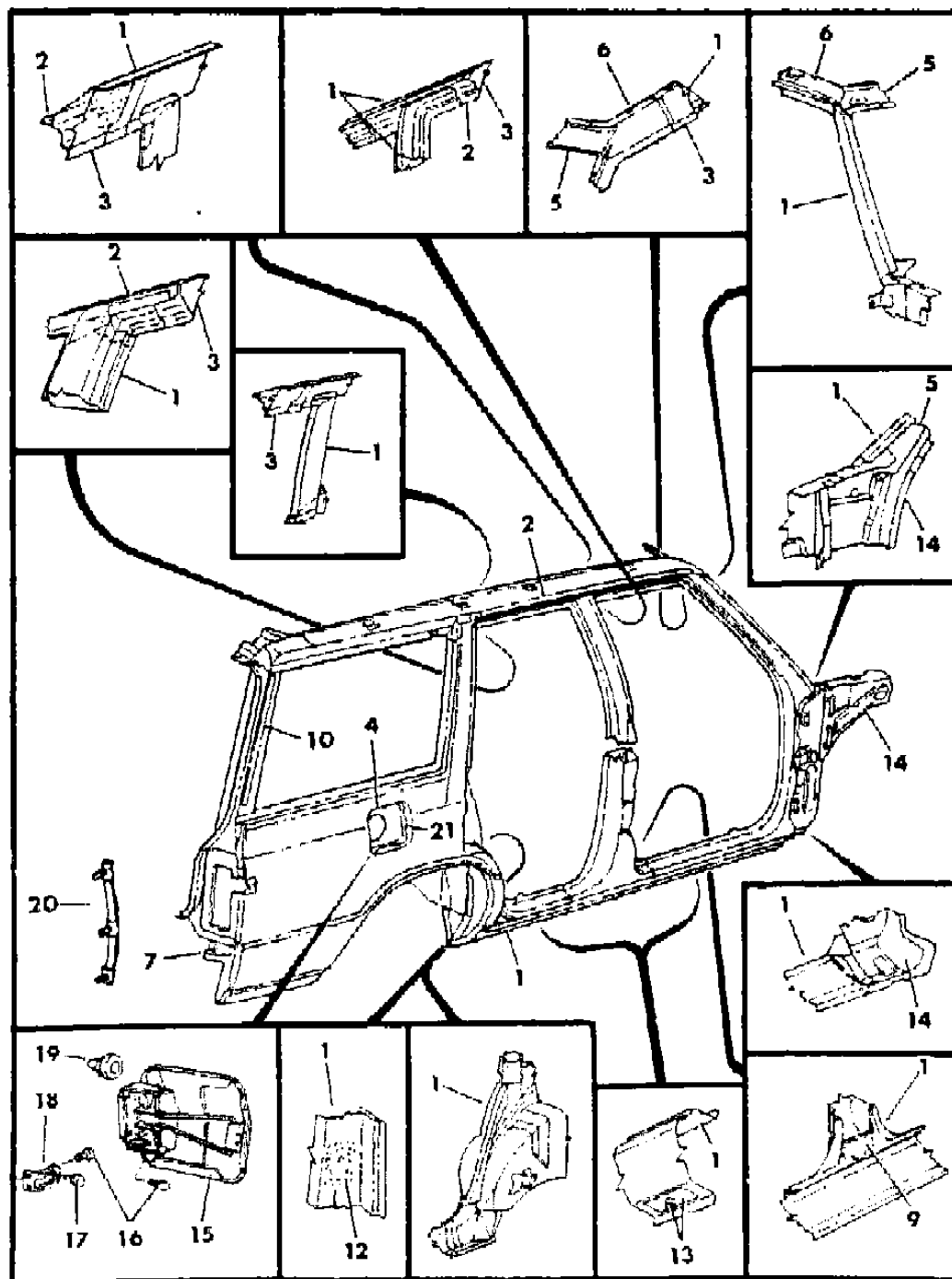
BODY STYLES

21 = 2-DOOR SEDAN	28 = FWD PICKUP	44 = 4-DOOR HATCHBACK
22 = 2-DOOR SPECIAL COUPE	35 = FWD VAN	45 = 4-DOOR STATION WAGON
24 = 2-DOOR HATCHBACK	36 = FWD WAGON	48 = 4-DOOR EXECUTIVE SEDAN
27 = 2-DOOR CONVERTIBLE	41 = 4-DOOR SEDAN	

AR = Use as Required - = Non Illustrated Part P.A.R. = Paint as Required

BODY SIDE - P,D,C 45
Figure 23A-4000

4169 4000



ITEM	PART NUMBER	QTY	BODY	MODEL	DESCRIPTION
1					PANEL, Body Side Aperture
	4314 438-9	1			Front
	4314 444-5	1			Center
	4314 440-1	1			Rear
2	4206 952-3	1			TROUGH, Aperture Panel Roof Side Drain
3	4296 716-7	1			RAIL and NUT, Roof Side Inner, Front
4	4314 298	1			REINFORCEMENT, Body Side Aperture Fuel Filler Door Opening
5	4314 738-9	1			FRAME, Windshield Opening Side Inner
6	4136 902-3	1			REINFORCEMENT, Windshield Opening Side Aperture, Upper
7	4206 130-1	1			EXTENSION, Body Side Aperture Panel Lower Rear
9	4314 306	2			REINFORCEMENT, Body Side Aperture Panel Seat Belt Anchor,
					Lower
	4206 198-9	1			Upper
10	4278 643	2			SUPPORT, Aperture Panel Quarter Window Rear Moulding
12	4297 188-9	1			REINFORCEMENT, w/Retainer Body Side Aperture Panel Door
					Latch Striker Nut
	4134 972	2			RETAINER, Body Side Aperture Panel Door Latch Striker Nut
	6500 483	2			NUT, Striker
13	4314 277	4			PLATE, Body Side Aperture Jack Locator
14					PILLAR, See Front Hinge Pillar Illustration
15	4314 488	1			DOOR and HINGE, w/Spring Side Aperture Fuel Filler
	4206 746	1			BAND, Fuel Filler Door Hinge Spring Pin Noise Dampener
16		4			SCREW, Not Serviced
17	5200 365	2			BUTTON, Body Side Aperture Fuel Filler Door Stop Bumper
18	4314 302	1			BRACKET, Body Side Aperture Fuel Filler Door Stop
19		2			NUT, Body Side Aperture Fuel Filler Door Attaching (Not
					Serviced)
20	4206 956	2			RETAINER, w/Studs Quarter Outside Panel Rear Bumper Fascia
21	4314 299	1			BEZEL, Fuel Filler Door Opening, Up To 3/15/84
	4337 001	1			After 3-15-84
NOTE: The following Items are not shown on illustration. s information becomes available.					
	4206 958	1			SEAL, Body Side Aperture Fuel Filler Door Reinforcement
	4206 984	1			GASKET, Body Side Aperture Fuel Filler Opening
	4206 486	2			SEAL, Body Side Aperture to Lower Front Pillar
	4206 487	2			SEAL, Center Pillar to Drain Trough
	5200 365	1			BUTTON, Fuel Filler Door Hinge Bumper
	6032 294	3			FASTENER, Fuel Filler Opening Reinforcement Gasket
					Adhesive

MODEL CODES

B = GRAN FURY	F = FIFTH AVENUE/NEWPORT	P = RELIANT
C = LEBARON/TOWN & COUNTRY/EXC SEDAN	G = DIPLOMAT	T = E CLASS/NEW YORKER
C24 = LASER	H = VOYAGER	V = 600
D = ARIES	K = MINI RAM/CARAVAN/ROYAL	V24 = DAYTONA
E = 600	M = HORIZON/TURISMO	Z = OMNI/CHARGER/RAMPAGE

BODY STYLES

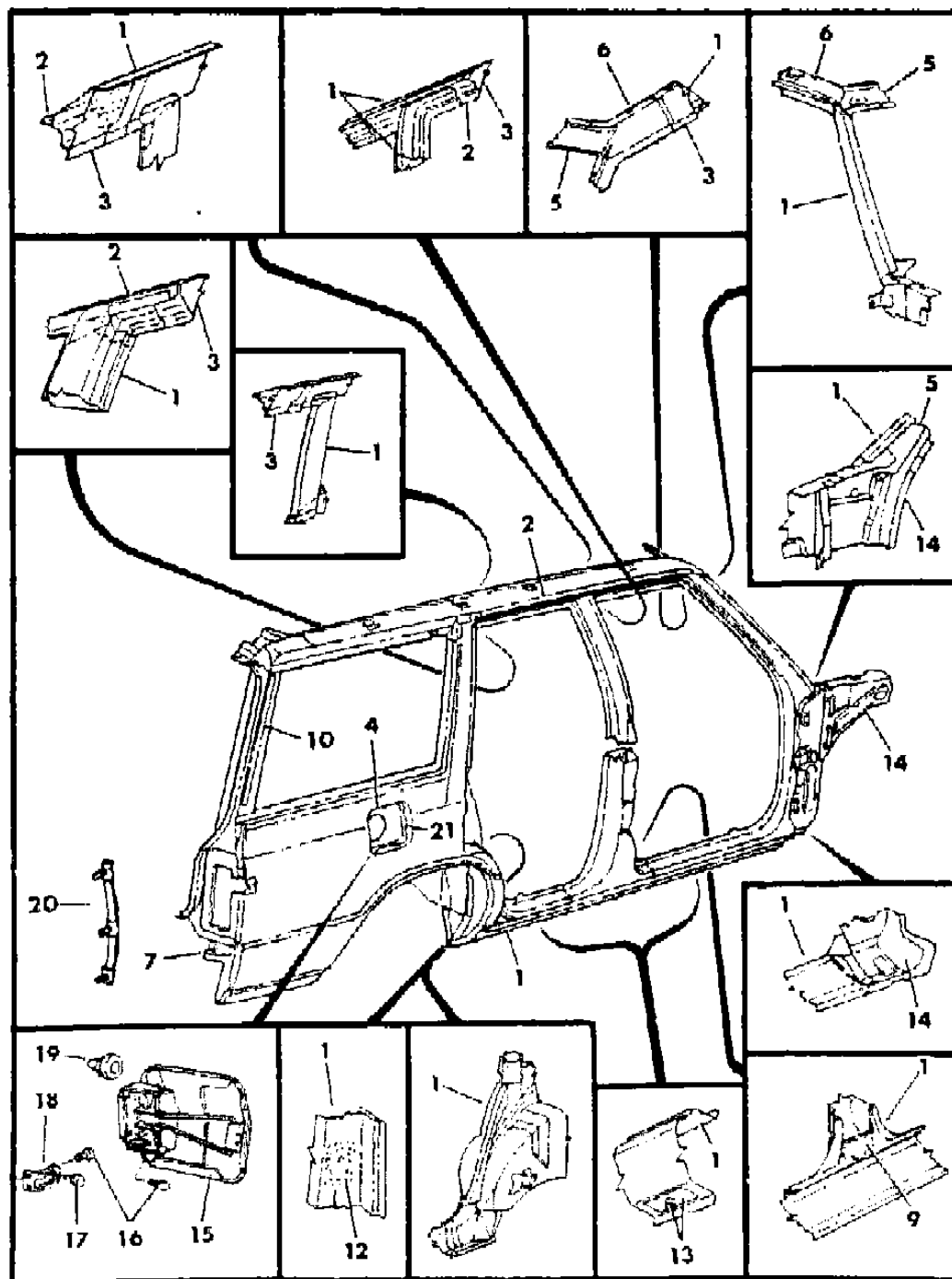
21 = 2-DOOR SEDAN	28 = FWD PICKUP	44 = 4-DOOR HATCHBACK
22 = 2-DOOR SPECIAL COUPE	35 = FWD VAN	45 = 4-DOOR STATION WAGON
24 = 2-DOOR HATCHBACK	36 = FWD WAGON	48 = 4-DOOR EXECUTIVE SEDAN
27 = 2-DOOR CONVERTIBLE	41 = 4-DOOR SEDAN	

AR = Use as Required - = Non Illustrated Part P.A.R. = Paint as Required

BODY SIDE - P,D,C 45
Figure 23A-4000

ITEM	PART NUMBER	QTY	BODY	MODEL	DESCRIPTION
	6032 650	2			SCREW and WASHER, Drain Trough "A" Pillar Filler Mounting, After 1/4/84
	4337 395	1			ADHESIVE and FASTENER

4169 4000



MODEL CODES

B = GRAN FURY	F = FIFTH AVENUE/NEWPORT	P = RELIANT
C = LEBARON/TOWN & COUNTRY/EXC SEDAN	G = DIPLOMAT	T = E CLASS/NEW YORKER
C24 = LASER	H = VOYAGER	V = 600
D = ARIES	K = MINI RAM/CARAVAN/ROYAL	V24 = DAYTONA
E = 600	M = HORIZON/TURISMO	Z = OMNI/CHARGER/RAMPAGE

BODY STYLES

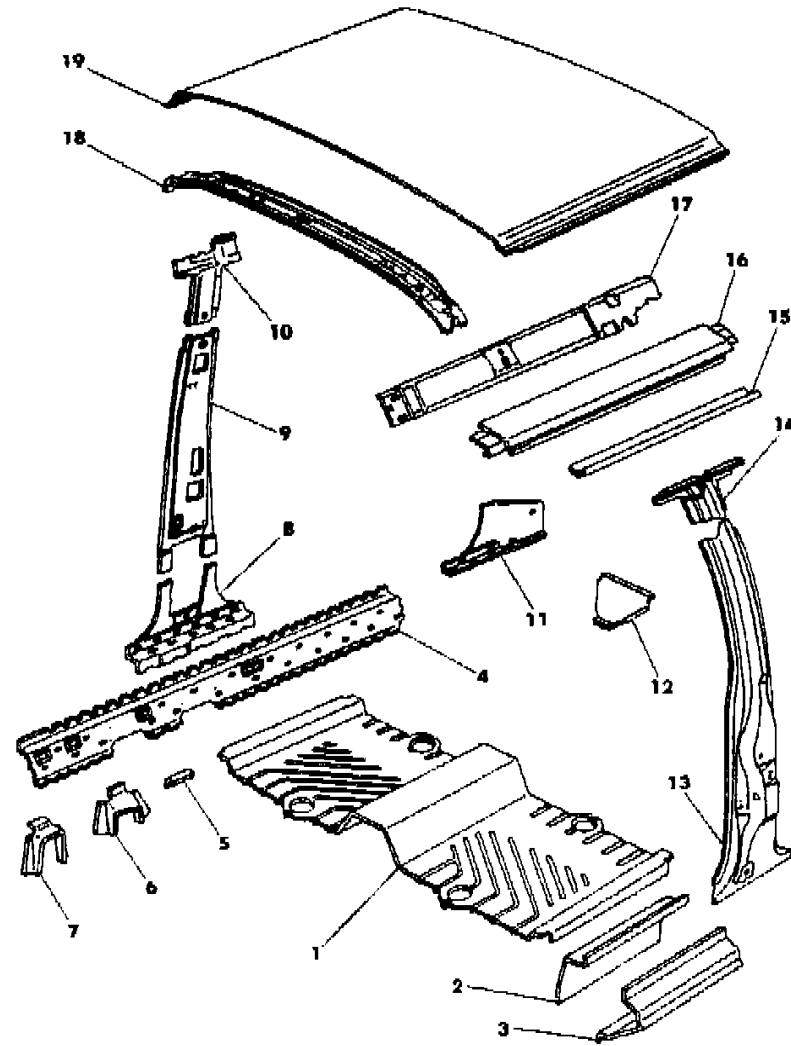
21 = 2-DOOR SEDAN	28 = FWD PICKUP	44 = 4-DOOR HATCHBACK
22 = 2-DOOR SPECIAL COUPE	35 = FWD VAN	45 = 4-DOOR STATION WAGON
24 = 2-DOOR HATCHBACK	36 = FWD WAGON	48 = 4-DOOR EXECUTIVE SEDAN
27 = 2-DOOR CONVERTIBLE	41 = 4-DOOR SEDAN	

AR = Use as Required - = Non Illustrated Part P.A.R. = Paint as Required

BODY EXTENSIONS AND REINFORCEMENT - C 48

Figure 23A-4100

4169 4100



ITEM	PART NUMBER	QTY	BODY	MODEL	DESCRIPTION
------	-------------	-----	------	-------	-------------

NOTE: This illustration covers peculiar sheet metal for the 124.3" W.B. Executive Sedan (C 48 Model) & 131.3" W.B. Limousine (C 48 Model w/AJL Sales Code). Both models are derived from the 100.1" W.B. LeBaron (C 22 Model). Sheet metal parts for the C 48 not found on this illustration should be specified for the C 22 models, as found elsewhere in this group. Both models are derived from the 100.1" W.B. LeBaron (C 22 Model). Sheet metal parts for the C 48 not found on this illustration should be speci

1	4339 501	1	48		EXTENSION, Floor Pan, w/o AJL Sales Code
	4339 851	1	48		w/AJL Sales Code
2	4339 508	2	48		EXTENSION, Body Sill, Inner, w/o AJL Sales Code
	4339 856	2	48		w/AJL Sales Code
3	4339 506-7	1	48		EXTENSION, Body Sill, Outer, w/o AJL Sales Code
	4339 852-3	1	48		w/AJL Sales Code
4	4339 510-1	1	48		REINFORCEMENT, Sill Inner, w/o AJL Sales Code
	4339 854-5	1	48		w/AJL Sales Code
5	4339 751	4	48		BRACKET, Angle, Floor Pan Stabilizer
6	4339 504-5	1	48		GUSSET, Front Seat Rear Outer Attaching Reinforcement
7	4339 502-3	1	48		GUSSET, Front Seat Track Crossmember
8	4339 520-1	1	48		PILLAR, Center, Lower Inner
9	4339 516-7	1	48		PILLAR, Center, Inner
10	4339 518-9	1	48		PILLAR, Center, Upper Inner
11	4339 512-3	1	48		REINFORCEMENT, Sill Inner, Rear
12	4339 509	1	48		REINFORCEMENT, Tunnel, Rear
13	4364 154-5	1	48		PILLAR, Center, Outer (Includes Item #14) "Up To" Type
	4364 176-7	1	48		"After" Type
14		1	48		PILLAR, Center Upper Outer Serviced in Item #13
15	4339 534-5	1	48		EXTENSION, Drain Trough, w/o AJL Sales Code
	4339 866-7	1	48		w/AJL Sales Code
16	4339 530-1	1	48		EXTENSION, Side Rail, Outer, w/o AJL Sales Code
	4339 864-5	1	48		w/AJL Sales Code
17	4339 532-3	1	48		REINFORCEMENT, Side Rail, Inner, w/o AJL Sales Code
	4339 868-9	1	48		w/AJL Sales Code
18	4136 853	1	48		BOW, Roof Extension
19	4339 525	1	48		EXTENSION, Roof Panel, w/o AJL Sales Code

NOTE: The Following Items Are Not Shown On Illustration. Both models are derived from the 100.1" W.B. LeBaron (C 22 Model). Sheet metal parts for the C 48 not found on this illustration should be speci

	4339 514-5	1	48		PILLAR ASSEMBLY, Body Cover Center
	4339 622-3	1	48		GLASS, Qtr. Window Stationary
	4364 152-3	1	48		GLASS, R/R Qtr. Window
	4339 857	1	48		w/AJL Sales Code

MODEL CODES

B = GRAN FURY	F = FIFTH AVENUE/NEWPORT	P = RELIANT
C = LEBARON/TOWN & COUNTRY/EXC SEDAN	G = DIPLOMAT	T = E CLASS/NEW YORKER
C24 = LASER	H = VOYAGER	V = 600
D = ARIES	K = MINI RAM/CARAVAN/ROYAL	V24 = DAYTONA
E = 600	M = HORIZON/TURISMO	Z = OMNI/CHARGER/RAMPAGE

BODY STYLES

21 = 2-DOOR SEDAN	28 = FWD PICKUP	44 = 4-DOOR HATCHBACK
22 = 2-DOOR SPECIAL COUPE	35 = FWD VAN	45 = 4-DOOR STATION WAGON
24 = 2-DOOR HATCHBACK	36 = FWD WAGON	48 = 4-DOOR EXECUTIVE SEDAN
27 = 2-DOOR CONVERTIBLE	41 = 4-DOOR SEDAN	

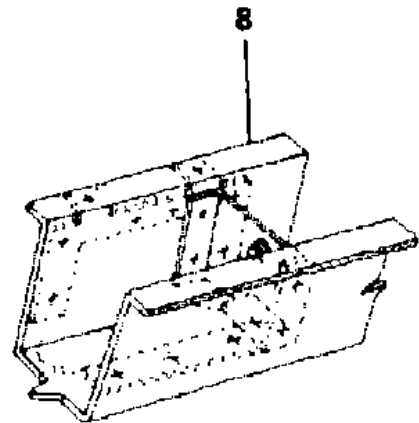
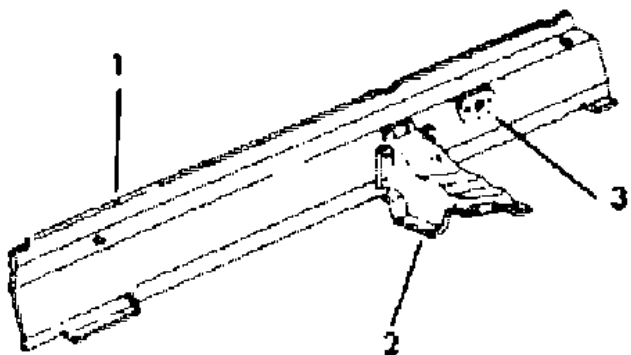
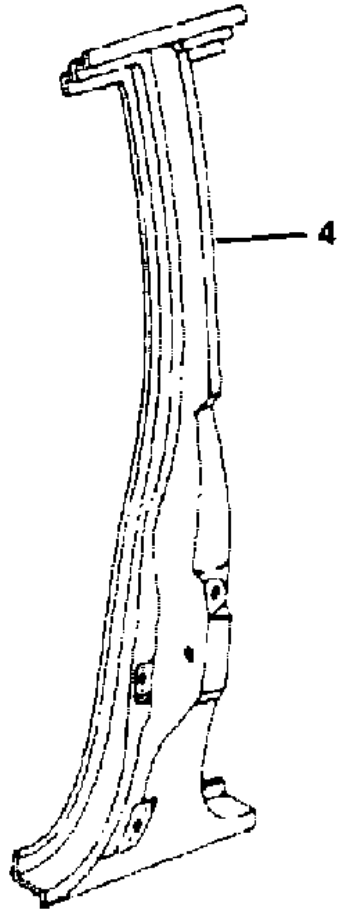
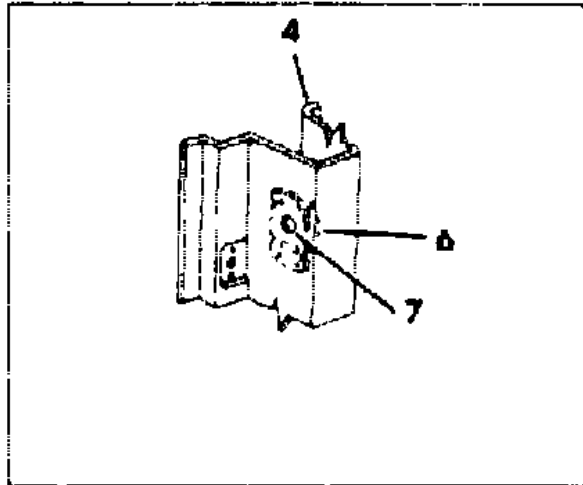
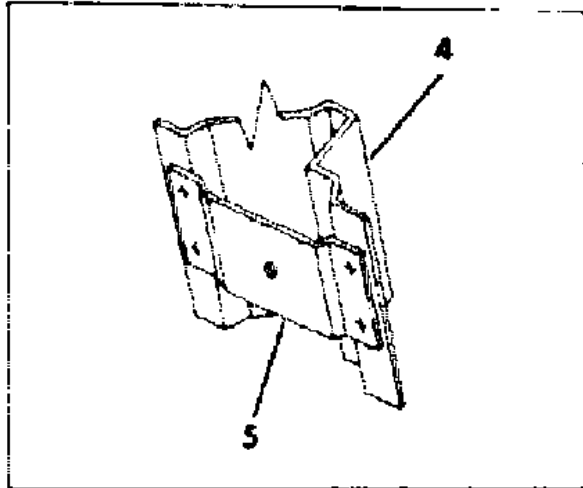
AR = Use as Required - = Non Illustrated Part P.A.R. = Paint as Required

SIDE SILL AND CENTER PILLAR - P,D,V,C,E,T
Figure 23A-4200

4169 4200

ITEM	PART NUMBER	QTY	BODY	MODEL	DESCRIPTION
1	4278 836-7	1		P,D,V,C	PANEL, Body Side Sill Inner (See Note "1")
	4206 864-5	1		E,T	
2	4314 494-5	1			REINFORCEMENT, w/NUT Front Floor Pan Front Seat Rear Outer Attaching
3	4314 326	2			REINFORCEMENT, w/Nut Floor Pan Side Sill Inner, Front Seat Belt
4	4314 300-1	1	41,45		PILLAR, Body Center Outer
5	4206 198-9	1	41,45		REINFORCEMENT, w/Nut Body Side Aperture Seat Belt Anchor Upper
6	4134 972	2			RETAINER, Body Side Aperture Panel Door Lock Striker Nut
7	6500 483	2			NUT, Body Side Aperture Panel Door Lock Striker
8	4278 942-3	1			EXTENSION, Sill Inner Rear (See Note "1")

NOTE: The following items are not shown on illustration. ode). Both models are derived from the 100.1" W.B. LeBaron (C 22 Model). Sheet metal parts for the C 48 not found on this illustration should be speci
 3794 032 2 27 SEAL, Side Sill Inner Panel Drain Hole
 NOTE "1": These parts may require modification for 27 or 48 Body Styles. ode). Both models are derived from the 100.1" W.B. LeBaron (C 22 Model). Sheet metal parts for the C 48 not found on this illustration should be speci



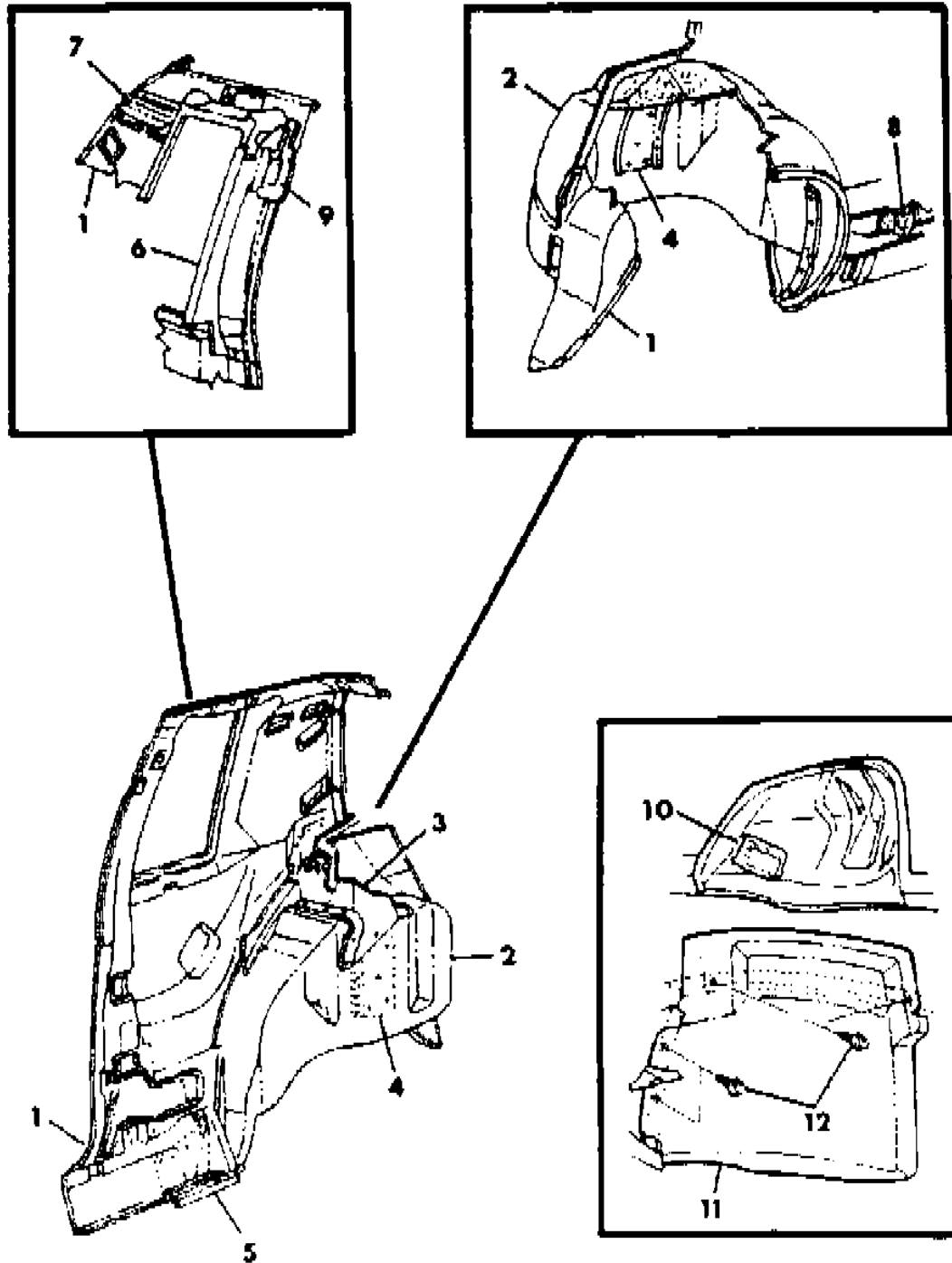
MODEL CODES
 B = GRAN FURY
 C = LEBARON/TOWN & COUNTRY/EXC SEDAN
 C24 = LASER
 D = ARIES
 E = 600
 F = FIFTH AVENUE/NEWPORT
 G = DIPLOMAT
 H = VOYAGER
 K = MINI RAM/CARAVAN/ROYAL
 M = HORIZON/TURISMO
 P = RELIANT
 T = E CLASS/NEW YORKER
 V = 600
 V24 = DAYTONA
 Z = OMNI/CHARGER/RAMPAGE

BODY STYLES
 21 = 2-DOOR SEDAN
 22 = 2-DOOR SPECIAL COUPE
 24 = 2-DOOR HATCHBACK
 27 = 2-DOOR CONVERTIBLE
 28 = FWD PICKUP
 35 = FWD VAN
 36 = FWD WAGON
 41 = 4-DOOR SEDAN
 44 = 4-DOOR HATCHBACK
 45 = 4-DOOR STATION WAGON
 48 = 4-DOOR EXECUTIVE SEDAN

AR = Use as Required - = Non Illustrated Part P.A.R. = Paint as Required

QUARTER INSIDE AND WHEELHOUSE OUTER PANEL - P,D,V,C 21,22,27,48
Figure 23A-4300

4160 4300



ITEM	PART NUMBER	QTY	BODY	MODEL	DESCRIPTION
1	4341 608	1		21	PANEL, Quarter Inside & W/House Outer, Right Up To 3/8/84
	4341 608	1		21	After 3/8/84
	4341 609	1		21	Left, Up To 3/10/84
	4341 609	1		21	After 3/10/84
	4341 362	1		22,27,4	Right, Up To 3/16/84 (See Note "1")
	4341 362	1		22,27,4	After 3/16/84 (See Note "1")
	4296 573	1		22,27,4	Left, Up To 3/12/84 (See Note "1")
4341 363	1		22,27,4	After 3/12/84 (See Note "1")	
2	4278 436-7	1			PANEL, Rear Wheelhouse Inner
3		1			EXTENSION, Shelf Panel Not Serviced (See Note "1")
4	4134 686-7	1			REINFORCEMENT, W/House Inner Panel Shock Absorber Mounting
5	4206 156-7	1			REINFORCEMENT, Quarter Inner Panel Sill Jacking
6	4325 258-9	1			REINFORCEMENT, Quarter Inside Panel to Body Side Aperture Panel, Front
7	4134 894-5	1		21,22,4	SUPPORT, Quarter Inside and Wheelhouse Outer to Side Aperture Panel
8	4206 014	2		21,22,2	REINFORCEMENT, Quarter Inside and Wheelhouse Outer Panel Seat Belt Retractor
9	4314 326	2			REINFORCEMENT, Quarter Inside Panel Upper Shoulder Belt Anchor
10	4206 734	1		P,D	SHIELD, W/House Inner Panel Fuel Filler Tube, Rt.
11	4314 188-9	1		V,C	SHIELD, Rear W/House Inner Panel Appearance
12		AR			SCREW, Not Serviced

NOTE: The following items are not shown on illustration. Both models are derived from the 100.1" W.B. LeBaron (C 22 Model). Sheet metal parts for the C 48 not found on this illustration should be speci

4206 218	2				SEAL, Quarter Outside Panel to Deck Lower Panel Extension
4278 463	1				PIN, W/House Inner to Deck Lid Hinge Restraint Cable, Rt. Attaching

NOTE "1": These parts may require modification for 27 or 48 Body Styles. Both models are derived from the 100.1" W.B. LeBaron (C 22 Model). Sheet metal parts for the C 48 not found on this illustration should be speci

MODEL CODES

B = GRAN FURY	F = FIFTH AVENUE/NEWPORT	P = RELIANT
C = LEBARON/TOWN & COUNTRY/EXC SEDAN	G = DIPLOMAT	T = E CLASS/NEW YORKER
C24 = LASER	H = VOYAGER	V = 600
D = ARIES	K = MINI RAM/CARAVAN/ROYAL	V24 = DAYTONA
E = 600	M = HORIZON/TURISMO	Z = OMNI/CHARGER/RAMPAGE

BODY STYLES

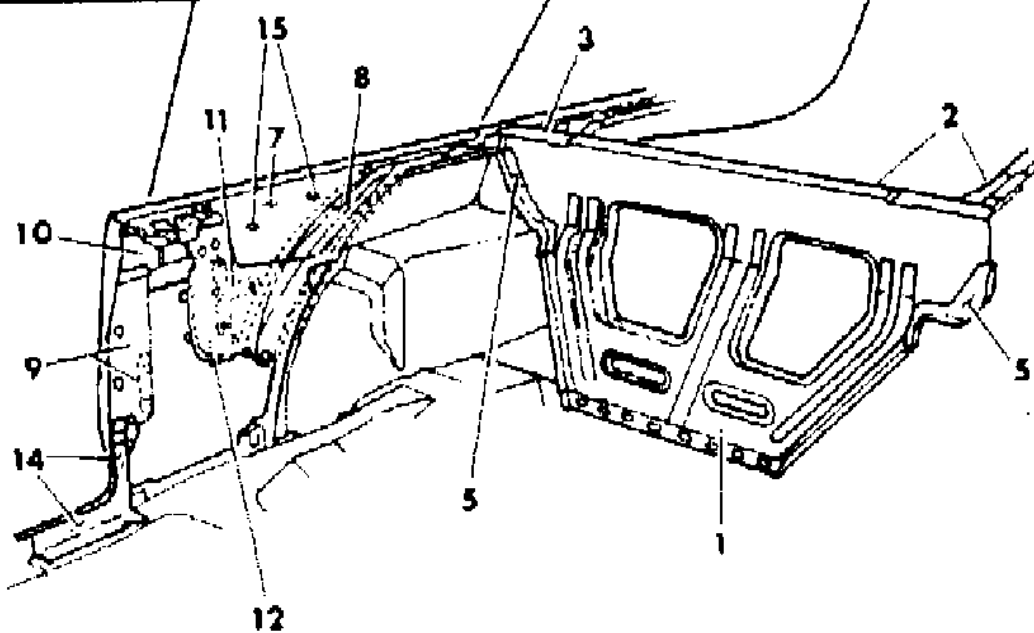
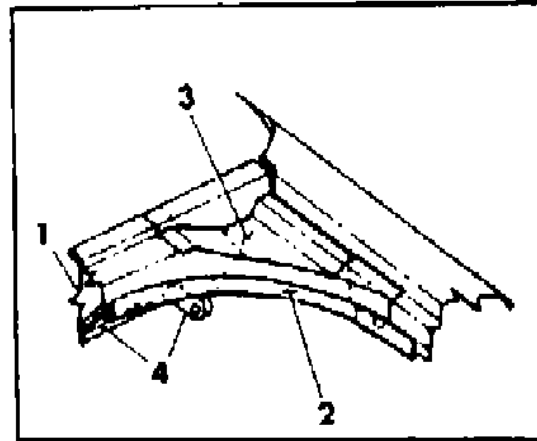
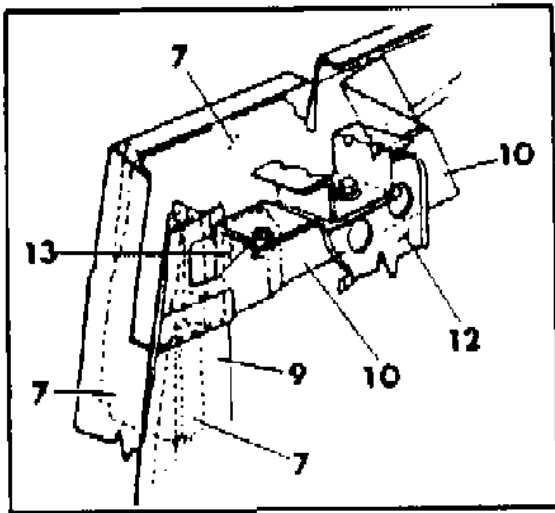
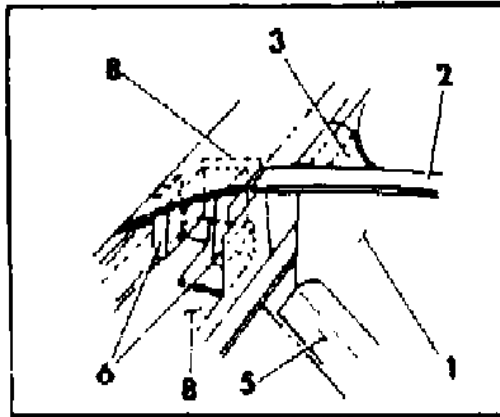
21 = 2-DOOR SEDAN	28 = FWD PICKUP	44 = 4-DOOR HATCHBACK
22 = 2-DOOR SPECIAL COUPE	35 = FWD VAN	45 = 4-DOOR STATION WAGON
24 = 2-DOOR HATCHBACK	36 = FWD WAGON	48 = 4-DOOR EXECUTIVE SEDAN
27 = 2-DOOR CONVERTIBLE	41 = 4-DOOR SEDAN	

AR = Use as Required - = Non Illustrated Part P.A.R. = Paint as Required

CONVERTIBLE QUARTER INNER AND DECK OPENING UPPER - V,C 27
Figure 23A-4400

4169 4400

ITEM	PART NUMBER	QTY	BODY	MODEL	DESCRIPTION
1		1		27	PANEL, Deck Opening Upper to Floor ClosureNot Ser viced
2	4341 328	1		27	TROUGH, Deck Opening Upper Drain
3	4296 460-1	1		27	REINFORCEMENT, Deck Opening Upper Drain Trough
4	4296 539	1		27	BRACE and NUT
5	4296 468-9	1		27	BRACKET, Deck Opening Upper Closure to Wheelhouse Inner Panel
6		1		27	BRACKET and SEAL, Side Aperture Belt Bar Reinforcement (Serviced in Item #7)
7	4314 584-5	1		27	REINFORCEMENT ASSEMBLY, Body Side Aperture Belt Bar (Includes Items #6,8,10-13,15)
8		1		27	REINFORCEMENT, Body Side Aperture Belt Bar Lower (Serviced in Item #7)
9	4314 588-9	1		27	EXTENSION and PLATE, Side Aperture Panel Brace
10		1		27	BRACE, Body Side Aperture Belt Bar Reinforcement (Serviced in Item #7)
11		2		27	PLATE and NUT, Body Side Aperture Belt Bar Reinforcement to Wheelhouse Extension (Serviced in Items #7 & 12)
12	4314 586-7	1		27	EXTENSION and PLATE, Side Aperture Belt Bar to Wheelhouse (Includes Item #11)
13		2		27	REINFORCEMENT and NUT, Body Side Aperture Belt Bar Reinforcement Brace (Serviced in Item #7)
14	4337 396-7	1		27	REINFORCEMENT, Quarter Inner Panel to Door Opening Sill Rear
15	6100 098	8		27	SCREW, Body Side Aperture Belt Bar Upper Reinforcement



MODEL CODES

B = GRAN FURY	F = FIFTH AVENUE/NEWPORT	P = RELIANT
C = LEBARON/TOWN & COUNTRY/EXC SEDAN	G = DIPLOMAT	T = E CLASS/NEW YORKER
C24 = LASER	H = VOYAGER	V = 600
D = ARIES	K = MINI RAM/CARAVAN/ROYAL	V24 = DAYTONA
E = 600	M = HORIZON/TURISMO	Z = OMNI/CHARGER/RAMPAGE

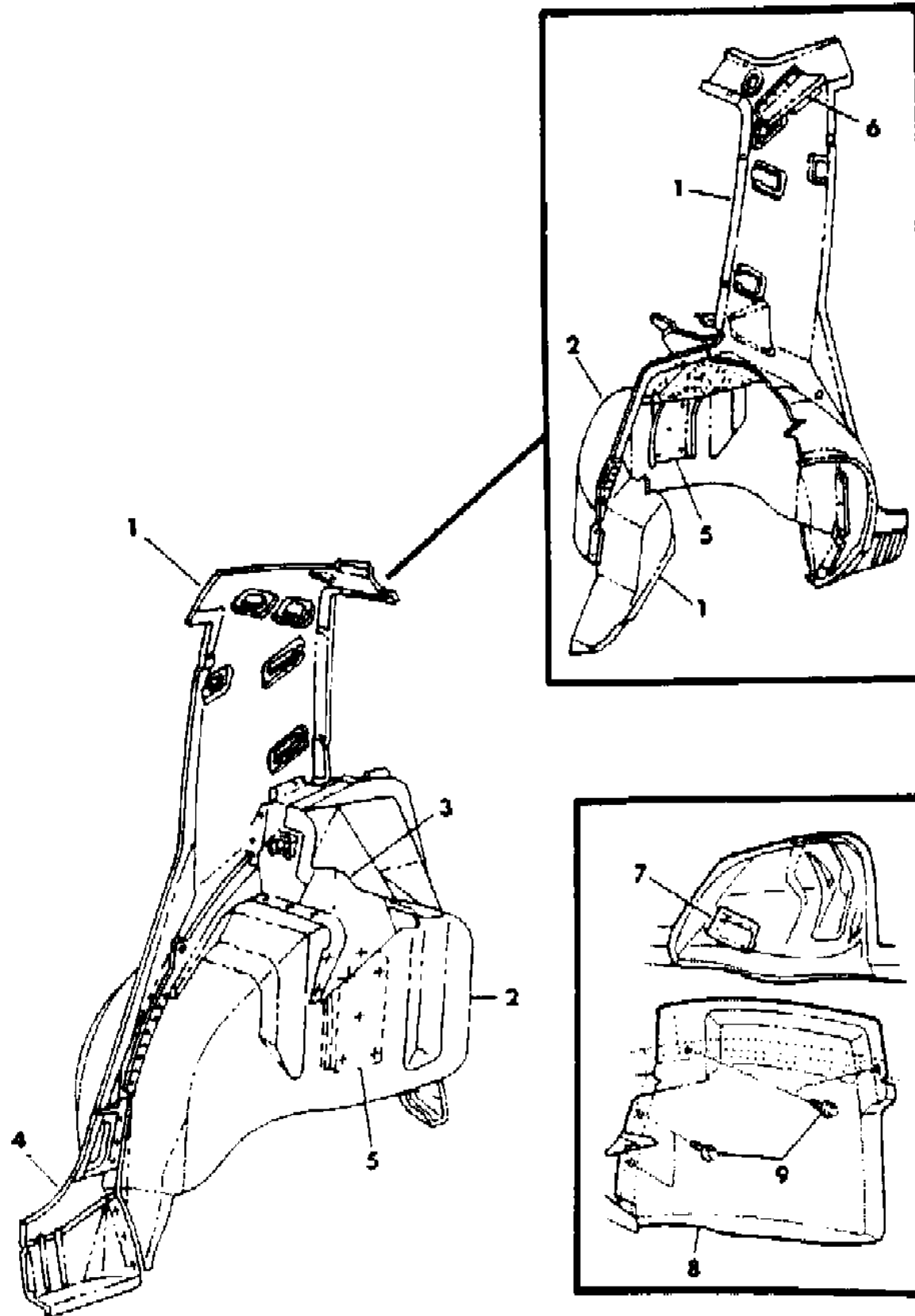
BODY STYLES

21 = 2-DOOR SEDAN	28 = FWD PICKUP	44 = 4-DOOR HATCHBACK
22 = 2-DOOR SPECIAL COUPE	35 = FWD VAN	45 = 4-DOOR STATION WAGON
24 = 2-DOOR HATCHBACK	36 = FWD WAGON	48 = 4-DOOR EXECUTIVE SEDAN
27 = 2-DOOR CONVERTIBLE	41 = 4-DOOR SEDAN	

AR = Use as Required - = Non Illustrated Part P.A.R. = Paint as Required

QUARTER INSIDE AND WHEELHOUSE OUTER PANEL - P,D,C 41
Figure 23A-4500

4109 4500



ITEM	PART NUMBER	QTY	BODY	MODEL	DESCRIPTION
1	4296 414-5	1			PANEL, Quarter Inside and Wheelhouse Outer
2	4278 436-7	1			PANEL, Rear Wheelhouse Inner
3		1			EXTENSION, Shelf Panel Not Serviced
4	4206 074-5	1			REINFORCEMENT, Quarter Inner Panel Sill Jacking
5	4134 686-7	1			REINFORCEMENT, W/House Inner Panel Shock Absorber
6	4134 896-7	1			Mounting SUPPORT, Quarter Inside and Wheelhouse Outer to Side Aperture Panel
7	4206 734	1		P,D	SHIELD, W/House Inner Panel Fuel Filler Tube, Rt.
8	4314 188-9	1		C	SHIELD, Rear W/House Inner Panel Appearance
9		AR			SCREW, Not Serviced
NOTE: The following Items are Not shown On Illustration. ode). Both models are derived from the 100.1" W.B. LeBaron (C 22 Model). Sheet metal parts for the C 48 not found on this illustration should be speci					
	4206 218	2			SEAL, Quarter Outside Panel to Deck Lower Panel Extension
	4278 463	1			PIN, W/House Inner to Deck Lid Hinge Restrainer Cable, Rt. Attaching

MODEL CODES

B = GRAN FURY	F = FIFTH AVENUE/NEWPORT	P = RELIANT
C = LEBARON/TOWN & COUNTRY/EXC SEDAN	G = DIPLOMAT	T = E CLASS/NEW YORKER
C24 = LASER	H = VOYAGER	V = 600
D = ARIES	K = MINI RAM/CARAVAN/ROYAL	V24 = DAYTONA
E = 600	M = HORIZON/TURISMO	Z = OMNI/CHARGER/RAMPAGE

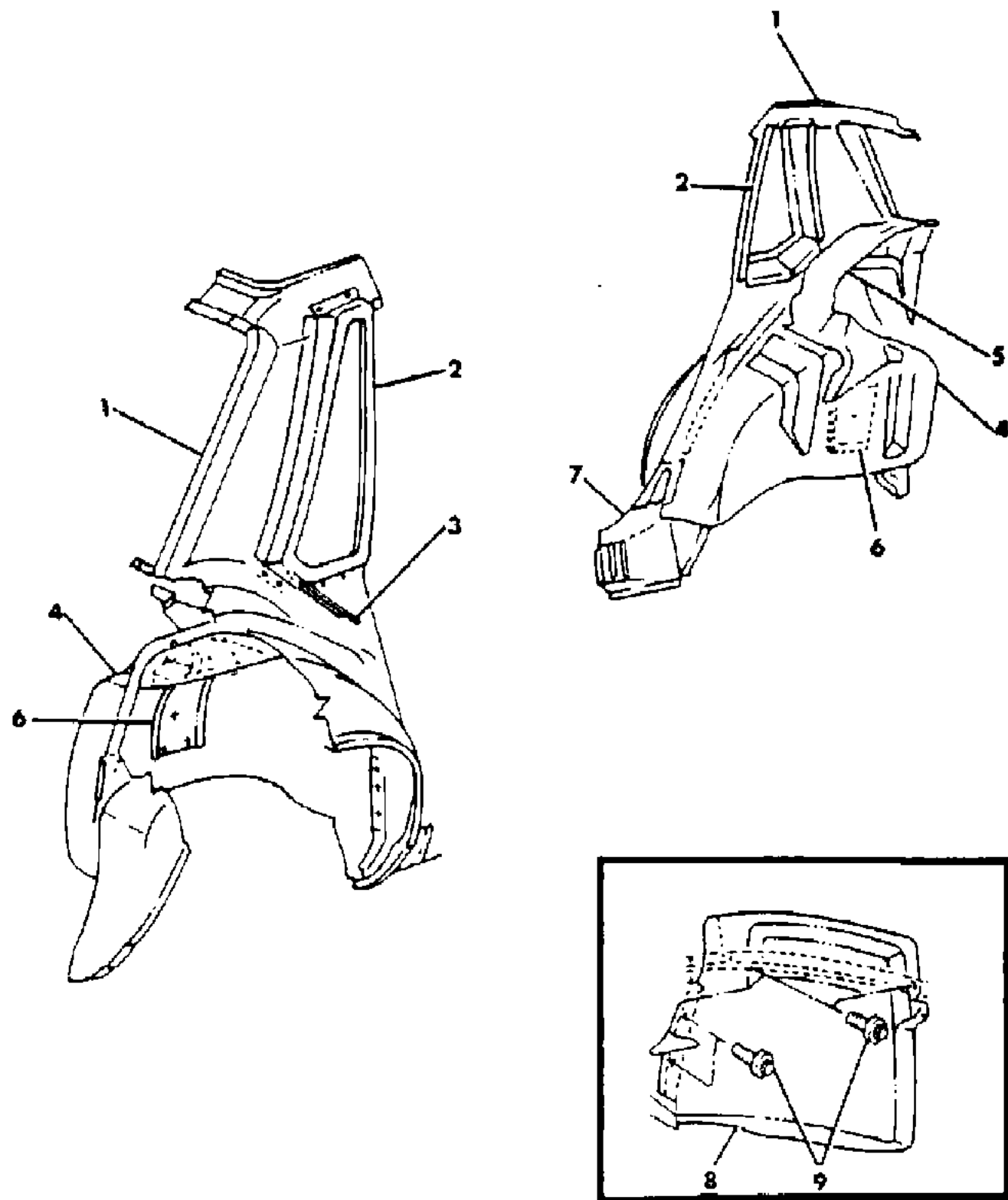
BODY STYLES

21 = 2-DOOR SEDAN	28 = FWD PICKUP	44 = 4-DOOR HATCHBACK
22 = 2-DOOR SPECIAL COUPE	35 = FWD VAN	45 = 4-DOOR STATION WAGON
24 = 2-DOOR HATCHBACK	36 = FWD WAGON	48 = 4-DOOR EXECUTIVE SEDAN
27 = 2-DOOR CONVERTIBLE	41 = 4-DOOR SEDAN	

AR = Use as Required - = Non Illustrated Part P.A.R. = Paint as Required

QUARTER INSIDE AND WHEELHOUSE OUTER PANEL - E,T
Figure 23A-4600

4109 4600



ITEM	PART NUMBER	QTY	BODY	MODEL	DESCRIPTION
1	4296 724-5	1			PANEL, Quarter Inside & Wheelhouse Outer
2	4314 252-3	1			REINFORCEMENT, Body Side Aperture to Quarter Inside
3	4296 288-9	1			TROUGH, Quarter Inside Panel Wdo. Reinforcement Drain
4	4278 436-7	1			PANEL, Rear WheelHouse Inner
5		1			EXTENSION, Shelf Panel Not Serviced
6	4134 686-7	1			REINFORCEMENT, Wheelhouse Inner Panel Shock Absorber Mounting
7	4206 074-5	1			REINFORCEMENT, Quarter Inner Panel Sill Jacking
8	4314 188-9	1			SHIELD, Rear Wheelhouse Inner Panel Appearance
9		AR			SCREW, (Not Serviced)

MODEL CODES

B = GRAN FURY	F = FIFTH AVENUE/NEWPORT	P = RELIANT
C = LEBARON/TOWN & COUNTRY/EXC SEDAN	G = DIPLOMAT	T = E CLASS/NEW YORKER
C24 = LASER	H = VOYAGER	V = 600
D = ARIES	K = MINI RAM/CARAVAN/ROYAL	V24 = DAYTONA
E = 600	M = HORIZON/TURISMO	Z = OMNI/CHARGER/RAMPAGE

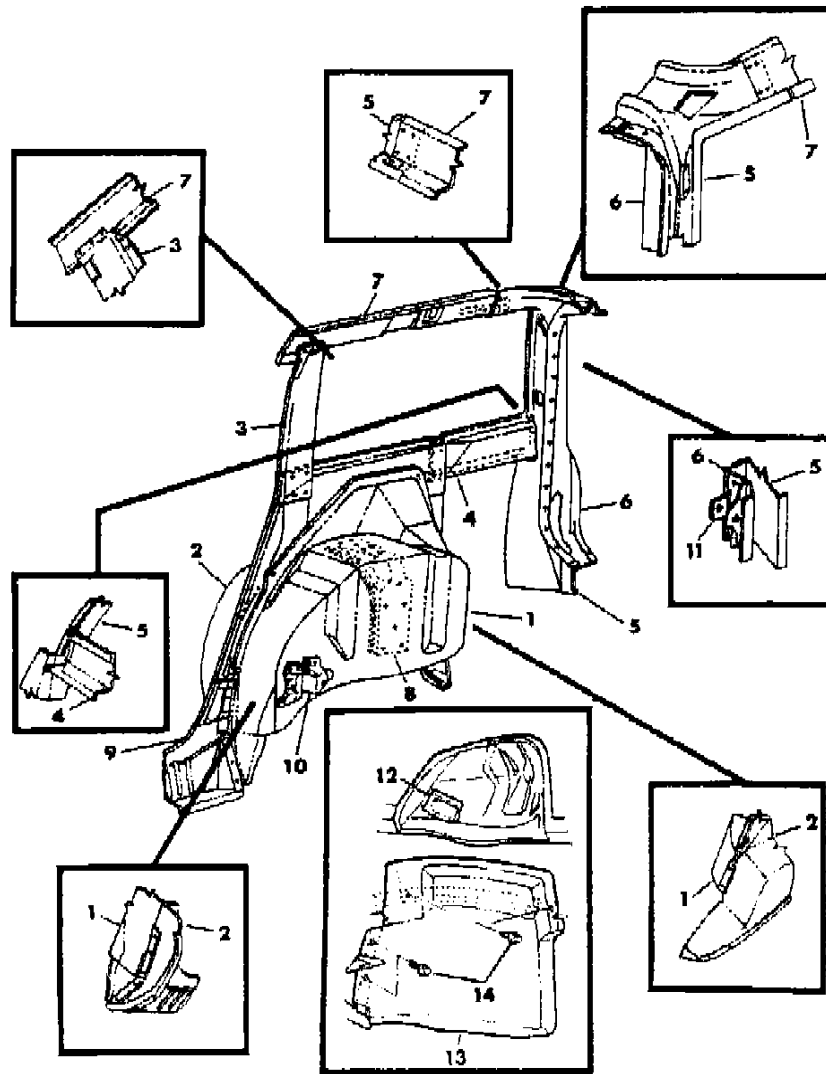
BODY STYLES

21 = 2-DOOR SEDAN	28 = FWD PICKUP	44 = 4-DOOR HATCHBACK
22 = 2-DOOR SPECIAL COUPE	35 = FWD VAN	45 = 4-DOOR STATION WAGON
24 = 2-DOOR HATCHBACK	36 = FWD WAGON	48 = 4-DOOR EXECUTIVE SEDAN
27 = 2-DOOR CONVERTIBLE	41 = 4-DOOR SEDAN	

AR = Use as Required - = Non Illustrated Part P.A.R. = Paint as Required

QUARTER INSIDE AND WHEELHOUSE OUTER PANEL - P,D,C 45
Figure 23A-4700

4160 4700



ITEM	PART NUMBER	QTY	BODY	MODEL	DESCRIPTION
1	4278 436-7	1			PANEL, Rear Wheelhouse Inner
2	4296 412-3	1			PANEL, Quarter Inside and Wheelhouse Outer
3	4134 814-5	1			PANEL, Body Rear Lock Pillar Upper, Inner
4	4134 822-3	1			REINFORCEMENT, Quarter Panel Belt
5	4134 824-5	1			PILLAR, Quarter Outside Panel Liftgate Opening, Front
6	4134 826-7	1			PILLAR, Quarter Outside Panel Liftgate Opening, Rear
7	4206 150-1	1			RAIL, Roof Side Inner, Rear
8	4134 686-7	1			REINFORCEMENT, W/House Inner Panel Shock Absorber Mounting
9	4206 074-5	1			REINFORCEMENT, Quarter Inner Panel Sill Jacking
10	4206 220-1	1			BRACKET, Wheelhouse Inner Panel Rear, Folding Seat Back Hinge Mounting
11	4296 404	2			BRACKET, Liftgate Opening Pillar Prop Attaching
12	4206 734	1		P,D	SHIELD, W/House Inner Panel Fuel Filler Tube, Rt.
13	4314 188-9	1		C	SHIELD, Rear W/House Inner Panel Appearance
14		AR			SCREW, Not Serviced

MODEL CODES

B = GRAN FURY	F = FIFTH AVENUE/NEWPORT	P = RELIANT
C = LEBARON/TOWN & COUNTRY/EXC SEDAN	G = DIPLOMAT	T = E CLASS/NEW YORKER
C24 = LASER	H = VOYAGER	V = 600
D = ARIES	K = MINI RAM/CARAVAN/ROYAL	V24 = DAYTONA
E = 600	M = HORIZON/TURISMO	Z = OMNI/CHARGER/RAMPAGE

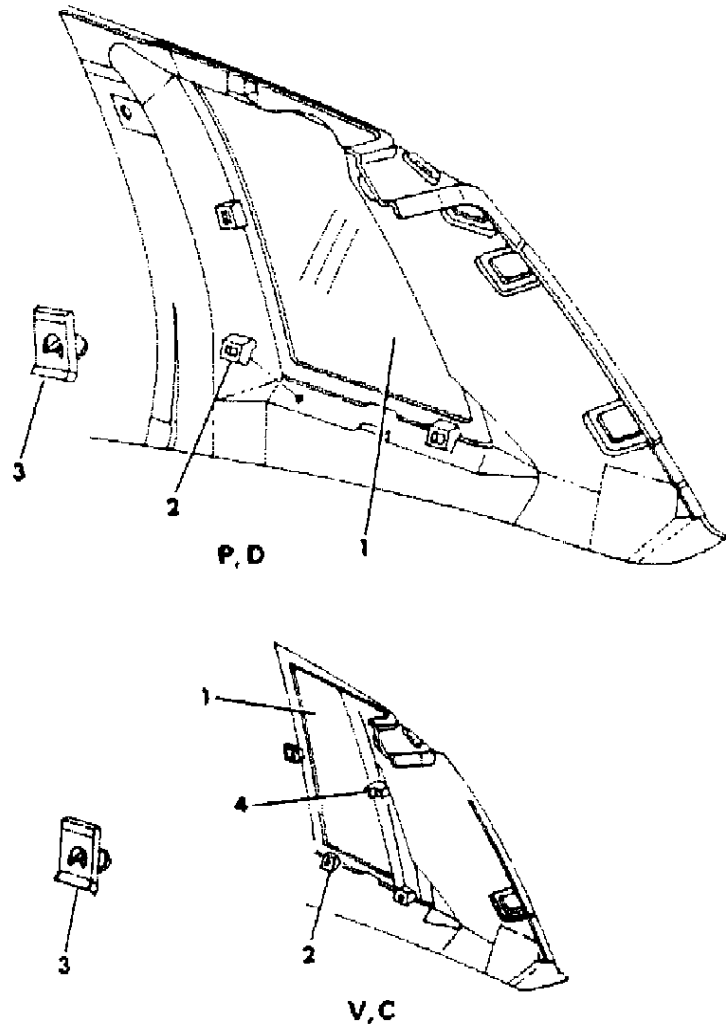
BODY STYLES

21 = 2-DOOR SEDAN	28 = FWD PICKUP	44 = 4-DOOR HATCHBACK
22 = 2-DOOR SPECIAL COUPE	35 = FWD VAN	45 = 4-DOOR STATION WAGON
24 = 2-DOOR HATCHBACK	36 = FWD WAGON	48 = 4-DOOR EXECUTIVE SEDAN
27 = 2-DOOR CONVERTIBLE	41 = 4-DOOR SEDAN	

AR = Use as Required - = Non Illustrated Part P.A.R. = Paint as Required

GLASS QUARTER WINDOW - P,D,V,C 21,22,48
Figure 23A-4800

4169 4800



ITEM	PART NUMBER	QTY	BODY	MODEL	DESCRIPTION
1	4134 636-7	1		P,D	GLASS, Qtr. Wdo., Tinted
	4337 052-3	1		V	Tinted (Includes "Dodge 600" Decal)
	4278 670-1	1		C 22	Tinted (Includes Etched "LeBaron" Logo)
	4364 152-3	1		C 48	Tinted
2	4206 362	AR		All	SPACER, Qtr. Wdo. Glass
3	4206 852	2		All	RETAINER, Qtr. Wdo. Glass (Upper)
	4206 852	2		All	(Lower)
4	4278 162	2		V,C	SPACER, Qtr. Wdo. Glass, Rear

NOTE: THE FOLLOWING ITEMS ARE NOT SHOWN ON ILLUSTRATION. Both models are derived from the 100.1" W.B.

- LeBaron (C 22 Model). Sheet metal parts for the C 48 not found on this illustration should be speci
- | | | | |
|--------------|---------|----------------------|---------------------------------------|
| 4057 957 | 1 | All | FIXED GLASS REPAIR PACKAGE, Qtr. Wdo. |
| CONSISTS OF: | | | |
| 1- | ----- | Tape, Butyl, 171.00" | |
| 1- | ----- | Primer, Glass | |
| 1- | ----- | PRIMER, Fence | |
| 2- | 3674698 | Spacer, Rubber, 0.2" | |
| 2- | 3793290 | Spacer, Rubber, 0.3" | |
| 2- | 3767767 | Shim, 0.07" | |
| 2- | ----- | Sponges Disposable | |

MODEL CODES

- | | | |
|--------------------------------------|----------------------------|--------------------------|
| B = GRAN FURY | F = FIFTH AVENUE/NEWPORT | P = RELIANT |
| C = LEBARON/TOWN & COUNTRY/EXC SEDAN | G = DIPLOMAT | T = E CLASS/NEW YORKER |
| C24 = LASER | H = VOYAGER | V = 600 |
| D = ARIES | K = MINI RAM/CARAVAN/ROYAL | V24 = DAYTONA |
| E = 600 | M = HORIZON/TURISMO | Z = OMNI/CHARGER/RAMPAGE |

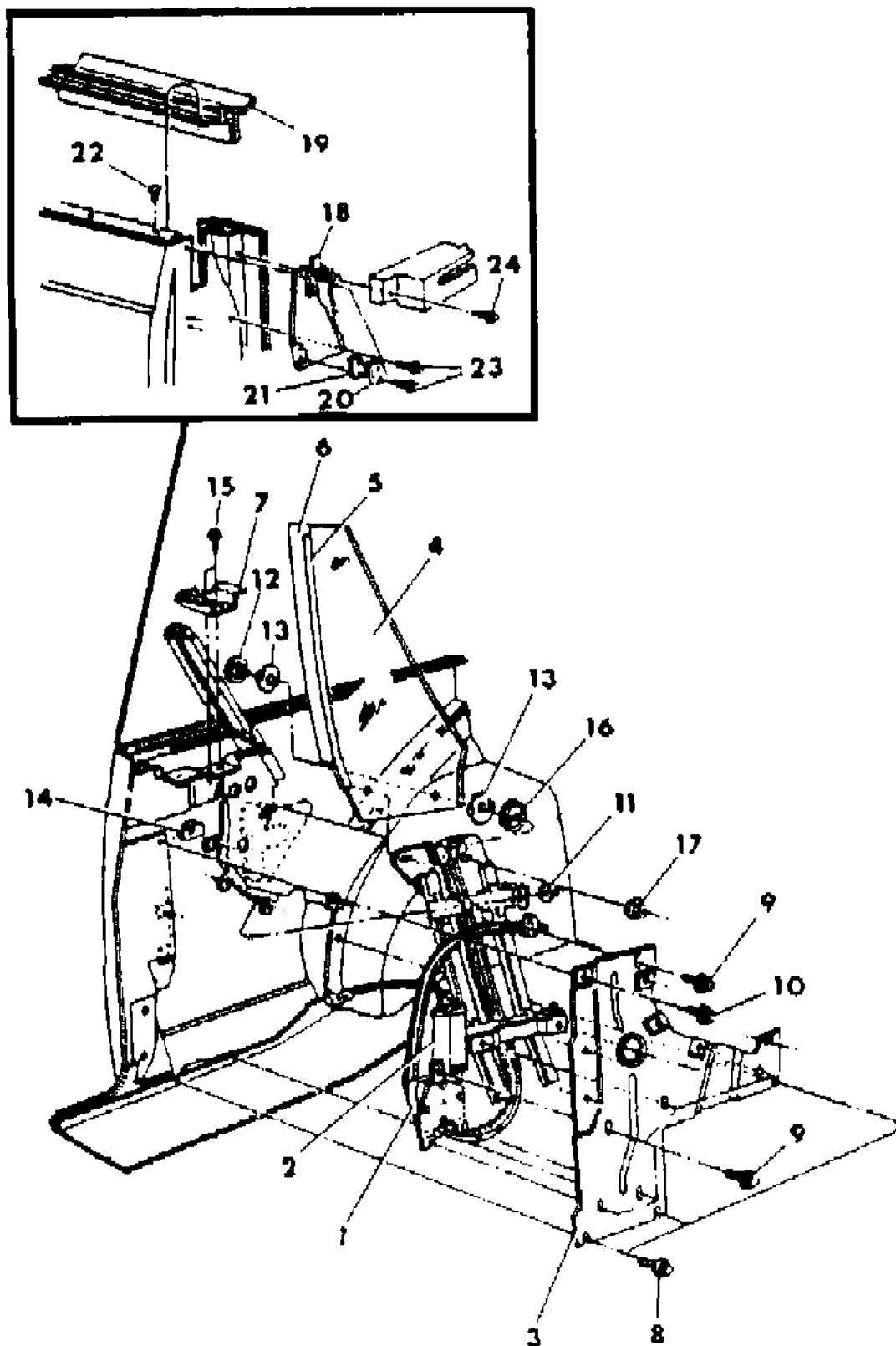
BODY STYLES

- | | | |
|---------------------------|-------------------|-----------------------------|
| 21 = 2-DOOR SEDAN | 28 = FWD PICKUP | 44 = 4-DOOR HATCHBACK |
| 22 = 2-DOOR SPECIAL COUPE | 35 = FWD VAN | 45 = 4-DOOR STATION WAGON |
| 24 = 2-DOOR HATCHBACK | 36 = FWD WAGON | 48 = 4-DOOR EXECUTIVE SEDAN |
| 27 = 2-DOOR CONVERTIBLE | 41 = 4-DOOR SEDAN | |

AR = Use as Required - = Non Illustrated Part P.A.R. = Paint as Required

CONVERTIBLE QUARTER WINDOW - V,C 27
Figure 23A-4900

4169 4900



ITEM	PART NUMBER	QTY	BODY	MODEL	DESCRIPTION
1	4336 010-1	1		27	REGULATOR, Quarter Window
2	4336 008-9	1		27	MOTOR and GEARBOX, Qtr. Window Regulator
3	4296 458-9	1		27	EXTENSION, Quarter Inner Panel
4	4314 482-3	1		27	GLASS, Quarter Window, Tinted
5	4314 786-7	1		27	RETAINER, Quarter Window Glass Front Weatherstrip
6	4314 562-3	1		27	WEATHERSTRIP, Quarter Window Front
7	4314 568	2		27	STABILIZER, Quarter Window Glass Upper
8	6032 451	6		27	SCREW
9	6100 566	12		27	SCREW and WASHER
10	6100 276	14		27	SCREW and WASHER
11	6100 047	2		27	NUT and WASHER
12	6029 998	4		27	STUD and WASHER
13	5231 769	8		27	GASKET
14	6100 041	14		27	U-NUT
15	6100 275	4		27	SCREW and WASHER
16	6028 587	4		27	T-NUT
17		4		27	NUT, 1/4"-20 Not Serviced
18	4310 260-1	1		27	SEAL, Quarter Lock Pillar at Belt
19	4310 708-9	1		27	WEATHERSTRIP and BRACKET, Quarter Belt Outer
20	4310 752-3	1		27	WEDGE, Door Adjusting (Body Half)
21		AR		27	SHIM, Door Adjusting Wedge (Not Serviced)
22	6032 603	4		27	RIVET
23	9414 722	8		27	SCREW
24		2		27	SCREW, #8-18 x .625" (Not Serviced)

MODEL CODES

B = GRAN FURY	F = FIFTH AVENUE/NEWPORT	P = RELIANT
C = LEBARON/TOWN & COUNTRY/EXC SEDAN	G = DIPLOMAT	T = E CLASS/NEW YORKER
C24 = LASER	H = VOYAGER	V = 600
D = ARIES	K = MINI RAM/CARAVAN/ROYAL	V24 = DAYTONA
E = 600	M = HORIZON/TURISMO	Z = OMNI/CHARGER/RAMPAGE

BODY STYLES

21 = 2-DOOR SEDAN	28 = FWD PICKUP	44 = 4-DOOR HATCHBACK
22 = 2-DOOR SPECIAL COUPE	35 = FWD VAN	45 = 4-DOOR STATION WAGON
24 = 2-DOOR HATCHBACK	36 = FWD WAGON	48 = 4-DOOR EXECUTIVE SEDAN
27 = 2-DOOR CONVERTIBLE	41 = 4-DOOR SEDAN	

AR = Use as Required - = Non Illustrated Part P.A.R. = Paint as Required

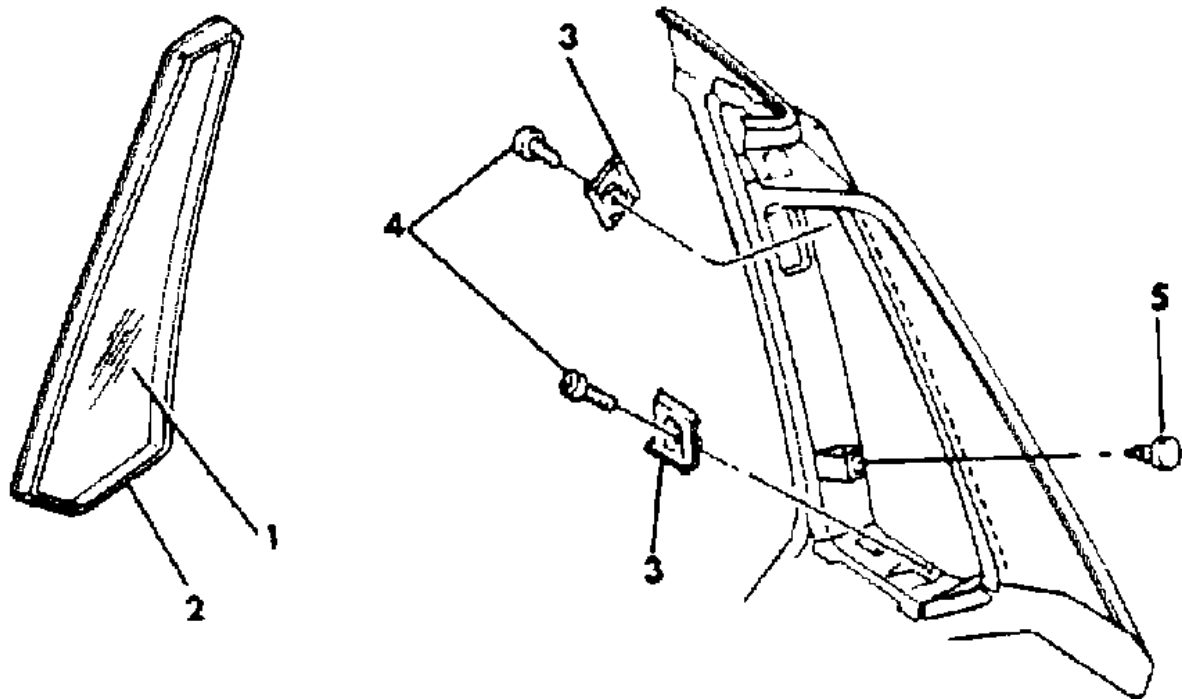
GLASS QUARTER WINDOW - E,T
Figure 23A-5000

4169 5000

ITEM	PART NUMBER	QTY	BODY	MODEL	DESCRIPTION
1	4206 888-9	1		exc. T-	GLASS, Qtr. Wdo., Clear
	4206 890-1	1		exc. T-	Tinted
2	4206 323	AR			SEAL, Qtr. Wdo. Glass Frame
3	4206 852	2			RETAINER, Qtr. Wdo. Glass, Upper
	4206 852	2			Lower
4		4			SCREW, Not Serviced
5	4278 856	10			SPACER, Qtr. Wdo. Glass

NOTE: The Following Items Are Not Shown On Illustration. ode). Both models are derived from the 100.1" W.B. LeBaron (C 22 Model). Sheet metal parts for the C 48 not found on this illustration should be speci

4057 957	1				FIXED GLASS REPAIR PACKAGE, Qtr. Wdo. CONSISTS OF: 1- ----- Tape, Butyl, 171.00" 1- ----- Primer, Glass 1- ----- Primer, Fence 2- 3674698 Spacer, Rubber, 0.2" 2- 3793290 Spacer, Rubber, 0.3" 2- 3767767 Shim, 0.07" 2- ----- Sponges Disposable
----------	---	--	--	--	---



MODEL CODES

B = GRAN FURY	F = FIFTH AVENUE/NEWPORT	P = RELIANT
C = LEBARON/TOWN & COUNTRY/EXC SEDAN	G = DIPLOMAT	T = E CLASS/NEW YORKER
C24 = LASER	H = VOYAGER	V = 600
D = ARIES	K = MINI RAM/CARAVAN/ROYAL	V24 = DAYTONA
E = 600	M = HORIZON/TURISMO	Z = OMNI/CHARGER/RAMPAGE

BODY STYLES

21 = 2-DOOR SEDAN	28 = FWD PICKUP	44 = 4-DOOR HATCHBACK
22 = 2-DOOR SPECIAL COUPE	35 = FWD VAN	45 = 4-DOOR STATION WAGON
24 = 2-DOOR HATCHBACK	36 = FWD WAGON	48 = 4-DOOR EXECUTIVE SEDAN
27 = 2-DOOR CONVERTIBLE	41 = 4-DOOR SEDAN	

AR = Use as Required - = Non Illustrated Part P.A.R. = Paint as Required

GLASS QUARTER WINDOW - P,D,C 45
Figure 23A-5100

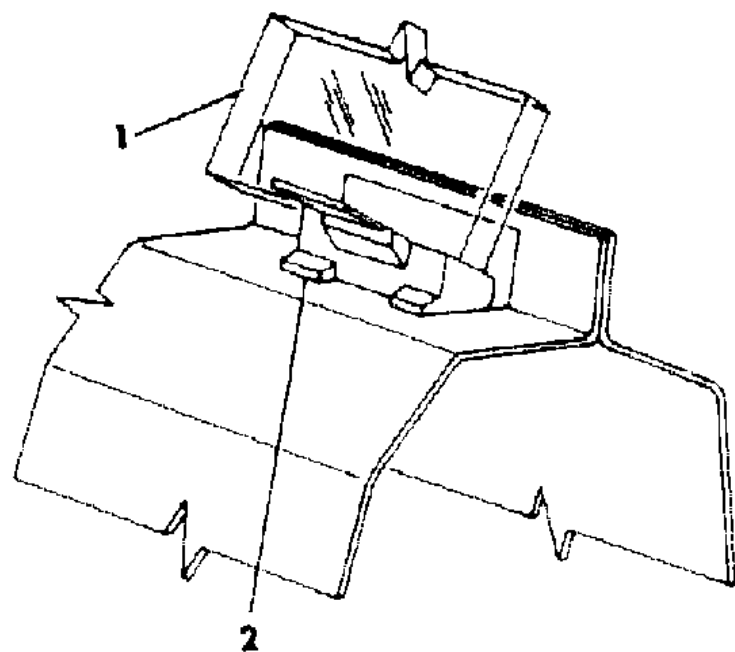
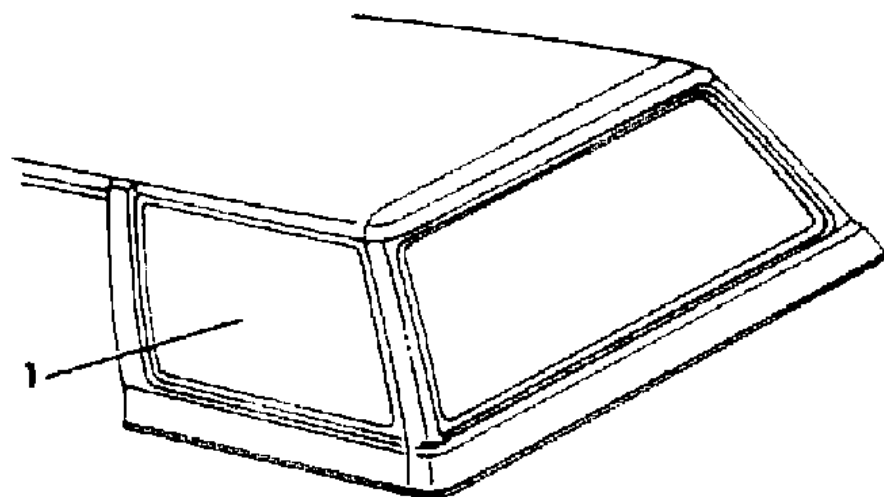
4169 5100

ITEM	PART NUMBER	QTY	BODY	MODEL	DESCRIPTION
1	4206 170-1	1			GLASS, Qtr. Wdo., Clear
	4206 172-3	1			Tinted
2					SPACER, Qtr. Wdo. Glass
	4206 693	2			SPACER, Qtr. Wdo. Glass, Rear
	4206 517	4			SPACER, Qtr. Wdo. Glass, Lower (Plastic)

NOTE: THE FOLLOWING ITEMS ARE NOT SHOWN ON ILLUSTRATION. Both models are derived from the 100.1" W.B. LeBaron (C 22 Model). Sheet metal parts for the C 48 not found on this illustration should be speci

4057 957 1 FIXED GLASS REPAIR PACKAGE, Qtr. Wdo. CONSISTS OF:

- 1- ----- Tape, Butyl, 171.00"
- 1- ----- Primer, Glass
- 1- ----- PRIMER, Fence
- 2- 3674698 Spacer, Rubber, 0.2"
- 2- 3793290 Spacer, Rubber, 0.3"
- 2- 3767767 Shim, 0.07"
- 2- ----- Sponges Disposable



MODEL CODES

B = GRAN FURY	F = FIFTH AVENUE/NEWPORT	P = RELIANT
C = LEBARON/TOWN & COUNTRY/EXC SEDAN	G = DIPLOMAT	T = E CLASS/NEW YORKER
C24 = LASER	H = VOYAGER	V = 600
D = ARIES	K = MINI RAM/CARAVAN/ROYAL	V24 = DAYTONA
E = 600	M = HORIZON/TURISMO	Z = OMNI/CHARGER/RAMPAGE

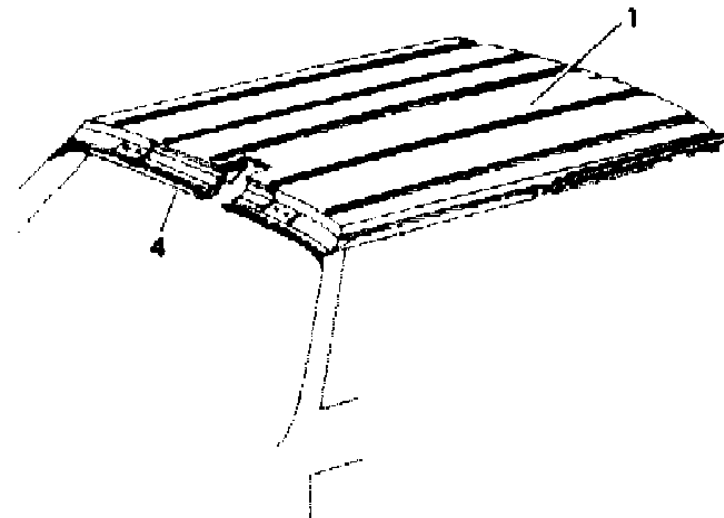
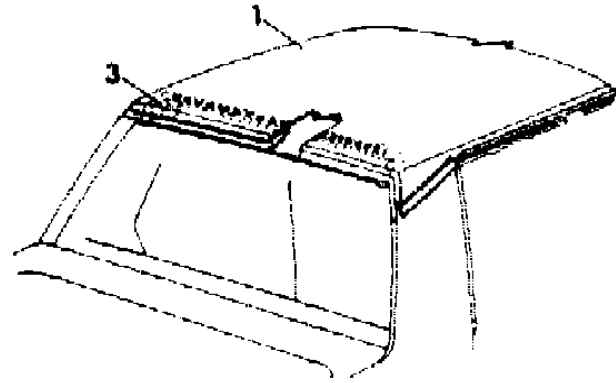
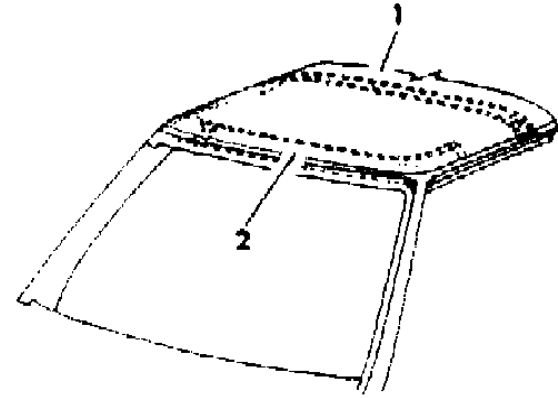
BODY STYLES

21 = 2-DOOR SEDAN	28 = FWD PICKUP	44 = 4-DOOR HATCHBACK
22 = 2-DOOR SPECIAL COUPE	35 = FWD VAN	45 = 4-DOOR STATION WAGON
24 = 2-DOOR HATCHBACK	36 = FWD WAGON	48 = 4-DOOR EXECUTIVE SEDAN
27 = 2-DOOR CONVERTIBLE	41 = 4-DOOR SEDAN	

AR = Use as Required - = Non Illustrated Part P.A.R. = Paint as Required

ROOF PANEL - P,D,V,C,E,T
Figure 23A-5200

4189 5200



ITEM	PART NUMBER	QTY	BODY	MODEL	DESCRIPTION
1	4136 800	1		21,22,4	PANEL, Roof (See Note "1")
	4136 801	1		P,D,V,C	
	4206 806	1		E,T 41	
	4206 950	1		45	
2	4278 137	1		21,22	FRAME, W/Shield Opening Upper
	4371 257	1		41,45	
3	4136 912	1		21,22,4	FRAME, Rear Wdo. Opening Upper
	4136 950	1		P,D,V,C	
	4206 854	1		E,T 41	
4	4129 748	1		45	FRAME and REINFORCEMENT, Liftgate Opening Upper

NOTE: The Following Items Are Not Shown On Illustration. ode). Both models are derived from the 100.1" W.B. LeBaron (C 22 Model). Sheet metal parts for the C 48 not found on this illustration should be speci

	4278 835	1			SUPPORT, Roof Panel Outside Flasher Light or Siren
	6003 423	AR			FASTENER, W/Shield Upper Frame to W/Shield Side Frame
	4278 275	2		21,22,4	BOW, Roof Panel, Up To 3/13/84
	4341 399	2		21,22,4	After 3/13/84
	4278 275	1		41	Front, Up To 3/13/84
	4341 399	1		41	Front, After 3/13/84
	4278 275	1		41	Rear
	4134 834	3		45	
	6100 582	AR			SCREW and WASHER, Panel Bow Attaching

NOTE "1": These parts may require modification for 27 or 48 Body Styles. ode). Both models are derived from the 100.1" W.B. LeBaron (C 22 Model). Sheet metal parts for the C 48 not found on this illustration should be speci

MODEL CODES

B = GRAN FURY	F = FIFTH AVENUE/NEWPORT	P = RELIANT
C = LEBARON/TOWN & COUNTRY/EXC SEDAN	G = DIPLOMAT	T = E CLASS/NEW YORKER
C24 = LASER	H = VOYAGER	V = 600
D = ARIES	K = MINI RAM/CARAVAN/ROYAL	V24 = DAYTONA
E = 600	M = HORIZON/TURISMO	Z = OMNI/CHARGER/RAMPAGE

BODY STYLES

21 = 2-DOOR SEDAN	28 = FWD PICKUP	44 = 4-DOOR HATCHBACK
22 = 2-DOOR SPECIAL COUPE	35 = FWD VAN	45 = 4-DOOR STATION WAGON
24 = 2-DOOR HATCHBACK	36 = FWD WAGON	48 = 4-DOOR EXECUTIVE SEDAN
27 = 2-DOOR CONVERTIBLE	41 = 4-DOOR SEDAN	

AR = Use as Required - = Non Illustrated Part P.A.R. = Paint as Required

CONVERTIBLE FOLDING TOP - V,C 27
Figure 23A-5300

4169 5300

ITEM	PART NUMBER	QTY	BODY	MODEL	DESCRIPTION
1	X368 BL6	1		27	WELT, Header, Beige
	X368 AW3	1		27	White
	X368 AX9	1		27	Black
	4305 122	AR		27	PINCHWELD, Header (54" Length)
2	4097 652	1		27	RETAINER, Front Header Weatherstrip
	4186 470	AR		27	SEAL, Retainer to Front Header (70" Length)
		8		27	SCREW, #10-16 x .500" (Not Serviced)
		2		27	SCREW, #10-24 x .500" (Not Serviced)
3	4310 242	1		27	WEATHERSTRIP, Header & Side Rail Front
	4341 243	1		27	HEADER and LATCH, Folding Top Front (Includes Item #11)
	4319 704	2		27	CABLE, Folding Top Tension
5	4305 067	2		27	GROMMET, Folding Top Side Rail Tension Cable
	4305 011	2		27	SPRING, Folding Top Tension Cable
	4336 290-1	1		27	RETAINER, Side Rail Rear Weatherstrip
	4336 254-5	1		27	RETAINER, w/Seal Side Rail Rear Weatherstrip
7	4186 470	AR		27	SEAL, Retainer to Rear Side Rail (70" Length)
		4		27	SCREW, #10-16 x .500" (Not Serviced)
		2		27	SCREW, #10-24 x .500" (Not Serviced)
	4310 248-9	1		27	RETAINER, Side Rail Center Weatherstrip
8	4186 470	AR		27	SEAL, Retainer to Center Side Rail (70" Length)
		6		27	SCREW, #10-16 x .500" (Not Serviced)
	4310 244-5	1		27	RETAINER, Side Rail Front Weatherstrip
9	4186 470	AR		27	SEAL, Retainer to Front Side Rail (70" Length)
		4		27	SCREW, #10-16 x .500" (Not Serviced)
	4310 238-9	1		27	WEATHERSTRIP, Side Rail Center
10	4310 266-7	1		27	WEATHERSTRIP, Side Rail Rear, Up To 12/1/83
	4336 252-3	1		27	From 12/1/83 To 2/1/84
	4336 436-7	1		27	After 2/1/84
11	4341 318-9	1		27	LATCH and BASE, Folding Top Header
	4341 706	2		27	HOOK, Folding Top Header Latch
	4341 707	2		27	PIN, Folding Top Header Alignment Dowel
12		1		27	MOULDING, Deck Opening Upper Belt (See Group 23-Exterior Illustrations)
13		1		27	MOULDING, Belt Rear Corner (See Group 23-Exterior Illustrations)
14	T930 CL6	1		27	BACKLITE and SURROUND, Folding Top
	T911 EW3	1		27	White
	T930 CX9	1		27	Black
15	4366 170	1		27	SLING, Folding Top Well, Black, Up To 6/15/84

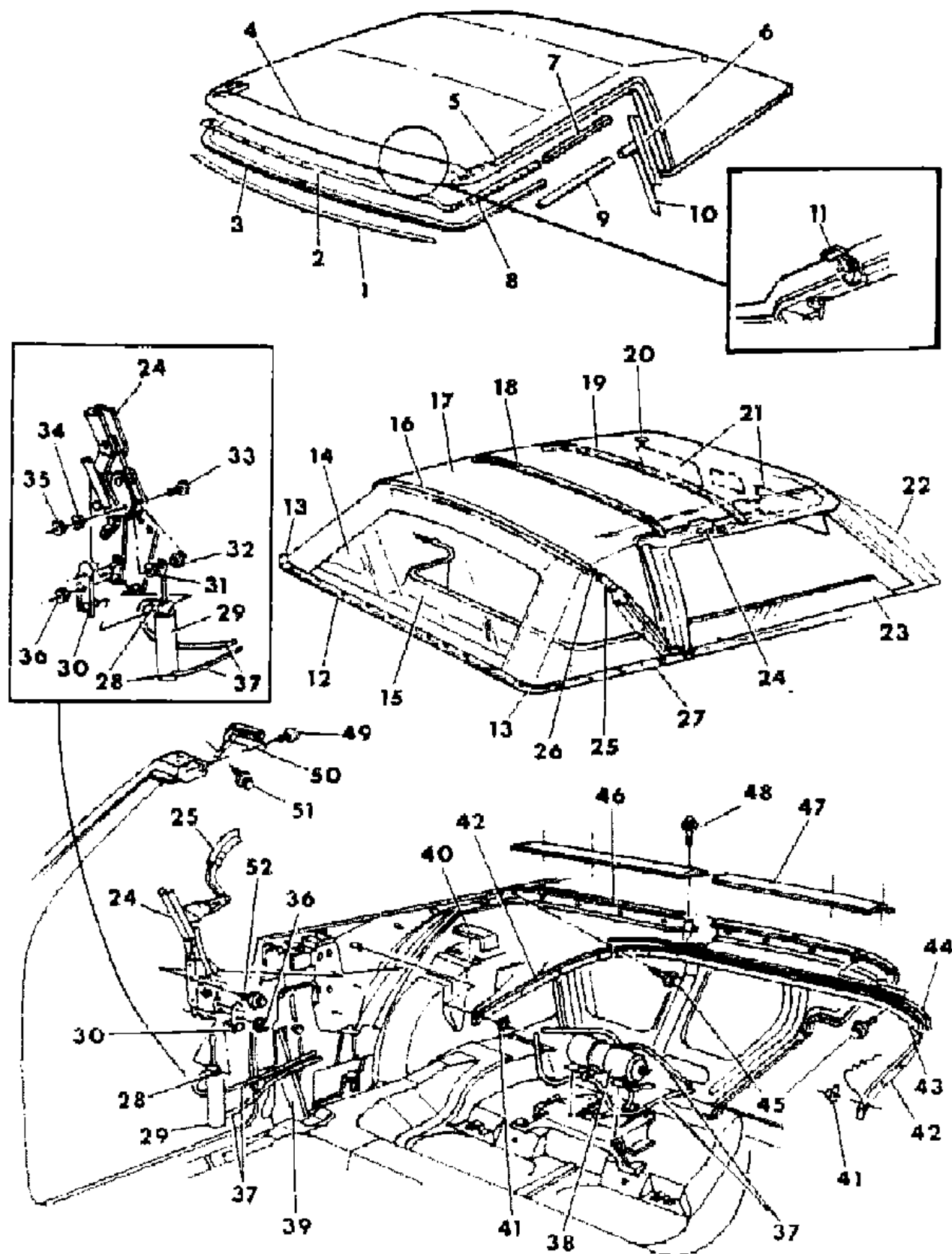
MODEL CODES

B = GRAN FURY	F = FIFTH AVENUE/NEWPORT	P = RELIANT
C = LEBARON/TOWN & COUNTRY/EXC SEDAN	G = DIPLOMAT	T = E CLASS/NEW YORKER
C24 = LASER	H = VOYAGER	V = 600
D = ARIES	K = MINI RAM/CARAVAN/ROYAL	V24 = DAYTONA
E = 600	M = HORIZON/TURISMO	Z = OMNI/CHARGER/RAMPAGE

BODY STYLES

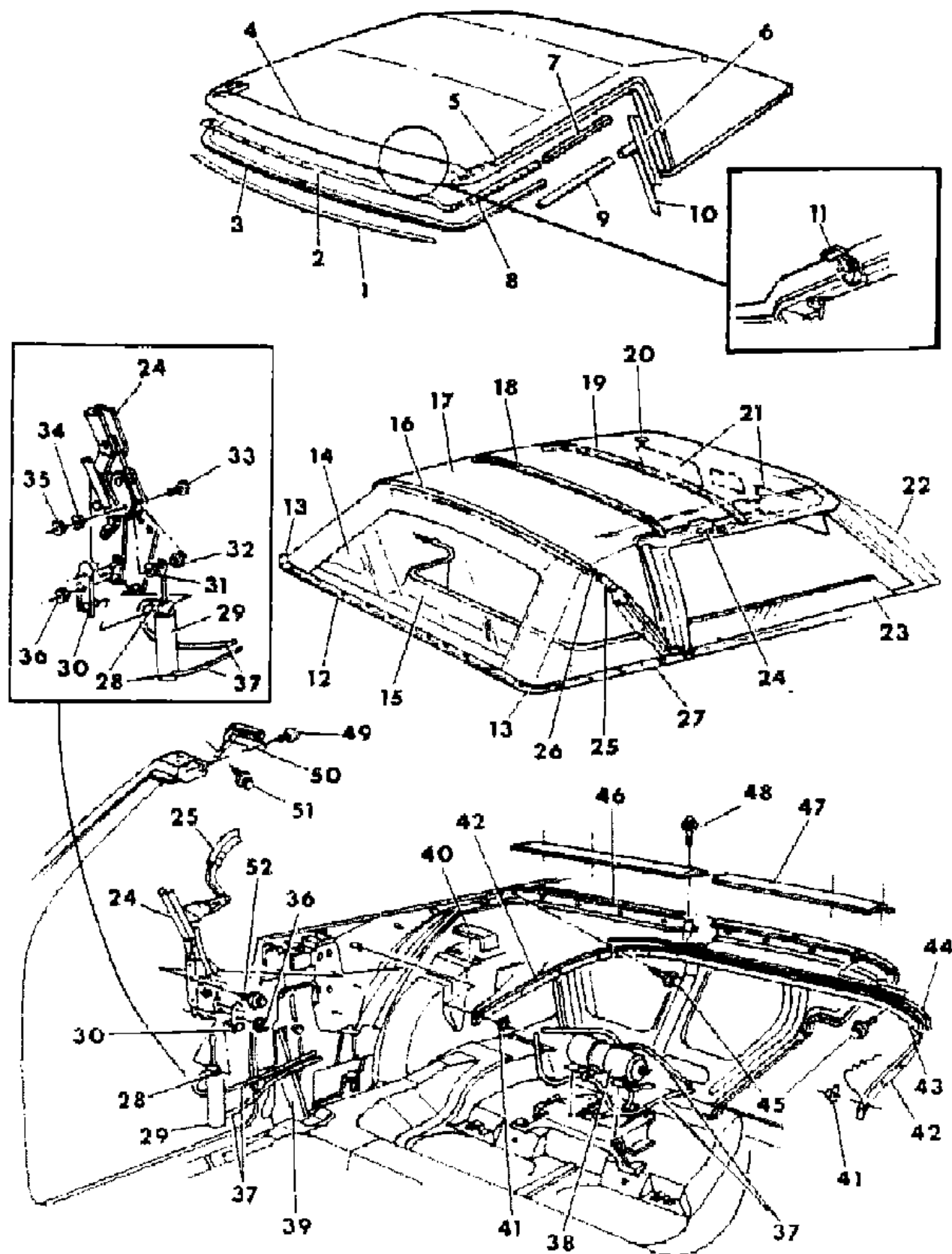
21 = 2-DOOR SEDAN	28 = FWD PICKUP	44 = 4-DOOR HATCHBACK
22 = 2-DOOR SPECIAL COUPE	35 = FWD VAN	45 = 4-DOOR STATION WAGON
24 = 2-DOOR HATCHBACK	36 = FWD WAGON	48 = 4-DOOR EXECUTIVE SEDAN
27 = 2-DOOR CONVERTIBLE	41 = 4-DOOR SEDAN	

AR = Use as Required - = Non Illustrated Part P.A.R. = Paint as Required



CONVERTIBLE FOLDING TOP - V,C 27
Figure 23A-5300

4169 5300



ITEM	PART NUMBER	QTY	BODY	MODEL	DESCRIPTION
	4366 170	1		27	After 6/15/84
	4366 284	2		27	RETAINER, Folding Top Well Sling Outer, After 6/15/84
	4305 101	1		27	SNAP PACKAGE, Folding Top Well Sling (Male)
	4305 102	1		27	SNAP PACKAGE, Folding Top Well Sling (Female)
	4328 270	1		27	RETAINER, Folding Top Well Sling to Rear Seat Back, Up To 11/30/83
	4398 146	1		27	After 11/30/83
16	T899 CL6	1		27	MOULDING, #3 Bow Feature Strip, Beige
	T899 CW3	1		27	White
	T899 CX9	1		27	Black
17	T929 CL6	1		27	COVER, Folding Top, Beige
	T929 CW3	1		27	White
	T929 CX9	1		27	Black
	4319 706-7	1		27	PAD, Side Stay
	4319 718	2		27	WEB, Quarter Stay
18	4341 247	1		27	BOW, Folding Top #2
	4097 794	1		27	RETAINER, Folding Top Listing
		3		27	SCREW, Listing Retainer, #6-32 x .375" (Not Serviced)
19	4341 246	1		27	BOW, Folding Top #1
	4097 794	1		27	RETAINER, Folding Top Listing
		3		27	SCREW, Listing Retainer, #6-32 x .375" (Not Serviced)
20		1		27	BRACKET, Sun Visor See Group 23-Interior Illustrations
21		1		27	VISOR, Sun (See Group 23-Interior Illustrations)
22		1		27	GLASS, Windshield (See Glass, Windshield-Illustration)
23		1		27	GLASS, Front Door (See Group 23C-Illustrations)
24	4341 320-1	1		27	RAIL and LINKAGE, Folding Top Side
25	4341 248	1		27	BOW, Folding Top #3
26	4097 591	2		27	CAP, #3 Bow Feature Strip Moulding End
27		1		27	MOULDING, Quarter Belt See Group 23-Exterior Illustrations
28	4097 663	4		27	SEAL, Folding Top Hydraulic Cylinder Tube Connector
29	4097 640	2		27	CYLINDER, Folding Top Hydraulic Lift
30	4097 613	2		27	BRACKET, Hydraulic Cylinder to Linkage
31		2		27	WASHER, Serviced in Item #24
32		2		27	BUSHING, Serviced In Item #24
33		2		27	BOLT, Serviced In Item 24
34		2		27	WASHER, Serviced in Item #24
35		2		27	NUT, Serviced In Item #24
36		2		27	NUT and WASHER, Serviced In Item 24

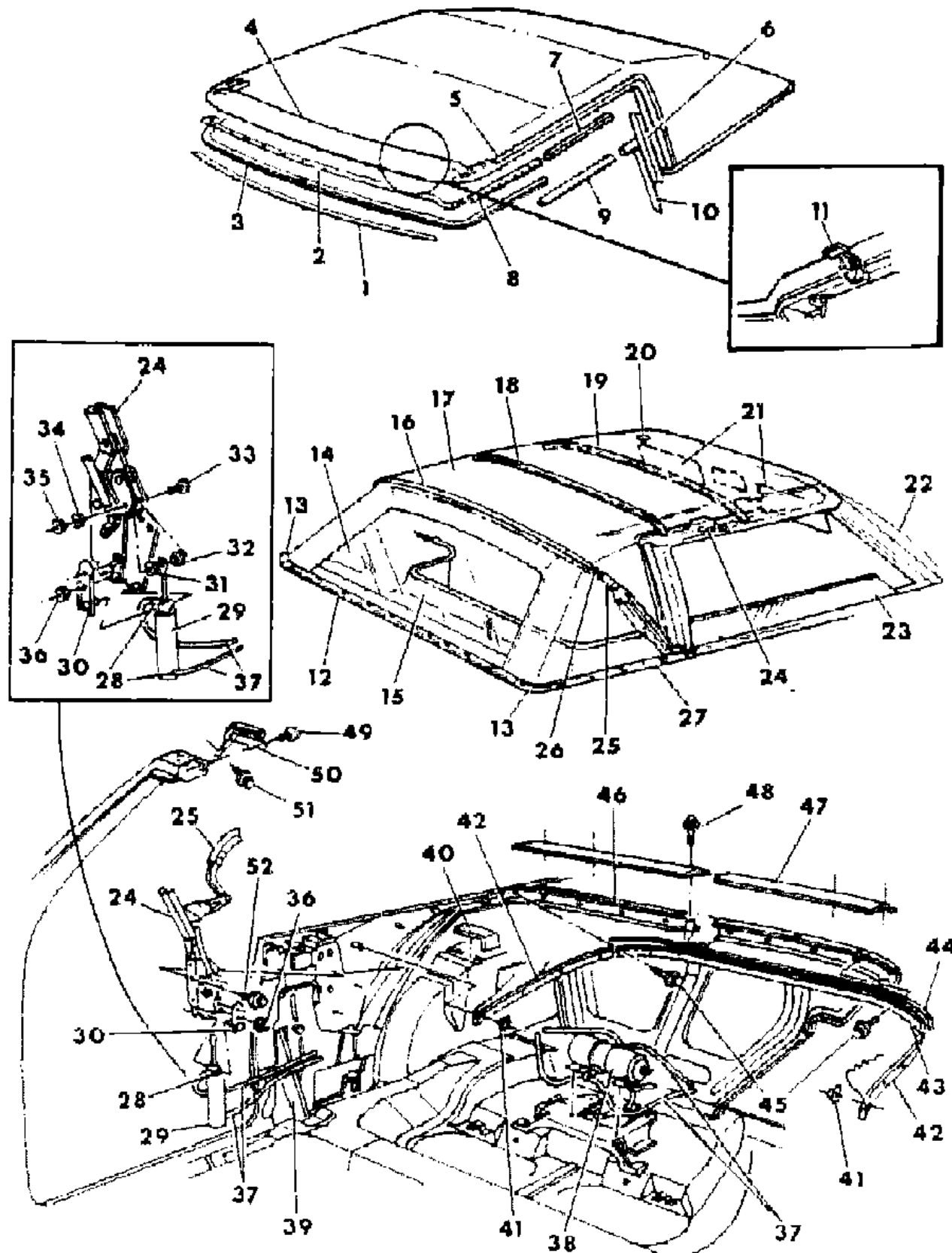
MODEL CODES
 B = GRAN FURY
 C = LEBARON/TOWN & COUNTRY/EXC SEDAN
 C24 = LASER
 D = ARIES
 E = 600
 F = FIFTH AVENUE/NEWPORT
 G = DIPLOMAT
 H = VOYAGER
 K = MINI RAM/CARAVAN/ROYAL
 M = HORIZON/TURISMO
 P = RELIANT
 T = E CLASS/NEW YORKER
 V = 600
 V24 = DAYTONA
 Z = OMNI/CHARGER/RAMPAGE

BODY STYLES
 21 = 2-DOOR SEDAN
 22 = 2-DOOR SPECIAL COUPE
 24 = 2-DOOR HATCHBACK
 27 = 2-DOOR CONVERTIBLE
 28 = FWD PICKUP
 35 = FWD VAN
 36 = FWD WAGON
 41 = 4-DOOR SEDAN
 44 = 4-DOOR HATCHBACK
 45 = 4-DOOR STATION WAGON
 48 = 4-DOOR EXECUTIVE SEDAN

AR = Use as Required - = Non Illustrated Part P.A.R. = Paint as Required

CONVERTIBLE FOLDING TOP - V,C 27
Figure 23A-5300

4169 5300



ITEM	PART NUMBER	QTY	BODY	MODEL	DESCRIPTION
37	4097 743	2		27	TUBE, Folding Top Hydraulic Cylinder
38	4097 653	1		27	MOTOR and PUMP, Top Hydraulic Lift
	4097 654	1		27	SEAL, Folding Top Hydraulic Lift Motor & Pump
	3747 593	1		27	RELAY, Folding Top Hydraulic Lift Motor & Pump, Up To 11/7/83
	4221 691	1		27	After 11/7/83
	6032 114	1		27	SCREW, Folding Top Motor Ground Strap
39	4317 822-3	1		27	BRACE, Quarter Inner Extension to Floor Rear Outer Reinforcement
	6100 276	4		27	SCREW and WASHER, Brace To Qtr. Inner
	6031 218	4		27	BOLT, Brace to Floor Reinforcement
40		2		27	PAD, Rear Wheelhouse Inner Upper (Not Serviced)
41	6100 051	8		27	NUT and WASHER
42	4328 054-5	1		27	STRIP, Belt Rear Corner Tacking
43	4319 709	1		27	STRIP, Belt Rear Tacking
44	4319 701	2		27	SPACER, Belt Rear Tacking Strip to Trough
45	6100 577	11		27	BOLT and WASHER
46	4296 788	1		27	TROUGH and NUT, Deck Opening Upper Closure Panel Drain
47	4296 463	1		27	PANEL, Deck Opening Upper
48		11		27	SCREW, #10-16 x .500" (Not Serviced)
49		4		27	SCREW, Not Serviced
50	4337 240-1	1		27	STRIKER, Windshield Header Folding Top Latch
51	6032 177	2		27	SCREW
NOTE: The following items are not shown on illustration. Both models are derived from the 100.1" W.B. LeBaron (C 22 Model). Sheet metal parts for the C 48 not found on this illustration should be speci					
	T889 CA2	1		27	BOOT, Folding Top Cover, Silver
	T919 CK5	1		27	Saddle
	T919 CL3	1		27	Beige
	T919 CM6	1		27	Red
	T919 CW1	1		27	White
		AR		27	WELT, Folding Top Boot to Rear Seat Back NS7
	2878 583	6		27	FASTENER, Folding Top Boot to Belt Moulding
	4305 101	1		27	SNAP PACKAGE, Folding Top Boot (Male)
	4305 102	1		27	SNAP PACKAGE, Folding Top Boot (Female)

MODEL CODES
 B = GRAN FURY
 C = LEBARON/TOWN & COUNTRY/EXC SEDAN
 C24 = LASER
 D = ARIES
 E = 600
 F = FIFTH AVENUE/NEWPORT
 G = DIPLOMAT
 H = VOYAGER
 K = MINI RAM/CARAVAN/ROYAL
 M = HORIZON/TURISMO
 P = RELIANT
 T = E CLASS/NEW YORKER
 V = 600
 V24 = DAYTONA
 Z = OMNI/CHARGER/RAMPAGE

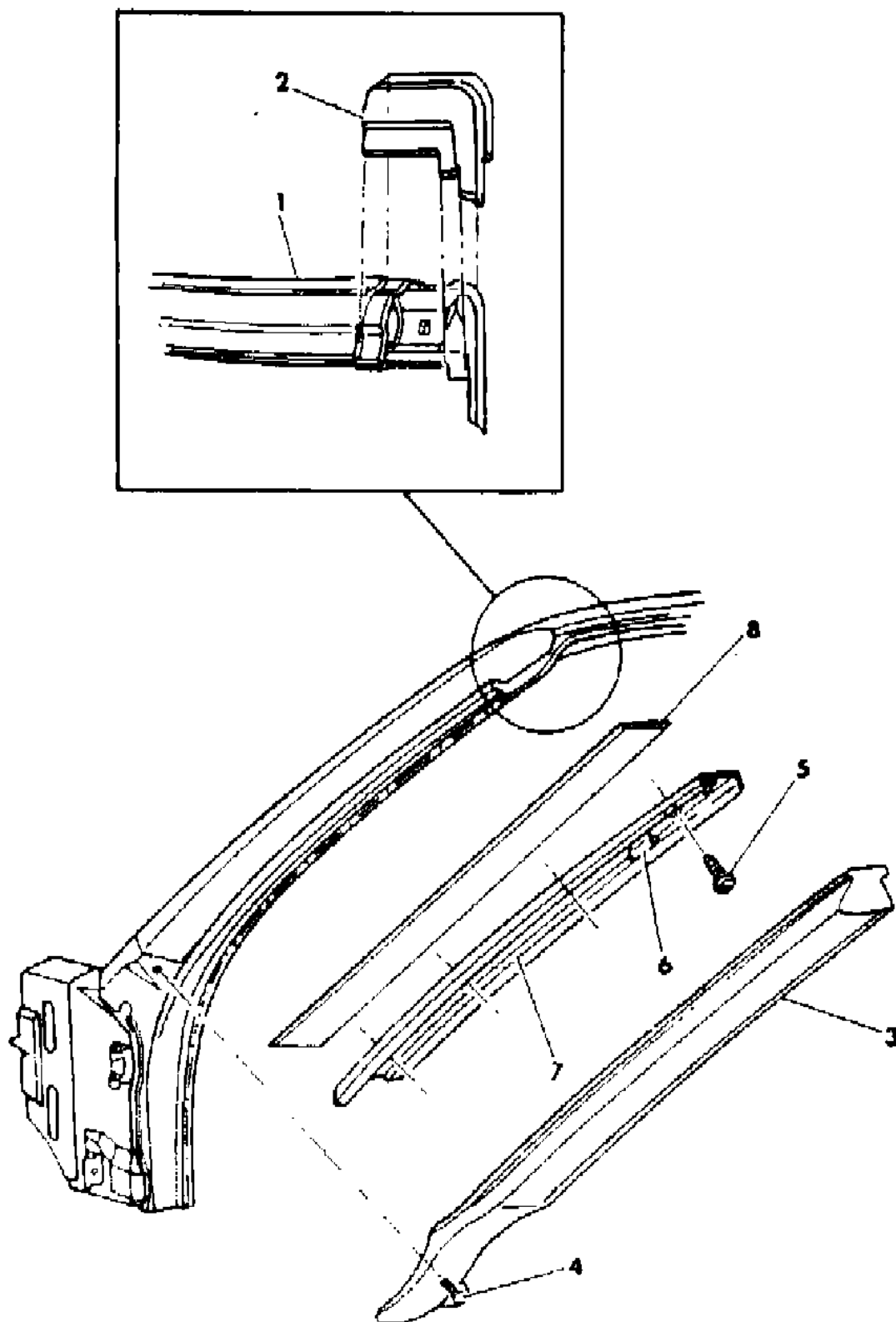
BODY STYLES
 21 = 2-DOOR SEDAN
 22 = 2-DOOR SPECIAL COUPE
 24 = 2-DOOR HATCHBACK
 27 = 2-DOOR CONVERTIBLE
 28 = FWD PICKUP
 35 = FWD VAN
 36 = FWD WAGON
 41 = 4-DOOR SEDAN
 44 = 4-DOOR HATCHBACK
 45 = 4-DOOR STATION WAGON
 48 = 4-DOOR EXECUTIVE SEDAN

AR = Use as Required - = Non Illustrated Part P.A.R. = Paint as Required

CONVERTIBLE WINDSHIELD HEADER - V,C 27
Figure 23A-5400

4160 5400

ITEM	PART NUMBER	QTY	BODY	MODEL	DESCRIPTION
1	4337 239	1		27	FRAME, Windshield Header
2	4337 236-7	1		27	FRAME, Windshield Upper Outer Corner
3	4097 602-3	1		27	WEATHERSTRIP, Body Front Pillar
4	3759 944	2		27	FASTENER
5		8		27	SCREW, #10-16 x .500" (Not Serviced)
6	4305 019	2		27	CLIP, Front Door Glass Anti-Blow Off Retainer
7	4097 642-3	1		27	RETAINER, Body Front Pillar Weatherstrip
8	4186 470	AR		27	SEAL, Body Front Pillar Weatherstrip Retainer (70" Length)



MODEL CODES

B = GRAN FURY	F = FIFTH AVENUE/NEWPORT	P = RELIANT
C = LEBARON/TOWN & COUNTRY/EXC SEDAN	G = DIPLOMAT	T = E CLASS/NEW YORKER
C24 = LASER	H = VOYAGER	V = 600
D = ARIES	K = MINI RAM/CARAVAN/ROYAL	V24 = DAYTONA
E = 600	M = HORIZON/TURISMO	Z = OMNI/CHARGER/RAMPAGE

BODY STYLES

21 = 2-DOOR SEDAN	28 = FWD PICKUP	44 = 4-DOOR HATCHBACK
22 = 2-DOOR SPECIAL COUPE	35 = FWD VAN	45 = 4-DOOR STATION WAGON
24 = 2-DOOR HATCHBACK	36 = FWD WAGON	48 = 4-DOOR EXECUTIVE SEDAN
27 = 2-DOOR CONVERTIBLE	41 = 4-DOOR SEDAN	

AR = Use as Required - = Non Illustrated Part P.A.R. = Paint as Required

ROOF LUGGAGE RACK - P,D,C 45
Figure 23A-5500

4169 550K1

ITEM	PART NUMBER	QTY	BODY	MODEL	DESCRIPTION
	4319 795	1			LUGGAGE RACK PACKAGE, Roof (Field Installed)
					CONSISTS OF:
					2- 4229034 Rail w/Overlay
					1- 4319786-7 Support, Side Rail, Front
					1- 4319780-1 Support, Side Rail, Rear
					1- 4229052 Cross Bar, Front
					1- 4229053 Cross Bar, Rear
					1- 4229036-7 Bracket, Cross Bar
					2- 4229038 Retainer, Side Rail Bracket
					1- 4319788-9 Cover Cap, Side Rail Support, Front
					1- 4319784-5 Cover Cap, Side Rail Support, Rear
					1- 4229044-5 Spacer, Side Rail Support, Front
					1- 4229046-7 Spacer, Side Rail Support, Rear
					2- ----- Screw, Rear Cross Bar (Not Serviced)
					2- 9414722 Screw, Front Cross Bar
					8- 2094869 Blind Nut, Side Rail to Roof Panel
					8- 6031910 Screw, Side Rail to Roof Panel
					4- ----- Screw, Side Rail Support to Cap (Not Serviced)
					5- 4229054 Skid Strip
1	4267 920	5			SKID STRIP, w/Pad
2	4319 786-7	1			SUPPORT, Side Rail, Front
3	4229 044-5	1			SPACER, Side Rail Support, Front
4		2			LABEL, Not Serviced
5	4319 788-9	1			COVER CAP, Side Rail Support, Front
6	4229 052	1			CROSS BAR, Front
7	4229 036-7	1			BRACKET, Cross Bar
8	4229 038	2			RETAINER, Side Rail Bracket
9	4229 034	2			RAIL and OVERLAY, Side
10	4229 053	1			CROSS BAR, Rear
11	4319 780-1	1			SUPPORT, Side Rail, Rear
12	4229 046-7	1			SPACER, Side Rail Support, Rear
13	4319 784-5	1			COVER CAP, Side Rail Support, Rear
14	6031 910	8			SCREW
15	2094 869	8			NUT, Side Rail to Roof Panel
16	9414 722	2			SCREW, Cross Bar Front
17		2			SCREW, Not Serviced
18		4			SCREW, Not Serviced
19		2			SCREW, NS2

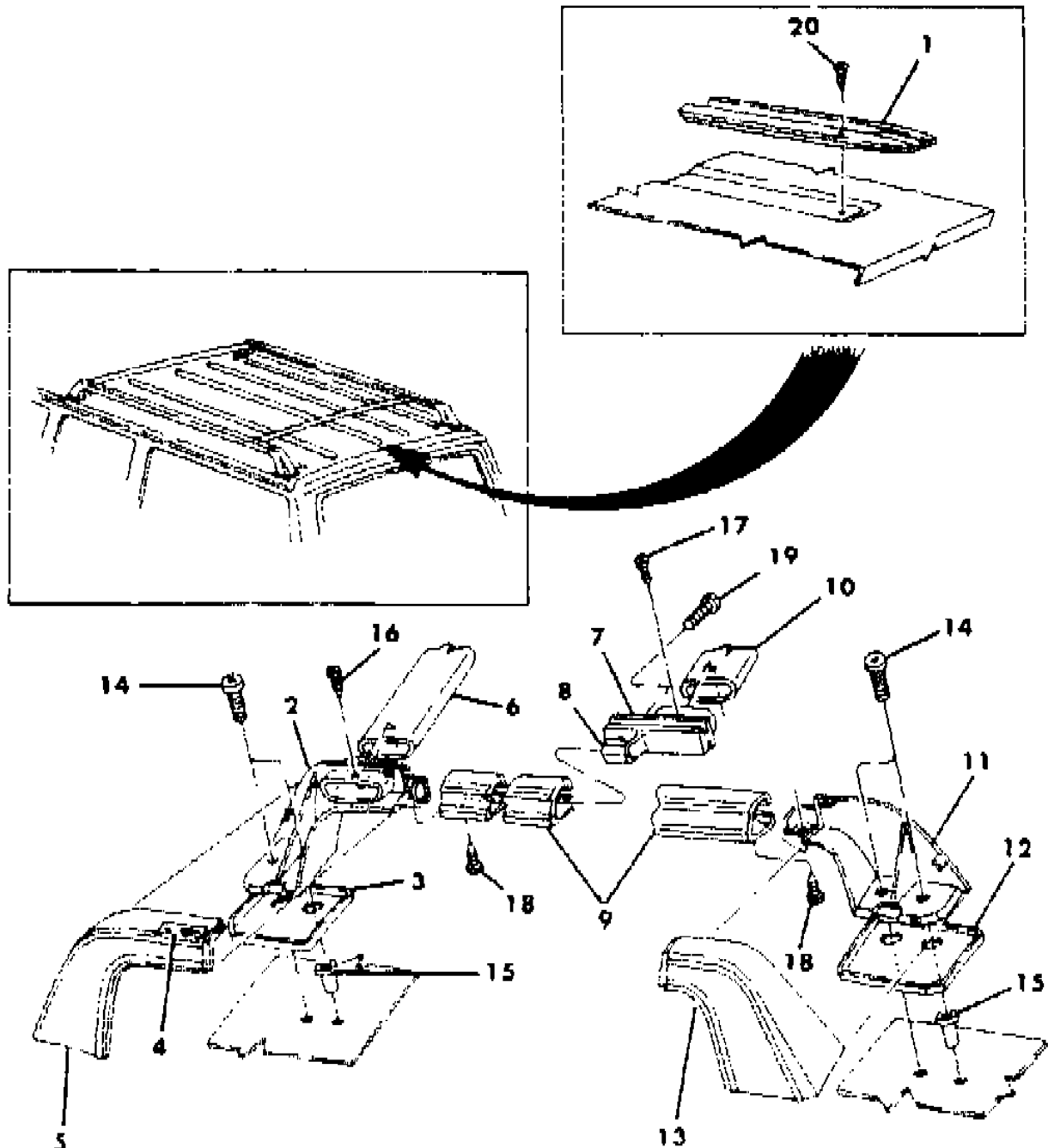
MODEL CODES

B = GRAN FURY	F = FIFTH AVENUE/NEWPORT	P = RELIANT
C = LEBARON/TOWN & COUNTRY/EXC SEDAN	G = DIPLOMAT	T = E CLASS/NEW YORKER
C24 = LASER	H = VOYAGER	V = 600
D = ARIES	K = MINI RAM/CARAVAN/ROYAL	V24 = DAYTONA
E = 600	M = HORIZON/TURISMO	Z = OMNI/CHARGER/RAMPAGE

BODY STYLES

21 = 2-DOOR SEDAN	28 = FWD PICKUP	44 = 4-DOOR HATCHBACK
22 = 2-DOOR SPECIAL COUPE	35 = FWD VAN	45 = 4-DOOR STATION WAGON
24 = 2-DOOR HATCHBACK	36 = FWD WAGON	48 = 4-DOOR EXECUTIVE SEDAN
27 = 2-DOOR CONVERTIBLE	41 = 4-DOOR SEDAN	

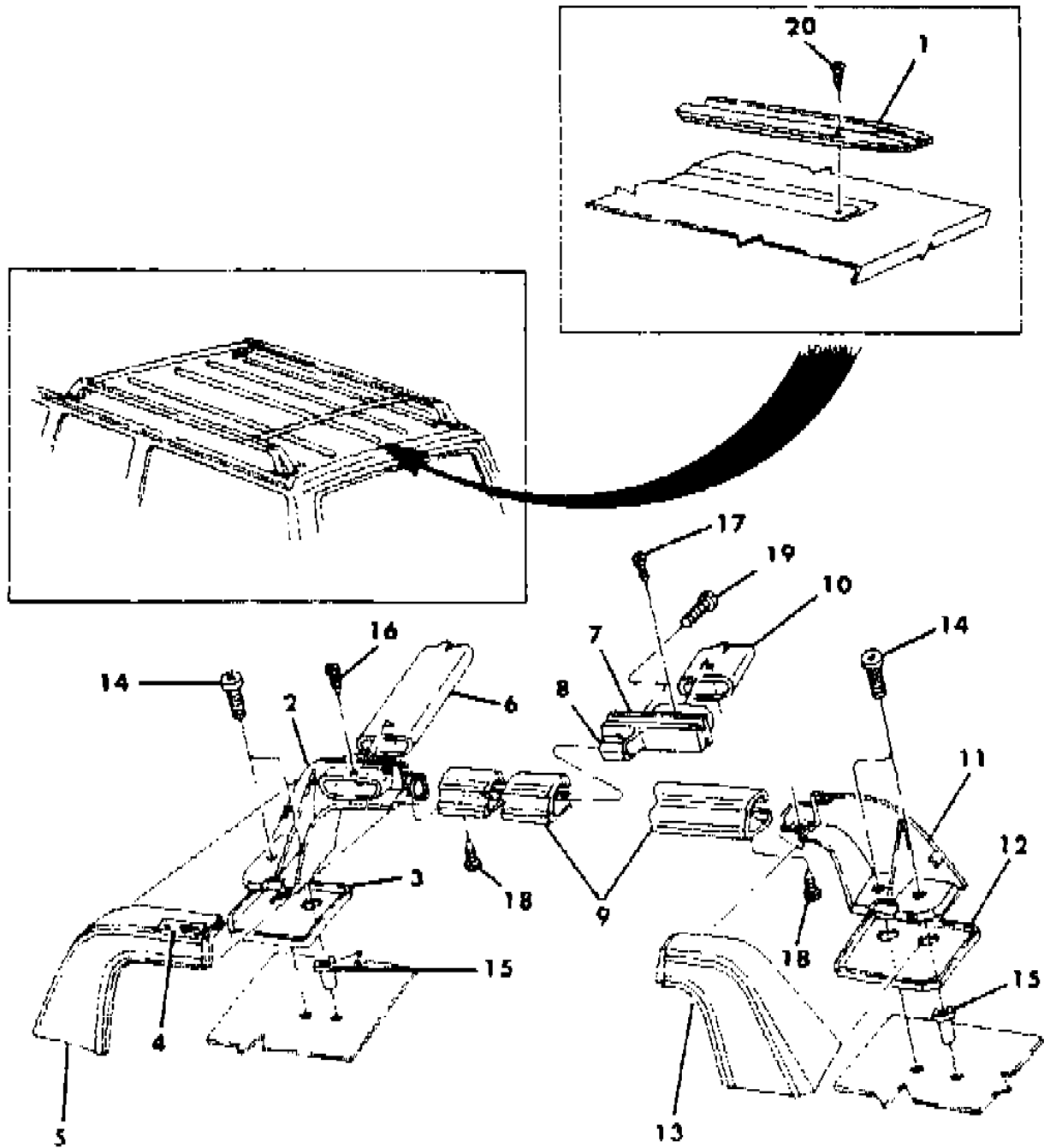
AR = Use as Required - = Non Illustrated Part P.A.R. = Paint as Required



ROOF LUGGAGE RACK - P,D,C 45
Figure 23A-5500

ITEM	PART NUMBER	QTY	BODY	MODEL	DESCRIPTION
20		15			SCREW, #8-18 x .625" (Not Serviced)

4169 5501



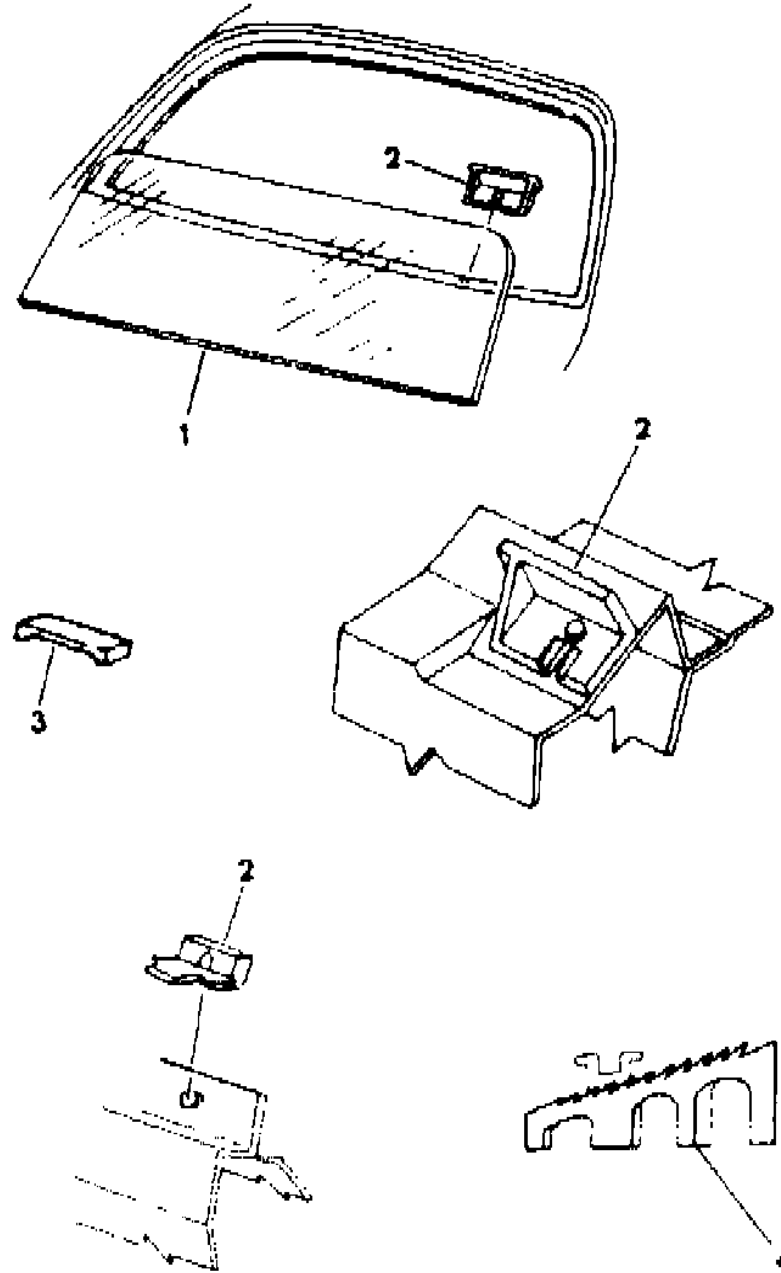
MODEL CODES
 B = GRAN FURY
 C = LEBARON/TOWN & COUNTRY/EXC SEDAN
 C24 = LASER
 D = ARIES
 E = 600
 F = FIFTH AVENUE/NEWPORT
 G = DIPLOMAT
 H = VOYAGER
 K = MINI RAM/CARAVAN/ROYAL
 M = HORIZON/TURISMO
 P = RELIANT
 T = E CLASS/NEW YORKER
 V = 600
 V24 = DAYTONA
 Z = OMNI/CHARGER/RAMPAGE

BODY STYLES
 21 = 2-DOOR SEDAN
 22 = 2-DOOR SPECIAL COUPE
 24 = 2-DOOR HATCHBACK
 27 = 2-DOOR CONVERTIBLE
 28 = FWD PICKUP
 35 = FWD VAN
 36 = FWD WAGON
 41 = 4-DOOR SEDAN
 44 = 4-DOOR HATCHBACK
 45 = 4-DOOR STATION WAGON
 48 = 4-DOOR EXECUTIVE SEDAN

AR = Use as Required - = Non Illustrated Part P.A.R. = Paint as Required

GLASS REAR WINDOW - P,D,V,C 21,22,41
Figure 23A-5600

4169 5600



ITEM	PART NUMBER	QTY	BODY	MODEL	DESCRIPTION
------	-------------	-----	------	-------	-------------

NOTE: GLASS, REAR WINDOW - ORDER FROM YOUR LOCAL "MOPAR" GLASS DISTRIBUTOR (code). Both models are derived from the 100.1" W.B. LeBaron (C 22 Model). Sheet metal parts for the C 48 not found on this illustration should be specified.

1					GLASS, Rear Window
	4136 934	1		P,D,21	Clear
	4136 935	1		P,D,21	Tinted
	4278 210	1		P,D,21	Tinted (Electric Heated)
	4136 954	1		P,D,41	Clear
	4136 955	1		P,D,41	Tinted
	4278 216	1		P,D,41	Tinted (Electric Heated)
	4278 211	1		V,C,22	Clear
	4278 212	1		V,C,22	Tinted
	4278 214	1		V,C,22	Tinted (Electric Heated)
	4278 217	1		C 41	Clear, Use w/o Fleet Pkg., w/Vinyl Roof
	4278 218	1		C 41	Tinted, Use w/o Fleet Pkg., w/Vinyl Roof
	4136 954	1		C 41	Clear, Use w/Fleet Pkg., w/o Vinyl Roof
	4136 955	1		C 41	Tinted, Use w/Fleet Pkg., w/o Vinyl Roof
	4278 220	1		C 41	Tinted (Electric Heated) Use w/o Fleet Pkg., w/Vinyl Roof
	4278 216	1		C 41	Tinted (Electric Heated) Use w/Fleet Pkg., w/o Vinyl Roof
2					SPACER, Rear Wdo. Glass, Lower
	4136 335	2		All	w/o Vinyl Roof
	4206 514	2		All	w/Vinyl Roof
3					SHIM, Rear Wdo. Lower Spacer
	3767 767	AR		All	Approximately .218" Thick
	3767 196	AR		All	Approximately .106" Thick
	4278 511	AR		21,41	Approximately .2875" Thick
	4278 077	AR		21,41	Approximately .2187" Thick
4					SPACER, Rear Wdo. Adjustable w/Padded Landau Vinyl Roof Pkg.
	4267 906	1		All	REPAIR PACKAGE, Rear Wdo. Glass (Not Shown)
					CONSISTS OF:
					1- ----- Polyurethane, 11.5 Oz.
					1- ----- Primer, Fence, 1 Oz. .
					1- ----- Primer, Wipe Off, 1 Oz.
					1- ----- Primer, Blackout 1 Oz.
					3- ----- Dabbers
					1- ----- Nozzle
					1- ----- Instruction Sheet
	4057 957	1		All	FIXED GLASS REPAIR PACKAGE, Rear Wdo. (Not Shown)

MODEL CODES

B = GRAN FURY	F = FIFTH AVENUE/NEWPORT	P = RELIANT
C = LEBARON/TOWN & COUNTRY/EXC SEDAN	G = DIPLOMAT	T = E CLASS/NEW YORKER
C24 = LASER	H = VOYAGER	V = 600
D = ARIES	K = MINI RAM/CARAVAN/ROYAL	V24 = DAYTONA
E = 600	M = HORIZON/TURISMO	Z = OMNI/CHARGER/RAMPAGE

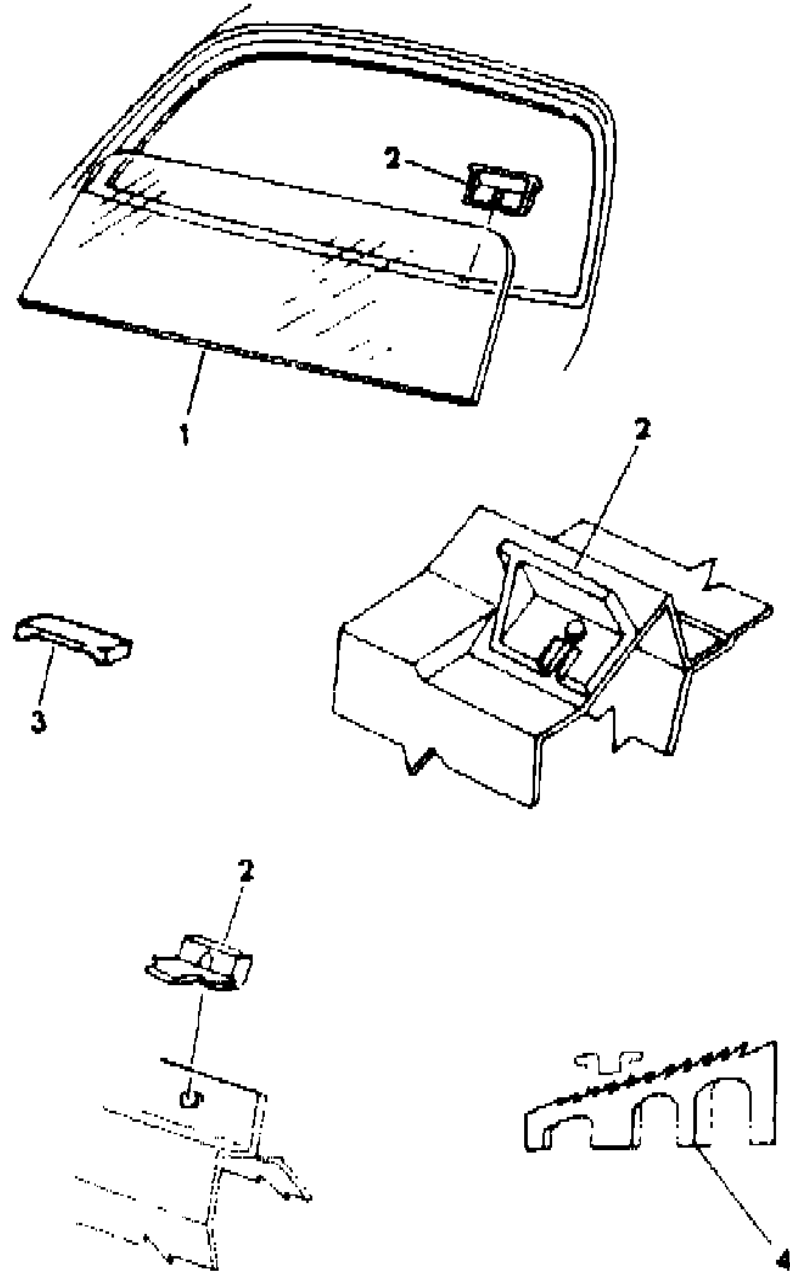
BODY STYLES

21 = 2-DOOR SEDAN	28 = FWD PICKUP	44 = 4-DOOR HATCHBACK
22 = 2-DOOR SPECIAL COUPE	35 = FWD VAN	45 = 4-DOOR STATION WAGON
24 = 2-DOOR HATCHBACK	36 = FWD WAGON	48 = 4-DOOR EXECUTIVE SEDAN
27 = 2-DOOR CONVERTIBLE	41 = 4-DOOR SEDAN	

AR = Use as Required - = Non Illustrated Part P.A.R. = Paint as Required

GLASS REAR WINDOW - P,D,V,C 21,22,41
Figure 23A-5600

4159 5600



ITEM	PART NUMBER	QTY	BODY	MODEL	DESCRIPTION
------	-------------	-----	------	-------	-------------

CONSISTS OF:

- 1- ----- Tape, Butyl, 171.00"
- 1- ----- Primer, Glass
- 1- ----- Primer, Fence
- 2- 3674698 Spacer, Rubber, 0.2"
- 2- 3793290 Spacer, Rubber, 0.3"
- 2- 3767767 Shim, 0.07"
- 2- ----- Sponges, Disposable

NOTE: The Following Items Are Not Shown On Illustration. ode). Both models are derived from the 100.1" W.B. LeBaron (C 22 Model). Sheet metal parts for the C 48 not found on this illustration should be speci

4267 922	1	All	ELECTRIC GRID REPAIR PACKAGE
4247 904	1	V,C	SPACER, Rear Wdo. Bracket to Glass

MODEL CODES

B = GRAN FURY	F = FIFTH AVENUE/NEWPORT	P = RELIANT
C = LEBARON/TOWN & COUNTRY/EXC SEDAN	G = DIPLOMAT	T = E CLASS/NEW YORKER
C24 = LASER	H = VOYAGER	V = 600
D = ARIES	K = MINI RAM/CARAVAN/ROYAL	V24 = DAYTONA
E = 600	M = HORIZON/TURISMO	Z = OMNI/CHARGER/RAMPAGE

BODY STYLES

21 = 2-DOOR SEDAN	28 = FWD PICKUP	44 = 4-DOOR HATCHBACK
22 = 2-DOOR SPECIAL COUPE	35 = FWD VAN	45 = 4-DOOR STATION WAGON
24 = 2-DOOR HATCHBACK	36 = FWD WAGON	48 = 4-DOOR EXECUTIVE SEDAN
27 = 2-DOOR CONVERTIBLE	41 = 4-DOOR SEDAN	

AR = Use as Required - = Non Illustrated Part P.A.R. = Paint as Required

GLASS REAR WINDOW - E,T
Figure 23A-5700

4169 5700

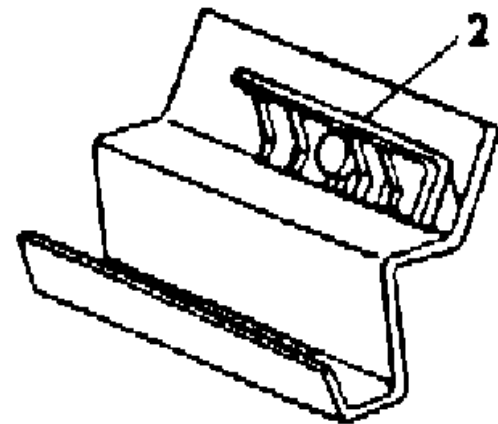
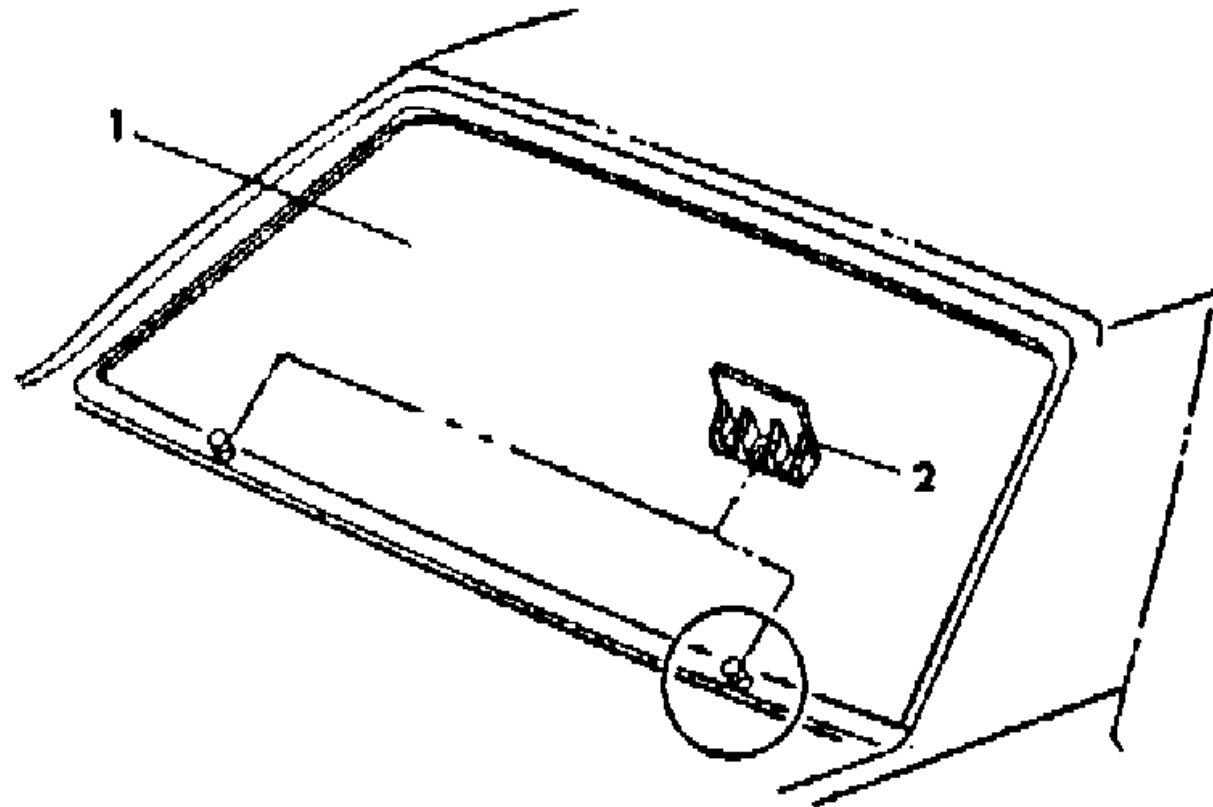
ITEM	PART NUMBER	QTY	BODY	MODEL	DESCRIPTION
------	-------------	-----	------	-------	-------------

NOTE: GLASS, REAR WINDOW - ORDER FROM YOUR LOCAL "MOPAR" GLASS DISTRIBUTOR (code). Both models are derived from the 100.1" W.B. LeBaron (C 22 Model). Sheet metal parts for the C 48 not found on this illustration should be speci

1					GLASS, Rear Window
	4206 892	1		exc. T-	Tinted
	4314 228	1		T-P	Tinted, Up To 2/15/84
	4337 729	1		T-P	Tinted, After 2/15/84
	4206 893	1		exc. T-	Tinted (Electric Heated)
	4314 235	1		T-P	Tinted (Electric Heated) Up To 2/15/84
	4337 730	1		T-P	Tinted (Electric Heated) After 2/15/84
2	4206 543	2		exc. T-	SPACER, Rear Wdo. Glass, Lower

NOTE: The Following Items Are Not Shown On Illustration. (code). Both models are derived from the 100.1" W.B. LeBaron (C 22 Model). Sheet metal parts for the C 48 not found on this illustration should be speci

	4267 906	1			REPAIR PACKAGE, Rear Wdo. Glass (Not Shown)
					CONSISTS OF:
					1- ----- Polyurethane, 11.5 Oz.
					1- ----- Primer, Fence, 1 Oz.
					1- ----- Primer, Wipe Off, 1 Oz.
					1- ----- Primer, Blackout 1 Oz.
					3- ----- Dabbers
					1- ----- Nozzle
					1- ----- Instruction Sheet
	4057 957	1			FIXED GLASS REPAIR PACKAGE, Rear Wdo. (Not Shown)
					COCSISTS OF:
					1- ----- Tape, Butyl, 171.00"
					1- ----- Primer, Glass
					1- ----- Primer, Fence
					2- 3674698 Spacer, Rubber, 0.2"
					2- 3793290 Spacer, Rubber, 0.3"
					2- 3767767 Shim. 0.07"
					2- ----- Sponges, Disposable
	4267 922	1			ELECTRIC GRID REPAIR PACKAGE



MODEL CODES

B = GRAN FURY	F = FIFTH AVENUE/NEWPORT	P = RELIANT
C = LEBARON/TOWN & COUNTRY/EXC SEDAN	G = DIPLOMAT	T = E CLASS/NEW YORKER
C24 = LASER	H = VOYAGER	V = 600
D = ARIES	K = MINI RAM/CARAVAN/ROYAL	V24 = DAYTONA
E = 600	M = HORIZON/TURISMO	Z = OMNI/CHARGER/RAMPAGE

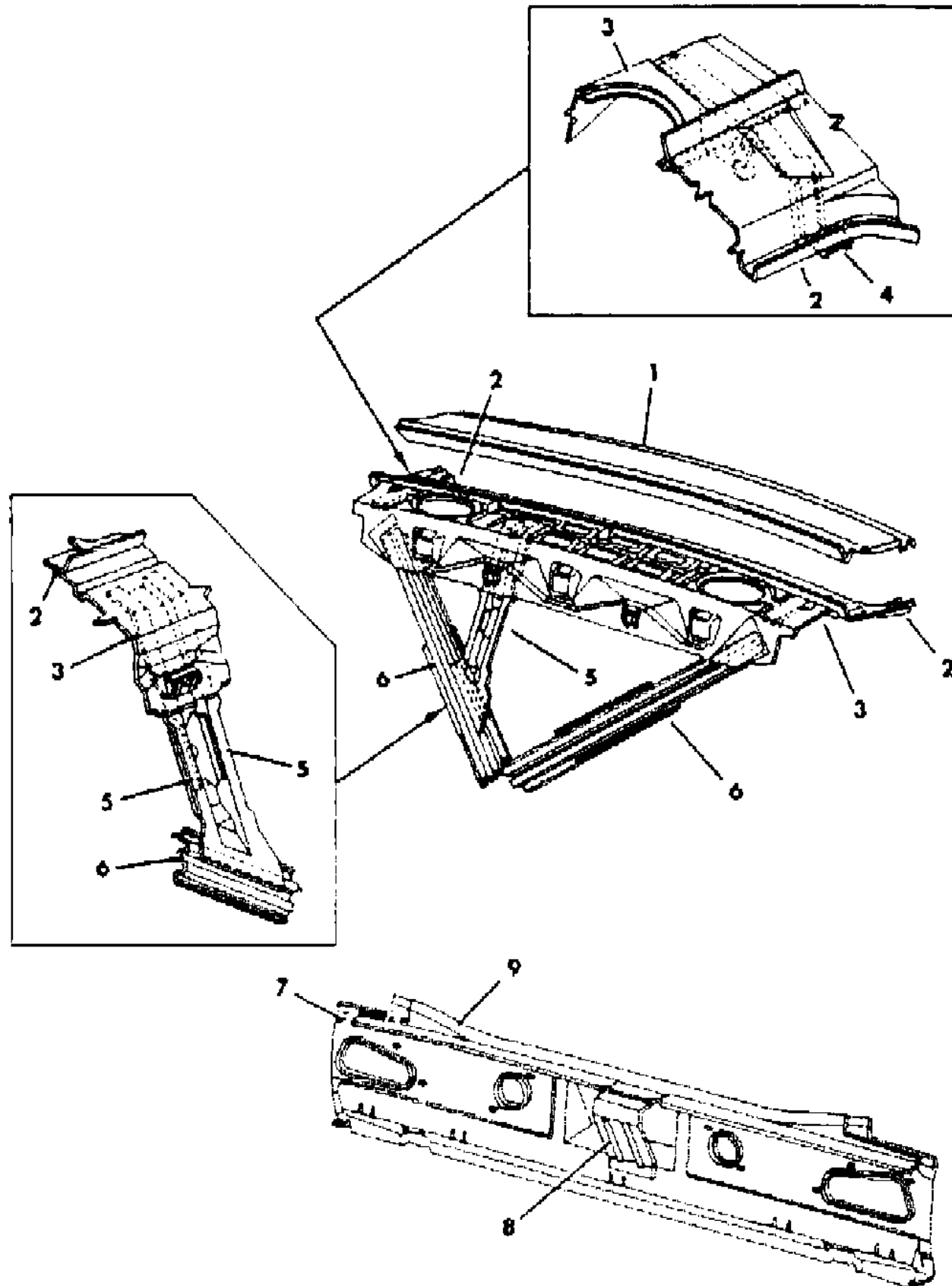
BODY STYLES

21 = 2-DOOR SEDAN	28 = FWD PICKUP	44 = 4-DOOR HATCHBACK
22 = 2-DOOR SPECIAL COUPE	35 = FWD VAN	45 = 4-DOOR STATION WAGON
24 = 2-DOOR HATCHBACK	36 = FWD WAGON	48 = 4-DOOR EXECUTIVE SEDAN
27 = 2-DOOR CONVERTIBLE	41 = 4-DOOR SEDAN	

AR = Use as Required - = Non Illustrated Part P.A.R. = Paint as Required

DECK OPENING - P,D,V,C
Figure 23A-5800

416P 5800



ITEM	PART NUMBER	QTY	BODY	MODEL	DESCRIPTION
1	4134 801	1			PANEL, Deck Opening Upper
2	4278 250	1		exc. 27	TROUGH, Deck Opening Upper Drain
3		1			PANEL, Shelf (Not Serviced)
4	4206 326-7	1			SUPPORT, Deck Opening Upper Trough Hinge
5	4297 903	1			BRACKET and REINFORCEMENT, Shelf Panel Spar Tire Stowage
6		2			BRACE, Shelf Panel to Floor Pan Diagonal (Not Serviced)
7	4296 550	1		P,D	PANEL, Deck Opening Lower
	4296 913	1		V,C	
8	4206 357	1			SUPPORT and NUT, Deck Opng. Lwr. Pnl. Striker
9	4278 570	1			REINFORCEMENT, Deck Opening Lower Panel
NOTE: The Following Items Are Not Shown On Illustration. ode). Both models are derived from the 100.1" W.B. LeBaron (C 22 Model). Sheet metal parts for the C 48 not found on this illustration should be speci					
	4278 578	1			REINFORCEMENT, Shelf Panel to Floor Pan Diagonal Brace Lower (w/Heavy Service Pkg.)
	4278 852	2			SEAL, Deck Opening Lower Panel to Trough Extension
	5200 365	1			BUTTON, Deck Opening Lower Panel License Plate Mtg. Bumper
	4278 852	2			SEAL, Deck Opng. Lwr. Pnl. Side Drain Trough Up. Extension
	4341 075	1			BRACKET, License Plate Mounting Rear, After 3/5/84
	3679 333	1			RIVET, License Plate Mounting Bracket to Deck Opening Lower Panel, After 3/5/84

MODEL CODES

B = GRAN FURY	F = FIFTH AVENUE/NEWPORT	P = RELIANT
C = LEBARON/TOWN & COUNTRY/EXC SEDAN	G = DIPLOMAT	T = E CLASS/NEW YORKER
C24 = LASER	H = VOYAGER	V = 600
D = ARIES	K = MINI RAM/CARAVAN/ROYAL	V24 = DAYTONA
E = 600	M = HORIZON/TURISMO	Z = OMNI/CHARGER/RAMPAGE

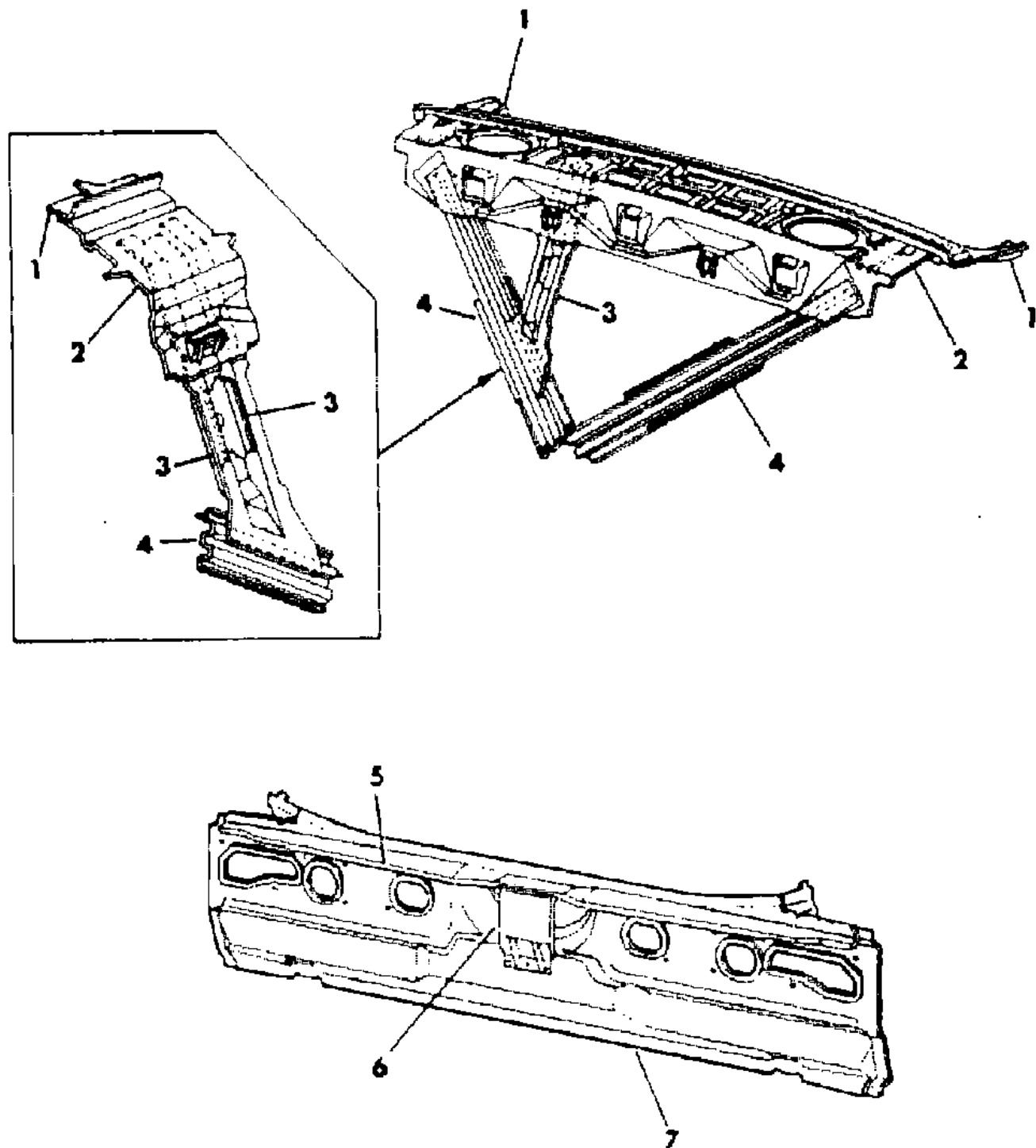
BODY STYLES

21 = 2-DOOR SEDAN	28 = FWD PICKUP	44 = 4-DOOR HATCHBACK
22 = 2-DOOR SPECIAL COUPE	35 = FWD VAN	45 = 4-DOOR STATION WAGON
24 = 2-DOOR HATCHBACK	36 = FWD WAGON	48 = 4-DOOR EXECUTIVE SEDAN
27 = 2-DOOR CONVERTIBLE	41 = 4-DOOR SEDAN	

AR = Use as Required - = Non Illustrated Part P.A.R. = Paint as Required

DECK OPENING - E,T
Figure 23A-5900

4169 5900



ITEM	PART NUMBER	QTY	BODY	MODEL	DESCRIPTION
1	4206 970	1			TROUGH, Deck Opening Upper Drain
2		1			PANEL, Shelf (Not Serviced)
3	4297 903	1			BRACKET and REINFORCEMENT, Shelf Panel Spar Tire Stowage
4		2			BRACE, Shelf Panel to Floor Pan Diagonal (Not Serviced)
5	4278 570	1			REINFORCEMENT, Deck Opening Lower Panel
6	4206 357	1			SUPPORT, Deck Opening Lower Panel Striker
7	4341 107	1			PANEL, Deck Opening Lower

NOTE: The Following Items Are Not Shown On Illustration. ode). Both models are derived from the 100.1" W.B. LeBaron (C 22 Model). Sheet metal parts for the C 48 not found on this illustration should be speci

					EXTENSION, Deck Opening Lower Panel Side Drain Trough
	4296 400-1	1			Upper
	4296 402-3	1			Lower
	4206 487	AR			SEAL, Deck Opening Lower Drain Trough Extension
	4278 852	2			SEAL, Deck Opening Lower Panel to Trough Extension
	5200 365	1			BUTTON, Deck Opening Lower Panel License Plate Mounting Bumper
	4341 075	1			BRACKET, License Plate Mounting Rear, After 3/5/84
	3679 333	1			RIVET, License Plate Mounting Bracket to Deck Opening Lower Panel, After 3/5/84

MODEL CODES

B = GRAN FURY	F = FIFTH AVENUE/NEWPORT	P = RELIANT
C = LEBARON/TOWN & COUNTRY/EXC SEDAN	G = DIPLOMAT	T = E CLASS/NEW YORKER
C24 = LASER	H = VOYAGER	V = 600
D = ARIES	K = MINI RAM/CARAVAN/ROYAL	V24 = DAYTONA
E = 600	M = HORIZON/TURISMO	Z = OMNI/CHARGER/RAMPAGE

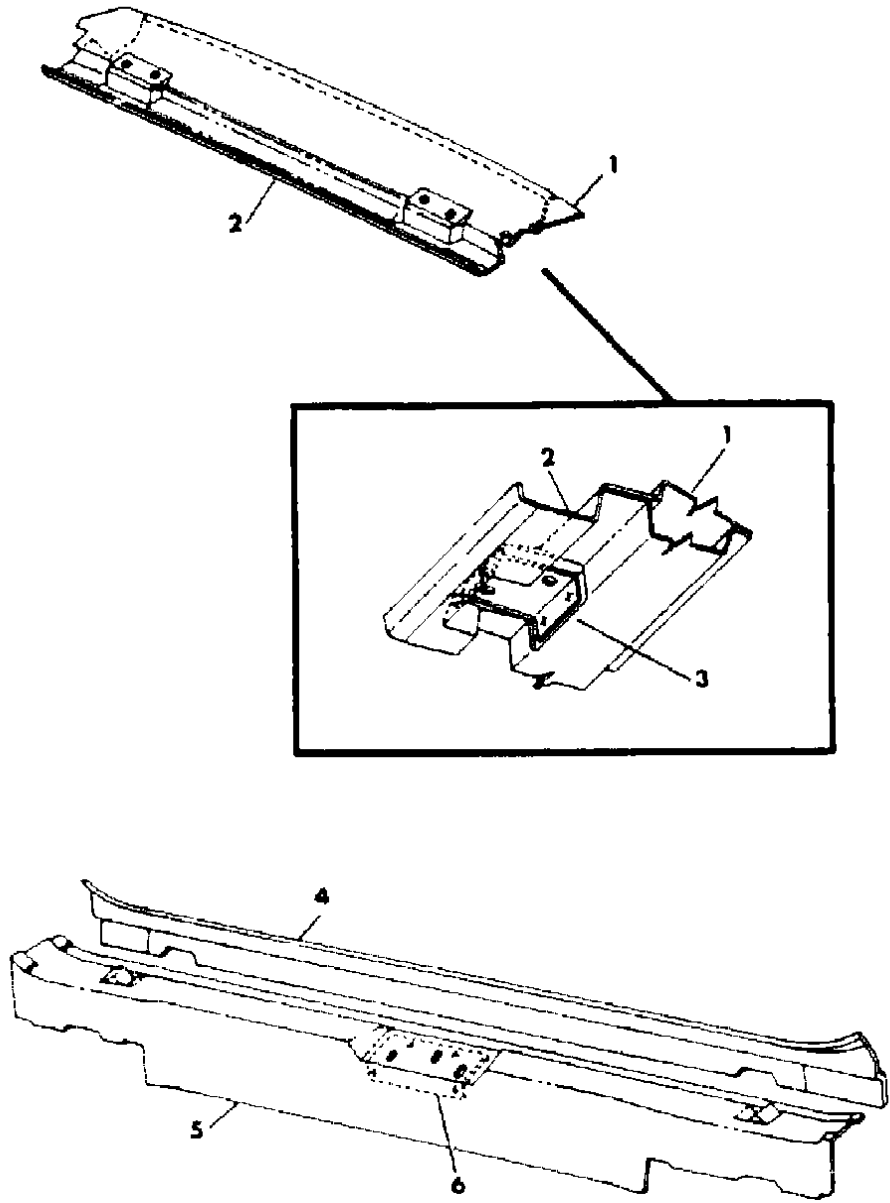
BODY STYLES

21 = 2-DOOR SEDAN	28 = FWD PICKUP	44 = 4-DOOR HATCHBACK
22 = 2-DOOR SPECIAL COUPE	35 = FWD VAN	45 = 4-DOOR STATION WAGON
24 = 2-DOOR HATCHBACK	36 = FWD WAGON	48 = 4-DOOR EXECUTIVE SEDAN
27 = 2-DOOR CONVERTIBLE	41 = 4-DOOR SEDAN	

AR = Use as Required - = Non Illustrated Part P.A.R. = Paint as Required

LIFTGATE OPENING - P,D,C 45
Figure 23A-6000

4189 6000



ITEM	PART NUMBER	QTY	BODY	MODEL	DESCRIPTION
1	4134 832	1			REINFORCEMENT, Liftgate Opening Upper Frame
2	4129 748	1			FRAME and REINFORCEMENT, LiftGate Opening Upper Hinge
3					REINFORCEMENT, Serviced In Item 2
4	4134 835	1			PANEL, Liftgate Opening Lower
5	4206 965	1			REINFORCEMENT, Liftgate Opening Lower Panel
6	4206 209	1			REINFORCEMENT, w/Nut Liftgate Latch Striker
NOTE: THE FOLLOWING ITEMS ARE NOT SHOWN ON ILLUSTRATION. ode). Both models are derived from the 100.1" W.B. LeBaron (C 22 Model). Sheet metal parts for the C 48 not found on this illustration should be speci					
	5200 365	2			BUTTON, Liftgate Outer Panel License Plate Mounting Bumper

MODEL CODES

B = GRAN FURY	F = FIFTH AVENUE/NEWPORT	P = RELIANT
C = LEBARON/TOWN & COUNTRY/EXC SEDAN	G = DIPLOMAT	T = E CLASS/NEW YORKER
C24 = LASER	H = VOYAGER	V = 600
D = ARIES	K = MINI RAM/CARAVAN/ROYAL	V24 = DAYTONA
E = 600	M = HORIZON/TURISMO	Z = OMNI/CHARGER/RAMPAGE

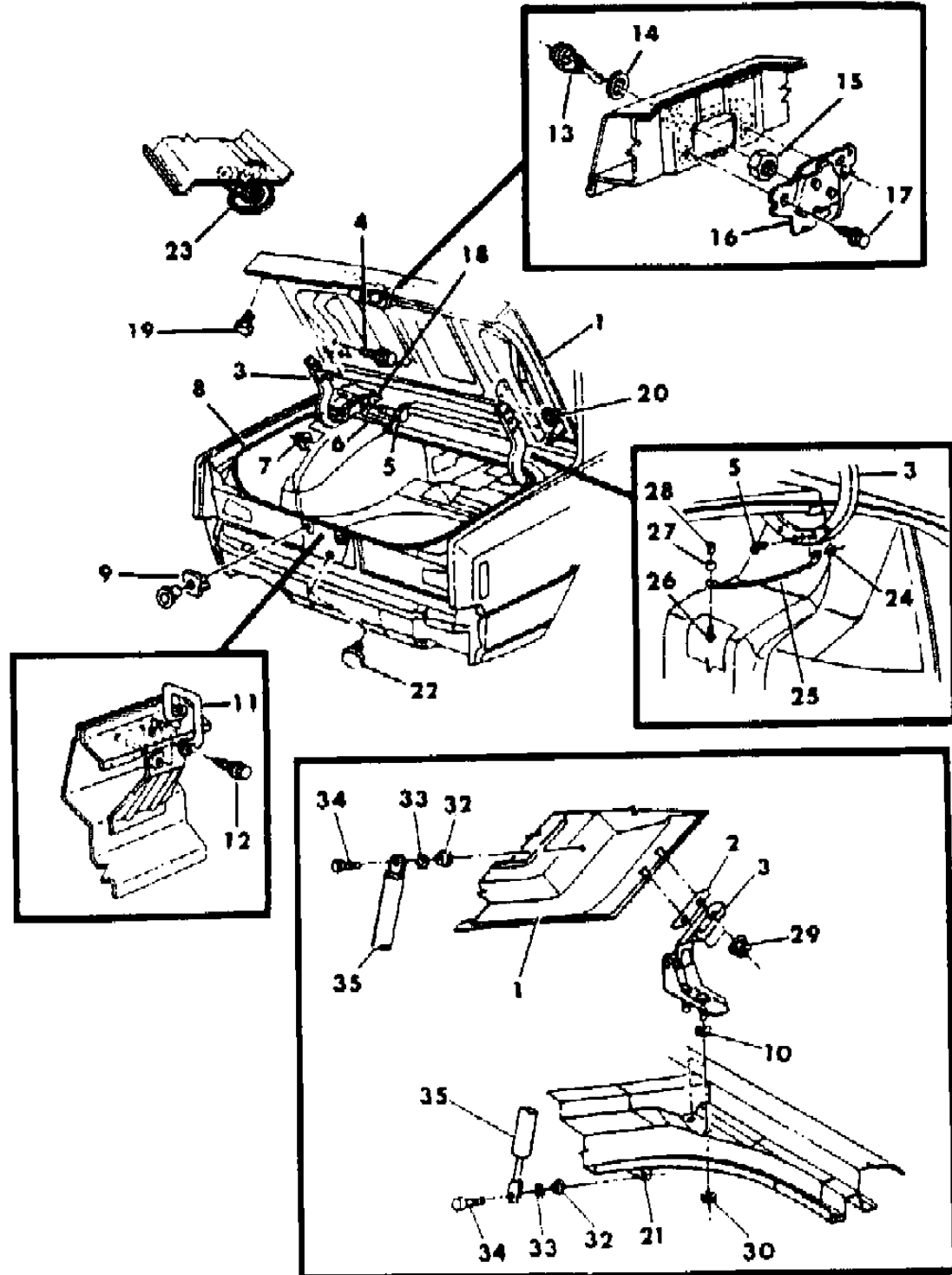
BODY STYLES

21 = 2-DOOR SEDAN	28 = FWD PICKUP	44 = 4-DOOR HATCHBACK
22 = 2-DOOR SPECIAL COUPE	35 = FWD VAN	45 = 4-DOOR STATION WAGON
24 = 2-DOOR HATCHBACK	36 = FWD WAGON	48 = 4-DOOR EXECUTIVE SEDAN
27 = 2-DOOR CONVERTIBLE	41 = 4-DOOR SEDAN	

AR = Use as Required - = Non Illustrated Part P.A.R. = Paint as Required

DECK LID - P,D,V,C
Figure 23A-6100

4109 6100



ITEM	PART NUMBER	QTY	BODY	MODEL	DESCRIPTION
1	4337 965	1		21,22,4	LID, Deck
	4337 492	1		27	
2		AR		27	SHIM, Deck Lid Hinge (Not Serviced)
3	4271 438-9	1		21,22,4	HINGE, Deck Lid
	4337 002-3	1		27	
4	6500 515	4		21,22,4	SCREW and WASHER
5	4278 463	2		21,22,4	PIN, Deck Lid Hinge Pivot
6	4134 808-9	1		21,22,4	BAR, Deck Lid Hinge Torsion
	4206 796	2		21,22,4	SLEEVE, Deck Lid Hinge Torsion Bar
7	6022 149	2		21,22,4	NUT, Deck Lid Hinge Pivot Pin
8	4278 176	1		All	WEATHERSTRIP, Deck Lid Opening
9	6500 524	2		All	NUT, License Plate Mounting
10	5231 207	4		27	WASHER, Sealing, Up To 5/1/84
	4337 900	4		27	After 5/1/84
11	4172 986	1		All	STRIKER, Deck Lid Latch
12	6100 557	2		All	SCREW and WASHER
13		1		All	CYLINDER, Deck Lid Lock (See Group 23D-Illustrations)
14	3695 321	1		All	GASKET, Deck Lid Lock Cylinder
15	4054 202	1		All	NUT, Deck Lid Lock Cylinder
16	4054 825	1		All	LATCH, Deck Lid, Manual
	4054 962	1		All	Electric
17	6025 346	2		All	SCREW and WASHER
18	4206 326-7	1		21,22,4	SUPPORT, Deck Opening Upper Trough Hinge
19	5230 376	2		All	BUMPER, Deck Lid Inside Adjustable
20	6029 939	2		All	PLUG, .500" Dia./13mm
21	4296 539	1		27	BRACE and NUT
22	5216 050	2		All	BUMPER, License Plate
23		1		21,22,4	RETAINER, Deck Lid Hinge Torsion Bar (Not Serviced)
24	6022 149	1		21,22,4	NUT
25	4206 751	1		21,22,4	CABLE, Wheelhouse Inner to Deck Lid Hinge Restrainer
26	6032 214	1		21,22,4	SCREW
27	6032 057	1		21,22,4	NUT
28	4073 281	1		21,22,4	CAPLUG, Deck Lid Restrainer Cable Screw
29	6500 284	4		27	NUT and WASHER
30	6501 016	4		27	NUT, w/Washer and Sealer
32		4		27	NUT and WASHER, Serviced In Item 35
33		4		27	WASHER, Serviced in Item #35
34	6500 457	4		27	SCREW, Serviced in Item #35

MODEL CODES

B = GRAN FURY	F = FIFTH AVENUE/NEWPORT	P = RELIANT
C = LEBARON/TOWN & COUNTRY/EXC SEDAN	G = DIPLOMAT	T = E CLASS/NEW YORKER
C24 = LASER	H = VOYAGER	V = 600
D = ARIES	K = MINI RAM/CARAVAN/ROYAL	V24 = DAYTONA
E = 600	M = HORIZON/TURISMO	Z = OMNI/CHARGER/RAMPAGE

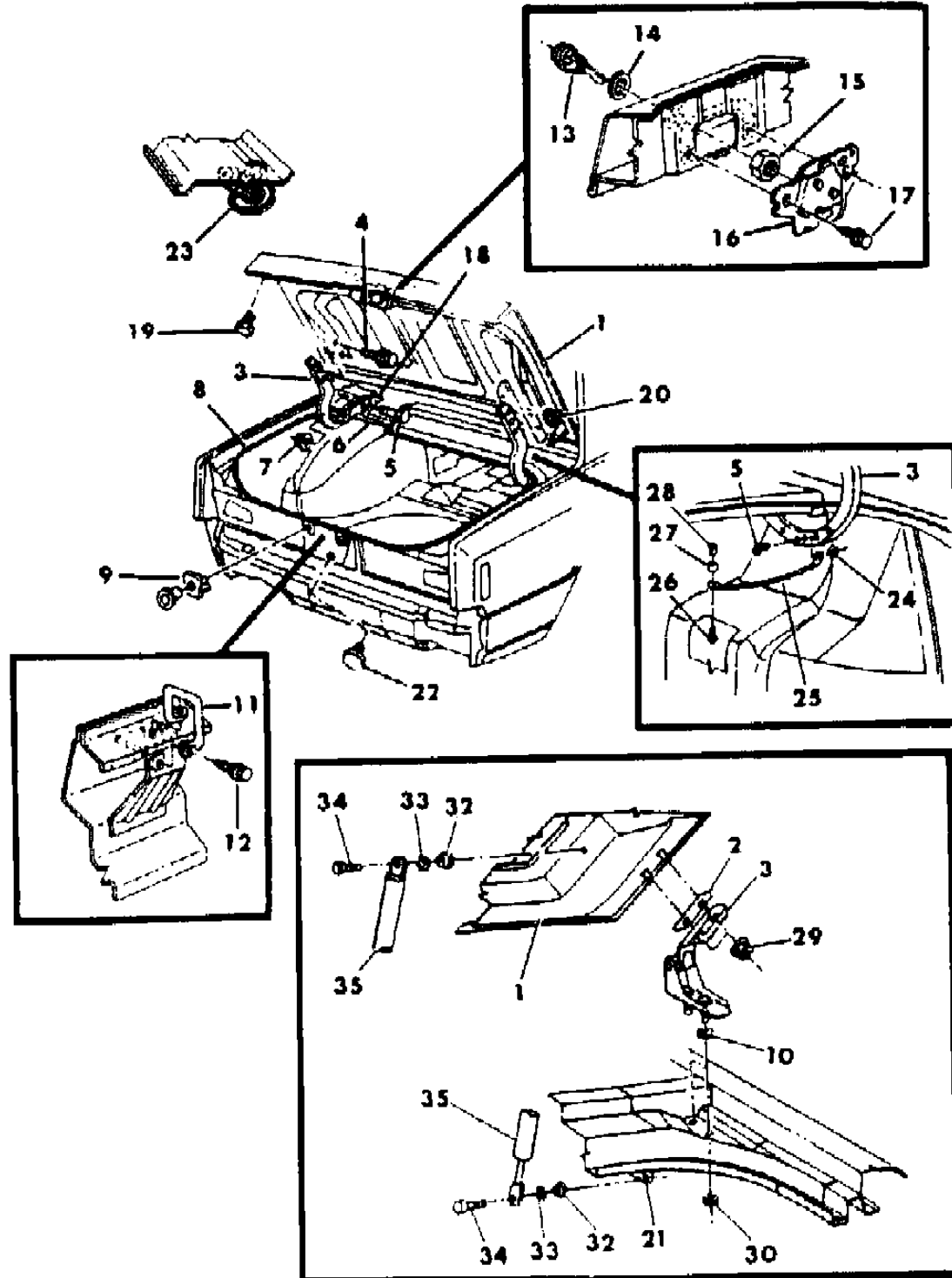
BODY STYLES

21 = 2-DOOR SEDAN	28 = FWD PICKUP	44 = 4-DOOR HATCHBACK
22 = 2-DOOR SPECIAL COUPE	35 = FWD VAN	45 = 4-DOOR STATION WAGON
24 = 2-DOOR HATCHBACK	36 = FWD WAGON	48 = 4-DOOR EXECUTIVE SEDAN
27 = 2-DOOR CONVERTIBLE	41 = 4-DOOR SEDAN	

AR = Use as Required - = Non Illustrated Part P.A.R. = Paint as Required

DECK LID - P,D,V,C
Figure 23A-6100

4189 6100



ITEM	PART NUMBER	QTY	BODY	MODEL	DESCRIPTION
35	4314 332	2		27	PROP, Deck Lid Gas (Includes Items #32-34)
NOTE: The following items are not shown on illustration. Both models are derived from the 100.1" W.B. LeBaron (C 22 Model). Sheet metal parts for the C 48 not found on this illustration should be speci					
	4276 442	1		C-27	LUGGAGE RACK PACKAGE, Deck Lid (Town & Country)
CONSISTS OF:					
2- 4276434 Skid Strip, Outer					
2- 4276435 Skid Strip, Inner					
4- 4276437 Insert, Skid Strip Inner & Outer					
1- 4276430 Cross Bar					
8- 2094869 Nut, Skid Strip					
6- 6031567 Screw, Skid Strip					
2- ----- Nut, Cross Bar Support (Not Serviced)					
2- 6027941 Screw, Cross Bar Support					
4- 4276629 Cap, Skid Strip Front					

MODEL CODES

B = GRAN FURY	F = FIFTH AVENUE/NEWPORT	P = RELIANT
C = LEBARON/TOWN & COUNTRY/EXC SEDAN	G = DIPLOMAT	T = E CLASS/NEW YORKER
C24 = LASER	H = VOYAGER	V = 600
D = ARIES	K = MINI RAM/CARAVAN/ROYAL	V24 = DAYTONA
E = 600	M = HORIZON/TURISMO	Z = OMNI/CHARGER/RAMPAGE

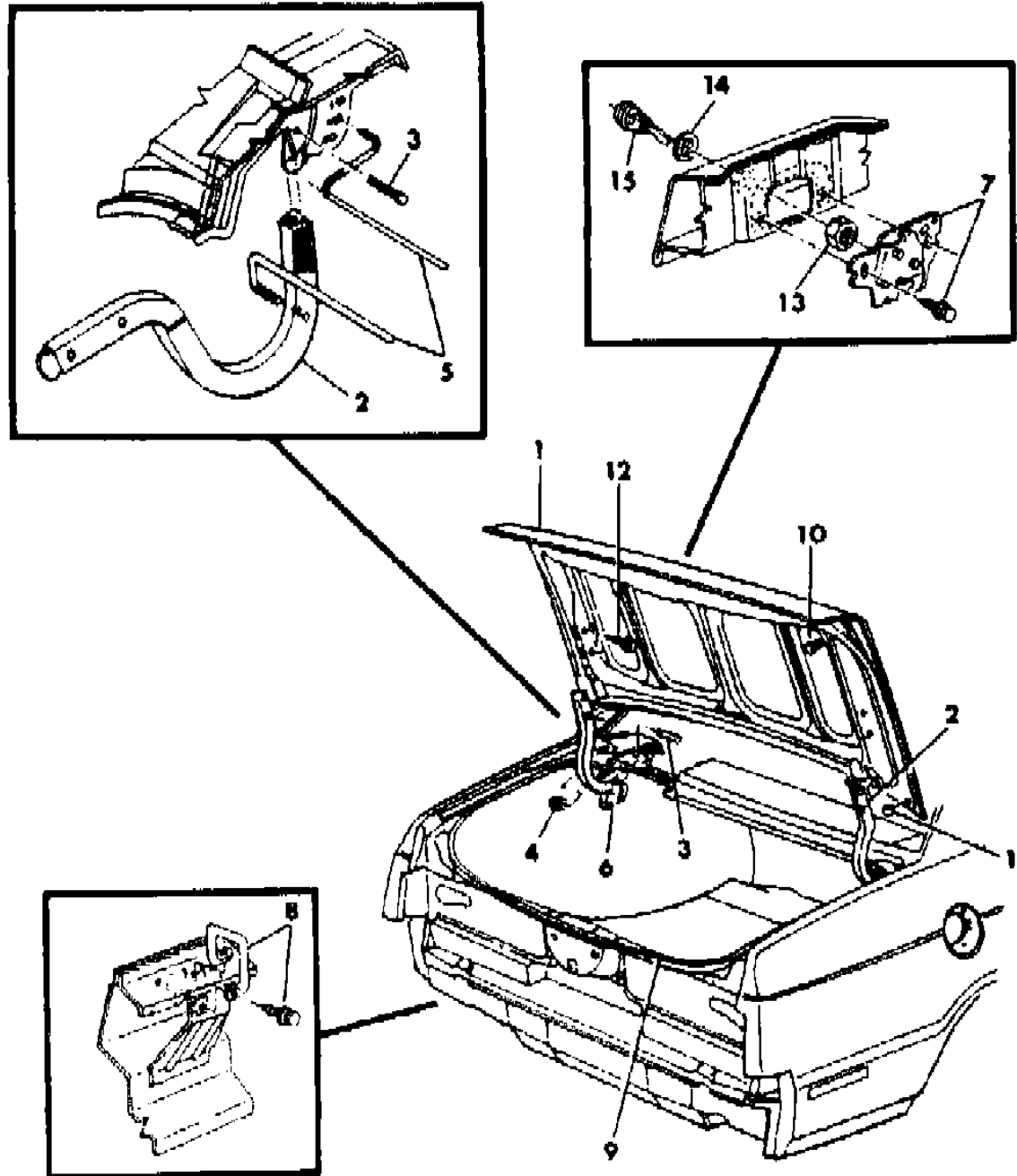
BODY STYLES

21 = 2-DOOR SEDAN	28 = FWD PICKUP	44 = 4-DOOR HATCHBACK
22 = 2-DOOR SPECIAL COUPE	35 = FWD VAN	45 = 4-DOOR STATION WAGON
24 = 2-DOOR HATCHBACK	36 = FWD WAGON	48 = 4-DOOR EXECUTIVE SEDAN
27 = 2-DOOR CONVERTIBLE	41 = 4-DOOR SEDAN	

AR = Use as Required - = Non Illustrated Part P.A.R. = Paint as Required

DECK LID - E,T
Figure 23A-6200

4169 6200



ITEM	PART NUMBER	QTY	BODY	MODEL	DESCRIPTION
1	4337 432	1			LID, Deck
2	4314 194-5	1			HINGE, Deck Lid, Up To 4/2/84
	4337 402-3	1			After 4/2/84
3	4278 463	2			PIN, Deck Lid Hinge Pivot
	4278 463	2			PIN, Deck Lid Hinge to Torsion Bar Link
4	6022 149	2			PUSHNUT, Deck Lid Hinge Pivot
	6022 149	2			PUSHNUT, Deck Lid Hinge Torsion Bar Link Pin
5	4314 196-7	1			BAR, Deck Lid Hinge Torsion
6	4314 198	2			LINK, Deck Lid Hinge Torsion Bar
7	4054 825	1			LATCH, Deck Lid Manual
	4054 962	1			LATCH, Deck Lid Electric
	6025 346	2			SCREW and WASHER, Deck Lid Latch
8	4172 986	1			STRIKER, Deck Lid Latch
	6101 339	2			SCREW and WASHER, Deck Lid Latch Striker
9	4278 776	1			WEATHERSTRIP, Deck Lid Opening (Closed Loop)
10	5230 376	2			BUMPER, Deck Lid Inside (Adjustable)
11	6029 939	2			PLUG, Deck Lid Inner Panel Drain Hole
12	6025 002	2			SCREW and WASHER
13					NUT, See Cylinder & Key Illustration
14					GASKET, See Cylinder and Key Illustration
15					CYLINDER, See Cylinder and Key Illustration

NOTE: The Following Items Are Not Shown On Illustration. ode). Both models are derived from the 100.1" W.B. LeBaron (C 22 Model). Sheet metal parts for the C 48 not found on this illustration should be speci

4314 192	2				BUMPER, Deck Lid Hinge Support Slam
4296 282	2				SUPPORT, Deck Lid Hinge to Shelf Panel
4206 796	2				SLEEVE, Deck Lid Hinge Torsion Bar

MODEL CODES

B = GRAN FURY	F = FIFTH AVENUE/NEWPORT	P = RELIANT
C = LEBARON/TOWN & COUNTRY/EXC SEDAN	G = DIPLOMAT	T = E CLASS/NEW YORKER
C24 = LASER	H = VOYAGER	V = 600
D = ARIES	K = MINI RAM/CARAVAN/ROYAL	V24 = DAYTONA
E = 600	M = HORIZON/TURISMO	Z = OMNI/CHARGER/RAMPAGE

BODY STYLES

21 = 2-DOOR SEDAN	28 = FWD PICKUP	44 = 4-DOOR HATCHBACK
22 = 2-DOOR SPECIAL COUPE	35 = FWD VAN	45 = 4-DOOR STATION WAGON
24 = 2-DOOR HATCHBACK	36 = FWD WAGON	48 = 4-DOOR EXECUTIVE SEDAN
27 = 2-DOOR CONVERTIBLE	41 = 4-DOOR SEDAN	

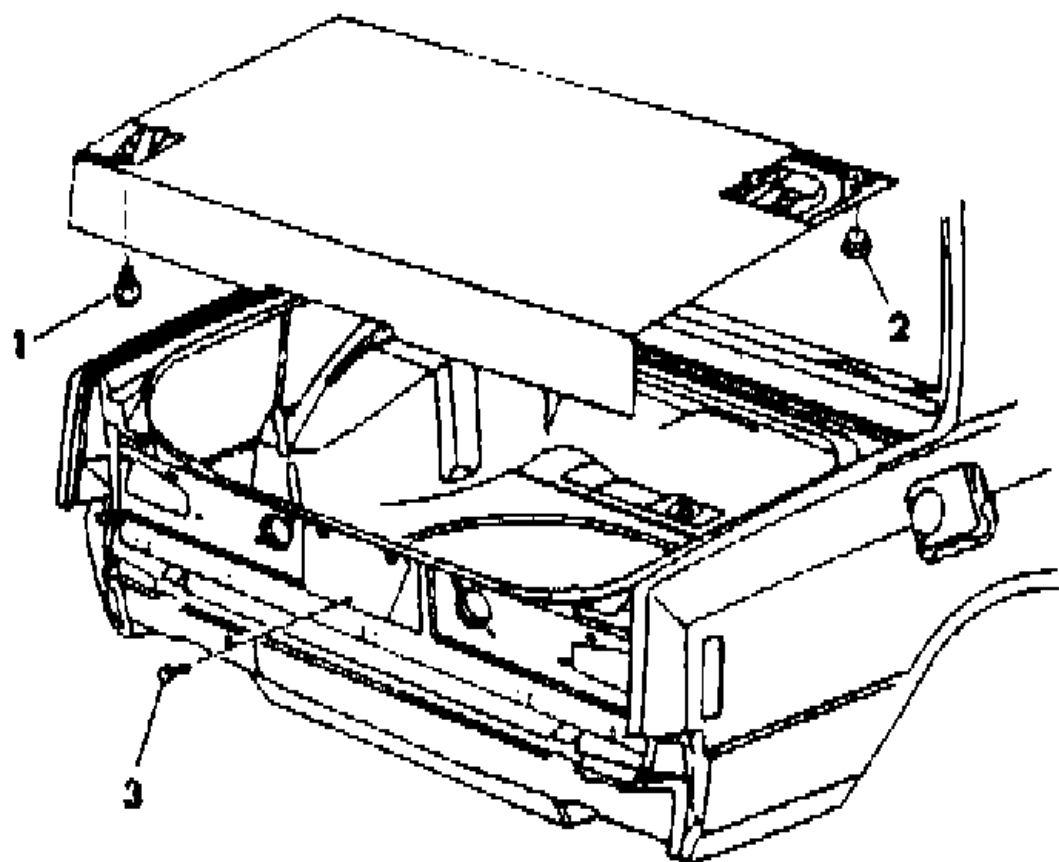
AR = Use as Required - = Non Illustrated Part P.A.R. = Paint as Required

BUMPERS PLUGS DECK LID - P,D,V,C,E,T
Figure 23A-6300

4159 6300

ITEM	PART NUMBER	QTY	BODY	MODEL	DESCRIPTION
------	-------------	-----	------	-------	-------------

1	5230 376	2			BUMPER
2	6029 939	2			PLUG
3	5200 365	1			BUTTON



MODEL CODES

B = GRAN FURY	F = FIFTH AVENUE/NEWPORT	P = RELIANT
C = LEBARON/TOWN & COUNTRY/EXC SEDAN	G = DIPLOMAT	T = E CLASS/NEW YORKER
C24 = LASER	H = VOYAGER	V = 600
D = ARIES	K = MINI RAM/CARAVAN/ROYAL	V24 = DAYTONA
E = 600	M = HORIZON/TURISMO	Z = OMNI/CHARGER/RAMPAGE

BODY STYLES

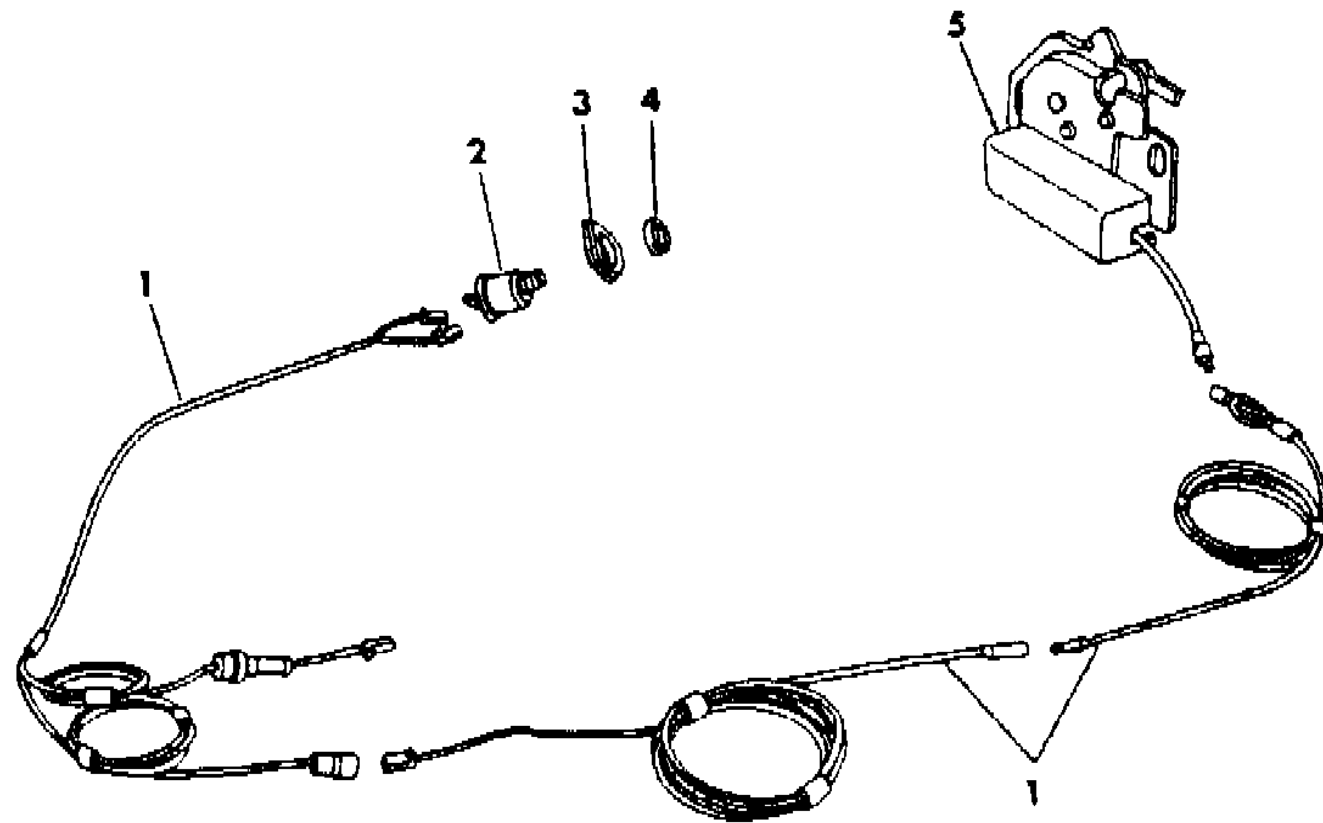
21 = 2-DOOR SEDAN	28 = FWD PICKUP	44 = 4-DOOR HATCHBACK
22 = 2-DOOR SPECIAL COUPE	35 = FWD VAN	45 = 4-DOOR STATION WAGON
24 = 2-DOOR HATCHBACK	36 = FWD WAGON	48 = 4-DOOR EXECUTIVE SEDAN
27 = 2-DOOR CONVERTIBLE	41 = 4-DOOR SEDAN	

AR = Use as Required - = Non Illustrated Part P.A.R. = Paint as Required

DECK LID ELECTRIC - P,D,V,C,E,T
Figure 23A-6400

4169 6400

ITEM	PART NUMBER	QTY	BODY	MODEL	DESCRIPTION
1					WIRING, See Group 8 Body Wiring
2	3747 154	1			SWITCH, Remote Deck Lid Release or Instrument Panel Mtg.
3	3747 875	1			BEZEL, Electric Release Switch
4	6028 824	1			NUT, Electric Release Swich Mtg.
5	4054 962	1			LATCH, Electric Deck Lid
	4131 515	1			LATCH PACKAGE, Electric (Includes Item 1 & 5)
NOTE: The following items are not shown on illustration. Both models are derived from the 100.1" W.B. LeBaron (C 22 Model). Sheet metal parts for the C 48 not found on this illustration should be speci					
	6028 976	1			PUSHNUT, Electric Deck Lid Latch Spring



MODEL CODES

B = GRAN FURY	F = FIFTH AVENUE/NEWPORT	P = RELIANT
C = LEBARON/TOWN & COUNTRY/EXC SEDAN	G = DIPLOMAT	T = E CLASS/NEW YORKER
C24 = LASER	H = VOYAGER	V = 600
D = ARIES	K = MINI RAM/CARAVAN/ROYAL	V24 = DAYTONA
E = 600	M = HORIZON/TURISMO	Z = OMNI/CHARGER/RAMPAGE

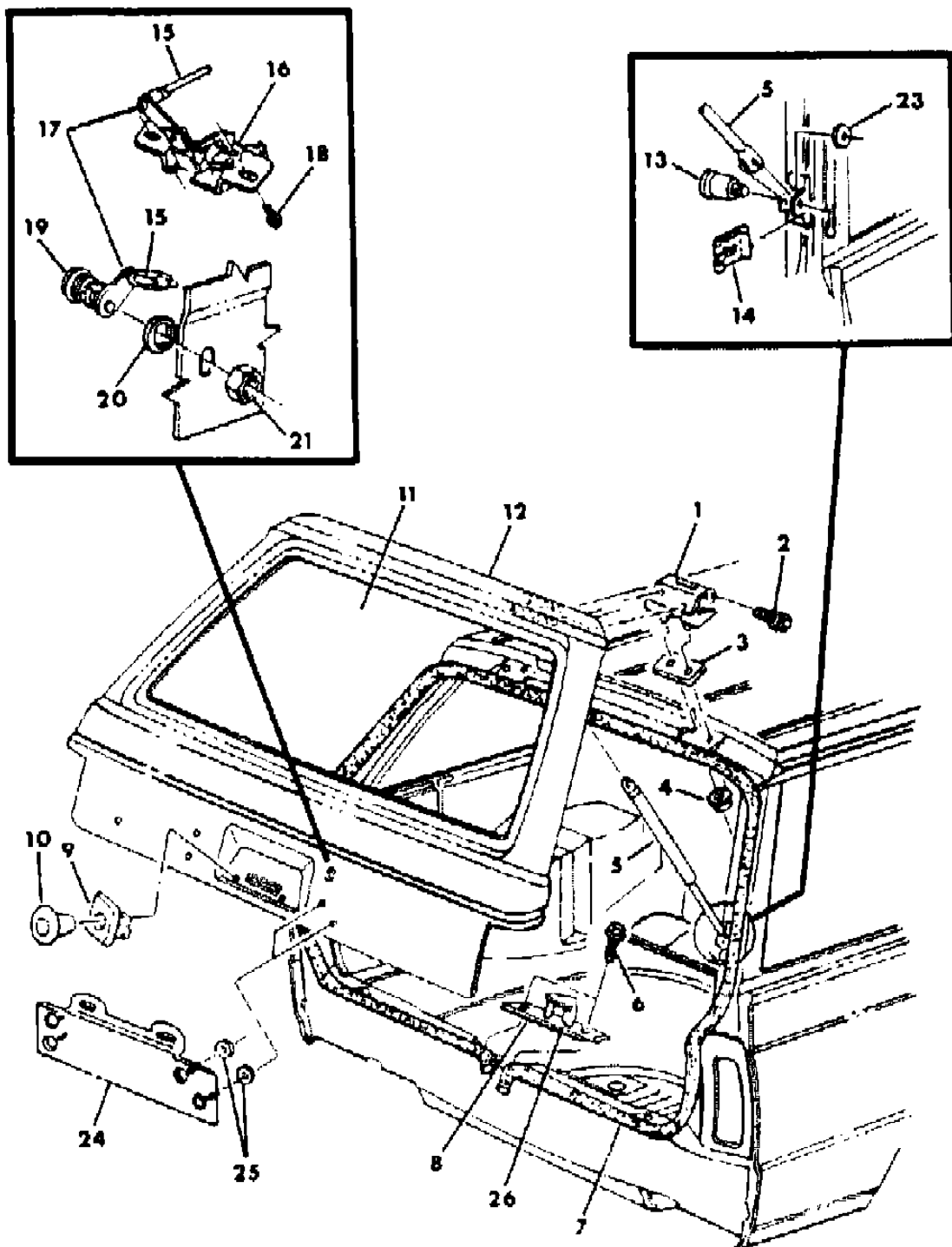
BODY STYLES

21 = 2-DOOR SEDAN	28 = FWD PICKUP	44 = 4-DOOR HATCHBACK
22 = 2-DOOR SPECIAL COUPE	35 = FWD VAN	45 = 4-DOOR STATION WAGON
24 = 2-DOOR HATCHBACK	36 = FWD WAGON	48 = 4-DOOR EXECUTIVE SEDAN
27 = 2-DOOR CONVERTIBLE	41 = 4-DOOR SEDAN	

AR = Use as Required - = Non Illustrated Part P.A.R. = Paint as Required

LIFTGATE - P,D,C 45
Figure 23A-6500

4169 6500



ITEM	PART NUMBER	QTY	BODY	MODEL	DESCRIPTION
1	4246 837	2			HINGE
2					SCREW and WASHER, Not Serviced
3	4246 359	2			SHIM, Liftgate Hinge (Body Half)
4	6100 049	4			NUT and WASHER
5	4172 581	2		P,D	PROP, w/Clevis Hold Open
	4246 460	2		C	
6	6025 346	2			SCREW and WASHER
7	5231 926	1			WEATHERSTRIP
8	4246 310	1			STRIKER, Latch
9	6500 524	2			NUT
10	5200 365	2			BUTTON
11	4198 837	1			GLASS, Clear
	4198 838	1			Tinted
	4198 955	1			Tinted, (Electric Heated)
	4078 959	AR			WELT, Liftgate Trim
12	4325 288	1			LIFTGATE
13	4246 123	4			PIN, Prop End Attaching Bracket
14	6032 029	4			CLIP, Prop Pin Attaching
15	4172 595	1			LINK, Latch Release
16	4246 597	1			LATCH, Liftgate Includes Cargo Lamp Switch Manual
	4246 596	1			Electric
17	3454 220	2			CLIP, Latch Release Link Attaching
18	6025 346	2			SCREW and WASHER
19		1			CYLINDER, See Cylinder and Key Illustration
20		1			GASKET, See Cylinder and Key Illustration
21	4054 202	1			NUT
23	4246 243	2			BUMPER, Liftgate Prop Anti-Rattle
24		1			BRACKET, Liftgate License Plate Mtg. (Not Serviced)
25		4			SEAL, (Not Serviced)
26	4246 321	1			BUMPER, Liftgate Latch Striker

NOTE: The Following Items Are Not Shown On Illustration. Both models are derived from the 100.1" W.B. LeBaron (C 22 Model). Sheet metal parts for the C 48 not found on this illustration should be speci

	4267 922	1			ELECTRIC GRID REPAIR PACKAGE
	3747 299	1			RELAY, Liftgate Release
	3747 154	1			SWITCH, Liftgate Release
	3747 875	1			BEZEL, Liftgate Release Switch
	4296 404	2			BRACKET, Liftgate Opening Pillar Prop Attaching
	6028 976	1			PUSHNUT, Liftgate Latch Spring

MODEL CODES

B = GRAN FURY	F = FIFTH AVENUE/NEWPORT	P = RELIANT
C = LEBARON/TOWN & COUNTRY/EXC SEDAN	G = DIPLOMAT	T = E CLASS/NEW YORKER
C24 = LASER	H = VOYAGER	V = 600
D = ARIES	K = MINI RAM/CARAVAN/ROYAL	V24 = DAYTONA
E = 600	M = HORIZON/TURISMO	Z = OMNI/CHARGER/RAMPAGE

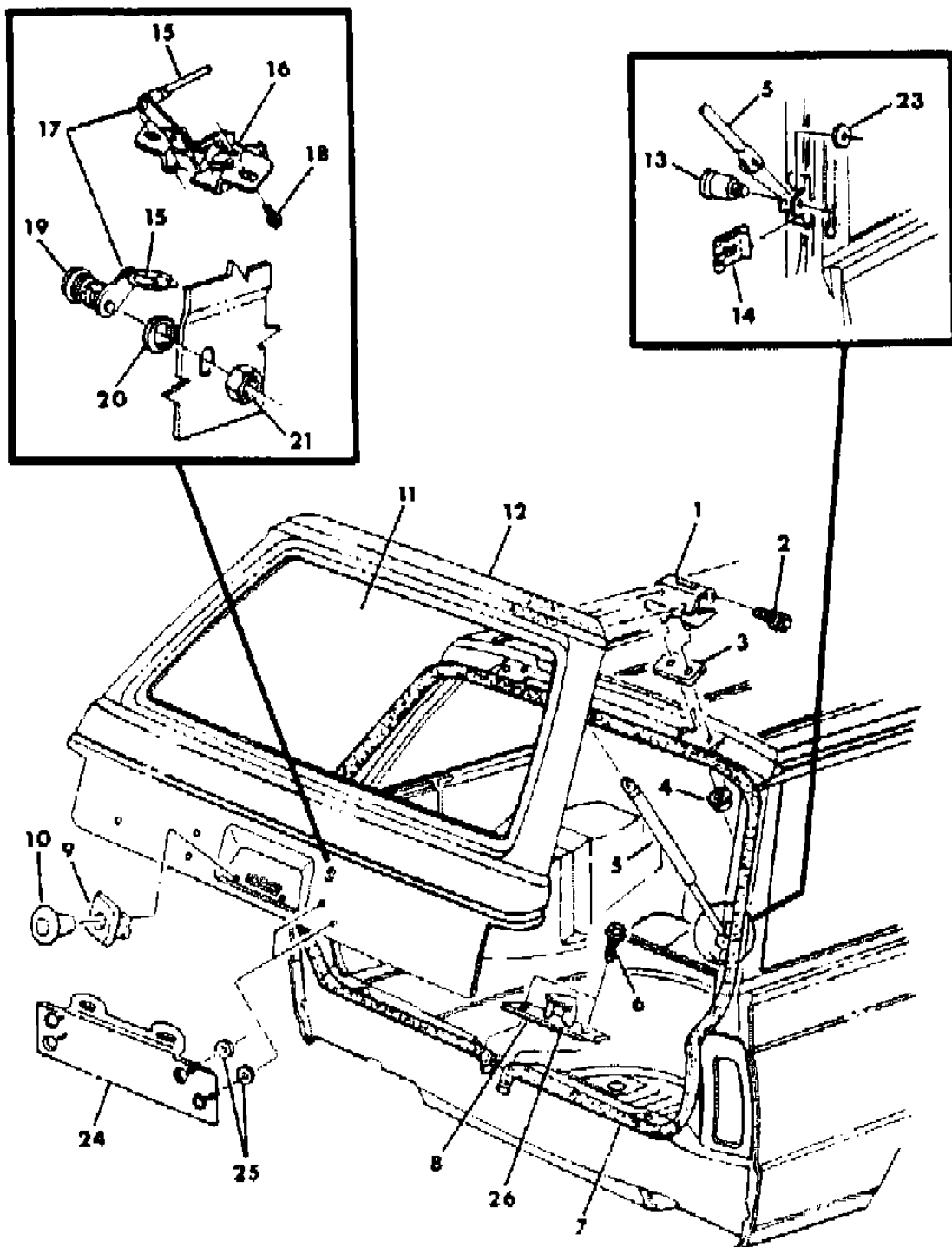
BODY STYLES

21 = 2-DOOR SEDAN	28 = FWD PICKUP	44 = 4-DOOR HATCHBACK
22 = 2-DOOR SPECIAL COUPE	35 = FWD VAN	45 = 4-DOOR STATION WAGON
24 = 2-DOOR HATCHBACK	36 = FWD WAGON	48 = 4-DOOR EXECUTIVE SEDAN
27 = 2-DOOR CONVERTIBLE	41 = 4-DOOR SEDAN	

AR = Use as Required - = Non Illustrated Part P.A.R. = Paint as Required

LIFTGATE - P,D,C 45
Figure 23A-6500

4169 6500



ITEM	PART NUMBER	QTY	BODY	MODEL	DESCRIPTION
	6028 824	1			NUT, Liftgate Release Switch Mounting
	4198 396	2			SPACER, Liftgate Glass Lower
	5230 376	2			BUMPER, Liftgate Inner Panel Adjustable
	1774 076	1			PLUG, Liftgate Opening Lower Panel
	2860 332	1			PLUG, Liftgate Inner Washer Hose Hole
	2094 631	1			PLUG, Liftgate Inner
	5231 207	4			SEALING WASHER, Liftgate Hinge (Body Half)

MODEL CODES
 B = GRAN FURY
 C = LEBARON/TOWN & COUNTRY/EXC SEDAN
 C24 = LASER
 D = ARIES
 E = 600
 F = FIFTH AVENUE/NEWPORT
 G = DIPLOMAT
 H = VOYAGER
 K = MINI RAM/CARAVAN/ROYAL
 M = HORIZON/TURISMO
 P = RELIANT
 T = E CLASS/NEW YORKER
 V = 600
 V24 = DAYTONA
 Z = OMNI/CHARGER/RAMPAGE

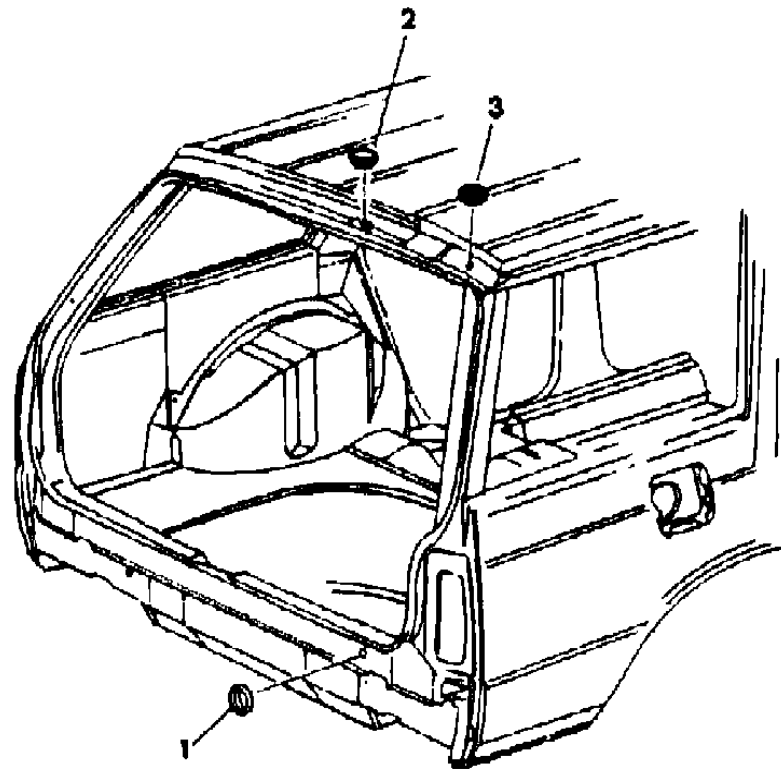
BODY STYLES
 21 = 2-DOOR SEDAN
 22 = 2-DOOR SPECIAL COUPE
 24 = 2-DOOR HATCHBACK
 27 = 2-DOOR CONVERTIBLE
 28 = FWD PICKUP
 35 = FWD VAN
 36 = FWD WAGON
 41 = 4-DOOR SEDAN
 44 = 4-DOOR HATCHBACK
 45 = 4-DOOR STATION WAGON
 48 = 4-DOOR EXECUTIVE SEDAN

AR = Use as Required - = Non Illustrated Part P.A.R. = Paint as Required

PLUGS LIFTGATE - P,D,C 45
Figure 23A-6600

ITEM	PART NUMBER	QTY	BODY	MODEL	DESCRIPTION
1	1774 076	1			PLUG
2	1774 076	1			PLUG
3	2574 792	1			PLUG

4109 6600



MODEL CODES

B = GRAN FURY	F = FIFTH AVENUE/NEWPORT	P = RELIANT
C = LEBARON/TOWN & COUNTRY/EXC SEDAN	G = DIPLOMAT	T = E CLASS/NEW YORKER
C24 = LASER	H = VOYAGER	V = 600
D = ARIES	K = MINI RAM/CARAVAN/ROYAL	V24 = DAYTONA
E = 600	M = HORIZON/TURISMO	Z = OMNI/CHARGER/RAMPAGE

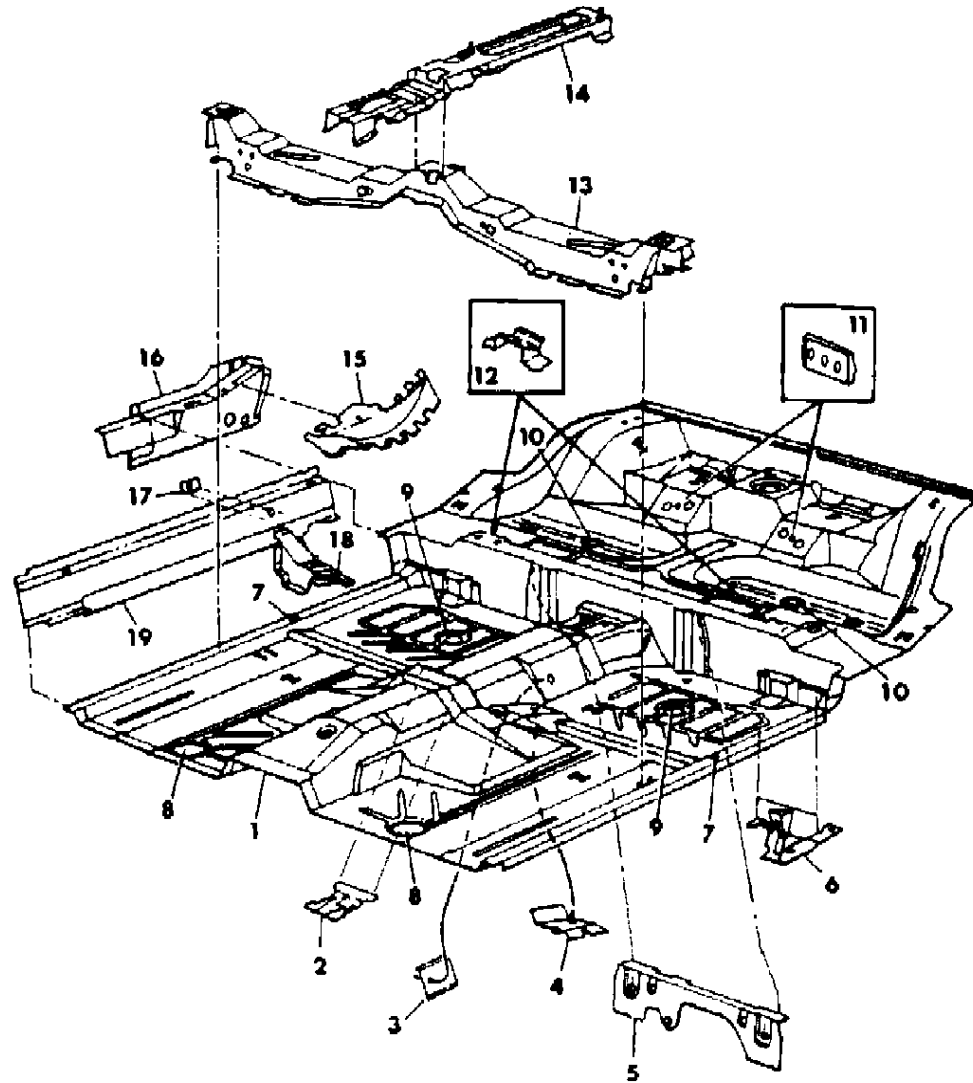
BODY STYLES

21 = 2-DOOR SEDAN	28 = FWD PICKUP	44 = 4-DOOR HATCHBACK
22 = 2-DOOR SPECIAL COUPE	35 = FWD VAN	45 = 4-DOOR STATION WAGON
24 = 2-DOOR HATCHBACK	36 = FWD WAGON	48 = 4-DOOR EXECUTIVE SEDAN
27 = 2-DOOR CONVERTIBLE	41 = 4-DOOR SEDAN	

AR = Use as Required - = Non Illustrated Part P.A.R. = Paint as Required

FLOOR PAN FRONT - C,V 24
Figure 23A-6700

41e9 6700



ITEM	PART NUMBER	QTY	BODY	MODEL	DESCRIPTION
1	4206 823	1		24	PAN, Front Floor
2	4278 600	1		24	BRACKET, Front Floor Pan Park Brake Cable Guide
3	4314 259	2		24	REINFORCEMENT, Front Floor Pan Front Seat Belt Inner Mounting
4	4278 498-9	1		24	REINFORCEMENT and STUD, Front Floor Pan Front Seat Rear Inner Mounting
5		1		24	PLATE and NUT, Front Floor Pan Fuel Tank Strap & Exhaust Hanger (Not Serviced)
6	4314 318-9	1		24	BRACKET, Front Floor Pan Lift Hoisting
7	2574 792	2		24	PLUG, .75" Dia./19.5 mm
8	5200 456	2		24	PLUG, 2.75" Dia./70 mm
9	2424 864	2		24	PLUG, 1.75" Dia./44.5 mm
10	4073 475	2		24	PLUG, 1.50" Dia./38 mm
11	4314 260	2		24	REINFORCEMENT, Front Floor Pan Rear Seat & Seat Belt Inner Mounting
12	5200 388	2		24	RETAINER, Front Floor Pan Rear Seat Cushion
13	4200 979	1		24	CROSSMEMBER and REINFORCEMENT, Front Floor Pan Front Seat Track Mounting
14	4278 926	1		24	BRACKET and SCREW, Console Gear Selector to Floor Pan Mounting
15	4314 866-7	1		24	REINFORCEMENT and NUT, Front Floor Pan Rear Seat Belt Outer Mounting
16	4314 874-5	1		24	EXTENSION, Side Sill Inner Rear
17	4314 326	2		24	REINFORCEMENT and NUT, Front Seat Belt Outer Mounting
18	4206 928-9	1		24	REINFORCEMENT and SCREW, Front Floor Pan Front Seat Rear Outer Mounting
19	4206 870-1	1		24	PANEL, Body Side Sill Inner

MODEL CODES

B = GRAN FURY	F = FIFTH AVENUE/NEWPORT	P = RELIANT
C = LEBARON/TOWN & COUNTRY/EXC SEDAN	G = DIPLOMAT	T = E CLASS/NEW YORKER
C24 = LASER	H = VOYAGER	V = 600
D = ARIES	K = MINI RAM/CARAVAN/ROYAL	V24 = DAYTONA
E = 600	M = HORIZON/TURISMO	Z = OMNI/CHARGER/RAMPAGE

BODY STYLES

21 = 2-DOOR SEDAN	28 = FWD PICKUP	44 = 4-DOOR HATCHBACK
22 = 2-DOOR SPECIAL COUPE	35 = FWD VAN	45 = 4-DOOR STATION WAGON
24 = 2-DOOR HATCHBACK	36 = FWD WAGON	48 = 4-DOOR EXECUTIVE SEDAN
27 = 2-DOOR CONVERTIBLE	41 = 4-DOOR SEDAN	

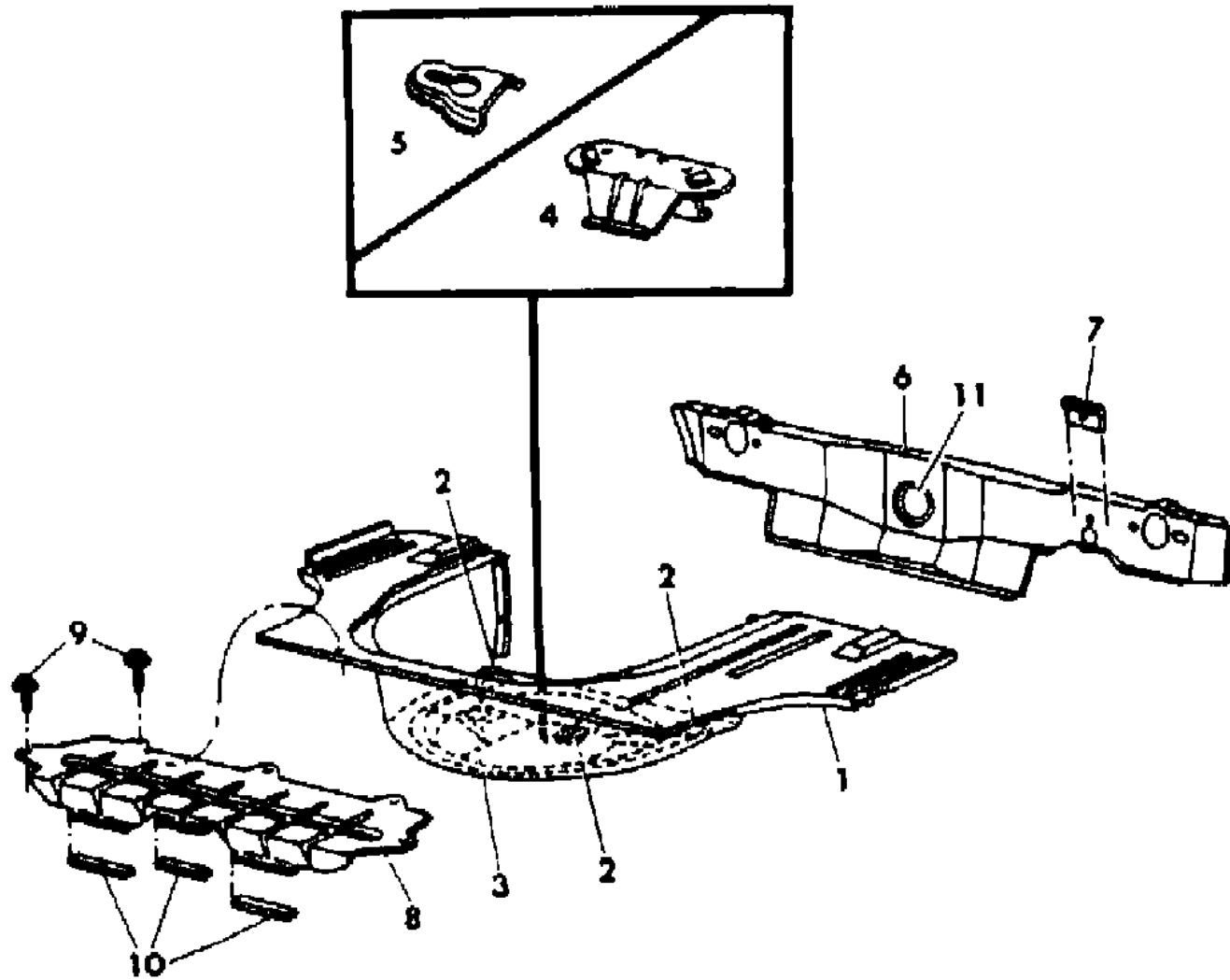
AR = Use as Required - = Non Illustrated Part P.A.R. = Paint as Required

FLOOR PAN REAR - C,V 24

Figure 23A-6800

4109 6800

ITEM	PART NUMBER	QTY	BODY	MODEL	DESCRIPTION
1	4206 830	1		24	PAN, Rear Floor
2	2424 864	3		24	PLUG, 1.75" Dia./44.5 mm
3	6030 773	1		24	PLUG, 2.25" Dia./57 mm
4	4314 870	1		24	SUPPORT, Rear Floor Pan Spare Tire Mounting
5		1		24	BRACKET, Rear Floor Pan Spare Tire Anchor Bolt (Not Serviced)
6	4200 978	1		24	CROSSMEMBER and REINFORCEMENT, Rear Floor Pan
7		1		24	REINFORCEMENT, Rear Floor Pan Rear Crossmember Muffler Mounting (Serviced in Item #6)
8	4314 058	1		24	PANEL, Rear Seat to Floor Pan Filler
9		5		24	SCREW, #8-18 x .50" (Not Serviced)
10		3		24	TAPE, Floor Pan Filler Anti-Squeak (Not Serviced)
11	5200 456	1		24	PLUG, 2.75" Dia./70 mm



MODEL CODES

B = GRAN FURY	F = FIFTH AVENUE/NEWPORT	P = RELIANT
C = LEBARON/TOWN & COUNTRY/EXC SEDAN	G = DIPLOMAT	T = E CLASS/NEW YORKER
C24 = LASER	H = VOYAGER	V = 600
D = ARIES	K = MINI RAM/CARAVAN/ROYAL	V24 = DAYTONA
E = 600	M = HORIZON/TURISMO	Z = OMNI/CHARGER/RAMPAGE

BODY STYLES

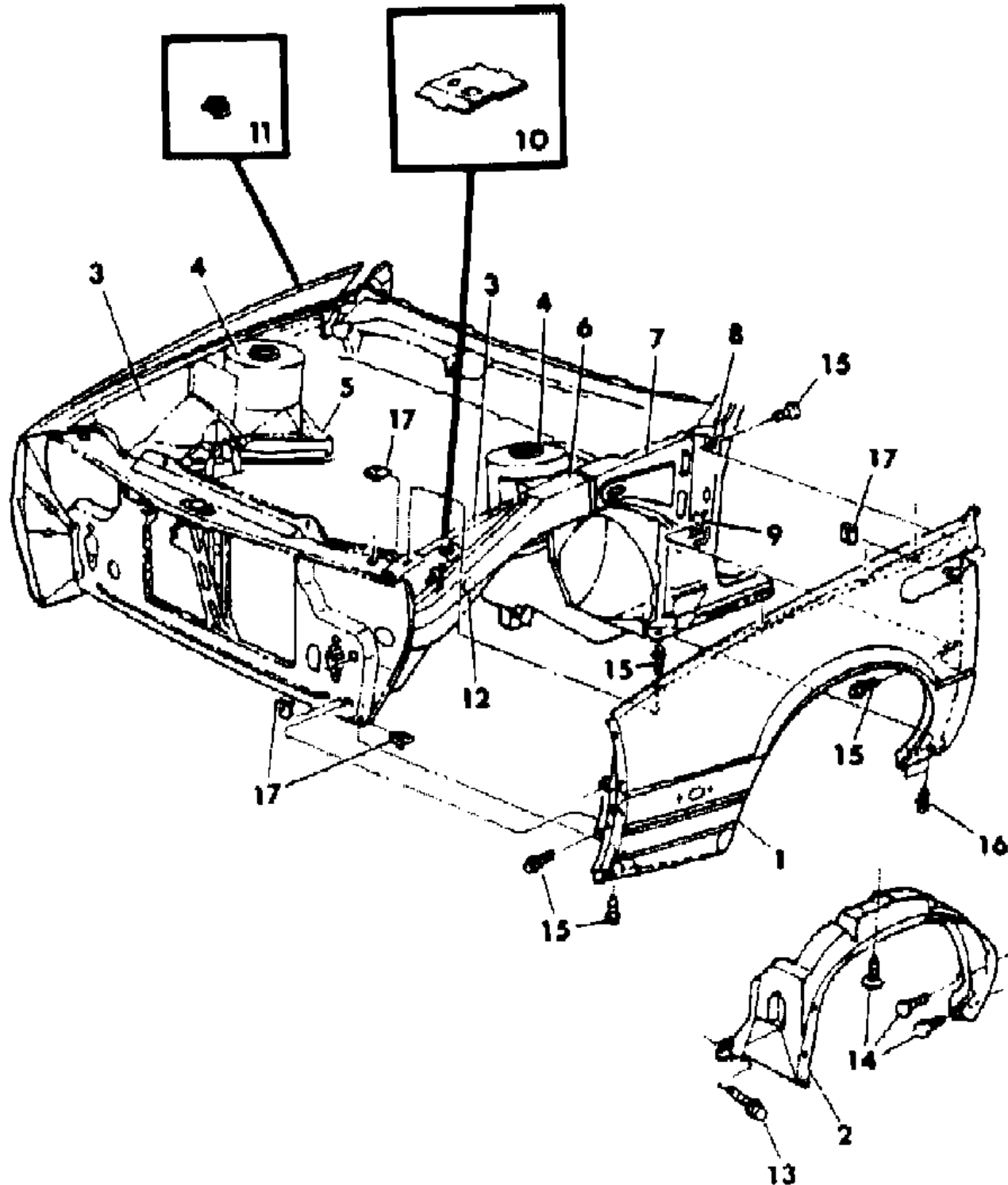
21 = 2-DOOR SEDAN	28 = FWD PICKUP	44 = 4-DOOR HATCHBACK
22 = 2-DOOR SPECIAL COUPE	35 = FWD VAN	45 = 4-DOOR STATION WAGON
24 = 2-DOOR HATCHBACK	36 = FWD WAGON	48 = 4-DOOR EXECUTIVE SEDAN
27 = 2-DOOR CONVERTIBLE	41 = 4-DOOR SEDAN	

AR = Use as Required - = Non Illustrated Part P.A.R. = Paint as Required

FENDER - C,V 24
Figure 23A-6900

4189 6900

ITEM	PART NUMBER	QTY	BODY	MODEL	DESCRIPTION
1	4293 230-1	1		24	PANEL, Fender
2	4103 962-3	1		24	SHIELD, Fender Wheelhouse Splash
3	4296 826	1		24	PANEL, Front Fender Shield, Right
	4341 529	1		24	PANEL, Front Fender Shield, Left
4	4296 796-7	1		24	TOWER, Front Suspension Iso-Strut Mounting
5	4296 808-9	1		24	EXTENSION, Iso-Strut Tower to Dash Panel
6	4296 326-7	1		24	BEAM, Front Fender Upper Load Path Front
7	4297 956	1		24	EXTENSION, Body Front Hinge Pillar To Strut Tower Rt.
	4314 183	1		24	EXTENSION, Body Front Hinge Pillar to Strut Tower, Left
8				24	TAB, Front Fender Upper Rear Mounting (Serviced in Panel, Body Side Aperture Front - See "Body, Front Pillar" Illustration)
9	4206 553	2		24	SUPPORT and NUT, Body Front Hinge Pillar to Fender Mounting
10	4270 122	1		24	REINFORCEMENT, Front Fender Shield Battery Tray
11	4222 731	1		24	PLUG, Fender Antenna Hole
12	4073 485	1		24	PLUG, 1.50" Dia./38 mm, Up To 12/1/83
	4341 376	1		24	After 12/1/83
13		2		24	SCREW, 1/4-14 x .875" (Not Serviced)
14	6030 441	23		24	RETAINER, Fender Splash Shield Mounting
15	6100 568	18		24	SCREW and WASHER
16		4		24	SCREW and WASHER, Not Serviced
17	6100 041	18		24	U-NUT



MODEL CODES

B = GRAN FURY	F = FIFTH AVENUE/NEWPORT	P = RELIANT
C = LEBARON/TOWN & COUNTRY/EXC SEDAN	G = DIPLOMAT	T = E CLASS/NEW YORKER
C24 = LASER	H = VOYAGER	V = 600
D = ARIES	K = MINI RAM/CARAVAN/ROYAL	V24 = DAYTONA
E = 600	M = HORIZON/TURISMO	Z = OMNI/CHARGER/RAMPAGE

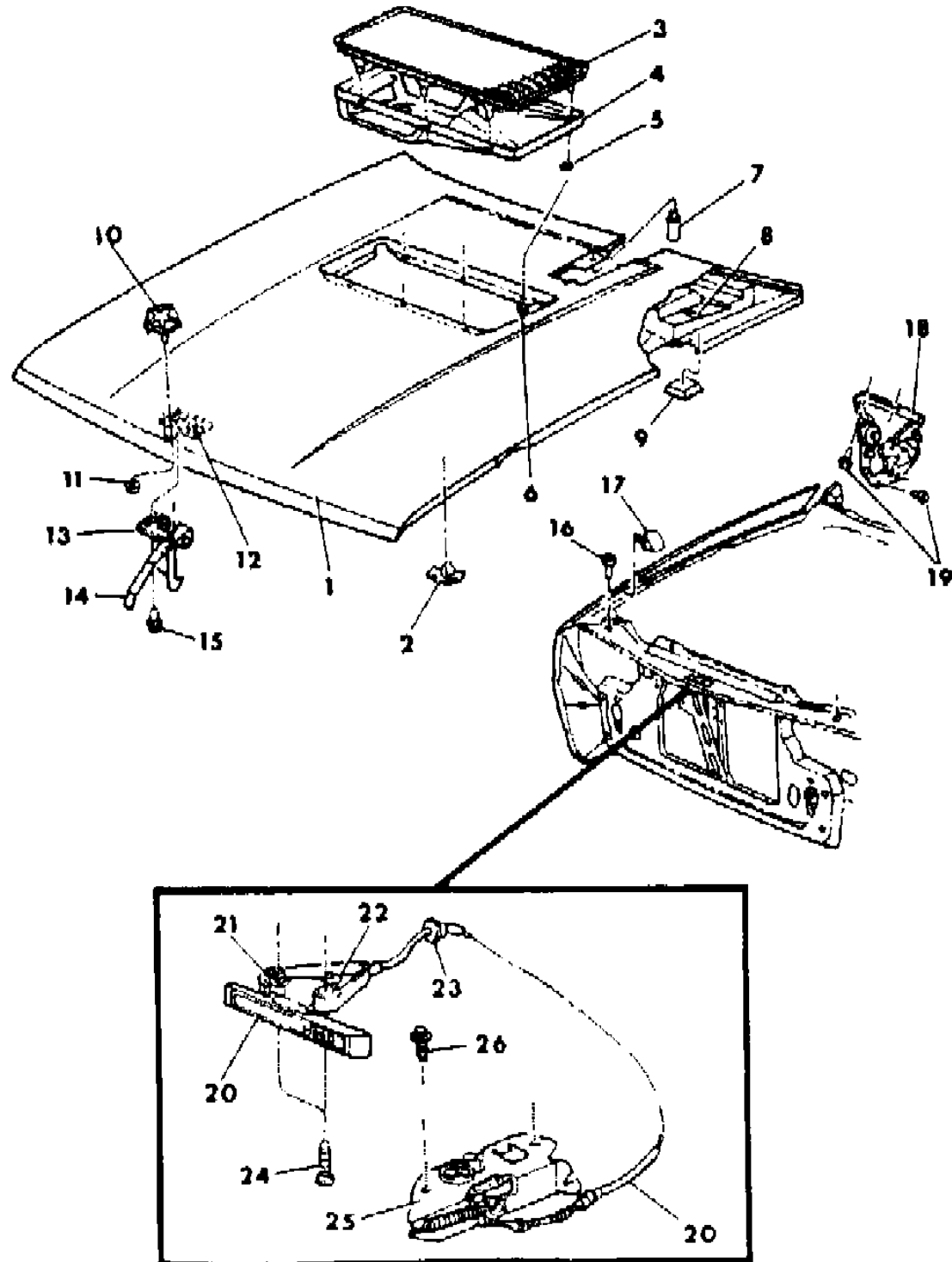
BODY STYLES

21 = 2-DOOR SEDAN	28 = FWD PICKUP	44 = 4-DOOR HATCHBACK
22 = 2-DOOR SPECIAL COUPE	35 = FWD VAN	45 = 4-DOOR STATION WAGON
24 = 2-DOOR HATCHBACK	36 = FWD WAGON	48 = 4-DOOR EXECUTIVE SEDAN
27 = 2-DOOR CONVERTIBLE	41 = 4-DOOR SEDAN	

AR = Use as Required - = Non Illustrated Part P.A.R. = Paint as Required

HOOD - C,V 24
Figure 23A-7000

4169 7000



ITEM	PART NUMBER	QTY	BODY	MODEL	DESCRIPTION
1	4296 973	1		24	PANEL, Hood, w/o Turbo
	4341 886	1		24	w/Turbo
2	6003 351	15		24	FASTENER, Hood Panel Silencer
	4049 601	AR		24	SILENCER, Hood Panel, Cut to Fit, 36" x 72"
3	4296 278	1		24	LOUVER, w/Stud Hood Panel Includes Items #4 & 5
4	4296 596	1		24	TRAY and DEFLECTOR, Hood Louver
5	6100 839	6		24	PUSHNUT
6		6		24	NUT and WASHER, Not Serviced
7		1		24	SPACER, Hood Rear to Cowl Top (Not Serviced)
8	2895 126	2		24	PLUG, Hood Inner Panel Sealing
9	4296 123	2		24	SEAL, Hood to Fender Ledge
10	4328 635	1		C 24	MEDALLION, Hood, Bright, Up To 11/21/83
	4328 635	1		C 24	Bright, After 11/21/83
	4328 634	1		V 24	Black, Up To 11/21/83
	4328 634	1		V 24	Black, After 11/21/83
11		1		24	NUT, Stamped, M6 Not Serviced
12	4103 969	1		24	PLATE and NUT, Hood Inner Panel Latch Reinforcement
13	4296 043	1		24	PLATE and NUT, Hood Striker & Safety Catch Mounting, Up To 12/8/83
	4270 084	1		24	After 12/8/83
14	4270 084	1		24	STRIKER and SAFETY CATCH, Hood, Includes Item 13
15	6100 557	2		24	SCREW and WASHER
16	4103 165	2		24	BUMPER, Crossmember to Hood Adjustable
17	4296 227	2		24	BUMPER, Fender Hood Side
18	4296 976-7	1		24	HINGE, Hood
19		8		24	SCREW and WASHER, Not Serviced
20	4296 013	1		24	RELEASE, Inside Hood (Includes Items #21-23)
21	6024 203	1		24	PUSHNUT, Inside Hood Release Handle To Bracket
22	6031 147	1		24	SPRING NUT, Inside Hood Release Cable to Handle
23	5207 294	1		24	GROMMET, Dash Panel Hood Release Cable
24		2		24	SCREW, #10-16 x 1.50" (Not Serviced)
25	4270 091	1		24	LATCH, Hood, Up To 12/8/83
	4296 593	1		24	After 12/8/83
26	6100 557	2		24	SCREW and WASHER

MODEL CODES

B = GRAN FURY	F = FIFTH AVENUE/NEWPORT	P = RELIANT
C = LEBARON/TOWN & COUNTRY/EXC SEDAN	G = DIPLOMAT	T = E CLASS/NEW YORKER
C24 = LASER	H = VOYAGER	V = 600
D = ARIES	K = MINI RAM/CARAVAN/ROYAL	V24 = DAYTONA
E = 600	M = HORIZON/TURISMO	Z = OMNI/CHARGER/RAMPAGE

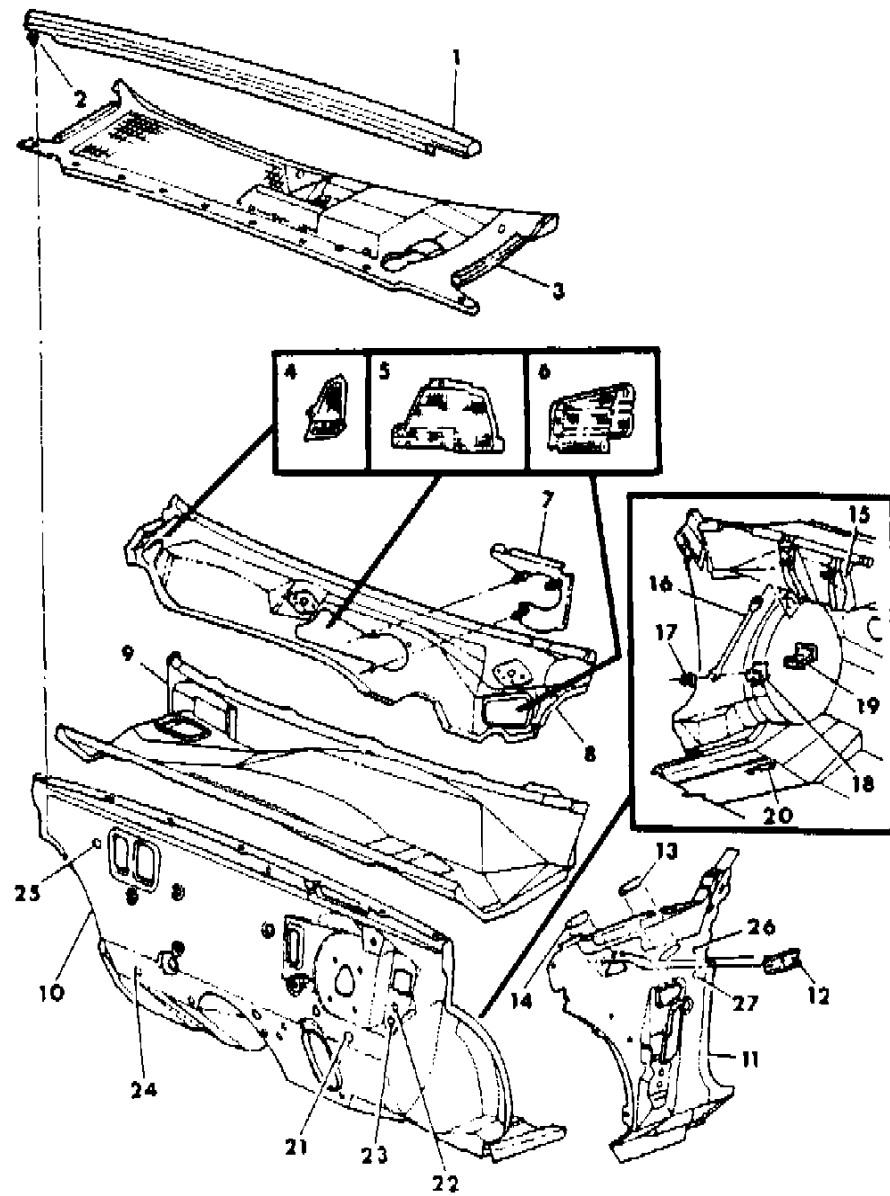
BODY STYLES

21 = 2-DOOR SEDAN	28 = FWD PICKUP	44 = 4-DOOR HATCHBACK
22 = 2-DOOR SPECIAL COUPE	35 = FWD VAN	45 = 4-DOOR STATION WAGON
24 = 2-DOOR HATCHBACK	36 = FWD WAGON	48 = 4-DOOR EXECUTIVE SEDAN
27 = 2-DOOR CONVERTIBLE	41 = 4-DOOR SEDAN	

AR = Use as Required - = Non Illustrated Part P.A.R. = Paint as Required

COWL AND DASH PANEL - V,C 24
Figure 23A-7100

4109 7100



ITEM	PART NUMBER	QTY	BODY	MODEL	DESCRIPTION
1	4314 070	1		24	SEAL, Dash Panel to Hood (Includes Item #2)
2	3759 944	11		24	RETAINER, Dash Panel to Hood Seal
3	4337 132	1		24	SCREEN, Cowl Plenum Water Deflector, Up To 6/14/84
	4337 132	1		24	After 6/14/84
4	4314 476	1		24	SCREEN, Cowl Plenum, Right
5	4314 475	1		24	SCREEN, Cowl Plenum, Center
6	4314 477	1		24	SCREEN, Cowl Plenum, Left
7	4314 338	1		24	REINFORCEMENT and SCREW, Cowl Top Wiper Motor Mounting
8	4337 513	1		24	PANEL, Cowl Top
9	4314 323	1		24	PANEL and SCREW, Cowl Plenum, Up To 12/20/83
	4337 694	1		24	After 12/20/83
10	4314 792	1		24	PANEL, Dash, w/o A/C
	4314 793	1		24	w/A/C
11	4278 592	1		24	PANEL, Cowl Side, Right, Up To 9/7/83
	4337 104	1		24	Right, From 9/7/83 To 3/15/84
	4337 690	1		24	Right, After 3/15/84
	4278 593	1		24	Left, Up To 9/1/83
	4337 105	1		24	Left, From 9/1/83 To 3/9/84
	4337 691	1		24	Left, After 3/9/84
12	4103 122	2		24	REINFORCEMENT, Cowl Side Hood Hinge
13	4198 305	2		24	SEAL, Cowl Side to Cowl Plenum
14		2		24	SEAL, Cowl Plenum Lower Drain Hole (Not Serviced)
15	4278 589	1		24	SUPPORT and SCREW, Cowl Plenum Steering Column Bracket
16	4206 551	1		24	BRACE, Dash to Plenum Panel
17	6500 532	2		24	NUT and WASHER
18	4206 641	1		24	BRACKET, Dash to Plenum Panel Brace Mounting
19	4248 703	1		24	BRACKET, Dash Panel Footrest Mounting Upper
20	5200 384	1		24	SEAL, Dash Panel Park Brake Cable
		3		24	SCREW, Seal Mounting, #10-16 x .375" (Not Serviced)
21	3445 939	1		24	PLUG, .906" Dia./23 mm
22	3445 939	1		24	PLUG, .906" Dia./23 mm
23	2860 332	1		24	PLUG, .500" Dia./13 mm
24	5200 456	1		24	PLUG, 2.75" Dia./70 mm
25	2483 571	1		24	PLUG, 2.50" Dia./63 mm
26		2		24	PLUG, 1.62" Dia./41 mm (Not Serviced)
27	2860 332	1		24	PLUG, Right Side Only, .500" Dia./13 mm

MODEL CODES

B = GRAN FURY	F = FIFTH AVENUE/NEWPORT	P = RELIANT
C = LEBARON/TOWN & COUNTRY/EXC SEDAN	G = DIPLOMAT	T = E CLASS/NEW YORKER
C24 = LASER	H = VOYAGER	V = 600
D = ARIES	K = MINI RAM/CARAVAN/ROYAL	V24 = DAYTONA
E = 600	M = HORIZON/TURISMO	Z = OMNI/CHARGER/RAMPAGE

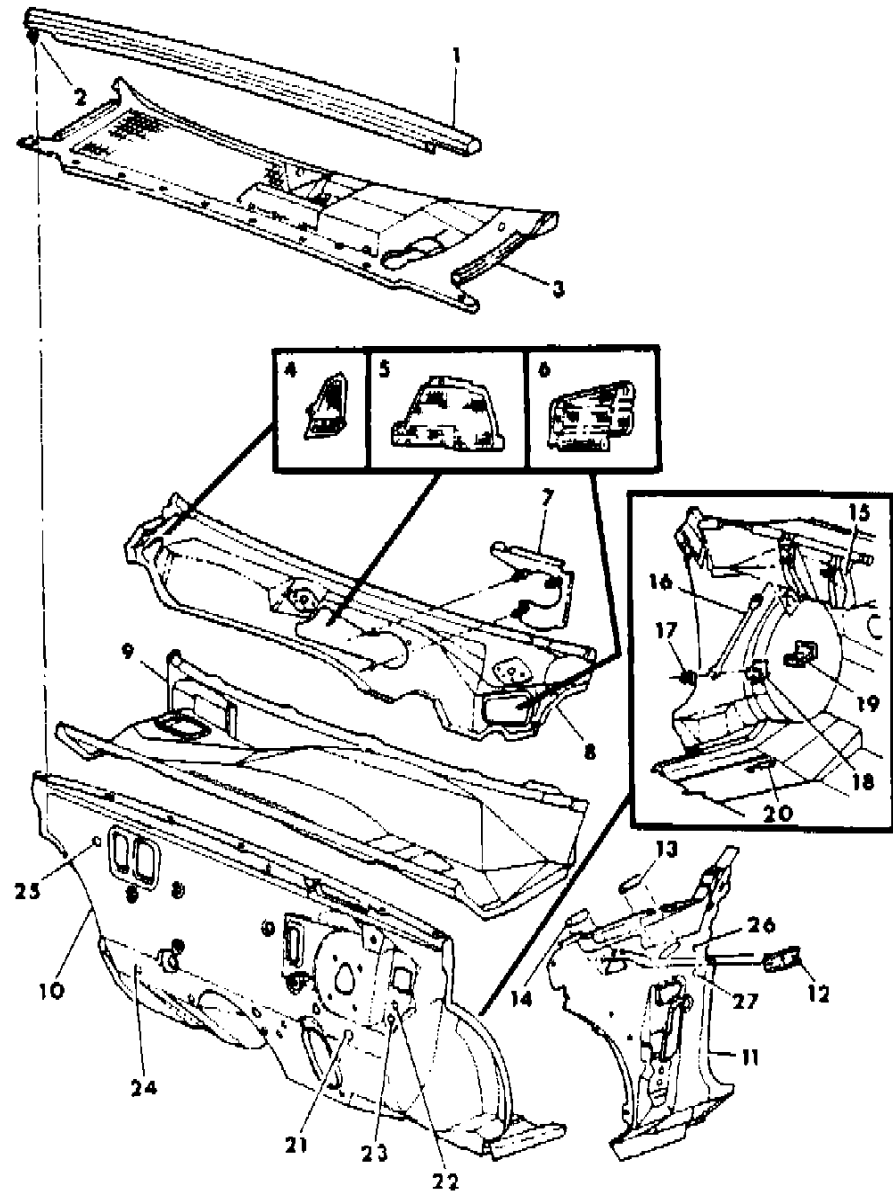
BODY STYLES

21 = 2-DOOR SEDAN	28 = FWD PICKUP	44 = 4-DOOR HATCHBACK
22 = 2-DOOR SPECIAL COUPE	35 = FWD VAN	45 = 4-DOOR STATION WAGON
24 = 2-DOOR HATCHBACK	36 = FWD WAGON	48 = 4-DOOR EXECUTIVE SEDAN
27 = 2-DOOR CONVERTIBLE	41 = 4-DOOR SEDAN	

AR = Use as Required - = Non Illustrated Part P.A.R. = Paint as Required

Figure 23A-7100

4109 7100



COWL AND DASH PANEL - V,C 24
Figure 23A-7100

ITEM	PART NUMBER	QTY	BODY	MODEL	DESCRIPTION
------	-------------	-----	------	-------	-------------

NOTE: The following items are not shown on illustration. ode). Both models are derived from the 100.1" W.B. LeBaron (C 22 Model). Sheet metal parts for the C 48 not found on this illustration should be speci

	4337 341	1		24	SEAL and RETAINER, Plenum to Cowl Side, Left, After 6/1/84
	4337 342	1		24	SEAL and RETAINER, Plenum to Cowl Side, Right, After 6/1/84

MODEL CODES

B = GRAN FURY	F = FIFTH AVENUE/NEWPORT	P = RELIANT
C = LEBARON/TOWN & COUNTRY/EXC SEDAN	G = DIPLOMAT	T = E CLASS/NEW YORKER
C24 = LASER	H = VOYAGER	V = 600
D = ARIES	K = MINI RAM/CARAVAN/ROYAL	V24 = DAYTONA
E = 600	M = HORIZON/TURISMO	Z = OMNI/CHARGER/RAMPAGE

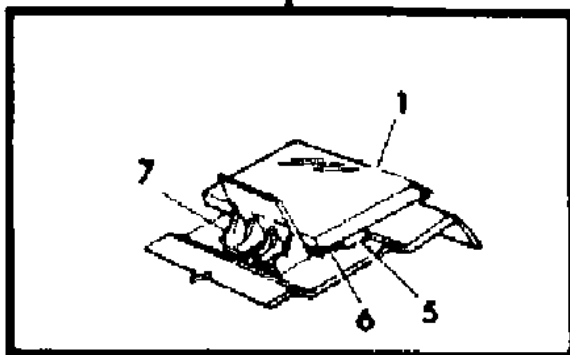
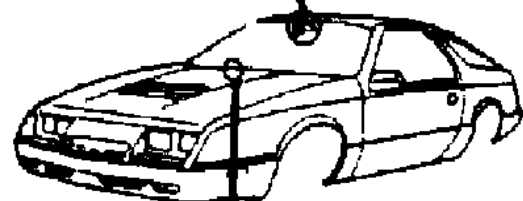
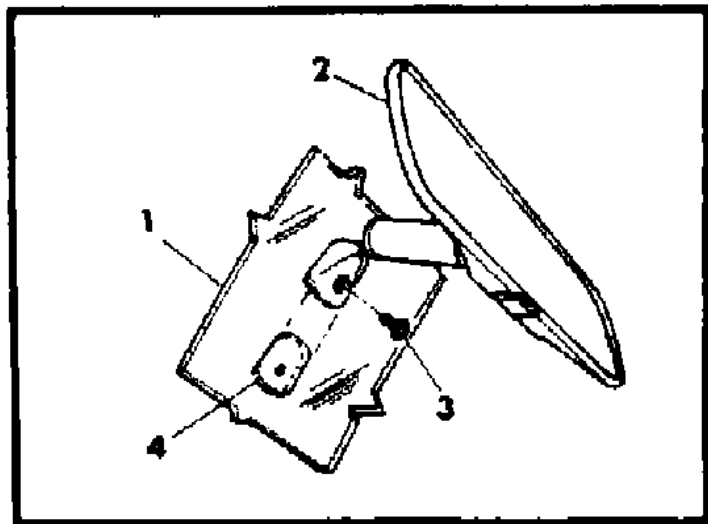
BODY STYLES

21 = 2-DOOR SEDAN	28 = FWD PICKUP	44 = 4-DOOR HATCHBACK
22 = 2-DOOR SPECIAL COUPE	35 = FWD VAN	45 = 4-DOOR STATION WAGON
24 = 2-DOOR HATCHBACK	36 = FWD WAGON	48 = 4-DOOR EXECUTIVE SEDAN
27 = 2-DOOR CONVERTIBLE	41 = 4-DOOR SEDAN	

AR = Use as Required - = Non Illustrated Part P.A.R. = Paint as Required

GLASS WINDSHIELD - C,V 24
Figure 23A-7200

4189 7200



ITEM	PART NUMBER	QTY	BODY	MODEL	DESCRIPTION
------	-------------	-----	------	-------	-------------

NOTE: GLASS, WINDSHIELD - ORDER FROM YOUR LOCAL "MOPAR" GLASS DISTRIBUTOR (code). Both models are derived from the 100.1" W.B. LeBaron (C 22 Model). Sheet metal parts for the C 48 not found on this illustration should be speci

1	4206 881	1	24		GLASS, Windshield, (Clear)
	4206 882	1	24		Tinted
2	5207 117	1	24		MIRROR, Inside Rear View
3	6031 094	1	24		SCREW, Inside Rear View Mirror Mounting
4	4054 066	1	24		BUTTON, Rear View Mirror Mounting
	4293 039	1	24		BUTTON PACKAGE, Rear View Mirror Mounting (Includes Button, Adhesive, & Instructions)
5		AR	24		POLYURETHANE, Windshield (Serviced in Package #4267906)
6		10	24		SPACER, Windshield Glass Support (Not Serviced)
7	4206 543	2	24		SPACER, Windshield Glass Lower
	4278 076	AR	24		SHIM, Windshield Lower Spacer (.156")
	4278 077	AR	24		(.250")

NOTE: The Following Items Are Not Shown On Illustration. (code). Both models are derived from the 100.1" W.B. LeBaron (C 22 Model). Sheet metal parts for the C 48 not found on this illustration should be speci

	4267 906	1	24		FIXED GLASS REPAIR PACKAGE (Polyurethane)
CONSISTS OF:					
1- ----- Polyurethane, 11.5 oz.					
1- ----- Fence Primer, 1 oz.					
1- ----- Glass Wipe-Off Primer, 1 oz.					
1- ----- Glass Black-Out Primer, 1 oz.					
3- ----- Dabbers					
1- ----- Nozzle					

MODEL CODES

B = GRAN FURY	F = FIFTH AVENUE/NEWPORT	P = RELIANT
C = LEBARON/TOWN & COUNTRY/EXC SEDAN	G = DIPLOMAT	T = E CLASS/NEW YORKER
C24 = LASER	H = VOYAGER	V = 600
D = ARIES	K = MINI RAM/CARAVAN/ROYAL	V24 = DAYTONA
E = 600	M = HORIZON/TURISMO	Z = OMNI/CHARGER/RAMPAGE

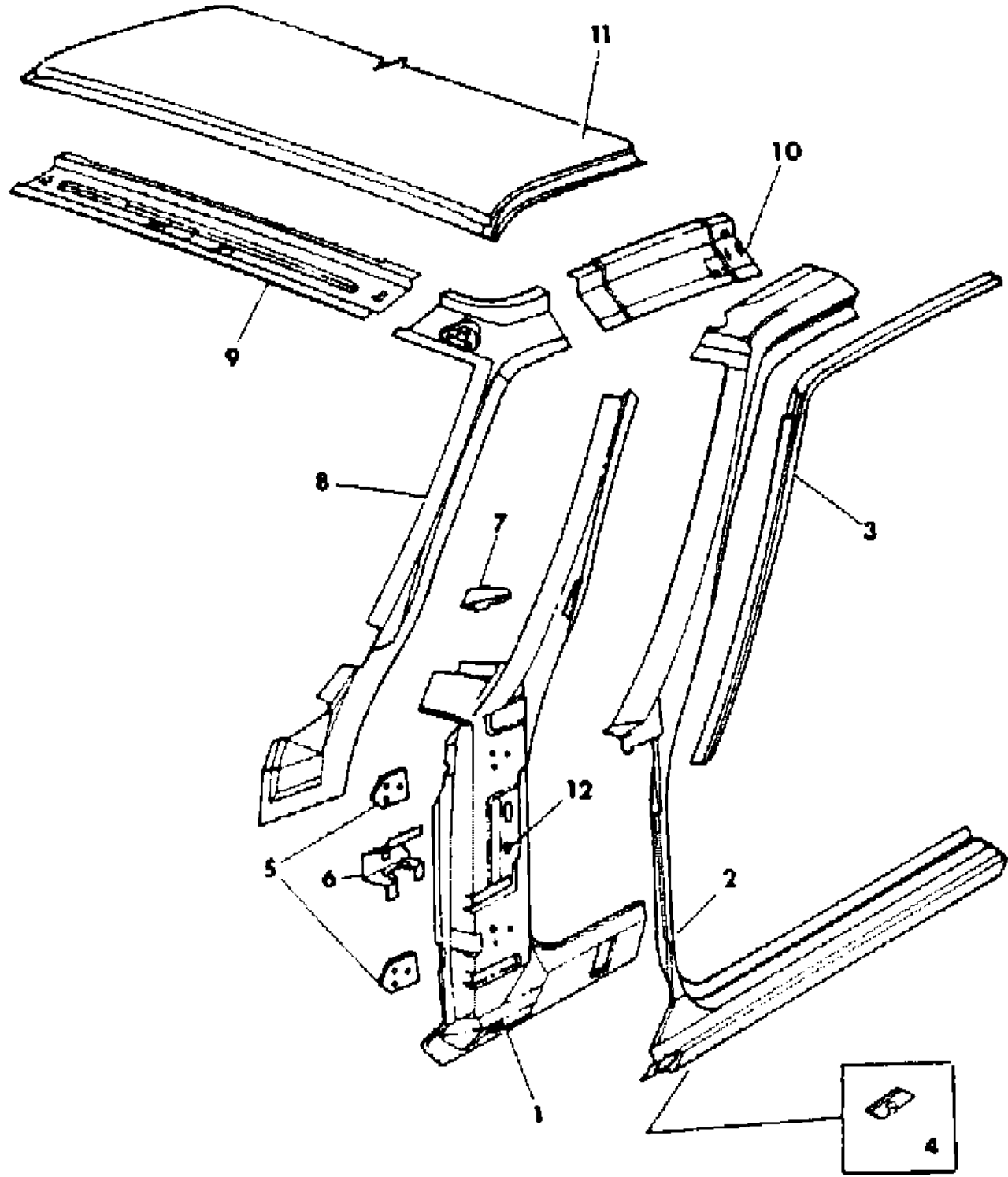
BODY STYLES

21 = 2-DOOR SEDAN	28 = FWD PICKUP	44 = 4-DOOR HATCHBACK
22 = 2-DOOR SPECIAL COUPE	35 = FWD VAN	45 = 4-DOOR STATION WAGON
24 = 2-DOOR HATCHBACK	36 = FWD WAGON	48 = 4-DOOR EXECUTIVE SEDAN
27 = 2-DOOR CONVERTIBLE	41 = 4-DOOR SEDAN	

AR = Use as Required - = Non Illustrated Part P.A.R. = Paint as Required

BODY FRONT PILLAR - C,V 24
Figure 23A-7300

4169 7300



ITEM	PART NUMBER	QTY	BODY	MODEL	DESCRIPTION
1	4206 868-9	1		24	PILLAR, Body Front Hinge
2	4278 914-5	1		24	PANEL, Body Side Aperture, Front
3	4206 824-5	1		24	RETAINER, Body Side Aperture Secondary Seal
4	4314 277	2		24	PLATE, Body Side Aperture Jack Locator
5	4314 086	4		24	PLATE, Body Front Hinge Pillar Door Hinge Tapping
6	4206 876	1		24	REINFORCEMENT, Hinge Pillar to Windshield Frame, Right
	4278 599	1		24	REINFORCEMENT and NUT, Hinge Pillar to Windshield Frame, Left
7		1		24	SEAL, Body Front Hinge Pillar to Windshield Opening Side Inner Frame (Not Serviced)
8	4206 828-9	1		24	FRAME, Windshield Opening Side Inner
9	4371 364	1		24	FRAME, Windshield Opening Upper
10	4278 576-7	1		24	RAIL, Roof Side Inner
11	4206 821	1		24	PANEL, Roof Outer, w/o Sunroof
	4341 728	1		24	PANEL and TROUGH, Outer w/Sunroof, Up To 2/18/84
	4341 728	1		24	After 2/18/84
12	2860 332	1		24	PLUG, Body Front Hinge Pillar Antenna Hole, Right Side Only
	4337 532-3	1		24	PANEL, Body Side Sill Outer

MODEL CODES

B = GRAN FURY	F = FIFTH AVENUE/NEWPORT	P = RELIANT
C = LEBARON/TOWN & COUNTRY/EXC SEDAN	G = DIPLOMAT	T = E CLASS/NEW YORKER
C24 = LASER	H = VOYAGER	V = 600
D = ARIES	K = MINI RAM/CARAVAN/ROYAL	V24 = DAYTONA
E = 600	M = HORIZON/TURISMO	Z = OMNI/CHARGER/RAMPAGE

BODY STYLES

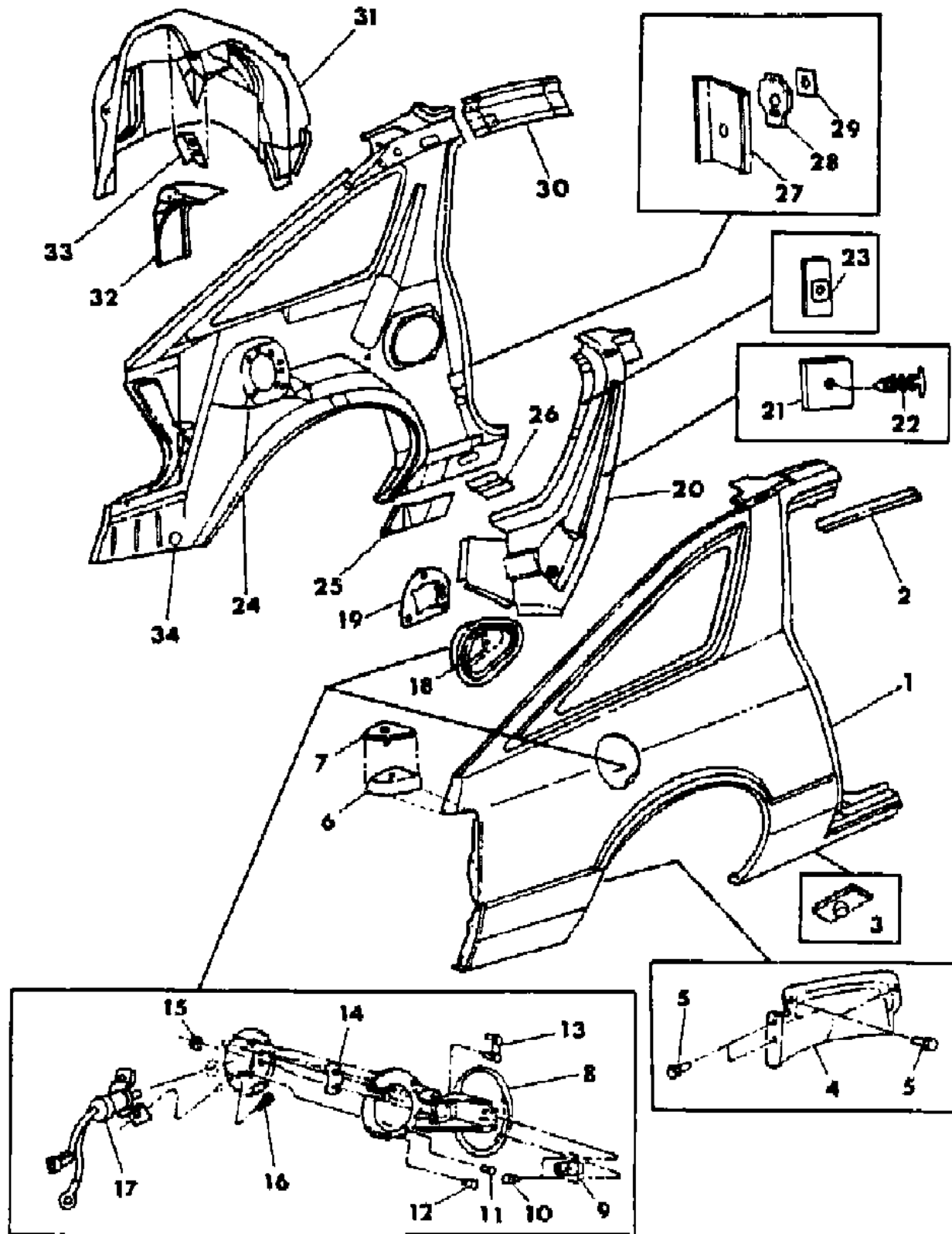
21 = 2-DOOR SEDAN	28 = FWD PICKUP	44 = 4-DOOR HATCHBACK
22 = 2-DOOR SPECIAL COUPE	35 = FWD VAN	45 = 4-DOOR STATION WAGON
24 = 2-DOOR HATCHBACK	36 = FWD WAGON	48 = 4-DOOR EXECUTIVE SEDAN
27 = 2-DOOR CONVERTIBLE	41 = 4-DOOR SEDAN	

AR = Use as Required - = Non Illustrated Part P.A.R. = Paint as Required

BODY REAR QUARTER - C,V 24

Figure 23A-7400

4169 7400



ITEM	PART NUMBER	QTY	BODY	MODEL	DESCRIPTION
1	4278 916-7	1	24		PANEL, Body Side Aperture, Rear
2	4206 824-5	1	24		RETAINER, Body Side Aperture Secondary Seal
3	4314 277	2	24		PLATE, Body Side Aperture Jack Locator
4	4314 104-5	1	24		SHIELD, Rear Wheelhouse Inner Panel Appearance
5		8	24		SCREW, #10-16 x .50" (Not Serviced)
6	4206 974-5	1	24		EXTENSION, Liftgate Opening Lower Panel, Upper
7	4314 121	2	24		SEAL, Liftgate Opening Lower Panel Upper Extension
	3759 944	2	24		RETAINER
8	4278 525	1	24		DOOR and HINGE, Side Aperture Fuel Filler
9		1	24		LOCK, Fuel Filler Door (See Lock Packages - Group 23D Illustrations)
10		2	24		SCREW, NS7
11		3	24		SCREW, #10-16 x 1.00" (Not Serviced)
	6032 280	1	24		SCREW, Shoulder, Gas Cap Tether Mounting
12	4015 682	2	24		BUMPER
13	4206 750	1	24		PLATE and SCREW, Fuel Filler Door
14	4314 601	AR	24		SHIM
15	6025 002	2	24		NUT
16		2	24		SCREW, #10-24 x .625" (Not Serviced)
17	4246 575	1	24		SOLENOID, Fuel Filler Door Electric Release
18	4278 071	1	24		REINFORCEMENT, Body Side Aperture Fuel Filler Door Opening
19	4278 925	1	24		GASKET and RETAINER, Inner to Fuel Filler
	4337 398	1	24		After 11/7/83
20	4296 900-1	1	24		SUPPORT, Quarter Inner & Wheelhouse Outer to Aperture
21		2	24		SPACER, Quarter Inner Panel Support to Aperture (Not Serviced)
22	5208 743	2	24		RETAINER
23	4314 326	2	24		REINFORCEMENT and NUT, Quarter Inner Panel Upper Shoulder Harness
24	4296 898-9	1	24		PANEL, Quarter Inner & Wheelhouse Outer
25	4278 596-7	1	24		REINFORCEMENT, Quarter Inner Panel Sill Jacking
26	4278 573	2	24		REINFORCEMENT, Aperture to Quarter Inner & Wheelhouse Outer Panel
27	4325 188	2	24		REINFORCEMENT, Retainer Aperture Door Lock Striker (Includes Item #28)
28	4134 972	2	24		RETAINER, Aperture Door Lock Striker T/Plate
29	4314 743	2	24		T-PLATE, Aperture Door Lock Striker
30	4278 576-7	1	24		RAIL, Roof Side Inner
31	4206 832-3	1	24		PANEL, Rear Wheelhouse Inner

MODEL CODES

B = GRAN FURY	F = FIFTH AVENUE/NEWPORT	P = RELIANT
C = LEBARON/TOWN & COUNTRY/EXC SEDAN	G = DIPLOMAT	T = E CLASS/NEW YORKER
C24 = LASER	H = VOYAGER	V = 600
D = ARIES	K = MINI RAM/CARAVAN/ROYAL	V24 = DAYTONA
E = 600	M = HORIZON/TURISMO	Z = OMNI/CHARGER/RAMPAGE

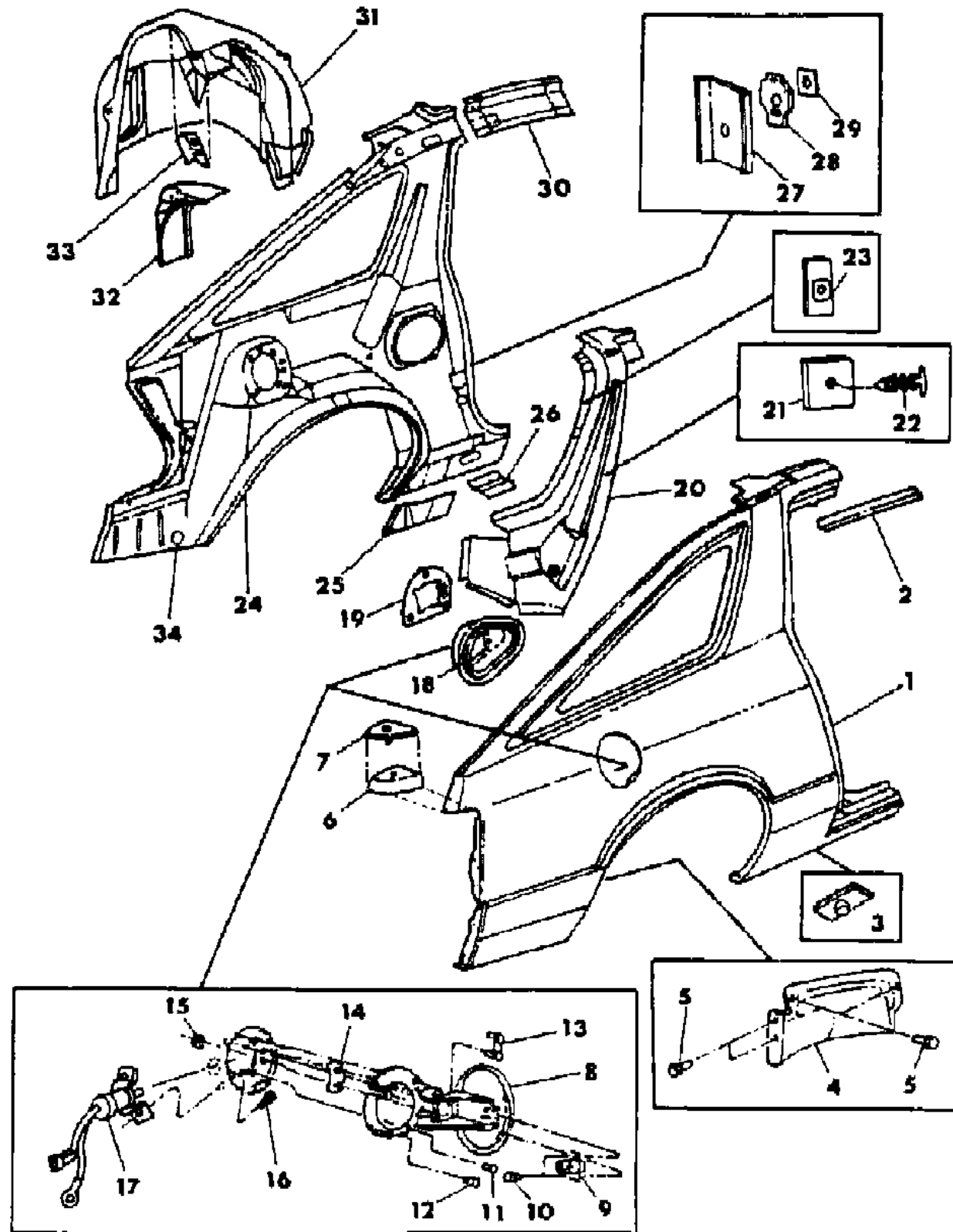
BODY STYLES

21 = 2-DOOR SEDAN	28 = FWD PICKUP	44 = 4-DOOR HATCHBACK
22 = 2-DOOR SPECIAL COUPE	35 = FWD VAN	45 = 4-DOOR STATION WAGON
24 = 2-DOOR HATCHBACK	36 = FWD WAGON	48 = 4-DOOR EXECUTIVE SEDAN
27 = 2-DOOR CONVERTIBLE	41 = 4-DOOR SEDAN	

AR = Use as Required - = Non Illustrated Part P.A.R. = Paint as Required

BODY REAR QUARTER - C,V 24
Figure 23A-7400

4169 7400



ITEM	PART NUMBER	QTY	BODY	MODEL	DESCRIPTION
32	4134 686-7	1	24		REINFORCEMENT, Rear Wheelhouse Inner Panel Shock Absorber Mounting
33	4278 630	2	24		REINFORCEMENT and NUT, Wheelhouse Rear Seat Back Latch
34	4073 485	2	24		PLUG, 1.50" Dia./38 mm

MODEL CODES

B = GRAN FURY	F = FIFTH AVENUE/NEWPORT	P = RELIANT
C = LEBARON/TOWN & COUNTRY/EXC SEDAN	G = DIPLOMAT	T = E CLASS/NEW YORKER
C24 = LASER	H = VOYAGER	V = 600
D = ARIES	K = MINI RAM/CARAVAN/ROYAL	V24 = DAYTONA
E = 600	M = HORIZON/TURISMO	Z = OMNI/CHARGER/RAMPAGE

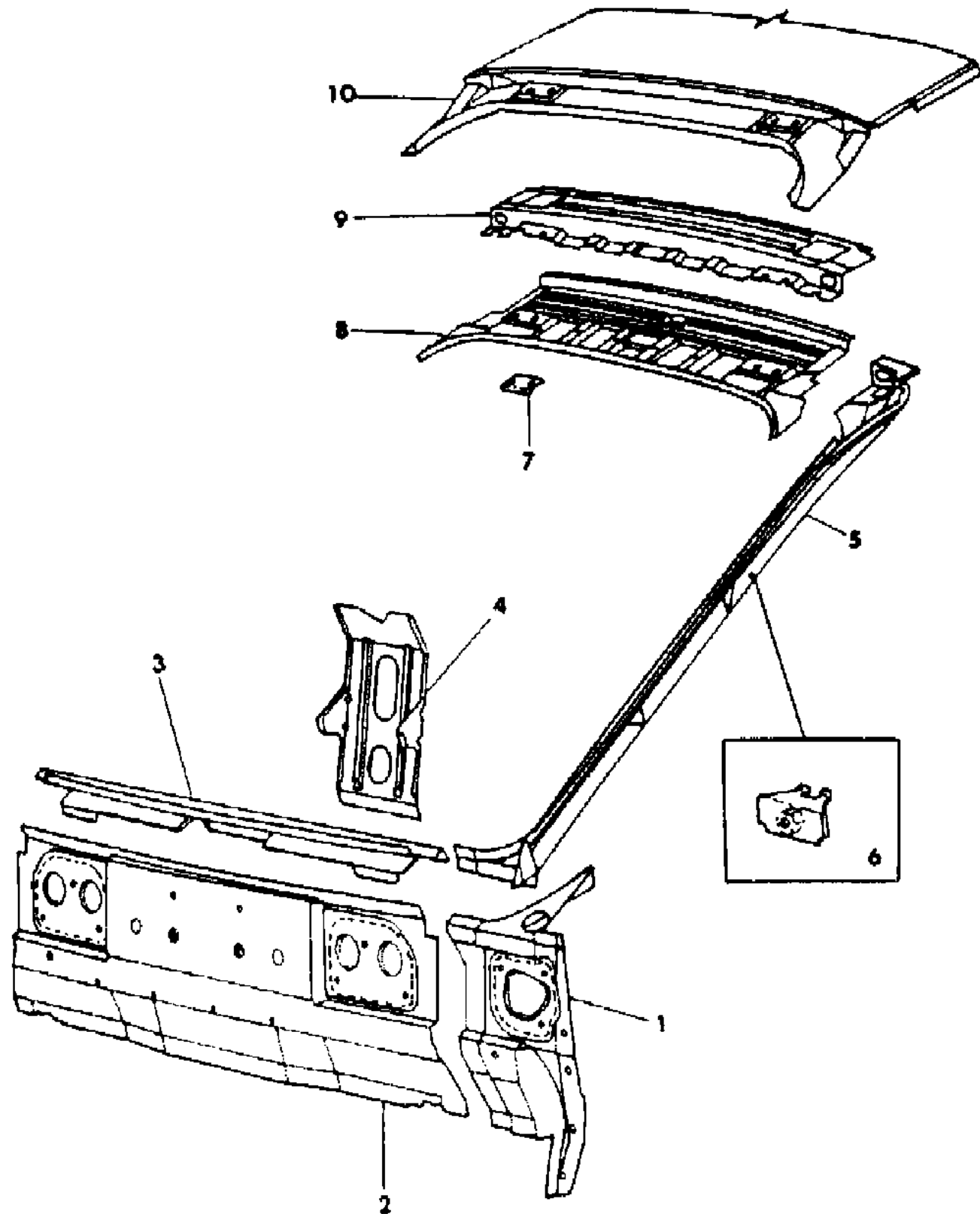
BODY STYLES

21 = 2-DOOR SEDAN	28 = FWD PICKUP	44 = 4-DOOR HATCHBACK
22 = 2-DOOR SPECIAL COUPE	35 = FWD VAN	45 = 4-DOOR STATION WAGON
24 = 2-DOOR HATCHBACK	36 = FWD WAGON	48 = 4-DOOR EXECUTIVE SEDAN
27 = 2-DOOR CONVERTIBLE	41 = 4-DOOR SEDAN	

AR = Use as Required - = Non Illustrated Part P.A.R. = Paint as Required

LIFTGATE OPENING - C,V 24
Figure 23A-7500

4169 7500



ITEM	PART NUMBER	QTY	BODY	MODEL	DESCRIPTION
1	4206 918-9	1		24	EXTENSION, Liftgate Opening Lower Panel, Lower
2	4296 918	1		24	PANEL, Liftgate Opening Lower
3	4341 392	1		24	REINFORCEMENT, Liftgate Opening Lower Panel
4	4206 916	1		24	SUPPORT, Liftgate Opening Lower Panel Latch Striker
5	4278 074-5	1		24	TROUGH, Liftgate Opening Side Drain
6	4336 398	2		24	REINFORCEMENT and NUT, Liftgate Opening Trough Prop Mounting
7	4206 976	2		24	REINFORCEMENT, Liftgate Opening Upper Frame Hinge Mounting
8	4206 879	1		24	FRAME, Liftgate Opening Upper
9	4206 917	1		24	REINFORCEMENT, Liftgate Opening Upper Frame
10	4206 821	1		24	PANEL, Roof Outer, w/o Sunroof
	4341 728	1		24	PANEL and TROUGH, Outer, w/Sunroof, Up To 2/18/84
	4341 728	1		24	After 2/18/84

MODEL CODES

B = GRAN FURY	F = FIFTH AVENUE/NEWPORT	P = RELIANT
C = LEBARON/TOWN & COUNTRY/EXC SEDAN	G = DIPLOMAT	T = E CLASS/NEW YORKER
C24 = LASER	H = VOYAGER	V = 600
D = ARIES	K = MINI RAM/CARAVAN/ROYAL	V24 = DAYTONA
E = 600	M = HORIZON/TURISMO	Z = OMNI/CHARGER/RAMPAGE

BODY STYLES

21 = 2-DOOR SEDAN	28 = FWD PICKUP	44 = 4-DOOR HATCHBACK
22 = 2-DOOR SPECIAL COUPE	35 = FWD VAN	45 = 4-DOOR STATION WAGON
24 = 2-DOOR HATCHBACK	36 = FWD WAGON	48 = 4-DOOR EXECUTIVE SEDAN
27 = 2-DOOR CONVERTIBLE	41 = 4-DOOR SEDAN	

AR = Use as Required - = Non Illustrated Part P.A.R. = Paint as Required

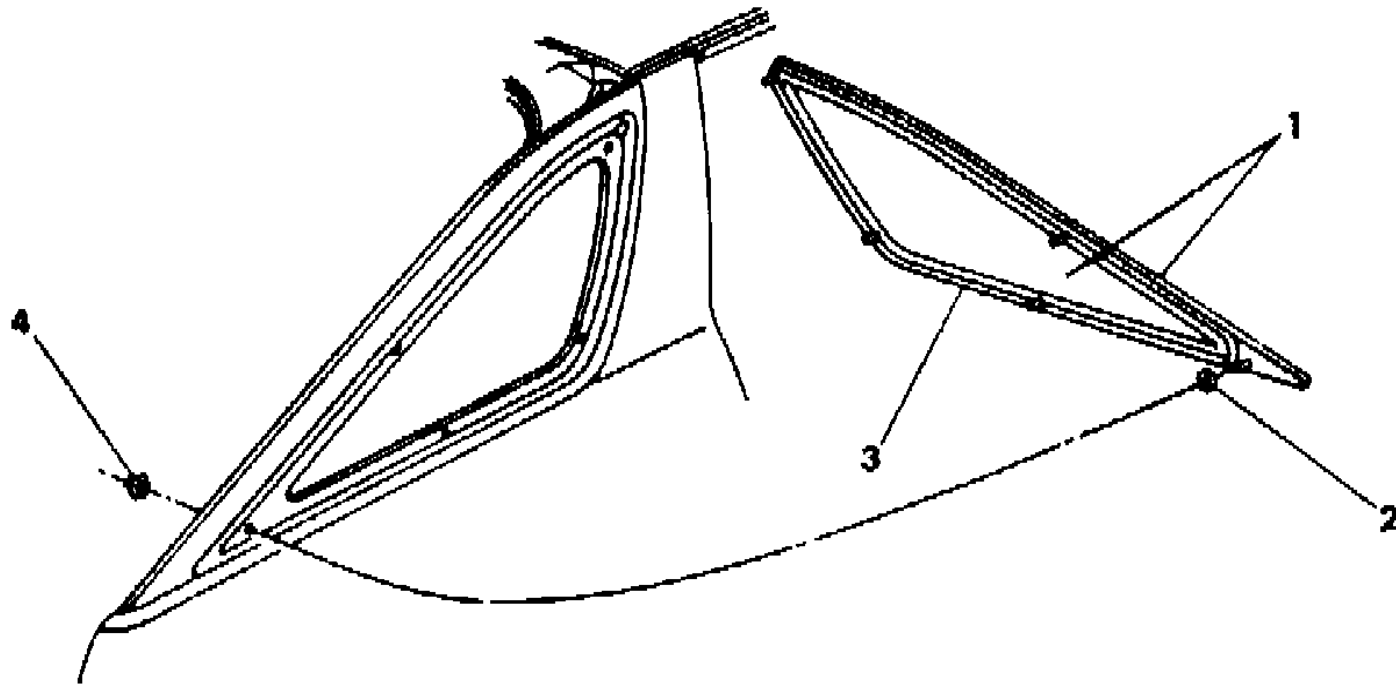
GLASS QUARTER WINDOW - C,V 24
Figure 23A-7600

4168 7600

ITEM	PART NUMBER	QTY	BODY	MODEL	DESCRIPTION
1	4278 164-5	1		24	FRAME and GLASS, Qtr. Window, Clear
	4278 166-7	1		24	Tinted
2		2		24	SEALING WASHER, Quarter Window Mounting Stud (Not Serviced)
3	4206 323	AR		24	SEAL, Quarter Window, Butyl Tape (187")
4		10		24	NUT and WASHER, Not Serviced

NOTE: The following items are not shown on illustration. Both models are derived from the 100.1" W.B. LeBaron (C 22 Model). Sheet metal parts for the C 48 not found on this illustration should be speci

4057 957	1		24	FIXED GLASS REPAIR PACKAGE, Quarter Window (Butyl)
CONSISTS OF:				
1- ----- Tape,Butyl (171")				
1- ----- Primer,Glass (1 oz.)				
1- ----- Primer,Fence (2 oz.)				
2- 3674698 Spacer,Rubber (.2")				
2- 3793290 Spacer,Rubber (.3")				
2- 3767767 Shim (.07")				
2- ----- Sponges,Disposable				



MODEL CODES

B = GRAN FURY	F = FIFTH AVENUE/NEWPORT	P = RELIANT
C = LEBARON/TOWN & COUNTRY/EXC SEDAN	G = DIPLOMAT	T = E CLASS/NEW YORKER
C24 = LASER	H = VOYAGER	V = 600
D = ARIES	K = MINI RAM/CARAVAN/ROYAL	V24 = DAYTONA
E = 600	M = HORIZON/TURISMO	Z = OMNI/CHARGER/RAMPAGE

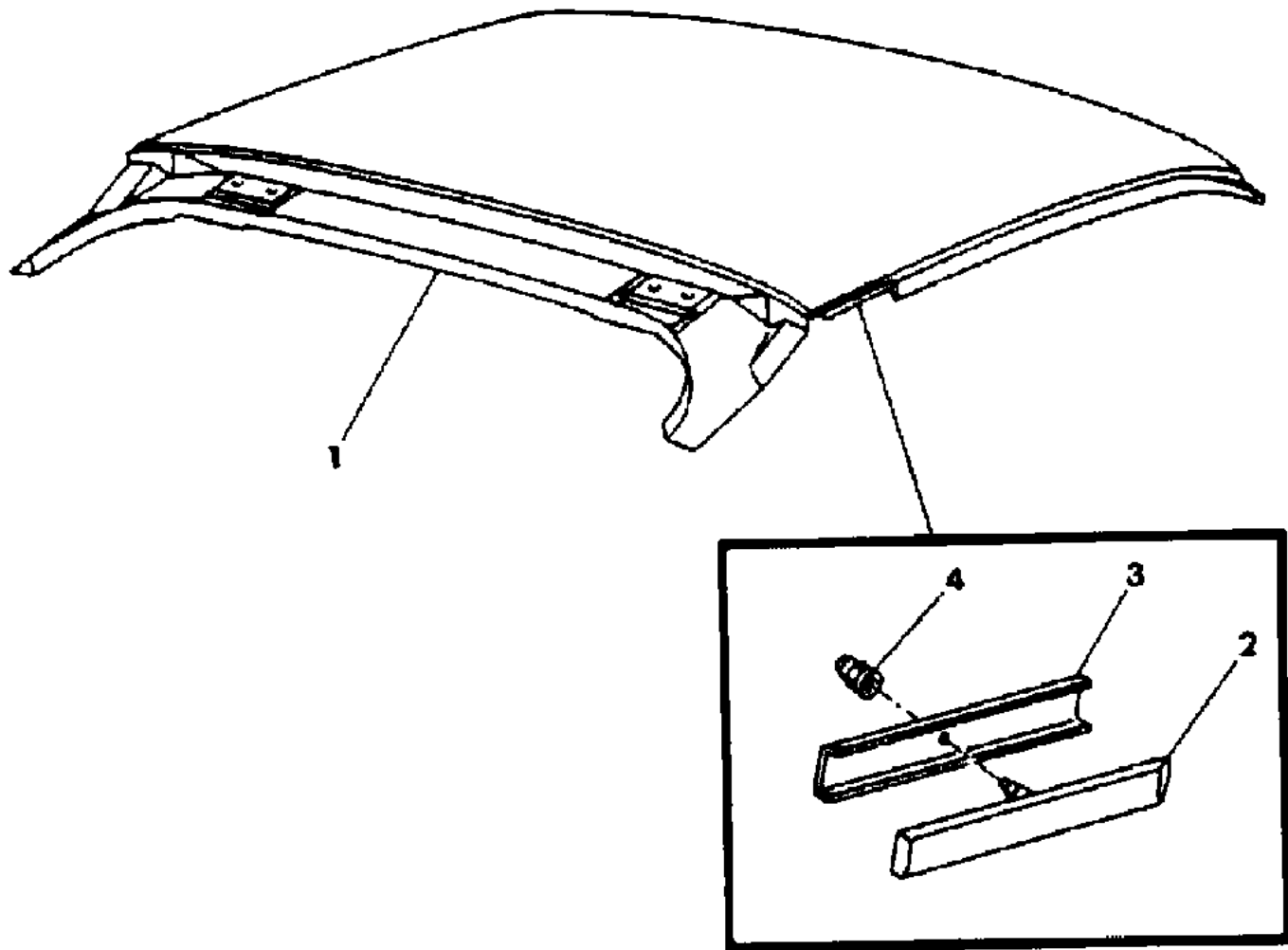
BODY STYLES

21 = 2-DOOR SEDAN	28 = FWD PICKUP	44 = 4-DOOR HATCHBACK
22 = 2-DOOR SPECIAL COUPE	35 = FWD VAN	45 = 4-DOOR STATION WAGON
24 = 2-DOOR HATCHBACK	36 = FWD WAGON	48 = 4-DOOR EXECUTIVE SEDAN
27 = 2-DOOR CONVERTIBLE	41 = 4-DOOR SEDAN	

AR = Use as Required - = Non Illustrated Part P.A.R. = Paint as Required

ROOF PANEL - C,V 24
Figure 23A-7700

4169 7700



ITEM	PART NUMBER	QTY	BODY	MODEL	DESCRIPTION
1	4206 821	1		24	PANEL, Roof Outer, w/o Sunroof
	4341 728	1		24	PANEL and TROUGH, Outer w/Sunroof, Up To 2/18/84
	4341 728	1		24	After 2/18/84
2	4318 910-1	1		24	MOULDING and GASKET, Roof to Body Side Aperture Joint (Includes Items #3 & 4)
3		2		24	GASKET, Roof Panel to Aperture Joint Moulding (Serviced in Item #2)
4	6032 626	2		24	NUT and SEAL, Included In Item 2 Up To 3-1-84
	6032 741	2		24	After 3/1/84

MODEL CODES

B = GRAN FURY	F = FIFTH AVENUE/NEWPORT	P = RELIANT
C = LEBARON/TOWN & COUNTRY/EXC SEDAN	G = DIPLOMAT	T = E CLASS/NEW YORKER
C24 = LASER	H = VOYAGER	V = 600
D = ARIES	K = MINI RAM/CARAVAN/ROYAL	V24 = DAYTONA
E = 600	M = HORIZON/TURISMO	Z = OMNI/CHARGER/RAMPAGE

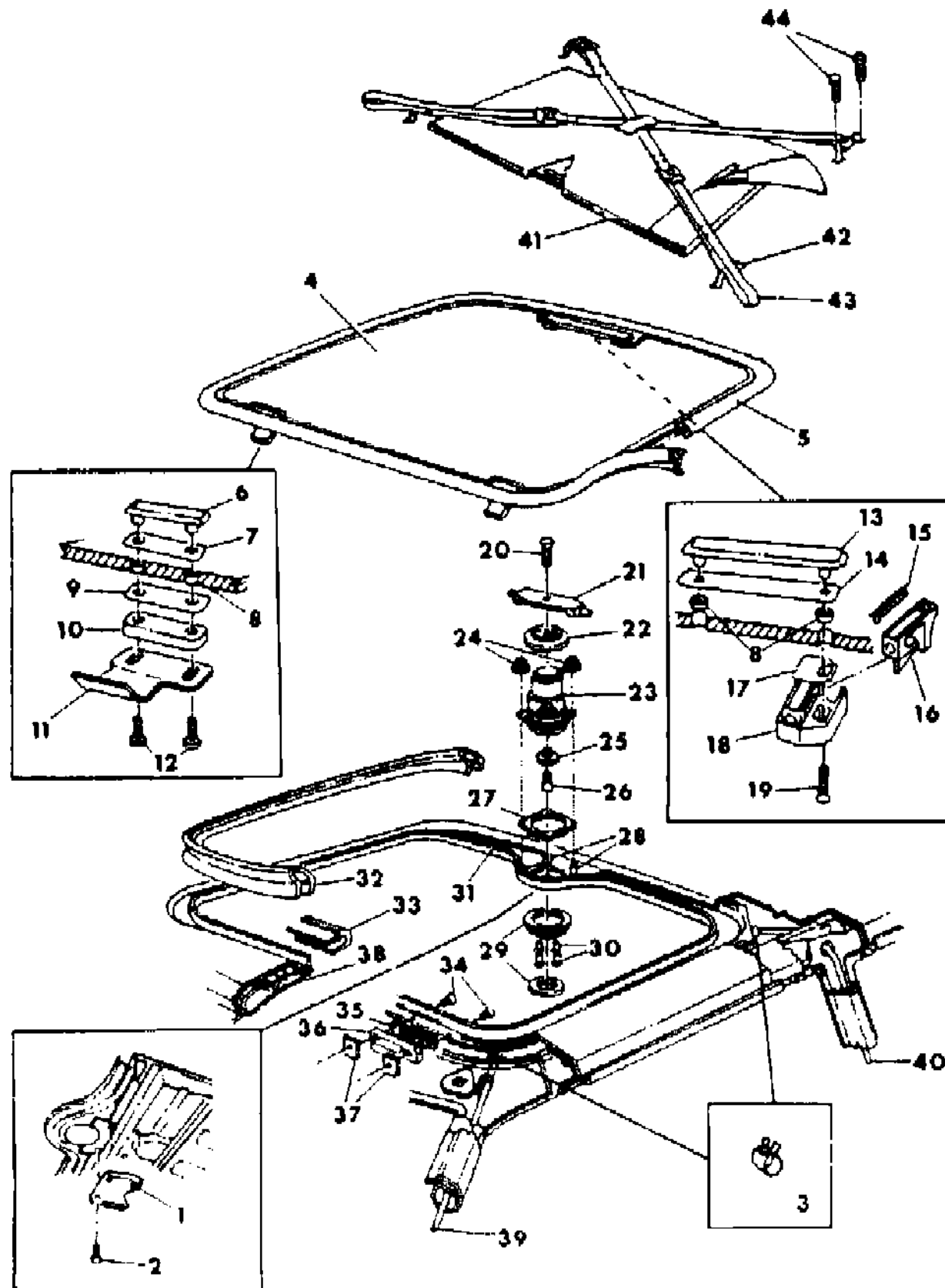
BODY STYLES

21 = 2-DOOR SEDAN	28 = FWD PICKUP	44 = 4-DOOR HATCHBACK
22 = 2-DOOR SPECIAL COUPE	35 = FWD VAN	45 = 4-DOOR STATION WAGON
24 = 2-DOOR HATCHBACK	36 = FWD WAGON	48 = 4-DOOR EXECUTIVE SEDAN
27 = 2-DOOR CONVERTIBLE	41 = 4-DOOR SEDAN	

AR = Use as Required - = Non Illustrated Part P.A.R. = Paint as Required

SUN ROOF - C,V 24
Figure 23A-7800

4169 7800



ITEM	PART NUMBER	QTY	BODY	MODEL	DESCRIPTION
1	4278 794	1	24		REINFORCEMENT, Sun Roof Opening Drain Trough
2	9421 073	4	24		SCREW
3	2448 761	4	24		CLAMP, Drain Hose to Trough
4	4296 034	1	24		PANEL, Sun Roof Glass w/Frame (Bonded)
	5207 474	2	24		PIN, Glass Frame Connecting
5	4172 849	1	24		SEAL, Sun Roof (Secondary)
6		2	24		T-PLATE, Serviced in Package #4106874
7		2	24		GASKET, Serviced In Pkg. #4106874
8		6	24		GROMMET, Serviced In Pkg. #4106874
9		2	24		GASKET, Serviced In Pkg. #4106874
10		2	24		SPACER, Serviced in Package #4106874
11		2	24		HINGE, Serviced In Pkg. #4106874
12		4	24		SCREW, Serviced in Package #4106874
13	5207 322	1	24		T-PLATE, Latch
14	5207 368	1	24		GASKET, Latch T/Plate
15		2	24		SPRING, Serviced in Package #4106872-3
16		2	24		LATCH, Serviced In Pkg. #4106872-3
17		2	24		GASKET, Serviced In Pkg. #4106872-3
18		2	24		HOUSING, Serviced In Pkg. #4106872-3
19		2	24		SCREW, Serviced in Package #4106872-3
20		1	24		SCREW, #10-16 x .75" (Not Serviced)
21	5207 327	1	24		STRIKER, Latch
22	4341 037	1	24		GASKET and RETAINER, Adjuster
23	4341 035	1	24		ADJUSTER, Latch (Includes Items #20-23 & 25,26)
24	6501 140	4	24		NUT, Up To 4/2/84
	6501 140	4	24		After 4/2/84
25	5232 094	1	24		WASHER, Latch Striker Stop
26		1	24		SCREW, #8-18 x .75" (Not Serviced)
27	5232 052	1	24		GASKET, Latch Adjuster to Trough
28		4	24		SCREW, Weld, M5 x 15mm (Serviced in Item #31)
29	H808 CA3	1	24		HANDLE, Latch Adjuster, Silver
	H808 CM6	1	24		Red
	H808 CT8	1	24		Brown
	H808 BX9	1	24		Black
30	6031 171	4	24		SCREW
31	4341 728	1	24		PANEL and TROUGH, Outer w/Sun Roof (Includes Item 28)
	4206 331	5	24		SEAL, Sun Roof Drain Trough to Roof Outer Panel (Included in #4341309)

MODEL CODES

B = GRAN FURY
C = LEBARON/TOWN & COUNTRY/EXC SEDAN
C24 = LASER
D = ARIES
E = 600

F = FIFTH AVENUE/NEWPORT
G = DIPLOMAT
H = VOYAGER
K = MINI RAM/CARAVAN/ROYAL
M = HORIZON/TURISMO

P = RELIANT
T = E CLASS/NEW YORKER
V = 600
V24 = DAYTONA
Z = OMNI/CHARGER/RAMPAGE

BODY STYLES

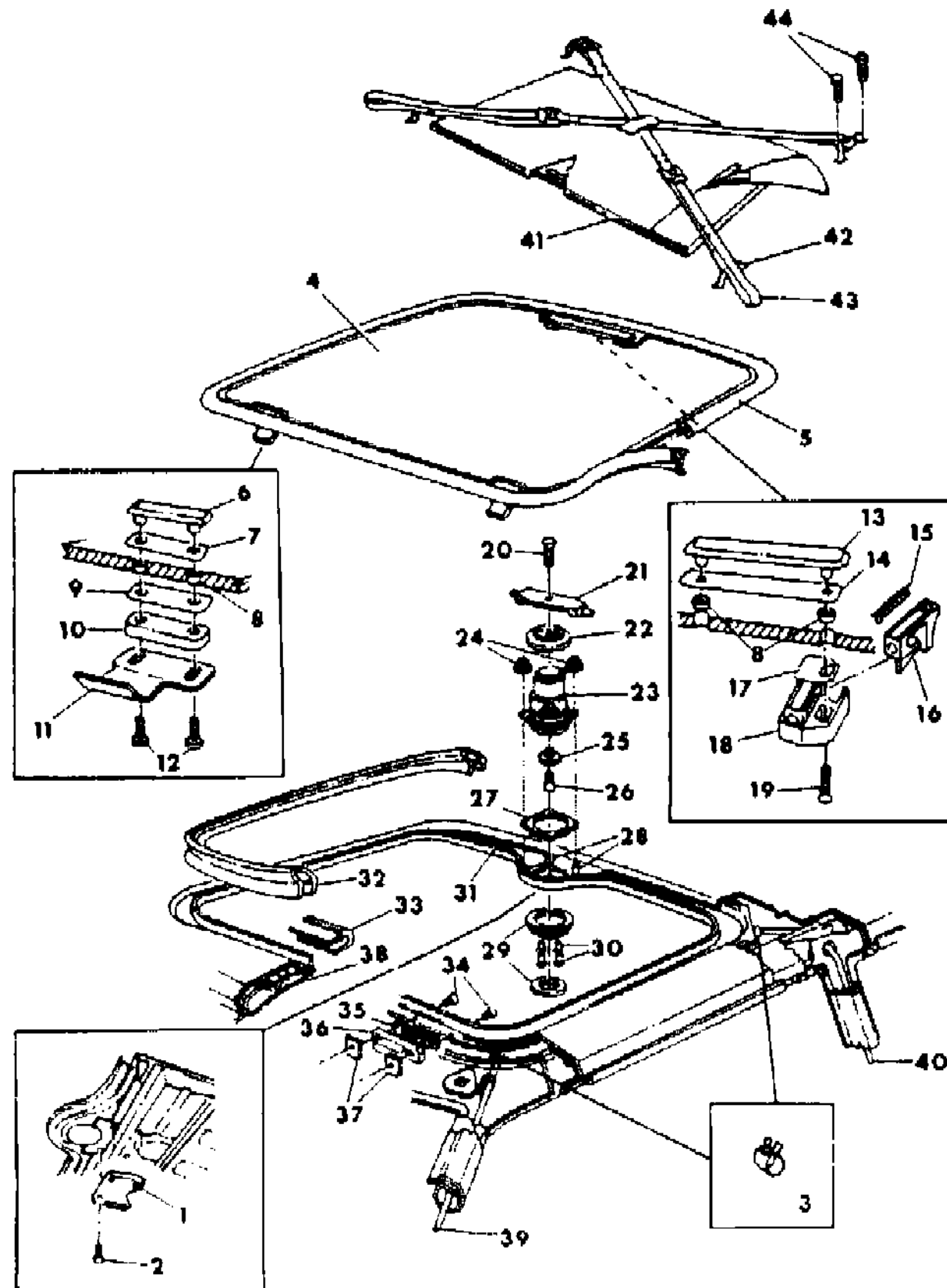
21 = 2-DOOR SEDAN
22 = 2-DOOR SPECIAL COUPE
24 = 2-DOOR HATCHBACK
27 = 2-DOOR CONVERTIBLE
28 = FWD PICKUP
35 = FWD VAN
36 = FWD WAGON
41 = 4-DOOR SEDAN

44 = 4-DOOR HATCHBACK
45 = 4-DOOR STATION WAGON
48 = 4-DOOR EXECUTIVE SEDAN

AR = Use as Required - = Non Illustrated Part P.A.R. = Paint as Required

SUN ROOF - C,V 24
Figure 23A-7800

4169 7800



ITEM	PART NUMBER	QTY	BODY	MODEL	DESCRIPTION
32	4278 800	1	24		SEAL, Sun Roof (Primary)
33	H812 CA2	1	24		WELT, Sun Roof Headliner Opening, Silver
	H812 CM6	1	24		Red
	H812 CT8	1	24		Brown
	H812 CX9	1	24		Black
34	6101 127	4	24		SCREW
35	5232 050-1	1	24		GASKET, Hinge Receiver
36	4172 966-7	1	24		RECEIVER, Hinge (Includes Items #35 & 37)
37	5207 378	4	24		T-PLATE, Hinge Receiver
38		1	24		HEADLINER, See Group 23-Interior Illustrations
39	4278 798	2	24		HOSE, Sun Roof Drain Trough, Front
40	4278 799	2	24		HOSE, Sun Roof Drain Trough, Rear
		4	24		CLIP, Rear Drain Hose Routing Not Serviced
41	H608 CX7	1	24		BAG, Sun Roof Stowage, Black
42	4248 818	4	24		ANCHOR, Tie-Down Strap to Floor Pan
43	H349 CX9	1	24		STRAP, Sun Roof Stowage Tie-Down, Black
44		8	24		SCREW, #8-18 x .75" (Not Serviced)

NOTE: The following items are not shown on illustration. Both models are derived from the 100.1" W.B. LeBaron (C 22 Model). Sheet metal parts for the C 48 not found on this illustration should be speci

4106 872-3	1	24		HOUSING and LATCH, Sun Roof Includes Items #15-19
4106 874	2	24		HINGE and T-PLATE, Sun Roof (Includes Items #6-12)

MODEL CODES

B = GRAN FURY	F = FIFTH AVENUE/NEWPORT	P = RELIANT
C = LEBARON/TOWN & COUNTRY/EXC SEDAN	G = DIPLOMAT	T = E CLASS/NEW YORKER
C24 = LASER	H = VOYAGER	V = 600
D = ARIES	K = MINI RAM/CARAVAN/ROYAL	V24 = DAYTONA
E = 600	M = HORIZON/TURISMO	Z = OMNI/CHARGER/RAMPAGE

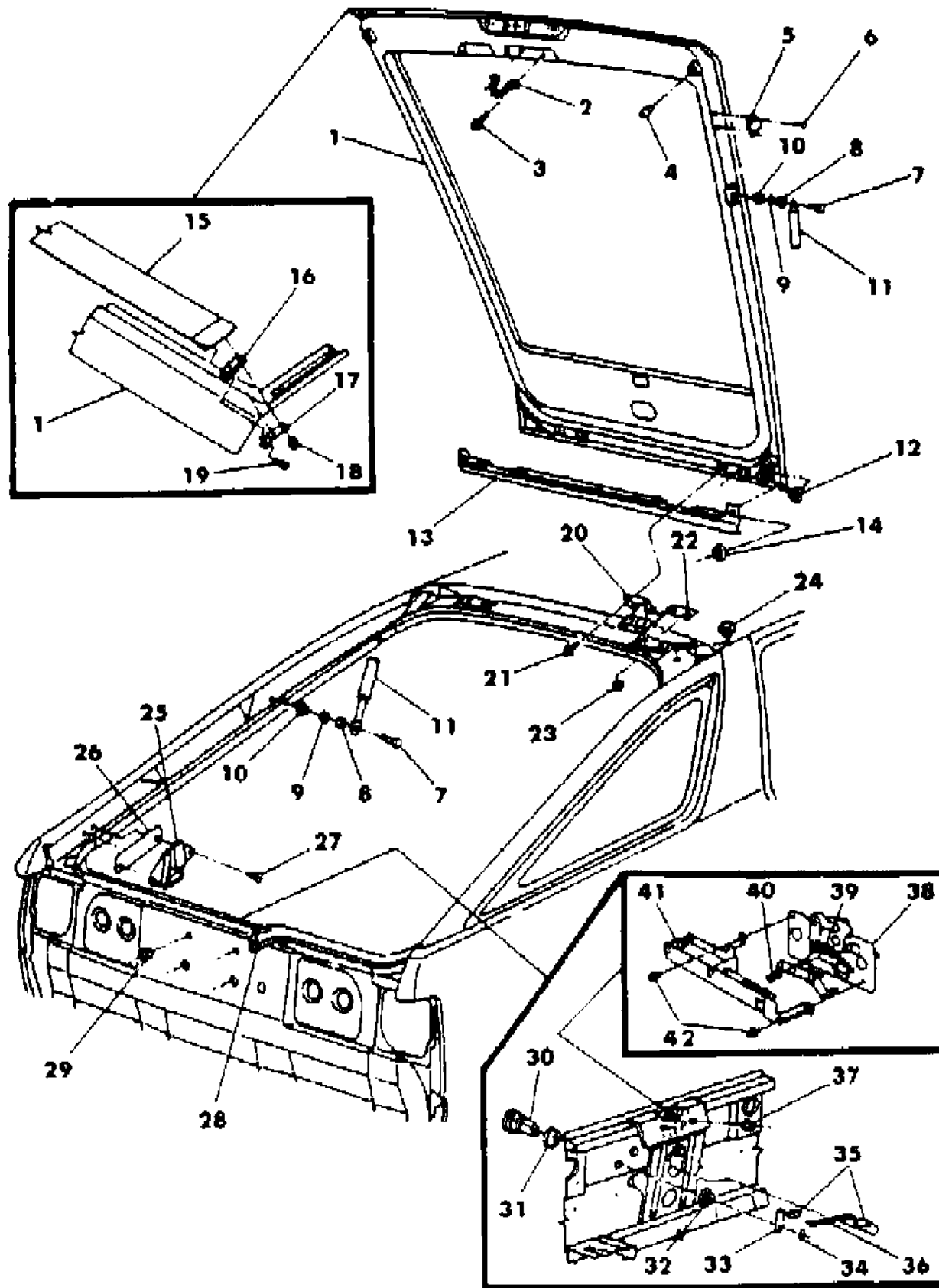
BODY STYLES

21 = 2-DOOR SEDAN	28 = FWD PICKUP	44 = 4-DOOR HATCHBACK
22 = 2-DOOR SPECIAL COUPE	35 = FWD VAN	45 = 4-DOOR STATION WAGON
24 = 2-DOOR HATCHBACK	36 = FWD WAGON	48 = 4-DOOR EXECUTIVE SEDAN
27 = 2-DOOR CONVERTIBLE	41 = 4-DOOR SEDAN	

AR = Use as Required - = Non Illustrated Part P.A.R. = Paint as Required

LIFTGATE - C,V 24
Figure 23A-7900

4169 7900



ITEM	PART NUMBER	QTY	BODY	MODEL	DESCRIPTION
1	4336 634	1		24	PANEL, Liftgate
2	4246 550	1		24	STRIKER, Liftgate Latch, Up To 6/1/84
	4378 046	1		24	After 6/1/84
3	6100 592	2		24	SCREW and WASHER
4	4336 014	2		24	BUMPER, Liftgate Inside Panel Corner
5	4246 860	2		24	STRIKER, Liftgate Stabilizer
6		4		24	SCREW, #10-16 x .75" (Not Serviced)
7		4		24	SCREW, M8 x 1.25" (Serviced in Item #11)
8	4246 676	4		24	BUMPER, Liftgate Prop Clevis
9		4		24	WASHER, Coned (Serviced in Item #11)
10	6500 159	4		24	NUT and WASHER
11	4246 673	2		24	PROP, Liftgate w/Spoiler (Includes Items #7-10)
	4246 674	2		24	w/o Spoiler
12	2574 792	1		24	PLUG, .75" Dia./19.5 mm
13	4280 831	1		24	WEATHERSTRIP, Liftgate Secondary
14	6025 160	7		24	RETAINER
15	4280 808	1		24	SPOILER, Liftgate (Except V-S 24 - See Note "A")
16	4310 718-9	1		24	GASKET, Liftgate Spoiler Mounting
17	4310 717	2		24	REINFORCEMENT, Liftgate Spoiler Mounting
18	6032 538	4		24	NUT, Acorn
19	6032 806	2		24	SCREW
20	4246 782	2		24	HINGE, Liftgate
	5231 207	4		24	WASHER, Liftgate Hinge to Body Sealing (Not Shown)
21	6100 275	4		24	SCREW and WASHER
22	4246 832	AR		24	SHIM, Liftgate Hinge
23	6100 051	4		24	NUT and WASHER
24	1774 076	1		24	PLUG, .630" Dia./16 mm
25	4246 341	2		24	WEDGE, Liftgate Opening Stabilizer
26	4246 833	AR		24	SHIM, Liftgate Opening Stabilizer Wedge
27		4		24	SCREW, #10-16 x .50" (Not Serviced)
28	4198 930	1		24	WEATHERSTRIP, Liftgate Opening
29	6500 524	4		24	NUT, License Plate Mounting
30		1		24	CYLINDER, Lock See Group 23D Illustrations
31	3695 321	1		24	GASKET, Lock Cylinder Mounting
32	4054 202	1		24	NUT, Lock Cylinder Mounting
33	4246 525	1		24	LEVER, Liftgate Lock Cylinder
34	6032 107	1		24	RETAINER, Lock Cylinder Lever
35	3454 220	2		24	CLIP, Lock to Latch Link

MODEL CODES

B = GRAN FURY	F = FIFTH AVENUE/NEWPORT	P = RELIANT
C = LEBARON/TOWN & COUNTRY/EXC SEDAN	G = DIPLOMAT	T = E CLASS/NEW YORKER
C24 = LASER	H = VOYAGER	V = 600
D = ARIES	K = MINI RAM/CARAVAN/ROYAL	V24 = DAYTONA
E = 600	M = HORIZON/TURISMO	Z = OMNI/CHARGER/RAMPAGE

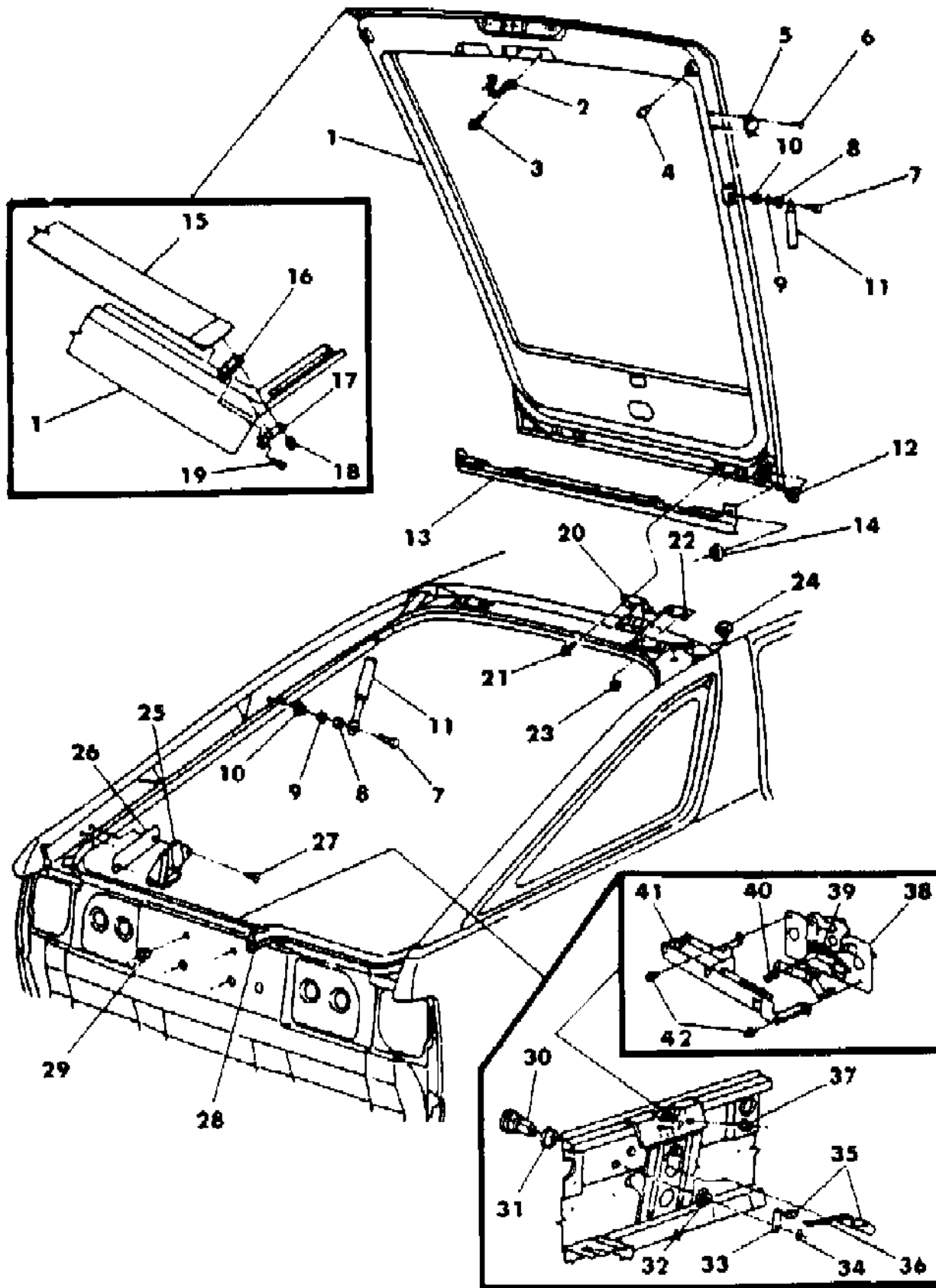
BODY STYLES

21 = 2-DOOR SEDAN	28 = FWD PICKUP	44 = 4-DOOR HATCHBACK
22 = 2-DOOR SPECIAL COUPE	35 = FWD VAN	45 = 4-DOOR STATION WAGON
24 = 2-DOOR HATCHBACK	36 = FWD WAGON	48 = 4-DOOR EXECUTIVE SEDAN
27 = 2-DOOR CONVERTIBLE	41 = 4-DOOR SEDAN	

AR = Use as Required - = Non Illustrated Part P.A.R. = Paint as Required

LIFTGATE - C,V 24
Figure 23A-7900

4169 7900



ITEM	PART NUMBER	QTY	BODY	MODEL	DESCRIPTION
36	4246 812	1	24		LINK, Lock Cylinder to Latch
37	6100 051	2	24		NUT and WASHER
38	4246 488	1	24		LATCH, Liftgate
39	4172 592	1	24		SPRING, Liftgate Latch Pawl Attaching
40	4246 668	1	24		SLEEVE, Liftgate Latch Pawl
41	4246 500	1	24		SOLENOID, Liftgate Latch Release
42		3	24		SCREW, #10-16 x .375" (Not Serviced)

NOTE "A": Liftgate Spoiler for V-S 24 models (Daytona Turbo Z) is shown on Ground Effects Package Illustration elsewhere in this group. ode). Both models are derived from the 100.1" W.B. LeBaron (C 22 Model). Sheet metal parts for the C 48 not found on

MODEL CODES
 B = GRAN FURY
 C = LEBARON/TOWN & COUNTRY/EXC SEDAN
 C24 = LASER
 D = ARIES
 E = 600
 F = FIFTH AVENUE/NEWPORT
 G = DIPLOMAT
 H = VOYAGER
 K = MINI RAM/CARAVAN/ROYAL
 M = HORIZON/TURISMO
 P = RELIANT
 T = E CLASS/NEW YORKER
 V = 600
 V24 = DAYTONA
 Z = OMNI/CHARGER/RAMPAGE

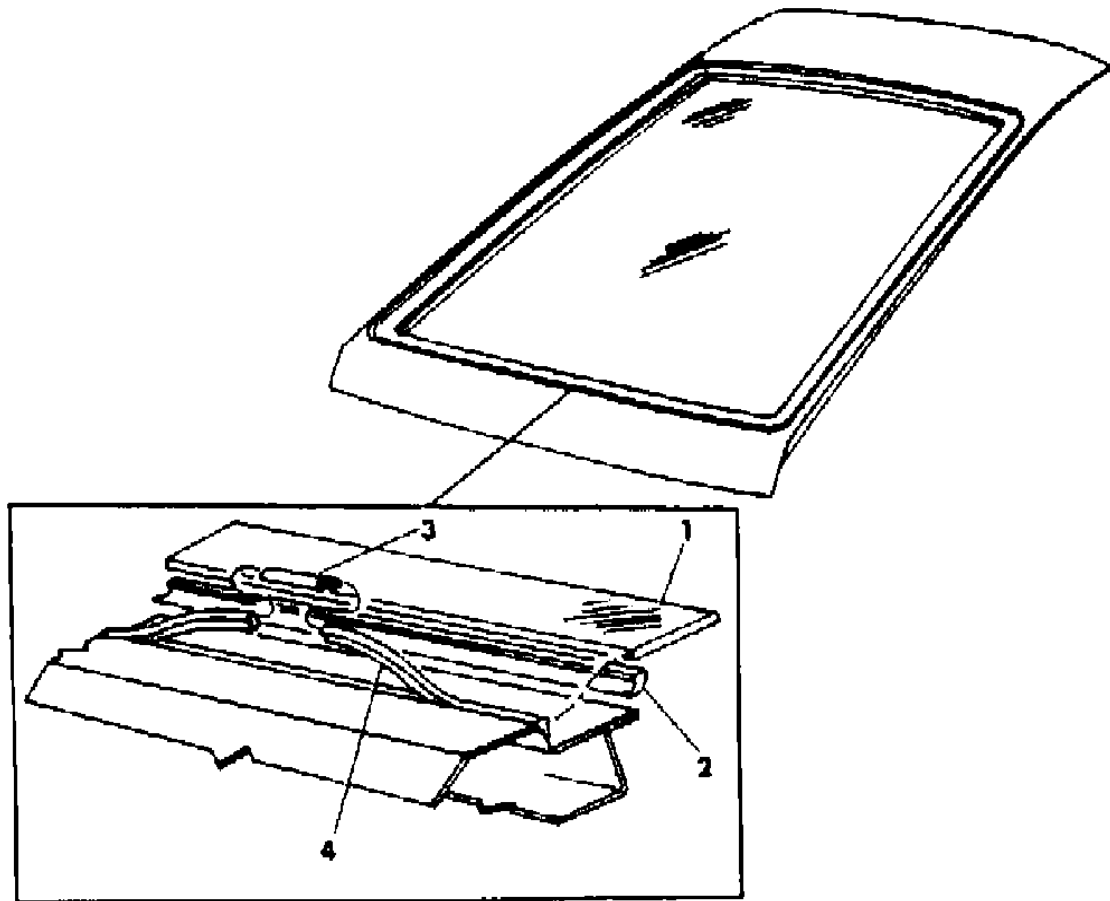
BODY STYLES
 21 = 2-DOOR SEDAN
 22 = 2-DOOR SPECIAL COUPE
 24 = 2-DOOR HATCHBACK
 27 = 2-DOOR CONVERTIBLE
 28 = FWD PICKUP
 35 = FWD VAN
 36 = FWD WAGON
 41 = 4-DOOR SEDAN
 44 = 4-DOOR HATCHBACK
 45 = 4-DOOR STATION WAGON
 48 = 4-DOOR EXECUTIVE SEDAN

AR = Use as Required - = Non Illustrated Part P.A.R. = Paint as Required

GLASS LIFTGATE - C,V 24
Figure 23A-8000

4149 8000

ITEM	PART NUMBER	QTY	BODY	MODEL	DESCRIPTION
1	4198 723	1		24	GLASS, Liftgate, Tinted, w/o Liftgate Wiper w/o Electric Heated
	4198 721	1		24	Tinted, w/o Liftgate Wiper w/Electric Heated
	4280 189	1		24	Tinted, w/Liftgate Wiper w/Electric Heated
2	4206 848	1		24	DAM, Glass Adhesive (119")
3	4198 929	1		24	CAP, Liftgate Glass Lockstrip, End
4	4365 563	1		24	LOCKSTRIP, Liftgate Glass Installation (178")
	4336 631	1		24	LOCKSTRIP, Liftgate Glass Repair (178")
NOTE: The following items are not shown on illustration. ode). Both models are derived from the 100.1" W.B. LeBaron (C 22 Model). Sheet metal parts for the C 48 not found on this illustration should be speci					
	4267 906	1		24	FIXED GLASS REPAIR PACKAGE (Polyurethane) CONSISTS OF: 1- ----- Polyurethane, 11.5 oz. 1- ----- Fence Primer, 1 oz. 1- ----- Glass Wipe-Off Primer, 1 oz. 1- ----- Glass Black-Out Primer, 1 oz. 3- ----- Dabbers 1- ----- Nozzle
	4267 922	1		24	ELECTRIC GRID REPAIR PACKAGE CONSISTS OF: 1- ----- Cement, Cho-Bond, 1/2 oz. 1- ----- Instruction Sheet



MODEL CODES

B = GRAN FURY	F = FIFTH AVENUE/NEWPORT	P = RELIANT
C = LEBARON/TOWN & COUNTRY/EXC SEDAN	G = DIPLOMAT	T = E CLASS/NEW YORKER
C24 = LASER	H = VOYAGER	V = 600
D = ARIES	K = MINI RAM/CARAVAN/ROYAL	V24 = DAYTONA
E = 600	M = HORIZON/TURISMO	Z = OMNI/CHARGER/RAMPAGE

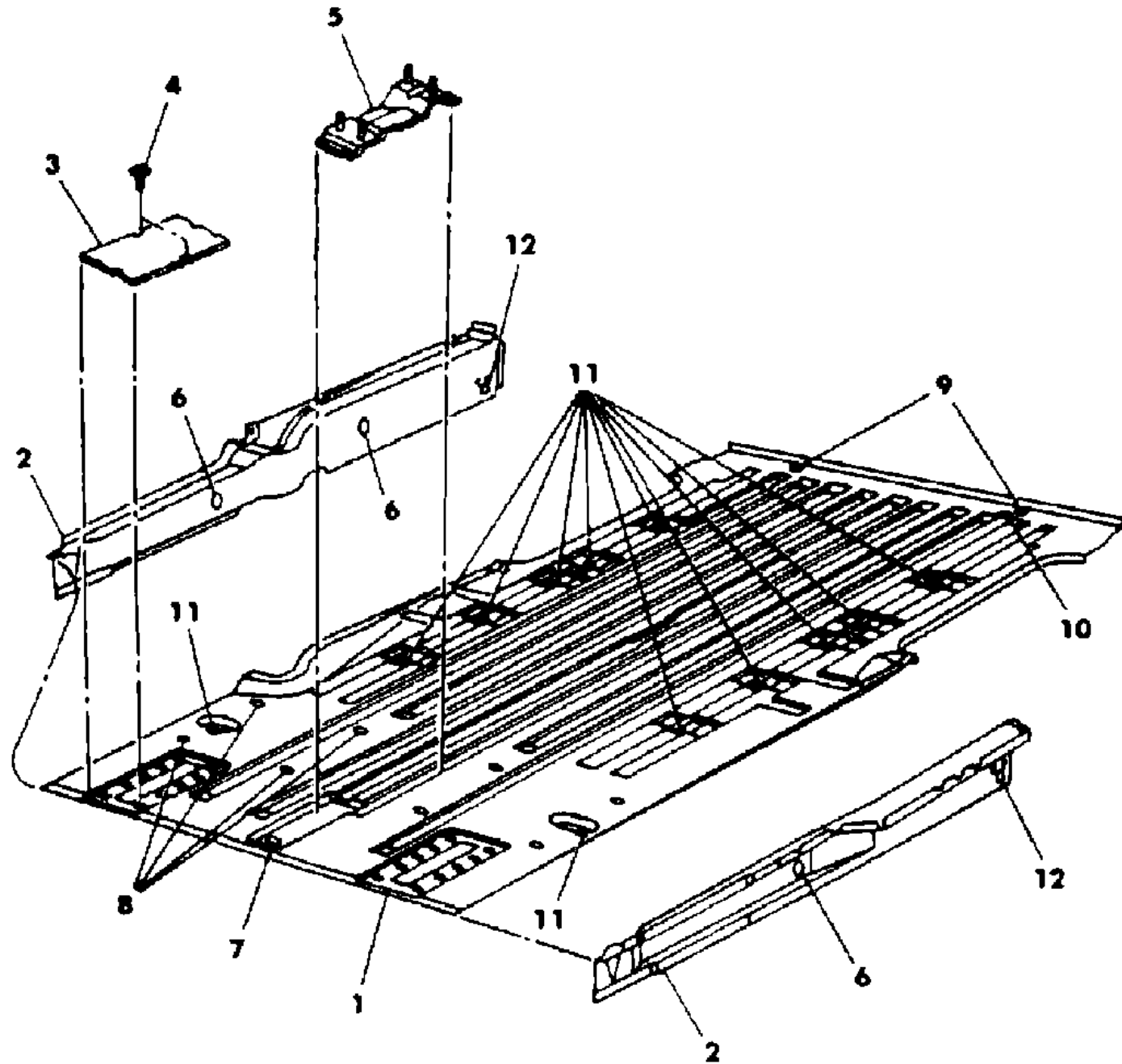
BODY STYLES

21 = 2-DOOR SEDAN	28 = FWD PICKUP	44 = 4-DOOR HATCHBACK
22 = 2-DOOR SPECIAL COUPE	35 = FWD VAN	45 = 4-DOOR STATION WAGON
24 = 2-DOOR HATCHBACK	36 = FWD WAGON	48 = 4-DOOR EXECUTIVE SEDAN
27 = 2-DOOR CONVERTIBLE	41 = 4-DOOR SEDAN	

AR = Use as Required - = Non Illustrated Part P.A.R. = Paint as Required

FLOOR PAN - H,K
Figure 23A-8100

4139 8100



ITEM	PART NUMBER	QTY	BODY	MODEL	DESCRIPTION
1	4278 028	1		35	PAN, Floor
	4278 549	1		36	
2	4337 256	1	35,36		PANEL, Body Side Sill Inner, Right
	4278 033	1	35,36		Left
3		2	35,36		COVER, Floor Pan Side Rail Weld Access (Not Serviced)
4		4	35,36		SCREW, #10 x .625" (Not Serviced)
5	4314 176	1	35,36		BRACKET and SCREW, Floor Pan Shifter Mounting
6	4073 485	3	35,36		PLUG, 1.50" Dia./38mm
7	4073 475	1	35,36		PLUG, 1.50" Dia./38mm
8	1774 076	4	35		PLUG, .630" Dia./16mm
9	2860 332	2	35,36		PLUG, .500" Dia./13mm, Up To 5/7/84
	3726 319	2	35,36		After 5/7/84
10	4073 475	1	35		PLUG, 1.50" Dia./38mm
11		2	35		PLUG, .250" Dia./6mm (Not Serviced)
		14	36		
12	3794 032	2	35,36		SEAL, Body Side Sill Inner Panel

MODEL CODES

B = GRAN FURY	F = FIFTH AVENUE/NEWPORT	P = RELIANT
C = LEBARON/TOWN & COUNTRY/EXC SEDAN	G = DIPLOMAT	T = E CLASS/NEW YORKER
C24 = LASER	H = VOYAGER	V = 600
D = ARIES	K = MINI RAM/CARAVAN/ROYAL	V24 = DAYTONA
E = 600	M = HORIZON/TURISMO	Z = OMNI/CHARGER/RAMPAGE

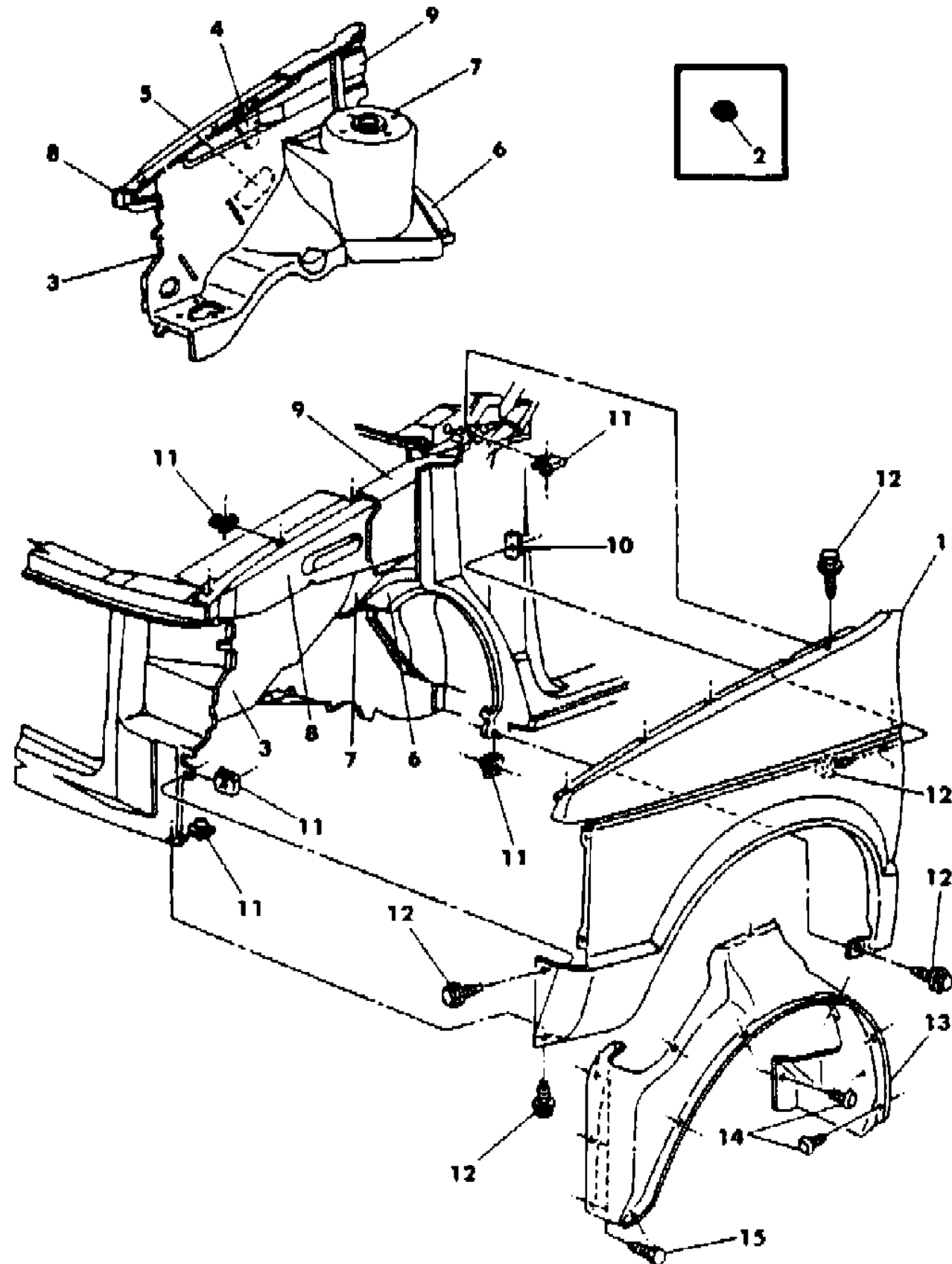
BODY STYLES

21 = 2-DOOR SEDAN	28 = FWD PICKUP	44 = 4-DOOR HATCHBACK
22 = 2-DOOR SPECIAL COUPE	35 = FWD VAN	45 = 4-DOOR STATION WAGON
24 = 2-DOOR HATCHBACK	36 = FWD WAGON	48 = 4-DOOR EXECUTIVE SEDAN
27 = 2-DOOR CONVERTIBLE	41 = 4-DOOR SEDAN	

AR = Use as Required - = Non Illustrated Part P.A.R. = Paint as Required

FENDER - H,K
Figure 23A-8200

4169 8200



ITEM	PART NUMBER	QTY	BODY	MODEL	DESCRIPTION
1	4296 930-1	1		35,36	PANEL, Fender
2	4222 739	1		35,36	PLUG, Fender Antenna Hole
3	4341 082	1		35,36	PANEL, Front Fender Shield, Right, Up To 1/2/83
	4341 254	1		35,36	After 11/2/83
	4341 083	1		35,36	PANEL, Front Fender Shield, Left, Up To 10/27/83
	4341 253	1		35,36	After 10/27/83
4	4341 023	1		35,36	BRACKET and NUT
5	4220 849	1		35,36	PLATE, Horn Mounting
6	4296 812-3	1		35,36	EXTENSION, Iso-Strut Tower to Dash Panel
7	4296 118-9	1		35,36	TOWER, Iso-Strut Mounting
8	4270 074-5	1		35,36	BEAM, Front Fender Shield
9	4278 052-3	1		35,36	EXTENSION, Body Side Aperture to Front Fender Shield Beam
10	4314 093	2		35,36	BRACKET and NUT
11	6100 041	14		35,36	U-NUT
12	6100 567	16		35,36	SCREW and WASHER
13	4296 218-9	1		35,36	SHIELD, Fender Wheelhouse Splash
14	6030 441	22		35,36	RETAINER
15		6		35,36	SCREW, 1/4"-14 x .875" (Not Serviced)

MODEL CODES

B = GRAN FURY	F = FIFTH AVENUE/NEWPORT	P = RELIANT
C = LEBARON/TOWN & COUNTRY/EXC SEDAN	G = DIPLOMAT	T = E CLASS/NEW YORKER
C24 = LASER	H = VOYAGER	V = 600
D = ARIES	K = MINI RAM/CARAVAN/ROYAL	V24 = DAYTONA
E = 600	M = HORIZON/TURISMO	Z = OMNI/CHARGER/RAMPAGE

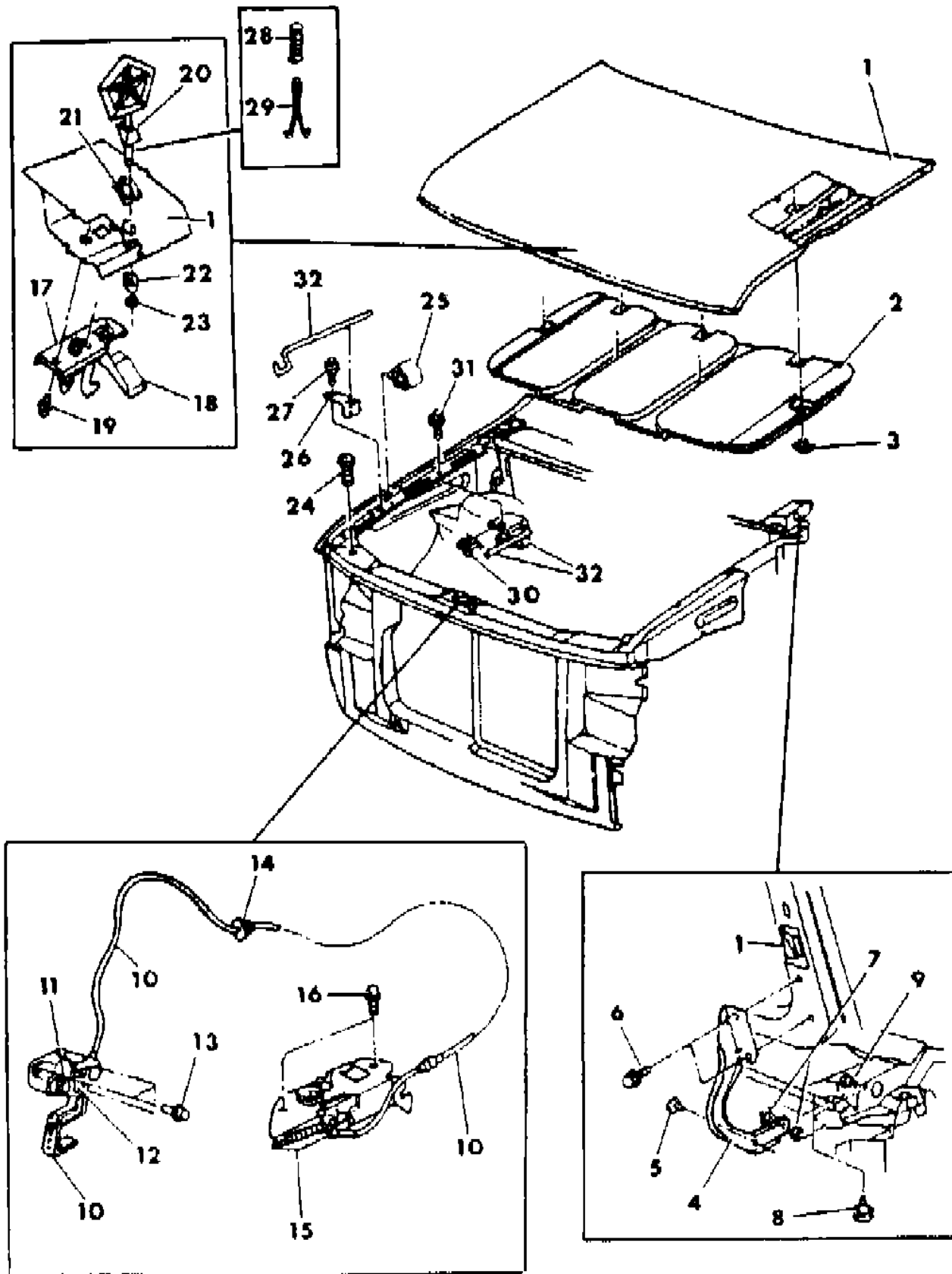
BODY STYLES

21 = 2-DOOR SEDAN	28 = FWD PICKUP	44 = 4-DOOR HATCHBACK
22 = 2-DOOR SPECIAL COUPE	35 = FWD VAN	45 = 4-DOOR STATION WAGON
24 = 2-DOOR HATCHBACK	36 = FWD WAGON	48 = 4-DOOR EXECUTIVE SEDAN
27 = 2-DOOR CONVERTIBLE	41 = 4-DOOR SEDAN	

AR = Use as Required - = Non Illustrated Part P.A.R. = Paint as Required

HOOD - H,K Figure 23A-8300

4166 8300



ITEM	PART NUMBER	QTY	BODY	MODEL	DESCRIPTION
1	4325 179	1		35,36	PANEL, Hood
2	4049 601	AR		35,36	SILENCER, Hood Panel, Cut to Fit, 36" x 72"
3	6003 351	7		35,36	FASTENER, Hood Panel Silencer
4	4270 010-1	1		35,36	ARM, Hood Hinge, Up To 11/21/83
	4341 358-9	1		35,36	After 11/21/83
5	4296 757	2		35,36	BUTTON, Hood Hinge Arm
6	6500 515	4		35,36	SCREW and WASHER
7	6030 592	4		35,36	NUT, Spring
8	4270 218	1		35,36	BUMPER, Hood Hinge Up Stop Right Side Only
9	4341 381	2		35,36	REINFORCEMENT and PIN, Plenum Side Inner Hood Hinge Mounting
10	4270 039	1		35,36	RELEASE, Inside Hood Latch (Includes Items #11,12 & 14)
11	6022 149	1		35,36	NUT, Inside Hood Release Handle to Bracket
12	6031 147	1		35,36	NUT, Inside Hood Release Cable to Handle
13	9421 073	3		35,36	SCREW
14	5207 294	1		35,36	GROMMET, Inside Hood Release Cable to Dash Panel
15	4270 091	1		35,36	LATCH, Hood (Body Half), Up To 12/2/83
	4296 593	1		35,36	After 12/2/83
16	6100 557	2		35,36	SCREW and WASHER
17	4296 043	1		35,36	PLATE and NUT, Hood Latch
18	4296 823	1		35,36	LATCH and SAFETY CATCH, (Hood Half - Includes Item #17)
19	6100 557	2		35,36	SCREW and WASHER
20	4339 013	1		35,36	ORNAMENT, Hood Includes Items #21-23,28 & 29
21		1		35,36	GASKET, Hood Ornament (Serviced in Item #20)
22		1		35,36	SPACER, Hood Ornament (Serviced in Item #20)
23	6030 435	1		35,36	NUT
24	4103 165	2		35,36	BUMPER, Crossmember to Hood Adjustable
25	4296 227	2		35,36	BUMPER, Fender to Hood Side
26	4296 437	1		35,36	CLIP, Hood Prop Rod Stowage
27		1		35,36	SCREW, #10-16 x .500" (Not Serviced)
28	3672 672	1		35,36	SPRING, Hood Ornament
29	3672 780	1		35,36	RETAINER, Hood Ornament
30	6100 041	1		35,36	U-NUT
31	6100 567	1		35,36	SCREW and WASHER
32	4296 737	1		35,36	ROD, w/Bracket Hood Prop

MODEL CODES

B = GRAN FURY	F = FIFTH AVENUE/NEWPORT	P = RELIANT
C = LEBARON/TOWN & COUNTRY/EXC SEDAN	G = DIPLOMAT	T = E CLASS/NEW YORKER
C24 = LASER	H = VOYAGER	V = 600
D = ARIES	K = MINI RAM/CARAVAN/ROYAL	V24 = DAYTONA
E = 600	M = HORIZON/TURISMO	Z = OMNI/CHARGER/RAMPAGE

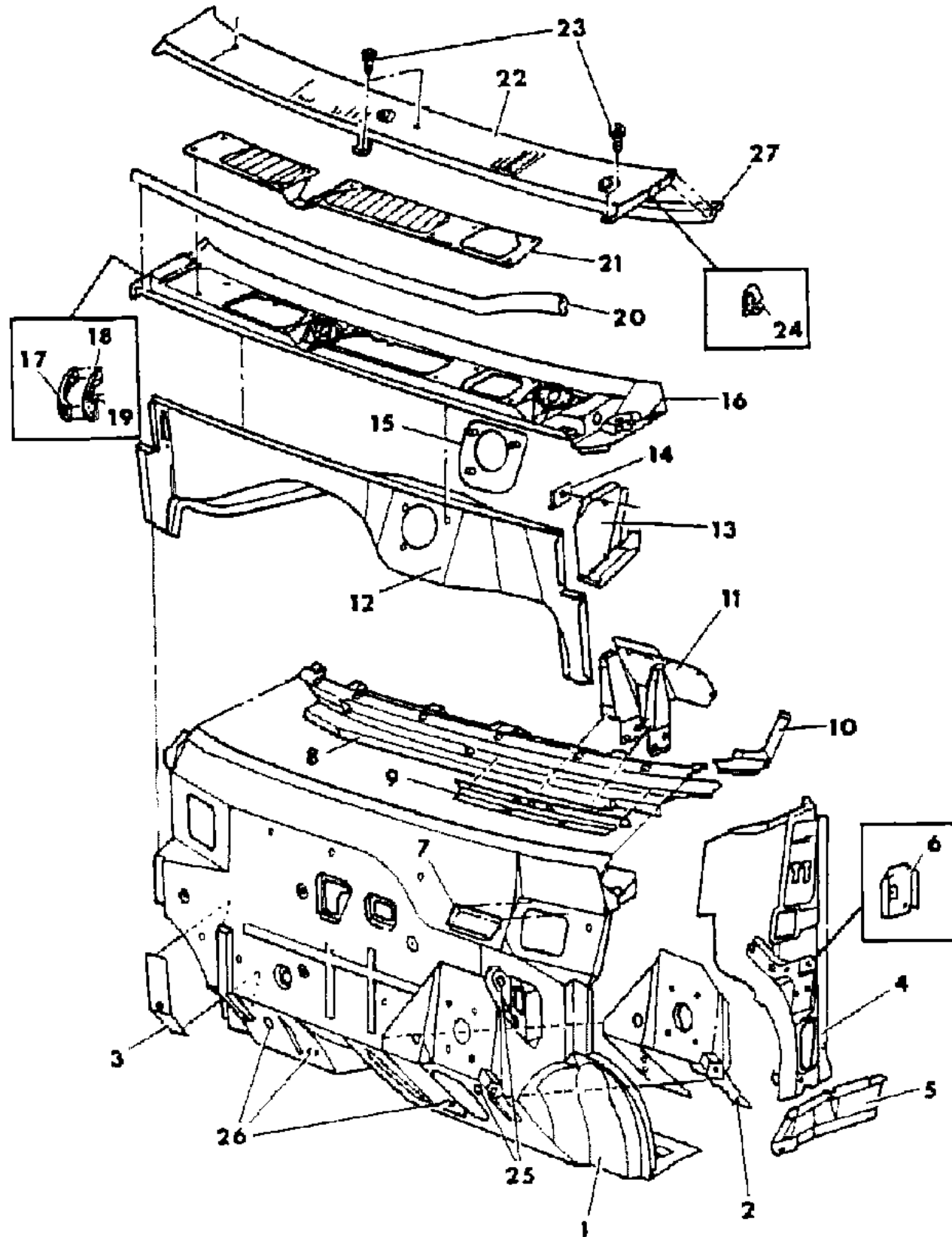
BODY STYLES

21 = 2-DOOR SEDAN	28 = FWD PICKUP	44 = 4-DOOR HATCHBACK
22 = 2-DOOR SPECIAL COUPE	35 = FWD VAN	45 = 4-DOOR STATION WAGON
24 = 2-DOOR HATCHBACK	36 = FWD WAGON	48 = 4-DOOR EXECUTIVE SEDAN
27 = 2-DOOR CONVERTIBLE	41 = 4-DOOR SEDAN	

AR = Use as Required - = Non Illustrated Part P.A.R. = Paint as Required

COWL AND DASH PANEL - H,K
Figure 23A-8400

4169 B400



ITEM	PART NUMBER	QTY	BODY	MODEL	DESCRIPTION
1	4337 360	1		35,36	PANEL, Dash
2	4337 329	1		35,36	REINFORCEMENT, Dash Panel Accelerator & Brake Pedal
3	4278 384	1		35,36	REINFORCEMENT, Dash Panel to Front Side Rail Upper, Right
4	4278 968-9	1		35,36	PANEL, Cowl Side
5	4278 046-7	1		35,36	EXTENSION, Body Side Sill Inner Panel
6	4278 733	1		35,36	REINFORCEMENT and NUT, Cowl Side Park Brake Mounting Bracket
7	4278 415	1		35,36	BRACKET, Cowl Plenum Water Deflector, Left
8	4278 051	1		35,36	REINFORCEMENT, Dash Panel Belt
9	4278 675	1		35,36	SUPPORT, Dash Panel Belt Reinforcement Steering Column Mounting
10	4278 386-7	1		35,36	REINFORCEMENT, Dash Panel Belt to Windshield Frame Inner
11	4314 210	1		35,36	BRACKET and NUT, Dash Panel Steering Column Mounting Support
12	4337 449	1		35,36	PANEL, Cowl Plenum Lower, Up To 12/14/83
	4337 470	1		35,36	After 12/14/83
13	4278 148-9	1		35,36	PANEL, Cowl Plenum Side Inner
14	4341 381	2		35,36	REINFORCEMENT and PIN, Plenum Side Inner Hood Hinge Mounting
15	4278 954	1		35,36	REINFORCEMENT and SCREW, Cowl Lower Plenum Windshield Wiper Motor Mounting
16	4278 056	1		35,36	PANEL, Cowl Plenum Upper
17		2		35,36	SEAL, Cowl Top to Body Side Aperture Panel (Not Serviced)
18	4314 806-7	1		35,36	RETAINER, w/Fastener Cowl Top to Body Side Aperture Panel Seal (Includes Item #19)
19	6003 808	2		35,36	FASTENER
20	4371 542	1		35,36	SEAL, Cowl Plenum to Hood
21	4314 059	1		35,36	SCREEN, w/Seal Cowl Plenum Upper
22	4278 057	1		35,36	PANEL, Cowl Plenum Grille
23		6		35,36	SCREW, #8-18 x .625" (Not Serviced)
24	6032 281	2		35,36	CLIP, Cowl Plenum Grille Mounting
25	3445 939	1		35,36	PLUG, .906" Dia./23 mm
26	5200 456	3		35,36	PLUG, 2.75" Dia./70 mm
27		1		35,36	SEAL, Cowl Plenum Grille Panel to Windshield (Not Serviced)

MODEL CODES

B = GRAN FURY	F = FIFTH AVENUE/NEWPORT	P = RELIANT
C = LEBARON/TOWN & COUNTRY/EXC SEDAN	G = DIPLOMAT	T = E CLASS/NEW YORKER
C24 = LASER	H = VOYAGER	V = 600
D = ARIES	K = MINI RAM/CARAVAN/ROYAL	V24 = DAYTONA
E = 600	M = HORIZON/TURISMO	Z = OMNI/CHARGER/RAMPAGE

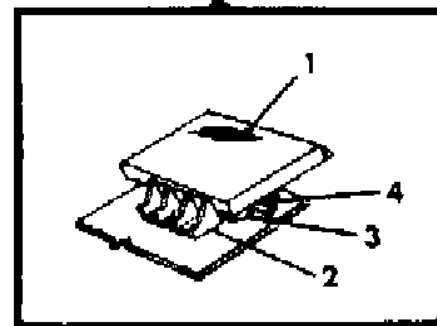
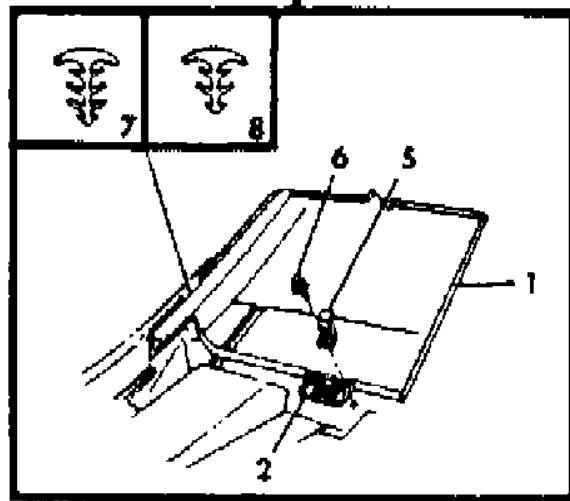
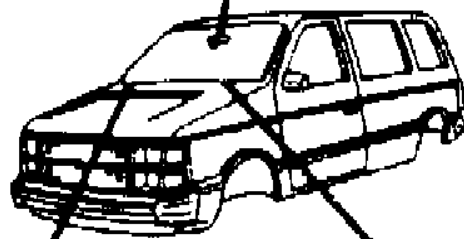
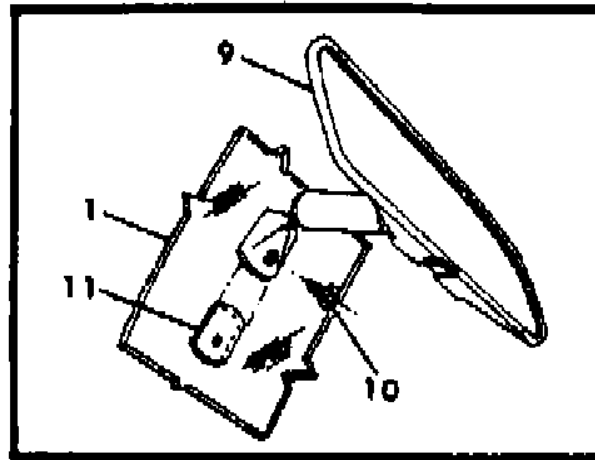
BODY STYLES

21 = 2-DOOR SEDAN	28 = FWD PICKUP	44 = 4-DOOR HATCHBACK
22 = 2-DOOR SPECIAL COUPE	35 = FWD VAN	45 = 4-DOOR STATION WAGON
24 = 2-DOOR HATCHBACK	36 = FWD WAGON	48 = 4-DOOR EXECUTIVE SEDAN
27 = 2-DOOR CONVERTIBLE	41 = 4-DOOR SEDAN	

AR = Use as Required - = Non Illustrated Part P.A.R. = Paint as Required

GLASS WINDSHIELD - H,K
Figure 23A-8500

4100 8500



ITEM	PART NUMBER	QTY	BODY	MODEL	DESCRIPTION
NOTE: GLASS, WINDSHIELD - ORDER FROM YOUR LOCAL "MOPAR" GLASS DISTRIBUTOR (code). Both models are derived from the 100.1" W.B. LeBaron (C 22 Model). Sheet metal parts for the C 48 not found on this illustration should be specified.					
1	4278 865	1		35,36	GLASS, Windshield, (Tinted)
2	4206 543	2		35,36	SPACER, Windshield Lower
	3767 767	AR		35,36	SHIM, Windshield Lower Spacer (.07")
	3767 196	AR		35,36	SHIM, Windshield Lower Spacer (.106")
3		AR		35,36	ADHESIVE, Windshield Polyurethane (Serviced in Package #4267906)
4	4206 848	AR		35,36	DAM, Windshield Glass Adhesive (119")
5	4337 032	2		35,36	CLIP, Windshield Hold-Down
6		2		35,36	SCREW, #8-18 x .375" (Not Serviced)
7	4365 563	AR		35,36	MOULDING, Windshield Glass Installation (178")
8	4314 873	AR		35,36	MOULDING, Windshield Glass Repair (114")
9	4082 199	1		35,36	MIRROR, Inside Rear View
10	6031 094	1		35,36	SCREW
11	4054 066	1		35,36	BUTTON, Inside Rear View Mirror Mounting
	4293 039	1		35,36	BUTTON PACKAGE, Inside Rear View Mirror (Includes Button, Adhesive, & Instructions)

NOTE: The following items are not shown on illustration. (code). Both models are derived from the 100.1" W.B. LeBaron (C 22 Model). Sheet metal parts for the C 48 not found on this illustration should be specified.

4267 906	1		35,36	FIXED GLASS REPAIR PACKAGE (Polyurethane)
CONSISTS OF:				
1- ----- Polyurethane, 11.5 oz.				
1- ----- Fence Primer, 1 oz.				
1- ----- Glass Wipe-Off Primer, 1 oz.				
1- ----- Glass Black-Out Primer, 1 oz.				
3- ----- Dabbers				
1- ----- Nozzle				

MODEL CODES

B = GRAN FURY

C = LEBARON/TOWN & COUNTRY/EXC SEDAN

C24 = LASER

D = ARIES

E = 600

F = FIFTH AVENUE/NEWPORT

G = DIPLOMAT

H = VOYAGER

K = MINI RAM/CARAVAN/ROYAL

M = HORIZON/TURISMO

P = RELIANT

T = E CLASS/NEW YORKER

V = 600

V24 = DAYTONA

Z = OMNI/CHARGER/RAMPAGE

BODY STYLES

21 = 2-DOOR SEDAN

22 = 2-DOOR SPECIAL COUPE

24 = 2-DOOR HATCHBACK

27 = 2-DOOR CONVERTIBLE

28 = FWD PICKUP

35 = FWD VAN

36 = FWD WAGON

41 = 4-DOOR SEDAN

44 = 4-DOOR HATCHBACK

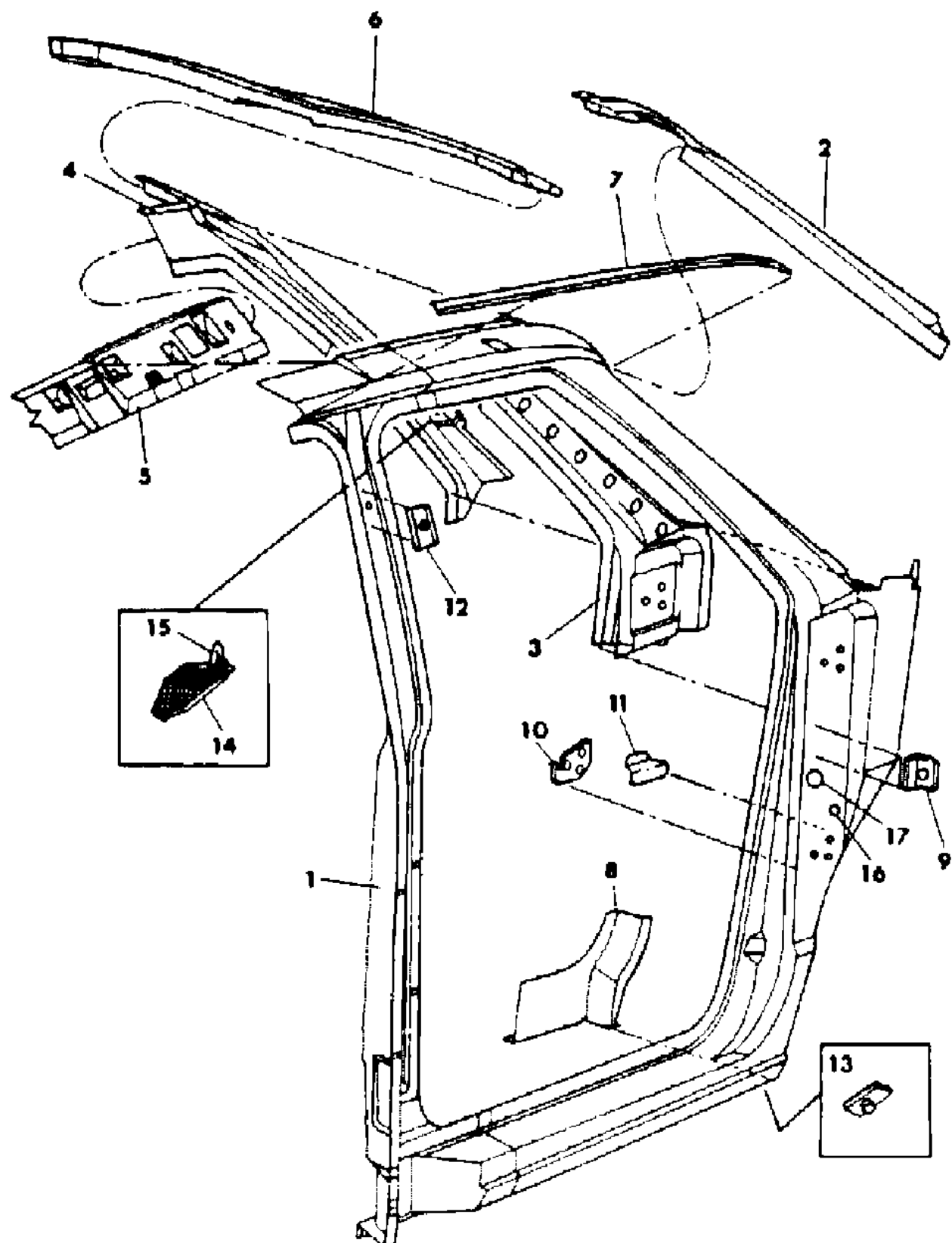
45 = 4-DOOR STATION WAGON

48 = 4-DOOR EXECUTIVE SEDAN

AR = Use as Required - = Non Illustrated Part P.A.R. = Paint as Required

BODY FRONT PILLAR - H,K
Figure 23A-8600

4169 8600



ITEM	PART NUMBER	QTY	BODY	MODEL	DESCRIPTION
1	4314 856-7	1	35,36		PANEL, Body Side Aperture, Front, Up To 1/9/84
	4337 800-1	1	35,36		After 1/9/84
2	4314 850-1	1	35,36		PANEL, Windshield Opening Side
3	4278 058-9	1	35,36		FRAME, Windshield Side Outer
4	4278 010-1	1	35,36		FRAME, Windshield Side Inner
5	4278 032	1	35,36		RAIL, Roof Side Inner, Right
	4278 009	1	35,36		Left
6	4337 845	1	35,36		FRAME, Windshield Opening Upper
7	4278 006-7	1	35,36		TROUGH, Roof Side Drain
8	4278 612-3	1	35,36		REINFORCEMENT, Jacking Pad Locator, Front
9	4314 093	2	35,36		BRACKET and NUT
10	4314 558-9	2	35,36		PLATE, Body Front Pillar Hinge Tapping
11	4278 408-9	1	35,36		REINFORCEMENT, Body Side Aperture Front Door Lower Hinge
					Mounting
12	4337 394	1	35,36		REINFORCEMENT, Body Side Aperture Front Shoulder Belt
					Mounting, Right
13	4314 277	2	35,36		PLATE, Body Side Aperture Jack Locator
14	4278 616	1	35,36		SEAL, Windshield Side Frame Outer to Inner (Includes Item #15)
					Up To 1/3/84
	4337 388-9	1	35,36		After 1/3/84
15	4114 785	2	35,36		FASTENER, Windshield Side Frame Outer to Inner Seal Mounting
16	2860 332	1	35,36		PLUG, .500" Dia./13mm
17	6030 773	2	35,36		PLUG, 2.25" Dia./57mm

MODEL CODES

B = GRAN FURY	F = FIFTH AVENUE/NEWPORT	P = RELIANT
C = LEBARON/TOWN & COUNTRY/EXC SEDAN	G = DIPLOMAT	T = E CLASS/NEW YORKER
C24 = LASER	H = VOYAGER	V = 600
D = ARIES	K = MINI RAM/CARAVAN/ROYAL	V24 = DAYTONA
E = 600	M = HORIZON/TURISMO	Z = OMNI/CHARGER/RAMPAGE

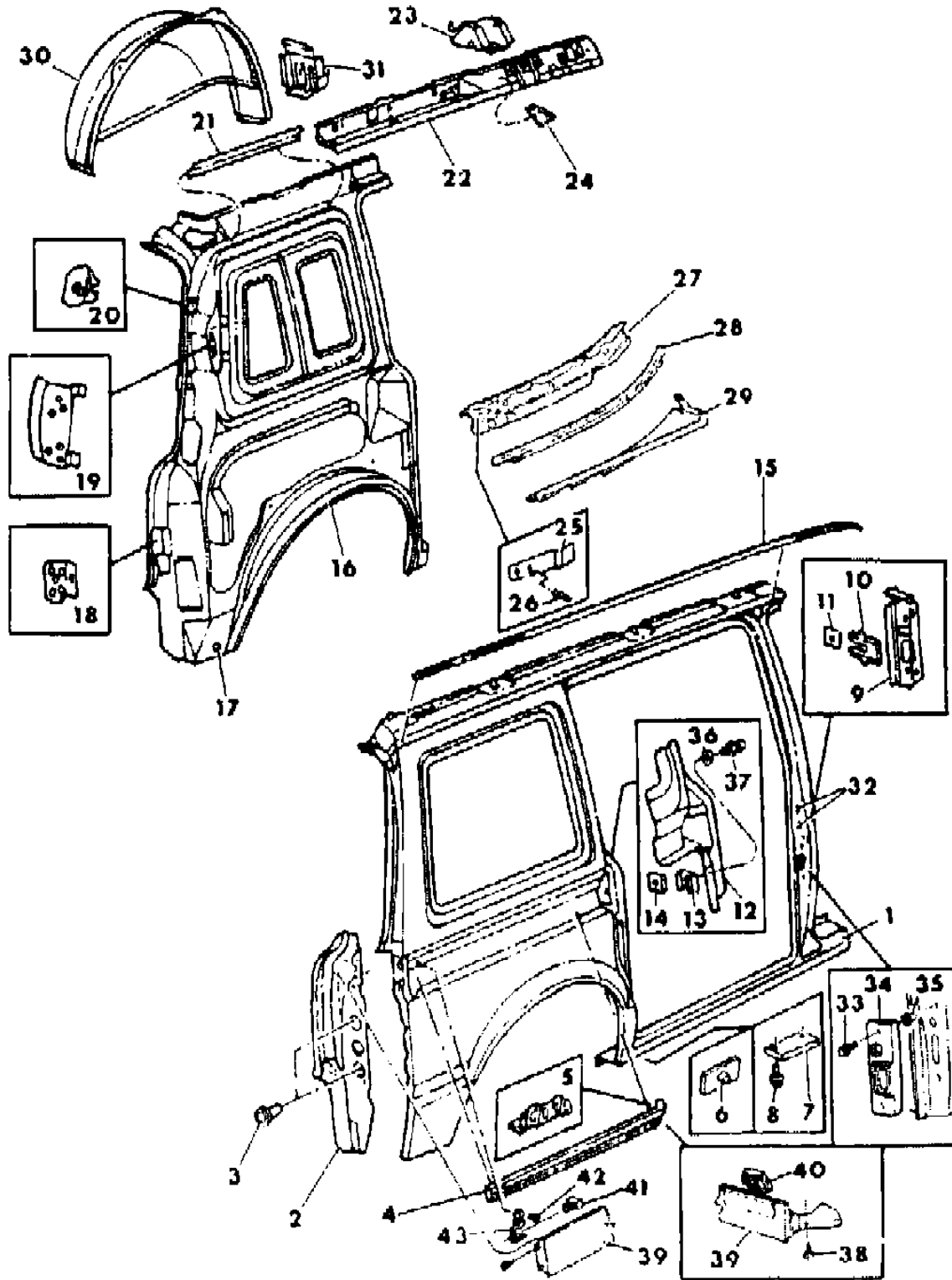
BODY STYLES

21 = 2-DOOR SEDAN	28 = FWD PICKUP	44 = 4-DOOR HATCHBACK
22 = 2-DOOR SPECIAL COUPE	35 = FWD VAN	45 = 4-DOOR STATION WAGON
24 = 2-DOOR HATCHBACK	36 = FWD WAGON	48 = 4-DOOR EXECUTIVE SEDAN
27 = 2-DOOR CONVERTIBLE	41 = 4-DOOR SEDAN	

AR = Use as Required - = Non Illustrated Part P.A.R. = Paint as Required

BODY REAR QUARTER RIGHT - H,K
Figure 23A-8700

4169 8700



ITEM	PART NUMBER	QTY	BODY	MODEL	DESCRIPTION
1	4314 552	1	35		PANEL, Body Side Aperture, Rear
2	4371 194	1	36		PANEL, Body Side Aperture Rear Extension, Up To 3/12/84
	4337 910	1	35,36		After 3/12/84
3	4314 044	2	35,36		CUP and SEAL, Side Aperture Rear Extension
4	4341 162	1	35,36		TRACK, w/Bracket Sliding Door Center (Includes Item #5)
5	4314 609	1	35,36		BRACKET, Sliding Door Center Track Cover, Front
6	4314 277	1	35,36		PLATE, Body Side Aperture Jack Locator
7	4385 108	AR	35,36		PAD, Body Side Aperture Rear Hoisting
8		2	35,36		SCREW and WASHER, Not Serviced
9	4278 066	1	35,36		REINFORCEMENT, Body Side Aperture Front Door Latch Striker
10	4314 092	1	35,36		RETAINER, Body Side Aperture Front Door Latch Striker T/Plate
11	4314 743	1	35,36		T-PLATE, Body Side Aperture Front Door Latch Striker
12	4314 542	1	35,36		REINFORCEMENT, Body Side Aperture Sliding Door Latch Striker
13	4337 153	1	35,36		RETAINER, Body Side Aperture Sliding Door Latch Striker T/Plate
14	4337 152	1	35,36		T-PLATE, Body Side Aperture Sliding Door Latch Striker
15	4278 006	1	35,36		TROUGH, Roof Side Drain
16	4341 422	1	35		PANEL, Quarter Inner & Wheelhouse Outer
	4341 424	1	36		Up To 11/7/83
	4341 596	1	36		After 11/7/83
17	4073 485	1	35,36		PLUG, 1.50" Dia./38 mm
18	4314 049	1	35,36		REINFORCEMENT, Quarter Inner Panel Liftgate Stabilizer
19	4341 062	1	36		T-PLATE, Rear Quarter Window Latch
20	4336 398	1	35,36		REINFORCEMENT and NUT, Quarter Inner Panel Liftgate Prop Mounting
21	4337 110	1	35		REINFORCEMENT, Body Side Aperture to Quarter Inner Panel
22	4278 032	1	35,36		RAIL, Roof Side Inner
23	4296 301	1	35,36		SUPPORT, Roof Side Rail Inner to Sliding Door Upper Track
24	4314 508	1	35,36		SEAL, Body Side Aperture to Roof Side Rail Inner
25	4280 966	1	35,36		SPRING, Sliding Door Lower Stop Hold-Open
26		2	35,36		RIVET, 1/8" Dia. x 3/16" Grip Range (Not Serviced)
27	4278 761	1	35,36		REINFORCEMENT, Sliding Door Lower Track
28	4296 286	1	35,36		TRACK, Sliding Door Lower
29	4278 036	1	35,36		SUPPORT, Sliding Door Lower Track
30	4296 544	1	35,36		PANEL, Wheelhouse Inner
31	4278 556	1	35,36		REINFORCEMENT, Wheelhouse Inner to Sill Inner
32	6500 827	2			PLUG, Body Side Aperture Sliding Door & Door Ajar Switch Holes

MODEL CODES

B = GRAN FURY	F = FIFTH AVENUE/NEWPORT	P = RELIANT
C = LEBARON/TOWN & COUNTRY/EXC SEDAN	G = DIPLOMAT	T = E CLASS/NEW YORKER
C24 = LASER	H = VOYAGER	V = 600
D = ARIES	K = MINI RAM/CARAVAN/ROYAL	V24 = DAYTONA
E = 600	M = HORIZON/TURISMO	Z = OMNI/CHARGER/RAMPAGE

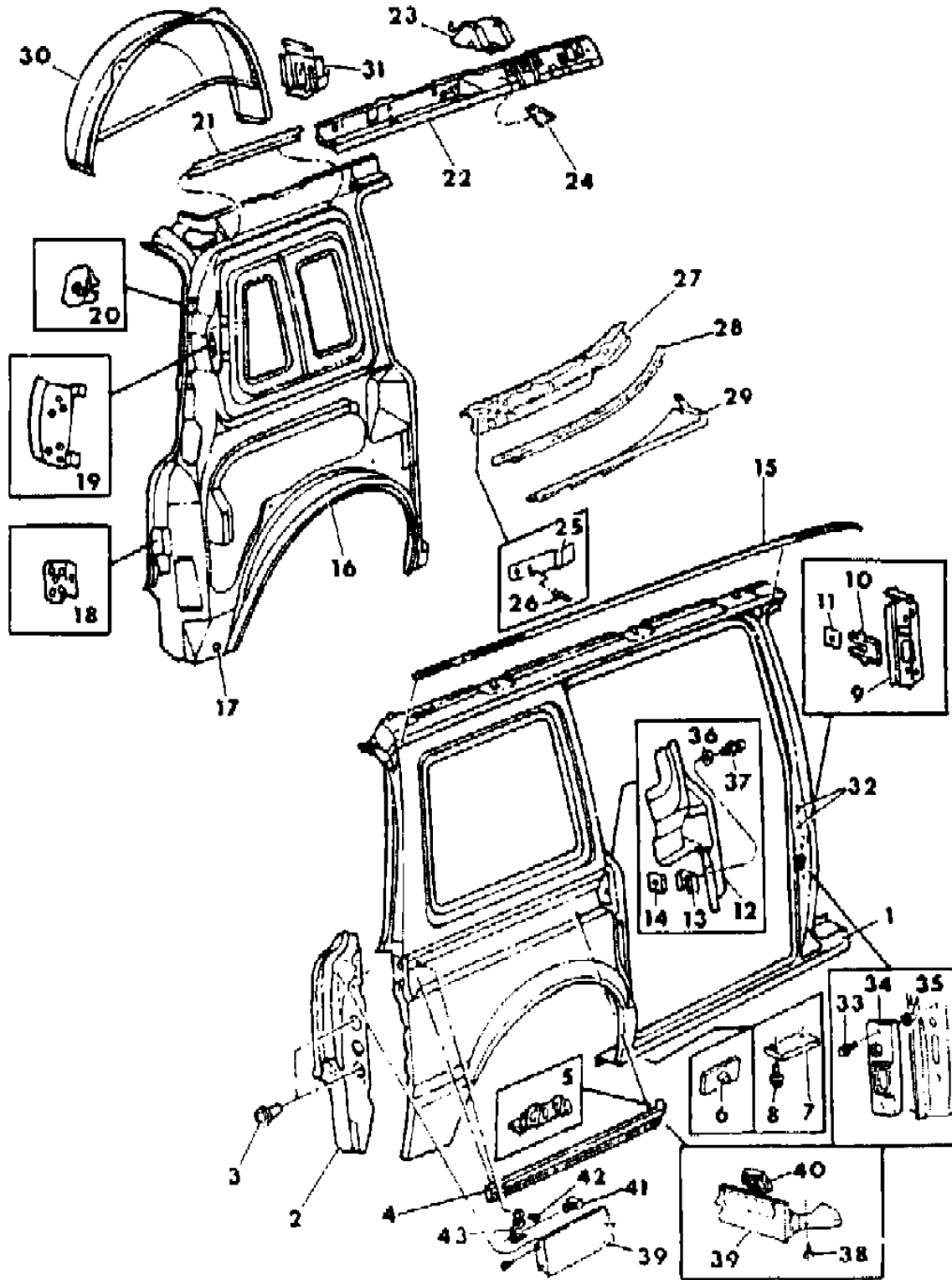
BODY STYLES

21 = 2-DOOR SEDAN	28 = FWD PICKUP	44 = 4-DOOR HATCHBACK
22 = 2-DOOR SPECIAL COUPE	35 = FWD VAN	45 = 4-DOOR STATION WAGON
24 = 2-DOOR HATCHBACK	36 = FWD WAGON	48 = 4-DOOR EXECUTIVE SEDAN
27 = 2-DOOR CONVERTIBLE	41 = 4-DOOR SEDAN	

AR = Use as Required - = Non Illustrated Part P.A.R. = Paint as Required

BODY REAR QUARTER RIGHT - H,K
Figure 23A-8700

4169 8700



ITEM	PART NUMBER	QTY	BODY	MODEL	DESCRIPTION
33	6500 827	2			SCREW and WASHER
34	4280 768	1			GUIDE ASSEMBLY, Stabilizer
	4280 781	1			SEAL, Guide Bracket
34		1			RIVET, Nut (DNS)
35	4184 105	AR			SPACER, Striker
36					STRIKER
	4336 826	1			Up to 6-18-84
	4336 826	1			After 6-18-84
37		4			SCREW, Track Cover (DNS)
38	4371 322	1			PANEL, Track Cover w/Stud Assy.
	4278 390	1			PANEL, Track Cover w/o Stud Assy.
39	6501 071	1			RETAINER, Track Cover
40	4337 050	1			BUMPER, Overtravel Stop Bracket
41		1			SCREW, Not Serviced
42					BRACKET, Overtravel Stop
	4336 569	1			After 12-12-83

MODEL CODES

B = GRAN FURY	F = FIFTH AVENUE/NEWPORT	P = RELIANT
C = LEBARON/TOWN & COUNTRY/EXC SEDAN	G = DIPLOMAT	T = E CLASS/NEW YORKER
C24 = LASER	H = VOYAGER	V = 600
D = ARIES	K = MINI RAM/CARAVAN/ROYAL	V24 = DAYTONA
E = 600	M = HORIZON/TURISMO	Z = OMNI/CHARGER/RAMPAGE

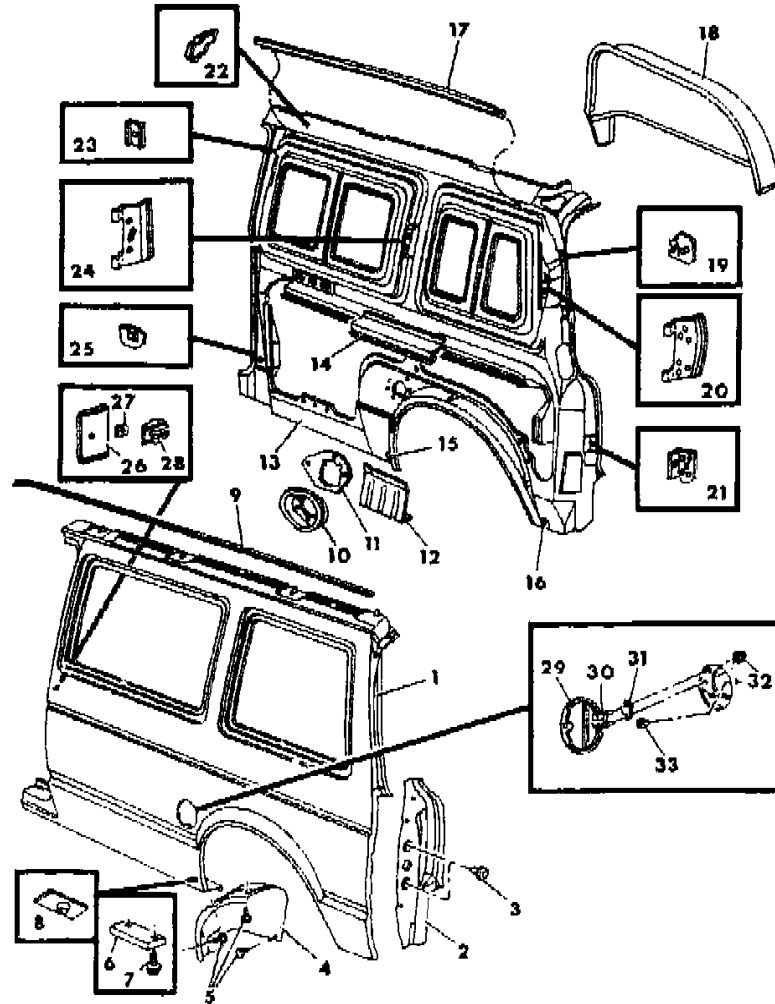
BODY STYLES

21 = 2-DOOR SEDAN	28 = FWD PICKUP	44 = 4-DOOR HATCHBACK
22 = 2-DOOR SPECIAL COUPE	35 = FWD VAN	45 = 4-DOOR STATION WAGON
24 = 2-DOOR HATCHBACK	36 = FWD WAGON	48 = 4-DOOR EXECUTIVE SEDAN
27 = 2-DOOR CONVERTIBLE	41 = 4-DOOR SEDAN	

AR = Use as Required - = Non Illustrated Part P.A.R. = Paint as Required

BODY REAR QUARTER LEFT - H,K
Figure 23A-8800

4.69 8800



ITEM	PART NUMBER	QTY	BODY	MODEL	DESCRIPTION
1	4337 125	1		35	PANEL, Body Side Aperture, Rear, Up To 11/12/83
	4337 125	1		35	After 11/12/83
	4337 107	1		36	
2	4337 911	1		35,36	PANEL, Body Side Aperture Rear Extension, Up To 3/12/84
	4337 911	1		35,36	After 3/12/84
3	4314 044	2		35,36	CUP and SEAL, Side Aperture Rear Extension
4	4314 541	1		35,36	SHIELD, Rear Wheelhouse Front
5		4		35,36	SCREW, 1/4"-14 x .875" (Not Serviced)
6	4385 108	AR		35,36	PAD, Body Side Aperture Rear Hoisting
7		2		35,36	SCREW and WASHER, Not Serviced
8	4314 277	1		35,36	PLATE, Body Side Aperture Jack Locator
9	4278 007	1		35,36	TROUGH, Roof Side Drain
10	4278 389	1		35,36	REINFORCEMENT, Body Side Aperture Fuel Filler Door Opening
	3760 482	1		35,36	PLUG, Body Side Aperture Fuel Filler Opening Reinforcement, Manual Type
11	4278 973	1		35,36	ADHESIVE and FASTENER Up To 11-8-83
	4337 399	1		35,36	After 11/8/83
	6032 294	3		35,36	FASTENER, Adhesive Gasket
12	4278 553	1		35,36	REINFORCEMENT, Body Side Aperture Jacking Bracket
13	4296 541	1		35	PANEL, Quarter Inner & Wheelhouse Outer, Up To 11/7/83
	4341 423	1		35	After 11/7/83
	4296 543	1		36	Up To 11/7/83
	4341 425	1		36	After 11/7/83
14	4278 019	1		35,36	REINFORCEMENT, Quarter Inner & Wheelhouse Outer, Up To 11/21/83
	4341 559	1		35,36	After 11/21/83
15	4073 485	1		35,36	PLUG, 1.50" Dia./38mm
16	4073 485	1		35,36	PLUG, 1.50" Dia./38mm
17	4337 109	1		35	REINFORCEMENT, Body Side Aperture Rear to Quarter Inner Panel
18	4296 545	1		35,36	PANEL, Wheelhouse Inner
19	4336 398	1		35,36	REINFORCEMENT and NUT, Quarter Inner Panel Liftgate Prop Mounting
20	4341 063	1		36	T-PLATE, Rear Quarter Window Latch
21	4314 049	1		35,36	REINFORCEMENT, Quarter Inner Panel Liftgate Stabilizer
22	4337 111	1		36	SEAL, Body Side Aperture to Quarter Inner Panel
23	4314 769	1		35,36	REINFORCEMENT, Body Side Aperture Front Shoulder Belt Mounting, Up To 5/2/84

MODEL CODES

B = GRAN FURY	F = FIFTH AVENUE/NEWPORT	P = RELIANT
C = LEBARON/TOWN & COUNTRY/EXC SEDAN	G = DIPLOMAT	T = E CLASS/NEW YORKER
C24 = LASER	H = VOYAGER	V = 600
D = ARIES	K = MINI RAM/CARAVAN/ROYAL	V24 = DAYTONA
E = 600	M = HORIZON/TURISMO	Z = OMNI/CHARGER/RAMPAGE

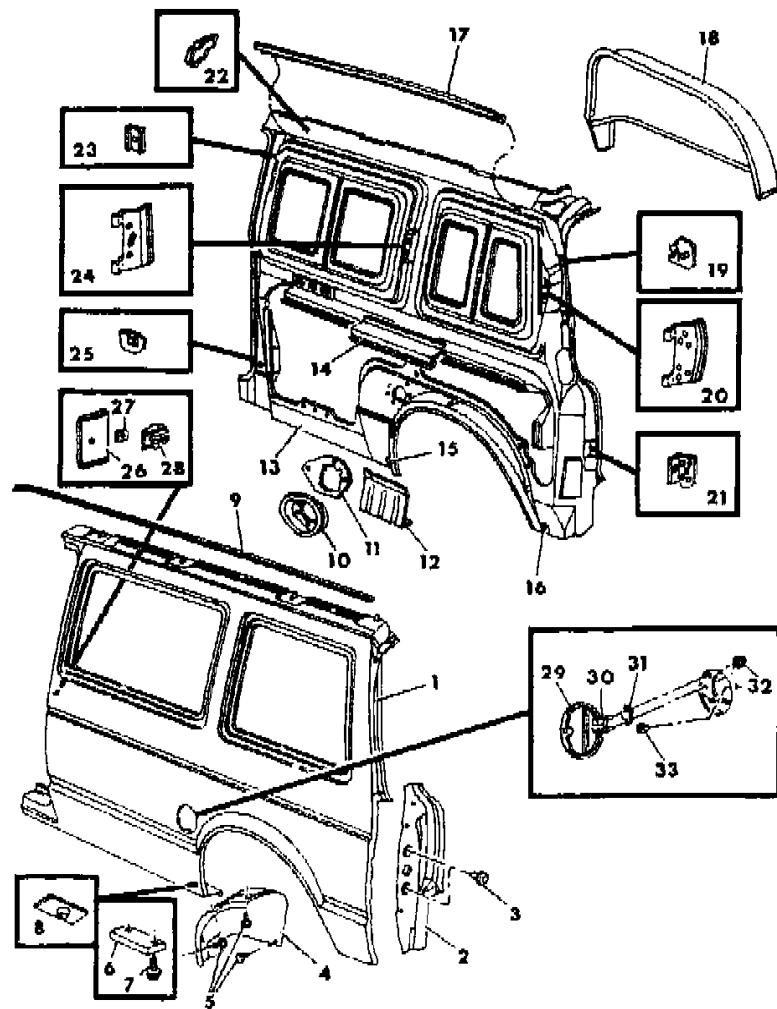
BODY STYLES

21 = 2-DOOR SEDAN	28 = FWD PICKUP	44 = 4-DOOR HATCHBACK
22 = 2-DOOR SPECIAL COUPE	35 = FWD VAN	45 = 4-DOOR STATION WAGON
24 = 2-DOOR HATCHBACK	36 = FWD WAGON	48 = 4-DOOR EXECUTIVE SEDAN
27 = 2-DOOR CONVERTIBLE	41 = 4-DOOR SEDAN	

AR = Use as Required - = Non Illustrated Part P.A.R. = Paint as Required

BODY REAR QUARTER LEFT - H,K
Figure 23A-8800

4.69 8800



ITEM	PART NUMBER	QTY	BODY	MODEL	DESCRIPTION
	4337 394	1		35,36	After 5/2/84
24	4341 061	1		36	T-PLATE, Front Quarter Window Latch
25	4337 267	1		35,36	REINFORCEMENT, Body Side Aperture Front Shoulder Belt Retractor Mounting
26	4278 067	1		35,36	REINFORCEMENT, Body Side Aperture Front Door Striker
27	4314 743	1		35,36	T-PLATE, Body Side Aperture Front Door Striker
28	4314 092	1		35,36	RETAINER, Body Side Aperture Front Door Striker T/Plate
29	4314 496	1		35,36	DOOR and HINGE, Side Aperture Fuel Filler Manual Remote
	4314 491	1		35,36	
	1626 749	1		35,36	RETAINER, Side Aperture Fuel Filler Door Hinge
30	4314 637	1		35,36	PLATE and SCREW, Side Aperture Fuel Filler Door Mounting Up To 2-1-83
	4337 153	1		35,36	After 12/1/83
31		AR		35,36	SHIM, Body Side Aperture Fuel Filler Door (Not Serviced)
33	4314 923	1		35,36	BUMPER, Body Side Aperture Fuel Filler Door, Remote Manual (Not Serviced)
		1		35,36	

MODEL CODES

B = GRAN FURY	F = FIFTH AVENUE/NEWPORT	P = RELIANT
C = LEBARON/TOWN & COUNTRY/EXC SEDAN	G = DIPLOMAT	T = E CLASS/NEW YORKER
C24 = LASER	H = VOYAGER	V = 600
D = ARIES	K = MINI RAM/CARAVAN/ROYAL	V24 = DAYTONA
E = 600	M = HORIZON/TURISMO	Z = OMNI/CHARGER/RAMPAGE

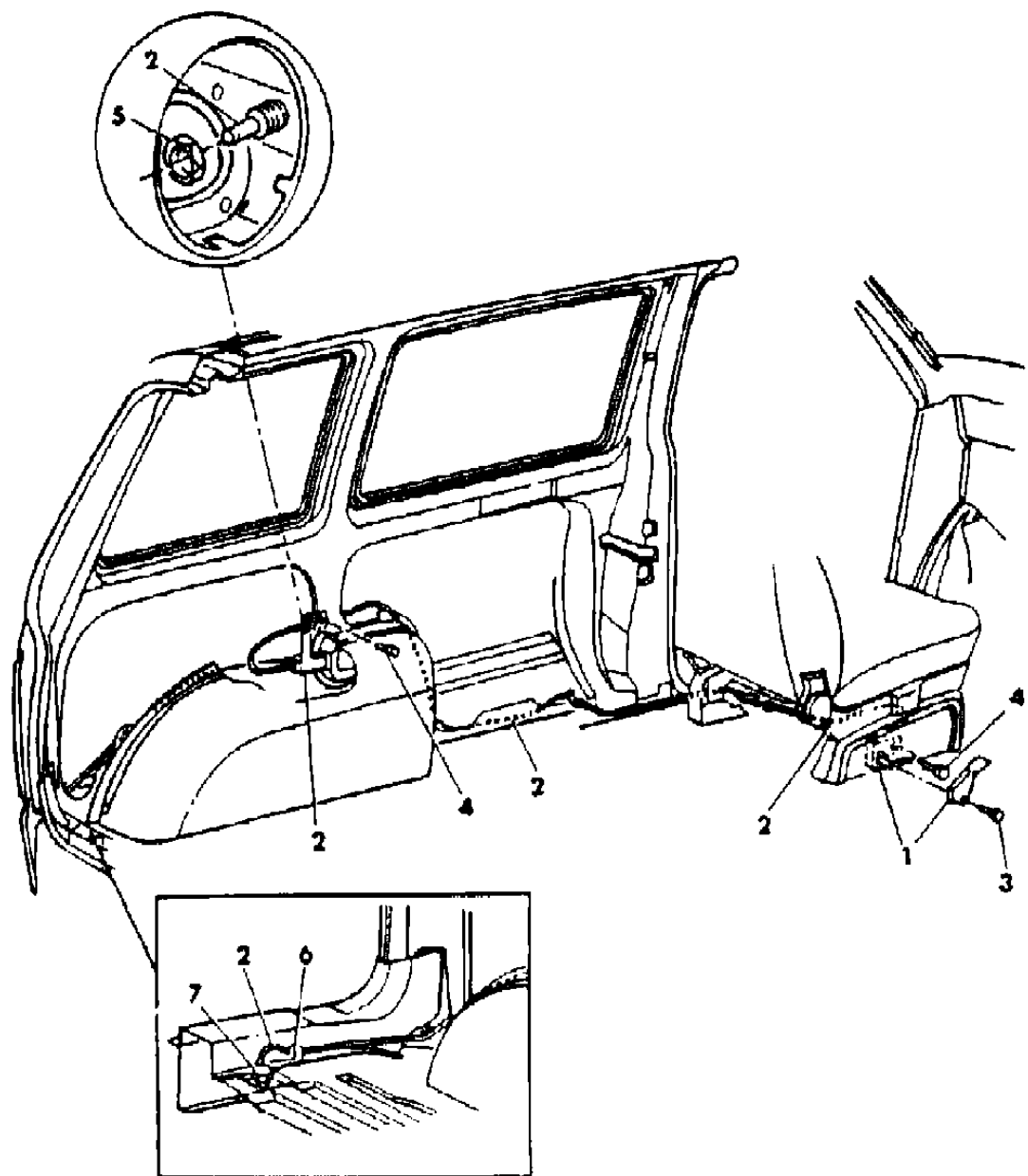
BODY STYLES

21 = 2-DOOR SEDAN	28 = FWD PICKUP	44 = 4-DOOR HATCHBACK
22 = 2-DOOR SPECIAL COUPE	35 = FWD VAN	45 = 4-DOOR STATION WAGON
24 = 2-DOOR HATCHBACK	36 = FWD WAGON	48 = 4-DOOR EXECUTIVE SEDAN
27 = 2-DOOR CONVERTIBLE	41 = 4-DOOR SEDAN	

AR = Use as Required - = Non Illustrated Part P.A.R. = Paint as Required

FUEL FILLER DOOR REMOTE RELEASE - H,K
Figure 23A-8900

4169 8900



ITEM	PART NUMBER	QTY	BODY	MODEL	DESCRIPTION
1	4314 507	1		35,36	HANDLE and BRACKET, Side Aperture Remote Fuel Filler Door Release
2	4314 498	1		35,36	CABLE and BRACKET, Side Aperture Remote Fuel Filler Door Release (Includes Auxilliary Release Cable)
3	6500 981	1		35,36	SCREW
4	6032 196	2		35,36	SCREW
5		1		35,36	NUT, M12 x 1.75" Not Serviced
6		1		35,36	CLIP, Not Serviced
7		1		35,36	BOLT, Spare Tire Winch See Group 22-Illustrations

MODEL CODES

B = GRAN FURY	F = FIFTH AVENUE/NEWPORT	P = RELIANT
C = LEBARON/TOWN & COUNTRY/EXC SEDAN	G = DIPLOMAT	T = E CLASS/NEW YORKER
C24 = LASER	H = VOYAGER	V = 600
D = ARIES	K = MINI RAM/CARAVAN/ROYAL	V24 = DAYTONA
E = 600	M = HORIZON/TURISMO	Z = OMNI/CHARGER/RAMPAGE

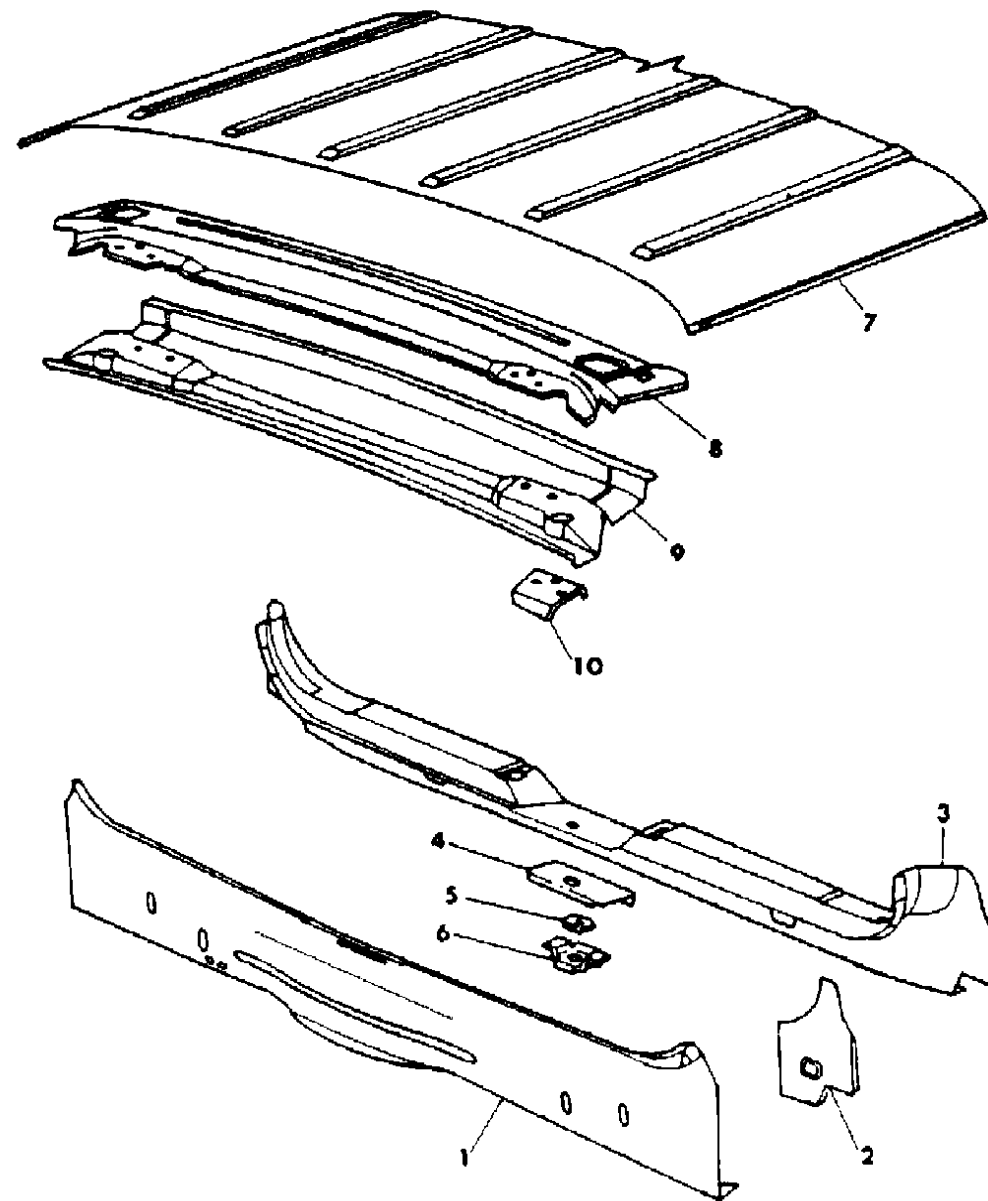
BODY STYLES

21 = 2-DOOR SEDAN	28 = FWD PICKUP	44 = 4-DOOR HATCHBACK
22 = 2-DOOR SPECIAL COUPE	35 = FWD VAN	45 = 4-DOOR STATION WAGON
24 = 2-DOOR HATCHBACK	36 = FWD WAGON	48 = 4-DOOR EXECUTIVE SEDAN
27 = 2-DOOR CONVERTIBLE	41 = 4-DOOR SEDAN	

AR = Use as Required - = Non Illustrated Part P.A.R. = Paint as Required

LIFTGATE OPENING - H,K
Figure 23A-9000

4159 9000



ITEM	PART NUMBER	QTY	BODY	MODEL	DESCRIPTION
1	4296 698	1		35,36	PANEL, Liftgate Opening Lower
2	4337 012-3	1		35,36	SUPPORT, Liftgate Opening Lower Reinforcement
3	4337 025	1		35,36	REINFORCEMENT, Liftgate Opening Lower Panel
4	4278 187	1		35,36	REINFORCEMENT, Liftgate Opening Lower Panel Latch Striker
5		1		35,36	T-PLATE, Liftgate Latch Striker (DNS)
6	4278 557	1		35,36	RETAINER, Liftgate Latch Striker T/Plate
7	4278 061	1		35,36	PANEL, Roof Outer
8	4278 064	1		35,36	REINFORCEMENT, Liftgate Opening Upper Frame
9	4278 063	1		35,36	FRAME, Liftgate Opening Upper
10		2		35,36	REINFORCEMENT, Liftgate Opening Upper Frame Hinge NS4

MODEL CODES

B = GRAN FURY	F = FIFTH AVENUE/NEWPORT	P = RELIANT
C = LEBARON/TOWN & COUNTRY/EXC SEDAN	G = DIPLOMAT	T = E CLASS/NEW YORKER
C24 = LASER	H = VOYAGER	V = 600
D = ARIES	K = MINI RAM/CARAVAN/ROYAL	V24 = DAYTONA
E = 600	M = HORIZON/TURISMO	Z = OMNI/CHARGER/RAMPAGE

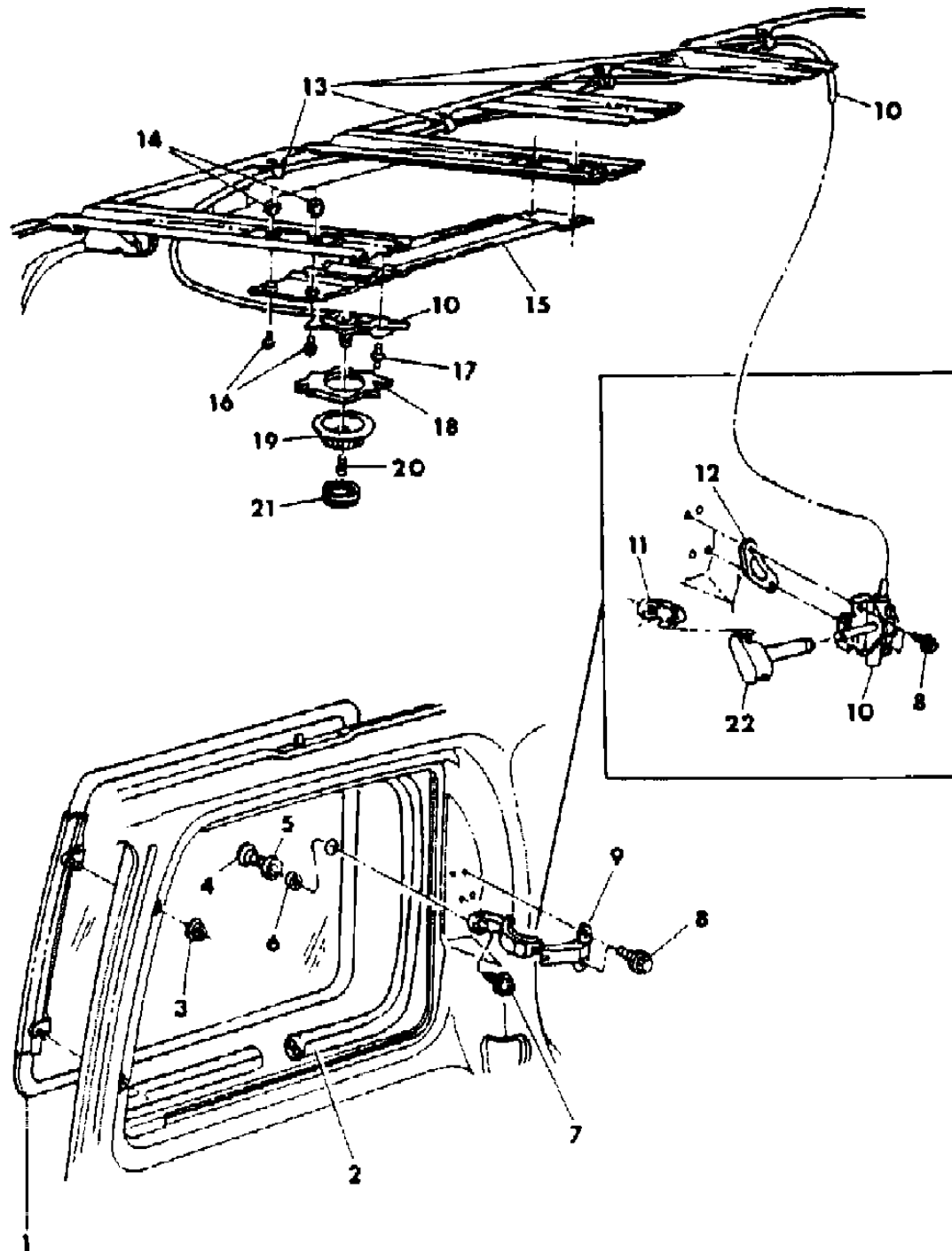
BODY STYLES

21 = 2-DOOR SEDAN	28 = FWD PICKUP	44 = 4-DOOR HATCHBACK
22 = 2-DOOR SPECIAL COUPE	35 = FWD VAN	45 = 4-DOOR STATION WAGON
24 = 2-DOOR HATCHBACK	36 = FWD WAGON	48 = 4-DOOR EXECUTIVE SEDAN
27 = 2-DOOR CONVERTIBLE	41 = 4-DOOR SEDAN	

AR = Use as Required - = Non Illustrated Part P.A.R. = Paint as Required

GLASS QUARTER WINDOW - H,K
Figure 23A-9100

4109 9100



ITEM	PART NUMBER	QTY	BODY	MODEL	DESCRIPTION
1	4337 438-9	1	36		QUARTER WINDOW ASSEMBLY, (Tinted)
	4337 430-1	1	36		Sunscreen
	4336 405	1	36		Left Front Quarter Window, Tinted
	4336 407	1	36		Sunscreen
2	4314 344-5	1	36		WEATHERSTRIP, Rear Quarter Window
	4336 475	1	36		Left Front Quarter Window
3	6501 038	6	36		NUT and WASHER
4		3	36		RETAINER, Quarter Window Glass (Serviced in Package #4318279)
5		3	36		GASKET, Quarter Window Glass Retainer (Serviced in Package #4318279)
6		3	36		SPACER, Quarter Window Glass Retainer (Serviced in Package #4318279)
7		3	36		SCREW, 1/4"-20 x .375" (Serviced in Package #4318279)
8	6501 037	6	36		SCREW and WASHER
9	4336 246	2	36		LATCH, Rear Quarter Window, Manual
	4280 204	1	36		Left Front Quarter Window
10	4336 022-3	1	36		LATCH, Rear Quarter Window, Remote (Includes #22)
11	4365 746	2	36		BRACKET, Rear Quarter Window Remote Latch to Glass
12	4337 227	2	36		SPACER, Rear Quarter Window Remote Latch to Body
13	3766 495	8	36		CLIP, Rear Quarter Window Remote Cable Routing
14	6032 304	8	36		FASTENER
15	4278 966	2	36		BRACKET, Rear Quarter Window Remote Actuator to Roof Bow
16	9414 711	8	36		SCREW
17	6031 115	4	36		RIVET
18		1	36		HEADLINER, Roof Inside (See Group 23IT - Headliner Illustration)
19	H297 CA3	2	36		HANDLE, Rear Quarter Window Remote Actuator, Silver, Up To 1/9/84
	H305 CA3	2	36		After 1/9/84
	H297 CB5	2	36		Blue, Up To 1/9/84
	H305 CB5	2	36		After 1/9/84
	H297 CK5	2	36		Brown, Up To 1/9/84
	H305 CK5	2	36		After 1/9/84
	H297 CL3	2	36		Beige, Up To 1/9/84
	H305 CL3	2	36		After 1/9/84
	H297 CM6	2	36		Red, Up To 1/9/84
	H305 CM6	2	36		After 1/9/84

MODEL CODES

B = GRAN FURY	F = FIFTH AVENUE/NEWPORT	P = RELIANT
C = LEBARON/TOWN & COUNTRY/EXC SEDAN	G = DIPLOMAT	T = E CLASS/NEW YORKER
C24 = LASER	H = VOYAGER	V = 600
D = ARIES	K = MINI RAM/CARAVAN/ROYAL	V24 = DAYTONA
E = 600	M = HORIZON/TURISMO	Z = OMNI/CHARGER/RAMPAGE

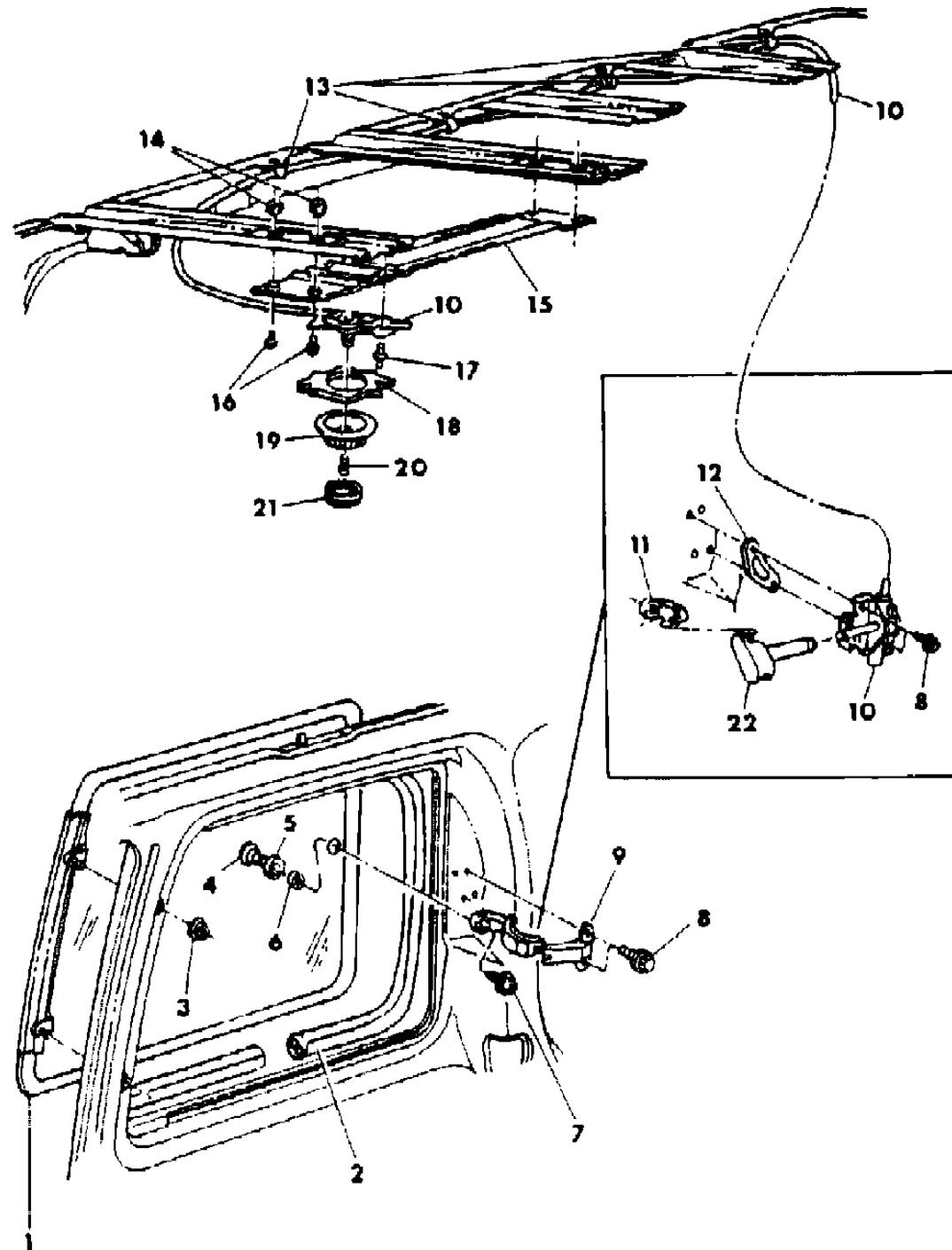
BODY STYLES

21 = 2-DOOR SEDAN	28 = FWD PICKUP	44 = 4-DOOR HATCHBACK
22 = 2-DOOR SPECIAL COUPE	35 = FWD VAN	45 = 4-DOOR STATION WAGON
24 = 2-DOOR HATCHBACK	36 = FWD WAGON	48 = 4-DOOR EXECUTIVE SEDAN
27 = 2-DOOR CONVERTIBLE	41 = 4-DOOR SEDAN	

AR = Use as Required - = Non Illustrated Part P.A.R. = Paint as Required

GLASS QUARTER WINDOW - H,K
Figure 23A-9100

4109 9100



ITEM	PART NUMBER	QTY	BODY	MODEL	DESCRIPTION
20	6500 846	2		36	SCREW
21	H296 CA3	2		36	COVER, Rear Quarter Window Remote Handle, Silver
	H296 CB5	2		36	Blue
	H296 CK5	2		36	Brown
	H296 CL3	2		36	Beige
	H296 CM6	2		36	Red
22	4310 970-1	1		36	LEVER, Rear Quarter Window Remote Latch (Included in Item #10)
NOTE: The following items are not shown on illustration. Both models are derived from the 100.1" W.B. LeBaron (C 22 Model). Sheet metal parts for the C 48 not found on this illustration should be speci					
	4318 279	3		36	RETAINER PACKAGE, Quarter Window Glass to Latch (Includes Items #4-7)

MODEL CODES
 B = GRAN FURY
 C = LEBARON/TOWN & COUNTRY/EXC SEDAN
 C24 = LASER
 D = ARIES
 E = 600
 F = FIFTH AVENUE/NEWPORT
 G = DIPLOMAT
 H = VOYAGER
 K = MINI RAM/CARAVAN/ROYAL
 M = HORIZON/TURISMO
 P = RELIANT
 T = E CLASS/NEW YORKER
 V = 600
 V24 = DAYTONA
 Z = OMNI/CHARGER/RAMPAGE

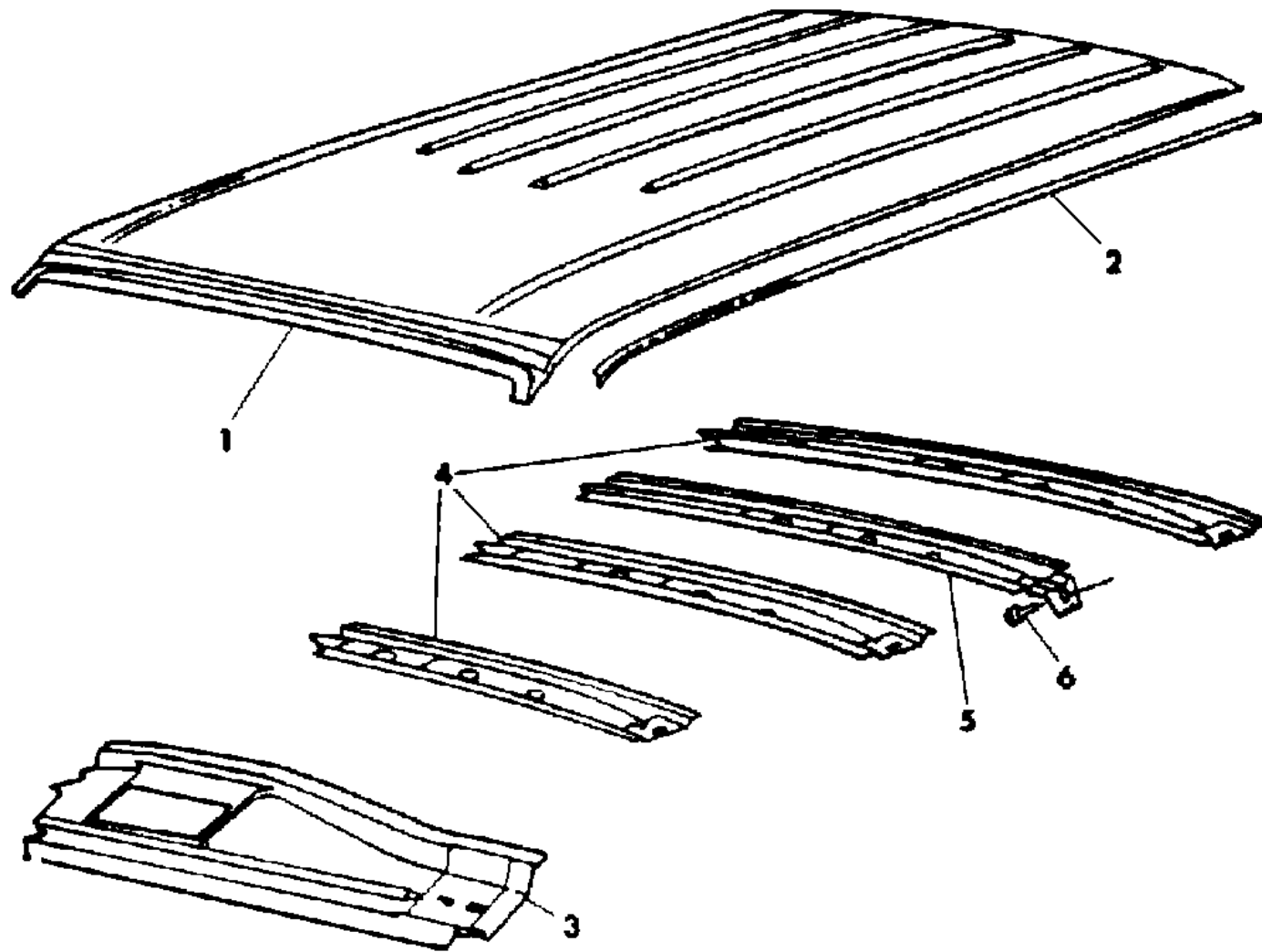
BODY STYLES
 21 = 2-DOOR SEDAN
 22 = 2-DOOR SPECIAL COUPE
 24 = 2-DOOR HATCHBACK
 27 = 2-DOOR CONVERTIBLE
 28 = FWD PICKUP
 35 = FWD VAN
 36 = FWD WAGON
 41 = 4-DOOR SEDAN
 44 = 4-DOOR HATCHBACK
 45 = 4-DOOR STATION WAGON
 48 = 4-DOOR EXECUTIVE SEDAN

AR = Use as Required - = Non Illustrated Part P.A.R. = Paint as Required

ROOF PANEL - H,K
Figure 23A-9200

4169 9200

ITEM	PART NUMBER	QTY	BODY	MODEL	DESCRIPTION
1	4278 061	1		35,36	PANEL, Roof Outer
2	4278 006-7	1		35,36	TROUGH, Roof Side Drain
3	4337 845	1		35,36	FRAME, Windshield Opening Upper
4	4278 062	3		35,36	BOW, Roof #1,2, & 4
5	4278 779	1		35,36	BOW, Roof #3
6		2		35,36	SCREW, #10-16 x .625" (Not Serviced)



MODEL CODES

B = GRAN FURY	F = FIFTH AVENUE/NEWPORT	P = RELIANT
C = LEBARON/TOWN & COUNTRY/EXC SEDAN	G = DIPLOMAT	T = E CLASS/NEW YORKER
C24 = LASER	H = VOYAGER	V = 600
D = ARIES	K = MINI RAM/CARAVAN/ROYAL	V24 = DAYTONA
E = 600	M = HORIZON/TURISMO	Z = OMNI/CHARGER/RAMPAGE

BODY STYLES

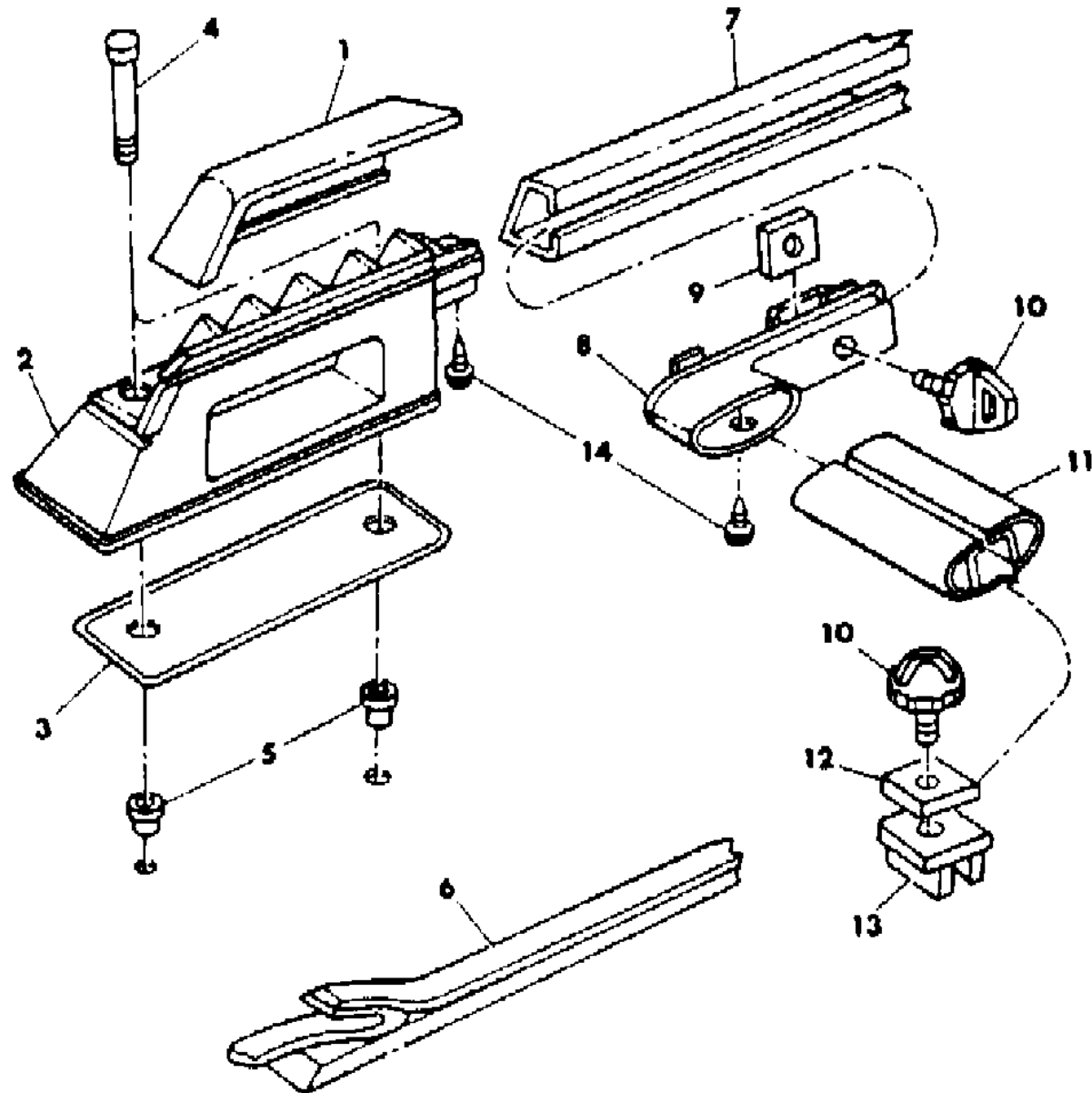
21 = 2-DOOR SEDAN	28 = FWD PICKUP	44 = 4-DOOR HATCHBACK
22 = 2-DOOR SPECIAL COUPE	35 = FWD VAN	45 = 4-DOOR STATION WAGON
24 = 2-DOOR HATCHBACK	36 = FWD WAGON	48 = 4-DOOR EXECUTIVE SEDAN
27 = 2-DOOR CONVERTIBLE	41 = 4-DOOR SEDAN	

AR = Use as Required - = Non Illustrated Part P.A.R. = Paint as Required

ROOF LUGGAGE RACK - H,K
Figure 23A-9300

4159 9300

ITEM	PART NUMBER	QTY	BODY	MODEL	DESCRIPTION
1	4319 810-1	2		35,36	COVER, Roof Luggage Rack Side Rail Support
2	4319 850-1	2		35,36	SUPPORT, w/Pad Luggage Rack Side Rail
3		4		35,36	PAD, Roof Luggage Rack Side Rail Support (Serviced in Item #2)
4		8		35,36	SCREW, 1/4"-20 x 2.125" (Not Serviced)
5	2094 869	8		35,36	NUT, Blind
6	4319 815	6		35,36	STRIP and PAD, Luggage Rack Skid
7	4319 802	2		35,36	RAIL, Roof Luggage Rack Side
8	4319 804-5	2		35,36	BRACKET, Roof Luggage Rack Cross Bar
9	4229 321	4		35,36	T-PLATE, Roof Luggage Rack Side Rail Loop
10	4229 334	8		35,36	LOOP, Roof Luggage Rack Tie-Down
11	4319 803	2		35,36	BAR, Roof Luggage Rack Cross
12	4229 321	4		35,36	T-PLATE, Roof Luggage Rack Cross Bar Loop
13	4229 322	4		35,36	RETAINER, Roof Luggage Rack Cross Bar Loop T/Plate
14		4		35,36	SCREW, #10-16 x .500" (Not Serviced)



MODEL CODES

B = GRAN FURY	F = FIFTH AVENUE/NEWPORT	P = RELIANT
C = LEBARON/TOWN & COUNTRY/EXC SEDAN	G = DIPLOMAT	T = E CLASS/NEW YORKER
C24 = LASER	H = VOYAGER	V = 600
D = ARIES	K = MINI RAM/CARAVAN/ROYAL	V24 = DAYTONA
E = 600	M = HORIZON/TURISMO	Z = OMNI/CHARGER/RAMPAGE

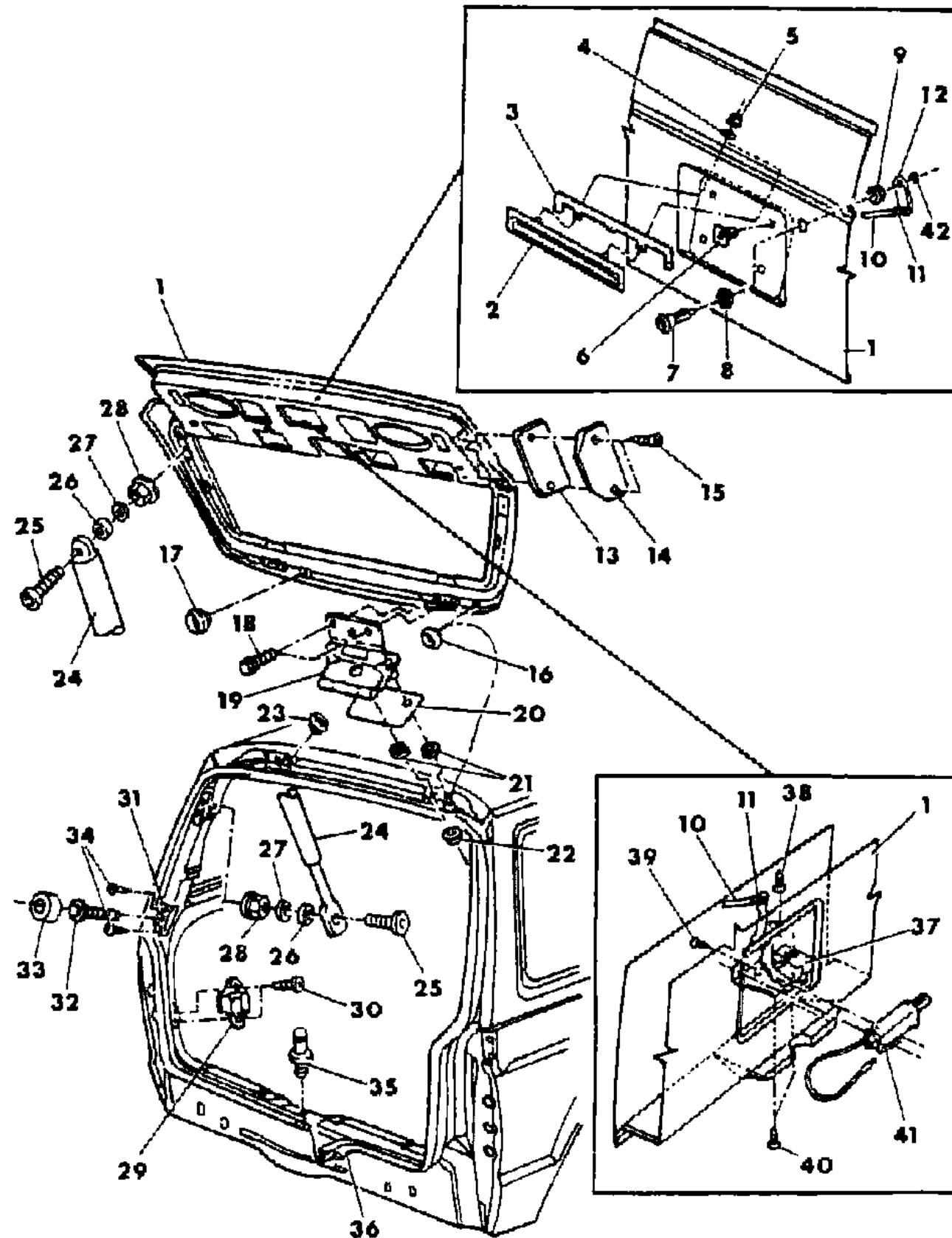
BODY STYLES

21 = 2-DOOR SEDAN	28 = FWD PICKUP	44 = 4-DOOR HATCHBACK
22 = 2-DOOR SPECIAL COUPE	35 = FWD VAN	45 = 4-DOOR STATION WAGON
24 = 2-DOOR HATCHBACK	36 = FWD WAGON	48 = 4-DOOR EXECUTIVE SEDAN
27 = 2-DOOR CONVERTIBLE	41 = 4-DOOR SEDAN	

AR = Use as Required - = Non Illustrated Part P.A.R. = Paint as Required

LIFTGATE - H,K
Figure 23A-9400

4169 9400



ITEM	PART NUMBER	QTY	BODY	MODEL	DESCRIPTION
1	4325 284	1		35,36	PANEL, Liftgate, Up To 2/15/84
	4336 635	1		35,36	After 2/15/84
2	4328 156	1		35,36	HANDLE, Liftgate
	4328 159	1		35,36	HANDLE and MOULDING, Liftgate
3		1		35,36	GASKET, Serviced In Item #2
4		2		35,36	GASKET, Serviced In Item #2
6	6500 524	4		35,36	NUT, License Plate Mounting
7		1		35,36	CYLINDER, Liftgate Lock See Group 23D-Illustrations
8	3695 321	1		35,36	GASKET, Liftgate Lock Cylinder
9	4054 202	1		35,36	NUT, Liftgate Lock Cylinder
10	4246 539	1		35,36	LINK, Liftgate Lock Cylinder to Latch
11	3454 220	2		35,36	CLIP, Liftgate Lock Cylinder to Latch Link
12	4246 815	1		35,36	LEVER, Liftgate Lock Cylinder
13	4378 218	AR		35,36	SHIM, Liftgate Stabilizer Striker (1.52mm)
	4246 752	AR		35,36	(.76mm)
14	4246 848	2		35,36	STRIKER, Liftgate Stabilizer
15		4		35,36	SCREW, #10-16 x .75" (Not Serviced)
16	2094 631	2		35,36	PLUG, .875" Dia./22mm
17	2574 792	1		35,36	PLUG, .75" Dia./19.5mm
18	6100 275	4		35,36	SCREW and WASHER
19	4246 837	2		35,36	HINGE, Liftgate Up To 1/30/84
	4246 837	2		35,36	After 1/30/84
20	4246 359	AR		35,36	SHIM, Liftgate Hinge to Body
21	5231 207	4		35,36	WASHER, Liftgate Hinge to Body Sealing
22	6100 049	4		35,36	NUT and WASHER
23	1774 076	1		35,36	PLUG, .630" Dia./16mm
24	4246 670	2		35	PROP, Liftgate, w/o Wiper w/o Stereo or, w/o Wiper w/Stereo or, w/Wiper w/o Stereo (Includes Items #25-28)
	4246 671	2		35	w/Wiper w/Stereo
	4246 671	2		36	w/o Wiper w/o Stereo
	4246 672	2		36	w/Wiper and/or w/Stereo
25	6500 142	4		35,36	SCREW
26		4		35,36	BUMPER, Serviced In Item #24
27		4		35,36	WASHER, Serviced in Item #24
28	6500 159	4		35,36	NUT and WASHER
29	4378 079	2		35,36	WEDGE, Liftgate Opening Stabilizer
30		4		35,36	SCREW, #10-16 x .75" (Not Serviced)
31	4341 426-7	1		35,36	BRACKET, Liftgate Overslam Bumper, Up To 1/23/84

MODEL CODES

B = GRAN FURY	F = FIFTH AVENUE/NEWPORT	P = RELIANT
C = LEBARON/TOWN & COUNTRY/EXC SEDAN	G = DIPLOMAT	T = E CLASS/NEW YORKER
C24 = LASER	H = VOYAGER	V = 600
D = ARIES	K = MINI RAM/CARAVAN/ROYAL	V24 = DAYTONA
E = 600	M = HORIZON/TURISMO	Z = OMNI/CHARGER/RAMPAGE

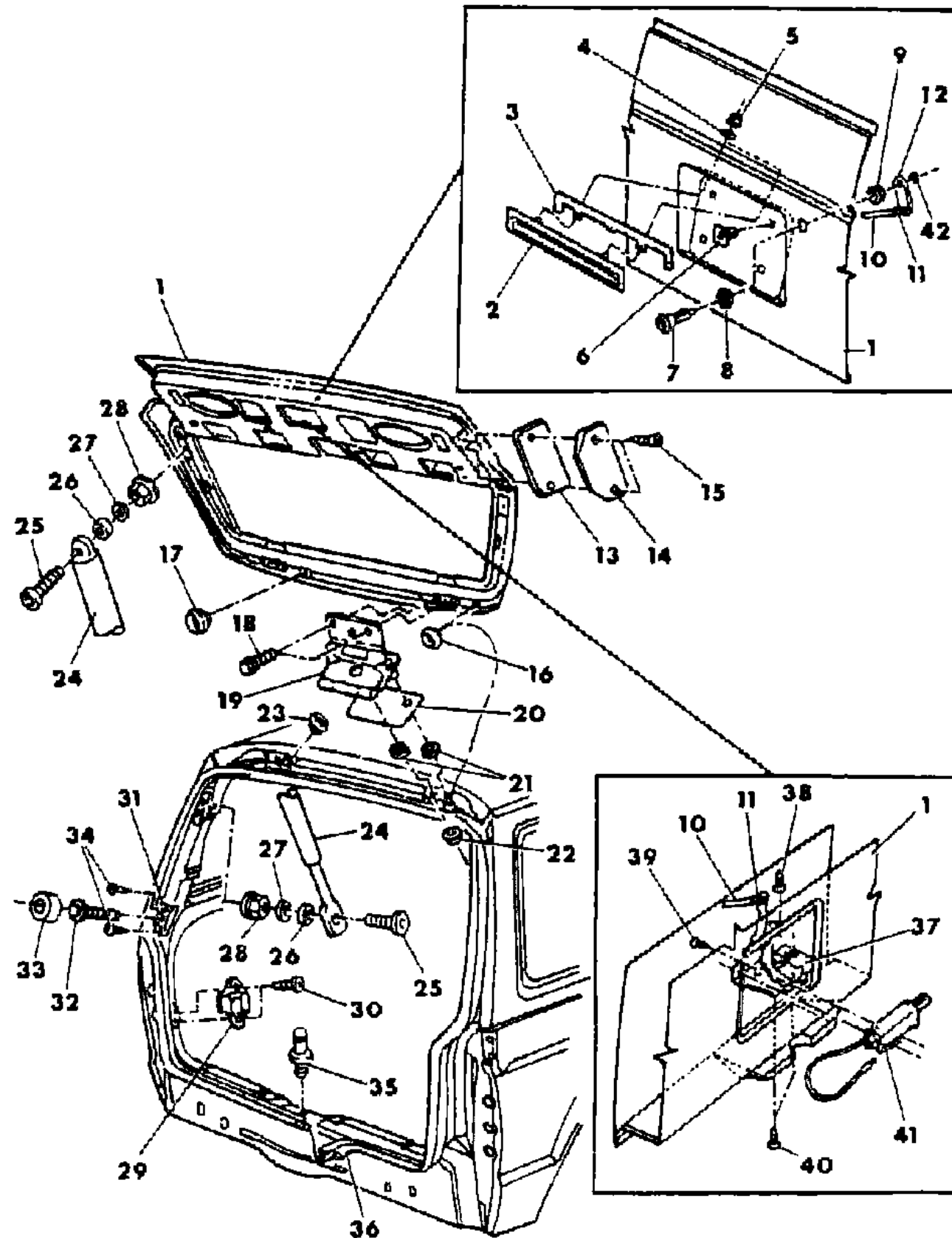
BODY STYLES

21 = 2-DOOR SEDAN	28 = FWD PICKUP	44 = 4-DOOR HATCHBACK
22 = 2-DOOR SPECIAL COUPE	35 = FWD VAN	45 = 4-DOOR STATION WAGON
24 = 2-DOOR HATCHBACK	36 = FWD WAGON	48 = 4-DOOR EXECUTIVE SEDAN
27 = 2-DOOR CONVERTIBLE	41 = 4-DOOR SEDAN	

AR = Use as Required - = Non Illustrated Part P.A.R. = Paint as Required

LIFTGATE - H,K
Figure 23A-9400

4169 9400



ITEM	PART NUMBER	QTY	BODY	MODEL	DESCRIPTION
	4341 426-7	1		35,36	After 1/23/84
32	6023 531	2		35,36	SCREW, Liftgate Overslam Bumper
33	4336 077	2		35,36	BUMPER, Liftgate Overslam
34		4		35,36	SCREW, #10-16 x .675" (Not Serviced)
35	4246 586	1		35,36	STRIKER, Liftgate Latch
36	4280 063	1		35,36	WEATHERSTRIP, Liftgate Opening
37	4246 540	1		35,36	LATCH, Liftgate
38	4246 668	1		35,36	SLEEVE, Electric Liftgate Latch Release Pawl
39		2		35,36	SCREW, #10-16 x .375" (Not Serviced)
40		2		35,36	SCREW, M6.3-1.8 x 15.9mm (Not Serviced)
41	4246 587	1		35,36	SOLENOID, w/Bracket Electric Liftgate Release
42	6032 107	1		35,36	CLIP, Liftgate Lock Cylinder Lever Retainer

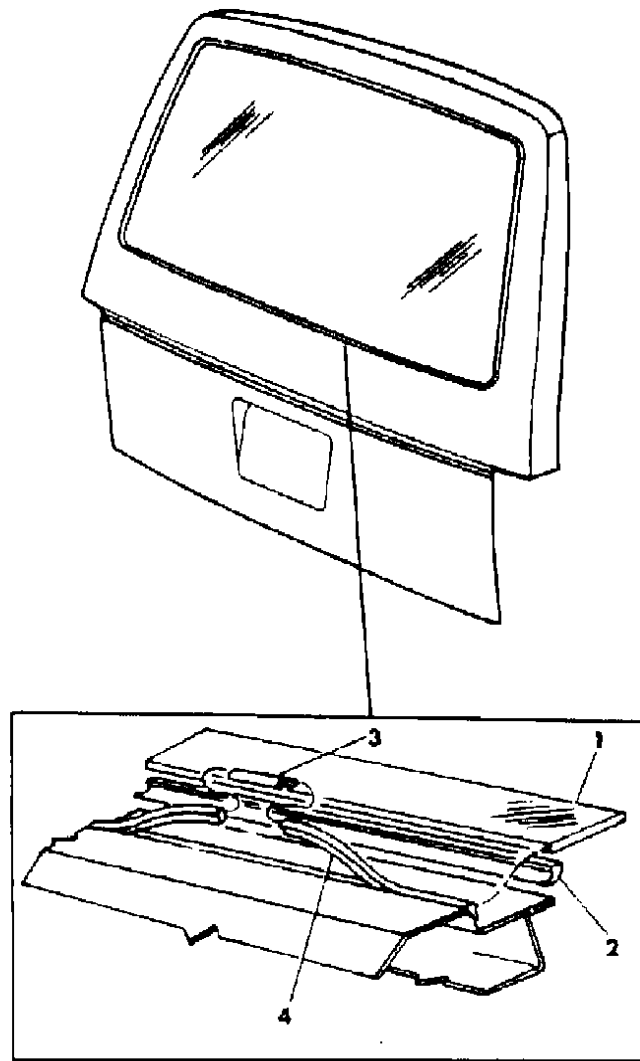
MODEL CODES
 B = GRAN FURY
 C = LEBARON/TOWN & COUNTRY/EXC SEDAN
 C24 = LASER
 D = ARIES
 E = 600
 F = FIFTH AVENUE/NEWPORT
 G = DIPLOMAT
 H = VOYAGER
 K = MINI RAM/CARAVAN/ROYAL
 M = HORIZON/TURISMO
 P = RELIANT
 T = E CLASS/NEW YORKER
 V = 600
 V24 = DAYTONA
 Z = OMNI/CHARGER/RAMPAGE

BODY STYLES
 21 = 2-DOOR SEDAN
 22 = 2-DOOR SPECIAL COUPE
 24 = 2-DOOR HATCHBACK
 27 = 2-DOOR CONVERTIBLE
 28 = FWD PICKUP
 35 = FWD VAN
 36 = FWD WAGON
 41 = 4-DOOR SEDAN
 44 = 4-DOOR HATCHBACK
 45 = 4-DOOR STATION WAGON
 48 = 4-DOOR EXECUTIVE SEDAN

AR = Use as Required - = Non Illustrated Part P.A.R. = Paint as Required

GLASS LIFTGATE - H,K
Figure 23A-9500

4189 9500



ITEM	PART NUMBER	QTY	BODY	MODEL	DESCRIPTION
1	4280 070	1		35,36	GLASS, Liftgate, Tinted
	4280 071	1		35,36	Sunscreen
	4280 610	1		35,36	Tinted, Electric Heated
	4280 611	1		35,36	Sunscreen, Electric Heated
2	4206 848	AR		35,36	DAM, Glass Adhesive (119")
3	4198 929	1		35,36	CAP, Liftgate Glass Lock Strip
4	4365 563	AR		35,36	LOCKSTRIP, Liftgate Glass Installation (178")
	4336 631	AR		35,36	LOCKSTRIP, Liftgate Glass Repair (178")
NOTE: The following items are not shown on illustration. ode). Both models are derived from the 100.1" W.B. LeBaron (C 22 Model). Sheet metal parts for the C 48 not found on this illustration should be speci					
	4267 906	1		35,36	FIXED GLASS REPAIR PACKAGE (Polyurethane) CONSISTS OF: 1- ----- Polyurethane, 11.5 oz. 1- ----- Fence Primer, 1 oz. 1- ----- Glass Wipe-Off Primer, 1 oz. 1- ----- Glass Black-Out Primer, 1 oz. 3- ----- Dabbers 1- ----- Nozzle
	4267 922	1		35,36	ELECTRIC GRID REPAIR PACKAGE CONSISTS OF: 1- ----- Cement, Cho-Bond, 1/2 oz. 1- ----- Instruction Sheet

MODEL CODES

B = GRAN FURY	F = FIFTH AVENUE/NEWPORT	P = RELIANT
C = LEBARON/TOWN & COUNTRY/EXC SEDAN	G = DIPLOMAT	T = E CLASS/NEW YORKER
C24 = LASER	H = VOYAGER	V = 600
D = ARIES	K = MINI RAM/CARAVAN/ROYAL	V24 = DAYTONA
E = 600	M = HORIZON/TURISMO	Z = OMNI/CHARGER/RAMPAGE

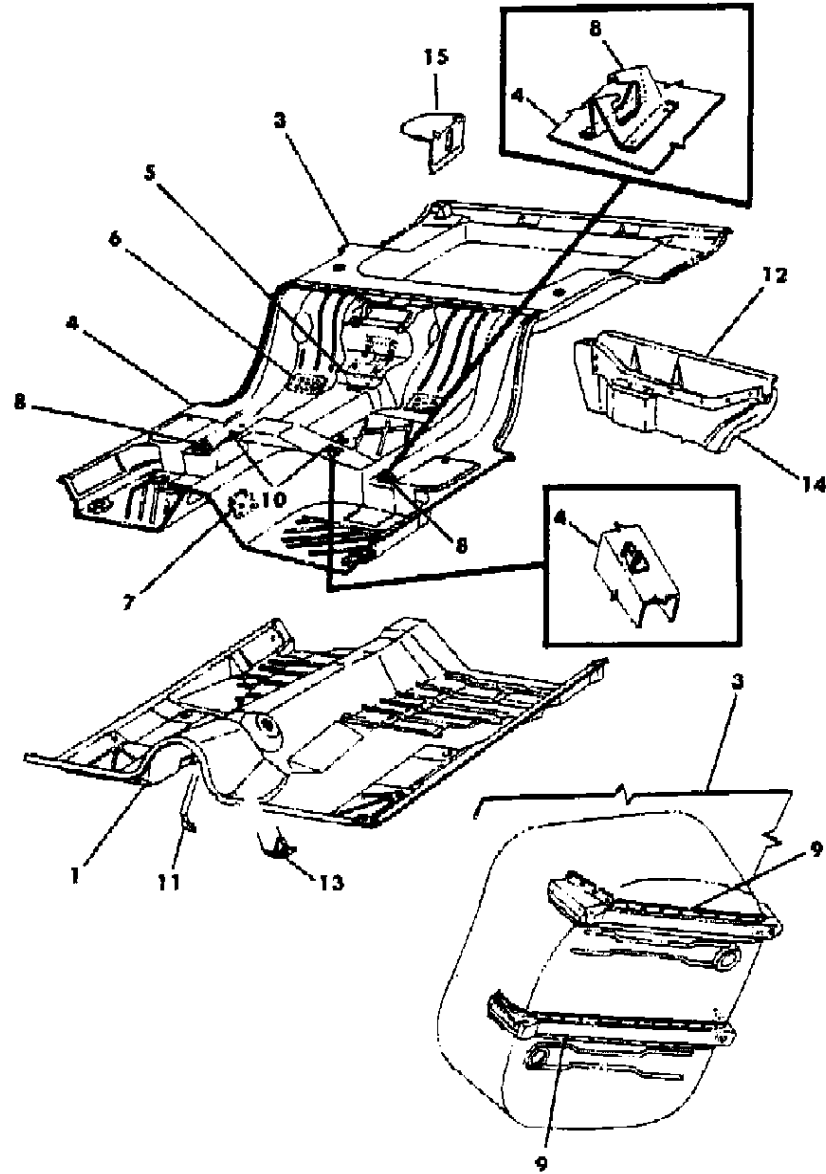
BODY STYLES

21 = 2-DOOR SEDAN	28 = FWD PICKUP	44 = 4-DOOR HATCHBACK
22 = 2-DOOR SPECIAL COUPE	35 = FWD VAN	45 = 4-DOOR STATION WAGON
24 = 2-DOOR HATCHBACK	36 = FWD WAGON	48 = 4-DOOR EXECUTIVE SEDAN
27 = 2-DOOR CONVERTIBLE	41 = 4-DOOR SEDAN	

AR = Use as Required - = Non Illustrated Part P.A.R. = Paint as Required

FLOOR PAN - B,F,G
Figure 23A-9600

4169 9600



ITEM	PART NUMBER	QTY	BODY	MODEL	DESCRIPTION
1	4314 619	1			PAN, Front Floor
3	4314 668	1			PAN, Rear Floor
4	4314 669	1			PAN, Center Floor
5	4314 670	1			REINFORCEMENT and NUT, Cemter Floor Pan Pinion Carrier Bumper
6	4314 260	2			REINFORCEMENT, Center Floor Pan Rear Seat Belt Inner
7	4314 259	2			REINFORCEMENT, Center Floor Pan Front Seat Belt Inner
8	3446 302	2			RETAINER, Center Floor Pan Rear Seat Cushion (w/o Heavy Duty Rear Seat Springs)
9	4325 156	1			STRAINER and REINFORCEMENT, Tank Front and Rear Rt.
	4325 155	1			Lt.
10	4134 377	2			BRACKET, Center Floor Pan Rear Seat Cushion Mounting (w/ Heavy Duty Rear Seat Springs)
11	4314 642-3	1			REINFORCEMENT, Seat Guide Front Outer
13	4314 644-5	1			REINFORCEMENT, Seat Guide Outer Rear
14	4314 680-1	1			EXTENSION, Rear Floor Pan Side
15	4134 424	1			SUPPORT, Rear Floor Pan Spare Wheel Side

Note: For PLUGS, SEE PLUG ILLUSTRATION. ode). Both models are derived from the 100.1" W.B. LeBaron (C 22 Model). Sheet metal parts for the C 48 not found on this illustration should be speci

Note: The Following Items Are Not Shown On Illustration. ode). Both models are derived from the 100.1" W.B. LeBaron (C 22 Model). Sheet metal parts for the C 48 not found on this illustration should be speci

4200 001	1				CROSSMEMBER REINFORCEMENT, Front Floor w/60/40 Split Bench
4015 634	2				REINFORCEMENT, Rear Floor Pan Rear Crossmember (w/S/C F58-Heavy Service Package)

MODEL CODES

B = GRAN FURY	F = FIFTH AVENUE/NEWPORT	P = RELIANT
C = LEBARON/TOWN & COUNTRY/EXC SEDAN	G = DIPLOMAT	T = E CLASS/NEW YORKER
C24 = LASER	H = VOYAGER	V = 600
D = ARIES	K = MINI RAM/CARAVAN/ROYAL	V24 = DAYTONA
E = 600	M = HORIZON/TURISMO	Z = OMNI/CHARGER/RAMPAGE

BODY STYLES

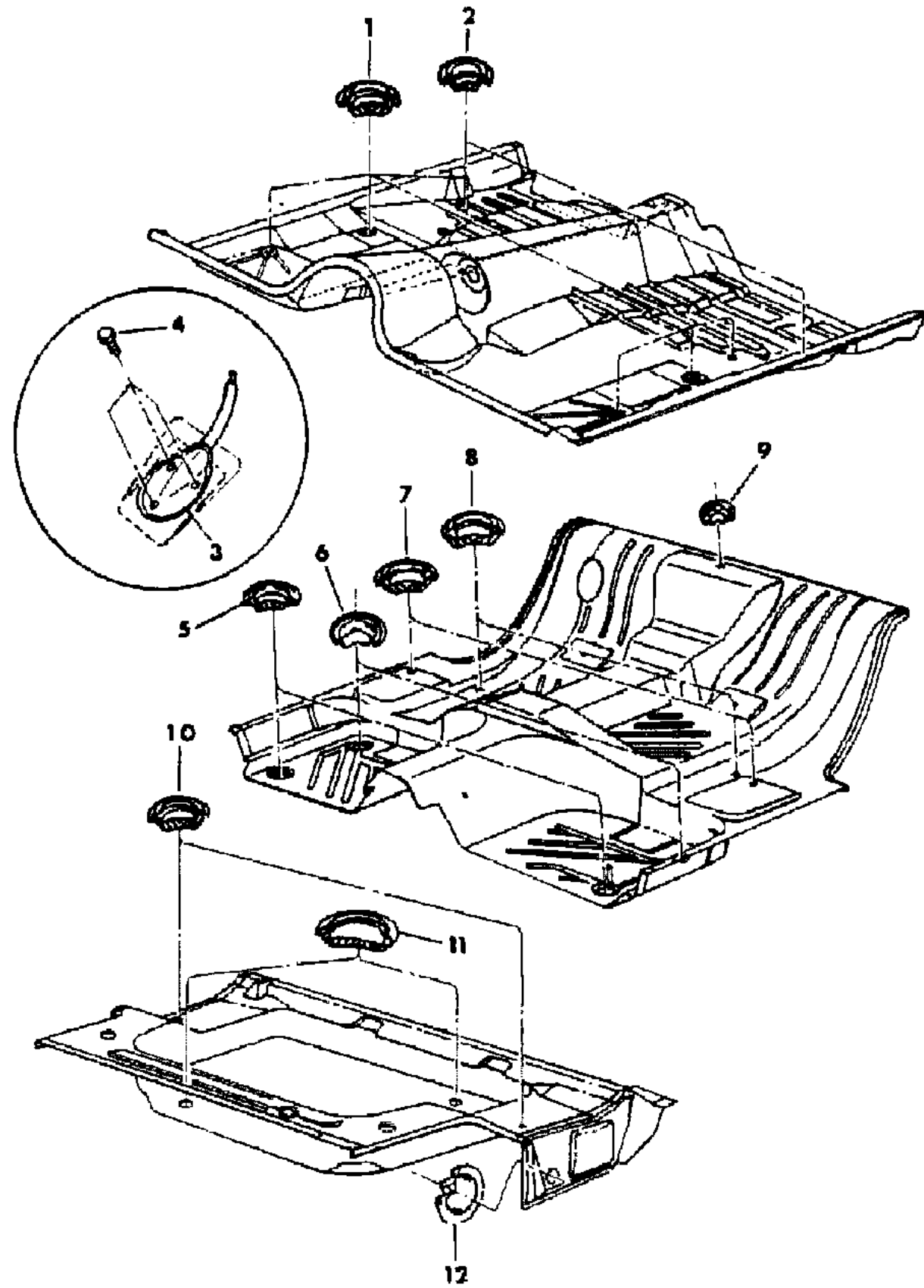
21 = 2-DOOR SEDAN	28 = FWD PICKUP	44 = 4-DOOR HATCHBACK
22 = 2-DOOR SPECIAL COUPE	35 = FWD VAN	45 = 4-DOOR STATION WAGON
24 = 2-DOOR HATCHBACK	36 = FWD WAGON	48 = 4-DOOR EXECUTIVE SEDAN
27 = 2-DOOR CONVERTIBLE	41 = 4-DOOR SEDAN	

AR = Use as Required - = Non Illustrated Part P.A.R. = Paint as Required

PLUGS FLOOR PAN - B,F,G
Figure 23A-9700

4169 9700

ITEM	PART NUMBER	QTY	BODY	MODEL	DESCRIPTION
1	2480 957	6			PLUG
2	1774 076	2			PLUG
3	2259 118	1			SEAL, Parking Brake Cable
4		3			SCREW, Not Serviced
5	6030 773	2			PLUG
6	4073 475	2			PLUG
7	2480 957	2			PLUG
8	2480 957	2			PLUG
9	4073 474	1			PLUG
10	2480 957	2			PLUG
11	6030 773	2			PLUG
12	4073 485	2			PLUG



MODEL CODES

B = GRAN FURY	F = FIFTH AVENUE/NEWPORT	P = RELIANT
C = LEBARON/TOWN & COUNTRY/EXC SEDAN	G = DIPLOMAT	T = E CLASS/NEW YORKER
C24 = LASER	H = VOYAGER	V = 600
D = ARIES	K = MINI RAM/CARAVAN/ROYAL	V24 = DAYTONA
E = 600	M = HORIZON/TURISMO	Z = OMNI/CHARGER/RAMPAGE

BODY STYLES

21 = 2-DOOR SEDAN	28 = FWD PICKUP	44 = 4-DOOR HATCHBACK
22 = 2-DOOR SPECIAL COUPE	35 = FWD VAN	45 = 4-DOOR STATION WAGON
24 = 2-DOOR HATCHBACK	36 = FWD WAGON	48 = 4-DOOR EXECUTIVE SEDAN
27 = 2-DOOR CONVERTIBLE	41 = 4-DOOR SEDAN	

AR = Use as Required - = Non Illustrated Part P.A.R. = Paint as Required

FENDER - B,F,G
Figure 23A-9800

4169 9A00

ITEM	PART NUMBER	QTY	BODY	MODEL	DESCRIPTION
1	4318 324-5	1		B,F,G	PANEL, Fender
3	6010 031	AR			SHIM
4	6010 031	AR			SHIM, Fender to Cowl Side
5	4005 081	1			SHIELD, Frt. Side Rail Lwr. Splash, Lt.
6	4296 894	1			PANEL, Fender Shield, Right
	4296 897	1			Left
7	4005 108	2			COVER, Fndr. Shield Pnl. Upr. Control Arm, Alum.
8	3868 634	1			STRUT, Fndr. Cowl Top, Rt., Use w/o Heavy Service Pkg.
	3868 979	1			STRUT, Fndr. Cowl Top, Lt., Use w/o Heavy Service Pkg.
	4103 066-7	1			Use w/Heavy Service Pkg.
9	3868 966-7	1			BRACE, Fndr. Lwr. Flange
11		1			HINGE and PROP, Hood Complete (See Hood Illus.)
17	9425 118	AR			SCREW and WASHER
18					SCREW and WASHER, Not Serviced
20					SCREW and WASHER, Not Serviced
21	0118 614	AR			NUT and WASHER
22	0118 614	AR			NUT and WASHER
23					NUT, Not Serviced
25	0152 454	AR			U-NUT
27					SCREW, Not Serviced
28					SCREW and WASHER, Not Serviced
29					SUPPORT, Dash Pnl. to Fndr. S/Shield Upr. (See Cowl Illus.)
31	3868 968-9	1			SHIELD, Fndr. W/House Splash
32		AR			SCREW and WASHER, Not Serviced
33	6031 390	AR			RETAINER
34					SCREW and WASHER, Not Serviced
35	4136 191	2			REINFORCEMENT, w/Screw Dash Panel Hood Hinge
NOTE: The Following Items Are Not Shown On Illustration. Both models are derived from the 100.1" W.B. LeBaron (C 22 Model). Sheet metal parts for the C 48 not found on this illustration should be speci					
	4005 182	1			STRUT, Battery Hold-Down To Fender
	6030 441	AR			RETAINER, Fender Splash Shield to Front Side Shield Panel
	4005 185	1			SLEEVE, Battery Hold-Down To Fender Strut w/Heavy Service Package
	0153 294	2			U-NUT, Dash Pnl. to Fndr. S/Shield Upr. Supt.

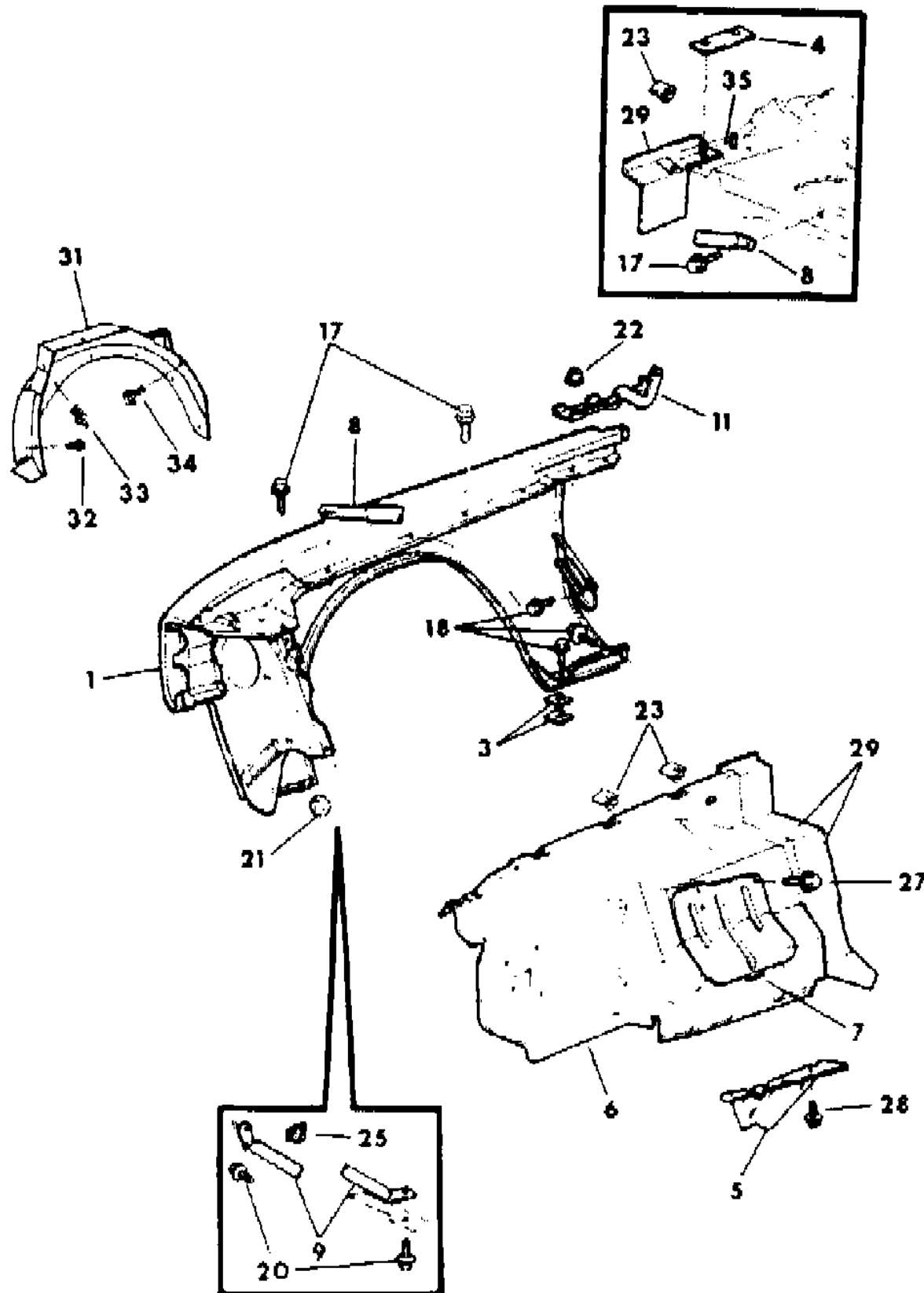
MODEL CODES

B = GRAN FURY	F = FIFTH AVENUE/NEWPORT	P = RELIANT
C = LEBARON/TOWN & COUNTRY/EXC SEDAN	G = DIPLOMAT	T = E CLASS/NEW YORKER
C24 = LASER	H = VOYAGER	V = 600
D = ARIES	K = MINI RAM/CARAVAN/ROYAL	V24 = DAYTONA
E = 600	M = HORIZON/TURISMO	Z = OMNI/CHARGER/RAMPAGE

BODY STYLES

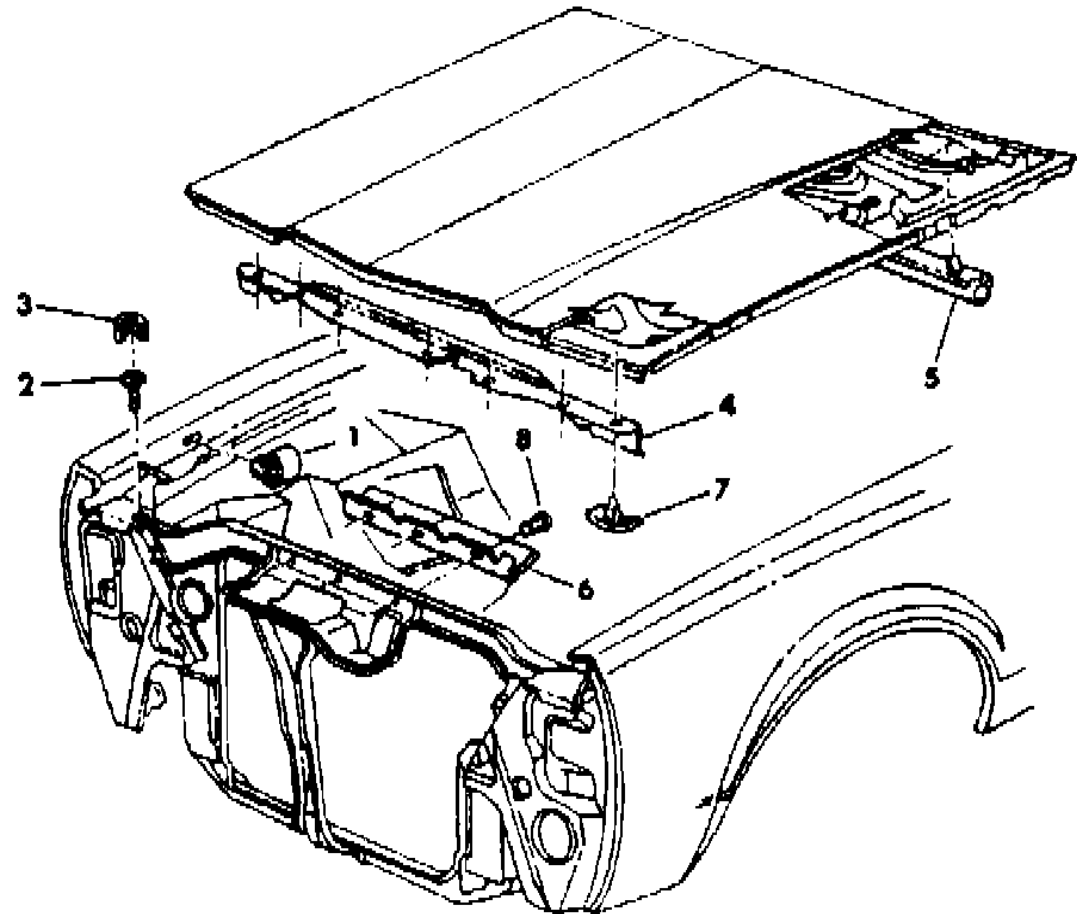
21 = 2-DOOR SEDAN	28 = FWD PICKUP	44 = 4-DOOR HATCHBACK
22 = 2-DOOR SPECIAL COUPE	35 = FWD VAN	45 = 4-DOOR STATION WAGON
24 = 2-DOOR HATCHBACK	36 = FWD WAGON	48 = 4-DOOR EXECUTIVE SEDAN
27 = 2-DOOR CONVERTIBLE	41 = 4-DOOR SEDAN	

AR = Use as Required - = Non Illustrated Part P.A.R. = Paint as Required



BUMPERS PLUGS FENDER HOOD - B,F,G
Figure 23A-9900

4160 9900



ITEM	PART NUMBER	QTY	BODY	MODEL	DESCRIPTION
1	3443 894	2			BUMPER, Fender Hood
2	6023 531	2			SCREW
3	3788 362	2			BUMPER, Hood
4	4074 857	1			SEAL, Hood Yoke
5	3868 603	1			SEAL, Hood to Cowl
6	4103 056	1			SEAL, Radiator Yoke
7	6003 351	7			FASTENER
8	6030 538	3			RETAINER

MODEL CODES

B = GRAN FURY	F = FIFTH AVENUE/NEWPORT	P = RELIANT
C = LEBARON/TOWN & COUNTRY/EXC SEDAN	G = DIPLOMAT	T = E CLASS/NEW YORKER
C24 = LASER	H = VOYAGER	V = 600
D = ARIES	K = MINI RAM/CARAVAN/ROYAL	V24 = DAYTONA
E = 600	M = HORIZON/TURISMO	Z = OMNI/CHARGER/RAMPAGE

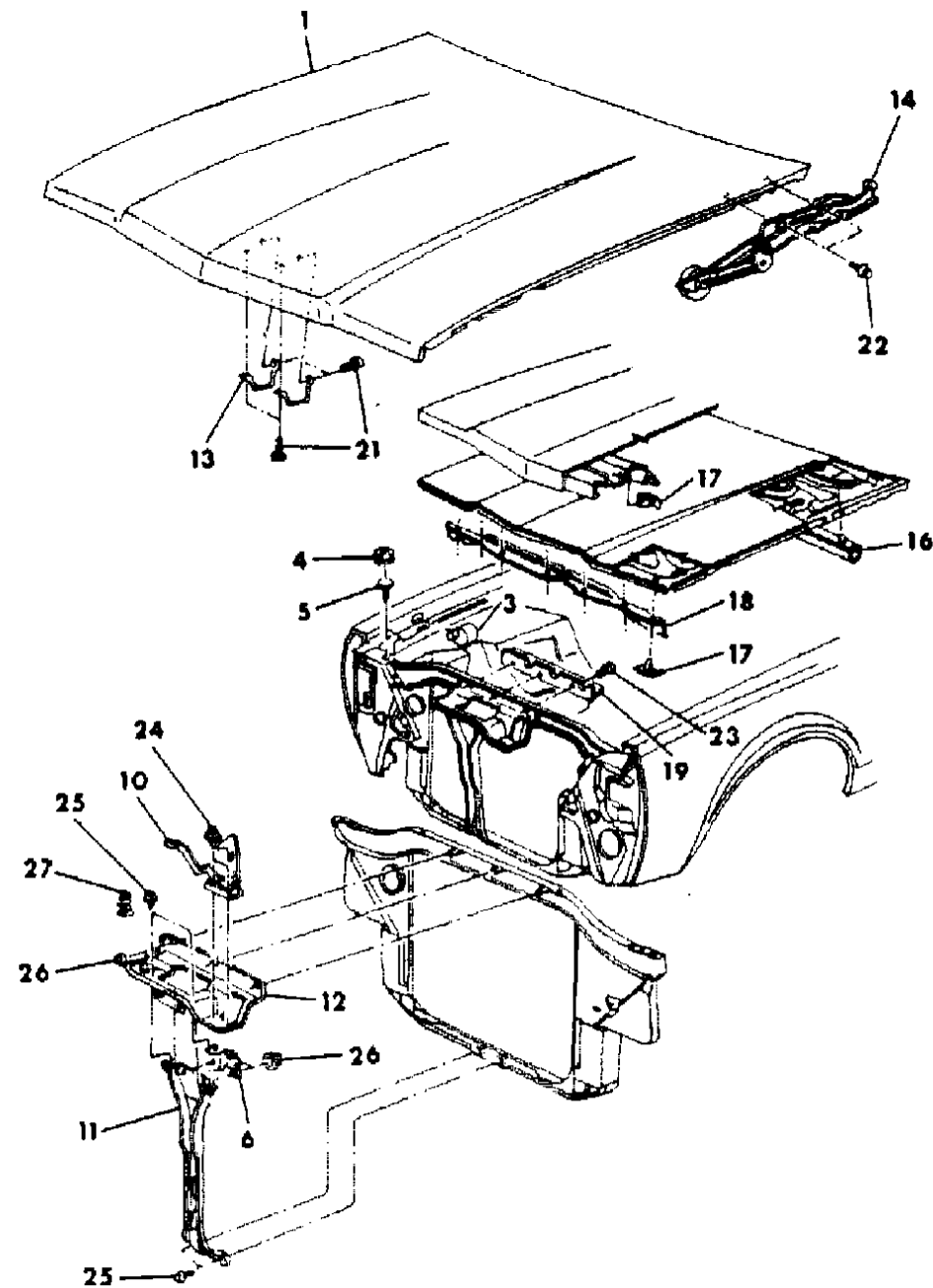
BODY STYLES

21 = 2-DOOR SEDAN	28 = FWD PICKUP	44 = 4-DOOR HATCHBACK
22 = 2-DOOR SPECIAL COUPE	35 = FWD VAN	45 = 4-DOOR STATION WAGON
24 = 2-DOOR HATCHBACK	36 = FWD WAGON	48 = 4-DOOR EXECUTIVE SEDAN
27 = 2-DOOR CONVERTIBLE	41 = 4-DOOR SEDAN	

AR = Use as Required - = Non Illustrated Part P.A.R. = Paint as Required

HOOD - B,F,G
Figure 23A-1000

4180 10000



ITEM	PART NUMBER	QTY	BODY	MODEL	DESCRIPTION
1	4325 200	1			HOOD
3	3443 894	2			BUMPER, Fndr. Hood Side
4	3788 362	2			BUMPER, Fndr. Yoke Brkt. Hood Adj.
5	6023 531	AR			SCREW,Fndr. Flange Hood Adj. Bumper
6	3861 819	1			LATCH,Hood
10	4172 068	1			CATCH,Hood Safety,Complete
11	4074 810	1			SUPPORT,Hood Lock Vertical
12	4103 490	1			PLATE,Hood Lock
13	4054 003	1			STRIKER,Hood Safety Catch
	4054 003	1			STRIKER,Hood Latch
14	4103 428-9	1			HINGE and PROP,Hood Complete
16	3868 603	1			SEAL,Hood Cowl
17	6003 351	AR			FASTENER,Seal Hood to Yoke Seal
18	4074 857	1			SEAL,Hood Inner Pnl.to Yoke
19	4103 056	1			SEAL,Rad.Yoke C/Mbr. Rad.
21	0181 063	AR			SCREW and WASHER
22		AR			SCREW and WASHER, Not Serviced
23	6030 538	3			RETAINER
24	0181 063	AR			SCREW and WASHER
25	9425 118	AR			SCREW and WASHER
26	0118 614	AR			NUT and WASHER
27	4240 535	1			SPRING PACKAGE, Hood Pop-Up Eyelet Type

Note: The Following Items are not shown on Illustration (ode). Both models are derived from the 100.1" W.B. LeBaron (C 22 Model).
Sheet metal parts for the C 48 not found on this illustration should be speci

3875 949	2				SEAL,Cowl Top Pnl. to W/Shield Outer Frame
6003 568	AR				FASTENER,Hood Cowl Seal
4049 601	1				SILENCER,Hood Inner Pnl.
6003 351	AR				FASTENER,Hood Inner Pnl.Silencer
4296 933	1				SPRING, Hood Safety Catch Anti-Vibration, After 1/30/84

MODEL CODES

B = GRAN FURY	F = FIFTH AVENUE/NEWPORT	P = RELIANT
C = LEBARON/TOWN & COUNTRY/EXC SEDAN	G = DIPLOMAT	T = E CLASS/NEW YORKER
C24 = LASER	H = VOYAGER	V = 600
D = ARIES	K = MINI RAM/CARAVAN/ROYAL	V24 = DAYTONA
E = 600	M = HORIZON/TURISMO	Z = OMNI/CHARGER/RAMPAGE

BODY STYLES

21 = 2-DOOR SEDAN	28 = FWD PICKUP	44 = 4-DOOR HATCHBACK
22 = 2-DOOR SPECIAL COUPE	35 = FWD VAN	45 = 4-DOOR STATION WAGON
24 = 2-DOOR HATCHBACK	36 = FWD WAGON	48 = 4-DOOR EXECUTIVE SEDAN
27 = 2-DOOR CONVERTIBLE	41 = 4-DOOR SEDAN	

AR = Use as Required - = Non Illustrated Part P.A.R. = Paint as Required

HOOD RELEASE REMOTE CONTROL - B,F,G

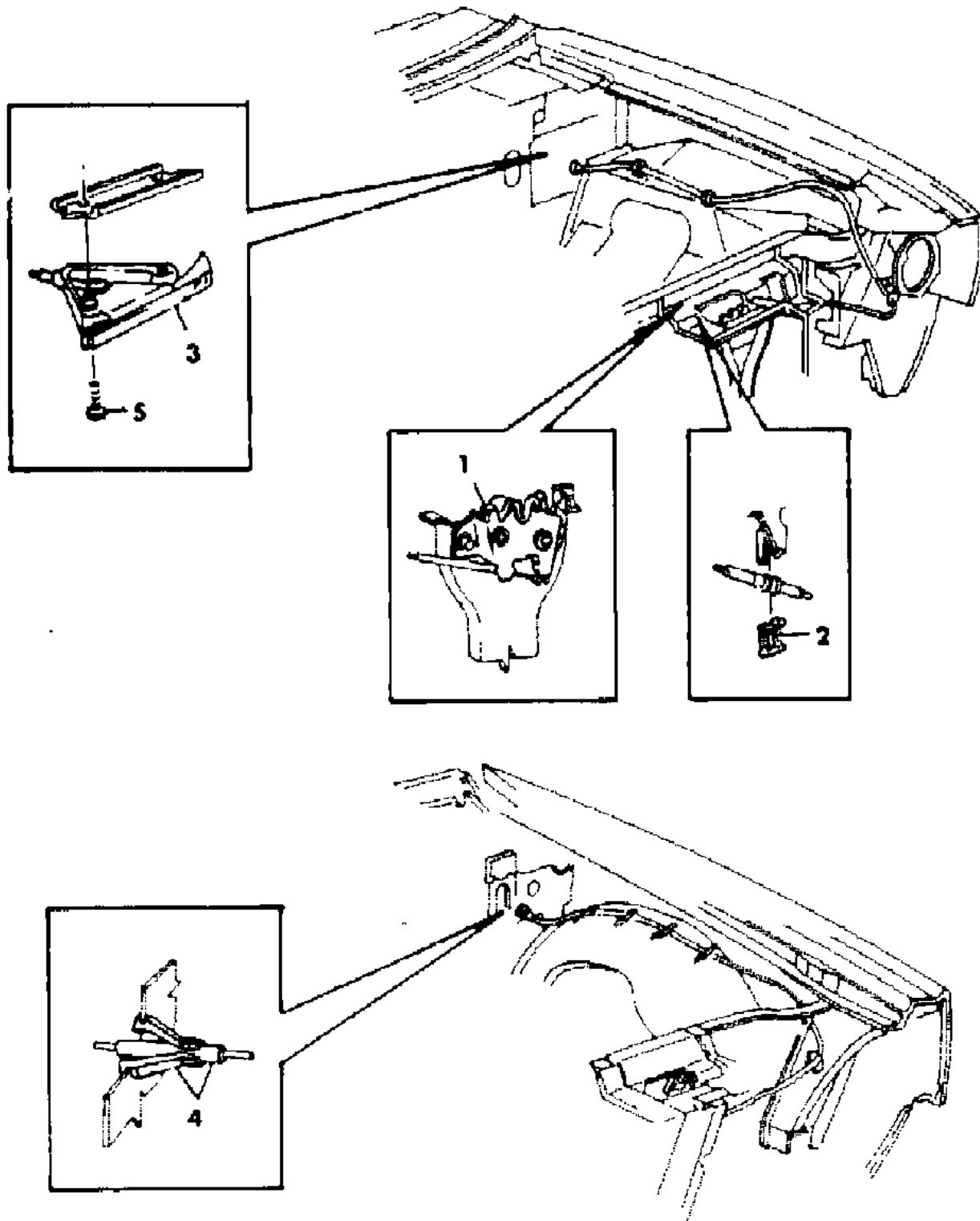
Figure 23A-1010

4169 10100

ITEM	PART NUMBER	QTY	BODY	MODEL	DESCRIPTION
1	3861 819	1			LATCH, Hood
2	3861 231	1			CLIP, Hood Latch Rel. Cable Ret.
3	3882 085	1			RELEASE, Inst. Pnl. Hood Latch
4	3695 100	1			GROMMET, Hood Latch Rel. Handle Cable
5					SCREW, Not Serviced

NOTE: The following items are not shown on illustration. Both models are derived from the 100.1" W.B. LeBaron (C 22 Model). Sheet metal parts for the C 48 not found on this illustration should be specified.

6024 203	1				PUSHNUT, Inst. Pnl. Hood Latch Rel. Handle Brkt. to Handle
6031 147	1				NUT, Inst Pnl. Hood Latch Rel. Handle to Cable
1774 076	1				PLUG, Hood Release Cable



MODEL CODES

B = GRAN FURY	F = FIFTH AVENUE/NEWPORT	P = RELIANT
C = LEBARON/TOWN & COUNTRY/EXC SEDAN	G = DIPLOMAT	T = E CLASS/NEW YORKER
C24 = LASER	H = VOYAGER	V = 600
D = ARIES	K = MINI RAM/CARAVAN/ROYAL	V24 = DAYTONA
E = 600	M = HORIZON/TURISMO	Z = OMNI/CHARGER/RAMPAGE

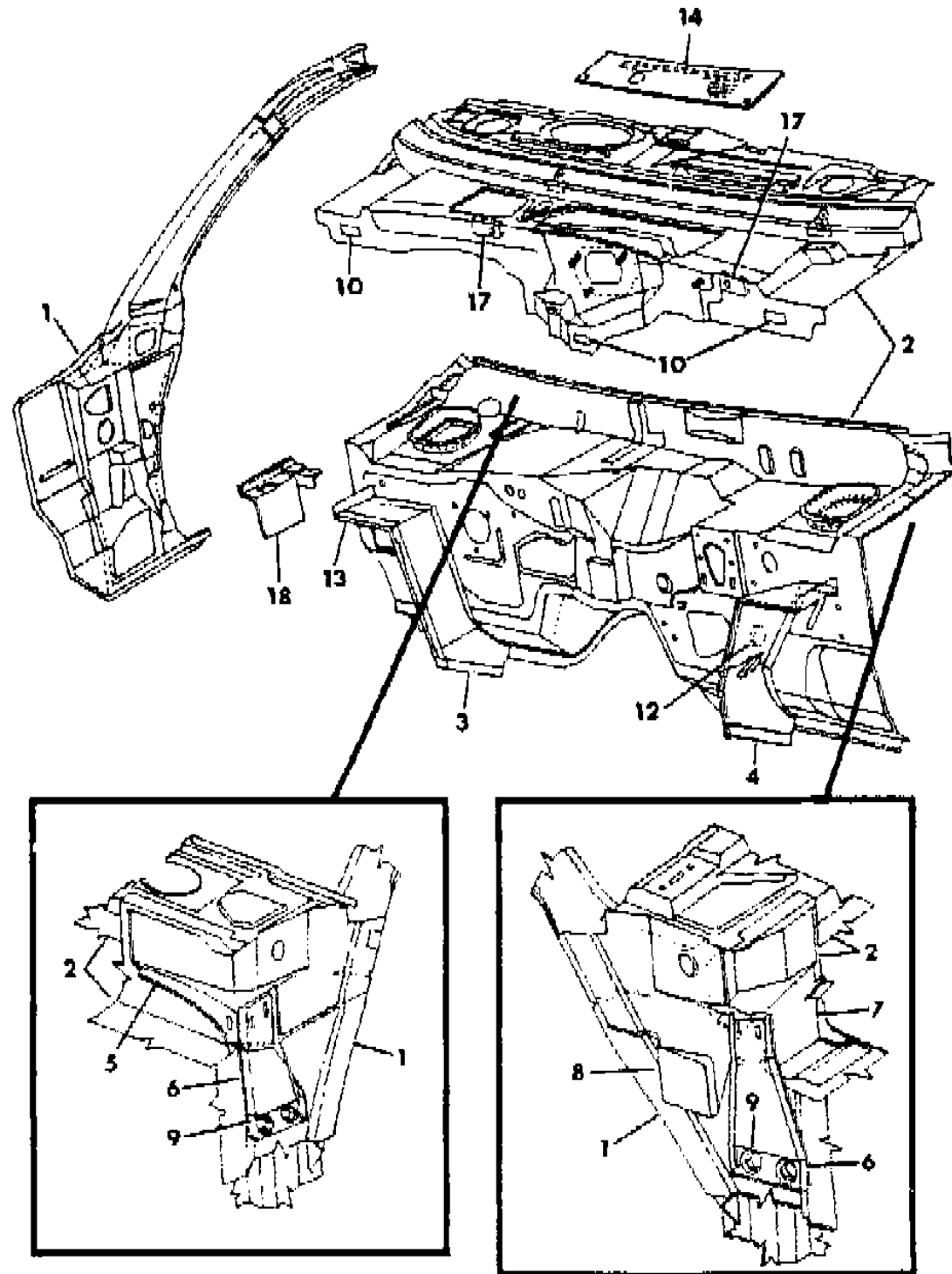
BODY STYLES

21 = 2-DOOR SEDAN	28 = FWD PICKUP	44 = 4-DOOR HATCHBACK
22 = 2-DOOR SPECIAL COUPE	35 = FWD VAN	45 = 4-DOOR STATION WAGON
24 = 2-DOOR HATCHBACK	36 = FWD WAGON	48 = 4-DOOR EXECUTIVE SEDAN
27 = 2-DOOR CONVERTIBLE	41 = 4-DOOR SEDAN	

AR = Use as Required - = Non Illustrated Part P.A.R. = Paint as Required

COWL AND DASH PANEL - B,F,G
Figure 23A-1020

4169 10200



ITEM	PART NUMBER	QTY	BODY	MODEL	DESCRIPTION
1	4325 186-7	1			PANEL,Cowl Side
2	4325 208	1			PANEL, Cowl Top & Dash, w/o A/C, Up To 4/6/84
	4337 567	1			After 4/6/84
	4325 209	1			w/A/C, Up To 4/2/84
	4337 566	1			After 4/2/84
3	4198 190	1			SUPPORT,Dash Panel to Fender Side Shield,Lower Rt.
4	4198 191	1			SUPPORT,Dash Panel to Fender Side Shield,Lower Lt.
5	4136 542	1			REINFORCEMENT,Dash Panel to Cowl Side Rt,
6	3793 882	1			BRACKET,Cowl Side to Windshield Lower Corner,Rt.
	4040 697	1			GUSSET,Lt.
7	3793 421	1			BRACKET,Dash Panel to Steering Column Reinforcement & Lower Corner Gusset, Left
8	4136 543	1			GUSSET,Windshield Lower Corner Lt.
9	0181 086	4			BOLT
10	3794 032	3			SEAL,Cowl Top Drain Hole
12	2811 825	1			PLUG,Clutch Rod Hole
13	4198 188-9	1			BRACKET,Dash Panel to Fender Side Shield to Rail Support, w/ Heavy Service Package
14	3794 196	1			SCREEN,Cowl To Fresh Air Opening
17	4040 880-1	1			BRACKET,Cowl Top Panel to Fender Strut, w/Heavy Service Package
18	4136 186-7	1			SUPPORT,Dash Panel to Fender Side Shield Upper
NOTE: The following items are not shown on illustration. ode). Both models are derived from the 100.1" W.B. LeBaron (C 22 Model). Sheet metal parts for the C 48 not found on this illustration should be speci					
	6015 951	4			CLIP,Cowl Side Wiring
	4136 041	1			REINFORCEMENT,Dash Panel Accelerator Pedal Mounting, w/ Heavy Service Package
	4136 191	2			REINFORCEMENT,Dash Panel Hood Hinge
	0153 294	2			U-NUT, Dash Pnl. to Fndr. S/Shield Updr. Supt.
	0219 462	AR			NUT, Cowl Top Pnl. Anti-Squeak

MODEL CODES

B = GRAN FURY	F = FIFTH AVENUE/NEWPORT	P = RELIANT
C = LEBARON/TOWN & COUNTRY/EXC SEDAN	G = DIPLOMAT	T = E CLASS/NEW YORKER
C24 = LASER	H = VOYAGER	V = 600
D = ARIES	K = MINI RAM/CARAVAN/ROYAL	V24 = DAYTONA
E = 600	M = HORIZON/TURISMO	Z = OMNI/CHARGER/RAMPAGE

BODY STYLES

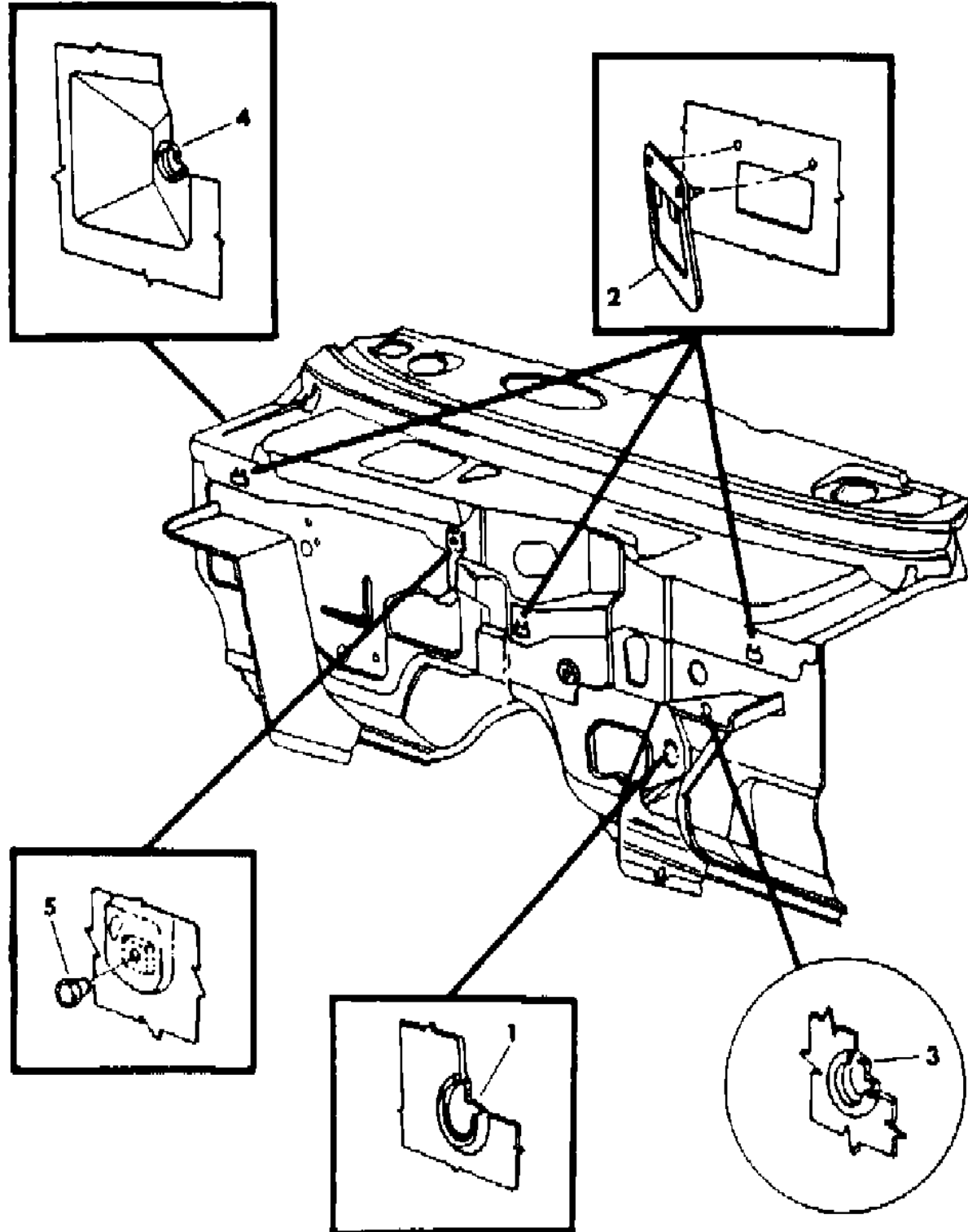
21 = 2-DOOR SEDAN	28 = FWD PICKUP	44 = 4-DOOR HATCHBACK
22 = 2-DOOR SPECIAL COUPE	35 = FWD VAN	45 = 4-DOOR STATION WAGON
24 = 2-DOOR HATCHBACK	36 = FWD WAGON	48 = 4-DOOR EXECUTIVE SEDAN
27 = 2-DOOR CONVERTIBLE	41 = 4-DOOR SEDAN	

AR = Use as Required - = Non Illustrated Part P.A.R. = Paint as Required

PLUGS COWL AND DASH B,F,G
Figure 23A-1030

4160 10300

ITEM	PART NUMBER	QTY	BODY	MODEL	DESCRIPTION
1		1			PLUG, (Not Serviced)
2	3794 032	3			SEAL, Cowl Top
3	1774 076	1			PLUG, Hood Release Cable
4	2860 332	1			PLUG, Antenna Hole
5	2423 737	1			PLUG, Cowl Top



MODEL CODES

B = GRAN FURY	F = FIFTH AVENUE/NEWPORT	P = RELIANT
C = LEBARON/TOWN & COUNTRY/EXC SEDAN	G = DIPLOMAT	T = E CLASS/NEW YORKER
C24 = LASER	H = VOYAGER	V = 600
D = ARIES	K = MINI RAM/CARAVAN/ROYAL	V24 = DAYTONA
E = 600	M = HORIZON/TURISMO	Z = OMNI/CHARGER/RAMPAGE

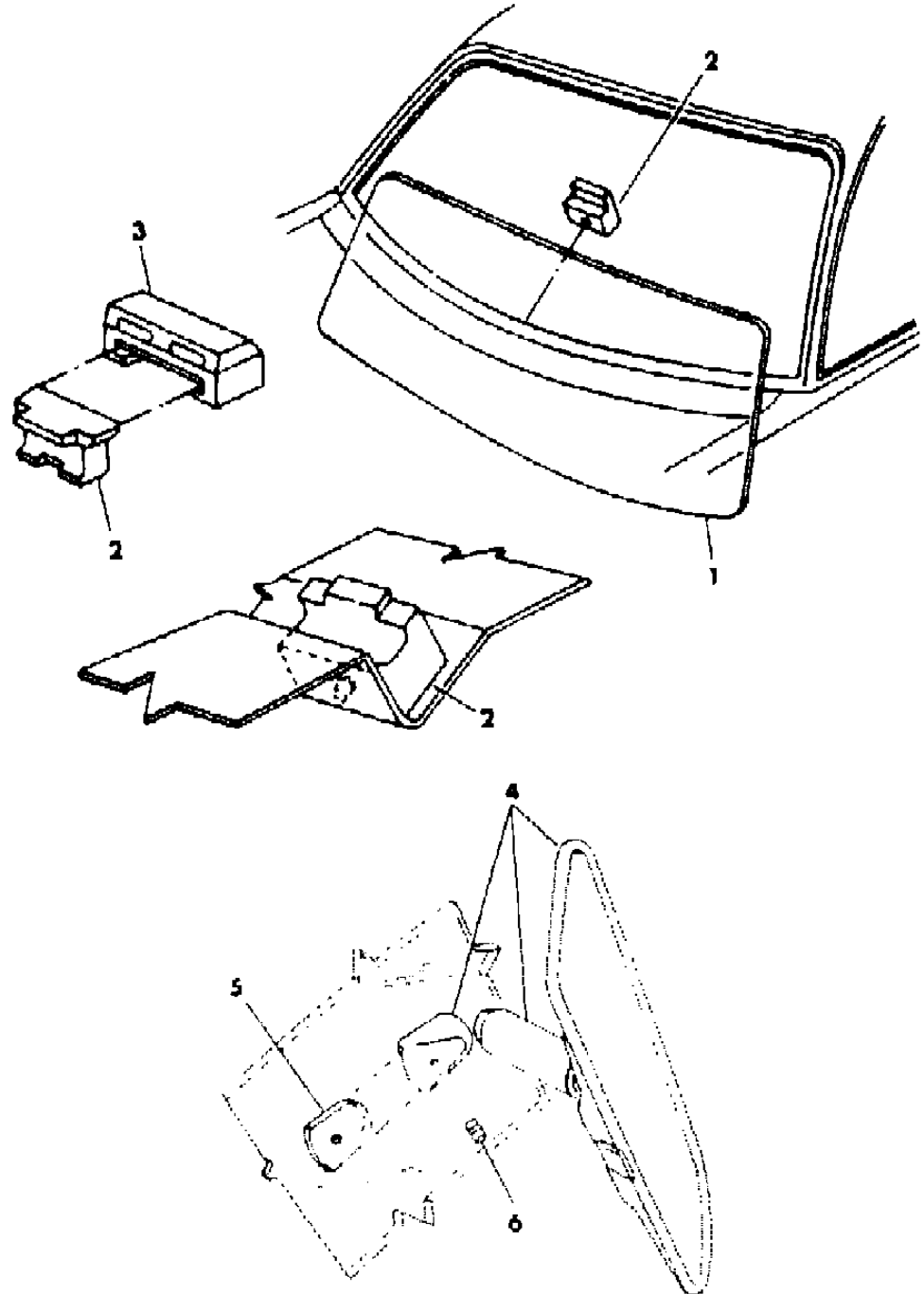
BODY STYLES

21 = 2-DOOR SEDAN	28 = FWD PICKUP	44 = 4-DOOR HATCHBACK
22 = 2-DOOR SPECIAL COUPE	35 = FWD VAN	45 = 4-DOOR STATION WAGON
24 = 2-DOOR HATCHBACK	36 = FWD WAGON	48 = 4-DOOR EXECUTIVE SEDAN
27 = 2-DOOR CONVERTIBLE	41 = 4-DOOR SEDAN	

AR = Use as Required - = Non Illustrated Part P.A.R. = Paint as Required

GLASS WINDSHIELD - B,F,G
Figure 23A-1040

4169 10400



ITEM	PART NUMBER	QTY	BODY	MODEL	DESCRIPTION
------	-------------	-----	------	-------	-------------

NOTE: GLASS, WINDSHIELD - ORDER FROM YOUR LOCAL "MOPAR" GLASS DISTRIBUTOR (see Note). Both models are derived from the 100.1" W.B. LeBaron (C 22 Model). Sheet metal parts for the C 48 not found on this illustration should be specified.

1					GLASS, Windshield Tinted
2	3795 695	1			SPACER, Windshield Glass Lower, Approximately .230" Thick, Up To 11/24/83
	4314 872	2			After 11/24/83
	3767 820	AR			Approximately .150" Thick
3	3767 767	AR			SHIM, Windshield Glass Spacer Lower, Approximately .218" Thick
4	4082 199	1			MIRROR, Rear View
5	4054 066	1			BUTTON, Rear View Mirror Mounting
	4293 039	1			BUTTON PACKAGE, Rear View Mirror Mounting (Includes Button, Adhesive, & Instructions)
6	6031 094	1			SCREW, Rear View Mirror Mounting
	4057 957	1			FIXED GLASS REPAIR PACKAGE, W/Shield (Not Shown)
					CONSISTS OF:
					1- ----- Tape, Butyl, 171.00"
					1- ----- Primer, Glass
					1- ----- Primer, Fence
					2- 3674698 Spacer, Rubber, 0.2"
					2- 3793290 Spacer, Rubber, 0.3"
					2- 3767767 Shim, 0.07"
					2- ----- Sponges, Disposable

MODEL CODES

B = GRAN FURY	F = FIFTH AVENUE/NEWPORT	P = RELIANT
C = LEBARON/TOWN & COUNTRY/EXC SEDAN	G = DIPLOMAT	T = E CLASS/NEW YORKER
C24 = LASER	H = VOYAGER	V = 600
D = ARIES	K = MINI RAM/CARAVAN/ROYAL	V24 = DAYTONA
E = 600	M = HORIZON/TURISMO	Z = OMNI/CHARGER/RAMPAGE

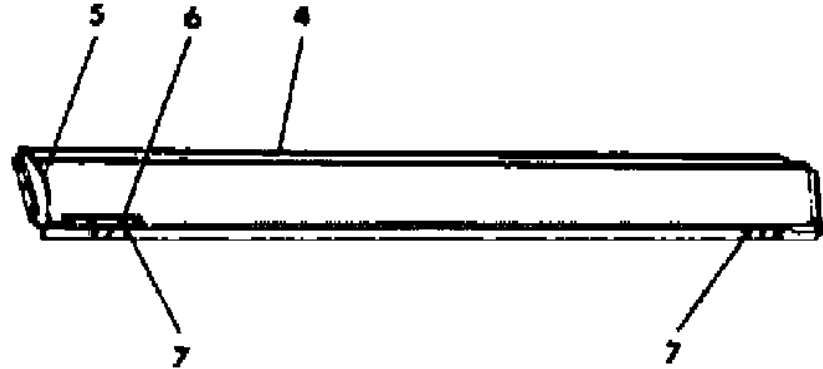
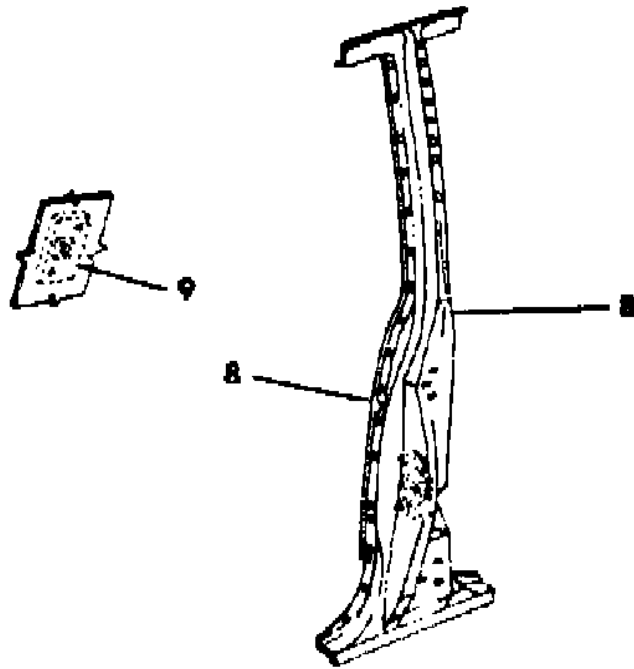
BODY STYLES

21 = 2-DOOR SEDAN	28 = FWD PICKUP	44 = 4-DOOR HATCHBACK
22 = 2-DOOR SPECIAL COUPE	35 = FWD VAN	45 = 4-DOOR STATION WAGON
24 = 2-DOOR HATCHBACK	36 = FWD WAGON	48 = 4-DOOR EXECUTIVE SEDAN
27 = 2-DOOR CONVERTIBLE	41 = 4-DOOR SEDAN	

AR = Use as Required - = Non Illustrated Part P.A.R. = Paint as Required

SIDE SILL AND CENTER PILLAR - B,F,G
Figure 23A-1050

4189 10500



ITEM	PART NUMBER	QTY	BODY	MODEL	DESCRIPTION
1	4206 704-5	1			PANEL,Side Sill Inner,Front
2	4314 642-3	1			REINFORCEMENT,Front Floor Pan Seat Guide,Front Outer
3	4314 644-5	1			REINFORCEMENT,Front Floor Pan Seat Guide,Rear Outer
4	4015 558-9	1			PANEL,Side Sill Outer
5	3791 060-1	1			CAP,Side Sill Panel,Front
6	4134 534	2			REINFORCEMENT,Side Sill Outer Jacking,Front
7	4134 416	4			BRACKET,Outer Sill Jack Locator
8	4325 166-7	1			PILLAR,Body Center
9	3767 433	4			REINFORCEMENT,Body Center Pillar Seat Shoulder Belt Hanger
10	3791 018-9	1			PANEL,Side Sill Inner Rear
NOTE: The Following Items Are Not Shown On Illustration. ode). Both models are derived from the 100.1" W.B. LeBaron (C 22 Model). Sheet metal parts for the C 48 not found on this illustration should be speci					
	3445 952	2			TAPPING PLATE,Body Lock Pillar Lock Striker
	3752 366	2			REINFORCEMENT, PLate Body Center Pillar and Retainer

MODEL CODES

B = GRAN FURY	F = FIFTH AVENUE/NEWPORT	P = RELIANT
C = LEBARON/TOWN & COUNTRY/EXC SEDAN	G = DIPLOMAT	T = E CLASS/NEW YORKER
C24 = LASER	H = VOYAGER	V = 600
D = ARIES	K = MINI RAM/CARAVAN/ROYAL	V24 = DAYTONA
E = 600	M = HORIZON/TURISMO	Z = OMNI/CHARGER/RAMPAGE

BODY STYLES

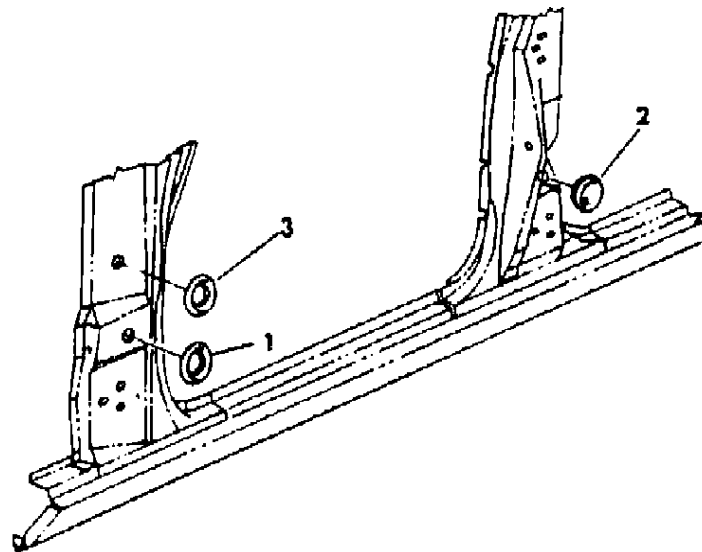
21 = 2-DOOR SEDAN	28 = FWD PICKUP	44 = 4-DOOR HATCHBACK
22 = 2-DOOR SPECIAL COUPE	35 = FWD VAN	45 = 4-DOOR STATION WAGON
24 = 2-DOOR HATCHBACK	36 = FWD WAGON	48 = 4-DOOR EXECUTIVE SEDAN
27 = 2-DOOR CONVERTIBLE	41 = 4-DOOR SEDAN	

AR = Use as Required - = Non Illustrated Part P.A.R. = Paint as Required

PLUGS BODY SIDE - B,F,G
Figure 23A-1060

ITEM	PART NUMBER	QTY	BODY	MODEL	DESCRIPTION
1	6030 773	2			PLUG
2	2480 957	2			PLUG
3	2860 332	1			PLUG
NOTE: The Following Items Are Not Shown On Illustration. ode). Both models are derived from the 100.1" W.B. LeBaron (C 22 Model). Sheet metal parts for the C 48 not found on this illustration should be speci					
	6031 488	2			PLUG, Front Door Hinge Pillar Wiring Hole

4169 10600



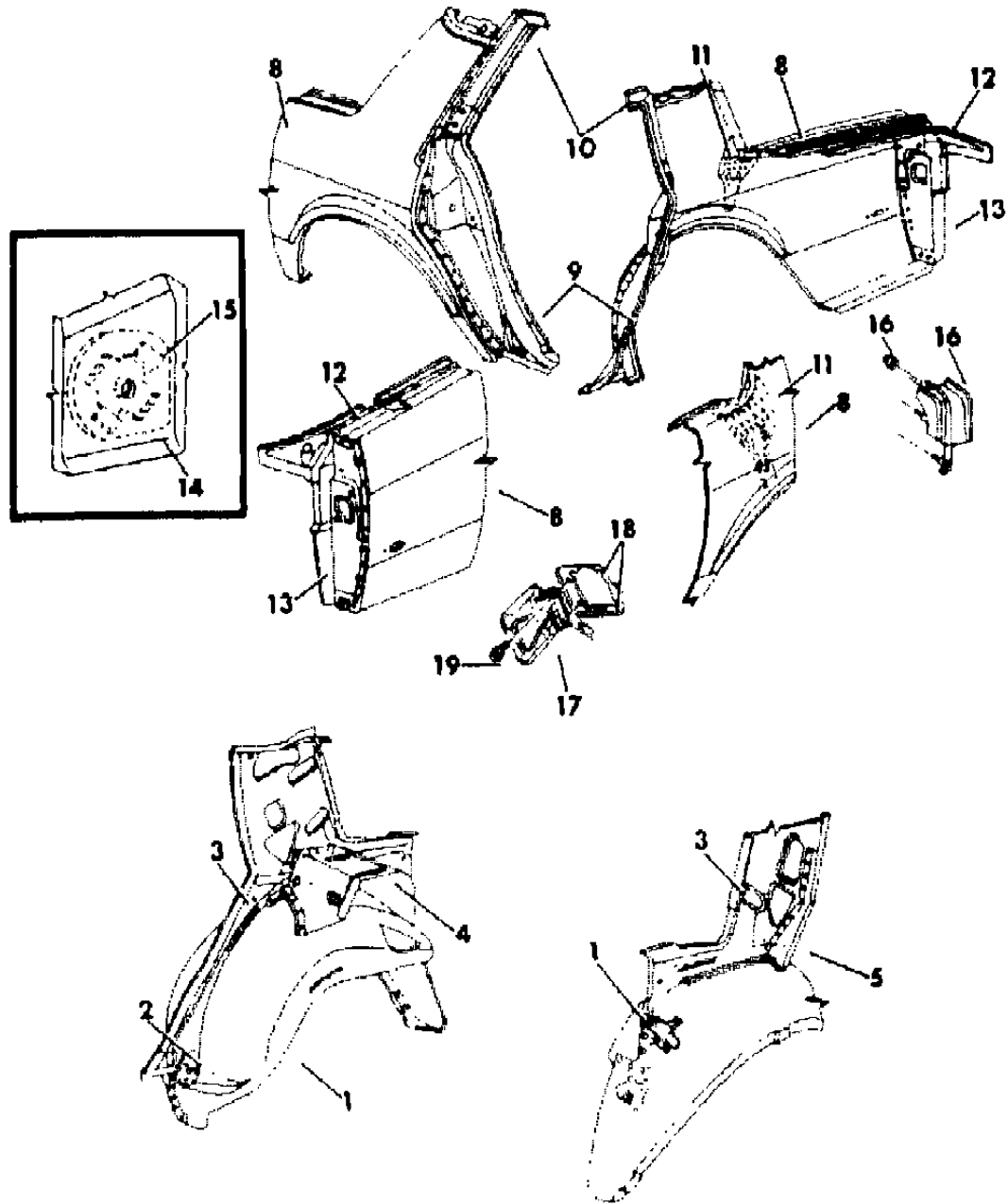
MODEL CODES
 B = GRAN FURY
 C = LEBARON/TOWN & COUNTRY/EXC SEDAN
 C24 = LASER
 D = ARIES
 E = 600
 F = FIFTH AVENUE/NEWPORT
 G = DIPLOMAT
 H = VOYAGER
 K = MINI RAM/CARAVAN/ROYAL
 M = HORIZON/TURISMO
 P = RELIANT
 T = E CLASS/NEW YORKER
 V = 600
 V24 = DAYTONA
 Z = OMNI/CHARGER/RAMPAGE

BODY STYLES
 21 = 2-DOOR SEDAN
 22 = 2-DOOR SPECIAL COUPE
 24 = 2-DOOR HATCHBACK
 27 = 2-DOOR CONVERTIBLE
 28 = FWD PICKUP
 35 = FWD VAN
 36 = FWD WAGON
 41 = 4-DOOR SEDAN
 44 = 4-DOOR HATCHBACK
 45 = 4-DOOR STATION WAGON
 48 = 4-DOOR EXECUTIVE SEDAN

AR = Use as Required - = Non Illustrated Part P.A.R. = Paint as Required

QUARTER PANEL - B,F,G
Figure 23A-1070

4169 10700



ITEM	PART NUMBER	QTY	BODY	MODEL	DESCRIPTION
1	4134 064-5	1			PANEL, Qtr. W/House Inner
2	4206 262-3	1			REINFORCEMENT, W/House Inner Panel Rear Seat Belt
3	4134 182-3	1			PANEL, Qtr. Inside and W/House Outer
4		1			EXTENSION, Shelf Panel Not Serviced
5	4134 420-1	1			SUPPORT, Body Lock Pillar to W/House
8					PANEL, Quarter Outside
	4296 318-9	1			
9	4296 630-1	1			PILLAR, Body Lock
10	4134 290-1	1			PILLAR, Qtr. Panel Body Lock Upper
11	4278 832-3				FILLER, Qtr. Outside Panel Rear Wdo, Lower Corner NS2
12	4134 130-1	1			TROUGH, Qtr. Side Drain
13	4296 636	1			REINFORCEMENT, Qtr. Outside Panel End, Right, Up To 5/17/84
	4341 540	1			After 5/17/84
	4296 637	1			Left, Up To 5/10/84
	4341 541	1			After 5/10/84
14	3791 078	2			REINFORCEMENT, Body Lock Pillar Lock Striker
15		2			RETAINER, Not Serviced
16	4134 260-1	1			EXTENSION, Qtr. Outside Panel End
		8			NUT, Not Serviced
17	4278 911	1			DOOR, Qtr. Outside Panel Fuel Filler
18	5220 250	2			BUMPER, Qtr. Outside Panel Fuel Filler Door
19		2			SCREW, Not Serviced
NOTE: THE FOLLOWING ITEMS ARE NOT SHOWN ON ILLUSTRATION. ode). Both models are derived from the 100.1" W.B. LeBaron (C 22 Model). Sheet metal parts for the C 48 not found on this illustration should be speci					
	4206 302-3	1			REINFORCEMENT, Qtr. Outside Panel Towing NS4

MODEL CODES

B = GRAN FURY	F = FIFTH AVENUE/NEWPORT	P = RELIANT
C = LEBARON/TOWN & COUNTRY/EXC SEDAN	G = DIPLOMAT	T = E CLASS/NEW YORKER
C24 = LASER	H = VOYAGER	V = 600
D = ARIES	K = MINI RAM/CARAVAN/ROYAL	V24 = DAYTONA
E = 600	M = HORIZON/TURISMO	Z = OMNI/CHARGER/RAMPAGE

BODY STYLES

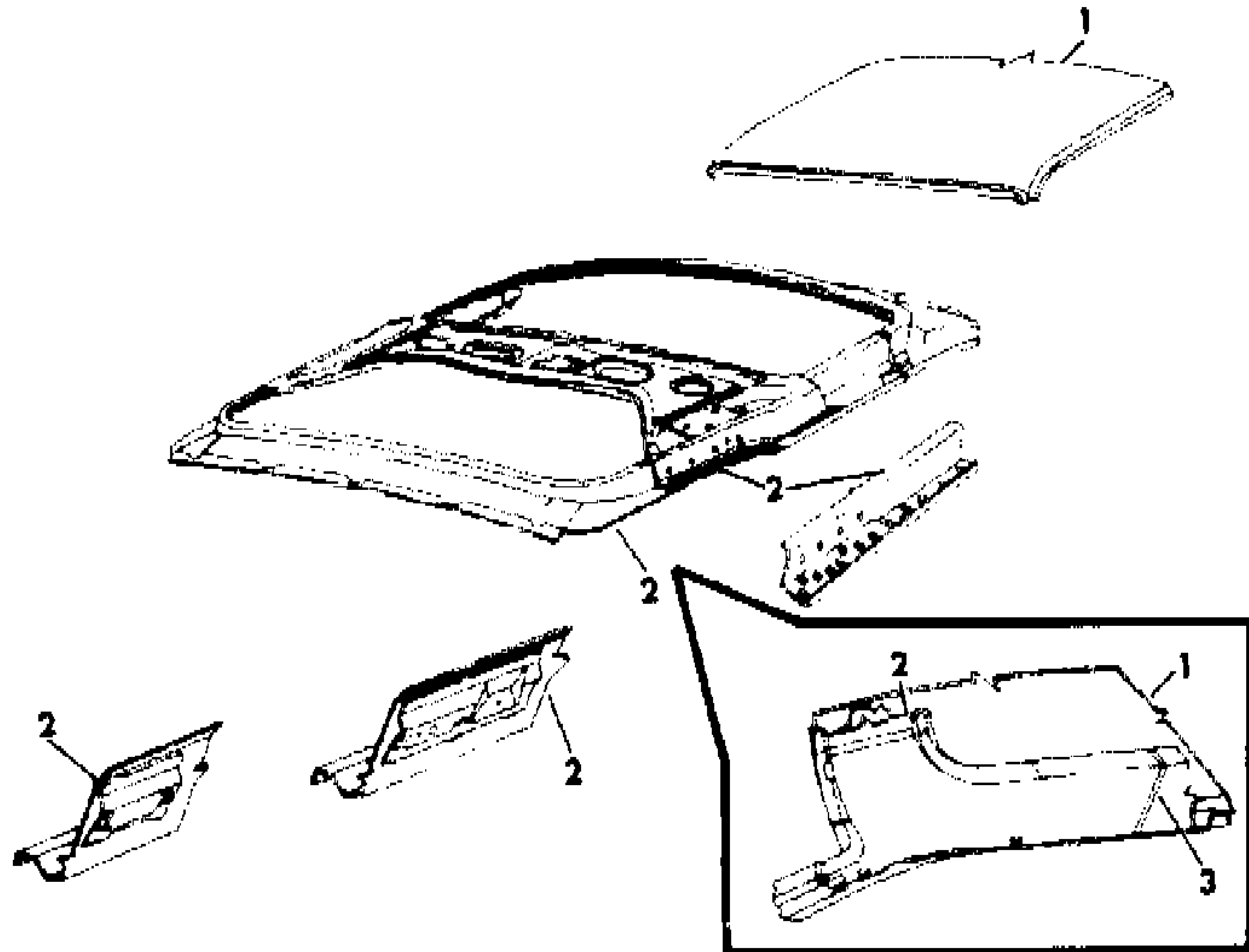
21 = 2-DOOR SEDAN	28 = FWD PICKUP	44 = 4-DOOR HATCHBACK
22 = 2-DOOR SPECIAL COUPE	35 = FWD VAN	45 = 4-DOOR STATION WAGON
24 = 2-DOOR HATCHBACK	36 = FWD WAGON	48 = 4-DOOR EXECUTIVE SEDAN
27 = 2-DOOR CONVERTIBLE	41 = 4-DOOR SEDAN	

AR = Use as Required - = Non Illustrated Part P.A.R. = Paint as Required

ROOF PANEL - B,F,G
Figure 23A-1080

4169 10800

ITEM	PART NUMBER	QTY	BODY	MODEL	DESCRIPTION
1	4136 087	1			PANEL, Roof Outer
2	4136 082	1			PANEL, Roof Inner
3	3795 832-3	1			EXTENSION, W/Shield Opening Side Frame Upper Corner
NOTE: The Following Items Are Not Shown On Illustration. ode). Both models are derived from the 100.1" W.B. LeBaron (C 22 Model). Sheet metal parts for the C 48 not found on this illustration should be speci					
	4040 875	2		F-S	REINFORCEMENT, Roof Inner Panel Assist Strap, Front
	4136 296-7	1		F-S	REINFORCEMENT, Roof Inner Panel Assist Strap, Rear
	6031 160	AR		F-S	U-NUT, Roof Inner Panel Assist Strap Reinforcement Front or Rear
	4206 716	1			SUPPORT, Roof Panel Outside Flasher Light Or Siren



MODEL CODES

B = GRAN FURY	F = FIFTH AVENUE/NEWPORT	P = RELIANT
C = LEBARON/TOWN & COUNTRY/EXC SEDAN	G = DIPLOMAT	T = E CLASS/NEW YORKER
C24 = LASER	H = VOYAGER	V = 600
D = ARIES	K = MINI RAM/CARAVAN/ROYAL	V24 = DAYTONA
E = 600	M = HORIZON/TURISMO	Z = OMNI/CHARGER/RAMPAGE

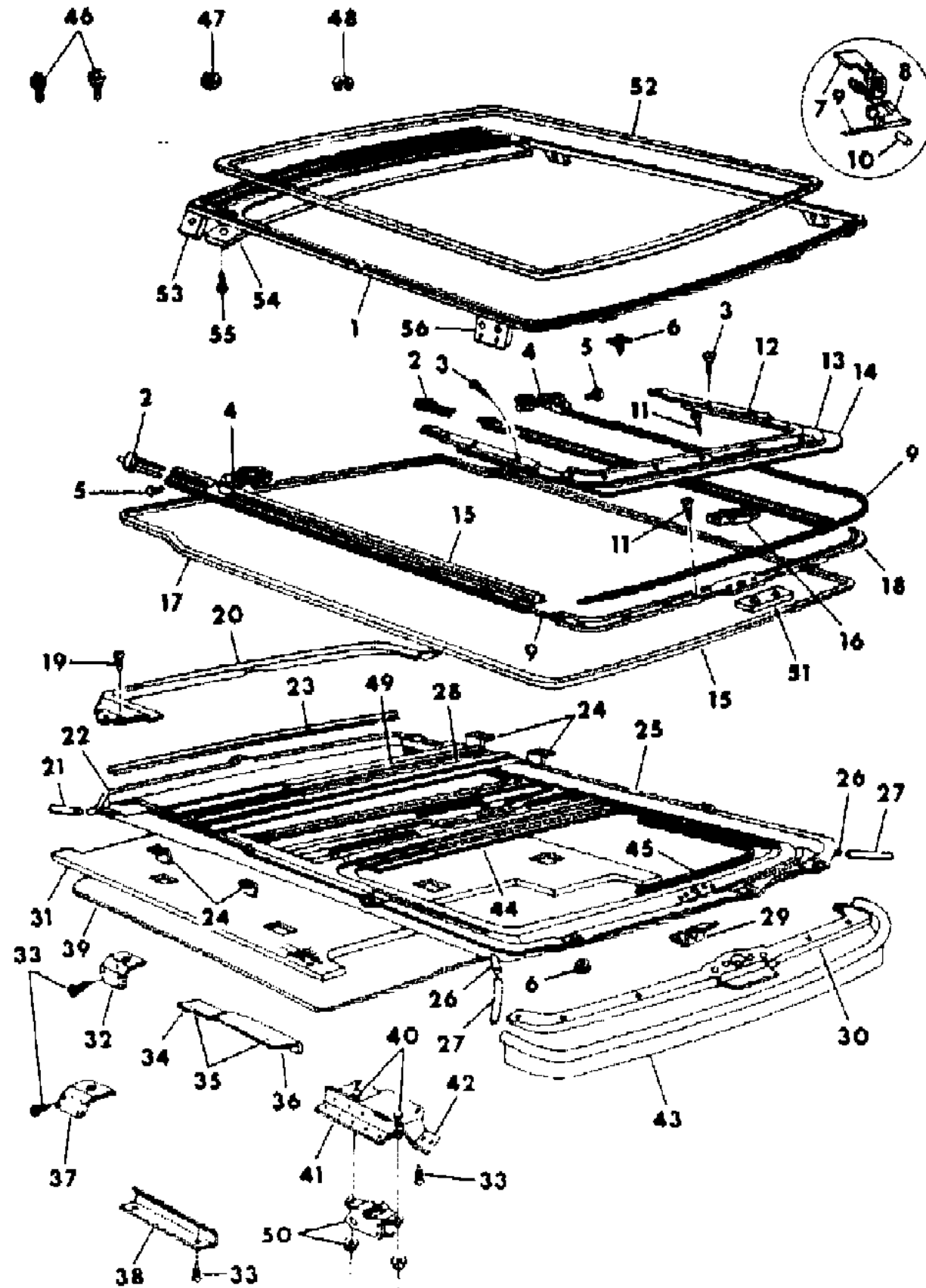
BODY STYLES

21 = 2-DOOR SEDAN	28 = FWD PICKUP	44 = 4-DOOR HATCHBACK
22 = 2-DOOR SPECIAL COUPE	35 = FWD VAN	45 = 4-DOOR STATION WAGON
24 = 2-DOOR HATCHBACK	36 = FWD WAGON	48 = 4-DOOR EXECUTIVE SEDAN
27 = 2-DOOR CONVERTIBLE	41 = 4-DOOR SEDAN	

AR = Use as Required - = Non Illustrated Part P.A.R. = Paint as Required

SUN ROOF - B,F,G
Figure 23A-1090

4169 10900



ITEM	PART NUMBER	QTY	BODY	MODEL	DESCRIPTION
1		1			REINFORCEMENT, Roof Panel Opening (not serviced)
2	4172 893	1			RETAINER, Track
3		AR			SCREW, Not Serviced
4	4172 896-7	1			GUIDE ASSEMBLY, Rear Rt. and Lt.
5		AR			SCREW, Not Serviced
6		AR			NUT, Not Serviced
7		1			ADJUSTER, Not Serviced
8		1			HOUSING, Rear Rt. and Lt. Not Serviced
9		1			CABLE, Flocked Serviced In Item #4
10		AR			PIN, Not Serviced
11		AR			SCREW, Not Serviced
12	4246 023	1			CABLE SIDE COVER (Paint As Required)
13	4172 899	1			COVER, Front (paint as required)
14		AR			TAPE, Foam (.25x.38 not serviced)
15	4172 894-5	1			TRACK, Rt. and Lt.(paint as required)
16	4246 414	1			RETAINER, Cable Guide Lower
17		AR			TAPE, Foam (.40x.5 not serviced)
18	4246 412-3	1			GUIDE, Cable Front Lower
19		AR			SCREW, Not Serviced
20		AR			SPACER, Roof Sliding Panel Housing (not serviced)
21		AR			HOSE, Drain Rear (50" long not serviced)
22		AR			TUBE, Rear Drain (serviced in item 25)
23		AR			BRACKET, Track Retainer Serviced In Item 25
24		AR			BRACKET, Housing Mounting (serviced in item 25)
25	4246 432	1			HOUSING ASSEMBLY
26		1			TUBE, Front Drain (serviced in item 25)
27		1			HOSE, Drain Front Not Serviced
28	4172 903	1			REINFORCEMENT, Roof Upper
29		1			BRACKET, Switch Mounting Serviced In Item 25
30	4172 902	1			PAD, Front Safety
31		1			SILENCER, Housing (not serviced)
33		AR			SCREW, Not Serviced
37	4172 905	AR			BRACKET, Housing to Side Rail
38		AR			RETAINER, Headliner Center Pillar Upper (not serviced)
39					HEADLINER
	4246 467	1			Dark Blue
	4246 468	1			Dark Red
	4246 469	1			Light Cashmere

MODEL CODES

B = GRAN FURY	F = FIFTH AVENUE/NEWPORT	P = RELIANT
C = LEBARON/TOWN & COUNTRY/EXC SEDAN	G = DIPLOMAT	T = E CLASS/NEW YORKER
C24 = LASER	H = VOYAGER	V = 600
D = ARIES	K = MINI RAM/CARAVAN/ROYAL	V24 = DAYTONA
E = 600	M = HORIZON/TURISMO	Z = OMNI/CHARGER/RAMPAGE

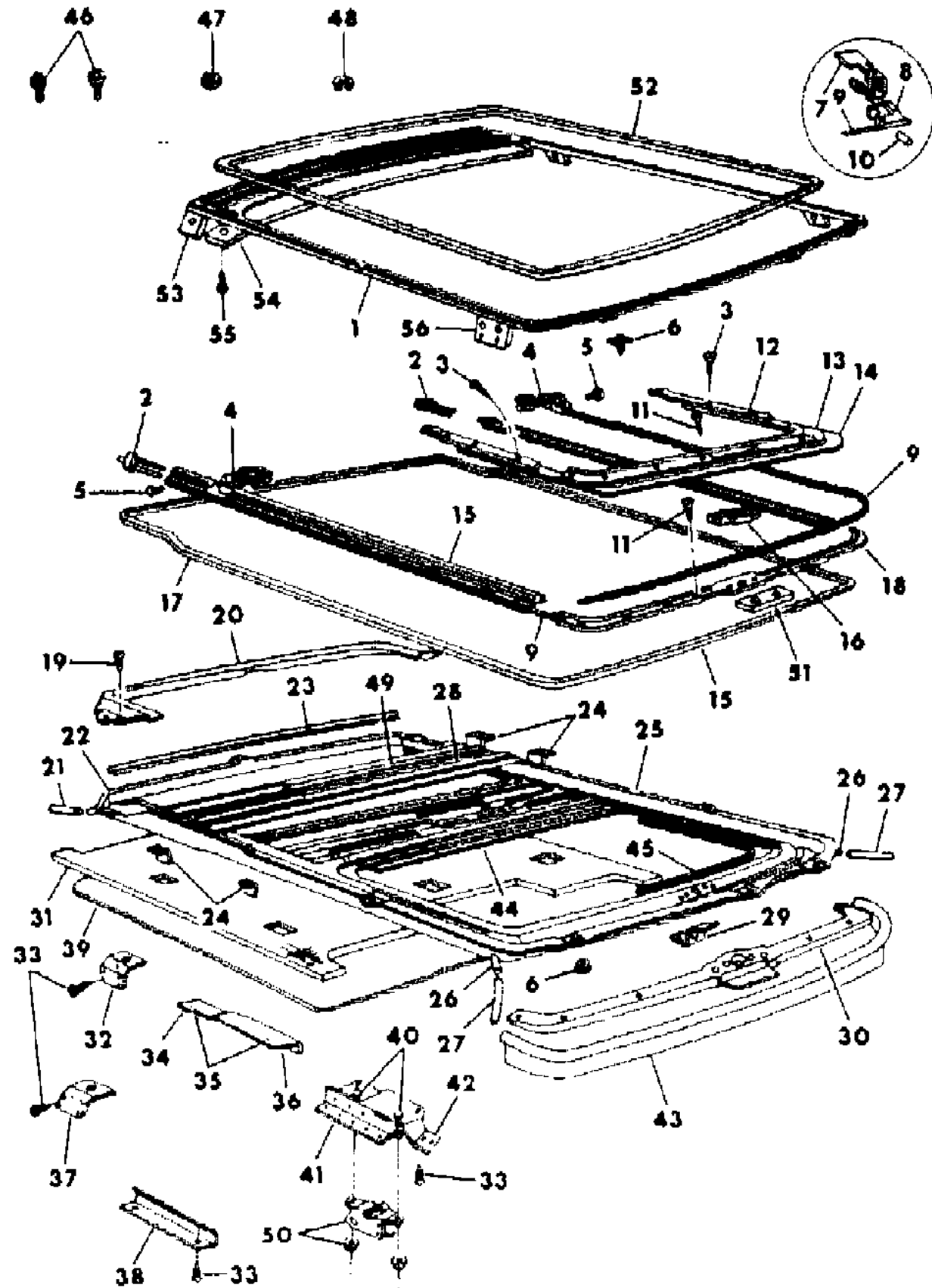
BODY STYLES

21 = 2-DOOR SEDAN	28 = FWD PICKUP	44 = 4-DOOR HATCHBACK
22 = 2-DOOR SPECIAL COUPE	35 = FWD VAN	45 = 4-DOOR STATION WAGON
24 = 2-DOOR HATCHBACK	36 = FWD WAGON	48 = 4-DOOR EXECUTIVE SEDAN
27 = 2-DOOR CONVERTIBLE	41 = 4-DOOR SEDAN	

AR = Use as Required - = Non Illustrated Part P.A.R. = Paint as Required

SUN ROOF - B,F,G
Figure 23A-1090

4169 10900



ITEM	PART NUMBER	QTY	BODY	MODEL	DESCRIPTION
	4296 058	1			Silver
	4296 059	1			Mahogany
	4296 496	1			Beige
43					SEAL
	4054 484	AR			SEAL, Roof Glass Sliding Panel (4.5 mm)
	4246 416	AR			SEAL, Roof Glass Sliding Panel, Front 6.8 mm
	4246 416	AR			SEAL, Panel, Rear (6.8 mm)
44		1			REINFORCEMENT, Housing Opening Lower (serviced in item 25)
45					WELT, Headlining Opening
	4246 424	1			Blue
	4246 423	1			Dark Red
	4246 425	1			Light Cashmere
	4296 063	1			Silver
	4296 064	1			Mahogany
	4296 498	1			Beige
46	4172 801	AR			SCREW, Motor Clutch
47	3788 436	AR			GEAR, Drive Assy. Pinion
48	3788 435	AR			RETAINER, Drive Assy. Pinion
49		AR			TAPE, Not Serviced
50					(See Seat Belt Illust.)
51	4246 415	1			COVER, Lower Cable Guide Retaining
52	4296 100	1			MOULDING, Roof Opening Reveal
53		1			BRACKET, Reinforcement to Rail NS2
54	4296 101	1			SHIM, Rear Plate to Ring
55		AR			RIVET, Not Serviced
56		1			BRACKET, Housing to Header Mounting NS2

NOTE: For other parts see Illustration 23A 8600. ode). Both models are derived from the 100.1" W.B. LeBaron (C 22 Model). Sheet metal parts for the C 48 not found on this illustration should be speci

MODEL CODES

B = GRAN FURY	F = FIFTH AVENUE/NEWPORT	P = RELIANT
C = LEBARON/TOWN & COUNTRY/EXC SEDAN	G = DIPLOMAT	T = E CLASS/NEW YORKER
C24 = LASER	H = VOYAGER	V = 600
D = ARIES	K = MINI RAM/CARAVAN/ROYAL	V24 = DAYTONA
E = 600	M = HORIZON/TURISMO	Z = OMNI/CHARGER/RAMPAGE

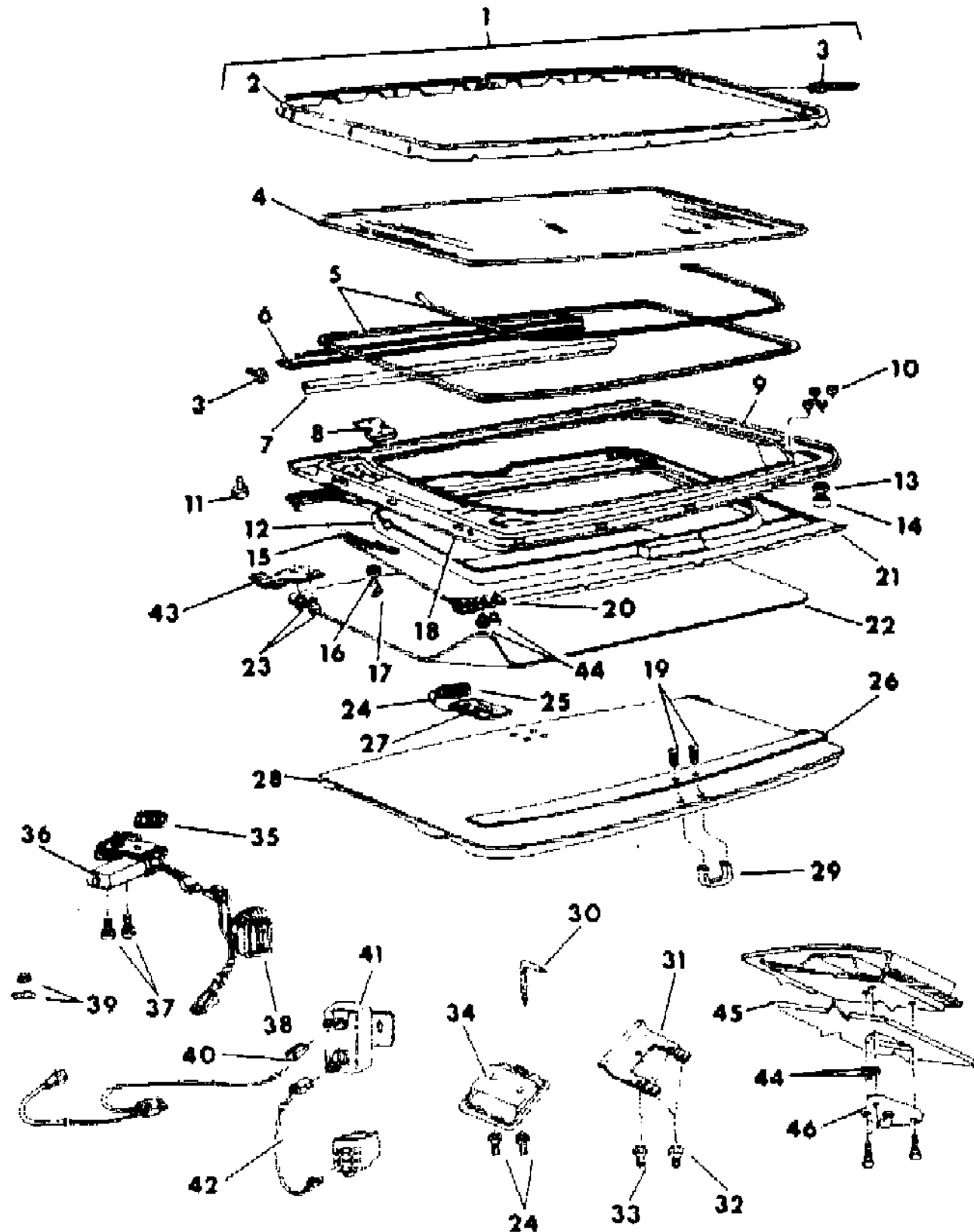
BODY STYLES

21 = 2-DOOR SEDAN	28 = FWD PICKUP	44 = 4-DOOR HATCHBACK
22 = 2-DOOR SPECIAL COUPE	35 = FWD VAN	45 = 4-DOOR STATION WAGON
24 = 2-DOOR HATCHBACK	36 = FWD WAGON	48 = 4-DOOR EXECUTIVE SEDAN
27 = 2-DOOR CONVERTIBLE	41 = 4-DOOR SEDAN	

AR = Use as Required - = Non Illustrated Part P.A.R. = Paint as Required

SUN ROOF - B,F,G
Figure 23A-1090

4169 11000



ITEM	PART NUMBER	QTY	BODY	MODEL	DESCRIPTION
1	4172 907	1			PANEL, Glass, Silver
	4172 907	1			Gray
2		1			MOULDING, Periphery Serviced In Item 1
3		AR			RIVET, Serviced In Item 1
4		1			GLASS, Roof Sliding Panel (serviced in item 1)
5		AR			SEALER, Butyl Tape (serviced in item 1)
6	4054 457	1			WEATHERSTRIP, Rear
7	4054 484	AR			SEAL, Panel Front (4.5 mm)
	4246 416	AR			SEAL, Panel Rear (6.8 mm)
8		1			PLATE, Rear Guide Serviced In Item 1
9		1			ARMATURE, Serviced In Item 1
10		AR			RIVET, Serviced In Item 1
11	3759 648	1			BUTTON, Slide
12		1			COVER, Opening Side Tab Not Serviced
13		AR			STUD, Front Adjuster (serviced in item 1)
14		AR			NUT, Front Adjuster Serviced In Item 1
15		AR			SPRING, Rear (serviced in item 1)
16		AR			WASHERS, flat, serviced in item 1
17		AR			RIVET, Serviced In Item 1
18		1			STIFFENER, Not Serviced
19		AR			SCREW, Serviced In Item 28
20	3795 595	1			GUIDE ASSEMBLY, Front
21	4172 908	1			HALO, (Paint As Required)
22		1			LINING, Sun Screen Serviced In Item 28
23		AR			SCREW and WASHER, Not Serviced
24		AR			RIVET, Not Serviced
25	4054 467	1			CATCH, Sun Screen Magnet
26		1			REINFORCEMENT, Serviced in item 28
27	4172 877	1			BRACKET, Sun Screen Catch
28					SUN SCREEN ASSEMBLY
	4246 471	1			Dark Blue
	4246 472	1			Dark Red
	4246 473	1			Light Cashmere
	4296 061	1			Silver
	4296 062	1			Mahogany
	4296 497	1			Beige
29	4172 909	1			HANDLE, Sun Screen
30	3788 431	1			HANDLE

MODEL CODES

B = GRAN FURY	F = FIFTH AVENUE/NEWPORT	P = RELIANT
C = LEBARON/TOWN & COUNTRY/EXC SEDAN	G = DIPLOMAT	T = E CLASS/NEW YORKER
C24 = LASER	H = VOYAGER	V = 600
D = ARIES	K = MINI RAM/CARAVAN/ROYAL	V24 = DAYTONA
E = 600	M = HORIZON/TURISMO	Z = OMNI/CHARGER/RAMPAGE

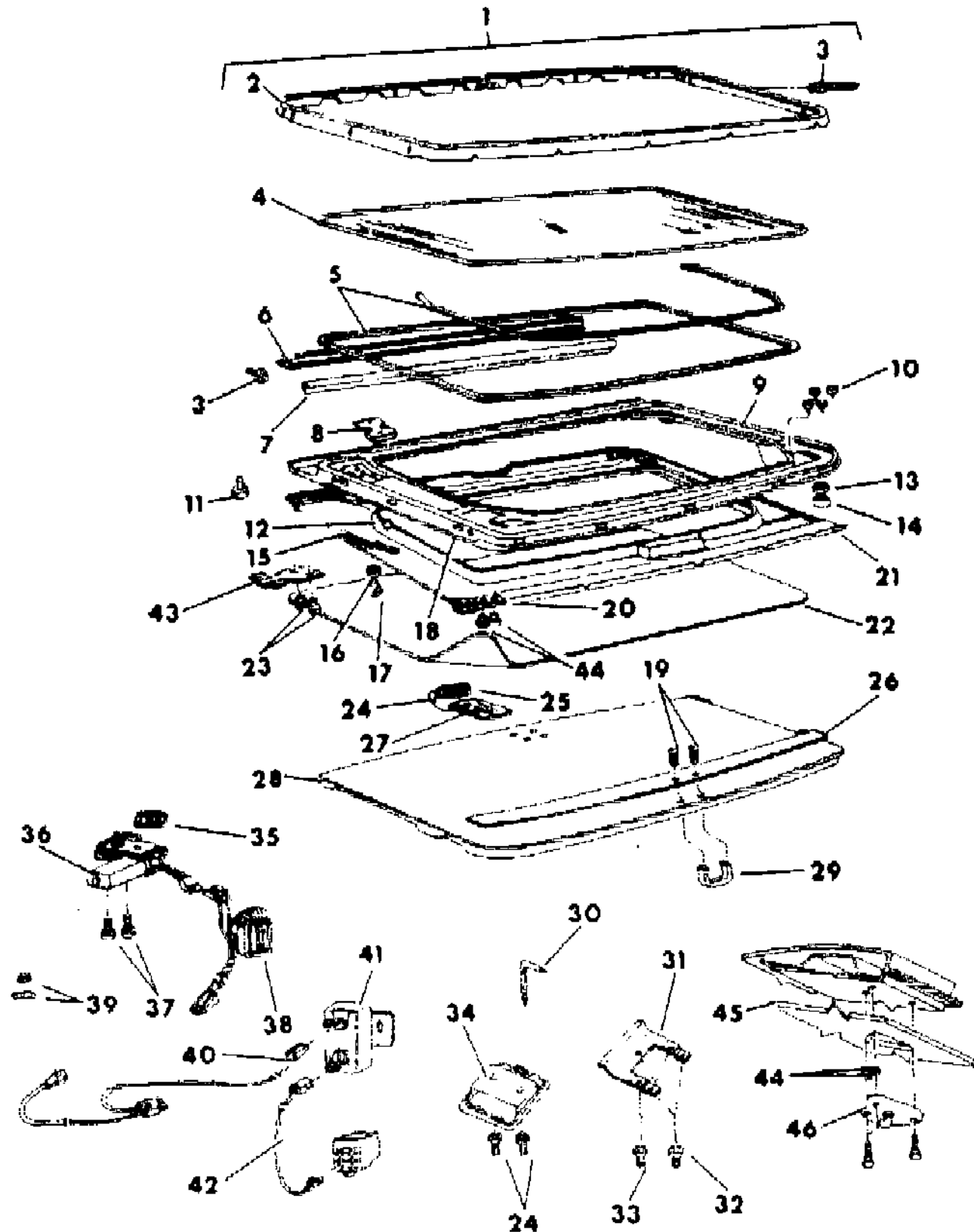
BODY STYLES

21 = 2-DOOR SEDAN	28 = FWD PICKUP	44 = 4-DOOR HATCHBACK
22 = 2-DOOR SPECIAL COUPE	35 = FWD VAN	45 = 4-DOOR STATION WAGON
24 = 2-DOOR HATCHBACK	36 = FWD WAGON	48 = 4-DOOR EXECUTIVE SEDAN
27 = 2-DOOR CONVERTIBLE	41 = 4-DOOR SEDAN	

AR = Use as Required - = Non Illustrated Part P.A.R. = Paint as Required

SUN ROOF - B,F,G
Figure 23A-1090

4169 11000



ITEM	PART NUMBER	QTY	BODY	MODEL	DESCRIPTION
31	4296 493	1			BRACKET, Dome Lamp Mounting
32		AR			RIVET, Not Serviced)
33		AR			RIVET, Not Serviced
34	4172 268	1			BRACKET, Dome Lamp Mounting
35	4172 243	1			SPACER, Drive Assy. to Housing
36	3795 592	1			DRIVE ASSEMBLY
37		AR			SCREW and WASHER, Not Serviced
38	3795 589	1			SWITCH ASSEMBLY
39	4054 445	1			BUTTON and COVER
40		1			WIRING, Not Serviced
41	3674 933	1			CIRCUIT BREAKER (15 Amp.)
42		1			WIRING, Not Serviced
43		AR			RETAINER, Rear Guide Plate (not serviced)
44		AR			WASHER, Flat (.125 thick not serviced)
45					HEADLINER, Ref.
46					BRACKET, Visor Arm
47		AR			SCREW and WASHER, Not Serviced

NOTE: For other parts see Illustration 23A 8500. ode). Both models are derived from the 100.1" W.B. LeBaron (C 22 Model). Sheet metal parts for the C 48 not found on this illustration should be speci

MODEL CODES

B = GRAN FURY	F = FIFTH AVENUE/NEWPORT	P = RELIANT
C = LEBARON/TOWN & COUNTRY/EXC SEDAN	G = DIPLOMAT	T = E CLASS/NEW YORKER
C24 = LASER	H = VOYAGER	V = 600
D = ARIES	K = MINI RAM/CARAVAN/ROYAL	V24 = DAYTONA
E = 600	M = HORIZON/TURISMO	Z = OMNI/CHARGER/RAMPAGE

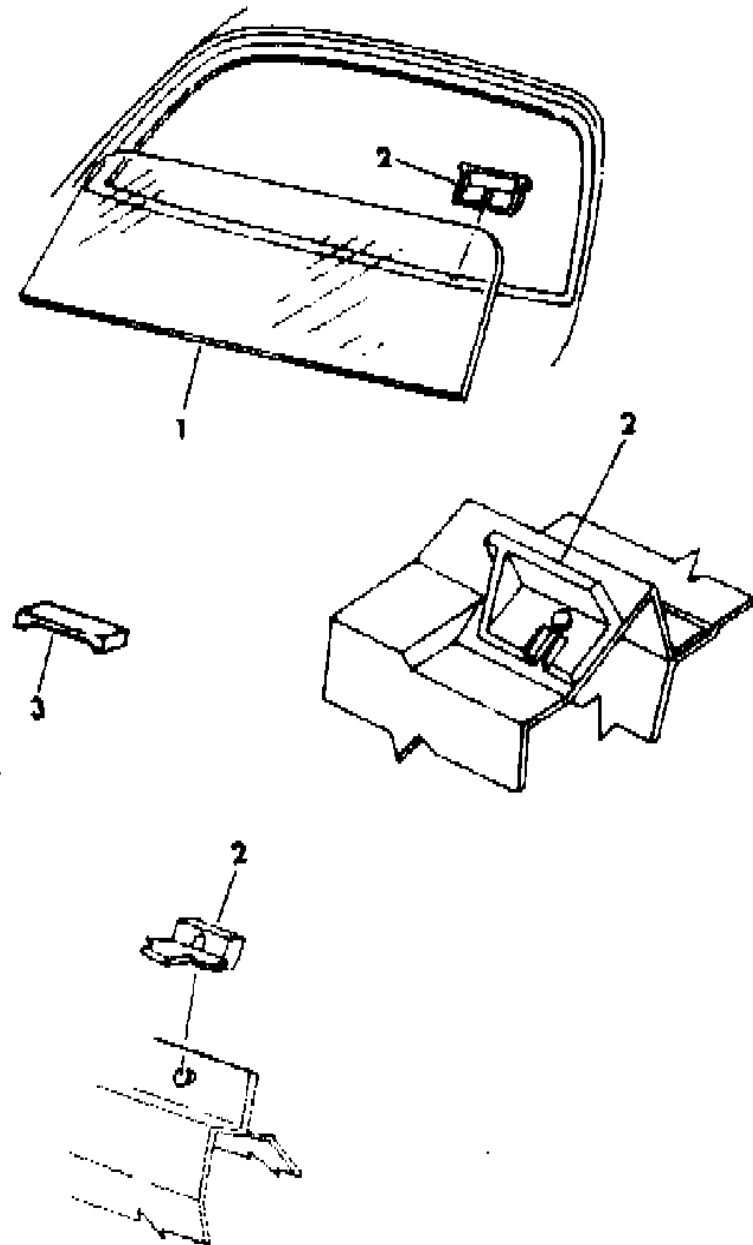
BODY STYLES

21 = 2-DOOR SEDAN	28 = FWD PICKUP	44 = 4-DOOR HATCHBACK
22 = 2-DOOR SPECIAL COUPE	35 = FWD VAN	45 = 4-DOOR STATION WAGON
24 = 2-DOOR HATCHBACK	36 = FWD WAGON	48 = 4-DOOR EXECUTIVE SEDAN
27 = 2-DOOR CONVERTIBLE	41 = 4-DOOR SEDAN	

AR = Use as Required - = Non Illustrated Part P.A.R. = Paint as Required

GLASS REAR WINDOW - B,F,G
Figure 23A-1110

4169 11100



ITEM	PART NUMBER	QTY	BODY	MODEL	DESCRIPTION
------	-------------	-----	------	-------	-------------

NOTE: GLASS, REAR WINDOW - ORDER FROM YOUR LOCAL "MOPAR" GLASS DISTRIBUTOR (code). Both models are derived from the 100.1" W.B. LeBaron (C 22 Model). Sheet metal parts for the C 48 not found on this illustration should be specified.

1					GLASS, REAR WINDOW
	4136 303	1	B,G		Tinted
	4136 304	1	B,G		Tinted (Electric Heated)
	4229 801	1	F-S		Tinted (Electric Heated) w/Padded Landau Vinyl Roof w/Qtr. Plug
2	4136 335	2	All		SPACER, Rear Wdo, Glass, Lower
3	3767 196	AR	All		SHIM, Rear Wdo Lower Spacer
	4057 957	1	All		FIXED GLASS REPAIR PACKAGE, Rear Wdo. (Not Shown)
					CONSISTS OF:
					1- ----- Tape, Butyl, 171.00"
					1- ----- Primer, Glass
					1- ----- Primer, Fence
					2- 3674698 Spacer, Rubber, 0.2"
					2- 3793290 Spacer, Rubber, 0.3"
					2- 3767767 Shim, 0.07"
					2- ----- Sponges, Disposable
	4267 922	1	All		ELECTRIC GRID REPAIR PACKAGE

MODEL CODES

B = GRAN FURY	F = FIFTH AVENUE/NEWPORT	P = RELIANT
C = LEBARON/TOWN & COUNTRY/EXC SEDAN	G = DIPLOMAT	T = E CLASS/NEW YORKER
C24 = LASER	H = VOYAGER	V = 600
D = ARIES	K = MINI RAM/CARAVAN/ROYAL	V24 = DAYTONA
E = 600	M = HORIZON/TURISMO	Z = OMNI/CHARGER/RAMPAGE

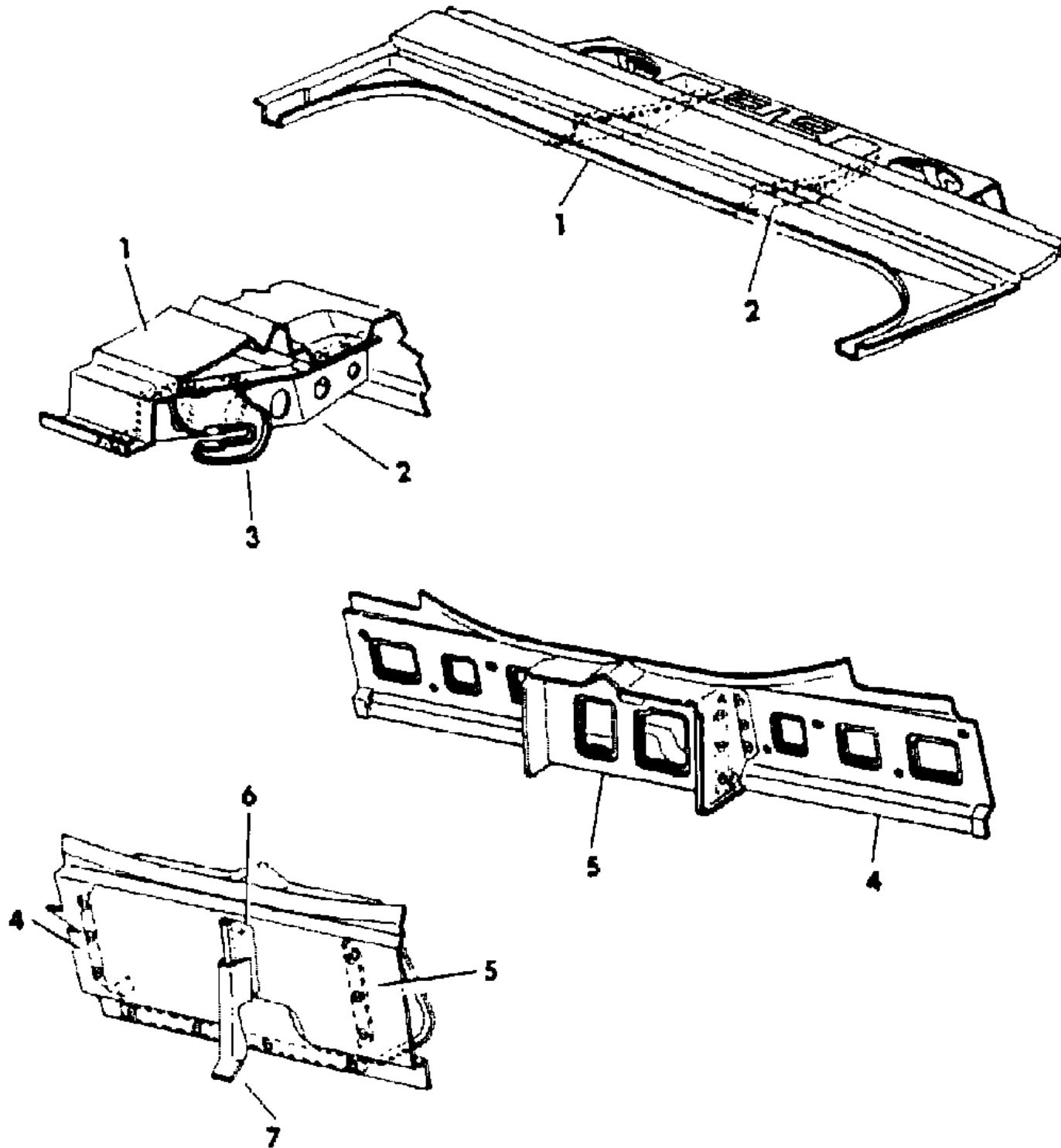
BODY STYLES

21 = 2-DOOR SEDAN	28 = FWD PICKUP	44 = 4-DOOR HATCHBACK
22 = 2-DOOR SPECIAL COUPE	35 = FWD VAN	45 = 4-DOOR STATION WAGON
24 = 2-DOOR HATCHBACK	36 = FWD WAGON	48 = 4-DOOR EXECUTIVE SEDAN
27 = 2-DOOR CONVERTIBLE	41 = 4-DOOR SEDAN	

AR = Use as Required - = Non Illustrated Part P.A.R. = Paint as Required

DECK OPENING - B,F,G
Figure 23A-1120

4169 11200



ITEM	PART NUMBER	QTY	BODY	MODEL	DESCRIPTION
1	4386 575	1			PANEL,Deck Opening Upper,Drain Trough and Shelf
2		2			SUPPORT, Not Serviced
3		1			RETAINER, Not Serviced
4	4206 020	1			REINFORCEMENT, w/Nut Deck Opening Lower Panel
5	4206 737	1			PANEL,Deck Opening lower Panel License Plate Mounting
6	4206 119	1			EXTENSION,Deck Lid Latch Striker Support
7	4134 166	1			SUPPORT,Deck Lid Latch Striker
NOTE: The following items are not shown on illustration. ode). Both models are derived from the 100.1" W.B. LeBaron (C 22 Model). Sheet metal parts for the C 48 not found on this illustration should be speci					
	3798 253	AR			TAPE,Deck Opening Lower Panel(Butyl)
	0432 396	2			PLUG,Deck Opening Lower Panel License Plate Mounting Panel Button

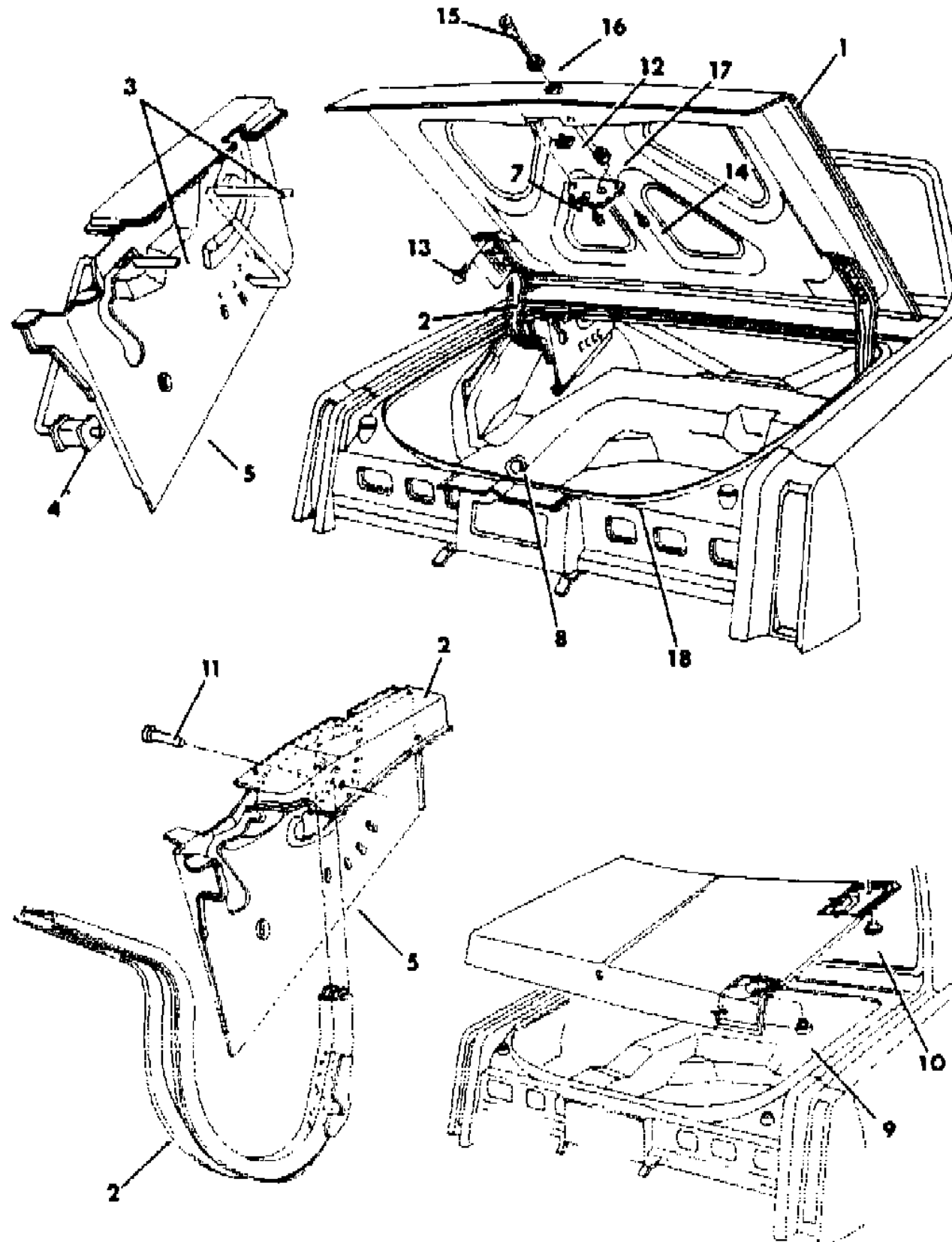
MODEL CODES
 B = GRAN FURY
 C = LEBARON/TOWN & COUNTRY/EXC SEDAN
 C24 = LASER
 D = ARIES
 E = 600
 F = FIFTH AVENUE/NEWPORT
 G = DIPLOMAT
 H = VOYAGER
 K = MINI RAM/CARAVAN/ROYAL
 M = HORIZON/TURISMO
 P = RELIANT
 T = E CLASS/NEW YORKER
 V = 600
 V24 = DAYTONA
 Z = OMNI/CHARGER/RAMPAGE

BODY STYLES
 21 = 2-DOOR SEDAN
 22 = 2-DOOR SPECIAL COUPE
 24 = 2-DOOR HATCHBACK
 27 = 2-DOOR CONVERTIBLE
 28 = FWD PICKUP
 35 = FWD VAN
 36 = FWD WAGON
 41 = 4-DOOR SEDAN
 44 = 4-DOOR HATCHBACK
 45 = 4-DOOR STATION WAGON
 48 = 4-DOOR EXECUTIVE SEDAN

AR = Use as Required - = Non Illustrated Part P.A.R. = Paint as Required

DECK LID - B,F,G
Figure 23A-1130

4169 11300



ITEM	PART NUMBER	QTY	BODY	MODEL	DESCRIPTION
1	4297 073	1			LID, Deck complete
2	4134 518-9	1			HINGE,Deck Lid
	4129 804-5	1			HINGE ASSEMBLY, Deck Lid Upper Pivot
3	4134 520-1	1			BAR,Deck Lid Hinge Torsion
4	2480 230	2			SLIDE,Deck Lid Hinge Torsion Bar
5	4134 514	1			SUPPORT,Deck Lid Hinge Upper NS4
	4134 516-7	1			Lower
7	4054 825	1			LATCH, Deck Lid Manual
	4054 962	1			LATCH PACKAGE,Electric Deck Lid,Complete w/Wiring
8	4172 676	1			STRIKER,Deck Lid Latch
9	5230 376	2			BUMPER,Deck Lid Inside Panel
10	6029 939	2			PLUG,Deck Lid Inner Panel Drain Hole
11		AR			RIVET,Deck Lid Hinge Pivot(not serviced)
12		AR			U-NUT, Not Serviced
13		AR			SCREW and WASHER, Not Serviced
14	6025 346	2			SCREW and WASHER
15					CYLINDER,Deck Lid See Cylinder and Key Illustration
16					GASKET,Deck Lid Cylinder See Cylinder and Key Illustration
17					NUT,Lock Cylinder See Cylinder and Key Illustration
18	4278 176	1			WEATHERSTRIP,Deck Lid

NOTE:The following items are not shown on illustration. ode). Both models are derived from the 100.1" W.B. LeBaron (C 22 Model)

	4134 166	1			SUPPORT,Deck Lid Latch Striker
	4206 119	1			EXTENSION,Deck Lid Latch Support
	4206 399	2			BUMPER, Deck Lid Hinge Noise Dampener

MODEL CODES

B = GRAN FURY	F = FIFTH AVENUE/NEWPORT	P = RELIANT
C = LEBARON/TOWN & COUNTRY/EXC SEDAN	G = DIPLOMAT	T = E CLASS/NEW YORKER
C24 = LASER	H = VOYAGER	V = 600
D = ARIES	K = MINI RAM/CARAVAN/ROYAL	V24 = DAYTONA
E = 600	M = HORIZON/TURISMO	Z = OMNI/CHARGER/RAMPAGE

BODY STYLES

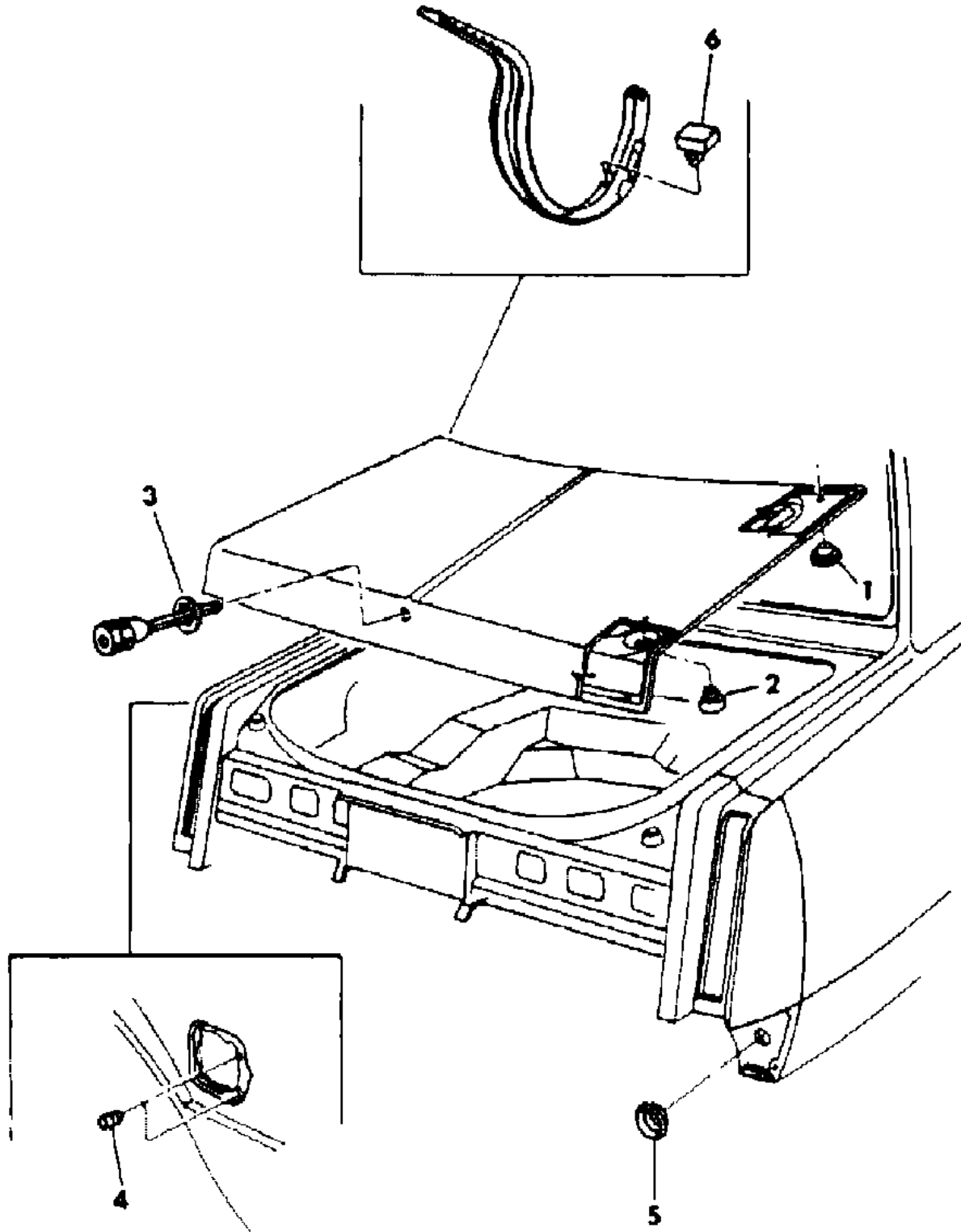
21 = 2-DOOR SEDAN	28 = FWD PICKUP	44 = 4-DOOR HATCHBACK
22 = 2-DOOR SPECIAL COUPE	35 = FWD VAN	45 = 4-DOOR STATION WAGON
24 = 2-DOOR HATCHBACK	36 = FWD WAGON	48 = 4-DOOR EXECUTIVE SEDAN
27 = 2-DOOR CONVERTIBLE	41 = 4-DOOR SEDAN	

AR = Use as Required - = Non Illustrated Part P.A.R. = Paint as Required

BUMPERS PLUGS DECK LID - B,F,G
Figure 23A-1140

416# 11400

ITEM	PART NUMBER	QTY	BODY	MODEL	DESCRIPTION
1	6029 939	2			PLUG
2	5230 376	2			BUMPER
3	3695 321	1			GASKET
4	5220 250	2			BUMPER
5	1774 076	2			PLUG
6	4206 399	2			BUMPER



MODEL CODES

B = GRAN FURY	F = FIFTH AVENUE/NEWPORT	P = RELIANT
C = LEBARON/TOWN & COUNTRY/EXC SEDAN	G = DIPLOMAT	T = E CLASS/NEW YORKER
C24 = LASER	H = VOYAGER	V = 600
D = ARIES	K = MINI RAM/CARAVAN/ROYAL	V24 = DAYTONA
E = 600	M = HORIZON/TURISMO	Z = OMNI/CHARGER/RAMPAGE

BODY STYLES

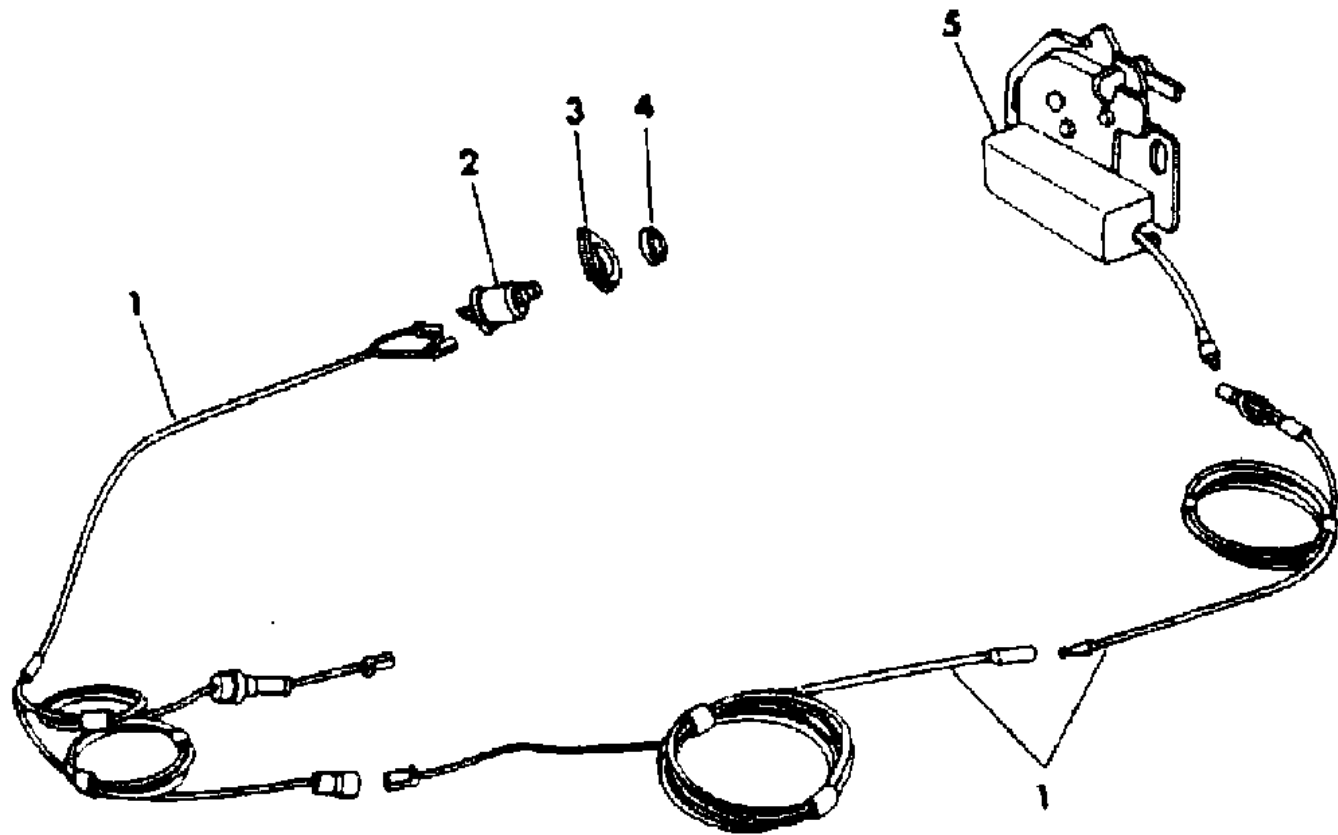
21 = 2-DOOR SEDAN	28 = FWD PICKUP	44 = 4-DOOR HATCHBACK
22 = 2-DOOR SPECIAL COUPE	35 = FWD VAN	45 = 4-DOOR STATION WAGON
24 = 2-DOOR HATCHBACK	36 = FWD WAGON	48 = 4-DOOR EXECUTIVE SEDAN
27 = 2-DOOR CONVERTIBLE	41 = 4-DOOR SEDAN	

AR = Use as Required - = Non Illustrated Part P.A.R. = Paint as Required

DECK LID ELECTRIC - B,F,G
Figure 23A-1150

4169 11500

ITEM	PART NUMBER	QTY	BODY	MODEL	DESCRIPTION
1		1			WIRING, See Group 8 Body Wiring
2	3747 154	1			SWITCH, Remote Deck Lid Release or Instrument Panel Mounting
3	3747 390	1			BEZEL, Electric Release Switch
4	6028 824	1			NUT, Electric Release Switch Mounting
5	4054 962	1			LATCH, Electric Deck Lid
	4131 515	1			LATCH PACKAGE, Electric
NOTE: The Following Items Are Not Shown On Illustration. ode). Both models are derived from the 100.1" W.B. LeBaron (C 22 Model). Sheet metal parts for the C 48 not found on this illustration should be speci					
	6028 976	AR			PUSHNUT, Electric Deck Lid Latch Spring



MODEL CODES

B = GRAN FURY	F = FIFTH AVENUE/NEWPORT	P = RELIANT
C = LEBARON/TOWN & COUNTRY/EXC SEDAN	G = DIPLOMAT	T = E CLASS/NEW YORKER
C24 = LASER	H = VOYAGER	V = 600
D = ARIES	K = MINI RAM/CARAVAN/ROYAL	V24 = DAYTONA
E = 600	M = HORIZON/TURISMO	Z = OMNI/CHARGER/RAMPAGE

BODY STYLES

21 = 2-DOOR SEDAN	28 = FWD PICKUP	44 = 4-DOOR HATCHBACK
22 = 2-DOOR SPECIAL COUPE	35 = FWD VAN	45 = 4-DOOR STATION WAGON
24 = 2-DOOR HATCHBACK	36 = FWD WAGON	48 = 4-DOOR EXECUTIVE SEDAN
27 = 2-DOOR CONVERTIBLE	41 = 4-DOOR SEDAN	

AR = Use as Required - = Non Illustrated Part P.A.R. = Paint as Required

GROUP 23C - BODY - DOORS AND RELATED PARTS

ILLUSTRATION TITLE	GROUP-FIG. NO.
L BODY M,Z	
DOOR, FRONT SHELL, HANDLES AND CONTROLS M,Z 24,28	Fig. 23C-100
DOOR, FRONT GLASS AND REGULATORS M,Z 24,28	Fig. 23C-200
DOOR, FRONT SIDE RAIL AND DOOR WEATHERSTRIPS M,Z 24,28	Fig. 23C-300
MIRRORS, EXTERIOR M,Z 24,28	Fig. 23C-400
DOOR, FRONT SHELL, REGULATORS, CONTROLS AND LOCKS M,Z 44	Fig. 23C-500
DOOR, FRONT GLASS, HANDLES AND HARDWARE M,Z 44	Fig. 23C-600
DOOR, REAR SHELL, REGULATORS AND CONTROLS M,Z 44	Fig. 23C-700
DOOR, REAR GLASS, HANDLES AND LOCKS M,Z 44	Fig. 23C-800
DOOR, FRONT AND REAR WEATHERSTRIPS AND RUNS M,Z 44	Fig. 23C-900
MIRRORS, EXTERIOR M,Z 44	Fig. 23C-1000
K & E BODY P,D,C,V,E,T	
DOOR, FRONT SHELL, HANDLES AND CONTROLS P,D,C,V 21,22	Fig. 23C-1100
DOOR, FRONT SHELL, HANDLES AND CONTROLS C,V 27	Fig. 23C-1200
DOOR, FRONT GLASS AND REGULATORS P,D,C,V 21,22	Fig. 23C-1300
DOOR, FRONT GLASS AND REGULATORS C,V 27	Fig. 23C-1400
DOOR, FRONT SHELL, CONTROLS AND HARDWARE P,D,C,E,T 41,45,48	Fig. 23C-1500
DOOR, FRONT GLASS AND REGULATORS P,D,C,E,T 41,45,48	Fig. 23C-1600
DOOR, REAR SHELL, HANDLES AND CONTROLS P,D,C,E,T 41,45,48	Fig. 23C-1700
DOOR, REAR GLASS AND REGULATORS P,D,C,E,T 41,45,48	Fig. 23C-1800
DOOR, FRONT AND REAR WEATHERSTRIPS AND RUNS P,D,C,V,E,T 21,22,41,45,48	Fig. 23C-1900
DOOR, FRONT WEATHERSTRIPS C,V 27	Fig. 23C-2000
MIRRORS, EXTERIOR P,D,C,V,E,T (EXCEPT C,V 24)	Fig. 23C-2100
G BODY C,V	
DOOR, FRONT COMPLETE LESS WEATHERSTRIPS AND RUNS C,V 24	Fig. 23C-2200
DOOR, FRONT WEATHERSTRIPS AND RUNS C,V 24	Fig. 23C-2300
MIRRORS, EXTERIOR C,V 24	Fig. 23C-2400
S BODY H,K	
DOOR, FRONT COMPLETE LESS WEATHERSTRIPS AND RUNS H,K	Fig. 23C-2500
DOOR, SLIDING SHELL, GLASS AND CONTROLS H,K	Fig. 23C-2600
DOOR, SLIDING HANDLES, CONTROLS AND LOCKS H,K	Fig. 23C-2700
DOOR, SLIDING TRACK H,K	Fig. 23C-2800
DOOR, FRONT AND SIDE WEATHERSTRIPS AND RUNS H,K	Fig. 23C-2900
MIRRORS, EXTERIOR H,K	Fig. 23C-3000

ILLUSTRATION NOT AVAILABLE AT TIME OF PUBLICATION

GROUP 23C - BODY - DOORS AND RELATED PARTS

ILLUSTRATION TITLE

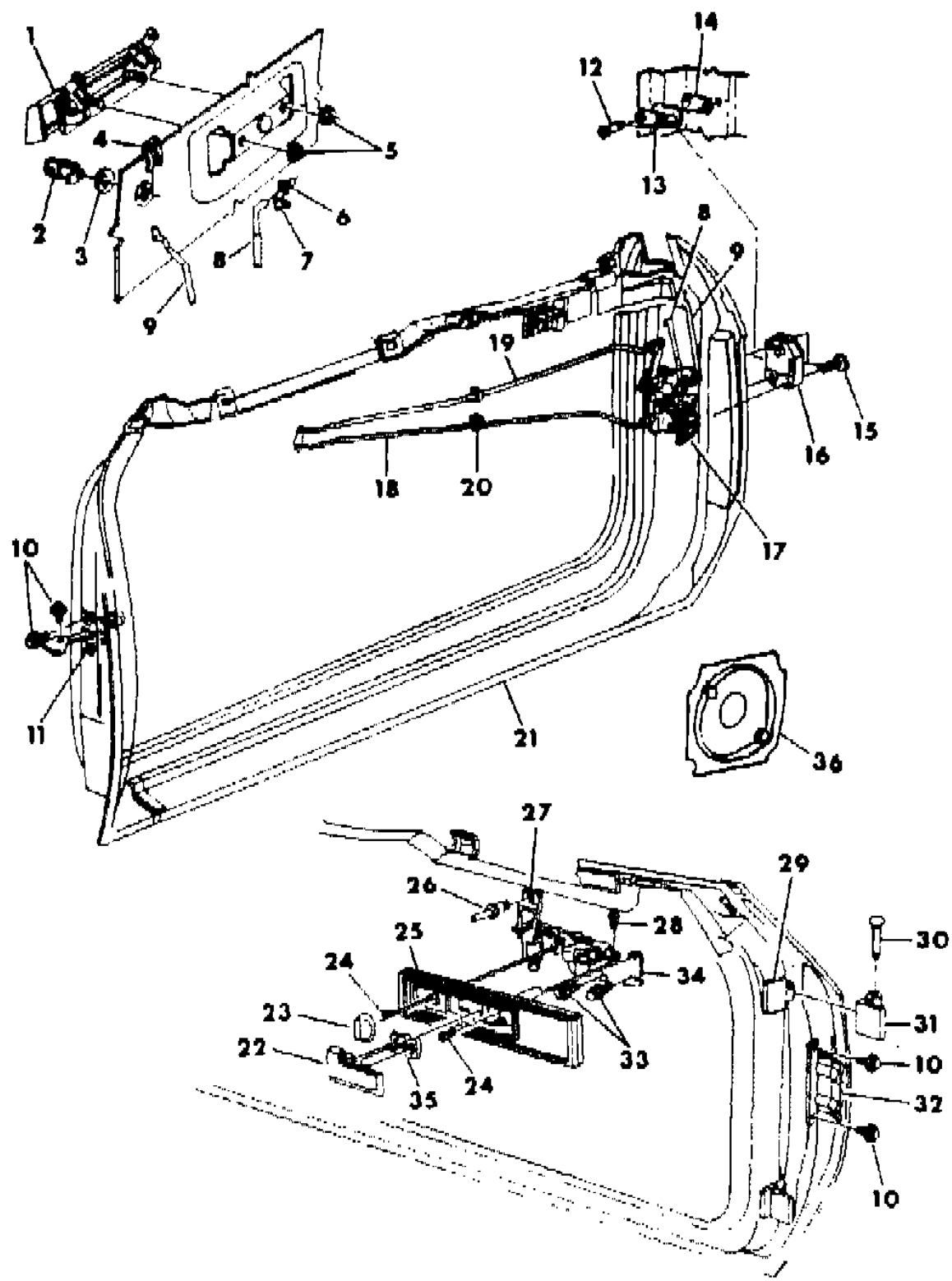
GROUP-FIG. NO.

M BODY B,F,G

DOOR, FRONT SHELL, HANDLES, LOCKS AND CONTROLS B,F,G	Fig. 23C-3100
DOOR, FRONT GLASS AND REGULATORS B,F,G	Fig. 23C-3200
DOOR, REAR SHELL, HANDLES AND CONTROLS B,F,G	Fig. 23C-3300
DOOR, REAR GLASS AND REGULATORS B,F,G	Fig. 23C-3400
DOOR, REAR GLASS AND WEATHERSTRIPS B,F,G	Fig. 23C-3500
DOOR, REAR WEATHERSTRIPS AND RUNS B,F,G	Fig. 23C-3600
MIRRORS, EXTERIOR B,F,G	Fig. 23C-3700

DOOR, FRONT SHELL, HANDLES AND CONTROLS M,Z 24,28
Figure 23C-100

4171 100 A



ITEM	PART NUMBER	QTY	BODY	MODEL	DESCRIPTION
1	4310 010	2			HANDLE, Door Exterior
2					CYLINDER, Door, Refer to 23D
3					GASKET, Door Cylinder, Refer to 23D
4					RETAINER, Door Cylinder (Refer to 23D)
5	6500 274	AR			NUT w/WASHER
6	3882 762	AR			CLIP
7	2862 758	AR			CLIP
8	5231 466-7	1			LINK, Door Outside Handle to Latch
9	4184 760-1	1			LINK, Door Lock Key Cylinder to Latch
10		AR			SCREW w/WASHER (DNS)
11	4310 096	2			ARM, Door Check
12	6500 295	AR			SCREW
13	4184 756	2			STRICKER, Door Latch
14	4184 105	AR			SPACER, Latch Stricker
15	6100 866	AR			SCREW
16	4184 776-7	1			LATCH, Exterior Door
17					LATCH, Inside Door
	4184 747	1			Left, Override
	4184 748	1			Right, Non Override
18	4184 762-3	1			LINK w/SLEEVE
19	4184 764-5	1			LINK w/SLEEVE
20	3882 620	4			CLIP, Anti Rattle
21	4297 862-3	1			DOOR SHELL
	4297 860-1	1			PANEL, Repair
	4184 754	2			DEFLECTOR, Inside Drain Hole (Plastic)
22	5200 878-9	1			HANDLE, Remote Control
23					KNOB, Locking Control
	5231 354-5	1			Up to 5-7-84
	4336 574-5	1			After 5-7-84
24	6100 903	AR			SCREW
25					BEZEL, Remote Control Handle
	D476-7 CA3	1			Silver
	D476-7 CB5	1			Blue
	D476-7 CL3	1			Beige
	D476-7 CM6	1			Red
	D476-7 CS8	1			Charcoal
	D476-7 CT8	1			Brown
26	6031 115	AR			RIVET

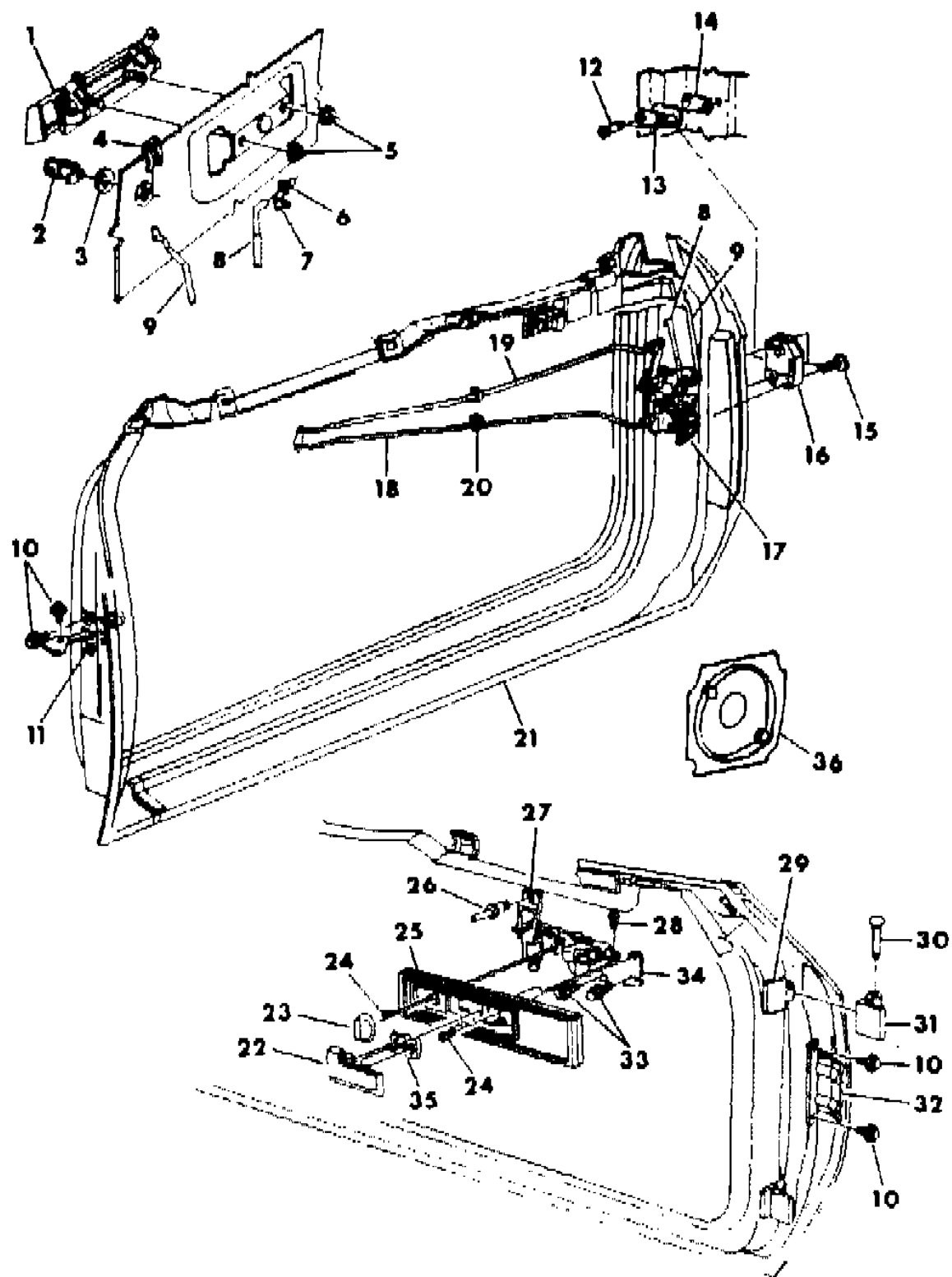
MODEL CODES
 B = GRAN FURY
 C = LEBARON/TOWN & COUNTRY/EXC SEDAN
 C24 = LASER
 D = ARIES
 E = 600
 F = FIFTH AVENUE/NEWPORT
 G = DIPLOMAT
 H = VOYAGER
 K = MINI RAM/CARAVAN/ROYAL
 M = HORIZON/TURISMO
 P = RELIANT
 T = E CLASS/NEW YORKER
 V = 600
 V24 = DAYTONA
 Z = OMNI/CHARGER/RAMPAGE

BODY STYLES
 21 = 2-DOOR SEDAN
 22 = 2-DOOR SPECIAL COUPE
 24 = 2-DOOR HATCHBACK
 27 = 2-DOOR CONVERTIBLE
 28 = FWD PICKUP
 35 = FWD VAN
 36 = FWD WAGON
 41 = 4-DOOR SEDAN
 44 = 4-DOOR HATCHBACK
 45 = 4-DOOR STATION WAGON
 48 = 4-DOOR EXECUTIVE SEDAN

AR = Use as Required - = Non Illustrated Part P.A.R. = Paint as Required

DOOR, FRONT SHELL, HANDLES AND CONTROLS M,Z 24,28
Figure 23C-100

4171 100 A



ITEM	PART NUMBER	QTY	BODY	MODEL	DESCRIPTION
27	5231 313	2			SUPPORT, Arm Rest
28	6031 318	AR			SCREW
29	5231 595	4			LEAF, Hinge Door Half
30	6500 361	2			PIN, Door Hinge
31	5231 594	4			LEAF, Hinge Body Half
32	5231 368	2			STOP, Door
33		AR			SCREW w/WASHER (DNS)
34	5231 314-5	1			CONTROL, Remote Door
35	5231 135	2			GASKET, Inside Handle
36	4222 776	2			SPEAKER, Front Door
	4222 575	2			ADAPTER, Front Door Speaker
	D460 BT8	2			GRILLE, Front Door Speaker

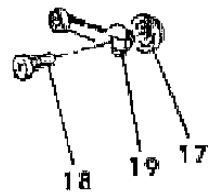
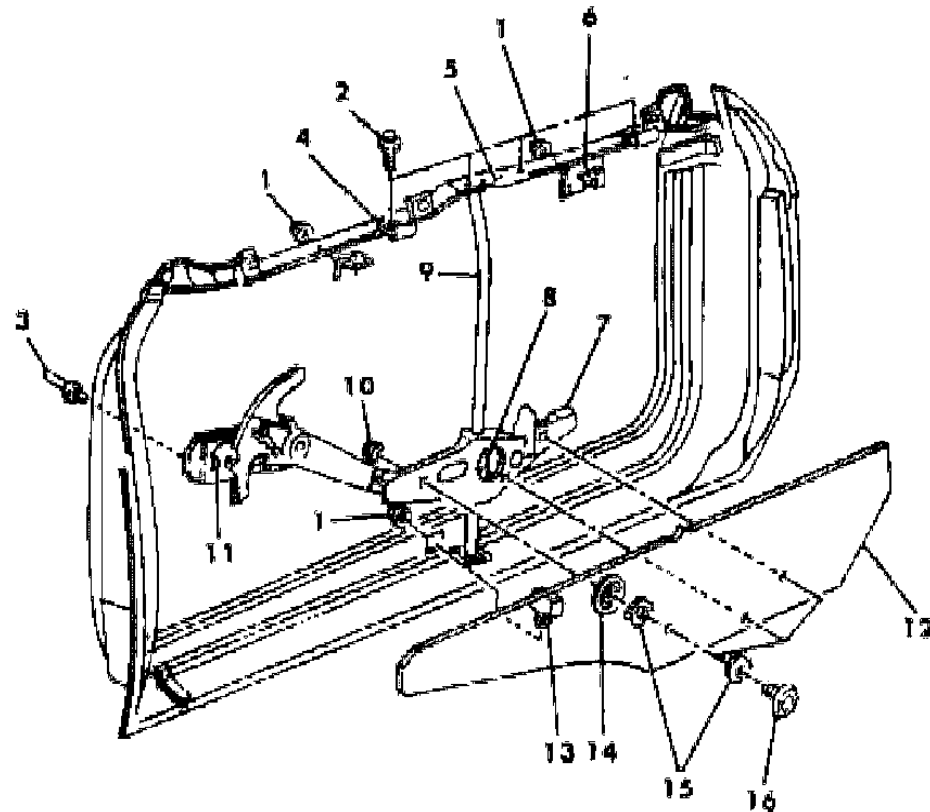
MODEL CODES
 B = GRAN FURY
 C = LEBARON/TOWN & COUNTRY/EXC SEDAN
 C24 = LASER
 D = ARIES
 E = 600
 F = FIFTH AVENUE/NEWPORT
 G = DIPLOMAT
 H = VOYAGER
 K = MINI RAM/CARAVAN/ROYAL
 M = HORIZON/TURISMO
 P = RELIANT
 T = E CLASS/NEW YORKER
 V = 600
 V24 = DAYTONA
 Z = OMNI/CHARGER/RAMPAGE

BODY STYLES
 21 = 2-DOOR SEDAN
 22 = 2-DOOR SPECIAL COUPE
 24 = 2-DOOR HATCHBACK
 27 = 2-DOOR CONVERTIBLE
 28 = FWD PICKUP
 35 = FWD VAN
 36 = FWD WAGON
 41 = 4-DOOR SEDAN
 44 = 4-DOOR HATCHBACK
 45 = 4-DOOR STATION WAGON
 48 = 4-DOOR EXECUTIVE SEDAN

AR = Use as Required - = Non Illustrated Part P.A.R. = Paint as Required

DOOR, FRONT GLASS AND REGULATORS M,Z 24,28
Figure 23C-200

4171 200



ITEM	PART NUMBER	QTY	BODY	MODEL	DESCRIPTION
1	6100 047	AR			NUT w/WASHER
2		AR			SCREW w/WASHER (DNS)
3	6031 115	AR			RIVET
4	4040 294	4			STABILIZER, Door Glass
5	5231 424	2			BRACKET w/LINER, Door Glass Guide
6	5231 423	4			UP-STOP, Door Glass
7	4310 334-5	1			PLATE w/CHANNEL, Glass Lift
	3696 433	4			GUIDE, Glass Upper
	3788 273	2			Lower
8	3788 080	2			SLEEVE, Glass Track
9	4310 340-1	1			TRACK, Glass Guide
10					NUT (DNS)
11	5231 046-7	1			REGULATOR, Manual
	3882 758	2			SLIDE, Manual Regulator
	3760 506	2			SPRING, Regulator Assist
12					GLASS, Front Door
	5231 072-3	1		24	
	4198 482-3	1		28	Tinted
13	5231 058	2			BUMPER, Glass Downstop
14	6028 587	AR			TEE NUT
15	5231 769	AR			GASKET
16	6029 998	AR			WASHER w/STUD
17	3882 767	2			SPACER, Window Regulator Handle
18	6031 644	AR			SCREW, Handle Attach
19	3882 764	2			HANDLE, Window Manual Regulator

MODEL CODES

B = GRAN FURY	F = FIFTH AVENUE/NEWPORT	P = RELIANT
C = LEBARON/TOWN & COUNTRY/EXC SEDAN	G = DIPLOMAT	T = E CLASS/NEW YORKER
C24 = LASER	H = VOYAGER	V = 600
D = ARIES	K = MINI RAM/CARAVAN/ROYAL	V24 = DAYTONA
E = 600	M = HORIZON/TURISMO	Z = OMNI/CHARGER/RAMPAGE

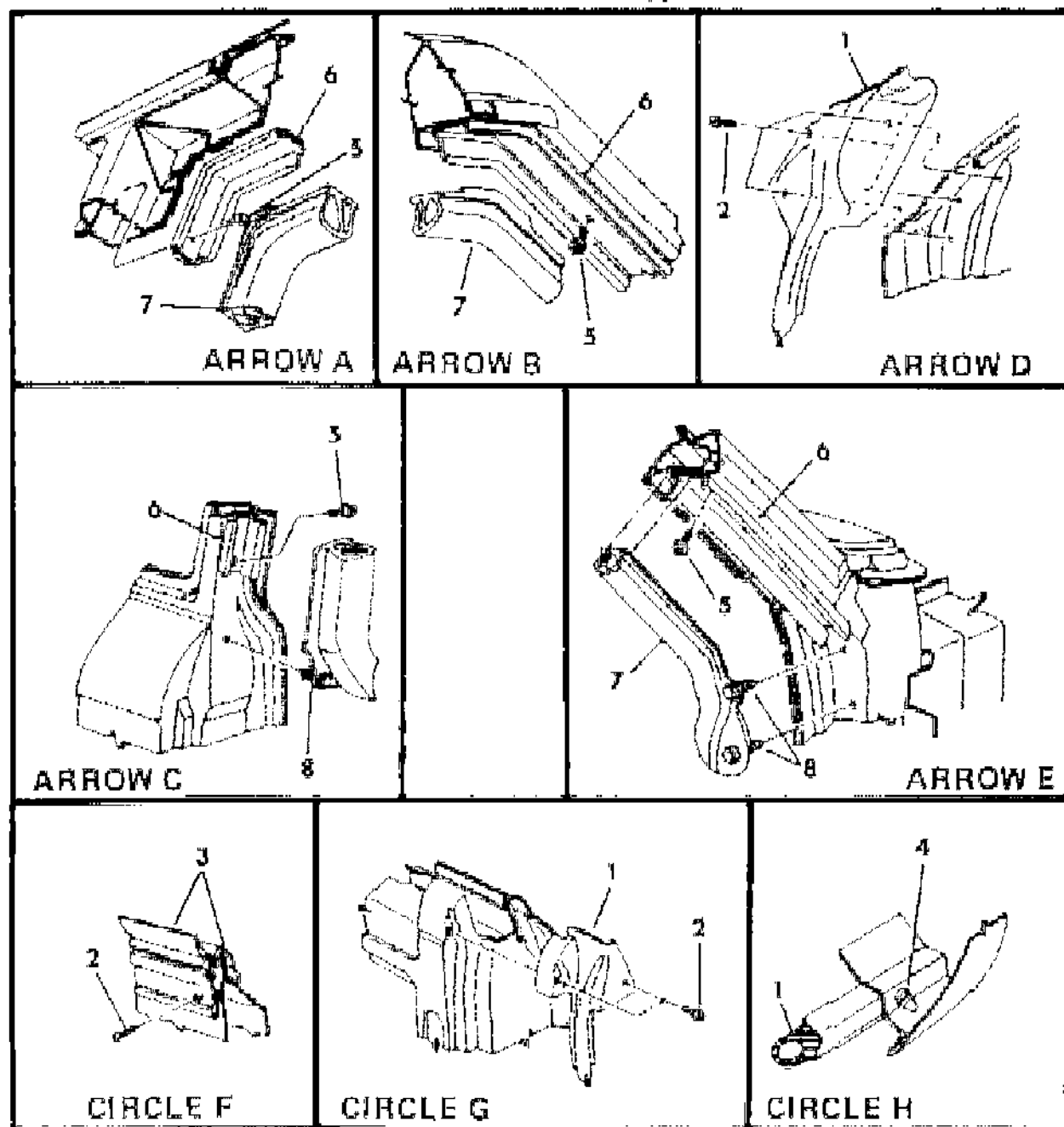
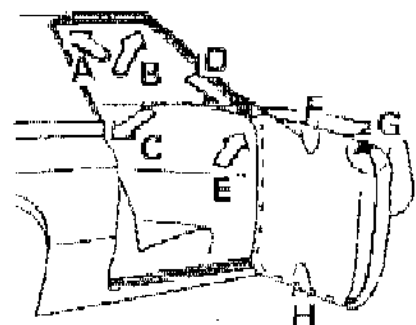
BODY STYLES

21 = 2-DOOR SEDAN	28 = FWD PICKUP	44 = 4-DOOR HATCHBACK
22 = 2-DOOR SPECIAL COUPE	35 = FWD VAN	45 = 4-DOOR STATION WAGON
24 = 2-DOOR HATCHBACK	36 = FWD WAGON	48 = 4-DOOR EXECUTIVE SEDAN
27 = 2-DOOR CONVERTIBLE	41 = 4-DOOR SEDAN	

AR = Use as Required - = Non Illustrated Part P.A.R. = Paint as Required

DOOR, FRONT SIDE RAIL AND DOOR WEATHERSTRIPS M,Z 24,28
Figure 23C-300

4171 300



ITEM	PART NUMBER	QTY	BODY	MODEL	DESCRIPTION
1	5231 284-5	1			WEATHERSTRIP, on Front Door
2		AR			SCREW (DNS)
3					WEATHERSTRIP, Front Door Window Belt
	5208 832-3	1			Inner
	4198 618	1			Outer Right
	4198 579	1			Outer Left
4	4040 732	AR			FASTENER, Door Weatherstrip
	4198 966-7	AR	28		RETAINER, Door Weatherstrip (Black)
5		AR			SCREW (DNS)
6					RETAINER, Roof Side Rail Weatherstrip
	5231 260-1	1	24		Black
	4198 966-7	1	28		Black
7					WEATHERSTRIP, Roof Side Rail
	5231 274-5	1	24		
	4198 962-3	1	28		
8	3759 944	6			RETAINER, Roof Side Rail Weatherstrip Att.

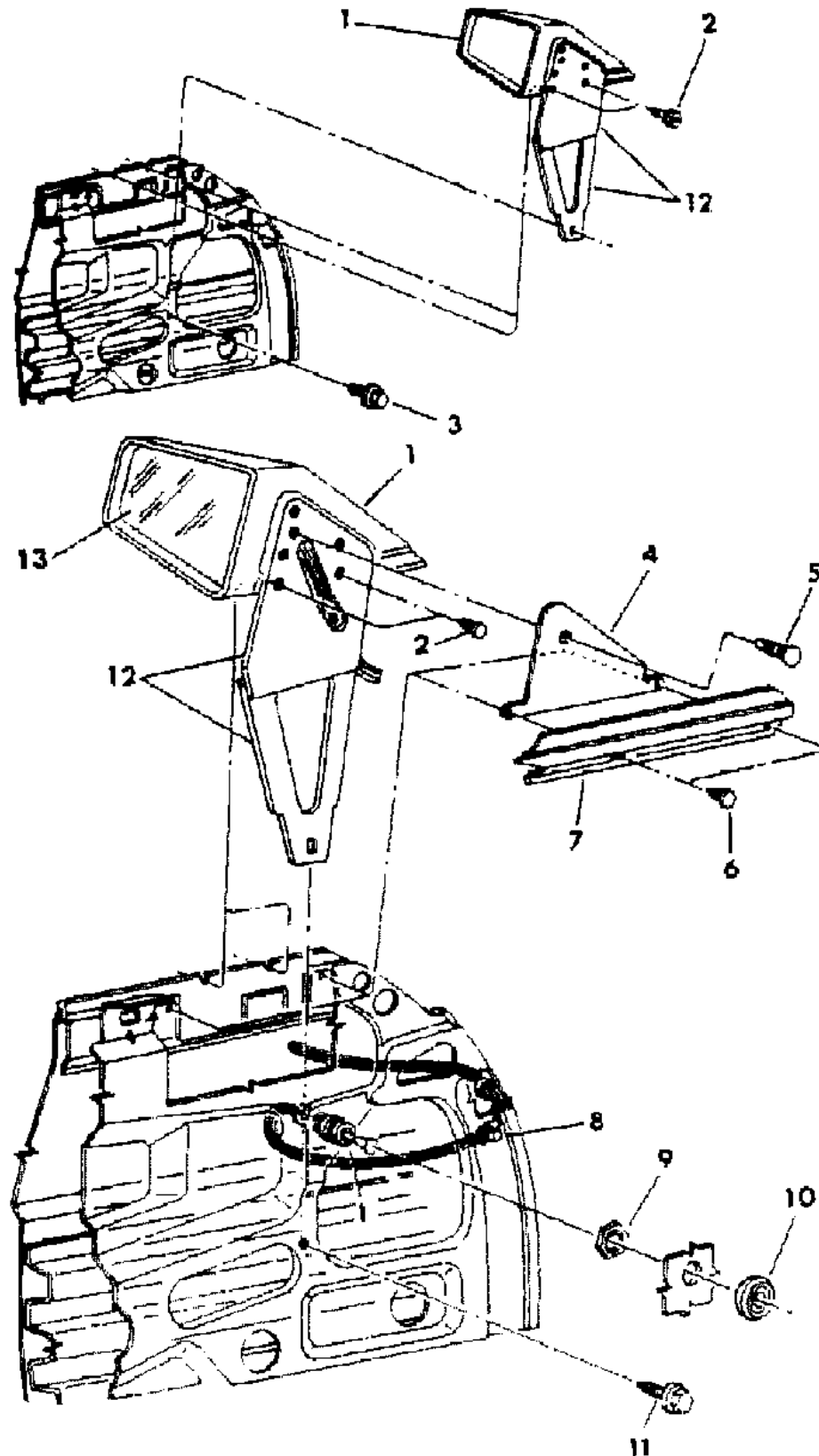
MODEL CODES
 B = GRAN FURY
 C = LEBARON/TOWN & COUNTRY/EXC SEDAN
 C24 = LASER
 D = ARIES
 E = 600
 F = FIFTH AVENUE/NEWPORT
 G = DIPLOMAT
 H = VOYAGER
 K = MINI RAM/CARAVAN/ROYAL
 M = HORIZON/TURISMO
 P = RELIANT
 T = E CLASS/NEW YORKER
 V = 600
 V24 = DAYTONA
 Z = OMNI/CHARGER/RAMPAGE

BODY STYLES
 21 = 2-DOOR SEDAN
 22 = 2-DOOR SPECIAL COUPE
 24 = 2-DOOR HATCHBACK
 27 = 2-DOOR CONVERTIBLE
 28 = FWD PICKUP
 35 = FWD VAN
 36 = FWD WAGON
 41 = 4-DOOR SEDAN
 44 = 4-DOOR HATCHBACK
 45 = 4-DOOR STATION WAGON
 48 = 4-DOOR EXECUTIVE SEDAN

AR = Use as Required - = Non Illustrated Part P.A.R. = Paint as Required

MIRRORS, EXTERIOR M,Z 24,28
Figure 23C-400

4171 400



ITEM	PART NUMBER	QTY	BODY	MODEL	DESCRIPTION
1					MIRROR PACKAGE, Door Remote Control
	5232 116	1			Racing, Painted Convex, Right
	5232 117	1			Racing, Left Painted
2		AR			SCREW (DNS)
3		AR			SCREW (DNS)
4	5207 356-7	1			COVER, Door Outside Remote Control Mirror Mtg. Bracket
5	3759 944	2			RETAINER, Plastic
6					SCREW (DNS)
7					WEATHERSTRIP, Refer to Weatherstrip Illus.
8					CLIP (DNS)
9	6030 356	2			NUT, Control Index
10	5207 280	2			NUT, Remote Control Mirror Control Att.
11					SCREW (DNS)
12					BRACKET w/SUPPORT
	5207 362	1			Remote Control Mirror, Right
	5207 363	1			Manual or Remote Control Mirror, Left
13	4267 868-9	1			REPLACEMENT GLASS PACKAGE
	6031 869	1			GROMMET, Door Reinforcement

MODEL CODES

B = GRAN FURY	F = FIFTH AVENUE/NEWPORT	P = RELIANT
C = LEBARON/TOWN & COUNTRY/EXC SEDAN	G = DIPLOMAT	T = E CLASS/NEW YORKER
C24 = LASER	H = VOYAGER	V = 600
D = ARIES	K = MINI RAM/CARAVAN/ROYAL	V24 = DAYTONA
E = 600	M = HORIZON/TURISMO	Z = OMNI/CHARGER/RAMPAGE

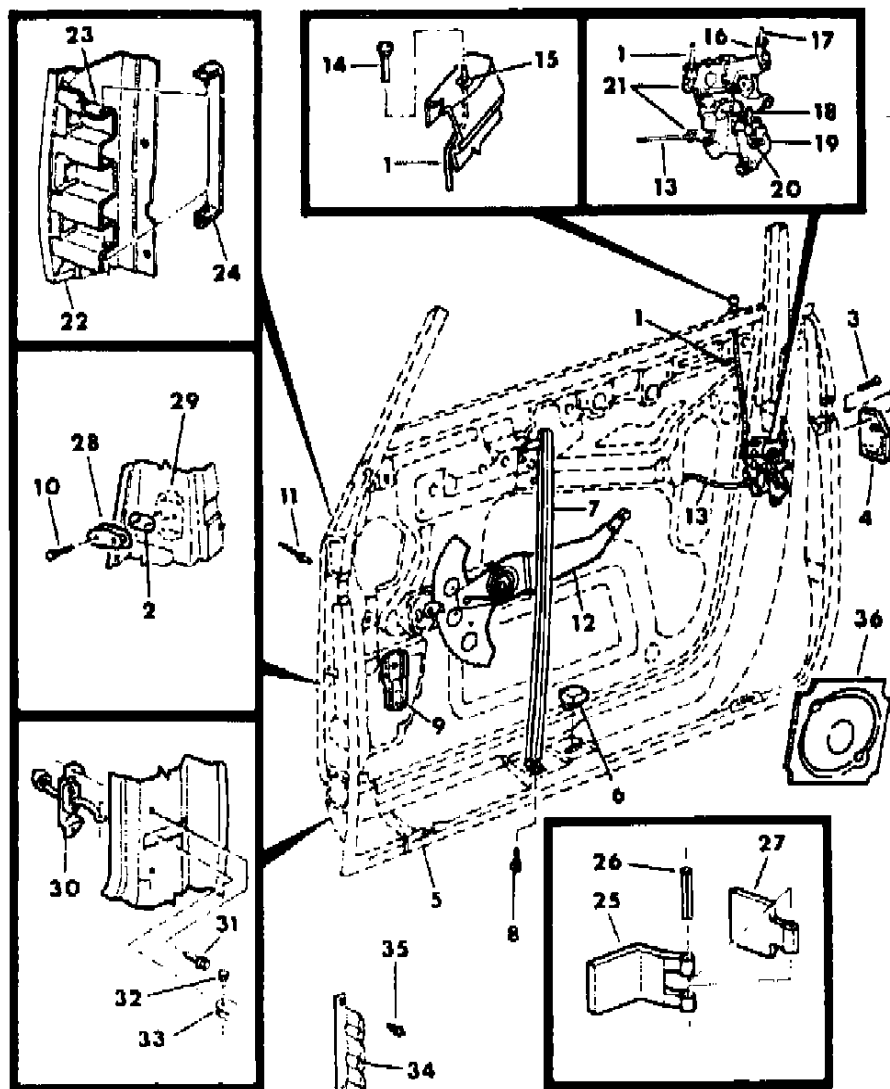
BODY STYLES

21 = 2-DOOR SEDAN	28 = FWD PICKUP	44 = 4-DOOR HATCHBACK
22 = 2-DOOR SPECIAL COUPE	35 = FWD VAN	45 = 4-DOOR STATION WAGON
24 = 2-DOOR HATCHBACK	36 = FWD WAGON	48 = 4-DOOR EXECUTIVE SEDAN
27 = 2-DOOR CONVERTIBLE	41 = 4-DOOR SEDAN	

AR = Use as Required - = Non Illustrated Part P.A.R. = Paint as Required

DOOR, FRONT SHELL, REGULATORS, CONTROLS AND LOCKS M,Z 44
Figure 23C-500

4171 500



ITEM	PART NUMBER	QTY	BODY	MODEL	DESCRIPTION
1	5200 970	2			ROD, Door Latch Locking Control Push
2	5231 368	2			STOP, Door
3	6100 866	AR			SCREW
4	4184 776-7	1			LATCH, Front Door Exterior
5	4297 856-7	1			DOOR SHELL
	4310 022-3	1			PANEL, Repair
6	3759 910	2			BUMPER, Glass Down Stop
7	4280 580-1	1			CHANNEL w/BRACKET, Door Glass
8	6500 191	AR			SCREW
9					BRACKET, Mirror Control Mtg. (See Mirror Illus.)
10	6500 295	AR			SCREW
11	6031 115	AR			RIVET
12	5231 742-3	1			REGULATOR, Front Door Window
	3882 758	2			SLIDE, Manual Regulator
	3508 121	2			SPRING, Manual Window Regulator Assist
13	5231 220-1	1			LINK w/SLEEVE, Door Latch Remote Control to Latch
14	4049 609	AR			KNOB, Latch Locking Control
15	3510 447	2			GROMMET, Locking Knob
16	3760 130-1	AR			CLIP
17	5231 480-1	1			LINK, Lock Cylinder to Latch
18	4336 294-5	1			LINK, Exterior Handle to Latch
19					LATCH, Front Door Inside
	4184 750	1			Right, Non Override
	4184 753	1			Left, Override
20	2945 108-9	AR			CLIP
21	3454 220-1	AR			CLIP
22					PILLAR, Serviced in Door Shell
23					REINFORCEMENT, Serviced in Door Shell
24	5231 294	2			BUMPER w/RETAINER, Door Impact Bar
25	5231 594	4			LEAF, Fixed Hinge, Body Half
26	6500 361	4			PIN, Door Hinge
27	5231 595	4			LEAF, Moving Hinge, Door Half
28	5200 875	2			STRIKER, Front Door Latch
	5231 564	AR			SPACER, Door Latch Striker
	5231 343	2			BUMPER, Door Latch Striker
	4050 350-1	1			REINFORCEMENT, Latch Inside Panel
29	5200 368	2			T/PLATE, Body Center Pillar Outer Latch Striker
30	4293 244	2			CHECK ARM, Door

MODEL CODES

B = GRAN FURY	F = FIFTH AVENUE/NEWPORT	P = RELIANT
C = LEBARON/TOWN & COUNTRY/EXC SEDAN	G = DIPLOMAT	T = E CLASS/NEW YORKER
C24 = LASER	H = VOYAGER	V = 600
D = ARIES	K = MINI RAM/CARAVAN/ROYAL	V24 = DAYTONA
E = 600	M = HORIZON/TURISMO	Z = OMNI/CHARGER/RAMPAGE

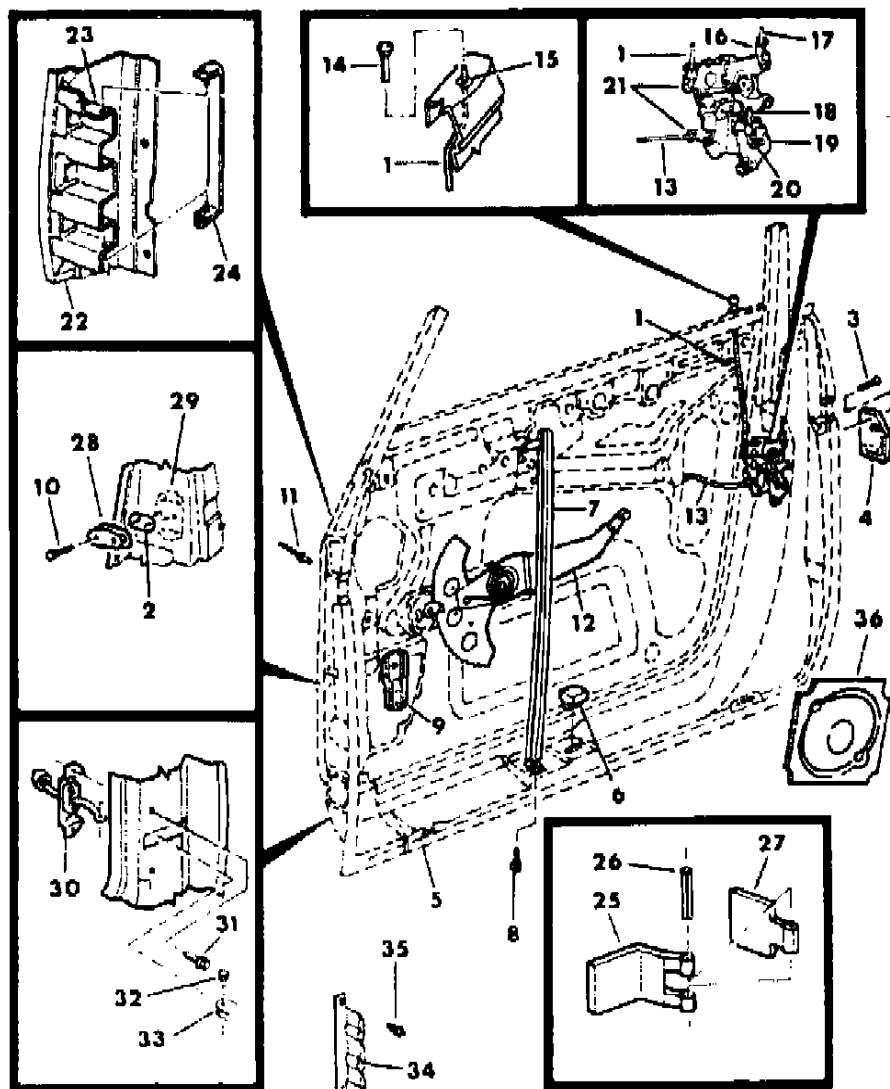
BODY STYLES

21 = 2-DOOR SEDAN	28 = FWD PICKUP	44 = 4-DOOR HATCHBACK
22 = 2-DOOR SPECIAL COUPE	35 = FWD VAN	45 = 4-DOOR STATION WAGON
24 = 2-DOOR HATCHBACK	36 = FWD WAGON	48 = 4-DOOR EXECUTIVE SEDAN
27 = 2-DOOR CONVERTIBLE	41 = 4-DOOR SEDAN	

AR = Use as Required - = Non Illustrated Part P.A.R. = Paint as Required

DOOR, FRONT SHELL, REGULATORS, CONTROLS AND LOCKS M,Z 44
Figure 23C-500

4171 500



ITEM	PART NUMBER	QTY	BODY	MODEL	DESCRIPTION
	4106 712	2			GUIDE, Door Arm Chack
31		AR			SCREW w/WASHER (DNS)
32					RIVET (DNS)
33					BRACKET, Check Arm (Serviced in Pillar)
34	5231 368	2			STOP, Front Door
35		4			SCREW (DNS)
36	4222 776	2			SPEAKER, Front Door
	4222 575	2			ADAPTER, Front Door Speaker
	D460 BT8	2			GRILLE, Front Door Speaker

MODEL CODES

B = GRAN FURY	F = FIFTH AVENUE/NEWPORT	P = RELIANT
C = LEBARON/TOWN & COUNTRY/EXC SEDAN	G = DIPLOMAT	T = E CLASS/NEW YORKER
C24 = LASER	H = VOYAGER	V = 600
D = ARIES	K = MINI RAM/CARAVAN/ROYAL	V24 = DAYTONA
E = 600	M = HORIZON/TURISMO	Z = OMNI/CHARGER/RAMPAGE

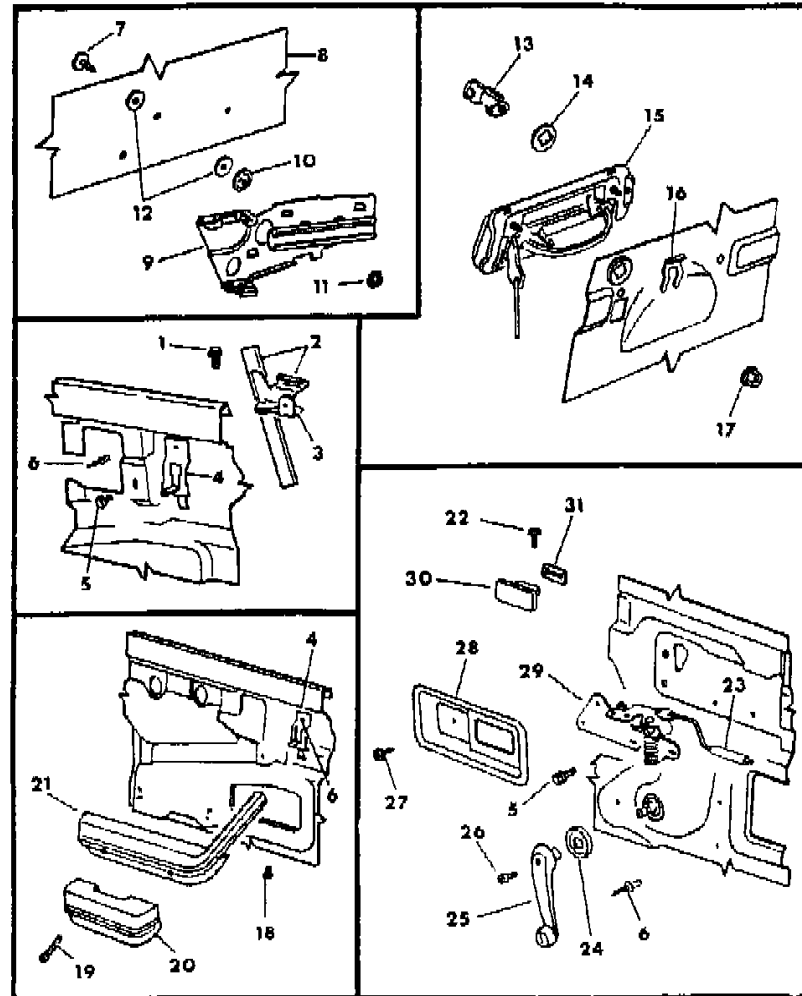
BODY STYLES

21 = 2-DOOR SEDAN	28 = FWD PICKUP	44 = 4-DOOR HATCHBACK
22 = 2-DOOR SPECIAL COUPE	35 = FWD VAN	45 = 4-DOOR STATION WAGON
24 = 2-DOOR HATCHBACK	36 = FWD WAGON	48 = 4-DOOR EXECUTIVE SEDAN
27 = 2-DOOR CONVERTIBLE	41 = 4-DOOR SEDAN	

AR = Use as Required - = Non Illustrated Part P.A.R. = Paint as Required

DOOR, FRONT GLASS, HANDLES AND HARDWARE M,Z 44
Figure 23C-600

4171 600



ITEM	PART NUMBER	QTY	BODY	MODEL	DESCRIPTION
1	6500 191	AR			SCREW w/WASHER
2	4280 580-1	1			CHANNEL w/BRACKET, Door Glass
3					BRACKET w/NUT, Door Glass Track Channel, Serviced in Item #2
4	5231 114	2			SUPPORT, Inside Panel Arm Rest
5		AR			SCREW w/WASHER (DNS)
6	6031 115	AR			RIVET
7	6029 998	AR			STUD w/WASHER
8					GLASS, Front Door
	4280 990-1	1			Clear
	4280 992-3	1			Tinted
	4040 294	2			STABILIZER, Door Glass
9	4336 508-9	1			PLATE w/CHANNEL, Door Glass Track, w/Upper and Lower Guide
10		AR			TEE NUT (DNS)
11					NUT (DNS)
12	5231 769	AR			GASKET, Door Glass
13					CYLINDER, Lock Refer to 23D
14					GASKET, Lock Cylinder, Refer to 23D
15	4310 010	2			HANDLE, Front Door Exterior
16					RETAINER, Lock Cylinder, Refer to 23D
17	6500 274	AR			NUT w/WASHER
18	6500 141	AR			SCREW
19		AR			SCREW (DNS)
20					ARM REST, Refer to IT Section
21					ARM REST, Long, Refer to IT Section
22	6031 318	AR			SCREW
23	5231 220-1	1			LINK w/SLEEVE, Door Latch Remote Control to Latch
24	3882 768	AR			SPACER, Door Manual Window Regulator Handle
25	3882 764	2			HANDLE, Front Door Window Regulator
26		2			SCREW (DNS)
27	6100 903	2			SCREW
28					BEZEL, Front Door Latch Remote Control Handle
	D459 AA3	2			Silver
	D459 BB5	2			Blue
	D459 VM6	2			Red
	D459 BL3	2			Tan
	D459 CT8	2			Brown

MODEL CODES

B = GRAN FURY	F = FIFTH AVENUE/NEWPORT	P = RELIANT
C = LEBARON/TOWN & COUNTRY/EXC SEDAN	G = DIPLOMAT	T = E CLASS/NEW YORKER
C24 = LASER	H = VOYAGER	V = 600
D = ARIES	K = MINI RAM/CARAVAN/ROYAL	V24 = DAYTONA
E = 600	M = HORIZON/TURISMO	Z = OMNI/CHARGER/RAMPAGE

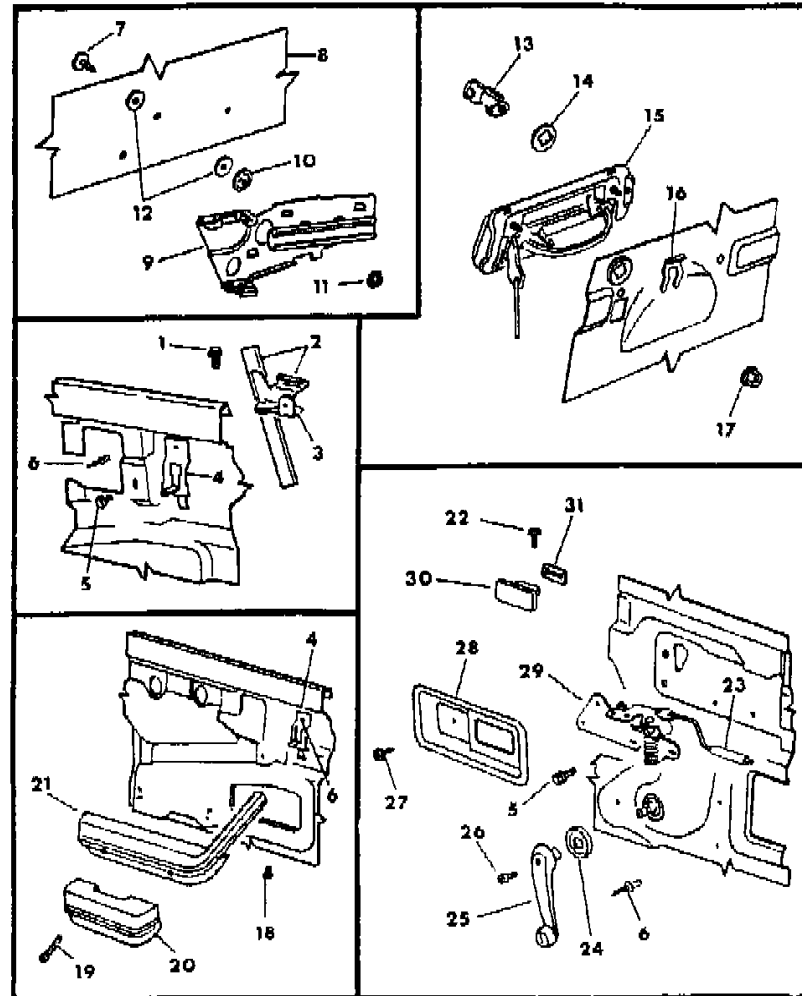
BODY STYLES

21 = 2-DOOR SEDAN	28 = FWD PICKUP	44 = 4-DOOR HATCHBACK
22 = 2-DOOR SPECIAL COUPE	35 = FWD VAN	45 = 4-DOOR STATION WAGON
24 = 2-DOOR HATCHBACK	36 = FWD WAGON	48 = 4-DOOR EXECUTIVE SEDAN
27 = 2-DOOR CONVERTIBLE	41 = 4-DOOR SEDAN	

AR = Use as Required - = Non Illustrated Part P.A.R. = Paint as Required

DOOR, FRONT GLASS, HANDLES AND HARDWARE M,Z 44
Figure 23C-600

4171 600



ITEM	PART NUMBER	QTY	BODY	MODEL	DESCRIPTION
29	5231 930-1	1			REMOTE CONTROL, Front Door Latch
30	5200 878-9	1			HANDLE, Front Door Latch Remote Control
31	5231 135	2			SEAL, Door Latch Remote Control Handle

MODEL CODES

B = GRAN FURY	F = FIFTH AVENUE/NEWPORT	P = RELIANT
C = LEBARON/TOWN & COUNTRY/EXC SEDAN	G = DIPLOMAT	T = E CLASS/NEW YORKER
C24 = LASER	H = VOYAGER	V = 600
D = ARIES	K = MINI RAM/CARAVAN/ROYAL	V24 = DAYTONA
E = 600	M = HORIZON/TURISMO	Z = OMNI/CHARGER/RAMPAGE

BODY STYLES

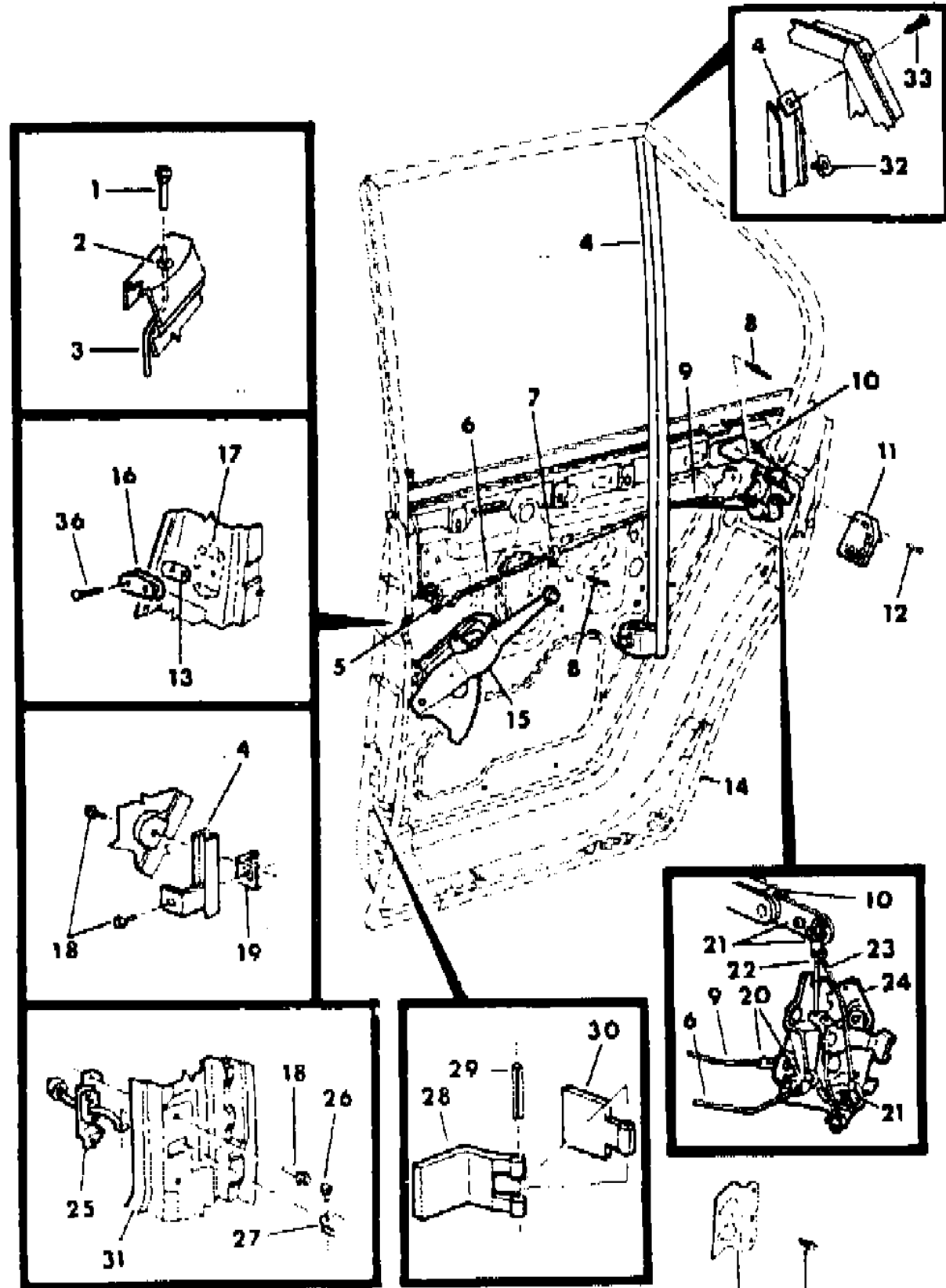
21 = 2-DOOR SEDAN	28 = FWD PICKUP	44 = 4-DOOR HATCHBACK
22 = 2-DOOR SPECIAL COUPE	35 = FWD VAN	45 = 4-DOOR STATION WAGON
24 = 2-DOOR HATCHBACK	36 = FWD WAGON	48 = 4-DOOR EXECUTIVE SEDAN
27 = 2-DOOR CONVERTIBLE	41 = 4-DOOR SEDAN	

AR = Use as Required - = Non Illustrated Part P.A.R. = Paint as Required

DOOR, REAR SHELL, REGULATORS AND CONTROLS M,Z 44

Figure 23C-700

4171 700



ITEM	PART NUMBER	QTY	BODY	MODEL	DESCRIPTION
1	4049 609	2			KNOB, Latch Locking Control
2	3510 447	2			GROMMET, Locking Knob
3	5200 909	2			ROD, Latch Locking Control Push
4	4310 282-3	1			CHANNEL w/BRACKET and RUN, Door Glass
5	3871 044	2			LEVER, Door Latch Locking Control
6	5231 563	2			LINK w/SLEEVE, Door Latch Locking Control to Latch
7	3882 620	AR			CLIP, Anti Rattle
8	6031 115	AR			RIVET
9	5231 222-3	1			LINK w/Sleeve, Door Latch Remote Control to Latch
10	5231 768	2			BRACKET w/LEVER, Door Latch Actg.
11	4184 776-7	1			LATCH, Rear Door Exterior
12	6100 866	AR			SCREW
13	5231 564	AR			SPACER, Door Striker
14	4297 850-1	1			DOOR SHELL
	4310 024-5	1			PANEL, Repair
15	5200 722-3	1			REGULATOR, Rear Door Window
	3882 758	2			SLIDE, Manual Regulator
	4082 028	2			PLATE, Manual Window Regulator
16	5200 875	2			STRIKER, Door Latch
	5231 564	AR			SPACER, Door Latch Striker
	5231 343	2			BUMPER, Door Latch Striker
17	5200 368	2			T/PLATE, Outer Latch Striker
18		AR			SCREW w/WASHER (DNS)
19	5231 136	2			BRACKET, Door Fixed Vent Window Division Channel Att.
20	3454 220-1	AR			CLIP
21	2945 108-9	AR			CLIP
22					LINK, Exterior Handle to Actg. Lever
	5231 884	2			Up to 3-1-84
	4310 892-3	1			After 3-1-84
23	5231 523	2			LINK, Door Latch to Actg. Lever
24	5231 650-1	1			LATCH, Rear Door Inside
25	4106 712	2			ARM, Rear Door Check
26					SCREW (DNS)
27					BRACKET, Check Arm, Serviced in Pillar
28	5231 894	4			LEAF, Rear Door Fixed Hinge, Body Half
29	6500 361	4			PIN, Door Hinge
30	5231 595	4			LEAF, Rear Door Moving Hinge, Door Half
31					PILLAR, Serviced in Door Shell

MODEL CODES

B = GRAN FURY	F = FIFTH AVENUE/NEWPORT	P = RELIANT
C = LEBARON/TOWN & COUNTRY/EXC SEDAN	G = DIPLOMAT	T = E CLASS/NEW YORKER
C24 = LASER	H = VOYAGER	V = 600
D = ARIES	K = MINI RAM/CARAVAN/ROYAL	V24 = DAYTONA
E = 600	M = HORIZON/TURISMO	Z = OMNI/CHARGER/RAMPAGE

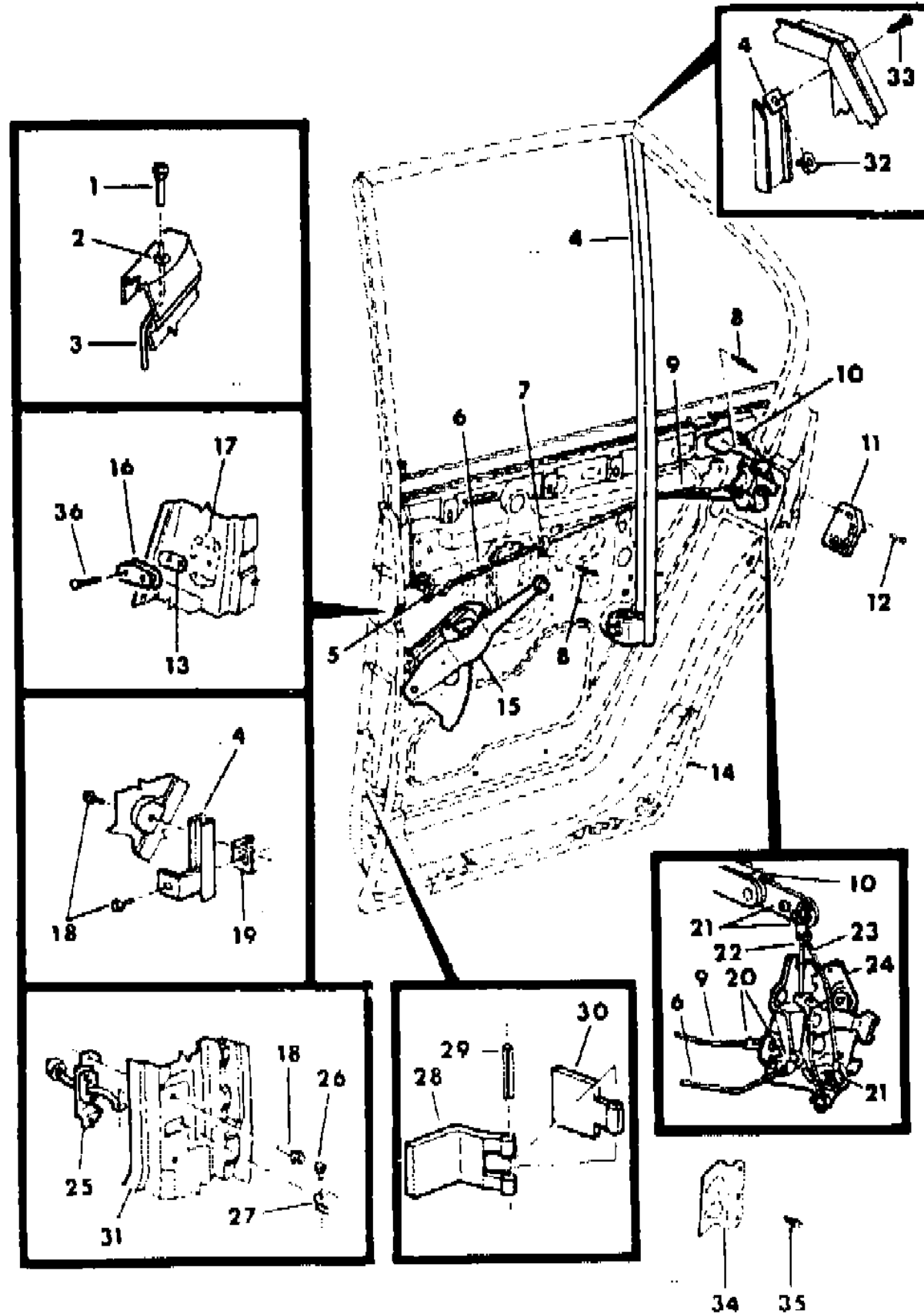
BODY STYLES

21 = 2-DOOR SEDAN	28 = FWD PICKUP	44 = 4-DOOR HATCHBACK
22 = 2-DOOR SPECIAL COUPE	35 = FWD VAN	45 = 4-DOOR STATION WAGON
24 = 2-DOOR HATCHBACK	36 = FWD WAGON	48 = 4-DOOR EXECUTIVE SEDAN
27 = 2-DOOR CONVERTIBLE	41 = 4-DOOR SEDAN	

AR = Use as Required - = Non Illustrated Part P.A.R. = Paint as Required

DOOR, REAR SHELL, REGULATORS AND CONTROLS M,Z 44
Figure 23C-700

4171 700



ITEM	PART NUMBER	QTY	BODY	MODEL	DESCRIPTION
32		2			U/NUT (DNS)
33					SCREW (DNS)
34	5231 369	2			STOP, Rear Door
35		4			SCREW (DNS)
36	6500 295	AR			SCREW

MODEL CODES

B = GRAN FURY	F = FIFTH AVENUE/NEWPORT	P = RELIANT
C = LEBARON/TOWN & COUNTRY/EXC SEDAN	G = DIPLOMAT	T = E CLASS/NEW YORKER
C24 = LASER	H = VOYAGER	V = 600
D = ARIES	K = MINI RAM/CARAVAN/ROYAL	V24 = DAYTONA
E = 600	M = HORIZON/TURISMO	Z = OMNI/CHARGER/RAMPAGE

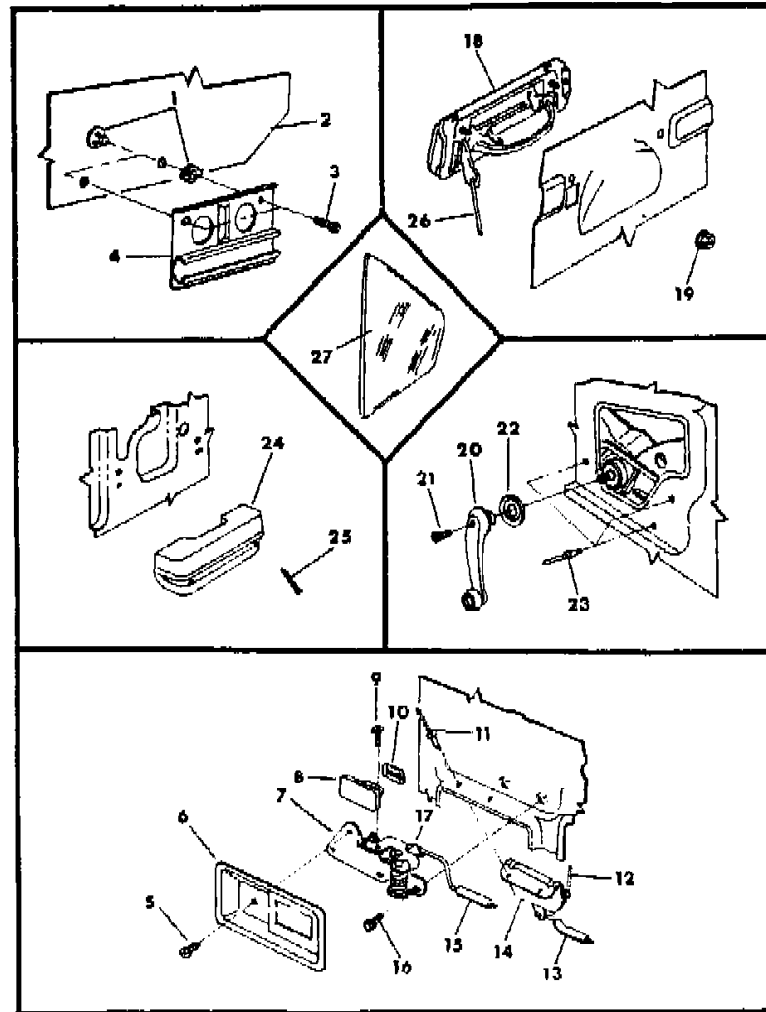
BODY STYLES

21 = 2-DOOR SEDAN	28 = FWD PICKUP	44 = 4-DOOR HATCHBACK
22 = 2-DOOR SPECIAL COUPE	35 = FWD VAN	45 = 4-DOOR STATION WAGON
24 = 2-DOOR HATCHBACK	36 = FWD WAGON	48 = 4-DOOR EXECUTIVE SEDAN
27 = 2-DOOR CONVERTIBLE	41 = 4-DOOR SEDAN	

AR = Use as Required - = Non Illustrated Part P.A.R. = Paint as Required

DOOR, REAR GLASS, HANDLES AND LOCKS M,Z 44
Figure 23C-800

4171 800



ITEM	PART NUMBER	QTY	BODY	MODEL	DESCRIPTION
1	3744 734	AR			BUSHING and FASTENER, Door Glass Lift
2					GLASS, Rear Door, Movable
	5231 730-1	1			Clear
	5231 732-3	1			Tinted
					Stationary
	5231 894-5	1			Clear
	5231 896-7	1			Tinted
3	6030 182	AR			SCREW
4	5215 364	2			CHANNEL, Door Glass Track
5	6100 903	AR			SCREW
6					BEZEL, Rear Door Latch Remote Control Handle
	D459 AA3	2			Silver
	D459 BB5	2			Blue
	D459 VM6	2			Red
	D459 BL3	2			Tan
	D459 CT8	2			Brown
7	5231 930-1	1			REMOTE CONTROL, Rear Door Latch
8	5200 878-9	1			HANDLE, Rear Door Latch Remote Control
9	6031 318	AR			SCREW
10	5231 135	2			SEAL, Door Latch Remote Control Handle
11	6031 115	AR			RIVET
12	5200 909	2			ROD, Door Latch Locking Control Push
13	5231 563	2			LINK w/SLEEVE, Latch Locking Control to Latch
14	5215 338-9	1			SUPPORT, Door Latch Locking Control Lever
15	5231 222-3	1			LINK w/SLEEVE, Latch Remote Control to Latch
16		AR			SCREW w/WASHER (DNS)
17	2945 108-9	AR			CLIP
18	4310 010	2			HANDLE, Rear Door Exterior
19	6500 274	4			NUT w/WASHER
20	3882 764	2			HANDLE, Rear Door Window Regulator
21	6031 644	2			SCREW
22	3882 768	2			SPACER, Manual Window Regulator Handle
23	6031 115	AR			RIVET
24					ARM REST, Refer to IT Section
25		AR			SCREW (DNS)
26	5231 523	2			LINK, Door Exterior Handle to Actg. Lever
27					GLASS, Rear Door Stationary
	5231 894-5	1			Clear

MODEL CODES

B = GRAN FURY	F = FIFTH AVENUE/NEWPORT	P = RELIANT
C = LEBARON/TOWN & COUNTRY/EXC SEDAN	G = DIPLOMAT	T = E CLASS/NEW YORKER
C24 = LASER	H = VOYAGER	V = 600
D = ARIES	K = MINI RAM/CARAVAN/ROYAL	V24 = DAYTONA
E = 600	M = HORIZON/TURISMO	Z = OMNI/CHARGER/RAMPAGE

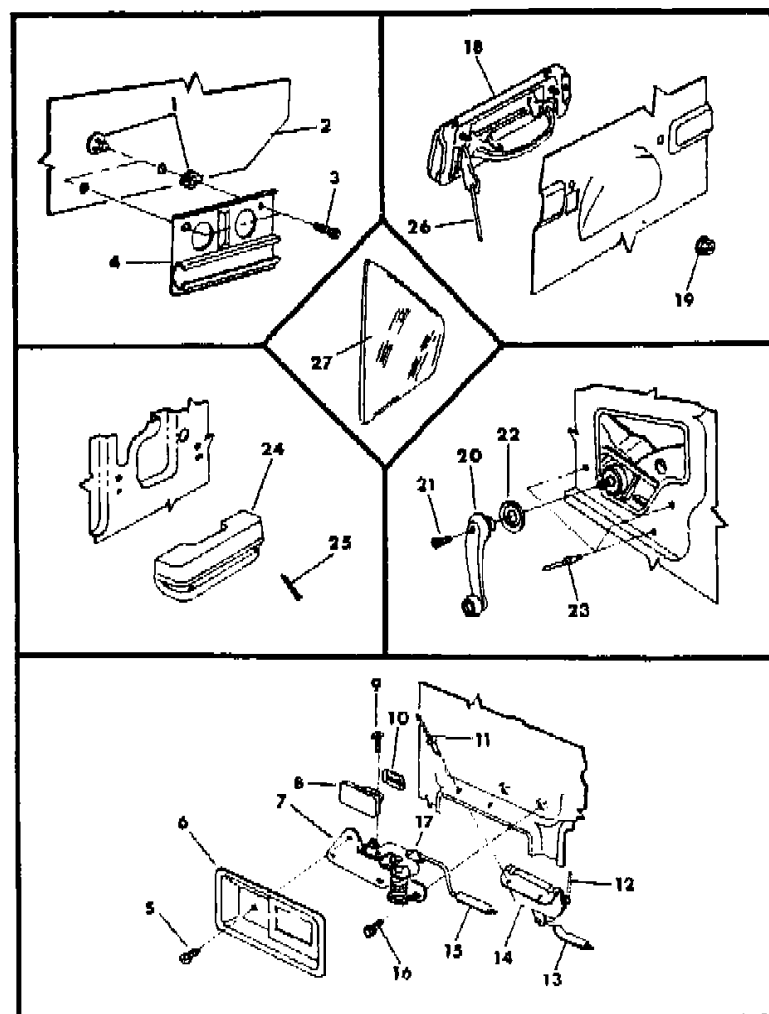
BODY STYLES

21 = 2-DOOR SEDAN	28 = FWD PICKUP	44 = 4-DOOR HATCHBACK
22 = 2-DOOR SPECIAL COUPE	35 = FWD VAN	45 = 4-DOOR STATION WAGON
24 = 2-DOOR HATCHBACK	36 = FWD WAGON	48 = 4-DOOR EXECUTIVE SEDAN
27 = 2-DOOR CONVERTIBLE	41 = 4-DOOR SEDAN	

AR = Use as Required - = Non Illustrated Part P.A.R. = Paint as Required

DOOR, REAR GLASS, HANDLES AND LOCKS M,Z 44
Figure 23C-800

4171 800



ITEM	PART NUMBER	QTY	BODY	MODEL	DESCRIPTION
	5231 896-7	1			Tinted

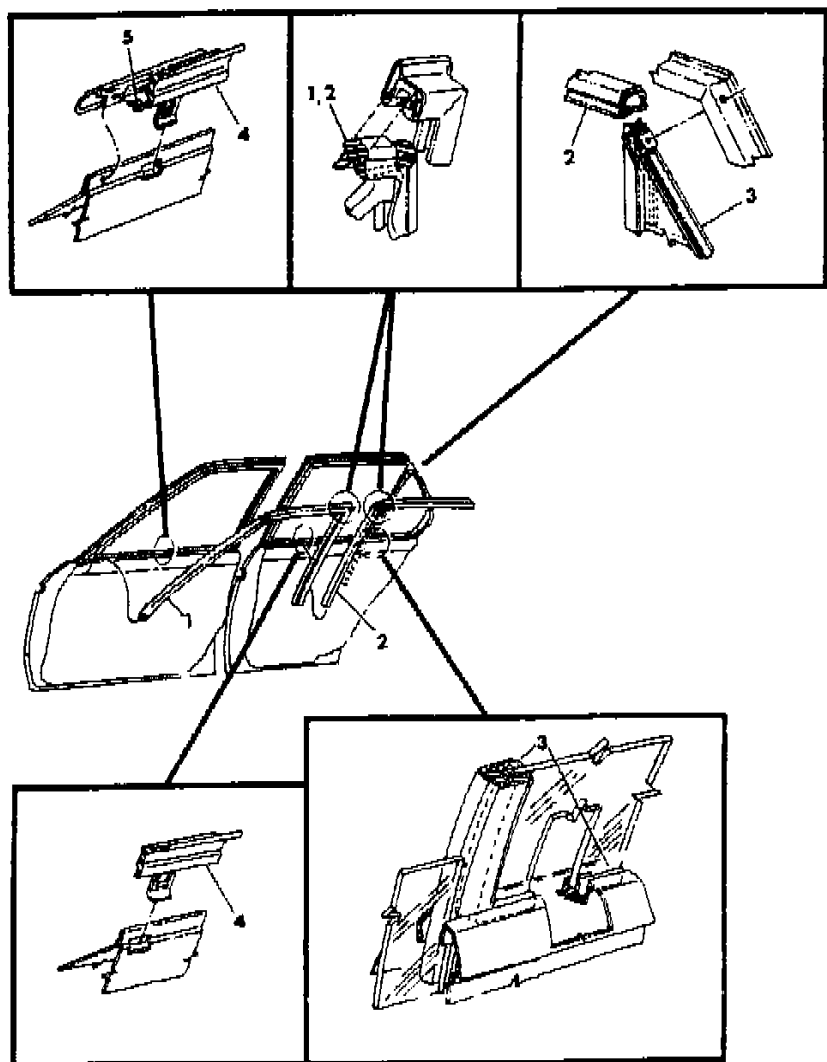
MODEL CODES
 B = GRAN FURY
 C = LEBARON/TOWN & COUNTRY/EXC SEDAN
 C24 = LASER
 D = ARIES
 E = 600
 F = FIFTH AVENUE/NEWPORT
 G = DIPLOMAT
 H = VOYAGER
 K = MINI RAM/CARAVAN/ROYAL
 M = HORIZON/TURISMO
 P = RELIANT
 T = E CLASS/NEW YORKER
 V = 600
 V24 = DAYTONA
 Z = OMNI/CHARGER/RAMPAGE

BODY STYLES
 21 = 2-DOOR SEDAN
 22 = 2-DOOR SPECIAL COUPE
 24 = 2-DOOR HATCHBACK
 27 = 2-DOOR CONVERTIBLE
 28 = FWD PICKUP
 35 = FWD VAN
 36 = FWD WAGON
 41 = 4-DOOR SEDAN
 44 = 4-DOOR HATCHBACK
 45 = 4-DOOR STATION WAGON
 48 = 4-DOOR EXECUTIVE SEDAN

AR = Use as Required - = Non Illustrated Part P.A.R. = Paint as Required

DOOR, FRONT AND REAR WEATHERSTRIPS AND RUNS M,Z 44
Figure 23C-900

4171 900



ITEM	PART NUMBER	QTY	BODY	MODEL	DESCRIPTION
1	4310 058	2			RUN w/CLIP, Front Door Glass
2	5231 367	2			RUN, Rear Door Glass
3	5200 770	2			WEATHERSTRIP, Rear Door Fixed Vent Window
4					WEATHERSTRIP w/CLIPS, Window Belt
					Front Door
	5209 232-3	1			Outer, Belt
	5231 886-7	1			Inner
					Rear Door
	5209 234-5	1			Outer, Belt
	5208 624-5	1			Inner
	5208 891	2			CLIP, Rear Door Opening Weatherstrip
5		AR			SCREW (DNS)

NOTE: FRONT AND REAR DOOR OPENING WEATHERSTRIP. SEE TRIM SECTION, PINCHWELD W/WEATHERSTRIP BODY MOUNTED. ode). Both models are derived from the 100.1" W.B. LeBaron (C 22 Model). Sheet metal parts for the C 48 not found

MODEL CODES

B = GRAN FURY	F = FIFTH AVENUE/NEWPORT	P = RELIANT
C = LEBARON/TOWN & COUNTRY/EXC SEDAN	G = DIPLOMAT	T = E CLASS/NEW YORKER
C24 = LASER	H = VOYAGER	V = 600
D = ARIES	K = MINI RAM/CARAVAN/ROYAL	V24 = DAYTONA
E = 600	M = HORIZON/TURISMO	Z = OMNI/CHARGER/RAMPAGE

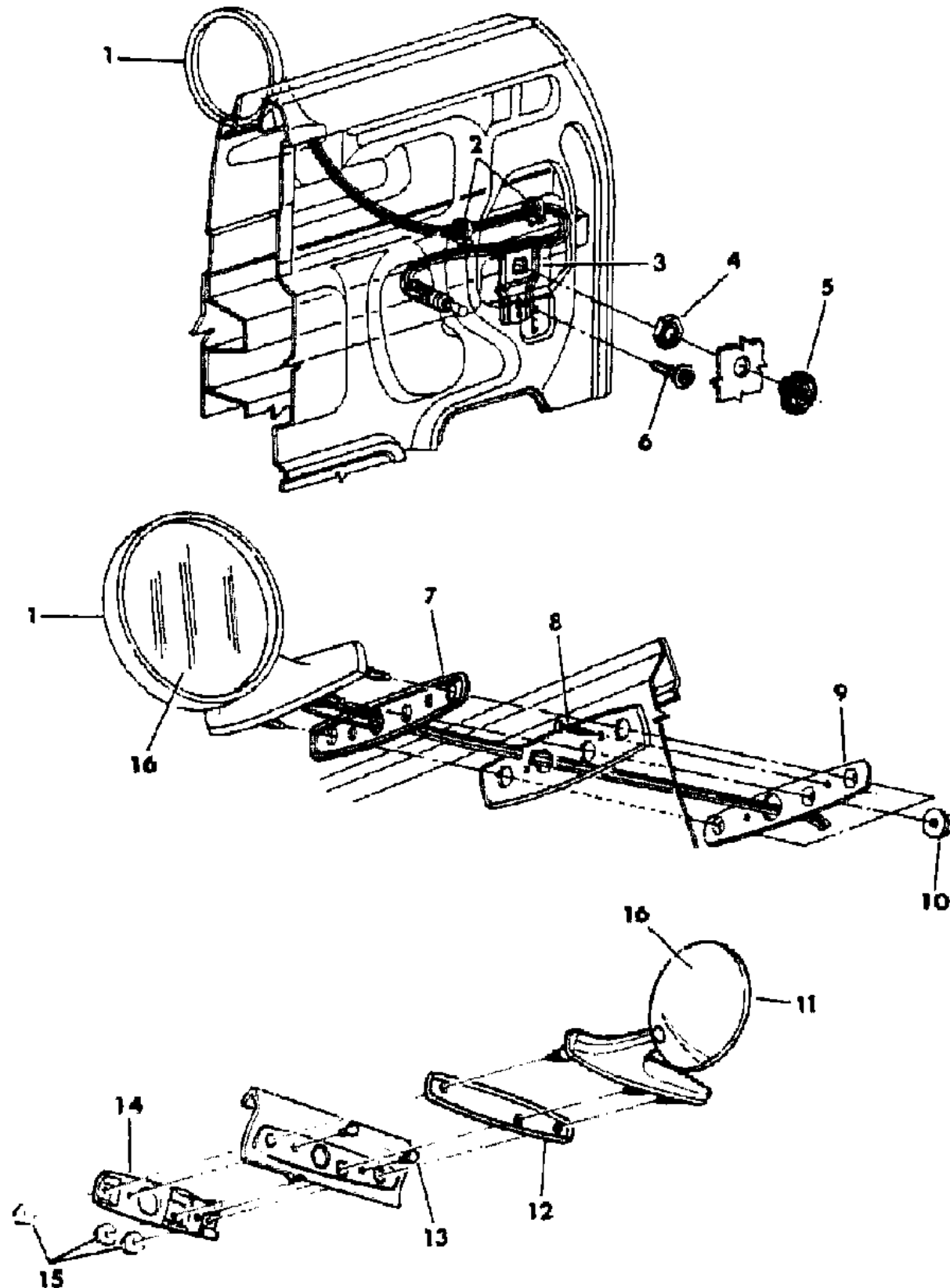
BODY STYLES

21 = 2-DOOR SEDAN	28 = FWD PICKUP	44 = 4-DOOR HATCHBACK
22 = 2-DOOR SPECIAL COUPE	35 = FWD VAN	45 = 4-DOOR STATION WAGON
24 = 2-DOOR HATCHBACK	36 = FWD WAGON	48 = 4-DOOR EXECUTIVE SEDAN
27 = 2-DOOR CONVERTIBLE	41 = 4-DOOR SEDAN	

AR = Use as Required - = Non Illustrated Part P.A.R. = Paint as Required

MIRRORS, EXTERIOR M,Z 44
Figure 23C-1000

4171 1000



ITEM	PART NUMBER	QTY	BODY	MODEL	DESCRIPTION
1					MIRROR PACKAGE, Remote Control
	4299 224	1			Chrome Round, Right
	5232 113	1			Chrome Round, Left
	5232 182-3	1			Round Remote Control, Black
	5232 117	1			Racing, Left, Paint as Required
2					CLIP, Serviced in Mirror Package
3	5207 214	2			BRACKET, Door Remote Control Mounting, Right and Left
4	6030 356	AR			NUT
5	2999 001	1			BEZEL, Door Remote Control Mirror Control Att.
6		AR			SCREW (DNS)
7	4054 132	1			GASKET, Door w/Chrome Remote Control Mirror, Right
	3861 321	1			w/Painted Mirror
8		AR			RETAINER (DNS)
9					REINFORCEMENT, Mirror
	3861 804	1			Right
	4299 127	1			Left
	3861 467	1			Right, Black
10	6025 001	AR			NUT
11					MIRROR PACKAGE, Manual Round Chrome
	3882 071	1			Left
	4267 927	1			Right
12					GASKET, Serviced in Package
13	3759 944	AR			CLIP, Mirror Mounting Reinforcement
14	3861 805	1			REINFORCEMENT, Mirror
15	6025 001	AR			NUT w/WASHER
16	4267 870-1	1			REPLACEMENT GLASS PACKAGE
	4267 884	1			Manual Glass

MODEL CODES

B = GRAN FURY	F = FIFTH AVENUE/NEWPORT	P = RELIANT
C = LEBARON/TOWN & COUNTRY/EXC SEDAN	G = DIPLOMAT	T = E CLASS/NEW YORKER
C24 = LASER	H = VOYAGER	V = 600
D = ARIES	K = MINI RAM/CARAVAN/ROYAL	V24 = DAYTONA
E = 600	M = HORIZON/TURISMO	Z = OMNI/CHARGER/RAMPAGE

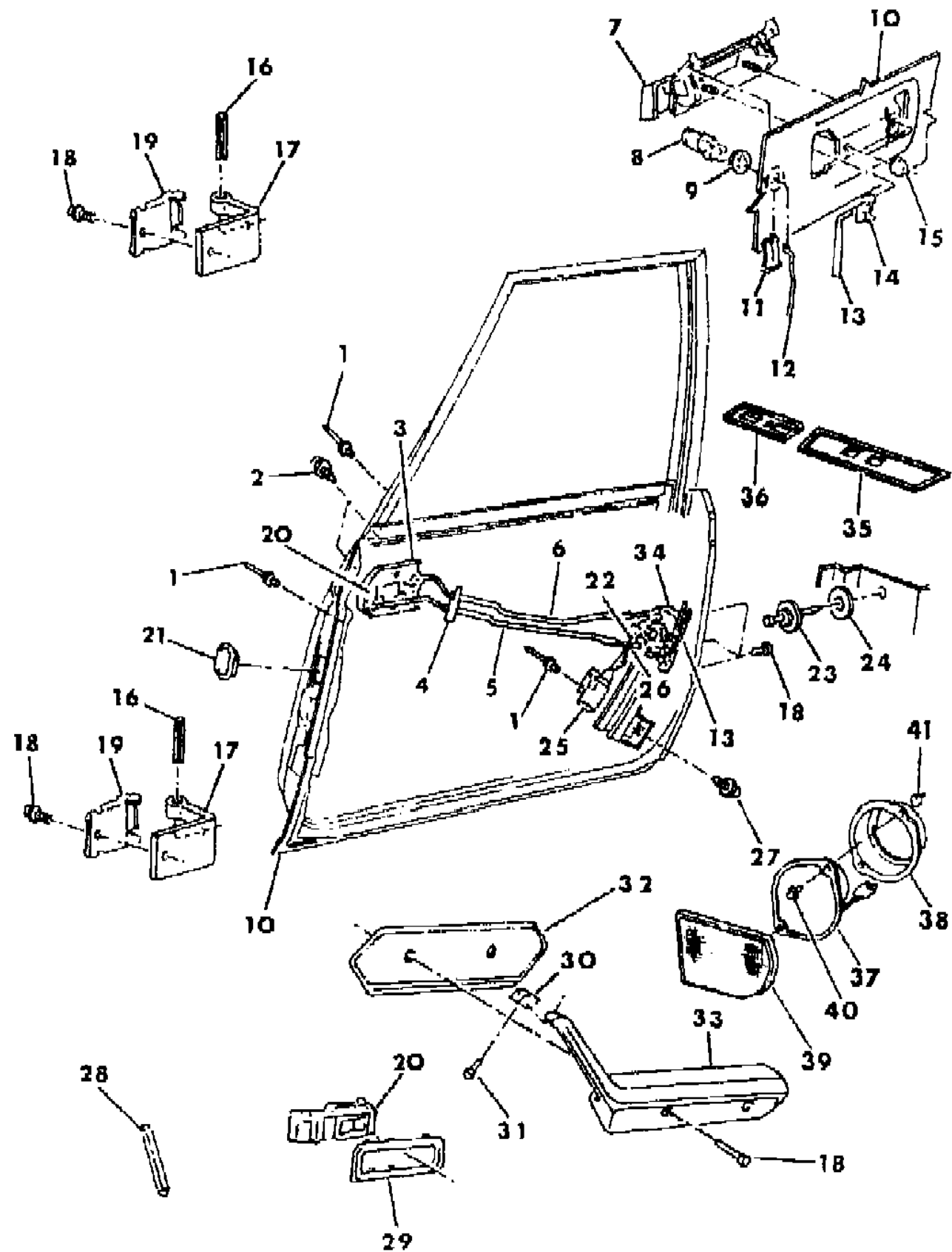
BODY STYLES

21 = 2-DOOR SEDAN	28 = FWD PICKUP	44 = 4-DOOR HATCHBACK
22 = 2-DOOR SPECIAL COUPE	35 = FWD VAN	45 = 4-DOOR STATION WAGON
24 = 2-DOOR HATCHBACK	36 = FWD WAGON	48 = 4-DOOR EXECUTIVE SEDAN
27 = 2-DOOR CONVERTIBLE	41 = 4-DOOR SEDAN	

AR = Use as Required - = Non Illustrated Part P.A.R. = Paint as Required

DOOR, FRONT SHELL, HANDLES AND CONTROLS P,D,C,V 21,22
Figure 23C-1100

4171 1100A



ITEM	PART NUMBER	QTY	BODY	MODEL	DESCRIPTION
1	6031 115	AR			RIVET
2	6100 274	4			SCREW
3	4184 252	2			PLATE, Door Latch Remote Control
4	4184 281	4			CLIP, Anti Rattle
5	4184 702-3	1			LINK w/SLEEVE
6	4184 272-3	1			LINK w/SLEEVE
7	4184 228	2			HANDLE, Door Exterior
	6028 674	4			SCREW, Handle
8					CYLINDER, Lock, Refer to 23D
9					GASKET, Cylinder, Refer to 23D
10	4318 338-9	1			DOOR SHELL
	4310 060-1				PANEL, Repair
11					RETAINER, Cylinder, Refer to 23D
	4342 458-9	1			REINFORCEMENT, Inner Panel, w/Power Windows
12	4184 016-7	1			LINK, Cylinder to Latch
13	4184 024-5	1			LINK, Outside Handle to Latch
14	2945 108-9	1			CLIP
15	6025 004	4			NUT
16					PIN, Door Hinge
	6500 361	4			Up to 3-1-84
	6501 299	4			After 3-1-84
	6500 803	4			CLIP, Hinge Pin, After 3-1-84
17	4318 350	4			HINGE, Door Body Half
	4318 301	4			Door Half
18		4			SCREW (DNS)
19	4184 117	4			CHECK SPRING, Body Half
20	4184 282-3	1			HANDLE w/DOOR LOCK, Black w/Chrome Handle, Push and Locked
21	6031 488	2			PLUG
22	4184 244-5	1			CLIP
23	4336 826	2			STRICKER, Door
	6500 483	2			NUT, Striker
24	4184 105	AR			SPACER, Door
25	4184 156	2			SOLENOID, Door Lock
	4184 172	2			CLIP, Solenoid
26	4184 072	2			LINK, Electric Motor to Latch
27	6100 565	2			SCREW w/WASHER
28	5231 294	2			BUMPER w/RETAINER

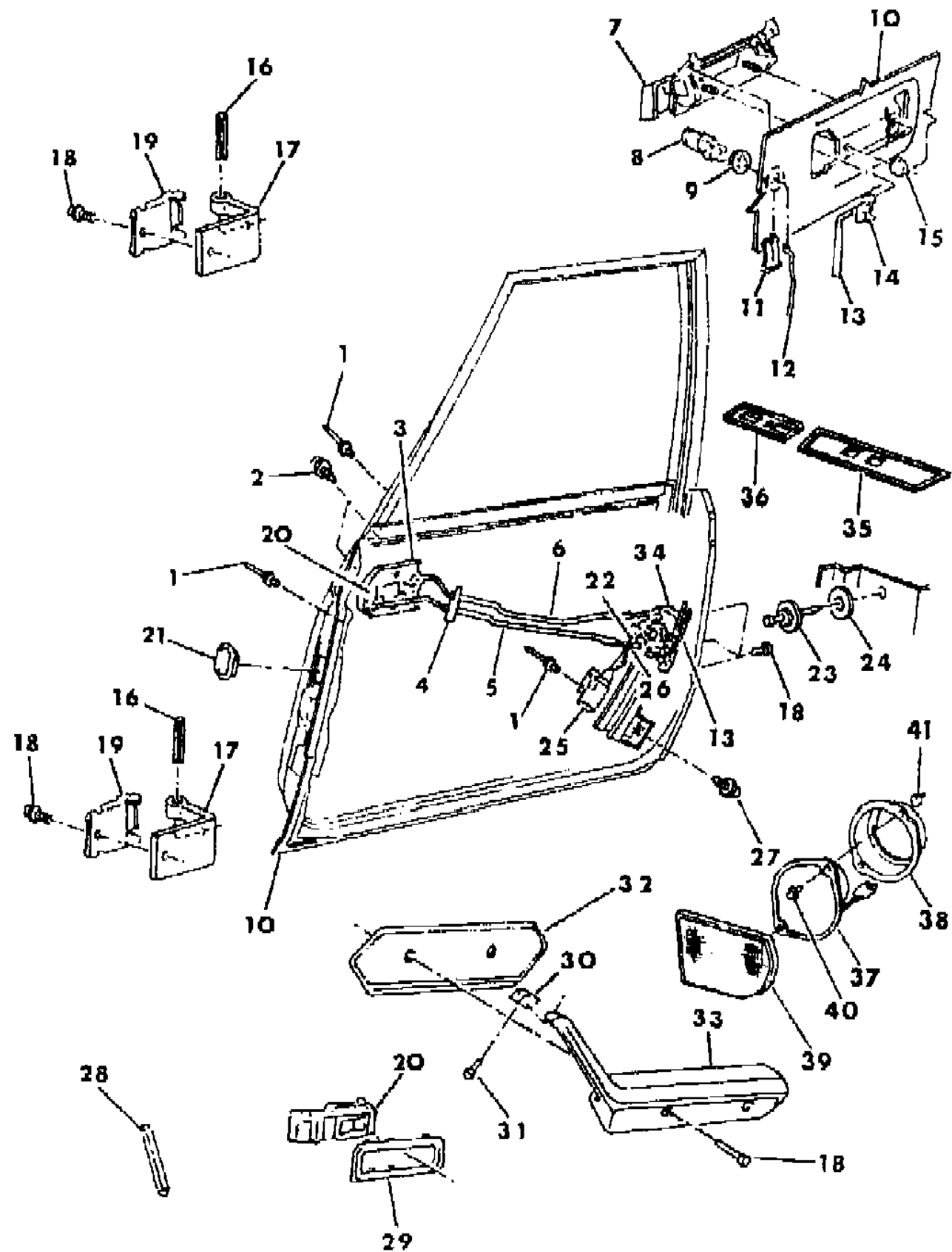
MODEL CODES
 B = GRAN FURY
 C = LEBARON/TOWN & COUNTRY/EXC SEDAN
 C24 = LASER
 D = ARIES
 E = 600
 F = FIFTH AVENUE/NEWPORT
 G = DIPLOMAT
 H = VOYAGER
 K = MINI RAM/CARAVAN/ROYAL
 M = HORIZON/TURISMO
 P = RELIANT
 T = E CLASS/NEW YORKER
 V = 600
 V24 = DAYTONA
 Z = OMNI/CHARGER/RAMPAGE

BODY STYLES
 21 = 2-DOOR SEDAN
 22 = 2-DOOR SPECIAL COUPE
 24 = 2-DOOR HATCHBACK
 27 = 2-DOOR CONVERTIBLE
 28 = FWD PICKUP
 35 = FWD VAN
 36 = FWD WAGON
 41 = 4-DOOR SEDAN
 44 = 4-DOOR HATCHBACK
 45 = 4-DOOR STATION WAGON
 48 = 4-DOOR EXECUTIVE SEDAN

AR = Use as Required - = Non Illustrated Part P.A.R. = Paint as Required

DOOR, FRONT SHELL, HANDLES AND CONTROLS P,D,C,V 21,22
Figure 23C-1100

4171 1100A



ITEM	PART NUMBER	QTY	BODY	MODEL	DESCRIPTION
29	D405 CX9	2		PL,DL	BEZEL, Door Lock Handle
	4184 723	2		PH,PP,D	
	4310 656-7	1		C,V	Chrome w/Finish Plate
	4310 652	1		C,V	APPLIQUE, Remote Control Bezel
30				P,D	BEZEL, Refer to IT Section
31				P,D	SCREW, Refer to IT Section
32	4077 894-5	1		P,D	PLATE, Arm Rest Back
33		1			ARM REST, Refer to IT Section
34					LATCH, Door
	4336 149	1			Left, Override
	4336 150	1			Right, Non Override
35	4223 648-9	1		C,V 21,	BEZEL, Power Windows
	4223 648	1		C,V 27	Right
	4223 927	1		C,V 27	Left
36				C,V	BEZEL, Door Armrest
	4247 403	1		C,V	w/Power Locks and Electric Mirrors, Left
	4247 409	1		C,V	w/o Power Locks, w/Electric Mirrors, Left
	4247 414	1		C,V	w/Power Locks, Right
	4247 414	1		C,V	w/Power Locks, w/o Electric Mirror, Left
37	4311 491	2			SPEAKERS, Front Door
38	4312 106-7	1		C,V	ADAPTOR, Speaker
39				C,V	GRILLE, Speaker
	D500-1 CA3	1			Silver
	D500-1 CC7	1			Blue
	D500-1 CL3	1			Beige
	D500-1 CM6	1			Red
	D500-1 CS8	1			Charcoal
	D500-1 CT8	1			Brown
40		4			SCREW (DNS)
41	6032 527	4			NUT

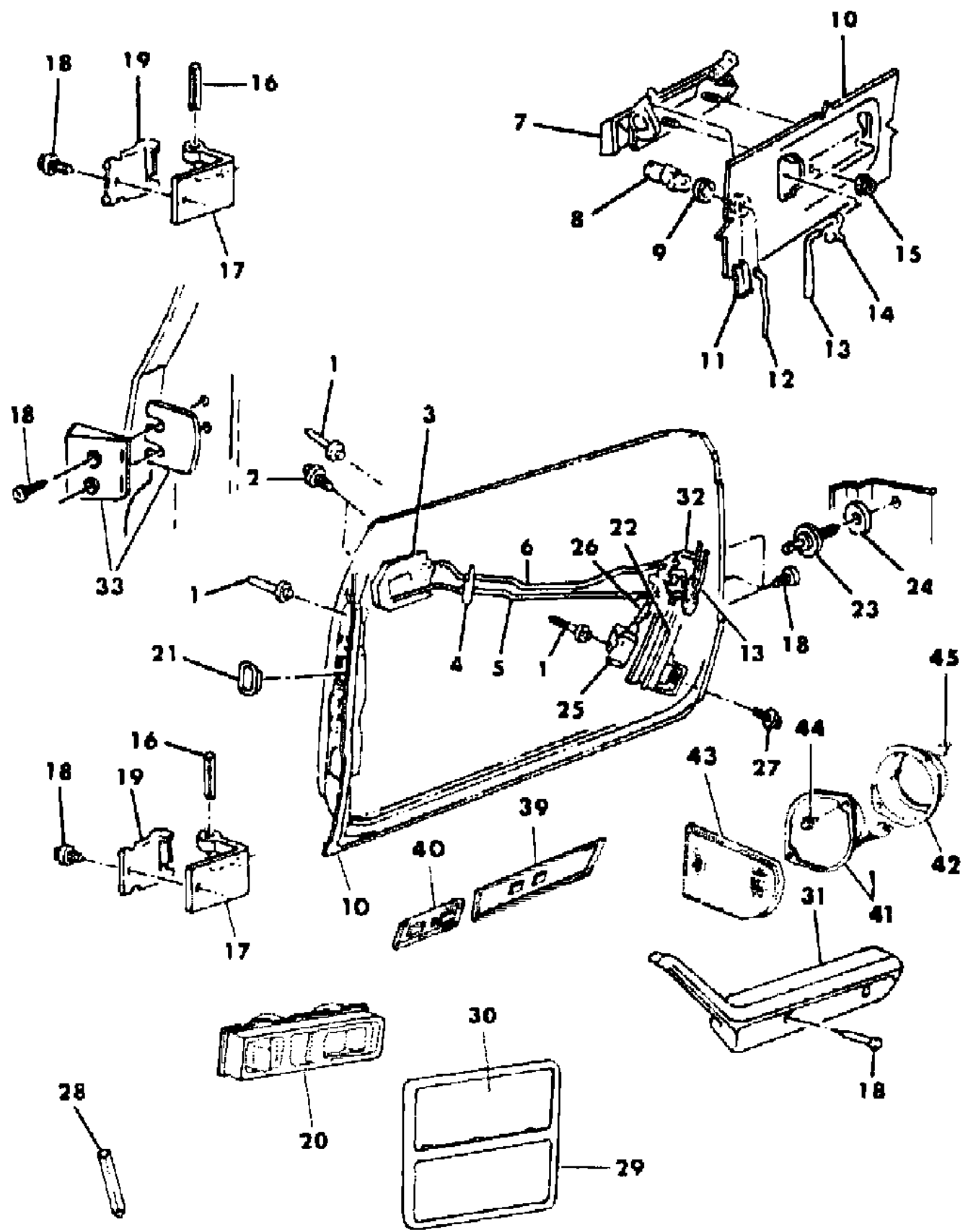
MODEL CODES
 B = GRAN FURY
 C = LEBARON/TOWN & COUNTRY/EXC SEDAN
 C24 = LASER
 D = ARIES
 E = 600
 F = FIFTH AVENUE/NEWPORT
 G = DIPLOMAT
 H = VOYAGER
 K = MINI RAM/CARAVAN/ROYAL
 M = HORIZON/TURISMO
 P = RELIANT
 T = E CLASS/NEW YORKER
 V = 600
 V24 = DAYTONA
 Z = OMNI/CHARGER/RAMPAGE

BODY STYLES
 21 = 2-DOOR SEDAN
 22 = 2-DOOR SPECIAL COUPE
 24 = 2-DOOR HATCHBACK
 27 = 2-DOOR CONVERTIBLE
 28 = FWD PICKUP
 35 = FWD VAN
 36 = FWD WAGON
 41 = 4-DOOR SEDAN
 44 = 4-DOOR HATCHBACK
 45 = 4-DOOR STATION WAGON
 48 = 4-DOOR EXECUTIVE SEDAN

AR = Use as Required - = Non Illustrated Part P.A.R. = Paint as Required

DOOR, FRONT SHELL, HANDLES AND CONTROLS C,V 27
Figure 23C-1200

4171 1200



ITEM	PART NUMBER	QTY	BODY	MODEL	DESCRIPTION
1	6031 115	AR			RIVET
2	6100 274	4			SCREW
3	4184 252	2			PLATE, Door Latch Remote Control
4	4184 281	4			CLIP, Anti Rattle
5	4184 702-3	1			LINK w/SLEEVE
6	4184 272-3	1			LINK w/SLEEVE
7	4184 228	2			HANDLE, Door Exterior
	6028 674	4			SCREW, Handle
8					CYLINDER, Lock, Refer to 23D
9					GASKET, Cylinder, Refer to 23D
10	4364 428-9	1			DOOR SHELL
	4310 060-1	1			PANEL, Repair
					REINFORCEMENT, Lockface at Belt
	4299 254-5	1			Up to 10-24-83
	4336 450-1	1			After 10-24-83
11					RETAINER, Cylinder, Refer to 23D
12	4184 016-7	1			LINK, Cylinder to Latch
13	4184 024-5	1			LINK, Exterior Handle to Latch
14	2945 108-9	1			CLIP
15	6025 004	4			NUT
16					PIN, Door Hinge
	6500 361	4			Up to 3-1-84
	6501 299	4			After 3-1-84
					CLIP, Hinge Pin, After 3-1-84
17	4318 350	4			HINGE, Door Body Half
	4318 301	4			Door Half
18		4			SCREW (DNS)
19	4184 117	4			CHECK SPRING, Body Half
20	4184 282-3	1			HANDLE, Remote Control, w/Lock
21	6031 488	2			PLUG
22	4184 244-5	1			CLIP
23	4336 826	2			STRICKER, Door
	6500 483	2			NUT, Striker
24	4184 105	AR			SPACER, Door
25	4184 156	2			SOLENOID, Door Lock
	4184 172	2			CLIP, Solenoid
26	4184 072	2			LINK, Electric Motor to Latch
27	6100 565	2			SCREW w/WASHER

MODEL CODES

B = GRAN FURY	F = FIFTH AVENUE/NEWPORT	P = RELIANT
C = LEBARON/TOWN & COUNTRY/EXC SEDAN	G = DIPLOMAT	T = E CLASS/NEW YORKER
C24 = LASER	H = VOYAGER	V = 600
D = ARIES	K = MINI RAM/CARAVAN/ROYAL	V24 = DAYTONA
E = 600	M = HORIZON/TURISMO	Z = OMNI/CHARGER/RAMPAGE

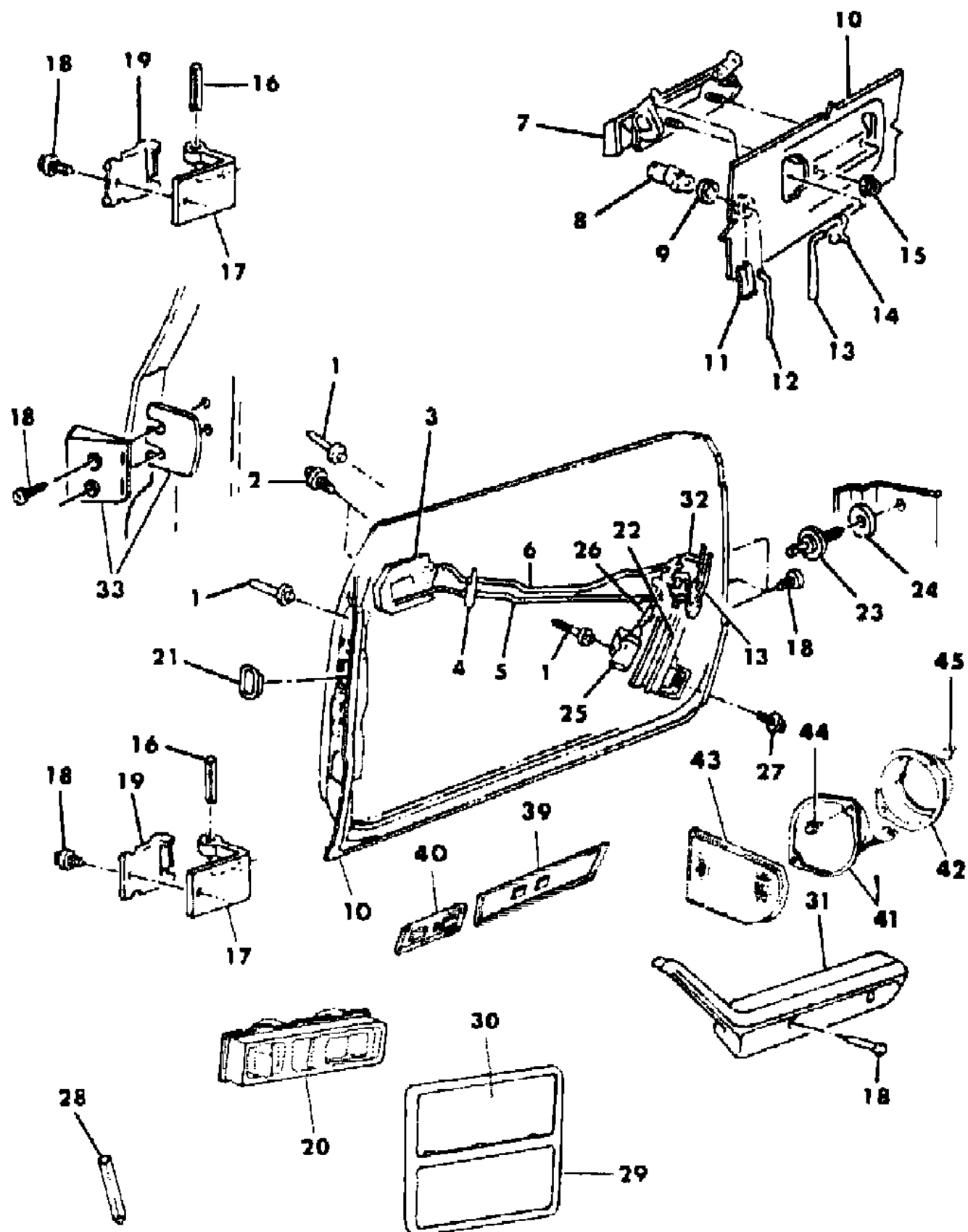
BODY STYLES

21 = 2-DOOR SEDAN	28 = FWD PICKUP	44 = 4-DOOR HATCHBACK
22 = 2-DOOR SPECIAL COUPE	35 = FWD VAN	45 = 4-DOOR STATION WAGON
24 = 2-DOOR HATCHBACK	36 = FWD WAGON	48 = 4-DOOR EXECUTIVE SEDAN
27 = 2-DOOR CONVERTIBLE	41 = 4-DOOR SEDAN	

AR = Use as Required - = Non Illustrated Part P.A.R. = Paint as Required

DOOR, FRONT SHELL, HANDLES AND CONTROLS C,V 27
Figure 23C-1200

4171 1200



ITEM	PART NUMBER	QTY	BODY	MODEL	DESCRIPTION
28	4198 460	2			BUMPER w/RETAINER
29	4310 656-7	1			BEZEL w/FINISH PLATE, Door Handle
30	4310 652	2			APPLIQUE, Remote Control, Woodgrain
31					ARM REST, Refer to IT Section
32					LATCH, Door
	4336 149	1			Left, Override
	4336 150	1			Right Non override
33		1			REINFORCEMENT, Upper, Serviced in Item #10
35	4097 598-9	1			SEAL, Window, Front
36	4097 600-1	1			SEAL, Window, Rear
37	4097 702-3	1			REINFORCEMENT, Impact Bar
38	4310 754-5	2			WEDGE, Door Half
	4310 752-3	2			Body Half
			AR		SHIM, Body Half (DNS)
39					BEZEL, Electric Window
	4223 648	1			Right
	4223 927	1			Left
40					BEZEL, Armrest
	4247 403	1			w/Door Locks and Electric Mirrors, Left
	4247 409	1			w/o Door Locks, w/Electric Mirrors, Left
	4247 414	1			w/Door Locks, Right
	4247 414	1			w/Door Locks, w/o Electric Mirrors, Left
41	4311 491	2			SPEAKER, Door
42	4312 106-7	1			ADAPTOR, Speaker
43					GRILLE, Speaker
	D500-1 CA3	1			Silver
	D500-1 CC7	1			Blue
	D500-1 CL3	1			Beige
	D500-1 CM6	1			Red
	D500-1 CS8	1			Charcoal
	D500-1 CT8	1			Brown
44		4			SCREW (DNS)
45	6032 527	4			NUT

MODEL CODES

B = GRAN FURY	F = FIFTH AVENUE/NEWPORT	P = RELIANT
C = LEBARON/TOWN & COUNTRY/EXC SEDAN	G = DIPLOMAT	T = E CLASS/NEW YORKER
C24 = LASER	H = VOYAGER	V = 600
D = ARIES	K = MINI RAM/CARAVAN/ROYAL	V24 = DAYTONA
E = 600	M = HORIZON/TURISMO	Z = OMNI/CHARGER/RAMPAGE

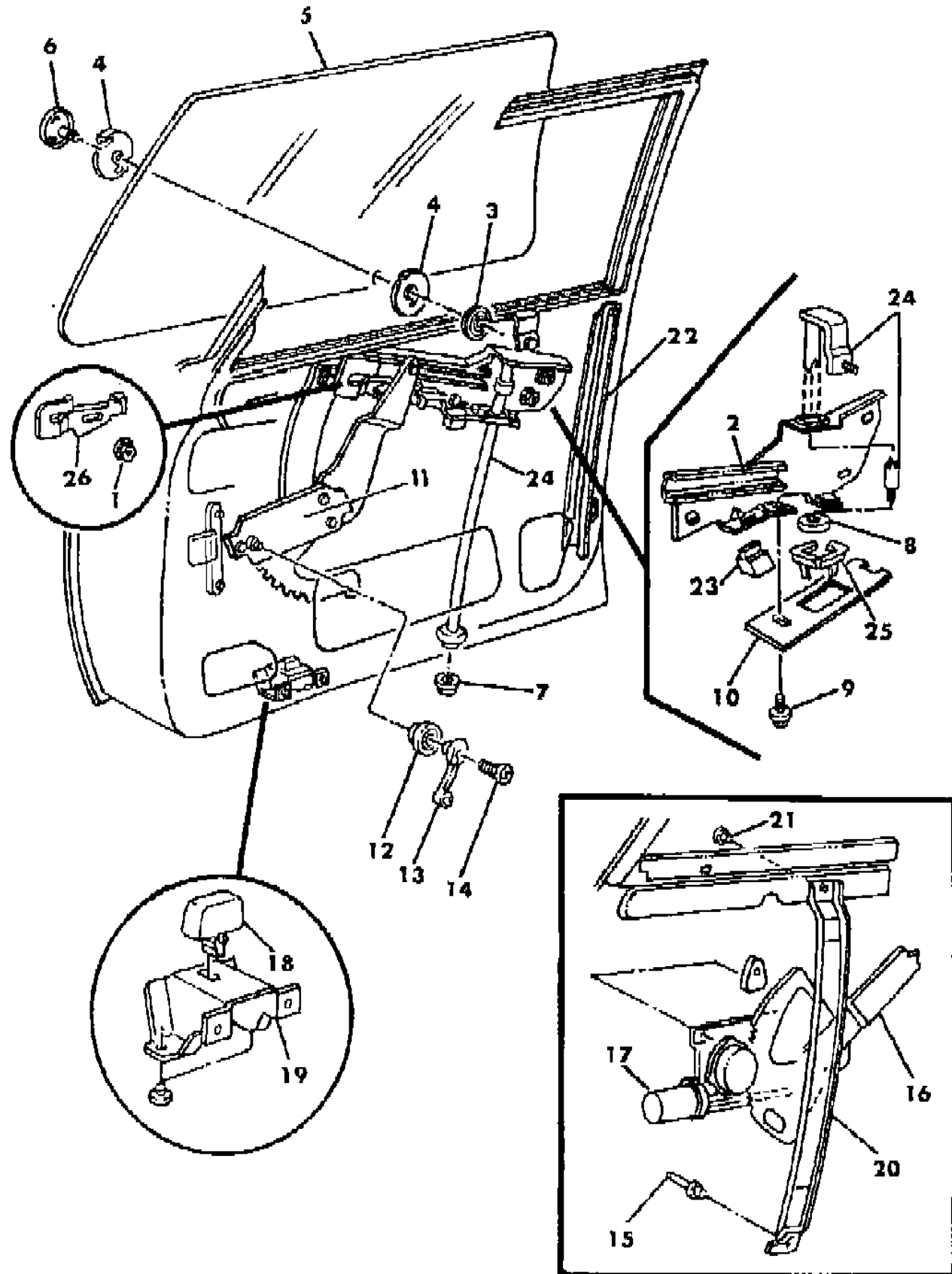
BODY STYLES

21 = 2-DOOR SEDAN	28 = FWD PICKUP	44 = 4-DOOR HATCHBACK
22 = 2-DOOR SPECIAL COUPE	35 = FWD VAN	45 = 4-DOOR STATION WAGON
24 = 2-DOOR HATCHBACK	36 = FWD WAGON	48 = 4-DOOR EXECUTIVE SEDAN
27 = 2-DOOR CONVERTIBLE	41 = 4-DOOR SEDAN	

AR = Use as Required - = Non Illustrated Part P.A.R. = Paint as Required

DOOR, FRONT GLASS AND REGULATORS P,D,C,V 21,22
Figure 23C-1300

4171 1300A



ITEM	PART NUMBER	QTY	BODY	MODEL	DESCRIPTION
1		6			NUT w/WASHER (DNS)
2	4310 368-9	1			PLATE w/CHANNEL, Glass Lift
3	6028 587	6			T/NUT
4	5231 769	AR			GASKET, Glass Isolator
5					GLASS, Door
	4136 918	1		P,D	Clear Right
	4198 401	1		P,D,C,V	Clear Left
	4136 920	1		P,D	Tinted Right
	4198 403	1		P,D,C,V	Tinted Left
	4198 400	1		P,D,C,V	Clear Right, w/Mirror
	4198 402	1		P,D,C,V	Tinted Right, w/Mirror
6	6029 998	6			WASHER w/STUD
7	6100 049	4			NUT w/WASHER
8	3788 079	2			SLEEVE, Glass Track Lower
9		4			SCREW w/WASHER (DNS)
10	4310 922-3	2			RETAINER
11	4184 018-9	1			REGULATOR, Manual Window
	3760 506	2			SPRING, Manual Regulator Assist
	3882 758	2			SLIDE, Manual Regulator
12	3882 767	AR			SPACER, Regulator Handle
13	3882 764	2			HANDLE, Window Regulator
14	6027 221	2			SCREW
15		AR			RIVET (DNS)
16	4280 436-7	1			REGULATOR, Electric Window
	2999 467	2			SPACER, Electric Regulator
	3882 758	2			SLIDE, Electric Regulator Driving Arm
	0137 204	2			COTTER PIN, Electric Window Up Stop
	1316 863	2			O-RING, Electric Window Regulator Mechanism
17					MOTOR and MECH., Electric Window
	4184 316-7	1			Up to 4-16-84
	4336 600-1	1			After 4-16-84
	4339 409	1			REPAIR PACKAGE, Electric Window Lift Motor
18	3875 997	AR			BUMPER, Glass Down Stop Electric
19	4310 378	2			BRACKET, Electric Window Downstop Bumper
	4310 965	2			w/o Electric Windows
20	4310 380	2			SUPPORT, Electric Regulator Mounting
21	6100 566	AR			SCREW w/WASHER
22	4310 384-5	1			CHANNEL w/BRACKET, Glass Run Rear

MODEL CODES

B = GRAN FURY	F = FIFTH AVENUE/NEWPORT	P = RELIANT
C = LEBARON/TOWN & COUNTRY/EXC SEDAN	G = DIPLOMAT	T = E CLASS/NEW YORKER
C24 = LASER	H = VOYAGER	V = 600
D = ARIES	K = MINI RAM/CARAVAN/ROYAL	V24 = DAYTONA
E = 600	M = HORIZON/TURISMO	Z = OMNI/CHARGER/RAMPAGE

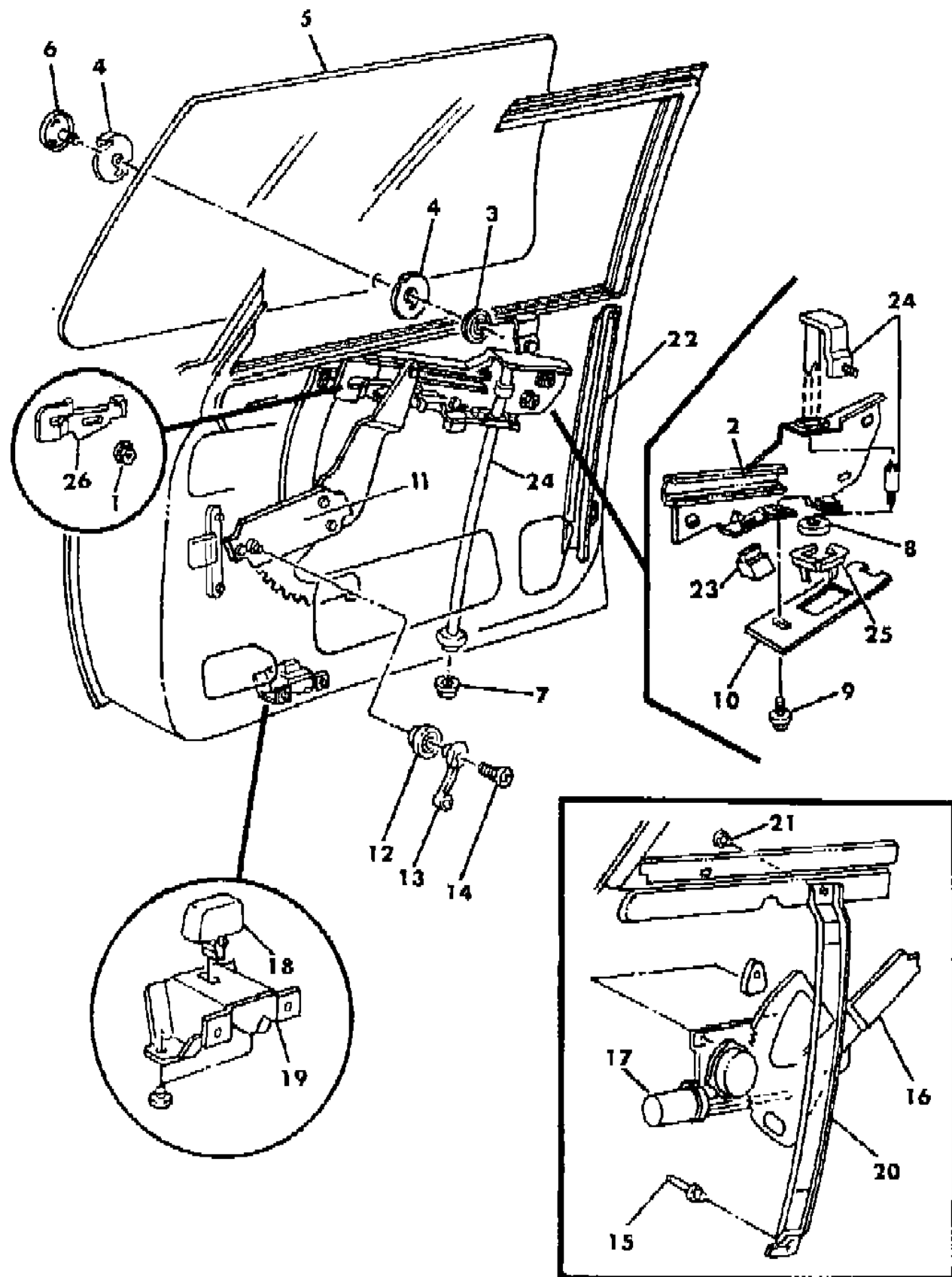
BODY STYLES

21 = 2-DOOR SEDAN	28 = FWD PICKUP	44 = 4-DOOR HATCHBACK
22 = 2-DOOR SPECIAL COUPE	35 = FWD VAN	45 = 4-DOOR STATION WAGON
24 = 2-DOOR HATCHBACK	36 = FWD WAGON	48 = 4-DOOR EXECUTIVE SEDAN
27 = 2-DOOR CONVERTIBLE	41 = 4-DOOR SEDAN	

AR = Use as Required - = Non Illustrated Part P.A.R. = Paint as Required

DOOR, FRONT GLASS AND REGULATORS P,D,C,V 21,22
Figure 23C-1300

4171 1300A



ITEM	PART NUMBER	QTY	BODY	MODEL	DESCRIPTION
23	3759 566	2			BUMPER, Down Stop
	6100 144	2			SCREW w/WASHER
24	4310 381	2			TRACK w/BRACKET, Glass
25	4136 914	2			GUIDE, Front Door Glass
26	4310 376-7	1			BRACKET, Electric Window Upstop

MODEL CODES

B = GRAN FURY	F = FIFTH AVENUE/NEWPORT	P = RELIANT
C = LEBARON/TOWN & COUNTRY/EXC SEDAN	G = DIPLOMAT	T = E CLASS/NEW YORKER
C24 = LASER	H = VOYAGER	V = 600
D = ARIES	K = MINI RAM/CARAVAN/ROYAL	V24 = DAYTONA
E = 600	M = HORIZON/TURISMO	Z = OMNI/CHARGER/RAMPAGE

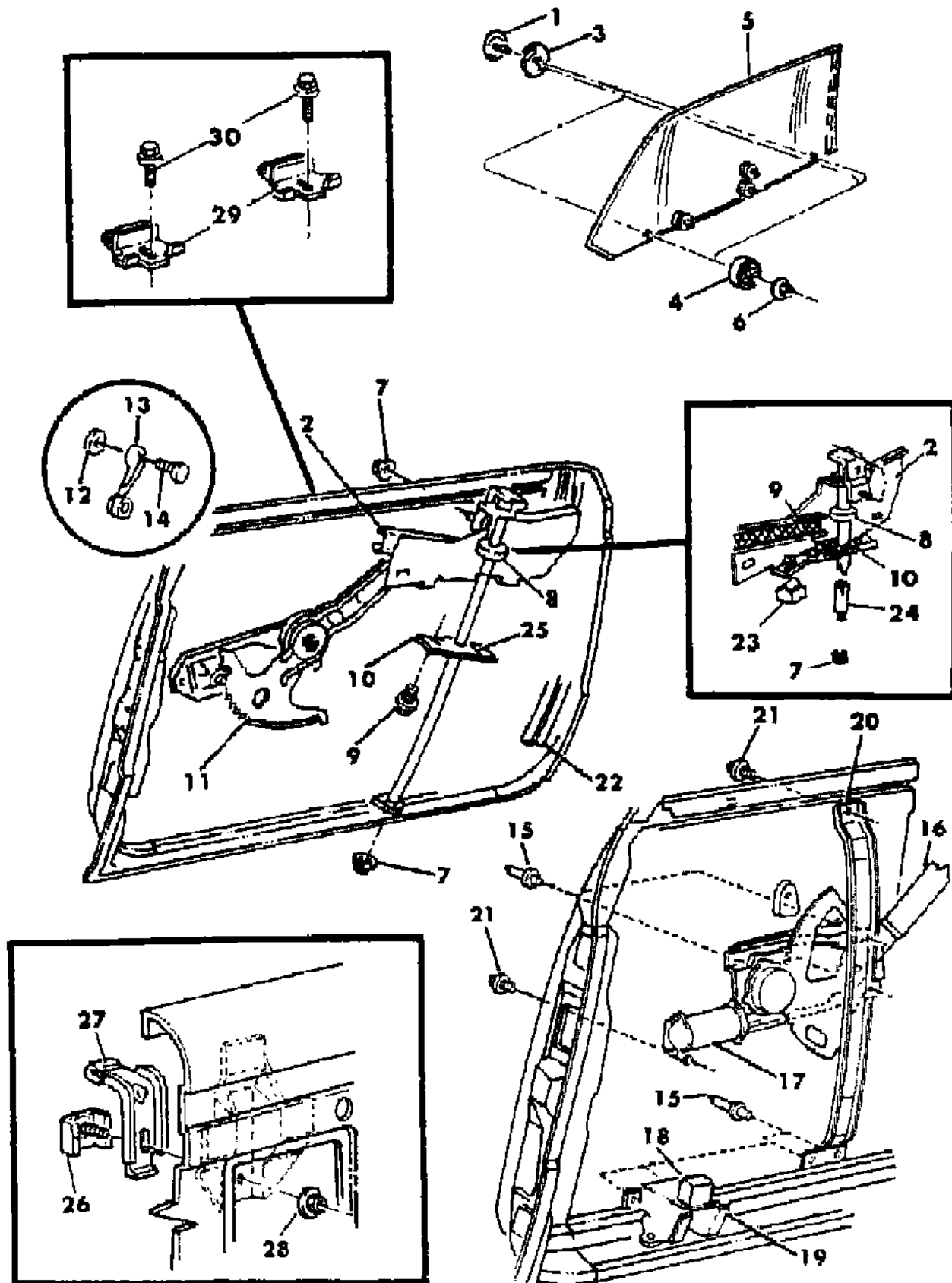
BODY STYLES

21 = 2-DOOR SEDAN	28 = FWD PICKUP	44 = 4-DOOR HATCHBACK
22 = 2-DOOR SPECIAL COUPE	35 = FWD VAN	45 = 4-DOOR STATION WAGON
24 = 2-DOOR HATCHBACK	36 = FWD WAGON	48 = 4-DOOR EXECUTIVE SEDAN
27 = 2-DOOR CONVERTIBLE	41 = 4-DOOR SEDAN	

AR = Use as Required - = Non Illustrated Part P.A.R. = Paint as Required

DOOR, FRONT GLASS AND REGULATORS C,V 27
Figure 23C-1400

4171 1400



ITEM	PART NUMBER	QTY	BODY	MODEL	DESCRIPTION
1	6029 998	4			STUD w/WASHER, Glass Upstop
2	4336 438-9	1			PLATE w/CHANNEL, Glass Lift
	4310 454-5	1			BRACKET, Glass Run Channel Upper Bracket to Inside Panel
3	5231 769	2			GASKET, Glass Upstop
4	4310 964	2			STOP, Glass Upstop, Trombone Type
	4336 289	2			Block w/Set Screw
	4310 376-7	1			BRACKET, Electric Window Upstop
5	4310 496-7	1			GLASS, Door
6	6025 004	4			NUT, Glass Upstop
7	6100 049	4			NUT w/WASHER
8	3788 079	2			SLEEVE, Glass Track, Lower
9		4			SCREW w/WASHER (DNS)
10	4198 029	2			RETAINER
11	4184 018-9	1			REGULATOR, Manual Window
	3760 506	2			SPRING, Manual Regulator Assist
	3882 758	2			SLIDE, Manual Regulator
12	3882 768	AR			SPACER, Regulator Handle
13	3882 764	2			HANDLE, Window Regulator
14	6027 221	2			SCREW
15		AR			RIVET (DNS)
16	4280 436-7	1			REGULATOR, Electric Window
	3548 637	2			SPRING, Electric Regulator Assist
	2999 467	AR			SPACER, Electric Regulator
	3882 758	2			SLIDE, Electric Regulator Driving Arm
	0137 204	2			COTTER PIN, Electric Window Upstop
17	4184 316-7	1			MOTOR and MECH., Electric Window
	4240 474	2			GEAR and SEAL PACKAGE
	4339 409	1			REPAIR PACKAGE, Electric Window Lift Motor
18	3759 910	AR			BUMPER, Glass Downstop Electric
19	4310 378	2			BRACKET, Electric Window Downstop Bumper
	4310 965	2			w/o Electric Windows
20	4310 380	2			SUPPORT w/NUT
21	6100 566	2			SCREW w/WASHER
22	4365 408-9	1			CHANNEL w/BRACKET, Glass Run, Rear
23	3759 566	2			BUMPER, Downstop
	6100 144	2			SCREW w/WASHER
24	4310 381	2			TRACK w/BRACKET, Glass
25	4136 914	2			GUIDE, Door Glass

MODEL CODES

B = GRAN FURY
C = LEBARON/TOWN & COUNTRY/EXC SEDAN
C24 = LASER
D = ARIES
E = 600

F = FIFTH AVENUE/NEWPORT
G = DIPLOMAT
H = VOYAGER
K = MINI RAM/CARAVAN/ROYAL
M = HORIZON/TURISMO

P = RELIANT
T = E CLASS/NEW YORKER
V = 600
V24 = DAYTONA
Z = OMNI/CHARGER/RAMPAGE

BODY STYLES

21 = 2-DOOR SEDAN
22 = 2-DOOR SPECIAL COUPE
24 = 2-DOOR HATCHBACK
27 = 2-DOOR CONVERTIBLE
28 = FWD PICKUP
35 = FWD VAN
36 = FWD WAGON
41 = 4-DOOR SEDAN

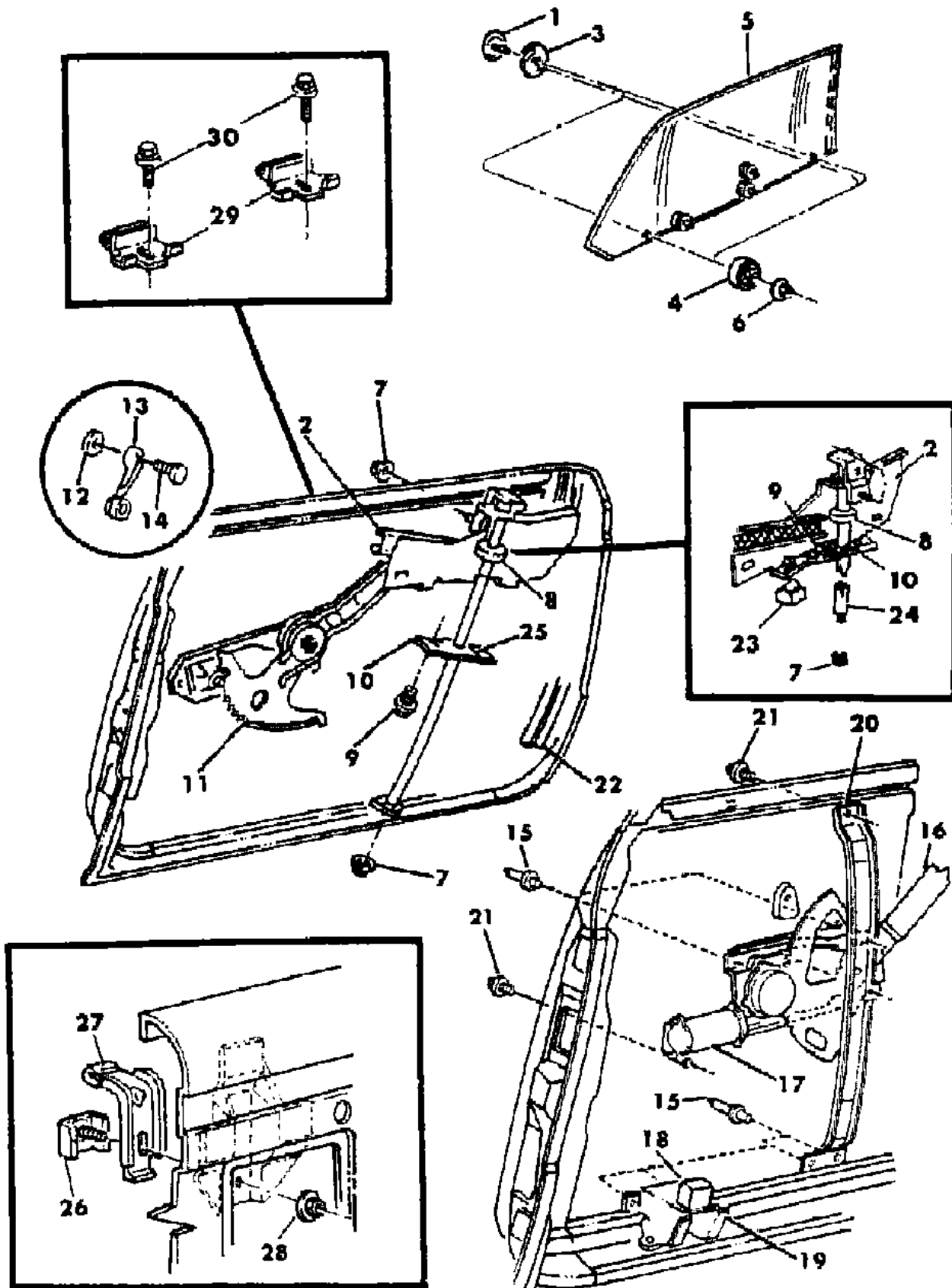
44 = 4-DOOR HATCHBACK
45 = 4-DOOR STATION WAGON
48 = 4-DOOR EXECUTIVE SEDAN

AR = Use as Required - = Non Illustrated Part P.A.R. = Paint as Required

DOOR, FRONT GLASS AND REGULATORS C,V 27
Figure 23C-1400

4171 1400

ITEM	PART NUMBER	QTY	BODY	MODEL	DESCRIPTION
26	4310 934	2			PLATE w/STUD, Glass Upstop, Rear
27	4310 906	2			BRACKET, Glass Upstop, Rear
	4310 904	2			BRACKET, Inside Panel Upstop, Rear (Mate with Item#27)
28	6500 284	2			NUT w/WASHER, Upstop Bracket Att.
29	4310 908	4			STABILIZER, Glass
30	6101 276	4			SCREW w/WASHER, Stabilizer



MODEL CODES
 B = GRAN FURY
 C = LEBARON/TOWN & COUNTRY/EXC SEDAN
 C24 = LASER
 D = ARIES
 E = 600
 F = FIFTH AVENUE/NEWPORT
 G = DIPLOMAT
 H = VOYAGER
 K = MINI RAM/CARAVAN/ROYAL
 M = HORIZON/TURISMO
 P = RELIANT
 T = E CLASS/NEW YORKER
 V = 600
 V24 = DAYTONA
 Z = OMNI/CHARGER/RAMPAGE

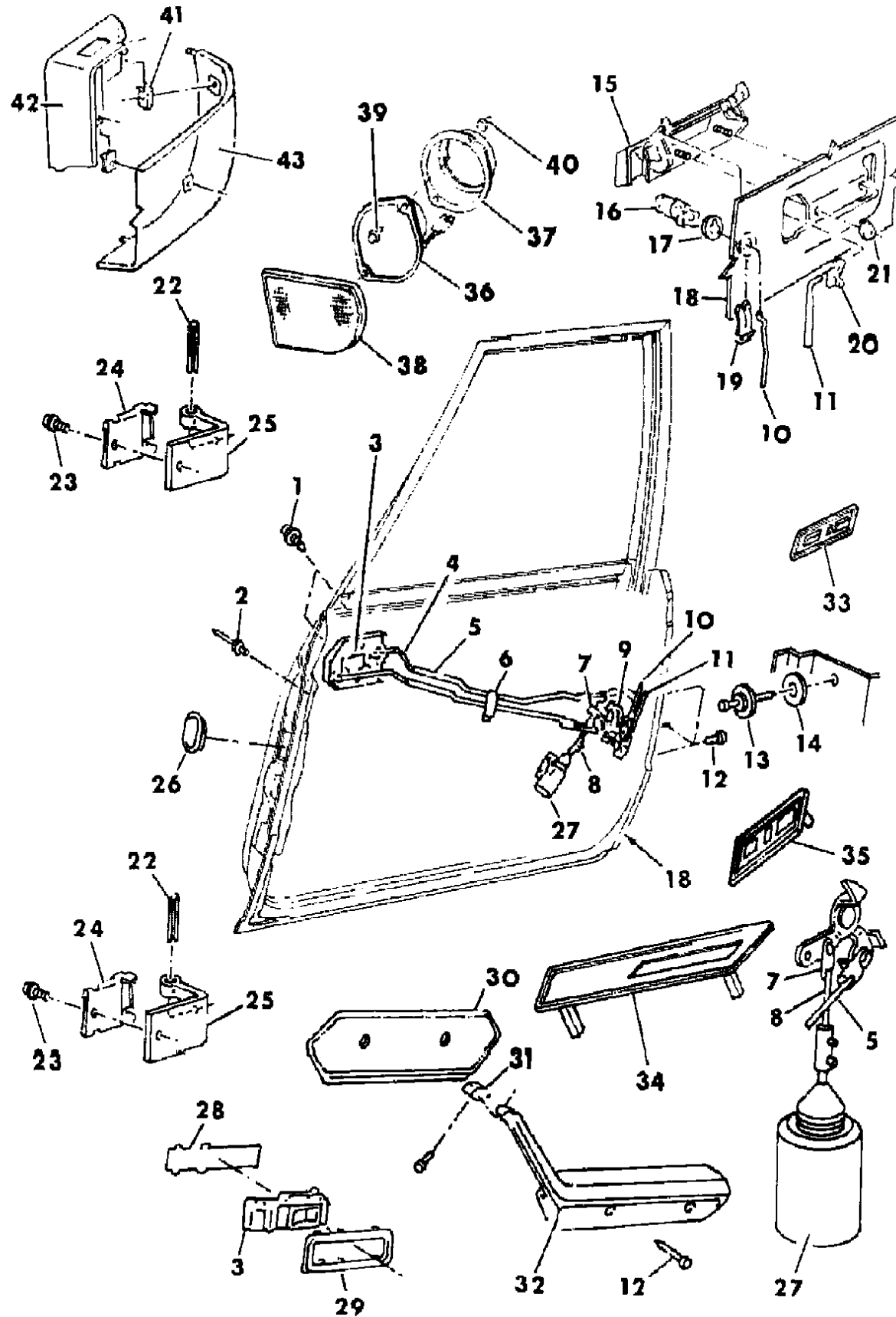
BODY STYLES
 21 = 2-DOOR SEDAN
 22 = 2-DOOR SPECIAL COUPE
 24 = 2-DOOR HATCHBACK
 27 = 2-DOOR CONVERTIBLE
 28 = FWD PICKUP
 35 = FWD VAN
 36 = FWD WAGON
 41 = 4-DOOR SEDAN
 44 = 4-DOOR HATCHBACK
 45 = 4-DOOR STATION WAGON
 48 = 4-DOOR EXECUTIVE SEDAN

AR = Use as Required - = Non Illustrated Part P.A.R. = Paint as Required

DOOR, FRONT SHELL, CONTROLS AND HARDWARE P,D,C,E,T 41,45,48

Figure 23C-1500

4171 1500A



ITEM	PART NUMBER	QTY	BODY	MODEL	DESCRIPTION
1		2			SCREW w/WASHER (DNS)
2	6031 115	AR			RIVET
3					HOUSING, Remote Control
4	4184 282-3	1			Black w/Chrome Handle
4	4184 268-9	1			LINK w/ANTI RATTLE
5	4184 274-5	1			LINK w/SLEEVE
6	4184 280	AR			CLIP, Anti Rattle
7	4184 244-5	1			CLIP, Electric Lock
	3454 220-1	1			w/o Electric Locks
8	4184 072	1			LINK, Motor to Latch
9					LATCH, Front Door
	4336 149	1			Left Override
	4336 150	1			Right Non override
10	4184 016-7	1			LINK, Cylinder to Latch
11	4184 024-5	1			LINK, Handle
12		AR			SCREW (DNS)
13	4336 826	2			STRIKER, Door
	4339 523	2		Sedan,L	
	6500 483	2			NUT, Striker
14	4184 105	AR			SPACER, Door
15	4184 228	2			HANDLE, Front Door Exterior
	6028 674	4			SCREW, Handle
16					CYLINDER, Refer to 23D
17					GASKET, Refer to 23D
18	4342 468-9	1			DOOR SHELL
	4310 062-3	1			PANEL, Repair
	4342 458-9	1		P,D	REINFORCEMENT, Inner Panel, w/Power Windows
19					RETAINER, Refer to 23D
20	2945 108-9	1			CLIP
21	6025 004	2			NUT
22					PIN, Hinge
	6500 361	4			Up to 3-1-84
	6501 299	4			After 3-1-84
	6500 803	4			CLIP, Hinge Pin, After 3-1-84
23	6100 275	4			SCREW w/WASHER
24	4184 117	4			CHECK SPRING, Body Half
25	4318 350	4			HINGE, Body Half, Front Door
	4318 301	4			Door Half

MODEL CODES

B = GRAN FURY	F = FIFTH AVENUE/NEWPORT	P = RELIANT
C = LEBARON/TOWN & COUNTRY/EXC SEDAN	G = DIPLOMAT	T = E CLASS/NEW YORKER
C24 = LASER	H = VOYAGER	V = 600
D = ARIES	K = MINI RAM/CARAVAN/ROYAL	V24 = DAYTONA
E = 600	M = HORIZON/TURISMO	Z = OMNI/CHARGER/RAMPAGE

BODY STYLES

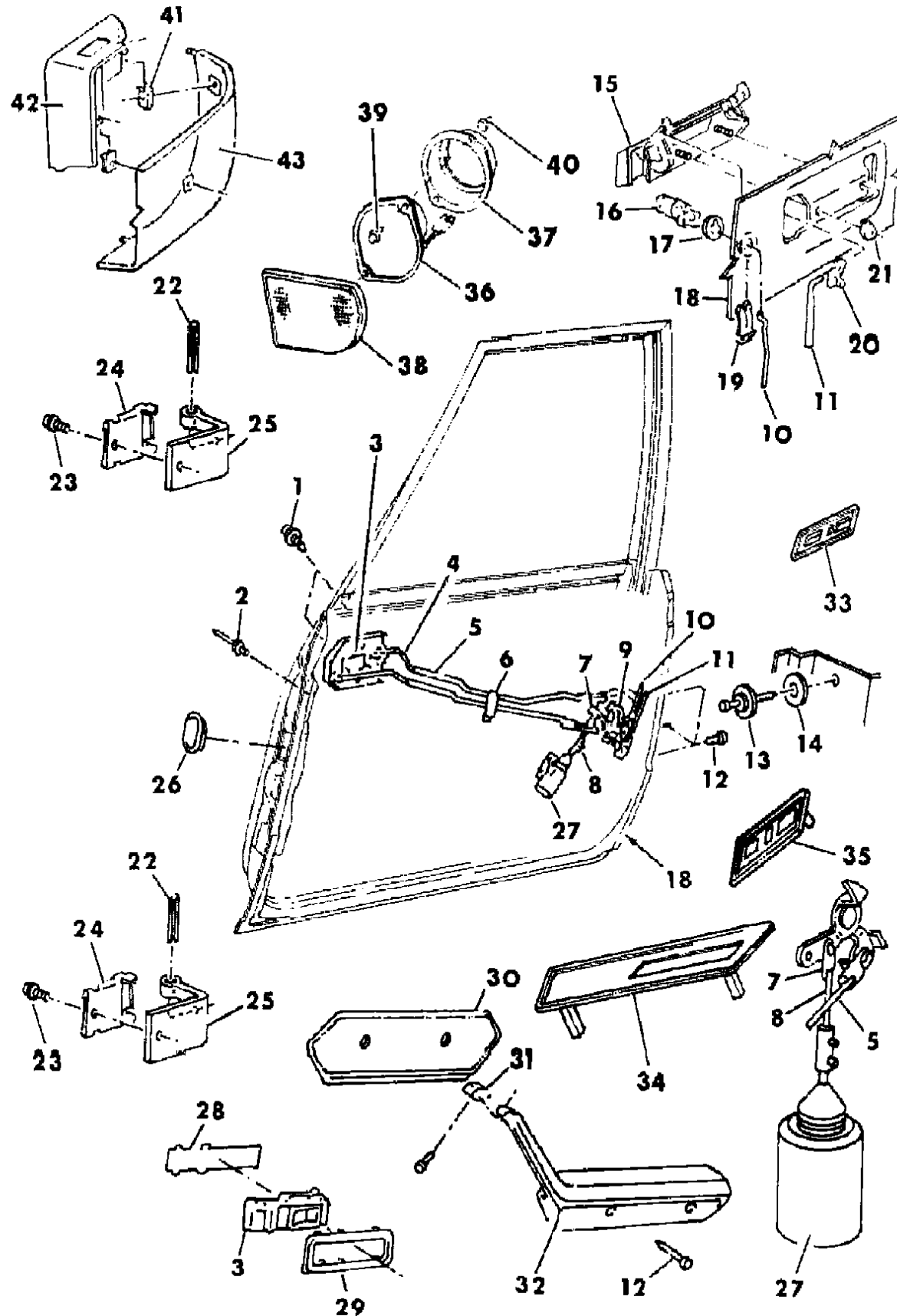
21 = 2-DOOR SEDAN	28 = FWD PICKUP	44 = 4-DOOR HATCHBACK
22 = 2-DOOR SPECIAL COUPE	35 = FWD VAN	45 = 4-DOOR STATION WAGON
24 = 2-DOOR HATCHBACK	36 = FWD WAGON	48 = 4-DOOR EXECUTIVE SEDAN
27 = 2-DOOR CONVERTIBLE	41 = 4-DOOR SEDAN	

AR = Use as Required - = Non Illustrated Part P.A.R. = Paint as Required

DOOR, FRONT SHELL, CONTROLS AND HARDWARE P,D,C,E,T 41,45,48

Figure 23C-1500

4171 1500A



ITEM	PART NUMBER	QTY	BODY	MODEL	DESCRIPTION
26	6031 488	2			PLUG
27	4184 156	2			SOLENOID, Door Lock
	4184 172	2			CLIP, Solenoid
28	4198 460	2			BUMPER w/RETAINER
29	4184 252	2			PLATE, Door Latch
	4280 840	2		E,T	SEAL, Door Latch
30					BEZEL, Front Door Latch Remote Control
	D405 CX9	1		PL,DL	
	4310 654-5	1		C,E,T	Chrome w/Finish Plate
	4310 654-5	1		Limo,Se	
	4310 648-9	1		C,E,T	APPLIQUE, Remote Control Bezel
	4310 648-9	1		Limo,Se	
	4184 723	2		PH,PP,D	
31	4077 894-5	1		P,D	PLATE, Arm Rest Back
32					BEZEL, Refer to IT Section
33					ARM REST, Refer to IT Section
34					BEZEL w/FINISH PLATE
	4223 648	1			w/Electric Windows, Right
	4223 927	1			w/Electric Windows, Left
	4342 134-5	1		Limo	
	4364 183	1		Sedan	Left
	4342 134	1		Sedan	Right
35					BEZEL, Armrest
	4247 403	1			w/Door Locks and Electric Mirrors, Left
	4247 409	1			w/o Door Locks, w/Electric Mirrors, Left
	4247 414	1			w/Door Locks, Right
	4247 414	1			w/Door Locks, w/o Electric Mirrors, Left
	4342 136	2		Sedan,L	
36	4311 491	2			SPEAKER, Door
37	4312 106-7	1			ADAPTOR, Speaker
38					GRILLE, Speaker
	D500-1 CA3	1			Silver
	D500-1 CC7	1			Blue
	D500-1 CL3	1			Beige
	D500-1 CM6	1			Red
	D500-1 CS8	1			Charcoal
	D500-1 CT8	1			Brown
39		4			SCREW (DNS)

MODEL CODES

B = GRAN FURY
 C = LEBARON/TOWN & COUNTRY/EXC SEDAN
 C24 = LASER
 D = ARIES
 E = 600
 F = FIFTH AVENUE/NEWPORT
 G = DIPLOMAT
 H = VOYAGER
 K = MINI RAM/CARAVAN/ROYAL
 M = HORIZON/TURISMO
 P = RELIANT
 T = E CLASS/NEW YORKER
 V = 600
 V24 = DAYTONA
 Z = OMNI/CHARGER/RAMPAGE

BODY STYLES

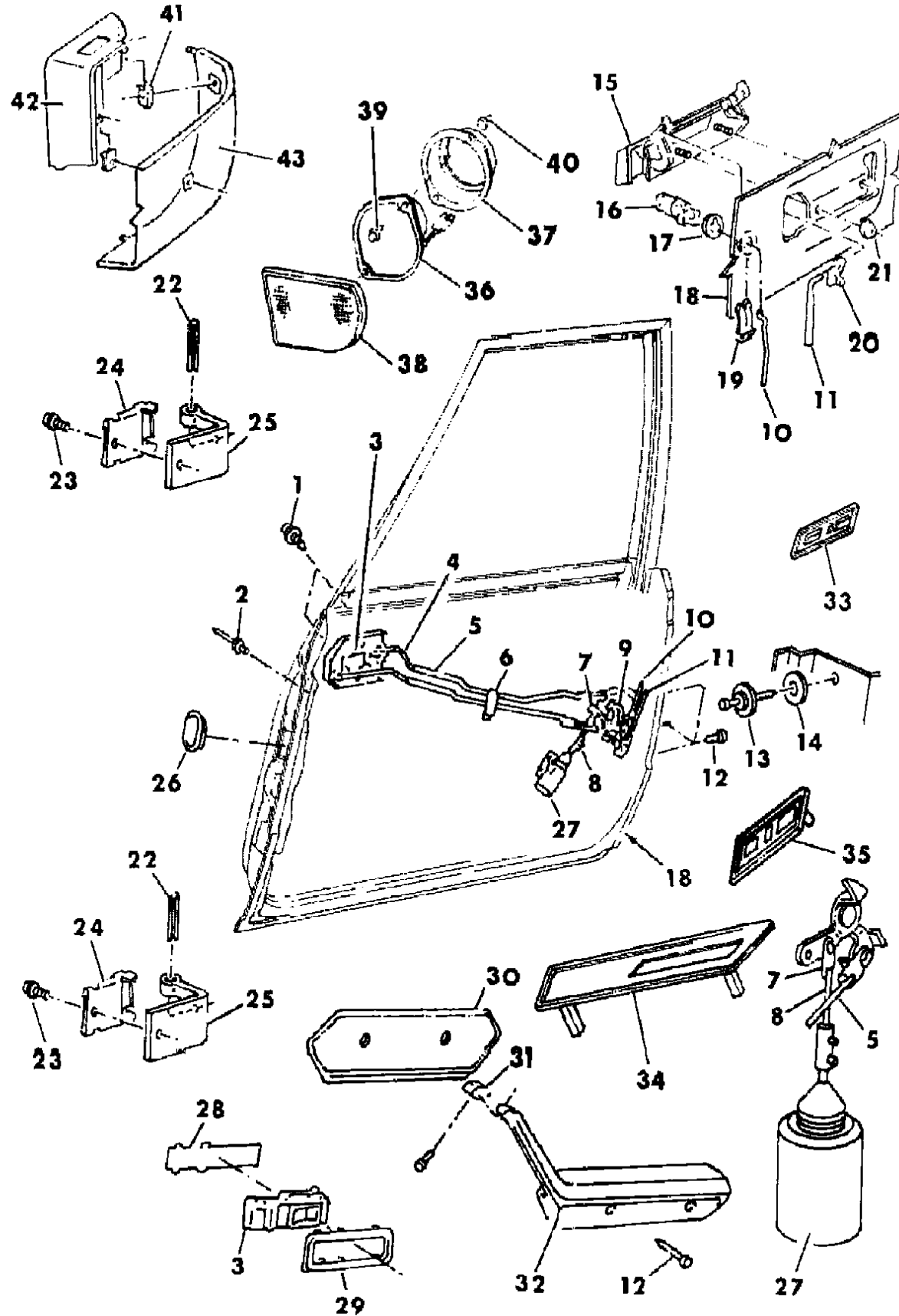
21 = 2-DOOR SEDAN
 22 = 2-DOOR SPECIAL COUPE
 24 = 2-DOOR HATCHBACK
 27 = 2-DOOR CONVERTIBLE
 28 = FWD PICKUP
 35 = FWD VAN
 36 = FWD WAGON
 41 = 4-DOOR SEDAN
 44 = 4-DOOR HATCHBACK
 45 = 4-DOOR STATION WAGON
 48 = 4-DOOR EXECUTIVE SEDAN

AR = Use as Required - = Non Illustrated Part P.A.R. = Paint as Required

DOOR, FRONT SHELL, CONTROLS AND HARDWARE P,D,C,E,T 41,45,48

Figure 23C-1500

4171 1500A



ITEM	PART NUMBER	QTY	BODY	MODEL	DESCRIPTION
------	-------------	-----	------	-------	-------------

40	6032 527	4			NUT
----	----------	---	--	--	-----

MODEL CODES

B = GRAN FURY	F = FIFTH AVENUE/NEWPORT	P = RELIANT
C = LEBARON/TOWN & COUNTRY/EXC SEDAN	G = DIPLOMAT	T = E CLASS/NEW YORKER
C24 = LASER	H = VOYAGER	V = 600
D = ARIES	K = MINI RAM/CARAVAN/ROYAL	V24 = DAYTONA
E = 600	M = HORIZON/TURISMO	Z = OMNI/CHARGER/RAMPAGE

BODY STYLES

21 = 2-DOOR SEDAN	28 = FWD PICKUP	44 = 4-DOOR HATCHBACK
22 = 2-DOOR SPECIAL COUPE	35 = FWD VAN	45 = 4-DOOR STATION WAGON
24 = 2-DOOR HATCHBACK	36 = FWD WAGON	48 = 4-DOOR EXECUTIVE SEDAN
27 = 2-DOOR CONVERTIBLE	41 = 4-DOOR SEDAN	

AR = Use as Required - = Non Illustrated Part P.A.R. = Paint as Required

DOOR, FRONT GLASS AND REGULATORS P,D,C,E,T 41,45,48
Figure 23C-1600

4171 1600

ITEM	PART NUMBER	QTY	BODY	MODEL	DESCRIPTION
1	4310 374-5	1			PLATE w/CHANNEL, Glass Lift
2					GLASS, Front Door
	4280 562	1			Clear Right w/o Mirror
	4280 566	1			Clear Right w/Mirror
	4280 567	1			Clear Left
	4280 564	1			Tinted Right w/o Mirror
	4280 568	1			Tinted Right w/Mirror
	4280 569	1			Tinted Left
	4280 711	4			PAD, Glass Guide Plate
4	3759 566	AR			BUMPER, Glass Down Stop
5	6028 587	6			T/NUT
6	5231 769	AR			GASKET, Glass Isolator
7	6029 998	6			WASHER w/STUD
8	6100 049	4			NUT w/WASHER
9	3788 079	2			SLEEVE, Track Lower
10	4184 060-1	1			REGULATOR, Front Door Window, Manual
	3882 758	2			SLIDE, Manual Regulator
	3508 121	2			SPRING, Manual Regulator Assist
11	4310 382	2			TRACK w/BRACKET
12	3882 767	AR			SPACER, Regulator Handle
13	3882 764	2			HANDLE, Front Door Window Regulator
14	6027 221	2			SCREW
15	6031 115	AR			RIVET
16	6100 566	2			SCREW
17	4280 432-3	1			REGULATOR, Front Door Window, Electric
	4247 884	2			SUPPORT w/NUT, Electric Regulator Attaching
	2999 467	2			SPACER, Electric Regulator
	3882 758	2			SLIDE, Electric Regulator Driving Arm
	1316 863	2			O-RING, Electric Window Regulator Mtg.
18	4184 316-7	1			MOTOR and MECH., Front Door Window
	4240 474	2			GEAR and SEAL PACKAGE
	4339 409	1			REPAIR PACKAGE, Electric Window Lift Motor
19	4310 380	2			SUPPORT w/NUT
21	4136 914	2			GUIDE, Door Glass
22	4280 696-7	1			BRACKET, Electric Window Upstop
	0137 204	2			COTTER PIN, Electric Window Upstop

MODEL CODES

B = GRAN FURY
C = LEBARON/TOWN & COUNTRY/EXC SEDAN
C24 = LASER
D = ARIES
E = 600

F = FIFTH AVENUE/NEWPORT
G = DIPLOMAT
H = VOYAGER
K = MINI RAM/CARAVAN/ROYAL
M = HORIZON/TURISMO

P = RELIANT
T = E CLASS/NEW YORKER
V = 600
V24 = DAYTONA
Z = OMNI/CHARGER/RAMPAGE

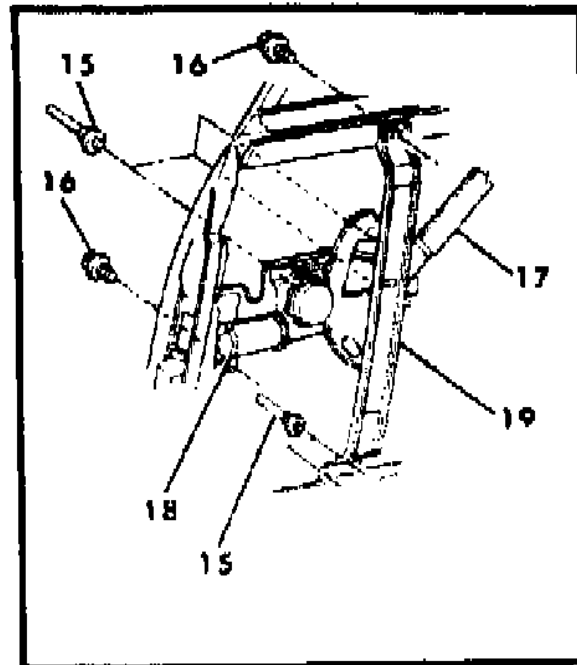
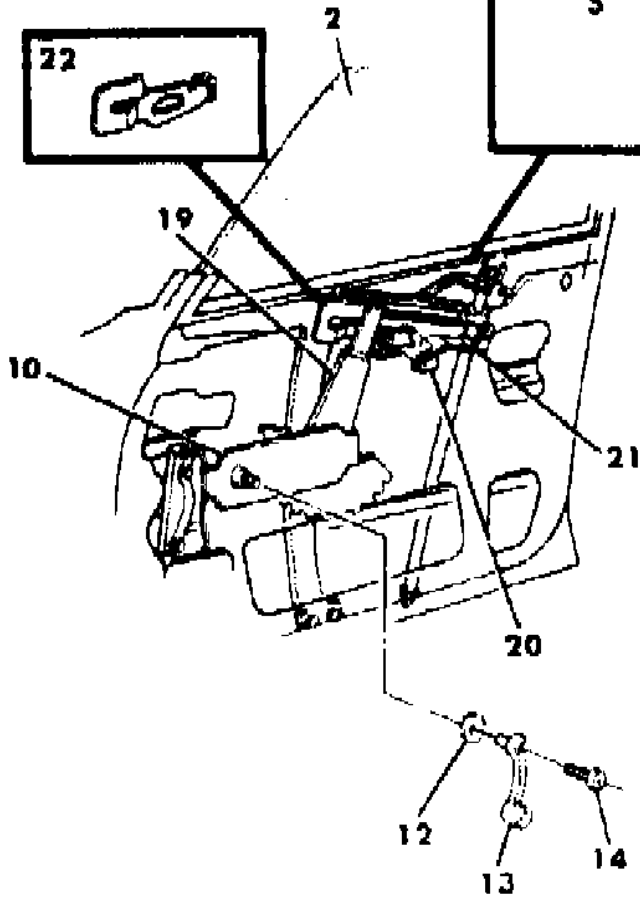
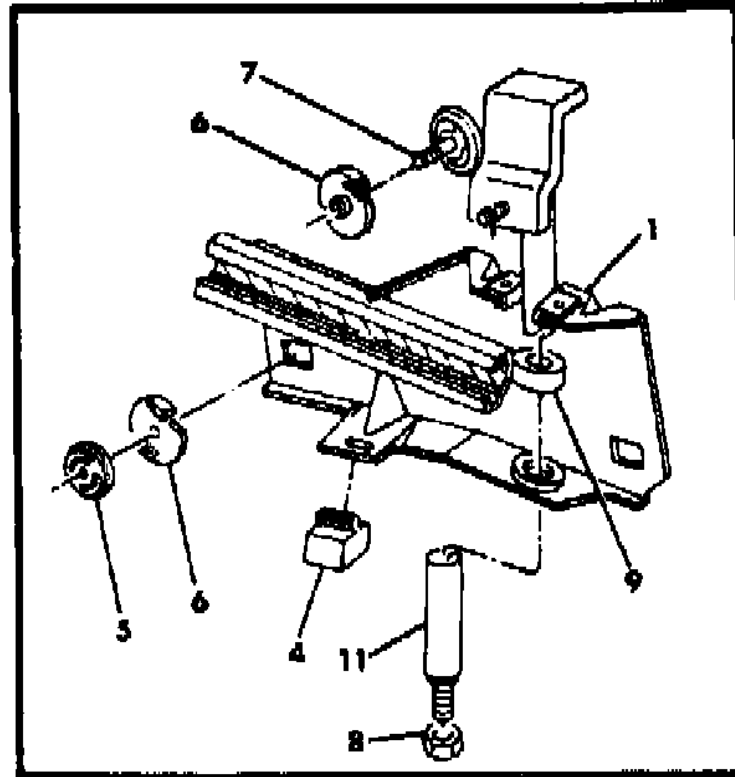
BODY STYLES

21 = 2-DOOR SEDAN
22 = 2-DOOR SPECIAL COUPE
24 = 2-DOOR HATCHBACK
27 = 2-DOOR CONVERTIBLE

28 = FWD PICKUP
35 = FWD VAN
36 = FWD WAGON
41 = 4-DOOR SEDAN

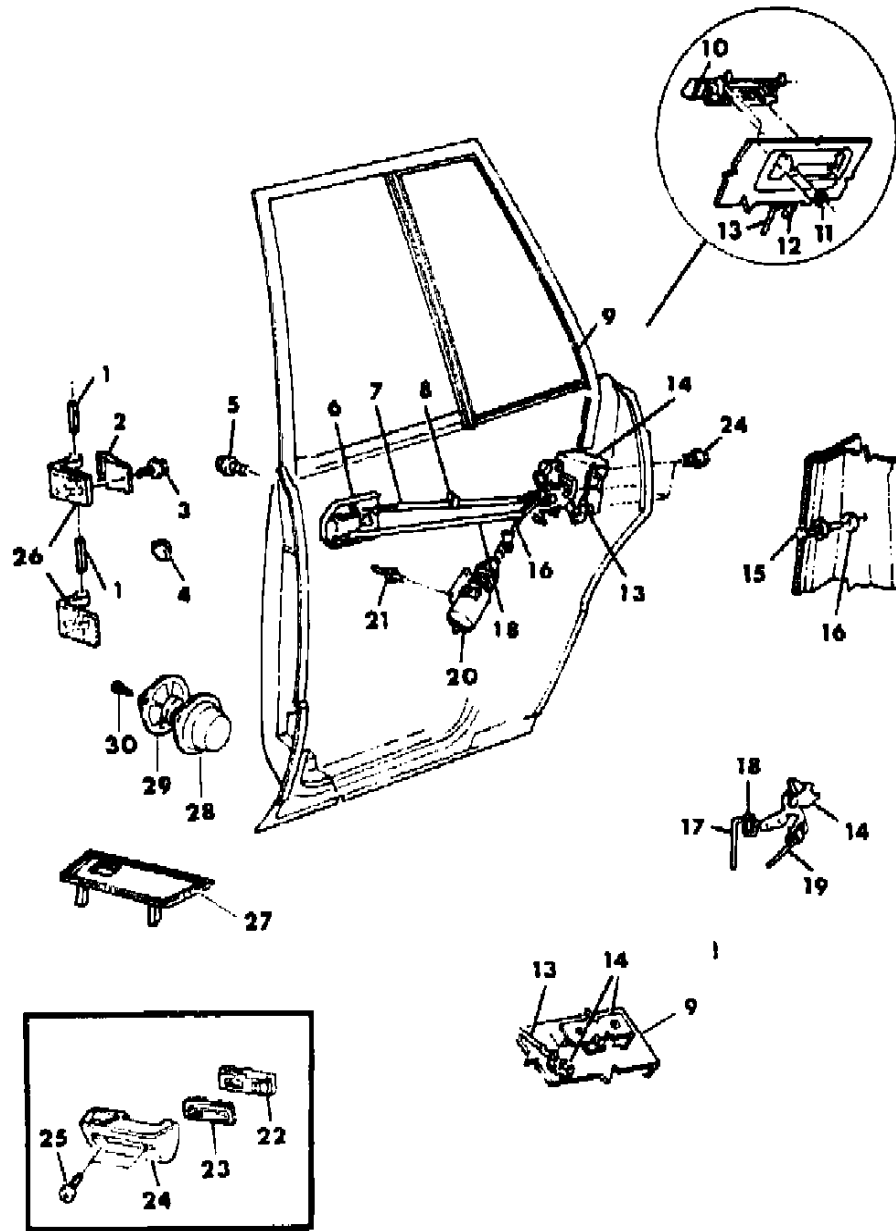
44 = 4-DOOR HATCHBACK
45 = 4-DOOR STATION WAGON
48 = 4-DOOR EXECUTIVE SEDAN

AR = Use as Required - = Non Illustrated Part P.A.R. = Paint as Required



DOOR, REAR SHELL, HANDLES AND CONTROLS P,D,C,E,T 41,45,48
Figure 23C-1700

4171 1700



ITEM	PART NUMBER	QTY	BODY	MODEL	DESCRIPTION
1	6500 361	2			PIN, Hinge Up to 3-1-84
	6500 804	2			After 3-1-84
	6500 803	2			CLIP, Hinge Pin, After 3-1-84
	4184 117	1			CHECK SPRING
3	6100 557	2			SCREW w/WASHER
4	4198 524	2			PLUG
5	6100 274	2			SCREW
6	4184 252	2			PLATE w/NUT, Mounting
7	4184 270-1	1		P,D,C	LINK w/SLEEVE
	4184 530-1	1		E,T	
8	3882 620	2			CLIP, Anti Rattle
9	4318 342-3	1		P,D,C 4	DOOR SHELL
	4318 336-7	1		E,T 41	
	4318 344-5	1		P,D,C 4	
	4364 178-9	1		Sedan	
	4342 124-5	1		Limo	
	4310 064-5	1		PDC 41,	PANEL, Repair
	4310 066-7	1		E,T 41	
	4339 528-9	1		Sedan	
4342 126-7	1		Limo		
10	4184 228	2			HANDLE, Rear Door Exterior
	6028 674	4			SCREW, Handle
11	6025 004	2			NUT
12	3882 762	2			CLIP, Link to Handle
13	4184 118	2		P,D,C	LINK, Exterior Handle to Latch
	4184 598	2		E,T	
14	4310 014-5	1			LATCH
15	4336 826	2			STRIKER
	6500 483	2			NUT, Striker
16	4184 105	AR			SPACER
17	4184 286	2		P,D,C	LINK, Electric Latch to Motor
	4184 742-3	2		E,T	
18	4184 244-5	1			CLIP, Latch to Electric Motor Link
	3454 220-1	1		P,D,C	w/o Electric Locks
19	4184 698-9	1		P,D,C	LINK w/SLEEVE
	4184 540-1	1		E,T	
	4339 607	2		Sedan,L	LINK, Rear Door Inside Latch

MODEL CODES

B = GRAN FURY	F = FIFTH AVENUE/NEWPORT	P = RELIANT
C = LEBARON/TOWN & COUNTRY/EXC SEDAN	G = DIPLOMAT	T = E CLASS/NEW YORKER
C24 = LASER	H = VOYAGER	V = 600
D = ARIES	K = MINI RAM/CARAVAN/ROYAL	V24 = DAYTONA
E = 600	M = HORIZON/TURISMO	Z = OMNI/CHARGER/RAMPAGE

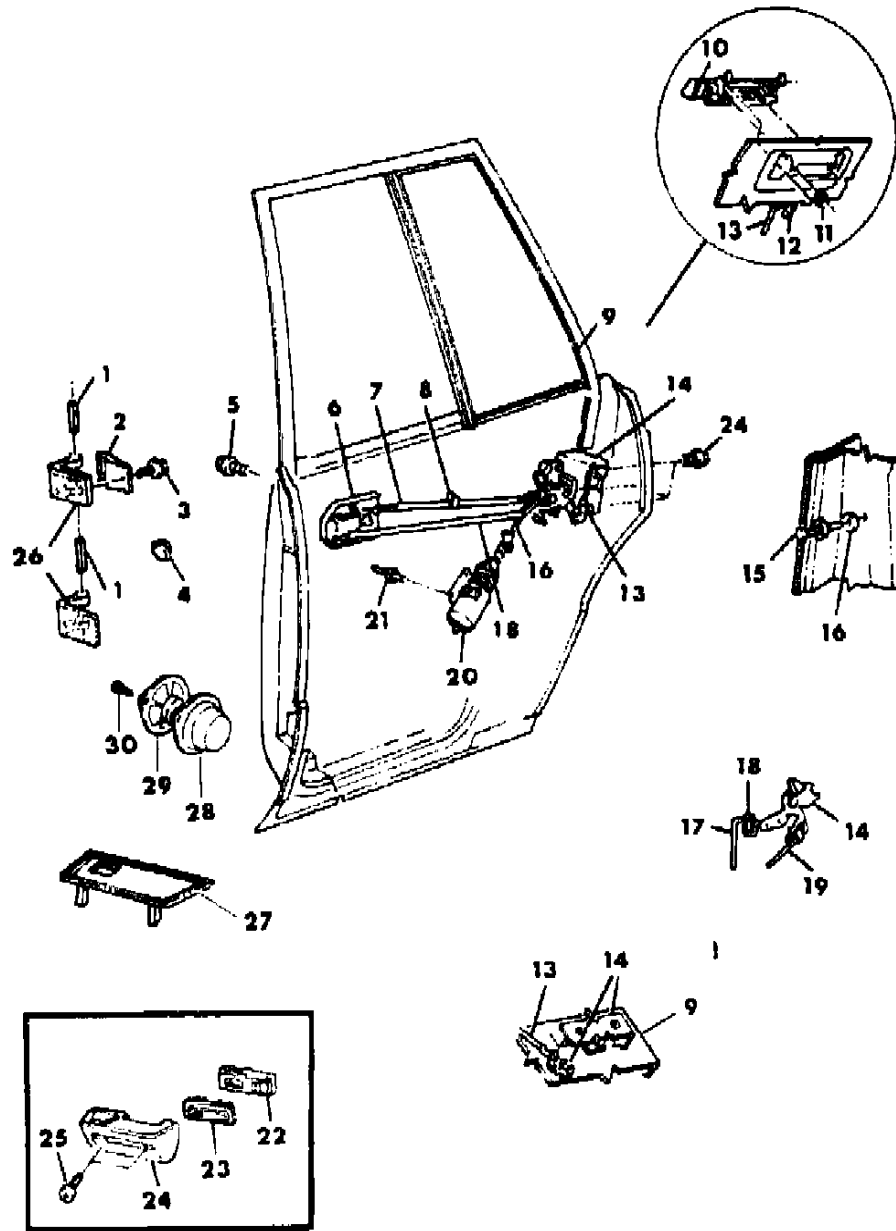
BODY STYLES

21 = 2-DOOR SEDAN	28 = FWD PICKUP	44 = 4-DOOR HATCHBACK
22 = 2-DOOR SPECIAL COUPE	35 = FWD VAN	45 = 4-DOOR STATION WAGON
24 = 2-DOOR HATCHBACK	36 = FWD WAGON	48 = 4-DOOR EXECUTIVE SEDAN
27 = 2-DOOR CONVERTIBLE	41 = 4-DOOR SEDAN	

AR = Use as Required - = Non Illustrated Part P.A.R. = Paint as Required

DOOR, REAR SHELL, HANDLES AND CONTROLS P,D,C,E,T 41,45,48
Figure 23C-1700

4171 1700



ITEM	PART NUMBER	QTY	BODY	MODEL	DESCRIPTION
	4339 608-9	1		Sedan,L	BELLCRANK, Rear Door Release
	4339 610-1	1		Sedan,L	LINK, Rear Door Inside Release
	4339 612-3	1		Sedan,L	LINK, Rear Door Inside Lock
	4339 614-5	1		Sedan,L	LINK, Rear Door Exterior Lock
	4339 616	2		Sedan,L	LINK, Rear Door Latch Bellcrank
	4339 617	2		Sedan,L	LINK, Rear Door Latch, w/Power Locks
	4339 618-9	1		Sedan,L	LINK, Rear Door Bellcrank
20	4184 156	2			SOLENOID, Rear Door Power Lock
	4184 172	2			CLIP, Solenoid
21	6031 115	AR			Rivet
22					HOUSING, Rear Door Remote Control
	4184 282-3	1			Black w/Chrome Handle
	4280 842	2	E,T		SEAL, Door Latch
23	D405 CX9	2	PL,DL		BEZEL, Rear Door Latch Housing
	4184 723	2	PH,PP,D		
	4342 132-3	1		Limo	
	4364 180-1	1		SEDAN	
	4310 656-7	1		C,E,T	Chrome w/Finish Plate
	4310 652	1		C,E,T	APPLIQUE, Remote Control Bezel
24					ARM REST, Refer to IT Section
	4077 896	2	P,D 41,		PLATE, Armrest Backing
25		AR			SCREW (DNS)
26	4318 350	4			HINGE, Body Half, Rear Door
	4318 301	4			Door Half, Rear Door
					COVER, Rear Door Hinge
	X144-5 BT8	1		C,V,E,T	Upper
	X146-7 BT8	1		E,T	Lower
27	4223 932-3	1			BEZEL w/FINISH PLATE
	4342 132-3	1		Sedan,L	
28	4312 106-7	1		Limo	ADAPTOR, Speaker
29	4222 776	1		Limo	SPEAKER
30		4		Limo	SCREW (DNS)
	6032 527	4		Limo	NUT

MODEL CODES

B = GRAN FURY	F = FIFTH AVENUE/NEWPORT	P = RELIANT
C = LEBARON/TOWN & COUNTRY/EXC SEDAN	G = DIPLOMAT	T = E CLASS/NEW YORKER
C24 = LASER	H = VOYAGER	V = 600
D = ARIES	K = MINI RAM/CARAVAN/ROYAL	V24 = DAYTONA
E = 600	M = HORIZON/TURISMO	Z = OMNI/CHARGER/RAMPAGE

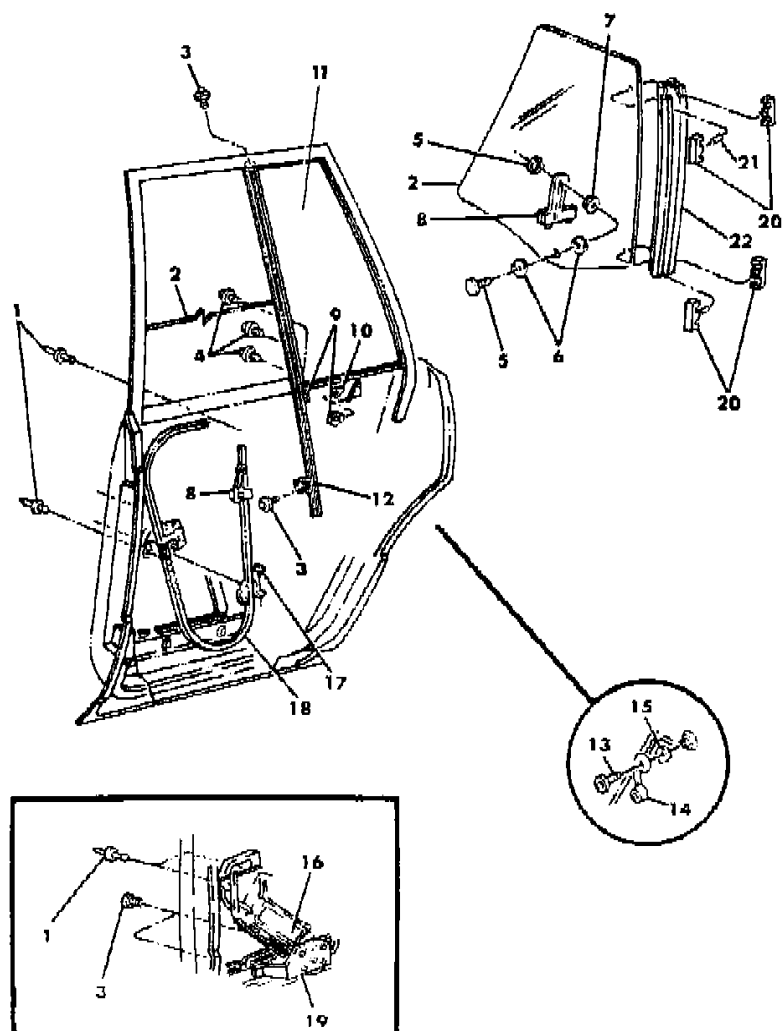
BODY STYLES

21 = 2-DOOR SEDAN	28 = FWD PICKUP	44 = 4-DOOR HATCHBACK
22 = 2-DOOR SPECIAL COUPE	35 = FWD VAN	45 = 4-DOOR STATION WAGON
24 = 2-DOOR HATCHBACK	36 = FWD WAGON	48 = 4-DOOR EXECUTIVE SEDAN
27 = 2-DOOR CONVERTIBLE	41 = 4-DOOR SEDAN	

AR = Use as Required - = Non Illustrated Part P.A.R. = Paint as Required

DOOR, REAR GLASS AND REGULATORS P,D,C,E,T 41,45,48
Figure 23C-1800

4171 1800



ITEM	PART NUMBER	QTY	BODY	MODEL	DESCRIPTION
1	6031 115	AR			RIVET
2	4198 756-7	1		P,D,C	GLASS Clear
	4198 866-7	1		E,T	Clear
	4198 758-9	1		P,D,C	Tinted
	4198 868-9	1		E,T	Tinted
	4339 624-5	1	Sedan		
	4339 954-5	1	Limo		
3					SCREW (DNS)
4	6100 274	AR			SCREW
5	4267 907	AR			HARDWARE PACKAGE
6	5231 769	AR			GASKET
7	6028 587	AR			NUT, Tee
8	4184 610-1	1			ARM w/NUT, Regulator Drive
9	6100 041	AR			U/NUT
10	4198 639	2			BRACKET, Vent Window Support
11					GLASS, Rear Door Stationary
	4198 854-5	1		P,D,C 4	
	4339 620-1	1	Sedan		
	4198 728-9	1		E,T,41	w/o Padded Landau Roof
	4280 870-1	1		T-P 41	w/Padded Landau Roof
	4198 642-3	1		P,D,C 4	
	4339 706-7	1	Sedan		BRACKET, Rear Door Stationary Glass Support
12					CHANNEL, Divisional Glass, Rear Door
	4198 732-3	1		P,D,C	
	4198 858-9	1		E,T	
	4198 744-5	1			BRACKET w/NUT, Channel Lower
	4339 801	2	Sedan,L		BRACKET, Division Bar Mtg., Lower
	4339 863	2	Limo		Upper
13	6100 566	AR		E,T	SCREW
	6100 567	AR		P,D,C	
14	3882 764	2			HANDLE, Manual Window Regulator
15	3882 767	AR			SPACER
16					MOTOR and MECHANISM, Electric Window
	4184 548-9	1			Up to 1-17-84
	4310 938-9	1			After 1-17-84
	4339 704-5	1	Sedan,L		
17	4184 575	AR			BUMPER, Downstop

MODEL CODES

B = GRAN FURY	F = FIFTH AVENUE/NEWPORT	P = RELIANT
C = LEBARON/TOWN & COUNTRY/EXC SEDAN	G = DIPLOMAT	T = E CLASS/NEW YORKER
C24 = LASER	H = VOYAGER	V = 600
D = ARIES	K = MINI RAM/CARAVAN/ROYAL	V24 = DAYTONA
E = 600	M = HORIZON/TURISMO	Z = OMNI/CHARGER/RAMPAGE

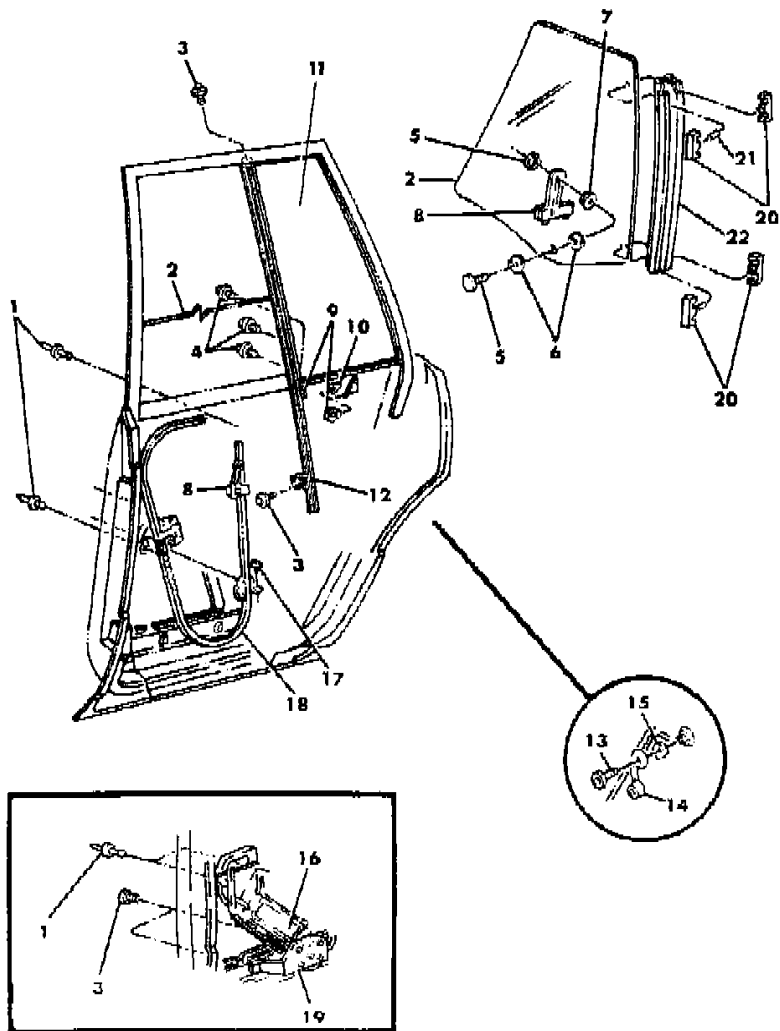
BODY STYLES

21 = 2-DOOR SEDAN	28 = FWD PICKUP	44 = 4-DOOR HATCHBACK
22 = 2-DOOR SPECIAL COUPE	35 = FWD VAN	45 = 4-DOOR STATION WAGON
24 = 2-DOOR HATCHBACK	36 = FWD WAGON	48 = 4-DOOR EXECUTIVE SEDAN
27 = 2-DOOR CONVERTIBLE	41 = 4-DOOR SEDAN	

AR = Use as Required - = Non Illustrated Part P.A.R. = Paint as Required

DOOR, REAR GLASS AND REGULATORS P,D,C,E,T 41,45,48
Figure 23C-1800

4171 1800



ITEM	PART NUMBER	QTY	BODY	MODEL	DESCRIPTION
18					REGULATOR, Rear Door Window
	4184 566-7	1			Manual, Up to 1-17-84
	4310 688-9	1			After 1-17-84
	4184 616-7	1			Electric, Up to 1-17-84
	4336 492-3	1			After 1-17-84
	4339 626-7	1	Sedan,L		
19					BRACKET, Motor Mounting
	4184 596-7	1			Up to 1-17-84
	4310 706-7	1			After 1-17-84
20	4198 752	AR			RETAINER, Divisional Glass Weatherstrip
21	2861 744	AR			PIN, Glass Edge Slide
22	4198 750-1	1			WEATHERSTRIP, Divisional Glass Channel

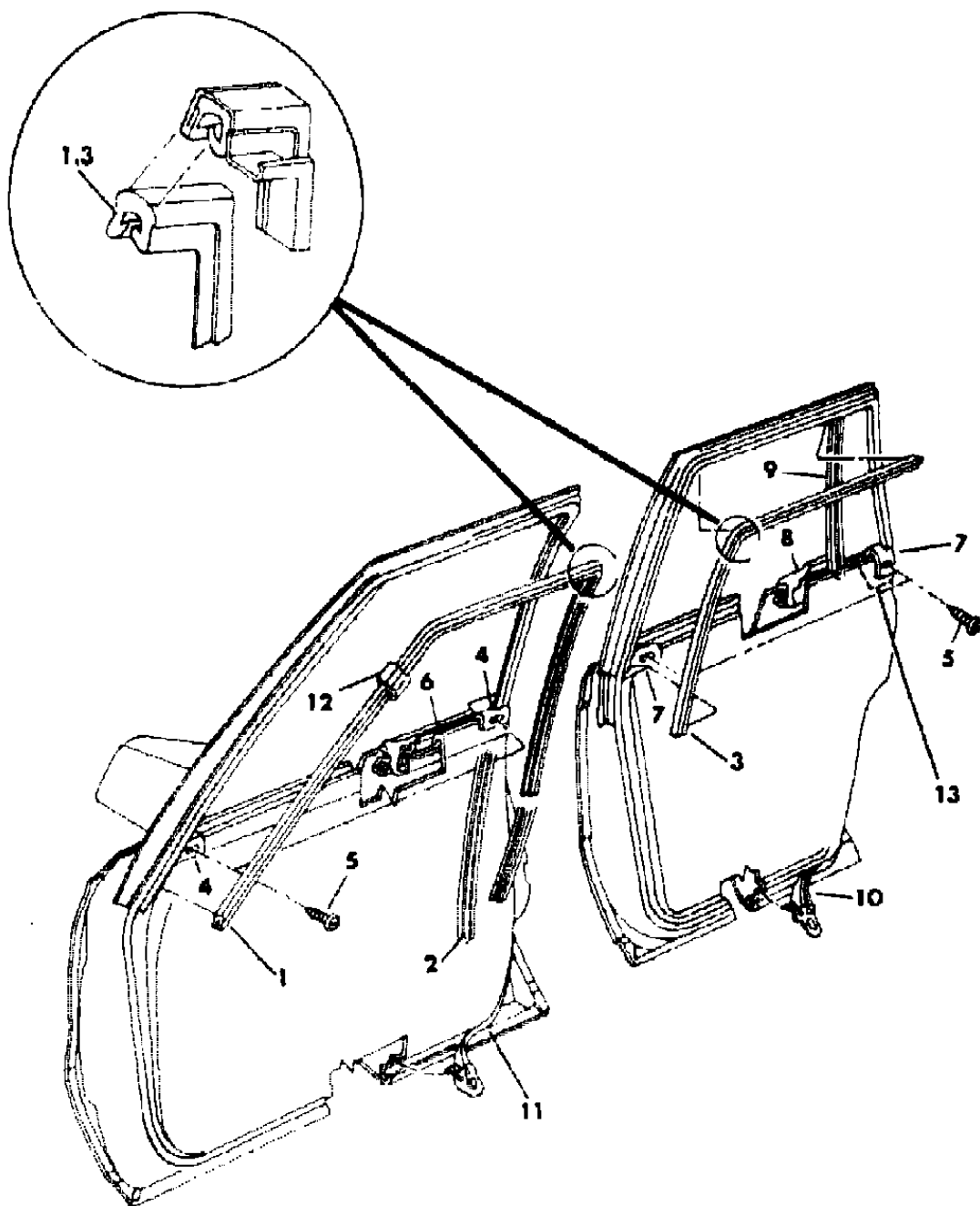
MODEL CODES
 B = GRAN FURY
 C = LEBARON/TOWN & COUNTRY/EXC SEDAN
 C24 = LASER
 D = ARIES
 E = 600
 F = FIFTH AVENUE/NEWPORT
 G = DIPLOMAT
 H = VOYAGER
 K = MINI RAM/CARAVAN/ROYAL
 M = HORIZON/TURISMO
 P = RELIANT
 T = E CLASS/NEW YORKER
 V = 600
 V24 = DAYTONA
 Z = OMNI/CHARGER/RAMPAGE

BODY STYLES
 21 = 2-DOOR SEDAN
 22 = 2-DOOR SPECIAL COUPE
 24 = 2-DOOR HATCHBACK
 27 = 2-DOOR CONVERTIBLE
 28 = FWD PICKUP
 35 = FWD VAN
 36 = FWD WAGON
 41 = 4-DOOR SEDAN
 44 = 4-DOOR HATCHBACK
 45 = 4-DOOR STATION WAGON
 48 = 4-DOOR EXECUTIVE SEDAN

AR = Use as Required - = Non Illustrated Part P.A.R. = Paint as Required

DOOR, FRONT AND REAR WEATHERSTRIPS AND RUNS P,D,C,V,E,T 21,22,41,45,48
Figure 23C-1900

4171 1900



ITEM	PART NUMBER	QTY	BODY	MODEL	DESCRIPTION
1					RUN, Front Door Glass
	4310 764	1		21,22	Right w/o Mirror
	4310 762-3	1		21,22	w/Mirror
	4310 766	1		41,45	Right w/o Mirror
	4310 760-1	1		41,45,4	w/Mirror
2	4198 048-9	1		21,22	CHANNEL, Front Door Rear
3					RUN, Rear Door Glass
	4280 856-7	1		E,T 41	
	4280 854-5	1		P,D 41,	
	4339 636-7	1		Sedan	
	4339 964-5	1		Limo	
4	4198 382-3	1			SEAL, Front Door Belt, Front
	4198 384-5	1		P,D,C,V	Rear
	4310 632-3	1		P,D,C41	Rear
	6003 693	AR		C,E,T,4	CLIP, Front and Rear Door Frame Seal Att.
			2		SCREW (DNS)
5					WEATHERSTRIP, Front Door Belt, Outer
	4198 512	1		21,22	
	4198 514-5	1		41,45,4	
		1		41,45,4	Inner, Serviced on Door Trim Panel
	4280 134-5	1		41,45,4	SEAL, Rear Door Belt, Front
7	4198 388-9	1		41,45,4	Rear
	4198 754-5	1		E,T	WEATHERSTRIP, Rear Door Belt, Outer
	4198 914-5	1		P,D,C 4	
	4339 634-5	1		Sedan	
	4339 962-3	1		Limo	
9	4198 730-1	1		E,T,C	WEATHERSTRIP, Rear Door Glass, Stationary
	4198 856-7	1		P,D,C 4	
	4198 644-5	1		P,D,C 4	
	4339 632-3	1		Sedan	SEAL, Rear Door Stationary Glass
	4365 541	4		C,E,T,4	SEAL, Front and Rear Door Frame Secondary
10	4339 748	2		Sedan	Rear Door Sill, Secondary
	4339 960	2		Limo	
	6032 502	AR		C,E,T,4	RIVET, Seal Repair
	4198 020-1	1		P,D,C	WEATHERSTRIP, Rear Door
	4198 896-7	1		E,T	
	4339 628-9	1		Sedan	
	4339 958-9	1		Limo	

MODEL CODES

B = GRAN FURY	F = FIFTH AVENUE/NEWPORT	P = RELIANT
C = LEBARON/TOWN & COUNTRY/EXC SEDAN	G = DIPLOMAT	T = E CLASS/NEW YORKER
C24 = LASER	H = VOYAGER	V = 600
D = ARIES	K = MINI RAM/CARAVAN/ROYAL	V24 = DAYTONA
E = 600	M = HORIZON/TURISMO	Z = OMNI/CHARGER/RAMPAGE

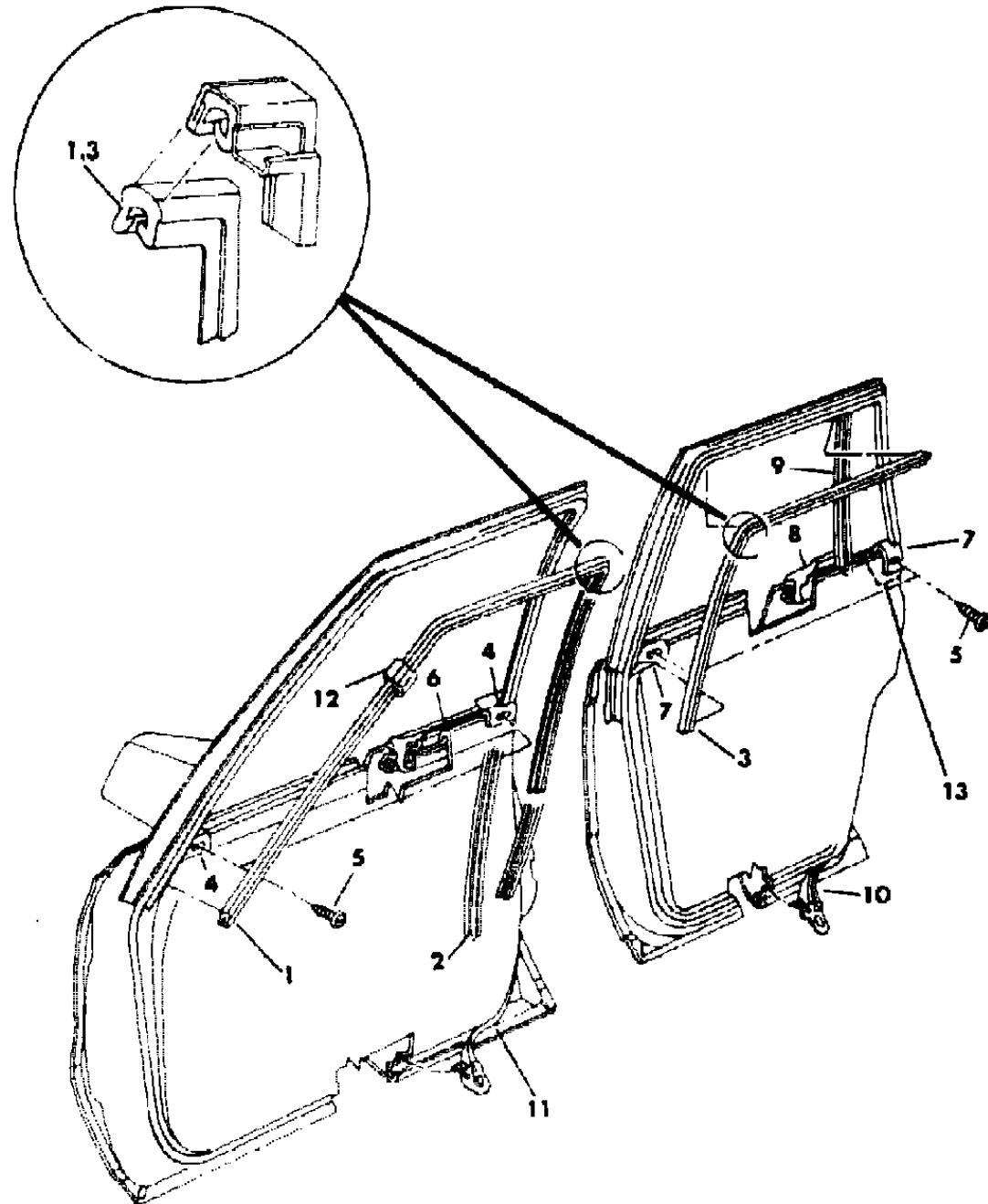
BODY STYLES

21 = 2-DOOR SEDAN	28 = FWD PICKUP	44 = 4-DOOR HATCHBACK
22 = 2-DOOR SPECIAL COUPE	35 = FWD VAN	45 = 4-DOOR STATION WAGON
24 = 2-DOOR HATCHBACK	36 = FWD WAGON	48 = 4-DOOR EXECUTIVE SEDAN
27 = 2-DOOR CONVERTIBLE	41 = 4-DOOR SEDAN	

AR = Use as Required - = Non Illustrated Part P.A.R. = Paint as Required

DOOR, FRONT AND REAR WEATHERSTRIPS AND RUNS P,D,C,V,E,T 21,22,41,45,48
Figure 23C-1900

4171 1900



ITEM	PART NUMBER	QTY	BODY	MODEL	DESCRIPTION
11	4280 172-3	1		21,22	WEATHERSTRIP, Front Door
	4280 412-3	1		41,45,4	
	2217 508	AR			CLIP, Outer Weatherstrip Attaching
	4040 732	AR			RETAINER, Door Opening Weatherstrip Attaching
12	4310 059	2			CLIP, Glass Run Rolloff

MODEL CODES

B = GRAN FURY	F = FIFTH AVENUE/NEWPORT	P = RELIANT
C = LEBARON/TOWN & COUNTRY/EXC SEDAN	G = DIPLOMAT	T = E CLASS/NEW YORKER
C24 = LASER	H = VOYAGER	V = 600
D = ARIES	K = MINI RAM/CARAVAN/ROYAL	V24 = DAYTONA
E = 600	M = HORIZON/TURISMO	Z = OMNI/CHARGER/RAMPAGE

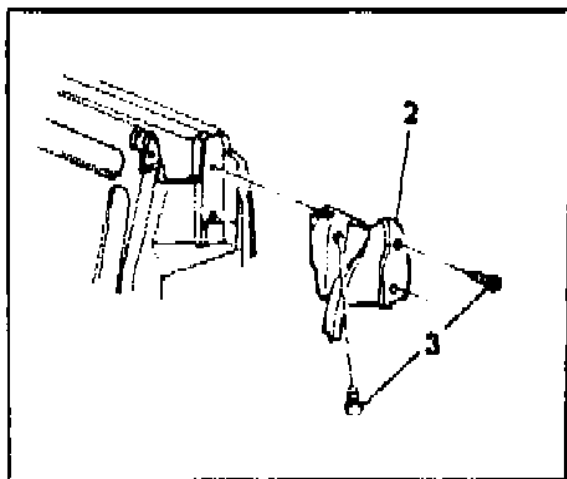
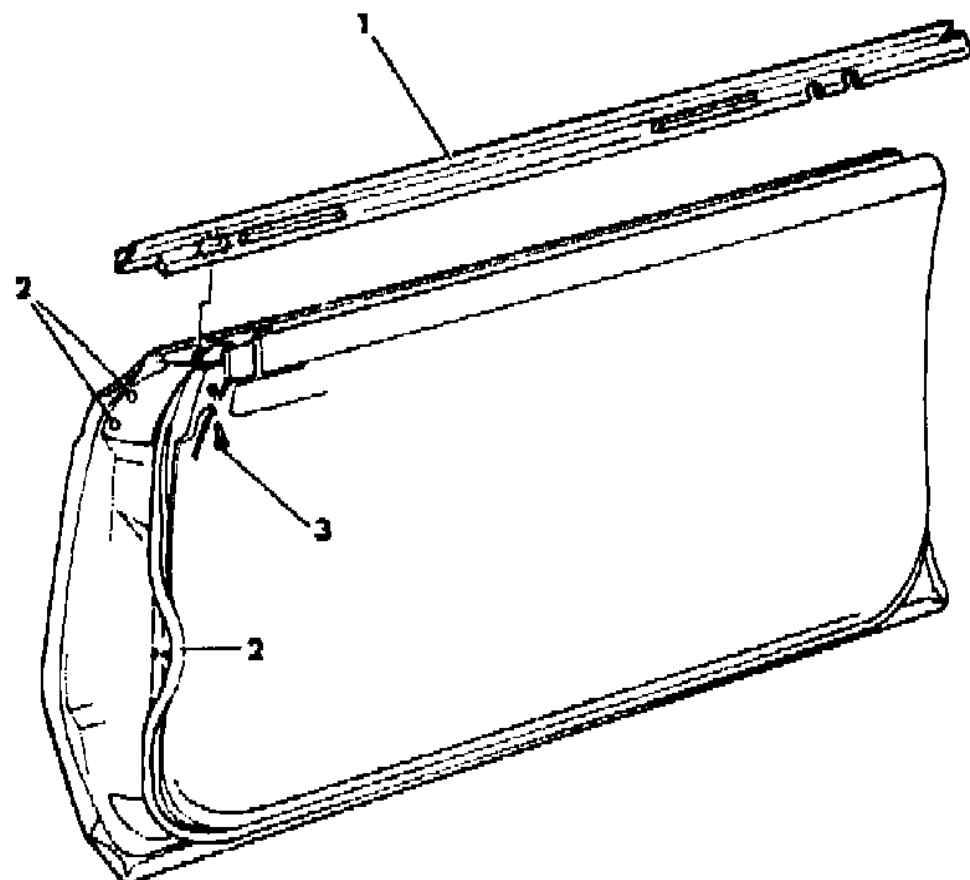
BODY STYLES

21 = 2-DOOR SEDAN	28 = FWD PICKUP	44 = 4-DOOR HATCHBACK
22 = 2-DOOR SPECIAL COUPE	35 = FWD VAN	45 = 4-DOOR STATION WAGON
24 = 2-DOOR HATCHBACK	36 = FWD WAGON	48 = 4-DOOR EXECUTIVE SEDAN
27 = 2-DOOR CONVERTIBLE	41 = 4-DOOR SEDAN	

AR = Use as Required - = Non Illustrated Part P.A.R. = Paint as Required

DOOR, FRONT WEATHERSTRIPS C,V 27
Figure 23C-2000

4171 2000



ITEM	PART NUMBER	QTY	BODY	MODEL	DESCRIPTION
1	4310 270-1	1			WEATHERSTRIP, Belt Outer
2	4310 254-5	1			WEATHERSTRIP, Door Opening
3		AR			SCREW, Seal Att. (DNS)
	2217 508	AR			CLIP, Outer Weatherstrip Attaching
	4040 732	AR			RETAINER, Door Opening Weatherstrip Attaching

MODEL CODES

B = GRAN FURY	F = FIFTH AVENUE/NEWPORT	P = RELIANT
C = LEBARON/TOWN & COUNTRY/EXC SEDAN	G = DIPLOMAT	T = E CLASS/NEW YORKER
C24 = LASER	H = VOYAGER	V = 600
D = ARIES	K = MINI RAM/CARAVAN/ROYAL	V24 = DAYTONA
E = 600	M = HORIZON/TURISMO	Z = OMNI/CHARGER/RAMPAGE

BODY STYLES

21 = 2-DOOR SEDAN	28 = FWD PICKUP	44 = 4-DOOR HATCHBACK
22 = 2-DOOR SPECIAL COUPE	35 = FWD VAN	45 = 4-DOOR STATION WAGON
24 = 2-DOOR HATCHBACK	36 = FWD WAGON	48 = 4-DOOR EXECUTIVE SEDAN
27 = 2-DOOR CONVERTIBLE	41 = 4-DOOR SEDAN	

AR = Use as Required - = Non Illustrated Part P.A.R. = Paint as Required

MIRRORS, EXTERIOR P,D,C,V,E,T (EXCEPT C,V 24)

Figure 23C-2100

4171 2100

ITEM	PART NUMBER	QTY	BODY	MODEL	DESCRIPTION
------	-------------	-----	------	-------	-------------

NOTE: Right Mirror is For Replacement of Factory Installed Original Equipment Only. (ode). Both models are derived from the 100.1" W.B. LeBaron (C 22 Model). Sheet metal parts for the C 48 not found on this illustration should be speci

1	4318 280-1	1			MIRROR, Retangular Remote Control Chrome
	4246 176-7	1			Prime
2	4339 302	1			MIRROR, Manual Prime, Left
	4318 282-3	1			Chrome
	4318 284-5	1			Chrome, Electric
	4318 286-7	1			Black, Electric
3	4299 056-7	1			BEZEL, Remote Control Mirror, Inside
4	4299 054-5	1			BEZEL, w/Manual and Electric Mirror, Inside
	4342 141	2		Sedan,L	w/Electric Mirrors
5	4097 632-3	1		27	MIRROR, Remote Control
	4267 932	1			Remote Control, Right
	4299 052-3	1			SEAL, Bezel to Support
6	5207 356-7	1		27	COVER, Outside Mirror
7		AR			SCREW (DNS)
8	6032 121	AR			SCREW
9	4246 189	2			SEAL, Outer
10				27	BEZEL, Remote Control Mirror
	4097 761	1			Left
	4097 701	1			Right
11	4299 068-9	1			SUPPORT, Mirror Att.
	4299 058	2			SPACER, Mirror Support to Door Lower Attaching
12	0273 229	1		27	SCREW
13	0120 392	1		27	WASHER
14				27	NUT w/WASHER (DNS)
15	4097 792	2		27	PLATE, Mirror Control
16	4097 678-9	1		27	BRACKET, Mirror Att.
17					SEAL, Serviced in Item 11
18	4267 872-3	1			GLASS REPLACEMENT PACKAGE

NOTE: The Following Items are Not Illustrated. (ode). Both models are derived from the 100.1" W.B. LeBaron (C 22 Model). Sheet metal parts for the C 48 not found on this illustration should be speci

	4246 204-5	1			SEAL, Mirror Bracket Inner Bezel
	4246 189	1			SEAL, Bracket Outer Channel

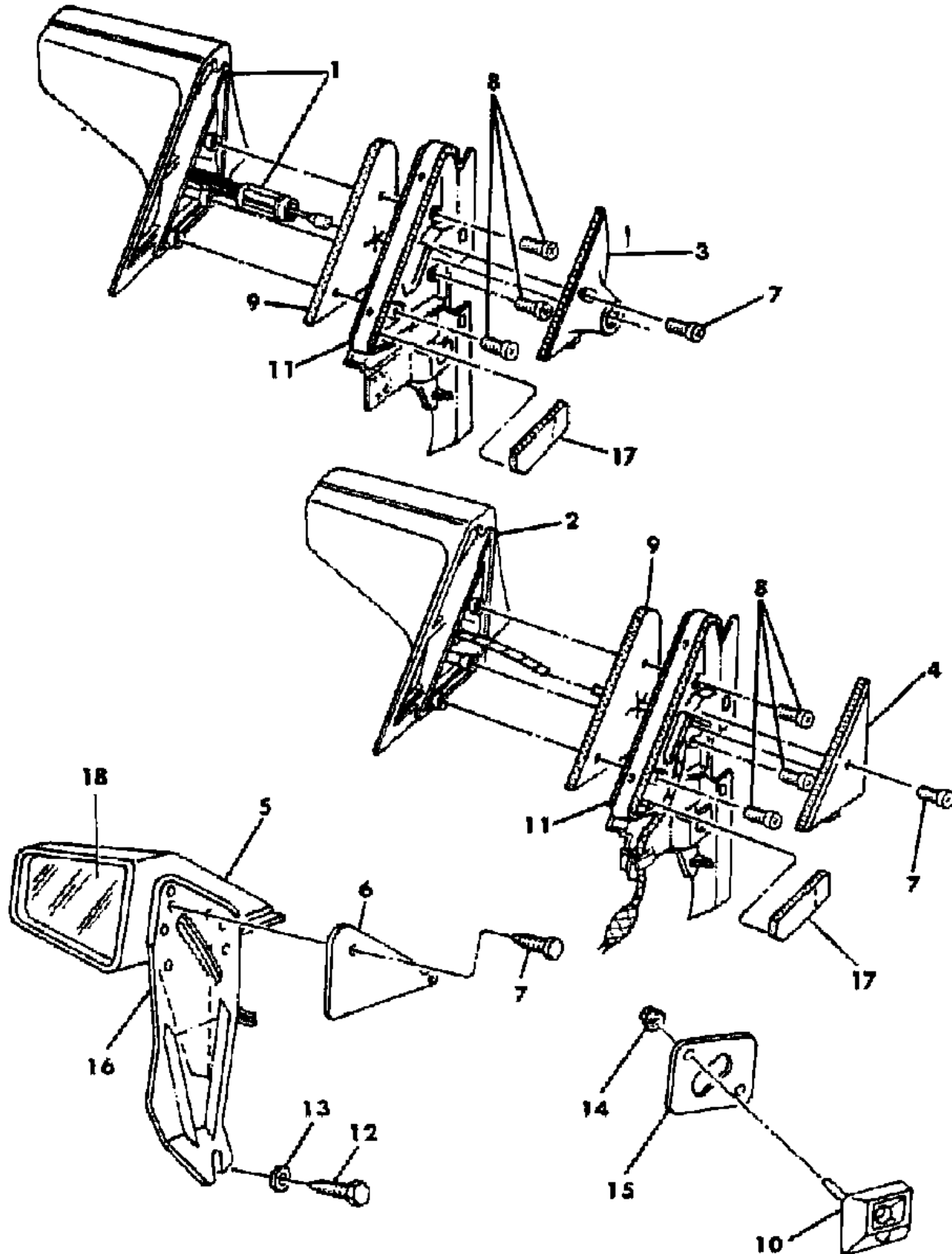
MODEL CODES

B = GRAN FURY	F = FIFTH AVENUE/NEWPORT	P = RELIANT
C = LEBARON/TOWN & COUNTRY/EXC SEDAN	G = DIPLOMAT	T = E CLASS/NEW YORKER
C24 = LASER	H = VOYAGER	V = 600
D = ARIES	K = MINI RAM/CARAVAN/ROYAL	V24 = DAYTONA
E = 600	M = HORIZON/TURISMO	Z = OMNI/CHARGER/RAMPAGE

BODY STYLES

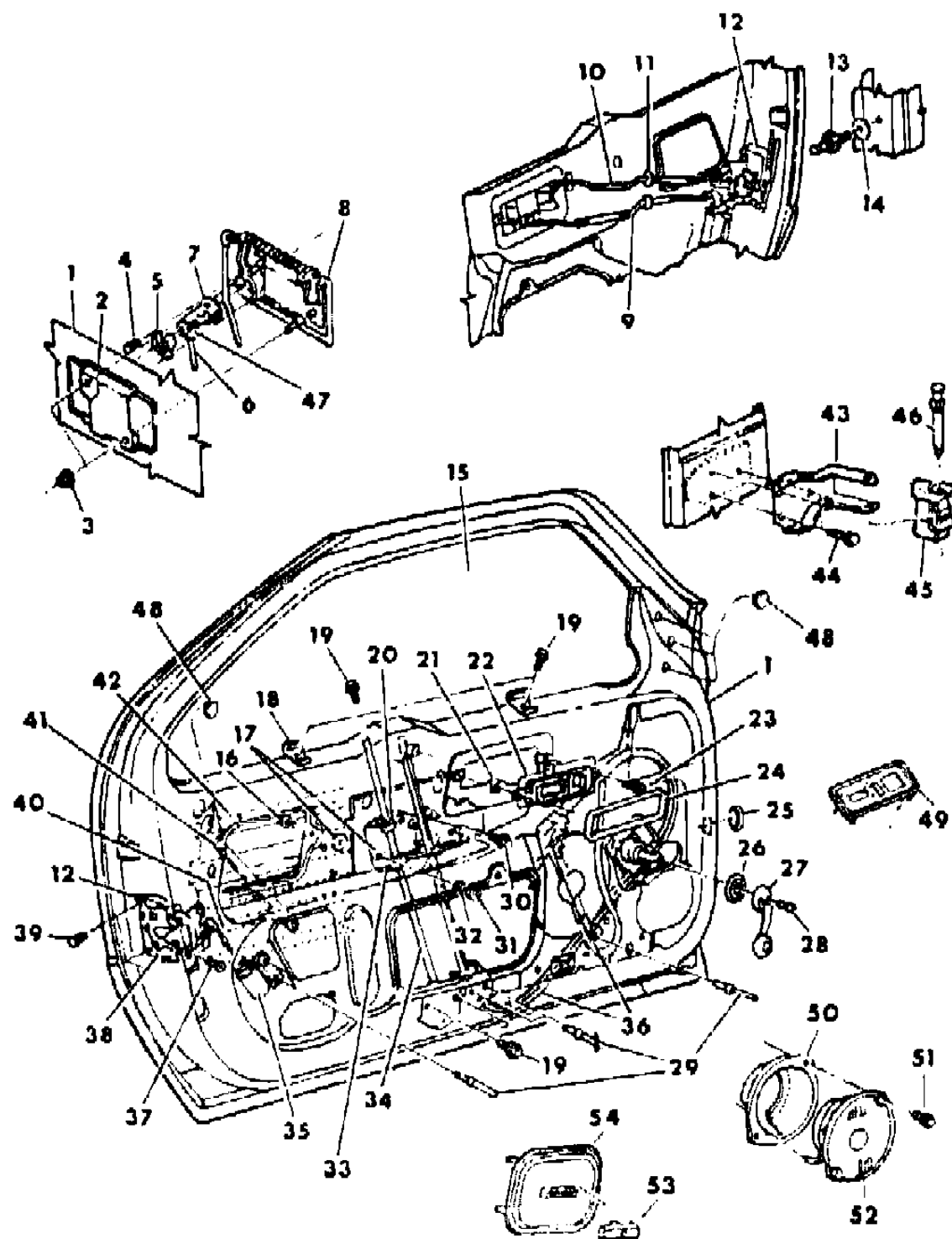
21 = 2-DOOR SEDAN	28 = FWD PICKUP	44 = 4-DOOR HATCHBACK
22 = 2-DOOR SPECIAL COUPE	35 = FWD VAN	45 = 4-DOOR STATION WAGON
24 = 2-DOOR HATCHBACK	36 = FWD WAGON	48 = 4-DOOR EXECUTIVE SEDAN
27 = 2-DOOR CONVERTIBLE	41 = 4-DOOR SEDAN	

AR = Use as Required - = Non Illustrated Part P.A.R. = Paint as Required



DOOR, FRONT COMPLETE LESS WEATHERSTRIPS AND RUNS C,V 24
Figure 23C-2200

4171 2200



ITEM	PART NUMBER	QTY	BODY	MODEL	DESCRIPTION
1	4336 484-5	1			DOOR SHELL
	4198 602-3	1			PANEL, Repair
2	4336 200-1	1			BRACKET and INSULATOR, Exterior Handle
3	6031 029	2			NUT w/WASHER
4		2			SCREW (DNS)
5		1			RETAINER, Lock Cylinder, Refer to 23D
6	4184 690-1	1			LINK, Lock Cylinder to Latch
7		1			CYLINDER w/KEY, Refer to 23D
8					HANDLE, Exterior
	4336 192-3	1			w/Illuminated Entry
	4336 196-7	1			w/o Illuminated Entry
	4336 222	1			STRAP, Exterior Handle Housing
9					LINK w/SLEEVE, Latch Locking
	4184 536-7	1			Up to 3-1-84
	4336 166-7	1			After 3-1-84
10					LINK w/Sleeve, Remote Control Latch
	4184 504-5	1			Up to 3-1-84
	4336 168-9	1			After 3-1-84
11	3882 620	2			CLIP, Anti Rattle
12					LATCH, Door
	4336 149	1			Override, Left
	4336 150	1			Non Override, Right
13	4336 826	2			STRIKER, Lock Pillar
14	4184 105	AR			SPACER, Striker
15					GLASS, Door
	4198 680-1	1			Clear
	4198 682-3	1			Tinted
16	6029 998	3			WASHER w/STUD
17	5231 769	2			GASKET
18	4040 294	4			STABILZER, Glass
19		AR			SCREW w/WASHER (DNS)
20	3788 080	2			SLEEVE, Glass Track Lube
21		6			U/NUT (DNS)
22	4280 316-7	1			HOUSING, Remote Control
23		6			SCREW (DNS)
24	4336 412-3	1			BEZEL, Remote Control Handle
25	6031 488	2			PLUG, Hinge Pillar
26	4184 405	2			SPACER, Window Regulator Handle

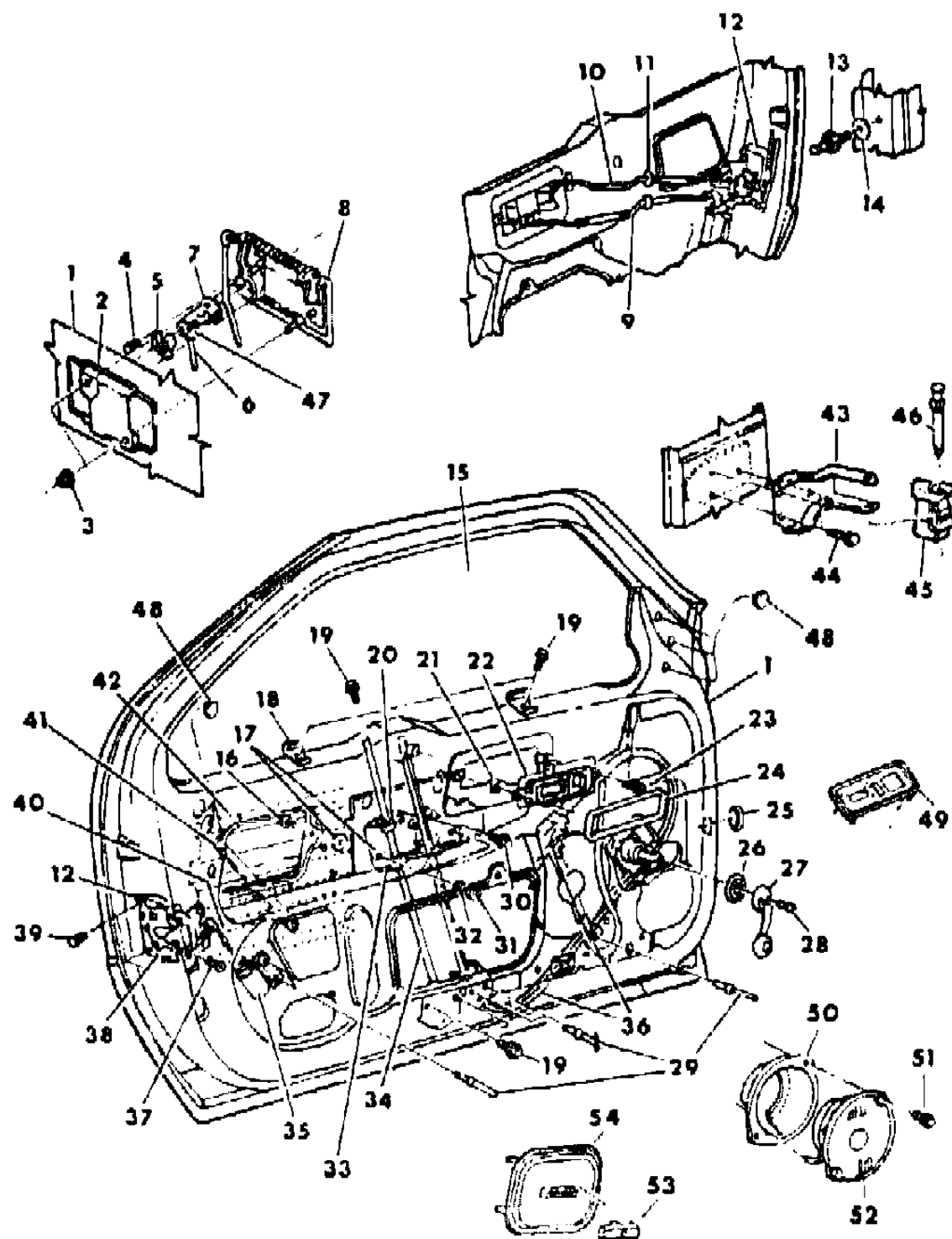
MODEL CODES
 B = GRAN FURY
 C = LEBARON/TOWN & COUNTRY/EXC SEDAN
 C24 = LASER
 D = ARIES
 E = 600
 F = FIFTH AVENUE/NEWPORT
 G = DIPLOMAT
 H = VOYAGER
 K = MINI RAM/CARAVAN/ROYAL
 M = HORIZON/TURISMO
 P = RELIANT
 T = E CLASS/NEW YORKER
 V = 600
 V24 = DAYTONA
 Z = OMNI/CHARGER/RAMPAGE

BODY STYLES
 21 = 2-DOOR SEDAN
 22 = 2-DOOR SPECIAL COUPE
 24 = 2-DOOR HATCHBACK
 27 = 2-DOOR CONVERTIBLE
 28 = FWD PICKUP
 35 = FWD VAN
 36 = FWD WAGON
 41 = 4-DOOR SEDAN
 44 = 4-DOOR HATCHBACK
 45 = 4-DOOR STATION WAGON
 48 = 4-DOOR EXECUTIVE SEDAN

AR = Use as Required - = Non Illustrated Part P.A.R. = Paint as Required

DOOR, FRONT COMPLETE LESS WEATHERSTRIPS AND RUNS C,V 24
Figure 23C-2200

4171 2200



ITEM	PART NUMBER	QTY	BODY	MODEL	DESCRIPTION
27	4310 973	2			HANDLE, Window Regulator
28	6031 644	2			SCREW, Window Regulator Handle
29	6031 115	AR			RIVET
30	6500 912	2			SCREW
31		6			NUT w/WASHER (DNS)
32	6028 587	6			TEE NUT
33	4198 676-7	1			PLATE, Glass Lift
	4280 711	2			PAD, Plate
34	4198 688-9	1			TRACK, Glass Guide
35	4184 156	2			SOLENOID, Door Lock
	4184 172	2			CLIP, Solenoid
36					REGULATOR, Window
	4336 394-5	1			Manual
	4336 444-5	1			Electric
	4310 940-1	1			MOTOR and MECHANISM, Electric Regulator
	4184 410	2			BRACKET, Motor Mtg.
	4184 575	4			BUMPER, Downstop
	4310 805	2			SPRING, Manual Regulator Assist
37	6032 079	2			SCREW, Filler
38	4184 378-9	1			FILLER, Latch to Inner Panel
39		3			SCREW (DNS)
40	4184 609	2			LINK, Solenoid to Latch
41	5231 294	2			BUMPER w/RETAINER, Impact Bar
42		2			REINFORCEMENT, Impact Bar (Serviced in Item #1)
43					HINGE, Body Half
	4280 731	2			Upper
	4280 723	2			Lower
44	6500 300	AR			SCREW, Hinge
	4336 288	AR			SHIM, Hinge
45					HINGE, Door Half
	4280 730	2			Upper
	4280 732	2			Lower
46	4280 727	4			PIN, Hinge
47	3760 131	1			CLIP, Latch Locking Lever to Key Cylinder Link, Right
	3760 130	1			Left
48	4184 688	AR			PLUG
49					BEZEL, Armrest Switch
	4247 668	2			w/Door Locks

MODEL CODES

B = GRAN FURY	F = FIFTH AVENUE/NEWPORT	P = RELIANT
C = LEBARON/TOWN & COUNTRY/EXC SEDAN	G = DIPLOMAT	T = E CLASS/NEW YORKER
C24 = LASER	H = VOYAGER	V = 600
D = ARIES	K = MINI RAM/CARAVAN/ROYAL	V24 = DAYTONA
E = 600	M = HORIZON/TURISMO	Z = OMNI/CHARGER/RAMPAGE

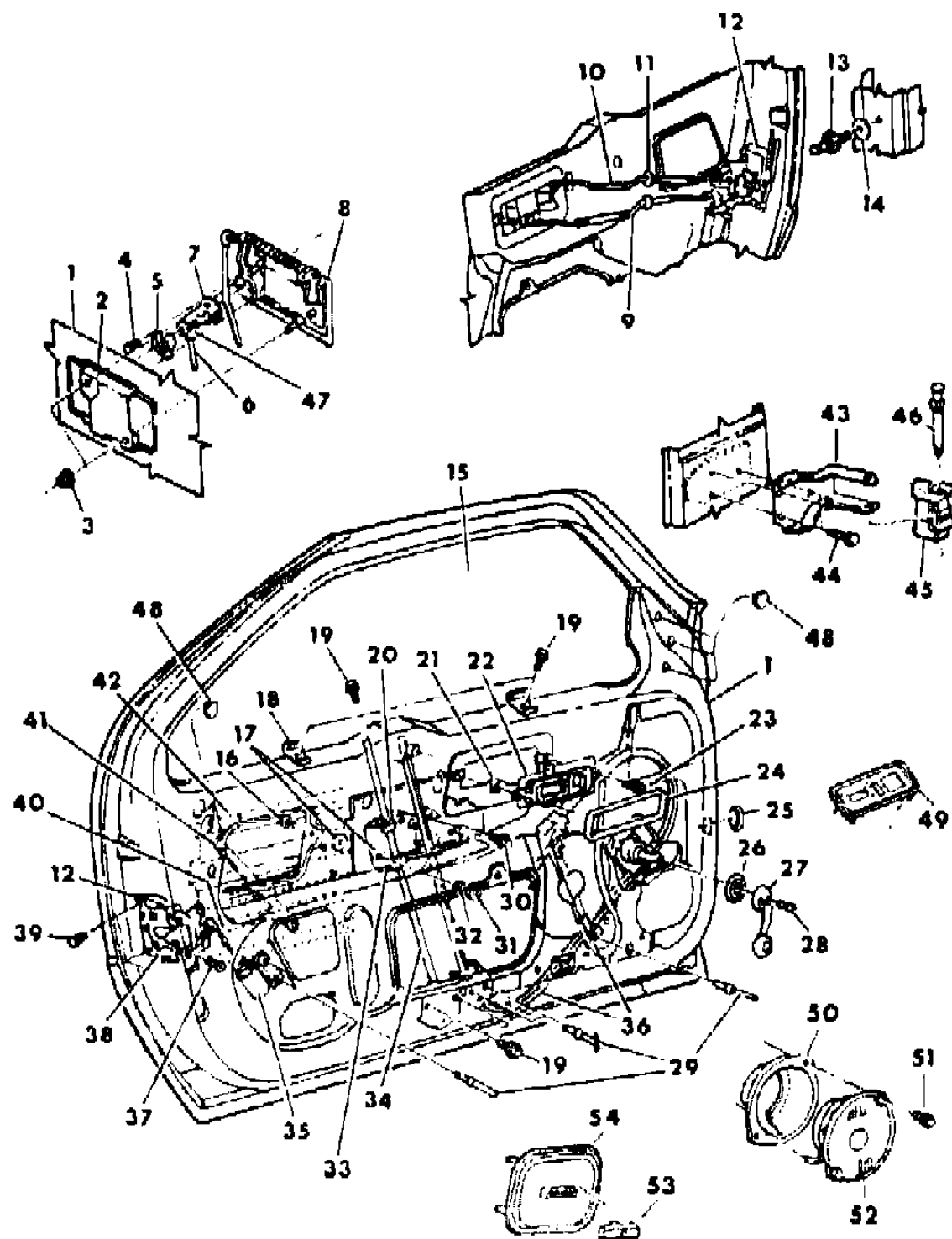
BODY STYLES

21 = 2-DOOR SEDAN	28 = FWD PICKUP	44 = 4-DOOR HATCHBACK
22 = 2-DOOR SPECIAL COUPE	35 = FWD VAN	45 = 4-DOOR STATION WAGON
24 = 2-DOOR HATCHBACK	36 = FWD WAGON	48 = 4-DOOR EXECUTIVE SEDAN
27 = 2-DOOR CONVERTIBLE	41 = 4-DOOR SEDAN	

AR = Use as Required - = Non Illustrated Part P.A.R. = Paint as Required

DOOR, FRONT COMPLETE LESS WEATHERSTRIPS AND RUNS C,V 24
Figure 23C-2200

4171 2200



ITEM	PART NUMBER	QTY	BODY	MODEL	DESCRIPTION
	4247 669	1			Left, w/Door Locks and Electric Mirrors
	4247 711	1			Left, w/Electric Mirrors
	4247 710	1			w/Door Locks and Manual Remote Control Mirror
	4247 709	2			w/Manual Remote Control Mirror
	4247 708	2			Blank, w/o Openings
	4247 211	4			RETAINER, Bezel
50	4222 784	2			ADAPTOR, Speaker
51		4			SCREW (DNS)
52	4311 492	2			SPEAKER
53	4222 961	2			ESCUTCHEON, Speaker Grille
54					GRILLE, Speaker
	D502 CM6	2			Red
	D502 CX9	2			Black
	D502 CT8	2			Brown
	D502 CS8	2			Charcoal
	4222 954	2			SOCKET w/BULB, Speaker Grille

MODEL CODES

B = GRAN FURY	F = FIFTH AVENUE/NEWPORT	P = RELIANT
C = LEBARON/TOWN & COUNTRY/EXC SEDAN	G = DIPLOMAT	T = E CLASS/NEW YORKER
C24 = LASER	H = VOYAGER	V = 600
D = ARIES	K = MINI RAM/CARAVAN/ROYAL	V24 = DAYTONA
E = 600	M = HORIZON/TURISMO	Z = OMNI/CHARGER/RAMPAGE

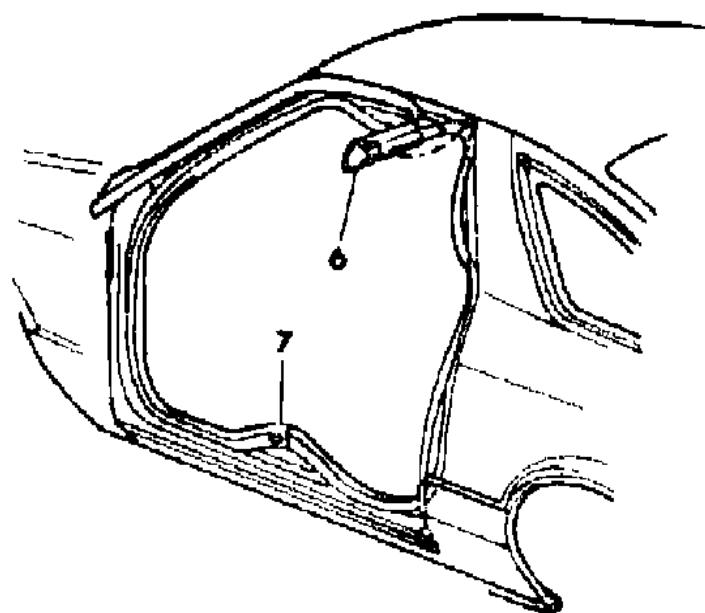
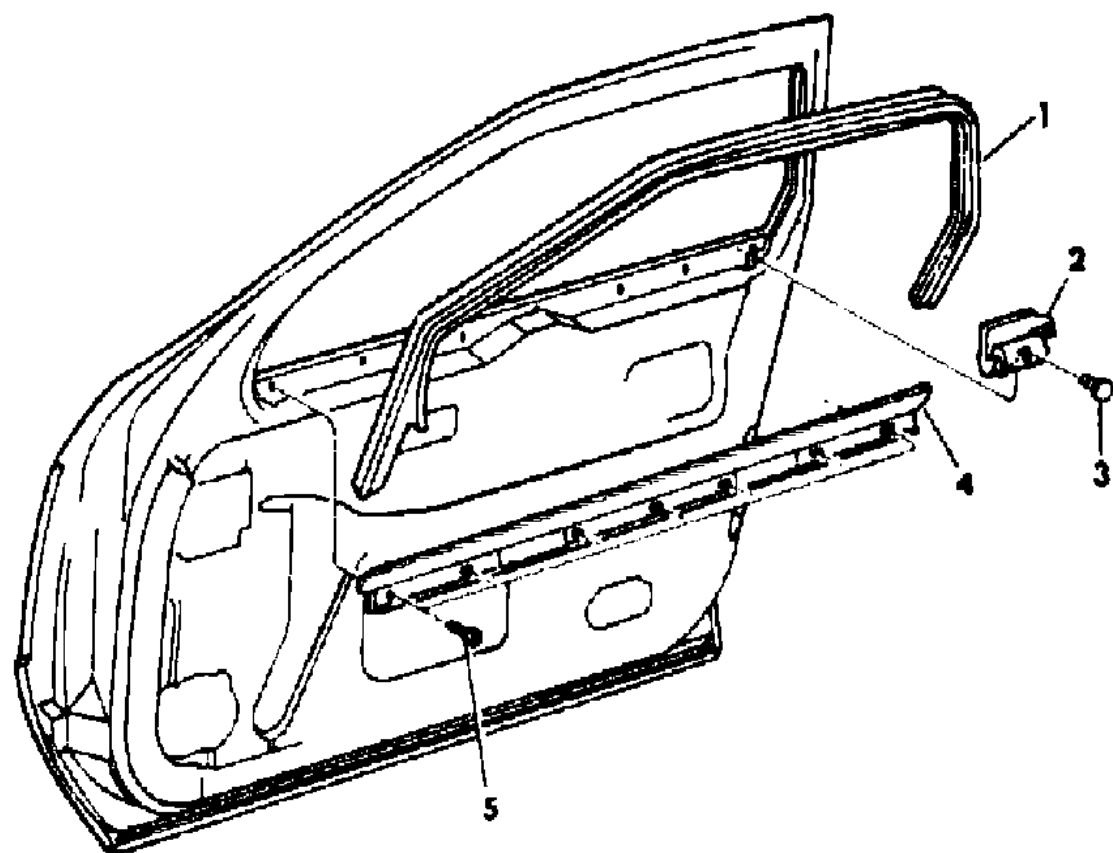
BODY STYLES

21 = 2-DOOR SEDAN	28 = FWD PICKUP	44 = 4-DOOR HATCHBACK
22 = 2-DOOR SPECIAL COUPE	35 = FWD VAN	45 = 4-DOOR STATION WAGON
24 = 2-DOOR HATCHBACK	36 = FWD WAGON	48 = 4-DOOR EXECUTIVE SEDAN
27 = 2-DOOR CONVERTIBLE	41 = 4-DOOR SEDAN	

AR = Use as Required - = Non Illustrated Part P.A.R. = Paint as Required

DOOR, FRONT WEATHERSTRIPS AND RUNS C,V 24
Figure 23C-2300

4171 2300



ITEM	PART NUMBER	QTY	BODY	MODEL	DESCRIPTION
1	4198 664-5	1			RUN, Glass
2	4198 910-1	1			SEAL, Belt Weatherstrip, Rear
3	4280 811	2			RETAINER, Seal
4	4198 670-1	1			WEATHERSTRIP, Belt Outer
	4248 492-3	1			Inner, w/Muppet
	4280 142-3	1			BRACKET, Weatherstrip Retainer, Lower Rear
	4280 152-3	1			RETAINER, Weatherstrip
5	6032 456	14			SCREW, Belt Weatherstrip
6	4336 322-3	1			WEATHERSTRIP, Door Opening Drip Up to 6-18-84
	4365 040-1	1			After 6-18-84
7	4198 662-3	1			WEATHERSTRIP, Door Opening

MODEL CODES

B = GRAN FURY	F = FIFTH AVENUE/NEWPORT	P = RELIANT
C = LEBARON/TOWN & COUNTRY/EXC SEDAN	G = DIPLOMAT	T = E CLASS/NEW YORKER
C24 = LASER	H = VOYAGER	V = 600
D = ARIES	K = MINI RAM/CARAVAN/ROYAL	V24 = DAYTONA
E = 600	M = HORIZON/TURISMO	Z = OMNI/CHARGER/RAMPAGE

BODY STYLES

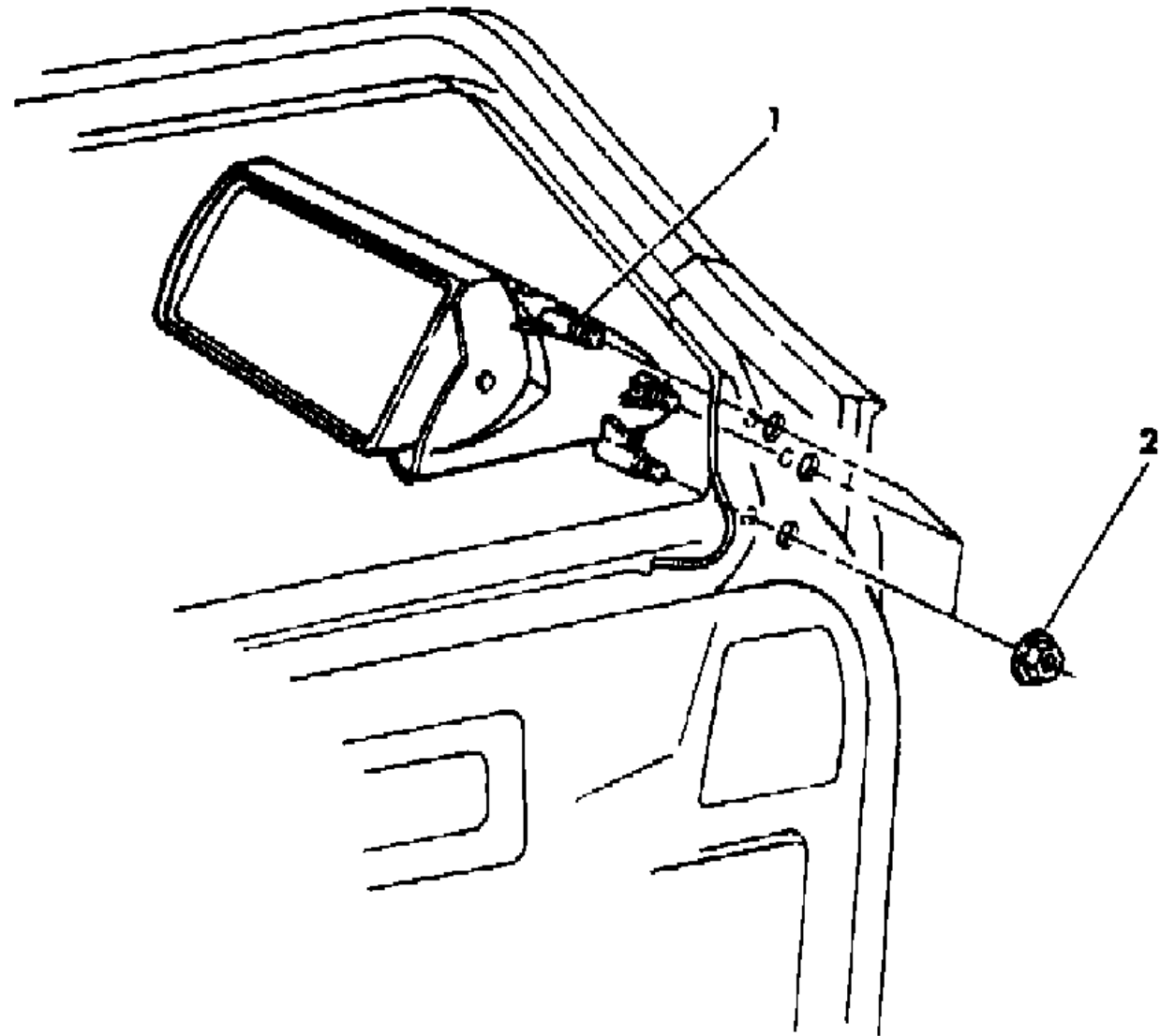
21 = 2-DOOR SEDAN	28 = FWD PICKUP	44 = 4-DOOR HATCHBACK
22 = 2-DOOR SPECIAL COUPE	35 = FWD VAN	45 = 4-DOOR STATION WAGON
24 = 2-DOOR HATCHBACK	36 = FWD WAGON	48 = 4-DOOR EXECUTIVE SEDAN
27 = 2-DOOR CONVERTIBLE	41 = 4-DOOR SEDAN	

AR = Use as Required - = Non Illustrated Part P.A.R. = Paint as Required

MIRRORS, EXTERIOR C,V 24
Figure 23C-2400

4171 2400

ITEM	PART NUMBER	QTY	BODY	MODEL	DESCRIPTION
1					MIRROR PACKAGE
	4318 266-7	1			Prime, Remote Control
					Prime, Electric
	4318 268	1			Right
	4299 075	1			Left
2	6100 044	AR			NUT, Mirror Att.
	4299 028	2			NUT, Remote Control Knob
	4318 288-9	1			PACKAGE, Glass Replacement



MODEL CODES

B = GRAN FURY	F = FIFTH AVENUE/NEWPORT	P = RELIANT
C = LEBARON/TOWN & COUNTRY/EXC SEDAN	G = DIPLOMAT	T = E CLASS/NEW YORKER
C24 = LASER	H = VOYAGER	V = 600
D = ARIES	K = MINI RAM/CARAVAN/ROYAL	V24 = DAYTONA
E = 600	M = HORIZON/TURISMO	Z = OMNI/CHARGER/RAMPAGE

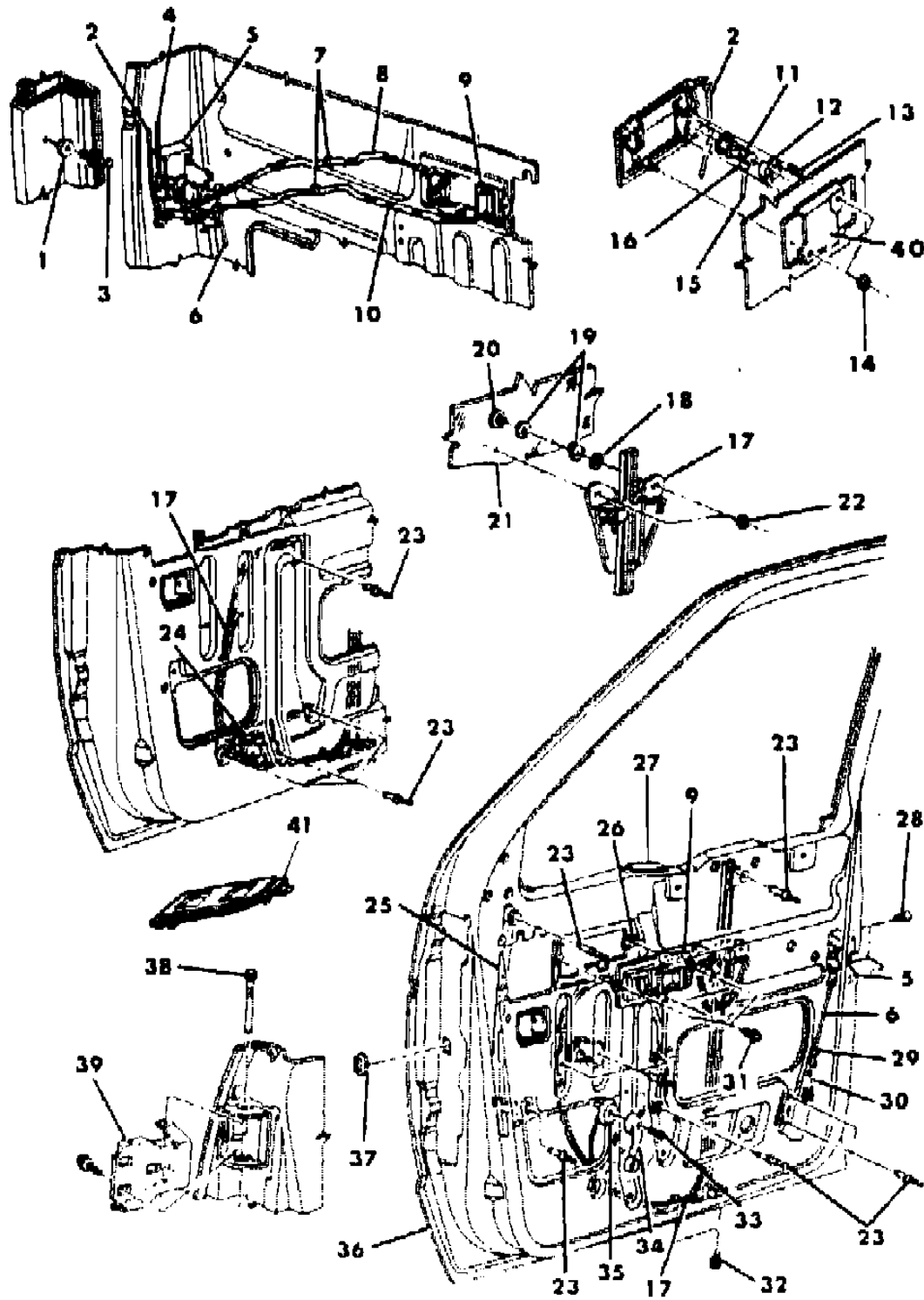
BODY STYLES

21 = 2-DOOR SEDAN	28 = FWD PICKUP	44 = 4-DOOR HATCHBACK
22 = 2-DOOR SPECIAL COUPE	35 = FWD VAN	45 = 4-DOOR STATION WAGON
24 = 2-DOOR HATCHBACK	36 = FWD WAGON	48 = 4-DOOR EXECUTIVE SEDAN
27 = 2-DOOR CONVERTIBLE	41 = 4-DOOR SEDAN	

AR = Use as Required - = Non Illustrated Part P.A.R. = Paint as Required

DOOR, FRONT COMPLETE LESS WEATHERSTRIPS AND RUNS H,K
Figure 23C-2500

4171 2500



ITEM	PART NUMBER	QTY	BODY	MODEL	DESCRIPTION
1	4184 105	AR			SPACER, Striker
2	4336 236-7	1			HANDLE, Exterior Front Door
	4336 222	2			STRAP, Exterior Handle Housing
	4280 506-7	1			LINK, Handle to Latch
3	4336 826	2			STRIKER, Door
4	4280 508-9	1			LINK, Key Cylinder to Latch
5					LATCH, Door
	4336 149	1			Override, Left
	4336 149	1			Override, Left
7	3882 620	4			CLIP, Anti Rattle
8	4280 322-3	1			LINK w/SLEEVE, Remote Control to Latch
9	4280 318-9	1			HOUSING, Remote Control
					BEZEL, Remote Control Handle
	D405 CX9	2			Black
	4184 790	2			Black and Chrome
10	4280 326-7	1			LINK w/SLEEVE, Latch Locking
11		2			CYLINDER w/KEY, Refer to 23D
12		2			RETAINER, Cylinder, Refer to 23D
13		4			SCREW (DNS)
14	6031 029	4			NUT w/WASHER
15	4280 508-9	1			LINK, Cylinder to Latch
16	3760 130-1	1			CLIP, Cylinder to Link
17					REGULATOR, Front Door Window
	4280 280-1	1			Manual, w/Lift Plate
	4310 444-5	1			Electric
	4280 524-5	1			LIFT PLATE, Window Regulator
	4310 804	2			SPRING, Manual Window Regulator
18	6028 587	4			TEE NUT
19	5231 769	8			GASKET
20		4			WASHER w/STUD (DNS)
21	4280 046-7	1			GLASS, Front Door
	4310 996-7	1			UPSTOP, Glass
	3759 944	6			RETAINER, Upstop
22		4			NUT w/WASHER (DNS)
23	6031 115	AR			RIVET
24	4310 942-3	1			MOTOR and MECHANISM, Front Door Electric Window Regulator
25	4280 240-1	1			CHANNEL w/BRACKET, Glass Run, Front
26		6			U/NUT (DNS)

MODEL CODES

B = GRAN FURY	F = FIFTH AVENUE/NEWPORT	P = RELIANT
C = LEBARON/TOWN & COUNTRY/EXC SEDAN	G = DIPLOMAT	T = E CLASS/NEW YORKER
C24 = LASER	H = VOYAGER	V = 600
D = ARIES	K = MINI RAM/CARAVAN/ROYAL	V24 = DAYTONA
E = 600	M = HORIZON/TURISMO	Z = OMNI/CHARGER/RAMPAGE

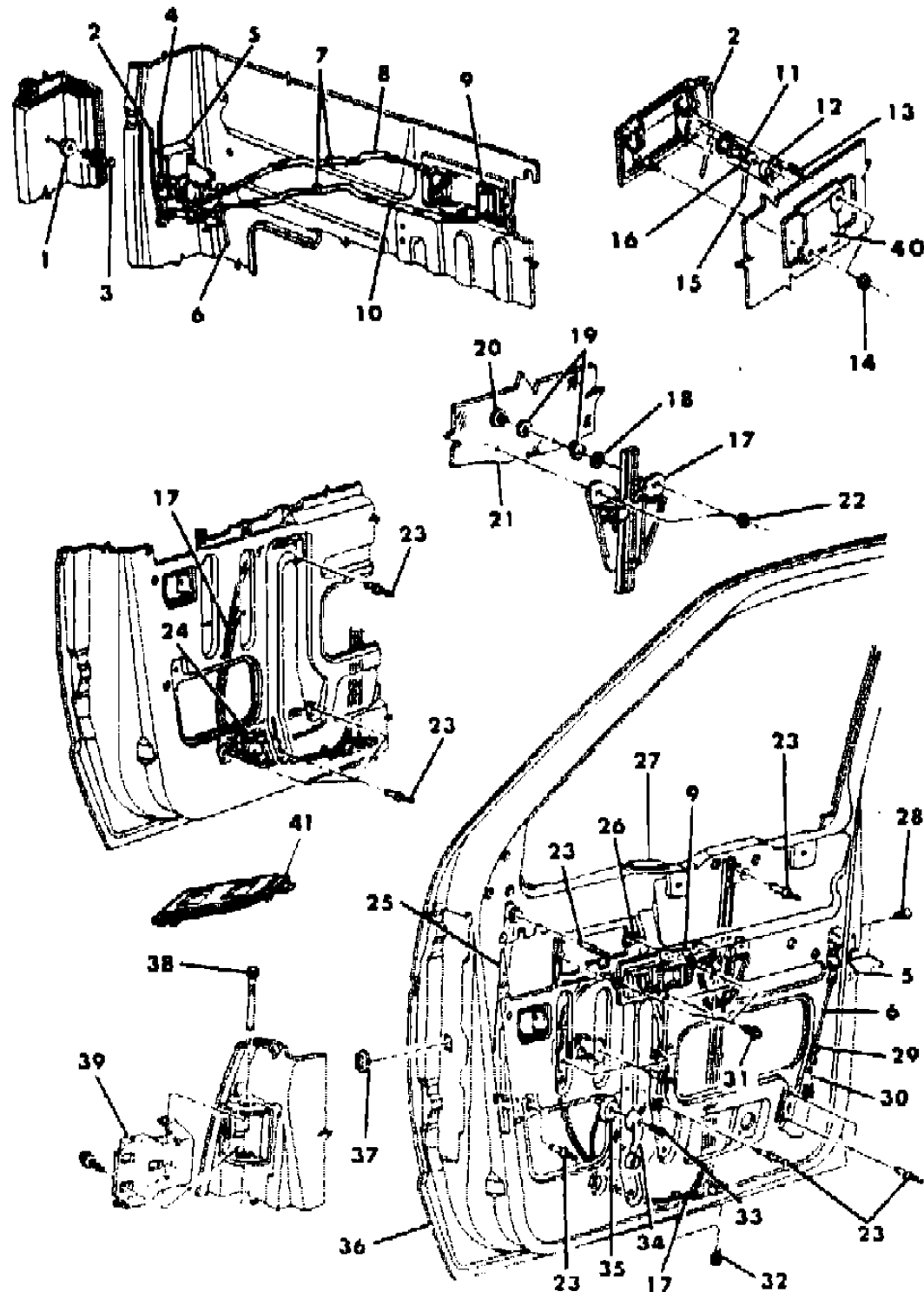
BODY STYLES

21 = 2-DOOR SEDAN	28 = FWD PICKUP	44 = 4-DOOR HATCHBACK
22 = 2-DOOR SPECIAL COUPE	35 = FWD VAN	45 = 4-DOOR STATION WAGON
24 = 2-DOOR HATCHBACK	36 = FWD WAGON	48 = 4-DOOR EXECUTIVE SEDAN
27 = 2-DOOR CONVERTIBLE	41 = 4-DOOR SEDAN	

AR = Use as Required - = Non Illustrated Part P.A.R. = Paint as Required

DOOR, FRONT COMPLETE LESS WEATHERSTRIPS AND RUNS H,K
Figure 23C-2500

4171 2500



ITEM	PART NUMBER	QTY	BODY	MODEL	DESCRIPTION
27	4336 076	2			BUMPER, Glass Anti Rattle
28		6			SCREW (DNS)
29	4184 244-5	1			CLIP, Electric Locking Link Att.
30	4310 740	2			SOLENOID, Door Lock
31		3			SCREW w/WASHER (DNS)
32	6100 566	4			SCREW w/Washer
	4280 731	2			Upper
34	3882 764	2			HANDLE, Front Door Window Regulator
35					SPACER, Window Regulator Handle
	3882 767	2			w/Carpeted Panel
	3882 768	2			w/o Carpeted Panel
36	4336 520-1	1			DOOR SHELL
	4310 986-7	1			PANEL, Repair
37	6031 488	2			PLUG
38	4280 727	4			PIN, Hinge
39					HINGE, Body Half
	4280 731	2			Upper
	4280 723	2			Lower
					HINGE, Door Half
	4280 730	2			Upper
	4280 720	2			Lower
	4336 288	AR			SHIM, Hinge
40					BRACKET w/INSULATOR, Exterior Handle
	4336 200-1	1			Up to 1-16-84
	4336 536-7	1			After 1-16-84
	4336 150	1			Non Override, Right
41	4248 192-3	1			BEZEL, w/Lift Switch and Door Locks
	4248 194-5	1			Door Locks

MODEL CODES

B = GRAN FURY	F = FIFTH AVENUE/NEWPORT	P = RELIANT
C = LEBARON/TOWN & COUNTRY/EXC SEDAN	G = DIPLOMAT	T = E CLASS/NEW YORKER
C24 = LASER	H = VOYAGER	V = 600
D = ARIES	K = MINI RAM/CARAVAN/ROYAL	V24 = DAYTONA
E = 600	M = HORIZON/TURISMO	Z = OMNI/CHARGER/RAMPAGE

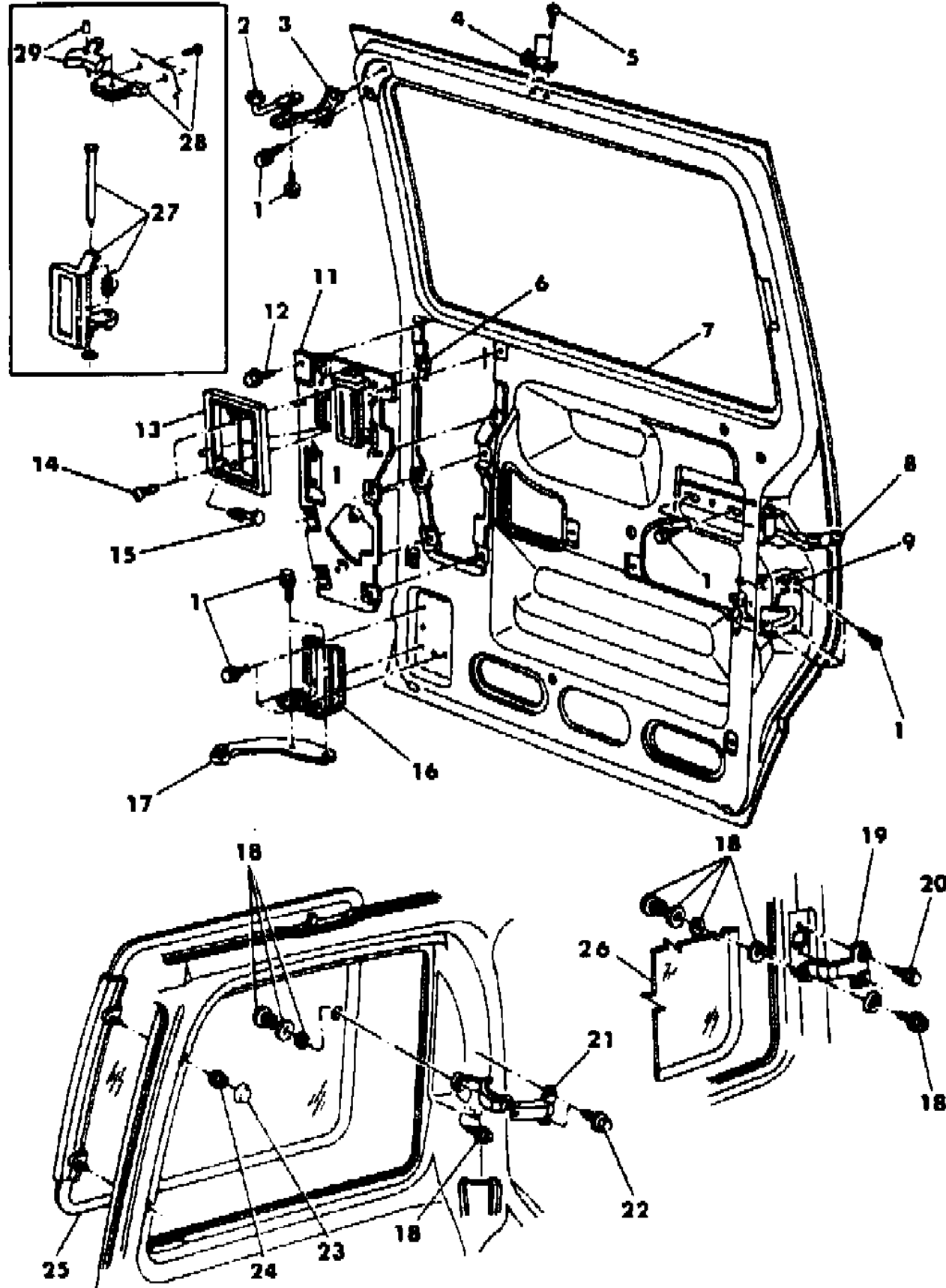
BODY STYLES

21 = 2-DOOR SEDAN	28 = FWD PICKUP	44 = 4-DOOR HATCHBACK
22 = 2-DOOR SPECIAL COUPE	35 = FWD VAN	45 = 4-DOOR STATION WAGON
24 = 2-DOOR HATCHBACK	36 = FWD WAGON	48 = 4-DOOR EXECUTIVE SEDAN
27 = 2-DOOR CONVERTIBLE	41 = 4-DOOR SEDAN	

AR = Use as Required - = Non Illustrated Part P.A.R. = Paint as Required

DOOR, SLIDING SHELL, GLASS AND CONTROLS H,K
Figure 23C-2600

4171 2600



ITEM	PART NUMBER	QTY	BODY	MODEL	DESCRIPTION
1		AR			SCREW w/WASHER (DNS)
2	4336 608	1			ROLLER, Upper Hinge
3	4280 476	1			BRACKET, Upper Hinge
4	4310 735	1			WEDGE, Stabilizer
5		2			SCREW (DNS)
6	6101 308	8			U/NUT
7					DOOR SHELL
	4365 354	1			w/o Window
	4297 110	1			w/Window, Up to 12-7-83
	4365 352	1			w/Window, After 12-7-83
	4365 362	1			PANEL, Repair w/o Window
	4365 360	1			w/Window
8	4336 607	1			HINGE, Center
					BUSHING, Center Hinge (Serviced in Item #8)
	6028 993	1			PIN, Center Hinge
	6028 674	4			SCREW, Handle
9	4339 328	1			LATCH, Remote Control
10		3			SCREW (DNS)
11	4336 073	1			CONTROL, Remote and Locking
	6026 625	4			SCREW, Adjusting
12	6100 276	8			SCREW w/WASHER
13	4280 631	1		L, Van	BEZEL, Remote Control
	4280 632	1		L, Wagon	
	4280 633	1		H, P	
14	0152 748	2			SCREW
15	F155 CX9	1			FASTENER, Remote Control Bezel
16	4280 482	1			SUPPORT, Door to Hinge Mtg.
17	4336 126	1			HINGE, Body Half, Lower
18	4318 279	AR			ATTACHING PACKAGE, Glass
19	4336 305	1			STRAP, Stationary Glass Retension
20	6501 037	2			SCREW w/WASHER
21	4280 358	1			BUTTON
22	4280 204	1			LATCH, Vent Window
23		2			SCREW w/WASHER (DNS)
24	4184 688	2			PLUG
25	6501 038	2			NUT w/WASHER
26					GLASS, w/Hinge and Frame

MODEL CODES

B = GRAN FURY	F = FIFTH AVENUE/NEWPORT	P = RELIANT
C = LEBARON/TOWN & COUNTRY/EXC SEDAN	G = DIPLOMAT	T = E CLASS/NEW YORKER
C24 = LASER	H = VOYAGER	V = 600
D = ARIES	K = MINI RAM/CARAVAN/ROYAL	V24 = DAYTONA
E = 600	M = HORIZON/TURISMO	Z = OMNI/CHARGER/RAMPAGE

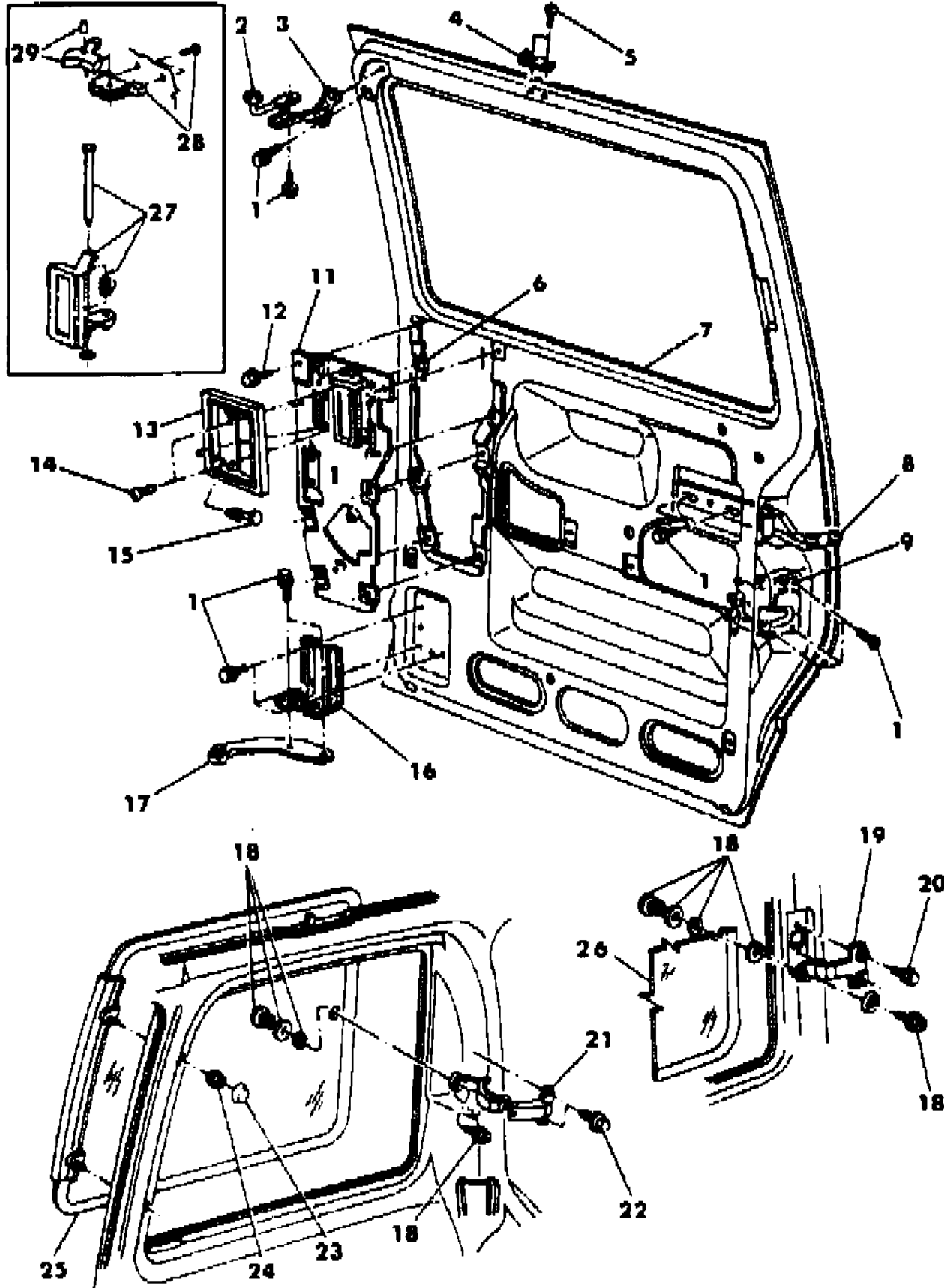
BODY STYLES

21 = 2-DOOR SEDAN	28 = FWD PICKUP	44 = 4-DOOR HATCHBACK
22 = 2-DOOR SPECIAL COUPE	35 = FWD VAN	45 = 4-DOOR STATION WAGON
24 = 2-DOOR HATCHBACK	36 = FWD WAGON	48 = 4-DOOR EXECUTIVE SEDAN
27 = 2-DOOR CONVERTIBLE	41 = 4-DOOR SEDAN	

AR = Use as Required - = Non Illustrated Part P.A.R. = Paint as Required

DOOR, SLIDING SHELL, GLASS AND CONTROLS H,K
Figure 23C-2600

417) 2600



ITEM	PART NUMBER	QTY	BODY	MODEL	DESCRIPTION
	4336 404	1			Tinted
	4336 406	1			Sunscreen
	4336 474	1			WEATHERSTRIP, Glass
27	4267 929	1			HANDLE PACKAGE, Inside
28	4267 930	1			BLOCK and SCREW PACKAGE, Locking Knob Mtg.
29	4267 928	1			KNOB PACKAGE, Locking

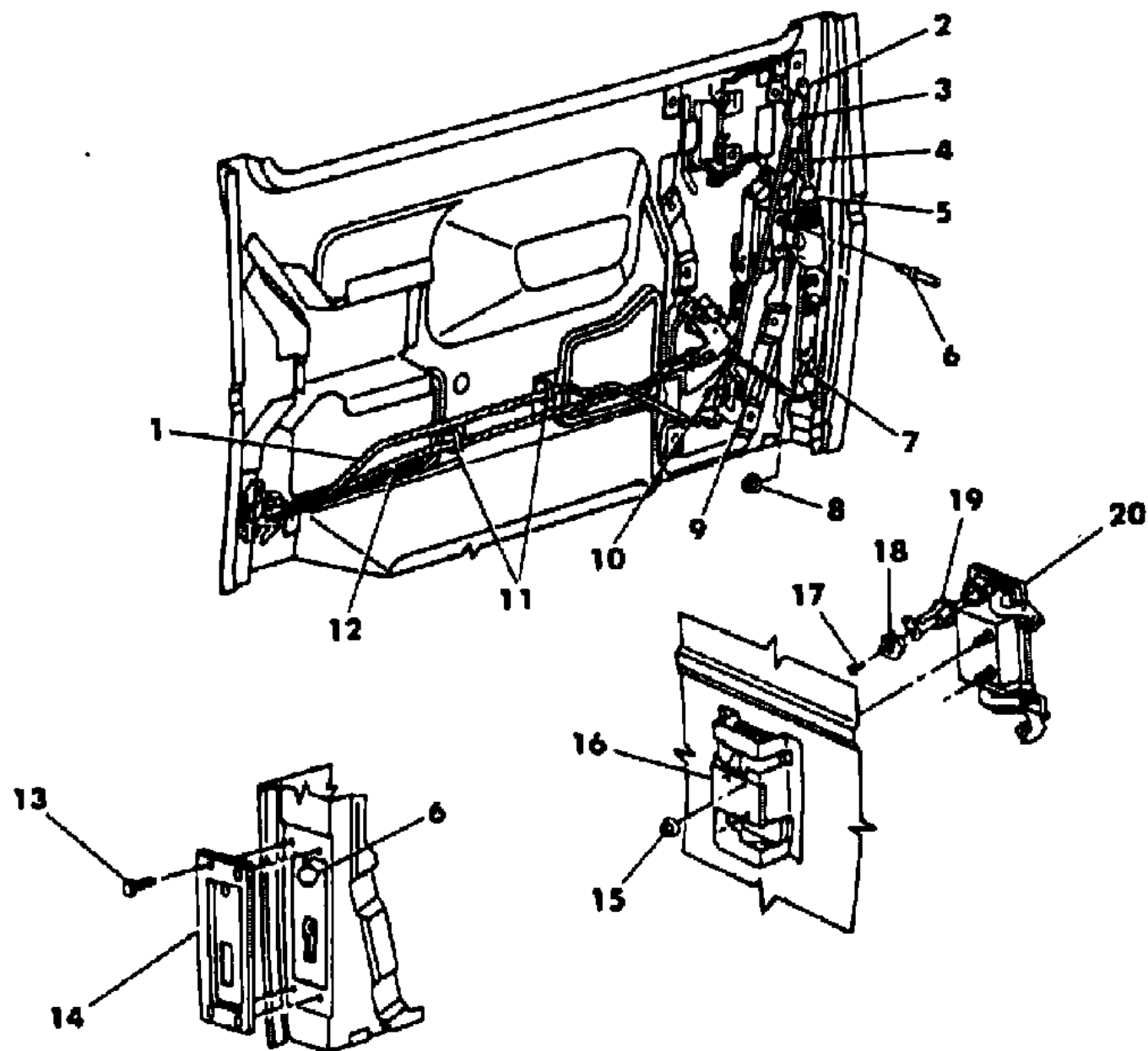
MODEL CODES
 B = GRAN FURY
 C = LEBARON/TOWN & COUNTRY/EXC SEDAN
 C24 = LASER
 D = ARIES
 E = 600
 F = FIFTH AVENUE/NEWPORT
 G = DIPLOMAT
 H = VOYAGER
 K = MINI RAM/CARAVAN/ROYAL
 M = HORIZON/TURISMO
 P = RELIANT
 T = E CLASS/NEW YORKER
 V = 600
 V24 = DAYTONA
 Z = OMNI/CHARGER/RAMPAGE

BODY STYLES
 21 = 2-DOOR SEDAN
 22 = 2-DOOR SPECIAL COUPE
 24 = 2-DOOR HATCHBACK
 27 = 2-DOOR CONVERTIBLE
 28 = FWD PICKUP
 35 = FWD VAN
 36 = FWD WAGON
 41 = 4-DOOR SEDAN
 44 = 4-DOOR HATCHBACK
 45 = 4-DOOR STATION WAGON
 48 = 4-DOOR EXECUTIVE SEDAN

AR = Use as Required - = Non Illustrated Part P.A.R. = Paint as Required

DOOR, SLIDING HANDLES, CONTROLS AND LOCKS H,K
Figure 23C-2700

4171 2700



ITEM	PART NUMBER	QTY	BODY	MODEL	DESCRIPTION
1	4280 765	1			LINK w/SLEEVE, Latch Locking
2	4310 947	1			LINK, Latch Locking Control Lever to Adjusting Lever
3	4310 948	1			LINK, Solenoid to Latch Locking Lever
4		1			CLIP, Serviced in Item #5
5	4310 739	1			SOLENOID, Door Lock
6	6031 115	1			RIVET
7	4280 769	1			STABILIZER
8	4280 593	1			BUMPER, Stabilizer Bracket
8	6100 051	2			NUT
9	4336 798	1			LINK, Stabilizer
10	4310 969	1			LINK, Actuator to Lock Cylinder
11	3882 620	2			CLIP, Anti Rattle
12	4280 352	1			LINK w/SLEEVE, Latch Release
13		4			RETAINER, Serviced in Item #14
14	4280 782	1			SEAL, Stabilizer
	4310 631	4			RETAINER, Stabilizer Seal Att.
15	6500 284	2			NUT
16	4280 661	1			PLATE, Exterior Handle
17		2			SCREW (DNS)
18		1			RETAINER, Lock Cylinder, Refer to 23D
19		1			CYLINDER w/KEY, Refer to 23D
20					HANDLE, Exterior
	4280 646	1			w/o Key Cylinder
	4280 353	1			w/Key Cylinder
	4280 653	1			GASKET, Exterior Handle
					BRACKET, Exterior Handle
	4336 569	1			Up to 12-12-83
	4336 569	1			After 12-12-83

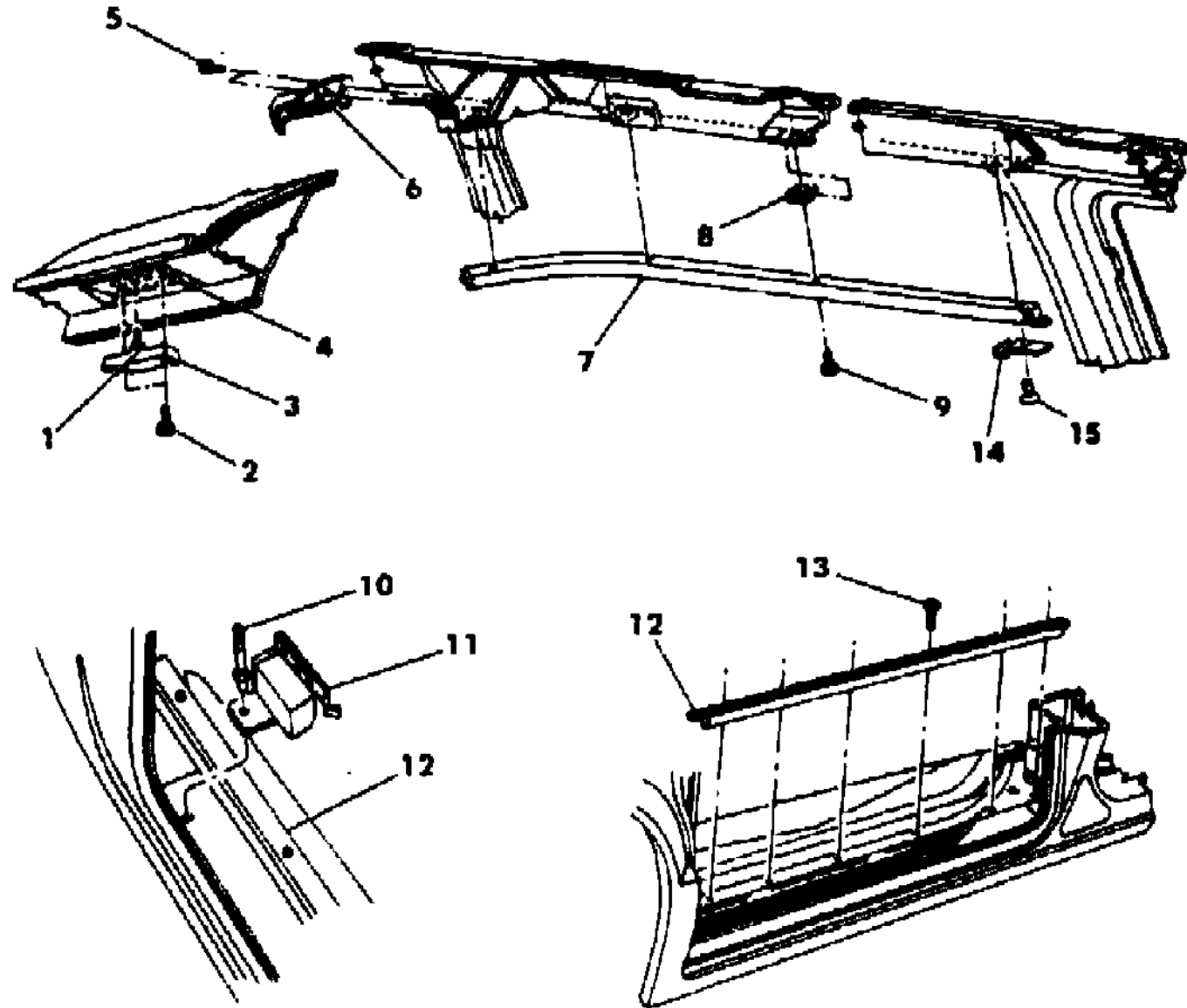
MODEL CODES
 B = GRAN FURY
 C = LEBARON/TOWN & COUNTRY/EXC SEDAN
 C24 = LASER
 D = ARIES
 E = 600
 F = FIFTH AVENUE/NEWPORT
 G = DIPLOMAT
 H = VOYAGER
 K = MINI RAM/CARAVAN/ROYAL
 M = HORIZON/TURISMO
 P = RELIANT
 T = E CLASS/NEW YORKER
 V = 600
 V24 = DAYTONA
 Z = OMNI/CHARGER/RAMPAGE

BODY STYLES
 21 = 2-DOOR SEDAN
 22 = 2-DOOR SPECIAL COUPE
 24 = 2-DOOR HATCHBACK
 27 = 2-DOOR CONVERTIBLE
 28 = FWD PICKUP
 35 = FWD VAN
 36 = FWD WAGON
 41 = 4-DOOR SEDAN
 44 = 4-DOOR HATCHBACK
 45 = 4-DOOR STATION WAGON
 48 = 4-DOOR EXECUTIVE SEDAN

AR = Use as Required - = Non Illustrated Part P.A.R. = Paint as Required

DOOR, SLIDING TRACK H,K
Figure 23C-2800

4171 2800



ITEM	PART NUMBER	QTY	BODY	MODEL	DESCRIPTION
1	4310 631	1			RETAINER
2		2			SCREW (DNS)
3	4365 836	1			STRIKER, Stabilizer
4	4310 738	1			T/PLATE, Stabilizer Striker
5		2			SCREW, Shield (DNS)
6	4296 815	1			SHIELD, Upper Track, Front
7	4278 070	1			TRACK, Upper
8	6100 041	4			U/NUT
9		4			SCREW (DNS)
10		1			RIVET (DNS)
11	4280 964	1			STOP, Lower Hinge Arm
12	4278 762	1			REINFORCEMENT, Inner Panel
13		6			SCREW (DNS)
14	4336 568	1			BUMPER, Upper Hinge
15		1			SCREW, Upper Hinge Bumper (DNS)

MODEL CODES

B = GRAN FURY	F = FIFTH AVENUE/NEWPORT	P = RELIANT
C = LEBARON/TOWN & COUNTRY/EXC SEDAN	G = DIPLOMAT	T = E CLASS/NEW YORKER
C24 = LASER	H = VOYAGER	V = 600
D = ARIES	K = MINI RAM/CARAVAN/ROYAL	V24 = DAYTONA
E = 600	M = HORIZON/TURISMO	Z = OMNI/CHARGER/RAMPAGE

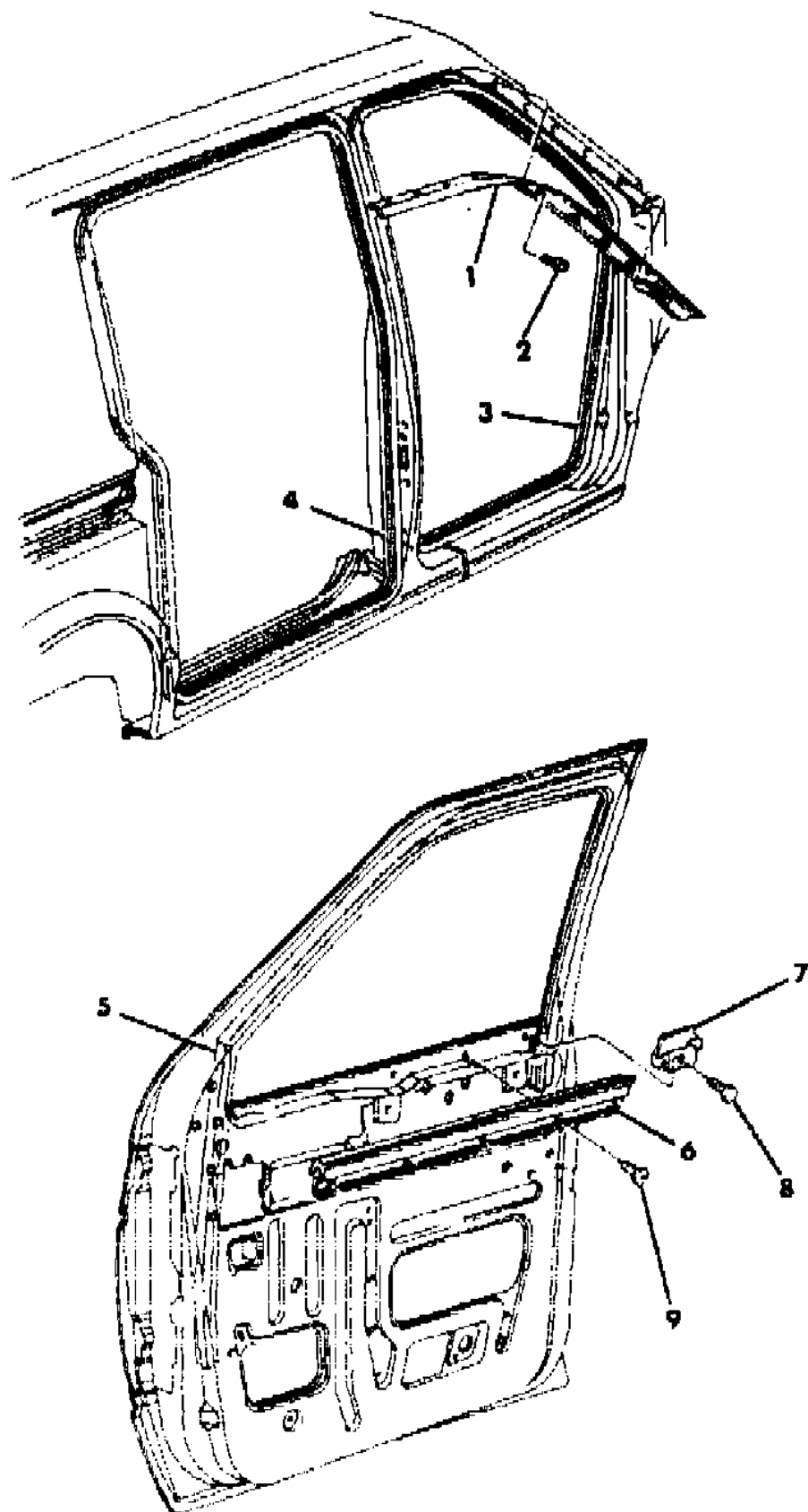
BODY STYLES

21 = 2-DOOR SEDAN	28 = FWD PICKUP	44 = 4-DOOR HATCHBACK
22 = 2-DOOR SPECIAL COUPE	35 = FWD VAN	45 = 4-DOOR STATION WAGON
24 = 2-DOOR HATCHBACK	36 = FWD WAGON	48 = 4-DOOR EXECUTIVE SEDAN
27 = 2-DOOR CONVERTIBLE	41 = 4-DOOR SEDAN	

AR = Use as Required - = Non Illustrated Part P.A.R. = Paint as Required

DOOR, FRONT AND SIDE WEATHERSTRIPS AND RUNS H,K
Figure 23C-2900

417: 2900



ITEM	PART NUMBER	QTY	BODY	MODEL	DESCRIPTION
1	4336 596-7	1			WEATHERSTRIP, Front Pillar to Front Door
2		AR			SCREW (DNS)
3	4336 470-1	1			WEATHERSTRIP, Front Door Opening
4	4336 468	1			WEATHERSTRIP, Sliding Door Opening
5	4280 036-7	1			RUN, Front Door Glass
6	4319 148-9	1			WEATHERSTRIP, Front Door Exterior Belt
7	4198 910-1	1			SEAL, Front Door Belt, Rear
8	4280 811	2			RETAINER
9		10			SCREW, Belt Weatherstrip (DNS)

MODEL CODES

B = GRAN FURY	F = FIFTH AVENUE/NEWPORT	P = RELIANT
C = LEBARON/TOWN & COUNTRY/EXC SEDAN	G = DIPLOMAT	T = E CLASS/NEW YORKER
C24 = LASER	H = VOYAGER	V = 600
D = ARIES	K = MINI RAM/CARAVAN/ROYAL	V24 = DAYTONA
E = 600	M = HORIZON/TURISMO	Z = OMNI/CHARGER/RAMPAGE

BODY STYLES

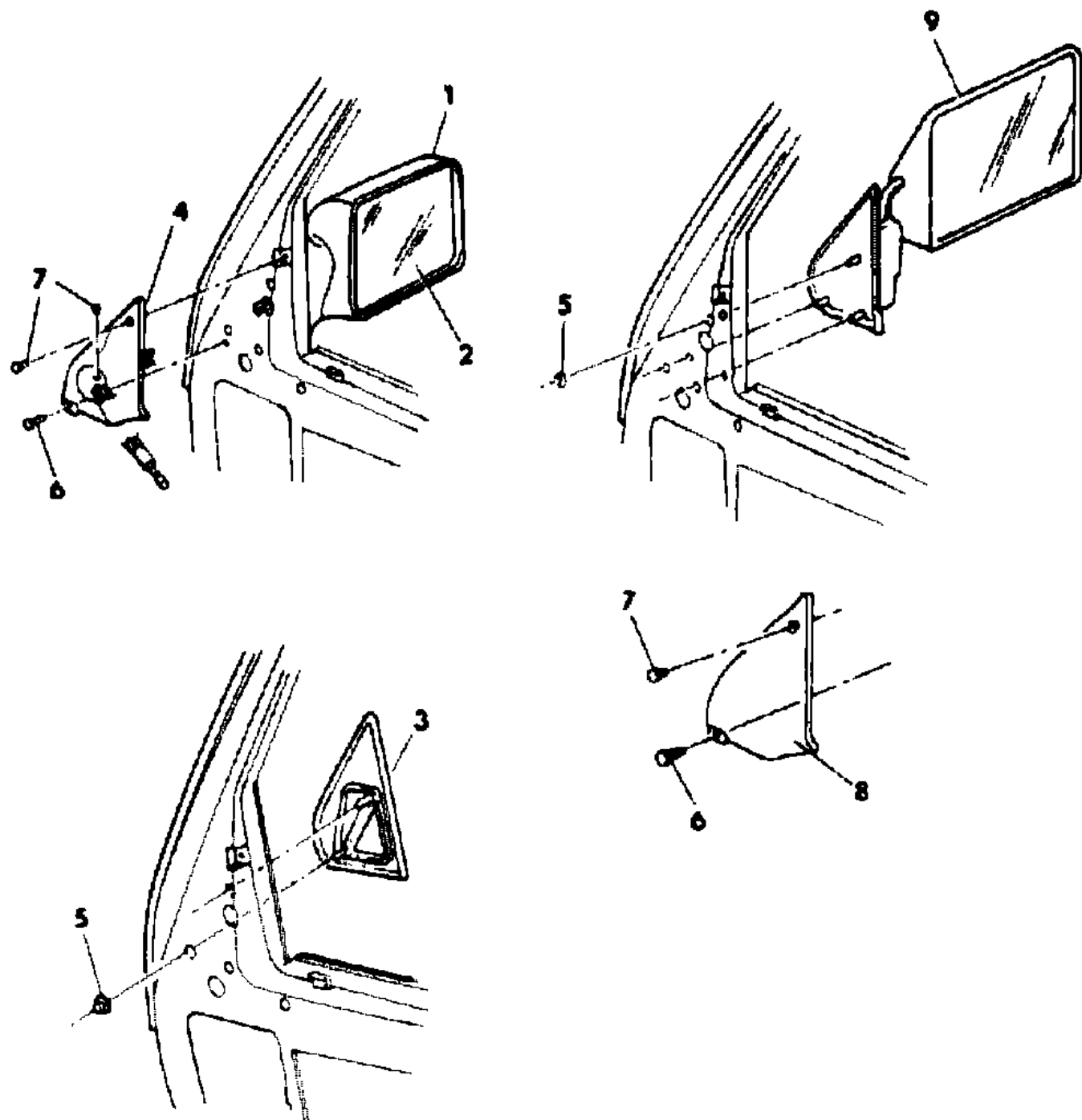
21 = 2-DOOR SEDAN	28 = FWD PICKUP	44 = 4-DOOR HATCHBACK
22 = 2-DOOR SPECIAL COUPE	35 = FWD VAN	45 = 4-DOOR STATION WAGON
24 = 2-DOOR HATCHBACK	36 = FWD WAGON	48 = 4-DOOR EXECUTIVE SEDAN
27 = 2-DOOR CONVERTIBLE	41 = 4-DOOR SEDAN	

AR = Use as Required - = Non Illustrated Part P.A.R. = Paint as Required

MIRRORS, EXTERIOR H,K
Figure 23C-3000

4171 3000

ITEM	PART NUMBER	QTY	BODY	MODEL	DESCRIPTION
1	4318 274-5	1			MIRROR PACKAGE, Remote Control
2					REPLACEMENT GLASS PACKAGE
	4267 931	1			Remote Control, Left
3	4299 164	1			BEZEL, Outer Opening, w/o Mirror, Right
4	4299 158-9	1			BEZEL, Inside, w/Remote Control Mirror
5	6100 044	1			NUT, Mirror Att.
6		AR			SCREW (DNS)
7	F245 CA3	AR			PLUG
8	4299 328-9	1			BEZEL, Inside w/6x9 Foldaway Mirror
	4299 328	1			Inside, w/o Right Mirror
9	4318 292-3	1			MIRROR PACKAGE, 6x9 Foldaway, Black
	4299 016-7	1			SEAL, Mirror Flag to Door



MODEL CODES

B = GRAN FURY	F = FIFTH AVENUE/NEWPORT	P = RELIANT
C = LEBARON/TOWN & COUNTRY/EXC SEDAN	G = DIPLOMAT	T = E CLASS/NEW YORKER
C24 = LASER	H = VOYAGER	V = 600
D = ARIES	K = MINI RAM/CARAVAN/ROYAL	V24 = DAYTONA
E = 600	M = HORIZON/TURISMO	Z = OMNI/CHARGER/RAMPAGE

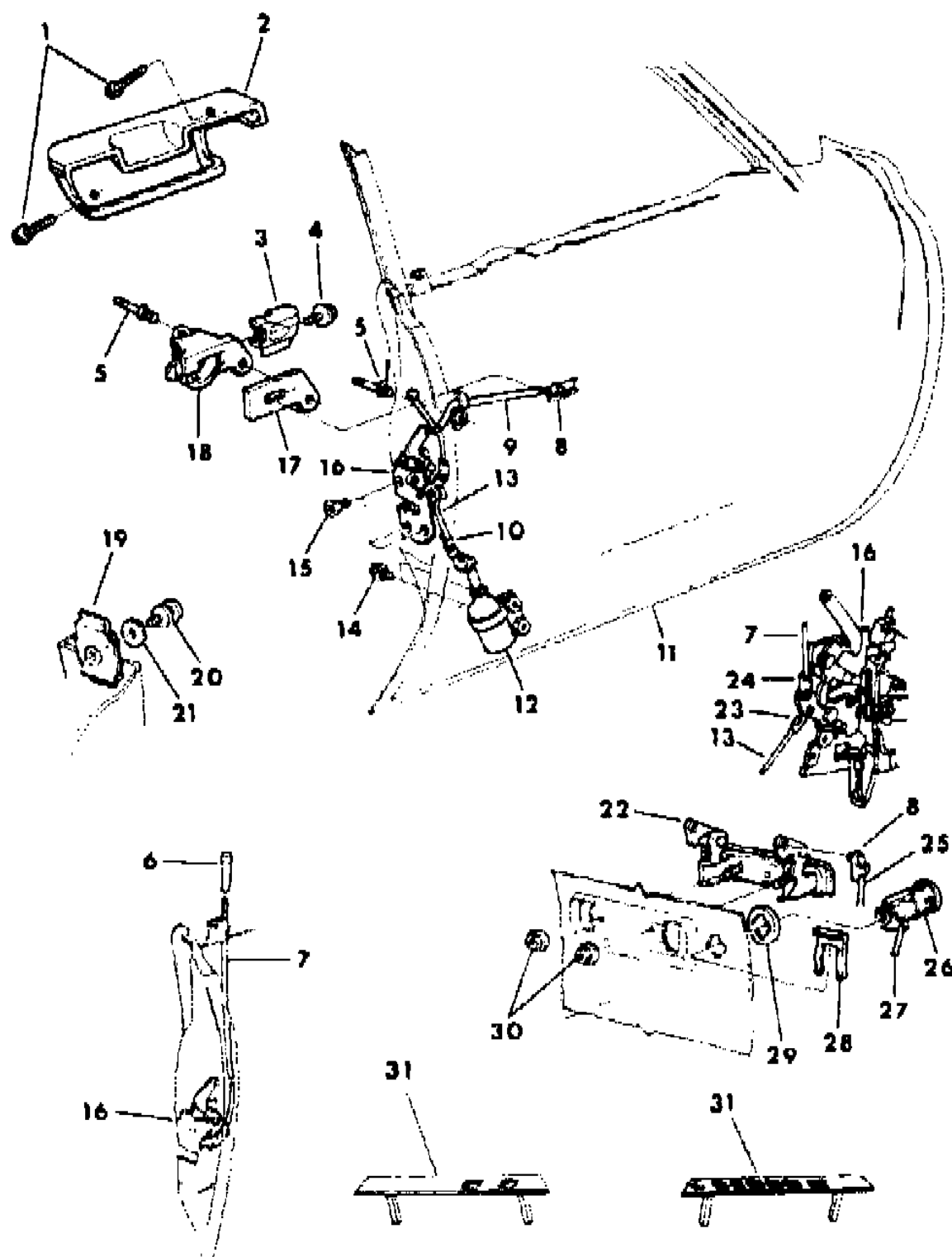
BODY STYLES

21 = 2-DOOR SEDAN	28 = FWD PICKUP	44 = 4-DOOR HATCHBACK
22 = 2-DOOR SPECIAL COUPE	35 = FWD VAN	45 = 4-DOOR STATION WAGON
24 = 2-DOOR HATCHBACK	36 = FWD WAGON	48 = 4-DOOR EXECUTIVE SEDAN
27 = 2-DOOR CONVERTIBLE	41 = 4-DOOR SEDAN	

AR = Use as Required - = Non Illustrated Part P.A.R. = Paint as Required

DOOR, FRONT SHELL, HANDLES, LOCKS AND CONTROLS B,F,G
Figure 23C-3100

4171 3100



ITEM	PART NUMBER	QTY	BODY	MODEL	DESCRIPTION
1		AR			SCREW (DNS)
2					ARM REST, Refer to IT Section
3	4184 140-1	1			HANDLE, Door Latch Remote Control
4	0181 063	AR			NUT w/WASHER
5	6031 115	AR			RIVET
6	4049 609	2			KNOB, Latch Locking
	3510 447	2			GROMMET, Lock Knob
7	3882 414-5	1			ROD, Door Latch Locking Push
8					CLIP, Door Latch Outside Handle to Latch
	2945 109	AR			Right
	2945 108	AR			Left
9	3871 038-9	1			LINK w/SLEEVE, Latch Remote Control to Latch
10					CLIP, Electric Latch Solenoid Link
	0629 792	AR			Right
	0612 492	AR			Left
11	4325 260-1	1			DOOR SHELL
	3875 010-1	1			PANEL, Repair
12					SOLENOID, Door Lock
	4184 156	1			Up to 3-1-84
	4336 414	1			After 3-1-84
	4184 172	2			CLIP, Solenoid
13	4184 161	2			LINK, Door Lock Latch to Solenoid
14	6030 186	AR			SCREW w/WASHER
15	0166 412	AR			SCREW
16					LATCH, Door
	4310 526	1			Right, Non Override
	4310 529	1			Left, Override
	3882 816-7	1			SHIELD, Latch
17	3871 322-3	1			SEAL, Remote Control Inside Panel
18	3871 274-5	1			REMOTE CONTROL, Door Latch
	3871 282-3	1			SPRING, Remote Control Door Latch
19	3752 366	2			REINFORCEMENT w/PLATE, Center Pillar Retainer
20	4184 222	2			STRIKER, Door Latch
21	6026 361	AR			WASHER, Door Latch Striker
22	3882 621	2			HANDLE, Door Exterior
	4280 961	2			REINFORCEMENT, Hinge and Frame
	2945 108	1			CLIP
	3454 572	4			GASKET, Handle Base Exterior

MODEL CODES

B = GRAN FURY	F = FIFTH AVENUE/NEWPORT	P = RELIANT
C = LEBARON/TOWN & COUNTRY/EXC SEDAN	G = DIPLOMAT	T = E CLASS/NEW YORKER
C24 = LASER	H = VOYAGER	V = 600
D = ARIES	K = MINI RAM/CARAVAN/ROYAL	V24 = DAYTONA
E = 600	M = HORIZON/TURISMO	Z = OMNI/CHARGER/RAMPAGE

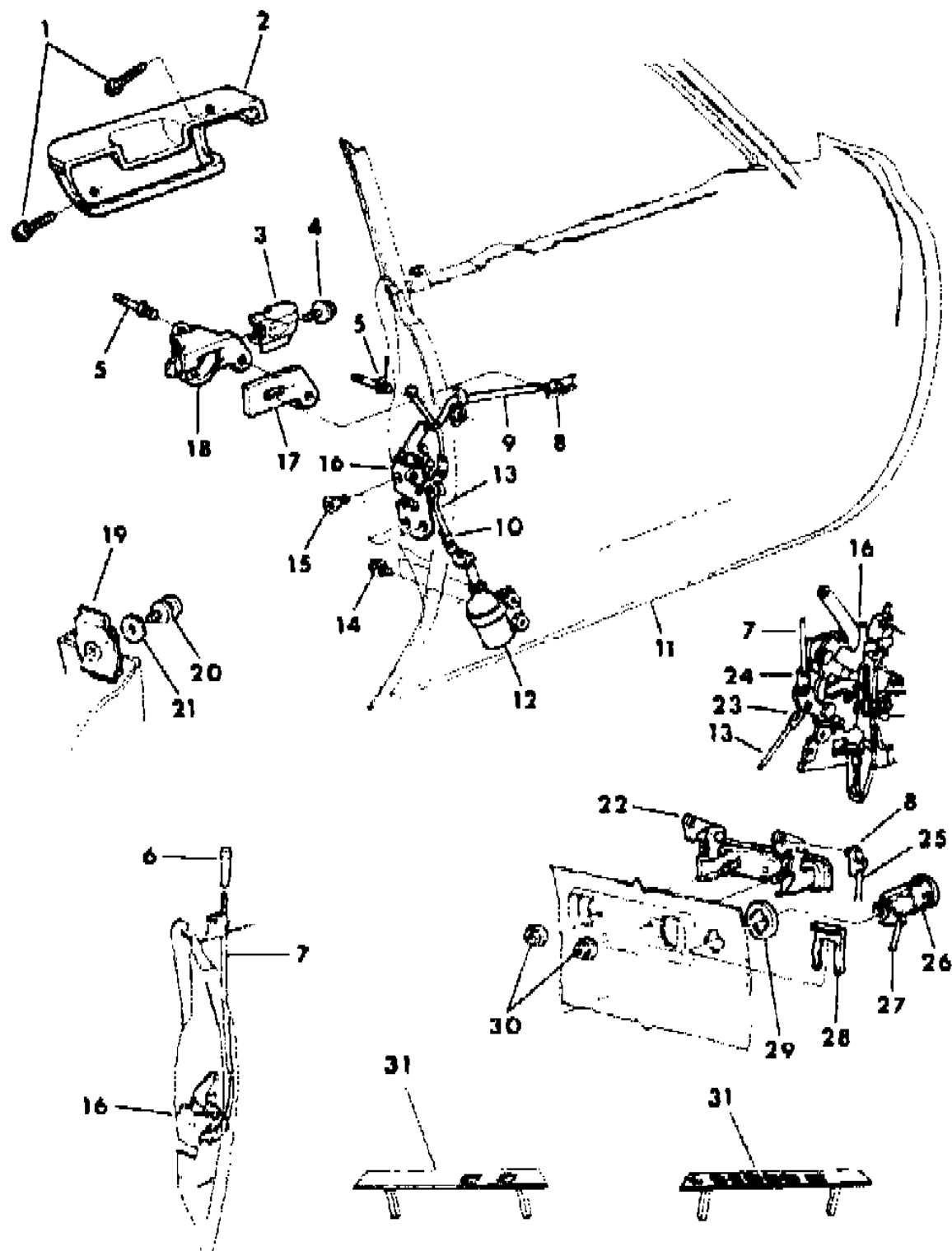
BODY STYLES

21 = 2-DOOR SEDAN	28 = FWD PICKUP	44 = 4-DOOR HATCHBACK
22 = 2-DOOR SPECIAL COUPE	35 = FWD VAN	45 = 4-DOOR STATION WAGON
24 = 2-DOOR HATCHBACK	36 = FWD WAGON	48 = 4-DOOR EXECUTIVE SEDAN
27 = 2-DOOR CONVERTIBLE	41 = 4-DOOR SEDAN	

AR = Use as Required - = Non Illustrated Part P.A.R. = Paint as Required

DOOR, FRONT SHELL, HANDLES, LOCKS AND CONTROLS B,F,G
Figure 23C-3100

4171 3100



ITEM	PART NUMBER	QTY	BODY	MODEL	DESCRIPTION
23	4184 244-5	1			CLIP, Electric Lock Solenoid Link to Latch
24	4184 244	1			CLIP, Latch Locking Push Rod to Latch
25	3871 140-1	1			LINK, Latch to Exterior Handle to Latch
26					CYLINDER, Door, Refer to 23D
27	3871 030-1	1			LINK, Door Lock Key Cyl.
28					RETAINER, Lock Cylinder (Refer to 23D)
29					GASKET, Lock Cylinder (Refer to 23D)
30	6025 004	AR			NUT w/WASHER
Note: The Following Items Are Not Illustrated (Refer to 23D). Both models are derived from the 100.1" W.B. LeBaron (C 22 Model). Sheet metal parts for the C 48 not found on this illustration should be specified.					
	4184 172	2			CLIP, Solenoid Locking
	3454 220-1	1			CLIP, Latch Inside Release Lever
31					BEZEL and FINISH PLATE, Door Armrest
	4078 346-7	1			w/o Power Windows and Door Locks
	4078 352-3	1			w/Power Door Lock
	4078 339	1			w/Remote Mirror, Left
	4078 348	1			w/Power Window, w/o Power Door Locks
	4078 350-1	1			w/Power Window and Power Door Locks
	4223 416	1		F-S	w/Power Window and Power Door Locks, Right (Woodgrain)
	4223 417	1		F-S	w/Power Window, Power Door Locks, Remote Mirror (Woodgrain)
	4078 327	1			w/Remote Mirror and Power Door Locks
	4078 329	1			w/Remote Mirror, Power Windows and Door Locks, Left
	4078 325	1			w/Remote Mirror And Power Windows

MODEL CODES

B = GRAN FURY	F = FIFTH AVENUE/NEWPORT	P = RELIANT
C = LEBARON/TOWN & COUNTRY/EXC SEDAN	G = DIPLOMAT	T = E CLASS/NEW YORKER
C24 = LASER	H = VOYAGER	V = 600
D = ARIES	K = MINI RAM/CARAVAN/ROYAL	V24 = DAYTONA
E = 600	M = HORIZON/TURISMO	Z = OMNI/CHARGER/RAMPAGE

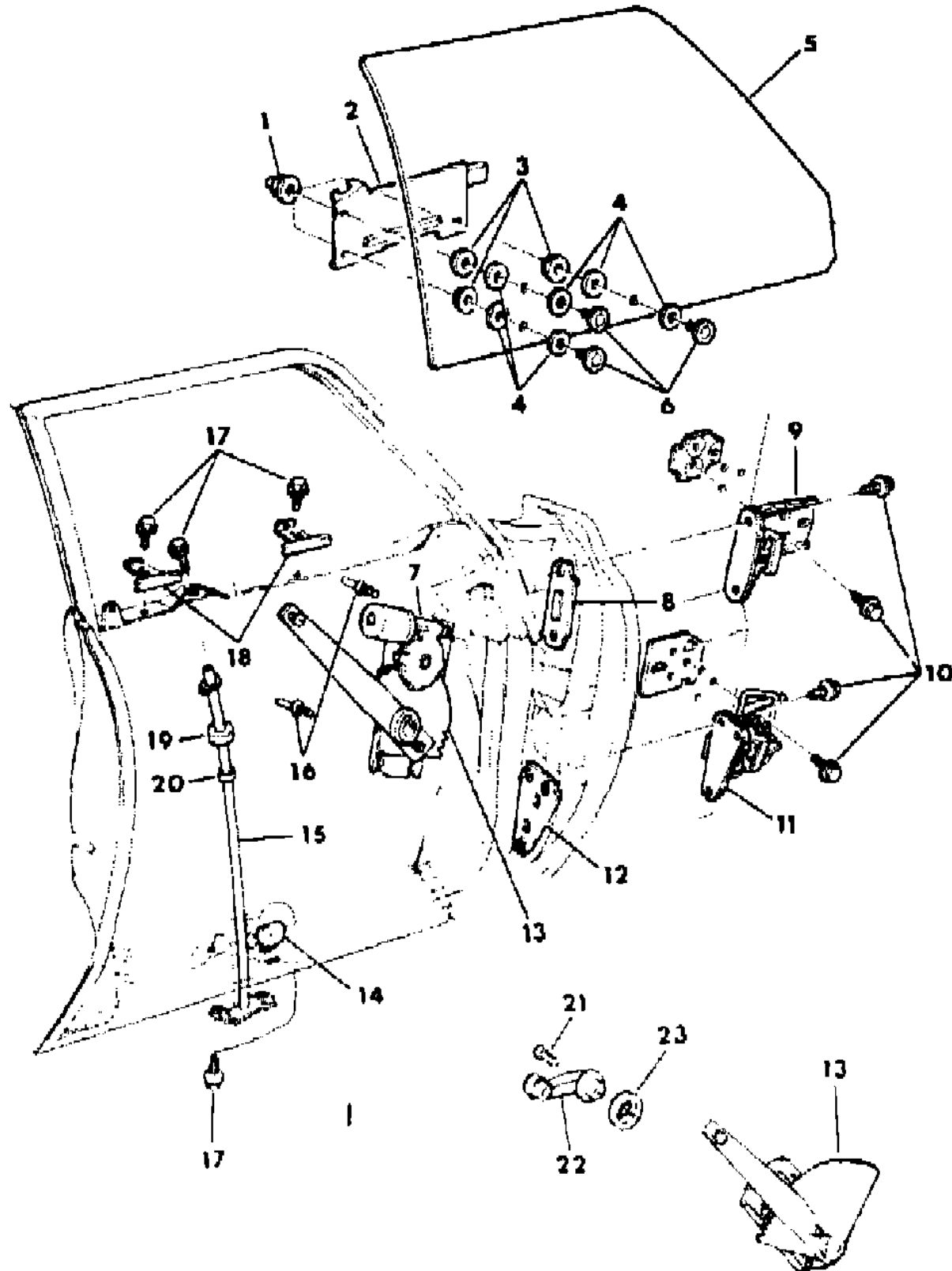
BODY STYLES

21 = 2-DOOR SEDAN	28 = FWD PICKUP	44 = 4-DOOR HATCHBACK
22 = 2-DOOR SPECIAL COUPE	35 = FWD VAN	45 = 4-DOOR STATION WAGON
24 = 2-DOOR HATCHBACK	36 = FWD WAGON	48 = 4-DOOR EXECUTIVE SEDAN
27 = 2-DOOR CONVERTIBLE	41 = 4-DOOR SEDAN	

AR = Use as Required - = Non Illustrated Part P.A.R. = Paint as Required

DOOR, FRONT GLASS AND REGULATORS B,F,G
Figure 23C-3200

4171 3300



ITEM	PART NUMBER	QTY	BODY	MODEL	DESCRIPTION
1	6031 115	AR			RIVET
2	4310 430-1	1			PLATE w/CHANNEL, Door Glass Guide
	4280 711	4			PAD, Door Glass Guide Plate
3	6028 587	AR			TEE NUT
4	5231 769	AR			GASKET, Door Glass Guide Bracket to Glass
5	4136 434-5	1			GLASS, Front Door
6	6029 998	AR			WASHER w/STUD
7					MOTOR and MECHANISM, Electric Window Lift
	4240 519	1			Right
	4240 520	1			Left
	4240 474	AR			GEAR and SEAL PACKAGE
8					T/PLATE, Serviced in Door Shell
9	4336 636-7	1			HINGE, Front Door, Upper
10	6031 069	AR			SCREW w/WASHER
11	4336 640-1	1			HINGE, Front Door Lower, w/Check Arm
	3875 350-1	1			BAR, Lower Hinge Torsion
12					T/PLATE, Serviced in Door Shell
13					REGULATOR, Door Window
	3882 274-5	1			Manual
	3882 350-1	1			Electric
		2			SCREW, Electric Window Regulator Mechanism Housing(DNS)
	9416 992	2			LOCK NUT, Electric Window Regulator Mechanism Set Screw
	3882 758	2			SLIDE, Regulator
	1316 863	2			O-RING, Electric Window Regulator Mechanism
	2999 467	2			SPACER, Electric Window Regulator Mechanism Locking
	3875 678	2			SPRING, Manual Regulator Assist
14	3875 974	2			BUMPER, Door Glass Downstop
15	4310 436-7	1			TRACK, Door Glass Guide Tube
16	6031 115	AR			RIVET
17	6030 649	AR			SCREW w/WASHER
18	4040 663	4			STABILIZER, Door Glass
19	3788 080	2			SLEEVE, Glass Track Tube
20	3788 273	2			GUIDE, Door Glass Lift Lower
21	6027 221	AR			SCREW
22	3882 764	2			HANDLE, Window Regulator
23	3882 768	2			SPACER, Manual Window Regulator Handle

MODEL CODES

B = GRAN FURY	F = FIFTH AVENUE/NEWPORT	P = RELIANT
C = LEBARON/TOWN & COUNTRY/EXC SEDAN	G = DIPLOMAT	T = E CLASS/NEW YORKER
C24 = LASER	H = VOYAGER	V = 600
D = ARIES	K = MINI RAM/CARAVAN/ROYAL	V24 = DAYTONA
E = 600	M = HORIZON/TURISMO	Z = OMNI/CHARGER/RAMPAGE

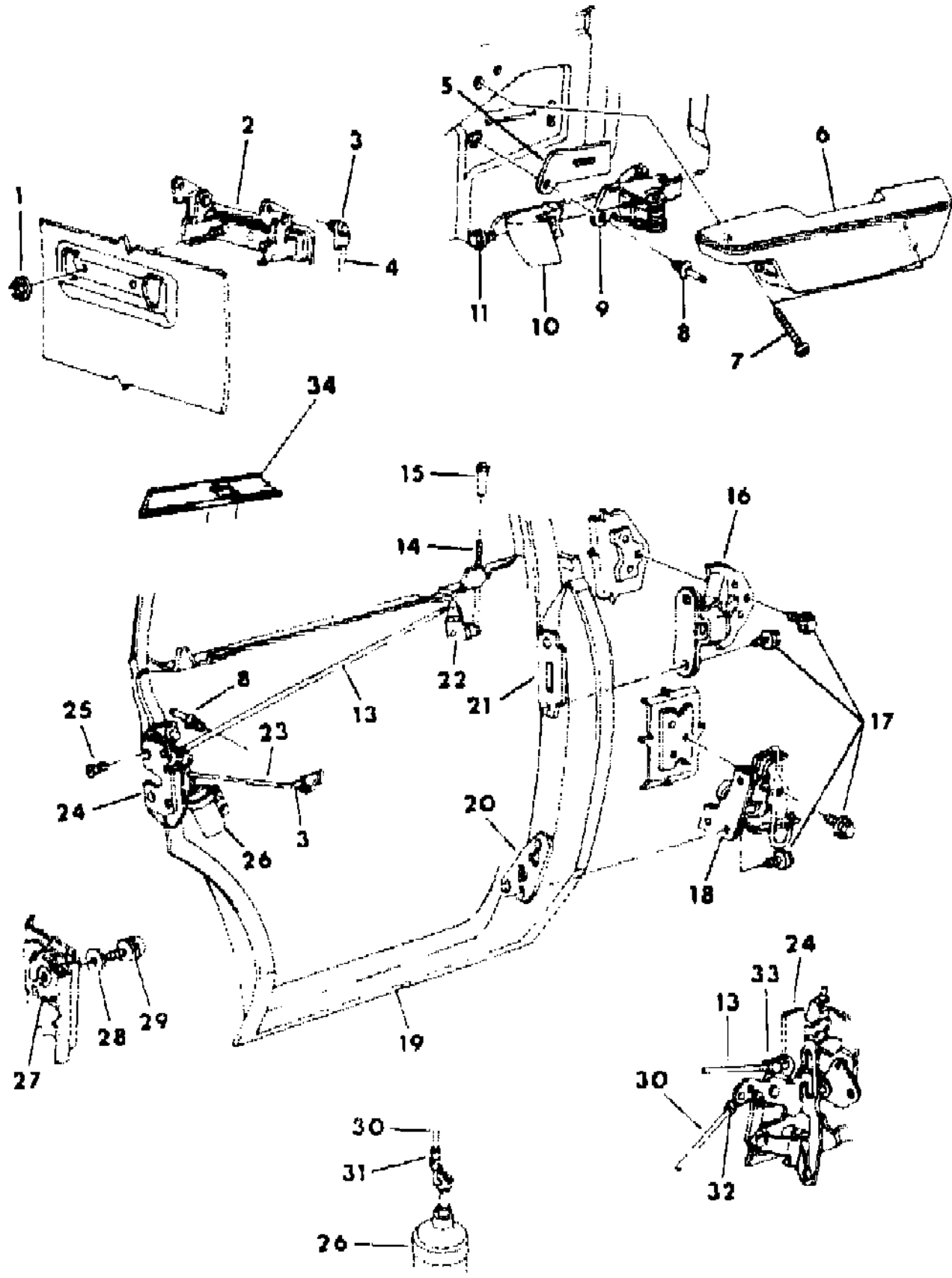
BODY STYLES

21 = 2-DOOR SEDAN	28 = FWD PICKUP	44 = 4-DOOR HATCHBACK
22 = 2-DOOR SPECIAL COUPE	35 = FWD VAN	45 = 4-DOOR STATION WAGON
24 = 2-DOOR HATCHBACK	36 = FWD WAGON	48 = 4-DOOR EXECUTIVE SEDAN
27 = 2-DOOR CONVERTIBLE	41 = 4-DOOR SEDAN	

AR = Use as Required - = Non Illustrated Part P.A.R. = Paint as Required

DOOR, REAR SHELL, HANDLES AND CONTROLS B,F,G
Figure 23C-3300

4173 3300



ITEM	PART NUMBER	QTY	BODY	MODEL	DESCRIPTION
1	6025 004	AR			NUT w/WASHER
2	3882 621	2			HANDLE, Door Exterior
	3454 572	2			GASKET, Exterior Handle Base
3	2945 108-9	AR			CLIP, Door Latch R/Control Lever
4	3882 418-9	1			LINK, Door Latch To Exterior Handle
5	3871 322-3	1			SEAL, Door Latch Remote Control Inside Panel
6					ARM REST, Refer to IT Section
7		AR			SCREW (DNS)
8	6031 115	AR			RIVET
9	3871 274-5	1			REMOTE CONTROL, Latch
	3871 282-3	1			SPRING, Remote Control Door Latch
10	4184 140-1	1			HANDLE, Remote Control Latch
11	0181 063	AR			SCREW w/WASHER
13	3871 188	2			LINK w/SLEEVE, Latch Locking Control
14	3882 301	2			ROD, Door Latch Locking Control Push
15	4049 609	AR			KNOB, Latch Locking Control
	3510 447	2			GROMMET, Trim Panel Locking Knob
16					HINGE, Upper
	4040 530-1	1			Up to 1-19-84
	4336 638-9	1			After 1-19-84
17	6031 069	AR			SCREW w/WASHER
18					HINGE, Lower
	4040 528-9	1			Up to 1-10-84
	4336 642-3	1			After 1-10-84
	3875 344-5	1			BAR, Lower Hinge Torsion
19	4297 942-3	1			DOOR SHELL
	3875 044-5	1			PANEL, Repair
20					T/Plate, Serviced in Door Shell
21					T/Plate, Serviced in Door Shell
22	3871 044	2			LEVER, Door Latch Locking Control
23	3871 060-1	1			LINK w/SLEEVE, Latch Remote Control
24					LATCH, Door
	4310 530-1	1			w/o Door Locks
	4310 532-3	1			w/Door Locks
	3454 220-1	1			CLIP, Inside Release Lever Latch
25	0166 412	AR			SCREW
26	4184 156-7	1			SOLENOID, Door Lock
	4184 172	2			CLIP, Lock Solenoid

MODEL CODES

B = GRAN FURY	F = FIFTH AVENUE/NEWPORT	P = RELIANT
C = LEBARON/TOWN & COUNTRY/EXC SEDAN	G = DIPLOMAT	T = E CLASS/NEW YORKER
C24 = LASER	H = VOYAGER	V = 600
D = ARIES	K = MINI RAM/CARAVAN/ROYAL	V24 = DAYTONA
E = 600	M = HORIZON/TURISMO	Z = OMNI/CHARGER/RAMPAGE

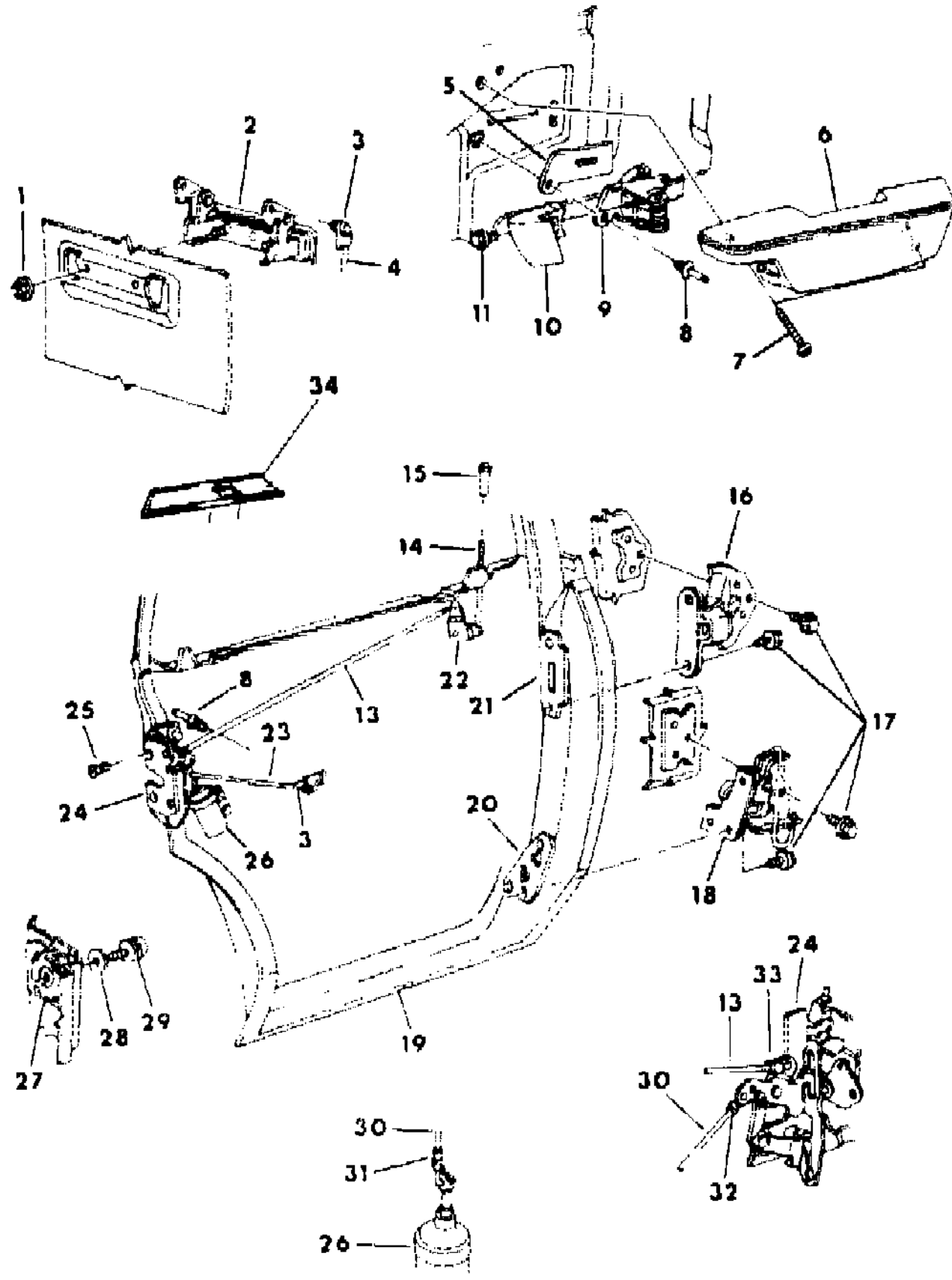
BODY STYLES

21 = 2-DOOR SEDAN	28 = FWD PICKUP	44 = 4-DOOR HATCHBACK
22 = 2-DOOR SPECIAL COUPE	35 = FWD VAN	45 = 4-DOOR STATION WAGON
24 = 2-DOOR HATCHBACK	36 = FWD WAGON	48 = 4-DOOR EXECUTIVE SEDAN
27 = 2-DOOR CONVERTIBLE	41 = 4-DOOR SEDAN	

AR = Use as Required - = Non Illustrated Part P.A.R. = Paint as Required

DOOR, REAR SHELL, HANDLES AND CONTROLS B,F,G
Figure 23C-3300

4173 3300



ITEM	PART NUMBER	QTY	BODY	MODEL	DESCRIPTION
27	3445 952	2			T/PLATE, Body Lock Pillar Lock Striker
28	6026 361	AR			WASHER, Door Latch Striker
29	4184 222	2			STRIKER, Latch
30	4184 712	2			LINK, Solenoid to Latch
31	4184 172	2			CLIP, Solenoid
32	4184 244-5	1			CLIP, Solenoid Link to Latch
33	4184 244	1			CLIP, Door Latch Locking Link To Latch
34					BEZEL and FINISH PLATE, Door Armrest
	4078 382-3	1			w/o Power Windows
	4078 384-5	1		B,G	w/Power Windows
	4223 426-7	1		F-S	w/Power Windows

MODEL CODES

B = GRAN FURY	F = FIFTH AVENUE/NEWPORT	P = RELIANT
C = LEBARON/TOWN & COUNTRY/EXC SEDAN	G = DIPLOMAT	T = E CLASS/NEW YORKER
C24 = LASER	H = VOYAGER	V = 600
D = ARIES	K = MINI RAM/CARAVAN/ROYAL	V24 = DAYTONA
E = 600	M = HORIZON/TURISMO	Z = OMNI/CHARGER/RAMPAGE

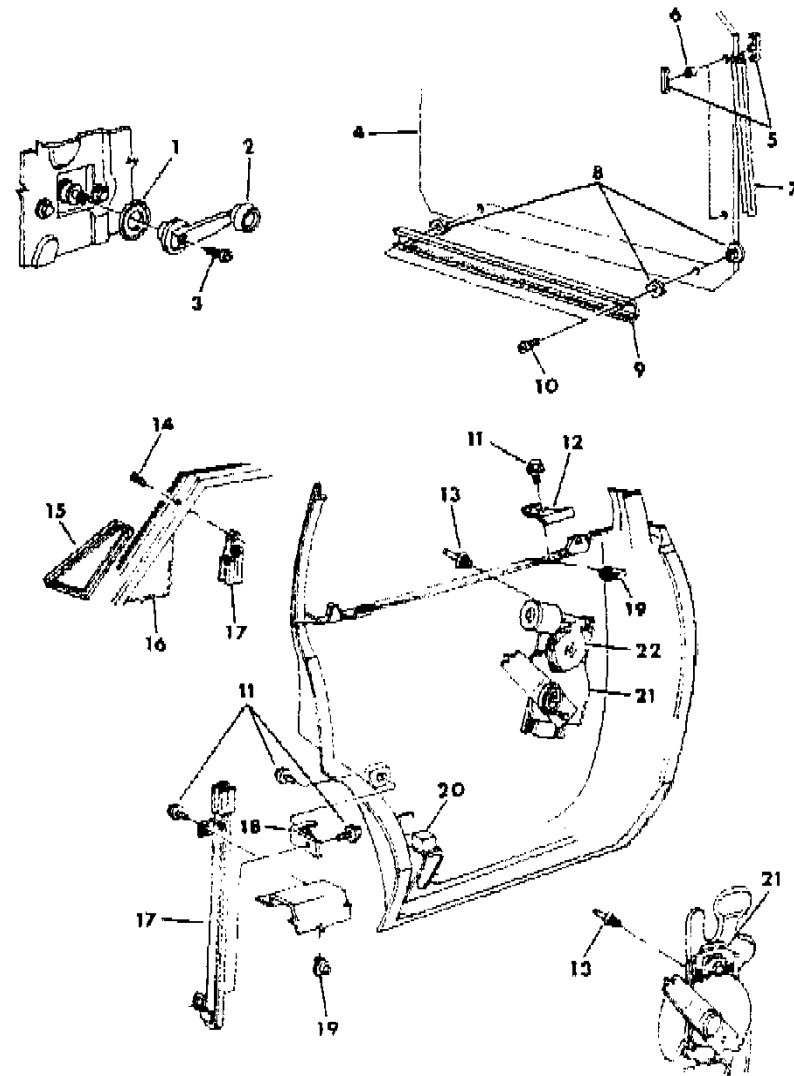
BODY STYLES

21 = 2-DOOR SEDAN	28 = FWD PICKUP	44 = 4-DOOR HATCHBACK
22 = 2-DOOR SPECIAL COUPE	35 = FWD VAN	45 = 4-DOOR STATION WAGON
24 = 2-DOOR HATCHBACK	36 = FWD WAGON	48 = 4-DOOR EXECUTIVE SEDAN
27 = 2-DOOR CONVERTIBLE	41 = 4-DOOR SEDAN	

AR = Use as Required - = Non Illustrated Part P.A.R. = Paint as Required

DOOR, REAR GLASS AND REGULATORS B,F,G
Figure 23C-3400

4171 3400



ITEM	PART NUMBER	QTY	BODY	MODEL	DESCRIPTION
1	3882 768	2			SPACER, Manual Window Regulator Handle
2	3882 764	2			HANDLE, Window Regulator
3	6027 221	AR			SCREW
4	4136 332-3	1			GLASS, Rear Door
5	3582 315	8			RETAINER, Door Glass Rear Edge
6	2861 744	4			PIN, Door Glass Rear Edge Slide
7	4136 166	1			WEATHERSTRIP PACKAGE, On Rear Edge Of Glass
8	3744 734	1			BUSHING and FASTENER, Door Glass Lift Consists of: 3696 693 Bushing 3759 193 Fastener
9	3875 083	2			CHANNEL, Door Wdo. Glass Lift
10	6030 182	AR			SCREW
11	6030 649	AR			SCREW w/WASHER
12	4040 663	2			STABILIZER, Door Glass
13	6031 115	AR			RIVET
14	0181 063	2			SCREW
15	4136 160-1	1			WEATHERSTRIP, Rear Stationary Glass
16	4136 180-1	1			GLASS, Rear Door, Stationary Tinted
17	4136 170-1	1			CHANNEL, Door Glass Division
	4198 848-9	1		F-S	
18	4310 896	2			BRACKET, Inside Panel to Division Channel
19	0152 454	AR			U-NUT
20	3440 270	2			BUMPER, Door Glass Down Stop
21	3882 290-1	1			REGULATOR, Window Manual
	3882 350-1	1			Electric
	2999 467	AR			SPACER, Electric Window Regulator Mechanism Locking
	3882 758	2			SLIDE, Regulator
	1316 863	2			O-RING, Electric Wdo. Reg. Mechanism
22	4240 519	1			MOTOR w/MECHANISM, Window Lift Right
	4240 520	1			Left
	4240 474	AR			GEAR and SEAL PACKAGE

MODEL CODES

B = GRAN FURY	F = FIFTH AVENUE/NEWPORT	P = RELIANT
C = LEBARON/TOWN & COUNTRY/EXC SEDAN	G = DIPLOMAT	T = E CLASS/NEW YORKER
C24 = LASER	H = VOYAGER	V = 600
D = ARIES	K = MINI RAM/CARAVAN/ROYAL	V24 = DAYTONA
E = 600	M = HORIZON/TURISMO	Z = OMNI/CHARGER/RAMPAGE

BODY STYLES

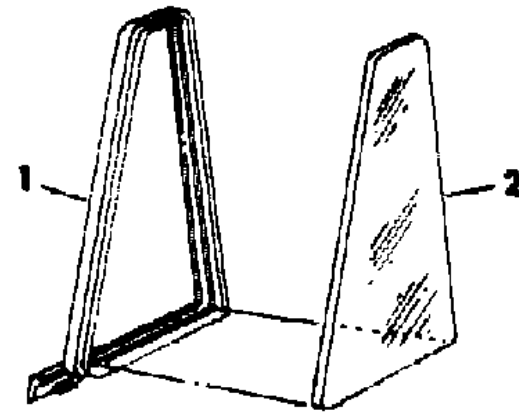
21 = 2-DOOR SEDAN	28 = FWD PICKUP	44 = 4-DOOR HATCHBACK
22 = 2-DOOR SPECIAL COUPE	35 = FWD VAN	45 = 4-DOOR STATION WAGON
24 = 2-DOOR HATCHBACK	36 = FWD WAGON	48 = 4-DOOR EXECUTIVE SEDAN
27 = 2-DOOR CONVERTIBLE	41 = 4-DOOR SEDAN	

AR = Use as Required - = Non Illustrated Part P.A.R. = Paint as Required

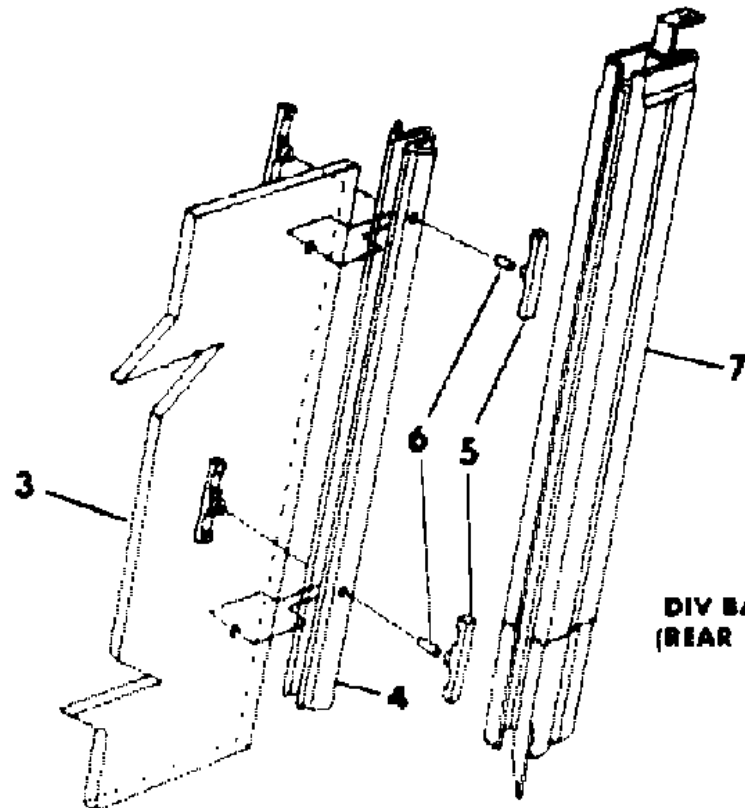
DOOR, REAR GLASS AND WEATHERSTRIPS B,F,G
Figure 23C-3500

4171 3500

ITEM	PART NUMBER	QTY	BODY	MODEL	DESCRIPTION
1	4136 160-1	1			WEATHERSTRIP, Rear Stationary Glass
2	4136 180-1	1			GLASS, Stationary
3	4136 332-3	1			GLASS, Movable
4-6	4136 166	2			WEATHERSTRIP PACKAGE, on Rear Edge of Glass
5	3582 315	8			RETAINER, Rear Edge Glass
6	2861 744	4			PIN, Rear Edge Glass Slide
7	4136 170-1	1			CHANNEL, Division
	4198 848-9	1		F-S	



**WEATHERSTRIP & GLASS
 REAR DOOR (STATIONARY)**



**DIV BAR & GLASS
 (REAR DOOR WDO)**

MODEL CODES

B = GRAN FURY	F = FIFTH AVENUE/NEWPORT	P = RELIANT
C = LEBARON/TOWN & COUNTRY/EXC SEDAN	G = DIPLOMAT	T = E CLASS/NEW YORKER
C24 = LASER	H = VOYAGER	V = 600
D = ARIES	K = MINI RAM/CARAVAN/ROYAL	V24 = DAYTONA
E = 600	M = HORIZON/TURISMO	Z = OMNI/CHARGER/RAMPAGE

BODY STYLES

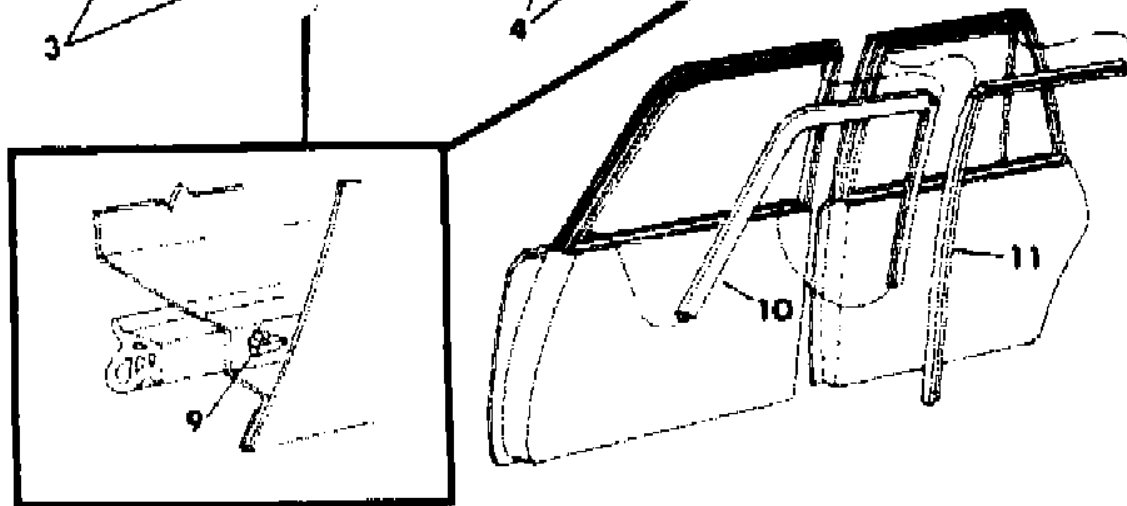
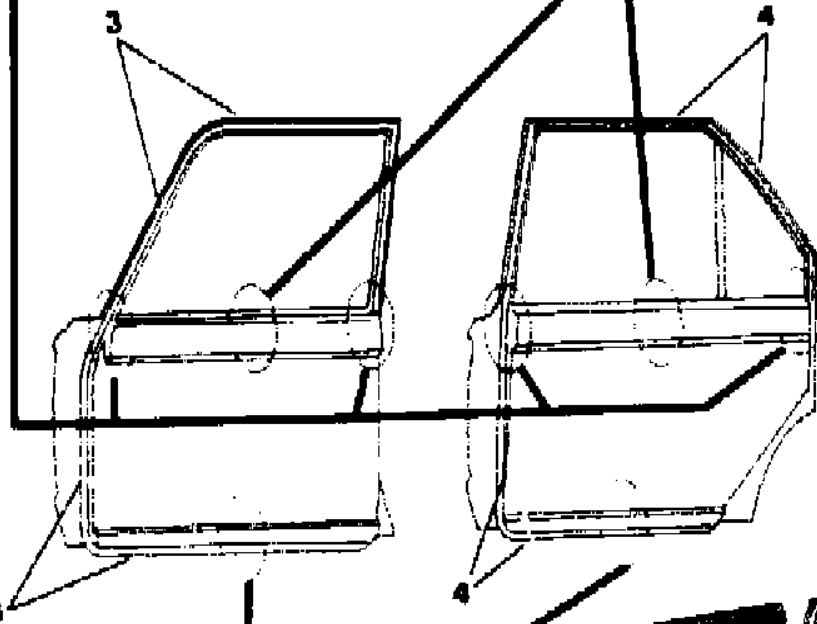
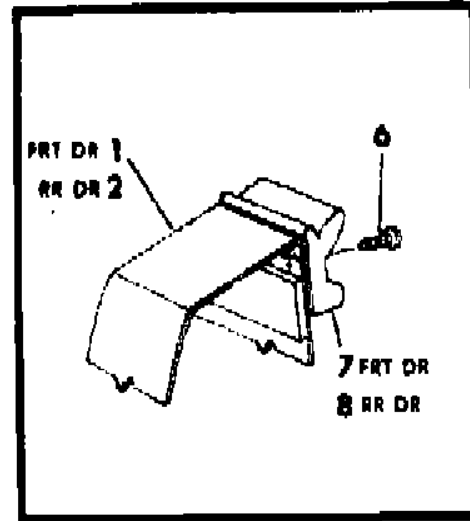
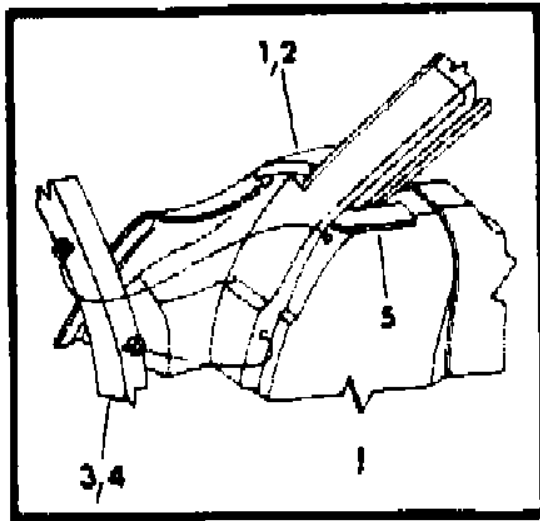
21 = 2-DOOR SEDAN	28 = FWD PICKUP	44 = 4-DOOR HATCHBACK
22 = 2-DOOR SPECIAL COUPE	35 = FWD VAN	45 = 4-DOOR STATION WAGON
24 = 2-DOOR HATCHBACK	36 = FWD WAGON	48 = 4-DOOR EXECUTIVE SEDAN
27 = 2-DOOR CONVERTIBLE	41 = 4-DOOR SEDAN	

AR = Use as Required - = Non Illustrated Part P.A.R. = Paint as Required

DOOR, REAR WEATHERSTRIPS AND RUNS B,F,G
Figure 23C-3600

4171 3600

ITEM	PART NUMBER	QTY	BODY	MODEL	DESCRIPTION
1					DOOR SHELL, Front, Refer to Door Illus.
2					DOOR SHELL, Rear, Refer to Door Illus.
3	3875 392-3	1			WEATHERSTRIP, on Front Door
4	4136 290-1	1			WEATHERSTRIP, on Rear Door
5					SEAL (DNS)
6					SCREW (DNS)
7					WEATHERSTRIP, Window Belt, Front
	4310 712-3	1			Outer
	3831 284	2			Inner, Cut to Length
8					WEATHERSTRIP, Window Belt, Rear Door
	3875 422-3	1			Outer
	3831 284	2			Inner, Cut to Length
9	4040 732	AR			FASTENER, Inside Panel
10	4198 637	2			RUN, Front Door Glass
11	4198 638	2			RUN , Rear Door Glass



MODEL CODES

B = GRAN FURY	F = FIFTH AVENUE/NEWPORT	P = RELIANT
C = LEBARON/TOWN & COUNTRY/EXC SEDAN	G = DIPLOMAT	T = E CLASS/NEW YORKER
C24 = LASER	H = VOYAGER	V = 600
D = ARIES	K = MINI RAM/CARAVAN/ROYAL	V24 = DAYTONA
E = 600	M = HORIZON/TURISMO	Z = OMNI/CHARGER/RAMPAGE

BODY STYLES

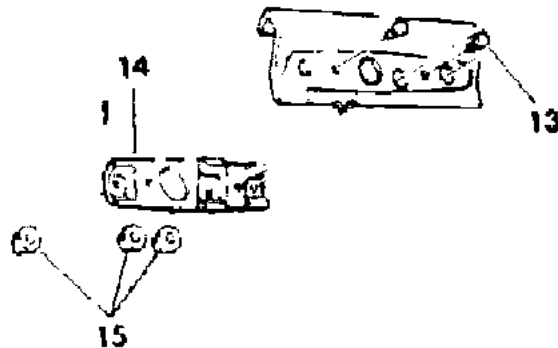
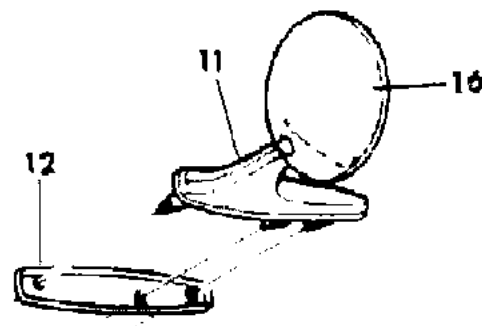
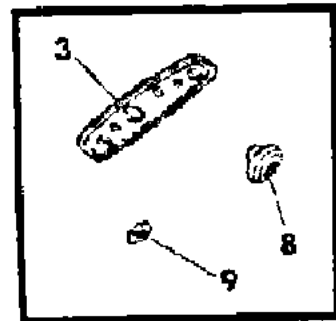
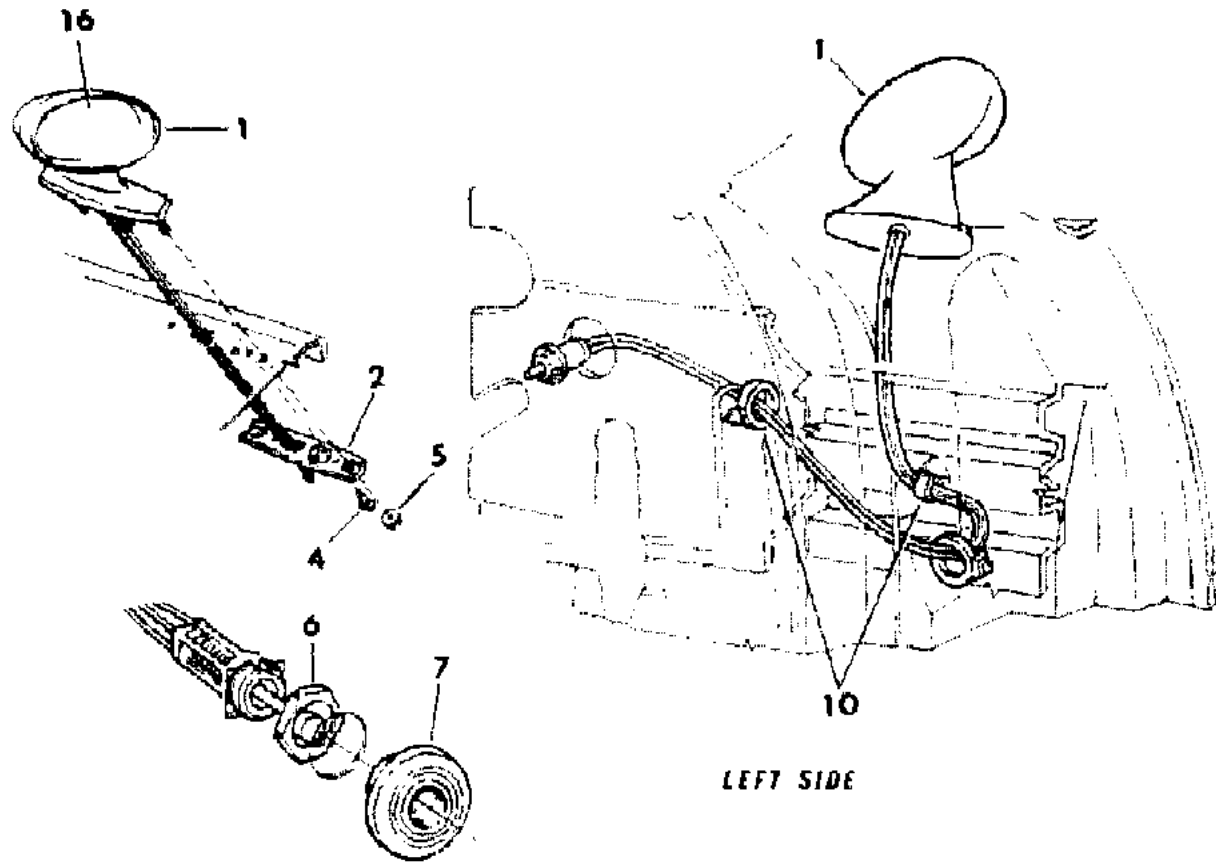
21 = 2-DOOR SEDAN	28 = FWD PICKUP	44 = 4-DOOR HATCHBACK
22 = 2-DOOR SPECIAL COUPE	35 = FWD VAN	45 = 4-DOOR STATION WAGON
24 = 2-DOOR HATCHBACK	36 = FWD WAGON	48 = 4-DOOR EXECUTIVE SEDAN
27 = 2-DOOR CONVERTIBLE	41 = 4-DOOR SEDAN	

AR = Use as Required - = Non Illustrated Part P.A.R. = Paint as Required

MIRRORS, EXTERIOR B,F,G
Figure 23C-3700

4171 3700

ITEM	PART NUMBER	QTY	BODY	MODEL	DESCRIPTION
1					MIRROR PACKAGE, Remote Control, Rectangular Chrome
	4299 235	1			Left
	4299 234	1			Right
2					REINFORCEMENT, Remote Control Mirror
	4299 126	1			Right
	3861 805	1			Left
3					GASKET, Remote Control Mirror
	4054 149	1			Right
					Left, Serviced in Mirror Package
4	3759 944	2			CLIP, Mirror Mtg. Reinforcement
5	6025 001	AR			NUT w/WASHER
6	6030 356	AR			NUT, Remote Control Mirror Index, Left and Right
7	3760 795	1			NUT, Remote Control Mirror, Left
8	P631 BT8	1			BEZEL, Remote Control Mirror, Right
9					NUT (DNS)
10					CLIP, Serviced in Mirror Package
11	4299 237	1			MIRROR PACKAGE, Manual Rectangular Chrome, Left
12					GASKET, Mirror, Serviced in Mirror Package
13	3759 944	AR			CLIP, Mirror Mounting Reinforcement
14	3861 805	1			REINFORCEMENT, Mirror
15	6025 001	AR			NUT w/WASHER
16					REPLACEMENT GLASS PACKAGE
	4267 876-7	1			Remote Racing
	4267 874-5	1			Conventional
	4267 883	1			Manual, Left



MODEL CODES
 B = GRAN FURY
 C = LEBARON/TOWN & COUNTRY/EXC SEDAN
 C24 = LASER
 D = ARIES
 E = 600
 F = FIFTH AVENUE/NEWPORT
 G = DIPLOMAT
 H = VOYAGER
 K = MINI RAM/CARAVAN/ROYAL
 M = HORIZON/TURISMO
 P = RELIANT
 T = E CLASS/NEW YORKER
 V = 600
 V24 = DAYTONA
 Z = OMNI/CHARGER/RAMPAGE

BODY STYLES
 21 = 2-DOOR SEDAN
 22 = 2-DOOR SPECIAL COUPE
 24 = 2-DOOR HATCHBACK
 27 = 2-DOOR CONVERTIBLE
 28 = FWD PICKUP
 35 = FWD VAN
 36 = FWD WAGON
 41 = 4-DOOR SEDAN
 44 = 4-DOOR HATCHBACK
 45 = 4-DOOR STATION WAGON
 48 = 4-DOOR EXECUTIVE SEDAN

AR = Use as Required - = Non Illustrated Part P.A.R. = Paint as Required

GROUP 23D - WIPER & WASHER AND CYLINDER & KEYS

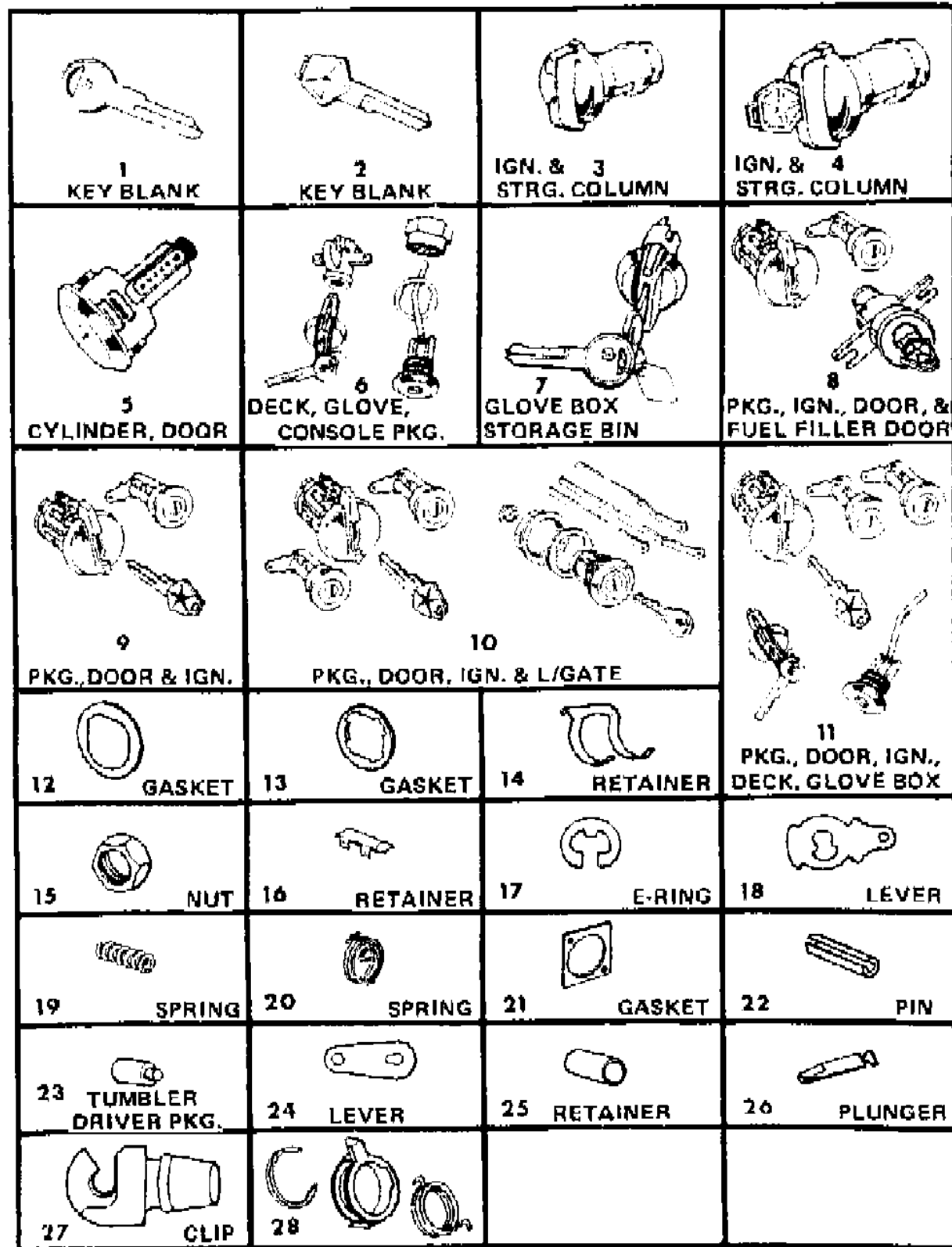
ILLUSTRATION TITLE	GROUP-FIG. NO.
ALL MODELS	
LOCK CYLINDERS AND KEYS	Fig. 23D-100
L BODY M,Z	
WINDSHIELD WIPER SYSTEM M,Z	Fig. 23D-200
WINDSHIELD WASHER SYSTEM M,Z	Fig. 23D-300
LIFTGATE WIPER AND WASHER SYSTEM M,Z	Fig. 23D-400
K & E BODY P,D,C,V,E,T	
WINDSHIELD WIPER SYSTEM P,D,V,C,E,T	Fig. 23D-500
WINDSHIELD WASHER SYSTEM P,D,V,C,E,T	Fig. 23D-600
LIFTGATE WIPER AND WASHER SYSTEM P,D,C 45	Fig. 23D-700
G BODY C,V 24	
WINDSHIELD WIPER SYSTEM C,V 24	Fig. 23D-800
WINDSHIELD WASHER SYSTEM C,V 24	Fig. 23D-900
LIFTGATE WIPER AND WASHER C,V 24	Fig. 23D-1000
S BODY H,K	
WINDSHIELD WIPER SYSTEM H,K	Fig. 23D-1100
WINDSHIELD WASHER SYSTEM H,K	Fig. 23D-1200
LIFTGATE WIPER AND WASHER H,K	Fig. 23D-1300
M BODY B,F,G	
WINDSHIED WIPER SYSTEM B,F,G	Fig. 23D-1400
WINDSHIELD WASHER SYSTEM B,F,G	Fig. 23D-1500

ILLUSTRATION NOT AVAILABLE AT TIME OF PUBLICATION

LOCK CYLINDERS AND KEYS

Figure 23D-100

4372 100B



ITEM	PART NUMBER	QTY	BODY	MODEL	DESCRIPTION
	4419 007	1			SERVICE AND REPAIR PACKAGE, Lock Cylinder
1	2999 041	AR			KEY, Deck Lid, Glove Box and Storage Bin
	4318 784	1		TP	Instrument Panel Console
2	3454 493	3		PD,41,4	KEY, Ignition w/Single and Univiversal Single Key
	3454 327	2			Door Cylinder
3	4054 878	1		PDVCETB	CYLINDER w/KEY, Ignition and Strg. Column, w/o Tilt
4	3861 793	1		PDVCETB	CYLINDER w/KEY, Ignition and Strg. Column, w/Tilt
5	4172 674	2		BFG	CYLINDER, Door Lock, w/Illuminated Entry, Uncoded
6	4267 850	1		BFG	CYLINDER w/KEY, Deck Lid and Glove Box
	4246 654	1		PDVC21,	Deck Lid and Glove Box
	4246 299	1		E,T	Deck Lid and Glove Box
	4246 660	1		PL,DL,2	Deck Lid
	4246 646	1		M,Z 44	L/Gate and Glove Box
7	4246 645	1		M,Z 24,	CYLINDER w/KEY, Glove Box
	4246 645	1		C,V 24	Glove Box
	4246 660	1		PL,DL,2	Deck Lid
	4311 387	1		TP	Instrument Panel Console Glove Box
	4054 081	1		H,K	Pass. Seat Compartment (Also order 3508886 Latch)
	4054 081	1			Glove Box and Storage Bin
8	4246 563	1		E,T	CYLINDER w/KEY, Door, Fuel Door, w/Tilt, w/o Illuminated Entry
	4246 610	1		E,T	Ignition, Door and Fuel Door, w/Tilt, w/Illuminated Entry
	4246 564	1		E,T	Ignition, Door, Fuel Door, w/o Tilt, w/o Illuminated Entry
	4246 611	1		E,T	Ignition, Door and Fuel Door, w/o Tilt, w/Illuminated Entry
9	5207 203	1		M,Z	CYLINDER w/KEY, Door and Ignition
	4246 630	1		M,Z 24	Door, L/Gate and Ignition
	4246 631	1		M,Z,28	Door and Ignition
	4106 738	1		CVETBFG	Door Lock, w/Illuminated Entry, Coded
	4106 399	1		All	Door Lock Cylinder
10	4054 805	1		PDVC21,	CYLINDER w/KEY, Door and Ignition, w/o Tilt Strg.
	4246 630	1		M,Z,24	Door, Ignition and L/Gate
	4054 805	1		BFG	Door and Ignition, w/o Tilt Strg.
	4246 764	1		H,K	Door, Ignition, Sliding Door and Fuel Door, w/o Tilt
	4246 777	1		H,K	Ignition, Sliding Door and L/Gate w/UniversalSingle Key, w/o Tilt
	4246 765	1		H,K	Door, Ignition, Sliding Door and Fuel Door, w/Tilt
	4246 778	1		H,K	Ignition, Sliding Door and L/Gate, w/Universal Single Key, w/Tilt
	4246 795	1		H,K	Sliding Door, L/Gate and Seat Compartment
	4246 766	1		H,K	L/Gate and Sliding Door

MODEL CODES

B = GRAN FURY	F = FIFTH AVENUE/NEWPORT	P = RELIANT
C = LEBARON/TOWN & COUNTRY/EXC SEDAN	G = DIPLOMAT	T = E CLASS/NEW YORKER
C24 = LASER	H = VOYAGER	V = 600
D = ARIES	K = MINI RAM/CARAVAN/ROYAL	V24 = DAYTONA
E = 600	M = HORIZON/TURISMO	Z = OMNI/CHARGER/RAMPAGE

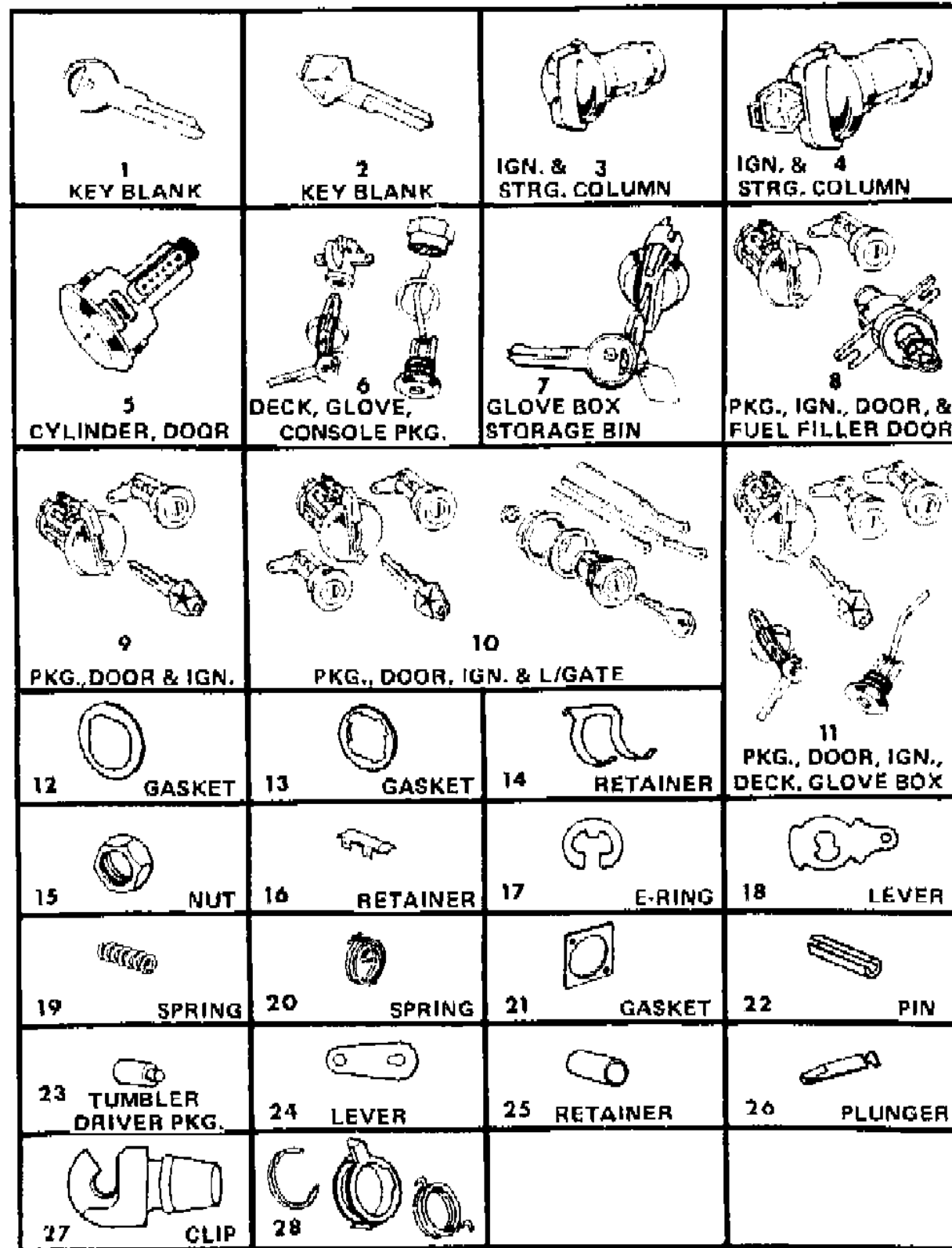
BODY STYLES

21 = 2-DOOR SEDAN	28 = FWD PICKUP	44 = 4-DOOR HATCHBACK
22 = 2-DOOR SPECIAL COUPE	35 = FWD VAN	45 = 4-DOOR STATION WAGON
24 = 2-DOOR HATCHBACK	36 = FWD WAGON	48 = 4-DOOR EXECUTIVE SEDAN
27 = 2-DOOR CONVERTIBLE	41 = 4-DOOR SEDAN	

AR = Use as Required - = Non Illustrated Part P.A.R. = Paint as Required

LOCK CYLINDERS AND KEYS
Figure 23D-100

4172-10014



ITEM	PART NUMBER	QTY	BODY	MODEL	DESCRIPTION
	3548 955	1		PDVCBFG	Door and Ignition, w/Tilt, w/Illuminated Entry
	4172 348	1		BFG	Door and Ignition, w/Illuminated Entry, w/o Tilt
	4172 305	1		BFG	Door and Ignition, w/Illuminated Entry, w/Tilt
	4246 628	1		C,V 22,	Door and Ignition, w/Illuminated Entry, w/o Tilt
	4246 627	1		C,V 22,	Door and Ignition, w/Illuminated Entry, w/Tilt
	4246 822	1		V 27,Tu	Door and Ignition, w/Illuminated Entry, w/Tilt
	4246 628	1		V 27,Tu	Door and Ignition, w/Illuminated Entry, w/o Tilt, Up to 3-5-84
	4246 823	1		V 27,Tu	Door and Ignition, w/Illuminated Entry, w/o Tilt, After 3-5-84
	3548 955	1		V 27,Tu	Door and Ignition, w/o Illuminated Entry, w/Tilt, Up to 3-4-84
	4246 824	1		V 27,Tu	Door and Ignition, w/o Illuminated Entry, w/Tilt, After 3-4-84
	4054 805	1		V 27,Tu	Door and Ignition, w/o Illuminated Entry, w/o Tilt, Up to 3-5-84
	4246 825	1		V 27,Tu	Door and Ignition, w/o Illuminated Entry, w/o Tilt, After 3-5-84
	4246 517	1		C,V 24	Door, Ignition, L/Gate and Fuel Door, w/Illuminated Entry, w/Tilt, Up to 11-1-83
	4378 052	1		C,V 24	Door, Ignition, L/Gare, w/Illuminated Entry, w/Tilt, After 11-1-83
	4246 328	1		C,V 24	Door, Ignition, L/Gate and Fuel Door, w/Illuminated Entry, w/o Tilt, Up to 11-1-83
	4378 051	1		C,V 24	Door, Ignition, L/Gate, w/Illuminated Entry, w/o Tilt, After 11-1-83
	4246 516	1		C,V 24	Door, Ignition, Fuel Door, w/o Illuminated Entry, w/Tilt, Up to 11-1-83
	4378 050	1		C,V 24	Door, Ignition, L/Gate, w/o Illuminated Entry, w/Tilt, After 11-1-83
	4246 296	1		C,V 24	Door, Ignition, L/Gate, Fuel Door, w/o Illuminated Entry, w/o Tilt, Up to 11-1-83
	4378 049	1		C,V 24	Door, Ignition, L/Gate, w/o Illuminated Entry, w/o Tilt, After 11-1-83
	4339 366	1		C,V 24	Fuel Door
	4246 816	1		Sedan,L	Door, Ignition, w/Illuminated Entry, w/Tilt
11	4172 957	1		BG	CYLINDER w/KEY, Door, Ignition, Deck Lid, Glove Box, w/Single Key, w/o Tilt, Police and Taxi
	4246 655	1		P,D,21,	Ignition, Door, Deck Lid, Glove Box, w/Single Key, w/o Tilt, Police and Taxi
	4246 763	1		BG	Ignition, Door, Deck Lid, Glove Box, w/Universal Single Key, w/o Tilt, Police and Taxi
	4196 759	1		BG	Ignition, Door, Deck Lid, Glove Box, w/Universal Single Key, w/Tilt, Police and Taxi

MODEL CODES

B = GRAN FURY	F = FIFTH AVENUE/NEWPORT	P = RELIANT
C = LEBARON/TOWN & COUNTRY/EXC SEDAN	G = DIPLOMAT	T = E CLASS/NEW YORKER
C24 = LASER	H = VOYAGER	V = 600
D = ARIES	K = MINI RAM/CARAVAN/ROYAL	V24 = DAYTONA
E = 600	M = HORIZON/TURISMO	Z = OMNI/CHARGER/RAMPAGE

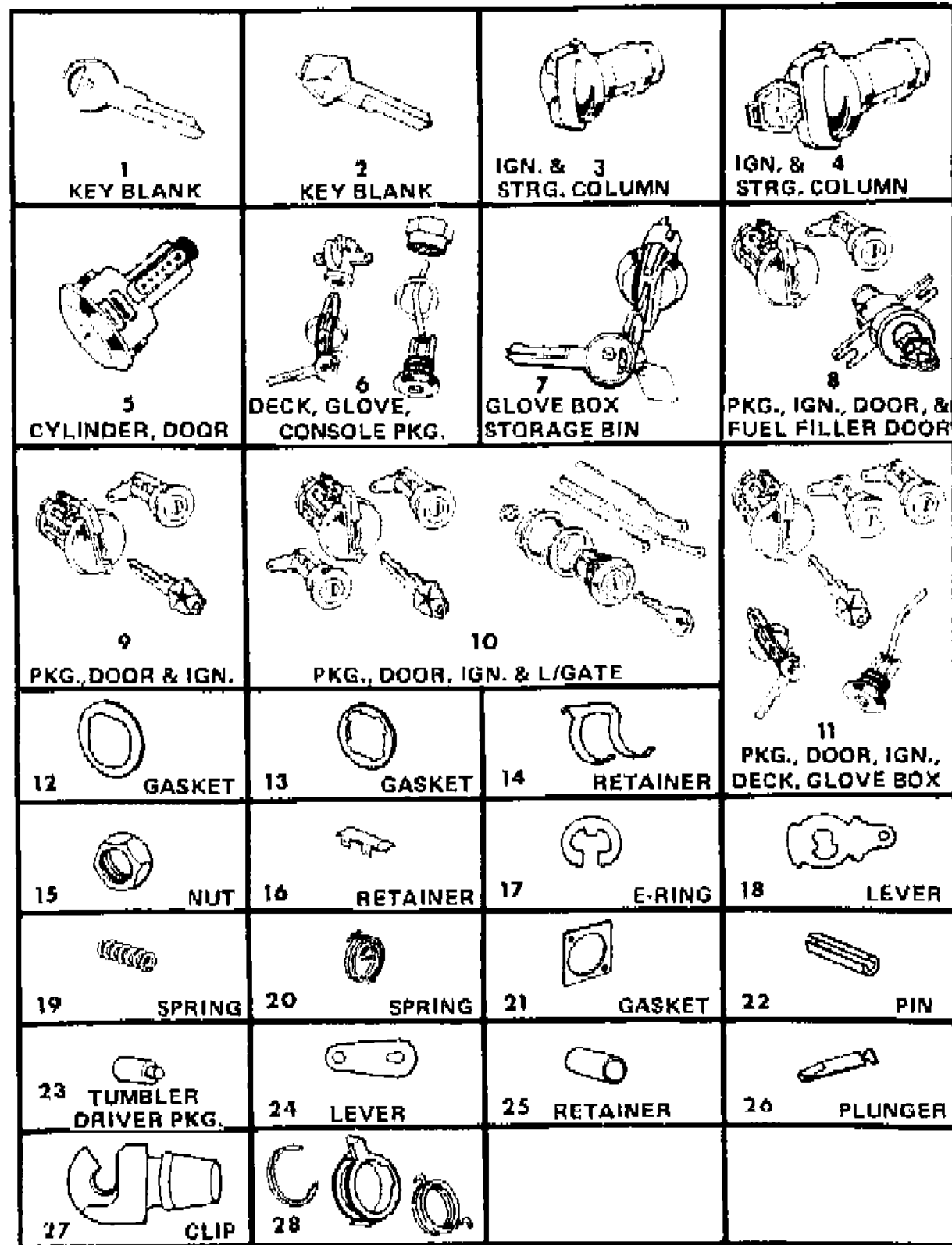
BODY STYLES

21 = 2-DOOR SEDAN	28 = FWD PICKUP	44 = 4-DOOR HATCHBACK
22 = 2-DOOR SPECIAL COUPE	35 = FWD VAN	45 = 4-DOOR STATION WAGON
24 = 2-DOOR HATCHBACK	36 = FWD WAGON	48 = 4-DOOR EXECUTIVE SEDAN
27 = 2-DOOR CONVERTIBLE	41 = 4-DOOR SEDAN	

AR = Use as Required - = Non Illustrated Part P.A.R. = Paint as Required

LOCK CYLINDERS AND KEYS Figure 23D-100

4372 10013



ITEM	PART NUMBER	QTY	BODY	MODEL	DESCRIPTION
	4196 760	1		P,D,21,	Ignition, Door, Deck Lid, Glove Box, w/Single Key, w/Tilt, Police and Taxi
	5207 386	1		M,Z 24	L/Gate
	5207 386	1		H,K	L/Gate
12	3695 321	1		PDVCETB	GASKET, Deck Lid Lock Cylinder
	3695 321	1			L/Gate Lock Cylinder
13	2583 860	2			GASKET, Door Lock Cylinder
14	2583 377	2		Exc.C,V	RETAINER, Door Lock Cylinder
	4184 686-7	1		C,V 24,	w/Illuminated Entry
	4184 684-5	1		C,V 24,	w/o Illuminated Entry
15	4054 202	1			NUT, Deck Lid Lock Cylinder Retainer
	4054 202	1			L/Gate Lock Cylinder Retainer
16	2765 069	2			RETAINER, Door Lock Cylinder Tumbler,
17	6026 125	2			RETAINER, Lock Cylinder Lever
	6026 125	2			Reverse Lever Pivot
	6026 125	1		H,K	Sliding Door Outside Handle Key Lever
	6026 125	1			Front Door Lock Cylinder Lever
	4280 659	1		H,K	Sliding Door Outside Handle Cylinder
	6026 125	1		M,Z,24	Electric L/Gate Latch Cam
	4184 684-5	1		H,K,C,V	Front Door Outside Handle Cylinder
	6032 107	1		M,Z,24	CLIP, L/Gate Lock Cylinder Lever
	6032 107	1		P,D,C,4	L/Gate Lock Cylinder Lever Retainer
	3454 221	1		H,K	
18	2802 124	2			LEVER, Door Lock Cylinder
	2802 124	2		BFG	Illuminated Door Lock Cylinder
	4246 525	1		C,V 24	L/Gate Lock Cylinder
	4246 815	1		H,K	L/Gate Lock Cylinder
19	2765 073	AR			SPRING, Door, Deck Lid, L/Gate Lock Cylinder Tumbler
20	3861 746	1		BFG	SPRING, Deck Lid Lock Cylinder Shaft Retaining
21	4229 713	1		BFG	GASKET, Deck Lid Lock Cylinder Medallion
	4276 999	1		PDCVET	Deck Lid Lock Cylinder Medallion
22	9431 636	1			PIN, Ignition and Strg. Column Lock Cylinder Buzzer Switch Actuating Arm
	9431 637	1			Ignition and Strg. Column Lock Cylinder to Driver
23					TUMBLER DRIVER PACKAGE, Lock Cylinder
	4094 448	1			Code 1
	4094 449	1			Code 2
	4106 348	1			Code 3

MODEL CODES

B = GRAN FURY	F = FIFTH AVENUE/NEWPORT	P = RELIANT
C = LEBARON/TOWN & COUNTRY/EXC SEDAN	G = DIPLOMAT	T = E CLASS/NEW YORKER
C24 = LASER	H = VOYAGER	V = 600
D = ARIES	K = MINI RAM/CARAVAN/ROYAL	V24 = DAYTONA
E = 600	M = HORIZON/TURISMO	Z = OMNI/CHARGER/RAMPAGE

BODY STYLES

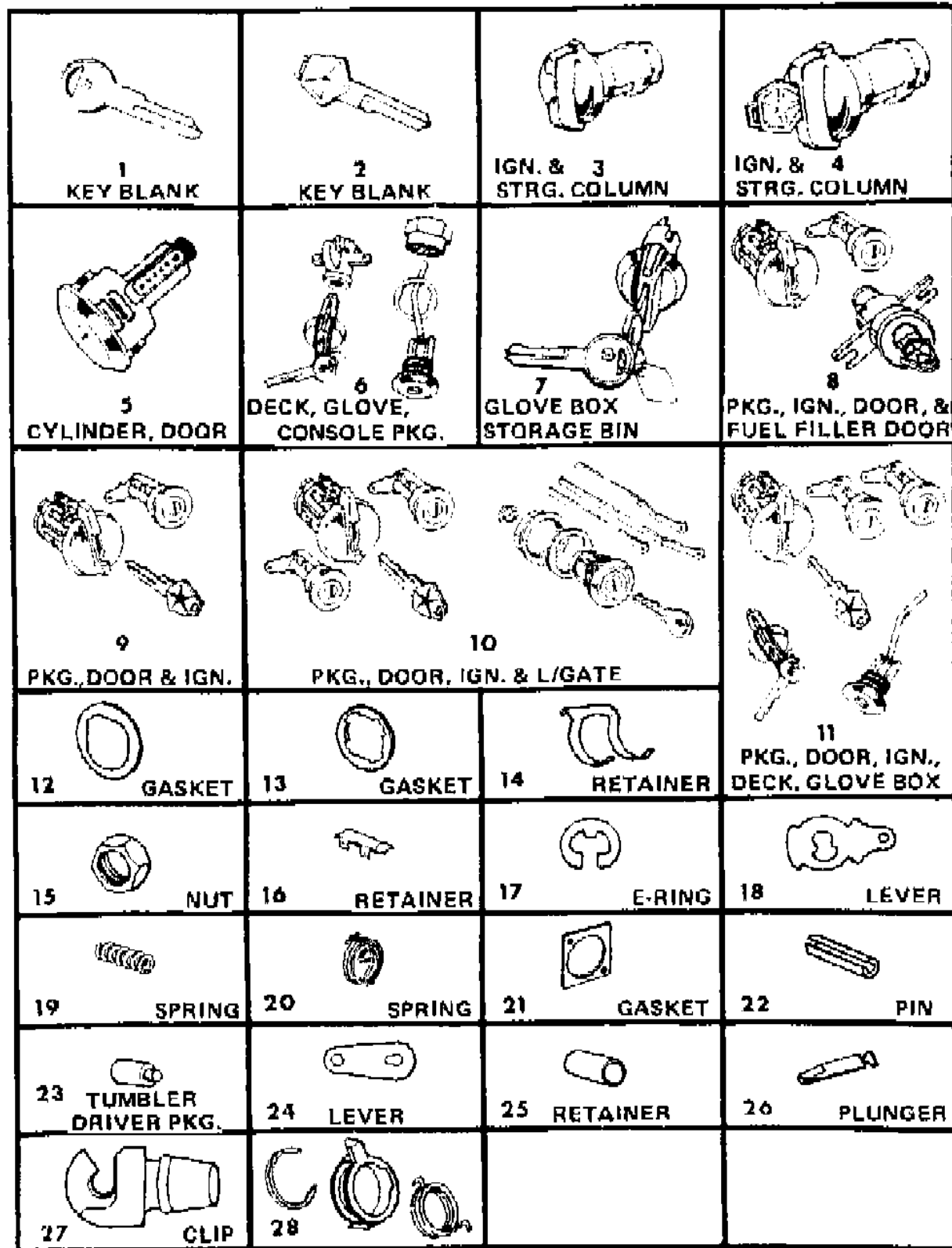
21 = 2-DOOR SEDAN	28 = FWD PICKUP	44 = 4-DOOR HATCHBACK
22 = 2-DOOR SPECIAL COUPE	35 = FWD VAN	45 = 4-DOOR STATION WAGON
24 = 2-DOOR HATCHBACK	36 = FWD WAGON	48 = 4-DOOR EXECUTIVE SEDAN
27 = 2-DOOR CONVERTIBLE	41 = 4-DOOR SEDAN	

AR = Use as Required - = Non Illustrated Part P.A.R. = Paint as Required

LOCK CYLINDERS AND KEYS

Figure 23D-100

4372 10014



ITEM	PART NUMBER	QTY	BODY	MODEL	DESCRIPTION
	4106 349	1			Code 4
	4106 350	1			Code 5
	4106 351	1			Code 6
24	4246 496	1	P,D,C,4		LEVER, L/Gate Lock Cylinder
25	3454 517	1			RETAINER, Ignition and Strg. Column Lock Cylinder Actuating Arm Spring
26	4019 548	1		PDVCETB	PLUNGER, Lock Cylinder Retainer, w/o Tilt
27	3760 130-1	1		CVMZ 24	CLIP, Door Lock Cylinder Retainer
28	4378 035	1		C,V 24	FUEL FILLER DOOR LATCH REPAIR PACKAGE
	4378 034	1		J,E,T	

MODEL CODES

B = GRAN FURY	F = FIFTH AVENUE/NEWPORT	P = RELIANT
C = LEBARON/TOWN & COUNTRY/EXC SEDAN	G = DIPLOMAT	T = E CLASS/NEW YORKER
C24 = LASER	H = VOYAGER	V = 600
D = ARIES	K = MINI RAM/CARAVAN/ROYAL	V24 = DAYTONA
E = 600	M = HORIZON/TURISMO	Z = OMNI/CHARGER/RAMPAGE

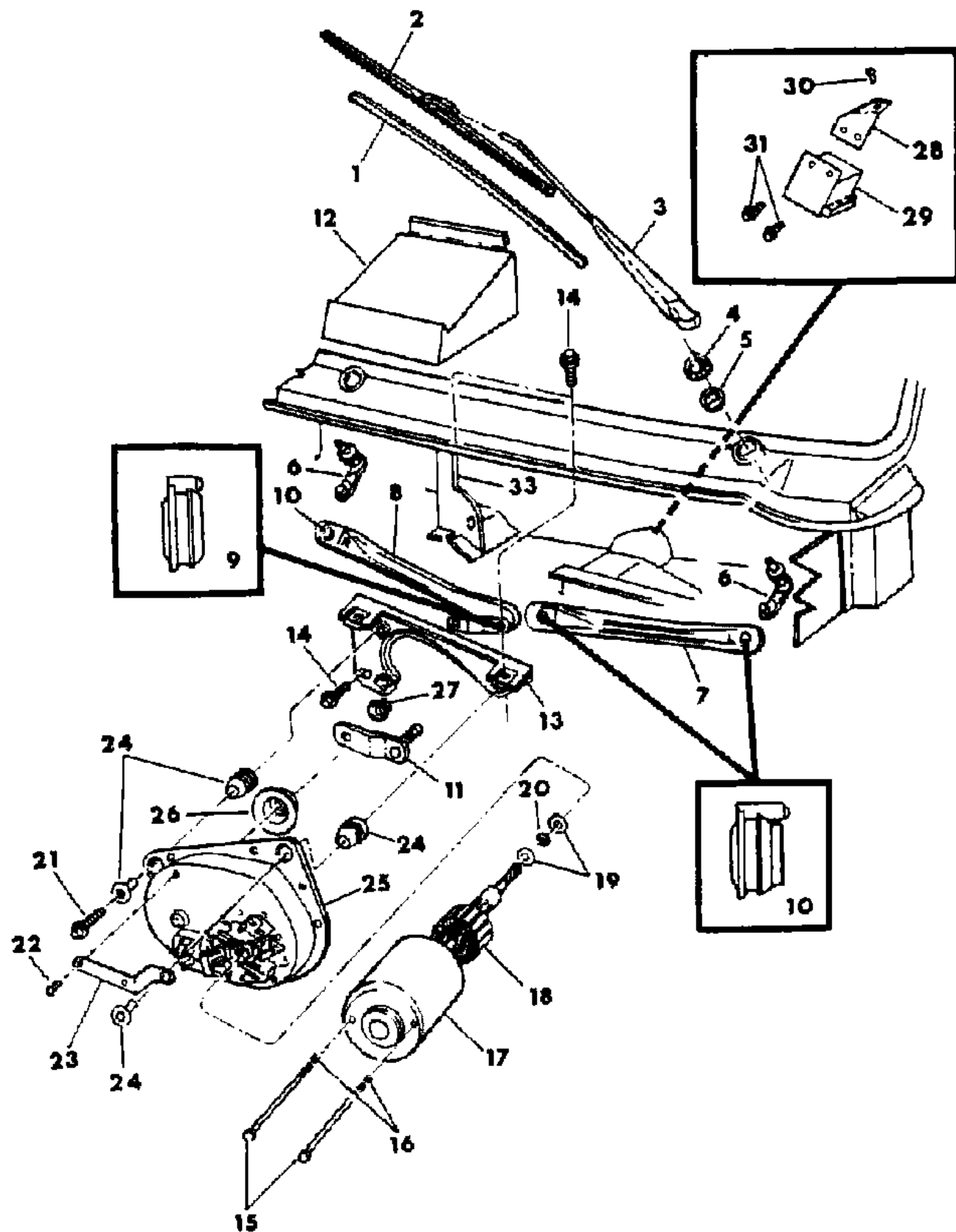
BODY STYLES

21 = 2-DOOR SEDAN	28 = FWD PICKUP	44 = 4-DOOR HATCHBACK
22 = 2-DOOR SPECIAL COUPE	35 = FWD VAN	45 = 4-DOOR STATION WAGON
24 = 2-DOOR HATCHBACK	36 = FWD WAGON	48 = 4-DOOR EXECUTIVE SEDAN
27 = 2-DOOR CONVERTIBLE	41 = 4-DOOR SEDAN	

AR = Use as Required - = Non Illustrated Part P.A.R. = Paint as Required

WINDSHIELD WIPER SYSTEM M,Z Figure 23D-200

*172 200



ITEM	PART NUMBER	QTY	BODY	MODEL	DESCRIPTION
	4205 951	1			MOTOR, Wiper, Includes Items #15,20,22,28
1	5211 129	1			REFILL, Wiper Blade
2	5211 128	2			BLADE w/REFILL, Wiper
3	3799 861	2			ARM, Wiper, w/o Blade
4	5211 098	2			NUT, Pivot Mtg.
5	5211 099	2			WASHER, Pivot Mtg.
6	5211 008-9	1			PIVOT, Wiper
7	5211 003	1			LINK w/BUSHINGS, Drive, Left
8	5211 004	1			LINK w/CRANK, Drive, w/Bushings, Right
9	5211 015	1			BUSHING, Drive Link Crank
10	3799 089	3			BUSHING, Drive Link
11		1			CRANK, Drive, Serviced in Item #8
12	5211 062	1			COVER, Motor
13	5200 923	1			BRACKET w/NUTS, Motor Mtg.
14	6500 254	3			SCREW w/WASHER
15		2			BOLT (DNS)
16		2			WASHER (DNS)
17	3799 275	1			HOUSING, Motor, Includes Items #19,20
18	3799 087	1			ARMATURE, Motor, Includes Items #19,20
19		2			WASHER, Serviced in Items #17,18
20		2			WASHER, Serviced in Items #17,18
21	6101 270	3			SCREW w/WASHER
22		1			SCREW (DNS)
23		1			STRAP, Ground, Serviced in Item #25
24	2932 708	1			GROMMET and SPACER PACKAGE, Motor Mtg.
25	4205 954	1			GEAR BOX and BRUSH HOLDER PACKAGE, Motor
26	3431 974	1			SEAL, Motor Output Shaft
27	6031 096	1			NUT w/WASHER, Motor Crank Mtg.
28	4222 794	1			BRACKET, Intermittent Wipe Control
29	4222 060	1			CONTROL, Intermittent Wipe
30		1			SCREW (DNS)
31		2			SCREW (DNS)
32	5200 969	1			SUPPORT w/NUT, Plenum to Cowl Top Panel

MODEL CODES

B = GRAN FURY	F = FIFTH AVENUE/NEWPORT	P = RELIANT
C = LEBARON/TOWN & COUNTRY/EXC SEDAN	G = DIPLOMAT	T = E CLASS/NEW YORKER
C24 = LASER	H = VOYAGER	V = 600
D = ARIES	K = MINI RAM/CARAVAN/ROYAL	V24 = DAYTONA
E = 600	M = HORIZON/TURISMO	Z = OMNI/CHARGER/RAMPAGE

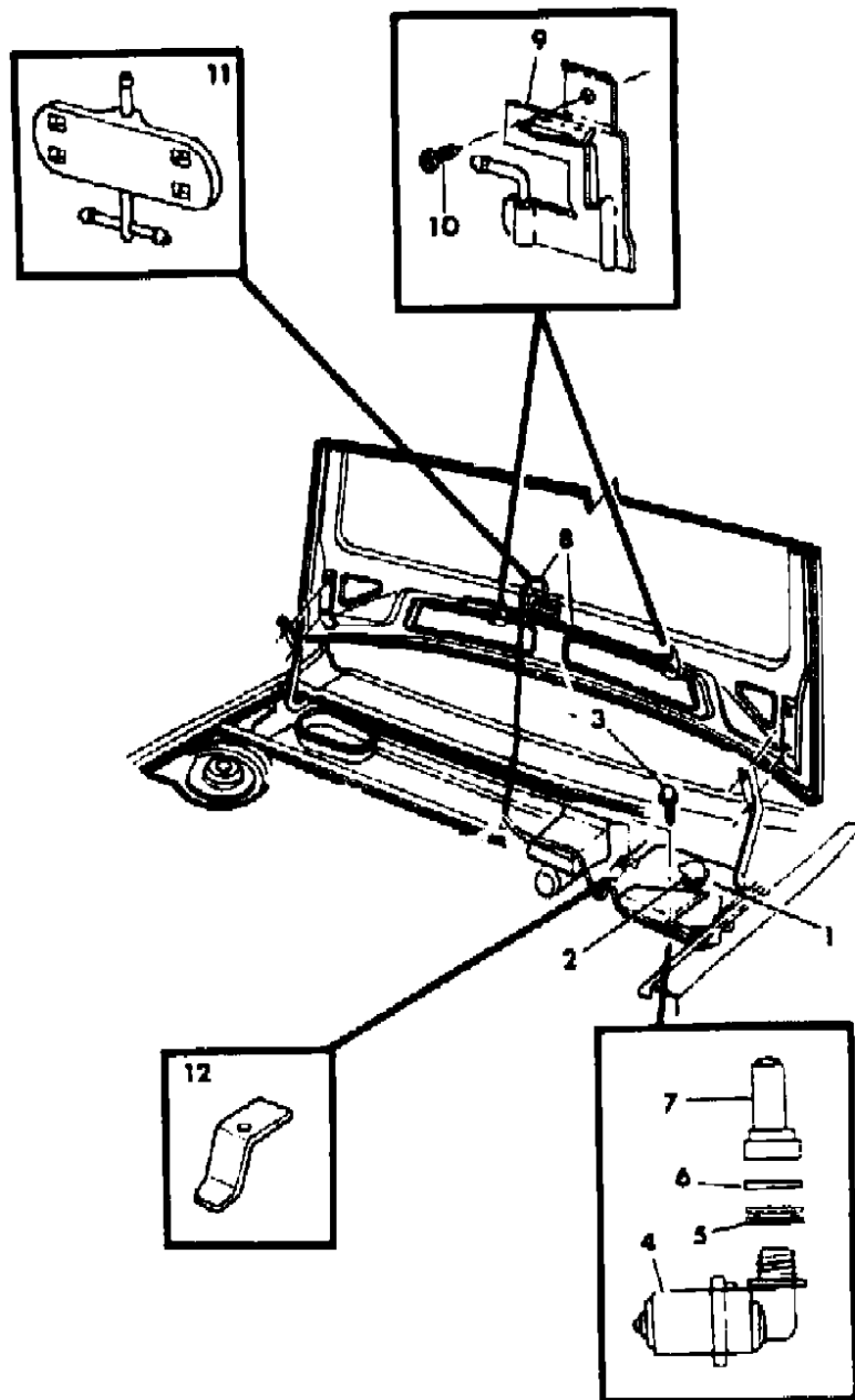
BODY STYLES

21 = 2-DOOR SEDAN	28 = FWD PICKUP	44 = 4-DOOR HATCHBACK
22 = 2-DOOR SPECIAL COUPE	35 = FWD VAN	45 = 4-DOOR STATION WAGON
24 = 2-DOOR HATCHBACK	36 = FWD WAGON	48 = 4-DOOR EXECUTIVE SEDAN
27 = 2-DOOR CONVERTIBLE	41 = 4-DOOR SEDAN	

AR = Use as Required - = Non Illustrated Part P.A.R. = Paint as Required

WINDSHIELD WASHER SYSTEM M,Z
Figure 23D-300

4172 300



ITEM	PART NUMBER	QTY	BODY	MODEL	DESCRIPTION
1	3799 791	1			RESERVOIR w/CAP, Washer
2	3799 789	1			CAP, Washer Reservoir
3	6031 951	2			SCREW
4	3799 090	1			PUMP and SEAL PACKAGE, Washer
5		1			SEAL, Pump to Reservoir, Serviced in Items #1,4
6		1			WASHER (DNS)
7	3799 324	1			FILTER w/NUT, Washer Pump
8	3837 036	1			HOSE, Washer 1/8" I.D.
	3780 798	1			5/32" I.D.
9	4176 769	2			BRACKET w/SCREW, Washer Nozzle
10		2			SCREW (DNS)
11	3799 790	1			TEE, Washer Hose Connector
12	4278 814	1			BRACKET, Reservoir Mtg.

MODEL CODES

B = GRAN FURY	F = FIFTH AVENUE/NEWPORT	P = RELIANT
C = LEBARON/TOWN & COUNTRY/EXC SEDAN	G = DIPLOMAT	T = E CLASS/NEW YORKER
C24 = LASER	H = VOYAGER	V = 600
D = ARIES	K = MINI RAM/CARAVAN/ROYAL	V24 = DAYTONA
E = 600	M = HORIZON/TURISMO	Z = OMNI/CHARGER/RAMPAGE

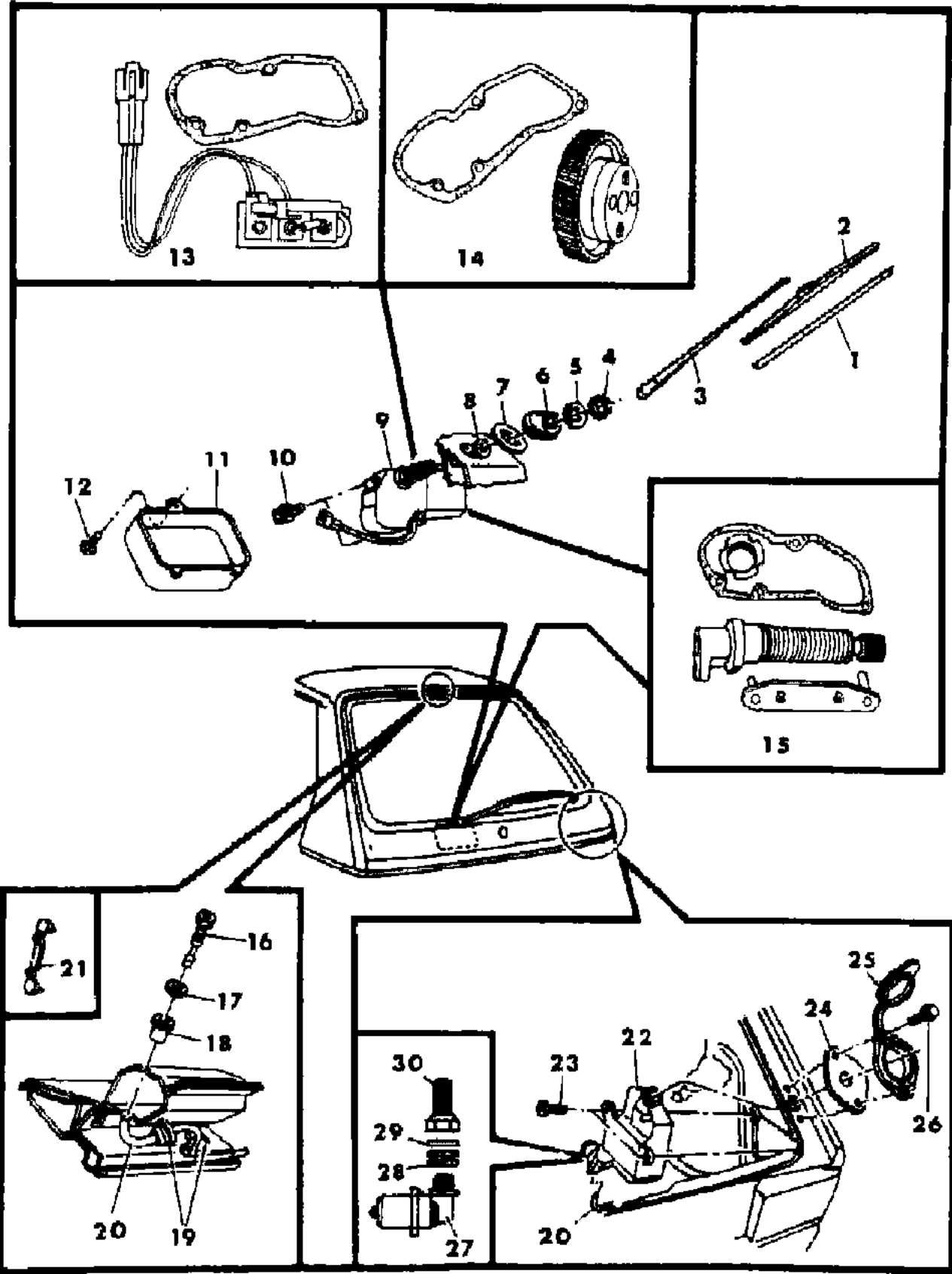
BODY STYLES

21 = 2-DOOR SEDAN	28 = FWD PICKUP	44 = 4-DOOR HATCHBACK
22 = 2-DOOR SPECIAL COUPE	35 = FWD VAN	45 = 4-DOOR STATION WAGON
24 = 2-DOOR HATCHBACK	36 = FWD WAGON	48 = 4-DOOR EXECUTIVE SEDAN
27 = 2-DOOR CONVERTIBLE	41 = 4-DOOR SEDAN	

AR = Use as Required - = Non Illustrated Part P.A.R. = Paint as Required

LIFTGATE WIPER AND WASHER SYSTEM M,Z
Figure 23D-400

4172 400



ITEM	PART NUMBER	QTY	BODY	MODEL	DESCRIPTION
1					REFILL, Wiper Blade
	3799 654	1			Anco
	3799 685	1			Trico
2					BLADE w/REFILL, Wiper
	4169 537	1			Anco
		1			Trico (DNS)
	3799 864	1			ARM, Wiper
4	5211 098	1			NUT, Pivot Mtg.
5	5211 099	1			WASHER, Pivot Mtg.
6		1			ESCUTCHEON, Pivot, Serviced in Item 7
7	3799 757	1			SEAL w/ESCUTCHEON, Pivot
8	6031 538	1			WASHER, Driveshaft Sealing
9	4240 492	1			MOTOR, Wiper
10		2			SCREW (DNS)
11	5208 536	1			COVER, Motor
12		1			SCREW (DNS)
13	4240 491	1			SWITCH PLATE, Motor
14	4131 386	1			GEAR and DRIVE PLATE PACKAGE, Motor
15	4131 387	1			DRIVESHAFT and LINK PACKAGE, Motor
16	3799 740	1			NOZZLE, Washer
17	6032 097	1			WASHER, Nozzle
18	6028 008	1			NUT, Nozzle
19	5211 041	2			GROMMET, Washer Hose
20	3780 798	1			HOSE, 5/32"x50'Roll
21	6015 544	1			STRAP, Hose to Header
22	5211 087	1			RESERVOIR, Washer
23	6031 951	2			SCREW w/WASHER
24		1			GASKET, Reservoir Cap, Serviced in Item #25
25	5211 105	1			CAP, Reservoir
26		2			SCREW (DNS)
27	3799 462	1			PUMP and SEAL PACKAGE, Washer
28		1			SEAL, Pump to Reservoir, Serviced in Items #22,27
29		1			WASHER, Pump (DNS)
30	3799 324	1			FILTER w/NUT, Washer Pump

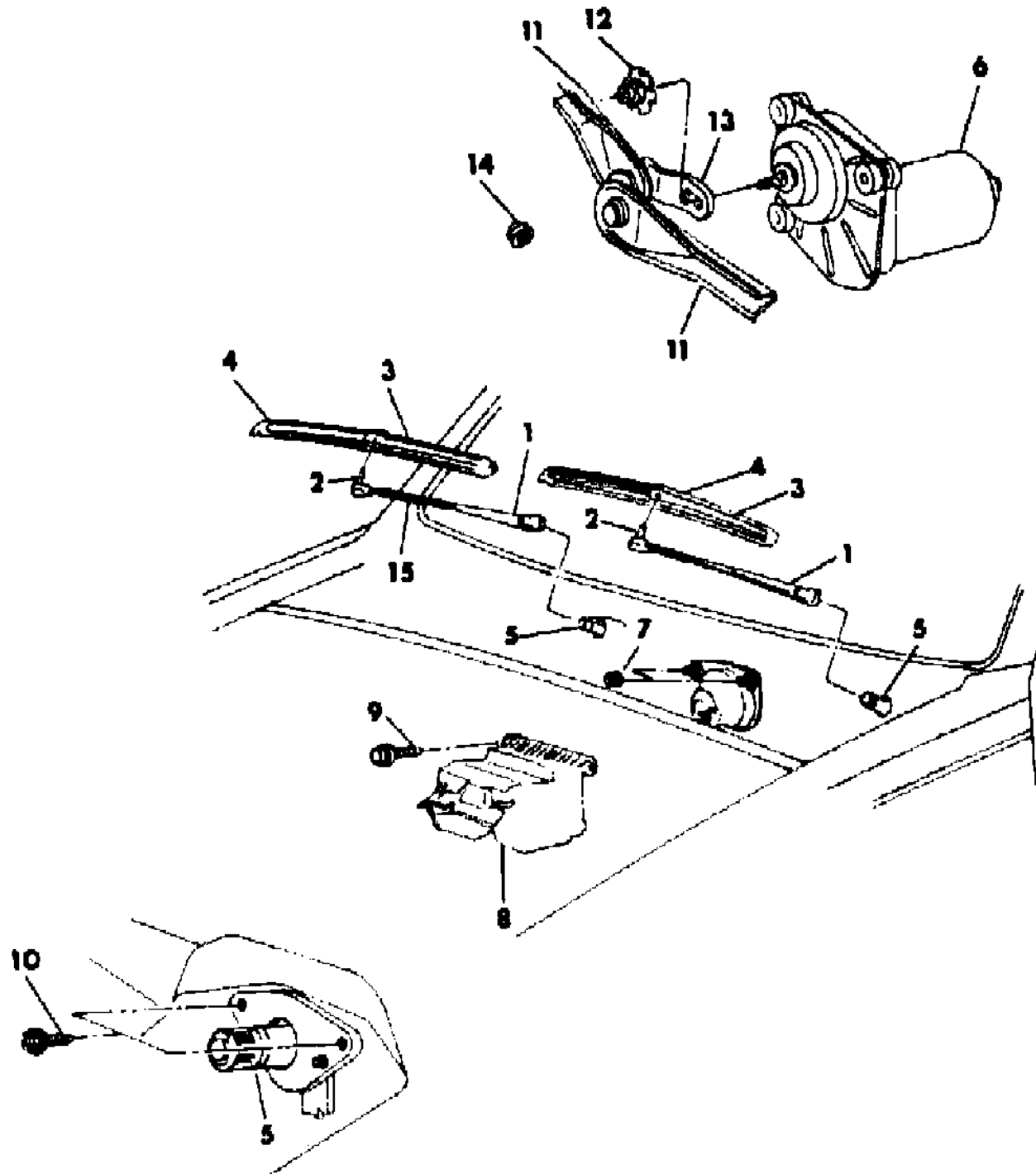
MODEL CODES
 B = GRAN FURY
 C = LEBARON/TOWN & COUNTRY/EXC SEDAN
 C24 = LASER
 D = ARIES
 E = 600
 F = FIFTH AVENUE/NEWPORT
 G = DIPLOMAT
 H = VOYAGER
 K = MINI RAM/CARAVAN/ROYAL
 M = HORIZON/TURISMO
 P = RELIANT
 T = E CLASS/NEW YORKER
 V = 600
 V24 = DAYTONA
 Z = OMNI/CHARGER/RAMPAGE

BODY STYLES
 21 = 2-DOOR SEDAN
 22 = 2-DOOR SPECIAL COUPE
 24 = 2-DOOR HATCHBACK
 27 = 2-DOOR CONVERTIBLE
 28 = FWD PICKUP
 35 = FWD VAN
 36 = FWD WAGON
 41 = 4-DOOR SEDAN
 44 = 4-DOOR HATCHBACK
 45 = 4-DOOR STATION WAGON
 48 = 4-DOOR EXECUTIVE SEDAN

AR = Use as Required - = Non Illustrated Part P.A.R. = Paint as Required

WINDSHIELD WIPER SYSTEM P,D,V,C,E,T
Figure 23D-500

4172 500



ITEM	PART NUMBER	QTY	BODY	MODEL	DESCRIPTION
1					ARM, Wiper w/o Blade
	3799 694	2			Up to 10-1-83
	3799 865	2			After 10-1-83
	4198 380	1			STOP, Wiper Arm, Right
2	3799 695	2			NOZZLE, Wiper Arm
3					BLADE w/REFILL
	3799 653	2			Anco
	3799 687	2			Trico
4					REFILL
	5211 129	2			Anco
	5211 132	2			Trico
5					PIVOT
	4240 511	1			Right
	4240 512	1			Left
6	4205 951	1			MOTOR, Wiper
	3431 974	1			SEAL, Motor Output Shaft
	3799 087	1			ARMATURE, Motor
	3799 275	1			HOUSING, Motor
	4205 954	1			GEAR HOUSING and COVER, Motor
	4312 002	1			CONTROL, Intermittent Wipe
	4048 952	1			BRACKET, Intermittent Wipe Control
	2932 708	1			GROMMET and SPACER PACKAGE, Motor Mtg.
7	6500 502	AR			NUT, Motor Mtg.
	6501 154	1			SCREW, Motor Mtg.
8	3799 715	1			COVER w/Seal, Motor
9	6031 951	2			SCREW, Cover Mtg.
10	6031 754	4			SCREW, Pivot Mtg.
11					LINK w/Bushing
	3799 595	1			Right
	3799 600	1			Left
12	6031 096	1			NUT, Crank Mtg.
13	3799 597	1			CRANK w/Pin, Wiper Drive
14	3799 089	AR			BUSHING, Wiper Linkage
15	3799 697	2			GUARD, Arm and Hose

MODEL CODES

B = GRAN FURY	F = FIFTH AVENUE/NEWPORT	P = RELIANT
C = LEBARON/TOWN & COUNTRY/EXC SEDAN	G = DIPLOMAT	T = E CLASS/NEW YORKER
C24 = LASER	H = VOYAGER	V = 600
D = ARIES	K = MINI RAM/CARAVAN/ROYAL	V24 = DAYTONA
E = 600	M = HORIZON/TURISMO	Z = OMNI/CHARGER/RAMPAGE

BODY STYLES

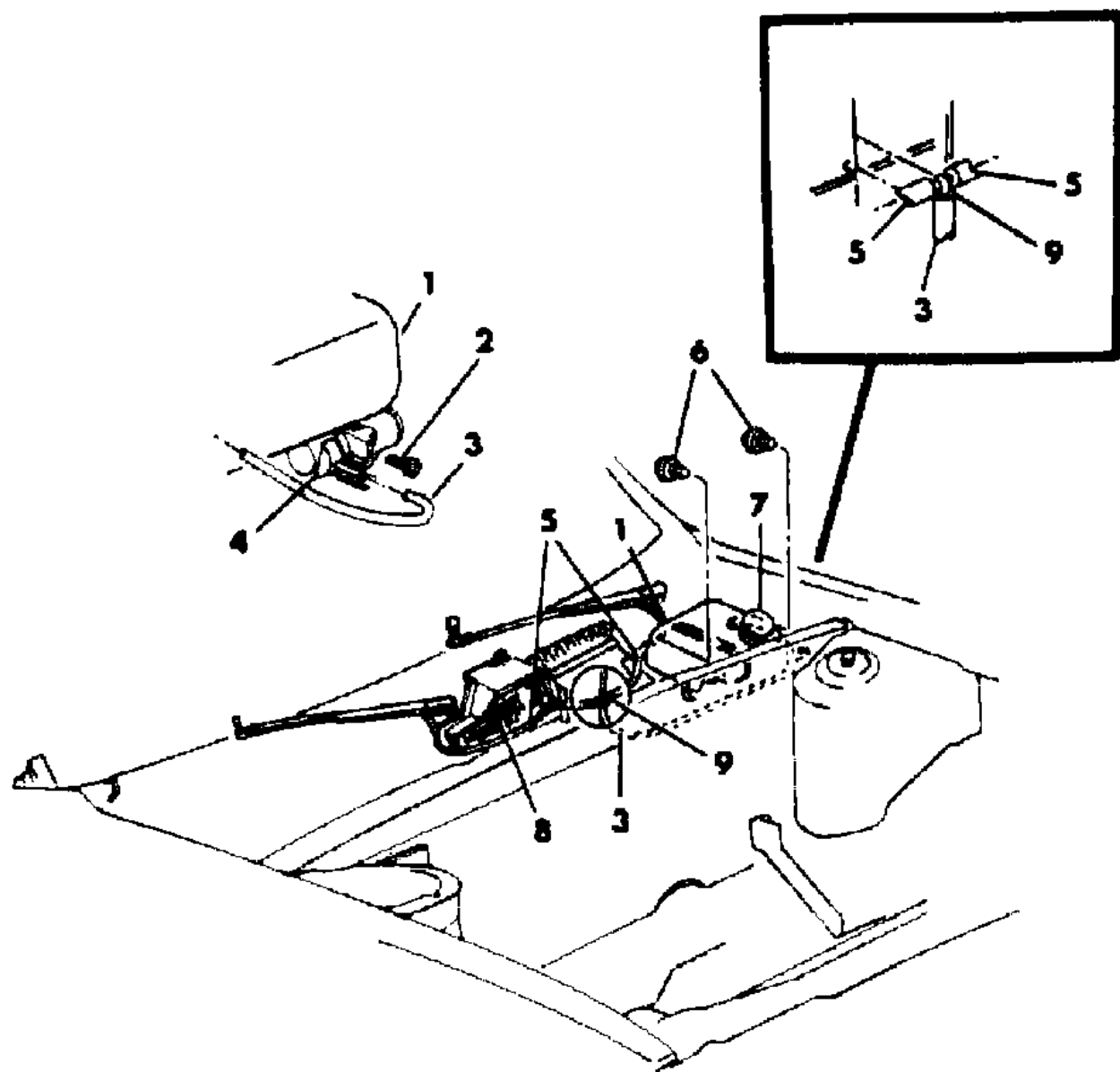
21 = 2-DOOR SEDAN	28 = FWD PICKUP	44 = 4-DOOR HATCHBACK
22 = 2-DOOR SPECIAL COUPE	35 = FWD VAN	45 = 4-DOOR STATION WAGON
24 = 2-DOOR HATCHBACK	36 = FWD WAGON	48 = 4-DOOR EXECUTIVE SEDAN
27 = 2-DOOR CONVERTIBLE	41 = 4-DOOR SEDAN	

AR = Use as Required - = Non Illustrated Part P.A.R. = Paint as Required

WINDSHIELD WASHER SYSTEM P,D,V,C,E,T
Figure 23D-600

4172 600

ITEM	PART NUMBER	QTY	BODY	MODEL	DESCRIPTION
1	3799 713	1			RESERVOIR w/CAP, Washer
2	3799 324	1			FILTER, Washer Pump
3	3780 798	AR			HOSE, Washer
4	3799 090	1			PUMP and SEAL PACKAGE, Washer
	3799 814	1			SENSOR, Washer Fluid Level
5	4026 130	AR			HOSE, Wiper Arm Nozzle
6	6031 951	2			SCREW
7	3799 174	1			CAP, Reservoir
8	4198 378	1			SCREEN, Cowl Plenum
9	3799 721	1			CONNECTOR, Washer Hose Tee



MODEL CODES

B = GRAN FURY	F = FIFTH AVENUE/NEWPORT	P = RELIANT
C = LEBARON/TOWN & COUNTRY/EXC SEDAN	G = DIPLOMAT	T = E CLASS/NEW YORKER
C24 = LASER	H = VOYAGER	V = 600
D = ARIES	K = MINI RAM/CARAVAN/ROYAL	V24 = DAYTONA
E = 600	M = HORIZON/TURISMO	Z = OMNI/CHARGER/RAMPAGE

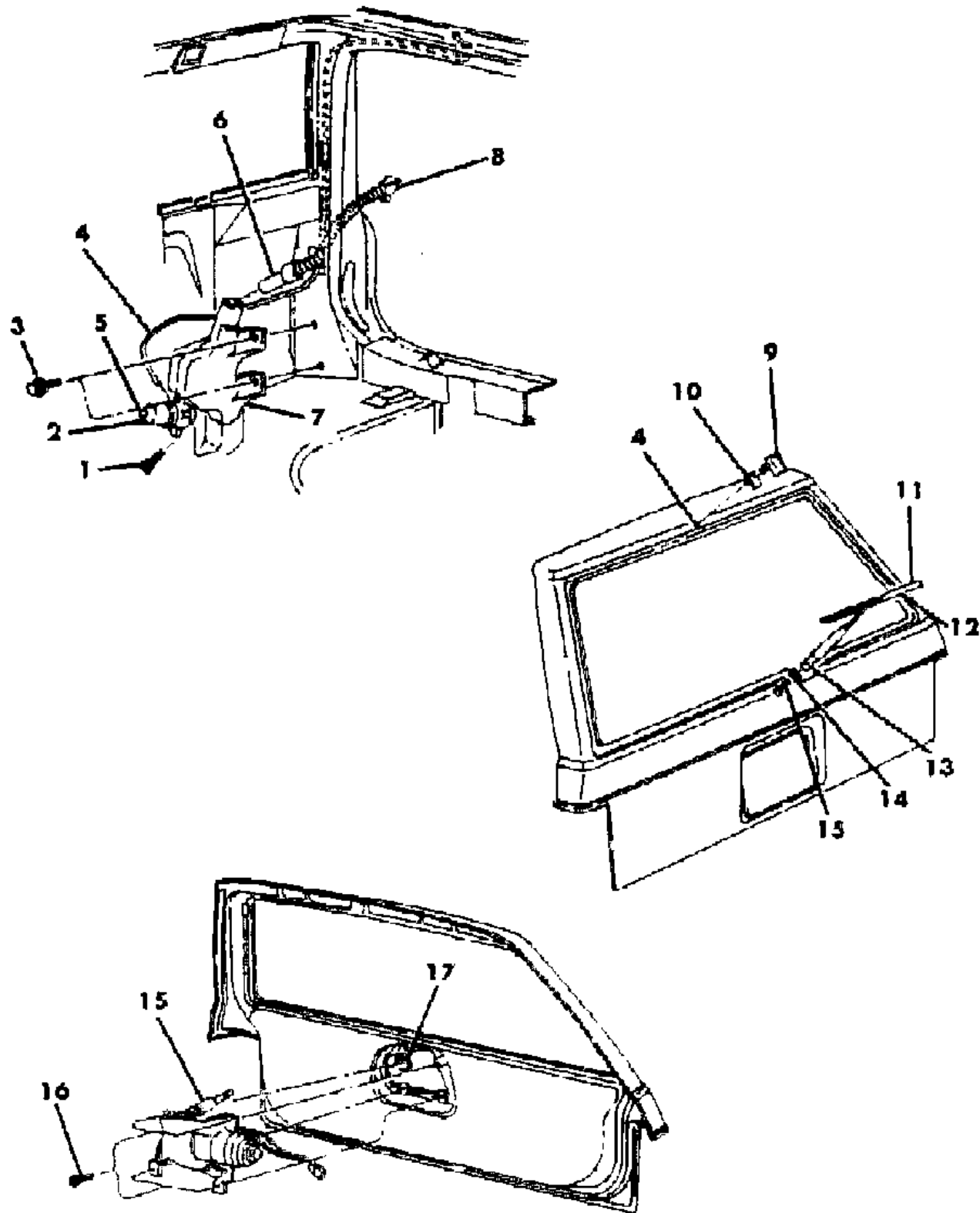
BODY STYLES

21 = 2-DOOR SEDAN	28 = FWD PICKUP	44 = 4-DOOR HATCHBACK
22 = 2-DOOR SPECIAL COUPE	35 = FWD VAN	45 = 4-DOOR STATION WAGON
24 = 2-DOOR HATCHBACK	36 = FWD WAGON	48 = 4-DOOR EXECUTIVE SEDAN
27 = 2-DOOR CONVERTIBLE	41 = 4-DOOR SEDAN	

AR = Use as Required - = Non Illustrated Part P.A.R. = Paint as Required

LIFTGATE WIPER AND WASHER SYSTEM P,D,C 45
Figure 23D-700

4172 700



ITEM	PART NUMBER	QTY	BODY	MODEL	DESCRIPTION
1	3799 324	1			FILTER, Washer Pump
2	3799 090	1			PUMP and SEAL PACKAGE, Reservoir
3	6031 951	2			SCREW
4	3780 798	AR			HOSE, Reservoir to Nozzle
5	5211 041	2			GROMMET, Washer Hose to Nozzle
	3799 520	1			GROMMET, Washer Hose to Reservoir
6	3799 679	1			TUBE, Reservoir Filler
7	3799 684	1			RESERVOIR, Washer
8	3799 726	1			CAP, Reservoir
9	3799 682	1			NOZZLE, Washer
10	3799 683	1			GROMMET, Nozzle
11	3799 792	1			BLADE w/REFILL
12	3799 794	1			REFILL, Blade
13	3799 866	1			ARM, Wiper
14	3799 675	1			TRIM RING, Motor Pivot
15	4240 484	1			MOTOR w/BRACKET, Wiper
	3799 673	AR			SEAL, Motor
16		4			SCREW (DNS)
17		4			NUT (DNS)

MODEL CODES

B = GRAN FURY	F = FIFTH AVENUE/NEWPORT	P = RELIANT
C = LEBARON/TOWN & COUNTRY/EXC SEDAN	G = DIPLOMAT	T = E CLASS/NEW YORKER
C24 = LASER	H = VOYAGER	V = 600
D = ARIES	K = MINI RAM/CARAVAN/ROYAL	V24 = DAYTONA
E = 600	M = HORIZON/TURISMO	Z = OMNI/CHARGER/RAMPAGE

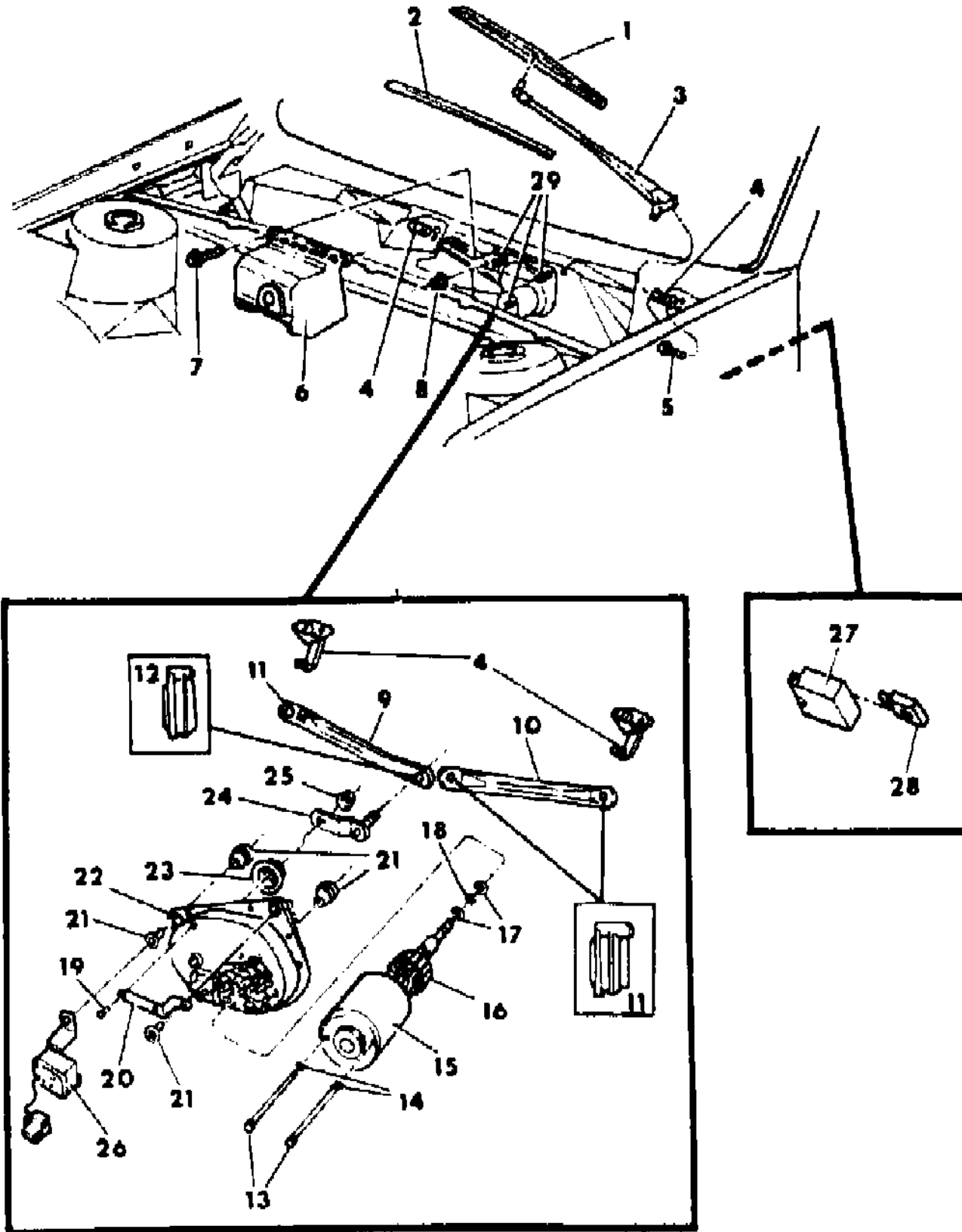
BODY STYLES

21 = 2-DOOR SEDAN	28 = FWD PICKUP	44 = 4-DOOR HATCHBACK
22 = 2-DOOR SPECIAL COUPE	35 = FWD VAN	45 = 4-DOOR STATION WAGON
24 = 2-DOOR HATCHBACK	36 = FWD WAGON	48 = 4-DOOR EXECUTIVE SEDAN
27 = 2-DOOR CONVERTIBLE	41 = 4-DOOR SEDAN	

AR = Use as Required - = Non Illustrated Part P.A.R. = Paint as Required

WINDSHIELD WIPER SYSTEM C,V 24
Figure 23D-800

4172 800



ITEM	PART NUMBER	QTY	BODY	MODEL	DESCRIPTION
	4205 951	1			MOTOR, Wiper
1	3799 850	2			BLADE w/REFILL, Wiper
2	3799 335	2			REFILL, BLade
3	3799 831	2			ARM, w/o Nozzle
	3799 759	2			ARM, w/Nozzle
4					PIVOT, Wiper
	4240 511	1			Right
	4240 512	1			Left
5	6031 754	4			SCREW
6	3799 773	1			COVER w/SEAL, Motor
7	6031 951	2			SCREW w/WASHER
8	6500 502	AR			NUT
	6501 154	1			SCREW
9	3799 595	1			LINK w/BUSHING, Right
10	3799 600	1			LINK w/BUSHING, Left
11	3799 089	3			BUSHING, Link
12	5211 015	1			BUSHING, Link
13		2			BOLT (DNS)
14		2			WASHER (DNS)
15	3799 275	1			HOUSING, Motor
16	3799 087	1			ARMATURE, Motor
17		2			WASHER (DNS)
18		1			WASHER (DNS)
19		1			SCREW (DNS)
20		1			STRAP, Ground, Serviced in Item #22
21	2932 708	1			GROMMET and SPACER PACKAGE, Motor
22	4205 954	1			GEAR BOX and BRUSH HOLDER PACKAGE, Motor
23	3431 974	1			SEAL, Motor Output Shaft
24	3799 597	1			CRANK w/PIN, Wiper Drive
25	6031 096	1			NUT, Wiper Drive Crank
26	4222 701	1			SUPPRESSOR w/BRACKET, Motor Radio Noise
27	4312 002	1			CONTROL, Intermittent Wipe
28	4312 004	1			BRACKET, Intermittent Wipe Control
29	4314 338	1			REINFORCEMENT, Cowl Top Motor

MODEL CODES

B = GRAN FURY	F = FIFTH AVENUE/NEWPORT	P = RELIANT
C = LEBARON/TOWN & COUNTRY/EXC SEDAN	G = DIPLOMAT	T = E CLASS/NEW YORKER
C24 = LASER	H = VOYAGER	V = 600
D = ARIES	K = MINI RAM/CARAVAN/ROYAL	V24 = DAYTONA
E = 600	M = HORIZON/TURISMO	Z = OMNI/CHARGER/RAMPAGE

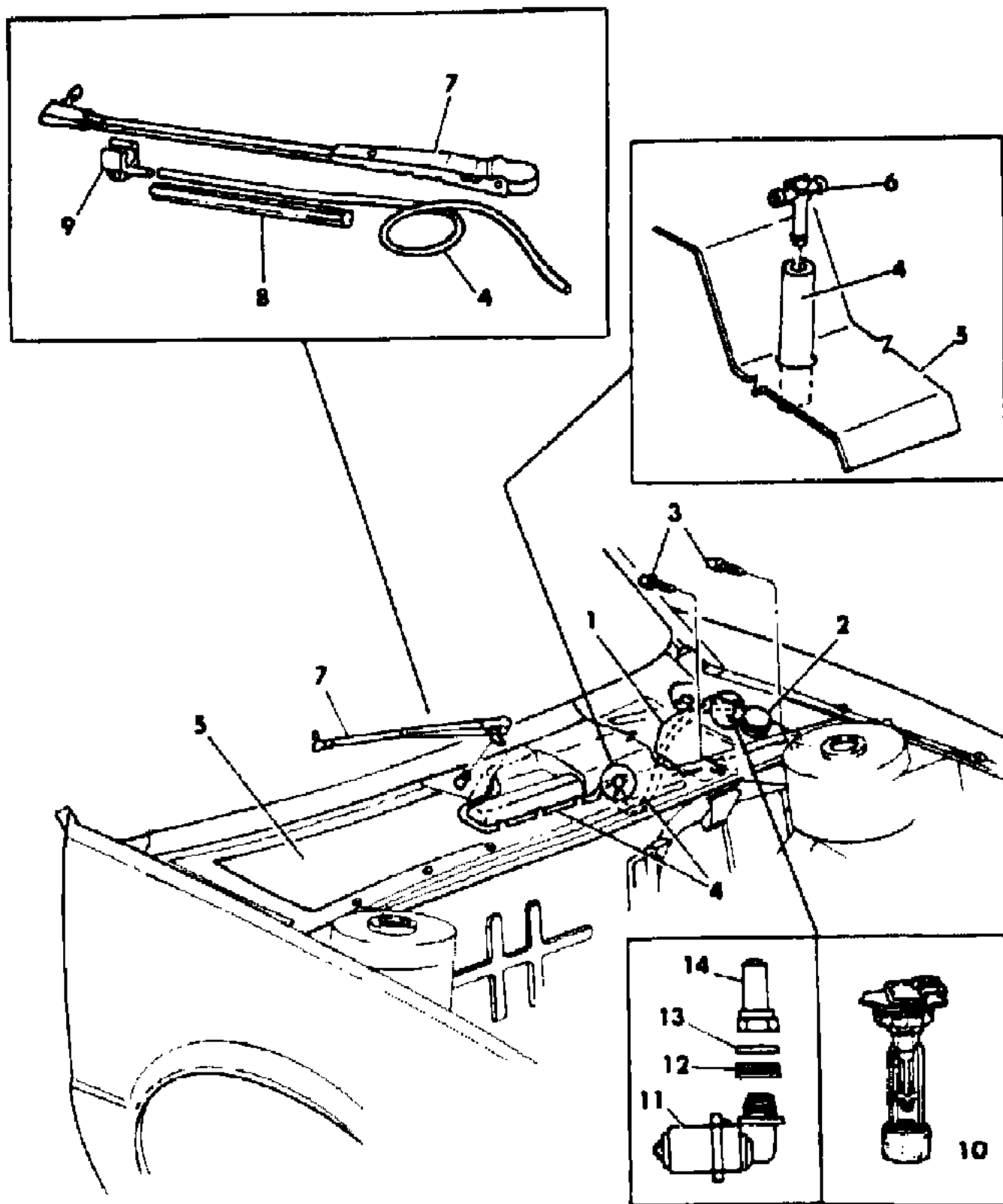
BODY STYLES

21 = 2-DOOR SEDAN	28 = FWD PICKUP	44 = 4-DOOR HATCHBACK
22 = 2-DOOR SPECIAL COUPE	35 = FWD VAN	45 = 4-DOOR STATION WAGON
24 = 2-DOOR HATCHBACK	36 = FWD WAGON	48 = 4-DOOR EXECUTIVE SEDAN
27 = 2-DOOR CONVERTIBLE	41 = 4-DOOR SEDAN	

AR = Use as Required - = Non Illustrated Part P.A.R. = Paint as Required

WINDSHIELD WASHER SYSTEM C,V 24
Figure 23D-900

4172 900



ITEM	PART NUMBER	QTY	BODY	MODEL	DESCRIPTION
1	3799 713	1			RESERVOIR w/CAP, Washer
2	3799 174	1			CAP, Reservoir
3	6031 951	2			SCREW
4	4026 130	AR			HOSE, 3/32" I.D.
	3780 798	AR			5/32" I.D.
5	4337 132	1			SCREEN, Cowl Plenum Water Deflector
6	3799 721	1			CONNECTOR, Hose Tee
7					ARM, Wiper
	3799 831	2			w/o Nozzle
	3799 759	2			w/Nozzle
8	3799 833	2			GUARD, Wiper Arm Washer Hose
9	3431 868	2			NOZZLE, Wiper Arm
10	3799 814	1			SENSOR, Fluid Level
11	3799 090	1			PUMP and SEAL, Washer
12		1			SEAL, Serviced in Item #11
13		1			WASHER (DNS)
14	3799 324	1			FILTER w/NUT, Pump

MODEL CODES

B = GRAN FURY	F = FIFTH AVENUE/NEWPORT	P = RELIANT
C = LEBARON/TOWN & COUNTRY/EXC SEDAN	G = DIPLOMAT	T = E CLASS/NEW YORKER
C24 = LASER	H = VOYAGER	V = 600
D = ARIES	K = MINI RAM/CARAVAN/ROYAL	V24 = DAYTONA
E = 600	M = HORIZON/TURISMO	Z = OMNI/CHARGER/RAMPAGE

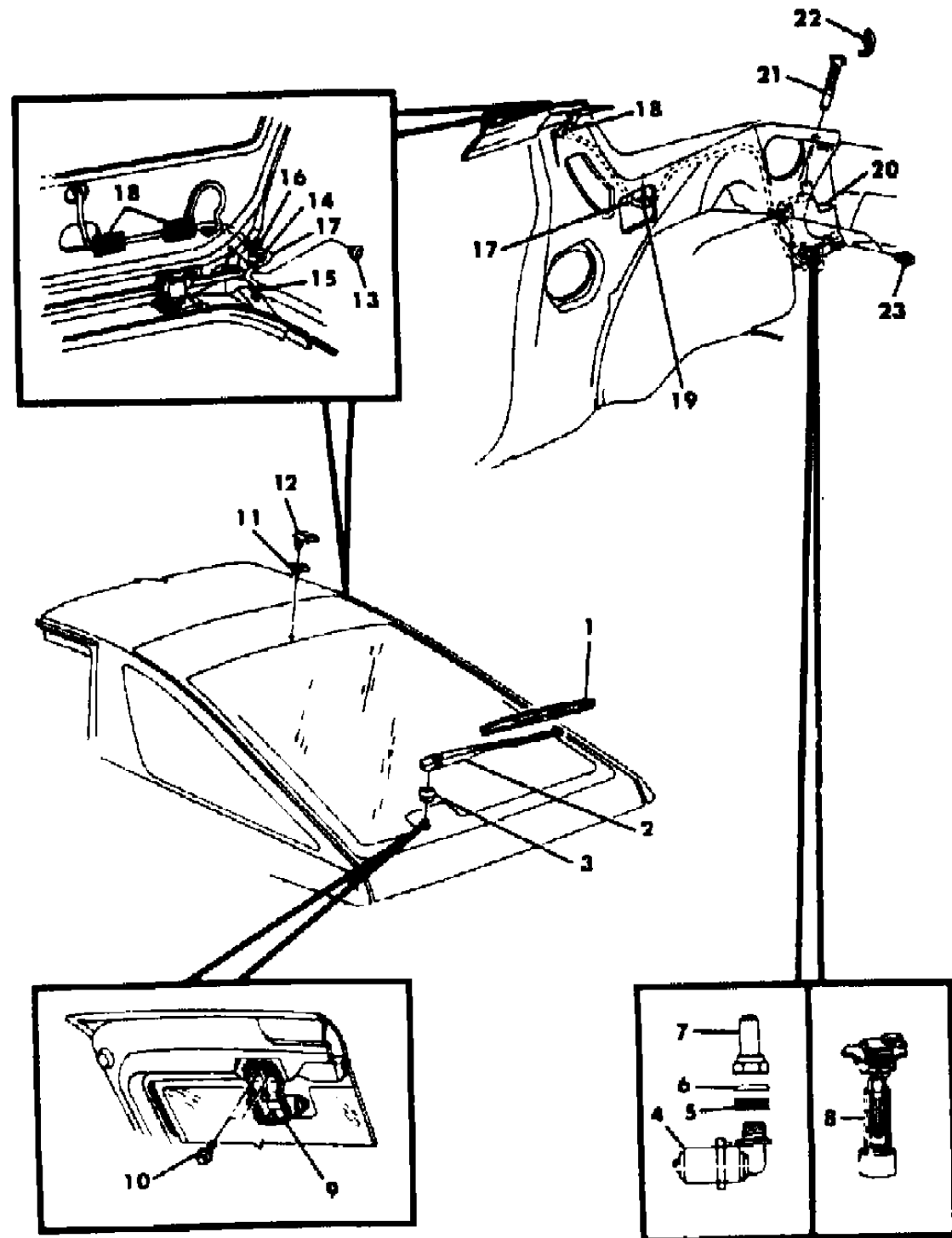
BODY STYLES

21 = 2-DOOR SEDAN	28 = FWD PICKUP	44 = 4-DOOR HATCHBACK
22 = 2-DOOR SPECIAL COUPE	35 = FWD VAN	45 = 4-DOOR STATION WAGON
24 = 2-DOOR HATCHBACK	36 = FWD WAGON	48 = 4-DOOR EXECUTIVE SEDAN
27 = 2-DOOR CONVERTIBLE	41 = 4-DOOR SEDAN	

AR = Use as Required - = Non Illustrated Part P.A.R. = Paint as Required

LIFTGATE WIPER AND WASHER C,V 24
Figure 23D-1000

4172 1000



ITEM	PART NUMBER	QTY	BODY	MODEL	DESCRIPTION
1	3799 850	1			BLADE w/REFILL, Wiper
	3799 335	1			REFILL, Wiper Blade
2	3799 766	1			ARM, Wiper
3	3799 824	1			GROMMET, Wiper Drivshaft to Glass
4	3799 462	1			PUMP w/SEAL, Washer
5		1			SEAL, Pump, Serviced in Item #4
6		1			WASHER, Pump (DNS)
7	3799 324	1			FILTER w/NUT, Pump
8	3746 813	1			SENSOR, Fluid Level
9	3799 837	1			MOTOR w/BRACKET, Wiper
10		2			SCREW w/WASHER (DNS)
11	3799 772	1			GROMMET, Washer Nozzle
12	3799 682	1			NOZZLE, Washer
13	6031 044	1			PLUG
14		1			CLIP, Washer Hose Routing (DNS)
15	3799 520	1			GROMMET, Washer Hose to Body
16	5211 041	1			GROMMET, Washer Hose to Liftgate
17	3780 798	AR			HOSE, Washer
18		AR			TAPE (DNS)
19		1			CLIP, Washer Hose Routing
20	3799 795	1			RESERVOIR, Washer
21	3799 679	1			TUBE, Reservoir Filler
22	3799 822	1			CAP, Reservoir Filler Tube
23	6031 951	2			SCREW w/WASHER

MODEL CODES

B = GRAN FURY	F = FIFTH AVENUE/NEWPORT	P = RELIANT
C = LEBARON/TOWN & COUNTRY/EXC SEDAN	G = DIPLOMAT	T = E CLASS/NEW YORKER
C24 = LASER	H = VOYAGER	V = 600
D = ARIES	K = MINI RAM/CARAVAN/ROYAL	V24 = DAYTONA
E = 600	M = HORIZON/TURISMO	Z = OMNI/CHARGER/RAMPAGE

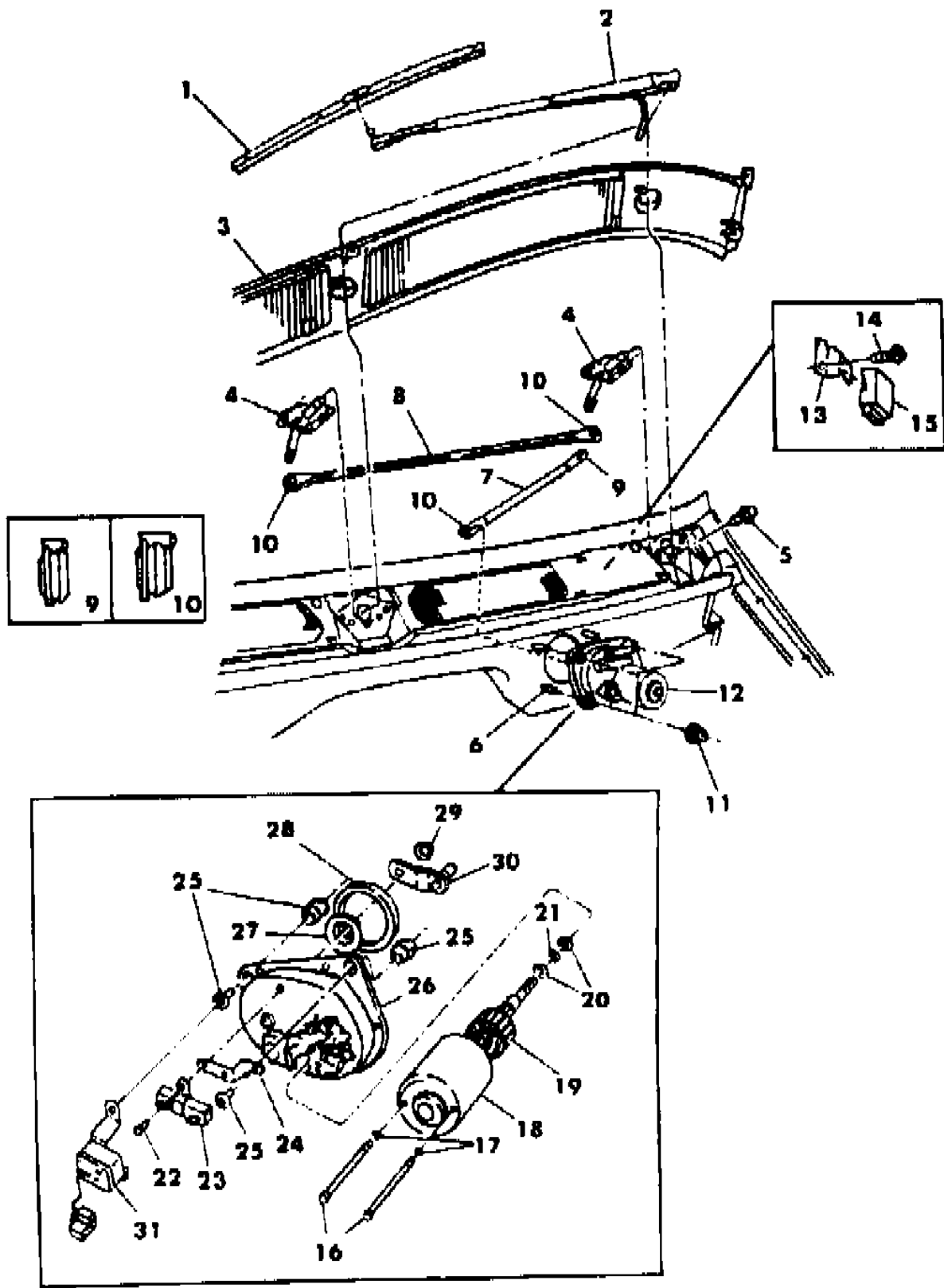
BODY STYLES

21 = 2-DOOR SEDAN	28 = FWD PICKUP	44 = 4-DOOR HATCHBACK
22 = 2-DOOR SPECIAL COUPE	35 = FWD VAN	45 = 4-DOOR STATION WAGON
24 = 2-DOOR HATCHBACK	36 = FWD WAGON	48 = 4-DOOR EXECUTIVE SEDAN
27 = 2-DOOR CONVERTIBLE	41 = 4-DOOR SEDAN	

AR = Use as Required - = Non Illustrated Part P.A.R. = Paint as Required

WINDSHIELD WIPER SYSTEM H,K
Figure 23D-1100

4172 1100



ITEM	PART NUMBER	QTY	BODY	MODEL	DESCRIPTION
1	3799 875	2			BLADE w/REFILL, Wiper
	3799 876	2			REFILL, Wiper Blade
2	4270 464	2			ARM, Wiper w/o Nozzle
	4270 454	2			w/Nozzle
	4278 057	1			PANEL, Cowl Plenum Grille
4					PIVOT, Wiper
	4318 105	1			Left
	4318 106	1			Right
5	6031 754	6			SCREW
6	4278 954	1			REINFORCEMENT, Cowl Lower Plenum Wiper Motor Mtg.
7	4270 445	1			LINK w/BUSHING, Wiper Drive, Includes Items #9,10
8	4270 414	1			LINK w/BUSHING, Wiper Connecting, Includes Item #10
9	5211 015	1			BUSHING, Wiper Link
10	3799 089	3			BUSHING, Wiper Link
11	6025 413	AR			NUT
	6501 154	1			SCREW
	6030 441	1			RETAINER
	4270 452	1			MOTOR, Wiper, Includes Items #16-28
13	4312 005	1			BRACKET, Intermittent Wipe Control
14		1			SCREW (DNS)
15	4312 002	1			CONTROL, Intermittent Wipe
16		2			BOLT (DNS)
17		2			WASHER (DNS)
18	3799 275	1			HOUSING, Motor, Includes Items #20,21
19	3431 510	1			ARMATURE, Motor, Includes Items #20,21
20		2			WASHER, Serviced in Items #18,19
21		2			WASHER, Serviced in Items #18,19
22		1			SCREW (DNS)
23	2822 261	1			RESISTOR, Motor Limit
24		1			STRAP, Ground, Serviced in Item #26
25	2932 708	1			GROMMET w/SPACER, Motor Mtg.
26	4205 954	1			GEAR BOX w/BRUSH HOLDER, Motor, Includes Items #24-29
27	3431 974	1			SEAL, Motor Output Shaft
28	2926 168	1			SEAL, Motor Mtg.
29	6031 096	1			NUT w/WASHER
30	4270 418	1			CRANK w/PIN, Motor Drive
31	4222 702	1			SUPPRESSOR W/BRACKET, Motor Radio Noise

MODEL CODES

B = GRAN FURY	F = FIFTH AVENUE/NEWPORT	P = RELIANT
C = LEBARON/TOWN & COUNTRY/EXC SEDAN	G = DIPLOMAT	T = E CLASS/NEW YORKER
C24 = LASER	H = VOYAGER	V = 600
D = ARIES	K = MINI RAM/CARAVAN/ROYAL	V24 = DAYTONA
E = 600	M = HORIZON/TURISMO	Z = OMNI/CHARGER/RAMPAGE

BODY STYLES

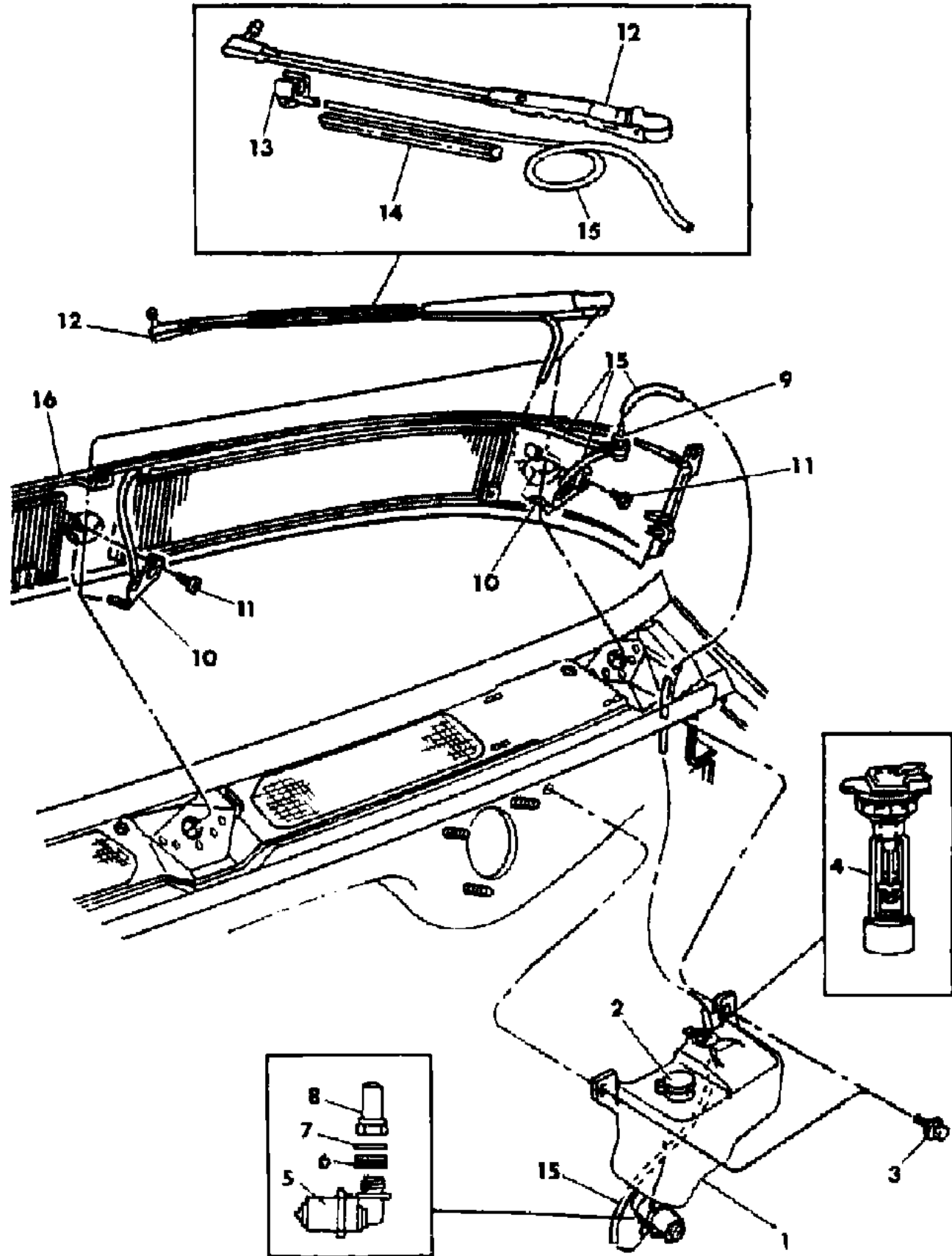
21 = 2-DOOR SEDAN	28 = FWD PICKUP	44 = 4-DOOR HATCHBACK
22 = 2-DOOR SPECIAL COUPE	35 = FWD VAN	45 = 4-DOOR STATION WAGON
24 = 2-DOOR HATCHBACK	36 = FWD WAGON	48 = 4-DOOR EXECUTIVE SEDAN
27 = 2-DOOR CONVERTIBLE	41 = 4-DOOR SEDAN	

AR = Use as Required - = Non Illustrated Part P.A.R. = Paint as Required

WINDSHIELD WASHER SYSTEM H,K

Figure 23D-1200

4172 1200



ITEM	PART NUMBER	QTY	BODY	MODEL	DESCRIPTION
1					RESERVOIR, Washer
	4270 435	1			w/o Sensor Hole
	4270 434	1			w/Sensor Hole
2	3799 174	1			CAP, Reservoir
3	6032 473	2			SCREW
4	3746 813	1			SENSOR, Fluid Level
5	3799 462	1			PUMP w/SEAL, Washer
6		1			SEAL, Pump, Serviced in Item #5
7		1			WASHER, Pump (DNS)
8	3799 324	1			FILTER w/NUT, Pump
9	4270 456	1			CONNECTOR, Washer Turret
10	4270 455	2			CONNECTOR, Washer Cowl Grille
11		2			SCREW (DNS)
12					ARM, Wiper
	4270 464	2			w/o Nozzle
	4270 454	2			w/Nozzle
13	4103 995	2			NOZZLE, Washer
14	4270 466	2			GUARD, Wiper Arm Washer Hose
15					HOSE, Washer
	4026 130	AR			3/32" I.D.
	3837 036	AR			1/8" I.D.
	3780 798	AR			5/32" I.D.
16	4278 057	1			PANEL, Cowl Plenum Grille

MODEL CODES

B = GRAN FURY	F = FIFTH AVENUE/NEWPORT	P = RELIANT
C = LEBARON/TOWN & COUNTRY/EXC SEDAN	G = DIPLOMAT	T = E CLASS/NEW YORKER
C24 = LASER	H = VOYAGER	V = 600
D = ARIES	K = MINI RAM/CARAVAN/ROYAL	V24 = DAYTONA
E = 600	M = HORIZON/TURISMO	Z = OMNI/CHARGER/RAMPAGE

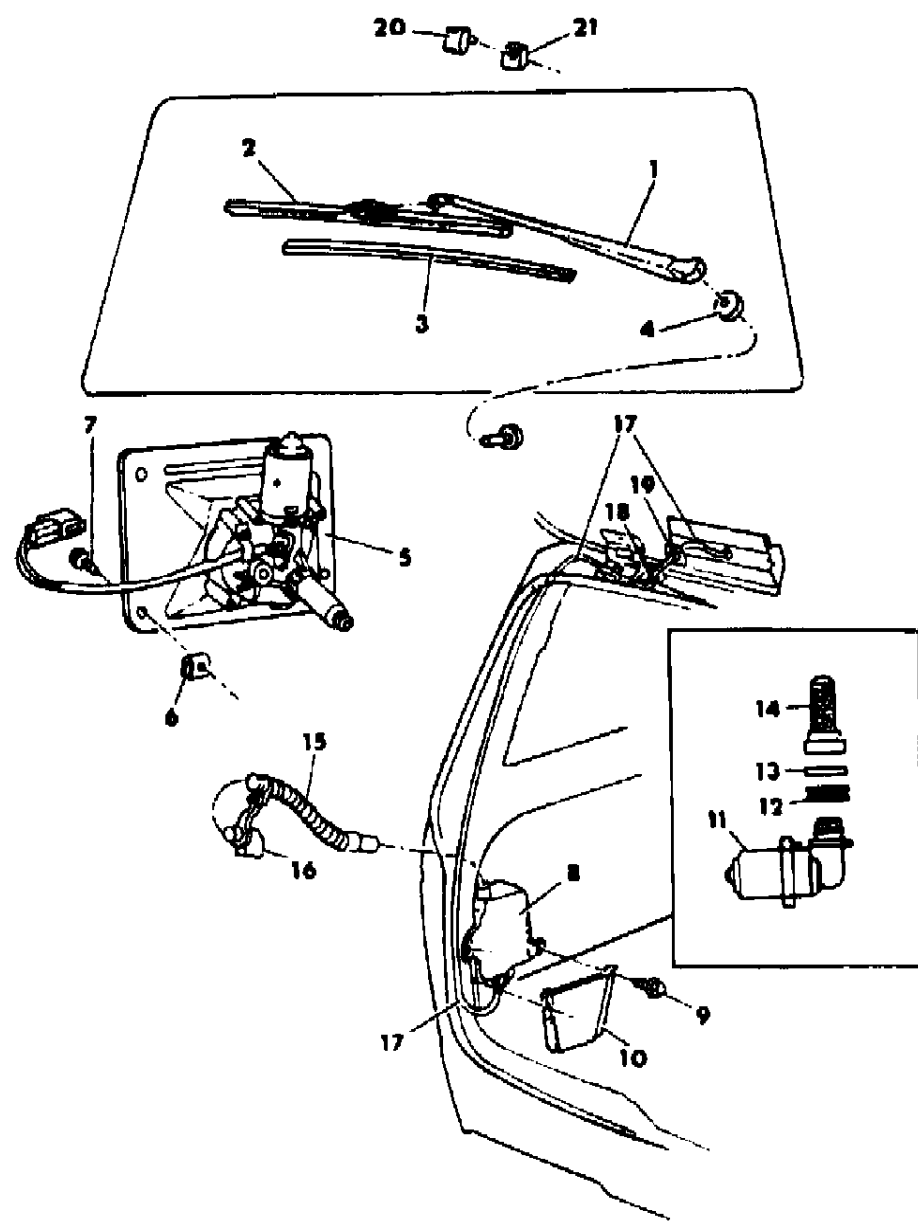
BODY STYLES

21 = 2-DOOR SEDAN	28 = FWD PICKUP	44 = 4-DOOR HATCHBACK
22 = 2-DOOR SPECIAL COUPE	35 = FWD VAN	45 = 4-DOOR STATION WAGON
24 = 2-DOOR HATCHBACK	36 = FWD WAGON	48 = 4-DOOR EXECUTIVE SEDAN
27 = 2-DOOR CONVERTIBLE	41 = 4-DOOR SEDAN	

AR = Use as Required - = Non Illustrated Part P.A.R. = Paint as Required

LIFTGATE WIPER AND WASHER H,K
Figure 23D-1300

4172 1300



ITEM	PART NUMBER	QTY	BODY	MODEL	DESCRIPTION
1	4270 441	1			ARM, Wiper
2	4270 468	1			BLADE w/REFILL, Wiper
3	4270 471	1			REFILL, Wiper Blade
4	4270 459	1			GROMMET, Wiper Drive
5	4270 437	1			MOTOR w/BRACKET, Wiper
6		4			NUT (DNS)
7		4			SCREW (DNS)
8	4270 448	1			RESERVOIR, Washer
9	6031 951	3			SCREW
10	4270 799	1			COVER, Reservoir Pump
11	3799 462	1			PUMP w/SEAL, Washer
12		1			SEAL, Pump, Serviced in Item #11
13		1			WASHER (DNS)
14	3799 324	1			FILTER w/NUT, Pump
15	3799 679	1			TUBE, Reservoir Filler
16	3799 726	1			CAP, Reservoir Filler Tube
17	3780 798	AR			HOSE, Washer
18	3799 520	1			GROMMET, Washer Hose to Body
19	5211 041	1			GROMMET, Washer Hose to Liftgate
20	3799 682	1			NOZZLE, Washer
21	4270 428	1			GROMMET, Nozzle

MODEL CODES

B = GRAN FURY
 C = LEBARON/TOWN & COUNTRY/EXC SEDAN
 C24 = LASER
 D = ARIES
 E = 600
 F = FIFTH AVENUE/NEWPORT
 G = DIPLOMAT
 H = VOYAGER
 K = MINI RAM/CARAVAN/ROYAL
 M = HORIZON/TURISMO
 P = RELIANT
 T = E CLASS/NEW YORKER
 V = 600
 V24 = DAYTONA
 Z = OMNI/CHARGER/RAMPAGE

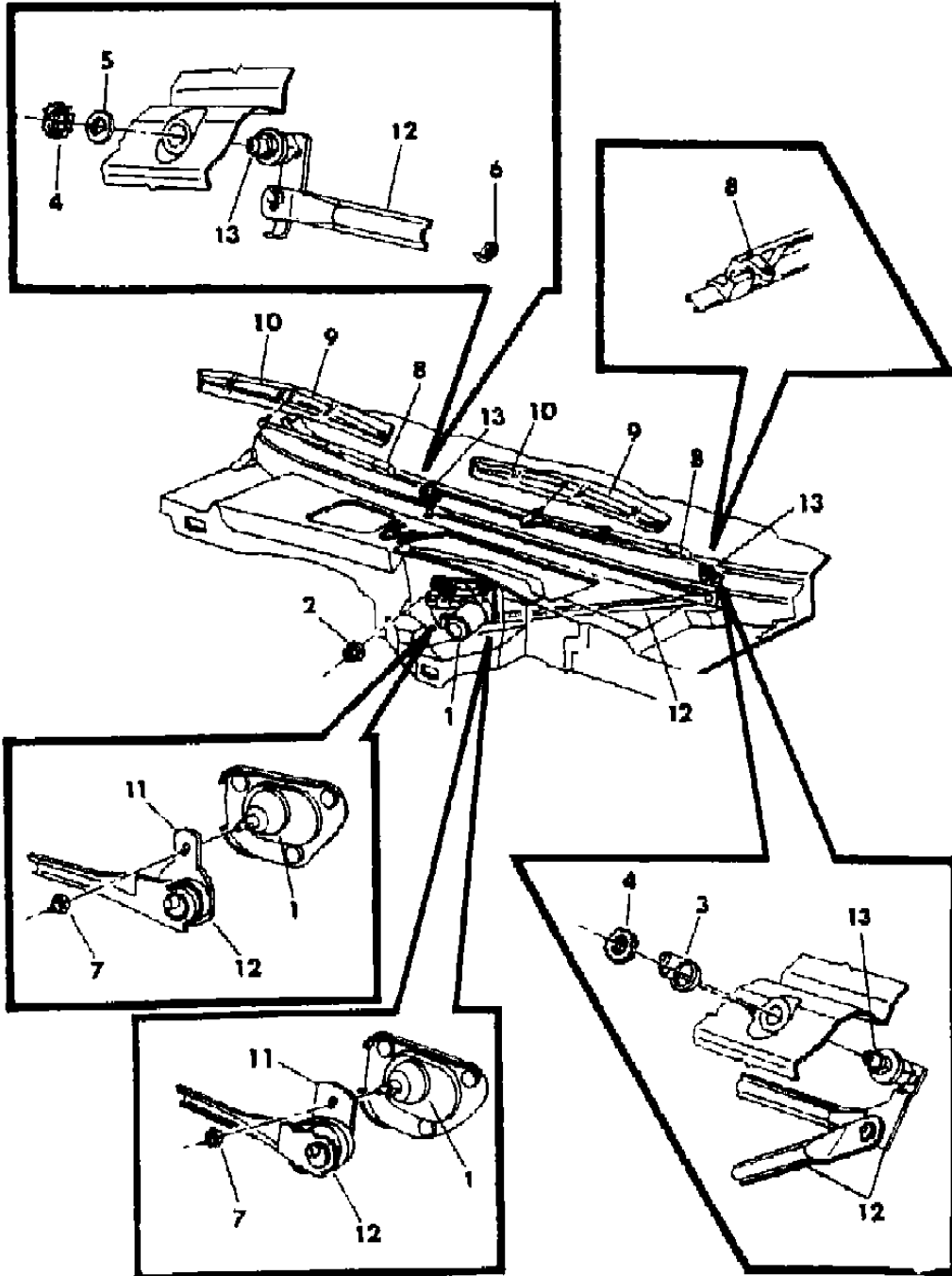
BODY STYLES

21 = 2-DOOR SEDAN
 22 = 2-DOOR SPECIAL COUPE
 24 = 2-DOOR HATCHBACK
 27 = 2-DOOR CONVERTIBLE
 28 = FWD PICKUP
 35 = FWD VAN
 36 = FWD WAGON
 41 = 4-DOOR SEDAN
 44 = 4-DOOR HATCHBACK
 45 = 4-DOOR STATION WAGON
 48 = 4-DOOR EXECUTIVE SEDAN

AR = Use as Required - = Non Illustrated Part P.A.R. = Paint as Required

WINDSHIED WIPER SYSTEM B,F,G
Figure 23D-1400

4172 1400



ITEM	PART NUMBER	QTY	BODY	MODEL	DESCRIPTION
1					MOTOR, Wiper
	4205 951	1			Up to 5-1-84
	4334 104	1			After 5-1-84, w/Bracket
	2926 168	1			SEAL, Motor Mtg.
	3431 974	1			SEAL, Motor Output Shaft
	3799 087	1			ARMATURE, Motor
	3799 275	1			HOUSING, Motor
	4205 954	1			GEAR HOUSING and COVER, Motor
	4342 226	1			SUPPRESSOR, Motor Radio Noise
	4222 060	1			CONTROL, Intermittent Wipe
	4048 579	1			BRACKET, Intermittent Wipe Control
	2932 708	1			GROMMET and SPACER PACKAGE, Motor Mtg.
2	6025 413	3			NUT, Motor Mtg.
3	3799 827	1			PLATE, Pivot Mtg., Left
4	5211 098	2			NUT, Pivot Mtg.
5	5211 099	1			WASHER, Wiper Pivot Mtg.
6	3799 089	4			BUSHING, Wiper Linkage
7	6031 096	1			NUT, Crank Mtg.
8	3799 862-3	1			ARM, Wiper, w/o Blade
9	3799 828	2			BLADE w/REFILL, Wiper
10	3799 685	2			REFILL, Wiper Blade
11	3799 105	1			CRANK w/PIN, Wiper Drive
12	3799 101	1			LINK w/BUSHING, Pivot Connecting
					LINK w/BUSHING, Wiper Drive
	3799 103	1			Up to 5-1-84
	4334 106	1			After 5-1-84
13					PIVOT, Wiper
	4026 046	1			Right
	3799 479	1			Left

MODEL CODES

B = GRAN FURY	F = FIFTH AVENUE/NEWPORT	P = RELIANT
C = LEBARON/TOWN & COUNTRY/EXC SEDAN	G = DIPLOMAT	T = E CLASS/NEW YORKER
C24 = LASER	H = VOYAGER	V = 600
D = ARIES	K = MINI RAM/CARAVAN/ROYAL	V24 = DAYTONA
E = 600	M = HORIZON/TURISMO	Z = OMNI/CHARGER/RAMPAGE

BODY STYLES

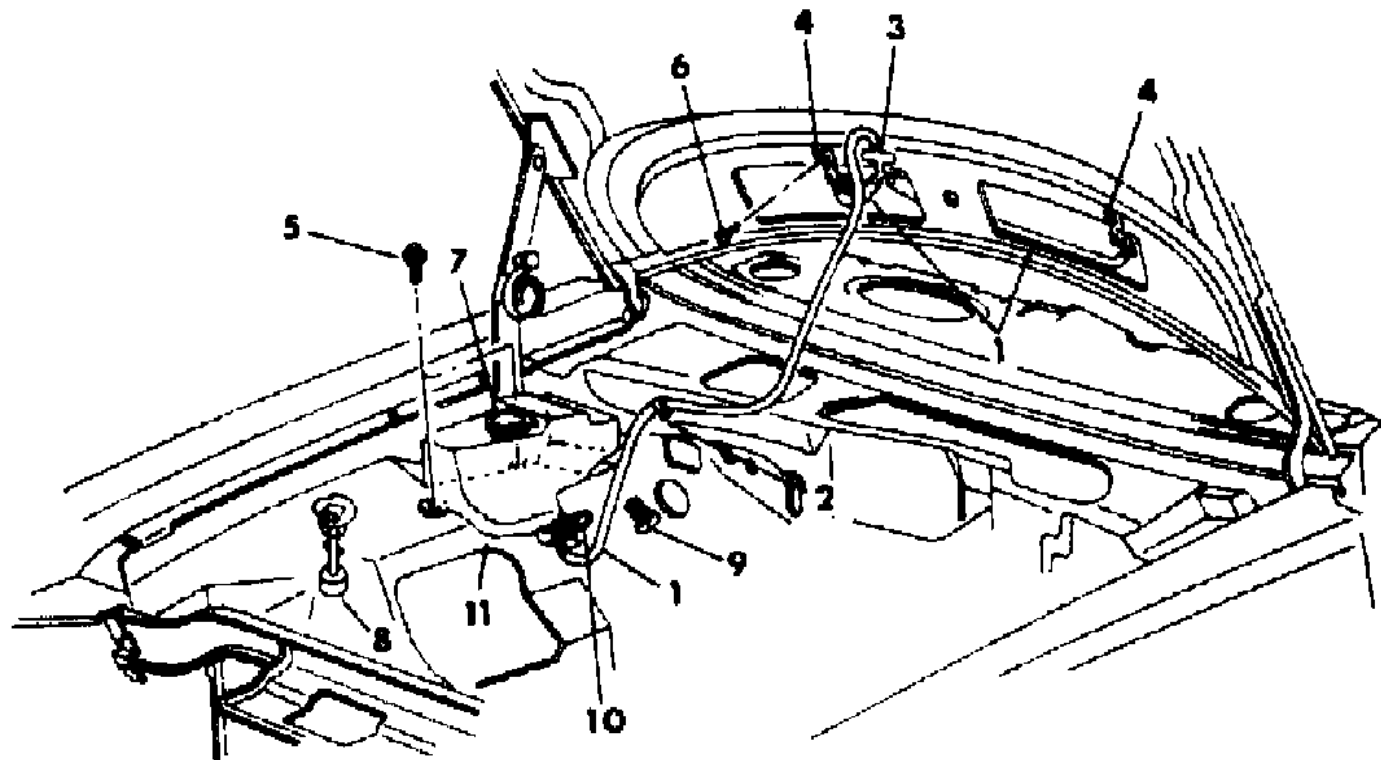
21 = 2-DOOR SEDAN	28 = FWD PICKUP	44 = 4-DOOR HATCHBACK
22 = 2-DOOR SPECIAL COUPE	35 = FWD VAN	45 = 4-DOOR STATION WAGON
24 = 2-DOOR HATCHBACK	36 = FWD WAGON	48 = 4-DOOR EXECUTIVE SEDAN
27 = 2-DOOR CONVERTIBLE	41 = 4-DOOR SEDAN	

AR = Use as Required - = Non Illustrated Part P.A.R. = Paint as Required

WINDSHIELD WASHER SYSTEM B,F,G
Figure 23D-1500

4172 1500

ITEM	PART NUMBER	QTY	BODY	MODEL	DESCRIPTION
1	3780 798	AR			HOSE, Washer 5/32" I.D.
	3837 036	AR			1/8" I.D.
	4026 129	AR			1/4" I.D.
2	6015 776	1			CLIP
3	5211 126	1			CONNECTOR, Hose
4	3799 133	2			NOZZLE, Washer
5	6031 951	2			SCREW
6		2			SCREW (DNS)
7	2497 500	1			CAP, Reservoir
8	3746 813	1			SENSOR, Fluid Level
9	3799 324	1			FILTER, Washer
10	3799 462	1			PUMP and SEAL PACKAGE, Washer
11	3799 542	1			RESERVOIR, Washer



MODEL CODES
 B = GRAN FURY
 C = LEBARON/TOWN & COUNTRY/EXC SEDAN
 C24 = LASER
 D = ARIES
 E = 600
 F = FIFTH AVENUE/NEWPORT
 G = DIPLOMAT
 H = VOYAGER
 K = MINI RAM/CARAVAN/ROYAL
 M = HORIZON/TURISMO
 P = RELIANT
 T = E CLASS/NEW YORKER
 V = 600
 V24 = DAYTONA
 Z = OMNI/CHARGER/RAMPAGE

BODY STYLES
 21 = 2-DOOR SEDAN
 22 = 2-DOOR SPECIAL COUPE
 24 = 2-DOOR HATCHBACK
 27 = 2-DOOR CONVERTIBLE
 28 = FWD PICKUP
 35 = FWD VAN
 36 = FWD WAGON
 41 = 4-DOOR SEDAN
 44 = 4-DOOR HATCHBACK
 45 = 4-DOOR STATION WAGON
 48 = 4-DOOR EXECUTIVE SEDAN

AR = Use as Required - = Non Illustrated Part P.A.R. = Paint as Required

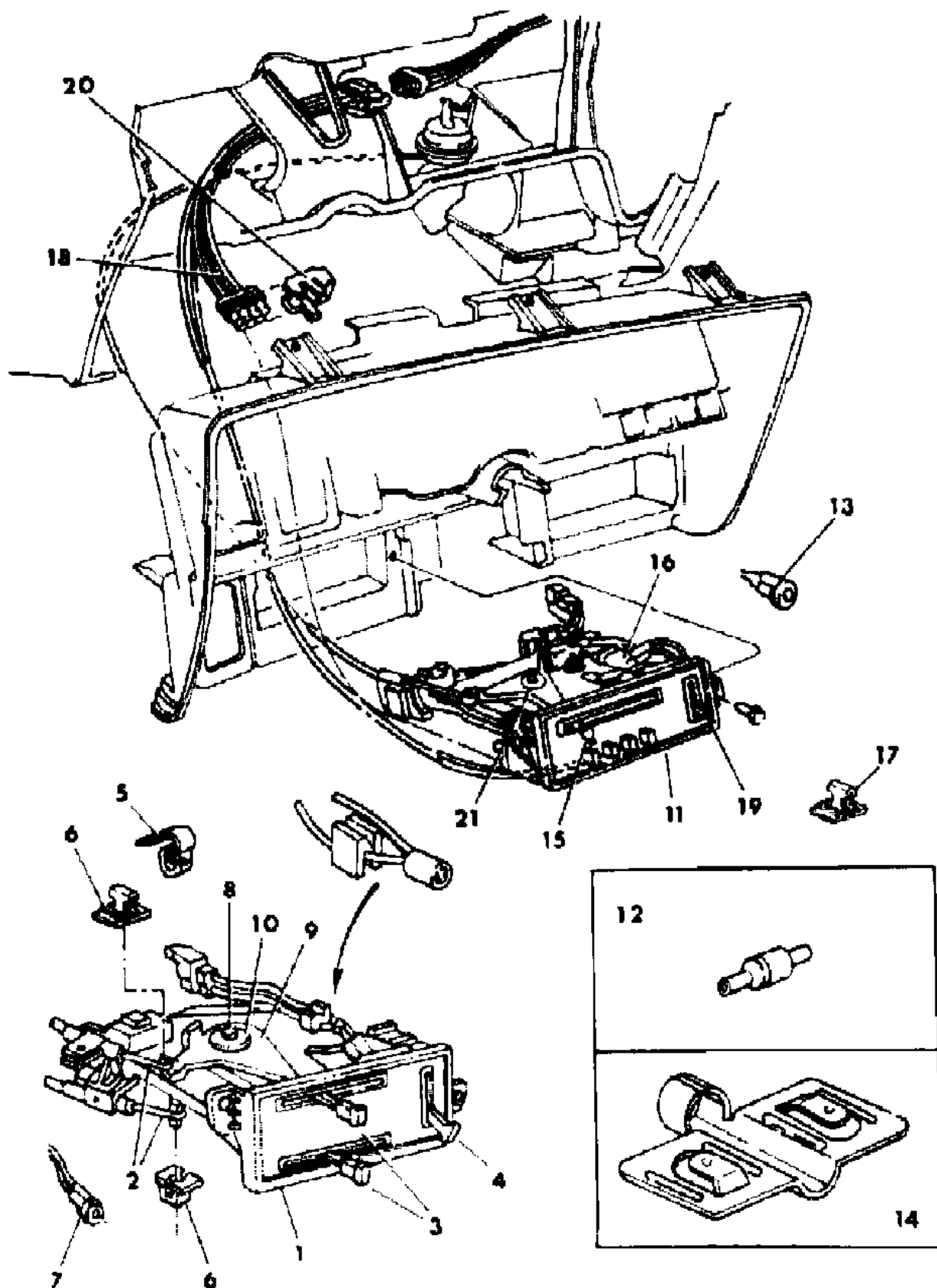
GROUP 24 - HEATER AND AIR CONDITIONING

ILLUSTRATION TITLE	GROUP-FIG. NO.
CONTROLS, HEATER M,Z,P,D,V,C,E,T,C-V 24,H,K,B,G	Fig. 24-100
HEATER UNIT M,Z	Fig. 24-200
HEATER UNIT P,D,V,C,E,T,C,V-24	Fig. 24-300
HEATER UNIT H,K	Fig. 24-400
HEATER UNIT B,G	Fig. 24-500
PLUMBING, HEATER M,Z	Fig. 24-600
PLUMBING, HEATER P,D,V,C,E,T,C,V 24	Fig. 24-700
PLUMBING, HEATER H,K	Fig. 24-800
PLUMBING, HEATER B,G	Fig. 24-900
CONTROLS, AIR CONDITIONER AND HEATER M,Z,P,D,V,C,E,T,C,V 24,B,F,G	Fig. 24-1000
AIR CONDITIONER AND HEATER UNIT M,Z	Fig. 24-1100
AIR CONDITIONER AND HEATER UNIT P,D,V,C,E,T,C,V 24	Fig. 24-1200
AIR CONDITIONER AND HEATER UNIT H,K	Fig. 24-1300
AIR CONDITIONER AND HEATER UNIT B,F,G	Fig. 24-1400
PLUMBING, AIR CONDITIONER AND HEATER M,Z,P,D,V,C,E,T,C,V 24	Fig. 24-1500
PLUMBING, AIR CONDITIONER AND HEATER H,K-2.2 LITER ENGINE	Fig. 24-1600
PLUMBING, AIR CONDITIONER AND HEATER H,K-2.6 LITER ENGINE	Fig. 24-1700
PLUMBING, AIR CONDITIONER AND HEATER B,F,G	Fig. 24-1800
COMPRESSOR, AIR CONDITIONER	Fig. 24-1900
MOUNTING, AIR CONDITIONER COMPRESSOR M,Z,P,D,V,C,E,T,C,V 24,H,K	Fig. 24-2000
MOUNTING, AIR COMPRESSOR B,F,G-318 ENGINE	Fig. 24-2100
AIR DUCTS AND OUTLETS M,Z	Fig. 24-2200
AIR DUCTS AND OUTLETS P,D,V,C,J,E,T	Fig. 24-2300
AIR DUCTS AND OUTLETS C,V 24	Fig. 24-2400
DEMISTER SYSTEM C,V 24	Fig. 24-2500
AIR DUCTS AND OUTLETS H,K	Fig. 24-2600
DEMISTER SYSTEM H,K	Fig. 24-2700
AIR OUTLETS AND DUCTS M,Z,B,F,G	Fig. 24-2800

ILLUSTRATION NOT AVAILABLE AT TIME OF PUBLICATION

CONTROLS, HEATER M,Z,P,D,V,C,E,T,C-V 24,H,K,B,G
Figure 24-100

4124 (0)



ITEM	PART NUMBER	QTY	BODY	MODEL	DESCRIPTION
1	3848 001	1		MZPDVCE	CONTROL ASSY., Heater
2	5210 362	1		MZ	CABLE, Heater Control Mode
	3848 189	1		C,V 24	CABLE, Heater Control Mode
	3848 738	1		PDVCET	CABLE, Heater Control Mode, w/Upper Level Vent
	3847 703	1		PDVCET,	CABLE, Heater Control Temp, w/Upper Level Vent
	3847 432	1		BG	CABLE, Heater Control Temp
	5210 360	1		MZ	CABLE, Heater Control Temp, w/o Upper Level Vent
	3848 319	1		HK	CABLE, Heater Control Temp
	3848 239	1		PDVCET,	CABLE, w/CLIP, Heater Vent Control
	3	3847 447	2		ExcCV 2
3847 445		1		CV 24,H	KNOB, Heater Temp Control and Mode
4	3847 940	1		ExcBG,C	SWITCH, Heater Control Blower
	3848 645	1		CV 24,H	SWITCH, Heater Control Blower
5	6031 132	1			CLIP, Heater Control Cable
6	6029 889	2			NUT
7	4131 388	1			SOCKET, Heater Control Lamp Cable
8	3503 326	1		Exc BG	PIN, Heater Control Lever Pivot
	3503 317	1		BG	PIN, Heater Control Lever Pivot
	3848 232	1		Exc BGH	LEVER, Heater Temp Control
9	3848 316	1		HK	LEVER, Heater Temp Control
	3847 014	1		BG	LEVER, Heater Temp Control
	3848 233	1		Exc BGH	LEVER, Heater Mode Control
10	2820 453	1			CLIP, Heater Lever Retainer
11	3848 002	1		BGHK	CONTROL BASE ASSY., Heater Bi-Level (use 3847658 Decal)
	3847 432	1		BG	CABLE, Heater Control Temp
12	3441 609	1		BG	CHECK VALVE, Heater Vacuum Hose, w/Upper Level Vent
	3441 609	1		HK	CHECK VALVE, Heater Vacuum Hose
	3441 609	1		BG	CHECK VALVE, Heater Control Vacuum Hose, w/Upper Level Vent
13	4131 388	1			SOCKET and BLUB PACKAGE, Heater Control Lamp
14	6031 132	1			CLIP, Heater Control Temp Adjusting
15	3847 447	1		Exc CV	KNOB, Heater Temp Control and Mode
	3847 445	1		CV 24,H	KNOB, Heater Temp Control and Mode
16	3846 895	1		BG	SWITCH, Heater Control Vacuum, w/Upper Level Vent
17	6029 889	1			NUT, Heater Control Temp Cable Retainer
18	3847 629	1		BG	HOSE, Heater Control Vacuum Extension
19	3847 510	1		BG	SWITCH, Heater Control 4 P/Button, Hi/Lo, w/Upper Level Vent
	3848 910	1		HK	SWITCH, Heater Control 4 P/Button, Bi-Level

MODEL CODES

B = GRAN FURY	F = FIFTH AVENUE/NEWPORT	P = RELIANT
C = LEBARON/TOWN & COUNTRY/EXC SEDAN	G = DIPLOMAT	T = E CLASS/NEW YORKER
C24 = LASER	H = VOYAGER	V = 600
D = ARIES	K = MINI RAM/CARAVAN/ROYAL	V24 = DAYTONA
E = 600	M = HORIZON/TURISMO	Z = OMNI/CHARGER/RAMPAGE

BODY STYLES

21 = 2-DOOR SEDAN	28 = FWD PICKUP	44 = 4-DOOR HATCHBACK
22 = 2-DOOR SPECIAL COUPE	35 = FWD VAN	45 = 4-DOOR STATION WAGON
24 = 2-DOOR HATCHBACK	36 = FWD WAGON	48 = 4-DOOR EXECUTIVE SEDAN
27 = 2-DOOR CONVERTIBLE	41 = 4-DOOR SEDAN	

AR = Use as Required - = Non Illustrated Part P.A.R. = Paint as Required

CONTROLS, HEATER M,Z,P,D,V,C,E,T,C-V 24,H,K,B,G
Figure 24-100

4124 (D)

ITEM	PART NUMBER	QTY	BODY	MODEL	DESCRIPTION
------	-------------	-----	------	-------	-------------

20				PDCVBG	CLIP, Heater Control Hi/Lo Vacuum Hose Connection Retainer (not serviced)
21	2820 453	1			RETAINER, Lever
NOTE: The following items are not illustrated (not shown). Both models are derived from the 100.1" W.B. LeBaron (C 22 Model). Sheet metal parts for the C 48 not found on this illustration should be specified.					
	3780 794	AR			HOSE, Heater Control Vacuum Roll Stock
	3848 924	1	HK		HOSE, Heater Vacuum
	3847 622	1			HOSE, Heater Control By-Level Vacuum Extension
	3848 635	1	MZ		DECAL, Heater Control Lens
	3848 631	1	PD		DECAL, Heater Control Lens, Upper Level Vent
	3848 639	1	CV 24		DECAL, Heater Control
	3848 631	1	CVET		DECAL, Heater Control Lens, Upper Level Vent
	3848 909	1	HK		DECAL, Heater Control Lens
	3848 636	1	BG		DECAL, Heater Control By-Level
	6015 778	1	HK		CLIP, Heater Vacuum Hose Retg.
	6006 041	2	HK		Screw, Heater Control Push Button Switch Mounting

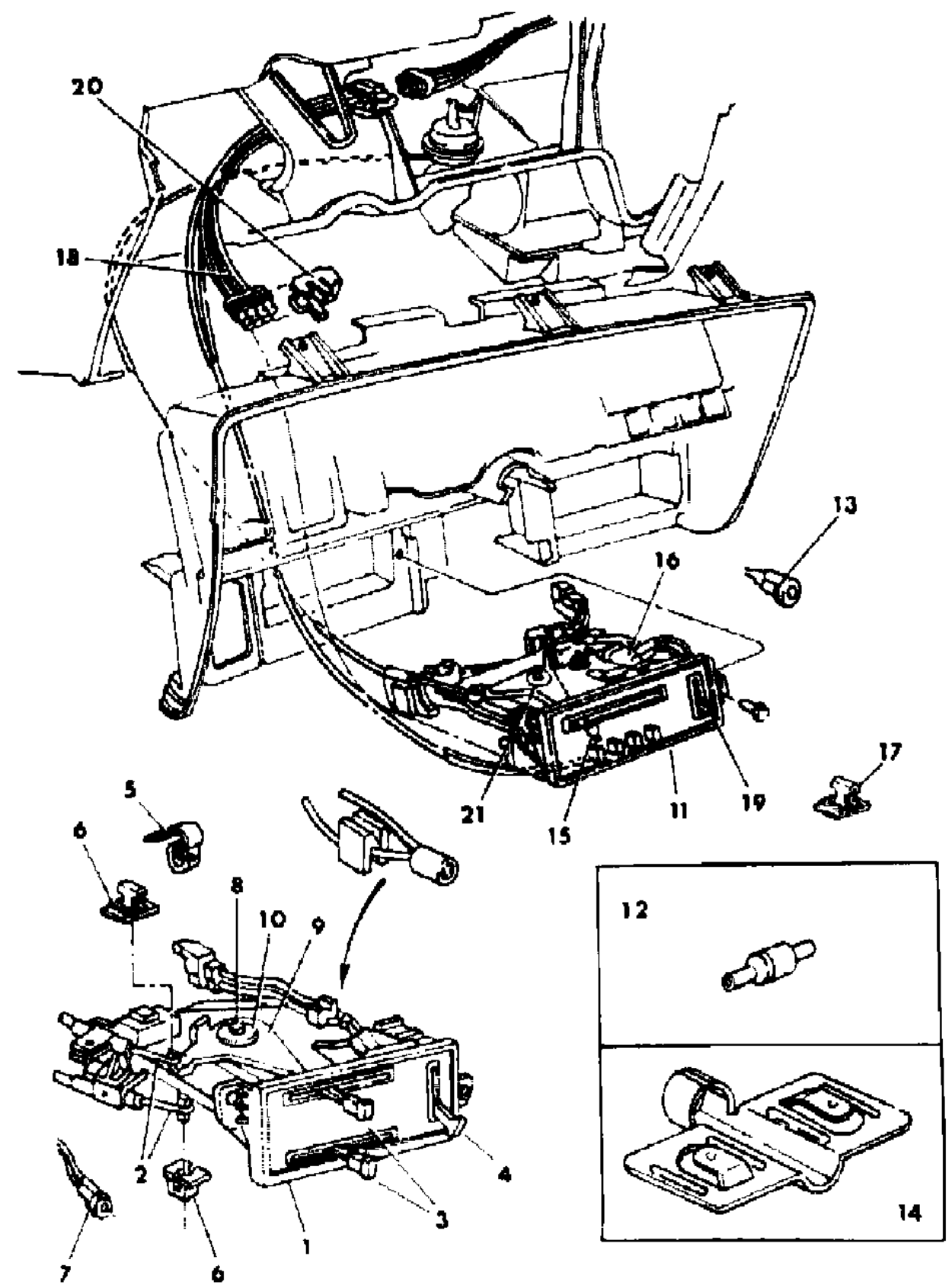
MODEL CODES

B = GRAN FURY	F = FIFTH AVENUE/NEWPORT	P = RELIANT
C = LEBARON/TOWN & COUNTRY/EXC SEDAN	G = DIPLOMAT	T = E CLASS/NEW YORKER
C24 = LASER	H = VOYAGER	V = 600
D = ARIES	K = MINI RAM/CARAVAN/ROYAL	V24 = DAYTONA
E = 600	M = HORIZON/TURISMO	Z = OMNI/CHARGER/RAMPAGE

BODY STYLES

21 = 2-DOOR SEDAN	28 = FWD PICKUP	44 = 4-DOOR HATCHBACK
22 = 2-DOOR SPECIAL COUPE	35 = FWD VAN	45 = 4-DOOR STATION WAGON
24 = 2-DOOR HATCHBACK	36 = FWD WAGON	48 = 4-DOOR EXECUTIVE SEDAN
27 = 2-DOOR CONVERTIBLE	41 = 4-DOOR SEDAN	

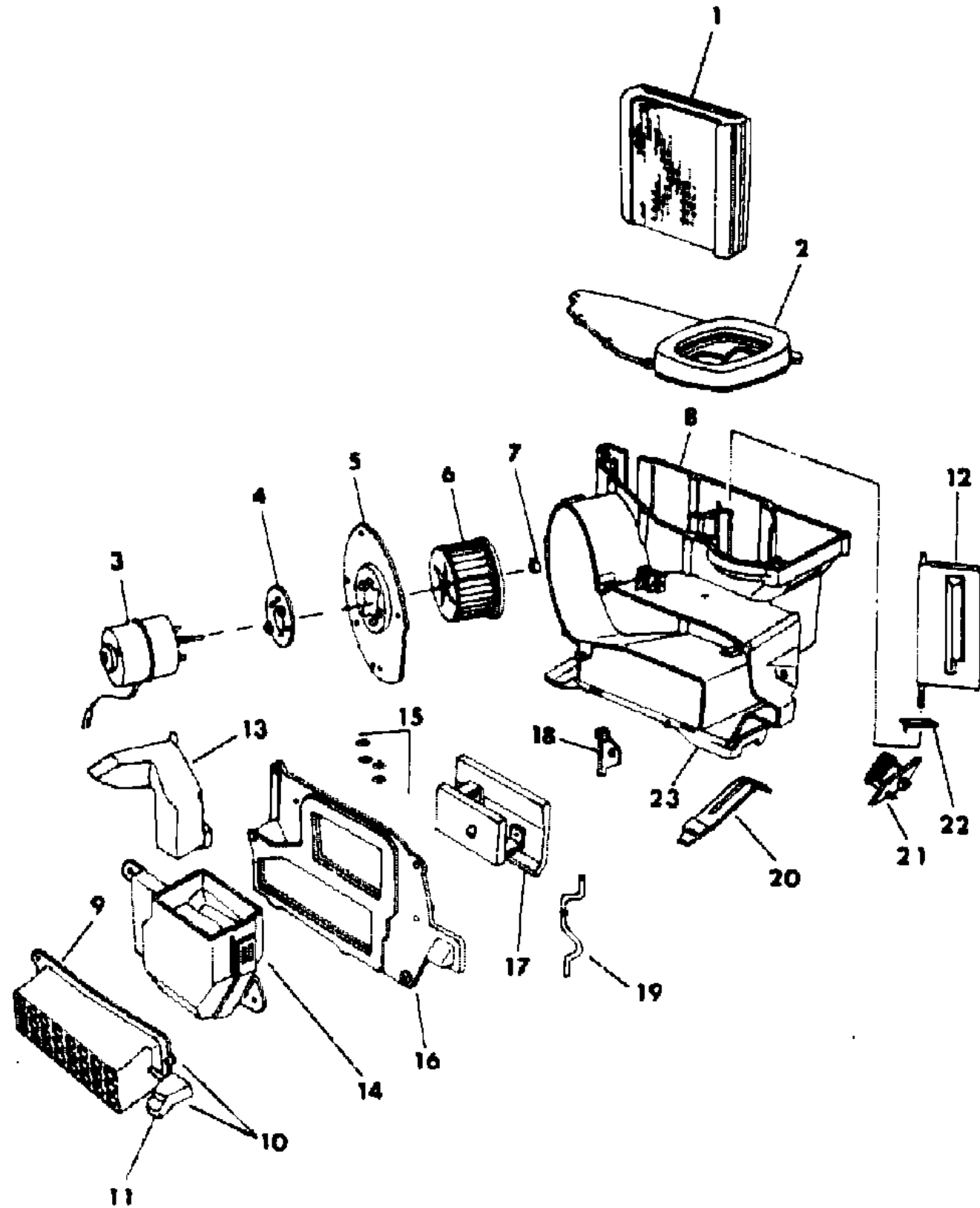
AR = Use as Required - = Non Illustrated Part P.A.R. = Paint as Required



HEATER UNIT M,Z

Figure 24-200

4124 200



ITEM	PART NUMBER	QTY	BODY	MODEL	DESCRIPTION
1	4240 448	1			CORE and SEAL PACKAGE, Heater
2	5210 147	1			COVER, Heater Top
3	4057 933	1			MOTOR, Heater Blower
4	4274 936	1			INSULATOR, Heater Motor
4	2484 429	1			GASKET, Heater Mlower Motor Mtg.
5	5210 152	1			BACK PLATE, Heater Motor
6	5210 001	1			WHEEL, Heater Blower Motor
7	2837 680	1			CLAMP, Heater Blower Motor Wheel
8	5210 136	1			HOUSING, Heater
9	5210 169	1			DUCT, Heater Air Handling
10	5210 168	1			DUCT, Knob and Door Heater Air Handling
11	5210 188	1			KNOB, Heater Door Vent Control
12	5210 140	1			DOOR and SEAL, Heater Temp
13	5210 251	1			DUCT, Heater Outlet, Left
14	5210 040	1			ADAPTER, Heater Deforster Duct
15	6006 065	4			WASHER, Heater Blower Motor Mounting
16	5210 190	1			COVER, Heater Rear
17	5210 215	1			DOOR and SEAL, Heater Mode
18	5210 316	1			CLAMP, Heater Mode Door
19					SHAFT, Heater Mode Door (not serviced)
20	5210 135	1			STRAP, Heater Support
21	5210 365	1			RESISTOR, Heater Blower Motor
22	5210 176	1			CRANK, Heater Temp Door
23	5210 193	1			DUCT, Heater Distribution

MODEL CODES

B = GRAN FURY	F = FIFTH AVENUE/NEWPORT	P = RELIANT
C = LEBARON/TOWN & COUNTRY/EXC SEDAN	G = DIPLOMAT	T = E CLASS/NEW YORKER
C24 = LASER	H = VOYAGER	V = 600
D = ARIES	K = MINI RAM/CARAVAN/ROYAL	V24 = DAYTONA
E = 600	M = HORIZON/TURISMO	Z = OMNI/CHARGER/RAMPAGE

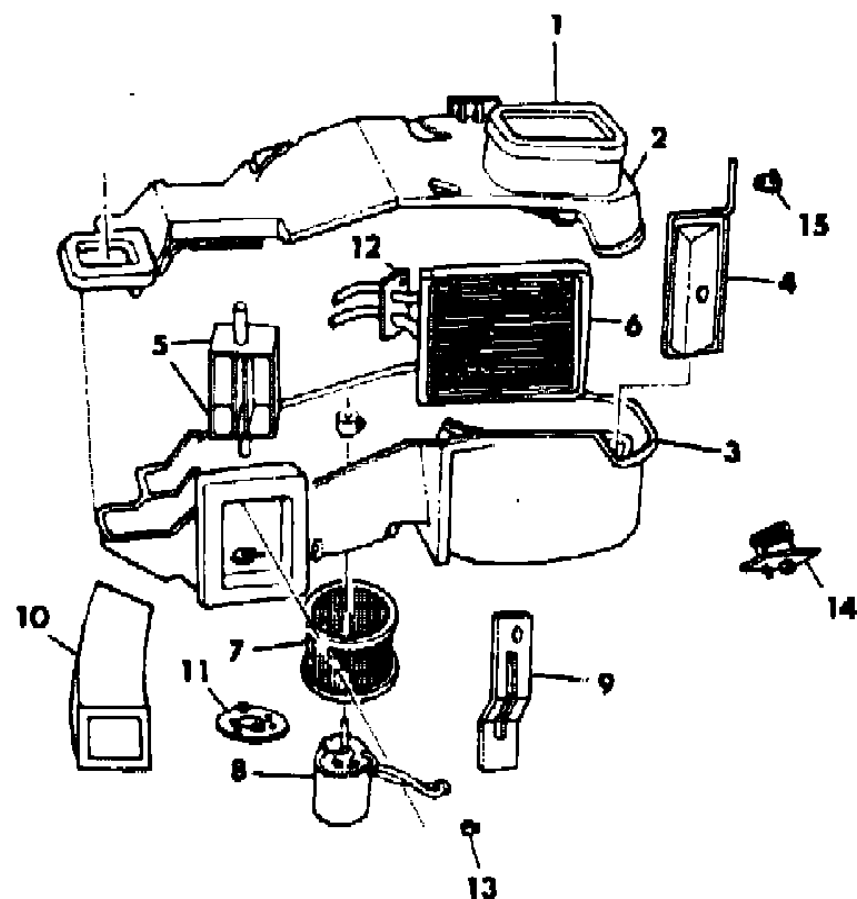
BODY STYLES

21 = 2-DOOR SEDAN	28 = FWD PICKUP	44 = 4-DOOR HATCHBACK
22 = 2-DOOR SPECIAL COUPE	35 = FWD VAN	45 = 4-DOOR STATION WAGON
24 = 2-DOOR HATCHBACK	36 = FWD WAGON	48 = 4-DOOR EXECUTIVE SEDAN
27 = 2-DOOR CONVERTIBLE	41 = 4-DOOR SEDAN	

AR = Use as Required - = Non Illustrated Part P.A.R. = Paint as Required

HEATER UNIT P,D,V,C,E,T,C,V-24
Figure 24-300

4124 300



ITEM	PART NUMBER	QTY	BODY	MODEL	DESCRIPTION
1	3847 549	1			SEAL, Heater Cover to Plenum
2	3848 209	1		P,D,V,C	COVER, Heater Housing
	3848 325	1		C,V 24	COVER, Heater Housing
3	3848 065	1			HOUSING, Heater
	3847 679	1			SEAL, Heater Housing to Cover Rear
4	3847 633	1			DOOR, Heater Temp Complete
5	3848 242	1			DOOR, Heater Mode
	3848 014	1			SEAL, Heater Mode Door to Cover
6	4205 838	1			CORE and SEAL, Heater
	3848 093	1			SEAL, Heater Core
	3847 681	1			SEAL, Heater Core End
7	3847 687	1			WHEEL, Heater Blower Motor
8	4318 117	1			MOTOR, Heater Blower
9	3848 238	1			BRACE, Heater Support
10	3848 130	1			DUCT, Heater Distribution
11	2485 429	1			GASKET, Heater Blower Motor Mounting
12	3847 548	1			SEAL, Heater Core Tube to Dash
13	2837 680	1			CLAMP, Heater Blower Mounting Wheel
14	3848 999	1			RESISTOR, Heater Blower Motor
15	3847 301	1			LEVER, w/PIN, Heater Temp Door

MODEL CODES

B = GRAN FURY	F = FIFTH AVENUE/NEWPORT	P = RELIANT
C = LEBARON/TOWN & COUNTRY/EXC SEDAN	G = DIPLOMAT	T = E CLASS/NEW YORKER
C24 = LASER	H = VOYAGER	V = 600
D = ARIES	K = MINI RAM/CARAVAN/ROYAL	V24 = DAYTONA
E = 600	M = HORIZON/TURISMO	Z = OMNI/CHARGER/RAMPAGE

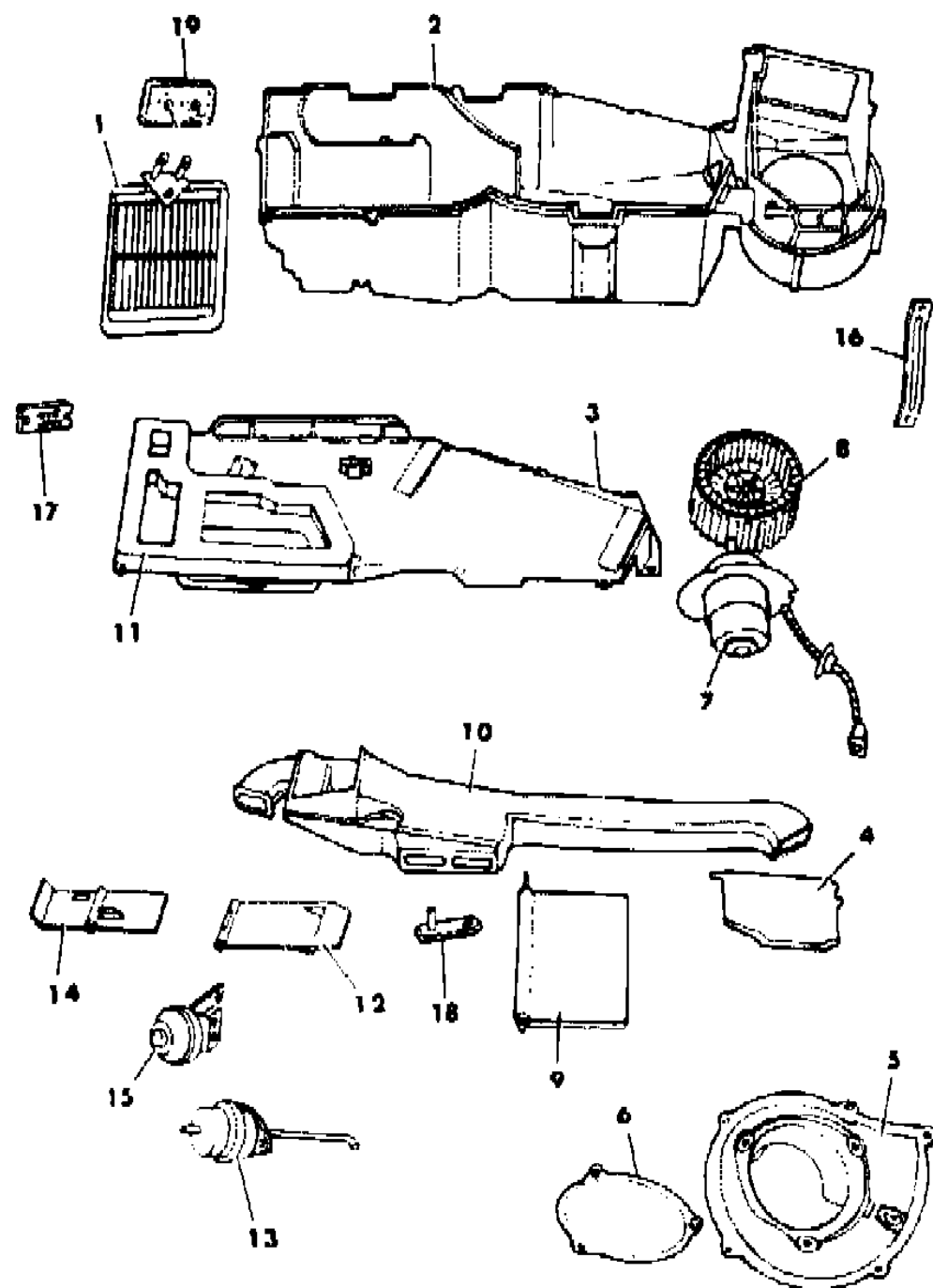
BODY STYLES

21 = 2-DOOR SEDAN	28 = FWD PICKUP	44 = 4-DOOR HATCHBACK
22 = 2-DOOR SPECIAL COUPE	35 = FWD VAN	45 = 4-DOOR STATION WAGON
24 = 2-DOOR HATCHBACK	36 = FWD WAGON	48 = 4-DOOR EXECUTIVE SEDAN
27 = 2-DOOR CONVERTIBLE	41 = 4-DOOR SEDAN	

AR = Use as Required - = Non Illustrated Part P.A.R. = Paint as Required

HEATER UNIT H,K Figure 24-400

4124 400



ITEM	PART NUMBER	QTY	BODY	MODEL	DESCRIPTION
1	3848 300	1			CORE, Heater
2	3848 261	1			HOUSING, Heater
3	3848 263	1			COVER, Heater
4	3848 432	1			COVER, Heater Recirc.
5	3848 272	1			COVER ASSY., Heater Motor
	3848 273	1			COVER, Heater Motor
6	3847 476	1			SEAL, Heater Blower Motor
7	4318 116	1			MOTOR, Heater Blower
8	3503 859	1			WHEEL, Heater Blower Motor
9	3848 873	1			DOOR, w/SEAL, Heater Temp
10	3848 257	1			DOOR, Heater Temp Distr.
11	3848 266	1			SEAL, Heater Cover to Ducts
12	3848 226	1			DOOR, Heater Mode
	3849 476	1			DOOR ASSY., Heater Mode
	6031 147	AR			RETAINER, Door Shaft
	4163 735	1			SHAFT, Heater Mode Door
13	3848 259	1			ACTUATOR, Mode Door
14	3848 227	1			DOOR, Heater Deforster
	4163 735	1			SHAFT, Bi-Level Heater Deforster Door
	9420 262	AR			NUT, Heater Mode Deforster Door Lever Mounting
15	3848 260	1			ACTUATOR, Deforster Door
16	3848 251	1			BRACE, Heater Unit
17	3848 515	1			RESISTOR, Heater Blower, Up to 5-16-84
	3848 998	1			After 5-16-84
18	3848 878	1			LEVER, Heater Temp Door
19	3848 254	1			SEAL, Heater Core Tubel to Dash
	3848 389	1			SEAL, Heater Header Opening
	6031 694	3			SCREW, w/WASHER, Heater Blower Motor Mounting

NOTE: The following items are not illustrated (ode). Both models are derived from the 100.1" W.B. LeBaron (C 22 Model). Sheet metal parts for the C 48 not found on this illustration should be speci

MODEL CODES

B = GRAN FURY	F = FIFTH AVENUE/NEWPORT	P = RELIANT
C = LEBARON/TOWN & COUNTRY/EXC SEDAN	G = DIPLOMAT	T = E CLASS/NEW YORKER
C24 = LASER	H = VOYAGER	V = 600
D = ARIES	K = MINI RAM/CARAVAN/ROYAL	V24 = DAYTONA
E = 600	M = HORIZON/TURISMO	Z = OMNI/CHARGER/RAMPAGE

BODY STYLES

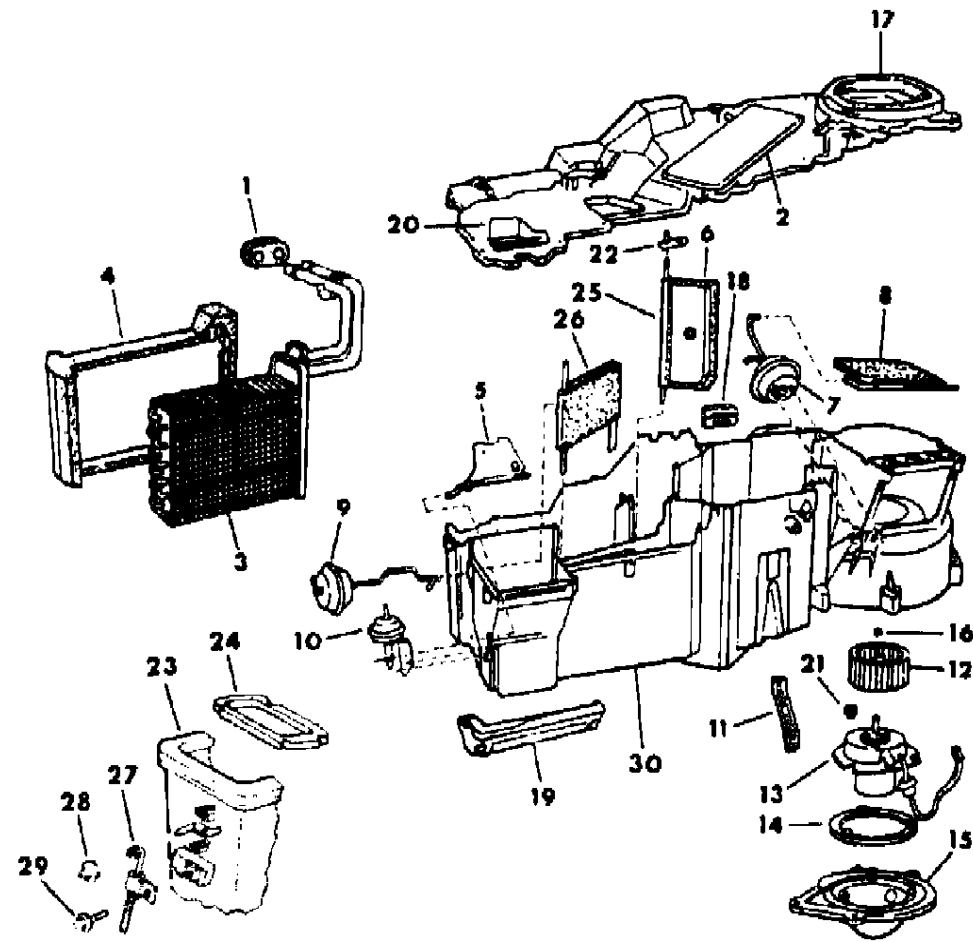
21 = 2-DOOR SEDAN	28 = FWD PICKUP	44 = 4-DOOR HATCHBACK
22 = 2-DOOR SPECIAL COUPE	35 = FWD VAN	45 = 4-DOOR STATION WAGON
24 = 2-DOOR HATCHBACK	36 = FWD WAGON	48 = 4-DOOR EXECUTIVE SEDAN
27 = 2-DOOR CONVERTIBLE	41 = 4-DOOR SEDAN	

AR = Use as Required - = Non Illustrated Part P.A.R. = Paint as Required

HEATER UNIT B,G

Figure 24-500

4124 500



ITEM	PART NUMBER	QTY	BODY	MODEL	DESCRIPTION
1	3846 740	1			SEAL, Heater to Dash at Heater Core Tubes
2	3847 282	1			COVER, Heater Housing, Up to 2-6-84
	3849 097	1			After 2-6-84
3	4339 438	1			CORE, Heater
	4240 440	1			TANK, Heater Core
4	3846 773	1			SEAL, Heater Core to Housing, Up to 2-6-84
	3849 100	1			After 2-6-84
5	3847 478	1			DOOR, Heater Defoster Door, Complete
	1279 332	1			BUMPER, Heater Defoster Door
6	3847 223	1			DOOR, Heater Temp
7	3847 216	1			ACTUATOR, Heater Shut Off Door
8	3847 217	1			DOOR, Heater Shut Off, Complete
9	3847 230	1			ACTUATOR, Heater Mode Door, Upper
10	3847 211	1			ACTUATOR, Heater Defroster
11	3847 202	1			BRACE, Heater Mounting Left, to Plenum
12	3503 037	1			WHEEL, Heater blower Motor
13	4049 797	1			MOTOR, Heater Blower
14	3847 476	1			SEAL, Heater Blower Motor to Scroll
15	3847 207	1			COVER, Heater Blower Scroll
	3847 205	1			SEAL, Heater Cover to Scroll
	3773 192	1			SEAL, Heater Blower Scroll Cover to Housing
16	2837 680	1			CLAMP, Heater Blower Motor Wheel
17	3847 243	1			SEAL, Heater Unit to Plenum
18	3848 996	1			RESISTOR, Heater Blower Motor
19	3847 297	1			DUCT, Heater Dist.
20	3503 999	1			SEAL, Heater Cover to Defroster Duct
21	6031 694	AR			SCREW, w/WASHER, Heater Blower Motor Mounting
22	3847 301	1			LEVER, w/PIN, Heater Temp Control
23	3846 462	1			HOUSING, Vent Left Complete
24	3846 465	1			SEAL, Vent Housing Mounting, Left
25	3847 225	1			DEFLECTOR, Heater Temp Door
26	3847 420	1			DOOR, Heater Mode Complete
27	3846 071	1			CABLE, Left Vent Control to Heater
28	2076 405	1			RETAINER, Vent Housing Door, Left
29					SCREW, (not serviced)
30	3847 519	1			HOUSING, w/STUD, Heater, Up to 2-6-84
	3849 095	1			After 2-6-84
	6015 778	1			CLIP, Heater Vacuum Harness Mounting (not illustrated)

MODEL CODES

B = GRAN FURY	F = FIFTH AVENUE/NEWPORT	P = RELIANT
C = LEBARON/TOWN & COUNTRY/EXC SEDAN	G = DIPLOMAT	T = E CLASS/NEW YORKER
C24 = LASER	H = VOYAGER	V = 600
D = ARIES	K = MINI RAM/CARAVAN/ROYAL	V24 = DAYTONA
E = 600	M = HORIZON/TURISMO	Z = OMNI/CHARGER/RAMPAGE

BODY STYLES

21 = 2-DOOR SEDAN	28 = FWD PICKUP	44 = 4-DOOR HATCHBACK
22 = 2-DOOR SPECIAL COUPE	35 = FWD VAN	45 = 4-DOOR STATION WAGON
24 = 2-DOOR HATCHBACK	36 = FWD WAGON	48 = 4-DOOR EXECUTIVE SEDAN
27 = 2-DOOR CONVERTIBLE	41 = 4-DOOR SEDAN	

AR = Use as Required - = Non Illustrated Part P.A.R. = Paint as Required

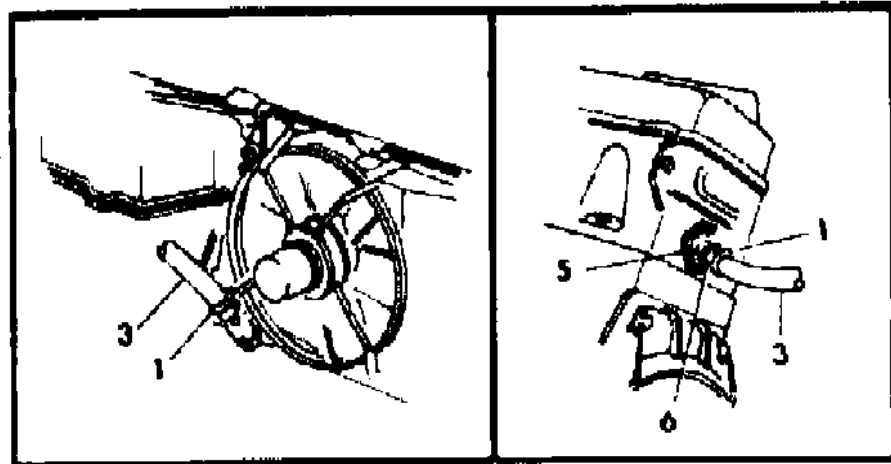
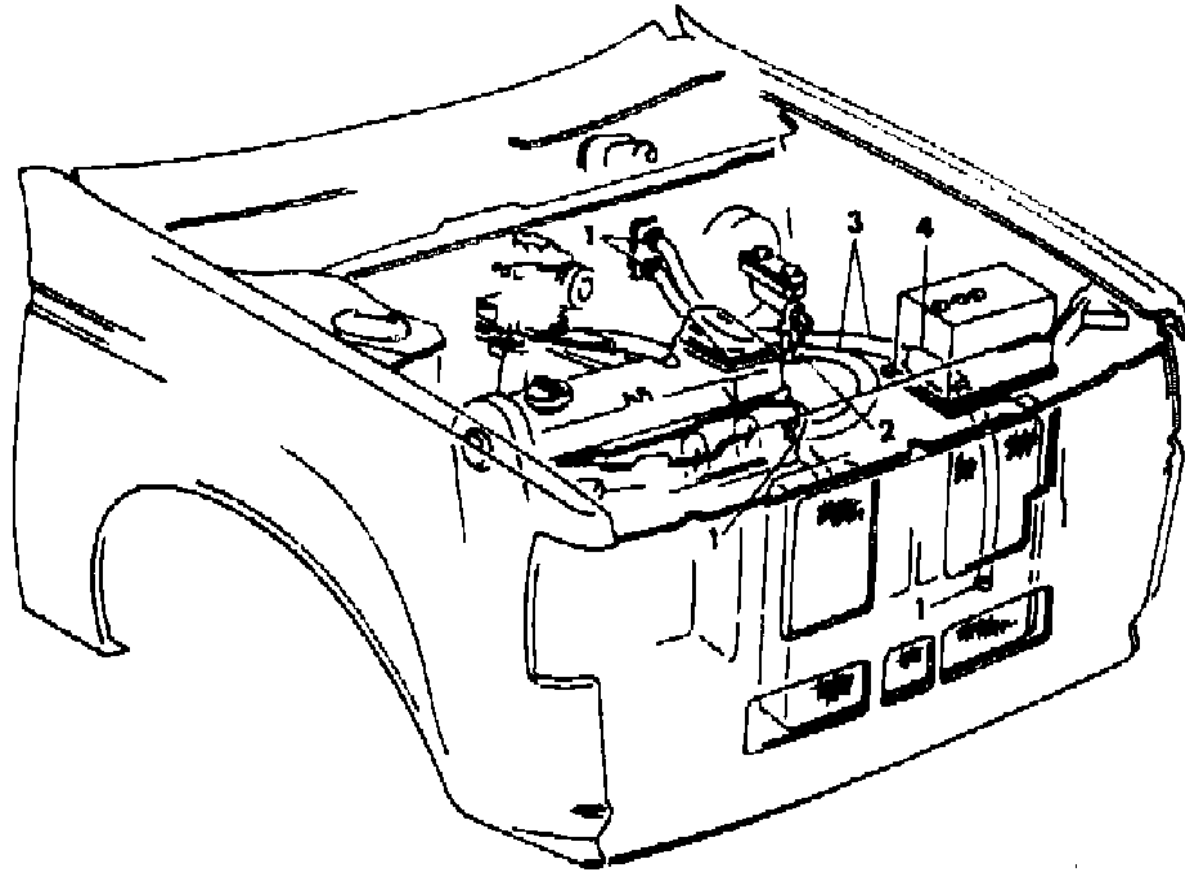
PLUMBING, HEATER M,Z
Figure 24-600

4124 600

ITEM	PART NUMBER	QTY	BODY	MODEL	DESCRIPTION
1	2448 770	AR			CLAMP, Heater Hose
	0153 640	AR			w/1.6L Eng.
2					STRAP, (not serviced)
3	1315 466	AR			HOSE, Heater Core to Radiator, 5/8" ID
	2277 425	AR			HOSE, Heater Core to Radiator, w/2.2L Eng.
	4273 488	1			HOSE, Engine to Core, w/1.6L Eng.
	3847 998	1			w/2.2L Eng.
	4273 488	1			HOSE, Water By-Pass Tube
4	5210 322	1			SLEEVE, Heater Hose
5	5240 363	1			GASKET, Water Outlet, w/1.6L Eng.
6	5240 364	1			ELBOW, Water Outlet, w/1.6L Eng.

NOTE: The following items are not illustrated (note). Both models are derived from the 100.1" W.B. LeBaron (C 22 Model). Sheet metal parts for the C 48 not found on this illustration should be specified.

	4273 486	1			TUBE, Thermostat Water By-Pass
	3848 526	1			TUBE, w/HOSE, Heater Eng Core, w/1.6L Eng.
	4273 487	1			BRACKET, Water By-Pass Tube
	1779 258	1			NIPPLE, Heater Water Return to Pump, w/1.6L Eng



MODEL CODES

B = GRAN FURY
C = LEBARON/TOWN & COUNTRY/EXC SEDAN
C24 = LASER
D = ARIES
E = 600

F = FIFTH AVENUE/NEWPORT
G = DIPLOMAT
H = VOYAGER
K = MINI RAM/CARAVAN/ROYAL
M = HORIZON/TURISMO

P = RELIANT
T = E CLASS/NEW YORKER
V = 600
V24 = DAYTONA
Z = OMNI/CHARGER/RAMPAGE

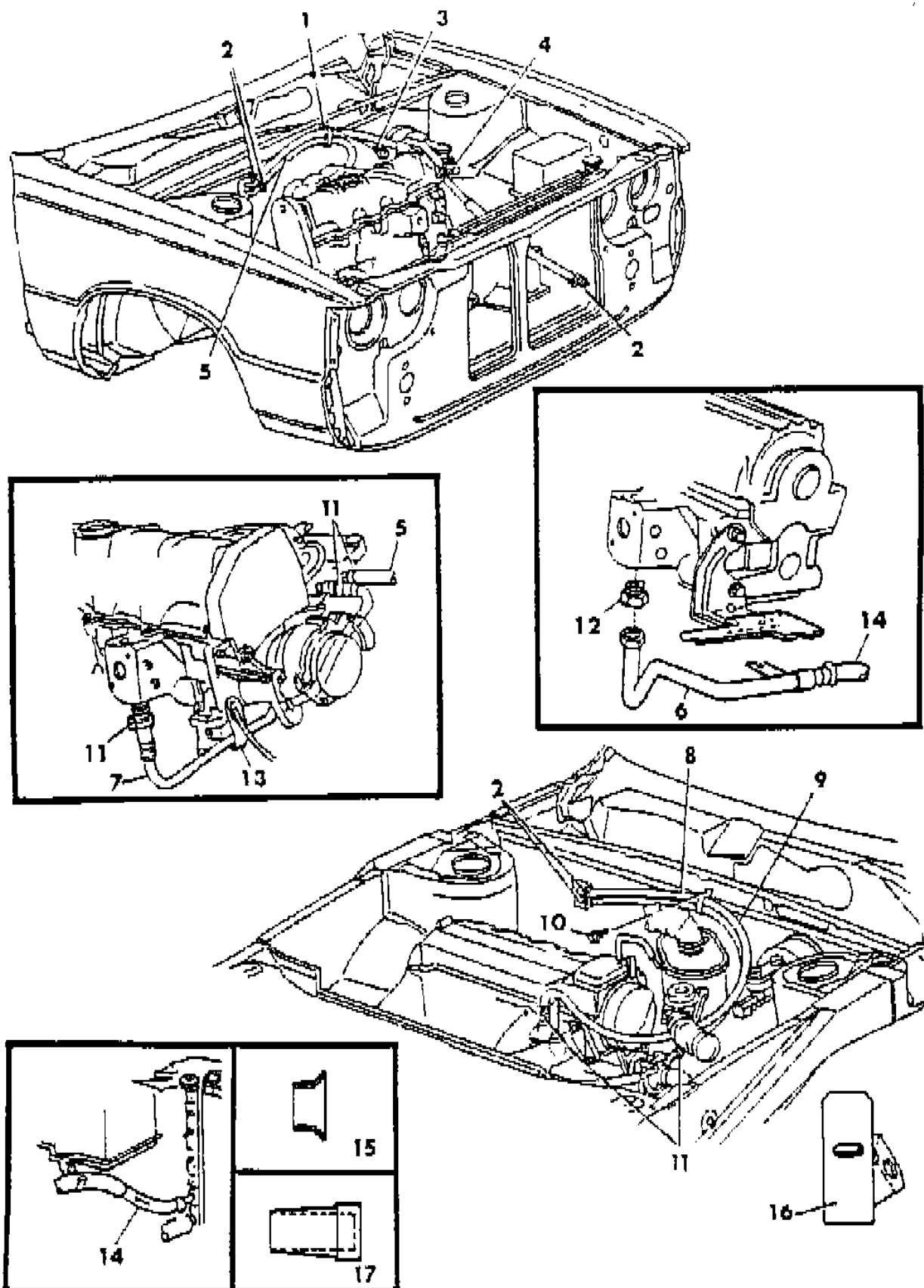
BODY STYLES

21 = 2-DOOR SEDAN
22 = 2-DOOR SPECIAL COUPE
24 = 2-DOOR HATCHBACK
27 = 2-DOOR CONVERTIBLE
28 = FWD PICKUP
35 = FWD VAN
36 = FWD WAGON
41 = 4-DOOR SEDAN
44 = 4-DOOR HATCHBACK
45 = 4-DOOR STATION WAGON
48 = 4-DOOR EXECUTIVE SEDAN

AR = Use as Required - = Non Illustrated Part P.A.R. = Paint as Required

PLUMBING, HEATER P,D,V,C,E,T,C,V 24
Figure 24-700

4124 700 A



ITEM	PART NUMBER	QTY	BODY	MODEL	DESCRIPTION
1					CLIP, Heater Hose Mounting (not serviced)
2	2448 770	3			CLAMP, Heater Hose
3					SCREW, (not serviced)
4					STRAP, Heater Hose to Master Cylinder, (not serviced)
5	3847 828	1			HOSE, Heater Engine to Core w/2.2L Eng.
6	3848 461	1			HOSE with TUBE, A/C. Htr. Engine to Hose w/2.2L T.C.
7	4273 486	1			HOSE, Thermostat By-Pass
	4273 488	1			HOSE, Water By-Pass Tube
	3847 828	1			w/2.2L Eng.
8	3848 791	1			HOSE, Heater Engine to Core, w/2.6L Eng
9	3847 831	1			HOSE, Heater Core to Pump, w/2.6L Eng
	1315 466	1			HOSE, Heater Core to Pump, w/2.2L Eng
10					SCREW, (not serviced)
11	0153 640	2			CLAMP, Heater Hose
12	6032 290	1			CONNECTOR, Thermostat Water By-Pass, w/TC
13	4273 487	1			BRACKET, Water By-Pass Tube, w/TBI
14	3848 881	1			HOSE, w/TUBE, Heater
	3848 438	1		V,C 24,	HOSE, w/TUBE, Heater, w/2.2L TBI
	3848 847	1		P,D,V,C	HOSE, w/TUBE, Heater, w/2.2L TBI
	3848 848	1			HOSE, w/TUBE, Heater, w/2.2L TC (Double Tube)
	3848 888	1			HOSE, Heater Engine Tube, w/TC (Single Tube)
	3848 722	1			HOSE, w/Sleeve, Heater Tube to Radiator, w/2.2L TBI
	3848 722	1			w/2.2L Eng
	3847 721	1			w/2.2L TC
	3848 004	1			RESTRICTOR, Heater Hose, w/2.2L,2.6L Eng.
15	3848 948	1			WASHER, Heater Tube Flare, w/2.2L TC
16	3848 405	1			CLIP, Heater Hose Mounting to Brake Booster
17	4222 799	1			CAP, Heater Hose Clip Mounting Screw

MODEL CODES

B = GRAN FURY	F = FIFTH AVENUE/NEWPORT	P = RELIANT
C = LEBARON/TOWN & COUNTRY/EXC SEDAN	G = DIPLOMAT	T = E CLASS/NEW YORKER
C24 = LASER	H = VOYAGER	V = 600
D = ARIES	K = MINI RAM/CARAVAN/ROYAL	V24 = DAYTONA
E = 600	M = HORIZON/TURISMO	Z = OMNI/CHARGER/RAMPAGE

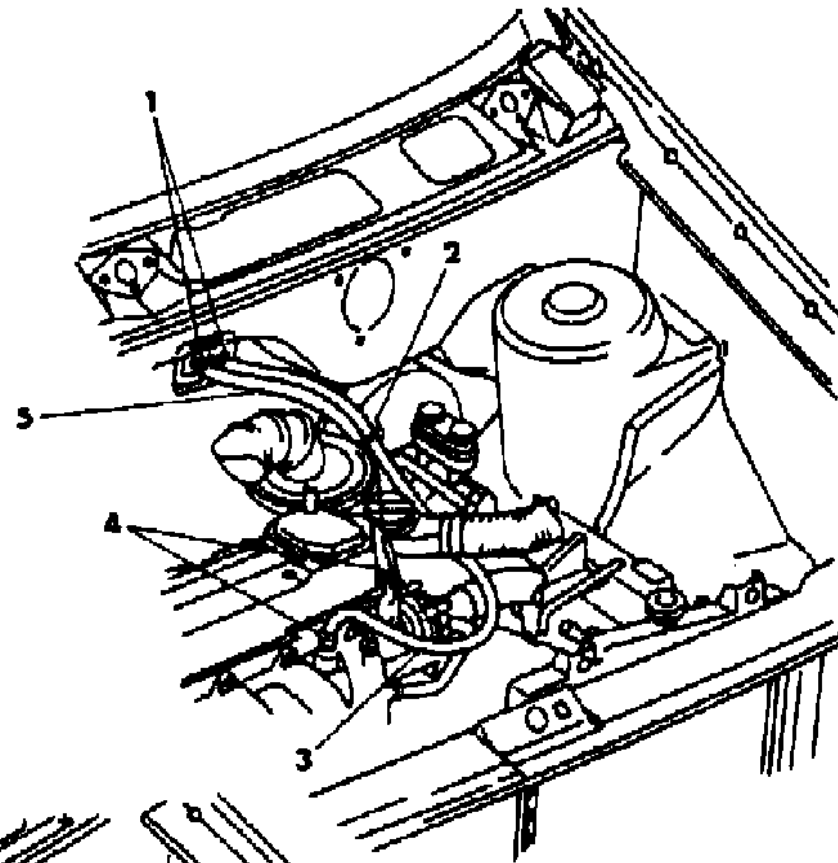
BODY STYLES

21 = 2-DOOR SEDAN	28 = FWD PICKUP	44 = 4-DOOR HATCHBACK
22 = 2-DOOR SPECIAL COUPE	35 = FWD VAN	45 = 4-DOOR STATION WAGON
24 = 2-DOOR HATCHBACK	36 = FWD WAGON	48 = 4-DOOR EXECUTIVE SEDAN
27 = 2-DOOR CONVERTIBLE	41 = 4-DOOR SEDAN	

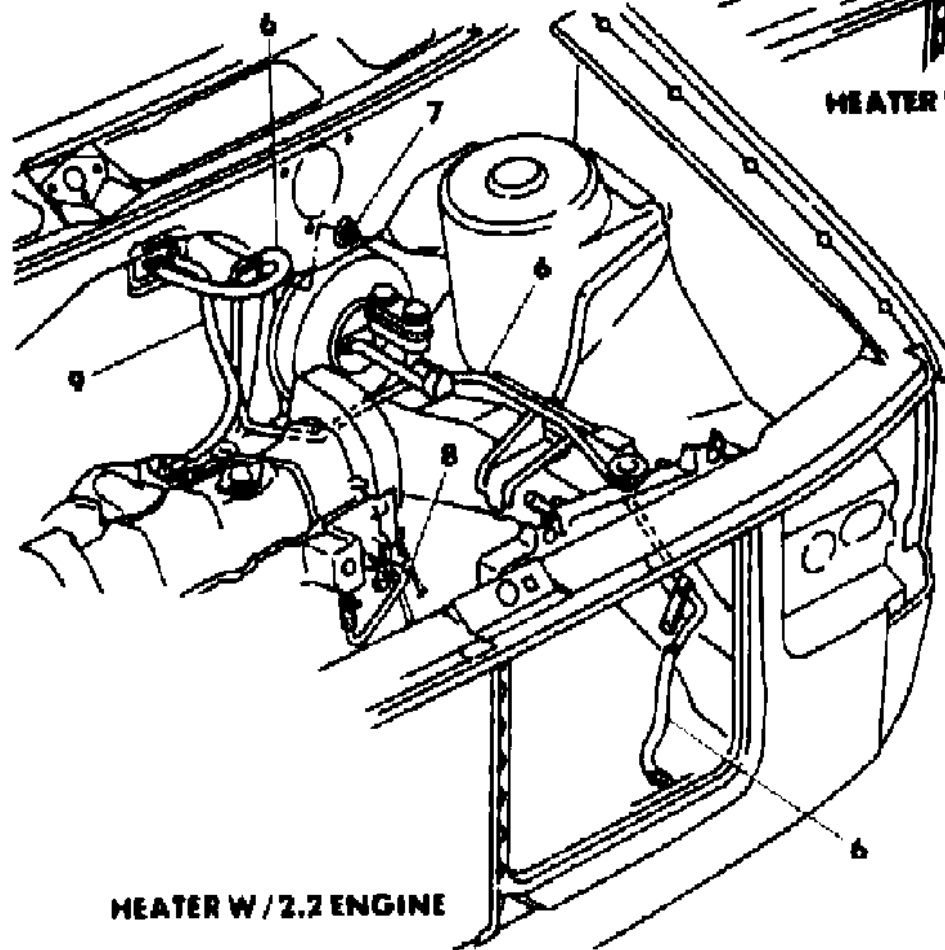
AR = Use as Required - = Non Illustrated Part P.A.R. = Paint as Required

PLUMBING, HEATER H,K
Figure 24-800

4124 B00



HEATER W / 2.6 ENGINE



HEATER W / 2.2 ENGINE

ITEM	PART NUMBER	QTY	BODY	MODEL	DESCRIPTION
1	2448 770	AR			CLAMP, Heater Hose
2	6015 756	1			STRAP, Heater Hose Support
3	3848 728	1			HOSE, Heater Engine to Core
4	0153 640	AR			CLAMP, Heater Hose
5	3848 726	1			HOSE, A/C, Heater Core to Pump
6	3849 042	1			HOSE, w/TUBE, Heater Core to Tee
7	0219 462	1			NUT
8	4273 487	1			BRACKET, Water By-Pass Tube
9	3848 704	1			HOSE, Heater to Core

NOTE: The following items are not illustrated (shown). Both models are derived from the 100.1" W.B. LeBaron (C 22 Model). Sheet metal parts for the C 48 not found on this illustration should be specified.

1315 466	1				HOSE, Heater Tube to Tee, w/2.2L Eng
1315 466	1				HOSE, Heater Engine to Valve
3848 929	1				HOSE, A/C, Heater to Tube, w/2.2L Eng
4273 486	1				TUBE, Thermostat By-Pass, w/2.2L Eng
4222 799	1				CAP, Heater Hose Clip Mounting Screw

MODEL CODES

B = GRAN FURY
C = LEBARON/TOWN & COUNTRY/EXC SEDAN
C24 = LASER
D = ARIES
E = 600

F = FIFTH AVENUE/NEWPORT
G = DIPLOMAT
H = VOYAGER
K = MINI RAM/CARAVAN/ROYAL
M = HORIZON/TURISMO

P = RELIANT
T = E CLASS/NEW YORKER
V = 600
V24 = DAYTONA
Z = OMNI/CHARGER/RAMPAGE

BODY STYLES

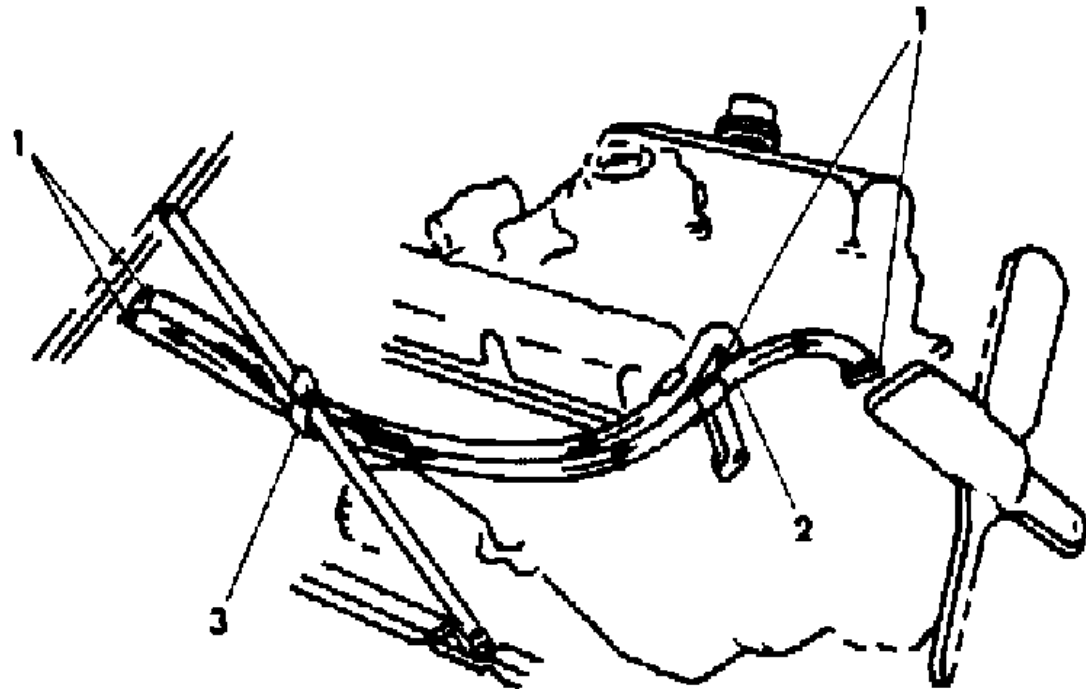
21 = 2-DOOR SEDAN
22 = 2-DOOR SPECIAL COUPE
24 = 2-DOOR HATCHBACK
27 = 2-DOOR CONVERTIBLE
28 = FWD PICKUP
35 = FWD VAN
36 = FWD WAGON
41 = 4-DOOR SEDAN
44 = 4-DOOR HATCHBACK
45 = 4-DOOR STATION WAGON
48 = 4-DOOR EXECUTIVE SEDAN

AR = Use as Required - = Non Illustrated Part P.A.R. = Paint as Required

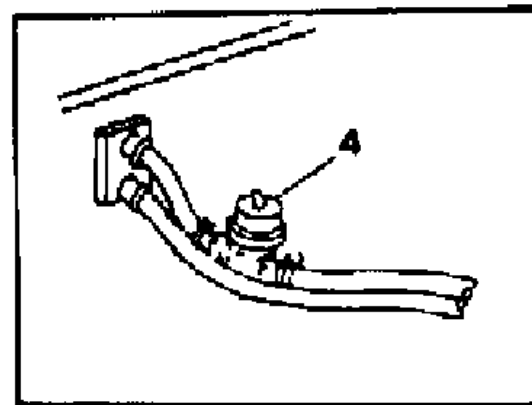
PLUMBING, HEATER B,G
Figure 24-900

4124 800

ITEM	PART NUMBER	QTY	BODY	MODEL	DESCRIPTION
1	2448 770	AR			CLAMP, Heater Hose 15/16" ID
	4041 604	AR			Steel Screw Type
2	1779 258	1			NIPPLE, Heater Hose to Engine 2" Lg., 3/8" Thd.
3	6015 756	1			STRAP, Heater Vacuum Hose Support
4	4339 457	1			VALVE, Heater Water, w/Upper Level Vent
	1595 160	1			HOSE, Heater Engine to Valve



8 CYLINDER



MODEL CODES

B = GRAN FURY	F = FIFTH AVENUE/NEWPORT	P = RELIANT
C = LEBARON/TOWN & COUNTRY/EXC SEDAN	G = DIPLOMAT	T = E CLASS/NEW YORKER
C24 = LASER	H = VOYAGER	V = 600
D = ARIES	K = MINI RAM/CARAVAN/ROYAL	V24 = DAYTONA
E = 600	M = HORIZON/TURISMO	Z = OMNI/CHARGER/RAMPAGE

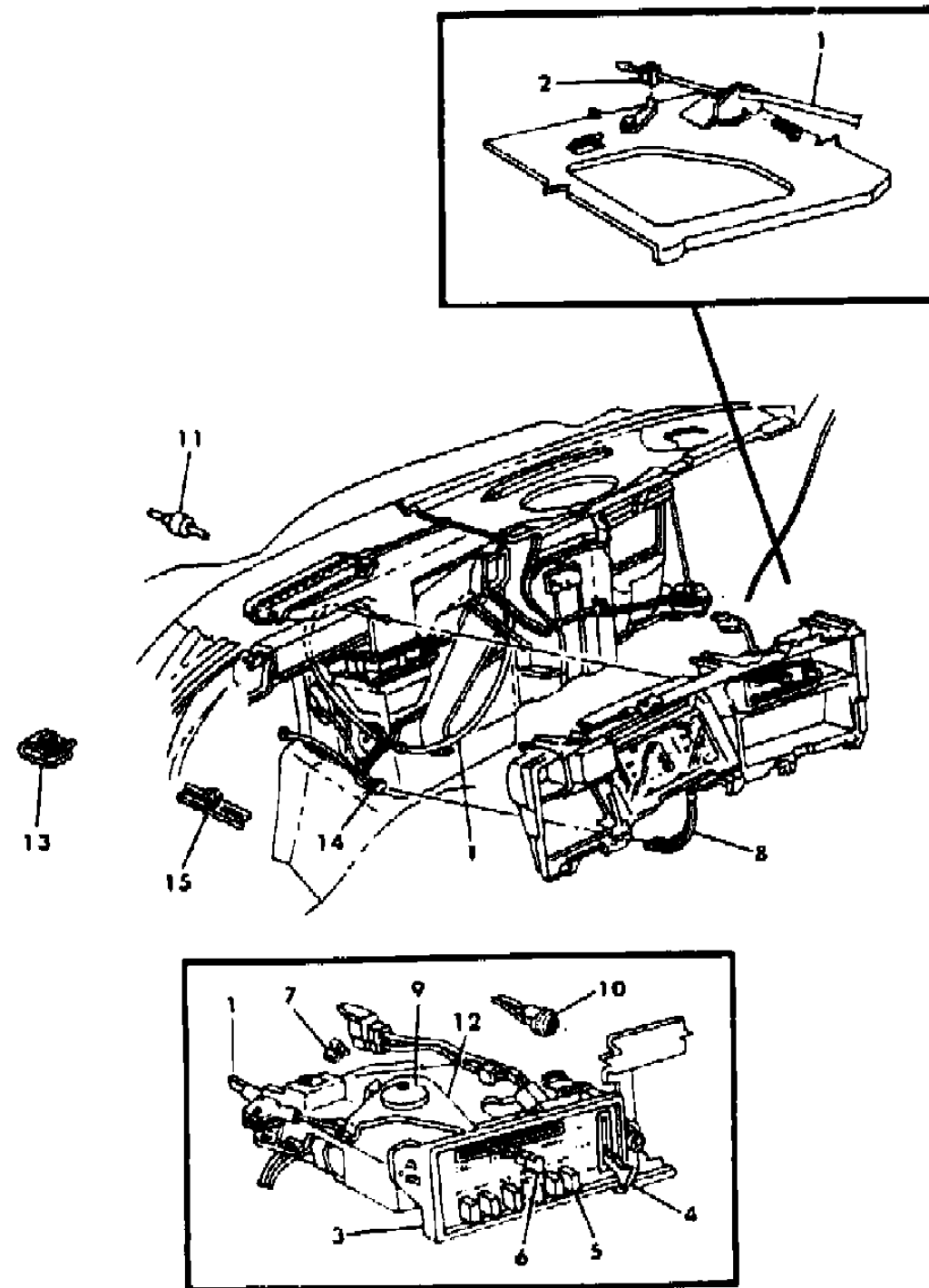
BODY STYLES

21 = 2-DOOR SEDAN	28 = FWD PICKUP	44 = 4-DOOR HATCHBACK
22 = 2-DOOR SPECIAL COUPE	35 = FWD VAN	45 = 4-DOOR STATION WAGON
24 = 2-DOOR HATCHBACK	36 = FWD WAGON	48 = 4-DOOR EXECUTIVE SEDAN
27 = 2-DOOR CONVERTIBLE	41 = 4-DOOR SEDAN	

AR = Use as Required - = Non Illustrated Part P.A.R. = Paint as Required

CONTROLS, AIR CONDITIONER AND HEATER M,Z,P,D,V,C,E,T,C,V 24,B,F,G
Figure 24-1000

4124 (1000)



ITEM	PART NUMBER	QTY	BODY	MODEL	DESCRIPTION
1	5210 360	1		M,Z	CABLE, A/C Temp Control
	3848 319	1		H,K	
	3847 703	1		Exc M,Z	
2	6031 132	1			CLIP, A/C Temp Control Cable Adjusting
3	3848 002	1			BASE, A/C Temp Control
	3848 633	1		M,Z	DECAL, A/C Control
4	3848 629	1		P,D,V,C	A/C Control By-Level
	3848 637	1		C,V 24	A/C Control
	3848 637	1		H,K	A/C Control By-Level
	3848 634	1		B,G	A/C Control By-Level
	3848 630	1		F-S	ATC Control By-Level
5	3847 940	1		Exc CV	SWITCH, A/C Blower Control
	3848 645	1		CV 24,H	
	3847 512	1		M,Z	SWITCH, A/C Control Vacuum 6 P/Button
6	3847 742	1		PDVCETB	
	3848 654	1		C,V 24,	
	3847 447	1		Exc CV	KNOB, A/C Temp Control Lever, Chrome
	3847 445	1		CV 24,H	
7	6029 889	1		Exc HK	NUT, A/C Control Cable Retaining
8	3847 622	1			HOSE, A/C Vacuum, Extension
9	2820 453	1			CLIP, A/C Temp Lever Retaining
10	4131 388	1			SOCKET and BULB, A/C, Heater Control Lamp
11	3441 609	1			VALVE, 5 Port Check, Vacuum Hose
	3848 878	1			LEVER, Heater Temp Door
12	3848 232	1		MZPDVCE	LEVER, A/C Temp Control
	3848 232	1		C,V 24	
	3848 316	1		H,K	
	3847 434	1		B,F,G	w/ATC
13	6025 147	1		B,F,G	NUT, A/C Control Cable Mounting
14	3848 311	1		M,Z	HOSE, w/CONNECTOR, A/C Vacuum
	3847 627	1		B,F,G	
15	6015 778	AR			CLIP, A/C Vacuum Hose Retaining

NOTE: The following items are not illustrated (ode). Both models are derived from the 100.1" W.B. LeBaron (C 22 Model). Sheet metal parts for the C 48 not found on this illustration should be speci

3847 435	1		B,F,G	RHEOSTAT, ATC (Hi-Lo) Sliding Diode
3780 794	AR			HOSE, A/C Control Vacuum .073/.081 ID 50 ft Roll
4124 747	1		B,F,G	WIRING, ATC Unit
5213 348	1			SOLENOID, A/C Idle Speed-Up, w/2.6L Eng.

MODEL CODES

B = GRAN FURY	F = FIFTH AVENUE/NEWPORT	P = RELIANT
C = LEBARON/TOWN & COUNTRY/EXC SEDAN	G = DIPLOMAT	T = E CLASS/NEW YORKER
C24 = LASER	H = VOYAGER	V = 600
D = ARIES	K = MINI RAM/CARAVAN/ROYAL	V24 = DAYTONA
E = 600	M = HORIZON/TURISMO	Z = OMNI/CHARGER/RAMPAGE

BODY STYLES

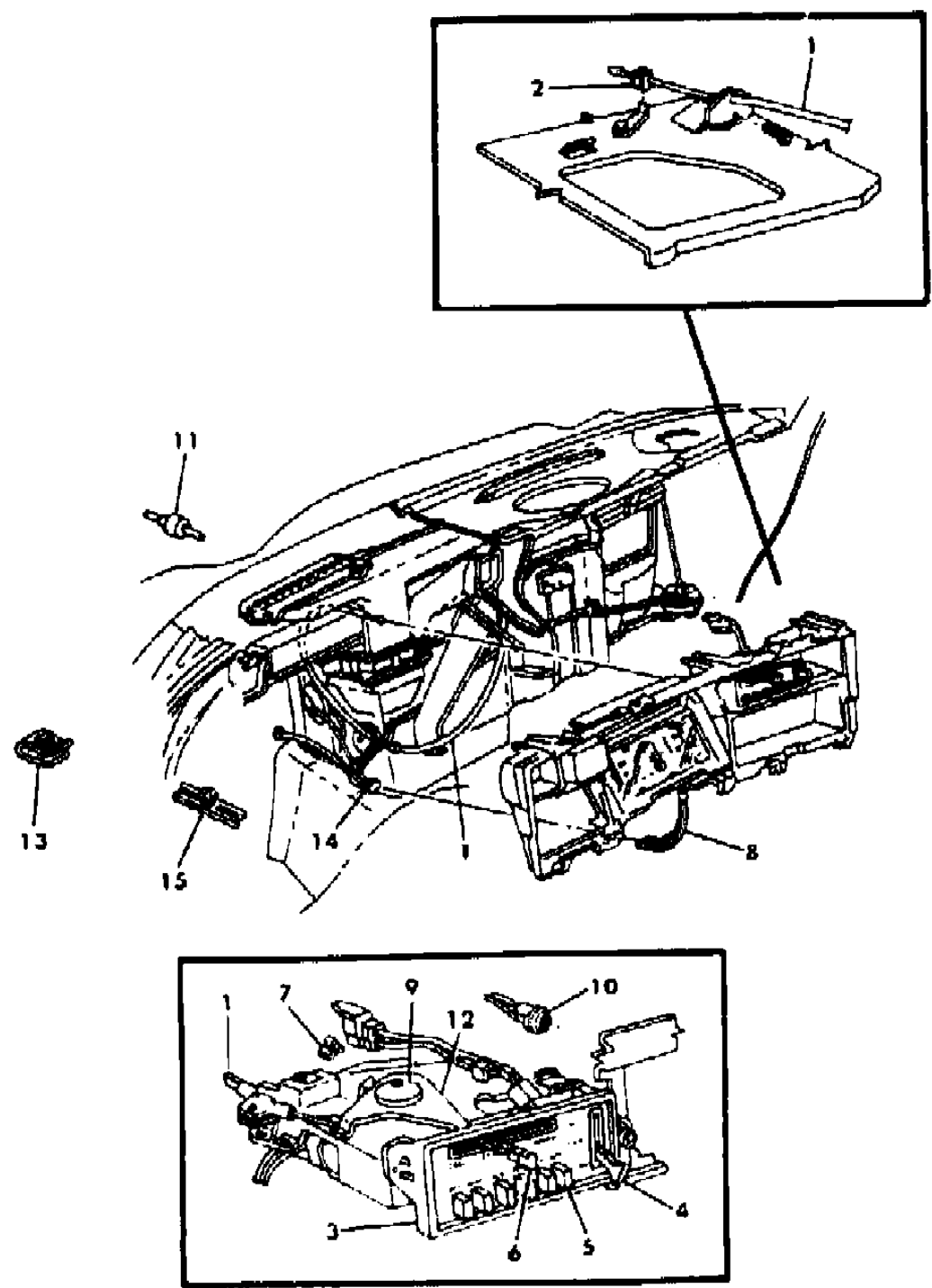
21 = 2-DOOR SEDAN	28 = FWD PICKUP	44 = 4-DOOR HATCHBACK
22 = 2-DOOR SPECIAL COUPE	35 = FWD VAN	45 = 4-DOOR STATION WAGON
24 = 2-DOOR HATCHBACK	36 = FWD WAGON	48 = 4-DOOR EXECUTIVE SEDAN
27 = 2-DOOR CONVERTIBLE	41 = 4-DOOR SEDAN	

AR = Use as Required - = Non Illustrated Part P.A.R. = Paint as Required

CONTROLS, AIR CONDITIONER AND HEATER M,Z,P,D,V,C,E,T,C,V 24,B,F,G
Figure 24-1000

ITEM	PART NUMBER	QTY	BODY	MODEL	DESCRIPTION
	3503 317	1			PIN, A/C Control Lever Pivot

4124 (tkk)



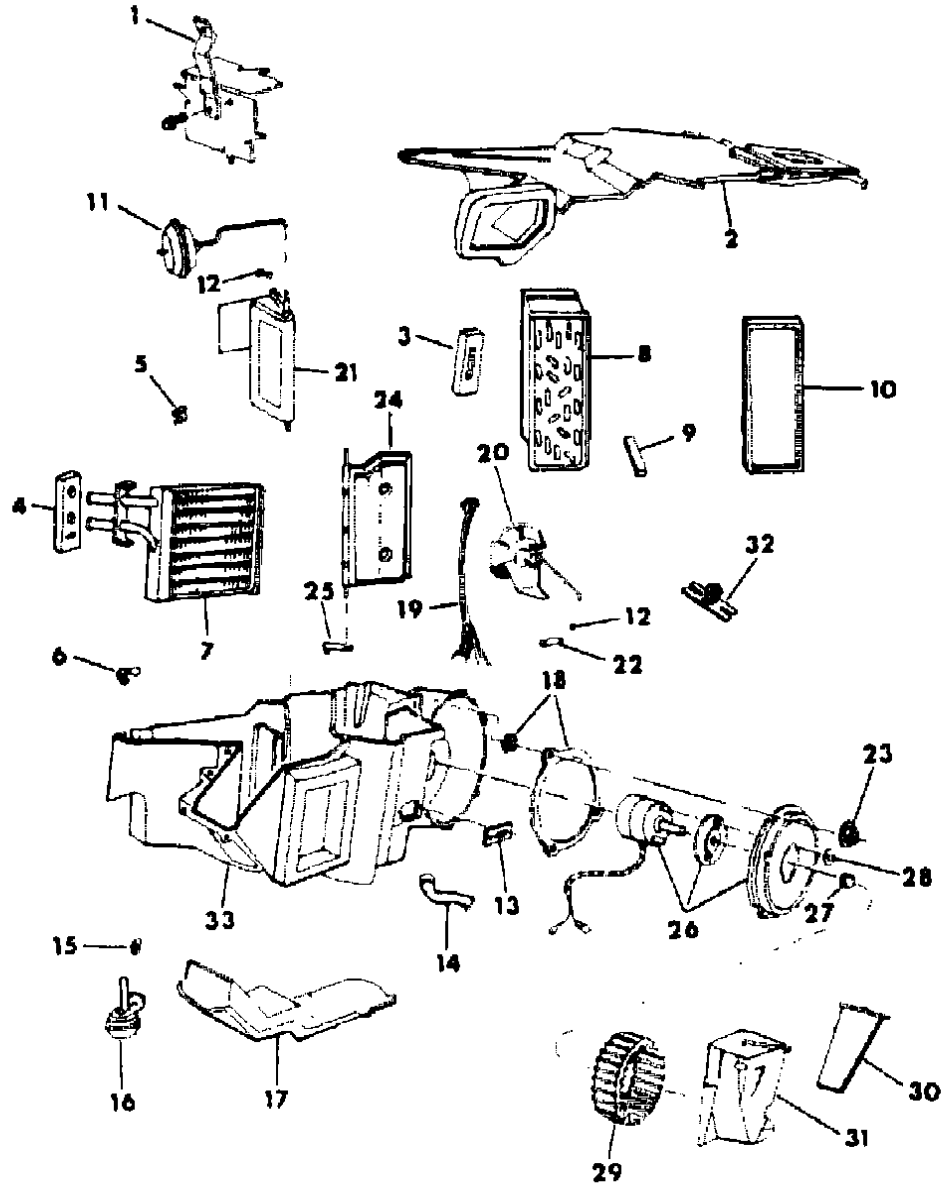
- MODEL CODES**
- | | | |
|--------------------------------------|----------------------------|--------------------------|
| B = GRAN FURY | F = FIFTH AVENUE/NEWPORT | P = RELIANT |
| C = LEBARON/TOWN & COUNTRY/EXC SEDAN | G = DIPLOMAT | T = E CLASS/NEW YORKER |
| C24 = LASER | H = VOYAGER | V = 600 |
| D = ARIES | K = MINI RAM/CARAVAN/ROYAL | V24 = DAYTONA |
| E = 600 | M = HORIZON/TURISMO | Z = OMNI/CHARGER/RAMPAGE |

- BODY STYLES**
- | | | |
|---------------------------|-------------------|-----------------------------|
| 21 = 2-DOOR SEDAN | 28 = FWD PICKUP | 44 = 4-DOOR HATCHBACK |
| 22 = 2-DOOR SPECIAL COUPE | 35 = FWD VAN | 45 = 4-DOOR STATION WAGON |
| 24 = 2-DOOR HATCHBACK | 36 = FWD WAGON | 48 = 4-DOOR EXECUTIVE SEDAN |
| 27 = 2-DOOR CONVERTIBLE | 41 = 4-DOOR SEDAN | |

AR = Use as Required - = Non Illustrated Part P.A.R. = Paint as Required

AIR CONDITIONER AND HEATER UNIT M,Z
Figure 24-1100

4124 1100



ITEM	PART NUMBER	QTY	BODY	MODEL	DESCRIPTION
1	5210 051	1			BRACE, A/C Unit Mounting to Plenum
2	5210 428	1			COVER, A/C Evap. w/Recirc Housing
	5210 065	1			SEAL, A/C Unit to Plenum Fresh Air Inlet
3	5210 228	1			SEAL, A/C Unit to Dash at Coil Header
4	5210 109	1			SEAL, A/C Unit to Dash at Core Tubes
5	2521 336	1			CLIP, A/C Evap. Housing Cover Mounting
6	3503 133	1			TUBE, A/C Unit Drain Up to 5-15-84
	3848 827	1			After 5-15-84
	6031 886	1			RETAINER, Drain Tube
7	3847 943	1			CORE, A/C, Heater
	3847 681	1			SEAL, A/C, Heater Core End
8	4339 422	1			COIL, A/C Evaporator
9	5210 073	2			SEAL, A/C Evap Coil to Housing Bottom
10	3847 116	1			SEAL, A/C Evap Coil Header End
11	5210 111	1			ACTUATOR, A/C Recirc and Fresh Air Door
12	6008 145	1			CLIP, A/C Act Shaft Ret Fresh Air Door
13	3848 807	1			RESISTOR, A/C Blower Motor
14	5210 066	1			TUBE, A/C Blower Motor Cooling
15	6031 147	1			RETAINER, A/C Defroster Door Vacuum Actuator
16	5210 068	1			ACTUATOR, A/C, Heater, Deforster
17	5210 055	1			DUCT, A/C, Heater Distribution
18	3847 476	1			SEAL, A/C Blower Motor to Scroll
19	3848 311	1			HOSE, w/CONNECTOR, A/C Vacuum
	3780 508	1			HOSE, A/C Vacuum (serviced in roll)
20	5210 110	1			ACTUATOR, A/C Mode Door
21	5210 099	1			DOOR and SEAL, A/C Mode
22	5210 112	1			LEVER, A/C Mode Door
23	6006 065	6			WASHER, A/C Motor Mounting
24	5210 395	1			DOOR, A/C Blend Air
25	5210 113	1			LEVER, A/C Blend Air Door
26	4240 426	1			MOTOR, A/C Blower
	6031 694	3			SCREW, w/WASHER, Blower Motor Mounting
27	2837 680	1			CLAMP, A/C Blower Wheel Motor Mounting
28	6500 376	1			NUT, A/C Blower Motor U-Type
29	5210 234	1			WHEEL, Blower Motor
30	5210 056	1			DOOR and SEAL, A/C Recirc and Fresh Air
31	5210 070	1			HOUSING, A/C Recirculating
32	6015 778	2			CLIP, A/C Vacuum Hose Retaining

MODEL CODES

B = GRAN FURY	F = FIFTH AVENUE/NEWPORT	P = RELIANT
C = LEBARON/TOWN & COUNTRY/EXC SEDAN	G = DIPLOMAT	T = E CLASS/NEW YORKER
C24 = LASER	H = VOYAGER	V = 600
D = ARIES	K = MINI RAM/CARAVAN/ROYAL	V24 = DAYTONA
E = 600	M = HORIZON/TURISMO	Z = OMNI/CHARGER/RAMPAGE

BODY STYLES

21 = 2-DOOR SEDAN	28 = FWD PICKUP	44 = 4-DOOR HATCHBACK
22 = 2-DOOR SPECIAL COUPE	35 = FWD VAN	45 = 4-DOOR STATION WAGON
24 = 2-DOOR HATCHBACK	36 = FWD WAGON	48 = 4-DOOR EXECUTIVE SEDAN
27 = 2-DOOR CONVERTIBLE	41 = 4-DOOR SEDAN	

AR = Use as Required - = Non Illustrated Part P.A.R. = Paint as Required

**AIR CONDITIONER AND HEATER UNIT M,Z
Figure 24-1100**

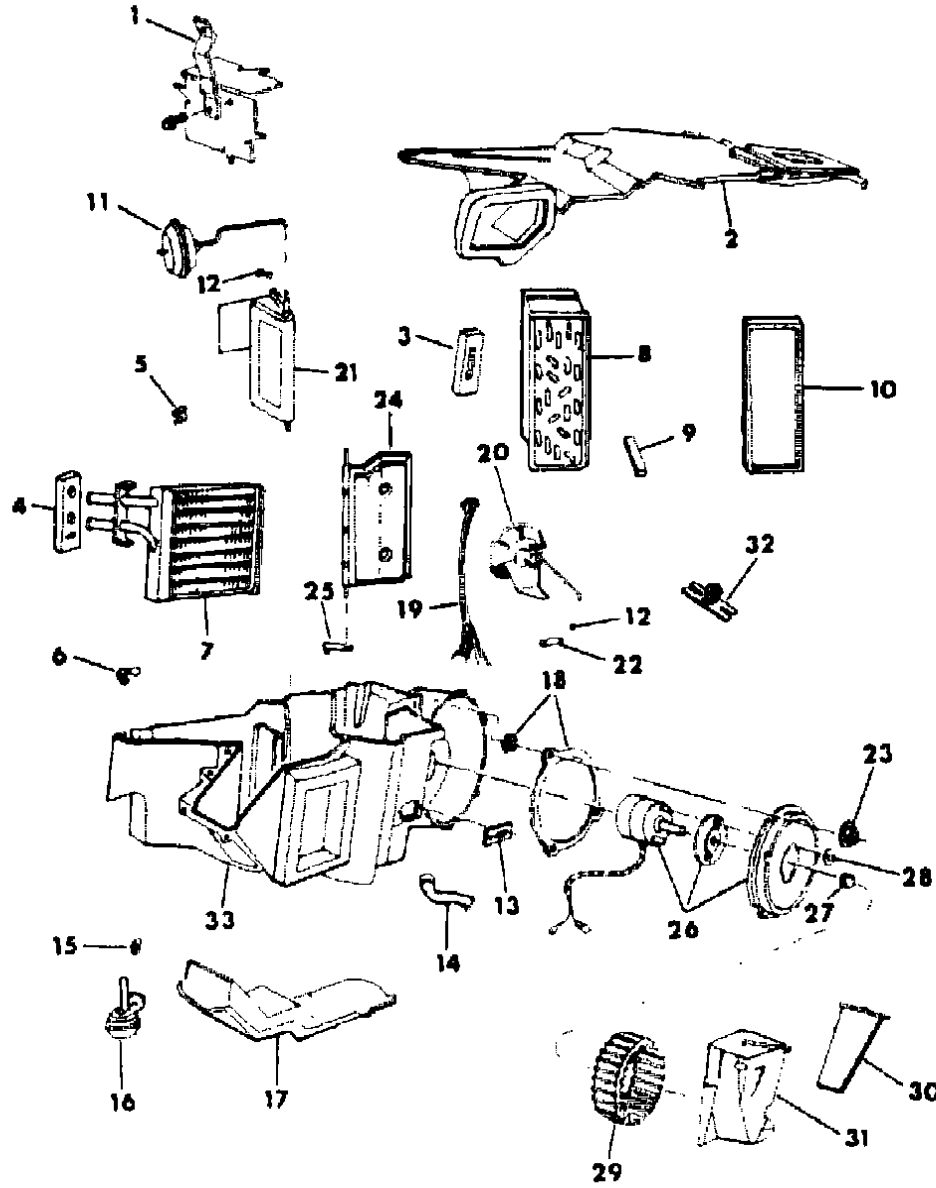
4124 1100

ITEM	PART NUMBER	QTY	BODY	MODEL	DESCRIPTION
------	-------------	-----	------	-------	-------------

33	3847 607	1			HOUSING, w/STUD, A/C Evaporator and Scroll
	4240 482	1			HOUSING, w/STUD PACKAGE, A/C Evaporator and Scroll

NOTE: The following items are not illustrated (see separate drawing) for model C. Both models are derived from the 100.1" W.B. LeBaron (C 22 Model). Sheet metal parts for the C 48 not found on this illustration should be specified.

	4221 549	1			RELAY, A/C Control (Shelby Charger)
--	----------	---	--	--	-------------------------------------



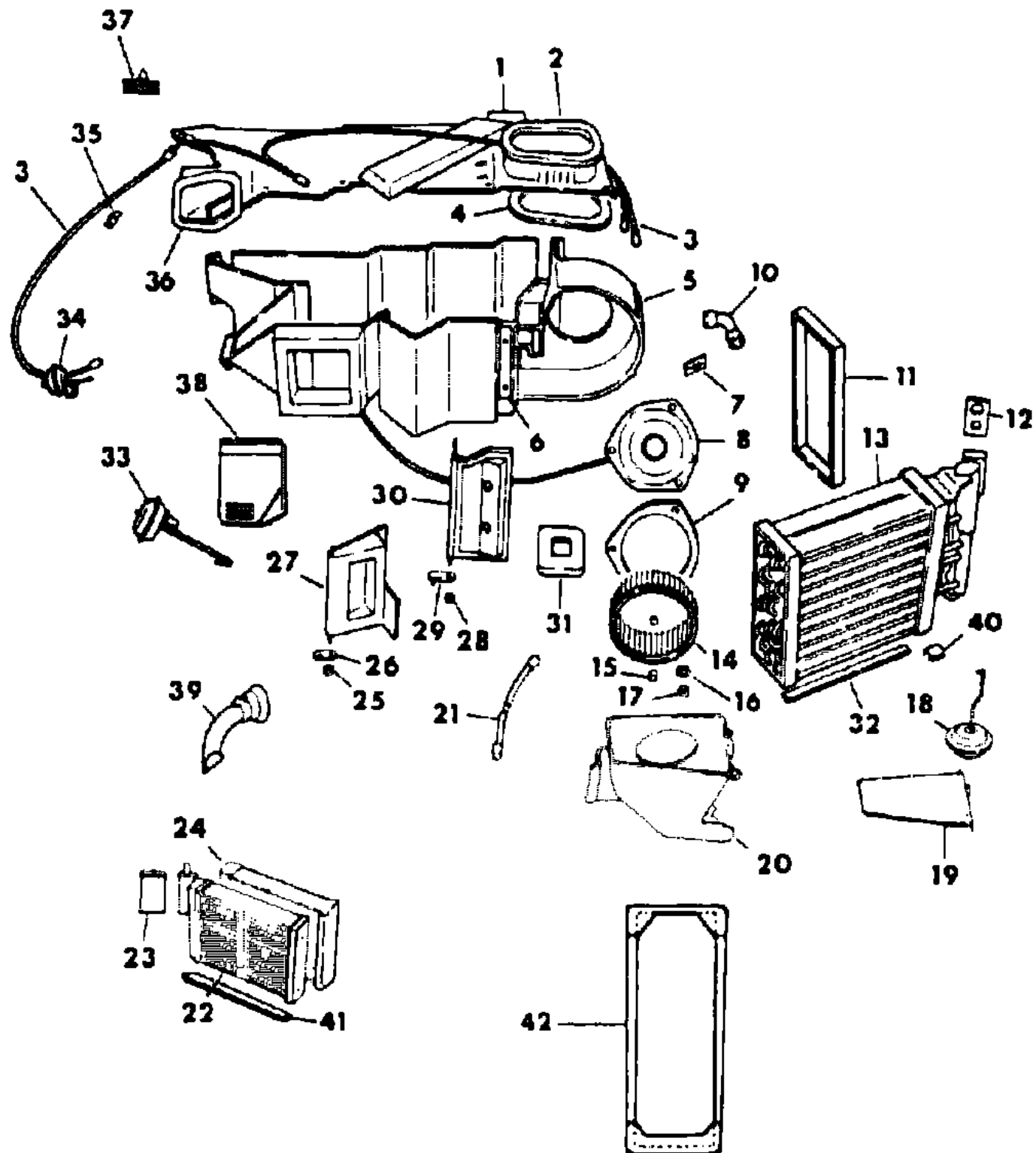
MODEL CODES		
B = GRAN FURY	F = FIFTH AVENUE/NEWPORT	P = RELIANT
C = LEBARON/TOWN & COUNTRY/EXC SEDAN	G = DIPLOMAT	T = E CLASS/NEW YORKER
C24 = LASER	H = VOYAGER	V = 600
D = ARIES	K = MINI RAM/CARAVAN/ROYAL	V24 = DAYTONA
E = 600	M = HORIZON/TURISMO	Z = OMNI/CHARGER/RAMPAGE

BODY STYLES		
21 = 2-DOOR SEDAN	28 = FWD PICKUP	44 = 4-DOOR HATCHBACK
22 = 2-DOOR SPECIAL COUPE	35 = FWD VAN	45 = 4-DOOR STATION WAGON
24 = 2-DOOR HATCHBACK	36 = FWD WAGON	48 = 4-DOOR EXECUTIVE SEDAN
27 = 2-DOOR CONVERTIBLE	41 = 4-DOOR SEDAN	

AR = Use as Required - = Non Illustrated Part P.A.R. = Paint as Required

AIR CONDITIONER AND HEATER UNIT P,D,V,C,E,T,C,V 24
Figure 24-1200

4124 1200



ITEM	PART NUMBER	QTY	BODY	MODEL	DESCRIPTION
1	3848 869	1		PDVCET	COVER, A/C Evap w/Recirc Housing
	3848 870	1		C,V 24	
2	3847 605	1			SEAL, A/C Unit to Plenum
3	3848 740	1			HOSE, w/CONNECTOR, A/C Vacuum
4	3847 722	1			SEAL, A/C Recirc Housing Cover to Housing
	3847 720	1			SEAL, A/C Evap Housing Cover to Housing
5	3848 418	1			HOUSING, W/STUD PACKAGE, A/C Evaporator and Scroll
6	3848 238	1			BRACE, A/C Unit Mounting to Plenum Support
7	3848 995	1			RESISTOR, A/C Blower Motor
8	4240 426	1			MOTOR, A/C Blower
9	3847 476	1			SEAL, A/C Blower Motor to Scroll
10	5210 066	1			TUBE, A/C Blower Motor Cooling
11	3847 116	1			SEAL, A/C Evap Coil Header End
	3848 200	1			SEAL, A/C Evap Coil Header Tubes to Housing
12	3846 836	1			GASKET, A/C Evap Valve Mounting
13	4339 423	1			COIL, A/C Evaporator
14	5210 234	1			WHEEL, Blower Motor
15	2837 680	1			CLAMP, Blower Wheel Motor Mounting
16	6500 376	1			NUT, Blower Motor U-Type
17	6031 694	3			SCREW, w/WASHER, A/C Blower Motor Mounting
18	5210 111	1			ACTUATOR, A/C Recirc and Fresh Air Door
19	5210 056	1			DOOR, w/SEAL, A/C Recirc and Fresh Air
20	5210 070	1			HOUSING, A/C Recirc BLOWER WHEEL
21	3847 622	1			HOSE, w/CONNECTOR, A/C Vacuum Extension
22	3847 943	1			CORE, A/C, Heater
23	5210 109	1			SEAL, A/C Unit to Dash at Core Tubes
24	3848 093	1			SEAL, A/C Heater Core to Housing
25					NUT, Door Shaft Lever (not serviced)
26	3847 858	1			LEVER, Mode Door Shaft
27	3847 848	1			DOOR, w/SEAL, A/C Mode
28	0219 462	1			NUT, Door Shaft Lever
29	5210 113	1			LEVER, A/C Blend Air Door
30	5210 395	1			DOOR, A/C Blend Air
31	3847 602	1			SEAL, A/C Unit to Dash at Coil Header
32	5210 073	2			SEAL, A/C Evap Coil To Housing Bottom
33	3847 849	1			ACTUATOR, A/C Mode Door
34	5210 068	1			ACTUATOR, A/C Heater and Defroster Door
35	2521 336	2			CLIP, A/C Evap Housing Cover Mounting

MODEL CODES

B = GRAN FURY	F = FIFTH AVENUE/NEWPORT	P = RELIANT
C = LEBARON/TOWN & COUNTRY/EXC SEDAN	G = DIPLOMAT	T = E CLASS/NEW YORKER
C24 = LASER	H = VOYAGER	V = 600
D = ARIES	K = MINI RAM/CARAVAN/ROYAL	V24 = DAYTONA
E = 600	M = HORIZON/TURISMO	Z = OMNI/CHARGER/RAMPAGE

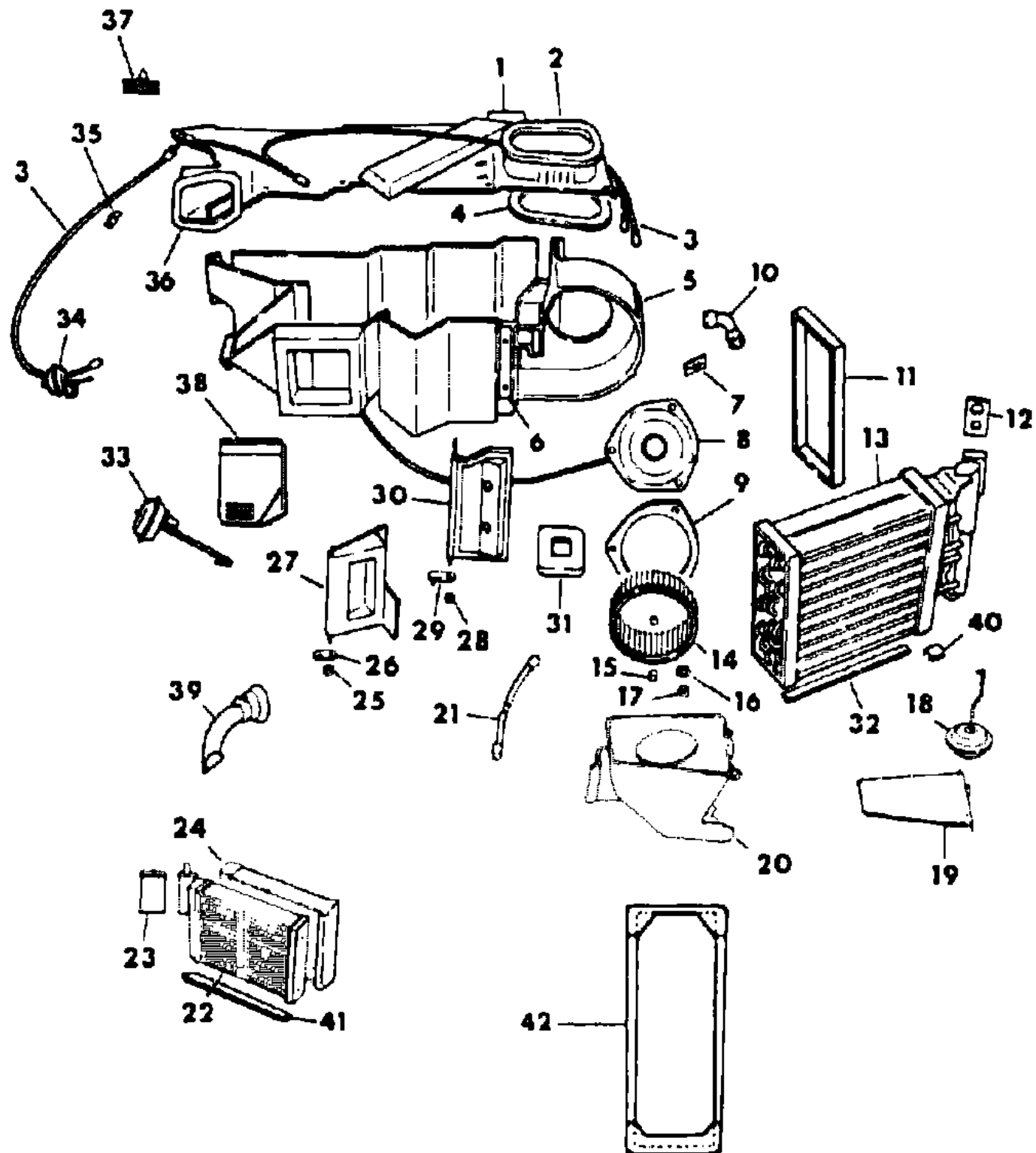
BODY STYLES

21 = 2-DOOR SEDAN	28 = FWD PICKUP	44 = 4-DOOR HATCHBACK
22 = 2-DOOR SPECIAL COUPE	35 = FWD VAN	45 = 4-DOOR STATION WAGON
24 = 2-DOOR HATCHBACK	36 = FWD WAGON	48 = 4-DOOR EXECUTIVE SEDAN
27 = 2-DOOR CONVERTIBLE	41 = 4-DOOR SEDAN	

AR = Use as Required - = Non Illustrated Part P.A.R. = Paint as Required

AIR CONDITIONER AND HEATER UNIT P,D,V,C,E,T,C,V 24
Figure 24-1200

4124 1200



ITEM	PART NUMBER	QTY	BODY	MODEL	DESCRIPTION
36	3847 606	1			SEAL, A/C Unit to Defroster Duct
37	6015 778	2			CLIP, A/C Vacuum Hose Retaining
38	5210 093	1			DOOR, w/SHAFT, A/C Defroster
39	3503 133	1			TUBE, A/C Unit Drain, Up to 5-15-84
	3848 827	1			After 5-15-84
	3847 853	1			SPRING, A/C Mode Door
	6031 886	1			RETAINER, A/C Drain Tube
40	4192 019	1			BUMPER, A/C Defroster Door
	3780 508	1			HOSE, A/C Vacuum (serviced in roll)
41	3847 681	1			SEAL, A/C Heater Core End
42	3848 841	1			SEAL, A/C Evap Coil to Hlse, Hair Pin End

MODEL CODES

B = GRAN FURY	F = FIFTH AVENUE/NEWPORT	P = RELIANT
C = LEBARON/TOWN & COUNTRY/EXC SEDAN	G = DIPLOMAT	T = E CLASS/NEW YORKER
C24 = LASER	H = VOYAGER	V = 600
D = ARIES	K = MINI RAM/CARAVAN/ROYAL	V24 = DAYTONA
E = 600	M = HORIZON/TURISMO	Z = OMNI/CHARGER/RAMPAGE

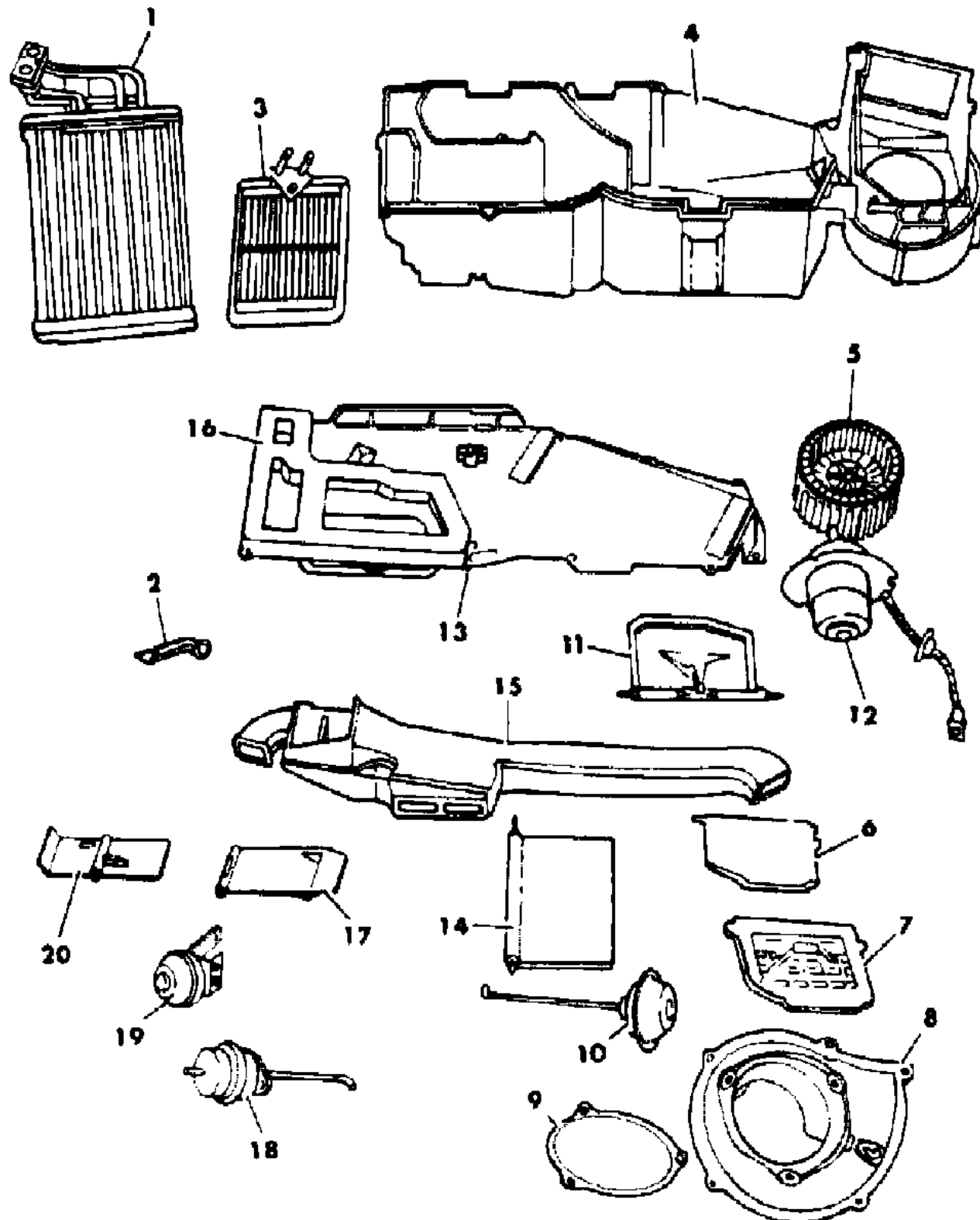
BODY STYLES

21 = 2-DOOR SEDAN	28 = FWD PICKUP	44 = 4-DOOR HATCHBACK
22 = 2-DOOR SPECIAL COUPE	35 = FWD VAN	45 = 4-DOOR STATION WAGON
24 = 2-DOOR HATCHBACK	36 = FWD WAGON	48 = 4-DOOR EXECUTIVE SEDAN
27 = 2-DOOR CONVERTIBLE	41 = 4-DOOR SEDAN	

AR = Use as Required - = Non Illustrated Part P.A.R. = Paint as Required

AIR CONDITIONER AND HEATER UNIT H,K
Figure 24-1300

4124 1300



ITEM	PART NUMBER	QTY	BODY	MODEL	DESCRIPTION
1	3848 360	1			COIL, A/C Evap
2	3503 133	1			TUBE, A/C Drain, Up to 6-1-84
	3848 827	1			After 6-1-84
3	3848 300	1			CORE, Heater
4	3848 261	1			HOUSING, w/STUD, A/C Evaporator
5	3503 859	1			WHEEL, A/C Blower Motor
6	3848 432	1			COVER, Heater
7	3848 267	1			COVER, A/C Recirc
8	3848 272	1			COVER ASSY., A/C Motor
	3848 273	1			COVER, A/C Motor
9	3847 476	1			SEAL, A/C Blower Motor to Cover
10	3848 258	1			ACTUATOR, A/C Fresh Air Door
11	3848 370	1			DOOR, A/C Fresh Air w/o Seals
12	4318 116	1			MOTOR, A/C Blower
13	3848 263	1			COVER, A/C Evap
14	3848 873	1			DOOR, w/SEAL, A/C Temp
15	3848 257	1			DUCT, A/C Heat Distr
16	3848 266	1			SEAL, A/C Evap Cover to Ducts
17	3848 226	1			DOOR, A/C Mode
18	3848 259	1			ACTUATOR, A/C Mode Door
19	3848 260	1			ACTUATOR, A/C Defr Door
20	3848 227	1			DOOR, Heater, Defr

NOTE: The following items are not illustrated (see Note 1). Both models are derived from the 100.1" W.B. LeBaron (C 22 Model). Sheet metal parts for the C 48 not found on this illustration should be specified.

6031 694	AR				SCREW, w/WASHER, A/C Blower Motor Mounting
3848 878	1				LEVER, A/C Temp Door
3848 253	1				HOSE, A/C Vacuum
4163 735	1				SHAFT, A/C Defroster Mode Door
6031 147	1				RETAINER, A/C Mode Defroster Door Shaft
3780 508	1				HOSE, A/C Vacuum (serviced in roll)
3848 251	1				BRACE, A/C Unit Support
6028 944	1				RETAINER, A/C Drain Tube
3848 252	1				RESISTOR, A/C Blower Motor, Up to 5-16-84
					After 5-16-84
3848 997	1				SEAL, A/C Evap Coil to Housing Bottom
3846 756	1				SEAL, A/C Evap Coil Header End
3847 116	1				SEAL, A/C Evap Coil to Housing Hair Pin End
3848 151	1				SEAL, A/C Evap Coil to Header Tubes to Housing
3848 838	1				SEAL, A/C Evap Coil to Header Tubes to Housing

MODEL CODES

B = GRAN FURY	F = FIFTH AVENUE/NEWPORT	P = RELIANT
C = LEBARON/TOWN & COUNTRY/EXC SEDAN	G = DIPLOMAT	T = E CLASS/NEW YORKER
C24 = LASER	H = VOYAGER	V = 600
D = ARIES	K = MINI RAM/CARAVAN/ROYAL	V24 = DAYTONA
E = 600	M = HORIZON/TURISMO	Z = OMNI/CHARGER/RAMPAGE

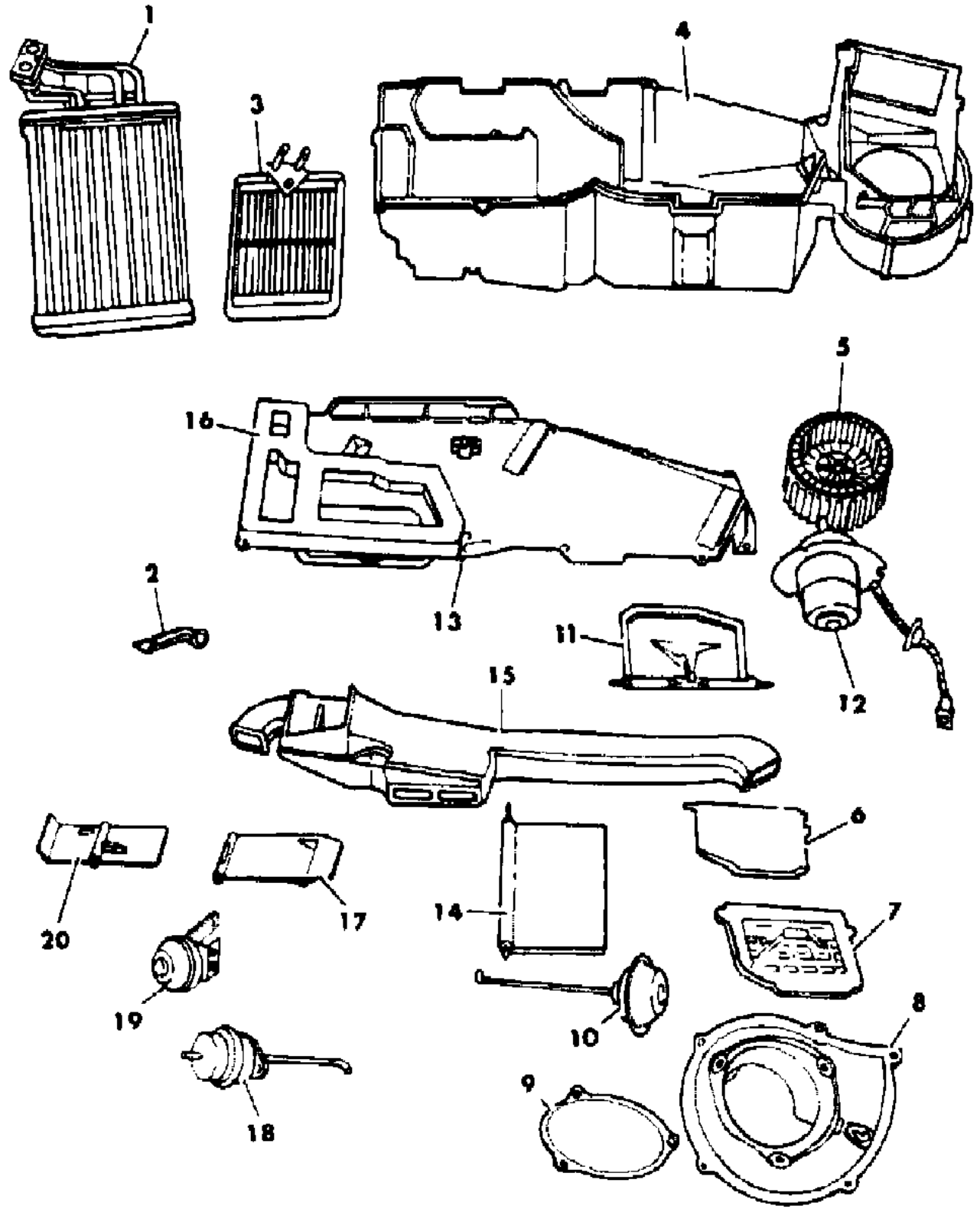
BODY STYLES

21 = 2-DOOR SEDAN	28 = FWD PICKUP	44 = 4-DOOR HATCHBACK
22 = 2-DOOR SPECIAL COUPE	35 = FWD VAN	45 = 4-DOOR STATION WAGON
24 = 2-DOOR HATCHBACK	36 = FWD WAGON	48 = 4-DOOR EXECUTIVE SEDAN
27 = 2-DOOR CONVERTIBLE	41 = 4-DOOR SEDAN	

AR = Use as Required - = Non Illustrated Part P.A.R. = Paint as Required

AIR CONDITIONER AND HEATER UNIT H,K
Figure 24-1300

4124 1300



ITEM	PART NUMBER	QTY	BODY	MODEL	DESCRIPTION
	3848 255	1			SEAL, A/C Header to Dash
	3848 254	1			SEAL, A/C Core Tube to Dash
	6031 147	1			NUT, A/C Defroster and Mode Door Shaft

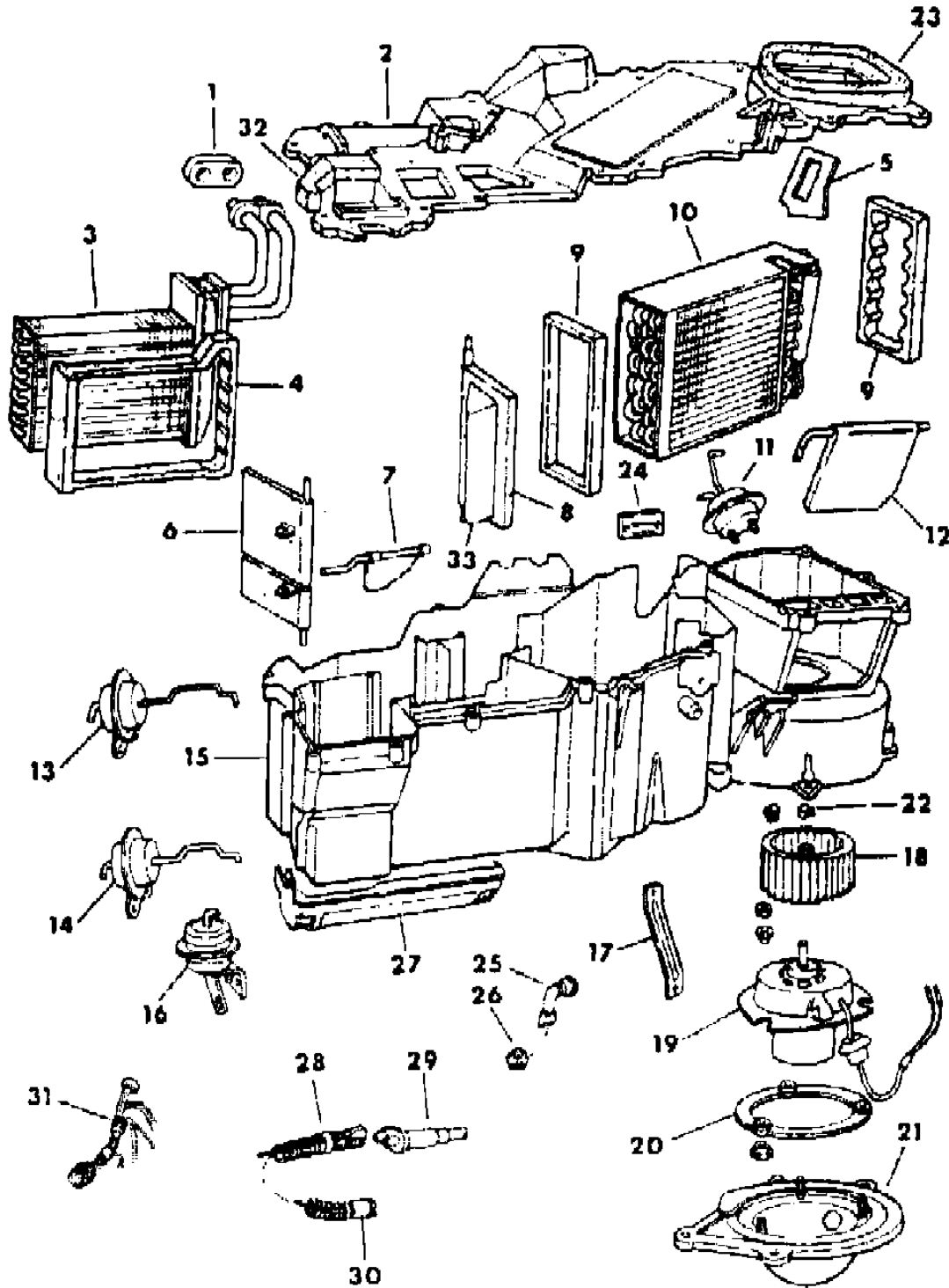
MODEL CODES
 B = GRAN FURY
 C = LEBARON/TOWN & COUNTRY/EXC SEDAN
 C24 = LASER
 D = ARIES
 E = 600
 F = FIFTH AVENUE/NEWPORT
 G = DIPLOMAT
 H = VOYAGER
 K = MINI RAM/CARAVAN/ROYAL
 M = HORIZON/TURISMO
 P = RELIANT
 T = E CLASS/NEW YORKER
 V = 600
 V24 = DAYTONA
 Z = OMNI/CHARGER/RAMPAGE

BODY STYLES
 21 = 2-DOOR SEDAN
 22 = 2-DOOR SPECIAL COUPE
 24 = 2-DOOR HATCHBACK
 27 = 2-DOOR CONVERTIBLE
 28 = FWD PICKUP
 35 = FWD VAN
 36 = FWD WAGON
 41 = 4-DOOR SEDAN
 44 = 4-DOOR HATCHBACK
 45 = 4-DOOR STATION WAGON
 48 = 4-DOOR EXECUTIVE SEDAN

AR = Use as Required - = Non Illustrated Part P.A.R. = Paint as Required

AIR CONDITIONER AND HEATER UNIT B,F,G
Figure 24-1400

4124 1400



ITEM	PART NUMBER	QTY	BODY	MODEL	DESCRIPTION
1	3846 740	1			SEAL, A/C Heater Tubes to Dash
2	3847 282	1			COVER, A/C Housing, Up to 2-6-84
	3849 097	1			After 2-6-84
	4240 440	1			TANK, A/C Heater Core
3	3848 600	1			CORE, A/C or Heater
4	3846 773	1			SEAL, A/C Coare to Housing Mounting, Up to 2-6-84
	3849 100	1			After 2-6-84
5	3847 304	1			SEAL, A/C Unit to Dash at Coil
6	3847 231	1			DOOR and SEAL, A/C Mode
7	3847 478	1			DOOR, A/C Defroster
8	3847 223	1			DOOR and SEAL, A/C Blend Air
	3847 296	1			SERVO, A/C Blend Air Door, w/ATC
	3847 913	1			PAD, A/C Blend Air Door Servo Silencer, w/ATC
9	3847 116	1			SEAL, A/C Evap Coil Header End
	3847 790	1			SEAL, A/C Evap Coil Bottom
10	3847 256	1			COIL and SEAL, A/C Evap om
11	3847 216	1			ACTUATOR, A/C Fresh Air Door
12	3847 217	1			DOOR and SEAL, A/C Fresh Air
13	3847 230	1			ACTUATOR, A/C Mode Door Upper
14	3847 229	1			ACTUATOR, A/C Mode Door Lower
15	3847 278	1			HOUSING, w/STUD, A/c Evap, w/ATC, Up to 2-6-84
	3849 092	1			After 2-6-84
16	3847 211	1			ACTUATOR, A/C Defr Door
17	3847 202	1			BRACE, A/C Unit to Plenum Mounting
18	3503 037	1			WHEEL, A/C Blower Motor
19	4240 425	1			MOTOR, A/C Blower
20	3847 476	1			SEAL, A/C Blower Motor Mounting to Scroll
21	3847 207	1			COVER and STUD, A/C Blower Scroll
	3847 205	1			SEAL, A/C Cover to Scroll
	3773 192	1			SEAL, A/C Blower Scroll Cover to Housing
22	2837 680	1			CLAMP, A/C Blower Motor Wheel Motor Mounting
23	3847 243	1			SEAL, A/C Unit to Plenum
24	3848 996	1			RESISTOR, A/C Blower Motor
25	3503 133	1			TUBE, A/C Drain, Up to 5-15-84
	3848 827	1			After 5-15-84
26	6031 886	1			RETAINER, A/C Drain Tube
27	3847 297	1			DUCT, A/C Heat Distribution
28	3847 294	1			HOSE, A/C Sensor to Aspirator, w/ATC

MODEL CODES

B = GRAN FURY	F = FIFTH AVENUE/NEWPORT	P = RELIANT
C = LEBARON/TOWN & COUNTRY/EXC SEDAN	G = DIPLOMAT	T = E CLASS/NEW YORKER
C24 = LASER	H = VOYAGER	V = 600
D = ARIES	K = MINI RAM/CARAVAN/ROYAL	V24 = DAYTONA
E = 600	M = HORIZON/TURISMO	Z = OMNI/CHARGER/RAMPAGE

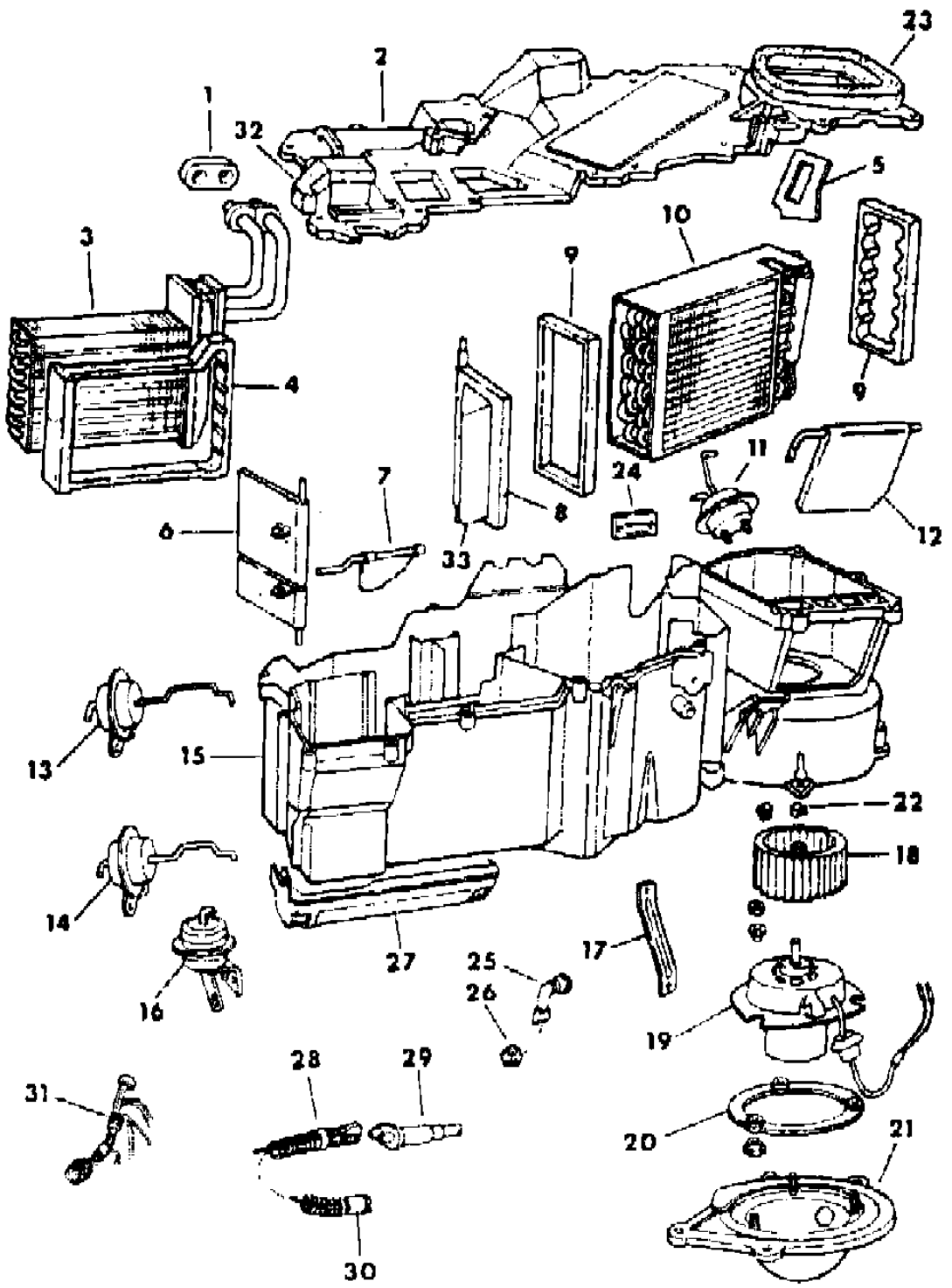
BODY STYLES

21 = 2-DOOR SEDAN	28 = FWD PICKUP	44 = 4-DOOR HATCHBACK
22 = 2-DOOR SPECIAL COUPE	35 = FWD VAN	45 = 4-DOOR STATION WAGON
24 = 2-DOOR HATCHBACK	36 = FWD WAGON	48 = 4-DOOR EXECUTIVE SEDAN
27 = 2-DOOR CONVERTIBLE	41 = 4-DOOR SEDAN	

AR = Use as Required - = Non Illustrated Part P.A.R. = Paint as Required

AIR CONDITIONER AND HEATER UNIT B,F,G
Figure 24-1400

4124 1400



ITEM	PART NUMBER	QTY	BODY	MODEL	DESCRIPTION
	4005 185	1			HOSE, A/C Aspriator to Evaporator Housing, w/ATC
29	3847 766	1			ASPRIATOR, A/C, W/ATC
30	3847 291	1			SENSOR, w/ATC
	3847 589	1			SENSOR, Ambient, w/ATC
31	3847 627	1			HOSE, w/CONNECTOR, A/C Vacuum
	6015 778	1			CLIP, A/C Vacuum Hose Retaining
32	3503 999	1			SEAL, A/C Cover to Deforster Duct
33	3847 225	1			DEFLECTOR, A/C Blend Air Door

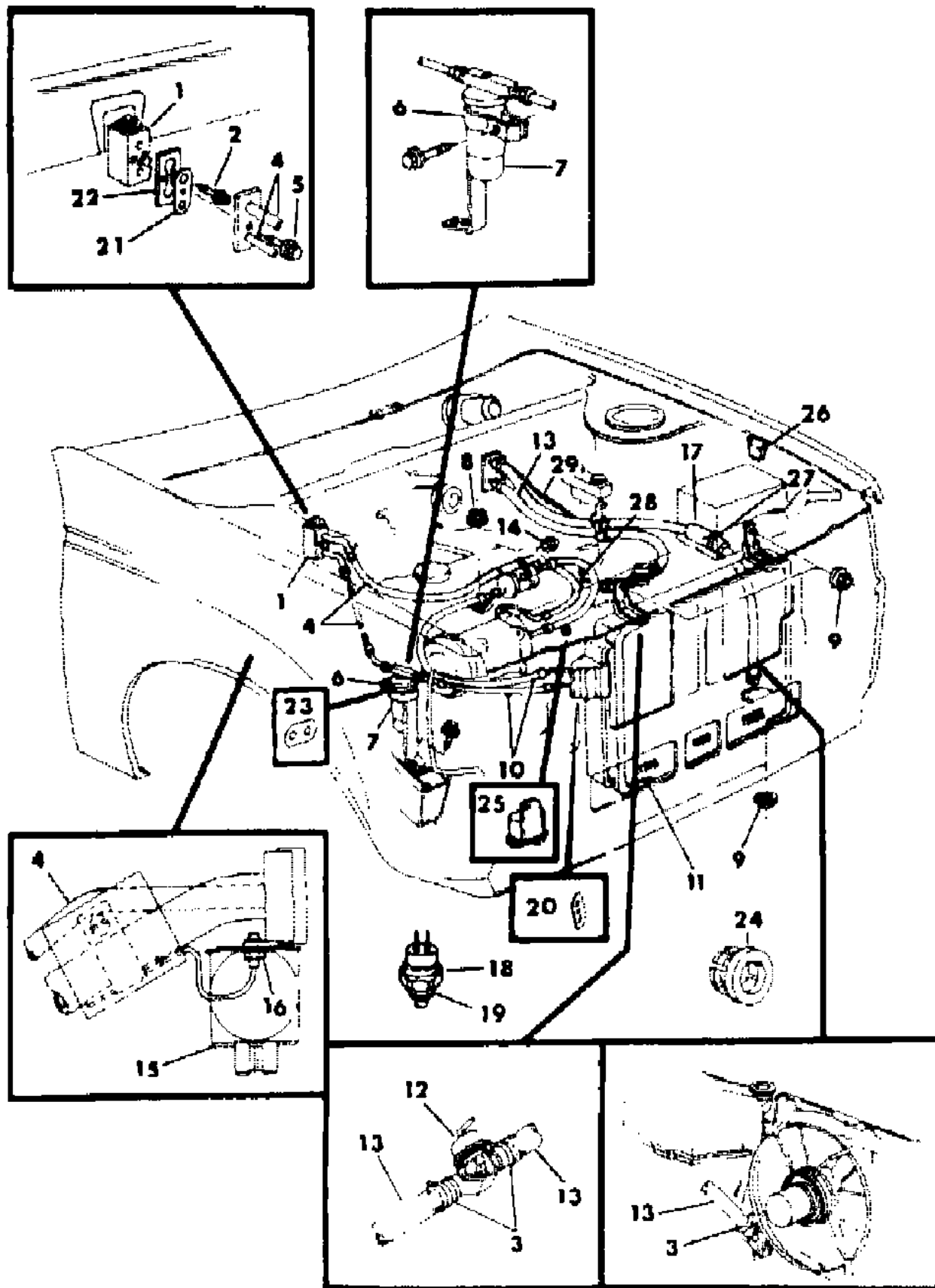
MODEL CODES
 B = GRAN FURY
 C = LEBARON/TOWN & COUNTRY/EXC SEDAN
 C24 = LASER
 D = ARIES
 E = 600
 F = FIFTH AVENUE/NEWPORT
 G = DIPLOMAT
 H = VOYAGER
 K = MINI RAM/CARAVAN/ROYAL
 M = HORIZON/TURISMO
 P = RELIANT
 T = E CLASS/NEW YORKER
 V = 600
 V24 = DAYTONA
 Z = OMNI/CHARGER/RAMPAGE

BODY STYLES
 21 = 2-DOOR SEDAN
 22 = 2-DOOR SPECIAL COUPE
 24 = 2-DOOR HATCHBACK
 27 = 2-DOOR CONVERTIBLE
 28 = FWD PICKUP
 35 = FWD VAN
 36 = FWD WAGON
 41 = 4-DOOR SEDAN
 44 = 4-DOOR HATCHBACK
 45 = 4-DOOR STATION WAGON
 48 = 4-DOOR EXECUTIVE SEDAN

AR = Use as Required - = Non Illustrated Part P.A.R. = Paint as Required

PLUMBING, AIR CONDITIONER AND HEATER M,Z,P,D,V,C,E,T,C,V 24
Figure 24-1500

4124 1500



ITEM	PART NUMBER	QTY	BODY	MODEL	DESCRIPTION
1	4176 999	1			VALVE, A/C Expansion, H-Type
2	6032 572	2			SCREW, A/C Expansion Valve Mounting
3	2448 770	6			CLAMP, A/C Hose
4	3848 830	1		M,Z	LINE, A/C Suction and Liquid
	3848 699	1		Exc M,Z	w/2.2L Eng.
	3848 696	1		P,D,V,C	w/2.6L Eng.
	3848 785	1		Exc M,Z	BRACKET, A/C Suction Line Support
5	6500 827	1			SCREW, A/C Suction Liquid Line Mounting
	6500 827	1			A/C Disch and Liquid Line Mounting to Cond.
6	5210 409	1		M,Z	BRACKET, A/C Filter Drier Mounting
7	5210 438	1		M,Z	FILTER, A/C Drier
	3848 784	1		Exc M,Z	FILTER, w/BRACKET, A/C Drier
8	6100 047	1			NUT, w/WASHER
9	6500 284	4			NUT, w/WASHER
10	3848 828	1		M,Z	LINE, A/C Discharge w/Liquid, w/2.2L Eng. (Up To 11-15-83)
	3848 828	1		M,Z	LINE, A/C Discharge w/Liquid, w/2.2L Eng. (After 11-15-83)
	3848 736	1		Exc M,Z	w/2.2L Eng.
	3848 677	1		P,D,V,C	w/2.6L Eng.
	4106 097	1		M,Z	PLATE, A/C Condenser Disch, and Liquid Line Mounting
11	5210 420	1		M,Z	CONDENSER, A/C
	3848 015	1		Exc M,Z	
12	4339 457	1		P,D,V,C	VALVE, A/C Water, w/2.6L Eng.
	3848 136	1		M,Z	4 Port, w/2.2L Eng.
	3848 307	1		Exc M,Z	4 Port, w/2.2L Eng.
13	1315 466	AR			HOSE, A/C Heater 5/8" ID. 50Ft. Roll
	3847 825	1		P,D,V,C	HOSE, A/C Heater Core to Pump
	3848 356	1		P,D	HOSE, A/C Heater Core to Pump, w/2.6L Eng. (Silicone H.D.)
	3848 467	1		M,Z	HOSE, A/C Heater Eng., to Valve, w/2.2L Eng.
	3848 333	1		Exc M,Z	HOSE, A/C Heater Eng., to Valve, w/2.2L Eng.
	3848 461	1			HOSE, w/TUBE, A/C Heater Eng. to Valve, w/2.2L Turbo Eng.
	3848 355	1			HOSE, A/C Heater Valve to Core, w/2.6L Eng. (Silicone H.D.)
	3847 924	1		P,D,V,C	HOSE, A/C Heater Valve to Core, w/2.6L Eng.
	3848 357	1		P,D	HOSE, A/C Heater Eng. to Valve, w/2.6L Eng. (Silicone H.D.)
	3780 794	AR			HOSE, Control Vacuum .073/.081 ID. 50Ft Roll
	3848 405	1		E,T	CLIP, A/C Heater Hose Mounting, w/2.2L EFI Eng.
	3848 405	1			CLIP, A/C Heater Hose Mounting to Brk. Tandem Booster
	3849 243	1			CLIP, A/C Heater Hose Mounting to Brk. Single Booster
14	3848 021	1		P,D,V,C	CAP, A/C Suction Liquid Line Check Valve

MODEL CODES

B = GRAN FURY	F = FIFTH AVENUE/NEWPORT	P = RELIANT
C = LEBARON/TOWN & COUNTRY/EXC SEDAN	G = DIPLOMAT	T = E CLASS/NEW YORKER
C24 = LASER	H = VOYAGER	V = 600
D = ARIES	K = MINI RAM/CARAVAN/ROYAL	V24 = DAYTONA
E = 600	M = HORIZON/TURISMO	Z = OMNI/CHARGER/RAMPAGE

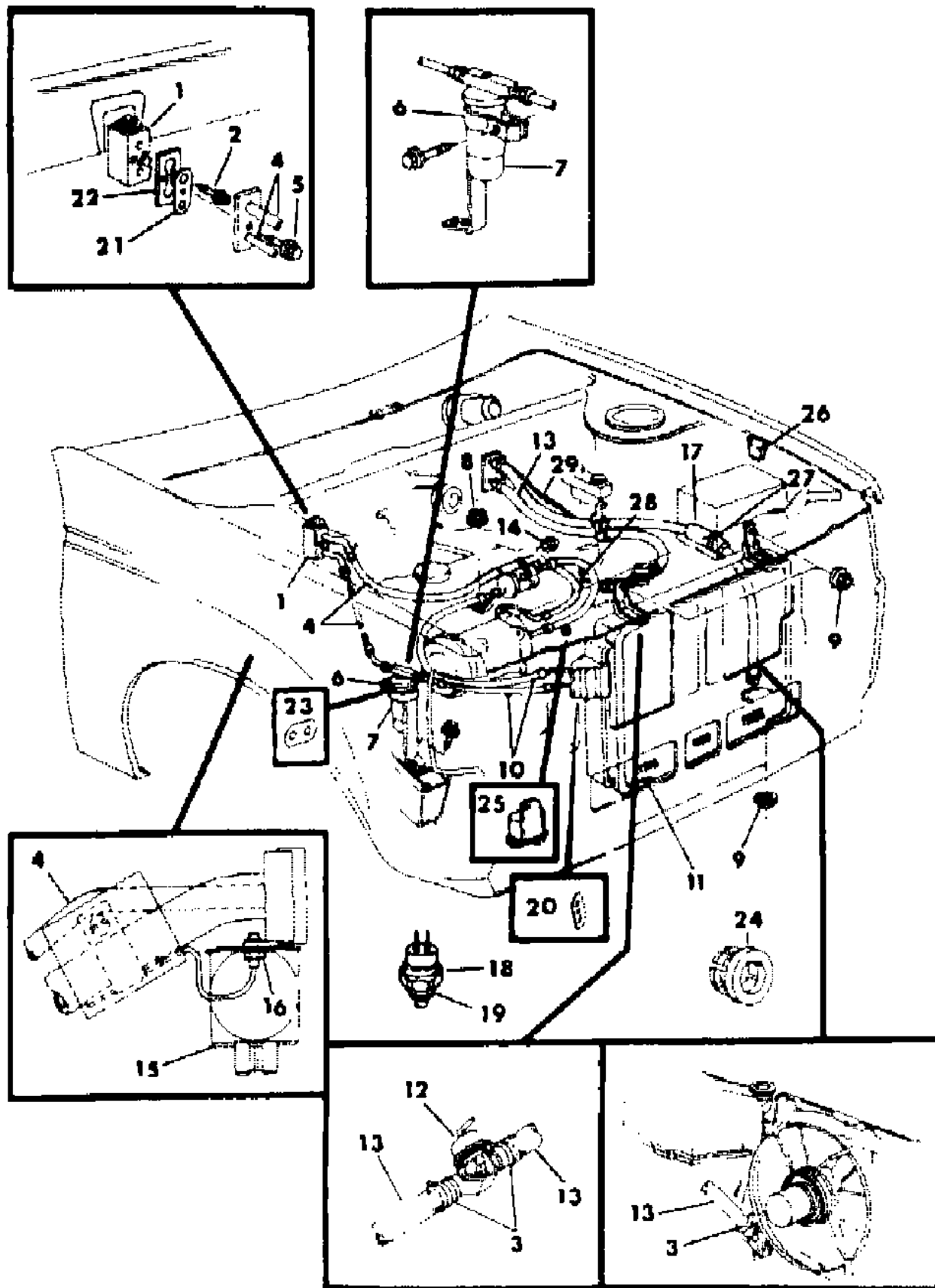
BODY STYLES

21 = 2-DOOR SEDAN	28 = FWD PICKUP	44 = 4-DOOR HATCHBACK
22 = 2-DOOR SPECIAL COUPE	35 = FWD VAN	45 = 4-DOOR STATION WAGON
24 = 2-DOOR HATCHBACK	36 = FWD WAGON	48 = 4-DOOR EXECUTIVE SEDAN
27 = 2-DOOR CONVERTIBLE	41 = 4-DOOR SEDAN	

AR = Use as Required - = Non Illustrated Part P.A.R. = Paint as Required

PLUMBING, AIR CONDITIONER AND HEATER M,Z,P,D,V,C,E,T,C,V 24
Figure 24-1500

4124 1500



ITEM	PART NUMBER	QTY	BODY	MODEL	DESCRIPTION
	3848 585	1			CAP, A/C Disch Liquid Line Check Valve
15	4339 463	1	Exc M,Z		SWITCH and LUBE PACKAGE, A/C Suct Line Temp Sensing or Cycling
	4176 095	1	M,Z		SWITCH and LUBE PACKAGE, A/C Suct Line Temp Sensing or Cycling
16		2			SCREW, (not serviced)
17	5210 322	1			SLEEVE, A/C Heater Hose, w/2.2L Eng.
18	5210 377	1			SWITCH, A/C Low Pressure Cut-Off
	3848 674	1			SWITCH, A/C or ATC High Pressure Cut-Off
19	3441 105	1			SEAL, A/C Reciver Drier Low Pressure Cut-Off
20	3846 835	1			GASKET, A/C Disch and Liquid Line Plate to Cond.
21	3846 834	1			GASKET, A/C Disch and Liquid Line to H-Valve
22	3846 836	1			GASKET, A/C Evap Valve Mounting (Alumn)
23	3847 083	1			GASKET, A/C Suction and liquid Line Mounting to Drier
24	3847 147	1			PILOT, A/C Suction Kine Mounting, Plastic
	3847 147	1			Discharge Line Mounting, Plastic
25	4221 549	1		Z 24	RELAY, A/C Cut-Out (Shelby)
26	4221 413	1		P,D,V,C	RELAY, A/C Cut-Out, w/2.6L Eng.
	4339 495	1		P,D,V,C	RELAY, A/C Clutch Cut-Out, w/2.2L Eng.
27	6015 945	1		P,D,V,C	STRAP, A/C Suction and Liquid line Mounting to Drier
28	3848 948	1			WASHER, A/C Heater Tube Flare, w/2.2L Turbo Eng.
29	2837 876	1			CONNECTOR, Vacuum Hose (in Line)

MODEL CODES

B = GRAN FURY
 C = LEBARON/TOWN & COUNTRY/EXC SEDAN
 C24 = LASER
 D = ARIES
 E = 600
 F = FIFTH AVENUE/NEWPORT
 G = DIPLOMAT
 H = VOYAGER
 K = MINI RAM/CARAVAN/ROYAL
 M = HORIZON/TURISMO
 P = RELIANT
 T = E CLASS/NEW YORKER
 V = 600
 V24 = DAYTONA
 Z = OMNI/CHARGER/RAMPAGE

BODY STYLES

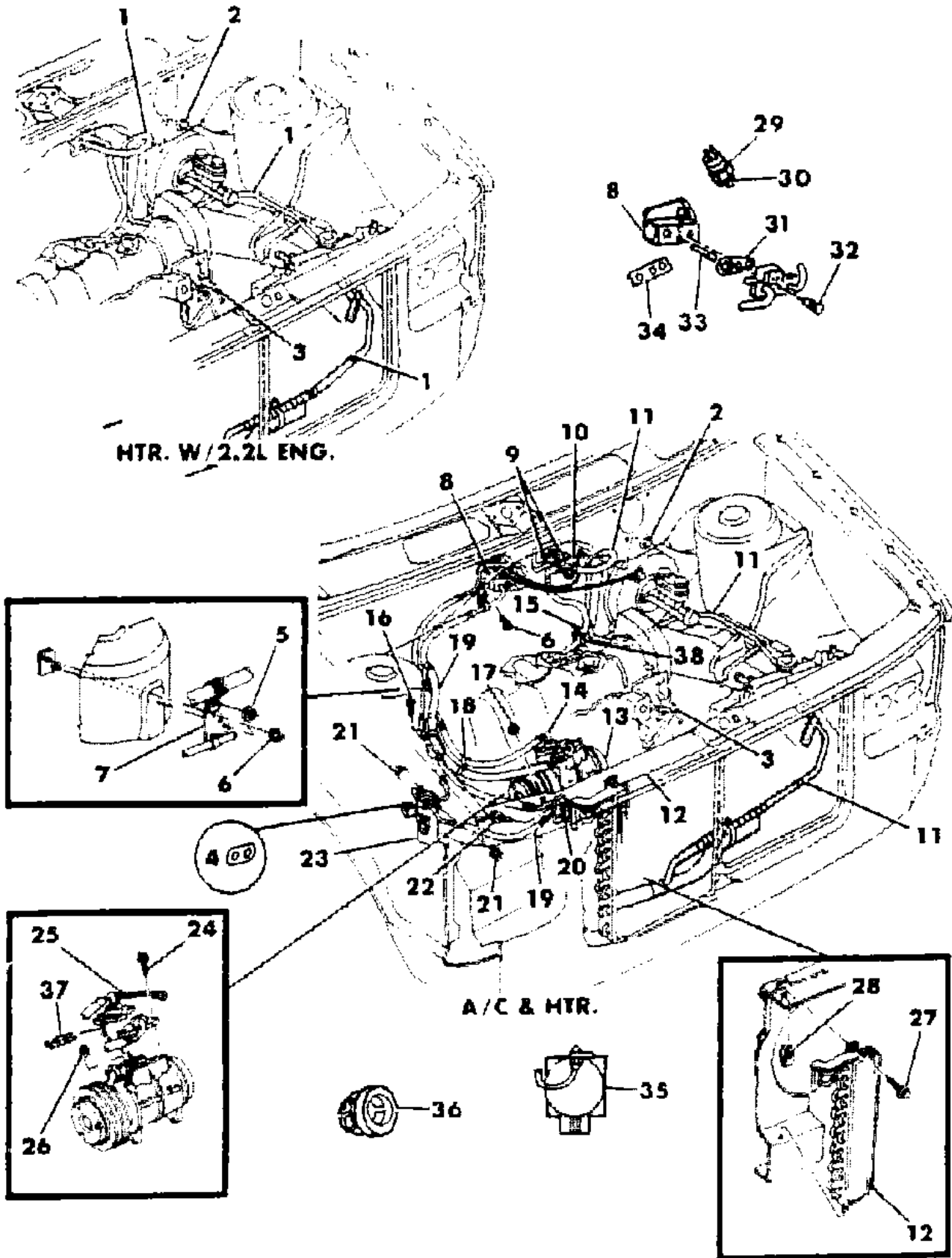
21 = 2-DOOR SEDAN
 22 = 2-DOOR SPECIAL COUPE
 24 = 2-DOOR HATCHBACK
 27 = 2-DOOR CONVERTIBLE
 28 = FWD PICKUP
 35 = FWD VAN
 36 = FWD WAGON
 41 = 4-DOOR SEDAN
 44 = 4-DOOR HATCHBACK
 45 = 4-DOOR STATION WAGON
 48 = 4-DOOR EXECUTIVE SEDAN

AR = Use as Required - = Non Illustrated Part P.A.R. = Paint as Required

PLUMBING, AIR CONDITIONER AND HEATER H,K-2.2 LITER ENGINE

Figure 24-1600

4124 1600



ITEM	PART NUMBER	QTY	BODY	MODEL	DESCRIPTION
1	3849 042	1			HOSE, w/Tube, A/C Heater Valve to Tee
2	0219 462	1			NUT
3	4273 487	1			BRACKET, Water By-Pass Tube Attaching
4	3847 083	1			GASKET, A/C Discharge and Liquid Mounting to Drier
5	6100 049	1			NUT, w/WASHER, Suction Line Hose Mounting
6	6100 050	1			NUT, w/WASHER, Suction and Liquid Line Bracket Mounting
7	3848 691	1			BRACKET, Suction Liquid line Support, Up to 1-16-84
	3849 016	1			After 1-16-84
	3780 794	AR			HOSE, Vacuum, .073/.081 ID (50Ft Roll)
	1315 466	AR			HOSE, A/C Heater Tube to Tee
8	4176 999	1			VALVE, A/C Expansion
9	1315 466	AR			HOSE, Valve to Cover
10	3848 729	1			VALVE, A/C Water
11	3849 042	1			HOSE, w/TUBE, Heater Valve to Tee
12	3848 374	1			CONDENSER
13	4176 059	1			COMPRESSOR
14	3848 398	1			DISCHARGE, Line Liquid
15	3848 456	1			HOSE, A/C Heater Engine to Valve
16	9423 951	1			SCREW, Discharge Line Support Bracket
17	3848 585	1			CAP, Discharge Liquid Check Valve
18	3848 522	1			CLIP, Suction Discharge
19	3848 397	1			LINE, A/C Suction and Liquid
20	3846 835	1			GASKET, A/C Discharge and liquid Mounting to Condenser
21	0118 614	2			NUT, w/WASHER, Liquid Line Mounting to Drier
22	6500 827	1			SCREW, w/WASHER, Suction and Liquid line Mounting H-Valve
	6500 827	1			Discharge and Liquid line to Conderensor
23	3848 217	1			FILTER, w/BRACKET, Drier
24	6500 517	4			SCREW
25	6015 945	1			STRAP, A/c Clutch Wire
26	3848 585	1			CAP
27	6100 288	1			SCREW, w/WASHER, A/C Condenser Mounting
28	6100 041	1			U-NUT, A/C Condenser Mounting
29	5210 377	1			SWITCH, Low Pressure Cut-Off
30	3441 105	1			SEAL, A/C. Low Pressure Cut-Off
31	3846 834	1			GASKET, A/C Suction and liquid Line Mounting to H-Valve
32	6500 827	1			SCREW
33	6032 572	1			SCREW, Expansion Valve Mounting
34	3846 836	1			GASKET, Expansion Valve Mounting

MODEL CODES

B = GRAN FURY
 C = LEBARON/TOWN & COUNTRY/EXC SEDAN
 C24 = LASER
 D = ARIES
 E = 600

F = FIFTH AVENUE/NEWPORT
 G = DIPLOMAT
 H = VOYAGER
 K = MINI RAM/CARAVAN/ROYAL
 M = HORIZON/TURISMO

P = RELIANT
 T = E CLASS/NEW YORKER
 V = 600
 V24 = DAYTONA
 Z = OMNI/CHARGER/RAMPAGE

BODY STYLES

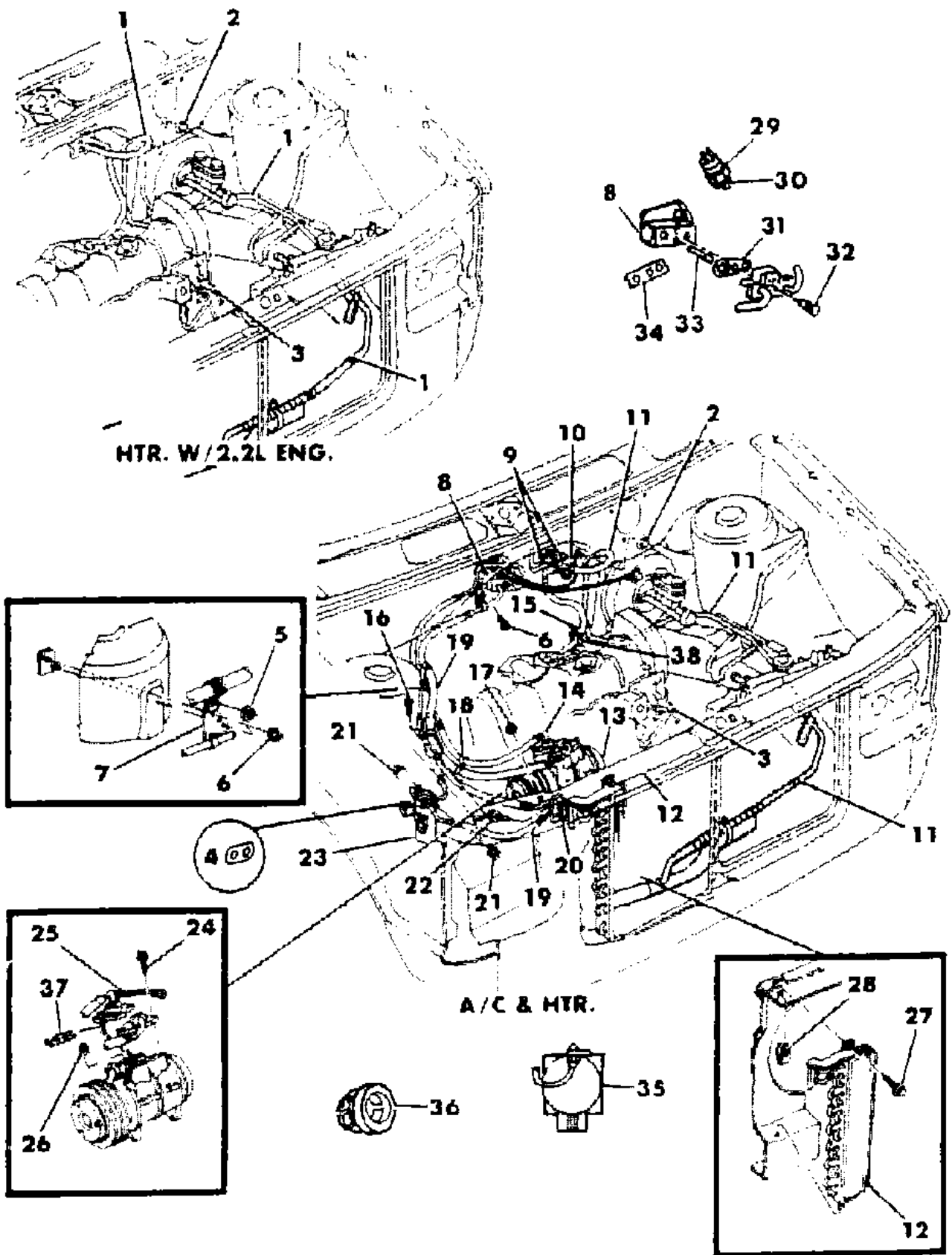
21 = 2-DOOR SEDAN
 22 = 2-DOOR SPECIAL COUPE
 24 = 2-DOOR HATCHBACK
 27 = 2-DOOR CONVERTIBLE
 28 = FWD PICKUP
 35 = FWD VAN
 36 = FWD WAGON
 41 = 4-DOOR SEDAN
 44 = 4-DOOR HATCHBACK
 45 = 4-DOOR STATION WAGON
 48 = 4-DOOR EXECUTIVE SEDAN

AR = Use as Required - = Non Illustrated Part P.A.R. = Paint as Required

PLUMBING, AIR CONDITIONER AND HEATER H,K-2.2 LITER ENGINE

Figure 24-1600

4124 1600



ITEM	PART NUMBER	QTY	BODY	MODEL	DESCRIPTION
35	4205 830	1			SWITCH, A/C Suction Line Temp Sensing
36	3847 147	1			PILOT, A/C Suction and Liquid Line Mounting
NOTE: The following items are not illustrated (see 24-1600). Both models are derived from the 100.1" W.B. LeBaron (C 22 Model). Sheet metal parts for the C 48 not found on this illustration should be specified.					
	5211 210	1			STRAP, Ground Switch A/C Suction and Liquid Line
	3759 944	1			RETAINER, Suction and Liquid Line Plate Mounting
	2448 770	AR			CLAMP, A/C Heater Hose
	0153 640	AR			CLAMP, Heater Hose
	4188 101	1			PLATE, Suction and Liquid Line Bracket Mounting
	3848 929	1			HOSE, A/C Heater Valve to Tube Bracket Mounting

MODEL CODES
 B = GRAN FURY
 C = LEBARON/TOWN & COUNTRY/EXC SEDAN
 C24 = LASER
 D = ARIES
 E = 600
 F = FIFTH AVENUE/NEWPORT
 G = DIPLOMAT
 H = VOYAGER
 K = MINI RAM/CARAVAN/ROYAL
 M = HORIZON/TURISMO
 P = RELIANT
 T = E CLASS/NEW YORKER
 V = 600
 V24 = DAYTONA
 Z = OMNI/CHARGER/RAMPAGE

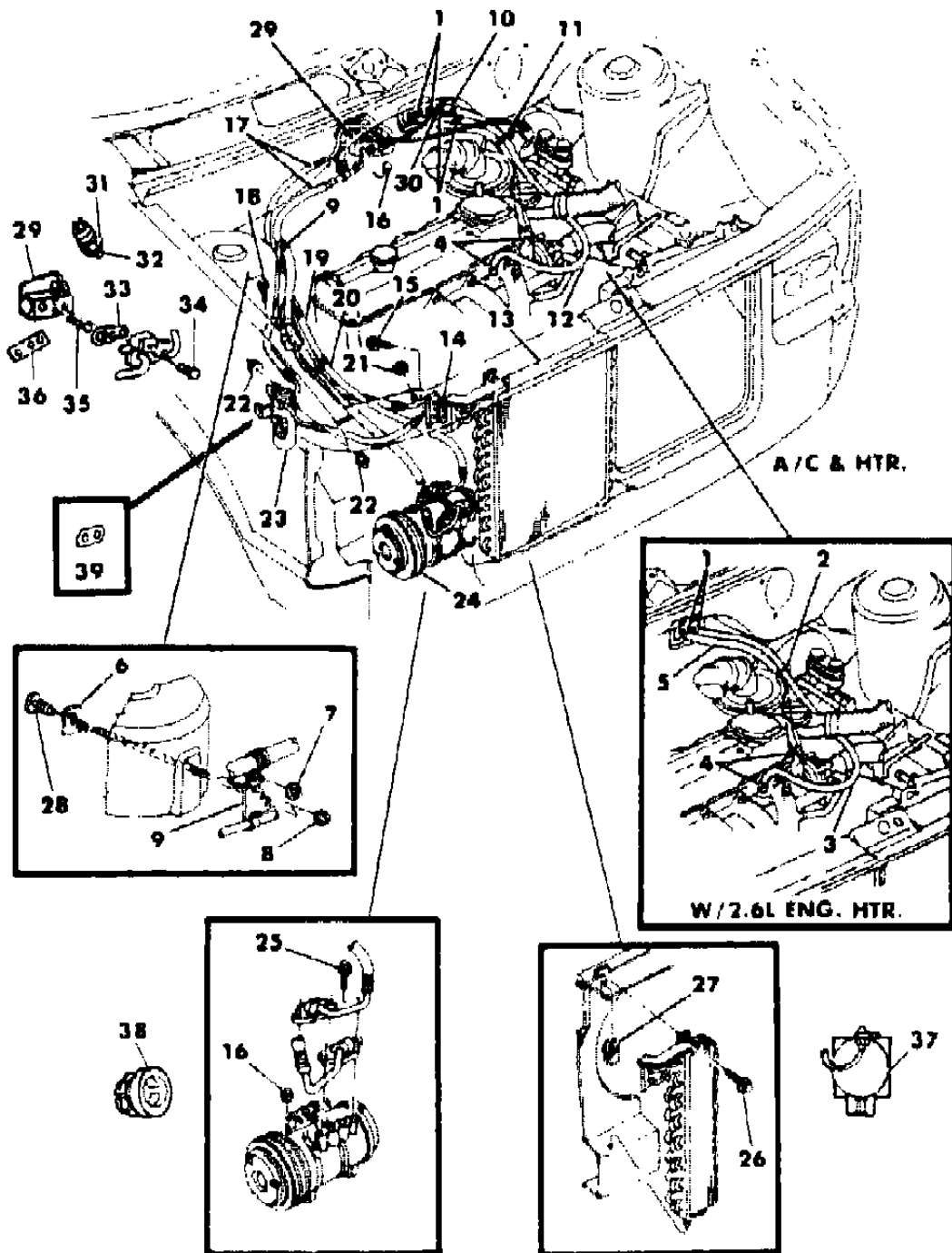
BODY STYLES
 21 = 2-DOOR SEDAN
 22 = 2-DOOR SPECIAL COUPE
 24 = 2-DOOR HATCHBACK
 27 = 2-DOOR CONVERTIBLE
 28 = FWD PICKUP
 35 = FWD VAN
 36 = FWD WAGON
 41 = 4-DOOR SEDAN
 44 = 4-DOOR HATCHBACK
 45 = 4-DOOR STATION WAGON
 48 = 4-DOOR EXECUTIVE SEDAN

AR = Use as Required - = Non Illustrated Part P.A.R. = Paint as Required

PLUMBING, AIR CONDITIONER AND HEATER H,K-2.6 LITER ENGINE

Figure 24-1700

4124 1700



ITEM	PART NUMBER	QTY	BODY	MODEL	DESCRIPTION
1	2448 770	AR			CLAMP, A/C Heater Hose
2	6015 756	1			STRAP, Heater Hose Support
3	3848 728	1			HOSE, Heater Engine to Core
4	0153 640	1			CLAMP, Heater Hose
5	3848 726	1			HOSE, W/SLEEVE, A/C Heater Core to Pump
6	4188 101	1			PLATE, Suction and Liquid Line Bracket Mounting
7	6100 049	1			NUT, w/WASHER, Suction Hose Clamp Mounting
8	6100 050	1			NUT, w/WASHER, Suction and Liquid Bracket Mounting
9	3848 691	1			BRACKET, Suction Liquid Line Support, Up to 1-16-84
	3849 016	1			After 1-16-84
10	4339 457	1			VALVE, A/C Heater Water
11	6015 756	2			STRAP, Heater Hose Support
12	3848 724	1			HOSE, w/Sleeve, A/C Heater Engine to Valve
13	3848 374	1			CONDENSER
14	3846 835	1			GASKET, A/C Discharge and Liquid Mounting to Condenser
15	6500 827	1			SCREW, w/WASHER, Discharge and Liquid Line Mounting to Condenser
16	3848 585	1			CAP
17	3848 400	1			LINE, A/C Suction and Liquid
	5211 210	1			STRAP, Ground Switch A/C Suction and Liquid Line
18	9423 951	AR			SCREW, Discharge Line Support Bracket
19	3848 401	1			DISCHARGE, Liquid Line
	3847 081	1			GASKET, A/C Discharge Fitting to Compressor
	3847 576	1			VALVE, A/C Discharge Line Check
20	3848 522	1			CLIP, Suction Discharge
21	3848 585	1			CAP, Discharge Liquid Check Valve
22	0118 614	2			NUT, w/WASHER, Liquid Line Mounting to Drier
	3780 794	AR			HOSE, Vacuum
23	3848 217	1			FILTER, w/BRACKET, Drier
24	4339 455	1			COMPRESSOR
25	6500 517	4			SCREW
26	6100 288	2			SCREW, w/WASHER, A/C Condenser Mounting
27	6100 041	2			U-NUT, A/C Condenser Mounting
28	3759 944	1			RETAINER, Suction Line Plate Mounting
29	4176 999	1			VALVE, A/C Expansion
30	1315 466	AR			HOSE, A/C Heater Valve to Core
31	5210 377	1			SWITCH, Low Pressure Cut-Off
32	3441 105	1			SEAL, A/C Low Pressure Cut-Off

MODEL CODES

B = GRAN FURY	F = FIFTH AVENUE/NEWPORT	P = RELIANT
C = LEBARON/TOWN & COUNTRY/EXC SEDAN	G = DIPLOMAT	T = E CLASS/NEW YORKER
C24 = LASER	H = VOYAGER	V = 600
D = ARIES	K = MINI RAM/CARAVAN/ROYAL	V24 = DAYTONA
E = 600	M = HORIZON/TURISMO	Z = OMNI/CHARGER/RAMPAGE

BODY STYLES

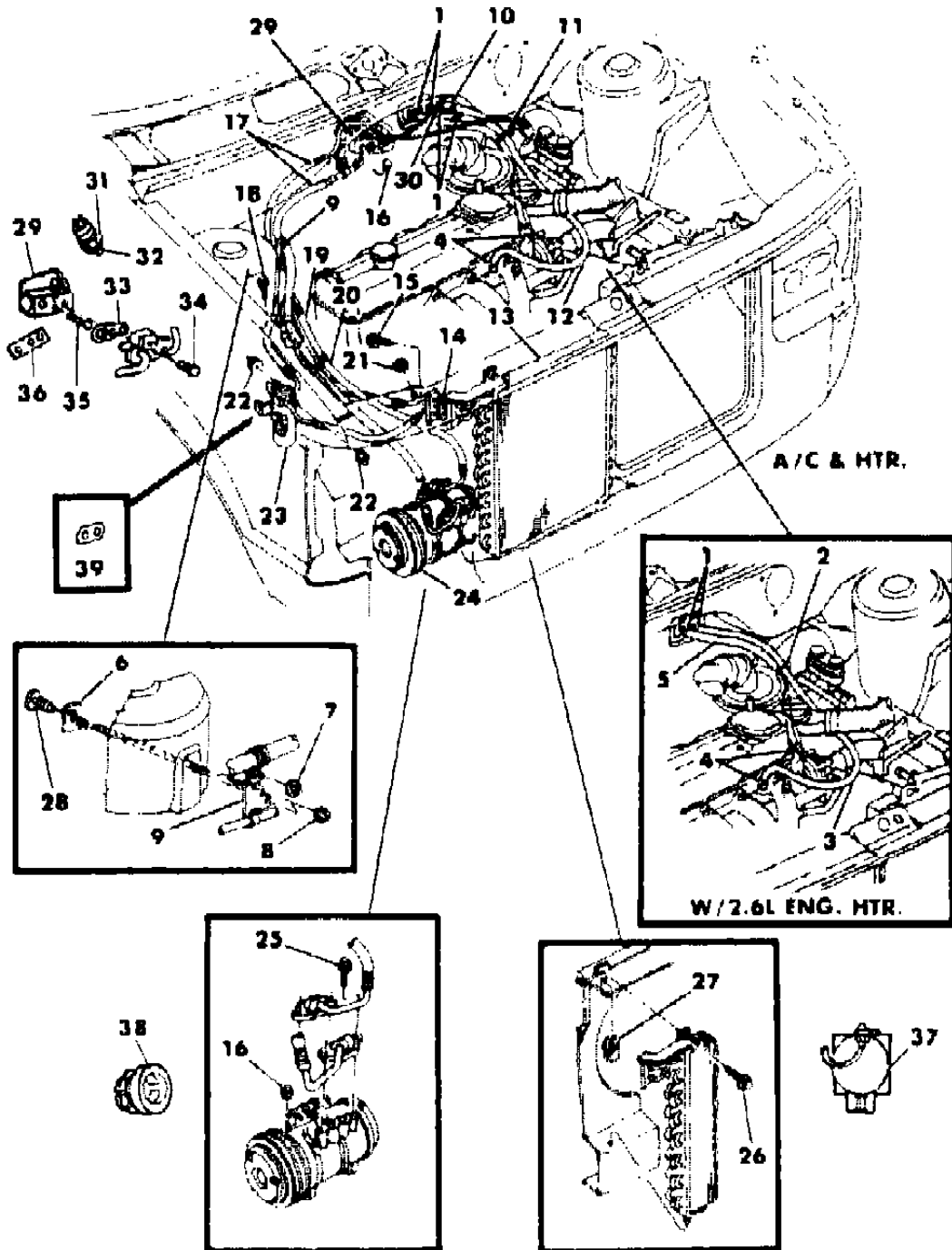
21 = 2-DOOR SEDAN	28 = FWD PICKUP	44 = 4-DOOR HATCHBACK
22 = 2-DOOR SPECIAL COUPE	35 = FWD VAN	45 = 4-DOOR STATION WAGON
24 = 2-DOOR HATCHBACK	36 = FWD WAGON	48 = 4-DOOR EXECUTIVE SEDAN
27 = 2-DOOR CONVERTIBLE	41 = 4-DOOR SEDAN	

AR = Use as Required - = Non Illustrated Part P.A.R. = Paint as Required

PLUMBING, AIR CONDITIONER AND HEATER H,K-2.6 LITER ENGINE

Figure 24-1700

4124 1700



ITEM	PART NUMBER	QTY	BODY	MODEL	DESCRIPTION
33	3846 834	1			GASKET, A/C Suction and Liquid Line Mounting to H-Valve
34	6500 827	AR			SCREW, w/WASHER, Disch and Liquid Line Mounting to H-Valve
35	6032 572	2			SCREW, Expansion Valve Mounting
36	3846 836	1			GASKET, Expansion Valve Mounting
37	4339 463	1			SWITCH, A/C Suction Line Temp Sensing
39	3847 083	1			GASKET, A/C Discharge and Liquid Mounting to Drier

MODEL CODES

B = GRAN FURY	F = FIFTH AVENUE/NEWPORT	P = RELIANT
C = LEBARON/TOWN & COUNTRY/EXC SEDAN	G = DIPLOMAT	T = E CLASS/NEW YORKER
C24 = LASER	H = VOYAGER	V = 600
D = ARIES	K = MINI RAM/CARAVAN/ROYAL	V24 = DAYTONA
E = 600	M = HORIZON/TURISMO	Z = OMNI/CHARGER/RAMPAGE

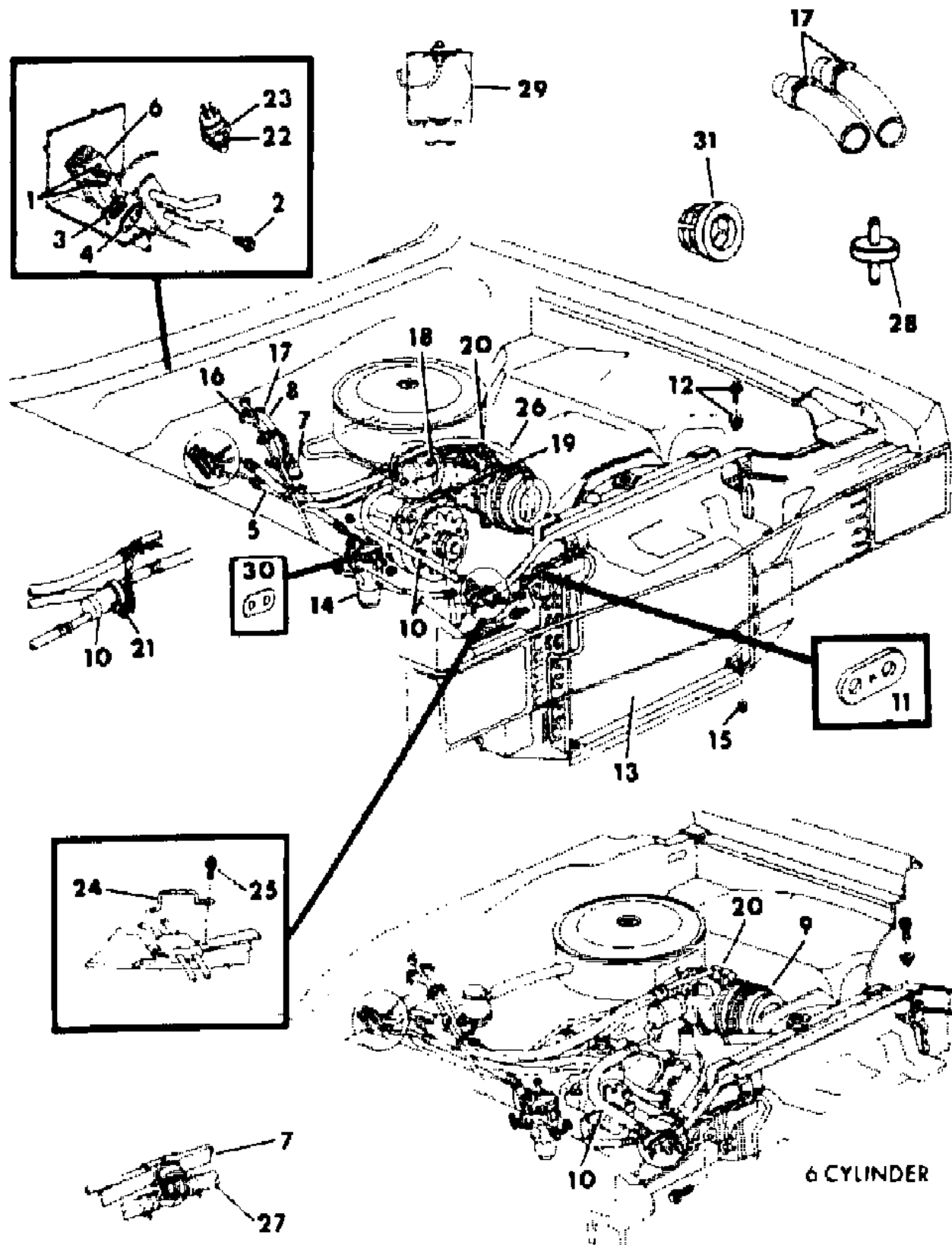
BODY STYLES

21 = 2-DOOR SEDAN	28 = FWD PICKUP	44 = 4-DOOR HATCHBACK
22 = 2-DOOR SPECIAL COUPE	35 = FWD VAN	45 = 4-DOOR STATION WAGON
24 = 2-DOOR HATCHBACK	36 = FWD WAGON	48 = 4-DOOR EXECUTIVE SEDAN
27 = 2-DOOR CONVERTIBLE	41 = 4-DOOR SEDAN	

AR = Use as Required - = Non Illustrated Part P.A.R. = Paint as Required

PLUMBING, AIR CONDITIONER AND HEATER B,F,G
Figure 24-1800

4124 1800



ITEM	PART NUMBER	QTY	BODY	MODEL	DESCRIPTION
1	6032 572	2			SCREW, A/C Exp Valve Mounting
2	6500 827	1			SCREW, A/C Suction and Liquid Line Mounting
3	3846 836	1			GASKET, A/C Evap Valve Mounting
4	3846 834	1			GASKET, A/C Suction and Liquid Line to H-Valve
5	3847 169	1			LINE, A/C Suction and Liquid
6	4176 999	1			VALVE, A/C Expansion H-Valve
7	4339 457	1			VALVE, A/C or Heater Water
8	1315 466	AR			HOSE, A/C Heater 5/8" ID, 50Ft Roll
9	4339 455	1			COMPRESSOR, A/C w/225,318 Eng.
10	3848 694	1			LINE, A/C Discharge and Liquid
11	3846 835	1			GASKET, A/C Disc and Liquid Line Plate to Cond.
12	3502 915	2			GROMMET and SPACER, A/C Mounting
13	3847 789	1			CONDENSER, A/C
14	3847 830	1			FILTER, w/BRACKET, Drier
15	0120 375	2			NUT, W/CONED WASHER, Cond. Mounting
16	4041 604	AR			CLAMP, A/C Heater Hose to Pump
17	2448 770	AR			CLAMP, A/C Heater Hose
18	3848 585	1			CAP, A/C Discharge Liquid Line Check Valve
19	1779 258	1			NIPPLE, A/C Heater Hose to Eng. 1.70" Lg. 3/8" Thd.
20	3847 081	1			GASKET, A/C Discharge Line Flange Mounting
21	3848 674	1			SWITCH, A/C High Pressure Cut-Off
22	3441 105	1			SEAL, A/C Receiver Drier Low Pressure Cut-Off
23	5210 377	1			SWITCH, A/C Low pressure Cut-Off
24	3846 509	1			CLIP, A/C Discharge w/Liquid Line Mounting
25					SCREW, (not serviced)
26	1315 466	1			HOSE, A/C Heater 5/8" ID, 50Ft Roll
27	1315 466	1			HOSE, A/C Heater Valve to Core 29" Lg.
	1595 160	1			HOSE, Heater A/C Eng to Valve (Preformed)
	3849 077	1			HOSE, A/C Heater Engine to Valve, Silicone 5/8" Dia. 13" Lg.
	3849 079	1			HOSE, A/C Heater Core to Pump, Silicone 5/8" Dia. 46" Lg
28	3846 304	1			MOUNT, A/C Condenser Mounting
29	4339 463	1			SWITCH and LUBE PACKAGE, A/C Suct line Temp Sensing or Cycling
30	3847 083	1			GASKET, A/C Suction and Liquid line Mounting to Drier
	3847 083	1			GASKET, A/C Discharge and Liquid Line Mounting to Drier
31	3847 147	1			PILOT, A/C Suction Line Mounting, Plastic
	3847 147	1			Discharge Line Mounting, Plastic
	6015 756	1			STRAP, A/C or ATC Vacuum Hose Support

MODEL CODES

B = GRAN FURY	F = FIFTH AVENUE/NEWPORT	P = RELIANT
C = LEBARON/TOWN & COUNTRY/EXC SEDAN	G = DIPLOMAT	T = E CLASS/NEW YORKER
C24 = LASER	H = VOYAGER	V = 600
D = ARIES	K = MINI RAM/CARAVAN/ROYAL	V24 = DAYTONA
E = 600	M = HORIZON/TURISMO	Z = OMNI/CHARGER/RAMPAGE

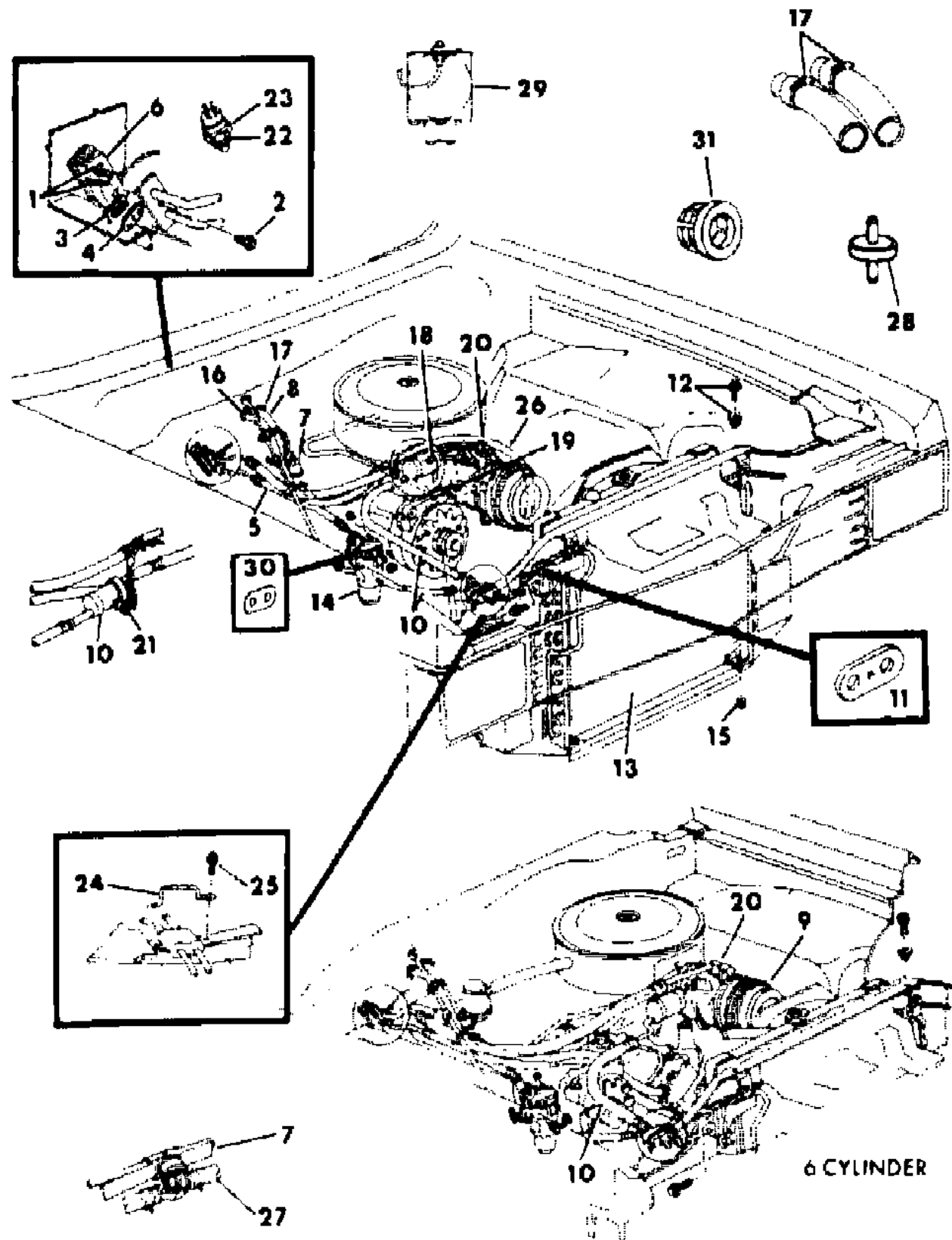
BODY STYLES

21 = 2-DOOR SEDAN	28 = FWD PICKUP	44 = 4-DOOR HATCHBACK
22 = 2-DOOR SPECIAL COUPE	35 = FWD VAN	45 = 4-DOOR STATION WAGON
24 = 2-DOOR HATCHBACK	36 = FWD WAGON	48 = 4-DOOR EXECUTIVE SEDAN
27 = 2-DOOR CONVERTIBLE	41 = 4-DOOR SEDAN	

AR = Use as Required - = Non Illustrated Part P.A.R. = Paint as Required

PLUMBING, AIR CONDITIONER AND HEATER B,F,G
Figure 24-1800

4124 1800



ITEM	PART NUMBER	QTY	BODY	MODEL	DESCRIPTION
------	-------------	-----	------	-------	-------------

	3780 794	AR			HOSE, Control Vacuum .073/.081 ID, 50Ft Roll
--	----------	----	--	--	--

MODEL CODES

B = GRAN FURY	F = FIFTH AVENUE/NEWPORT	P = RELIANT
C = LEBARON/TOWN & COUNTRY/EXC SEDAN	G = DIPLOMAT	T = E CLASS/NEW YORKER
C24 = LASER	H = VOYAGER	V = 600
D = ARIES	K = MINI RAM/CARAVAN/ROYAL	V24 = DAYTONA
E = 600	M = HORIZON/TURISMO	Z = OMNI/CHARGER/RAMPAGE

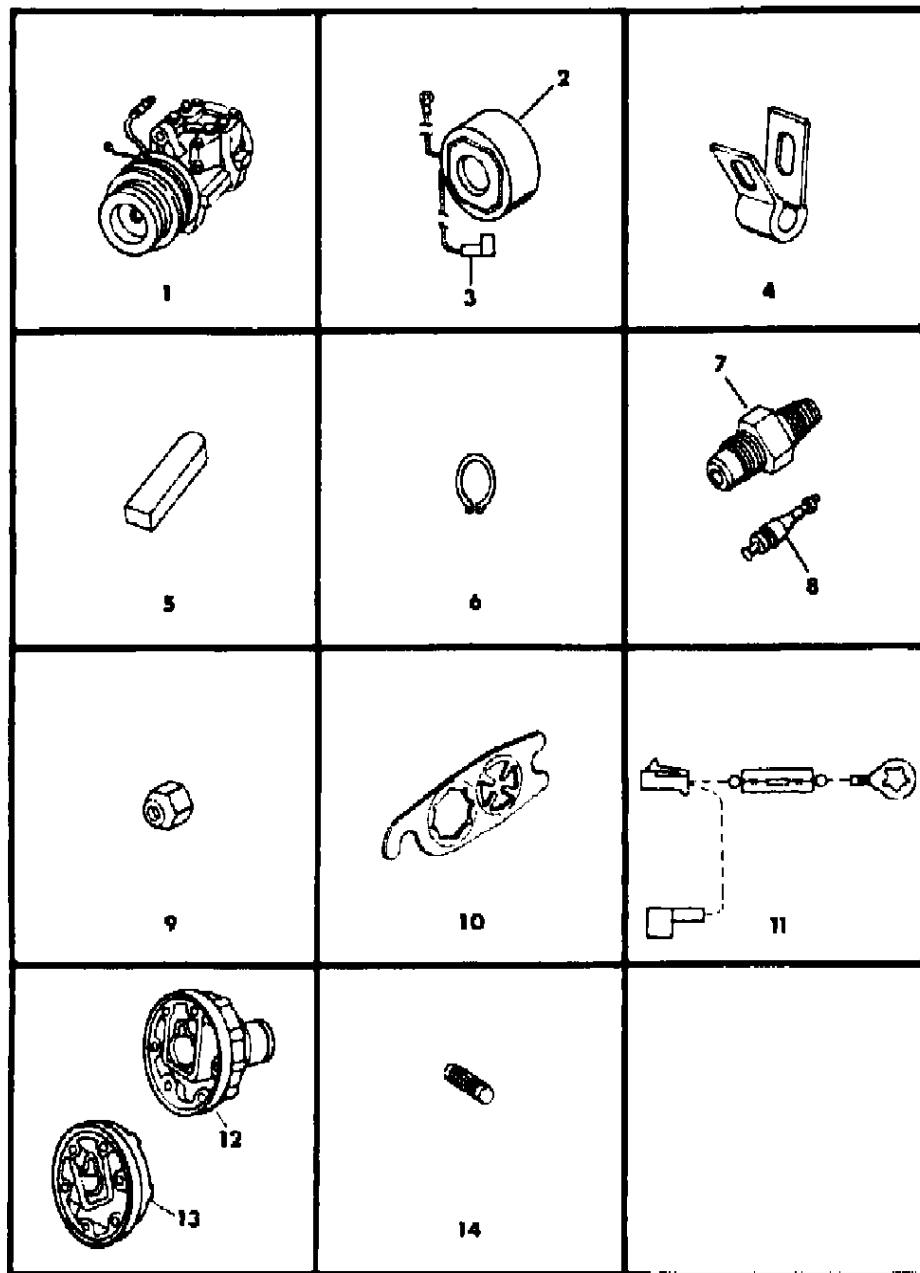
BODY STYLES

21 = 2-DOOR SEDAN	28 = FWD PICKUP	44 = 4-DOOR HATCHBACK
22 = 2-DOOR SPECIAL COUPE	35 = FWD VAN	45 = 4-DOOR STATION WAGON
24 = 2-DOOR HATCHBACK	36 = FWD WAGON	48 = 4-DOOR EXECUTIVE SEDAN
27 = 2-DOOR CONVERTIBLE	41 = 4-DOOR SEDAN	

AR = Use as Required - = Non Illustrated Part P.A.R. = Paint as Required

COMPRESSOR, AIR CONDITIONER
Figure 24-1900

4124 1900



ITEM	PART NUMBER	QTY	BODY	MODEL	DESCRIPTION
	3847 915	1			GASKET PACKAGE, A/C Compressor
	3847 180	1			SHIM PACKAGE, A/C Compressor Drive Clutch Consists of 5 ----- Shims PULLEY and ARMATURE PACKAGE, A/C Compressor Drive Clutch Consists of 1 ----- Pulley and Bearing 1 ----- Armature
	3847 764	1			W/2.6L Engine
	5210 384	1		M,Z	w/2.2L Engine
	5210 384	1			w/225 Engine
	3847 178	1			w/318 Engine
1	3847 179	1			COMPRESSOR, A/C Less (Clutch, Coil and Pulley)
2	4339 455	1			COIL, A/C Compressor Drive Clutch Field
3	3848 673	1			TERMINAL, A/C Field Coil Lead
	4209 956	1			INSULATOR, A/C Field Coil Lead Terminal
4	3843 386	1			CLIP, A/C Compressor Clutch Field Coil Mounting
5	3848 690	1			KEY, A/C Compressor Drive Shaft
6	3846 680	1			RING, A/C Comperssor Drive Clutch Coil Ext.
	6500 411	1			A/C Comperssor Drive Clutch Pulley Ext.
7	6031 416	1			FITTING, A/C Comperssor Check Valve
8	3846 722	1			VALVE, A/C or ATC Discharge Line Check
9	3847 576	1			CAP, A/C Comperssor Check Valve
10	3848 585	1			GASKET, A/C Suction Flange to Comperssor, Rubber Coated A/C Discharge Line to Comperssor
	3847 081	1			WIRING, A/C Clutch Noise Suppression Diode Jumper
11	4222 597	1			COVER and PIN, A/C Comperssor, Front
12	3847 986	1			HOUSING, A/C Comperssor, Rear
13	3846 678	1			PIN, A/C Compressor Clutch Coil Locating
14	3847 920	1			
	6100 218	1			NUT, A/C Compressor Drive Clutch Mounting
	3846 678	1			COVER, A/C Comperssor, Rear
	6100 141	1			WASHER, A/C Comperssor Drive Clutch Mounting Lock
	3846 654	1			PLATE, A/C Comperssor Discharge Valve, Front
	3846 655	1			Rear

NOTE: The following items are not illustrated (ode). Both models are derived from the 100.1" W.B. LeBaron (C 22 Model). Sheet metal parts for the C 48 not found on this illustration should be speci

MODEL CODES

B = GRAN FURY	F = FIFTH AVENUE/NEWPORT	P = RELIANT
C = LEBARON/TOWN & COUNTRY/EXC SEDAN	G = DIPLOMAT	T = E CLASS/NEW YORKER
C24 = LASER	H = VOYAGER	V = 600
D = ARIES	K = MINI RAM/CARAVAN/ROYAL	V24 = DAYTONA
E = 600	M = HORIZON/TURISMO	Z = OMNI/CHARGER/RAMPAGE

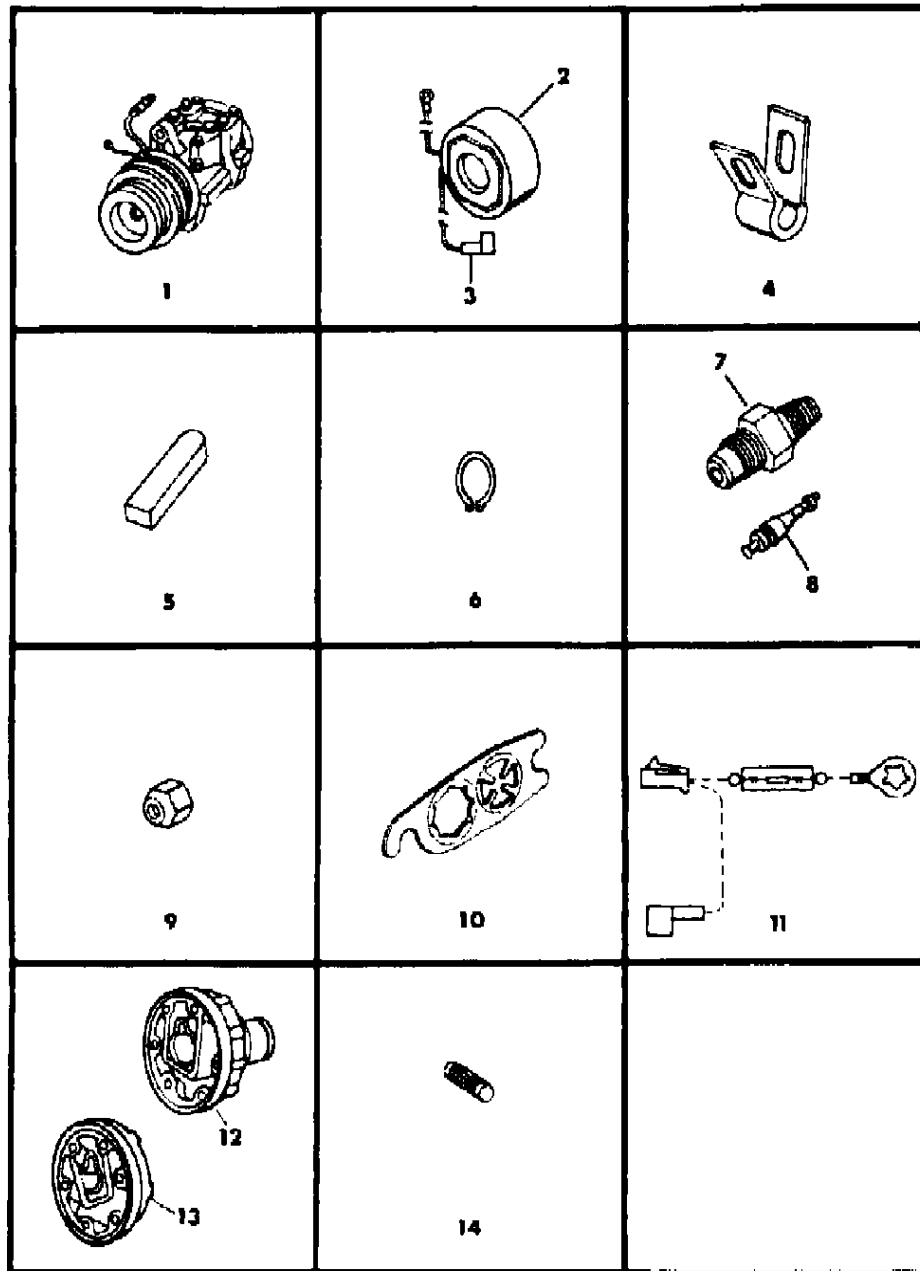
BODY STYLES

21 = 2-DOOR SEDAN	28 = FWD PICKUP	44 = 4-DOOR HATCHBACK
22 = 2-DOOR SPECIAL COUPE	35 = FWD VAN	45 = 4-DOOR STATION WAGON
24 = 2-DOOR HATCHBACK	36 = FWD WAGON	48 = 4-DOOR EXECUTIVE SEDAN
27 = 2-DOOR CONVERTIBLE	41 = 4-DOOR SEDAN	

AR = Use as Required - = Non Illustrated Part P.A.R. = Paint as Required

COMPRESSOR, AIR CONDITIONER
Figure 24-1900

4124 1900



ITEM	PART NUMBER	QTY	BODY	MODEL	DESCRIPTION
------	-------------	-----	------	-------	-------------

	3848 101	1			REED, A/C Comperssor Suction Valve
	3847 916	1			SEAL, A/C Comperssor Shaft

MODEL CODES

B = GRAN FURY	F = FIFTH AVENUE/NEWPORT	P = RELIANT
C = LEBARON/TOWN & COUNTRY/EXC SEDAN	G = DIPLOMAT	T = E CLASS/NEW YORKER
C24 = LASER	H = VOYAGER	V = 600
D = ARIES	K = MINI RAM/CARAVAN/ROYAL	V24 = DAYTONA
E = 600	M = HORIZON/TURISMO	Z = OMNI/CHARGER/RAMPAGE

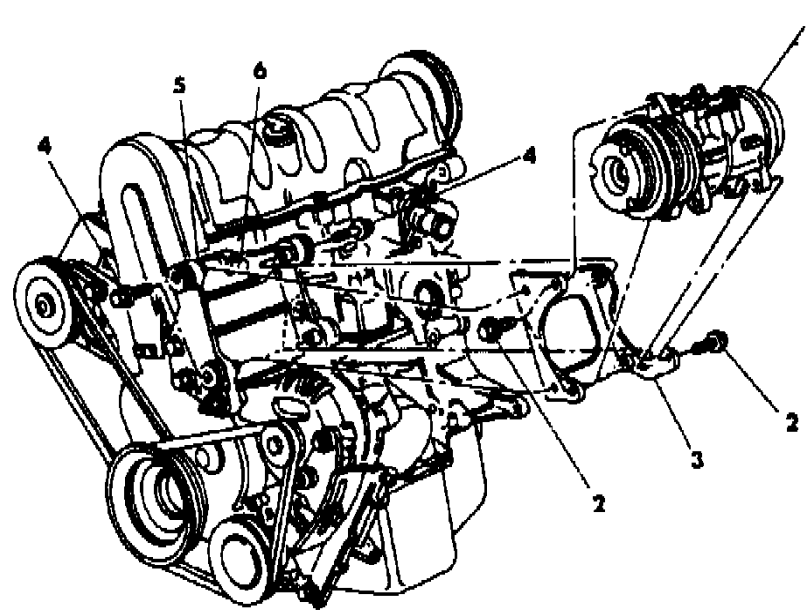
BODY STYLES

21 = 2-DOOR SEDAN	28 = FWD PICKUP	44 = 4-DOOR HATCHBACK
22 = 2-DOOR SPECIAL COUPE	35 = FWD VAN	45 = 4-DOOR STATION WAGON
24 = 2-DOOR HATCHBACK	36 = FWD WAGON	48 = 4-DOOR EXECUTIVE SEDAN
27 = 2-DOOR CONVERTIBLE	41 = 4-DOOR SEDAN	

AR = Use as Required - = Non Illustrated Part P.A.R. = Paint as Required

MOUNTING, AIR CONDITIONER COMPRESSOR M,Z,P,D,V,C,E,T,C,V 24,H,K
Figure 24-2000

4124 2000



ITEM	PART NUMBER	QTY	BODY	MODEL	DESCRIPTION
1					COMPRESSOR, A/C
2	6500 374	2			SCREW, w/WASHER, Idler, Altr and A/C Mounting Bracket
3	4273 120	1			BRACKET, A/C Compressor Mounting
4	6027 880	4			SCREW, w/WASHER, Altr and A/C Compressor Bracket
5	4298 183	1			BRACKET, Altr and A/C Compressor, w/2.2L Eng.
6	6500 696	2			SCREW, w.WASHER, Altr and A/C Bracket to Eng., Block
NOTE: The following items are not illustrated (see Note 1). Both models are derived from the 100.1" W.B. LeBaron (C 22 Model). Sheet metal parts for the C 48 not found on this illustration should be specified.					
	4241 279	1			BRACKET, A/C Compressor Rear Mounting Support, w/2.6L Eng
	3830 196	1			PULLEY, A/C Idler, w/2.2L Eng.
	4273 208	1			BRACKET, A/C Compressor Idler Mounting, w/2.2L Eng
	4273 050	1	Exc MZC		BRACKET, Altr and A/C Compressor Mounting, w/2.6L Eng

MODEL CODES

B = GRAN FURY	F = FIFTH AVENUE/NEWPORT	P = RELIANT
C = LEBARON/TOWN & COUNTRY/EXC SEDAN	G = DIPLOMAT	T = E CLASS/NEW YORKER
C24 = LASER	H = VOYAGER	V = 600
D = ARIES	K = MINI RAM/CARAVAN/ROYAL	V24 = DAYTONA
E = 600	M = HORIZON/TURISMO	Z = OMNI/CHARGER/RAMPAGE

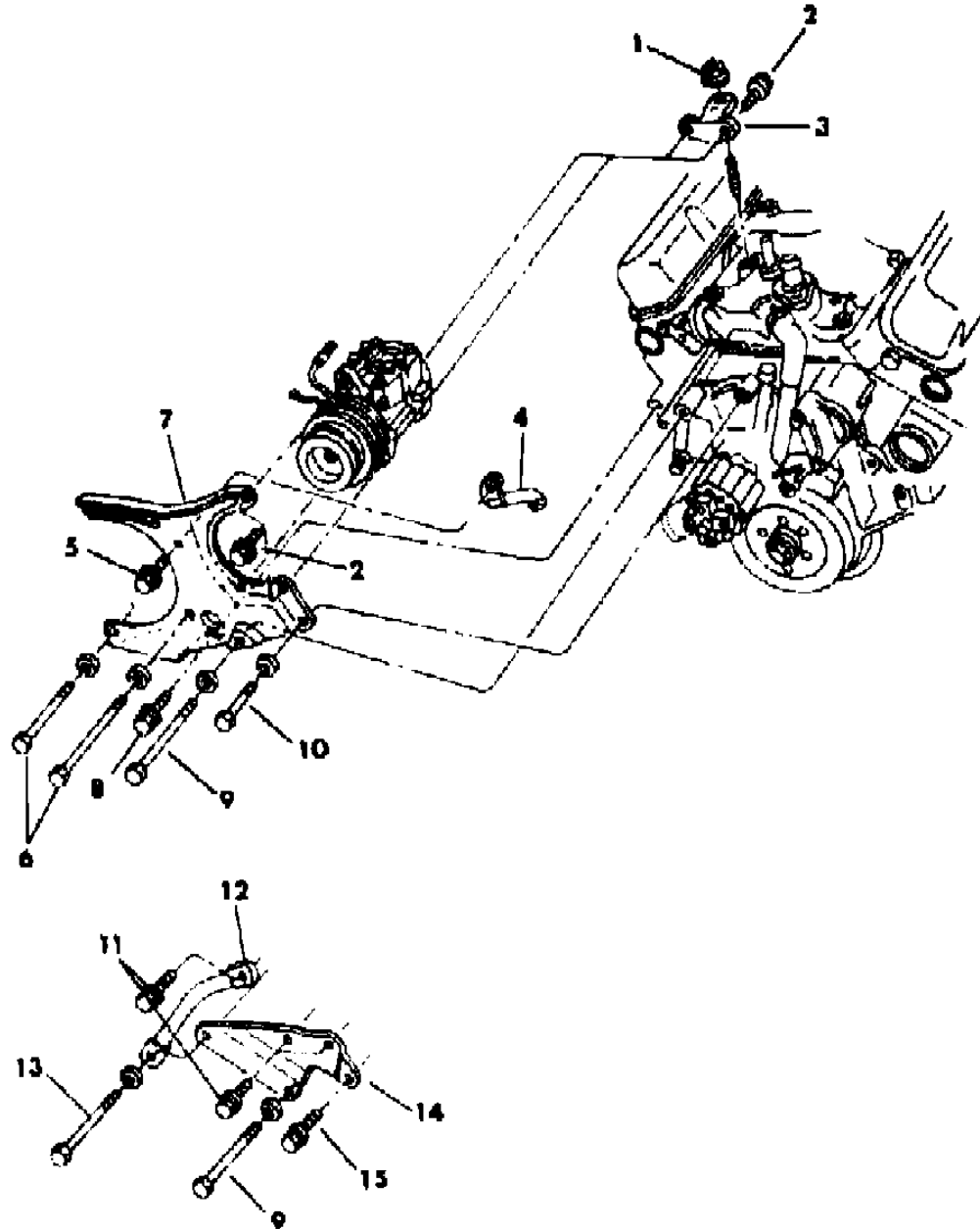
BODY STYLES

21 = 2-DOOR SEDAN	28 = FWD PICKUP	44 = 4-DOOR HATCHBACK
22 = 2-DOOR SPECIAL COUPE	35 = FWD VAN	45 = 4-DOOR STATION WAGON
24 = 2-DOOR HATCHBACK	36 = FWD WAGON	48 = 4-DOOR EXECUTIVE SEDAN
27 = 2-DOOR CONVERTIBLE	41 = 4-DOOR SEDAN	

AR = Use as Required - = Non Illustrated Part P.A.R. = Paint as Required

MOUNTING, AIR COMPRESSOR B,F,G-318 ENGINE
Figure 24-2100

4124 2100



ITEM	PART NUMBER	QTY	BODY	MODEL	DESCRIPTION
1	6025 011	AR			NUT, w/WASHER
2	6500 379	AR			BOLT
3	4298 124	1			BRACKET, A/C Compressor Rear Mounting
4	4100 604	1			SUPPORT, Alt. and Compressor Mounting Bracket to Alt Mounting, w/100 Amp Alt.
5	6022 250	1			SCREW, w/WASHER
6					BOLT, (not serviced)
7	4100 603	1			BRACKET, A/C Compressor and Alt Mounting, w/100 Amp Alt
8	6029 799	1			SCREW
9	6028 166	AR			BOLT
10					BOLT, (not serviced)
11	6500 365	AR			SCREW, w/WASHER, A/C Compressor Mounting Front Support
12	4116 856	1			STRAP, A/C Compressor to Alt Mounting Bracket, Front
13		1			BOLT, Not Serviced
14	4273 059	1			BRACKET, A/C Compressor and Alt Front Mounting
15	0153 359	1			SCREW, w/WASSHER

MODEL CODES

B = GRAN FURY	F = FIFTH AVENUE/NEWPORT	P = RELIANT
C = LEBARON/TOWN & COUNTRY/EXC SEDAN	G = DIPLOMAT	T = E CLASS/NEW YORKER
C24 = LASER	H = VOYAGER	V = 600
D = ARIES	K = MINI RAM/CARAVAN/ROYAL	V24 = DAYTONA
E = 600	M = HORIZON/TURISMO	Z = OMNI/CHARGER/RAMPAGE

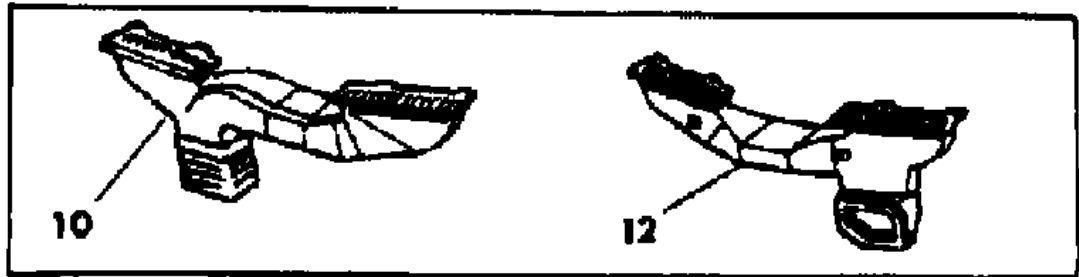
BODY STYLES

21 = 2-DOOR SEDAN	28 = FWD PICKUP	44 = 4-DOOR HATCHBACK
22 = 2-DOOR SPECIAL COUPE	35 = FWD VAN	45 = 4-DOOR STATION WAGON
24 = 2-DOOR HATCHBACK	36 = FWD WAGON	48 = 4-DOOR EXECUTIVE SEDAN
27 = 2-DOOR CONVERTIBLE	41 = 4-DOOR SEDAN	

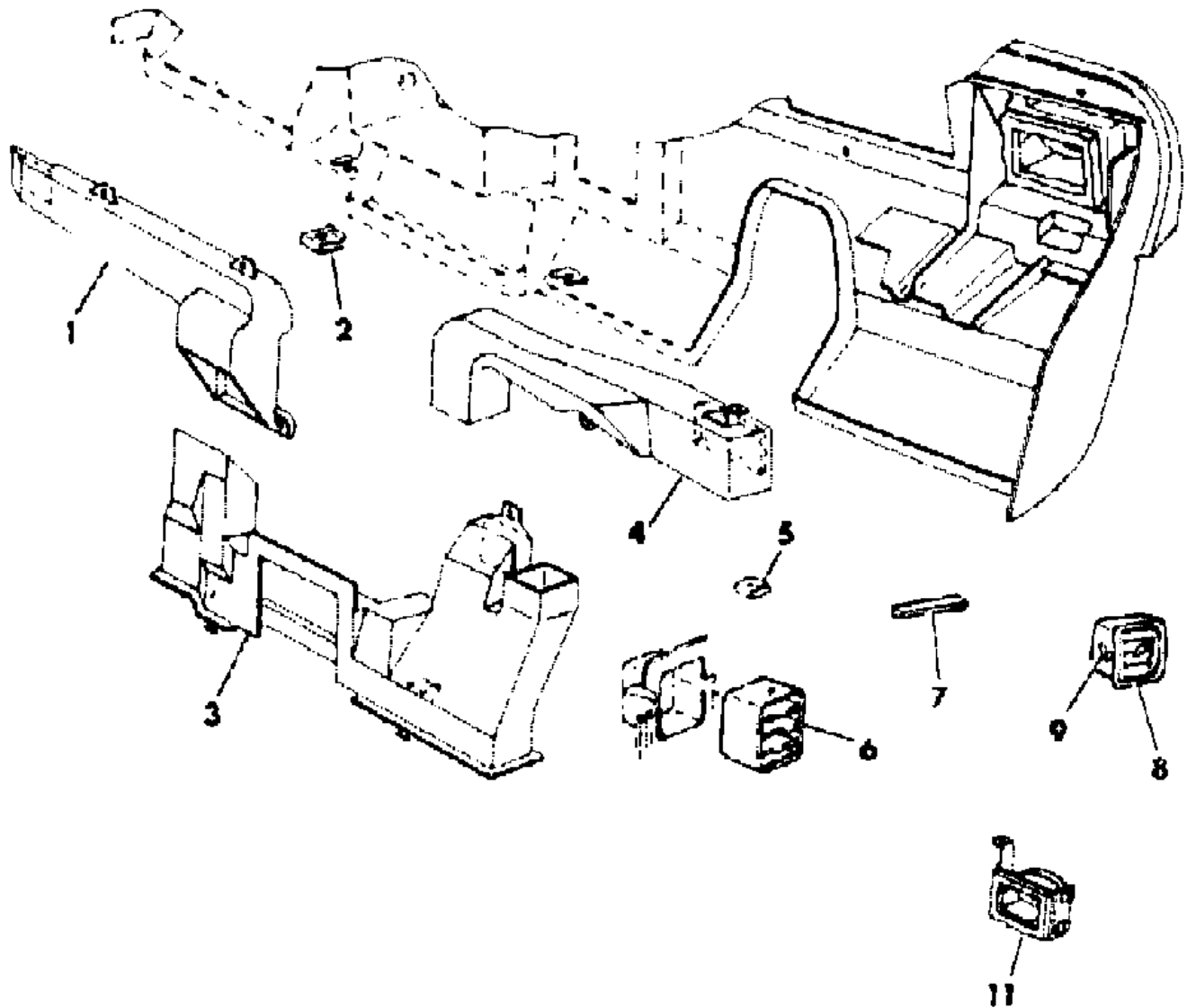
AR = Use as Required - = Non Illustrated Part P.A.R. = Paint as Required

AIR DUCTS AND OUTLETS M,Z
Figure 24-2200

4124 2200



ITEM	PART NUMBER	QTY	BODY	MODEL	DESCRIPTION
1	5210 028	1			DUCT, A/C Right Spot Cooler
2	0152 490	2			U-NUT
3	3848 786	1			DUCT, A/C Center Air Distribution
4	5210 029	1			DUCT, A/C Left Spot Cooler
5	0152 490	1			U-NUT, Heater
6	3502 905	1			LOUVER, A/C Heater Inst Cluster Air Outlet
7	3593 396	1			SEAL, A/C Outlet 10.30" Lg.
8	5210 196-7	1			OUTLET, A/C Air Spot Cooler
	5210 002-3	1			OUTLET, Heater Vent
9	5210 018	1			CLIP, A/C Air Spot Cooler Outlet Retaining
10	3848 831	1			DUCT, Heater Defroster
11	5210 182-3	1			ADAPTER, Vent
12	3848 832	1			DUCT, w/ADAPTER, A/C Defroster



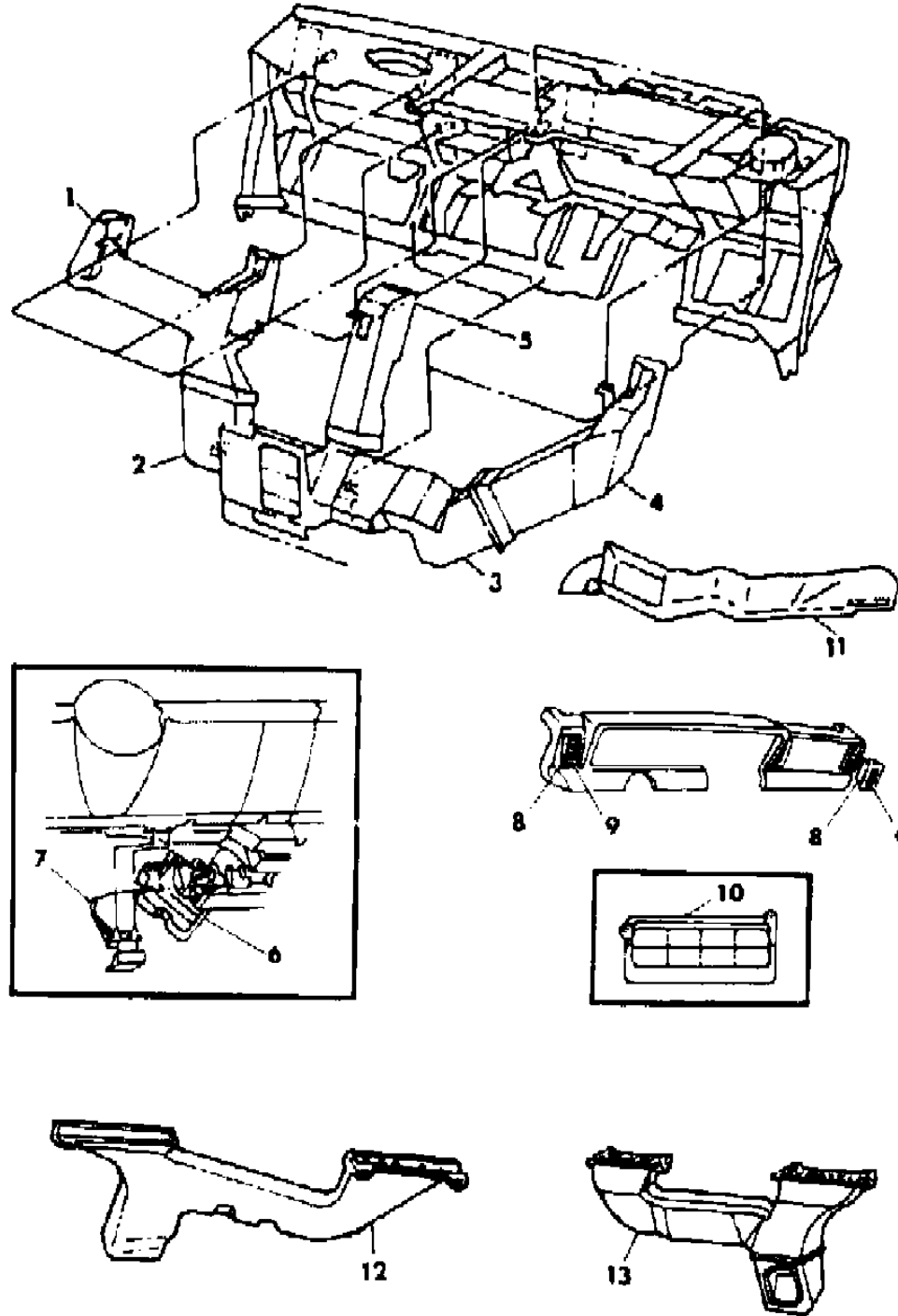
MODEL CODES
 B = GRAN FURY
 C = LEBARON/TOWN & COUNTRY/EXC SEDAN
 C24 = LASER
 D = ARIES
 E = 600
 F = FIFTH AVENUE/NEWPORT
 G = DIPLOMAT
 H = VOYAGER
 K = MINI RAM/CARAVAN/ROYAL
 M = HORIZON/TURISMO
 P = RELIANT
 T = E CLASS/NEW YORKER
 V = 600
 V24 = DAYTONA
 Z = OMNI/CHARGER/RAMPAGE

BODY STYLES
 21 = 2-DOOR SEDAN
 22 = 2-DOOR SPECIAL COUPE
 24 = 2-DOOR HATCHBACK
 27 = 2-DOOR CONVERTIBLE
 28 = FWD PICKUP
 35 = FWD VAN
 36 = FWD WAGON
 41 = 4-DOOR SEDAN
 44 = 4-DOOR HATCHBACK
 45 = 4-DOOR STATION WAGON
 48 = 4-DOOR EXECUTIVE SEDAN

AR = Use as Required - = Non Illustrated Part P.A.R. = Paint as Required

AIR DUCTS AND OUTLETS P,D,V,C,J,E,T
Figure 24-2300

4124 2300



ITEM	PART NUMBER	QTY	BODY	MODEL	DESCRIPTION
1	3847 562	1			DUCT, Air Outlet, Right
2	3847 744	1			DUCT, Heater Vent Distribution
	3847 554	1			DUCT, A/C Air Outlet Distribution
	0152 490	2			CLIP, Center Air Sistributoion Duct to Inst Panel
3	3847 574	1			DUCT, Heater, A/C Vent Over Strg Column
4	3847 569	1			DUCT, Air Outlet, Left
5	3847 563	1			DUCT, Air Outlet, Left Center
6	3848 054	1			HOUSING, Left Vent
7	3848 239	1			CABLE, Clip Heater Vent, Left
8	4364 886	1			OUTLET, w/LOVER, A/C, Air, Charcoal
	4364 887	1			Blue
	4364 888	1			Red
	4364 889	1			Tan
	4364 890	1			Brown
9	3847 950	2		P,D,V,C	LOUVER, A/C Heater Air Outlet, Bright, Right
	3847 575	2		P,D	LOUVER, A/C Heater Air Outlet, Black, Left
	3847 950	3		J,E,T	LOUVER, A/C Heater Air Outlet
10	3848 061	1			DUCT, w/KNOB, Vent Ram Air, Right
11	5210 055	1			DUCT, A/C Heater Distribution
12	3848 732	1			DUCT, Heater Defroster, w/Upper Level Vent
13	3848 734	1			DUCT, w/ADAPTER, A/C Defroster

MODEL CODES

B = GRAN FURY	F = FIFTH AVENUE/NEWPORT	P = RELIANT
C = LEBARON/TOWN & COUNTRY/EXC SEDAN	G = DIPLOMAT	T = E CLASS/NEW YORKER
C24 = LASER	H = VOYAGER	V = 600
D = ARIES	K = MINI RAM/CARAVAN/ROYAL	V24 = DAYTONA
E = 600	M = HORIZON/TURISMO	Z = OMNI/CHARGER/RAMPAGE

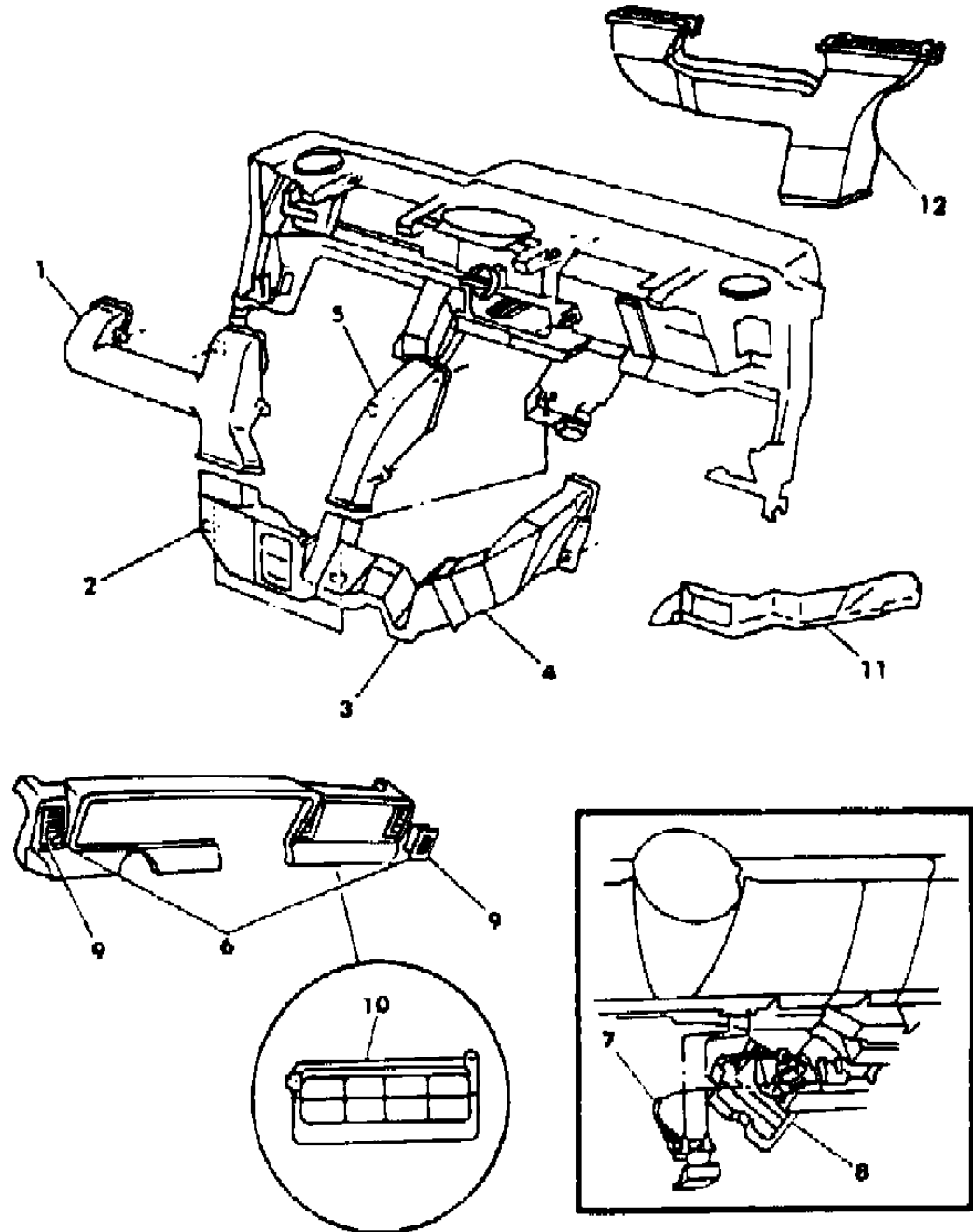
BODY STYLES

21 = 2-DOOR SEDAN	28 = FWD PICKUP	44 = 4-DOOR HATCHBACK
22 = 2-DOOR SPECIAL COUPE	35 = FWD VAN	45 = 4-DOOR STATION WAGON
24 = 2-DOOR HATCHBACK	36 = FWD WAGON	48 = 4-DOOR EXECUTIVE SEDAN
27 = 2-DOOR CONVERTIBLE	41 = 4-DOOR SEDAN	

AR = Use as Required - = Non Illustrated Part P.A.R. = Paint as Required

AIR DUCTS AND OUTLETS C,V 24
Figure 24-2400

4124 2+3-



ITEM	PART NUMBER	QTY	BODY	MODEL	DESCRIPTION
1	3848 088	1			DUCT, Heater A/C Air , Right
2	3848 090	1			DUCT, Heater Air Distribution
	3848 081	1			DUCT, A/C Air Distribution
3	3847 574	1			DUCT, A/C Heater, (over steering col.)
4	3848 086	1			DUCT, A/C Heater, Left
5	3848 083	1			DUCT, A/C Heater Air Left Center
6	4339 465	3			OUTLET, Air, A/C, Brown
	4339 466	3			Black
	4339 467	3			Red
	4339 468	3			Charcoal
	3848 095	AR			CLIP, A/C Heater Outlet Bezel Mounting
7	3848 239	1			CABLE, w/CLIP, Heater Vent, Left
8	3848 054	1			HOUSING, Vent, Left
9	3847 950	1			LOUVER, A/C Heater Air Outlet
10	3848 061	1			DUCT, w/KNOB, Vent Ram Air, Right
11	5210 055	1			DUCT, A/C Heater Distribution
12	3848 052	1			DUCT, Heater Defroster

MODEL CODES
 B = GRAN FURY
 C = LEBARON/TOWN & COUNTRY/EXC SEDAN
 C24 = LASER
 D = ARIES
 E = 600
 F = FIFTH AVENUE/NEWPORT
 G = DIPLOMAT
 H = VOYAGER
 K = MINI RAM/CARAVAN/ROYAL
 M = HORIZON/TURISMO
 P = RELIANT
 T = E CLASS/NEW YORKER
 V = 600
 V24 = DAYTONA
 Z = OMNI/CHARGER/RAMPAGE

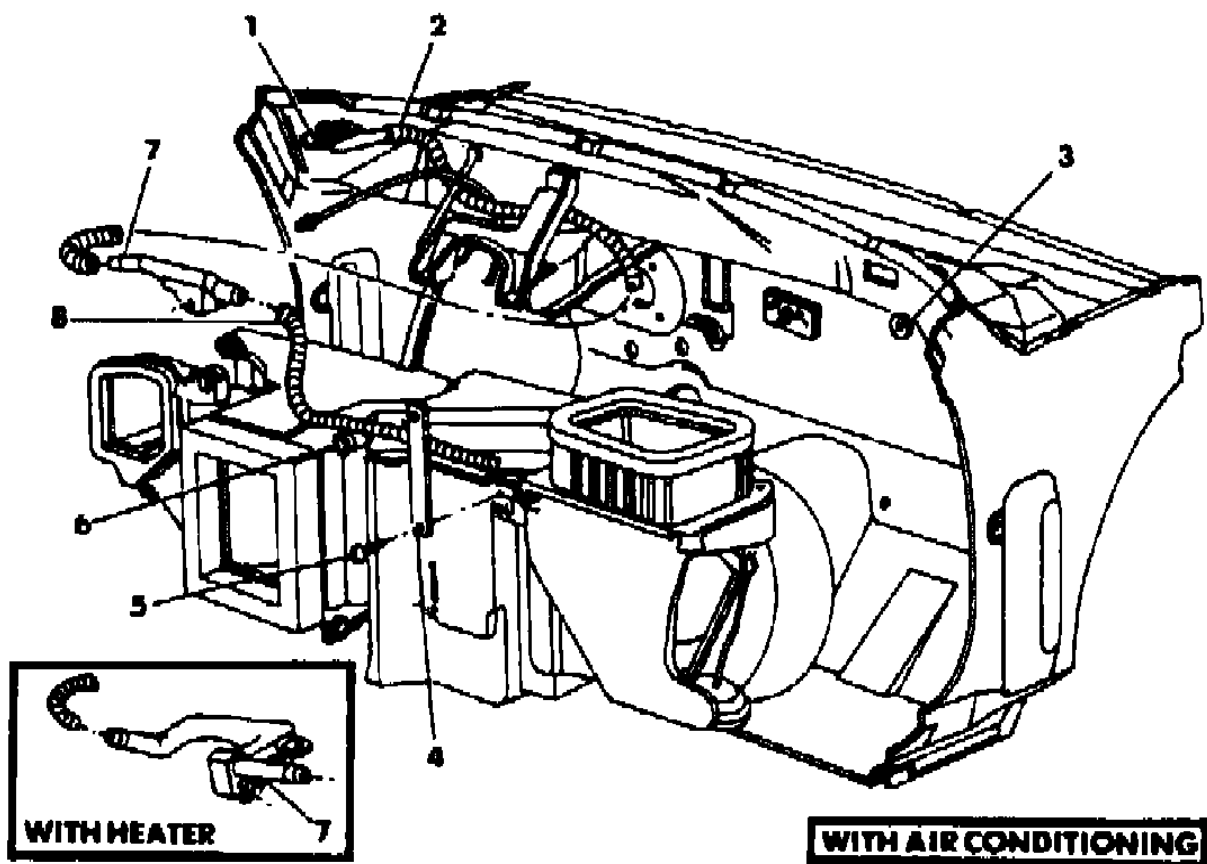
BODY STYLES
 21 = 2-DOOR SEDAN
 22 = 2-DOOR SPECIAL COUPE
 24 = 2-DOOR HATCHBACK
 27 = 2-DOOR CONVERTIBLE
 28 = FWD PICKUP
 35 = FWD VAN
 36 = FWD WAGON
 41 = 4-DOOR SEDAN
 44 = 4-DOOR HATCHBACK
 45 = 4-DOOR STATION WAGON
 48 = 4-DOOR EXECUTIVE SEDAN

AR = Use as Required - = Non Illustrated Part P.A.R. = Paint as Required

DEMISTER SYSTEM C,V 24

Figure 24-2500

4124 2500



ITEM	PART NUMBER	QTY	BODY	MODEL	DESCRIPTION
1	3848 617	1			OUTLET, A/C Heater Demister, Left
	3848 616	1			Right
2	3848 353	1			HOSE, A/C Heater Demister, Left 21.9" Lg.
	3848 352	1			Right, 21.9" Lg.
3	0219 462	4			NUT, Unit to Dash Mounting
4	3848 238	1			BRACE, Heater Support
	3848 238	1			BRACE, A/C Unit Mounting to Plenum
5	9423 951	1			SCREW, Unit Brace Mounting to Unit
6	6030 820	1			NUT
7	3848 331	1			ADAPTER, A/C Demister
	3848 334	1			ADAPTER, Heater Demister
8	3848 353	1			HOSE, Heater Demister, Left 21.9" Lg
	3848 352	1			Right, 21.9" Lg
	0152 490	1			U-Nut, A/C Demister Outlet Mounting

MODEL CODES

B = GRAN FURY	F = FIFTH AVENUE/NEWPORT	P = RELIANT
C = LEBARON/TOWN & COUNTRY/EXC SEDAN	G = DIPLOMAT	T = E CLASS/NEW YORKER
C24 = LASER	H = VOYAGER	V = 600
D = ARIES	K = MINI RAM/CARAVAN/ROYAL	V24 = DAYTONA
E = 600	M = HORIZON/TURISMO	Z = OMNI/CHARGER/RAMPAGE

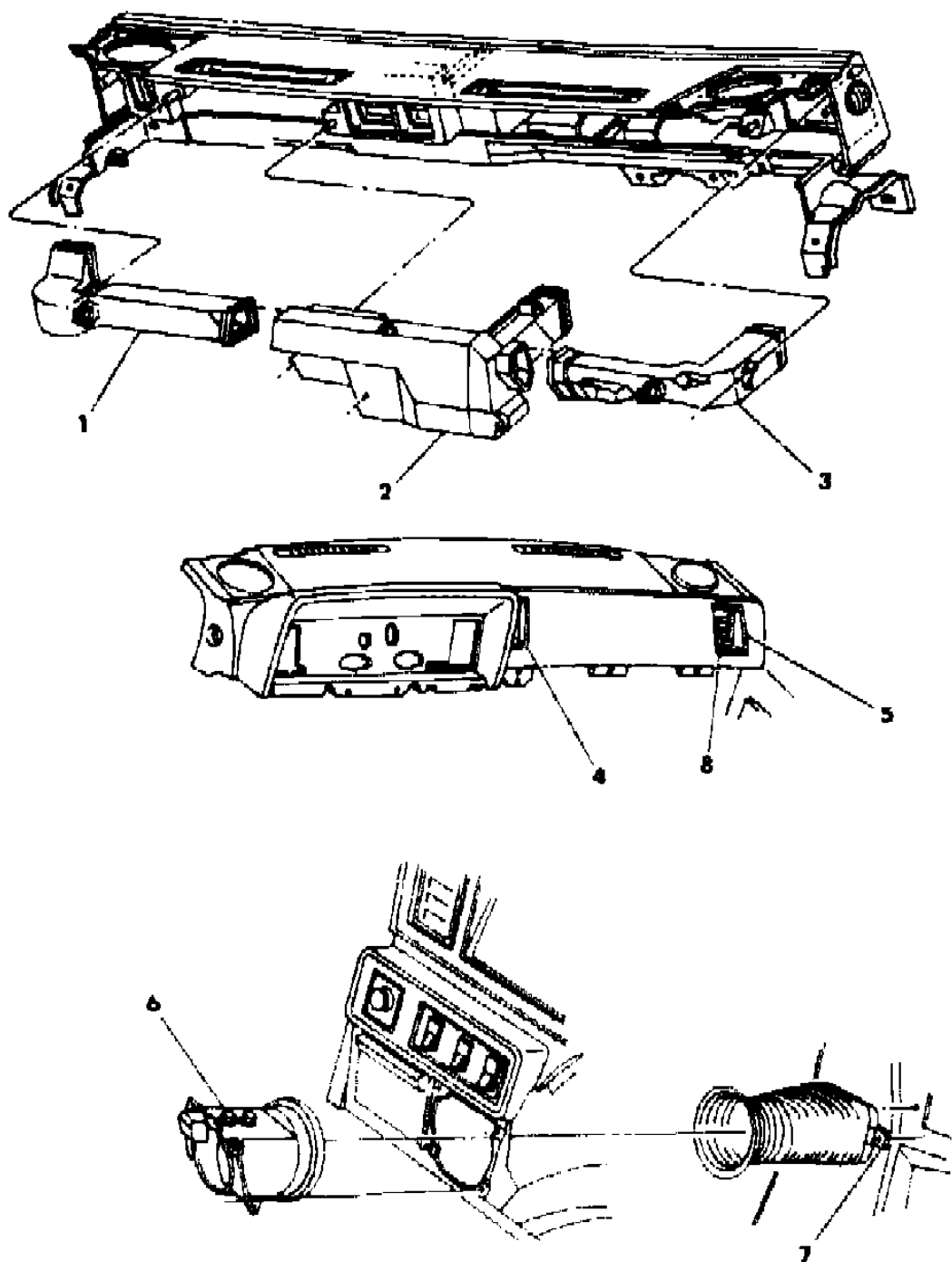
BODY STYLES

21 = 2-DOOR SEDAN	28 = FWD PICKUP	44 = 4-DOOR HATCHBACK
22 = 2-DOOR SPECIAL COUPE	35 = FWD VAN	45 = 4-DOOR STATION WAGON
24 = 2-DOOR HATCHBACK	36 = FWD WAGON	48 = 4-DOOR EXECUTIVE SEDAN
27 = 2-DOOR CONVERTIBLE	41 = 4-DOOR SEDAN	

AR = Use as Required - = Non Illustrated Part P.A.R. = Paint as Required

AIR DUCTS AND OUTLETS H,K Figure 24-2600

412 2600



ITEM	PART NUMBER	QTY	BODY	MODEL	DESCRIPTION
1	3848 289	1			DUCT, A/C Heater, Right
2	3848 285	1			DUCT, A/C Heater, Distribution
3	3848 282	1			DUCT, A/C Heater, Left
4	P663 CT8	1			OUTLET, A/C heater Air, Right Crnter Brown
	P663 CS8	1			Charcoal
	P663 CM6	1			Red
	P663 CB5	1			Blue
5	P664 CT8	1			OUTLET, A/C Heater Air Right Brown
	P664 CS8	1			Charcoal
	P664 CM6	1			Red
	P664 CB5	1			Blue
6	3848 334	1			OUTLET, Vent, Left
	3848 334	1			DOOR, Left Vent Housing Shut-Off
	3848 334	1			LEVER, Left Vent Hsg. Shut-Off Door
	3848 339	1			RETAINER, left Vent Hsg. Shut-Off Door
7	3848 342	1			DUCT, Left Vent
8	3848 278	1			LOUVER, A/C Heater Outlet, Right

MODEL CODES

B = GRAN FURY	F = FIFTH AVENUE/NEWPORT	P = RELIANT
C = LEBARON/TOWN & COUNTRY/EXC SEDAN	G = DIPLOMAT	T = E CLASS/NEW YORKER
C24 = LASER	H = VOYAGER	V = 600
D = ARIES	K = MINI RAM/CARAVAN/ROYAL	V24 = DAYTONA
E = 600	M = HORIZON/TURISMO	Z = OMNI/CHARGER/RAMPAGE

BODY STYLES

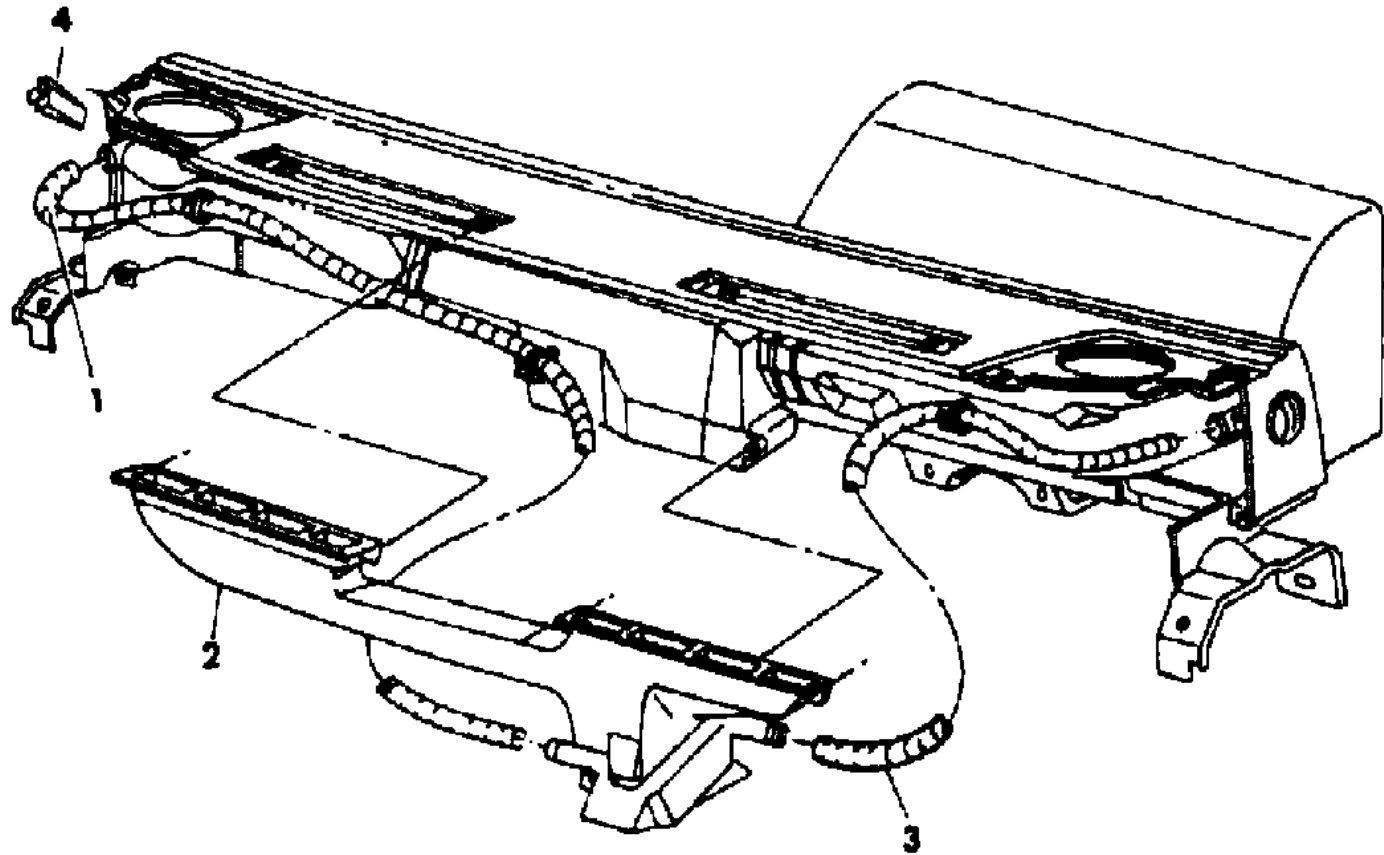
21 = 2-DOOR SEDAN	28 = FWD PICKUP	44 = 4-DOOR HATCHBACK
22 = 2-DOOR SPECIAL COUPE	35 = FWD VAN	45 = 4-DOOR STATION WAGON
24 = 2-DOOR HATCHBACK	36 = FWD WAGON	48 = 4-DOOR EXECUTIVE SEDAN
27 = 2-DOOR CONVERTIBLE	41 = 4-DOOR SEDAN	

AR = Use as Required - = Non Illustrated Part P.A.R. = Paint as Required

DEMISTER SYSTEM H,K
Figure 24-2700

ITEM	PART NUMBER	QTY	BODY	MODEL	DESCRIPTION
1	3848 348	1			HOSE, A/C Heater Demister
2	3848 345	1			DUCT, Heater A/C Defroster Demister Adaptor
3	3848 349	1			HOSE, A/C Heater Demister, Left
4	3848 313	1			OUTLET, A/C Heater Demister

4124 2700



MODEL CODES

B = GRAN FURY	F = FIFTH AVENUE/NEWPORT	P = RELIANT
C = LEBARON/TOWN & COUNTRY/EXC SEDAN	G = DIPLOMAT	T = E CLASS/NEW YORKER
C24 = LASER	H = VOYAGER	V = 600
D = ARIES	K = MINI RAM/CARAVAN/ROYAL	V24 = DAYTONA
E = 600	M = HORIZON/TURISMO	Z = OMNI/CHARGER/RAMPAGE

BODY STYLES

21 = 2-DOOR SEDAN	28 = FWD PICKUP	44 = 4-DOOR HATCHBACK
22 = 2-DOOR SPECIAL COUPE	35 = FWD VAN	45 = 4-DOOR STATION WAGON
24 = 2-DOOR HATCHBACK	36 = FWD WAGON	48 = 4-DOOR EXECUTIVE SEDAN
27 = 2-DOOR CONVERTIBLE	41 = 4-DOOR SEDAN	

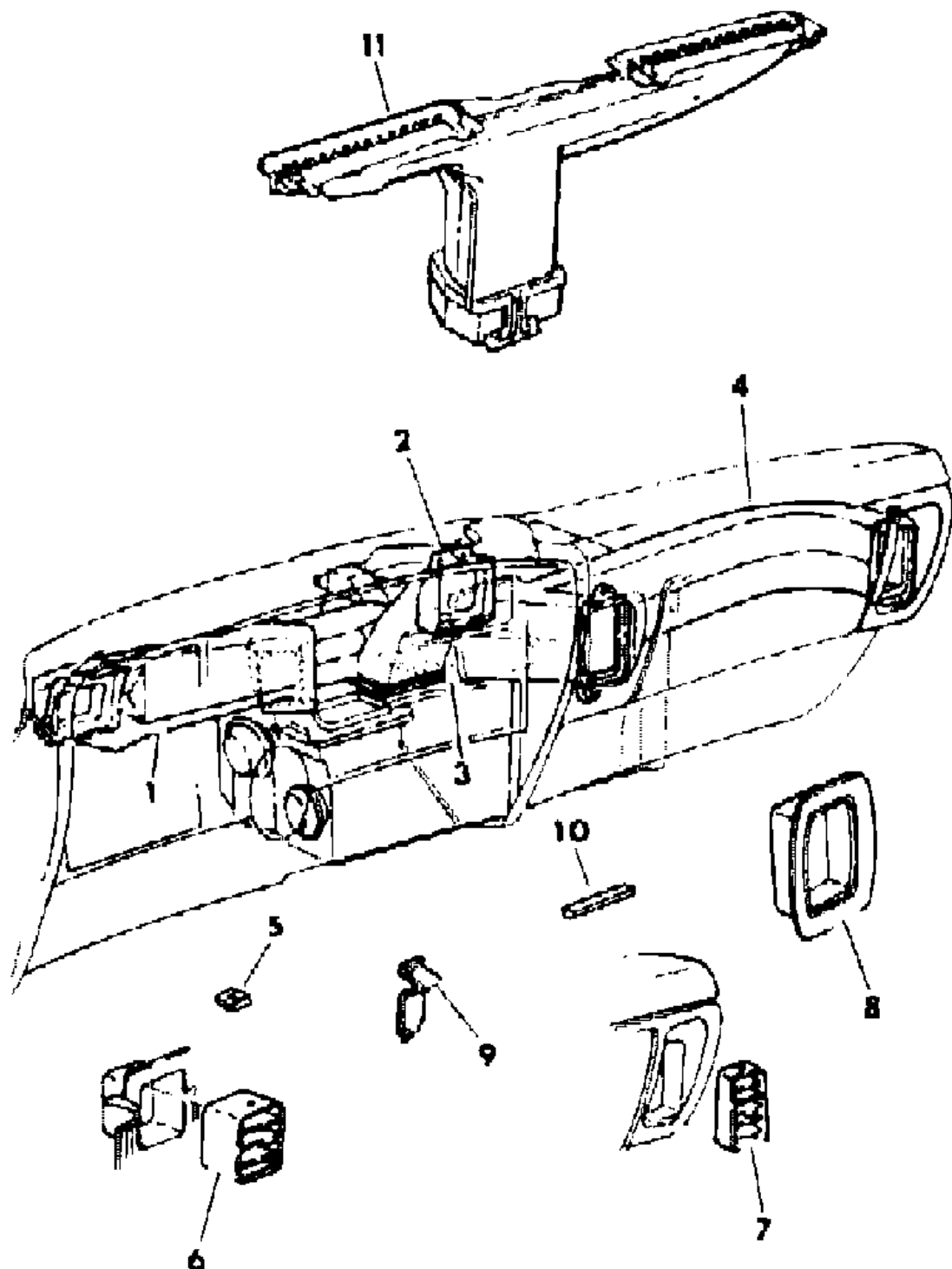
AR = Use as Required - = Non Illustrated Part P.A.R. = Paint as Required

AIR OUTLETS AND DUCTS M,Z,B,F,G

Figure 24-2800

4124 2800

ITEM	PART NUMBER	QTY	BODY	MODEL	DESCRIPTION
1	3846 421	1			DUCT, A/C Spot Cooler, Left
2	3847 401	1			DUCT, A/C Left Center
3	3847 404	1			DUCT, A/C Right Center
4	3846 418	1			DUCT, A/C Spot Cooler Right
5	0152 490	2			U-NUT
6	3502 905	2			LOUVER, A/C Inst Cluster Air Outlet
7	3502 934	2			LOUVER, A/C Inst Panel Air Outlet
8	3846 422	2			BEZEL, A/C Inst Panel Air Outlet
9	3846 412	4			CLIP, A/C Inst Panel Air Outlet Bezel Retainer
10	3593 396	2			SEAL, A/C Outlet
11	3503 863	1			Duct, A/C Defroster



da & Export. ode). Both models are derived from the 100.1" W.B. LeBaron (C 22 Model). Sheet metal parts for the C 48 not found on this illustration should be speci

xhaust System. Unleaded Fuel is required. ode). Both models are derived from the 100.1" W.B. LeBaron (C 22 Model). Sheet metal parts for the C 48 not found on this illustration should be speci

h Lean Burn, California Emission Control or High Altitude Emission Control. ode). Both models are derived from the 100.1" W.B. LeBaron (C 22 Model). Sheet metal parts for the C 48 not found on this illustration should be speci

State of California. ode). Both models are derived from the 100.1" W.B. LeBaron (C 22 Model). Sheet metal parts for the C 48 not found on this illustration should be speci

00 feet elevation. ode). Both models are derived from the 100.1" W.B. LeBaron (C 22 Model). Sheet metal parts for the C 48 not found on this illustration should be speci

MODEL CODES

B = GRAN FURY	F = FIFTH AVENUE/NEWPORT	P = RELIANT
C = LEBARON/TOWN & COUNTRY/EXC SEDAN	G = DIPLOMAT	T = E CLASS/NEW YORKER
C24 = LASER	H = VOYAGER	V = 600
D = ARIES	K = MINI RAM/CARAVAN/ROYAL	V24 = DAYTONA
E = 600	M = HORIZON/TURISMO	Z = OMNI/CHARGER/RAMPAGE

BODY STYLES

21 = 2-DOOR SEDAN	28 = FWD PICKUP	44 = 4-DOOR HATCHBACK
22 = 2-DOOR SPECIAL COUPE	35 = FWD VAN	45 = 4-DOOR STATION WAGON
24 = 2-DOOR HATCHBACK	36 = FWD WAGON	48 = 4-DOOR EXECUTIVE SEDAN
27 = 2-DOOR CONVERTIBLE	41 = 4-DOOR SEDAN	

AR = Use as Required - = Non Illustrated Part P.A.R. = Paint as Required

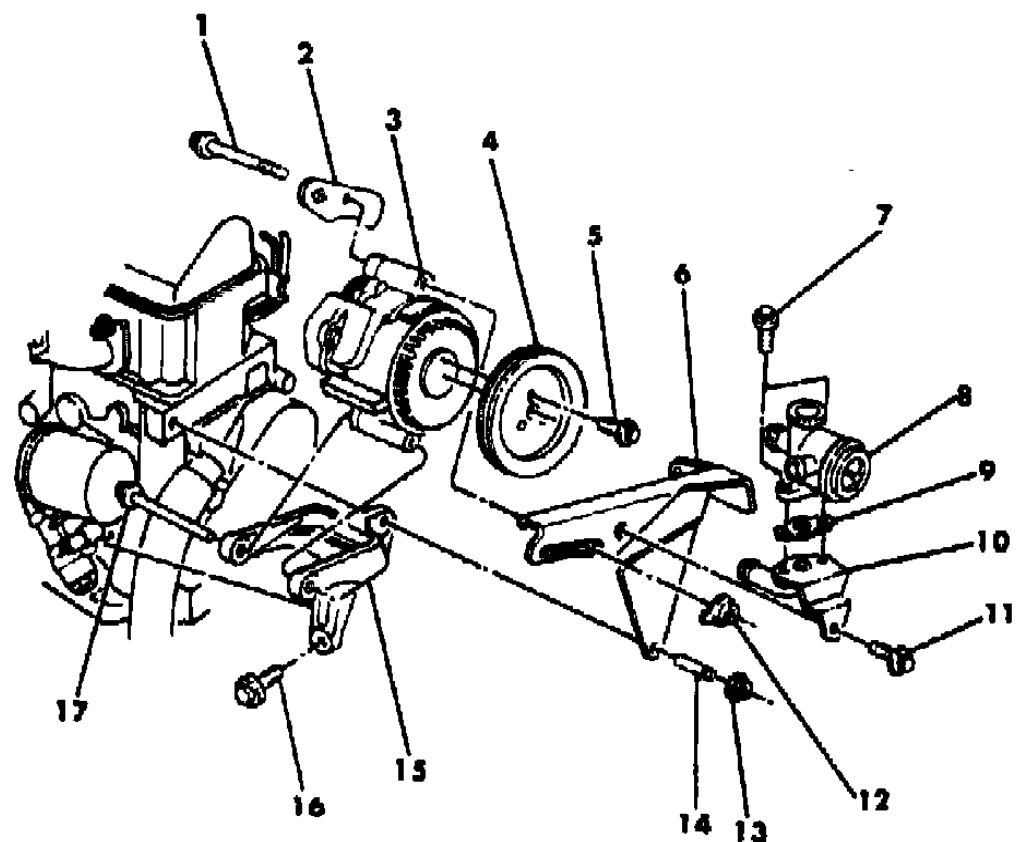
GROUP 25 - EMISSION SYSTEMS

ILLUSTRATION TITLE	GROUP-FIG. NO.
AIR PUMP 1.6L ENGINE	Fig. 25-100
AIR PUMP TUBING 1.6L ENGINE	Fig. 25-200
AIR PUMP 2.2L ENGINE	Fig. 25-300
AIR PUMP TUBING 2.2L ENGINE	Fig. 25-400
SECONDARY AIR SUPPLY 2.6L ENGINE w/CALIF.	Fig. 25-500
SECONDARY AIR SUPPLY 2.6L ENGINE w/o CALIF.	Fig. 25-600
AIR PUMP 318 ENGINE	Fig. 25-700
AIR PUMP TUBING 318 ENGINE	Fig. 25-800
ASPIRATOR 1.6L ENGINE	Fig. 25-900
ASPIRATOR 2.2L ENGINE EFI	Fig. 25-925
ASPIRATOR 2.6L ENGINE H,K	Fig. 25-950
ASPIRATOR 318 ENGINE	Fig. 25-975
VAPOR CANISTER	Fig. 25-1000
EGR SYSTEM 1.6L ENGINE	Fig. 25-1100
EGR SYSTEM 2.2L ENGINE EXC. EFI AND TURBO	Fig. 25-1200
EGR SYSTEM 2.2L ENGINE EFI	Fig. 25-1225
EGR SYSTEM 2.2L ENGINE TURBO	Fig. 25-1250
EGR SYSTEM 2.6L ENGINE U.S. AND LIMO, CANADA	Fig. 25-1300
EGR SYSTEM 2.6L ENGINE CANADA - EXC. LIMO	Fig. 25-1325
EGR SYSTEM 318 ENGINE	Fig. 25-1400
OXYGEN SENSOR, CHARGE TEMP. SWITCH, EGR CONTROL & AUTHORIZATION LABEL	Fig. 25-1500

ILLUSTRATION NOT AVAILABLE AT TIME OF PUBLICATION

AIR PUMP 1.6L ENGINE
Figure 25-100

4135 100



ITEM	PART NUMBER	QTY	BODY	MODEL	DESCRIPTION
1	6101 332	1			SCREW w/WASHER
2	4273 150	1			BRACKET, Air Pump Adj. - Rear
3	4267 228	1			PUMP, Air
4	5214 754	1			PULLEY, Air Pump
5	6500 136	3			SCREW w/WASHER
6	4273 078	1			BRACKET, Air Pump Adj. - Front
7	6500 423	2			SCREW w/WASHER
8	4275 053	1			VALVE, Air Switch & Relief
9	4179 700	1			GASKET, Air Switch & Relief Valve
10	4268 786	1			BRACKET, Air Switch & Relief Valve
11	6500 739	1			SCREW w/WASHER
12	6501 073	1			NUT, Stamped
13	6100 519	1			NUT, Locking
14	6501 005	1			STUD
15	4273 165	1			BRACKET, Air Pump Mtg.
16	6500 584	1			SCREW w/WASHER
17	6500 531	1			SCREW w/WASHER

MODEL CODES

B = GRAN FURY	F = FIFTH AVENUE/NEWPORT	P = RELIANT
C = LEBARON/TOWN & COUNTRY/EXC SEDAN	G = DIPLOMAT	T = E CLASS/NEW YORKER
C24 = LASER	H = VOYAGER	V = 600
D = ARIES	K = MINI RAM/CARAVAN/ROYAL	V24 = DAYTONA
E = 600	M = HORIZON/TURISMO	Z = OMNI/CHARGER/RAMPAGE

BODY STYLES

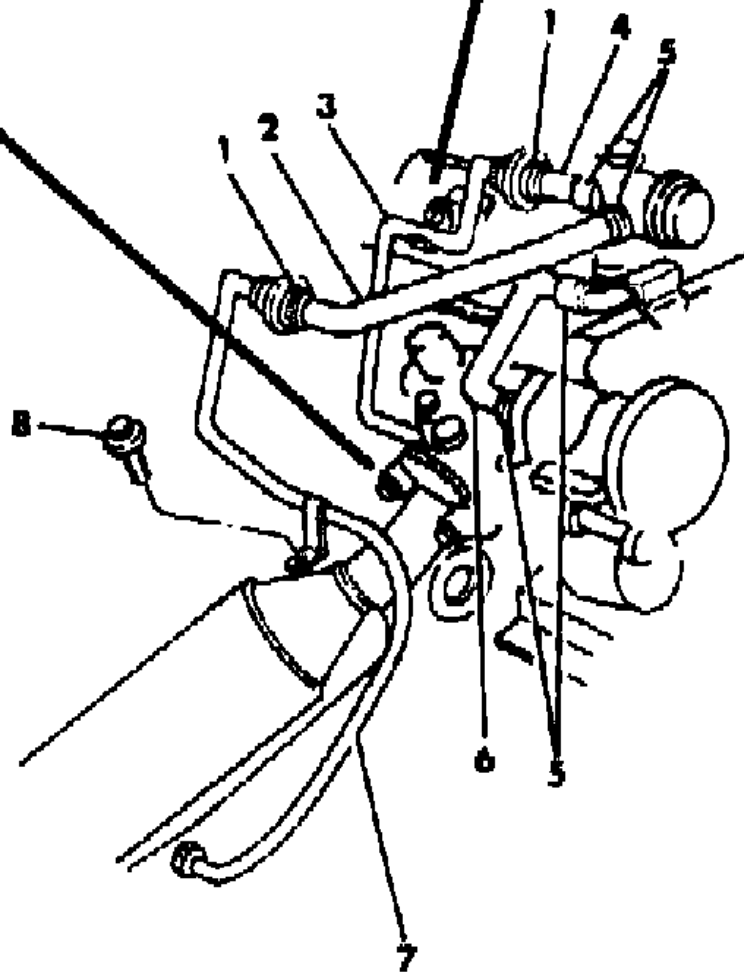
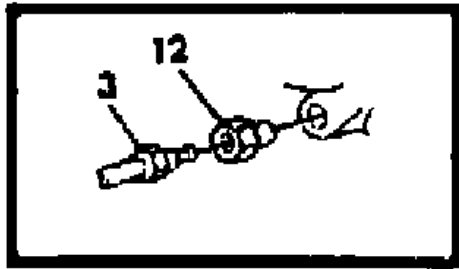
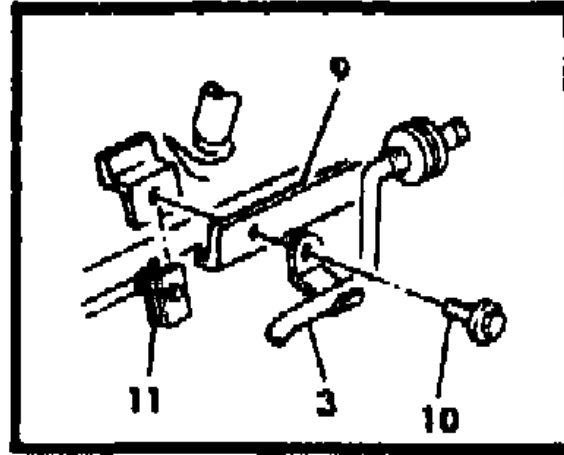
21 = 2-DOOR SEDAN	28 = FWD PICKUP	44 = 4-DOOR HATCHBACK
22 = 2-DOOR SPECIAL COUPE	35 = FWD VAN	45 = 4-DOOR STATION WAGON
24 = 2-DOOR HATCHBACK	36 = FWD WAGON	48 = 4-DOOR EXECUTIVE SEDAN
27 = 2-DOOR CONVERTIBLE	41 = 4-DOOR SEDAN	

AR = Use as Required - = Non Illustrated Part P.A.R. = Paint as Required

AIR PUMP TUBING 1.6L ENGINE
Figure 25-200

4125 200

ITEM	PART NUMBER	QTY	BODY	MODEL	DESCRIPTION
1	2448 762	2			CLAMP
2	4268 783	1			HOSE, Air Switch & Relief Valve to Catalyst Tube up to 12-1-83
	4275 837	1			after 12-1-83
3	4275 838	1			TUBE, Air Switch & Relief Valve to Exh. Man.
4	4268 784	1			HOSE, Air Switch & Relief Valve to Exh. Man. Tube
5	2448 761	4			CLAMP
6	4268 782	1			HOSE, Air Pump to Air Switch & Relief Valve
7	4268 789	1			TUBE, Air Switch & Relief Valve to Catalyst
8	6100 276	1			SCREW w/WASHER
9	4274 949	1			BRACKET, Clip Locator
10	6100 263	1			SCREW w/WASHER
11	6100 041	1			U/NUT
12	6032 290	1			ADAPTER, Exh. Man.



MODEL CODES

B = GRAN FURY	F = FIFTH AVENUE/NEWPORT	P = RELIANT
C = LEBARON/TOWN & COUNTRY/EXC SEDAN	G = DIPLOMAT	T = E CLASS/NEW YORKER
C24 = LASER	H = VOYAGER	V = 600
D = ARIES	K = MINI RAM/CARAVAN/ROYAL	V24 = DAYTONA
E = 600	M = HORIZON/TURISMO	Z = OMNI/CHARGER/RAMPAGE

BODY STYLES

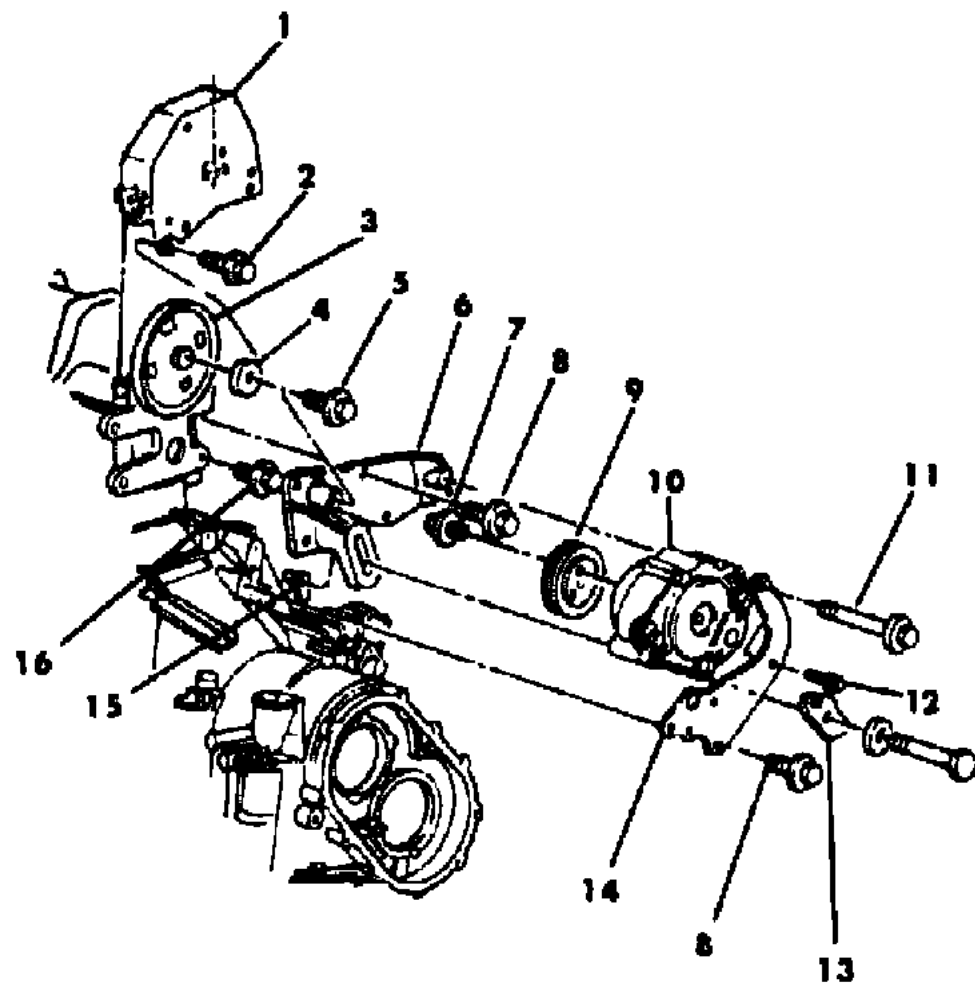
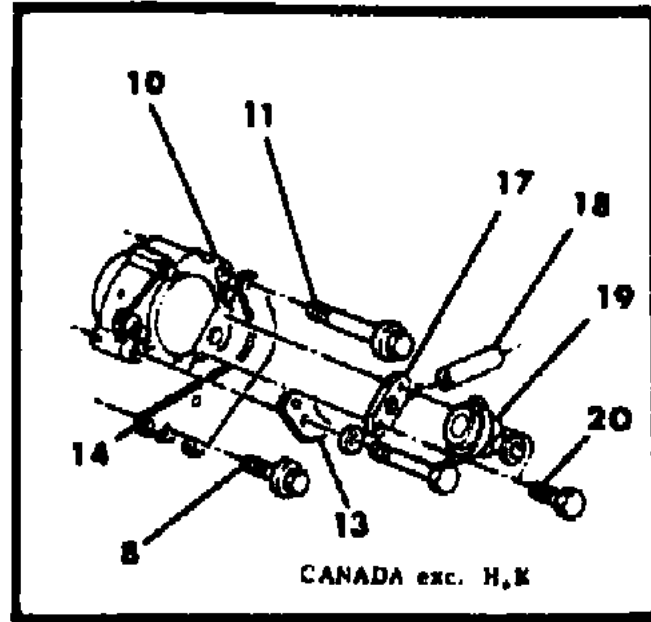
21 = 2-DOOR SEDAN	28 = FWD PICKUP	44 = 4-DOOR HATCHBACK
22 = 2-DOOR SPECIAL COUPE	35 = FWD VAN	45 = 4-DOOR STATION WAGON
24 = 2-DOOR HATCHBACK	36 = FWD WAGON	48 = 4-DOOR EXECUTIVE SEDAN
27 = 2-DOOR CONVERTIBLE	41 = 4-DOOR SEDAN	

AR = Use as Required - = Non Illustrated Part P.A.R. = Paint as Required

AIR PUMP 2.2L ENGINE

Figure 25-300

4125 300A



ITEM	PART NUMBER	QTY	BODY	MODEL	DESCRIPTION
1	4105 496	1			SHIELD, Air Pump Drive Pulley
2	6500 217	1			SCREW w/WASHER
3	5214 518	1			PULLEY, Air Pump Drive
4	4323 229	1			WASHER
5	6500 134	4			SCREW w/WASHER
6	4298 106	1			BRACKET, Air Pump Adj. & Mtg.
7	6500 136	3			SCREW w/WASHER
8	6500 374	6			SCREW w/WASHER
9	5203 585	1			PULLEY, Air Pump
10	4267 227	1			PUMP, Air
11	6500 531	1			SCREW w/WASHER
12	6100 250	1	exc. H,		SCREW w/WASHER
13	4273 150	2			BRACKET, Air Pump Adj.
14	4273 226	1			BRACKET, Air Pump Mtg., Rear
15	6501 073	1			NUT, Stamped
16	6500 267	4			SCREW w/WASHER w/o Air Pump
17	4241 252	1	exc. H,		ADAPTER, Diverter Valve
18	4105 167	1	exc. H,		HOSE, Air Pump Spacer Ext.
19	4179 719	1	exc. H,		VALVE, Diverter
20	6500 499	2	exc. H,		BOLT

MODEL CODES

B = GRAN FURY	F = FIFTH AVENUE/NEWPORT	P = RELIANT
C = LEBARON/TOWN & COUNTRY/EXC SEDAN	G = DIPLOMAT	T = E CLASS/NEW YORKER
C24 = LASER	H = VOYAGER	V = 600
D = ARIES	K = MINI RAM/CARAVAN/ROYAL	V24 = DAYTONA
E = 600	M = HORIZON/TURISMO	Z = OMNI/CHARGER/RAMPAGE

BODY STYLES

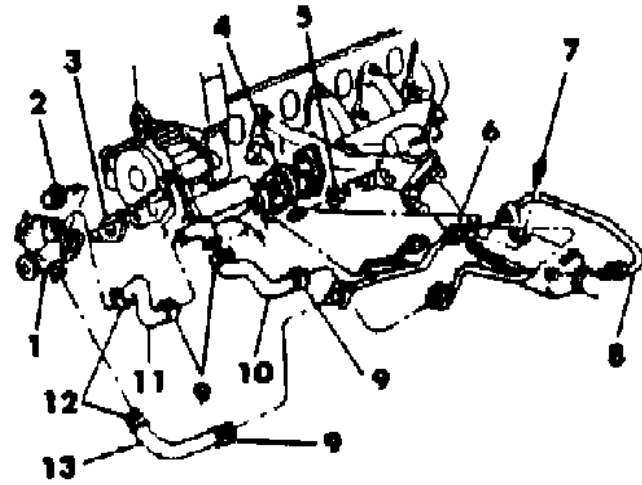
21 = 2-DOOR SEDAN	28 = FWD PICKUP	44 = 4-DOOR HATCHBACK
22 = 2-DOOR SPECIAL COUPE	35 = FWD VAN	45 = 4-DOOR STATION WAGON
24 = 2-DOOR HATCHBACK	36 = FWD WAGON	48 = 4-DOOR EXECUTIVE SEDAN
27 = 2-DOOR CONVERTIBLE	41 = 4-DOOR SEDAN	

AR = Use as Required - = Non Illustrated Part P.A.R. = Paint as Required

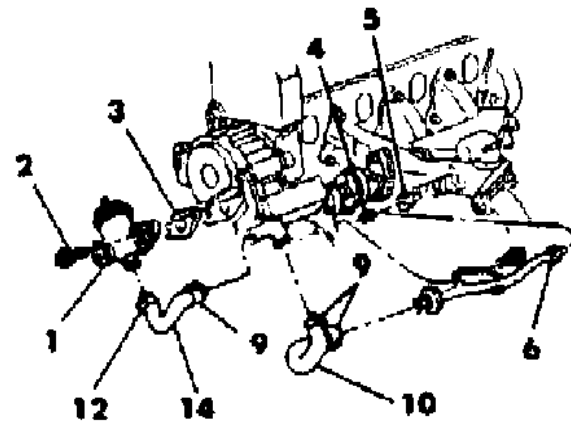
AIR PUMP TUBING 2.2L ENGINE

Figure 25-400

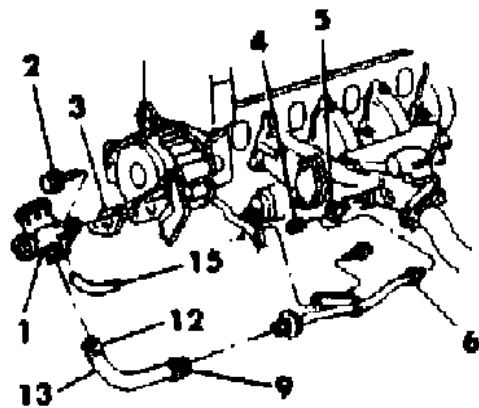
4125 400A



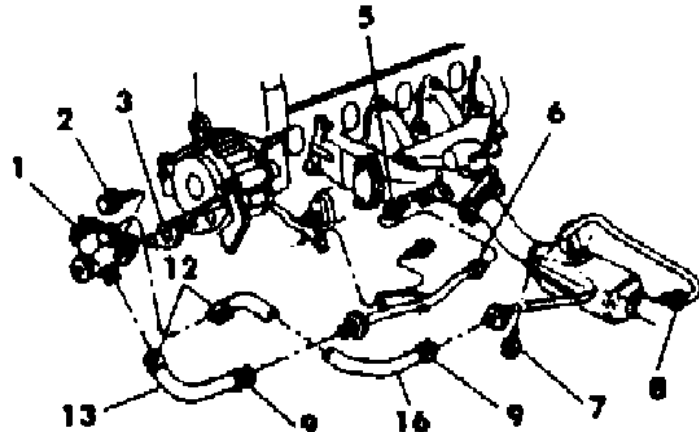
M, Z, P, D, C, V, E, T



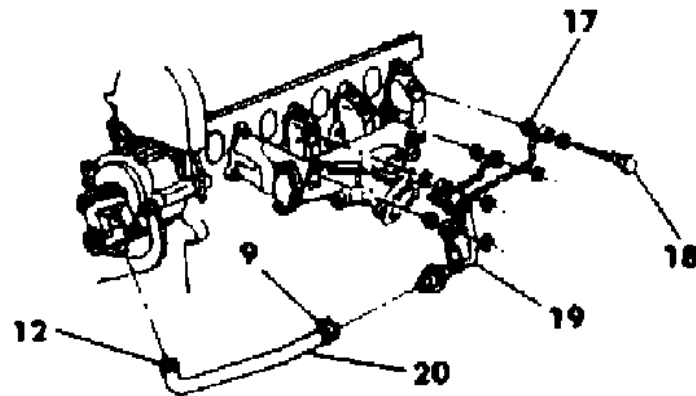
M, Z 28 W/O CALIF.



H, K W/O CALIF.



H, K W/CALIF.



EXC. H, K—CANADA

ITEM	PART NUMBER	QTY	BODY	MODEL	DESCRIPTION
1	4275 053	1			VALVE, Air Sw. & Relief
	4268 576	1		M,Z,28-	VALVE, Air Relief
	4241 972	1		M,Z,28-	2.2L Eng. w/(S/C - NAA, NCA) - w/o Pressure Tap
	6500 423	2			2.2L Eng. w/(S/C - NAA, NCA) - w/Pressure Tap
2					BOLT
3	4179 700	1			GASKET
4		1			PLUG w/o Air Pump (not serviced)
5	6032 290	1			ADAPTER, Exh. Man.
6	4307 802	1			TUBE, Comb. Valve to Exh. Man.
7	6100 557	1			SCREW w/WASHER
8	4275 816	1		P,D,C,V	TUBE, Comb. Valve to Catalyst
	4300 393	1		M,Z,24,	
	4275 383	1		H,K	TUBE, Air Sw. Valve to Catalyst
9	2448 761	AR			CLAMP
10	4105 176	1		P,D,C,V	HOSE, Downstream Car Valve to Resonator
	4105 173	1		M,Z,24,	HOSE, Resonator to Tube Assy. Check Valve to Catalyst
	4105 171	1		M,Z,28	HOSE, Resonator to Valve Exh. Man. Tube
11	4105 172	1			HOSE, Air Sw. Valve to Resonator
12	2448 762	AR			CLAMP
13	4241 670	1			HOSE, Valve to Exh. Man. Tube
14	4105 170	1		M,Z,28	HOSE, Relief Valve to Resonator
15	4105 167	1		H,K	HOSE, Air Pump
16	4275 833	1		H,K	HOSE, Comb. Valve to Catalyst or Exh. Pipe Tube
17	4227 764	8			GASKET, Air Inj. Tube to Exh. Man.
18	4227 763	4			BOLT, Air Inj.
19	4227 762	1			TUBE, Diverter Valve to Exh. Man.
20	4268 483	1			HOSE, Diverter Valve to Exh. Man. Tube

MODEL CODES

B = GRAN FURY
 C = LEBARON/TOWN & COUNTRY/EXC SEDAN
 C24 = LASER
 D = ARIES
 E = 600

F = FIFTH AVENUE/NEWPORT
 G = DIPLOMAT
 H = VOYAGER
 K = MINI RAM/CARAVAN/ROYAL
 M = HORIZON/TURISMO

P = RELIANT
 T = E CLASS/NEW YORKER
 V = 600
 V24 = DAYTONA
 Z = OMNI/CHARGER/RAMPAGE

BODY STYLES

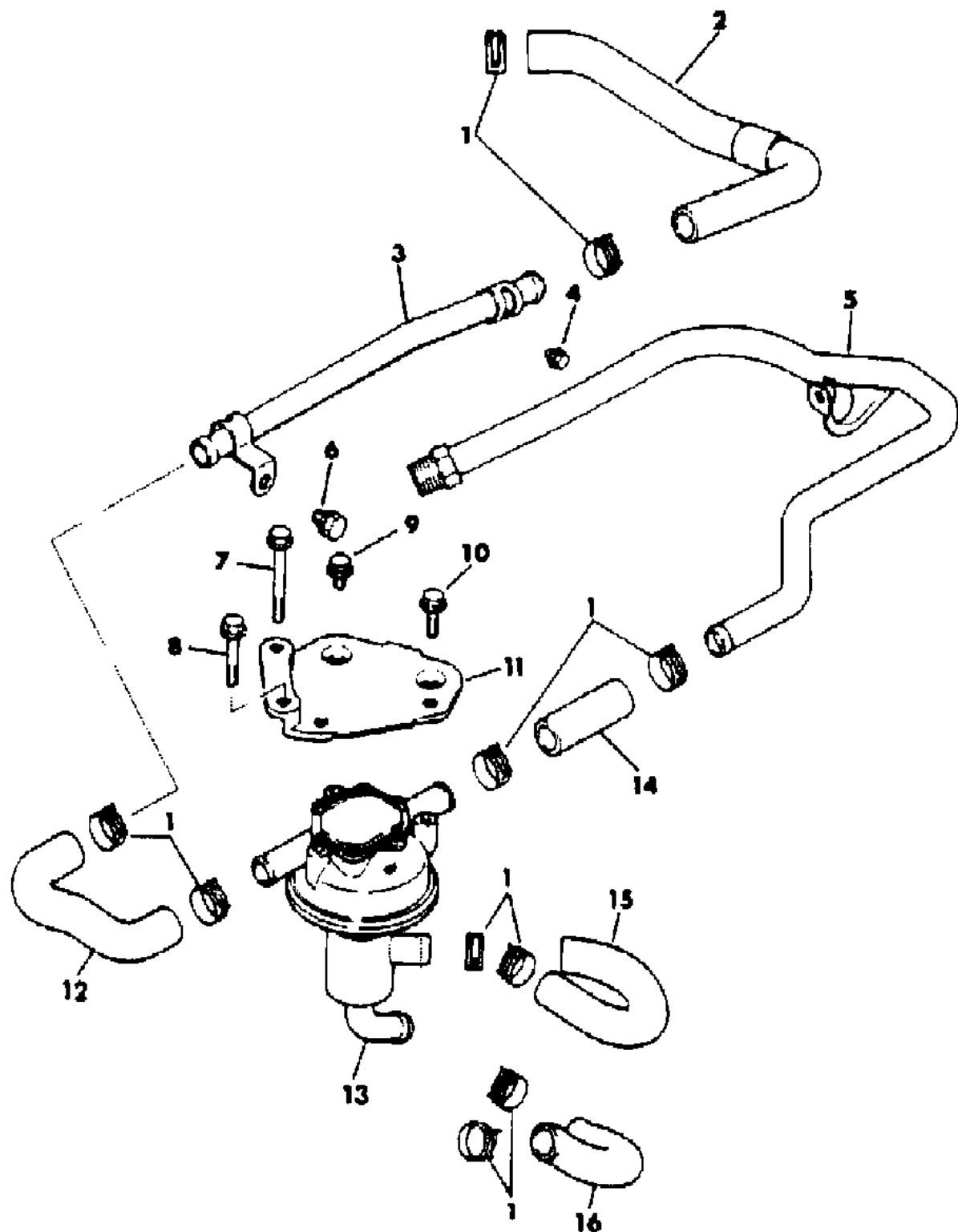
21 = 2-DOOR SEDAN	28 = FWD PICKUP	44 = 4-DOOR HATCHBACK
22 = 2-DOOR SPECIAL COUPE	35 = FWD VAN	45 = 4-DOOR STATION WAGON
24 = 2-DOOR HATCHBACK	36 = FWD WAGON	48 = 4-DOOR EXECUTIVE SEDAN
27 = 2-DOOR CONVERTIBLE	41 = 4-DOOR SEDAN	

AR = Use as Required - = Non Illustrated Part P.A.R. = Paint as Required

**SECONDARY AIR SUPPLY 2.6L ENGINE w/CALIF.
Figure 25-500**

4125 600

ITEM	PART NUMBER	QTY	BODY	MODEL	DESCRIPTION
1	MS66 0170	6			CLIP, Hose (26)
2	MD02 5123	1			HOSE, Air
3	MD02 5122	1			PIPE, Air
4	MF24 3622	1			BOLT, Washer Assembled (6x12)
5	MD02 7227	1			PIPE, Air
6	MF24 0078	1			BOLT, Washer Assembled (10x16)
7	MF14 0040	1			BOLT, Flange (8x75)
8	MF14 0035	1			BOLT, Flange (8x50)
9	MF14 0021	3			BOLT, Flange (8x12)
10	MF14 0029	1			BOLT, Flange (8x30)
11	MD02 5585	1			BRACKET
12	MD02 4774	1			HOSE, Air
13	MD02 5587	1			PULSE AIR FEEDER
14	MD02 5566	1			HOSE, Air
15	MD02 5686	1			HOSE, Pulse
16	MD02 5687	1			HOSE, Pulse



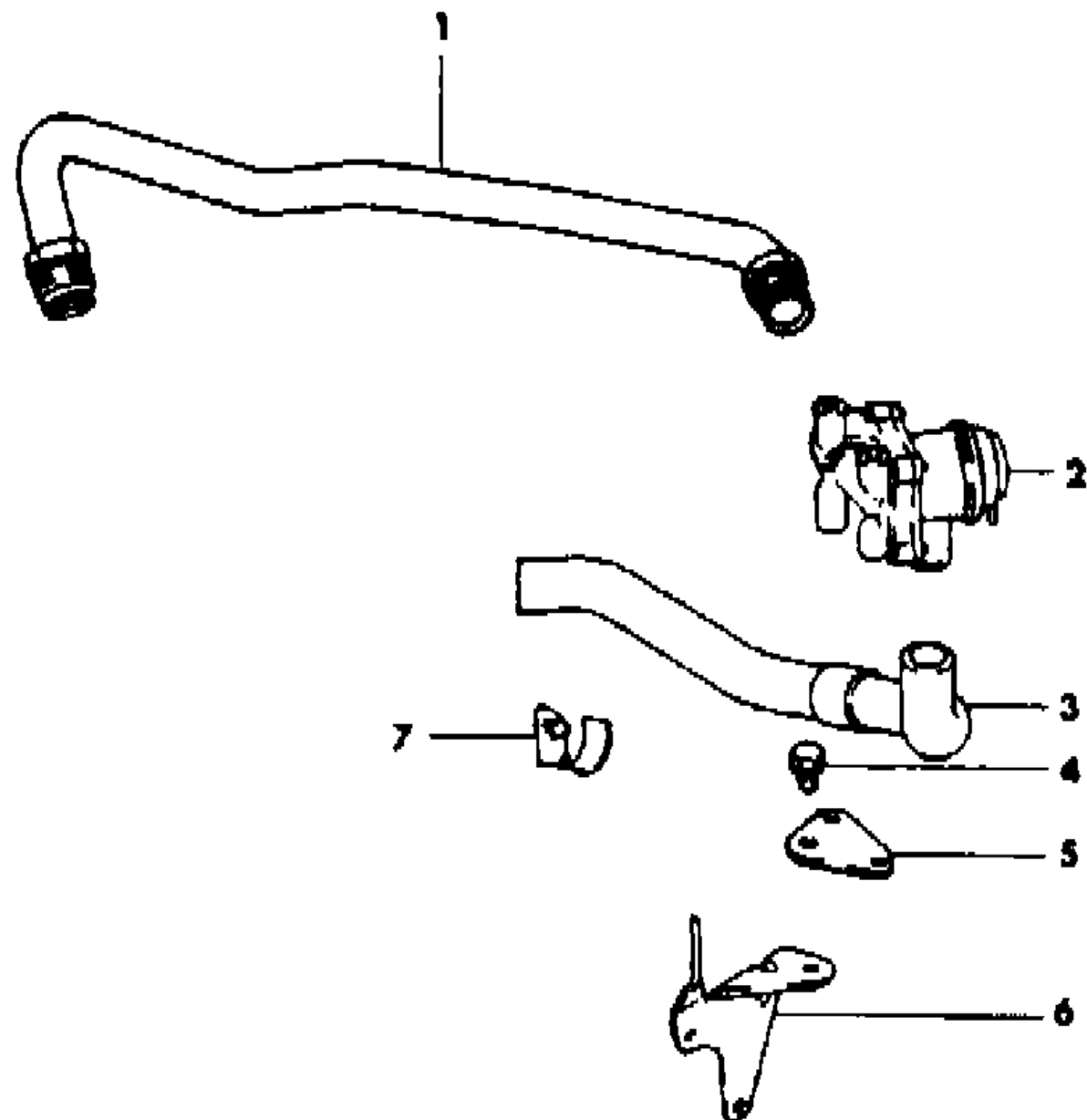
MODEL CODES
 B = GRAN FURY
 C = LEBARON/TOWN & COUNTRY/EXC SEDAN
 C24 = LASER
 D = ARIES
 E = 600
 F = FIFTH AVENUE/NEWPORT
 G = DIPLOMAT
 H = VOYAGER
 K = MINI RAM/CARAVAN/ROYAL
 M = HORIZON/TURISMO
 P = RELIANT
 T = E CLASS/NEW YORKER
 V = 600
 V24 = DAYTONA
 Z = OMNI/CHARGER/RAMPAGE

BODY STYLES
 21 = 2-DOOR SEDAN
 22 = 2-DOOR SPECIAL COUPE
 24 = 2-DOOR HATCHBACK
 27 = 2-DOOR CONVERTIBLE
 28 = FWD PICKUP
 35 = FWD VAN
 36 = FWD WAGON
 41 = 4-DOOR SEDAN
 44 = 4-DOOR HATCHBACK
 45 = 4-DOOR STATION WAGON
 48 = 4-DOOR EXECUTIVE SEDAN

AR = Use as Required - = Non Illustrated Part P.A.R. = Paint as Required

**SECONDARY AIR SUPPLY 2.6L ENGINE w/o CALIF.
Figure 25-600**

4125 600



ITEM	PART NUMBER	QTY	BODY	MODEL	DESCRIPTION
1	MD07 0897	1		exc. H,	PIPE ASSY., Air
	MD07 0897	1			Limo - Canada
2	MD07 1430	1		exc. H,	VALVE ASSY., Reed
	MD07 1430	1			Limo - Canada
3	MD06 9114	1		exc. H,	HOSE, Air
	MD06 9114	1			Limo - Canada
4	MF24 3650	3		exc. H,	BOLT w/WASHER (8 x 18)
	MF24 3650	3			Limo - Canada
5	MD06 7934	1		exc. H,	BRACKET, Reed Valve (A)
	MD06 7934	1			Limo - Canada
6	MD06 9116	1		exc. H,	BRACKET, Reed Valve (B)
	MD06 9116	1			Limo - Canada
7	MD06 9117	1		exc. H,	CLAMP, Air Hose
	MD06 9117	1			Limo - Canada

MODEL CODES

B = GRAN FURY	F = FIFTH AVENUE/NEWPORT	P = RELIANT
C = LEBARON/TOWN & COUNTRY/EXC SEDAN	G = DIPLOMAT	T = E CLASS/NEW YORKER
C24 = LASER	H = VOYAGER	V = 600
D = ARIES	K = MINI RAM/CARAVAN/ROYAL	V24 = DAYTONA
E = 600	M = HORIZON/TURISMO	Z = OMNI/CHARGER/RAMPAGE

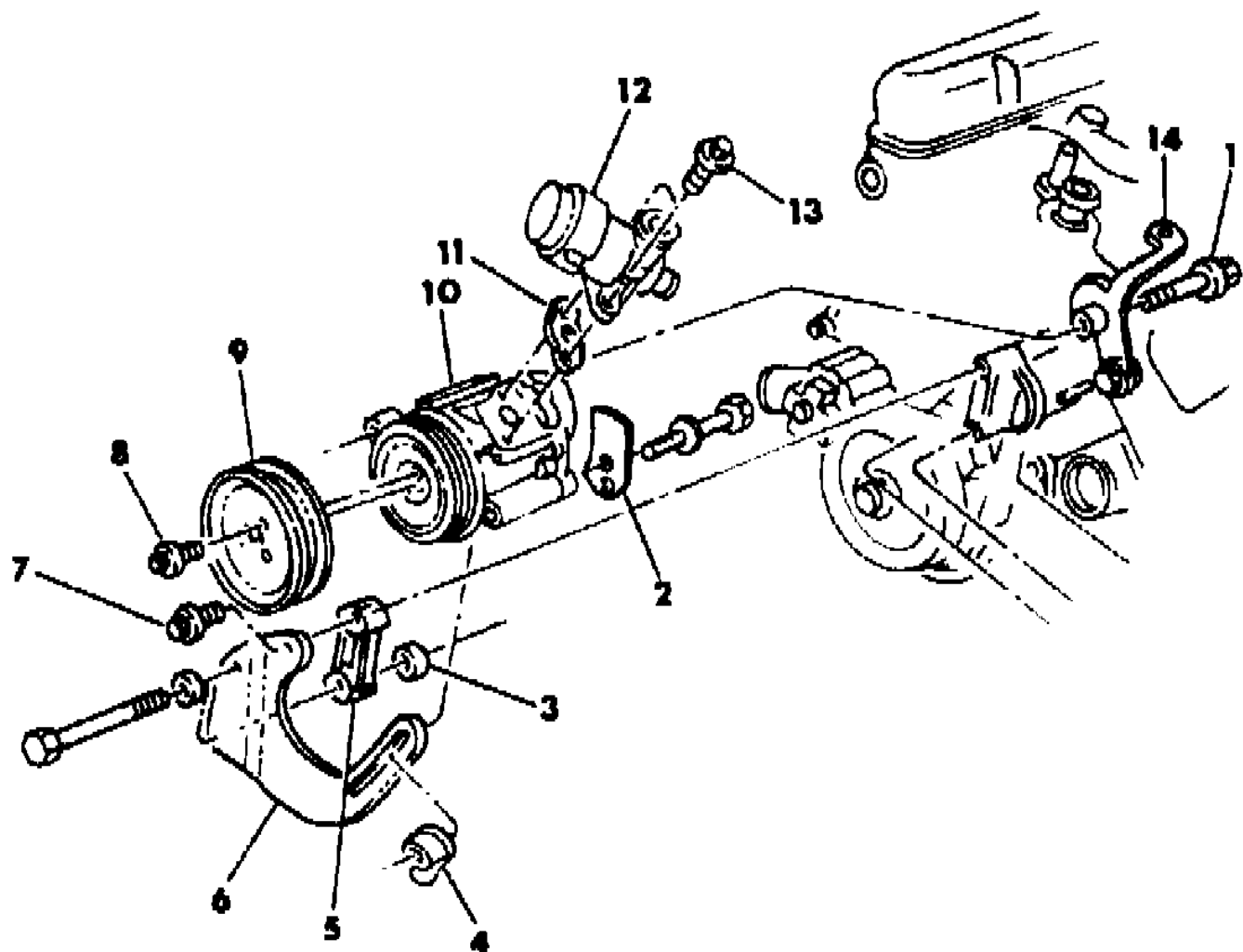
BODY STYLES

21 = 2-DOOR SEDAN	28 = FWD PICKUP	44 = 4-DOOR HATCHBACK
22 = 2-DOOR SPECIAL COUPE	35 = FWD VAN	45 = 4-DOOR STATION WAGON
24 = 2-DOOR HATCHBACK	36 = FWD WAGON	48 = 4-DOOR EXECUTIVE SEDAN
27 = 2-DOOR CONVERTIBLE	41 = 4-DOOR SEDAN	

AR = Use as Required - = Non Illustrated Part P.A.R. = Paint as Required

AIR PUMP 318 ENGINE
Figure 25-700

4125 700 A



ITEM	PART NUMBER	QTY	BODY	MODEL	DESCRIPTION
1	6101 375	1			SCREW w/WASHER
2	4273 150	1			BRACKET, Air Pump Adj.
3		1			SPACER (not serviced)
4	0152 344	1			NUT, Stamped
5	4179 440	1			SPACER
6	4179 910	1			BRACKET, Air Pump Mtg. - Front
7	6500 158	1			SCREW w/WASHER
8	6500 137	3			SCREW w/WASHER
9	3870 088	1			PULLEY, Air Pump
10	4268 963	1			PUMP, Air
11	4179 700	1			GASKET, Air Sw. & Relief Valve or Diverter Valve
12	4179 719	1			VALVE, Diverter
	4342 803	1			VALVE, Air Switch & Relief
13	6500 423	2			BOLT
14					BRACKET, Air Pump Mtg. - Rear
	4201 473	1			2 Bbl.
	4201 474	1			4 Bbl.

MODEL CODES

B = GRAN FURY	F = FIFTH AVENUE/NEWPORT	P = RELIANT
C = LEBARON/TOWN & COUNTRY/EXC SEDAN	G = DIPLOMAT	T = E CLASS/NEW YORKER
C24 = LASER	H = VOYAGER	V = 600
D = ARIES	K = MINI RAM/CARAVAN/ROYAL	V24 = DAYTONA
E = 600	M = HORIZON/TURISMO	Z = OMNI/CHARGER/RAMPAGE

BODY STYLES

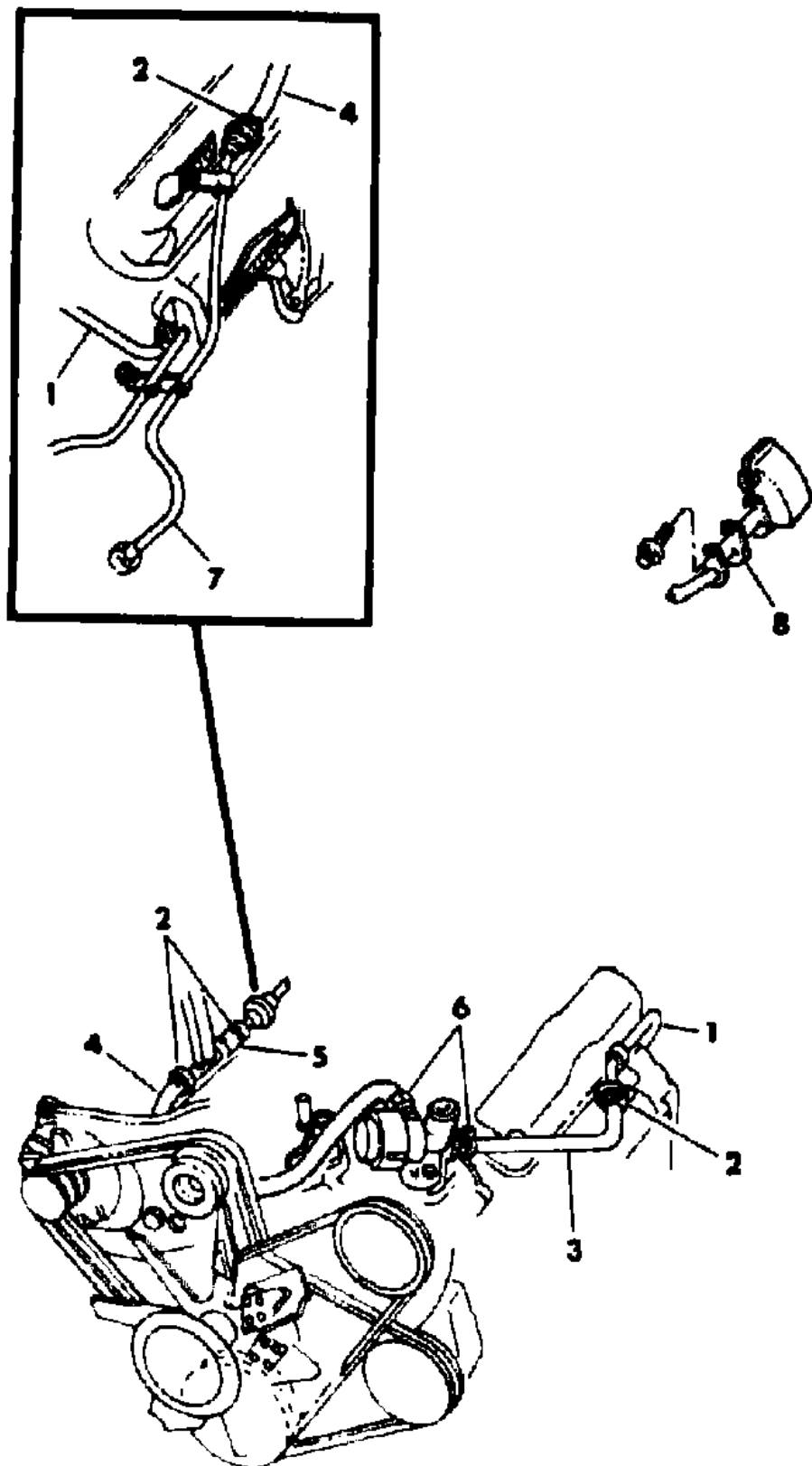
21 = 2-DOOR SEDAN	28 = FWD PICKUP	44 = 4-DOOR HATCHBACK
22 = 2-DOOR SPECIAL COUPE	35 = FWD VAN	45 = 4-DOOR STATION WAGON
24 = 2-DOOR HATCHBACK	36 = FWD WAGON	48 = 4-DOOR EXECUTIVE SEDAN
27 = 2-DOOR CONVERTIBLE	41 = 4-DOOR SEDAN	

AR = Use as Required - = Non Illustrated Part P.A.R. = Paint as Required

AIR PUMP TUBING 318 ENGINE

Figure 25-800

4125 800



ITEM	PART NUMBER	QTY	BODY	MODEL	DESCRIPTION
1	4179 893	1			VALVE, Crossover Air Inj. & Exh. Check
2	2448 761	AR			CLAMP
	2448 763	1			CLAMP
3	4179 884	1			HOSE, Div. or Comb. Valve to Air Inj. Tube or Crossover
4	4179 885	1			HOSE, Air Switch Valve to Cat. Tube
	4227 945	1			HOSE, Air Sw. Valve to Press. Purge Nipple
	4227 946	1			HOSE, Press. Purge Nipple to Cat. Conv. Tube
6	3870 465	AR			CLAMP
7	4104 161	1			TUBE, Air Sw. Valve to Catalyst Downstream
8	4275 834	2			GASKET, Air Inj. Tube
	3751 249	2			COVER, Exh. Man. Air Inj.

MODEL CODES

B = GRAN FURY	F = FIFTH AVENUE/NEWPORT	P = RELIANT
C = LEBARON/TOWN & COUNTRY/EXC SEDAN	G = DIPLOMAT	T = E CLASS/NEW YORKER
C24 = LASER	H = VOYAGER	V = 600
D = ARIES	K = MINI RAM/CARAVAN/ROYAL	V24 = DAYTONA
E = 600	M = HORIZON/TURISMO	Z = OMNI/CHARGER/RAMPAGE

BODY STYLES

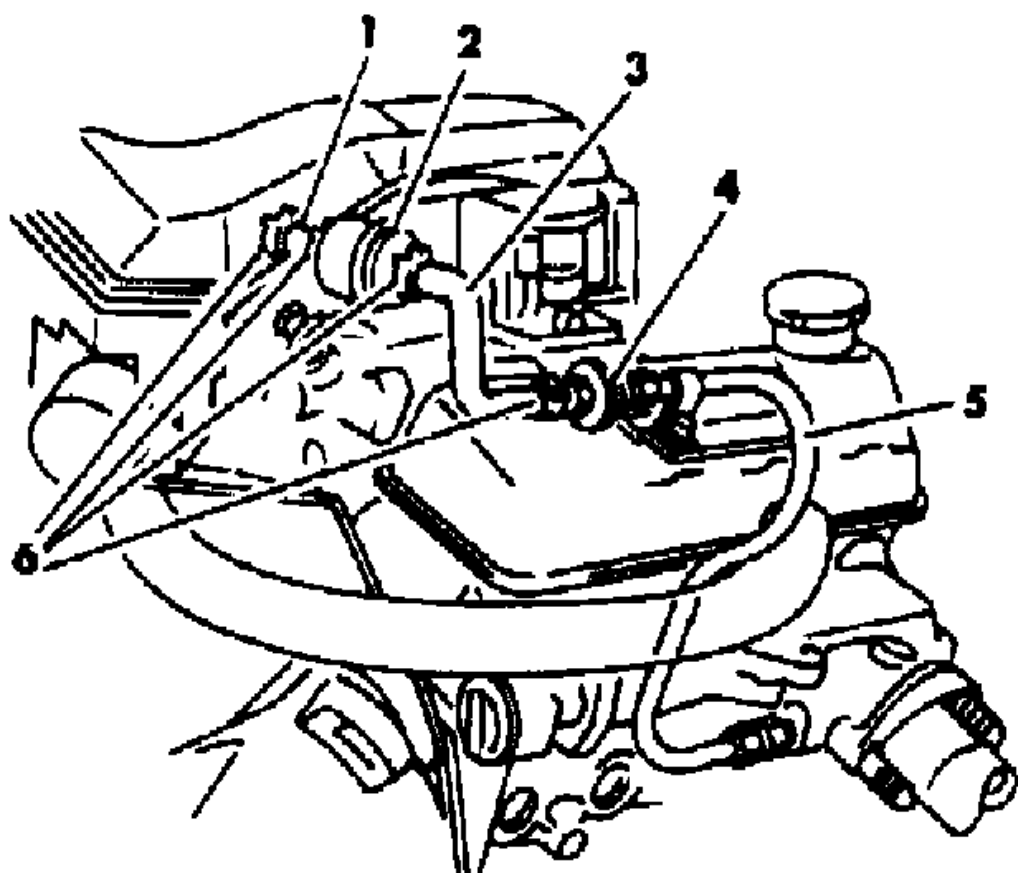
21 = 2-DOOR SEDAN	28 = FWD PICKUP	44 = 4-DOOR HATCHBACK
22 = 2-DOOR SPECIAL COUPE	35 = FWD VAN	45 = 4-DOOR STATION WAGON
24 = 2-DOOR HATCHBACK	36 = FWD WAGON	48 = 4-DOOR EXECUTIVE SEDAN
27 = 2-DOOR CONVERTIBLE	41 = 4-DOOR SEDAN	

AR = Use as Required - = Non Illustrated Part P.A.R. = Paint as Required

ASPIRATOR 1.6L ENGINE
Figure 25-900

4125 #00C

ITEM	PART NUMBER	QTY	BODY	MODEL	DESCRIPTION
1	4275 369	1			HOSE, Air Cleaner to Silencer
2	4275 371	1			SILENCER
3	4275 386	1			HOSE, Silencer to Aspirator
4	4300 376	1			VALVE, Aspirator
5	4275 813	1			TUBE, Exh. Man. to Aspirator
6	2448 761	4			CLAMP



MODEL CODES

B = GRAN FURY	F = FIFTH AVENUE/NEWPORT	P = RELIANT
C = LEBARON/TOWN & COUNTRY/EXC SEDAN	G = DIPLOMAT	T = E CLASS/NEW YORKER
C24 = LASER	H = VOYAGER	V = 600
D = ARIES	K = MINI RAM/CARAVAN/ROYAL	V24 = DAYTONA
E = 600	M = HORIZON/TURISMO	Z = OMNI/CHARGER/RAMPAGE

BODY STYLES

21 = 2-DOOR SEDAN	28 = FWD PICKUP	44 = 4-DOOR HATCHBACK
22 = 2-DOOR SPECIAL COUPE	35 = FWD VAN	45 = 4-DOOR STATION WAGON
24 = 2-DOOR HATCHBACK	36 = FWD WAGON	48 = 4-DOOR EXECUTIVE SEDAN
27 = 2-DOOR CONVERTIBLE	41 = 4-DOOR SEDAN	

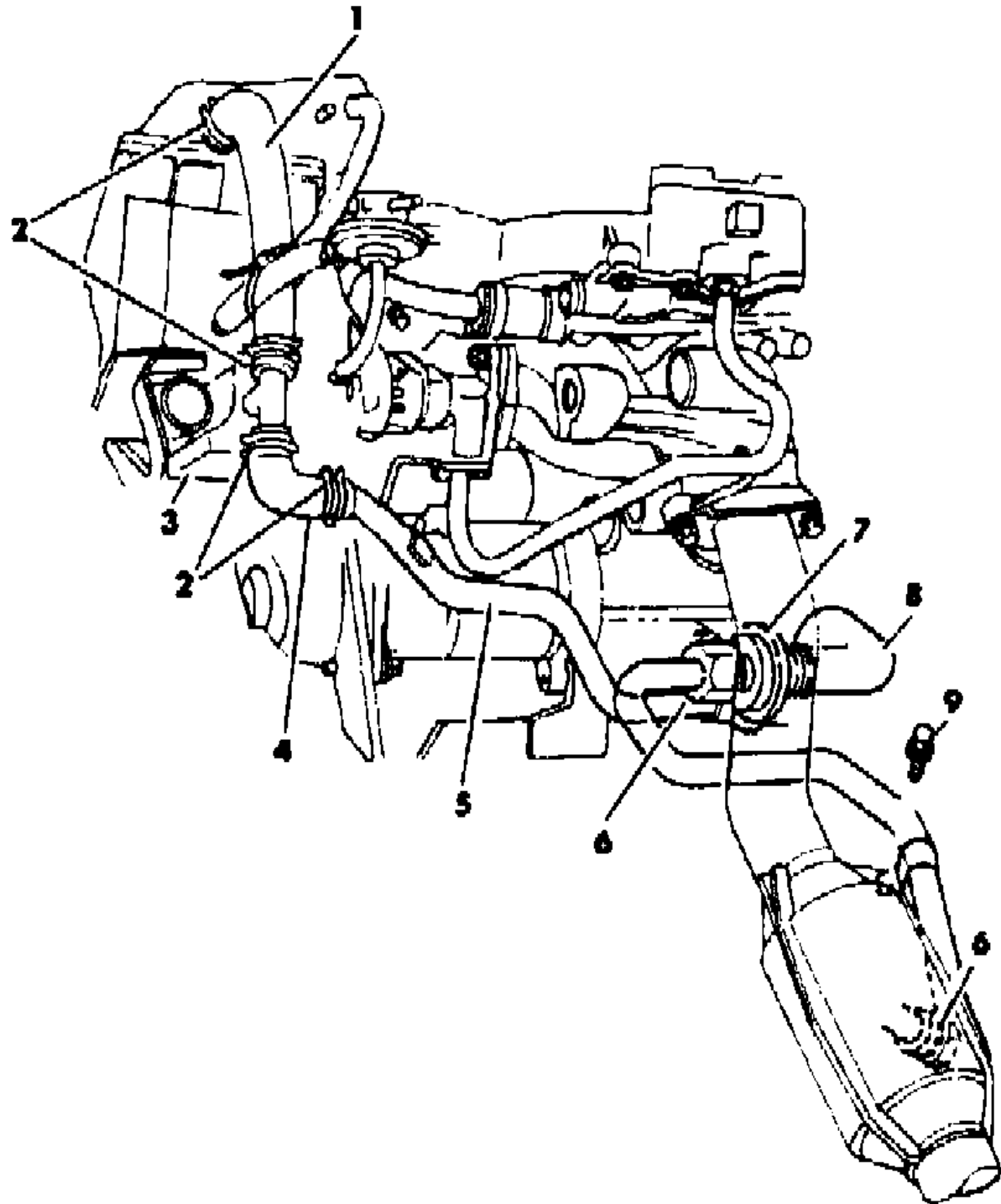
AR = Use as Required - = Non Illustrated Part P.A.R. = Paint as Required

ASPIRATOR 2.2L ENGINE EFI

Figure 25-925

4125 925

ITEM	PART NUMBER	QTY	BODY	MODEL	DESCRIPTION
1	4287 705	1			HOSE, Aspirator Silencer to Air Cleaner
2	2448 761	4			CLAMP
3	4287 704	1			SILENCER
4	4287 709	1			HOSE, Silencer to Tube
5	4287 708	1			TUBE, Aspirator Hose to Silencer Hose
6	4300 364	1			TUBE, Downstream Aspirator
	6032 254	1			CONNECTOR
7	4271 931	1			VALVE, Aspirator
8	4275 373	1			HOSE, Aspirator to Tube
9	6100 276	1			SCREW w/WASHER



MODEL CODES

B = GRAN FURY	F = FIFTH AVENUE/NEWPORT	P = RELIANT
C = LEBARON/TOWN & COUNTRY/EXC SEDAN	G = DIPLOMAT	T = E CLASS/NEW YORKER
C24 = LASER	H = VOYAGER	V = 600
D = ARIES	K = MINI RAM/CARAVAN/ROYAL	V24 = DAYTONA
E = 600	M = HORIZON/TURISMO	Z = OMNI/CHARGER/RAMPAGE

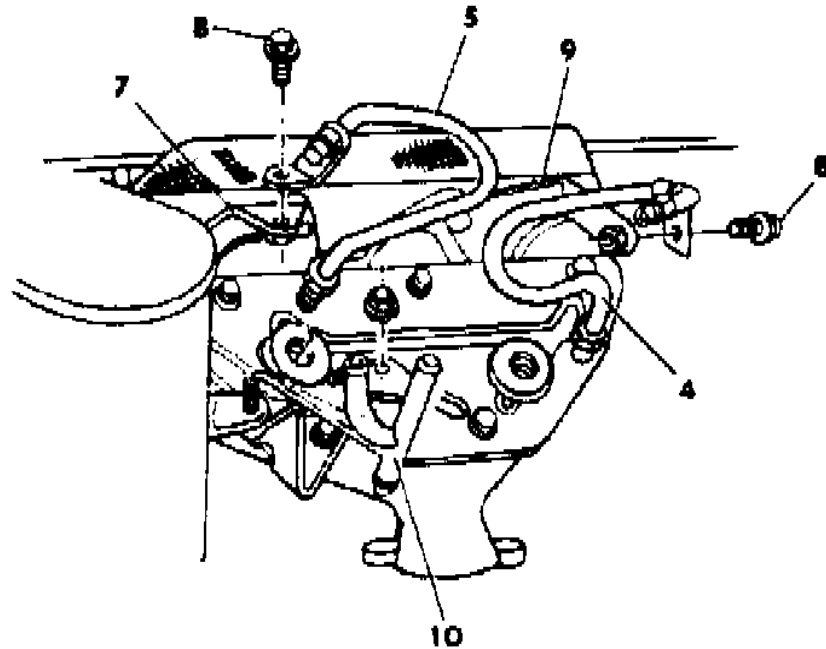
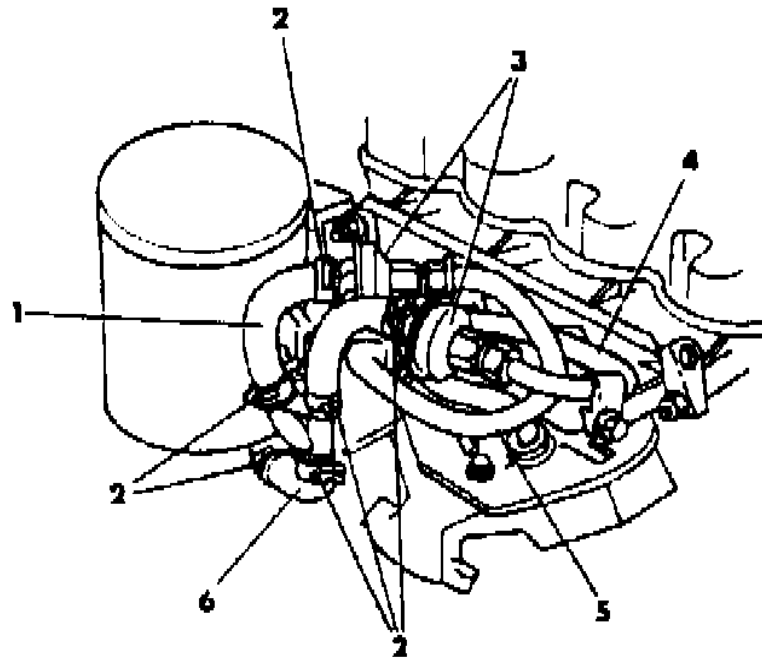
BODY STYLES

21 = 2-DOOR SEDAN	28 = FWD PICKUP	44 = 4-DOOR HATCHBACK
22 = 2-DOOR SPECIAL COUPE	35 = FWD VAN	45 = 4-DOOR STATION WAGON
24 = 2-DOOR HATCHBACK	36 = FWD WAGON	48 = 4-DOOR EXECUTIVE SEDAN
27 = 2-DOOR CONVERTIBLE	41 = 4-DOOR SEDAN	

AR = Use as Required - = Non Illustrated Part P.A.R. = Paint as Required

ASPIRATOR 2.6L ENGINE H,K
Figure 25-950

4125 950



ITEM	PART NUMBER	QTY	BODY	MODEL	DESCRIPTION
1	4275 394	1			HOSE, #2 Aspirator to Y
2	2448 761	6			CLAMP
3	4300 376	2			VALVE, Aspirator
4	4300 351	1			TUBE, #1 Aspirator
5	4300 352	1			TUBE, #2 Aspirator
6	4275 393	1			HOSE, Y to Air Cleaner
7	4105 188	1			BRACKET, #2 Aspirator Tube Support
8		2			SCREW w/WASHER (not serviced)
9	4105 187	1			BRACKET, #1 Aspirator Tube Support
10	4275 395	1			CONNECTOR, Y

MODEL CODES

B = GRAN FURY	F = FIFTH AVENUE/NEWPORT	P = RELIANT
C = LEBARON/TOWN & COUNTRY/EXC SEDAN	G = DIPLOMAT	T = E CLASS/NEW YORKER
C24 = LASER	H = VOYAGER	V = 600
D = ARIES	K = MINI RAM/CARAVAN/ROYAL	V24 = DAYTONA
E = 600	M = HORIZON/TURISMO	Z = OMNI/CHARGER/RAMPAGE

BODY STYLES

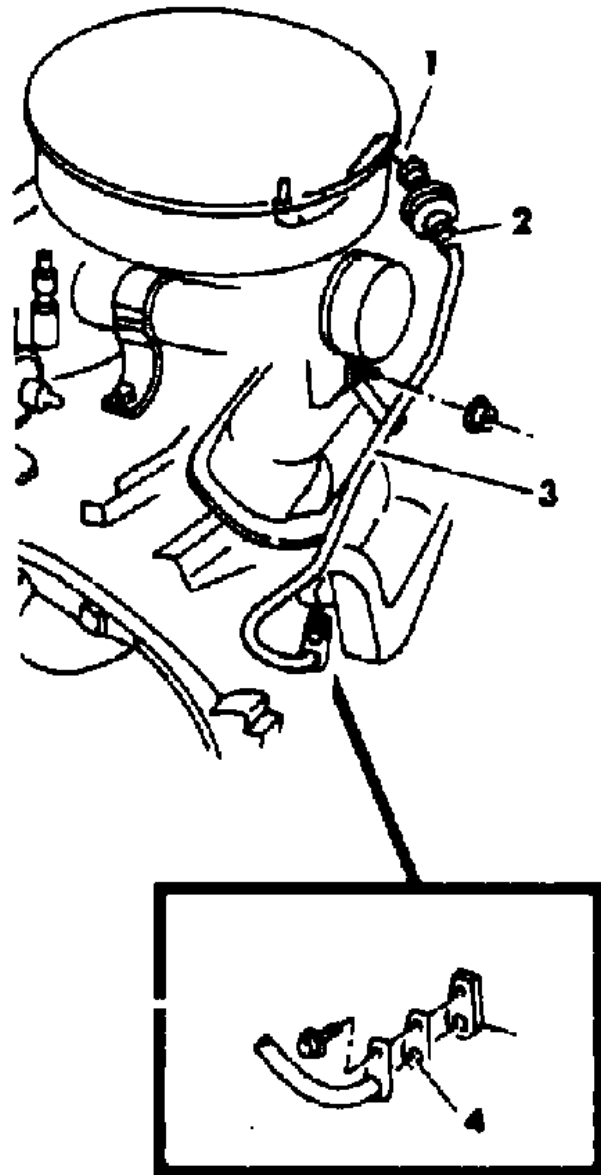
21 = 2-DOOR SEDAN	28 = FWD PICKUP	44 = 4-DOOR HATCHBACK
22 = 2-DOOR SPECIAL COUPE	35 = FWD VAN	45 = 4-DOOR STATION WAGON
24 = 2-DOOR HATCHBACK	36 = FWD WAGON	48 = 4-DOOR EXECUTIVE SEDAN
27 = 2-DOOR CONVERTIBLE	41 = 4-DOOR SEDAN	

AR = Use as Required - = Non Illustrated Part P.A.R. = Paint as Required

ASPIRATOR 318 ENGINE
Figure 25-975

4125 975

ITEM	PART NUMBER	QTY	BODY	MODEL	DESCRIPTION
1	4112 666	1			HOSE, Aspirator to Air Cleaner - Canada
2	4041 966	1			VALVE, Aspirator
3	4115 360	1			TUBE, Aspirator - Canada
4	4275 834	AR			GASKET, Aspirator Tube



MODEL CODES

B = GRAN FURY	F = FIFTH AVENUE/NEWPORT	P = RELIANT
C = LEBARON/TOWN & COUNTRY/EXC SEDAN	G = DIPLOMAT	T = E CLASS/NEW YORKER
C24 = LASER	H = VOYAGER	V = 600
D = ARIES	K = MINI RAM/CARAVAN/ROYAL	V24 = DAYTONA
E = 600	M = HORIZON/TURISMO	Z = OMNI/CHARGER/RAMPAGE

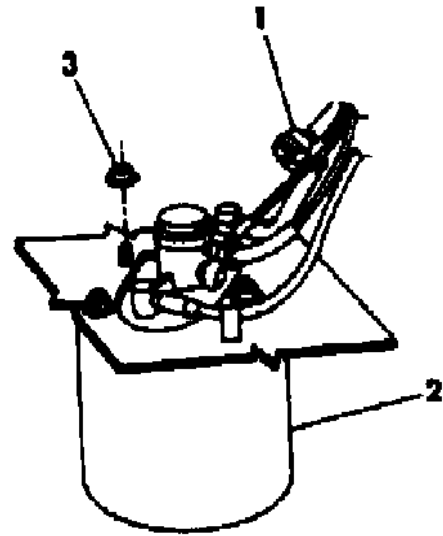
BODY STYLES

21 = 2-DOOR SEDAN	28 = FWD PICKUP	44 = 4-DOOR HATCHBACK
22 = 2-DOOR SPECIAL COUPE	35 = FWD VAN	45 = 4-DOOR STATION WAGON
24 = 2-DOOR HATCHBACK	36 = FWD WAGON	48 = 4-DOOR EXECUTIVE SEDAN
27 = 2-DOOR CONVERTIBLE	41 = 4-DOOR SEDAN	

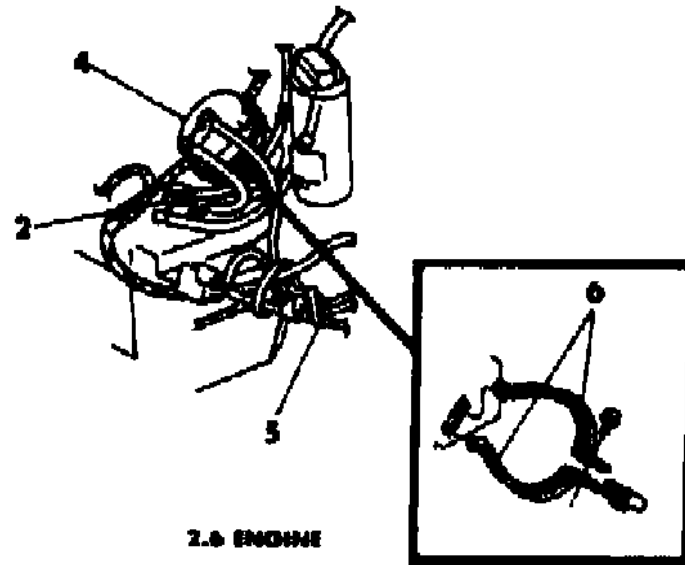
AR = Use as Required - = Non Illustrated Part P.A.R. = Paint as Required

VAPOR CANISTER
Figure 25-1000

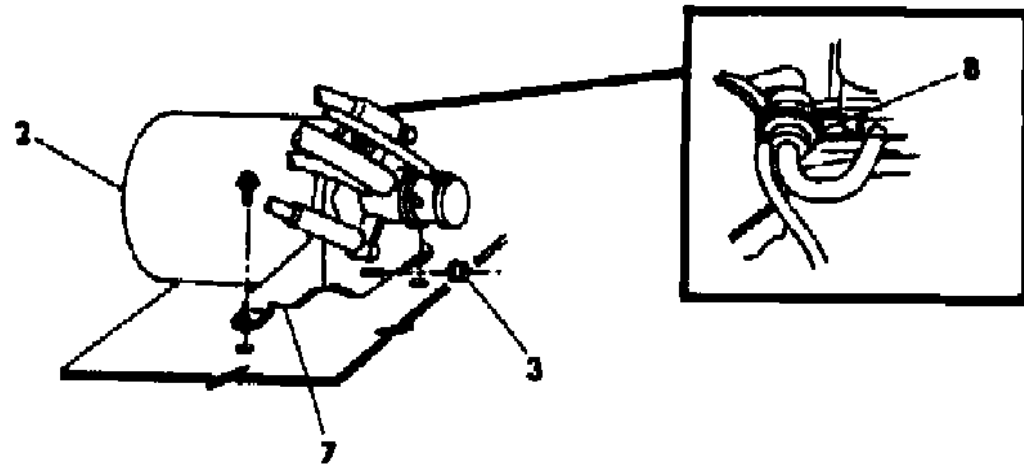
4125 1000



1.6-1.7-2.2 ENGINE



2.6 ENGINE



318 ENGINE

ITEM	PART NUMBER	QTY	BODY	MODEL	DESCRIPTION
1	5214 336	1			VALVE, Bowl Vent
2	4271 982	1			CANISTER, Vapor
	4241 838	1			3 Port
	4241 839	1			4 Port
	4241 842	1			2.6L Eng.
3	0219 462	3			5 Port - 318 Eng.
4	4241 837	1			NUT w/WASHER
5	2936 405	1			CANISTER, Vapor Damper
6	4167 722	2			STRAP, Hose Harness
7	4241 251	1			STRAP, Vapor Canister Damper Mtg.
8	4185 414	1			BRACKET, Canister Mtg.
					VALVE, Tank Vent By-Pass

MODEL CODES

B = GRAN FURY	F = FIFTH AVENUE/NEWPORT	P = RELIANT
C = LEBARON/TOWN & COUNTRY/EXC SEDAN	G = DIPLOMAT	T = E CLASS/NEW YORKER
C24 = LASER	H = VOYAGER	V = 600
D = ARIES	K = MINI RAM/CARAVAN/ROYAL	V24 = DAYTONA
E = 600	M = HORIZON/TURISMO	Z = OMNI/CHARGER/RAMPAGE

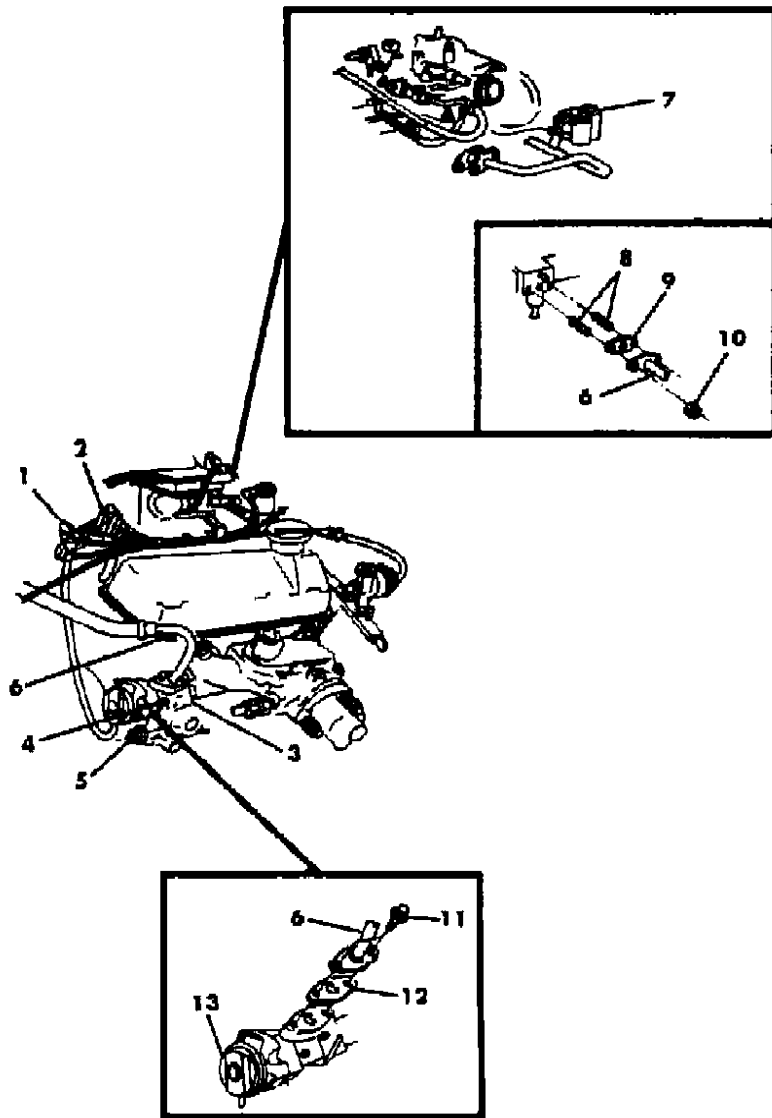
BODY STYLES

21 = 2-DOOR SEDAN	28 = FWD PICKUP	44 = 4-DOOR HATCHBACK
22 = 2-DOOR SPECIAL COUPE	35 = FWD VAN	45 = 4-DOOR STATION WAGON
24 = 2-DOOR HATCHBACK	36 = FWD WAGON	48 = 4-DOOR EXECUTIVE SEDAN
27 = 2-DOOR CONVERTIBLE	41 = 4-DOOR SEDAN	

AR = Use as Required - = Non Illustrated Part P.A.R. = Paint as Required

EGR SYSTEM 1.6L ENGINE
Figure 25-1100

4125 1100A



ITEM	PART NUMBER	QTY	BODY	MODEL	DESCRIPTION
1	3879 736	1			SWITCH, CCEGR - stamped 549 - Black
2	4049 208	1			SWITCH, CCEV - Orange
3	4201 313	1			GASKET, EGR Valve to Exh. Man.
4	6500 498	2			STUD, EGR Valve Attach
5	6500 182	2			NUT, EGR Valve Attach
6	4213 597	1			TUBE, EGR Valve to Intake Man. Cover
7					RESERVOIR, Vacuum
	4104 176	1			Right
	4104 177	1			Left
8	6500 579	2			STUD, EGR Tube to Intake Man.
9	4213 599	1			GASKET, Tube to Intake Man.
10	6500 363	2			NUT
11	6500 464	2			SCREW
12	4201 384	1			GASKET, EGR to Tube Flange
13					VALVE, EGR
	4287 402	1			stamped 4287402, 4300402
	4287 424	1			stamped 4287424
	4300 424	1			stamped 4300424

MODEL CODES

B = GRAN FURY	F = FIFTH AVENUE/NEWPORT	P = RELIANT
C = LEBARON/TOWN & COUNTRY/EXC SEDAN	G = DIPLOMAT	T = E CLASS/NEW YORKER
C24 = LASER	H = VOYAGER	V = 600
D = ARIES	K = MINI RAM/CARAVAN/ROYAL	V24 = DAYTONA
E = 600	M = HORIZON/TURISMO	Z = OMNI/CHARGER/RAMPAGE

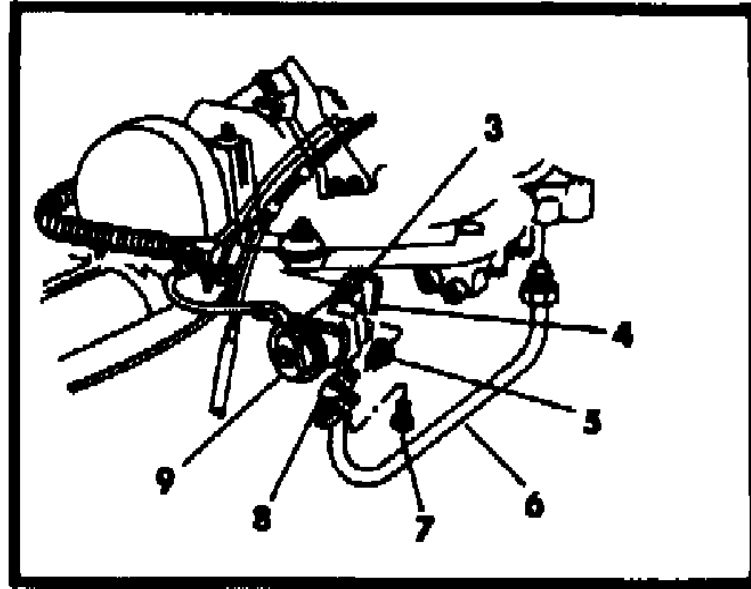
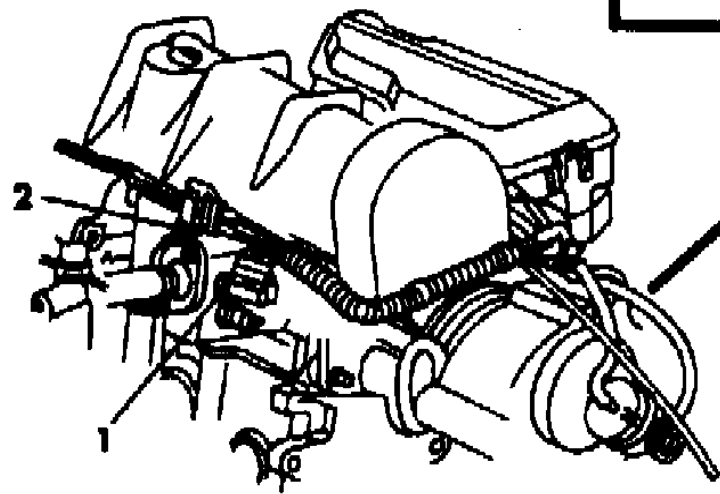
BODY STYLES

21 = 2-DOOR SEDAN	28 = FWD PICKUP	44 = 4-DOOR HATCHBACK
22 = 2-DOOR SPECIAL COUPE	35 = FWD VAN	45 = 4-DOOR STATION WAGON
24 = 2-DOOR HATCHBACK	36 = FWD WAGON	48 = 4-DOOR EXECUTIVE SEDAN
27 = 2-DOOR CONVERTIBLE	41 = 4-DOOR SEDAN	

AR = Use as Required - = Non Illustrated Part P.A.R. = Paint as Required

EGR SYSTEM 2.2L ENGINE EXC. EFI AND TURBO
Figure 25-1200

4135 1200A



ITEM	PART NUMBER	QTY	BODY	MODEL	DESCRIPTION
1					SWITCH, CCEGR
	4049 277	1			stamped 351 - Black
	3879 736	1			stamped 549 - Black
2					SWITCH, CCEV
	4049 208	1			Orange
	3879 707	1			Natural
3	6500 498	2			STUD, EGR Valve Attach
4	4201 313	1			GASKET, EGR Valve to Exh. Man.
	4201 383	1			COVER, Exh. Man. EGR Valve Flange
5	6500 182	2			NUT, EGR Valve Attach
6	4275 447	1			TUBE, EGR Valve to Intake Man. Crossover
7	6500 464	2			SCREW
8	4201 384	1			GASKET, EGR Valve to Tube Flange
9					VALVE, EGR
	4287 401	1			stamped 4287401
	4300 401	1			stamped 4300401
	4287 402	1			stamped 4287402, 4300402
	4287 403	1			stamped 4287403
	4300 403	1			stamped 4300403
	4287 404	1			stamped 4287404
	4300 404	1			stamped 4300404
	4287 407	1			stamped 4287407
	4300 407	1			stamped 4300407
	4287 408	1			stamped 4287408
	4300 408	1			stamped 4300408
	4287 423	1			stamped 4287423
	4287 424	1			stamped 4287424
	4300 424	1			stamped 4300424
	4287 426	1			stamped 4287426
	4300 426	1			stamped 4300426
	4287 430	1			stamped 4287430
	4300 430	1			stamped 4300430
	4293 738	1			stamped 4287422, 4300422
	4267 249	1			stamped 4287405, 4300405
	4271 907	1			stamped 4287413
	4293 741	1			stamped 4287419, 4300419

MODEL CODES

B = GRAN FURY	F = FIFTH AVENUE/NEWPORT	P = RELIANT
C = LEBARON/TOWN & COUNTRY/EXC SEDAN	G = DIPLOMAT	T = E CLASS/NEW YORKER
C24 = LASER	H = VOYAGER	V = 600
D = ARIES	K = MINI RAM/CARAVAN/ROYAL	V24 = DAYTONA
E = 600	M = HORIZON/TURISMO	Z = OMNI/CHARGER/RAMPAGE

BODY STYLES

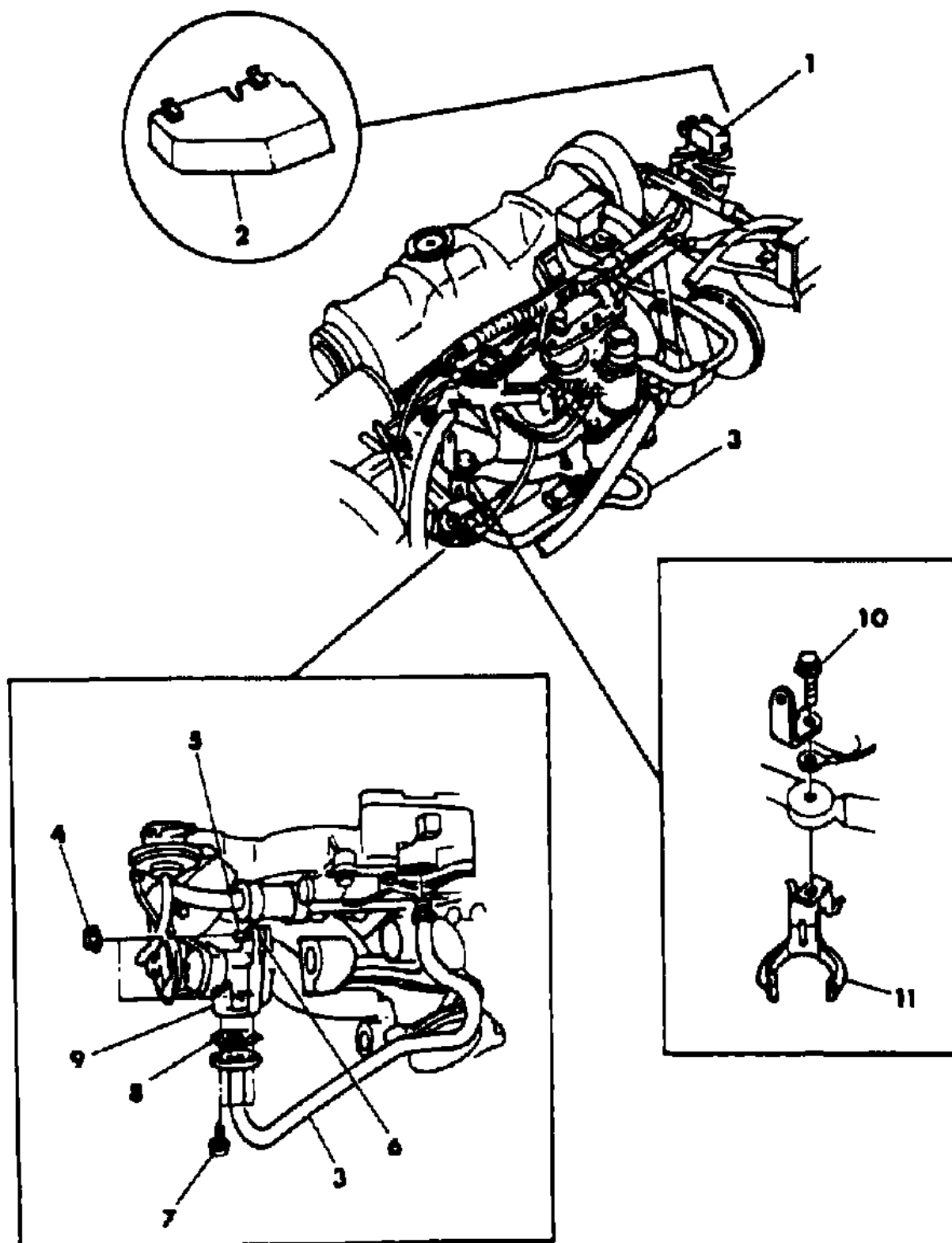
21 = 2-DOOR SEDAN	28 = FWD PICKUP	44 = 4-DOOR HATCHBACK
22 = 2-DOOR SPECIAL COUPE	35 = FWD VAN	45 = 4-DOOR STATION WAGON
24 = 2-DOOR HATCHBACK	36 = FWD WAGON	48 = 4-DOOR EXECUTIVE SEDAN
27 = 2-DOOR CONVERTIBLE	41 = 4-DOOR SEDAN	

AR = Use as Required - = Non Illustrated Part P.A.R. = Paint as Required

EGR SYSTEM 2.2L ENGINE EFI
Figure 25-1225

4125 1225A

ITEM	PART NUMBER	QTY	BODY	MODEL	DESCRIPTION
1	5213 957	1			SOLENOID, Dual Vacuum
2	5213 747	1			COVER, Dual Vacuum Solenoid
	5226 139	2			CLIP
3	4275 447	1			TUBE, EGR Valve to Intake Man. Crossover
4	6500 182	2			NUT, EGR Valve Attach
5	6500 498	2			STUD, EGR Valve Attach
6	4201 313	1			GASKET, EGR Valve
7	6500 464	2			SCREW, Tube to EGR Valve
8	4201 384	1			GASKET, Exh. Man. Crossover Flange
9					VALVE, EGR w/Transducer
	4287 801	1			stamped 4287801
	4287 802	1			stamped 4287802
	4287 803	1			stamped 4287803
	4287 804	1			stamped 4287804
10	6500 584	1			SCREW w/WASHER
11	4275 529	1			CLIP, Transducer Valve



MODEL CODES

B = GRAN FURY	F = FIFTH AVENUE/NEWPORT	P = RELIANT
C = LEBARON/TOWN & COUNTRY/EXC SEDAN	G = DIPLOMAT	T = E CLASS/NEW YORKER
C24 = LASER	H = VOYAGER	V = 600
D = ARIES	K = MINI RAM/CARAVAN/ROYAL	V24 = DAYTONA
E = 600	M = HORIZON/TURISMO	Z = OMNI/CHARGER/RAMPAGE

BODY STYLES

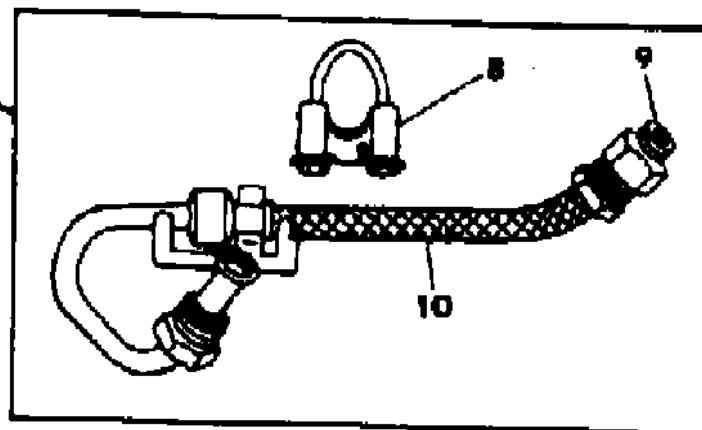
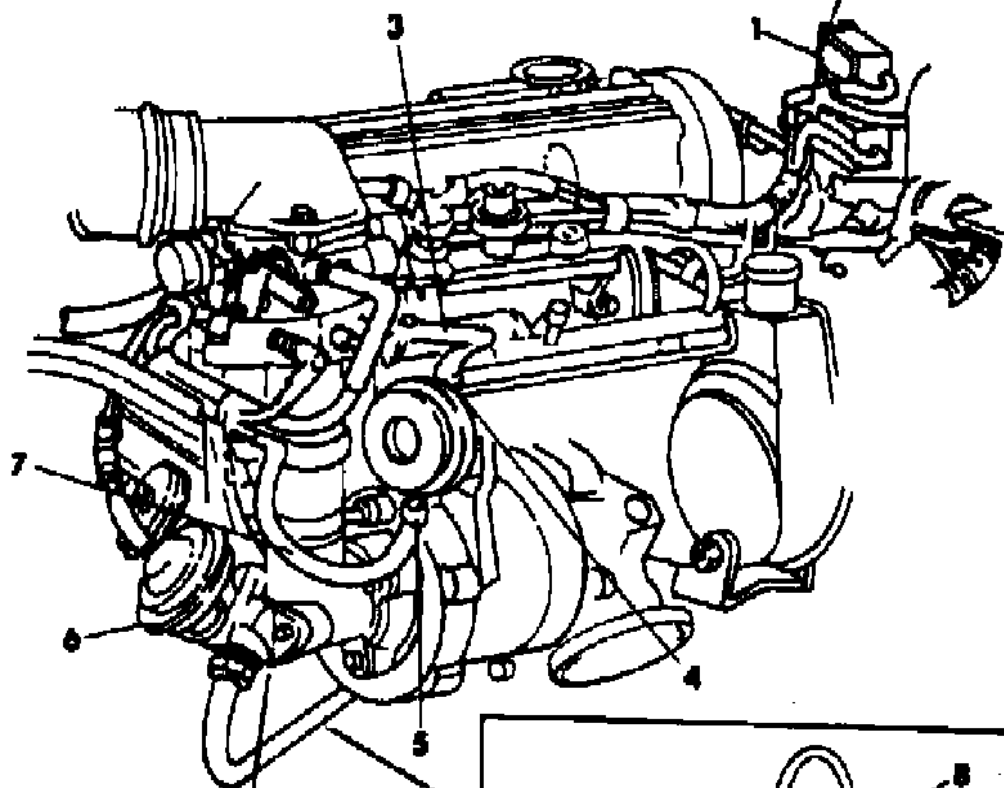
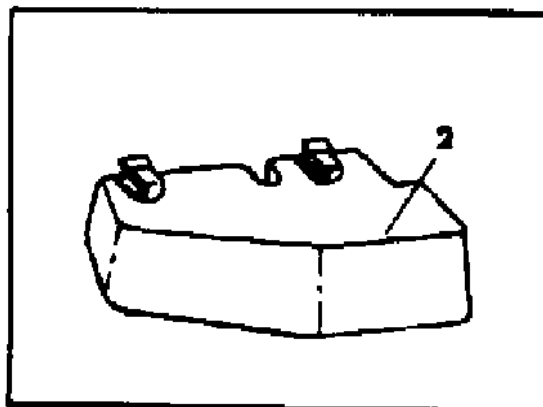
21 = 2-DOOR SEDAN	28 = FWD PICKUP	44 = 4-DOOR HATCHBACK
22 = 2-DOOR SPECIAL COUPE	35 = FWD VAN	45 = 4-DOOR STATION WAGON
24 = 2-DOOR HATCHBACK	36 = FWD WAGON	48 = 4-DOOR EXECUTIVE SEDAN
27 = 2-DOOR CONVERTIBLE	41 = 4-DOOR SEDAN	

AR = Use as Required - = Non Illustrated Part P.A.R. = Paint as Required

EGR SYSTEM 2.2L ENGINE TURBO

Figure 25-1250

4135 1250 A



ITEM	PART NUMBER	QTY	BODY	MODEL	DESCRIPTION
1	5213 957	1			SOLENOID, Dual Vacuum
2	5213 747	1			COVER, Dual Vacuum Solenoid
	5226 139	2			CLIP
3	4173 383	1			HOSE, Waste Gate to Throttle Body
4	2448 770	2			CLAMP
5	2448 761	1			CLAMP
6	4287 755	1			VALVE, EGR
7	4287 717	1			HOSE, Waste Gate to Vacuum Harness
8	4241 788	1			CLAMP, EGR Tube
9	4275 550	1			ADAPTER, Exh. Man.
10	4241 567	1			TUBE, EGR
11	4179 094	1			GASKET, EGR Valve Flange
12	6101 235	2			BOLT, EGR Valve Attach

MODEL CODES

B = GRAN FURY	F = FIFTH AVENUE/NEWPORT	P = RELIANT
C = LEBARON/TOWN & COUNTRY/EXC SEDAN	G = DIPLOMAT	T = E CLASS/NEW YORKER
C24 = LASER	H = VOYAGER	V = 600
D = ARIES	K = MINI RAM/CARAVAN/ROYAL	V24 = DAYTONA
E = 600	M = HORIZON/TURISMO	Z = OMNI/CHARGER/RAMPAGE

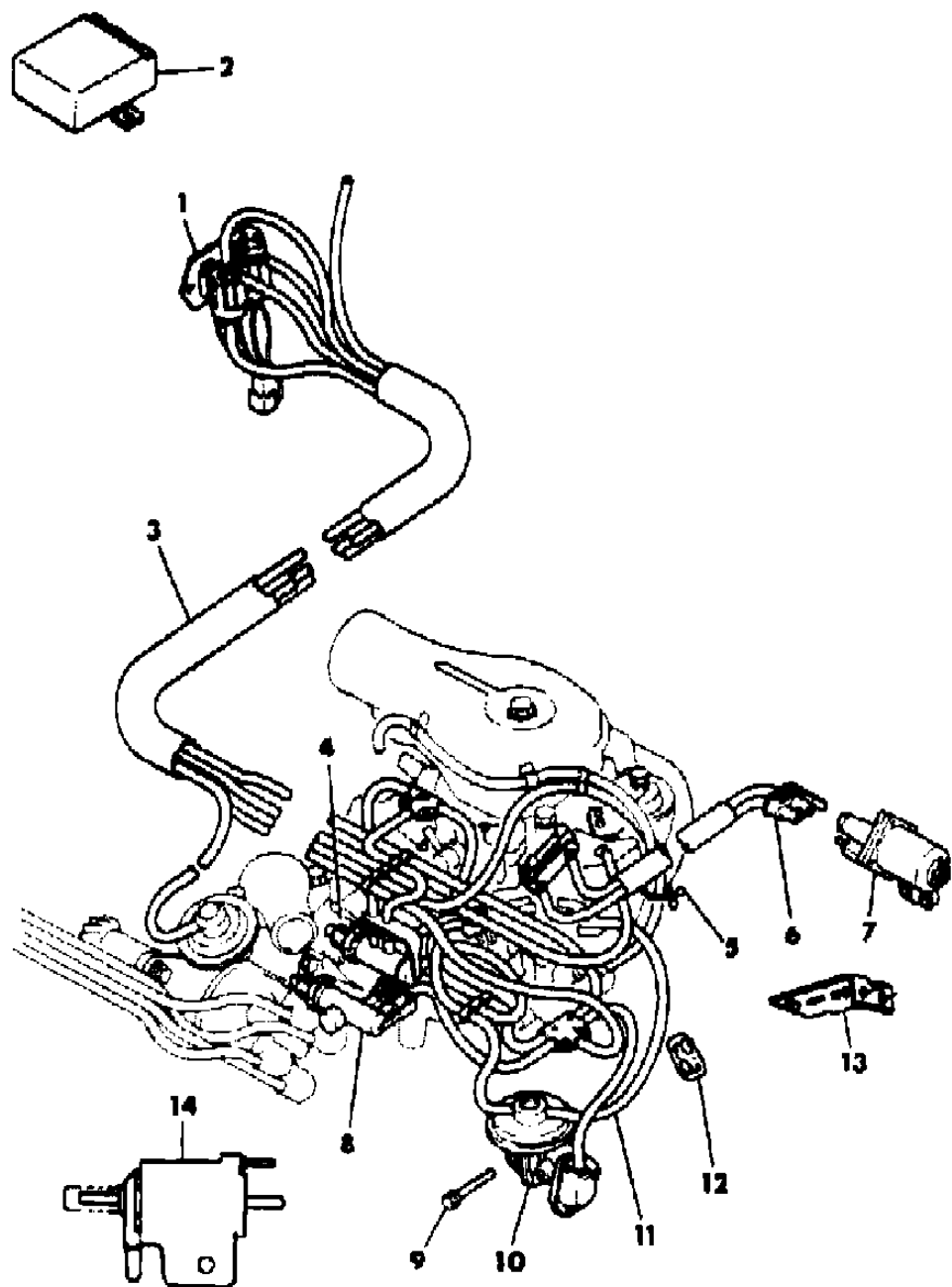
BODY STYLES

21 = 2-DOOR SEDAN	28 = FWD PICKUP	44 = 4-DOOR HATCHBACK
22 = 2-DOOR SPECIAL COUPE	35 = FWD VAN	45 = 4-DOOR STATION WAGON
24 = 2-DOOR HATCHBACK	36 = FWD WAGON	48 = 4-DOOR EXECUTIVE SEDAN
27 = 2-DOOR CONVERTIBLE	41 = 4-DOOR SEDAN	

AR = Use as Required - = Non Illustrated Part P.A.R. = Paint as Required

EGR SYSTEM 2.6L ENGINE U.S. AND LIMO, CANADA
Figure 25-1300

4125 1300A



ITEM	PART NUMBER	QTY	BODY	MODEL	DESCRIPTION
1					VALVE, Solenoid
	MD02 5274	1			w/Calif.
	MD07 1769	1	exc. H,		w/o Calif. & Canada
	MD07 1769	1			Limo - Canada
2	MD02 5273	1			SENSOR, Engine Speed
3					HOSE, Vacuum
	MD02 5337	1			w/Calif.
	MD07 1768	1	exc. H,		w/o Calif. & Canada
	MD07 1768	1			Limo - Canada
	MD06 9411	1	H,K		w/o Calif.
4					VALVE, Thermo
	MD02 5263	1			w/Calif.
	MD07 3096	1	exc. H,		w/o Calif. & Canada
	MD00 9202	1	H,K		w/o Calif.
	MD07 3096	1			Limo - Canada
5					CLIP, Snap
	MD00 6478	1			w/Calif.
	MS47 0359	1	exc. H,		w/o Calif. & Canada (16)
	MS47 0359	1			Limo - Canada (16)
	MS47 0362	1	exc. H,		w/o Calif. & Canada (20)
	MS47 0362	1			Limo - Canada
6					HOSE, Vacuum (refer to grp. 14)
7					COMPENSATOR, High Altitude (refer to grp. 14)
8	MD07 3500	1			VALVE, Thermo
9	MF24 1236	2			BOLT w/WASHER (6x45)
10					VALVE, EGR
	MD06 7665	1			w/Calif.
	MD02 6685	1	exc. H,		w/o Calif. & Canada
	MD07 5940	1	H,K		w/o Calif.
	MD02 6685	1			Limo - Canada
11					HOSE, Vacuum
	MD03 1470	1			w/Calif. - Green (120)
	MD03 1470	1	H,K		w/o Calif. - Green (120)
12	MD02 6567	1			GASKET, EGR Valve
13					BRACKET, Compensator (refer to grp. 14)
14					VALVE, Vac. Sol. A/C Speed Up (refer to grp. 14)

MODEL CODES

B = GRAN FURY	F = FIFTH AVENUE/NEWPORT	P = RELIANT
C = LEBARON/TOWN & COUNTRY/EXC SEDAN	G = DIPLOMAT	T = E CLASS/NEW YORKER
C24 = LASER	H = VOYAGER	V = 600
D = ARIES	K = MINI RAM/CARAVAN/ROYAL	V24 = DAYTONA
E = 600	M = HORIZON/TURISMO	Z = OMNI/CHARGER/RAMPAGE

BODY STYLES

21 = 2-DOOR SEDAN	28 = FWD PICKUP	44 = 4-DOOR HATCHBACK
22 = 2-DOOR SPECIAL COUPE	35 = FWD VAN	45 = 4-DOOR STATION WAGON
24 = 2-DOOR HATCHBACK	36 = FWD WAGON	48 = 4-DOOR EXECUTIVE SEDAN
27 = 2-DOOR CONVERTIBLE	41 = 4-DOOR SEDAN	

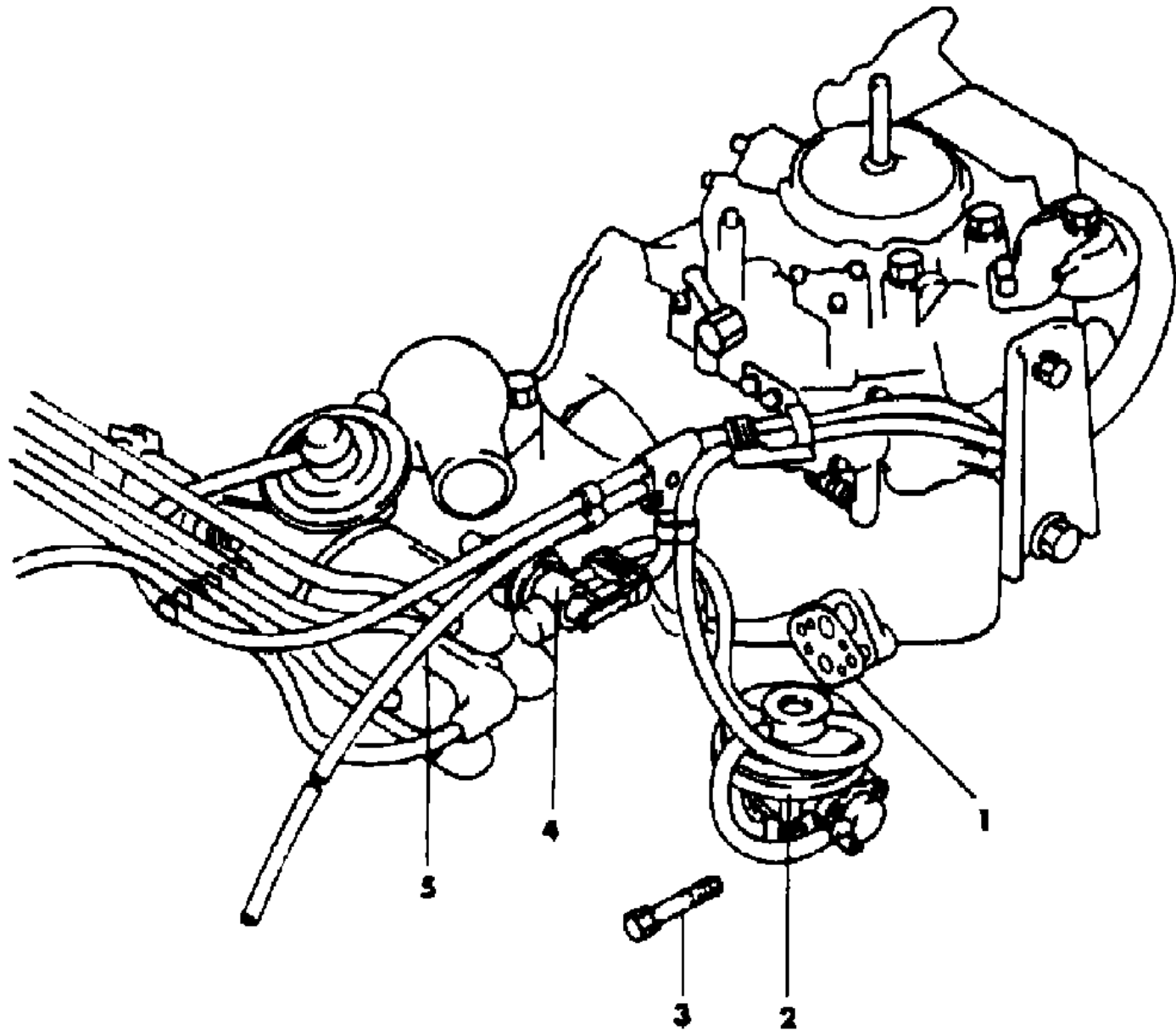
AR = Use as Required - = Non Illustrated Part P.A.R. = Paint as Required

EGR SYSTEM 2.6L ENGINE CANADA - EXC. LIMO

Figure 25-1325

4125 1325

ITEM	PART NUMBER	QTY	BODY	MODEL	DESCRIPTION
1	MD02 6567	1			GASKET, EGR Valve
2	MD07 3014	1			VALVE, EGR
3	MF24 1236	1			BOLT w/WASHER (6x45)
4	MD00 9202	1			VALVE, Thermo
5	MD02 5529	1			HOSE, Vacuum



MODEL CODES

B = GRAN FURY	F = FIFTH AVENUE/NEWPORT	P = RELIANT
C = LEBARON/TOWN & COUNTRY/EXC SEDAN	G = DIPLOMAT	T = E CLASS/NEW YORKER
C24 = LASER	H = VOYAGER	V = 600
D = ARIES	K = MINI RAM/CARAVAN/ROYAL	V24 = DAYTONA
E = 600	M = HORIZON/TURISMO	Z = OMNI/CHARGER/RAMPAGE

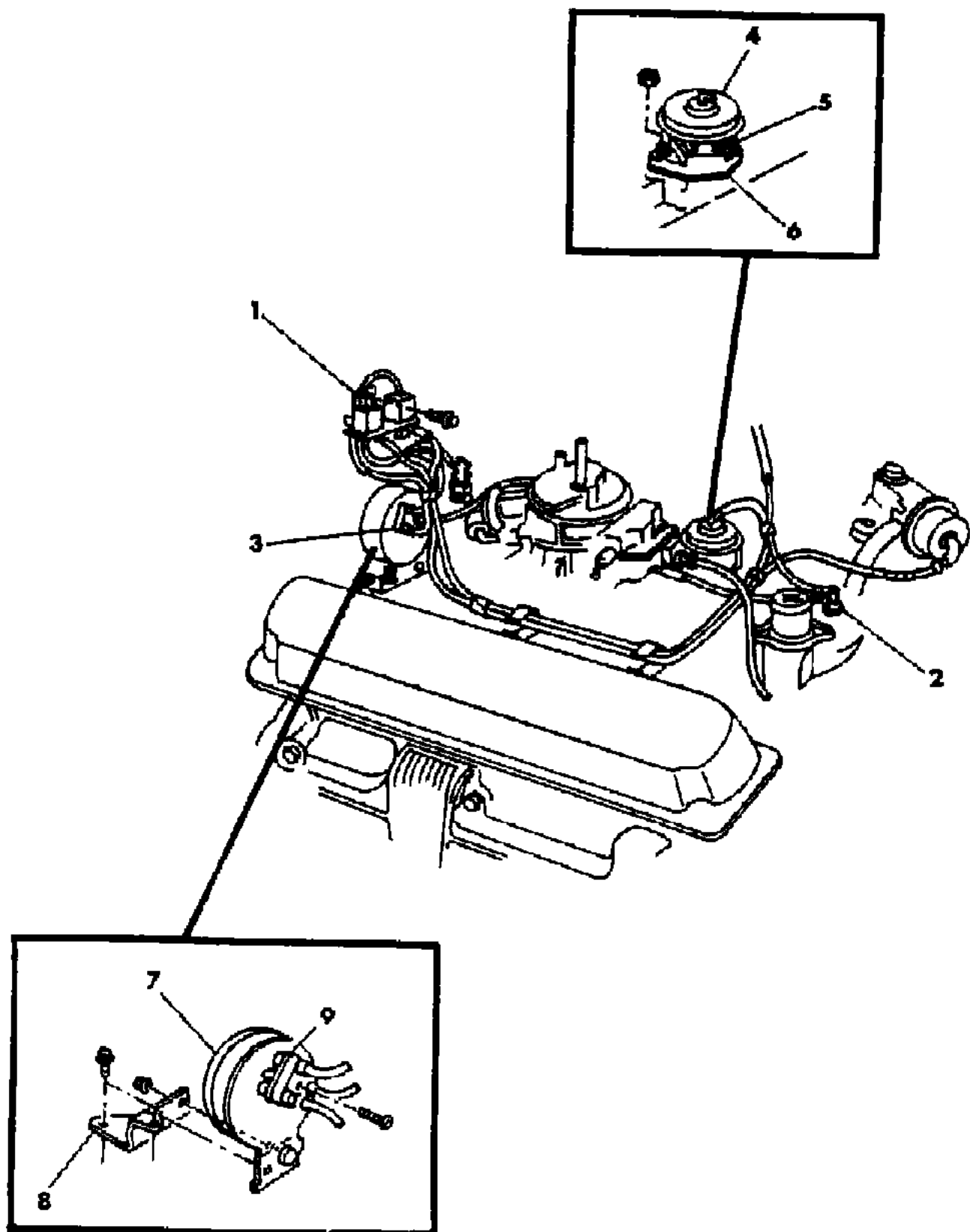
BODY STYLES

21 = 2-DOOR SEDAN	28 = FWD PICKUP	44 = 4-DOOR HATCHBACK
22 = 2-DOOR SPECIAL COUPE	35 = FWD VAN	45 = 4-DOOR STATION WAGON
24 = 2-DOOR HATCHBACK	36 = FWD WAGON	48 = 4-DOOR EXECUTIVE SEDAN
27 = 2-DOOR CONVERTIBLE	41 = 4-DOOR SEDAN	

AR = Use as Required - = Non Illustrated Part P.A.R. = Paint as Required

EGR SYSTEM 318 ENGINE
Figure 25-1400

4125 1400A



ITEM	PART NUMBER	QTY	BODY	MODEL	DESCRIPTION
1	4145 815	1			SOLENOID, Dual Vacuum
2	3837 622	1			SWITCH, CCEGR - Blue
3		AR			HARNASS, Hose (not serv.)
4					VALVE, EGR
	4094 891	1			stamped 4287658
	4287 669	1			stamped 4287669
	4287 672	1			stamped 4287672
	4287 677	1			stamped 4287677
5	6031 943	2			STUD
6	4287 938	1			GASKET, EGR Valve to Man.
	3671 448	1			COVER, Intake Man. EGR Valve Flange
7					AMPLIFIER, Vacuum
	4041 733	1			stamped 4041733
	4241 995	1			stamped 4241995
8	4241 191	1			BRACKET, Amplifier Mtg.
9	4095 973	1			CONNECTOR, EGR Amplifier

MODEL CODES

B = GRAN FURY	F = FIFTH AVENUE/NEWPORT	P = RELIANT
C = LEBARON/TOWN & COUNTRY/EXC SEDAN	G = DIPLOMAT	T = E CLASS/NEW YORKER
C24 = LASER	H = VOYAGER	V = 600
D = ARIES	K = MINI RAM/CARAVAN/ROYAL	V24 = DAYTONA
E = 600	M = HORIZON/TURISMO	Z = OMNI/CHARGER/RAMPAGE

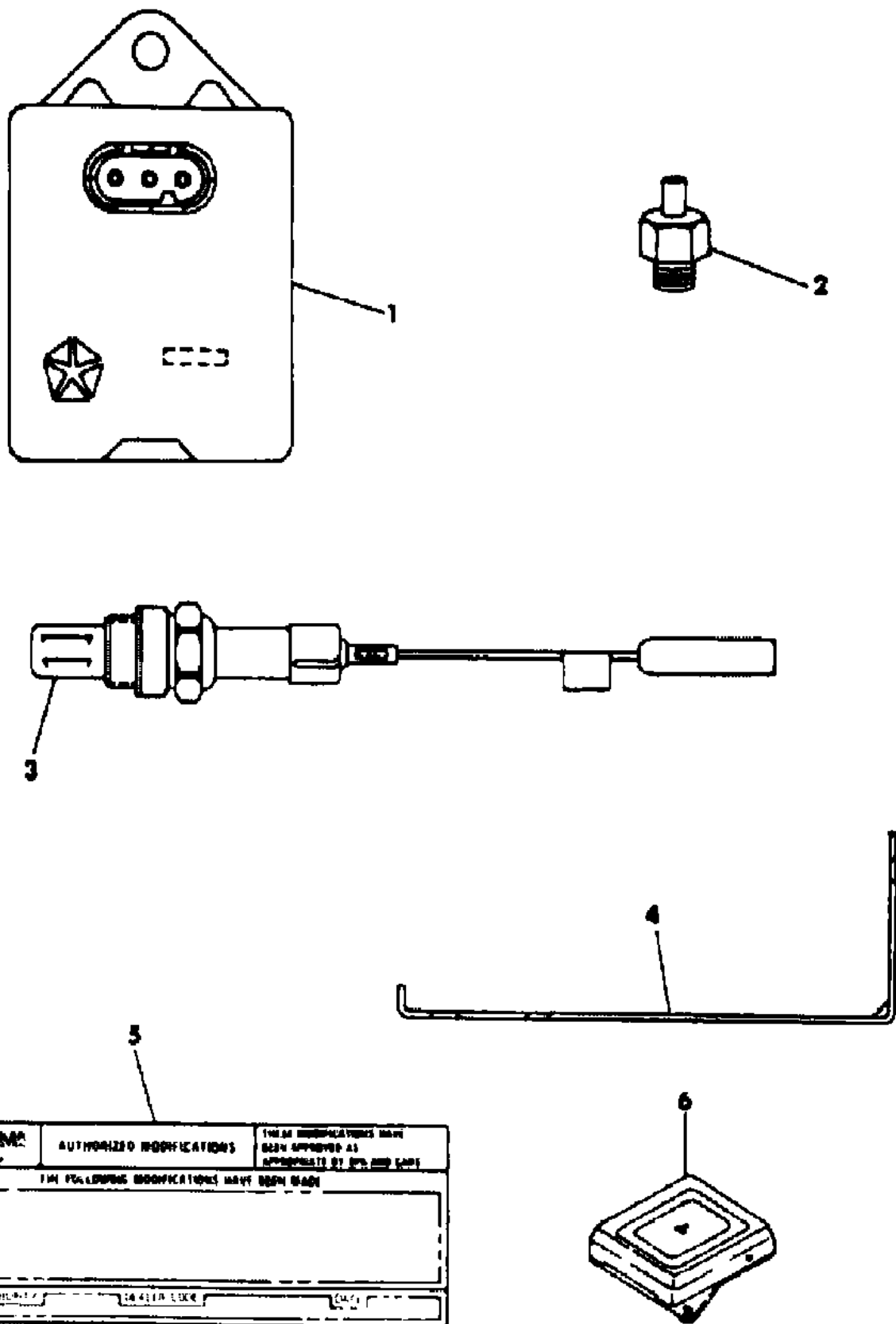
BODY STYLES

21 = 2-DOOR SEDAN	28 = FWD PICKUP	44 = 4-DOOR HATCHBACK
22 = 2-DOOR SPECIAL COUPE	35 = FWD VAN	45 = 4-DOOR STATION WAGON
24 = 2-DOOR HATCHBACK	36 = FWD WAGON	48 = 4-DOOR EXECUTIVE SEDAN
27 = 2-DOOR CONVERTIBLE	41 = 4-DOOR SEDAN	

AR = Use as Required - = Non Illustrated Part P.A.R. = Paint as Required

OXYGEN SENSOR, CHARGE TEMP. SWITCH, EGR CONTROL & AUTHORIZATION LABEL
Figure 25-1500

4125 1500A



ITEM	PART NUMBER	QTY	BODY	MODEL	DESCRIPTION
1					CONTROL, EGR Time Delay
	4145 202	1			Blue
	4111 481	1			Red
2	4111 482	1			SWITCH, Charge Temperature
3	4301 375	1			SENSOR, Oxygen
	4301 346	1			2.2L Eng. TC after 1-23-84
	MD07 3036	1			2.6L Eng.
	4304 553	1			CABLE, Oxygen Sensor (not shown)
4	4268 494	1			BRACKET, Oxygen Sensor Wire
5	4275 086	1			LABEL, Authorization Modification
6	MD08 0152	1			CONTROL UNIT, Carb. 2.6L Eng.

MODEL CODES

B = GRAN FURY	F = FIFTH AVENUE/NEWPORT	P = RELIANT
C = LEBARON/TOWN & COUNTRY/EXC SEDAN	G = DIPLOMAT	T = E CLASS/NEW YORKER
C24 = LASER	H = VOYAGER	V = 600
D = ARIES	K = MINI RAM/CARAVAN/ROYAL	V24 = DAYTONA
E = 600	M = HORIZON/TURISMO	Z = OMNI/CHARGER/RAMPAGE

BODY STYLES

21 = 2-DOOR SEDAN	28 = FWD PICKUP	44 = 4-DOOR HATCHBACK
22 = 2-DOOR SPECIAL COUPE	35 = FWD VAN	45 = 4-DOOR STATION WAGON
24 = 2-DOOR HATCHBACK	36 = FWD WAGON	48 = 4-DOOR EXECUTIVE SEDAN
27 = 2-DOOR CONVERTIBLE	41 = 4-DOOR SEDAN	

AR = Use as Required - = Non Illustrated Part P.A.R. = Paint as Required

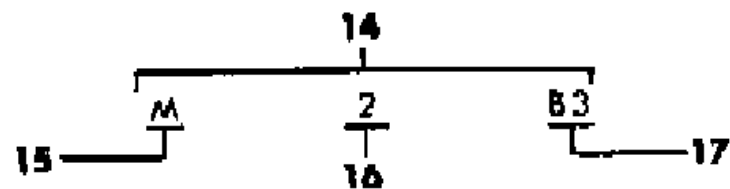
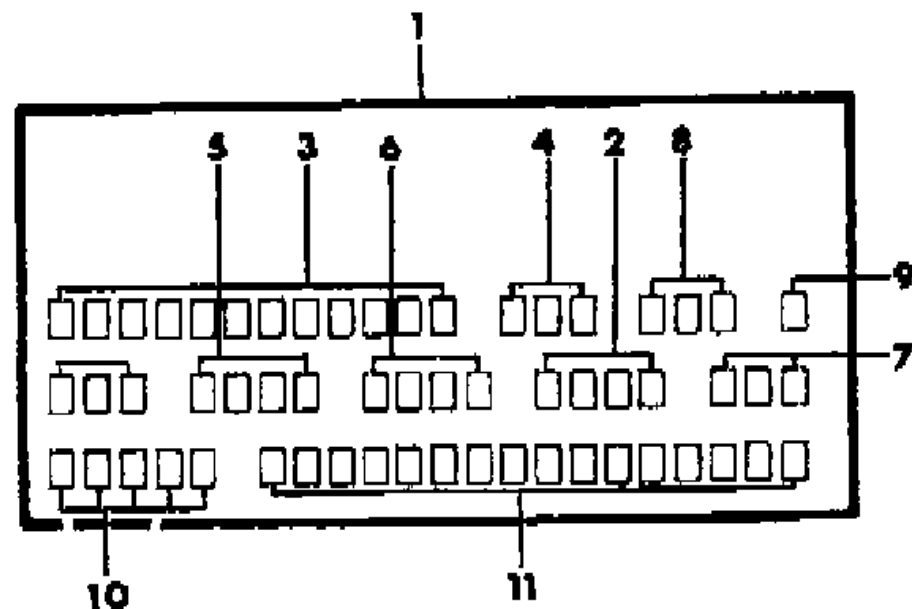
GROUP INF - INTERIOR TRIM

ILLUSTRATION TITLE	GROUP-FIG. NO.
TRIM CODE DEFINED	Fig. INF-100
TRIM INFORMATION	Fig. INF-200

ILLUSTRATION NOT AVAILABLE AT TIME OF PUBLICATION

TRIM CODE DEFINED
Figure INF-100

4229 100



18						
SALES CODE	CBA	CBB	CAD	CAC	CBC	CBD
CLOTH	1	J	7	S	9	F
VINYL	2	4	8	6	X	V
LEATHER	N	G	L	J	Y	P

ITEM	PART NUMBER	QTY	BODY	MODEL	DESCRIPTION
------	-------------	-----	------	-------	-------------

- 1- BODY CODE PLATE (code). Both models are derived from the 100.1" W.B. LeBaron (C 22 Model). Sheet metal parts for the C 48 not found on this illustration should be speci
- ... The Body Code plate includes the Trim Code, Paint Codes, Vinyl Roof code, Build Date, etc.. The plate is located under the hood on the left front fender side shield or wheel housing or the radiator support.
- NOTE: For additional detailed information not listed below, see illustrated text inf. section front fender side shield or wheel housing or the radiator support.
- 2- = Trim Code front fender side shield or wheel housing or the radiator support.
- 3- = Vehicle Order Number front fender side shield or wheel housing or the radiator support.
- 4- = Vinyl Roof Code/Door Combo Code (Pillette) front fender side shield or wheel housing or the radiator support.
- 5- = Body Paint, Primary front fender side shield or wheel housing or the radiator support.
- 6- = Body Paint, Secondary front fender side shield or wheel housing or the radiator support.
- 7- = Engine code front fender side shield or wheel housing or the radiator support.
- 8- = Transmission code front fender side shield or wheel housing or the radiator support.
- 9- = Order: U = U.S.; C = Canada; I = International front fender side shield or wheel housing or the radiator support.
- 10_ = Model (includes Shell, Car Line, Price Class, Body Type) front fender side shield or wheel housing or the radiator support.
- 11- = Vin (Vehicle Identification Number) front fender side shield or wheel housing or the radiator support.
- ***** front fender side shield or wheel housing or the radiator support.
- 14- = TRIM CODE (typical) defined front fender side shield or wheel housing or the radiator support.
- 15- = Series (1st element) front fender side shield or wheel housing or the radiator support.
- 16- = Type & Material (see Chart #16 for application) front fender side shield or wheel housing or the radiator support.
- 17- = Color & Shade (see Figure IT-30 for definition) front fender side shield or wheel housing or the radiator support.
- ***** front fender side shield or wheel housing or the radiator support.
- 18- = Type & Material defined (2nd character of Trim Code) front fender side shield or wheel housing or the radiator support.
- 19- = Seat Sales codes front fender side shield or wheel housing or the radiator support.
- ... CBA = Straight Bench, Front w/solid fixed back front fender side shield or wheel housing or the radiator support.
- ... CBB = Straight Bench, Front w/split hinged back front fender side shield or wheel housing or the radiator support.
- ... CAC = Bucket, Front - Low Back front fender side shield or wheel housing or the radiator support.
- ... CAD = Bucket, Front - High Back front fender side shield or wheel housing or the radiator support.
- ... CBC = 60/40 Split Bench, Front - w/passenger side recliner front fender side shield or wheel housing or the radiator support.
- ... CBD = 50/50 Split w/Dual Arm Rest front fender side shield or wheel housing or the radiator support.
- 20- = Cloth material codes front fender side shield or wheel housing or the radiator support.
- 21- = All Vinyl material codes front fender side shield or wheel housing or the radiator support.
- 22- = Leather material codes front fender side shield or wheel housing or the radiator support.

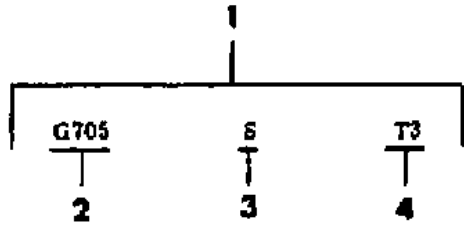
MODEL CODES		
B = GRAN FURY	F = FIFTH AVENUE/NEWPORT	P = RELIANT
C = LEBARON/TOWN & COUNTRY/EXC SEDAN	G = DIPLOMAT	T = E CLASS/NEW YORKER
C24 = LASER	H = VOYAGER	V = 600
D = ARIES	K = MINI RAM/CARAVAN/ROYAL	V24 = DAYTONA
E = 600	M = HORIZON/TURISMO	Z = OMNI/CHARGER/RAMPAGE

BODY STYLES		
21 = 2-DOOR SEDAN	28 = FWD PICKUP	44 = 4-DOOR HATCHBACK
22 = 2-DOOR SPECIAL COUPE	35 = FWD VAN	45 = 4-DOOR STATION WAGON
24 = 2-DOOR HATCHBACK	36 = FWD WAGON	48 = 4-DOOR EXECUTIVE SEDAN
27 = 2-DOOR CONVERTIBLE	41 = 4-DOOR SEDAN	

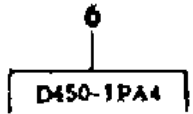
AR = Use as Required - = Non Illustrated Part P.A.R. = Paint as Required

TRIM INFORMATION
Figure INF-200

4229 200



		BODY					
		L	G	K	E	M	S
				P	J	B	
		M	V	C	E	F	H
		Z	C	V	T	G	K
5	A3 Silver	X			X	X	
	AC Silver and Blue	X					
	AS Silver and Charcoal		X	X	X		X
	B5 Medium Blue	X					
	BB Medium Blue						X
	BC Medium and Dark Blue			X			
	C8 Dark Blue			X	X	X	
	KT Saddle and Brown						X
	L3 Beige	X		X	X	X	X
	LT Beige and Brown			X	X		X
	M6 Red	X	X	X	X	X	X
	MA Red and Silver		X				
	MW Red and White			X			
	B8 Charcoal			X	X		
	SA Charcoal and Silver	X		X			
	T8 Brown		X	X	X		
	TK Brown and Saddle	X					
	TL Brown and Beige		X				
	X7 Black		X				
	XA Black and Silver		X				



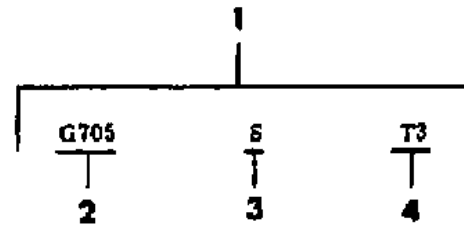
ITEM	PART NUMBER	QTY	BODY	MODEL	DESCRIPTION
------	-------------	-----	------	-------	-------------

- 1- = COLOR CODED PART NUMBER defined: front fender side shield or wheel housing or the radiator support.
- 2- = First element: Basic part number (1 alpha + 3 numerics) front fender side shield or wheel housing or the radiator support.
- 3- = Second element: Series/1st model year color mastered (1 alpha) front fender side shield or wheel housing or the radiator support.
- 4- = Third element: Color & shade suffix (usually 1 alpha + 1 numeric) front fender side shield or wheel housing or the radiator support.
- - ALPHA: front fender side shield or wheel housing or the radiator support.
- A = Silver front fender side shield or wheel housing or the radiator support.
- AC = Silver and Blue front fender side shield or wheel housing or the radiator support.
- AS = Silver and Charcoal front fender side shield or wheel housing or the radiator support.
- B = Medium Blue front fender side shield or wheel housing or the radiator support.
- BB = Medium Blue front fender side shield or wheel housing or the radiator support.
- BC = Medium Blue and Dark Blue front fender side shield or wheel housing or the radiator support.
- C = Dark Blue front fender side shield or wheel housing or the radiator support.
- KT = Saddle and Brown front fender side shield or wheel housing or the radiator support.
- L = Beige front fender side shield or wheel housing or the radiator support.
- LT = Beige and Brown front fender side shield or wheel housing or the radiator support.
- M = Red front fender side shield or wheel housing or the radiator support.
- MA = Red and Silver front fender side shield or wheel housing or the radiator support.
- MW = Red and White front fender side shield or wheel housing or the radiator support.
- S = Charcoal front fender side shield or wheel housing or the radiator support.
- SA = Charcoal and Silver front fender side shield or wheel housing or the radiator support.
- T = Dark Brown front fender side shield or wheel housing or the radiator support.
- TK = Brown and Saddle front fender side shield or wheel housing or the radiator support.
- TL = Dark Brown and Beige front fender side shield or wheel housing or the radiator support.
- X = Black front fender side shield or wheel housing or the radiator support.
- XA = Black and Silver front fender side shield or wheel housing or the radiator support.
- - NUMERIC (on a scale from 1-9: 1= lightest shade; 9= darkest shade) front fender side shield or wheel housing or the radiator support.
- 1 = very Light front fender side shield or wheel housing or the radiator support.
- 2 = Light front fender side shield or wheel housing or the radiator support.
- 3 = front fender side shield or wheel housing or the radiator support.
- 4 = front fender side shield or wheel housing or the radiator support.
- 5 = Medium front fender side shield or wheel housing or the radiator support.
- 6 = Medium dark front fender side shield or wheel housing or the radiator support.
- 7 = front fender side shield or wheel housing or the radiator support.
- 8 = Dark front fender side shield or wheel housing or the radiator support.
- 9 = very Dark front fender side shield or wheel housing or the radiator support.

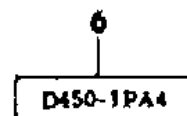
MODEL CODES		
B = GRAN FURY	F = FIFTH AVENUE/NEWPORT	P = RELIANT
C = LEBARON/TOWN & COUNTRY/EXC SEDAN	G = DIPLOMAT	T = E CLASS/NEW YORKER
C24 = LASER	H = VOYAGER	V = 600
D = ARIES	K = MINI RAM/CARAVAN/ROYAL	V24 = DAYTONA
E = 600	M = HORIZON/TURISMO	Z = OMNI/CHARGER/RAMPAGE

BODY STYLES		
21 = 2-DOOR SEDAN	28 = FWD PICKUP	44 = 4-DOOR HATCHBACK
22 = 2-DOOR SPECIAL COUPE	35 = FWD VAN	45 = 4-DOOR STATION WAGON
24 = 2-DOOR HATCHBACK	36 = FWD WAGON	48 = 4-DOOR EXECUTIVE SEDAN
27 = 2-DOOR CONVERTIBLE	41 = 4-DOOR SEDAN	

AR = Use as Required - = Non Illustrated Part P.A.R. = Paint as Required



		BODY					
		L	G	K	E	M	S
				P D C V	J E T	B F G	H K
A3	Silver	X			X	X	
AC	Silver and Blue	X					
AS	Silver and Charcoal		X	X	X		X
B5	Medium Blue	X					
BB	Medium Blue						X
BC	Medium and Dark Blue			X			
C8	Dark Blue			X	X	X	
5	KT Saddle and Brown						X
L3	Beige	X		X	X	X	X
LT	Beige and Brown			X	X		X
M6	Red	X	X	X	X	X	X
MA	Red and Silver		X				
MW	Red and White			X			
B8	Charcoal			X	X		
SA	Charcoal and Silver	X		X			
T8	Brown		X	X	X		
TK	Brown and Saddle	X					
TL	Brown and Beige		X				
X7	Black		X				
XA	Black and Silver		X				



TRIM INFORMATION
Figure INF-200

ITEM	PART NUMBER	QTY	BODY	MODEL	DESCRIPTION
------	-------------	-----	------	-------	-------------

-5- = COLOR APPLICATION CHART (identifies vehicle usage) front fender side shield or wheel housing or the radiator support.
 -6- = COMBINED Part Number defined front fender side shield or wheel housing or the radiator support.
 Right & Left part numbers are frequently combined on 1 line and are interpreted as: front fender side shield or wheel housing or the radiator support.
 D450PA4 = Right side application; D451PA4 = Left side application. front fender side shield or wheel housing or the radiator support.
 Right & Left sides are always determined by their relationship to the driver when normally seated and looking forward. front fender side shield or wheel housing or the radiator support.
 * * * * HOW TO ORDER ROLL GOODS front fender side shield or wheel housing or the radiator support.
 VINYL & CLOTH: Requirements must be ordered in the number of linear inches desired; e.g.: when 10 running inches of a particular part number is req'd., the order should specify a quantity of 10.
 HIDE or LEATHER: Requirements must be ordered in the number of square feet desired; e.g.: when 2 square feet of a particular part number is req'd., the order should specify a quantity of 2.
 * * * * CAUTION - SEAT COVERS vs ASSEMBLIES e order should specify a quantity of 2.
 Extreme care must be exercised when ordering Seat Covers to insure it is ONLY the Cover and NOT a complete Cushion or Back. Complete Cushions and Backs ARE NOT RETURNABLE.

MODEL CODES
 B = GRAN FURY
 C = LEBARON/TOWN & COUNTRY/EXC SEDAN
 C24 = LASER
 D = ARIES
 E = 600
 F = FIFTH AVENUE/NEWPORT
 G = DIPLOMAT
 H = VOYAGER
 K = MINI RAM/CARAVAN/ROYAL
 M = HORIZON/TURISMO
 P = RELIANT
 T = E CLASS/NEW YORKER
 V = 600
 V24 = DAYTONA
 Z = OMNI/CHARGER/RAMPAGE

BODY STYLES
 21 = 2-DOOR SEDAN
 22 = 2-DOOR SPECIAL COUPE
 24 = 2-DOOR HATCHBACK
 27 = 2-DOOR CONVERTIBLE
 28 = FWD PICKUP
 35 = FWD VAN
 36 = FWD WAGON
 41 = 4-DOOR SEDAN
 44 = 4-DOOR HATCHBACK
 45 = 4-DOOR STATION WAGON
 48 = 4-DOOR EXECUTIVE SEDAN

AR = Use as Required - = Non Illustrated Part P.A.R. = Paint as Required

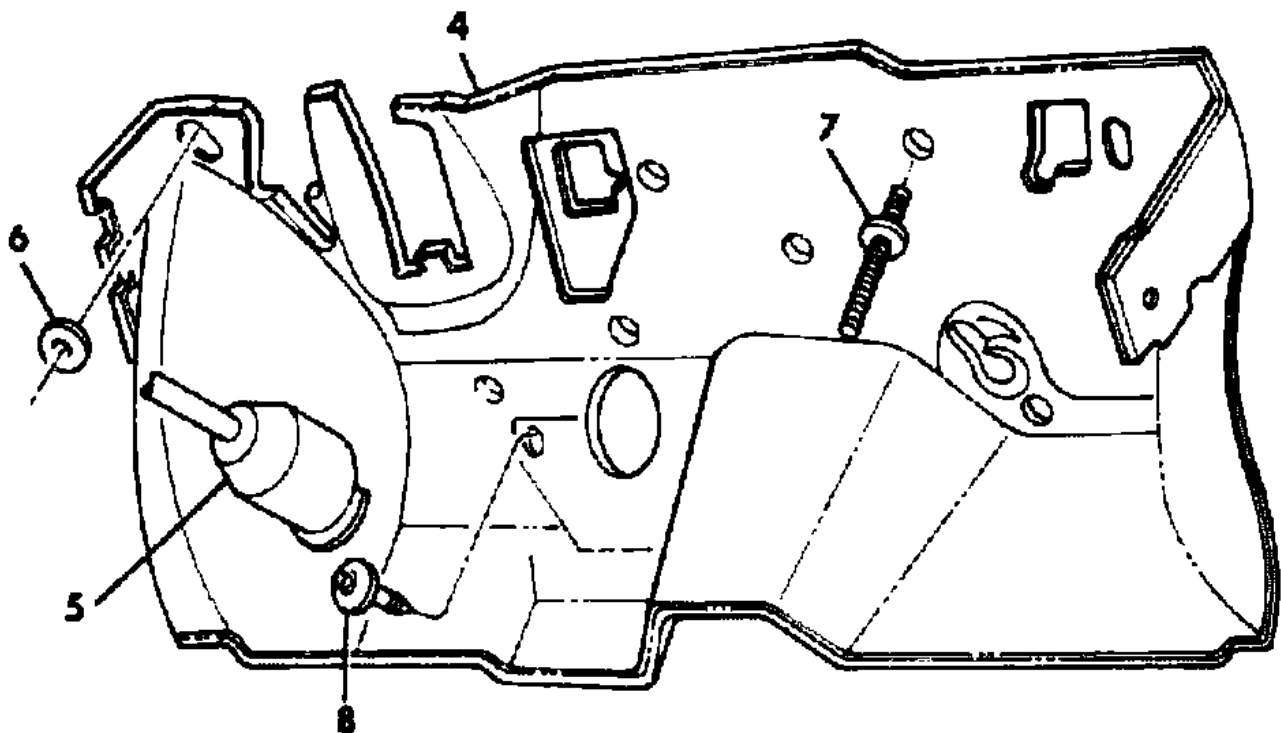
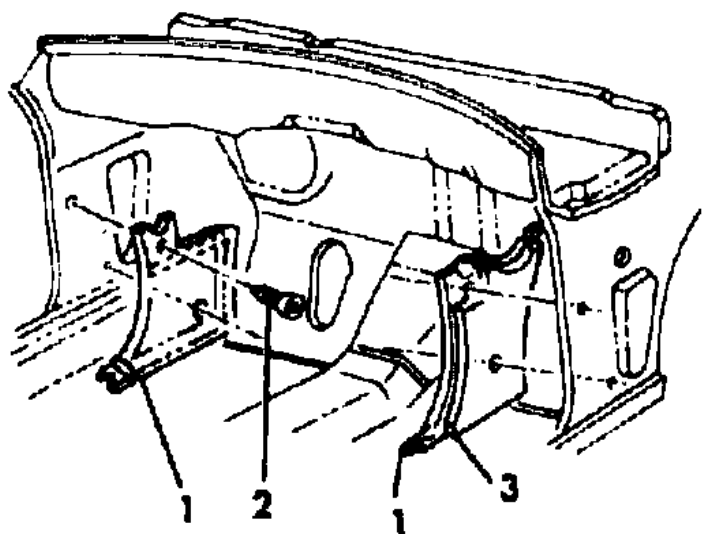
GROUP ITL - L BODY

ILLUSTRATION TITLE	GROUP-FIG. NO.
COWL PANEL AND SILENCERS M,Z L BODY	Fig. ITL-100
HEADLINER AND VISOR M,Z L BODY	Fig. ITL-200
TONNEAU COVER M,Z L BODY 24	Fig. ITL-300
TONNEAU COVER M,Z L BODY 28	Fig. ITL-400
MOULDING GARNISH M,Z L BODY	Fig. ITL-500
B PILLAR TRIM M,Z L BODY 44	Fig. ITL-600
PANEL QUARTER TRIM M,Z L BODY 24	Fig. ITL-700
LIFT GATE M,Z L BODY 24	Fig. ITL-800
PANEL QUARTER TRIM M,Z L BODY 44	Fig. ITL-900
PANEL QUARTER AND CAB BACK TRIM M,Z L BODY 28	Fig. ITL-1000
CARPET M,Z L BODY	Fig. ITL-1100
MATS SILENCERS AND INSULATIONS M,Z L BODY	Fig. ITL-1200
SCUFF PLATES BODY SIDE SILL AND DOOR M,Z L BODY	Fig. ITL-1300
DOOR TRIM PANEL M,Z L BODY 24,28 TRIM CODES H7,H8,F5,S5,D5	Fig. ITL-1400
DOOR TRIM PANEL M,Z L BODY 44 TRIM CODES E7,E8	Fig. ITL-1500
DOOR TRIM PANEL M,Z L BODY 44 TRIM CODES F5,H8	Fig. ITL-1600
SEAT FRONT M,Z L BODY TRIM CODE F5	Fig. ITL-1700
SEAT FRONT M,Z L BODY TRIM CODES E7,H7	Fig. ITL-1800
SEAT FRONT M,Z L BODY TRIM CODES E8,H8	Fig. ITL-1900
SEAT FRONT M,Z L BODY TRIM CODE S5	Fig. ITL-2000
SEAT FRONT M,Z L BODY TRIM CODE D5	Fig. ITL-2100
BELT FRONT SEAT M,Z L BODY	Fig. ITL-2200
RECLINING FRONT SEAT W/O INERTIA M,Z L BODY	Fig. ITL-2300
RECLINING FRONT SEAT W/INERTIA M,Z L BODY	Fig. ITL-2400
ADJUSTER MANUAL M,Z L BODY	Fig. ITL-2500
SEAT REAR M,Z L BODY TRIM CODE F5	Fig. ITL-2600
SEAT REAR M,Z L BODY TRIM CODES E7,H7	Fig. ITL-2700
SEAT REAR M,Z L BODY TRIM CODES E8,H8	Fig. ITL-2800
SEAT REAR M,Z L BODY TRIM CODE S5	Fig. ITL-2900
SEAT REAR M,Z L BODY TRIM CODE D5	Fig. ITL-3000
BELT REAR SEAT M,Z L BODY	Fig. ITL-3100
SEAT REAR FOLD DOWN M,Z L BODY 24	Fig. ITL-3200
SEAT REAR FOLD DOWN M,Z L BODY 44	Fig. ITL-3300

ILLUSTRATION NOT AVAILABLE AT TIME OF PUBLICATION

COWL PANEL AND SILENCERS M,Z L BODY
Figure ITL-100

4230 100



ITEM	PART NUMBER	QTY	BODY	MODEL	DESCRIPTION
1					PANEL, Cowl Side Trim N N N N
	F216-7 BC7	1			Blue N N24,28 N YF216BC7
	F216-7 TM6	1			Red N N24,28 N YF216TM6
	F216-7 BT8	1			Brown N N24,28 N YF216BT8
	F216-7 CS8	1			Charcoal N N24,28 N YF216CS8
	F266-7 DT5	1			(paint as required) N N44 N YF266DT5
2		AR			SCREW, (8-18x1 3/4)(Not Serviced) N N N N
3	3837 683	1			SILENCER, Cowl Panel w/ or w/o Air Conditioning N N N Y3837683
4	4314 598	1			LINER, Dash w/ or w/o Air Conditioning N N N Y4314598
	6032 185	5			CAPLUG N N N Y6032185
5	4147 156	1			LINER, Steering Column Cover N N N Y4147156
6	4206 545	AR			RETAINER, Dash and Cowl N N N Y4206545
7	6031 630	AR			STUD, Special N N N Y6031630
8		AR			SCREW, Washer and Seal (Self Drilling and Tapping Hex Head 8-18x.75) (not serviced) N N N N

MODEL CODES

B = GRAN FURY	F = FIFTH AVENUE/NEWPORT	P = RELIANT
C = LEBARON/TOWN & COUNTRY/EXC SEDAN	G = DIPLOMAT	T = E CLASS/NEW YORKER
C24 = LASER	H = VOYAGER	V = 600
D = ARIES	K = MINI RAM/CARAVAN/ROYAL	V24 = DAYTONA
E = 600	M = HORIZON/TURISMO	Z = OMNI/CHARGER/RAMPAGE

BODY STYLES

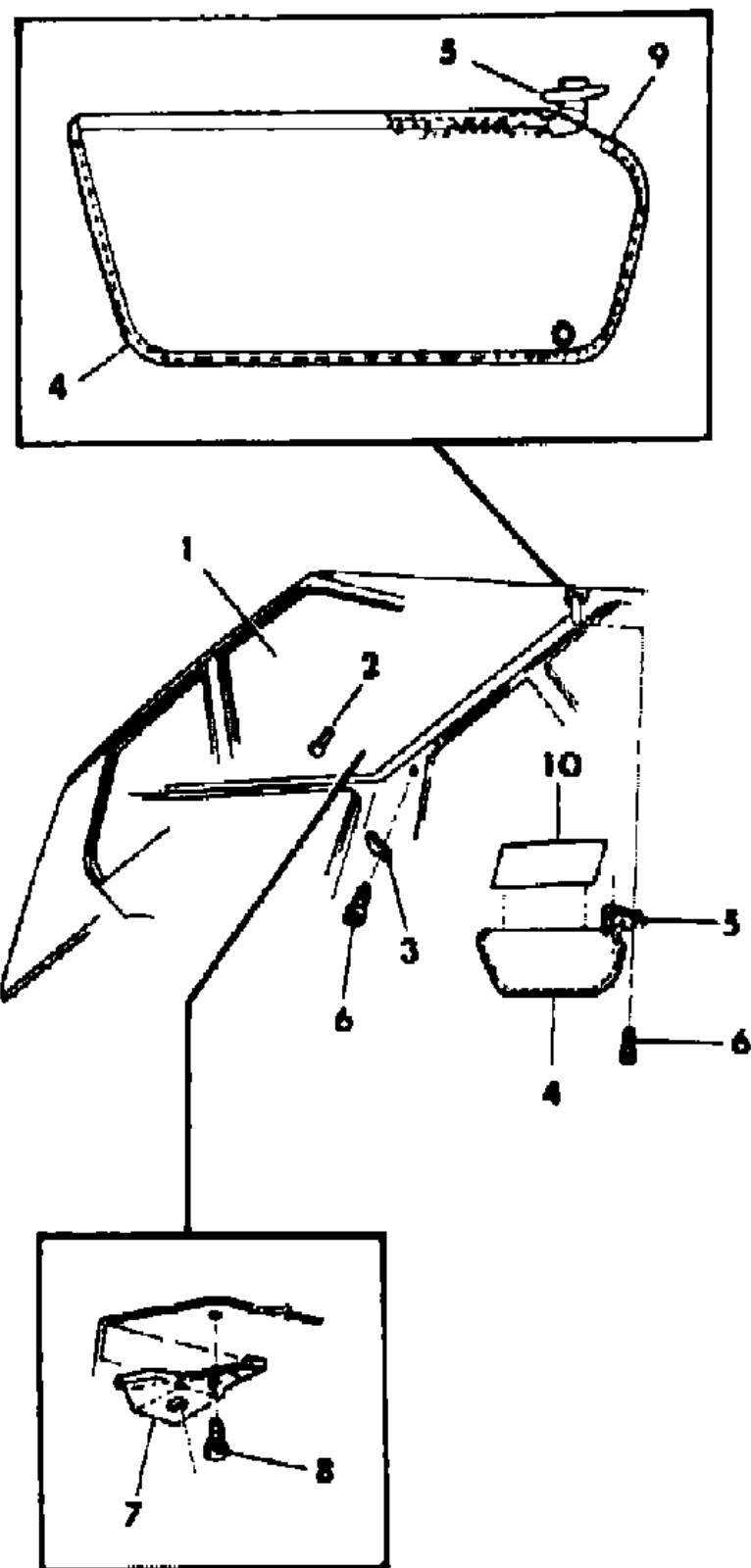
21 = 2-DOOR SEDAN	28 = FWD PICKUP	44 = 4-DOOR HATCHBACK
22 = 2-DOOR SPECIAL COUPE	35 = FWD VAN	45 = 4-DOOR STATION WAGON
24 = 2-DOOR HATCHBACK	36 = FWD WAGON	48 = 4-DOOR EXECUTIVE SEDAN
27 = 2-DOOR CONVERTIBLE	41 = 4-DOOR SEDAN	

AR = Use as Required - = Non Illustrated Part P.A.R. = Paint as Required

HEADLINER AND VISOR M,Z L BODY

Figure ITL-200

4230 200



ITEM	PART NUMBER	QTY	BODY	MODEL	DESCRIPTION
1					HEADLINER N N N N
					Cloth N N N N
	H819 AA3	1			Silver N N24 N YH819AA3
	H819 BB5	1			Blue N N24 N YH819BB5
	H819 TM6	1			Red N N24 N YH819TM6
	H819 BL3	1			Beige N N24 N YH819BL3
	H819 BT8	1			Brown N N24 N YH819BT8
	H819 CS8	1			Charcoal N N24 N YH819CS8
					Cloth N N N N
	H828 AA3	1			Silver N N44 N YH828AA3
	H828 BB5	1			Blue N N44 N YH828BB5
	H828 TM6	1			Red N N44 N YH828TM6
	H828 BL3	1			Beige N N44 N YH828BL3
	H828 BT8	1			Brown N N44 N YH828BT8
	W814 AM6	1			Red N N28 N YW814AM6
	W814 BT8	1			Brown N N28 N YW814BT8
	W814 CS8	1			Charcoal N N28 N YW814CS8
					w/Sun Roof N N N N
	H820 BA3	1			Silver N N24 N YH820BA3
	H820 BB5	1			Blue, Medium N N24 N YH820BB5
	H820 BM6	1			Red N N24 N YH820BM6
	H820 BL3	1			Beige N N24 N YH820BL3
	H820 CT8	1			Brown N N24 N YH820CT8
	H820 CS8	1			Charcoal N N24 N YH820CS8
-	4049 603	AR			SILENCER, Roof Panel (36"x72"x1 1/2"thick slab) N N N Y4049603
-	3762 861	AR			SILENCER, Roof Panel (60"x72" material) N N N Y3762861
2					FASTENER, Headliner Panel N N N N Center N N N N
	H452 AA3	1			Silver N N N YH452AA3
	H452 BB5	1			Blue N N N YH452BB5
	H452 TM6	1			Red N N N YH452TM6
	H452 BL3	1			Beige N N N YH452BL3
	H452 BT8	1			Brown N N N YH452BT8
	H452 CS8	1			Charcoal N N N YH452CS8
		1			Rear N N N N
	H446 CA3	1			Silver N N N YH446CA3
	H446 CB5	1			Blue N N N YH446CB5

MODEL CODES

B = GRAN FURY	F = FIFTH AVENUE/NEWPORT	P = RELIANT
C = LEBARON/TOWN & COUNTRY/EXC SEDAN	G = DIPLOMAT	T = E CLASS/NEW YORKER
C24 = LASER	H = VOYAGER	V = 600
D = ARIES	K = MINI RAM/CARAVAN/ROYAL	V24 = DAYTONA
E = 600	M = HORIZON/TURISMO	Z = OMNI/CHARGER/RAMPAGE

BODY STYLES

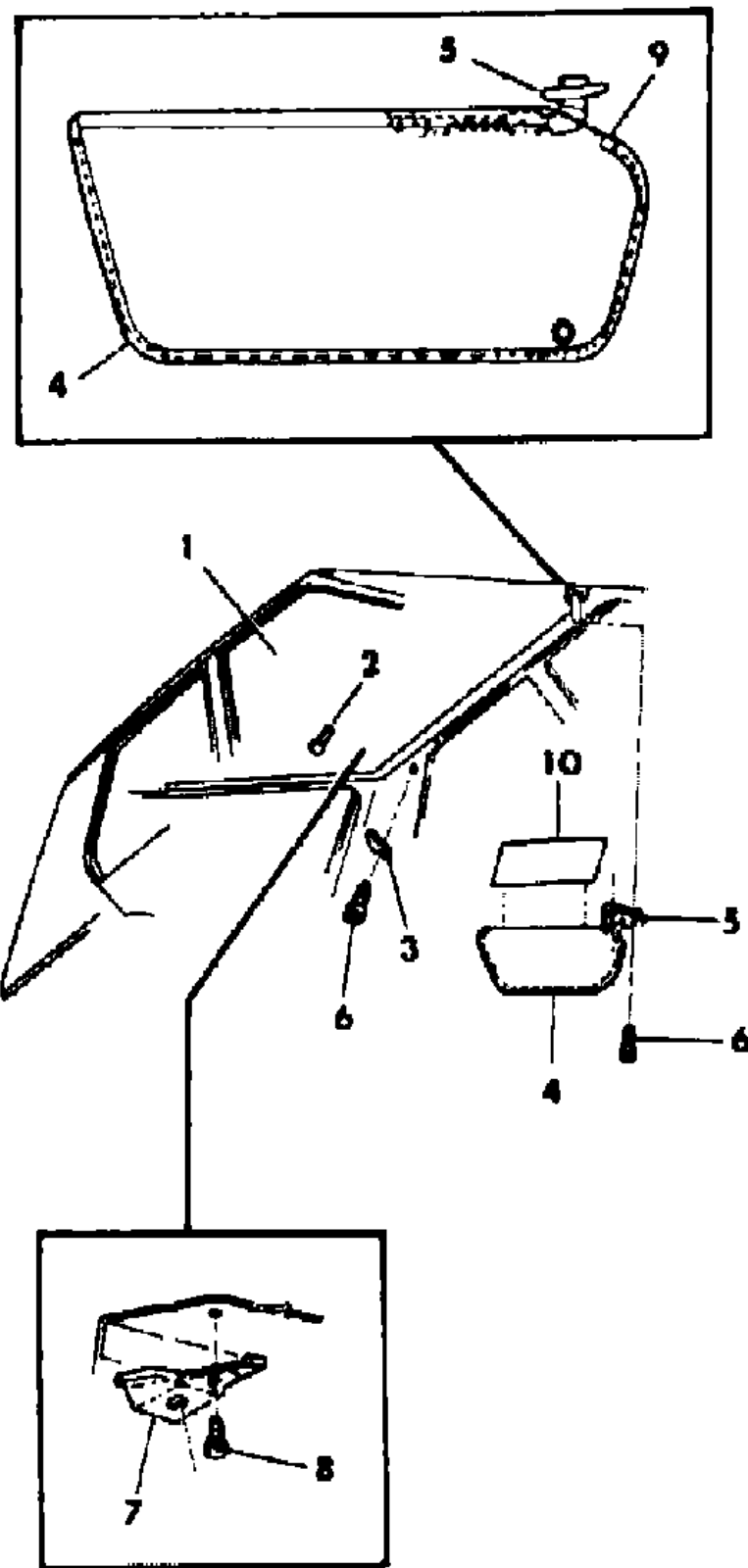
21 = 2-DOOR SEDAN	28 = FWD PICKUP	44 = 4-DOOR HATCHBACK
22 = 2-DOOR SPECIAL COUPE	35 = FWD VAN	45 = 4-DOOR STATION WAGON
24 = 2-DOOR HATCHBACK	36 = FWD WAGON	48 = 4-DOOR EXECUTIVE SEDAN
27 = 2-DOOR CONVERTIBLE	41 = 4-DOOR SEDAN	

AR = Use as Required - = Non Illustrated Part P.A.R. = Paint as Required

HEADLINER AND VISOR M,Z L BODY

Figure ITL-200

4230 200



ITEM	PART NUMBER	QTY	BODY	MODEL	DESCRIPTION
	H446 CM6	1			Red N N N YH446CM6
	H446 CL3	1			Beige N N N YH446CL3
	H446 CT8	1			Brown N N N YH446CT8
	H446 RX9	1			Black N N N YH446RX9
	4114 785	4			N N28 N Y4114785
3	3685 992	2			HOOK, Coat N N N Y3685992
4					VISOR, w/Arm and Bracket N N N N
	H612 AA2	2			Silver N N N YH612AA2
	H612 BB5	2			Blue N N N YH612BB5
	H612 VM6	2			Red N N N YH612VM6
	H612 BL3	2			Beige N N N YH612BL3
	H612 BT8	2			Brown N N N YH612BT8
	H612 CS8	2			Charcoal N N N YH612CS8
					PANEL, Visor N N N N
	H597 AA2	2			Silver N N N YH597AA2
	H597 BB5	2			Blue N N N YH597BB5
	H597 VM6	2			Red N N N YH597VM6
	H597 BL3	2			Beige N N N YH597BL3
	H597 BT8	2			Brown N N N YH597BT8
	H597 CS8	2			Charcoal N N N YH597CS8
5	5208 539	2			ARM and BRACKET, Visor Panel N N N Y5208539
6		AR			SCREW (10-16x3/4)(not serviced) N N N N
7	4223 643	2			BRACKET, Coat Hook Attaching N N28 N Y4223643
8	6032 456	AR			SCREW, Bracket Attaching N N28 N Y6032456
9	1490 983	2			CLIP, Visor Panel End N N N Y1490983
10					MIRROR, Visor Vanity N N N N
					Right N N N N
	4271 015	1			Silver N N N Y4271015
	4271 040	1			Blue N N N Y4271040
	4271 012	1			Red N N N Y4271012
	4271 041	1			Beige N N N Y4271041
	4271 057	1			Brown N N N Y4271057
	4271 056	1			Charcoal N N N Y4271056
	4186 809	1			Black N N N Y4186809

MODEL CODES

B = GRAN FURY	F = FIFTH AVENUE/NEWPORT	P = RELIANT
C = LEBARON/TOWN & COUNTRY/EXC SEDAN	G = DIPLOMAT	T = E CLASS/NEW YORKER
C24 = LASER	H = VOYAGER	V = 600
D = ARIES	K = MINI RAM/CARAVAN/ROYAL	V24 = DAYTONA
E = 600	M = HORIZON/TURISMO	Z = OMNI/CHARGER/RAMPAGE

BODY STYLES

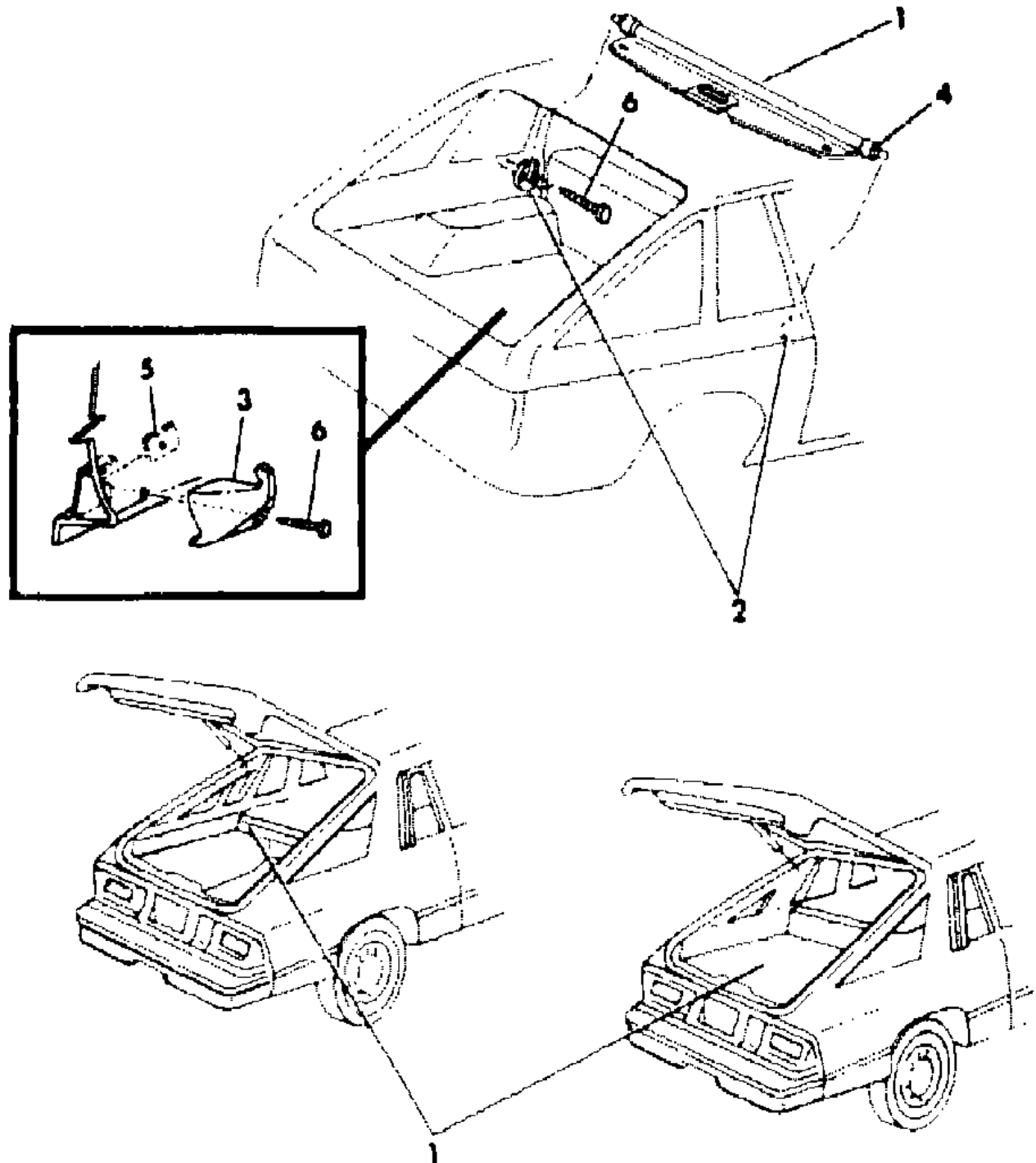
21 = 2-DOOR SEDAN	28 = FWD PICKUP	44 = 4-DOOR HATCHBACK
22 = 2-DOOR SPECIAL COUPE	35 = FWD VAN	45 = 4-DOOR STATION WAGON
24 = 2-DOOR HATCHBACK	36 = FWD WAGON	48 = 4-DOOR EXECUTIVE SEDAN
27 = 2-DOOR CONVERTIBLE	41 = 4-DOOR SEDAN	

AR = Use as Required - = Non Illustrated Part P.A.R. = Paint as Required

TONNEAU COVER M,Z L BODY 24
Figure ITL-300

4230 300

ITEM	PART NUMBER	QTY	BODY	MODEL	DESCRIPTION
1		1			COVER, Rear Compartment N N N N
	4271 087	1			Blue N N N Y4271087
	4271 088	1			Red N N N Y4271088
	4271 045	1			Brown N N N Y4271045
	4271 089	1			Charcoal N N N Y4271089
2					SUPPORT, Rear Compartment Tonneau Cover Front N N N N
	H493 AA3	2			Silver N N N YH493AA3
	H493 BB5	2			Blue N N N YH493BB5
	H493 TM6	2			Red N N N YH493TM6
	H493 BL3	2			Beige N N N YH493BL3
	H493 BT8	2			Brown N N N YH493BT8
	H493 CS8	2			Charcoal N N N YH493CS8
3					HOOK, Rear Compartment Tonneau Cover Rear N N N N
	H494-5 AA3	1			Silver N N N YH494AA3
	H494-5 BB5	1			Blue N N N YH494BB5
	H494-5 TM6	1			Red N N N YH494TM6
	H494-5 BL3	1			Beige N N N YH494BL3
	H494-5 BT8	1			Brown N N N YH494BT8
	H494-5 CS8	1			Charcoal N N N YH494CS8
4	4271 047	1			END CAP PACKAGE N N N Y4271047
5	0152 490	2			U-NUT, Quarter Rear Compartment Cover Hook Attaching N N N Y152490
6		AR			SCREW (8-18x1 3/4) (not serviced) N N N N



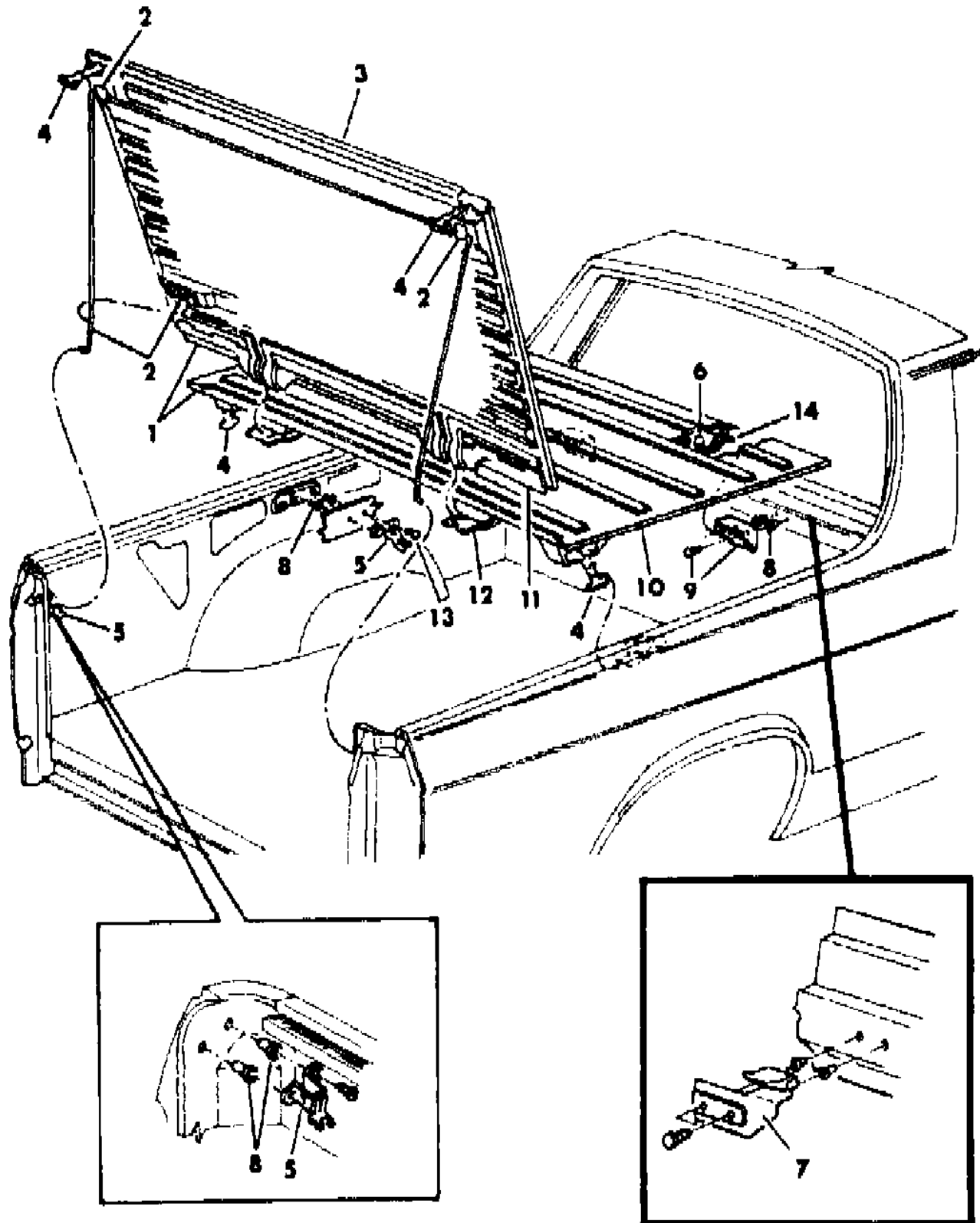
MODEL CODES
 B = GRAN FURY
 C = LEBARON/TOWN & COUNTRY/EXC SEDAN
 C24 = LASER
 D = ARIES
 E = 600
 F = FIFTH AVENUE/NEWPORT
 G = DIPLOMAT
 H = VOYAGER
 K = MINI RAM/CARAVAN/ROYAL
 M = HORIZON/TURISMO
 P = RELIANT
 T = E CLASS/NEW YORKER
 V = 600
 V24 = DAYTONA
 Z = OMNI/CHARGER/RAMPAGE

BODY STYLES
 21 = 2-DOOR SEDAN
 22 = 2-DOOR SPECIAL COUPE
 24 = 2-DOOR HATCHBACK
 27 = 2-DOOR CONVERTIBLE
 28 = FWD PICKUP
 35 = FWD VAN
 36 = FWD WAGON
 41 = 4-DOOR SEDAN
 44 = 4-DOOR HATCHBACK
 45 = 4-DOOR STATION WAGON
 48 = 4-DOOR EXECUTIVE SEDAN

AR = Use as Required - = Non Illustrated Part P.A.R. = Paint as Required

TONNEAU COVER M,Z L BODY 28
Figure ITL-400

4230 400



ITEM	PART NUMBER	QTY	BODY	MODEL	DESCRIPTION
1	4278 564	1			COVER PACKAGE, Tonneau Complete N N N Y4278564
2	4278 568	1			ROD PACKAGE, Prop N N N Y4278568 Consists of: N N N N 2- Prop Rods N N N N 2- Clips N N N N 2- Hinges N N N N
3	4314 467	1			COVER, Tonneau Front N N N Y4314467
4	4278 435	4			LATCH ASSEMBLY N N N Y4278435
5	4278 448-9	1			BRACKET, Keeper N N N Y4278448
6	6031 893	23			NUT, Plus N N N Y6031893
7	4314 468 4278 446-7	1			CLIP PACKAGE, Cover Hold Down N N N Y4314468 BRACKET, Cover Guide N N N Y4278446
8	2094 869	12			NUT, Rivet N N N Y2094869
9	4278 565	1			BRACKET PACKAGE, Cover Guide N N N Y4278565 Consists Of: N N N N NUT, Rivet N N N Y2094869 2 - Bracket Guides N N N N 4 - Screws N N N N
10	4278 441	1			COVER, Tonneau Rear N N N Y4278441
11	4278 868	1			SEAL PACKAGE, Tonneau Cover N N N Y4278868 Consists Of: N N N N FASTENER, Seal N N N N NUT N N N Y152443 1 - Seal N N N N
12	4278 440	2			HINGE, Bracket N N N Y4278440
13		AR			RIVET (not serviced) N N N N
14	4278 439	2			RETAINER, Spring N N N Y4278439

MODEL CODES

B = GRAN FURY	F = FIFTH AVENUE/NEWPORT	P = RELIANT
C = LEBARON/TOWN & COUNTRY/EXC SEDAN	G = DIPLOMAT	T = E CLASS/NEW YORKER
C24 = LASER	H = VOYAGER	V = 600
D = ARIES	K = MINI RAM/CARAVAN/ROYAL	V24 = DAYTONA
E = 600	M = HORIZON/TURISMO	Z = OMNI/CHARGER/RAMPAGE

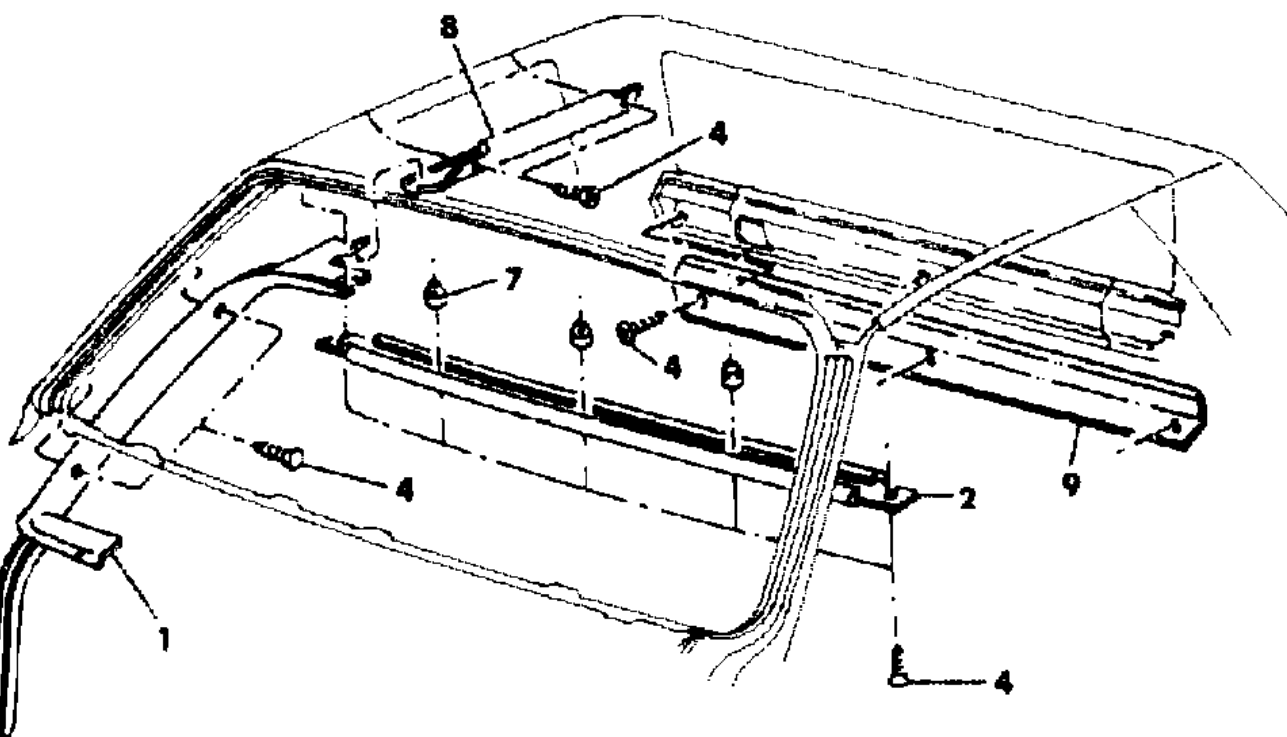
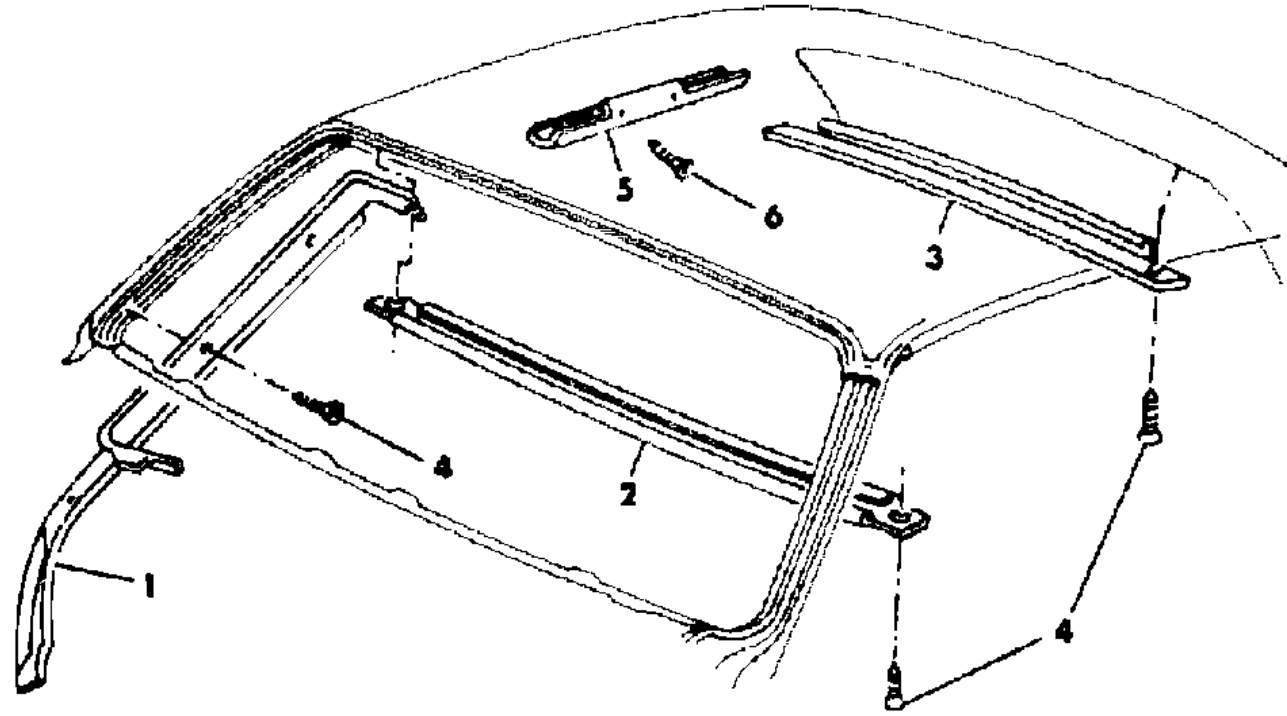
BODY STYLES

21 = 2-DOOR SEDAN	28 = FWD PICKUP	44 = 4-DOOR HATCHBACK
22 = 2-DOOR SPECIAL COUPE	35 = FWD VAN	45 = 4-DOOR STATION WAGON
24 = 2-DOOR HATCHBACK	36 = FWD WAGON	48 = 4-DOOR EXECUTIVE SEDAN
27 = 2-DOOR CONVERTIBLE	41 = 4-DOOR SEDAN	

AR = Use as Required - = Non Illustrated Part P.A.R. = Paint as Required

MOULDING GARNISH M,Z L BODY
Figure ITL-500

4230 500



ITEM	PART NUMBER	QTY	BODY	MODEL	DESCRIPTION
1					MOULDING, Windshield Side N N N N
	F260-1 AA3	1			(paint as required) N N44 N YF260AA3
	F262-3 AA3	1			Silver N N24,28 N YF262AA3
	F262-3 BB5	1			Blue N N24,28 N YF262BB5
	F262-3 TM6	1			Red N N24,28 N YF262TM6
	F262-3 BL3	1			Beige N N24,28 N YF262BL3
	F262-3 BT8	1			Brown N N24,28 N YF262BT8
2					MOULDING, Windshield Upper (paint as required) N N N N
	5208 508	1			N N44 N Y5208508
	5231 298	1			N N24,28 N Y5231298
3					MOULDING, Roof Liftgate Upper (paint as required) N N44 N
	5208 522	1			Y5208522
	5231 786	1			MOULDING and SPACER, Liftgate Upper (paint as required) N
					N24 N Y5231786
4		AR			SCREW (8-18x3/4)(not serviced) N N24,28,44 N N
5	5231 300	2			MOULDING, Roof Side (paint as required) N N24 N Y5231300
6	9420 486	AR			SCREW N N24 N Y9420486
7	0152 861	AR			NUT, Spacer N N24,28,44 N Y152861
8	4247 318	2			MOULDING, Roof Side (paint as required) N N28 N Y4247318
9	W800 AX9	1			MOULDING, Rear Window Lower (paint as required) N N28 N
					YW800AX9

MODEL CODES

B = GRAN FURY	F = FIFTH AVENUE/NEWPORT	P = RELIANT
C = LEBARON/TOWN & COUNTRY/EXC SEDAN	G = DIPLOMAT	T = E CLASS/NEW YORKER
C24 = LASER	H = VOYAGER	V = 600
D = ARIES	K = MINI RAM/CARAVAN/ROYAL	V24 = DAYTONA
E = 600	M = HORIZON/TURISMO	Z = OMNI/CHARGER/RAMPAGE

BODY STYLES

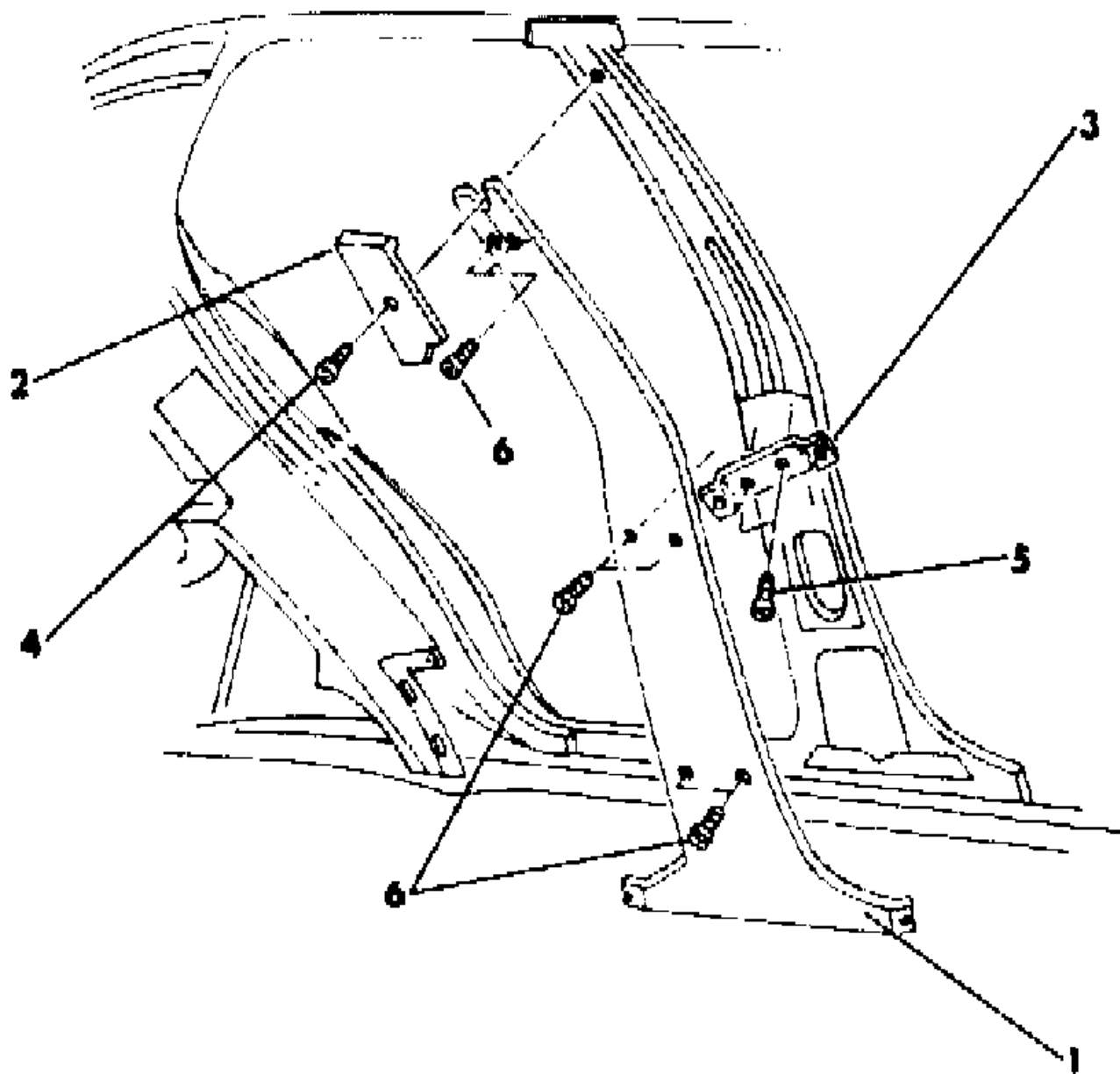
21 = 2-DOOR SEDAN	28 = FWD PICKUP	44 = 4-DOOR HATCHBACK
22 = 2-DOOR SPECIAL COUPE	35 = FWD VAN	45 = 4-DOOR STATION WAGON
24 = 2-DOOR HATCHBACK	36 = FWD WAGON	48 = 4-DOOR EXECUTIVE SEDAN
27 = 2-DOOR CONVERTIBLE	41 = 4-DOOR SEDAN	

AR = Use as Required - = Non Illustrated Part P.A.R. = Paint as Required

B PILLAR TRIM M,Z L BODY 44
Figure ITL-600

4330 600

ITEM	PART NUMBER	QTY	BODY	MODEL	DESCRIPTION
1					COVER, Center Pillar Trim "B" Lower N N N N
	F202-3 AA3	1			(paint as required) N N N YF202AA3
2					COVER, Center "B" Pillar Trim Upper N N N N
	F172-3 AA3	1			(paint as required) N N N YF172AA3
3	5208 733	2			BRACKET, Center Pillar Trim Cover Attaching N N N Y5208733
4		AR			SCREW (8-18x1 1/4) (not serviced) N N N N
5	6032 456	4			SCREW N N N Y6032456
6		AR			SCREW (8-18x1/2)(not serviced) N N N N



MODEL CODES

B = GRAN FURY	F = FIFTH AVENUE/NEWPORT	P = RELIANT
C = LEBARON/TOWN & COUNTRY/EXC SEDAN	G = DIPLOMAT	T = E CLASS/NEW YORKER
C24 = LASER	H = VOYAGER	V = 600
D = ARIES	K = MINI RAM/CARAVAN/ROYAL	V24 = DAYTONA
E = 600	M = HORIZON/TURISMO	Z = OMNI/CHARGER/RAMPAGE

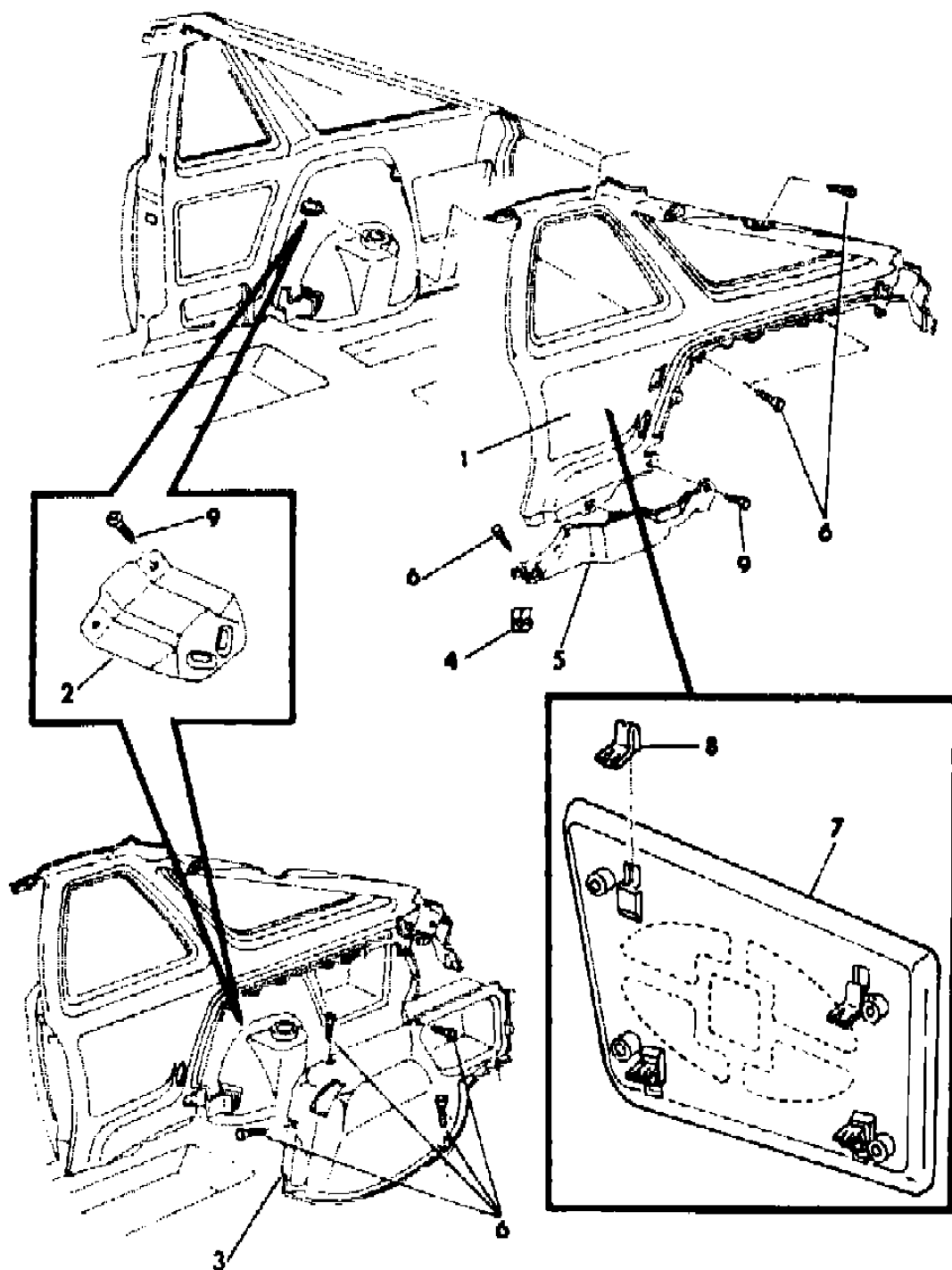
BODY STYLES

21 = 2-DOOR SEDAN	28 = FWD PICKUP	44 = 4-DOOR HATCHBACK
22 = 2-DOOR SPECIAL COUPE	35 = FWD VAN	45 = 4-DOOR STATION WAGON
24 = 2-DOOR HATCHBACK	36 = FWD WAGON	48 = 4-DOOR EXECUTIVE SEDAN
27 = 2-DOOR CONVERTIBLE	41 = 4-DOOR SEDAN	

AR = Use as Required - = Non Illustrated Part P.A.R. = Paint as Required

PANEL QUARTER TRIM M,Z L BODY 24
Figure ITL-700

4230 700



ITEM	PART NUMBER	QTY	BODY	MODEL	DESCRIPTION
1					PANEL, Quarter Trim N N N N
	H488-9 CA3	1			Silver N N N YH488CA3
	H488-9 CB5	1			Blue N N N YH488CB5
	H488-9 CM6	1			Red N N N YH488CM6
	H488-9 CL3	1			Beige N N N YH488CL3
	H488-9 CT8	1			Brown N N N YH488CT8
	H488-9 CS8	1			Charcoal N N N YH488CS8
2	5208 984	4			BRACKET, Quarter Trim Panel Wheelhouse Attaching N N N Y5208984
3					PANEL, Wheelhouse Trim N N N N
	H440-1 BL3	1			(paint as required) N N N YH440BL3
4	0152 490	2			U-NUT, Quarter Lower Trim Cover Attaching N N N Y152490
5					PANEL, Quarter Trim Lower w/o Armrest N N N N
	F208-9 CA3	1			Silver N N N YF208CA3
	F208-9 CB5	1			Blue N N N YF208CB5
	F208-9 CM6	1			Red N N N YF208CM6
	F208-9 CL3	1			Beige N N N YF208CL3
	F208-9 CT8	1			Brown N N N YF208CT8
	F208-9 CS8	1			Charcoal N N N YF208CS8
6		AR			SCREW (8-18x3/4)(not serviced) N N N N
7					GRILLE, Quarter Panel Speaker (Carpeted) N N N N
	D472-3 BC7	1			Blue N N N YD472BC7
	D472-3 TM6	1			Red N N N YD472TM6
	D472-3 BT9	1			Brown N N N YD472BT9
	D472-3 CS8	1			Charcoal N N N YD472CS8
8	1623 945	AR			FASTENER N N N Y1623945
9		AR			SCREW (6-18x3/4)(not serviced) N N N N

MODEL CODES

B = GRAN FURY	F = FIFTH AVENUE/NEWPORT	P = RELIANT
C = LEBARON/TOWN & COUNTRY/EXC SEDAN	G = DIPLOMAT	T = E CLASS/NEW YORKER
C24 = LASER	H = VOYAGER	V = 600
D = ARIES	K = MINI RAM/CARAVAN/ROYAL	V24 = DAYTONA
E = 600	M = HORIZON/TURISMO	Z = OMNI/CHARGER/RAMPAGE

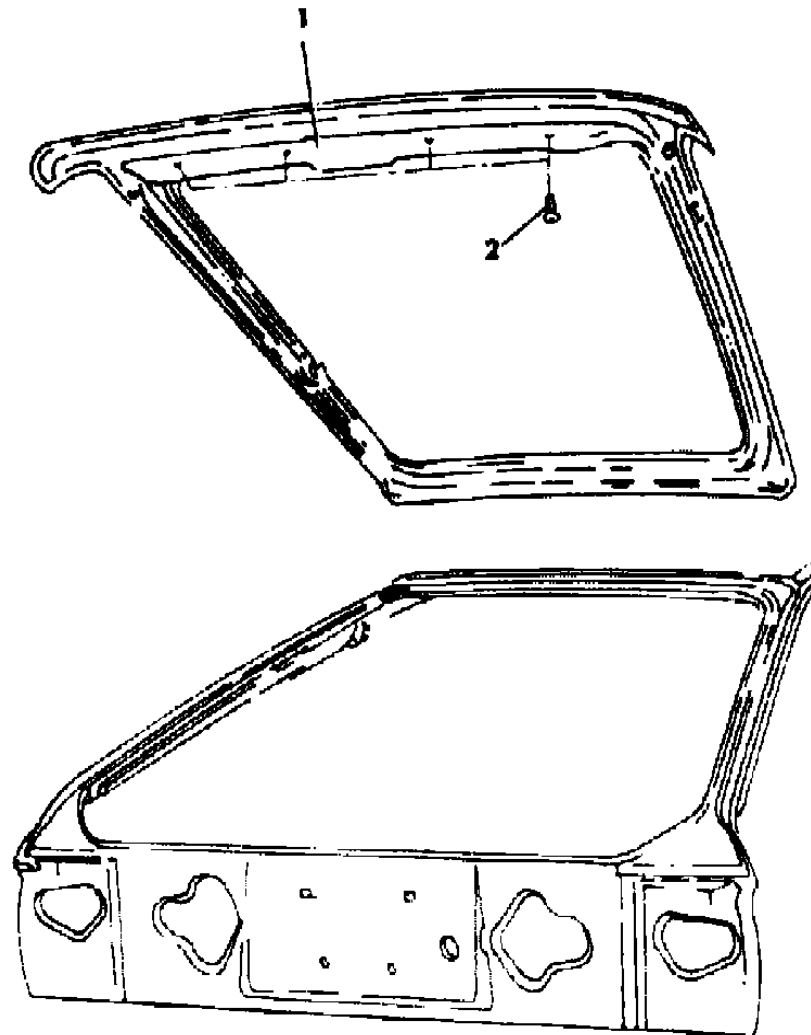
BODY STYLES

21 = 2-DOOR SEDAN	28 = FWD PICKUP	44 = 4-DOOR HATCHBACK
22 = 2-DOOR SPECIAL COUPE	35 = FWD VAN	45 = 4-DOOR STATION WAGON
24 = 2-DOOR HATCHBACK	36 = FWD WAGON	48 = 4-DOOR EXECUTIVE SEDAN
27 = 2-DOOR CONVERTIBLE	41 = 4-DOOR SEDAN	

AR = Use as Required - = Non Illustrated Part P.A.R. = Paint as Required

LIFT GATE M,Z L BODY 24
Figure ITL-800

4230 B00



ITEM	PART NUMBER	QTY	BODY	MODEL	DESCRIPTION
1					COVER, Liftgate N N N N
	H455 EA3	1			Silver N N N YH455EA3
	H455 EB5	1			Blue N N N YH455EB5
	H429 TM6	1			Red N N N YH429TM6
	H429 BL3	1			Beige N N N YH429BL3
	H429 BT8	1			Brown N N N YH429BT8
	H455 ES8	1			Charcoal N N N YH455ES8
2		4			SCREW (not serviced) N N N N

MODEL CODES
 B = GRAN FURY
 C = LEBARON/TOWN & COUNTRY/EXC SEDAN
 C24 = LASER
 D = ARIES
 E = 600
 F = FIFTH AVENUE/NEWPORT
 G = DIPLOMAT
 H = VOYAGER
 K = MINI RAM/CARAVAN/ROYAL
 M = HORIZON/TURISMO
 P = RELIANT
 T = E CLASS/NEW YORKER
 V = 600
 V24 = DAYTONA
 Z = OMNI/CHARGER/RAMPAGE

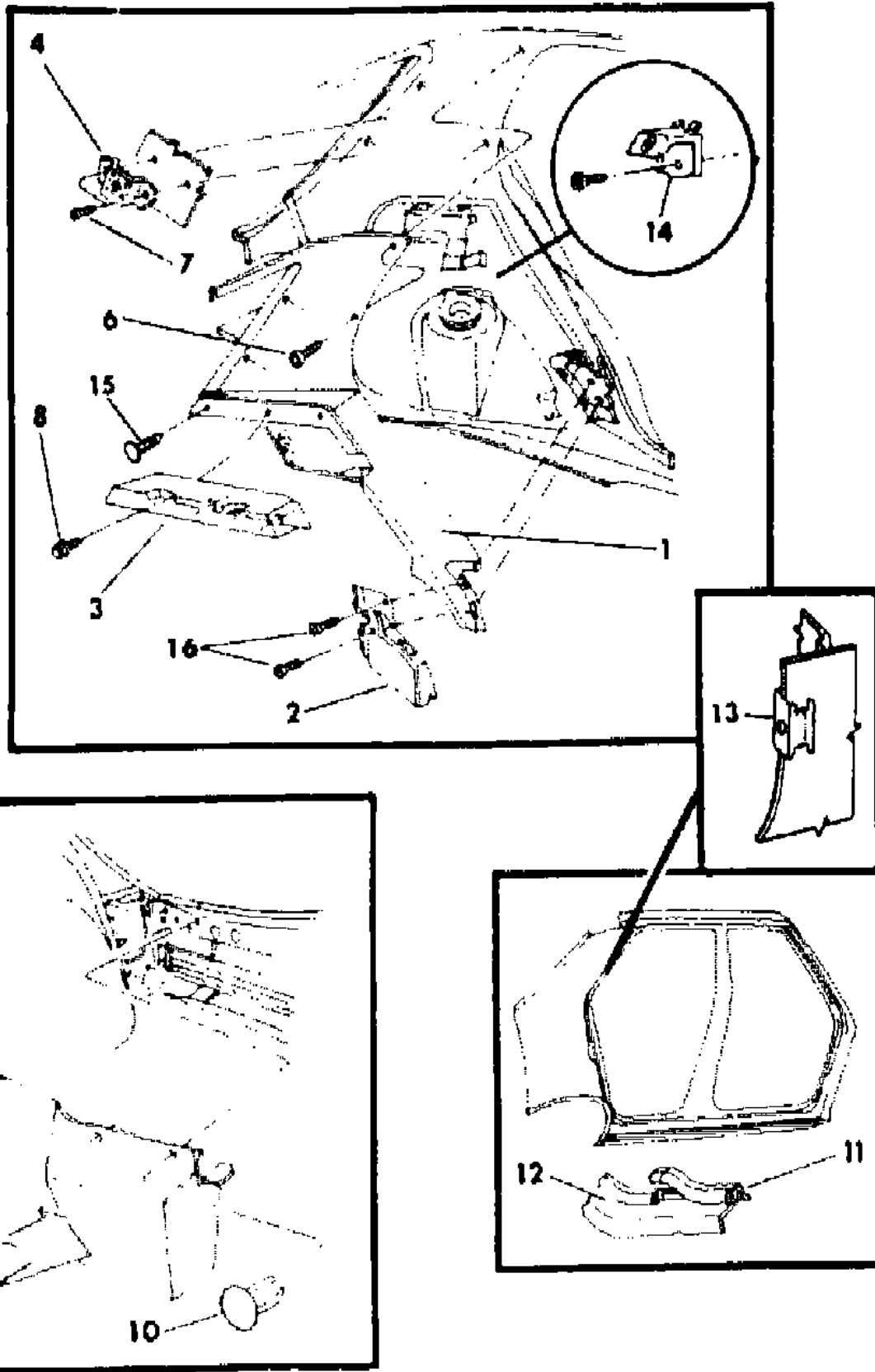
BODY STYLES
 21 = 2-DOOR SEDAN
 22 = 2-DOOR SPECIAL COUPE
 24 = 2-DOOR HATCHBACK
 27 = 2-DOOR CONVERTIBLE
 28 = FWD PICKUP
 35 = FWD VAN
 36 = FWD WAGON
 41 = 4-DOOR SEDAN
 44 = 4-DOOR HATCHBACK
 45 = 4-DOOR STATION WAGON
 48 = 4-DOOR EXECUTIVE SEDAN

AR = Use as Required - = Non Illustrated Part P.A.R. = Paint as Required

PANEL QUARTER TRIM M,Z L BODY 44

Figure ITL-900

4230 900



ITEM	PART NUMBER	QTY	BODY	MODEL	DESCRIPTION
1					PANEL, Upper Quarter Wheelhouse Trim N N N N
	H444-5 BL3	1			(paint as required) N N N YH444BL3
2					COVER, Quarter Trim Panel Lower N N N N
	F192-3 AA3	1			(paint as required) N N N YF192AA3
3					EXTENSION, Shelf Panel w/o Speakers N N N N
	H208-9 TX9	1			(paint as required) N N N YH208TX9
4					BRACKET, Aperture Quarter Trim Attaching N N N Y5208863
6					SCREW (8-18x1)(not serviced) N N N N
7					SCREW N N N Y6032456
8					SCREW N N N Y6100567
9					PANEL, Cargo Side N N N Y5208846
10					FASTENER, Cargo Side Panel N N N Y6003683
11					PINCHWELD, w/Weatherstrip, Front Door N N N N
	F026-7 AA3	1			Silver N N N YF026AA3
	F026-7 BB5	1			Blue N N N YF026BB5
	F026-7 AM6	1			Red N N N YF026AM6
	F026-7 BL3	1			Beige N N N YF026BL3
	F026-7 BT8	1			Brown N N N YF026BT8
12					PINCHWELD, w/Weatherstrip, Rear Door N N N N
	F024-5 AA3	1			Silver N N N YF024AA3
	F024-5 BB5	1			Blue N N N YF024BB5
	F024-5 TM6	1			Red N N N YF024TM6
	F024-5 BL3	1			Beige N N N YF024BL3
	F024-5 BT8	1			Brown N N N YF024BT8
13					CLIP, Rear Door Weather Strip N N N Y5208891
14					BRACKET, Quarter Upper Trim Panel Attaching N N N Y5216518
15					PLUG N N N YH446RX9
16					SCREW (8-18x3/4)(not serviced) N N N N

MODEL CODES

B = GRAN FURY	F = FIFTH AVENUE/NEWPORT	P = RELIANT
C = LEBARON/TOWN & COUNTRY/EXC SEDAN	G = DIPLOMAT	T = E CLASS/NEW YORKER
C24 = LASER	H = VOYAGER	V = 600
D = ARIES	K = MINI RAM/CARAVAN/ROYAL	V24 = DAYTONA
E = 600	M = HORIZON/TURISMO	Z = OMNI/CHARGER/RAMPAGE

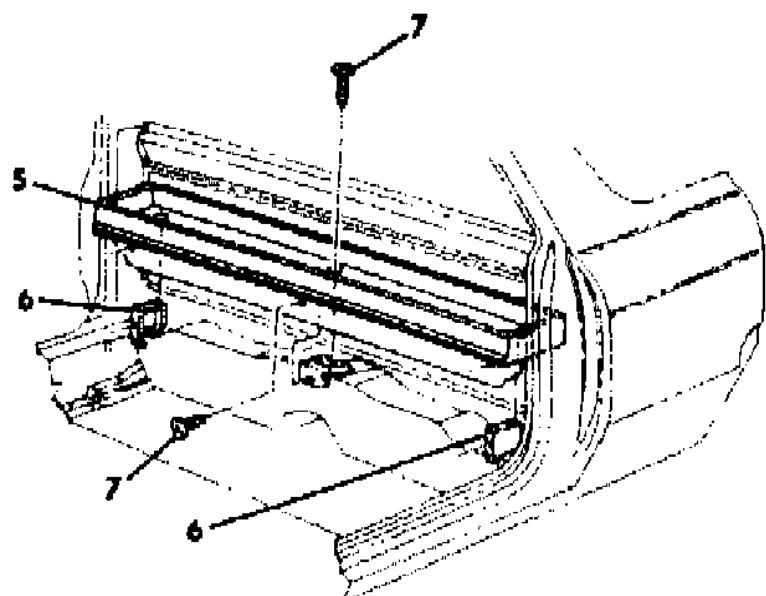
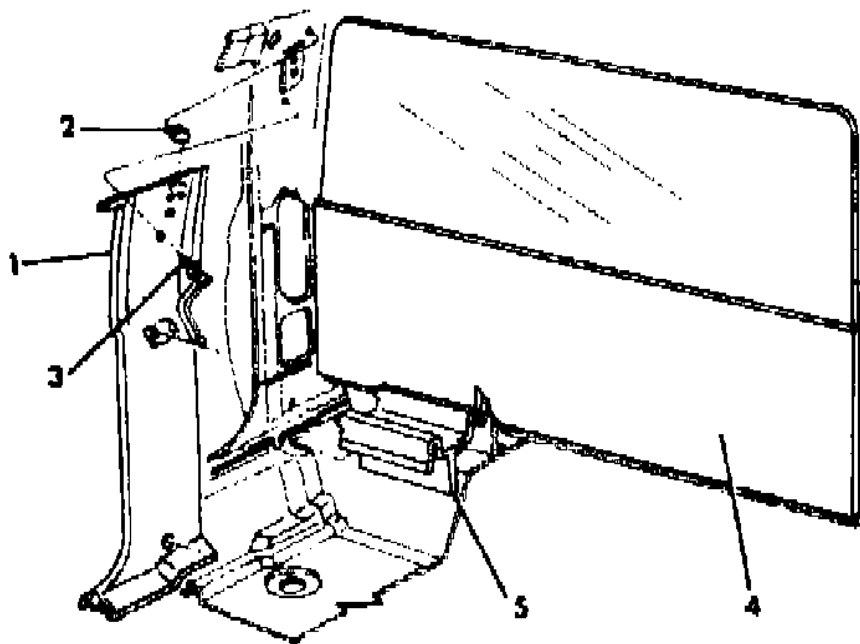
BODY STYLES

21 = 2-DOOR SEDAN	28 = FWD PICKUP	44 = 4-DOOR HATCHBACK
22 = 2-DOOR SPECIAL COUPE	35 = FWD VAN	45 = 4-DOOR STATION WAGON
24 = 2-DOOR HATCHBACK	36 = FWD WAGON	48 = 4-DOOR EXECUTIVE SEDAN
27 = 2-DOOR CONVERTIBLE	41 = 4-DOOR SEDAN	

AR = Use as Required - = Non Illustrated Part P.A.R. = Paint as Required

PANEL QUARTER AND CAB BACK TRIM M,Z L BODY 28
Figure ITL-1000

4230 1000



ITEM	PART NUMBER	QTY	BODY	MODEL	DESCRIPTION
1	W810-1 DT5	1			PANEL, Quarter Trim (paint as required) N N N YW810DT5
2	4114 785	4			FASTENER N N N Y4114785
3		AR			SCREW (not serviced) N N N N
4					CARPET, Cab Back Panel N N N N
	W806 AM6	1			Red N N N YW806AM6
	W806 BT9	1			Brown N N N YW806BT9
	W806 CS8	1			Charcoal N N N YW806CS8
5					TRAY, Rear Floor Stowage N N N N
	W808 AM6	1			Red N N N YW808AM6
	W808 BT8	1			Brown N N N YW808BT8
	W808 CS8	1			Charcoal N N N YW808CS8
6					SUPPORT, Floor Pan Stowage (refer to 23 A) N N N N
7		AR			SCREW (10-16x5/8) (not serviced) N N N N

MODEL CODES

B = GRAN FURY	F = FIFTH AVENUE/NEWPORT	P = RELIANT
C = LEBARON/TOWN & COUNTRY/EXC SEDAN	G = DIPLOMAT	T = E CLASS/NEW YORKER
C24 = LASER	H = VOYAGER	V = 600
D = ARIES	K = MINI RAM/CARAVAN/ROYAL	V24 = DAYTONA
E = 600	M = HORIZON/TURISMO	Z = OMNI/CHARGER/RAMPAGE

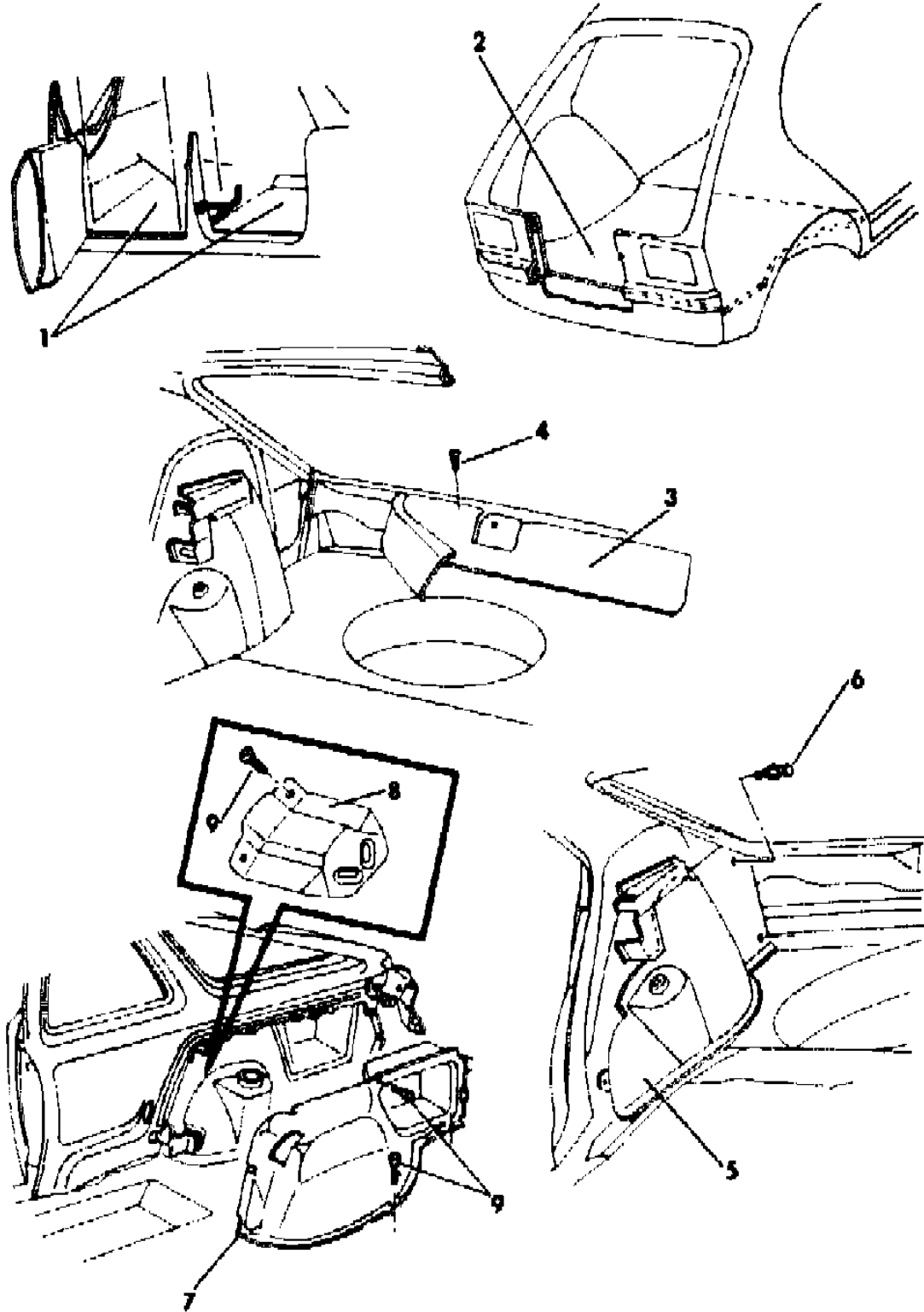
BODY STYLES

21 = 2-DOOR SEDAN	28 = FWD PICKUP	44 = 4-DOOR HATCHBACK
22 = 2-DOOR SPECIAL COUPE	35 = FWD VAN	45 = 4-DOOR STATION WAGON
24 = 2-DOOR HATCHBACK	36 = FWD WAGON	48 = 4-DOOR EXECUTIVE SEDAN
27 = 2-DOOR CONVERTIBLE	41 = 4-DOOR SEDAN	

AR = Use as Required - = Non Illustrated Part P.A.R. = Paint as Required

CARPET M,Z L BODY
Figure ITL-1100

4230 1100



ITEM	PART NUMBER	QTY	BODY	MODEL	DESCRIPTION
1					CARPET, One Piece Front and Rear N N N N (use up to 12/1/83) N N N N
		M732 BC7	1		Blue N N24 N YM732BC7
		M732 BM6	1		Red N N24 N YM732BM6
		M732 BT9	1		Brown N N24 N YM732BT9
		M732 CS8	1		Charcoal N N24 N YM732CS8
		M733 BC7	1		Blue N N44 N YM733BC7
		M733 BM6	1		Red N N44 N YM733BM6
		M733 BT9	1		Brown N N44 N YM733BT9
		M733 CS8	1		Charcoal N N44 N YM733CS8
		W809 BM6	1		Red N N28 N YW809BM6
		W809 BT9	1		Brown N N28 N YW809BT9
		W809 CS8	1		Charcoal N N28 N YW809CS8
					(use after 12/1/83) N N N N
		M734 CC7	1		Blue N N24 N YM734CC7
		M734 CM6	1		Red N N24 N YM734CM6
	M734 CT9	1		Brown, Dark N N24 N YM734CT9	
	M734 CS8	1		Charcoal N N24 N YM734CS8	
	M737 DC7	1		Blue N N44 N YM737DC7	
	M737 DM6	1		Red N N44 N YM737DM6	
	M735 CT9	1		Brown, Dark N N44 N YM735CT9	
	M737 DS8	1		Charcoal N N44 N YM737DS8	
	W820 CM6	1		Red N N28 N YW820CM6	
	W820 CT9	1		Brown, Dark N N28 N YW820CT9	
	W820 CS8	1		Charcoal N N28 N YW820CS8	
2					CARPET, Luggage Compartment Floor w/Sound Insulation N N N N
		F183 BC7	1		Blue (use up to 7/5/84) N N24 N YF183BC7
		F160 CC7	1		Blue (use after 7/5/84) N N24 N YF160CC7
		F183 TM6	1		Red (use up to 7/5/84) N N24 N YF183TM6
		F160 CM6	1		Red (use after 7/5/84) N N24 N YF160CM6
		F160 CT9	1		Brown N N24 N YF160CT9
		F160 CS8	1		Charcoal N N24 N YF160CS8
	5216 653	1		Black N N44 N Y5216653	
3					CARPET and SILENCER, Liftgate Lower Panel N N N N
		H454 CCA	1		Blue and Silver N N24 N YH454CCA
		H454 CAS	1		Silver and Charcoal N N24 N YH454CAS
	H454 BC7	1		Blue N N24 N YH454BC7	

MODEL CODES

B = GRAN FURY	F = FIFTH AVENUE/NEWPORT	P = RELIANT
C = LEBARON/TOWN & COUNTRY/EXC SEDAN	G = DIPLOMAT	T = E CLASS/NEW YORKER
C24 = LASER	H = VOYAGER	V = 600
D = ARIES	K = MINI RAM/CARAVAN/ROYAL	V24 = DAYTONA
E = 600	M = HORIZON/TURISMO	Z = OMNI/CHARGER/RAMPAGE

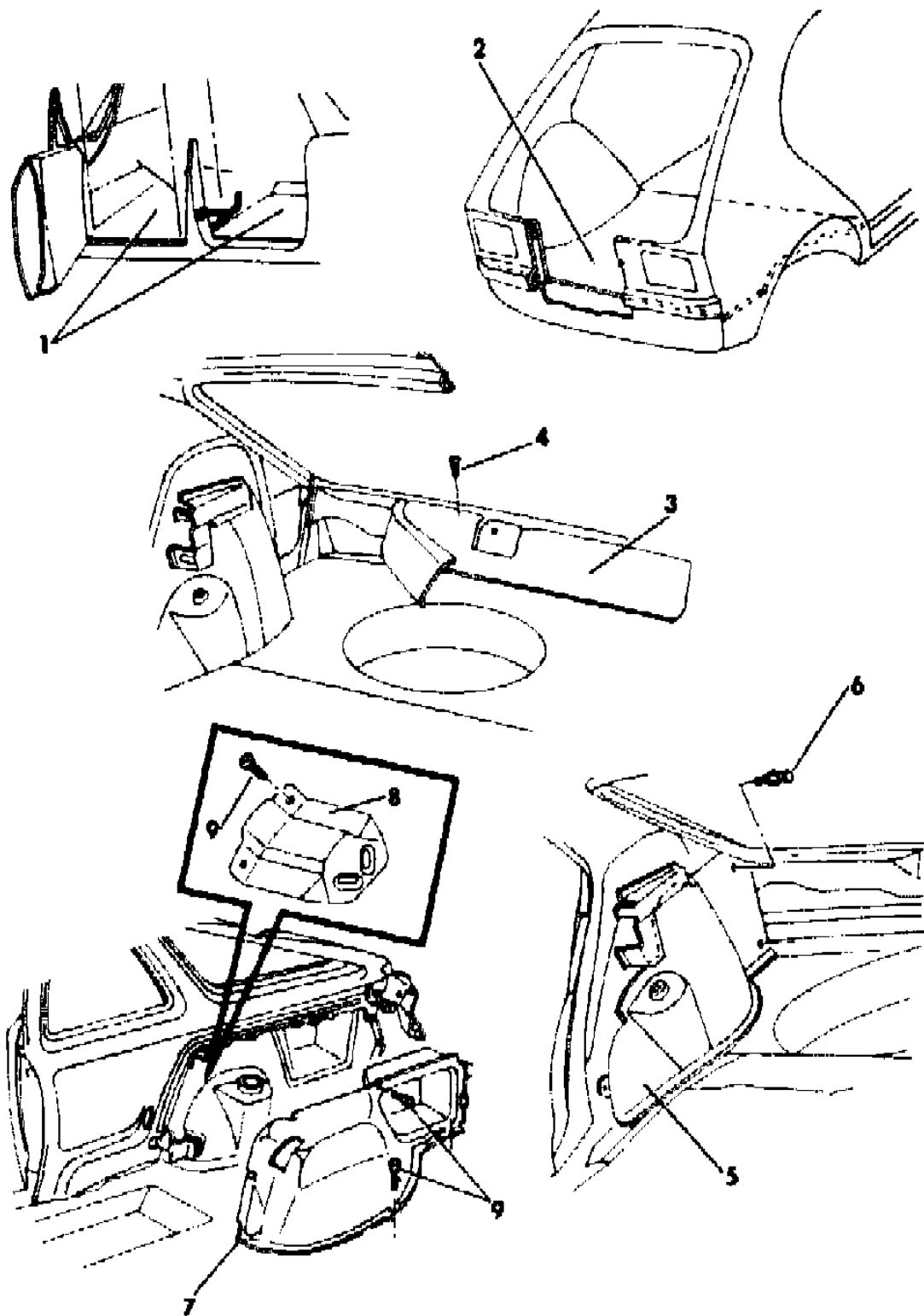
BODY STYLES

21 = 2-DOOR SEDAN	28 = FWD PICKUP	44 = 4-DOOR HATCHBACK
22 = 2-DOOR SPECIAL COUPE	35 = FWD VAN	45 = 4-DOOR STATION WAGON
24 = 2-DOOR HATCHBACK	36 = FWD WAGON	48 = 4-DOOR EXECUTIVE SEDAN
27 = 2-DOOR CONVERTIBLE	41 = 4-DOOR SEDAN	

AR = Use as Required - = Non Illustrated Part P.A.R. = Paint as Required

CARPET M,Z L BODY
Figure ITL-1100

4230 1100



ITEM	PART NUMBER	QTY	BODY	MODEL	DESCRIPTION
	H454 TM6	1			Red N N24 N YH454TM6
	H454 BT9	1			Brown N N24 N YH454BT9
	H454 CTT	1			Saddle N N24 N YH454CTT
	H454 CS8	1			Charcoal N N24 N YH454CS8
	5208 917	1			Black (carpet only) N N44 N Y5208917
4		AR			NAIL (not serviced) N N N N
5	5208 622-3	1			COVER, Wheelhouse Luggage Compartment (carpet and Silencer) N N44 N Y5208622
6	6003 683	AR			CLIP, Wheelhouse Cover Attaching N N44 N Y6003683
7					COVER, Wheelhouse Luggage Compartment (Carpet) N N N N
	H438-9 CAC	1			Silver and Blue N N24 N YH438CAC
	H438-9 CAS	1			Silver and Charcoal N N24 N YH438CAS
	H438-9 BB5	1			Blue N N24 N YH438BB5
	H438-9 BM6	1			Red N N24 N YH438BM6
	H438-9 BL3	1			Beige N N24 N YH438BL3
	H438-9 BT8	1			Brown N N24 N YH438BT8
	H438-9 CS8	1			Charcoal N N24 N YH438CS8
8	5208 984	2			BRACKET, Quarter Wheelhouse Attaching N N24 N Y5208984
9		AR			SCREW (8-18x3/4)(not serviced) N N24 N N
					The following parts are not illustrated. s ARE NOT RETURNABLE.
					CARPET, Folding Rear Seat Back (serviced in Rear Seat Back Cover) N N24 N N
	3837 683	2			SILENCER, Wheelhouse Cover Luggage Compartment (24"x48"x1/4" Material) N N N Y3837683
	4186 901	2			SILENCER, Front Floor Pan Center (36"x72" material cut to fit) N N N Y4186901
	3762 862	AR			SILENCER, Cargo Floor and Under Second Seat (36"x72" material cut to fit) N N N Y3762862
					CARPETED FLOOR MATS, Set of Two N N N N
					FRONT N N N N
	M022 AC7	1			Blue N N N YM022AC7
	M022 VM6	1			Red N N N YM022VM6
	M022 BT9	1			Brown N N N YM022BT9
	M022 CS8	1			Charcoal N N N YM022CS8
	M022 VX9	1			Black N N N YM022VX9
					Rear N N N N
	M023 BC7	1			Blue N N N YM023BC7
	M023 VM6	1			Red N N N YM023VM6

MODEL CODES

B = GRAN FURY	F = FIFTH AVENUE/NEWPORT	P = RELIANT
C = LEBARON/TOWN & COUNTRY/EXC SEDAN	G = DIPLOMAT	T = E CLASS/NEW YORKER
C24 = LASER	H = VOYAGER	V = 600
D = ARIES	K = MINI RAM/CARAVAN/ROYAL	V24 = DAYTONA
E = 600	M = HORIZON/TURISMO	Z = OMNI/CHARGER/RAMPAGE

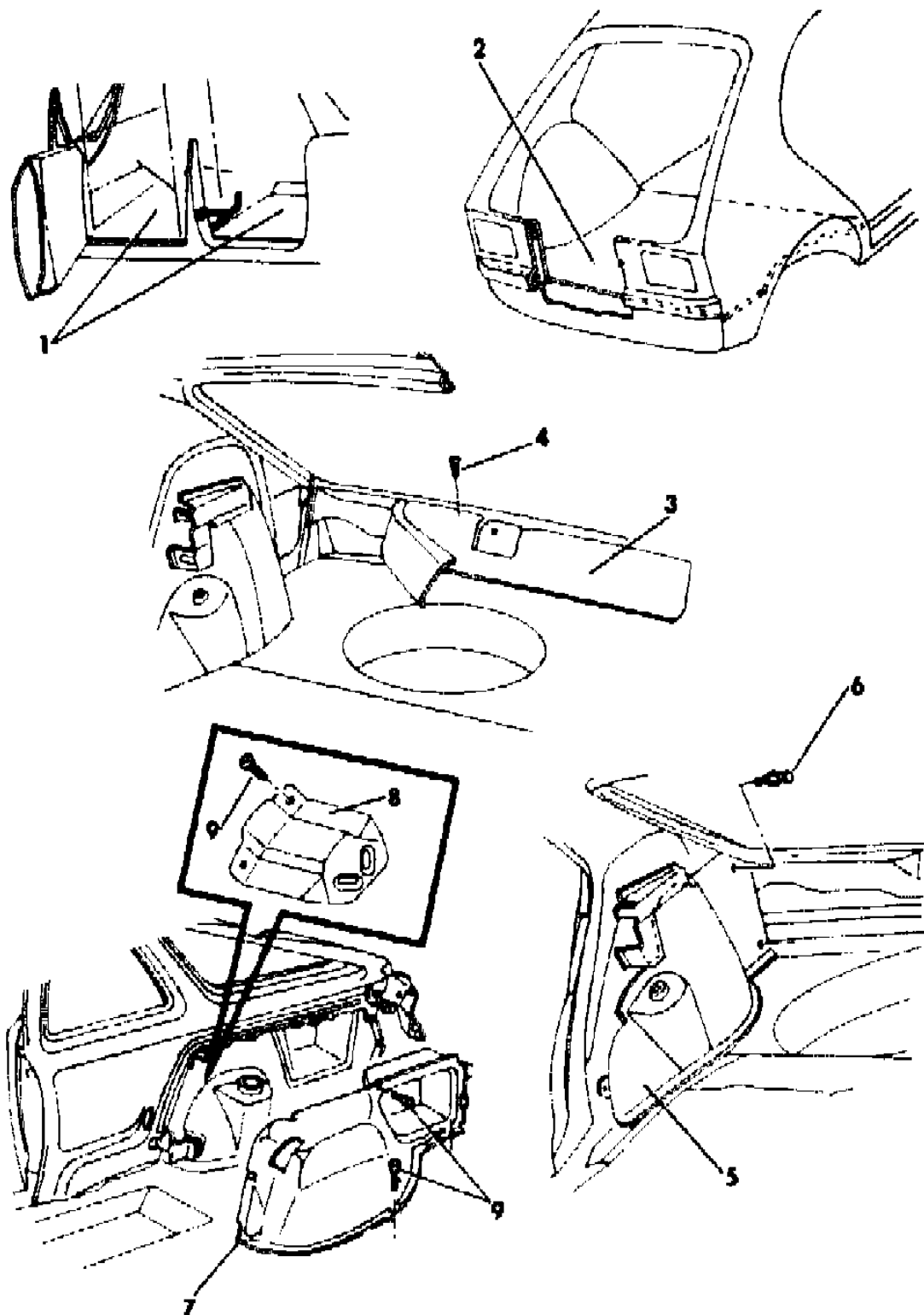
BODY STYLES

21 = 2-DOOR SEDAN	28 = FWD PICKUP	44 = 4-DOOR HATCHBACK
22 = 2-DOOR SPECIAL COUPE	35 = FWD VAN	45 = 4-DOOR STATION WAGON
24 = 2-DOOR HATCHBACK	36 = FWD WAGON	48 = 4-DOOR EXECUTIVE SEDAN
27 = 2-DOOR CONVERTIBLE	41 = 4-DOOR SEDAN	

AR = Use as Required - = Non Illustrated Part P.A.R. = Paint as Required

CARPET M,Z L BODY
Figure ITL-1100

4230 1100



ITEM	PART NUMBER	QTY	BODY	MODEL	DESCRIPTION
------	-------------	-----	------	-------	-------------

	M023 BT9	1			Brown N N N YM023BT9
	M023 CS8	1			Charcoal N N N YM023CS8
	M023 VX9	1			Black N N N YM023VX9

NOTE: For carpet on quarter panel See Quarter Panel Illustration. s ARE NOT RETURNABLE.

MODEL CODES

B = GRAN FURY	F = FIFTH AVENUE/NEWPORT	P = RELIANT
C = LEBARON/TOWN & COUNTRY/EXC SEDAN	G = DIPLOMAT	T = E CLASS/NEW YORKER
C24 = LASER	H = VOYAGER	V = 600
D = ARIES	K = MINI RAM/CARAVAN/ROYAL	V24 = DAYTONA
E = 600	M = HORIZON/TURISMO	Z = OMNI/CHARGER/RAMPAGE

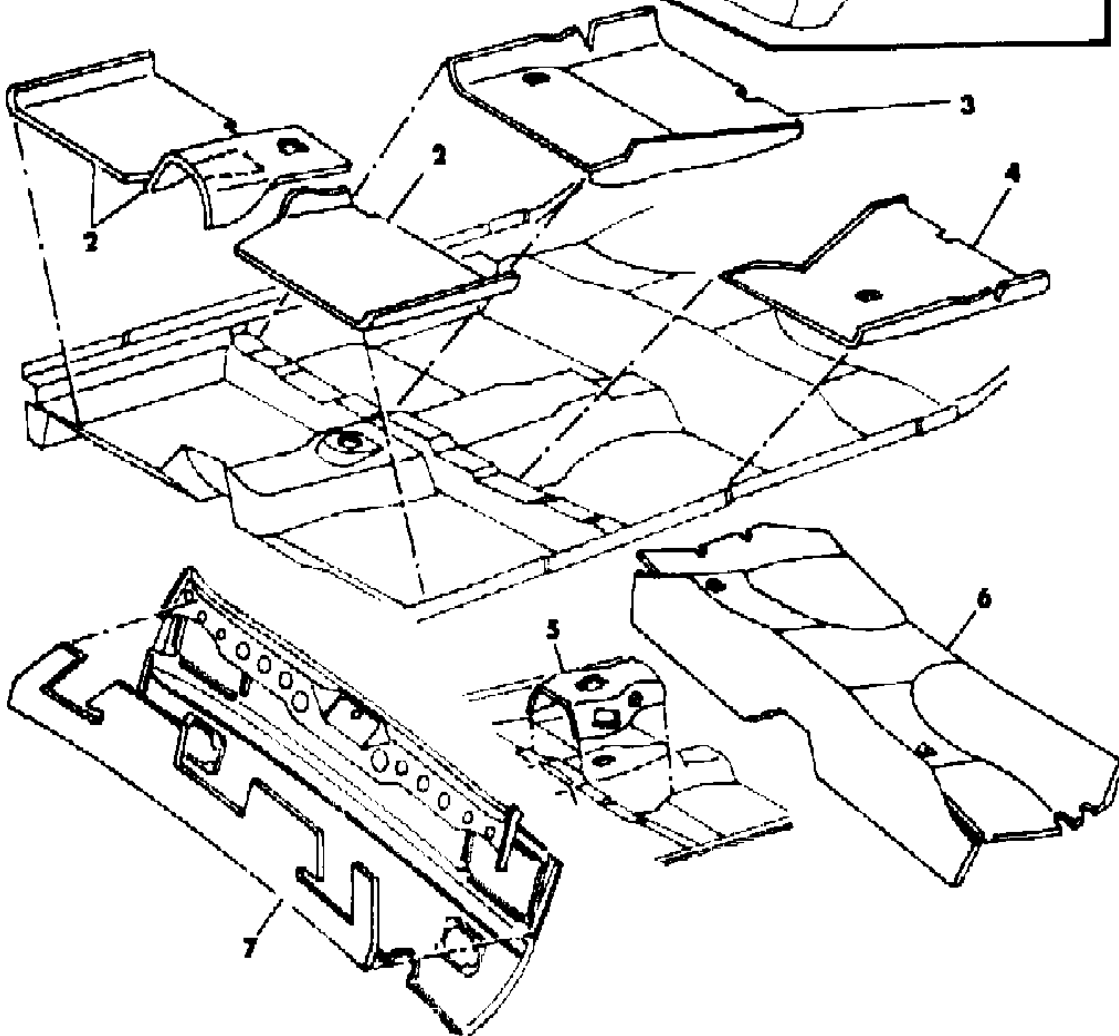
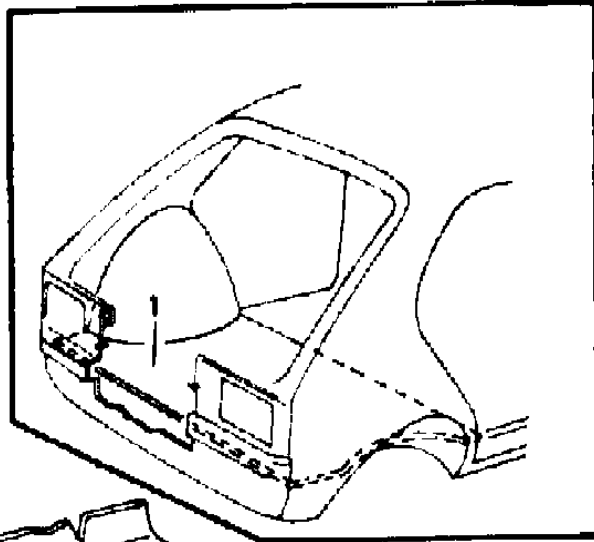
BODY STYLES

21 = 2-DOOR SEDAN	28 = FWD PICKUP	44 = 4-DOOR HATCHBACK
22 = 2-DOOR SPECIAL COUPE	35 = FWD VAN	45 = 4-DOOR STATION WAGON
24 = 2-DOOR HATCHBACK	36 = FWD WAGON	48 = 4-DOOR EXECUTIVE SEDAN
27 = 2-DOOR CONVERTIBLE	41 = 4-DOOR SEDAN	

AR = Use as Required - = Non Illustrated Part P.A.R. = Paint as Required

MATS SILENCERS AND INSULATIONS M,Z L BODY
Figure ITL-1200

4230 1700



ITEM	PART NUMBER	QTY	BODY	MODEL	DESCRIPTION
1	5208 595	1			MAT, Luggage Compartment, Rubber N N21,44 N Y5208595
2	4186 901	1			SILENCER, Floor (36"x72" Material cut to fit) N N N Y4186901
3	4223 754	1			SILENCER, Rear Right (formed) N N N Y4223754
4	4223 755	1			SILENCER, Rear Left (formed) N N N Y4223755
5	3762 861	1			INSULATION, Rear Floor, Center (36"x72" material cut to fit) N N24,44 N Y3762861
6	3762 862	1			SILENCER, Under Second Seat (36"x72" material cut to fit) N N24,44 N Y3762862
7	3837 683	1			SILENCER, Lower Hatch Panel (24"x48"x1/2" material) N N44 N Y3837683

MODEL CODES

B = GRAN FURY	F = FIFTH AVENUE/NEWPORT	P = RELIANT
C = LEBARON/TOWN & COUNTRY/EXC SEDAN	G = DIPLOMAT	T = E CLASS/NEW YORKER
C24 = LASER	H = VOYAGER	V = 600
D = ARIES	K = MINI RAM/CARAVAN/ROYAL	V24 = DAYTONA
E = 600	M = HORIZON/TURISMO	Z = OMNI/CHARGER/RAMPAGE

BODY STYLES

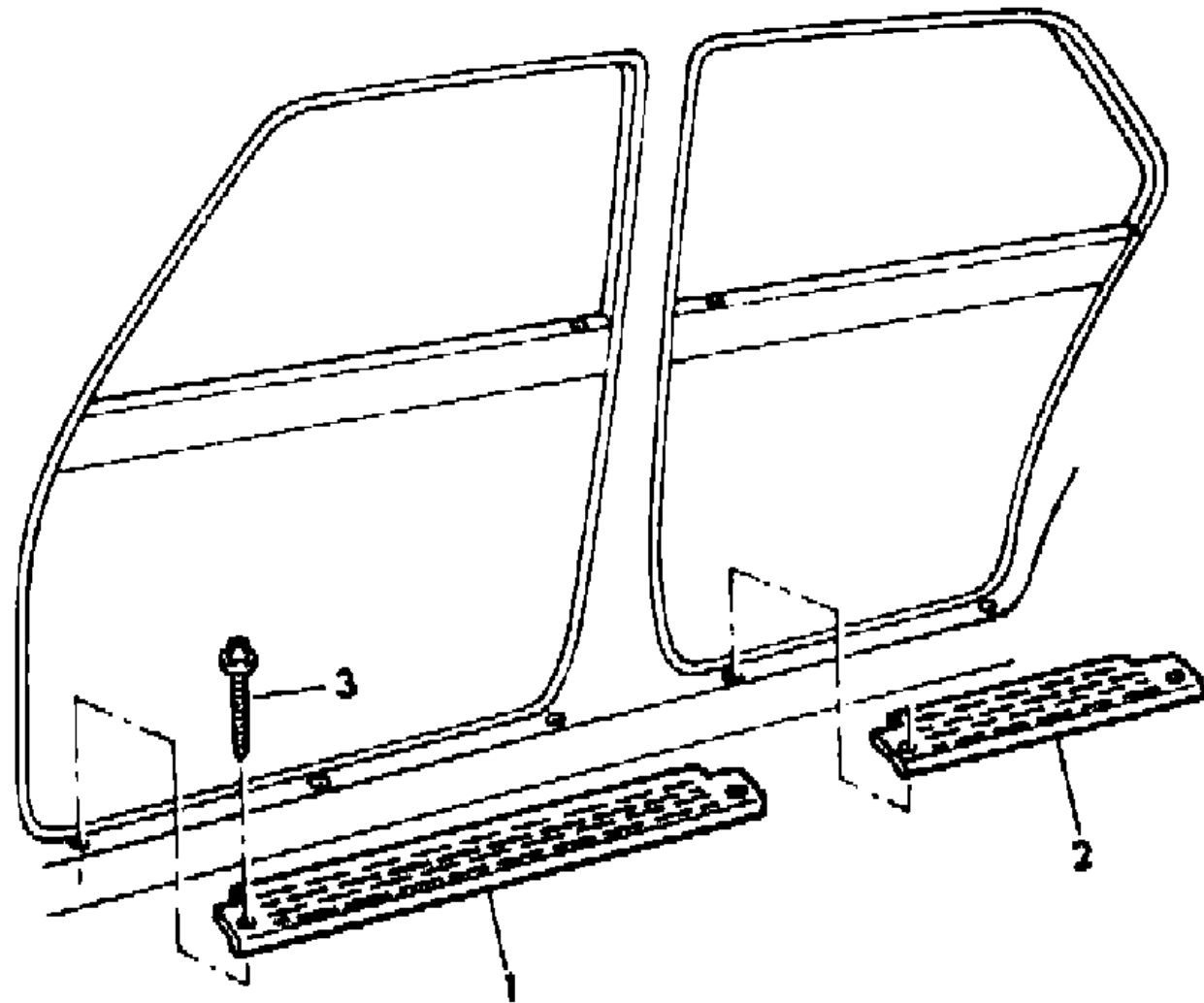
21 = 2-DOOR SEDAN	28 = FWD PICKUP	44 = 4-DOOR HATCHBACK
22 = 2-DOOR SPECIAL COUPE	35 = FWD VAN	45 = 4-DOOR STATION WAGON
24 = 2-DOOR HATCHBACK	36 = FWD WAGON	48 = 4-DOOR EXECUTIVE SEDAN
27 = 2-DOOR CONVERTIBLE	41 = 4-DOOR SEDAN	

AR = Use as Required - = Non Illustrated Part P.A.R. = Paint as Required

SCUFF PLATES BODY SIDE SILL AND DOOR M,Z L BODY
Figure ITL-1300

4230 1300

ITEM	PART NUMBER	QTY	BODY	MODEL	DESCRIPTION
1	5208 814	2			MOULDING, Sill Garnish N N24,28 N Y5208814
	5208 526	2			Front N N44 N Y5208526
2	5208 527	2			MOULDING, Sill Garnish N N N N Rear N N44 N Y5208527
3		AR			SCREW (not serviced) N N24,28,44 N N FASTENER, Shelby N N N N Silver N N N YX910BA1 Blue N N N YX910BB6



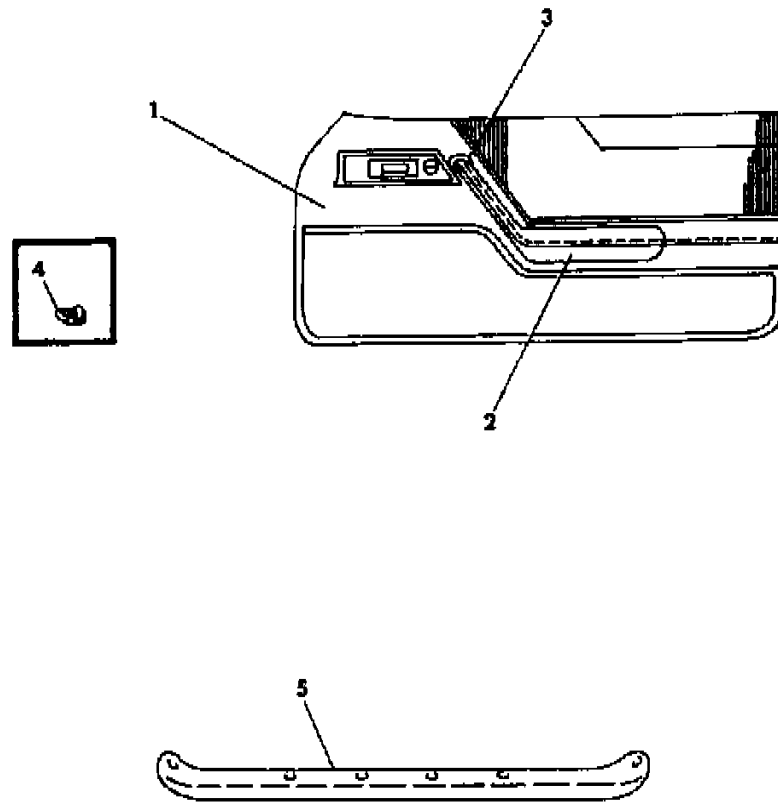
MODEL CODES
 B = GRAN FURY
 C = LEBARON/TOWN & COUNTRY/EXC SEDAN
 C24 = LASER
 D = ARIES
 E = 600
 F = FIFTH AVENUE/NEWPORT
 G = DIPLOMAT
 H = VOYAGER
 K = MINI RAM/CARAVAN/ROYAL
 M = HORIZON/TURISMO
 P = RELIANT
 T = E CLASS/NEW YORKER
 V = 600
 V24 = DAYTONA
 Z = OMNI/CHARGER/RAMPAGE

BODY STYLES
 21 = 2-DOOR SEDAN
 22 = 2-DOOR SPECIAL COUPE
 24 = 2-DOOR HATCHBACK
 27 = 2-DOOR CONVERTIBLE
 28 = FWD PICKUP
 35 = FWD VAN
 36 = FWD WAGON
 41 = 4-DOOR SEDAN
 44 = 4-DOOR HATCHBACK
 45 = 4-DOOR STATION WAGON
 48 = 4-DOOR EXECUTIVE SEDAN

AR = Use as Required - = Non Illustrated Part P.A.R. = Paint as Required

**DOOR TRIM PANEL M,Z L BODY 24,28 TRIM CODES H7,H8,F5,S5,D5
Figure ITL-1400**

4230 1400



ITEM	PART NUMBER	QTY	BODY	MODEL	DESCRIPTION
1					PANEL, w/Carpet N N N N
	J050-1 CA3	1			Cloth N N N N (use up to 8/19/83) N N NF5SA YJ050CA3
	J050-1 CSA	1			(use after 8/19/83) N N NF5SA YJ050CSA
	J050-1 CM6	1			N N NF5M YJ050CM6
	J050-1 CL3	1			N N NF5L YJ050CL3
	J050-1 CK5	1			N N NF5TK YJ050CK5
	J066-7 CAC	1			N N NS5AC YJ066CAC
	J066-7 CAS	1			(use up to 5/22/84) N N ND5SA,S5AS YJ066CAS
	J066-7 CSA	1			(use after 5/22/84) N N ND5SA,S5AS YJ066CSA
					Vinyl N N N N
	J048-9 CA2	1			N N NH7SA,H8SA YJ048CA2
	J048-9 CB5	1			N N NH7B YJ048CB5
	J048-9 CM6	1			N N NH7M,H8M YJ048CM6
	J048-9 CL3	1			N N NH7L,H8L YJ048CL3
	J048-9 CK5	1			N N NH7TK,H8TK YJ048CK5
2					ARMREST, w/Pull Handle N N N N
	D484-5 CA2	1			Silver N N N YD484CA2
	D484-5 CB5	1			Blue N N N YD484CB5
	D484-5 CM6	1			Red N N N YD484CM6
	D484-5 CL3	1			Beige N N N YD484CL3
	D484-5 CT8	1			Brown N N N YD484CT8
	D484-5 CS8	1			Charcoal N N N YD484CS8
3	4282 435	2			BEZEL, Armrest N N N Y4282435
	6031 171	AR			SCREW N N N Y6031171
4	4114 785	AR			FASTENER, Door Trim Panel N N N Y4114785
5	4248 514	1			SEAL, Secondary N N N Y4248514
	4049 602	AR			SILENCER, Trim Panel (36"x36"x1/2" material) N N N Y4049602

The following part is not illustrated. s ARE NOT RETURNABLE.

MODEL CODES

B = GRAN FURY	F = FIFTH AVENUE/NEWPORT	P = RELIANT
C = LEBARON/TOWN & COUNTRY/EXC SEDAN	G = DIPLOMAT	T = E CLASS/NEW YORKER
C24 = LASER	H = VOYAGER	V = 600
D = ARIES	K = MINI RAM/CARAVAN/ROYAL	V24 = DAYTONA
E = 600	M = HORIZON/TURISMO	Z = OMNI/CHARGER/RAMPAGE

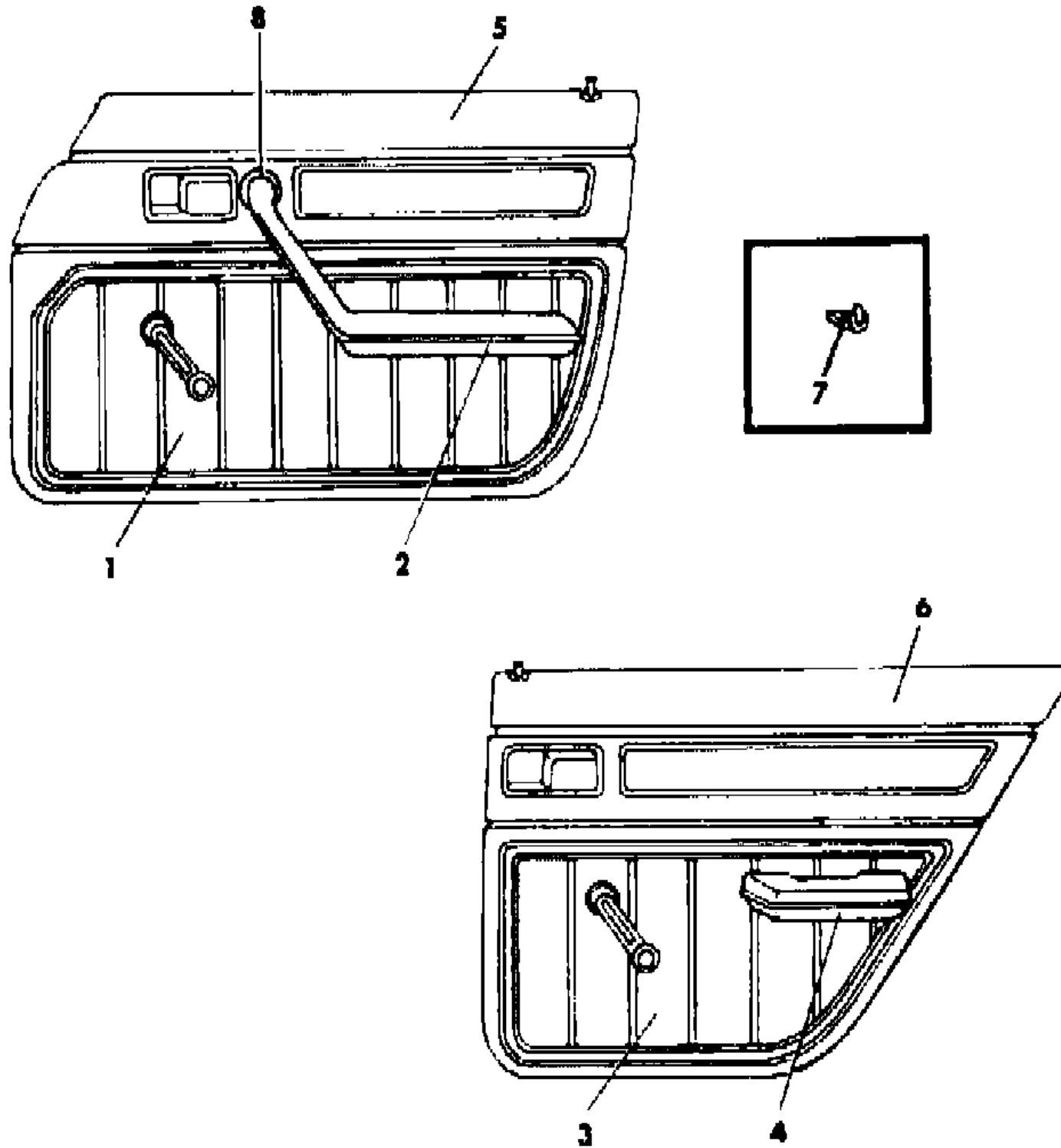
BODY STYLES

21 = 2-DOOR SEDAN	28 = FWD PICKUP	44 = 4-DOOR HATCHBACK
22 = 2-DOOR SPECIAL COUPE	35 = FWD VAN	45 = 4-DOOR STATION WAGON
24 = 2-DOOR HATCHBACK	36 = FWD WAGON	48 = 4-DOOR EXECUTIVE SEDAN
27 = 2-DOOR CONVERTIBLE	41 = 4-DOOR SEDAN	

AR = Use as Required - = Non Illustrated Part P.A.R. = Paint as Required

**DOOR TRIM PANEL M,Z L BODY 44 TRIM CODES E7,E8
Figure ITL-1500**

4230 1500



ITEM	PART NUMBER	QTY	BODY	MODEL	DESCRIPTION
1					PANEL, w/Weatherstrip (full panel) N N N N
	J056-7 BA2	1			N N NE7A,E8A YJ056BA2
	J056-7 BB5	1			N N NE7B YJ056BB5
	J056-7 BM6	1			N N NE7M YJ056BM6
	J056-7 BL3	1			N N NE7L,E8L YJ056BL3
2					PAD and PLATE N N N N
	D484-5 CA2	1			Silver N N NE7A,E8A YD484CA2
	D484-5 CB5	1			Blue N N NE7B YD484CB5
	D484-5 CM6	1			Red N N NE7M YD484CM6
	D484-5 CL3	1			Beige N N NE7L,E8L YD484CL3
	6032 456	AR			SCREW, Armrest Attaching N N N Y6032456
3					PANEL, Rear Door Trim (full panel) N N N N
	J452-3 BA2	1			N N NE7A,E8A YJ452BA2
	J452-3 BB5	1			N N NE7B YJ452BB5
	J452-3 VM6	1			N N NE7M YJ452VM6
	J452-3 BL3	1			N N NE7L,E8L YJ452BL3
4					PAD and PLATE N N N N
	D447 AA3	2			Silver N N NE7A,E8A YD447AA3
	D447 BB5	2			Blue N N NE7B YD447BB5
	D447 TM6	2			Red N N NE7M YD447TM6
	D447 BL3	2			Beige N N NE7L,E8L YD447BL3
	6032 456	AR			SCREW, Armrest Attaching N N N Y6032456
5					MOULDING, w/Grommet, Front N N N N
	D914-5 BA3	1			Silver N N N YD914BA3
	D914-5 BB5	1			Blue N N N YD914BB5
	D914-5 AM6	1			Red N N N YD914AM6
	D914-5 BL3	1			Beige N N N YD914BL3
	3510 447	AR			GROMMET, Garnish Moulding N N N Y3510447
6					MOULDING, w/Grommet, Rear N N N N
	D916-7 BA3	1			Silver N N N YD916BA3
	D916-7 BB5	1			Blue N N N YD916BB5
	D916-7 AM6	1			Red N N N YD916AM6
	D916-7 BL3	1			Beige N N N YD916BL3
	3510 447	AR			GROMMET, Garnish Moulding N N N Y3510447
7	4114 785	AR			FASTENER N N N Y4114785
8	4282 435	2			BEZEL, Armrest N N N Y4282435
	The following parts are not illustrated. s ARE NOT RETURNABLE.				
	4049 602	1			SILENCER, Door (36"x36"x1/2" material) N N N Y4049602

MODEL CODES

B = GRAN FURY	F = FIFTH AVENUE/NEWPORT	P = RELIANT
C = LEBARON/TOWN & COUNTRY/EXC SEDAN	G = DIPLOMAT	T = E CLASS/NEW YORKER
C24 = LASER	H = VOYAGER	V = 600
D = ARIES	K = MINI RAM/CARAVAN/ROYAL	V24 = DAYTONA
E = 600	M = HORIZON/TURISMO	Z = OMNI/CHARGER/RAMPAGE

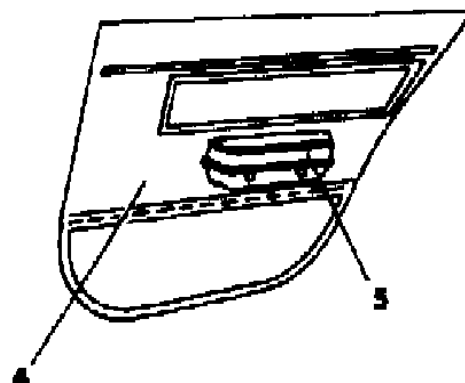
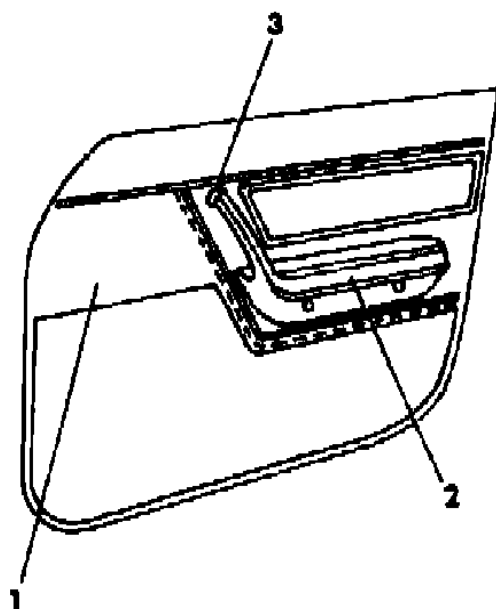
BODY STYLES

21 = 2-DOOR SEDAN	28 = FWD PICKUP	44 = 4-DOOR HATCHBACK
22 = 2-DOOR SPECIAL COUPE	35 = FWD VAN	45 = 4-DOOR STATION WAGON
24 = 2-DOOR HATCHBACK	36 = FWD WAGON	48 = 4-DOOR EXECUTIVE SEDAN
27 = 2-DOOR CONVERTIBLE	41 = 4-DOOR SEDAN	

AR = Use as Required - = Non Illustrated Part P.A.R. = Paint as Required

DOOR TRIM PANEL M,Z L BODY 44 TRIM CODES F5,H8
Figure ITL-1600

4230 1600



ITEM	PART NUMBER	QTY	BODY	MODEL	DESCRIPTION
1					PANEL, w/Carpet N N N N
	J062-3 CA2	1			N N NF5A,H8A YJ062CA2
	J062-3 CB5	1			N N NF5B YJ062CB5
	J062-3 CM6	1			N N NF5M,H8M YJ062CM6
	J062-3 CL3	1			N N NF5L,H8L YJ062CL3
	J062-3 CK5	1			N N NF5TK,H8TK YJ062CK5
2					PAD and PLATE, w/Pull Handle N N N N
	D484-5 CA2	1			Silver N N NF5A,H8A YD484CA2
	D484-5 CB5	1			Blue N N NF5B YD484CB5
	D484-5 CM6	1			Red N N NF5M,H8M YD484CM6
	D484-5 CL3	1			Beige N N NF5L,H8L YD484CL3
	D484-5 CT8	1			Brown N N NF5TK,H8TK YD484CT8
3	4282 435	2			BEZEL, Armrest N N N Y4282435
	6031 171	8			SCREW, Bezel Attaching N N N Y6031171
4					PANEL, w/Carpet N N N N
	J426-7 CA2	1			N N NF5A,H8A YJ426CA2
	J426-7 CB5	1			N N NF5B YJ426CB5
	J426-7 CM6	1			N N NF5M,H8M YJ426CM6
	J426-7 CL3	1			N N NF5L,H8L YJ426CL3
	J426-7 CK5	1			N N NF5TK,H8TK YJ426CK5
5					PAD and PLATE N N N N
	D447 AA3	2			Silver N N NF5A,H8A YD447AA3
	D447 BB5	2			Blue N N NF5B YD447BB5
	D447 TM6	2			Red N N NF5M,H8M YD447TM6
	D447 BL3	2			Beige N N NF5L,H8L YD447BL3
	D447 BT8	2			Brown N N NF5TK,H8TK YD447BT8
6	4114 785	AR			FASTENER, Door Trim Panel Attaching N N N Y4114785
	4049 602	1			SILENCER, Door (36"x36"x1/2" material) N N N Y4049602

The following parts are not illustrated. s ARE NOT RETURNABLE.

MODEL CODES

B = GRAN FURY	F = FIFTH AVENUE/NEWPORT	P = RELIANT
C = LEBARON/TOWN & COUNTRY/EXC SEDAN	G = DIPLOMAT	T = E CLASS/NEW YORKER
C24 = LASER	H = VOYAGER	V = 600
D = ARIES	K = MINI RAM/CARAVAN/ROYAL	V24 = DAYTONA
E = 600	M = HORIZON/TURISMO	Z = OMNI/CHARGER/RAMPAGE

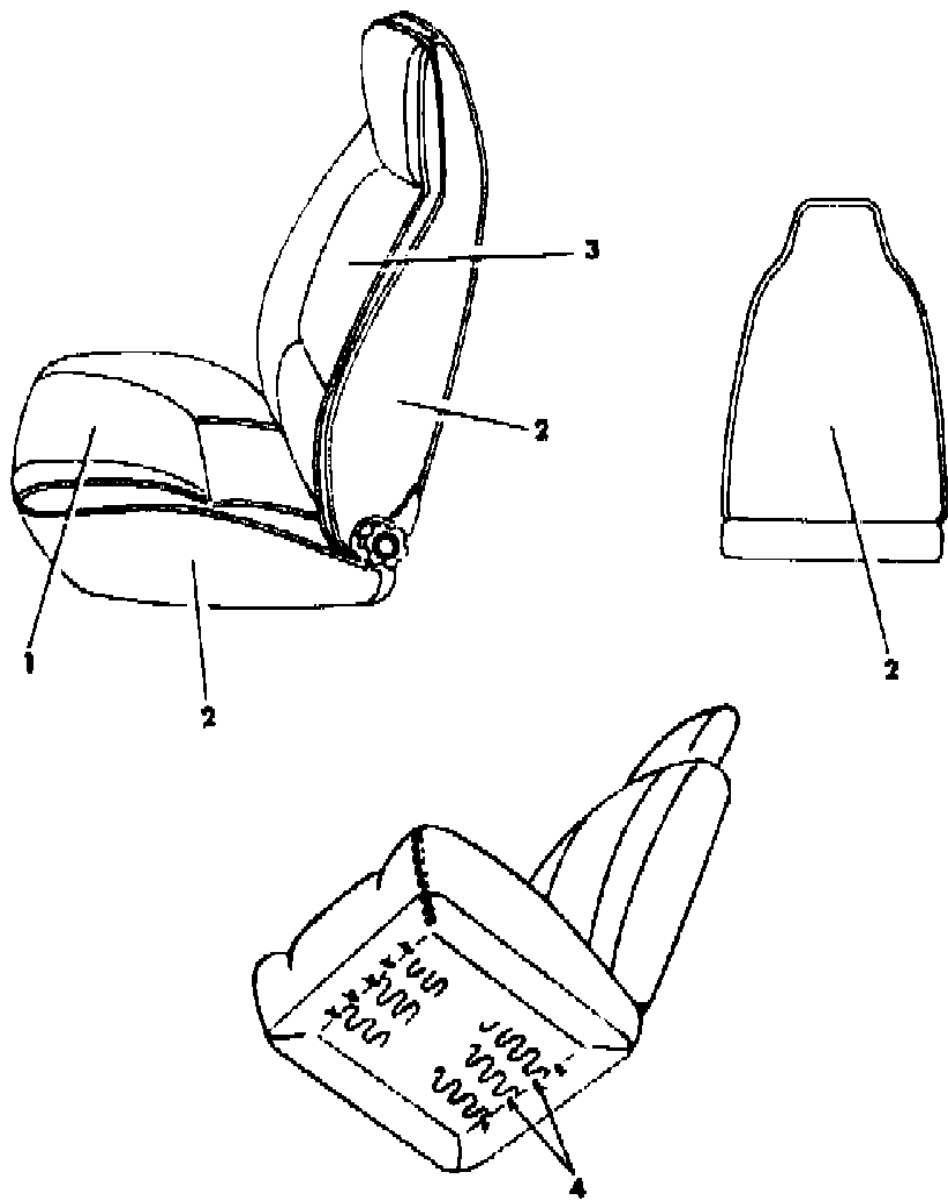
BODY STYLES

21 = 2-DOOR SEDAN	28 = FWD PICKUP	44 = 4-DOOR HATCHBACK
22 = 2-DOOR SPECIAL COUPE	35 = FWD VAN	45 = 4-DOOR STATION WAGON
24 = 2-DOOR HATCHBACK	36 = FWD WAGON	48 = 4-DOOR EXECUTIVE SEDAN
27 = 2-DOOR CONVERTIBLE	41 = 4-DOOR SEDAN	

AR = Use as Required - = Non Illustrated Part P.A.R. = Paint as Required

SEAT FRONT M,Z L BODY TRIM CODE F5
Figure ITL-1700

4230 1700



ITEM	PART NUMBER	QTY	BODY	MODEL	DESCRIPTION
1-2					CUSHION, w/Spring/Frame, Pad and Cover N N N N
	N680-1 C5A	1			N N44 NF5A YN680C5A
	N680-1 C5B	1			N N44 NF5B YN680C5B
	N680-1 C5M	1			N N24,28,44 NF5M YN680C5M
	N680-1 C5L	1			N N24,44 NF5L YN680C5L
	N680-1 C5T	1			N N24,28,44 NF5TK YN680C5T
	N680-1 C5S	1			N N24,28 NF5SA YN680C5S
1					COVER, Cushion N N N N
	N404 C5A	2			N N44 NF5A YN404C5A
	N404 C5B	2			N N44 NF5B YN404C5B
	N404 C5M	2			N N24,28,44 NF5M YN404C5M
	N404 C5L	2			N N24,44 NF5L YN404C5L
	N404 C5T	2			N N24,28,44 NF5TK YN404C5T
	N404 C5S	2			N N24,28,44 NF5SA YN404C5S
2					ROLL STOCK, Vinyl Order by the Inch N N N N
	R616 AA2	AR			Silver 64" Wide N N N YR616AA2
	R616 BB5	AR			Blue 64" Wide N N N YR616BB5
	R616 VM6	AR			Red 64" Wide N N N YR616VM6
	R616 BL3	AR			Beige 64" Wide N N N YR616BL3
	R609 BT8	AR			Brown 54" Wide N N N YR609BT8
	R600 CK5	AR			Saddle 64" Wide N N N YR600CK5
3&2					BACK, w/Spring/Frame, Pad and Cover N N N N
	N688-9 C5M	1			N N24,28 NF5M YN688C5M
	N688-9 C5L	1			N N24 NF5L YN688C5L
	N688-9 C5T	1			N N24,28 NF5TK YN688C5T
	N688-9 C5S	1			N N24,28 NF5SA YN688C5S
	N690-1 C5A	1			N N44 NF5A YN690C5A
	N690-1 C5B	1			N N44 NF5B YN690C5B
	N690-1 C5M	1			N N44 NF5M YN690C5M
	N690-1 C5L	1			N N44 NF5L YN690C5L
	N690-1 C5T	1			N N44 NF5TK YN690C5T
3					COVER, Back N N N N
	N406-7 C5A	1			N N44 NF5A YN406C5A
	N406-7 C5B	1			N N44 NF5B YN406C5B
	N406-7 C5M	1			N N24,28,44 NF5M YN406C5M
	N406-7 C5L	1			N N24,44 NF5L YN406C5L
	N406-7 C5T	1			N N24,28,44 NF5TK YN406C5T
	N406-7 C5S	1			N N24,28 NF5SA YN406C5S

MODEL CODES

B = GRAN FURY	F = FIFTH AVENUE/NEWPORT	P = RELIANT
C = LEBARON/TOWN & COUNTRY/EXC SEDAN	G = DIPLOMAT	T = E CLASS/NEW YORKER
C24 = LASER	H = VOYAGER	V = 600
D = ARIES	K = MINI RAM/CARAVAN/ROYAL	V24 = DAYTONA
E = 600	M = HORIZON/TURISMO	Z = OMNI/CHARGER/RAMPAGE

BODY STYLES

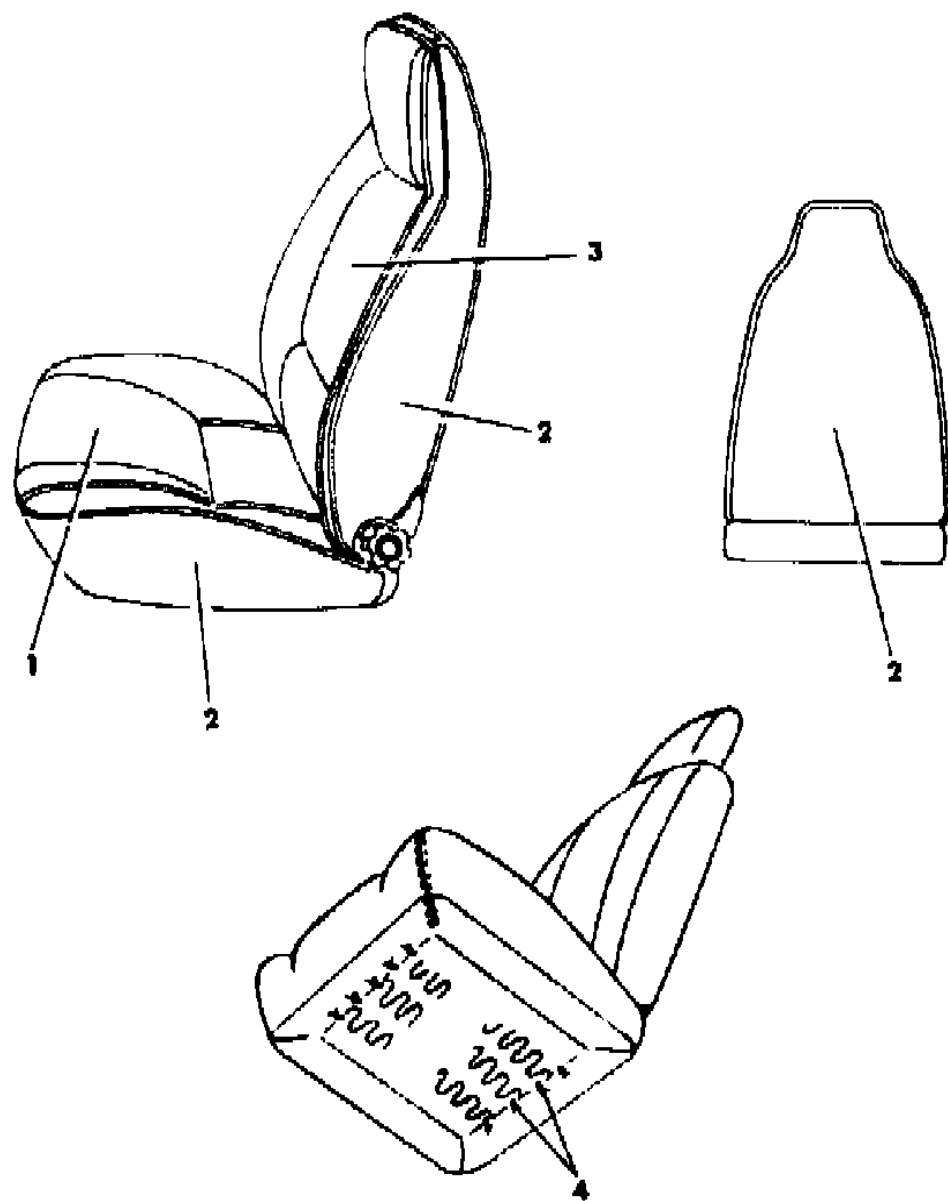
21 = 2-DOOR SEDAN	28 = FWD PICKUP	44 = 4-DOOR HATCHBACK
22 = 2-DOOR SPECIAL COUPE	35 = FWD VAN	45 = 4-DOOR STATION WAGON
24 = 2-DOOR HATCHBACK	36 = FWD WAGON	48 = 4-DOOR EXECUTIVE SEDAN
27 = 2-DOOR CONVERTIBLE	41 = 4-DOOR SEDAN	

AR = Use as Required - = Non Illustrated Part P.A.R. = Paint as Required

SEAT FRONT M,Z L BODY TRIM CODE F5
Figure ITL-1700

ITEM	PART NUMBER	QTY	BODY	MODEL	DESCRIPTION
4	6008 076	AR			HOG RING N N N Y6008076
	6030 441	4			FASTENER, Cushion Cover Attaching N N N Y6030441

4230 1700



MODEL CODES

B = GRAN FURY	F = FIFTH AVENUE/NEWPORT	P = RELIANT
C = LEBARON/TOWN & COUNTRY/EXC SEDAN	G = DIPLOMAT	T = E CLASS/NEW YORKER
C24 = LASER	H = VOYAGER	V = 600
D = ARIES	K = MINI RAM/CARAVAN/ROYAL	V24 = DAYTONA
E = 600	M = HORIZON/TURISMO	Z = OMNI/CHARGER/RAMPAGE

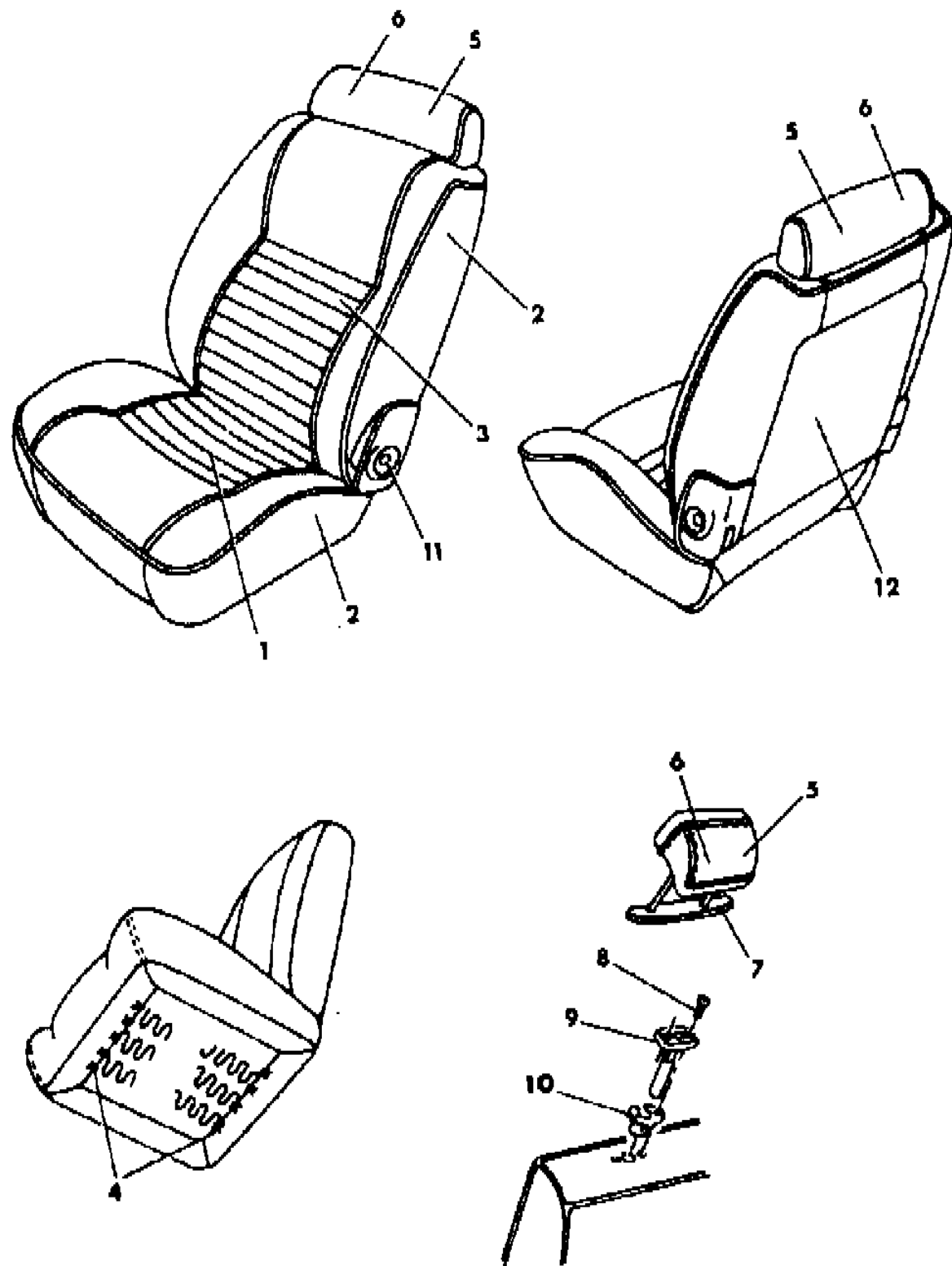
BODY STYLES

21 = 2-DOOR SEDAN	28 = FWD PICKUP	44 = 4-DOOR HATCHBACK
22 = 2-DOOR SPECIAL COUPE	35 = FWD VAN	45 = 4-DOOR STATION WAGON
24 = 2-DOOR HATCHBACK	36 = FWD WAGON	48 = 4-DOOR EXECUTIVE SEDAN
27 = 2-DOOR CONVERTIBLE	41 = 4-DOOR SEDAN	

AR = Use as Required - = Non Illustrated Part P.A.R. = Paint as Required

SEAT FRONT M,Z L BODY TRIM CODES E7,H7
Figure ITL-1800

4230 1800



ITEM	PART NUMBER	QTY	BODY	MODEL	DESCRIPTION
1-2					CUSHION, w/Spring/Frame, Pad and Cover N N N N
	N862-3 C7A	1			N N24,28,44 NE7A,H7SA YN862C7A
	N862-3 C7B	1			N N24,44 NE7B,H7B YN862C7B
	N862-3 C7M	1			N N24,28,44 NE7M,H7M YN862C7M
	N862-3 C7L	1			N N24,44 NE7L,H7L YN862C7L
	N862-3 C7T	1			N N24,28 NH7SA YN862C7T
1					COVER, Cushion N N N N
	N420 C7A	2			N N24,28,44 NE7A,H7SA YN420C7A
	N420 C7B	2			N N24,44 NE7B,H7B YN420C7B
	N420 C7M	2			N N24,28,44 NE7M,H7M YN420C7M
	N420 C7L	2			N N24,44 NE7L,H7L YN420C7L
	N420 C7T	2			N N24,28 NH7TK YN420C7T
2					ROLL STOCK, Vinyl Order by the Inch N N N N
	R616 AA2	AR			Silver 64" Wide N N N YR616AA2
	R616 BB5	AR			Blue 64" Wide N N N YR616BB5
	R616 VM6	AR			Red 64" Wide N N N YR616VM6
	R616 BL3	AR			Beige 64" Wide N N N YR616BL3
	R600 CK5	AR			Saddle 54" Wide N N N YR600CK5
	R609 CS8	AR			Charcoal 54" Wide N N N YR609CS8
2-3					BACK, w/Spring/Frame, Pad and Cover N N N N
	N866-7 C7A	1			N N24,28,44 NE7A,H7SA YN866C7A
	N866-7 C7B	1			N N24,44 NE7B,H7B YN866C7B
	N866-7 C7M	1			N N24,28,44 NE7M,H7M YN866C7M
	N866-7 C7L	1			N N24,44 NE7L,H7L YN866C7L
	N866-7 C7T	1			N N24,28 NH7TK YN866C7T
3					COVER, Back N N N N
	N421 C7A	2			N N24,28,44 NEFA,H7SA YN421C7A
	N421 C7B	2			N N24,44 NE7B,H7B YN421C7B
	N421 C7M	2			N N24,28,44 NE7M,H7M YN421C7M
	N421 C7L	2			N N24,44 NE7L,H7L YN421C7L
	N421 C7T	2			N N24,28 NH7TK YN421C7T
4					HOG RING N N N Y6008076
	6030 441	4			FASTENER, Cushion Cover Attaching N N N Y6030441
5					HEADREST and COVER N N N N
	N567 CA3	2			Silver N N NE7A,H7SA YN567CA3
	N567 CB5	2			Blue N N NE7B,H7B YN567CB5
	N567 CM6	2			Red N N NE7M,H7M YN567CM6
	N567 CL3	2			Beige N N NE7L,H7L YN567CL3

MODEL CODES

B = GRAN FURY	F = FIFTH AVENUE/NEWPORT	P = RELIANT
C = LEBARON/TOWN & COUNTRY/EXC SEDAN	G = DIPLOMAT	T = E CLASS/NEW YORKER
C24 = LASER	H = VOYAGER	V = 600
D = ARIES	K = MINI RAM/CARAVAN/ROYAL	V24 = DAYTONA
E = 600	M = HORIZON/TURISMO	Z = OMNI/CHARGER/RAMPAGE

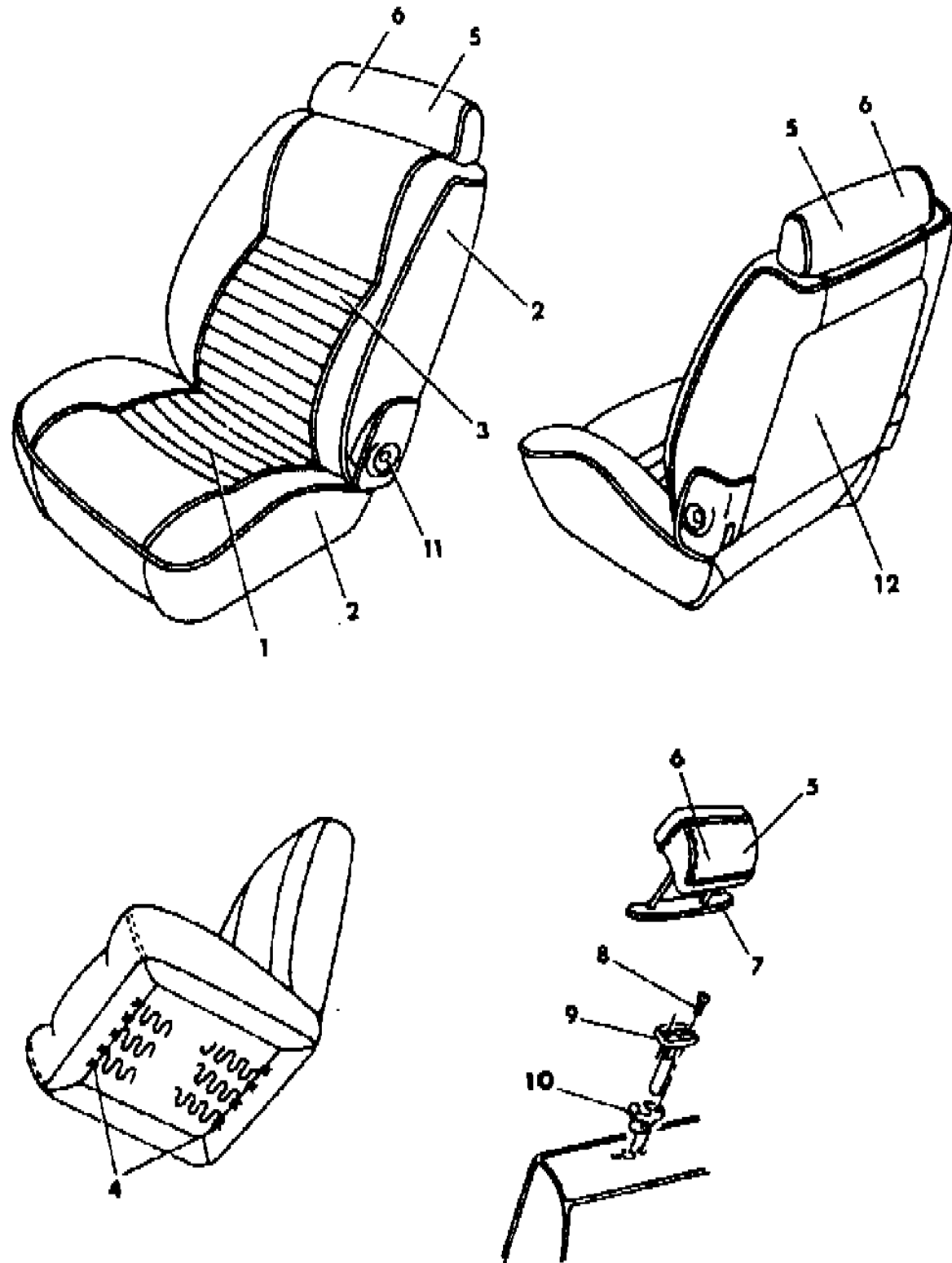
BODY STYLES

21 = 2-DOOR SEDAN	28 = FWD PICKUP	44 = 4-DOOR HATCHBACK
22 = 2-DOOR SPECIAL COUPE	35 = FWD VAN	45 = 4-DOOR STATION WAGON
24 = 2-DOOR HATCHBACK	36 = FWD WAGON	48 = 4-DOOR EXECUTIVE SEDAN
27 = 2-DOOR CONVERTIBLE	41 = 4-DOOR SEDAN	

AR = Use as Required - = Non Illustrated Part P.A.R. = Paint as Required

SEAT FRONT M,Z L BODY TRIM CODES E7,H7
Figure ITL-1800

4230 1800



ITEM	PART NUMBER	QTY	BODY	MODEL	DESCRIPTION
	N567 CK5	2			Saddle N N NH7TK YN567CK5
6					COVER, Headrest N N N N
	N347 CA3	2			Silver N N NE7A,H7SA YN347CA3
	N347 CB5	2			Blue N N NE7B,H7B YN347CB5
	N347 CM6	2			Red N N NE7M,H7M YN347CM6
	N347 CL3	2			Beige N N NE7L,H7L YN347CL3
	N347 CK5	2			Saddle N N NH7TK YN347CK5
7	4018 808	2			COVER, Headrest Finish N N N Y4018808
8		AR			SCREW (8-18x1)(not serviced) N N N N
9					SLEEVE, Headrest N N N N
	S690 AA3	4			Silver N N N YS690AA3
	S690 BB5	4			Blue N N N YS690BB5
	S690 TM6	4			Red N N N YS690TM6
	S690 BL3	4			Beige N N N YS690BL3
	S690 BT8	4			Brown N N N YS690BT8
10	4098 965	4			CATCH, Headrest Post N N N Y4098965
11					COVER, Hinge Arm (paint as required) N N N N
					Outboard N N N N
	S810 RX9	1			Passenger N N N YS810RX9
	S811 RX9	1			Driver N N N YS811RX9
					Inboard N N N N
	S876 SX9	1			Passenger N N N YS876SX9
	S877 SX9	1			Driver N N N YS877SX9
12					PANEL, Back of Front Back N N N N
	S731 AA2	2			N N NE7A,H7SA YS731AA2
	S731 BB5	2			N N NE7B,H7B YS731BB5
	S731 VM6	2			N N NE7M,H7M YS731VM6
	S731 BL3	2			N N NE7L,H7L YS731BL3
	S731 CK5	2			N N NH7TK YS731CK5

MODEL CODES

B = GRAN FURY	F = FIFTH AVENUE/NEWPORT	P = RELIANT
C = LEBARON/TOWN & COUNTRY/EXC SEDAN	G = DIPLOMAT	T = E CLASS/NEW YORKER
C24 = LASER	H = VOYAGER	V = 600
D = ARIES	K = MINI RAM/CARAVAN/ROYAL	V24 = DAYTONA
E = 600	M = HORIZON/TURISMO	Z = OMNI/CHARGER/RAMPAGE

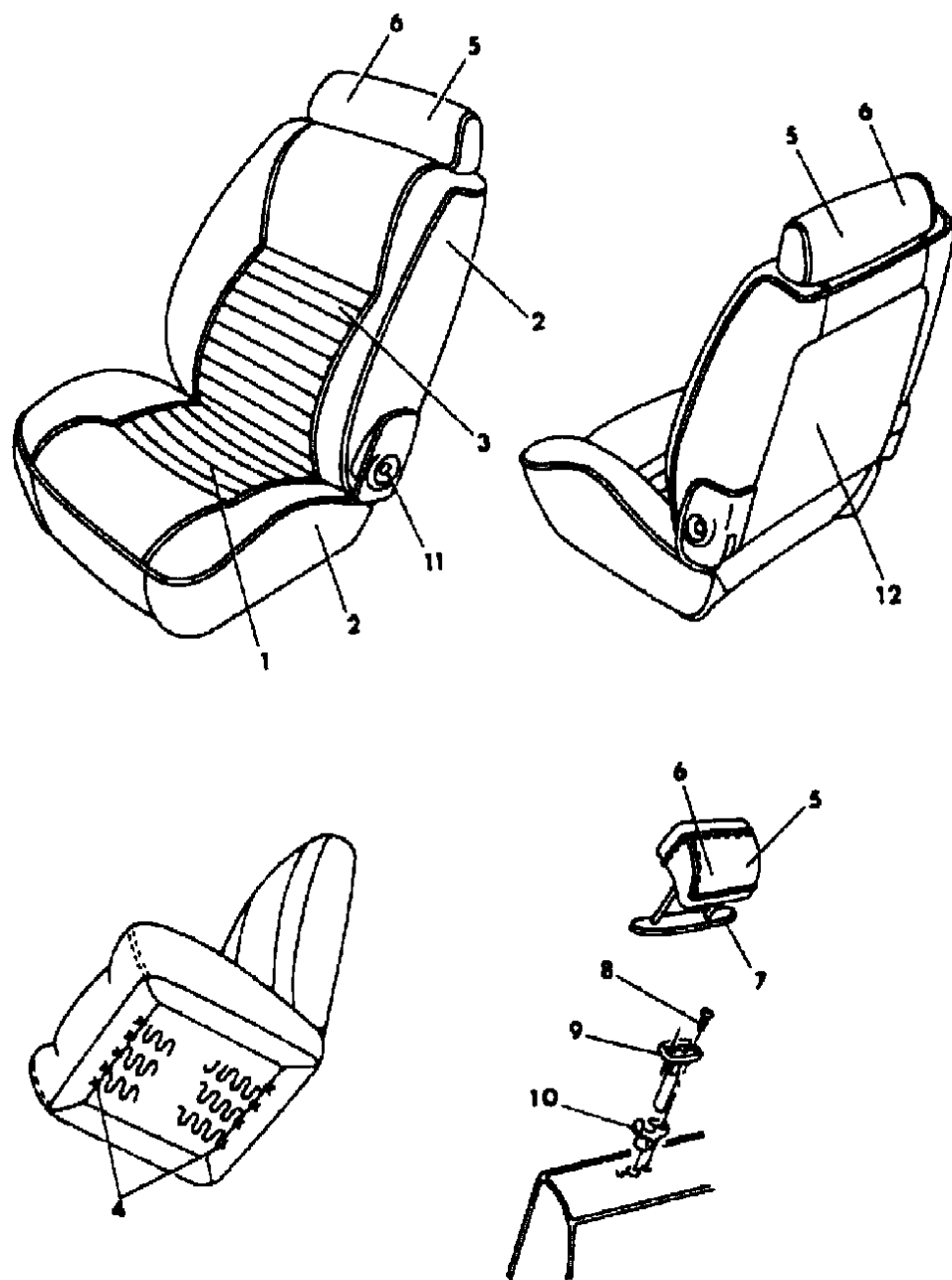
BODY STYLES

21 = 2-DOOR SEDAN	28 = FWD PICKUP	44 = 4-DOOR HATCHBACK
22 = 2-DOOR SPECIAL COUPE	35 = FWD VAN	45 = 4-DOOR STATION WAGON
24 = 2-DOOR HATCHBACK	36 = FWD WAGON	48 = 4-DOOR EXECUTIVE SEDAN
27 = 2-DOOR CONVERTIBLE	41 = 4-DOOR SEDAN	

AR = Use as Required - = Non Illustrated Part P.A.R. = Paint as Required

SEAT FRONT M,Z L BODY TRIM CODES E8,H8
Figure ITL-1900

4230 1900



ITEM	PART NUMBER	QTY	BODY	MODEL	DESCRIPTION
1-2					CUSHION, w/Spring/Frame, Pad and Cover N N N N
	N954-5 C8A	1			N N24,28,44 NE8A,H8A,H8SAYN954C8A
	N954-5 C8M	1			N N24,28,44 NH8M YN954C8M
	N954-5 C8L	1			N N24,44 NE8L,H8L YN954C8L
	N954-5 C8T	1			N N24,28,44 NH8TK YN954C8T
1					COVER, Cushion N N N N
	N426 C8A	2			N N24,28,44 NE8A,H8A,H8SAYN426C8A
	N426 C8M	2			N N24,28,44 NH8M YN426C8M
	N426 C8L	2			N N24,44 NE8L,H8L YN426C8L
	N426 C8T	2			N N24,28,44 NH8TK YN426C8T
2					ROLL STOCK,Vinyl Order by the Inch N N N N
	R616 AA2	AR			Silver 64" Wide N N N YR616AA2
	R616 VM6	AR			Red 64" Wide N N N YR616VM6
	R616 BL3	AR			Beige 64" Wide N N N YR616BL3
	R609 BT8	AR			Brown 54" Wide N N N YR609BT8
	R609 CS8	AR			Charcoal 54" Wide N N N YR609CS8
2-3					BACK, w/Spring/Frame, Pad and Cover N N N N
	N958-9 C8A	1			N N24,28,44 NE8A,H8A,H8SAYN958C8A
	N958-9 C8M	1			N N24,28,44 NH8M YN958C8M
	N958-9 C8L	1			N N24,44 NE8L,H8L YN958C8L
	N958-9 C8T	1			N N24,28,44 NH8TK YN958C8T
3					COVER, Back N N N N
	N427 C8A	2			N N24,28,44 NE8A,H8A,H8SAYN427C8A
	N427 C8M	2			N N24,28,44 NH8M YN427C8M
	N426 C8L	2			N N24,44 NE8L,H8L YN426C8L
	N427 C8T	2			N N24,28,44 NH8TK YN427C8T
4					HOG RING N N N Y6008076
	6008 076	AR			
	6030 441	4			FASTENER, Cushion Cover Attaching N N N Y6030441
5					HEADREST and COVER N N N N
	S702 AA2	2			N N24,28,44 NE8A,H8A,H8SAYS702AA2
	S702 TM6	2			N N24,28,44 NH8M YS702TM6
	S702 BL3	2			N N24,44 NE8L,H8L YS702BL3
	S702 CK5	2			N N24,28,44 NH8TK YS702CK5
6					COVER (serviced in Head Rest Only) N N N N
7	4018 808	2			COVER, Headrest Finish N N N Y4018808
8					SCREW (8-18x1)(not serviced) N N N N
9					SLEEVE, Headrest N N N N
	S690 AA3	4			Silver N N N YS690AA3

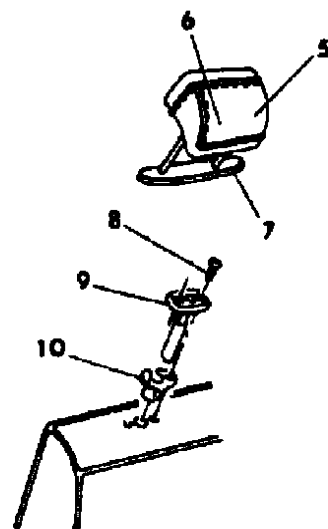
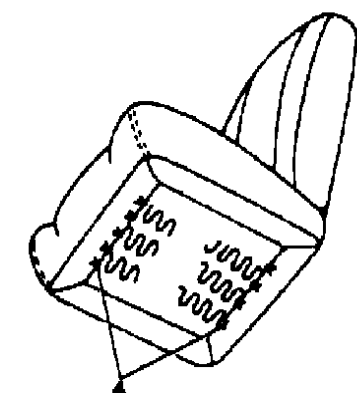
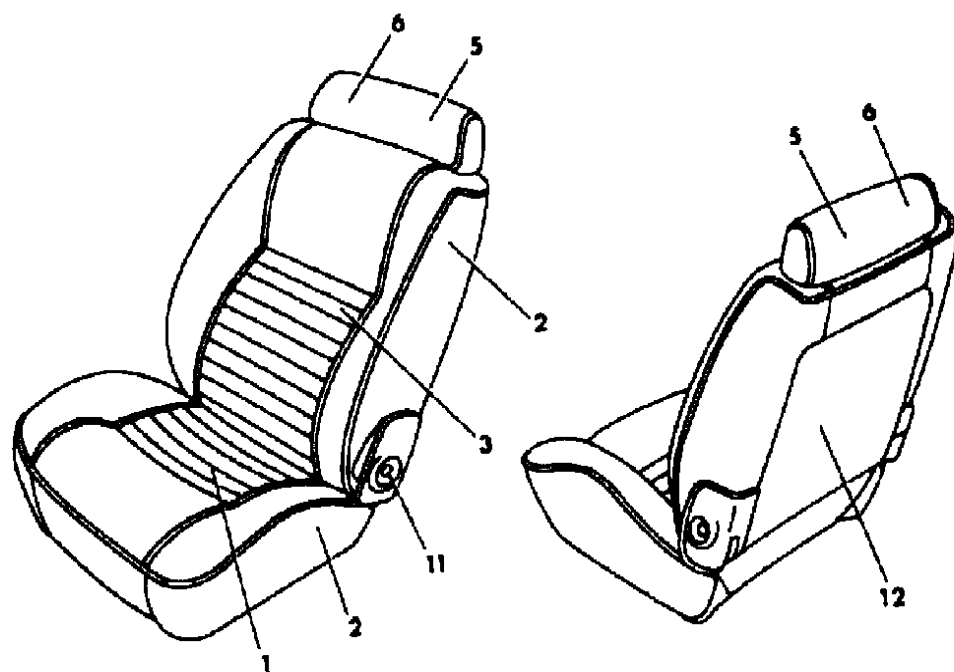
MODEL CODES
 B = GRAN FURY
 C = LEBARON/TOWN & COUNTRY/EXC SEDAN
 C24 = LASER
 D = ARIES
 E = 600
 F = FIFTH AVENUE/NEWPORT
 G = DIPLOMAT
 H = VOYAGER
 K = MINI RAM/CARAVAN/ROYAL
 M = HORIZON/TURISMO
 P = RELIANT
 T = E CLASS/NEW YORKER
 V = 600
 V24 = DAYTONA
 Z = OMNI/CHARGER/RAMPAGE

BODY STYLES
 21 = 2-DOOR SEDAN
 22 = 2-DOOR SPECIAL COUPE
 24 = 2-DOOR HATCHBACK
 27 = 2-DOOR CONVERTIBLE
 28 = FWD PICKUP
 35 = FWD VAN
 36 = FWD WAGON
 41 = 4-DOOR SEDAN
 44 = 4-DOOR HATCHBACK
 45 = 4-DOOR STATION WAGON
 48 = 4-DOOR EXECUTIVE SEDAN

AR = Use as Required - = Non Illustrated Part P.A.R. = Paint as Required

SEAT FRONT M,Z L BODY TRIM CODES E8,H8
Figure ITL-1900

4230 1900



ITEM	PART NUMBER	QTY	BODY	MODEL	DESCRIPTION
	S690 TM6	4			Red N N N YS690TM6
	S690 BL3	4			Beige N N N YS690BL3
	S690 BT8	4			Brown N N N YS690BT8
10	4098 965	4			CATCH, Headrest Post N N N Y4098965
11					COVER, Hinge Arm (paint as required) N N N N
	S810 RX9	1			Outboard N N N N
	S811 RX9	1			Passenger N N N YS810RX9
					Driver N N N YS811RX9
					Inboard N N N N
	S876 SX9	1			Passenger N N N YS876SX9
	S877 SX9	1			Driver N N N YS877SX9
12					PANEL, Back of Front Back N N N N
	S731 AA2	2			N N NE8A,H8A,H8SAYS731AA2
	S731 VM6	2			N N NH8M YS731VM6
	S731 BL3	2			N N NE8L,H8L YS731BL3
	S731 CK5	2			N N NH8TK YS731CK5

MODEL CODES

B = GRAN FURY	F = FIFTH AVENUE/NEWPORT	P = RELIANT
C = LEBARON/TOWN & COUNTRY/EXC SEDAN	G = DIPLOMAT	T = E CLASS/NEW YORKER
C24 = LASER	H = VOYAGER	V = 600
D = ARIES	K = MINI RAM/CARAVAN/ROYAL	V24 = DAYTONA
E = 600	M = HORIZON/TURISMO	Z = OMNI/CHARGER/RAMPAGE

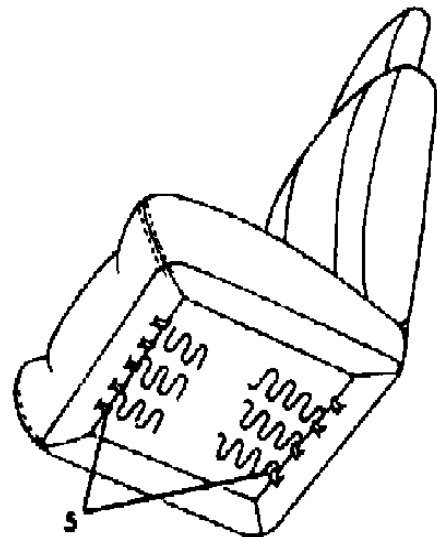
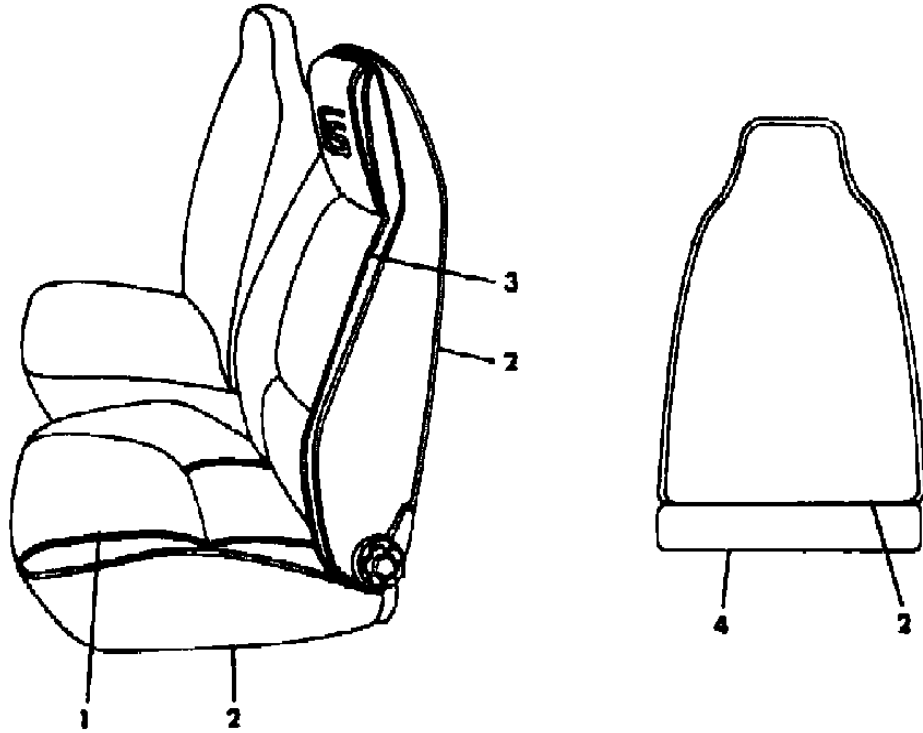
BODY STYLES

21 = 2-DOOR SEDAN	28 = FWD PICKUP	44 = 4-DOOR HATCHBACK
22 = 2-DOOR SPECIAL COUPE	35 = FWD VAN	45 = 4-DOOR STATION WAGON
24 = 2-DOOR HATCHBACK	36 = FWD WAGON	48 = 4-DOOR EXECUTIVE SEDAN
27 = 2-DOOR CONVERTIBLE	41 = 4-DOOR SEDAN	

AR = Use as Required - = Non Illustrated Part P.A.R. = Paint as Required

**SEAT FRONT M,Z L BODY TRIM CODE S5
Figure ITL-2000**

4230 3000



ITEM	PART NUMBER	QTY	BODY	MODEL	DESCRIPTION
1-2	N772-3 C5A	1			CUSHION, w/Spring/Frame, Pad and Cover N N NS5AC YN772C5A
	N772-3 C5S	1			N N NS5AS YN772C5S
1	N410 C5A	2			COVER, Cushion N N NS5AC YN410C5A
	N410 C5S	2			N N NS5AS YN410C5S
2	R616 AA2	AR			ROLL STOCK, Vinyl 64" Wide Order by the Inch N N NS5AC YR616AA2
2-3	N774-5 B5A	1			BACK, w/Spring/Frame, Pad and Cover N N NS5AC YN774B5A
	N774-5 C5S	1			N N NS5AS YN774C5S
3	N412-3 B5A	1			COVER, Back N N NS5AC YN412B5A
	N412-3 C5S	1			N N NS5AS YN412C5S
4					CARPET (serviced in Cushion Cover) N N N N
5	6008 076	AR			HOG RING N N N Y6008076
	6030 441	4			FASTENER, Cushion Cover Attaching N N N Y6030441

MODEL CODES

B = GRAN FURY	F = FIFTH AVENUE/NEWPORT	P = RELIANT
C = LEBARON/TOWN & COUNTRY/EXC SEDAN	G = DIPLOMAT	T = E CLASS/NEW YORKER
C24 = LASER	H = VOYAGER	V = 600
D = ARIES	K = MINI RAM/CARAVAN/ROYAL	V24 = DAYTONA
E = 600	M = HORIZON/TURISMO	Z = OMNI/CHARGER/RAMPAGE

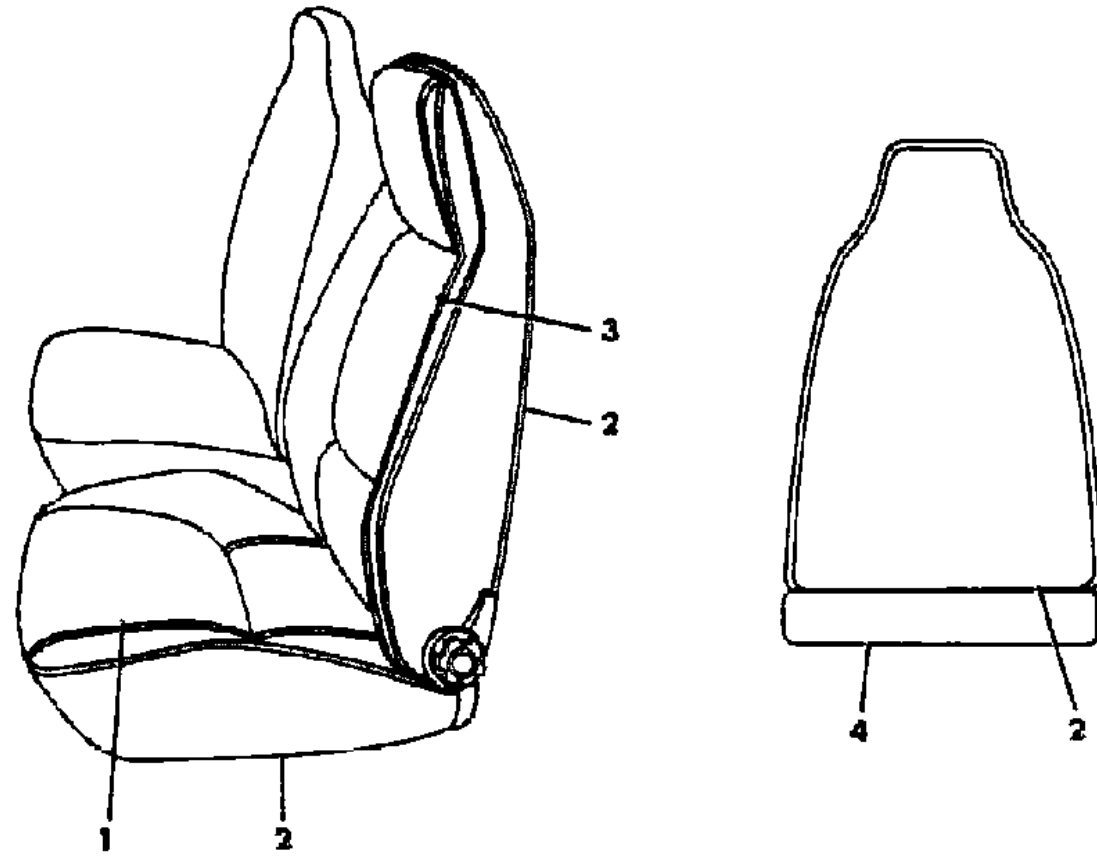
BODY STYLES

21 = 2-DOOR SEDAN	28 = FWD PICKUP	44 = 4-DOOR HATCHBACK
22 = 2-DOOR SPECIAL COUPE	35 = FWD VAN	45 = 4-DOOR STATION WAGON
24 = 2-DOOR HATCHBACK	36 = FWD WAGON	48 = 4-DOOR EXECUTIVE SEDAN
27 = 2-DOOR CONVERTIBLE	41 = 4-DOOR SEDAN	

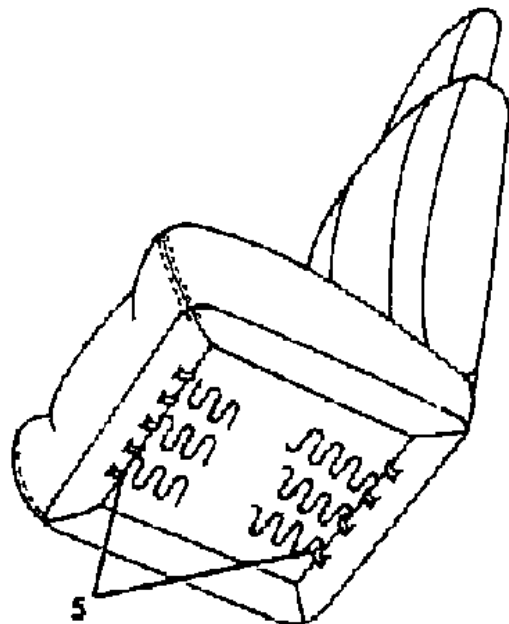
AR = Use as Required - = Non Illustrated Part P.A.R. = Paint as Required

**SEAT FRONT M,Z L BODY TRIM CODE D5
Figure ITL-2100**

4230 2100



ITEM	PART NUMBER	QTY	BODY	MODEL	DESCRIPTION
1-2	N772-3 C5S	1			CUSHION, w/Spring/Frame, Pad and Cover N N ND5SA YN772C5S
1	N410 C5S	2			COVER, Cushion N N ND5SA YN410C5S
2	R616 AA2	AR			ROLL STOCK, Vinyl 64" Wide Order by the Inch N N ND5SA YR616AA2
2-3	N586-7 C5S	1			BACK, w/Spring/Frame, Pad and Cover N N ND5SA YN586C5S
3	N452-3 C5S	1			COVER, Back N N ND5SA YN452C5S
4					CARPET (serviced in Cushion Cover) N N N N
5	6008 076	AR			HOG RING N N N Y6008076



MODEL CODES

B = GRAN FURY	F = FIFTH AVENUE/NEWPORT	P = RELIANT
C = LEBARON/TOWN & COUNTRY/EXC SEDAN	G = DIPLOMAT	T = E CLASS/NEW YORKER
C24 = LASER	H = VOYAGER	V = 600
D = ARIES	K = MINI RAM/CARAVAN/ROYAL	V24 = DAYTONA
E = 600	M = HORIZON/TURISMO	Z = OMNI/CHARGER/RAMPAGE

BODY STYLES

21 = 2-DOOR SEDAN	28 = FWD PICKUP	44 = 4-DOOR HATCHBACK
22 = 2-DOOR SPECIAL COUPE	35 = FWD VAN	45 = 4-DOOR STATION WAGON
24 = 2-DOOR HATCHBACK	36 = FWD WAGON	48 = 4-DOOR EXECUTIVE SEDAN
27 = 2-DOOR CONVERTIBLE	41 = 4-DOOR SEDAN	

AR = Use as Required - = Non Illustrated Part P.A.R. = Paint as Required

BELT FRONT SEAT M,Z L BODY
Figure ITL-2200

4230 2200

ITEM	PART NUMBER	QTY	BODY	MODEL	DESCRIPTION
1					BELT, Lap and Shoulder, Outer N N N N
					Label Number 4290448-9 N N N N
	F642-3 BA3	1			Silver N N24 N YF642BA3
	F642-3 BB5	1			Blue N N24 N YF642BB5
	F642-3 BM6	1			Red N N24 N YF642BM6
	F642-3 BL3	1			Beige N N24 N YF642BL3
	F642-3 CT8	1			Brown N N24 N YF642CT8
	F642-3 CS8	1			Charcoal N N24 N YF642CS8
					Label Number 4327354-5 N N N N
	F612-3 CA3	1			Silver N N24 N YF612CA3
	F612-3 CB5	1			Blue N N24 N YF612CB5
	F612-3 CM6	1			Red N N24 N YF612CM6
	F612-3 CL3	1			Beige N N24 N YF612CL3
	F612-3 CT8	1			Brown N N24 N YF612CT8
	F612-3 CS8	1			Charcoal N N24 N YF612CS8
					Label Number 4316182-3 N N N N
	F702-3 CM6	1			Red N N28 N YF702CM6
	F702-3 CT8	1			Brown N N28 N YF702CT8
	F702-3 CS8	1			Charcoal N N28 N YF702CS8
					Label Number 4376058-9 N N N N
	F576-7 CM6	1			Red N N28 N YF576CM6
	F576-7 CT8	1			Brown N N28 N YF576CT8
	F576-7 CS8	1			Charcoal N N28 N YF576CS8
					Label Number 4290454-6 N N N N
	F648-9 BA3	1			Silver N N44 N YF648BA3
	F648-9 BB5	1			Blue N N44 N YF648BB5
	F648-9 BM6	1			Red N N44 N YF648BM6
	F648-9 BL3	1			Beige N N44 N YF648BL3
	F648-9 CT8	1			Brown N N44 N YF648CT8
					Label Number 4327098-9 N N N N
	F742-3 BA3	1			Silver N N44 N YF742BA3
	F742-3 BB5	1			Blue N N44 N YF742BB5
	F742-3 BM6	1			Red N N44 N YF742BM6
	F742-3 BL3	1			Beige N N44 N YF742BL3
	F742-3 CT8	1			Brown N N44 N YF742CT8
	4172 857	2			ROD, Tension Reliever Release Actuating N N44 N Y4172857
2	6100 517	2			NUT N N N Y6100517

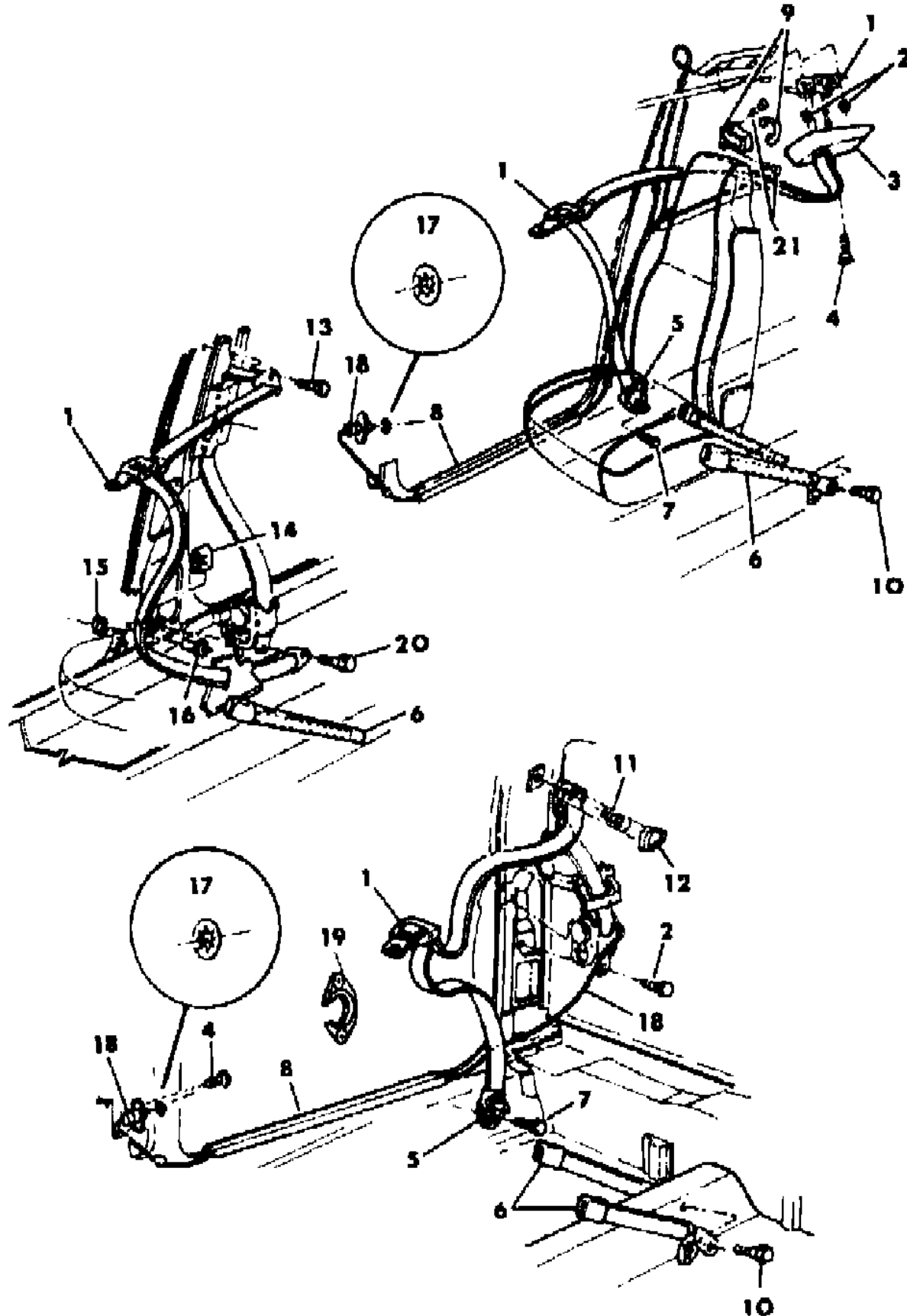
MODEL CODES

B = GRAN FURY	F = FIFTH AVENUE/NEWPORT	P = RELIANT
C = LEBARON/TOWN & COUNTRY/EXC SEDAN	G = DIPLOMAT	T = E CLASS/NEW YORKER
C24 = LASER	H = VOYAGER	V = 600
D = ARIES	K = MINI RAM/CARAVAN/ROYAL	V24 = DAYTONA
E = 600	M = HORIZON/TURISMO	Z = OMNI/CHARGER/RAMPAGE

BODY STYLES

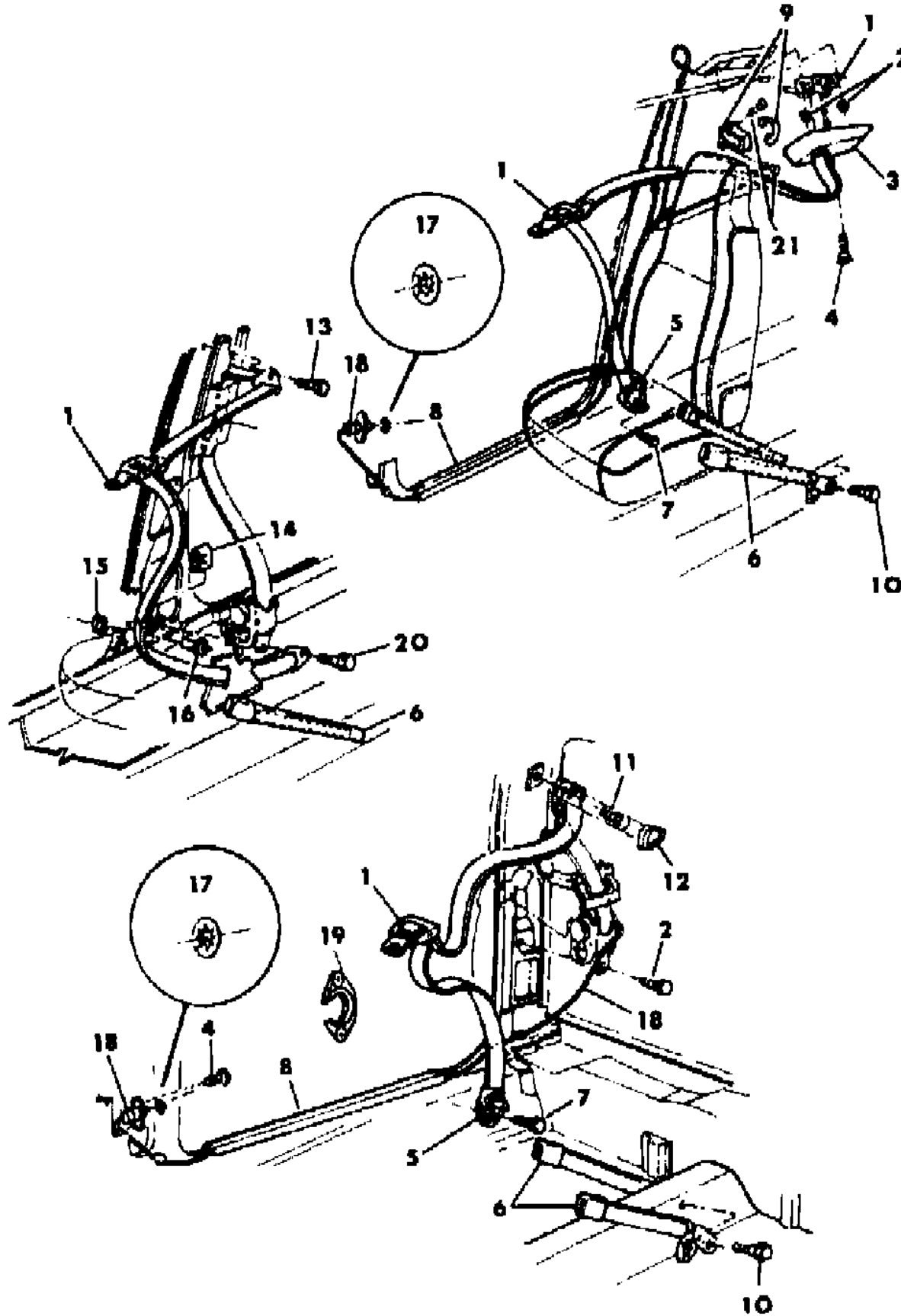
21 = 2-DOOR SEDAN	28 = FWD PICKUP	44 = 4-DOOR HATCHBACK
22 = 2-DOOR SPECIAL COUPE	35 = FWD VAN	45 = 4-DOOR STATION WAGON
24 = 2-DOOR HATCHBACK	36 = FWD WAGON	48 = 4-DOOR EXECUTIVE SEDAN
27 = 2-DOOR CONVERTIBLE	41 = 4-DOOR SEDAN	

AR = Use as Required - = Non Illustrated Part P.A.R. = Paint as Required



BELT FRONT SEAT M,Z L BODY
Figure ITL-2200

4230 2200



ITEM	PART NUMBER	QTY	BODY	MODEL	DESCRIPTION
3	H496-7 SX9	1			COVER, Headliner Shoulder Belt Retractor (paint as required) N N24 N YH496SX9
4		AR			SCREW (8-18x3/4)(not serviced) N N N N
5	F814 JX9	2			COVER, Swivel Plate (paint as required) N N24,28 N YF814JX9
6					BELT, Lap Buckle Half Inner N N N N Label Number 4316116-7 N N N N Silver N N24,28,44 N YF674BA3 Blue, Medium N N24,28,44 N YF674BB5 Red N N24,28,44 N YF674BM6
	F674-5 BA3	1			Beige N N24,28,44 N YF674BL3
	F674-5 BB5	1			Brown N N24,28,44 N YF674CT8
	F674-5 BM6	1			Charcoal N N24,28,44 N YF674CS8
	F674-5 BL3	1			
	F674-5 CT8	1			
	F674-5 CS8	1			
-	4209 934	AR			WEDGE, Front Lap Belt N N24,28,44 N Y4209934
7	6031 298	AR			BOLT N N N Y6031298
8	5232 137	2			CASING, Tension Reliever Cable N N N Y5232137
9	S863 AA3	2			GUIDE, w/High Back Bucket N N N YS863AA3
	S761 AA3	2			w/Low Back Bucket w/Applied Headrest Silver N N N YS761AA3
	S761 CB5	2			Blue N N N YS761CB5
	S761 TM6	2			Red N N N YS761TM6
	S761 BL3	2			Beige N N N YS761BL3
	S761 CK5	2			Saddle N N N YS761CK5
10		AR			BOLT (7/16-20-1.37x3/16 Hex Head) (not serviced) N N N N
11	6031 217	2			BOLT N N28 N Y6031217
12					COVER, Turning Loop N N N N Red N N N YF700CM6 Brown N N N YF700CT8 Charcoal N N N YF700CS8
	F700 CM6	2			
	F700 CT8	2			
	F700 CS8	2			
13	6031 216	2			BOLT N N44 N Y6031216
14	6031 448	2			BOLT, Retractor N N44 N Y6031448
15	4290 789	2			CYLINDER, Tension Release Button N N44 N Y4290789
	4327 076	2			w/Bumper N N44 N Y4327076
16	4327 076	2			RETAINER, Tension Release Button N N44 N Y4327076
17	6025 160	2			RETAINER, Inertia Retractor Pedulum Shaft N N N Y6025160
18		1			CABLE, Retractor Tension Reliever (serviced in Belt Assy.) N N N N
19	4054 365	2			RETAINER, Tension Reliever Attaching N N28 N Y4054365
20		AR			BOLT (7/16-20-1.2x13/16 Hex Head)(not serviced) N N N N

MODEL CODES

B = GRAN FURY	F = FIFTH AVENUE/NEWPORT	P = RELIANT
C = LEBARON/TOWN & COUNTRY/EXC SEDAN	G = DIPLOMAT	T = E CLASS/NEW YORKER
C24 = LASER	H = VOYAGER	V = 600
D = ARIES	K = MINI RAM/CARAVAN/ROYAL	V24 = DAYTONA
E = 600	M = HORIZON/TURISMO	Z = OMNI/CHARGER/RAMPAGE

BODY STYLES

21 = 2-DOOR SEDAN	28 = FWD PICKUP	44 = 4-DOOR HATCHBACK
22 = 2-DOOR SPECIAL COUPE	35 = FWD VAN	45 = 4-DOOR STATION WAGON
24 = 2-DOOR HATCHBACK	36 = FWD WAGON	48 = 4-DOOR EXECUTIVE SEDAN
27 = 2-DOOR CONVERTIBLE	41 = 4-DOOR SEDAN	

AR = Use as Required - = Non Illustrated Part P.A.R. = Paint as Required

BELT FRONT SEAT M,Z L BODY
Figure ITL-2200

4230 2200

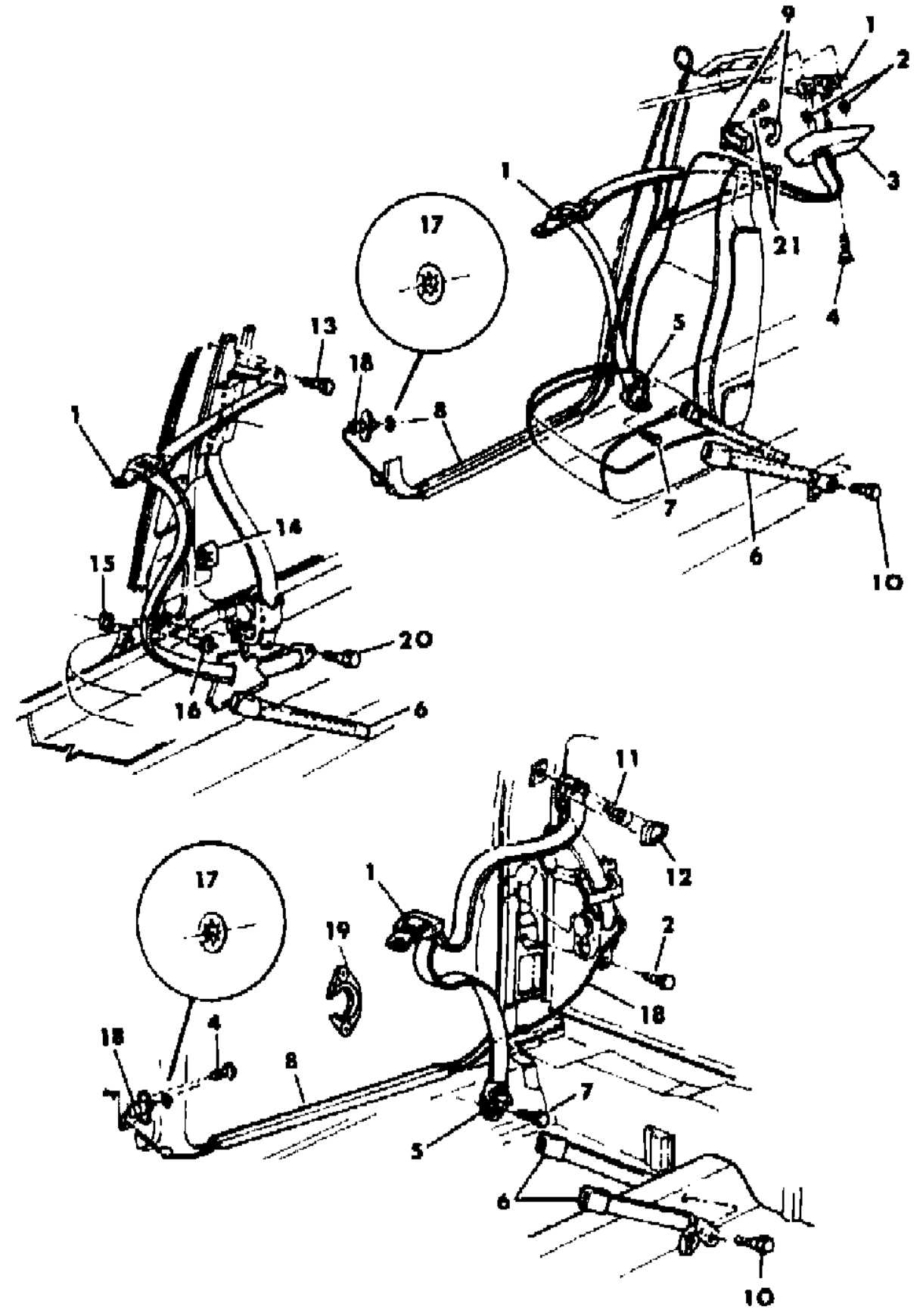
ITEM	PART NUMBER	QTY	BODY	MODEL	DESCRIPTION
------	-------------	-----	------	-------	-------------

21		AR			SCREW (8-18x1)(not serviced) N N N N

MODEL CODES
 B = GRAN FURY
 C = LEBARON/TOWN & COUNTRY/EXC SEDAN
 C24 = LASER
 D = ARIES
 E = 600
 F = FIFTH AVENUE/NEWPORT
 G = DIPLOMAT
 H = VOYAGER
 K = MINI RAM/CARAVAN/ROYAL
 M = HORIZON/TURISMO
 P = RELIANT
 T = E CLASS/NEW YORKER
 V = 600
 V24 = DAYTONA
 Z = OMNI/CHARGER/RAMPAGE

BODY STYLES
 21 = 2-DOOR SEDAN
 22 = 2-DOOR SPECIAL COUPE
 24 = 2-DOOR HATCHBACK
 27 = 2-DOOR CONVERTIBLE
 28 = FWD PICKUP
 35 = FWD VAN
 36 = FWD WAGON
 41 = 4-DOOR SEDAN
 44 = 4-DOOR HATCHBACK
 45 = 4-DOOR STATION WAGON
 48 = 4-DOOR EXECUTIVE SEDAN

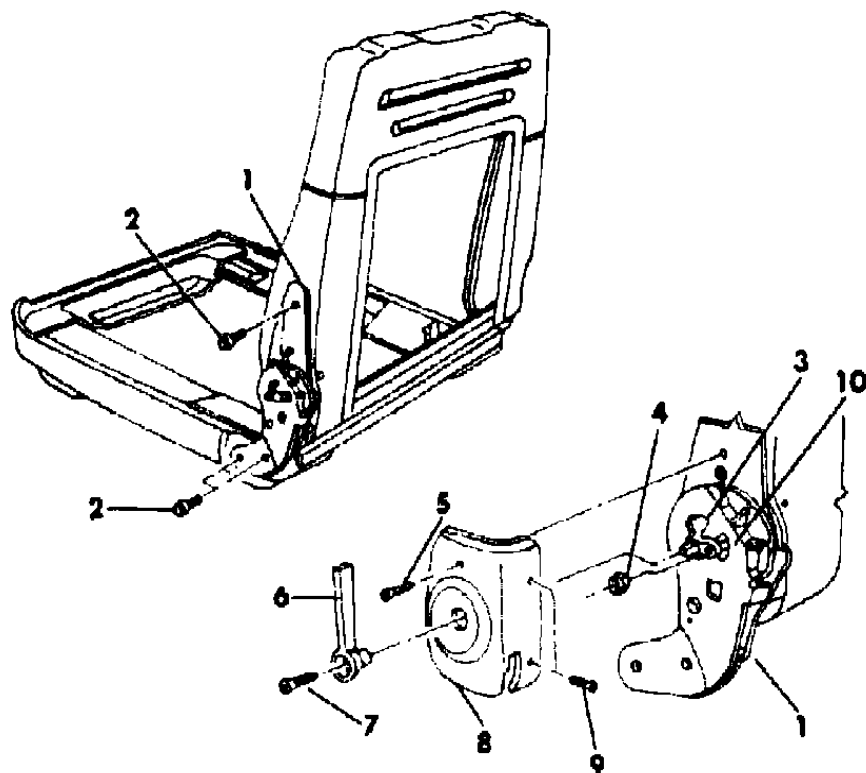
AR = Use as Required - = Non Illustrated Part P.A.R. = Paint as Required



RECLINING FRONT SEAT W/O INERTIA M,Z L BODY
Figure ITL-2300

4230 2300

ITEM	PART NUMBER	QTY	BODY	MODEL	DESCRIPTION
1	4190 968-9	1			RECLINER, Front Seat N N N Y4190968
2	9422 041	8			SCREW and WASHER, w/Low Back Buckets N N N Y9422041
3	4029 871	1			ADAPTER, Actuator Handle N N N Y4029871
4	0120 622	1			NUT, Lock N N N Y120622
5	6032 072	AR			SCREW N N N Y6032072
6		2			HANDLE, Seat Recliner N N N N4018911
7		AR			SCREW (8-32x1/2)(not serviced) N N N N
8					COVER (see Seat Illustration Interior Trim) N N N N
9		AR			SCREW (8-18x1)(not serviced) N N N N
10	4190 248-9	1			SPRING, Front Seat Back Recliner Release Cam N N N Y4190248
The following parts are not illustrated. s ARE NOT RETURNABLE.					
		1			SHIM, Front Seat Recliner Locking Arm (serviced in recliner) N N N
	4029 846	1			BUSHING, Inner Pivot, Right Only N N N Y4029846



MODEL CODES

B = GRAN FURY	F = FIFTH AVENUE/NEWPORT	P = RELIANT
C = LEBARON/TOWN & COUNTRY/EXC SEDAN	G = DIPLOMAT	T = E CLASS/NEW YORKER
C24 = LASER	H = VOYAGER	V = 600
D = ARIES	K = MINI RAM/CARAVAN/ROYAL	V24 = DAYTONA
E = 600	M = HORIZON/TURISMO	Z = OMNI/CHARGER/RAMPAGE

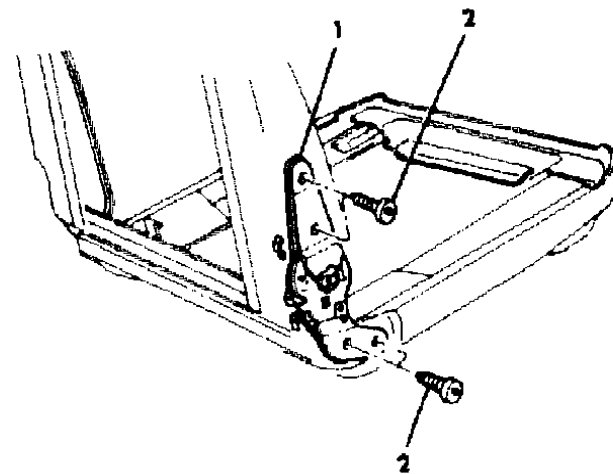
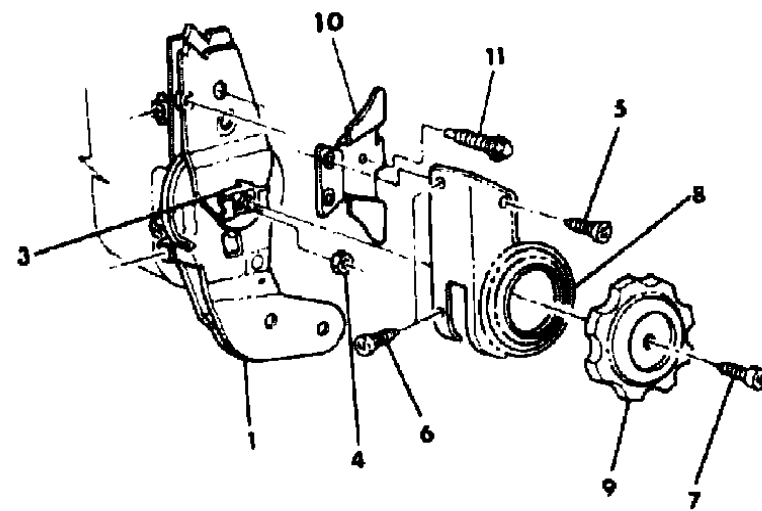
BODY STYLES

21 = 2-DOOR SEDAN	28 = FWD PICKUP	44 = 4-DOOR HATCHBACK
22 = 2-DOOR SPECIAL COUPE	35 = FWD VAN	45 = 4-DOOR STATION WAGON
24 = 2-DOOR HATCHBACK	36 = FWD WAGON	48 = 4-DOOR EXECUTIVE SEDAN
27 = 2-DOOR CONVERTIBLE	41 = 4-DOOR SEDAN	

AR = Use as Required - = Non Illustrated Part P.A.R. = Paint as Required

RECLINING FRONT SEAT W/INERTIA M,Z L BODY
Figure ITL-2400

4230 2400



ITEM	PART NUMBER	QTY	BODY	MODEL	DESCRIPTION
1	4239 640-1	1			RECLINER, Inertia N N N Y4239640
2	9422 041	8			SCREW N N N Y9422041
3	4239 671	1			ACTUATOR, Release N N24,28 N Y4239671
	4277 946	1			N N44 N Y4277946
4	0120 622	2			NUT N N N Y120622
5		AR			SCREW (8-18x1)(not serviced) N N N N
6	0118 614	AR			SCREW N N N Y118614
7	6032 456	2			SCREW N N N Y6032456
8					SHIELD, Chrome N N N N
	4239 542-3	1			Outer N N N Y4239542
	4239 570-1	1			Inner N N N Y4239570
	4029 846	1			BUSHING, Inner Pivot, Right Only N N N Y4029846
9	4239 546	2			KNOB, Recliner Release N N N Y4239546
10	4290 711	2			BRACKET, Side Shield Mounting N N N Y4290711
11	9422 041	1			SCREW N N N Y9422041

MODEL CODES

B = GRAN FURY	F = FIFTH AVENUE/NEWPORT	P = RELIANT
C = LEBARON/TOWN & COUNTRY/EXC SEDAN	G = DIPLOMAT	T = E CLASS/NEW YORKER
C24 = LASER	H = VOYAGER	V = 600
D = ARIES	K = MINI RAM/CARAVAN/ROYAL	V24 = DAYTONA
E = 600	M = HORIZON/TURISMO	Z = OMNI/CHARGER/RAMPAGE

BODY STYLES

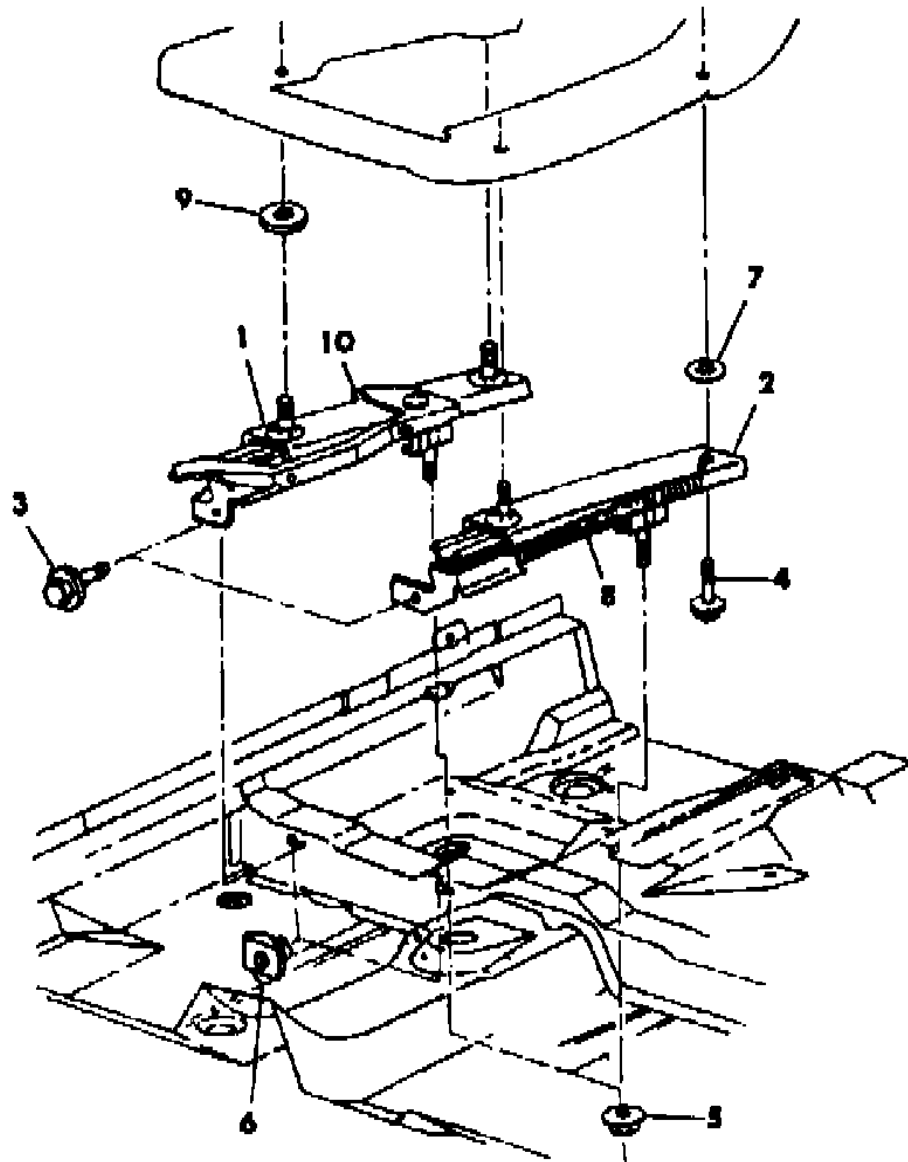
21 = 2-DOOR SEDAN	28 = FWD PICKUP	44 = 4-DOOR HATCHBACK
22 = 2-DOOR SPECIAL COUPE	35 = FWD VAN	45 = 4-DOOR STATION WAGON
24 = 2-DOOR HATCHBACK	36 = FWD WAGON	48 = 4-DOOR EXECUTIVE SEDAN
27 = 2-DOOR CONVERTIBLE	41 = 4-DOOR SEDAN	

AR = Use as Required - = Non Illustrated Part P.A.R. = Paint as Required

ADJUSTER MANUAL M,Z L BODY
Figure ITL-2500

4230 2500

ITEM	PART NUMBER	QTY	BODY	MODEL	DESCRIPTION
1	4277 472-3	1			ADJUSTER, Outer N N24,28 N Y4277472
	4277 474-5	1			N N44 N Y4277474
2					ADJUSTER, Inner N N N N
	5232 142-3	1			N N24,28 N Y5232142
	5232 146-7	1			N N44 N Y5232146
3	6100 592	4			SCREW and WASHER N N N Y6100592
4	6100 592	8			SCREW and WASHER N N N Y6100592
5	6100 051	4			NUT and WASHER N N N Y6100051
6	6101 283	4			U-NUT N N N Y6101283
7	6028 040	8			RETAINER N N N Y6028040
8	5207 182	1			SPRING, Manual Adjust Assist, Left N N N Y5207182
9	4219 590	4			SPACER N N N Y4219590
	4277 504	AR			SPRING, Manual Adjuster Release Lever Return N N N Y4277504
10	0104 918	AR			BALL, Front Seat Manual Adjuster N N N Y104918



MODEL CODES

B = GRAN FURY	F = FIFTH AVENUE/NEWPORT	P = RELIANT
C = LEBARON/TOWN & COUNTRY/EXC SEDAN	G = DIPLOMAT	T = E CLASS/NEW YORKER
C24 = LASER	H = VOYAGER	V = 600
D = ARIES	K = MINI RAM/CARAVAN/ROYAL	V24 = DAYTONA
E = 600	M = HORIZON/TURISMO	Z = OMNI/CHARGER/RAMPAGE

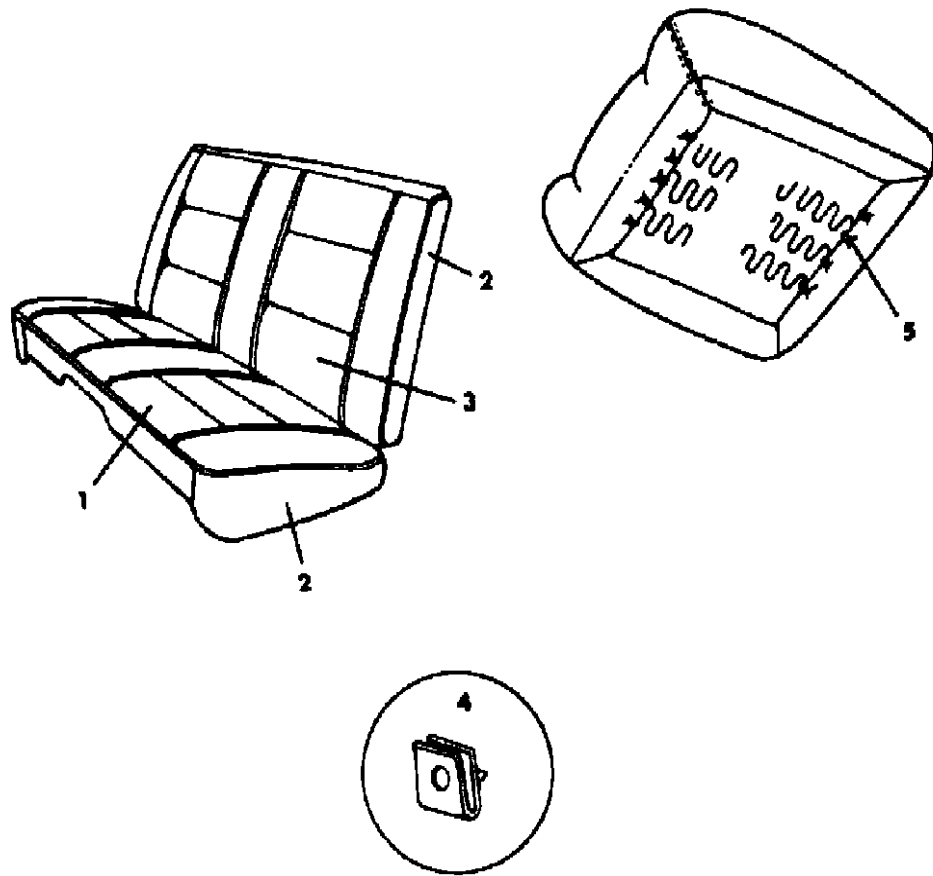
BODY STYLES

21 = 2-DOOR SEDAN	28 = FWD PICKUP	44 = 4-DOOR HATCHBACK
22 = 2-DOOR SPECIAL COUPE	35 = FWD VAN	45 = 4-DOOR STATION WAGON
24 = 2-DOOR HATCHBACK	36 = FWD WAGON	48 = 4-DOOR EXECUTIVE SEDAN
27 = 2-DOOR CONVERTIBLE	41 = 4-DOOR SEDAN	

AR = Use as Required - = Non Illustrated Part P.A.R. = Paint as Required

**SEAT REAR M,Z L BODY TRIM CODE F5
Figure ITL-2600**

4330 2600



ITEM	PART NUMBER	QTY	BODY	MODEL	DESCRIPTION
1-2					CUSHION, w/Spring/Frame, Pad and Cover N N N N
	N726 C5M	1			N N24 NF5M YN726C5M
	N726 C5L	1			N N24 NF5L YN726C5L
	N726 C5T	1			N N24 NF5TK YN726C5T
	N726 C5S	1			N N24 NF5SA YN726C5S
	N727 C5A	1			N N44 NF5A YN727C5A
	N727 C5B	1			N N44 NF5B YN727C5B
	N727 C5M	1			N N44 NF5M YN727C5M
	N727 C5L	1			N N44 NF5L YN727C5L
	N727 C5T	1			N N44 NF5TK YN727C5T
1					COVER, Cushion N N N N
	N401 C5M	1			N N24 NF5M YN401C5M
	N401 C5L	1			N N24 NF5L YN401C5L
	N401 C5T	1			N N24 NF5TK YN401C5T
	N401 C5S	1			N N24 NF5SA YN401C5S
	N400 C5A	1			N N44 NF5A YN400C5A
	N400 C5B	1			N N44 NF5B YN400C5B
	N400 C5M	1			N N44 NF5M YN400C5M
	N400 C5L	1			N N44 NF5L YN400C5L
	N400 C5T	1			N N44 NF5TK YN400C5T
2					ROLL STOCK, Vinyl Order by the Inch. N N N N
	R616 AA2	AR			Silver, 64" Wide N N N YR616AA2
	R616 BB5	AR			Blue, 64" Wide N N N YR616BB5
	R616 VM6	AR			Red, 64" Wide N N N YR616VM6
	R609 BT8	AR			Brown, 54" Wide N N N YR609BT8
	R609 CS8	AR			Charcoal, 54" Wide N N N YR609CS8
2-3					BACK, w/Panel, Protectors, Pad and Cover N N N N
	N728 C5M	1			N N24 NF5M YN728C5M
	N728 C5L	1			N N24 NF5L YN728C5L
	N728 C5T	1			N N24 NF5TK YN728C5T
	N728 C5S	1			N N24 NF5SA YN728C5S
	N729 C5A	1			N N44 NF5A YN729C5A
	N729 C5B	1			N N44 NF5B YN729C5B
	N729 C5M	1			N N44 NF5M YN729C5M
	N729 C5L	1			N N44 NF5L YN729C5L
	N729 C5T	1			N N44 NF5TK YN729C5T
3					COVER, Back N N N N
	N403 C5M	1			N N24 NF5M YN403C5M

MODEL CODES

B = GRAN FURY	F = FIFTH AVENUE/NEWPORT	P = RELIANT
C = LEBARON/TOWN & COUNTRY/EXC SEDAN	G = DIPLOMAT	T = E CLASS/NEW YORKER
C24 = LASER	H = VOYAGER	V = 600
D = ARIES	K = MINI RAM/CARAVAN/ROYAL	V24 = DAYTONA
E = 600	M = HORIZON/TURISMO	Z = OMNI/CHARGER/RAMPAGE

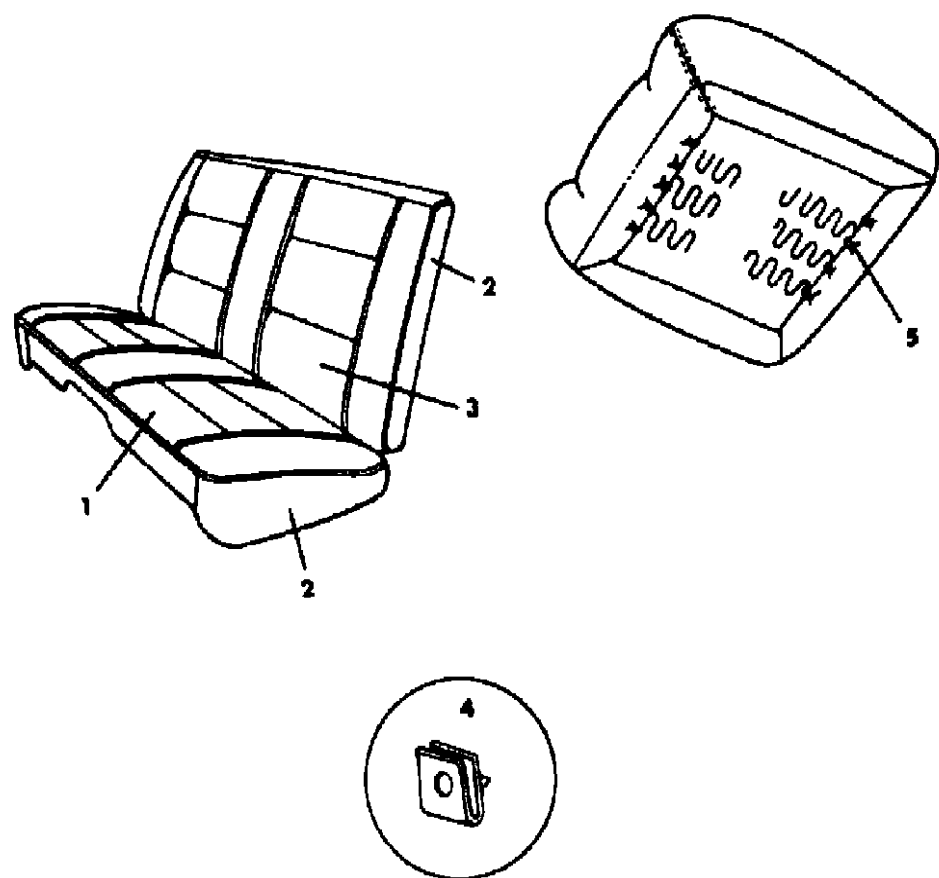
BODY STYLES

21 = 2-DOOR SEDAN	28 = FWD PICKUP	44 = 4-DOOR HATCHBACK
22 = 2-DOOR SPECIAL COUPE	35 = FWD VAN	45 = 4-DOOR STATION WAGON
24 = 2-DOOR HATCHBACK	36 = FWD WAGON	48 = 4-DOOR EXECUTIVE SEDAN
27 = 2-DOOR CONVERTIBLE	41 = 4-DOOR SEDAN	

AR = Use as Required - = Non Illustrated Part P.A.R. = Paint as Required

SEAT REAR M,Z L BODY TRIM CODE F5
Figure ITL-2600

4330 2600



ITEM	PART NUMBER	QTY	BODY	MODEL	DESCRIPTION
	N403 C5L	1			N N24 NF5L YN403C5L
	N403 C5T	1			N N24 NF5TK YN403C5T
	N403 C5S	1			N N24 NF5SA YN403C5S
	N402 C5A	1			N N44 NF5A YN402C5A
	N402 C5B	1			N N44 NF5B YN402C5B
	N402 C5L	1			N N44 NF5L YN402C5L
	N402 C5M	1			N N44 NF5M YN402C5M
	N402 C5T	1			N N44 NF5TK YN402C5T
4	6500 296	2			CLIP, Cushion Retainer N N N Y6500296
5	6008 076	AR			HOG RING N N N Y6008076

MODEL CODES

B = GRAN FURY	F = FIFTH AVENUE/NEWPORT	P = RELIANT
C = LEBARON/TOWN & COUNTRY/EXC SEDAN	G = DIPLOMAT	T = E CLASS/NEW YORKER
C24 = LASER	H = VOYAGER	V = 600
D = ARIES	K = MINI RAM/CARAVAN/ROYAL	V24 = DAYTONA
E = 600	M = HORIZON/TURISMO	Z = OMNI/CHARGER/RAMPAGE

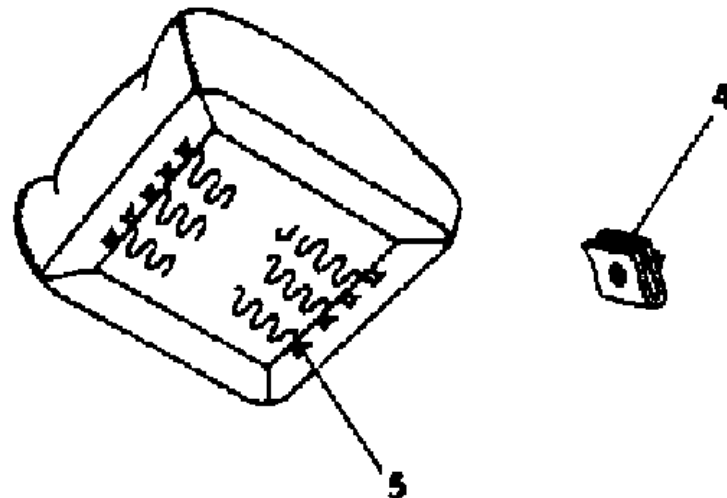
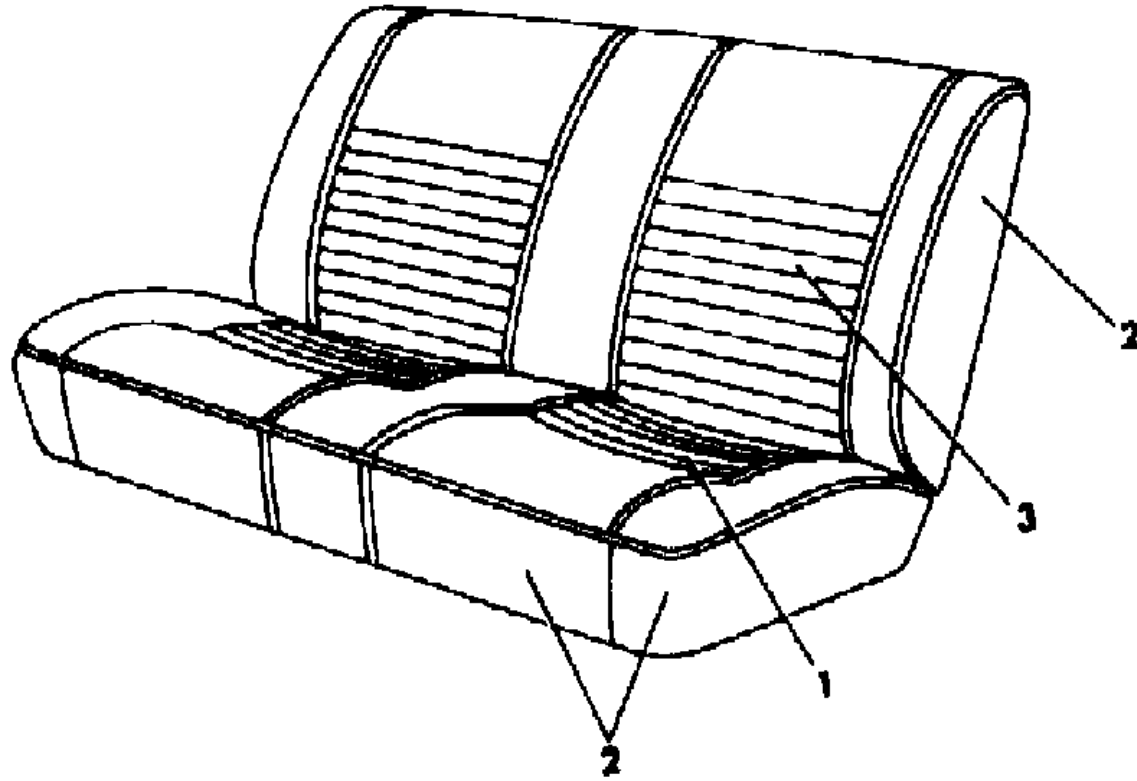
BODY STYLES

21 = 2-DOOR SEDAN	28 = FWD PICKUP	44 = 4-DOOR HATCHBACK
22 = 2-DOOR SPECIAL COUPE	35 = FWD VAN	45 = 4-DOOR STATION WAGON
24 = 2-DOOR HATCHBACK	36 = FWD WAGON	48 = 4-DOOR EXECUTIVE SEDAN
27 = 2-DOOR CONVERTIBLE	41 = 4-DOOR SEDAN	

AR = Use as Required - = Non Illustrated Part P.A.R. = Paint as Required

SEAT REAR M,Z L BODY TRIM CODES E7,H7
Figure ITL-2700

4230 2700



ITEM	PART NUMBER	QTY	BODY	MODEL	DESCRIPTION
1-2					CUSHION, w/Spring/Frame, Pad and Cover N N N N
	N870 C7B	1			N N24 NH7B YN870C7B
	N870 C7M	1			N N24 NH7M YN870C7M
	N870 C7L	1			N N24 NH7L YN870C7L
	N870 C7S	1			N N24 NH7SA YN870C7S
	N870 C7T	1			N N24 NH7TK YN870C7T
	N871 C7A	1			N N44 NE7A YN871C7A
	N871 C7B	1			N N44 NE7B YN871C7B
	N871 C7L	1			N N44 NE7L YN871C7L
	N871 C7M	1			N N44 NE7M YN871C7M
1					COVER, Cushion N N N N
	N422 C7B	1			N N24 NH7B YN422C7B
	N422 C7M	1			N N24 NH7M YN422C7M
	N422 C7L	1			N N24 NH7L YN422C7L
	N422 C7S	1			N N24 NH7SA YN422C7S
	N422 C7T	1			N N24 NH7TK YN422C7T
	N423 C7A	1			N N44 NE7A YN423C7A
	N423 C7B	1			N N44 NE7B YN423C7B
	N423 C7M	1			N N44 NE7M YN423C7M
	N423 C7L	1			N N44 NE7L YN423C7L
2					ROLL STOCK, Vinyl Order by the Inch N N N N
	R616 AA2	AR			Silver, 64" Wide N N N YR616AA2
	R616 BB5	AR			Blue, 64" Wide N N N YR616BB5
	R616 VM6	AR			Red, 64" Wide N N N YR616VM6
	R616 BL3	AR			Beige, 64" Wide N N N YR616BL3
	R609 BT8	AR			Brown, 54" Wide N N N YR609BT8
	R609 CS8	AR			Charcoal, 54" Wide N N N YR609CS8
3&2					BACK, w/Panel, Protectors, Pad and Cover N N N N
	N872 C7B	1			N N24 NH7B YN872C7B
	N872 C7M	1			N N24 NH7M YN872C7M
	N872 C7L	1			N N24 NH7L YN872C7L
	N872 C7S	1			N N24 NH7SA YN872C7S
	N872 C7T	1			N N24 NH7TK YN872C7T
	N873 C7A	1			N N44 NE7A YN873C7A
	N873 C7B	1			N N44 NE7B YN873C7B
	N873 C7M	1			N N44 NE7M YN873C7M
	N873 C7L	1			N N44 NE7L YN873C7L
	N873 C7T	1			N N44 NE7TK YN873C7T

MODEL CODES

B = GRAN FURY	F = FIFTH AVENUE/NEWPORT	P = RELIANT
C = LEBARON/TOWN & COUNTRY/EXC SEDAN	G = DIPLOMAT	T = E CLASS/NEW YORKER
C24 = LASER	H = VOYAGER	V = 600
D = ARIES	K = MINI RAM/CARAVAN/ROYAL	V24 = DAYTONA
E = 600	M = HORIZON/TURISMO	Z = OMNI/CHARGER/RAMPAGE

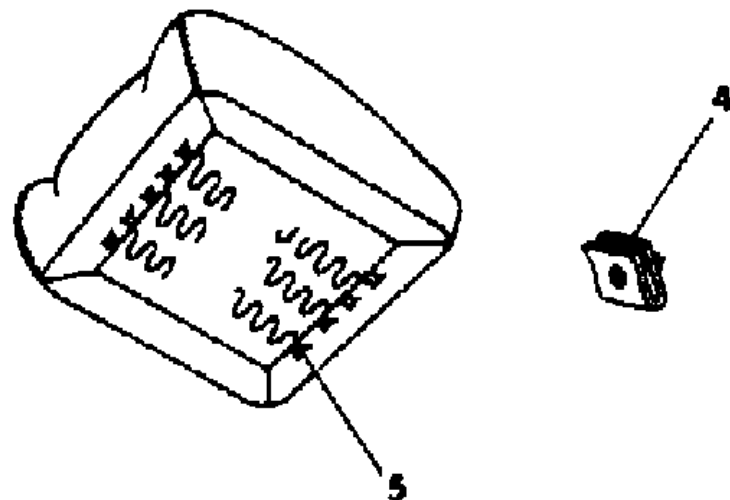
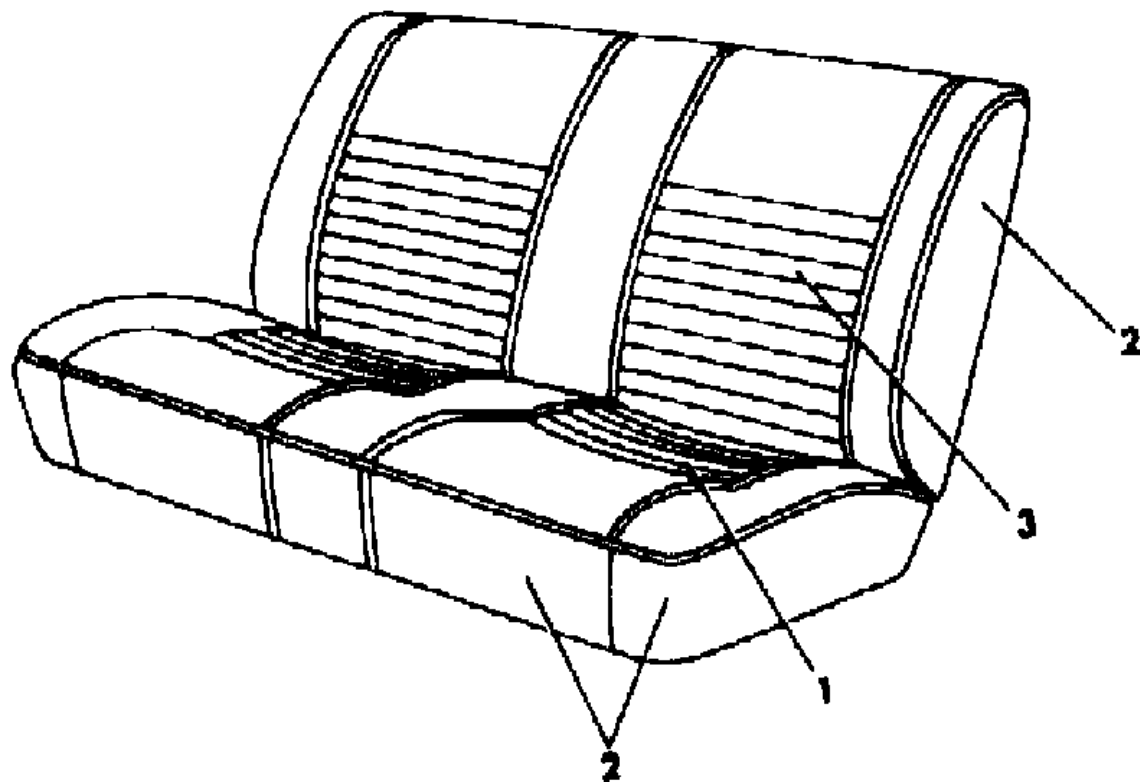
BODY STYLES

21 = 2-DOOR SEDAN	28 = FWD PICKUP	44 = 4-DOOR HATCHBACK
22 = 2-DOOR SPECIAL COUPE	35 = FWD VAN	45 = 4-DOOR STATION WAGON
24 = 2-DOOR HATCHBACK	36 = FWD WAGON	48 = 4-DOOR EXECUTIVE SEDAN
27 = 2-DOOR CONVERTIBLE	41 = 4-DOOR SEDAN	

AR = Use as Required - = Non Illustrated Part P.A.R. = Paint as Required

SEAT REAR M,Z L BODY TRIM CODES E7,H7
Figure ITL-2700

4230 2700



ITEM	PART NUMBER	QTY	BODY	MODEL	DESCRIPTION
3					COVER, Back N N N N
	N424 C7B	1			N N24 NH7B YN424C7B
	N424 C7M	1			N N24 NH7M YN424C7M
	N424 C7L	1			N N24 NH7L YN424C7L
	N424 C7S	1			N N24 NH7SA YN424C7S
	N424 C7T	1			N N24 NH7TK YN424C7T
	N425 C7A	1			N N44 NE7A YN425C7A
	N425 C7B	1			N N44 NE7B YN425C7B
	N425 C7M	1			N N44 NE7M YN425C7M
	N425 C7L	1			N N44 NE7L YN425C7L
4	6500 296	AR			CLIP, Rear Cushion Retainer N N N Y6500296
5	6008 076	AR			CLIP, Hog Ring N N N Y6008076

MODEL CODES

B = GRAN FURY	F = FIFTH AVENUE/NEWPORT	P = RELIANT
C = LEBARON/TOWN & COUNTRY/EXC SEDAN	G = DIPLOMAT	T = E CLASS/NEW YORKER
C24 = LASER	H = VOYAGER	V = 600
D = ARIES	K = MINI RAM/CARAVAN/ROYAL	V24 = DAYTONA
E = 600	M = HORIZON/TURISMO	Z = OMNI/CHARGER/RAMPAGE

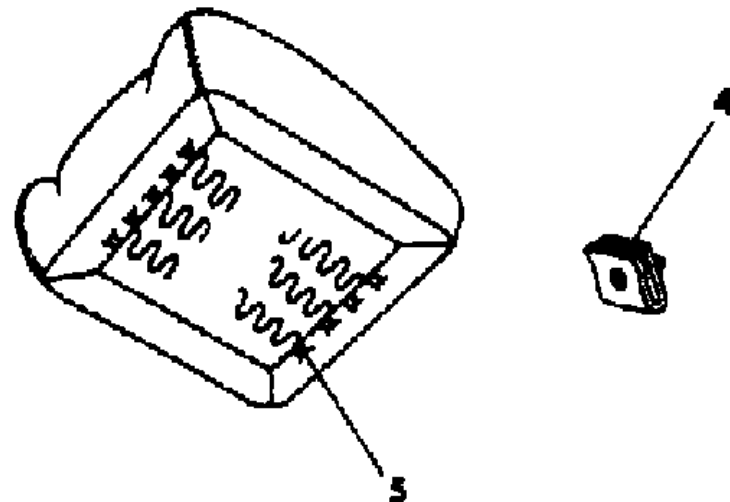
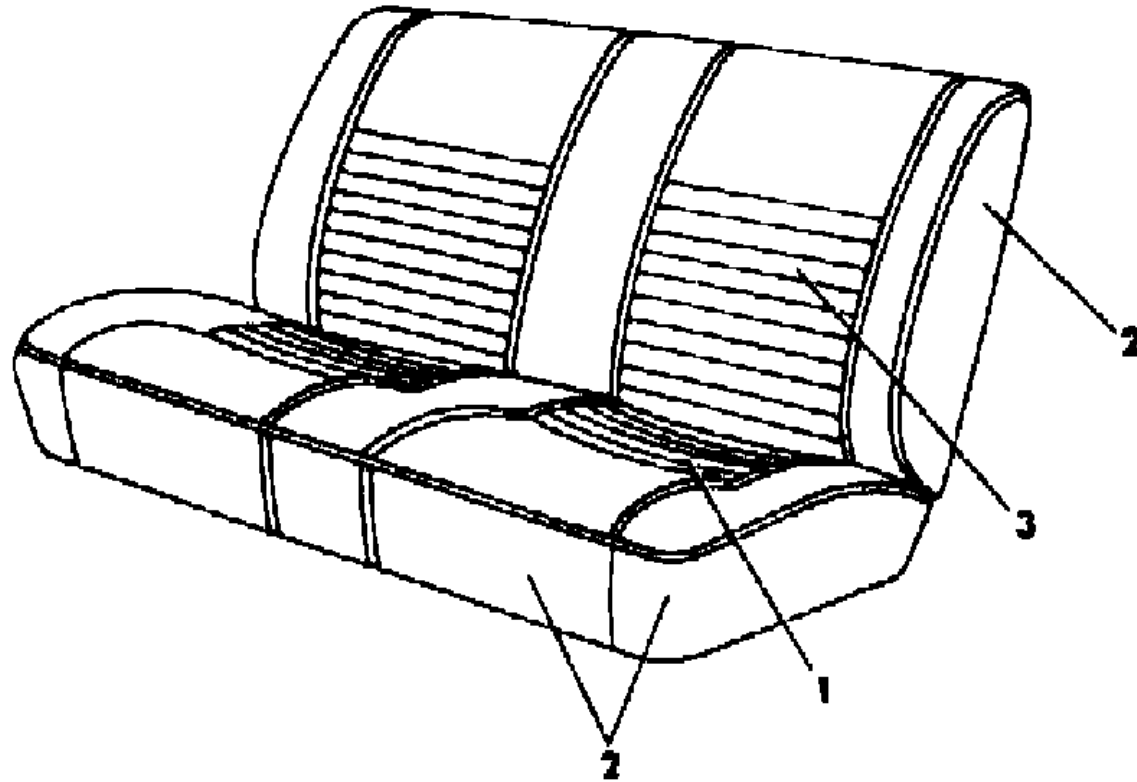
BODY STYLES

21 = 2-DOOR SEDAN	28 = FWD PICKUP	44 = 4-DOOR HATCHBACK
22 = 2-DOOR SPECIAL COUPE	35 = FWD VAN	45 = 4-DOOR STATION WAGON
24 = 2-DOOR HATCHBACK	36 = FWD WAGON	48 = 4-DOOR EXECUTIVE SEDAN
27 = 2-DOOR CONVERTIBLE	41 = 4-DOOR SEDAN	

AR = Use as Required - = Non Illustrated Part P.A.R. = Paint as Required

SEAT REAR M,Z L BODY TRIM CODES E8,H8
Figure ITL-2800

4130 1800



ITEM	PART NUMBER	QTY	BODY	MODEL	DESCRIPTION
1-2					CUSHION, w/Spring/Frane, Pad and Cover N N N N
	N962 C8M	1			N N24 NH8M YN962C8M
	N962 C8L	1			N N24 NH8L YN962C8L
	N962 C8S	1			N N24 NH8SA YN962C8S
	N962 C8T	1			N N24 NH8TK YN962C8T
	N963 C8A	1			N N44 NE8A,H8A YN963C8A
	N963 C8M	1			N N44 NH8M YN963C8M
	N963 C8L	1			N N44 NE8L,H8L YN963C8L
	N963 C8T	1			N N44 NH8TK YN963C8T
1					COVER, Cushion N N N N
	N428 C8M	1			N N24 NH8M YN428C8M
	N428 C8L	1			N N24 NH8L YN428C8L
	N428 C8S	1			N N24 NH8SA YN428C8S
	N428 C8T	1			N N24 NH8TK YN428C8T
	N429 C8A	1			N N44 NE8A,H8A YN429C8A
	N429 C8M	1			N N44 NH8M YN429C8M
	N429 C8L	1			N N44 NE8L,H8L YN429C8L
	N429 C8T	1			N N44 NH8TK YN429C8T
2					ROLL STOCK, Vinyl Order by the Inch N N N N
	R616 AA2	AR			Silver, 64" Wide N N N YR616AA2
	R616 VM6	AR			Red, 64" Wide N N N YR616VM6
	R616 BL3	AR			Beige, 64" Wide N N N YR616BL3
	R609 BT8	AR			Brown, 54" Wide N N N YR609BT8
	R609 CS8	AR			Charcoal, 54" Wide N N N YR609CS8
2-3					BACK, w/Panel, Protectors, Pad and Cover N N N N
	N964 C8M	1			N N24 NH8M YN964C8M
	N964 C8L	1			N N24 NH8L YN964C8L
	N964 C8S	1			N N24 NH8SA YN964C8S
	N964 C8T	1			N N24 NH8TK YN964C8T
	N965 C8A	1			N N44 NE8A,H8A YN965C8A
	N965 C8M	1			N N44 NH8M YN965C8M
	N965 C8L	1			N N44 NE8L,H8L YN965C8L
	N965 C8T	1			N N44 NH8TK YN965C8T
3					COVER, Back N N N N
	N430 C8M	1			N N24 NH8M YN430C8M
	N430 C8L	1			N N24 NH8L YN430C8L
	N430 C8S	1			N N24 NH8SA YN430C8S
	N430 C8T	1			N N24 NH8TK YN430C8T

MODEL CODES

B = GRAN FURY	F = FIFTH AVENUE/NEWPORT	P = RELIANT
C = LEBARON/TOWN & COUNTRY/EXC SEDAN	G = DIPLOMAT	T = E CLASS/NEW YORKER
C24 = LASER	H = VOYAGER	V = 600
D = ARIES	K = MINI RAM/CARAVAN/ROYAL	V24 = DAYTONA
E = 600	M = HORIZON/TURISMO	Z = OMNI/CHARGER/RAMPAGE

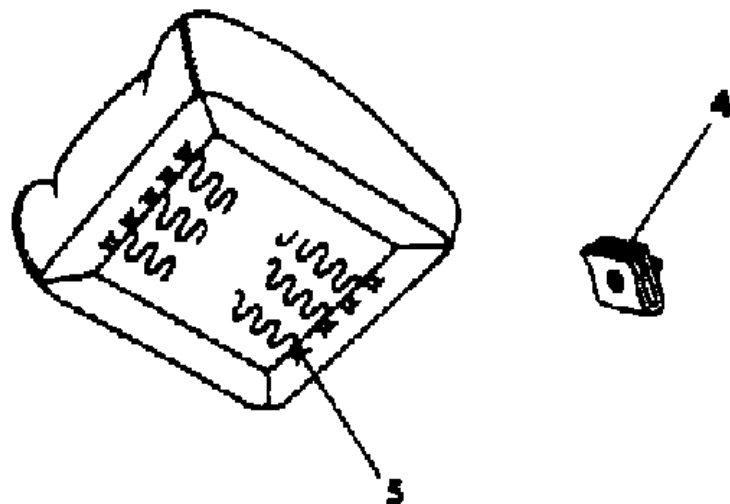
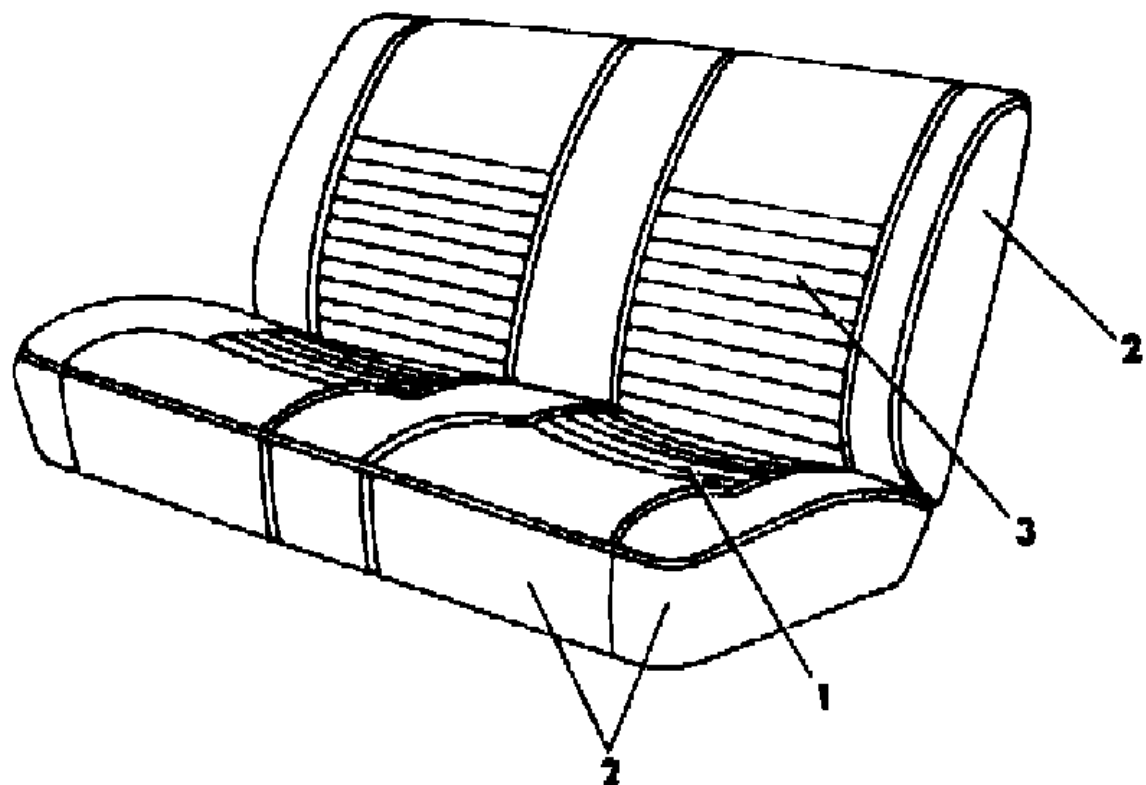
BODY STYLES

21 = 2-DOOR SEDAN	28 = FWD PICKUP	44 = 4-DOOR HATCHBACK
22 = 2-DOOR SPECIAL COUPE	35 = FWD VAN	45 = 4-DOOR STATION WAGON
24 = 2-DOOR HATCHBACK	36 = FWD WAGON	48 = 4-DOOR EXECUTIVE SEDAN
27 = 2-DOOR CONVERTIBLE	41 = 4-DOOR SEDAN	

AR = Use as Required - = Non Illustrated Part P.A.R. = Paint as Required

SEAT REAR M,Z L BODY TRIM CODES E8,H8
Figure ITL-2800

4130 1800



ITEM	PART NUMBER	QTY	BODY	MODEL	DESCRIPTION
	N431 C8A	1			N N44 NE8A,H8A YN431C8A
	N431 C8M	1			N N44 NH8M YN431C8M
	N431 C8L	1			N N44 NE8L,H8L YN431C8L
	N431 C8T	1			N N44 NH8TK YN431C8T
4	6500 296	AR			CLIP, Cushion Retainer N N N Y6500296
5	6008 076	AR			HOG RING N N N Y6008076

MODEL CODES

B = GRAN FURY	F = FIFTH AVENUE/NEWPORT	P = RELIANT
C = LEBARON/TOWN & COUNTRY/EXC SEDAN	G = DIPLOMAT	T = E CLASS/NEW YORKER
C24 = LASER	H = VOYAGER	V = 600
D = ARIES	K = MINI RAM/CARAVAN/ROYAL	V24 = DAYTONA
E = 600	M = HORIZON/TURISMO	Z = OMNI/CHARGER/RAMPAGE

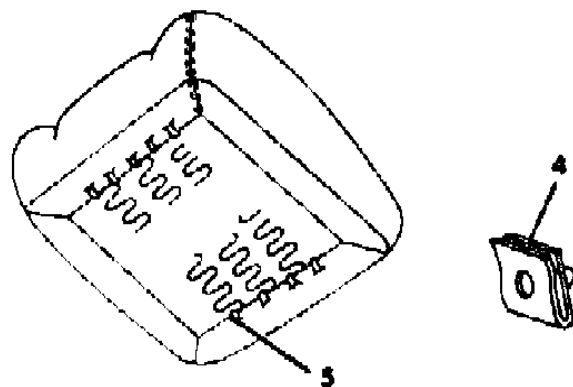
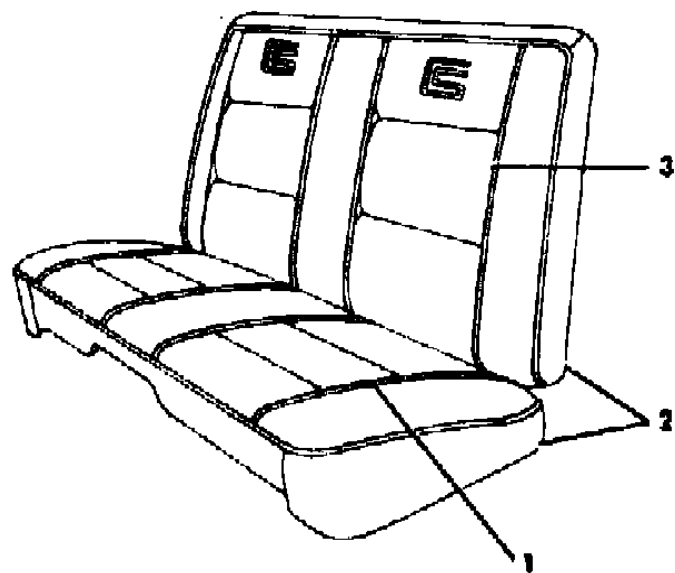
BODY STYLES

21 = 2-DOOR SEDAN	28 = FWD PICKUP	44 = 4-DOOR HATCHBACK
22 = 2-DOOR SPECIAL COUPE	35 = FWD VAN	45 = 4-DOOR STATION WAGON
24 = 2-DOOR HATCHBACK	36 = FWD WAGON	48 = 4-DOOR EXECUTIVE SEDAN
27 = 2-DOOR CONVERTIBLE	41 = 4-DOOR SEDAN	

AR = Use as Required - = Non Illustrated Part P.A.R. = Paint as Required

SEAT REAR M,Z L BODY TRIM CODE S5
Figure ITL-2900

4230 2900



ITEM	PART NUMBER	QTY	BODY	MODEL	DESCRIPTION
1-2	N770 B5A	1			CUSHION, w/Spring/Frame, Pad and Cover N N NS5AC YN770B5A
	N770 C5S	1			N N NS5AS YN770C5S
1	N414 B5A	1			COVER, Cushion N N NS5AC YN414B5A
	N414 C5S	1			N N NS5AS YN414C5S
2	R616 AA2	AR			ROLL STOCK, Vinyl 64" Wide Order by the Inch N N NS5AC YR616AA2
2-3	N771 C5A	1			BACK, w/Panel, Protectors, Pad and Cover N N NS5AC YN771C5A
	N771 C5S	1			N N NS5AS YN771C5S
3	N415 C5A	1			COVER, Back N N NS5AC YN415C5A
	N415 C5S	1			N N NS5AS YN415C5S
4	6500 296	AR			CLIP, Rear Cushion Retainer N N N Y6500296
5	6008 076	AR			HOG RING N N N Y6008076

MODEL CODES

B = GRAN FURY	F = FIFTH AVENUE/NEWPORT	P = RELIANT
C = LEBARON/TOWN & COUNTRY/EXC SEDAN	G = DIPLOMAT	T = E CLASS/NEW YORKER
C24 = LASER	H = VOYAGER	V = 600
D = ARIES	K = MINI RAM/CARAVAN/ROYAL	V24 = DAYTONA
E = 600	M = HORIZON/TURISMO	Z = OMNI/CHARGER/RAMPAGE

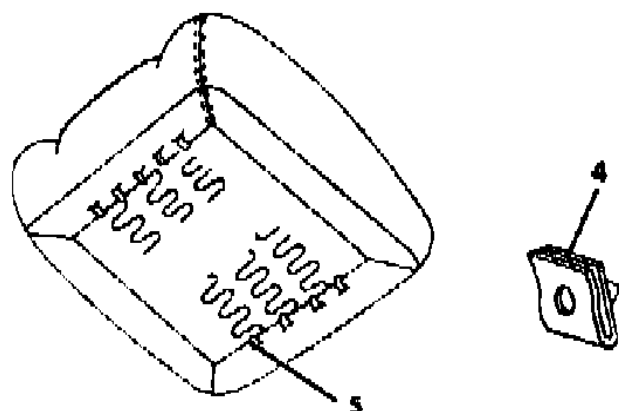
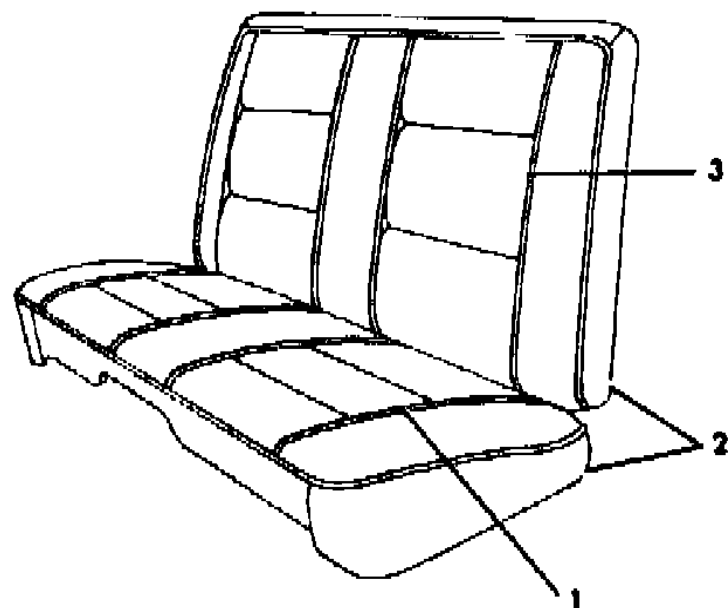
BODY STYLES

21 = 2-DOOR SEDAN	28 = FWD PICKUP	44 = 4-DOOR HATCHBACK
22 = 2-DOOR SPECIAL COUPE	35 = FWD VAN	45 = 4-DOOR STATION WAGON
24 = 2-DOOR HATCHBACK	36 = FWD WAGON	48 = 4-DOOR EXECUTIVE SEDAN
27 = 2-DOOR CONVERTIBLE	41 = 4-DOOR SEDAN	

AR = Use as Required - = Non Illustrated Part P.A.R. = Paint as Required

SEAT REAR M,Z L BODY TRIM CODE D5
Figure ITL-3000

4830 3000



ITEM	PART NUMBER	QTY	BODY	MODEL	DESCRIPTION
1-2	N770 C5S	1			CUSHION, w/Spring/Frame, Pad and Cover N N ND5SA YN770C5S
1	N414 C5S	1			COVER, Cushion N N ND5SA YN414C5S
2	R616 AA2	AR			ROLL STOCK, Vinyl 64' Wide Order by the Inch N N ND5SA YR616AA2
2-3	N590 C5S	1			BACK, w/Panel, Protectors, Pad, and Cover N N ND5SA YN590C5S
3	N450 C5S	1			COVER, Back N N ND5SA YN450C5S
4	6500 296	AR			CLIP, Rear Cushion Retainer N N N Y6500296
5	6008 076	AR			HOG RING N N N Y6008076

MODEL CODES

B = GRAN FURY	F = FIFTH AVENUE/NEWPORT	P = RELIANT
C = LEBARON/TOWN & COUNTRY/EXC SEDAN	G = DIPLOMAT	T = E CLASS/NEW YORKER
C24 = LASER	H = VOYAGER	V = 600
D = ARIES	K = MINI RAM/CARAVAN/ROYAL	V24 = DAYTONA
E = 600	M = HORIZON/TURISMO	Z = OMNI/CHARGER/RAMPAGE

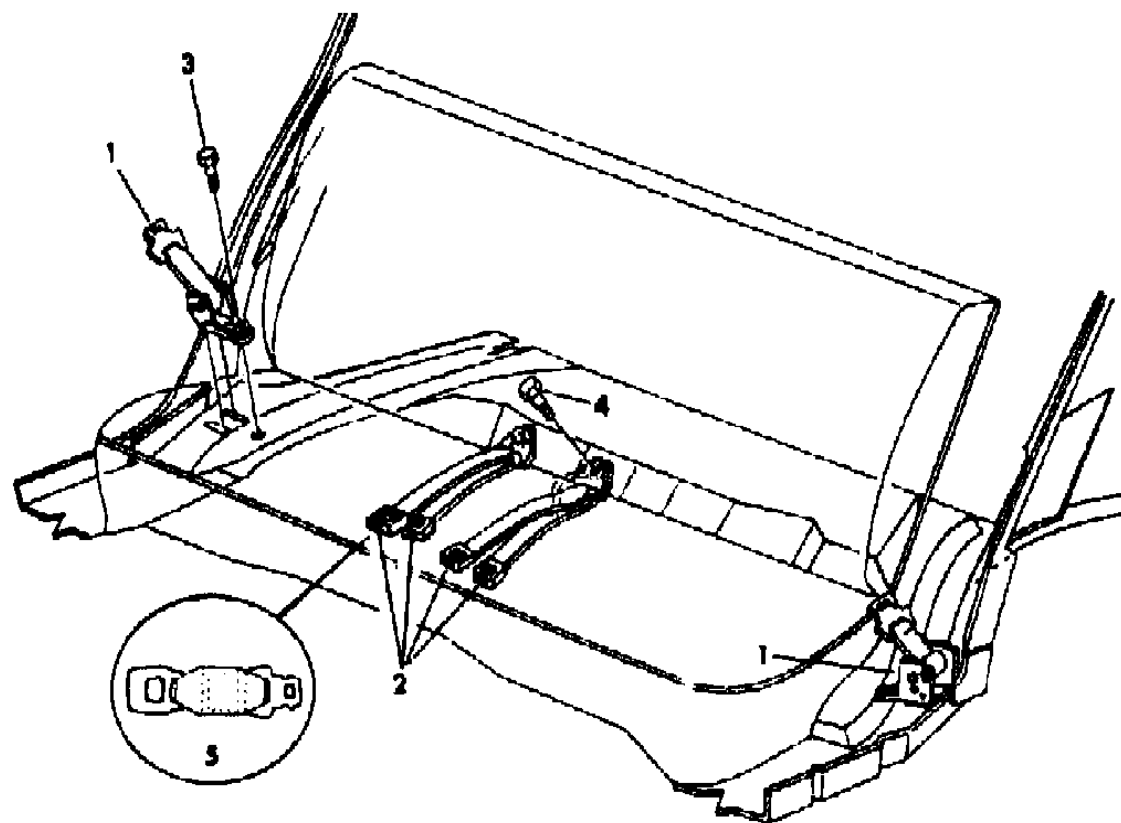
BODY STYLES

21 = 2-DOOR SEDAN	28 = FWD PICKUP	44 = 4-DOOR HATCHBACK
22 = 2-DOOR SPECIAL COUPE	35 = FWD VAN	45 = 4-DOOR STATION WAGON
24 = 2-DOOR HATCHBACK	36 = FWD WAGON	48 = 4-DOOR EXECUTIVE SEDAN
27 = 2-DOOR CONVERTIBLE	41 = 4-DOOR SEDAN	

AR = Use as Required - = Non Illustrated Part P.A.R. = Paint as Required

BELT REAR SEAT M,Z L BODY
Figure ITL-3100

4230 3100



ITEM	PART NUMBER	QTY	BODY	MODEL	DESCRIPTION
1					BELT, Rear Seat Lap Outboard Tip Half N N N N
					Label Number 4316222 or 4267196 N N N N
	F673 BA3	2			Silver N N N YF673BA3
	F673 BB5	2			Blue N N N YF673BB5
	F673 BM6	2			Red N N N YF673BM6
	F673 BL3	2			Beige N N N YF673BL3
	F673 CT8	2			Brown N N N YF673CT8
	F673 CS8	2			Charcoal N N N YF673CS8
2					BELT, Rear Seat Lap Buckle Inner, Right N N N N
					Label Number 4316756 N N N N
	F712 BA3	1			Silver N N N YF712BA3
	F712 BB5	1			Blue N N N YF712BB5
	F712 BM6	1			Red N N N YF712BM6
	F712 BL3	1			Beige N N N YF712BL3
	F712 CT8	1			Brown N N N YF712CT8
	F712 CS8	1			Charcoal N N N YF712CS8
					Buckle and Tip, Left N N N N
					Label Number 4136755 N N N N
	F711 BA3	1			Silver N N N YF711BA3
	F711 BB5	1			Blue N N N YF711BB5
	F711 BM6	1			Red N N N YF711BM6
	F711 BL3	1			Beige N N N YF711BL3
	F711 CT8	1			Brown N N N YF711CT8
	F711 CS8	1			Charcoal N N N YF711CS8
3	6031 484	2			BOLT N N N Y6031484
4	6031 298	1			BOLT N N N Y6031298
5	4364 849	1			EXTENSION, Rear Seat Belt N N N Y4364849

MODEL CODES

B = GRAN FURY	F = FIFTH AVENUE/NEWPORT	P = RELIANT
C = LEBARON/TOWN & COUNTRY/EXC SEDAN	G = DIPLOMAT	T = E CLASS/NEW YORKER
C24 = LASER	H = VOYAGER	V = 600
D = ARIES	K = MINI RAM/CARAVAN/ROYAL	V24 = DAYTONA
E = 600	M = HORIZON/TURISMO	Z = OMNI/CHARGER/RAMPAGE

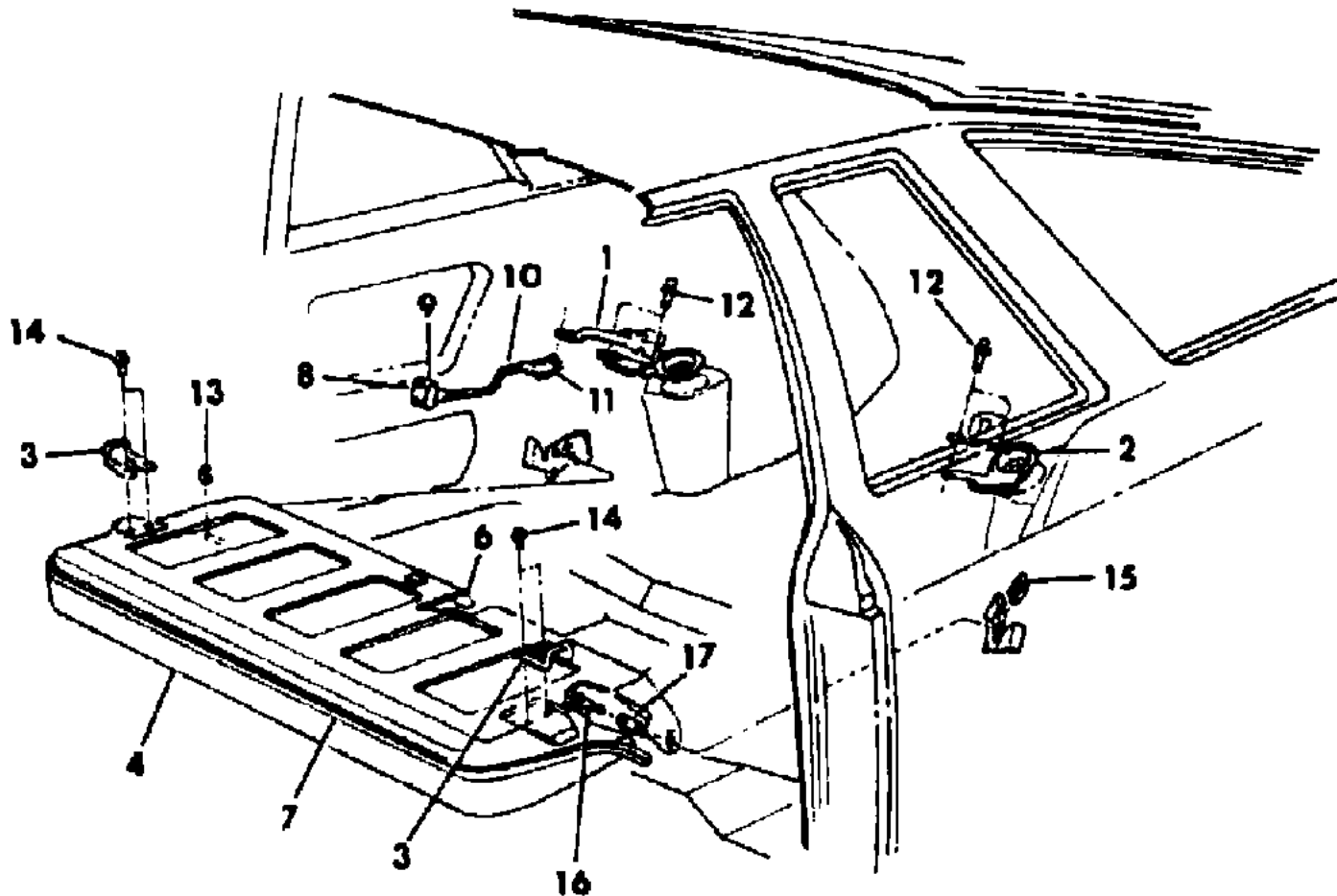
BODY STYLES

21 = 2-DOOR SEDAN	28 = FWD PICKUP	44 = 4-DOOR HATCHBACK
22 = 2-DOOR SPECIAL COUPE	35 = FWD VAN	45 = 4-DOOR STATION WAGON
24 = 2-DOOR HATCHBACK	36 = FWD WAGON	48 = 4-DOOR EXECUTIVE SEDAN
27 = 2-DOOR CONVERTIBLE	41 = 4-DOOR SEDAN	

AR = Use as Required - = Non Illustrated Part P.A.R. = Paint as Required

SEAT REAR FOLD DOWN M,Z L BODY 24
Figure ITL-3200

4230 3200



ITEM	PART NUMBER	QTY	BODY	MODEL	DESCRIPTION
1	5207 284	1			LATCH, Second Seat Back N N N Y5207284
2	5207 306	1			BRACKET and CLIP, Second Seat Back N N N Y5207306
3	5207 288	2			STRIKER, Second Seat Back Latch and Retainer Clip N N N Y5207288
4	5230 363	1			PANEL, Rear Seat Back N N N Y5230363
6	5230 365	1			PROTECTOR, Inner N N N Y5230365
7	S535 RX9	1			PROTECTOR, Upper N N N YS535RX9
8	H443 BL3	1			BUTTON, Second Seat Back Release Rod (paint as required) N N N YH443BL3
9	4246 304	1			BAND, Second Seat Back Release Tie Down N N N Y4246304
10	5207 289	1			ROD, Second Seat Back Latch Release N N N Y5207289
11	6031 485	1			CLIP, Second Seat Back Latch Release Rod N N N Y6031485
12	2945 109	1			CLIP, Second Seat Back Release Rod Attaching N N N Y2945109
12	6101 276	AR			SCREW and WASHER N N N Y6101276
13	6023 878	2			RING, Retainer N N N Y6023878
14	6100 557	4			SCREW (use up to 10/3/83) N N N Y6100557
	6501 070	4			(use after 10/3/83) N N N Y6501070
15	6101 283	2			U-NUT N N N Y6101283
16	6500 713	2			SCREW N N N Y6500713
17	5230 351	2			BUSHING N N N Y5230351
	5230 350	1			SPACER, Seat Back Pivot, Right N N N Y5230350

MODEL CODES

B = GRAN FURY	F = FIFTH AVENUE/NEWPORT	P = RELIANT
C = LEBARON/TOWN & COUNTRY/EXC SEDAN	G = DIPLOMAT	T = E CLASS/NEW YORKER
C24 = LASER	H = VOYAGER	V = 600
D = ARIES	K = MINI RAM/CARAVAN/ROYAL	V24 = DAYTONA
E = 600	M = HORIZON/TURISMO	Z = OMNI/CHARGER/RAMPAGE

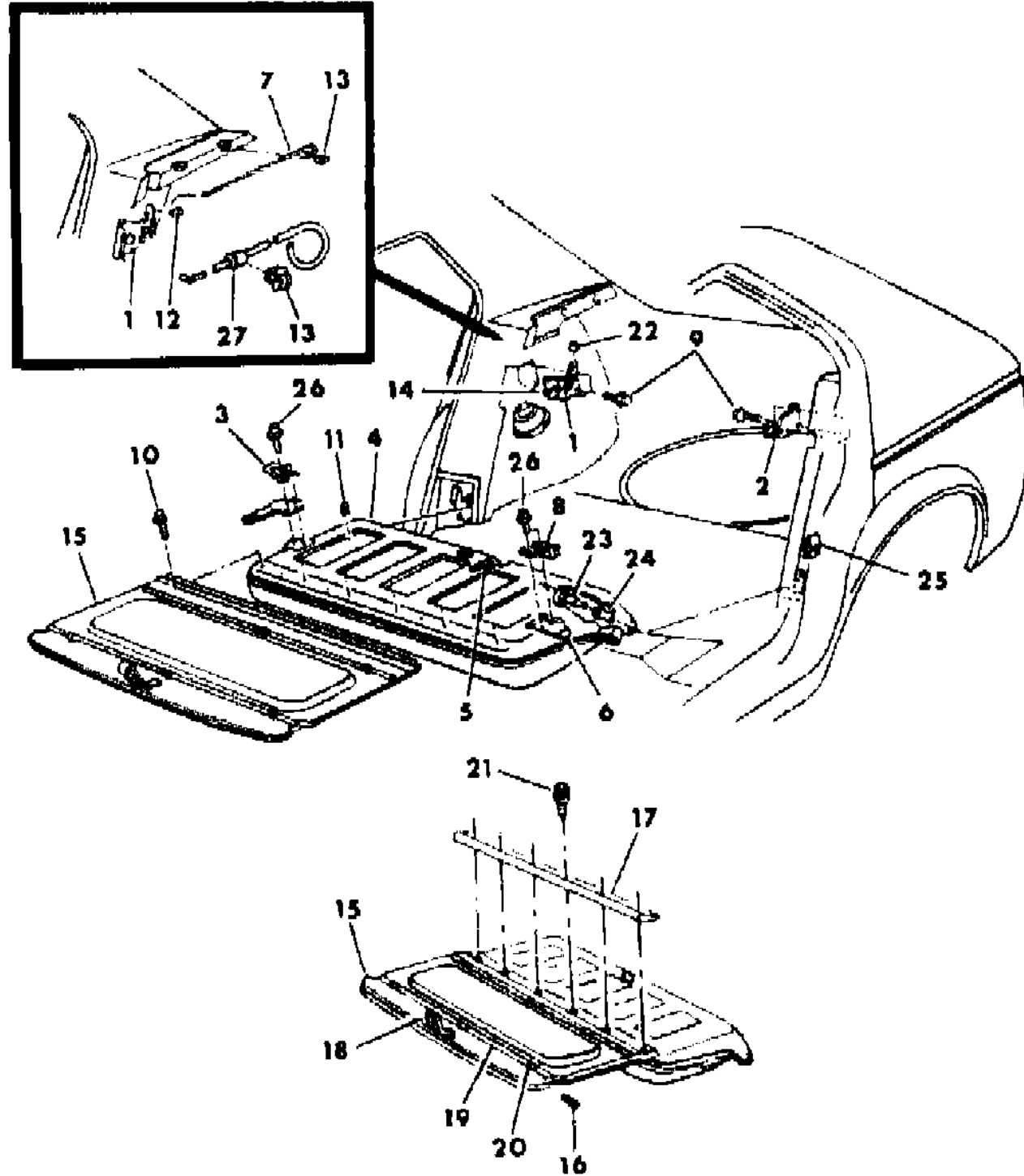
BODY STYLES

21 = 2-DOOR SEDAN	28 = FWD PICKUP	44 = 4-DOOR HATCHBACK
22 = 2-DOOR SPECIAL COUPE	35 = FWD VAN	45 = 4-DOOR STATION WAGON
24 = 2-DOOR HATCHBACK	36 = FWD WAGON	48 = 4-DOOR EXECUTIVE SEDAN
27 = 2-DOOR CONVERTIBLE	41 = 4-DOOR SEDAN	

AR = Use as Required - = Non Illustrated Part P.A.R. = Paint as Required

SEAT REAR FOLD DOWN M,Z L BODY 44
Figure ITL-3300

4230 1300



ITEM	PART NUMBER	QTY	BODY	MODEL	DESCRIPTION
1	5207 008	2			LATCH, Folding Rear Seat Back N N N Y5207008
2	5207 208	1			BRACKET and CLIP, Support N N N Y5207208
3	5207 059	1			STRIKER, Folding Seat Back Latch N N N Y5207059
4	5230 363	1			PANEL, Seat Back N N N Y5230363
5	5230 365	1			PROTECTOR, Inner N N N Y5230365
6	S535 RX9	1			PROTECTOR, Upper N N N YS535RX9
7	5207 082	1			ROD, Latch Release N N N Y5207082
8	5207 272	1			STRIKER, Left Side N N N Y5207272
9	6101 276	AR			SCREW and WASHER N N N Y6101276
10		AR			SCREW (8-18x5/8)(not serviced) N N N
11	6023 878	1			RING, Retainer N N N Y6023878
12	2945 109	1			CLIP, Latch to Rod N N N Y2945109
13		1			CLIP (not serviced) N N N
14	5207 189	1			BUMPER, Folding Rear Seat Back Support N N N Y5207189
	6031 340	1			NUT, Seat Back Latch Bumper N N N Y6031340
15					PANEL, Rear Shelf N N N
	H207 CS8	1			Charcoal N N N YH207CS8
	H207 BC7	1			Blue N N N YH207BC7
	H207 VM6	1			Red N N N YH207VM6
	H207 BT9	1			Brown N N N YH207BT9
16	5230 427	1			CORD, Shelf Panel N N N Y5230427
17	5200 315	1			RETAINER, Shelf Panel Carpet N N N Y5200315
18	5200 383	1			STRAP, Shelf Panel Lift N N N Y5200383
19	5200 306	1			ROD, Shelf Panel Support N N N Y5200306
20	5200 309	3			RETAINER, Shelf Panel Support Rod N N N Y5200309
21		AR			SCREW (8-18x5/8)(not serviced) N N N
22	5207 080	AR			KNOB, 2nd. Seat Back Latch Release N N N Y5207080
23	6500 713	2			SCREW, Folding Rear Seat Back Pivot N N N Y6500713
24	5230 351	2			BUSHING, Folding Rear Seat Back Pivot Screw N N N Y5230351
	5230 350	1			SPACER, Seat Back Pivot, Right N N N Y5230350
25	6500 624	2			J-NUT N N N Y6500624
	6031 340	1			NUT, Folding Rear Seat Back Latch Bumper Adjuster N N N Y6031340
26	6100 557	4			SCREW (use up to 10/3/83) N N N Y6100557
	6501 070	4			(use after 10/3/83) N N N Y6501070
27	4057 555	AR			RETAINER N N N Y4057555

MODEL CODES

B = GRAN FURY	F = FIFTH AVENUE/NEWPORT	P = RELIANT
C = LEBARON/TOWN & COUNTRY/EXC SEDAN	G = DIPLOMAT	T = E CLASS/NEW YORKER
C24 = LASER	H = VOYAGER	V = 600
D = ARIES	K = MINI RAM/CARAVAN/ROYAL	V24 = DAYTONA
E = 600	M = HORIZON/TURISMO	Z = OMNI/CHARGER/RAMPAGE

BODY STYLES

21 = 2-DOOR SEDAN	28 = FWD PICKUP	44 = 4-DOOR HATCHBACK
22 = 2-DOOR SPECIAL COUPE	35 = FWD VAN	45 = 4-DOOR STATION WAGON
24 = 2-DOOR HATCHBACK	36 = FWD WAGON	48 = 4-DOOR EXECUTIVE SEDAN
27 = 2-DOOR CONVERTIBLE	41 = 4-DOOR SEDAN	

AR = Use as Required - = Non Illustrated Part P.A.R. = Paint as Required

GROUP ITK - K BODY

ILLUSTRATION NOT AVAILABLE AT TIME OF PUBLICATION

ILLUSTRATION TITLE	GROUP-FIG. NO.
COWL PANEL AND SILENCERS P,D,C,V K BODY	Fig. ITK-100
HEADLINING VISOR AND SHELF PANEL P,D,C,V K BODY	Fig. ITK-200
HEADLINING AND SUNVISOR EXEC. SEDAN & LIMO	Fig. ITK-300
SECURITY COVER P,D,C . K BODY	Fig. ITK-400
MOULDING GARNISH P,D,C,V K BODY	Fig. ITK-500
MOULDING GARNISH C,V K BODY 27	Fig. ITK-600
MOULDING GARNISH AND BACKLITE INSERT SEDAN AND LIMO.	Fig. ITK-700
B PILLAR TRIM P,D,C K BODY 41,45, SEDAN AND LIMO.	Fig. ITK-800
PANEL QUARTER TRIM P,D K BODY 21	Fig. ITK-900
PANEL QUARTER TRIM C,V K BODY 22	Fig. ITK-1000
PANEL QUARTER TRIM C,V K BODY 27	Fig. ITK-1100
PANEL QUARTER TRIM P,D,C K BODY 41	Fig. ITK-1200
PANEL QUARTER TRIM P,D,C K BODY 45	Fig. ITK-1300
LIFT GATE TRIM P,D,C K BODY 45	Fig. ITK-1400
PANEL QUARTER TRIM SEDAN AND LIMO	Fig. ITK-1500
DIVIDER CENTER PRIVACY LIMO.	Fig. ITK-1600
PANEL TRIM CENTER DIVIDER LIMO.	Fig. ITK-1700
CARPET P,D,C,V K BODY	Fig. ITK-1800
CARPET FOOTREST AND TRUNK SEDAN AND LIMO.	Fig. ITK-1900
CARPET C,V K BODY 27	Fig. ITK-2000
MATS FRONT AND REAR P,D K BODY	Fig. ITK-2100
SILENCERS REAR COMPARTMENT P,D,C,V K BODY 21,22,41	Fig. ITK-2200
CARPET CARGO AREA P,D,C K BODY 45	Fig. ITK-2300
SCUFF PLATES BODY SIDE SILL AND DOOR P,D,C,V K BODY	Fig. ITK-2400
DOOR TRIM PANEL P,D K BODY 21	Fig. ITK-2500
DOOR TRIM PANEL C,V K BODY 22,27	Fig. ITK-2600
DOOR TRIM PANEL K BODY P,D 41,45	Fig. ITK-2700
DOOR TRIM PANEL K BODY C 41,45	Fig. ITK-2800
DOOR TRIM PANEL FRONT SEDAN AND LIMO.	Fig. ITK-2900
DOOR TRIM PANEL REAR SEDAN AND LIMO.	Fig. ITK-3000
SEAT FRONT P,D K BODY 21 TRIM CODES C1,C2	Fig. ITK-3100
SEAT FRONT K BODY P,D 41,45 TRIM CODES C1,C2,K2	Fig. ITK-3200
SEAT FRONT P,D K BODY TRIM CODES H3,H4	Fig. ITK-3300
SEAT FRONT C,V K BODY TRIM CODE J3	Fig. ITK-3400
SEAT FRONT P,D K BODY FLEET POLICE AND OTHERS	Fig. ITK-3500
SEAT FRONT P,D K BODY TRIM CODE H7	Fig. ITK-3600
SEAT FRONT C,V K BODY TRIM CODE V8	Fig. ITK-3700
SEAT FRONT C,V K BODY TRIM CODE J5	Fig. ITK-3800

GROUP ITK - K BODY

ILLUSTRATION TITLE

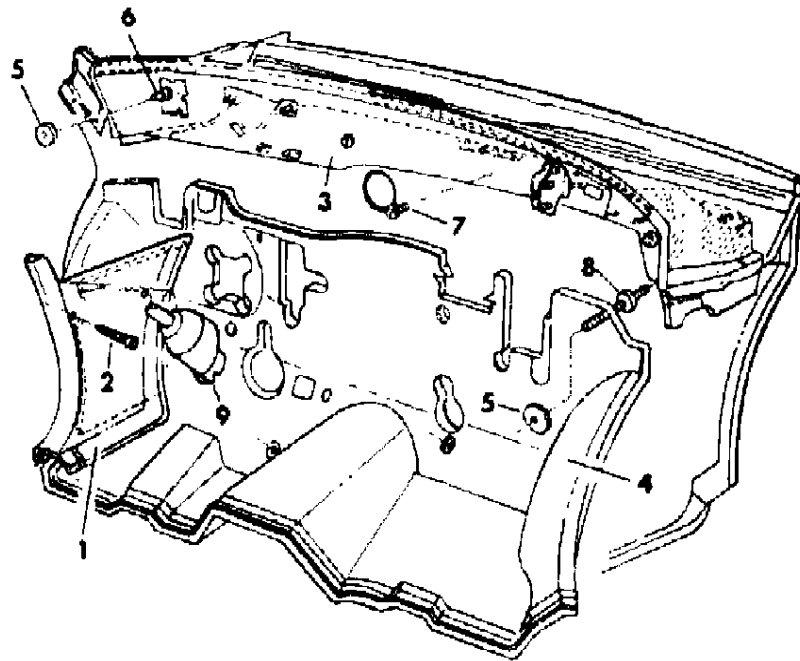
GROUP-FIG. NO.

M BODY B,F,G (Continued)

SEAT FRONT C,V K BODY TRIM CODE J5	Fig. ITK-3800
SEAT FRONT C,V K BODY TRIM CODES GL,RL	Fig. ITK-3900
SEAT FRONT P,D K BODY TRIM CODE K8	Fig. ITK-4000
SEAT FRONT V K BODY TRIM CODE E5	Fig. ITK-4100
SEAT FRONT SEDAN & LIMO.	Fig. ITK-4200
SEAT FRONT P,D K BODY FLEET POLICE AND OTHERS	Fig. ITK-4300
SEAT FRONT C K BODY TRIM CODE SP	Fig. ITK-4400
BELT FRONT SEAT OUTBOARD P,D,C,V K BODY 0	Fig. ITK-4500
BELT FRONT SEAT INBOARD P,D,C,V K BODY 0	Fig. ITK-4600
BELT FRONT SEAT C,V K BODY 27	Fig. ITK-4700
RELEASE SEAT BACK FRONT P,D,C,V K BODY	Fig. ITK-4800
RECLINING BUCKET SEAT P,D,C,V K BODY	Fig. ITK-4900
RECLINING 50/50 SEAT C K BODY	Fig. ITK-5000
ADJUSTER MANUAL P,D,C,V K BODY 0	Fig. ITK-5100
COVERS MANUAL SEAT ADJUSTORS P,D,C,V K BODY	Fig. ITK-5200
ADJUSTER ELECTRIC P,D,C,V K BODY	Fig. ITK-5300
COVERS ELECTRIC SEAT ADJUSTORS P,D,C,V K BODY	Fig. ITK-5400
SEAT REAR P,D K BODY TRIM CODES C1,C2	Fig. ITK-5500
SEAT REAR V K BODY TRIM CODE E5	Fig. ITK-5600
SEAT REAR C,V K BODY TRIM CODES J3,J5,V8	Fig. ITK-5700
SEAT REAR C K BODY TRIM CODE SP	Fig. ITK-5800
SEAT REAR P,D K BODY TRIM CODES K2,K8	Fig. ITK-5900
SEAT REAR C,V K BODY 27 TRIM CODES GL,RL	Fig. ITK-6000
SEAT REAR P,D K BODY TRIM CODES H3,H4,H7	Fig. ITK-6100
SEAT REAR P,D K BODY FLEET POLICE AND OTHERS	Fig. ITK-6200
SEAT REAR SEDAN & LIMO	Fig. ITK-6300
JUMP SEAT LIMO	Fig. ITK-6400
BELT REAR SEAT LAP P,D,C,V K BODY 0	Fig. ITK-6500
SEAT REAR FOLD DOWN P,D,C K BODY 45 0	Fig. ITK-6600
PANEL CARGO P,D,C K BODY 0	Fig. ITK-6700

COWL PANEL AND SILENCERS P,D,C,V K BODY
Figure ITK-100

4334 100



ITEM	PART NUMBER	QTY	BODY	MODEL	DESCRIPTION
1					PANEL, Cowl Side Trim w/o 2.6L Eng. N N N N
	F206 AA3	1			Right N N N N Silver NP,D N N YF206AA3
	F206 BB5	1			Blue NP,D N N YF206BB5
	F206 VM6	1			Red NP,D N N YF206VM6
	F206 BL3	1			Beige NP,D N N YF206BL3
	F197 CA3	1			Right w/2.6L Eng. N N N N Silver NP,D N N YF197CA3
	F197 CB5	1			Blue NP,D N N YF197CB5
	F197 CM6	1			Red NP,D N N YF197CM6
	F197 CL3	1			Beige NP,D N N YF197CL3
	F207 AA3	1			Left N N N N Silver NP,D N N YF207AA3
	F207 BB5	1			Blue NP,D N N YF207BB5
	F207 VM6	1			Red NP,D N N YF207VM6
	F207 BL3	1			Beige NP,D N N YF207BL3
	F194-5 AC7	1			Blue NC,V N27,41,45 N YF194AC7
	F194-5 AM6	1			Red NC,V N27,41,45 N YF194AM6
	F194-5 BL3	1			Tan NC,V N27,41,45 N YF194BL3
	F194-5 BT9	1			Brown NC,V N27,41,45 N YF194BT9
	F210 CS8	1			Charcoal NC,V N27,41,45 N YF210CS8
	4342 100-1	1			Charcoal N NSedan & LimoN Y4342100
	4339 702-3	1			Blue N NSedan & LimoN Y4339702
	4342 102	1			Charcoal, Calif. Only Right N NSedan & LimoN Y4342102
	4342 112	1			Blue, Calif. Only Right N NSedan & LimoN Y4342112
	F194 AC7	1			Right w/o Turbo N N N N (use up to 1/26/84) N N N N Blue NC,V N22 N YF194AC7
	F194 AM6	1			Red NC,V N22 N YF194AM6
	F194 BL3	1			Tan NC,V N22 N YF194BL3
	F194 BT9	1			Brown NC,V N22 N YF194BT9
	F210 CS8	1			Charcoal NC,V N22 N YF210CS8 (use after 1/26/84) NC,V N N N
	F210 CS8	1			Charcoal NC,V N22 N YF210CS8
	F210 CC7	1			Blue NC,V N22 N YF210CC7
	F210 CM6	1			Red NC,V N22 N YF210CM6
	F210 CL3	1			Tan NC,V N22 N YF210CL3
	F210 CT9	1			Brown NC,V N22 N YF210CT9

MODEL CODES

B = GRAN FURY	F = FIFTH AVENUE/NEWPORT	P = RELIANT
C = LEBARON/TOWN & COUNTRY/EXC SEDAN	G = DIPLOMAT	T = E CLASS/NEW YORKER
C24 = LASER	H = VOYAGER	V = 600
D = ARIES	K = MINI RAM/CARAVAN/ROYAL	V24 = DAYTONA
E = 600	M = HORIZON/TURISMO	Z = OMNI/CHARGER/RAMPAGE

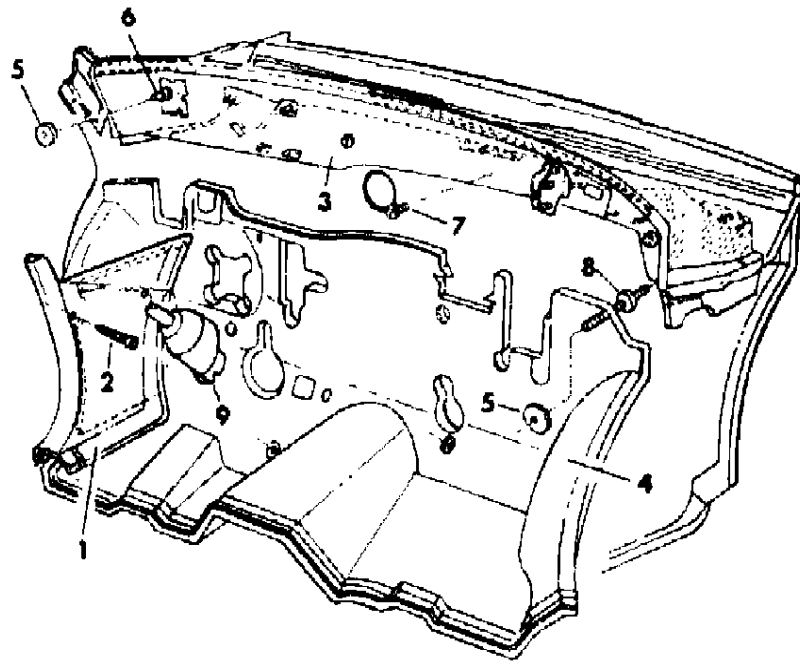
BODY STYLES

21 = 2-DOOR SEDAN	28 = FWD PICKUP	44 = 4-DOOR HATCHBACK
22 = 2-DOOR SPECIAL COUPE	35 = FWD VAN	45 = 4-DOOR STATION WAGON
24 = 2-DOOR HATCHBACK	36 = FWD WAGON	48 = 4-DOOR EXECUTIVE SEDAN
27 = 2-DOOR CONVERTIBLE	41 = 4-DOOR SEDAN	

AR = Use as Required - = Non Illustrated Part P.A.R. = Paint as Required

COWL PANEL AND SILENCERS P,D,C,V K BODY
Figure ITK-100

4334 100



ITEM	PART NUMBER	QTY	BODY	MODEL	DESCRIPTION
					Right w/Turbo N N N N (use up to 1/26/84) N N N N
	F190 CA3	1			Silver N N N YF190CA3
	F190 BC7	1			Blue N N N YF190BC7
	F190 BM6	1			Red N N N YF190BM6
	F190 BL3	1			Tan N N N YF190BL3
	F190 BT9	1			Brown N N N YF190BT9
	F190 CS8	1			Charcoal N N N YF190CS8
		1			(use after 1/26/84) N N N N
	F196 CC7	1			Blue N N N YF196CC7
	F196 CA3	1			Silver N N N YF196CA3
	F196 CM6	1			Red N N N YF196CM6
	F196 CS8	1			Charcoal N N N YF196CS8
	F196 CL3	1			Beige N N N YF196CL3
	F196 CT9	1			Brown N N N YF196CT9
	4247 832	1			BRACKET, Cowl Side Trim, Right NC,V N22 N Y4247832
					Left w/or w/o Turbo N N N N (use up to 1/25/84) N N N N
	F195 AC7	1			Blue NC,V N22 N YF195AC7
	F195 AM6	1			Red NC,V N22 N YF195AM6
	F195 BL3	1			Tan NC,V N22 N YF195BL3
	F195 BT9	1			Brown NC,V N22 N YF195BT9
	F211 CS8	1			Charcoal NC,V N22 N YF211CS8 (use after 1/25/84) N N N N
	F211 CC7	1			Blue NC,V N22 N YF211CC7
	F211 CS8	1			Charcoal NC,V N22 N YF211CS8
	F211 CM6	1			Red NC,V N22 N YF211CM6
	F211 CL3	1			Tan NC,V N22 N YF211CL3
	F211 CT9	1			Brown NC,V N22 N YF211CT9
2		AR			SCREW (not serviced) N N N N
3	4278 961	1			SILENCER, Cowl Panel N N N Y4278961
4	4314 913	1			LINER, Dash N NExc.27 N Y4314913
	4314 917	1			N N27 N Y4314917
	4278 955	1			PACKAGE, Liner Attaching N N N Y4278955
5	4206 545	AR			RETAINER N N N Y4206545
	6032 185	6			CAPLUG, Dash Liner N N N Y6032185
6	6032 020	1			STUD, Collar N N N Y6032020
7		3			SCREW and WASHER (not serviced) N N N N

MODEL CODES

B = GRAN FURY	F = FIFTH AVENUE/NEWPORT	P = RELIANT
C = LEBARON/TOWN & COUNTRY/EXC SEDAN	G = DIPLOMAT	T = E CLASS/NEW YORKER
C24 = LASER	H = VOYAGER	V = 600
D = ARIES	K = MINI RAM/CARAVAN/ROYAL	V24 = DAYTONA
E = 600	M = HORIZON/TURISMO	Z = OMNI/CHARGER/RAMPAGE

BODY STYLES

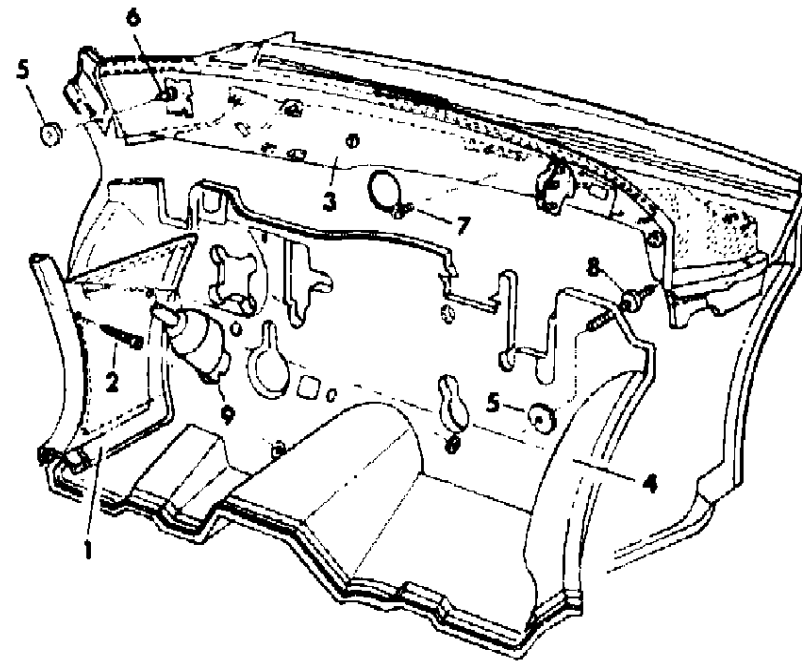
21 = 2-DOOR SEDAN	28 = FWD PICKUP	44 = 4-DOOR HATCHBACK
22 = 2-DOOR SPECIAL COUPE	35 = FWD VAN	45 = 4-DOOR STATION WAGON
24 = 2-DOOR HATCHBACK	36 = FWD WAGON	48 = 4-DOOR EXECUTIVE SEDAN
27 = 2-DOOR CONVERTIBLE	41 = 4-DOOR SEDAN	

AR = Use as Required - = Non Illustrated Part P.A.R. = Paint as Required

COWL PANEL AND SILENCERS P,D,C,V K BODY
Figure ITK-100

ITEM	PART NUMBER	QTY	BODY	MODEL	DESCRIPTION
8	6031 630	4			STUD N N N Y6031630
9	4188 868	1			COVER and SILENCER, Steering Column N N N Y4188868

4334 100



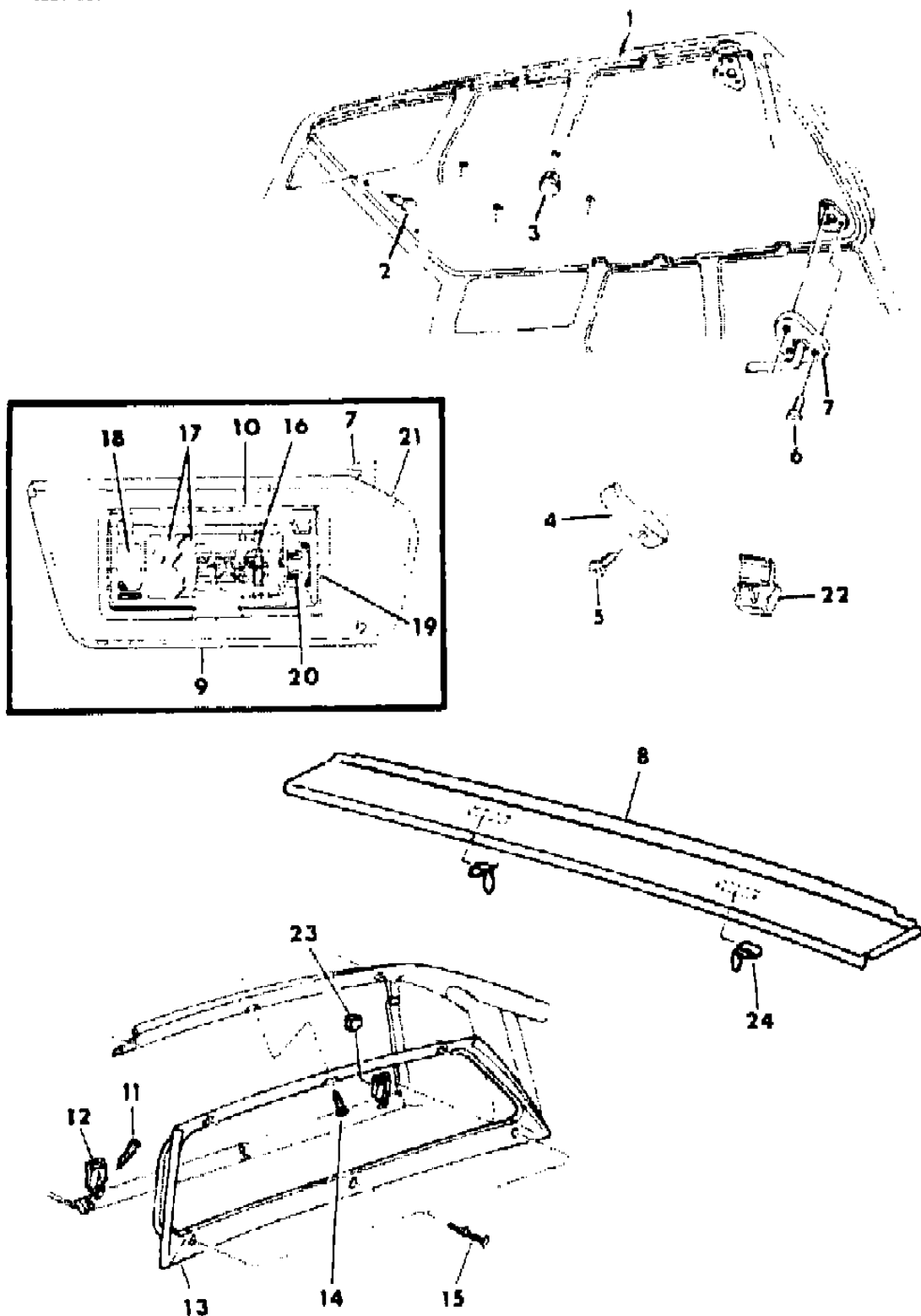
MODEL CODES
 B = GRAN FURY
 C = LEBARON/TOWN & COUNTRY/EXC SEDAN
 C24 = LASER
 D = ARIES
 E = 600
 F = FIFTH AVENUE/NEWPORT
 G = DIPLOMAT
 H = VOYAGER
 K = MINI RAM/CARAVAN/ROYAL
 M = HORIZON/TURISMO
 P = RELIANT
 T = E CLASS/NEW YORKER
 V = 600
 V24 = DAYTONA
 Z = OMNI/CHARGER/RAMPAGE

BODY STYLES
 21 = 2-DOOR SEDAN
 22 = 2-DOOR SPECIAL COUPE
 24 = 2-DOOR HATCHBACK
 27 = 2-DOOR CONVERTIBLE
 28 = FWD PICKUP
 35 = FWD VAN
 36 = FWD WAGON
 41 = 4-DOOR SEDAN
 44 = 4-DOOR HATCHBACK
 45 = 4-DOOR STATION WAGON
 48 = 4-DOOR EXECUTIVE SEDAN

AR = Use as Required - = Non Illustrated Part P.A.R. = Paint as Required

**HEADLINING VISOR AND SHELF PANEL P,D,C,V K BODY
Figure ITK-200**

4234 2/00



ITEM	PART NUMBER	QTY	BODY	MODEL	DESCRIPTION
1					HEADLINER, Cloth N N N N
	H837 AA3	1			Silver N N21,22 N YH837AA3
	H837 BB5	1			Blue, Medium N N21,22 N YH837BB5
	H837 AC7	1			Blue, Dark N N21,22 N YH837AC7
	H837 VM6	1			Red N N21,22 N YH837VM6
	H837 BL3	1			Tan N N21,22 N YH837BL3
	H837 BT8	1			Brown N N21,22 N YH837BT8
	H837 CS8	1			Charcoal N N21,22 N YH837CS8
	H834 AA3	1			Silver N N41 N YH834AA3
	H834 BB5	1			Blue, Medium N N41 N YH834BB5
	H834 AC7	1			Blue, Dark N N41 N YH834AC7
	H834 VM6	1			Red N N41 N YH834VM6
	H834 BL3	1			Tan N N41 N YH834BL3
	H834 BT8	1			Brown N N41 N YH834BT8
	H834 CS8	1			Charcoal N N41 N YH834CS8
	H850 CA3	1			Silver N N45 N YH850CA3
	H850 AM6	1			Red N N45 N YH850AM6
	H850 BL3	1			Tan N N45 N YH850BL3
	H850 BT8	1			Brown N N45 N YH850BT8
2	6003 587	1			FASTENER, Roof Headliner Rear Attaching N N45 N Y6003587
3					FASTENER, Roof Headliner N N N N
	H452 AA3	4			Silver N N45 N YH452AA3
	H452 TM6	4			Red N N45 N YH452TM6
	H452 CK5	4			Saddle N N45 N YH452CK5
4	3685 992	2			HOOK, Coat N N N N Y3685992
5		2			SCREW (not serviced) N N N N
6	6032 584	6			SCREW, Visor Arm N N N N Y6032584
7	4078 431	2			ARM and BRACKET, Visor N N N N Y4078431
	4282 322-3	1			ARM, Visor NC,V N27 N Y4282322
	4248 315	1			ARM and BRACKET, Lighted Mirror N N N N Y4248315
8					PANEL, Rear Shelf Trim N N N N
	H205 CA3	1			Silver N N N N YH205CA3
	H205 CB5	1			Blue, Medium N N N N YH205CB5
	H205 CC7	1			Blue, Dark N N N N YH205CC7
	H205 CM6	1			Red N N N N YH205CM6
	H205 CL3	1			Tan N N N N YH205CL3
	H205 CT9	1			Brown N N N N YH205CT9
	H205 CS8	1			Charcoal N N N N YH205CS8

MODEL CODES

B = GRAN FURY	F = FIFTH AVENUE/NEWPORT	P = RELIANT
C = LEBARON/TOWN & COUNTRY/EXC SEDAN	G = DIPLOMAT	T = E CLASS/NEW YORKER
C24 = LASER	H = VOYAGER	V = 600
D = ARIES	K = MINI RAM/CARAVAN/ROYAL	V24 = DAYTONA
E = 600	M = HORIZON/TURISMO	Z = OMNI/CHARGER/RAMPAGE

BODY STYLES

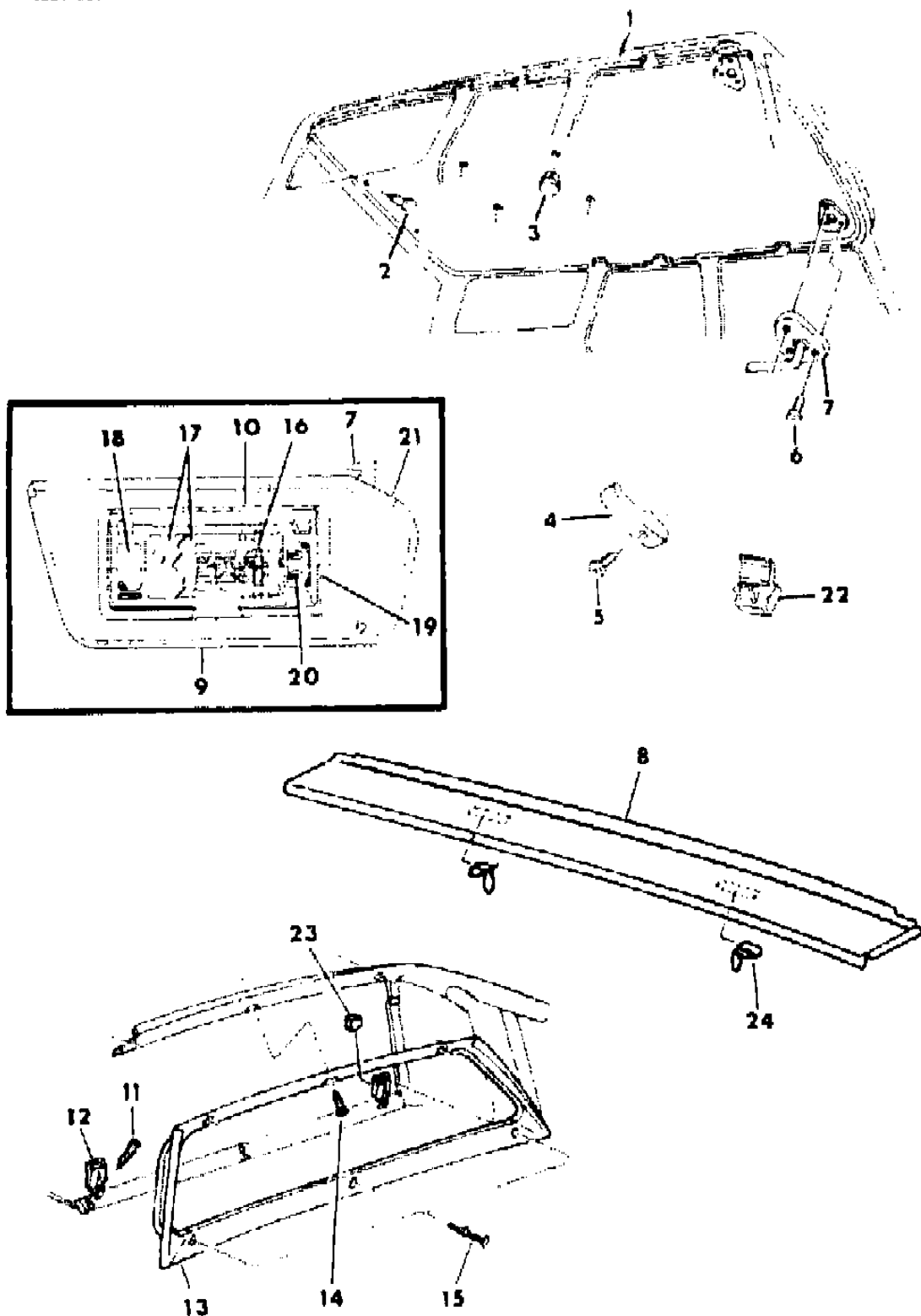
21 = 2-DOOR SEDAN	28 = FWD PICKUP	44 = 4-DOOR HATCHBACK
22 = 2-DOOR SPECIAL COUPE	35 = FWD VAN	45 = 4-DOOR STATION WAGON
24 = 2-DOOR HATCHBACK	36 = FWD WAGON	48 = 4-DOOR EXECUTIVE SEDAN
27 = 2-DOOR CONVERTIBLE	41 = 4-DOOR SEDAN	

AR = Use as Required - = Non Illustrated Part P.A.R. = Paint as Required

HEADLINING VISOR AND SHELF PANEL P,D,C,V K BODY

Figure ITK-200

4234 2/00



ITEM	PART NUMBER	QTY	BODY	MODEL	DESCRIPTION
9					PANEL, Visor, Cloth w/o Lighted Mirror N N N N
	H693 AA3	2			Silver N N N YH693AA3
	H693 BB5	2			Blue, Medium N N N YH693BB5
	H693 AC7	2			Blue, Dark N N N YH693AC7
	H693 VM6	2			Red N N N YH693VM6
	H693 BL3	2			Tan N N N YH693BL3
	H693 BT8	2			Brown N N N YH693BT8
	H693 CS8	2			Charcoal N N N YH693CS8
					VISOR, w/Lighted Mirror Right N N N N
	H329 BC7	1			Blue, Dark NC,V N N YH329BC7
	H329 BM6	1			Red NC,V N N YH329BM6
	H329 BL3	1			Tan NC,V N N YH329BL3
	H329 BT8	1			Brown NC,V N N YH329BT8
	H329 CS8	1			Charcoal NC,V N N YH329CS8
					w/o Mirror, Vinyl N N N N
	H384-5 CL3	1			Cashmere NC,V N27 N YH384CL3
	H384-5 CT8	1			Brown NC,V N27 N YH384CT8
	H384-5 CM6	1			Red NC,V N27 N YH384CM6
	H384-5 CS8	1			Charcoal NC,V N27 N YH384CS8
10					MIRROR, w/Cover Visor Vanity N N N N
	H308 ACC	1			Blue, Dark NC,V N N YH308ACC
	H308 AMM	1			Red NC,V N N YH308AMM
	H308 BLL	1			Tan NC,V N N YH308BLL
	H308 BTT	1			Brown NC,V N N YH308BTT
	H308 CSS	1			Charcoal NC,V N N YH308CSS
					COVER AND FRAME, Mirror N N N N
	H310 ACC	1			Blue, Dark NC,V N N YH310ACC
	H310 AMM	1			Red NC,V N N YH310AMM
	H310 BLL	1			Tan NC,V N N YH310BLL
	H310 BTT	1			Brown NC,V N N YH310BTT
	H310 CSS	1			Charcoal NC,V N N YH310CSS
					VISOR, Sub Assy. w/Lighted Mirror N N N N
	H334 BC7	1			Blue, Dark NC,V N N YH334BC7
	H334 BM6	1			Red NC,V N N YH334BM6
	H334 BL3	1			Tan NC,V N N YH334BL3
	H334 BT8	1			Brown NC,V N N YH334BT8
	H334 CS8	1			Charcoal NC,V N N YH334CS8
11	6032 456	5			SCREW NC,V N N Y6032456

MODEL CODES

B = GRAN FURY	F = FIFTH AVENUE/NEWPORT	P = RELIANT
C = LEBARON/TOWN & COUNTRY/EXC SEDAN	G = DIPLOMAT	T = E CLASS/NEW YORKER
C24 = LASER	H = VOYAGER	V = 600
D = ARIES	K = MINI RAM/CARAVAN/ROYAL	V24 = DAYTONA
E = 600	M = HORIZON/TURISMO	Z = OMNI/CHARGER/RAMPAGE

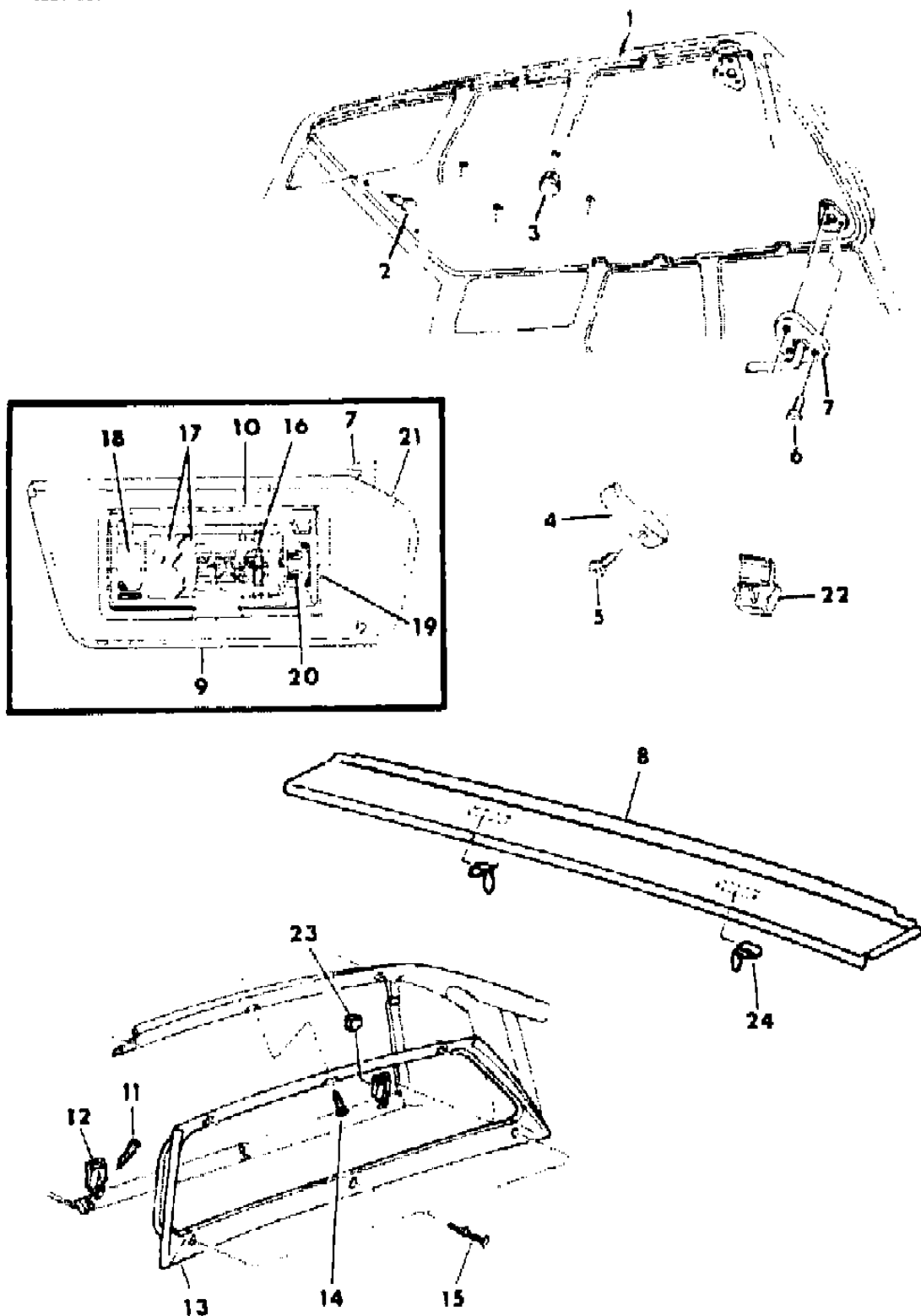
BODY STYLES

21 = 2-DOOR SEDAN	28 = FWD PICKUP	44 = 4-DOOR HATCHBACK
22 = 2-DOOR SPECIAL COUPE	35 = FWD VAN	45 = 4-DOOR STATION WAGON
24 = 2-DOOR HATCHBACK	36 = FWD WAGON	48 = 4-DOOR EXECUTIVE SEDAN
27 = 2-DOOR CONVERTIBLE	41 = 4-DOOR SEDAN	

AR = Use as Required - = Non Illustrated Part P.A.R. = Paint as Required

HEADLINING VISOR AND SHELF PANEL P,D,C,V K BODY Figure ITK-200

4234 240



ITEM	PART NUMBER	QTY	BODY	MODEL	DESCRIPTION
12	4223 241	3			BRACKET NC,V N N Y4223241
13	F232 AA3	1			PANEL, Rear Window Trim (paint as required) NC,V N N YF232AA3
14		6			SCREW (not serviced)(8-18x1) NC,V N N N0
15					FASTENER, Rear Window Trim N N N N
	H448 CS8	1			Charcoal NC,V N N YH448CS8
	H448 AC7	1			Blue NC,V N N YH448AC7
	H448 AM6	1			Red NC,V N N YH448AM6
	H448 BL3	1			Tan NC,V N N YH448BL3
	H448 BT8	1			Brown NC,V N N YH448BT8
16	3832 873	1			COMPONENT BOARD, Lighted Mirror N N N Y3832873
17	4077 693	1			MIRROR and BACK, Vanity Mirror N N N Y4077693
18	4166 974	2			LENS, Vanity Mirror N N N Y4166974
19	4166 976	2			HINGE, Spring Vanity Mirror N N N Y4166976
20	9421 330	4			BLUB N N N Y9421330
21	1490 983	2			CLIP, Visor Panel End N N N Y1490983
	4248 427	2			N N27 N Y4248427
	1233 481	2			Chrome N N27 N Y1233481
22		AR			RETAINER, Headliner and Garnish Moulding (serviced w/ Moulding) N N N N
23	4247 904	AR			SPACER N N N Y4247904
24	6003 640	AR			FASTENER, Shelf Trim Panel N N N Y6003640
The following parts are not illustrated. s ARE NOT RETURNABLE.					
					SILENCERS, Roof Panel N N N N
	4078 582	AR			Front N N N Y4078582
	4078 583	AR			Center N N N Y4078583
	4078 584	AR			Rear N N N Y4078584
	2789 037	2			TIP, Visor Inner Support N N27 N Y2789037
	2789 036	2			SUPPORT, Visor Inner N N27 N Y2789036

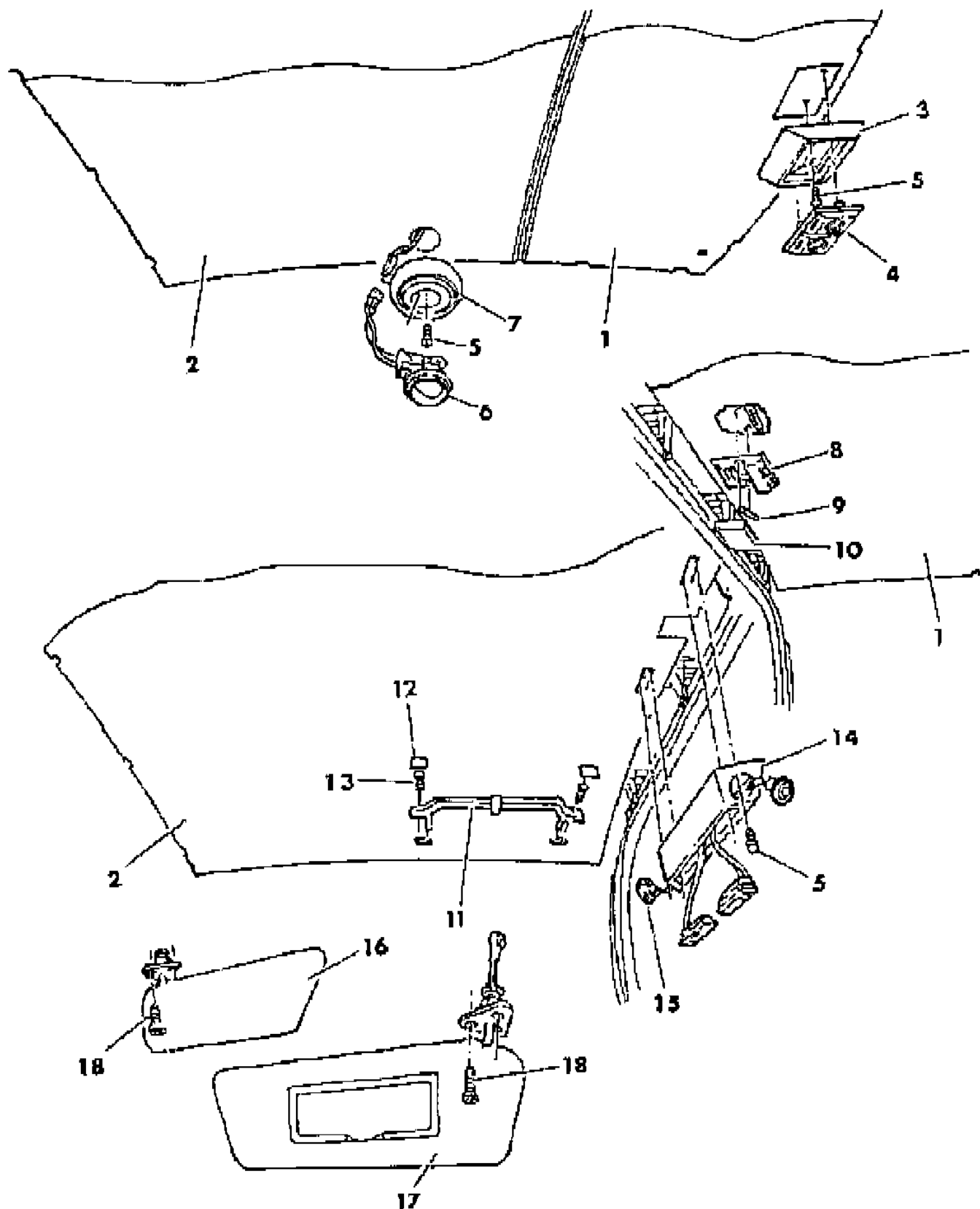
MODEL CODES
 B = GRAN FURY
 C = LEBARON/TOWN & COUNTRY/EXC SEDAN
 C24 = LASER
 D = ARIES
 E = 600
 F = FIFTH AVENUE/NEWPORT
 G = DIPLOMAT
 H = VOYAGER
 K = MINI RAM/CARAVAN/ROYAL
 M = HORIZON/TURISMO
 P = RELIANT
 T = E CLASS/NEW YORKER
 V = 600
 V24 = DAYTONA
 Z = OMNI/CHARGER/RAMPAGE

BODY STYLES
 21 = 2-DOOR SEDAN
 22 = 2-DOOR SPECIAL COUPE
 24 = 2-DOOR HATCHBACK
 27 = 2-DOOR CONVERTIBLE
 28 = FWD PICKUP
 35 = FWD VAN
 36 = FWD WAGON
 41 = 4-DOOR SEDAN
 44 = 4-DOOR HATCHBACK
 45 = 4-DOOR STATION WAGON
 48 = 4-DOOR EXECUTIVE SEDAN

AR = Use as Required - = Non Illustrated Part P.A.R. = Paint as Required

HEADLINING AND SUNVISOR EXEC. SEDAN & LIMO
Figure ITK-300

4334 300



ITEM	PART NUMBER	QTY	BODY	MODEL	DESCRIPTION
1					HEADLINER, Front N N N N
	4339 600	1			Silver N NSedan N Y4339600
	4339 601	1			Blue N NSedan N Y4339601
	4339 916	1			Silver N NLimo. N Y4339916
	4339 917	1			Blue N NLimo. N Y4339917
2					HEADLINER, Rear N N N N
	4339 602	1			Silver N NSedan N Y4339602
	4339 603	1			Blue N NSedan N Y4339603
	4339 918	1			Silver N NLimo. N Y4339918
	4339 919	1			Blue N NLimo. N Y4339919
					BUTTON, Headliner Rear N N N N
	4364 222	AR			Silver N NLimo. N Y4364222
	4364 223	AR			Blue N NLimo. N Y4364223
3					HOUSING, Front Dome Lamp N N N N
	4339 743	1			Silver N NSedan N Y4339743
	4339 744	1			Blue N NSedan N Y4339744
4		1			LAMP, Front Dome (refer to Group 8) N NSedan N N
5		1			SCREW (not serviced) N N N N
6	3591 132	2			LAMP, "B" Pillar Spotlight N NSedan N Y3591132
7					HOUSING, B Pillar Spotlight (refer to Group 8) N N N N
8					LAMP, Front Dome (refer to Group 8) N NLimo. N N
9					SCREW (not serviced) N NLimo. N N
10					LENS, Dome Lamp (refer tp Group 8) N N N N
11					STRAP, Assist N N N N
	4339 564	2			Silver N N N Y4339564
	4339 565	2			Blue N N N Y4339565
12	4342 123	4			CAP, Assist Strap N N N Y4342123
13					SCREW (not serviced) N N N N
14					LAMP, Reading (refer to Group 8) N N N N
15					LENS, Reading Lamp (refer to Group 8) N NLimo. N N
16					VISOR, Left w/o Mirror N N N N
	H693 AA3	1			Silver N N N YH693AA3
	H693 AC7	1			Blue N N N YH693AC7
17					VISOR, Right w/Mirror N N N N
	H329 BA3	1			Silver N N N YH329BA3
	H329 BC7	1			Blue N N N YH329BC7
18					SCREW, Visor Attaching N N N Y153704
	0153 704	4			

MODEL CODES

B = GRAN FURY	F = FIFTH AVENUE/NEWPORT	P = RELIANT
C = LEBARON/TOWN & COUNTRY/EXC SEDAN	G = DIPLOMAT	T = E CLASS/NEW YORKER
C24 = LASER	H = VOYAGER	V = 600
D = ARIES	K = MINI RAM/CARAVAN/ROYAL	V24 = DAYTONA
E = 600	M = HORIZON/TURISMO	Z = OMNI/CHARGER/RAMPAGE

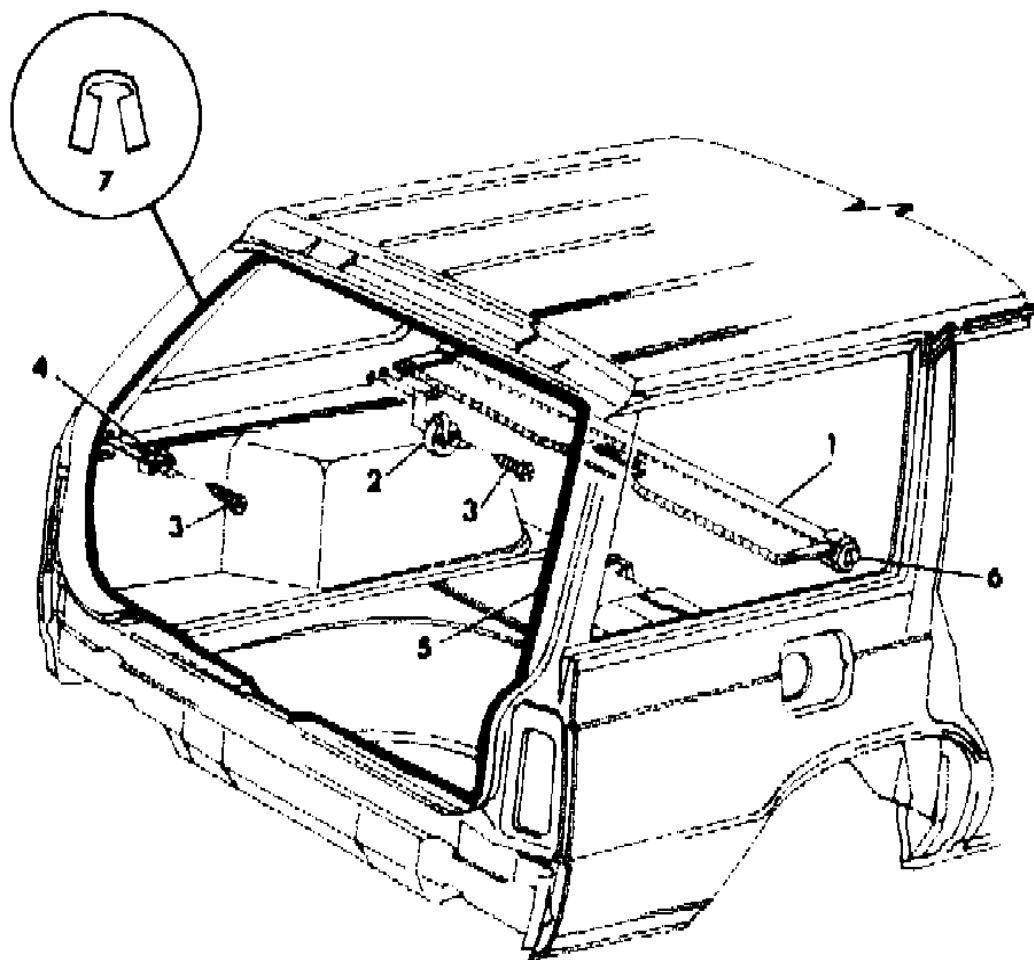
BODY STYLES

21 = 2-DOOR SEDAN	28 = FWD PICKUP	44 = 4-DOOR HATCHBACK
22 = 2-DOOR SPECIAL COUPE	35 = FWD VAN	45 = 4-DOOR STATION WAGON
24 = 2-DOOR HATCHBACK	36 = FWD WAGON	48 = 4-DOOR EXECUTIVE SEDAN
27 = 2-DOOR CONVERTIBLE	41 = 4-DOOR SEDAN	

AR = Use as Required - = Non Illustrated Part P.A.R. = Paint as Required

SECURITY COVER P,D,C . K BODY
Figure ITK-400

4234 400



ITEM	PART NUMBER	QTY	BODY	MODEL	DESCRIPTION
1					COVER, Rear Compartment . N N N N
	4271 050	1			Red . N N N Y4271050
	4271 049	1			Tan . N N N Y4271049
	4271 051	1			Brown . N N N Y4271051
2					COVER, Support . N N N N
	W234 VM6	2			Red . N N N YW234VM6
	W234 BL3	2			Tan . N N N YW234BL3
	W234 BT8	2			Brown . N N N YW234BT8
3		AR			SCREW (not serviced) . N N N N
4					COVER, Hook . N N N N
	W236-7 VM6	2			Red . N N N YW236VM6
	W236-7 BL3	2			Tan . N N N YW236BL3
	W236-7 BT8	2			Brown . N N N YW236BT8
5					WELT, Liftgate Opening . N N N N
	W267 VM6	1			Red . N N N YW267VM6
	W267 BL3	1			Tan . N N N YW267BL3
	W267 BT8	1			Brown . N N N YW267BT8
6	4271 047	1			END CAP N N N Y4271047
7	4078 958	2			END CAP, Liftgate Opening Welt N N N Y4078958

MODEL CODES

B = GRAN FURY	F = FIFTH AVENUE/NEWPORT	P = RELIANT
C = LEBARON/TOWN & COUNTRY/EXC SEDAN	G = DIPLOMAT	T = E CLASS/NEW YORKER
C24 = LASER	H = VOYAGER	V = 600
D = ARIES	K = MINI RAM/CARAVAN/ROYAL	V24 = DAYTONA
E = 600	M = HORIZON/TURISMO	Z = OMNI/CHARGER/RAMPAGE

BODY STYLES

21 = 2-DOOR SEDAN	28 = FWD PICKUP	44 = 4-DOOR HATCHBACK
22 = 2-DOOR SPECIAL COUPE	35 = FWD VAN	45 = 4-DOOR STATION WAGON
24 = 2-DOOR HATCHBACK	36 = FWD WAGON	48 = 4-DOOR EXECUTIVE SEDAN
27 = 2-DOOR CONVERTIBLE	41 = 4-DOOR SEDAN	

AR = Use as Required - = Non Illustrated Part P.A.R. = Paint as Required

MOULDING GARNISH P,D,C,V K BODY
Figure ITK-500

4234 500

ITEM	PART NUMBER	QTY	BODY	MODEL	DESCRIPTION
1	F458-9 DT3	1			MOULDING, Windshield Side (paint as required) N N N YF458DT3
2		AR			SCREW (not serviced) N N N N
3	4077 546	1			MOULDING, Windshield Upper N N N Y4077546
4					MOULDING, w/Retainer Roof Rail (paint as required) N N N N
	F286-7 AA3	1			N N21,22 N YF286AA3
	F284-5 AA3	1			N N41 N YF284AA3
5	9414 712	2			SCREW N N N Y9414712
6					MOULDING, Rear Window Header (paint as required) N N N N
	4077 542	1			N N21 N Y4077542
	4077 541	1			N N41 N Y4077541
7	F288-9 BL3	1			MOULDING, w/Retainer Roof Rail (paint as required) N N45 N YF288BL3
8	F294-5 BL3	1			MOULDING, Quarter Window Rail (paint as required) N N45 N YF294BL3
9					MOULDING, Liftgate Header Opening N N N N
	H543 CA3	1			Silver N N45 N YH543CA3
	H543 CM6	1			Red N N45 N YH543CM6
	H543 CL3	1			Beige N N45 N YH543CL3
	H543 CT8	1			Brown N N45 N YH543CT8
10	4247 758	4			BRACKET, Liftgate Opening Header Moulding Attaching N N N Y4247758
11					RETAINER, Moulding (serviced w/Moulding) N N N N

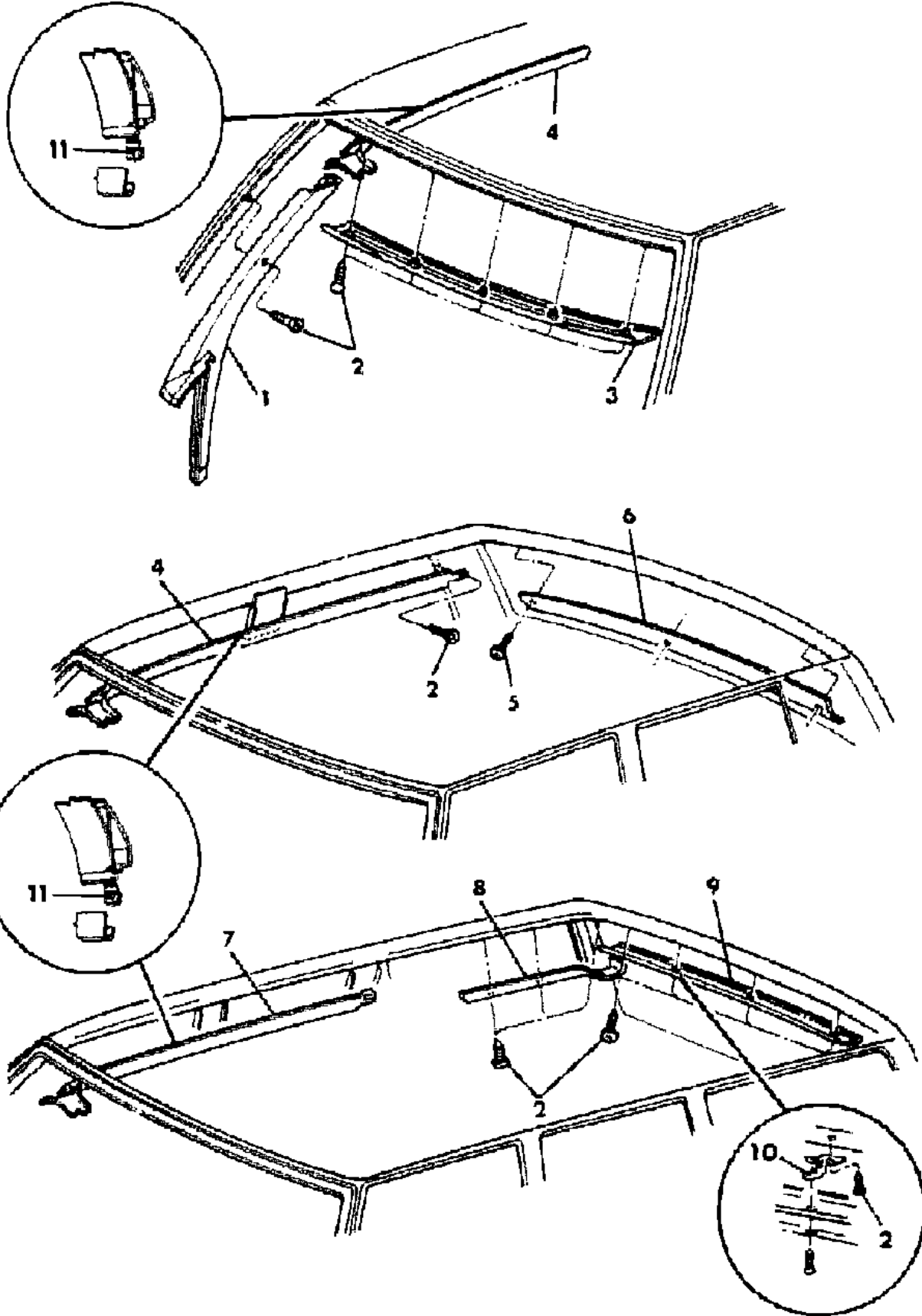
MODEL CODES

B = GRAN FURY	F = FIFTH AVENUE/NEWPORT	P = RELIANT
C = LEBARON/TOWN & COUNTRY/EXC SEDAN	G = DIPLOMAT	T = E CLASS/NEW YORKER
C24 = LASER	H = VOYAGER	V = 600
D = ARIES	K = MINI RAM/CARAVAN/ROYAL	V24 = DAYTONA
E = 600	M = HORIZON/TURISMO	Z = OMNI/CHARGER/RAMPAGE

BODY STYLES

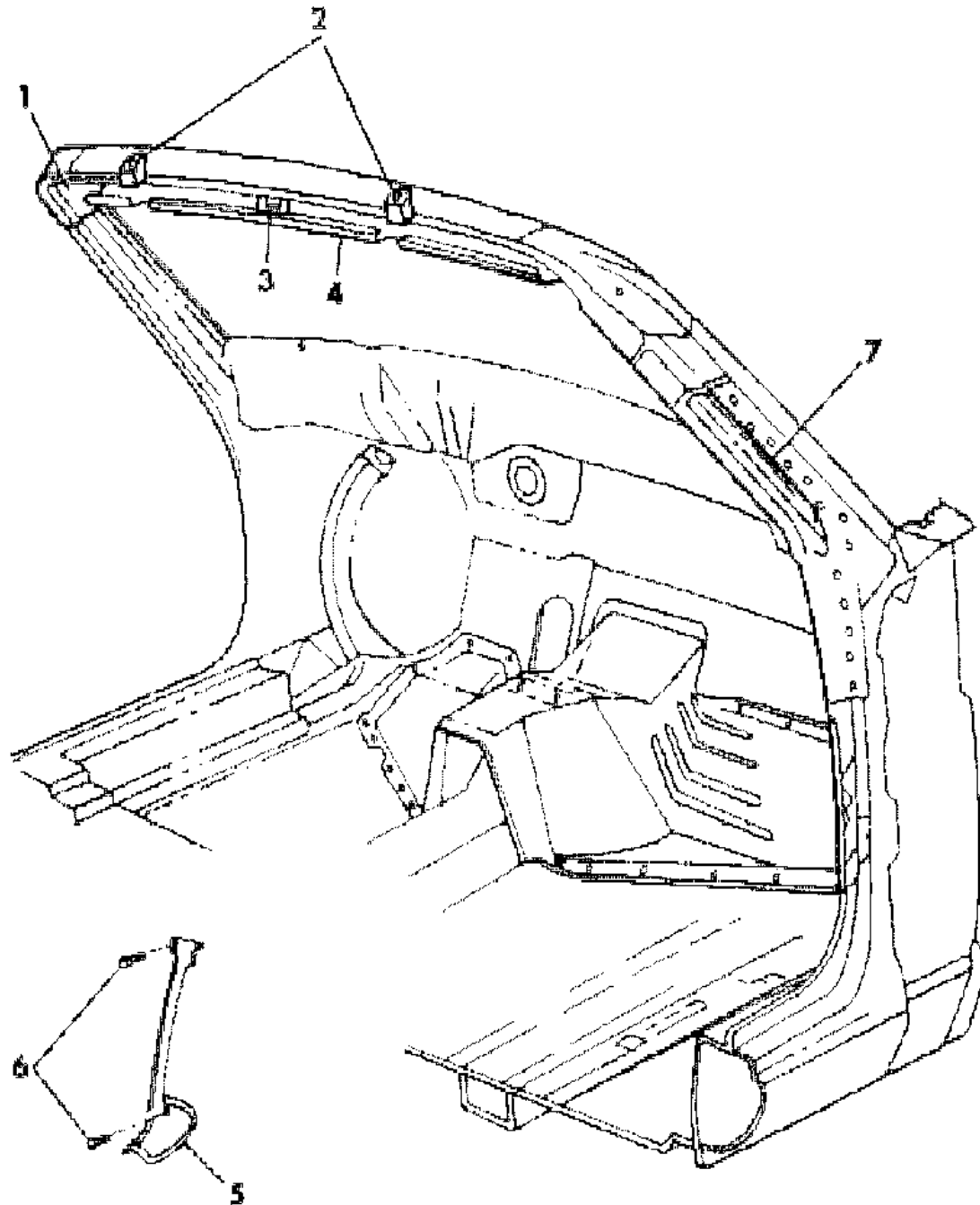
21 = 2-DOOR SEDAN	28 = FWD PICKUP	44 = 4-DOOR HATCHBACK
22 = 2-DOOR SPECIAL COUPE	35 = FWD VAN	45 = 4-DOOR STATION WAGON
24 = 2-DOOR HATCHBACK	36 = FWD WAGON	48 = 4-DOOR EXECUTIVE SEDAN
27 = 2-DOOR CONVERTIBLE	41 = 4-DOOR SEDAN	

AR = Use as Required - = Non Illustrated Part P.A.R. = Paint as Required



MOULDING GARNISH C,V K BODY 27
Figure ITK-600

4234 600



ITEM	PART NUMBER	QTY	BODY	MODEL	DESCRIPTION
1	F106-7 CL3	1			MOULDING, Garnish Corner N N N N Cashmere N N N YF106CL3
	F106-7 CT8	1			Brown N N N YF106CT8
	F106-7 CM6	1			Red N N N YF106CM6
	F106-7 CS8	1			Charcoal N N N YF106CS8
	9414 753	6			SCREW, Corner Garnish N N N Y9414753
2	4097 505	2			STRIKER, Latch N N N Y4097505
3					BRACKET, Visor (serviced in item 4) N N N N
4					MOULDING, Windshield N N N N
	F108 CL3	1			Cashmere N N N YF108CL3
	F108 CT8	1			Brown N N N YF108CT8
	F108 CM6	1			Red N N N YF108CM6
	F108 CS8	1			Charcoal N N N YF108CS8
5					MOULDING, B Pillar N N N N
	H136-7 CL3	1			Cashmere (paint as required) N N N YH136CL3
6		AR			SCREW N N N N6029025
7	F548-9 CL3	1			MOULDING and RETAINER N N N YF548CL3

MODEL CODES

B = GRAN FURY	F = FIFTH AVENUE/NEWPORT	P = RELIANT
C = LEBARON/TOWN & COUNTRY/EXC SEDAN	G = DIPLOMAT	T = E CLASS/NEW YORKER
C24 = LASER	H = VOYAGER	V = 600
D = ARIES	K = MINI RAM/CARAVAN/ROYAL	V24 = DAYTONA
E = 600	M = HORIZON/TURISMO	Z = OMNI/CHARGER/RAMPAGE

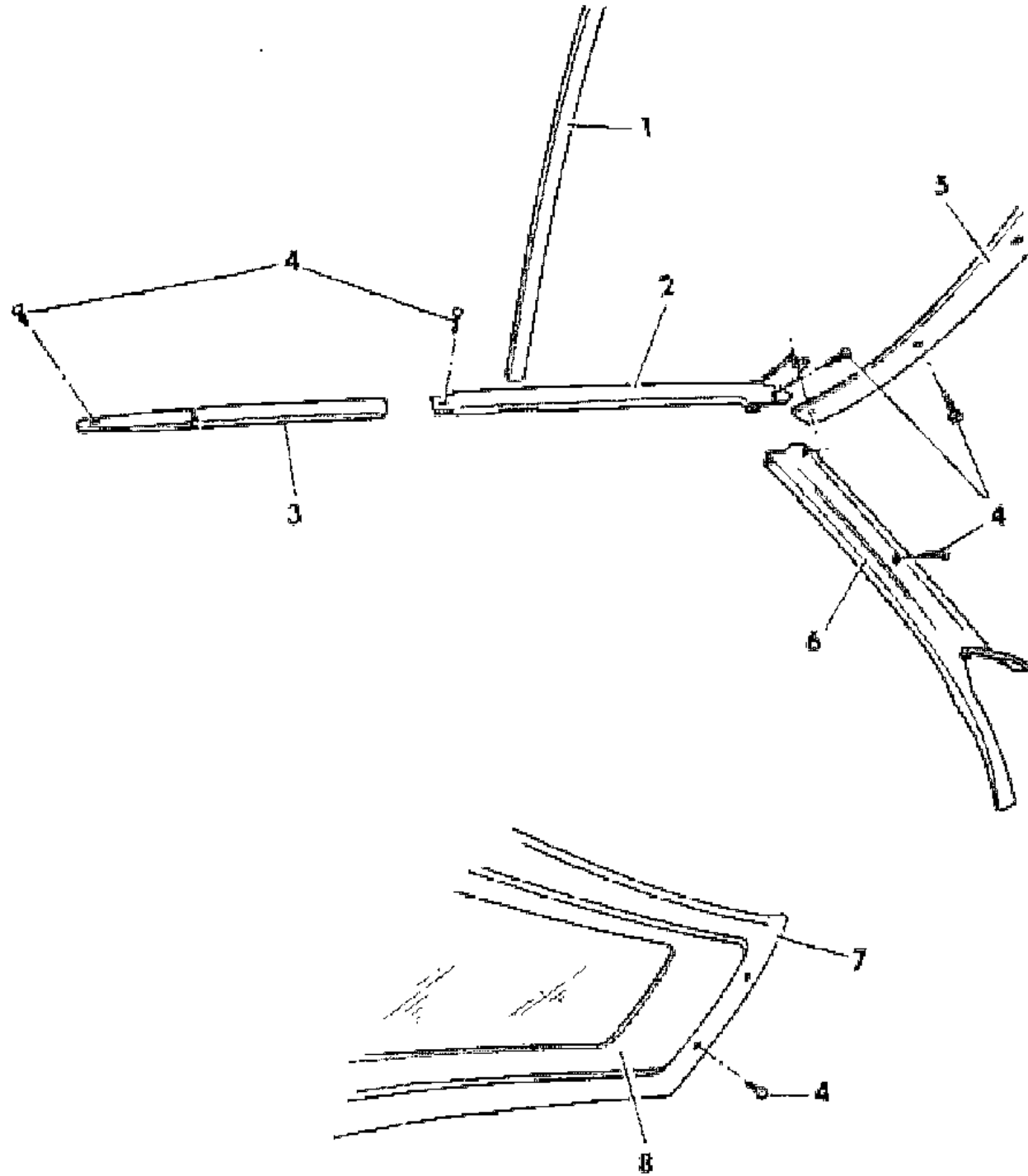
BODY STYLES

21 = 2-DOOR SEDAN	28 = FWD PICKUP	44 = 4-DOOR HATCHBACK
22 = 2-DOOR SPECIAL COUPE	35 = FWD VAN	45 = 4-DOOR STATION WAGON
24 = 2-DOOR HATCHBACK	36 = FWD WAGON	48 = 4-DOOR EXECUTIVE SEDAN
27 = 2-DOOR CONVERTIBLE	41 = 4-DOOR SEDAN	

AR = Use as Required - = Non Illustrated Part P.A.R. = Paint as Required

**MOULDING GARNISH AND BACKLITE INSERT SEDAN AND LIMO.
Figure ITK-700**

4274 700



ITEM	PART NUMBER	QTY	BODY	MODEL	DESCRIPTION
1	4339 604	1			MOULDING, Headliner Divider N N N N Silver N NSedan N Y4339604
	4339 605	1			Blue N NSedan N Y4339605
2	4339 574-5	1			MOULDING, Headliner Garnish, Front N N N N Silver N N N Y4339574
	4339 576-7	1			Blue N N N Y4339576
3	4339 570-1	1			MOULDING, Headliner Garnish, Rear N N N N Silver N NSedan N Y4339570
	4339 572-3	1			Blue N NSedan N Y4339572
	4339 878-9	1			Silver N NLimo. N Y4339878
	4339 880-1	1			Blue N NLimo. N Y4339880
4				SCREW (not serviced) N N N N	
5	4339 598	1			MOULDING, Windshield Garnish N N N N Silver N N N Y4339598
	4339 599	1			Blue N N N Y4339599
6	4342 118-9	1			MOULDING, Windshield Side Garnish N N N N Silver N N N Y4342118
	4342 120-1	1			Blue N N N Y4342120
7	4339 596	1			MOULDING, Backlite Garnish N N N N Silver N N N Y4339596
	4339 597	1			Blue N N N Y4339597
8	4339 594	1			FILLER, Backlite Garnish N N N N Silver N N N Y4339594
	4339 595	1			Blue N N N Y4339595

MODEL CODES

B = GRAN FURY	F = FIFTH AVENUE/NEWPORT	P = RELIANT
C = LEBARON/TOWN & COUNTRY/EXC SEDAN	G = DIPLOMAT	T = E CLASS/NEW YORKER
C24 = LASER	H = VOYAGER	V = 600
D = ARIES	K = MINI RAM/CARAVAN/ROYAL	V24 = DAYTONA
E = 600	M = HORIZON/TURISMO	Z = OMNI/CHARGER/RAMPAGE

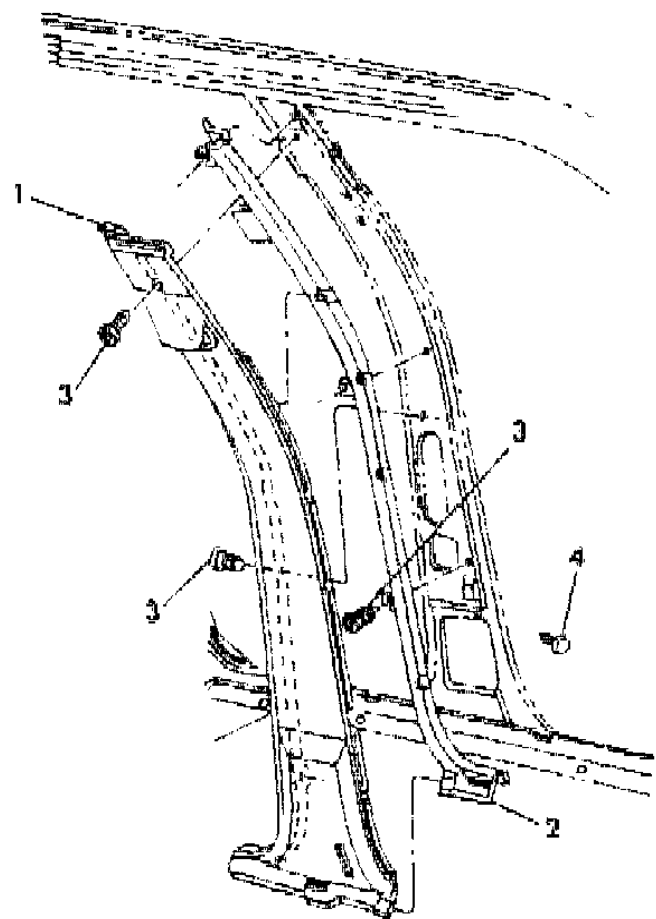
BODY STYLES

21 = 2-DOOR SEDAN	28 = FWD PICKUP	44 = 4-DOOR HATCHBACK
22 = 2-DOOR SPECIAL COUPE	35 = FWD VAN	45 = 4-DOOR STATION WAGON
24 = 2-DOOR HATCHBACK	36 = FWD WAGON	48 = 4-DOOR EXECUTIVE SEDAN
27 = 2-DOOR CONVERTIBLE	41 = 4-DOOR SEDAN	

AR = Use as Required - = Non Illustrated Part P.A.R. = Paint as Required

**B PILLAR TRIM P,D,C K BODY 41,45, SEDAN AND LIMO.
Figure ITK-800**

4234 800



ITEM	PART NUMBER	QTY	BODY	MODEL	DESCRIPTION
1					COVER, Center Pillar "B" Rear N N N N
	F408-9 AA3	1			Silver N N N YF408AA3
	F408-9 BB5	1			Blue N N N YF408BB5
	F408-9 AC7	1			Blue N N N YF408AC7
	F408-9 AM6	1			Red N N N YF408AM6
	F408-9 BL3	1			Tan N N N YF408BL3
	F408-9 BT8	1			Brown N N N YF408BT8
	F408-9 CS8	1			Charcoal N N N YF408CS8
	4339 586-7	1			Silver N NSedan N Y4339586
	4339 588-9	1			Blue N NSedan N Y4339588
	4339 882-3	1			Silver N NLimo N Y4339882
	4339 884-5	1			Blue N NLimo N Y4339884
2					COVER, Center Pillar "B" Front N N N N
	F396-7 AA3	1			Silver N N N YF396AA3
	F396-7 BB5	1			Blue N N N YF396BB5
	F396-7 AC7	1			Blue, Dark N N N YF396AC7
	F396-7 AM6	1			Red N N N YF396AM6
	F396-7 BL3	1			Tan N N N YF396BL3
	F396-7 BT8	1			Brown N N N YF396BT8
	F396-7 CS8	1			Charcoal N N N YF396CS8
	4339 590-1	1			Silver N NSedan & LimoN Y4339590
	4339 592-3	1			Blue N NSedan & LimoN Y4339592
3		AR			SCREW (not serviced) N N N N
4	6003 423	8			FASTENER, Center Pillar Silencer Attaching N N N Y6003423

MODEL CODES

B = GRAN FURY	F = FIFTH AVENUE/NEWPORT	P = RELIANT
C = LEBARON/TOWN & COUNTRY/EXC SEDAN	G = DIPLOMAT	T = E CLASS/NEW YORKER
C24 = LASER	H = VOYAGER	V = 600
D = ARIES	K = MINI RAM/CARAVAN/ROYAL	V24 = DAYTONA
E = 600	M = HORIZON/TURISMO	Z = OMNI/CHARGER/RAMPAGE

BODY STYLES

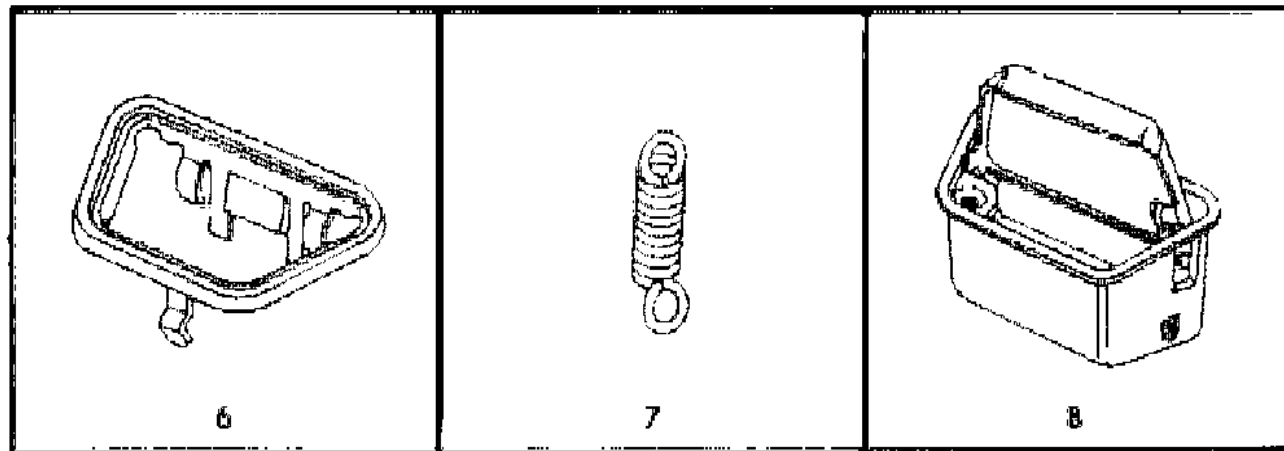
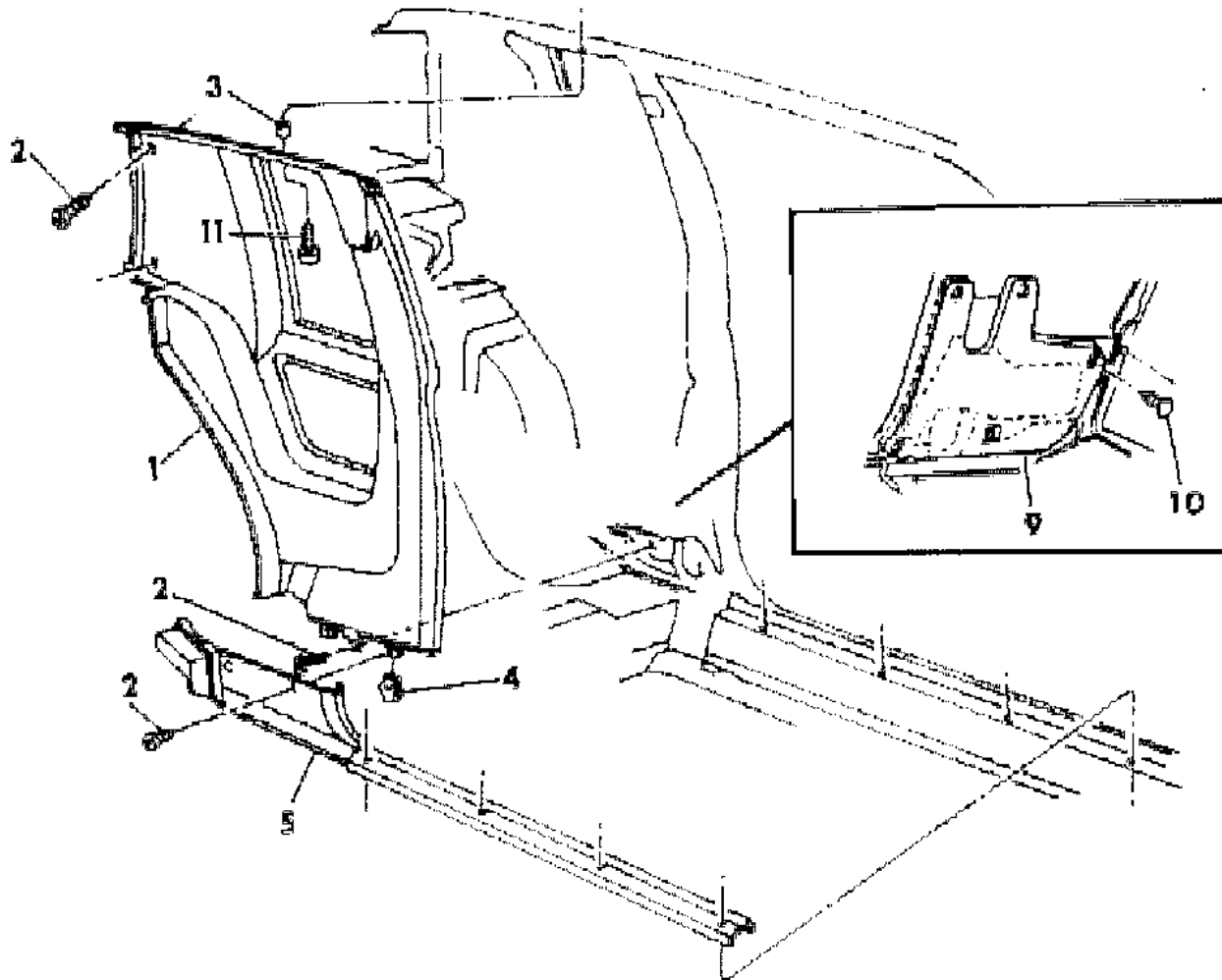
21 = 2-DOOR SEDAN	28 = FWD PICKUP	44 = 4-DOOR HATCHBACK
22 = 2-DOOR SPECIAL COUPE	35 = FWD VAN	45 = 4-DOOR STATION WAGON
24 = 2-DOOR HATCHBACK	36 = FWD WAGON	48 = 4-DOOR EXECUTIVE SEDAN
27 = 2-DOOR CONVERTIBLE	41 = 4-DOOR SEDAN	

AR = Use as Required - = Non Illustrated Part P.A.R. = Paint as Required

PANEL QUARTER TRIM P,D K BODY 21
Figure ITK-900

4234 (M)

ITEM	PART NUMBER	QTY	BODY	MODEL	DESCRIPTION
1	H720-1 CA3	1			PANEL, Quarter Upper (paint as required) N N N YH720CA3
2		AR			SCREW (not serviced)(8-18x1) N N N N
3	0152 863	AR			NUT, Spacer N N N Y152863
4	0152 490	4			U-NUT N N N Y152490
5					PLATE, See Scuff Plate Illustration N N N N
6	2879 652	2			BEZEL, Ash Receiver N N N Y2879652
7	2292 503	2			SPRING, Ash Receiver Lid N N N Y2292503
8	2589 587	2			RECEIVER, Ash N N N Y2589587
9	3762 862	AR			SILENCER (36"x72" material cut to fit) N N N Y3762862
10	6003 423	AR			FASTENER N N N Y6003423
11		AR			SCREW (not serviced)(8-18x1.25) N N N N



MODEL CODES

B = GRAN FURY	F = FIFTH AVENUE/NEWPORT	P = RELIANT
C = LEBARON/TOWN & COUNTRY/EXC SEDAN	G = DIPLOMAT	T = E CLASS/NEW YORKER
C24 = LASER	H = VOYAGER	V = 600
D = ARIES	K = MINI RAM/CARAVAN/ROYAL	V24 = DAYTONA
E = 600	M = HORIZON/TURISMO	Z = OMNI/CHARGER/RAMPAGE

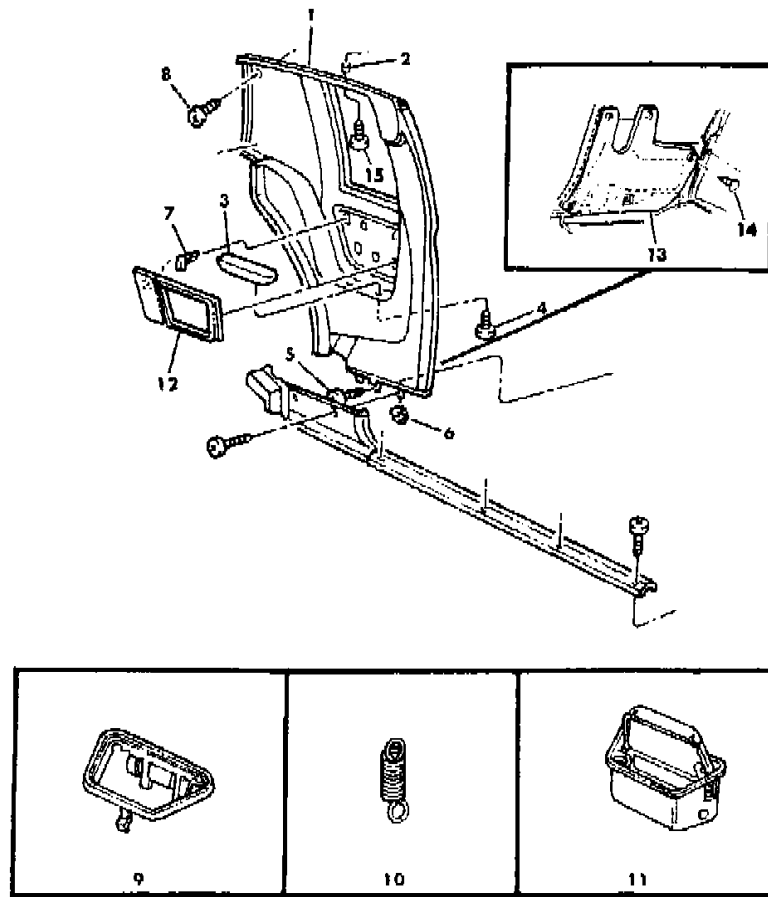
BODY STYLES

21 = 2-DOOR SEDAN	28 = FWD PICKUP	44 = 4-DOOR HATCHBACK
22 = 2-DOOR SPECIAL COUPE	35 = FWD VAN	45 = 4-DOOR STATION WAGON
24 = 2-DOOR HATCHBACK	36 = FWD WAGON	48 = 4-DOOR EXECUTIVE SEDAN
27 = 2-DOOR CONVERTIBLE	41 = 4-DOOR SEDAN	

AR = Use as Required - = Non Illustrated Part P.A.R. = Paint as Required

PANEL QUARTER TRIM C,V K BODY 22
Figure ITK-1000

4234 1000



ITEM	PART NUMBER	QTY	BODY	MODEL	DESCRIPTION
1	H364-5 DT3	1			PANEL, Upper Trim (paint as required) N N N YH364DT3
2	0152 863	2			NUT, Spacer N N N Y152863
3					ARMREST N N N N
	D408-9 CS8	1			Charcoal N N N YD408CS8
	D408-9 AC7	1			Blue, Dark N N N YD408AC7
	D408-9 AM6	1			Red N N N YD408AM6
	D408-9 BL3	1			Tan N N N YD408BL3
	D408-9 BT8	1			Brown N N N YD408BT8
4	9428 283	4			SCREW N N N Y9428283
5	6032 456	5			SCREW N N N Y6032456
6	6031 803	4			U-NUT N N N Y6031803
7	4114 785	12			FASTENER N N N Y4114785
8		AR			SCREW (not serviced)(8-18x1) N N N N
9	2657 877	2			BEZEL, Ash Receiver N N N Y2657877
10	2292 503	2			SPRING, Ash Receiver Lid N N N Y2292503
11	2589 587	2			RECEIVER, Ash N N N Y2589587
12					BOLSTER, Quarter Trim Panel N N N N
	D578-9 CBC	1			N N NE5C YD578CBC
	D578-9 CLT	1			N N NE5LT YD578CLT
	D578-9 CMM	1			N N NE5M YD578CMM
	D578-9 CAS	1			N N NE5S YD578CAS
	D522-3 CS8	1			N N NJ3S,J5S YD522CS8
	D522-3 AC7	1			N N NJ3C,J5C YD522AC7
	D522-3 AM6	1			N N NJ3M,J5M YD522AM6
	D522-3 BL3	1			N N NJ3L,J5L YD522BL3
	D522-3 BT8	1			N N NJ3T,J5T YD522BT8
	D542-3 CA2	1			N N NSPSA YD542CA2
	D542-3 CK5	1			N N NSPTK YD542CK5
13	3762 862	AR			SILENCER (36"x72" material cut to fit) N N N Y3762862
14	6003 423	AR			FASTENER N N N Y6003423
15		AR			SCREW (not serviced)(8-18x1.25) N N N N

MODEL CODES

B = GRAN FURY	F = FIFTH AVENUE/NEWPORT	P = RELIANT
C = LEBARON/TOWN & COUNTRY/EXC SEDAN	G = DIPLOMAT	T = E CLASS/NEW YORKER
C24 = LASER	H = VOYAGER	V = 600
D = ARIES	K = MINI RAM/CARAVAN/ROYAL	V24 = DAYTONA
E = 600	M = HORIZON/TURISMO	Z = OMNI/CHARGER/RAMPAGE

BODY STYLES

21 = 2-DOOR SEDAN	28 = FWD PICKUP	44 = 4-DOOR HATCHBACK
22 = 2-DOOR SPECIAL COUPE	35 = FWD VAN	45 = 4-DOOR STATION WAGON
24 = 2-DOOR HATCHBACK	36 = FWD WAGON	48 = 4-DOOR EXECUTIVE SEDAN
27 = 2-DOOR CONVERTIBLE	41 = 4-DOOR SEDAN	

AR = Use as Required - = Non Illustrated Part P.A.R. = Paint as Required

PANEL QUARTER TRIM C,V K BODY 27
Figure ITK-1100

4234 1100

ITEM	PART NUMBER	QTY	BODY	MODEL	DESCRIPTION
1					PANEL, Quarter Upper Trim. Front N N N N
	K798-9 CL3	1			Beige N N N YK798CL3
	K798-9 CM6	1			Red N N N YK798CM6
	K798-9 CS8	1			Charcoal N N N YK798CS8
	K798-9 CT8	1			Brown N N N YK798CT8
2					PANEL, Quarter Upper Trim, Rear N N N N
	K796-7 CL3	1			Beige N N N YK796CL3
	K796-7 CM6	1			Red N N N YK796CM6
	K796-7 CS8	1			Charcoal N N N YK796CS8
	K796-7 CT8	1			Brown N N N YK796CT8
3					PANEL, Quarter Trim, Lower N N N N
	K800-1 CL3	1			Beige N N N YK800CL3
	K800-1 CM6	1			Red N N N YK800CM6
	K800-1 CS8	1			Charcoal N N N YK800CS8
	K800-1 CT8	1			Brown N N N YK800CT8
4	4248 755	1			PANEL, Back Center N N N Y4248755
5					INSERT, Quarter Upper Trim, Front N N N N
	K132 CL3	2			N N NV8L YK132CL3
	K132 CM6	2			N N NV8M,V8MW YK132CM6
	K146 CA2	2			N N NGLSA,RLSA YK146CA2
	K146 CK5	2			N N NGLTK,RLTK YK146CK5
	1623 945	8			FASTENER, Insert N N N Y1623945
6	4282 504-5	1			MOULDING, Lock Pillar Cover N N N Y4282504
7	4282 620-1	1			MOULDING, Quarter Belt, Rear N N N Y4282620
8	H136-7 CL3	1			MOULDING, Lock Pillar (paint as required) N N N YH136CL3
9	4282 506-7	1			INSERT, Lock Pillar Cover N N N Y4282506
10					SCREW (not serviced) N N N N
11					SCREW (not serviced) N N N N
12					NUT and WASHER (not serviced) N N N N
13	6101 308	8			U-NUT N N N Y6101308
14		8			U-NUT (not serviced) N N N N
15					GRILLE, Speaker N N N N
	D504-5 CL3	1			Beige N N N YD504CL3
	D504-5 CM6	1			Red N N N YD504CM6
	D504-5 CS8	1			Charcoal N N N YD504CS8
	D504-5 CT8	1			Brown N N N YD504CT8
16	4220 594	2			LAMP, Quarter Courtesy N N N Y4220594
17	3832 200	2			RECEPTACLE, Ash Receiver N N N Y3832200

MODEL CODES

B = GRAN FURY
C = LEBARON/TOWN & COUNTRY/EXC SEDAN
C24 = LASER
D = ARIES
E = 600

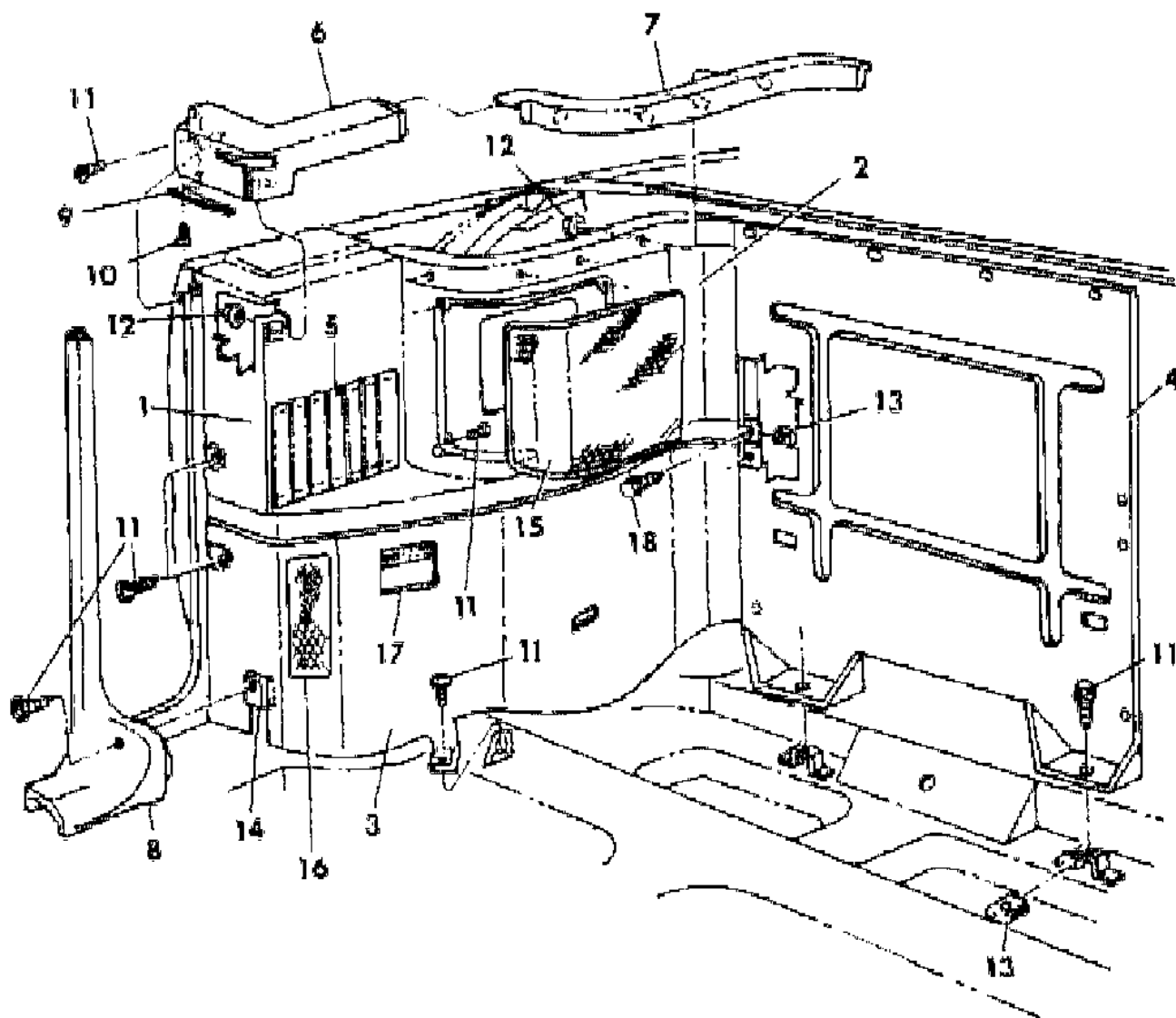
F = FIFTH AVENUE/NEWPORT
G = DIPLOMAT
H = VOYAGER
K = MINI RAM/CARAVAN/ROYAL
M = HORIZON/TURISMO

P = RELIANT
T = E CLASS/NEW YORKER
V = 600
V24 = DAYTONA
Z = OMNI/CHARGER/RAMPAGE

BODY STYLES

21 = 2-DOOR SEDAN
22 = 2-DOOR SPECIAL COUPE
24 = 2-DOOR HATCHBACK
27 = 2-DOOR CONVERTIBLE
28 = FWD PICKUP
35 = FWD VAN
36 = FWD WAGON
41 = 4-DOOR SEDAN
44 = 4-DOOR HATCHBACK
45 = 4-DOOR STATION WAGON
48 = 4-DOOR EXECUTIVE SEDAN

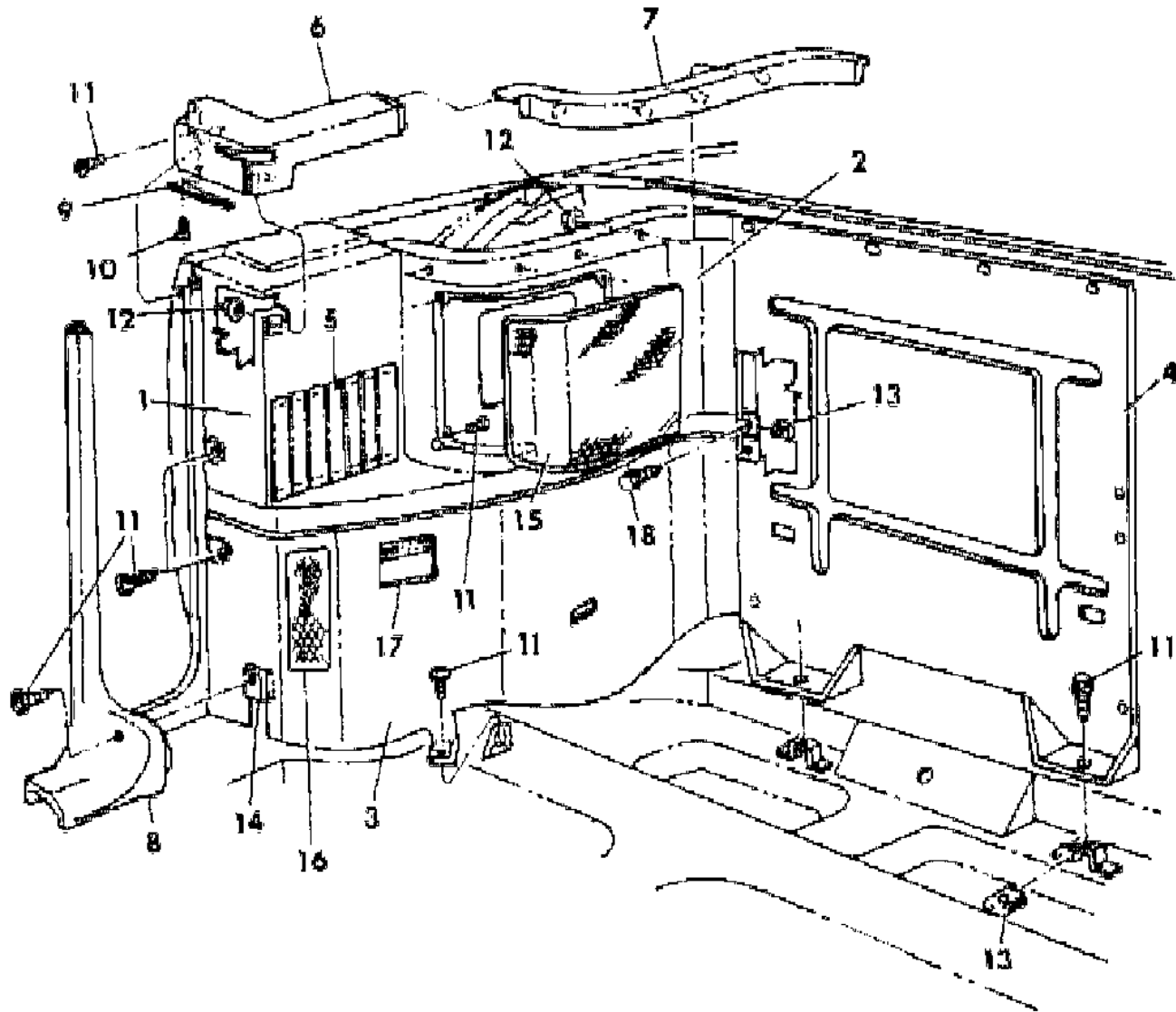
AR = Use as Required - = Non Illustrated Part P.A.R. = Paint as Required



PANEL QUARTER TRIM C,V K BODY 27
Figure ITK-1100

4234 1100

ITEM	PART NUMBER	QTY	BODY	MODEL	DESCRIPTION
	3510 868	2			RETAINER and BEZEL, Ash Receiver N N N Y3510868
18	6501 013	8			SCREW and WASHER N N N Y6501013



MODEL CODES

B = GRAN FURY	F = FIFTH AVENUE/NEWPORT	P = RELIANT
C = LEBARON/TOWN & COUNTRY/EXC SEDAN	G = DIPLOMAT	T = E CLASS/NEW YORKER
C24 = LASER	H = VOYAGER	V = 600
D = ARIES	K = MINI RAM/CARAVAN/ROYAL	V24 = DAYTONA
E = 600	M = HORIZON/TURISMO	Z = OMNI/CHARGER/RAMPAGE

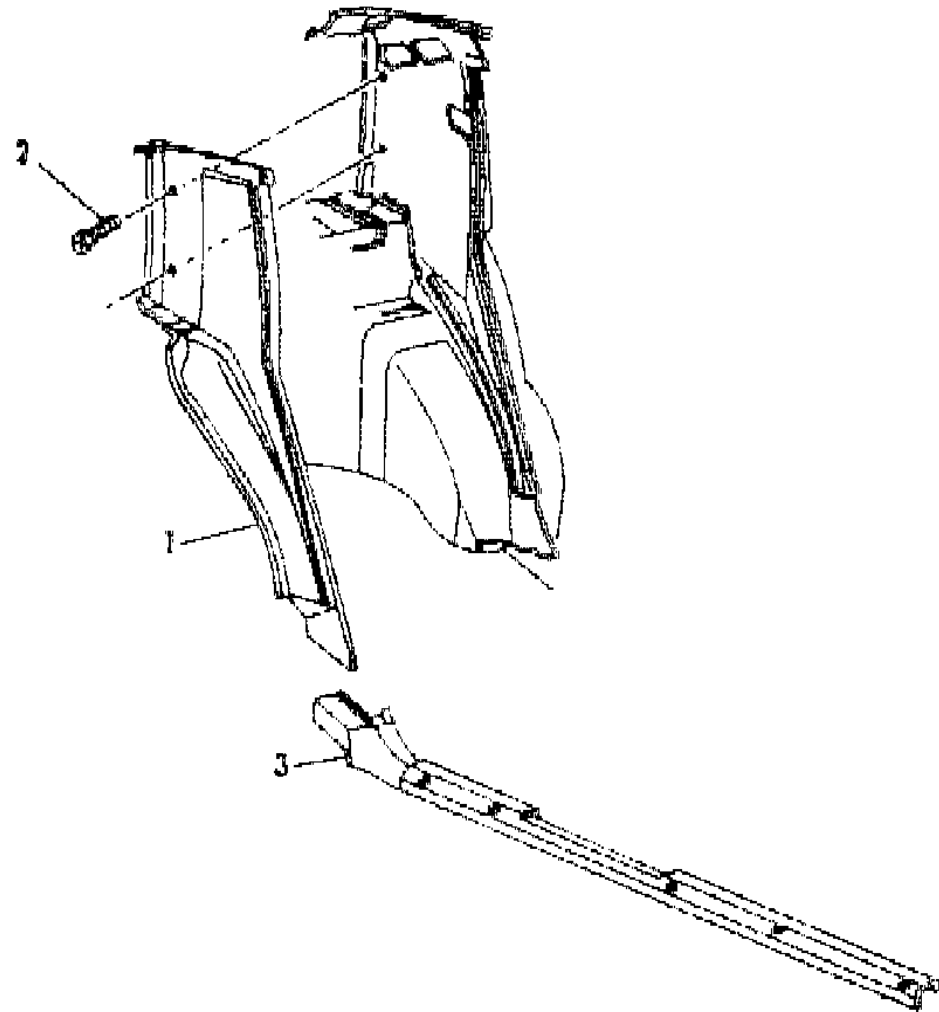
BODY STYLES

21 = 2-DOOR SEDAN	28 = FWD PICKUP	44 = 4-DOOR HATCHBACK
22 = 2-DOOR SPECIAL COUPE	35 = FWD VAN	45 = 4-DOOR STATION WAGON
24 = 2-DOOR HATCHBACK	36 = FWD WAGON	48 = 4-DOOR EXECUTIVE SEDAN
27 = 2-DOOR CONVERTIBLE	41 = 4-DOOR SEDAN	

AR = Use as Required - = Non Illustrated Part P.A.R. = Paint as Required

PANEL QUARTER TRIM P,D,C K BODY 41
Figure ITK-1200

4214 1200



ITEM	PART NUMBER	QTY	BODY	MODEL	DESCRIPTION
1	F152-3 DT3	1			PANEL, Quarter Trim (paint as required) N N N YF152DT3
2		AR			SCREW (not serviced) N N N N
3					PLATE, See Scuff Plate Illustration N N N N

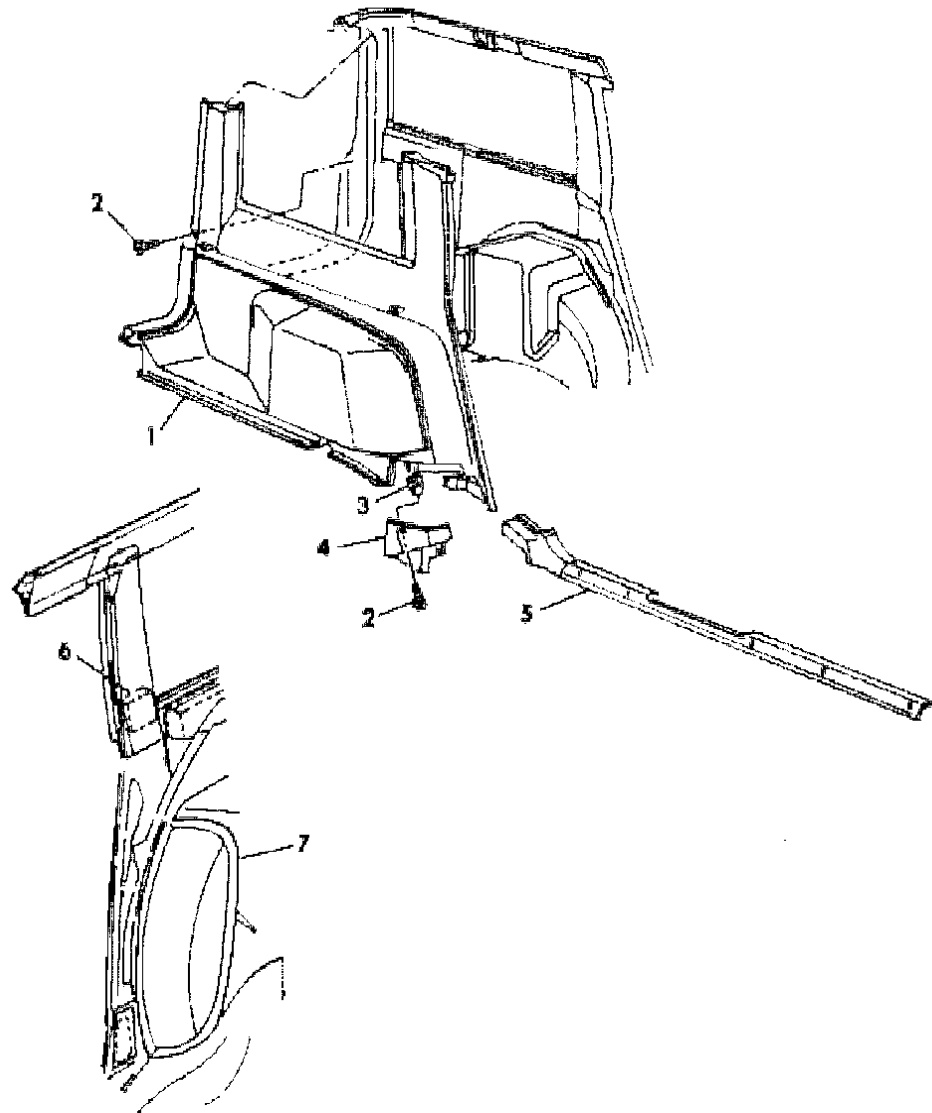
MODEL CODES
 B = GRAN FURY
 C = LEBARON/TOWN & COUNTRY/EXC SEDAN
 C24 = LASER
 D = ARIES
 E = 600
 F = FIFTH AVENUE/NEWPORT
 G = DIPLOMAT
 H = VOYAGER
 K = MINI RAM/CARAVAN/ROYAL
 M = HORIZON/TURISMO
 P = RELIANT
 T = E CLASS/NEW YORKER
 V = 600
 V24 = DAYTONA
 Z = OMNI/CHARGER/RAMPAGE

BODY STYLES
 21 = 2-DOOR SEDAN
 22 = 2-DOOR SPECIAL COUPE
 24 = 2-DOOR HATCHBACK
 27 = 2-DOOR CONVERTIBLE
 28 = FWD PICKUP
 35 = FWD VAN
 36 = FWD WAGON
 41 = 4-DOOR SEDAN
 44 = 4-DOOR HATCHBACK
 45 = 4-DOOR STATION WAGON
 48 = 4-DOOR EXECUTIVE SEDAN

AR = Use as Required - = Non Illustrated Part P.A.R. = Paint as Required

PANEL QUARTER TRIM P,D,C K BODY 45
Figure ITK-1300

4214 1300



ITEM	PART NUMBER	QTY	BODY	MODEL	DESCRIPTION
1	W244-5 VB2	1			PANEL, Quarter Trim (paint as required) NP,D N N YW244VB2
	W230-1 AM6	1			Red NC N N YW230AM6
	W230-1 BL3	1			Beige NC N N YW230BL3
	W230-1 BT8	1			Brown NC N N YW230BT8
					CARPET, Quarter Trim Panel N N N N
	W572-3 AM6	1			Red NC N N YW572AM6
	W572-3 BL3	1			Beige NC N N YW572BL3
	W572-3 BT9	1			Brown NC N N YW572BT9
2	6032 456	AR			SCREW N N N Y6032456
3	6031 803	4			U-NUT N N N Y6031803
4	W240-1 VB2	2			PLATE, Seat Adjuster Access Hole Cover (paint as required) N N YW240VB2
5					PLATE, See Scuff Plate illustration N N N N
6	4136 546	2			PAD, Lock Pillar, Upper Silencer N N N Y4136546
7	4247 226-7	1			SILENCER, Wheelhouse Cover, Molded N N N Y4247226

MODEL CODES

B = GRAN FURY	F = FIFTH AVENUE/NEWPORT	P = RELIANT
C = LEBARON/TOWN & COUNTRY/EXC SEDAN	G = DIPLOMAT	T = E CLASS/NEW YORKER
C24 = LASER	H = VOYAGER	V = 600
D = ARIES	K = MINI RAM/CARAVAN/ROYAL	V24 = DAYTONA
E = 600	M = HORIZON/TURISMO	Z = OMNI/CHARGER/RAMPAGE

BODY STYLES

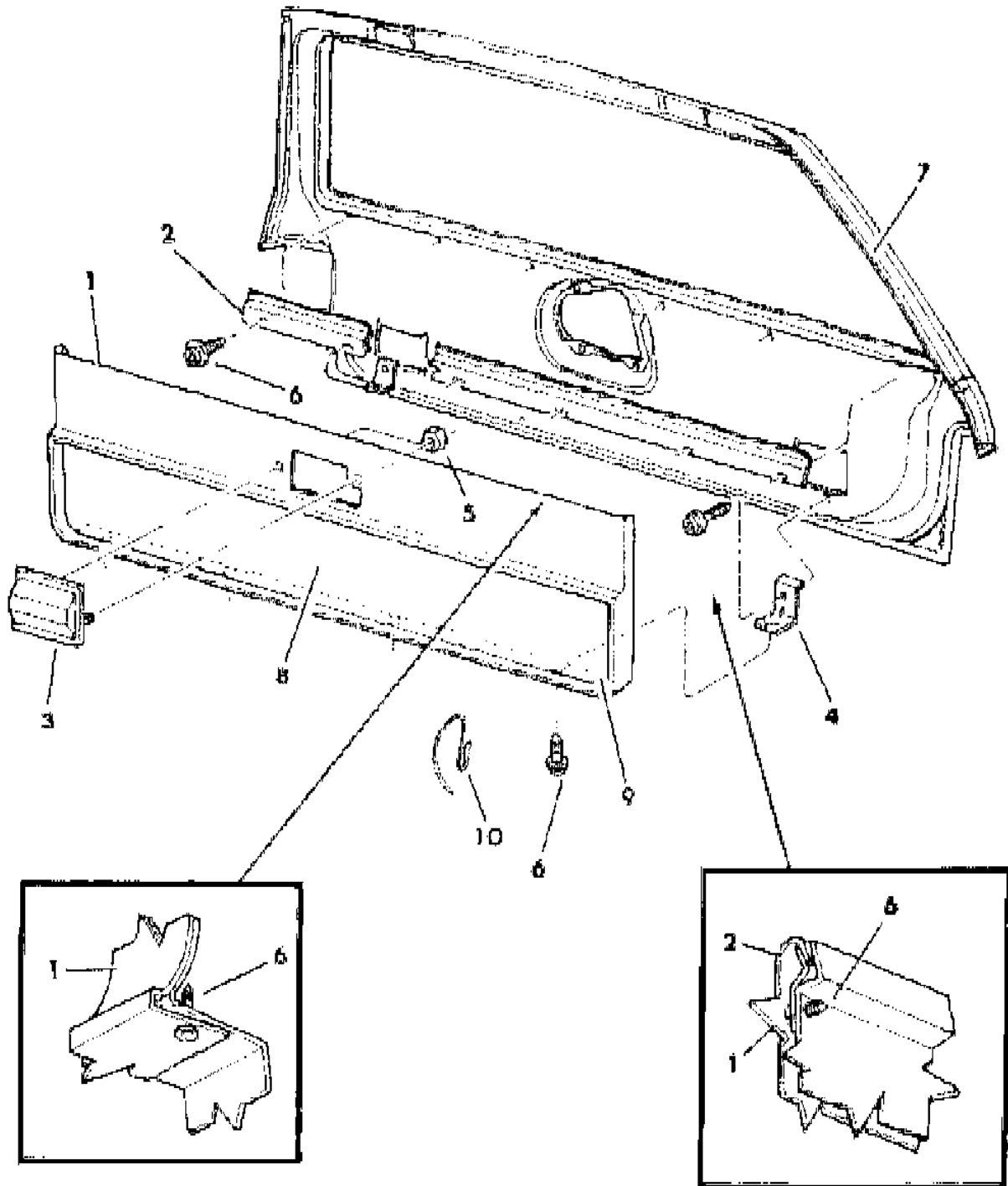
21 = 2-DOOR SEDAN	28 = FWD PICKUP	44 = 4-DOOR HATCHBACK
22 = 2-DOOR SPECIAL COUPE	35 = FWD VAN	45 = 4-DOOR STATION WAGON
24 = 2-DOOR HATCHBACK	36 = FWD WAGON	48 = 4-DOOR EXECUTIVE SEDAN
27 = 2-DOOR CONVERTIBLE	41 = 4-DOOR SEDAN	

AR = Use as Required - = Non Illustrated Part P.A.R. = Paint as Required

LIFT GATE TRIM P,D,C K BODY 45
Figure ITK-1400

4234 1400

ITEM	PART NUMBER	QTY	BODY	MODEL	DESCRIPTION
1	W665 AB2	1			PANEL, Liftgate (paint as required) NP,D N N YW665AB2
	W663 AM6	1			Red NC N N YW663AM6
	H224 CL3	1			Tan NC N N YH224CL3
	H224 CT8	1			Brown NC N N YH224CT8
2	4381 099	AR			RETAINER N N N Y4381099
3	W661 CA3	1			COVER, Rear Wiper Moter (paint as required) N N N YW661CA3
4	4078 713	2			BRACKET, Trim to Inner Panel Attaching N N N Y4078713
5	6023 120	2			NUT N N N Y6023120
6	9420 486	12			SCREW N N N Y9420486
7	4078 959	AR			WELT or WEATHERSTRIP N N N Y4078959
8		AR			SILENCER, Liftgate Trim Panel(Serviced in item 1) N N N N
9					CARPET, Trim Panel N N N N
	R118 VM6	1			Red NC N N YR118VM6
	W664 BL3	1			Tan NC N N YW664BL3
10	W664 BT8	1			Brown NC N N YW664BT8
	4247 884	1			CLIP N N N Y4247884



MODEL CODES

B = GRAN FURY	F = FIFTH AVENUE/NEWPORT	P = RELIANT
C = LEBARON/TOWN & COUNTRY/EXC SEDAN	G = DIPLOMAT	T = E CLASS/NEW YORKER
C24 = LASER	H = VOYAGER	V = 600
D = ARIES	K = MINI RAM/CARAVAN/ROYAL	V24 = DAYTONA
E = 600	M = HORIZON/TURISMO	Z = OMNI/CHARGER/RAMPAGE

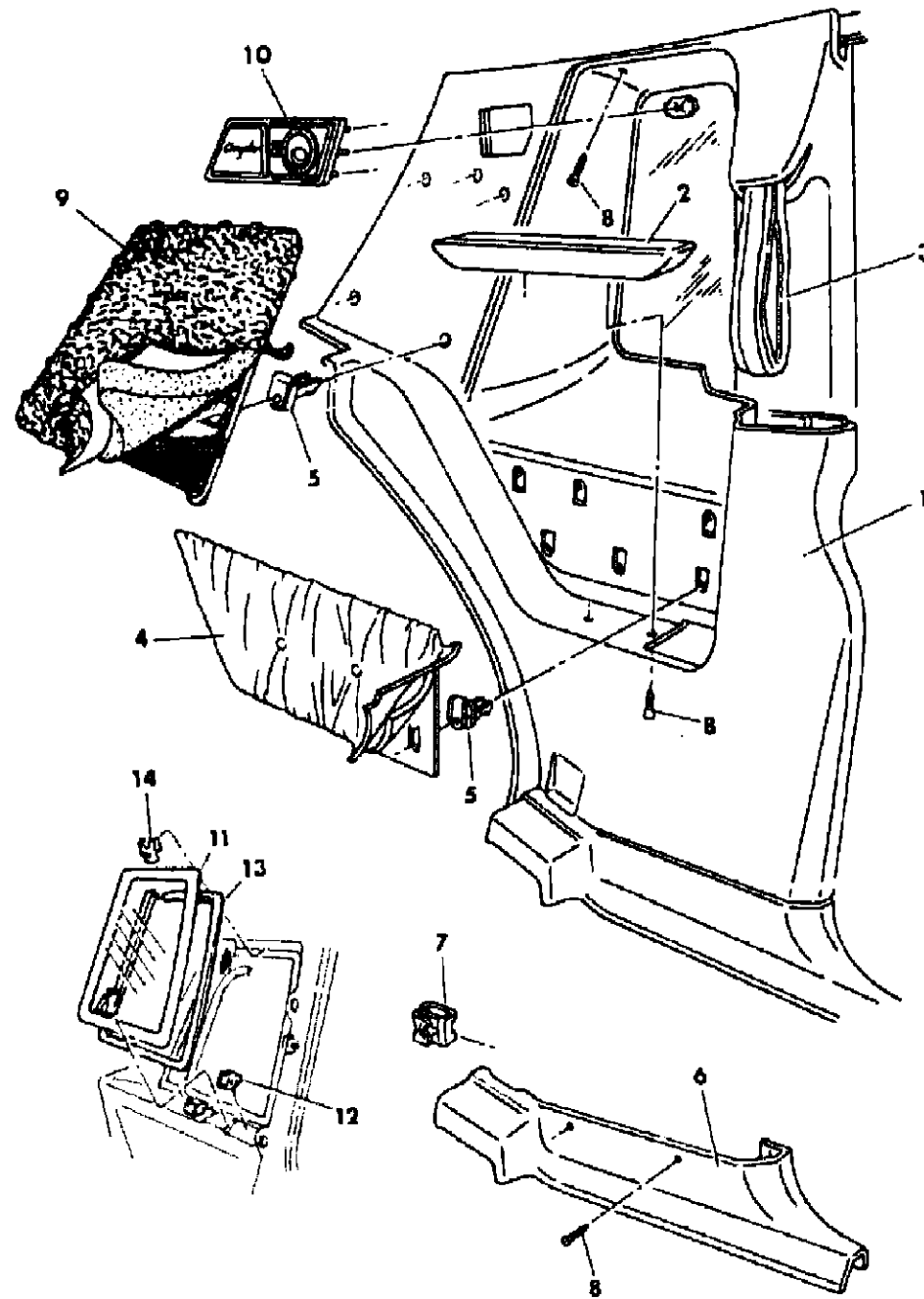
BODY STYLES

21 = 2-DOOR SEDAN	28 = FWD PICKUP	44 = 4-DOOR HATCHBACK
22 = 2-DOOR SPECIAL COUPE	35 = FWD VAN	45 = 4-DOOR STATION WAGON
24 = 2-DOOR HATCHBACK	36 = FWD WAGON	48 = 4-DOOR EXECUTIVE SEDAN
27 = 2-DOOR CONVERTIBLE	41 = 4-DOOR SEDAN	

AR = Use as Required - = Non Illustrated Part P.A.R. = Paint as Required

PANEL QUARTER TRIM SEDAN AND LIMO
Figure ITK-1500

4234 1500



ITEM	PART NUMBER	QTY	BODY	MODEL	DESCRIPTION
1					PANEL, Quarter Trim N N N N
	4339 546-7	1			Silver N N N Y4339546
	4339 548-9	1			Blue N N N Y4339548
2					PAD, Armrest N N N N
	4339 550-1	1			Silver N N N Y4339550
	4339 552-3	1			Blue N N N Y4339552
3					STRAP, Assist N N N N
	4339 562	2			Silver N N N Y4339562
	4339 563	2			Blue N N N Y4339563
4					APPLIQUE N N N N
	4339 554-5	1			Silver N N N Y4339554
	4339 556-7	1			Blue N N N Y4339556
	4342 096-7	1			Blue Leather N N N Y4342096
5					FASTENER N N N Y4114785
6					MOULDING, Quarter Trim N N N N
	4339 582-3	1			Silver N N N Y4339582
	4339 584-5	1			Blue N N N Y4339584
7					NUT (not serviced) N N N N
8					SCREW (not serviced) N N N N
9					PILLOW, Quarter Trim N N N N
	4339 558-9	1			Silver N N N Y4339558
	4339 560-1	1			Blue N N N Y4339560
	4342 098-9	1			Blue Leather N N N Y4342098
10					LAMP, Quarter Reading N N N Y4342152
11					GLASS, Quarter Window N N N Y4339622
12					SPACER, Quarter Glass N N N Y4206362
13					SPACER, Quarter Glass N N N Y4278162
14					CLIP, Quarter Glass Mounting N N N Y4206852

MODEL CODES

B = GRAN FURY	F = FIFTH AVENUE/NEWPORT	P = RELIANT
C = LEBARON/TOWN & COUNTRY/EXC SEDAN	G = DIPLOMAT	T = E CLASS/NEW YORKER
C24 = LASER	H = VOYAGER	V = 600
D = ARIES	K = MINI RAM/CARAVAN/ROYAL	V24 = DAYTONA
E = 600	M = HORIZON/TURISMO	Z = OMNI/CHARGER/RAMPAGE

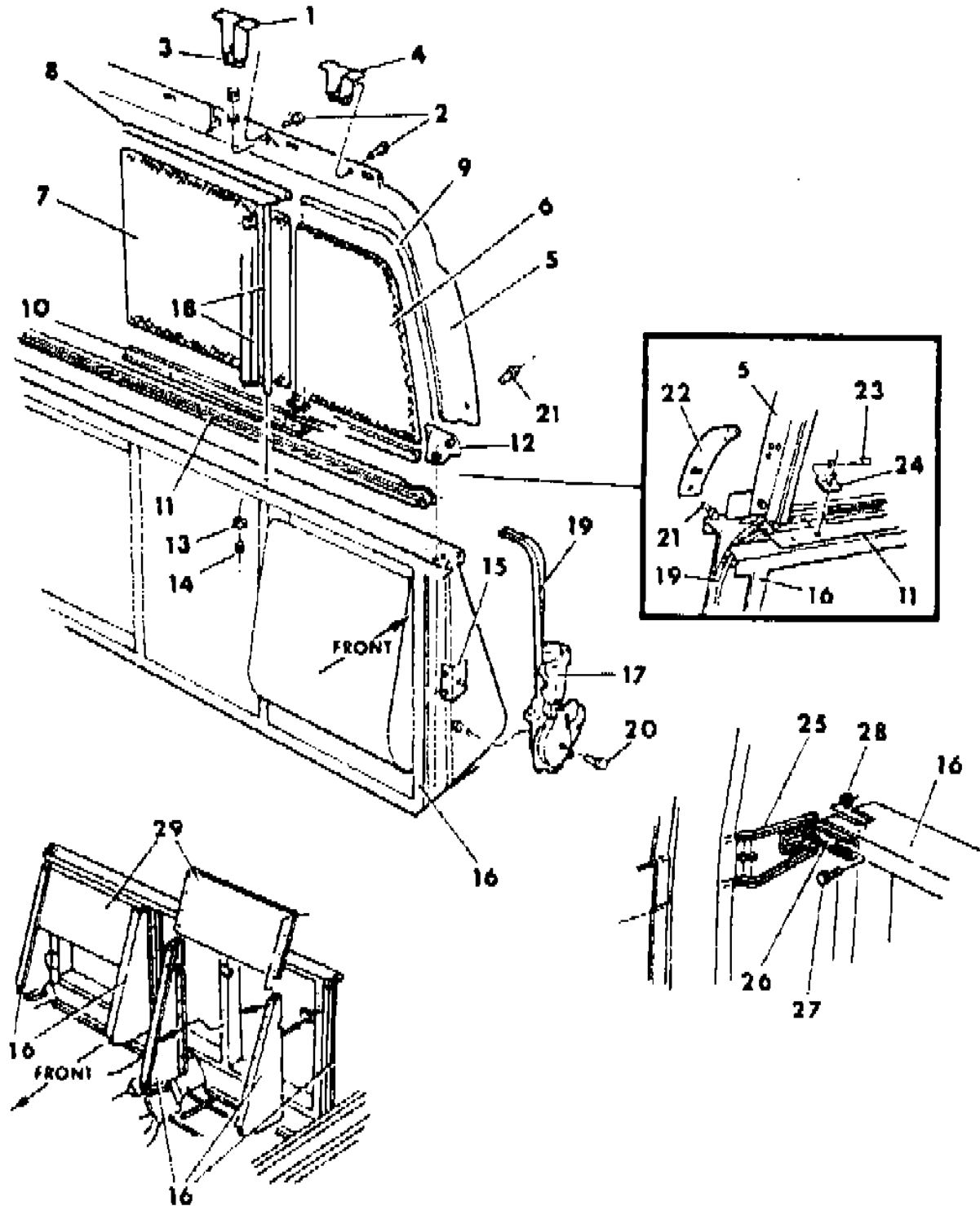
BODY STYLES

21 = 2-DOOR SEDAN	28 = FWD PICKUP	44 = 4-DOOR HATCHBACK
22 = 2-DOOR SPECIAL COUPE	35 = FWD VAN	45 = 4-DOOR STATION WAGON
24 = 2-DOOR HATCHBACK	36 = FWD WAGON	48 = 4-DOOR EXECUTIVE SEDAN
27 = 2-DOOR CONVERTIBLE	41 = 4-DOOR SEDAN	

AR = Use as Required - = Non Illustrated Part P.A.R. = Paint as Required

DIVIDER CENTER PRIVACY LIMO.
Figure ITK-1600

4234 1600 A



ITEM	PART NUMBER	QTY	BODY	MODEL	DESCRIPTION
1	4339 938	2			BRACKET, Upper Track Support, Inner N N N Y4339938
2	6500 739	AR			BOLT N N N Y6500739
3	6101 283	AR			NUT N N N Y6101283
4	4339 937	2			BRACKET, Upper Track Support, Outer N N N Y4339937
5	4339 935	1			TRACK, Upper Divider Glass N N N Y4339935
6	4339 948	1			GLASS, Divider Stationary N N N Y4339948
7	4339 951	1			GLASS, Sliding N N N Y4339951
8	4339 956	1			CHANNEL, Sliding Glass Upper N N N Y4339956
9	4339 949	1			CHANNEL, Stationary Glass Upper N N N Y4339949
	4339 950	1			Lower N N N Y4339950
10	4339 957	1			CHANNEL, Sliding Glass Lower N N N Y4339957
11	4339 936	1			TRACK, Divider Glass Lower N N N Y4339936
12	4339 939	1			BRACKET, Track Divider Upper N N N Y4339939
13					WASHER (not serviced) N N N N
14					NUT (not serviced) N N N N
15	4342 073	1			BRACKET, Regulator N N N Y4342073
16	4339 862	1			FRAME, Center Divider Lower N N N Y4339862
17	4342 072	1			MOTOR and MECHANISM, Sliding Glass N N N Y4342072
18					MOULDING, Upper N N N N
	4364 343	1			Silver N N N Y4364343
	4364 344	1			Blue N N N Y4364344
19	4364 269	1			BRACKET and TRACK, Sliding Window N N N Y4364269
20					BOLT (M6-1x16)(not serviced) N N N N
21					SCREW (not serviced) N N N N
22	4342 009	1			BRACE, Upper/Lower Divider N N N Y4342009
23	4229 803	1			BUMPER, Rubber N N N Y4229803
24	4339 953	1			BRACKET, Divider Glass Bumper N N N Y4339953
25	4342 084-5	1			BRACE, "B" Pillar To Frame N N N Y4342084
26	4342 087	2			BRACKET, Brace to Frame N N N Y4342087
27					BOLT (8M-7x12 nylon)(not serviced) N N N N
28					NUT (8M)(not serviced) N N N N
29	4339 930	2			PLATE, Reinforcement N N N Y4339930

MODEL CODES

B = GRAN FURY	F = FIFTH AVENUE/NEWPORT	P = RELIANT
C = LEBARON/TOWN & COUNTRY/EXC SEDAN	G = DIPLOMAT	T = E CLASS/NEW YORKER
C24 = LASER	H = VOYAGER	V = 600
D = ARIES	K = MINI RAM/CARAVAN/ROYAL	V24 = DAYTONA
E = 600	M = HORIZON/TURISMO	Z = OMNI/CHARGER/RAMPAGE

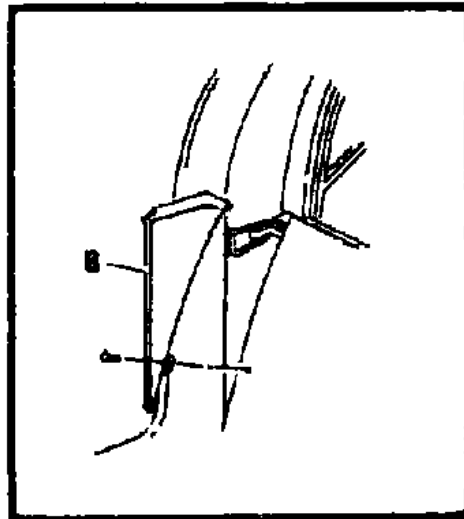
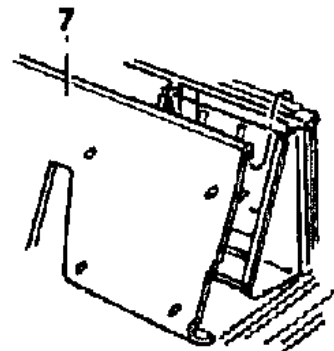
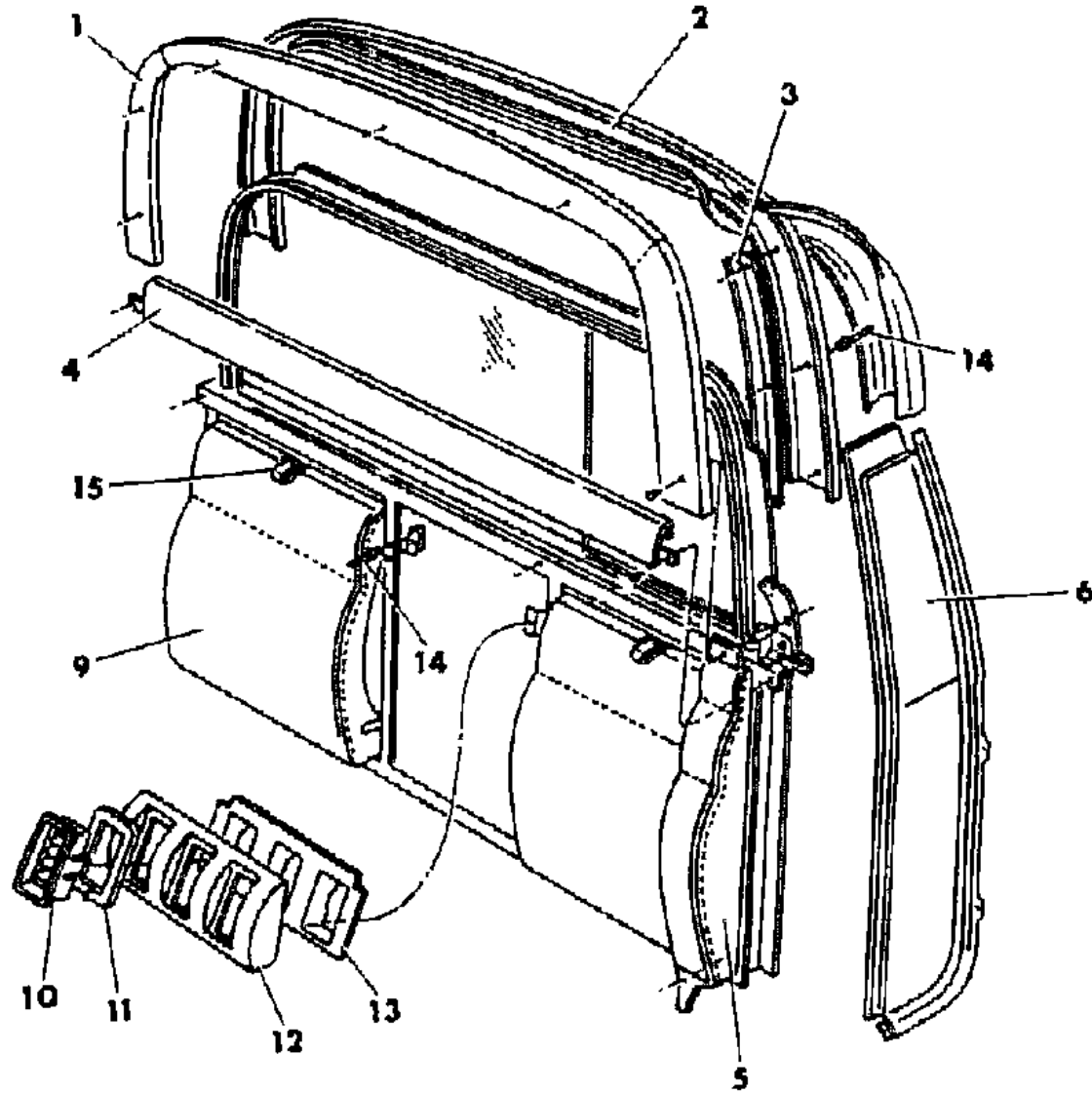
BODY STYLES

21 = 2-DOOR SEDAN	28 = FWD PICKUP	44 = 4-DOOR HATCHBACK
22 = 2-DOOR SPECIAL COUPE	35 = FWD VAN	45 = 4-DOOR STATION WAGON
24 = 2-DOOR HATCHBACK	36 = FWD WAGON	48 = 4-DOOR EXECUTIVE SEDAN
27 = 2-DOOR CONVERTIBLE	41 = 4-DOOR SEDAN	

AR = Use as Required - = Non Illustrated Part P.A.R. = Paint as Required

PANEL TRIM CENTER DIVIDER LIMO.
Figure ITK-1700

4234 1700



ITEM	PART NUMBER	QTY	BODY	MODEL	DESCRIPTION
1	4339 914	1			PANEL, Trim Upper Divider, Rear N N N N Silver N N N Y4339914
	4339 915	1			Blue N N N Y4339915
2	4339 908	1			PANEL, Trim Upper Divider, Front N N N N Silver N N N Y4339908
	4339 909	1			Blue N N N Y4339909
3					BRACKET (serviced in item 1) N N N N
4	4339 892	1			PANEL, Trim Divider Belt N N N N Silver N N N Y4339892
	4339 893	1			Blue N N N Y4339893
5	4339 898-9	1			PANEL, Trim Divider Outer Lower N N N N Silver N N N Y4339898
	4339 900-1	1			Blue N N N Y4339900
	4342 196-7	1			Charcoal N N N Y4342196
6	4339 894-5	1			PANEL, Trim Divider Front Outer N N N N Silver N N N Y4339894
	4339 896-7	1			Blue N N N Y4339896
7	4339 890	1			PANEL, Trim Divider Front Lower N N N N Silver N N N Y4339890
	4339 891	1			Blue N N N Y4339891
8	4339 910-1	1			PANEL, Front Divider Outer N N N N Silver N N N Y4339910
	4339 912-3	1			Blue N N N Y4339912
9	4339 906	2			TRIM, Back of Jump Seat Cushion N N N N Silver N N N Y4339906
	4339 907	2			Blue N N N Y4339907
10	3847 978	AR			BEZEL, A/C Outlet N N N Y3847978
11					TAPE (.125x50)(not serviced) N N N N
12					PANEL, Divider A/C N N N N
	4342 024	1			Silver N N N Y4342024
	4342 025	1			Blue N N N Y4342025
13	4342 027	1			DUCT, A/C Panel Inner N N N Y4342027
14					RIVET (not serviced) N N N N
15					STRAP, Pull (serviced in Jump Seat) N N N N

MODEL CODES

B = GRAN FURY	F = FIFTH AVENUE/NEWPORT	P = RELIANT
C = LEBARON/TOWN & COUNTRY/EXC SEDAN	G = DIPLOMAT	T = E CLASS/NEW YORKER
C24 = LASER	H = VOYAGER	V = 600
D = ARIES	K = MINI RAM/CARAVAN/ROYAL	V24 = DAYTONA
E = 600	M = HORIZON/TURISMO	Z = OMNI/CHARGER/RAMPAGE

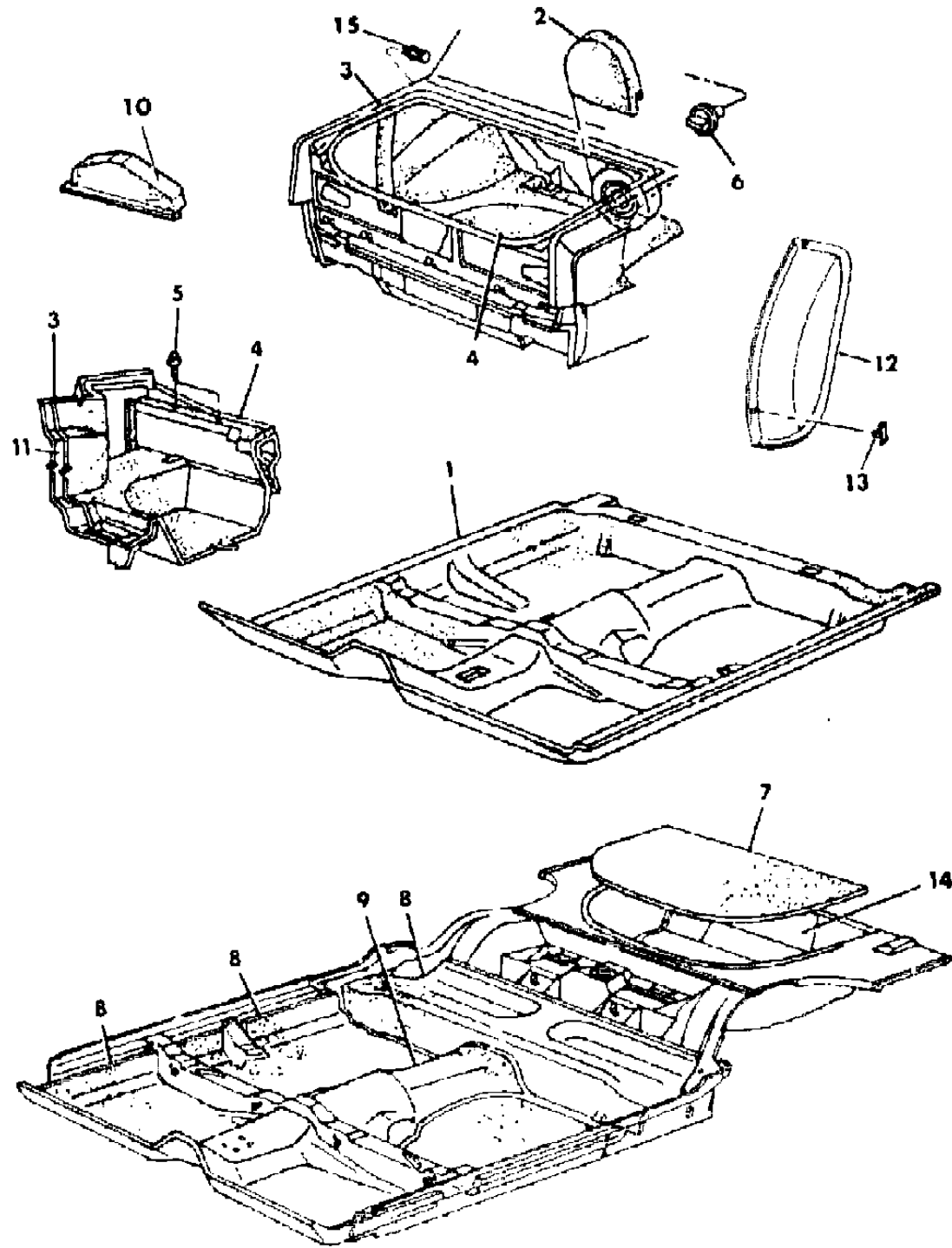
BODY STYLES

21 = 2-DOOR SEDAN	28 = FWD PICKUP	44 = 4-DOOR HATCHBACK
22 = 2-DOOR SPECIAL COUPE	35 = FWD VAN	45 = 4-DOOR STATION WAGON
24 = 2-DOOR HATCHBACK	36 = FWD WAGON	48 = 4-DOOR EXECUTIVE SEDAN
27 = 2-DOOR CONVERTIBLE	41 = 4-DOOR SEDAN	

AR = Use as Required - = Non Illustrated Part P.A.R. = Paint as Required

CARPET P,D,C,V K BODY
Figure ITK-1800

4234 1800



ITEM	PART NUMBER	QTY	BODY	MODEL	DESCRIPTION
1					CARPET, Front and Rear N N N N
	M649 CC7	1			Blue (use up to 12/1/83) N N N YM649CC7
	M654 CC7	1			Blue (use after 12/1/83) N N N YM654CC7
	M656 DM6	1			Red N N N YM656DM6
	M649 CS8	1			Charcoal (use up to 12/1/83) N N N YM649CS8
	M654 CS8	1			Charcoal (use after 12/1/83) N N N YM654CS8
	M649 CT9	1			Brown (use up to 12/1/83) N N N YM649CT9
	M656 DT9	1			Brown (use after 12/1/83) N N N YM656DT9
2	4282 238	1			COVER, Spare Tire, Mini Tire (carpet) N N21,22,41 N Y4282238
	4282 238	1			N NSedan & LimoN Y4282238
	4223 730	1			Full Tire (carpet) N N21,22,41 N Y4223730
3	4077 906-7	1			CARPET, Wheelhouse N N21,22,41 N Y4077906
4	4078 122	1			CARPET, Floor and Deck Lower Panel (w/Trunk Dress up) N N21,22,41 N Y4078122
	4223 961	1			(w/o Trunk Dress up) N N21,22,41 N Y4223961
5		AR			SCREW N N21,22,41 N N6032650
6	4223 983	1			FASTENER, Spare Tire Cover Attaching N N21,22,41 N Y4223983
7		1			CARPET, Floor Well (not used) N N N N
8	4186 901	AR			SILENCER N N N Y4186901
9	4186 901	AR			SILENCER N N N Y4186901
10	4247 900	1			COVER, Jack N N N Y4247900
11	3762 862	AR			SILENCER, Wheelhouse (material 36" x 72") N N N Y3762862
12	4247 226-7	1			SILENCER, Wheelhouse Inner (36" x 72" Material) NC,V N N Y4247226
13	6003 683	1			FASTENER, Wheelhouse Carpet (left side) N N N Y6003683
	6003 351	AR			FASTENER, Silencer Attaching (left side) N N N Y6003351
14	3762 862	AR			SILENCER (36"x72" material cut to fit) N N N Y3762862
15	6003 683	AR			FASTENER, Wheelhouse Carpet Attach N N N Y6003683
					NOTE: The Following Items Are Not Illustrated s ARE NOT RETURNABLE.
					CARPETED FLOOR MATS, Set of Two N N N N
					Front N N N N
	M022 CS8	1			Charcoal N N N YM022CS8
	M022 AC7	1			Blue, Dark N N N YM022AC7
	M022 VM6	1			Red N N N YM022VM6
	M022 BT9	1			Brown N N N YM022BT9
					Rear N N N N
	M045 DS8	1			Charcoal N N N YM045DS8

MODEL CODES

B = GRAN FURY
 C = LEBARON/TOWN & COUNTRY/EXC SEDAN
 C24 = LASER
 D = ARIES
 E = 600

F = FIFTH AVENUE/NEWPORT
 G = DIPLOMAT
 H = VOYAGER
 K = MINI RAM/CARAVAN/ROYAL
 M = HORIZON/TURISMO

P = RELIANT
 T = E CLASS/NEW YORKER
 V = 600
 V24 = DAYTONA
 Z = OMNI/CHARGER/RAMPAGE

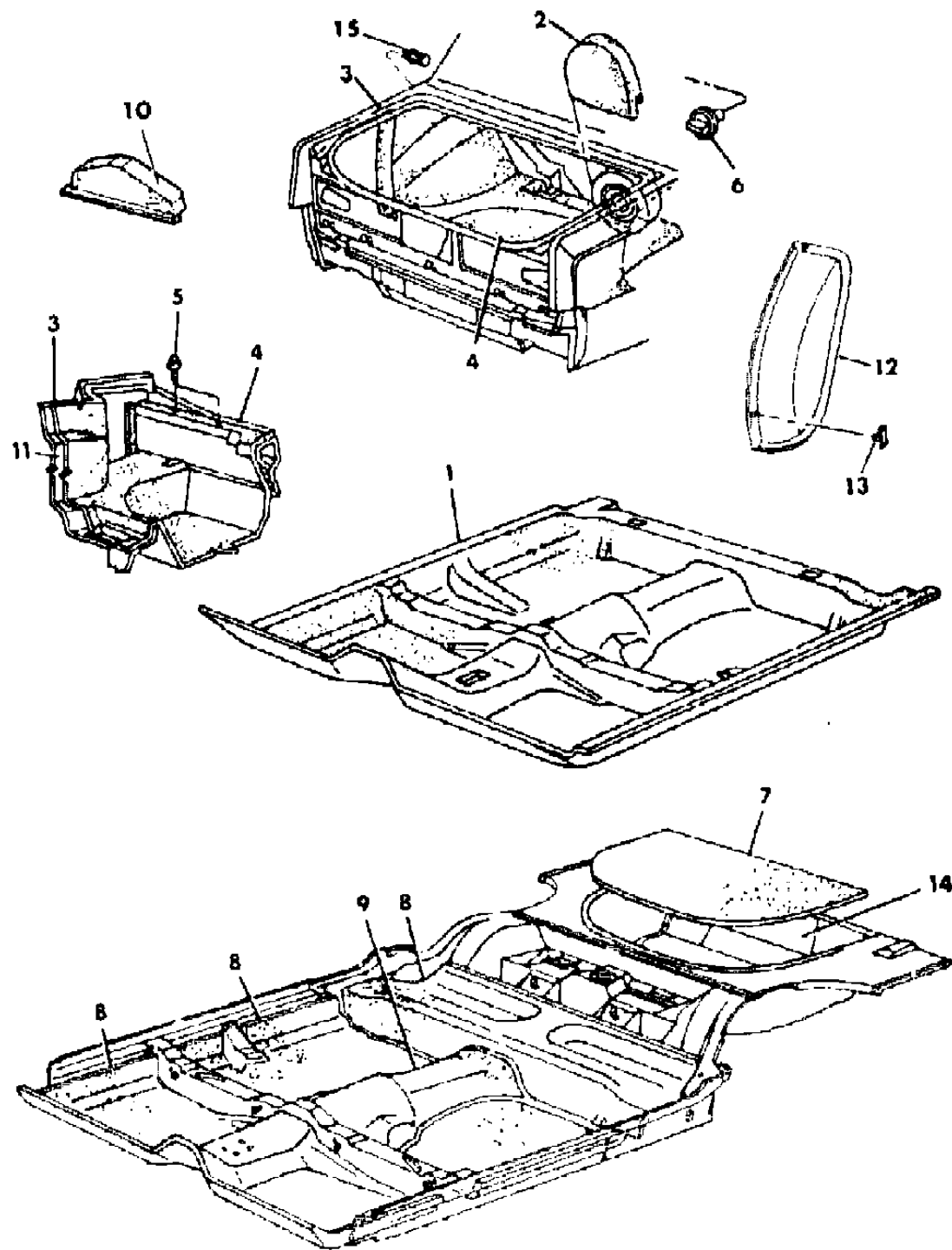
BODY STYLES

21 = 2-DOOR SEDAN
 22 = 2-DOOR SPECIAL COUPE
 24 = 2-DOOR HATCHBACK
 27 = 2-DOOR CONVERTIBLE
 28 = FWD PICKUP
 35 = FWD VAN
 36 = FWD WAGON
 41 = 4-DOOR SEDAN
 44 = 4-DOOR HATCHBACK
 45 = 4-DOOR STATION WAGON
 48 = 4-DOOR EXECUTIVE SEDAN

AR = Use as Required - = Non Illustrated Part P.A.R. = Paint as Required

CARPET P,D,C,V K BODY
Figure ITK-1800

4234 1800



ITEM	PART NUMBER	QTY	BODY	MODEL	DESCRIPTION
------	-------------	-----	------	-------	-------------

	M024 VC7	1			Blue, Dark N N N YM024VC7
	M024 VM6	1			Red N N N YM024VM6
	M024 BT9	1			Brown N N N YM024BT9

MODEL CODES

B = GRAN FURY	F = FIFTH AVENUE/NEWPORT	P = RELIANT
C = LEBARON/TOWN & COUNTRY/EXC SEDAN	G = DIPLOMAT	T = E CLASS/NEW YORKER
C24 = LASER	H = VOYAGER	V = 600
D = ARIES	K = MINI RAM/CARAVAN/ROYAL	V24 = DAYTONA
E = 600	M = HORIZON/TURISMO	Z = OMNI/CHARGER/RAMPAGE

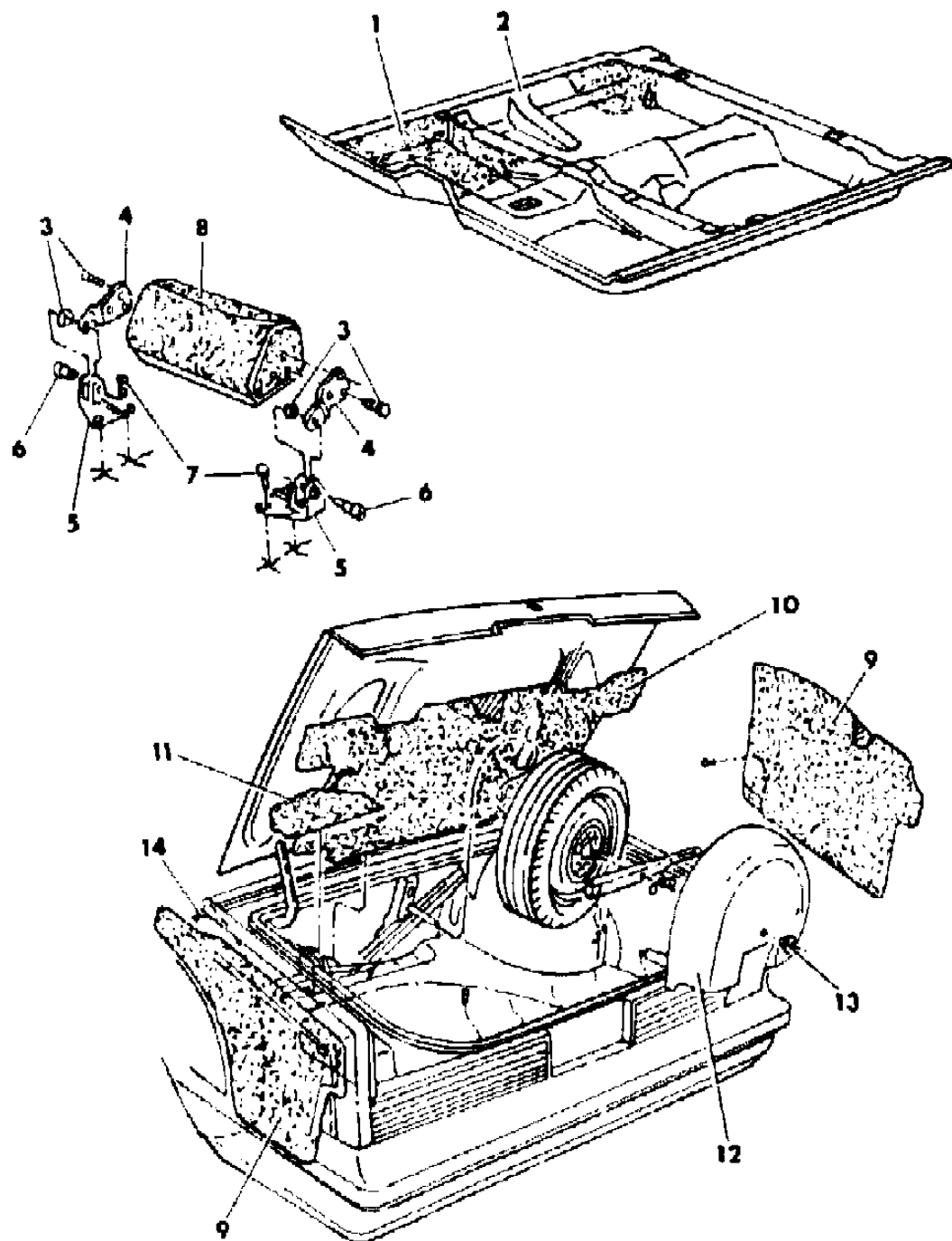
BODY STYLES

21 = 2-DOOR SEDAN	28 = FWD PICKUP	44 = 4-DOOR HATCHBACK
22 = 2-DOOR SPECIAL COUPE	35 = FWD VAN	45 = 4-DOOR STATION WAGON
24 = 2-DOOR HATCHBACK	36 = FWD WAGON	48 = 4-DOOR EXECUTIVE SEDAN
27 = 2-DOOR CONVERTIBLE	41 = 4-DOOR SEDAN	

AR = Use as Required - = Non Illustrated Part P.A.R. = Paint as Required

CARPET FOOTREST AND TRUNK SEDAN AND LIMO.
Figure ITK-1900

4234 1900



ITEM	PART NUMBER	QTY	BODY	MODEL	DESCRIPTION
1					CARPET, Front N N N N
	4364 192	1			Charcoal N NSedan N Y4364192
	4364 193	1			Blue N NSedan N Y4364193
	4342 179	1			Charcoal N NLimo N Y4342179
	4342 180	1			Blue N NLimo N Y4342180
2					CARPET, Rear N N N N
	4364 194	1			Charcoal N NSedan N Y4364194
	4364 195	1			Blue N NSedan N Y4364195
	4342 181	1			Charcoal N NLimo N Y4342181
	4342 182	1			Blue N NLimo N Y4342182
3-4	4339 670-1	1			BRACKET, Footrest (serviced in Kit) N N N Y4339670
3					SCREW (serviced in Kit) N N N N
4					ARM, Footrest (serviced in Kit) N N N N
5-7	4339 672-3	1			BRACKET, Footrest Support N N N Y4339672
5					BRACKET, Footrest (serviced in Kit) N N N N
6					BOLT (serviced in Kit) N N N N
7					SCREW (serviced in Kit) N N N N
8					FOOTREST N N N N
	4342 113	2			Charcoal N N N Y4342113
	4339 545	2			Blue N N N Y4339545
	4339 522-3	2			PLATE, Footrest N N N Y4339522
9					CARPET, Wheelhouse, Rear N N N N
	4364 184-5	1			N NSedan N Y4364184
	4342 138-9	1			N NLimo N Y4342138
10	4342 137	1			PARTITION, Trunk, Charcoal N N N Y4342137
11	4282 551	1			COVER, Jack N N N Y4282551
	4247 900	1			FOUND, Jack Cover Trim N N N Y4247900
12	4282 238	1			COVER, Spare Tire N N N Y4282238
13	4223 983	1			FASTENER N N N Y4223983
14	4077 906-7	1			CARPET, Wheelhouse, Front N N N Y4077906
					CARPETED FLOOR MATS, Set of Two N N N N
	4342 177	1			Charcoal N N N Y4342177
	4339 543	1			Blue N N N Y4339543

MODEL CODES

B = GRAN FURY	F = FIFTH AVENUE/NEWPORT	P = RELIANT
C = LEBARON/TOWN & COUNTRY/EXC SEDAN	G = DIPLOMAT	T = E CLASS/NEW YORKER
C24 = LASER	H = VOYAGER	V = 600
D = ARIES	K = MINI RAM/CARAVAN/ROYAL	V24 = DAYTONA
E = 600	M = HORIZON/TURISMO	Z = OMNI/CHARGER/RAMPAGE

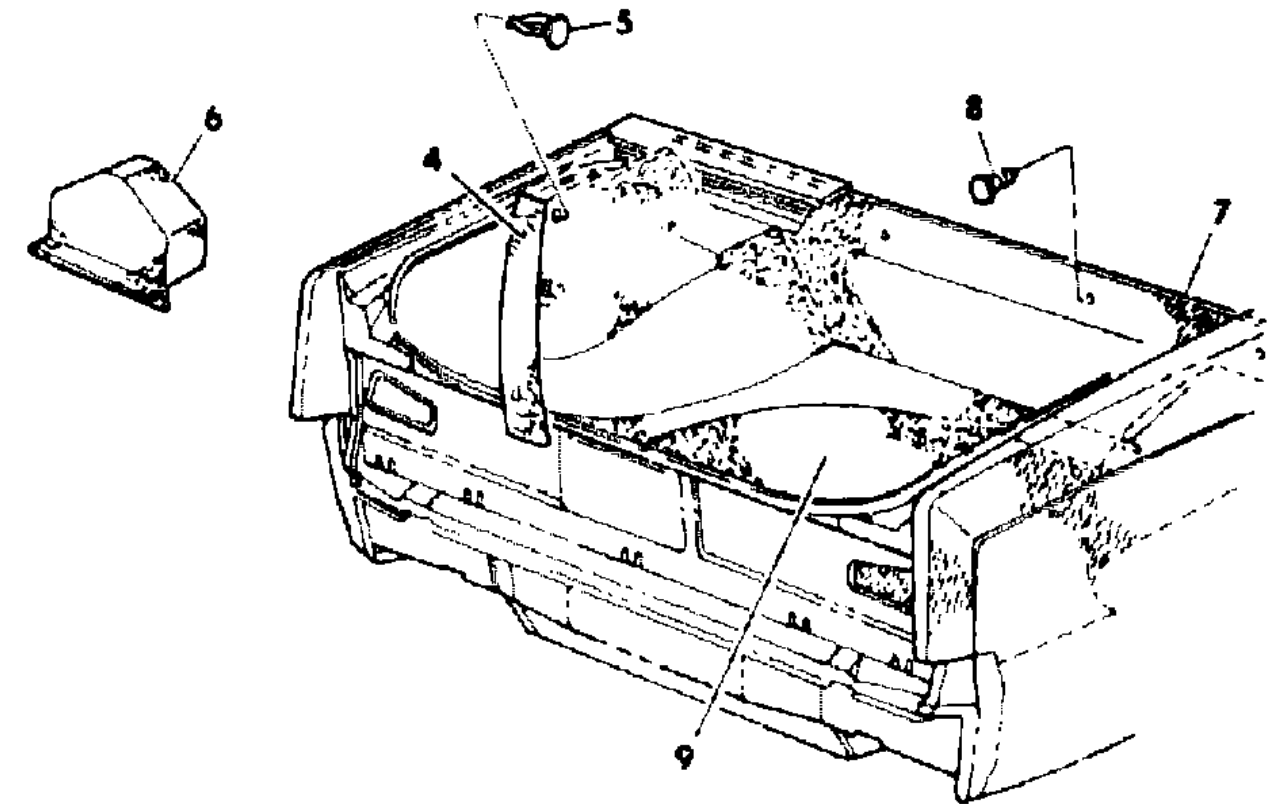
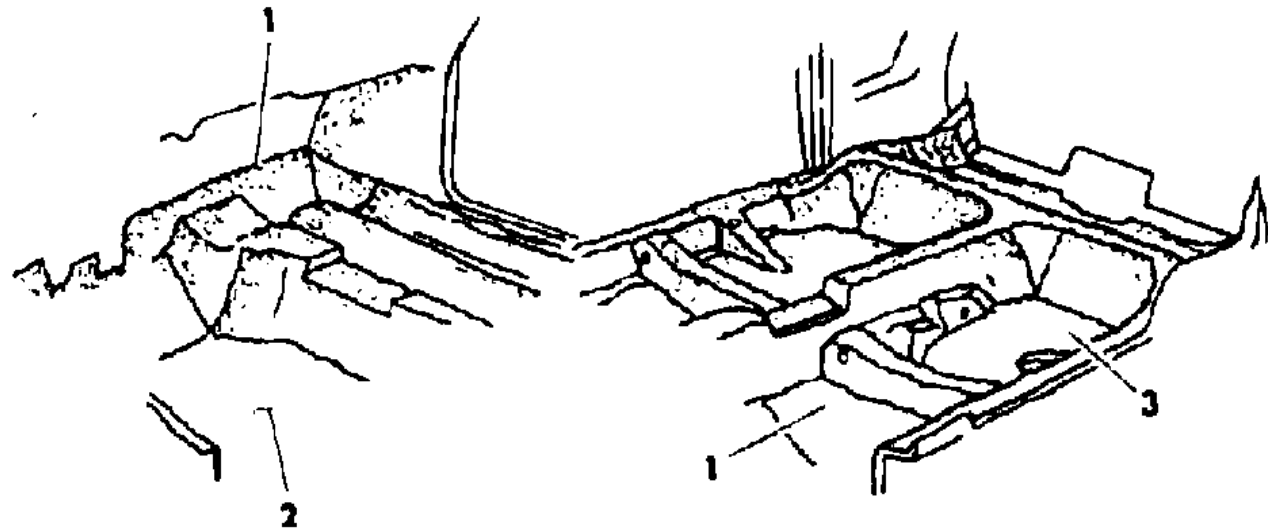
BODY STYLES

21 = 2-DOOR SEDAN	28 = FWD PICKUP	44 = 4-DOOR HATCHBACK
22 = 2-DOOR SPECIAL COUPE	35 = FWD VAN	45 = 4-DOOR STATION WAGON
24 = 2-DOOR HATCHBACK	36 = FWD WAGON	48 = 4-DOOR EXECUTIVE SEDAN
27 = 2-DOOR CONVERTIBLE	41 = 4-DOOR SEDAN	

AR = Use as Required - = Non Illustrated Part P.A.R. = Paint as Required

CARPET C,V K BODY 27
Figure ITK-2000

4234 2000



ITEM	PART NUMBER	QTY	BODY	MODEL	DESCRIPTION
1					CARPET, Front and Rear N N N N
	M658 CT9	1			Brown N N N YM658CT9
	M658 CM6	1			Red N N N YM658CM6
	M658 CS8	1			Charcoal N N N YM658CS8
2	4305 072-3	1			SILENCER, Front N N N Y4305072
3	4097 780-1	1			SILENCER, Rear N N N Y4097780
4	4077 906-7	1			CARPET, Wheelhouse N N N Y4077906 (use after 5/20/84) N N N N
	M658 CM6	1			Red N N N YM658CM6
	M658 CT9	1			Brown N N N YM658CT9
	M658 CS8	1			Charcoal N N N YM658CS8
5	6003 683	1			FASTENER, Wheelhouse Carpet Attaching, Left Side N N N Y6003683
6	4282 418	1			COVER, Jack Trim N N N Y4282418
7	4248 776	1			CARPET, Bulkhead Trim N N N Y4248776
8	6030 441	4			RETAINER, Bulkhead Trim N N N Y6030441
9	4078 122	1			CARPET, Luggage Compartment & Lower Deck Lid N N N Y4078122

NOTE: The Following Items Are Not Illustrated s ARE NOT RETURNABLE.

4282 349	1	COVER, Mini Spare Tire N N N Y4282349
----------	---	---------------------------------------

MODEL CODES

B = GRAN FURY	F = FIFTH AVENUE/NEWPORT	P = RELIANT
C = LEBARON/TOWN & COUNTRY/EXC SEDAN	G = DIPLOMAT	T = E CLASS/NEW YORKER
C24 = LASER	H = VOYAGER	V = 600
D = ARIES	K = MINI RAM/CARAVAN/ROYAL	V24 = DAYTONA
E = 600	M = HORIZON/TURISMO	Z = OMNI/CHARGER/RAMPAGE

BODY STYLES

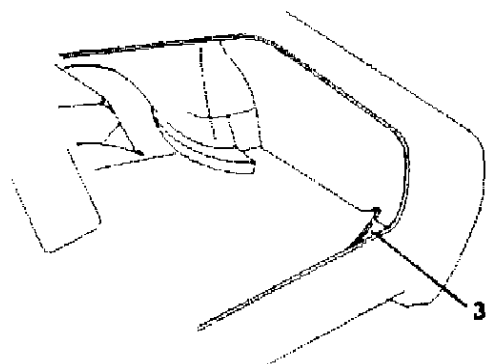
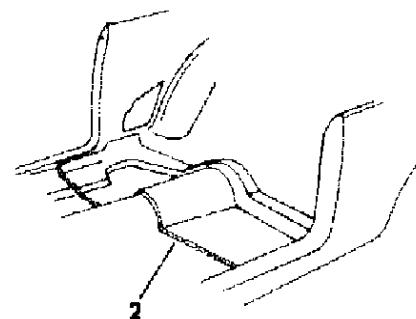
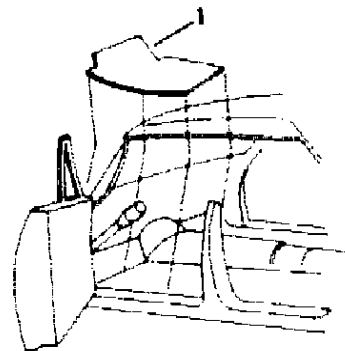
21 = 2-DOOR SEDAN	28 = FWD PICKUP	44 = 4-DOOR HATCHBACK
22 = 2-DOOR SPECIAL COUPE	35 = FWD VAN	45 = 4-DOOR STATION WAGON
24 = 2-DOOR HATCHBACK	36 = FWD WAGON	48 = 4-DOOR EXECUTIVE SEDAN
27 = 2-DOOR CONVERTIBLE	41 = 4-DOOR SEDAN	

AR = Use as Required - = Non Illustrated Part P.A.R. = Paint as Required

MATS FRONT AND REAR P,D K BODY
Figure ITK-2100

4234 2100

ITEM	PART NUMBER	QTY	BODY	MODEL	DESCRIPTION
1	4282 354	1			MAT, Rubber, Heavy Duty, Front (black) N N N Y4282354
2	4282 355	1			MAT, Rubber, Heavy Duty, Rear, (black) N N N Y4282355
3	4223 959	1			MAT, Luggage Compartment Floor Well w/Mini Spare N N N Y4223959



MODEL CODES

B = GRAN FURY	F = FIFTH AVENUE/NEWPORT	P = RELIANT
C = LEBARON/TOWN & COUNTRY/EXC SEDAN	G = DIPLOMAT	T = E CLASS/NEW YORKER
C24 = LASER	H = VOYAGER	V = 600
D = ARIES	K = MINI RAM/CARAVAN/ROYAL	V24 = DAYTONA
E = 600	M = HORIZON/TURISMO	Z = OMNI/CHARGER/RAMPAGE

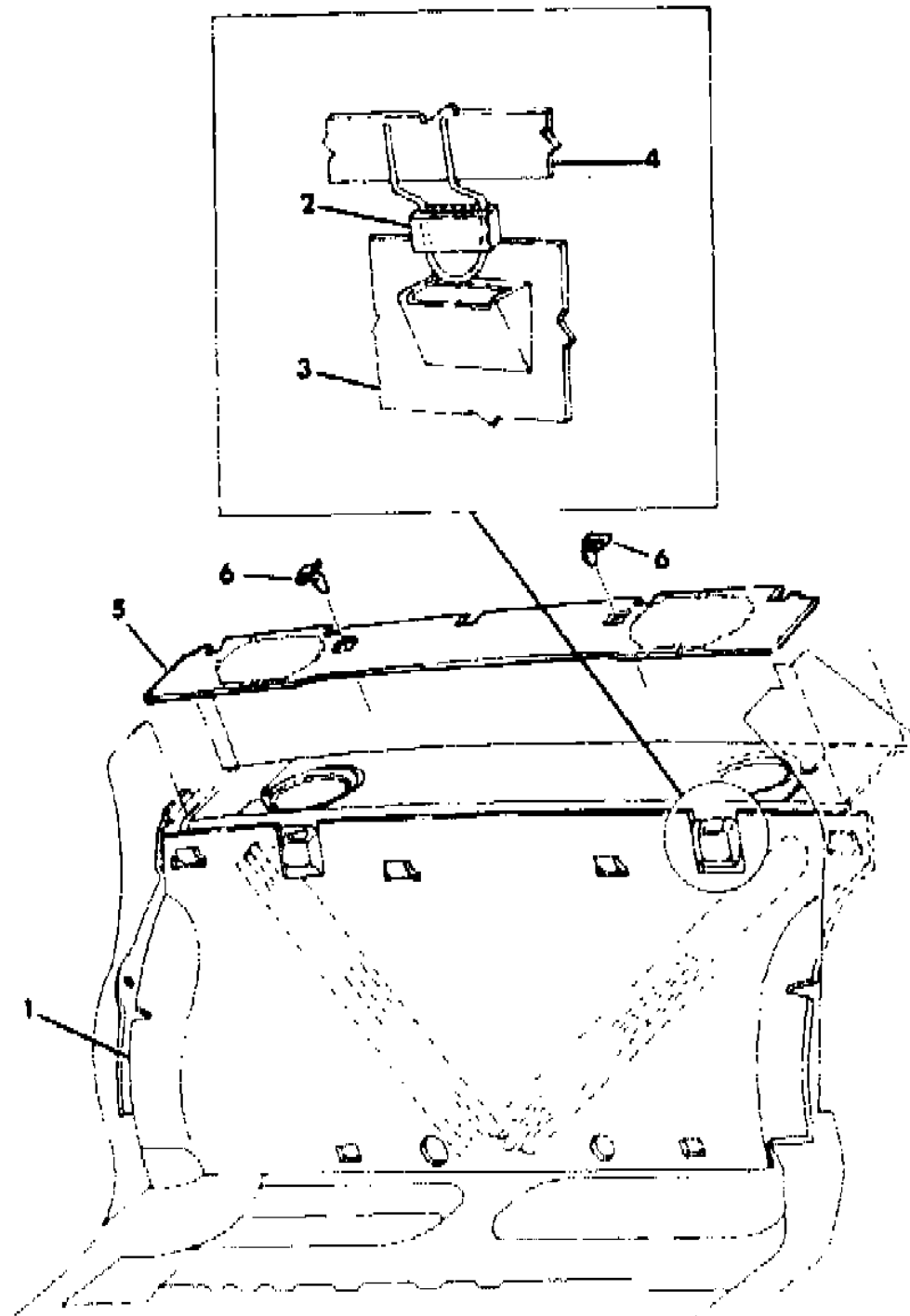
BODY STYLES

21 = 2-DOOR SEDAN	28 = FWD PICKUP	44 = 4-DOOR HATCHBACK
22 = 2-DOOR SPECIAL COUPE	35 = FWD VAN	45 = 4-DOOR STATION WAGON
24 = 2-DOOR HATCHBACK	36 = FWD WAGON	48 = 4-DOOR EXECUTIVE SEDAN
27 = 2-DOOR CONVERTIBLE	41 = 4-DOOR SEDAN	

AR = Use as Required - = Non Illustrated Part P.A.R. = Paint as Required

SILENCERS REAR COMPARTMENT P,D,C,V K BODY 21,22,41
Figure ITK-2200

4234 2200



ITEM	PART NUMBER	QTY	BODY	MODEL	DESCRIPTION
1	4309 624	1			SILENCER, Luggage Compartment Front liner N N N Y4309624
2	4239 182	1			SEAL, Rear Seat Back to Shelf Panel N N N Y4239182
3					PANEL, Shelf (reference) N N N N
4					SPRING, Rear Seat Back (reference) N N N N
5	4223 571	1			SILENCER, Sound Barrier N N N Y4223571
6	6002 072	1			FASTENER N N N Y6002072

MODEL CODES

B = GRAN FURY	F = FIFTH AVENUE/NEWPORT	P = RELIANT
C = LEBARON/TOWN & COUNTRY/EXC SEDAN	G = DIPLOMAT	T = E CLASS/NEW YORKER
C24 = LASER	H = VOYAGER	V = 600
D = ARIES	K = MINI RAM/CARAVAN/ROYAL	V24 = DAYTONA
E = 600	M = HORIZON/TURISMO	Z = OMNI/CHARGER/RAMPAGE

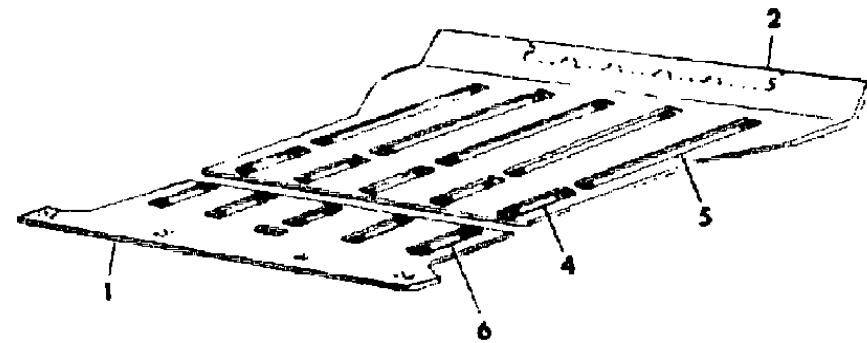
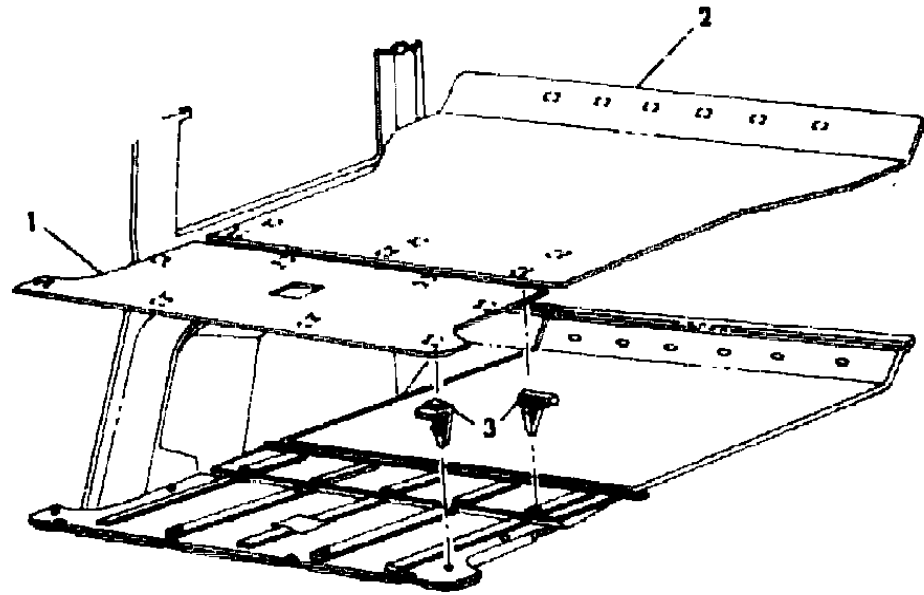
BODY STYLES

21 = 2-DOOR SEDAN	28 = FWD PICKUP	44 = 4-DOOR HATCHBACK
22 = 2-DOOR SPECIAL COUPE	35 = FWD VAN	45 = 4-DOOR STATION WAGON
24 = 2-DOOR HATCHBACK	36 = FWD WAGON	48 = 4-DOOR EXECUTIVE SEDAN
27 = 2-DOOR CONVERTIBLE	41 = 4-DOOR SEDAN	

AR = Use as Required - = Non Illustrated Part P.A.R. = Paint as Required

CARPET CARGO AREA P,D,C K BODY 45
Figure ITK-2300

4234 2300



ITEM	PART NUMBER	QTY	BODY	MODEL	DESCRIPTION
1					CARPET, Rear Seat Back N N N N
	M662 CA3	1			Silver NP,D N N YM662CA3
	M662 VM6	1			Red NP,D N N YM662VM6
	M662 BL3	1			Tan NP,D N N YM662BL3
	W270 AM6	1			Red NC N N YW270AM6
	W270 BL3	1			Tan NC N N YW270BL3
	W270 BT9	1			Brown NC N N YW270BT9
2					CARPET, Cargo Floor N N N N
	M672 CA3	1			Silver NP,D N N YM672CA3
	M672 VM6	1			Red NP,D N N YM672VM6
	M672 BL3	1			Tan NP,D N N YM672BL3
	W271 AM6	1			Red NC N N YW271AM6
	W271 BL3	1			Tan NC N N YW271BL3
	W271 BT9	1			Brown NC N N YW271BT9
3	4114 785	AR			FASTENER, Carpet N N N Y4114785
4	4247 142	5			MOULDING, Rear Seat Back Filler (Skid Strips) NC N N Y4247142
5	4247 143	5			MOULDING, Cargo Floor (skid strips) NC N N Y4247143
6	2086 533	5			MOULDING, Rear Seat Back Carpet NC-P N N Y2086533

MODEL CODES

B = GRAN FURY	F = FIFTH AVENUE/NEWPORT	P = RELIANT
C = LEBARON/TOWN & COUNTRY/EXC SEDAN	G = DIPLOMAT	T = E CLASS/NEW YORKER
C24 = LASER	H = VOYAGER	V = 600
D = ARIES	K = MINI RAM/CARAVAN/ROYAL	V24 = DAYTONA
E = 600	M = HORIZON/TURISMO	Z = OMNI/CHARGER/RAMPAGE

BODY STYLES

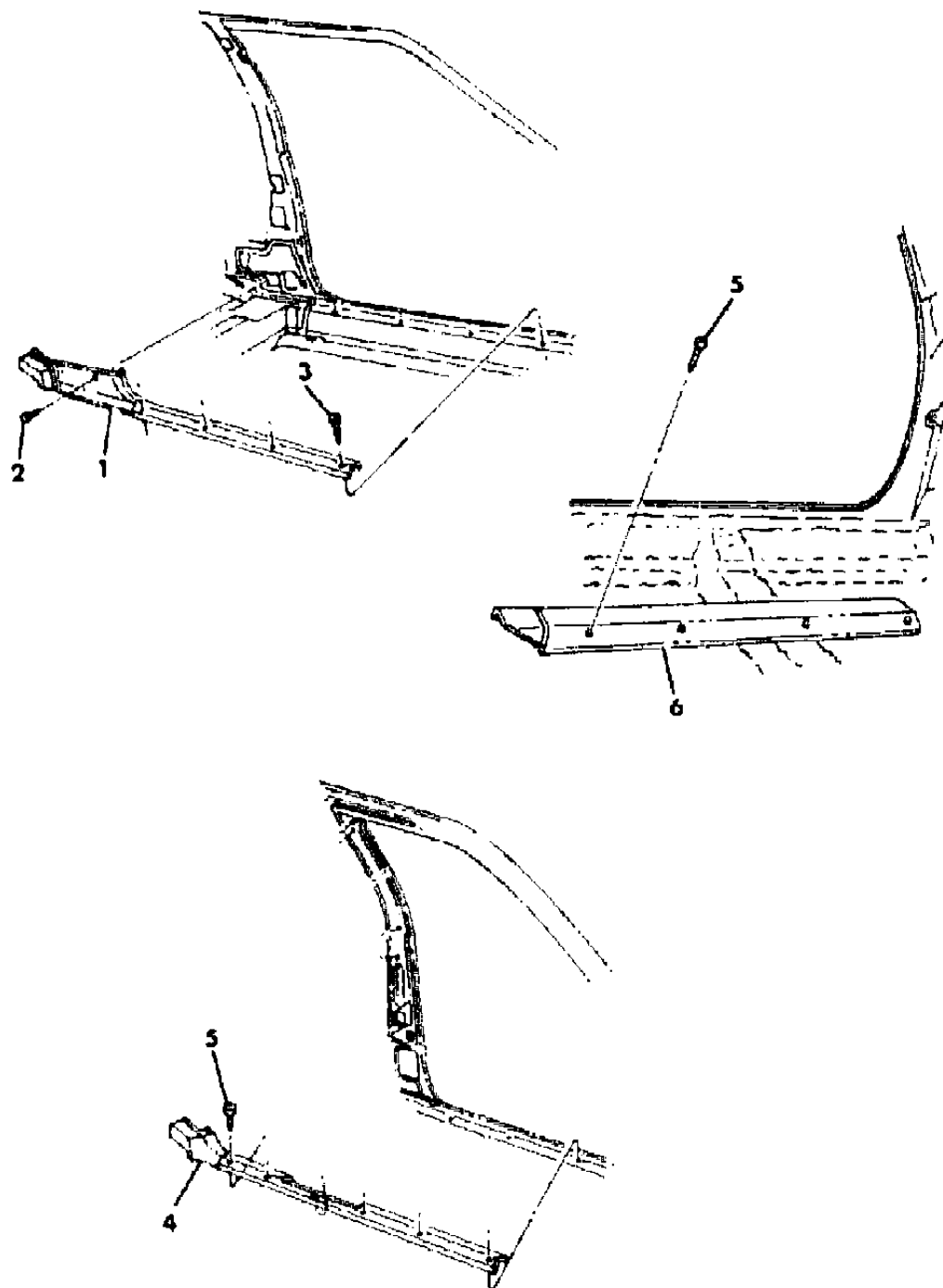
21 = 2-DOOR SEDAN	28 = FWD PICKUP	44 = 4-DOOR HATCHBACK
22 = 2-DOOR SPECIAL COUPE	35 = FWD VAN	45 = 4-DOOR STATION WAGON
24 = 2-DOOR HATCHBACK	36 = FWD WAGON	48 = 4-DOOR EXECUTIVE SEDAN
27 = 2-DOOR CONVERTIBLE	41 = 4-DOOR SEDAN	

AR = Use as Required - = Non Illustrated Part P.A.R. = Paint as Required

SCUFF PLATES BODY SIDE SILL AND DOOR P,D,C,V K BODY
Figure ITK-2400

ITEM	PART NUMBER	QTY	BODY	MODEL	DESCRIPTION
1					PLATE, Door Sill Scuff Lower (paint as required) N N N N
	M904-5 VB2	1			(use up to 1/8/84) N N21,22,27 N YM904VB2
	M922-3 CL3	1			(use after 1/8/84) N N21,22,27 N YM922CL3
	M924-5 CL3	1			(use after 6/1/84) N N27 N YM924CL3
2		4			SCREW (not serviced) N N21,22,27 N N
3	6032 456	8			SCREW N N21,22,27 N Y6032456
4	M906-7 VB2	1			PLATE, Front and Rear Door Sill (paint as required) N N41,45 N YM906VB2
5		10			SCREW (not serviced) N N41,45 N N
6					PLATE, Door Sill N N N N
	4339 568-9	1			Front, Silver N NSedan & LimoN Y4339568
	4339 644-5	1			Front, Blue N NSedan & LimoN Y4339644
	4339 566-7	1			Rear, Silver N NSedan N Y4339566
	4339 642-3	1			Rear, Blue N NSedan N Y4339642
	4339 874-5	1			Rear, Silver N NLimo N Y4339874
	4339 876-7	1			Rear, Blue N NLimo N Y4339876

4234 2400



MODEL CODES

B = GRAN FURY	F = FIFTH AVENUE/NEWPORT	P = RELIANT
C = LEBARON/TOWN & COUNTRY/EXC SEDAN	G = DIPLOMAT	T = E CLASS/NEW YORKER
C24 = LASER	H = VOYAGER	V = 600
D = ARIES	K = MINI RAM/CARAVAN/ROYAL	V24 = DAYTONA
E = 600	M = HORIZON/TURISMO	Z = OMNI/CHARGER/RAMPAGE

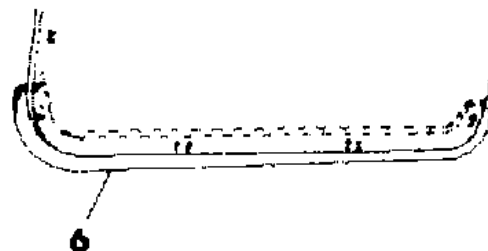
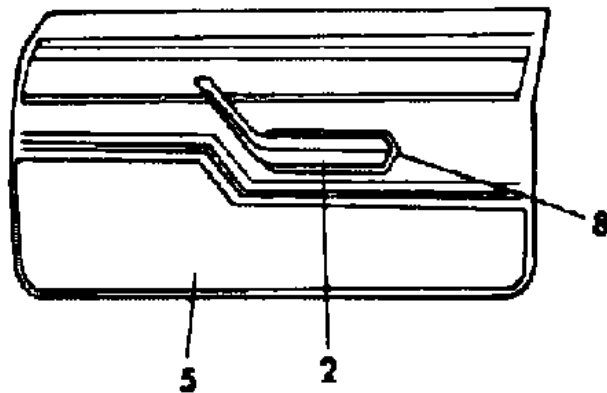
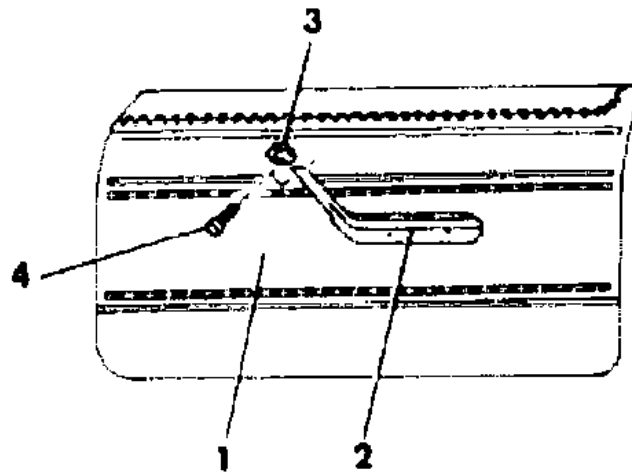
BODY STYLES

21 = 2-DOOR SEDAN	28 = FWD PICKUP	44 = 4-DOOR HATCHBACK
22 = 2-DOOR SPECIAL COUPE	35 = FWD VAN	45 = 4-DOOR STATION WAGON
24 = 2-DOOR HATCHBACK	36 = FWD WAGON	48 = 4-DOOR EXECUTIVE SEDAN
27 = 2-DOOR CONVERTIBLE	41 = 4-DOOR SEDAN	

AR = Use as Required - = Non Illustrated Part P.A.R. = Paint as Required

DOOR TRIM PANEL P,D K BODY 21
Figure ITK-2500

4234 2500



ITEM	PART NUMBER	QTY	BODY	MODEL	DESCRIPTION
1					PANEL, Door N N N N
	K262-3 CA2	1			N N NC1AS,C2AS YK262CA2
	K262-3 BB5	1			N N NC1BC,C2BC YK262BB5
	K262-3 BM6	1			N N NC1M,C2M YK262BM6
	K262-3 BL3	1			N N NC1LT,C2LT YK262BL3
2					ARMREST N N N N
	D498-9 AA3	1			Silver N N N YD498AA3
	D498-9 BB5	1			Blue N N N YD498BB5
	D498-9 VM6	1			Red N N N YD498VM6
	D498-9 BL3	1			Tan N N N YD498BL3
-	6032 096	AR			SCREW, Armrest Attaching N N N Y6032096
3	4223 630-1	1			BEZEL, Armrest N N N Y4223630
4		AR			SCREW (not serviced) N N N N
5					PANEL, Door w/Finish Plate and Carpet, Vinyl N N N N
	D572-3 CA3	1			N N NH4AS YD572CA3
	D572-3 CB5	1			N N NH4BC YD572CB5
	D572-3 CL3	1			N N NH4LT YD572CL3
	D572-3 CM6	1			N N NH4M6 YD572CM6
		1			Cloth N N N N
	D574-5 CA3	1			N N NH3AS,H7AS YD574CA3
	D574-5 CB5	1			N N NH3BC,H7BC YD574CB5
	D574-5 CL3	1			N N NH3LT,H7LT YD574CL3
	D574-5 CM6	1			N N NH3M6,H7M6 YD574CM6
6	4247 229	2			SEAL, Secondary Sound N N N Y4247229
7	6003 640	AR			FASTENER, Door Panel N N N Y6003640
8	4077 894-5	2			BEZEL, Armrest N N N Y4077894
	4049 602	AR			SILENCER, Door (36"x36"x1/2" material) N N N Y4049602

The following parts are not illustrated. s ARE NOT RETURNABLE.

MODEL CODES

B = GRAN FURY	F = FIFTH AVENUE/NEWPORT	P = RELIANT
C = LEBARON/TOWN & COUNTRY/EXC SEDAN	G = DIPLOMAT	T = E CLASS/NEW YORKER
C24 = LASER	H = VOYAGER	V = 600
D = ARIES	K = MINI RAM/CARAVAN/ROYAL	V24 = DAYTONA
E = 600	M = HORIZON/TURISMO	Z = OMNI/CHARGER/RAMPAGE

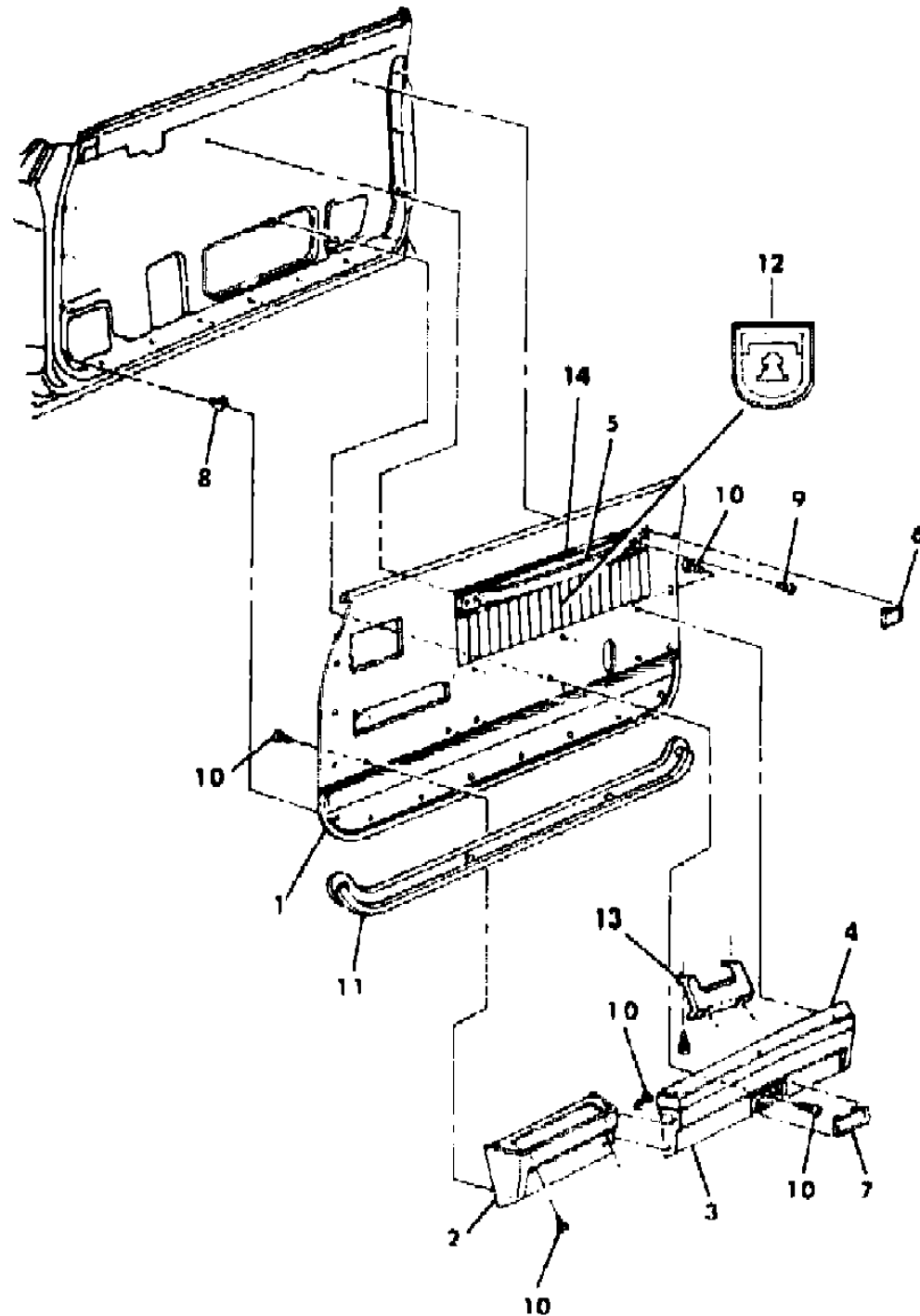
BODY STYLES

21 = 2-DOOR SEDAN	28 = FWD PICKUP	44 = 4-DOOR HATCHBACK
22 = 2-DOOR SPECIAL COUPE	35 = FWD VAN	45 = 4-DOOR STATION WAGON
24 = 2-DOOR HATCHBACK	36 = FWD WAGON	48 = 4-DOOR EXECUTIVE SEDAN
27 = 2-DOOR CONVERTIBLE	41 = 4-DOOR SEDAN	

AR = Use as Required - = Non Illustrated Part P.A.R. = Paint as Required

DOOR TRIM PANEL C,V K BODY 22,27
Figure ITK-2600

4234 2600



ITEM	PART NUMBER	QTY	BODY	MODEL	DESCRIPTION
1					PANEL, Door N N N N
					Vinyl N N N N
	K130-1 CM6	1			N N27 NV8M YK130CM6
	K130-1 CL3	1			N N27 NV8L YK130CL3
	K130-1 CMW	1			N N27 NV8MW YK130CMW
					Cloth Insert N N N N
	K214-5 CS8	1			N N NJ3S,J5S YK214CS8
	K214-5 CC7	1			N N NJ3C,J5C YK214CC7
	K214-5 CM6	1			N N NJ3M,J5M YK214CM6
	K214-5 CL3	1			N N NJ3L,J5L YK214CL3
	K214-5 CT8	1			N N NJ3T,J5T YK214CT8
	K260-1 CC7	1			N N NE5C YK260CC7
	K260-1 CM6	1			N N NE5M YK260CM6
	K260-1 CS8	1			N N NE5S YK260CS8
	K260-1 CL3	1			N N NE5LT YK260CL3
					Vinyl N N N N
	K208-9 CS8	1			N N NRLSA YK208CS8
	K208-9 CT8	1			N N NRLTK YK208CT8
	K210-1 CS8	1			N N NSPSA YK210CS8
	K210-1 CT8	1			N N NSPTK YK210CT8
	J284-5 CSA	1			N N NGLSA YJ284CSA
	J284-5 CTK	1			N N NGLTK YJ284CTK
2	D412-3 AA3	1			BASE, Armrest w/Electric Window Switch (paint as required) N N N YD412AA3
-	6031 964	AR			NUT, Push Base Attaching N N N Y6031964
3	D414-5 AA3	1			BASE, Armrest w/o Power Door Locks (paint as required) N N N YD414AA3
	D536-7 BL3	1			w/Power Door Locks (paint as required) N N N YD536BL3
4					PAD, Armrest N N N N
					w/o Power Door Locks N N N N
	D402-3 CS8	1			Charcoal N N N YD402CS8
	D402-3 AC7	1			Blue, Dark N N N YD402AC7
	D402-3 AM6	1			Red N N N YD402AM6
	D402-3 BL3	1			Tan N N N YD402BL3
	D402-3 BT8	1			Brown N N N YD402BT8
	D402-3 BW1	1			White N N N YD402BW1
					w/Power Door Locks N N N N
	D528-9 CS8	1			Charcoal N N N YD528CS8

MODEL CODES

B = GRAN FURY	F = FIFTH AVENUE/NEWPORT	P = RELIANT
C = LEBARON/TOWN & COUNTRY/EXC SEDAN	G = DIPLOMAT	T = E CLASS/NEW YORKER
C24 = LASER	H = VOYAGER	V = 600
D = ARIES	K = MINI RAM/CARAVAN/ROYAL	V24 = DAYTONA
E = 600	M = HORIZON/TURISMO	Z = OMNI/CHARGER/RAMPAGE

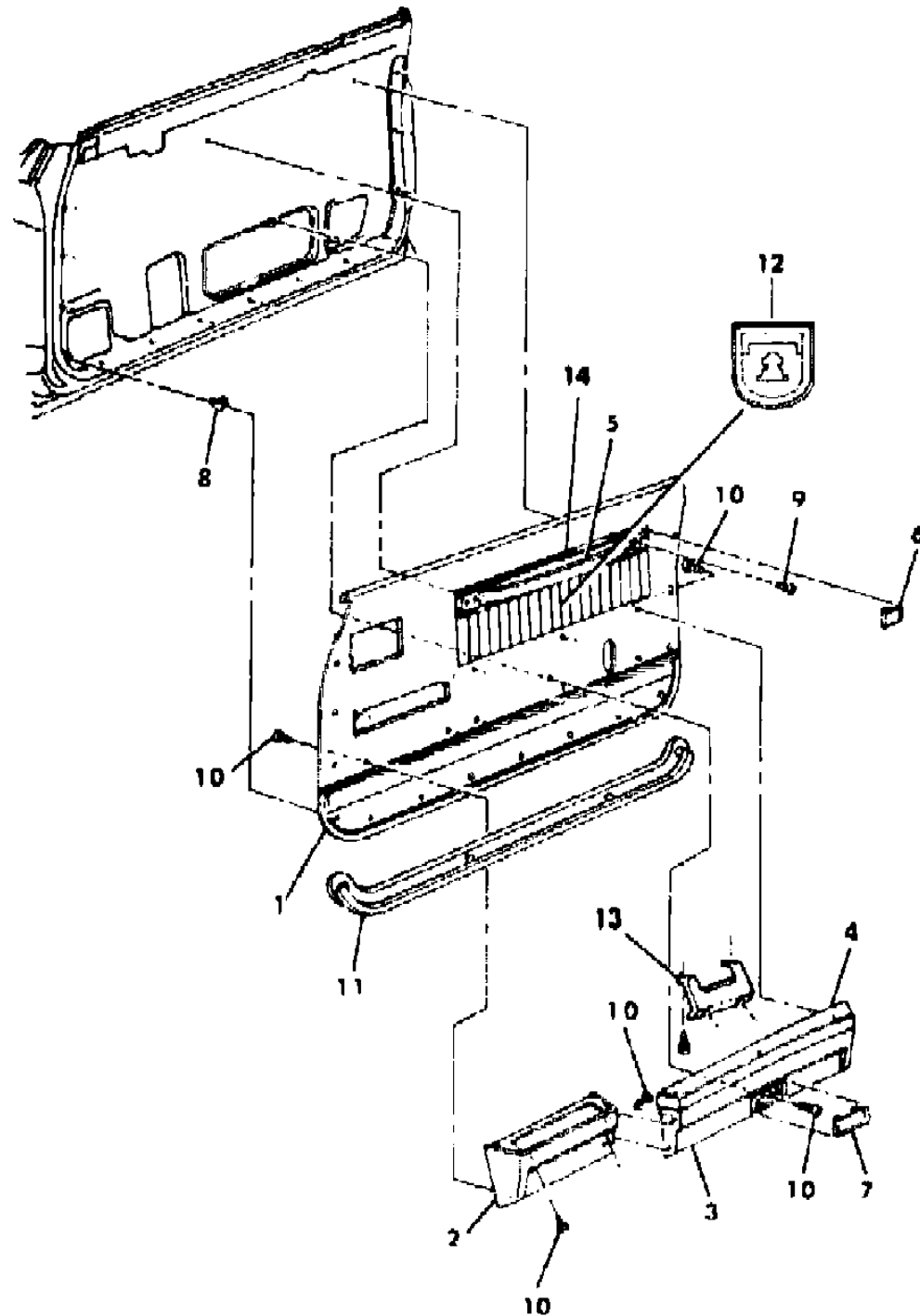
BODY STYLES

21 = 2-DOOR SEDAN	28 = FWD PICKUP	44 = 4-DOOR HATCHBACK
22 = 2-DOOR SPECIAL COUPE	35 = FWD VAN	45 = 4-DOOR STATION WAGON
24 = 2-DOOR HATCHBACK	36 = FWD WAGON	48 = 4-DOOR EXECUTIVE SEDAN
27 = 2-DOOR CONVERTIBLE	41 = 4-DOOR SEDAN	

AR = Use as Required - = Non Illustrated Part P.A.R. = Paint as Required

DOOR TRIM PANEL C,V K BODY 22,27
Figure ITK-2600

4234 2600



ITEM	PART NUMBER	QTY	BODY	MODEL	DESCRIPTION
	D528-9 BC7	1			Blue, Dark N N N YD528BC7
	D528-9 BM6	1			Red N N N YD528BM6
	D528-9 BL3	1			Tan N N N YD528BL3
	D528-9 BT8	1			Brown N N N YD528BT8
	D528-9 BW1	1			White N N N YD528BW1
5					HANDLE N N N N
	D946 CS8	2			Charcoal N N N YD946CS8
	D946 AA2	2			Silver N N N YD946AA2
	D946 AC8	2			Blue, Dark N N N YD946AC8
	D946 AM6	2			Red N N N YD946AM6
	D946 BL3	2			Tan N N N YD946BL3
	D946 BT8	2			Brown N N N YD946BT8
	D946 BW1	2			White N N N YD946BW1
	D946 CK5	2			Saddle N N N YD946CK5
6	4248 941	4			END CAP N N N Y4248941
7	3591 803	2			LENS, Reflex N N N Y3591803
8	6003 640	AR			FASTENER N N N Y6003640
9	6032 141	AR			SCREW N N N Y6032141
10		AR			SCREW (not serviced) N N N N
11	4247 229	2			SEAL, Secondary N N N Y4247229
12	4247 692	2			MEDALLION, Mark Cross Package N N N Y4247692
13	4248 449	2			BRACKET, Remote Mirror Bezel to Arm Rest N N N Y4248449
	6030 851	4			NUT, Speed Bracket Attaching N N N Y6030851
14	4248 939	2			FINISH PLATE N N N Y4248939
	6032 133	AR			NUT, Finish Plate N N N Y6032133

The following parts are not illustrated. s ARE NOT RETURNABLE.

4049 602 AR SILENCER, Door (36"x36"x1/2" material) N N N Y4049602

MODEL CODES

B = GRAN FURY	F = FIFTH AVENUE/NEWPORT	P = RELIANT
C = LEBARON/TOWN & COUNTRY/EXC SEDAN	G = DIPLOMAT	T = E CLASS/NEW YORKER
C24 = LASER	H = VOYAGER	V = 600
D = ARIES	K = MINI RAM/CARAVAN/ROYAL	V24 = DAYTONA
E = 600	M = HORIZON/TURISMO	Z = OMNI/CHARGER/RAMPAGE

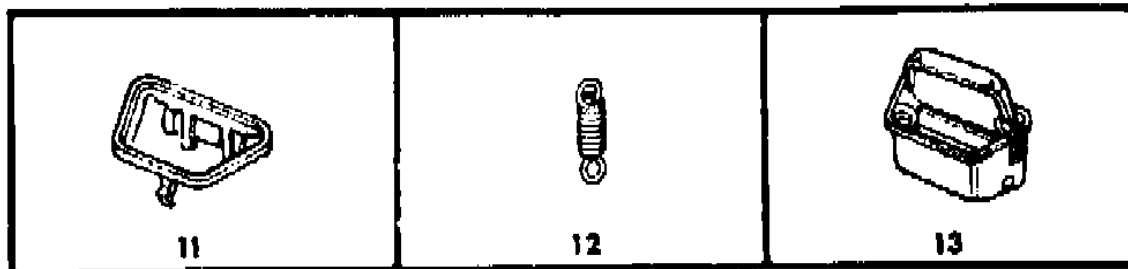
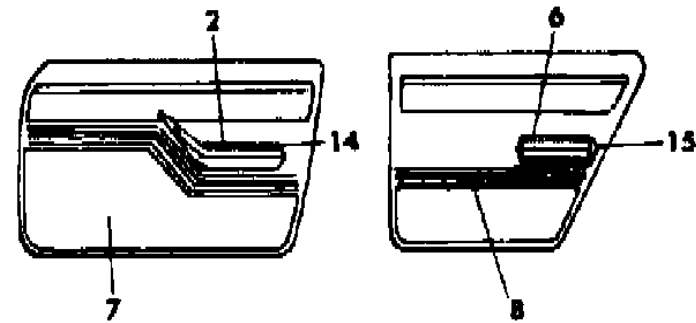
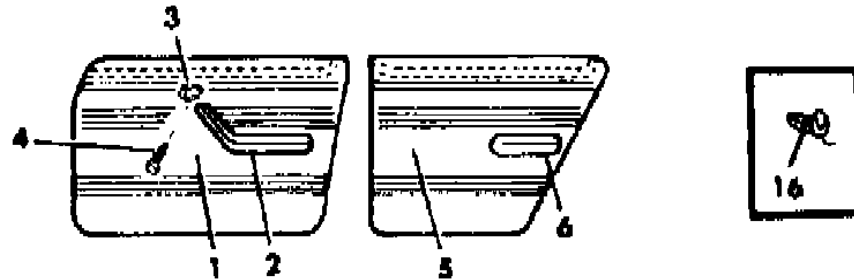
BODY STYLES

21 = 2-DOOR SEDAN	28 = FWD PICKUP	44 = 4-DOOR HATCHBACK
22 = 2-DOOR SPECIAL COUPE	35 = FWD VAN	45 = 4-DOOR STATION WAGON
24 = 2-DOOR HATCHBACK	36 = FWD WAGON	48 = 4-DOOR EXECUTIVE SEDAN
27 = 2-DOOR CONVERTIBLE	41 = 4-DOOR SEDAN	

AR = Use as Required - = Non Illustrated Part P.A.R. = Paint as Required

DOOR TRIM PANEL K BODY P,D 41,45
Figure ITK-2700

4234 .J700



ITEM	PART NUMBER	QTY	BODY	MODEL	DESCRIPTION
1					PANEL, Door Front N N N N Vinyl N N N N
	K268-9 BB5	1			N N NC1BC,C2BC YK268BB5
	K268-9 BB5	1			N N NK2BC,K8BC YK268BB5
	K268-9 BM6	1			N N NC1M,C2M YK268BM6
	K268-9 BL3	1			N N NC1LT,C2LT YK268BL3
	K268-9 BL3	1			N N NK2LT,K8LT YK268BL3
	K268-9 CA2	1			N N NC1AS YK268CA2
2					ARMREST, Front N N N N
	D498-9 AA3	1			Silver N N N YD498AA3
	D498-9 BB5	1			Blue, Medium N N N YD498BB5
	D498-9 VM6	1			Red N N N YD498VM6
	D498-9 BL3	1			Tan N N N YD498BL3
	6032 096	AR			SCREW, Armrest Attaching N N N Y6032096
3	4223 630-1	1			BEZEL, Armrest N N N Y4223630
4		AR			SCREW (not serviced) N N N N
5					PANEL, Door Rear N N N N Vinyl N N N N
	K472-3 BB5	1			N N NC1BC,C2BC YK472BB5
	K472-3 BB5	1			N N NK2BC,K8BC YK472BB5
	K472-3 BM6	1			N N NC1M,C2M YK472BM6
	K472-3 BL3	1			N N NC1LT,C2LT YK472BL3
	K472-3 BL3	1			N N NK2LT,K8LT YK472BL3
	K472-3 CA2	1			N N NC1AS YK472CA2
6					ARMREST, Rear N N N N
	D426-7 AA3	1			Silver N N N YD426AA3
	D426-7 BB5	1			Blue, Medium N N N YD426BB5
	D426-7 VM6	1			Red N N N YD426VM6
	D426-7 BL3	1			Tan N N N YD426BL3
7					PANEL, Door Front w/Woodgrain Finish Plate and Carpet N N N N
	D330-1 CA2	1			Vinyl N N N N N N NH4AS YD330CA2
	D330-1 CB5	1			N N NH4BC YD330CB5
	D330-1 CL3	1			N N NH4LT YD330CL3
	D330-1 CM6	1			N N NH4M6 YD330CM6
					Cloth N N N N
	D332-3 CA3	1			N N NH3AS,H7AS YD332CA3

MODEL CODES

B = GRAN FURY	F = FIFTH AVENUE/NEWPORT	P = RELIANT
C = LEBARON/TOWN & COUNTRY/EXC SEDAN	G = DIPLOMAT	T = E CLASS/NEW YORKER
C24 = LASER	H = VOYAGER	V = 600
D = ARIES	K = MINI RAM/CARAVAN/ROYAL	V24 = DAYTONA
E = 600	M = HORIZON/TURISMO	Z = OMNI/CHARGER/RAMPAGE

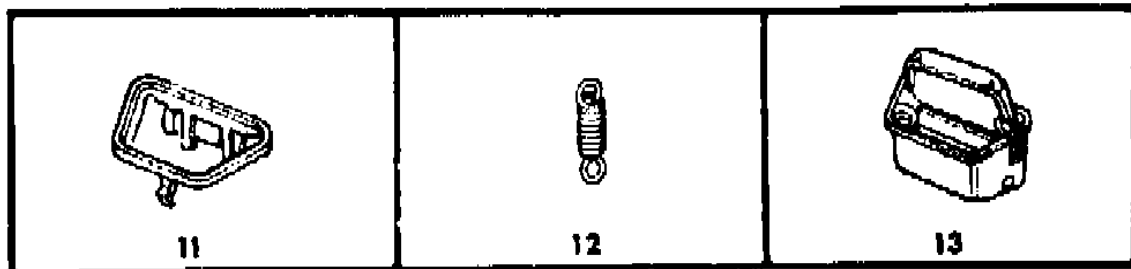
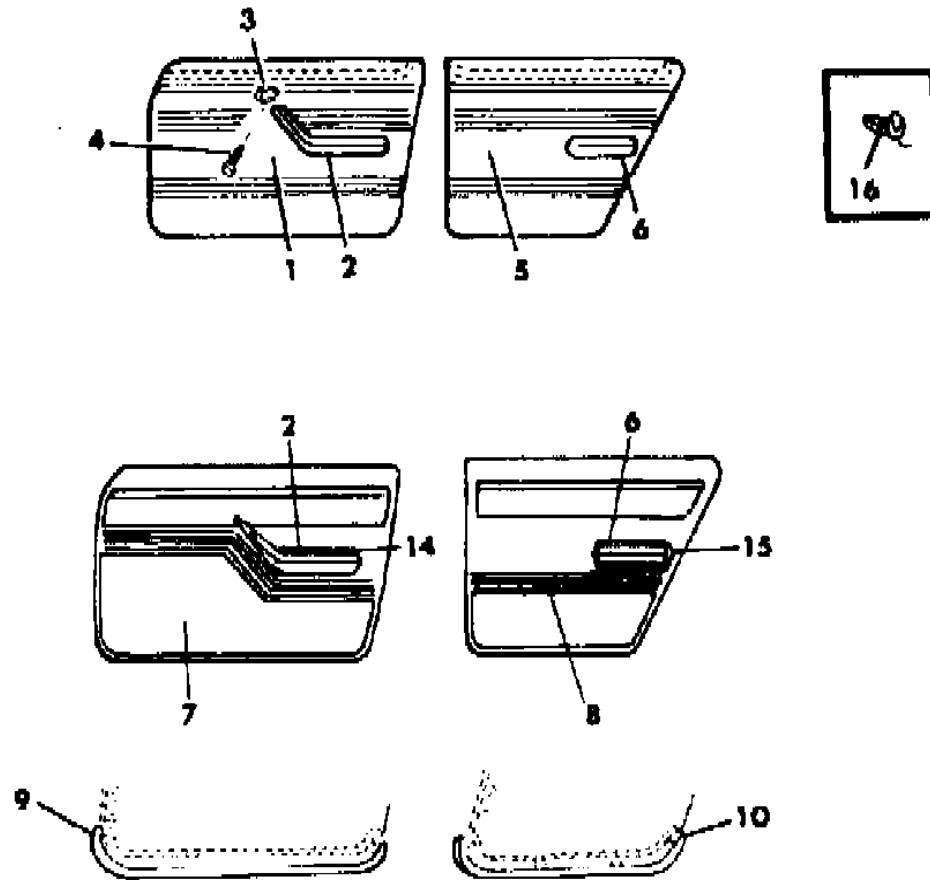
BODY STYLES

21 = 2-DOOR SEDAN	28 = FWD PICKUP	44 = 4-DOOR HATCHBACK
22 = 2-DOOR SPECIAL COUPE	35 = FWD VAN	45 = 4-DOOR STATION WAGON
24 = 2-DOOR HATCHBACK	36 = FWD WAGON	48 = 4-DOOR EXECUTIVE SEDAN
27 = 2-DOOR CONVERTIBLE	41 = 4-DOOR SEDAN	

AR = Use as Required - = Non Illustrated Part P.A.R. = Paint as Required

DOOR TRIM PANEL K BODY P,D 41,45
Figure ITK-2700

4234 .J700



ITEM	PART NUMBER	QTY	BODY	MODEL	DESCRIPTION
	D332-3 CB5	1			N N NH3BC,H7BC YD332CB5
	D332-3 CL3	1			N N NH3LT,H7LT YD332CL3
	D332-3 CM6	1			N N NH3M6,H7M6 YD332CM6
8					PANEL, Door Rear w/Woodgrain Finish Plate and Carpet N N N N
					Vinyl N N N N
	D324-5 CA2	1			N N41,45 NH4AS YD324CA2
	D324-5 CB5	1			N N41,45 NH4BC YD324CB5
	D324-5 CL3	1			N N41,45 NH4LT YD324CL3
	D324-5 CM6	1			N N41,45 NH4M6 YD324CM6
					Cloth N N N N
	D326-7 CA3	1			N N41,45 NH3AS,H7AS YD326CA3
	D326-7 CB5	1			N N41,45 NH3BC,H7BC YD326CB5
	D326-7 CL3	1			N N41,45 NH3LT,H7LT YD326CL3
	D326-7 CM6	1			N N41,45 NH3M6,H7M6 YD326CM6
9	4247 230	2			SEAL, Secondary Sound Front N N N Y4247230
10	4247 231	2			SEAL, Secondary Sound Rear N N N Y4247231
11	2788 701	2			BEZEL, Ash Receiver N N N Y2788701
12	2292 503	2			SPRING, Ash Receiver N N N Y2292503
13	2788 032	2			RECEIVER, Ash N N N Y2788032
14	4077 894-5	1			BEZEL, Front Door Armrest N N N Y4077894
15	4077 896	2			BEZEL, Rear Door Armrest N N N Y4077896
16	6003 640	AR			FASTENER, Trim Panel N N N Y6003640
	4049 602	AR			SILENCER, Door (36"x36"x1/2" material) N N N Y4049602

The following parts are not illustrated. s ARE NOT RETURNABLE.

MODEL CODES

B = GRAN FURY	F = FIFTH AVENUE/NEWPORT	P = RELIANT
C = LEBARON/TOWN & COUNTRY/EXC SEDAN	G = DIPLOMAT	T = E CLASS/NEW YORKER
C24 = LASER	H = VOYAGER	V = 600
D = ARIES	K = MINI RAM/CARAVAN/ROYAL	V24 = DAYTONA
E = 600	M = HORIZON/TURISMO	Z = OMNI/CHARGER/RAMPAGE

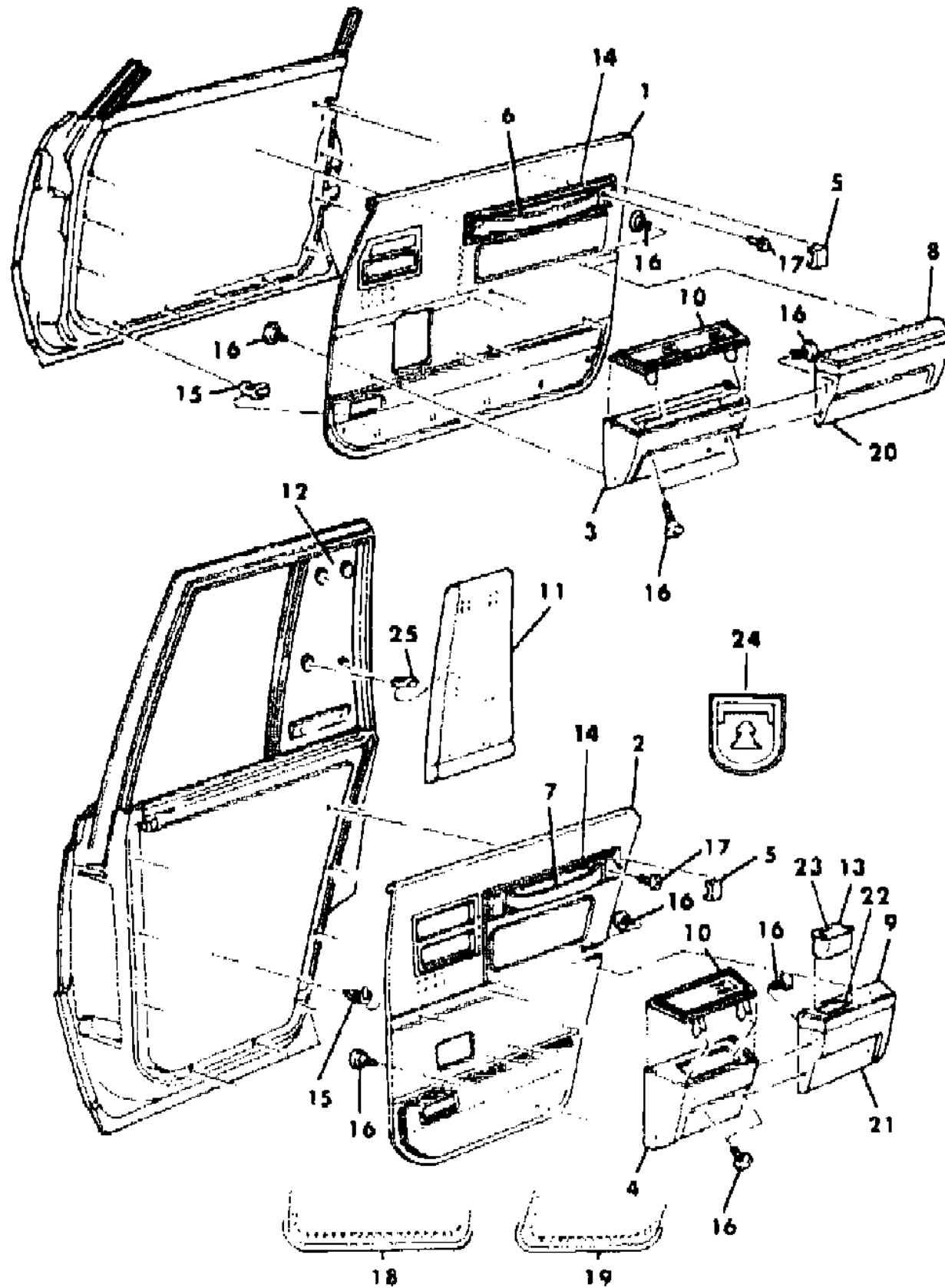
BODY STYLES

21 = 2-DOOR SEDAN	28 = FWD PICKUP	44 = 4-DOOR HATCHBACK
22 = 2-DOOR SPECIAL COUPE	35 = FWD VAN	45 = 4-DOOR STATION WAGON
24 = 2-DOOR HATCHBACK	36 = FWD WAGON	48 = 4-DOOR EXECUTIVE SEDAN
27 = 2-DOOR CONVERTIBLE	41 = 4-DOOR SEDAN	

AR = Use as Required - = Non Illustrated Part P.A.R. = Paint as Required

DOOR TRIM PANEL K BODY C 41,45
Figure ITK-2800

4234 2800



ITEM	PART NUMBER	QTY	BODY	MODEL	DESCRIPTION
1					PANEL, Front Door N N N N
					Vinyl N N N N
	K122-3 CM6	1			N N45 NV8M YK122CM6
	K122-3 CL3	1			N N45 NV8L YK122CL3
					Cloth N N N N
	K124-5 CS8	1			N N41 NJ3S,J5S YK124CS8
	K124-5 CC7	1			N N41 NJ3C,J5C YK124CC7
	K124-5 CM6	1			N N41,45 NJ3M,J5M YK124CM6
	K124-5 CL3	1			N N41,45 NJ3L,J5L YK124CL3
	K124-5 CT8	1			N N41,45 NJ3T,J5T YK124CT8
					Vinyl N N N N
	K112-3 CS8	1			N N41 NSPSA YK112CS8
	K112-3 CT8	1			N N41,45 NSPTK YK112CT8
2					PANEL, Rear Door N N N N
					Vinyl N N N N
	K434-5 CM6	1			N N45 NV8M YK434CM6
	K434-5 CL3	1			N N45 NV8L YK434CL3
					Cloth N N N N
	K436-7 CS8	1			N N41 NJ3S,J5S YK436CS8
	K436-7 CC7	1			N N41 NJ3C,J5C YK436CC7
	K436-7 CM6	1			N N41,45 NJ3M,J5M YK436CM6
	K436-7 CL3	1			N N41,45 NJ3L,J5L YK436CL3
	K436-7 CT8	1			N N41,45 NJ3T,J5T YK436CT8
					Vinyl N N N N
	K442-3 CS8	1			N N41 NSPSA YK442CS8
	K442-3 CT8	1			N N41,45 NSPTK YK442CT8
3	D412-3 AA3	1			BASE, Armrest w/Power Windows Front (paint as required) N N41,45 N YD412AA3
4	D518-9 AA3	1			BASE, Armrest w/Power Windows Rear (paint as required) N N41,45 N YD518AA3
5	4248 932	AR			END CAP N N41,45 N Y4248932
6					HANDLE, Pull Front N N N N
	D930 AA2	2			Silver N N41,45 N YD930AA2
	D930 AC8	2			Blue N N41,45 N YD930AC8
	D930 AM6	2			Red N N41,45 N YD930AM6
	D930 BL3	2			Tan N N41,45 N YD930BL3
	D930 BT8	2			Brown N N41,45 N YD930BT8
	D930 CK5	2			Saddle N N41,45 N YD930CK5

MODEL CODES

B = GRAN FURY	F = FIFTH AVENUE/NEWPORT	P = RELIANT
C = LEBARON/TOWN & COUNTRY/EXC SEDAN	G = DIPLOMAT	T = E CLASS/NEW YORKER
C24 = LASER	H = VOYAGER	V = 600
D = ARIES	K = MINI RAM/CARAVAN/ROYAL	V24 = DAYTONA
E = 600	M = HORIZON/TURISMO	Z = OMNI/CHARGER/RAMPAGE

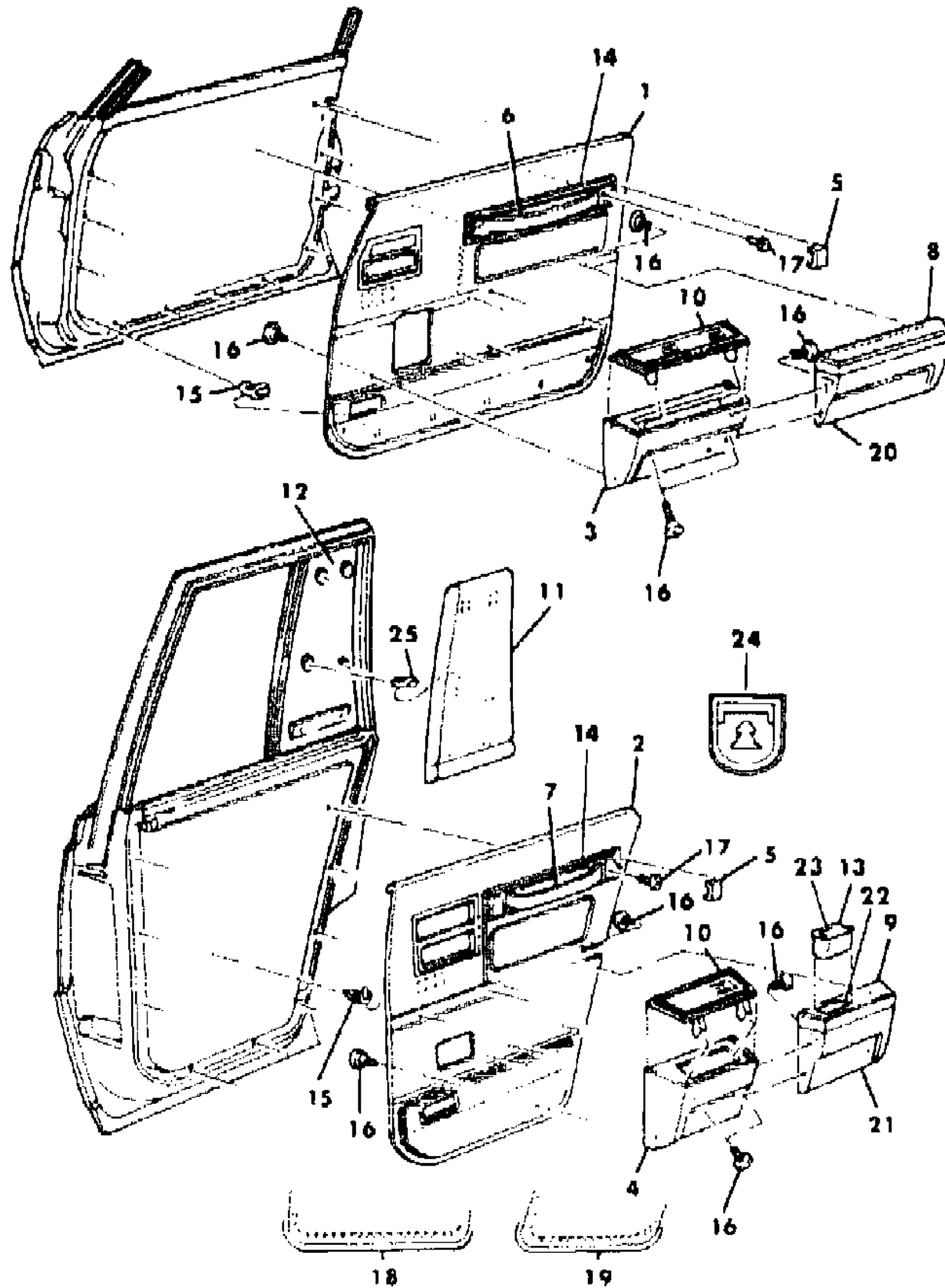
BODY STYLES

21 = 2-DOOR SEDAN	28 = FWD PICKUP	44 = 4-DOOR HATCHBACK
22 = 2-DOOR SPECIAL COUPE	35 = FWD VAN	45 = 4-DOOR STATION WAGON
24 = 2-DOOR HATCHBACK	36 = FWD WAGON	48 = 4-DOOR EXECUTIVE SEDAN
27 = 2-DOOR CONVERTIBLE	41 = 4-DOOR SEDAN	

AR = Use as Required - = Non Illustrated Part P.A.R. = Paint as Required

DOOR TRIM PANEL K BODY C 41,45
Figure ITK-2800

4234 2800



ITEM	PART NUMBER	QTY	BODY	MODEL	DESCRIPTION
	D930 CS8	2			Charcoal N N41,45 N YD930CS8
7	D931 AA2	2			HANDLE, Pull Rear N N N N Silver N N41,45 N YD931AA2
	D931 AC8	2			Blue, Dark N N41,45 N YD931AC8
	D931 AM6	2			Red N N41,45 N YD931AM6
	D931 BL3	2			Tan N N41,45 N YD931BL3
	D931 BT8	2			Brown N N41,45 N YD931BT8
	D931 CK5	2			Saddle N N41,45 N YD931CK5
	D931 CS8	2			Charcoal N N41,45 N YD931CS8
8					PAD, Armrest Front N N N N w/o Power Door Locks N N N N
	D506-7 AA3	1			Silver N N41,45 N YD506AA3
	D506-7 AC7	1			Blue, Dark N N41,45 N YD506AC7
	D506-7 AM6	1			Red N N41,45 N YD506AM6
	D506-7 BL3	1			Tan N N41,45 N YD506BL3
	D506-7 BT8	1			Brown N N41,45 N YD506BT8
	D506-7 CS8	1			Charcoal N N41,45 N YD506CS8
					w/Power Door Locks N N N N
	D530-1 BA3	1			Silver N N41,45 N YD530BA3
	D530-1 BC7	1			Blue, Dark N N41,45 N YD530BC7
	D530-1 BM6	1			Red N N41,45 N YD530BM6
	D530-1 BL3	1			Tan N N41,45 N YD530BL3
	D530-1 BT8	1			Brown N N41,45 N YD530BT8
	D530-1 CS8	1			Charcoal N N41,45 N YD530CS8
9					PAD, Armrest Rear N N N N
	D514-5 CS8	1			Charcoal N N41,45 N YD514CS8
	D514-5 AC7	1			Blue, Dark N N41,45 N YD514AC7
	D514-5 AM6	1			Red N N41,45 N YD514AM6
	D514-5 BL3	1			Tan N N41,45 N YD514BL3
	D514-5 BT8	1			Brown N N41,45 N YD514BT8
10					BEZELS (refer to Group 23C) N N N N
11					COVER, Rear Door Quarter Inner N N N N
	D864-5 CS8	1			Charcoal N N41 N VES YD864CS8
	D864-5 AC7	1			Blue, Dark N N41 N VEC YD864AC7
	D864-5 AM6	1			Red N N41 N VEM YD864AM6
	D864-5 BL3	1			Tan N N41 N VEL YD864BL3
	D864-5 BT8	1			Brown N N41 N VET YD864BT8
12	4280 098-9	1			INSERT N N N Y4280098

MODEL CODES

B = GRAN FURY
C = LEBARON/TOWN & COUNTRY/EXC SEDAN
C24 = LASER
D = ARIES
E = 600

F = FIFTH AVENUE/NEWPORT
G = DIPLOMAT
H = VOYAGER
K = MINI RAM/CARAVAN/ROYAL
M = HORIZON/TURISMO

P = RELIANT
T = E CLASS/NEW YORKER
V = 600
V24 = DAYTONA
Z = OMNI/CHARGER/RAMPAGE

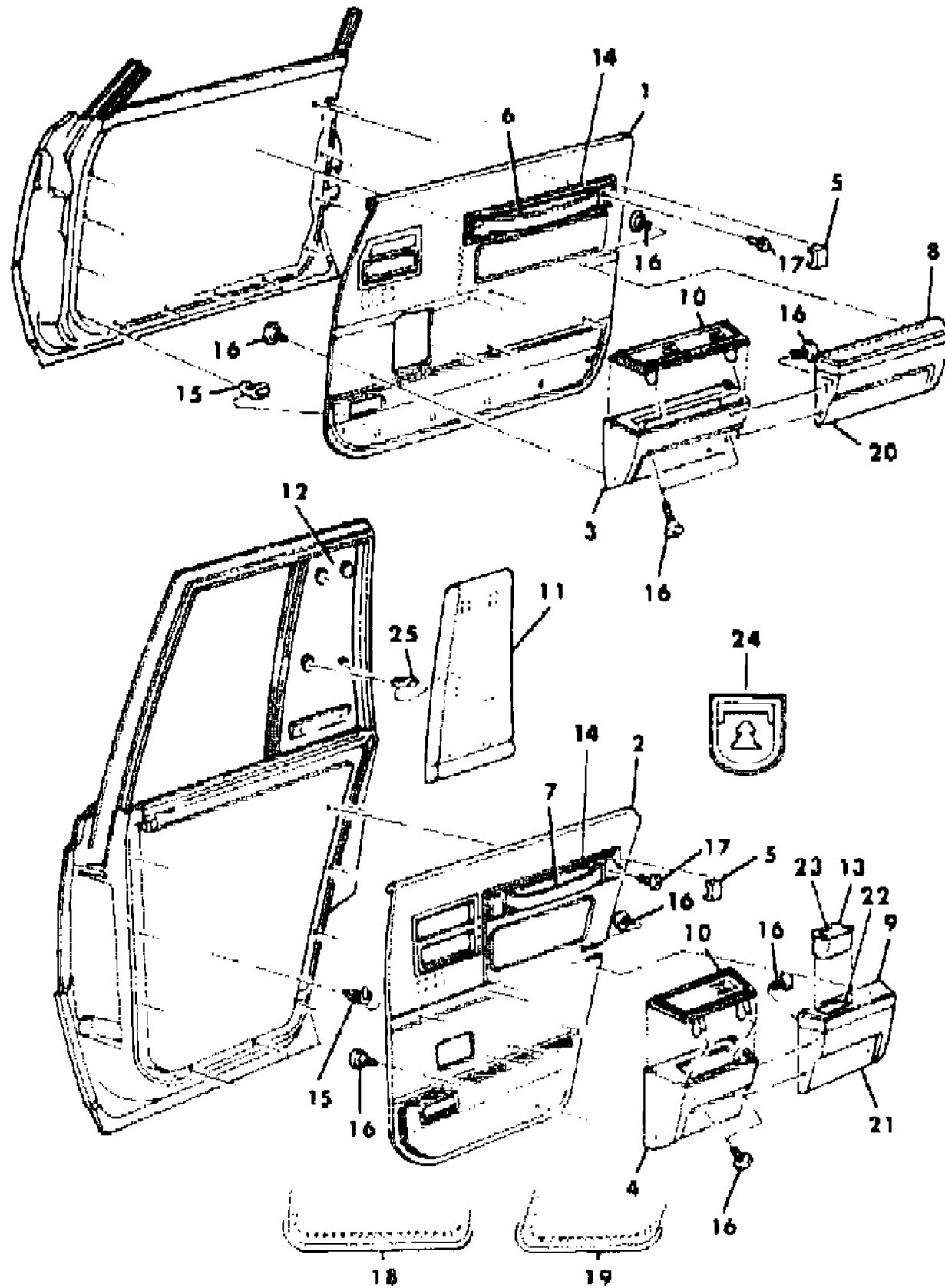
BODY STYLES

21 = 2-DOOR SEDAN
22 = 2-DOOR SPECIAL COUPE
24 = 2-DOOR HATCHBACK
27 = 2-DOOR CONVERTIBLE
28 = FWD PICKUP
35 = FWD VAN
36 = FWD WAGON
41 = 4-DOOR SEDAN
44 = 4-DOOR HATCHBACK
45 = 4-DOOR STATION WAGON
48 = 4-DOOR EXECUTIVE SEDAN

AR = Use as Required - = Non Illustrated Part P.A.R. = Paint as Required

DOOR TRIM PANEL K BODY C 41,45
Figure ITK-2800

4234 2800



ITEM	PART NUMBER	QTY	BODY	MODEL	DESCRIPTION
13	2589 587	2			ASH RECEIVER N N N Y2589587
14					FINISH PLATE N N N
	4248 930	2			Front N N N Y4248930
	4248 931	2			Rear N N N Y4248931
	6032 133	AR			NUT, Finish Plate N N N Y6032133
15	6003 640	AR			FASTENER N N N Y6003640
16		AR			SCREW (not serviced) N N N N
17	6032 141	AR			SCREW N N N Y6032141
18	4247 230	2			SEAL, Secondary Front N N N Y4247230
19	4247 231	2			SEAL, Secondary Rear N N N Y4247231
20	D508-9 AA3	1			BASE, Armrest Front w/o Power Door Locks (paint as required) N N N YD508AA3
	D538-9 BL3	1			w/Power Door Locks (paint as required) N N N YD538BL3
	6032 124	AR			WASHER and STUD, Rear Armrest to Glass Attaching N N N Y6032124
	6032 125	AR			NUT, Rear Armrest to Regulator Bolt Attaching N N N Y6032125
	6031 964	AR			NUT, Push Armrest Base Attaching N N N Y6031964
21	D516-7 EK1	1			BASE, Armrest Rear (paint as required) N N N YD516EK1
22	2657 877	2			BEZEL, Ash Receiver N N N Y2657877
23	2292 503	2			SPRING, Ash Receiver Lid N N N Y2292503
24	4247 692	2			MEDALLION, Mark Cross Package N N N Y4247692
25	4114 785	8			FASTENER N N N Y4114785
The following part is not illustrated. s ARE NOT RETURNABLE.					
	4049 602	AR			SILENCER, Door (36"x36"x1/2" material) N N N Y4049602

MODEL CODES

B = GRAN FURY	F = FIFTH AVENUE/NEWPORT	P = RELIANT
C = LEBARON/TOWN & COUNTRY/EXC SEDAN	G = DIPLOMAT	T = E CLASS/NEW YORKER
C24 = LASER	H = VOYAGER	V = 600
D = ARIES	K = MINI RAM/CARAVAN/ROYAL	V24 = DAYTONA
E = 600	M = HORIZON/TURISMO	Z = OMNI/CHARGER/RAMPAGE

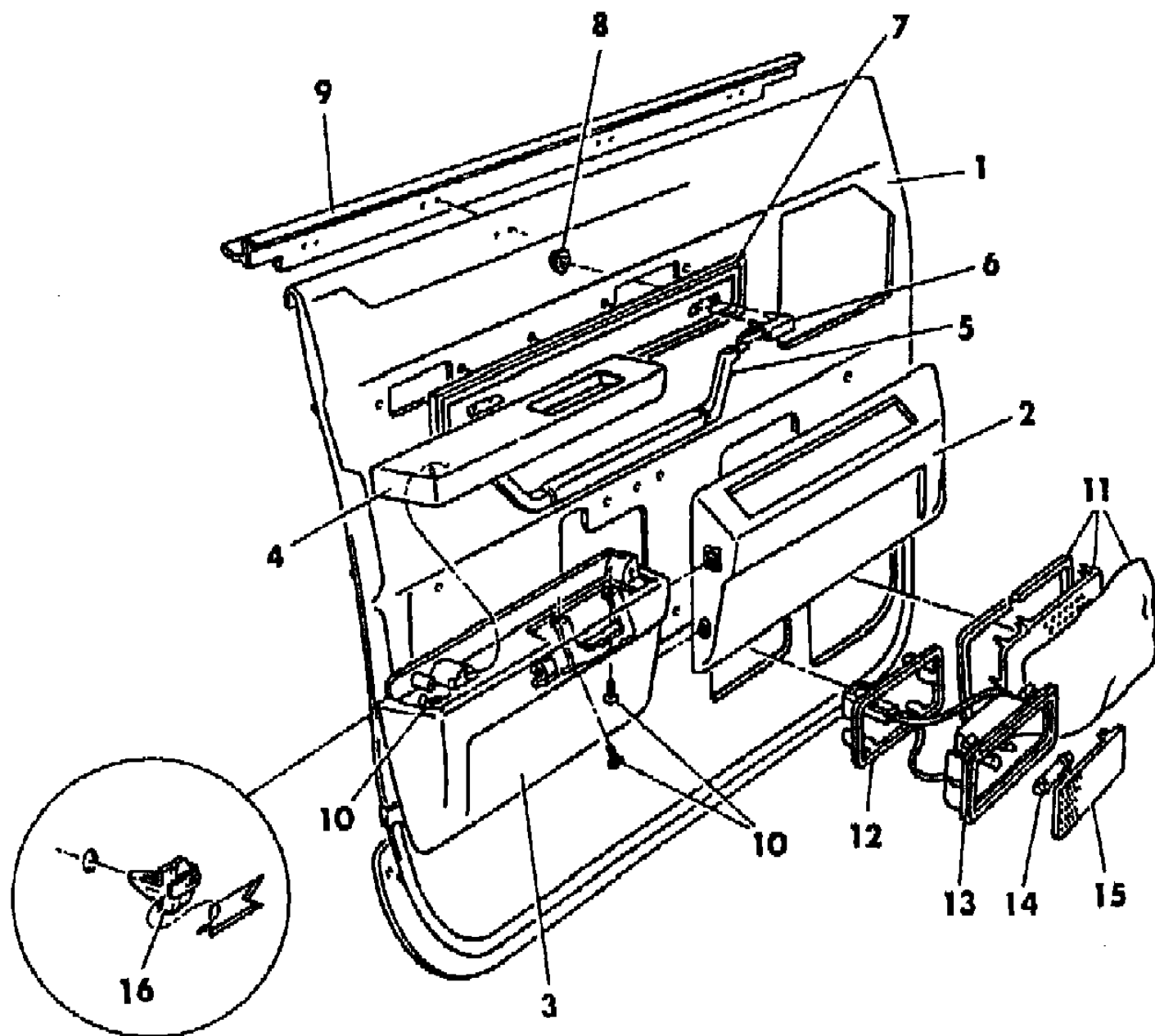
BODY STYLES

21 = 2-DOOR SEDAN	28 = FWD PICKUP	44 = 4-DOOR HATCHBACK
22 = 2-DOOR SPECIAL COUPE	35 = FWD VAN	45 = 4-DOOR STATION WAGON
24 = 2-DOOR HATCHBACK	36 = FWD WAGON	48 = 4-DOOR EXECUTIVE SEDAN
27 = 2-DOOR CONVERTIBLE	41 = 4-DOOR SEDAN	

AR = Use as Required - = Non Illustrated Part P.A.R. = Paint as Required

DOOR TRIM PANEL FRONT SEDAN AND LIMO.
Figure ITK-2900

4234 2900A



ITEM	PART NUMBER	QTY	BODY	MODEL	DESCRIPTION
1					PANEL, Front Door Trim N N N N
	4339 692-3	1			Silver N N N Y4339692
	4339 694-5	1			Blue N N N Y4339694
	4364 162-3	1			Charcoal N N N Y4364162
2					ARMREST, Front Control N N N N
	4339 790-1	1			Silver N N N Y4339790
	4339 792-3	1			Blue N N N Y4339792
3					ARMREST, Rear Compartment N N N N
	4342 158-9	1			Silver N N N Y4342158
	4342 160-1	1			Blue N N N Y4342160
4					PAD, Armrest N N N N
	4339 834-5	1			Silver N N N Y4339834
	4339 836-7	1			Blue N N N Y4339836
5	4078 233	2			STRAP, Door Pull N N N Y4078233
6	4077 196-7	1			END CAP, Pull Strap N N N Y4077196
7	4248 603	2			BEZEL, Door Pull Strap N N N Y4248603
8					NUT (not serviced) N N N N
9	4280 412-3	1			WEATHERSTRIP, Inner N N N Y4280412
10		1			SCREW (not serviced) N N N N
11					GRILLE, Speakers (refer to Group 23C) N N N N
12					RETAINER, Door Courtesy Lamp (refer to Group 8) N N N N
13-15					LAMP, Courtesy (refer to Group 8) N N N N
14					BULB (refer to Group 8) N N N N
15					LENS (refer to Group 8) N N N N

MODEL CODES

B = GRAN FURY	F = FIFTH AVENUE/NEWPORT	P = RELIANT
C = LEBARON/TOWN & COUNTRY/EXC SEDAN	G = DIPLOMAT	T = E CLASS/NEW YORKER
C24 = LASER	H = VOYAGER	V = 600
D = ARIES	K = MINI RAM/CARAVAN/ROYAL	V24 = DAYTONA
E = 600	M = HORIZON/TURISMO	Z = OMNI/CHARGER/RAMPAGE

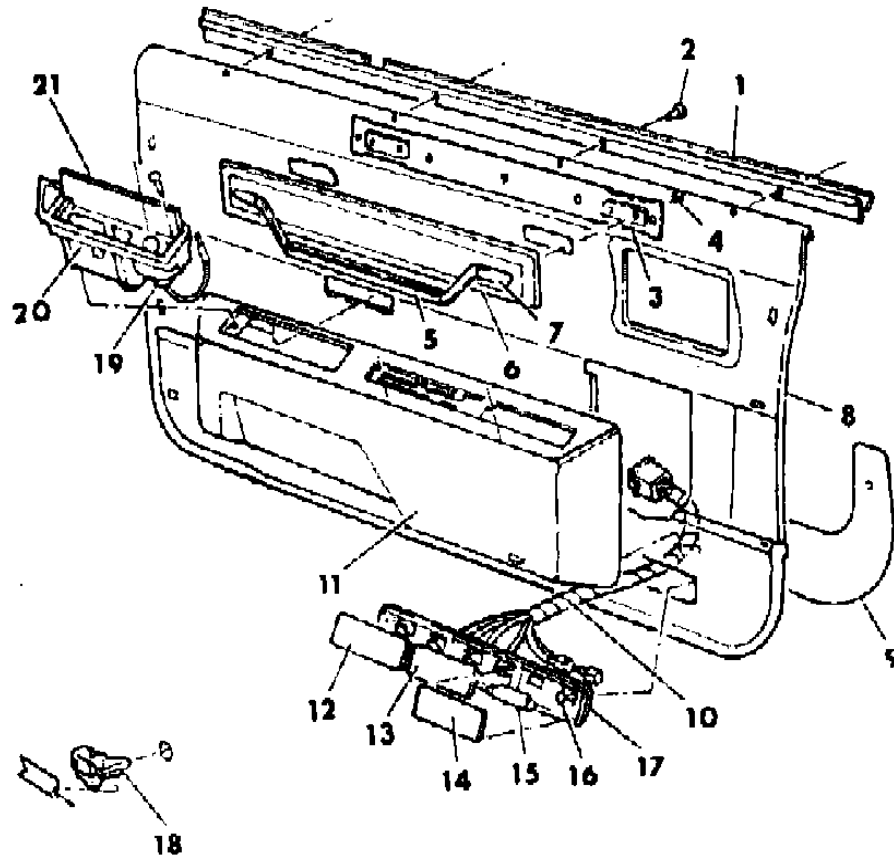
BODY STYLES

21 = 2-DOOR SEDAN	28 = FWD PICKUP	44 = 4-DOOR HATCHBACK
22 = 2-DOOR SPECIAL COUPE	35 = FWD VAN	45 = 4-DOOR STATION WAGON
24 = 2-DOOR HATCHBACK	36 = FWD WAGON	48 = 4-DOOR EXECUTIVE SEDAN
27 = 2-DOOR CONVERTIBLE	41 = 4-DOOR SEDAN	

AR = Use as Required - = Non Illustrated Part P.A.R. = Paint as Required

**DOOR TRIM PANEL REAR SEDAN AND LIMO.
Figure ITK-3000**

4234 3000



ITEM	PART NUMBER	QTY	BODY	MODEL	DESCRIPTION
1	4339 958-9	1			WEATHERSTRIP, Inner N N N Y4339958
2					SCREW (not serviced) N N N N
3		2			BASE, Pull Strap (serviced in Panel) N N N N
4	6032 133	AR			NUT N N N Y6032133
5	4078 233	2			STRAP, Door Pull N N N Y4078233
6	4342 130	2			BEZEL, Pull Strap N N N Y4342130
7	4077 196-7	2			BRACKET, Pull Strap N N N Y4077196
	4339 745	4			COVER, Pull Strap End Cap N N N Y4339745
8					PANEL, Door Trim N N N N
	4339 786-7	1			Silver N NSedan N Y4339786
	4339 788-9	1			Blue N NSedan N Y4339788
	4364 196-7	1			Charcoal N NSedan N Y4364196
	4339 920-1	1			Silver N NLimo. N Y4339920
	4339 922-3	1			Blue N NLimo. N Y4339922
	4342 188-9	1			Charcoal N NLimon N Y4342188
9	4339 960	2			SEAL, Door Sill N N N Y4339960
10					WIRING, Door Courtesy Lamp (refer to Group 8) N N N N
11					ARMREST, Rear N N N N
	4339 834-5	1			Silver N N N Y4339834
	4339 836-7	1			Blue N N N Y4339836
12					LENS, Courtesy Lamp (refer to Group 8) N N N N
13					LENS, Directional (refer to Group 8) N N N N
14	4339 734	2			LENS, Courtesy Lamp (refer to Group 8) N N N Y4339734
15		6			BULB (refer to Group 8) N N N N
16					SCREW (8-18x.50)(not serviced) N N N N
17					HOUSING, Courtesy Lamp (refer to Group 8) N N N N
18	6003 640	AR			FASTENER N N N Y6003640
19	4339 829	2			RECEPTACLE, Ash Receiver N N N Y4339829
20	4339 828	2			SOCKET and RETAINER, Ash Receiver N N N Y4339828
21	4342 083	2			DOOR, w/Spring and Pin Package, Ash Receiver N N N Y4342083
	4339 830	2			KNOB and ELEMENT, Cigar Lighter N N N Y4339830
	4339 831	2			LAMP, Cigar Lighter N N N Y4339831

MODEL CODES

B = GRAN FURY	F = FIFTH AVENUE/NEWPORT	P = RELIANT
C = LEBARON/TOWN & COUNTRY/EXC SEDAN	G = DIPLOMAT	T = E CLASS/NEW YORKER
C24 = LASER	H = VOYAGER	V = 600
D = ARIES	K = MINI RAM/CARAVAN/ROYAL	V24 = DAYTONA
E = 600	M = HORIZON/TURISMO	Z = OMNI/CHARGER/RAMPAGE

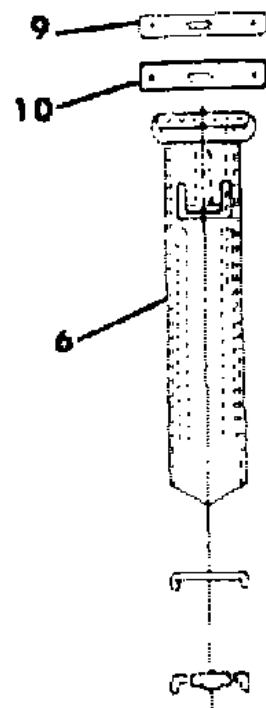
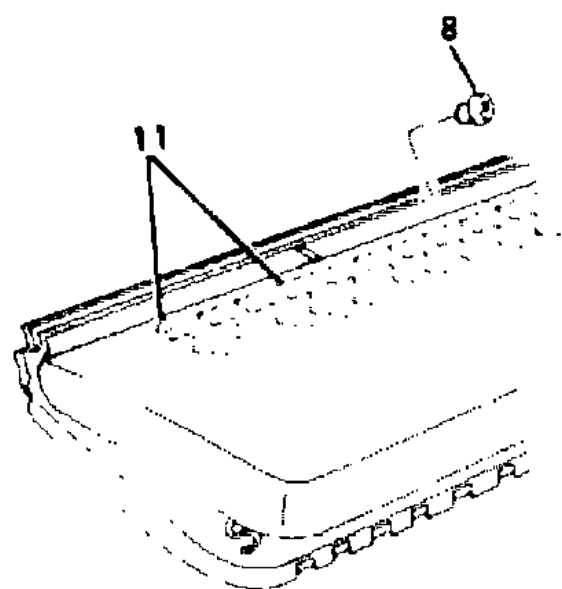
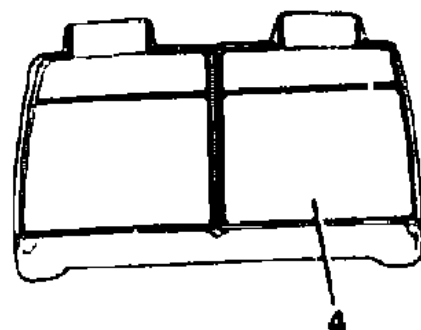
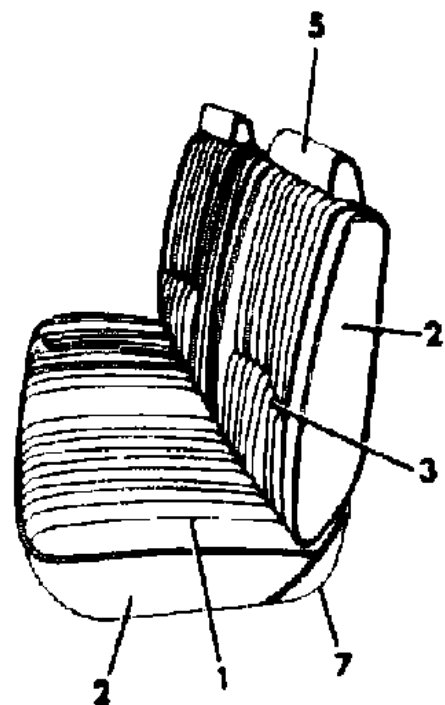
BODY STYLES

21 = 2-DOOR SEDAN	28 = FWD PICKUP	44 = 4-DOOR HATCHBACK
22 = 2-DOOR SPECIAL COUPE	35 = FWD VAN	45 = 4-DOOR STATION WAGON
24 = 2-DOOR HATCHBACK	36 = FWD WAGON	48 = 4-DOOR EXECUTIVE SEDAN
27 = 2-DOOR CONVERTIBLE	41 = 4-DOOR SEDAN	

AR = Use as Required - = Non Illustrated Part P.A.R. = Paint as Required

SEAT FRONT P,D K BODY 21 TRIM CODES C1,C2
Figure ITK-3100

4234 3100



ITEM	PART NUMBER	QTY	BODY	MODEL	DESCRIPTION
1-2					CUSHION, w/Spring/Frame, Pad and Cover N N N N
					Cloth N N N N
	B907 C1A	1			N N NC1AS YB907C1A
	B907 C1B	1			N N NC1BC YB907C1B
	B907 C1M	1			N N NC1M YB907C1M
	B907 C1L	1			N N NC1LT YB907C1L
					Vinyl N N N N
	B909 B2C	1			N N NC2BC YB909B2C
	B909 B2M	1			N N NC2M YB909B2M
	B909 B2T	1			N N NC2LT YB909B2T
1					COVER, Cushion N N N N
1					Cloth N N N N
	C440 C1A	1			N N NC1AS YC440C1A
	C440 C1B	1			N N NC1BC YC440C1B
	C440 C1M	1			N N NC1M YC440C1M
	C440 C1L	1			N N NC1LT YC440C1L
					Vinyl N N N N
	C446 B2C	1			N N NC2BC YC446B2C
	C446 A2M	1			N N NC2M YC446A2M
	C446 B2T	1			N N NC2LT YC446B2T
2					ROLL STOCK, Vinyl 64" Wide Order By The Inch N N N N
	R616 VC8	AR			Blue N N N YR616VC8
	R616 VM6	AR			Red N N N YR616VM6
	R609 BT8	AR			Brown N N N YR609BT8
	R609 CS8	AR			Charcoal N N N YR609CS8
2-3					BACK, w/Spring/Frame, Pad and Cover N N N N
					Cloth N N N N
	C964-5 C1A	1			N N NC1AS YC964C1A
	C964-5 C1B	1			N N NC1BC YC964C1B
	C964-5 A1M	1			N N NC1M YC964A1M
	C964-5 C1L	1			N N NC1LT YC964C1L
					Vinyl N N N N
	C984-5 B2C	1			N N NC2BC YC984B2C
	C984-5 A2M	1			N N NC2M YC984A2M
	C984-5 B2T	1			N N NC2LT YC984B2T
3					COVER, Back N N N N
					Cloth N N N N
	C460-1 C1A	1			N N NC1AS YC460C1A

MODEL CODES

B = GRAN FURY	F = FIFTH AVENUE/NEWPORT	P = RELIANT
C = LEBARON/TOWN & COUNTRY/EXC SEDAN	G = DIPLOMAT	T = E CLASS/NEW YORKER
C24 = LASER	H = VOYAGER	V = 600
D = ARIES	K = MINI RAM/CARAVAN/ROYAL	V24 = DAYTONA
E = 600	M = HORIZON/TURISMO	Z = OMNI/CHARGER/RAMPAGE

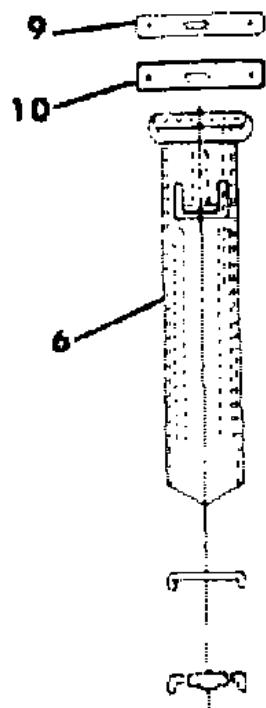
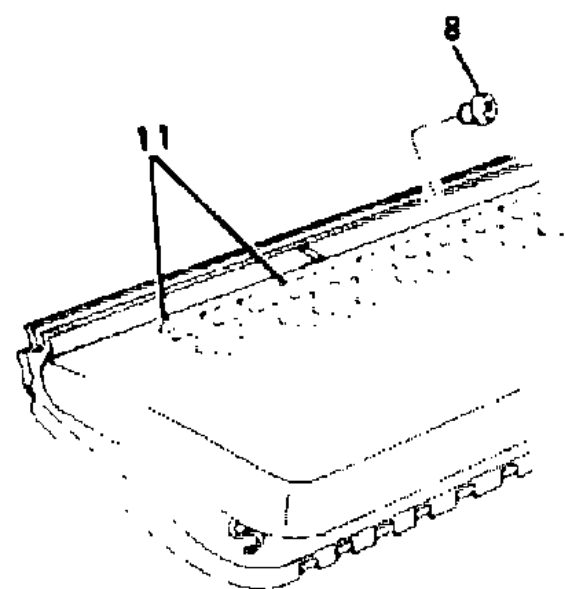
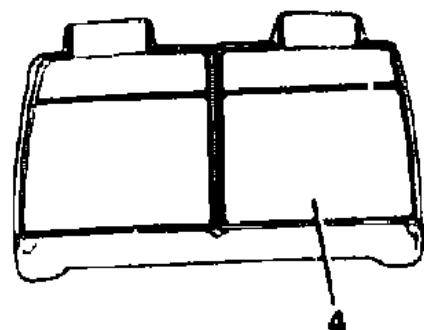
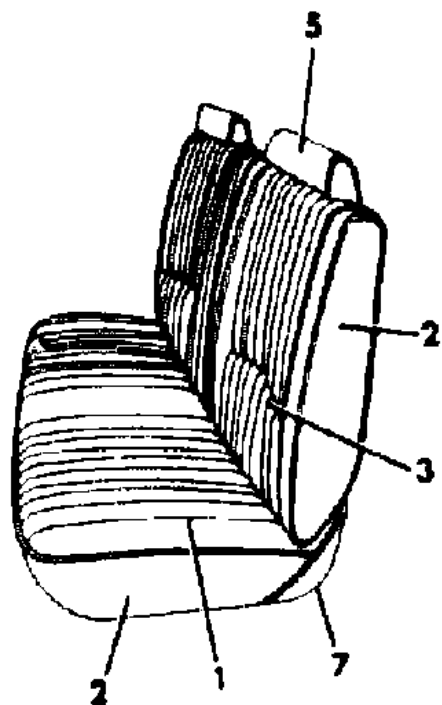
BODY STYLES

21 = 2-DOOR SEDAN	28 = FWD PICKUP	44 = 4-DOOR HATCHBACK
22 = 2-DOOR SPECIAL COUPE	35 = FWD VAN	45 = 4-DOOR STATION WAGON
24 = 2-DOOR HATCHBACK	36 = FWD WAGON	48 = 4-DOOR EXECUTIVE SEDAN
27 = 2-DOOR CONVERTIBLE	41 = 4-DOOR SEDAN	

AR = Use as Required - = Non Illustrated Part P.A.R. = Paint as Required

SEAT FRONT P,D K BODY 21 TRIM CODES C1,C2
Figure ITK-3100

4234 3100



ITEM	PART NUMBER	QTY	BODY	MODEL	DESCRIPTION
	C460-1 C1B	1			N N NC1BC YC460C1B
	C460-1 C1M	1			N N NC1M YC460C1M
	C460-1 C1L	1			N N NC1LT YC460C1L
	C448-9 B2C	1			Vinyl N N N N N N NC2BC YC448B2C
	C448-9 A2M	1			N N NC2M YC448A2M
	C448-9 B2T	1			N N NC2LT YC448B2T
4	R620 AC8	AR			ROLL STOCK, Vinyl 50" Wide Order By The Inch N N N N Blue N N N YR620AC8
	R620 VM6	AR			Red N N N YR620VM6
	R620 BT8	AR			Tan N N N YR620BT8
	R620 CS8	AR			Charcoal N N N YR620CS8
5	S790 AA2	2			HEADREST N N N N Silver N N N YS790AA2
	S790 BB5	2			Blue N N N YS790BB5
	S790 VM6	2			Red N N N YS790VM6
	S790 BL3	2			Tan N N N YS790BL3
6	S786 BB5	2			SLEEVE, Headrest N N N N Blue N N N YS786BB5
	S786 VM6	2			Red N N N YS786VM6
	S786 BL3	2			Tan N N N YS786BL3
7	S780-1 AC7	1			SHIELD, Cushion N N N N Blue N N N YS780AC7
	S780-1 VM6	1			Red N N N YS780VM6
	S780-1 BT8	1			Brown N N N YS780BT8
	S780-1 CS8	1			Charcoal N N N YS780CS8
8	4277 908	2			BUSHING, Cushion Pivot Bracket N N N Y4277908
9	4190 388	2			COVER, Headrest Finish N N N Y4190388
10	4190 387	2			SUPPORT, Headrest Trim Cover N N N Y4190387
11	6008 076	AR			HOG RING N N N Y6008076

MODEL CODES

B = GRAN FURY	F = FIFTH AVENUE/NEWPORT	P = RELIANT
C = LEBARON/TOWN & COUNTRY/EXC SEDAN	G = DIPLOMAT	T = E CLASS/NEW YORKER
C24 = LASER	H = VOYAGER	V = 600
D = ARIES	K = MINI RAM/CARAVAN/ROYAL	V24 = DAYTONA
E = 600	M = HORIZON/TURISMO	Z = OMNI/CHARGER/RAMPAGE

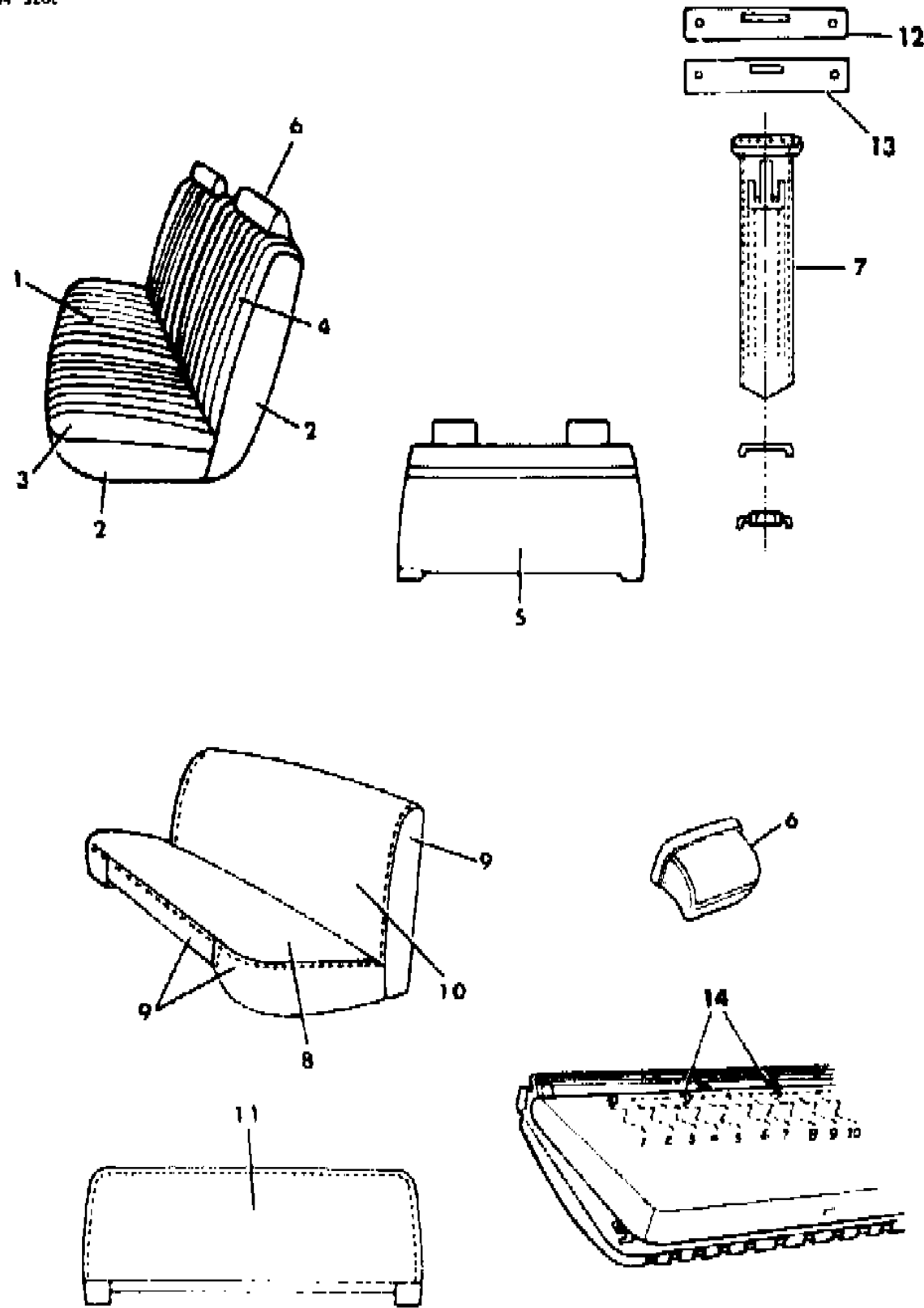
BODY STYLES

21 = 2-DOOR SEDAN	28 = FWD PICKUP	44 = 4-DOOR HATCHBACK
22 = 2-DOOR SPECIAL COUPE	35 = FWD VAN	45 = 4-DOOR STATION WAGON
24 = 2-DOOR HATCHBACK	36 = FWD WAGON	48 = 4-DOOR EXECUTIVE SEDAN
27 = 2-DOOR CONVERTIBLE	41 = 4-DOOR SEDAN	

AR = Use as Required - = Non Illustrated Part P.A.R. = Paint as Required

SEAT FRONT K BODY P,D 41,45 TRIM CODES C1,C2,K2
Figure ITK-3200

4734 1200



ITEM	PART NUMBER	QTY	BODY	MODEL	DESCRIPTION
1-4					SEAT COMPLETE, Includes Cushion and Back, w/Spring/Frame, Pad and Cover N N N N Manual. Cloth N N N N N N41 NC1AS YB911C1A N N41 NC1BC YB911C1B
	B911 C1A	1			
	B911 C1B	1			
	B911 C1M	1			N N41 NC1M YB911C1M
	B911 C1L	1			N N41 NC1LT YB911C1L
	B910 B2C	1			Vinyl N N N N N N NC2BC YB910B2C
	B910 B2M	1			N N NC2M YB910B2M
	B910 B2T	1			N N NC2LT YB910B2T
2					ROLL STOCK, Vinyl 64" Wide Order By The Inch N N N N Charcoal N N N YR609CS8
	R609 CS8	AR			
	R609 BT8	AR			Brown N N N YR609BT8
	R616 VM6	AR			Red N N N YR616VM6
	R616 VC8	AR			Blue N N N YR616VC8
3					COVER, Cushion N N N N Cloth N N N N N N41 NC1AS YC441C1A N N41 NC1BC YC441C1B
	C441 C1A	1			
	C441 C1B	1			
	C441 C1M	1			N N41 NC1M YC441C1M
	C441 C1L	1			N N41 NC1LT YC441C1L
	C447 B2C	1			Vinyl N N N N N N41 NC2BC YC447B2C
	C447 A2M	1			N N41 NC2M YC447A2M
	C447 B2T	1			N N41 NC2LT YC447B2T
4					COVER, Back N N N N Cloth N N N N N N41 NC1AS YC425C1A N N41 NC1BC YC425C1B
	C425 C1A	1			
	C425 C1B	1			
	C425 C1M	1			N N41 NC1M YC425C1M
	C425 C1L	1			N N41 NC1LT YC425C1L
	C427 B2C	1			Vinyl N N N N N N41 NC2BC YC427B2C
	C427 A2M	1			N N41 NC2M YC427A2M
	C427 B2T	1			N N41 NC2LT YC427B2T
5					ROLL STOCK, Vinyl 50" Wide Order By The Inch N N N N Brown N N N YR620BT8
	R620 BT8	AR			

MODEL CODES

B = GRAN FURY	F = FIFTH AVENUE/NEWPORT	P = RELIANT
C = LEBARON/TOWN & COUNTRY/EXC SEDAN	G = DIPLOMAT	T = E CLASS/NEW YORKER
C24 = LASER	H = VOYAGER	V = 600
D = ARIES	K = MINI RAM/CARAVAN/ROYAL	V24 = DAYTONA
E = 600	M = HORIZON/TURISMO	Z = OMNI/CHARGER/RAMPAGE

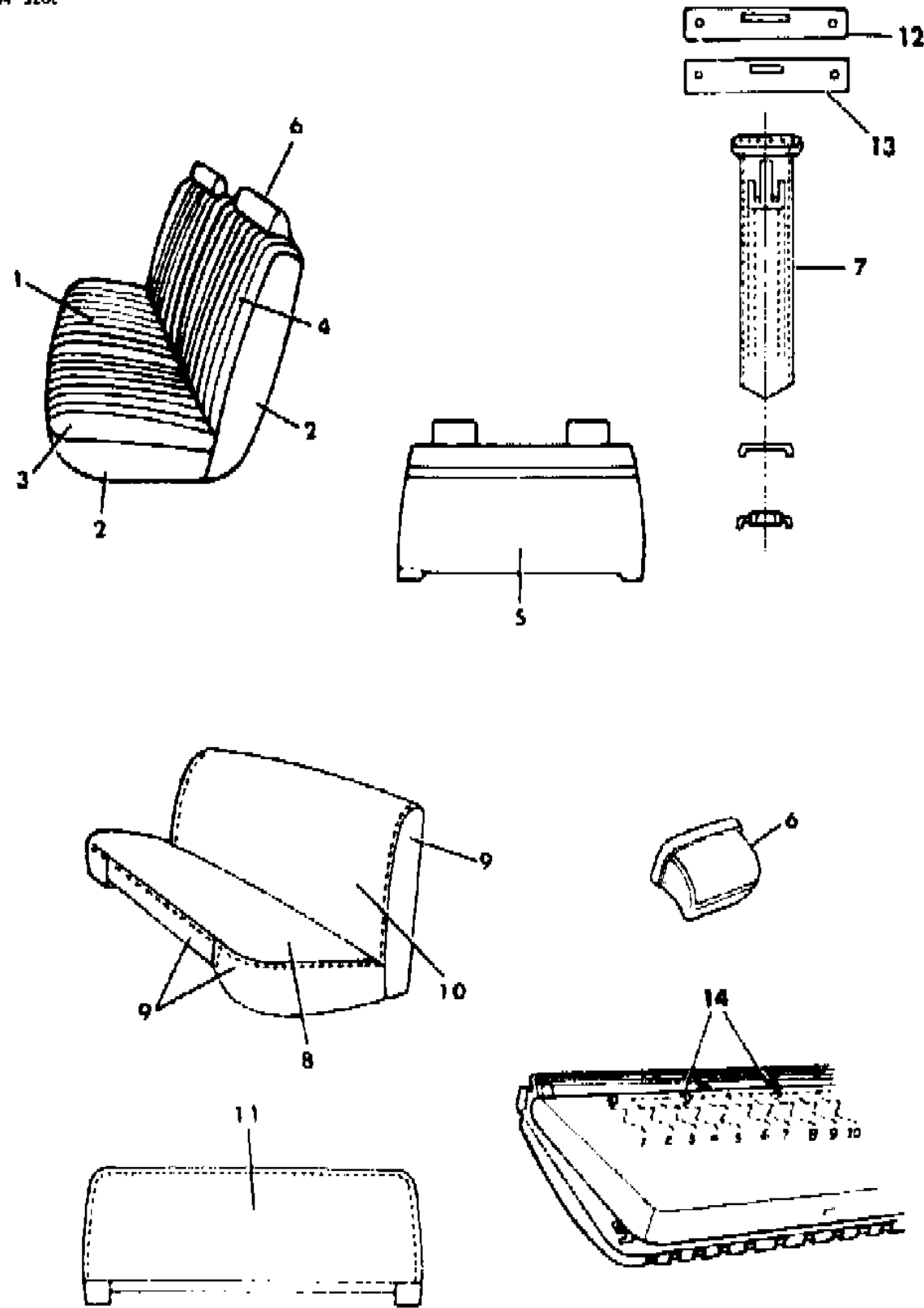
BODY STYLES

21 = 2-DOOR SEDAN	28 = FWD PICKUP	44 = 4-DOOR HATCHBACK
22 = 2-DOOR SPECIAL COUPE	35 = FWD VAN	45 = 4-DOOR STATION WAGON
24 = 2-DOOR HATCHBACK	36 = FWD WAGON	48 = 4-DOOR EXECUTIVE SEDAN
27 = 2-DOOR CONVERTIBLE	41 = 4-DOOR SEDAN	

AR = Use as Required - = Non Illustrated Part P.A.R. = Paint as Required

SEAT FRONT K BODY P,D 41,45 TRIM CODES C1,C2,K2
Figure ITK-3200

4734 1200



ITEM	PART NUMBER	QTY	BODY	MODEL	DESCRIPTION
	R620 CS8	1			Charcoal N N N YR620CS8
	R620 VM6	AR			Red N N N YR620VM6
	R620 AC8	AR			Blue N N N YR620AC8
6					HEADREST N N N N
	S790 BB5	2			Blue, Medium N N N YS790BB5
	S790 AA2	2			Silver N N N YS790AA2
	S790 VM6	2			Red N N N YS790VM6
	S790 BL3	2			Tan N N N YS790BL3
7					SLEEVE, Headrest N N N N
	S786 BB5	2			Blue, Medium N N N YS786BB5
	S786 AC7	2			Blue, Dark N N N YS786AC7
	S786 VM6	2			Red N N N YS786VM6
	S786 BL3	2			Tan N N N YS786BL3
	S786 BT8	2			Brown N N N YS786BT8
8-10					SEAT COMPLETE, Includes Cushion and Back, w/Spring/Frame, Pad and Cover N N N N
	C690 B2C	1			N N NK2BC YC690B2C
	C690 B2T	1			N N NK2LT YC690B2T
8					COVER, Cushion N N N N
	C396 B2C	1			N N NK2BC YC396B2C
	C396 B2T	1			N N NK2LT YC396B2T
9					ROLL STOCK, Vinyl Order by the Inch N N N N
	R616 VC8	AR			64" Wide N N NK2BC YR616VC8
	R609 BT8	AR			58" Wide N N NK2LT YR609BT8
10					COVER, Back N N N N
	C397 B2C	1			N N NK2BC YC397B2C
	C397 B2T	1			N N NK2LT YC397B2T
11					ROLL STOCK, Vinyl 50" Wide Order by the Inch. N N N N
	R620 AC8	AR			N N NK2BC YR620AC8
	R620 BT8	AR			N N NK2LT YR620BT8
12	4190 388	2			COVER, Headrest Finish N N N Y4190388
13	4190 387	2			SUPPORT, Headrest Trim Cover N N N Y4190387
14	6008 076	AR			HOG RING N N N Y6008076

MODEL CODES

B = GRAN FURY	F = FIFTH AVENUE/NEWPORT	P = RELIANT
C = LEBARON/TOWN & COUNTRY/EXC SEDAN	G = DIPLOMAT	T = E CLASS/NEW YORKER
C24 = LASER	H = VOYAGER	V = 600
D = ARIES	K = MINI RAM/CARAVAN/ROYAL	V24 = DAYTONA
E = 600	M = HORIZON/TURISMO	Z = OMNI/CHARGER/RAMPAGE

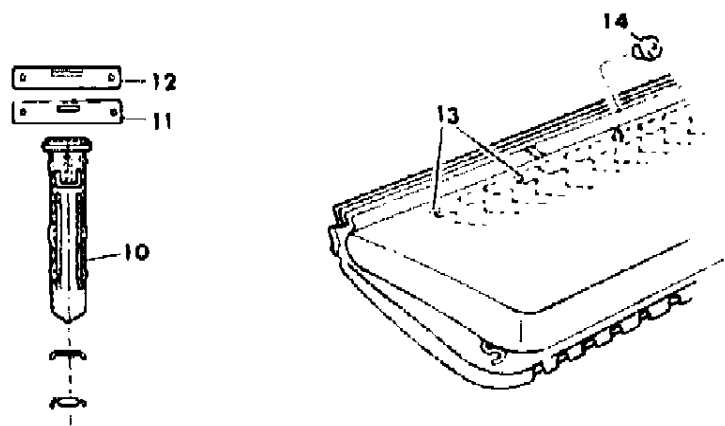
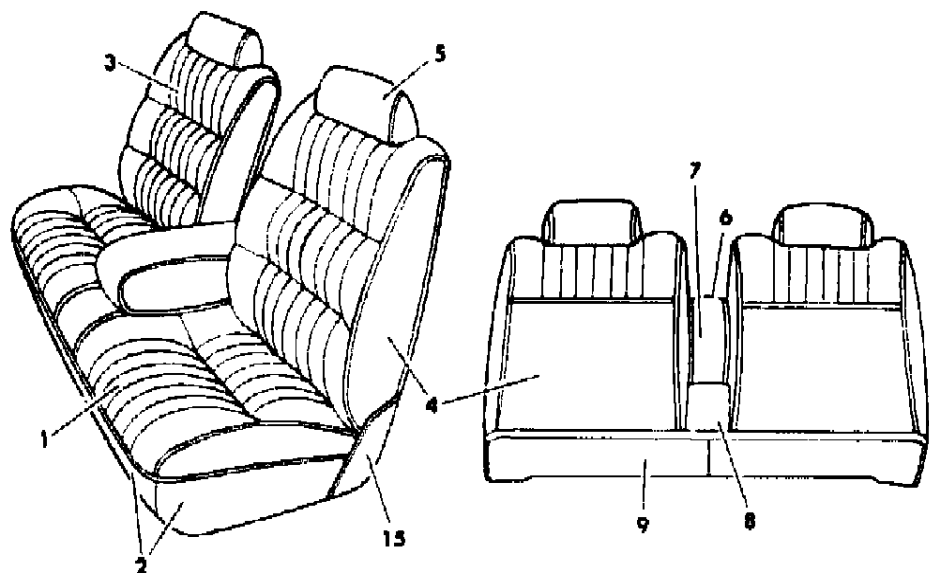
BODY STYLES

21 = 2-DOOR SEDAN	28 = FWD PICKUP	44 = 4-DOOR HATCHBACK
22 = 2-DOOR SPECIAL COUPE	35 = FWD VAN	45 = 4-DOOR STATION WAGON
24 = 2-DOOR HATCHBACK	36 = FWD WAGON	48 = 4-DOOR EXECUTIVE SEDAN
27 = 2-DOOR CONVERTIBLE	41 = 4-DOOR SEDAN	

AR = Use as Required - = Non Illustrated Part P.A.R. = Paint as Required

SEAT FRONT P,D K BODY TRIM CODES H3,H4
Figure ITK-3300

4234 3300



ITEM	PART NUMBER	QTY	BODY	MODEL	DESCRIPTION
1-2					CUSHION, w/Spring/Frame, Pad and Cover N N N N
					Cloth N N N N
	C618 C3A	1			N N NH3AS YC618C3A
	C618 C3B	1			N N NH3BC YC618C3B
	C618 C3L	1			N N NH3LT YC618C3L
	C618 C3M	1			N N NH3M6 YC618C3M
					Vinyl N N N N
	C609 C4A	1			N N NH4AS YC609C4A
	C609 C4B	1			N N NH4BC YC609C4B
	C609 C4L	1			N N NH4LT YC609C4L
	C609 C4M	1			N N NH4M6 YC609C4M
1					COVER, Cushion N N N N
					Cloth N N N N
	C311 C3A	1			N N NH3AS YC311C3A
	C311 C3B	1			N N NH3BC YC311C3B
	C311 C3L	1			N N NH3LT YC311C3L
	C311 C3M	1			N N NH3M6 YC311C3M
					Vinyl N N N N
	C302 C4A	1			N N NH4AS YC302C4A
	C302 C4B	1			N N NH4BC YC302C4B
	C302 C4L	1			N N NH4LT YC302C4L
	C302 C4M	1			N N NH4M6 YC302C4M
2					ROLL STOCK, Vinyl Order by the Inch N N N N
	R616 VM6	AR			Red, 64" Wide N N N YR616VM6
	R616 VC8	AR			Dark Blue, 64" Wide N N N YR616VC8
	R609 BT8	AR			Brown, 58" Wide N N N YR609BT8
	R609 CS8	AR			Charcoal, 58" Wide N N N YR609CS8
3-4					BACK, w/Spring/Frame, Pad and Cover N N N N
					Cloth N N N N
	C622-3 C3A	1			N N NH3AS YC622C3A
	C622-3 C3B	1			N N NH3BC YC622C3B
	C622-3 C3L	1			N N NH3LT YC622C3L
	C622-3 C3M	1			N N NH3M6 YC622C3M
					Vinyl N N N N
	C610-1 C4A	1			N N NH4AS YC610C4A
	C610-1 C4B	1			N N NH4BC YC610C4B
	C610-1 C4L	1			N N NH4LT YC610C4L
	C610-1 C4M	1			N N NH4M6 YC610C4M

MODEL CODES

B = GRAN FURY	F = FIFTH AVENUE/NEWPORT	P = RELIANT
C = LEBARON/TOWN & COUNTRY/EXC SEDAN	G = DIPLOMAT	T = E CLASS/NEW YORKER
C24 = LASER	H = VOYAGER	V = 600
D = ARIES	K = MINI RAM/CARAVAN/ROYAL	V24 = DAYTONA
E = 600	M = HORIZON/TURISMO	Z = OMNI/CHARGER/RAMPAGE

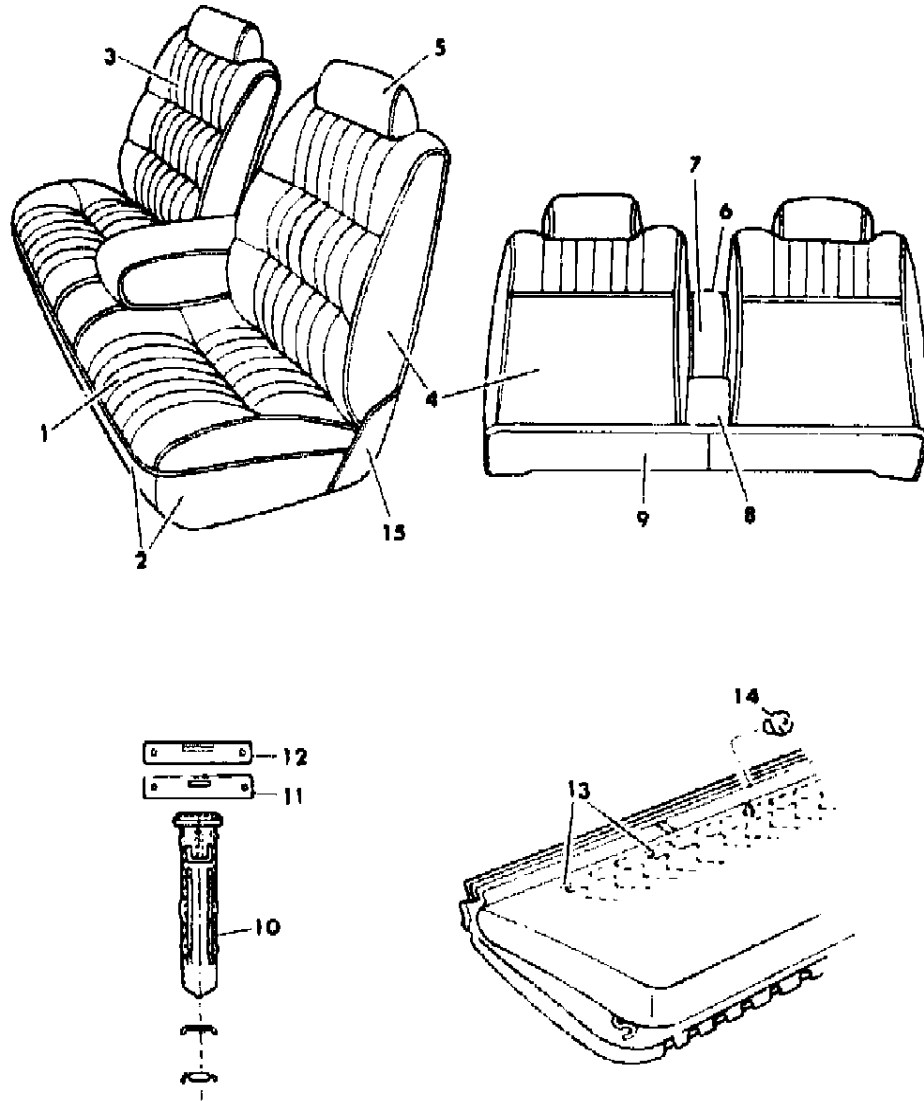
BODY STYLES

21 = 2-DOOR SEDAN	28 = FWD PICKUP	44 = 4-DOOR HATCHBACK
22 = 2-DOOR SPECIAL COUPE	35 = FWD VAN	45 = 4-DOOR STATION WAGON
24 = 2-DOOR HATCHBACK	36 = FWD WAGON	48 = 4-DOOR EXECUTIVE SEDAN
27 = 2-DOOR CONVERTIBLE	41 = 4-DOOR SEDAN	

AR = Use as Required - = Non Illustrated Part P.A.R. = Paint as Required

SEAT FRONT P,D K BODY TRIM CODES H3,H4
Figure ITK-3300

4234 3300



ITEM	PART NUMBER	QTY	BODY	MODEL	DESCRIPTION
3					COVER, Seat Back N N N N
					Cloth N N N N
	C312-3 C3A	1			N N NH3AS YC312C3A
	C312-3 C3B	1			N N NH3BC YC312C3B
	C312-3 C3L	1			N N NH3LT YC312C3L
	C312-3 C3M	1			N N NH3M6 YC312C3M
					Vinyl N N N N
	C300-1 C4A	1			N N NH4AS YC300C4A
	C300-1 C4B	1			N N NH4BC YC300C4B
	C300-1 C4L	1			N N NH4LT YC300C4L
	C300-1 C4M	1			N N NH4M6 YC300C4M
4					ROLL STOCK, Cloth 54" Order by the Inch N N N N
	R092 CS8	AR			N N NH3AS YR092CS8
	R092 VC7	AR			N N NH3BC YR092VC7
	R088 BT8	AR			N N NH3LT YR088BT8
	R092 VM6	AR			N N NH3M6 YR092VM6
					Vinyl, order by the inch N N N N
	R616 VM6	AR			Red, 64" Wide N N NH4 YR616VM6
	R616 VC8	AR			Blue, 64" Wide N N NH4 YR616VC8
	R609 BT8	AR			Brown, 58" Wide N N NH4 YR609BT8
	R609 CS8	AR			Charcoal, 58" Wide N N NH4 YR609CS8
5					HEADREST and COVER N N N N
	B995 CA3	2			N N NH3AS YB995CA3
	B995 CB5	2			N N NH3BC YB995CB5
	B995 CL3	2			N N NH3LT YB995CL3
	B995 CM6	2			N N NH3M6 YB995CM6
	S790 AA2	2			N N NH4AS YS790AA2
	S790 BB5	2			N N NH4BC YS790BB5
	S790 BL3	2			N N NH4LT YS790BL3
	S790 VM6	2			N N NH4M6 YS790VM6
					COVER, Headrest N N N N
	C365 CA3	2			N N NH3AS YC365CA3
	C365 CB5	2			N N NH3BC YC365CB5
	C365 CL3	2			N N NH3LT YC365CL3
	C365 CM6	2			N N NH3M6 YC365CM6
6					ARMREST and COVER N N N N
	C621 CS8	1			N N NH3AS YC621CS8
	C621 CC7	1			N N NH3BC YC621CC7

MODEL CODES

B = GRAN FURY	F = FIFTH AVENUE/NEWPORT	P = RELIANT
C = LEBARON/TOWN & COUNTRY/EXC SEDAN	G = DIPLOMAT	T = E CLASS/NEW YORKER
C24 = LASER	H = VOYAGER	V = 600
D = ARIES	K = MINI RAM/CARAVAN/ROYAL	V24 = DAYTONA
E = 600	M = HORIZON/TURISMO	Z = OMNI/CHARGER/RAMPAGE

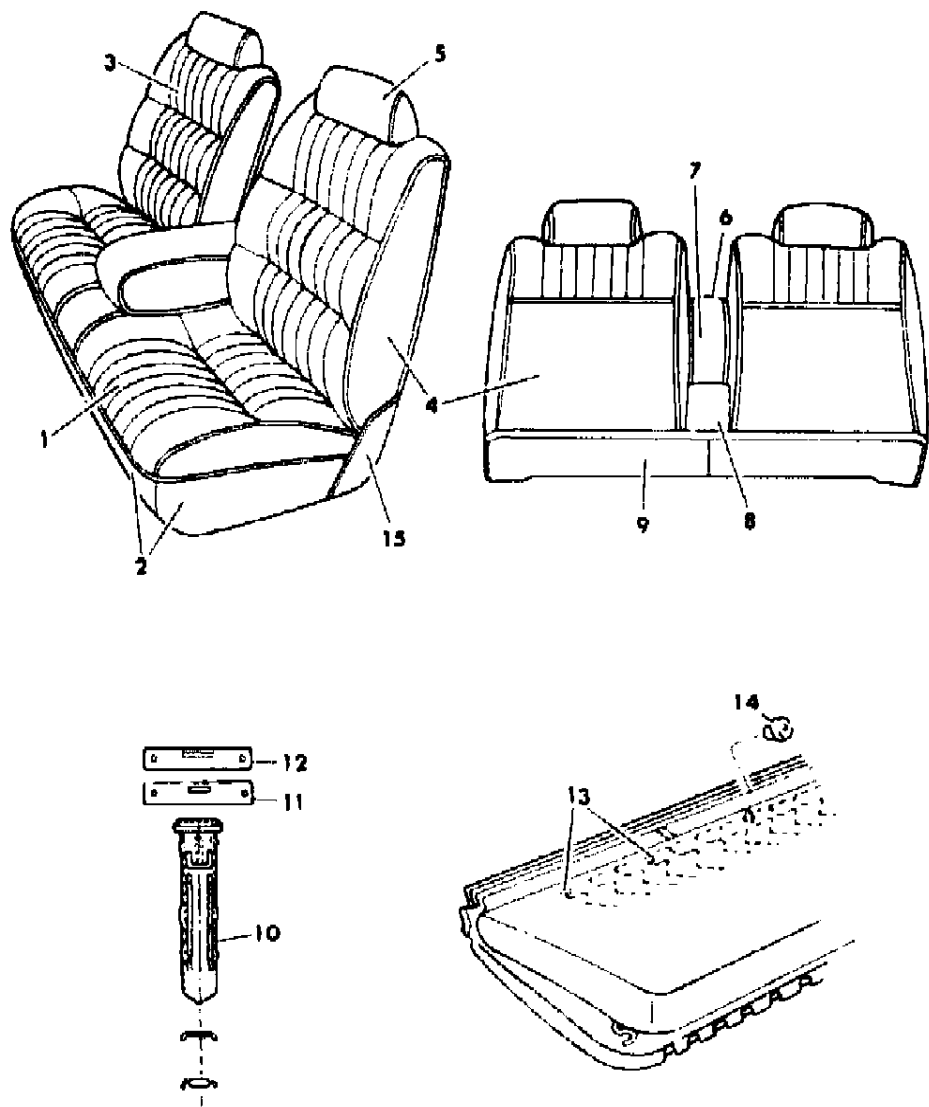
BODY STYLES

21 = 2-DOOR SEDAN	28 = FWD PICKUP	44 = 4-DOOR HATCHBACK
22 = 2-DOOR SPECIAL COUPE	35 = FWD VAN	45 = 4-DOOR STATION WAGON
24 = 2-DOOR HATCHBACK	36 = FWD WAGON	48 = 4-DOOR EXECUTIVE SEDAN
27 = 2-DOOR CONVERTIBLE	41 = 4-DOOR SEDAN	

AR = Use as Required - = Non Illustrated Part P.A.R. = Paint as Required

SEAT FRONT P,D K BODY TRIM CODES H3,H4
Figure ITK-3300

4234 3300



ITEM	PART NUMBER	QTY	BODY	MODEL	DESCRIPTION
	C621 CT8	1			N N NH3LT YC621CT8
	C621 CM6	1			N N NH3M6 YC621CM6
	C608 CS8	1			N N NH4AS YC608CS8
	C608 CC8	1			N N NH4BC YC608CC8
	C608 CT8	1			N N NH4LT YC608CT8
	C608 CM6	1			N N NH4M6 YC608CM6
7					COVER, Armrest N N N N
	C314 CS8	1			N N NH3AS YC314CS8
	C314 CC7	1			N N NH3BC YC314CC7
	C314 CT8	1			N N NH3LT YC314CT8
	C314 CM6	1			N N NH3M6 YC314CM6
	C459 CS8	1			N N NH4AS YC459CS8
	C459 BC8	1			N N NH4BC YC459BC8
	C459 BT8	1			N N NH4LT YC459BT8
	C459 BM6	1			N N NH4M6 YC459BM6
8					COVER, Center Armrest N N N N
	S581 CS8	1			Charcoal N N N YS581CS8
	S581 BL3	1			Beige N N N YS581BL3
	S581 AM6	1			Red N N N YS581AM6
	S581 AC7	1			Blue N N N YS581AC7
9					SHIELD, Front Cushion Rear Rail N N N N
	S780-1 CS8	1			Charcoal N N21 N YS780CS8
	S780-1 AC7	1			Blue N N21 N YS780AC7
	S780-1 BT8	1			Brown N N21 N YS780BT8
	S780-1 VM6	1			Red N N21 N YS780VM6
	S678-9 CS8	1			Charcoal N N41,45 N YS678CS8
	S678-9 AC7	1			Blue N N41,45 N YS678AC7
	S678-9 BT8	1			Brown N N41,45 N YS678BT8
	S678-9 AM6	1			Red N N41,45 N YS678AM6
10					SLEEVE, Headrest N N N N
	S786 AA3	2			Silver N N N YS786AA3
	S786 BB5	2			Blue N N N YS786BB5
	S786 BL3	2			Beige N N N YS786BL3
	S786 VM6	2			Red N N N YS786VM6
11	4190 387	2			SUPPORT, Headrest N N N Y4190387
12	4190 388	2			COVER, Headrest Finish N N N Y4190388
13	6008 076	AR			HOG RING N N N Y6008076
14	4277 908	AR			BUSHING, Pivot Bracket N N N Y4277908

MODEL CODES

B = GRAN FURY	F = FIFTH AVENUE/NEWPORT	P = RELIANT
C = LEBARON/TOWN & COUNTRY/EXC SEDAN	G = DIPLOMAT	T = E CLASS/NEW YORKER
C24 = LASER	H = VOYAGER	V = 600
D = ARIES	K = MINI RAM/CARAVAN/ROYAL	V24 = DAYTONA
E = 600	M = HORIZON/TURISMO	Z = OMNI/CHARGER/RAMPAGE

BODY STYLES

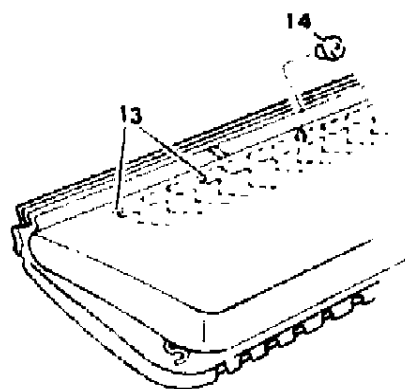
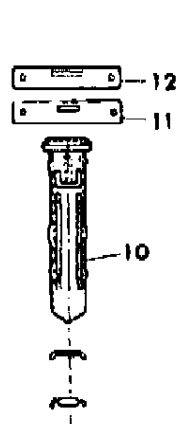
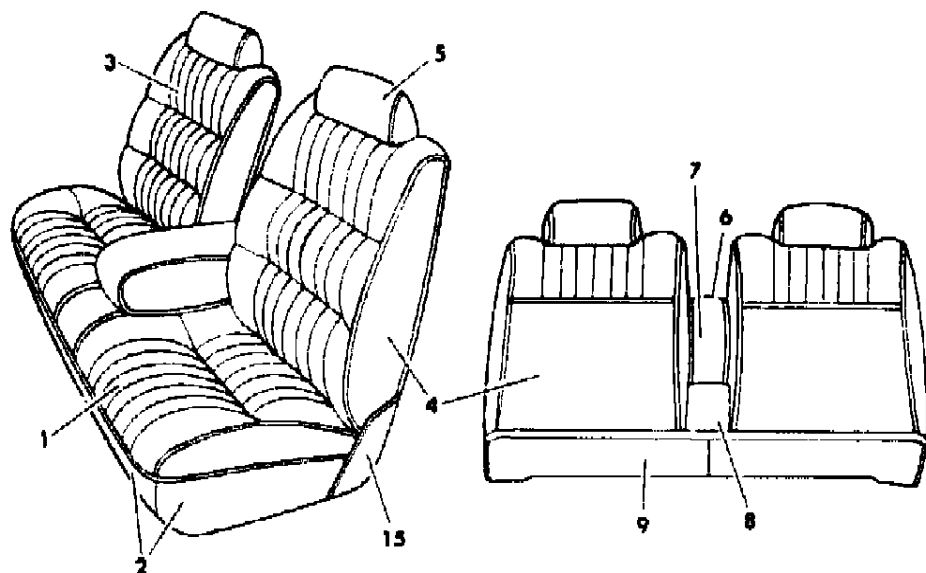
21 = 2-DOOR SEDAN	28 = FWD PICKUP	44 = 4-DOOR HATCHBACK
22 = 2-DOOR SPECIAL COUPE	35 = FWD VAN	45 = 4-DOOR STATION WAGON
24 = 2-DOOR HATCHBACK	36 = FWD WAGON	48 = 4-DOOR EXECUTIVE SEDAN
27 = 2-DOOR CONVERTIBLE	41 = 4-DOOR SEDAN	

AR = Use as Required - = Non Illustrated Part P.A.R. = Paint as Required

SEAT FRONT P,D K BODY TRIM CODES H3,H4
Figure ITK-3300

ITEM	PART NUMBER	QTY	BODY	MODEL	DESCRIPTION
15					SHIELD, Cushion N N N N
	S780-1 AC7	1			Blue N N N YS780AC7
	S780-1 BT8	1			Brown N N N YS780BT8
	S780-1 CS8	1			Charcoal N N N YS780CS8
	S780-1 VM6	1			Red N N N YS780VM6

4234 3300



MODEL CODES

B = GRAN FURY	F = FIFTH AVENUE/NEWPORT	P = RELIANT
C = LEBARON/TOWN & COUNTRY/EXC SEDAN	G = DIPLOMAT	T = E CLASS/NEW YORKER
C24 = LASER	H = VOYAGER	V = 600
D = ARIES	K = MINI RAM/CARAVAN/ROYAL	V24 = DAYTONA
E = 600	M = HORIZON/TURISMO	Z = OMNI/CHARGER/RAMPAGE

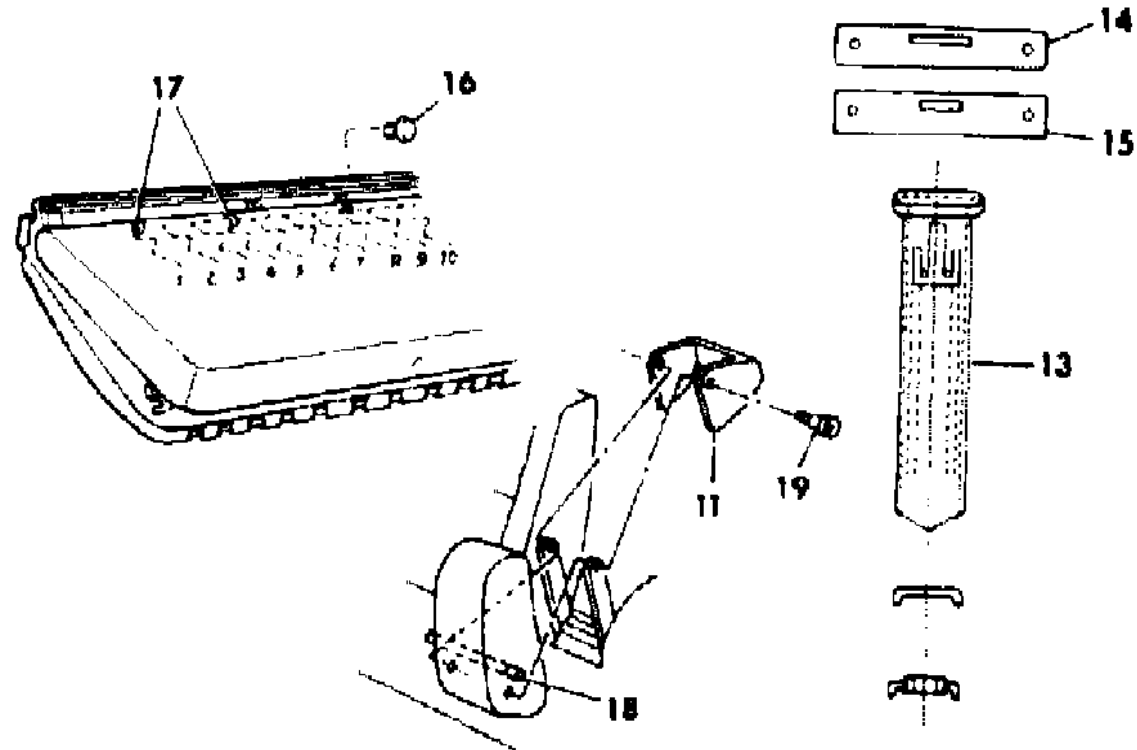
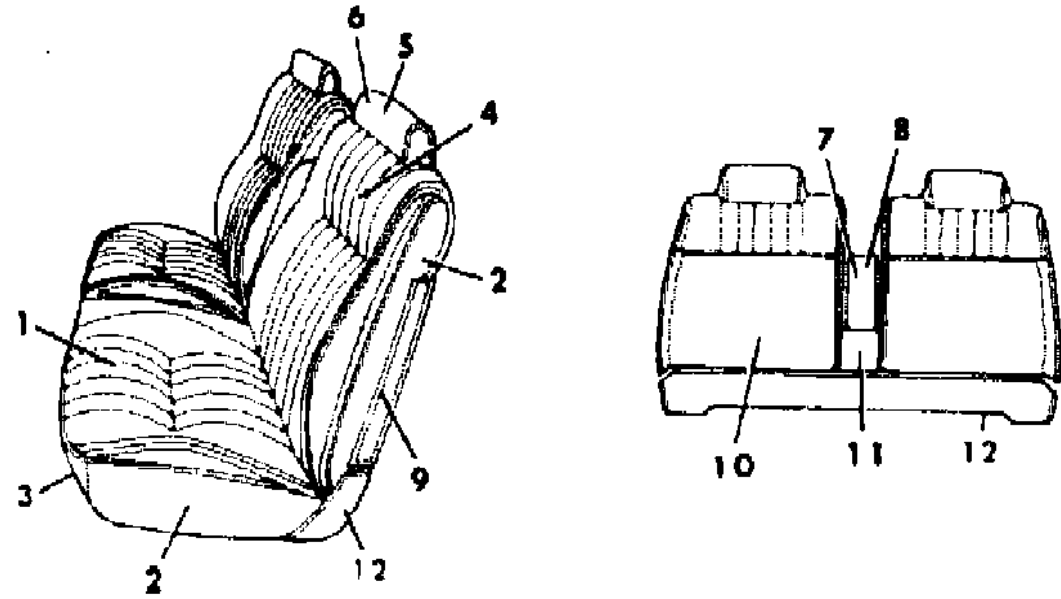
BODY STYLES

21 = 2-DOOR SEDAN	28 = FWD PICKUP	44 = 4-DOOR HATCHBACK
22 = 2-DOOR SPECIAL COUPE	35 = FWD VAN	45 = 4-DOOR STATION WAGON
24 = 2-DOOR HATCHBACK	36 = FWD WAGON	48 = 4-DOOR EXECUTIVE SEDAN
27 = 2-DOOR CONVERTIBLE	41 = 4-DOOR SEDAN	

AR = Use as Required - = Non Illustrated Part P.A.R. = Paint as Required

SEAT FRONT C,V K BODY TRIM CODE J3
Figure ITK-3400

42J4 3400



ITEM	PART NUMBER	QTY	BODY	MODEL	DESCRIPTION
1-3					CUSHION, w/Spring/Frame, Pad and Cover N N N N
	A806 C3S	1			N N NJ3S YA806C3S
	A806 B3C	1			N N NJ3C YA806B3C
	A806 B3M	1			N N NJ3M YA806B3M
	A806 B3L	1			N N NJ3L YA806B3L
	A806 B3T	1			N N NJ3T YA806B3T
1					COVER, Cushion N N N N
	C411 C3S	1			N N NJ3S YC411C3S
	C411 A3C	1			N N NJ3C YC411A3C
	C411 A3M	1			N N NJ3M YC411A3M
	C411 B3L	1			N N NJ3L YC411B3L
	C411 B3T	1			N N NJ3T YC411B3T
2					ROLL STOCK, Cloth 54" Wide Order by the Inch. N N N N
	R093 CS8	AR			N N NJ3S YR093CS8
	R093 AC7	AR			N N NJ3C YR093AC7
	R093 AM6	AR			N N NJ3M YR093AM6
	R093 BL3	AR			N N NJ3L YR093BL3
	R093 BT8	AR			N N NJ3T YR093BT8
3					ROLL STOCK, Vinyl 64" Wide Order by the Inch N N N N
	R609 CS8	AR			N N NJ3S YR609CS8
	R616 VC8	AR			N N NJ3C YR616VC8
	R616 VM6	AR			N N NJ3M YR616VM6
	R616 BL3	AR			N N NJ3L YR616BL3
	R609 BT8	AR			58" Wide N N NJ3T YR609BT8
2-4					BACK, w/Spring/Frame, Pad and Cover N N N N
	C810-1 C3S	1			N N22 NJ3S YC810C3S
	C810-1 B3C	1			N N22 NJ3C YC810B3C
	C810-1 B3M	1			N N22 NJ3M YC810B3M
	C810-1 B3L	1			N N22 NJ3L YC810B3L
	C810-1 B3T	1			N N22 NJ3T YC810B3T
	A812-3 B3C	1			N N41,45 NJ3C YA812B3C
	A812-3 B3M	1			N N41,45 NJ3M YA812B3M
	A812-3 B3L	1			N N41,45 NJ3L YA812B3L
	A812-3 B3T	1			N N41,45 NJ3T YA812B3T
	A812-3 C3S	1			N N41,45 NJ3S YA812C3S
4					COVER, Back N N N N
	C414-5 C3S	1			N N NJ3S YC414C3S
	C414-5 B3C	1			N N NJ3C YC414B3C

MODEL CODES

B = GRAN FURY	F = FIFTH AVENUE/NEWPORT	P = RELIANT
C = LEBARON/TOWN & COUNTRY/EXC SEDAN	G = DIPLOMAT	T = E CLASS/NEW YORKER
C24 = LASER	H = VOYAGER	V = 600
D = ARIES	K = MINI RAM/CARAVAN/ROYAL	V24 = DAYTONA
E = 600	M = HORIZON/TURISMO	Z = OMNI/CHARGER/RAMPAGE

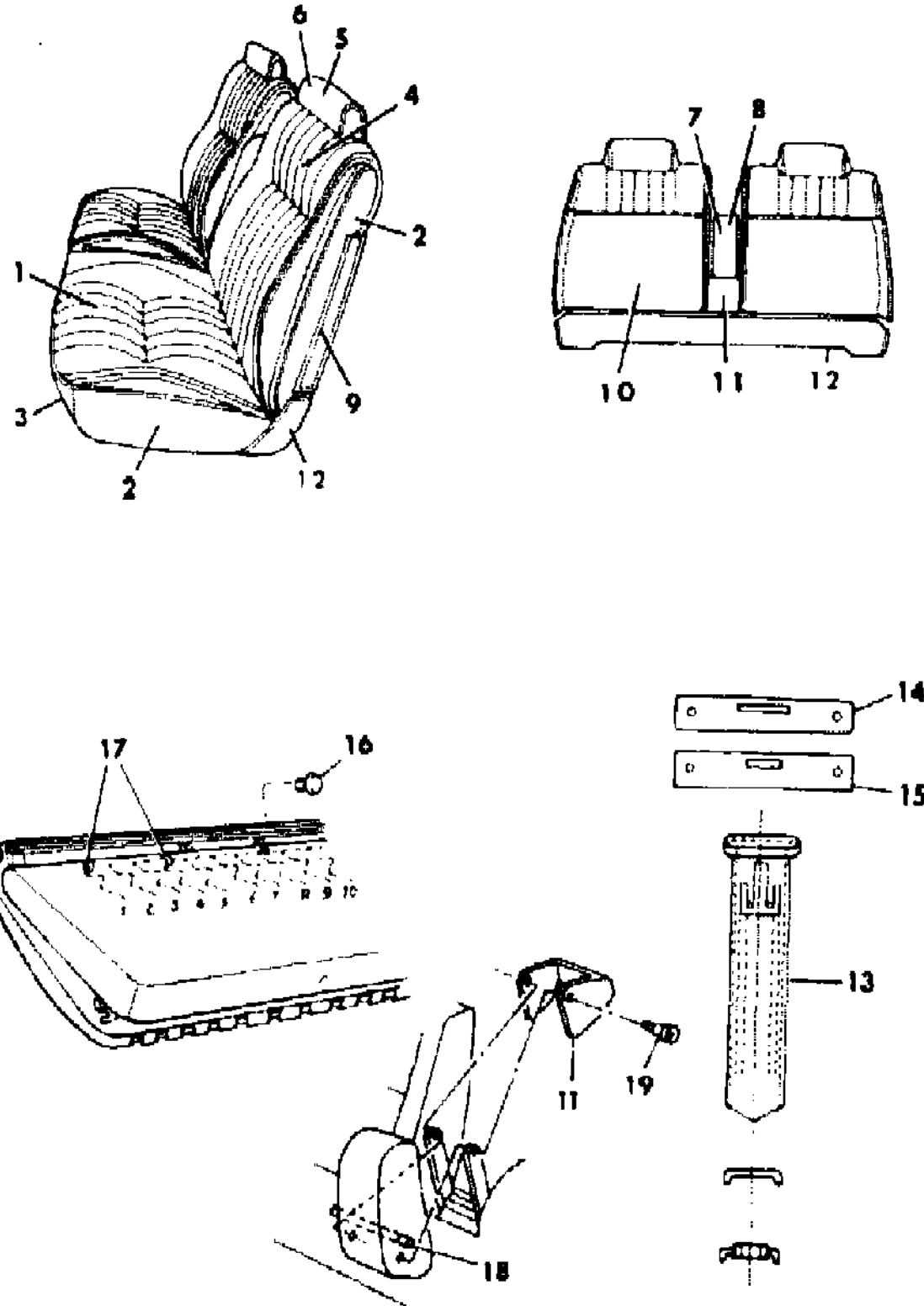
BODY STYLES

21 = 2-DOOR SEDAN	28 = FWD PICKUP	44 = 4-DOOR HATCHBACK
22 = 2-DOOR SPECIAL COUPE	35 = FWD VAN	45 = 4-DOOR STATION WAGON
24 = 2-DOOR HATCHBACK	36 = FWD WAGON	48 = 4-DOOR EXECUTIVE SEDAN
27 = 2-DOOR CONVERTIBLE	41 = 4-DOOR SEDAN	

AR = Use as Required - = Non Illustrated Part P.A.R. = Paint as Required

SEAT FRONT C,V K BODY TRIM CODE J3
Figure ITK-3400

42J4 3400



ITEM	PART NUMBER	QTY	BODY	MODEL	DESCRIPTION
	C414-5 B3M	1			N N NJ3M YC414B3M
	C414-5 B3L	1			N N NJ3L YC414B3L
	C414-5 B3T	1			N N NJ3T YC414B3T
5					HEADREST and COVER N N N N
	C806 CS8	2			N N NJ3S YC806CS8
	C806 AC7	2			N N NJ3C YC806AC7
	C806 AM6	2			N N NJ3M YC806AM6
	C806 BL3	2			N N NJ3L YC806BL3
	C806 BT8	2			N N NJ3T YC806BT8
6					COVER, Headrest N N N N
	C351 CS8	2			N N NJ3S YC351CS8
	C351 AC7	2			N N NJ3C YC351AC7
	C351 AM6	2			N N NJ3M YC351AM6
	C351 BL3	2			N N NJ3L YC351BL3
	C351 BT8	2			N N NJ3T YC351BT8
7					ARMREST and COVER N N N N
	C836 CS8	1			N N NJ3S YC836CS8
	C836 AC7	1			N N NJ3C YC836AC7
	C836 AM6	1			N N NJ3M YC836AM6
	C836 BL3	1			N N NJ3L YC836BL3
	C836 BT8	1			N N NJ3T YC836BT8
8					COVER, Armrest N N N N
	C408 CS8	1			N N NJ3S YC408CS8
	C408 AC7	1			N N NJ3C YC408AC7
	C408 AM6	1			N N NJ3M YC408AM6
	C408 BL3	1			N N NJ3L YC408BL3
	C408 BT8	1			N N NJ3T YC408BT8
9	S750-1 AA3	1			SHIELD, Outer (paint as required) N N N YS750AA3
10					ROLL STOCK, Vinyl 50" Wide Order by the Inch. N N N N
	R620 CS8	AR			N N NJ3S YR620CS8
	R620 AC8	AR			N N NJ3C YR620AC8
	R620 VM6	AR			N N NJ3M YR620VM6
	R620 BL3	AR			N N NJ3L YR620BL3
	R620 BT8	AR			N N NJ3T YR620BT8
11					SHIELD, Armrest Finish N N N N
	S581 CS8	1			N N NJ3S YS581CS8
	S581 AC7	1			N N NJ3C YS581AC7
	S581 AM6	1			N N NJ3M YS581AM6

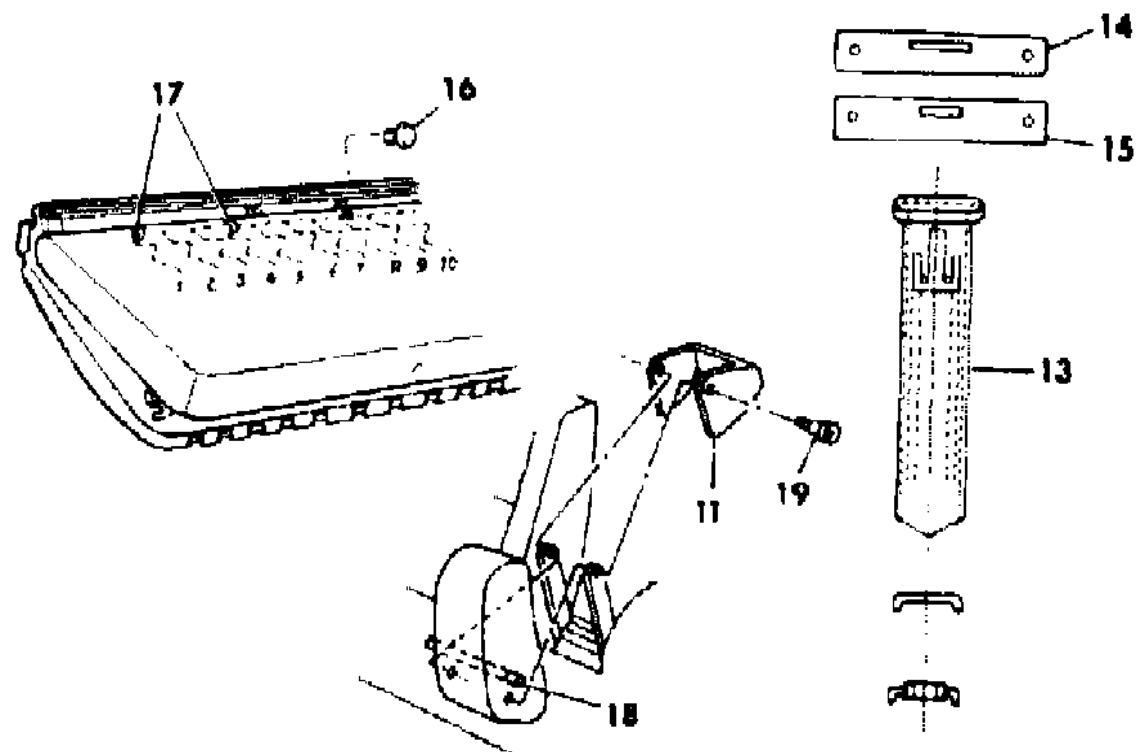
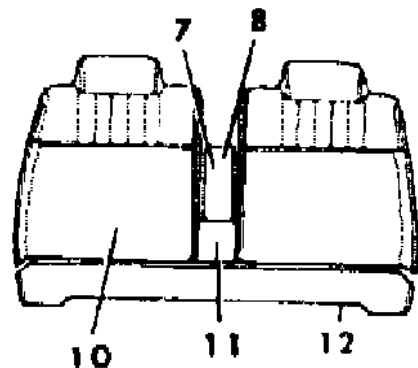
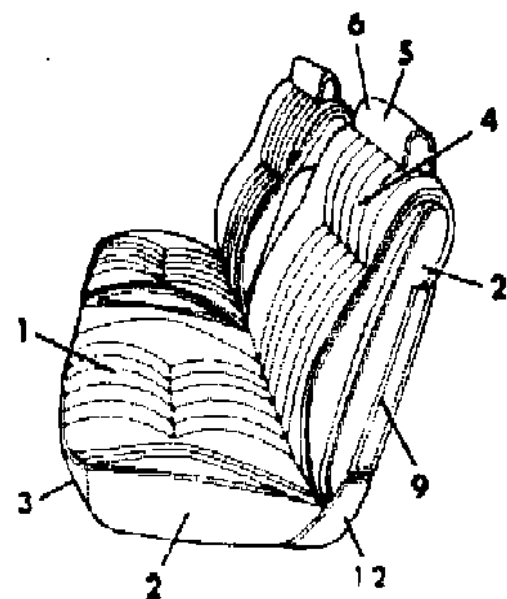
MODEL CODES
 B = GRAN FURY
 C = LEBARON/TOWN & COUNTRY/EXC SEDAN
 C24 = LASER
 D = ARIES
 E = 600
 F = FIFTH AVENUE/NEWPORT
 G = DIPLOMAT
 H = VOYAGER
 K = MINI RAM/CARAVAN/ROYAL
 M = HORIZON/TURISMO
 P = RELIANT
 T = E CLASS/NEW YORKER
 V = 600
 V24 = DAYTONA
 Z = OMNI/CHARGER/RAMPAGE

BODY STYLES
 21 = 2-DOOR SEDAN
 22 = 2-DOOR SPECIAL COUPE
 24 = 2-DOOR HATCHBACK
 27 = 2-DOOR CONVERTIBLE
 28 = FWD PICKUP
 35 = FWD VAN
 36 = FWD WAGON
 41 = 4-DOOR SEDAN
 44 = 4-DOOR HATCHBACK
 45 = 4-DOOR STATION WAGON
 48 = 4-DOOR EXECUTIVE SEDAN

AR = Use as Required - = Non Illustrated Part P.A.R. = Paint as Required

SEAT FRONT C,V K BODY TRIM CODE J3
Figure ITK-3400

4234 3400



ITEM	PART NUMBER	QTY	BODY	MODEL	DESCRIPTION
	S581 BL3	1			N N NJ3L YS581BL3
	S581 BT8	1			N N NJ3T YS581BT8
12					SHIELD, Cushion Outer N N N N
	S780-1 CS8	1			N N22 NJ3S YS780CS8
	S780-1 AC7	1			N N22 NJ3C YS780AC7
	S780-1 VM6	1			N N22 NJ3M YS780VM6
	S780-1 BL3	1			N N22 NJ3L YS780BL3
	S780-1 BT8	1			N N22 NJ3T YS780BT8
	S678-9 CS8	1			N N41,45 NJ3S YS678CS8
	S678-9 AC7	1			N N41,45 NJ3C YS678AC7
	S678-9 AM6	1			N N41,45 NJ3M YS678AM6
	S678-9 BL3	1			N N41,45 NJ3L YS678BL3
	S678-9 BT8	1			N N41,45 NJ3T YS678BT8
13					SLEEVE, Headrest N N N N
	S786 AA3	2			N N NJ3S YS786AA3
	S786 AC7	2			N N NJ3C YS786AC7
	S786 VM6	2			N N NJ3M YS786VM6
	S786 BL3	2			N N NJ3L YS786BL3
	S786 BT8	2			N N NJ3T YS786BT8
14	4190 388	2			COVER, Headrest Finish N N N Y4190388
15	4190 387	2			SUPPORT, Headrest Trim Cover N N N Y4190387
16	4277 908	2			BUSHING, Cushion Pivot Bracket N N N Y4277908
17	6008 076	AR			HOG RING N N N Y6008076
18	4239 076	1			ROD, Armrest Lock N N N Y4239076
	6006 324	1			NUT, Armrest Lock Rod N N N Y6006324
19	6030 082	2			SCREW, Armrest to Stanchion N N N Y6030082

MODEL CODES

B = GRAN FURY	F = FIFTH AVENUE/NEWPORT	P = RELIANT
C = LEBARON/TOWN & COUNTRY/EXC SEDAN	G = DIPLOMAT	T = E CLASS/NEW YORKER
C24 = LASER	H = VOYAGER	V = 600
D = ARIES	K = MINI RAM/CARAVAN/ROYAL	V24 = DAYTONA
E = 600	M = HORIZON/TURISMO	Z = OMNI/CHARGER/RAMPAGE

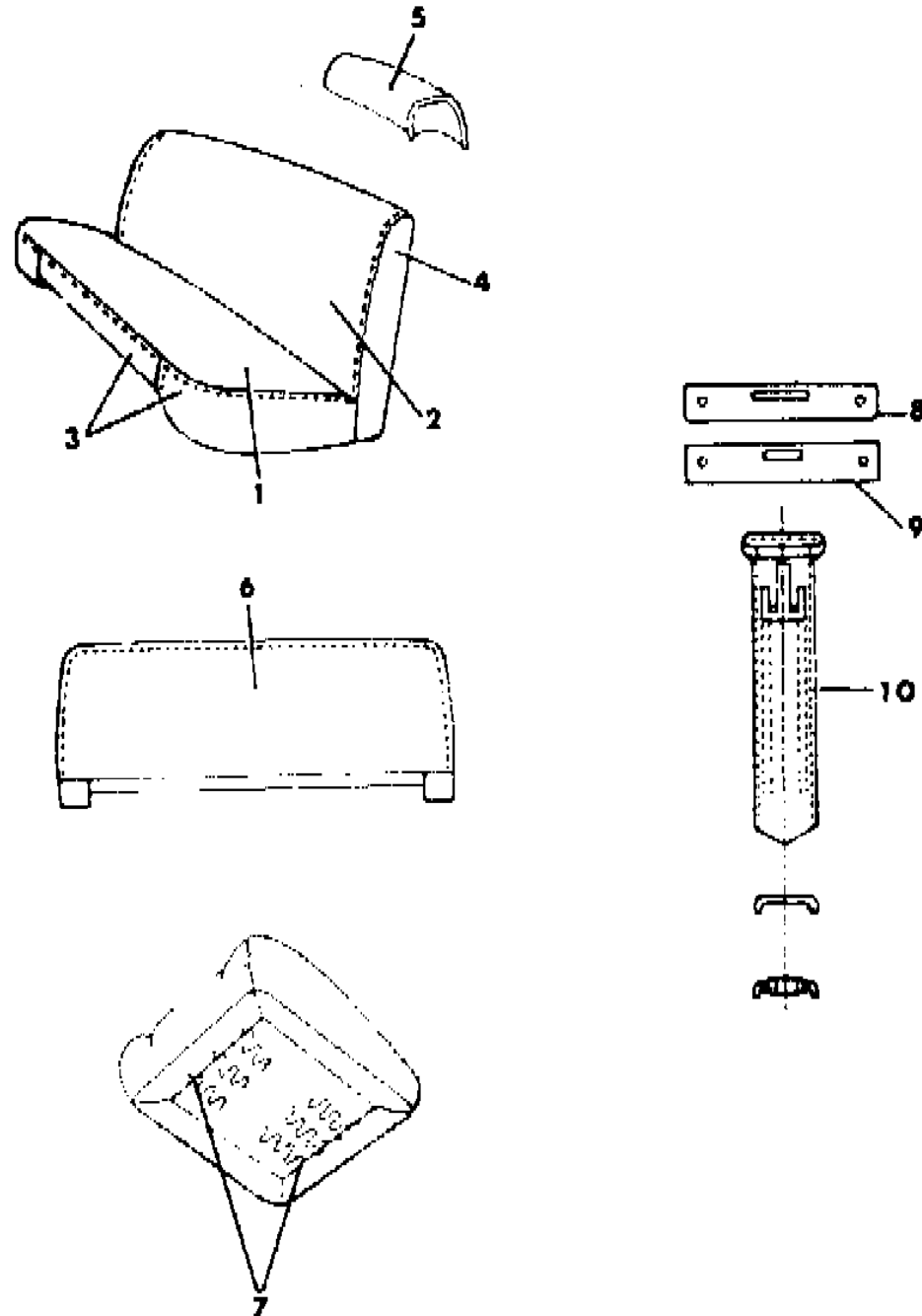
BODY STYLES

21 = 2-DOOR SEDAN	28 = FWD PICKUP	44 = 4-DOOR HATCHBACK
22 = 2-DOOR SPECIAL COUPE	35 = FWD VAN	45 = 4-DOOR STATION WAGON
24 = 2-DOOR HATCHBACK	36 = FWD WAGON	48 = 4-DOOR EXECUTIVE SEDAN
27 = 2-DOOR CONVERTIBLE	41 = 4-DOOR SEDAN	

AR = Use as Required - = Non Illustrated Part P.A.R. = Paint as Required

SEAT FRONT P,D K BODY FLEET POLICE AND OTHERS
Figure ITK-3500

4234 35(0)



ITEM	PART NUMBER	QTY	BODY	MODEL	DESCRIPTION
NOTE: Special equipment code is in the trim column. s ARE NOT RETURNABLE.					
1	4196 791	1			COVER, Cushion N N N N Medium and Dark Blue, Cloth N N NCBAP,CBAN Y4196791
	4196 795	1			Beige and Brown, Cloth N N NCBAP,CBAN Y4196795
2	4196 790	1			COVER, Back N N N N Medium and Dark Blue, Cloth N N NCBAP,CBAN Y4196790
	4196 794	1			Beige and Brown, Cloth N N NCBAP,CBAN Y4196794
3	R616 VC8	AR			ROLL STOCK, Vinyl 64" Wide Order by the Inch N N N N Blue N N N YR616VC8
	R609 BT8	AR			Brown N N N YR609BT8
4	R615 VC8	AR			ROLL STOCK, Vinyl 54" Wide Order by the Inch N N N N Blue N N N YR615VC8
	R615 BT8	AR			Brown N N N YR615BT8
5	S790 BB5	2			HEADREST and COVER N N N N Blue N N N YS790BB5
	S790 BL3	2			Beige N N N YS790BL3
6	R620 AC8	AR			ROLL STOCK, Vinyl 54" Wide Order by the Inch N N N N Blue N N N YR620AC8
	R620 BT8	AR			Brown N N N YR620BT8
7	6008 076	AR			HOG RING N N N Y6008076
8	4190 388	2			COVER, Headrest Finish N N N Y4190388
9	4190 387	2			SUPPORT, Headrest N N N Y4190387
10	S786 AC7	2			SLEEVE, Headrest N N N N Blue N N N YS786AC7
	S786 BT8	2			Brown N N N YS786BT8

MODEL CODES

B = GRAN FURY	F = FIFTH AVENUE/NEWPORT	P = RELIANT
C = LEBARON/TOWN & COUNTRY/EXC SEDAN	G = DIPLOMAT	T = E CLASS/NEW YORKER
C24 = LASER	H = VOYAGER	V = 600
D = ARIES	K = MINI RAM/CARAVAN/ROYAL	V24 = DAYTONA
E = 600	M = HORIZON/TURISMO	Z = OMNI/CHARGER/RAMPAGE

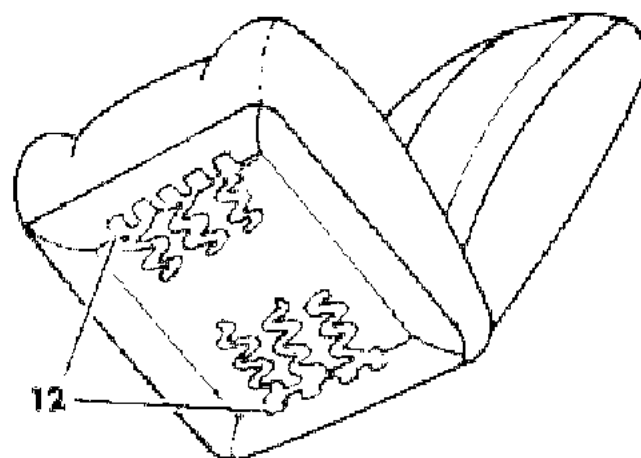
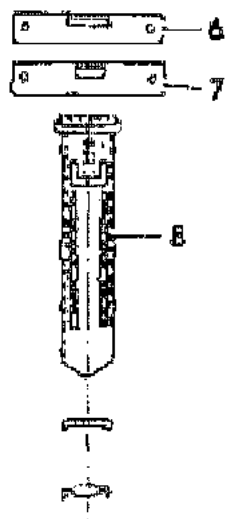
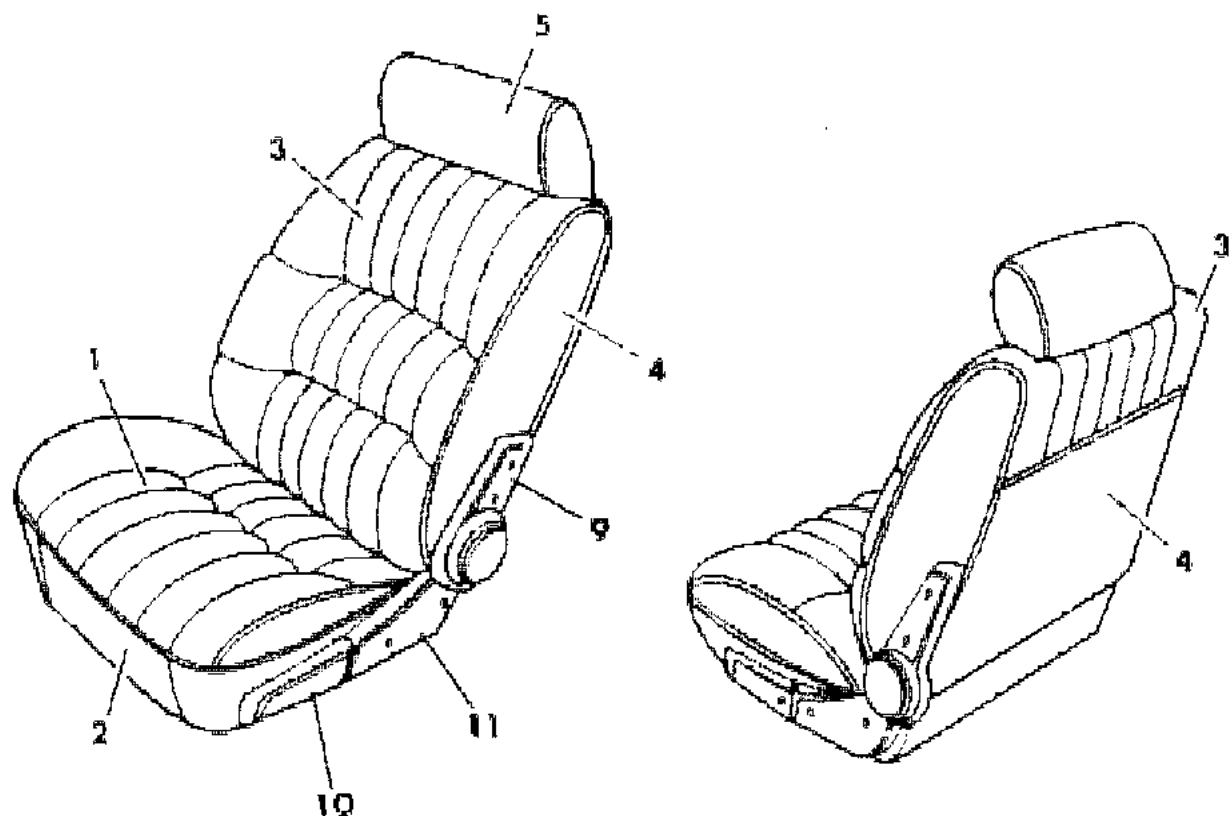
BODY STYLES

21 = 2-DOOR SEDAN	28 = FWD PICKUP	44 = 4-DOOR HATCHBACK
22 = 2-DOOR SPECIAL COUPE	35 = FWD VAN	45 = 4-DOOR STATION WAGON
24 = 2-DOOR HATCHBACK	36 = FWD WAGON	48 = 4-DOOR EXECUTIVE SEDAN
27 = 2-DOOR CONVERTIBLE	41 = 4-DOOR SEDAN	

AR = Use as Required - = Non Illustrated Part P.A.R. = Paint as Required

SEAT FRONT P,D K BODY TRIM CODE H7
Figure ITK-3600

4234 3600



ITEM	PART NUMBER	QTY	BODY	MODEL	DESCRIPTION
1-2					CUSHION, w/Spring/Frame, Pad and Cover N N N N
	B988 C7A	2			N N NH7AS YB988C7A
	B988 C7B	2			N N NH7BC YB988C7B
	B988 C7L	2			N N NH7LT YB988C7L
	B988 C7M	2			N N NH7M6 YB988C7M
1					COVER, Cushion N N N N
	C360 C7A	2			N N NH7AS YC360C7A
	C360 C7B	2			N N NH7BC YC360C7B
	C360 C7L	2			N N NH7LT YC360C7L
	C360 C7M	2			N N NH7M6 YC360C7M
2					ROLL STOCK, Vinyl Order by the Inch N N N N
	R616 VM6	AR			Red. 64" Wide N N N YR616VM6
	R616 VC8	AR			Blue. 64" Wide N N N YR616VC8
	R609 BT8	AR			Brown. 58" Wide N N N YR609BT8
	R609 CS8	AR			Charcoal. 58" Wide N N N YR609CS8
3-4					BACK, w/Spring/Frame, Pad and Cover N N N N
	B989 C7A	2			N N NH7AS YB989C7A
	B989 C7B	2			N N NH7BC YB989C7B
	B989 C7L	2			N N NH7LT YB989C7L
	B989 C7M	2			N N NH7M6 YB989C7M
3					COVER, Back N N N N
	C361 C7A	2			N N NH7AS YC361C7A
	C361 C7B	2			N N NH7BC YC361C7B
	C361 C7L	2			N N NH7LT YC361C7L
	C361 C7M	2			N N NH7M6 YC361C7M
4					ROLL STOCK, Cloth 54" order by the inch N N N N
	R088 BT8	AR			Brown N N N YR088BT8
	R092 CS8	AR			Charcoal N N N YR092CS8
	R092 VC7	AR			Blue N N N YR092VC7
	R092 VM6	AR			Red N N N YR092VM6
5					HEADREST and COVER N N N N
	B995 CA3	2			Silver N N N YB995CA3
	B995 CB5	2			Blue N N N YB995CB5
	B995 CL3	2			Beige N N N YB995CL3
	B995 CM6	2			Red N N N YB995CM6
					COVER, Headrest N N N N
	C365 CA3	2			Silver N N N YC365CA3
	C365 CB5	2			Blue N N N YC365CB5

MODEL CODES

B = GRAN FURY	F = FIFTH AVENUE/NEWPORT	P = RELIANT
C = LEBARON/TOWN & COUNTRY/EXC SEDAN	G = DIPLOMAT	T = E CLASS/NEW YORKER
C24 = LASER	H = VOYAGER	V = 600
D = ARIES	K = MINI RAM/CARAVAN/ROYAL	V24 = DAYTONA
E = 600	M = HORIZON/TURISMO	Z = OMNI/CHARGER/RAMPAGE

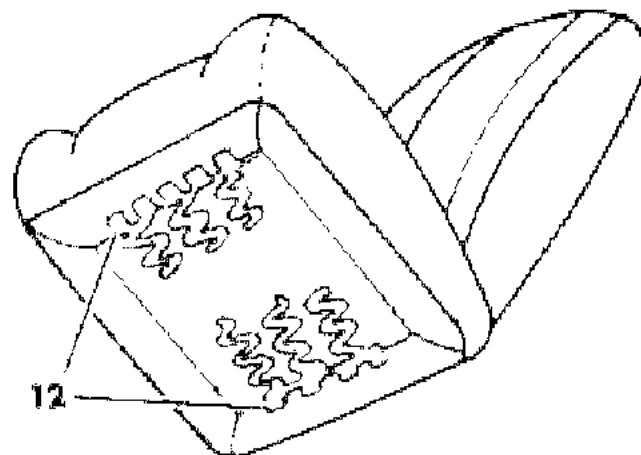
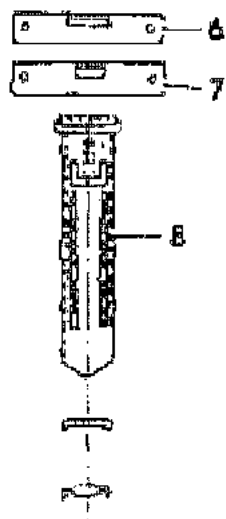
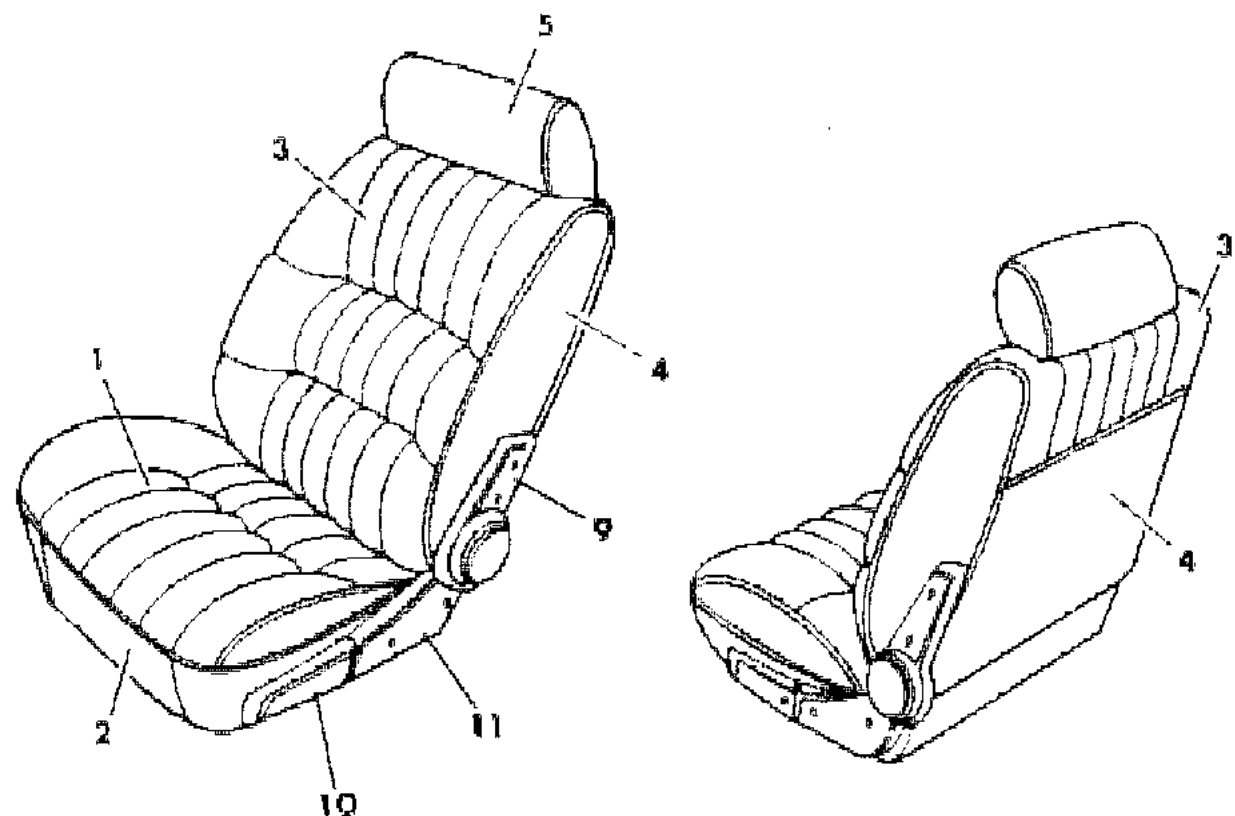
BODY STYLES

21 = 2-DOOR SEDAN	28 = FWD PICKUP	44 = 4-DOOR HATCHBACK
22 = 2-DOOR SPECIAL COUPE	35 = FWD VAN	45 = 4-DOOR STATION WAGON
24 = 2-DOOR HATCHBACK	36 = FWD WAGON	48 = 4-DOOR EXECUTIVE SEDAN
27 = 2-DOOR CONVERTIBLE	41 = 4-DOOR SEDAN	

AR = Use as Required - = Non Illustrated Part P.A.R. = Paint as Required

SEAT FRONT P,D K BODY TRIM CODE H7
Figure ITK-3600

4234 3600



ITEM	PART NUMBER	QTY	BODY	MODEL	DESCRIPTION
	C365 CL3	2			Beige N N N YC365CL3
	C365 CM6	2			Red N N N YC365CM6
6	4190 388	2			COVER, Headrest Support N N N Y4190388
7	4190 387	2			SUPPORT, Headrest N N N Y4190387
8					SLEEVE, Headrest N N N N
	S786 AA3	2			Silver N N N YS786AA3
	S786 BB5	2			Blue N N N YS786BB5
	S786 BL3	2			Beige N N N YS786BL3
	S786 VM6	2			Red N N N YS786VM6
9	S878-9 CL3	1			SHIELD, Seat Back Upper N N N YS878CL3
10	S772-3 VB2	1			SHIELD, Seat Cushion, Front N N N YS772VB2
11	S756-7 AB2	1			SHIELD, Seat Cushion, Rear N N N YS756AB2
12	6008 076	AR			HOG RING N N N Y6008076

MODEL CODES

B = GRAN FURY	F = FIFTH AVENUE/NEWPORT	P = RELIANT
C = LEBARON/TOWN & COUNTRY/EXC SEDAN	G = DIPLOMAT	T = E CLASS/NEW YORKER
C24 = LASER	H = VOYAGER	V = 600
D = ARIES	K = MINI RAM/CARAVAN/ROYAL	V24 = DAYTONA
E = 600	M = HORIZON/TURISMO	Z = OMNI/CHARGER/RAMPAGE

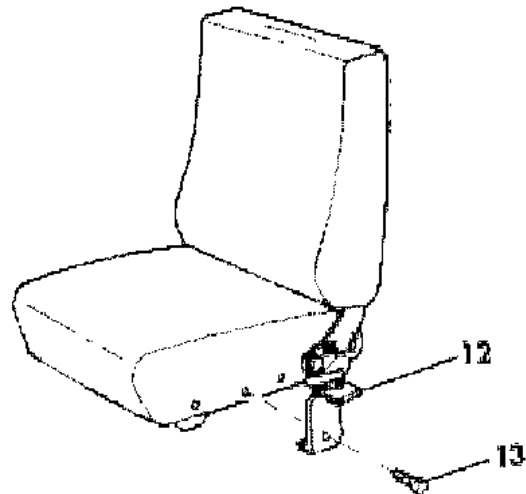
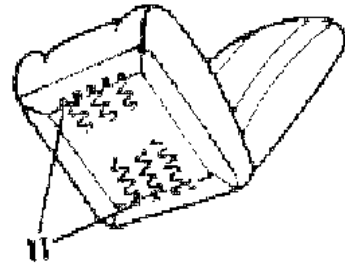
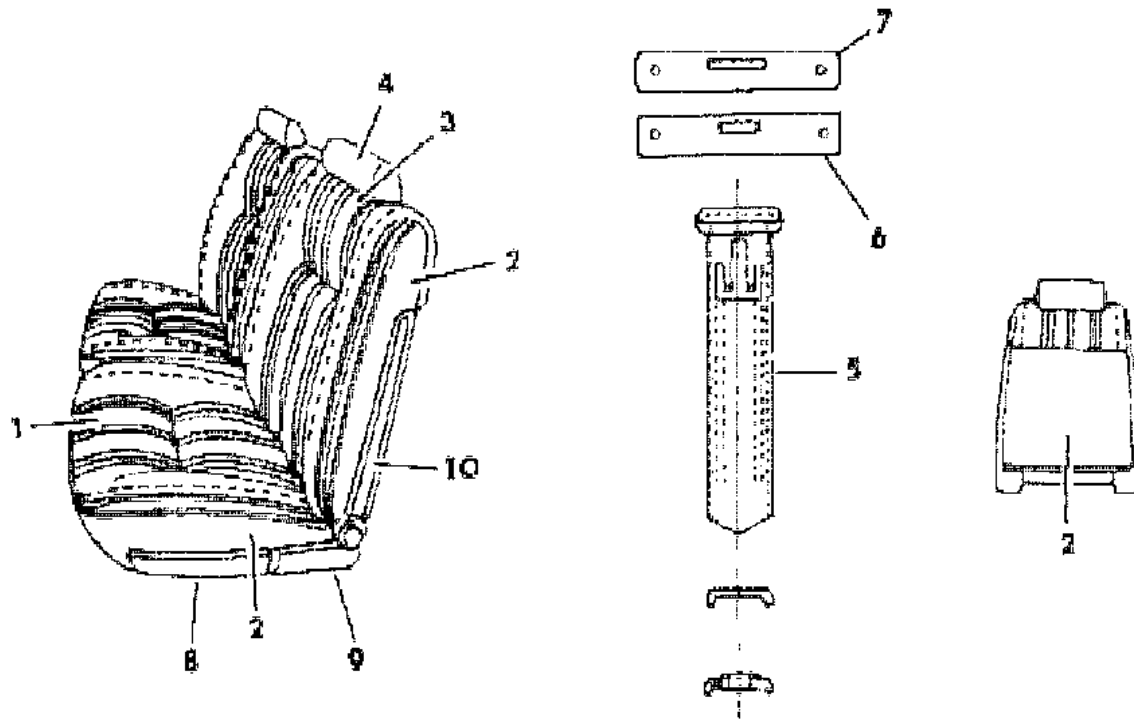
BODY STYLES

21 = 2-DOOR SEDAN	28 = FWD PICKUP	44 = 4-DOOR HATCHBACK
22 = 2-DOOR SPECIAL COUPE	35 = FWD VAN	45 = 4-DOOR STATION WAGON
24 = 2-DOOR HATCHBACK	36 = FWD WAGON	48 = 4-DOOR EXECUTIVE SEDAN
27 = 2-DOOR CONVERTIBLE	41 = 4-DOOR SEDAN	

AR = Use as Required - = Non Illustrated Part P.A.R. = Paint as Required

SEAT FRONT C,V K BODY TRIM CODE V8
Figure ITK-3700

4204 3700



ITEM	PART NUMBER	QTY	BODY	MODEL	DESCRIPTION
1-2					CUSHION, w/Spring/Frame, Pad and Cover N N N N
	A798-9 B8M	1			N N NV8M YA798B8M
	A798-9 B8L	1			N N NV8L YA798B8L
	A798-9 B8W	1			N N NV8MW YA798B8W
1					COVER, Cushion N N N N
	C420 A8M	2			N N NV8M YC420A8M
	C420 B8L	2			N N NV8L YC420B8L
	C420 B8W	2			N N NV8MW YC420B8W
2					ROLL STOCK, Order by the Inch. N N N N
	R616 BL3	AR			Beige, 64" Wide N N N YR616BL3
	R616 VM6	AR			Red, 64" Wide N N N YR616VM6
	R600 VW1	AR			White, 54" Wide N N N YR600VW1
2-3					BACK, w/Spring/Frame, Pad and Cover N N N N
	A800-1 B8M	1			N N NV8M YA800B8M
	A800-1 B8L	1			N N NV8L YA800B8L
	A800-1 B8W	1			N N NV8MW YA800B8W
3					COVER, Back N N N N
	C470 A8M	2			N N NV8M YC470A8M
	C470 B8L	2			N N NV8L YC470B8L
	C470 B8W	2			N N NV8MW YC470B8W
4					HEADREST and COVER N N N N
	S790 VM6	2			N N NV8M YS790VM6
	S790 BL3	2			N N NV8L YS790BL3
	S790 BW1	2			N N NV8MW YS790BW1
5					SLEEVE, Headrest N N N N
	S786 VM6	2			N N NV8M YS786VM6
	S786 BL3	2			N N NV8L YS786BL3
	S786 BW1	2			N N NV8MW YS786BW1
	4138 140	4			SPACER, Headrest N N N Y4138140
6	4190 387	2			SUPPORT, Headrest Trim Cover N N N Y4190387
7	4190 388	2			COVER, Headrest Finish N N N Y4190388
8	S772-3 VB2	1			SHIELD, Cushion, Inner and Outer (paint as required) N N N YS772VB2
9	S756-7 AB2	1			SHIELD, Lower, Inner and Outer (paint as required) N N N YS756AB2
	6500 453	AR			NUT N N N Y6500453
10	S878-9 CL3	1			SHIELD, Upper, Inner and Outer (paint as required) N N N YS878CL3

MODEL CODES

B = GRAN FURY	F = FIFTH AVENUE/NEWPORT	P = RELIANT
C = LEBARON/TOWN & COUNTRY/EXC SEDAN	G = DIPLOMAT	T = E CLASS/NEW YORKER
C24 = LASER	H = VOYAGER	V = 600
D = ARIES	K = MINI RAM/CARAVAN/ROYAL	V24 = DAYTONA
E = 600	M = HORIZON/TURISMO	Z = OMNI/CHARGER/RAMPAGE

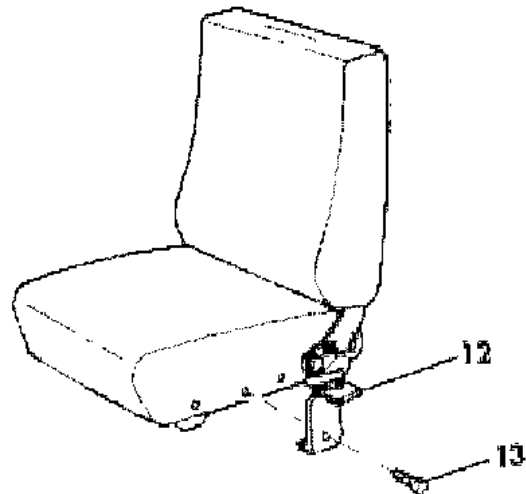
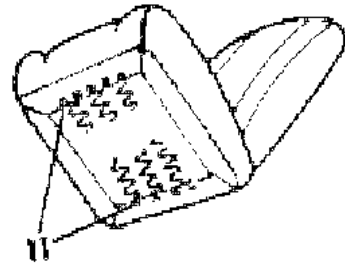
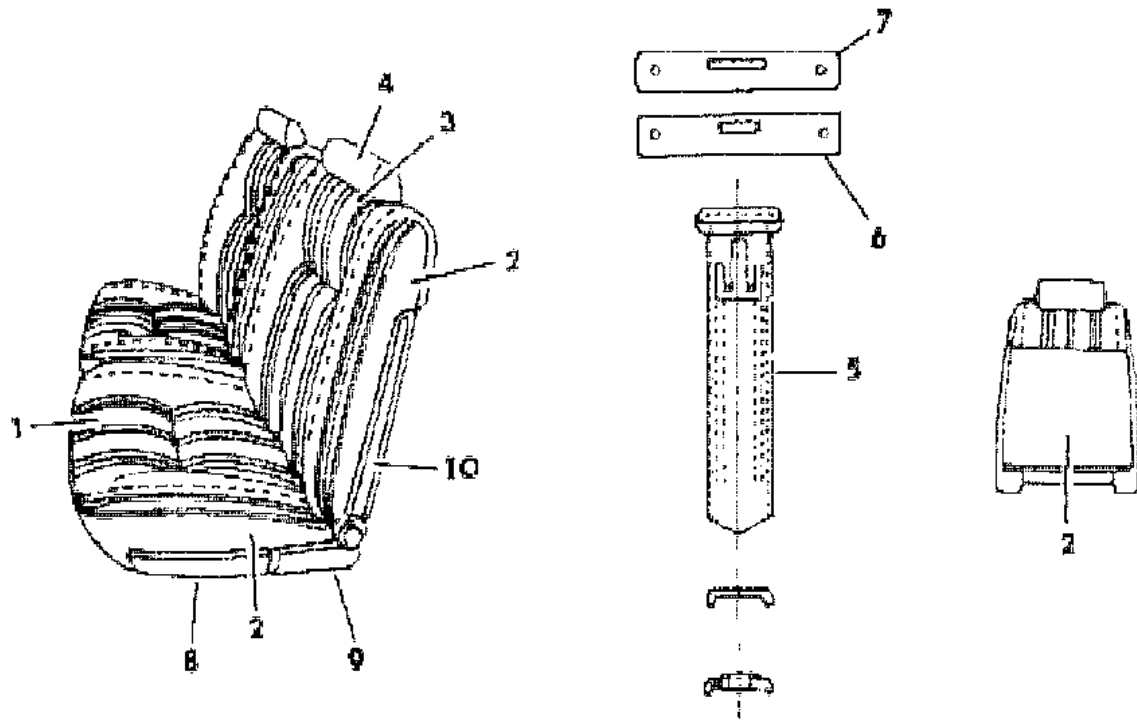
BODY STYLES

21 = 2-DOOR SEDAN	28 = FWD PICKUP	44 = 4-DOOR HATCHBACK
22 = 2-DOOR SPECIAL COUPE	35 = FWD VAN	45 = 4-DOOR STATION WAGON
24 = 2-DOOR HATCHBACK	36 = FWD WAGON	48 = 4-DOOR EXECUTIVE SEDAN
27 = 2-DOOR CONVERTIBLE	41 = 4-DOOR SEDAN	

AR = Use as Required - = Non Illustrated Part P.A.R. = Paint as Required

SEAT FRONT C,V K BODY TRIM CODE V8
Figure ITK-3700

4204 3700



ITEM	PART NUMBER	QTY	BODY	MODEL	DESCRIPTION
	6031 147	AR			NUT N N N Y6031147
11	6008 076	AR			HOG RING N N N Y6008076
12	4190 711	1			BRACKET, Side Shield Attaching N N N Y4190711
13		AR			SCREW (not serviced) N N N N

MODEL CODES

B = GRAN FURY
C = LEBARON/TOWN & COUNTRY/EXC SEDAN
C24 = LASER
D = ARIES
E = 600
F = FIFTH AVENUE/NEWPORT
G = DIPLOMAT
H = VOYAGER
K = MINI RAM/CARAVAN/ROYAL
M = HORIZON/TURISMO
P = RELIANT
T = E CLASS/NEW YORKER
V = 600
V24 = DAYTONA
Z = OMNI/CHARGER/RAMPAGE

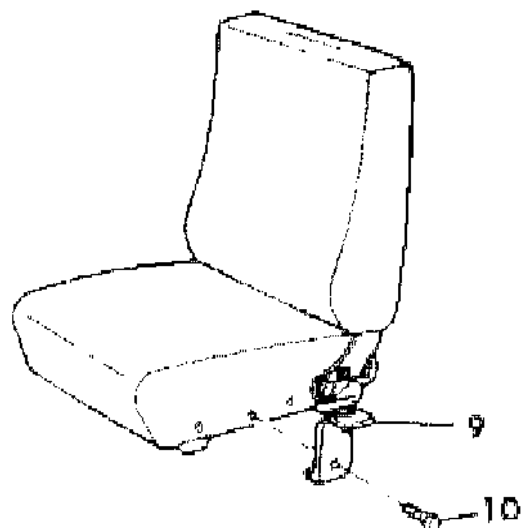
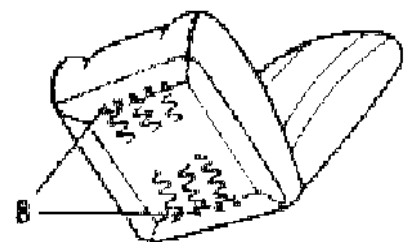
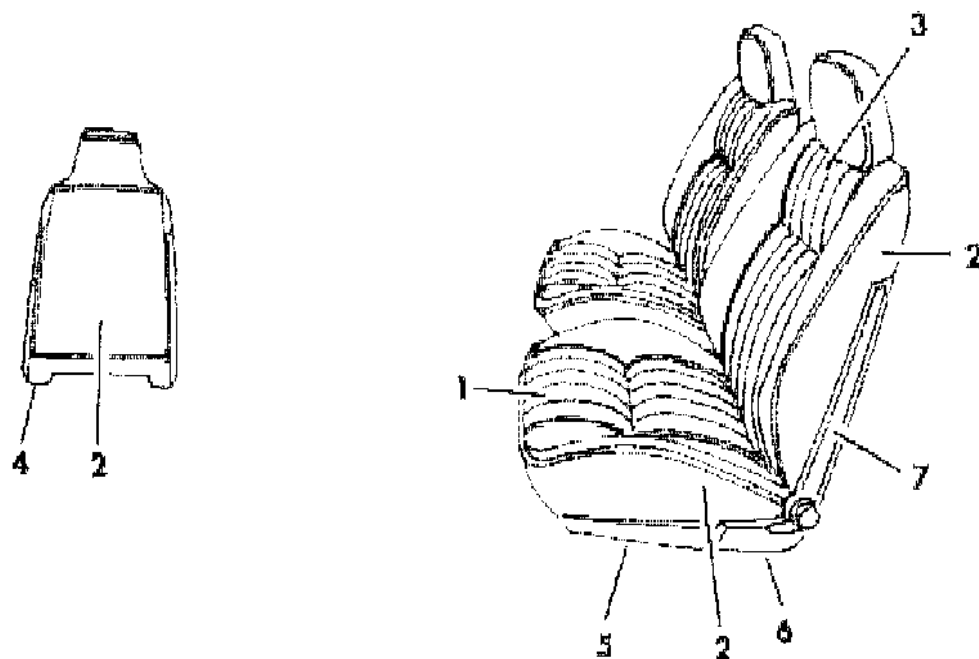
BODY STYLES

21 = 2-DOOR SEDAN
22 = 2-DOOR SPECIAL COUPE
24 = 2-DOOR HATCHBACK
27 = 2-DOOR CONVERTIBLE
28 = FWD PICKUP
35 = FWD VAN
36 = FWD WAGON
41 = 4-DOOR SEDAN
44 = 4-DOOR HATCHBACK
45 = 4-DOOR STATION WAGON
48 = 4-DOOR EXECUTIVE SEDAN

AR = Use as Required - = Non Illustrated Part P.A.R. = Paint as Required

SEAT FRONT C,V K BODY TRIM CODE J5
Figure ITK-3800

4234 3860



ITEM	PART NUMBER	QTY	BODY	MODEL	DESCRIPTION
1-2					CUSHION, w/Spring/Frame, Pad and Cover N N N N
	A802-3 C5S	1			N N NJ5S YA802C5S
	A802-3 B5C	1			N N NJ5C YA802B5C
	A802-3 B5M	1			N N NJ5M YA802B5M
	A802-3 B5L	1			N N NJ5L YA802B5L
	A802-3 B5T	1			N N NJ5T YA802B5T
1					COVER, Cushion N N N N
	C344 C5S	2			N N NJ5S YC344C5S
	C344 A5C	2			N N NJ5C YC344A5C
	C344 A5M	2			N N NJ5M YC344A5M
	C344 B5L	2			N N NJ5L YC344B5L
	C344 B5T	2			N N NJ5T YC344B5T
2					ROLL STOCK, Cloth 54" Wide Order by the Inch. N N N N
	R093 CS8	AR			N N NJ5S YR093CS8
	R093 AC7	AR			N N NJ5C YR093AC7
	R093 AM6	AR			N N NJ5M YR093AM6
	R093 BL3	AR			N N NJ5L YR093BL3
	R093 BT8	AR			N N NJ5T YR093BT8
2-3					BACK, w/Spring/Frame, Pad and Cover N N N N
	C640-1 C5S	1			N N NJ5S YC640C5S
	C640-1 C5C	1			N N NJ5C YC640C5C
	C640-1 C5M	1			N N NJ5M YC640C5M
	C640-1 C5L	1			N N NJ5L YC640C5L
	C640-1 C5T	1			N N NJ5T YC640C5T
3					COVER, Back N N N N
	C510 C5S	2			N N NJ5S YC510C5S
	C510 C5C	2			N N NJ5C YC510C5C
	C510 C5M	2			N N NJ5M YC510C5M
	C510 C5L	2			N N NJ5L YC510C5L
	C510 C5T	2			N N NJ5T YC510C5T
4					ROLL STOCK, Carpet 54" Wide Order by the Inch. N N N N
	R113 CS8	AR			N N NJ5S YR113CS8
	R113 SC7	AR			N N NJ5C YR113SC7
	R113 TM6	AR			N N NJ5M YR113TM6
	R113 BL3	AR			N N NJ5L YR113BL3
	R113 BT9	AR			N N NJ5T YR113BT9
5	S772-3 VB2	1			SHIELD, Cushion, Inner and Outer (paint as required) N N N YS772VB2

MODEL CODES

B = GRAN FURY	F = FIFTH AVENUE/NEWPORT	P = RELIANT
C = LEBARON/TOWN & COUNTRY/EXC SEDAN	G = DIPLOMAT	T = E CLASS/NEW YORKER
C24 = LASER	H = VOYAGER	V = 600
D = ARIES	K = MINI RAM/CARAVAN/ROYAL	V24 = DAYTONA
E = 600	M = HORIZON/TURISMO	Z = OMNI/CHARGER/RAMPAGE

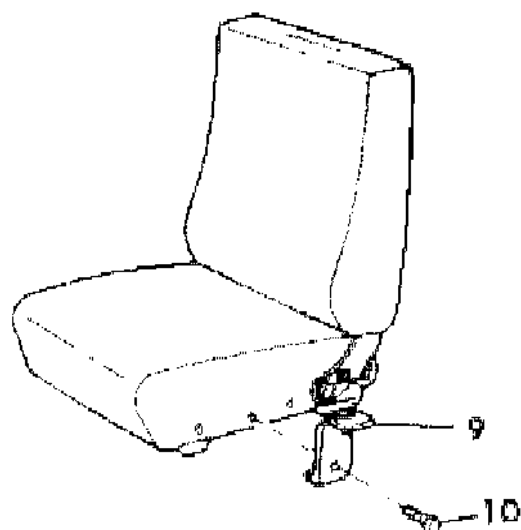
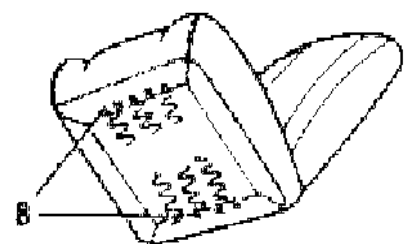
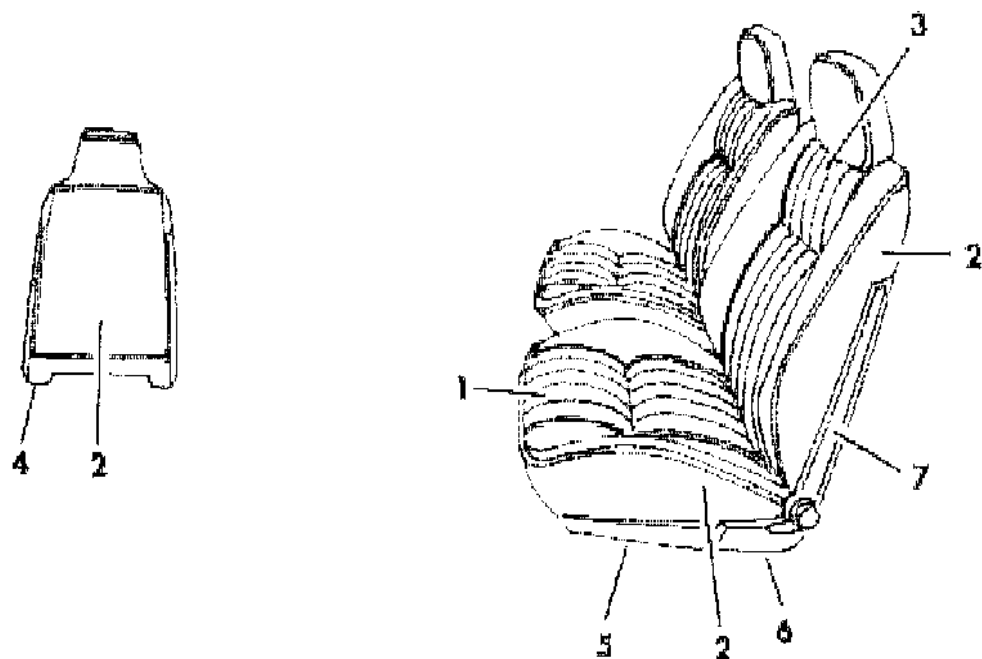
BODY STYLES

21 = 2-DOOR SEDAN	28 = FWD PICKUP	44 = 4-DOOR HATCHBACK
22 = 2-DOOR SPECIAL COUPE	35 = FWD VAN	45 = 4-DOOR STATION WAGON
24 = 2-DOOR HATCHBACK	36 = FWD WAGON	48 = 4-DOOR EXECUTIVE SEDAN
27 = 2-DOOR CONVERTIBLE	41 = 4-DOOR SEDAN	

AR = Use as Required - = Non Illustrated Part P.A.R. = Paint as Required

SEAT FRONT C,V K BODY TRIM CODE J5
Figure ITK-3800

4234 3860



ITEM	PART NUMBER	QTY	BODY	MODEL	DESCRIPTION
6	S756-7 AB2	1			SHIELD, Back Upper, Inner and Outer (paint as required) N N N YS756AB2
	6031 147	AR			NUT N N N Y6031147
7	S878-9 CL3	1			SHIELD, Back Side, Inner and Outer (Paint As Required) N N N YS878CL3
-	6500 453	AR			NUT N N N Y6500453
8	6008 076	AR			HOG RING N N N Y6008076
9	4190 711	1			BRACKET, Side Shield Attaching N N N Y4190711
10		AR			SCREW (not serviced) N N N N

NOTE: For Arm Rest See Console and Arm Rest Illustration. s ARE NOT RETURNABLE.

MODEL CODES

B = GRAN FURY	F = FIFTH AVENUE/NEWPORT	P = RELIANT
C = LEBARON/TOWN & COUNTRY/EXC SEDAN	G = DIPLOMAT	T = E CLASS/NEW YORKER
C24 = LASER	H = VOYAGER	V = 600
D = ARIES	K = MINI RAM/CARAVAN/ROYAL	V24 = DAYTONA
E = 600	M = HORIZON/TURISMO	Z = OMNI/CHARGER/RAMPAGE

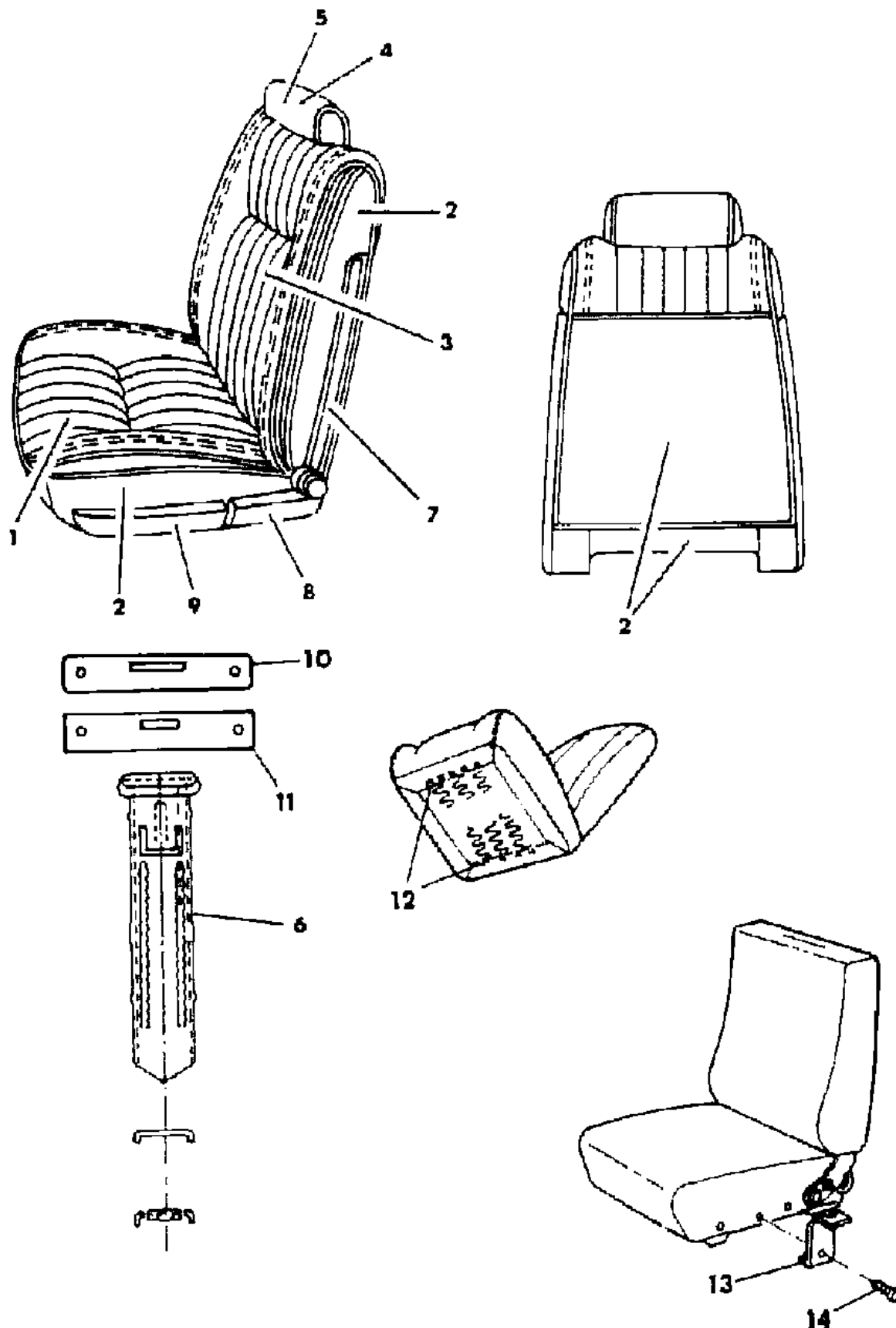
BODY STYLES

21 = 2-DOOR SEDAN	28 = FWD PICKUP	44 = 4-DOOR HATCHBACK
22 = 2-DOOR SPECIAL COUPE	35 = FWD VAN	45 = 4-DOOR STATION WAGON
24 = 2-DOOR HATCHBACK	36 = FWD WAGON	48 = 4-DOOR EXECUTIVE SEDAN
27 = 2-DOOR CONVERTIBLE	41 = 4-DOOR SEDAN	

AR = Use as Required - = Non Illustrated Part P.A.R. = Paint as Required

SEAT FRONT C,V K BODY TRIM CODES GL,RL
Figure ITK-3900

4234 3900



ITEM	PART NUMBER	QTY	BODY	MODEL	DESCRIPTION
1-2					CUSHION, w/Spring/Frame, Pad and Cover N N N N
	A814-5 CLK	1			N N NRLTK,GLTK YA814CLK
	A814-5 CLS	1			N N NRLSA,GLSA YA814CLS
1	C422 CLK	2			COVER, Cushion N N NRLTK,GLTK YC422CLK
	C422 CLS	2			N N NRLSA,GLSA YC422CLS
2	R609 BT8	AR			ROLL STOCK, Vinyl 58" Wide Order by the inch N N NRLTK, GLTK YR609BT8
	R609 CS8	AR			N N NRLSA,GLSA YR609CS8
2-3	A816-7 CLK	1			BACK, w/Spring/Frame, Pad and Cover N N NRLTK,GLTK YA816CLK
	A816-7 CLS	1			N N NRLSA,GLSA YA816CLS
3	C471 CLK	2			COVER, Back N N NRLTK,GLTK YC471CLK
	C471 CLS	2			N N NRLSA,GLSA YC471CLS
4	C834 CLK	2			HEADREST and COVER N N NRLTK,GLTK YC834CLK
	C834 CLS	2			N N NRLSA,GLSA YC834CLS
5	C404 CLK	2			COVER, Headrest N N NRLTK,GLTK YC404CLK
	C404 CLS	2			N N NRLSA,GLSA YC404CLS
6	S786 CS8	2			SLEEVE, Headrest N N N YS786CS8
7	S878-9 CL3	1			SHIELD, Back Inner and Outer (paint as required) N N N YS878CL3
	6500 453	AR			NUT N N N Y6500453
8	S756-7 AB2	1			SHIELD, Cushion Outer and Inner (paint as required) N N N YS756AB2
	6031 147	AR			NUT N N N Y6031147
9	S772-3 VB2	1			SHIELD, Cushion Side Outer and Inner w/Man. Seats (paint as required) N N N YS772VB2
	S775 VB2	1			Left, w/Power Seat (paint as required) N N N YS775VB2
10	4190 388	2			COVER, Headrest Finish N N N Y4190388
11	4190 387	2			SUPPORT, Headrest Trim Cover N N N Y4190387
12	6008 076	AR			HOG RING N N N Y6008076
13	4190 711	1			BRACKET, Side Shield Attaching N N N Y4190711
14		AR			SCREW (not serviced) N N N N

NOTE: For Arm Rest See Console and Arm Rest Illustration. s ARE NOT RETURNABLE.

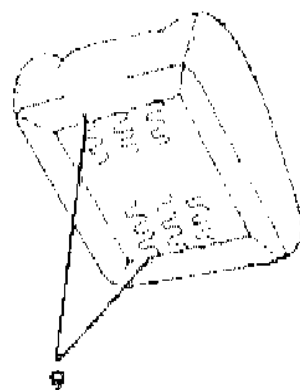
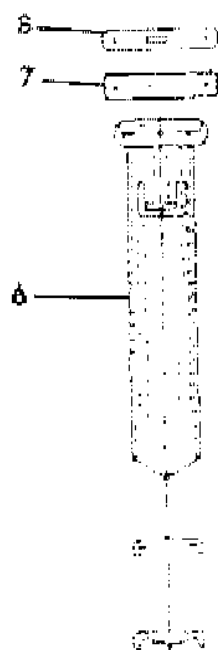
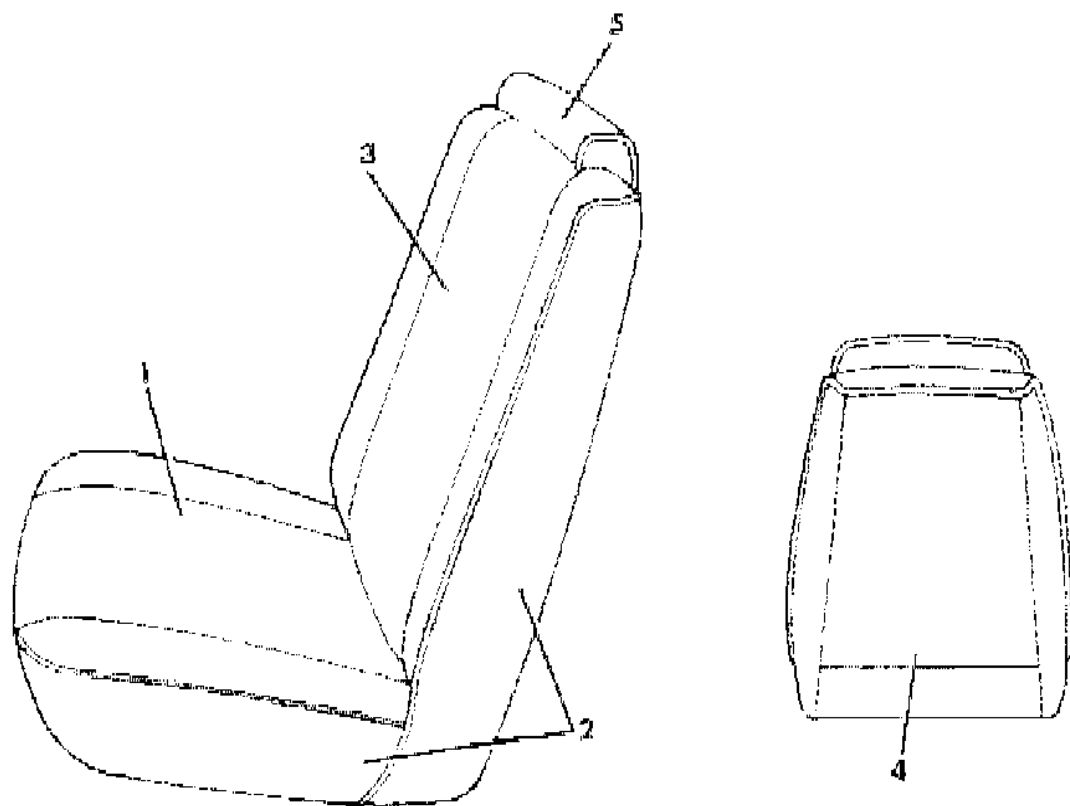
MODEL CODES		
B = GRAN FURY	F = FIFTH AVENUE/NEWPORT	P = RELIANT
C = LEBARON/TOWN & COUNTRY/EXC SEDAN	G = DIPLOMAT	T = E CLASS/NEW YORKER
C24 = LASER	H = VOYAGER	V = 600
D = ARIES	K = MINI RAM/CARAVAN/ROYAL	V24 = DAYTONA
E = 600	M = HORIZON/TURISMO	Z = OMNI/CHARGER/RAMPAGE

BODY STYLES		
21 = 2-DOOR SEDAN	28 = FWD PICKUP	44 = 4-DOOR HATCHBACK
22 = 2-DOOR SPECIAL COUPE	35 = FWD VAN	45 = 4-DOOR STATION WAGON
24 = 2-DOOR HATCHBACK	36 = FWD WAGON	48 = 4-DOOR EXECUTIVE SEDAN
27 = 2-DOOR CONVERTIBLE	41 = 4-DOOR SEDAN	

AR = Use as Required - = Non Illustrated Part P.A.R. = Paint as Required

SEAT FRONT P,D K BODY TRIM CODE K8
Figure ITK-4000

4234 4000



ITEM	PART NUMBER	QTY	BODY	MODEL	DESCRIPTION
1-2	C772 B8C C772 B8T	2 2			CUSHION, w/Spring/Frame, Pad and Cover N N N N N N NK8BC YC772B8C N N NK8LT YC772B8T
1	C497 B8C C497 B8T	2 2			COVER, Cushion N N N N N N NK8BC YC497B8C N N NK8LT YC497B8T
2	R616 VC8 R609 BT8	AR AR			ROLL STOCK, Vinyl Order by the Inch N N N N 64" Wide N N NK8BC YR616VC8 58" Wide N N NK8LT YR609BT8
2-3	C781 B8C C781 B8T	2 2			BACK, w/Spring/Frame, Pad and Cover N N N N N N NK8BC YC781B8C N N NK8LT YC781B8T
3	C498 B8C C498 B8T	2 2			COVER, Back N N N N N N NK8BC YC498B8C N N NK8LT YC498B8T
4	R620 AC8 R620 BT8	AR AR			ROLL STOCK, Vinyl 50" Wide Order by the Inch N N N N N N NK8BC YR620AC8 N N NK8LT YR620BT8
5	S790 BB5 S790 BL3	2 2			HEADREST and COVER N N N N N N NK8BC YS790BB5 N N NK8LT YS790BL3
6	S786 BB5 S786 BL3	2 2			SLEEVE, Headrest N N N N N N NK8BC YS786BB5 N N NK8LT YS786BL3
7	4190 387	2			SUPPORT, Headrest N N N Y4190387
8	4190 388	2			COVER, Headrest Finish N N N Y4190388
9	6008 076	AR			HOG RING N N N Y6008076

MODEL CODES

B = GRAN FURY	F = FIFTH AVENUE/NEWPORT	P = RELIANT
C = LEBARON/TOWN & COUNTRY/EXC SEDAN	G = DIPLOMAT	T = E CLASS/NEW YORKER
C24 = LASER	H = VOYAGER	V = 600
D = ARIES	K = MINI RAM/CARAVAN/ROYAL	V24 = DAYTONA
E = 600	M = HORIZON/TURISMO	Z = OMNI/CHARGER/RAMPAGE

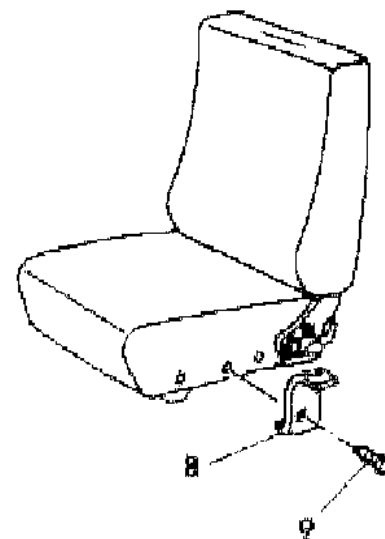
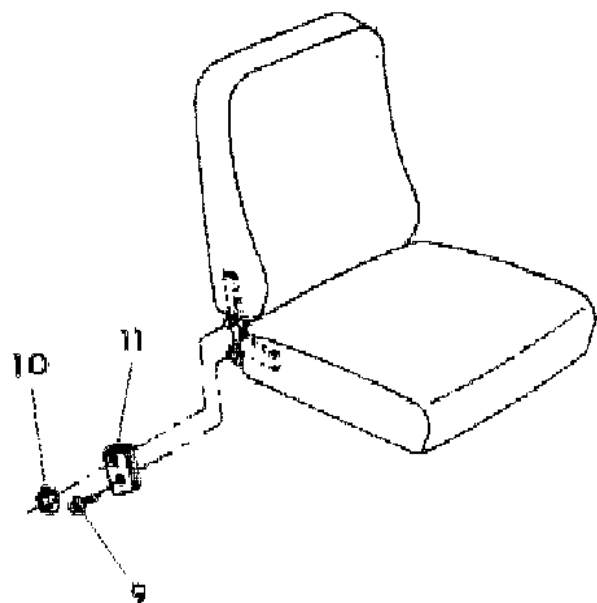
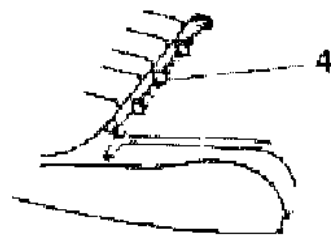
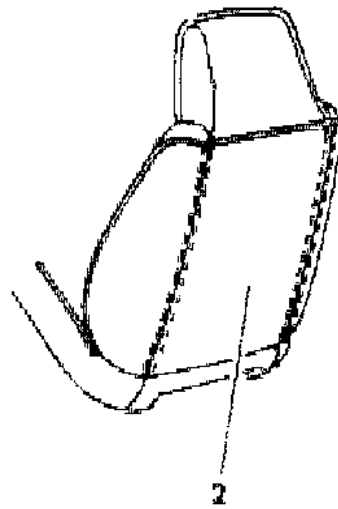
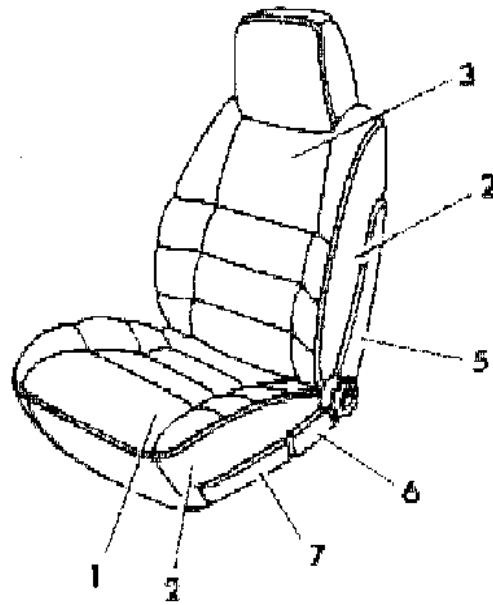
BODY STYLES

21 = 2-DOOR SEDAN	28 = FWD PICKUP	44 = 4-DOOR HATCHBACK
22 = 2-DOOR SPECIAL COUPE	35 = FWD VAN	45 = 4-DOOR STATION WAGON
24 = 2-DOOR HATCHBACK	36 = FWD WAGON	48 = 4-DOOR EXECUTIVE SEDAN
27 = 2-DOOR CONVERTIBLE	41 = 4-DOOR SEDAN	

AR = Use as Required - = Non Illustrated Part P.A.R. = Paint as Required

SEAT FRONT V K BODY TRIM CODE E5
Figure ITK-4100

4234 4100



ITEM	PART NUMBER	QTY	BODY	MODEL	DESCRIPTION
1-2					CUSHION, w/Spring/Frame, Pad and Cover N N N N
	A832-3 C5C	1			N N NE5C YA832C5C
	A832-3 C5L	1			N N NE5L YA832C5L
	A832-3 C5M	1			N N NE5M YA832C5M
	A832-3 C5A	1			N N NE5S YA832C5A
1					COVER, Cushion N N N N
	A471 C5C	2			N N NE5C YA471C5C
	A471 C5L	2			N N NE5L YA471C5L
	A471 C5M	2			N N NE5M YA471C5M
	A471 C5A	2			N N NE5S YA471C5A
2					ROLL STOCK, Cloth 54" order by the inch N N N N
	R092 VC7	AR			N N NE5C YR092VC7
	R088 BT8	AR			N N NE5L YR088BT8
	R092 VM6	AR			N N NE5M YR092VM6
	R092 CS8	AR			N N NE5S YR092CS8
2-3					BACK, w/Spring/Frame, Pad and Cover N N N N
	A834 C5C	2			N N NE5C YA834C5C
	A834 C5L	2			N N NE5L YA834C5L
	A834 C5M	2			N N NE5M YA834C5M
	A834 C5A	2			N N NE5S YA834C5A
3					COVER, Back N N N N
	A472 C5C	2			N N NE5C YA472C5C
	A472 C5L	2			N N NE5L YA472C5L
	A472 C5M	2			N N NE5M YA472C5M
	A472 C5A	2			N N NE5S YA472C5A
4	6008 076	AR			HOG RING N N N Y6008076
5	S878-9 CL3	2			SHIELD, Back, Inner & Outer, Upper (paint as required) N N N YS878CL3
	6500 453	AR			Nut, Shield Attach N N N Y6500453
6	S756-7 AB2	1			SHIELD, Cushion Inner & Outer (paint as required) N N N YS756AB2
	6031 147	AR			Nut, Shield Attach N N N Y6031147
7	S772-3 VB2	1			SHIELD, Cushion Inner & Outer (paint as required) N N N YS772VB2
8	4190 711	1			BRACKET, Side Shield Attaching N N N Y4190711
9					SCREW (not serviced) N N N N
10	6024 440	AR			RING, Seat Back to Latch Attaching N N N Y6024440
11	4239 492	AR			LOCK, Back to Cushion N N N Y4239492

MODEL CODES

B = GRAN FURY	F = FIFTH AVENUE/NEWPORT	P = RELIANT
C = LEBARON/TOWN & COUNTRY/EXC SEDAN	G = DIPLOMAT	T = E CLASS/NEW YORKER
C24 = LASER	H = VOYAGER	V = 600
D = ARIES	K = MINI RAM/CARAVAN/ROYAL	V24 = DAYTONA
E = 600	M = HORIZON/TURISMO	Z = OMNI/CHARGER/RAMPAGE

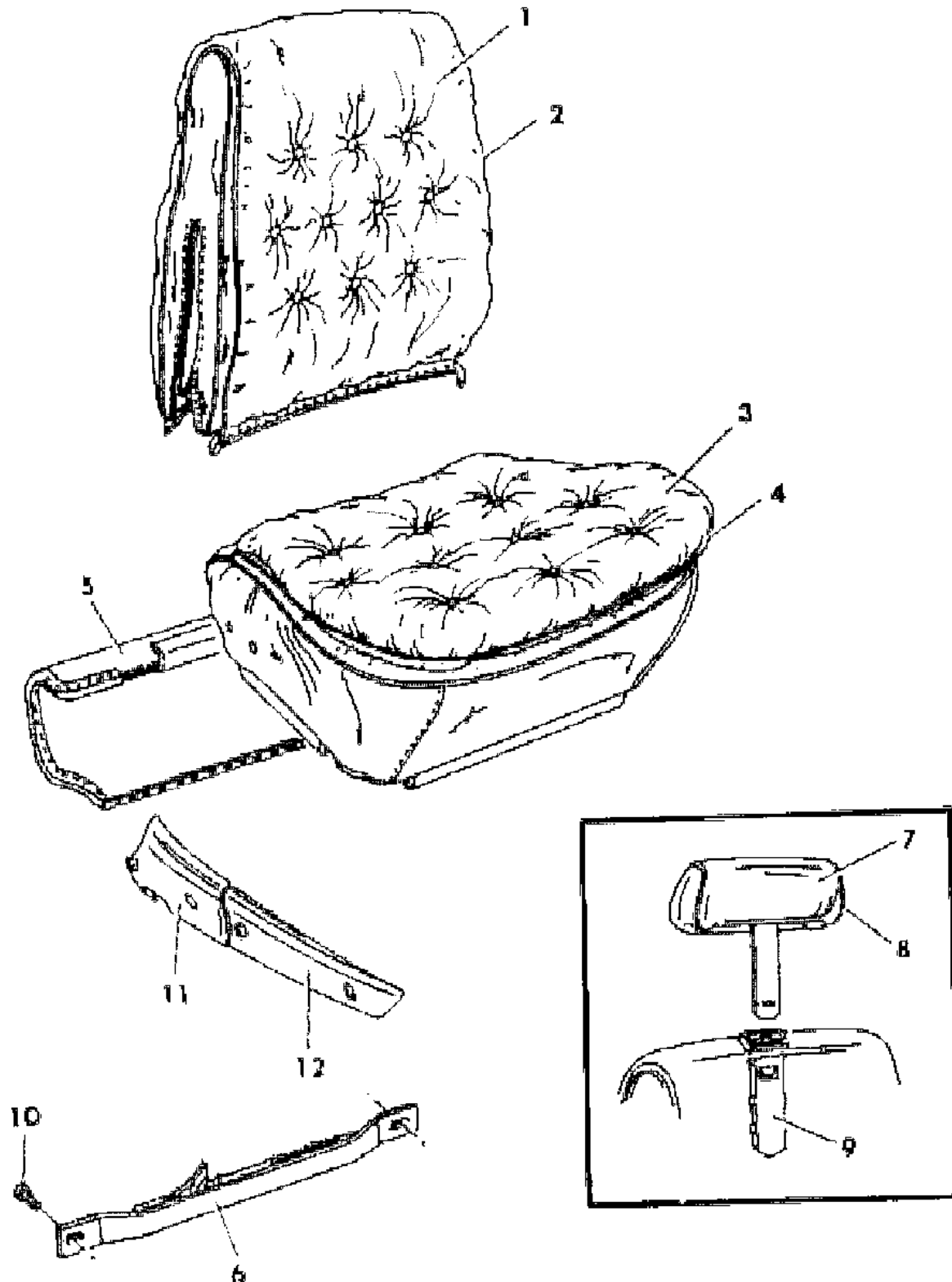
BODY STYLES

21 = 2-DOOR SEDAN	28 = FWD PICKUP	44 = 4-DOOR HATCHBACK
22 = 2-DOOR SPECIAL COUPE	35 = FWD VAN	45 = 4-DOOR STATION WAGON
24 = 2-DOOR HATCHBACK	36 = FWD WAGON	48 = 4-DOOR EXECUTIVE SEDAN
27 = 2-DOOR CONVERTIBLE	41 = 4-DOOR SEDAN	

AR = Use as Required - = Non Illustrated Part P.A.R. = Paint as Required

**SEAT FRONT SEDAN & LIMO.
Figure ITK-4200**

4204 4200



ITEM	PART NUMBER	QTY	BODY	MODEL	DESCRIPTION
1-2					BACK, w/Spring/Frame, Pad and Cover N N N N
	4364 159	1			Silver N N N Y4364159
	4364 160	1			Blue N N N Y4364160
	4364 161	1			Blue Leather N N N Y4364161
2					COVER, Back N N N N
	4342 193	1			Silver N N N Y4342193
	4342 194	1			Blue N N N Y4342194
	4342 195	1			Blue Leather N N N Y4342195
3-4					CUSHION, w/Spring/Frame, Pad and Cover N N N N
	4364 156	1			Silver N N N Y4364156
	4364 157	1			Blue N N N Y4364157
	4364 158	1			Blue Leather N N N Y4364158
4					COVER, Cushion N N N N
	4342 190	1			Silver N N N Y4342190
	4342 191	1			Blue N N N Y4342191
	4342 192	1			Blue Leather N N N Y4342192
5					SHIELD, Sight N N N N
	4364 198-9	1			Charcoal N N N Y4364198
	4339 654-5	1			Blue N N N Y4339654
6	4339 660	1			BRACKET, Sight Shield Attaching N N N Y4339660
7					HEADREST and COVER N N N N
	4339 749	1			Silver N N N Y4339749
	4339 750	1			Blue N N N Y4339750
	4342 104	1			Blue (Vinyl And Leather) N N N Y4342104
8					COVER, Headrest N N N N
	4339 650	1			Silver N N N Y4339650
	4339 651	1			Blue N N N Y4339651
	4342 086	1			Blue (Vinyl And Leather) N N N Y4342086
9					SLEEVE, Headrest N N N N
	S786 AA3	1			Silver N N N YS786AA3
	S786 AC7	1			Blue N N N YS786AC7
10					BOLT (not serviced) N N N N
11	S756-7 AB2	1			SHIELD, Front Cushion, Rear (paint as required) N N N YS756AB2
12	S772-3 VB2	1			SHIELD, Front Cushion, Front (paint as required) N N N YS772VB2

MODEL CODES

B = GRAN FURY	F = FIFTH AVENUE/NEWPORT	P = RELIANT
C = LEBARON/TOWN & COUNTRY/EXC SEDAN	G = DIPLOMAT	T = E CLASS/NEW YORKER
C24 = LASER	H = VOYAGER	V = 600
D = ARIES	K = MINI RAM/CARAVAN/ROYAL	V24 = DAYTONA
E = 600	M = HORIZON/TURISMO	Z = OMNI/CHARGER/RAMPAGE

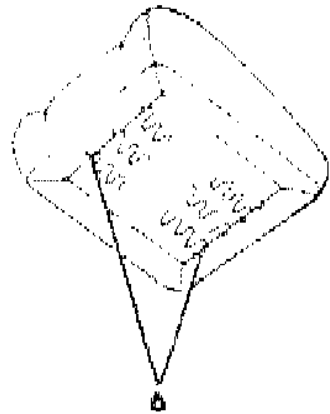
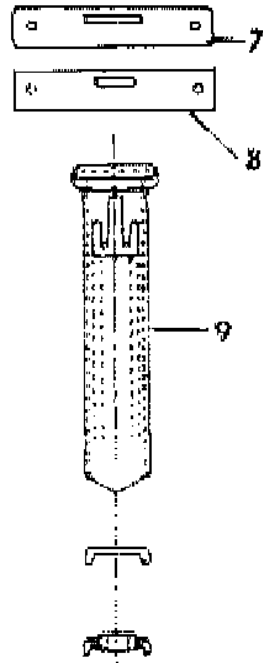
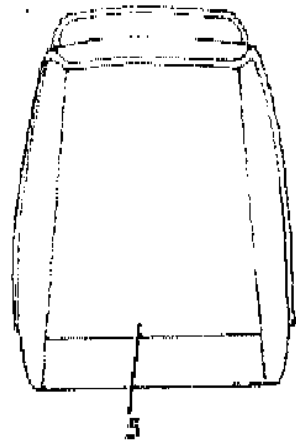
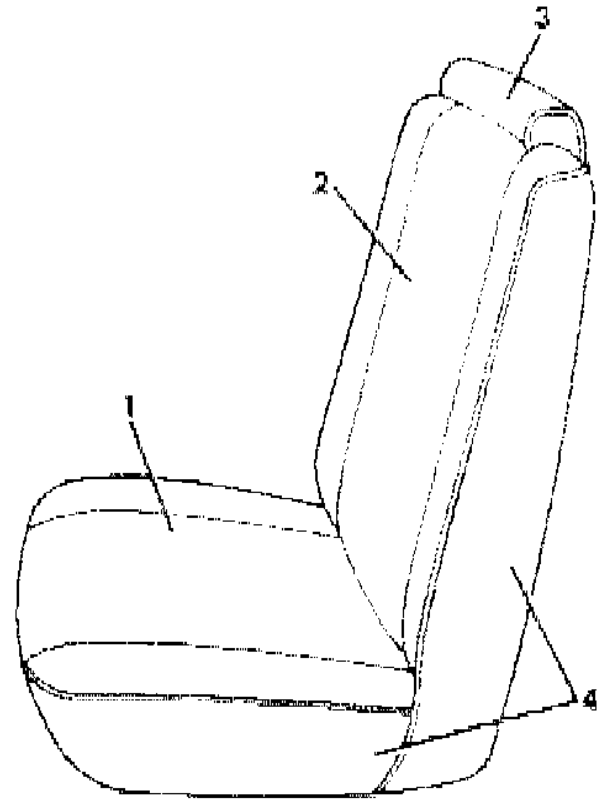
BODY STYLES

21 = 2-DOOR SEDAN	28 = FWD PICKUP	44 = 4-DOOR HATCHBACK
22 = 2-DOOR SPECIAL COUPE	35 = FWD VAN	45 = 4-DOOR STATION WAGON
24 = 2-DOOR HATCHBACK	36 = FWD WAGON	48 = 4-DOOR EXECUTIVE SEDAN
27 = 2-DOOR CONVERTIBLE	41 = 4-DOOR SEDAN	

AR = Use as Required - = Non Illustrated Part P.A.R. = Paint as Required

SEAT FRONT P,D K BODY FLEET POLICE AND OTHERS
Figure ITK-3500

42,74 4300



ITEM	PART NUMBER	QTY	BODY	MODEL	DESCRIPTION
NOTE: Special equipment code is in the trim column s ARE NOT RETURNABLE.					
1	4196 824	2			COVER, Cushion N N N N Medium and Dark Blue, Cloth N N NCACS Y4196824
	4196 828	2			Beige and Brown, Cloth N N NCACS Y4196828
2	4196 826	2			COVER, Back N N N N Medium and Dark Blue, Cloth N N NCACS Y4196826
	4196 830	2			Beige and Brown, Cloth N N NCACS Y4196830
3	S790 BB5	2			HEADREST and COVER N N N N Blue N N N YS790BB5
	S790 BL3	2			Beige N N N YS790BL3
4	R616 VC8	AR			ROLL STOCK, Vinyl 64" Wide Order by the Inch N N N N Blue N N N YR616VC8
	R609 BT8	AR			Brown N N N YR609BT8
5	R620 AC8	AR			ROLL STOCK, Vinyl 54" Wide Order by the Inch N N N N Blue N N N YR620AC8
	R620 BT8	AR			Brown N N N YR620BT8
6	6008 076	AR			HOG RING N N N Y6008076
7	4190 388	2			COVER, Headrest Finish N N N Y4190388
8	4190 387	2			SUPPORT, Headrest N N N Y4190387
9	S786 AC7	2			SLEEVE, Headrest N N N N Blue N N N YS786AC7
	S786 BT8	2			Brown N N N YS786BT8

MODEL CODES

B = GRAN FURY	F = FIFTH AVENUE/NEWPORT	P = RELIANT
C = LEBARON/TOWN & COUNTRY/EXC SEDAN	G = DIPLOMAT	T = E CLASS/NEW YORKER
C24 = LASER	H = VOYAGER	V = 600
D = ARIES	K = MINI RAM/CARAVAN/ROYAL	V24 = DAYTONA
E = 600	M = HORIZON/TURISMO	Z = OMNI/CHARGER/RAMPAGE

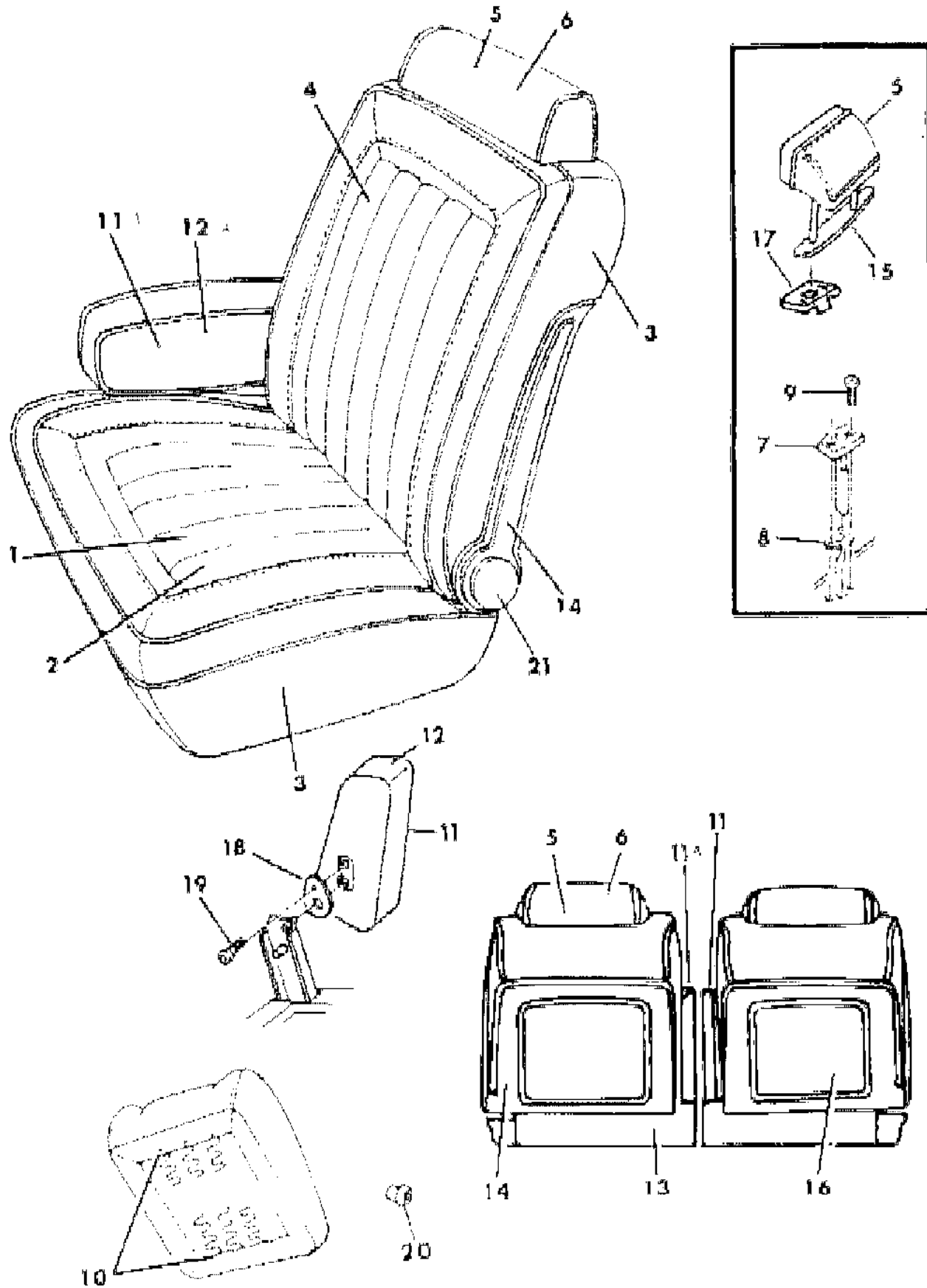
BODY STYLES

21 = 2-DOOR SEDAN	28 = FWD PICKUP	44 = 4-DOOR HATCHBACK
22 = 2-DOOR SPECIAL COUPE	35 = FWD VAN	45 = 4-DOOR STATION WAGON
24 = 2-DOOR HATCHBACK	36 = FWD WAGON	48 = 4-DOOR EXECUTIVE SEDAN
27 = 2-DOOR CONVERTIBLE	41 = 4-DOOR SEDAN	

AR = Use as Required - = Non Illustrated Part P.A.R. = Paint as Required

SEAT FRONT C K BODY TRIM CODE SP
Figure ITK-4400

4234 4400



ITEM	PART NUMBER	QTY	BODY	MODEL	DESCRIPTION
1-3					CUSHION, w/Spring/Frame, Pad and Cover N N N N
	A760-1 CPA				N N22,41 NSPSA YA760CPA
	A760-1 CPK				N N22,41,45 NSPTK YA760CPK
2					COVER, Cushion N N N N
	A438-9 CPA	1			N N22,41 NSPSA YA438CPA
	A438-9 CPK	1			N N22,41,45 NSPTK YA438CPK
3					ROLL STOCK, Vinyl Order by the Inch N N N N
	R609 CS8	AR			Charcoal 58" Wide N N22,41 NSPSA YR609CS8
	R609 BT8	AR			Brown, 58" Wide N N22,41,45 NSPTK YR609BT8
3-4					BACK, w/Spring/Frame, Pad and Cover N N N N
	A796-7 CPA	1			N N22,41 NSPSA YA796CPA
	A796-7 CPK	1			N N22,41,45 NSPTK YA796CPK
4					COVER, Back N N N N
	A440-1 CPA	1			N N22,41 NSPSA YA440CPA
	A440-1 CPK	1			N N22,41,45 NSPTK YA440CPK
5					HEADREST and COVER N N N N
	A758 CS8	2			N N22,41 NSPSA YA758CS8
	A758 BT8	2			N N22,41,45 NSPTK YA758BT8
6					COVER, Headrest N N N N
	A448 CS8	2			N N22,41 NSPSA YA448CS8
	A448 BT8	2			N N22,41,45 NSPTK YA448BT8
7					SLEEVE, Headrest N N N N
	S690 CS8	4			N N22,41 NSPSA YS690CS8
	S690 BT8	4			N N22,41,45 NSPTK YS690BT8
8	4098 965	4			CATCH, Headrest Post N N22,41,45 N Y4098965
9		4			SCREW (not serviced) N N N N
10	6008 076	AR			HOG RING N N N Y6008076
11					ARMREST and COVER N N N N
	A704 CS8	1			N N22,41 NSPSA YA704CS8
	A704 BT8	1			N N22,41,45 NSPTK YA704BT8
11A					ARMREST and COVER N N N N
	A705 CS8	1			N N22,41 NSPSA YA705CS8
	A705 BT8	1			N N22,41,45 NSPTK YA705BT8
12					COVER, Armrest N N N N
					(use up to 12/9/83) N N N N
	A518 CS8	1			N N22,41 NSPSA YA518CS8
	A518 BT8	1			N N22,41,45 NSPTK YA518BT8
					(use after 12/9/83) N N N N

MODEL CODES

B = GRAN FURY	F = FIFTH AVENUE/NEWPORT	P = RELIANT
C = LEBARON/TOWN & COUNTRY/EXC SEDAN	G = DIPLOMAT	T = E CLASS/NEW YORKER
C24 = LASER	H = VOYAGER	V = 600
D = ARIES	K = MINI RAM/CARAVAN/ROYAL	V24 = DAYTONA
E = 600	M = HORIZON/TURISMO	Z = OMNI/CHARGER/RAMPAGE

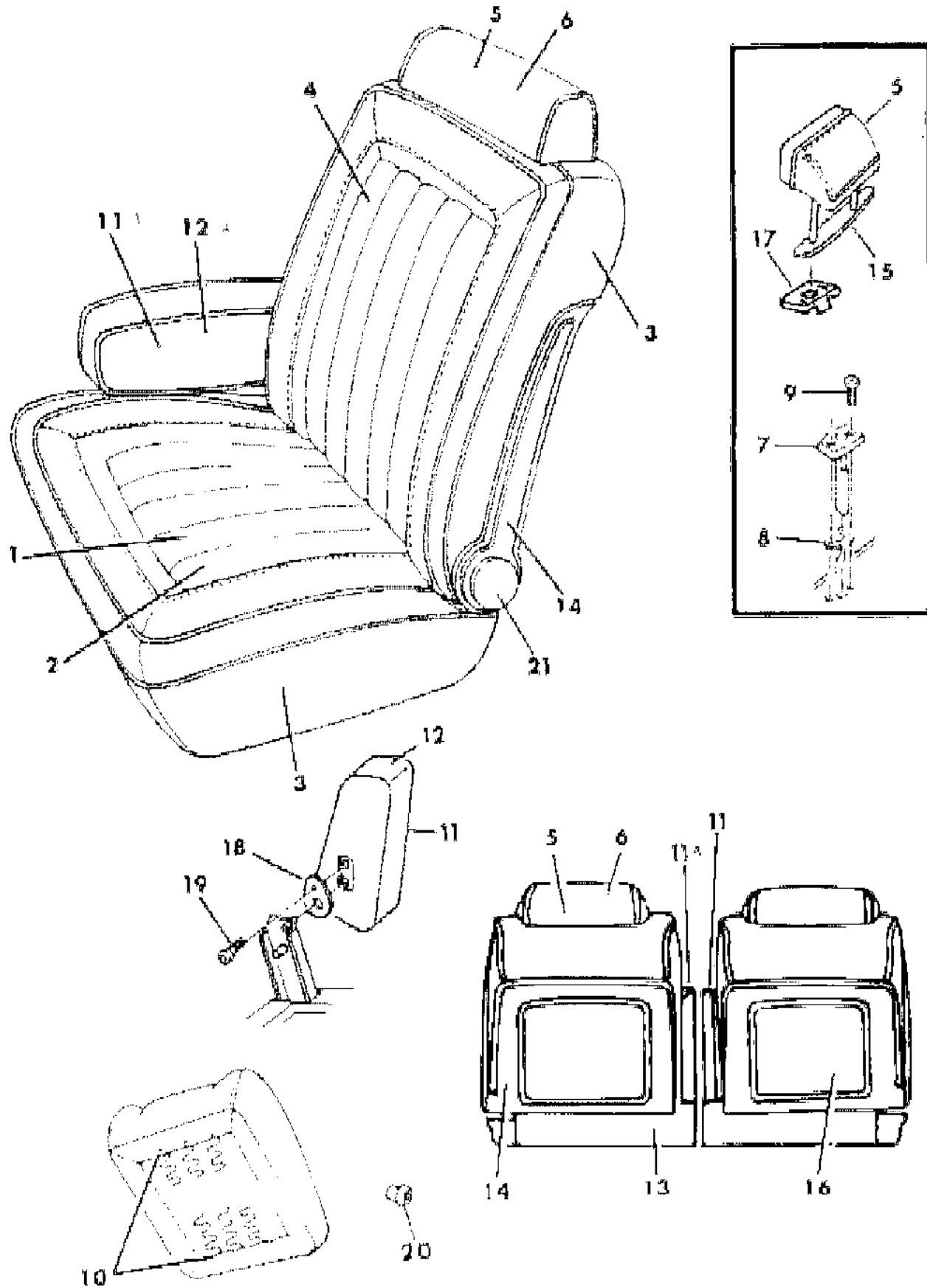
BODY STYLES

21 = 2-DOOR SEDAN	28 = FWD PICKUP	44 = 4-DOOR HATCHBACK
22 = 2-DOOR SPECIAL COUPE	35 = FWD VAN	45 = 4-DOOR STATION WAGON
24 = 2-DOOR HATCHBACK	36 = FWD WAGON	48 = 4-DOOR EXECUTIVE SEDAN
27 = 2-DOOR CONVERTIBLE	41 = 4-DOOR SEDAN	

AR = Use as Required - = Non Illustrated Part P.A.R. = Paint as Required

SEAT FRONT C K BODY TRIM CODE SP
Figure ITK-4400

4234 4400



ITEM	PART NUMBER	QTY	BODY	MODEL	DESCRIPTION
	A493 CS8	1			N N22,41 NSPSA YA493CS8
	A493 CT8	1			N N22,41,45 NSPTK YA493CT8
12A					COVER, Armrest N N N N (use up to 12/9/83) N N N N
	A519 CS8	1			N N22,41 NSPSA YA519CS8
	A519 BT8	1			N N22,41,45 NSPTK YA519BT8 (use after 12/9/83) N N N N
	A493 CS8	1			N N22,41 NSPSA YA493CS8
	A493 CT8	1			N N22,41,45 NSPTK YA493CT8
13					CARPET, Roll Stock 54" Wide N N N N N N22,41 NSPSA NR113CS8 N N22,41,45 NSPTK NR113BT9
		AR			
		AR			
14					SHIELD, w/Finish Plate (paint as required) N N N N
	S748-9 BL3	1			N N N YS748BL3
15	4018 808	2			COVER, Headrest Finish N N22,41,45 N Y4018808
16					COVER, Back Pocket N N N N
	S714-5 CS8	1			N N NSPSA YS714CS8
	S714-5 BT8	1			N N NSPTK YS714BT8
		AR			BOLT, Pocket Attaching (8.32x.78) (not serviced) N N N N
17	4138 140	4			SPACER, Headrest N N N Y4138140
18	4290 871	AR			SPACER, Armrest to Stanchion N N N Y4290871
19	6032 567	AR			BOLT, Shoulder N N N Y6032567
20	4190 488	1			BUSHING, Inner Pivot Pin Right Only N N N Y4190488
21	4277 670	2			PLATE, Finish Back Shield N N N Y4277670

MODEL CODES

B = GRAN FURY
C = LEBARON/TOWN & COUNTRY/EXC SEDAN
C24 = LASER
D = ARIES
E = 600

F = FIFTH AVENUE/NEWPORT
G = DIPLOMAT
H = VOYAGER
K = MINI RAM/CARAVAN/ROYAL
M = HORIZON/TURISMO

P = RELIANT
T = E CLASS/NEW YORKER
V = 600
V24 = DAYTONA
Z = OMNI/CHARGER/RAMPAGE

BODY STYLES

21 = 2-DOOR SEDAN
22 = 2-DOOR SPECIAL COUPE
24 = 2-DOOR HATCHBACK
27 = 2-DOOR CONVERTIBLE

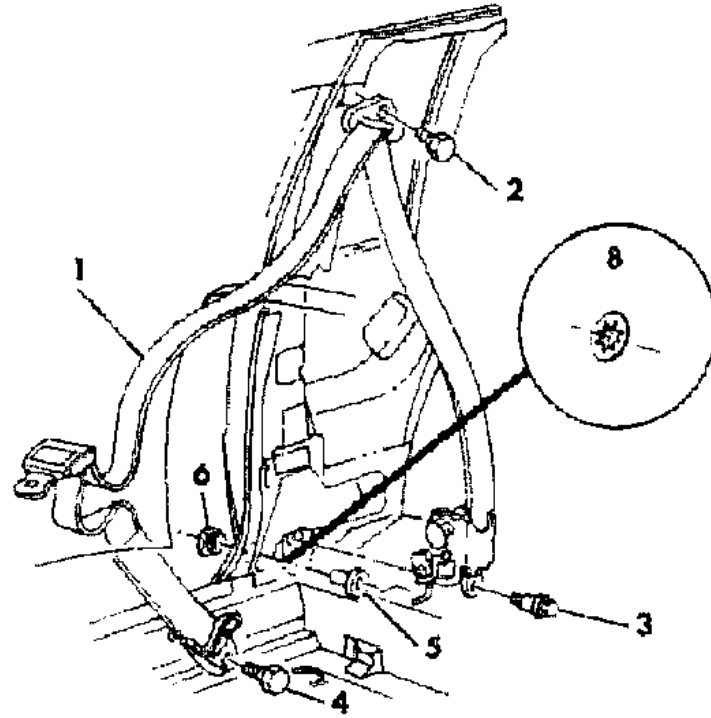
28 = FWD PICKUP
35 = FWD VAN
36 = FWD WAGON
41 = 4-DOOR SEDAN

44 = 4-DOOR HATCHBACK
45 = 4-DOOR STATION WAGON
48 = 4-DOOR EXECUTIVE SEDAN

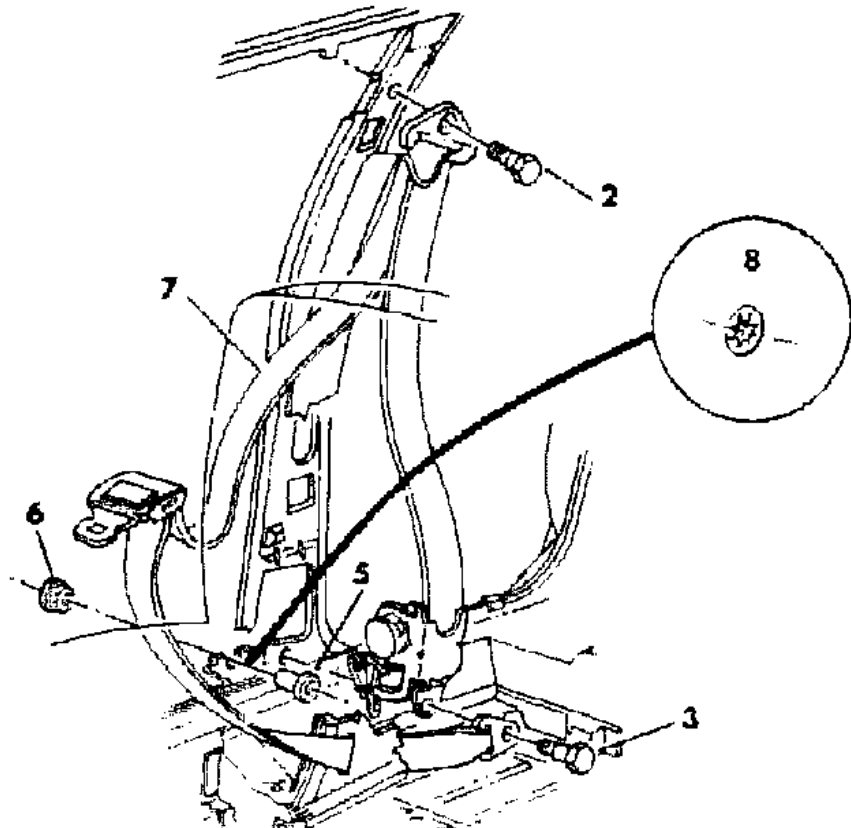
AR = Use as Required - = Non Illustrated Part P.A.R. = Paint as Required

BELT FRONT SEAT OUTBOARD P,D,C,V K BODY 0
Figure ITK-4500

4234 4500



ITEM	PART NUMBER	QTY	BODY	MODEL	DESCRIPTION
1					BELT, Front Seat Lap and Shoulder Outer N N N N Label Number 4290456 N N N N Silver N N21,22 N YF650BA3 Blue, Light N N21,22 N YF650BB5 Blue, Dark N N21,22 N YF650BC7 Red N N21,22 N YF650BM6 Tan N N21,22 N YF650BL3 Brown N N21,22 N YF650BT8 Charcoal N N21,22 N YF650CS8
	F650 BA3	2			
	F650 BB5	2			
	F650 BC7	2			
	F650 BM6	2			
	F650 BL3	2			
	F650 BT8	2			
	F650 CS8	2			
2	6031 298	2			BOLT, Shoulder N N N Y6031298
3	6031 484	2			BOLT N N N Y6031484
4	6031 216	2			BOLT, Shoulder N N N Y6031216
5	4290 789	2			CYLINDER, Tension Releiver Button w/Bumper N N N Y4290789
6	4327 076	2			RETAINER, Seat Belt Tension Releiver Button N N N Y4327076
7					BELT, Front Seat Lap and Shoulder, Outer N N N N Label Number 4290460-1 N N N N Silver N N41,45 N YF744BA3 Blue, Dark N N41,45 N YF744BC7 Blue, Dark N N41,45 N YF744BC7 Red N N41,45 N YF744BM6 Tan N N41,45 N YF744BL3 Brown N N41,45 N YF744BT8 Charcoal N N41,45 N YF744CS8 4172 857 1 ROD, Retractor Tension Reliever Release Actuating N N41,45 N Y4172857
	F744-5 BA3	1			
	F744-5 BC7	1			
	F744-5 BC7	1			
	F744-5 BM6	1			
	F744-5 BL3	1			
	F744-5 BT8	1			
	F744-5 CS8	1			
	4172 857	1			
8	6025 160	2			RETAINER, Inertia Retractor Pendulum Shaft N N N Y6025160



MODEL CODES
 B = GRAN FURY
 C = LEBARON/TOWN & COUNTRY/EXC SEDAN
 C24 = LASER
 D = ARIES
 E = 600
 F = FIFTH AVENUE/NEWPORT
 G = DIPLOMAT
 H = VOYAGER
 K = MINI RAM/CARAVAN/ROYAL
 M = HORIZON/TURISMO
 P = RELIANT
 T = E CLASS/NEW YORKER
 V = 600
 V24 = DAYTONA
 Z = OMNI/CHARGER/RAMPAGE

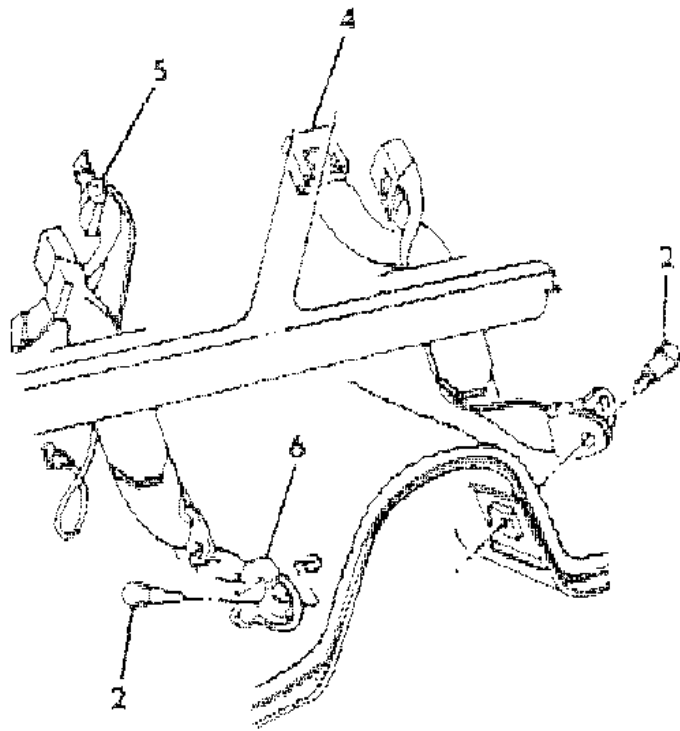
BODY STYLES
 21 = 2-DOOR SEDAN
 22 = 2-DOOR SPECIAL COUPE
 24 = 2-DOOR HATCHBACK
 27 = 2-DOOR CONVERTIBLE
 28 = FWD PICKUP
 35 = FWD VAN
 36 = FWD WAGON
 41 = 4-DOOR SEDAN
 44 = 4-DOOR HATCHBACK
 45 = 4-DOOR STATION WAGON
 48 = 4-DOOR EXECUTIVE SEDAN

AR = Use as Required - = Non Illustrated Part P.A.R. = Paint as Required

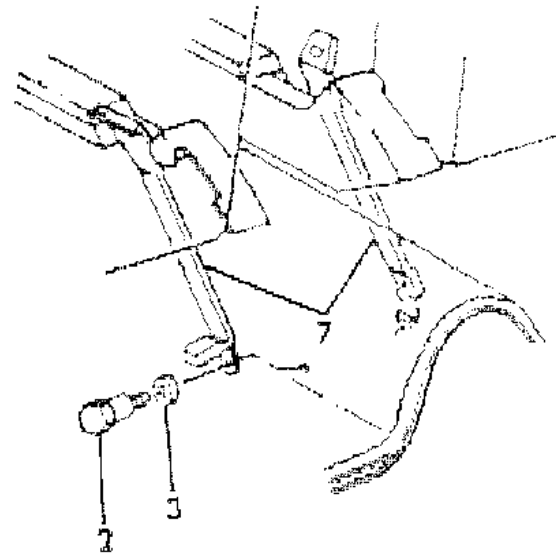
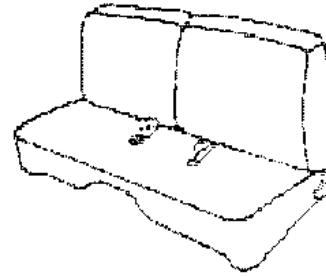
BELT FRONT SEAT INBOARD P,D,C,V K BODY 0
Figure ITK-4600

4234 4600

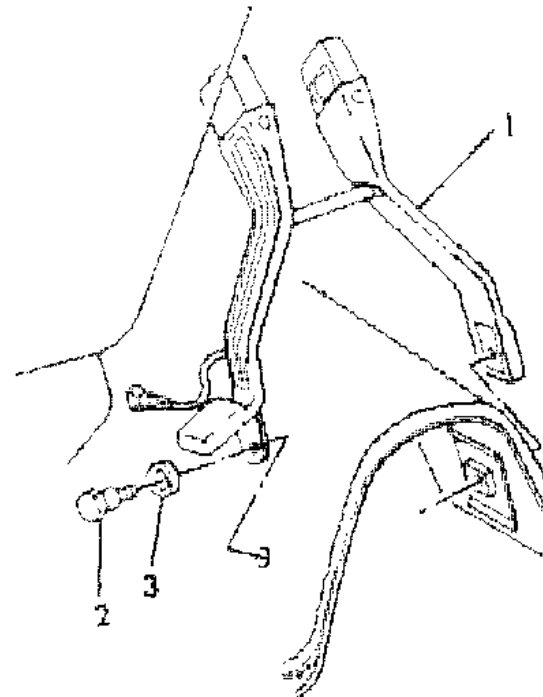
ITEM	PART NUMBER	QTY	BODY	MODEL	DESCRIPTION
1					BELT, Front Seat Lap, Inner N N N N Label Number 4316892 N N N N Silver N N N YF698CA3 Blue, Light N N N YF698CB5 Blue, Dark N N N YF698CC7 Red N N N YF698CM6 Tan N N N YF698CL3 Brown N N N YF698CT8 Charcoal N N N YF698CS8
	F698 CA3	1			
	F698 CB5	1			
	F698 CC7	1			
	F698 CM6	1			
	F698 CL3	1			
	F698 CT8	1			
	F698 CS8	1			
2	6031 298	AR			BOLT N N N Y6031298
3		AR			WASHER (not serviced) N N N N
4					BELT, Front Seat Lap Inboard, Right N N N N Label Number 4316750 N N N N Silver N N N YF706BA3 Blue, Light N N N YF706BB5 Blue, Dark N N N YF706BC7 Red N N N YF706BM6 Tan N N N YF706BL3 Brown N N N YF706BT8 Charcoal N N N YF706CS8
	F706 BA3	1			
	F706 BB5	1			
	F706 BC7	1			
	F706 BM6	1			
	F706 BL3	1			
	F706 BT8	1			
	F706 CS8	1			
5					BELT, Front Seat Lap Inboard, Left N N N N Label Number 4316751 N N N N Silver N N N YF707BA3 Blue, Medium N N N YF707BB5 Blue, Dark N N N YF707BC7 Red N N N YF707BM6 Tan N N N YF707BL3 Brown N N N YF707BT8 Charcoal N N N YF707CS8
	F707 BA3	1			
	F707 BB5	1			
	F707 BC7	1			
	F707 BM6	1			
	F707 BL3	1			
	F707 BT8	1			
	F707 CS8	1			
6	F814 JX9	2			COVER, Anchor Bolt N N N YF814JX9
7					BELT, Inner Buckle N N N N Label Number 4277632-3 N N N N Silver N N N YF616BA3 Blue N N N YF616BC7 Red N N N YF616BM6 Tan N N N YF616BL3 Brown N N N YF616BT8 Charcoal N N N YF616CS8
	F616-7 BA3	1			
	F616-7 BC7	1			
	F616-7 BM6	1			
	F616-7 BL3	1			
	F616-7 BT8	1			
	F616-7 CS8	1			



W/BENCH



W/50-50



W/BUCKETS

MODEL CODES

B = GRAN FURY	F = FIFTH AVENUE/NEWPORT	P = RELIANT
C = LEBARON/TOWN & COUNTRY/EXC SEDAN	G = DIPLOMAT	T = E CLASS/NEW YORKER
C24 = LASER	H = VOYAGER	V = 600
D = ARIES	K = MINI RAM/CARAVAN/ROYAL	V24 = DAYTONA
E = 600	M = HORIZON/TURISMO	Z = OMNI/CHARGER/RAMPAGE

BODY STYLES

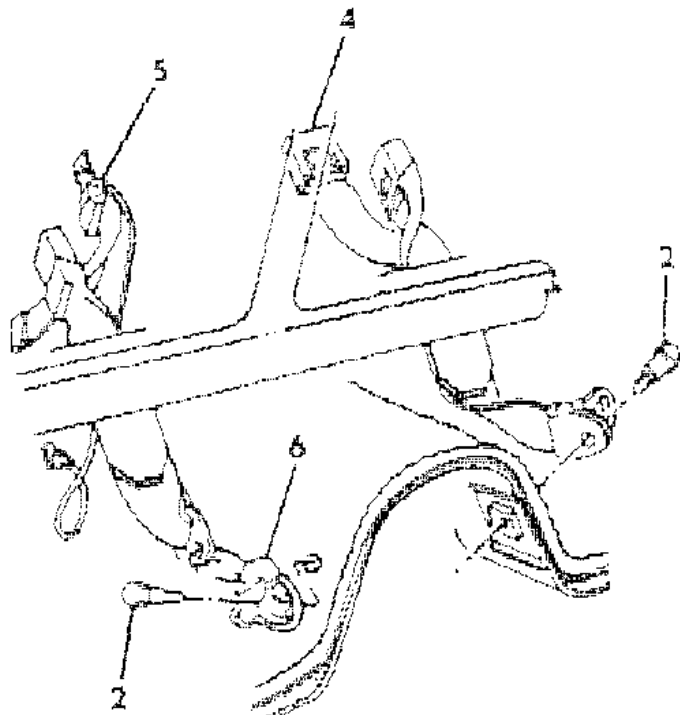
21 = 2-DOOR SEDAN	28 = FWD PICKUP	44 = 4-DOOR HATCHBACK
22 = 2-DOOR SPECIAL COUPE	35 = FWD VAN	45 = 4-DOOR STATION WAGON
24 = 2-DOOR HATCHBACK	36 = FWD WAGON	48 = 4-DOOR EXECUTIVE SEDAN
27 = 2-DOOR CONVERTIBLE	41 = 4-DOOR SEDAN	

AR = Use as Required - = Non Illustrated Part P.A.R. = Paint as Required

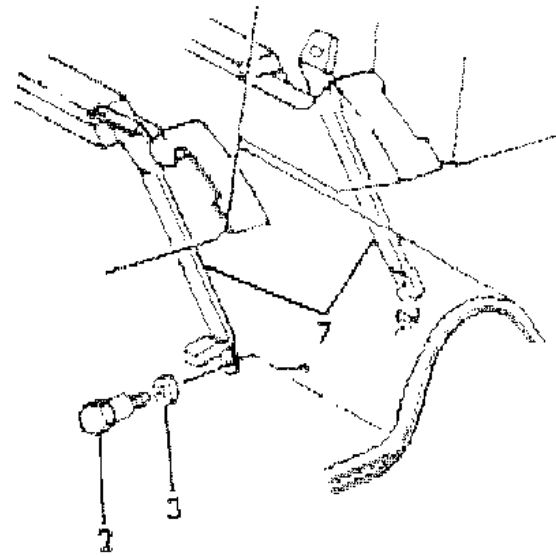
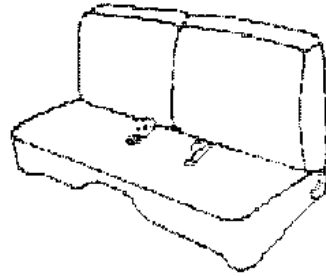
BELT FRONT SEAT INBOARD P,D,C,V K BODY 0
Figure ITK-4600

4234 4600

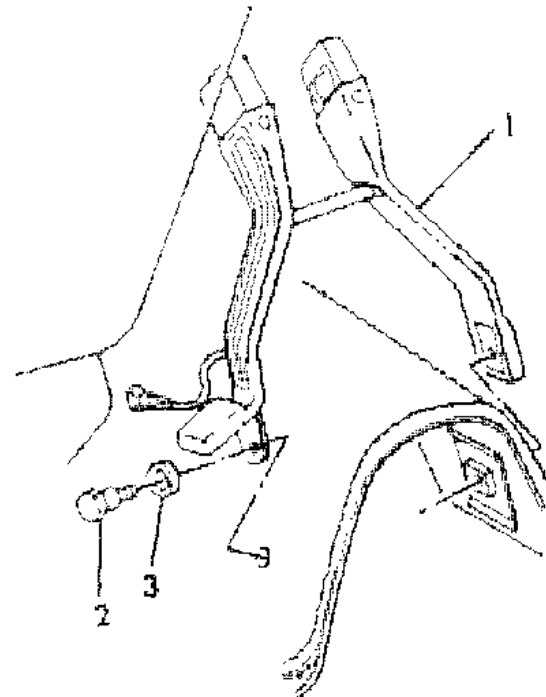
ITEM	PART NUMBER	QTY	BODY	MODEL	DESCRIPTION
					Label Number 4327102-3 N N N N
	F654-5 BA3	1			Silver N N N YF654BA3
	F654-5 BB5	1			Blue, Medium N N N YF654BB5
	F654-5 BC7	1			Blue, Dark N N N YF654BC7
	F654-5 BM6	1			Red N N N YF654BM6
	F654-5 BL3	1			Beige N N N YF654BL3
	F654-5 BT8	1			Brown N N N YF654BT8
	F654-5 CS8	1			Charcoal N N N YF654CS8



W/BENCH



W/50-50



W/BUCKETS

MODEL CODES

B = GRAN FURY	F = FIFTH AVENUE/NEWPORT	P = RELIANT
C = LEBARON/TOWN & COUNTRY/EXC SEDAN	G = DIPLOMAT	T = E CLASS/NEW YORKER
C24 = LASER	H = VOYAGER	V = 600
D = ARIES	K = MINI RAM/CARAVAN/ROYAL	V24 = DAYTONA
E = 600	M = HORIZON/TURISMO	Z = OMNI/CHARGER/RAMPAGE

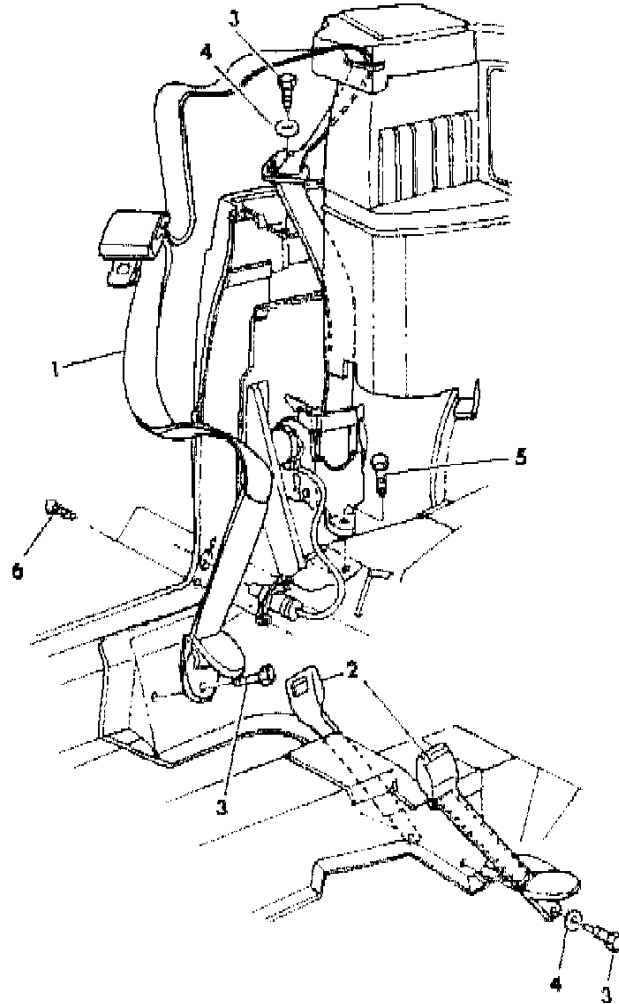
BODY STYLES

21 = 2-DOOR SEDAN	28 = FWD PICKUP	44 = 4-DOOR HATCHBACK
22 = 2-DOOR SPECIAL COUPE	35 = FWD VAN	45 = 4-DOOR STATION WAGON
24 = 2-DOOR HATCHBACK	36 = FWD WAGON	48 = 4-DOOR EXECUTIVE SEDAN
27 = 2-DOOR CONVERTIBLE	41 = 4-DOOR SEDAN	

AR = Use as Required - = Non Illustrated Part P.A.R. = Paint as Required

BELT FRONT SEAT C,V K BODY 27
Figure ITK-4700

4234 4700



ITEM	PART NUMBER	QTY	BODY	MODEL	DESCRIPTION
1					BELT, Lap and Shoulder N N N N
					Label Number 4317810-1 N N N N
	F762-3 CL3	1			Beige N N N YF762CL3
	F762-3 CT8	1			Brown N N N YF762CT8
	F762-3 CM6	1			Red N N N YF762CM6
	F762-3 CS8	1			Charcoal N N N YF762CS8
					Label Number 4327320-1 N N N N
	F768-9 CM6	1			Red N N N YF768CM6
	F768-9 CL3	1			Beige N N N YF768CL3
	F768-9 CT8	1			Brown N N N YF768CT8
	F768-9 CS8	1			Charcoal N N N YF768CS8
2					BELT, Inner N N N N
					Label Number 4317997 N N N N
	F591 BL3	1			Beige N N N YF591BL3
	F591 BT8	1			Brown N N N YF591BT8
	F591 BM6	1			Red N N N YF591BM6
	F591 CS8	1			Charcoal N N N YF591CS8
					Label Number 4327363 N N N N
	F773 CL3	1			Beige N N N YF773CL3
	F773 CM6	1			Red N N N YF773CM6
	F773 CT8	1			Brown N N N YF773CT8
	F773 CS8	1			Charcoal N N N YF773CS8
					Label Number 4317958 N N N N
	F580 BL3	1			Beige N N N YF580BL3
	F580 BT8	1			Brown N N N YF580BT8
	F580 AM6	1			Red N N N YF580AM6
	F580 CS8	1			Charcoal N N N YF580CS8
					Label Number 4327362 N N N N
	F774 CL3	1			Beige N N N YF774CL3
	F774 CM6	1			Red N N N YF774CM6
	F774 CT8	1			Brown N N N YF774CT8
	F774 CS8	1			Charcoal N N N YF774CS8
3	6031 298	2			BOLT N N N Y6031298
4					WASHER (not serviced) N N N N
5	6031 218	2			BOLT N N N Y6031218
6					SCREW (not serviced) N N N N

MODEL CODES

B = GRAN FURY	F = FIFTH AVENUE/NEWPORT	P = RELIANT
C = LEBARON/TOWN & COUNTRY/EXC SEDAN	G = DIPLOMAT	T = E CLASS/NEW YORKER
C24 = LASER	H = VOYAGER	V = 600
D = ARIES	K = MINI RAM/CARAVAN/ROYAL	V24 = DAYTONA
E = 600	M = HORIZON/TURISMO	Z = OMNI/CHARGER/RAMPAGE

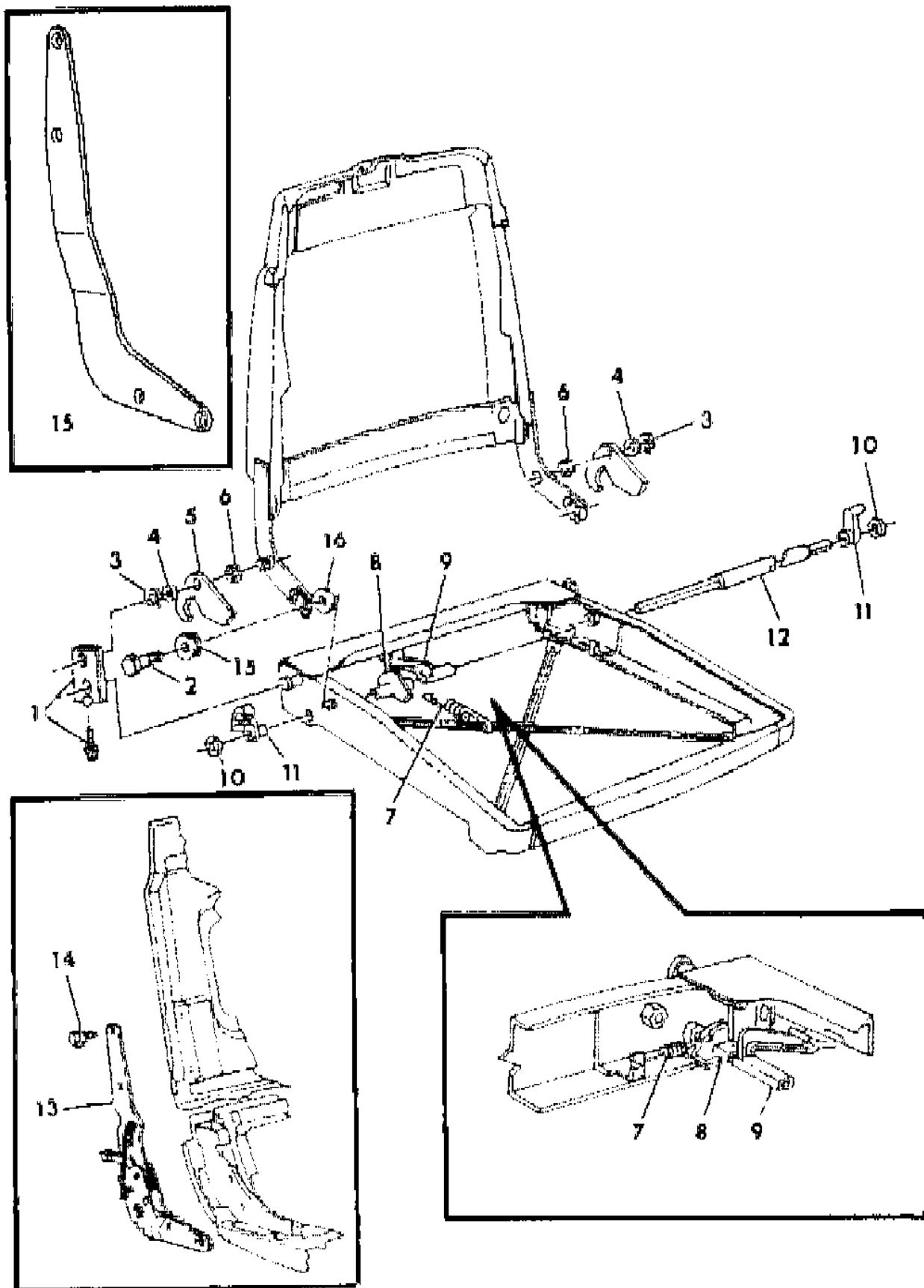
BODY STYLES

21 = 2-DOOR SEDAN	28 = FWD PICKUP	44 = 4-DOOR HATCHBACK
22 = 2-DOOR SPECIAL COUPE	35 = FWD VAN	45 = 4-DOOR STATION WAGON
24 = 2-DOOR HATCHBACK	36 = FWD WAGON	48 = 4-DOOR EXECUTIVE SEDAN
27 = 2-DOOR CONVERTIBLE	41 = 4-DOOR SEDAN	

AR = Use as Required - = Non Illustrated Part P.A.R. = Paint as Required

RELEASE SEAT BACK FRONT P,D,C,V K BODY
Figure ITK-4800

4234 4800



ITEM	PART NUMBER	QTY	BODY	MODEL	DESCRIPTION
1	4239 492	4			LOCK, Seat Back N N41,45 N Y4239492
2	6500 534	4			BOLT, Seat Back N NALL N Y6500534
3	6024 440	4			RING, Retainer N N21 N Y6024440
4	6500 479	4			WASHER N N21 N Y6500479
5	4239 487	4			LATCH, Seat Back N N21 N Y4239487
6	4190 274	4			BUSHING, Latch N N21 N Y4190274
7	4190 611	2			SPRING, Return N N21 N Y4190611
8	4190 616	2			STOP, Actuator N N21,22,27 N Y4190616
9	4190 613	2			HANDLE, Release N N21,22,27 N Y4190613
10	6022 149	4			NUT, Push N N21,22,27 N Y6022149
11	4190 614-5	2			ACTUATOR N N21,22,27 N Y4190614
12	4190 612	2			SHAFT, w/o Power Seats N N21,22,27 N Y4190612
	4345 695	1			SHAFT, w/Stop, w/Power Seats N N N Y4345695
13	4190 664-5	1			LATCH, Front Seat Inertia, w/Bench and w/Split Back Bench N N21,22 N Y4190664
14	6100 585	AR			SCREW, Latch Assy. Inertia N N21,22 N Y6100585
15	4345 368-9	1			ARM, Seat Back to Cushion, w/Bench Seat and Center Arm Rest N N41,45 N Y4345368
	4290 900-1	1			w/Bucket Seats, w/Heave Duty Springs N NALL N Y4290900
16	2858 089	4			WASHER (1.25 dia.) N N21,22 N Y2858089

MODEL CODES

B = GRAN FURY	F = FIFTH AVENUE/NEWPORT	P = RELIANT
C = LEBARON/TOWN & COUNTRY/EXC SEDAN	G = DIPLOMAT	T = E CLASS/NEW YORKER
C24 = LASER	H = VOYAGER	V = 600
D = ARIES	K = MINI RAM/CARAVAN/ROYAL	V24 = DAYTONA
E = 600	M = HORIZON/TURISMO	Z = OMNI/CHARGER/RAMPAGE

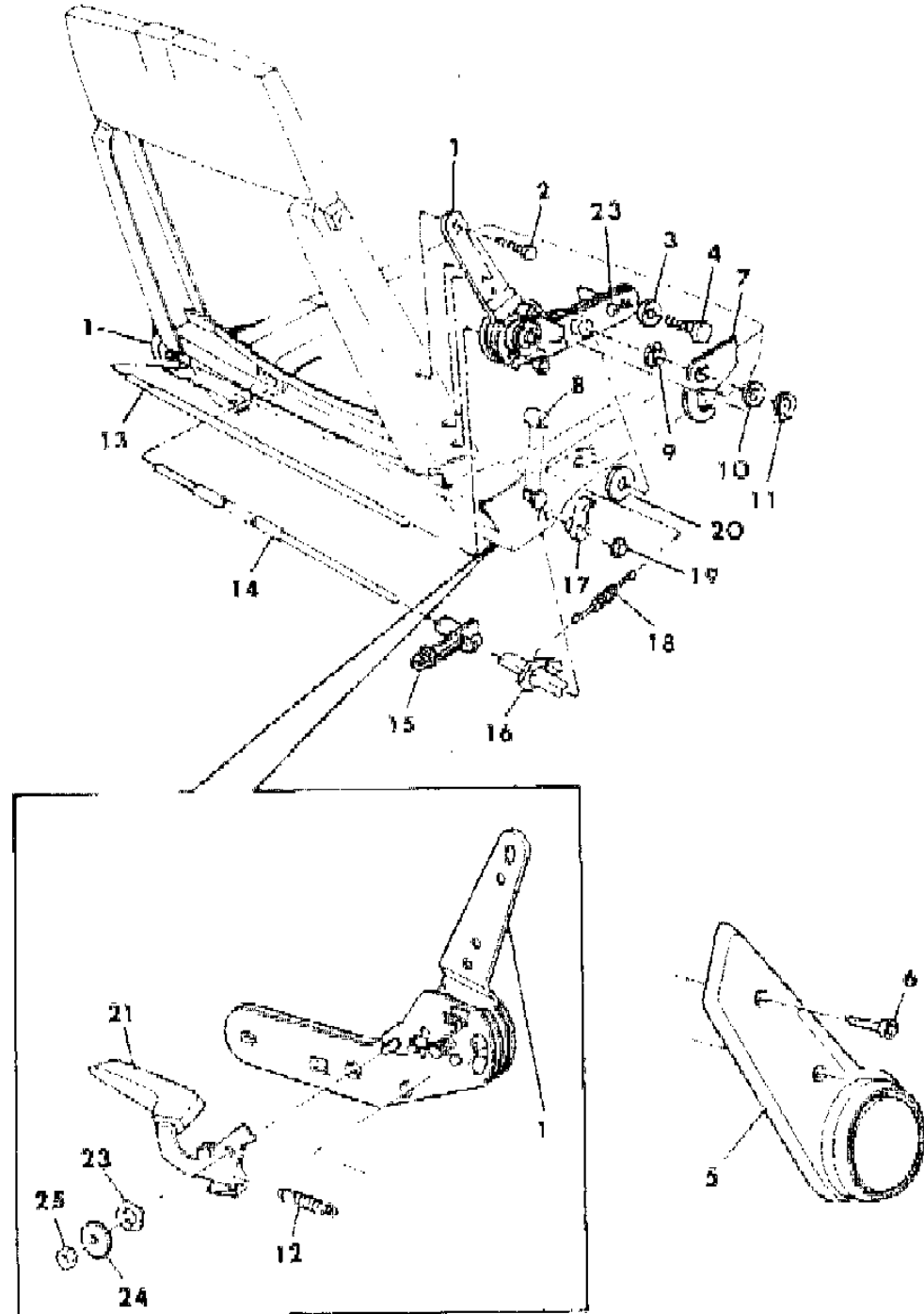
BODY STYLES

21 = 2-DOOR SEDAN	28 = FWD PICKUP	44 = 4-DOOR HATCHBACK
22 = 2-DOOR SPECIAL COUPE	35 = FWD VAN	45 = 4-DOOR STATION WAGON
24 = 2-DOOR HATCHBACK	36 = FWD WAGON	48 = 4-DOOR EXECUTIVE SEDAN
27 = 2-DOOR CONVERTIBLE	41 = 4-DOOR SEDAN	

AR = Use as Required - = Non Illustrated Part P.A.R. = Paint as Required

RECLINING BUCKET SEAT P,D,C,V K BODY
Figure ITK-4900

4234 4900



ITEM	PART NUMBER	QTY	BODY	MODEL	DESCRIPTION
1					RECLINER, Bucket Seat N N N N
	4290 730	1			OUTER, Right N NALL N Y4290730
	4316 158	1			INNER, Right N NALL N Y4316158
	4290 731	1			OUTER, Left N NALL N Y4290731
	4316 159	1			INNER, Left N NALL N Y4316159
2	6500 558	4			BOLT N NALL N Y6500558
3	2858 089	2			WASHER, Front Seat Back Hinge Arm N N21,22 N Y2858089
4	6500 534	2			BOLT N NALL N Y6500534
5					SHIELD, Front Seat Back (paint as required) N NALL N N
	S878-9 CL3	1			Inner & Outer N NALL N YS878CL3
6					SCREW (not serviced) N NALL N N
7	4239 487	2			LATCH, Front Seat Back To Cushion N N21,22 N Y4239487
8	4239 468	2			COVER, Stop Pin N N21,22 N Y4239468
9	4190 274	2			BUSHING, Front Seat Latch Pivot N N21,22 N Y4190274
10	6500 479	2			WASHER N N21,22 N Y6500479
11	6024 440	2			RING, Retainer N NALL N Y6024440
12	4317 384	2			SPRING, Recliner Lever Return (21 coils) (use up to 5/1/84) N N N Y4317384
	4345 370	2			(use after 5/1/84) N N N Y4345370
	4316 806	2			(13 1/2 coils) N N N Y4316806
13	4239 300	1			ROD, Front Seat Back Recliner Connector N N N Y4239300
14	4190 612	1			SHAFT, Front Seat Inertia Latch Actuator N N21,22 N Y4190612
15	4190 613	1			HANDLE, Front Seat Inertia Release N N21,22 N Y4190613
16	4190 616	1			STOP, Front Seat Inertia Latch Actuator N N21,22 N Y4190616
17	4190 614-5	1			ACTUATOR, Front Seat Inertia Latch N N21,22 N Y4190614
18	4190 611	1			SPRING, Front Seat Inertia Latch Handle Return N N21,22 N Y4190611
19	6022 149	2			NUT, Front Seat Inertia Latch Push On N N21,22 N Y6022149
20		2			WASHER, Front Seat Back Hinge Arm (not serviced) N N21,22 N N
21					LEVER, Front Seat Back Recliner Release N NALL N N
					(use up to 4/2/84) N N N N
	S792-3 CC7	2			Blue N N N YS792CC7
	S792-3 CL3	2			Beige N N N YS792CL3
	S792-3 CM6	2			Red N N N YS792CM6
	S792-3 CS8	2			Charcoal N N N YS792CS8
	S792-3 CT8	2			Brown N N N YS792CT8
	S792-3 CW1	2			White N N N YS792CW1

MODEL CODES

B = GRAN FURY	F = FIFTH AVENUE/NEWPORT	P = RELIANT
C = LEBARON/TOWN & COUNTRY/EXC SEDAN	G = DIPLOMAT	T = E CLASS/NEW YORKER
C24 = LASER	H = VOYAGER	V = 600
D = ARIES	K = MINI RAM/CARAVAN/ROYAL	V24 = DAYTONA
E = 600	M = HORIZON/TURISMO	Z = OMNI/CHARGER/RAMPAGE

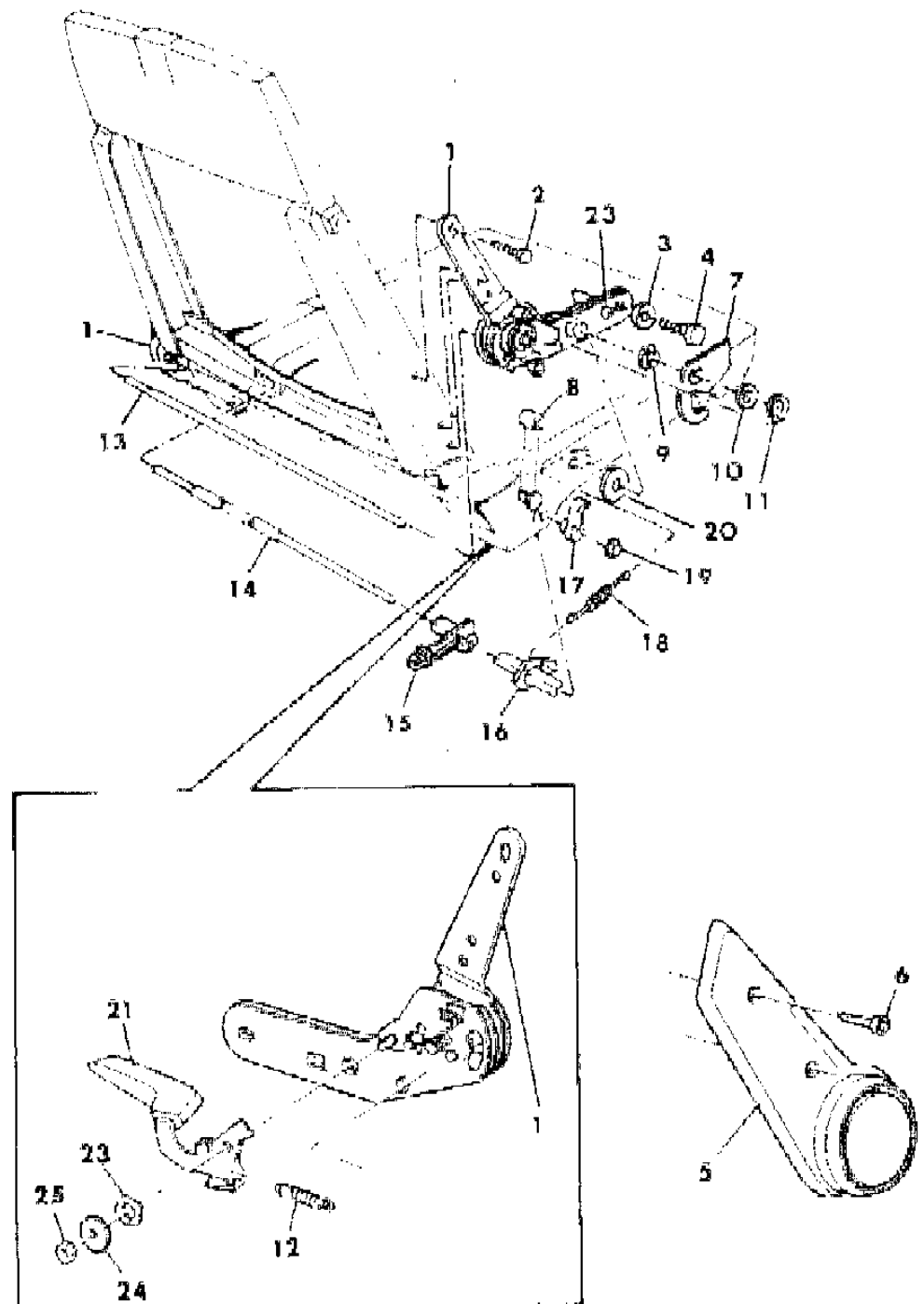
BODY STYLES

21 = 2-DOOR SEDAN	28 = FWD PICKUP	44 = 4-DOOR HATCHBACK
22 = 2-DOOR SPECIAL COUPE	35 = FWD VAN	45 = 4-DOOR STATION WAGON
24 = 2-DOOR HATCHBACK	36 = FWD WAGON	48 = 4-DOOR EXECUTIVE SEDAN
27 = 2-DOOR CONVERTIBLE	41 = 4-DOOR SEDAN	

AR = Use as Required - = Non Illustrated Part P.A.R. = Paint as Required

RECLINING BUCKET SEAT P,D,C,V K BODY
Figure ITK-4900

4294 4900



ITEM	PART NUMBER	QTY	BODY	MODEL	DESCRIPTION
					(use after 4/2/84) N N N N
	S776-7 CC7	1			Blue N N N YS776CC7
	S776-7 CM6	1			Red N N N YS776CM6
	S776-7 CL3	1			Beige N N N YS776CL3
	S776-7 CT8	1			Brown N N N YS776CT8
	S776-7 CS8	1			Charcoal N N N YS776CS8
	4290 338	1			COVER, Inboard N NALL N Y4290338
23					WASHER, Spring (not serviced) N N N N
24					WASHER, Flat (not serviced) N N N N
25	0120 622	1			NUT N N N Y0120622

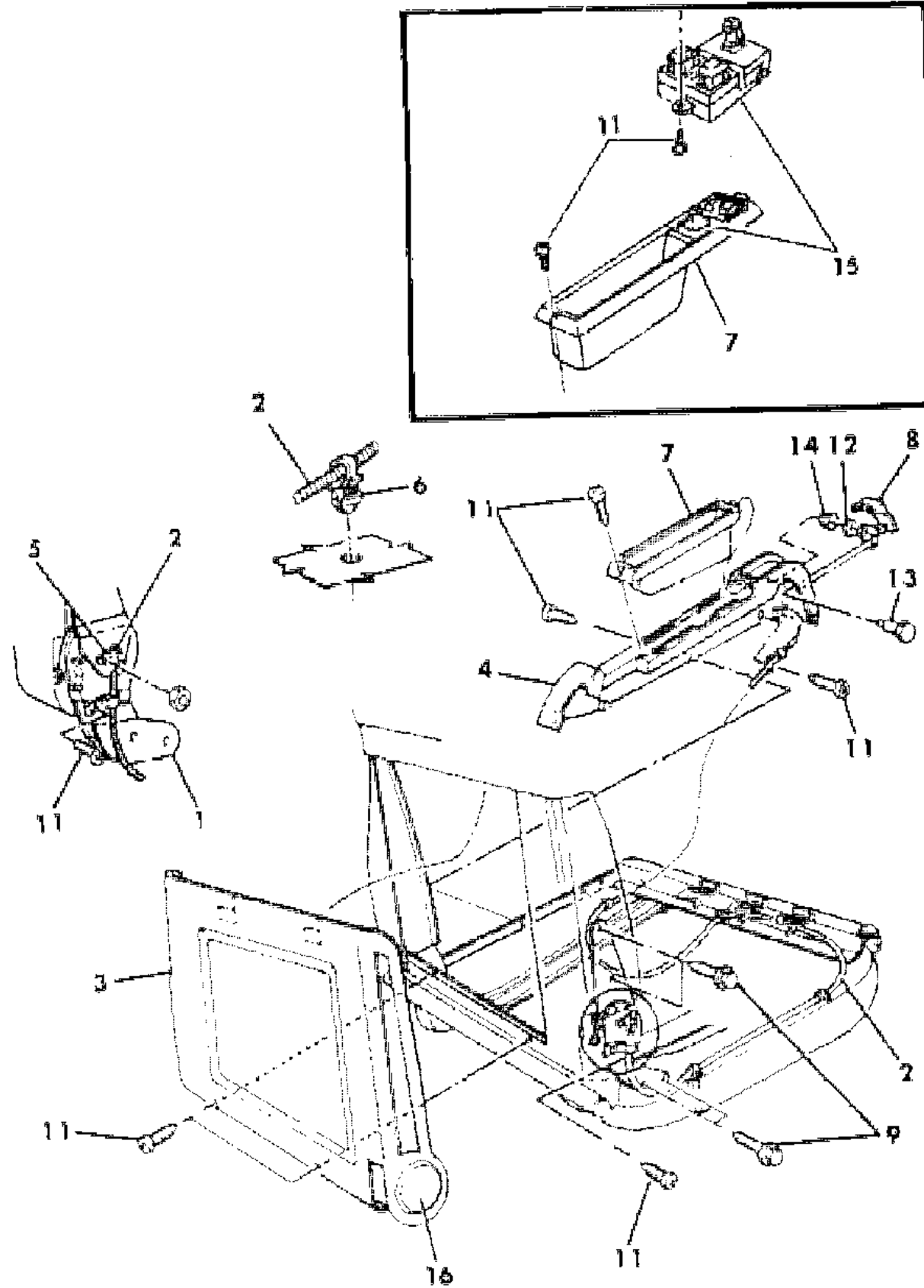
MODEL CODES
 B = GRAN FURY
 C = LEBARON/TOWN & COUNTRY/EXC SEDAN
 C24 = LASER
 D = ARIES
 E = 600
 F = FIFTH AVENUE/NEWPORT
 G = DIPLOMAT
 H = VOYAGER
 K = MINI RAM/CARAVAN/ROYAL
 M = HORIZON/TURISMO
 P = RELIANT
 T = E CLASS/NEW YORKER
 V = 600
 V24 = DAYTONA
 Z = OMNI/CHARGER/RAMPAGE

BODY STYLES
 21 = 2-DOOR SEDAN
 22 = 2-DOOR SPECIAL COUPE
 24 = 2-DOOR HATCHBACK
 27 = 2-DOOR CONVERTIBLE
 28 = FWD PICKUP
 35 = FWD VAN
 36 = FWD WAGON
 41 = 4-DOOR SEDAN
 44 = 4-DOOR HATCHBACK
 45 = 4-DOOR STATION WAGON
 48 = 4-DOOR EXECUTIVE SEDAN

AR = Use as Required - = Non Illustrated Part P.A.R. = Paint as Required

RECLINING 50/50 SEAT C K BODY
Figure ITK-5000

4234 5000



ITEM	PART NUMBER	QTY	BODY	MODEL	DESCRIPTION
1	4277 152-3	1			RECLINER N N22,27 N Y4277152
	4190 410	1			Right N N41,45 N Y4190410
	4277 553	1			Left N N41,45 N Y4277553
2	4316 984-5	1			CABLE, Release N N N Y4316984
	S748-9 BL3	1			SHIELD, w/Finish Plate (paint as required) N N N N N N N YS748BL3
4	S834-5 CS8	1			CONSOLETTA, w/Handle N N N N
	S834-5 CT8	1			Charcoal N N N YS834CS8
	S834-5 CT8	1			Brown N N N YS834CT8
5	4277 506-7	1			ACTUATOR N N N Y4277506
6					CLIP (not serviced) N N N N
7					TRAY N N N N
	S820 CS8	2			w/o Power Seats Right and Left Charcoal N N N YS820CS8
	S820 BT8	2			Brown N N N YS820BT8
	S821 CS8	1			w/Power Seats, Left, Charcoal N N N YS821CS8
8	S821 BT8	1			Brown N N N YS821BT8
					HANDLE, Recliner Release N N N N
	S600 CS8	2			Charcoal N N N YS600CS8
9	S600 BT8	2			Brown N N N YS600BT8
	9422 041	4			SCREW and WASHER N N N Y9422041
10	0120 622	AR			NUT, Lock N N N Y120622
11		AR			SCREW (not serviced) N N N N
12	6100 883	2			WASHER N N N Y6100883
13	6032 310	2			BOLT, Shoulder N N N Y6032310
14	4290 370-1	1			SPRING, Handle Return N N N Y4290370
15	3747 815	1			SWITCH, Seat Adjuster N N N Y3747815
16	4277 670	2			PLATE, Finish Back Shield N N N Y4277670

MODEL CODES

B = GRAN FURY	F = FIFTH AVENUE/NEWPORT	P = RELIANT
C = LEBARON/TOWN & COUNTRY/EXC SEDAN	G = DIPLOMAT	T = E CLASS/NEW YORKER
C24 = LASER	H = VOYAGER	V = 600
D = ARIES	K = MINI RAM/CARAVAN/ROYAL	V24 = DAYTONA
E = 600	M = HORIZON/TURISMO	Z = OMNI/CHARGER/RAMPAGE

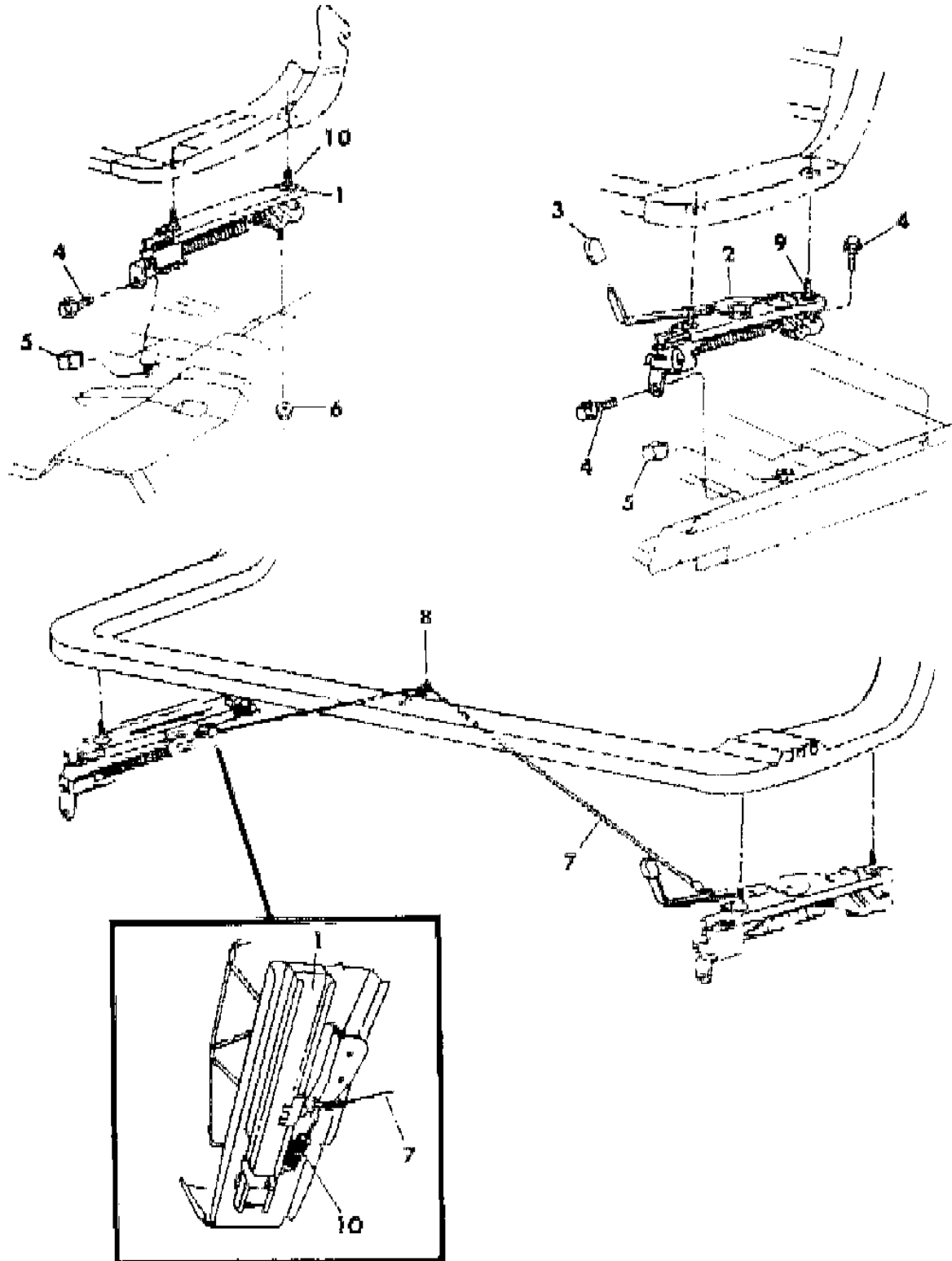
BODY STYLES

21 = 2-DOOR SEDAN	28 = FWD PICKUP	44 = 4-DOOR HATCHBACK
22 = 2-DOOR SPECIAL COUPE	35 = FWD VAN	45 = 4-DOOR STATION WAGON
24 = 2-DOOR HATCHBACK	36 = FWD WAGON	48 = 4-DOOR EXECUTIVE SEDAN
27 = 2-DOOR CONVERTIBLE	41 = 4-DOOR SEDAN	

AR = Use as Required - = Non Illustrated Part P.A.R. = Paint as Required

ADJUSTER MANUAL P,D,C,V K BODY 0
Figure ITK-5100

4234 5100



ITEM	PART NUMBER	QTY	BODY	MODEL	DESCRIPTION
1	4327 174-5	1			ADJUSTER, w/Bucket Seat Inner N N N Y4327174
	4277 992-3	1			NC,V N27 N Y4277992
	4290 998-9	1			w/50/50 Split N N N Y4290998
	4316 856-7	1			w/50/50 Split N N27 N Y4316856
2					ADJUSTER, Outer N N N N
	4327 172-3	1			w/Bucket Seat N N N Y4327172
	4316 858-9	1			w/Bucket Seat NC,V N27 N Y4316858
	4327 178-9	1			w/Bench Seat w/o 4 Speed Manual Trans. N N N Y4327178
	4327 274-5	1			w/Bench Seat w/4 Speed Manual Trans. N N N Y4327274
3	4290 996-7	1			w/50/50 Split N N N Y4290996
		1			KNOB, Release Lever N N N N
4		AR			SCREW and WASHER (not serviced) N N N N
5	6101 283	AR			U-NUT N N N Y6101283
6		AR			NUT and WASHER (not serviced) N N N N
7					WIRE, Release Lever Connector N N N N
	4239 933	1			w/Bench Seat N N N Y4239933
	4239 942	2			w/Bucket Seat N N N Y4239942
	4277 556	1			w/50/50 Split N N N Y4277556
8	2942 556	1			HOOK, Guide Wire N N N Y2942556
9					SCREW and WASHER (not serviced) N N N N
10		1			SPRING N N N N
	4316 007	1			Latch Assist (18 coils) w/Bucket and Bench N N N Y4316007
	4316 006	1			Lever Assist (15 coils) w/Bucket N N N Y4316006
	4316 008	1			Lever Assist (15 coils) w/Bench N N N Y4316008
	4316 009	1			Adjustor Assist (29 coils) w/Bench N N N Y4316009
	4316 172	1			Adjustor Assist (43 coils) w/50/50 N N N Y4316172
	4327 235	1			Latch Return N N27 N Y4327235

MODEL CODES

B = GRAN FURY	F = FIFTH AVENUE/NEWPORT	P = RELIANT
C = LEBARON/TOWN & COUNTRY/EXC SEDAN	G = DIPLOMAT	T = E CLASS/NEW YORKER
C24 = LASER	H = VOYAGER	V = 600
D = ARIES	K = MINI RAM/CARAVAN/ROYAL	V24 = DAYTONA
E = 600	M = HORIZON/TURISMO	Z = OMNI/CHARGER/RAMPAGE

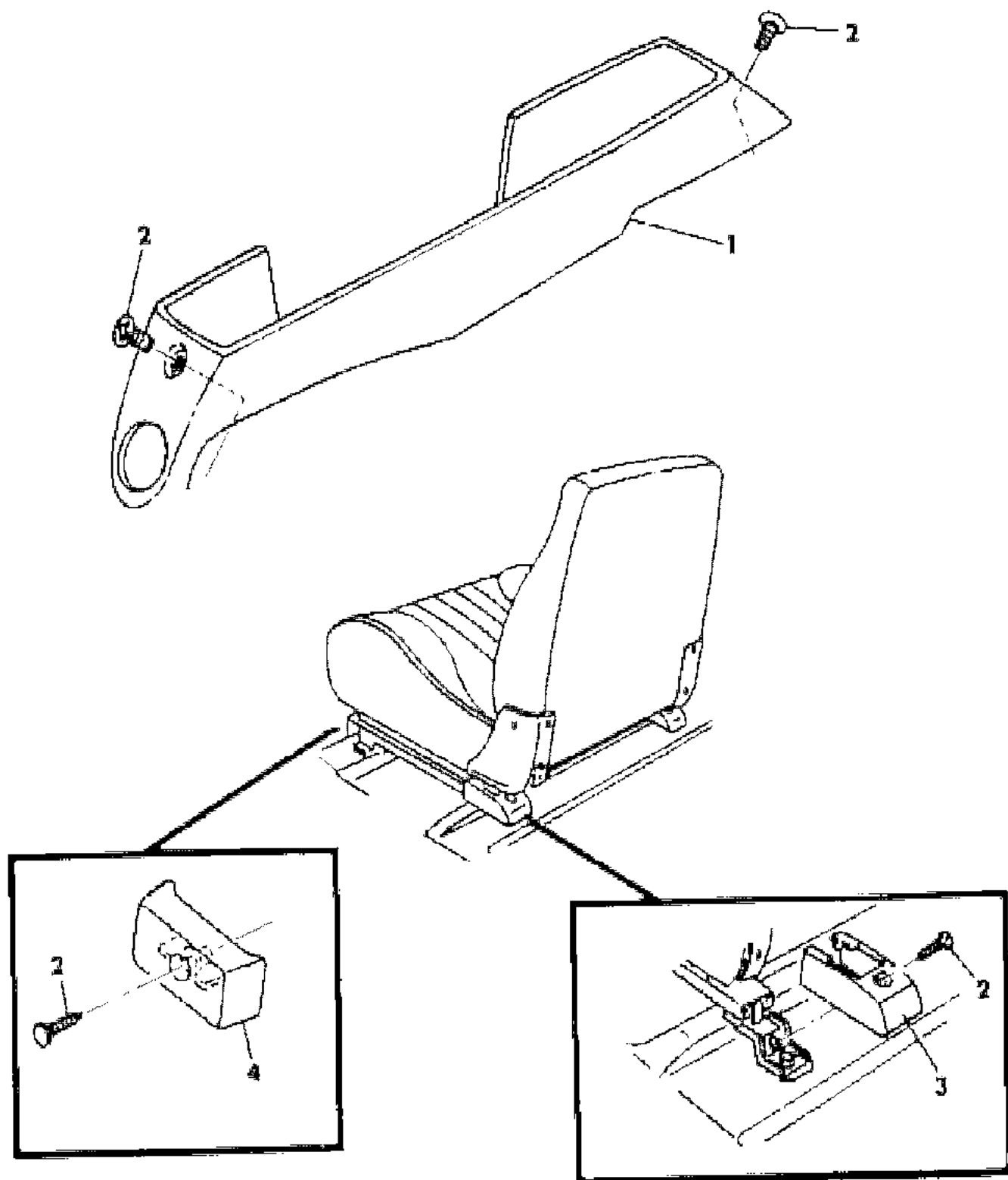
BODY STYLES

21 = 2-DOOR SEDAN	28 = FWD PICKUP	44 = 4-DOOR HATCHBACK
22 = 2-DOOR SPECIAL COUPE	35 = FWD VAN	45 = 4-DOOR STATION WAGON
24 = 2-DOOR HATCHBACK	36 = FWD WAGON	48 = 4-DOOR EXECUTIVE SEDAN
27 = 2-DOOR CONVERTIBLE	41 = 4-DOOR SEDAN	

AR = Use as Required - = Non Illustrated Part P.A.R. = Paint as Required

COVERS MANUAL SEAT ADJUSTORS P,D,C,V K BODY
Figure ITK-5200

4274 5200



ITEM	PART NUMBER	QTY	BODY	MODEL	DESCRIPTION
1					COVERS, Outer w/Buckets and Bench N N N N
	S908-9 CC7	1			Blue N N N YS908CC7
	S908-9 CM6	1			Red N N N YS908CM6
	S908-9 CT8	1			Brown N N N YS908CT8
	S952-3 CS8	1			Charcoal N N N YS952CS8
					Inner, w/Buckets N N N N
	S914-5 CC7	1			Blue N N N YS914CC7
	S914-5 CM6	1			Red N N N YS914CM6
	S914-5 CT8	1			Brown N N N YS914CT8
	S914-5 CS8	1			Charcoal N N N YS914CS8
					Outer w/Buckets N N N N
	S956-7 CM6	1			Red N N27 N YS956CM6
	S910-1 CT8	1			Brown N N27 N YS910CT8
	S910-1 CS8	1			Charcoal N N27 N YS910CS8
2					SCREW (not serviced) N N N N
3					COVER, Inboard Rear w/Buckets N N N N
	S902 CM6	2			Red N N27 N YS902CM6
	S902 CT8	2			Brown N N27 N YS902CT8
	S902 CS8	2			Charcoal N N27 N YS902CS8
					w/50/50 Split, Inner rear N N N N
	S650 CT8	2			Brown N N N YS650CT8
	S650 CS8	2			Charcoal N N N YS650CS8
4					COVER, Front Inner w/50/50 Split N N N N
	S654 CT8	2			Brown N N N YS654CT8
	S654 CS8	2			Charcoal N N N YS654CS8

MODEL CODES
 B = GRAN FURY
 C = LEBARON/TOWN & COUNTRY/EXC SEDAN
 C24 = LASER
 D = ARIES
 E = 600
 F = FIFTH AVENUE/NEWPORT
 G = DIPLOMAT
 H = VOYAGER
 K = MINI RAM/CARAVAN/ROYAL
 M = HORIZON/TURISMO
 P = RELIANT
 T = E CLASS/NEW YORKER
 V = 600
 V24 = DAYTONA
 Z = OMNI/CHARGER/RAMPAGE

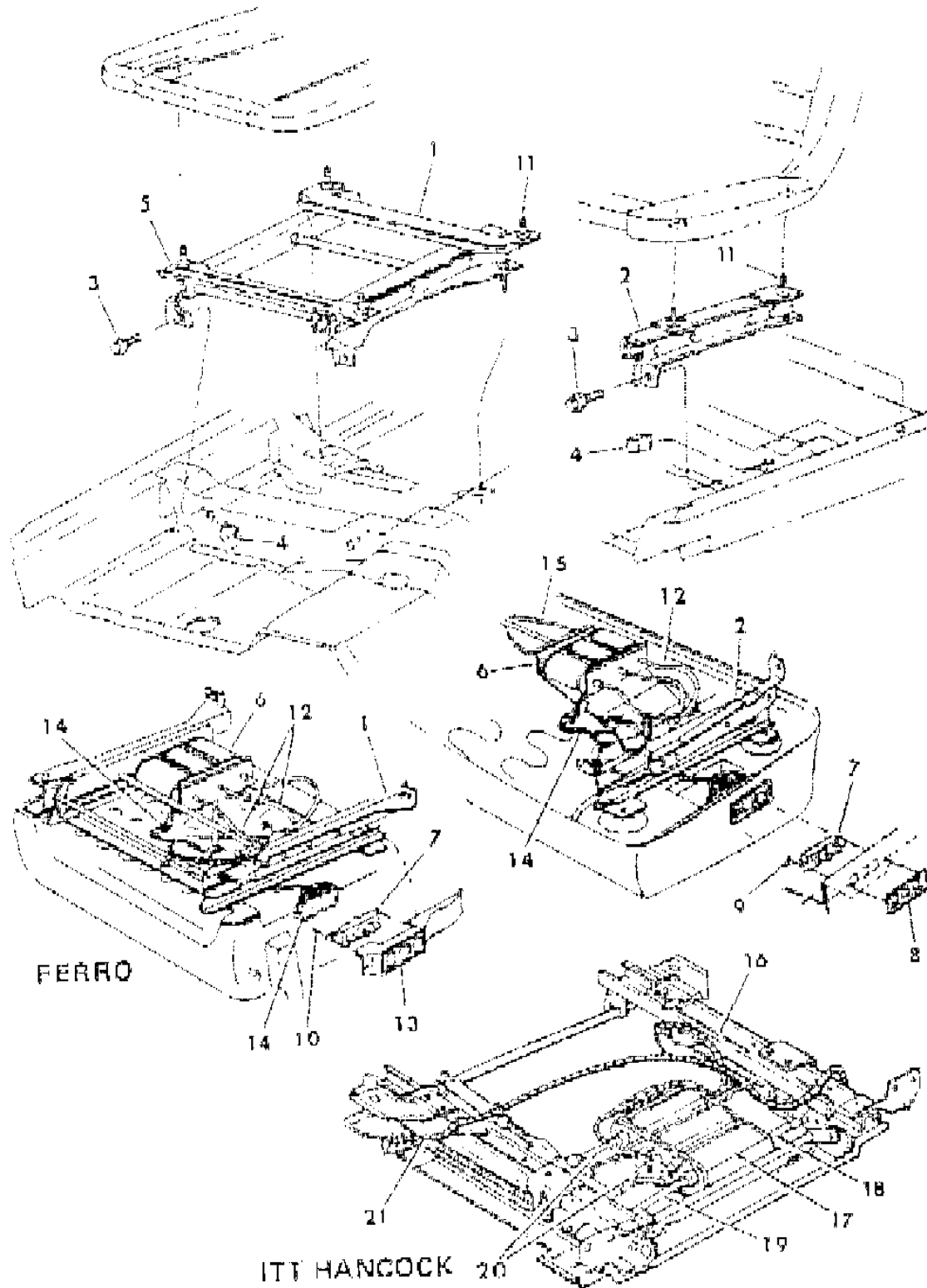
BODY STYLES
 21 = 2-DOOR SEDAN
 22 = 2-DOOR SPECIAL COUPE
 24 = 2-DOOR HATCHBACK
 27 = 2-DOOR CONVERTIBLE
 28 = FWD PICKUP
 35 = FWD VAN
 36 = FWD WAGON
 41 = 4-DOOR SEDAN
 44 = 4-DOOR HATCHBACK
 45 = 4-DOOR STATION WAGON
 48 = 4-DOOR EXECUTIVE SEDAN

AR = Use as Required - = Non Illustrated Part P.A.R. = Paint as Required

ADJUSTER ELECTRIC P,D,C,V K BODY

Figure ITK-5300

4316 849



ITEM	PART NUMBER	QTY	BODY	MODEL	DESCRIPTION
------	-------------	-----	------	-------	-------------

NOTE: THE FOLLOWING PARTS ARE FOR REPLACEMENT ONLY NOT FOR NEW INSTALLATION. s ARE NOT RETURNABLE

NOTE: When Ordering Parts Or Replacing Adjusters, Must Determine Whether They Are Ferro Or Hancock. s ARE NOT RETURNABLE.

	4316 849	1			ADJUSTER, w/Bucket & 50/50 Split - Ferro N N21,22,41,45 N Y4316849
	4327 004	1			w/Buckets N N27 N Y4327004
	4342 155	1			Driver Seat (not illustrated) N NLIMO N Y4342155
2	4327 182-3	1			ADJUSTER, Bench Seat N N N Y4327182
3					SCREW and WASHER (not serviced) N N N N
4	6101 283	AR			U-NUT N N N Y6101283
5	6028 040	4			RETAINER N N N Y6028040
6	4327 045	1			MOTOR, w/Bench Seat N N N Y4327045
	4316 844	1			w/Buckets & 50/50 Split N N N Y4316844
	4316 848	1			SUPPORT, Motor w/Buckets and 50/50 Split N N N Y4316848
7	3747 740	1			SWITCH, w/Bench and Split Bench Seat N N N Y3747740
	3747 924	1			w/Bucket Seats N N N Y3747924
8	3746 967	1			BEZEL, Switch w/Bench Seat N N N Y3746967
9	6025 002	AR			NUT and CONE WASHER N N N Y6025002
10					SCREW (not serviced) N N N N
11					SCREW and WASHER (not serviced) N N N N
12	4316 846	3			CABLE, w/Bucket and 50/50 Split (1.94") N N N Y4316846
	4327 047	3			w/Bench (12.19") N N N Y4327047
13	S775 VB2	1			SHIELD (paint as required) N N N YS775VB2
14	4304 162	1			WIRING, Seat Adjuster N N N Y4304162
	4304 161	1			w/50/50 Split N N N Y4304161
15	4327 046	1			CABLE, w/Bench, Right (31.68") N N N Y4327046
	4376 632	2			(35.63") N N N Y4376632
16	4327 278	1			ADJUSTER, Less Motor - Hancock N N N Y4327278
17	4327 279	1			MOTOR, Electric Seat Adjuster N N N Y4327279
18	4327 280	1			CABLE, Inner (2.68") N N N Y4327280
19	4327 281	1			CABLE, Outer (5.68") N N N Y4327281
20	4327 282	2			SHAFT, Flexible (4.005") N N N Y4327282
21	4304 778	1			WIRING, Bucket Seat N N N Y4304778
	4304 161	1			w/50-50 Split N N N Y4304161

MODEL CODES

B = GRAN FURY
C = LEBARON/TOWN & COUNTRY/EXC SEDAN
C24 = LASER
D = ARIES
E = 600

F = FIFTH AVENUE/NEWPORT
G = DIPLOMAT
H = VOYAGER
K = MINI RAM/CARAVAN/ROYAL
M = HORIZON/TURISMO

P = RELIANT
T = E CLASS/NEW YORKER
V = 600
V24 = DAYTONA
Z = OMNI/CHARGER/RAMPAGE

BODY STYLES

21 = 2-DOOR SEDAN
22 = 2-DOOR SPECIAL COUPE
24 = 2-DOOR HATCHBACK
27 = 2-DOOR CONVERTIBLE

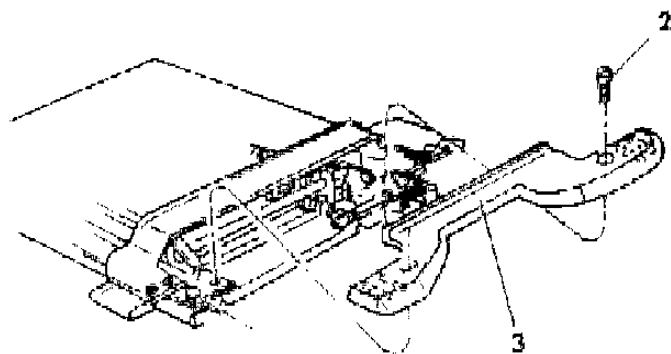
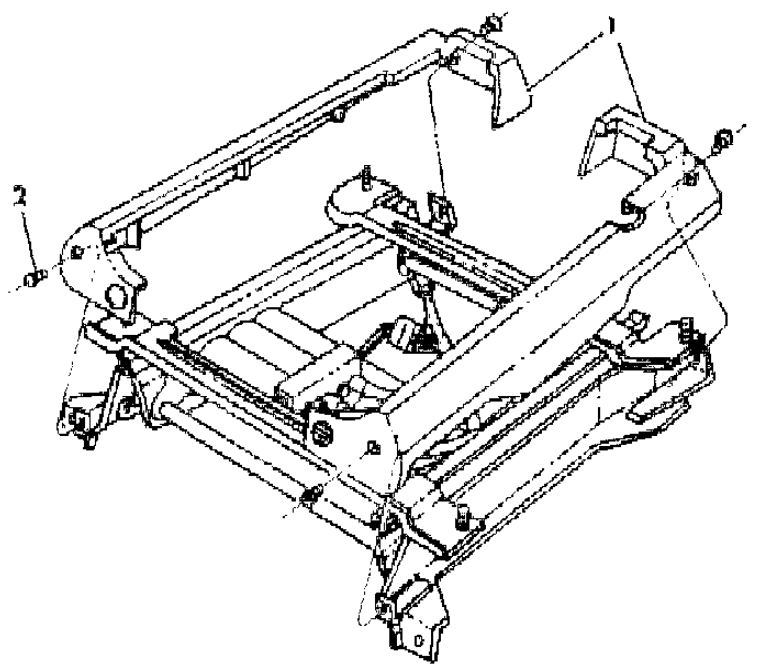
28 = FWD PICKUP
35 = FWD VAN
36 = FWD WAGON
41 = 4-DOOR SEDAN

44 = 4-DOOR HATCHBACK
45 = 4-DOOR STATION WAGON
48 = 4-DOOR EXECUTIVE SEDAN

AR = Use as Required - = Non Illustrated Part P.A.R. = Paint as Required

COVERS ELECTRIC SEAT ADJUSTORS P,D,C,V K BODY
Figure ITK-5400

4234 5400



ITEM	PART NUMBER	QTY	BODY	MODEL	DESCRIPTION
1					COVERS, w/Bench Seat N N N N
	S606-7 CC7	1			Blue N N N YS606CC7
	S606-7 CM6	1			Red N N N YS606CM6
	S606-7 CT8	1			Brown N N N YS606CT8
	S606-7 CS8	1			Charcoal N N N YS606CS8
					w/Buckets, Inner w/Ferro Adjuster N N N N
	S662 CC7	1			Blue N N N YS662CC7
	S662 CM6	1			Red N N N YS662CM6
	S662 CT8	1			Brown N N N YS662CT8
	S662 CS8	1			Charcoal N N N YS662CS8
					w/Buckets, Inner w/Hancock Adjuster N N N N
	S674 CC7	1			Blue N N N YS674CC7
	S674 CM6	1			Red N N N YS674CM6
	S674 CT8	1			Brown N N N YS674CT8
	S674 CS8	1			Charcoal N N N YS674CS8
					w/Buckets, Outer w/Ferro Adjuster N N N N
	S663 CC7	1			Blue N N N YS663CC7
	S663 CM6	1			Red N N N YS663CM6
	S663 CT8	1			Brown N N N YS663CT8
	S663 CS8	1			Charcoal N N N YS663CS8
					w/Buckets, Outer w/Hancock Adjuster N N N N
	S675 CC7	1			Blue N N N YS675CC7
	S675 CM6	1			Red N N N YS675CM6
	S675 CT8	1			Brown N N N YS675CT8
	S675 CS8	1			Charcoal N N N YS675CS8
					w/Buckets, Inner N N N N
	S903 CM6	1			Red N N27 N YS903CM6
	S903 CT8	1			Brown N N27 N YS903CT8
	S903 CS8	1			Charcoal N N27 N YS903CS8
					w/Buckets, Outer N N N N
	S905 CM6	1			Red N N27 N YS905CM6
	S905 CT8	1			Brown N N27 N YS905CT8
	S905 CS8	1			Charcoal N N27 N YS905CS8
2					SCREW (not serviced) N N N N
3					COVER, Electric Adjusters, Rear w/Buckets w/Ferro Adjuster N N N N
	S646 CC7	1			Blue N N N YS646CC7
	S646 CM6	1			Red N N N YS646CM6

MODEL CODES

B = GRAN FURY	F = FIFTH AVENUE/NEWPORT	P = RELIANT
C = LEBARON/TOWN & COUNTRY/EXC SEDAN	G = DIPLOMAT	T = E CLASS/NEW YORKER
C24 = LASER	H = VOYAGER	V = 600
D = ARIES	K = MINI RAM/CARAVAN/ROYAL	V24 = DAYTONA
E = 600	M = HORIZON/TURISMO	Z = OMNI/CHARGER/RAMPAGE

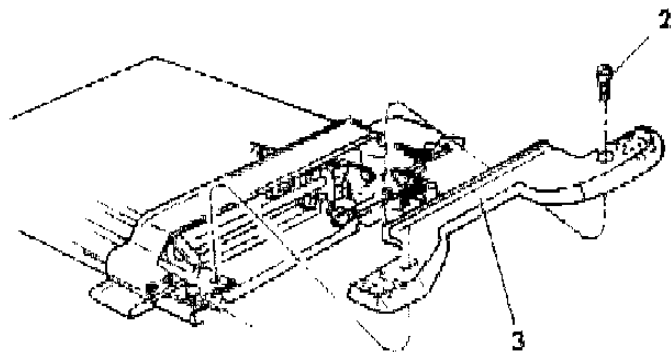
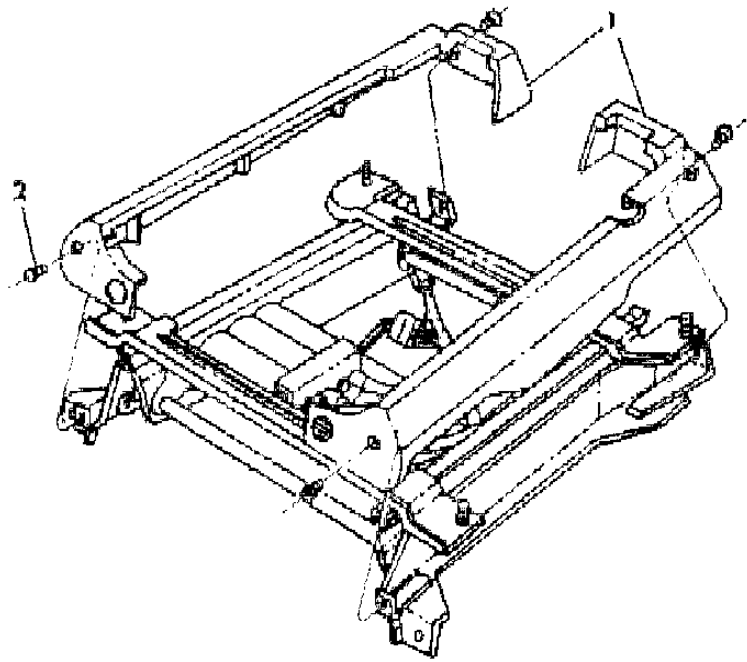
BODY STYLES

21 = 2-DOOR SEDAN	28 = FWD PICKUP	44 = 4-DOOR HATCHBACK
22 = 2-DOOR SPECIAL COUPE	35 = FWD VAN	45 = 4-DOOR STATION WAGON
24 = 2-DOOR HATCHBACK	36 = FWD WAGON	48 = 4-DOOR EXECUTIVE SEDAN
27 = 2-DOOR CONVERTIBLE	41 = 4-DOOR SEDAN	

AR = Use as Required - = Non Illustrated Part P.A.R. = Paint as Required

COVERS ELECTRIC SEAT ADJUSTORS P,D,C,V K BODY
Figure ITK-5400

4234 5400



ITEM	PART NUMBER	QTY	BODY	MODEL	DESCRIPTION
	S646 CT8	1			Brown N N N YS646CT8
	S646 CS8	1			Charcoal N N N YS646CS8
	S660 CC7	1			Blue N N N YS660CC7
	S660 CM6	1			Red N N N YS660CM6
	S660 CT8	1			Brown N N N YS660CT8
	S660 CS8	1			Charcoal N N N YS660CS8
	F744-5 BB5	1			Blue, Light N N41,45 N YF744BB5

MODEL CODES		
B = GRAN FURY	F = FIFTH AVENUE/NEWPORT	P = RELIANT
C = LEBARON/TOWN & COUNTRY/EXC SEDAN	G = DIPLOMAT	T = E CLASS/NEW YORKER
C24 = LASER	H = VOYAGER	V = 600
D = ARIES	K = MINI RAM/CARAVAN/ROYAL	V24 = DAYTONA
E = 600	M = HORIZON/TURISMO	Z = OMNI/CHARGER/RAMPAGE

BODY STYLES		
21 = 2-DOOR SEDAN	28 = FWD PICKUP	44 = 4-DOOR HATCHBACK
22 = 2-DOOR SPECIAL COUPE	35 = FWD VAN	45 = 4-DOOR STATION WAGON
24 = 2-DOOR HATCHBACK	36 = FWD WAGON	48 = 4-DOOR EXECUTIVE SEDAN
27 = 2-DOOR CONVERTIBLE	41 = 4-DOOR SEDAN	

AR = Use as Required - = Non Illustrated Part P.A.R. = Paint as Required

SEAT REAR P,D K BODY TRIM CODES C1,C2
Figure ITK-5500

ITEM	PART NUMBER	QTY	BODY	MODEL	DESCRIPTION
1&2					CUSHION, w/Spring/Frame, Pad and Cover N N N N
	C961 C1A	1			N N21,41 NC1AS YC961C1A
	C961 C1B	1			N N21,41 NC1BC YC961C1B
	C961 C1M	1			N N21,41 NC1M YC961C1M
	C961 C1L	1			N N21,41 NC1LT YC961C1L
					Heavy Duty N N N N
	C982 B2C	1			N N21,41 NC2BC YC982B2C
	C982 A2M	1			N N21,41 NC2M YC982A2M
	C982 B2T	1			N N21,41 NC2LT YC982B2T
1					COVER, Cushion N N N N
	C442 C1A	1			N N21,41 NC1AS YC442C1A
	C442 C1B	1			N N21,41 NC1BC YC442C1B
	C442 C1M	1			N N21,41 NC1M YC442C1M
	C442 C1L	1			N N21,41 NC1LT YC442C1L
	C475 B4B	1			N N21,41 NC2BC YC475B4B
	C475 B4M	1			N N21,41 NC2M YC475B4M
	C475 B4L	1			N N21,41 NC2LT YC475B4L
2					ROLL STOCK, Vinyl Order by the Inch. N N N N
	R609 CS8	AR			Charcoal 58" Wide N N N YR609CS8
	R616 VC8	AR			Blue 64" Wide N N N YR616VC8
	R616 VM6	AR			Red 64" Wide N N N YR616VM6
	R609 BT8	AR			Brown 58" Wide N N N YR609BT8
3&2					BACK, w/Spring/Frame, Pad and Cover N N N N
	C962 C1A	1			N N21,41 NC1AS YC962C1A
	C962 C1B	1			N N21,41 NC1BC YC962C1B
	C962 C1M	1			N N21,41 NC1M YC962C1M
	C962 C1L	1			N N21,41 NC1LT YC962C1L
					Heavy Duty N N N N
	C983 B2C	1			N N21,41 NC2BC YC983B2C
	C983 A2M	1			N N21,41 NC2M YC983A2M
	C983 B2T	1			N N21,41 NC2LT YC983B2T
3					COVER, Back N N N N
	C443 C1A	1			N N21,41 NC1AS YC443C1A
	C443 C1B	1			N N21,41 NC1BC YC443C1B
	C443 C1M	1			N N21,41 NC1M YC443C1M
	C443 C1L	1			N N21,41 NC1LT YC443C1L
	C476 B4B	1			N N21,41 NC2BC YC476B4B
	C476 B4M	1			N N21,41 NC2M YC476B4M

MODEL CODES

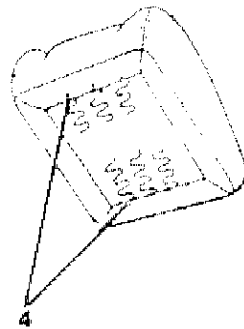
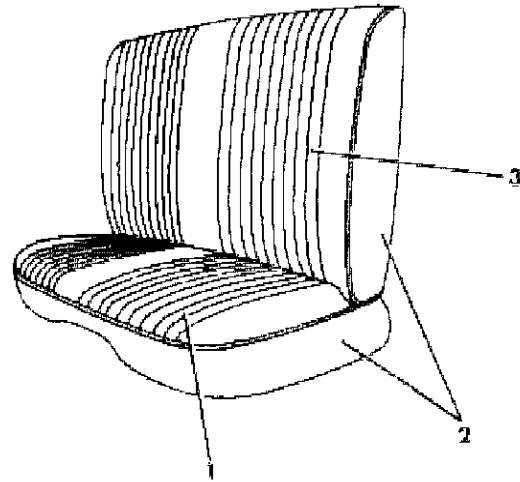
B = GRAN FURY	F = FIFTH AVENUE/NEWPORT	P = RELIANT
C = LEBARON/TOWN & COUNTRY/EXC SEDAN	G = DIPLOMAT	T = E CLASS/NEW YORKER
C24 = LASER	H = VOYAGER	V = 600
D = ARIES	K = MINI RAM/CARAVAN/ROYAL	V24 = DAYTONA
E = 600	M = HORIZON/TURISMO	Z = OMNI/CHARGER/RAMPAGE

BODY STYLES

21 = 2-DOOR SEDAN	28 = FWD PICKUP	44 = 4-DOOR HATCHBACK
22 = 2-DOOR SPECIAL COUPE	35 = FWD VAN	45 = 4-DOOR STATION WAGON
24 = 2-DOOR HATCHBACK	36 = FWD WAGON	48 = 4-DOOR EXECUTIVE SEDAN
27 = 2-DOOR CONVERTIBLE	41 = 4-DOOR SEDAN	

AR = Use as Required - = Non Illustrated Part P.A.R. = Paint as Required

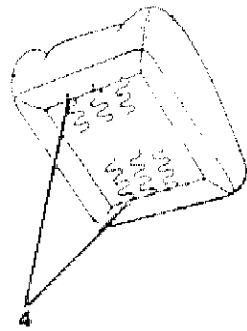
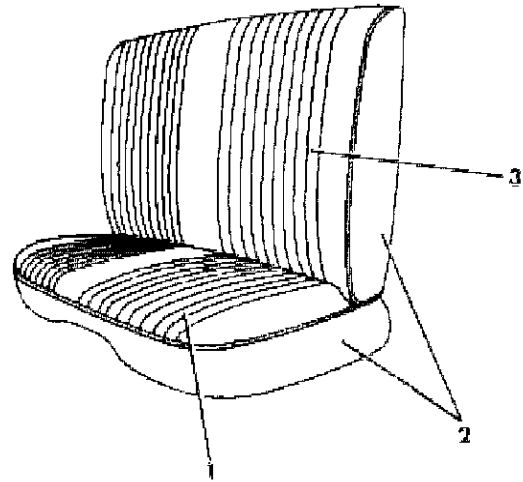
4234 5540



SEAT REAR P,D K BODY TRIM CODES C1,C2
Figure ITK-5500

ITEM	PART NUMBER	QTY	BODY	MODEL	DESCRIPTION
	C476 B4L	1			N N21,41 NC2LT YC476B4L
4	6008 076	AR			HOG RING N N N Y6008076

4234 5500



MODEL CODES

B = GRAN FURY	F = FIFTH AVENUE/NEWPORT	P = RELIANT
C = LEBARON/TOWN & COUNTRY/EXC SEDAN	G = DIPLOMAT	T = E CLASS/NEW YORKER
C24 = LASER	H = VOYAGER	V = 600
D = ARIES	K = MINI RAM/CARAVAN/ROYAL	V24 = DAYTONA
E = 600	M = HORIZON/TURISMO	Z = OMNI/CHARGER/RAMPAGE

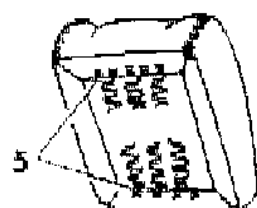
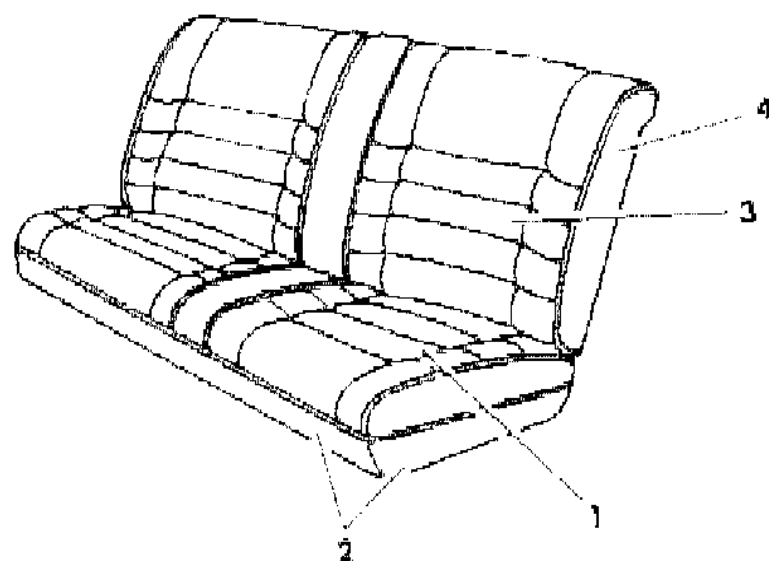
BODY STYLES

21 = 2-DOOR SEDAN	28 = FWD PICKUP	44 = 4-DOOR HATCHBACK
22 = 2-DOOR SPECIAL COUPE	35 = FWD VAN	45 = 4-DOOR STATION WAGON
24 = 2-DOOR HATCHBACK	36 = FWD WAGON	48 = 4-DOOR EXECUTIVE SEDAN
27 = 2-DOOR CONVERTIBLE	41 = 4-DOOR SEDAN	

AR = Use as Required - = Non Illustrated Part P.A.R. = Paint as Required

SEAT REAR V K BODY TRIM CODE E5
Figure ITK-5600

4214 5F(X)



ITEM	PART NUMBER	QTY	BODY	MODEL	DESCRIPTION
1-2					CUSHION, w/Spring/Frame, Pad and Cover N N N N
	A827 C5C	1			N N NE5C YA827C5C
	A827 C5L	1			N N NE5L YA827C5L
	A827 C5M	1			N N NE5M YA827C5M
	A827 C5A	1			N N NE5S YA827C5A
1					COVER, Cushion N N N N
	A473 C5C	1			N N NE5C YA473C5C
	A473 C5L	1			N N NE5L YA473C5L
	A473 C5M	1			N N NE5M YA473C5M
	A473 C5A	1			N N NE5S YA473C5A
2					ROLL STOCK, Vinyl 54" Wide Order by the Inch N N N N
	R616 VM6	AR			Red N N N YR616VM6
	R616 VC8	AR			Blue N N N YR616VC8
	R609 BT8	AR			Brown N N N YR609BT8
	R609 CS8	AR			Charcoal N N N YR609CS8
3-4					BACK, w/Spring/Frame, Pad and Cover N N N N
	A828 C5C	1			N N NE5C YA828C5C
	A828 C5L	1			N N NE5L YA828C5L
	A828 C5M	1			N N NE5M YA828C5M
	A828 C5A	1			N N NE5S YA828C5A
3					COVER, Back N N N N
	A474 C5C	1			N N NE5C YA474C5C
	A474 C5L	1			N N NE5L YA474C5L
	A474 C5M	1			N N NE5M YA474C5M
	A474 C5A	1			N N NE5S YA474C5A
4					ROLL STOCK, Cloth 54" Wide Order by the Inch N N N N
	R088 BT8	AR			Brown N N N YR088BT8
	R092 VM6	AR			Red N N N YR092VM6
	R092 CS8	AR			Charcoal N N N YR092CS8
	R092 VC7	AR			Blue N N N YR092VC7
5	6008 076	AR			HOG RING N N N Y6008076

MODEL CODES

B = GRAN FURY	F = FIFTH AVENUE/NEWPORT	P = RELIANT
C = LEBARON/TOWN & COUNTRY/EXC SEDAN	G = DIPLOMAT	T = E CLASS/NEW YORKER
C24 = LASER	H = VOYAGER	V = 600
D = ARIES	K = MINI RAM/CARAVAN/ROYAL	V24 = DAYTONA
E = 600	M = HORIZON/TURISMO	Z = OMNI/CHARGER/RAMPAGE

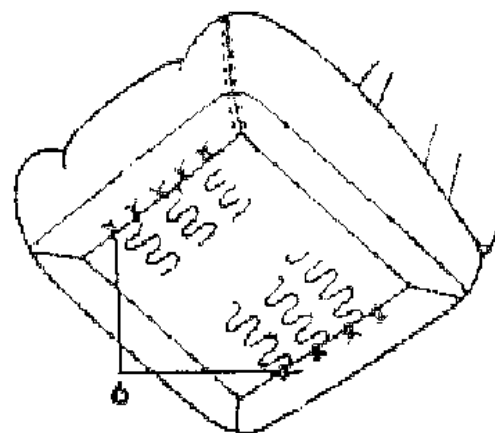
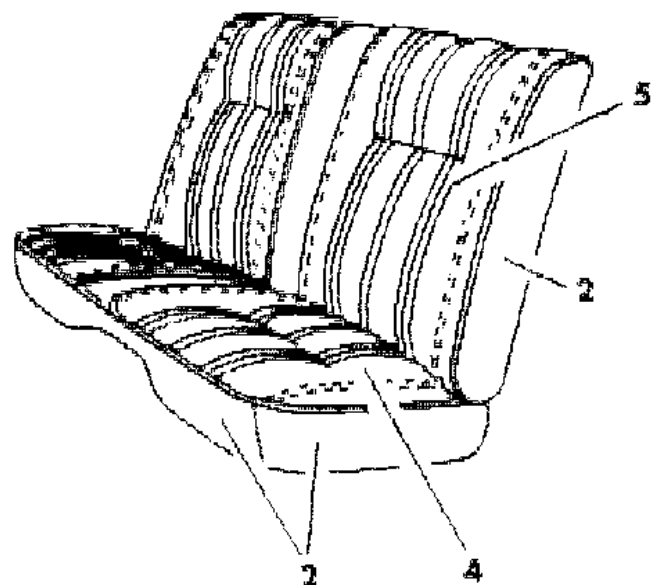
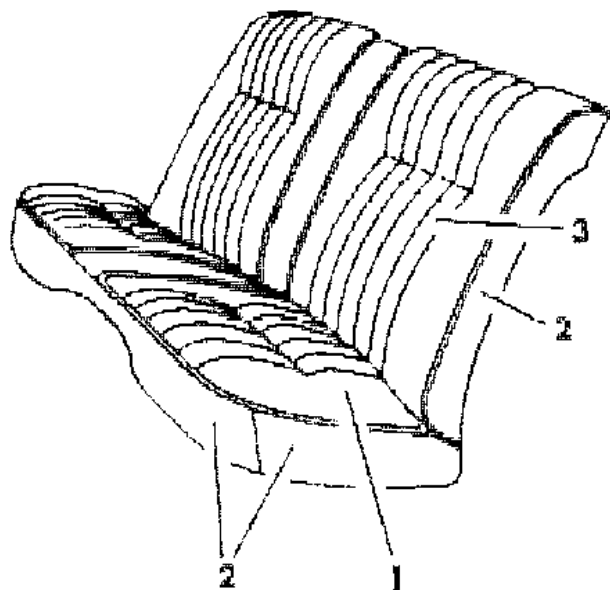
BODY STYLES

21 = 2-DOOR SEDAN	28 = FWD PICKUP	44 = 4-DOOR HATCHBACK
22 = 2-DOOR SPECIAL COUPE	35 = FWD VAN	45 = 4-DOOR STATION WAGON
24 = 2-DOOR HATCHBACK	36 = FWD WAGON	48 = 4-DOOR EXECUTIVE SEDAN
27 = 2-DOOR CONVERTIBLE	41 = 4-DOOR SEDAN	

AR = Use as Required - = Non Illustrated Part P.A.R. = Paint as Required

SEAT REAR C,V K BODY TRIM CODES J3,J5,V8
Figure ITK-5700

4234 5700



ITEM	PART NUMBER	QTY	BODY	MODEL	DESCRIPTION
1-2					CUSHION, w/Spring/Frame, Pad and Cover N N N N
	C694 C5S	1			N N NJ3S,J5S YC694C5S
	C694 A5C	1			N N NJ3C,J5C YC694A5C
	C694 A5M	1			N N NJ3M,J5M YC694A5M
	C694 B5L	1			N N NJ3L,J5L YC694B5L
	C694 B5T	1			N N NJ3T,J5T YC694B5T
1					COVER, Cushion N N N N
	C346 C5S	1			N N NJ3S,J5S YC346C5S
	C346 A5C	1			N N NJ3C,J5C YC346A5C
	C346 A5M	1			N N NJ3M,J5M YC346A5M
	C346 B5L	1			N N NJ3L,J5L YC346B5L
	C346 B5T	1			N N NJ3T,J5T YC346B5T
2					ROLL STOCK, Vinyl Order by the Inch N N N N
	R609 CS8	AR			Charcoal 58" Wide N N N YR609CS8
	R616 VC8	AR			Blue,64" Wide N N N YR616VC8
	R616 VM6	AR			Red, 64" Wide N N N YR616VM6
	R616 BL3	AR			Tan, 64" Wide N N N YR616BL3
	R609 BT8	AR			Browm, 58" Wide N N N YR609BT8
2-3					BACK, w/Spring/Frame, Pad and Cover N N N N
	B902 C5S	1			N N NJ3S,J5S YB902C5S
	B902 A5C	1			N N NJ3C,J5C YB902A5C
	B902 A5M	1			N N NJ3M,J5M YB902A5M
	B902 B5L	1			N N NJ3L,J5L YB902B5L
	B902 B5T	1			N N NJ3T,J5T YB902B5T
	C698 B5M	1			NC N45 NJ3M,J5M YC698B5M
	C698 B5L	1			NC N45 NJ3L,J5L YC698B5L
	C698 B5T	1			NC N45 NJ3T,J5T YC698B5T
3					COVER, Back N N N N
	C464 C5S	1			N N NJ3S,J5S YC464C5S
	C464 A5C	1			N N NJ3C,J5C YC464A5C
	C464 A5M	1			N N NJ3M,J5M YC464A5M
	C464 B5L	1			N N NJ3L,J5L YC464B5L
	C464 B5T	1			N N NJ3T,J5T YC464B5T
	C406 B5M	1			NC N45 NJ3M,J5M YC406B5M
	C406 B5L	1			NC N45 NJ3L,J5L YC406B5L
	C406 C5T	1			NC N45 NJ3T,J5T YC406C5T
4&2					CUSHION, w/Spring/Frame, Pad and Cover N N N N
	B905 A8M	1			N N45 NV8M YB905A8M

MODEL CODES

B = GRAN FURY	F = FIFTH AVENUE/NEWPORT	P = RELIANT
C = LEBARON/TOWN & COUNTRY/EXC SEDAN	G = DIPLOMAT	T = E CLASS/NEW YORKER
C24 = LASER	H = VOYAGER	V = 600
D = ARIES	K = MINI RAM/CARAVAN/ROYAL	V24 = DAYTONA
E = 600	M = HORIZON/TURISMO	Z = OMNI/CHARGER/RAMPAGE

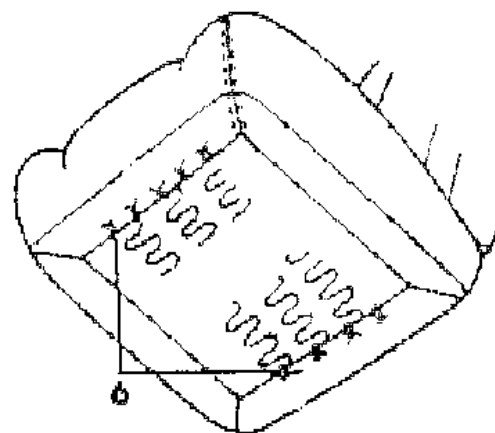
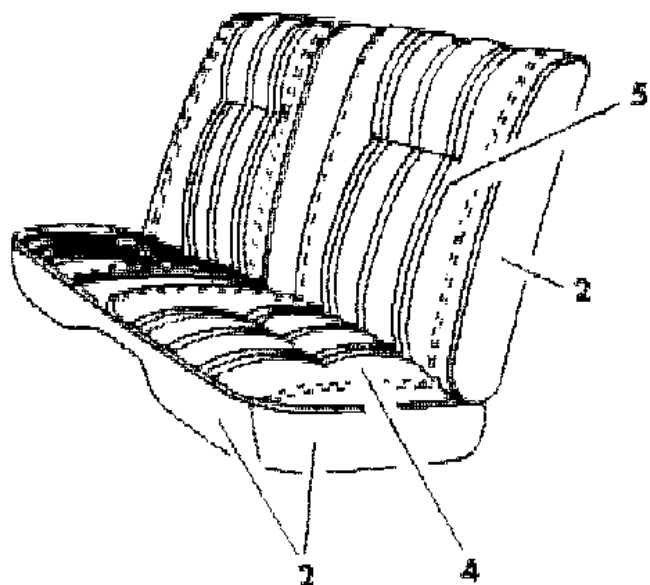
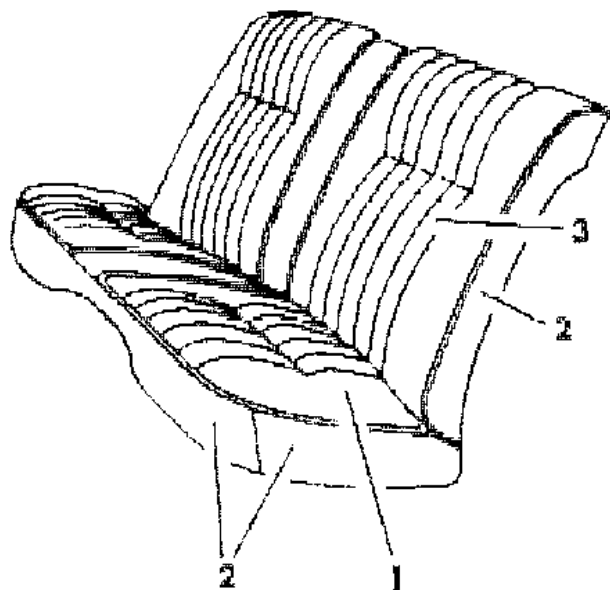
BODY STYLES

21 = 2-DOOR SEDAN	28 = FWD PICKUP	44 = 4-DOOR HATCHBACK
22 = 2-DOOR SPECIAL COUPE	35 = FWD VAN	45 = 4-DOOR STATION WAGON
24 = 2-DOOR HATCHBACK	36 = FWD WAGON	48 = 4-DOOR EXECUTIVE SEDAN
27 = 2-DOOR CONVERTIBLE	41 = 4-DOOR SEDAN	

AR = Use as Required - = Non Illustrated Part P.A.R. = Paint as Required

SEAT REAR C,V K BODY TRIM CODES J3,J5,V8
Figure ITK-5700

4234 5700



ITEM	PART NUMBER	QTY	BODY	MODEL	DESCRIPTION
	B905 B8L	1			N N45 NV8L YB905B8L
4	C468 A8M	1			COVER, Cushion N N N N
	C468 B8L	1			N N45 NV8M YC468A8M
					N N45 NV8L YC468B8L
5&2					BACK, w/Spring/Frame, Pad and Cover N N N N
	C766 A8M	1			N N45 NV8M YC766A8M
	C766 B8L	1			N N45 NV8L YC766B8L
5					COVER, Back N N N N
	C383 A8M	1			N N45 NV8M YC383A8M
	C383 B8L	1			N N45 NV8L YC383B8L
6	6008 076	AR			HOG RING N N N Y6008076

MODEL CODES

B = GRAN FURY	F = FIFTH AVENUE/NEWPORT	P = RELIANT
C = LEBARON/TOWN & COUNTRY/EXC SEDAN	G = DIPLOMAT	T = E CLASS/NEW YORKER
C24 = LASER	H = VOYAGER	V = 600
D = ARIES	K = MINI RAM/CARAVAN/ROYAL	V24 = DAYTONA
E = 600	M = HORIZON/TURISMO	Z = OMNI/CHARGER/RAMPAGE

BODY STYLES

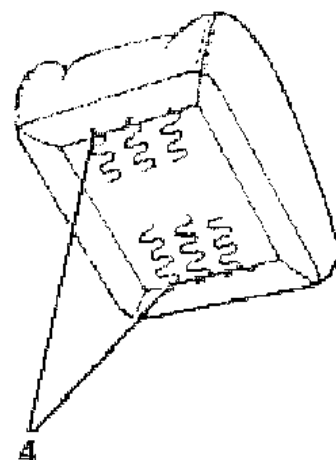
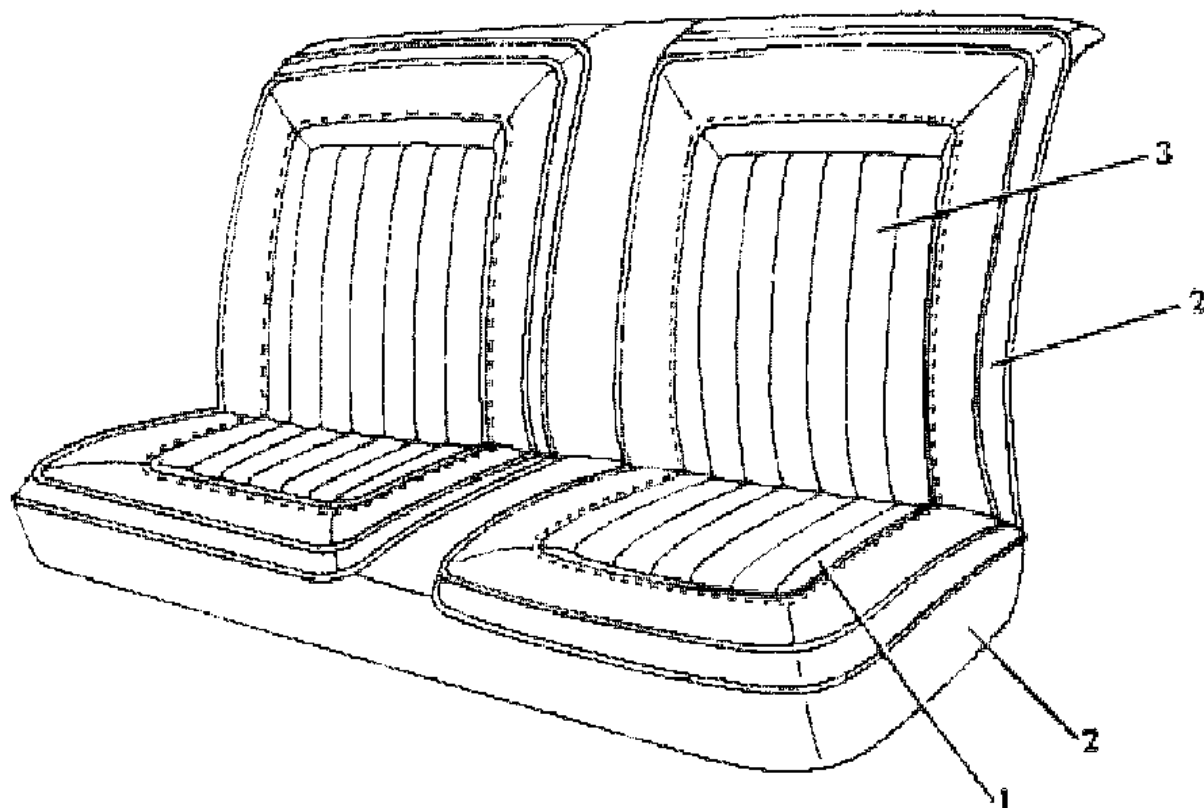
21 = 2-DOOR SEDAN	28 = FWD PICKUP	44 = 4-DOOR HATCHBACK
22 = 2-DOOR SPECIAL COUPE	35 = FWD VAN	45 = 4-DOOR STATION WAGON
24 = 2-DOOR HATCHBACK	36 = FWD WAGON	48 = 4-DOOR EXECUTIVE SEDAN
27 = 2-DOOR CONVERTIBLE	41 = 4-DOOR SEDAN	

AR = Use as Required - = Non Illustrated Part P.A.R. = Paint as Required

SEAT REAR C K BODY TRIM CODE SP
Figure ITK-5800

4234 5800

ITEM	PART NUMBER	QTY	BODY	MODEL	DESCRIPTION
1-2					CUSHION, w/Spring/Frame, Pad and Cover N N N N
	A748 CPA	1			N N22,41 NSPSA YA748CPA
	A748 CPK	1			N N22,41 NSPTK YA748CPK
	A750 CPK	1			N N45 NSPTK YA750CPK
1					COVER, Cushion N N N N
	A442 CPA	1			N N22,41 NSPSA YA442CPA
	A442 CPK	1			N N22,41 NSPTK YA442CPK
	A444 CPK	1			N N45 NSPTK YA444CPK
2					ROLL STOCK, Vinyl Order by the Inch N N N N
	R609 CS8	AR			Charcoal 58" Wide N N N YR609CS8
	R609 BT8	AR			Brown, 58" Wide N N N YR609BT8
2-3					BACK, w/Spring/Frame, Pad and Cover N N N N
	A749 CPA	1			N N22,41 NSPSA YA749CPA
	A749 CPK	1			N N22,41 NSPTK YA749CPK
	A751 CPK	1			N N45 NSPTK YA751CPK
3					COVER, Back N N N N
	A443 CPA	1			N N22,41 NSPSA YA443CPA
	A443 CPK	1			N N22,41 NSPTK YA443CPK
	A445 CPK	1			N N45 NSPTK YA445CPK
4	6008 076	AR			HOG RING N N N Y6008076



MODEL CODES

B = GRAN FURY	F = FIFTH AVENUE/NEWPORT	P = RELIANT
C = LEBARON/TOWN & COUNTRY/EXC SEDAN	G = DIPLOMAT	T = E CLASS/NEW YORKER
C24 = LASER	H = VOYAGER	V = 600
D = ARIES	K = MINI RAM/CARAVAN/ROYAL	V24 = DAYTONA
E = 600	M = HORIZON/TURISMO	Z = OMNI/CHARGER/RAMPAGE

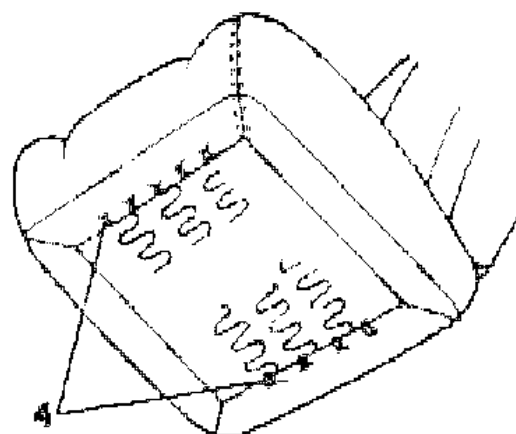
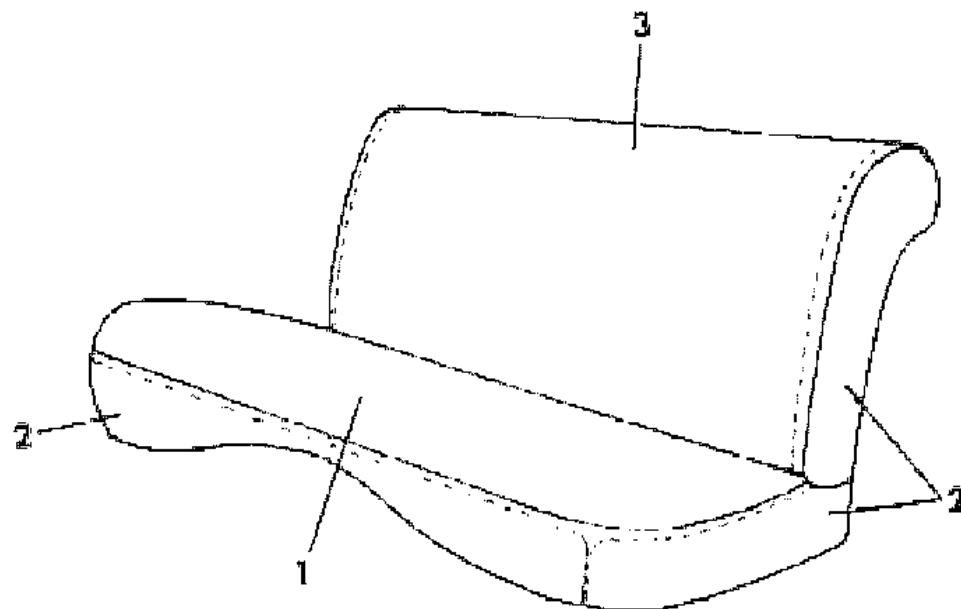
BODY STYLES

21 = 2-DOOR SEDAN	28 = FWD PICKUP	44 = 4-DOOR HATCHBACK
22 = 2-DOOR SPECIAL COUPE	35 = FWD VAN	45 = 4-DOOR STATION WAGON
24 = 2-DOOR HATCHBACK	36 = FWD WAGON	48 = 4-DOOR EXECUTIVE SEDAN
27 = 2-DOOR CONVERTIBLE	41 = 4-DOOR SEDAN	

AR = Use as Required - = Non Illustrated Part P.A.R. = Paint as Required

SEAT REAR P,D K BODY TRIM CODES K2,K8
Figure ITK-5900

4214 5900



ITEM	PART NUMBER	QTY	BODY	MODEL	DESCRIPTION
1-2					CUSHION, w/Spring/Frame, Pad and Cover N N N N
	C756 B2C	1			N N NK2BC,K8BC YC756B2C
	C756 B2T	1			N N NK2LT,K8LT YC756B2T
1					COVER, Cushion N N N N
	C507 B2C	1			N N NK2BC,K8BC YC507B2C
	C507 B2T	1			N N NK2LT,K8LT YC507B2T
2					ROLL STOCK, Vinyl Order by the Inch N N N N
	R616 VC8	AR			64" Wide N N NK2BC,K8BC YR616VC8
	R609 BT8	AR			58" Wide N N NK2LT,K8LT YR609BT8
2-3					BACK, w/Spring/Frame, Pad and Cover N N N N
	C821 B2C	1			N N NK2BC,K8BC YC821B2C
	C821 B2T	1			N N NK2LT,K8LT YC821B2T
3					COVER, Back N N N N
	C399 B2C	1			N N NK2BC,K8BC YC399B2C
	C399 B2T	1			N N NK2LT,K8LT YC399B2T
4	6008 076	AR			HOG RING N N N Y6008076

MODEL CODES

B = GRAN FURY	F = FIFTH AVENUE/NEWPORT	P = RELIANT
C = LEBARON/TOWN & COUNTRY/EXC SEDAN	G = DIPLOMAT	T = E CLASS/NEW YORKER
C24 = LASER	H = VOYAGER	V = 600
D = ARIES	K = MINI RAM/CARAVAN/ROYAL	V24 = DAYTONA
E = 600	M = HORIZON/TURISMO	Z = OMNI/CHARGER/RAMPAGE

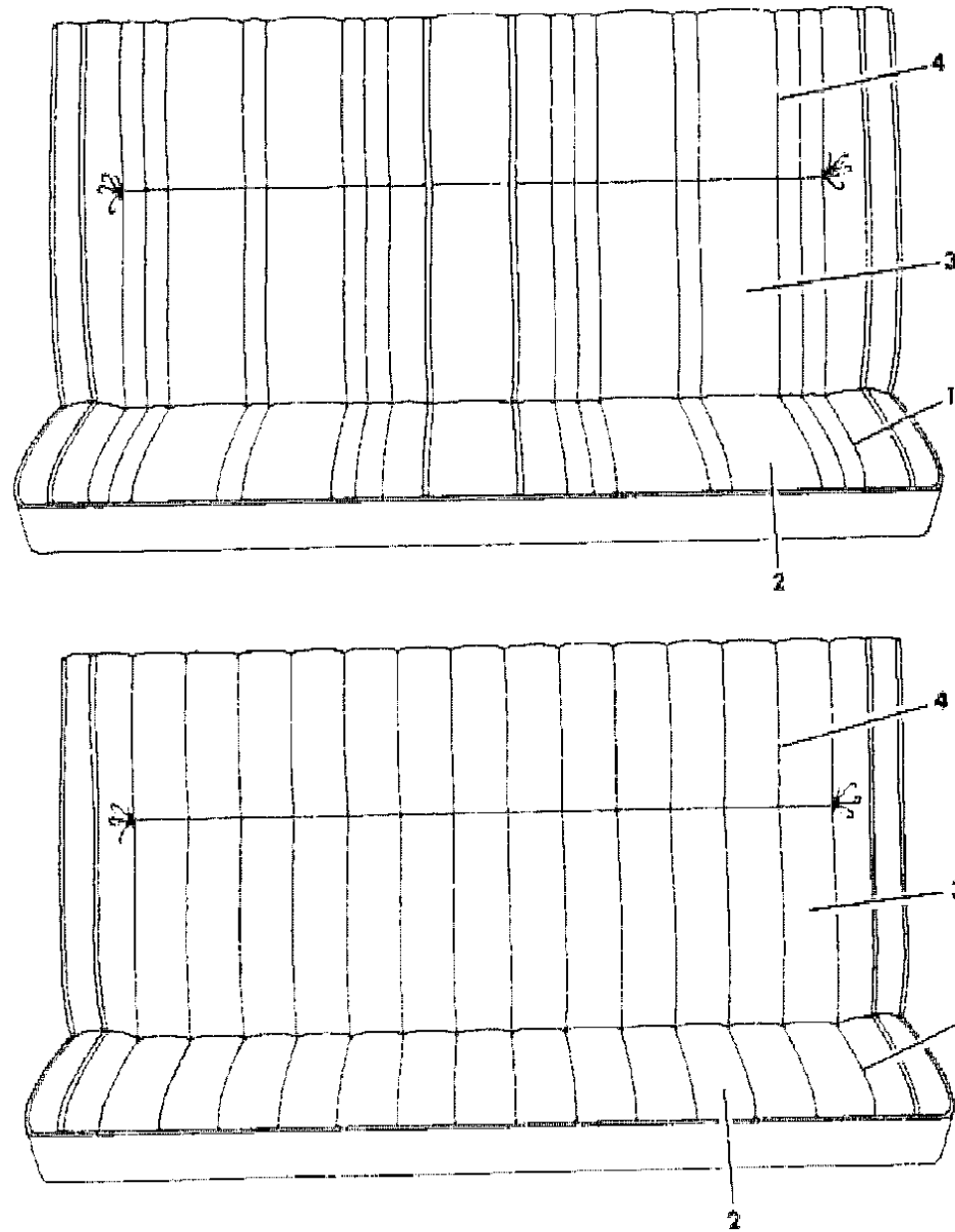
BODY STYLES

21 = 2-DOOR SEDAN	28 = FWD PICKUP	44 = 4-DOOR HATCHBACK
22 = 2-DOOR SPECIAL COUPE	35 = FWD VAN	45 = 4-DOOR STATION WAGON
24 = 2-DOOR HATCHBACK	36 = FWD WAGON	48 = 4-DOOR EXECUTIVE SEDAN
27 = 2-DOOR CONVERTIBLE	41 = 4-DOOR SEDAN	

AR = Use as Required - = Non Illustrated Part P.A.R. = Paint as Required

SEAT REAR C,V K BODY 27 TRIM CODES GL,RL
Figure ITK-6000

4214 6000



ITEM	PART NUMBER	QTY	BODY	MODEL	DESCRIPTION
1-2					CUSHION, w/Spring/Frame, Pad and Cover N N N N
	B591 CK5	1			N N NRLTK,GLTK YB591CK5
	B591 CA2	1			N N NRLSA,GLSA YB591CA2
	B593 CM6	1			N N NV8M YB593CM6
	B593 CL3	1			N N NV8L YB593CL3
	B593 CW1	1			N N NV8MW YB593CW1
2					COVER, Cushion N N N N
	C679 CK5	1			N N NRLTK,GLTK YC679CK5
	C679 CA2	1			N N NRLSA,GLSA YC679CA2
	C677 CL3	1			N N NV8L YC677CL3
	C677 CM6	1			N N NV8M YC677CM6
	C677 CW1	1			N N NV8MW YC677CW1
3-4					BACK, w/Spring/Frame, Pad and Cover N N N N
	B590 CK5	1			N N NRLTK,GLTK YB590CK5
	B590 CA2	1			N N NRLSA,GLSA YB590CA2
	B592 CM6	1			N N NV8M YB592CM6
	B592 CL3	1			N N NV8L YB592CL3
	B592 CW1	1			N N NV8MW YB592CW1
4					COVER, Back N N N N
	C678 CK5	1			N N NRLTK,GLTK YC678CK5
	C678 CA2	1			N N NRLSA,GLSA YC678CA2
	C676 CL3	1			N N NV8L YC676CL3
	C676 CM6	1			N N NV8M YC676CM6
	C676 CW1	1			N N NV8MW YC676CW1

MODEL CODES

B = GRAN FURY	F = FIFTH AVENUE/NEWPORT	P = RELIANT
C = LEBARON/TOWN & COUNTRY/EXC SEDAN	G = DIPLOMAT	T = E CLASS/NEW YORKER
C24 = LASER	H = VOYAGER	V = 600
D = ARIES	K = MINI RAM/CARAVAN/ROYAL	V24 = DAYTONA
E = 600	M = HORIZON/TURISMO	Z = OMNI/CHARGER/RAMPAGE

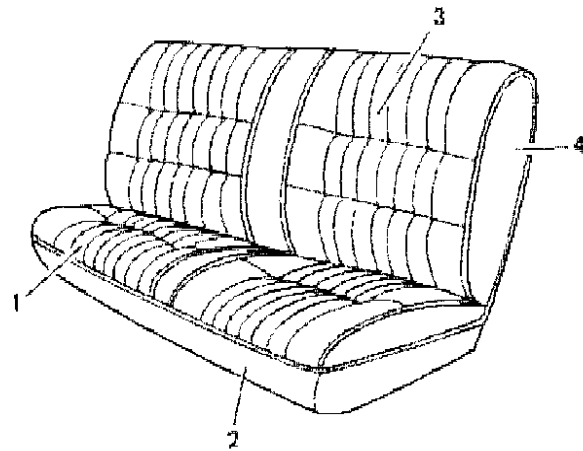
BODY STYLES

21 = 2-DOOR SEDAN	28 = FWD PICKUP	44 = 4-DOOR HATCHBACK
22 = 2-DOOR SPECIAL COUPE	35 = FWD VAN	45 = 4-DOOR STATION WAGON
24 = 2-DOOR HATCHBACK	36 = FWD WAGON	48 = 4-DOOR EXECUTIVE SEDAN
27 = 2-DOOR CONVERTIBLE	41 = 4-DOOR SEDAN	

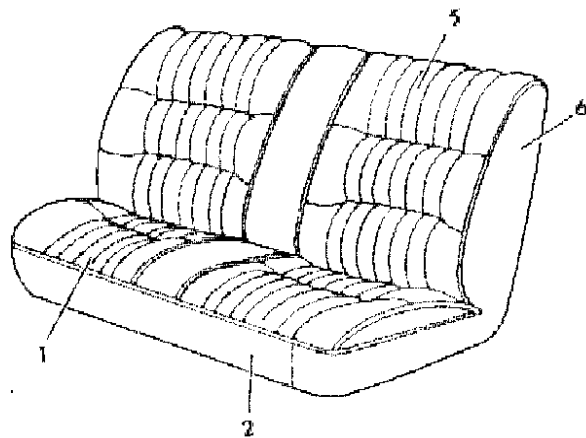
AR = Use as Required - = Non Illustrated Part P.A.R. = Paint as Required

SEAT REAR P,D K BODY TRIM CODES H3,H4,H7
Figure ITK-6100

4234 6100



MDL. 21,41



MDL. 45

ITEM	PART NUMBER	QTY	BODY	MODEL	DESCRIPTION
1-2					CUSHION, w/Spring/Frame, Pad and Cover N N N N
	B992 C7A	1			Cloth N N N N
	B992 C7B	1			N N NH3AS,H7AS YB992C7A
	B992 C7L	1			N N NH3BC,H7BC YB992C7B
	B992 C7M	1			N N NH3LT,H7LT YB992C7L
	B992 C7M	1			N N NH3M6,H7M6 YB992C7M
	C606 C4A	1			Vinyl N N N N
	C606 C4B	1			N N NH4AS YC606C4A
	C606 C4L	1			N N NH4BC YC606C4B
	C606 C4M	1			N N NH4LT YC606C4L
	C606 C4M	1			N N NH4M6 YC606C4M
1					COVER, Cushion N N N N
					Cloth N N N N
	C362 C7A	1			N N NH3AS,H7AS YC362C7A
	C362 C7B	1			N N NH3BC,H7BC YC362C7B
	C362 C7L	1			N N NH3LT,H7LT YC362C7L
	C362 C7M	1			N N NH3M6,H7M6 YC362C7M
					Vinyl N N N N
	C303 C4A	1			N N NH4AS YC303C4A
	C303 C4B	1			N N NH4BC YC303C4B
	C303 C4L	1			N N NH4LT YC303C4L
	C303 C4M	1			N N NH4M6 YC303C4M
2					ROLL STOCK, Vinyl Order by the Inch N N N N
	R616 VM6	AR			Red 64" Wide N N N YR616VM6
	R616 VC8	AR			Dark Blue 64" Wide N N N YR616VC8
	R609 BT8	AR			Brown 58" Wide N N N YR609BT8
	R609 CS8	AR			Charcoal 58" Wide N N N YR609CS8
3-4					BACK, w/Spring/Frame, Pad and Cover N N N N
					Cloth N N N N
	B994 C7A	1			N N21,41 NH3AS,H7AS YB994C7A
	B994 C7B	1			N N21,41 NH3BC,H7BC YB994C7B
	B994 C7L	1			N N21,41 NH3LT,H7AS YB994C7L
	B994 C7M	1			N N21,41 NH3M6,H7M6 YB994C7M
					Vinyl N N N N
	C607 C4A	1			N N21,41 NH4AS YC607C4A
	C607 C4B	1			N N21,41 NH4BC YC607C4B
	C607 C4L	1			N N21,41 NH4LT YC607C4L
	C607 C4M	1			N N21,41 NH4M6 YC607C4M

MODEL CODES

B = GRAN FURY	F = FIFTH AVENUE/NEWPORT	P = RELIANT
C = LEBARON/TOWN & COUNTRY/EXC SEDAN	G = DIPLOMAT	T = E CLASS/NEW YORKER
C24 = LASER	H = VOYAGER	V = 600
D = ARIES	K = MINI RAM/CARAVAN/ROYAL	V24 = DAYTONA
E = 600	M = HORIZON/TURISMO	Z = OMNI/CHARGER/RAMPAGE

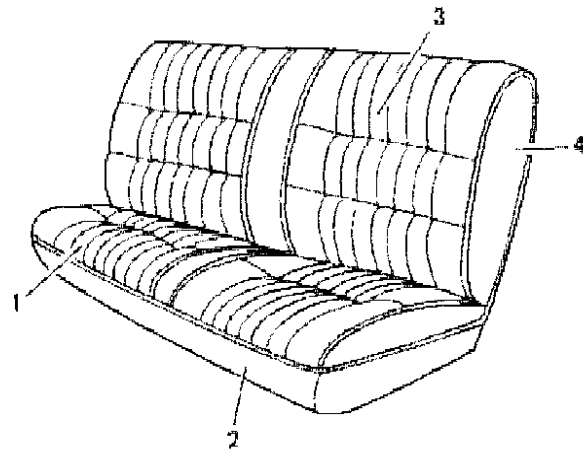
BODY STYLES

21 = 2-DOOR SEDAN	28 = FWD PICKUP	44 = 4-DOOR HATCHBACK
22 = 2-DOOR SPECIAL COUPE	35 = FWD VAN	45 = 4-DOOR STATION WAGON
24 = 2-DOOR HATCHBACK	36 = FWD WAGON	48 = 4-DOOR EXECUTIVE SEDAN
27 = 2-DOOR CONVERTIBLE	41 = 4-DOOR SEDAN	

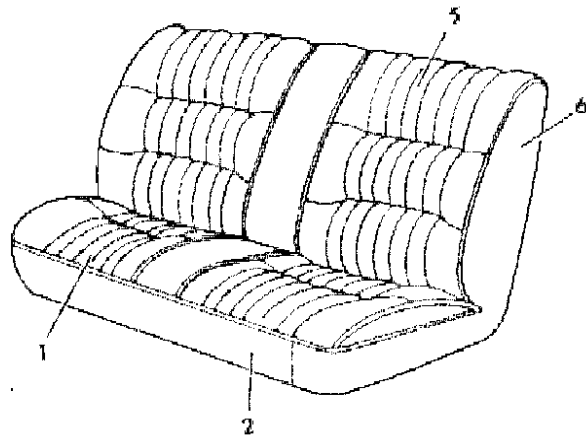
AR = Use as Required - = Non Illustrated Part P.A.R. = Paint as Required

SEAT REAR P,D K BODY TRIM CODES H3,H4,H7
Figure ITK-6100

4234 6100



MDL. 21,41



MDL. 45

ITEM	PART NUMBER	QTY	BODY	MODEL	DESCRIPTION
3					COVER, Back N N N N
					Cloth N N N N
	C363 C7A	1			N N21,41 NH3AS,H7AS YC363C7A
	C363 C7B	1			N N21,41 NH3BC,H7BC YC363C7B
	C363 C7L	1			N N21,41 NH3LT,H7LT YC363C7L
	C363 C7M	1			N N21,41 NH3M6,H7M6 YC363C7M
					Vinyl N N N N
	C304 C4A	1			N N21,41 NH4AS YC304C4A
	C304 C4B	1			N N21,41 NH4BC YC304C4B
	C304 C4L	1			N N21,41 NH4LT YC304C4L
	C304 C4M	1			N N21,41 NH4M6 YC304C4M
4					ROLL STOCK, Cloth 54" Wide Order by the Inch N N N N
	R088 BT8	AR			Brown N N21,41 N YR088BT8
	R092 CS8	AR			Charcoal N N21,41 N YR092CS8
	R092 VC7	AR			Blue N N21,41 N YR092VC7
	R092 VM6	AR			Red N N21,41 N YR092VM6
5-6					BACK, w/Spring/Frame, Pad and Cover N N N N
					Cloth N N N N
	B996 C7A	1			N N45 NH3AS,H7AS YB996C7A
	B996 C7L	1			N N45 NH3LT,H7LT YB996C7L
	B996 C7M	1			N N45 NH3M6,H7M6 YB996C7M
					Vinyl N N N N
	C612 C4A	1			N N45 NH4AS YC612C4A
	C612 C4L	1			N N45 NH4LT YC612C4L
	C612 C4M	1			N N45 NH4M6 YC612C4M
5					COVER, Back N N N N
					Cloth N N N N
	C364 C7A	1			N N45 NH3AS,H7AS YC364C7A
	C364 C7L	1			N N45 NH3LT,H7LT YC364C7L
	C364 C7M	1			N N45 NH3M6,H7M6 YC364C7M
					Vinyl N N N N
	C305 C4A	1			N N45 NH4AS YC305C4A
	C305 C4L	1			N N45 NH4LT YC305C4L
	C305 C4M	1			N N45 NH4M6 YC305C4M
6					ROLL STOCK, Carpet 54" Wide. order by the inch N N N N
	R118 VM6	AR			Red N N45 N YR118VM6
	R118 CS8	AR			Charcoal N N45 N YR118CS8
	R118 BT9	AR			Brown N N45 N YR118BT9

MODEL CODES

B = GRAN FURY	F = FIFTH AVENUE/NEWPORT	P = RELIANT
C = LEBARON/TOWN & COUNTRY/EXC SEDAN	G = DIPLOMAT	T = E CLASS/NEW YORKER
C24 = LASER	H = VOYAGER	V = 600
D = ARIES	K = MINI RAM/CARAVAN/ROYAL	V24 = DAYTONA
E = 600	M = HORIZON/TURISMO	Z = OMNI/CHARGER/RAMPAGE

BODY STYLES

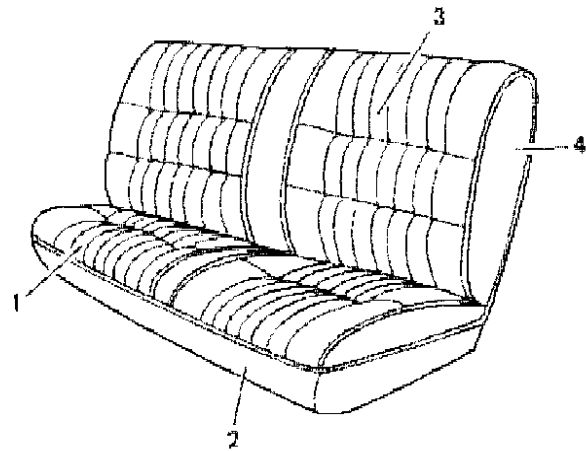
21 = 2-DOOR SEDAN	28 = FWD PICKUP	44 = 4-DOOR HATCHBACK
22 = 2-DOOR SPECIAL COUPE	35 = FWD VAN	45 = 4-DOOR STATION WAGON
24 = 2-DOOR HATCHBACK	36 = FWD WAGON	48 = 4-DOOR EXECUTIVE SEDAN
27 = 2-DOOR CONVERTIBLE	41 = 4-DOOR SEDAN	

AR = Use as Required - = Non Illustrated Part P.A.R. = Paint as Required

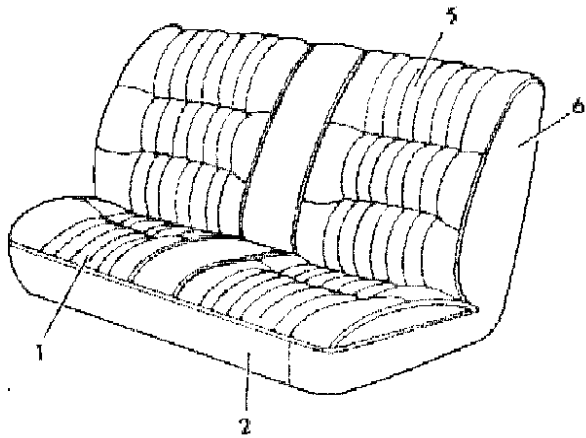
**SEAT REAR P,D K BODY TRIM CODES H3,H4,H7
Figure ITK-6100**

4234 6100

ITEM	PART NUMBER	QTY	BODY	MODEL	DESCRIPTION
	R118 BL3	AR			Beige N N45 N YR118BL3



MDL. 21,41



MDL. 45

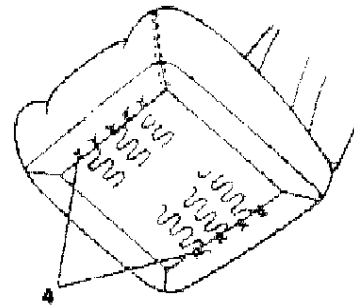
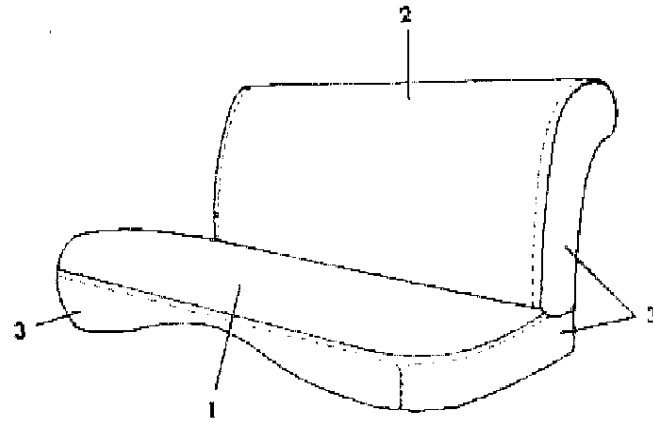
MODEL CODES
 B = GRAN FURY F = FIFTH AVENUE/NEWPORT P = RELIANT
 C = LEBARON/TOWN & COUNTRY/EXC SEDAN G = DIPLOMAT T = E CLASS/NEW YORKER
 C24 = LASER H = VOYAGER V = 600
 D = ARIES K = MINI RAM/CARAVAN/ROYAL V24 = DAYTONA
 E = 600 M = HORIZON/TURISMO Z = OMNI/CHARGER/RAMPAGE

BODY STYLES
 21 = 2-DOOR SEDAN 28 = FWD PICKUP 44 = 4-DOOR HATCHBACK
 22 = 2-DOOR SPECIAL COUPE 35 = FWD VAN 45 = 4-DOOR STATION WAGON
 24 = 2-DOOR HATCHBACK 36 = FWD WAGON 48 = 4-DOOR EXECUTIVE SEDAN
 27 = 2-DOOR CONVERTIBLE 41 = 4-DOOR SEDAN

AR = Use as Required - = Non Illustrated Part P.A.R. = Paint as Required

SEAT REAR P,D K BODY FLEET POLICE AND OTHERS
Figure ITK-6200

4234 6200



ITEM	PART NUMBER	QTY	BODY	MODEL	DESCRIPTION
------	-------------	-----	------	-------	-------------

NOTE: Special equipment code is in the trim column. s ARE NOT RETURNABLE.

1	4196 792	1			COVER, Cushion N N N N Medium And Dark Blue, Cloth N N NCACS,CBAN Y4196792
	4196 796	1			Beige And Brown Cloth N N NCACS,CBAN Y4196796
2	4196 793	1			COVER, Back N N N N Medium And Dark Blue, Cloth N N NCACS,CBAN Y4196793
	4196 797	1			Beige And Brown, Cloth N N NCACS,CBAN Y4196797
3	R616 VC8				ROLL STOCK, Vinyl 54" Wide Order By Inch N N N N Blue N N N YR616VC8
	R609 BT8				Brown N N N YR609BT8
4	6008 076	AR			HOG RING N N N Y6008076

MODEL CODES

B = GRAN FURY	F = FIFTH AVENUE/NEWPORT	P = RELIANT
C = LEBARON/TOWN & COUNTRY/EXC SEDAN	G = DIPLOMAT	T = E CLASS/NEW YORKER
C24 = LASER	H = VOYAGER	V = 600
D = ARIES	K = MINI RAM/CARAVAN/ROYAL	V24 = DAYTONA
E = 600	M = HORIZON/TURISMO	Z = OMNI/CHARGER/RAMPAGE

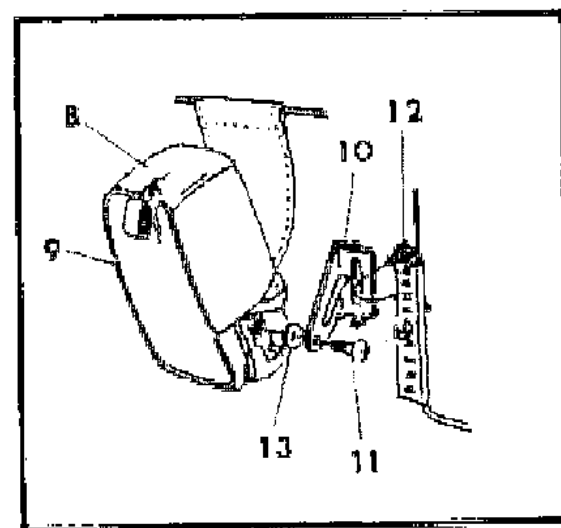
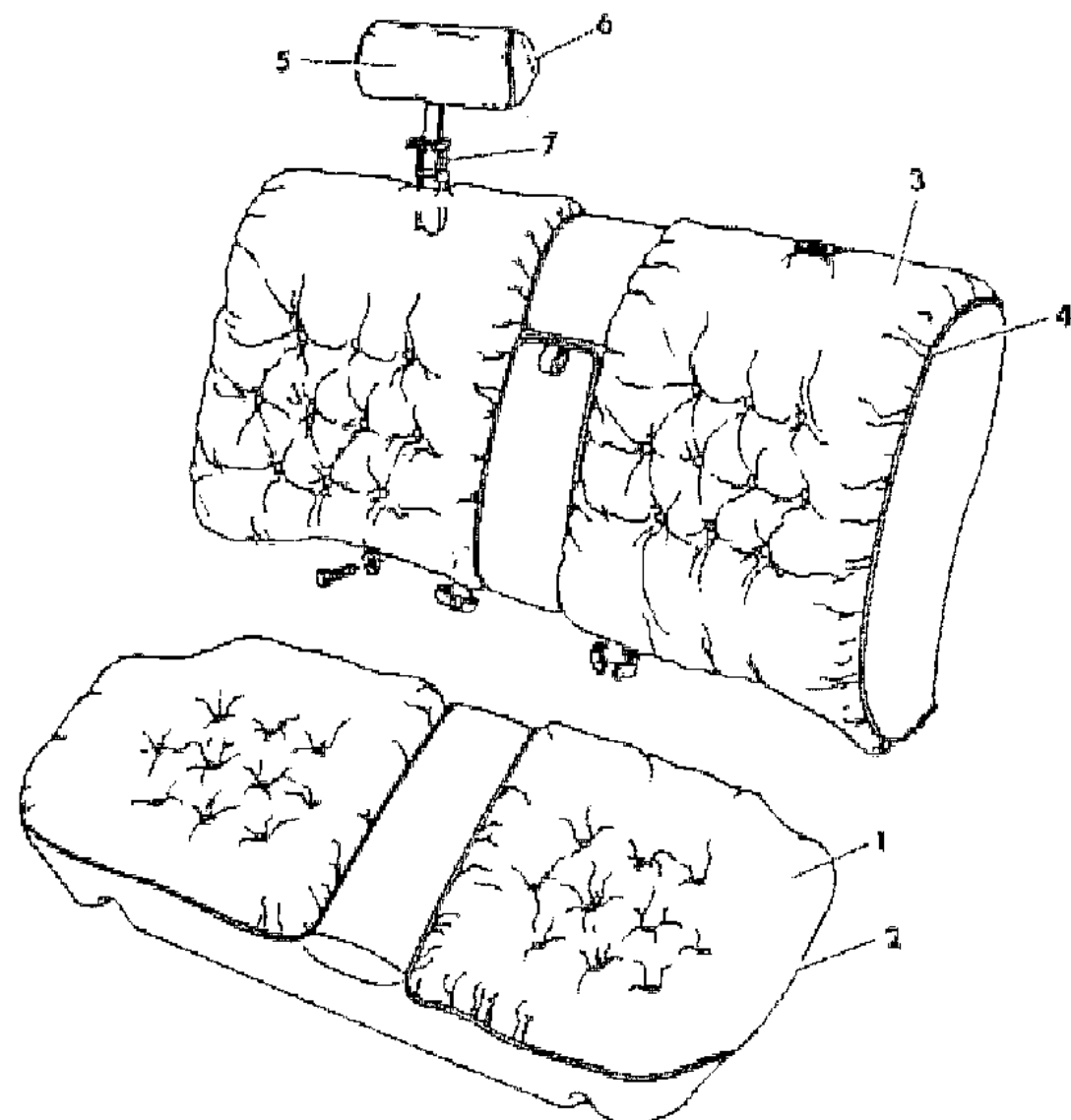
BODY STYLES

21 = 2-DOOR SEDAN	28 = FWD PICKUP	44 = 4-DOOR HATCHBACK
22 = 2-DOOR SPECIAL COUPE	35 = FWD VAN	45 = 4-DOOR STATION WAGON
24 = 2-DOOR HATCHBACK	36 = FWD WAGON	48 = 4-DOOR EXECUTIVE SEDAN
27 = 2-DOOR CONVERTIBLE	41 = 4-DOOR SEDAN	

AR = Use as Required - = Non Illustrated Part P.A.R. = Paint as Required

SEAT REAR SEDAN & LIMO
Figure ITK-6300

4304 6300



ITEM	PART NUMBER	QTY	BODY	MODEL	DESCRIPTION
1-2					CUSHION, w/Spring/Frame, Pad and Cover N N N N
	4342 165	1			Silver N N N Y4342165
	4342 166	1			Blue N N N Y4342166
	4342 167	1			Blue, Leather N N N Y4342167
2					COVER, Cushion N N N N
	4342 168				Silver N N N Y4342168
	4342 169				Blue N N N Y4342169
	4342 170				Blue, Leather N N N Y4342170
3-4					BACK, w/Spring/Frame, Pad and Cover N N N N
	4342 174	1			Silver N N N Y4342174
	4342 175	1			Blue N N N Y4342175
	4342 176	1			Blue, Leather N N N Y4342176
4					COVER, Rear Seat Back N N N N
	4342 171	1			Silver N N N Y4342171
	4342 172	1			Blue N N N Y4342172
	4342 173	1			Blue, Leather N N N Y4342173
5-6					HEADREST, Rear Seat N N N N
	4339 665	1			Silver N N N Y4339665
	4339 666	1			Blue N N N Y4339666
	4342 178	1			Blue, Leather N N N Y4342178
6					COVER, Headrest (serviced in Headrest) N N N N
7					SLEEVE, Headrest Rear N N N N
8-9					ARMREST, Rear Seat N N N N
	4339 762	1			Silver N N N Y4339762
	4339 763	1			Blue N N N Y4339763
	4342 105	1			Blue, Leather N N N Y4342105
9					COVER, Armrest N N N N
	4339 680	1			Silver N N N Y4339680
	4339 681	1			Blue N N N Y4339681
	4342 103	1			Blue, Leather N N N Y4342103
10	4339 782-3	1			HINGE, Center Armrest, Rear N N N Y4339782
11	0181 063	2			BOLT, Armrest To Hinge N N N Y181063
12	6026 584	AR			BOLT, Hinge To Frame N N N Y6026584
13					WASHER, Hinge To Armrest N N N N

MODEL CODES

B = GRAN FURY	F = FIFTH AVENUE/NEWPORT	P = RELIANT
C = LEBARON/TOWN & COUNTRY/EXC SEDAN	G = DIPLOMAT	T = E CLASS/NEW YORKER
C24 = LASER	H = VOYAGER	V = 600
D = ARIES	K = MINI RAM/CARAVAN/ROYAL	V24 = DAYTONA
E = 600	M = HORIZON/TURISMO	Z = OMNI/CHARGER/RAMPAGE

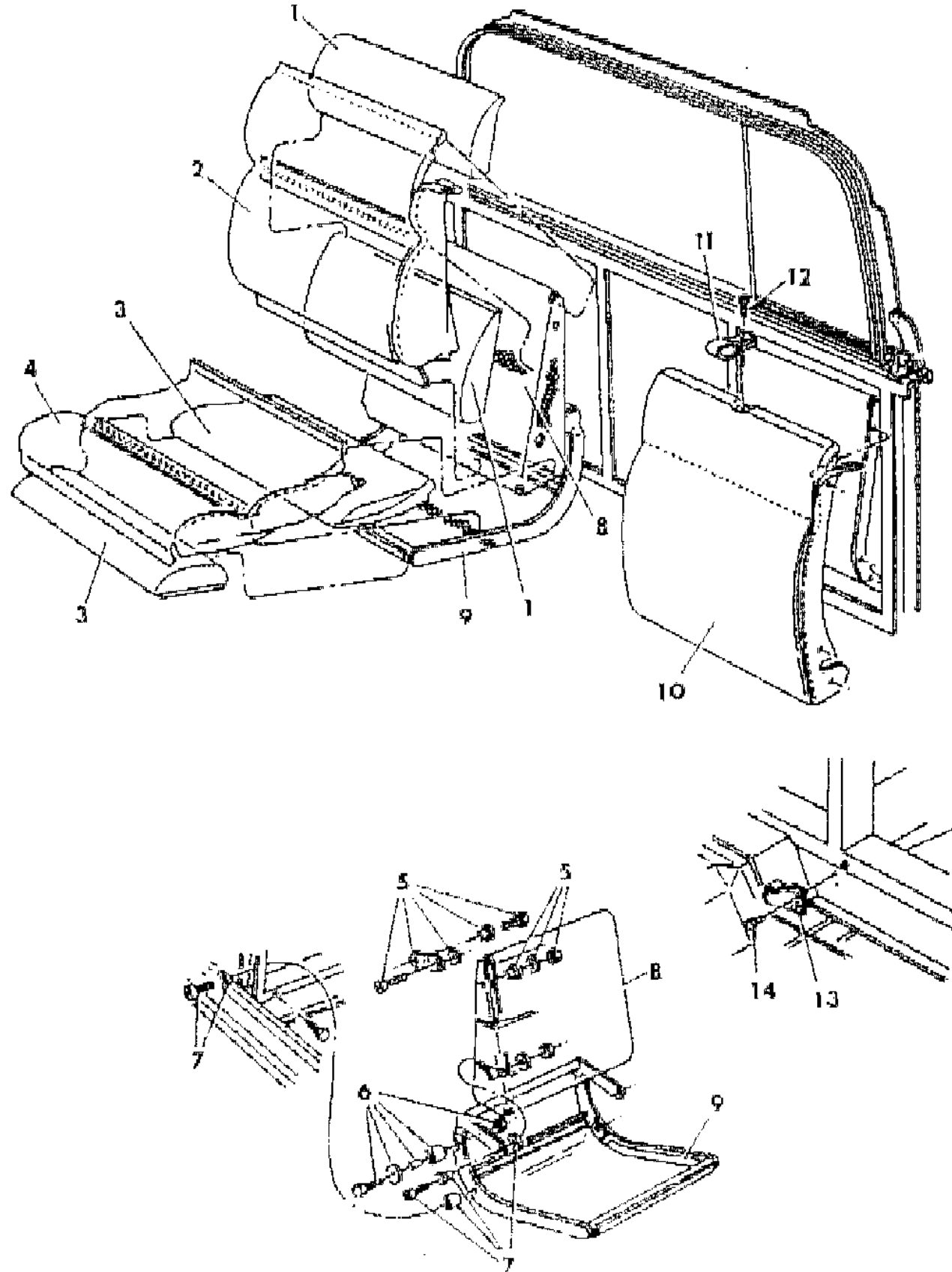
BODY STYLES

21 = 2-DOOR SEDAN	28 = FWD PICKUP	44 = 4-DOOR HATCHBACK
22 = 2-DOOR SPECIAL COUPE	35 = FWD VAN	45 = 4-DOOR STATION WAGON
24 = 2-DOOR HATCHBACK	36 = FWD WAGON	48 = 4-DOOR EXECUTIVE SEDAN
27 = 2-DOOR CONVERTIBLE	41 = 4-DOOR SEDAN	

AR = Use as Required - = Non Illustrated Part P.A.R. = Paint as Required

JUMP SEAT LIMO
Figure ITK-6400

4234 6400



ITEM	PART NUMBER	QTY	BODY	MODEL	DESCRIPTION
1-2					BACK, w/Cover and Pads N N N N
	4342 019	2			Silver N N N Y4342019
	4342 020	2			Blue N N N Y4342020
	4342 108	2			Blue, Leather N N N Y4342108
2					COVER, Seat Back N N N N
	4339 886	2			Silver N N N Y4339886
	4342 020	2			Blue N N N Y4342020
	4342 108	2			Blue, Leather N N N Y4342108
3-4					CUSHION, w/Cover and Pads N N N N
	4342 021	2			Silver N N N Y4342021
	4342 022	2			Blue N N N Y4342022
	4342 109	2			Blue, Leather N N N Y4342109
4					COVER, Cushion N N N N
	4342 021	2			Silver N N N Y4342021
	4339 889	2			Blue N N N Y4339889
	4342 109	2			Blue, Leather N N N Y4342109
5	4339 932	2			LINK PACKAGE, Upper Back N N N Y4339932
6	4339 926	2			BUMPER PACKAGE, Stop N N N Y4339926
7	4339 934	2			HARDWARE PACKAGE, Lower N N N Y4339934
8	4339 931	2			FRAME, Seat Back N N N Y4339931
9	4339 933	2			FRAME, Seat Cushion N N N Y4339933
10					PANEL, Cushion Bottom Cover N N N N
	4339 906	2			Silver N N N Y4339906
	4339 907	2			Blue N N N Y4339907
11					STRAP, Pull N N N N
	4364 246	2			Silver N N N Y4364246
	4364 247	2			Blue, Cloth N N N Y4364247
12					SCREW (not serviced) N N N N
13	4339 927	2			BRACKET, Jump Seat Stop N N N Y4339927
14					BOLT (not serviced) N N N N

MODEL CODES

B = GRAN FURY
 C = LEBARON/TOWN & COUNTRY/EXC SEDAN
 C24 = LASER
 D = ARIES
 E = 600
 F = FIFTH AVENUE/NEWPORT
 G = DIPLOMAT
 H = VOYAGER
 K = MINI RAM/CARAVAN/ROYAL
 M = HORIZON/TURISMO
 P = RELIANT
 T = E CLASS/NEW YORKER
 V = 600
 V24 = DAYTONA
 Z = OMNI/CHARGER/RAMPAGE

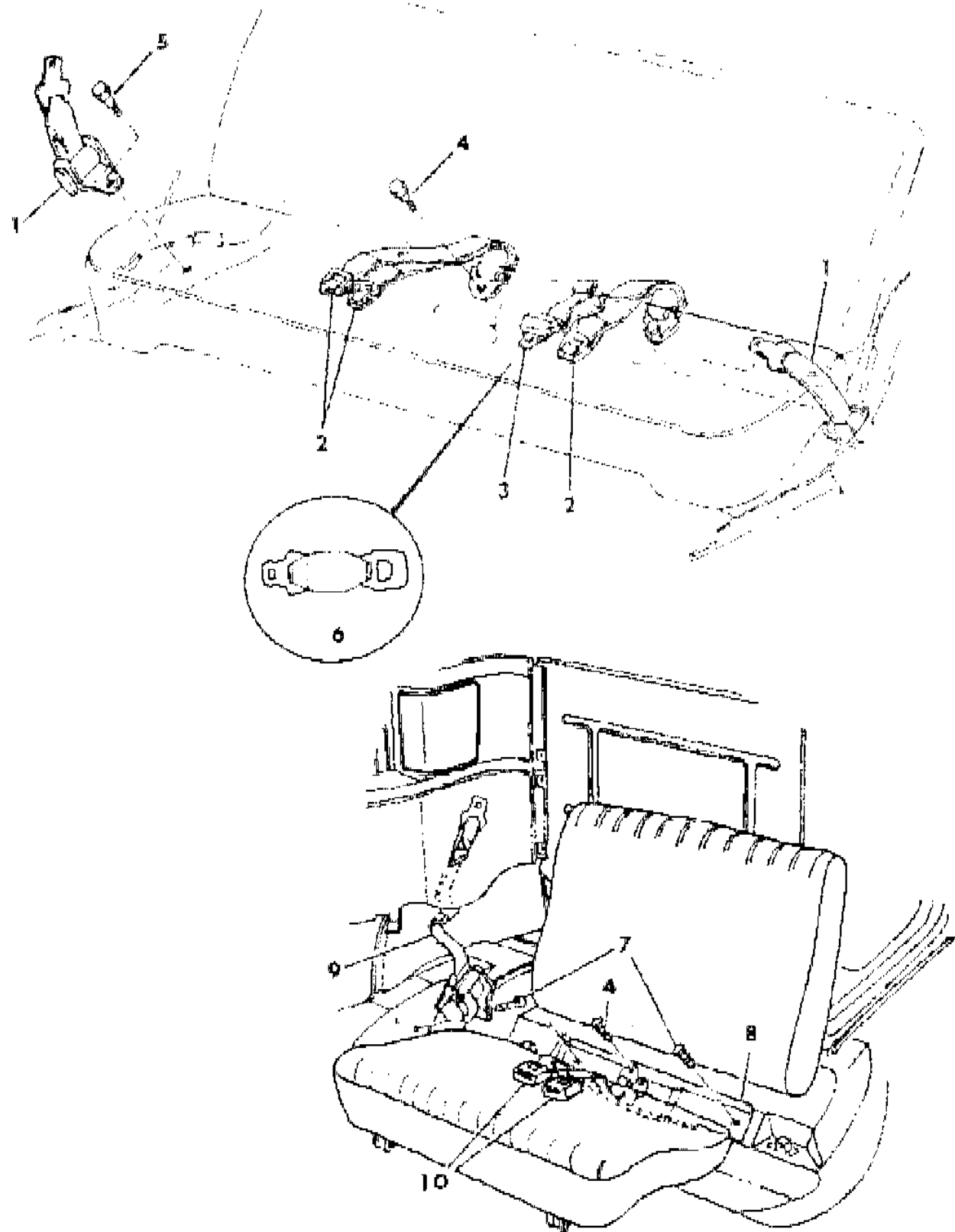
BODY STYLES

21 = 2-DOOR SEDAN
 22 = 2-DOOR SPECIAL COUPE
 24 = 2-DOOR HATCHBACK
 27 = 2-DOOR CONVERTIBLE
 28 = FWD PICKUP
 35 = FWD VAN
 36 = FWD WAGON
 41 = 4-DOOR SEDAN
 44 = 4-DOOR HATCHBACK
 45 = 4-DOOR STATION WAGON
 48 = 4-DOOR EXECUTIVE SEDAN

AR = Use as Required - = Non Illustrated Part P.A.R. = Paint as Required

BELT REAR SEAT LAP P,D,C,V K BODY 0
Figure ITK-6500

42,14 6500



ITEM	PART NUMBER	QTY	BODY	MODEL	DESCRIPTION
1					BELT, Rear Seat Lap Outboard Tip Half N N N N Label Number 4277885 or 4327194 N N N N
	F861 AA3	2			Silver N N N YF861AA3
	F861 BB5	2			Blue N N N YF861BB5
	F861 AC7	2			Blue, Dark N N N YF861AC7
	F861 AM6	2			Red N N N YF861AM6
	F861 BL3	2			Tan N N N YF861BL3
	F861 BT8	2			Brown N N N YF861BT8
	F861 CS8	2			Charcoal N N N YF861CS8
2					BELT, Rear Seat Lap Buckle Inner N N N N Label Number 4316754 N N N N
	F710 BA3	2			Silver N N N YF710BA3
	F710 BB5	2			Blue N N N YF710BB5
	F710 BC7	2			Blue, Dark N N N YF710BC7
	F710 BM6	2			Red N N N YF710BM6
	F710 BL3	2			Tan N N N YF710BL3
	F710 BT8	2			Brown N N N YF710BT8
	F710 CS8	2			Charcoal N N N YF710CS8
3					BELT, Rear Seat Lap Buckle and Tip, Left N N N N Label Number 4316747 N N N N
	F717 BA3	1			Silver N N N YF717BA3
	F717 BB5	1			Blue N N N YF717BB5
	F717 BC7	1			Blue, Dark N N N YF717BC7
	F717 BM6	1			Red N N N YF717BM6
	F717 BL3	1			Tan N N N YF717BL3
	F717 BT8	1			Brown N N N YF717BT8
	F717 CS8	1			Charcoal N N N YF717CS8
4	6031 298	2			BOLT N N N Y6031298
5	6031 484	2			BOLT N N N Y6031484
6	4364 849	1			EXTENSION, Rear Seat Belt N N N Y4364849
7	6031 218	4			BOLT N N27 N Y6031218
8	4314 478	1			REINFORCEMENT, w/Weldnuts N N27 N Y4314478
9					BELT, Rear Seat Outboard Tip Half w/Retractors N N N N Label Number 4277885 N N N N
	F861 AM6	2			Red N N27 N YF861AM6
	F861 BL3	2			Cashmere N N27 N YF861BL3
	F861 BT8	2			Brown N N27 N YF861BT8
	F861 CS8	2			Charcoal N N27 N YF861CS8

MODEL CODES

B = GRAN FURY	F = FIFTH AVENUE/NEWPORT	P = RELIANT
C = LEBARON/TOWN & COUNTRY/EXC SEDAN	G = DIPLOMAT	T = E CLASS/NEW YORKER
C24 = LASER	H = VOYAGER	V = 600
D = ARIES	K = MINI RAM/CARAVAN/ROYAL	V24 = DAYTONA
E = 600	M = HORIZON/TURISMO	Z = OMNI/CHARGER/RAMPAGE

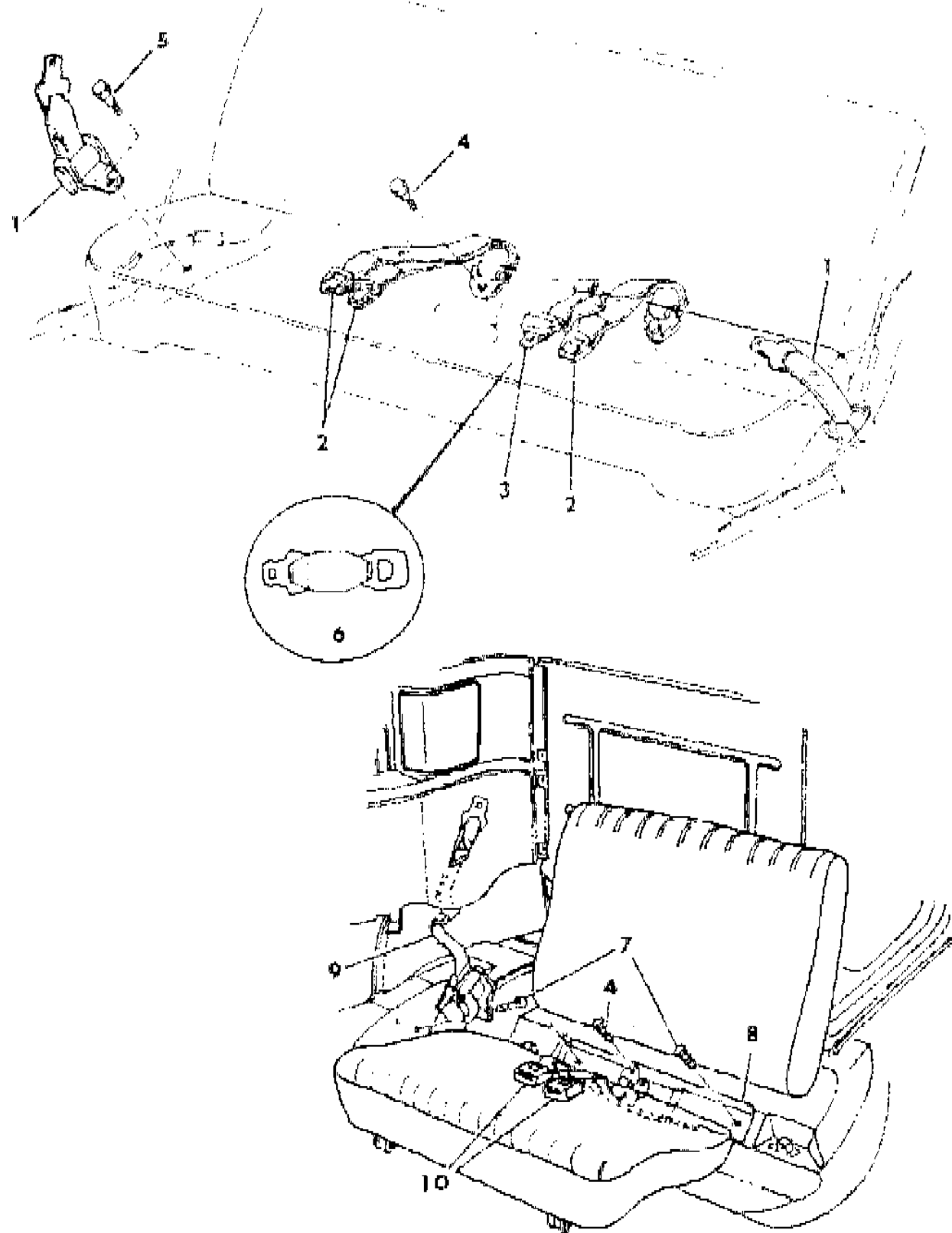
BODY STYLES

21 = 2-DOOR SEDAN	28 = FWD PICKUP	44 = 4-DOOR HATCHBACK
22 = 2-DOOR SPECIAL COUPE	35 = FWD VAN	45 = 4-DOOR STATION WAGON
24 = 2-DOOR HATCHBACK	36 = FWD WAGON	48 = 4-DOOR EXECUTIVE SEDAN
27 = 2-DOOR CONVERTIBLE	41 = 4-DOOR SEDAN	

AR = Use as Required - = Non Illustrated Part P.A.R. = Paint as Required

BELT REAR SEAT LAP P,D,C,V K BODY 0
Figure ITK-6500

4214 6500



ITEM	PART NUMBER	QTY	BODY	MODEL	DESCRIPTION
10					BELT, Buckle Half, Inner N N N N
	F713 BL3	1			Label Number 4316757 N N N N
	F713 BM6	1			Cashmere N N27 N YF713BL3
	F713 BT8	1			Red N N27 N YF713BM6
	F713 CS8	1			Brown N N27 N YF713BT8
					Charcoal N N27 N YF713CS8

MODEL CODES

B = GRAN FURY	F = FIFTH AVENUE/NEWPORT	P = RELIANT
C = LEBARON/TOWN & COUNTRY/EXC SEDAN	G = DIPLOMAT	T = E CLASS/NEW YORKER
C24 = LASER	H = VOYAGER	V = 600
D = ARIES	K = MINI RAM/CARAVAN/ROYAL	V24 = DAYTONA
E = 600	M = HORIZON/TURISMO	Z = OMNI/CHARGER/RAMPAGE

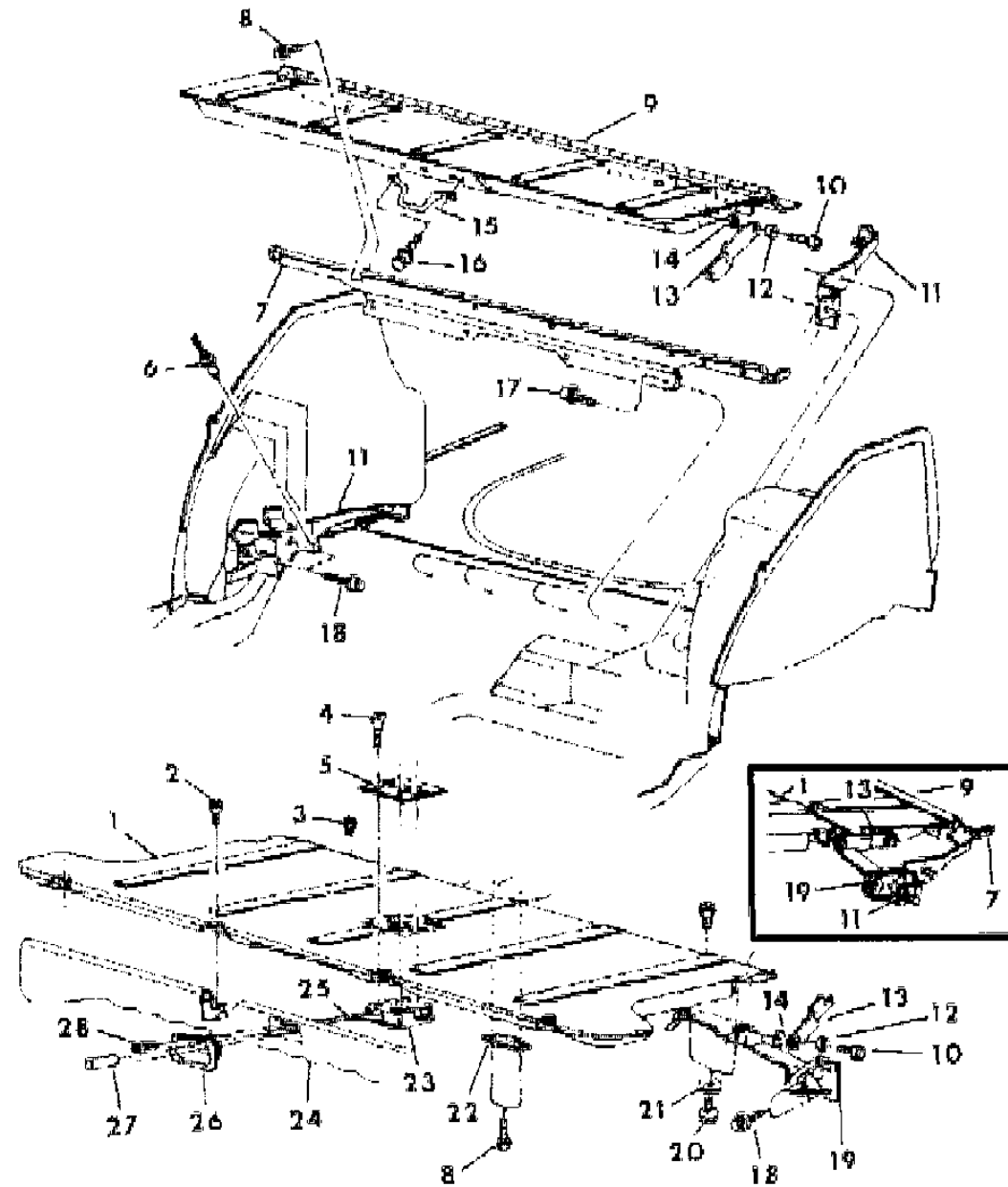
BODY STYLES

21 = 2-DOOR SEDAN	28 = FWD PICKUP	44 = 4-DOOR HATCHBACK
22 = 2-DOOR SPECIAL COUPE	35 = FWD VAN	45 = 4-DOOR STATION WAGON
24 = 2-DOOR HATCHBACK	36 = FWD WAGON	48 = 4-DOOR EXECUTIVE SEDAN
27 = 2-DOOR CONVERTIBLE	41 = 4-DOOR SEDAN	

AR = Use as Required - = Non Illustrated Part P.A.R. = Paint as Required

SEAT REAR FOLD DOWN P,D,C K BODY 45 0
Figure ITK-6600

4234 6600



ITEM	PART NUMBER	QTY	BODY	MODEL	DESCRIPTION
1					PANEL, Seat Back N N N N
	W232 CA3	1			Silver N N N YW232CA3
	W232 VM6	1			Red N N N YW232VM6
	W232 BL3	1			Tan N N N YW232BL3
	W232 BT8	1			Brown N N N YW232BT8
2					SCREW (not serviced) N N N N
3	4206 315	1			BUMPER, Seat Back N N N Y4206315
4	6100 897	3			SCREW N N N Y6100897
5	4206 082	1			ESCUTCHEON, Seat Back Latch N N N Y4206082
6	6031 115	4			RIVET N N N Y6031115
7	4206 092	1			FRAME, Filler Support Center N N N Y4206092
8		AR			SCREW (not serviced) N N N N
9	4206 269	1			PANEL, Filler N N N Y4206269
10	6500 554	4			SCREW, Shoulder N N N Y6500554
11	4278 424-5	1			FRAME, w/P/NUT, Side Filler Support N N N Y4278424
12	0869 770	4			WASHER, Spring N N N Y0869770
13	4206 369	2			LINK, Filler Panel to Seat Back N N N Y4206369
14					WASHER (not serviced) N N N N
15	4206 214	1			STRIKER, Filler Panel N N N Y4206214
16	0181 063	2			SCREW, Striker N N N Y0181063
17	6500 557	AR			SCREW N N N Y6500557
18	6100 566	AR			SCREW N N N Y6100566
19	4206 318-9	1			HINGE, Seat Back N N N Y4206318
20	6100 566	4			SCREW and WASHER N N N Y6100566
21					WASHER (serviced in item 20) N N N N
22	4206 983	1			BRACKET, Seat Back Center Retainer N N N Y4206983
23	4172 139	1			LATCH, Seat Back N N N Y4172139
	6100 041	3			NUT, Latch Attaching N N N Y6100041
24					SEAT BACK (see Trim Section) N N N N
25	4172 723	1			ROD, Latch Release N N N Y4172723
26	W246 CA3	1			BEZEL, Latch Release Knob (paint as required) N N N YW246CA3
27	3861 859	1			KNOB, Release Latch Rod N N N Y3861859
28					SCREW (not serviced) N N N N

MODEL CODES

B = GRAN FURY	F = FIFTH AVENUE/NEWPORT	P = RELIANT
C = LEBARON/TOWN & COUNTRY/EXC SEDAN	G = DIPLOMAT	T = E CLASS/NEW YORKER
C24 = LASER	H = VOYAGER	V = 600
D = ARIES	K = MINI RAM/CARAVAN/ROYAL	V24 = DAYTONA
E = 600	M = HORIZON/TURISMO	Z = OMNI/CHARGER/RAMPAGE

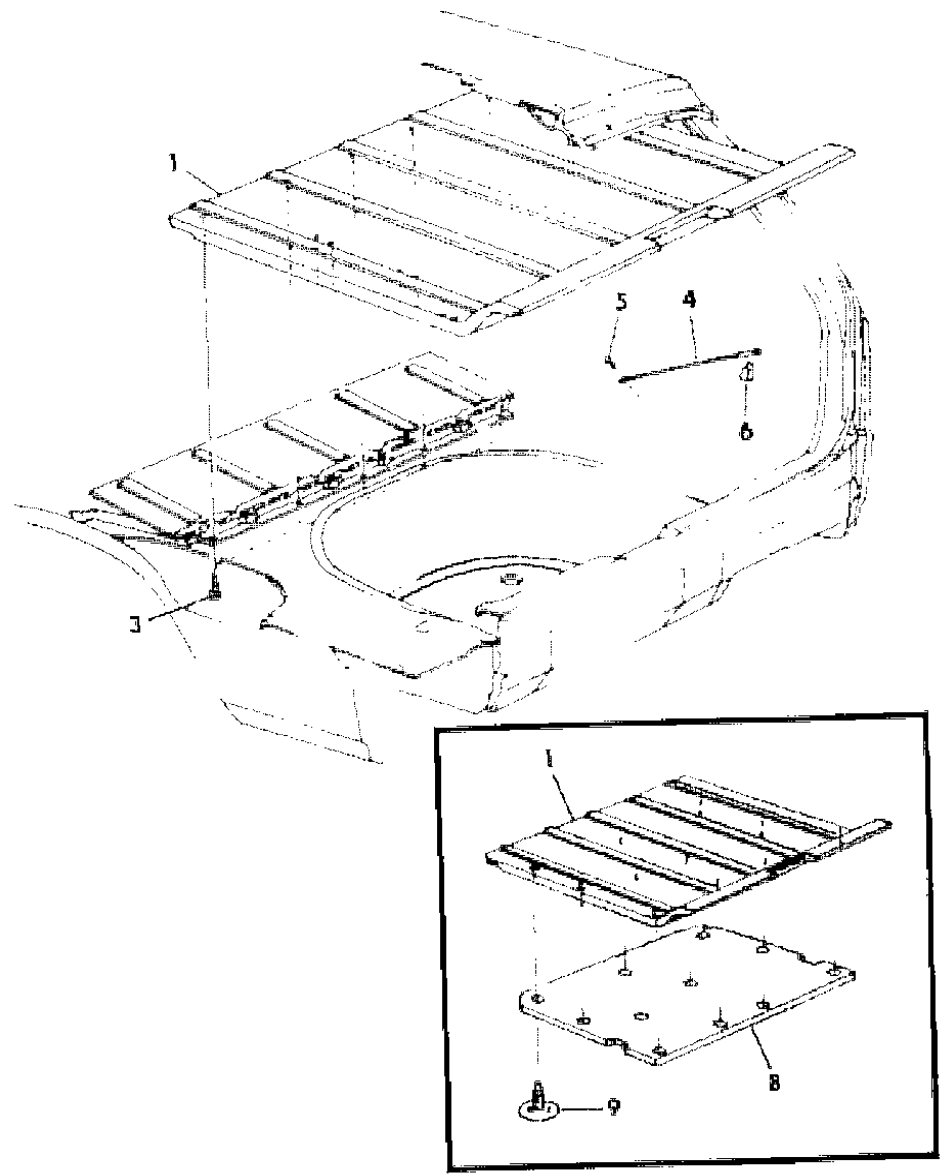
BODY STYLES

21 = 2-DOOR SEDAN	28 = FWD PICKUP	44 = 4-DOOR HATCHBACK
22 = 2-DOOR SPECIAL COUPE	35 = FWD VAN	45 = 4-DOOR STATION WAGON
24 = 2-DOOR HATCHBACK	36 = FWD WAGON	48 = 4-DOOR EXECUTIVE SEDAN
27 = 2-DOOR CONVERTIBLE	41 = 4-DOOR SEDAN	

AR = Use as Required - = Non Illustrated Part P.A.R. = Paint as Required

PANEL CARGO P,D,C K BODY 0
Figure ITK-6700

4234 6700



ITEM	PART NUMBER	QTY	BODY	MODEL	DESCRIPTION
1					PANEL, Rear Cargo Cover N N N N
	W233 BB5	1			Blue N N N YW233BB5
	W233 VM6	1			Red N N N YW233VM6
	W233 BL3	1			Tan N N N YW233BL3
	W233 BT8	1			Brown N N N YW233BT8
2					PANEL (See Seat Rear Fold Down- Wagon Illustration) N N N N
3					SCREW (not serviced) N N N N
4	3861 821	1			CABLE, Cargo Floor Panel Support N N N Y3861821
5	6031 401	1			SCREW, Cable Attaching N N N Y6031401
6	6016 080	1			CLIP, Cable Attaching N N N Y6016080
7	3762 862				SILENCER, Spare Tire Well N N N Y3762862
8	4078 960	AR			SILENCER N N N Y4078960
9	6032 363	AR			FASTENER N N N Y6032363

MODEL CODES

B = GRAN FURY	F = FIFTH AVENUE/NEWPORT	P = RELIANT
C = LEBARON/TOWN & COUNTRY/EXC SEDAN	G = DIPLOMAT	T = E CLASS/NEW YORKER
C24 = LASER	H = VOYAGER	V = 600
D = ARIES	K = MINI RAM/CARAVAN/ROYAL	V24 = DAYTONA
E = 600	M = HORIZON/TURISMO	Z = OMNI/CHARGER/RAMPAGE

BODY STYLES

21 = 2-DOOR SEDAN	28 = FWD PICKUP	44 = 4-DOOR HATCHBACK
22 = 2-DOOR SPECIAL COUPE	35 = FWD VAN	45 = 4-DOOR STATION WAGON
24 = 2-DOOR HATCHBACK	36 = FWD WAGON	48 = 4-DOOR EXECUTIVE SEDAN
27 = 2-DOOR CONVERTIBLE	41 = 4-DOOR SEDAN	

AR = Use as Required - = Non Illustrated Part P.A.R. = Paint as Required

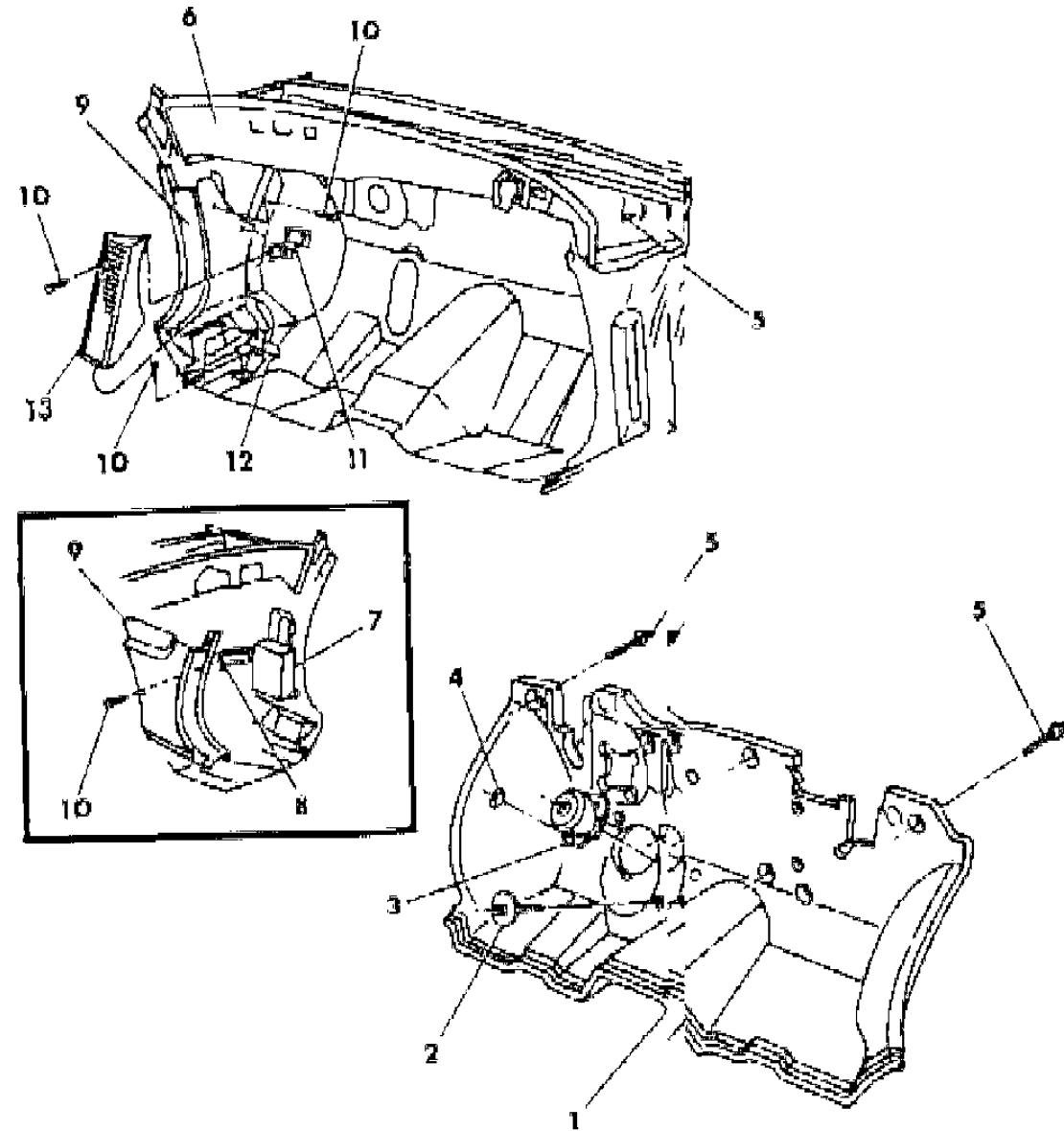
GROUP ITG - G BODY

ILLUSTRATION TITLE	GROUP-FIG. NO.
COWL PANEL AND SILENCERS V,C G BODY	Fig. ITG-100
HEADLINING AND VISOR FRONT V,C G BODY	Fig. ITG-200
SECURITY COVER V,C G BODY	Fig. ITG-300
MOULDING GARNISH V,C G BODY	Fig. ITG-400
PANEL QUARTER TRIM AND LOWER DECK OPENING PANEL G BODY V,C	Fig. ITG-500
PANEL LIFTGATE TRIM AND VISOR V,C G BODY	Fig. ITG-600
CARPETS SILENCERS AND TIE DOWN V,C G BODY	Fig. ITG-700
SCUFF PLATE V,C G BODY	Fig. ITG-800
DOOR TRIM PANEL V,C G BODY	Fig. ITG-900
SEAT FRONT V,C G BODY TRIM CODES A7,A8	Fig. ITG-1000
SEAT FRONT V,C G BODY TRIM CODE P7	Fig. ITG-1100
SEAT FRONT V,C G BODY TRIM CODE SL	Fig. ITG-1200
BELT FRONT SEAT LAP AND SHOULDER V,C G BODY	Fig. ITG-1300
LUMBAR AND THIGH SUPPORT V,C G BODY	Fig. ITG-1400
RELEASE FRONT SEAT BACK V,C G BODY	Fig. ITG-1500
RECLINING FRONT SEAT V,C G BODY	Fig. ITG-1600
ADJUSTERS MANUAL V,C G BODY	Fig. ITG-1700
COVERS MANUAL SEAT ADJUSTER V,C G BODY	Fig. ITG-1800
ADJUSTER ELECTRIC V,C G BODY	Fig. ITG-1900
COVERS ELECTRIC SEAT ADJUSTER V,C G BODY	Fig. ITG-2000
SEAT REAR V,C G BODY TRIM CODEs A7,A8	Fig. ITG-2100
SEAT REAR V,C G BODY TRIM CODE P7	Fig. ITG-2200
SEAT REAR V,C G BODY TRIM CODE SL	Fig. ITG-2300
BELTS REAR SEAT V,C G BODY	Fig. ITG-2400
SEAT REAR FOLD DOWN V,C G BODY	Fig. ITG-2500

ILLUSTRATION NOT AVAILABLE AT TIME OF PUBLICATION

COWL PANEL AND SILENCERS V,C G BODY
Figure ITG-100

4216 100



ITEM	PART NUMBER	QTY	BODY	MODEL	DESCRIPTION
1	4314 913	1			LINER, Dash N N N Y4314913
2					SCREW (not serviced) N N N N
3	4188 868	1			COVER and SILENCER, Steering Column N N N Y4188868
4					NUT, Push On N N N N
5	6032 020	6			STUD, Collar Special N N N Y6032020
6	4278 961	1			SILENCER, Cowl N N N Y4278961
7					LOGIC MODULE (refer to Group 8) N N N N
8	4247 832	1			BRACKET, Cowl Side Trim Attach w/E.F.I. N N N Y4247832
9					PANEL, Cowl Side Trim N N N N
	F174-5 CM6	1			Red N N N YF174CM6
	F174-5 CS8	1			Charcoal N N N YF174CS8
	F174-5 CT8	1			Brown N N N YF174CT8
	F174-5 CX9	1			Black N N N YF174CX9
10					SCREW (not serviced) N N N N
11	4248 703	1			BRACKET, Footrest, Upper N N N Y4248703
12	4248 705	1			BRACKET, Footrest, Lower N N N Y4248705
13	4248 717	1			FOOTREST, Left Only N N N Y4248717

MODEL CODES

B = GRAN FURY	F = FIFTH AVENUE/NEWPORT	P = RELIANT
C = LEBARON/TOWN & COUNTRY/EXC SEDAN	G = DIPLOMAT	T = E CLASS/NEW YORKER
C24 = LASER	H = VOYAGER	V = 600
D = ARIES	K = MINI RAM/CARAVAN/ROYAL	V24 = DAYTONA
E = 600	M = HORIZON/TURISMO	Z = OMNI/CHARGER/RAMPAGE

BODY STYLES

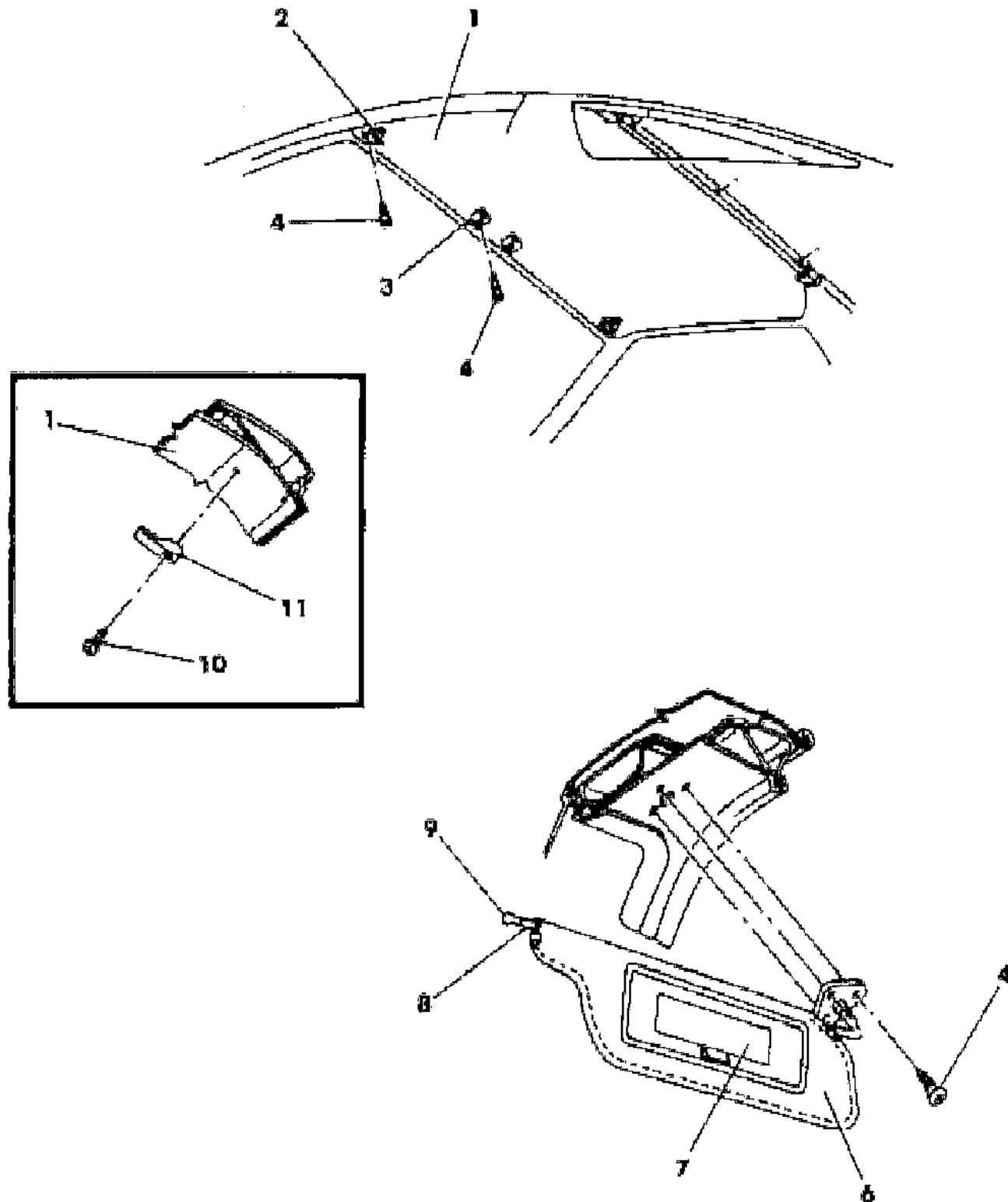
21 = 2-DOOR SEDAN	28 = FWD PICKUP	44 = 4-DOOR HATCHBACK
22 = 2-DOOR SPECIAL COUPE	35 = FWD VAN	45 = 4-DOOR STATION WAGON
24 = 2-DOOR HATCHBACK	36 = FWD WAGON	48 = 4-DOOR EXECUTIVE SEDAN
27 = 2-DOOR CONVERTIBLE	41 = 4-DOOR SEDAN	

AR = Use as Required - = Non Illustrated Part P.A.R. = Paint as Required

HEADLINING AND VISOR FRONT V,C G BODY

Figure ITG-200

4276 200



ITEM	PART NUMBER	QTY	BODY	MODEL	DESCRIPTION
1					HEADLINER, w/o Sunroof N N N N
	H814 DA3	1			Silver N N N YH814DA3
	H814 DM6	1			Red N N N YH814DM6
	4271 099	1			Brown N N N Y4271099
	H814 DX9	1			Black N N N YH814DX9
		1			w/Sunroof N N N N
	H810 CA3	1			Silver N N N YH810CA3
	H810 CM6	1			Red N N N YH810CM6
	H810 CT8	1			Brown N N N YH810CT8
	H810 CX9	1			Black N N N YH810CX9
2	4247 868-9	1			ARM and BRACKET N N N Y4247868
3					CLIP, Visor Retainer N N N N
	H335 CA3	2			Silver N N N YH335CA3
	H335 CM6	2			Red N N N YH335CM6
	H335 CT8	2			Brown N N N YH335CT8
	H335 CX9	2			Black N N N YH335CX9
4	6032 584	6			SCREW, Arm and Bracket N N N Y6032584
6					VISOR, w/o Arm and Bracket N N N N
					w/Mirror Right N N N N
	H338 CA3	1			Silver N N N YH338CA3
	H338 CM6	1			Red N N N YH338CM6
	H338 CT8	1			Brown N N N YH338CT8
	H338 CX9	1			Black N N N YH338CX9
					w/o Mirror Left N N N N
	H339 CA3	1			Silver N N N YH339CA3
	H339 CM6	1			Red N N N YH339CM6
	H339 CT8	1			Brown N N N YH339CT8
	H339 CX9	1			Black N N N YH339CX9
7					MIRROR, Visor Vanity N N N N
	H322 CA3	1			Silver N N N YH322CA3
	H322 CM6	1			Red N N N YH322CM6
	H322 CT8	1			Brown N N N YH322CT8
	H322 CX9	1			Black N N N YH322CX9
8	4282 359	2			SUPPORT, Visor Inner N N N Y4282359
9					TIP, Visor Support N N N N
	H315 CA3	2			Silver N N N YH315CA3
	H315 CM6	2			Red N N N YH315CM6
	H315 CT8	2			Brown N N N YH315CT8

MODEL CODES

B = GRAN FURY	F = FIFTH AVENUE/NEWPORT	P = RELIANT
C = LEBARON/TOWN & COUNTRY/EXC SEDAN	G = DIPLOMAT	T = E CLASS/NEW YORKER
C24 = LASER	H = VOYAGER	V = 600
D = ARIES	K = MINI RAM/CARAVAN/ROYAL	V24 = DAYTONA
E = 600	M = HORIZON/TURISMO	Z = OMNI/CHARGER/RAMPAGE

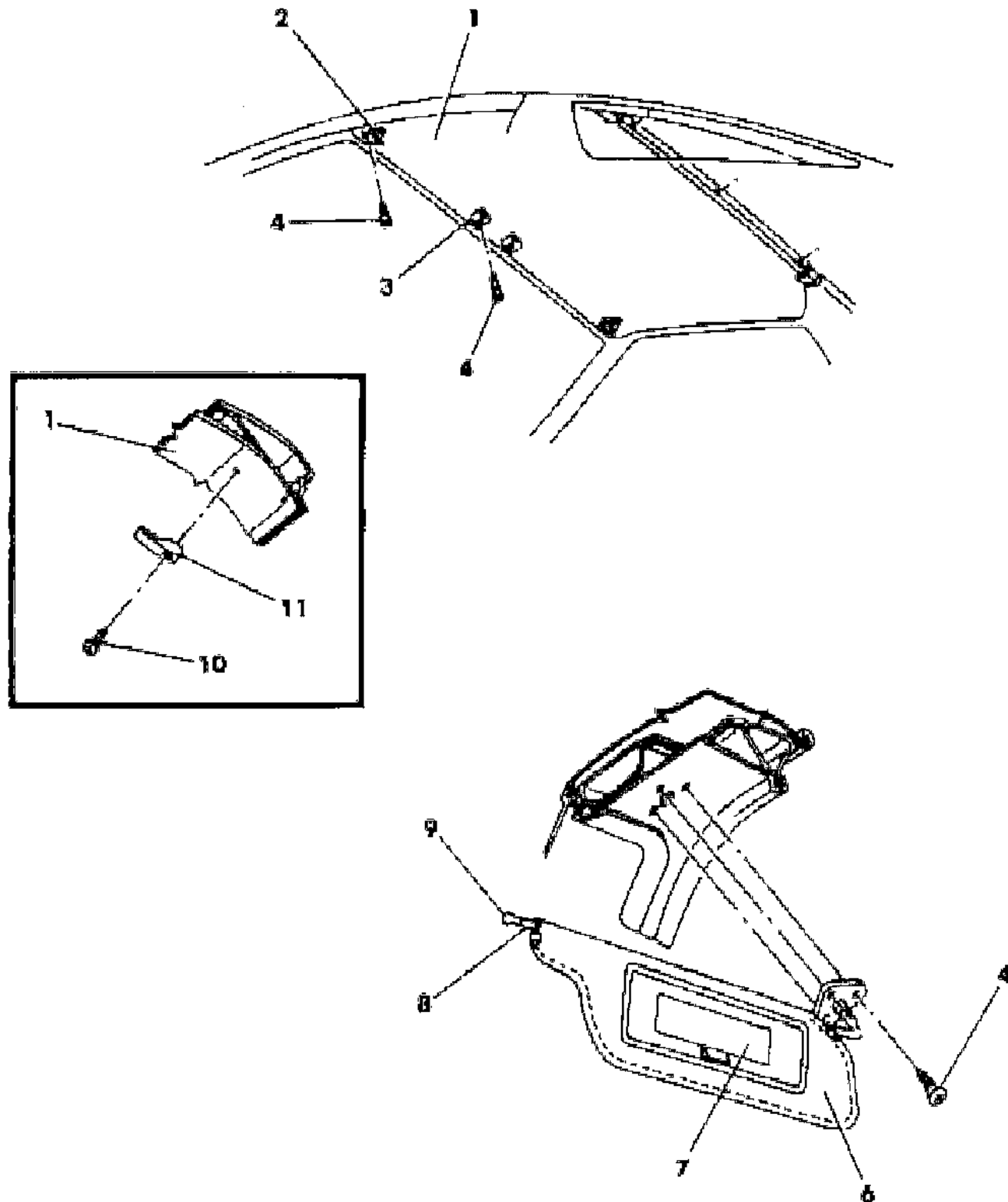
BODY STYLES

21 = 2-DOOR SEDAN	28 = FWD PICKUP	44 = 4-DOOR HATCHBACK
22 = 2-DOOR SPECIAL COUPE	35 = FWD VAN	45 = 4-DOOR STATION WAGON
24 = 2-DOOR HATCHBACK	36 = FWD WAGON	48 = 4-DOOR EXECUTIVE SEDAN
27 = 2-DOOR CONVERTIBLE	41 = 4-DOOR SEDAN	

AR = Use as Required - = Non Illustrated Part P.A.R. = Paint as Required

HEADLINING AND VISOR FRONT V,C G BODY
Figure ITG-200

4236 200



ITEM	PART NUMBER	QTY	BODY	MODEL	DESCRIPTION
	H315 CX9	2			Black N N N YH315CX9
10					SCREW (not serviced) N N N N
11	3685 992	2			HOOK, Coat N N N Y3685992
NOTE: The following items are not illustrated s ARE NOT RETURNABLE.					
	4248 082	2			SILENCER, Roof N N N Y4248082

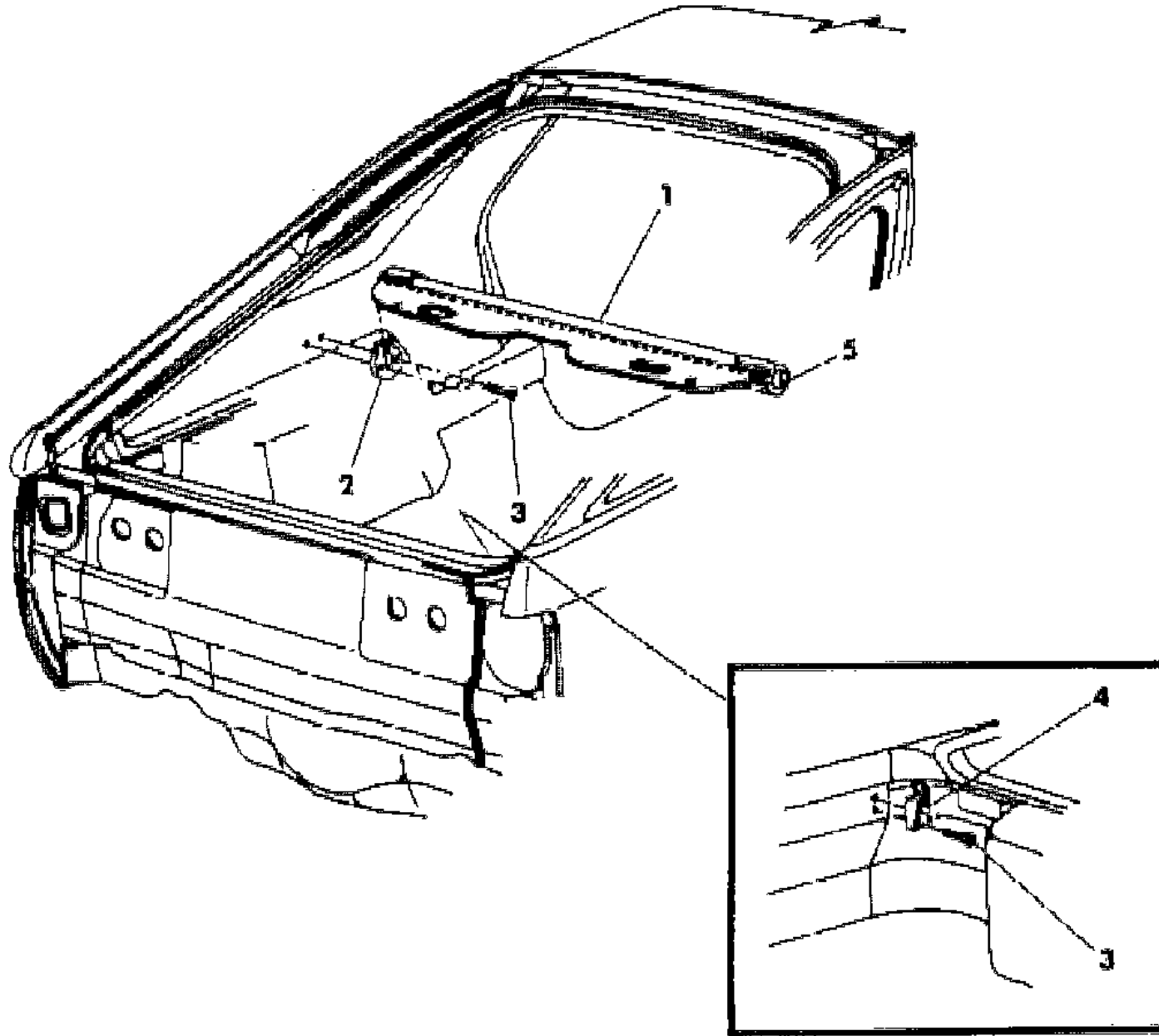
MODEL CODES
 B = GRAN FURY
 C = LEBARON/TOWN & COUNTRY/EXC SEDAN
 C24 = LASER
 D = ARIES
 E = 600
 F = FIFTH AVENUE/NEWPORT
 G = DIPLOMAT
 H = VOYAGER
 K = MINI RAM/CARAVAN/ROYAL
 M = HORIZON/TURISMO
 P = RELIANT
 T = E CLASS/NEW YORKER
 V = 600
 V24 = DAYTONA
 Z = OMNI/CHARGER/RAMPAGE

BODY STYLES
 21 = 2-DOOR SEDAN
 22 = 2-DOOR SPECIAL COUPE
 24 = 2-DOOR HATCHBACK
 27 = 2-DOOR CONVERTIBLE
 28 = FWD PICKUP
 35 = FWD VAN
 36 = FWD WAGON
 41 = 4-DOOR SEDAN
 44 = 4-DOOR HATCHBACK
 45 = 4-DOOR STATION WAGON
 48 = 4-DOOR EXECUTIVE SEDAN

AR = Use as Required - = Non Illustrated Part P.A.R. = Paint as Required

SECURITY COVER V,C G BODY
Figure ITG-300

4230 300



ITEM	PART NUMBER	QTY	BODY	MODEL	DESCRIPTION
1					COVER, Security N N N N
	4271 077	1			Red N N N Y4271077
	4271 078	1			Charcoal N N N Y4271078
	4271 079	1			Brown N N N Y4271079
	4271 080	1			Black N N N Y4271080
2					SUPPORT, Security Cover N N N N
	H482 CM6	2			Red N N N YH482CM6
	H482 CA3	2			Silver N N N YH482CA3
	H482 CT8	2			Brown N N N YH482CT8
	H482 CX9	2			Black N N N YH482CX9
3					SCREW (not serviced) N N N N
4					HOOK, Security Cover N N N N
	H464 CM6	2			Red N N N YH464CM6
	H464 CS8	2			Charcoal N N N YH464CS8
	H481 CT8	2			Brown (use up to 12/13/83) N N N YH481CT8
	H464 CT8	2			Brown (use after 12/13/83) N N N YH464CT8
	H464 CX9	2			Black N N N YH464CX9
5	4271 047	1			END CAP PACKAGE N N N Y4271047

MODEL CODES
 B = GRAN FURY
 C = LEBARON/TOWN & COUNTRY/EXC SEDAN
 C24 = LASER
 D = ARIES
 E = 600
 F = FIFTH AVENUE/NEWPORT
 G = DIPLOMAT
 H = VOYAGER
 K = MINI RAM/CARAVAN/ROYAL
 M = HORIZON/TURISMO
 P = RELIANT
 T = E CLASS/NEW YORKER
 V = 600
 V24 = DAYTONA
 Z = OMNI/CHARGER/RAMPAGE

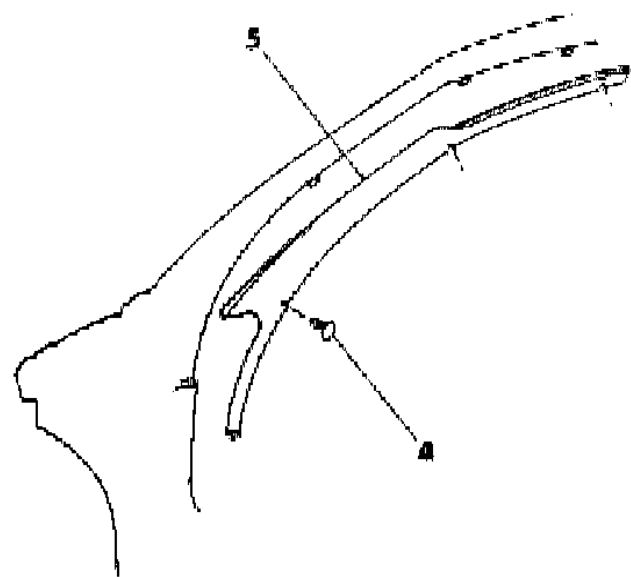
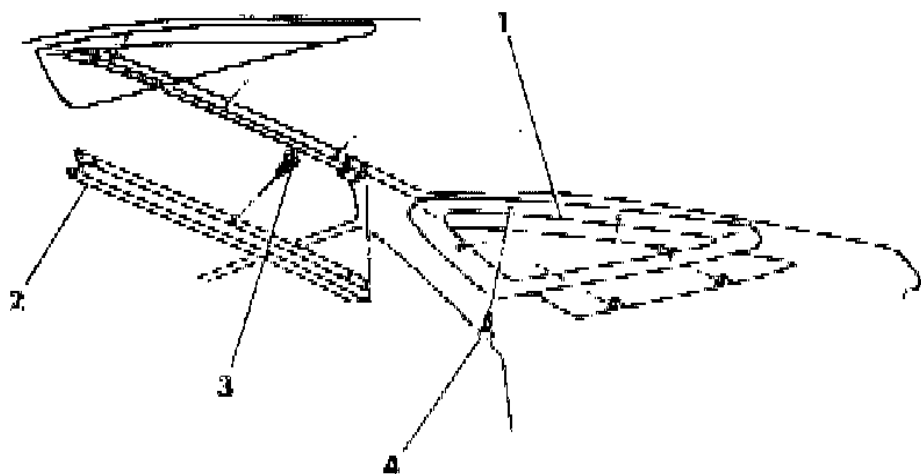
BODY STYLES
 21 = 2-DOOR SEDAN
 22 = 2-DOOR SPECIAL COUPE
 24 = 2-DOOR HATCHBACK
 27 = 2-DOOR CONVERTIBLE
 28 = FWD PICKUP
 35 = FWD VAN
 36 = FWD WAGON
 41 = 4-DOOR SEDAN
 44 = 4-DOOR HATCHBACK
 45 = 4-DOOR STATION WAGON
 48 = 4-DOOR EXECUTIVE SEDAN

AR = Use as Required - = Non Illustrated Part P.A.R. = Paint as Required

MOULDING GARNISH V,C G BODY
Figure ITG-400

4236 400

ITEM	PART NUMBER	QTY	BODY	MODEL	DESCRIPTION
1	H132-3 CA3	1			MOULDING, Quarter Window Garnish (paint as required) N N N YH132CA3
2	F282 CA3	1			MOULDING, Rear Header (paint as required) N N N YF282CA3
3					SCREW (not serviced) N N N N
4					FASTENER, Garnish Attach N N N N
	F155 BA3	AR			Silver N N N YF155BA3
	F155 BM6	AR			Red N N N YF155BM6
	F155 BT8	AR			Brown N N N YF155BT8
	F155 CX9	AR			Black N N N YF155CX9
5					MOULDING, Windshield Side Garnish N N N N
	H134-5 CA3	1			Silver N N N YH134CA3
	H134-5 CM6	1			Red N N N YH134CM6
	H134-5 CT8	1			Brown N N N YH134CT8
	H134-5 CX9	1			Black N N N YH134CX9



MODEL CODES

B = GRAN FURY	F = FIFTH AVENUE/NEWPORT	P = RELIANT
C = LEBARON/TOWN & COUNTRY/EXC SEDAN	G = DIPLOMAT	T = E CLASS/NEW YORKER
C24 = LASER	H = VOYAGER	V = 600
D = ARIES	K = MINI RAM/CARAVAN/ROYAL	V24 = DAYTONA
E = 600	M = HORIZON/TURISMO	Z = OMNI/CHARGER/RAMPAGE

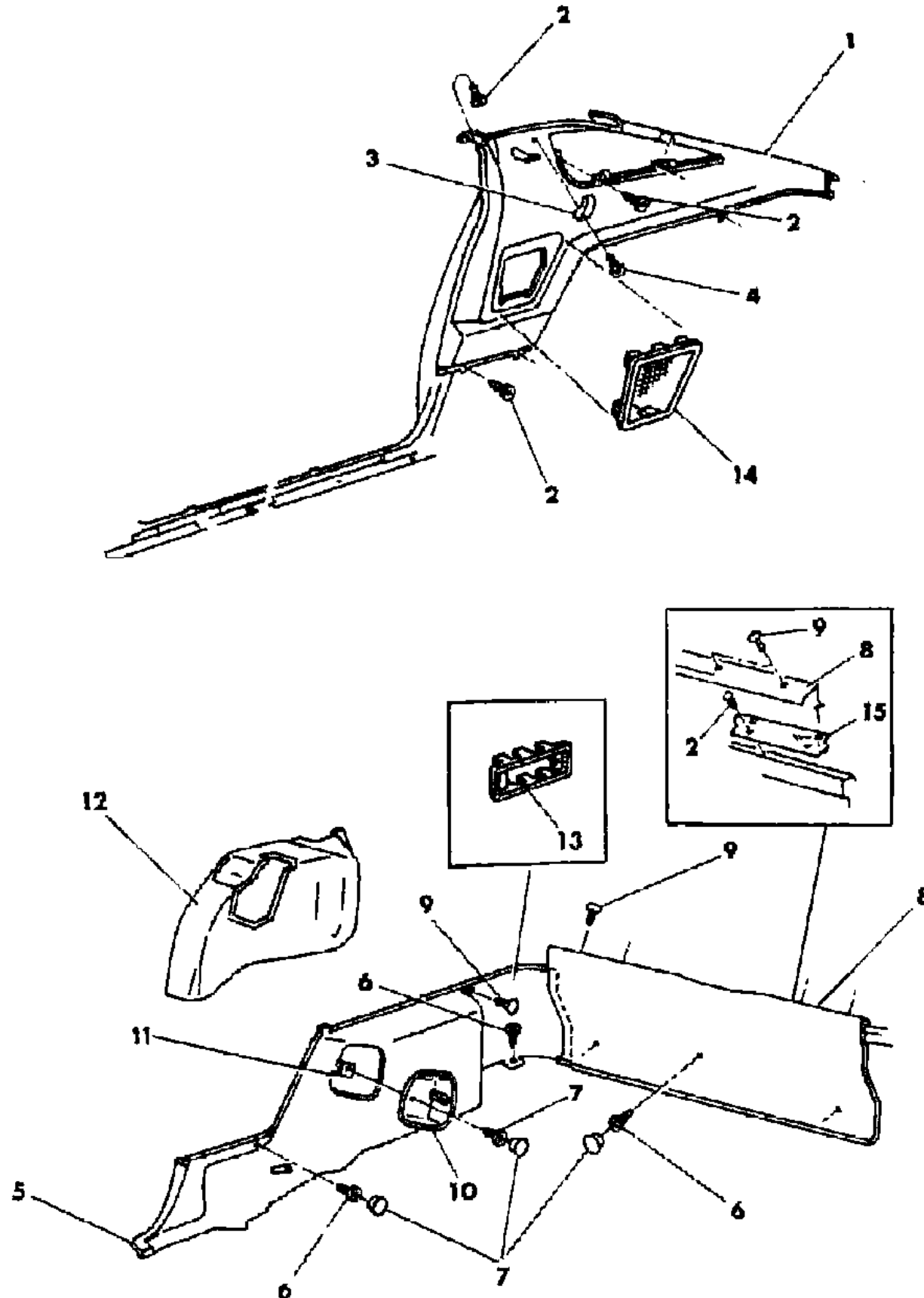
BODY STYLES

21 = 2-DOOR SEDAN	28 = FWD PICKUP	44 = 4-DOOR HATCHBACK
22 = 2-DOOR SPECIAL COUPE	35 = FWD VAN	45 = 4-DOOR STATION WAGON
24 = 2-DOOR HATCHBACK	36 = FWD WAGON	48 = 4-DOOR EXECUTIVE SEDAN
27 = 2-DOOR CONVERTIBLE	41 = 4-DOOR SEDAN	

AR = Use as Required - = Non Illustrated Part P.A.R. = Paint as Required

PANEL QUARTER TRIM AND LOWER DECK OPENING PANEL G BODY V,C
Figure ITG-500

4236 500



ITEM	PART NUMBER	QTY	BODY	MODEL	DESCRIPTION
1	K528-9 DAS	1			PANEL, Quarter Upper Trim (paint as required) N N N YK528DAS
2					SCREW, Panel Attaching (not serviced) N N N N
3	3685 992	2			HOOK, Coat N N N Y3685992
4					SCREW (not serviced) N N N N
5	K530-1 DT5	1			PANEL, Quarter Lower Trim w/o Carpet (paint as required) N N N YK530DT5
					w/Carpet N N N N
	H368-9 CM6	1			Red N N N YH368CM6
	H368-9 CS8	1			Charcoal N N N YH368CS8
	4364 390-1	1			Brown N N N Y4364390
	K532-3 DX9	1			Black N N N YK532DX9
6					SCREW (not serviced) N N N N
7	F245 CA3	AR			PLUG, Trim (paint as required) N N N YF245CA3
8	H188 CAS	1			PANEL, Liftgate Opening Lower Trim w/o Carpet(paint as required) N N N YH188CAS
					w/Carpet N N N N
	H192 CAS	1			Silver N N N YH192CAS
	H192 CM6	1			Red N N N YH192CM6
	H192 CT9	1			Brown N N N YH192CT9
	H192 CX9	1			Black N N N YH192CX9
9					FASTENER N N N N
	F155 BA3	AR			Silver N N N YF155BA3
	F155 BM6	AR			Red N N N YF155BM6
	F155 BT8	AR			Brown N N N YF155BT8
	F155 CX9	AR			Black N N N YF155CX9
10	F416-7 CS8	1			COVER, Seat Latch (paint as required) N N N YF416CS8
11	0152 490	2			U-NUT N N N Y0152490
12	4186 901	AR			SILENCER, Wheelhouse N N N Y4186901
13	3591 126	1			BRACKET, Cargo Lamp (painted) N N N Y3591126
14					GRILLE, Rear Speakers N N N N
	D494-5 CA3	1			Silver N N N YD494CA3
	D494-5 CM6	1			Red N N N YD494CM6
	D494-5 CT8	1			Brown N N N YD494CT8
	D494-5 CX9	1			Black N N N YD494CX9
	6032 268	5			RETAINER, Grille Attaching N N N Y6032268
15	4247 885	2			BRACKET, Liftgate Opening Lower Trim Panel Attaching N N N Y4247885

MODEL CODES

B = GRAN FURY
C = LEBARON/TOWN & COUNTRY/EXC SEDAN
C24 = LASER
D = ARIES
E = 600
F = FIFTH AVENUE/NEWPORT
G = DIPLOMAT
H = VOYAGER
K = MINI RAM/CARAVAN/ROYAL
M = HORIZON/TURISMO
P = RELIANT
T = E CLASS/NEW YORKER
V = 600
V24 = DAYTONA
Z = OMNI/CHARGER/RAMPAGE

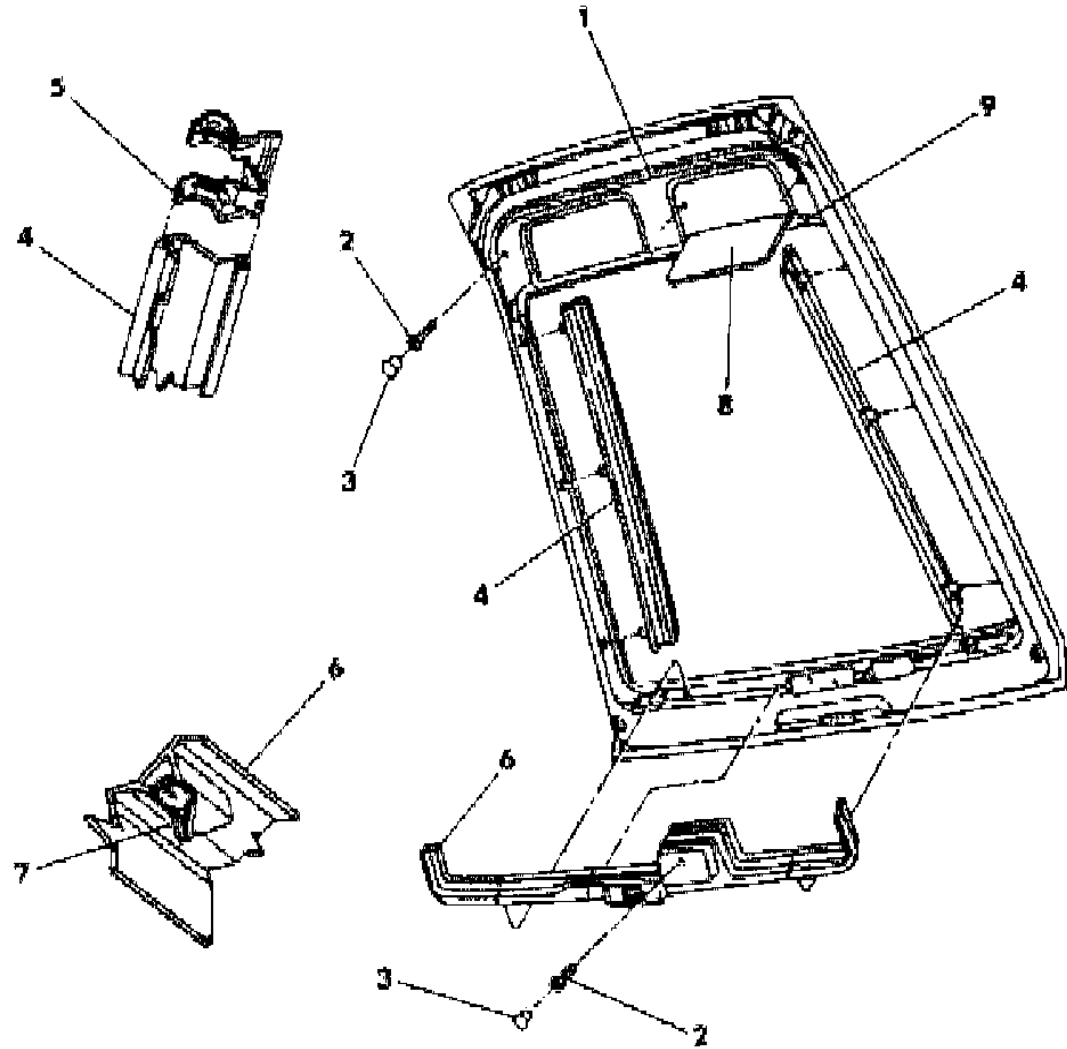
BODY STYLES

21 = 2-DOOR SEDAN
22 = 2-DOOR SPECIAL COUPE
24 = 2-DOOR HATCHBACK
27 = 2-DOOR CONVERTIBLE
28 = FWD PICKUP
35 = FWD VAN
36 = FWD WAGON
41 = 4-DOOR SEDAN
44 = 4-DOOR HATCHBACK
45 = 4-DOOR STATION WAGON
48 = 4-DOOR EXECUTIVE SEDAN

AR = Use as Required - = Non Illustrated Part P.A.R. = Paint as Required

PANEL LIFTGATE TRIM AND VISOR V,C G BODY
Figure ITG-600

4216 #00



ITEM	PART NUMBER	QTY	BODY	MODEL	DESCRIPTION
1	H217 CA3	1			PANEL, Liftgate Upper Trim w/Rear Visors (paint as required) N N N YH217CA3
	H185 CA3	1			w/o Rear Visors (paint as required) N N N YH185CA3
2					SCREW (not serviced) N N N N
3	F245 CA3	5			PLUG, Trim (paint as required) N N N YF245CA3
4	4248 167	2			PANEL, Liftgate Side Trim (paint as required) (use up to 4/19/84) N N N Y4248167
	4309 082-3	1			(use after 4/19/84) N N N Y4309082
5	4247 729	6			RETAINER, Side Trim Attach N N N Y4247729
6	H175 CA3	1			PANEL, Liftgate Lower w/Rear Wipers (paint as required) N N N YH175CA3
	H180 CA3	1			w/o Rear Wipers N N N YH180CA3
7	4114 785	3			CLIPS, Lower Trim Panel w/Rear Wipers N N N Y4114785
	F155 BA3	4			w/o Rear Wiper N N N N Silver N N N YF155BA3
	F155 BM6	4			Red N N N YF155BM6
	F155 BT8	4			Brown N N N YF155BT8
	F155 CX9	4			Black N N N YF155CX9
8					VISOR, Rear N N N N
	H704-5 CA2	1			Silver N N N YH704CA2
	H704-5 CM6	1			Red N N N YH704CM6
	H704-5 CT8	1			Brown N N N YH704CT8
	H704-5 CX9	1			Black N N N YH704CX9
	4247 724	2			BRACKET, Visor Mounting N N N Y4247724
9	4248 427	4			CLIP, Visor Panel End N N N Y4248427

MODEL CODES

B = GRAN FURY	F = FIFTH AVENUE/NEWPORT	P = RELIANT
C = LEBARON/TOWN & COUNTRY/EXC SEDAN	G = DIPLOMAT	T = E CLASS/NEW YORKER
C24 = LASER	H = VOYAGER	V = 600
D = ARIES	K = MINI RAM/CARAVAN/ROYAL	V24 = DAYTONA
E = 600	M = HORIZON/TURISMO	Z = OMNI/CHARGER/RAMPAGE

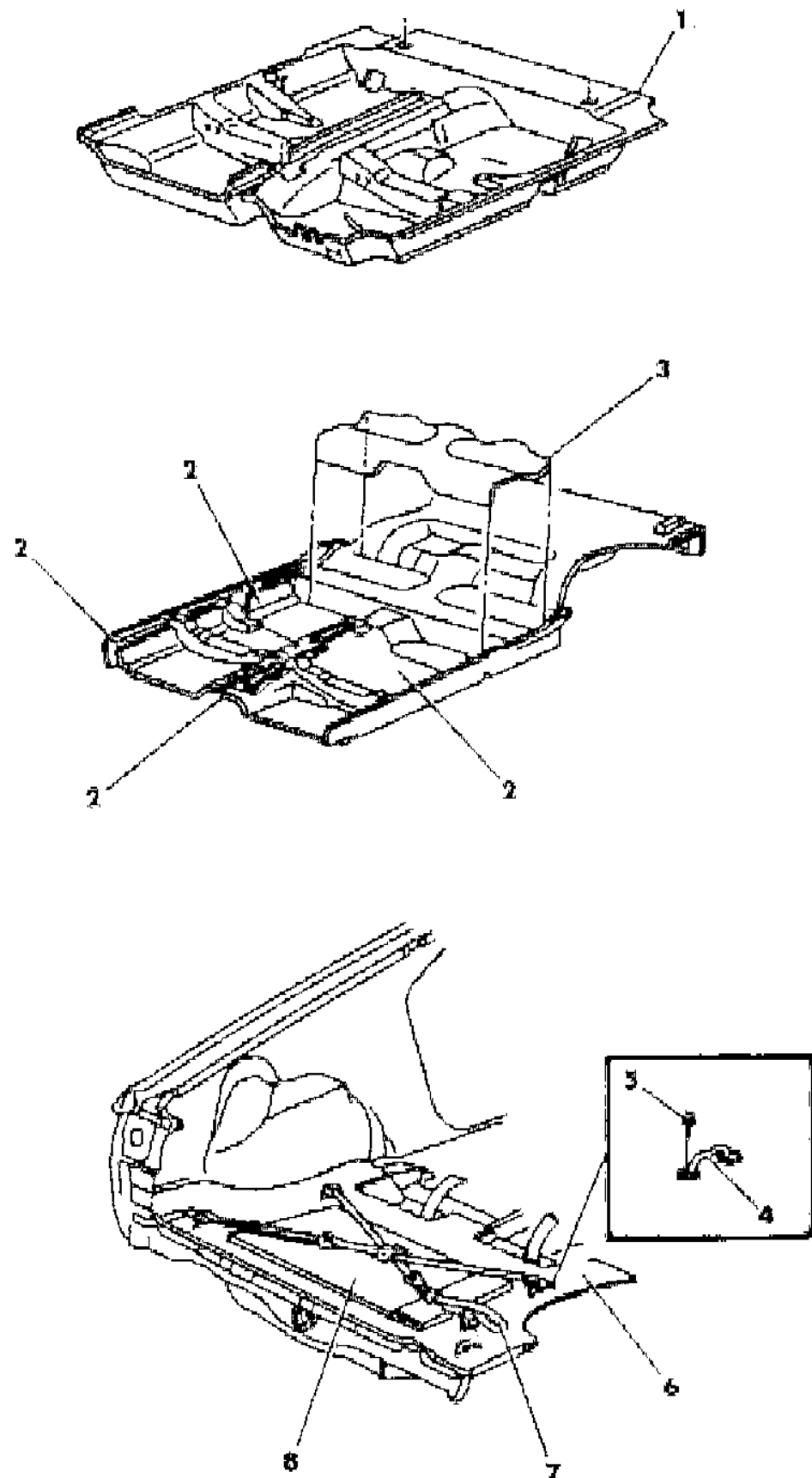
BODY STYLES

21 = 2-DOOR SEDAN	28 = FWD PICKUP	44 = 4-DOOR HATCHBACK
22 = 2-DOOR SPECIAL COUPE	35 = FWD VAN	45 = 4-DOOR STATION WAGON
24 = 2-DOOR HATCHBACK	36 = FWD WAGON	48 = 4-DOOR EXECUTIVE SEDAN
27 = 2-DOOR CONVERTIBLE	41 = 4-DOOR SEDAN	

AR = Use as Required - = Non Illustrated Part P.A.R. = Paint as Required

CARPETS SILENCERS AND TIE DOWN V,C G BODY
Figure ITG-700

4236 700



ITEM	PART NUMBER	QTY	BODY	MODEL	DESCRIPTION
1					CARPET, Floor N N N N
	M643 CM6	1			Red N N N YM643CM6
	M643 CS8	1			Charcoal N N N YM643CS8
	M643 CT9	1			Brown N N N YM643CT9
	M643 CX9	1			Black N N N YM643CX9
2	4186 901	AR			SILENCER, Floor N N N Y4186901
3	4186 901	AR			SILENCER, Under Rear Seat N N N Y4186901
4	4248 818	4			FOOT, Tie Down Anchor N N N Y4248818
5					SCREW (not serviced) N N N N
6					CARPET, Cargo Area N N N N
	M628 CM6	1			Red N N N YM628CM6
	M628 CS8	1			Charcoal N N N YM628CS8
	M625 CT9	1			Brown N N N YM625CT9
	M628 CX9	1			Black N N N YM628CX9
7	H349 CX9	2			STRAP, Tie Down, Black N N N YH349CX9
8	H608 CX7	1			BAG, Sunroof Storage N N N YH608CX7
NOTE: The Following Items Are Not Illustrated s ARE NOT RETURNABLE.					
	3762 862	AR			SILENCER, Cargo Compartment N N N Y3762862
					CARPETED FLOOR MATS, Set of Two N N N N
	M022 BT9	1			Brown N N N YM022BT9
	M022 CS8	1			Charcoal N N N YM022CS8
	M022 VM6	1			Red N N N YM022VM6
	M022 VX9	1			Black N N N YM022VX9
					Rear N N N N
	M023 BT9	1			Brown N N N YM023BT9
	M023 CS8	1			Charcoal N N N YM023CS8
	M023 VM6	1			Red N N N YM023VM6
	M023 VX9	1			Black N N N YM023VX9

MODEL CODES

B = GRAN FURY	F = FIFTH AVENUE/NEWPORT	P = RELIANT
C = LEBARON/TOWN & COUNTRY/EXC SEDAN	G = DIPLOMAT	T = E CLASS/NEW YORKER
C24 = LASER	H = VOYAGER	V = 600
D = ARIES	K = MINI RAM/CARAVAN/ROYAL	V24 = DAYTONA
E = 600	M = HORIZON/TURISMO	Z = OMNI/CHARGER/RAMPAGE

BODY STYLES

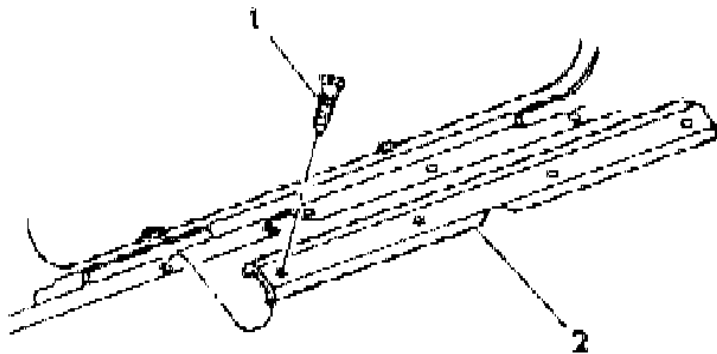
21 = 2-DOOR SEDAN	28 = FWD PICKUP	44 = 4-DOOR HATCHBACK
22 = 2-DOOR SPECIAL COUPE	35 = FWD VAN	45 = 4-DOOR STATION WAGON
24 = 2-DOOR HATCHBACK	36 = FWD WAGON	48 = 4-DOOR EXECUTIVE SEDAN
27 = 2-DOOR CONVERTIBLE	41 = 4-DOOR SEDAN	

AR = Use as Required - = Non Illustrated Part P.A.R. = Paint as Required

SCUFF PLATE V,C G BODY
Figure ITG-800

ITEM	PART NUMBER	QTY	BODY	MODEL	DESCRIPTION
1	M910 CT8	2			PLATE, Door Sill Scuff (paint as required) N N N YM910CT8
2		AR			SCREW (not serviced) N N N N

4216 R00



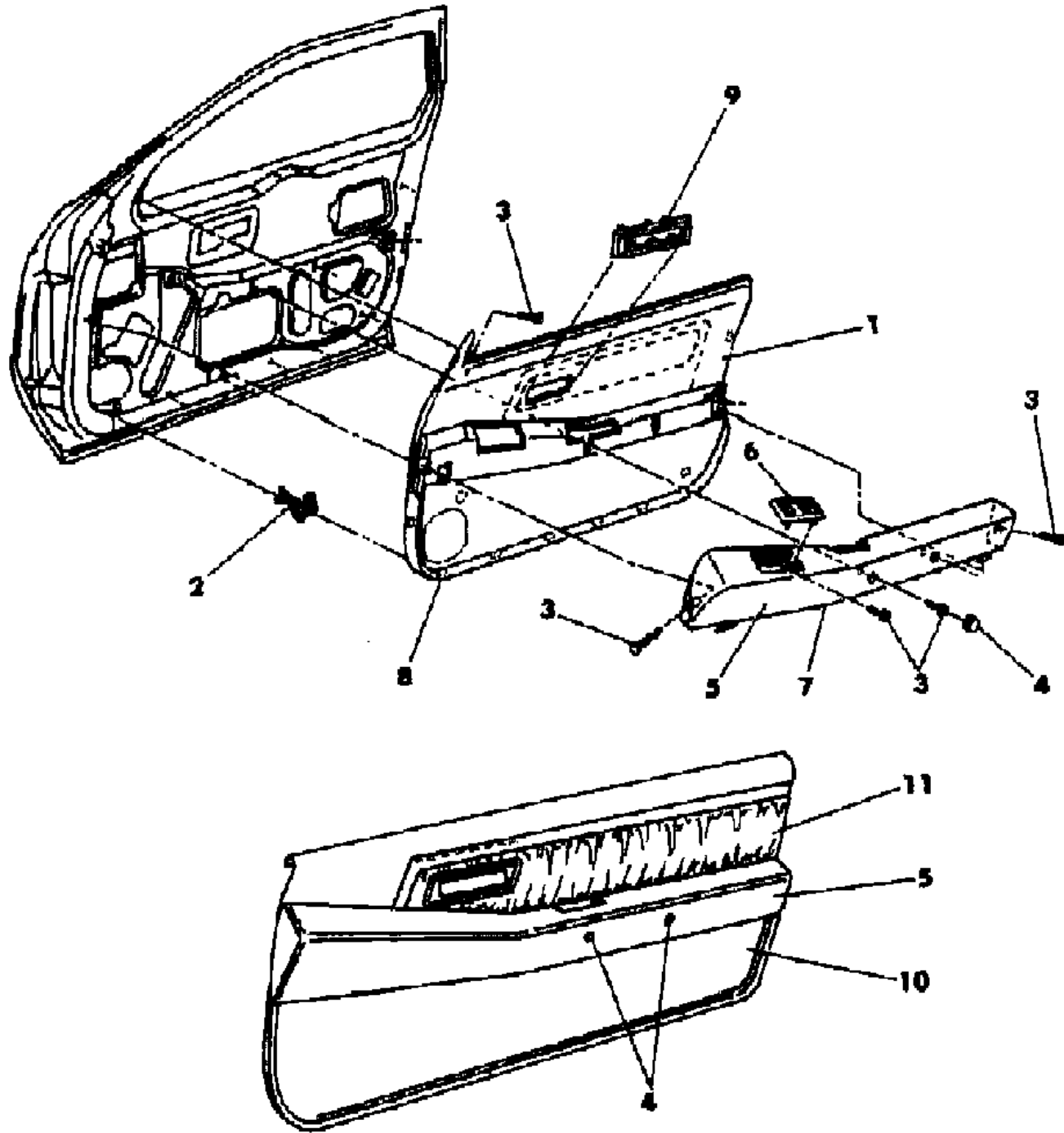
MODEL CODES
 B = GRAN FURY
 C = LEBARON/TOWN & COUNTRY/EXC SEDAN
 C24 = LASER
 D = ARIES
 E = 600
 F = FIFTH AVENUE/NEWPORT
 G = DIPLOMAT
 H = VOYAGER
 K = MINI RAM/CARAVAN/ROYAL
 M = HORIZON/TURISMO
 P = RELIANT
 T = E CLASS/NEW YORKER
 V = 600
 V24 = DAYTONA
 Z = OMNI/CHARGER/RAMPAGE

BODY STYLES
 21 = 2-DOOR SEDAN
 22 = 2-DOOR SPECIAL COUPE
 24 = 2-DOOR HATCHBACK
 27 = 2-DOOR CONVERTIBLE
 28 = FWD PICKUP
 35 = FWD VAN
 36 = FWD WAGON
 41 = 4-DOOR SEDAN
 44 = 4-DOOR HATCHBACK
 45 = 4-DOOR STATION WAGON
 48 = 4-DOOR EXECUTIVE SEDAN

AR = Use as Required - = Non Illustrated Part P.A.R. = Paint as Required

DOOR TRIM PANEL V,C G BODY
Figure ITG-900

4236 900



ITEM	PART NUMBER	QTY	BODY	MODEL	DESCRIPTION
1					PANEL, Door Trim N N N N
					Vinyl, Rough Texture N N N N
	K174-5 CA2	1			(use up to 10/25/83) N N NA8AS YK174CA2
	K174-5 CTL	1			(use up to 11/2/83) N N NA8TL YK174CTL
	K174-5 CM6	1			(use up to 11/1/83) N N NA8M6 YK174CM6
	K174-5 CX7	1			(use up to 11/2/83) N N NA8X7 YK174CX7
					VINYL, Smooth Texture N N N N
	J260-1 CA2	1			(use after 10/25/83) N N NA8AS YJ260CA2
	J260-1 CM6	1			(use after 11/2/83) N N NA8M YJ260CM6
	J260-1 CL3	1			(use after 11/1/83) N N NA8TL YJ260CL3
	J260-1 CX7	1			(use after 11/2/83) N N NA8X YJ260CX7
					Cloth, Striped N N N N
	K198-9 CAS	1			N N NA7AS YK198CAS
	K198-9 CTL	1			N N NA7TL YK198CTL
	K198-9 CMA	1			N N NA7M6 YK198CMA
	K198-9 CXA	1			N N NA7X7 YK198CXA
					Cloth, Checked N N N N
	K196-7 CAS	1			N N NP7AS YK196CAS
	K196-7 CMM	1			N N NP7M6 YK196CMM
	K196-7 CTT	1			N N NP7T8 YK196CTT
	K196-7 CXA	1			N N NP7X7 YK196CXA
2	4114 785	8			FASTENER, Door Trim Panel Attaching N N N Y4114785
3		AR			SCREW (not serviced) N N N N
4					PLUG, Armrest N N N N
	D446 CS8	2			Charcoal N N N YD446CS8
	D446 CT8	2			Brown N N N YD446CT8
	D446 CM6	2			Red N N N YD446CM6
	D446 CX9	2			Black N N N YD446CX9
5					ARMREST, Door N N N N
	D420-1 CS8	1			Charcoal N N N YD420CS8
	D420-1 CT8	1			Brown N N N YD420CT8
	D420-1 CM6	1			Red N N N YD420CM6
	D420-1 CX9	1			Black N N N YD420CX9
6					BEZEL and PLATE (refer to Group 23C) N N N N
7					PLATE, Backing Door Armrest (serviced in Item 5) N N N N
8					GRILLE, Speaker Radio (refer to Group 23C) N N N N
9					BEZEL, Front Door Handle (refer to Group 23C) N N N N
10					PANEL, Door Trim w/Upper Trim Panel N N N N

MODEL CODES

B = GRAN FURY
C = LEBARON/TOWN & COUNTRY/EXC SEDAN
C24 = LASER
D = ARIES
E = 600

F = FIFTH AVENUE/NEWPORT
G = DIPLOMAT
H = VOYAGER
K = MINI RAM/CARAVAN/ROYAL
M = HORIZON/TURISMO

P = RELIANT
T = E CLASS/NEW YORKER
V = 600
V24 = DAYTONA
Z = OMNI/CHARGER/RAMPAGE

BODY STYLES

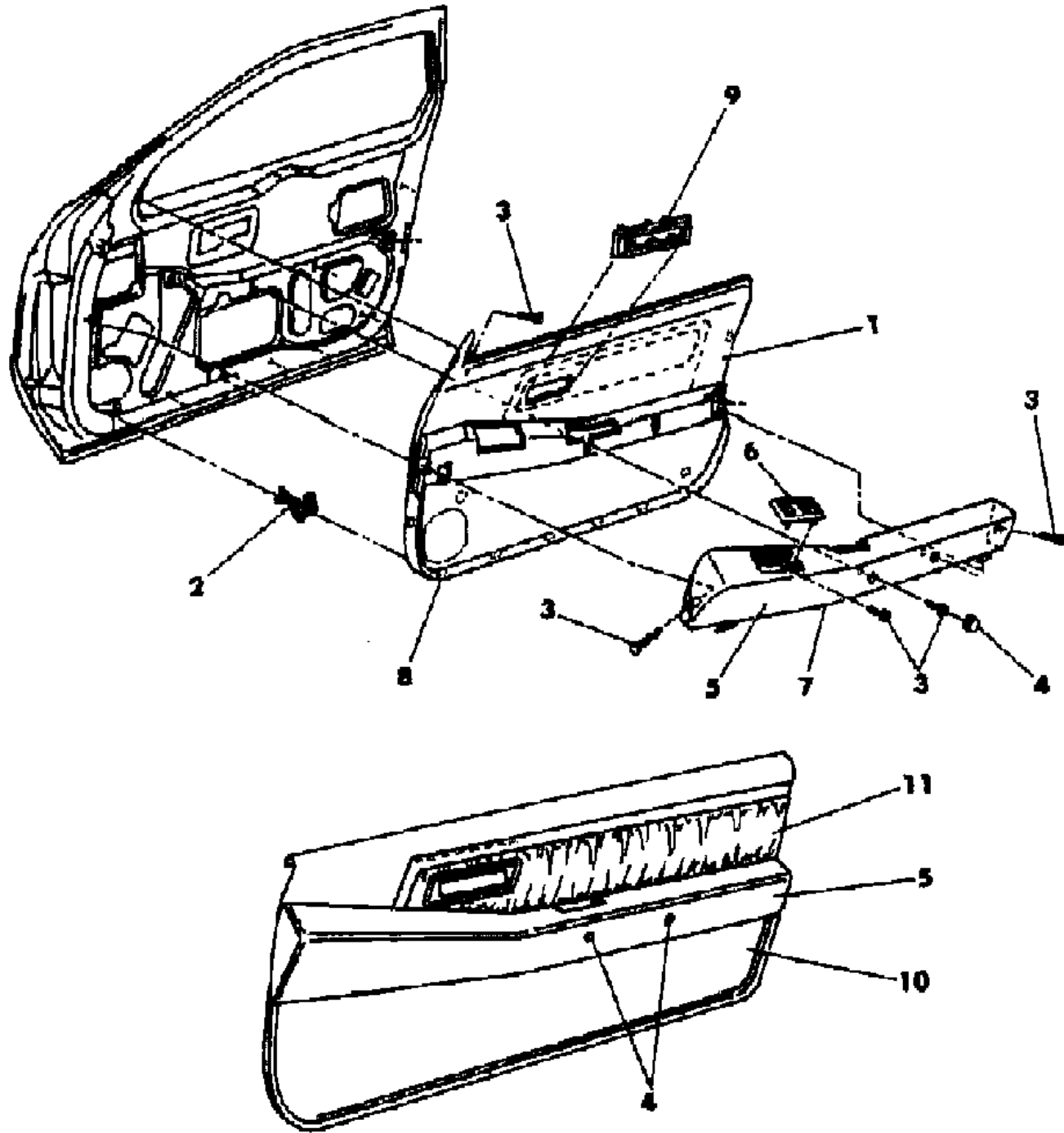
21 = 2-DOOR SEDAN
22 = 2-DOOR SPECIAL COUPE
24 = 2-DOOR HATCHBACK
27 = 2-DOOR CONVERTIBLE
28 = FWD PICKUP
35 = FWD VAN
36 = FWD WAGON
41 = 4-DOOR SEDAN
44 = 4-DOOR HATCHBACK
45 = 4-DOOR STATION WAGON
48 = 4-DOOR EXECUTIVE SEDAN

AR = Use as Required - = Non Illustrated Part P.A.R. = Paint as Required

DOOR TRIM PANEL V,C G BODY
Figure ITG-900

ITEM	PART NUMBER	QTY	BODY	MODEL	DESCRIPTION
	K202-3 CTK	1			N N NSLTK YK202CTK
	K202-3 CX7	1			N N NSLX7 YK202CX7
11					PANEL, Upper Door Trim (served in Item 10) N N N N

4236 900



MODEL CODES

B = GRAN FURY	F = FIFTH AVENUE/NEWPORT	P = RELIANT
C = LEBARON/TOWN & COUNTRY/EXC SEDAN	G = DIPLOMAT	T = E CLASS/NEW YORKER
C24 = LASER	H = VOYAGER	V = 600
D = ARIES	K = MINI RAM/CARAVAN/ROYAL	V24 = DAYTONA
E = 600	M = HORIZON/TURISMO	Z = OMNI/CHARGER/RAMPAGE

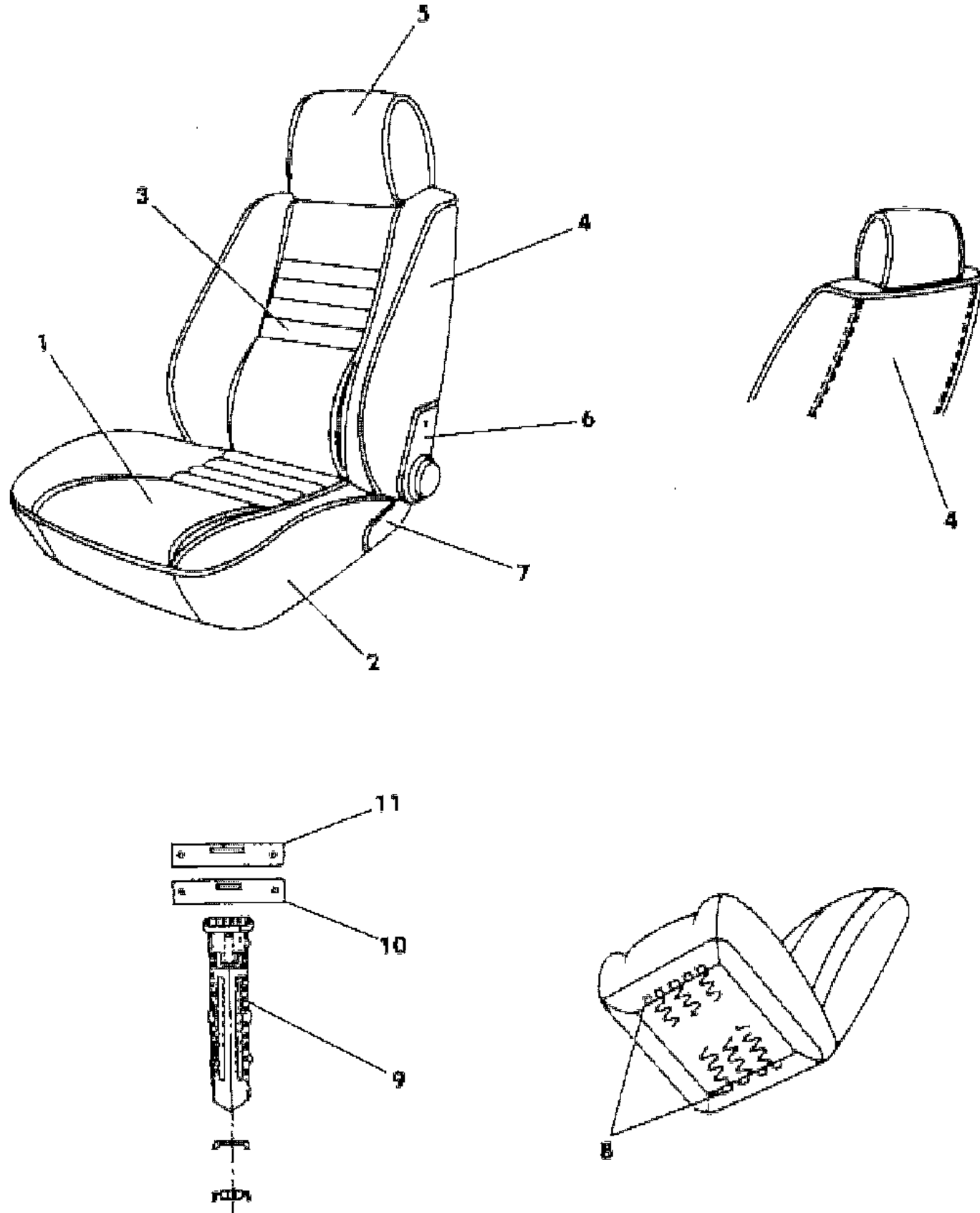
BODY STYLES

21 = 2-DOOR SEDAN	28 = FWD PICKUP	44 = 4-DOOR HATCHBACK
22 = 2-DOOR SPECIAL COUPE	35 = FWD VAN	45 = 4-DOOR STATION WAGON
24 = 2-DOOR HATCHBACK	36 = FWD WAGON	48 = 4-DOOR EXECUTIVE SEDAN
27 = 2-DOOR CONVERTIBLE	41 = 4-DOOR SEDAN	

AR = Use as Required - = Non Illustrated Part P.A.R. = Paint as Required

SEAT FRONT V,C G BODY TRIM CODES A7,A8
Figure ITG-1000

4236 1000



ITEM	PART NUMBER	QTY	BODY	MODEL	DESCRIPTION
1-2					CUSHION, w/Spring/Frame, Pad and Cover N N N N
					Cloth N N N N
	B701 C7A	2			N N NA7AS YB701C7A
	B701 C7L	2			N N NA7LT YB701C7L
	B701 C7M	2			N N NA7M6 YB701C7M
	B701 C7X	2			N N NA7X7 YB701C7X
					Vinyl N N N N
					(use up to 11/1/83) Rough Grain N N N N
	B715 C8A	2			N N NA8AS YB715C8A
	B715 C8L	2			N N NA8TL YB715C8L
	B715 C8M	2			N N NA8M6 YB715C8M
	B715 C8X	2			N N NA8X7 YB715C8X
					(use after 11/1/83) Smooth Grain N N N N
	B829 C8A	2			N N NA8AS YB829C8A
	B829 C8L	2			N N NA8TL YB829C8L
	B829 C8M	2			N N NA8M6 YB829C8M
	B829 C8X	2			N N NA8X7 YB829C8X
1					COVER, Cushion Front N N N N
	B438 C7A	2			N N NA7AS YB438C7A
	B438 C7M	2			N N NA7M YB438C7M
	B438 C7L	2			N N NA7TL YB438C7L
	B438 C7X	2			N N NA7X YB438C7X
					(use up to 11/1/83) Rough Grain N N N N
	B439 C8A	2			N N NA8AS YB439C8A
	B439 C8M	2			N N NA8M YB439C8M
	B439 C8L	2			N N NA8TL YB439C8L
	B439 C8X	2			N N NA8X YB439C8X
					(use after 11/1/83) Smooth Grain N N N N
	B457 C8A	2			N N NA8AS YB457C8A
	B457 C8M	2			N N NA8M YB457C8M
	B457 C8L	2			N N NA8TL YB457C8L
	B457 C8X	2			N N NA8X YB457C8X
2					ROLL STOCK (not serviced) N N N N
3-4					BACK, w/Spring/Frame, Pad and Cover N N N N
					Cloth N N N N
	B706-7 C7A	1			N N NA7AS YB706C7A
	B706-7 C7L	1			N N NA7TL YB706C7L
	B706-7 C7M	1			N N NA7M6 YB706C7M

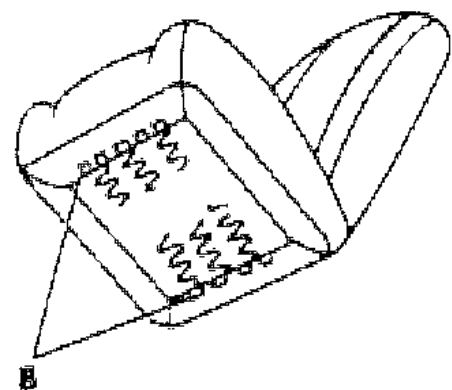
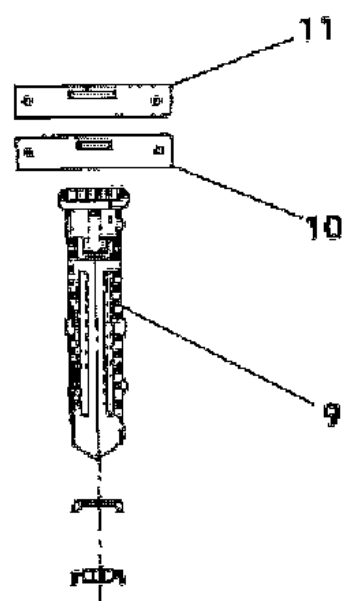
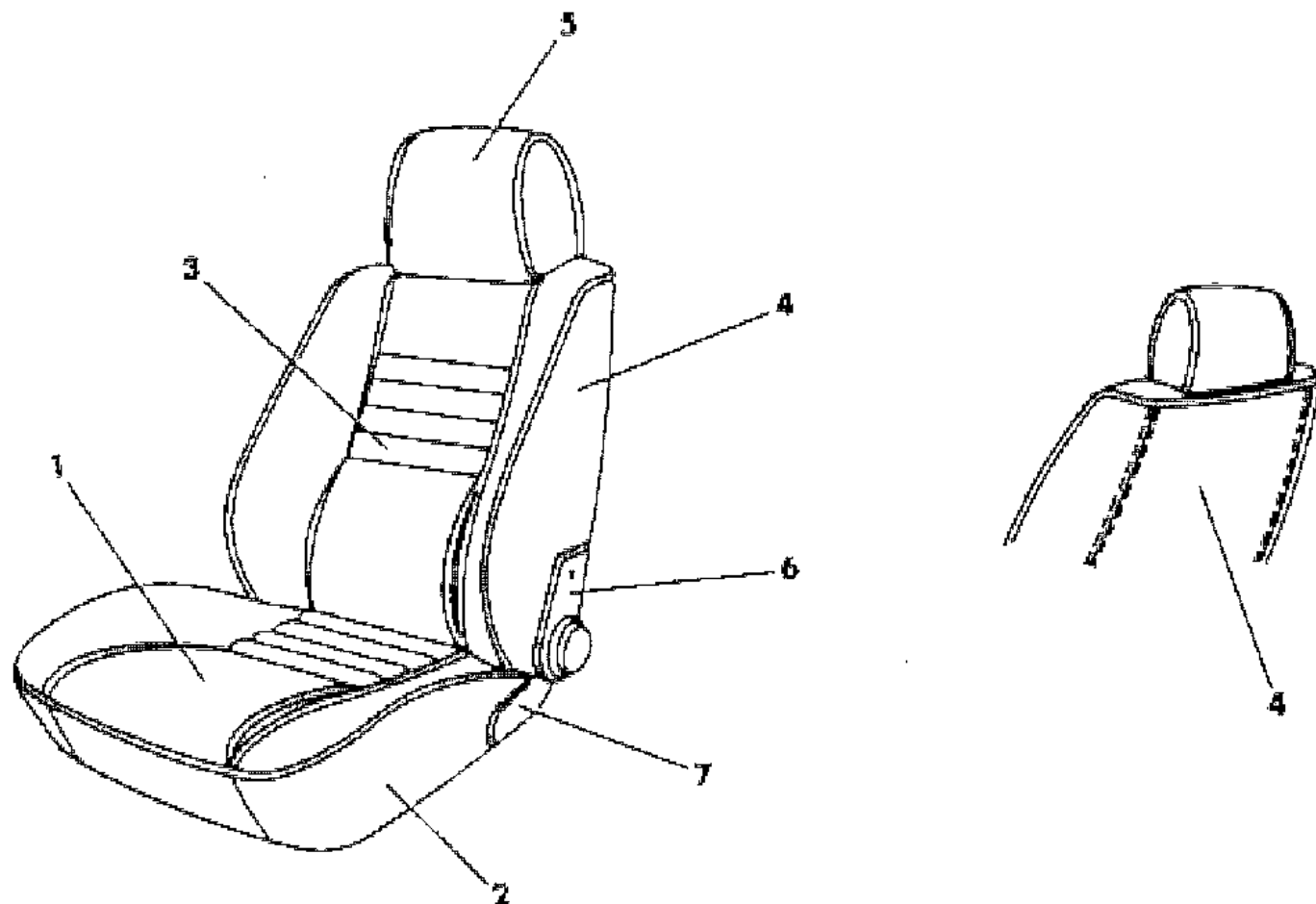
MODEL CODES
 B = GRAN FURY
 C = LEBARON/TOWN & COUNTRY/EXC SEDAN
 C24 = LASER
 D = ARIES
 E = 600
 F = FIFTH AVENUE/NEWPORT
 G = DIPLOMAT
 H = VOYAGER
 K = MINI RAM/CARAVAN/ROYAL
 M = HORIZON/TURISMO
 P = RELIANT
 T = E CLASS/NEW YORKER
 V = 600
 V24 = DAYTONA
 Z = OMNI/CHARGER/RAMPAGE

BODY STYLES
 21 = 2-DOOR SEDAN
 22 = 2-DOOR SPECIAL COUPE
 24 = 2-DOOR HATCHBACK
 27 = 2-DOOR CONVERTIBLE
 28 = FWD PICKUP
 35 = FWD VAN
 36 = FWD WAGON
 41 = 4-DOOR SEDAN
 44 = 4-DOOR HATCHBACK
 45 = 4-DOOR STATION WAGON
 48 = 4-DOOR EXECUTIVE SEDAN

AR = Use as Required - = Non Illustrated Part P.A.R. = Paint as Required

SEAT FRONT V,C G BODY TRIM CODES A7,A8
Figure ITG-1000

4236 1000



ITEM	PART NUMBER	QTY	BODY	MODEL	DESCRIPTION
	B706-7 C7X	1			N N NA7X7 YB706C7X Vinyl N N N N (use up to 11/1/83) Rough Grain N N N N
	B720-1 C8A	1			N N NA8AS YB720C8A
	B720-1 C8L	1			N N NA8TL YB720C8L
	B720-1 C8M	1			N N NA8M6 YB720C8M
	B720-1 C8X	1			N N NA8X7 YB720C8X (use after 11/1/83) Smooth Grain N N N N
	B832-3 C8A	2			N N NA8AS YB832C8A
	B832-3 C8L	2			N N NA8TL YB832C8L
	B832-3 C8M	2			N N NA8M YB832C8M
	B832-3 C8X	2			N N NA8X YB832C8X
3					COVER, Front Back N N N N
	B436 C7A	2			N N NA7AS YB436C7A
	B436 C7M	2			N N NA7M YB436C7M
	B436 C7L	2			N N NA7TL YB436C7L
	B436 C7X	2			N N NA7X YB436C7X (use up to 11/1/83) Rough Grain N N N N
	B437 C8A	2			N N NA8AS YB437C8A
	B437 C8M	2			N N NA8M YB437C8M
	B437 C8L	2			N N NA8TL YB437C8L
	B437 C8X	2			N N NA8X YB437C8X (use after 11/1/83) Smooth Grain N N N N
	B458 C8A	2			N N NA8AS YB458C8A
	B458 C8M	2			N N NA8M YB458C8M
	B458 C8L	2			N N NA8TL YB458C8L
	B458 C8X	2			N N NA8X YB458C8X
4					ROLL STOCK (not serviced) N N N N
5					HEADREST and COVER, Cloth N N N N
	B704 CAS	2			N N NA7AS YB704CAS
	B704 CLT	2			N N NA7TL YB704CLT
	B704 CMA	2			N N NA7M6 YB704CMA
	B704 CXA	2			N N NA7X7 YB704CXA
					Vinyl N N N N
	B718 CA2	2			Up to 11-1-83 N N NA8AS YB718CA2
	B836 CA2	2			After 11-1-83 N N NA8AS YB836CA2
	B718 CL3	2			Up to 11-1-83 N N NA8TL YB718CL3
	B836 CL3	2			After 11-1-83 N N NA8TL YB836CL3

MODEL CODES

B = GRAN FURY	F = FIFTH AVENUE/NEWPORT	P = RELIANT
C = LEBARON/TOWN & COUNTRY/EXC SEDAN	G = DIPLOMAT	T = E CLASS/NEW YORKER
C24 = LASER	H = VOYAGER	V = 600
D = ARIES	K = MINI RAM/CARAVAN/ROYAL	V24 = DAYTONA
E = 600	M = HORIZON/TURISMO	Z = OMNI/CHARGER/RAMPAGE

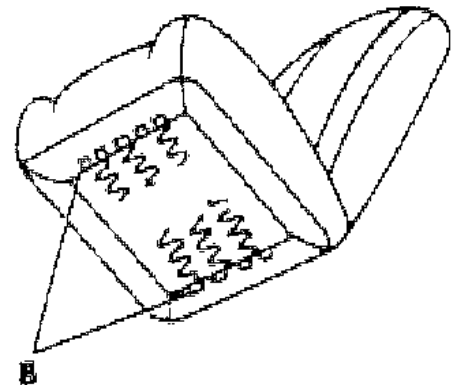
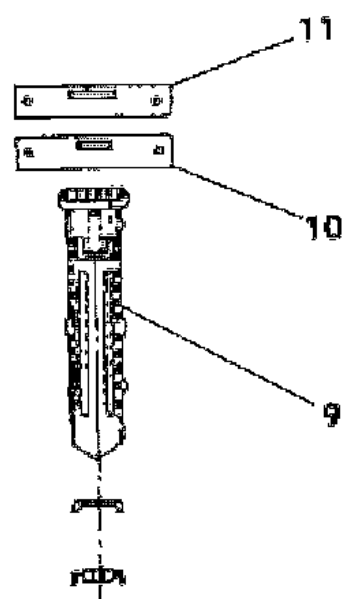
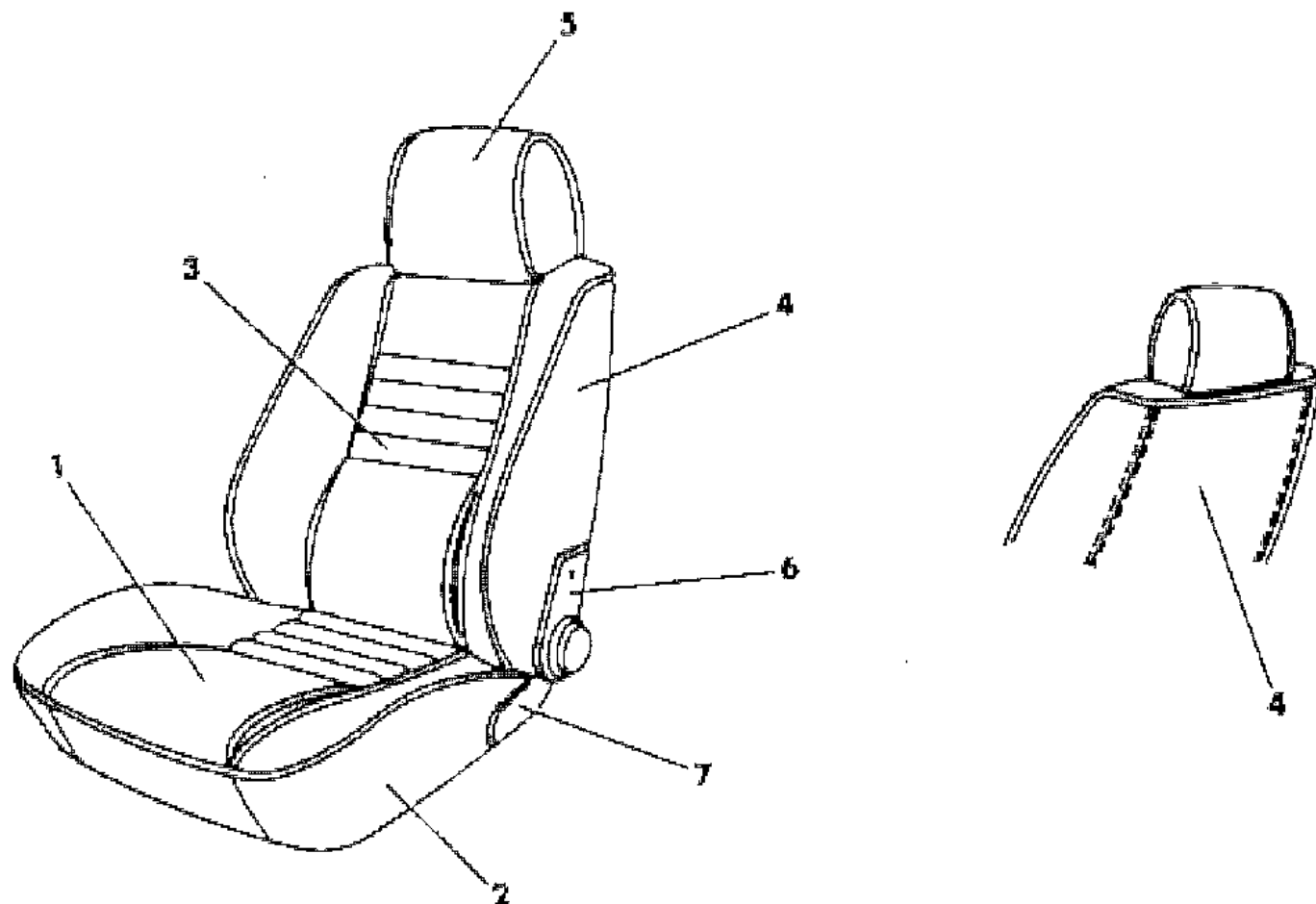
BODY STYLES

21 = 2-DOOR SEDAN	28 = FWD PICKUP	44 = 4-DOOR HATCHBACK
22 = 2-DOOR SPECIAL COUPE	35 = FWD VAN	45 = 4-DOOR STATION WAGON
24 = 2-DOOR HATCHBACK	36 = FWD WAGON	48 = 4-DOOR EXECUTIVE SEDAN
27 = 2-DOOR CONVERTIBLE	41 = 4-DOOR SEDAN	

AR = Use as Required - = Non Illustrated Part P.A.R. = Paint as Required

SEAT FRONT V,C G BODY TRIM CODES A7,A8
Figure ITG-1000

4236 1000



ITEM	PART NUMBER	QTY	BODY	MODEL	DESCRIPTION
	B718 CM6	2			Up to 11-1-83 N N NA8M6 YB718CM6
	B836 CM6	2			After 11-1-83 N N NA8M6 YB836CM6
	B718 CX7	2			Up to 11-1-83 N N NA8X7 YB718CX7
	B836 CX7	2			After 11-1-83 N N NA8X7 YB836CX7
					COVER, Headrest, Cloth N N N N
	B440 CAS	2			N N NA7AS YB440CAS
	B440 CMA	2			N N NA7M6 YB440CMA
	B440 CLT	2			N N NA7TL YB440CLT
	B440 CXA	2			N N NA7X7 YB440CXA
		2			Vinyl N N N N
	B441 CA2	2			Up to 11-1-83 N N NA8AS YB441CA2
	B462 CA2	2			After 11-1-83 N N NA8AS YB462CA2
	B441 CL3	2			Up to 11-1-83 N N NA8TL YB441CL3
	B462 CL3	2			After 11-1-83 N N NA8TL YB462CL3
	B441 CM6	2			Up to 11-1-83 N N NA8M6 YB441CM6
	B462 CM6	2			After 11-1-83 N N NA8M6 YB462CM6
	B441 CX7	2			Up to 11-1-83 N N NA8X7 YB441CX7
	B462 CX7	2			After 11-1-83 N N NA8X7 YB462CX7
6	S878-9 CL3	1			SHIELD, Front Back Upper (paint as required) N N N YS878CL3
7	S830-1 CX9	1			SHIELD, Front Back Lower, Outer N N N YS830CX9
	S832-3 CX9	1			Lower, Inner N N N YS832CX9
8	6008 076	AR			HOG RING N N N Y6008076
9					SLEEVE, Headrest N N N N
	S786 AA3	2			Silver N N N YS786AA3
	S786 BL3	2			Beige N N N YS786BL3
	S786 VM6	2			Red N N N YS786VM6
	S786 BT8	2			Brown N N N YS786BT8
	S786 CX9	2			Black N N N YS786CX9
	S786 CK5	2			Saddle N N N YS786CK5
10	4190 387	2			SUPPORT, Headrest N N N Y4190387
11	4190 388	2			COVER, Headrest Finish N N N Y4190388

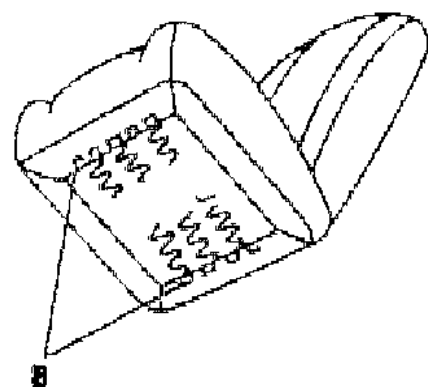
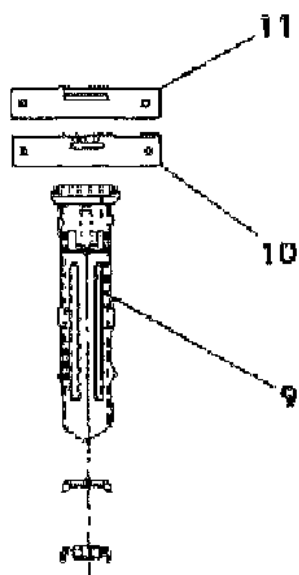
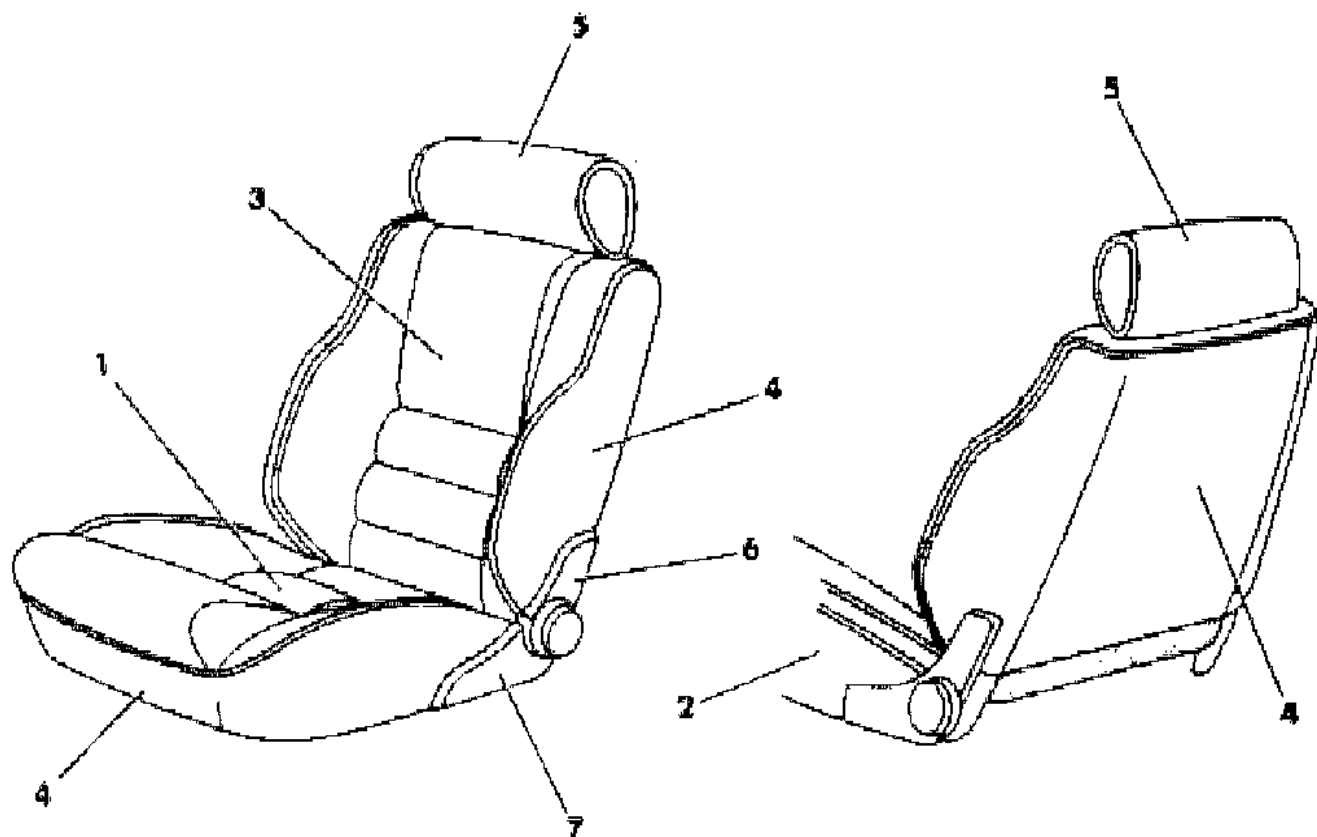
MODEL CODES
 B = GRAN FURY
 C = LEBARON/TOWN & COUNTRY/EXC SEDAN
 C24 = LASER
 D = ARIES
 E = 600
 F = FIFTH AVENUE/NEWPORT
 G = DIPLOMAT
 H = VOYAGER
 K = MINI RAM/CARAVAN/ROYAL
 M = HORIZON/TURISMO
 P = RELIANT
 T = E CLASS/NEW YORKER
 V = 600
 V24 = DAYTONA
 Z = OMNI/CHARGER/RAMPAGE

BODY STYLES
 21 = 2-DOOR SEDAN
 22 = 2-DOOR SPECIAL COUPE
 24 = 2-DOOR HATCHBACK
 27 = 2-DOOR CONVERTIBLE
 28 = FWD PICKUP
 35 = FWD VAN
 36 = FWD WAGON
 41 = 4-DOOR SEDAN
 44 = 4-DOOR HATCHBACK
 45 = 4-DOOR STATION WAGON
 48 = 4-DOOR EXECUTIVE SEDAN

AR = Use as Required - = Non Illustrated Part P.A.R. = Paint as Required

SEAT FRONT V,C G BODY TRIM CODE P7
Figure ITG-1100

4235 1100



ITEM	PART NUMBER	QTY	BODY	MODEL	DESCRIPTION
1&4					CUSHION, w/Spring/Frame, Pad and Cover Cloth N N N N
	B745 C7A	1			Electric Left N N N N
	B745 C7M	1			N N NP7AS YB745C7A
	B745 C7T	1			N N NP7M6 YB745C7M
	B745 C7X	1			N N NP7T8 YB745C7T
	B731 C7A	1			Manual Left N N N N
	B731 C7M	1			N N NP7AS YB731C7A
	B731 C7T	1			N N NP7M6 YB731C7M
	B731 C7X	1			N N NP7T8 YB731C7T
	B808 C7A	1			Manual Right N N N N
	B808 C7M	1			N N NP7AS YB808C7A
	B808 C7T	1			N N NP7M6 YB808C7M
	B808 C7X	1			N N NP7T8 YB808C7T
1		1			COVER, Cushion Front (serviced in Cushion Assy.) N N N N
3-4					BACK, w/Spring/Frame, Pad and Cover Cloth N N N N
	B734-5 C7A	1			N N NP7AS YB734C7A
	B734-5 C7M	1			N N NP7M6 YB734C7M
	B734-5 C7T	1			N N NP7T8 YB734C7T
	B734-5 C7X	1			N N NP7X7 YB734C7X
3					COVER, Front Back (serviced in Back Assy.) N N N N
4					ROLL STOCK (not serviced) N N N N
5					HEADREST and COVER N N N N
	B736 CAS	2			N N NP7AS YB736CAS
	B736 CMM	2			N N NP7M6 YB736CMM
	B736 CTT	2			N N NP7T8 YB736CTT
	B736 CXA	2			N N NP7X7 YB736CXA
	B447 CAS				COVER, Headrest N N N N
	B447 CMM				N N NP7AS YB447CAS
	B447 CTT				N N NP7M6 YB447CMM
	B447 CXA				N N NP7T8 YB447CTT
6	S878-9 CL3	2			SHIELD, Front Back Upper (paint as required) N N N YS878CL3
7	S830-1 CX9	1			SHIELD, Front Back Lower, Outer N N N YS830CX9
	S832-3 CX9	1			Lower, Inner N N N YS832CX9
8	6008 076	AR			HOG RING N N N Y6008076

MODEL CODES

B = GRAN FURY	F = FIFTH AVENUE/NEWPORT	P = RELIANT
C = LEBARON/TOWN & COUNTRY/EXC SEDAN	G = DIPLOMAT	T = E CLASS/NEW YORKER
C24 = LASER	H = VOYAGER	V = 600
D = ARIES	K = MINI RAM/CARAVAN/ROYAL	V24 = DAYTONA
E = 600	M = HORIZON/TURISMO	Z = OMNI/CHARGER/RAMPAGE

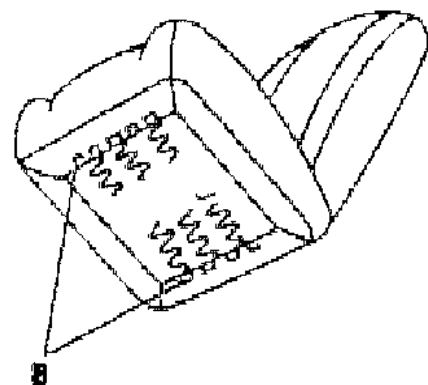
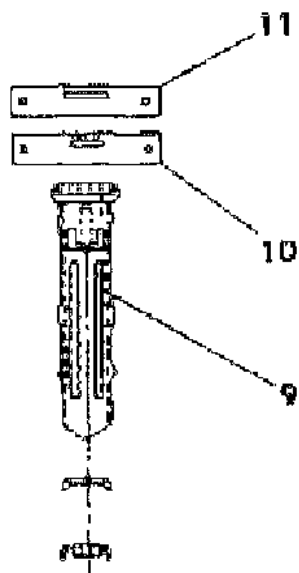
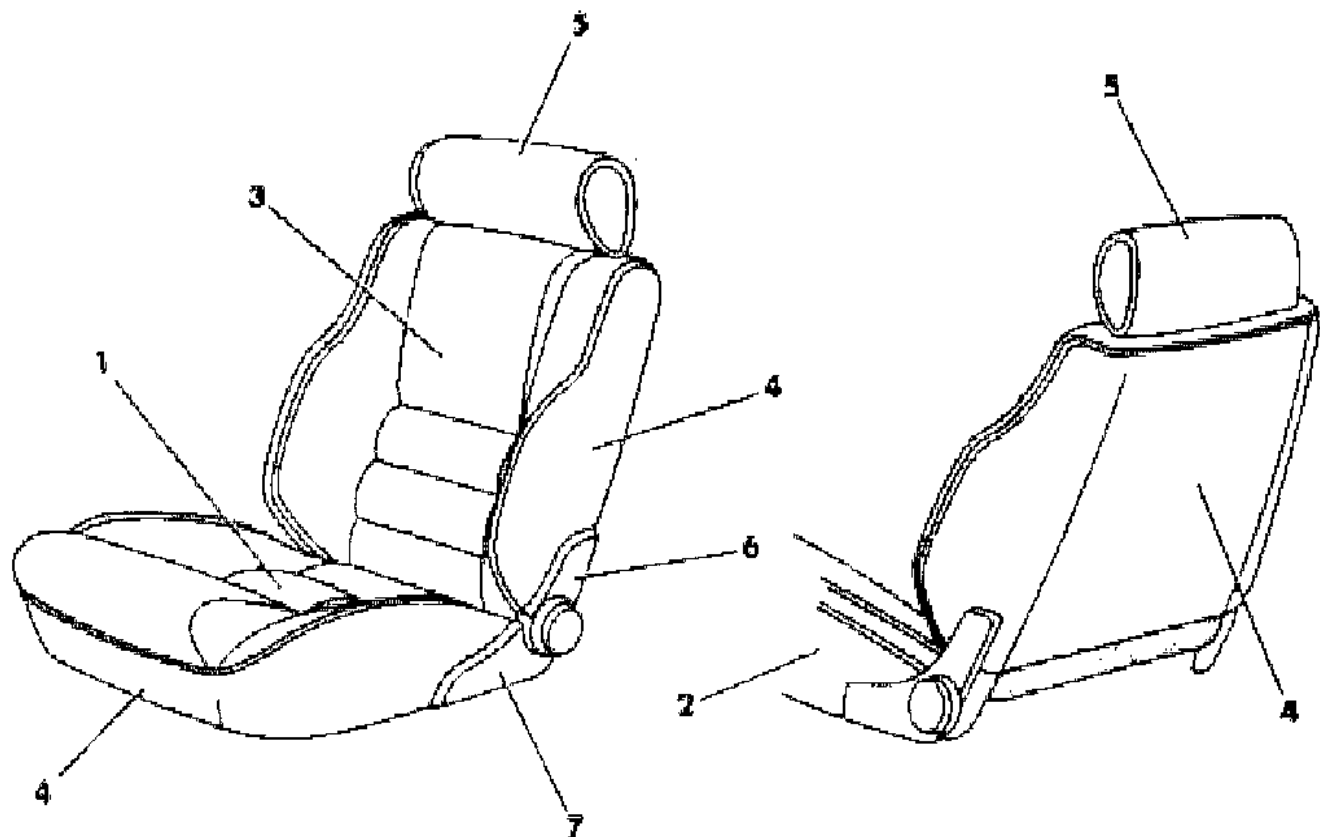
BODY STYLES

21 = 2-DOOR SEDAN	28 = FWD PICKUP	44 = 4-DOOR HATCHBACK
22 = 2-DOOR SPECIAL COUPE	35 = FWD VAN	45 = 4-DOOR STATION WAGON
24 = 2-DOOR HATCHBACK	36 = FWD WAGON	48 = 4-DOOR EXECUTIVE SEDAN
27 = 2-DOOR CONVERTIBLE	41 = 4-DOOR SEDAN	

AR = Use as Required - = Non Illustrated Part P.A.R. = Paint as Required

SEAT FRONT V,C G BODY TRIM CODE P7
Figure ITG-1100

4235 1100



ITEM	PART NUMBER	QTY	BODY	MODEL	DESCRIPTION
9					SLEEVE, Headrest N N N N
	S786 AA3	2			Silver N N N YS786AA3
	S786 BL3	2			Beige N N N YS786BL3
	S786 VM6	2			Red N N N YS786VM6
	S786 BT8	2			Brown N N N YS786BT8
	S786 CX9	2			Black N N N YS786CX9
	S786 CK5	2			Saddle N N N YS786CK5
10	4190 387	2			SUPPORT, Headrest N N N Y4190387
11	4190 388	2			COVER, Headrest Finish N N N Y4190388

MODEL CODES

B = GRAN FURY	F = FIFTH AVENUE/NEWPORT	P = RELIANT
C = LEBARON/TOWN & COUNTRY/EXC SEDAN	G = DIPLOMAT	T = E CLASS/NEW YORKER
C24 = LASER	H = VOYAGER	V = 600
D = ARIES	K = MINI RAM/CARAVAN/ROYAL	V24 = DAYTONA
E = 600	M = HORIZON/TURISMO	Z = OMNI/CHARGER/RAMPAGE

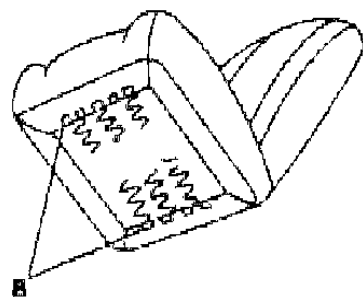
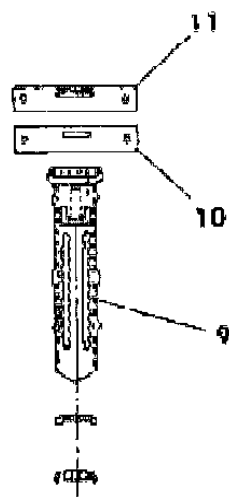
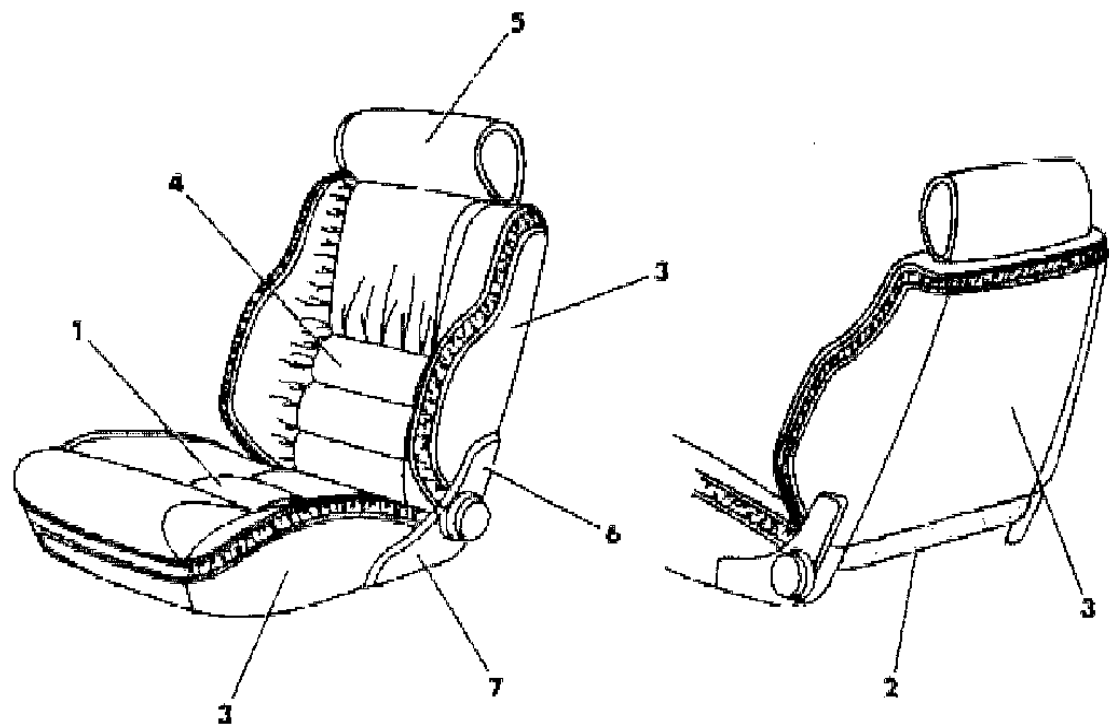
BODY STYLES

21 = 2-DOOR SEDAN	28 = FWD PICKUP	44 = 4-DOOR HATCHBACK
22 = 2-DOOR SPECIAL COUPE	35 = FWD VAN	45 = 4-DOOR STATION WAGON
24 = 2-DOOR HATCHBACK	36 = FWD WAGON	48 = 4-DOOR EXECUTIVE SEDAN
27 = 2-DOOR CONVERTIBLE	41 = 4-DOOR SEDAN	

AR = Use as Required - = Non Illustrated Part P.A.R. = Paint as Required

SEAT FRONT V,C G BODY TRIM CODE SL
Figure ITG-1200

4236 1200



ITEM	PART NUMBER	QTY	BODY	MODEL	DESCRIPTION
1-3					CUSHION, w/Spring/Frame, Pad and Cover N N N N
	B760 CLK	1			Manual Right N N N N
	B760 CLX	1			N N NSLTK YB760CLK
	B809 CLK	1			N N NSLX7 YB760CLX
	B809 CLX	1			Manual Left N N N N
	B761 CLK	1			N N NSLTK YB809CLK
	B761 CLX	1			N N NSLX7 YB809CLX
1					Electric, Left N N N N
2					N N NSLTK YB761CLK
3-4					N N NSLX7 YB761CLX
1					COVER, Front Cushion (serviced in Cushion Assy.) N N N N
2					ROLL STOCK (not serviced) N N N N
3-4					BACK, w/Spring/Frame, Pad and Cover N N N N
	B764-5 CLK	1			N N NSLTK YB764CLK
	B764-5 CLX	1			N N NSLX7 YB764CLX
3					ROLL STOCK (not serviced) N N N N
4					COVER, Front Back (serviced in Back Assy.) N N N N
5					HEADREST and COVER N N N N
	B784 CK5	2			w/Logo (Mark Cross) N N N N
	B784 CX9	2			NC N NSLTK YB784CK5
	B766 CK5	2			NC N NSLX7 YB784CX9
	B766 CX9	2			w/o Logo N N N N
	B456 CK5	2			NV N NSLTK YB766CK5
	B456 CX9	2			NV N NSLX7 YB766CX9
	B452 CK5	2			COVER, Headrest N N N N
	B452 CX9	2			w/Logo (Mark Cross) N N N N
6	S878-9 CL3	2			NC N NSLTK YB456CK5
7	S830-1 CX9	1			NC N NSLX7 YB456CX9
	S832-3 CX9	1			w/o Logo N N N N
8	6008 076	AR			NV N NSLTK YB452CK5
9	S786 AA3	2			NV N NSLX7 YB452CX9
	S786 BL3	2			SHIELD, Front Back Upper (paint as required) N N N YS878CL3
					SHIELD, Lower, Outer N N N YS830CX9
					Lower, Inner N N N YS832CX9
					HOG RING N N N Y6008076
					SLEEVE, Headrest N N N N
					Silver N N N YS786AA3
					Beige N N N YS786BL3

MODEL CODES

B = GRAN FURY	F = FIFTH AVENUE/NEWPORT	P = RELIANT
C = LEBARON/TOWN & COUNTRY/EXC SEDAN	G = DIPLOMAT	T = E CLASS/NEW YORKER
C24 = LASER	H = VOYAGER	V = 600
D = ARIES	K = MINI RAM/CARAVAN/ROYAL	V24 = DAYTONA
E = 600	M = HORIZON/TURISMO	Z = OMNI/CHARGER/RAMPAGE

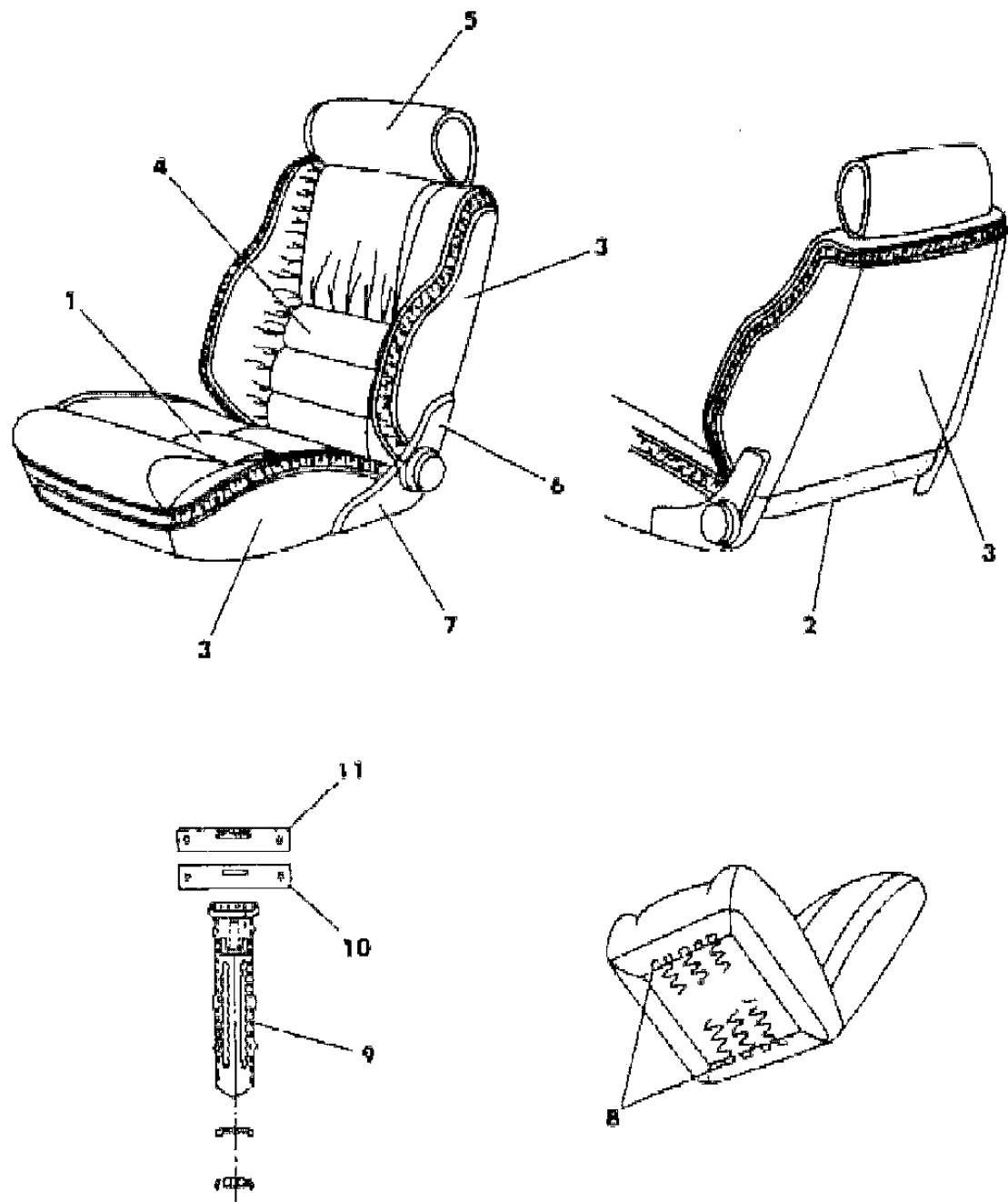
BODY STYLES

21 = 2-DOOR SEDAN	28 = FWD PICKUP	44 = 4-DOOR HATCHBACK
22 = 2-DOOR SPECIAL COUPE	35 = FWD VAN	45 = 4-DOOR STATION WAGON
24 = 2-DOOR HATCHBACK	36 = FWD WAGON	48 = 4-DOOR EXECUTIVE SEDAN
27 = 2-DOOR CONVERTIBLE	41 = 4-DOOR SEDAN	

AR = Use as Required - = Non Illustrated Part P.A.R. = Paint as Required

SEAT FRONT V,C G BODY TRIM CODE SL
Figure ITG-1200

4236 1200



ITEM	PART NUMBER	QTY	BODY	MODEL	DESCRIPTION
	S786 VM6	2			Red N N N YS786VM6
	S786 BT8	2			Brown N N N YS786BT8
	S786 CX9	2			Black N N N YS786CX9
	S786 CK5	2			Saddle N N N YS786CK5
10	4190 387	2			SUPPORT, Headrest N N N Y4190387
11	4190 388	2			COVER, Headrest Finish N N N Y4190388

MODEL CODES

B = GRAN FURY	F = FIFTH AVENUE/NEWPORT	P = RELIANT
C = LEBARON/TOWN & COUNTRY/EXC SEDAN	G = DIPLOMAT	T = E CLASS/NEW YORKER
C24 = LASER	H = VOYAGER	V = 600
D = ARIES	K = MINI RAM/CARAVAN/ROYAL	V24 = DAYTONA
E = 600	M = HORIZON/TURISMO	Z = OMNI/CHARGER/RAMPAGE

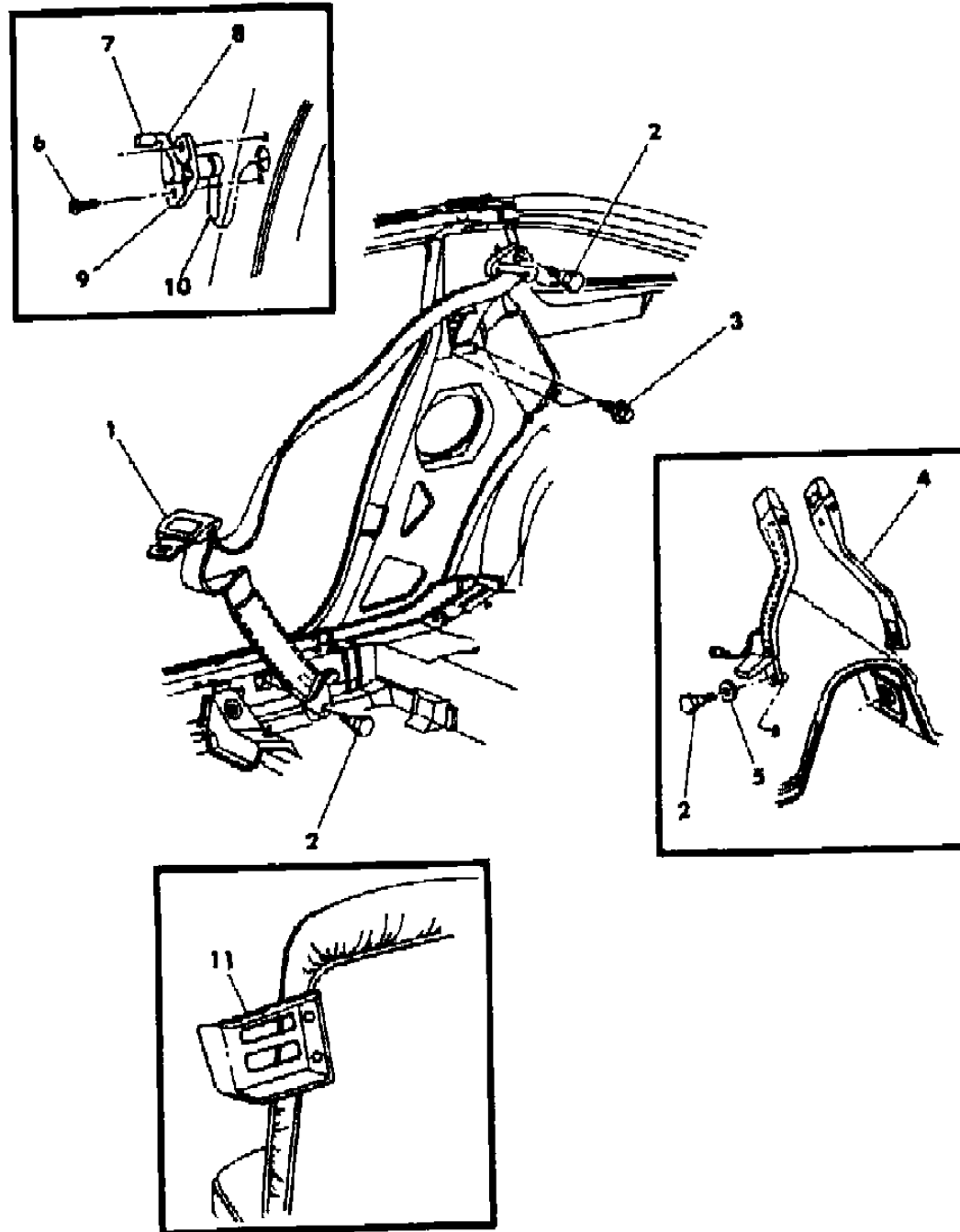
BODY STYLES

21 = 2-DOOR SEDAN	28 = FWD PICKUP	44 = 4-DOOR HATCHBACK
22 = 2-DOOR SPECIAL COUPE	35 = FWD VAN	45 = 4-DOOR STATION WAGON
24 = 2-DOOR HATCHBACK	36 = FWD WAGON	48 = 4-DOOR EXECUTIVE SEDAN
27 = 2-DOOR CONVERTIBLE	41 = 4-DOOR SEDAN	

AR = Use as Required - = Non Illustrated Part P.A.R. = Paint as Required

BELT FRONT SEAT LAP AND SHOULDER V,C G BODY
Figure ITG-1300

4236 1300



ITEM	PART NUMBER	QTY	BODY	MODEL	DESCRIPTION
1					BELT, Lap and Shoulder N N N N
					Label Number 4327078-9 N N N N
	4364 816-7	1			Silver N N N Y4364816
	F734-5 CM6	1			Red N N N YF734CM6
	F734-5 CT8	1			Brown N N N YF734CT8
	F734-5 CX9	1			Black N N N YF734CX9
2	6031 298	2			BOLT, Shoulder N N N Y6031298
3		AR			BOLT (not serviced) N N N N
4					BELT, Front Seat Buckle Half N N N N
					Label Number 4290765 N N N N
	F696-7 CA3	1			Silver N N N YF696CA3
	F696-7 CM6	1			Red N N N YF696CM6
	F696-7 CT8	1			Brown N N N YF696CT8
	F696-7 CX9	1			Black N N N YF696CX9
5		AR			WASHER (not serviced) N N N N
6		AR			SCREW (not serviced) N N N N
7-10	4327 332-3	1			ACTUATOR, Complete N N N Y4327332
7	3672 888	2			SILENCER, Actuator N N N Y3672888
8					CRANK, w/Actuator, Housing and Spring (serviced in Item 7-10) N N N N
9					HOUSING, Retractor Actuator (serviced in Item 7-10) N N N N
10					ACTUATOR, Retractor (serviced in Item 7-10) N N N N
11					GUIDE, (Catcher) Front Seat Belt N N N N
	F835 CM6	2			Red N N N YF835CM6
	F835 CS8	2			Charcoal N N N YF835CS8
	F835 CT8	2			Brown N N N YF835CT8
	F835 CX9	2			Black N N N YF835CX9

MODEL CODES

B = GRAN FURY	F = FIFTH AVENUE/NEWPORT	P = RELIANT
C = LEBARON/TOWN & COUNTRY/EXC SEDAN	G = DIPLOMAT	T = E CLASS/NEW YORKER
C24 = LASER	H = VOYAGER	V = 600
D = ARIES	K = MINI RAM/CARAVAN/ROYAL	V24 = DAYTONA
E = 600	M = HORIZON/TURISMO	Z = OMNI/CHARGER/RAMPAGE

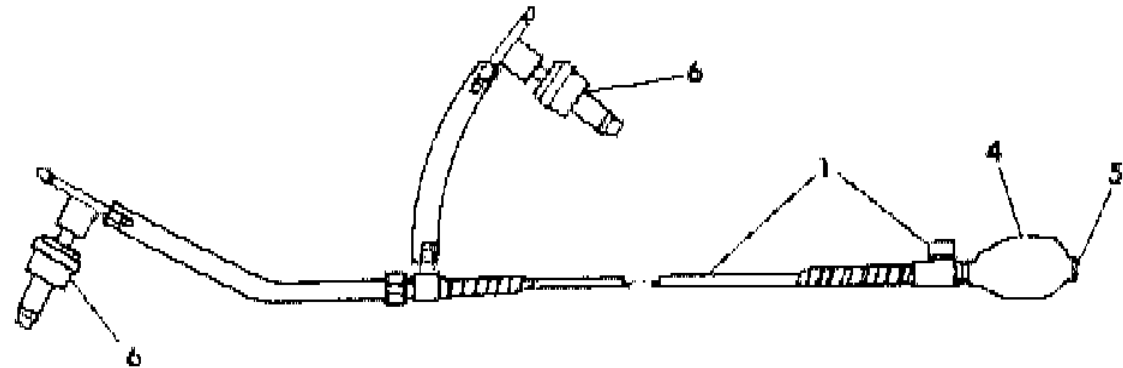
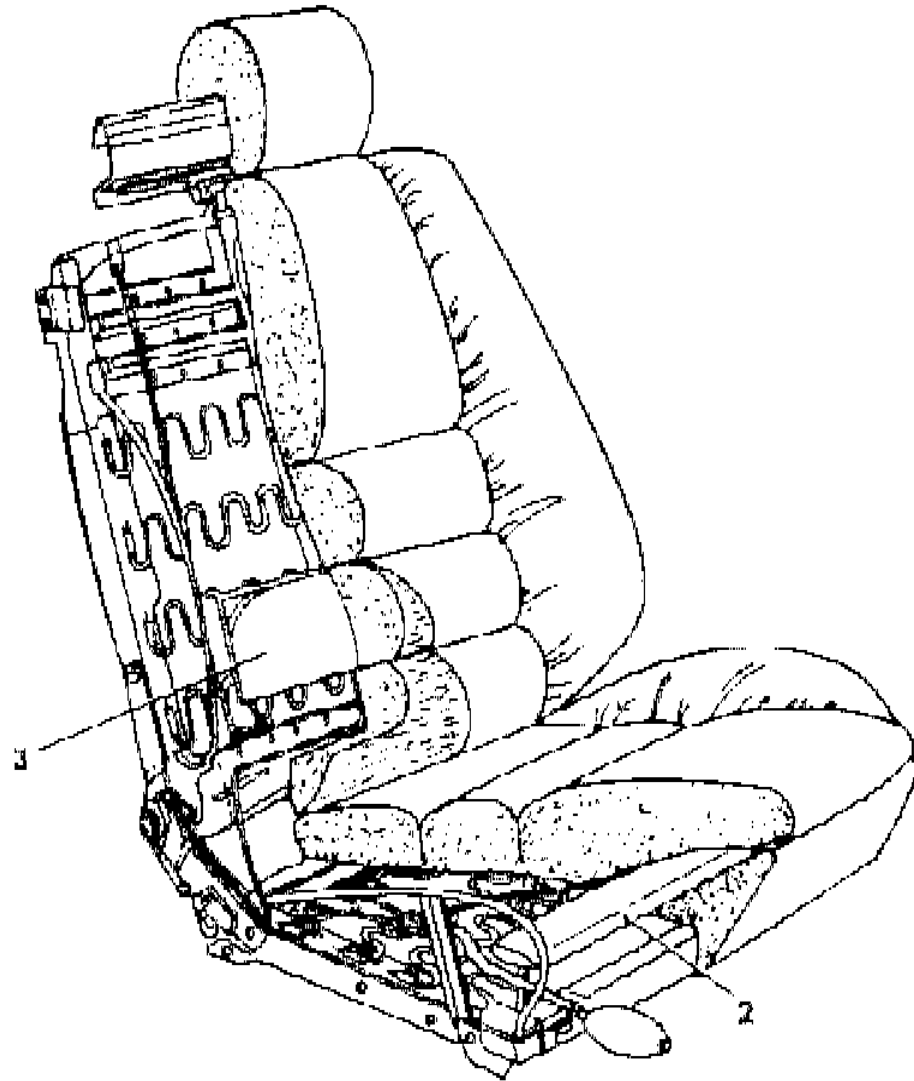
BODY STYLES

21 = 2-DOOR SEDAN	28 = FWD PICKUP	44 = 4-DOOR HATCHBACK
22 = 2-DOOR SPECIAL COUPE	35 = FWD VAN	45 = 4-DOOR STATION WAGON
24 = 2-DOOR HATCHBACK	36 = FWD WAGON	48 = 4-DOOR EXECUTIVE SEDAN
27 = 2-DOOR CONVERTIBLE	41 = 4-DOOR SEDAN	

AR = Use as Required - = Non Illustrated Part P.A.R. = Paint as Required

LUMBAR AND THIGH SUPPORT V,C G BODY
Figure ITG-1400

4326 1400



ITEM	PART NUMBER	QTY	BODY	MODEL	DESCRIPTION
1	4327 620	1			VALVE, Dual Control N N N Y4327620
2	4327 422	1			BLADDER, Cushion Thigh Support N N N Y4327422
3	4327 425	1			BLADDER, Back Lumber Support N N N Y4327425
4	4327 428	1			BULB, Pump Molded Rubber Support N N N Y4327428
5	4327 429	1			VALVE, Pump Bulb Check Support N N N Y4327429
6	4327 430	1			VALVE, Pressure Relief Support N N N Y4327430
7	4271 082	2			TUBING, PCV N N N Y4271082

MODEL CODES

B = GRAN FURY	F = FIFTH AVENUE/NEWPORT	P = RELIANT
C = LEBARON/TOWN & COUNTRY/EXC SEDAN	G = DIPLOMAT	T = E CLASS/NEW YORKER
C24 = LASER	H = VOYAGER	V = 600
D = ARIES	K = MINI RAM/CARAVAN/ROYAL	V24 = DAYTONA
E = 600	M = HORIZON/TURISMO	Z = OMNI/CHARGER/RAMPAGE

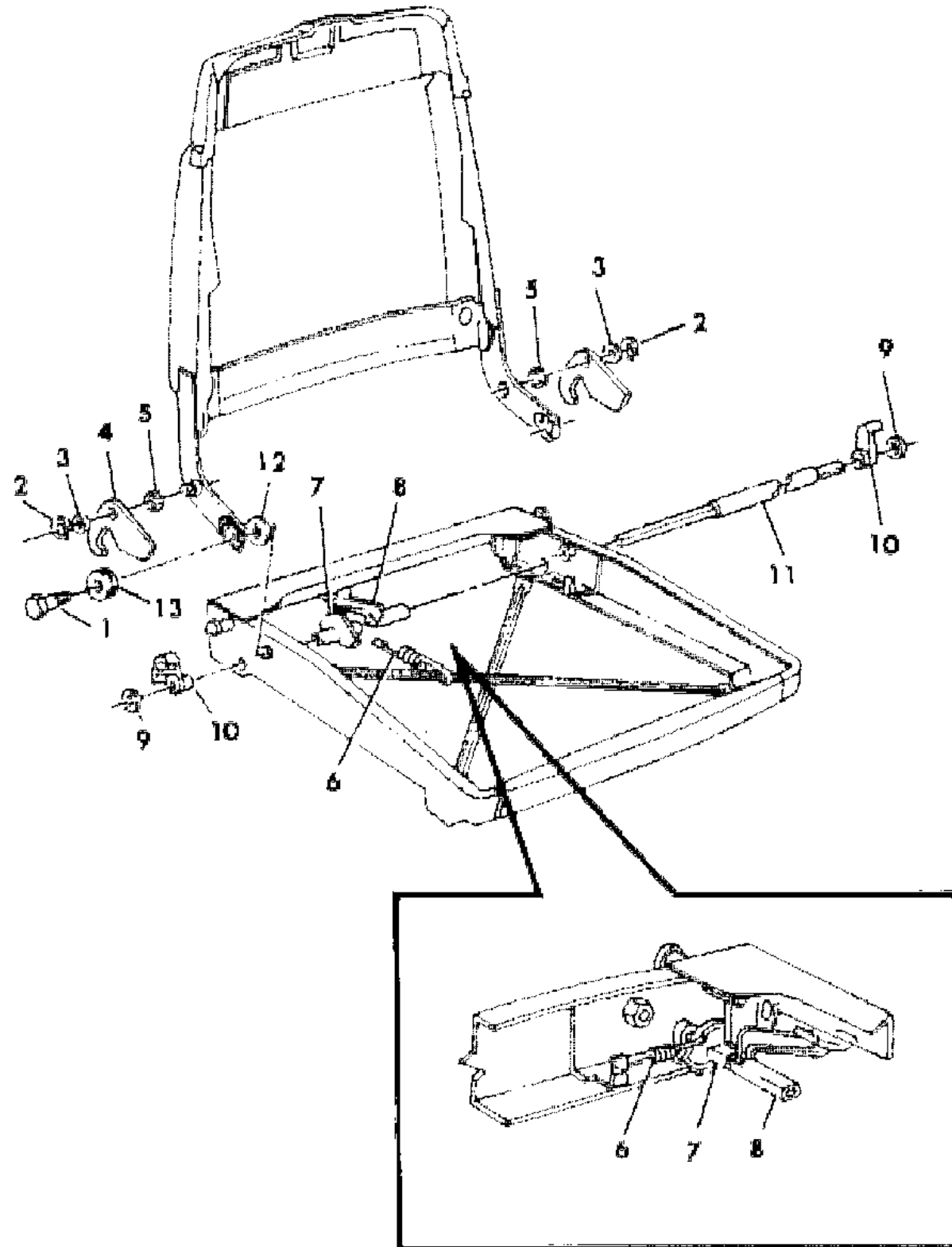
BODY STYLES

21 = 2-DOOR SEDAN	28 = FWD PICKUP	44 = 4-DOOR HATCHBACK
22 = 2-DOOR SPECIAL COUPE	35 = FWD VAN	45 = 4-DOOR STATION WAGON
24 = 2-DOOR HATCHBACK	36 = FWD WAGON	48 = 4-DOOR EXECUTIVE SEDAN
27 = 2-DOOR CONVERTIBLE	41 = 4-DOOR SEDAN	

AR = Use as Required - = Non Illustrated Part P.A.R. = Paint as Required

RELEASE FRONT SEAT BACK V,C G BODY
Figure ITG-1500

413E 1500



ITEM	PART NUMBER	QTY	BODY	MODEL	DESCRIPTION
1	6500 534	4			BOLT, Seat Back N N N Y6500534
2	6024 440	4			RING, Retainer N N N Y6024440
3	6500 479	4			WASHER N N N Y6500479
4	4239 487	4			LATCH, Seat Back N N N Y4239487
5	4190 274	4			BUSHING, Latch N N N Y4190274
6	4190 611	2			SPRING, Return N N N Y4190611
7	4190 616	2			STOP, Actuator N N N Y4190616
8	4190 613	2			HANDLE, Release N N N Y4190613
9	6022 149	4			NUT, Push N N N Y6022149
10	4190 614-5	2			ACTUATOR N N N Y4190614
11	4317 366	2			SHAFT, w/o Power Seats N N N Y4317366
	4345 695	1			w/Power Seats N N N Y4345695
12	2858 089	4			WASHER N N N Y2858089
13					WASHER, 2"dia. (not serviced) N N N N

MODEL CODES

B = GRAN FURY	F = FIFTH AVENUE/NEWPORT	P = RELIANT
C = LEBARON/TOWN & COUNTRY/EXC SEDAN	G = DIPLOMAT	T = E CLASS/NEW YORKER
C24 = LASER	H = VOYAGER	V = 600
D = ARIES	K = MINI RAM/CARAVAN/ROYAL	V24 = DAYTONA
E = 600	M = HORIZON/TURISMO	Z = OMNI/CHARGER/RAMPAGE

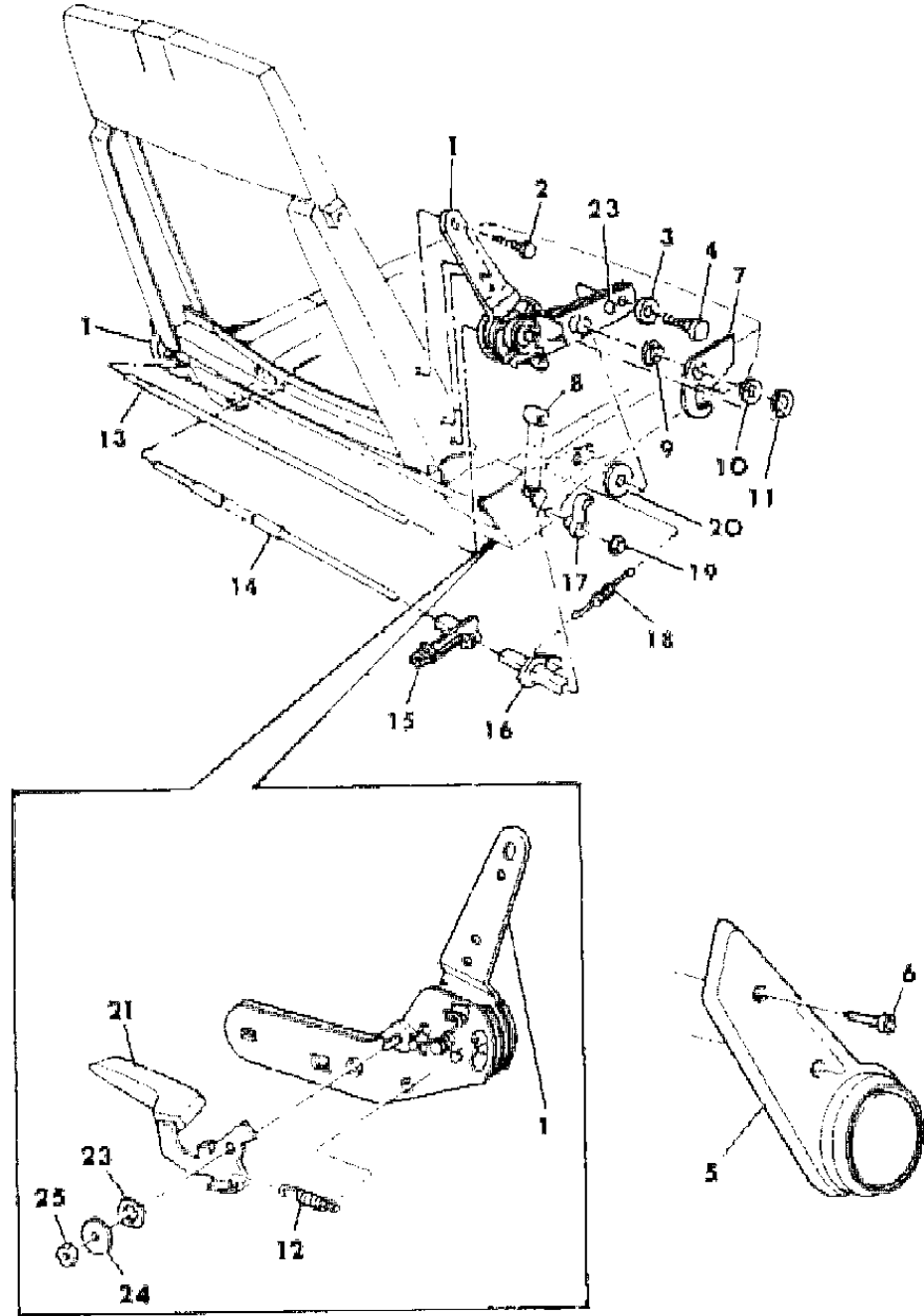
BODY STYLES

21 = 2-DOOR SEDAN	28 = FWD PICKUP	44 = 4-DOOR HATCHBACK
22 = 2-DOOR SPECIAL COUPE	35 = FWD VAN	45 = 4-DOOR STATION WAGON
24 = 2-DOOR HATCHBACK	36 = FWD WAGON	48 = 4-DOOR EXECUTIVE SEDAN
27 = 2-DOOR CONVERTIBLE	41 = 4-DOOR SEDAN	

AR = Use as Required - = Non Illustrated Part P.A.R. = Paint as Required

RECLINING FRONT SEAT V,C G BODY
Figure ITG-1600

4236 1600



ITEM	PART NUMBER	QTY	BODY	MODEL	DESCRIPTION
1					RECLINER N N N N
	4290 730	1			Outer, Right N N N Y4290730
	4316 158	1			Inner, Right N N N Y4316158
	4290 731	1			Outer, Left N N N Y4290731
	4316 159	1			Inner, Left N N N Y4316159
2	6500 558	4			BOLT N N N Y6500558
3	2858 089	2			WASHER, Seat Back Hinge Arm N N N Y2858089
4	6500 534	2			BOLT N N N Y6500534
5	S878-9 CL3	1			SHIELD, Inner and Outer (paint as required) N N N YS878CL3
6					SCREW (not serviced) N N N N
7	4239 487	2			LATCH, Seat Back To Cushion N N N Y4239487
8	4239 468	2			COVER, Pin Stop N N N Y4239468
9	4190 274	2			BUSHING, Latch Pivot N N N Y4190274
10	6500 479	2			WASHER N N N Y6500479
11	6024 440	2			RING, Retainer N N N Y6024440
12	4317 384	2			SPRING, Recliner Lever Return (13 Coils) (use up to 5/1/84) N N N Y4317384
	4345 370	2			(use after 5/1/84) N N N Y4345370
	4316 806	2			(21 Coils) N N N Y4316806
13	4317 357	1			ROD, Recliner Seat Back N N N Y4317357
14	4317 366	1			SHAFT, Inertia Latch Actuator N N N Y4317366
	4317 355	1			SPACER, Actuating Shaft, Inner N N N Y4317355
	4317 354	1			Outer N N N Y4317354
15	4190 613	1			HANDLE, Inertia Release N N N Y4190613
16	4190 616	1			STOP, Inertia Latch Actuator N N N Y4190616
17	4190 614-5	1			ACTUATOR, Inertia Latch N N N Y4190614
18	4190 611	1			SPRING, Inertia Latch Handle Return N N N Y4190611
19	6022 149	1			NUT, Push On N N N Y6022149
20		2			WASHER (not serviced) N N N N
21	S776-7 CW1	1			LEVER, Recliner Release N N N YS776CW1
22	6500 453	AR			NUT N N N Y6500453
23					WASHER, Spring (not serviced) N N N N
24					WASHER, Flat (not serviced) N N N N
25	0120 622	AR			NUT N N N Y0120622

MODEL CODES

B = GRAN FURY	F = FIFTH AVENUE/NEWPORT	P = RELIANT
C = LEBARON/TOWN & COUNTRY/EXC SEDAN	G = DIPLOMAT	T = E CLASS/NEW YORKER
C24 = LASER	H = VOYAGER	V = 600
D = ARIES	K = MINI RAM/CARAVAN/ROYAL	V24 = DAYTONA
E = 600	M = HORIZON/TURISMO	Z = OMNI/CHARGER/RAMPAGE

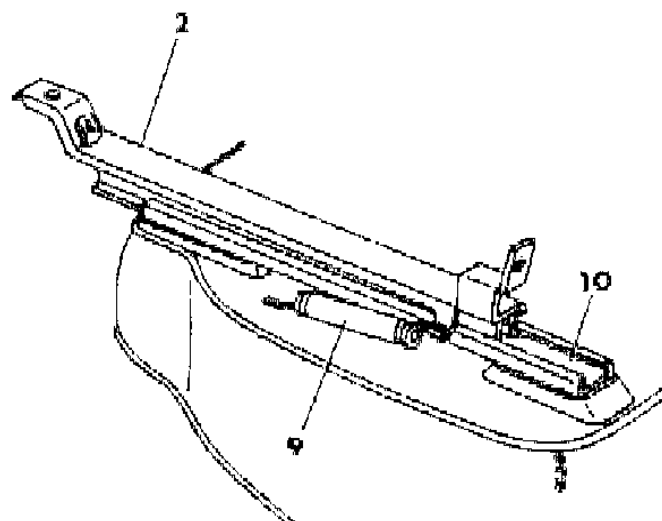
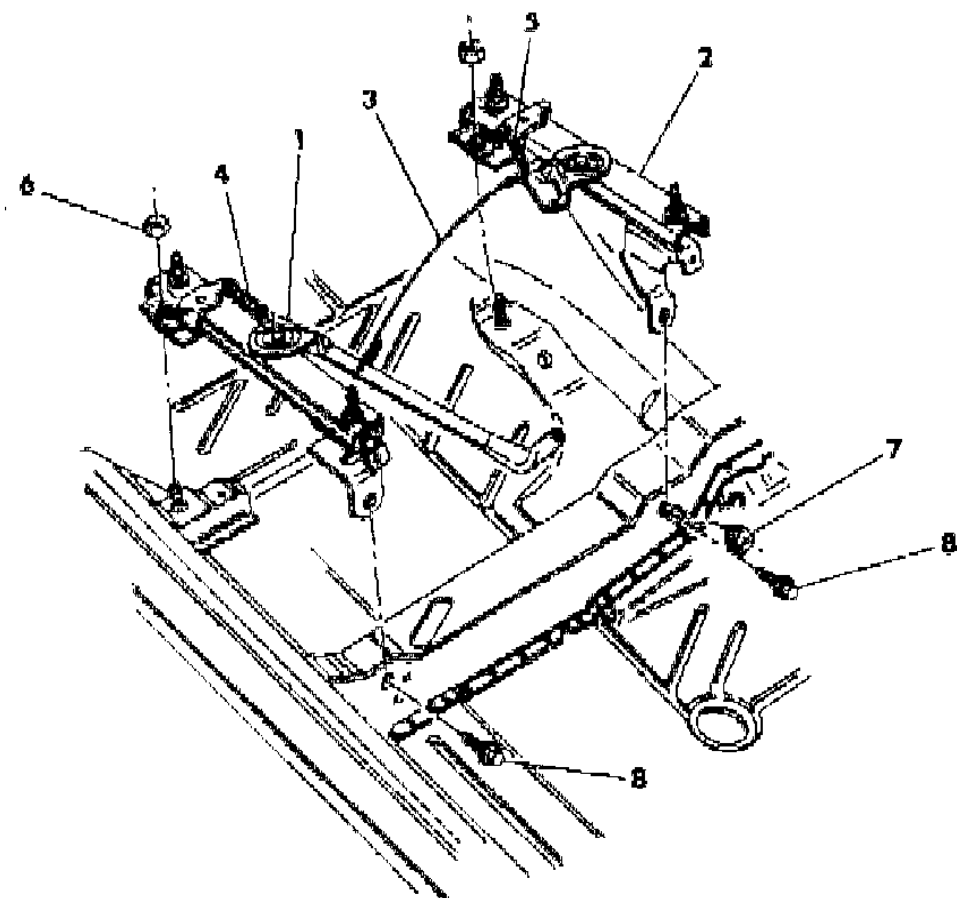
BODY STYLES

21 = 2-DOOR SEDAN	28 = FWD PICKUP	44 = 4-DOOR HATCHBACK
22 = 2-DOOR SPECIAL COUPE	35 = FWD VAN	45 = 4-DOOR STATION WAGON
24 = 2-DOOR HATCHBACK	36 = FWD WAGON	48 = 4-DOOR EXECUTIVE SEDAN
27 = 2-DOOR CONVERTIBLE	41 = 4-DOOR SEDAN	

AR = Use as Required - = Non Illustrated Part P.A.R. = Paint as Required

ADJUSTERS MANUAL V,C G BODY
Figure ITG-1700

4236 1700



ITEM	PART NUMBER	QTY	BODY	MODEL	DESCRIPTION
1	4290 982-3	1			ADJUSTER, Manual, Outer N N N Y4290982
2	4290 984-5	1			ADJUSTER, Manual, Inner N N N Y4290984
3	4239 942	1			WIRE, Adjuster Release N N N Y4239942
4	4327 235	1			SPRING, Lever Return N N N Y4327235
5	4290 986	1			SPRING, Latch Return N N N Y4290986
1					BELT, Outboard Lap and Shoulder N N N N
6		AR			NUT (not serviced) N N N N
7	6101 283	1			U-NUT N N N Y6101283
8		AR			SCREW and WASHER (not serviced) N N N N
9	4290 990	1			SPRING, Inner Adjuster Assist N N N Y4290990
10	4316 938-9	1			TRACK, Lower N N N Y4316938

MODEL CODES

B = GRAN FURY	F = FIFTH AVENUE/NEWPORT	P = RELIANT
C = LEBARON/TOWN & COUNTRY/EXC SEDAN	G = DIPLOMAT	T = E CLASS/NEW YORKER
C24 = LASER	H = VOYAGER	V = 600
D = ARIES	K = MINI RAM/CARAVAN/ROYAL	V24 = DAYTONA
E = 600	M = HORIZON/TURISMO	Z = OMNI/CHARGER/RAMPAGE

BODY STYLES

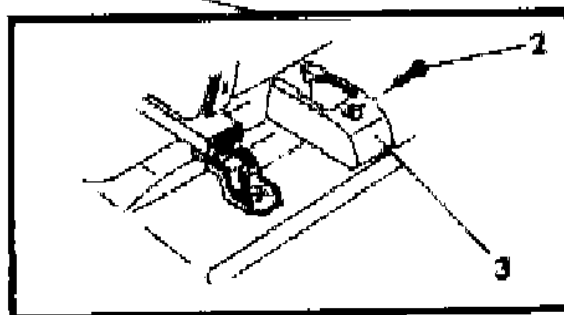
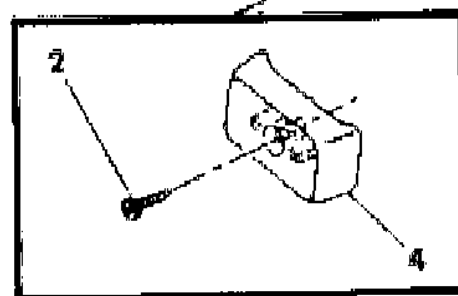
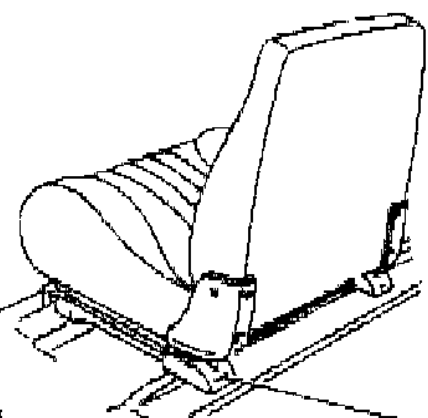
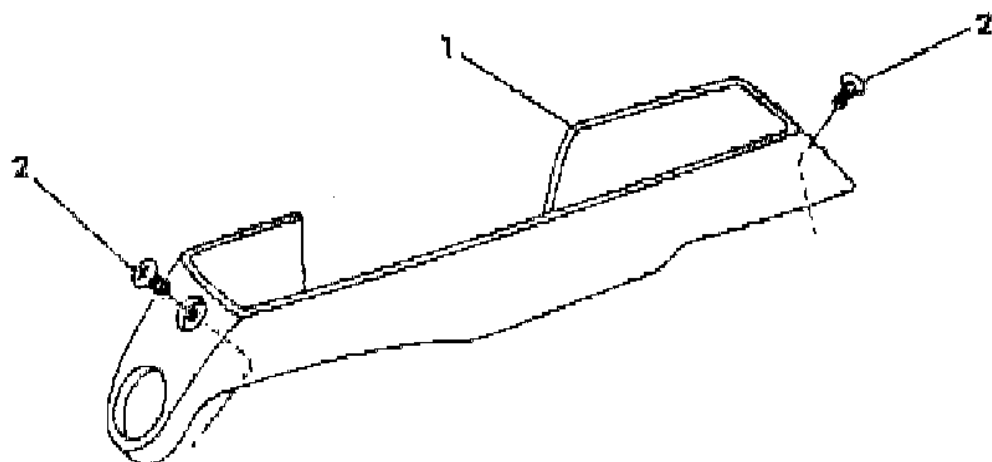
21 = 2-DOOR SEDAN	28 = FWD PICKUP	44 = 4-DOOR HATCHBACK
22 = 2-DOOR SPECIAL COUPE	35 = FWD VAN	45 = 4-DOOR STATION WAGON
24 = 2-DOOR HATCHBACK	36 = FWD WAGON	48 = 4-DOOR EXECUTIVE SEDAN
27 = 2-DOOR CONVERTIBLE	41 = 4-DOOR SEDAN	

AR = Use as Required - = Non Illustrated Part P.A.R. = Paint as Required

COVERS MANUAL SEAT ADJUSTER V,C G BODY
Figure ITG-1800

ITEM	PART NUMBER	QTY	BODY	MODEL	DESCRIPTION
1	S912-3 CX9	1			COVER, Manual Adjuster, Outer N N N YS912CX9
2		AR			SCREW (not serviced) N N N N
3	S650 CX9	2			COVER, Inner Rear N N N YS650CX9
4	S654 CX9	2			COVER, Inner Front N N N YS654CX9

4236 1800



MODEL CODES

B = GRAN FURY	F = FIFTH AVENUE/NEWPORT	P = RELIANT
C = LEBARON/TOWN & COUNTRY/EXC SEDAN	G = DIPLOMAT	T = E CLASS/NEW YORKER
C24 = LASER	H = VOYAGER	V = 600
D = ARIES	K = MINI RAM/CARAVAN/ROYAL	V24 = DAYTONA
E = 600	M = HORIZON/TURISMO	Z = OMNI/CHARGER/RAMPAGE

BODY STYLES

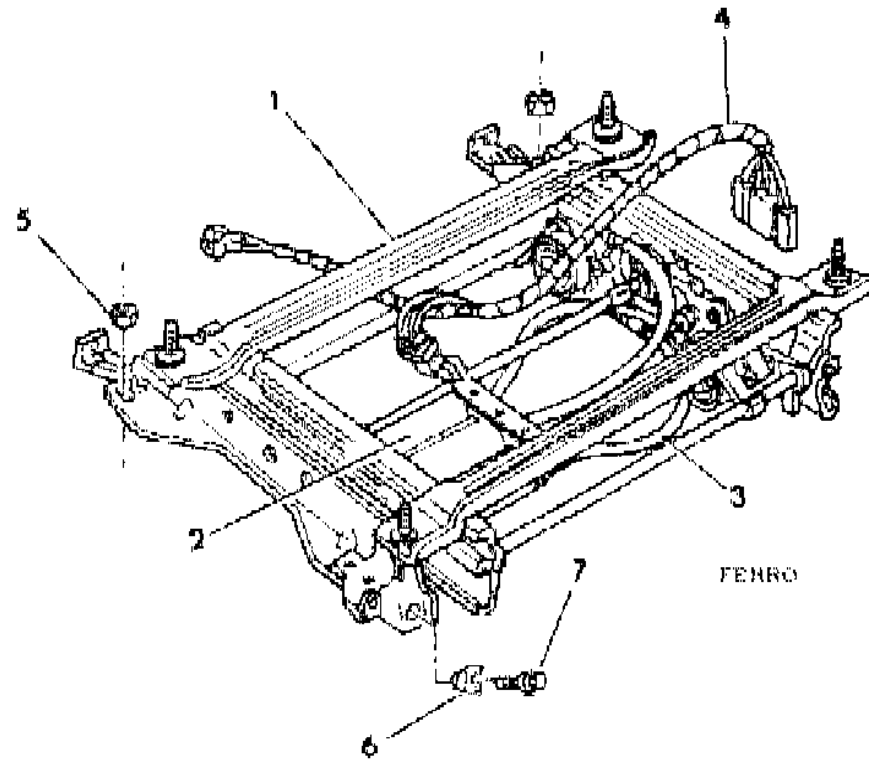
21 = 2-DOOR SEDAN	28 = FWD PICKUP	44 = 4-DOOR HATCHBACK
22 = 2-DOOR SPECIAL COUPE	35 = FWD VAN	45 = 4-DOOR STATION WAGON
24 = 2-DOOR HATCHBACK	36 = FWD WAGON	48 = 4-DOOR EXECUTIVE SEDAN
27 = 2-DOOR CONVERTIBLE	41 = 4-DOOR SEDAN	

AR = Use as Required - = Non Illustrated Part P.A.R. = Paint as Required

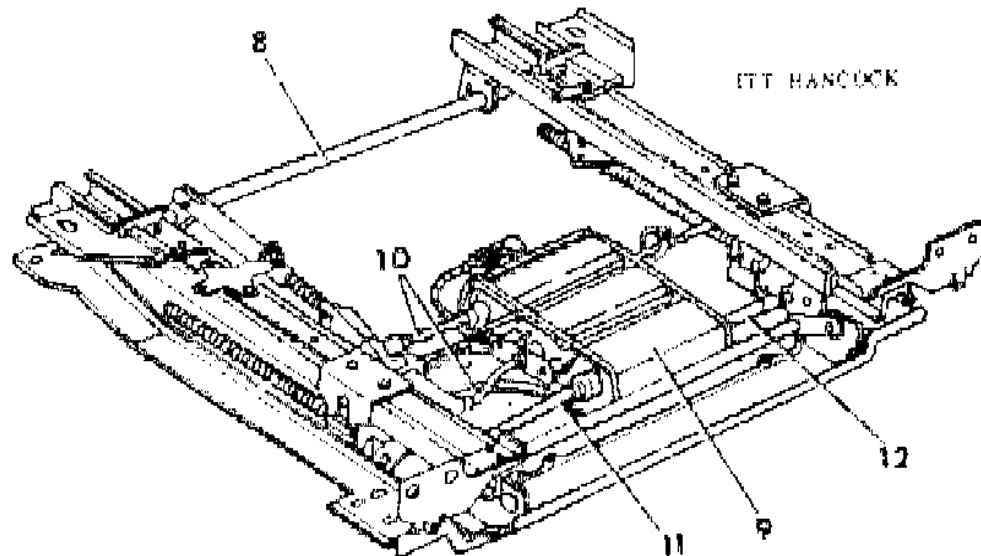
ADJUSTER ELECTRIC V,C G BODY

Figure ITG-1900

4236 1900



FERRO



HANCOCK

ITEM	PART NUMBER	QTY	BODY	MODEL	DESCRIPTION
------	-------------	-----	------	-------	-------------

NOTE: THE FOLLOWING PARTS ARE FOR REPLACEMENT ONLY NOT FOR NEW INSTALLATION. s ARE NOT RETURNABLE

NOTE: When Ordering Adjusters Or Replacement Parts Determine Whether They Are Ferro Or Hancock s ARE NOT RETURNABLE.

1	4316 847	1			ADJUSTER, Less Motor - Ferro N N N Y4316847
2	4316 844	1			MOTOR, Power Seat Adjuster (Vendor #A83890) N N N Y4316844
	4327 288	1			(Vendor #A83890-1) N N N Y4327288
	4316 848	2			SUPPORT, Power Adjust Motor N N N Y4316848
3	4316 846	3			CABLE (1.94") N N N Y4316846
4	4274 532	1			WIRING, Electric Seat Switch N N N Y4274532
5		AR			NUT (not serviced) N N N N
6	6101 283	1			U-NUT N N N Y6101283
7		AR			SCREW and WASHER (not serviced) N N N N
8	4327 283	1			ADJUSTER, Less Motor - Hancock N N N Y4327283
9	4327 279	1			MOTOR, Electric Seat Adjuster N N N Y4327279
10	4327 282	2			SHAFT, Flexible (4.005") N N N Y4327282
11	4327 281	1			CABLE, Outer (5.68") N N N Y4327281
12	4327 280	1			CABLE, Inner (2.68") N N N Y4327280

NOTE: The Following Parts Are Not Illustrated s ARE NOT RETURNABLE.

	4304 865	1			WIRING, Power Seat Feed N N N Y4304865
--	----------	---	--	--	--

MODEL CODES

B = GRAN FURY	F = FIFTH AVENUE/NEWPORT	P = RELIANT
C = LEBARON/TOWN & COUNTRY/EXC SEDAN	G = DIPLOMAT	T = E CLASS/NEW YORKER
C24 = LASER	H = VOYAGER	V = 600
D = ARIES	K = MINI RAM/CARAVAN/ROYAL	V24 = DAYTONA
E = 600	M = HORIZON/TURISMO	Z = OMNI/CHARGER/RAMPAGE

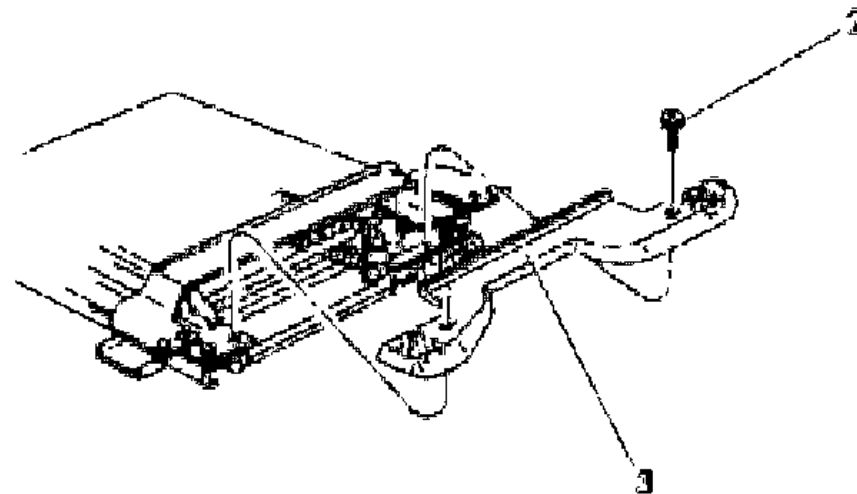
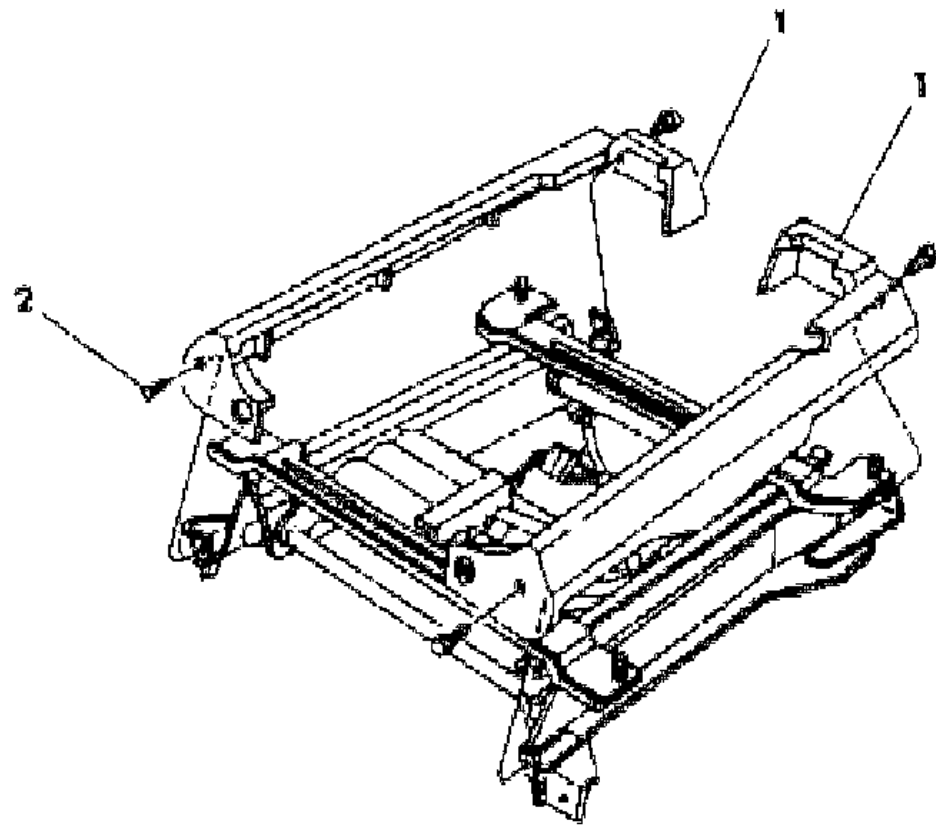
BODY STYLES

21 = 2-DOOR SEDAN	28 = FWD PICKUP	44 = 4-DOOR HATCHBACK
22 = 2-DOOR SPECIAL COUPE	35 = FWD VAN	45 = 4-DOOR STATION WAGON
24 = 2-DOOR HATCHBACK	36 = FWD WAGON	48 = 4-DOOR EXECUTIVE SEDAN
27 = 2-DOOR CONVERTIBLE	41 = 4-DOOR SEDAN	

AR = Use as Required - = Non Illustrated Part P.A.R. = Paint as Required

COVERS ELECTRIC SEAT ADJUSTER V,C G BODY
Figure ITG-2000

423E 2000



ITEM	PART NUMBER	QTY	BODY	MODEL	DESCRIPTION
1					COVER, Electric Seat Adjuster w/Bucket Seats N N N N
	S662 CX9	1			Inner (Black) w/Ferro Adjuster N N N YS662CX9
	S674 CX9	1			Inner (Black) w/Hancock Adjuster N N N YS674CX9
	S663 CX9	1			Outer (Black) w/Ferro Adjuster N N N YS663CX9
	S675 CX9	1			Outer (Black) w/Hancock Adjuster N N N YS675CX9
2		AR			SCREW (not serviced) N N N N
3	S646 CX9	1			COVER, Electric Adjuster, Rear (Black) w/Ferro Adjuster N N N YS646CX9
	S660 CX9	1			(Black) w/Hancock Adjuster N N N YS660CX9

MODEL CODES

B = GRAN FURY	F = FIFTH AVENUE/NEWPORT	P = RELIANT
C = LEBARON/TOWN & COUNTRY/EXC SEDAN	G = DIPLOMAT	T = E CLASS/NEW YORKER
C24 = LASER	H = VOYAGER	V = 600
D = ARIES	K = MINI RAM/CARAVAN/ROYAL	V24 = DAYTONA
E = 600	M = HORIZON/TURISMO	Z = OMNI/CHARGER/RAMPAGE

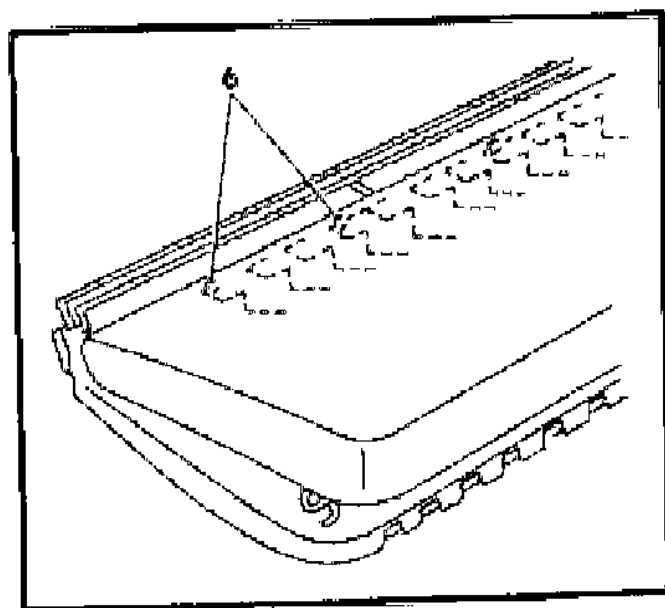
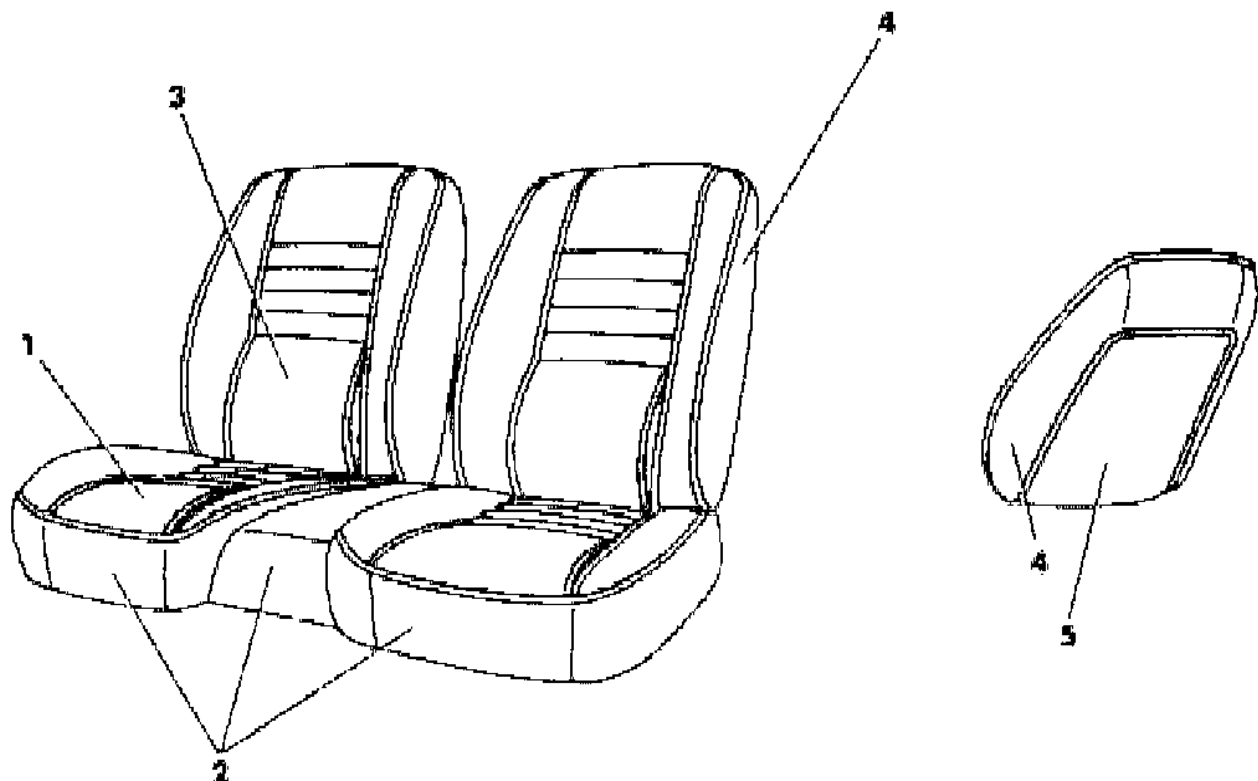
BODY STYLES

21 = 2-DOOR SEDAN	28 = FWD PICKUP	44 = 4-DOOR HATCHBACK
22 = 2-DOOR SPECIAL COUPE	35 = FWD VAN	45 = 4-DOOR STATION WAGON
24 = 2-DOOR HATCHBACK	36 = FWD WAGON	48 = 4-DOOR EXECUTIVE SEDAN
27 = 2-DOOR CONVERTIBLE	41 = 4-DOOR SEDAN	

AR = Use as Required - = Non Illustrated Part P.A.R. = Paint as Required

SEAT REAR V,C G BODY TRIM CODEs A7,A8
Figure ITG-2100

4216 2100



ITEM	PART NUMBER	QTY	BODY	MODEL	DESCRIPTION
1-2					CUSHION, w/Spring/Frame, Pad and Cover Cloth N N N N
	B710 C7A	1			N N NA7AS YB710C7A
	B710 C7L	1			N N NA7TL YB710C7L
	B710 C7M	1			N N NA7M6 YB710C7M
	B710 C7X	1			N N NA7X7 YB710C7X
					Vinyl N N N N
	B724 C8A	1			(use up to 11/1/83) N N NA8AS YB724C8A
	B841 C8A	1			(use after 11/1/83) N N NA8AS YB841C8A
	B724 C8L	1			(use up to 11/1/83) N N NA8TL YB724C8L
	B841 C8L	1			(use after 11/1/83) N N NA8TL YB841C8L
	B724 C8M	1			(use up to 11/1/83) N N NA8M6 YB724C8M
	B841 C8M	1			(use after 11/1/83) N N NA8M6 YB841C8M
	B724 C8X	1			(use up to 11/1/83) N N NA8X7 YB724C8X
	B841 C8X	1			(use after 11/1/83) N N NA8X7 YB841C8X
1					COVER, Rear Cushion, Cloth N N N N
	B434 C7A	1			N N NA7AS YB434C7A
	B434 C7L	1			N N NA7TL YB434C7L
	B434 C7M	1			N N NA7M6 YB434C7M
	B434 C7X	1			N N NA7X7 YB434C7X
					Vinyl N N N N
	B435 C8A	1			(use up to 11/1/83) N N NA8AS YB435C8A
	B459 C8A	1			(use after 11/1/83) N N NA8AS YB459C8A
	B435 C8L	1			(use up to 11/1/83) N N NA8TL YB435C8L
	B459 C8L	1			(use after 11/1/83) N N NA8TL YB459C8L
	B435 C8M	1			(use up to 11/1/83) N N NA8M6 YB435C8M
	B459 C8M	1			(use after 11/1/83) N N NA8M6 YB459C8M
	B435 C8X	1			(use up to 11/1/83) N N NA8X7 YB435C8X
	B459 C8X	1			(use after 11/1/83) N N NA8X7 YB459C8X
2					ROLL STOCK, Vinyl 54" Wide Order by the Inch N N N N
	R616 VM6	AR			Red N N N YR616VM6
	R609 CS8	AR			Charcoal N N N YR609CS8
	R609 BT8	AR			Brown N N N YR609BT8
	R609 BX7	AR			Black N N N YR609BX7
3-4					BACK, w/Spring/Frame, Pad and Cover Cloth N N N N
	B708-9 C7A	1			N N NA7AS YB708C7A
	B708-9 C7L	1			N N NA7TL YB708C7L
	B708-9 C7M	1			N N NA7M6 YB708C7M
	B708-9 C7X	1			N N NA7X7 YB708C7X

MODEL CODES

B = GRAN FURY	F = FIFTH AVENUE/NEWPORT	P = RELIANT
C = LEBARON/TOWN & COUNTRY/EXC SEDAN	G = DIPLOMAT	T = E CLASS/NEW YORKER
C24 = LASER	H = VOYAGER	V = 600
D = ARIES	K = MINI RAM/CARAVAN/ROYAL	V24 = DAYTONA
E = 600	M = HORIZON/TURISMO	Z = OMNI/CHARGER/RAMPAGE

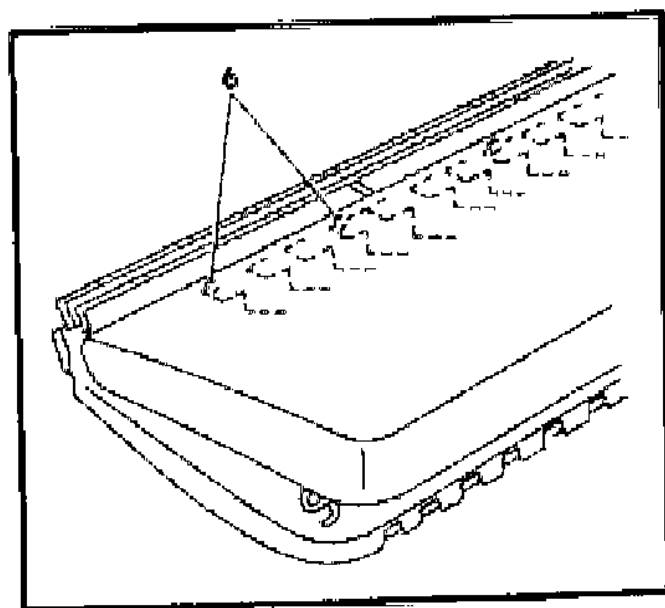
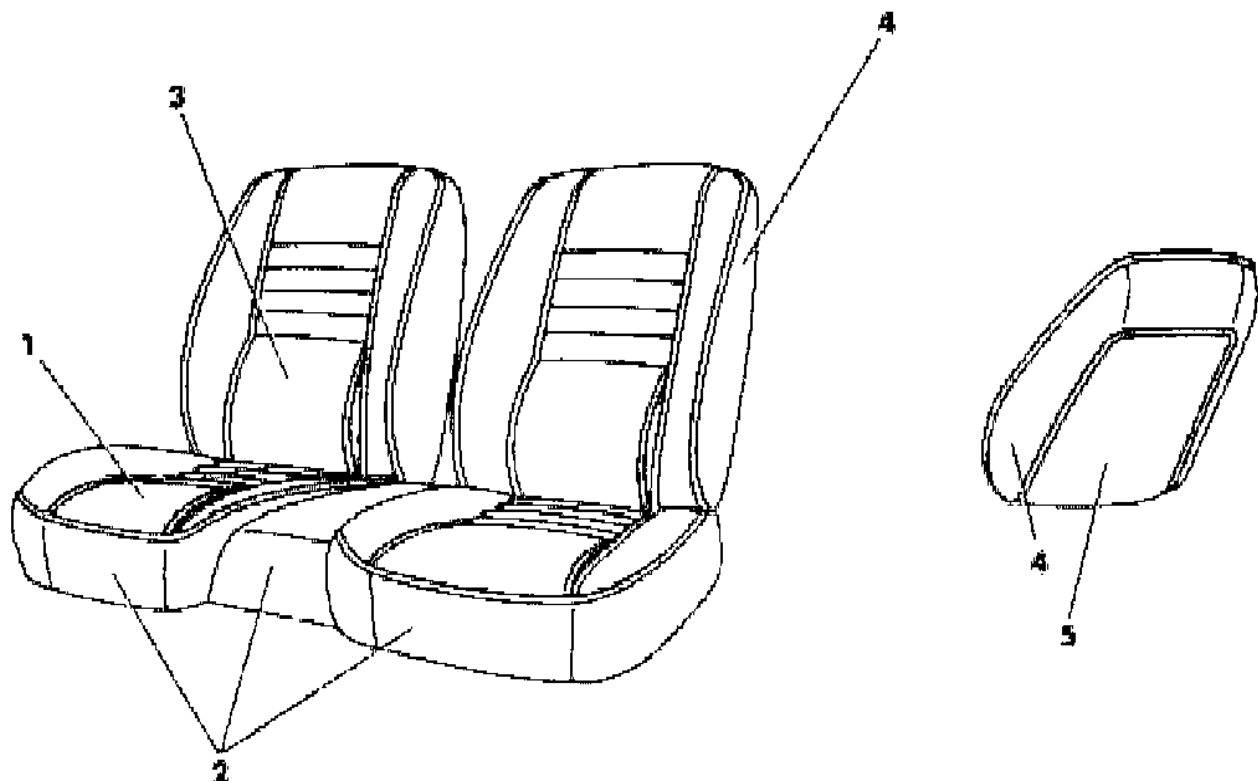
BODY STYLES

21 = 2-DOOR SEDAN	28 = FWD PICKUP	44 = 4-DOOR HATCHBACK
22 = 2-DOOR SPECIAL COUPE	35 = FWD VAN	45 = 4-DOOR STATION WAGON
24 = 2-DOOR HATCHBACK	36 = FWD WAGON	48 = 4-DOOR EXECUTIVE SEDAN
27 = 2-DOOR CONVERTIBLE	41 = 4-DOOR SEDAN	

AR = Use as Required - = Non Illustrated Part P.A.R. = Paint as Required

SEAT REAR V,C G BODY TRIM CODEs A7,A8
Figure ITG-2100

4216 2100



ITEM	PART NUMBER	QTY	BODY	MODEL	DESCRIPTION
					Vinyl N N N N
	B726-7 C8A	1			(use up to 11/1/83) N N NA8AS YB726C8A
	B838-9 C8A	1			(use after 11/1/83) N N NA8AS YB838C8A
	B726-7 C8L	1			(use up to 11/1/83) N N NA8TL YB726C8L
	B838-9 C8L	1			(use after 11/1/83) N N NA8TL YB838C8L
	B726-7 C8M	1			(use up to 11/1/83) N N NA8M6 YB726C8M
	B838-9 C8M	1			(use after 11/1/83) N N NA8M6 YB838C8M
	B726-7 C8X	1			(use up to 11/1/83) N N NA8X7 YB726C8X
	B838-9 C8X	1			(use after 11/1/83) N N NA8X7 YB838C8X
3					COVER, Rear Back, Cloth N N N N
	B430-1 C7A	1			N N NA7AS YB430C7A
	B430-1 C7L	1			N N NA7TL YB430C7L
	B430-1 C7M	1			N N NA7M6 YB430C7M
	B430-1 C7X	1			N N NA7X7 YB430C7X
					Vinyl N N N N
	B432-3 C8A	1			(use up to 11/1/83) N N NA8AS YB432C8A
	B460-1 C8A	1			(use after 11/1/83) N N NA8AS YB460C8A
	B432-3 C8L	1			(use up to 11/1/83) N N NA8TL YB432C8L
	B460-1 C8L	1			(use after 11/1/83) N N NA8TL YB460C8L
	B432-3 C8M	1			(use up to 11/1/83) N N NA8M6 YB432C8M
	B460-1 C8M	1			(use after 11/1/83) N N NA8M6 YB460C8M
	B432-3 C8X	1			(use up to 11/1/83) N N NA8X7 YB432C8X
	B460-1 C8X	1			(use after 11/1/83) N N NA8X7 YB460C8X
4					CARPET, Latex 6 Oz. 54" Order By The Inch N N N N
	R122 CM6	AR			Red N N N YR122CM6
	R122 CS8	AR			Charcoal N N N YR122CS8
	R122 CT9	AR			Brown N N N YR122CT9
	R122 CX9	AR			Black N N N YR122CX9
5					PANEL, Seat Back w/Carpet N N N N
	S730 CM6	2			Red N N N YS730CM6
	S730 CS8	2			Charcoal N N N YS730CS8
	S730 CT9	2			Brown N N N YS730CT9
	S730 CX9	2			Black N N N YS730CX9
6	6008 076	AR			HOG RING N N N Y6008076

MODEL CODES

B = GRAN FURY	F = FIFTH AVENUE/NEWPORT	P = RELIANT
C = LEBARON/TOWN & COUNTRY/EXC SEDAN	G = DIPLOMAT	T = E CLASS/NEW YORKER
C24 = LASER	H = VOYAGER	V = 600
D = ARIES	K = MINI RAM/CARAVAN/ROYAL	V24 = DAYTONA
E = 600	M = HORIZON/TURISMO	Z = OMNI/CHARGER/RAMPAGE

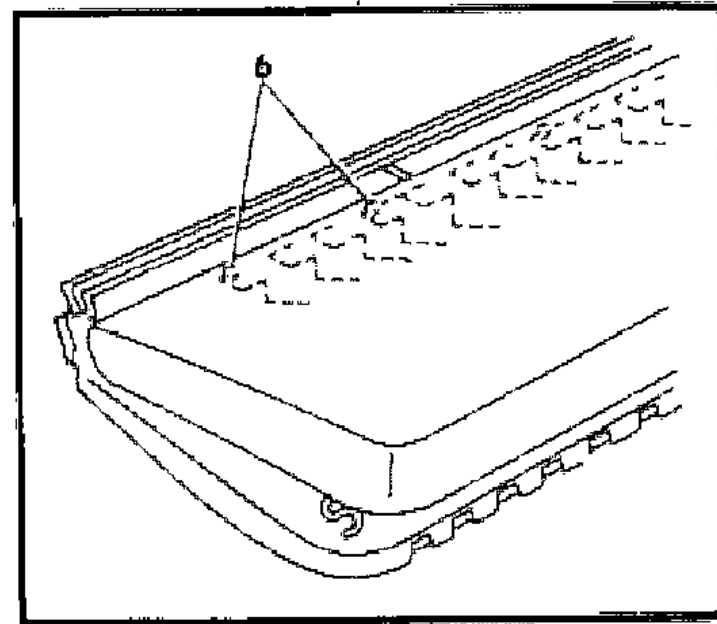
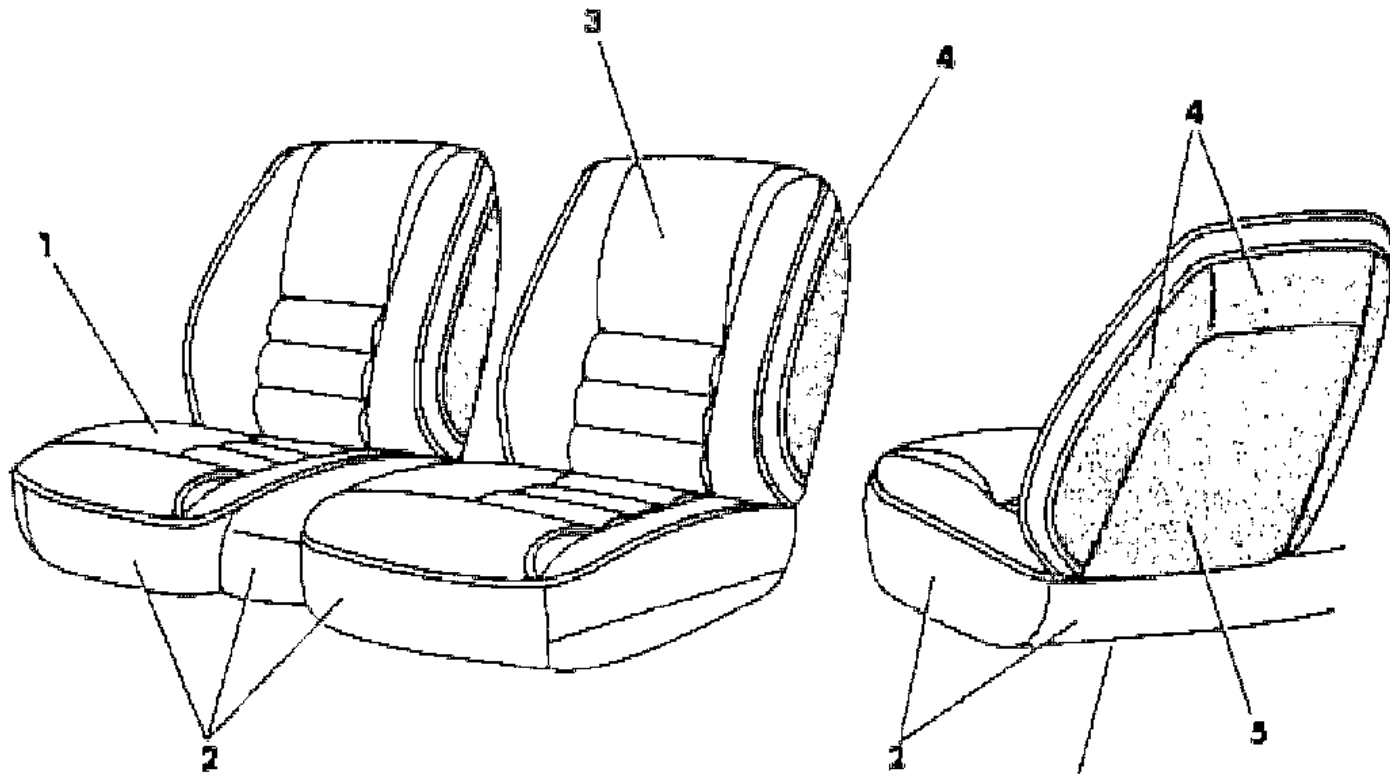
BODY STYLES

21 = 2-DOOR SEDAN	28 = FWD PICKUP	44 = 4-DOOR HATCHBACK
22 = 2-DOOR SPECIAL COUPE	35 = FWD VAN	45 = 4-DOOR STATION WAGON
24 = 2-DOOR HATCHBACK	36 = FWD WAGON	48 = 4-DOOR EXECUTIVE SEDAN
27 = 2-DOOR CONVERTIBLE	41 = 4-DOOR SEDAN	

AR = Use as Required - = Non Illustrated Part P.A.R. = Paint as Required

SEAT REAR V,C G BODY TRIM CODE P7
Figure ITG-2200

4236 2200



ITEM	PART NUMBER	QTY	BODY	MODEL	DESCRIPTION
1-2					CUSHION, w/Spring/Frame, Pad and Cover N N N N
	B742 C7A	1			N N NP7AS YB742C7A
	B742 C7M	1			N N NP7M6 YB742C7M
	B742 C7T	1			N N NP7T8 YB742C7T
	B742 C7X	1			N N NP7X7 YB742C7X
1					COVER, Rear Cushion N N N N
	B443 C7A	1			N N NP7AS YB443C7A
	B443 C7M	1			N N NP7M6 YB443C7M
	B443 C7T	1			N N NP7T8 YB443C7T
	B443 C7X	1			N N NP7X7 YB443C7X
2					ROLL STOCK, 54" Wide Order by the Inch N N N N
	R616 VM6	AR			Red N N N YR616VM6
	R609 CS8	AR			Charcoal N N N YR609CS8
	R609 BT8	AR			Brown N N N YR609BT8
	R609 BX7	AR			Black N N N YR609BX7
3-4					BACK, w/Spring/Frame, Pad and Cover N N N N
	B740-1 C7A	1			N N NP7AS YB740C7A
	B740-1 C7M	1			N N NP7M6 YB740C7M
	B740-1 C7T	1			N N NP7T8 YB740C7T
	B740-1 C7X	1			N N NP7X7 YB740C7X
3					COVER, Rear Back N N N N
	B444-5 C7A	1			N N NP7AS YB444C7A
	B444-5 C7M	1			N N NP7M6 YB444C7M
	B444-5 C7T	1			N N NP7T8 YB444C7T
	B444-5 C7X	1			N N NP7X7 YB444C7X
4					CARPET, Latex 6 Oz. Order By The Inch N N N N
	R122 CM6	AR			Red N N N YR122CM6
	R122 CS8	AR			Charcoal N N N YR122CS8
	R122 CT9	AR			Brown N N N YR122CT9
	R122 CX9	AR			Black N N N YR122CX9
5					PANEL, Seat Back w/Carpet N N N N
	S730 CM6	2			Red N N N YS730CM6
	S730 CS8	2			Charcoal N N N YS730CS8
	S730 CT9	2			Brown N N N YS730CT9
	S730 CX9	2			Black N N N YS730CX9
6	6008 076	AR			HOG RING N N N Y6008076

MODEL CODES

B = GRAN FURY	F = FIFTH AVENUE/NEWPORT	P = RELIANT
C = LEBARON/TOWN & COUNTRY/EXC SEDAN	G = DIPLOMAT	T = E CLASS/NEW YORKER
C24 = LASER	H = VOYAGER	V = 600
D = ARIES	K = MINI RAM/CARAVAN/ROYAL	V24 = DAYTONA
E = 600	M = HORIZON/TURISMO	Z = OMNI/CHARGER/RAMPAGE

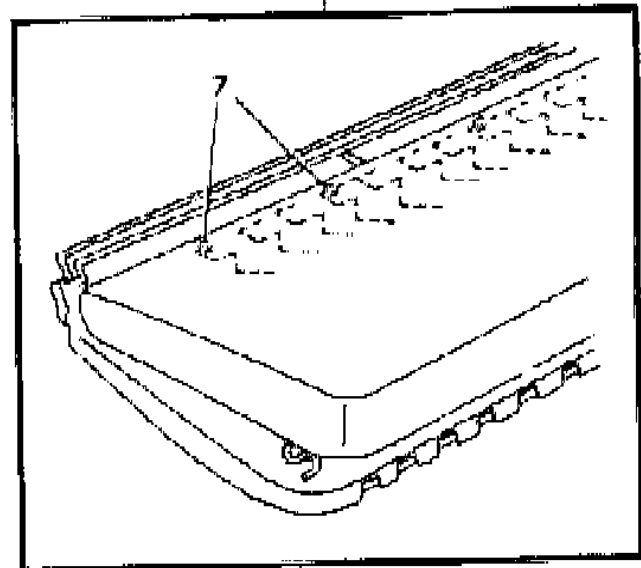
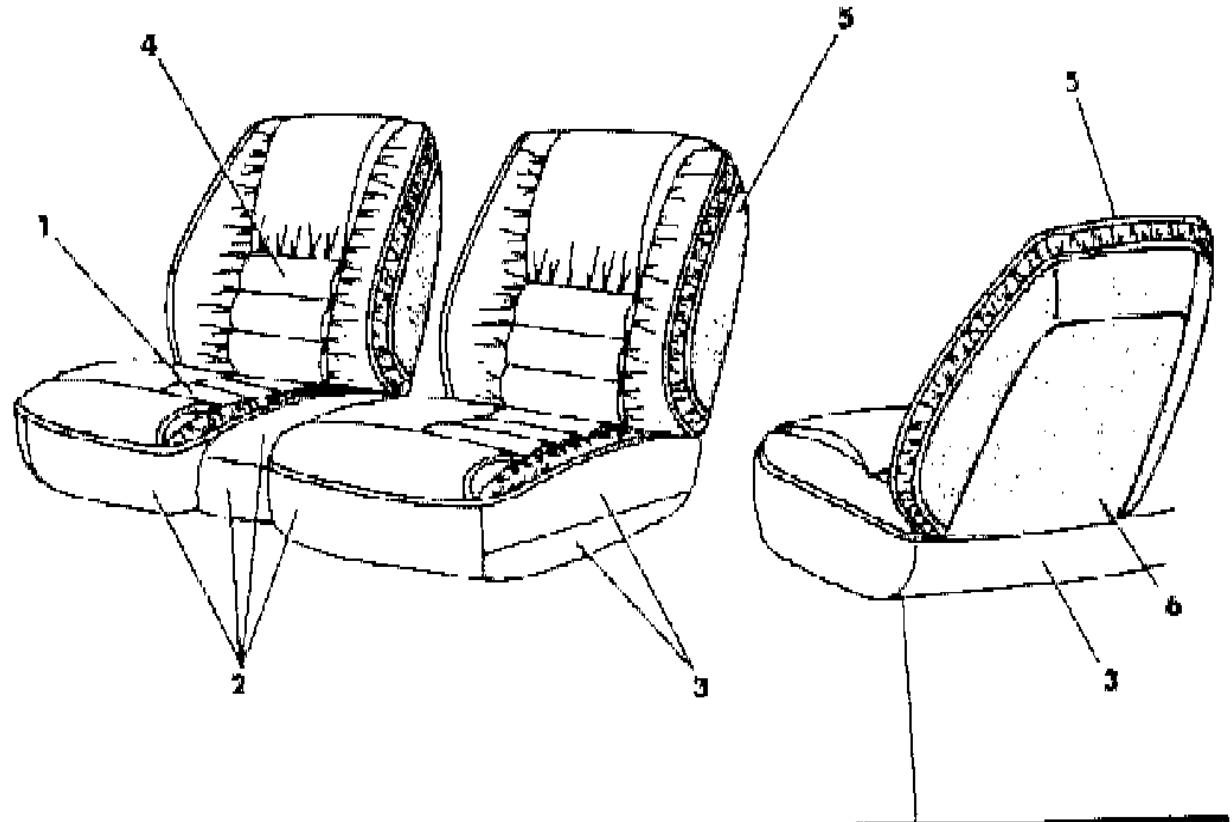
BODY STYLES

21 = 2-DOOR SEDAN	28 = FWD PICKUP	44 = 4-DOOR HATCHBACK
22 = 2-DOOR SPECIAL COUPE	35 = FWD VAN	45 = 4-DOOR STATION WAGON
24 = 2-DOOR HATCHBACK	36 = FWD WAGON	48 = 4-DOOR EXECUTIVE SEDAN
27 = 2-DOOR CONVERTIBLE	41 = 4-DOOR SEDAN	

AR = Use as Required - = Non Illustrated Part P.A.R. = Paint as Required

SEAT REAR V,C G BODY TRIM CODE SL
Figure ITG-2300

4230 2300



ITEM	PART NUMBER	QTY	BODY	MODEL	DESCRIPTION
1-3					CUSHION, w/Spring/Frame, Pad and Cover N N N N
	B770 CLK	1			N N NSLTK YB770CLK
	B770 CLX	1			N N NSLX7 YB770CLX
1					COVER, Cushion N N N N
	B453 CLK	1			N N NSLTK YB453CLK
	B453 CLX	1			N N NSLX7 YB453CLX
2					ROLL STOCK, Cloth Order by the Inch N N N N
	R021 CT8	AR			Brown N N N YR021CT8
	R021 CX9	AR			Black N N N YR021CX9
3					ROLL STOCK, Vinyl Order by the Inch N N N N
	R609 BT8	AR			Brown N N N YR609BT8
4-6					BACK, w/Spring/Frame, Pad and Cover N N N N
	B772-3 CLK	1			N N NSLTK YB772CLK
	B772-3 CLX	1			N N NSLX7 YB772CLX
4					COVER, Rear Back N N N N
	B454-5 CLK	1			N N NSLTK YB454CLK
	B454-5 CLX	1			N N NSLX7 YB454CLX
5					ROLL STOCK, Carpet (Order By The Inch) N N N N
	R122 CT9	AR			Brown N N N YR122CT9
	R122 CX9	AR			Black N N N YR122CX9
6					PANEL, Seat Back w/Carpet N N N N
	S730 CM6	2			Red N N N YS730CM6
	S730 CS8	2			Charcoal N N N YS730CS8
	S730 CT9	2			Brown N N N YS730CT9
	S730 CX9	2			Black N N N YS730CX9
7	6008 076	AR			HOG RING N N N Y6008076

MODEL CODES

B = GRAN FURY	F = FIFTH AVENUE/NEWPORT	P = RELIANT
C = LEBARON/TOWN & COUNTRY/EXC SEDAN	G = DIPLOMAT	T = E CLASS/NEW YORKER
C24 = LASER	H = VOYAGER	V = 600
D = ARIES	K = MINI RAM/CARAVAN/ROYAL	V24 = DAYTONA
E = 600	M = HORIZON/TURISMO	Z = OMNI/CHARGER/RAMPAGE

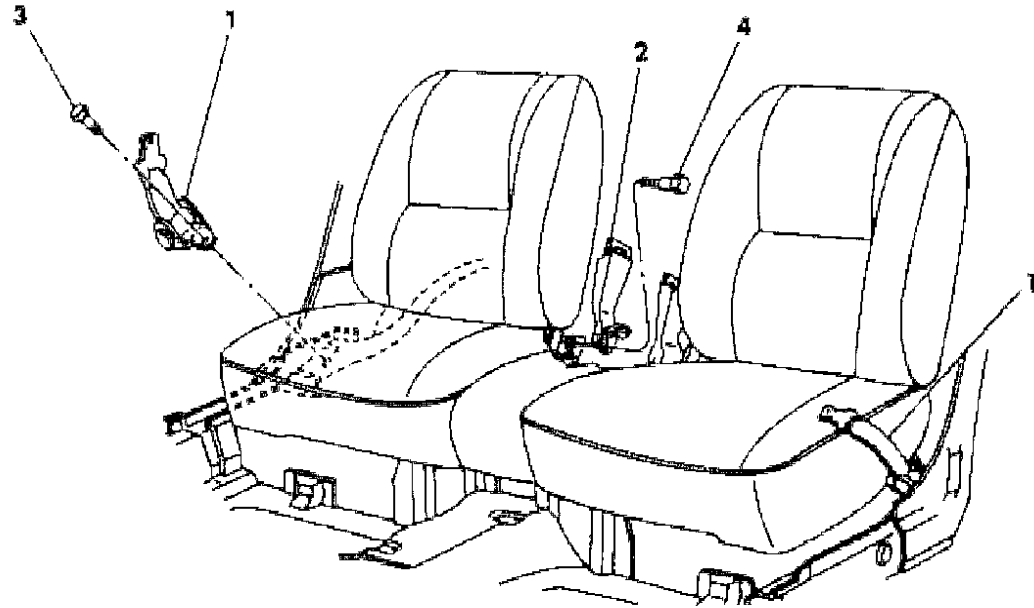
BODY STYLES

21 = 2-DOOR SEDAN	28 = FWD PICKUP	44 = 4-DOOR HATCHBACK
22 = 2-DOOR SPECIAL COUPE	35 = FWD VAN	45 = 4-DOOR STATION WAGON
24 = 2-DOOR HATCHBACK	36 = FWD WAGON	48 = 4-DOOR EXECUTIVE SEDAN
27 = 2-DOOR CONVERTIBLE	41 = 4-DOOR SEDAN	

AR = Use as Required - = Non Illustrated Part P.A.R. = Paint as Required

BELTS REAR SEAT V,C G BODY
Figure ITG-2400

4216 2400



ITEM	PART NUMBER	QTY	BODY	MODEL	DESCRIPTION
1					BELT, Rear Lap Outboard Tip, Right N N N N
					Label Number 4290853 N N N N
	F688 CA3	1			Silver N N N YF688CA3
	F688 CM6	1			Red N N N YF688CM6
	F688 CT8	1			Brown N N N YF688CT8
	F688 CX9	1			Black N N N YF688CX9
					Outboard Tip, Left N N N N
					Label Number 4327091 N N N N
	F741 CA3	1			Silver N N N YF741CA3
	F741 CM6	1			Red N N N YF741CM6
	F741 CT8	1			Brown N N N YF741CT8
	F741 CX9	1			Black N N N YF741CX9
2					BELT, Rear Inner Buckle N N N N
					Label Number 4290854 N N N N
	F689 CA3	2			Silver N N N YF689CA3
	F689 CM6	2			Red N N N YF689CM6
	F689 CT8	2			Brown N N N YF689CT8
	F689 CX9	2			Black N N N YF689CX9
3	6031 484	2			BOLT, Outboard Belt Attaching N N N Y6031484
4	6032 039	2			BOLT, Inboard Buckle Attaching N N N Y6032039

MODEL CODES

B = GRAN FURY	F = FIFTH AVENUE/NEWPORT	P = RELIANT
C = LEBARON/TOWN & COUNTRY/EXC SEDAN	G = DIPLOMAT	T = E CLASS/NEW YORKER
C24 = LASER	H = VOYAGER	V = 600
D = ARIES	K = MINI RAM/CARAVAN/ROYAL	V24 = DAYTONA
E = 600	M = HORIZON/TURISMO	Z = OMNI/CHARGER/RAMPAGE

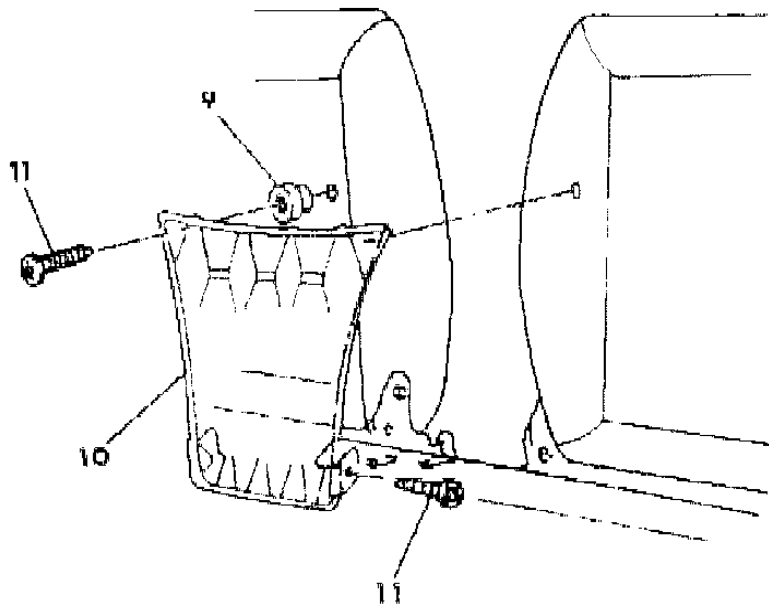
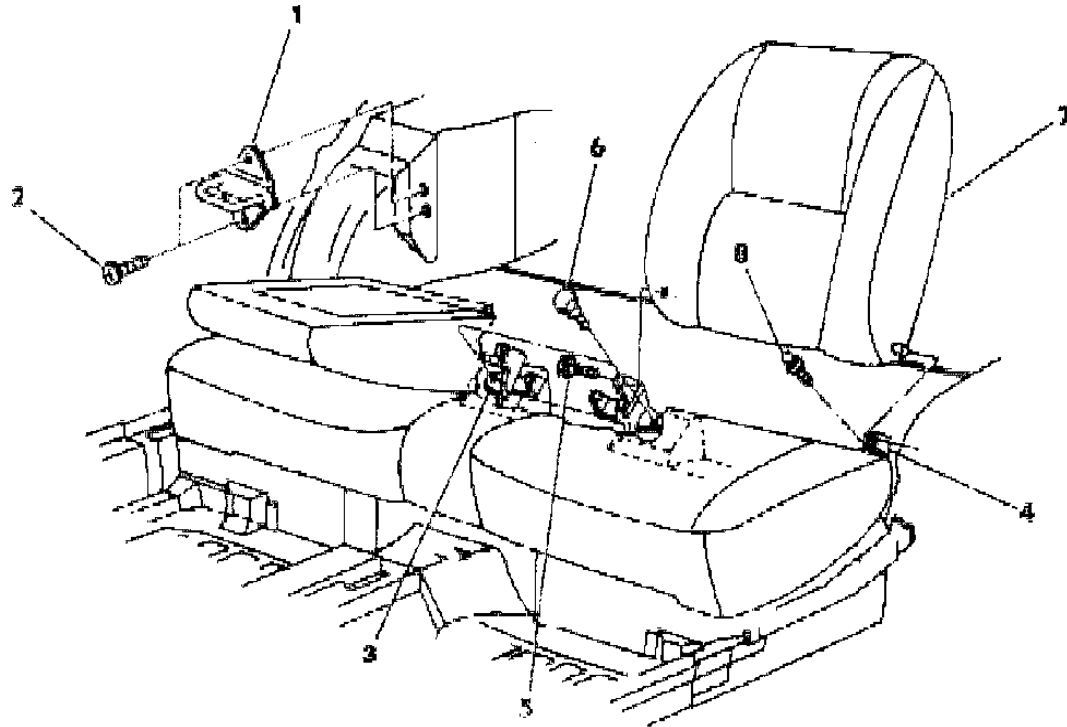
BODY STYLES

21 = 2-DOOR SEDAN	28 = FWD PICKUP	44 = 4-DOOR HATCHBACK
22 = 2-DOOR SPECIAL COUPE	35 = FWD VAN	45 = 4-DOOR STATION WAGON
24 = 2-DOOR HATCHBACK	36 = FWD WAGON	48 = 4-DOOR EXECUTIVE SEDAN
27 = 2-DOOR CONVERTIBLE	41 = 4-DOOR SEDAN	

AR = Use as Required - = Non Illustrated Part P.A.R. = Paint as Required

SEAT REAR FOLD DOWN V,C G BODY
Figure ITG-2500

4236 2500



ITEM	PART NUMBER	QTY	BODY	MODEL	DESCRIPTION
1	4277 934	2			STRIKER, Seat Back Latch N N N Y4277934
2	6500 777	4			SCREW, Striker Attaching N N N Y6500777
3					BRACKET, Inner Seat Back Hinge (serviced in Seat Cushion) N N N
4					BRACKET, Outer Seat Back Hinge (serviced in Seat Cushion) N N N
5	6500 534	2			BOLT, Cushion To Seat Back N N N Y6500534
6	6031 218	2			BOLT, Cushion To Floor N N N Y6031218
7					FRAME, Seat Back (serviced in Seat Back) N N N N
8					SCREW, Self Tapping (not serviced) N N N N
9	4290 936	2			BUTTON, Cargo Net Attaching N N N Y4290936
10	4277 210	1			NET, Cargo, Rear Seat Back N N N Y4277210
11					SCREW (not serviced) N N N N

NOTE: The Following Items Are Not Illustrated. s ARE NOT RETURNABLE.

4277 618-9	1				LATCH, Seat Back Release N N N Y4277618
6031 485	1				CLIP, Release Rod To Button N N N Y6031485
2945 108-9	1				CLIP, Rod To Latch Release Lever N N N Y2945108
					BUTTON, Folding Seat Back Release N N N N
H436 CM6	2				Red N N N YH436CM6
H436 CS8	2				Charcoal N N N YH436CS8
H436 CT8	2				Brown N N N YH436CT8
H436 CX9	2				Black N N N YH436CX9
S822-3 CS8	1				COVER, Seat Back Latch (paint as required) N N N YS822CS8
					COVER, Rear Seat Cushion Inner Hinge N N N N
S602-3 CM6	1				Red N N N YS602CM6
S602-3 CS8	1				Charcoal N N N YS602CS8
S602-3 CT8	1				Brown N N N YS602CT8
S602-3 CX9	1				Black N N N YS602CX9
					SCREW, Latch Attaching (M6x20) N N N N
6100 557	2				(use up to 10/3/83) N N N Y6100557
6501 070	2				(use after 10/3/83) N N N Y6501070

MODEL CODES

B = GRAN FURY	F = FIFTH AVENUE/NEWPORT	P = RELIANT
C = LEBARON/TOWN & COUNTRY/EXC SEDAN	G = DIPLOMAT	T = E CLASS/NEW YORKER
C24 = LASER	H = VOYAGER	V = 600
D = ARIES	K = MINI RAM/CARAVAN/ROYAL	V24 = DAYTONA
E = 600	M = HORIZON/TURISMO	Z = OMNI/CHARGER/RAMPAGE

BODY STYLES

21 = 2-DOOR SEDAN	28 = FWD PICKUP	44 = 4-DOOR HATCHBACK
22 = 2-DOOR SPECIAL COUPE	35 = FWD VAN	45 = 4-DOOR STATION WAGON
24 = 2-DOOR HATCHBACK	36 = FWD WAGON	48 = 4-DOOR EXECUTIVE SEDAN
27 = 2-DOOR CONVERTIBLE	41 = 4-DOOR SEDAN	

AR = Use as Required - = Non Illustrated Part P.A.R. = Paint as Required

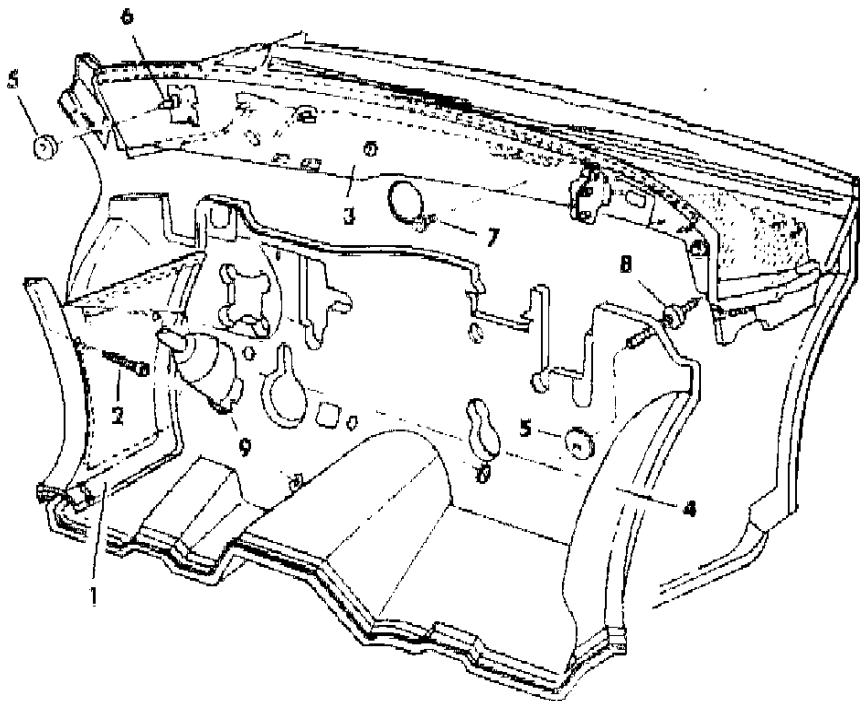
GROUP ITE - E BODY

ILLUSTRATION TITLE	GROUP-FIG. NO.
COWL PANEL AND SILENCERS E,T E BODY	Fig. ITE-100
HEADLINING VISOR AND SHELF PANEL E,T E BODY	Fig. ITE-200
MOULDING GARNISH E,T E BODY	Fig. ITE-300
B PILLAR TRIM E,T E BODY	Fig. ITE-400
PANEL QUARTER TRIM E,T E BODY	Fig. ITE-500
CARPET E,T E BODY	Fig. ITE-600
SCUFF PLATES BODY SILL AND DOORS E,T E BODY	Fig. ITE-700
SILENCERS REAR COMPARTMENT E,T E BODY	Fig. ITE-800
DOOR TRIM PANEL FRONT E,T E BODY	Fig. ITE-900
DOOR TRIM PANEL REAR E,T E BODY	Fig. ITE-1000
SEAT FRONT E,T E BODY TRIM CODE M3	Fig. ITE-1100
SEAT FRONT E,T E BODY TRIM CODE C4	Fig. ITE-1200
SEAT FRONT E,T E BODY TRIM CODE E5	Fig. ITE-1300
SEAT FRONT E,T E BODY TRIM CODE PF	Fig. ITE-1400
SEAT FRONT E,T E BODY TRIM CODE LP	Fig. ITE-1500
SEAT FRONT E,T E BODY TRIM CODE LF	Fig. ITE-1600
BELT FRONT SEAT E,T E BODY	Fig. ITE-1700
BELT FRONT SEAT INBOARD E,T E BODY	Fig. ITE-1800
RECLINING BUCKET SEAT E,T E BODY	Fig. ITE-1900
RECLINING 50/50 SEAT E,T E BODY	Fig. ITE-2000
ADJUSTER MANUAL E,T E BODY	Fig. ITE-2100
ADJUSTER ELECTRIC E,T E BODY	Fig. ITE-2200
SEAT REAR E,T E BODY TRIM CODES C4,E5,M3	Fig. ITE-2300
SEAT REAR E,T E BODY TRIM CODE PF	Fig. ITE-2400
SEAT REAR E,T E BODY TRIM CODES LP,LF	Fig. ITE-2500
BELT REAR SEAT E,T E BODY	Fig. ITE-2600

ILLUSTRATION NOT AVAILABLE AT TIME OF PUBLICATION

COWL PANEL AND SILENCERS E,T E BODY
Figure ITE-100

423H 100



ITEM	PART NUMBER	QTY	BODY	MODEL	DESCRIPTION
1					PANEL, Cowl Side Trim N N N N
	F194-5 CA3				Silver N N N YF194CA3
	F194-5 AC7				Blue, Dark N N N YF194AC7
	F210-1 CS8				Charcoal N N N YF210CS8
	F194-5 AM6				Red N N N YF194AM6
	F194-5 BL3				Beige N N N YF194BL3
	F194-5 BT9				Brown N N N YF194BT9
					w/o Turbo, w/o E.F.I., Right N N N N (use up to 1/26/84) N N N N
	F194 CA3	1			Silver N N N YF194CA3
	F194 AC7	1			Blue, Dark N N N YF194AC7
	F210 CS8	1			Charcoal N N N YF210CS8
	F194 AM6	1			Red N N N YF194AM6
	F194 BL3	1			Beige N N N YF194BL3
	F194 BT9	1			Brown N N N YF194BT9
					(use after 1/26/84) N N N N
	F210 CA3	1			Silver N N N YF210CA3
	F210 CS8	1			Charcoal N N N YF210CS8
	F210 CM6	1			Red N N N YF210CM6
	F210 CL3	1			Beige N N N YF210CL3
	F210 CT9	1			Brown N N N YF210CT9
					w/Turbo, w/E.F.I., Right N N N N (use up to 1/26/84) N N N N
	F190 CA3	1			Silver N N N YF190CA3
	F190 BC7	1			Blue, Dark N N N YF190BC7
	F190 CS8	1			Charcoal N N N YF190CS8
	F190 BM6	1			Red N N N YF190BM6
	F190 BL3	1			Beige N N N YF190BL3
	F190 BT9	1			Brown N N N YF190BT9
					(use after 1/26/84) N N N N
	F196 CA3	1			Silver N N N YF196CA3
	F196 CC7	1			Blue, Dark N N N YF196CC7
	F196 CS8	1			Charcoal N N N YF196CS8
	F196 CL3	1			Beige N N N YF196CL3
	F196 CT9	1			Brown N N N YF196CT9
	4247 832	1			BRACKET, Cowl Side Trim, Right N N N Y4247832 w/or w/o Turbo, Left N N N N (use up to 1/26/84) N N N N

MODEL CODES

B = GRAN FURY	F = FIFTH AVENUE/NEWPORT	P = RELIANT
C = LEBARON/TOWN & COUNTRY/EXC SEDAN	G = DIPLOMAT	T = E CLASS/NEW YORKER
C24 = LASER	H = VOYAGER	V = 600
D = ARIES	K = MINI RAM/CARAVAN/ROYAL	V24 = DAYTONA
E = 600	M = HORIZON/TURISMO	Z = OMNI/CHARGER/RAMPAGE

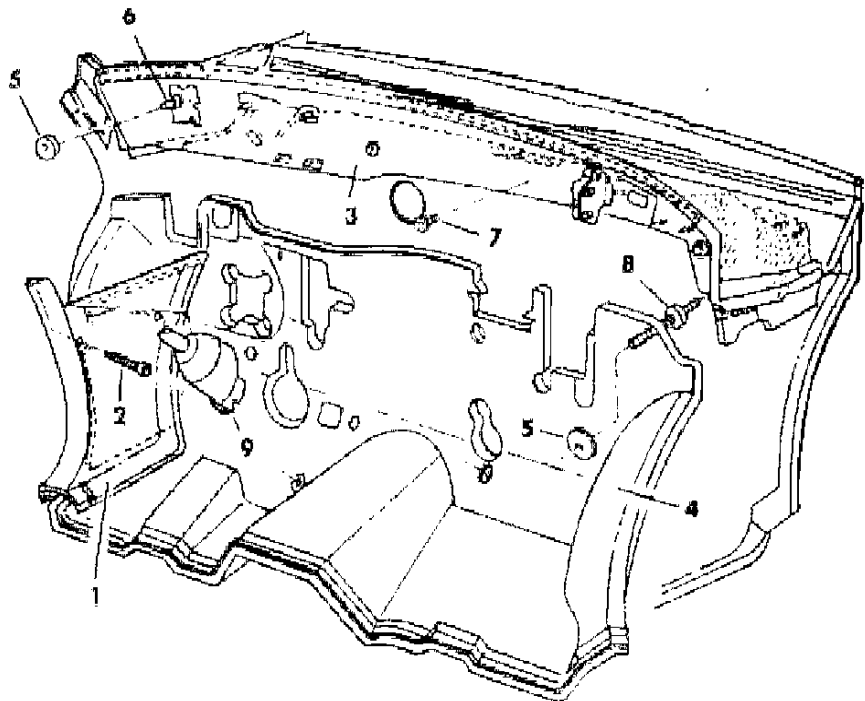
BODY STYLES

21 = 2-DOOR SEDAN	28 = FWD PICKUP	44 = 4-DOOR HATCHBACK
22 = 2-DOOR SPECIAL COUPE	35 = FWD VAN	45 = 4-DOOR STATION WAGON
24 = 2-DOOR HATCHBACK	36 = FWD WAGON	48 = 4-DOOR EXECUTIVE SEDAN
27 = 2-DOOR CONVERTIBLE	41 = 4-DOOR SEDAN	

AR = Use as Required - = Non Illustrated Part P.A.R. = Paint as Required

COWL PANEL AND SILENCERS E,T E BODY
Figure ITE-100

423H 100



ITEM	PART NUMBER	QTY	BODY	MODEL	DESCRIPTION
	F195 CA3	1			Silver N N N YF195CA3
	F195 AC7	1			Blue, Dark N N N YF195AC7
	F211 CS8	1			Charcoal N N N YF211CS8
	F195 AM6	1			Red N N N YF195AM6
	F195 BL3	1			Beige N N N YF195BL3
	F195 BT9	1			Brown N N N YF195BT9 (use after 1/26/84) N N N N
	F211 CA3	1			Silver N N N YF211CA3
	F211 CC7	1			Blue, Dark N N N YF211CC7
	F211 CS8	1			Charcoal N N N YF211CS8
	F211 CM6	1			Red N N N YF211CM6
	F211 CL3	1			Beige N N N YF211CL3
	F211 CT9	1			Brown N N N YF211CT9
2		AR			SCREW (not serviced) N N N N
3	4278 961	1			SILENCER, Cowl Panel N N N Y4278961
4	4314 913	1			LINER, Dash N N N Y4314913
	6026 430	6			RETAINER, Dash Liner Caplug N N N Y6026430
	4278 955	1			LINER, Attaching Package N N N Y4278955
5	4206 545	AR			RETAINER N N N Y4206545
	6032 185	6			CAPLUG, Dash Liner N N N Y6032185
6	6032 020	1			STUD, Collar N N N Y6032020
7		3			SCREW and WASHER (not serviced) N N N N
8	6031 630	4			STUD N N N Y6031630
9	4188 868	1			COVER and SILENCER, Steering Column N N N Y4188868

MODEL CODES

B = GRAN FURY	F = FIFTH AVENUE/NEWPORT	P = RELIANT
C = LEBARON/TOWN & COUNTRY/EXC SEDAN	G = DIPLOMAT	T = E CLASS/NEW YORKER
C24 = LASER	H = VOYAGER	V = 600
D = ARIES	K = MINI RAM/CARAVAN/ROYAL	V24 = DAYTONA
E = 600	M = HORIZON/TURISMO	Z = OMNI/CHARGER/RAMPAGE

BODY STYLES

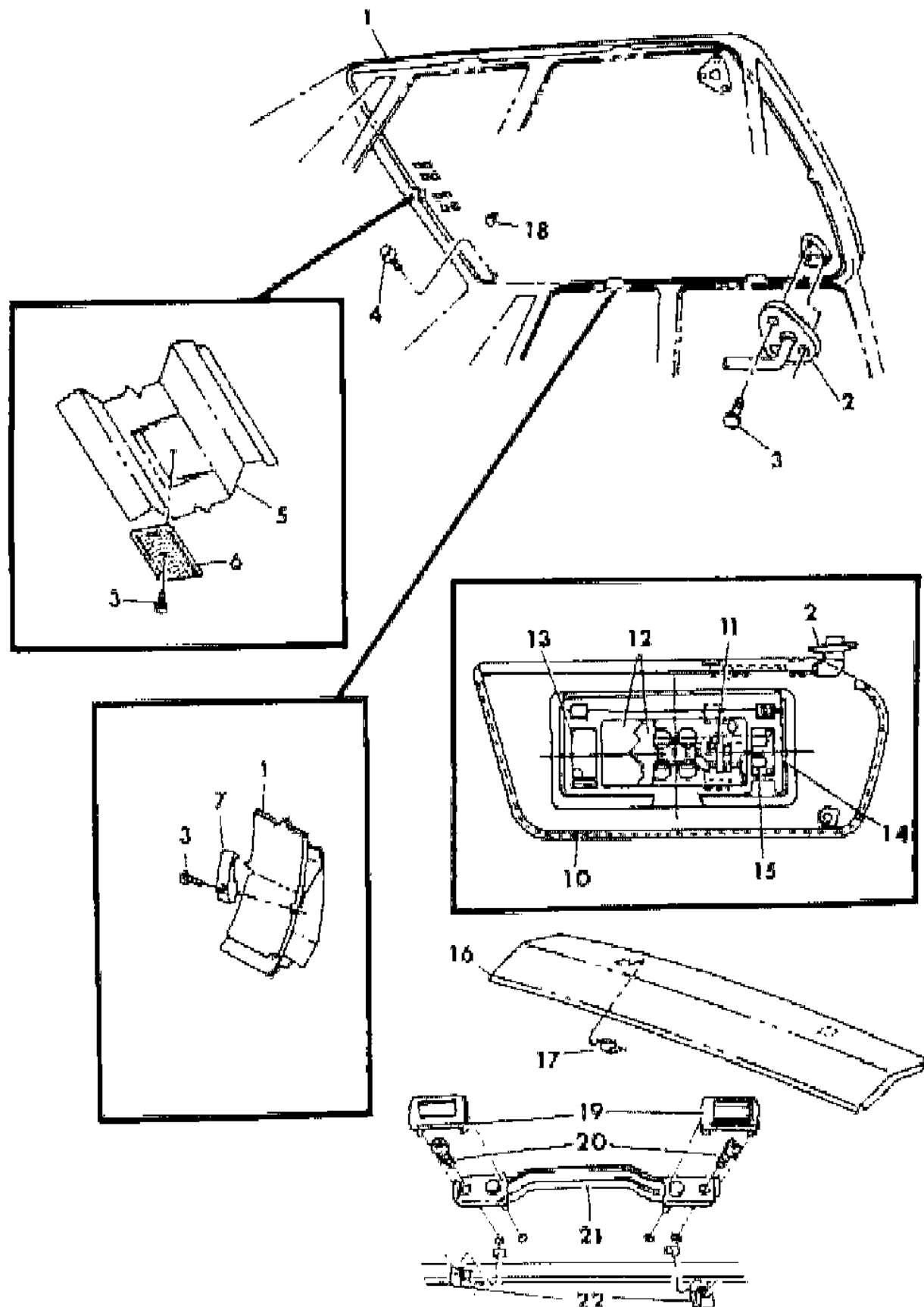
21 = 2-DOOR SEDAN	28 = FWD PICKUP	44 = 4-DOOR HATCHBACK
22 = 2-DOOR SPECIAL COUPE	35 = FWD VAN	45 = 4-DOOR STATION WAGON
24 = 2-DOOR HATCHBACK	36 = FWD WAGON	48 = 4-DOOR EXECUTIVE SEDAN
27 = 2-DOOR CONVERTIBLE	41 = 4-DOOR SEDAN	

AR = Use as Required - = Non Illustrated Part P.A.R. = Paint as Required

HEADLINING VISOR AND SHELF PANEL E,T E BODY

Figure ITE-200

423b 206



ITEM	PART NUMBER	QTY	BODY	MODEL	DESCRIPTION
1					HEADLINER N N N N
	H860 CA3	1			Silver N N N YH860CA3
	H860 CC7	1			Blue, Dark N N N YH860CC7
	H860 CS8	1			Charcoal N N N YH860CS8
	H860 CM6	1			Red N N N YH860CM6
	H860 CL3	1			Beige N N N YH860CL3
	H860 CT8	1			Brown N N N YH860CT8
2	4248 315	1			ARM and BRACKET, w/illuminated Visor N N N Y4248315
	4247 862-3	1			w/o illuminated Visor N N N Y4247862
3		6			SCREW, Visor Bracket Attaching N N N N6032584
4	6003 587	2			FASTENER N N N Y6003587
5					FRAME, Rear Window Opening, Upper N N N N
6	4247 874	2			HOOK, Headliner (Velcro) N N N Y4247874
		2			SCREW (not serviced) N N N N
7	3685 992	2			HOOK, Coat N N N Y3685992
10					VISOR, Sun w/o illuminated Mirror N N N N
	H328 BA3	2			Silver N N N YH328BA3
	H328 BC7	2			Blue, Dark N N N YH328BC7
	H328 CS8	2			Charcoal N N N YH328CS8
	H328 BM6	2			Red N N N YH328BM6
	H328 BL3	2			Beige N N N YH328BL3
	H328 BT8	2			Brown N N N YH328BT8
					w/illuminated Mirror, Right N N N N
	H332 BA3	1			Silver N N N YH332BA3
	H332 BC7	1			Blue, Dark N N N YH332BC7
	H332 CS8	1			Charcoal N N N YH332CS8
	H332 BM6	1			Red N N N YH332BM6
	H332 BL3	1			Beige N N N YH332BL3
	H332 BT8	1			Brown N N N YH332BT8
					VISOR, Sub Assy., w/illuminated Mirror, Right N N N N
	H333 BA3	1			Silver N N N YH333BA3
	H333 BC7	1			Blue, Dark N N N YH333BC7
	H333 CS8	1			Charcoal N N N YH333CS8
	H333 BM6	1			Red N N N YH333BM6
	H333 BL3	1			Beige N N N YH333BL3
	H333 BT8	1			Brown N N N YH333BT8
11	3832 873	1			COMPONENT BOARD, Mirror N N N Y3832873
12	4077 693	1			MIRROR and BACK, Vanity Mirror N N N Y4077693

MODEL CODES

B = GRAN FURY	F = FIFTH AVENUE/NEWPORT	P = RELIANT
C = LEBARON/TOWN & COUNTRY/EXC SEDAN	G = DIPLOMAT	T = E CLASS/NEW YORKER
C24 = LASER	H = VOYAGER	V = 600
D = ARIES	K = MINI RAM/CARAVAN/ROYAL	V24 = DAYTONA
E = 600	M = HORIZON/TURISMO	Z = OMNI/CHARGER/RAMPAGE

BODY STYLES

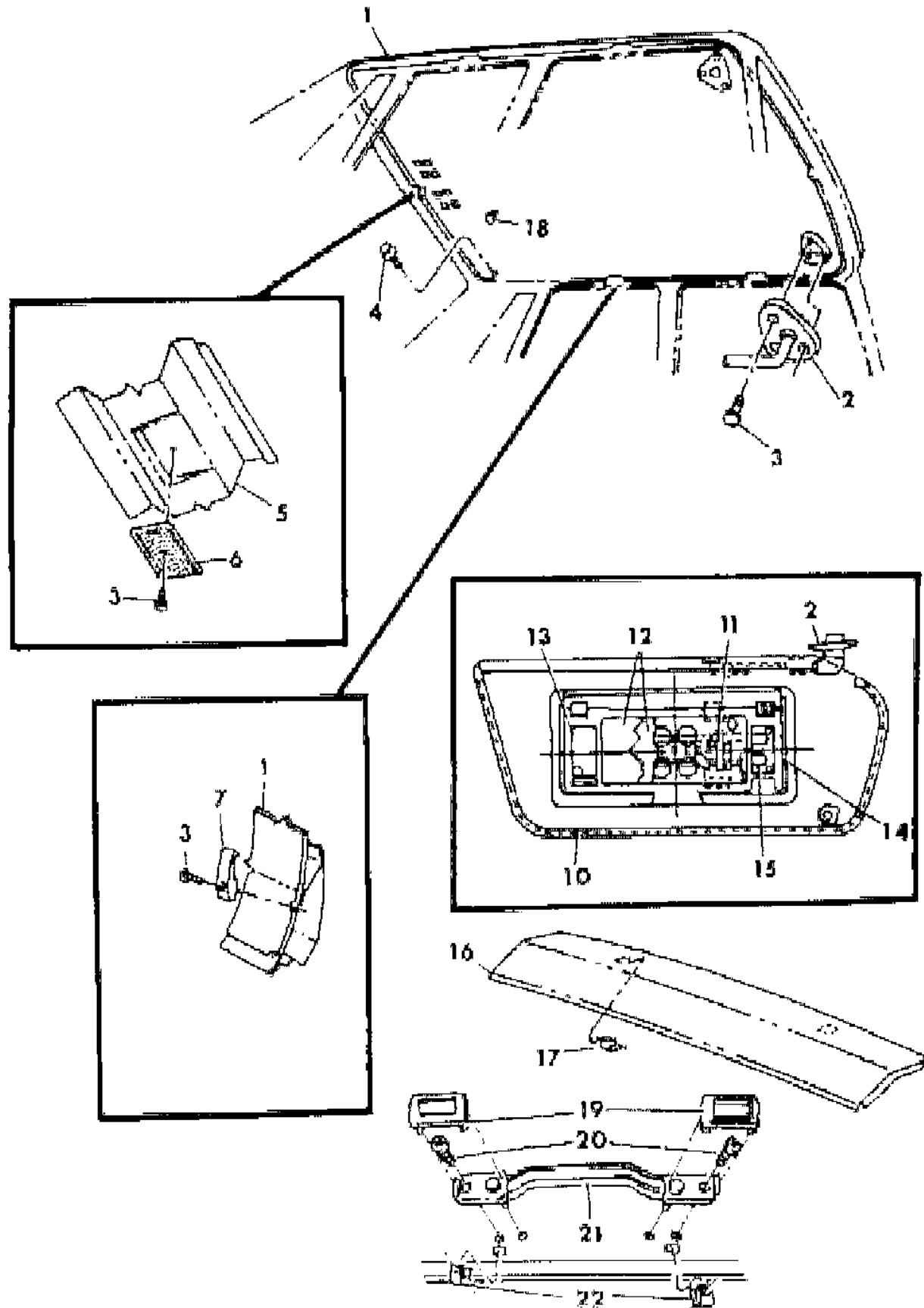
21 = 2-DOOR SEDAN	28 = FWD PICKUP	44 = 4-DOOR HATCHBACK
22 = 2-DOOR SPECIAL COUPE	35 = FWD VAN	45 = 4-DOOR STATION WAGON
24 = 2-DOOR HATCHBACK	36 = FWD WAGON	48 = 4-DOOR EXECUTIVE SEDAN
27 = 2-DOOR CONVERTIBLE	41 = 4-DOOR SEDAN	

AR = Use as Required - = Non Illustrated Part P.A.R. = Paint as Required

HEADLINING VISOR AND SHELF PANEL E,T E BODY

Figure ITE-200

423b 206



ITEM	PART NUMBER	QTY	BODY	MODEL	DESCRIPTION
13	4166 974	2			LENS, Vanity Mirror N N N Y4166974
14	4166 976	2			HINGE, Spring Vanity Mirror N N N Y4166976
15	9421 330	4			BULB N N N Y9421330
16					PANEL, Shelf Trim N N N N
	H204 CS8	1			Charcoal N N N YH204CS8
	H204 BC7	1			Blue, Dark N N N YH204BC7
	H204 BM6	1			Red N N N YH204BM6
	H204 BL3	1			Beige N N N YH204BL3
	H204 BT9	1			Brown N N N YH204BT9
17	6031 536	3			CLIP, Shelf Panel Attaching N N N Y6031536
18					FASTENER N N N N
	H452 AA3	2			Silver N N N YH452AA3
	H452 VC7	2			Blue, Dark N N N YH452VC7
	H452 TM6	2			Red N N N YH452TM6
	H452 BL3	2			Beige N N N YH452BL3
	H452 BT8	2			Brown N N N YH452BT8
19	4223 941	AR			COVER, Roof Rail Grab Handle N N N Y4223941
20		AR			SCREW (not serviced) N N N N
21					HANDLE, Roof Grab, Front N N N N
	H430 CA2	1			Silver N N N YH430CA2
	H430 CC8	1			Blue, Dark N N N YH430CC8
	H430 CS8	1			Charcoal N N N YH430CS8
	H430 CL3	1			Beige N N N YH430CL3
	H430 CM6	1			Red N N N YH430CM6
	H430 CT8	1			Brown N N N YH430CT8
	H434 CA2	2			Rear, w/Coat Hook N N N N
	H434 CC8	2			Silver N N N YH434CA2
	H434 CS8	2			Blue, Dark N N N YH434CC8
	H434 CL3	2			Charcoal N N N YH434CS8
	H434 CM6	2			Beige N N N YH434CL3
	H434 CT8	2			Red N N N YH434CM6
	H434 CT8	2			Brown N N N YH434CT8
22	0116 000	AR			RETAINER N N N Y116000

MODEL CODES

B = GRAN FURY	F = FIFTH AVENUE/NEWPORT	P = RELIANT
C = LEBARON/TOWN & COUNTRY/EXC SEDAN	G = DIPLOMAT	T = E CLASS/NEW YORKER
C24 = LASER	H = VOYAGER	V = 600
D = ARIES	K = MINI RAM/CARAVAN/ROYAL	V24 = DAYTONA
E = 600	M = HORIZON/TURISMO	Z = OMNI/CHARGER/RAMPAGE

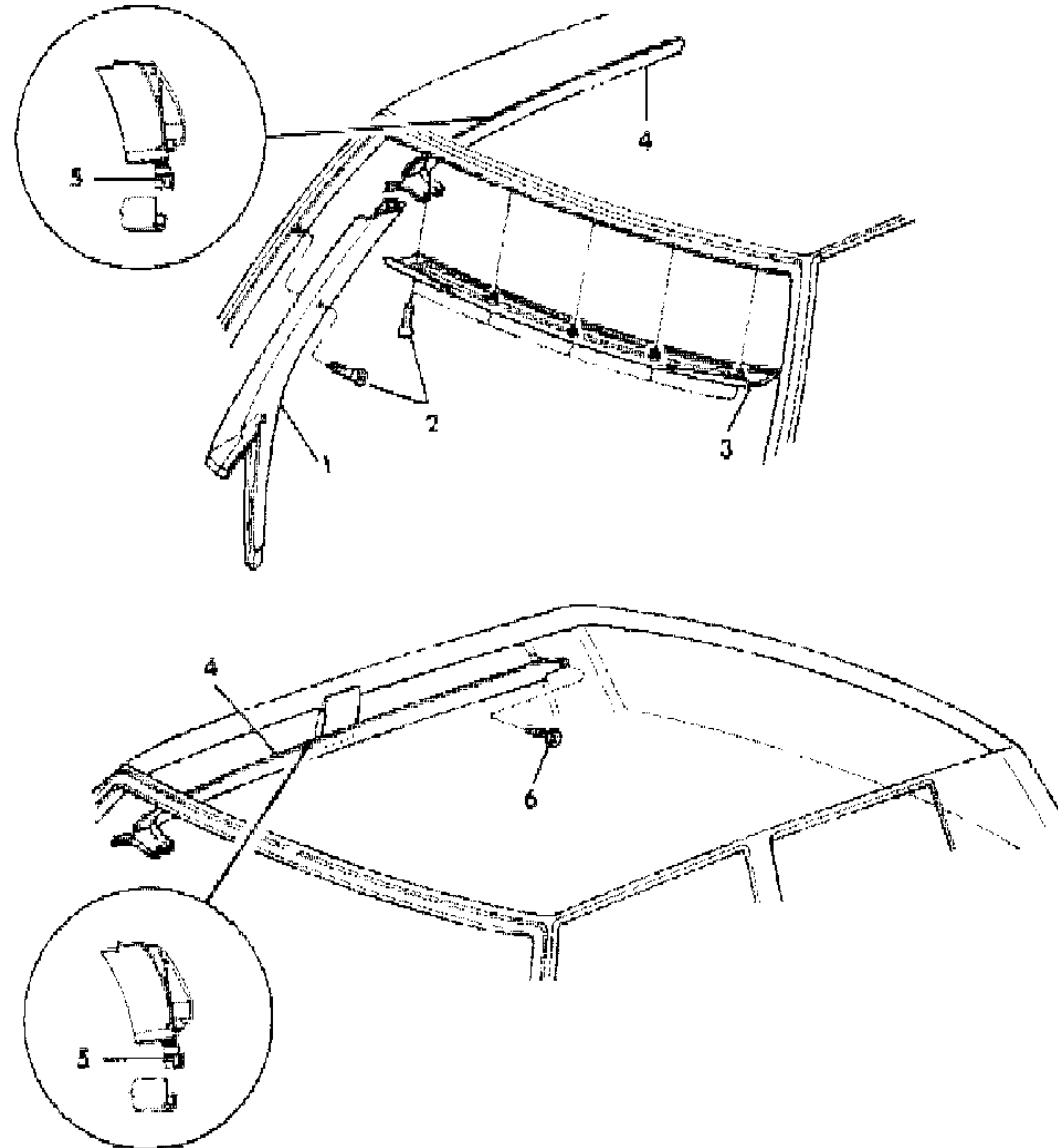
BODY STYLES

21 = 2-DOOR SEDAN	28 = FWD PICKUP	44 = 4-DOOR HATCHBACK
22 = 2-DOOR SPECIAL COUPE	35 = FWD VAN	45 = 4-DOOR STATION WAGON
24 = 2-DOOR HATCHBACK	36 = FWD WAGON	48 = 4-DOOR EXECUTIVE SEDAN
27 = 2-DOOR CONVERTIBLE	41 = 4-DOOR SEDAN	

AR = Use as Required - = Non Illustrated Part P.A.R. = Paint as Required

MOULDING GARNISH E,T E BODY
Figure ITE-300

423A 300



ITEM	PART NUMBER	QTY	BODY	MODEL	DESCRIPTION
1	F458-9 DT3	1			MOULDING, Windshield Side, Garnish (paint as required) N N N YF458DT3 w/Fabric Cover N N N N
	F138-9 CS8	1			Charcoal NT-P N N YF138CS8
	F138-9 CC7	1			Blue, Dark NT-P N N YF138CC7
	F138-9 CL3	1			Beige NT-P N N YF138CL3
	F138-9 CM6	1			Red NT-P N N YF138CM6
	F138-9 CT8	1			Brown NT-P N N YF138CT8
2	0153 704	9			SCREW N N N Y153704
3	4077 546	1			MOULDING, Windshield Header, Upper Garnish (paint as required) N N N Y4077546 w/Fabric Cover N N N N
	F425 CS8	1			Charcoal NT-P N N YF425CS8
	F425 CC7	1			Blue, Dark NT-P N N YF425CC7
	F425 CL3	1			Beige NT-P N N YF425CL3
	F425 CM6	1			Red NT-P N N YF425CM6
	F425 CT8	1			Brown NT-P N N YF425CT8
4	H146-7 BL3	1			MOULDING, w/Retainer Roof Rail Garnish (paint as required) N N N YH146BL3 MOULDING, w/Retainer Roof Rail Garnish, W/Fabric Cover N N N
	F112-3 CS8	1			Charcoal NT-P N N YF112CS8
	F112-3 CC7	1			Blue, Dark NT-P N N YF112CC7
	F112-3 CL3	1			Beige NT-P N N YF112CL3
	F112-3 CM6	1			Red NT-P N N YF112CM6
	F112-3 CT8	1			Brown NT-P N N YF112CT8
5		6			RETAINER, Roof Rail Side Moulding (serviced in item 4) N N N N
6		AR			SCREW (not serviced) N N N N

MODEL CODES

B = GRAN FURY	F = FIFTH AVENUE/NEWPORT	P = RELIANT
C = LEBARON/TOWN & COUNTRY/EXC SEDAN	G = DIPLOMAT	T = E CLASS/NEW YORKER
C24 = LASER	H = VOYAGER	V = 600
D = ARIES	K = MINI RAM/CARAVAN/ROYAL	V24 = DAYTONA
E = 600	M = HORIZON/TURISMO	Z = OMNI/CHARGER/RAMPAGE

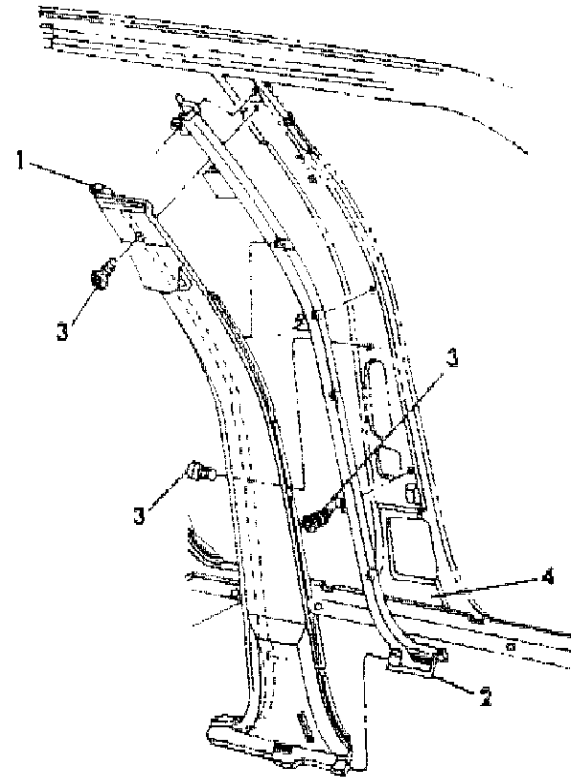
BODY STYLES

21 = 2-DOOR SEDAN	28 = FWD PICKUP	44 = 4-DOOR HATCHBACK
22 = 2-DOOR SPECIAL COUPE	35 = FWD VAN	45 = 4-DOOR STATION WAGON
24 = 2-DOOR HATCHBACK	36 = FWD WAGON	48 = 4-DOOR EXECUTIVE SEDAN
27 = 2-DOOR CONVERTIBLE	41 = 4-DOOR SEDAN	

AR = Use as Required - = Non Illustrated Part P.A.R. = Paint as Required

B PILLAR TRIM E,T E BODY
Figure ITE-400

4230 400



ITEM	PART NUMBER	QTY	BODY	MODEL	DESCRIPTION
1					COVER, Center "B" Pillar Trim, Rear, w/o Fabric Cover N N N N
	F408-9 AA3	1			Silver N N N YF408AA3
	F408-9 CS8	1			Charcoal N N N YF408CS8
	F408-9 AC7	1			Blue, Dark N N N YF408AC7
	F408-9 AM6	1			Red N N N YF408AM6
	F408-9 BL3	1			Beige N N N YF408BL3
	F408-9 BT8	1			Brown N N N YF408BT8
					w/Fabric Cover N N N N
	F116-7 CS8				Charcoal NT-P N N YF116CS8
	F116-7 CC7				Blue, Dark NT-P N N YF116CC7
	F116-7 CM6				Red NT-P N N YF116CM6
	F116-7 CL3				Beige NT-P N N YF116CL3
	F116-7 CT8				Brown NT-P N N YF116CT8
2					COVER, Center "B" Pillar Trim, Front N N N N
	F396-7 AA3	1			Silver N N N YF396AA3
	F396-7 CS8	1			Charcoal N N N YF396CS8
	F396-7 BT8	1			Brown N N N YF396BT8
	F396-7 AC7	1			Blue, Dark N N N YF396AC7
	F396-7 AM6	1			Red N N N YF396AM6
	F396-7 BL3	1			Beige N N N YF396BL3
					w/Fabric Cover N N N N
	F118-9 CS8	1			Charcoal NT-P N N YF118CS8
	F118-9 CC7	1			Blue, Dark NT-P N N YF118CC7
	F118-9 CM6	1			Red NT-P N N YF118CM6
	F118-9 CL3	1			Beige NT-P N N YF118CL3
	F118-9 CT8	1			Brown NT-P N N YF118CT8
3		AR			SCREW (not serviced) N N N N
4	3762 862	AR			SILENCER, Body Side Aperture, Lower Center Pillar N N N Y3762862
-	6003 423	8			FASTENER, Silencer Attaching N N N Y6003423

MODEL CODES

B = GRAN FURY	F = FIFTH AVENUE/NEWPORT	P = RELIANT
C = LEBARON/TOWN & COUNTRY/EXC SEDAN	G = DIPLOMAT	T = E CLASS/NEW YORKER
C24 = LASER	H = VOYAGER	V = 600
D = ARIES	K = MINI RAM/CARAVAN/ROYAL	V24 = DAYTONA
E = 600	M = HORIZON/TURISMO	Z = OMNI/CHARGER/RAMPAGE

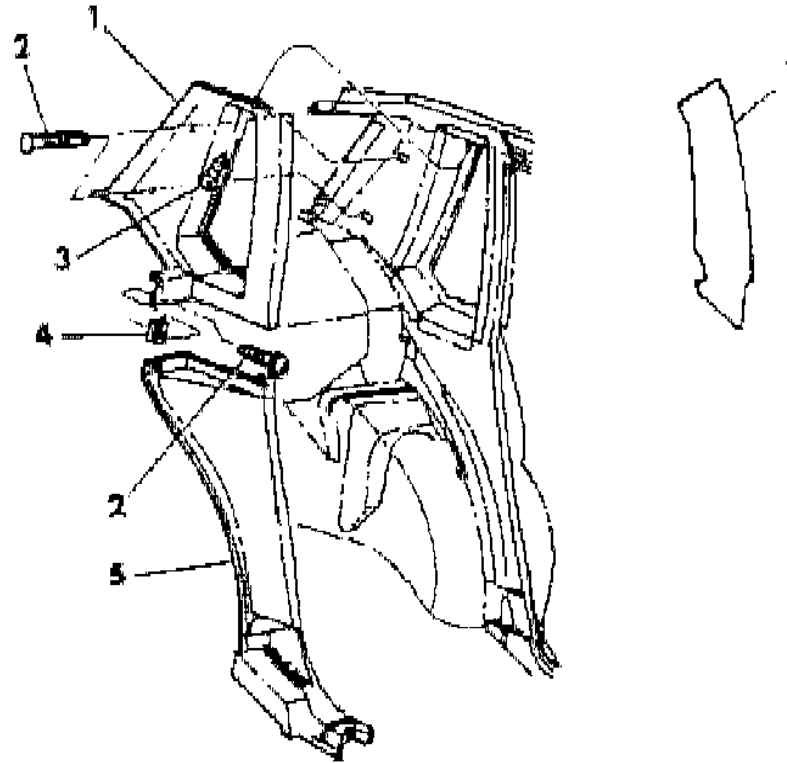
BODY STYLES

21 = 2-DOOR SEDAN	28 = FWD PICKUP	44 = 4-DOOR HATCHBACK
22 = 2-DOOR SPECIAL COUPE	35 = FWD VAN	45 = 4-DOOR STATION WAGON
24 = 2-DOOR HATCHBACK	36 = FWD WAGON	48 = 4-DOOR EXECUTIVE SEDAN
27 = 2-DOOR CONVERTIBLE	41 = 4-DOOR SEDAN	

AR = Use as Required - = Non Illustrated Part P.A.R. = Paint as Required

PANEL QUARTER TRIM E,T E BODY
Figure ITE-500

4238 500



ITEM	PART NUMBER	QTY	BODY	MODEL	DESCRIPTION
1	H644-5 BL3	1			PANEL, Quarter Trim Upper (paint as required) N N N YH644BL3
					w/Fabric Cover N N N N
	H256-7 CS8	1			Charcoal NT-P N N YH256CS8
	H256-7 CC7	1			Blue, Dark NT-P N N YH256CC7
	H256-7 CM6	1			Red NT-P N N YH256CM6
	H256-7 CL3	1			Beige NT-P N N YH256CL3
2	H256-7 CT8	1			Brown NT-P N N YH256CT8
					FASTENER, Upper Quarter Trim Panel N N N N
	F155 BA3	4			Silver N N N YF155BA3
	F155 BC7	4			Blue, Dark N N N YF155BC7
	F155 BM6	4			Red N N N YF155BM6
3	F155 BL3	4			Beige N N N YF155BL3
		AR			SCREW (not serviced) N N N N
4	1199 301	2			J-NUT N N N Y1199301
5	F370-1 BL3	1			PANEL, Quarter Trim, Lower (paint as required) N N N YF370BL3
					w/Fabric Cover N N N N
	H254-5 CS8	1			Charcoal NT-P N N YH254CS8
	H416-7 DC7	1			Blue, Dark NT-P N N YH416DC7
	H254-5 CL3	1			Beige NT-P N N YH254CL3
	H254-5 CM6	1			Red NT-P N N YH254CM6
	H254-5 CT8	1			Brown NT-P N N YH254CT8

MODEL CODES

B = GRAN FURY	F = FIFTH AVENUE/NEWPORT	P = RELIANT
C = LEBARON/TOWN & COUNTRY/EXC SEDAN	G = DIPLOMAT	T = E CLASS/NEW YORKER
C24 = LASER	H = VOYAGER	V = 600
D = ARIES	K = MINI RAM/CARAVAN/ROYAL	V24 = DAYTONA
E = 600	M = HORIZON/TURISMO	Z = OMNI/CHARGER/RAMPAGE

BODY STYLES

21 = 2-DOOR SEDAN	28 = FWD PICKUP	44 = 4-DOOR HATCHBACK
22 = 2-DOOR SPECIAL COUPE	35 = FWD VAN	45 = 4-DOOR STATION WAGON
24 = 2-DOOR HATCHBACK	36 = FWD WAGON	48 = 4-DOOR EXECUTIVE SEDAN
27 = 2-DOOR CONVERTIBLE	41 = 4-DOOR SEDAN	

AR = Use as Required - = Non Illustrated Part P.A.R. = Paint as Required

CARPET E,T E BODY
Figure ITE-600

421E 600

ITEM	PART NUMBER	QTY	BODY	MODEL	DESCRIPTION
1					CARPET N N N N (use up to 12/1/83) N N N N Charcoal N N N YM650CS8 Blue, Dark N N N YM650CC7 Red N N N YM650CM6 Brown N N N YM650CT9 (use after 12/1/83) N N N N Charcoal N N N NM652CS8 Blue, Dark N N N NM652CC7 Red N N N NM652CM6 Brown N N N NM652CT9
2	4223 730	1			COVER, Spare Tire N N N N Full Size NExc. T-P N N Y4223730
	4282 239	1			NT-P N N Y4282239
	4223 273	1			Mini Size NExc. T-P N N Y4223273
	4282 238	1			NT-P N N Y4282238
3	4247 818-9	1			CARPET, Wheelhouse and Quarter Trim Panel N N N Y4247818
4	4247 672	1			CARPET, Luggage Floor and Lower Deck N N N Y4247672
5		AR			SCREW (not serviced) N N N N
6	4223 983	1			FASTENER, Spare Tire Trim Cover N N N Y4223983
7	6003 683	AR			CLIP, Wheelhouse and Quarter Trim Attaching N N N Y6003683
8	6003 351	4			CLIP, Wheelhouse Inner Silencer N N N Y6003351
9	4247 226-7	1			SILENCER, Wheelhouse Cover N N N Y4247226
10	3762 862	AR			SILENCER, Spare Tire Floor Pan (36"x72" material) N N N Y3762862
11	4186 901	AR			SILENCER (36"x72" material cut to fit) N N N Y4186901
					The following parts are not illustrated. s ARE NOT RETURNABLE.
					CARPETED FLOOR MATS, Set of Two N N N N Front N N N N
	M022 CS8	1			Charcoal N N N YM022CS8
	M022 AC7	1			Blue, Dark N N N YM022AC7
	M022 VM6	1			Red N N N YM022VM6
	M022 BT9	1			Brown N N N YM022BT9
					Rear N N N N
	M045 DS8	1			Charcoal N N N YM045DS8
	M024 VC7	1			Blue, Dark N N N YM024VC7
	M024 VM6	1			Red N N N YM024VM6
	M024 BT9	1			Brown N N N YM024BT9

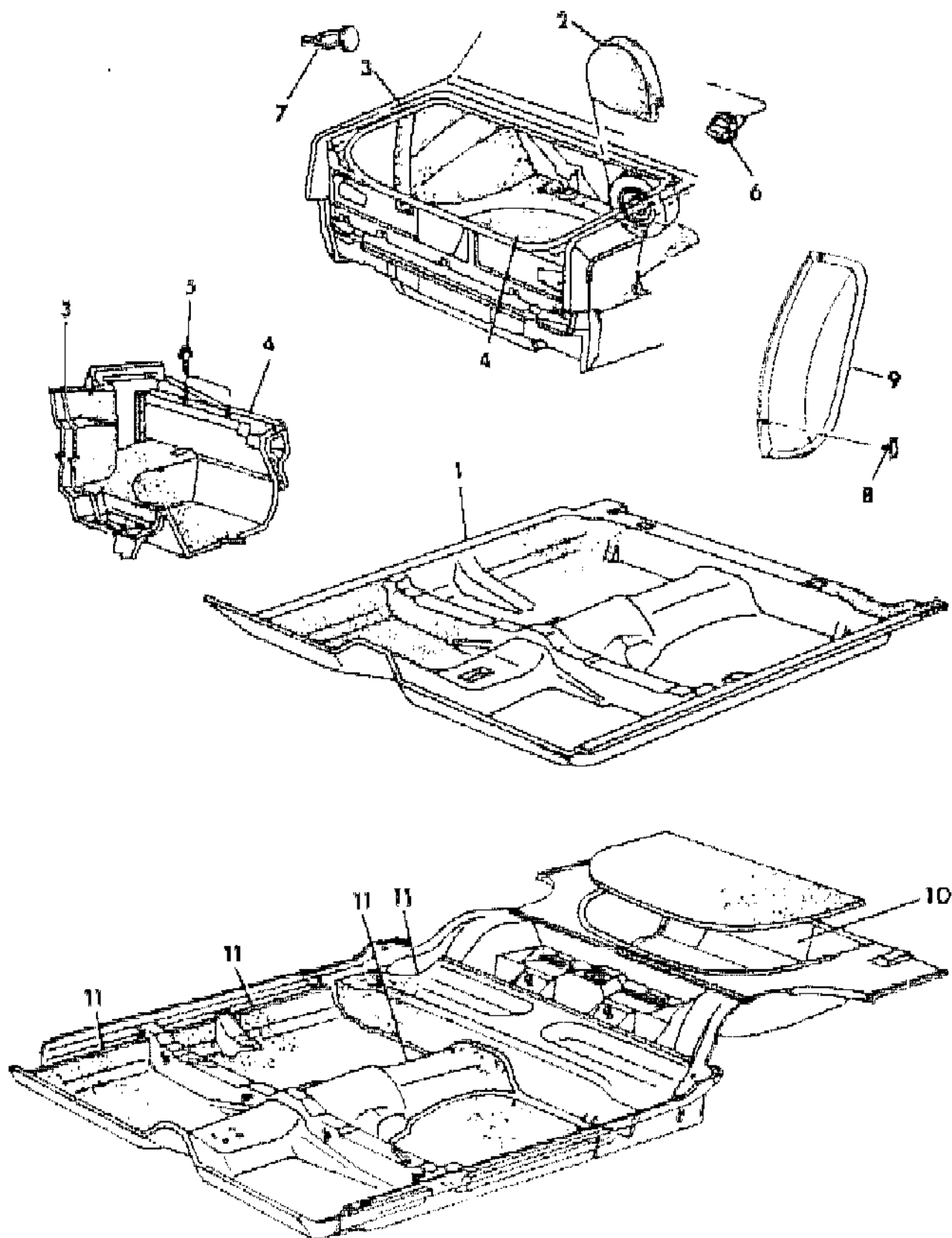
MODEL CODES

B = GRAN FURY	F = FIFTH AVENUE/NEWPORT	P = RELIANT
C = LEBARON/TOWN & COUNTRY/EXC SEDAN	G = DIPLOMAT	T = E CLASS/NEW YORKER
C24 = LASER	H = VOYAGER	V = 600
D = ARIES	K = MINI RAM/CARAVAN/ROYAL	V24 = DAYTONA
E = 600	M = HORIZON/TURISMO	Z = OMNI/CHARGER/RAMPAGE

BODY STYLES

21 = 2-DOOR SEDAN	28 = FWD PICKUP	44 = 4-DOOR HATCHBACK
22 = 2-DOOR SPECIAL COUPE	35 = FWD VAN	45 = 4-DOOR STATION WAGON
24 = 2-DOOR HATCHBACK	36 = FWD WAGON	48 = 4-DOOR EXECUTIVE SEDAN
27 = 2-DOOR CONVERTIBLE	41 = 4-DOOR SEDAN	

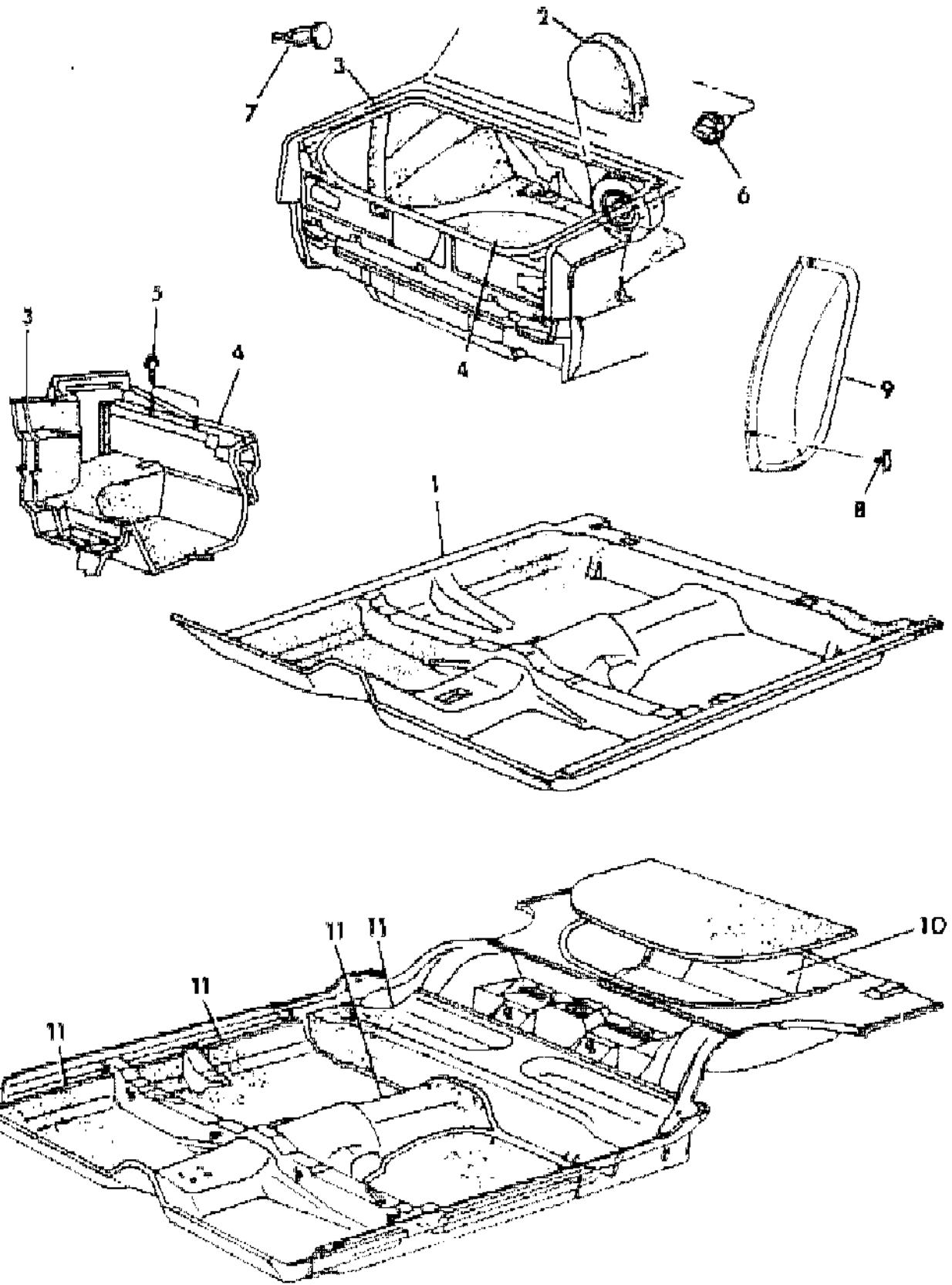
AR = Use as Required - = Non Illustrated Part P.A.R. = Paint as Required



CARPET E,T E BODY
Figure ITE-600

421E 600

ITEM	PART NUMBER	QTY	BODY	MODEL	DESCRIPTION
					CARPET, Roll Stock, Needled Polypro 54" Wide Order By The
					Inch (Used On Seats) N N N N
	R113 CS8	AR			Charcoal N N NE5AS YR113CS8
	R113 TM6	AR			Red N N NE5M YR113TM6
	R113 BT9	AR			Brown N N NE5LT YR113BT9



MODEL CODES
 B = GRAN FURY
 C = LEBARON/TOWN & COUNTRY/EXC SEDAN
 C24 = LASER
 D = ARIES
 E = 600
 F = FIFTH AVENUE/NEWPORT
 G = DIPLOMAT
 H = VOYAGER
 K = MINI RAM/CARAVAN/ROYAL
 M = HORIZON/TURISMO
 P = RELIANT
 T = E CLASS/NEW YORKER
 V = 600
 V24 = DAYTONA
 Z = OMNI/CHARGER/RAMPAGE

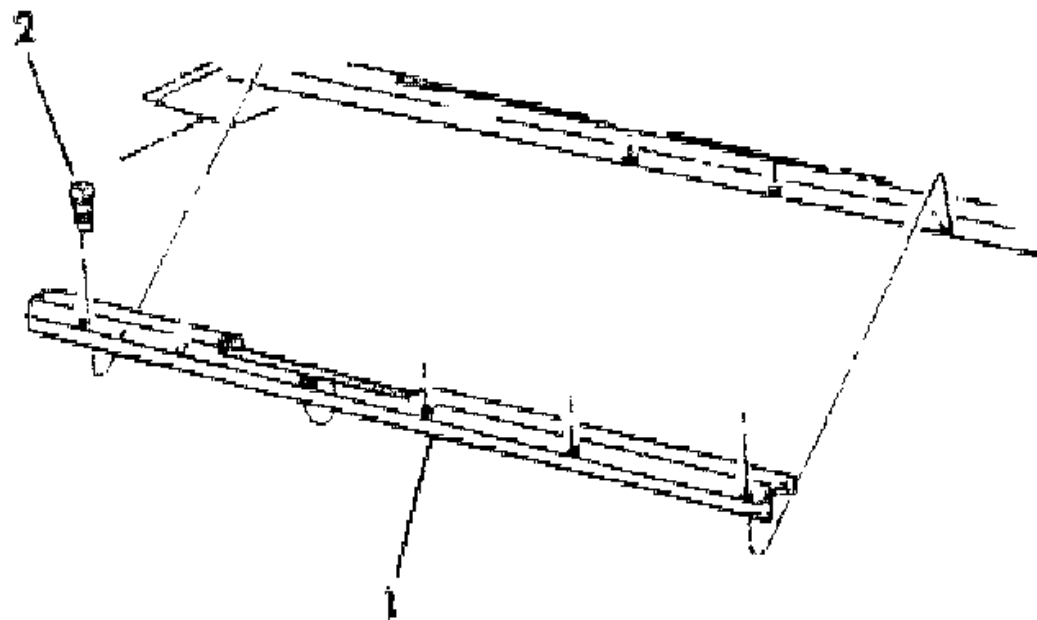
BODY STYLES
 21 = 2-DOOR SEDAN
 22 = 2-DOOR SPECIAL COUPE
 24 = 2-DOOR HATCHBACK
 27 = 2-DOOR CONVERTIBLE
 28 = FWD PICKUP
 35 = FWD VAN
 36 = FWD WAGON
 41 = 4-DOOR SEDAN
 44 = 4-DOOR HATCHBACK
 45 = 4-DOOR STATION WAGON
 48 = 4-DOOR EXECUTIVE SEDAN

AR = Use as Required - = Non Illustrated Part P.A.R. = Paint as Required

SCUFF PLATES BODY SILL AND DOORS E,T E BODY
Figure ITE-700

4238 700

ITEM	PART NUMBER	QTY	BODY	MODEL	DESCRIPTION
1	M902-3 BA3	1			PLATE, Door Sill Scuff (paint as required) N N N YM902BA3
2		AR			SCREW (not serviced) N N N N



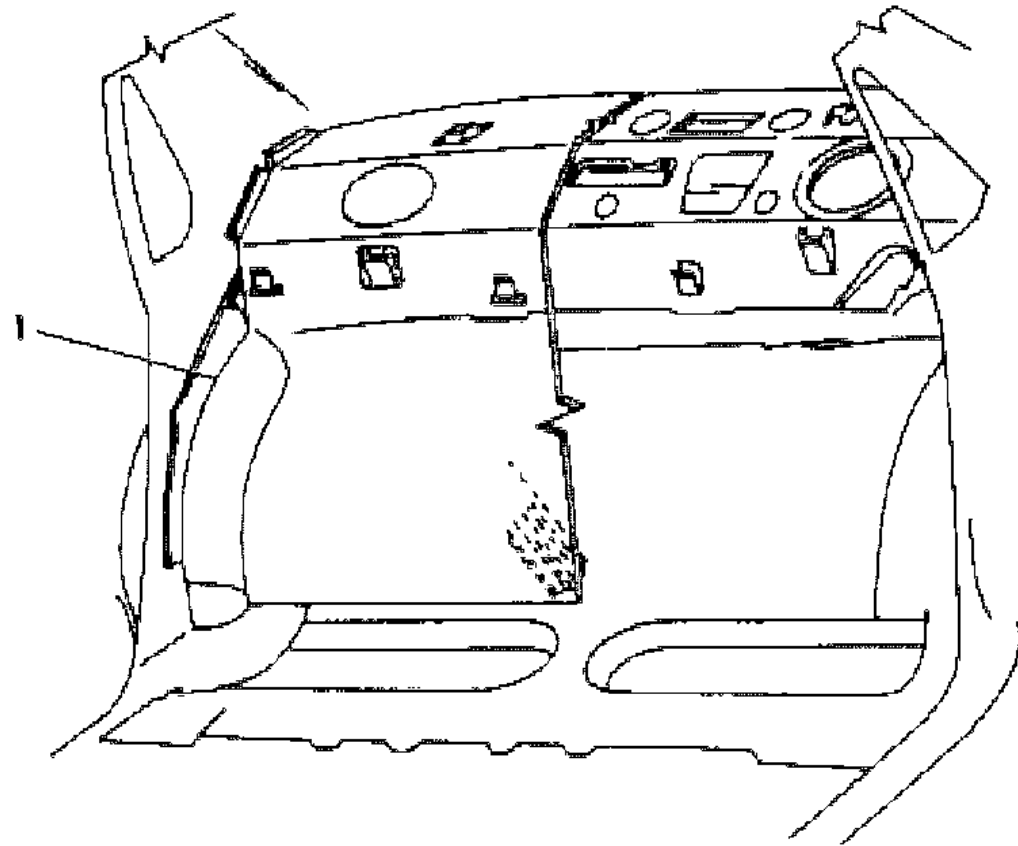
MODEL CODES
 B = GRAN FURY
 C = LEBARON/TOWN & COUNTRY/EXC SEDAN
 C24 = LASER
 D = ARIES
 E = 600
 F = FIFTH AVENUE/NEWPORT
 G = DIPLOMAT
 H = VOYAGER
 K = MINI RAM/CARAVAN/ROYAL
 M = HORIZON/TURISMO
 P = RELIANT
 T = E CLASS/NEW YORKER
 V = 600
 V24 = DAYTONA
 Z = OMNI/CHARGER/RAMPAGE

BODY STYLES
 21 = 2-DOOR SEDAN
 22 = 2-DOOR SPECIAL COUPE
 24 = 2-DOOR HATCHBACK
 27 = 2-DOOR CONVERTIBLE
 28 = FWD PICKUP
 35 = FWD VAN
 36 = FWD WAGON
 41 = 4-DOOR SEDAN
 44 = 4-DOOR HATCHBACK
 45 = 4-DOOR STATION WAGON
 48 = 4-DOOR EXECUTIVE SEDAN

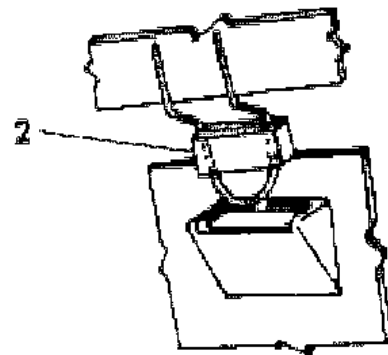
AR = Use as Required - = Non Illustrated Part P.A.R. = Paint as Required

SILENCERS REAR COMPARTMENT E,T E BODY
Figure ITE-800

4238 800



ITEM	PART NUMBER	QTY	BODY	MODEL	DESCRIPTION
1					SILENCER, Luggage Compartment, Front Liner and Shelf Trim N N N
	4282 677	1			N N N Y4282677
2	4239 182	2			SEAL, Rear Seat Back Spring Shelf Panel N N N Y4239182



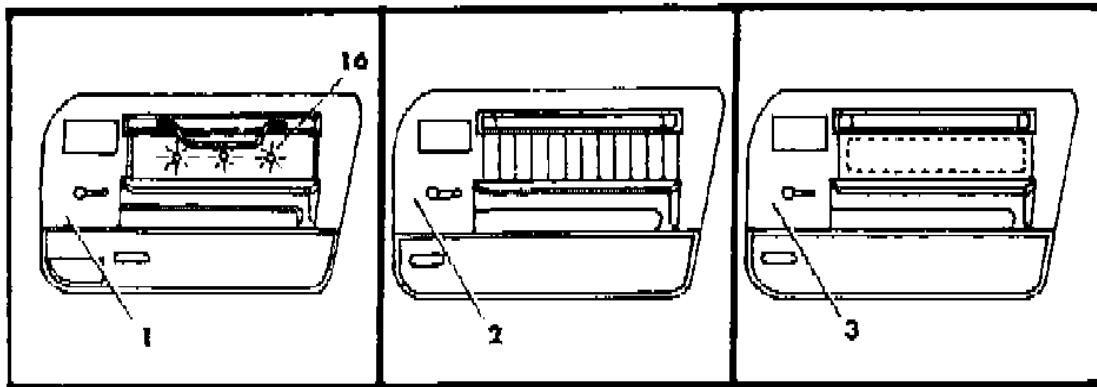
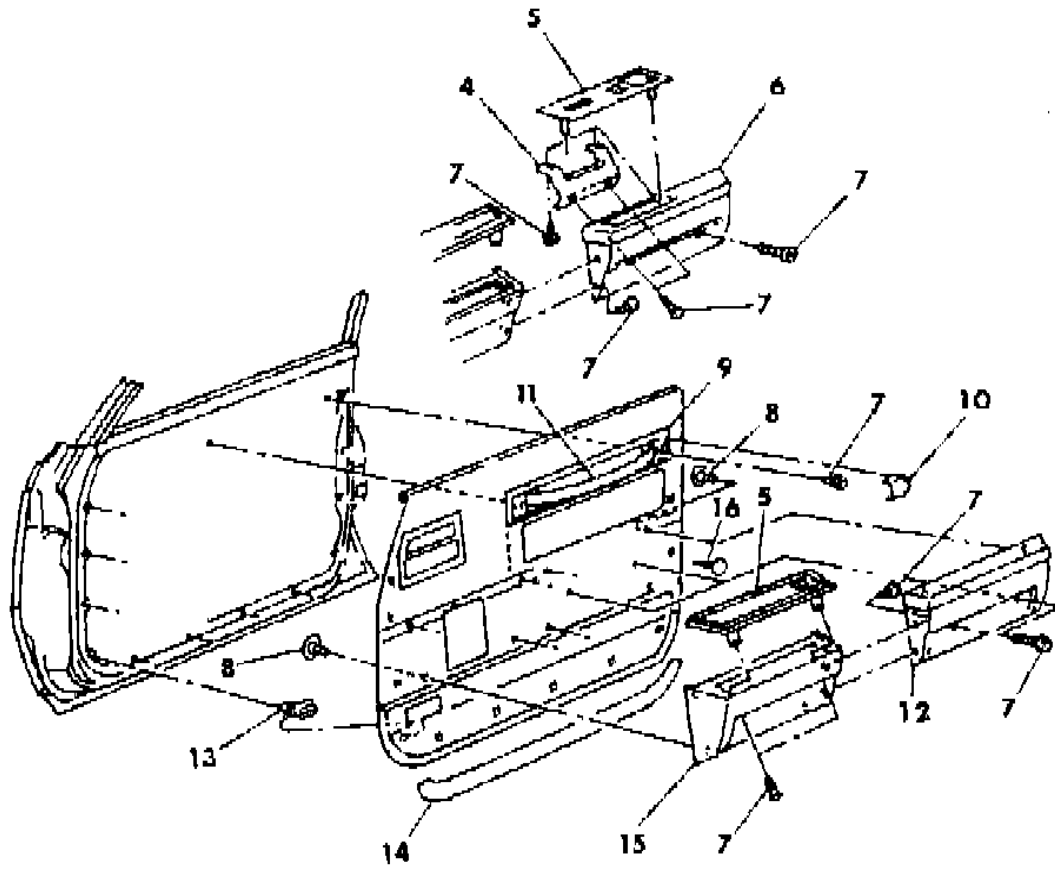
MODEL CODES
 B = GRAN FURY
 C = LEBARON/TOWN & COUNTRY/EXC SEDAN
 C24 = LASER
 D = ARIES
 E = 600
 F = FIFTH AVENUE/NEWPORT
 G = DIPLOMAT
 H = VOYAGER
 K = MINI RAM/CARAVAN/ROYAL
 M = HORIZON/TURISMO
 P = RELIANT
 T = E CLASS/NEW YORKER
 V = 600
 V24 = DAYTONA
 Z = OMNI/CHARGER/RAMPAGE

BODY STYLES
 21 = 2-DOOR SEDAN
 22 = 2-DOOR SPECIAL COUPE
 24 = 2-DOOR HATCHBACK
 27 = 2-DOOR CONVERTIBLE
 28 = FWD PICKUP
 35 = FWD VAN
 36 = FWD WAGON
 41 = 4-DOOR SEDAN
 44 = 4-DOOR HATCHBACK
 45 = 4-DOOR STATION WAGON
 48 = 4-DOOR EXECUTIVE SEDAN

AR = Use as Required - = Non Illustrated Part P.A.R. = Paint as Required

DOOR TRIM PANEL FRONT E,T E BODY
Figure ITE-900

42,1A 900



ITEM	PART NUMBER	QTY	BODY	MODEL	DESCRIPTION
1					PANEL, Door Trim N N N N
					Vinyl N N N N
	K176-7 CS8	1			N N NLPS YK176CS8
	K176-7 CC8	1			N N NLPC YK176CC8
	K176-7 CL3	1			N N NLPL YK176CL3
	K176-7 CM6	1			N N NLPM YK176CM6
	K176-7 CT8	1			N N NLPT YK176CT8
					Cloth N N N N
	K178-9 CS8	1			N N NLFS YK178CS8
	K178-9 CC7	1			N N NLFC YK178CC7
	K178-9 CL3	1			N N NLFL YK178CL3
	K178-9 CM6	1			N N NLFM YK178CM6
	K178-9 CT8	1			N N NLFT YK178CT8
2					PANEL, Door Trim N N N N
	K126-7 CA2	1			N N NE5AS YK126CA2
	K126-7 CL3	1			N N NE5LT YK126CL3
	K126-7 CM6	1			N N NE5M YK126CM6
3					PANEL, Door Trim N N N N
	K118-9 CA2	1			N N NC4A YK118CA2
	K118-9 CM6	1			N N NC4M YK118CM6
	K118-9 CL3	1			N N NC4L YK118CL3
	K120-1 CA3	1			N N NPFA YK120CA3
	K120-1 CC7	1			N N NPFC YK120CC7
	K120-1 CM6	1			N N NPFM YK120CM6
	K120-1 CL4	1			N N NPFL YK120CL4
	J262-3 CA3	1			N N NM3A YJ262CA3
	J262-3 CC7	1			N N NM3C YJ262CC7
	J262-3 CM6	1			N N NM3M YJ262CM6
	J262-3 CL3	1			N N NM3L YJ262CL3
	6003 640	AR			FASTENER, Door Trim Panel N N N Y6003640
4	4248 449	2			BRACKET, Mirror Bezel to Armrest Base N N N Y4248449
	6030 851	4			NUT, Speed Bracket Attaching N N N Y6030851
5					BEZELS (refer to Group 8)) N N N N
6					PAD, Armrest w/Power Door Locks N N N N
	D530-1 BA3	1			Silver N N N YD530BA3
	D530-1 CS8	1			Charcoal N N N YD530CS8
	D530-1 BC7	1			Blue, Dark N N N YD530BC7
	D530-1 BM6	1			Red N N N YD530BM6

MODEL CODES

B = GRAN FURY	F = FIFTH AVENUE/NEWPORT	P = RELIANT
C = LEBARON/TOWN & COUNTRY/EXC SEDAN	G = DIPLOMAT	T = E CLASS/NEW YORKER
C24 = LASER	H = VOYAGER	V = 600
D = ARIES	K = MINI RAM/CARAVAN/ROYAL	V24 = DAYTONA
E = 600	M = HORIZON/TURISMO	Z = OMNI/CHARGER/RAMPAGE

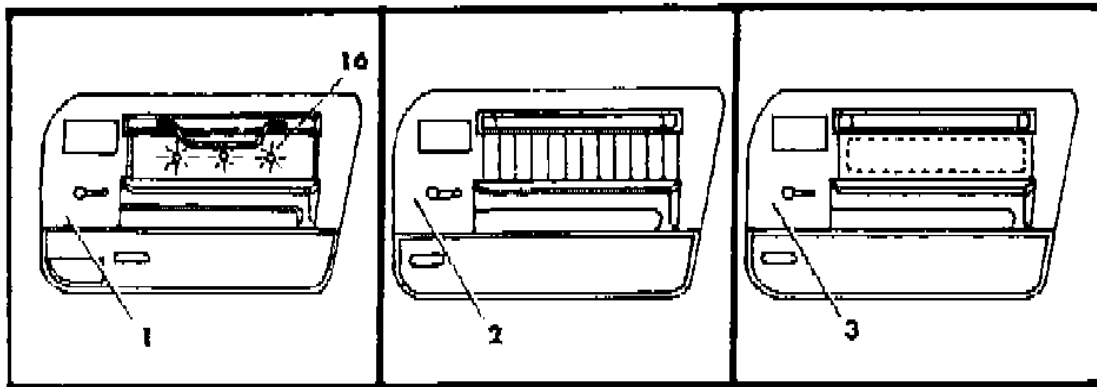
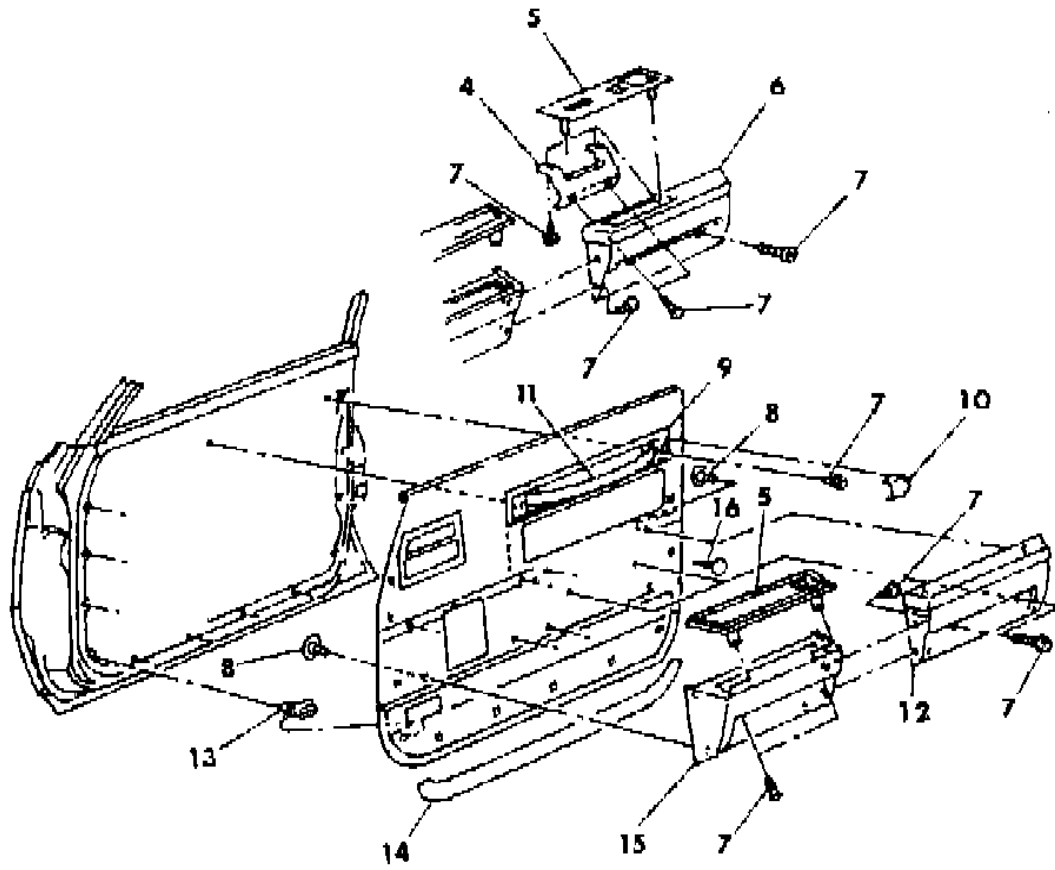
BODY STYLES

21 = 2-DOOR SEDAN	28 = FWD PICKUP	44 = 4-DOOR HATCHBACK
22 = 2-DOOR SPECIAL COUPE	35 = FWD VAN	45 = 4-DOOR STATION WAGON
24 = 2-DOOR HATCHBACK	36 = FWD WAGON	48 = 4-DOOR EXECUTIVE SEDAN
27 = 2-DOOR CONVERTIBLE	41 = 4-DOOR SEDAN	

AR = Use as Required - = Non Illustrated Part P.A.R. = Paint as Required

DOOR TRIM PANEL FRONT E,T E BODY
Figure ITE-900

42,1A 900



ITEM	PART NUMBER	QTY	BODY	MODEL	DESCRIPTION
	D530-1 BL3	1			Beige N N N YD530BL3
	D530-1 BT8	1			Brown N N N YD530BT8
	D506-7 AA3	1			w/o Power Door Locks N N N N
	D506-7 CS8	1			Silver N N N YD506AA3
	D506-7 AC7	1			Charcoal N N N YD506CS8
	D506-7 AC7	1			Blue, Dark N N N YD506AC7
	D506-7 AM6	1			Red N N N YD506AM6
	D506-7 BL3	1			Beige N N N YD506BL3
	D506-7 BT8	1			Brown N N N YD506BT8
7		AR			SCREW (not serviced) N N N N
8		AR			SCREW and WASHER (not serviced) N N N N
9	4248 930	2			PLATE, Finish NExc. T-P N N Y4248930
	4248 603	2			NT-P N N Y4248603
	6032 133	6			NUT N N N Y6032133
10	4248 932	4			END CAP, Finish Plate NExc. T-P N N Y4248932
	4077 196-7	2			NT-P N N Y4077196
11					HANDLE, Pull N N N N
					w/Saddle Grain N N N N
	D930 AA2	2			Silver N N N YD930AA2
	D930 AC8	2			Blue, Dark N N N YD930AC8
	D930 AM6	2			Red N N N YD930AM6
	D930 BL3	2			Beige N N N YD930BL3
	4248 870	2			w/Dark Butterfly Walnut Grain N N N Y4248870
	0455 734	4			SPRING PIN, Door Pull Handle N N N Y455734
	6031 667	4			WASHER, Door Pull Handle Attaching N N N Y6031667
	9420 294	8			NUT, Door Pull Handle Attaching N N N Y9420294
	6032 141	4			SCREW, Pull Handle Attaching N N N Y6032141
12					BASE, Armrest (paint as required) N N N N
	D538-9 BL3	1			w/Power Door Locks N N N YD538BL3
	D508-9 AA3	1			w/o Power Door Locks N N N YD508AA3
	6031 964	AR			NUT, Push Base Attaching N N N Y6031964
13	4114 785	AR			FASTENER N N N Y4114785
14	4247 230	2			SEAL, Secondary Sound N N N Y4247230
15	D412-3 AA3	1			BASE, Armrest w/Power Windows (paint as required) N N N
					YD412AA3
16					BUTTON, Door Trim Panel Bolster N N N N
					BUTTON, w/Cloth Cover N N N N
	S721 CS8	6			Charcoal N N N YS721CS8

MODEL CODES

B = GRAN FURY	F = FIFTH AVENUE/NEWPORT	P = RELIANT
C = LEBARON/TOWN & COUNTRY/EXC SEDAN	G = DIPLOMAT	T = E CLASS/NEW YORKER
C24 = LASER	H = VOYAGER	V = 600
D = ARIES	K = MINI RAM/CARAVAN/ROYAL	V24 = DAYTONA
E = 600	M = HORIZON/TURISMO	Z = OMNI/CHARGER/RAMPAGE

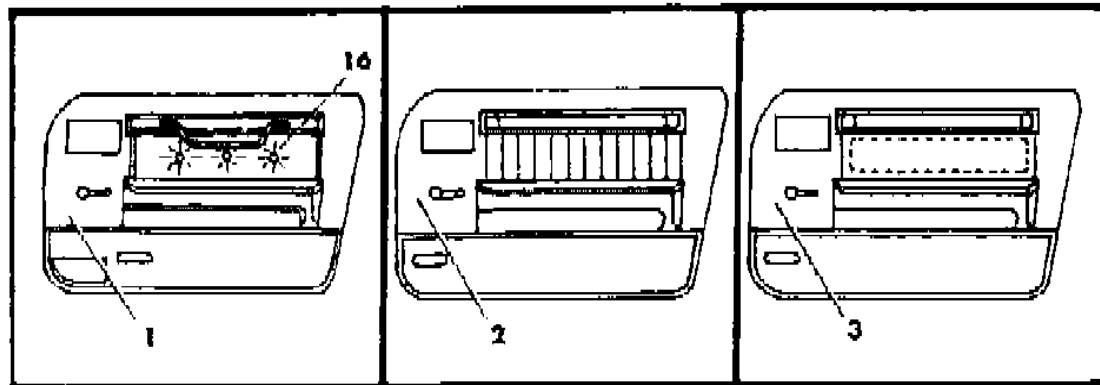
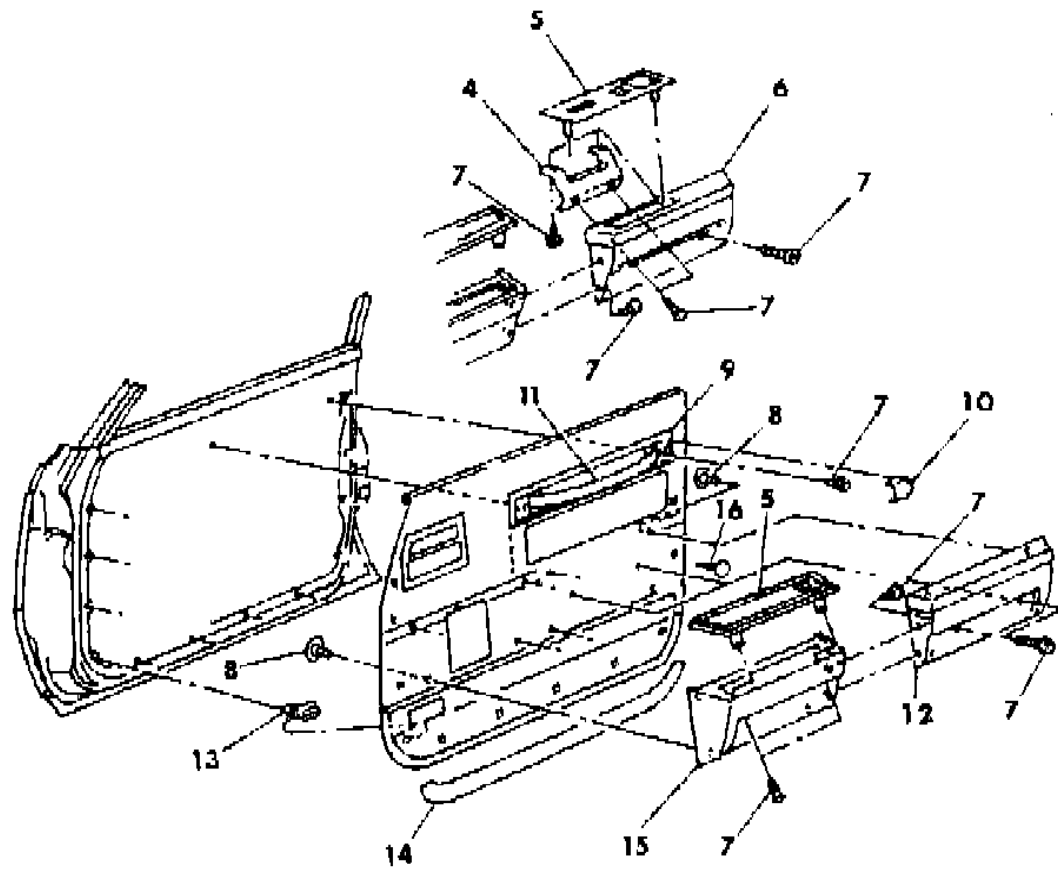
BODY STYLES

21 = 2-DOOR SEDAN	28 = FWD PICKUP	44 = 4-DOOR HATCHBACK
22 = 2-DOOR SPECIAL COUPE	35 = FWD VAN	45 = 4-DOOR STATION WAGON
24 = 2-DOOR HATCHBACK	36 = FWD WAGON	48 = 4-DOOR EXECUTIVE SEDAN
27 = 2-DOOR CONVERTIBLE	41 = 4-DOOR SEDAN	

AR = Use as Required - = Non Illustrated Part P.A.R. = Paint as Required

DOOR TRIM PANEL FRONT E,T E BODY
Figure ITE-900

42,1A 900



ITEM	PART NUMBER	QTY	BODY	MODEL	DESCRIPTION
	S721 CC7	6			Blue, Dark N N N YS721CC7
	S721 CL3	6			Beige N N N YS721CL3
	S721 CM6	6			Red N N N YS721CM6
	S721 CT8	6			Brown N N N YS721CT8
					BUTTON, w/Vinyl Cover N N N N
	S722 CS8	6			Charcoal N N N YS722CS8
	S722 CC8	6			Blue, Dark N N N YS722CC8
	S722 CL3	6			Beige N N N YS722CL3
	S722 CM6	6			Red N N N YS722CM6
	S722 CT8	6			Brown N N N YS722CT8
	The following part is not illustrated. s ARE NOT RETURNABLE.				
	4049 602	AR			SILENCER, Door (36"x36"x1/2" material) N N N Y4049602

MODEL CODES

B = GRAN FURY	F = FIFTH AVENUE/NEWPORT	P = RELIANT
C = LEBARON/TOWN & COUNTRY/EXC SEDAN	G = DIPLOMAT	T = E CLASS/NEW YORKER
C24 = LASER	H = VOYAGER	V = 600
D = ARIES	K = MINI RAM/CARAVAN/ROYAL	V24 = DAYTONA
E = 600	M = HORIZON/TURISMO	Z = OMNI/CHARGER/RAMPAGE

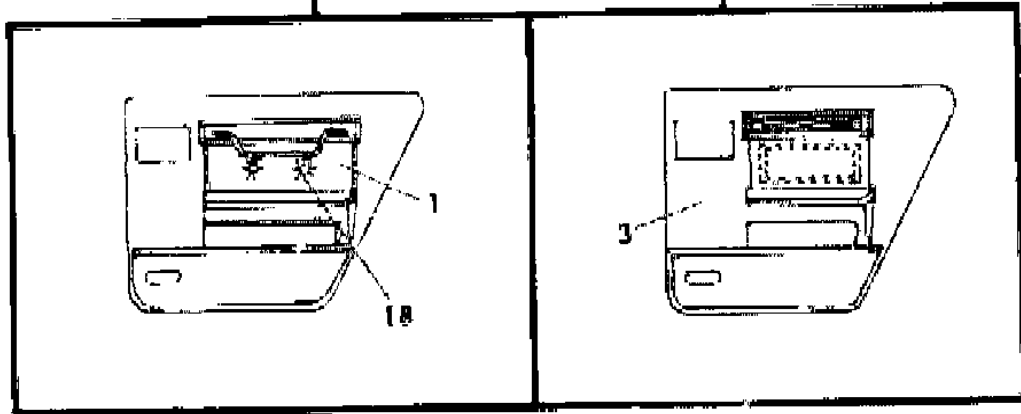
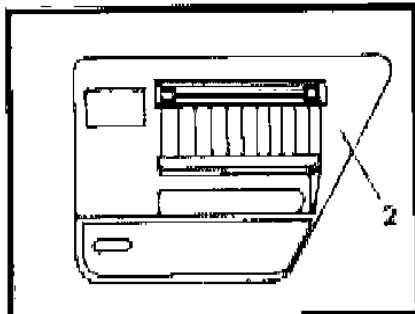
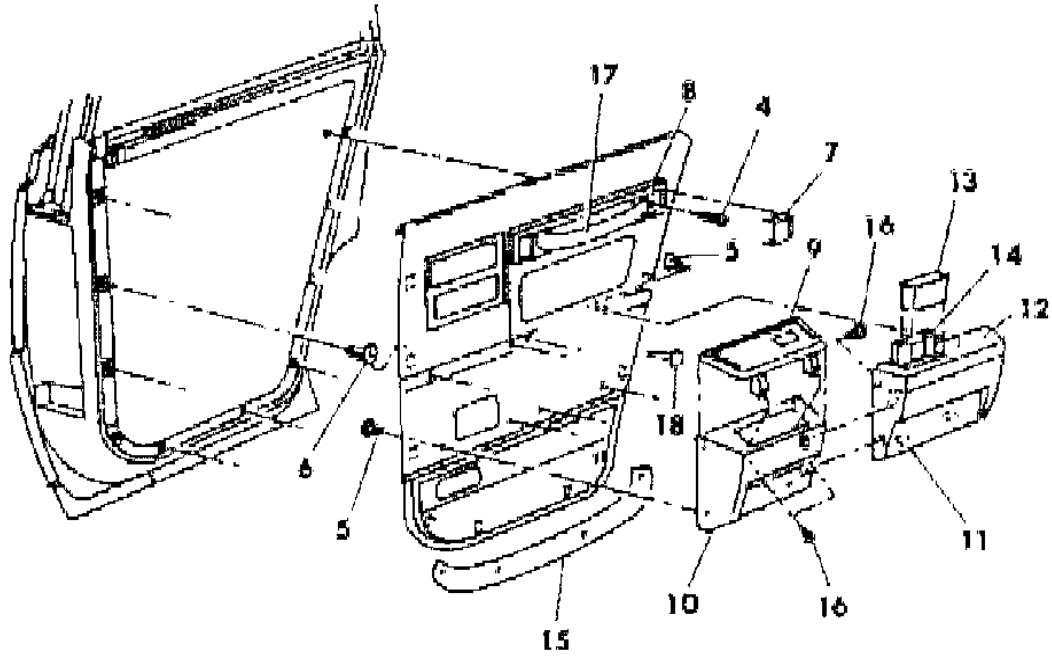
BODY STYLES

21 = 2-DOOR SEDAN	28 = FWD PICKUP	44 = 4-DOOR HATCHBACK
22 = 2-DOOR SPECIAL COUPE	35 = FWD VAN	45 = 4-DOOR STATION WAGON
24 = 2-DOOR HATCHBACK	36 = FWD WAGON	48 = 4-DOOR EXECUTIVE SEDAN
27 = 2-DOOR CONVERTIBLE	41 = 4-DOOR SEDAN	

AR = Use as Required - = Non Illustrated Part P.A.R. = Paint as Required

DOOR TRIM PANEL REAR E,T E BODY
Figure ITE-1000

4238 1000



ITEM	PART NUMBER	QTY	BODY	MODEL	DESCRIPTION
1					PANEL, Door Trim N N N N Vinyl N N N N
	K468-9 CS8	1			N N NLPS YK468CS8
	K468-9 CC8	1			N N NLPC YK468CC8
	K468-9 CL3	1			N N NLPL YK468CL3
	K468-9 CM6	1			N N NLPM YK468CM6
	K468-9 CT8	1			N N NLPT YK468CT8
					Cloth N N N N
	K470-1 CS8	1			N N NLFS YK470CS8
	K470-1 CC7	1			N N NLFC YK470CC7
	K470-1 CL3	1			N N NLFL YK470CL3
	K470-1 CM6	1			N N NLFM YK470CM6
	K470-1 CT8	1			N N NLFT YK470CT8
2					PANEL, Door Trim N N N N
	K450-1 CA2	1			N N NE5AS YK450CA2
	K450-1 CL3	1			N N NE5LT YK450CL3
	K450-1 CM6	1			N N NE5M YK450CM6
3					PANEL, Door Trim N N N N
	K438-9 CA2	1			N N NC4A YK438CA2
	K438-9 CL3	1			N N NC4L YK438CL3
	K438-9 CM6	1			N N NC4M YK438CM6
	K440-1 CA3	1			N N NPFA YK440CA3
	K440-1 CC7	1			N N NPFC YK440CC7
	K440-1 CL4	1			N N NPFL YK440CL4
	K440-1 CM6	1			N N NPFM YK440CM6
	J430-1 CA3	1			N N NM3A YJ430CA3
	J430-1 CC7	1			N N NM3C YJ430CC7
	J430-1 CM6	1			N N NM3M YJ430CM6
	J430-1 CL3	1			N N NM3L YJ430CL3
	6003 640	AR			FASTENER, Door Trim Panel N N N Y6003640
4	6032 141	AR			SCREW N N N Y6032141
5		AR			SCREW and WASHER (not serviced) N N N N
6	4114 785	AR			FASTENER N N N Y4114785
7	4248 932	4			END CAP NExc. T-P N N Y4248932
	4077 196-7	2			NT-P N N Y4077196
8	4248 931	2			PLATE, Finish NExc. T-P N N Y4248931
	4248 604	2			NT-P N N Y4248604
	6032 133	6			NUT, Finish Plate N N N Y6032133

MODEL CODES

B = GRAN FURY	F = FIFTH AVENUE/NEWPORT	P = RELIANT
C = LEBARON/TOWN & COUNTRY/EXC SEDAN	G = DIPLOMAT	T = E CLASS/NEW YORKER
C24 = LASER	H = VOYAGER	V = 600
D = ARIES	K = MINI RAM/CARAVAN/ROYAL	V24 = DAYTONA
E = 600	M = HORIZON/TURISMO	Z = OMNI/CHARGER/RAMPAGE

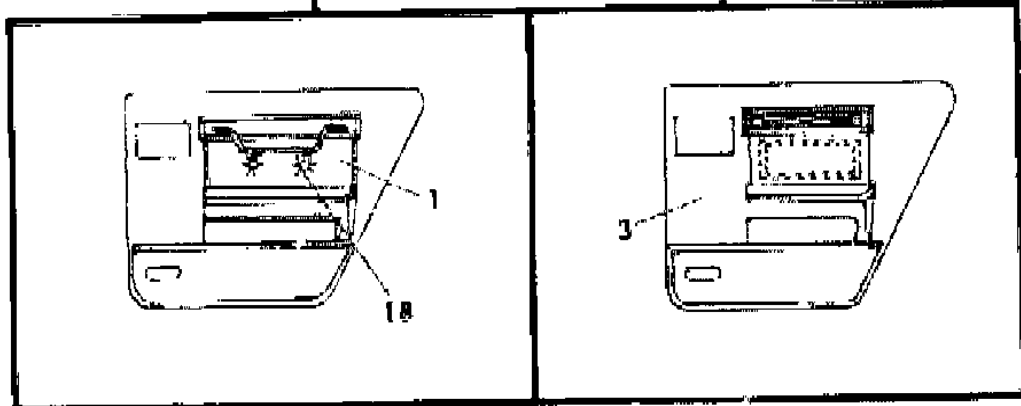
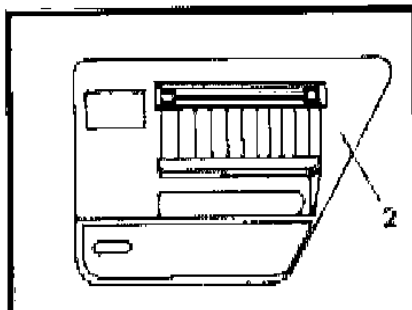
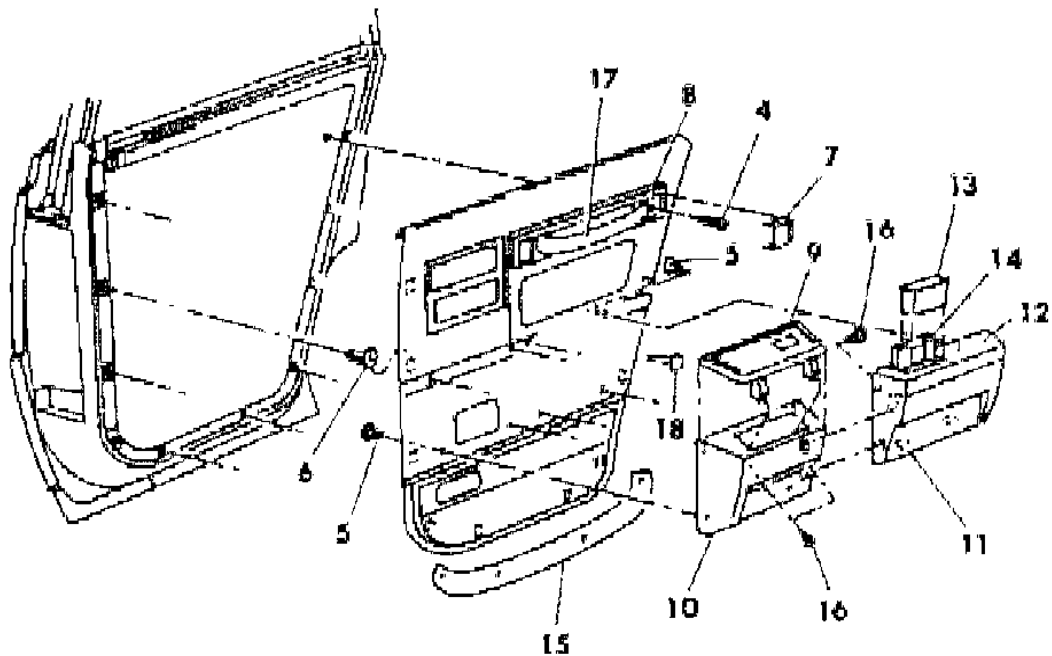
BODY STYLES

21 = 2-DOOR SEDAN	28 = FWD PICKUP	44 = 4-DOOR HATCHBACK
22 = 2-DOOR SPECIAL COUPE	35 = FWD VAN	45 = 4-DOOR STATION WAGON
24 = 2-DOOR HATCHBACK	36 = FWD WAGON	48 = 4-DOOR EXECUTIVE SEDAN
27 = 2-DOOR CONVERTIBLE	41 = 4-DOOR SEDAN	

AR = Use as Required - = Non Illustrated Part P.A.R. = Paint as Required

DOOR TRIM PANEL REAR E,T E BODY
Figure ITE-1000

4238 1000



ITEM	PART NUMBER	QTY	BODY	MODEL	DESCRIPTION
9					BEZEL (refer to Group 23C) N N N N
10	D518-9 AA3	1			BASE, Armrest w/Power Windows N N N YD518AA3
11	D390-1 BL3	1			BASE, Armrest N N N YD390BL3
12					PAD, Armrest N N N N
	D422-3 BA3	1			Silver N N N YD422BA3
	D422-3 CS8	1			Charcoal N N N YD422CS8
	D422-3 BC7	1			Blue, Dark N N N YD422BC7
	D422-3 BM6	1			Red N N N YD422BM6
	D422-3 BL3	1			Beige N N N YD422BL3
	D422-3 BT8	1			Brown N N N YD422BT8
13	3832 955	2			RECEPTACLE, Ash Receiver N N N Y3832955
	0274 306	2			PIN, Ash Receiver Lid Attaching N N N Y274306
14					RECEPTACLE, Complete N N N N
	D438 BA3	2			Silver N N N YD438BA3
	D438 CS8	2			Charcoal N N N YD438CS8
	D438 BC7	2			Blue, Dark N N N YD438BC7
	D438 BM6	2			Red N N N YD438BM6
	D438 BL3	2			Beige N N N YD438BL3
	D438 BT8	2			Brown N N N YD438BT8
15	4247 372	2			SEAL, Secondary N N N Y4247372
16		AR			SCREW (not serviced) N N N N
17					HANDLE, Pull N N N N
					w/Saddle Grain N N N N
	D931 AA2	2			Silver N N N YD931AA2
	D931 AC8	2			Blue, Dark N N N YD931AC8
	D931 AM6	2			Red N N N YD931AM6
	D931 BL3	2			Beige N N N YD931BL3
	4248 870	2			w/Dark Butterfly Walnut Grain N N N Y4248870
	0455 734	4			SPRING PIN, Door Pull Handle N N N Y455734
	6031 667	4			WASHER, Door Pull Handle Attaching N N N Y6031667
	9420 294	8			NUT, Door Pull Handle Attaching N N N Y9420294
18					BUTTON, Door Trim Panel Bolster N N N N
					BUTTON, w/Cloth Cover N N N N
	S721 CS8	4			Charcoal N N N YS721CS8
	S721 CC7	4			Blue, Dark N N N YS721CC7
	S721 CL3	4			Beige N N N YS721CL3
	S721 CM6	4			Red N N N YS721CM6
	S721 CT8	4			Brown N N N YS721CT8

MODEL CODES

B = GRAN FURY	F = FIFTH AVENUE/NEWPORT	P = RELIANT
C = LEBARON/TOWN & COUNTRY/EXC SEDAN	G = DIPLOMAT	T = E CLASS/NEW YORKER
C24 = LASER	H = VOYAGER	V = 600
D = ARIES	K = MINI RAM/CARAVAN/ROYAL	V24 = DAYTONA
E = 600	M = HORIZON/TURISMO	Z = OMNI/CHARGER/RAMPAGE

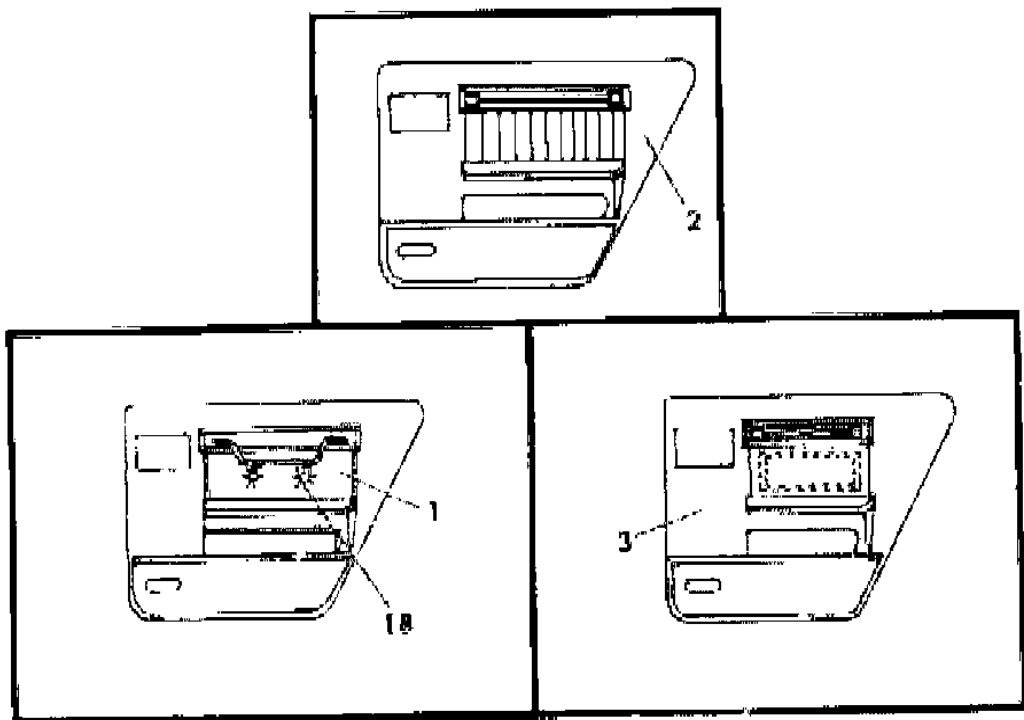
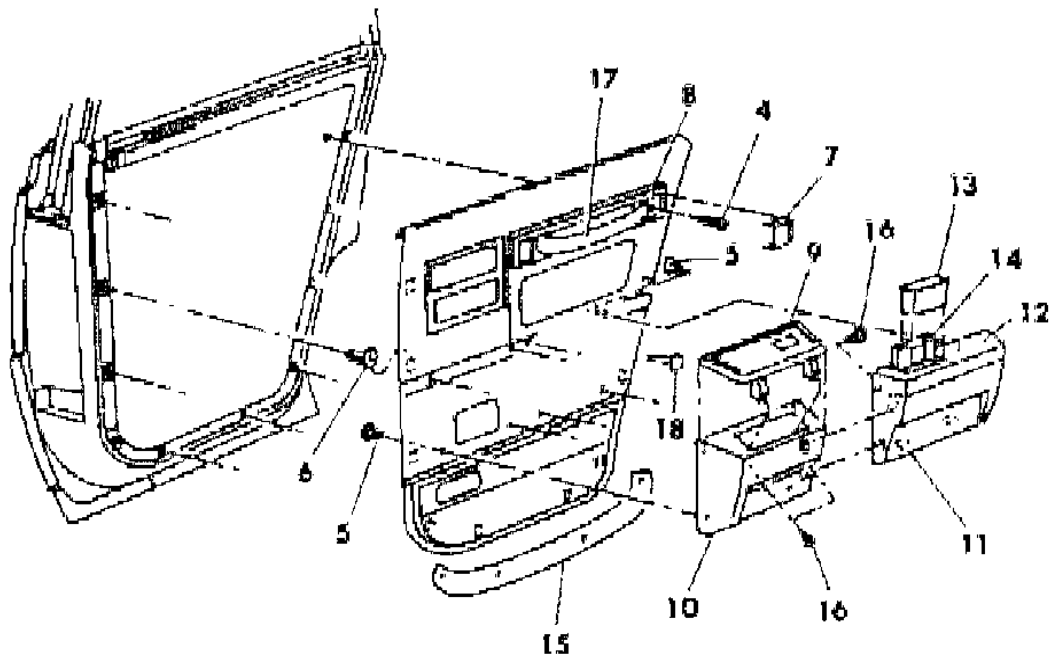
BODY STYLES

21 = 2-DOOR SEDAN	28 = FWD PICKUP	44 = 4-DOOR HATCHBACK
22 = 2-DOOR SPECIAL COUPE	35 = FWD VAN	45 = 4-DOOR STATION WAGON
24 = 2-DOOR HATCHBACK	36 = FWD WAGON	48 = 4-DOOR EXECUTIVE SEDAN
27 = 2-DOOR CONVERTIBLE	41 = 4-DOOR SEDAN	

AR = Use as Required - = Non Illustrated Part P.A.R. = Paint as Required

DOOR TRIM PANEL REAR E,T E BODY
Figure ITE-1000

4238 1000



ITEM	PART NUMBER	QTY	BODY	MODEL	DESCRIPTION
					BUTTON, w/Vinyl Cover N N N N
	S722 CS8	4			Charcoal N N N YS722CS8
	S722 CC8	4			Blue, Dark N N N YS722CC8
	S722 CL3	4			Beige N N N YS722CL3
	S722 CM6	4			Red N N N YS722CM6
	S722 CT8	4			Brown N N N YS722CT8
The following part is not illustrated. s ARE NOT RETURNABLE.					
	4049 602	AR			SILENCER, Door (36"x36"x1/2" material) N N N Y4049602

MODEL CODES

B = GRAN FURY	F = FIFTH AVENUE/NEWPORT	P = RELIANT
C = LEBARON/TOWN & COUNTRY/EXC SEDAN	G = DIPLOMAT	T = E CLASS/NEW YORKER
C24 = LASER	H = VOYAGER	V = 600
D = ARIES	K = MINI RAM/CARAVAN/ROYAL	V24 = DAYTONA
E = 600	M = HORIZON/TURISMO	Z = OMNI/CHARGER/RAMPAGE

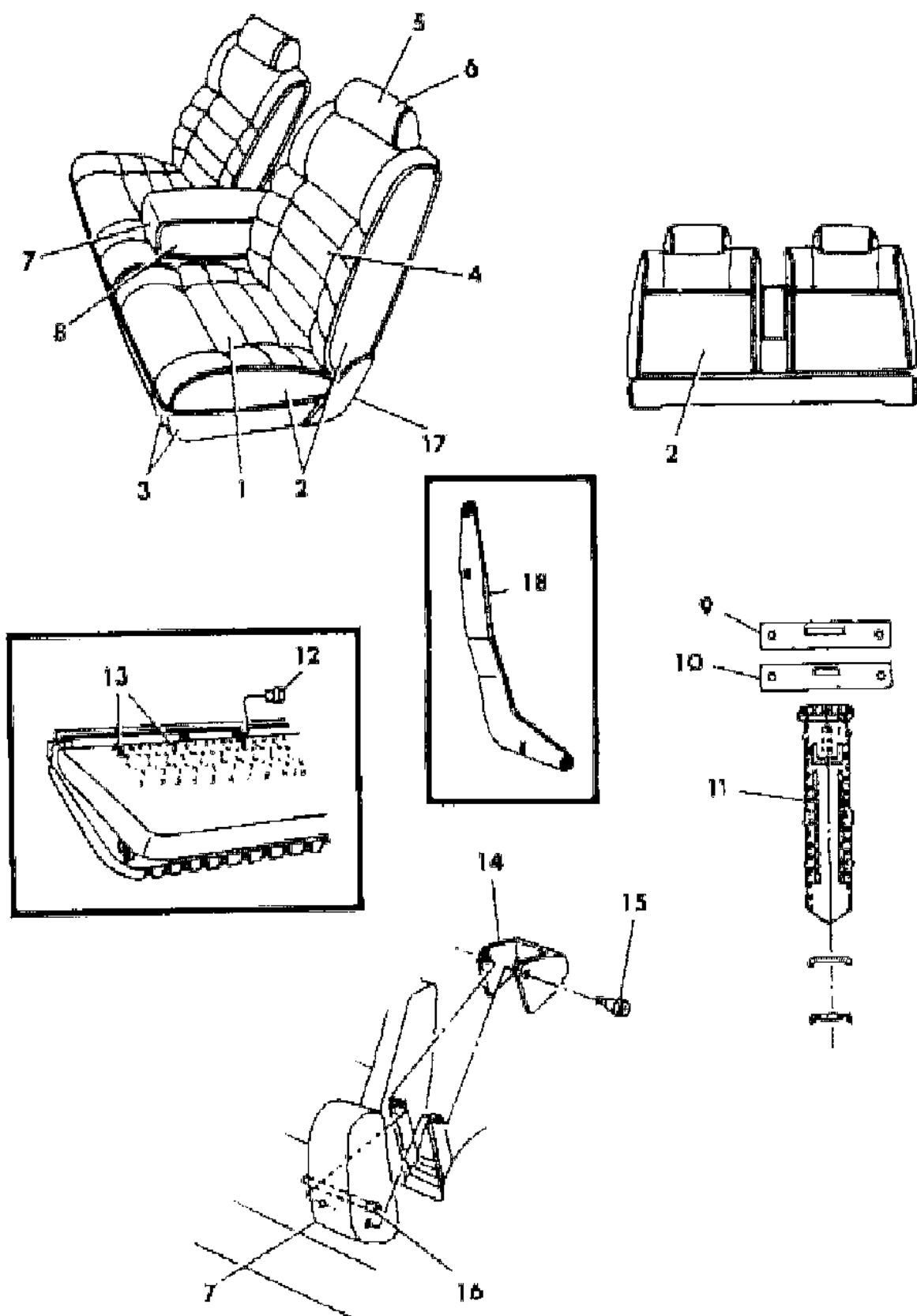
BODY STYLES

21 = 2-DOOR SEDAN	28 = FWD PICKUP	44 = 4-DOOR HATCHBACK
22 = 2-DOOR SPECIAL COUPE	35 = FWD VAN	45 = 4-DOOR STATION WAGON
24 = 2-DOOR HATCHBACK	36 = FWD WAGON	48 = 4-DOOR EXECUTIVE SEDAN
27 = 2-DOOR CONVERTIBLE	41 = 4-DOOR SEDAN	

AR = Use as Required - = Non Illustrated Part P.A.R. = Paint as Required

SEAT FRONT E,T E BODY TRIM CODE M3
Figure ITE-1100

4278 1100



ITEM	PART NUMBER	QTY	BODY	MODEL	DESCRIPTION
1-3					CUSHION, w/Spring/Frame, Pad and Cover N N N N
	A923 C3A	1			N N NM3A YA923C3A
	A923 C3C	1			N N NM3C YA923C3C
	A923 C3M	1			N N NM3M YA923C3M
	A923 C3L	1			N N NM3L YA923C3L
1					COVER, Cushion N N N N
	A509 C3A	1			N N NM3A YA509C3A
	A509 C3C	1			N N NM3C YA509C3C
	A509 C3M	1			N N NM3M YA509C3M
	A509 C3L	1			N N NM3L YA509C3L
2					ROLL STOCK, Cloth 54" Wide Order by the Inch N N N N
	R093 AA3	AR			N N NM3A YR093AA3
	R093 AC7	AR			N N NM3C YR093AC7
	R093 AM6	AR			N N NM3M YR093AM6
	R093 BL3	AR			N N NM3L YR093BL3
3					ROLL STOCK, Vinyl 64" Wide Order by the Inch N N N N
	R616 AA2	AR			N N NM3A YR616AA2
	R616 VC8	AR			N N NM3C YR616VC8
	R616 VM6	AR			N N NM3M YR616VM6
	R616 BL3	AR			N N NM3L YR616BL3
2-4					BACK, w/Spring/Frame, Pad and Cover N N N N
	A926-7 C3A	1			N N NM3A YA926C3A
	A926-7 C3C	1			N N NM3C YA926C3C
	A926-7 C3M	1			N N NM3M YA926C3M
	A926-7 C3L	1			N N NM3L YA926C3L
4					COVER, Back N N N N
	A510-1 C3A	1			N N NM3A YA510C3A
	A510-1 C3C	1			N N NM3C YA510C3C
	A510-1 C3M	1			N N NM3M YA510C3M
	A532-3 C3L	1			N N NM3L YA532C3L
5					HEADREST and COVER N N N N
	C806 AA3	2			N N NM3A YC806AA3
	C806 AC7	2			N N NM3C YC806AC7
	C806 AM6	2			N N NM3M YC806AM6
	C806 BL3	2			N N NM3L YC806BL3
6					COVER, Headrest N N N N
	C351 AA3	2			N N NM3A YC351AA3
	C351 AC7	2			N N NM3C YC351AC7

MODEL CODES

B = GRAN FURY	F = FIFTH AVENUE/NEWPORT	P = RELIANT
C = LEBARON/TOWN & COUNTRY/EXC SEDAN	G = DIPLOMAT	T = E CLASS/NEW YORKER
C24 = LASER	H = VOYAGER	V = 600
D = ARIES	K = MINI RAM/CARAVAN/ROYAL	V24 = DAYTONA
E = 600	M = HORIZON/TURISMO	Z = OMNI/CHARGER/RAMPAGE

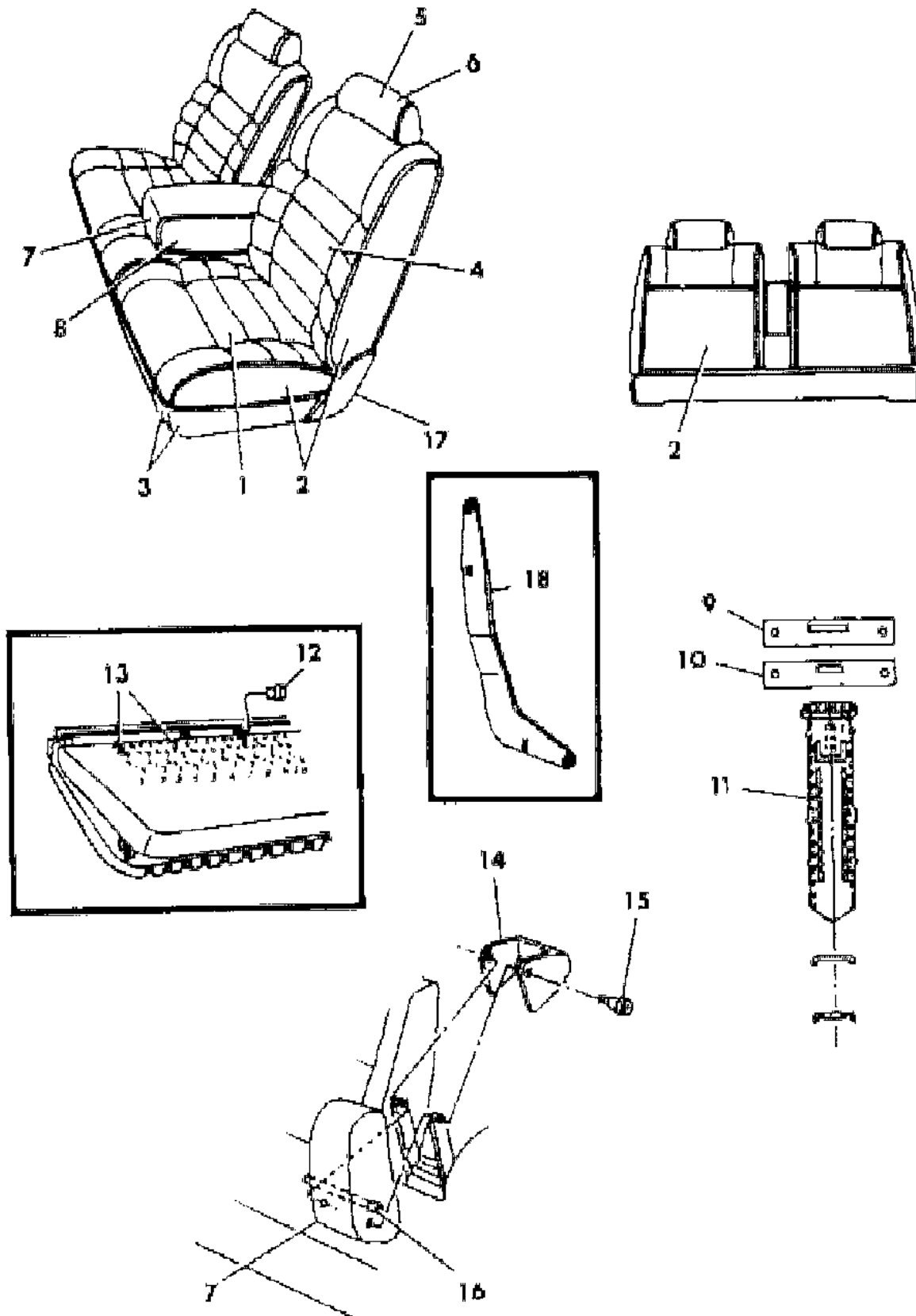
BODY STYLES

21 = 2-DOOR SEDAN	28 = FWD PICKUP	44 = 4-DOOR HATCHBACK
22 = 2-DOOR SPECIAL COUPE	35 = FWD VAN	45 = 4-DOOR STATION WAGON
24 = 2-DOOR HATCHBACK	36 = FWD WAGON	48 = 4-DOOR EXECUTIVE SEDAN
27 = 2-DOOR CONVERTIBLE	41 = 4-DOOR SEDAN	

AR = Use as Required - = Non Illustrated Part P.A.R. = Paint as Required

SEAT FRONT E,T E BODY TRIM CODE M3
Figure ITE-1100

4278 1100



ITEM	PART NUMBER	QTY	BODY	MODEL	DESCRIPTION
	C351 AM6	2			N N NM3M YC351AM6
	C351 BL3	2			N N NM3L YC351BL3
7					ARMREST and COVER N N N N
	C836 AA3	1			N N NM3A YC836AA3
	C836 AC7	1			N N NM3C YC836AC7
	C836 AM6	1			N N NM3M YC836AM6
	C836 BL3	1			N N NM3L YC836BL3
8					COVER, Armrest N N N N
	C408 AA3	1			N N NM3A YC408AA3
	C408 AC7	1			N N NM3C YC408AC7
	C408 AM6	1			N N NM3M YC408AM6
	C408 BL3	1			N N NM3L YC408BL3
9	4190 388	2			COVER, Headrest Finish N N N Y4190388
10	4190 387	2			SUPPORT, Headrest Trim Cover N N N Y4190387
11					SLEEVE, Headrest N N N N
	S786 AA3	2			N N NM3A YS786AA3
	S786 AC7	2			N N NM3C YS786AC7
	S786 VM6	2			N N NM3M YS786VM6
	S786 BL3	2			N N NM3L YS786BL3
12	4277 908	2			BUSHING, Cushion Pivot Bracket N N N Y4277908
13	6008 076	AR			HOG RING N N N Y6008076
14					COVER, Armrest Finish N N N N
	S581 AA3	1			N N NM3A YS581AA3
	S581 AC7	1			N N NM3C YS581AC7
	S581 AM6	1			N N NM3M YS581AM6
	S581 BL3	1			N N NM3L YS581BL3
15	6030 082	2			SCREW, Armrest to Stanchion N N N Y6030082
16	4138 891	1			ROD, Armrest Lock N N N Y4138891
	6006 324	AR			NUT, Armrest Lock Rod N N N Y6006324
17					SHIELD, Rear Rail N N N N
	S678-9 AA3	1			N N NM3A YS678AA3
	S678-9 AC7	1			N N NM3C YS678AC7
	S678-9 AM6	1			N N NM3M YS678AM6
	S678-9 BL3	1			N N NM3L YS678BL3
18	4345 368-9	1			ARM, Front Seat Back to Cushion (Split Back Bench w/Center Arm Rest) N N N Y4345368
	6100 585	4			SCREW and WASHER N N N Y6100585

MODEL CODES

B = GRAN FURY	F = FIFTH AVENUE/NEWPORT	P = RELIANT
C = LEBARON/TOWN & COUNTRY/EXC SEDAN	G = DIPLOMAT	T = E CLASS/NEW YORKER
C24 = LASER	H = VOYAGER	V = 600
D = ARIES	K = MINI RAM/CARAVAN/ROYAL	V24 = DAYTONA
E = 600	M = HORIZON/TURISMO	Z = OMNI/CHARGER/RAMPAGE

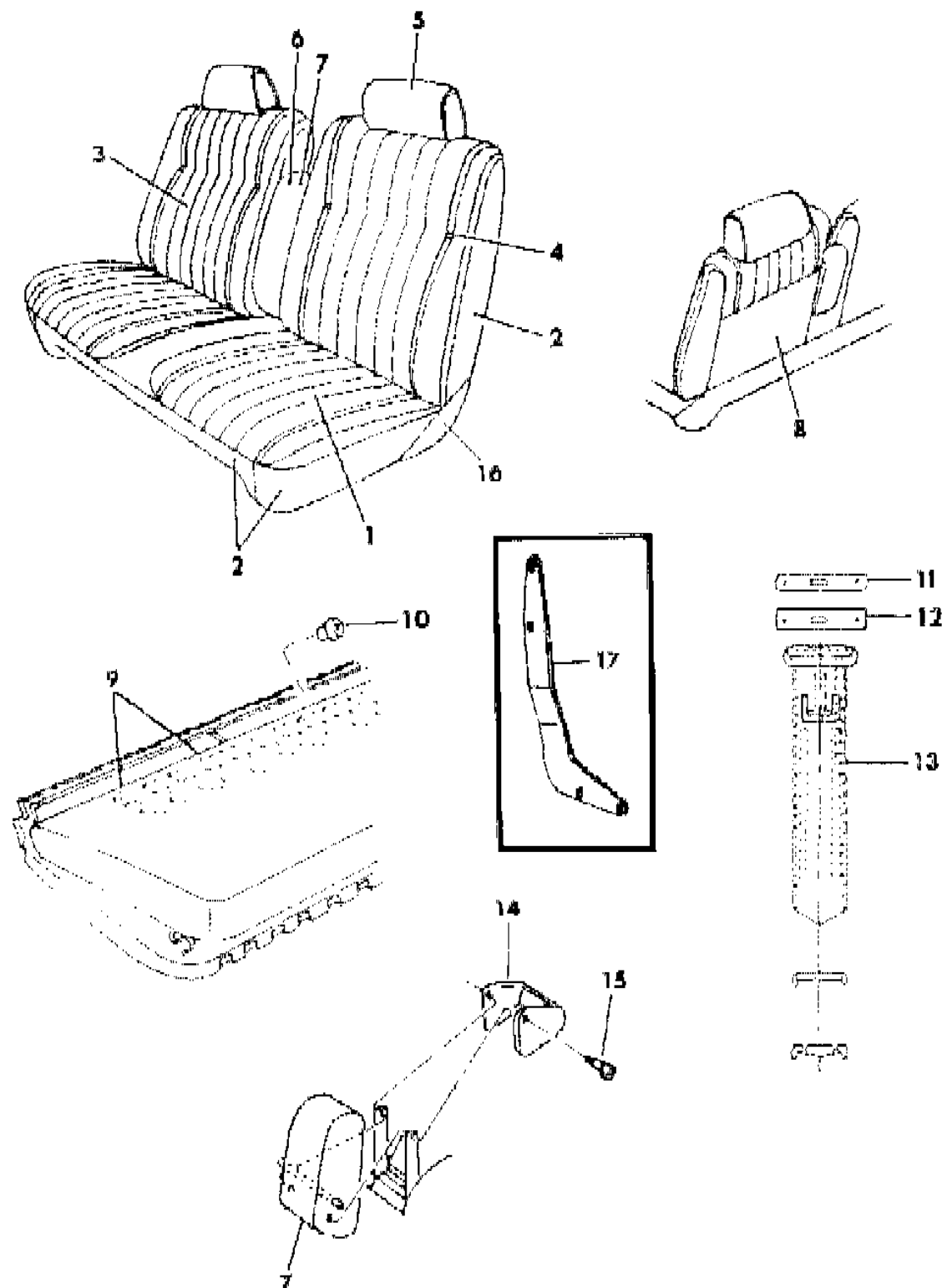
BODY STYLES

21 = 2-DOOR SEDAN	28 = FWD PICKUP	44 = 4-DOOR HATCHBACK
22 = 2-DOOR SPECIAL COUPE	35 = FWD VAN	45 = 4-DOOR STATION WAGON
24 = 2-DOOR HATCHBACK	36 = FWD WAGON	48 = 4-DOOR EXECUTIVE SEDAN
27 = 2-DOOR CONVERTIBLE	41 = 4-DOOR SEDAN	

AR = Use as Required - = Non Illustrated Part P.A.R. = Paint as Required

SEAT FRONT E,T E BODY TRIM CODE C4
Figure ITE-1200

4238 1200



ITEM	PART NUMBER	QTY	BODY	MODEL	DESCRIPTION
1-2					CUSHION, w/Spring/Frame, Pad and Cover N N N N
	A786 B4A	1			N N NC4A YA786B4A
	A786 B4M	1			N N NC4M YA786B4M
	A786 B4L	1			N N NC4L YA786B4L
1					COVER, Cushion N N N N
	A410 B4A	1			N N NC4A YA410B4A
	A410 B4M	1			N N NC4M YA410B4M
	A410 B4L	1			N N NC4L YA410B4L
2					ROLL STOCK, Vinyl 64" Wide Order by the Inch N N N N
	R616 AA2	AR			N N NC4A YR616AA2
	R616 VM6	AR			N N NC4M YR616VM6
	R616 BL3	AR			N N NC4L YR616BL3
2-3					BACK, w/Spring/Frame, Pad and Cover N N N N
	A784-5 B4A	1			N N NC4A YA784B4A
	A784-5 B4M	1			N N NC4M YA784B4M
	A784-5 B4L	1			N N NC4L YA784B4L
3					COVER, Back N N N N
	A408-9 B4A	1			N N NC4A YA408B4A
	A408-9 B4M	1			N N NC4M YA408B4M
	A408-9 B4L	1			N N NC4L YA408B4L
4	4316 220	4			BUTTON, Chrome N N N Y4316220
5					HEADREST and COVER N N N N
	S790 AA2	2			N N NC4A YS790AA2
	S790 VM6	2			N N NC4M YS790VM6
	S790 BL3	2			N N NC4L YS790BL3
6					ARMREST and COVER N N N N
	B941 BA2	1			N N NC4A YB941BA2
	B941 BM6	1			N N NC4M YB941BM6
	B941 BL3	1			N N NC4L YB941BL3
7					COVER, Armrest N N N N
	C459 BA2	1			N N NC4A YC459BA2
	C459 BM6	1			N N NC4M YC459BM6
	C459 BL3	1			N N NC4L YC459BL3
8					ROLL STOCK, Vinyl 50" Wide Order by the Inch N N N N
	R620 AA2	AR			N N NC4A YR620AA2
	R620 VM6	AR			N N NC4M YR620VM6
	R620 BL3	AR			N N NC4L YR620BL3
9	6008 076	AR			HOG RING N N N Y6008076

MODEL CODES

B = GRAN FURY	F = FIFTH AVENUE/NEWPORT	P = RELIANT
C = LEBARON/TOWN & COUNTRY/EXC SEDAN	G = DIPLOMAT	T = E CLASS/NEW YORKER
C24 = LASER	H = VOYAGER	V = 600
D = ARIES	K = MINI RAM/CARAVAN/ROYAL	V24 = DAYTONA
E = 600	M = HORIZON/TURISMO	Z = OMNI/CHARGER/RAMPAGE

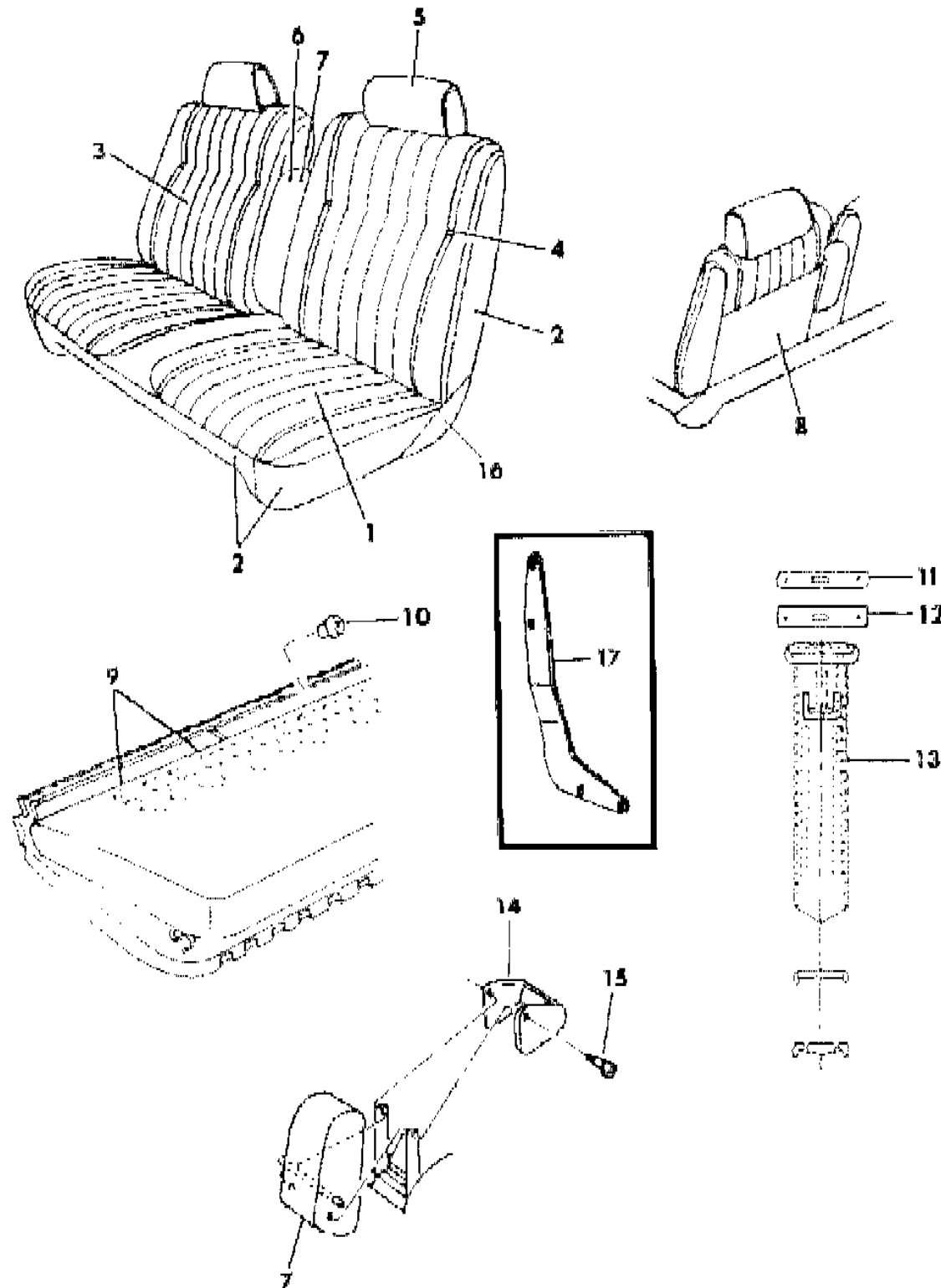
BODY STYLES

21 = 2-DOOR SEDAN	28 = FWD PICKUP	44 = 4-DOOR HATCHBACK
22 = 2-DOOR SPECIAL COUPE	35 = FWD VAN	45 = 4-DOOR STATION WAGON
24 = 2-DOOR HATCHBACK	36 = FWD WAGON	48 = 4-DOOR EXECUTIVE SEDAN
27 = 2-DOOR CONVERTIBLE	41 = 4-DOOR SEDAN	

AR = Use as Required - = Non Illustrated Part P.A.R. = Paint as Required

SEAT FRONT E,T E BODY TRIM CODE C4
Figure ITE-1200

4238 1200



ITEM	PART NUMBER	QTY	BODY	MODEL	DESCRIPTION
10	4277 908	2			BUSHING, Cushion Pivot Bracket N N N Y4277908
11	4190 388	2			COVER, Headrest Finish N N N Y4190388
12	4190 387	2			SUPPORT, Headrest Trim Cover N N N Y4190387
13					SLEEVE, Headrest N N N N
	S786 AA3	2			N N NC4A YS786AA3
	S786 VM6	2			N N NC4M YS786VM6
	S786 BL3	2			N N NC4L YS786BL3
14					COVER, Armrest Finish N N N N
	S581 AA3	1			N N NC4A YS581AA3
	S581 AM6	1			N N NC4M YS581AM6
	S581 BL3	1			N N NC4L YS581BL3
15	6030 082	2			SCREW, Armrest to Stanchion N N N Y6030082
16					SHIELD, Rear Rail N N N N
	S678-9 AA3	1			N N NC4A YS678AA3
	S678-9 AM6	1			N N NC4M YS678AM6
	S678-9 BL3	1			N N NC4L YS678BL3
17	4345 368-9	1			ARM, Front Seat Back to Cushion (Split Back Bench w/Center Arm Rest) N N N Y4345368
	6100 585	4			SCREW and WASHER N N N Y6100585

MODEL CODES

B = GRAN FURY	F = FIFTH AVENUE/NEWPORT	P = RELIANT
C = LEBARON/TOWN & COUNTRY/EXC SEDAN	G = DIPLOMAT	T = E CLASS/NEW YORKER
C24 = LASER	H = VOYAGER	V = 600
D = ARIES	K = MINI RAM/CARAVAN/ROYAL	V24 = DAYTONA
E = 600	M = HORIZON/TURISMO	Z = OMNI/CHARGER/RAMPAGE

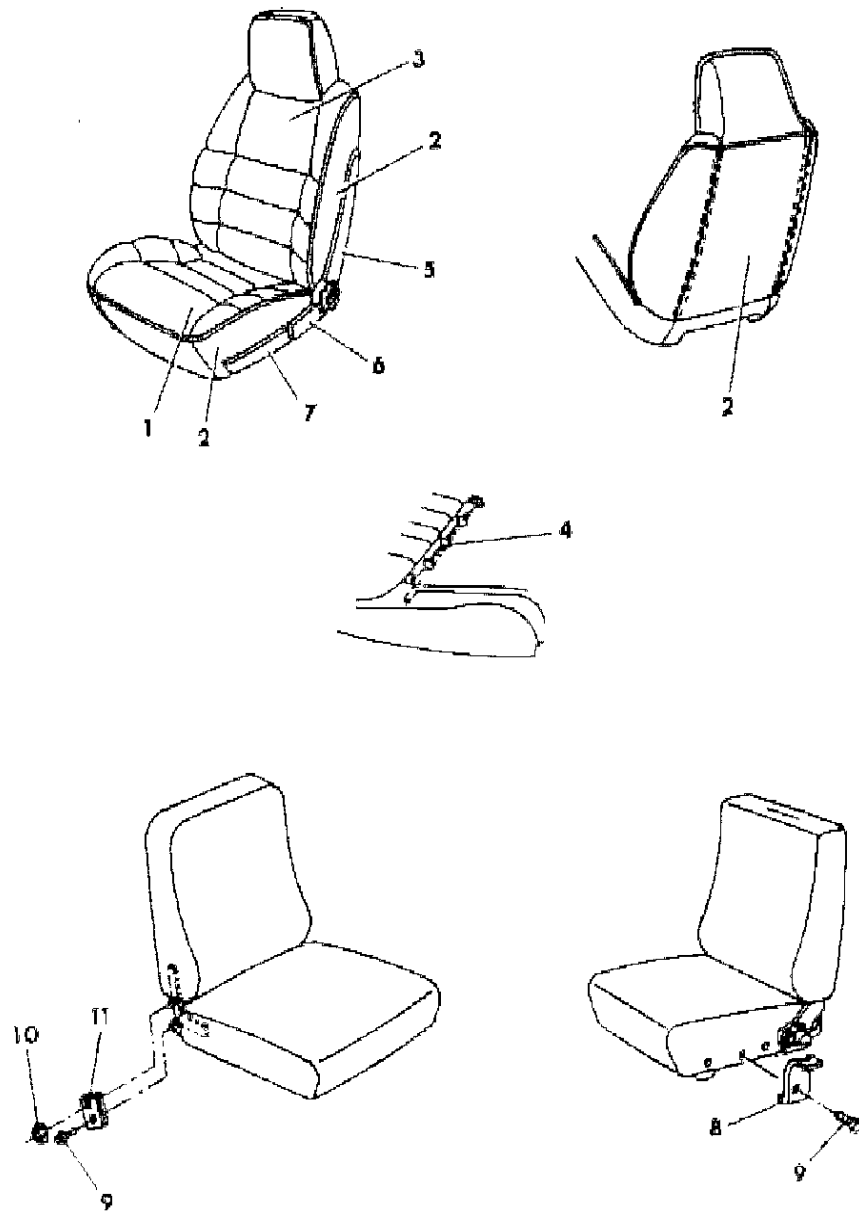
BODY STYLES

21 = 2-DOOR SEDAN	28 = FWD PICKUP	44 = 4-DOOR HATCHBACK
22 = 2-DOOR SPECIAL COUPE	35 = FWD VAN	45 = 4-DOOR STATION WAGON
24 = 2-DOOR HATCHBACK	36 = FWD WAGON	48 = 4-DOOR EXECUTIVE SEDAN
27 = 2-DOOR CONVERTIBLE	41 = 4-DOOR SEDAN	

AR = Use as Required - = Non Illustrated Part P.A.R. = Paint as Required

SEAT FRONT E,T E BODY TRIM CODE E5
Figure ITE-1300

4718 1300



ITEM	PART NUMBER	QTY	BODY	MODEL	DESCRIPTION
1-2					CUSHION, w/Spring/Frame, Pad and Cover N N N N
	A832-3 C5A	1			N N NE5AS YA832C5A
	A832-3 C5M	1			N N NE5M YA832C5M
	A832-3 C5L	1			N N NE5LT YA832C5L
1					COVER, Cushion N N N N
	A471 C5A	2			N N NE5AS YA471C5A
	A471 C5M	2			N N NE5M YA471C5M
	A471 C5L	2			N N NE5LT YA471C5L
2					ROLL STOCK, Cloth 54" Wide Order by the Inch N N N N
	R092 CS8	AR			N N NE5AS YR092CS8
	R092 VM6	AR			N N NE5M YR092VM6
	R088 BT8	AR			N N NE5LT YR088BT8
2-3					BACK, w/Spring/Frame, Pad and Cover N N N N
	A834 C5A	2			N N NE5AS YA834C5A
	A834 C5L	2			N N NE5LT YA834C5L
	A834 C5M	2			N N NE5M YA834C5M
	6500 534	4			BOLT, Shoulder Front Seat Back to Cushion Attaching N N N Y6500534
	2858 089	4			WASHER, Front Seat Back Hinge Arm (1.25 Dia.) N N N Y2858089
		4			WASHER, Front Seat Back Hinge Arm (2.00 Dia.) (Not Serviced) N N N N
3					COVER, Back N N N N
	A472 C5A	2			N N NE5AS YA472C5A
	A472 C5L	2			N N NE5LT YA472C5L
	A472 C5M	2			N N NE5M YA472C5M
4	6008 076	AR			HOG RING N N N Y6008076
5	S878-9 CL3	1			SHIELD, Back Upper Outer Side (paint as required) N N N YS878CL3
	6500 453	AR			NUT N N N Y6500453
6	S756-7 AB2	1			SHIELD, Cushion Outer and Inner (paint as required) N N N YS756AB2
	6031 147	AR			NUT N N N Y6031147
7	S772-3 VB2	1			SHIELD, Cushion Side Outer and Inner (paint as required) N N N YS772VB2
8	4190 711	1			BRACKET, Side Shield Attaching N N N Y4190711
9		AR			SCREW (not serviced) N N N N
10	6024 440	AR			RING, Retainer Seat Latch to Back N N N Y6024440

MODEL CODES

B = GRAN FURY	F = FIFTH AVENUE/NEWPORT	P = RELIANT
C = LEBARON/TOWN & COUNTRY/EXC SEDAN	G = DIPLOMAT	T = E CLASS/NEW YORKER
C24 = LASER	H = VOYAGER	V = 600
D = ARIES	K = MINI RAM/CARAVAN/ROYAL	V24 = DAYTONA
E = 600	M = HORIZON/TURISMO	Z = OMNI/CHARGER/RAMPAGE

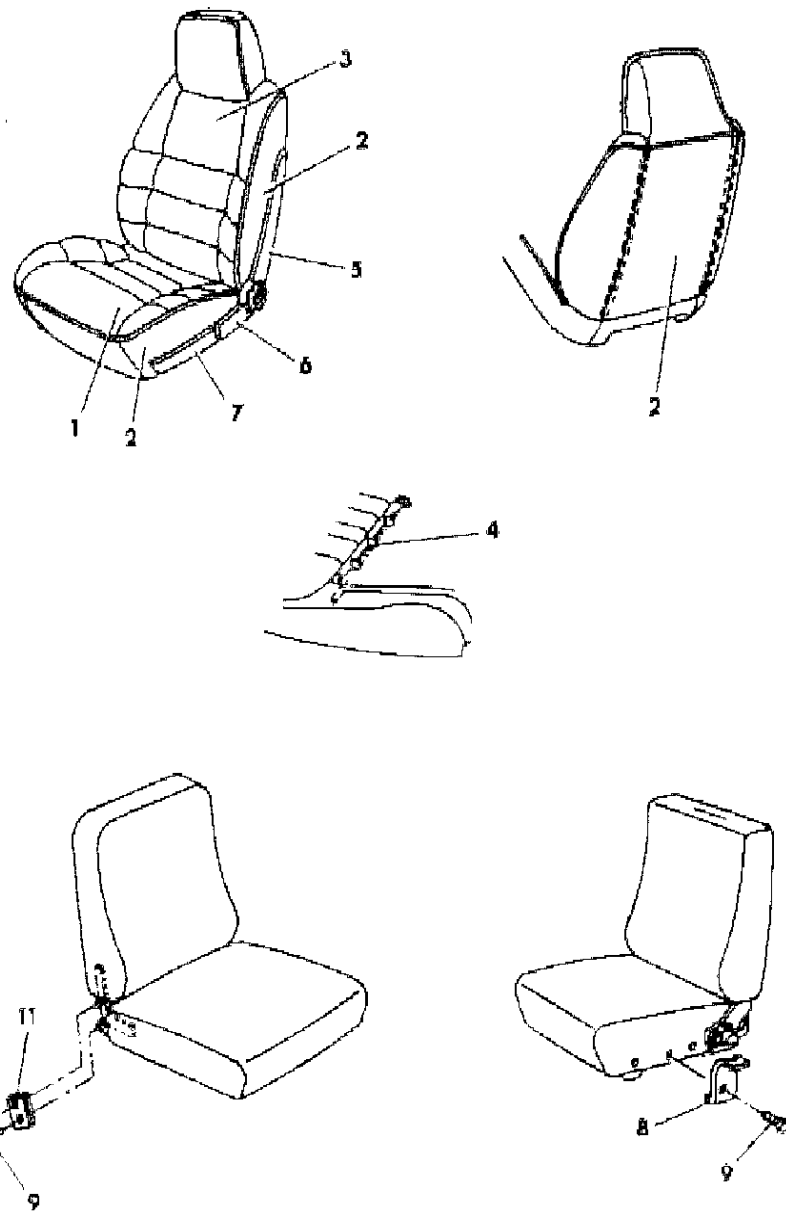
BODY STYLES

21 = 2-DOOR SEDAN	28 = FWD PICKUP	44 = 4-DOOR HATCHBACK
22 = 2-DOOR SPECIAL COUPE	35 = FWD VAN	45 = 4-DOOR STATION WAGON
24 = 2-DOOR HATCHBACK	36 = FWD WAGON	48 = 4-DOOR EXECUTIVE SEDAN
27 = 2-DOOR CONVERTIBLE	41 = 4-DOOR SEDAN	

AR = Use as Required - = Non Illustrated Part P.A.R. = Paint as Required

SEAT FRONT E,T E BODY TRIM CODE E5
Figure ITE-1300

4239 1300



ITEM	PART NUMBER	QTY	BODY	MODEL	DESCRIPTION
------	-------------	-----	------	-------	-------------

11	4239 492	AR			LOCK, Back to Cushion N N N Y4239492
----	----------	----	--	--	--------------------------------------

NOTE: For arm rest see Console and Arm Rest Illustration. s ARE NOT RETURNABLE.

MODEL CODES

B = GRAN FURY	F = FIFTH AVENUE/NEWPORT	P = RELIANT
C = LEBARON/TOWN & COUNTRY/EXC SEDAN	G = DIPLOMAT	T = E CLASS/NEW YORKER
C24 = LASER	H = VOYAGER	V = 600
D = ARIES	K = MINI RAM/CARAVAN/ROYAL	V24 = DAYTONA
E = 600	M = HORIZON/TURISMO	Z = OMNI/CHARGER/RAMPAGE

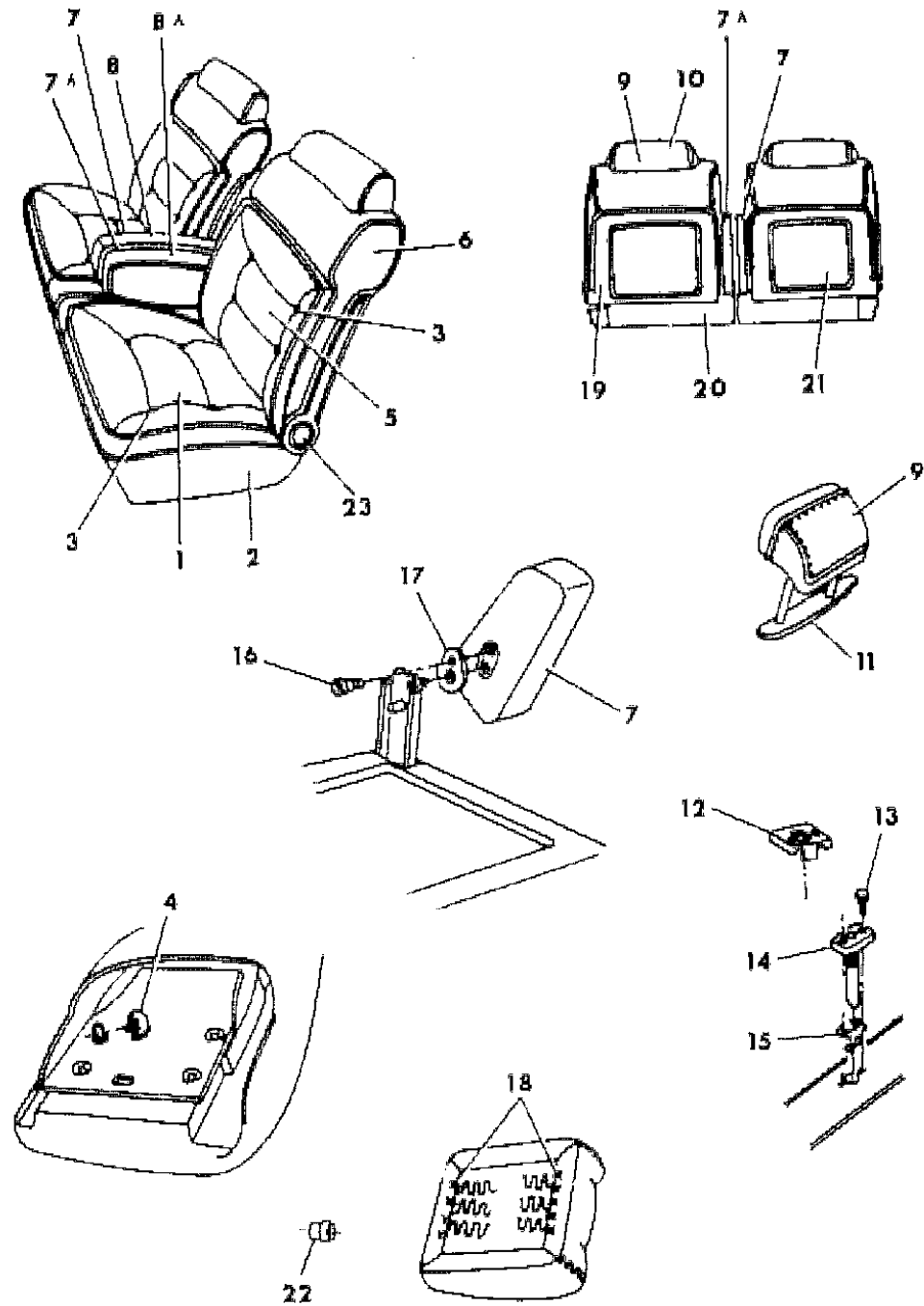
BODY STYLES

21 = 2-DOOR SEDAN	28 = FWD PICKUP	44 = 4-DOOR HATCHBACK
22 = 2-DOOR SPECIAL COUPE	35 = FWD VAN	45 = 4-DOOR STATION WAGON
24 = 2-DOOR HATCHBACK	36 = FWD WAGON	48 = 4-DOOR EXECUTIVE SEDAN
27 = 2-DOOR CONVERTIBLE	41 = 4-DOOR SEDAN	

AR = Use as Required - = Non Illustrated Part P.A.R. = Paint as Required

SEAT FRONT E,T E BODY TRIM CODE PF
Figure ITE-1400

4238 1400



ITEM	PART NUMBER	QTY	BODY	MODEL	DESCRIPTION
1-2					CUSHION, w/Spring/Frame, Pad and Cover N N N N
	A788-9 CFA	1			N N NPFA YA788CFA
	A788-9 BFC	1			N N NPFC YA788BFC
	A788-9 BFM	1			N N NPFM YA788BFM
	A788-9 CFU	1			N N NPFL YA788CFU
1					COVER, w/Carpet Cushion N N N N
	A428-9 BFA	1			(use up to 10/12/83) N N NPFA YA428BFA
	A428-9 CFA	1			(use after 10/12/83) N N NPFA YA428CFA
	A428-9 BFC	1			N N NPFC YA428BFC
	A428-9 BFM	1			N N NPFM YA428BFM
	A428-9 CFU	1			N N NPFL YA428CFU
2					ROLL STOCK, Cloth 54" Wide Order by the Inch N N N N
	R011 BA3	AR			N N NPFA YR011BA3
	R011 BC7	AR			N N NPFC YR011BC7
	R011 BM6	AR			N N NPFM YR011BM6
	R011 CL4	AR			N N NPFL YR011CL4
3					BUTTON, Cushion and Back N N N N
	G391 BA3	AR			N N NPFA YG391BA3
	G391 BC7	AR			N N NPFC YG391BC7
	G391 BM6	AR			N N NPFM YG391BM6
	G391 CL4	AR			N N NPFL YG391CL4
	6032 359	AR			RETAINER, Button N N N Y6032359
4	4018 167	AR			WASHER, Button N N N Y4018167
5-6					BACK, w/Spring/Frame, Pad and Cover N N N N
	A790-1 BFA	1			N N NPFA YA790BFA
	A790-1 BFC	1			N N NPFC YA790BFC
	A790-1 BFM	1			N N NPFM YA790BFM
	A790-1 CFU	1			N N NPFL YA790CFU
5					COVER, Back N N N N
	A430-1 BFA	1			N N NPFA YA430BFA
	A430-1 BFC	1			N N NPFC YA430BFC
	A430-1 BFM	1			N N NPFM YA430BFM
	A430-1 CFU	1			N N NPFL YA430CFU
6					ROLL STOCK, Cloth 54" Wide Order by the Inch N N N N
	R017 BA3	AR			N N NPFA YR017BA3
	R017 BC7	AR			N N NPFC YR017BC7
	R017 BM6	AR			N N NPFM YR017BM6
	R017 CL4	AR			N N NPFL YR017CL4

MODEL CODES

B = GRAN FURY	F = FIFTH AVENUE/NEWPORT	P = RELIANT
C = LEBARON/TOWN & COUNTRY/EXC SEDAN	G = DIPLOMAT	T = E CLASS/NEW YORKER
C24 = LASER	H = VOYAGER	V = 600
D = ARIES	K = MINI RAM/CARAVAN/ROYAL	V24 = DAYTONA
E = 600	M = HORIZON/TURISMO	Z = OMNI/CHARGER/RAMPAGE

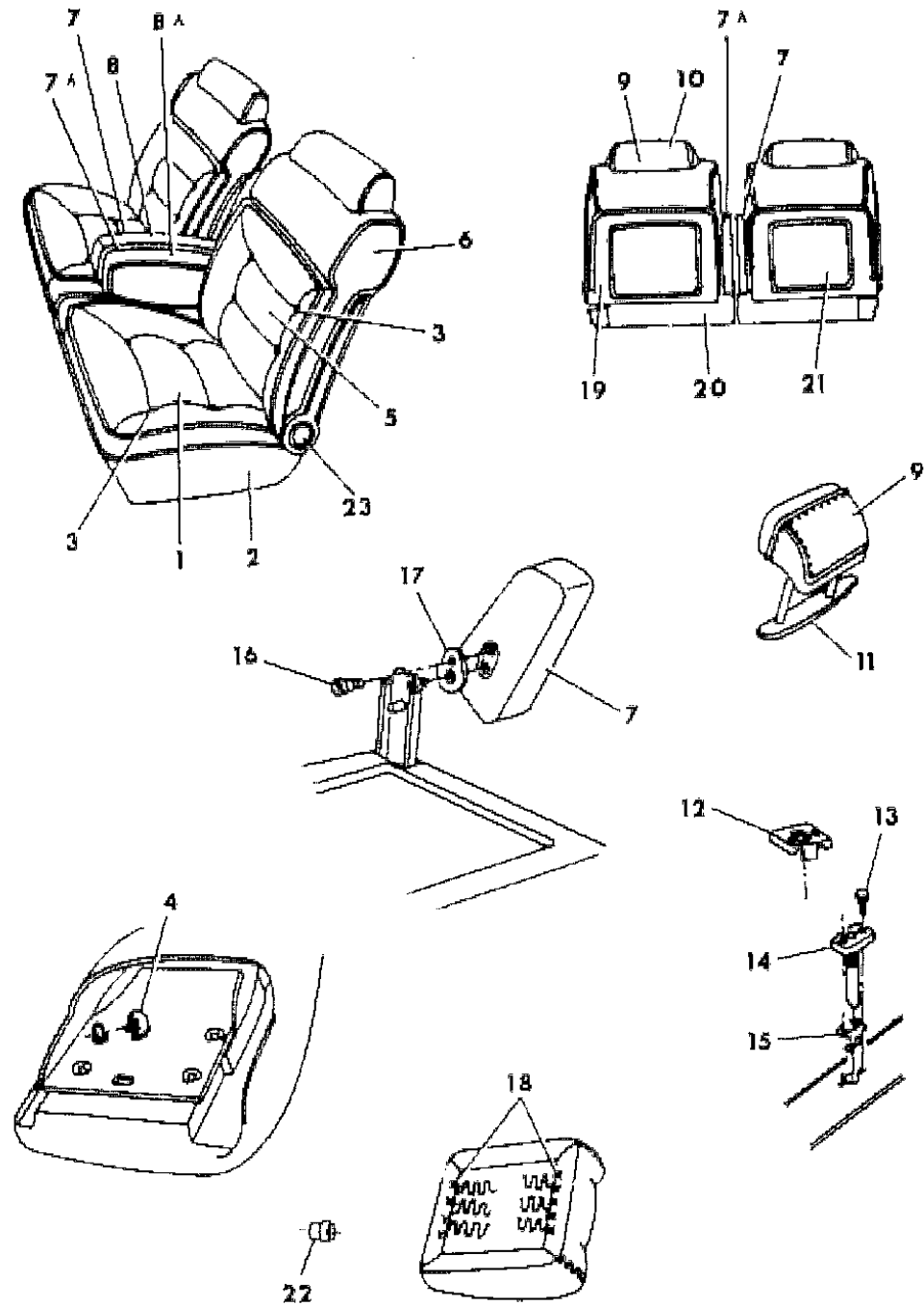
BODY STYLES

21 = 2-DOOR SEDAN	28 = FWD PICKUP	44 = 4-DOOR HATCHBACK
22 = 2-DOOR SPECIAL COUPE	35 = FWD VAN	45 = 4-DOOR STATION WAGON
24 = 2-DOOR HATCHBACK	36 = FWD WAGON	48 = 4-DOOR EXECUTIVE SEDAN
27 = 2-DOOR CONVERTIBLE	41 = 4-DOOR SEDAN	

AR = Use as Required - = Non Illustrated Part P.A.R. = Paint as Required

SEAT FRONT E,T E BODY TRIM CODE PF
Figure ITE-1400

4238 1400



ITEM	PART NUMBER	QTY	BODY	MODEL	DESCRIPTION
7&7A					ARMREST and COVER N N N N
	A741 CA3	2			N N NPFA YA741CA3
	A741 CC7	2			N N NPFC YA741CC7
	A741 CM6	2			N N NPFM YA741CM6
	A741 CL4	1			N N NPFL YA741CL4
8					COVER, Armrest N N N N (use up to 12/9/83) N N N N
	A534 CA3	1			N N NPFA YA534CA3
	A516 BC7	1			N N NPFC YA516BC7
	A516 BM6	1			N N NPFM YA516BM6
	A516 CL4	1			N N NPFL YA516CL4 (use after 12/9/83) N N N N
	A534 CA3	1			N N NPFA YA534CA3
	A534 CC7	1			N N NPFC YA534CC7
	A534 CM6	1			N N NPFM YA534CM6
	A534 CL4	1			N N NPFL YA534CL4
8A					COVER, Armrest N N N N (use up to 12/9/83) N N N N
	A517 BA3	1			N N NPFA YA517BA3
	A517 BC7	1			N N NPFC YA517BC7
	A517 BM6	1			N N NPFM YA517BM6
	A517 CL4	1			N N NPFL YA517CL4 (use after 12/9/83) N N N N
	A534 CA3	1			N N NPFA YA534CA3
	A534 CC7	1			N N NPFC YA534CC7
	A534 CM6	1			N N NPFM YA534CM6
	A534 CL4	1			N N NPFL YA534CL4
9					HEADREST and COVER N N N N
	A740 BA3	2			N N NPFA YA740BA3
	A740 BC7	2			N N NPFC YA740BC7
	A740 BM6	2			N N NPFM YA740BM6
	A740 CL4	2			N N NPFL YA740CL4
10					COVER, Headrest N N N N
	A434 BA3	2			N N NPFA YA434BA3
	A434 BC7	2			N N NPFC YA434BC7
	A434 BM6	2			N N NPFM YA434BM6
	A434 CL4	2			N N NPFL YA434CL4
11	4018 808	2			COVER, Headrest Finish N N N Y4018808

MODEL CODES

B = GRAN FURY	F = FIFTH AVENUE/NEWPORT	P = RELIANT
C = LEBARON/TOWN & COUNTRY/EXC SEDAN	G = DIPLOMAT	T = E CLASS/NEW YORKER
C24 = LASER	H = VOYAGER	V = 600
D = ARIES	K = MINI RAM/CARAVAN/ROYAL	V24 = DAYTONA
E = 600	M = HORIZON/TURISMO	Z = OMNI/CHARGER/RAMPAGE

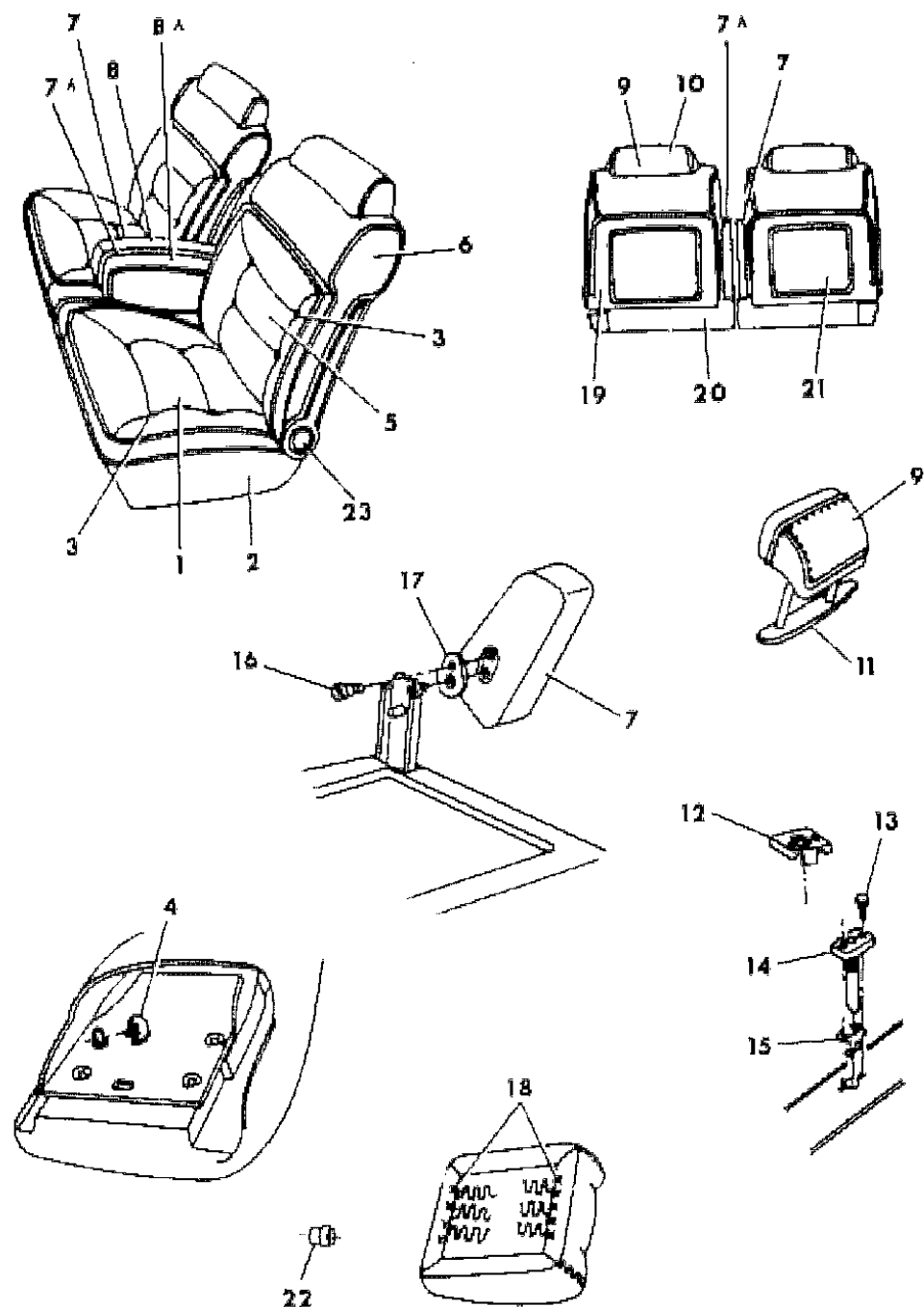
BODY STYLES

21 = 2-DOOR SEDAN	28 = FWD PICKUP	44 = 4-DOOR HATCHBACK
22 = 2-DOOR SPECIAL COUPE	35 = FWD VAN	45 = 4-DOOR STATION WAGON
24 = 2-DOOR HATCHBACK	36 = FWD WAGON	48 = 4-DOOR EXECUTIVE SEDAN
27 = 2-DOOR CONVERTIBLE	41 = 4-DOOR SEDAN	

AR = Use as Required - = Non Illustrated Part P.A.R. = Paint as Required

SEAT FRONT E,T E BODY TRIM CODE PF
Figure ITE-1400

4238 1400



ITEM	PART NUMBER	QTY	BODY	MODEL	DESCRIPTION
12	4138 140	4			SPACER, Headrest N N N Y4138140
13		AR			SCREW (not serviced) N N N N
14					SLEEVE, Headrest N N N N
	S690 AA3	4			N N NPFA YS690AA3
	S690 SC7	4			N N NPFC YS690SC7
	S690 TM6	4			N N NPFM YS690TM6
	S690 BL3	4			N N NPFL YS690BL3
15	4098 965	4			CATCH, Headrest Post N N N Y4098965
16	6032 567	AR			BOLT, Shoulder N N N Y6032567
17	4290 871	AR			SPACER, Armrest N N N Y4290871
18	6008 076	AR			HOG RING N N N Y6008076
19					SHIELD, w/Finish Plate Front Seat Back (paint as required) N N N N
	S748-9 BL3	1			N N N YS748BL3
20					CARPET (serviced in item 1) N N N N
21					COVER, Back Pocket N N N N
	S712-3 BA3	1			N N NPFA YS712BA3
	S712-3 BC7	1			N N NPFC YS712BC7
	S712-3 BM6	1			N N NPFM YS712BM6
	S712-3 CL4	1			N N NPFL YS712CL4
		AR			BOLT, Pocket Attaching (8.32x.78) (not serviced) N N N N
22	4190 488	1			BUSHING, Inner Pivot Pin Right Only N N N Y4190488
23	4277 670	2			PLATE, Finish Back Shield N N N Y4277670

MODEL CODES

B = GRAN FURY	F = FIFTH AVENUE/NEWPORT	P = RELIANT
C = LEBARON/TOWN & COUNTRY/EXC SEDAN	G = DIPLOMAT	T = E CLASS/NEW YORKER
C24 = LASER	H = VOYAGER	V = 600
D = ARIES	K = MINI RAM/CARAVAN/ROYAL	V24 = DAYTONA
E = 600	M = HORIZON/TURISMO	Z = OMNI/CHARGER/RAMPAGE

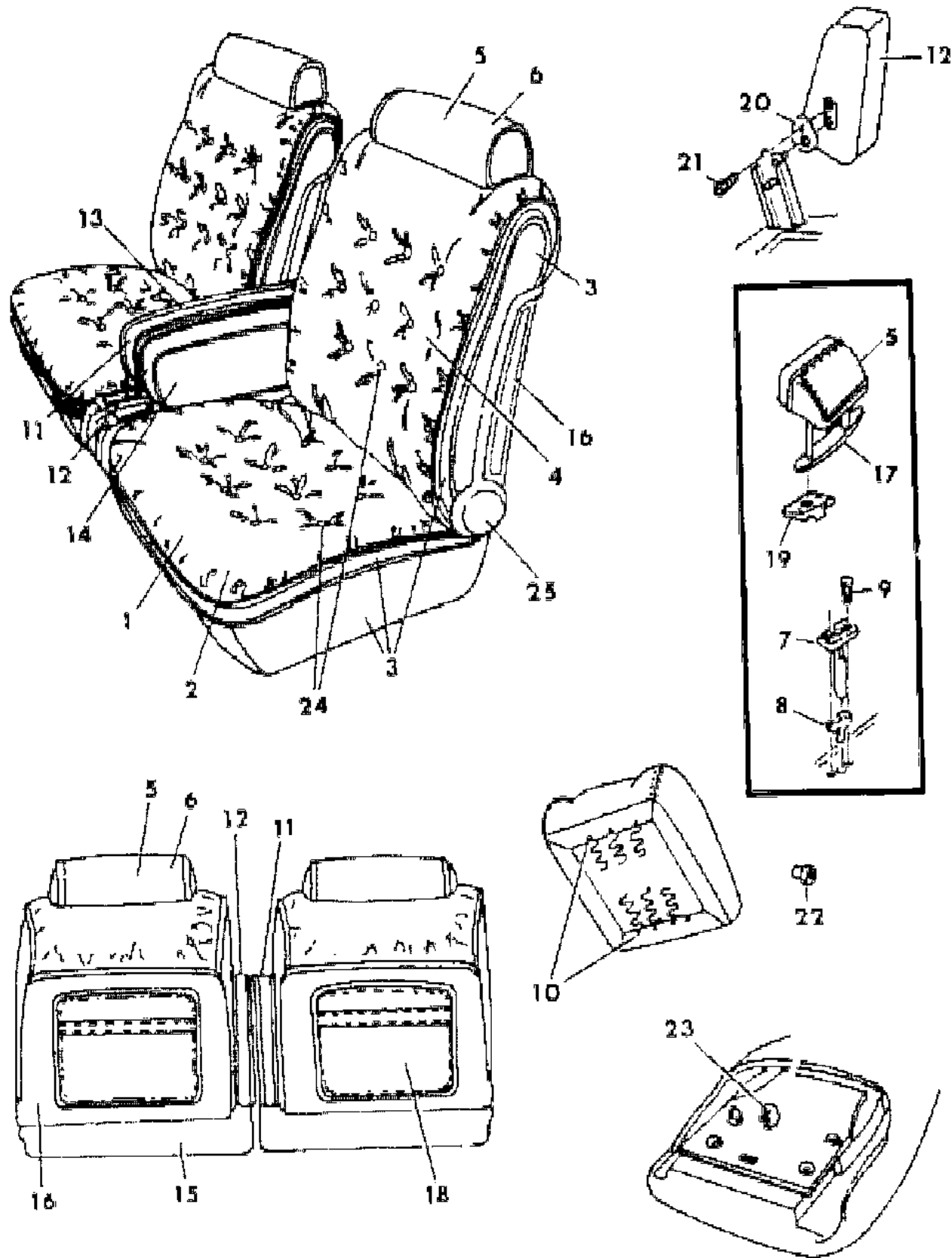
BODY STYLES

21 = 2-DOOR SEDAN	28 = FWD PICKUP	44 = 4-DOOR HATCHBACK
22 = 2-DOOR SPECIAL COUPE	35 = FWD VAN	45 = 4-DOOR STATION WAGON
24 = 2-DOOR HATCHBACK	36 = FWD WAGON	48 = 4-DOOR EXECUTIVE SEDAN
27 = 2-DOOR CONVERTIBLE	41 = 4-DOOR SEDAN	

AR = Use as Required - = Non Illustrated Part P.A.R. = Paint as Required

SEAT FRONT E,T E BODY TRIM CODE LP
Figure ITE-1500

4216 1500



ITEM	PART NUMBER	QTY	BODY	MODEL	DESCRIPTION
					Leather N N N N
1-3	A882-3 CPS	1			CUSHION, w/Spring/Frame, Pad and Cover N N N N
	A882-3 CPC	1			N N NLPS YA882CPS
	A882-3 CPM	1			N N NLPC YA882CPC
	A882-3 CPT	1			N N NLPM YA882CPM
	A882-3 CPL	1			N N NLPT YA882CPT
2	A484-5 CPS	1			COVER, Cushion N N N N
	A484-5 CPC	1			N N NLPS YA484CPS
	A484-5 CPM	1			N N NLPC YA484CPC
	A484-5 CPT	1			N N NLPM YA484CPM
	A484-5 CPL	1			N N NLPT YA484CPT
3	R627 CS8	AR			ROLL STOCK, Vinyl 54" Wide Order By The Inch N N N N
	R627 AC8	AR			N N NLPS YR627CS8
	R627 AM6	AR			N N NLPC YR627AC8
	R627 BT8	AR			N N NLPM YR627AM6
	R627 BL3	AR			N N NLPT YR627BT8
3-4	A886-7 CPS	1			BACK, w/Spring/Frame, Pad and Cover N N N N
	A886-7 CPC	1			N N NLPS YA886CPS
	A886-7 CPM	1			N N NLPC YA886CPC
	A886-7 CPT	1			N N NLPM YA886CPM
	A886-7 CPL	1			N N NLPT YA886CPT
4	A486-7 CPS	1			COVER, Back N N N N
	A486-7 CPC	1			N N NLPS YA486CPS
	A486-7 CPM	1			N N NLPC YA486CPC
	A486-7 CPT	1			N N NLPM YA486CPM
	A486-7 CPL	1			N N NLPT YA486CPT
5	A758 CS8	2			HEADREST and COVER N N N N
	A758 BC8	2			N N NLPS YA758CS8
	A758 BM6	2			N N NLPC YA758BC8
	A758 BT8	2			N N NLPM YA758BM6
	A758 BL3	2			N N NLPT YA758BT8
6					COVER, Headrest N N N N

MODEL CODES

B = GRAN FURY	F = FIFTH AVENUE/NEWPORT	P = RELIANT
C = LEBARON/TOWN & COUNTRY/EXC SEDAN	G = DIPLOMAT	T = E CLASS/NEW YORKER
C24 = LASER	H = VOYAGER	V = 600
D = ARIES	K = MINI RAM/CARAVAN/ROYAL	V24 = DAYTONA
E = 600	M = HORIZON/TURISMO	Z = OMNI/CHARGER/RAMPAGE

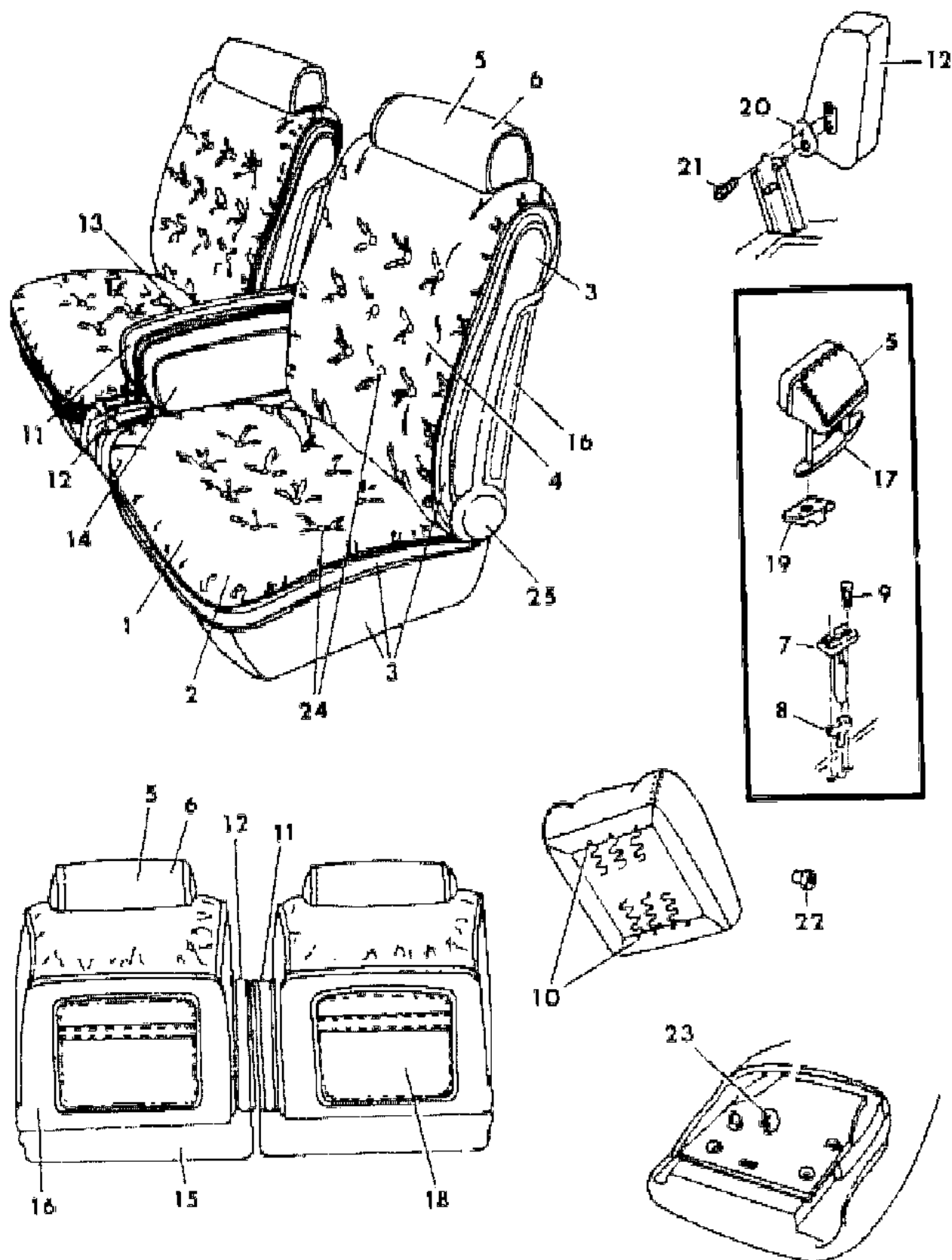
BODY STYLES

21 = 2-DOOR SEDAN	28 = FWD PICKUP	44 = 4-DOOR HATCHBACK
22 = 2-DOOR SPECIAL COUPE	35 = FWD VAN	45 = 4-DOOR STATION WAGON
24 = 2-DOOR HATCHBACK	36 = FWD WAGON	48 = 4-DOOR EXECUTIVE SEDAN
27 = 2-DOOR CONVERTIBLE	41 = 4-DOOR SEDAN	

AR = Use as Required - = Non Illustrated Part P.A.R. = Paint as Required

SEAT FRONT E,T E BODY TRIM CODE LP
Figure ITE-1500

4216 1500



ITEM	PART NUMBER	QTY	BODY	MODEL	DESCRIPTION
	A448 CS8	2			N N NLPS YA448CS8
	A448 BC8	2			N N NLPC YA448BC8
	A448 BM6	2			N N NLPM YA448BM6
	A448 BT8	2			N N NLPT YA448BT8
	A448 BL3	2			N N NLPL YA448BL3
7					SLEEVE, Headrest N N N N
	S690 CS8	4			N N NLPS YS690CS8
	S690 SC7	4			N N NLPC YS690SC7
	S690 TM6	4			N N NLPM YS690TM6
	S690 BL3	4			N N NLPL YS690BL3
	S690 BT8	4			N N NLPT YS690BT8
8	4098 965	4			CATCH, Headrest Post N N N Y4098965
9		AR			SCREW (not serviced) N N N N
10	6008 076	AR			HOG RING N N N Y6008076
11					ARMREST and COVER N N N N
	A903 CS8	1			N N NLPS YA903CS8
	A890 CC8	1			N N NLPC YA890CC8
	A903 CM6	1			N N NLPM YA903CM6
	A903 CT8	1			N N NLPT YA903CT8
	A890 CL3	1			N N NLPL YA890CL3
12					ARMREST and COVER N N N N
	A891 CS8	1			N N NLPS YA891CS8
	A903 CC8	1			N N NLPC YA903CC8
	A891 CM6	1			N N NLPM YA891CM6
	A903 CT8	1			N N NLPT YA903CT8
	A903 CL3	1			N N NLPL YA903CL3
13					COVER, Armrest N N N N (use up to 12/9/83) N N N N
	A493 CS8	1			N N NLPS YA493CS8
	A490 CC8	1			N N NLPC YA490CC8
	A490 CM6	1			N N NLPM YA490CM6
	A493 CT8	1			N N NLPT YA493CT8
	A490 CL3	1			N N NLPL YA490CL3
					(use after 12/9/83) N N N N
	A493 CS8	1			N N NLPS YA493CS8
	A493 CC8	1			N N NLPC YA493CC8
	A493 CM6	1			N N NLPM YA493CM6
	A493 CT8	1			N N NLPT YA493CT8

MODEL CODES

B = GRAN FURY
C = LEBARON/TOWN & COUNTRY/EXC SEDAN
C24 = LASER
D = ARIES
E = 600
F = FIFTH AVENUE/NEWPORT
G = DIPLOMAT
H = VOYAGER
K = MINI RAM/CARAVAN/ROYAL
M = HORIZON/TURISMO
P = RELIANT
T = E CLASS/NEW YORKER
V = 600
V24 = DAYTONA
Z = OMNI/CHARGER/RAMPAGE

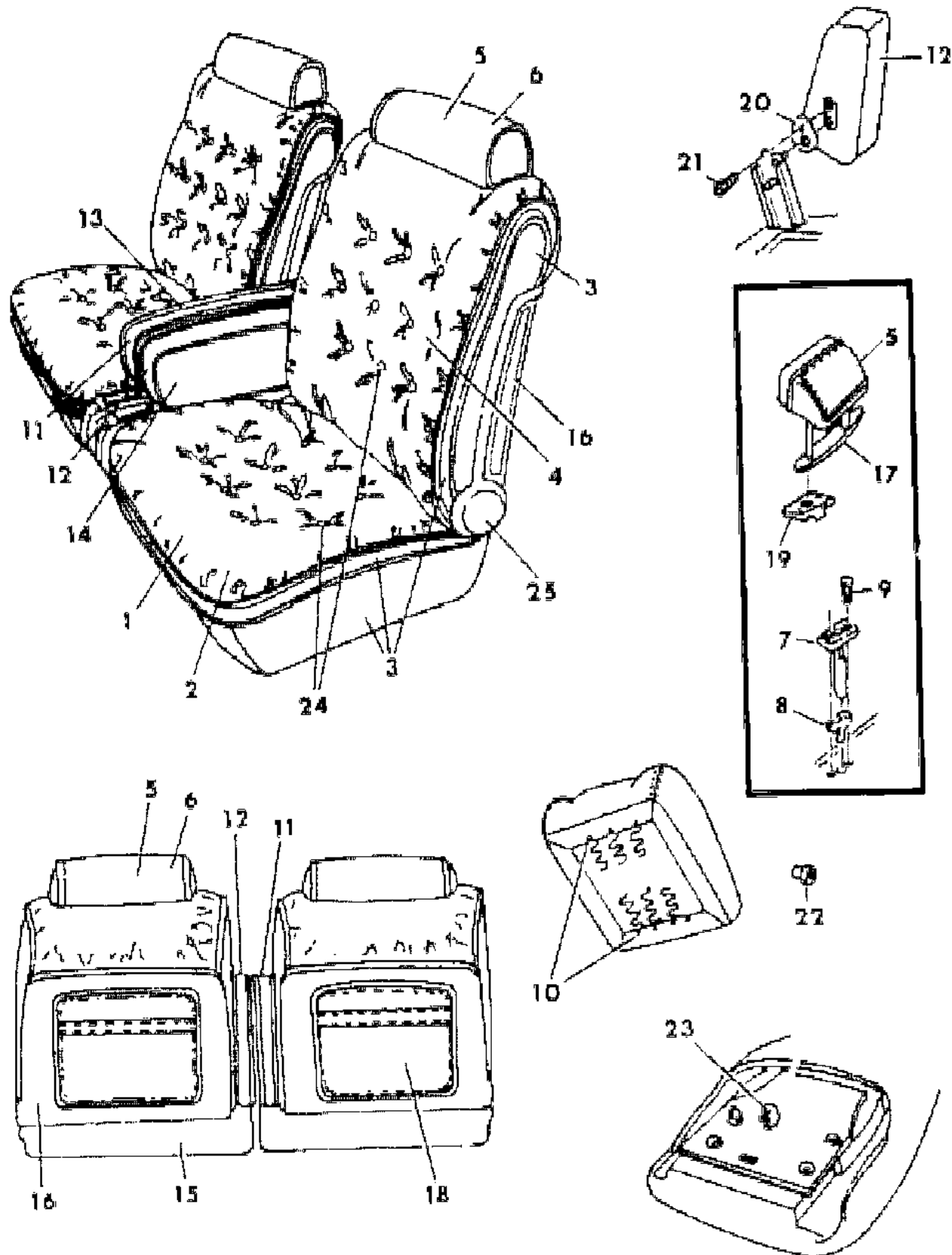
BODY STYLES

21 = 2-DOOR SEDAN
22 = 2-DOOR SPECIAL COUPE
24 = 2-DOOR HATCHBACK
27 = 2-DOOR CONVERTIBLE
28 = FWD PICKUP
35 = FWD VAN
36 = FWD WAGON
41 = 4-DOOR SEDAN
44 = 4-DOOR HATCHBACK
45 = 4-DOOR STATION WAGON
48 = 4-DOOR EXECUTIVE SEDAN

AR = Use as Required - = Non Illustrated Part P.A.R. = Paint as Required

SEAT FRONT E,T E BODY TRIM CODE LP
Figure ITE-1500

4216 1500



ITEM	PART NUMBER	QTY	BODY	MODEL	DESCRIPTION
	A493 CL3	1			N N NLPL YA493CL3
14					COVER, Armrest N N N N (use up to 12/9/83) N N N N
	A491 CS8	1			N N NLPS YA491CS8
	A491 CC8	1			N N NLPC YA491CC8
	A491 CM6	1			N N NLPM YA491CM6
	A491 CT8	1			N N NLPT YA491CT8
	A491 CL3	1			N N NLPL YA491CL3 (use after 12/9/83) N N N N
	A493 CS8	1			N N NLPS YA493CS8
	A493 CC8	1			N N NLPC YA493CC8
	A493 CM6	1			N N NLPM YA493CM6
	A493 CT8	1			N N NLPT YA493CT8
15	A493 CL3	1			N N NLPL YA493CL3
16	S748-9 BL3	1			CARPET (serviced in item 2) N N N N SHIELD, w/Finish Plate Front Seat Back (paint as required) N N N YS748BL3
17	4018 808	2			COVER, Headrest Finish N N N Y4018808
18					COVER, Back Pocket N N N N
	S714-5 CS8	1			N N NLPS YS714CS8
	S714-5 BC8	1			N N NLPC YS714BC8
	S714-5 BM6	1			N N NLPM YS714BM6
	S714-5 BT8	1			N N NLPT YS714BT8
	S714-5 BL3	1			N N NLPL YS714BL3
		AR			BOLT, Pocket Attaching (8.32x.78) (not serviced) N N N N
19	4138 140	4			SPACER, Headrest N N N Y4138140
20	4290 871	AR			SPACER, Armrest to Stanchion N N N Y4290871
21	6032 567	AR			BOLT, Shoulder N N N Y6032567
22	4190 488	1			BUSHING, Inner Pivot Pin Right Only N N N Y4190488
23	4018 167	AR			WASHER, Button N N N Y4018167
24					BUTTON, Cushion and Back N N N N
	S845 CS8	AR			N N NLPS YS845CS8
	S845 VC8	AR			N N NLPC YS845VC8
	S845 AM6	AR			N N NLPM YS845AM6
	S845 CT8	AR			N N NLPT YS845CT8
	S845 BL3	AR			N N NLPL YS845BL3
	4018 167	AR			WASHER, Trim Button N N N Y4018167
25	4277 670	2			PLATE, Finish Back Shield N N N Y4277670

MODEL CODES

B = GRAN FURY	F = FIFTH AVENUE/NEWPORT	P = RELIANT
C = LEBARON/TOWN & COUNTRY/EXC SEDAN	G = DIPLOMAT	T = E CLASS/NEW YORKER
C24 = LASER	H = VOYAGER	V = 600
D = ARIES	K = MINI RAM/CARAVAN/ROYAL	V24 = DAYTONA
E = 600	M = HORIZON/TURISMO	Z = OMNI/CHARGER/RAMPAGE

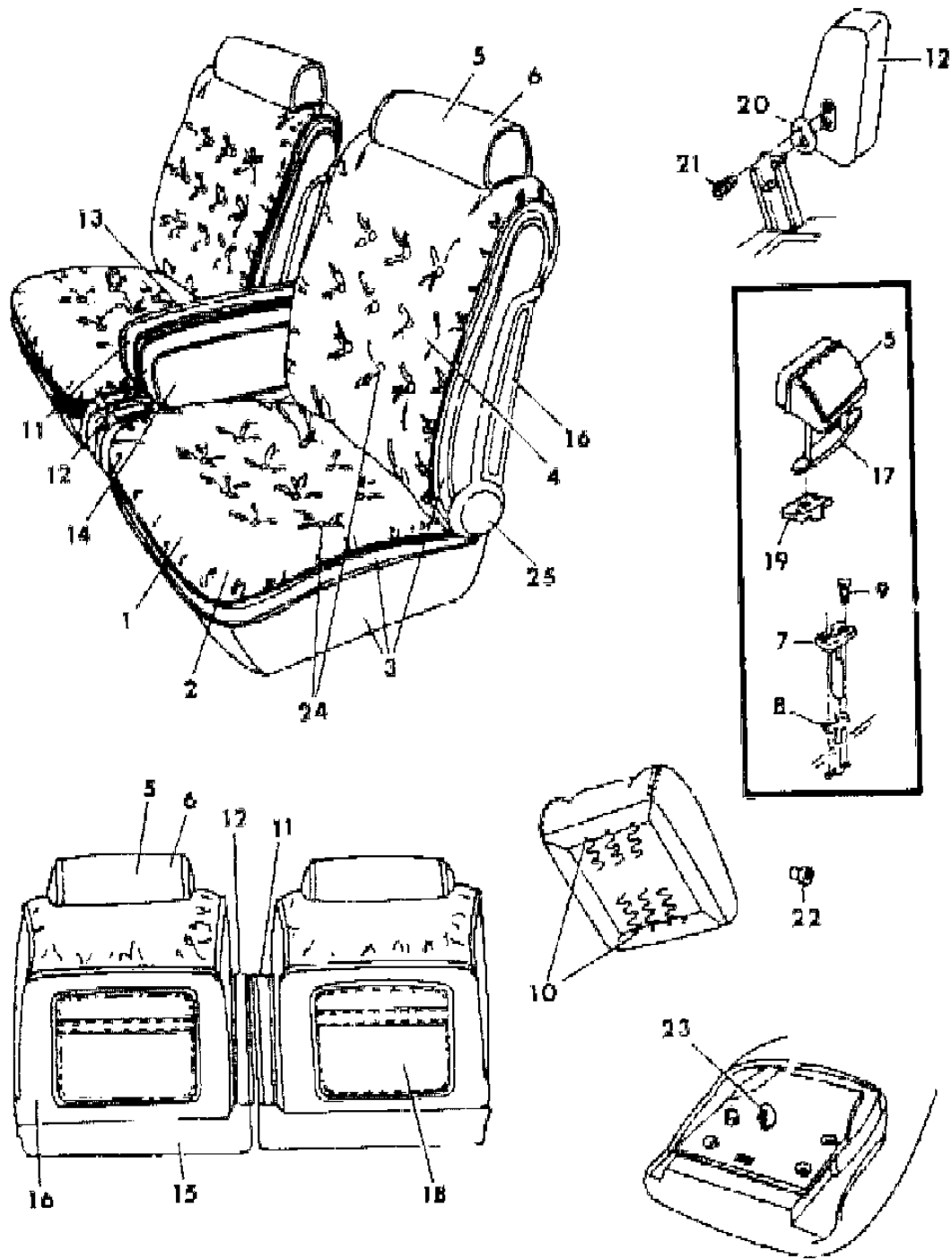
BODY STYLES

21 = 2-DOOR SEDAN	28 = FWD PICKUP	44 = 4-DOOR HATCHBACK
22 = 2-DOOR SPECIAL COUPE	35 = FWD VAN	45 = 4-DOOR STATION WAGON
24 = 2-DOOR HATCHBACK	36 = FWD WAGON	48 = 4-DOOR EXECUTIVE SEDAN
27 = 2-DOOR CONVERTIBLE	41 = 4-DOOR SEDAN	

AR = Use as Required - = Non Illustrated Part P.A.R. = Paint as Required

SEAT FRONT E,T E BODY TRIM CODE LF
Figure ITE-1600

4238 1600



ITEM	PART NUMBER	QTY	BODY	MODEL	DESCRIPTION
					Cloth N N N N
1-3					CUSHION, w/Spring/Frame, Pad and Cover N N N N
	A682-3 CFS	1			N N NLFS YA682CFS
	A682-3 CFC	1			N N NLFC YA682CFC
	A682-3 CFM	1			N N NLFM YA682CFM
	A682-3 CFT	1			N N NLFT YA682CFT
	A682-3 CFL	1			N N NLFL YA682CFL
2					COVER, Cushion N N N N
	A494-5 CFS				N N NLFS YA494CFS
	A494-5 CFC				N N NLFC YA494CFC
	A494-5 CFM				N N NLFM YA494CFM
	A494-5 CFT				N N NLFT YA494CFT
	A494-5 CFL				N N NLFL YA494CFL
3					ROLL STOCK, Cloth 54" Wide Order By The Inch. N N N N
	R093 CS8	AR			N N NLFS YR093CS8
	R093 AC7	AR			N N NLFC YR093AC7
	R093 AM6	AR			N N NLFM YR093AM6
	R093 BT8	AR			N N NLFT YR093BT8
	R093 BL3	AR			N N NLFL YR093BL3
3-4					BACK, w/Spring/Frame, Pad and Cover N N N N
	A686-7 CFS	1			N N NLFS YA686CFS
	A686-7 CFC	1			N N NLFC YA686CFC
	A686-7 CFM	1			N N NLFM YA686CFM
	A686-7 CFT	1			N N NLFT YA686CFT
	A686-7 CFL	1			N N NLFL YA686CFL
4					COVER, Back N N N N
					(use up to 9/26/83) N N N N
	A496-7 CFS	1			N N NLFS YA496CFS
	A496-7 CFC	1			N N NLFC YA496CFC
	A496-7 CFM	1			N N NLFM YA496CFM
	A496-7 CFT	1			N N NLFT YA496CFT
	A496-7 CFL	1			N N NLFL YA496CFL
					(use after 9/26/83) N N N N
	A520-1 CFS	1			N N NLFS YA520CFS
	A520-1 CFC	1			N N NLFC YA520CFC
	A520-1 CFM	1			N N NLFM YA520CFM
	A520-1 CFT	1			N N NLFT YA520CFT
	A520-1 CFL	1			N N NLFL YA520CFL

MODEL CODES

B = GRAN FURY	F = FIFTH AVENUE/NEWPORT	P = RELIANT
C = LEBARON/TOWN & COUNTRY/EXC SEDAN	G = DIPLOMAT	T = E CLASS/NEW YORKER
C24 = LASER	H = VOYAGER	V = 600
D = ARIES	K = MINI RAM/CARAVAN/ROYAL	V24 = DAYTONA
E = 600	M = HORIZON/TURISMO	Z = OMNI/CHARGER/RAMPAGE

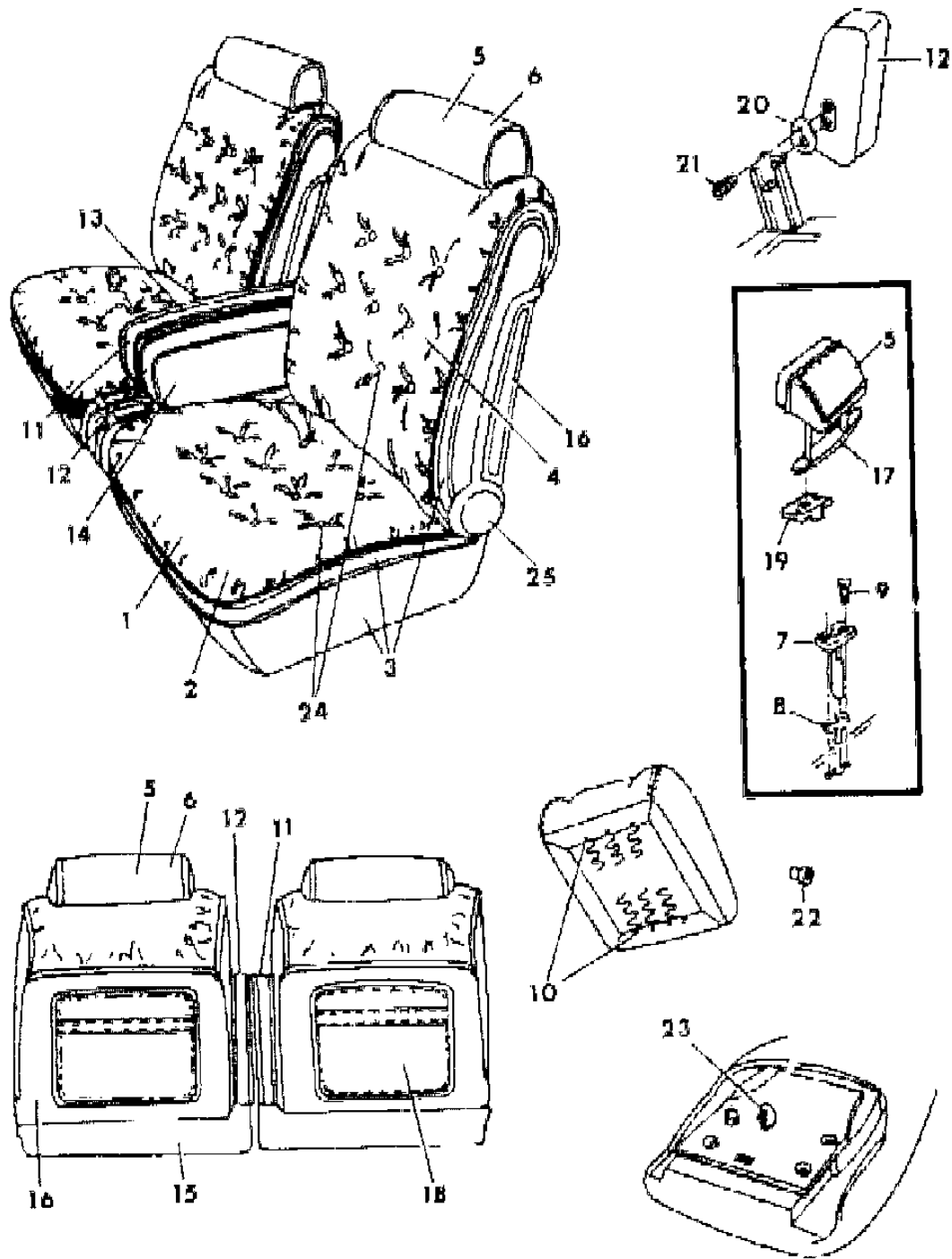
BODY STYLES

21 = 2-DOOR SEDAN	28 = FWD PICKUP	44 = 4-DOOR HATCHBACK
22 = 2-DOOR SPECIAL COUPE	35 = FWD VAN	45 = 4-DOOR STATION WAGON
24 = 2-DOOR HATCHBACK	36 = FWD WAGON	48 = 4-DOOR EXECUTIVE SEDAN
27 = 2-DOOR CONVERTIBLE	41 = 4-DOOR SEDAN	

AR = Use as Required - = Non Illustrated Part P.A.R. = Paint as Required

SEAT FRONT E,T E BODY TRIM CODE LF
Figure ITE-1600

4238 1600



ITEM	PART NUMBER	QTY	BODY	MODEL	DESCRIPTION
5					HEADREST and COVER N N N N
	A694 CS8	2			N N NLFS YA694CS8
	A694 CC7	2			N N NLFC YA694CC7
	A694 CM6	2			N N NLFM YA694CM6
	A694 CT8	2			N N NLFT YA694CT8
	A694 CL3	2			N N NLFL YA694CL3
6					COVER, Headrest N N N N
	A502 CS8	2			N N NLFS YA502CS8
	A502 CC7	2			N N NLFC YA502CC7
	A502 CM6	2			N N NLFM YA502CM6
	A502 CT8	2			N N NLFT YA502CT8
	A502 CL3	2			N N NLFL YA502CL3
7					SLEEVE, Headrest N N N N
	S690 CS8	4			N N NLFS YS690CS8
	S690 SC7	4			N N NLFC YS690SC7
	S690 TM6	4			N N NLFM YS690TM6
	S690 BL3	4			N N NLFL YS690BL3
	S690 BT8	4			N N NLFT YS690BT8
8	4098 965	4			CATCH, Headrest Post N N N Y4098965
9		AR			SCREW (not serviced) N N N N
10	6008 076	AR			HOG RING N N N Y6008076
11					ARMREST and COVER N N N N
	A714 CS8	2			N N NLFS YA714CS8
	A714 CC7	1			N N NLFC YA714CC7
	A714 CM6	1			N N NLFM YA714CM6
	A714 CT8	1			N N NLFT YA714CT8
	A714 CL3	1			N N NLFL YA714CL3
13					COVER, Armrest N N N N (use up to 12/8/83) N N N N
	A500 CS8	1			N N NLFS YA500CS8
	A505 CC7	1			N N NLFC YA505CC7
	A505 CM6	1			N N NLFM YA505CM6
	A500 CT8	1			N N NLFT YA500CT8
	A500 CL3	1			N N NLFL YA500CL3 (use after 12/8/83) N N N N
	A505 CS8	1			N N NLFS YA505CS8
	A505 CC7	1			N N NLFC YA505CC7
	A505 CM6	1			N N NLFM YA505CM6

MODEL CODES

B = GRAN FURY	F = FIFTH AVENUE/NEWPORT	P = RELIANT
C = LEBARON/TOWN & COUNTRY/EXC SEDAN	G = DIPLOMAT	T = E CLASS/NEW YORKER
C24 = LASER	H = VOYAGER	V = 600
D = ARIES	K = MINI RAM/CARAVAN/ROYAL	V24 = DAYTONA
E = 600	M = HORIZON/TURISMO	Z = OMNI/CHARGER/RAMPAGE

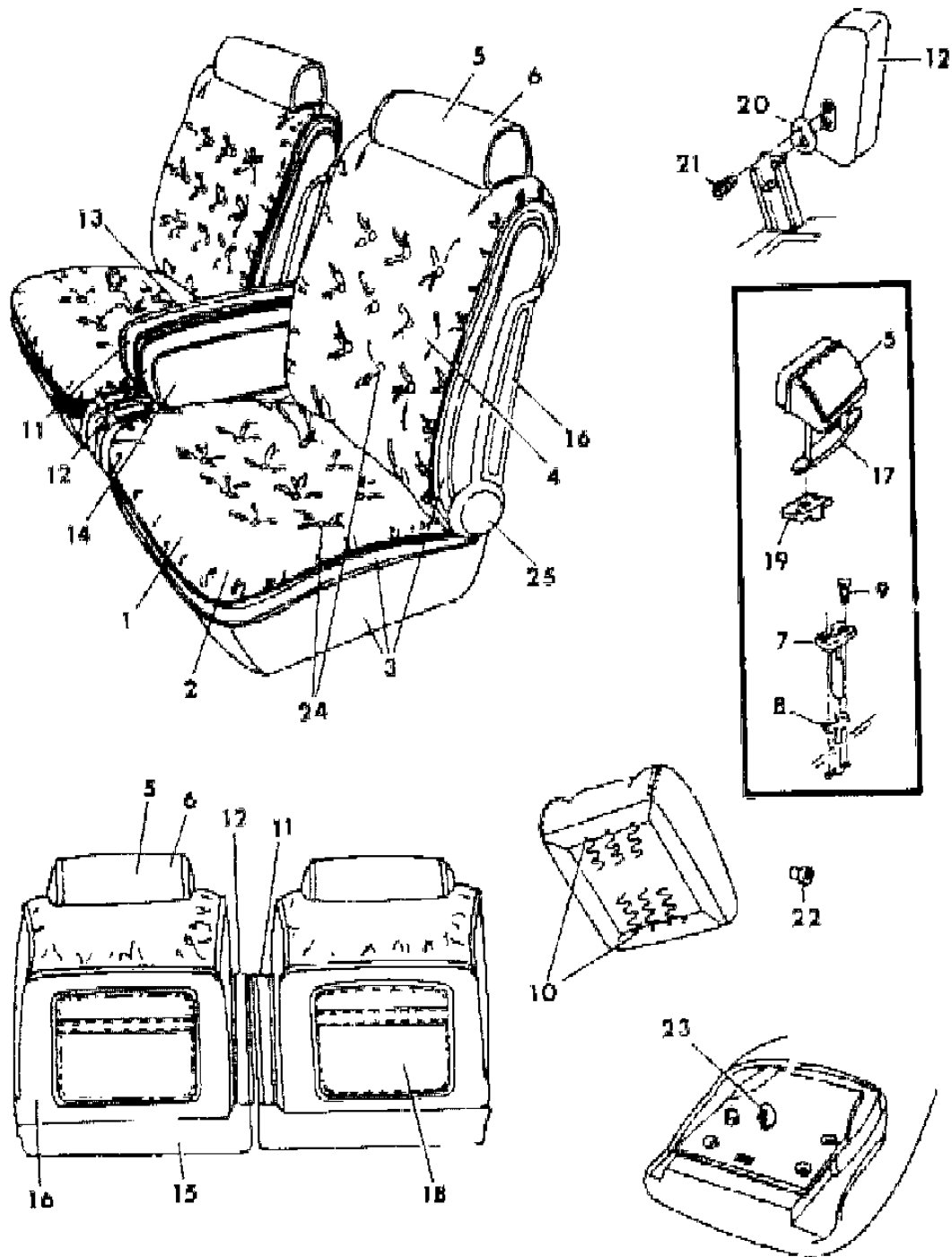
BODY STYLES

21 = 2-DOOR SEDAN	28 = FWD PICKUP	44 = 4-DOOR HATCHBACK
22 = 2-DOOR SPECIAL COUPE	35 = FWD VAN	45 = 4-DOOR STATION WAGON
24 = 2-DOOR HATCHBACK	36 = FWD WAGON	48 = 4-DOOR EXECUTIVE SEDAN
27 = 2-DOOR CONVERTIBLE	41 = 4-DOOR SEDAN	

AR = Use as Required - = Non Illustrated Part P.A.R. = Paint as Required

SEAT FRONT E,T E BODY TRIM CODE LF
Figure ITE-1600

4238 1600



ITEM	PART NUMBER	QTY	BODY	MODEL	DESCRIPTION
	A505 CT8	1			N N NLFT YA505CT8
	A505 CL3	1			N N NLFL YA505CL3
14					COVER, Armrest N N N N (use up to 12/8/83) N N N N
	A505 CS8	1			N N NLFS YA505CS8
	A505 CC7	1			N N NLFC YA505CC7
	A501 CM6	1			N N NLFM YA501CM6
	A501 CT8	1			N N NLFT YA501CT8
	A501 CL3	1			N N NLFL YA501CL3
					(use after 12/8/83) N N N N
	A505 CS8	1			N N NLFS YA505CS8
	A505 CC7	1			N N NLFC YA505CC7
	A505 CM6	1			N N NLFM YA505CM6
	A505 CT8	1			N N NLFT YA505CT8
	A505 CL3	1			N N NLFL YA505CL3
15					CARPET (serviced in item 2) N N N N
16	S748-9 BL3	1			SHIELD, w/Finish Plate Front Seat Back (paint as required) N N N YS748BL3
17	4018 808	2			COVER, Headrest Finish N N N Y4018808
18					COVER, Back Pocket N N N N
	S710-1 CS8	1			N N NLFS YS710CS8
	S710-1 CC7	1			N N NLFC YS710CC7
	S710-1 CM6	1			N N NLFM YS710CM6
	S710-1 CT8	1			N N NLFT YS710CT8
	S710-1 CL3	1			N N NLFL YS710CL3
		AR			BOLT, Pocket Attaching (8.32x.78) (not serviced) N N N N
19	4138 140	4			SPACER, Headrest N N N Y4138140
20	4290 871	AR			SPACER, Armrest to Stanchion N N N Y4290871
21	6032 567	AR			BOLT, Shoulder N N N Y6032567
22	4190 488	1			BUSHING, Inner Pivot Pin, Right Only N N N Y4190488
23	4018 167	AR			WASHER, Button N N N Y4018167
24					BUTTON, Cushion and Back N N N N
	G378 CS8	AR			N N NLFS YG378CS8
	G378 AC7	AR			N N NLFC YG378AC7
	G378 AM6	AR			N N NLFM YG378AM6
	G378 CT8	AR			N N NLFT YG378CT8
	G378 BL3	AR			N N NLFL YG378BL3
	4018 167	AR			WASHER, Trim Button N N N Y4018167

MODEL CODES

B = GRAN FURY
C = LEBARON/TOWN & COUNTRY/EXC SEDAN
C24 = LASER
D = ARIES
E = 600

F = FIFTH AVENUE/NEWPORT
G = DIPLOMAT
H = VOYAGER
K = MINI RAM/CARAVAN/ROYAL
M = HORIZON/TURISMO

P = RELIANT
T = E CLASS/NEW YORKER
V = 600
V24 = DAYTONA
Z = OMNI/CHARGER/RAMPAGE

BODY STYLES

21 = 2-DOOR SEDAN
22 = 2-DOOR SPECIAL COUPE
24 = 2-DOOR HATCHBACK
27 = 2-DOOR CONVERTIBLE

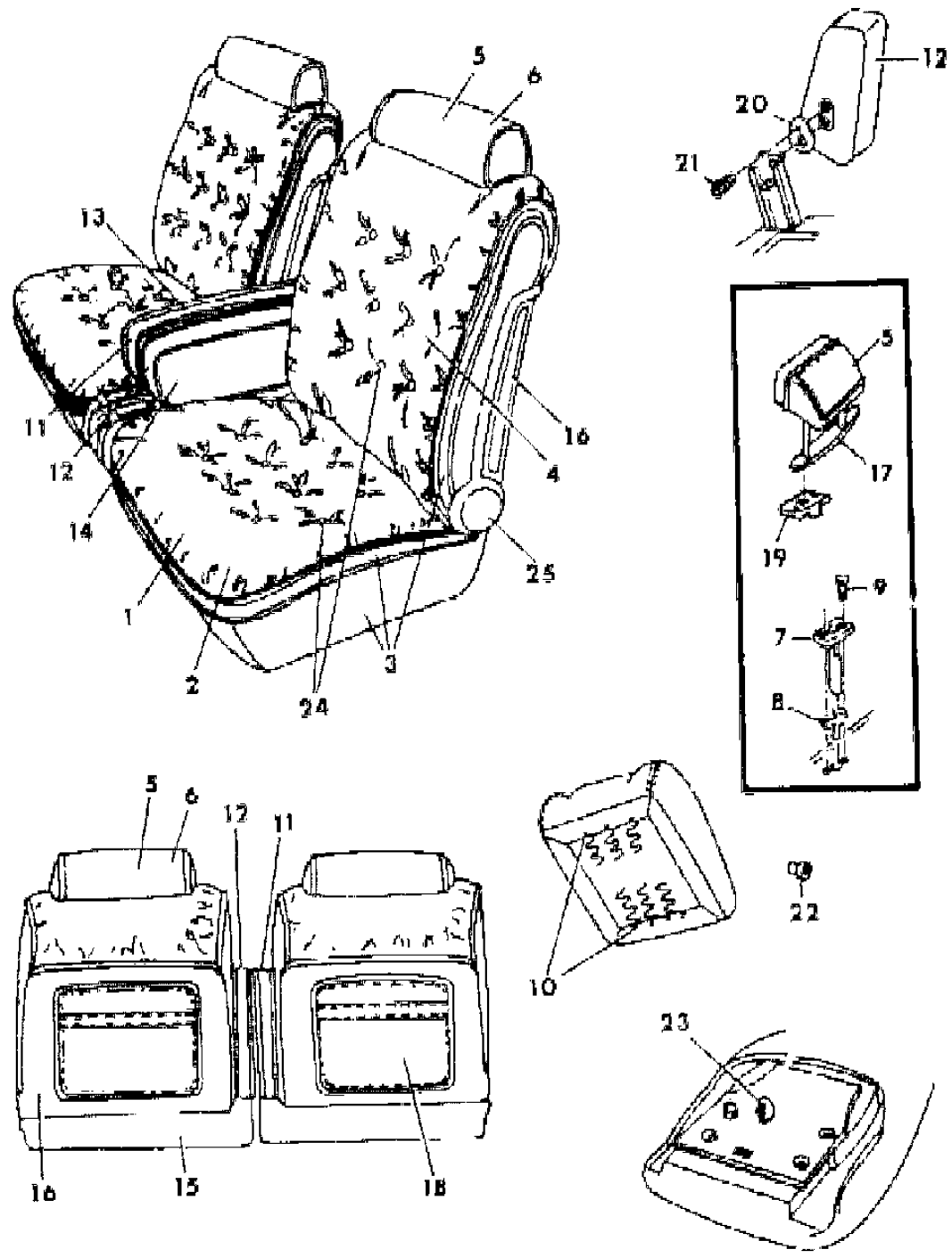
28 = FWD PICKUP
35 = FWD VAN
36 = FWD WAGON
41 = 4-DOOR SEDAN

44 = 4-DOOR HATCHBACK
45 = 4-DOOR STATION WAGON
48 = 4-DOOR EXECUTIVE SEDAN

AR = Use as Required - = Non Illustrated Part P.A.R. = Paint as Required

SEAT FRONT E,T E BODY TRIM CODE LF
Figure ITE-1600

4278 1600



ITEM	PART NUMBER	QTY	BODY	MODEL	DESCRIPTION
25	4277 670	AR			PLATE, Finish Back Shield N N N Y4277670

MODEL CODES
 B = GRAN FURY
 C = LEBARON/TOWN & COUNTRY/EXC SEDAN
 C24 = LASER
 D = ARIES
 E = 600
 F = FIFTH AVENUE/NEWPORT
 G = DIPLOMAT
 H = VOYAGER
 K = MINI RAM/CARAVAN/ROYAL
 M = HORIZON/TURISMO
 P = RELIANT
 T = E CLASS/NEW YORKER
 V = 600
 V24 = DAYTONA
 Z = OMNI/CHARGER/RAMPAGE

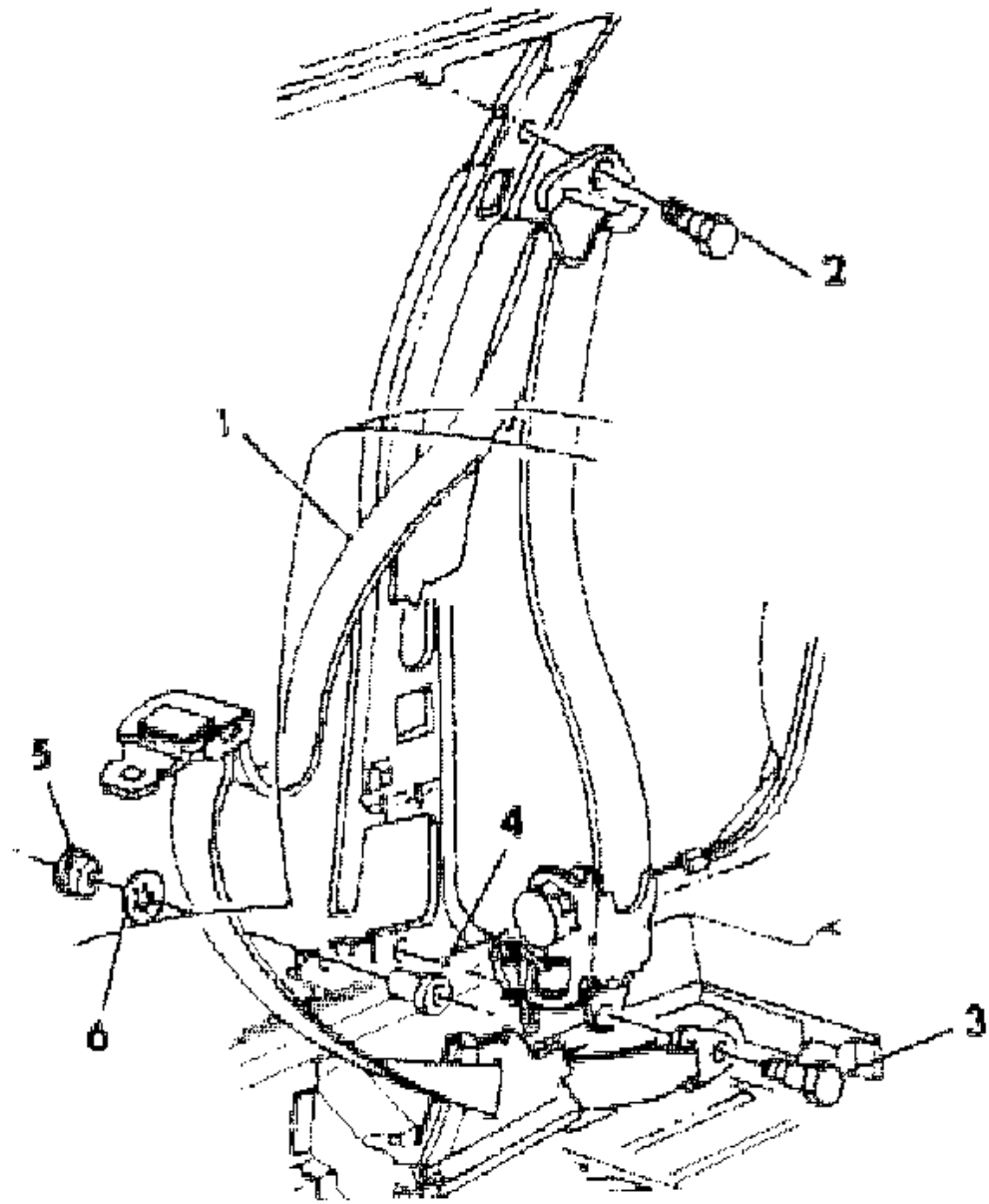
BODY STYLES
 21 = 2-DOOR SEDAN
 22 = 2-DOOR SPECIAL COUPE
 24 = 2-DOOR HATCHBACK
 27 = 2-DOOR CONVERTIBLE
 28 = FWD PICKUP
 35 = FWD VAN
 36 = FWD WAGON
 41 = 4-DOOR SEDAN
 44 = 4-DOOR HATCHBACK
 45 = 4-DOOR STATION WAGON
 48 = 4-DOOR EXECUTIVE SEDAN

AR = Use as Required - = Non Illustrated Part P.A.R. = Paint as Required

BELT FRONT SEAT E,T E BODY
Figure ITE-1700

4238 1700

ITEM	PART NUMBER	QTY	BODY	MODEL	DESCRIPTION
1					BELT, Lap and Shoulder, Outer N N N N
					Label Number 4327102-3 N N N N
	F744-5 BA3	1			Silver N N N YF744BA3
	F744-5 BC7	1			Blue, Dark N N N YF744BC7
	F744-5 CS8	1			Charcoal N N N YF744CS8
	F744-5 BM6	1			Red N N N YF744BM6
	F744-5 BL3	1			Beige N N N YF744BL3
	F744-5 BT8	1			Brown N N N YF744BT8
	4172 857	2			ROD, Tension Reliever Release Actuating N N N Y4172857
2	6031 298	2			BOLT, Shoulder N N N Y6031298
3	6031 484	2			BOLT N N N Y6031484
4	4290 789	2			CYLINDER, Tension Reliever Button N N N N w/Bumper N N N Y4290789
5	4327 076	2			RETAINER, Tension Reliever Button N N N Y4327076
6	6025 160	2			RETAINER, Inertia Retractor Pendulum Shaft N N N Y6025160



MODEL CODES

B = GRAN FURY	F = FIFTH AVENUE/NEWPORT	P = RELIANT
C = LEBARON/TOWN & COUNTRY/EXC SEDAN	G = DIPLOMAT	T = E CLASS/NEW YORKER
C24 = LASER	H = VOYAGER	V = 600
D = ARIES	K = MINI RAM/CARAVAN/ROYAL	V24 = DAYTONA
E = 600	M = HORIZON/TURISMO	Z = OMNI/CHARGER/RAMPAGE

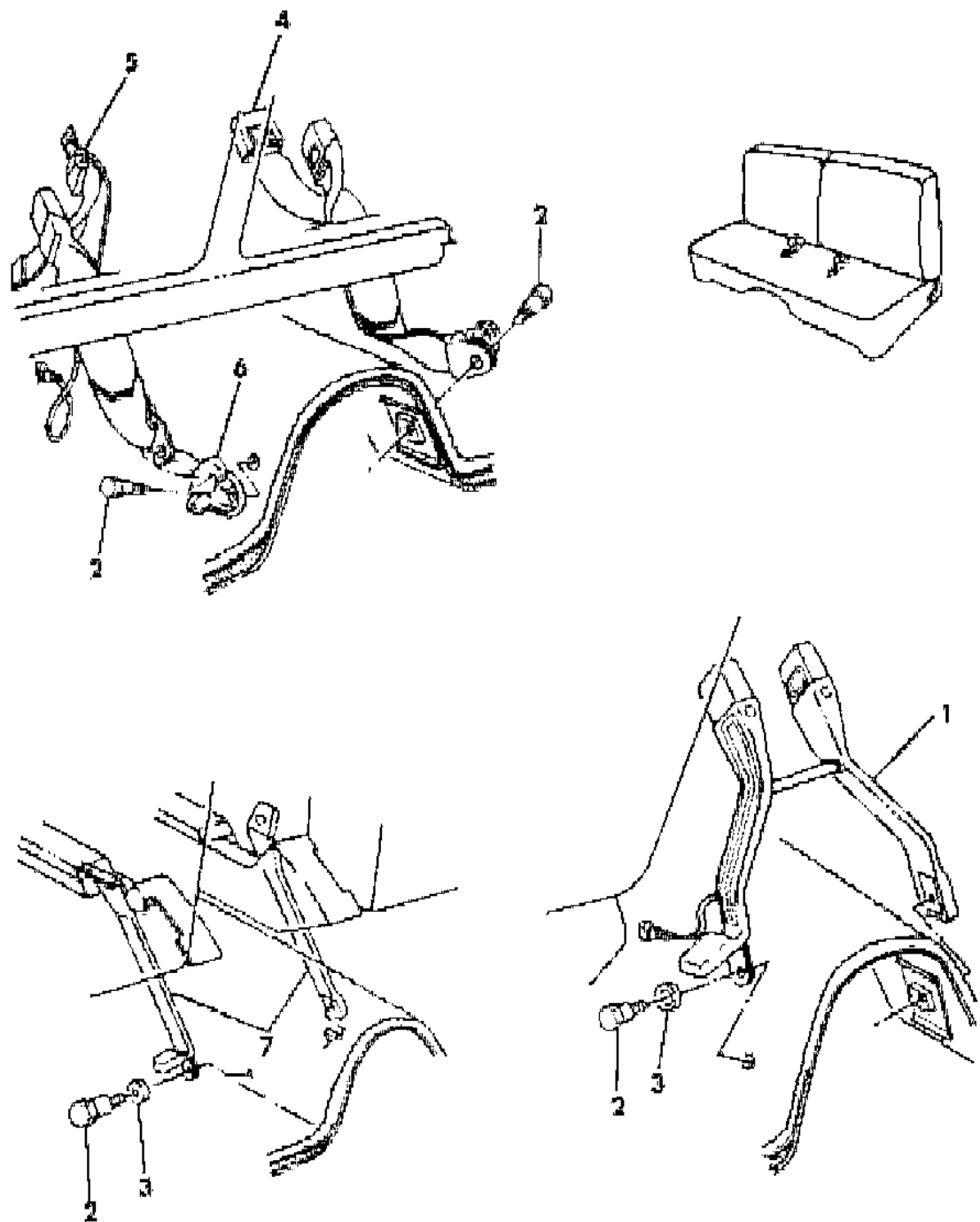
BODY STYLES

21 = 2-DOOR SEDAN	28 = FWD PICKUP	44 = 4-DOOR HATCHBACK
22 = 2-DOOR SPECIAL COUPE	35 = FWD VAN	45 = 4-DOOR STATION WAGON
24 = 2-DOOR HATCHBACK	36 = FWD WAGON	48 = 4-DOOR EXECUTIVE SEDAN
27 = 2-DOOR CONVERTIBLE	41 = 4-DOOR SEDAN	

AR = Use as Required - = Non Illustrated Part P.A.R. = Paint as Required

BELT FRONT SEAT INBOARD E,T E BODY
Figure ITE-1800

4238 1800



ITEM	PART NUMBER	QTY	BODY	MODEL	DESCRIPTION
1					BELT, Lap Buckle Half Inner N N N N Label Number 4316892 N N N N Silver N N N YF698CA3 Red N N N YF698CM6 Brown N N N YF698CT8
	F698 CA3	1			
	F698 CM6	1			
	F698 CT8	1			
	F698 CL3	1			Beige N N N YF698CL3
	4209 934	AR			WEDGE, Front Seat Lap Belt N N N Y4209934
2	6031 298	AR			BOLT N N N Y6031298
3		AR			WASHER (not serviced) N N N N
4					BELT, Inboard Right N N N N Label Number 4316750 N N N N Silver N N N YF706BA3 Blue, Dark N N N YF706BC7
	F706 BA3	1			
	F706 BC7	1			
	F706 CS8	1			Charcoal N N N YF706CS8
	F706 BM6	1			Red N N N YF706BM6
	F706 BL3	1			Beige N N N YF706BL3
	F706 BT8	1			Brown N N N YF706BT8
5					BELT, Lap Inboard Left N N N N Label Number 4316751 N N N N Silver N N N YF707BA3 Blue, Dark N N N YF707BC7
	F707 BA3	1			
	F707 BC7	1			
	F707 CS8	1			Charcoal N N N YF707CS8
	F707 BM6	1			Red N N N YF707BM6
	F707 BL3	1			Beige N N N YF707BL3
	F707 BT8	1			Brown N N N YF707BT8
6	F814 JX9	2			COVER, Anchor Bolt (paint as required) N N N YF814JX9
7					BELT, Inner Buckle N N N N Label Number 4277632-3 N N N N Silver N N N YF616BA3 Blue, Dark N N N YF616BC7
	F616-7 BA3	1			
	F616-7 BC7	1			
	F616-7 CS8	1			Charcoal N N N YF616CS8
	F616-7 BM6	1			Red N N N YF616BM6
	F616-7 BL3	1			Beige N N N YF616BL3
	F616-7 BT8	1			Brown N N N YF616BT8

MODEL CODES

B = GRAN FURY	F = FIFTH AVENUE/NEWPORT	P = RELIANT
C = LEBARON/TOWN & COUNTRY/EXC SEDAN	G = DIPLOMAT	T = E CLASS/NEW YORKER
C24 = LASER	H = VOYAGER	V = 600
D = ARIES	K = MINI RAM/CARAVAN/ROYAL	V24 = DAYTONA
E = 600	M = HORIZON/TURISMO	Z = OMNI/CHARGER/RAMPAGE

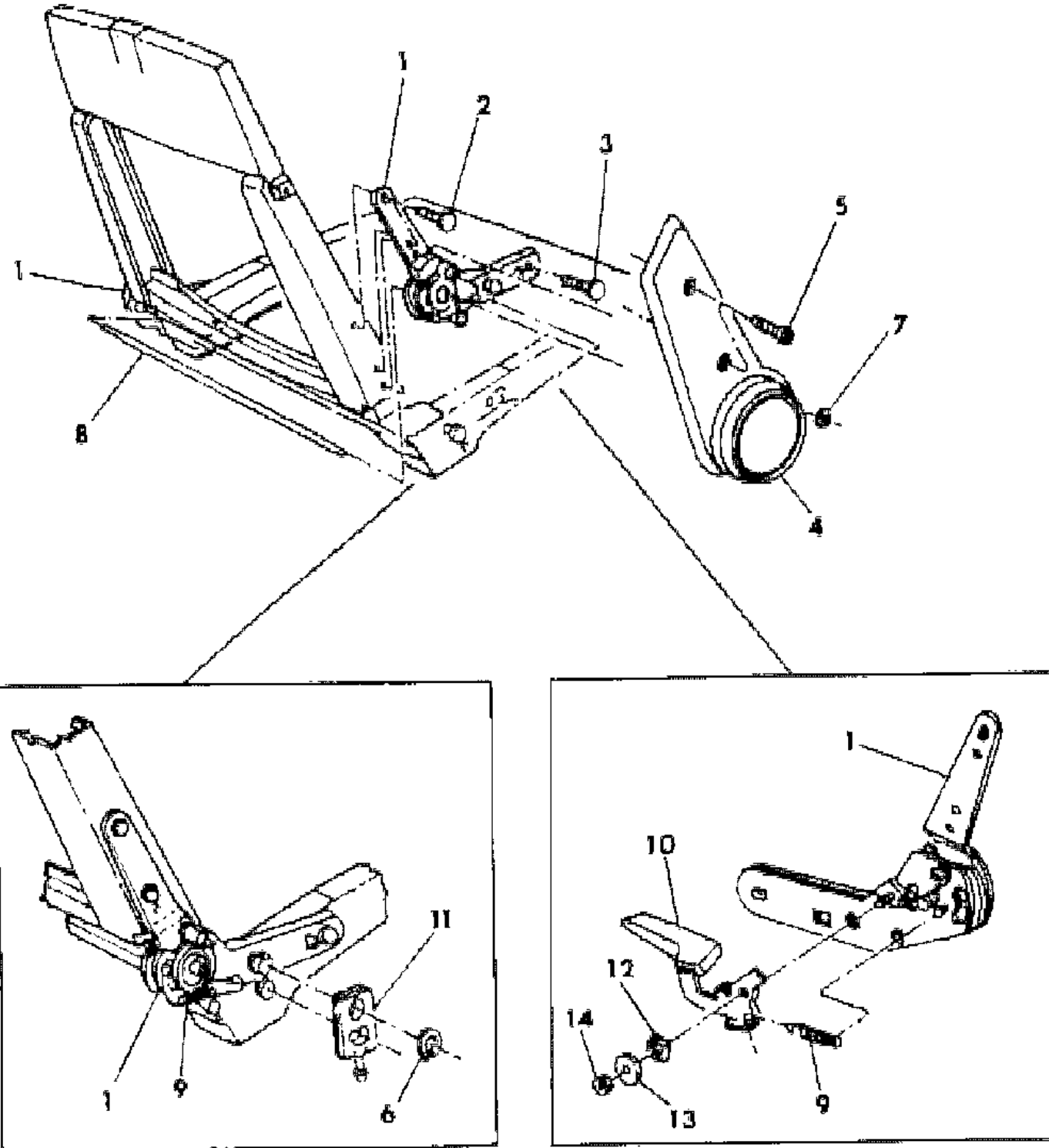
BODY STYLES

21 = 2-DOOR SEDAN	28 = FWD PICKUP	44 = 4-DOOR HATCHBACK
22 = 2-DOOR SPECIAL COUPE	35 = FWD VAN	45 = 4-DOOR STATION WAGON
24 = 2-DOOR HATCHBACK	36 = FWD WAGON	48 = 4-DOOR EXECUTIVE SEDAN
27 = 2-DOOR CONVERTIBLE	41 = 4-DOOR SEDAN	

AR = Use as Required - = Non Illustrated Part P.A.R. = Paint as Required

RECLINING BUCKET SEAT E,T E BODY
Figure ITE-1900

423F 1900



ITEM	PART NUMBER	QTY	BODY	MODEL	DESCRIPTION
1					RECLINER, BUCKET SEAT N N N N
	4290 730	1			Outer, Right N N N Y4290730
	4316 158	1			Inner, Right N N N Y4316158
	4290 731	1			Outer, Left N N N Y4290731
	4316 159	1			Inner, Left N N N Y4316159
2	6100 576	4			SCREW N N N Y6100576
3	6500 534	2			BOLT N N N Y6500534
4	S878-9 CL3	1			SHIELD, Front Seat Back (paint as required) N N N N Inner and Outer N N N YS878CL3
5		AR			SCREW (not serviced) N N N N
6	6024 440	2			RING, Retainer N N N Y6024440
7	6031 147	2			NUT, Spring Push on Type N N N Y6031147
8	4239 300	1			ROD, Front Seat Recliner Connector N N N Y4239300
9	4316 806	2			SPRING, Seat Recliner Release Lever Return (13 1/2 Coils) N N N Y4316806
	4317 384	2			SPRING, Seat Back Recliner Release Lever Return (21 Coils) (use up to 5/1/84) N N N Y4317384
	4345 370	2			(use after 5/1/84) N N N Y4345370
10					LEVER, Front Back Recliner Release N N N N
	S792-3 CS8	1			Charcoal N N N YS792CS8
	S792-3 CT8	1			Brown N N N YS792CT8
	S792-3 CM6	1			Red N N N YS792CM6 (use after 4/2/84) N N N N
	S776-7 CS8	1			Charcoal N N N YS776CS8
	S776-7 CM6	1			Red N N N YS776CM6
	S776-7 CT8	1			Brown N N N YS776CT8
11	4239 492	1			LOCK, Back to Cushion N N N Y4239492
12		1			WASHER, Spring (not serviced) N N N N
13		1			WASHER, Flat (not serviced) N N N N
14	0120 622	1			NUT N N N Y120622

MODEL CODES

B = GRAN FURY	F = FIFTH AVENUE/NEWPORT	P = RELIANT
C = LEBARON/TOWN & COUNTRY/EXC SEDAN	G = DIPLOMAT	T = E CLASS/NEW YORKER
C24 = LASER	H = VOYAGER	V = 600
D = ARIES	K = MINI RAM/CARAVAN/ROYAL	V24 = DAYTONA
E = 600	M = HORIZON/TURISMO	Z = OMNI/CHARGER/RAMPAGE

BODY STYLES

21 = 2-DOOR SEDAN	28 = FWD PICKUP	44 = 4-DOOR HATCHBACK
22 = 2-DOOR SPECIAL COUPE	35 = FWD VAN	45 = 4-DOOR STATION WAGON
24 = 2-DOOR HATCHBACK	36 = FWD WAGON	48 = 4-DOOR EXECUTIVE SEDAN
27 = 2-DOOR CONVERTIBLE	41 = 4-DOOR SEDAN	

AR = Use as Required - = Non Illustrated Part P.A.R. = Paint as Required

RECLINING 50/50 SEAT E,T E BODY
Figure ITE-2000

4238 2000

ITEM	PART NUMBER	QTY	BODY	MODEL	DESCRIPTION
1					RECLINER N N N N
	4190 410	1			Right N N N Y4190410
	4277 553	1			Left N N N Y4277553
2	4316 984-5	1			CABLE, Release N N N Y4316984
3					SHIELD, w/Finisf Plate Front Seat Back (paint as required) N N N
	S748-9 BL3	1			N N N YS748BL3
	F245 CA3	2			PLUG, Back Shield Upper 1/8" Attaching Hole N N N YF245CA3
4					CONSOLETTA, w/Handle N N N N
	S834-5 CA3	1			Silver N N N YS834CA3
	S834-5 CC7	1			Blue, Dark N N N YS834CC7
	S834-5 CS8	1			Charcoal N N N YS834CS8
	S834-5 CM6	1			Red N N N YS834CM6
	S834-5 CL3	1			Beige N N N YS834CL3
	S834-5 CT8	1			Brown N N N YS834CT8
	4290 866	2			CLIP, Front Seat Cushion Inner Consolette Rear Attaching N N N Y4290866
5	4277 506-7	1			ACTUATOR N N N Y4277506
6		AR			CLIP (not serviced) N N N N
7					TRAY, w/Decal N N N N
					(Use w/Manual Seats) N N N N
	S820 BA3	AR			Silver N N N YS820BA3
	S820 BC7	AR			Blue, Dark N N N YS820BC7
	S820 CS8	AR			Charcoal N N N YS820CS8
	S820 BM6	AR			Red N N N YS820BM6
	S820 BL3	AR			Beige N N N YS820BL3
	S820 BT8	AR			Brown N N N YS820BT8
					(Use w/Electric Seats) N N N N
	S821 BA3	AR			Silver N N N YS821BA3
	S821 BC7	AR			Blue, Dark N N N YS821BC7
	S821 CS8	AR			Charcoal N N N YS821CS8
	S821 BM6	AR			Red N N N YS821BM6
	S821 BL3	AR			Beige N N N YS821BL3
	S821 BT8	AR			Brown N N N YS821BT8
8					HANDLE, Recliner Release N N N N
	S600 BA3	2			Silver N N N YS600BA3
	S600 BC7	2			Blue, Dark N N N YS600BC7

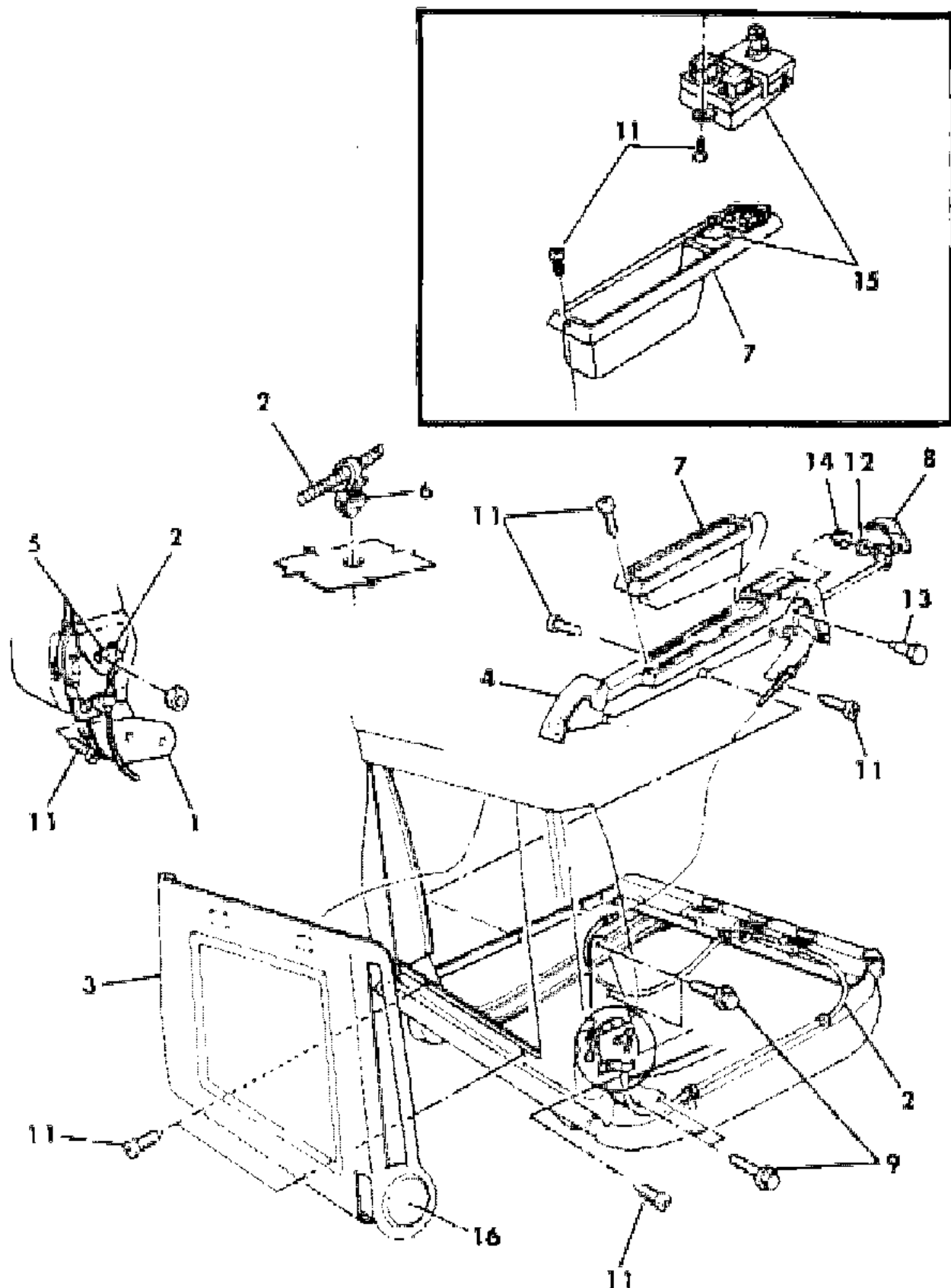
MODEL CODES

B = GRAN FURY	F = FIFTH AVENUE/NEWPORT	P = RELIANT
C = LEBARON/TOWN & COUNTRY/EXC SEDAN	G = DIPLOMAT	T = E CLASS/NEW YORKER
C24 = LASER	H = VOYAGER	V = 600
D = ARIES	K = MINI RAM/CARAVAN/ROYAL	V24 = DAYTONA
E = 600	M = HORIZON/TURISMO	Z = OMNI/CHARGER/RAMPAGE

BODY STYLES

21 = 2-DOOR SEDAN	28 = FWD PICKUP	44 = 4-DOOR HATCHBACK
22 = 2-DOOR SPECIAL COUPE	35 = FWD VAN	45 = 4-DOOR STATION WAGON
24 = 2-DOOR HATCHBACK	36 = FWD WAGON	48 = 4-DOOR EXECUTIVE SEDAN
27 = 2-DOOR CONVERTIBLE	41 = 4-DOOR SEDAN	

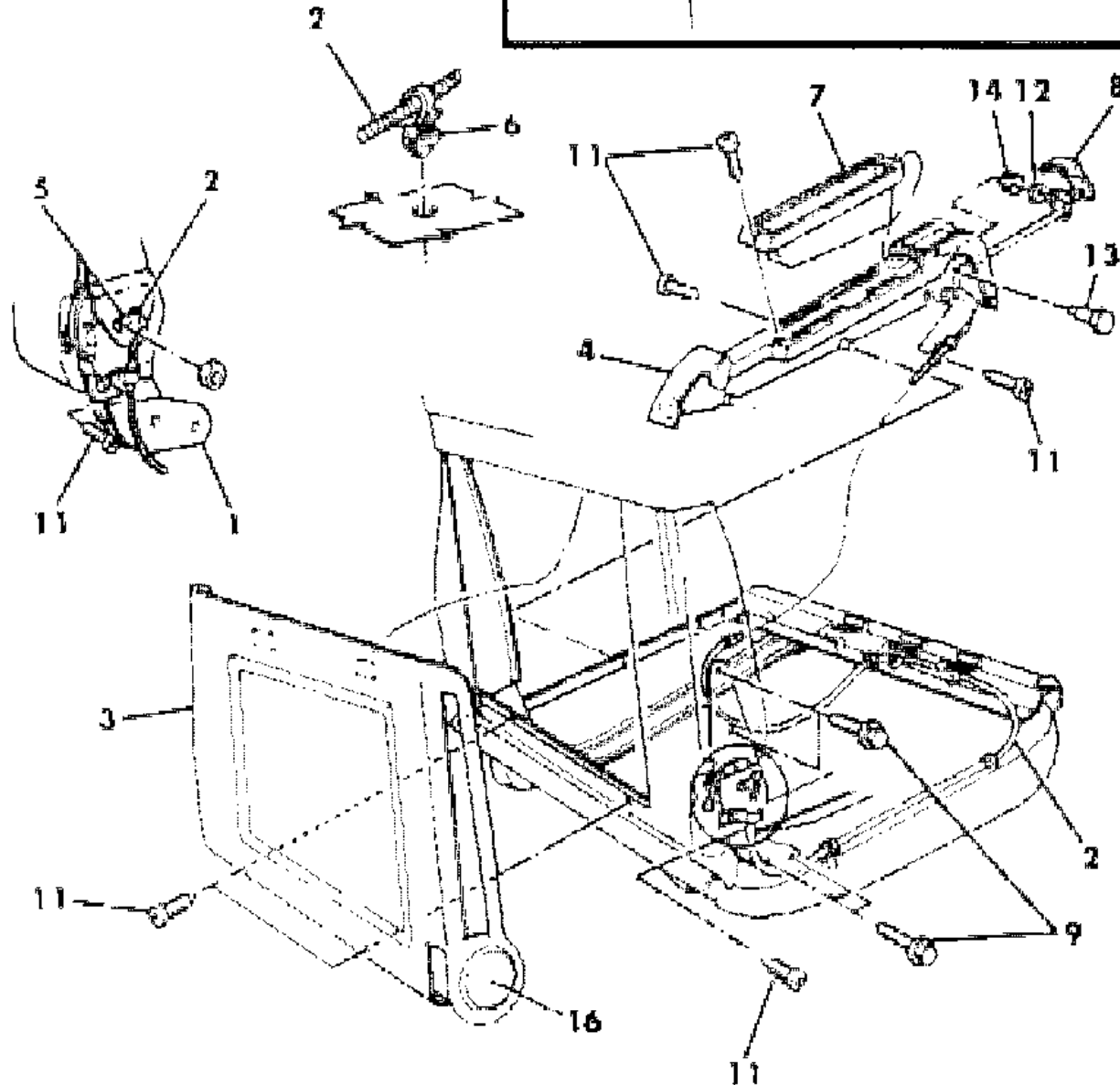
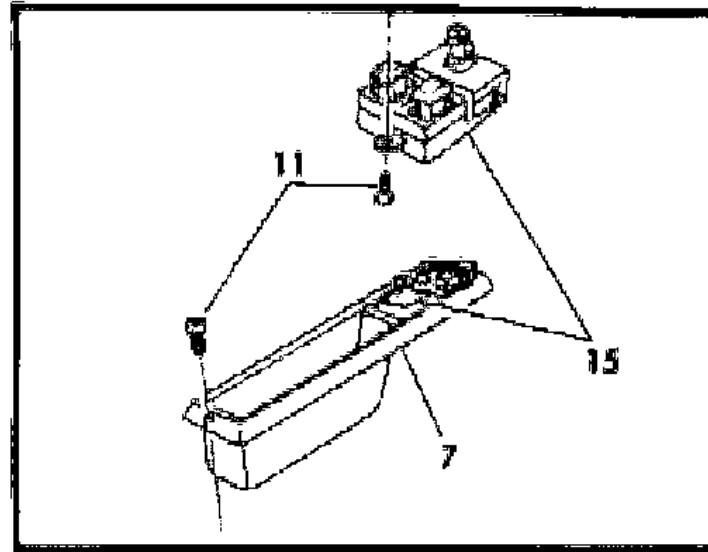
AR = Use as Required - = Non Illustrated Part P.A.R. = Paint as Required



RECLINING 50/50 SEAT E,T E BODY
Figure ITE-2000

4238 2000

ITEM	PART NUMBER	QTY	BODY	MODEL	DESCRIPTION
	S600 BL3	2			Beige N N N YS600BL3
	S600 BM6	2			Red N N N YS600BM6
	S600 CS8	2			Charcoal N N N YS600CS8
	S600 BT8	2			Brown N N N YS600BT8
9	9422 041	4			SCREW and WASHER N N N Y9422041
10	0120 622	AR			NUT, Lock N N N Y120622
11		AR			SCREW (not serviced) N N N N
12	6100 883	2			WASHER N N N Y6100883
13	6032 310	2			BOLT, Shoulder N N N Y6032310
14	4290 370-1	1			SPRING, Handle Return N N N Y4290370
15	3747 815	1			SWITCH, Seat Adjuster N N N Y3747815
16	4277 670	2			PLATE, Finish Back Shield N N N Y4277670



MODEL CODES

B = GRAN FURY	F = FIFTH AVENUE/NEWPORT	P = RELIANT
C = LEBARON/TOWN & COUNTRY/EXC SEDAN	G = DIPLOMAT	T = E CLASS/NEW YORKER
C24 = LASER	H = VOYAGER	V = 600
D = ARIES	K = MINI RAM/CARAVAN/ROYAL	V24 = DAYTONA
E = 600	M = HORIZON/TURISMO	Z = OMNI/CHARGER/RAMPAGE

BODY STYLES

21 = 2-DOOR SEDAN	28 = FWD PICKUP	44 = 4-DOOR HATCHBACK
22 = 2-DOOR SPECIAL COUPE	35 = FWD VAN	45 = 4-DOOR STATION WAGON
24 = 2-DOOR HATCHBACK	36 = FWD WAGON	48 = 4-DOOR EXECUTIVE SEDAN
27 = 2-DOOR CONVERTIBLE	41 = 4-DOOR SEDAN	

AR = Use as Required - = Non Illustrated Part P.A.R. = Paint as Required

ADJUSTER MANUAL E,T E BODY
Figure ITE-2100

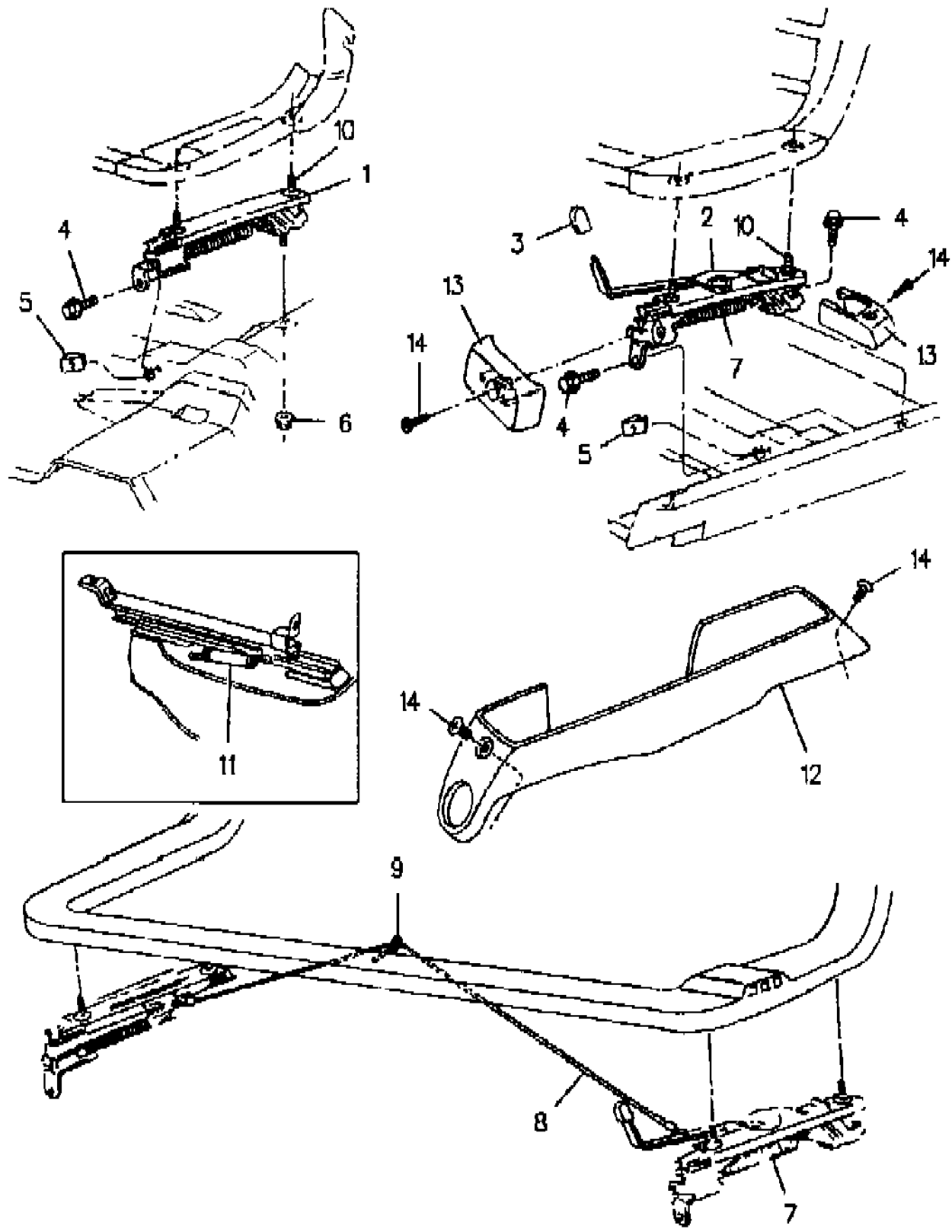
4238 2100A

ITEM	PART NUMBER	QTY	BODY	MODEL	DESCRIPTION
1					ADJUSTER, Inner N N N N
	4327 174-5	1			w/Bucket Seat N N N Y4327174
	4290 998-9	1			w/50/50 Split N N N Y4290998
2					ADJUSTER, Outer N N N N
	4327 172-3	1			w/Bucket Seat N N N Y4327172
	4327 178-9	1			w/Bench Seat N N N Y4327178
	4290 996-7	1			w/50/50 Split N N N Y4290996
3	5207 235	1			KNOB, Release Lever N N N Y5207235
4		AR			SCREW and WASHER (not serviced) N N N N
5	6101 283	AR			U-NUT N N N Y6101283
6	6500 563	AR			NUT and WASHER N N N Y6500563
7	4316 006	1			SPRING, Adjuster Release Lever w/Bucket Seat (w/15 Coils) N N N Y4316006
	4316 008	1			w/Bench Seat (w/15 Coils) N N N Y4316008
8					WIRE, Release Lever Connector N N N N
	4239 933	1			w/Bench Seat N N N Y4239933
	4239 942	1			w/Bucket Seat N N N Y4239942
	4277 556	1			w/50/50 Split N N N Y4277556
9	2942 556	1			HOOK, Guide Wire N N N Y2942556
10		AR			SCREW and WASHER (not serviced) N N N N
11	4316 009	1			SPRING, Adjuster Assist (w/29.25 Coils) N N N Y4316009
	4316 172	1			w/50/50 Seats w/Dual Arm Rest (w/43.25 Coils) N N N Y4316172
	4316 007	1			SPRING, Adjuster Release Latch (w/18 Coils) N N N Y4316007
12					COVER, Adjuster w/Bucket Seat, Inner N N N N
	S914-5 CS8	1			Charcoal N N N YS914CS8
	S914-5 CC7	1			Blue, Dark N N N YS914CC7
	S914-5 CM6	1			Red N N N YS914CM6
	S914-5 CT8	1			Brown N N N YS914CT8
					COVER, Adjuster Side N N N N
					w/Bench Seat or Bucket Seat N N N N
	S952-3 CS8	1			Charcoal N N N YS952CS8
	S908-9 CC7	1			Blue, Dark N N N YS908CC7
	S908-9 CM6	1			Red N N N YS908CM6
	S908-9 CT8	1			Brown N N N YS908CT8
13					COVER, Manual Adjuster w/50/50 Seats N N N N
					Inner Front N N N N
	S654 CS8	2			Charcoal N N N YS654CS8

MODEL CODES
 B = GRAN FURY
 C = LEBARON/TOWN & COUNTRY/EXC SEDAN
 C24 = LASER
 D = ARIES
 E = 600
 F = FIFTH AVENUE/NEWPORT
 G = DIPLOMAT
 H = VOYAGER
 K = MINI RAM/CARAVAN/ROYAL
 M = HORIZON/TURISMO
 P = RELIANT
 T = E CLASS/NEW YORKER
 V = 600
 V24 = DAYTONA
 Z = OMNI/CHARGER/RAMPAGE

BODY STYLES
 21 = 2-DOOR SEDAN
 22 = 2-DOOR SPECIAL COUPE
 24 = 2-DOOR HATCHBACK
 27 = 2-DOOR CONVERTIBLE
 28 = FWD PICKUP
 35 = FWD VAN
 36 = FWD WAGON
 41 = 4-DOOR SEDAN
 44 = 4-DOOR HATCHBACK
 45 = 4-DOOR STATION WAGON
 48 = 4-DOOR EXECUTIVE SEDAN

AR = Use as Required - = Non Illustrated Part P.A.R. = Paint as Required

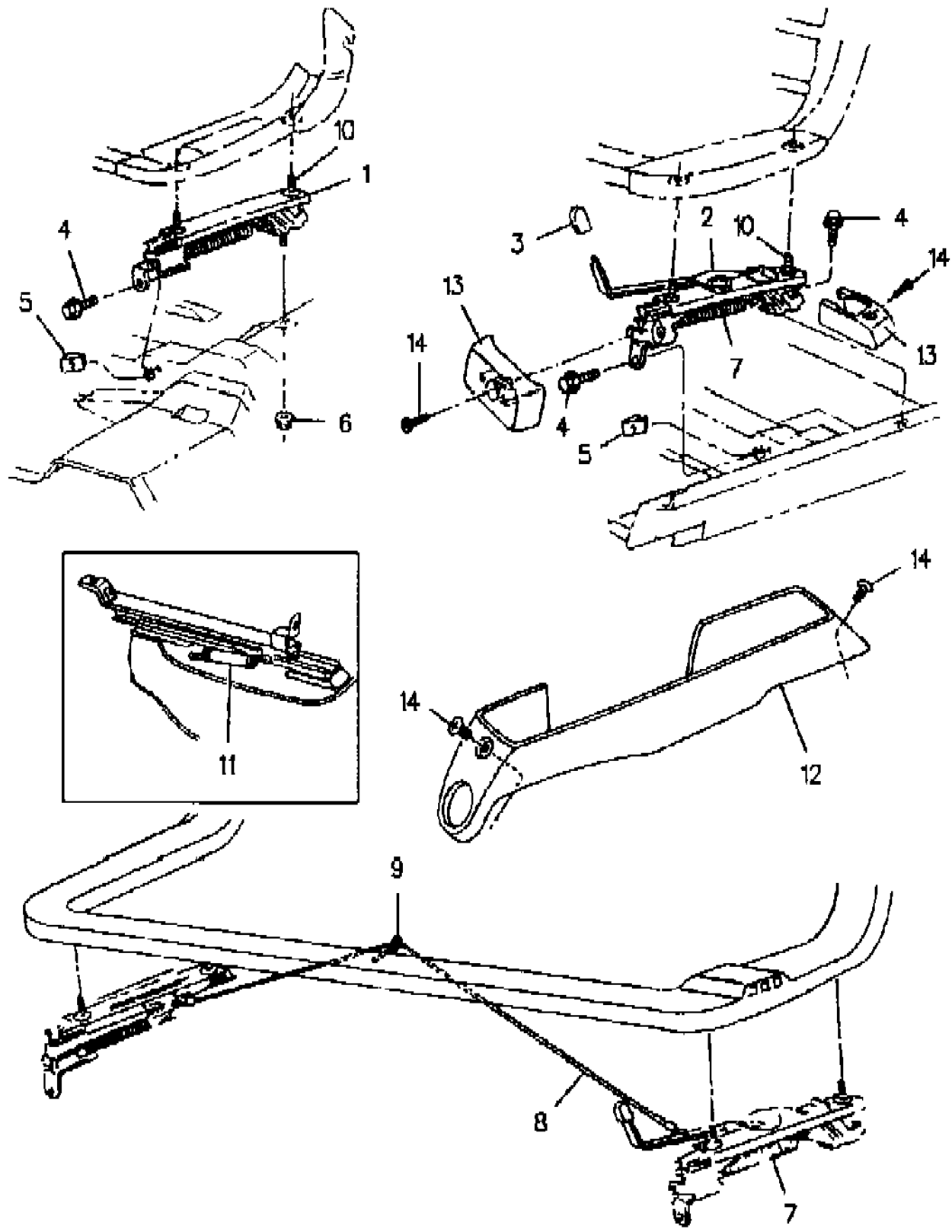


ADJUSTER MANUAL E,T E BODY
Figure ITE-2100

4238 2100A

ITEM	PART NUMBER	QTY	BODY	MODEL	DESCRIPTION
	S654 CC7	2			Blue, Dark N N N YS654CC7
	S654 CM6	2			Red N N N YS654CM6
	S654 CT8	2			Brown N N N YS654CT8
	S650 CS8	2			Inner Rear N N N N Charcoal N N N YS650CS8
	S650 CC7	2			Blue, Dark N N N YS650CC7
	S650 CM6	2			Red N N N YS650CM6
	S650 CT8	2			Brown N N N YS650CT8
14		AR			SCREW (not serviced) N N N N

The following part is not illustrated. s ARE NOT RETURNABLE.
CLIP, Front Seat Cushion Inner Console Rear Attaching w/50/50 Split Seats 4290866 s ARE NOT RETURNABLE.
0104 918 AR BALL, Adjuster w/50/50 Split Seats N N N Y104918



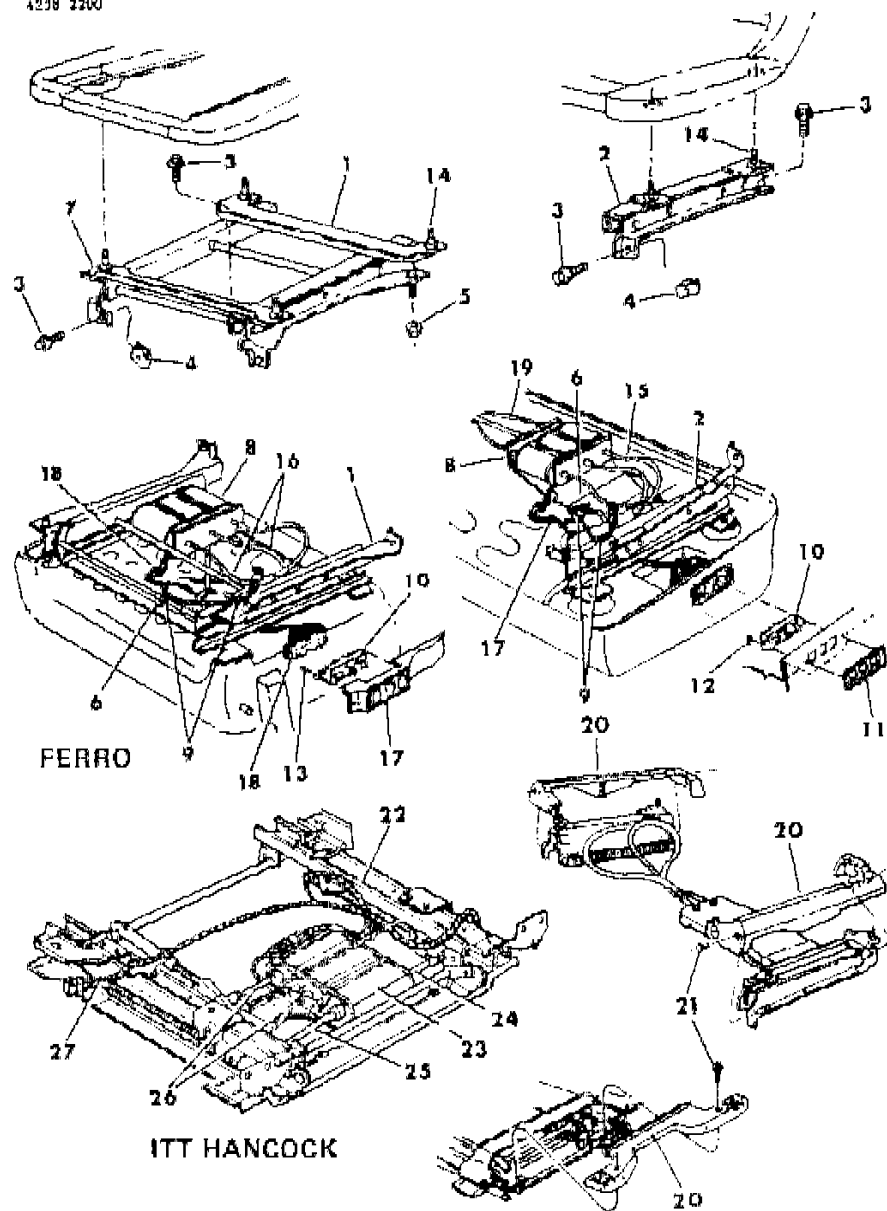
- MODEL CODES
 B = GRAN FURY
 C = LEBARON/TOWN & COUNTRY/EXC SEDAN
 C24 = LASER
 D = ARIES
 E = 600
 F = FIFTH AVENUE/NEWPORT
 G = DIPLOMAT
 H = VOYAGER
 K = MINI RAM/CARAVAN/ROYAL
 M = HORIZON/TURISMO
 P = RELIANT
 T = E CLASS/NEW YORKER
 V = 600
 V24 = DAYTONA
 Z = OMNI/CHARGER/RAMPAGE

- BODY STYLES
 21 = 2-DOOR SEDAN
 22 = 2-DOOR SPECIAL COUPE
 24 = 2-DOOR HATCHBACK
 27 = 2-DOOR CONVERTIBLE
 28 = FWD PICKUP
 35 = FWD VAN
 36 = FWD WAGON
 41 = 4-DOOR SEDAN
 44 = 4-DOOR HATCHBACK
 45 = 4-DOOR STATION WAGON
 48 = 4-DOOR EXECUTIVE SEDAN

AR = Use as Required - = Non Illustrated Part P.A.R. = Paint as Required

ADJUSTER ELECTRIC E,T E BODY
Figure ITE-2200

4238 2200



ITEM	PART NUMBER	QTY	BODY	MODEL	DESCRIPTION
------	-------------	-----	------	-------	-------------

NOTE: THE FOLLOWING PARTS ARE FOR REPLACEMENT ONLY NOT FOR NEW INSTALLATION. s ARE NOT RETURNABLE
 NOTE: When Ordering Adjusters Or Replacement Parts Determine Whether They Are Ferro Or Hancock. s ARE NOT RETURNABLE.

1	4316 849	1			ADJUSTER, w/Bucket, Left (Ferro) N N N Y4316849
	4316 849	1			w/50/50 Split (Ferro) N N N Y4316849
2	4327 182-3	1			ADJUSTER, Bench Seat N N N Y4327182
3	6500 615	AR			SCREW and WASHER N N N Y6500615
4	6101 283	AR			U-NUT N N N Y6101283
5	6100 051	AR			NUT and WASHER N N N Y6100051
6	6015 756	AR			STRAP N N N Y6015756
7	6028 040	4			RETAINER N N N Y6028040
8	4327 045	1			MOTOR, w/Bench Seat N N N Y4327045
	4316 844	1			w/Bucket and 50/50 Split N N N Y4316844
9		AR			CLIP (not serviced) N N N N
10					SWITCH N N N N
	3747 740	1			w/Bench Seat N N N Y3747740
	3747 924	1			w/Bucket Seat or Split Bench N N N Y3747924
11	3746 967	1			BEZEL, Switch w/Bench Seat N N N Y3746967
12	6025 002	AR			NUT and CONE WASHER N N N Y6025002
13		AR			SCREW (not serviced) N N N N
14	0181 088	4			SCREW and WASHER N N N Y181088
15					CABLE, Bench Seat N N N N
	4327 047	3			Left (12.19") N N N Y4327047
16	4316 846	3			CABLE, Left, Bucket, Split Bench or 60/40 Seat (1.94") N N N Y4316846
17	S775 VB2	1			SHIELD (paint as required) N N N YS775VB2
18	4304 162	1			WIRING, w/Bench Seat N N N Y4304162
	4304 161	1			w/Bucket or 50/50 Split N N N Y4304161
19					CABLE, Bench Seat N N N N
	4327 046	1			Right (31.68") N N N Y4327046
	4376 632	2			Right (35.63") N N N Y4376632
20					COVER, w/Bench N N N N
	S606-7 CS8	1			Charcoal N N N YS606CS8
	S606-7 CC7	1			Blue, Dark N N N YS606CC7
	S606-7 CM6	1			Red N N N YS606CM6
	S606-7 CT8	1			Brown N N N YS606CT8
					w/Bucket or 50/50 Split, Outer, Left (Use With Ferro Adjuster) N N N

MODEL CODES

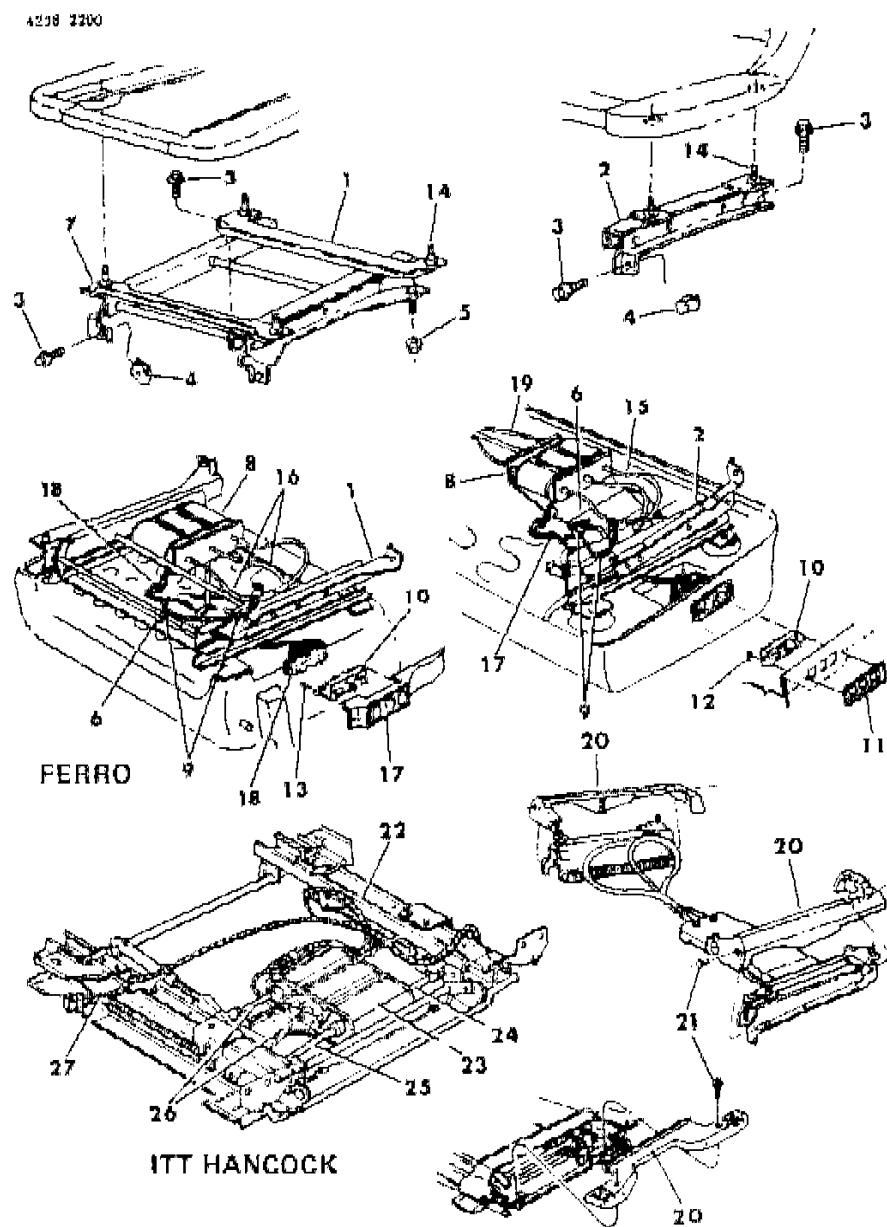
B = GRAN FURY	F = FIFTH AVENUE/NEWPORT	P = RELIANT
C = LEBARON/TOWN & COUNTRY/EXC SEDAN	G = DIPLOMAT	T = E CLASS/NEW YORKER
C24 = LASER	H = VOYAGER	V = 600
D = ARIES	K = MINI RAM/CARAVAN/ROYAL	V24 = DAYTONA
E = 600	M = HORIZON/TURISMO	Z = OMNI/CHARGER/RAMPAGE

BODY STYLES

21 = 2-DOOR SEDAN	28 = FWD PICKUP	44 = 4-DOOR HATCHBACK
22 = 2-DOOR SPECIAL COUPE	35 = FWD VAN	45 = 4-DOOR STATION WAGON
24 = 2-DOOR HATCHBACK	36 = FWD WAGON	48 = 4-DOOR EXECUTIVE SEDAN
27 = 2-DOOR CONVERTIBLE	41 = 4-DOOR SEDAN	

AR = Use as Required - = Non Illustrated Part P.A.R. = Paint as Required

ADJUSTER ELECTRIC E,T E BODY
Figure ITE-2200



ITEM	PART NUMBER	QTY	BODY	MODEL	DESCRIPTION
	S663 CS8	1			Charcoal N N N YS663CS8
	S663 CC7	1			Blue, Dark N N N YS663CC7
	S663 CM6	1			Red N N N YS663CM6
	S663 CT8	1			Brown N N N YS663CT8 w/Bucket or 50/50 Split, Outer, Left (Use With Hancock Adjuster) N N N N
	S675 CS8	1			Charcoal N N N YS675CS8
	S675 CC7	1			Blue, Dark N N N YS675CC7
	S675 CM6	1			Red N N N YS675CM6
	S675 CT8	1			Brown N N N YS675CT8 w/Bucket or 50/50 Split, Inner Front, Left (Use With Ferro Adjuster) N N N N
	S662 CS8	1			Charcoal N N N YS662CS8
	S662 CC7	1			Blue, Dark N N N YS662CC7
	S662 CM6	1			Red N N N YS662CM6
	S662 CT8	1			Brown N N N YS662CT8 w/Bucket or 50/50 Split, Inner Front, Left (Use With Hancock Adjuster) N N N N
	S674 CS8	1			Charcoal N N N YS674CS8
	S674 CC7	1			Blue, Dark N N N YS674CC7
	S674 CM6	1			Red N N N YS674CM6
	S674 CT8	1			Brown N N N YS674CT8 w/Bucket or 50/50 Split, Inner Rear, Left (Use With Ferro Adjuster) N N N N
	S646 CS8	1			Charcoal N N N YS646CS8
	S646 CC7	1			Blue, Dark N N N YS646CC7
	S646 CM6	1			Red N N N YS646CM6
	S646 CT8	1			Brown N N N YS646CT8 w/Bucket or 50/50 Split, Inner Rear, Left (Use With Hancock Adjuster) N N N N
	S660 CS8	1			Charcoal N N N YS660CS8
	S660 CC7	1			Blue, Dark N N N YS660CC7
	S660 CM6	1			Red N N N YS660CM6
	S660 CT8	1			Brown N N N YS660CT8
21		AR			SCREW (not serviced) N N N N
22	4327 278	1			ADJUSTER, w/Bucket or 50/50 Split (Hancock) N N N Y4327278
23	4327 279	1			MOTOR, w/Bucket or 50/50 Split N N N Y4327279
24	4327 280	1			CABLE, Inner w/Bucket or 50/50 Split (2.68") N N N Y4327280

MODEL CODES

B = GRAN FURY	F = FIFTH AVENUE/NEWPORT	P = RELIANT
C = LEBARON/TOWN & COUNTRY/EXC SEDAN	G = DIPLOMAT	T = E CLASS/NEW YORKER
C24 = LASER	H = VOYAGER	V = 600
D = ARIES	K = MINI RAM/CARAVAN/ROYAL	V24 = DAYTONA
E = 600	M = HORIZON/TURISMO	Z = OMNI/CHARGER/RAMPAGE

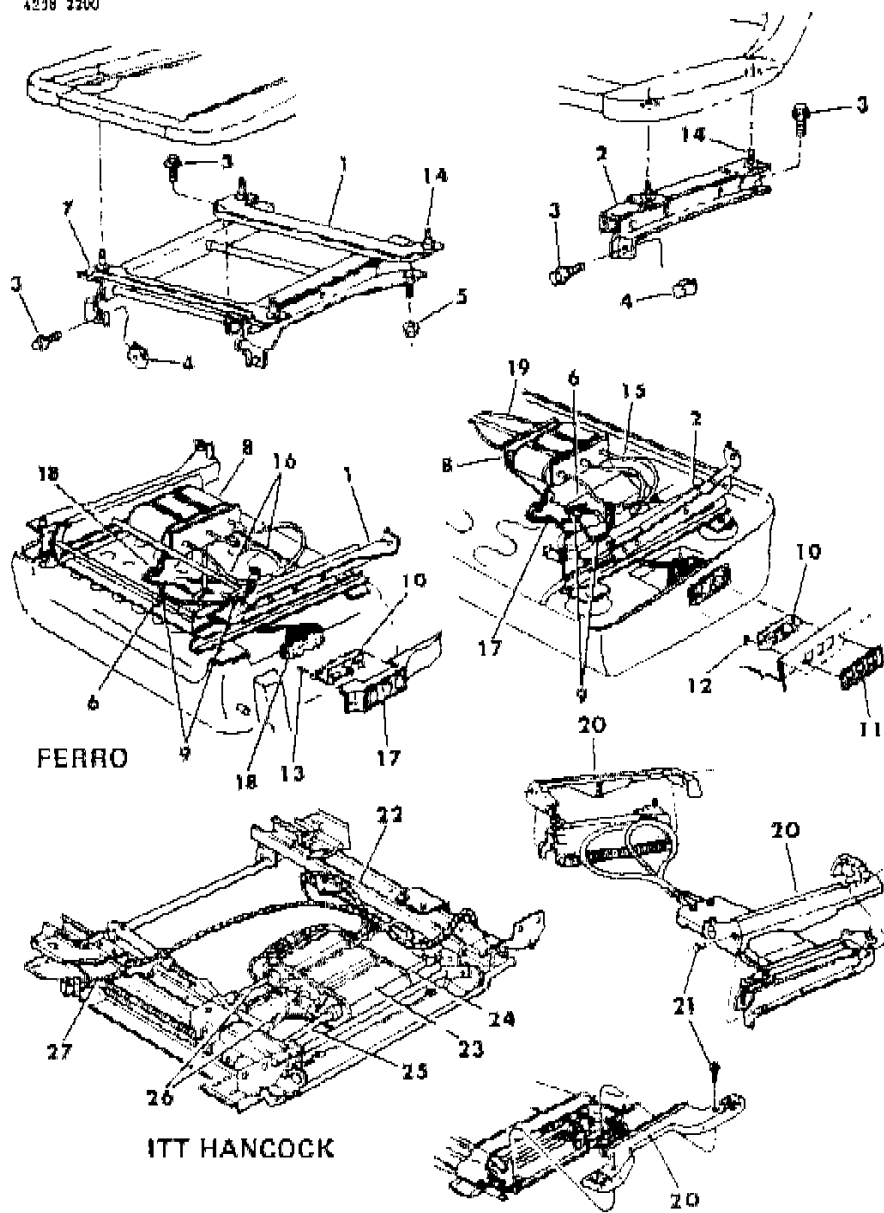
BODY STYLES

21 = 2-DOOR SEDAN	28 = FWD PICKUP	44 = 4-DOOR HATCHBACK
22 = 2-DOOR SPECIAL COUPE	35 = FWD VAN	45 = 4-DOOR STATION WAGON
24 = 2-DOOR HATCHBACK	36 = FWD WAGON	48 = 4-DOOR EXECUTIVE SEDAN
27 = 2-DOOR CONVERTIBLE	41 = 4-DOOR SEDAN	

AR = Use as Required - = Non Illustrated Part P.A.R. = Paint as Required

ADJUSTER ELECTRIC E,T E BODY
Figure ITE-2200

4238 2200



ITEM	PART NUMBER	QTY	BODY	MODEL	DESCRIPTION
25	4327 281	1			CABLE, Outer w/Bucket or 50/50 Split (5.68") N N N Y4327281
26	4327 282	2			SHAFT, Flexible w/Bucket or 50/50 Split (4.005") N N N Y4327282
27					WIRING N N N N
	4304 778	1			W/Bucket Seats N N N Y4304778
	4304 161	1			W/50/50 Split Seats N N N Y4304161
The following parts are not illustrated. s ARE NOT RETURNABLE.					
		2			SUPPORT, Motor, Left w/Bucket or Split Bench N N N N4316848

MODEL CODES

B = GRAN FURY	F = FIFTH AVENUE/NEWPORT	P = RELIANT
C = LEBARON/TOWN & COUNTRY/EXC SEDAN	G = DIPLOMAT	T = E CLASS/NEW YORKER
C24 = LASER	H = VOYAGER	V = 600
D = ARIES	K = MINI RAM/CARAVAN/ROYAL	V24 = DAYTONA
E = 600	M = HORIZON/TURISMO	Z = OMNI/CHARGER/RAMPAGE

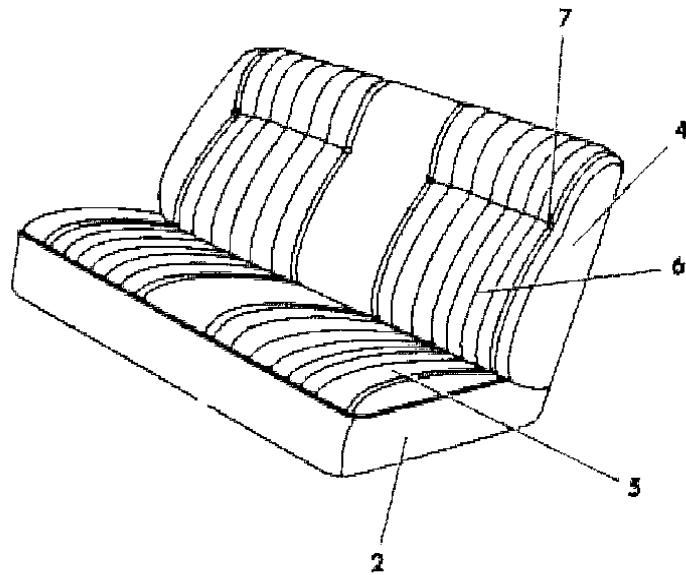
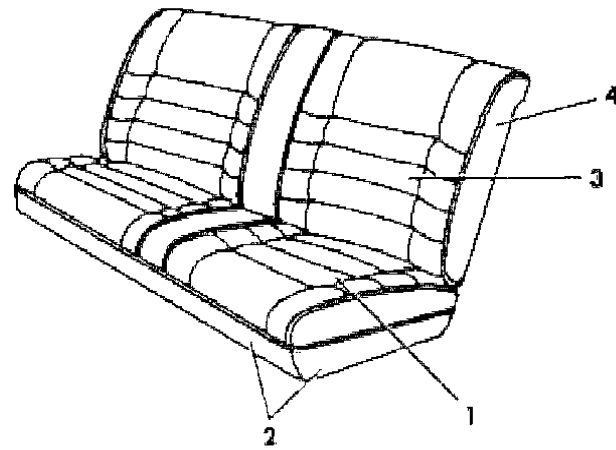
BODY STYLES

21 = 2-DOOR SEDAN	28 = FWD PICKUP	44 = 4-DOOR HATCHBACK
22 = 2-DOOR SPECIAL COUPE	35 = FWD VAN	45 = 4-DOOR STATION WAGON
24 = 2-DOOR HATCHBACK	36 = FWD WAGON	48 = 4-DOOR EXECUTIVE SEDAN
27 = 2-DOOR CONVERTIBLE	41 = 4-DOOR SEDAN	

AR = Use as Required - = Non Illustrated Part P.A.R. = Paint as Required

SEAT REAR E,T E BODY TRIM CODES C4,E5,M3
Figure ITE-2300

4238 2300



ITEM	PART NUMBER	QTY	BODY	MODEL	DESCRIPTION
1-2					CUSHION, w/Spring/Frame, Pad and Cover N N N N
	A930 C3A	1			N N NM3A YA930C3A
	A930 C3C	1			N N NM3C YA930C3C
	A930 C3M	1			N N NM3M YA930C3M
	A930 C3L	1			N N NM3L YA930C3L
	A827 C5A	1			N N NE5AS YA827C5A
	A827 C5L	1			N N NE5LT YA827C5L
	A827 C5M	1			N N NE5M YA827C5M
1					COVER, Cushion N N N N
	A512 C3A	1			N N NM3A YA512C3A
	A512 C3C	1			N N NM3C YA512C3C
	A512 C3M	1			N N NM3M YA512C3M
	A512 C3L	1			N N NM3L YA512C3L
	A473 C5A	1			N N NE5AS YA473C5A
	A473 C5L	1			N N NE5LT YA473C5L
	A473 C5M	1			N N NE5M YA473C5M
2					ROLL STOCK, Vinyl Order by the Inch N N N N
	R616 AA2	AR			N N NM3A,C4A YR616AA2
	R616 VC8	AR			N N NM3C YR616VC8
	R609 CS8	AR			N N NE5AS YR609CS8
	R616 VM6	AR			N N NM3M,C4M,E5M YR616VM6
	R616 BL3	AR			N N NM3L,C4L YR616BL3
	R609 BT8	AR			N N NE5LT YR609BT8
3-4					BACK, w/Spring/Frame, Pad and Cover N N N N
	A931 C3A	1			N N NM3A YA931C3A
	A931 C3C	1			N N NM3C YA931C3C
	A931 C3M	1			N N NM3M YA931C3M
	A931 C3L	1			N N NM3L YA931C3L
	A828 C5A	1			N N NE5AS YA828C5A
	A828 C5L	1			N N NE5LT YA828C5L
	A828 C5M	1			N N NE5M YA828C5M
3					COVER, Back N N N N
	A513 C3A	1			N N NM3A YA513C3A
	A513 C3C	1			N N NM3C YA513C3C
	A513 C3M	1			N N NM3M YA513C3M
	A513 C3L	1			N N NM3L YA513C3L
	A474 C5A	1			N N NE5AS YA474C5A
	A474 C5L	1			N N NE5LT YA474C5L

MODEL CODES

B = GRAN FURY	F = FIFTH AVENUE/NEWPORT	P = RELIANT
C = LEBARON/TOWN & COUNTRY/EXC SEDAN	G = DIPLOMAT	T = E CLASS/NEW YORKER
C24 = LASER	H = VOYAGER	V = 600
D = ARIES	K = MINI RAM/CARAVAN/ROYAL	V24 = DAYTONA
E = 600	M = HORIZON/TURISMO	Z = OMNI/CHARGER/RAMPAGE

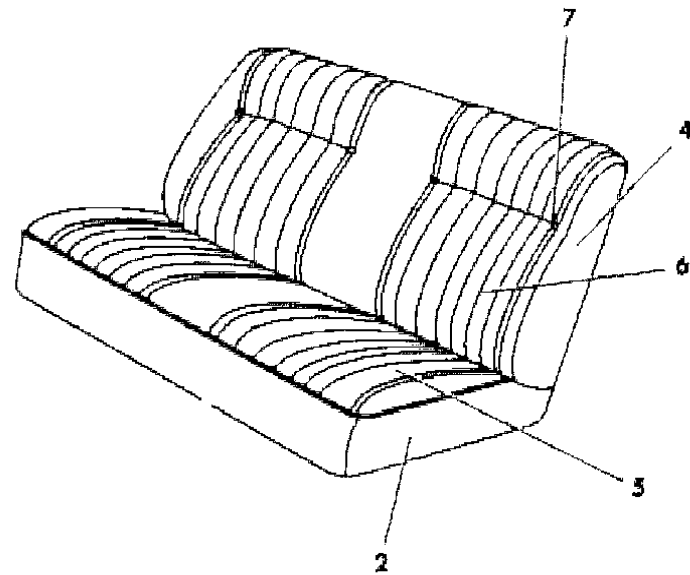
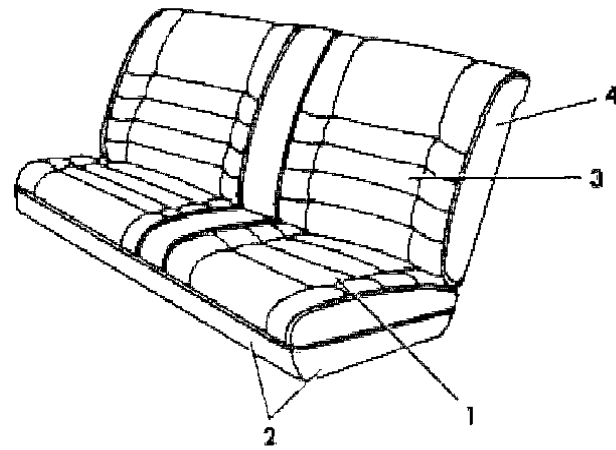
BODY STYLES

21 = 2-DOOR SEDAN	28 = FWD PICKUP	44 = 4-DOOR HATCHBACK
22 = 2-DOOR SPECIAL COUPE	35 = FWD VAN	45 = 4-DOOR STATION WAGON
24 = 2-DOOR HATCHBACK	36 = FWD WAGON	48 = 4-DOOR EXECUTIVE SEDAN
27 = 2-DOOR CONVERTIBLE	41 = 4-DOOR SEDAN	

AR = Use as Required - = Non Illustrated Part P.A.R. = Paint as Required

SEAT REAR E,T E BODY TRIM CODES C4,E5,M3
Figure ITE-2300

4238 2300



ITEM	PART NUMBER	QTY	BODY	MODEL	DESCRIPTION
	A474 C5M	1			N N NE5M YA474C5M
4					ROLL STOCK, Cloth 54" Wide Order by the Inch N N N N
	R093 AA3	AR			N N NM3A YR093AA3
	R093 AC7	AR			N N NM3C YR093AC7
	R093 AM6	AR			N N NM3M YR093AM6
	R093 BL3	AR			N N NM3L YR093BL3
	R088 BA2	AR			N N NE5AS,C4A YR088BA2
	R092 VM6	AR			N N NE5M,C4M YR092VM6
	R088 BT8	AR			N N NE5LT,C4L YR088BT8
5&2					CUSHION, w/Spring/Frame, Pad and Cover N N N N
	A723 B4A	1			N N NC4A YA723B4A
	A723 B4M	1			N N NC4M YA723B4M
	A723 B4L	1			N N NC4L YA723B4L
5					COVER, Cushion N N N N
	A411 B4A	1			N N NC4A YA411B4A
	A411 B4M	1			N N NC4M YA411B4M
	A411 B4L	1			N N NC4L YA411B4L
6&2					BACK, w/Spring/Frame, Pad and Cover N N N N
	A724 B4A	1			N N NC4A YA724B4A
	A724 B4M	1			N N NC4M YA724B4M
	A724 B4L	1			N N NC4L YA724B4L
6					COVER, Back N N N N
	A412 B4A	1			N N NC4A YA412B4A
	A412 B4M	1			N N NC4M YA412B4M
	A412 B4L	1			N N NC4L YA412B4L
7	4316 220	4			BUTTON, Chrome N N N Y4316220
8	6008 076	AR			HOG RING N N N Y6008076

MODEL CODES

B = GRAN FURY	F = FIFTH AVENUE/NEWPORT	P = RELIANT
C = LEBARON/TOWN & COUNTRY/EXC SEDAN	G = DIPLOMAT	T = E CLASS/NEW YORKER
C24 = LASER	H = VOYAGER	V = 600
D = ARIES	K = MINI RAM/CARAVAN/ROYAL	V24 = DAYTONA
E = 600	M = HORIZON/TURISMO	Z = OMNI/CHARGER/RAMPAGE

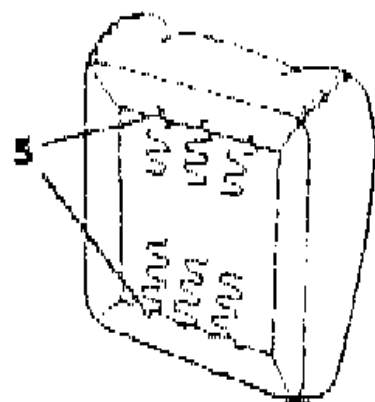
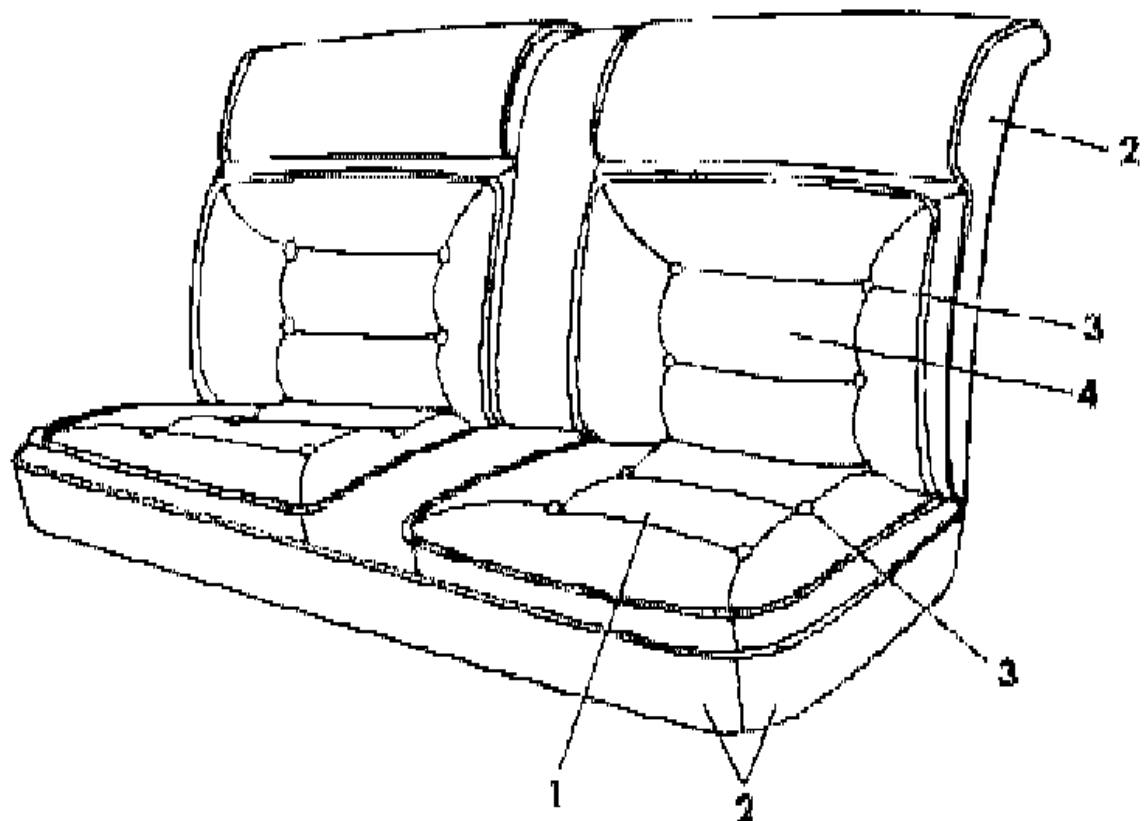
BODY STYLES

21 = 2-DOOR SEDAN	28 = FWD PICKUP	44 = 4-DOOR HATCHBACK
22 = 2-DOOR SPECIAL COUPE	35 = FWD VAN	45 = 4-DOOR STATION WAGON
24 = 2-DOOR HATCHBACK	36 = FWD WAGON	48 = 4-DOOR EXECUTIVE SEDAN
27 = 2-DOOR CONVERTIBLE	41 = 4-DOOR SEDAN	

AR = Use as Required - = Non Illustrated Part P.A.R. = Paint as Required

SEAT REAR E,T E BODY TRIM CODE PF
Figure ITE-2400

423R 2400



ITEM	PART NUMBER	QTY	BODY	MODEL	DESCRIPTION
1-3					CUSHION, w/Spring/Frame, Pad and Cover N N N N
	A734 BFA	1			N N NPFA YA734BFA
	A734 BFC	1			N N NPFC YA734BFC
	A734 BFM	1			N N NPFM YA734BFM
	A734 CFU	1			N N NPFL YA734CFU
1					COVER, Cushion N N N N
	A432 BFA	1			N N NPFA YA432BFA
	A432 BFC	1			N N NPFC YA432BFC
	A432 BFM	1			N N NPFM YA432BFM
	A432 CFU	1			N N NPFL YA432CFU
2					ROLL STOCK, Cloth 54" Wide Order by the Inch N N N N
	R011 BA3	AR			N N NPFA YR011BA3
	R011 BC7	AR			N N NPFC YR011BC7
	R011 BM6	AR			N N NPFM YR011BM6
	R011 CL4	AR			N N NPFL YR011CL4
3					BUTTON, Cushion and Back N N N N
	G391 BA3	AR			N N NPFA YG391BA3
	G391 BC7	AR			N N NPFC YG391BC7
	G391 BM6	AR			N N NPFM YG391BM6
	G391 CL4	AR			N N NPFL YG391CL4
-	6032 359	AR			RETAINER, Button N N N Y6032359
2-4					BACK, w/Spring/Frame, Pad and Cover N N N N
	A735 BFA	1			N N NPFA YA735BFA
	A735 BFC	1			N N NPFC YA735BFC
	A735 BFM	1			N N NPFM YA735BFM
	A735 CFU	1			N N NPFL YA735CFU
4					COVER, Back N N N N
	A433 BFA	1			N N NPFA YA433BFA
	A433 BFC	1			N N NPFC YA433BFC
	A433 BFM	1			N N NPFM YA433BFM
	A433 CFU	1			N N NPFL YA433CFU
5	6008 076	AR			HOG RING N N N Y6008076

MODEL CODES

B = GRAN FURY	F = FIFTH AVENUE/NEWPORT	P = RELIANT
C = LEBARON/TOWN & COUNTRY/EXC SEDAN	G = DIPLOMAT	T = E CLASS/NEW YORKER
C24 = LASER	H = VOYAGER	V = 600
D = ARIES	K = MINI RAM/CARAVAN/ROYAL	V24 = DAYTONA
E = 600	M = HORIZON/TURISMO	Z = OMNI/CHARGER/RAMPAGE

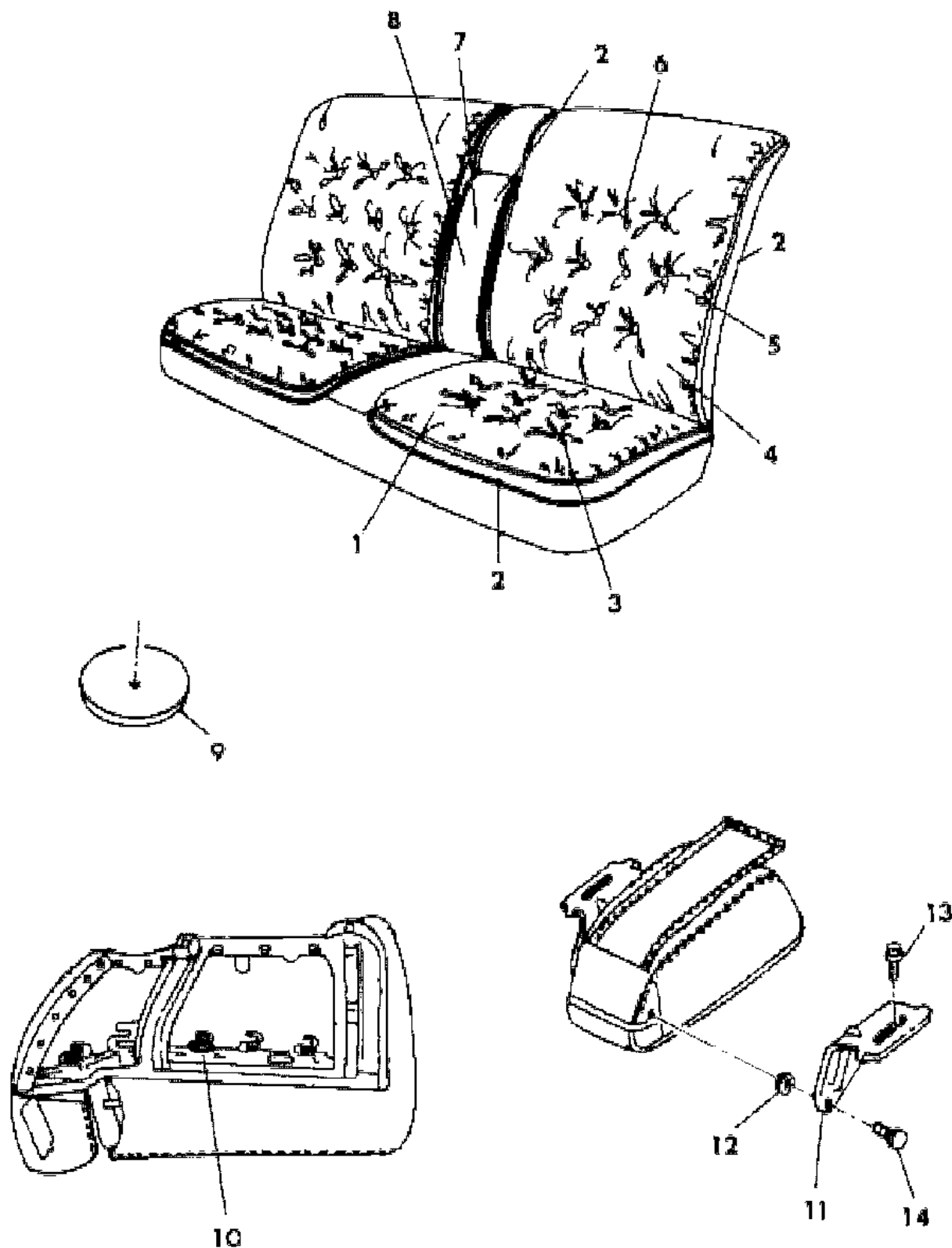
BODY STYLES

21 = 2-DOOR SEDAN	28 = FWD PICKUP	44 = 4-DOOR HATCHBACK
22 = 2-DOOR SPECIAL COUPE	35 = FWD VAN	45 = 4-DOOR STATION WAGON
24 = 2-DOOR HATCHBACK	36 = FWD WAGON	48 = 4-DOOR EXECUTIVE SEDAN
27 = 2-DOOR CONVERTIBLE	41 = 4-DOOR SEDAN	

AR = Use as Required - = Non Illustrated Part P.A.R. = Paint as Required

SEAT REAR E,T E BODY TRIM CODES LP,LF
Figure ITE-2500

4230 2500



ITEM	PART NUMBER	QTY	BODY	MODEL	DESCRIPTION
1-3					CUSHION, w/Spring/Frame, Pad and Cover N N N N
					Leather N N N N
	A896 CPS	1			N N NLPS YA896CPS
	A896 CPC	1			N N NLPC YA896CPC
	A896 CPM	1			N N NLPM YA896CPM
	A896 CPT	1			N N NLPT YA896CPT
	A896 CPL	1			N N NLPL YA896CPL
					Cloth N N N N
	A696 CFS	1			N N NLFS YA696CFS
	A696 CFC	1			N N NLFC YA696CFC
	A696 CFM	1			N N NLFM YA696CFM
	A696 CFT	1			N N NLFT YA696CFT
	A696 CFL	1			N N NLFL YA696CFL
1					COVER, Cushion N N N N
	A488 CPS	1			N N NLPS YA488CPS
	A488 CPC	1			N N NLPC YA488CPC
	A488 CPM	1			N N NLPM YA488CPM
	A488 CPT	1			N N NLPT YA488CPT
	A488 CPL	1			N N NLPL YA488CPL
	A498 CFS	1			N N NLFS YA498CFS
	A498 CFC	1			N N NLFC YA498CFC
	A498 CFM	1			N N NLFM YA498CFM
	A498 CFT	1			N N NLFT YA498CFT
	A498 CFL	1			N N NLFL YA498CFL
2					ROLL STOCK, Vinyl 54" Wide Order By The Inch. N N N N
	R627 CS8	AR			N N NLPS YR627CS8
	R627 AC8	AR			N N NLPC YR627AC8
	R627 AM6	AR			N N NLPM YR627AM6
	R627 BT8	AR			N N NLPT YR627BT8
	R627 BL3	AR			N N NLPL YR627BL3
					ROLL STOCK, Cloth 54" Wide Order By The Inch. N N N N
	R093 CS8	AR			N N NLFS,LPS YR093CS8
	R093 AC7	AR			N N NLFC,LPC YR093AC7
	R093 AM6	AR			N N NLFM,LPM YR093AM6
	R093 BT8	AR			N N NLFT,LPT YR093BT8
	R093 BL3	AR			N N NLFL,LPL YR093BL3
3					BUTTON, Cushion N N N N
	S845 CS8	AR			N N NLPS YS845CS8

MODEL CODES

B = GRAN FURY	F = FIFTH AVENUE/NEWPORT	P = RELIANT
C = LEBARON/TOWN & COUNTRY/EXC SEDAN	G = DIPLOMAT	T = E CLASS/NEW YORKER
C24 = LASER	H = VOYAGER	V = 600
D = ARIES	K = MINI RAM/CARAVAN/ROYAL	V24 = DAYTONA
E = 600	M = HORIZON/TURISMO	Z = OMNI/CHARGER/RAMPAGE

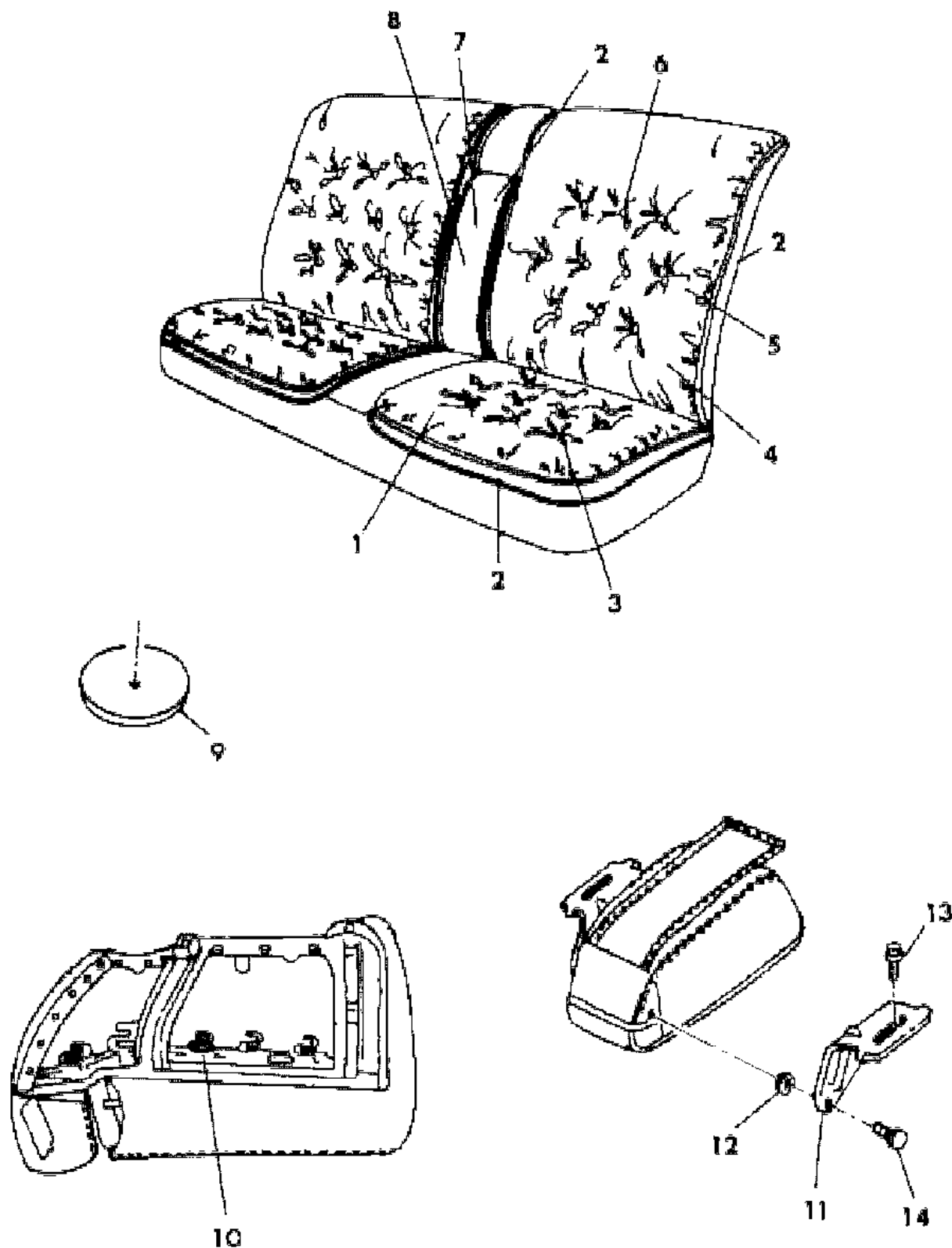
BODY STYLES

21 = 2-DOOR SEDAN	28 = FWD PICKUP	44 = 4-DOOR HATCHBACK
22 = 2-DOOR SPECIAL COUPE	35 = FWD VAN	45 = 4-DOOR STATION WAGON
24 = 2-DOOR HATCHBACK	36 = FWD WAGON	48 = 4-DOOR EXECUTIVE SEDAN
27 = 2-DOOR CONVERTIBLE	41 = 4-DOOR SEDAN	

AR = Use as Required - = Non Illustrated Part P.A.R. = Paint as Required

SEAT REAR E,T E BODY TRIM CODES LP,LF
Figure ITE-2500

4230 2500



ITEM	PART NUMBER	QTY	BODY	MODEL	DESCRIPTION
	S845 VC8	AR			N N NLPC YS845VC8
	S845 AM6	AR			N N NLPM YS845AM6
	S845 CT8	AR			N N NLPT YS845CT8
	S845 BL3	AR			N N NLPL YS845BL3
	G378 CS8	AR			N N NLFS YG378CS8
	G378 AC7	AR			N N NLFC YG378AC7
	G378 AM6	AR			N N NLFM YG378AM6
	G378 CT8	AR			N N NLFT YG378CT8
	G378 BL3	AR			N N NLFL YG378BL3
4-6					BACK, w/Spring/Frame, Pad and Cover N N N N
	A897 CPS	1			N N NLPS YA897CPS
	A897 CPC	1			N N NLPC YA897CPC
	A897 CPM	1			N N NLPM YA897CPM
	A897 CPT	1			N N NLPT YA897CPT
	A897 CPL	1			N N NLPL YA897CPL
	A697 CFS	1			N N NLFS YA697CFS
	A697 CFC	1			N N NLFC YA697CFC
	A697 CFM	1			N N NLFM YA697CFM
	A697 CFT	1			N N NLFT YA697CFT
	A697 CFL	1			N N NLFL YA697CFL
5					COVER, Back N N N N
	A489 CPS	1			N N NLPS YA489CPS
	A489 CPC	1			N N NLPC YA489CPC
	A489 CPM	1			N N NLPM YA489CPM
	A489 CPT	1			N N NLPT YA489CPT
	A489 CPL	1			N N NLPL YA489CPL
	A499 CFS	1			N N NLFS YA499CFS
	A499 CFC	1			N N NLFC YA499CFC
	A499 CFM	1			N N NLFM YA499CFM
	A499 CFT	1			N N NLFT YA499CFT
	A499 CFL	1			N N NLFL YA499CFL
6					BUTTON, Back N N N N
	S846 CS8	AR			N N NLPS YS846CS8
	S846 VC8	AR			N N NLPC YS846VC8
	S846 AM6	AR			N N NLPM YS846AM6
	S846 CT8	AR			N N NLPT YS846CT8
	S846 BL3	AR			N N NLPL YS846BL3
	G379 CS8	AR			N N NLFS YG379CS8

MODEL CODES

B = GRAN FURY
C = LEBARON/TOWN & COUNTRY/EXC SEDAN
C24 = LASER
D = ARIES
E = 600
F = FIFTH AVENUE/NEWPORT
G = DIPLOMAT
H = VOYAGER
K = MINI RAM/CARAVAN/ROYAL
M = HORIZON/TURISMO
P = RELIANT
T = E CLASS/NEW YORKER
V = 600
V24 = DAYTONA
Z = OMNI/CHARGER/RAMPAGE

BODY STYLES

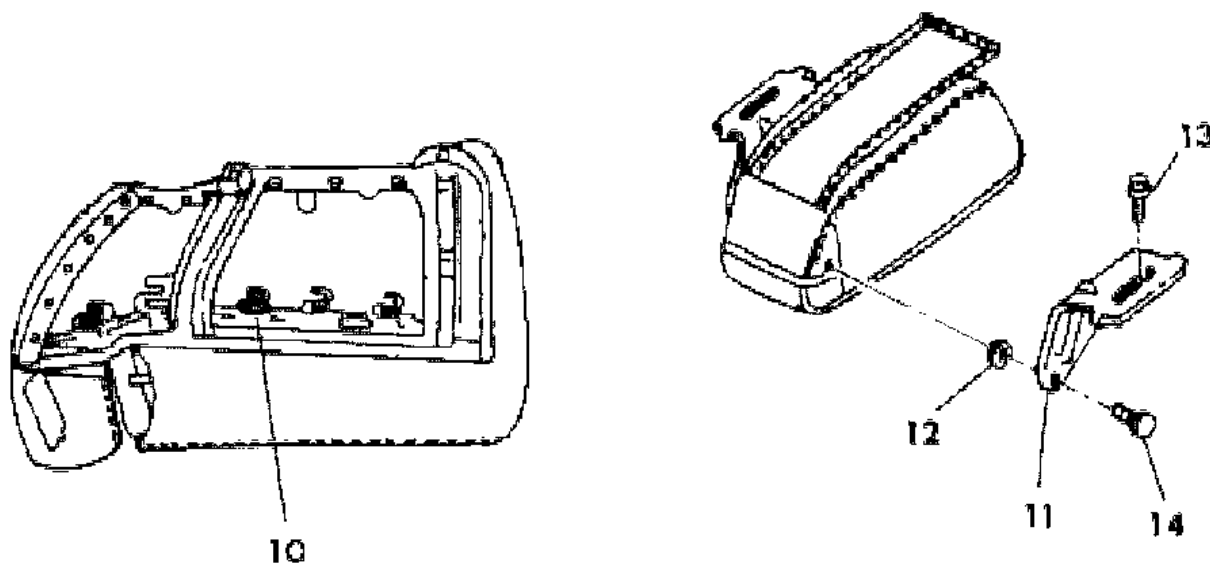
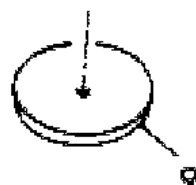
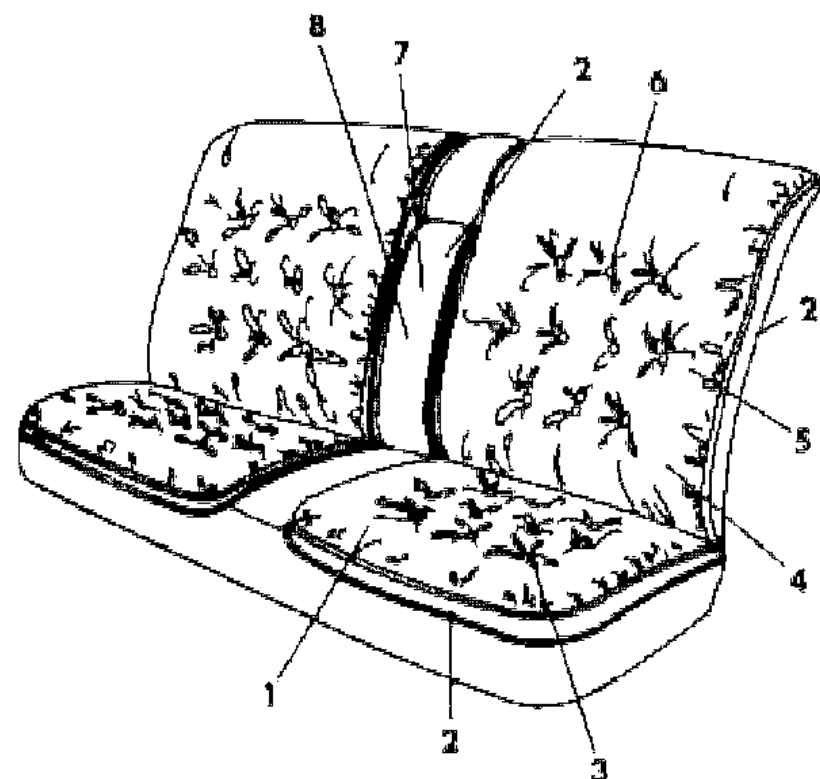
21 = 2-DOOR SEDAN
22 = 2-DOOR SPECIAL COUPE
24 = 2-DOOR HATCHBACK
27 = 2-DOOR CONVERTIBLE
28 = FWD PICKUP
35 = FWD VAN
36 = FWD WAGON
41 = 4-DOOR SEDAN
44 = 4-DOOR HATCHBACK
45 = 4-DOOR STATION WAGON
48 = 4-DOOR EXECUTIVE SEDAN

AR = Use as Required - = Non Illustrated Part P.A.R. = Paint as Required

SEAT REAR E,T E BODY TRIM CODES LP,LF
Figure ITE-2500

4230 2500

ITEM	PART NUMBER	QTY	BODY	MODEL	DESCRIPTION
	G379 AC7	AR			N N NLFC YG379AC7
	G379 AM6	AR			N N NLFM YG379AM6
	G379 BT8	AR			N N NLFT YG379BT8
	G379 BL3	AR			N N NLFL YG379BL3
7					ARMREST, Center N N N N
	A898 CPS	1			N N NLPS YA898CPS
	A898 CPC	1			N N NLPC YA898CPC
	A898 CPM	1			N N NLPM YA898CPM
	A898 CPT	1			N N NLPT YA898CPT
	A898 CPL	1			N N NLPL YA898CPL
	A698 CS8	1			N N NLFS YA698CS8
	A698 CC7	1			N N NLFC YA698CC7
	A698 CM6	1			N N NLFM YA698CM6
	A698 CT8	1			N N NLFT YA698CT8
	A698 CL3	1			N N NLFL YA698CL3
8					COVER, Armrest Center N N N N
	A492 CS8	1			N N NLPS YA492CS8
	A492 CC8	1			N N NLPC YA492CC8
	A492 CM6	1			N N NLPM YA492CM6
	A492 CT8	1			N N NLPT YA492CT8
	A492 CL3	1			N N NLPL YA492CL3
	A503 CS8	1			N N NLFS YA503CS8
	A503 CC7	1			N N NLFC YA503CC7
	A503 CM6	1			N N NLFM YA503CM6
	A503 CT8	1			N N NLFT YA503CT8
	A503 CL3	1			N N NLFL YA503CL3
9	4029 901	AR			WASHER, Button Stud N N N Y4029901
10	6008 076	AR			HOG RING N N N Y6008076
11	4098 764-5	1			HINGE, Center Armrest N N N Y4098764
12	6031 537	2			WASHER N N N Y6031537
13	0181 063	2			SCREW N N N Y181063
14	6026 584	2			SCREW (shoulder type) N N N Y6026584



MODEL CODES

B = GRAN FURY	F = FIFTH AVENUE/NEWPORT	P = RELIANT
C = LEBARON/TOWN & COUNTRY/EXC SEDAN	G = DIPLOMAT	T = E CLASS/NEW YORKER
C24 = LASER	H = VOYAGER	V = 600
D = ARIES	K = MINI RAM/CARAVAN/ROYAL	V24 = DAYTONA
E = 600	M = HORIZON/TURISMO	Z = OMNI/CHARGER/RAMPAGE

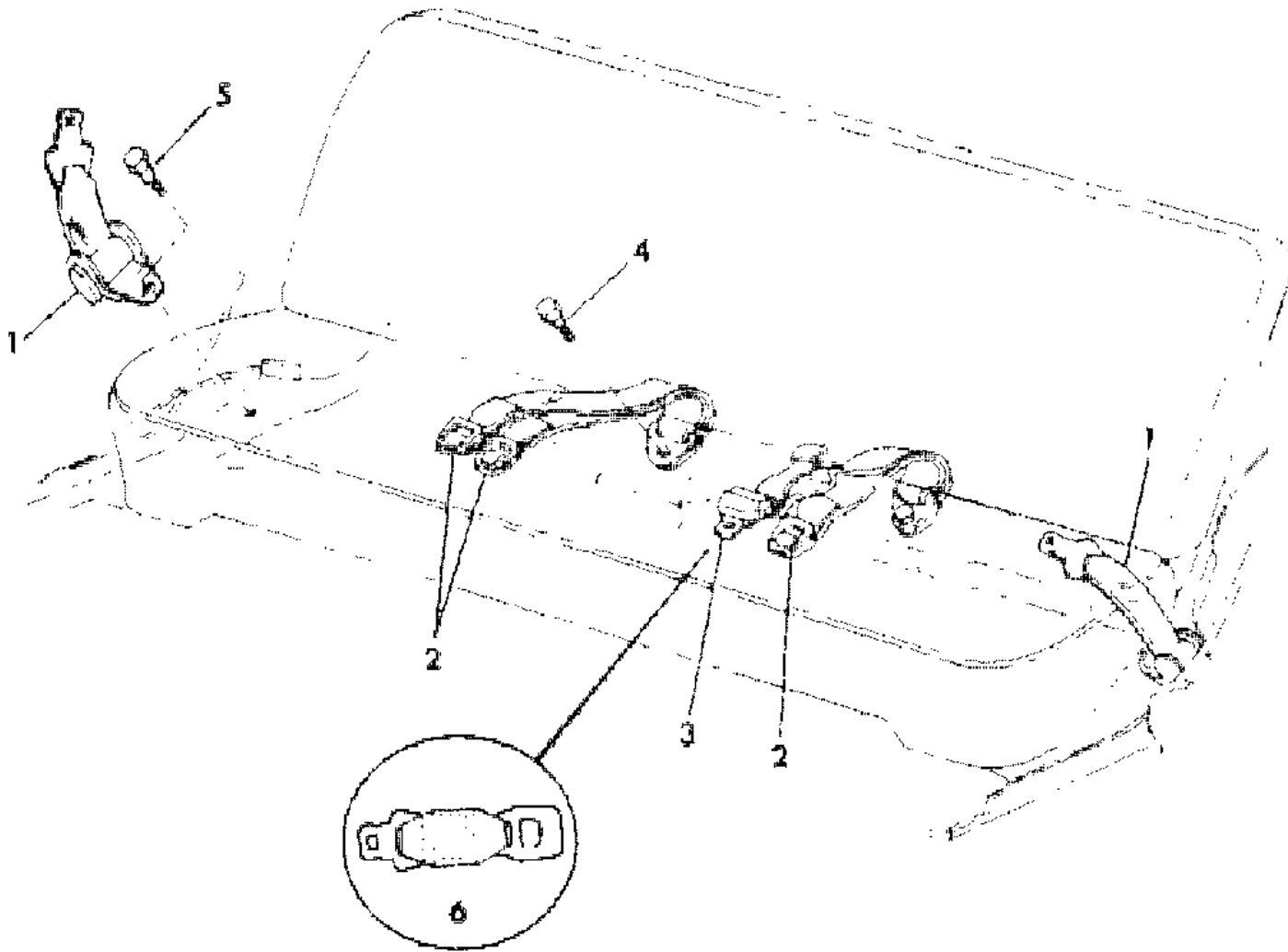
BODY STYLES

21 = 2-DOOR SEDAN	28 = FWD PICKUP	44 = 4-DOOR HATCHBACK
22 = 2-DOOR SPECIAL COUPE	35 = FWD VAN	45 = 4-DOOR STATION WAGON
24 = 2-DOOR HATCHBACK	36 = FWD WAGON	48 = 4-DOOR EXECUTIVE SEDAN
27 = 2-DOOR CONVERTIBLE	41 = 4-DOOR SEDAN	

AR = Use as Required - = Non Illustrated Part P.A.R. = Paint as Required

BELT REAR SEAT E,T E BODY
Figure ITE-2600

4238 2600



ITEM	PART NUMBER	QTY	BODY	MODEL	DESCRIPTION
1					BELT, Outboard Tip Half N N N N
					Label Number 4277885 or 4327194 N N N N
	F861 AA3	2			Silver N N N YF861AA3
	F861 AC7	2			Blue, Dark N N N YF861AC7
	F861 CS8	2			Charcoal N N N YF861CS8
	F861 AM6	2			Red N N N YF861AM6
	F861 BL3	2			Beige N N N YF861BL3
	F861 BT8	2			Brown N N N YF861BT8
2					BELT, Buckle Inner, Right N N N N
2					Label Number 4316754 N N N N
	F710 BA3	1			Silver N N N YF710BA3
	F710 BC7	1			Blue, Dark N N N YF710BC7
	F710 CS8	1			Charcoal N N N YF710CS8
	F710 BM6	1			Red N N N YF710BM6
	F710 BL3	1			Beige N N N YF710BL3
	F710 BT8	1			Brown N N N YF710BT8
3					BELT, Buckle and Tip, Left N N N N
					Label Number 4316767 N N N N
	F717 BA3	1			Silver N N N YF717BA3
	F717 BC7	1			Blue, Dark N N N YF717BC7
	F717 CS8	1			Charcoal N N N YF717CS8
	F717 BM6	1			Red N N N YF717BM6
	F717 BL3	1			Beige N N N YF717BL3
	F717 BT8	1			Brown N N N YF717BT8
4	6031 298	2			BOLT N N N Y6031298
5	6031 484	2			BOLT N N N Y6031484
6	4364 849	1			EXTENSION, Rear Seat Belt N N N Y4364849

MODEL CODES

B = GRAN FURY	F = FIFTH AVENUE/NEWPORT	P = RELIANT
C = LEBARON/TOWN & COUNTRY/EXC SEDAN	G = DIPLOMAT	T = E CLASS/NEW YORKER
C24 = LASER	H = VOYAGER	V = 600
D = ARIES	K = MINI RAM/CARAVAN/ROYAL	V24 = DAYTONA
E = 600	M = HORIZON/TURISMO	Z = OMNI/CHARGER/RAMPAGE

BODY STYLES

21 = 2-DOOR SEDAN	28 = FWD PICKUP	44 = 4-DOOR HATCHBACK
22 = 2-DOOR SPECIAL COUPE	35 = FWD VAN	45 = 4-DOOR STATION WAGON
24 = 2-DOOR HATCHBACK	36 = FWD WAGON	48 = 4-DOOR EXECUTIVE SEDAN
27 = 2-DOOR CONVERTIBLE	41 = 4-DOOR SEDAN	

AR = Use as Required - = Non Illustrated Part P.A.R. = Paint as Required

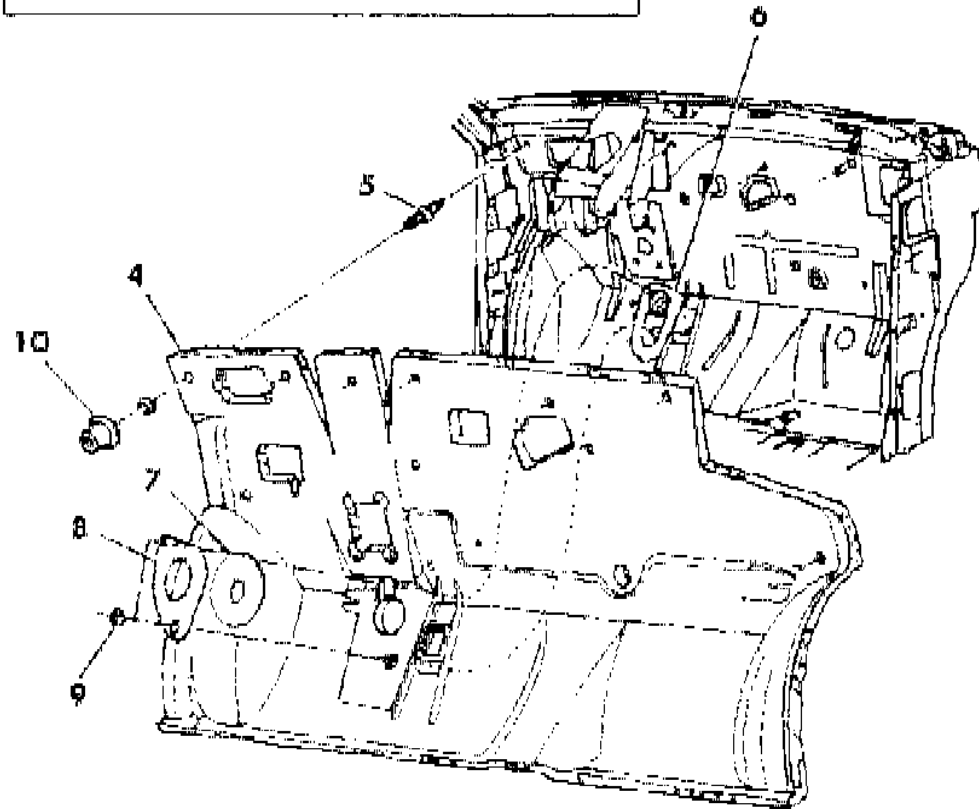
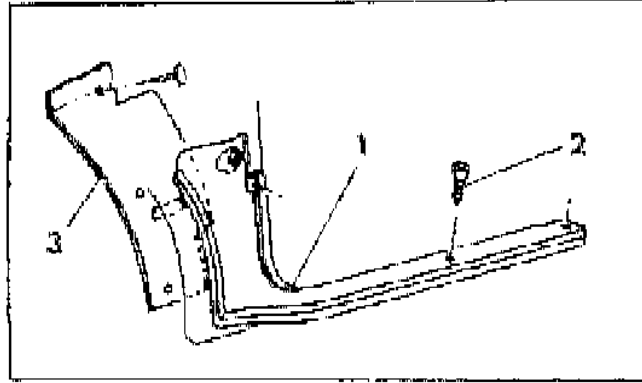
GROUP ITS - S BODY

ILLUSTRATION TITLE	GROUP-FIG. NO.
COWL PANEL AND SILENCERS H,K S BODY	Fig. ITS-100
HEADLINER AND VISOR H,K S BODY	Fig. ITS-200
MOULDING GARNISH H,K S BODY	Fig. ITS-300
TONNEAU COVER H,K S BODY	Fig. ITS-400
B PILLAR TRIM H,K S BODY	Fig. ITS-500
PANEL QUARTER TRIM H,K S BODY	Fig. ITS-600
LIFT GATE TRIM H,K S BODY	Fig. ITS-700
CARPET H,K S BODY	Fig. ITS-800
SCUFF PLATES H,K S BODY	Fig. ITS-900
DOOR TRIM PANEL FRONT H,K S BODY	Fig. ITS-1000
DOOR TRIM PANEL SLIDING H,K S BODY	Fig. ITS-1100
SEAT FRONT H,K S BODY TRIM CODE A8	Fig. ITS-1200
SEAT FRONT H,K S BODY TRIM CODES C7,C8,D7	Fig. ITS-1300
SEAT FRONT H,K S BODY TRIM CODES F6,H6	Fig. ITS-1400
SEAT FRONT H,K S BODY TRIM CODES E5,G5	Fig. ITS-1500
BELT FRONT SEAT H,K S BODY	Fig. ITS-1600
RISER RIGHT BUCKET SEAT AND STORAGE BOX S BODY H,K	Fig. ITS-1700
RECLINING/NON/RECLINING SEAT AND ARM REST ATTACHING PARTS S BODY H,K	Fig. ITS-1800
ADJUSTER MANUAL H,K S BODY	Fig. ITS-1900
ADJUSTER ELECTRIC AND LEFT RISER H,K S BODY	Fig. ITS-2000
SEAT REAR H,K S BODY TRIM CODES F6,H6	Fig. ITS-2100
SEAT REAR H,K S BODY TRIM CODE G5	Fig. ITS-2200
SEAT REAR H,K S BODY TRIM CODES C7,C8,D7	Fig. ITS-2300
BELT REAR SEAT H,K S BODY	Fig. ITS-2400
REAR SEAT ATTACHMENTS FLOOR PAN H,K S BODY	Fig. ITS-2500
RISERS REAR SEAT H,K S BODY	Fig. ITS-2600
SEAT REAR FOLD DOWN H,K S BODY	Fig. ITS-2700

ILLUSTRATION NOT AVAILABLE AT TIME OF PUBLICATION

COWL PANEL AND SILENCERS H,K S BODY
Figure ITS-100

4242 100



ITEM	PART NUMBER	QTY	BODY	MODEL	DESCRIPTION
1					COWL and SCUFF PLATE N N N N
	F272-3 CA3	1			Silver N N N YF272CA3
	F272-3 CB5	1			Blue N N N YF272CB5
	F272-3 CM6	1			Red N N N YF272CM6
	F272-3 CL3	1			Beige N N N YF272CL3
	F272-3 CK5	1			Saddle N N N YF272CK5
2		6			SCREW (10-16x3/4)(not serviced) N N N N
3	3762 862	1			SILENCER, Cowl Side (36"x72" material cut to fit) N N N Y3762862
4	3837 683	1			SILENCER, Dash Panel (24"x48"x1/4" Material Cut to Fit) N N N Y3837683
5	6032 020	AR			STUD, Dash Panel N N N Y6032020
6	4188 983	1			COVER, Seal (use up to 4/2/84) N N N Y4188983
	4147 355	1			(use after 4/2/84) N N N Y4147355
7	4188 994	1			SEAL, Dash N N N Y4188994
8	4188 993	AR			RETAINER, Liner and Seal N N N Y4188993
9	6031 147	AR			NUT, Push On N N N Y6031147
10	6032 185	AR			CAPLUG N N N Y6032185

MODEL CODES

B = GRAN FURY	F = FIFTH AVENUE/NEWPORT	P = RELIANT
C = LEBARON/TOWN & COUNTRY/EXC SEDAN	G = DIPLOMAT	T = E CLASS/NEW YORKER
C24 = LASER	H = VOYAGER	V = 600
D = ARIES	K = MINI RAM/CARAVAN/ROYAL	V24 = DAYTONA
E = 600	M = HORIZON/TURISMO	Z = OMNI/CHARGER/RAMPAGE

BODY STYLES

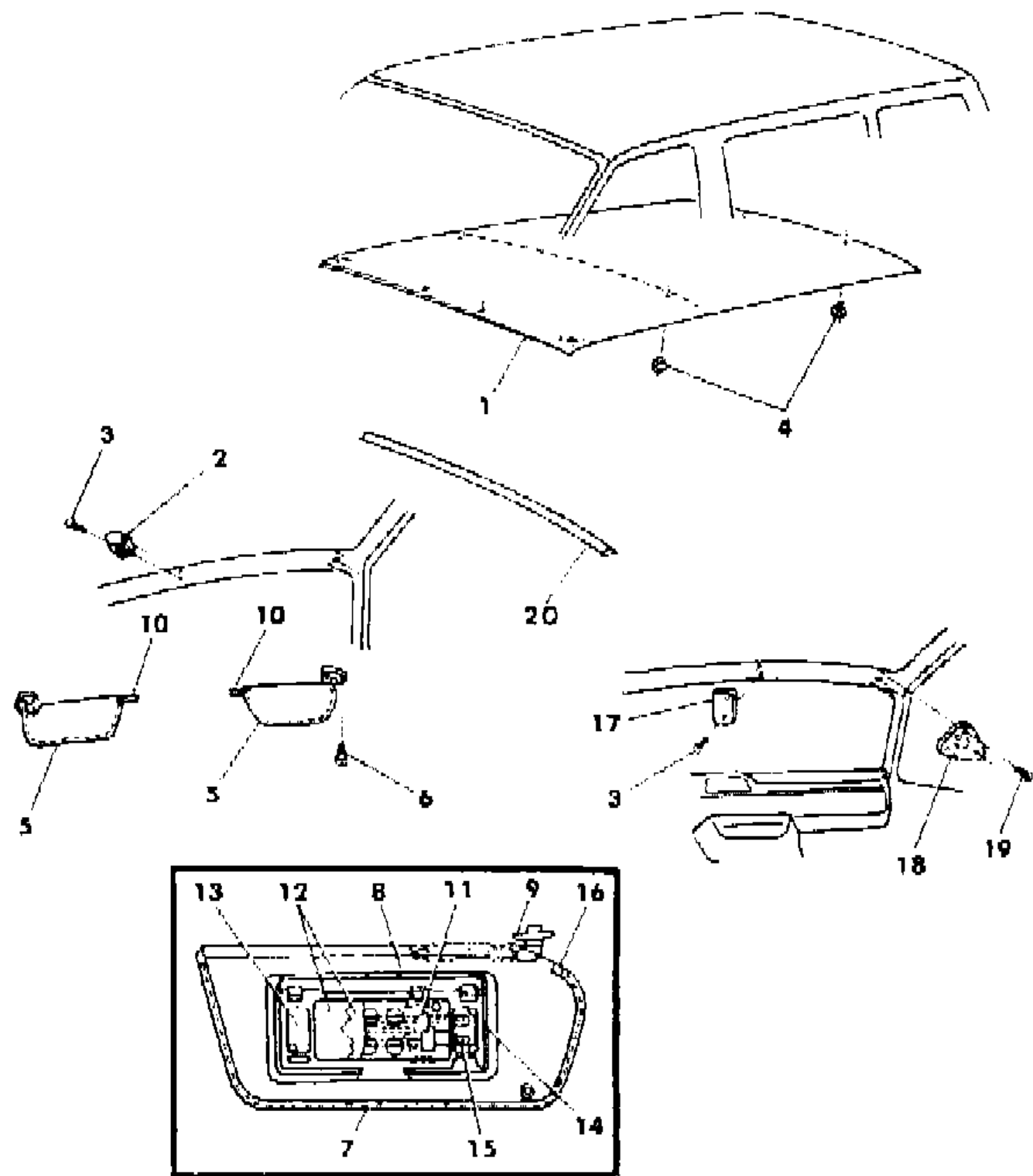
21 = 2-DOOR SEDAN	28 = FWD PICKUP	44 = 4-DOOR HATCHBACK
22 = 2-DOOR SPECIAL COUPE	35 = FWD VAN	45 = 4-DOOR STATION WAGON
24 = 2-DOOR HATCHBACK	36 = FWD WAGON	48 = 4-DOOR EXECUTIVE SEDAN
27 = 2-DOOR CONVERTIBLE	41 = 4-DOOR SEDAN	

AR = Use as Required - = Non Illustrated Part P.A.R. = Paint as Required

HEADLINER AND VISOR H,K S BODY

Figure ITS-200

4242 200



ITEM	PART NUMBER	QTY	BODY	MODEL	DESCRIPTION
1					HEADLINER, Full (cloth) N N N N
	H862 CA3	1			Silver N N35,36 N YH862CA3
	H862 CB5	1			Blue N N36 N YH862CB5
	H862 CM6	1			Red N N35,36 N YH862CM6
	H862 CK5	1			Saddle N N35,36 N YH862CK5
	H862 CL3	1			Beige N N35,36 N YH862CL3
					Front (cloth) N N N N
	H857 CA3	1			Silver N N35 N YH857CA3
	H857 CM6	1			Red N N35 N YH857CM6
	H857 CK5	1			Saddle N N35 N YH857CK5
	4248 839	1			Front (softboard) N N35 N Y4248839
2					CLIP, Windshield Visor Retainer N N N N
	H335 CA3	2			Silver N N N YH335CA3
	H335 CB5	2			Blue N N N YH335CB5
	H335 CM6	2			Red N N N YH335CM6
	H335 CL3	2			Beige N N N YH335CL3
	H335 CK5	2			Saddle N N N YH335CK5
3		AR			SCREW (8-18x3/4)(not serviced) N N N N
4					FASTENER, Headliner N N N N
	H452 AA3	AR			Silver N N N YH452AA3
	H452 BB5	AR			Blue N N N YH452BB5
	H452 TM6	AR			Red N N N YH452TM6
	H452 BL3	AR			Beige N N N YH452BL3
	H452 CK5	AR			Saddle N N N YH452CK5
5					VISOR, w/o Mirror N N N N
	H390-1 CA3	1			Silver N N N YH390CA3
	H390-1 CB5	1			Blue N N N YH390CB5
	H390-1 CM6	1			Red N N N YH390CM6
	H390-1 CL3	1			Beige N N N YH390CL3
	H390-1 CK5	1			Saddle N N N YH390CK5
6	6032 584	AR			SCREW N N N Y6032584
7					VISOR, w/Illuminated Mirror, Right N N N N
	H378 CA3	1			Silver N N N YH378CA3
	H378 CB5	1			Blue N N N YH378CB5
	H378 CM6	1			Red N N N YH378CM6
	H378 CL3	1			Beige N N N YH378CL3
	H378 CK5	1			Saddle N N N YH378CK5
					VISOR, Sub Assy. N N N N

MODEL CODES

B = GRAN FURY	F = FIFTH AVENUE/NEWPORT	P = RELIANT
C = LEBARON/TOWN & COUNTRY/EXC SEDAN	G = DIPLOMAT	T = E CLASS/NEW YORKER
C24 = LASER	H = VOYAGER	V = 600
D = ARIES	K = MINI RAM/CARAVAN/ROYAL	V24 = DAYTONA
E = 600	M = HORIZON/TURISMO	Z = OMNI/CHARGER/RAMPAGE

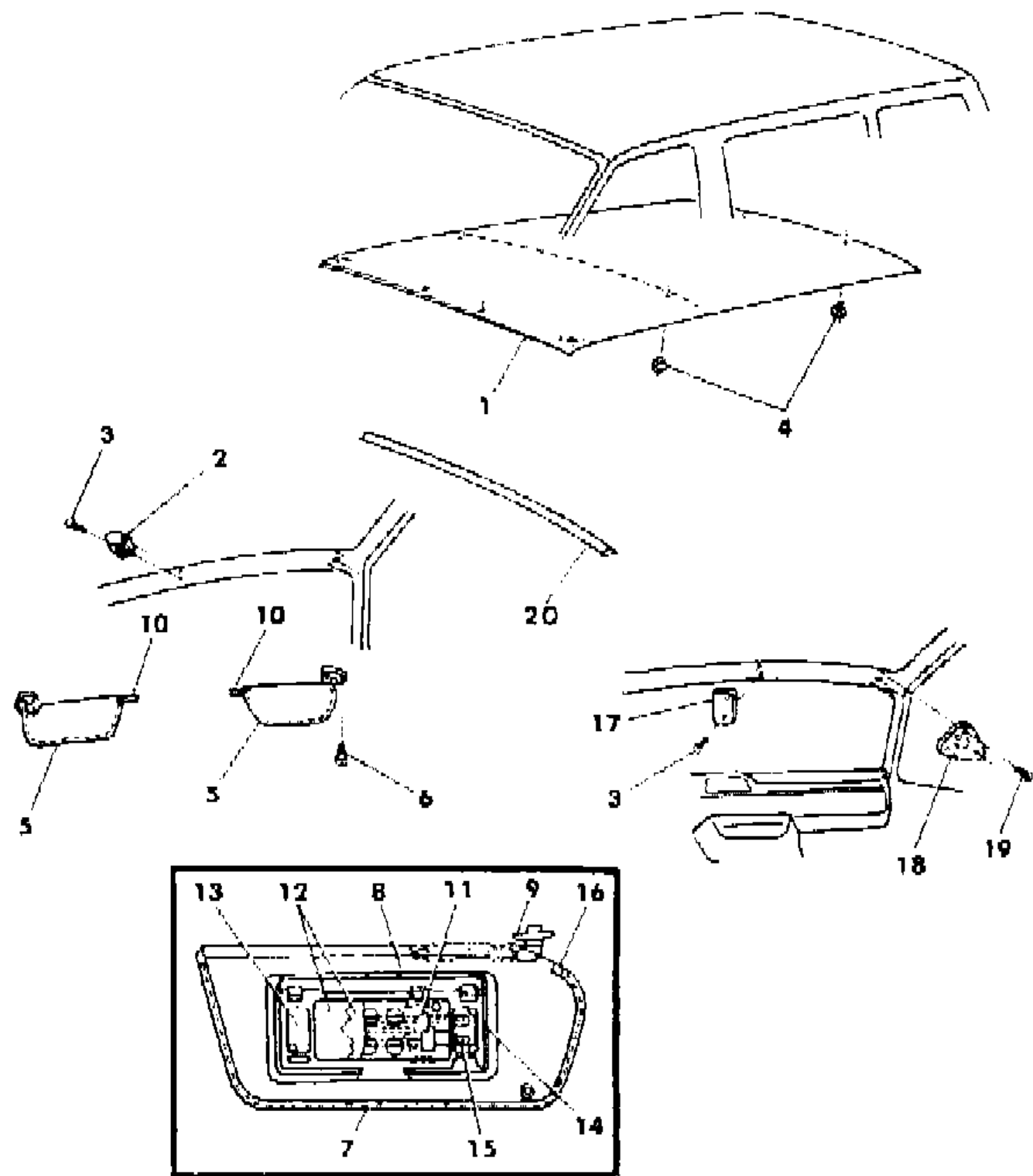
BODY STYLES

21 = 2-DOOR SEDAN	28 = FWD PICKUP	44 = 4-DOOR HATCHBACK
22 = 2-DOOR SPECIAL COUPE	35 = FWD VAN	45 = 4-DOOR STATION WAGON
24 = 2-DOOR HATCHBACK	36 = FWD WAGON	48 = 4-DOOR EXECUTIVE SEDAN
27 = 2-DOOR CONVERTIBLE	41 = 4-DOOR SEDAN	

AR = Use as Required - = Non Illustrated Part P.A.R. = Paint as Required

HEADLINER AND VISOR H,K S BODY Figure ITS-200

4242 200



ITEM	PART NUMBER	QTY	BODY	MODEL	DESCRIPTION
	H379 CA3	1			Silver N N N YH379CA3
	H379 CB5	1			Blue N N N YH379CB5
	H379 CM6	1			Red N N N YH379CM6
	H379 CL3	1			Beige N N N YH379CL3
	H379 CK5	1			Saddle N N N YH379CK5
8					MIRROR and COVER N N N N
	H308 AAA	1			Silver N N N YH308AAA
	H308 BBB	1			Blue N N N YH308BBB
	H308 AMM	1			Red N N N YH308AMM
	H308 BLL	1			Beige N N N YH308BLL
	H308 CKK	1			Saddle N N N YH308CKK
9					ARM and BRACKET N N N N
	4282 336	2			w/o Mirror N N N Y4282336
					w/Mirror N N N N
	H380 CA3	1			Silver N N N YH380CA3
	H380 CB5	1			Blue N N N YH380CB5
	H380 CM6	1			Red N N N YH380CM6
	H380 CL3	1			Beige N N N YH380CL3
	H380 CK5	1			Saddle N N N YH380CK5
10					TIP, Visor Panel Inner Support w/o Mirror N N N Y2789037
					w/Mirror N N N N
	H315 CA3	1			Silver N N N YH315CA3
	H315 CB5	1			Blue N N N YH315CB5
	H315 CM6	1			Red N N N YH315CM6
	H315 CL3	1			Beige N N N YH315CL3
	H315 CK5	1			Saddle N N N YH315CK5
	4282 339	AR			SUPPORT, Inner N N N Y4282339
11	3832 873	1			COMPONENT BOARD, Mirror N N N Y3832873
12	4077 693	1			MIRROR and BACK N N N Y4077693
13	4166 974	1			LENS, Mirror N N N Y4166974
14	4166 976	2			HINGE, Spring N N N Y4166976
15	9421 330	4			BULB N N N Y9421330
16	1490 983	AR			CLIP N N N Y1490983
17	4282 386	1			BRACKET, Support Right N N N Y4282386
18	4282 388	1			BRACKET, Plate w/o Visor Right N N N Y4282388
19	6032 584	AR			SCREW N N N Y6032584
20	4248 456	1			RETAINER, Headliner Rear Moulding N N N Y4248456

MODEL CODES

B = GRAN FURY	F = FIFTH AVENUE/NEWPORT	P = RELIANT
C = LEBARON/TOWN & COUNTRY/EXC SEDAN	G = DIPLOMAT	T = E CLASS/NEW YORKER
C24 = LASER	H = VOYAGER	V = 600
D = ARIES	K = MINI RAM/CARAVAN/ROYAL	V24 = DAYTONA
E = 600	M = HORIZON/TURISMO	Z = OMNI/CHARGER/RAMPAGE

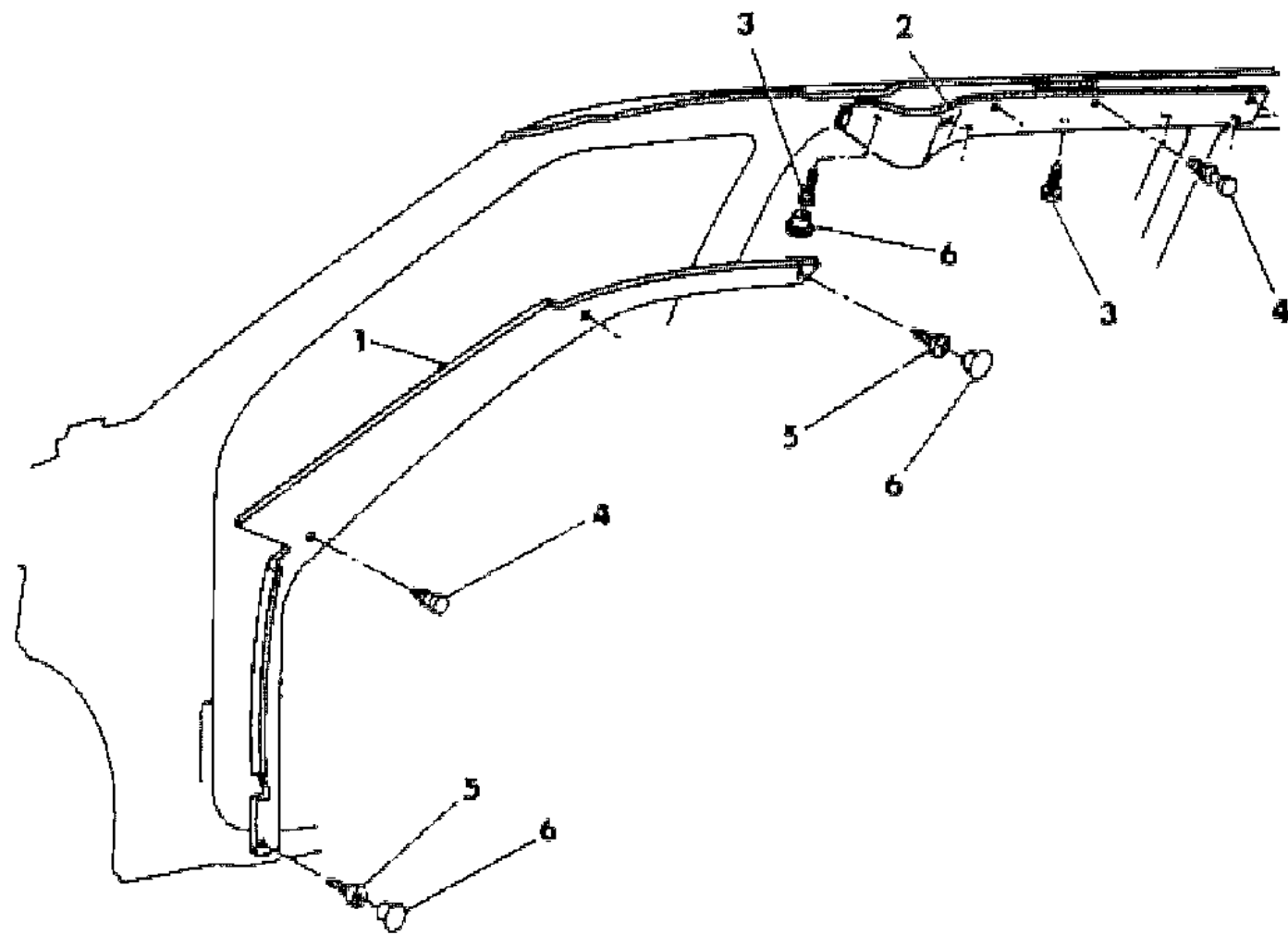
BODY STYLES

21 = 2-DOOR SEDAN	28 = FWD PICKUP	44 = 4-DOOR HATCHBACK
22 = 2-DOOR SPECIAL COUPE	35 = FWD VAN	45 = 4-DOOR STATION WAGON
24 = 2-DOOR HATCHBACK	36 = FWD WAGON	48 = 4-DOOR EXECUTIVE SEDAN
27 = 2-DOOR CONVERTIBLE	41 = 4-DOOR SEDAN	

AR = Use as Required - = Non Illustrated Part P.A.R. = Paint as Required

MOULDING GARNISH H,K S BODY
Figure ITS-300

4242 300



ITEM	PART NUMBER	QTY	BODY	MODEL	DESCRIPTION
1					MOULDING, Windshield Side N N N N
	H150-1 CA3	1			Silver N N N YH150CA3
	H150-1 CB5	1			Blue N N N YH150CB5
	H150-1 CM6	1			Red N N N YH150CM6
	H150-1 CL3	1			Beige N N N YH150CL3
	H150-1 CK5	1			Saddle N N N YH150CK5
2	F356 CL3	1			COVER, Sliding Door Upper Track (paint as required) N N N YF356CL3
3		7			SCREW (8-18x5/8)(not serviced) N N N N
4					FASTENER N N N N
	F155 BA3	11			Silver N N N YF155BA3
	F155 CB5	11			Blue N N N YF155CB5
	F155 BM6	11			Red N N N YF155BM6
	F155 BL3	11			Beige N N N YF155BL3
	F155 CK5	11			Saddle N N N YF155CK5
5	6032 456	2			SCREW N N N Y6032456
6	F245 CA3	4			PLUG, Trim (paint as required) N N N YF245CA3

MODEL CODES

B = GRAN FURY	F = FIFTH AVENUE/NEWPORT	P = RELIANT
C = LEBARON/TOWN & COUNTRY/EXC SEDAN	G = DIPLOMAT	T = E CLASS/NEW YORKER
C24 = LASER	H = VOYAGER	V = 600
D = ARIES	K = MINI RAM/CARAVAN/ROYAL	V24 = DAYTONA
E = 600	M = HORIZON/TURISMO	Z = OMNI/CHARGER/RAMPAGE

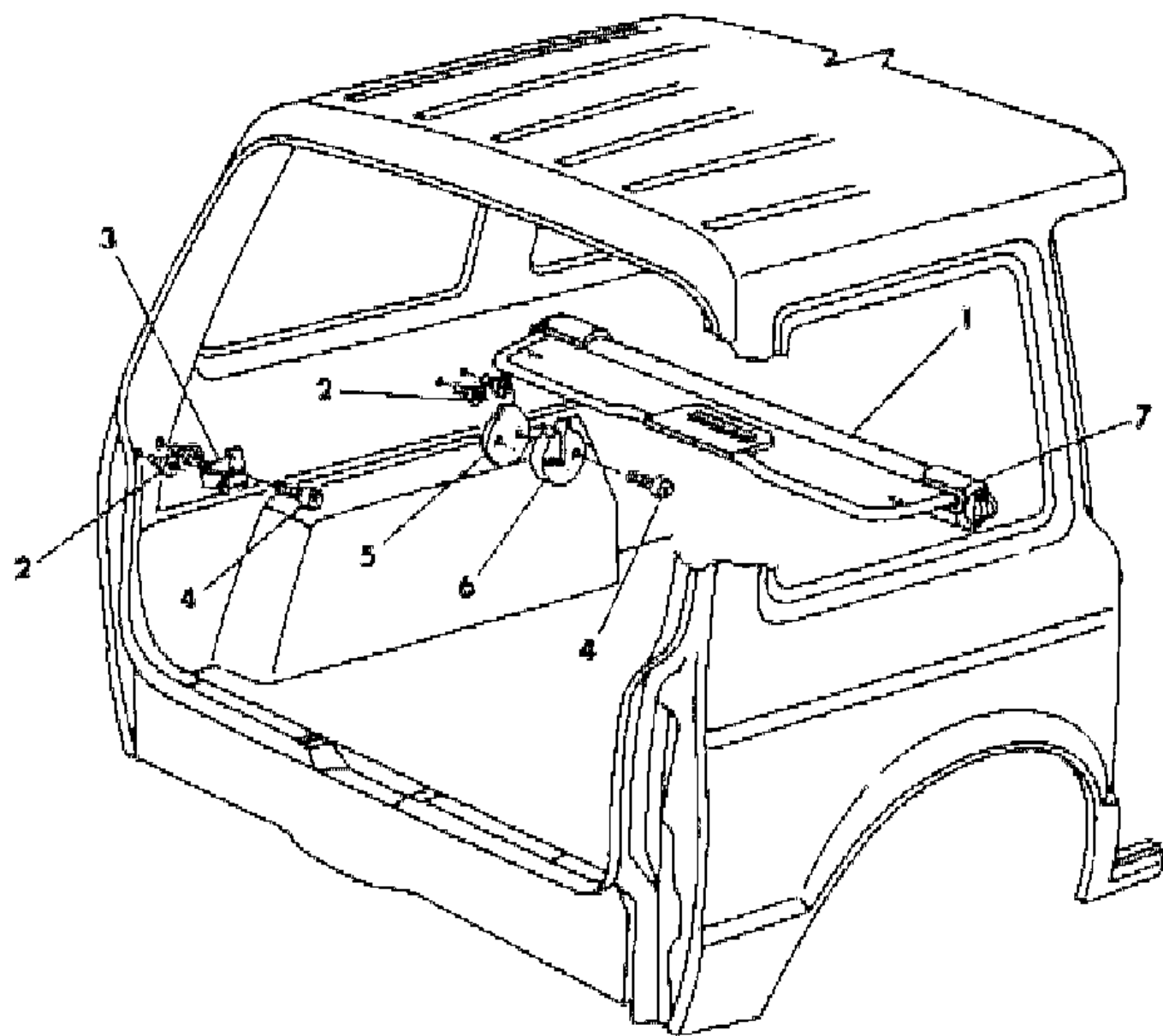
BODY STYLES

21 = 2-DOOR SEDAN	28 = FWD PICKUP	44 = 4-DOOR HATCHBACK
22 = 2-DOOR SPECIAL COUPE	35 = FWD VAN	45 = 4-DOOR STATION WAGON
24 = 2-DOOR HATCHBACK	36 = FWD WAGON	48 = 4-DOOR EXECUTIVE SEDAN
27 = 2-DOOR CONVERTIBLE	41 = 4-DOOR SEDAN	

AR = Use as Required - = Non Illustrated Part P.A.R. = Paint as Required

TONNEAU COVER H,K S BODY
Figure ITS-400

4242 ACO



ITEM	PART NUMBER	QTY	BODY	MODEL	DESCRIPTION
1					COVER, Tonneau N N N N
	4271 062	1			Silver N N N Y4271062
	4271 063	1			Blue N N N Y4271063
	4271 066	1			Red N N N Y4271066
	4271 065	1			Beige N N N Y4271065
	4271 064	1			Saddle N N N Y4271064
2	6026 166	8			RETAINER N N N Y6026166
3					HOOK N N N N
	H490-1 CA3	1			Silver N N N YH490CA3
	H490-1 CB5	1			Blue N N N YH490CB5
	H490-1 CM6	1			Red N N N YH490CM6
	H490-1 CL3	1			Beige N N N YH490CL3
	H490-1 CK5	1			Saddle N N N YH490CK5
4		8			SCREW (8-32x1)(not serviced) N N N N
5					SPACER, w/o Bolsters N N N N
	H487 CA3	2			Silver N N N YH487CA3
	H487 CM6	2			Red N N N YH487CM6
	H487 CL3	2			Beige N N N YH487CL3
6					SUPPORT N N N N
	H492 CA3	2			Silver N N N YH492CA3
	H492 CB5	2			Blue N N N YH492CB5
	H492 CM6	2			Red N N N YH492CM6
	H492 CL3	2			Beige N N N YH492CL3
	H492 CK5	2			Saddle N N N YH492CK5
7	4271 047	1			END CAP PACKAGE N N N Y4271047

MODEL CODES

B = GRAN FURY	F = FIFTH AVENUE/NEWPORT	P = RELIANT
C = LEBARON/TOWN & COUNTRY/EXC SEDAN	G = DIPLOMAT	T = E CLASS/NEW YORKER
C24 = LASER	H = VOYAGER	V = 600
D = ARIES	K = MINI RAM/CARAVAN/ROYAL	V24 = DAYTONA
E = 600	M = HORIZON/TURISMO	Z = OMNI/CHARGER/RAMPAGE

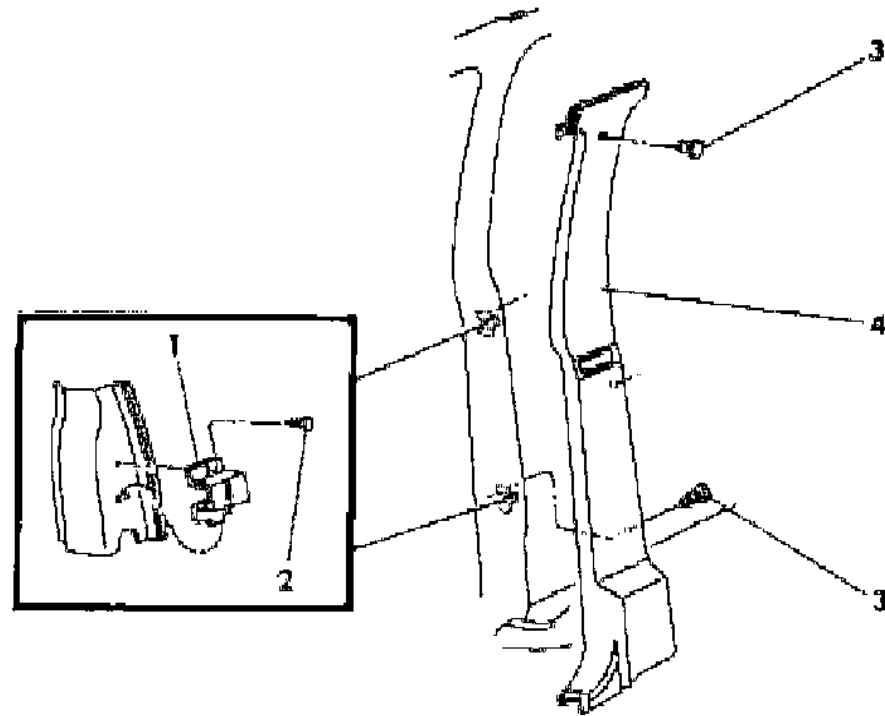
BODY STYLES

21 = 2-DOOR SEDAN	28 = FWD PICKUP	44 = 4-DOOR HATCHBACK
22 = 2-DOOR SPECIAL COUPE	35 = FWD VAN	45 = 4-DOOR STATION WAGON
24 = 2-DOOR HATCHBACK	36 = FWD WAGON	48 = 4-DOOR EXECUTIVE SEDAN
27 = 2-DOOR CONVERTIBLE	41 = 4-DOOR SEDAN	

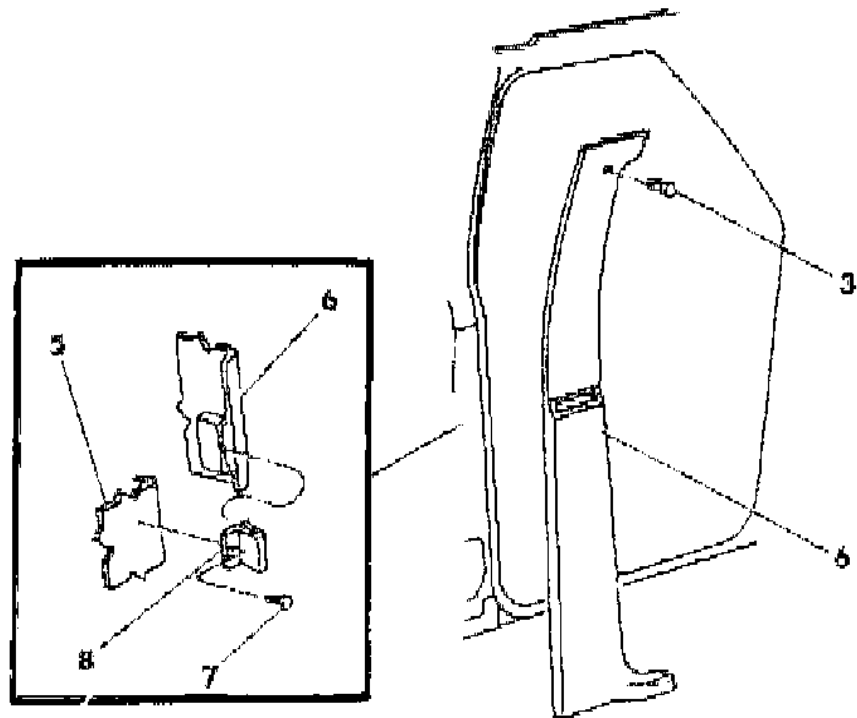
AR = Use as Required - = Non Illustrated Part P.A.R. = Paint as Required

B PILLAR TRIM H,K S BODY
Figure ITS-500

4242 500



RIGHT SIDE



LEFT SIDE

ITEM	PART NUMBER	QTY	BODY	MODEL	DESCRIPTION
1	4248 450	2			BRACKET, Trim Cover Attaching N N N Y4248450
2		AR			SCREW (8-18x5/8)(not serviced) N N N N
3					FASTENER N N N N
	F155 BA3	AR			Silver N N N YF155BA3
	F155 CB5	AR			Blue N N N YF155CB5
	F155 BM6	AR			Red N N N YF155BM6
	F155 BL3	AR			Beige N N N YF155BL3
	F155 CK5	AR			Saddle N N N YF155CK5
4					COVER, B Pillar N N N N
					Right N N N N
	F292 CA3	1			Silver N N N YF292CA3
	F292 CB5	1			Blue N N N YF292CB5
	F292 CM6	1			Red N N N YF292CM6
	F292 CL3	1			Beige N N N YF292CL3
	F292 CK5	1			Saddle N N N YF292CK5
5					PANEL, Quarter Inner Wheelhouse (reference) N N N N
6					COVER, B Pillar N N N N
					Left N N N N
	F275 CA3	1			Silver N N N YF275CA3
	F275 CB5	1			Blue N N N YF275CB5
	F275 CM6	1			Red N N N YF275CM6
	F275 CL3	1			Beige N N N YF275CL3
	F275 CK5	1			Saddle N N N YF275CK5
7		AR			SCREW N N N N6030456
8		2			BRACKET, Trim Cover Attaching N N N N4248349

MODEL CODES

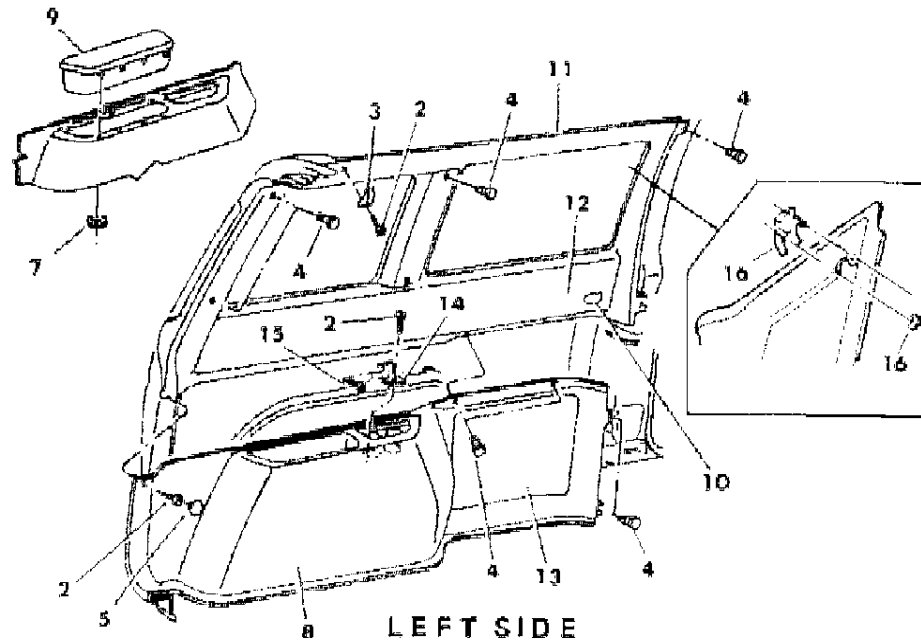
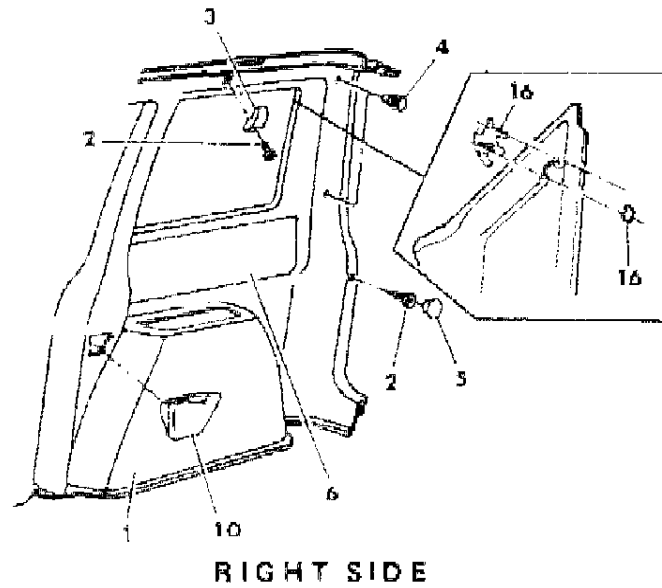
B = GRAN FURY	F = FIFTH AVENUE/NEWPORT	P = RELIANT
C = LEBARON/TOWN & COUNTRY/EXC SEDAN	G = DIPLOMAT	T = E CLASS/NEW YORKER
C24 = LASER	H = VOYAGER	V = 600
D = ARIES	K = MINI RAM/CARAVAN/ROYAL	V24 = DAYTONA
E = 600	M = HORIZON/TURISMO	Z = OMNI/CHARGER/RAMPAGE

BODY STYLES

21 = 2-DOOR SEDAN	28 = FWD PICKUP	44 = 4-DOOR HATCHBACK
22 = 2-DOOR SPECIAL COUPE	35 = FWD VAN	45 = 4-DOOR STATION WAGON
24 = 2-DOOR HATCHBACK	36 = FWD WAGON	48 = 4-DOOR EXECUTIVE SEDAN
27 = 2-DOOR CONVERTIBLE	41 = 4-DOOR SEDAN	

AR = Use as Required - = Non Illustrated Part P.A.R. = Paint as Required

PANEL QUARTER TRIM H,K S BODY
Figure ITS-600



ITEM	PART NUMBER	QTY	BODY	MODEL	DESCRIPTION
1	H352 CL3	1			PANEL, Quarter Trim Rear (beige paint as required) (see NOTE) N N N YH352CL3
NOTE: Openings must be cut in right quarter panel to install Storage Bin and Ash Receiver. s ARE NOT RETURNABLE.					
2		AR			SCREW (8-18x3/4)(not serviced) N N N N
3					HOOK, Coat N N N N
	H505 CA3	1			Silver N N N YH505CA3
	H505 CB5	1			Blue N N N YH505CB5
	H505 CM6	1			Red N N N YH505CM6
	H505 CL3	1			Beige N N N YH505CL3
	H505 CK5	1			Saddle N N N YH505CK5
4					FASTENER N N N N
	F155 BA3	2			Silver N N N YF155BA3
	F155 CB5	2			Blue N N N YF155CB5
	F155 BM6	2			Red N N N YF155BM6
	F155 BL3	2			Beige N N N YF155BL3
	F155 CK5	2			Saddle N N N YF155CK5
5	F245 CA3	1			PLUG (paint as required) N N N YF245CA3
6					BOLSTER, Quarter Trim N N N N
					Cloth N N N N
	D564 CAS	1			N N NG5AS YD564CAS
	D564 CMM	1			N N NG5M YD564CMM
	D564 CLT	1			N N NG5L YD564CLT
	D564 CKT	1			N N NG5KT YD564CKT
	D580 CA3	1			N N ND7AS YD580CA3
	D580 CB5	1			N N ND7BB YD580CB5
	D580 CM6	1			N N ND7M YD580CM6
	D580 CL3	1			N N ND7L YD580CL3
	D580 CK5	1			N N ND7KT YD580CK5
					Vinyl N N N N
	D566 CA2	1			N N NF6AS,H6AS YD566CA2
	D566 CB5	1			N N NF6BB,H6BB YD566CB5
	D566 CM6	1			N N NF6M,H6M YD566CM6
	D566 CL3	1			N N NF6L,H6L YD566CL3
	D566 CK5	1			N N NF6KT,H6KT YD566CK5
	6032 083	7			FASTENER, Bolster Attaching N N N Y6032083
7	6032 083	AR			RETAINER N N N Y6032083
8					PANEL, Quarter Trim Lower Left (paint as required) N N N N
	H345 CL3	1			Beige N N N YH345CL3

MODEL CODES

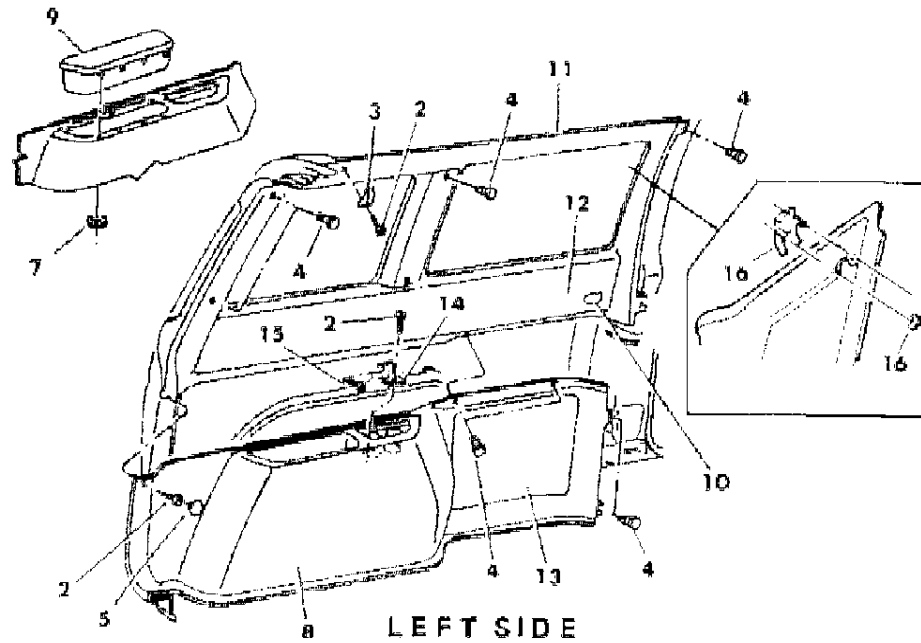
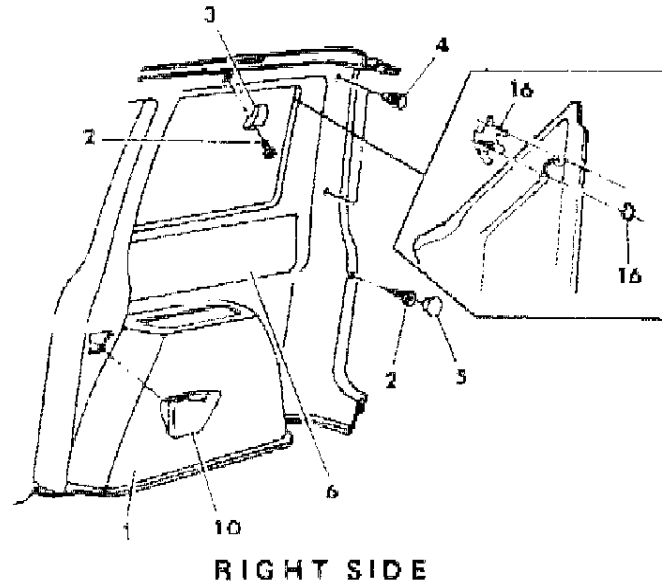
B = GRAN FURY	F = FIFTH AVENUE/NEWPORT	P = RELIANT
C = LEBARON/TOWN & COUNTRY/EXC SEDAN	G = DIPLOMAT	T = E CLASS/NEW YORKER
C24 = LASER	H = VOYAGER	V = 600
D = ARIES	K = MINI RAM/CARAVAN/ROYAL	V24 = DAYTONA
E = 600	M = HORIZON/TURISMO	Z = OMNI/CHARGER/RAMPAGE

BODY STYLES

21 = 2-DOOR SEDAN	28 = FWD PICKUP	44 = 4-DOOR HATCHBACK
22 = 2-DOOR SPECIAL COUPE	35 = FWD VAN	45 = 4-DOOR STATION WAGON
24 = 2-DOOR HATCHBACK	36 = FWD WAGON	48 = 4-DOOR EXECUTIVE SEDAN
27 = 2-DOOR CONVERTIBLE	41 = 4-DOOR SEDAN	

AR = Use as Required - = Non Illustrated Part P.A.R. = Paint as Required

PANEL QUARTER TRIM H,K S BODY
Figure ITS-600



ITEM	PART NUMBER	QTY	BODY	MODEL	DESCRIPTION
9	BIN and ARMREST N N N N				
	D562 CA3	2			Silver N N N YD562CA3
	D562 CB5	2			Blue N N N YD562CB5
	D562 CM6	2			Red N N N YD562CM6
	D562 CL3	2			Beige N N N YD562CL3
	D562 CK5	2			Saddle N N N YD562CK5
	4247 211	2			CATCH, Storage Bin N N N Y4247211
4248 720	1			STRIKER, Storage Bin N N N Y4248720	
10	ASH RECEIVER, w/Housing N N N N				
	D462-3 CA3	1			Silver N N N YD462CA3
	D462-3 CB5	1			Blue N N N YD462CB5
	D462-3 CM6	1			Red N N N YD462CM6
	D462-3 CL3	1			Beige N N N YD462CL3
	D462-3 CK5	1			Saddle N N N YD462CK5
	4248 803	AR			SNUFFER, Ash Receiver N N N Y4248803
11	H353 CA3	1			PANEL, Quarter Trim Upper Left (paint as required) N N N YH353CA3
12	BOLSTER, Quarter Trim Panel N N N N				
	Cloth N N N N				
	D565 CAS	1			N N NG5AS YD565CAS
	D565 CMM	1			N N NG5M YD565CMM
	D565 CLT	1			N N NG5L YD565CLT
	D565 CKT	1			N N NG5KT YD565CKT
	D581 CA3	1			N N ND7AS YD581CA3
	D581 CB5	1			N N ND7BB YD581CB5
	D581 CM6	1			N N ND7M YD581CM6
	D581 CL3	1			N N ND7L YD581CL3
	D581 CK5	1			N N ND7KT YD581CK5
	Vinyl N N N N				
	D567 CA2	1			N N NF6AS,H6AS YD567CA2
	D567 CB5	1			N N NF6BB,H6BB YD567CB5
	D567 CM6	1			N N NF6M,H6M YD567CM6
	D567 CL3	1			N N NF6L,H6L YD567CL3
	D567 CK5	1			N N NF6KT,H6KT YD567CK5
6032 431	13			FASTENER, Bolster Attaching N N N Y6032431	
13	CARPET N N N N				
	H404 CB5	1			Blue N N N YH404CB5
	H404 CM6	1			Red N N N YH404CM6

MODEL CODES

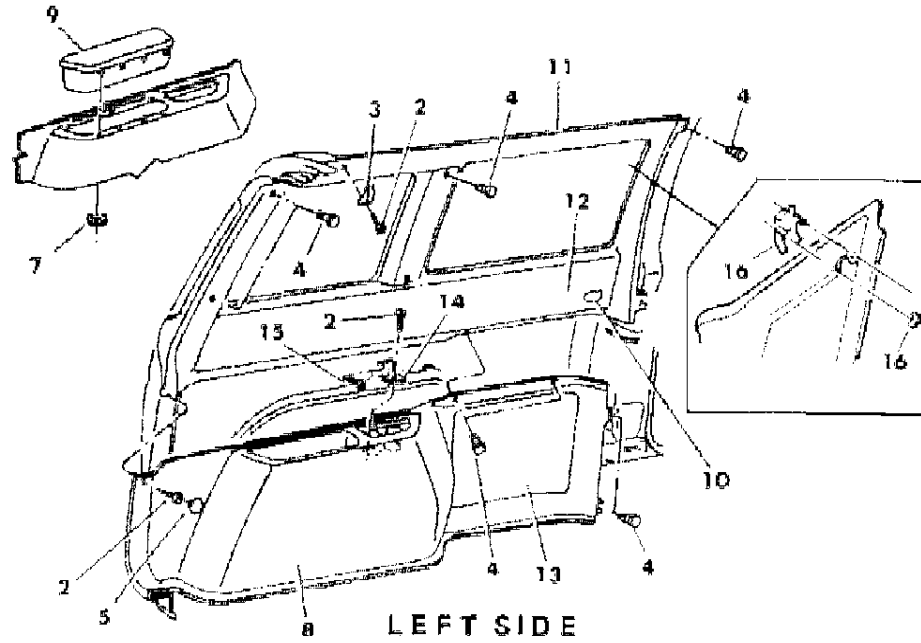
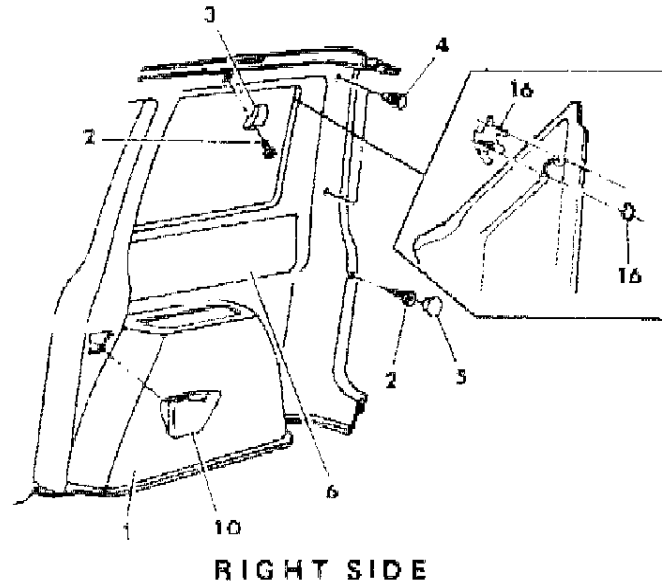
B = GRAN FURY	F = FIFTH AVENUE/NEWPORT	P = RELIANT
C = LEBARON/TOWN & COUNTRY/EXC SEDAN	G = DIPLOMAT	T = E CLASS/NEW YORKER
C24 = LASER	H = VOYAGER	V = 600
D = ARIES	K = MINI RAM/CARAVAN/ROYAL	V24 = DAYTONA
E = 600	M = HORIZON/TURISMO	Z = OMNI/CHARGER/RAMPAGE

BODY STYLES

21 = 2-DOOR SEDAN	28 = FWD PICKUP	44 = 4-DOOR HATCHBACK
22 = 2-DOOR SPECIAL COUPE	35 = FWD VAN	45 = 4-DOOR STATION WAGON
24 = 2-DOOR HATCHBACK	36 = FWD WAGON	48 = 4-DOOR EXECUTIVE SEDAN
27 = 2-DOOR CONVERTIBLE	41 = 4-DOOR SEDAN	

AR = Use as Required - = Non Illustrated Part P.A.R. = Paint as Required

PANEL QUARTER TRIM H,K S BODY
Figure ITS-600



ITEM	PART NUMBER	QTY	BODY	MODEL	DESCRIPTION
	H404 CT9	1			Brown N N N YH404CT9
	H404 CS8	1			Charcoal N N N YH404CS8
14	4282 251	1			BRACKET, Lower Panel Attaching N N N Y4282251
15	6031 216	AR			BOLT N N N Y6031216
16	F276-7 CL3	1			BEZEL, Remote Window Latch (paint as required) N N N YF276CL3

The following parts are not illustrated. s ARE NOT RETURNABLE.

	4186 901	AR			SILENCER (36"x72" material cut to fit) N N N Y4186901
--	----------	----	--	--	---

MODEL CODES

B = GRAN FURY	F = FIFTH AVENUE/NEWPORT	P = RELIANT
C = LEBARON/TOWN & COUNTRY/EXC SEDAN	G = DIPLOMAT	T = E CLASS/NEW YORKER
C24 = LASER	H = VOYAGER	V = 600
D = ARIES	K = MINI RAM/CARAVAN/ROYAL	V24 = DAYTONA
E = 600	M = HORIZON/TURISMO	Z = OMNI/CHARGER/RAMPAGE

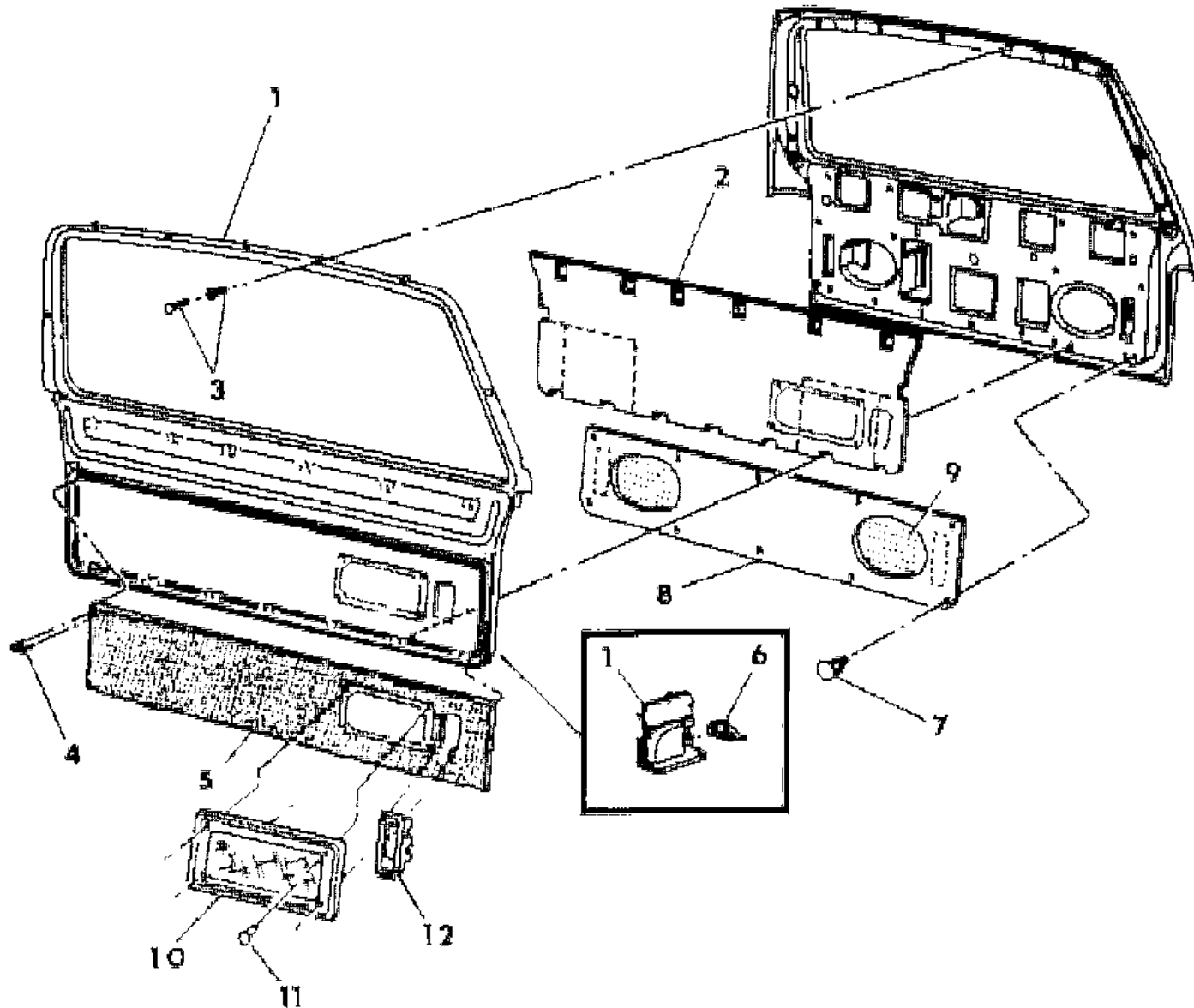
BODY STYLES

21 = 2-DOOR SEDAN	28 = FWD PICKUP	44 = 4-DOOR HATCHBACK
22 = 2-DOOR SPECIAL COUPE	35 = FWD VAN	45 = 4-DOOR STATION WAGON
24 = 2-DOOR HATCHBACK	36 = FWD WAGON	48 = 4-DOOR EXECUTIVE SEDAN
27 = 2-DOOR CONVERTIBLE	41 = 4-DOOR SEDAN	

AR = Use as Required - = Non Illustrated Part P.A.R. = Paint as Required

LIFT GATE TRIM H,K S BODY
Figure ITS-700

4242 700



ITEM	PART NUMBER	QTY	BODY	MODEL	DESCRIPTION
1					PANEL, Liftgate (paint as required) N N N N
	H348 CL3	1			Beige N N N YH348CL3
2	4248 598	1			SILENCER N N N Y4248598
3	6500 787	5			RIVET, Dual Head Drive N N N Y6500787
4		AR			STAPLE (not serviced) N N N N
5					CARPET N N N N
	H403 CB5	1			Blue N N N YH403CB5
	H403 CM6	1			Red N N N YH403CM6
	H403 CT9	1			Brown N N N YH403CT9
	H403 CS8	1			Charcoal N N N YH403CS8
6	1623 945	17			FASTENER N N N Y1623945
7	6003 683	10			FASTENER N N N Y6003683
8	4248 351	1			PANEL, Liftgate Inner Trim N N35 N Y4248351
9	4222 535	2			SPEAKER, Rear Compartment N N N Y4222535
10	P490 CB5	2			GRILLE, Rear Compartment Speaker (paint as required) N N N YP490CB5
11					FASTENER N N N N
	F155 CB5	AR			Blue N N N YF155CB5
	F155 BM6	AR			Red N N N YF155BM6
	F155 BT8	AR			Brown N N N YF155BT8
	F155 CS8	AR			Charcoal N N N YF155CS8
12	3591 126	2			BRACKET, Flood Lamp N N N Y3591126

MODEL CODES

B = GRAN FURY	F = FIFTH AVENUE/NEWPORT	P = RELIANT
C = LEBARON/TOWN & COUNTRY/EXC SEDAN	G = DIPLOMAT	T = E CLASS/NEW YORKER
C24 = LASER	H = VOYAGER	V = 600
D = ARIES	K = MINI RAM/CARAVAN/ROYAL	V24 = DAYTONA
E = 600	M = HORIZON/TURISMO	Z = OMNI/CHARGER/RAMPAGE

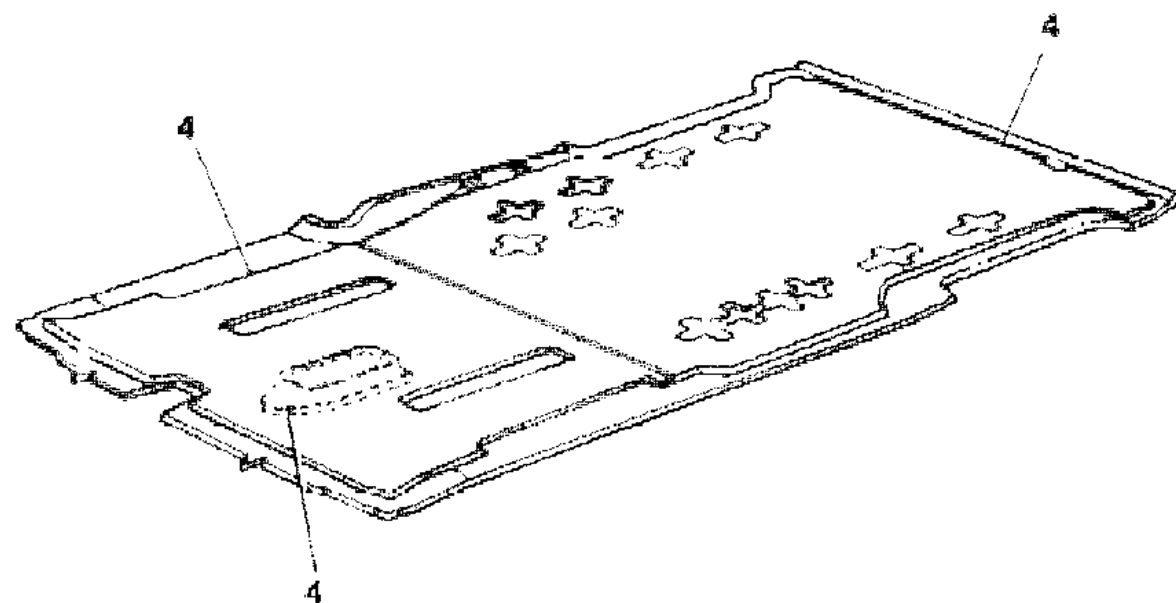
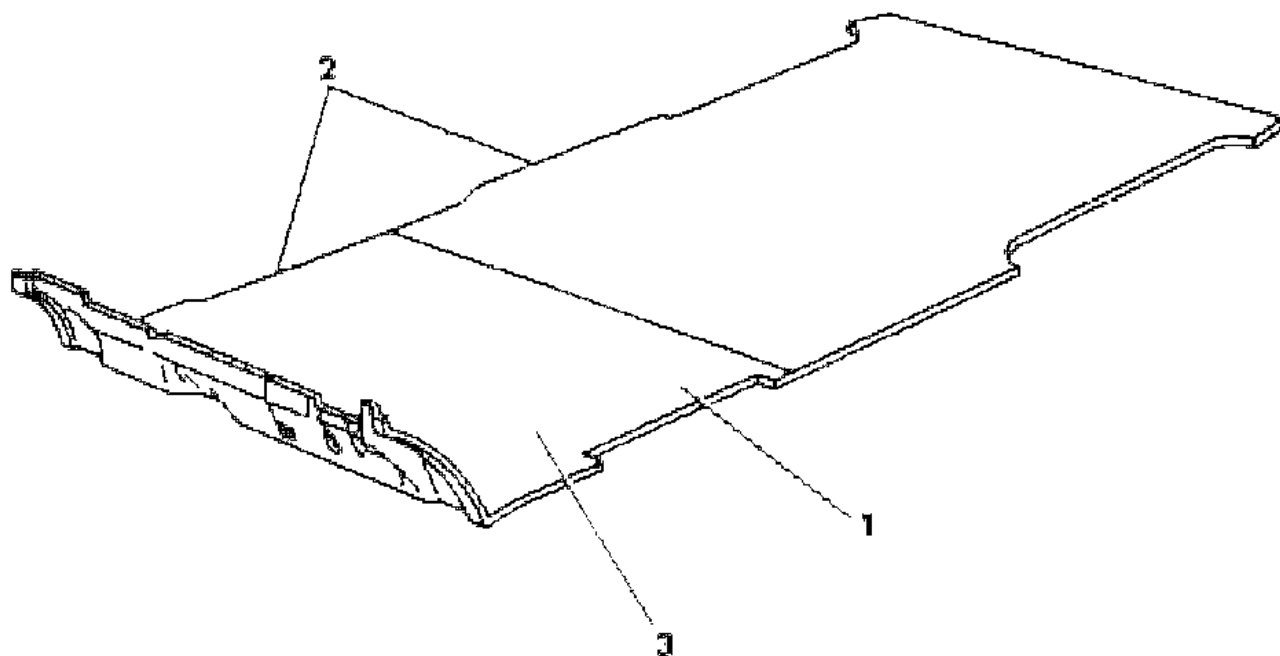
BODY STYLES

21 = 2-DOOR SEDAN	28 = FWD PICKUP	44 = 4-DOOR HATCHBACK
22 = 2-DOOR SPECIAL COUPE	35 = FWD VAN	45 = 4-DOOR STATION WAGON
24 = 2-DOOR HATCHBACK	36 = FWD WAGON	48 = 4-DOOR EXECUTIVE SEDAN
27 = 2-DOOR CONVERTIBLE	41 = 4-DOOR SEDAN	

AR = Use as Required - = Non Illustrated Part P.A.R. = Paint as Required

CARPET H,K S BODY
Figure ITS-800

4242 800



ITEM	PART NUMBER	QTY	BODY	MODEL	DESCRIPTION
1					CARPET, Front Only N N N N
	M644 CM6	1			Red N N35 N YM644CM6
	M644 CT9	1			Brown N N35 N YM644CT9
	M644 CS8	1			Charcoal N N35 N YM644CS8
2					CARPET, Front and Rear N N N N
	M645 CM6	1			Red N N35 N YM645CM6
	M645 CT9	1			Brown N N35 N YM645CT9
	M645 CS8	1			Charcoal N N35 N YM645CS8
	M646 CB5	1			Blue N N36 N YM646CB5
	M646 CM6	1			Red N N36 N YM646CM6
	M646 CT9	1			Brown N N36 N YM646CT9
	M646 CS8	1			Charcoal N N36 N YM646CS8
3	4248 005	1			MAT, Front Floor N N35 N Y4248005
4	4186 901	AR			SILENCER (36"x72" material cut to fit) N N N Y4186901
					The following parts are not illustrated. s ARE NOT RETURNABLE.
					CARPETED FLOOR MATS, Set of Two N N N N
					Front N N N N
	M040 CB5	1			Blue N N N YM040CB5
	M040 CM6	1			Red N N N YM040CM6
	M040 CT9	1			Brown N N N YM040CT9
	M040 CS8	1			Charcoal N N N YM040CS8
					Rear N N N N
	M041 CB5	1			Blue N N N YM041CB5
	M041 CM6	1			Red N N N YM041CM6
	M041 CT9	1			Brown N N N YM041CT9
	M041 CS8	1			Charcoal N N N YM041CS8

MODEL CODES

B = GRAN FURY	F = FIFTH AVENUE/NEWPORT	P = RELIANT
C = LEBARON/TOWN & COUNTRY/EXC SEDAN	G = DIPLOMAT	T = E CLASS/NEW YORKER
C24 = LASER	H = VOYAGER	V = 600
D = ARIES	K = MINI RAM/CARAVAN/ROYAL	V24 = DAYTONA
E = 600	M = HORIZON/TURISMO	Z = OMNI/CHARGER/RAMPAGE

BODY STYLES

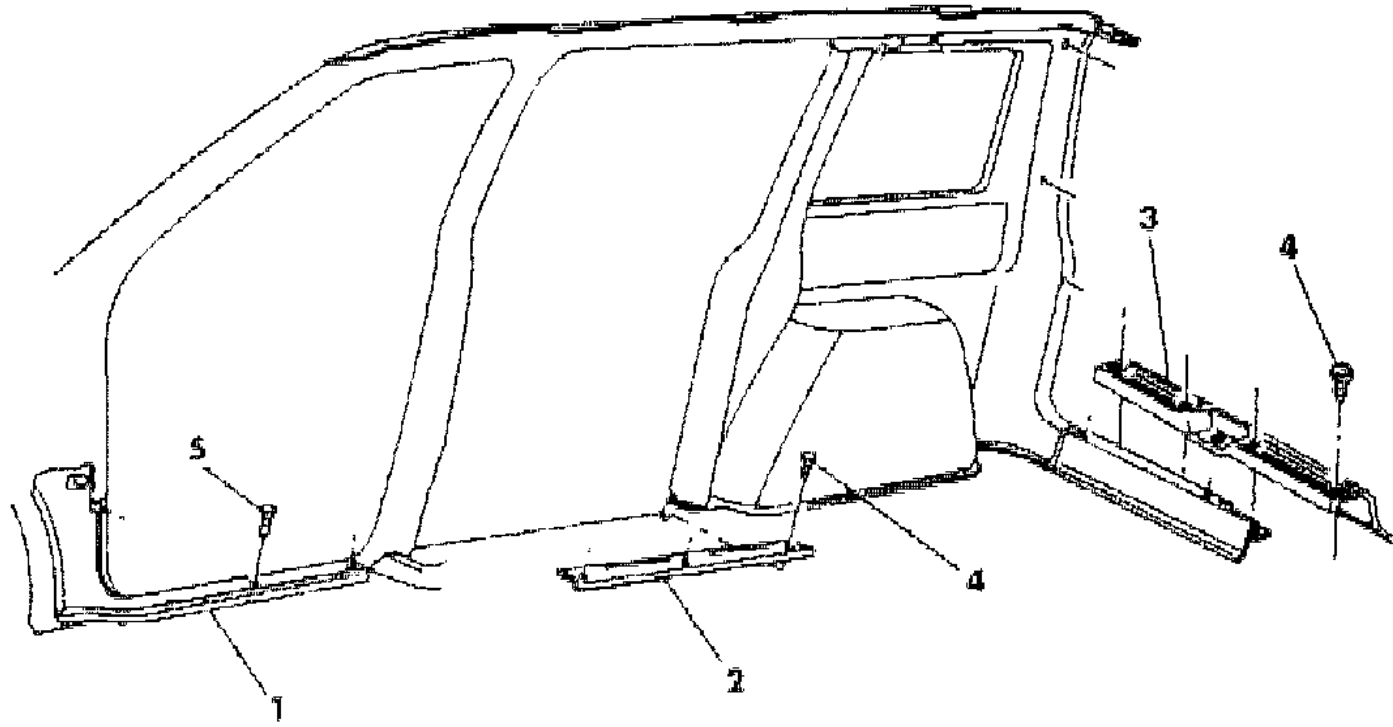
21 = 2-DOOR SEDAN	28 = FWD PICKUP	44 = 4-DOOR HATCHBACK
22 = 2-DOOR SPECIAL COUPE	35 = FWD VAN	45 = 4-DOOR STATION WAGON
24 = 2-DOOR HATCHBACK	36 = FWD WAGON	48 = 4-DOOR EXECUTIVE SEDAN
27 = 2-DOOR CONVERTIBLE	41 = 4-DOOR SEDAN	

AR = Use as Required - = Non Illustrated Part P.A.R. = Paint as Required

SCUFF PLATES H,K S BODY
Figure ITS-900

4242 900

ITEM	PART NUMBER	QTY	BODY	MODEL	DESCRIPTION
1					SCUFF PLATE and COWL N N N N
	F272-3 CA3	1			Silver N N N YF272CA3
	F272-3 CB5	1			Blue N N N YF272CB5
	F272-3 CM6	1			Red N N N YF272CM6
	F272-3 CL3	1			Beige N N N YF272CL3
	F272-3 CK5	1			Saddle N N N YF272CK5
2					PLATE, Sliding Door Scuff N N N N
	M917 CA3	1			Silver N N N YM917CA3
	M917 CB5	1			Blue N N N YM917CB5
	M917 CM6	1			Red N N N YM917CM6
	M917 CL3	1			Beige N N N YM917CL3
	M917 CK5	1			Saddle N N N YM917CK5
	M917 CT8	1			Brown N N N YM917CT8
	M917 CS8	1			Charcoal N N N YM917CS8
3	M916 CL3	1			PLATE, Liftgate Rear Sill Scuff (paint as required) N N N YM916CL3
4		AR			SCREW (10-16x3/4)(not serviced) N N N N
5		AR			SCREW (8-18x3/4)(not serviced) N N N N



MODEL CODES

B = GRAN FURY	F = FIFTH AVENUE/NEWPORT	P = RELIANT
C = LEBARON/TOWN & COUNTRY/EXC SEDAN	G = DIPLOMAT	T = E CLASS/NEW YORKER
C24 = LASER	H = VOYAGER	V = 600
D = ARIES	K = MINI RAM/CARAVAN/ROYAL	V24 = DAYTONA
E = 600	M = HORIZON/TURISMO	Z = OMNI/CHARGER/RAMPAGE

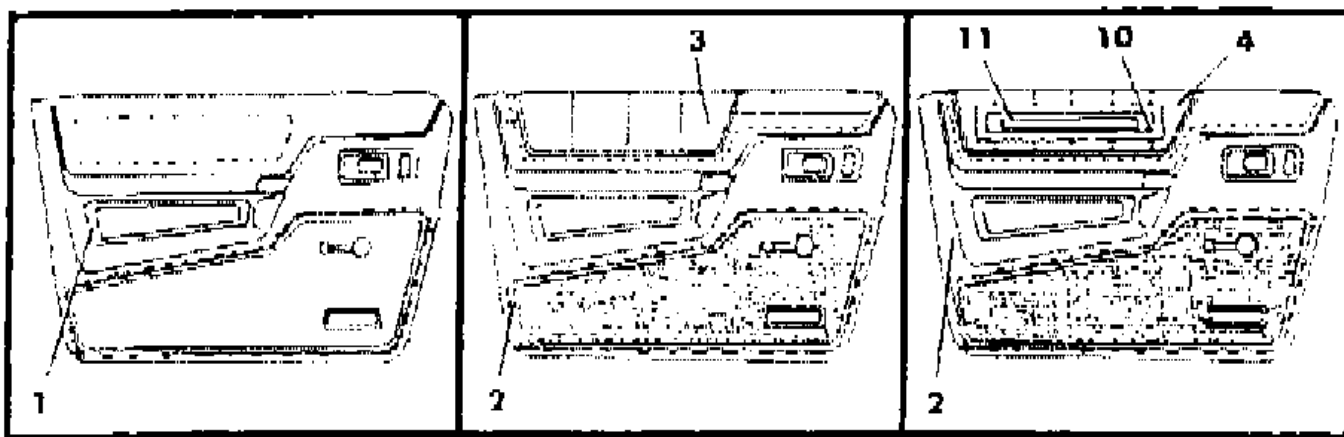
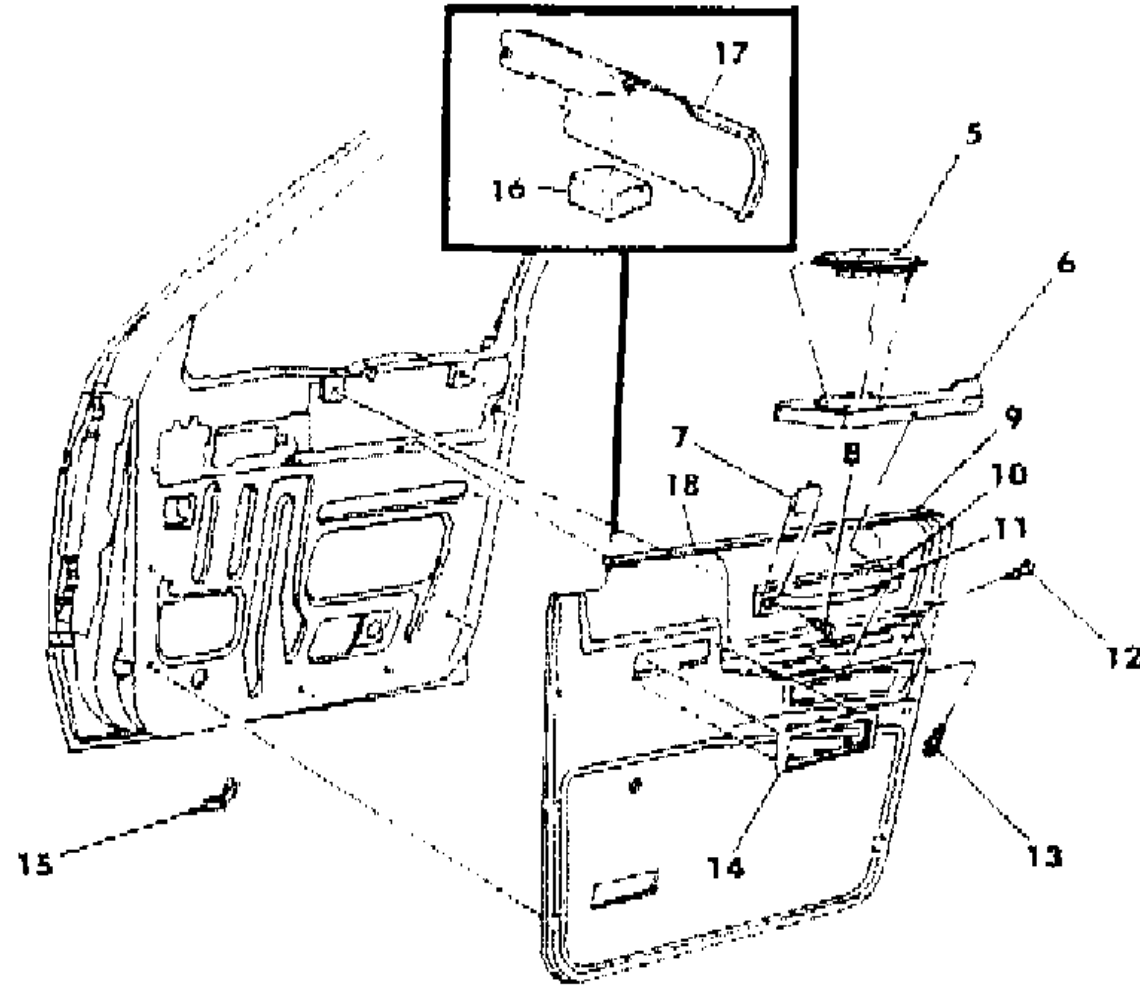
BODY STYLES

21 = 2-DOOR SEDAN	28 = FWD PICKUP	44 = 4-DOOR HATCHBACK
22 = 2-DOOR SPECIAL COUPE	35 = FWD VAN	45 = 4-DOOR STATION WAGON
24 = 2-DOOR HATCHBACK	36 = FWD WAGON	48 = 4-DOOR EXECUTIVE SEDAN
27 = 2-DOOR CONVERTIBLE	41 = 4-DOOR SEDAN	

AR = Use as Required - = Non Illustrated Part P.A.R. = Paint as Required

DOOR TRIM PANEL FRONT H,K S BODY
Figure ITS-1000

4242 1000



ITEM	PART NUMBER	QTY	BODY	MODEL	DESCRIPTION
1					PANEL, Door Full (vinyl) N N N N
	J280-1 CA3	1			N N NA8AS,C7AS YJ280CA3
	J280-1 CA3	1			N N NC8AS,ZZAS YJ280CA3
	J280-1 CM6	1			N N NC7M,C8M YJ280CM6
	J280-1 CM6	1			N N NZZM YJ280CM6
	D318-9 CL3	1			N N NA8L,C7L,C8L YD318CL3
	D318-9 CL3	1			N N NZZL YD318CL3
2					PANEL, w/Carpet w/o Bolster N N N N
	J302-3 CA3	1			N N ND7AS,E5AS YJ302CA3
	J302-3 CA3	1			N N NF6AS,G5AS YJ302CA3
	J302-3 CA3	1			N N NH6AS,ZZAS YJ302CA3
	J302-3 CB5	1			N N ND7BB,F6BB YJ302CB5
	J302-3 CB5	1			N N NH6BB YJ302CB5
	J302-3 CM6	1			N N ND7M,E5M,F6M YJ302CM6
	J302-3 CM6	1			N N NG5M,H6M,ZZM YJ302CM6
	J302-3 CL3	1			N N ND7L,F6L YJ302CL3
	J302-3 CL3	1			N N NG5L,H6L,ZZL YJ302CL3
	J302-3 CK5	1			N N ND7KT,E5KT YJ302CK5
	J302-3 CK5	1			N N NF6KT,G5KT YJ302CK5
	J302-3 CK5	1			N N NH6KT,ZZKT YJ302CK5
3					BOLSTER, w/o Pull Handle w/Weatherstrip N N N N
					Vinyl N N N N
	K760-1 CA2	1			N N NE5AS,F6AS YK760CA2
	K760-1 CA2	1			N N NZZAS YK760CA2
	K760-1 CB5	1			N N NF6BB YK760CB5
	K760-1 CM6	1			N N NE5M,F6M,ZZM YK760CM6
	K760-1 CL3	1			N N NF6L YK760CL3
	K760-1 CK5	1			N N NE5KT,F6KT YK760CK5
	K760-1 CK5	1			N N NZZKT YK760CK5
					Cloth N N N N
	K764-5 CA3	1			N N ND7AS YK764CA3
	K764-5 CB5	1			N N ND7BB YK764CB5
	K764-5 CM6	1			N N ND7M YK764CM6
	K764-5 CL3	1			N N ND7L YK764CL3
	K764-5 CK5	1			N N ND7KT YK764CK5
4					BOLSTER, w/Pull Handle and Weatherstrip N N N N
					Vinyl N N N N
	K762-3 CA2	1			N N NH6AS YK762CA2

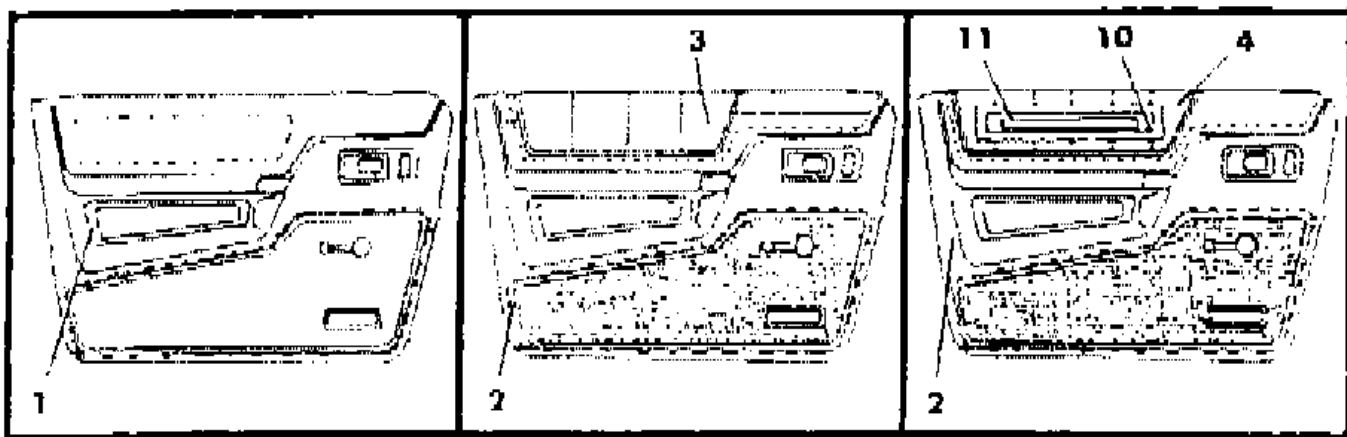
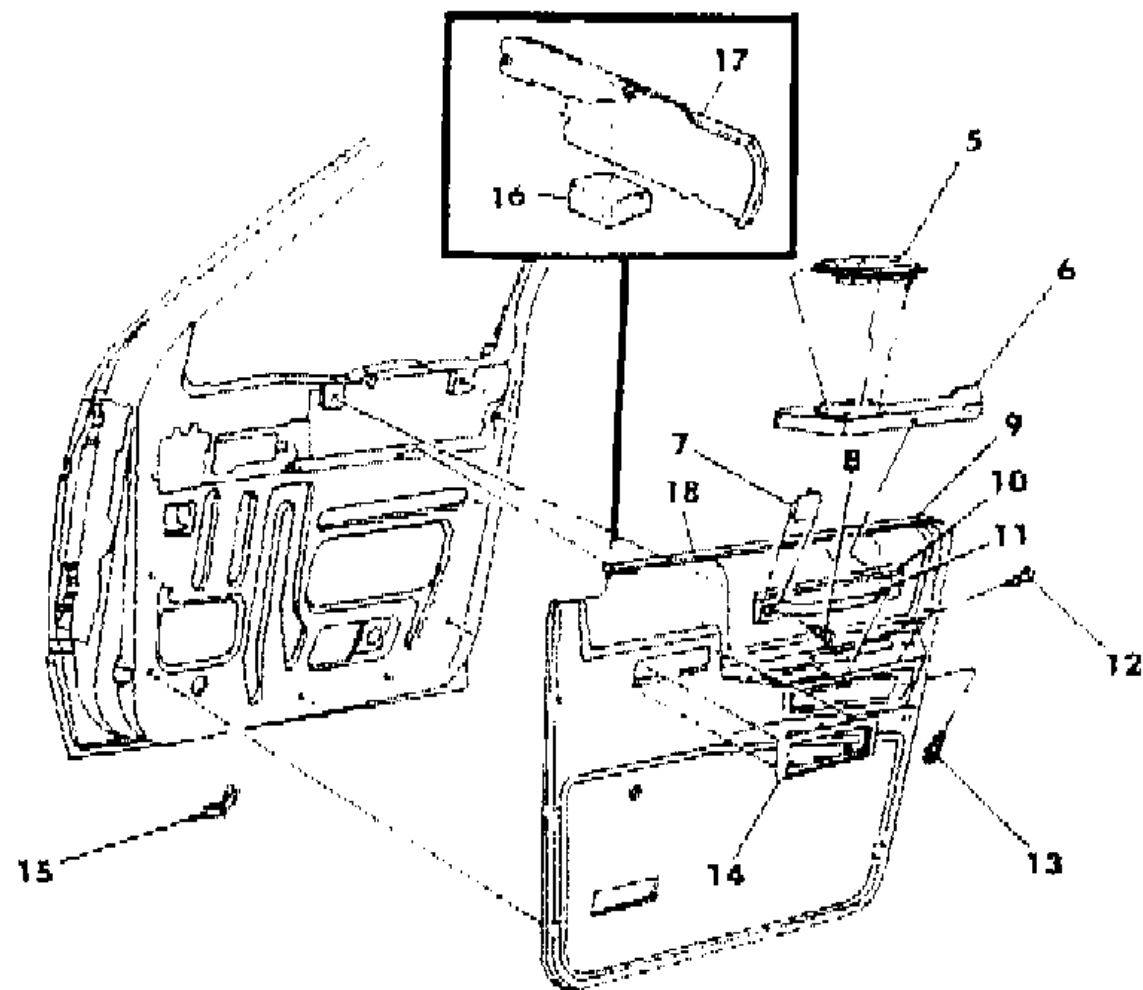
MODEL CODES
 B = GRAN FURY
 C = LEBARON/TOWN & COUNTRY/EXC SEDAN
 C24 = LASER
 D = ARIES
 E = 600
 F = FIFTH AVENUE/NEWPORT
 G = DIPLOMAT
 H = VOYAGER
 K = MINI RAM/CARAVAN/ROYAL
 M = HORIZON/TURISMO
 P = RELIANT
 T = E CLASS/NEW YORKER
 V = 600
 V24 = DAYTONA
 Z = OMNI/CHARGER/RAMPAGE

BODY STYLES
 21 = 2-DOOR SEDAN
 22 = 2-DOOR SPECIAL COUPE
 24 = 2-DOOR HATCHBACK
 27 = 2-DOOR CONVERTIBLE
 28 = FWD PICKUP
 35 = FWD VAN
 36 = FWD WAGON
 41 = 4-DOOR SEDAN
 44 = 4-DOOR HATCHBACK
 45 = 4-DOOR STATION WAGON
 48 = 4-DOOR EXECUTIVE SEDAN

AR = Use as Required - = Non Illustrated Part P.A.R. = Paint as Required

DOOR TRIM PANEL FRONT H,K S BODY
Figure ITS-1000

4242 1000



ITEM	PART NUMBER	QTY	BODY	MODEL	DESCRIPTION
	K762-3 CB5	1			N N NH6BB YK762CB5
	K762-3 CM6	1			N N NH6M YK762CM6
	K762-3 CL3	1			N N NH6L YK762CL3
	K762-3 CK5	1			N N NH6KT YK762CK5
					Cloth N N N N
	K758-9 CAS	1			N N NG5AS YK758CAS
	K758-9 CMM	1			N N NG5M YK758CMM
	K758-9 CLT	1			N N NG5L YK758CLT
	K758-9 CKT	1			N N NG5KT YK758CKT
	6032 431	20			NUT, Bolster Retaining N N N Y6032431
5					BEZEL (refer to Group 23C) N N N N
6					PAD, Armrest N N N N
					w/o Power Windows and Door Locks N N N N
	D464-5 CA3	1			Silver N N N YD464CA3
	D464-5 CB5	1			Blue N N N YD464CB5
	D464-5 CM6	1			Red N N N YD464CM6
	D464-5 CL3	1			Beige N N N YD464CL3
	D464-5 CK5	1			Saddle N N N YD464CK5
					w/Power Windows and Door Locks N N N N
	D466-7 CA3	1			Silver N N N YD466CA3
	D466-7 CB5	1			Blue N N N YD466CB5
	D466-7 CM6	1			Red N N N YD466CM6
	D466-7 CL3	1			Beige N N N YD466CL3
	D466-7 CK5	1			Saddle N N N YD466CK5
7	4248 932	4			END CAP, Pull Handle N N N Y4248932
8	6032 141	AR			SCREW N N N Y6032141
9	4198 910-1	1			SEAL, Belt Rear N N N Y4198910
10	4248 931	2			FINISH PLATE N N N Y4248931
11					HANDLE, Pull N N N N
	D931 AA2	2			Silver N N N YD931AA2
	D931 CB5	2			Blue N N N YD931CB5
	D931 AM6	2			Red N N N YD931AM6
	D931 BL3	2			Beige N N N YD931BL3
	D931 CK5	2			Saddle N N N YD931CK5
	6032 133	6			NUT, Handle Attaching N N N Y6032133
12		AR			SCREW (not serviced) N N N N
13		AR			SCREW (8-18x3/4)(not serviced) N N N N
14					BEZEL (refer to Group 23C) N N N N

MODEL CODES

B = GRAN FURY	F = FIFTH AVENUE/NEWPORT	P = RELIANT
C = LEBARON/TOWN & COUNTRY/EXC SEDAN	G = DIPLOMAT	T = E CLASS/NEW YORKER
C24 = LASER	H = VOYAGER	V = 600
D = ARIES	K = MINI RAM/CARAVAN/ROYAL	V24 = DAYTONA
E = 600	M = HORIZON/TURISMO	Z = OMNI/CHARGER/RAMPAGE

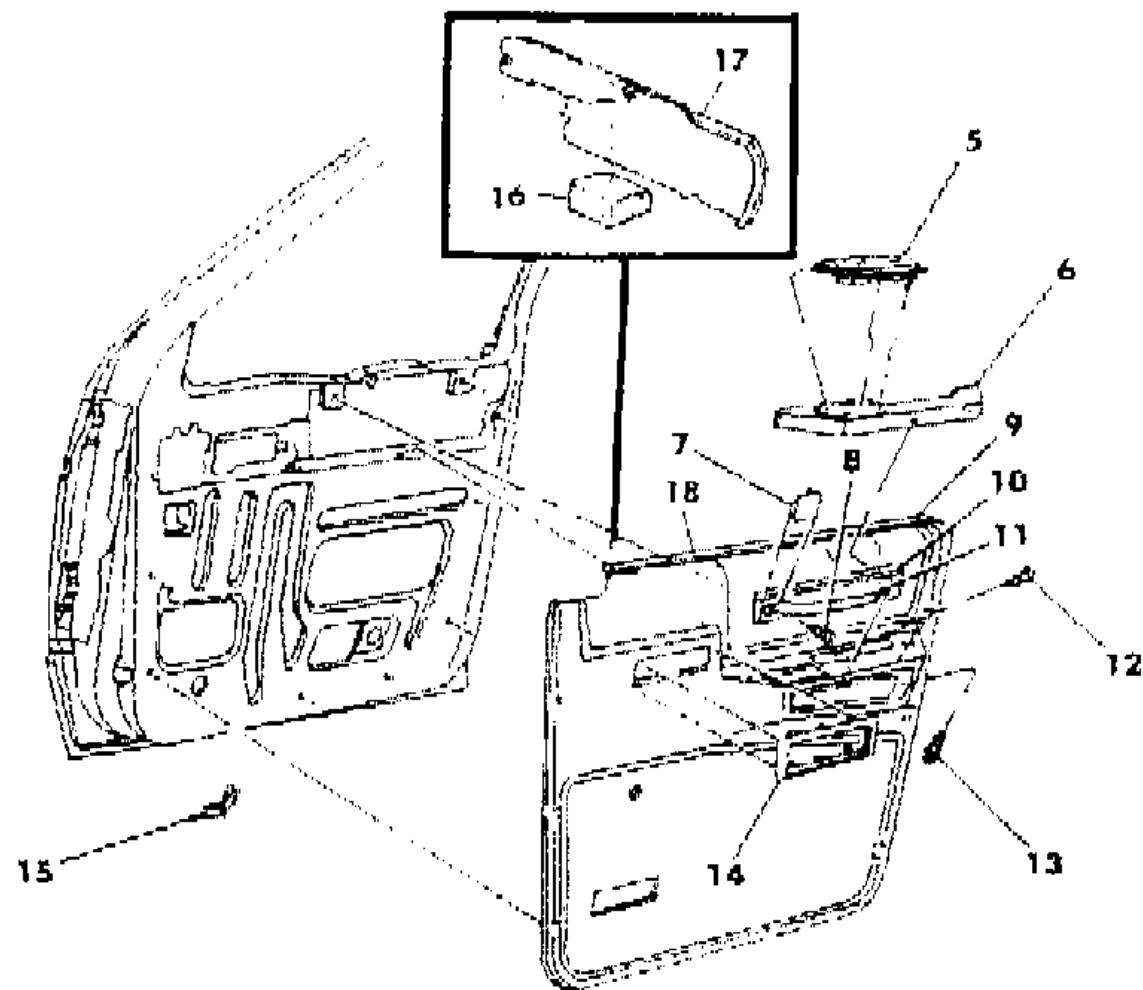
BODY STYLES

21 = 2-DOOR SEDAN	28 = FWD PICKUP	44 = 4-DOOR HATCHBACK
22 = 2-DOOR SPECIAL COUPE	35 = FWD VAN	45 = 4-DOOR STATION WAGON
24 = 2-DOOR HATCHBACK	36 = FWD WAGON	48 = 4-DOOR EXECUTIVE SEDAN
27 = 2-DOOR CONVERTIBLE	41 = 4-DOOR SEDAN	

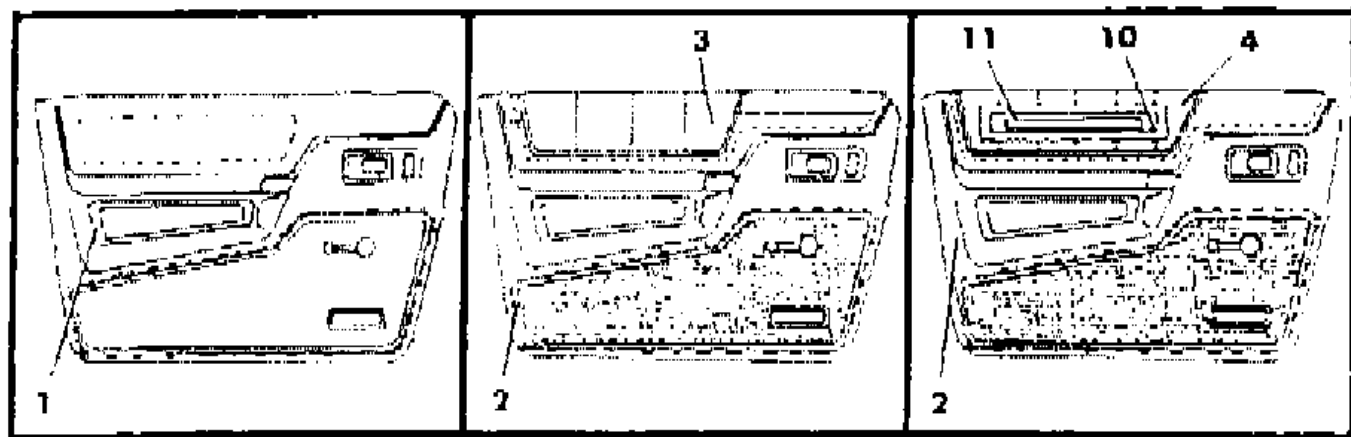
AR = Use as Required - = Non Illustrated Part P.A.R. = Paint as Required

DOOR TRIM PANEL FRONT H,K S BODY
Figure ITS-1000

4242 1000



ITEM	PART NUMBER	QTY	BODY	MODEL	DESCRIPTION
15	1623 945	18			FASTENER N N N Y1623945
16	4336 247	2			SEAL, Belt Front N N N Y4336247
17					PANEL, Door (reference) N N N N
18	4248 710-1	1			WEATHERSTRIP N N N Y4248710



MODEL CODES

B = GRAN FURY	F = FIFTH AVENUE/NEWPORT	P = RELIANT
C = LEBARON/TOWN & COUNTRY/EXC SEDAN	G = DIPLOMAT	T = E CLASS/NEW YORKER
C24 = LASER	H = VOYAGER	V = 600
D = ARIES	K = MINI RAM/CARAVAN/ROYAL	V24 = DAYTONA
E = 600	M = HORIZON/TURISMO	Z = OMNI/CHARGER/RAMPAGE

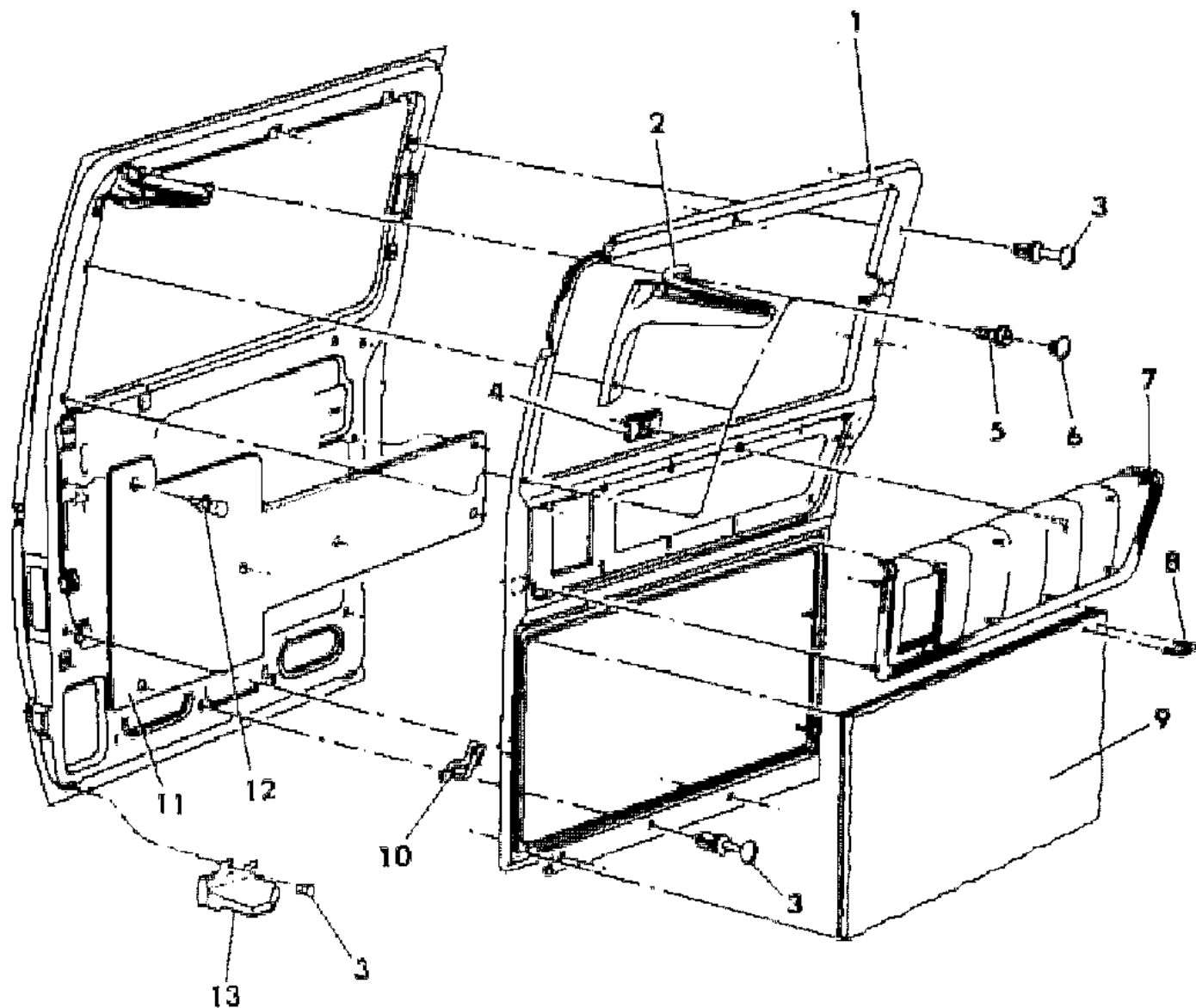
BODY STYLES

21 = 2-DOOR SEDAN	28 = FWD PICKUP	44 = 4-DOOR HATCHBACK
22 = 2-DOOR SPECIAL COUPE	35 = FWD VAN	45 = 4-DOOR STATION WAGON
24 = 2-DOOR HATCHBACK	36 = FWD WAGON	48 = 4-DOOR EXECUTIVE SEDAN
27 = 2-DOOR CONVERTIBLE	41 = 4-DOOR SEDAN	

AR = Use as Required - = Non Illustrated Part P.A.R. = Paint as Required

DOOR TRIM PANEL SLIDING H,K S BODY
Figure ITS-1100

4242 1100



ITEM	PART NUMBER	QTY	BODY	MODEL	DESCRIPTION
1					PANEL, Sliding Door N N N N
	H344 CL3	1			w/o Carpet (paint as required) N N N YH344CL3
2	F274 CA3	1			COVER, Upper Arm Trim (paint as required) N N N YF274CA3
3					FASTENER N N N N
	F155 BA3	7			Silver N N N YF155BA3
	F155 CB5	7			Blue N N N YF155CB5
	F155 BM6	7			Red N N N YF155BM6
	F155 BL3	7			Beige N N N YF155BL3
	F155 CK5	7			Saddle N N N YF155CK5
4	6032 431	11			NUT N N N Y6032431
5	6032 456	3			SCREW N N N Y6032456
6	F245 CA3	3			PLUG (paint as required) N N N YF245CA3
7					BOLSTER N N N N
					Vinyl N N N N
	H358 CA2	1			N N NF6AS,H6AS YH358CA2
	H358 CB5	1			N N NF6BB,H6BB YH358CB5
	H358 CM6	1			N N NF6M,H6M YH358CM6
	H358 CL3	1			N N NF6L,H6L YH358CL3
	H358 CK5	1			N N NF6KT,H6KT YH358CK5
					Cloth N N N N
	H360 CAS	1			N N NG5AS YH360CAS
	H360 CMM	1			N N NG5M YH360CMM
	H360 CLT	1			N N NG5L YH360CLT
	H360 CKT	1			N N NG5KT YH360CKT
	H396 CA3	1			N N ND7AS YH396CA3
	H396 CB5	1			N N ND7BB YH396CB5
	H396 CM6	1			N N ND7M YH396CM6
	H396 CL3	1			N N ND7L YH396CL3
	H396 CK5	1			N N ND7KT YH396CK5
8		AR			STAPLE (not serviced) N N N N
9					CARPET, Sliding Door N N N N
	G271 CB5	1			Blue N N N YG271CB5
	G271 CM6	1			Red N N N YG271CM6
	G271 CT9	1			Brown N N N YG271CT9
	G271 CS8	1			Charcoal N N N YG271CS8
10	1623 945	5			FASTENER N N N Y1623945
11	4282 780	1			COVER, Sliding Door Inner Panel N N N Y4282780
12	6003 683	AR			FASTENER N N N Y6003683

MODEL CODES

B = GRAN FURY	F = FIFTH AVENUE/NEWPORT	P = RELIANT
C = LEBARON/TOWN & COUNTRY/EXC SEDAN	G = DIPLOMAT	T = E CLASS/NEW YORKER
C24 = LASER	H = VOYAGER	V = 600
D = ARIES	K = MINI RAM/CARAVAN/ROYAL	V24 = DAYTONA
E = 600	M = HORIZON/TURISMO	Z = OMNI/CHARGER/RAMPAGE

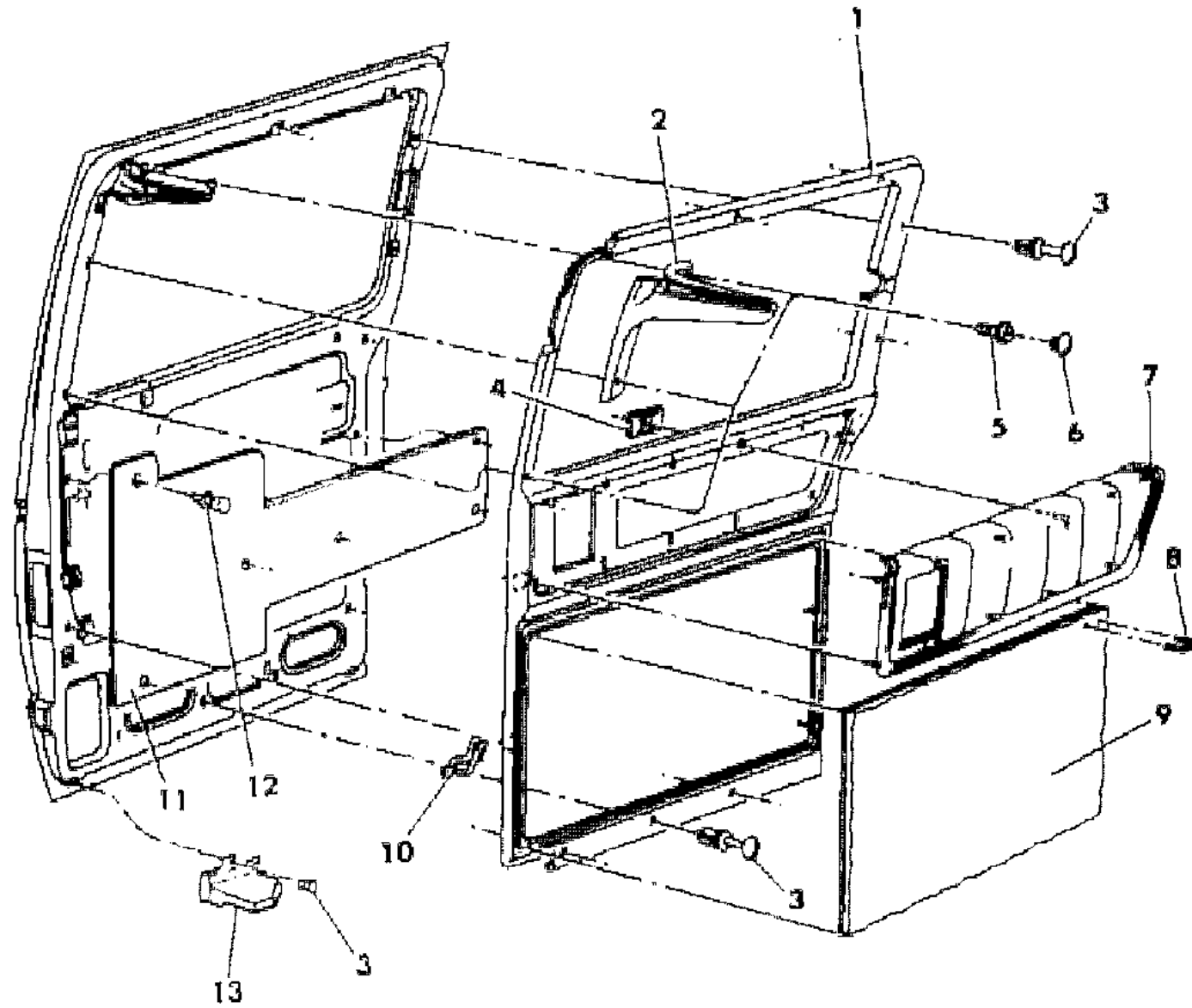
BODY STYLES

21 = 2-DOOR SEDAN	28 = FWD PICKUP	44 = 4-DOOR HATCHBACK
22 = 2-DOOR SPECIAL COUPE	35 = FWD VAN	45 = 4-DOOR STATION WAGON
24 = 2-DOOR HATCHBACK	36 = FWD WAGON	48 = 4-DOOR EXECUTIVE SEDAN
27 = 2-DOOR CONVERTIBLE	41 = 4-DOOR SEDAN	

AR = Use as Required - = Non Illustrated Part P.A.R. = Paint as Required

DOOR TRIM PANEL SLIDING H,K S BODY
Figure ITS-1100

4242 1100



ITEM	PART NUMBER	QTY	BODY	MODEL	DESCRIPTION
13					COVER, Lower Roller Bracket N N N N
	H298 CA3	1			Silver N N N YH298CA3
	H298 CB5	1			Blue N N N YH298CB5
	H298 CM6	1			Red N N N YH298CM6
	H298 CL3	1			Beige N N N YH298CL3
	H298 CK5	1			Saddle N N N YH298CK5

MODEL CODES

B = GRAN FURY	F = FIFTH AVENUE/NEWPORT	P = RELIANT
C = LEBARON/TOWN & COUNTRY/EXC SEDAN	G = DIPLOMAT	T = E CLASS/NEW YORKER
C24 = LASER	H = VOYAGER	V = 600
D = ARIES	K = MINI RAM/CARAVAN/ROYAL	V24 = DAYTONA
E = 600	M = HORIZON/TURISMO	Z = OMNI/CHARGER/RAMPAGE

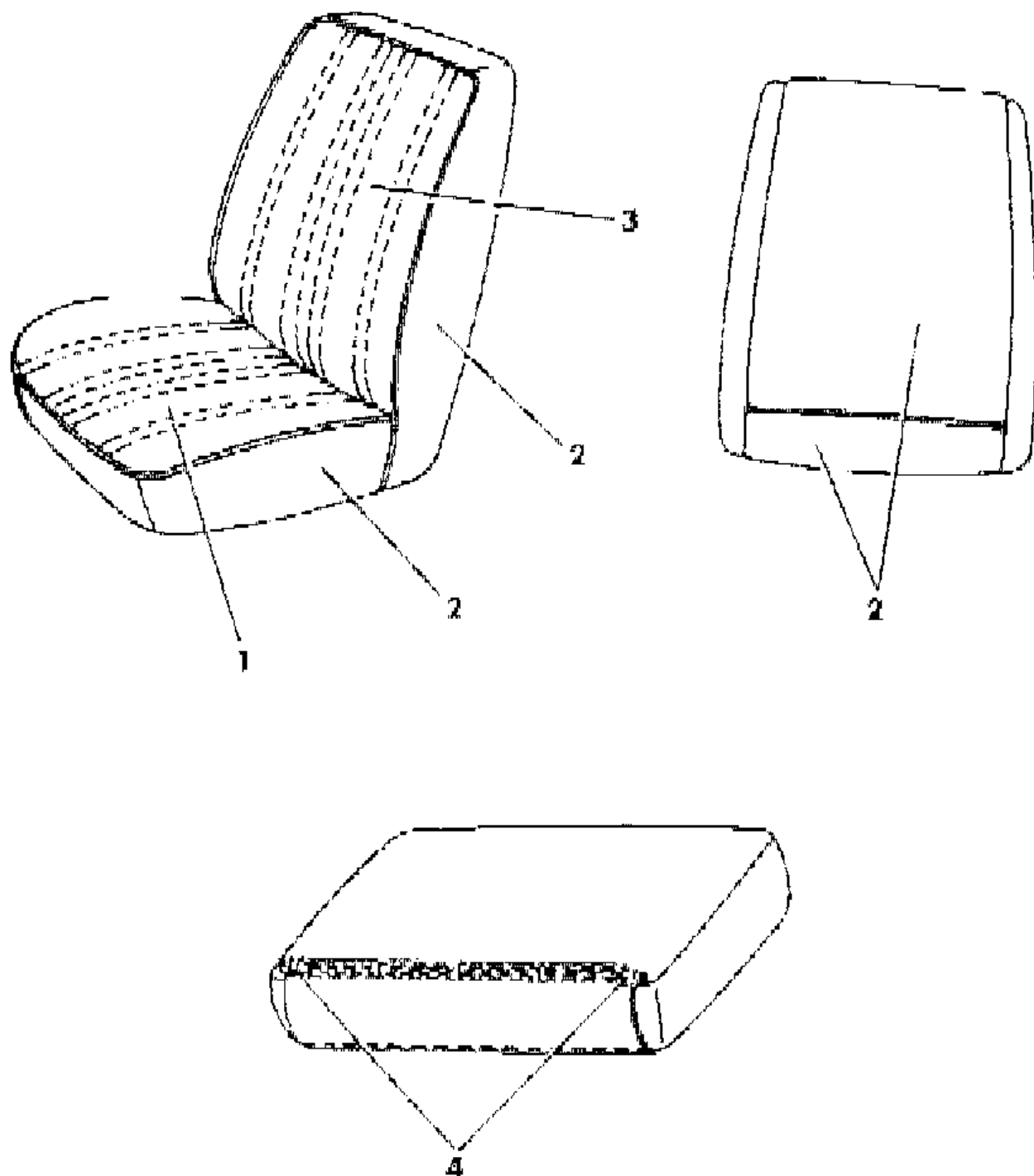
BODY STYLES

21 = 2-DOOR SEDAN	28 = FWD PICKUP	44 = 4-DOOR HATCHBACK
22 = 2-DOOR SPECIAL COUPE	35 = FWD VAN	45 = 4-DOOR STATION WAGON
24 = 2-DOOR HATCHBACK	36 = FWD WAGON	48 = 4-DOOR EXECUTIVE SEDAN
27 = 2-DOOR CONVERTIBLE	41 = 4-DOOR SEDAN	

AR = Use as Required - = Non Illustrated Part P.A.R. = Paint as Required

SEAT FRONT H,K S BODY TRIM CODE A8
Figure ITS-1200

4242 1200



ITEM	PART NUMBER	QTY	BODY	MODEL	DESCRIPTION
1-2					CUSHION, w/Spring/Frame, Pad and Cover N N N N
	G708 C8A	2			N N NA8AS YG708C8A
	G708 C8L	2			N N NA8L YG708C8L
2					COVER, Cushion N N N N
	G400 C8A	2			N N NA8AS YG400C8A
	G400 C8L	2			N N NA8L YG400C8L
3					ROLL STOCK, Vinyl 54" Wide Order by the Inch N N N N
	R615 CA2	AR			Silver N N N YR615CA2
	R615 BL3	AR			Beige N N N YR615BL3
	R615 CS8	AR			Charcoal N N N YR615CS8
2-3					BACK, w/Spring/Frame, Pad and Cover N N N N
	G704-5 C8A	1			N N NA8AS YG704C8A
	G704-5 C8L	1			N N NA8L YG704C8L
3					COVER, Back N N N N
	G401 C8A	2			N N NA8AS YG401C8A
	G401 C8L	2			N N NA8L YG401C8L
4	6008 076	AR			HOG RING N N N Y6008076

MODEL CODES

B = GRAN FURY	F = FIFTH AVENUE/NEWPORT	P = RELIANT
C = LEBARON/TOWN & COUNTRY/EXC SEDAN	G = DIPLOMAT	T = E CLASS/NEW YORKER
C24 = LASER	H = VOYAGER	V = 600
D = ARIES	K = MINI RAM/CARAVAN/ROYAL	V24 = DAYTONA
E = 600	M = HORIZON/TURISMO	Z = OMNI/CHARGER/RAMPAGE

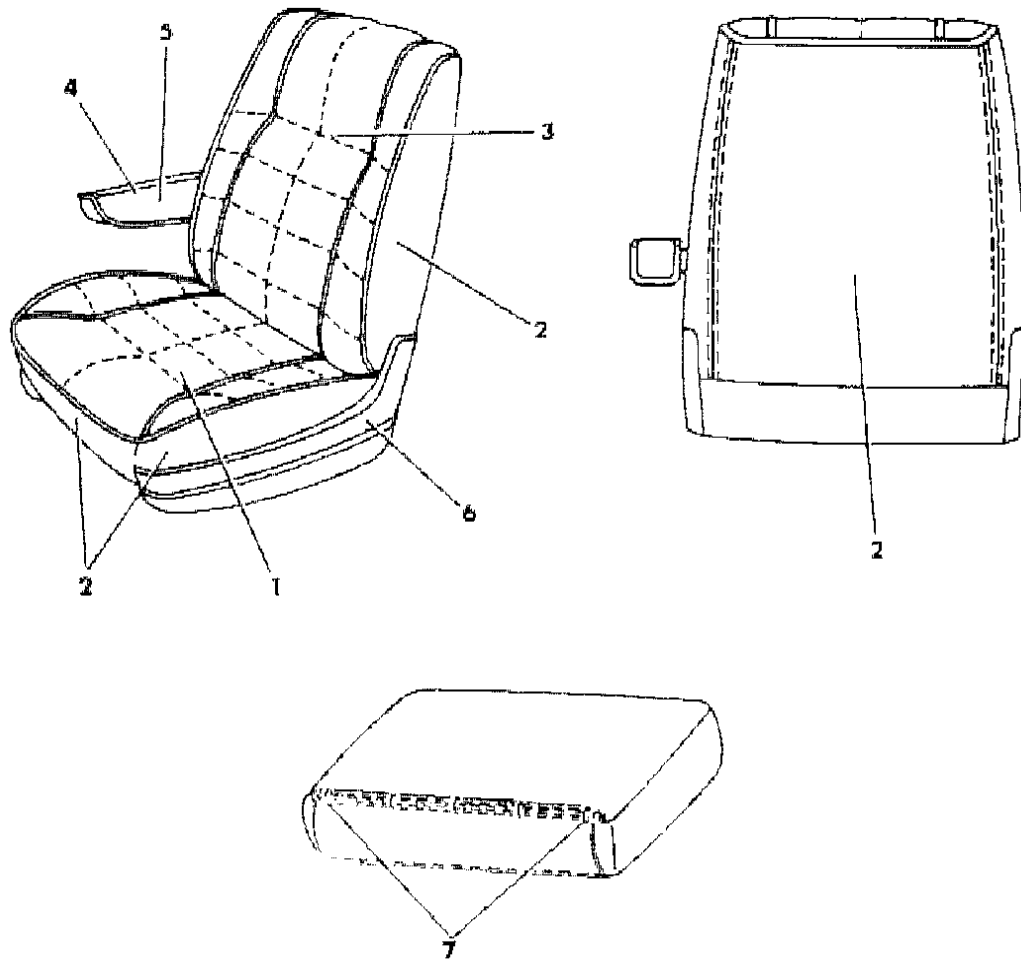
BODY STYLES

21 = 2-DOOR SEDAN	28 = FWD PICKUP	44 = 4-DOOR HATCHBACK
22 = 2-DOOR SPECIAL COUPE	35 = FWD VAN	45 = 4-DOOR STATION WAGON
24 = 2-DOOR HATCHBACK	36 = FWD WAGON	48 = 4-DOOR EXECUTIVE SEDAN
27 = 2-DOOR CONVERTIBLE	41 = 4-DOOR SEDAN	

AR = Use as Required - = Non Illustrated Part P.A.R. = Paint as Required

SEAT FRONT H,K S BODY TRIM CODES C7,C8,D7
Figure ITS-1300

4242 1300



ITEM	PART NUMBER	QTY	BODY	MODEL	DESCRIPTION
1-2					CUSHION, w/Spring/Frame, Pad and Cover N N N N
	G715 C7A	2			N N NC7AS,D7AS YG715C7A
	G715 C7B	2			N N ND7BB YG715C7B
	G715 C7M	2			N N NC7M,D7M YG715C7M
	G715 C7K	2			N N ND7KT YG715C7K
	G715 C7L	2			N N NC7L,D7L YG715C7L
	G779 C8A	2			N N NC8AS YG779C8A
	G779 C8M	2			N N NC8M YG779C8M
	G779 C8L	2			N N NC8L YG779C8L
1					COVER, Cushion N N N N
	G402 C7A	2			N N NC7AS,D7AS YG402C7A
	G402 C7B	2			N N ND7BB YG402C7B
	G402 C7M	2			N N NC7M,D7M YG402C7M
	G402 C7K	2			N N ND7KT YG402C7K
	G402 C7L	2			N N NC7L,D7L YG402C7L
	G432 C8A	2			N N NC8AS YG432C8A
	G432 C8M	2			N N NC8M YG432C8M
	G432 C8L	2			N N NC8L YG432C8L
2					ROLL STOCK, Vinyl Order by the Inch N N N N
	R609 CS8	AR			Charcoal 58" Wide N N NC7AS,D7AS YR609CS8
	R609 CS8	AR			Charcoal 58" Wide N N NC8AS YR609CS8
	R629 CB5	AR			Blue 54" Wide N N ND7BB YR629CB5
	R629 CM6	AR			Red 54" Wide N N NC7M,D7M,C8M YR629CM6
	R629 BT8	AR			Brown 54" Wide N N ND7KT YR629BT8
	R629 CL3	AR			Beige 54" Wide N N NC7L,D7L,C8L YR629CL3
2-3					BACK, w/Spring/Frame, Pad and Cover N N N N
	G716-7 C7A	1			N N NC7AS,D7AS YG716C7A
	G716-7 C7B	1			N N ND7BB YG716C7B
	G716-7 C7M	1			N N NC7M,D7M YG716C7M
	G716-7 C7K	1			N N ND7KT YG716C7K
	G716-7 C7L	1			N N NC7L,D7L YG716C7L
	G782-3 C8A	1			N N NC8AS YG782C8A
	G782-3 C8M	1			N N NC8M YG782C8M
	G782-3 C8L	1			N N NC8L YG782C8L
3					COVER, Back N N N N
	G403 C7A	2			N N NC7AS,D7AS YG403C7A
	G403 C7B	2			N N ND7BB YG403C7B
	G403 C7M	2			N N NC7M,D7M YG403C7M

MODEL CODES

B = GRAN FURY	F = FIFTH AVENUE/NEWPORT	P = RELIANT
C = LEBARON/TOWN & COUNTRY/EXC SEDAN	G = DIPLOMAT	T = E CLASS/NEW YORKER
C24 = LASER	H = VOYAGER	V = 600
D = ARIES	K = MINI RAM/CARAVAN/ROYAL	V24 = DAYTONA
E = 600	M = HORIZON/TURISMO	Z = OMNI/CHARGER/RAMPAGE

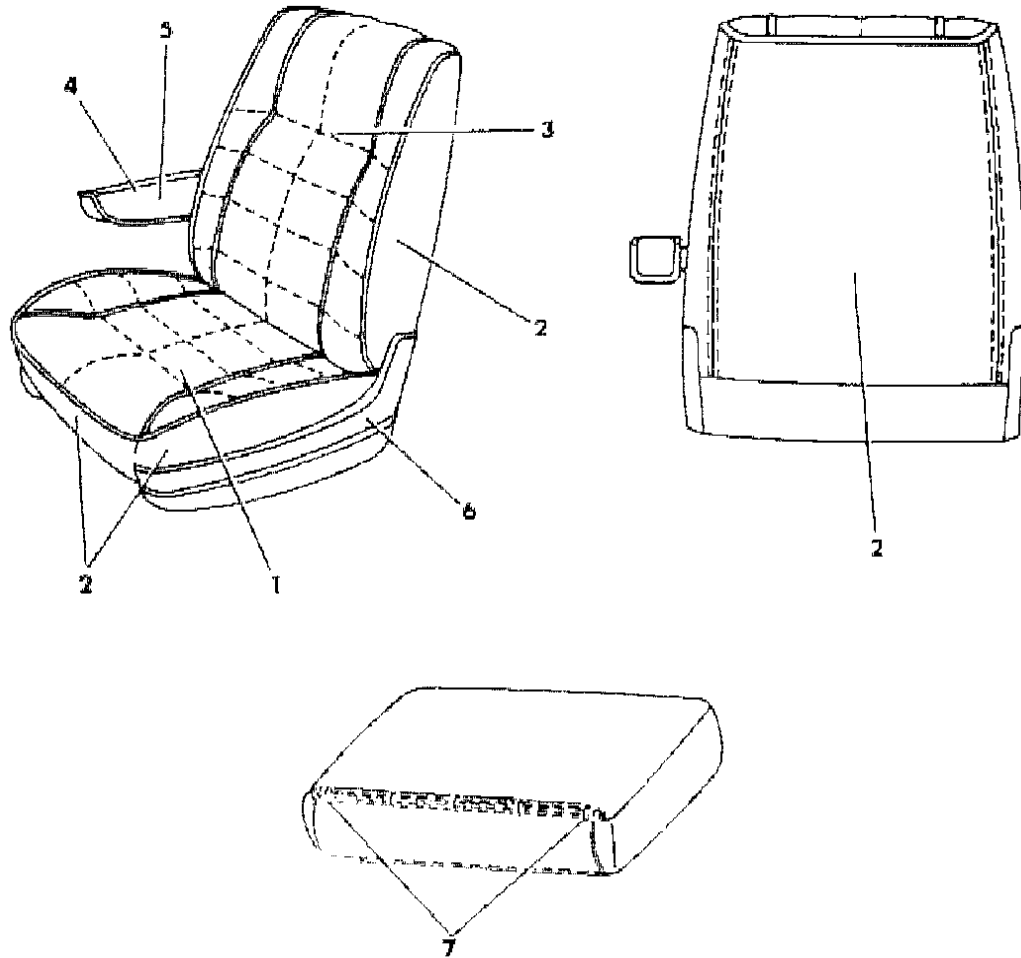
BODY STYLES

21 = 2-DOOR SEDAN	28 = FWD PICKUP	44 = 4-DOOR HATCHBACK
22 = 2-DOOR SPECIAL COUPE	35 = FWD VAN	45 = 4-DOOR STATION WAGON
24 = 2-DOOR HATCHBACK	36 = FWD WAGON	48 = 4-DOOR EXECUTIVE SEDAN
27 = 2-DOOR CONVERTIBLE	41 = 4-DOOR SEDAN	

AR = Use as Required - = Non Illustrated Part P.A.R. = Paint as Required

SEAT FRONT H,K S BODY TRIM CODES C7,C8,D7
Figure ITS-1300

4242 1300



ITEM	PART NUMBER	QTY	BODY	MODEL	DESCRIPTION
	G403 C7K	2			N N ND7KT YG403C7K
	G403 C7L	2			N N NC7L,D7L YG403C7L
	G433 C8A	2			N N NC8AS YG433C8A
	G433 C8M	2			N N NC8M YG433C8M
	G433 C8L	2			N N NC8L YG433C8L
4					ARMREST and COVER N N N N
	G712 CS8	2			N N ND7AS YG712CS8
	G712 CB5	2			N N ND7BB YG712CB5
	G712 CM6	2			N N ND7M YG712CM6
	G712 CT8	2			N N ND7KT YG712CT8
	G712 CL3	2			N N ND7L YG712CL3
5					COVER, Armrest N N N N
	G421 CS8	2			N N ND7AS YG421CS8
	G421 CB5	2			N N ND7BB YG421CB5
	G421 CM6	2			N N ND7M YG421CM6
	G421 CT8	2			N N ND7KT YG421CT8
	G421 CL3	2			N N ND7L YG421CL3
6					SHIELD, Cushion and Back (paint as required) N N N N
	S848-9 CL3	1			Outer N N N YS848CL3
	S858-9 CL3	1			Inner Manual N N N YS858CL3
	S869 CL3	1			Inner Electric Left N N N YS869CL3
	6500 453	4			NUT, Stamped N N N Y6500453
7	6008 076	AR			HOG RING N N N Y6008076

NOTE: For Arm Rest Attaching Parts See Illustration Number 1800 s ARE NOT RETURNABLE.

MODEL CODES

B = GRAN FURY	F = FIFTH AVENUE/NEWPORT	P = RELIANT
C = LEBARON/TOWN & COUNTRY/EXC SEDAN	G = DIPLOMAT	T = E CLASS/NEW YORKER
C24 = LASER	H = VOYAGER	V = 600
D = ARIES	K = MINI RAM/CARAVAN/ROYAL	V24 = DAYTONA
E = 600	M = HORIZON/TURISMO	Z = OMNI/CHARGER/RAMPAGE

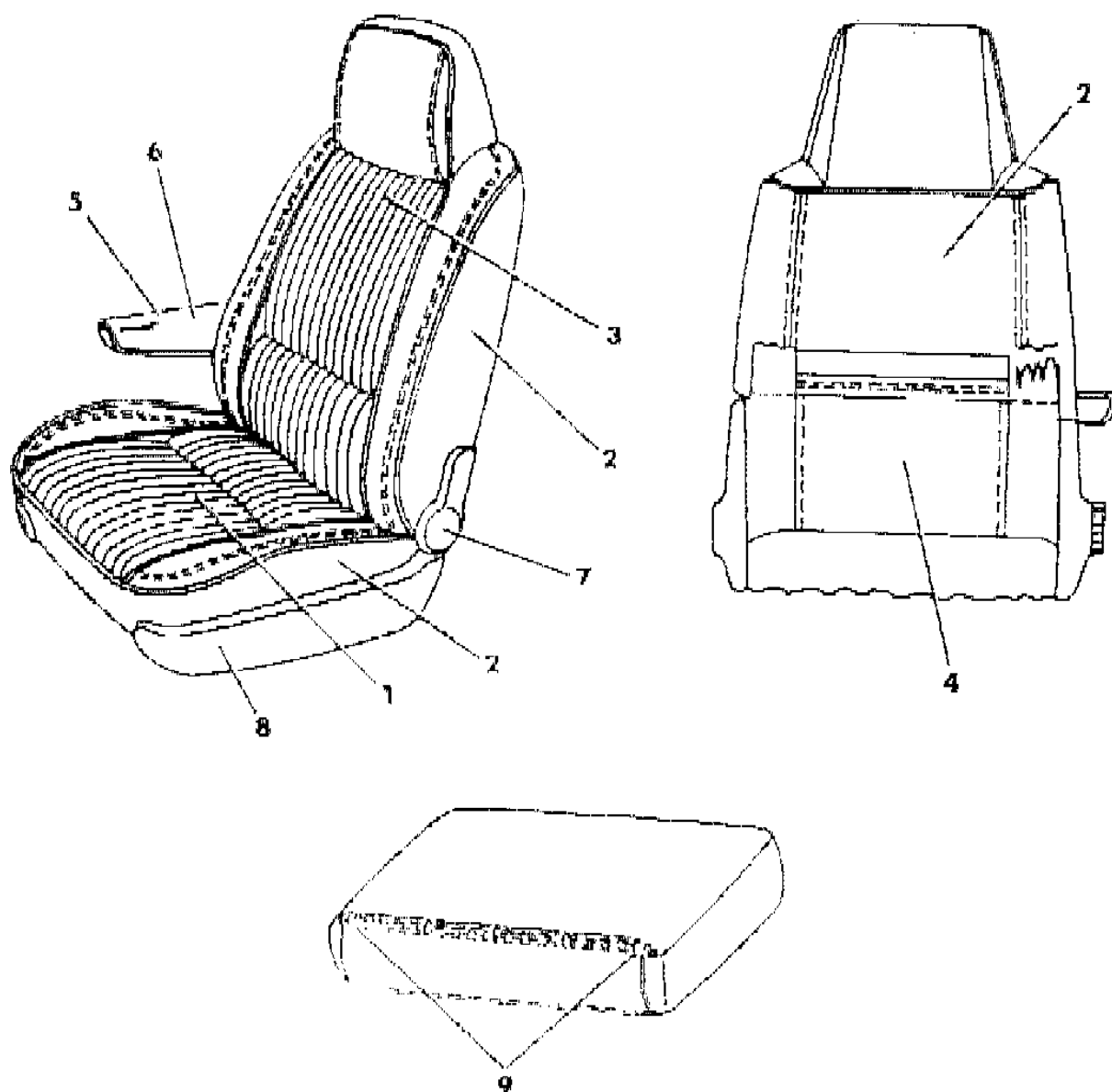
BODY STYLES

21 = 2-DOOR SEDAN	28 = FWD PICKUP	44 = 4-DOOR HATCHBACK
22 = 2-DOOR SPECIAL COUPE	35 = FWD VAN	45 = 4-DOOR STATION WAGON
24 = 2-DOOR HATCHBACK	36 = FWD WAGON	48 = 4-DOOR EXECUTIVE SEDAN
27 = 2-DOOR CONVERTIBLE	41 = 4-DOOR SEDAN	

AR = Use as Required - = Non Illustrated Part P.A.R. = Paint as Required

SEAT FRONT H,K S BODY TRIM CODES F6,H6
Figure ITS-1400

4242 1406



ITEM	PART NUMBER	QTY	BODY	MODEL	DESCRIPTION
1-2					CUSHION, w/Spring/Frame, Pad and Cover N N N N
	G739 C6A	2			N N NF6AS,H6AS YG739C6A
	G739 C6B	2			N N NF6BB,H6BB YG739C6B
	G739 C6M	2			N N NF6M,H6M YG739C6M
	G739 C6L	2			N N NF6L,H6L YG739C6L
	G739 C6K	2			N N NF6KT,H6KT YG739C6K
1					COVER, Cushion N N N N
	G411 C6A	2			N N NF6AS,H6AS YG411C6A
	G411 C6B	2			N N NF6BB,H6BB YG411C6B
	G411 C6M	2			N N NF6M,H6M YG411C6M
	G411 C6L	2			N N NF6L,H6L YG411C6L
	G411 C6K	2			N N NF6KT,H6KT YG411C6K
2					ROLL STOCK, Vinyl Order by the Inch N N N N
	R609 CS8	AR			Charcoal 58" Wide N N NF6AS,H6AS YR609CS8
	R629 CB5	AR			Blue 54" Wide N N NF6BB,H6BB YR629CB5
	R629 CM6	AR			Red 54" Wide N N NF6M,H6M YR629CM6
	R629 CL3	AR			Beige 54" Wide N N NF6L,H6L YR629CL3
	R629 BT8	AR			Brown 54" Wide N N NF6KT,H6KT YR629BT8
2-3					BACK, w/Spring/Frame, Pad and Cover N N N N
	G740-1 C6A	1			N N NF6AS,H6AS YG740C6A
	G740-1 C6B	1			N N NF6BB,H6BB YG740C6B
	G740-1 C6M	1			N N NF6M,H6M YG740C6M
	G740-1 C6L	1			N N NF6L,H6L YG740C6L
	G740-1 C6K	1			N N NF6KT,H6KT YG740C6K
3					COVER, Back N N N N
	G412 C6A	2			N N NF6AS,H6AS YG412C6A
	G412 C6B	2			N N NF6BB,H6BB YG412C6B
	G412 C6M	2			N N NF6M,H6M YG412C6M
	G412 C6L	2			N N NF6L,H6L YG412C6L
	G412 C6K	2			N N NF6KT,H6KT YG412C6K
4					POCKET, Back Storage (serviced in Seat Back Cover) N N N N
5					ARMREST and COVER N N N N
	G712 CS8	2			N N NF6AS,H6AS YG712CS8
	G712 CB5	2			N N NF6BB,H6BB YG712CB5
	G712 CM6	2			N N NF6M,H6M YG712CM6
	G712 CL3	2			N N NF6L,H6L YG712CL3
	G712 CT8	2			N N NF6KT,H6KT YG712CT8
6					COVER, Armrest N N N N

MODEL CODES

B = GRAN FURY	F = FIFTH AVENUE/NEWPORT	P = RELIANT
C = LEBARON/TOWN & COUNTRY/EXC SEDAN	G = DIPLOMAT	T = E CLASS/NEW YORKER
C24 = LASER	H = VOYAGER	V = 600
D = ARIES	K = MINI RAM/CARAVAN/ROYAL	V24 = DAYTONA
E = 600	M = HORIZON/TURISMO	Z = OMNI/CHARGER/RAMPAGE

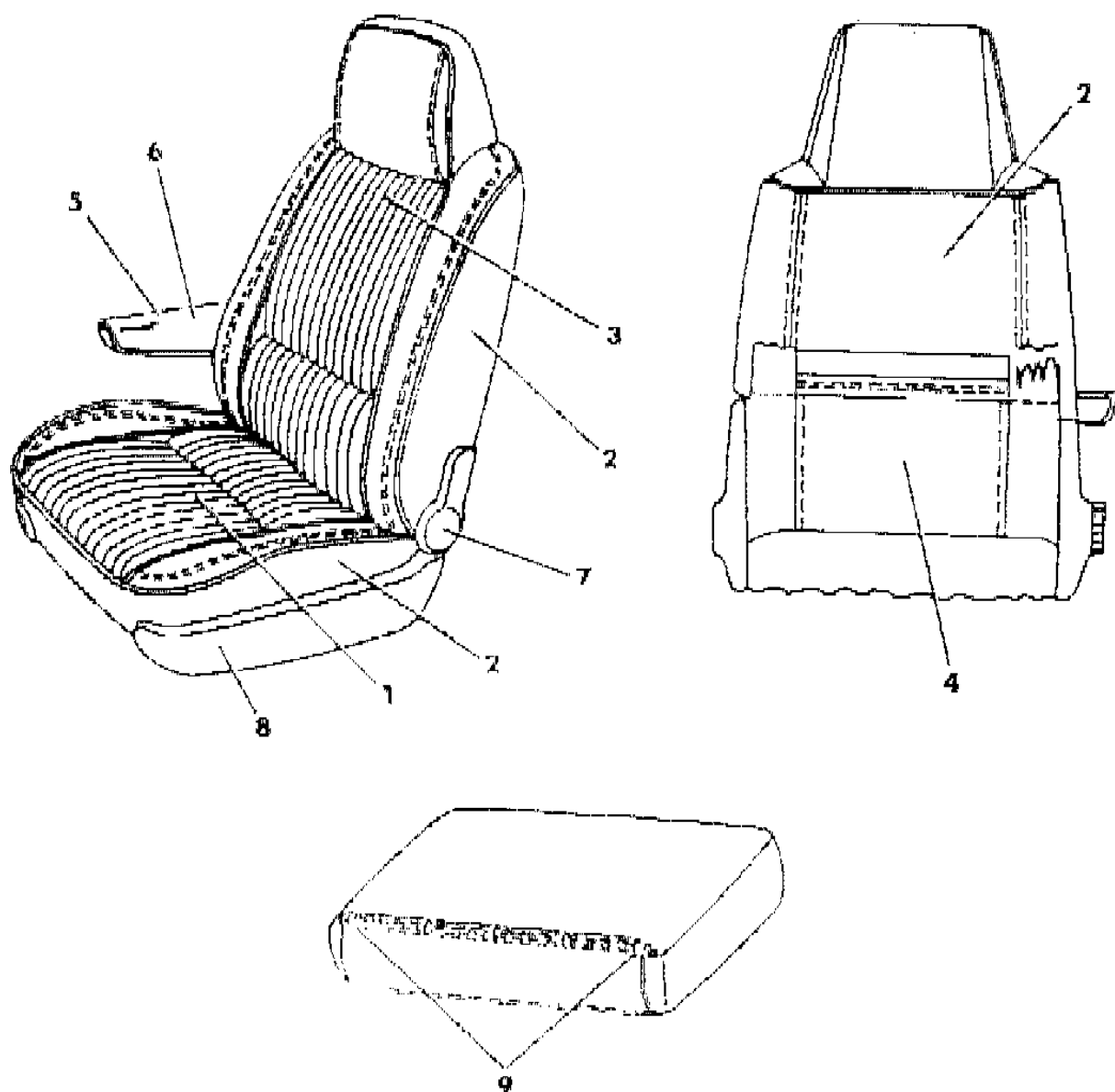
BODY STYLES

21 = 2-DOOR SEDAN	28 = FWD PICKUP	44 = 4-DOOR HATCHBACK
22 = 2-DOOR SPECIAL COUPE	35 = FWD VAN	45 = 4-DOOR STATION WAGON
24 = 2-DOOR HATCHBACK	36 = FWD WAGON	48 = 4-DOOR EXECUTIVE SEDAN
27 = 2-DOOR CONVERTIBLE	41 = 4-DOOR SEDAN	

AR = Use as Required - = Non Illustrated Part P.A.R. = Paint as Required

SEAT FRONT H,K S BODY TRIM CODES F6,H6
Figure ITS-1400

4242 1400



ITEM	PART NUMBER	QTY	BODY	MODEL	DESCRIPTION
	G421 CS8	2			N N NF6AS,H6AS YG421CS8
	G421 CB5	2			N N NF6BB,H6BB YG421CB5
	G421 CM6	2			N N NF6M,H6M YG421CM6
	G421 CL3	2			N N NF6L,H6L YG421CL3
	G421 CT8	2			N N NF6KT,H6KT YG421CT8
7					SHIELD, Back (paint as required) N N N N
	S878-9 CL3	1			Outer N N N YS878CL3
	S856-7 CL3	1			Inner N N N YS856CL3
8					SHIELD, Cushion (paint as required) N N N N
	S853 CL3	1			Outer Left and Inner Right N N N YS853CL3
	S852 CL3	1			Outer Right and Inner Left N N N YS852CL3
	6500 453	4			NUT, Stamped N N N Y6500453
9	6008 076	AR			HOG RING N N N Y6008076

NOTE: For Arm Rest Attaching Parts See Illustration Number 1800 s ARE NOT RETURNABLE.

MODEL CODES

B = GRAN FURY	F = FIFTH AVENUE/NEWPORT	P = RELIANT
C = LEBARON/TOWN & COUNTRY/EXC SEDAN	G = DIPLOMAT	T = E CLASS/NEW YORKER
C24 = LASER	H = VOYAGER	V = 600
D = ARIES	K = MINI RAM/CARAVAN/ROYAL	V24 = DAYTONA
E = 600	M = HORIZON/TURISMO	Z = OMNI/CHARGER/RAMPAGE

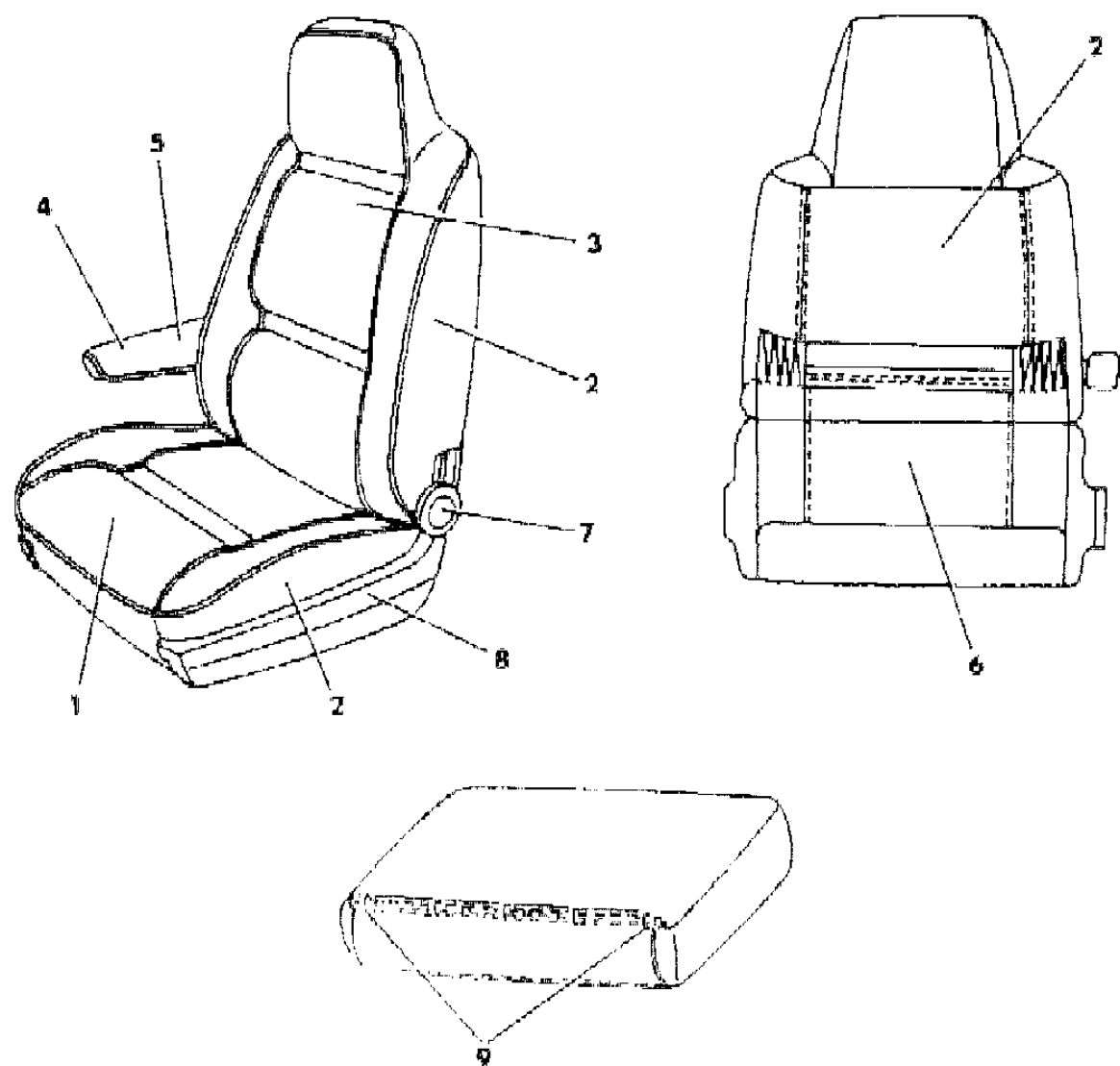
BODY STYLES

21 = 2-DOOR SEDAN	28 = FWD PICKUP	44 = 4-DOOR HATCHBACK
22 = 2-DOOR SPECIAL COUPE	35 = FWD VAN	45 = 4-DOOR STATION WAGON
24 = 2-DOOR HATCHBACK	36 = FWD WAGON	48 = 4-DOOR EXECUTIVE SEDAN
27 = 2-DOOR CONVERTIBLE	41 = 4-DOOR SEDAN	

AR = Use as Required - = Non Illustrated Part P.A.R. = Paint as Required

SEAT FRONT H,K S BODY TRIM CODES E5,G5
Figure ITS-1500

4242 1500



ITEM	PART NUMBER	QTY	BODY	MODEL	DESCRIPTION
1-2					CUSHION, w/Spring/Frame, Pad and Cover N N N N
	G759 C5A	2			N N NE5AS,G5AS YG759C5A
	G759 C5M	2			N N NE5M,G5M YG759C5M
	G759 C5L	2			N N NG5L YG759C5L
	G759 C5K	2			N N NE5KT,G5KT YG759C5K
1					COVER, Cushion N N N N
	G422 C5A	2			N N NE5AS,G5AS YG422C5A
	G422 C5M	2			N N NE5M,G5M YG422C5M
	G422 C5L	2			N N NG5L YG422C5L
	G422 C5K	2			N N NE5KT,G5KT YG422C5K
2					ROLL STOCK, Vinyl Order by the Inch N N N N
	R609 CS8	AR			Charcoal 58" Wide N N NE5AS,G5AS YR609CS8
	R629 CM6	AR			Red 54" Wide N N NE5M,G5M YR629CM6
	R629 CL3	AR			Beige 54" Wide N N NG5L YR629CL3
	R629 BT8	AR			Brown 54" Wide N N NE5KT,G5KT YR629BT8
2-3					BACK, w/Spring/Frame, Pad and Cover N N N N
	G762-3 C5A	1			N N NE5AS,G5AS YG762C5A
	G762-3 C5M	1			N N NE5M,G5M YG762C5M
	G762-3 C5L	1			N N NG5L YG762C5L
	G762-3 C5K	1			N N NE5KT,G5KT YG762C5K
3					COVER, Back N N N N
	G423 C5A	2			N N NE5AS,G5AS YG423C5A
	G423 C5M	2			N N NE5M,G5M YG423C5M
	G423 C5L	2			N N NG5L YG423C5L
	G423 C5K	2			N N NE5KT,G5KT YG423C5K
4					ARMREST and COVER N N N N
	G712 CS8	2			N N NE5AS,G5AS YG712CS8
	G712 CM6	2			N N NE5M,G5M YG712CM6
	G712 CL3	2			N N NG5L YG712CL3
	G712 CT8	2			N N NE5KT,G5KT YG712CT8
5					COVER, Armrest N N N N
	G421 CS8	2			N N NE5AS,G5AS YG421CS8
	G421 CM6	2			N N NE5M,G5M YG421CM6
	G421 CL3	2			N N NG5L YG421CL3
	G421 CT8	2			N N NE5KT,G5KT YG421CT8
6					ROLL STOCK, Vinyl 54" Wide Order by the Inch N N N N
	R627 CS8	AR			Charcoal N N NE5AS,G5AS YR627CS8
	R627 AM6	AR			Red N N NE5M,G5M YR627AM6

MODEL CODES

B = GRAN FURY	F = FIFTH AVENUE/NEWPORT	P = RELIANT
C = LEBARON/TOWN & COUNTRY/EXC SEDAN	G = DIPLOMAT	T = E CLASS/NEW YORKER
C24 = LASER	H = VOYAGER	V = 600
D = ARIES	K = MINI RAM/CARAVAN/ROYAL	V24 = DAYTONA
E = 600	M = HORIZON/TURISMO	Z = OMNI/CHARGER/RAMPAGE

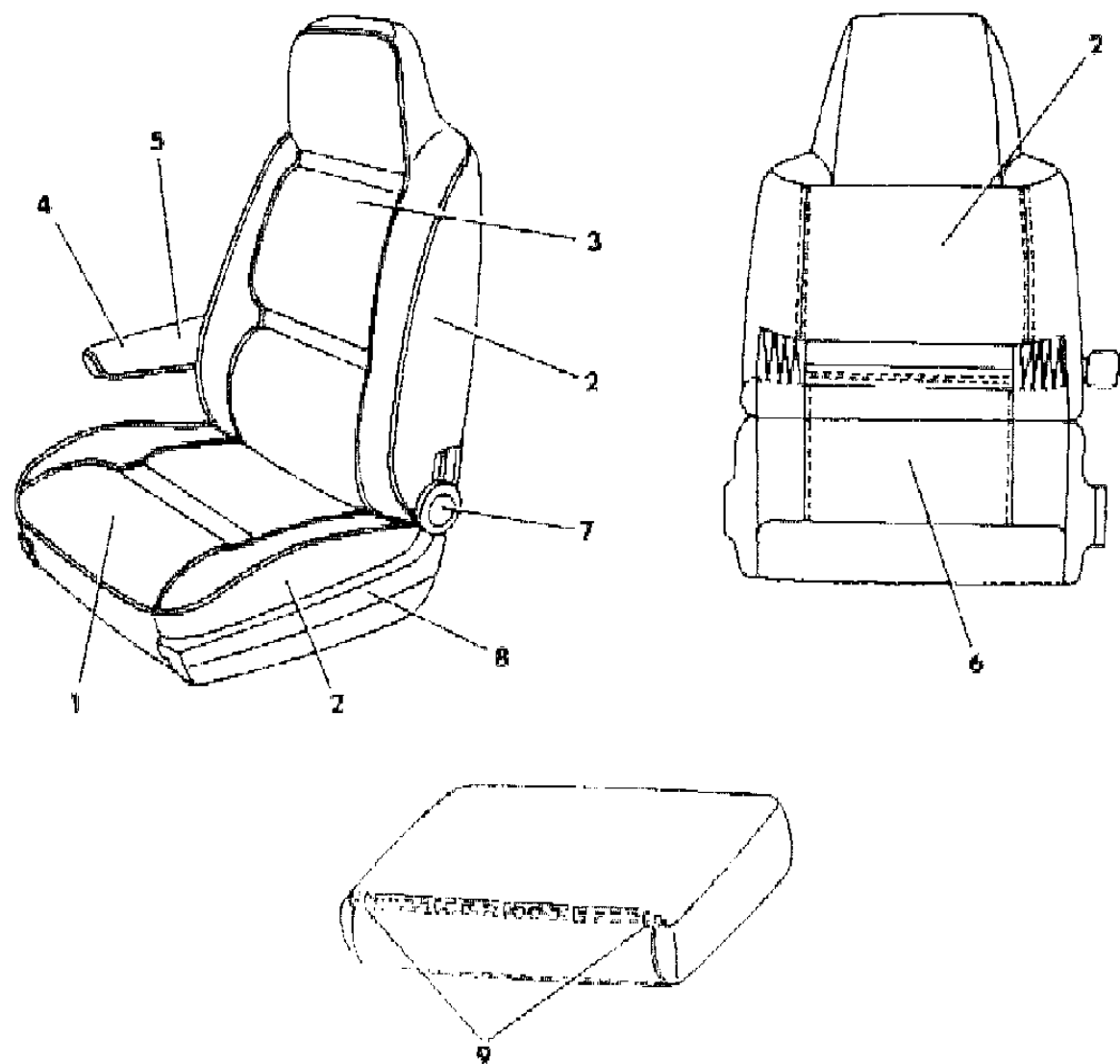
BODY STYLES

21 = 2-DOOR SEDAN	28 = FWD PICKUP	44 = 4-DOOR HATCHBACK
22 = 2-DOOR SPECIAL COUPE	35 = FWD VAN	45 = 4-DOOR STATION WAGON
24 = 2-DOOR HATCHBACK	36 = FWD WAGON	48 = 4-DOOR EXECUTIVE SEDAN
27 = 2-DOOR CONVERTIBLE	41 = 4-DOOR SEDAN	

AR = Use as Required - = Non Illustrated Part P.A.R. = Paint as Required

SEAT FRONT H,K S BODY TRIM CODES E5,G5
Figure ITS-1500

4242 1500



ITEM	PART NUMBER	QTY	BODY	MODEL	DESCRIPTION
	R627 BL3	AR			Beige N N NG5L YR627BL3
	R627 BT8	AR			Brown N N NE5KT,G5KT YR627BT8
7					SHIELD, Back (paint as required) N N N N
	S878-9 CL3	1			Outer N N N YS878CL3
	S856-7 CL3	1			Inner N N N YS856CL3
8					SHIELD, Cushion (paint as required) N N N N
	S853 CL3	1			Outer Left and Inner Right N N N YS853CL3
	S852 CL3	1			Outer Right and Inner Left N N N YS852CL3
	S851 CL3	1			Inner Left Electric N N N YS851CL3
	6500 453	4			NUT, Stamped N N N Y6500453
9	6008 076	AR			HOG RING N N N Y6008076

NOTE: For Arm Rest Attaching Parts See Illustration Number 1800 s ARE NOT RETURNABLE.

MODEL CODES

B = GRAN FURY	F = FIFTH AVENUE/NEWPORT	P = RELIANT
C = LEBARON/TOWN & COUNTRY/EXC SEDAN	G = DIPLOMAT	T = E CLASS/NEW YORKER
C24 = LASER	H = VOYAGER	V = 600
D = ARIES	K = MINI RAM/CARAVAN/ROYAL	V24 = DAYTONA
E = 600	M = HORIZON/TURISMO	Z = OMNI/CHARGER/RAMPAGE

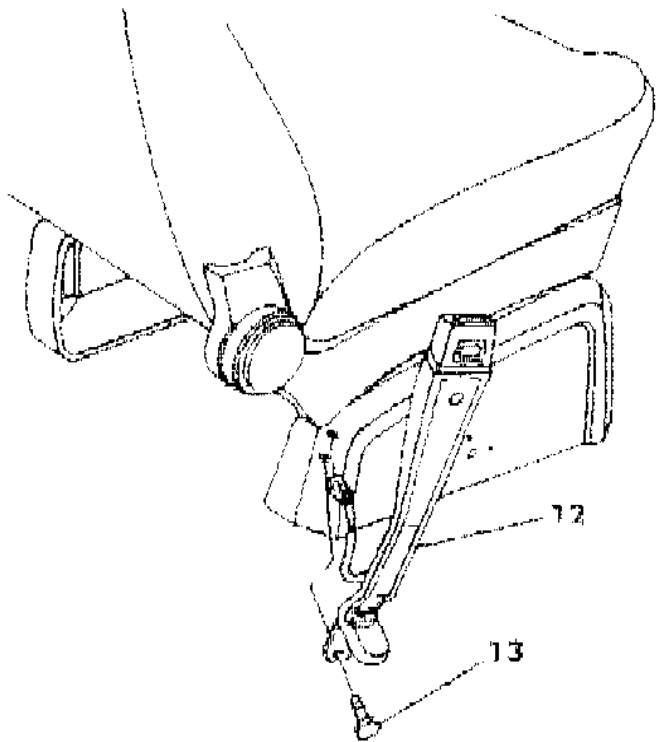
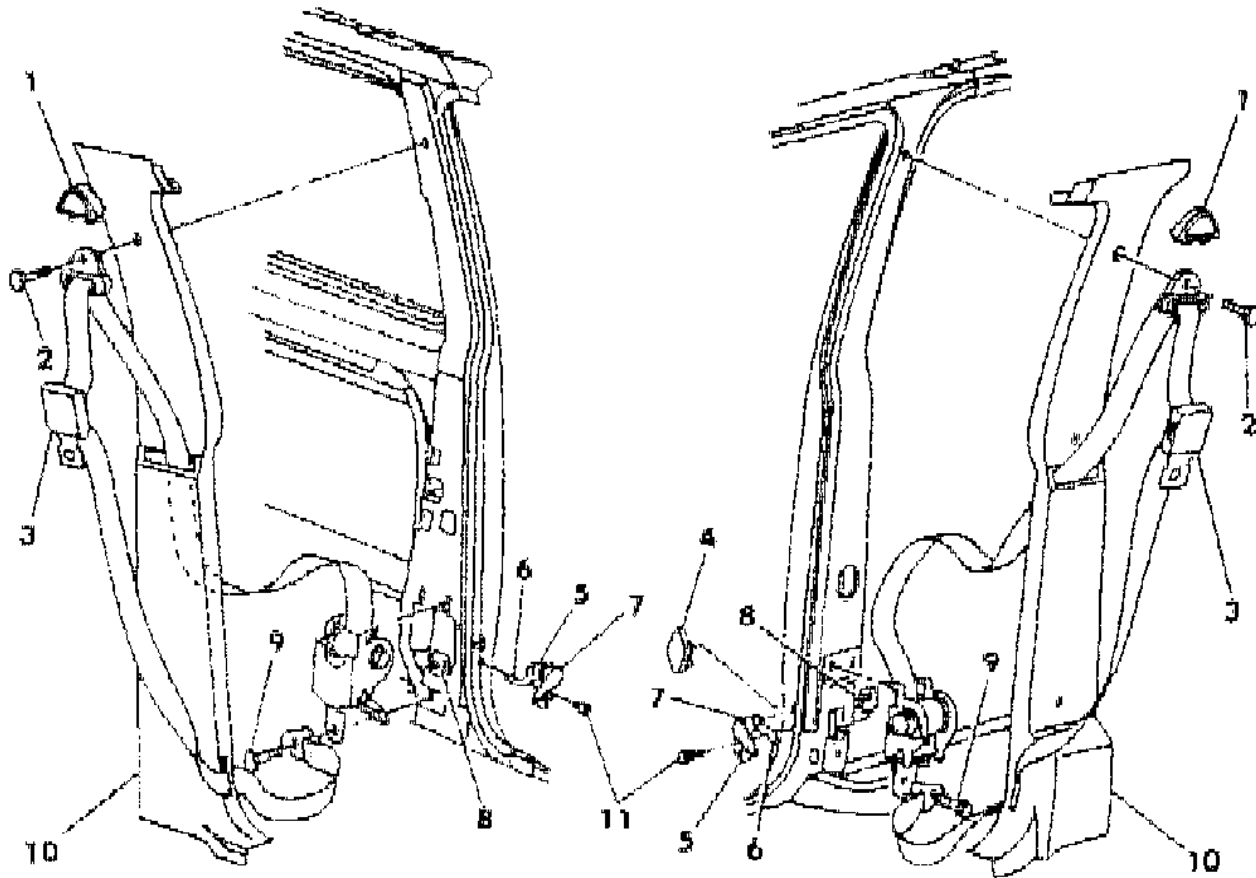
BODY STYLES

21 = 2-DOOR SEDAN	28 = FWD PICKUP	44 = 4-DOOR HATCHBACK
22 = 2-DOOR SPECIAL COUPE	35 = FWD VAN	45 = 4-DOOR STATION WAGON
24 = 2-DOOR HATCHBACK	36 = FWD WAGON	48 = 4-DOOR EXECUTIVE SEDAN
27 = 2-DOOR CONVERTIBLE	41 = 4-DOOR SEDAN	

AR = Use as Required - = Non Illustrated Part P.A.R. = Paint as Required

BELT FRONT SEAT H,K S BODY Figure ITS-1600

ITS-1600



ITEM	PART NUMBER	QTY	BODY	MODEL	DESCRIPTION
1					COVER, Outer Turning Loop N N N N
	F700 CA3	2			Silver N N N YF700CA3
	F700 CB5	2			Blue N N N YF700CB5
	F700 CM6	2			Red N N N YF700CM6
	F700 CL3	2			Beige N N N YF700CL3
	F700 CT8	2			Brown N N N YF700CT8
	F700 CK5	2			Saddle N N N YF700CK5
2	6031 217	2			BOLT N N N Y6031217
3					BELT, Outer N N N N
					Label Number 4290756-7 N N N N
	F690-1 CA3	1			Silver N N N YF690CA3
	F690-1 CB5	1			Blue N N N YF690CB5
	F690-1 CM6	1			Red N N N YF690CM6
	F690-1 CL3	1			Beige (use up to 12/12/83) N N N YF690CL3
	F770-1 CL3	1			Beige (use after 12/12/83) N N N YF770CL3
	F690-1 CT8	1			Brown N N N YF690CT8
					Label Number 4327336-7 N N N N
	F770-1 CA3	1			Silver N N N YF770CA3
	F770-1 CB5	1			Blue N N N YF770CB5
	F770-1 CM6	1			Red N N N YF770CM6
	F770-1 CL3	1			Beige N N N YF770CL3
	F770-1 CK5	1			Saddle N N N YF770CK5
4	4316 745	1			PLUG N N N Y4316745
5	4316 742-3	1			RELEASE, Tension Retractor (use up to 12/12/83) N N N Y4316742
	4327 370-1	1			(use after 12/12/83) N N N Y4327370
6		1			LEVER, Tension Release (serviced in item 5) N N N N
7		2			HOUSING, Tension Release (serviced in item 5) N N N N
8	6032 353	2			NUT and RETAINER N N N Y6032353
9	6031 218	2			BOLT N N N Y6031218
10					PANEL, Quarter (reference) N N N N
11		AR			SCREW (10-16x1/2)(not serviced) N N N N
12					BELT, Inboard N N N N
					Label Number 4290760-1 N N N N
	F692-3 CA3	1			Silver N N N YF692CA3
	F692-3 CB5	1			Blue N N N YF692CB5
	F692-3 CM6	1			Red N N N YF692CM6
	F692-3 CL3	1			Beige N N N YF692CL3

MODEL CODES

B = GRAN FURY	F = FIFTH AVENUE/NEWPORT	P = RELIANT
C = LEBARON/TOWN & COUNTRY/EXC SEDAN	G = DIPLOMAT	T = E CLASS/NEW YORKER
C24 = LASER	H = VOYAGER	V = 600
D = ARIES	K = MINI RAM/CARAVAN/ROYAL	V24 = DAYTONA
E = 600	M = HORIZON/TURISMO	Z = OMNI/CHARGER/RAMPAGE

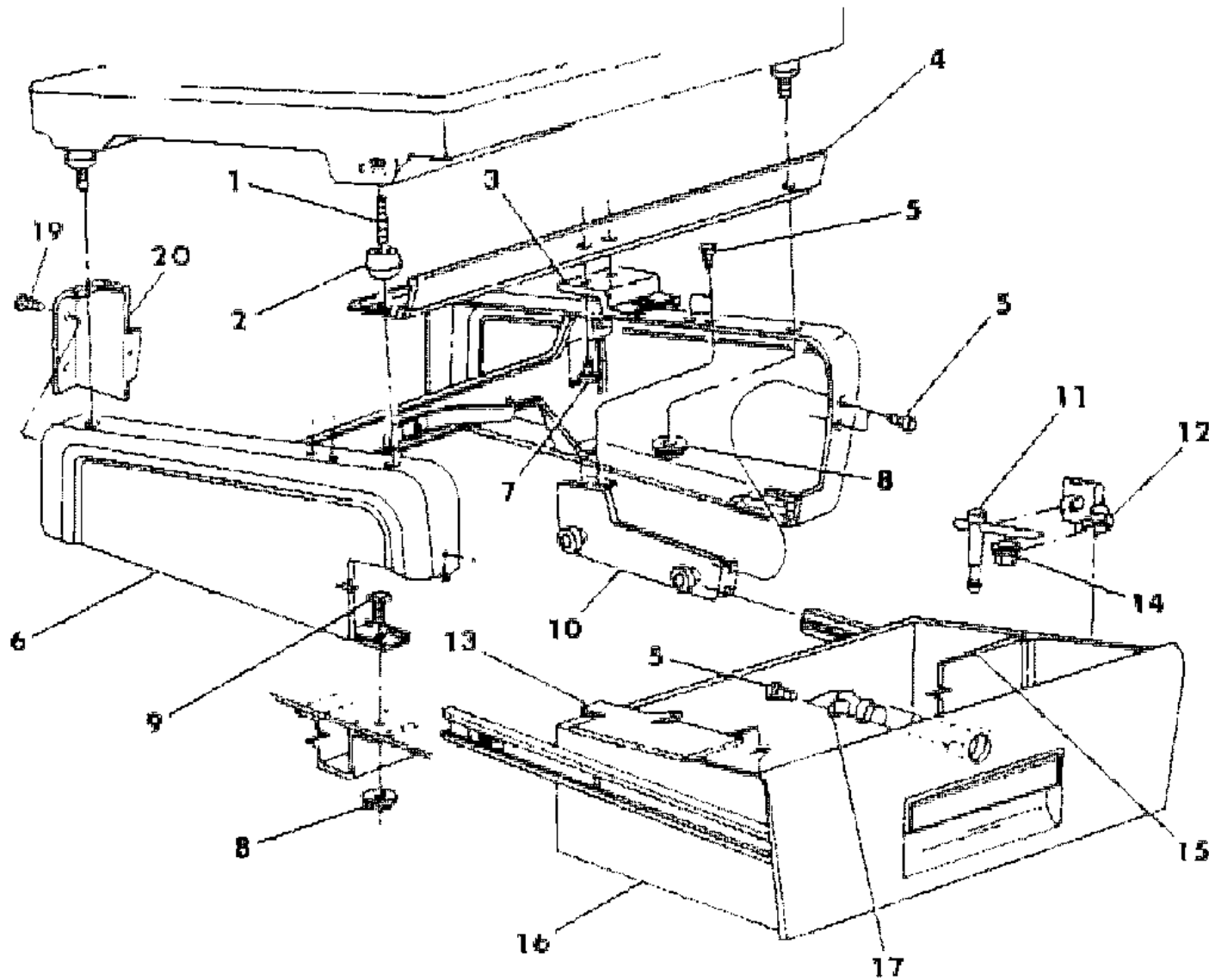
BODY STYLES

21 = 2-DOOR SEDAN	28 = FWD PICKUP	44 = 4-DOOR HATCHBACK
22 = 2-DOOR SPECIAL COUPE	35 = FWD VAN	45 = 4-DOOR STATION WAGON
24 = 2-DOOR HATCHBACK	36 = FWD WAGON	48 = 4-DOOR EXECUTIVE SEDAN
27 = 2-DOOR CONVERTIBLE	41 = 4-DOOR SEDAN	

AR = Use as Required - = Non Illustrated Part P.A.R. = Paint as Required

RISER RIGHT BUCKET SEAT AND STORAGE BOX S BODY H,K
Figure ITS-1700

4242 1700



ITEM	PART NUMBER	QTY	BODY	MODEL	DESCRIPTION
1	6032 429	4			STUD N N N Y6032429
2	4317 341	4			SPACER, Cushion to Riser N N N Y4317341
	6028 040	4			RETAINER N N N Y6028040
3	4317 852	1			STRIKER, Storage Box Latch N N N Y4317852
4					PANEL, Storage Box Closure N N N N
	F536 CB5	1			Blue N N N YF536CB5
	F536 CM6	1			Red N N N YF536CM6
	F536 CL3	1			Beige N N N YF536CL3
	F536 CT8	1			Brown N N N YF536CT8
	F536 CS8	1			Charcoal N N N YF536CS8
5	9420 486	10			SCREW N N N Y9420486
6	4290 002	1			RISER N N N Y4290002
	6032 586	AR			RETAINER, Seat and Riser Front Attaching N N N Y6032586
7		10			SCREW (8-18x5/8) (not serviced) N N N N
8	6025 010	8			NUT and WASHER N N N Y6025010
9	6500 741	4			STUD, Riser N N N Y6500741
10	4317 442-3	1			ROLLER, Storage Box N N N Y4317442
	6032 737	4			WASHER N N N Y6032737
11	4284 109	1			KEY, Wire Wheel Cover Wrench N N N Y4284109
12	4284 115	1			CLIP N N N Y4284115
13		1			COVER, Dust (serviced in item 16) N N N N
14	4284 100	1			SOCKET, Adapter N N N Y4284100
15					DIVIDER, Storage Box (serviced in item 16) N N N N
16					DRAWER, Storage Box N N N N
	F545 DB5	1			Blue N N N YF545DB5
	F545 DM6	1			Red N N N YF545DM6
	F535 CT8	1			Brown N N N YF535CT8
	F545 DS8	1			Charcoal N N N YF545DS8
17	3508 886	1			LATCH N N N Y3508886
19					COVER, Riser Inner (paint as required) N N N N
	S638 CB5	1			Outboard N N N YS638CB5
	S639 CB5	1			Inboard N N N YS639CB5
20	9420 486	AR			SCREW N N N Y9420486

MODEL CODES

B = GRAN FURY	F = FIFTH AVENUE/NEWPORT	P = RELIANT
C = LEBARON/TOWN & COUNTRY/EXC SEDAN	G = DIPLOMAT	T = E CLASS/NEW YORKER
C24 = LASER	H = VOYAGER	V = 600
D = ARIES	K = MINI RAM/CARAVAN/ROYAL	V24 = DAYTONA
E = 600	M = HORIZON/TURISMO	Z = OMNI/CHARGER/RAMPAGE

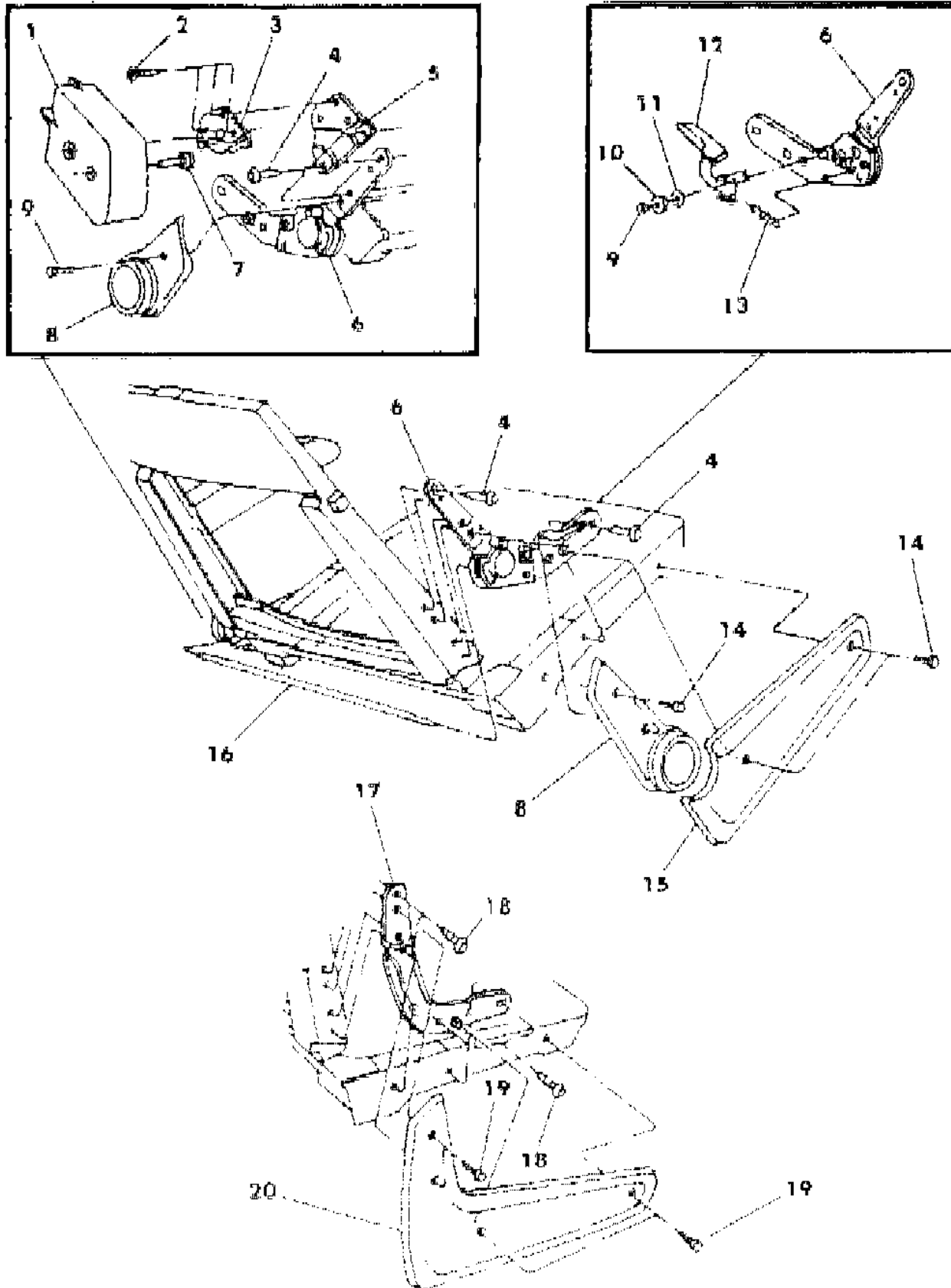
BODY STYLES

21 = 2-DOOR SEDAN	28 = FWD PICKUP	44 = 4-DOOR HATCHBACK
22 = 2-DOOR SPECIAL COUPE	35 = FWD VAN	45 = 4-DOOR STATION WAGON
24 = 2-DOOR HATCHBACK	36 = FWD WAGON	48 = 4-DOOR EXECUTIVE SEDAN
27 = 2-DOOR CONVERTIBLE	41 = 4-DOOR SEDAN	

AR = Use as Required - = Non Illustrated Part P.A.R. = Paint as Required

RECLINING/NON/RECLINING SEAT AND ARM REST ATTACHING PARTS S BODY H,K
Figure ITS-1800

4237 Issues



ITEM	PART NUMBER	QTY	BODY	MODEL	DESCRIPTION
1					ARMREST (see seat illustration) N N N N
2	6500 777	3			SCREW N N N Y6500777
3	4290 652-3	1			BRACKET, Armrest Inner N N N Y4290652
	6032 721	2			RING, Armrest Retaining Inner (star tooth) N N N Y6032721
	6032 259	2			RING, Snap (1/2" shaft) N N N Y6032259
4	6500 558	9			SCREW N N N Y6500558
5	4290 896-7	1			BRACKET, Armrest Support N N N Y4290896
6					RECLINER N N N N
	4290 036-7	1			Inner N N N Y4290036
	4290 650-1	1			Outer N N N Y4290650
7	6032 567	1			SCREW, Shoulder N N N Y6032567
8					SHIELD, Back Side Upper (beige paint as required) N N N N
	S878-9 CL3	1			Outboard N N N YS878CL3
	S856-7 CL3	1			Inboard N N N YS856CL3
9	0120 622	AR			NUT N N N Y120622
10		AR			WASHER, Flat (not serviced) N N N N
11		AR			WASHER, Spring (not serviced) N N N N
12					LEVER, Recliner Release Inner N N N N
					(use up to 4/2/84) N N N N
	S792-3 CB5	1			Blue N N N YS792CB5
	S792-3 CM6	1			Red N N N YS792CM6
	S792-3 CL3	1			Beige N N N YS792CL3
	S792-3 CT8	1			Brown N N N YS792CT8
	S792-3 CS8	1			Charcoal N N N YS792CS8
					(use after 4/2/84) N N N N
	S776-7 CB5	1			Blue N N N YS776CB5
	S776-7 CM6	1			Red N N N YS776CM6
	S776-7 CL3	1			Beige N N N YS776CL3
	S776-7 CT8	1			Brown N N N YS776CT8
	S776-7 CS8	1			Charcoal N N N YS776CS8
13	4317 384	2			SPRING, Lever Return (use up to 5/1/84) N N N Y4317384
	4345 370	2			(use after 5/1/84) N N N Y4345370
14		AR			SCREW (8-18x3/4)(not serviced) N N N N
15					SHIELD, Cushion N N N N
	S852 CL3	2			Outer Right and Inner Left (paint as required) N N N YS852CL3
	S853 CL3	2			Outer Left and Inner Right (paint as required) N N N YS853CL3
16	4239 300	2			SHAFT, Inertia Latch Actuator N N N Y4239300
NOTE: The following parts are for the non reclining seat. s ARE NOT RETURNABLE.					
17	4290 900-1	1			ARM, Back to Cushion N N N Y4290900

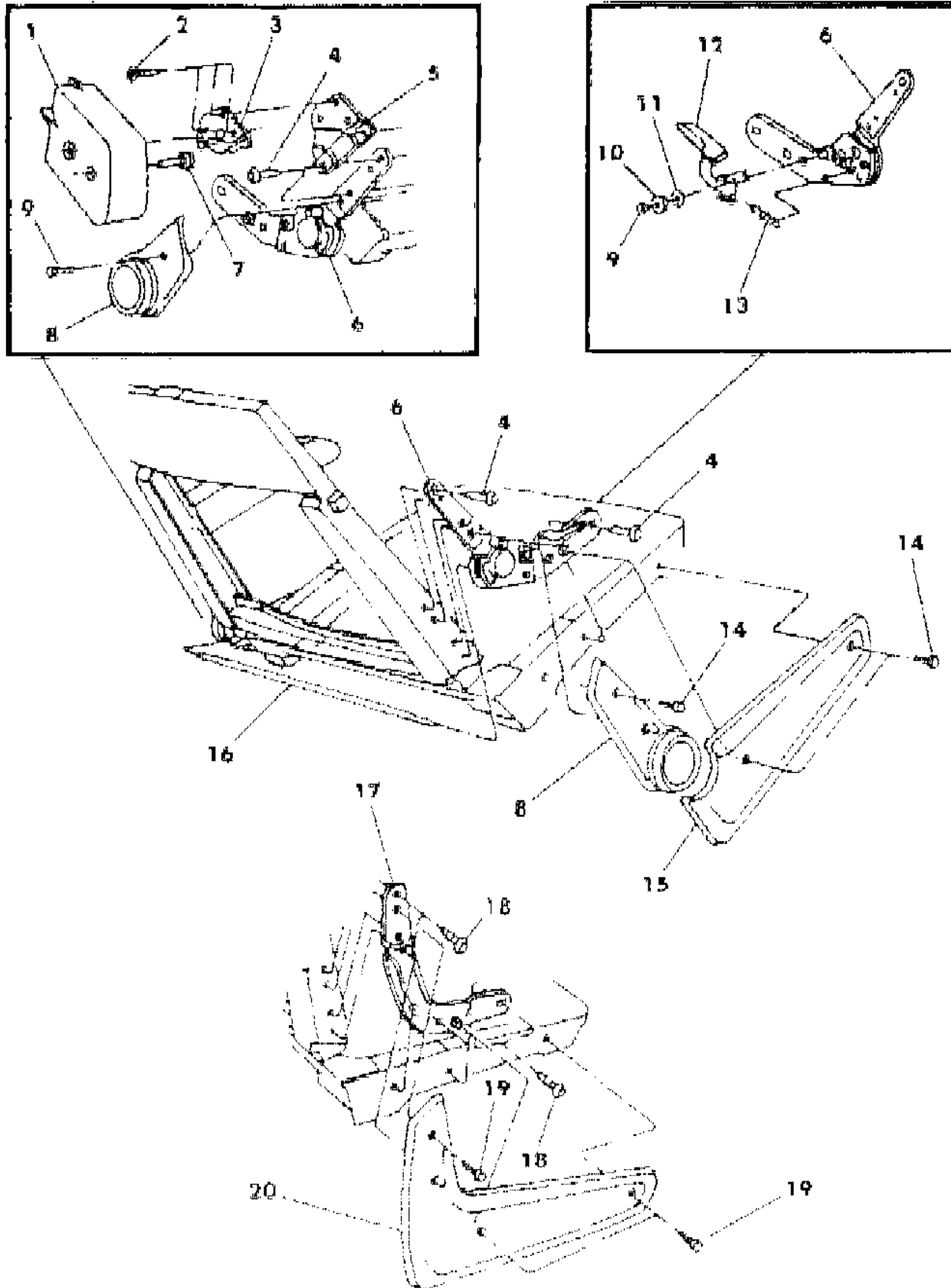
MODEL CODES
 B = GRAN FURY
 C = LEBARON/TOWN & COUNTRY/EXC SEDAN
 C24 = LASER
 D = ARIES
 E = 600
 F = FIFTH AVENUE/NEWPORT
 G = DIPLOMAT
 H = VOYAGER
 K = MINI RAM/CARAVAN/ROYAL
 M = HORIZON/TURISMO
 P = RELIANT
 T = E CLASS/NEW YORKER
 V = 600
 V24 = DAYTONA
 Z = OMNI/CHARGER/RAMPAGE

BODY STYLES
 21 = 2-DOOR SEDAN
 22 = 2-DOOR SPECIAL COUPE
 24 = 2-DOOR HATCHBACK
 27 = 2-DOOR CONVERTIBLE
 28 = FWD PICKUP
 35 = FWD VAN
 36 = FWD WAGON
 41 = 4-DOOR SEDAN
 44 = 4-DOOR HATCHBACK
 45 = 4-DOOR STATION WAGON
 48 = 4-DOOR EXECUTIVE SEDAN

AR = Use as Required - = Non Illustrated Part P.A.R. = Paint as Required

RECLINING/NON/RECLINING SEAT AND ARM REST ATTACHING PARTS S BODY H,K
Figure ITS-1800

4257 Issue



ITEM	PART NUMBER	QTY	BODY	MODEL	DESCRIPTION
18	6500 558	8			SCREW N N N Y6500558
19		AR			SCREW (8-18x3/4)(not serviced) N N N N
20					SHIELD, Seat Side (paint as required) N N N N
	S858-9 CL3	1			Inboard N N N YS858CL3
	S848-9 CL3	1			Outboard N N N YS848CL3

MODEL CODES

B = GRAN FURY	F = FIFTH AVENUE/NEWPORT	P = RELIANT
C = LEBARON/TOWN & COUNTRY/EXC SEDAN	G = DIPLOMAT	T = E CLASS/NEW YORKER
C24 = LASER	H = VOYAGER	V = 600
D = ARIES	K = MINI RAM/CARAVAN/ROYAL	V24 = DAYTONA
E = 600	M = HORIZON/TURISMO	Z = OMNI/CHARGER/RAMPAGE

BODY STYLES

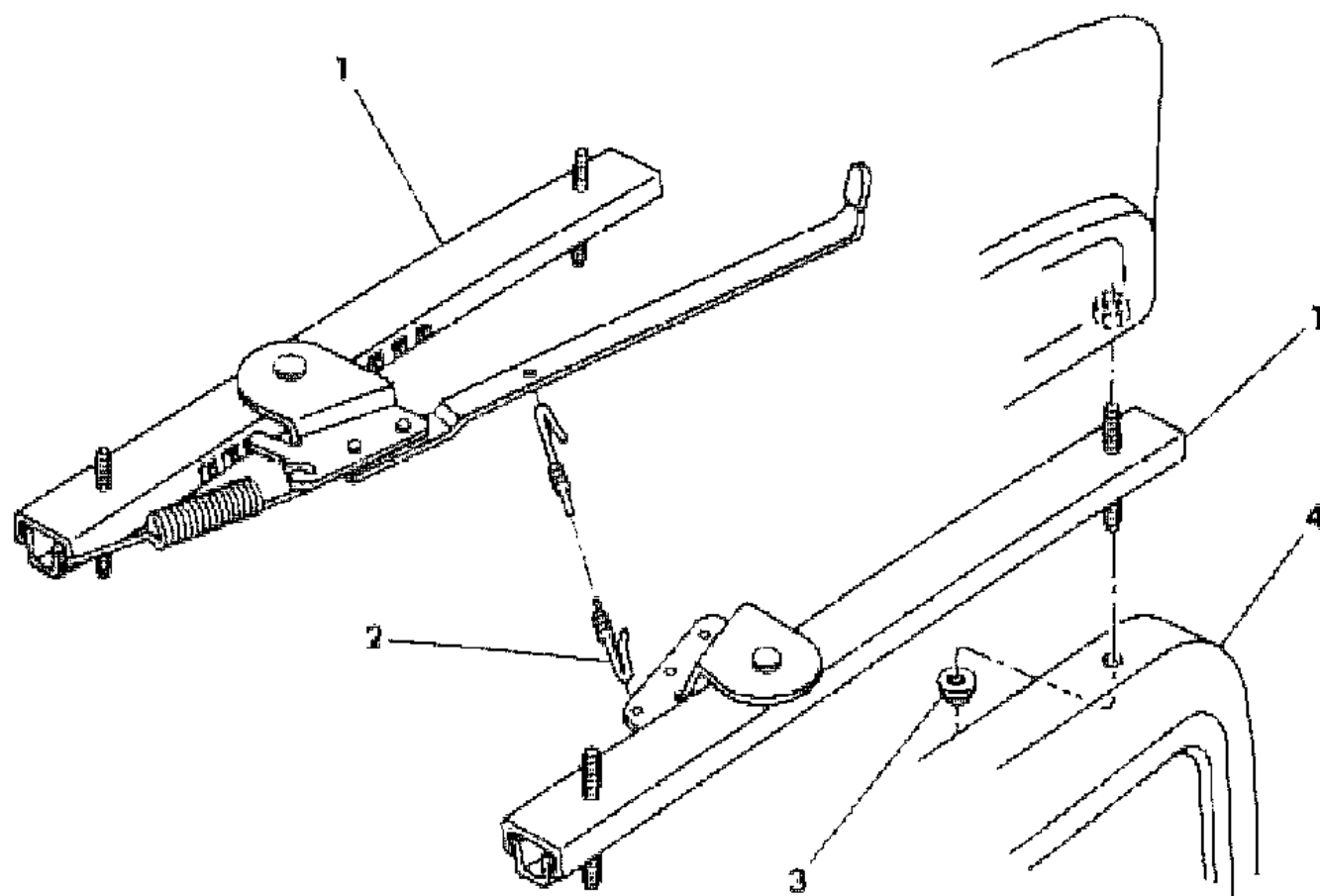
21 = 2-DOOR SEDAN	28 = FWD PICKUP	44 = 4-DOOR HATCHBACK
22 = 2-DOOR SPECIAL COUPE	35 = FWD VAN	45 = 4-DOOR STATION WAGON
24 = 2-DOOR HATCHBACK	36 = FWD WAGON	48 = 4-DOOR EXECUTIVE SEDAN
27 = 2-DOOR CONVERTIBLE	41 = 4-DOOR SEDAN	

AR = Use as Required - = Non Illustrated Part P.A.R. = Paint as Required

ADJUSTER MANUAL H,K S BODY
Figure ITS-1900

4242 1900

ITEM	PART NUMBER	QTY	BODY	MODEL	DESCRIPTION
1					ADJUSTER N N N N
	4290 028	1			Inner N N N Y4290028
	4290 029	1			Outer N N N Y4290029
2	4239 942	1			WIRE, Guide Lock Connector N N N Y4239942
3	6100 055	8			NUT and WASHER N N N Y6100055
4					RISER (reference) N N N N



MODEL CODES

B = GRAN FURY	F = FIFTH AVENUE/NEWPORT	P = RELIANT
C = LEBARON/TOWN & COUNTRY/EXC SEDAN	G = DIPLOMAT	T = E CLASS/NEW YORKER
C24 = LASER	H = VOYAGER	V = 600
D = ARIES	K = MINI RAM/CARAVAN/ROYAL	V24 = DAYTONA
E = 600	M = HORIZON/TURISMO	Z = OMNI/CHARGER/RAMPAGE

BODY STYLES

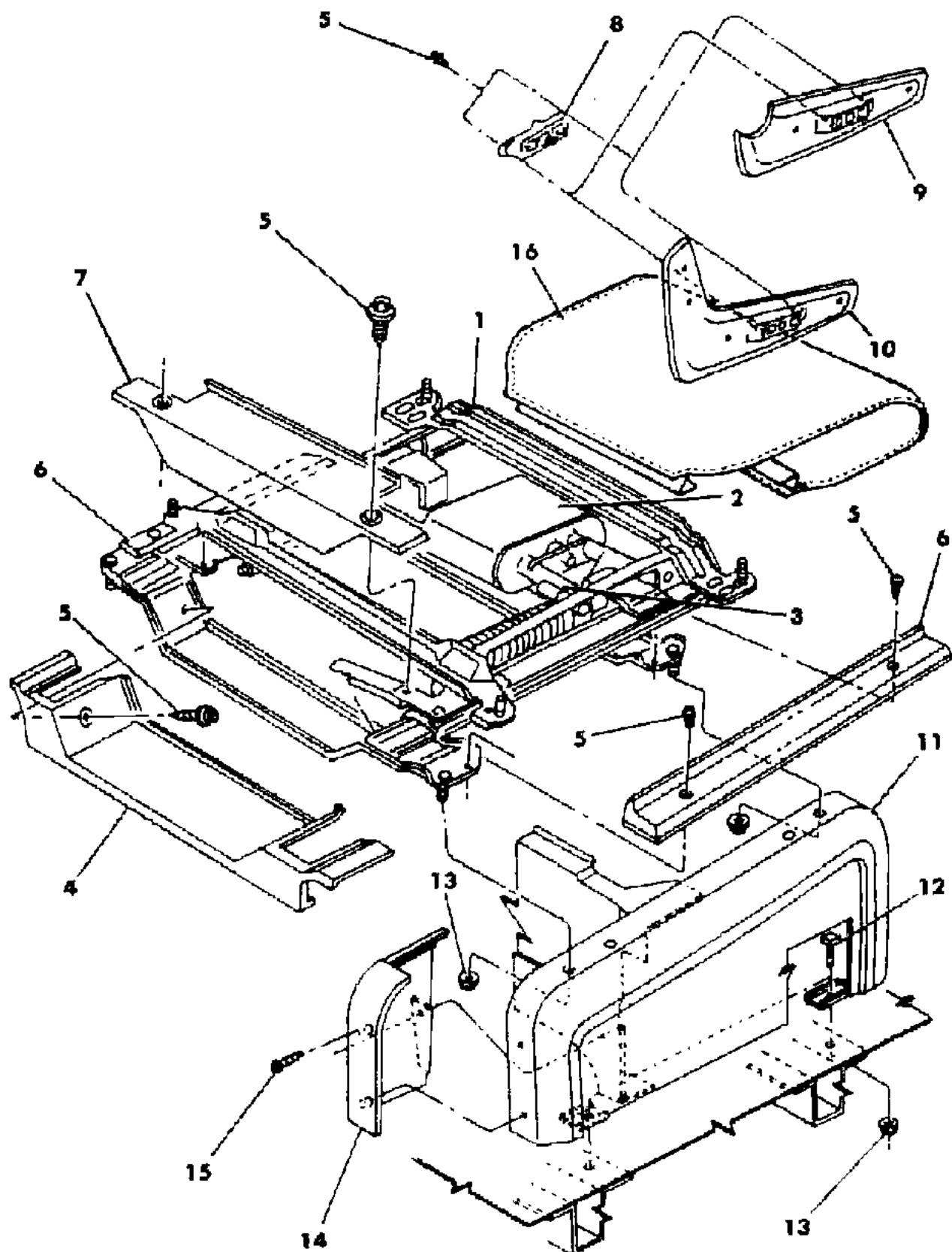
21 = 2-DOOR SEDAN	28 = FWD PICKUP	44 = 4-DOOR HATCHBACK
22 = 2-DOOR SPECIAL COUPE	35 = FWD VAN	45 = 4-DOOR STATION WAGON
24 = 2-DOOR HATCHBACK	36 = FWD WAGON	48 = 4-DOOR EXECUTIVE SEDAN
27 = 2-DOOR CONVERTIBLE	41 = 4-DOOR SEDAN	

AR = Use as Required - = Non Illustrated Part P.A.R. = Paint as Required

ADJUSTER ELECTRIC AND LEFT RISER H,K S BODY

Figure ITS-2000

4312 2000



ITEM	PART NUMBER	QTY	BODY	MODEL	DESCRIPTION
------	-------------	-----	------	-------	-------------

NOTE: THE FOLLOWING ELECTRIC ADJUSTER PARTS ARE FOR REPLACEMENT ONLY NOT FOR NEW INSTALLATION. s ARE NOT RETURNABLE.

1	4316 851	1			ADJUSTER, Less Motor N N N Y4316851
2	4316 844	1			MOTOR N N N Y4316844
	4316 848	2			SUPPORT, Motor N N N Y4316848
	4304 285	1			WIRING, Power Seat N N N Y4304285
3	4316 846	3			CABLE (1.94") N N N Y4316846
4	4317 041	1			COVER, Adjuster Lower Rear N N N Y4317041
5		AR			SCREW (not serviced) N N N N
6					COVER, Bracket N N N N
	S665 CB5	2			Blue N N N YS665CB5
	S665 CM6	2			Red N N N YS665CM6
	S665 CL3	2			Beige N N N YS665CL3
	S665 CS8	2			Charcoal N N N YS665CS8
	S665 CT8	2			Brown N N N YS665CT8
7	4316 978	1			COVER, Adjuster Upper Rear N N N Y4316978
8	3747 924	1			SWITCH, Adjuster N N N Y3747924
9	S851 CL3	1			SHIELD, Inner Left Electric (paint as required) N N N YS851CL3
10	S869 CL3	1			SHIELD, Back and Cushion Inner Left (paint as required) N N N YS869CL3
	S668-9 CL3	1			Outer N N NA8L YS668CL3
	S668-9 CS8	1			N N NA8AS YS668CS8
11	4290 003	1			RISER N N N Y4290003
	6032 586	AR			RETAINER, Seat and Riser Front Attaching N N N Y6032586
12	6500 741	4			BOLT N N N Y6500741
13	6100 055	8			NUT and WASHER N N N Y6100055
14					COVER, Riser Inner (paint as required) N N N N
	S639 CB5	1			Outboard N N N YS639CB5
	S638 CB5	1			Inboard N N N YS638CB5
15	9420 486	AR			SCREW N N N Y9420486
16					COVER and RETAINERS, Electric Adjuster Front (vinyl) N N N N
	A522 CB5	1			Blue N N N YA522CB5
	A522 CM6	1			Red N N N YA522CM6
	A522 CT8	1			Brown N N N YA522CT8
	A522 CS8	1			Charcoal N N N YA522CS8
The following parts are not illustrated. s ARE NOT RETURNABLE.					
	4304 677	1			WIRING, Electric Seat Adjuster N N N Y4304677
	4317 341	4			SPACER, Cushion to Riser N N N Y4317341

MODEL CODES

B = GRAN FURY	F = FIFTH AVENUE/NEWPORT	P = RELIANT
C = LEBARON/TOWN & COUNTRY/EXC SEDAN	G = DIPLOMAT	T = E CLASS/NEW YORKER
C24 = LASER	H = VOYAGER	V = 600
D = ARIES	K = MINI RAM/CARAVAN/ROYAL	V24 = DAYTONA
E = 600	M = HORIZON/TURISMO	Z = OMNI/CHARGER/RAMPAGE

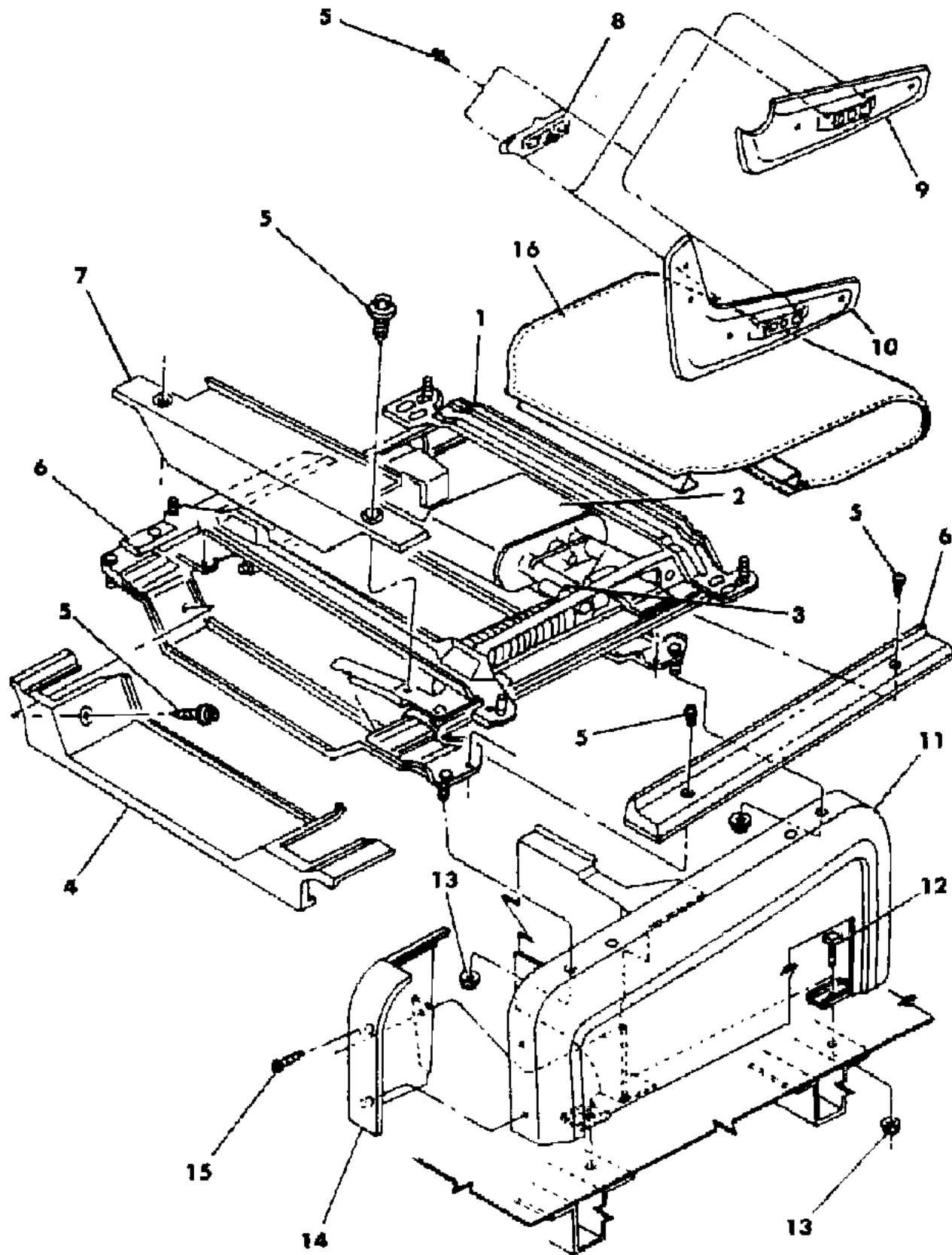
BODY STYLES

21 = 2-DOOR SEDAN	28 = FWD PICKUP	44 = 4-DOOR HATCHBACK
22 = 2-DOOR SPECIAL COUPE	35 = FWD VAN	45 = 4-DOOR STATION WAGON
24 = 2-DOOR HATCHBACK	36 = FWD WAGON	48 = 4-DOOR EXECUTIVE SEDAN
27 = 2-DOOR CONVERTIBLE	41 = 4-DOOR SEDAN	

AR = Use as Required - = Non Illustrated Part P.A.R. = Paint as Required

ADJUSTER ELECTRIC AND LEFT RISER H,K S BODY
Figure ITS-2000

4212 2000



ITEM	PART NUMBER	QTY	BODY	MODEL	DESCRIPTION
	6028 040	4			RETAINER, Spacer N N N Y6028040
	6032 429	AR			STUD, Seat to Riser N N N Y6032429

MODEL CODES
 B = GRAN FURY
 C = LEBARON/TOWN & COUNTRY/EXC SEDAN
 C24 = LASER
 D = ARIES
 E = 600
 F = FIFTH AVENUE/NEWPORT
 G = DIPLOMAT
 H = VOYAGER
 K = MINI RAM/CARAVAN/ROYAL
 M = HORIZON/TURISMO
 P = RELIANT
 T = E CLASS/NEW YORKER
 V = 600
 V24 = DAYTONA
 Z = OMNI/CHARGER/RAMPAGE

BODY STYLES
 21 = 2-DOOR SEDAN
 22 = 2-DOOR SPECIAL COUPE
 24 = 2-DOOR HATCHBACK
 27 = 2-DOOR CONVERTIBLE
 28 = FWD PICKUP
 35 = FWD VAN
 36 = FWD WAGON
 41 = 4-DOOR SEDAN
 44 = 4-DOOR HATCHBACK
 45 = 4-DOOR STATION WAGON
 48 = 4-DOOR EXECUTIVE SEDAN

AR = Use as Required - = Non Illustrated Part P.A.R. = Paint as Required

SEAT REAR H,K S BODY TRIM CODES F6,H6
Figure ITS-2100

1242 2100

ITEM	PART NUMBER	QTY	BODY	MODEL	DESCRIPTION
------	-------------	-----	------	-------	-------------

NOTE: THE FIVE (5) PASSENGER WAGON USES THE THREE (3) PASSENGER STATIONARY SEAT. THE SEVEN (7) PASSENGER WAGON USES THE TWO (2) PASSENGER STATIONARY SEAT PLUS THE FOLDING REAR SEAT.

1-4 SEAT COMPLETE, (includes Cushion and Back) w/Spring/Frame, Pad and Cover N N N N
 2 Passenger (used in first position w/7 passenger seating) N N

G743 C6A	1				(use up to 3/19/84) N N NF6AS,H6AS YG743C6A
G858 C6A	1				(use after 3/19/84) N N NF6AS,H6AS YG858C6A
G743 C6B	1				(use up to 3/18/84) N N NF6BB,H6BB YG743C6B
G858 C6B	1				(use after 3/18/84) N N NF6BB,H6BB YG858C6B
G858 C6M	1				N N NF6M,H6M YG858C6M
G743 C6L	1				(use up to 4/9/84) N N NF6L,H6L YG743C6L
G858 C6L	1				(use after 4/9/84) N N NF6L,H6L YG858C6L
G858 C6K	1				N N NF6KT,H6KT YG858C6K

3 Passenger (used in first position w/5 passenger seating) N N

G745 C6A	1				(use up to 3/12/84) N N NF6AS,H6AS YG745C6A
G860 C6A	1				(use after 3/12/84) N N NF6AS,H6AS YG860C6A
G860 C6B	1				N N NF6BB,H6BB YG860C6B
G860 C6M	1				N N NF6M,H6M YG860C6M
G745 C6L	1				(use up to 4/9/84) N N NF6L,H6L YG745C6L
G860 C6L	1				(use after 4/9/84) N N NF6L,H6L YG860C6L
G860 C6K	1				N N NF6KT,H6KT YG860C6K

2 COVER, Cushion N N N N
 2 Passenger N N N N

G413 C6A	1				N N NF6AS,H6AS YG413C6A
G413 C6B	1				N N NF6BB,H6BB YG413C6B
G413 C6M	1				N N NF6M,H6M YG413C6M
G413 C6L	1				N N NF6L,H6L YG413C6L
G413 C6K	1				N N NF6KT,H6KT YG413C6K

3 Passenger N N N N

G416 C6A	1				N N NF6AS,H6AS YG416C6A
G416 C6B	1				N N NF6BB,H6BB YG416C6B
G416 C6M	1				N N NF6M,H6M YG416C6M
G416 C6L	1				N N NF6L,H6L YG416C6L
G416 C6K	1				N N NF6KT,H6KT YG416C6K

3 COVER, Back N N N N
 2 Passenger N N N N

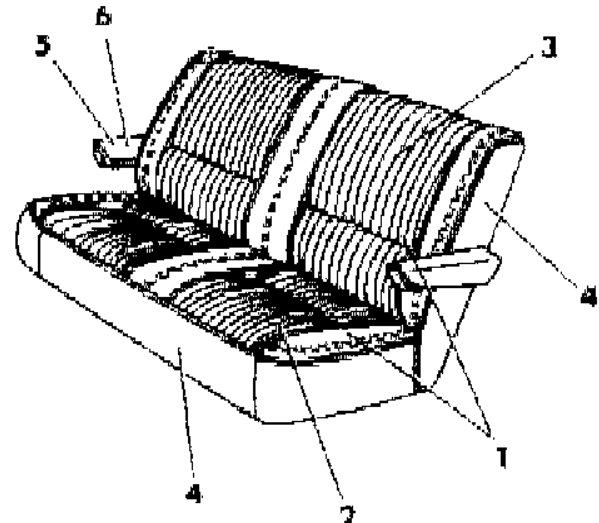
MODEL CODES

B = GRAN FURY	F = FIFTH AVENUE/NEWPORT	P = RELIANT
C = LEBARON/TOWN & COUNTRY/EXC SEDAN	G = DIPLOMAT	T = E CLASS/NEW YORKER
C24 = LASER	H = VOYAGER	V = 600
D = ARIES	K = MINI RAM/CARAVAN/ROYAL	V24 = DAYTONA
E = 600	M = HORIZON/TURISMO	Z = OMNI/CHARGER/RAMPAGE

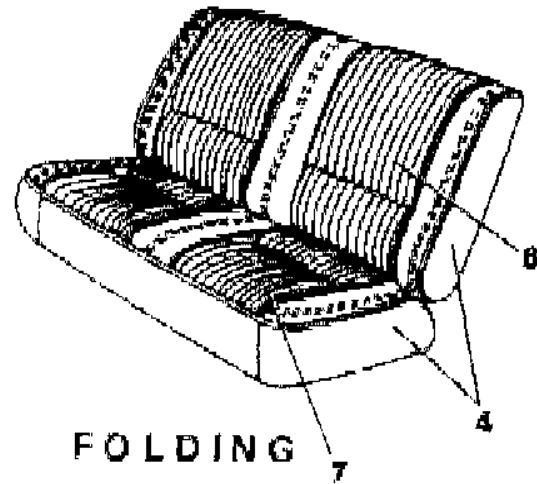
BODY STYLES

21 = 2-DOOR SEDAN	28 = FWD PICKUP	44 = 4-DOOR HATCHBACK
22 = 2-DOOR SPECIAL COUPE	35 = FWD VAN	45 = 4-DOOR STATION WAGON
24 = 2-DOOR HATCHBACK	36 = FWD WAGON	48 = 4-DOOR EXECUTIVE SEDAN
27 = 2-DOOR CONVERTIBLE	41 = 4-DOOR SEDAN	

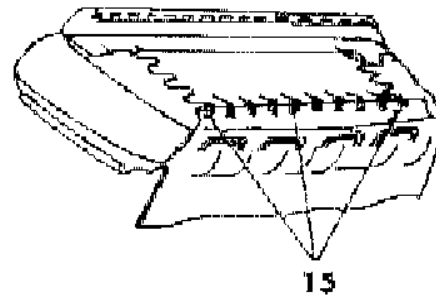
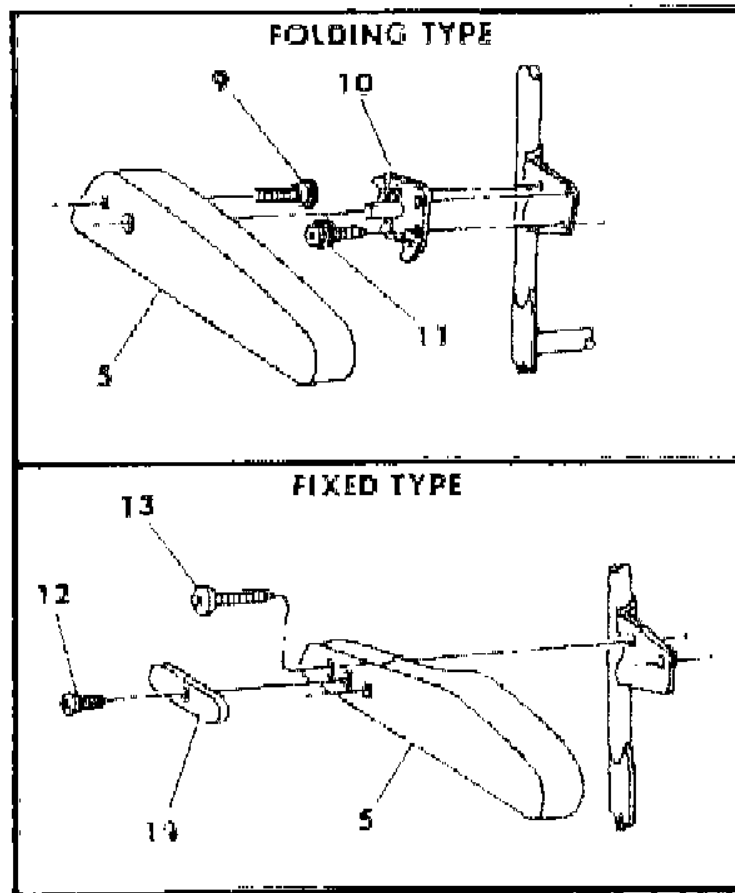
AR = Use as Required - = Non Illustrated Part P.A.R. = Paint as Required



STATIONARY

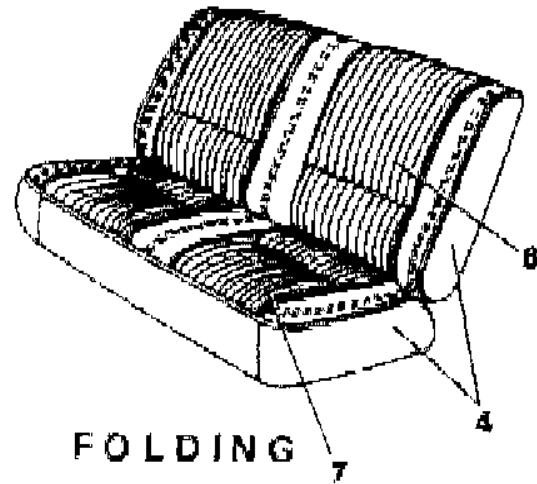
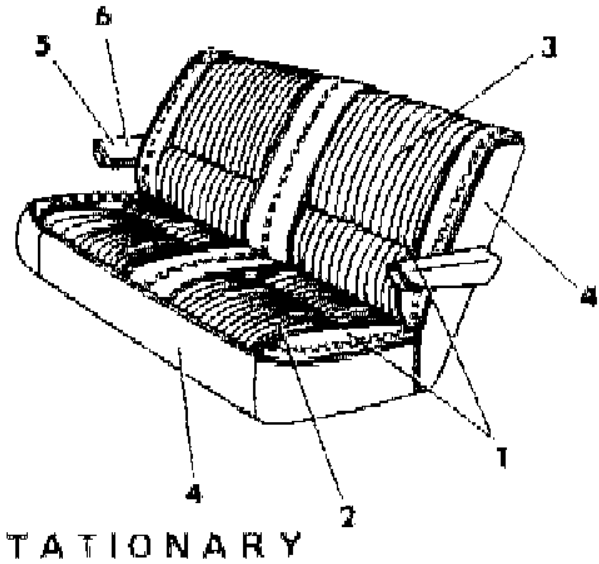


FOLDING

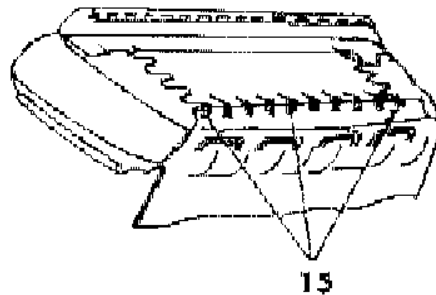
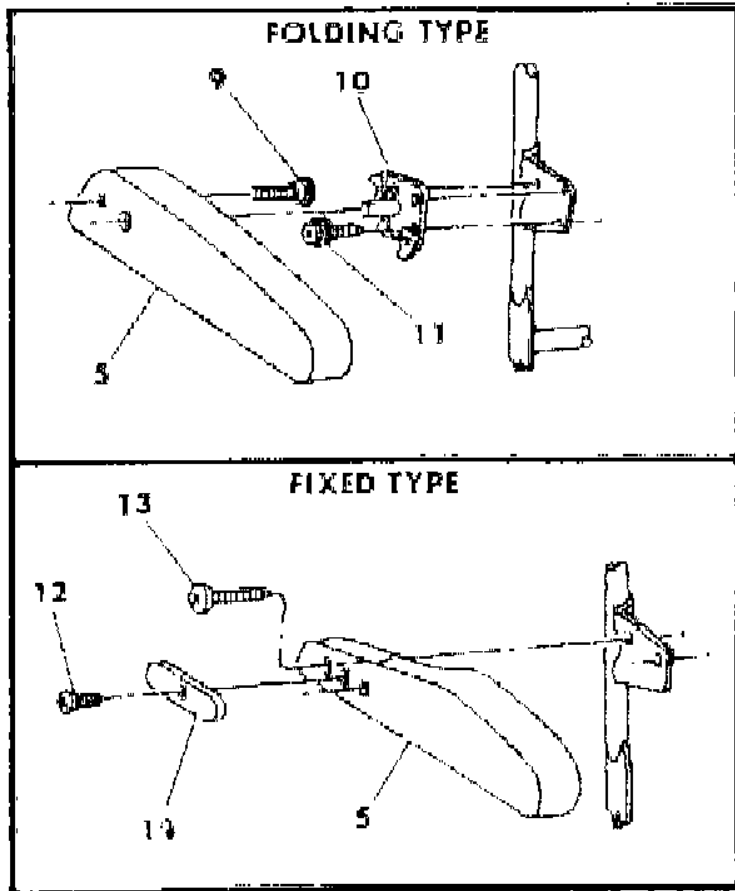


SEAT REAR H,K S BODY TRIM CODES F6,H6
Figure ITS-2100

1242 2100



FOLDING



ITEM	PART NUMBER	QTY	BODY	MODEL	DESCRIPTION
	G414 C6A	1			(use up to 3/19/84) N N NF6AS,H6AS YG414C6A
	G455 C6A	1			(use after 3/19/84) N N NF6AS,H6AS YG455C6A
	G414 C6B	1			(use up to 3/19/84) N N NF6BB,H6BB YG414C6B
	G455 C6B	1			(use after 3/19/84) N N NF6BB,H6BB YG455C6B
	G414 C6M	1			(use up to 3/26/84) N N NF6M,H6M YG414C6M
	G455 C6M	1			(use after 3/26/84) N N NF6M,H6M YG455C6M
	G414 C6L	1			(use up to 4/9/84) N N NF6L,H6L YG414C6L
	G455 C6L	1			(use after 4/9/84) N N NF6L,H6L YG455C6L
	G414 C6K	1			(use up to 3/26/84) N N NF6KT,H6KT YG414C6K
	G455 C6K	1			(use after 3/26/84) N N NF6KT,H6KT YG455C6K
	G457 C6A	1			3 Passenger N N N N N N NF6AS,H6AS YG457C6A
	G415 C6B	1			(use up to 3/26/84) N N NF6BB,H6BB YG415C6B
	G457 C6B	1			(use after 3/26/84) N N NF6BB,H6BB YG457C6B
	G415 C6M	1			(use up to 4/23/84) N N NF6M,H6M YG415C6M
	G457 C6M	1			(use after 4/23/84) N N NF6M,H6M YG457C6M
	G415 C6L	1			(use up to 4/9/84) N N NF6L,H6L YG415C6L
	G457 C6L	1			(use after 4/9/84) N N NF6L,H6L YG457C6L
	G415 C6K	1			(use up to 3/26/84) N N NF6KT,H6KT YG415C6K
	G457 C6K	1			(use after 3/26/84) N N NF6KT,H6KT YG457C6K
4					ROLL STOCK, Vinyl Order by the Inch N N N N
	R609 CS8	AR			Charcoal 58" Wide N N NF6AS,H6AS YR609CS8
	R629 CB5	AR			Blue 54" Wide N N NF6BB,H6BB YR629CB5
	R629 CM6	AR			Red 54" Wide N N NF6M,H6M YR629CM6
	R629 CL3	AR			Beige 54" Wide N N NF6L,H6L YR629CL3
	R629 BT8	AR			Brown 54" Wide N N NF6KT,H6KT YR629BT8
5					ARMREST and COVER N N N N
	G712 CS8	2			2 Passenger (folding) N N N N N N NF6AS,H6AS YG712CS8
	G712 CB5	2			N N NF6BB,H6BB YG712CB5
	G712 CM6	2			N N NF6M,H6M YG712CM6
	G712 CL3	2			N N NF6L,H6L YG712CL3
	G712 CT8	2			N N NF6KT,H6KT YG712CT8
	G794-5 CS8	1			3 Passenger (fixed) N N N N N N NF6AS,H6AS YG794CS8
	G794-5 CB5	1			N N NF6BB,H6BB YG794CB5
	G794-5 CM6	1			N N NF6M,H6M YG794CM6
	G794-5 CL3	1			N N NF6L,H6L YG794CL3

MODEL CODES

B = GRAN FURY	F = FIFTH AVENUE/NEWPORT	P = RELIANT
C = LEBARON/TOWN & COUNTRY/EXC SEDAN	G = DIPLOMAT	T = E CLASS/NEW YORKER
C24 = LASER	H = VOYAGER	V = 600
D = ARIES	K = MINI RAM/CARAVAN/ROYAL	V24 = DAYTONA
E = 600	M = HORIZON/TURISMO	Z = OMNI/CHARGER/RAMPAGE

BODY STYLES

21 = 2-DOOR SEDAN	28 = FWD PICKUP	44 = 4-DOOR HATCHBACK
22 = 2-DOOR SPECIAL COUPE	35 = FWD VAN	45 = 4-DOOR STATION WAGON
24 = 2-DOOR HATCHBACK	36 = FWD WAGON	48 = 4-DOOR EXECUTIVE SEDAN
27 = 2-DOOR CONVERTIBLE	41 = 4-DOOR SEDAN	

AR = Use as Required - = Non Illustrated Part P.A.R. = Paint as Required

SEAT REAR H,K S BODY TRIM CODES F6,H6
Figure ITS-2100

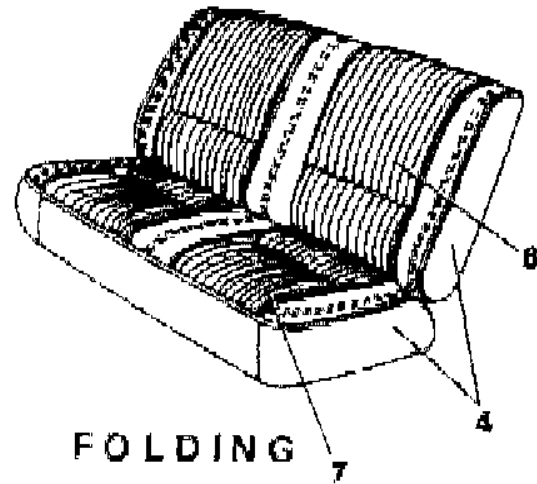
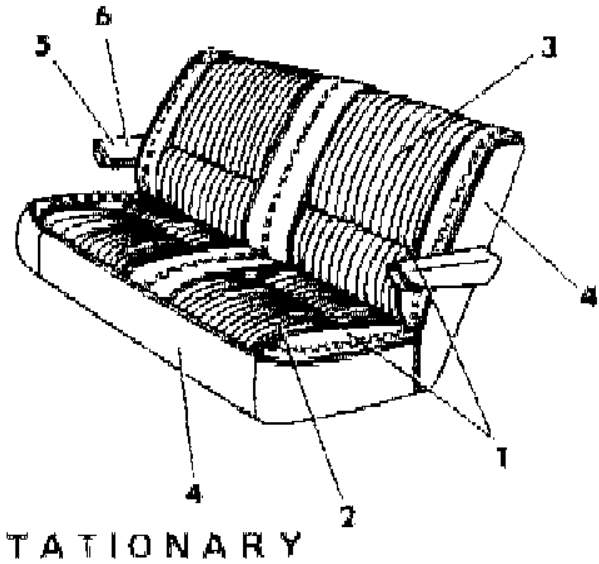
1242 2100

ITEM	PART NUMBER	QTY	BODY	MODEL	DESCRIPTION
	G794-5 CT8	1			N N NF6KT,H6KT YG794CT8
6					COVER, Armrest N N N N 2 Passenger N N N N
	G421 CS8	2			N N NF6AS,H6AS YG421CS8
	G421 CB5	2			N N NF6BB,H6BB YG421CB5
	G421 CM6	2			N N NF6M,H6M YG421CM6
	G421 CL3	2			N N NF6L,H6L YG421CL3
	G421 CT8	2			N N NF6KT,H6KT YG421CT8 3 Passenger N N N N
	G438-9 CS8	1			N N NF6AS,H6AS YG438CS8
	G438-9 CB5	1			N N NF6BB,H6BB YG438CB5
	G438-9 CM6	1			N N NF6M,H6M YG438CM6
	G438-9 CL3	1			N N NF6L,H6L YG438CL3
	G438-9 CT8	1			N N NF6KT,H6KT YG438CT8 FOLDING SEAT N N N N
7&4					CUSHION, w/Spring/Frame, Pad and Cover N N N N
	G751 C6A	1			N N NF6AS,H6AS YG751C6A
	G751 C6B	1			N N NF6BB,H6BB YG751C6B
	G751 C6M	1			N N NF6M,H6M YG751C6M
	G751 C6L	1			N N NF6L,H6L YG751C6L
	G751 C6K	1			N N NF6KT,H6KT YG751C6K
7					COVER, Cushion w/Protector Shield N N N N
	G417 C6A	1			N N NF6AS,H6AS YG417C6A
	G417 C6B	1			N N NF6BB,H6BB YG417C6B
	G417 C6M	1			N N NF6M,H6M YG417C6M
	G417 C6L	1			N N NF6L,H6L YG417C6L
	G417 C6K	1			N N NF6KT,H6KT YG417C6K
8&4					BACK, w/Spring/Frame, Pad and Cover N N N N
	G752 C6A	1			N N NF6AS,H6AS YG752C6A
	G752 C6B	1			N N NF6BB,H6BB YG752C6B
	G752 C6M	1			N N NF6M,H6M YG752C6M
	G752 C6L	1			N N NF6L,H6L YG752C6L
	G752 C6K	1			N N NF6KT,H6KT YG752C6K
8					COVER, Back N N N N
	G456 D6A	1			N N NF6AS,H6AS YG456D6A
	G456 D6B	1			N N NF6BB,H6BB YG456D6B
	G456 D6M	1			N N NF6M,H6M YG456D6M
	G418 C6L	1			N N NF6L,H6L YG418C6L

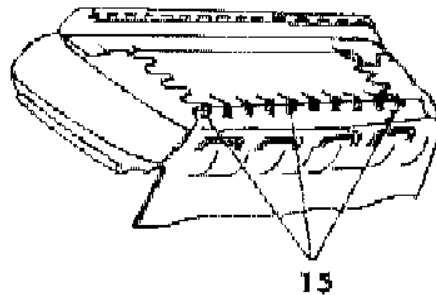
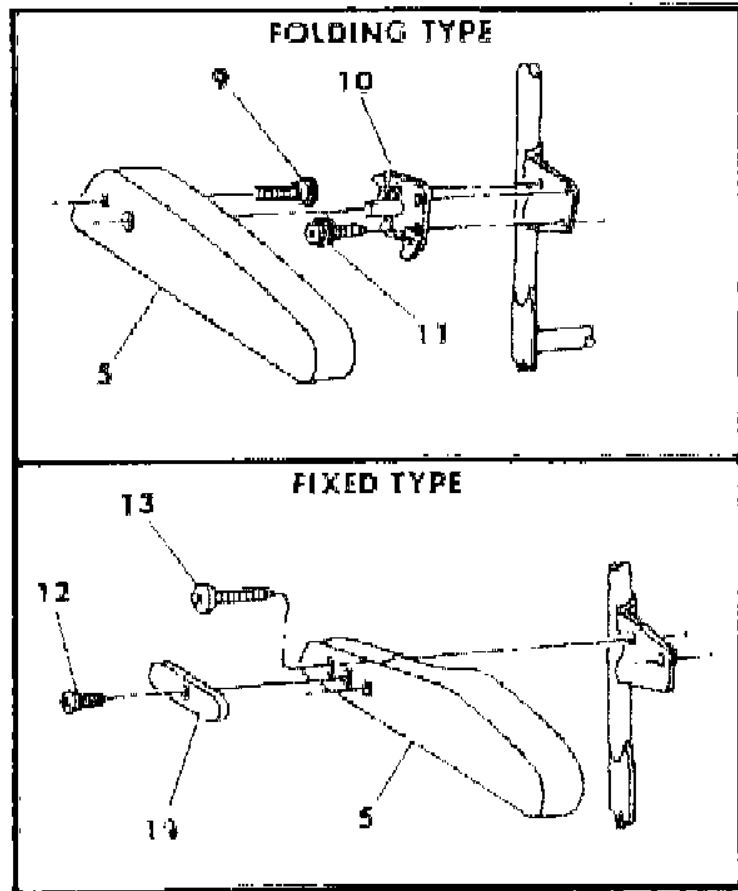
MODEL CODES
 B = GRAN FURY
 C = LEBARON/TOWN & COUNTRY/EXC SEDAN
 C24 = LASER
 D = ARIES
 E = 600
 F = FIFTH AVENUE/NEWPORT
 G = DIPLOMAT
 H = VOYAGER
 K = MINI RAM/CARAVAN/ROYAL
 M = HORIZON/TURISMO
 P = RELIANT
 T = E CLASS/NEW YORKER
 V = 600
 V24 = DAYTONA
 Z = OMNI/CHARGER/RAMPAGE

BODY STYLES
 21 = 2-DOOR SEDAN
 22 = 2-DOOR SPECIAL COUPE
 24 = 2-DOOR HATCHBACK
 27 = 2-DOOR CONVERTIBLE
 28 = FWD PICKUP
 35 = FWD VAN
 36 = FWD WAGON
 41 = 4-DOOR SEDAN
 44 = 4-DOOR HATCHBACK
 45 = 4-DOOR STATION WAGON
 48 = 4-DOOR EXECUTIVE SEDAN

AR = Use as Required - = Non Illustrated Part P.A.R. = Paint as Required



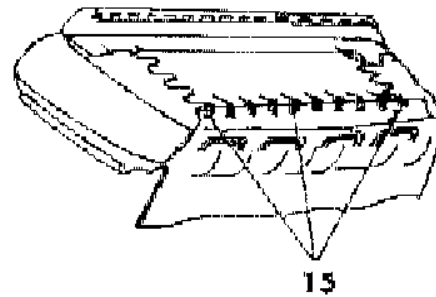
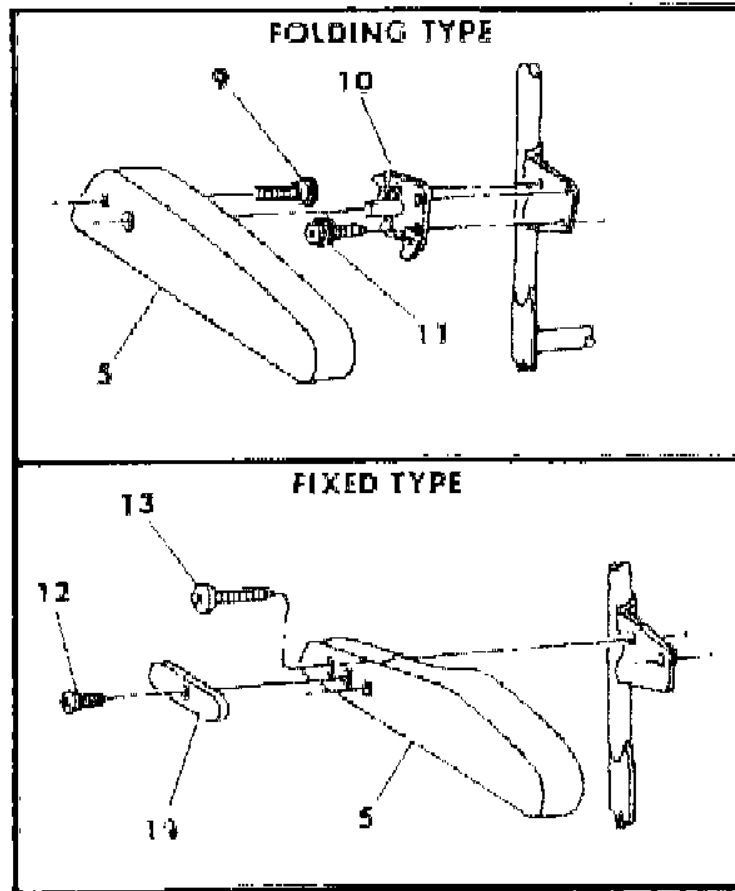
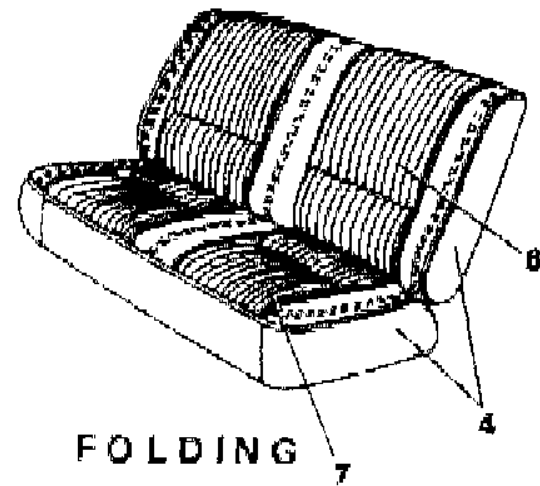
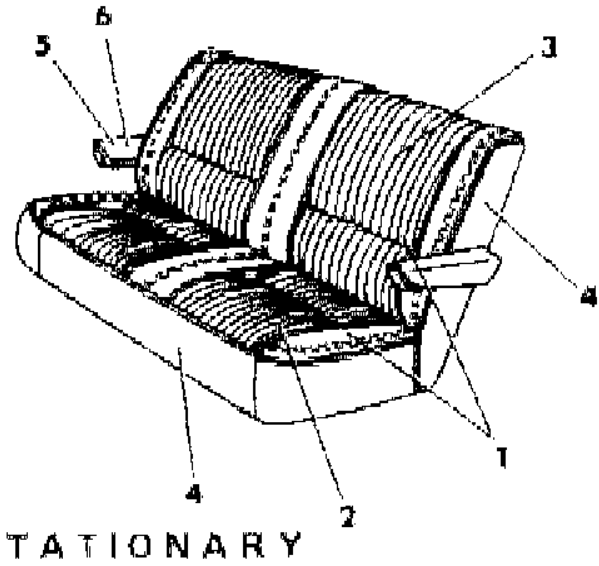
FOLDING



SEAT REAR H,K S BODY TRIM CODES F6,H6
Figure ITS-2100

1242 2100

ITEM	PART NUMBER	QTY	BODY	MODEL	DESCRIPTION
	G418 C6K	1			N N NF6KT,H6KT YG418C6K
9	6032 567	2			SCREW N N N Y6032567
10	4290 652-3	1			SUPPORT, Armrest to Back N N N Y4290652
	6032 721	2			RING, Armrest Retaining N N N Y6032721
	6032 259	2			RING, Snap (1/2" shaft) N N N Y6032259
11	6500 777	6			SCREW and WASHER N N N Y6500777
12		AR			SCREW (8-18x5/8)(not serviced) N N N N
13	6101 380	4			SCREW N N N Y6101380
14	S684 CL3	1			COVER, Finish (paint as required) N N N YS684CL3
15	6008 076	AR			HOG RING N N N Y6008076



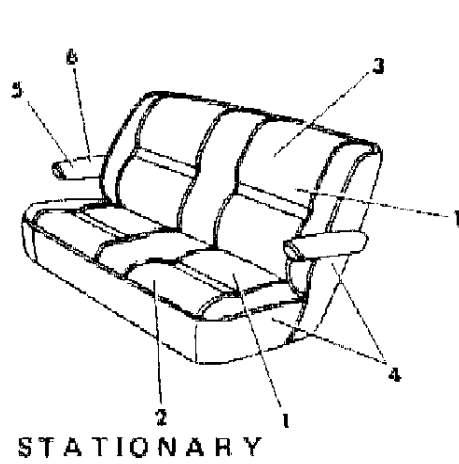
MODEL CODES
 B = GRAN FURY
 C = LEBARON/TOWN & COUNTRY/EXC SEDAN
 C24 = LASER
 D = ARIES
 E = 600
 F = FIFTH AVENUE/NEWPORT
 G = DIPLOMAT
 H = VOYAGER
 K = MINI RAM/CARAVAN/ROYAL
 M = HORIZON/TURISMO
 P = RELIANT
 T = E CLASS/NEW YORKER
 V = 600
 V24 = DAYTONA
 Z = OMNI/CHARGER/RAMPAGE

BODY STYLES
 21 = 2-DOOR SEDAN
 22 = 2-DOOR SPECIAL COUPE
 24 = 2-DOOR HATCHBACK
 27 = 2-DOOR CONVERTIBLE
 28 = FWD PICKUP
 35 = FWD VAN
 36 = FWD WAGON
 41 = 4-DOOR SEDAN
 44 = 4-DOOR HATCHBACK
 45 = 4-DOOR STATION WAGON
 48 = 4-DOOR EXECUTIVE SEDAN

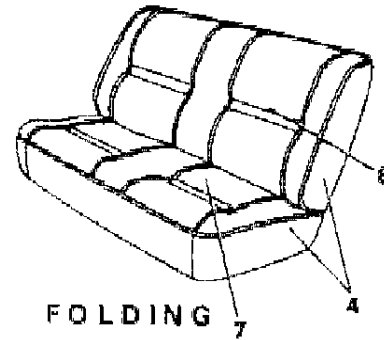
AR = Use as Required - = Non Illustrated Part P.A.R. = Paint as Required

SEAT REAR H,K S BODY TRIM CODE G5
Figure ITS-2200

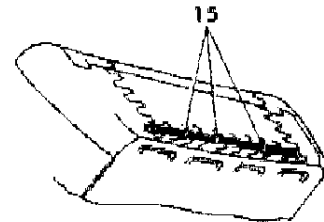
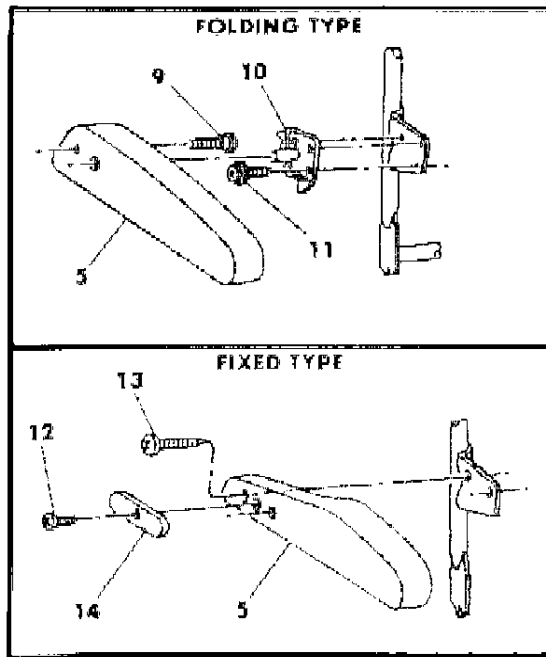
4242 2200



STATIONARY



FOLDING



ITEM	PART NUMBER	QTY	BODY	MODEL	DESCRIPTION
NOTE: THE FIVE (5) PASSENGER WAGON USES THE THREE (3) PASSENGER STATIONARY SEAT. THE SEVEN (7) PASSENGER WAGON USES THE TWO (2) PASSENGER STATIONARY SEAT PLUS THE FOLDING REAR SEAT.					
1-4					SEAT COMPLETE, (includes Cushion and Back) w/Spring/Frame, Pad and Cover N N N N 2 Passenger (used in first position w/7 passenger seating) N N N N
	G768 C5A	1			N N NG5AS YG768C5A
	G768 C5M	1			N N NG5M YG768C5M
	G768 C5L	1			N N NG5L YG768C5L
	G768 C5K	1			N N NG5KT YG768C5K 3 Passenger (used in first position w/5 passenger seating) N N N N
	G770 C5A	1			N N NG5AS YG770C5A
	G770 C5M	1			N N NG5M YG770C5M
	G770 C5L	1			N N NG5L YG770C5L
	G770 C5K	1			N N NG5KT YG770C5K
2					COVER, Cushion N N N N 2 Passenger N N N N
	G424 C5A	1			N N NG5AS YG424C5A
	G424 C5M	1			N N NG5M YG424C5M
	G424 C5L	1			N N NG5L YG424C5L
	G424 C5K	1			N N NG5KT YG424C5K 3 Passenger N N N N
	G426 C5A	1			N N NG5AS YG426C5A
	G426 C5M	1			N N NG5M YG426C5M
	G426 C5L	1			N N NG5L YG426C5L
	G426 C5K	1			N N NG5KT YG426C5K
3					COVER, Back N N N N 2 Passenger N N N N
	G425 C5A	1			N N NG5AS YG425C5A
	G425 C5M	1			N N NG5M YG425C5M
	G425 C5L	1			N N NG5L YG425C5L
	G425 C5K	1			N N NG5KT YG425C5K 3 Passenger N N N N
	G427 C5A	1			N N NG5AS YG427C5A
	G427 C5M	1			N N NG5M YG427C5M
	G427 C5L	1			N N NG5L YG427C5L
	G427 C5K	1			N N NG5KT YG427C5K

MODEL CODES

B = GRAN FURY	F = FIFTH AVENUE/NEWPORT	P = RELIANT
C = LEBARON/TOWN & COUNTRY/EXC SEDAN	G = DIPLOMAT	T = E CLASS/NEW YORKER
C24 = LASER	H = VOYAGER	V = 600
D = ARIES	K = MINI RAM/CARAVAN/ROYAL	V24 = DAYTONA
E = 600	M = HORIZON/TURISMO	Z = OMNI/CHARGER/RAMPAGE

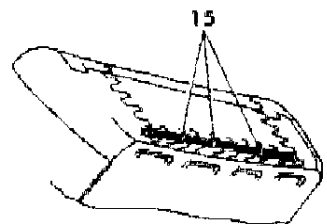
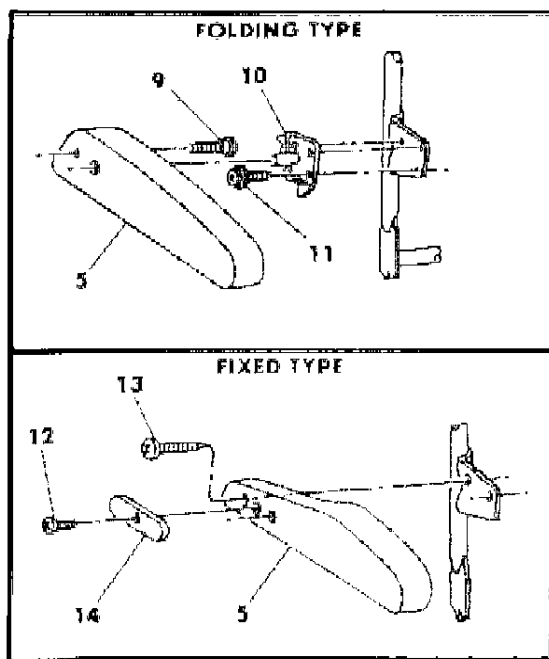
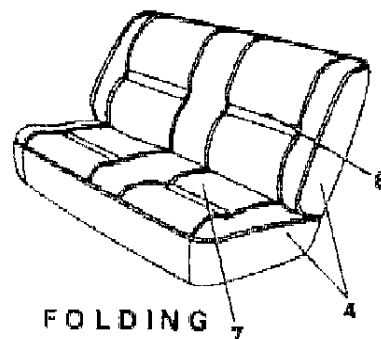
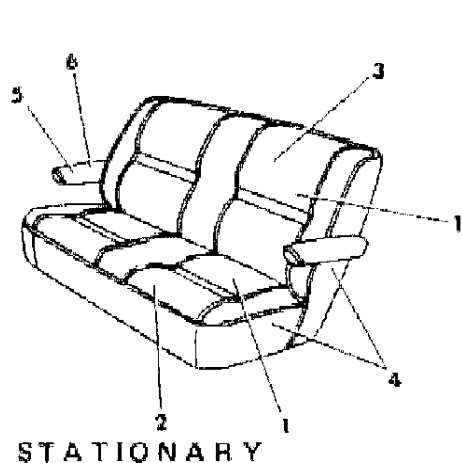
BODY STYLES

21 = 2-DOOR SEDAN	28 = FWD PICKUP	44 = 4-DOOR HATCHBACK
22 = 2-DOOR SPECIAL COUPE	35 = FWD VAN	45 = 4-DOOR STATION WAGON
24 = 2-DOOR HATCHBACK	36 = FWD WAGON	48 = 4-DOOR EXECUTIVE SEDAN
27 = 2-DOOR CONVERTIBLE	41 = 4-DOOR SEDAN	

AR = Use as Required - = Non Illustrated Part P.A.R. = Paint as Required

SEAT REAR H,K S BODY TRIM CODE G5
Figure ITS-2200

4242 2200



ITEM	PART NUMBER	QTY	BODY	MODEL	DESCRIPTION
4					ROLL STOCK, Vinyl Order by the Inch N N N N
	R609 CS8	AR			Charcoal 58" Wide N N NG5AS YR609CS8
	R629 CM6	AR			Red 54" Wide N N NG5M YR629CM6
	R629 CL3	AR			Beige 54" Wide N N NG5L YR629CL3
	R629 BT8	AR			Brown 54" Wide N N NG5KT YR629BT8
5					ARMREST and COVER N N N N
					2 Passenger (folding) N N N N
	G712 CS8	2			N N NG5AS YG712CS8
	G712 CM6	2			N N NG5M YG712CM6
	G712 CL3	2			N N NG5L YG712CL3
	G712 CT8	2			N N NG5KT YG712CT8
					3 Passenger (fixed) N N N N
	G794-5 CS8	1			N N NG5AS YG794CS8
	G794-5 CM6	1			N N NG5M YG794CM6
	G794-5 CL3	1			N N NG5L YG794CL3
	G794-5 CT8	1			N N NG5KT YG794CT8
6					COVER, Armrest N N N N
					2 Passenger N N N N
	G421 CS8	2			N N NG5AS YG421CS8
	G421 CM6	2			N N NG5M YG421CM6
	G421 CL3	2			N N NG5L YG421CL3
	G421 CT8	2			N N NG5KT YG421CT8
					3 Passenger N N N N
	G438-9 CS8	1			N N NG5AS YG438CS8
	G438-9 CM6	1			N N NG5M YG438CM6
	G438-9 CL3	1			N N NG5L YG438CL3
	G438-9 CT8	1			N N NG5KT YG438CT8
					FOLDING REAR SEAT N N N N
7&4					CUSHION, w/Spring/Frame, Pad and Cover N N N N
	G774 C5A	1			N N NG5AS YG774C5A
	G774 C5M	1			N N NG5M YG774C5M
	G774 C5L	1			N N NG5L YG774C5L
	G774 C5K	1			N N NG5KT YG774C5K
7					COVER, Cushion w/Protector Shield N N N N
	G428 C5A	1			N N NG5AS YG428C5A
	G428 C5M	1			N N NG5M YG428C5M
	G428 C5L	1			N N NG5L YG428C5L
	G428 C5K	1			N N NG5KT YG428C5K

MODEL CODES

B = GRAN FURY	F = FIFTH AVENUE/NEWPORT	P = RELIANT
C = LEBARON/TOWN & COUNTRY/EXC SEDAN	G = DIPLOMAT	T = E CLASS/NEW YORKER
C24 = LASER	H = VOYAGER	V = 600
D = ARIES	K = MINI RAM/CARAVAN/ROYAL	V24 = DAYTONA
E = 600	M = HORIZON/TURISMO	Z = OMNI/CHARGER/RAMPAGE

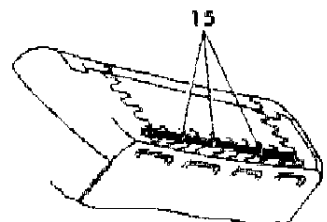
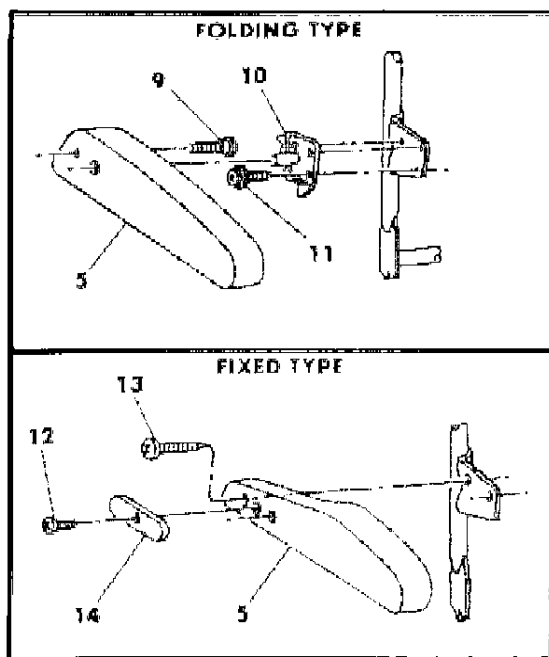
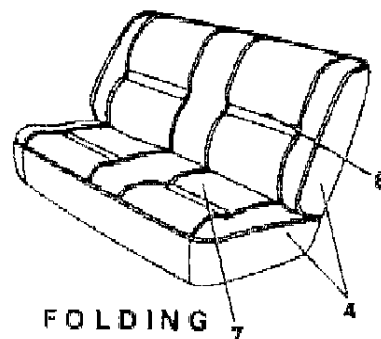
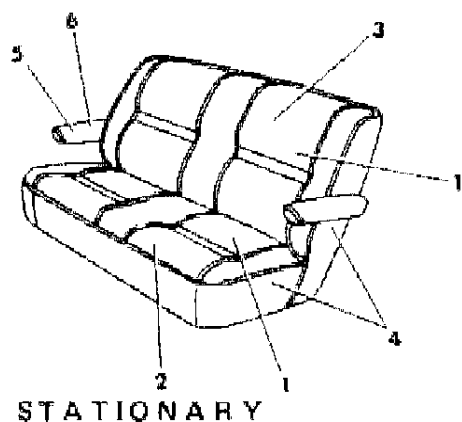
BODY STYLES

21 = 2-DOOR SEDAN	28 = FWD PICKUP	44 = 4-DOOR HATCHBACK
22 = 2-DOOR SPECIAL COUPE	35 = FWD VAN	45 = 4-DOOR STATION WAGON
24 = 2-DOOR HATCHBACK	36 = FWD WAGON	48 = 4-DOOR EXECUTIVE SEDAN
27 = 2-DOOR CONVERTIBLE	41 = 4-DOOR SEDAN	

AR = Use as Required - = Non Illustrated Part P.A.R. = Paint as Required

SEAT REAR H,K S BODY TRIM CODE G5
Figure ITS-2200

4242 2200



ITEM	PART NUMBER	QTY	BODY	MODEL	DESCRIPTION
8&4					BACK, w/Spring/Frame, Pad and Cover N N N N
	G775 C5A	1			N N NG5AS YG775C5A
	G775 C5M	1			N N NG5M YG775C5M
	G775 C5L	1			N N NG5L YG775C5L
	G775 C5K	1			N N NG5KT YG775C5K
8					COVER, Back N N N N
	G429 C5A	1			N N NG5AS YG429C5A
	G429 C5M	1			N N NG5M YG429C5M
	G429 C5L	1			N N NG5L YG429C5L
	G429 C5K	1			N N NG5KT YG429C5K
9	6032 567	2			SCREW N N N Y6032567
10	4290 652-3	1			SUPPORT N N N Y4290652
	6032 721	2			RING, Armrest Retaining N N N Y6032721
	6032 259	2			RING, Snap (1/2" shaft) N N N Y6032259
11	6500 777	6			SCREW N N N Y6500777
12		2			SCREW (8-18x5/8)(not serviced) N N N N
13	6101 380	4			SCREW N N N Y6101380
14	S684 CL3	1			COVER, Finish (paint as required) N N N YS684CL3
15	6008 076	AR			HOG RING N N N Y6008076

MODEL CODES

B = GRAN FURY	F = FIFTH AVENUE/NEWPORT	P = RELIANT
C = LEBARON/TOWN & COUNTRY/EXC SEDAN	G = DIPLOMAT	T = E CLASS/NEW YORKER
C24 = LASER	H = VOYAGER	V = 600
D = ARIES	K = MINI RAM/CARAVAN/ROYAL	V24 = DAYTONA
E = 600	M = HORIZON/TURISMO	Z = OMNI/CHARGER/RAMPAGE

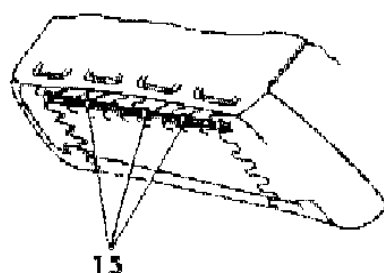
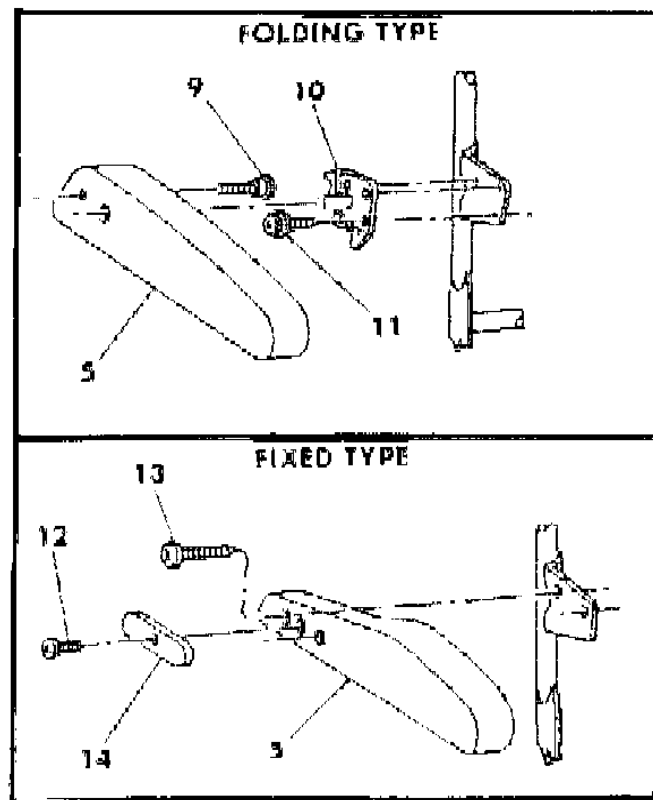
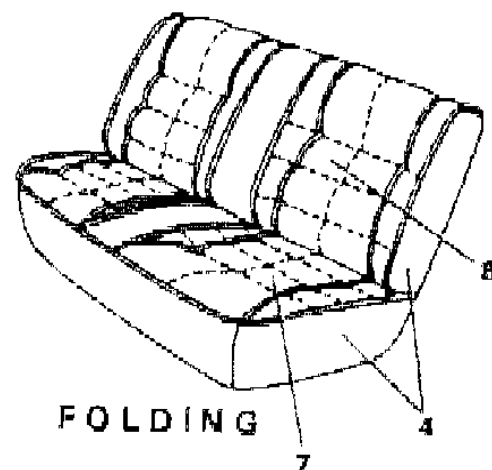
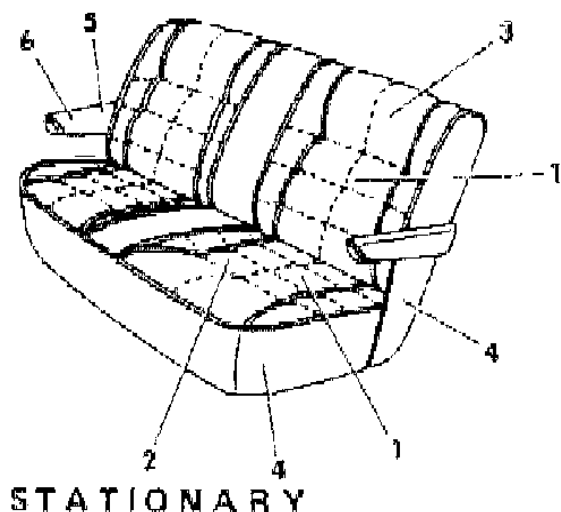
BODY STYLES

21 = 2-DOOR SEDAN	28 = FWD PICKUP	44 = 4-DOOR HATCHBACK
22 = 2-DOOR SPECIAL COUPE	35 = FWD VAN	45 = 4-DOOR STATION WAGON
24 = 2-DOOR HATCHBACK	36 = FWD WAGON	48 = 4-DOOR EXECUTIVE SEDAN
27 = 2-DOOR CONVERTIBLE	41 = 4-DOOR SEDAN	

AR = Use as Required - = Non Illustrated Part P.A.R. = Paint as Required

SEAT REAR H,K S BODY TRIM CODES C7,C8,D7
Figure ITS-2300

ITS-2300



ITEM	PART NUMBER	QTY	BODY	MODEL	DESCRIPTION
NOTE: THE FIVE (5) PASSENGER WAGON USES THE THREE (3) PASSENGER STATIONARY SEAT. THE SEVEN (7) PASSENGER WAGON USES THE TWO (2) PASSENGER STATIONARY SEAT PLUS THE FOLDING REAR SEAT.					
1-4					SEAT COMPLETE, (includes Cushion and Back), w/Spring/Frame, Pad and Cover N N N N 2 Passenger (used in first position w/7 passenger seating) N N N N (use up to 3/26/84) N N N N
	G718 C7A	1			N N ND7AS YG718C7A
	G862 C7B	1			N N ND7BB YG862C7B
	G718 C7M	1			N N ND7M YG718C7M
	G718 C7L	1			N N ND7L YG718C7L
	G862 C7K	1			N N ND7KT YG862C7K (use after 3/26/84) N N N N
	G862 C7A	1			N N ND7AS YG862C7A
	G862 C7B	1			N N ND7BB YG862C7B
	G862 C7M	1			N N ND7M YG862C7M
	G862 C7L	1			N N ND7L YG862C7L
	G862 C7K	1			N N ND7KT YG862C7K 3 Passenger (used in first position w/5 passenger seating) N N N N (use up to 4/2/84) N N NC7AS,D7AS YG719C7A
	G719 C7A	1			(use after 4/2/84) N N NC7AS,D7AS YG864C7A
	G864 C7A	1			N N ND7BB YG864C7B
	G864 C7B	1			N N NC7M,D7M YG864C7M
	G864 C7M	1			N N NC7L,D7L YG864C7L
	G864 C7L	1			
	G719 C7K	1			(use up to 6/25/84) N N ND7KT YG719C7K
	G864 C7K	1			(use after 6/25/84) N N ND7KT YG864C7K
	G791 C8A	1			(use up to 4/9/84) N N NC8AS YG791C8A
	G856 C8A	1			(use after 4/9/84) N N NC8AS YG856C8A
	G791 C8M	1			(use up to 4/2/84) N N NC8M YG791C8M
	G856 C8M	1			(use after 4/2/84) N N NC8M YG856C8M
	G791 C8L	1			(use up to 3/26/84) N N NC8L YG791C8L
	G856 C8L	1			(use after 3/26/84) N N NC8L YG856C8L
2					COVER, Cushion N N N N 2 Passenger N N N N
	G405 C7A	1			N N ND7AS YG405C7A
	G405 C7B	1			N N ND7BB YG405C7B
	G405 C7M	1			N N ND7M YG405C7M

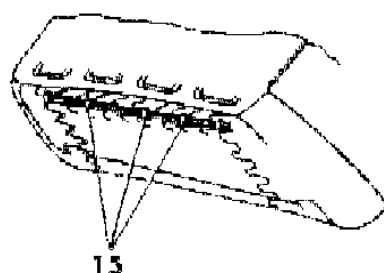
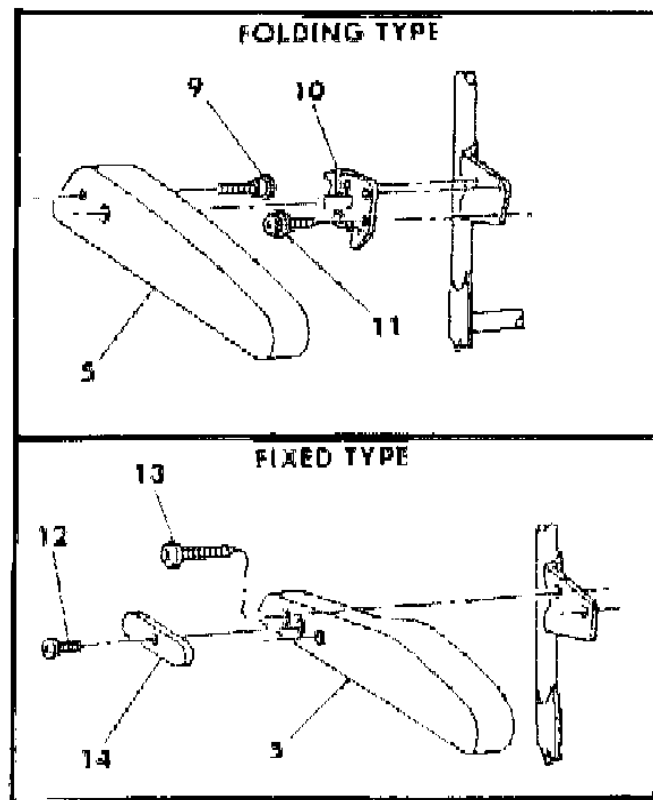
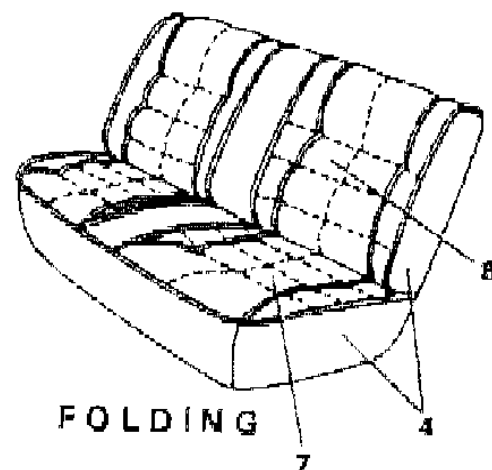
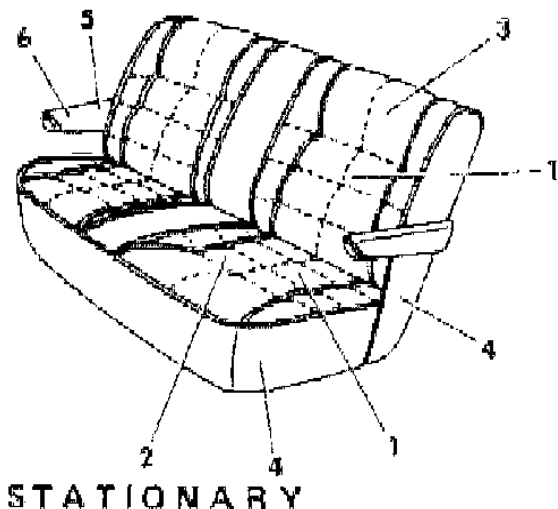
MODEL CODES
 B = GRAN FURY
 C = LEBARON/TOWN & COUNTRY/EXC SEDAN
 C24 = LASER
 D = ARIES
 E = 600
 F = FIFTH AVENUE/NEWPORT
 G = DIPLOMAT
 H = VOYAGER
 K = MINI RAM/CARAVAN/ROYAL
 M = HORIZON/TURISMO
 P = RELIANT
 T = E CLASS/NEW YORKER
 V = 600
 V24 = DAYTONA
 Z = OMNI/CHARGER/RAMPAGE

BODY STYLES
 21 = 2-DOOR SEDAN
 22 = 2-DOOR SPECIAL COUPE
 24 = 2-DOOR HATCHBACK
 27 = 2-DOOR CONVERTIBLE
 28 = FWD PICKUP
 35 = FWD VAN
 36 = FWD WAGON
 41 = 4-DOOR SEDAN
 44 = 4-DOOR HATCHBACK
 45 = 4-DOOR STATION WAGON
 48 = 4-DOOR EXECUTIVE SEDAN

AR = Use as Required - = Non Illustrated Part P.A.R. = Paint as Required

SEAT REAR H,K S BODY TRIM CODES C7,C8,D7
Figure ITS-2300

ITS-2300



ITEM	PART NUMBER	QTY	BODY	MODEL	DESCRIPTION
	G405 C7L	1			N N ND7L YG405C7L
	G405 C7K	1			N N ND7KT YG405C7K
	G407 C7A	1			3 Passenger N N N N
	G407 C7B	1			N N NC7AS,D7AS YG407C7A
	G407 C7M	1			N N ND7BB YG407C7B
	G407 C7L	1			N N NC7M,D7M YG407C7M
	G407 C7L	1			N N NC7L,D7L YG407C7L
	G407 C7K	1			N N ND7KT YG407C7K
	G434 C8A	1			N N NC8AS YG434C8A
	G434 C8M	1			N N NC8M YG434C8M
	G434 C8L	1			N N NC8L YG434C8L
3					COVER, Back N N N N
					2 Passenger N N N N
					(use up to 3/26/84) N N N N
	G406 C7A	1			N N ND7AS YG406C7A
	G406 C7B	1			N N ND7BB YG406C7B
	G406 C7M	1			N N ND7M YG406C7M
	G451 C7L	1			N N ND7L YG451C7L
	G451 C7K	1			N N ND7KT YG451C7K
					(use after 3/26/84) N N N N
	G451 C7A	1			N N ND7AS YG451C7A
	G451 C7B	1			N N ND7BB YG451C7B
	G451 C7M	1			N N ND7M YG451C7M
	G451 C7L	1			N N ND7L YG451C7L
	G451 C7K	1			N N ND7TK YG451C7K
					3 Passenger N N N N
	G408 C7A	1			(use up to 4/2/84) N N NC7AS,D7AS YG408C7A
	G453 C7A	1			(use after 4/2/84) N N NC7AS,D7AS YG453C7A
	G408 C7B	1			(use up to 5/14/84) N N ND7BB YG408C7B
	G453 C7B	1			(use after 5/14/84) N N ND7BB YG453C7B
	G408 C7M	1			(use up to 4/9/84) N N NC7M,D7M YG408C7M
	G453 C7M	1			(use after 4/9/84) N N NC7M,D7M YG453C7M
	G408 C7L	1			(use up to 4/23/84) N N NC7L,D7L YG408C7L
	G453 C7L	1			(use after 4/23/84) N N NC7L,D7L YG453C7L
	G408 C7K	1			(use up to 6/25/84) N N ND7KT YG408C7K
	G453 C7K	1			(use after 6/25/84) N N ND7KT YG453C7K
	G435 C8A	1			(use up to 4/9/84) N N NC8AS YG435C8A
	G458 C8A	1			(use after 4/9/84) N N NC8AS YG458C8A

MODEL CODES

B = GRAN FURY	F = FIFTH AVENUE/NEWPORT	P = RELIANT
C = LEBARON/TOWN & COUNTRY/EXC SEDAN	G = DIPLOMAT	T = E CLASS/NEW YORKER
C24 = LASER	H = VOYAGER	V = 600
D = ARIES	K = MINI RAM/CARAVAN/ROYAL	V24 = DAYTONA
E = 600	M = HORIZON/TURISMO	Z = OMNI/CHARGER/RAMPAGE

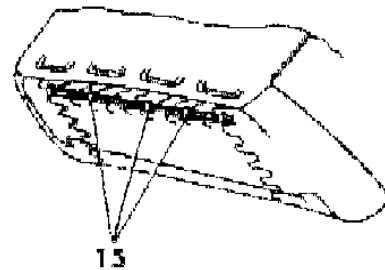
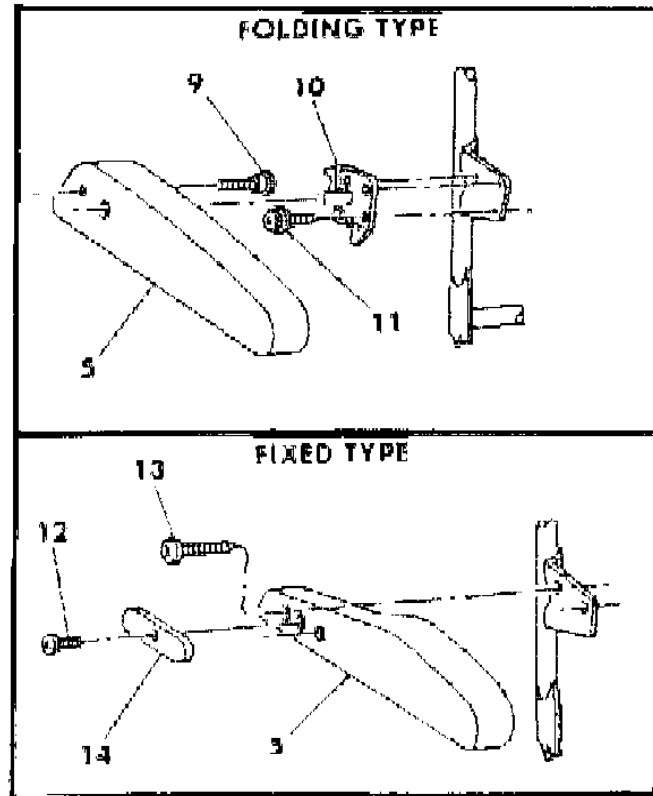
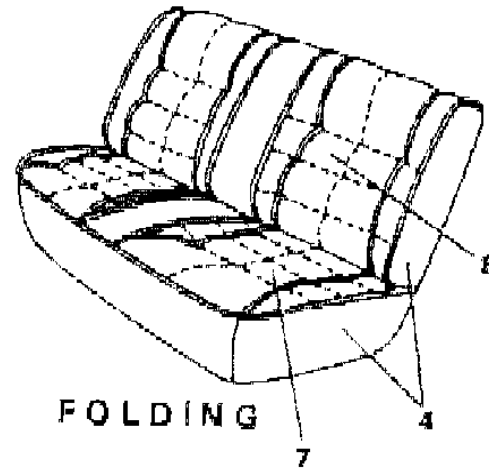
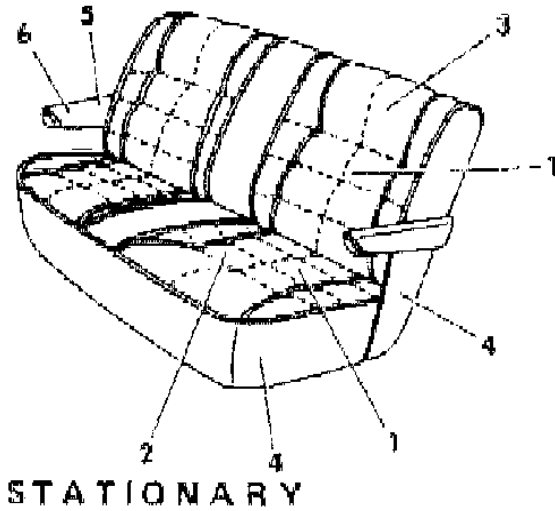
BODY STYLES

21 = 2-DOOR SEDAN	28 = FWD PICKUP	44 = 4-DOOR HATCHBACK
22 = 2-DOOR SPECIAL COUPE	35 = FWD VAN	45 = 4-DOOR STATION WAGON
24 = 2-DOOR HATCHBACK	36 = FWD WAGON	48 = 4-DOOR EXECUTIVE SEDAN
27 = 2-DOOR CONVERTIBLE	41 = 4-DOOR SEDAN	

AR = Use as Required - = Non Illustrated Part P.A.R. = Paint as Required

SEAT REAR H,K S BODY TRIM CODES C7,C8,D7
Figure ITS-2300

ITS-2300



ITEM	PART NUMBER	QTY	BODY	MODEL	DESCRIPTION
	G435 C8M	1			(use up to 4/2/84) N N NC8M YG435C8M
	G458 C8M	1			(use after 4/2/84) N N NC8M YG458C8M
	G435 C8L	1			(use up to 3/26/84) N N NC8L YG435C8L
	G458 C8L	1			(use after 3/26/84) N N NC8L YG458C8L
4					ROLL STOCK, Vinyl Order by the Inch N N N N
	R609 CS8	AR			Charcoal 58" Wide N N NC7AS,C8AS YR609CS8
	R609 CS8	AR			Charcoal 58" Wide N N ND7AS YR609CS8
	R629 CB5	AR			Blue 54" Wide N N ND7BB YR629CB5
	R629 CM6	AR			Red 54" Wide N N NC7M,C8M,D7M YR629CM6
	R629 CL3	AR			Beige 54" Wide N N NC7L,C8L,D7L YR629CL3
	R629 BT8	AR			Brown 54" Wide N N ND7KT YR629BT8
5					ARMREST and COVER N N N N
					2 Passenger (folding) N N N N
	G712 CS8	2			N N ND7AS YG712CS8
	G730 CB5	2			N N ND7BB YG730CB5
	G712 CM6	2			N N ND7M YG712CM6
	G712 CL3	2			N N ND7L YG712CL3
	G712 CT8	2			N N ND7KT YG712CT8
					3 Passenger (fixed) N N N N
	G794-5 CS8	1			N N NC7AS,C8AS YG794CS8
	G794-5 CS8	1			N N ND7AS YG794CS8
	G794-5 CB5	1			N N ND7BB YG794CB5
	G794-5 CM6	1			N N NC7M,C8M,D7M YG794CM6
	G794-5 CL3	1			N N NC7L,C8L,D7L YG794CL3
	G794-5 CT8	1			N N ND7KT YG794CT8
6					COVER, Armrest N N N N
					2 Passenger N N N N
	G421 CS8	2			N N ND7AS YG421CS8
	G421 CB5	2			N N ND7BB YG421CB5
	G421 CM6	2			N N ND7M YG421CM6
	G421 CL3	2			N N ND7L YG421CL3
	G421 CT8	2			N N ND7KT YG421CT8
					3 Passenger N N N N
	G438-9 CS8	1			N N NC7AS,C8AS YG438CS8
	G438-9 CS8	1			N N ND7AS YG438CS8
	G438-9 CB5	1			N N ND7BB YG438CB5
	G438-9 CM6	1			N N NC7M,C8M,D7M YG438CM6
	G438-9 CL3	1			N N NC7L,C8L,D7L YG438CL3

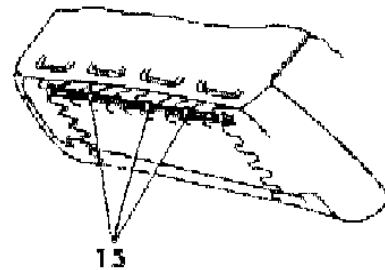
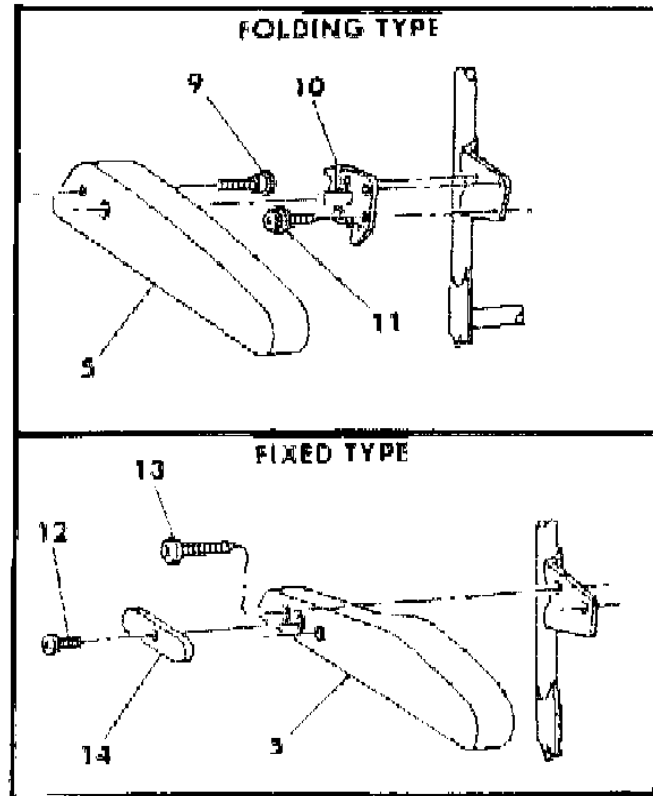
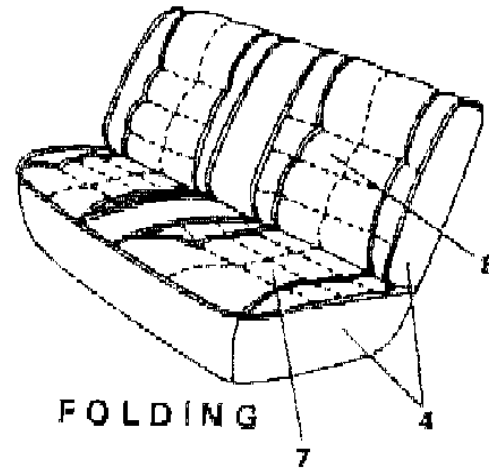
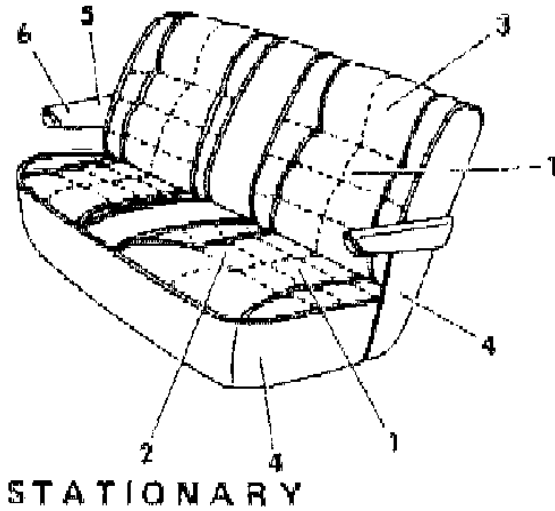
MODEL CODES
 B = GRAN FURY
 C = LEBARON/TOWN & COUNTRY/EXC SEDAN
 C24 = LASER
 D = ARIES
 E = 600
 F = FIFTH AVENUE/NEWPORT
 G = DIPLOMAT
 H = VOYAGER
 K = MINI RAM/CARAVAN/ROYAL
 M = HORIZON/TURISMO
 P = RELIANT
 T = E CLASS/NEW YORKER
 V = 600
 V24 = DAYTONA
 Z = OMNI/CHARGER/RAMPAGE

BODY STYLES
 21 = 2-DOOR SEDAN
 22 = 2-DOOR SPECIAL COUPE
 24 = 2-DOOR HATCHBACK
 27 = 2-DOOR CONVERTIBLE
 28 = FWD PICKUP
 35 = FWD VAN
 36 = FWD WAGON
 41 = 4-DOOR SEDAN
 44 = 4-DOOR HATCHBACK
 45 = 4-DOOR STATION WAGON
 48 = 4-DOOR EXECUTIVE SEDAN

AR = Use as Required - = Non Illustrated Part P.A.R. = Paint as Required

SEAT REAR H,K S BODY TRIM CODES C7,C8,D7
Figure ITS-2300

ITS-2300



ITEM	PART NUMBER	QTY	BODY	MODEL	DESCRIPTION
	G438-9 CT8	1			N N ND7KT YG438CT8
					FOLDING REAR SEAT N N N N
7&4					CUSHION, w/Spring/Frame, Pad and Cover N N N N
	G756 C7A	1			N N ND7AS YG756C7A
	G756 C7B	1			N N ND7BB YG756C7B
	G756 C7M	1			N N ND7M YG756C7M
	G756 C7L	1			N N ND7L YG756C7L
	G756 C7K	1			N N ND7KT YG756C7K
7					COVER, Cushion w/Protector Shield N N N N
	G409 C7A	1			N N ND7AS YG409C7A
	G409 C7B	1			N N ND7BB YG409C7B
	G409 C7M	1			N N ND7M YG409C7M
	G409 C7L	1			N N ND7L YG409C7L
	G409 C7K	1			N N ND7KT YG409C7K
8&4					BACK, w/Spring/Frame, Pad and Cover N N N N
	G757 C7A	1			N N ND7AS YG757C7A
	G757 C7B	1			N N ND7BB YG757C7B
	G757 C7M	1			N N ND7M YG757C7M
	G757 C7L	1			N N ND7L YG757C7L
	G757 C7K	1			N N ND7KT YG757C7K
8					COVER, Back N N N N
	G460 D7A	1			N N ND7AS YG460D7A
	G410 C7B	1			N N ND7BB YG410C7B
	G410 C7M	1			N N ND7M YG410C7M
	G410 C7L	1			N N ND7L YG410C7L
	G410 C7K	1			N N ND7KT YG410C7K
9	6032 567	2			SCREW N N N Y6032567
10	4290 652-3	1			SUPPORT N N N Y4290652
	6032 721	2			RING, Armrest Retaining N N N Y6032721
	6032 259	2			RING, Snap (1/2" shaft) N N N Y6032259
11	6500 777	6			SCREW N N N Y6500777
12		2			SCREW (8-18x5/8)(not serviced) N N N N
	F704 CL3	1			Beige N N N YF704CL3
13	6101 380	4			SCREW N N N Y6101380
14	S684 CL3	1			COVER, Finish (paint as required) N N N YS684CL3
15	6008 076	AR			HOG RING N N N Y6008076

MODEL CODES

B = GRAN FURY	F = FIFTH AVENUE/NEWPORT	P = RELIANT
C = LEBARON/TOWN & COUNTRY/EXC SEDAN	G = DIPLOMAT	T = E CLASS/NEW YORKER
C24 = LASER	H = VOYAGER	V = 600
D = ARIES	K = MINI RAM/CARAVAN/ROYAL	V24 = DAYTONA
E = 600	M = HORIZON/TURISMO	Z = OMNI/CHARGER/RAMPAGE

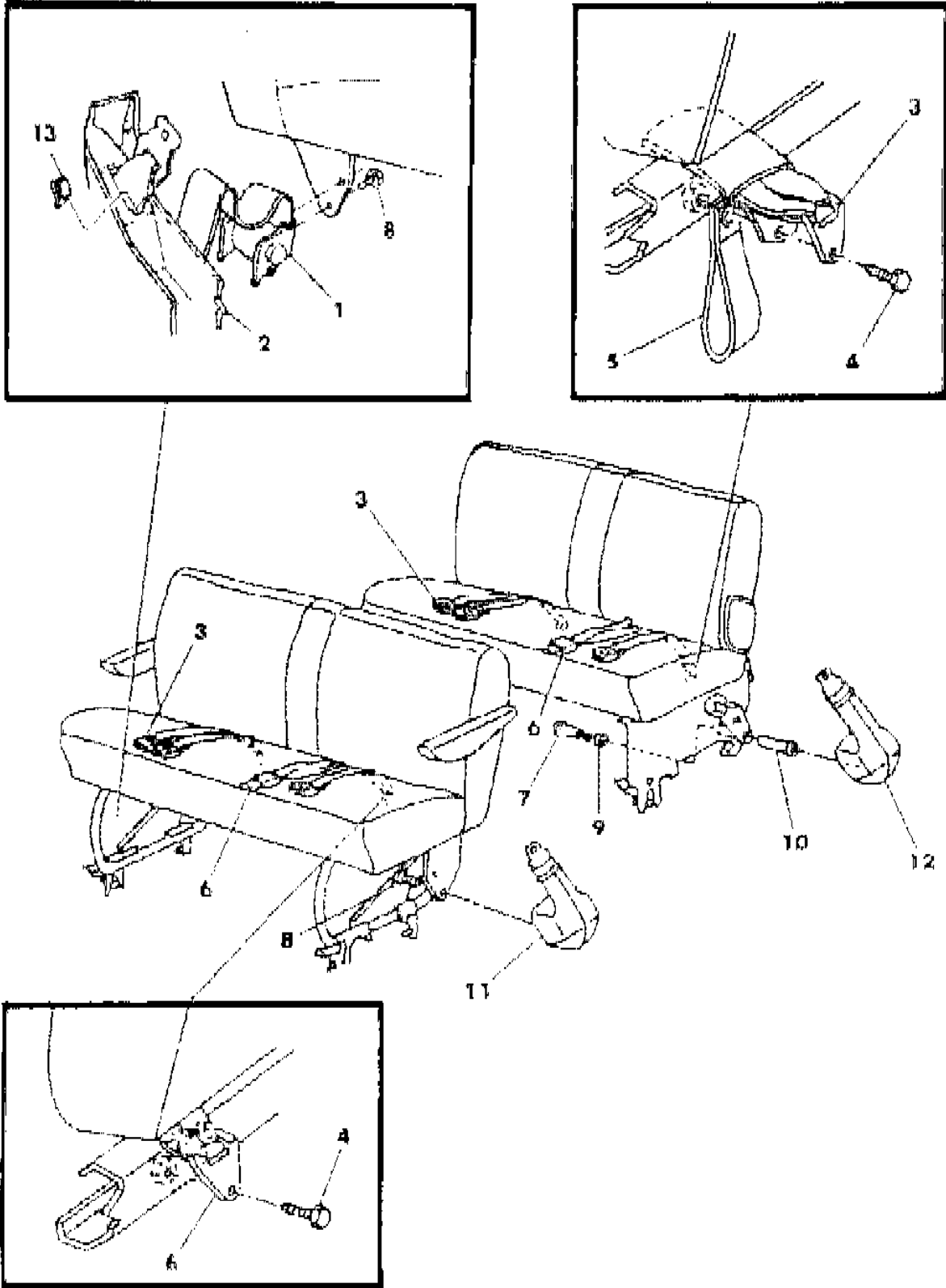
BODY STYLES

21 = 2-DOOR SEDAN	28 = FWD PICKUP	44 = 4-DOOR HATCHBACK
22 = 2-DOOR SPECIAL COUPE	35 = FWD VAN	45 = 4-DOOR STATION WAGON
24 = 2-DOOR HATCHBACK	36 = FWD WAGON	48 = 4-DOOR EXECUTIVE SEDAN
27 = 2-DOOR CONVERTIBLE	41 = 4-DOOR SEDAN	

AR = Use as Required - = Non Illustrated Part P.A.R. = Paint as Required

BELT REAR SEAT H,K S BODY
Figure ITS-2400

4747 2400



ITEM	PART NUMBER	QTY	BODY	MODEL	DESCRIPTION
1					BELT, 2 Passenger Outer Right Tip Half N N N N Label Number 4316185 N N N N
	F704 CA3	1			Silver N N N YF704CA3
	F704 CB5	1			Blue N N N YF704CB5
	F704 CM6	1			Red N N N YF704CM6
	F704 CT8	1			Brown N N N YF704CT8
	F704 CK5	1			Saddle N N N YF704CK5
2					COVER, First Rear Seat Riser (reference) N N N N
3					BELT, Inboard Right N N N N Label Number 4327162 N N N N
	F694 CA3	1			Silver N N N YF694CA3
	F694 CB5	1			Blue N N N YF694CB5
	F683 CM6	1			Red N N N YF683CM6
	F683 CL3	1			Beige N N N YF683CL3
	F694 CT8	1			Brown N N N YF694CT8
					Label Number 4290848 (2 buckles) N N N N
	F683 CA3	1			Silver N N N YF683CA3
	F683 CB5	1			Blue N N N YF683CB5
	F683 CM6	1			Red N N N YF683CM6
	F683 CL3	1			Beige N N N YF683CL3
	F683 CT8	1			Brown N N N YF683CT8
	F683 CK5	1			Saddle N N N YF683CK5
					Label Number 4290851 (2 Buckles) N N N N
	F686 CA3	1			Silver N N N YF686CA3
	F686 CB5	1			Blue N N N YF686CB5
	F686 CM6	1			Red N N N YF686CM6
	F686 CL3	1			Beige N N N YF686CL3
	F686 CT8	1			Brown N N N YF686CT8
	F686 CK5	1			Saddle N N N YF686CK5
4	6032 039	AR			BOLT N N N Y6032039
5					STRAP, Pull (left side omly) N N N N
	S537 CX9	1			Black N N N YS537CX9
	0117 887	1			WASHER, Pull Strap N N N Y117887
6					BELT, Inboard (2 Buckles) N N N N Label Number 4327163 N N N N
	F695 CA3	1			Silver N N N YF695CA3
	F695 CB5	1			Blue N N N YF695CB5
	F695 CM6	1			Red N N N YF695CM6

MODEL CODES

B = GRAN FURY	F = FIFTH AVENUE/NEWPORT	P = RELIANT
C = LEBARON/TOWN & COUNTRY/EXC SEDAN	G = DIPLOMAT	T = E CLASS/NEW YORKER
C24 = LASER	H = VOYAGER	V = 600
D = ARIES	K = MINI RAM/CARAVAN/ROYAL	V24 = DAYTONA
E = 600	M = HORIZON/TURISMO	Z = OMNI/CHARGER/RAMPAGE

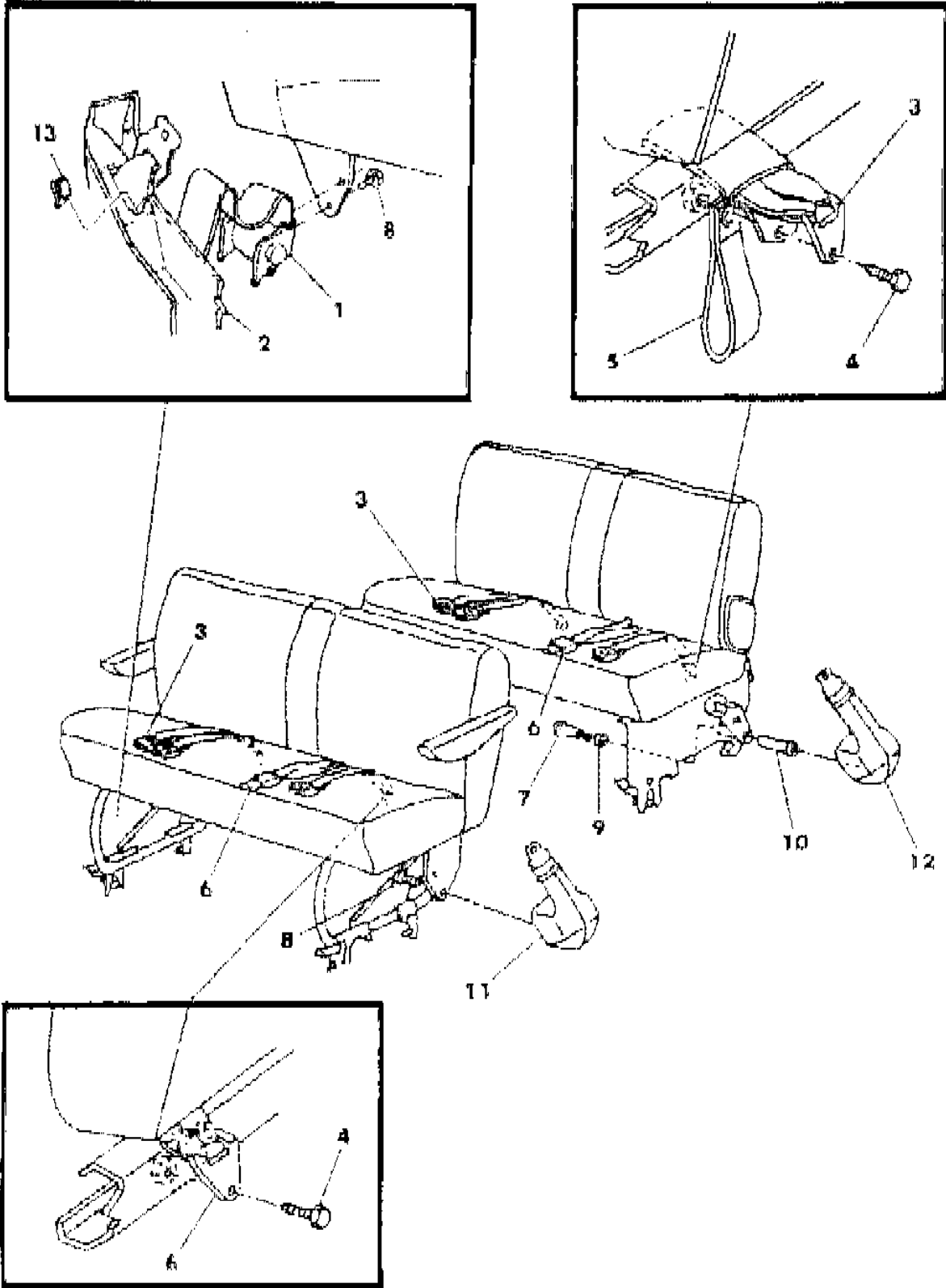
BODY STYLES

21 = 2-DOOR SEDAN	28 = FWD PICKUP	44 = 4-DOOR HATCHBACK
22 = 2-DOOR SPECIAL COUPE	35 = FWD VAN	45 = 4-DOOR STATION WAGON
24 = 2-DOOR HATCHBACK	36 = FWD WAGON	48 = 4-DOOR EXECUTIVE SEDAN
27 = 2-DOOR CONVERTIBLE	41 = 4-DOOR SEDAN	

AR = Use as Required - = Non Illustrated Part P.A.R. = Paint as Required

BELT REAR SEAT H,K S BODY
Figure ITS-2400

4747 2400



ITEM	PART NUMBER	QTY	BODY	MODEL	DESCRIPTION
	F695 CL3	1			Beige N N N YF695CL3
	F695 CT8	1			Brown N N N YF695CT8
					Label Number 4290849 (2 Buckles) N N N N
	F684 CA3	1			Silver N N N YF684CA3
	F684 CB5	1			Blue N N N YF684CB5
	F684 CM6	1			Red N N N YF684CM6
	F684 CL3	1			Beige N N N YF684CL3
	F684 CT8	1			Brown N N N YF684CT8
	F684 CK5	1			Saddle N N N YF684CK5
7	6032 599	2			BOLT N N N Y6032599
8	6031 218	2			BOLT N N N Y6031218
9					RETAINER (serviced in adjuster) N N N N
10					BUSHING (serviced in adjuster) N N N N
11					BELT, Outer Tip Half N N N N
					Label Number 4290847 N N N N
	F682 CA3	1			Silver N N N YF682CA3
	F682 CB5	1			Blue N N N YF682CB5
	F682 CM6	1			Red N N N YF682CM6
	F682 CL3	1			Beige N N N YF682CL3
	F682 CT8	1			Brown N N N YF682CT8
	F682 CLT	1			Beige and Brown N N N YF682CLT
	F682 CKT	1			Saddle and Brown N N N YF682CKT
	F682 CAS	1			Silver and Charcoal N N N YF682CAS
12					BELT, Outer Tip Half Folding Seat Right and Left N N N N
					Label Number 4290850 N N N N
	F685 CA3	2			Silver N N N YF685CA3
	F685 CB5	2			Blue N N N YF685CB5
	F685 CM6	2			Red N N N YF685CM6
	F685 CL3	2			Beige N N N YF685CL3
	F685 CT8	2			Brown N N N YF685CT8
	F685 CLT	2			Beige and Brown N N N YF685CLT
	F685 CKT	2			Saddle and Brown N N N YF685CKT
	F685 CAS	2			Silver and Charcoal N N N YF685CAS
13	6030 848	1			CLIP, First Rear Seat Outer Stop (2 Passenger Seat) N N N Y6030848

MODEL CODES

B = GRAN FURY	F = FIFTH AVENUE/NEWPORT	P = RELIANT
C = LEBARON/TOWN & COUNTRY/EXC SEDAN	G = DIPLOMAT	T = E CLASS/NEW YORKER
C24 = LASER	H = VOYAGER	V = 600
D = ARIES	K = MINI RAM/CARAVAN/ROYAL	V24 = DAYTONA
E = 600	M = HORIZON/TURISMO	Z = OMNI/CHARGER/RAMPAGE

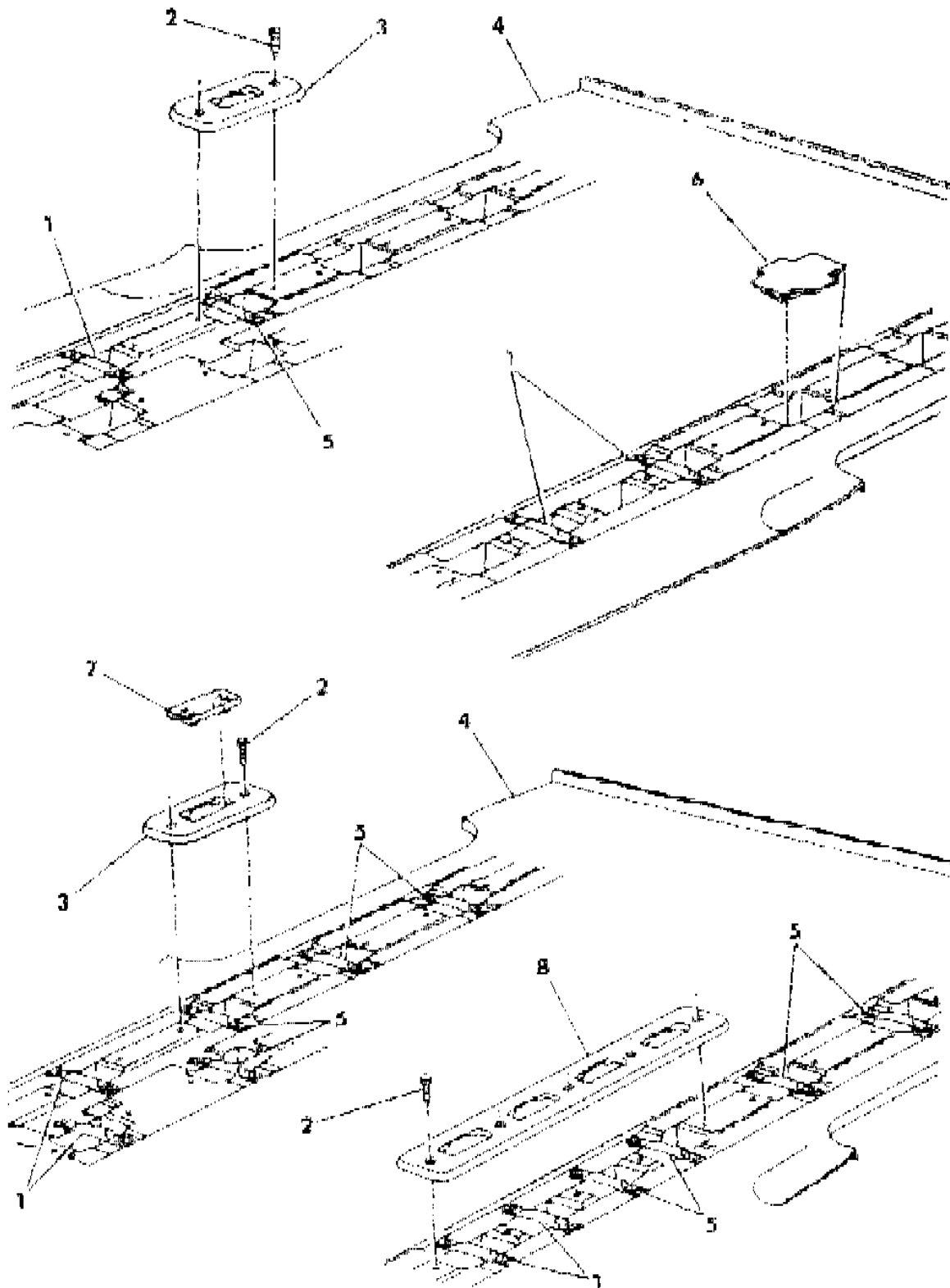
BODY STYLES

21 = 2-DOOR SEDAN	28 = FWD PICKUP	44 = 4-DOOR HATCHBACK
22 = 2-DOOR SPECIAL COUPE	35 = FWD VAN	45 = 4-DOOR STATION WAGON
24 = 2-DOOR HATCHBACK	36 = FWD WAGON	48 = 4-DOOR EXECUTIVE SEDAN
27 = 2-DOOR CONVERTIBLE	41 = 4-DOOR SEDAN	

AR = Use as Required - = Non Illustrated Part P.A.R. = Paint as Required

REAR SEAT ATTACHMENTS FLOOR PAN H,K S BODY
Figure ITS-2500

ITS-2500



ITEM	PART NUMBER	QTY	BODY	MODEL	DESCRIPTION
1	4314 742	AR			STRIKER and BOLT, Seat Retension Front N N N Y4314742
	6500 941	AR			NUT and WASHER N N N Y6500941
2		AR			SCREW (not serviced) N N N N
					ESCUTCHEON, Seat Hold Down N N N N
3	S657 CB5	AR			Blue N N N YS657CB5
	S657 CM6	AR			Red N N N YS657CM6
	S657 CT8	AR			Brown N N N YS657CT8
	S657 CS8	AR			Charcoal N N N YS657CS8
4				FLOOR PAN (reference) N N N N	
5	4337 594	AR			STRIKER and BOLT, Seat Retension Rear N N N Y4337594
	6500 941	AR			NUT and WASHER N N N Y6500941
6					FILLER, Rear Floor Striker 5 Passenger (not serviced) N N N N
7					COVER, Seat Escutcheon 7 Passenger N N N N
	S655 CB5	2			Blue N N N YS655CB5
	S655 CM6	2			Red N N N YS655CM6
	S655 CT8	2			Brown N N N YS655CT8
	S655 CS8	2			Charcoal N N N YS655CS8
8					ESCUTCHEON, Hold Down 7 Passenger N N N N
	S656 CB5	1			Blue N N N YS656CB5
	S656 CM6	1			Red N N N YS656CM6
	S656 CT8	1			Brown N N N YS656CT8
	S656 CS8	1			Charcoal N N N YS656CS8

MODEL CODES

B = GRAN FURY	F = FIFTH AVENUE/NEWPORT	P = RELIANT
C = LEBARON/TOWN & COUNTRY/EXC SEDAN	G = DIPLOMAT	T = E CLASS/NEW YORKER
C24 = LASER	H = VOYAGER	V = 600
D = ARIES	K = MINI RAM/CARAVAN/ROYAL	V24 = DAYTONA
E = 600	M = HORIZON/TURISMO	Z = OMNI/CHARGER/RAMPAGE

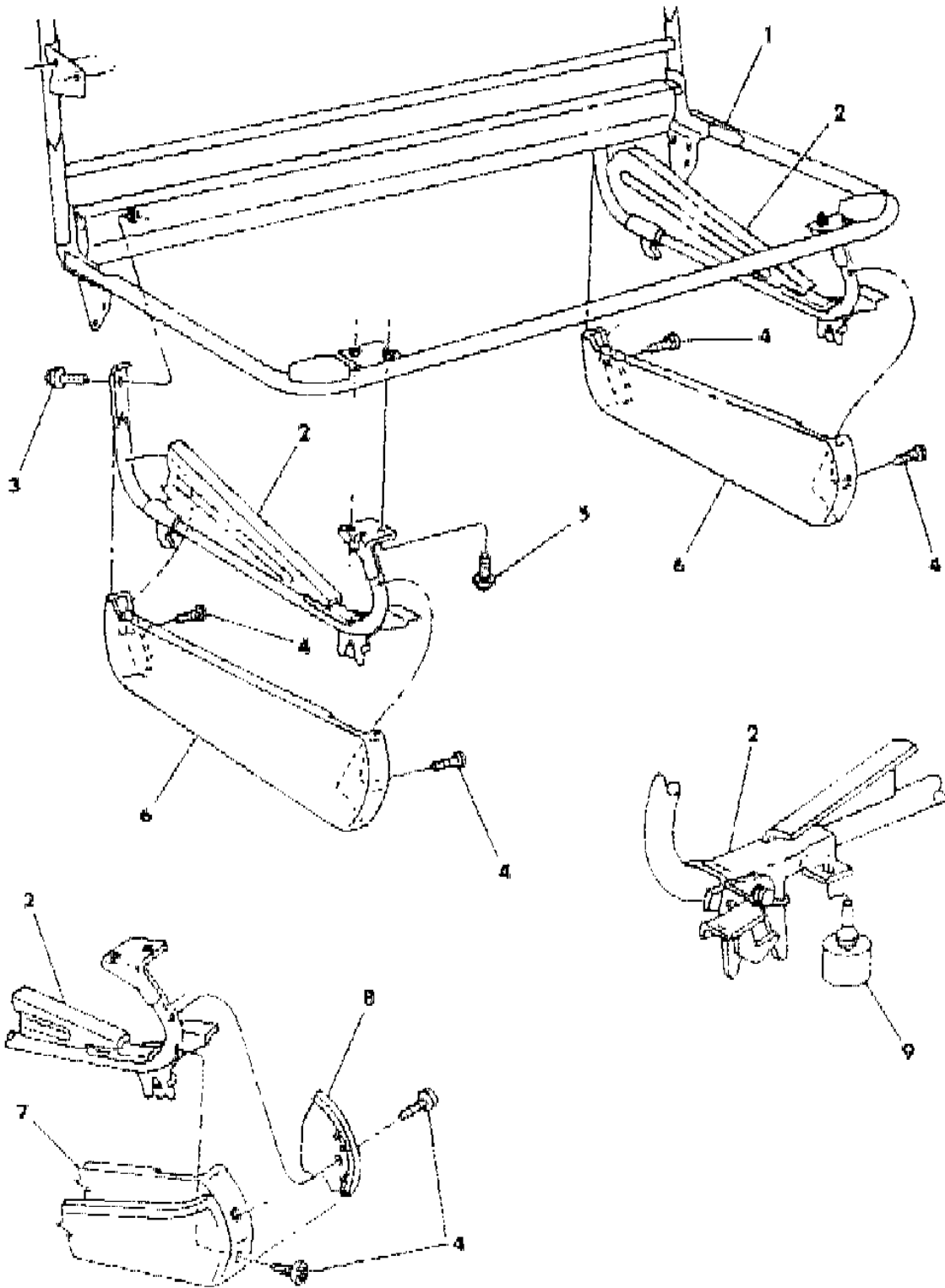
BODY STYLES

21 = 2-DOOR SEDAN	28 = FWD PICKUP	44 = 4-DOOR HATCHBACK
22 = 2-DOOR SPECIAL COUPE	35 = FWD VAN	45 = 4-DOOR STATION WAGON
24 = 2-DOOR HATCHBACK	36 = FWD WAGON	48 = 4-DOOR EXECUTIVE SEDAN
27 = 2-DOOR CONVERTIBLE	41 = 4-DOOR SEDAN	

AR = Use as Required - = Non Illustrated Part P.A.R. = Paint as Required

RISERS REAR SEAT H,K S BODY
Figure ITS-2600

1212 2600



ITEM	PART NUMBER	QTY	BODY	MODEL	DESCRIPTION
1					SPRING (not serviced) N N N N
2					RISER N N N N (use up to 1/3/84) N N N N
	4290 685	2			3 Passenger N N N Y4290685
	4345 330	1			2 Passenger Right N N N Y4345330
	4345 330	1			2 Passenger Left N N N Y4345330 (use after 1/3/84) N N N N
	4345 329	2			3 Passenger N N N Y4345329
	4345 330	1			2 Passenger Right N N N Y4345330
	4345 329	1			2 Passenger Left N N N Y4345329
3	6500 309	2			SCREW N N N Y6500309
4		AR			SCREW (not serviced) N N N N
5	6100 583	4			SCREW N N N Y6100583
6					COVER, Riser (paint as required) N N N N
	S590 CB5	2			3 Passenger N N N YS590CB5
	S590 CB5	1			2 Passenger Left N N N YS590CB5
7	S591 CB5	1			COVER, Riser 2 Passenger Right (paint as required) N N N YS591CB5
8	S842 CB5	1			COVER, Riser Inner 2 Passenger Right (paint as required) N N N YS842CB5
9	4345 292	2			BUMPER, Riser N N N Y4345292

MODEL CODES

B = GRAN FURY	F = FIFTH AVENUE/NEWPORT	P = RELIANT
C = LEBARON/TOWN & COUNTRY/EXC SEDAN	G = DIPLOMAT	T = E CLASS/NEW YORKER
C24 = LASER	H = VOYAGER	V = 600
D = ARIES	K = MINI RAM/CARAVAN/ROYAL	V24 = DAYTONA
E = 600	M = HORIZON/TURISMO	Z = OMNI/CHARGER/RAMPAGE

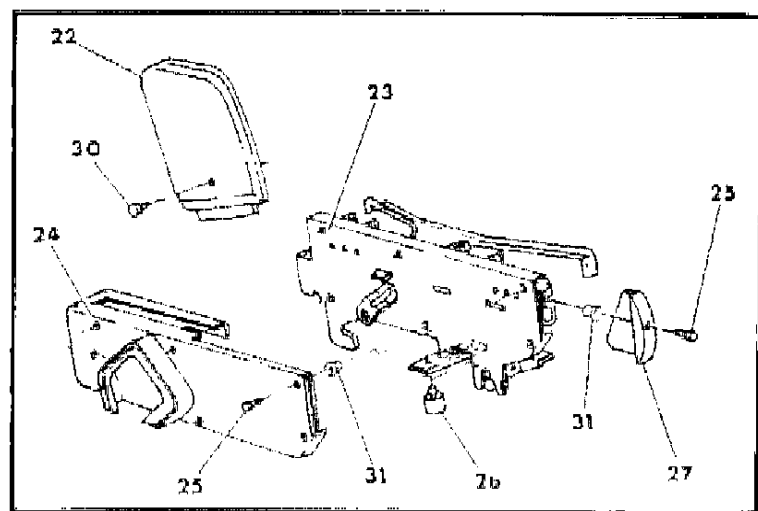
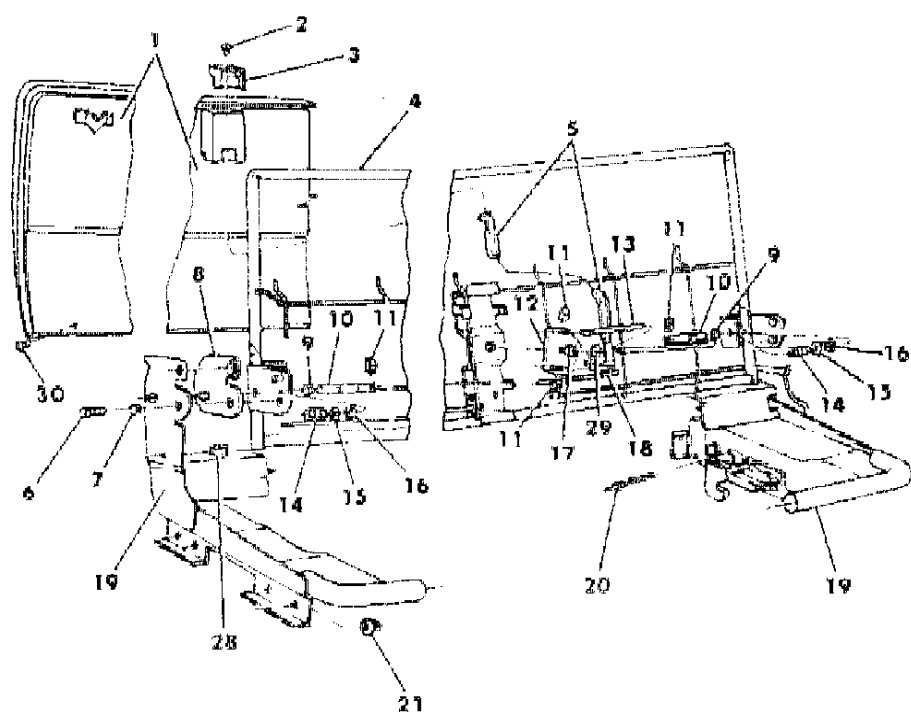
BODY STYLES

21 = 2-DOOR SEDAN	28 = FWD PICKUP	44 = 4-DOOR HATCHBACK
22 = 2-DOOR SPECIAL COUPE	35 = FWD VAN	45 = 4-DOOR STATION WAGON
24 = 2-DOOR HATCHBACK	36 = FWD WAGON	48 = 4-DOOR EXECUTIVE SEDAN
27 = 2-DOOR CONVERTIBLE	41 = 4-DOOR SEDAN	

AR = Use as Required - = Non Illustrated Part P.A.R. = Paint as Required

SEAT REAR FOLD DOWN H,K S BODY
Figure ITS-2700

4327 2700



ITEM	PART NUMBER	QTY	BODY	MODEL	DESCRIPTION
1					SHIELD, w/Skirt Rear Seat Back N N N N
	S720 CB5	1			Blue N N N YS720CB5
	S720 CM6	1			Red N N N YS720CM6
	S720 CL3	1			Beige N N N YS720CL3
	S720 CT8	1			Brown N N N YS720CT8
	S720 CS8	1			Charcoal N N N YS720CS8
2		AR			SCREW (10-16x3/4)(not serviced) N N N N
3					HANDLE, Release Latch N N N N
	S718 CB5	1			Blue N N N YS718CB5
	S718 CM6	1			Red N N N YS718CM6
	S718 CL3	1			Beige N N N YS718CL3
	S718 CT8	1			Brown N N N YS718CT8
	S718 CS8	1			Charcoal N N N YS718CS8
4					BACK, Folding Seat (reference) N N N N
5	4316 075	1			LINK, Latch Release N N N Y4316075
6	6500 948	2			PIN, Pivot N N N Y6500948
7	6500 947	2			BUSHING N N N Y6500947
8	4316 068	2			GUIDE N N N Y4316068
9					BUSHING (serviced in frame) N N N N
10	4316 065	2			PIN N N N Y4316065
11	6032 612	4			RETAINER N N N Y6032612
12	4316 076	1			BELLCRANK, Latch N N N Y4316076
13	4316 073	1			ROD N N N Y4316073
14	4316 070	2			SPRING N N N Y4316070
15	6100 884	2			WASHER N N N Y6100884
16	6032 475	2			E-RING N N N Y6032475
17	4211 689	1			WASHER N N N Y4211689
18	4316 072	1			ROD N N N Y4316072
19					CUSHION (reference) N N N N
20	4290 153	1			SPRING/WIRE, Adjuster Catch Connector N N N Y4290153
21	6100 055	8			NUT N N N Y6100055
22	S716-7 CL3	1			COVER, Hinge Arm (paint as required) N N N YS716CL3
23					ADJUSTER N N N N
	4327 160	1			Right N N N Y4327160
	4327 161	1			Left N N N Y4327161
	4317 667	AR			CLIP, Anti Rattle, Front N N N Y4317667
	4327 368	AR			CLIP, Anti Rattle, Rear N N N Y4327368
	4327 150	AR			BUSHING N N N Y4327150

MODEL CODES

B = GRAN FURY	F = FIFTH AVENUE/NEWPORT	P = RELIANT
C = LEBARON/TOWN & COUNTRY/EXC SEDAN	G = DIPLOMAT	T = E CLASS/NEW YORKER
C24 = LASER	H = VOYAGER	V = 600
D = ARIES	K = MINI RAM/CARAVAN/ROYAL	V24 = DAYTONA
E = 600	M = HORIZON/TURISMO	Z = OMNI/CHARGER/RAMPAGE

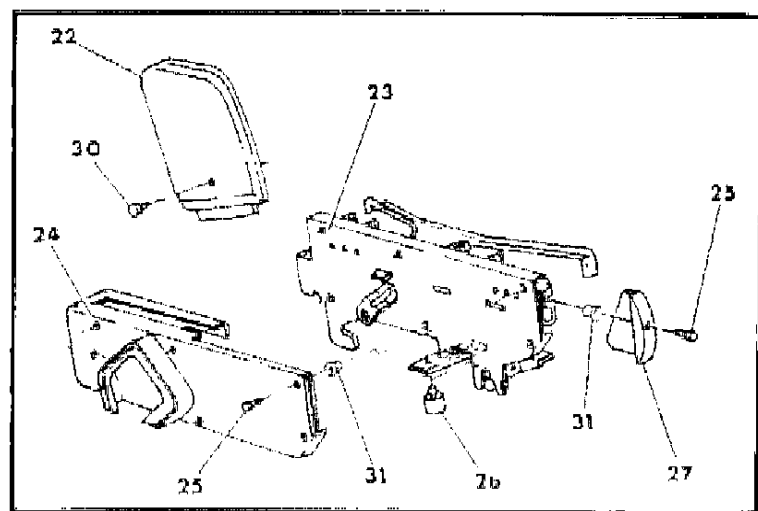
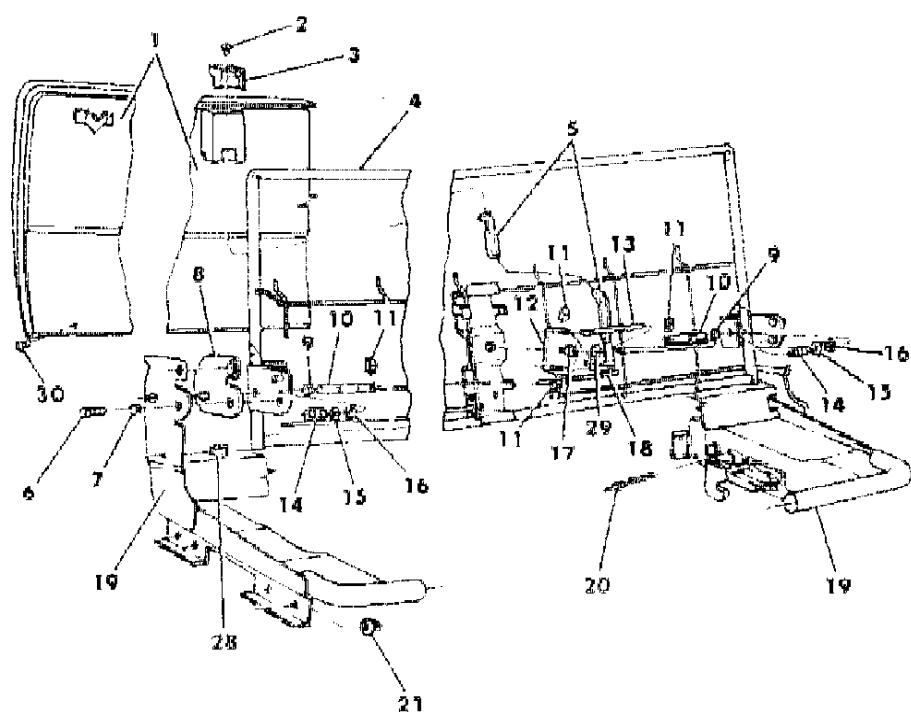
BODY STYLES

21 = 2-DOOR SEDAN	28 = FWD PICKUP	44 = 4-DOOR HATCHBACK
22 = 2-DOOR SPECIAL COUPE	35 = FWD VAN	45 = 4-DOOR STATION WAGON
24 = 2-DOOR HATCHBACK	36 = FWD WAGON	48 = 4-DOOR EXECUTIVE SEDAN
27 = 2-DOOR CONVERTIBLE	41 = 4-DOOR SEDAN	

AR = Use as Required - = Non Illustrated Part P.A.R. = Paint as Required

SEAT REAR FOLD DOWN H,K S BODY
Figure ITS-2700

ITS-2700



ITEM	PART NUMBER	QTY	BODY	MODEL	DESCRIPTION
	6500 944	AR			WASHER N N N Y6500944
	6030 359	2			RIVET N N N Y6030359
	4327 208	2			SPRING, Adjuster Latch Return N N N Y4327208
	0104 918	AR			BALL, Second Rear Seat Adjuster N N N Y104918
	6101 398	8			SCREW, Seat to Adjuster N N N Y6101398
24	S696-7 CB5	1			COVER, Riser (paint as required) N N N YS696CB5
25	6032 765	13			SCREW, Adjuster Cover N N N Y6032765
26	4316 957	4			BUMPER N N N Y4316957
27	S618-9 CL3	1			COVER, Adjuster Front (paint as required) N N N YS618CL3
28	6500 453	2			NUT N N N Y6500453
29	6025 935	2			NUT, Push On N N N Y6025935
30		6			SCREW (8-18x12)(not serviced) N N N N
31	4327 317	13			PLUG N N N Y4327317
	F704 CM6	1			Red N N N YF704CM6

MODEL CODES

B = GRAN FURY	F = FIFTH AVENUE/NEWPORT	P = RELIANT
C = LEBARON/TOWN & COUNTRY/EXC SEDAN	G = DIPLOMAT	T = E CLASS/NEW YORKER
C24 = LASER	H = VOYAGER	V = 600
D = ARIES	K = MINI RAM/CARAVAN/ROYAL	V24 = DAYTONA
E = 600	M = HORIZON/TURISMO	Z = OMNI/CHARGER/RAMPAGE

BODY STYLES

21 = 2-DOOR SEDAN	28 = FWD PICKUP	44 = 4-DOOR HATCHBACK
22 = 2-DOOR SPECIAL COUPE	35 = FWD VAN	45 = 4-DOOR STATION WAGON
24 = 2-DOOR HATCHBACK	36 = FWD WAGON	48 = 4-DOOR EXECUTIVE SEDAN
27 = 2-DOOR CONVERTIBLE	41 = 4-DOOR SEDAN	

AR = Use as Required - = Non Illustrated Part P.A.R. = Paint as Required

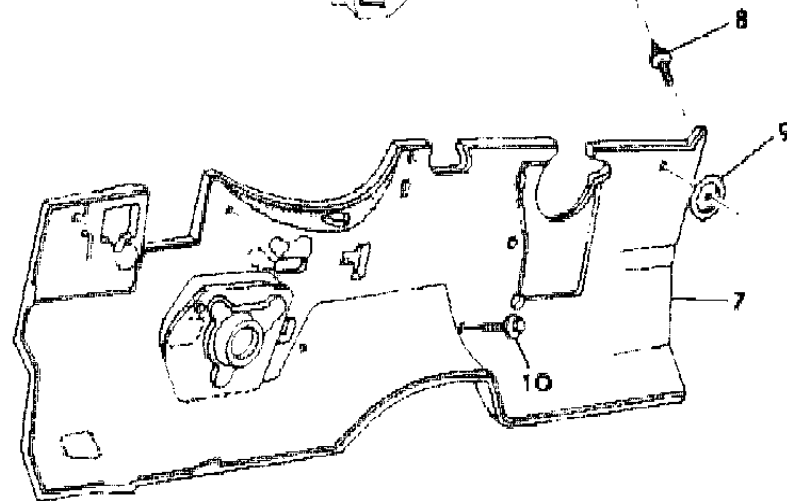
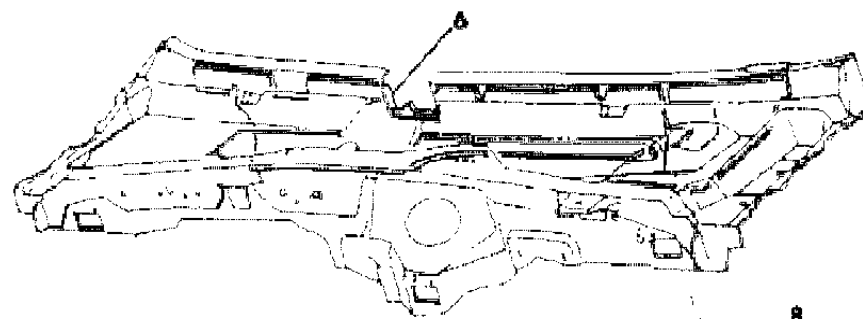
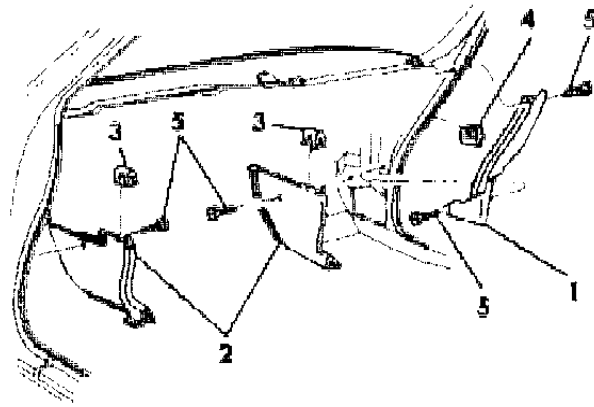
GROUP ITM - M BODY

ILLUSTRATION TITLE	GROUP-FIG. NO.
COWL PANEL AND SILENCERS B,F,G M BODY	Fig. ITM-100
HEADLINING VISOR AND SHELF PANEL B,F,G M BODY	Fig. ITM-200
MOULDING GARNISH B,G,F-H M BODY	Fig. ITM-300
MOULDING GARNISH F-S M BODY FIFTH AVENUE	Fig. ITM-400
B PILLAR TRIM B,G,F-H M BODY	Fig. ITM-500
CARPET B,F,G M BODY	Fig. ITM-600
LUGGAGE COMPARTMENT LINER AND SILENCER M BODY B,F,G	Fig. ITM-700
MATS FLOOR AND LUGGAGE COMPARTMENT B,F,G M BODY	Fig. ITM-800
SCUFF PLATES BODY SIDE SILL AND DOOR B,F,G M BODY	Fig. ITM-900
DOOR TRIM PANEL B,F,G M BODY TRIM CODES A3,F4,K2,KX,H9	Fig. ITM-1000
DOOR TRIM PANEL B,F,G M BODY TRIM CODE C9	Fig. ITM-1100
DOOR TRIM PANEL F-S M BODY TRIM CODES SY,S9	Fig. ITM-1200
DOOR TRIM PANEL B,F,G M BODY FLEET POLICE AND OTHERS	Fig. ITM-1300
SEAT FRONT B,G M BODY TRIM CODES A3,F4	Fig. ITM-1400
SEAT FRONT B,G M BODY TRIM CODE K2	Fig. ITM-1500
SEAT FRONT B,F,G M BODY FLEET POLICE AND OTHERS	Fig. ITM-1600
SEAT FRONT B,F,G M BODY TRIM CODES C9,H9	Fig. ITM-1700
SEAT FRONT B,G M BODY TRIM CODE KX	Fig. ITM-1800
SEAT FRONT F-S M BODY TRIM CODE SY	Fig. ITM-1900
SEAT FRONT F-S M BODY TRIM CODE S9	Fig. ITM-2000
SEAT FRONT B,F,G M BODY FLEET POLICE AND OTHERS	Fig. ITM-2100
SEAT FRONT B,F,G M BODY FLEET POLICE AND OTHERS	Fig. ITM-2200
BELT FRONT SEAT LAP AND SHOULDER OUTER B,F,G M BODY	Fig. ITM-2300
BELT FRONT SEAT LAP AND SHOULDER INNER B,F,G M BODY	Fig. ITM-2400
RECLINING FRONT SEAT AND SEAT BACK RELEASE B,F,G M BODY	Fig. ITM-2500
ADJUSTER MANUAL B,F,G M BODY	Fig. ITM-2600
ADJUSTER ELECTRIC 60/40 SPLIT B,F,G M BODY	Fig. ITM-2700
SEAT REAR B,G M BODY TRIM CODES A3,F4	Fig. ITM-2800
SEAT REAR B,F,G M BODY TRIM CODES C9,H9,S9,SY	Fig. ITM-2900
SEAT REAR B,G M BODY TRIM CODES K2,KX	Fig. ITM-3000
SEAT REAR B,F,G M BODY FLEET POLICE AND OTHERS	Fig. ITM-3100
BELT REAR SEAT LAP B,F,G M BODY	Fig. ITM-3200

ILLUSTRATION NOT AVAILABLE AT TIME OF PUBLICATION

COWL PANEL AND SILENCERS B,F,G M BODY
Figure ITM-100

4244 110



ITEM	PART NUMBER	QTY	BODY	MODEL	DESCRIPTION
1					COVER, Cowl Side Trim Panel To Windshield Side Garnish
					Moulding N N N N
	F344-5 BA7	1			Silver N N N YF344BA7
	F344-5 SC7	1			Blue N N N YF344SC7
	F344-5 TM6	1			Red N N N YF344TM6
	F344-5 BT8	1			Brown N N N YF344BT8
2					PANEL and SILENCER, Cowl Side Trim N N N N
	F198 BA7	1			Silver, Right N N N YF198BA7
	F201 BA7	1			Silver, Left N N N YF201BA7
	F198 SC7	1			Blue, Right N N N YF198SC7
	F201 SC7	1			Blue, Left N N N YF201SC7
	F198 TM6	1			Red, Right N N N YF198TM6
	F201 TM6	1			Red, Left N N N YF201TM6
	F198 BT8	1			Brown, Right N N N YF198BT8
	F201 BT8	1			Brown, Left N N N YF201BT8
3		2			J-NUT (not serviced) N N N N
4		AR			CLIP (not serviced) N N N N
5	9416 824	AR			SCREW N N N Y9416824
6	4136 444-5	1			SILENCER, Dash Panel Plenum N N N Y4136444
7	4136 334	1			LINER, w/ or w/o A.C. N N N Y4136334
8	6031 630	4			STUD, Collar N N N Y6031630
9	4206 545	4			RETAINER N N N Y4206545
10		2			SCREW (not serviced) N N N N

MODEL CODES

B = GRAN FURY	F = FIFTH AVENUE/NEWPORT	P = RELIANT
C = LEBARON/TOWN & COUNTRY/EXC SEDAN	G = DIPLOMAT	T = E CLASS/NEW YORKER
C24 = LASER	H = VOYAGER	V = 600
D = ARIES	K = MINI RAM/CARAVAN/ROYAL	V24 = DAYTONA
E = 600	M = HORIZON/TURISMO	Z = OMNI/CHARGER/RAMPAGE

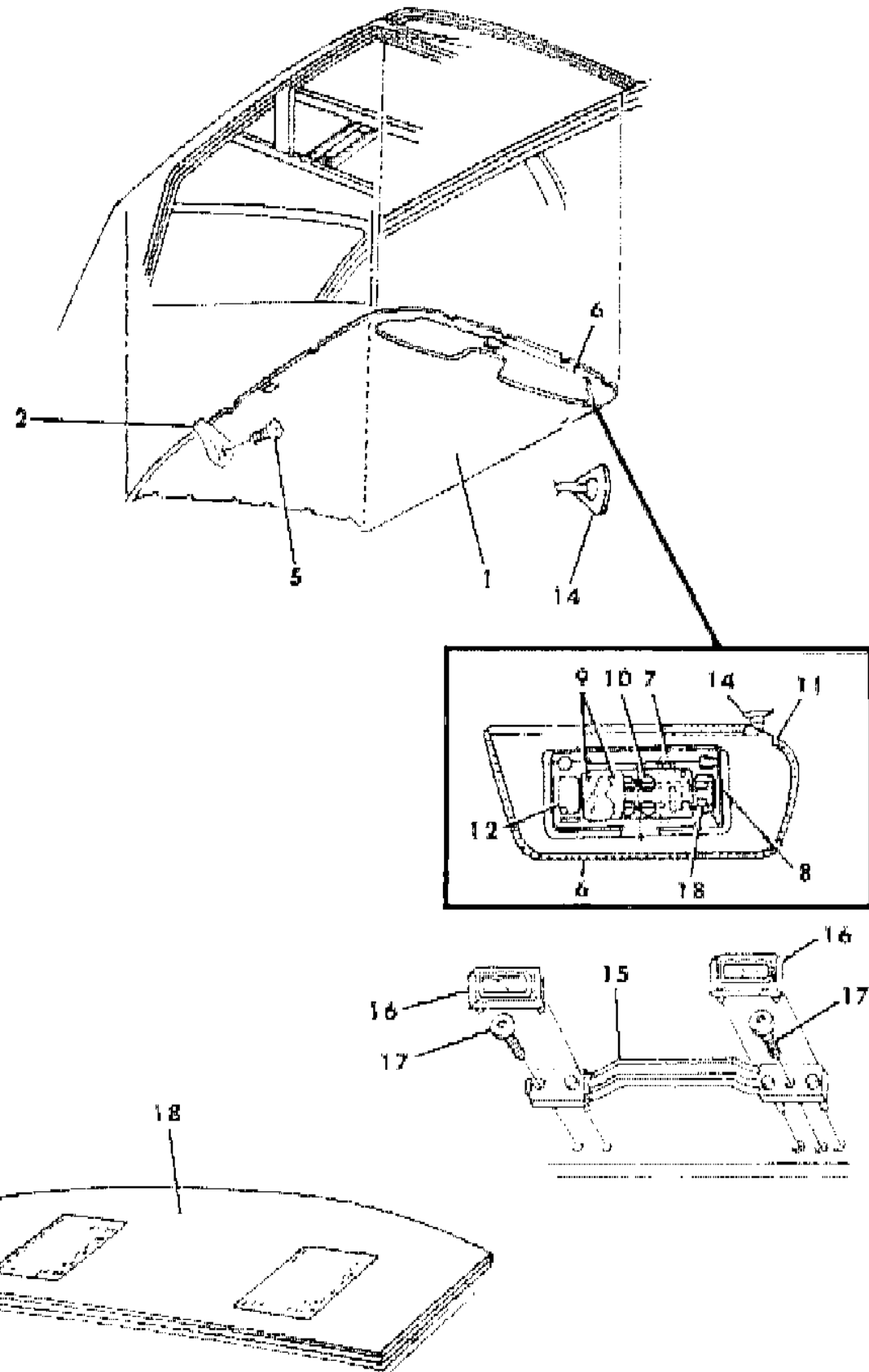
BODY STYLES

21 = 2-DOOR SEDAN	28 = FWD PICKUP	44 = 4-DOOR HATCHBACK
22 = 2-DOOR SPECIAL COUPE	35 = FWD VAN	45 = 4-DOOR STATION WAGON
24 = 2-DOOR HATCHBACK	36 = FWD WAGON	48 = 4-DOOR EXECUTIVE SEDAN
27 = 2-DOOR CONVERTIBLE	41 = 4-DOOR SEDAN	

AR = Use as Required - = Non Illustrated Part P.A.R. = Paint as Required

HEADLINING VISOR AND SHELF PANEL B,F,G M BODY Figure ITM-200

4244 200



ITEM	PART NUMBER	QTY	BODY	MODEL	DESCRIPTION
NOTE: For Sunroof Headliner Refer to Group 23A. NGER WAGON USES THE TWO (2) PASSENGER STATIONARY SEAT PLUS THE FOLDING REAR SEAT.					
1					HEADLINER, w/o Sunroof, w/Cloth Finish N N N N
	H825 AA3	1			Silver N5th Ave. N N YH825AA3
	H825 TC7	1			Blue N5th Ave. N N YH825TC7
	H825 TM6	1			Red N5th Ave. N N YH825TM6
	H825 BL3	1			Tan N5th Ave. N N YH825BL3
	H824 AA3	1			Silver N N N YH824AA3
	H824 TC7	1			Blue N N N YH824TC7
	H824 TM6	1			Red N N N YH824TM6
	H824 BL3	1			Tan N N N YH824BL3
	4283 650	4			SPACER, Headliner to Roof Panel N N N Y4283650
NOTE: For Headliner w/Sun Roof See Group 23A. NGER WAGON USES THE TWO (2) PASSENGER STATIONARY SEAT PLUS THE FOLDING REAR SEAT.					
2	3685 992	2			HOOK, Coat N N N Y3685992
5	9414 716	2			SCREW N N N Y9414716
6					VISOR, w/o Mirror, w/o Sunroof (w/o Center Support) N N N N
	H535 AA3	2			Silver N N N YH535AA3
	H535 VC7	2			Blue N N N YH535VC7
	H535 VM6	2			Red N N N YH535VM6
	H535 BL3	2			Tan N N N YH535BL3
					w/Sunroof, w/o Mirror (w/Center Support) N N N N
	H540-1 AA3	1			Silver N N N YH540AA3
	H540-1 VC7	1			Blue N N N YH540VC7
	H540-1 VM6	1			Red N N N YH540VM6
	H540-1 BL3	1			Tan N N N YH540BL3
					w/Lighted Mirror Complete w/Cloth Finish, w/o Sunroof Models Right N N N N
	H696 AA3	1			Silver N N N YH696AA3
	H696 VC7	1			Blue N N N YH696VC7
	H696 VM6	1			Red N N N YH696VM6
	H696 BL3	1			Tan N N N YH696BL3
					w/Sunroof, w/Mirror Right N N N N
	H624 AA3	1			Silver N N N YH624AA3
	H624 VC7	1			Blue N N N YH624VC7
	H624 VM6	1			Red N N N YH624VM6
	H624 BL3	1			Tan N N N YH624BL3

MODEL CODES

B = GRAN FURY	F = FIFTH AVENUE/NEWPORT	P = RELIANT
C = LEBARON/TOWN & COUNTRY/EXC SEDAN	G = DIPLOMAT	T = E CLASS/NEW YORKER
C24 = LASER	H = VOYAGER	V = 600
D = ARIES	K = MINI RAM/CARAVAN/ROYAL	V24 = DAYTONA
E = 600	M = HORIZON/TURISMO	Z = OMNI/CHARGER/RAMPAGE

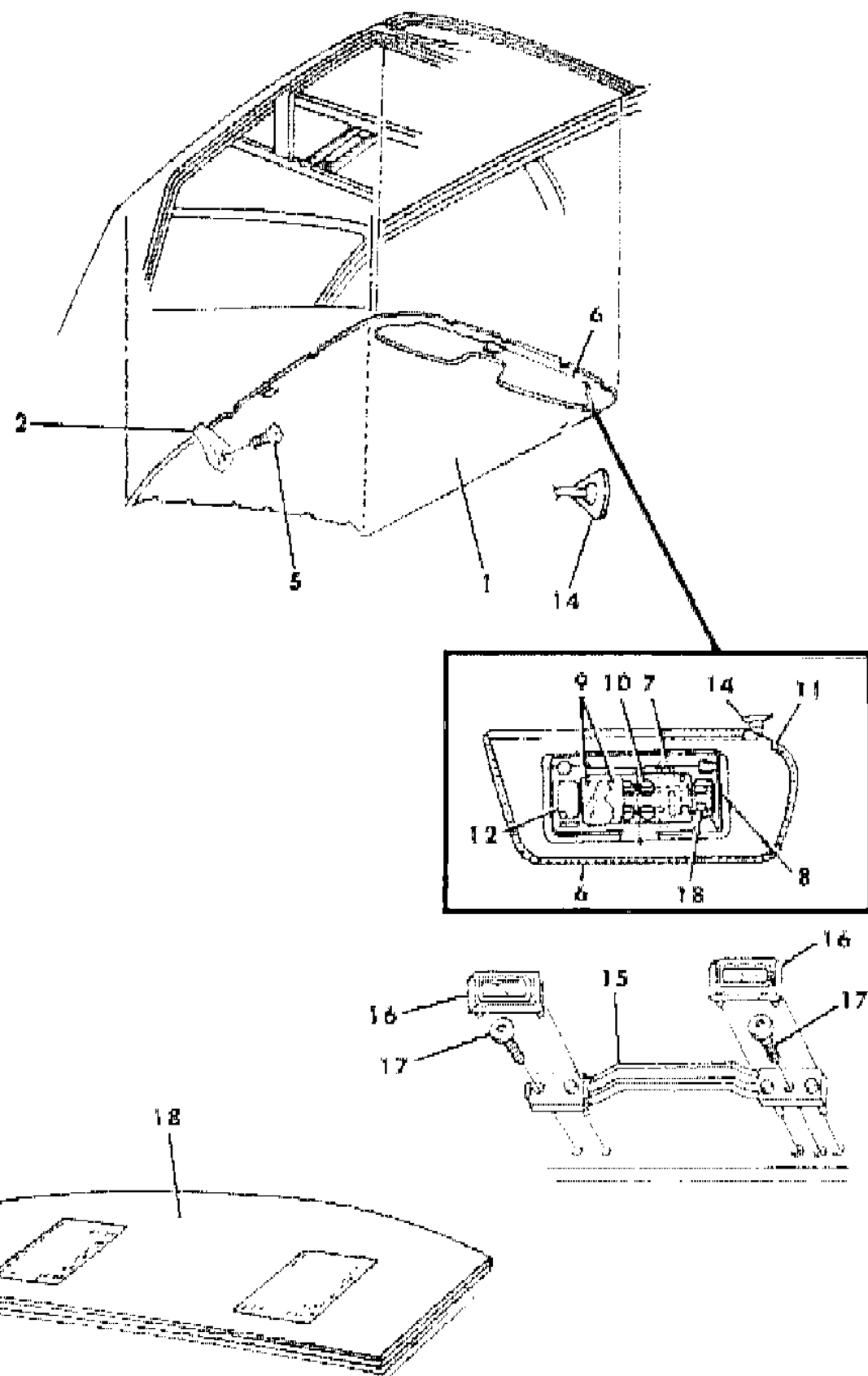
BODY STYLES

21 = 2-DOOR SEDAN	28 = FWD PICKUP	44 = 4-DOOR HATCHBACK
22 = 2-DOOR SPECIAL COUPE	35 = FWD VAN	45 = 4-DOOR STATION WAGON
24 = 2-DOOR HATCHBACK	36 = FWD WAGON	48 = 4-DOOR EXECUTIVE SEDAN
27 = 2-DOOR CONVERTIBLE	41 = 4-DOOR SEDAN	

AR = Use as Required - = Non Illustrated Part P.A.R. = Paint as Required

HEADLINING VISOR AND SHELF PANEL B,F,G M BODY Figure ITM-200

4244 200



ITEM	PART NUMBER	QTY	BODY	MODEL	DESCRIPTION
					VISOR, Sub Assy., w/o Vanity Mirror, w/Cloth Finish, w/o Sunroof Models N N N N
	H698 AA3	1			Silver N N N YH698AA3
	H698 VC7	1			Blue N N N YH698VC7
	H698 VM6	1			Red N N N YH698VM6
	H698 BL3	1			Tan N N N YH698BL3
	H627 AA3	1			w/Sunroof Model Right N N N N
	H627 VC7	1			Silver N N N YH627AA3
	H627 VM6	1			Blue N N N YH627VC7
	H627 BL3	1			Red N N N YH627VM6
7	H595 AAA	2			Tan N N N YH627BL3
	H595 TCC	2			COVER, Well Frame, Visor Mirror N N N N
	H595 TMM	2			Silver N N N YH595AAA
	H595 BLL	2			Blue N N N YH595TCC
					Red N N N YH595TMM
					Tan N N N YH595BLL
	H636 AAA	2			COVER, Frame Less Mirror w/Sunroof N N N N
	H636 TCC	2			Silver N N N YH636AAA
	H636 TMM	2			Blue N N N YH636TCC
	H636 BLL	2			Red N N N YH636TMM
					Tan N N N YH636BLL
	H689 AAA	1			COVER, Frame and Mirror, w/o Sunroof, Right N N N N
	H689 TCC	1			Silver N N N YH689AAA
	H689 TMM	1			Blue N N N YH689TCC
	H689 BLL	1			Red N N N YH689TMM
					Tan N N N YH689BLL
	H691 AAA	2			COVER, Frame Less Mirror w/o Sunroof N N N N
	H691 TCC	2			Silver N N N YH691AAA
	H691 TMM	2			Blue N N N YH691TCC
	H691 BLL	2			Red N N N YH691TMM
					Tan N N N YH691BLL
8	3832 346	2			HINGE, Spring Visor Mirror Cover N N N Y3832346
9	4077 687	1			MIRROR and BACKING, Illuminated Vanity Mirror N N N Y4077687
10	4077 690	2			COMPONENT BOARD, Lighted Visor w/Switch N N N Y4077690
11	1490 983	2			CLIP, Visor End Panel N N N Y1490983
12	4077 689	2			LENS, Visor Mirror Light N N N Y4077689
13	9421 330	4			BULB, Mirror N N N Y9421330

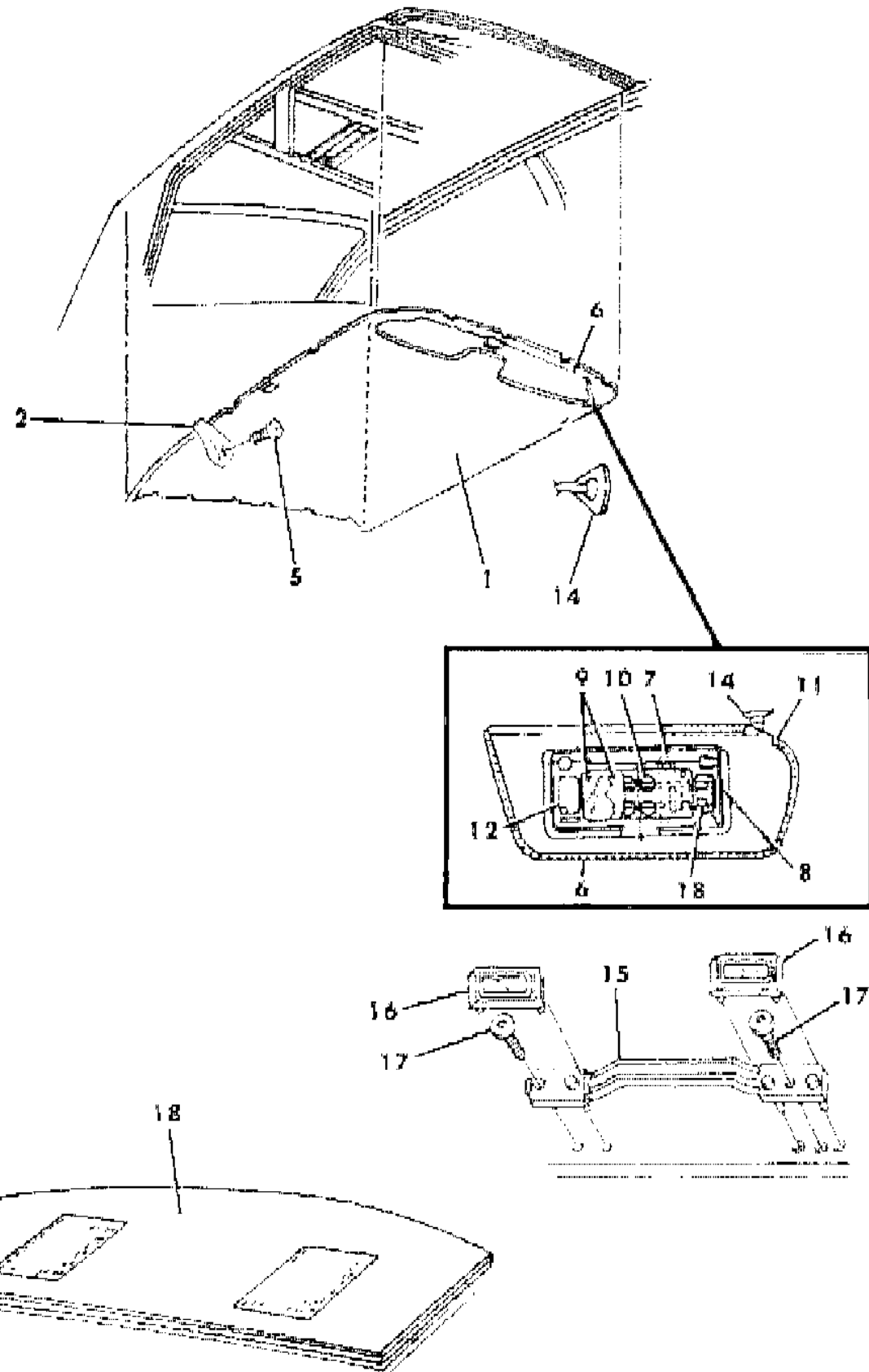
MODEL CODES
 B = GRAN FURY
 C = LEBARON/TOWN & COUNTRY/EXC SEDAN
 C24 = LASER
 D = ARIES
 E = 600
 F = FIFTH AVENUE/NEWPORT
 G = DIPLOMAT
 H = VOYAGER
 K = MINI RAM/CARAVAN/ROYAL
 M = HORIZON/TURISMO
 P = RELIANT
 T = E CLASS/NEW YORKER
 V = 600
 V24 = DAYTONA
 Z = OMNI/CHARGER/RAMPAGE

BODY STYLES
 21 = 2-DOOR SEDAN
 22 = 2-DOOR SPECIAL COUPE
 24 = 2-DOOR HATCHBACK
 27 = 2-DOOR CONVERTIBLE
 28 = FWD PICKUP
 35 = FWD VAN
 36 = FWD WAGON
 41 = 4-DOOR SEDAN
 44 = 4-DOOR HATCHBACK
 45 = 4-DOOR STATION WAGON
 48 = 4-DOOR EXECUTIVE SEDAN

AR = Use as Required - = Non Illustrated Part P.A.R. = Paint as Required

HEADLINING VISOR AND SHELF PANEL B,F,G M BODY Figure ITM-200

4244 200



ITEM	PART NUMBER	QTY	BODY	MODEL	DESCRIPTION
14	3832 899	2			ARM and BRACKET N N N Y3832899
	4010 747	1			w/Lighted Visor N N N Y4010747
	3832 899	2			w/o Lighted Visor N N N Y3832899
15					HANDLE, Roof Rail Grab N N N N
	H432 VC8	2			Blue N N N YH432VC8
	H432 AA2	2			Silver N N N YH432AA2
	H432 VM6	2			Red N N N YH432VM6
	H432 BL3	2			Tan N N N YH432BL3
16	4223 941	AR			COVER, Roof Rail Grab Handle End Cap N N N Y4223941
17		AR			SCREW (not serviced) N N N N
18					PANEL, Shelf Trim w/or w/o Rear Speakers N N N N
	H675 AA7	1			Silver N N N YH675AA7
	H675 TC7	1			Blue N N N YH675TC7
	H675 TM6	1			Red N N N YH675TM6
	H675 BL3	1			Tan N N N YH675BL3
	H658 AA7	1			Silver N5th Ave. N N YH658AA7
	H658 AC7	1			Blue Dark N5th Ave. N N YH658AC7
	H658 AM6	1			Red N5th Ave. N N YH658AM6
	H658 BL3	1			Tan N5th Ave. N N YH658BL3
	6002 072	2			FASTENER, Shelf Trim Panel N N N Y6002072

MODEL CODES

B = GRAN FURY	F = FIFTH AVENUE/NEWPORT	P = RELIANT
C = LEBARON/TOWN & COUNTRY/EXC SEDAN	G = DIPLOMAT	T = E CLASS/NEW YORKER
C24 = LASER	H = VOYAGER	V = 600
D = ARIES	K = MINI RAM/CARAVAN/ROYAL	V24 = DAYTONA
E = 600	M = HORIZON/TURISMO	Z = OMNI/CHARGER/RAMPAGE

BODY STYLES

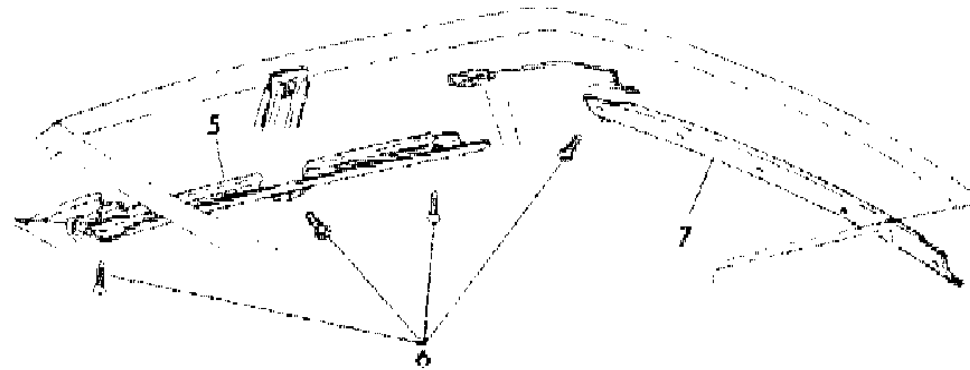
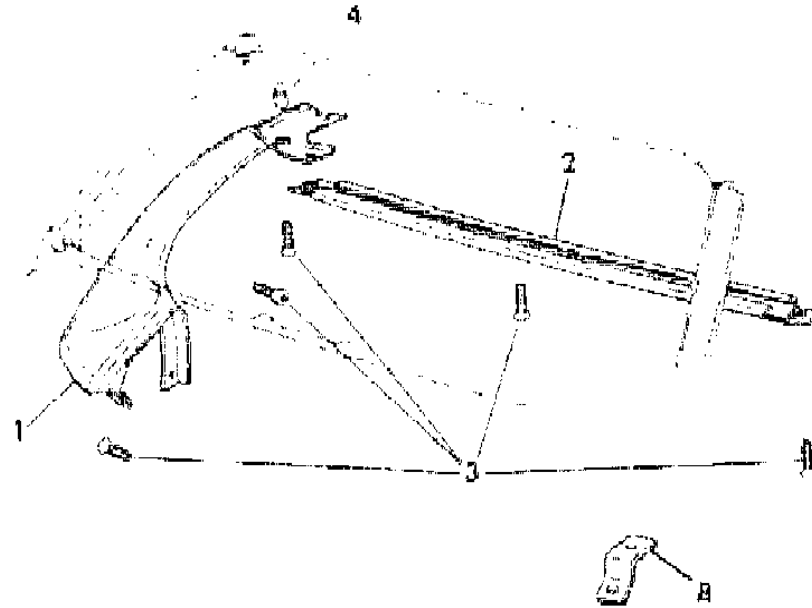
21 = 2-DOOR SEDAN	28 = FWD PICKUP	44 = 4-DOOR HATCHBACK
22 = 2-DOOR SPECIAL COUPE	35 = FWD VAN	45 = 4-DOOR STATION WAGON
24 = 2-DOOR HATCHBACK	36 = FWD WAGON	48 = 4-DOOR EXECUTIVE SEDAN
27 = 2-DOOR CONVERTIBLE	41 = 4-DOOR SEDAN	

AR = Use as Required - = Non Illustrated Part P.A.R. = Paint as Required

MOULDING GARNISH B,G,F-H M BODY
Figure ITM-300

4244 300

ITEM	PART NUMBER	QTY	BODY	MODEL	DESCRIPTION
1					MOULDING, Windshield Side N N N N
	F256-7 AA3	1			Silver N N N YF256AA3
	F256-7 SC7	1			Blue N N N YF256SC7
	F256-7 TM6	1			Red N N N YF256TM6
	F256-7 BL3	1			Tan N N N YF256BL3
2	4278 659	1			MOULDING, Windshield, Upper N N N Y4278659
3	6032 179	AR			SCREW N N N Y6032179
4		AR			NUT (not serviced) N N N N
5	F096-7 DA3	1			MOULDING, Roof Side Garnish (paint as required) N N N YF096DA3
6	6032 179	AR			SCREW N N N Y6032179
7	4136 299	1			MOULDING, Rear Window Upper N N N Y4136299
8	4040 592	AR			BRACKET, Rear Window Garnish Moulding Center Attaching, For Repair N N N Y4040592



MODEL CODES

B = GRAN FURY	F = FIFTH AVENUE/NEWPORT	P = RELIANT
C = LEBARON/TOWN & COUNTRY/EXC SEDAN	G = DIPLOMAT	T = E CLASS/NEW YORKER
C24 = LASER	H = VOYAGER	V = 600
D = ARIES	K = MINI RAM/CARAVAN/ROYAL	V24 = DAYTONA
E = 600	M = HORIZON/TURISMO	Z = OMNI/CHARGER/RAMPAGE

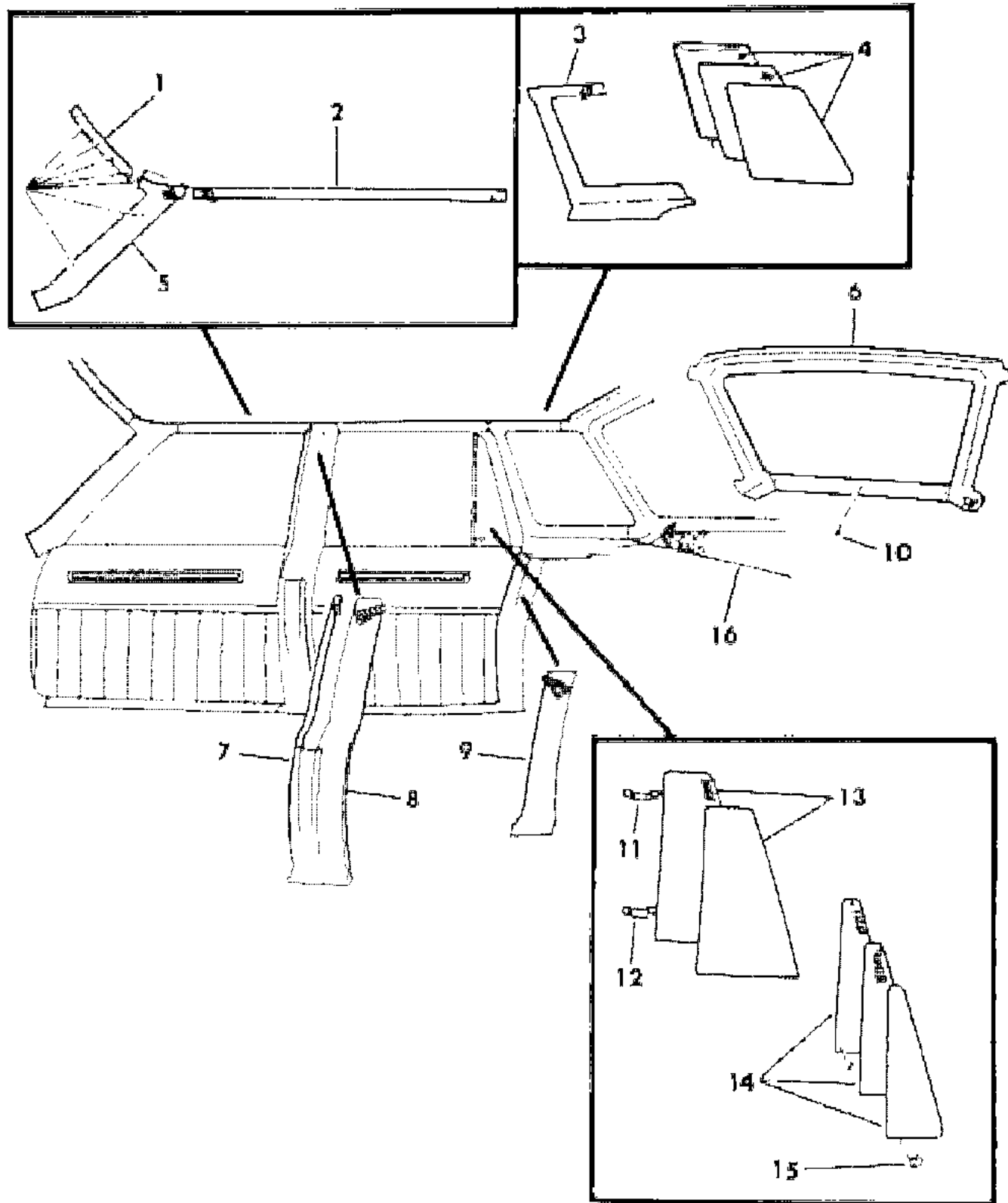
BODY STYLES

21 = 2-DOOR SEDAN	28 = FWD PICKUP	44 = 4-DOOR HATCHBACK
22 = 2-DOOR SPECIAL COUPE	35 = FWD VAN	45 = 4-DOOR STATION WAGON
24 = 2-DOOR HATCHBACK	36 = FWD WAGON	48 = 4-DOOR EXECUTIVE SEDAN
27 = 2-DOOR CONVERTIBLE	41 = 4-DOOR SEDAN	

AR = Use as Required - = Non Illustrated Part P.A.R. = Paint as Required

MOULDING GARNISH F-S M BODY FIFTH AVENUE
Figure ITM-400

4244 400



ITEM	PART NUMBER	QTY	BODY	MODEL	DESCRIPTION
1	F254 AA3	1			MOULDING, Windshield Side, Upper N N N N Silver N N N YF254AA3
	F254 AC7	1			Blue N N N YF254AC7
	F254 AM6	1			Red N N N YF254AM6
	F254 BL3	1			Tan N N N YF254BL3
	6032 152	AR			SCREW N N N Y6032152
2	F252-3 AA3	1			MOULDING, Roof Side Finished N N N N Silver N N N YF252AA3
	F252-3 AC7	1			Blue N N N YF252AC7
	F252-3 AM6	1			Red N N N YF252AM6
	F252-3 BL3	1			Tan N N N YF252BL3
	6032 152	AR			SCREW N N N Y6032152
3	H714-5 AA3	1			PANEL, Quarter Upper Trim N N N N Silver N N N YH714AA3
	H714-5 AC7	1			Blue N N N YH714AC7
	H714-5 AM6	1			Red N N N YH714AM6
	H714-5 BL3	1			Tan N N N YH714BL3
4	H716-7 AA3	1			INSERT, Quarter Upper Trim Panel N N N N Silver N N N YH716AA3
	H716-7 AC7	1			Blue N N N YH716AC7
	H716-7 AM6	1			Red N N N YH716AM6
	H716-7 BL3	1			Tan N N N YH716BL3
5	F334-5 AA3	1			MOULDING, Windshield Side ("A" Pillar) N N N N Silver N N N YF334AA3
	F334-5 AC7	1			Blue N N N YF334AC7
	F334-5 AM6	1			Red N N N YF334AM6
	F334-5 BL3	1			Tan N N N YF334BL3
6	H718 AC7	1			PANEL, Rear Window Trim (cloth) N N N N Blue N N N YH718AC7
	H718 AM6	1			Red N N N YH718AM6
	H718 BL3	1			Tan N N N YH718BL3
7	F338-9 AA3	1			COVER, Center "B" Pillar Trim Front N N N N Silver N N N YF338AA3
	F338-9 AC7	1			Blue N N N YF338AC7
	F338-9 AM6	1			Red N N N YF338AM6
	F338-9 BL3	1			Tan N N N YF338BL3
8	F340-1 AA3	1			COVER, Center "B" Pillar Trim Rear N N N N Silver N N N YF340AA3

MODEL CODES

B = GRAN FURY	F = FIFTH AVENUE/NEWPORT	P = RELIANT
C = LEBARON/TOWN & COUNTRY/EXC SEDAN	G = DIPLOMAT	T = E CLASS/NEW YORKER
C24 = LASER	H = VOYAGER	V = 600
D = ARIES	K = MINI RAM/CARAVAN/ROYAL	V24 = DAYTONA
E = 600	M = HORIZON/TURISMO	Z = OMNI/CHARGER/RAMPAGE

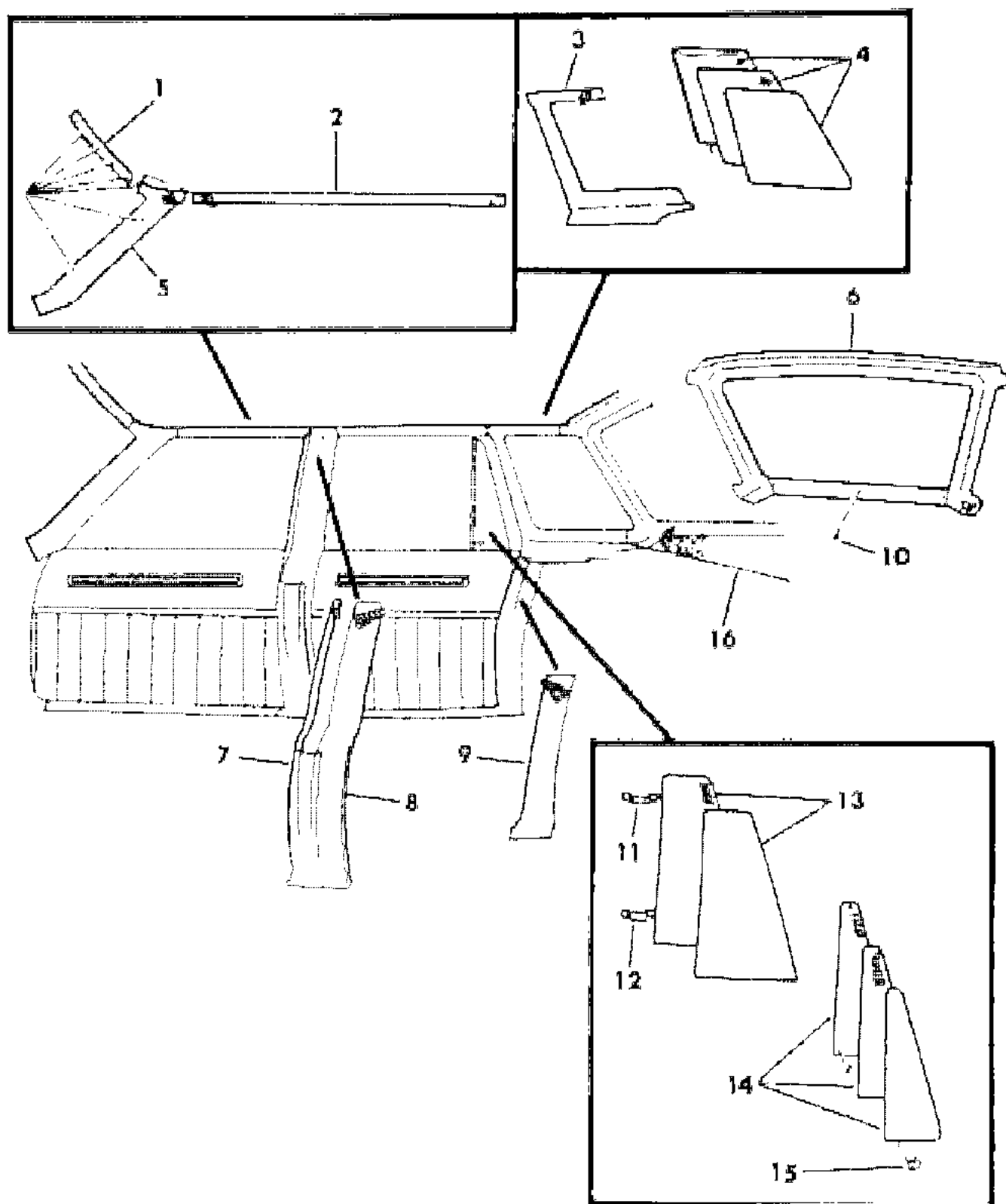
BODY STYLES

21 = 2-DOOR SEDAN	28 = FWD PICKUP	44 = 4-DOOR HATCHBACK
22 = 2-DOOR SPECIAL COUPE	35 = FWD VAN	45 = 4-DOOR STATION WAGON
24 = 2-DOOR HATCHBACK	36 = FWD WAGON	48 = 4-DOOR EXECUTIVE SEDAN
27 = 2-DOOR CONVERTIBLE	41 = 4-DOOR SEDAN	

AR = Use as Required - = Non Illustrated Part P.A.R. = Paint as Required

MOULDING GARNISH F-S M BODY FIFTH AVENUE
Figure ITM-400

4244 400



ITEM	PART NUMBER	QTY	BODY	MODEL	DESCRIPTION
	F340-1 AC7	1			Blue N N N YF340AC7
	F340-1 AM6	1			Red N N N YF340AM6
	F340-1 BL3	1			Tan N N N YF340BL3
9					COVER, Lower Quarter Trim Lock Pillar N N N N
	F336-7 AA3	1			Silver N N N YF336AA3
	F336-7 AC7	1			Blue N N N YF336AC7
	F336-7 AM6	1			Red N N N YF336AM6
	F336-7 BL3	1			Tan N N N YF336BL3
10	6032 177	6			SCREW N N N Y6032177
11	4229 832	2			BRACKET, Rear Door Window Filler Upper N N N Y4229832
12	4229 833	2			BRACKET, Rear Door Window Filler Lower N N N Y4229833
	6032 456	AR			SCREW, Bracket N N N Y6032456
13					FILLER, Rear Door Quarter Window N N N N
	H014-5 AA3	1			Silver N N N YH014AA3
	H014-5 AC7	1			Blue N N N YH014AC7
	H014-5 AM6	1			Red N N N YH014AM6
	H014-5 BL3	1			Tan N N N YH014BL3
14					APPLIQUE ASSEMBLY, Rear-Rear Quarter Window N N N N
	H016-7 AA3	1			Silver N N N YH016AA3
	H016-7 AC7	1			Blue N N N YH016AC7
	H016-7 AM6	1			Red N N N YH016AM6
	H016-7 BL3	1			Tan N N N YH016BL3
15					NAME PLATE, Chrysler (serviced in item 15) N N N N
	6002 852	4			RETAINER, Name Plate N N N Y6002852
16					PANEL, Shelf Trim N N N N
	H658 AA7	1			Silver N N N YH658AA7
	H658 AC7	1			Blue N N N YH658AC7
	H658 AM6	1			Red N N N YH658AM6
	H658 BL3	1			Tan N N N YH658BL3

MODEL CODES

B = GRAN FURY	F = FIFTH AVENUE/NEWPORT	P = RELIANT
C = LEBARON/TOWN & COUNTRY/EXC SEDAN	G = DIPLOMAT	T = E CLASS/NEW YORKER
C24 = LASER	H = VOYAGER	V = 600
D = ARIES	K = MINI RAM/CARAVAN/ROYAL	V24 = DAYTONA
E = 600	M = HORIZON/TURISMO	Z = OMNI/CHARGER/RAMPAGE

BODY STYLES

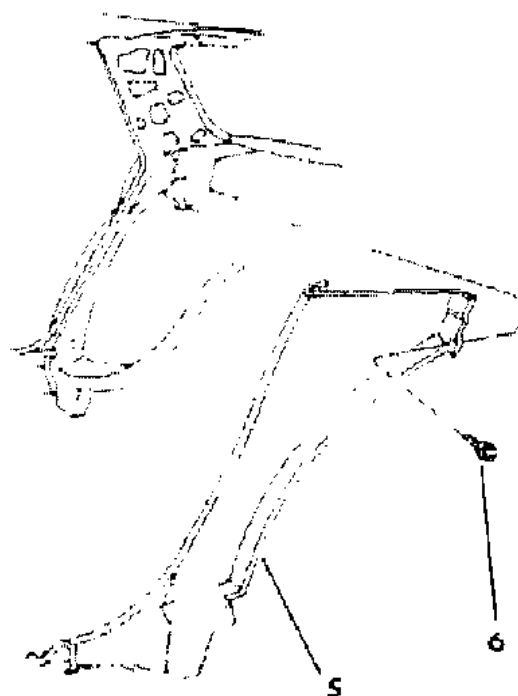
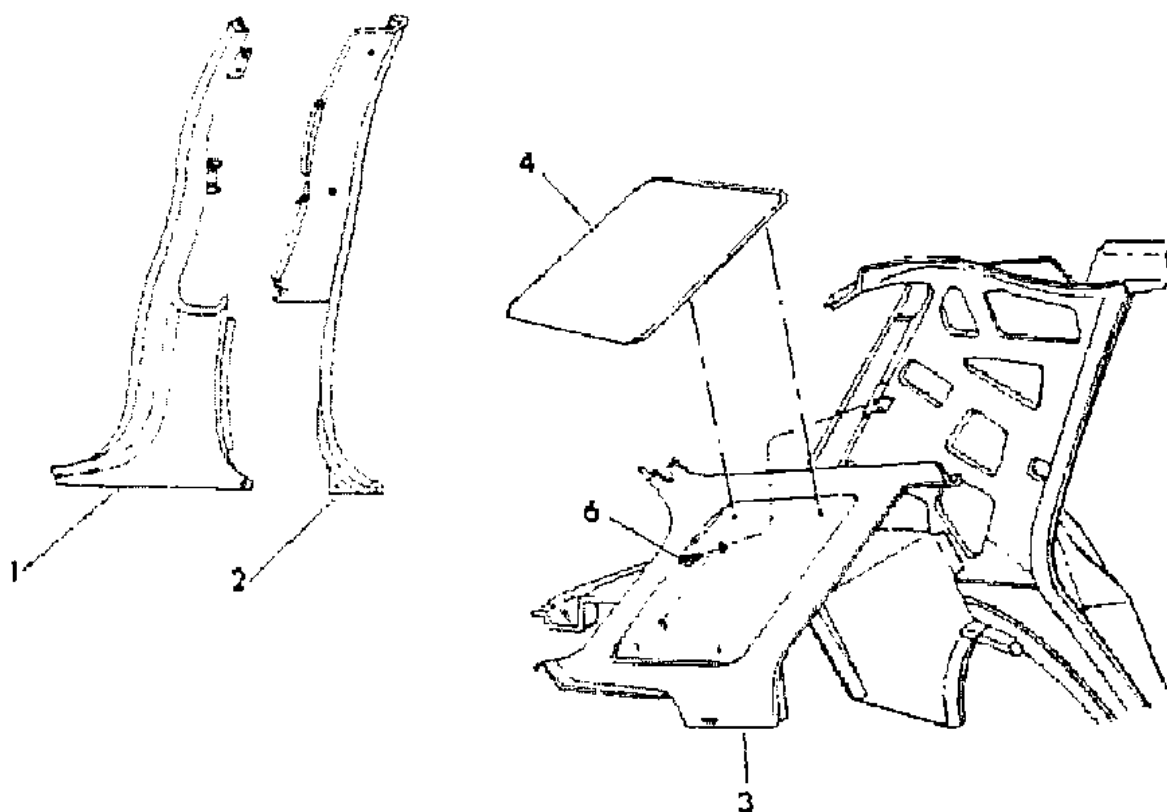
21 = 2-DOOR SEDAN	28 = FWD PICKUP	44 = 4-DOOR HATCHBACK
22 = 2-DOOR SPECIAL COUPE	35 = FWD VAN	45 = 4-DOOR STATION WAGON
24 = 2-DOOR HATCHBACK	36 = FWD WAGON	48 = 4-DOOR EXECUTIVE SEDAN
27 = 2-DOOR CONVERTIBLE	41 = 4-DOOR SEDAN	

AR = Use as Required - = Non Illustrated Part P.A.R. = Paint as Required

B PILLAR TRIM B,G,F-H M BODY
Figure ITM-500

4244 500

ITEM	PART NUMBER	QTY	BODY	MODEL	DESCRIPTION
1					COVER, Center Pillar "B" Front N N N N
	F390-1 AA3	1			Silver N N N YF390AA3
	F390-1 SC7	1			Blue N N N YF390SC7
	F390-1 TM6	1			Red N N N YF390TM6
	F390-1 BL3	1			Tan N N N YF390BL3
2					COVER, "B" Pillar Rear N N N N
	F392-3 AA3	1			Silver N N N YF392AA3
	F392-3 SC7	1			Blue N N N YF392SC7
	F392-3 TM6	1			Red N N N YF392TM6
	F392-3 BL3	1			Tan N N N YF392BL3
The following part is not illustrated. NGER WAGON USES THE TWO (2) PASSENGER STATIONARY SEAT PLUS THE FOLDING REAR SEAT.					
	0152 490	2			U-NUT, Center Pillar Trim Attaching N N N Y152490
	4114 785	AR			FASTENER, Insert Panel Attaching N N N Y4114785
3	H662-3 AA3	1			PANEL, Quarter Upper Trim "C" Pillar (paint as required) N N N YH662AA3
4					INSERT, Quarter Upper Trim Panel N N N N
	H664-5 AA3	1			Silver N N N YH664AA3
	H664-5 TC7	1			Blue N N N YH664TC7
	H664-5 TM6	1			Red N N N YH664TM6
	H664-5 BL3	1			Tan N N N YH664BL3
5					COVER, Lower Quarter Lock Pillar Trim N N N N
	F366-7 AA3	1			Silver N N N YF366AA3
	F366-7 SC7	1			Blue N N N YF366SC7
	F366-7 TM6	1			Red N N N YF366TM6
	F366-7 BL3	1			Tan N N N YF366BL3
6	6032 179	AR			SCREW N N N Y6032179



MODEL CODES

B = GRAN FURY	F = FIFTH AVENUE/NEWPORT	P = RELIANT
C = LEBARON/TOWN & COUNTRY/EXC SEDAN	G = DIPLOMAT	T = E CLASS/NEW YORKER
C24 = LASER	H = VOYAGER	V = 600
D = ARIES	K = MINI RAM/CARAVAN/ROYAL	V24 = DAYTONA
E = 600	M = HORIZON/TURISMO	Z = OMNI/CHARGER/RAMPAGE

BODY STYLES

21 = 2-DOOR SEDAN	28 = FWD PICKUP	44 = 4-DOOR HATCHBACK
22 = 2-DOOR SPECIAL COUPE	35 = FWD VAN	45 = 4-DOOR STATION WAGON
24 = 2-DOOR HATCHBACK	36 = FWD WAGON	48 = 4-DOOR EXECUTIVE SEDAN
27 = 2-DOOR CONVERTIBLE	41 = 4-DOOR SEDAN	

AR = Use as Required - = Non Illustrated Part P.A.R. = Paint as Required

CARPET B,F,G M BODY
Figure ITM-600

4244 600

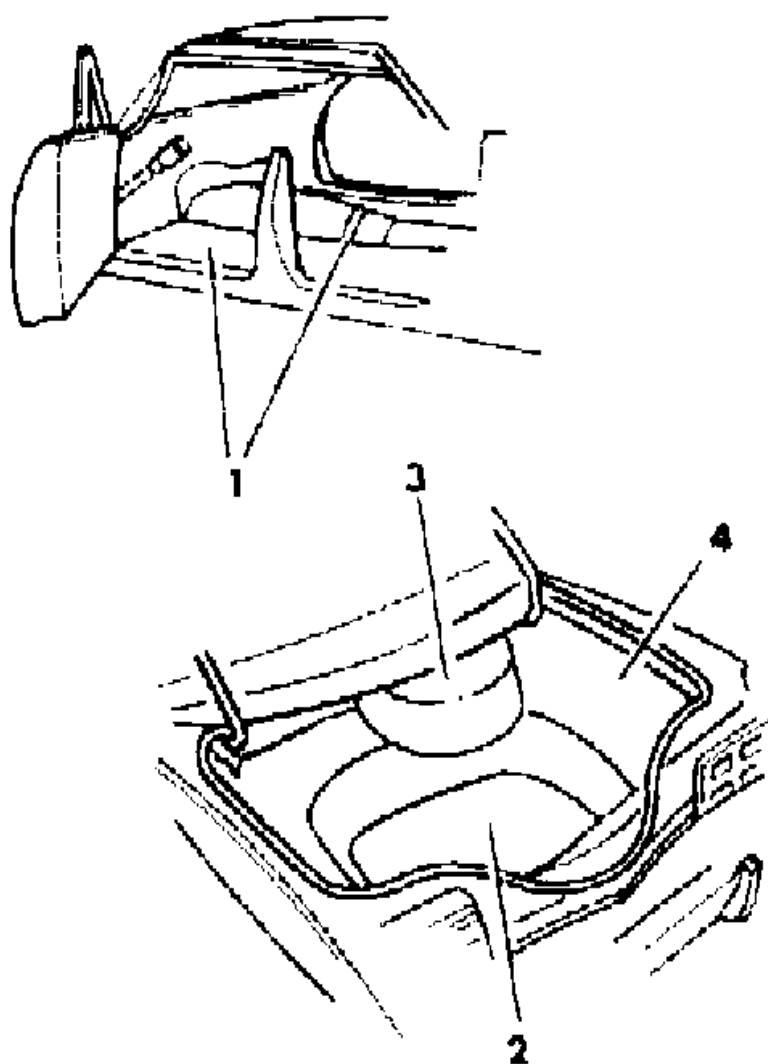
ITEM	PART NUMBER	QTY	BODY	MODEL	DESCRIPTION
------	-------------	-----	------	-------	-------------

NOTE: Only long cut pile carpet is serviced and is also used as a replacement for short cut pile. NGER WAGON USES THE TWO (2) PASSENGER STATIONARY SEAT PLUS THE FOLDING REAR SEAT.

1					CARPET N N N N
	M705 AA7	1			Silver N N N YM705AA7
	M705 TC7	1			Blue N N N YM705TC7
	M705 TM6	1			Red N N N YM705TM6
	M705 BT9	1			Brown N N N YM705BT9
	M728 AA7	1			Silver N5th Ave. N N YM728AA7
	M728 AC7	1			Blue N5th Ave. N N YM728AC7
	M728 AM6	1			Red N5th Ave. N N YM728AM6
	M728 BT9	1			Brown N5th Ave. N N YM728BT9
2					CARPET, Luggage Compartment Floor N N N N
	4077 249	1			Black N N N Y4077249
3					COVER, Spare Tire N N N N
	4010 755	1			w/Full Size Trie N N N Y4010755
	4078 695	1			w/Compact Tire N N N Y4078695
4	4077 232-3				CARPET and SILENCER, Wheelhouse, Black N N N Y4077232

The following parts are not illustrated. NGER WAGON USES THE TWO (2) PASSENGER STATIONARY SEAT PLUS THE FOLDING REAR SEAT.

					CARPETED FLOOR MATS, Set of Two, Front N N N N
	M025 AA7	1			Silver N N N YM025AA7
	M025 VC7	1			Blue N N N YM025VC7
	M025 VM6	1			Red N N N YM025VM6
	M025 BT9	1			Brown N N N YM025BT9
					Package of Four, Front and Rear N N N N
	M028 AA7	1			Silver N5th Ave. N N YM028AA7
	M028 VC7	1			Blue N5th Ave. N N YM028VC7
	M028 VM6	1			Red N5th Ave. N N YM028VM6
	M028 BT9	1			Brown N5th Ave. N N YM028BT9
					CARPETED FLOOR MATS, Set of Two, Rear N N N N
	M027 AA7	1			Silver N N N YM027AA7
	M027 VC7	1			Blue N N N YM027VC7
	M027 VM6	1			Red N N N YM027VM6
	M027 BT9	1			Brown N N N YM027BT9



MODEL CODES

B = GRAN FURY	F = FIFTH AVENUE/NEWPORT	P = RELIANT
C = LEBARON/TOWN & COUNTRY/EXC SEDAN	G = DIPLOMAT	T = E CLASS/NEW YORKER
C24 = LASER	H = VOYAGER	V = 600
D = ARIES	K = MINI RAM/CARAVAN/ROYAL	V24 = DAYTONA
E = 600	M = HORIZON/TURISMO	Z = OMNI/CHARGER/RAMPAGE

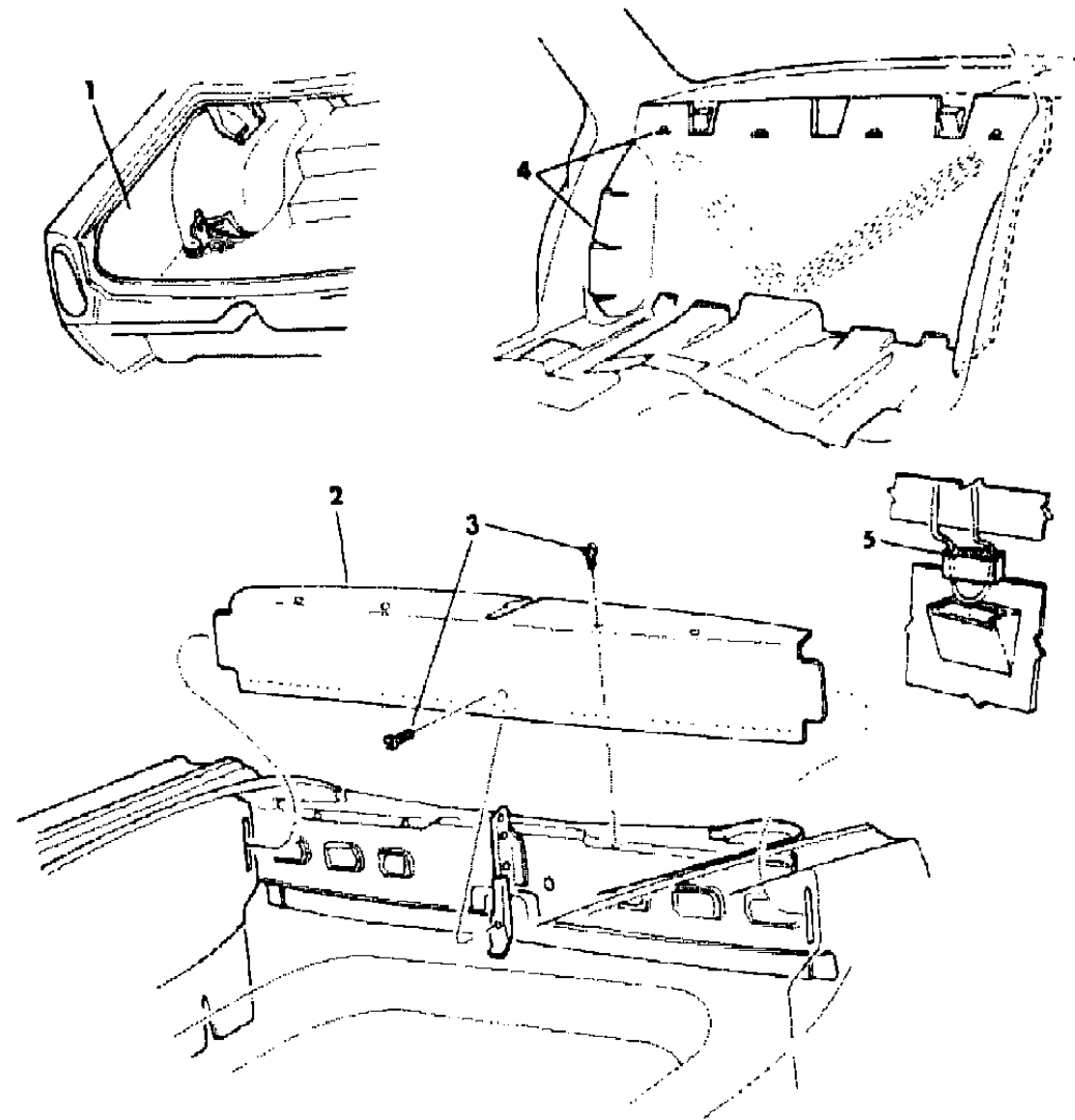
BODY STYLES

21 = 2-DOOR SEDAN	28 = FWD PICKUP	44 = 4-DOOR HATCHBACK
22 = 2-DOOR SPECIAL COUPE	35 = FWD VAN	45 = 4-DOOR STATION WAGON
24 = 2-DOOR HATCHBACK	36 = FWD WAGON	48 = 4-DOOR EXECUTIVE SEDAN
27 = 2-DOOR CONVERTIBLE	41 = 4-DOOR SEDAN	

AR = Use as Required - = Non Illustrated Part P.A.R. = Paint as Required

LUGGAGE COMPARTMENT LINER AND SILENCER M BODY B,F,G
Figure ITM-700

4244 700



ITEM	PART NUMBER	QTY	BODY	MODEL	DESCRIPTION
1					LINER, Luggage Compartment Side N N N N
	4077 234-5	1			Black N N N Y4077234
2					COVER, Luggage Compartment Deck Opening Lower N N N N
	4248 363	1			N N N Y4248363
3		AR			SCREW (not serviced) N N N N
4					SILENCER, Luggage Compartment Front Liner (36"X72" Material)
	3762 862	1			N N N Y3762862
5					SEAL, Rear Seat Back Spring to Shelf Panel N N N Y3844272
	3844 272	2			

MODEL CODES

B = GRAN FURY	F = FIFTH AVENUE/NEWPORT	P = RELIANT
C = LEBARON/TOWN & COUNTRY/EXC SEDAN	G = DIPLOMAT	T = E CLASS/NEW YORKER
C24 = LASER	H = VOYAGER	V = 600
D = ARIES	K = MINI RAM/CARAVAN/ROYAL	V24 = DAYTONA
E = 600	M = HORIZON/TURISMO	Z = OMNI/CHARGER/RAMPAGE

BODY STYLES

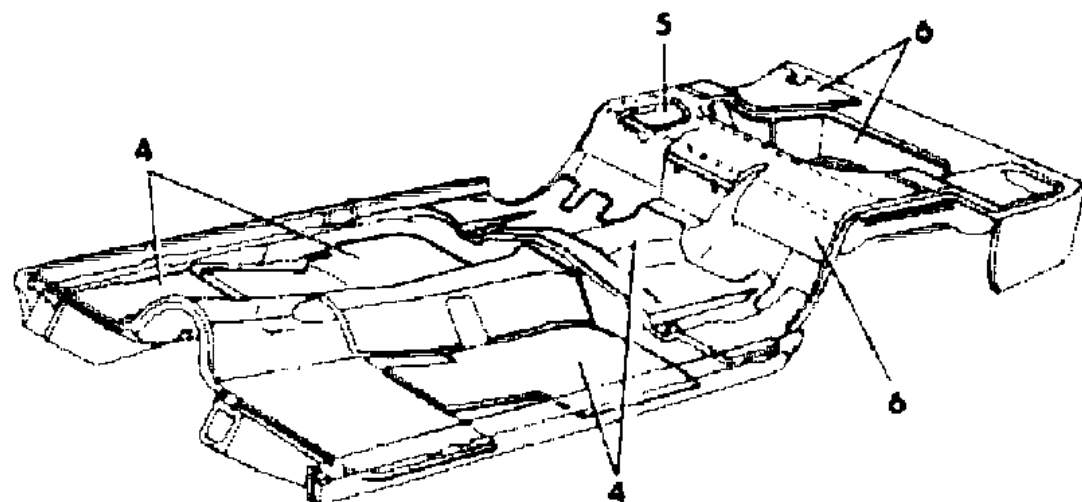
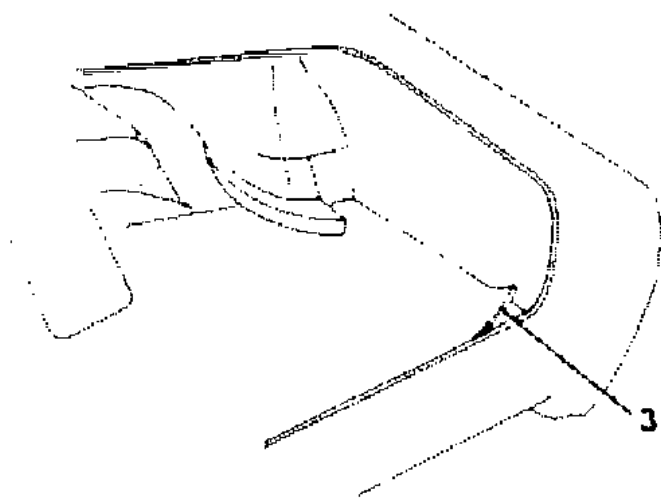
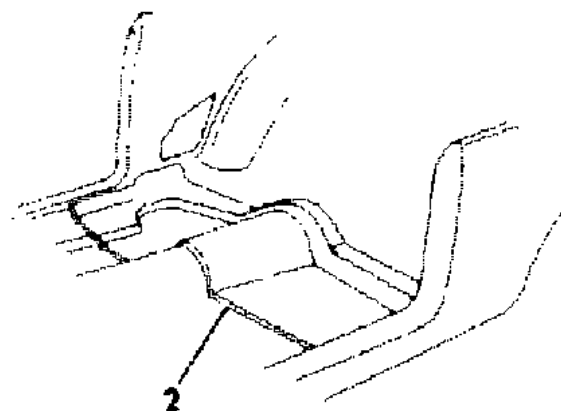
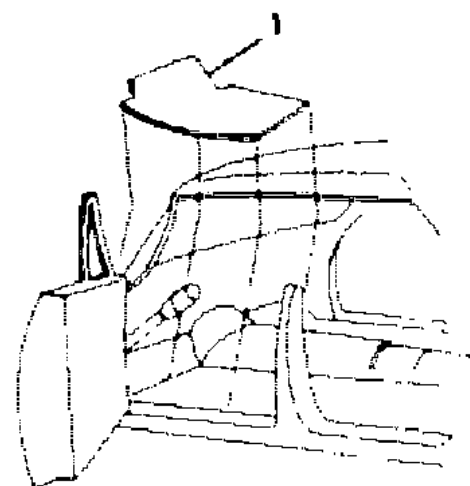
21 = 2-DOOR SEDAN	28 = FWD PICKUP	44 = 4-DOOR HATCHBACK
22 = 2-DOOR SPECIAL COUPE	35 = FWD VAN	45 = 4-DOOR STATION WAGON
24 = 2-DOOR HATCHBACK	36 = FWD WAGON	48 = 4-DOOR EXECUTIVE SEDAN
27 = 2-DOOR CONVERTIBLE	41 = 4-DOOR SEDAN	

AR = Use as Required - = Non Illustrated Part P.A.R. = Paint as Required

MATS FLOOR AND LUGGAGE COMPARTMENT B,F,G M BODY
Figure ITM-800

4244 800

ITEM	PART NUMBER	QTY	BODY	MODEL	DESCRIPTION
1	4077 288	1			MAT, Front Floor Heavy Duty, Black N N N Y4077288
2	4077 289	1			MAT, Rear Floor Heavy Duty, Black N N N Y4077289
3	4077 249	1			MAT, Luggage Compartment Floor, Black N N N Y4077249
4	4186 901	AR			SILENCER (36"x72" material cut to fit) N N N Y4186901
5	3837 683	AR			SILENCER (24"x48"x1/4" material cut to fit) N N N Y3837683
6	3762 862	AR			SILENCER (36"x72" material cut to fit) N N N Y3762862



MODEL CODES

B = GRAN FURY	F = FIFTH AVENUE/NEWPORT	P = RELIANT
C = LEBARON/TOWN & COUNTRY/EXC SEDAN	G = DIPLOMAT	T = E CLASS/NEW YORKER
C24 = LASER	H = VOYAGER	V = 600
D = ARIES	K = MINI RAM/CARAVAN/ROYAL	V24 = DAYTONA
E = 600	M = HORIZON/TURISMO	Z = OMNI/CHARGER/RAMPAGE

BODY STYLES

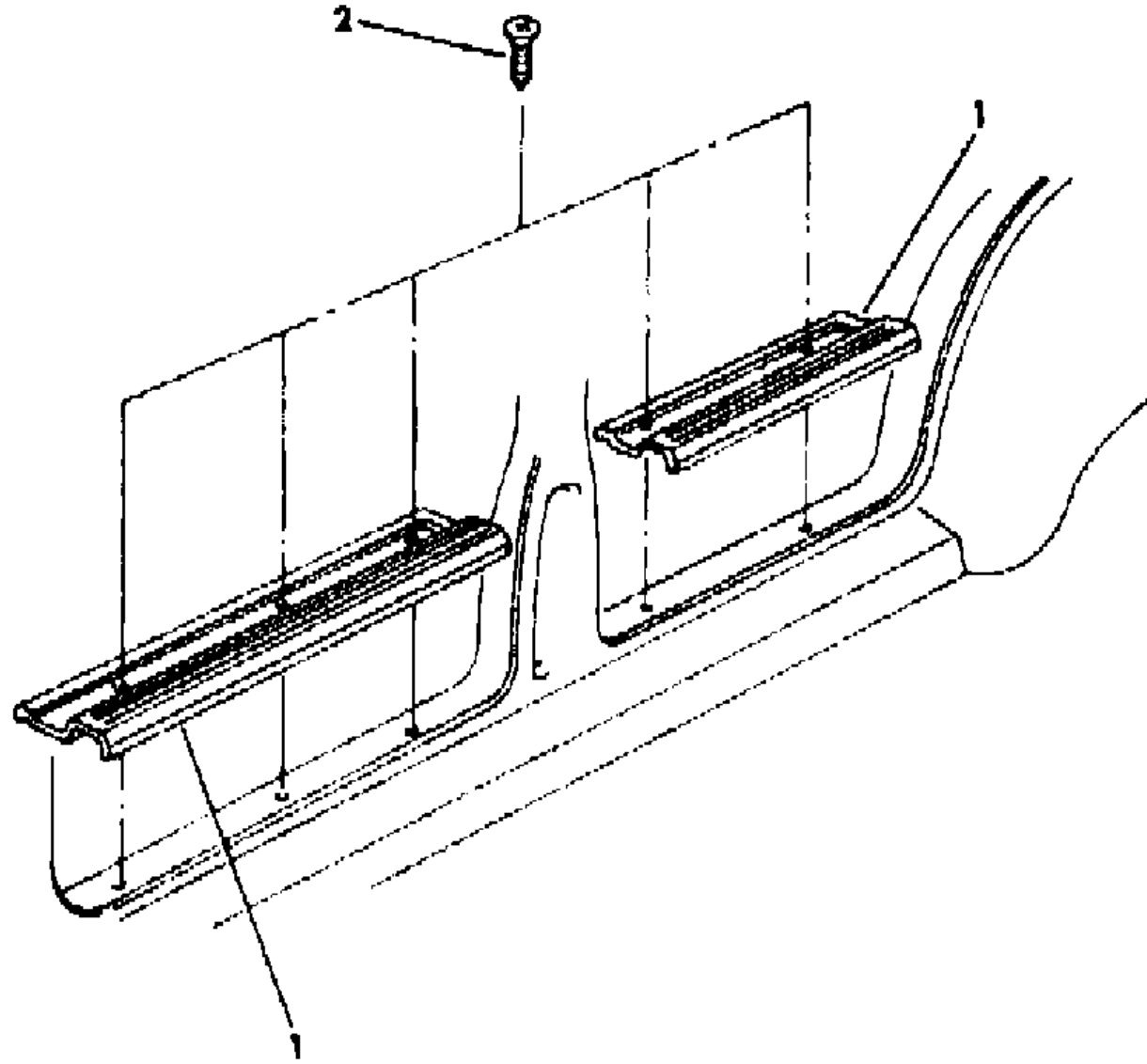
21 = 2-DOOR SEDAN	28 = FWD PICKUP	44 = 4-DOOR HATCHBACK
22 = 2-DOOR SPECIAL COUPE	35 = FWD VAN	45 = 4-DOOR STATION WAGON
24 = 2-DOOR HATCHBACK	36 = FWD WAGON	48 = 4-DOOR EXECUTIVE SEDAN
27 = 2-DOOR CONVERTIBLE	41 = 4-DOOR SEDAN	

AR = Use as Required - = Non Illustrated Part P.A.R. = Paint as Required

SCUFF PLATES BODY SIDE SILL AND DOOR B,F,G M BODY
Figure ITM-900

4744 900

ITEM	PART NUMBER	QTY	BODY	MODEL	DESCRIPTION
1	4078 964	2			PLATE, Front N N N Y4078964
	3831 006	2			Rear N N N Y3831006
2		AR			SCREW (not serviced) N N N N



MODEL CODES
 B = GRAN FURY
 C = LEBARON/TOWN & COUNTRY/EXC SEDAN
 C24 = LASER
 D = ARIES
 E = 600
 F = FIFTH AVENUE/NEWPORT
 G = DIPLOMAT
 H = VOYAGER
 K = MINI RAM/CARAVAN/ROYAL
 M = HORIZON/TURISMO
 P = RELIANT
 T = E CLASS/NEW YORKER
 V = 600
 V24 = DAYTONA
 Z = OMNI/CHARGER/RAMPAGE

BODY STYLES
 21 = 2-DOOR SEDAN
 22 = 2-DOOR SPECIAL COUPE
 24 = 2-DOOR HATCHBACK
 27 = 2-DOOR CONVERTIBLE
 28 = FWD PICKUP
 35 = FWD VAN
 36 = FWD WAGON
 41 = 4-DOOR SEDAN
 44 = 4-DOOR HATCHBACK
 45 = 4-DOOR STATION WAGON
 48 = 4-DOOR EXECUTIVE SEDAN

AR = Use as Required - = Non Illustrated Part P.A.R. = Paint as Required

DOOR TRIM PANEL B,F,G M BODY TRIM CODES A3,F4,K2,KX,H9
Figure ITM-1000

424 1000

ITEM	PART NUMBER	QTY	BODY	MODEL	DESCRIPTION
1	J148-9 AA2	1			PANEL, Door N N N N N N NA3A,H9A YJ148AA2
	J148-9 VC8	1			N N NA3C,K2C,H9C YJ148VC8
	J148-9 VM6	1			N N NA3M,H9M YJ148VM6
	J148-9 BL3	1			N N NA3L,F4L,H9L YJ148BL3
	J148-9 BL3	1			N N NK2L,KXL YJ148BL3
2	D454-5 DT3				BASE, Armrest (paint as required) N N N YD454DT3
	3	D452-3 AA3	1		PAD and INSERT, Armrest N N N N Silver N N N YD452AA3
		D452-3 VC7	1		Blue N N N YD452VC7
		D452-3 VM6	1		Red N N N YD452VM6
D452-3 BL3	1		Tan N N N YD452BL3		
4	J476-7 AA2	1			PANEL, Door N N N N N N NA3A,H9A YJ476AA2
	J476-7 VC8	1			N N NA3C,K2C,H9C YJ476VC8
	J476-7 VM6	1			N N NA3M,H9M YJ476VM6
	J476-7 BL3	1			N N NA3L,F4L,H9L YJ476BL3
	J476-7 BL3	1			N N NK2L,KXL YJ476BL3
5	D430-1 AA3	1			BASE and PAD, Armrest N N N N Silver N N N YD430AA3
	D430-1 VC7	1			Blue N N N YD430VC7
	D430-1 VM6	1			Red N N N YD430VM6
	D430-1 BL3	1			Beige N N N YD430BL3
6	D488-9 AA3	1			PAD and INSERT, Armrest w/Ash Receiver N N N N Silver N N N YD488AA3
	D488-9 VC7	1			Blue N N N YD488VC7
	D488-9 VM6	1			Red N N N YD488VM6
	D488-9 BL3	1			Tan N N N YD488BL3
	6027 162	AR			SCREW, Arm Rest Attaching N N N Y6027162
7	4078 486	2			NAME PLATE, Salon N N N Y4078486
	6023 485	AR			FASTENER, Name Plate N N N Y6023485
8	3831 428	2			SEAL, Secondary Sound N N N N Front N N N Y3831428
	3831 429	2			Rear N N N Y3831429
9	6002 944	AR			FASTENER, Secondary Seal N N N Y6002944
10	4078 400	3			RECEPTACLE, Ash Receiver Rear Door N N N Y4078400
	1639 961	2			BUMPER, Ash Receiver Lid N N N Y1639961
	9417 252	4			PIN, Ash Receiver Lid Hinge N N N Y9417252

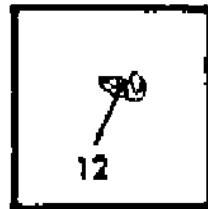
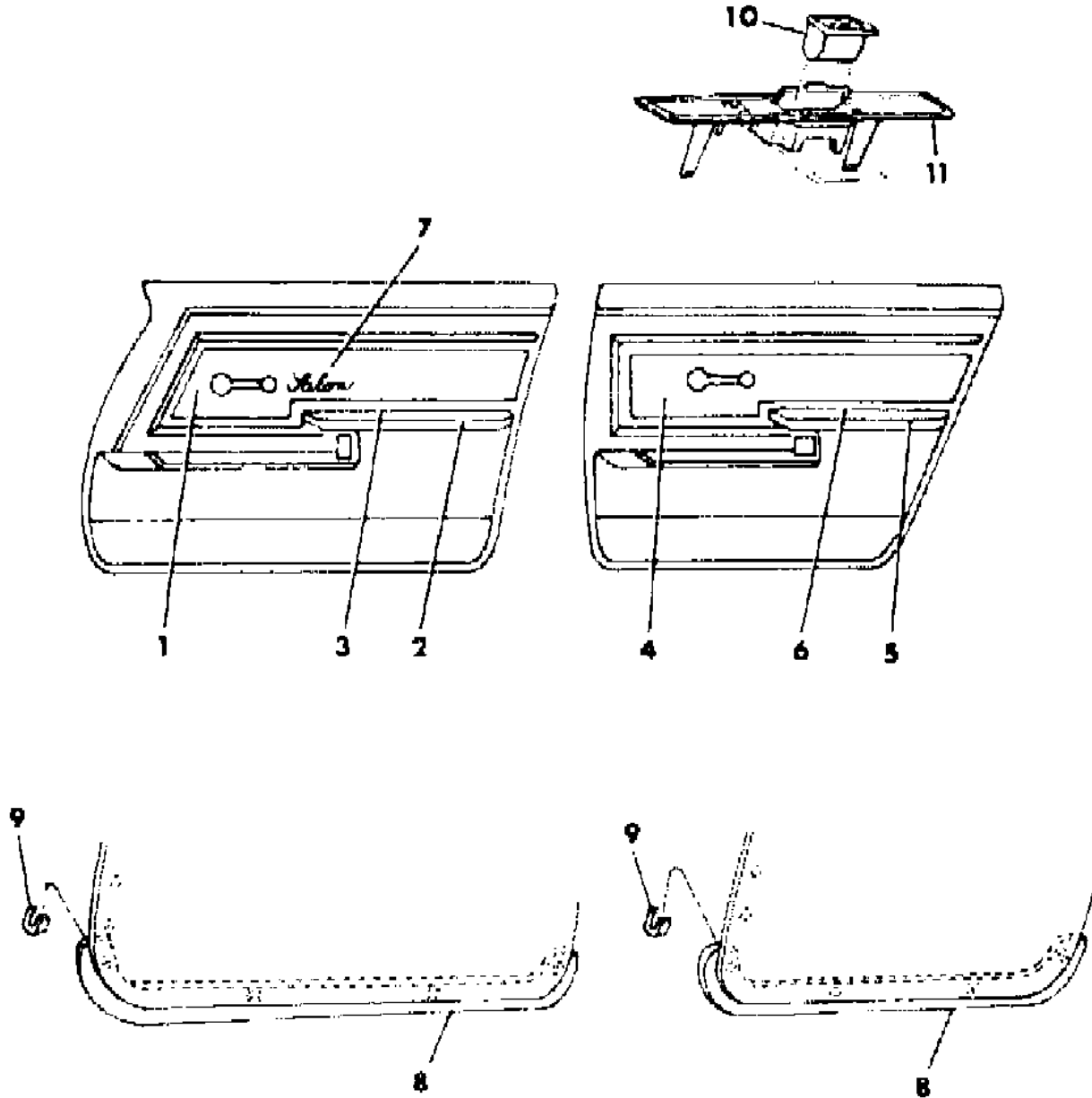
MODEL CODES

B = GRAN FURY	F = FIFTH AVENUE/NEWPORT	P = RELIANT
C = LEBARON/TOWN & COUNTRY/EXC SEDAN	G = DIPLOMAT	T = E CLASS/NEW YORKER
C24 = LASER	H = VOYAGER	V = 600
D = ARIES	K = MINI RAM/CARAVAN/ROYAL	V24 = DAYTONA
E = 600	M = HORIZON/TURISMO	Z = OMNI/CHARGER/RAMPAGE

BODY STYLES

21 = 2-DOOR SEDAN	28 = FWD PICKUP	44 = 4-DOOR HATCHBACK
22 = 2-DOOR SPECIAL COUPE	35 = FWD VAN	45 = 4-DOOR STATION WAGON
24 = 2-DOOR HATCHBACK	36 = FWD WAGON	48 = 4-DOOR EXECUTIVE SEDAN
27 = 2-DOOR CONVERTIBLE	41 = 4-DOOR SEDAN	

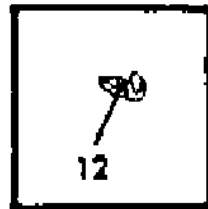
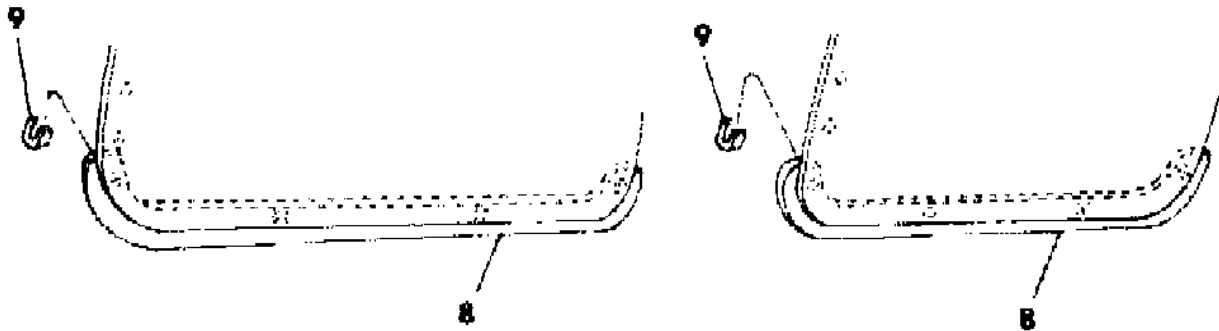
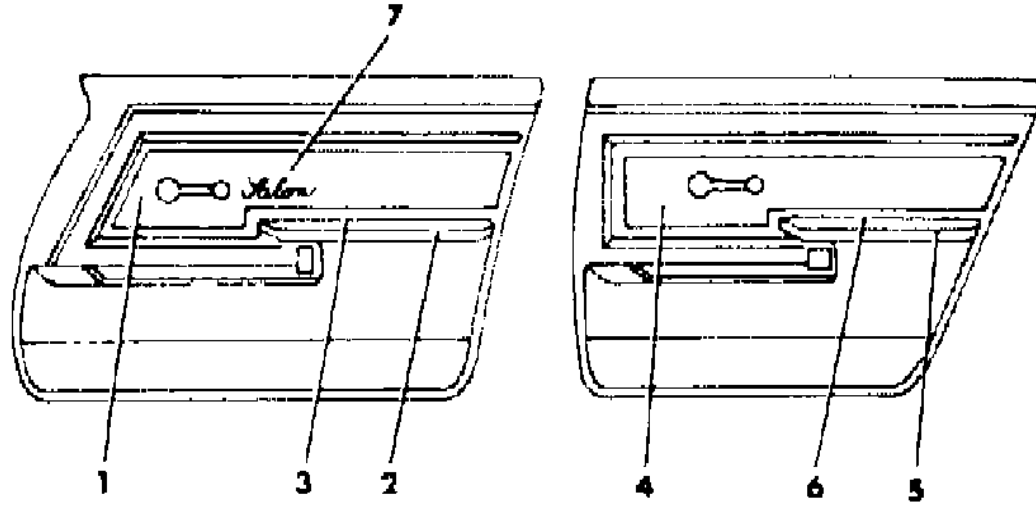
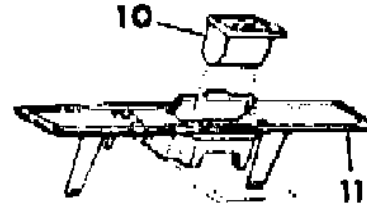
AR = Use as Required - = Non Illustrated Part P.A.R. = Paint as Required



**DOOR TRIM PANEL B,F,G M BODY TRIM CODES A3,F4,K2,KX,H9
Figure ITM-1000**

4244 1000

ITEM	PART NUMBER	QTY	BODY	MODEL	DESCRIPTION
11	6003 640	AR			FASTENER, Trim Panel N N N Y6003640
12					BEZEL (refer to Group 23C) N N N N
NOTE: The following part is not illustrated. NGER WAGON USES THE TWO (2) PASSENGER STATIONARY SEAT PLUS THE FOLDING REAR SEAT.					
	4049 602	1			SILENCER, Door (36"X36"X1/2" Material) N N N Y4049602



MODEL CODES

B = GRAN FURY	F = FIFTH AVENUE/NEWPORT	P = RELIANT
C = LEBARON/TOWN & COUNTRY/EXC SEDAN	G = DIPLOMAT	T = E CLASS/NEW YORKER
C24 = LASER	H = VOYAGER	V = 600
D = ARIES	K = MINI RAM/CARAVAN/ROYAL	V24 = DAYTONA
E = 600	M = HORIZON/TURISMO	Z = OMNI/CHARGER/RAMPAGE

BODY STYLES

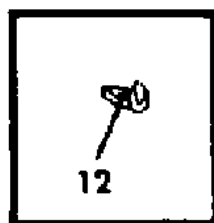
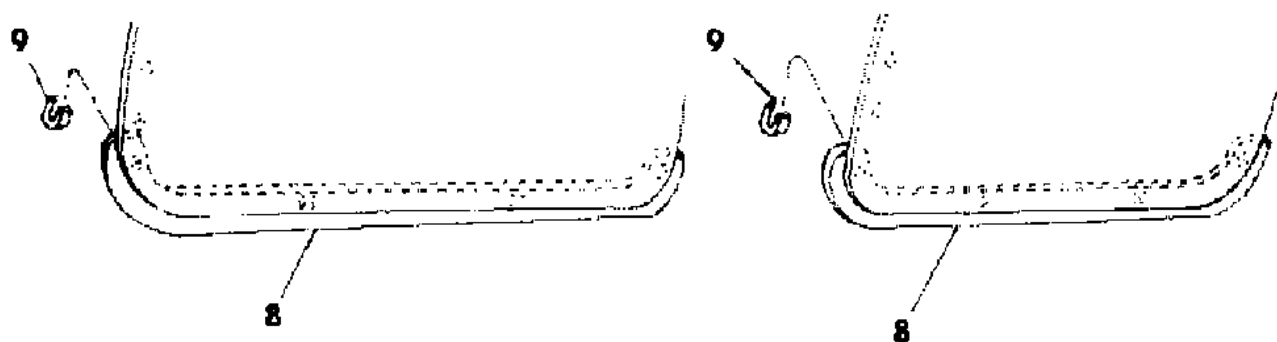
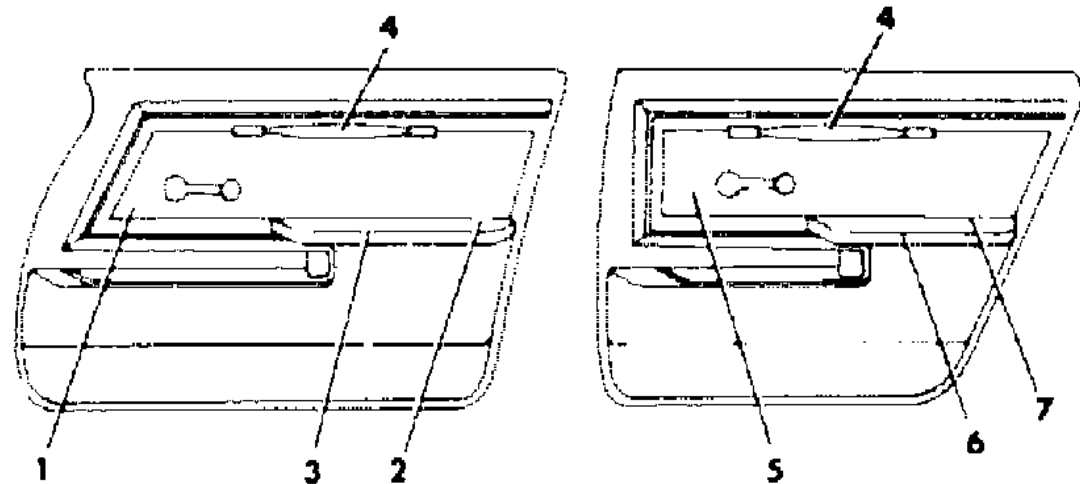
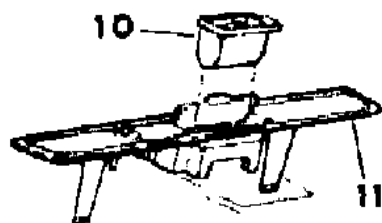
21 = 2-DOOR SEDAN	28 = FWD PICKUP	44 = 4-DOOR HATCHBACK
22 = 2-DOOR SPECIAL COUPE	35 = FWD VAN	45 = 4-DOOR STATION WAGON
24 = 2-DOOR HATCHBACK	36 = FWD WAGON	48 = 4-DOOR EXECUTIVE SEDAN
27 = 2-DOOR CONVERTIBLE	41 = 4-DOOR SEDAN	

AR = Use as Required - = Non Illustrated Part P.A.R. = Paint as Required

DOOR TRIM PANEL B,F,G M BODY TRIM CODE C9
Figure ITM-1100

4244 1106

ITEM	PART NUMBER	QTY	BODY	MODEL	DESCRIPTION
1	J228-9 CA3	1			PANEL, Door N N N N N N NC9A YJ228CA3
	J228-9 CC7	1			N N NC9C YJ228CC7
	J228-9 CM6	1			N N NC9M YJ228CM6
	J228-9 CL3	1			N N NC9L YJ228CL3
2	D454-5 DT3	1			BASE, Armrest (paint as required) N N N YD454DT3
3					PAD and INSERT, Armrest N N N N
	D452-3 AA3	1			Silver N N N YD452AA3
	D452-3 VC7	1			Blue N N N YD452VC7
	D452-3 VM6	1			Red N N N YD452VM6
4	D452-3 BL3	1			Tan N N N YD452BL3
					HANDLE, Pull,Front and Rear w/Cap N N N N
	D840 AA2	2			Silver N N N YD840AA2
	D840 VC7	2			Blue N N N YD840VC7
5	D840 VM6	2			Red N N N YD840VM6
	D840 BL3	2			Tan N N N YD840BL3
					PANEL, Door N N N N
	J482-3 CA3	1			N N NC9A YJ482CA3
6	J482-3 CC7	1			N N NC9C YJ482CC7
	J482-3 CM6	1			N N NC9M YJ482CM6
	J482-3 CL3	1			N N NC9L YJ482CL3
					BASE and PAD, Armrest N N N N
7	D430-1 AA3	1			Silver N N N YD430AA3
	D430-1 VC7	1			Blue N N N YD430VC7
	D430-1 VM6	1			Red N N N YD430VM6
	D430-1 BL3	1			Beige N N N YD430BL3
8	9414 722	AR			SCREW, Pad to Base Attaching N N N Y9414722
					PAD and INSERT, Armrest w/Ash Receiver N N N N
	D488-9 AA3	1			Silver N N N YD488AA3
	D488-9 VC7	1			Blue N N N YD488VC7
9	D488-9 VM6	1			Red N N N YD488VM6
	D488-9 BL3	1			Tan N N N YD488BL3
					SEAL, Secondary Sound N N N N
	3831 428	2			Front N N N Y3831428
10	3831 429	2			Rear N N N Y3831429
	6002 944	AR			FASTENER, Secondary Seal N N N Y6002944
12	4078 400	2			RECEPTACLE, Ash Receiver Rear Door N N N Y4078400
	1639 961	2			BUMPER, Ash Receiver Lid N N N Y1639961



MODEL CODES

B = GRAN FURY	F = FIFTH AVENUE/NEWPORT	P = RELIANT
C = LEBARON/TOWN & COUNTRY/EXC SEDAN	G = DIPLOMAT	T = E CLASS/NEW YORKER
C24 = LASER	H = VOYAGER	V = 600
D = ARIES	K = MINI RAM/CARAVAN/ROYAL	V24 = DAYTONA
E = 600	M = HORIZON/TURISMO	Z = OMNI/CHARGER/RAMPAGE

BODY STYLES

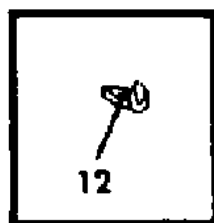
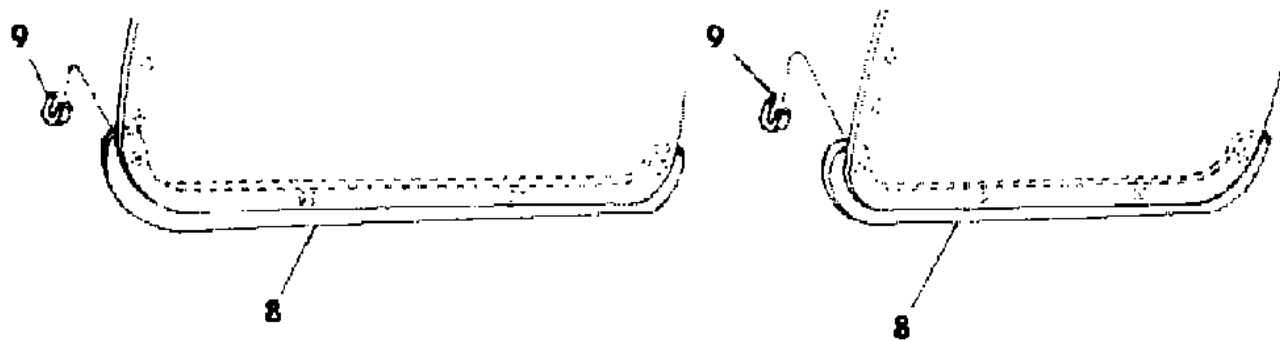
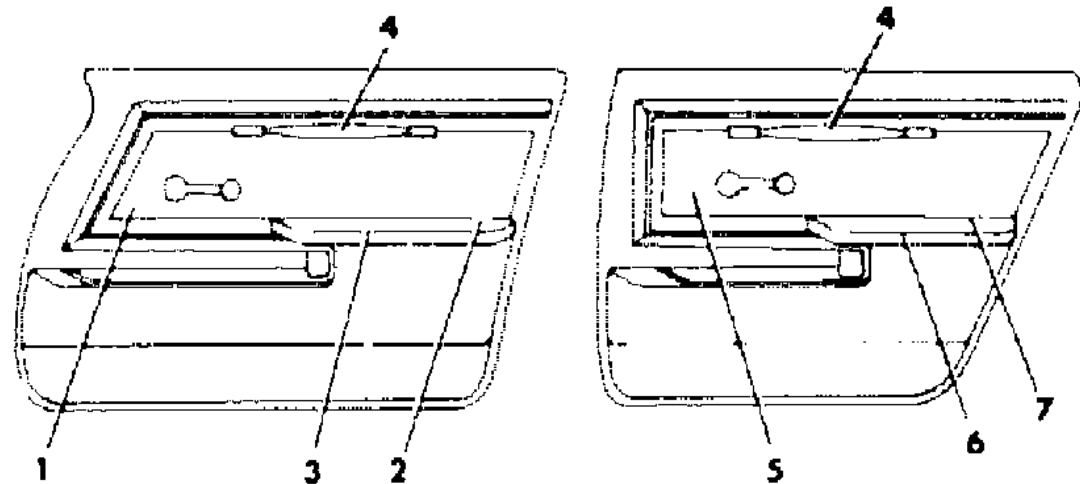
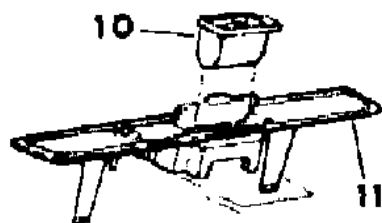
21 = 2-DOOR SEDAN	28 = FWD PICKUP	44 = 4-DOOR HATCHBACK
22 = 2-DOOR SPECIAL COUPE	35 = FWD VAN	45 = 4-DOOR STATION WAGON
24 = 2-DOOR HATCHBACK	36 = FWD WAGON	48 = 4-DOOR EXECUTIVE SEDAN
27 = 2-DOOR CONVERTIBLE	41 = 4-DOOR SEDAN	

AR = Use as Required - = Non Illustrated Part P.A.R. = Paint as Required

DOOR TRIM PANEL B,F,G M BODY TRIM CODE C9
Figure ITM-1100

4244 1106

ITEM	PART NUMBER	QTY	BODY	MODEL	DESCRIPTION
	9417 252	4			PIN, Ash Receiver Lid Hinge N N N Y9417252
11					Refer to 23 C N N N N
12	6003 640	AR			RETAINER, Trim Panel N N N Y6003640
The following part is not illustrated. NGER WAGON USES THE TWO (2) PASSENGER STATIONARY SEAT PLUS THE FOLDING REAR SEAT.					
	4049 602	1			SILENCER (36"X36"X1/2" material cut to fit) N N N Y4049602



MODEL CODES

B = GRAN FURY	F = FIFTH AVENUE/NEWPORT	P = RELIANT
C = LEBARON/TOWN & COUNTRY/EXC SEDAN	G = DIPLOMAT	T = E CLASS/NEW YORKER
C24 = LASER	H = VOYAGER	V = 600
D = ARIES	K = MINI RAM/CARAVAN/ROYAL	V24 = DAYTONA
E = 600	M = HORIZON/TURISMO	Z = OMNI/CHARGER/RAMPAGE

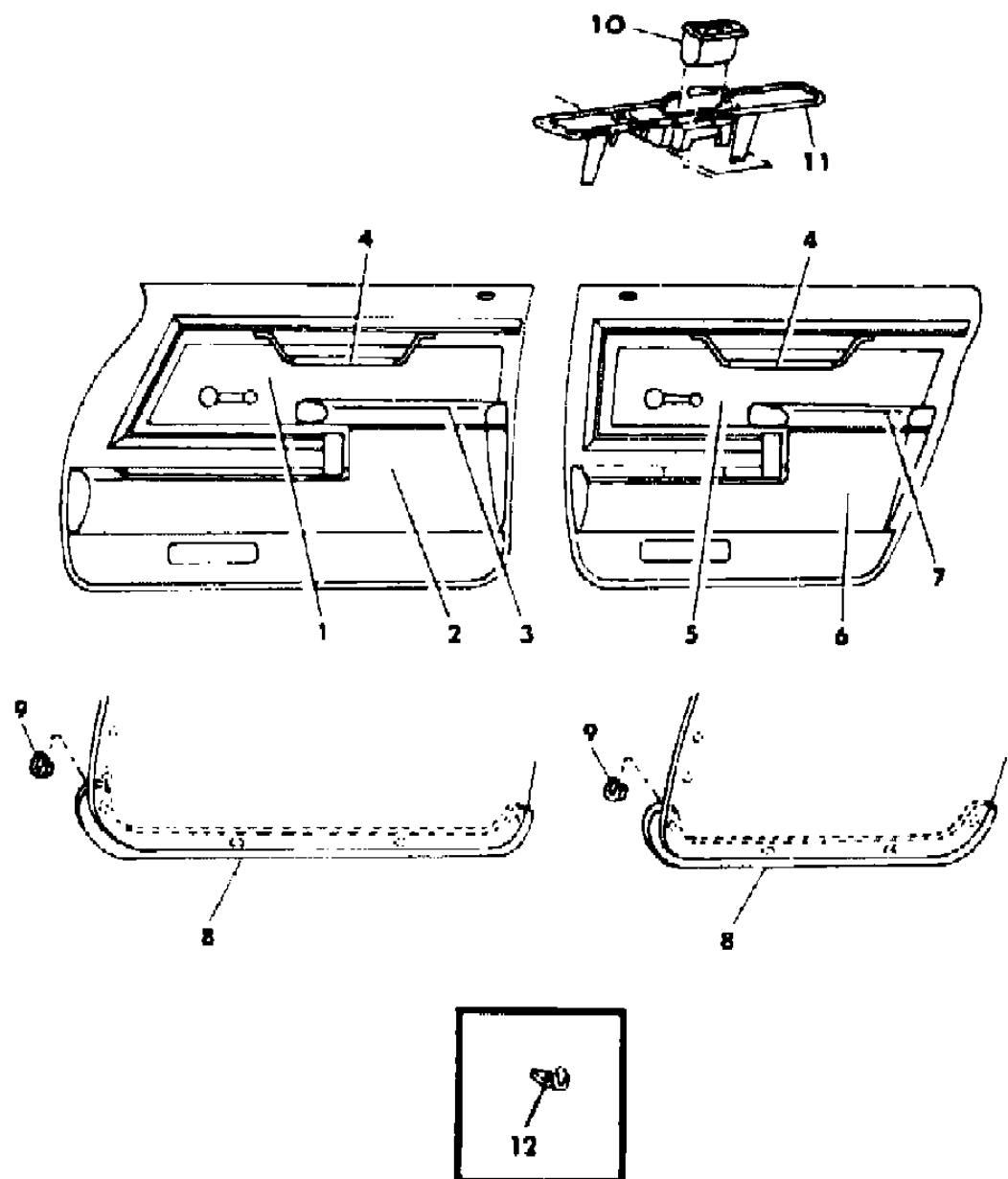
BODY STYLES

21 = 2-DOOR SEDAN	28 = FWD PICKUP	44 = 4-DOOR HATCHBACK
22 = 2-DOOR SPECIAL COUPE	35 = FWD VAN	45 = 4-DOOR STATION WAGON
24 = 2-DOOR HATCHBACK	36 = FWD WAGON	48 = 4-DOOR EXECUTIVE SEDAN
27 = 2-DOOR CONVERTIBLE	41 = 4-DOOR SEDAN	

AR = Use as Required - = Non Illustrated Part P.A.R. = Paint as Required

DOOR TRIM PANEL F-S M BODY TRIM CODES SY,S9
Figure ITM-1200

4244 1200



ITEM	PART NUMBER	QTY	BODY	MODEL	DESCRIPTION
1	PANEL, Door N N N N				
	J224-5 AA2	1			N N NSYA YJ224AA2
	J224-5 AC8	1			N N NSYC YJ224AC8
	J224-5 AM6	1			N N NSYM YJ224AM6
	J224-5 BL3	1			N N NSYL YJ224BL3
	J226-7 AA3	1			N N NS9A YJ226AA3
	J226-7 AC7	1			N N NS9C YJ226AC7
	J226-7 AM6	1			N N NS9M YJ226AM6
J226-7 BL3	1			N N NS9L YJ226BL3	
2	D454-5 DT3	1			BASE, Armrest (paint as required) N N N YD454DT3
	9414 722	AR			SCREW, Pad to Base Attaching N N N Y9414722
3	PAD and INSERT, Armrest N N N N				
	D452-3 AA3	1			Silver N N N YD452AA3
	D452-3 VC7	1			Blue N N N YD452VC7
	D452-3 VM6	1			Red N N N YD452VM6
4	D452-3 BL3	1			Tan N N N YD452BL3
	4078 233	4			HANDLE N N N Y4078233
	6031 667	AR			WASHER, Pull Handle N N N Y6031667
	0455 734	AR			SPRING PIN, Pull Handle N N N Y455734
	4077 196-7	2			END CAP, Pull Handle N N N Y4077196
5	PANEL, Rear Door N N N N				
	J494-5 BA2	1			N N NSYA YJ494BA2
	J494-5 BC8	1			N N NSYC YJ494BC8
	J494-5 BM6	1			N N NSYM YJ494BM6
	J494-5 BL3	1			N N NSYL YJ494BL3
	J490-1 AA3	1			N N NS9A YJ490AA3
	J490-1 AC7	1			N N NS9C YJ490AC7
	J490-1 AM6	1			N N NS9M YJ490AM6
	J490-1 BL3	1			N N NS9L YJ490BL3
	6	BASE and PAD, Armrest N N N N			
D430-1 AA3		1			Silver N N N YD430AA3
D430-1 VC7		1			Blue N N N YD430VC7
D430-1 VM6		1			Red N N N YD430VM6
D430-1 BL3		1			Beige N N N YD430BL3
9414 722		AR			SCREW, Pad to Base Attaching N N N Y9414722
7	PAD and INSERT, Armrest w/Ash Receiver N N N N				
	D488-9 AA3	1			Silver N N N YD488AA3
	D488-9 VC7	1			Blue N N N YD488VC7

MODEL CODES

B = GRAN FURY	F = FIFTH AVENUE/NEWPORT	P = RELIANT
C = LEBARON/TOWN & COUNTRY/EXC SEDAN	G = DIPLOMAT	T = E CLASS/NEW YORKER
C24 = LASER	H = VOYAGER	V = 600
D = ARIES	K = MINI RAM/CARAVAN/ROYAL	V24 = DAYTONA
E = 600	M = HORIZON/TURISMO	Z = OMNI/CHARGER/RAMPAGE

BODY STYLES

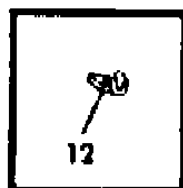
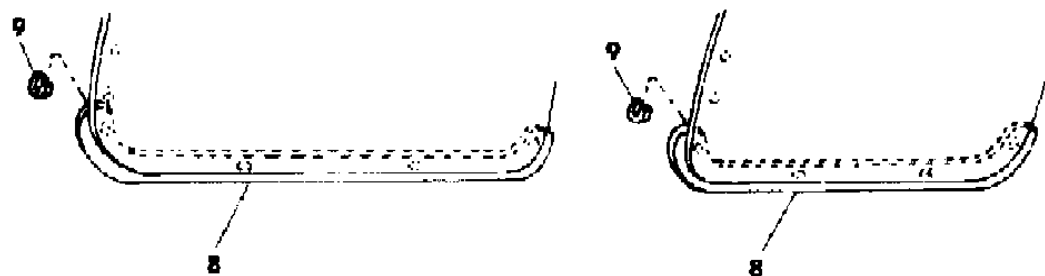
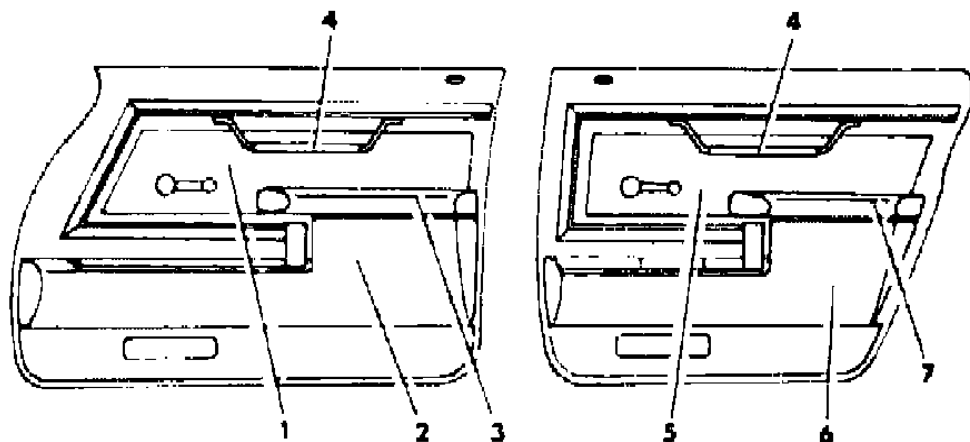
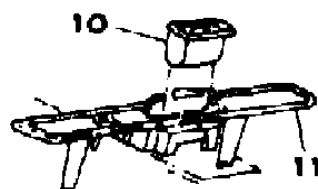
21 = 2-DOOR SEDAN	28 = FWD PICKUP	44 = 4-DOOR HATCHBACK
22 = 2-DOOR SPECIAL COUPE	35 = FWD VAN	45 = 4-DOOR STATION WAGON
24 = 2-DOOR HATCHBACK	36 = FWD WAGON	48 = 4-DOOR EXECUTIVE SEDAN
27 = 2-DOOR CONVERTIBLE	41 = 4-DOOR SEDAN	

AR = Use as Required - = Non Illustrated Part P.A.R. = Paint as Required

DOOR TRIM PANEL F-S M BODY TRIM CODES SY,S9
Figure ITM-1200

4244 1200

ITEM	PART NUMBER	QTY	BODY	MODEL	DESCRIPTION
	D488-9 VM6	1			Red N N N YD488VM6
	D488-9 BL3	1			Tan N N N YD488BL3
8					SEAL, Secondary Sound N N N N
	3831 428	2			Front N N N Y3831428
	3831 429	2			Rear N N N Y3831429
9	6002 944	AR			FASTENER, Secondary Seal N N N Y6002944
10	4078 400	2			RECEPTACLE, Ash Receiver Rear Door N N N Y4078400
	1639 961	2			BUMPER, Ash Receiver Lid N N N Y1639961
	9417 252	4			PIN, Ash Receiver Lid Hinge N N N Y9417252
11					Refer to 23C N N N N
12	6003 640	AR			RETAINER, Trim Panel N N N Y6003640
The following parts are not illustrated. NGER WAGON USES THE TWO (2) PASSENGER STATIONARY SEAT PLUS THE FOLDING REAR SEAT.					
	4049 602	AR			SILENCER, Trim Panel (36"X36"X1/2" Material) N N N Y4049602



MODEL CODES

B = GRAN FURY	F = FIFTH AVENUE/NEWPORT	P = RELIANT
C = LEBARON/TOWN & COUNTRY/EXC SEDAN	G = DIPLOMAT	T = E CLASS/NEW YORKER
C24 = LASER	H = VOYAGER	V = 600
D = ARIES	K = MINI RAM/CARAVAN/ROYAL	V24 = DAYTONA
E = 600	M = HORIZON/TURISMO	Z = OMNI/CHARGER/RAMPAGE

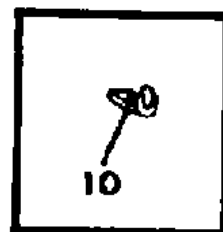
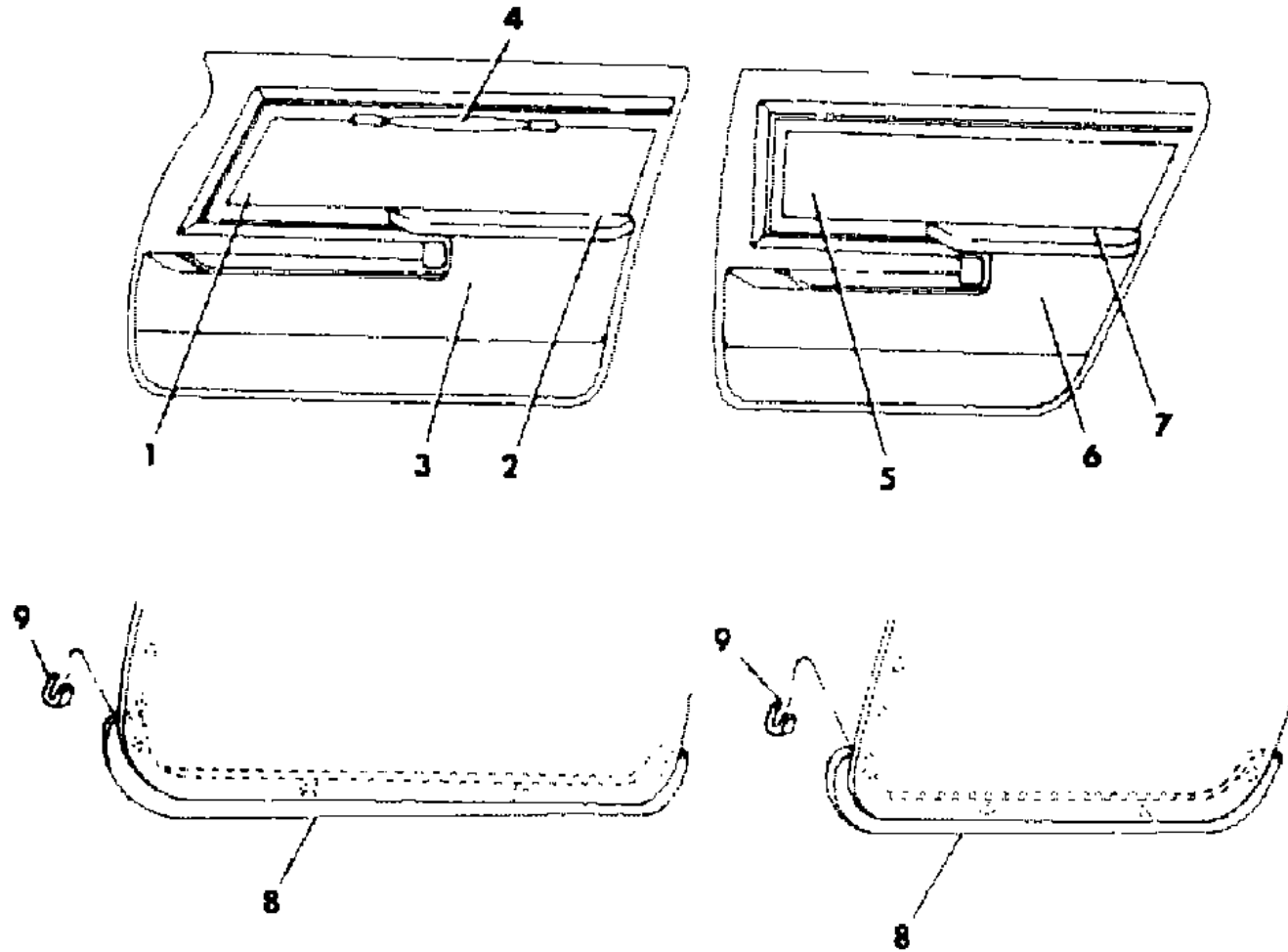
BODY STYLES

21 = 2-DOOR SEDAN	28 = FWD PICKUP	44 = 4-DOOR HATCHBACK
22 = 2-DOOR SPECIAL COUPE	35 = FWD VAN	45 = 4-DOOR STATION WAGON
24 = 2-DOOR HATCHBACK	36 = FWD WAGON	48 = 4-DOOR EXECUTIVE SEDAN
27 = 2-DOOR CONVERTIBLE	41 = 4-DOOR SEDAN	

AR = Use as Required - = Non Illustrated Part P.A.R. = Paint as Required

**DOOR TRIM PANEL B,F,G M BODY FLEET POLICE AND OTHERS
Figure ITM-1300**

4244 1300



ITEM	PART NUMBER	QTY	BODY	MODEL	DESCRIPTION
------	-------------	-----	------	-------	-------------

NOTE: Special Order Code is in Trim Column. NGER WAGON USES THE TWO (2) PASSENGER STATIONARY SEAT PLUS THE FOLDING REAR SEAT.

1	4196 454	1			PANEL, Door N N N N Blue, Right N N N8MM Y4196454
	4196 453	1			Blue, Left N N N8MM Y4196453
	4196 718	1			Tan, Right N N N8MM Y4196718
	4196 717	1			Tan, Left N N N8MM Y4196717
2	D452-3 VC7	1			PAD, Armrest N N N N Blue N N N8MM YD452VC7
	D452-3 VT4	1			Tan N N N8MM YD452VT4
3	D454-5 DT3	1			BASE, Armrest (paint as required) N N N8MM YD454DT3
4	D840 VC7	1			HANDLE, Door Pull w/Cap (on Driver side only) N N N N Blue N N N8MM YD840VC7
	D840 VT4	1			Tan N N N8MM YD840VT4
5	4196 456	1			PANEL, Door N N N N Blue, Right N N N8MM Y4196456
	4196 455	1			Blue, Left N N N8MM Y4196455
	4196 720	1			Tan, Right N N N8MM Y4196720
	4196 719	1			Tan, Left N N N8MM Y4196719
6	D430-1 VC7	1			BASE and PAD, Armrest N N N N Blue N N N8MM YD430VC7
	D430-1 BL3	1			Beige N N N8MM YD430BL3
7	D488-9 VC7	1			PAD, Armrest N N N N Blue N N N8MM YD488VC7
	D488-9 VT4	1			Tan N N N8MM YD488VT4
8	3831 428	2			SEAL, Secondary Sound N N N N Front N N N Y3831428
	3831 429	2			Rear N N N Y3831429
9	6002 944	AR			FASTENER, Secondary Seal N N N Y6002944
The following parts are not illustrated. NGER WAGON USES THE TWO (2) PASSENGER STATIONARY SEAT PLUS THE FOLDING REAR SEAT.					
	6003 640	AR			RETAINER, Trim Panel N N N Y6003640
	9414 722	AR			SCREW, Pad to Base Attaching N N N Y9414722
	4049 602	AR			SILENCER, Trim Panel N N N Y4049602

MODEL CODES

B = GRAN FURY	F = FIFTH AVENUE/NEWPORT	P = RELIANT
C = LEBARON/TOWN & COUNTRY/EXC SEDAN	G = DIPLOMAT	T = E CLASS/NEW YORKER
C24 = LASER	H = VOYAGER	V = 600
D = ARIES	K = MINI RAM/CARAVAN/ROYAL	V24 = DAYTONA
E = 600	M = HORIZON/TURISMO	Z = OMNI/CHARGER/RAMPAGE

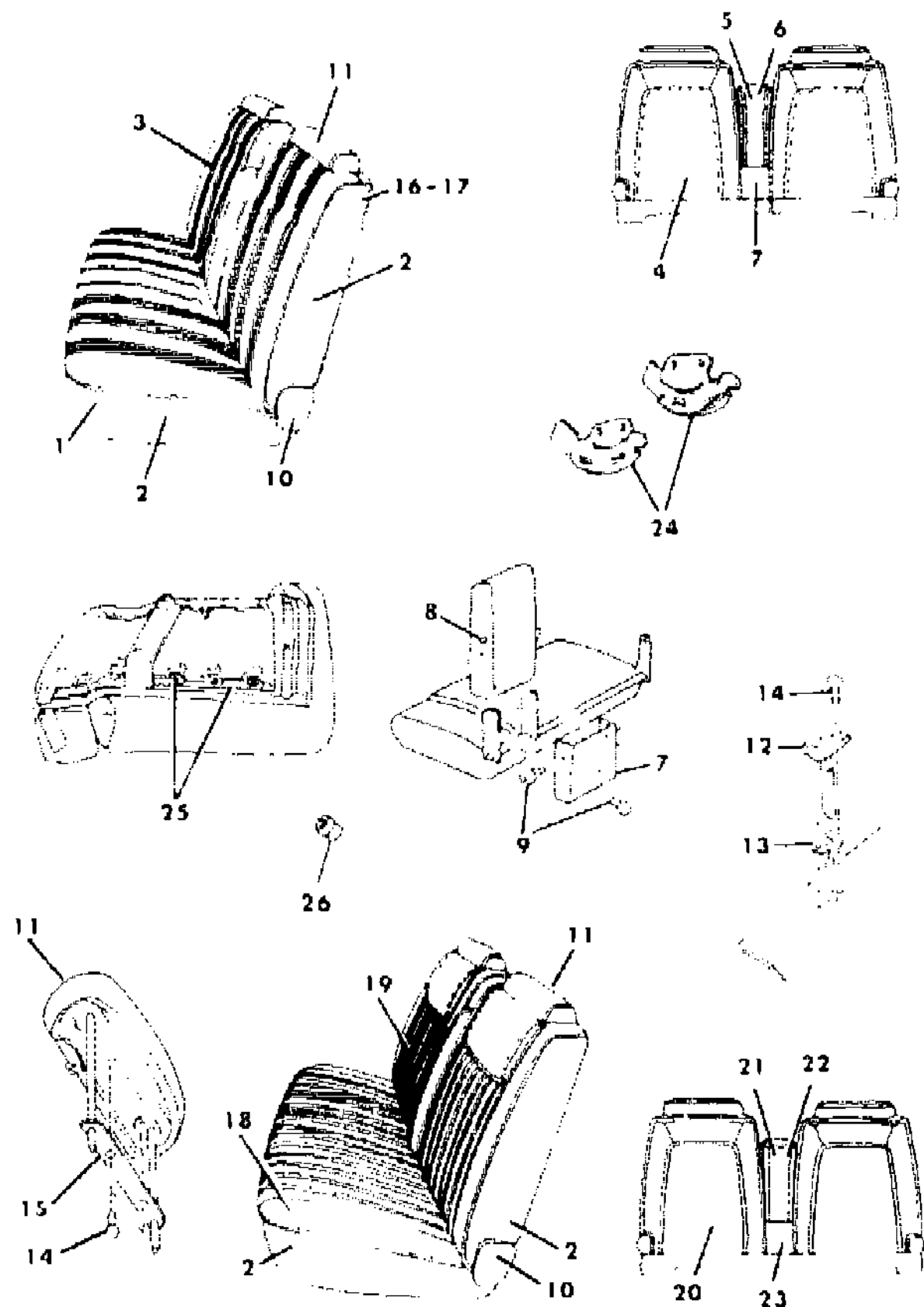
BODY STYLES

21 = 2-DOOR SEDAN	28 = FWD PICKUP	44 = 4-DOOR HATCHBACK
22 = 2-DOOR SPECIAL COUPE	35 = FWD VAN	45 = 4-DOOR STATION WAGON
24 = 2-DOOR HATCHBACK	36 = FWD WAGON	48 = 4-DOOR EXECUTIVE SEDAN
27 = 2-DOOR CONVERTIBLE	41 = 4-DOOR SEDAN	

AR = Use as Required - = Non Illustrated Part P.A.R. = Paint as Required

SEAT FRONT B,G M BODY TRIM CODES A3,F4
Figure ITM-1400

4244 1400



ITEM	PART NUMBER	QTY	BODY	MODEL	DESCRIPTION
1-2					CUSHION, w/Spring/Frame, Pad and Cover N N N N (Heavy Duty) N N N N
	A846 C3A	1			N N NA3A YA846C3A
	A619 B3C	1			(use up to 1/31/84) N N NA3C YA619B3C
	A846 C3C	1			(use from 1/31/84 to 2/7/84) N N NA3C YA846C3C
	A618 BCC	1			(use after 2/7/84 Electric) N N NA3C YA618BCC
	A619 BCC	1			(use after 2/7/84 Heavy Duty) N N NA3C YA619BCC
	A846 C3M	1			N N NA3M YA846C3M
	A846 C3L	1			N N NA3L YA846C3L
					(Electric) N N N N
	A846 C3A	1			N N NA3A YA846C3A
	A618 B3C	1			(use up to 1/31/84) N N NA3C YA618B3C
	A846 C3C	1			(use after 1/31/84) N N NA3C YA846C3C
	A846 C3M	1			N N NA3M YA846C3M
	A846 C3L	1			N N NA3L YA846C3L
1					COVER, Cushion N N N N
	A372 C3A	1			N N NA3A YA372C3A
	A595 B3C	1			(use up to 1/31/84) N N NA3C YA595B3C
	A372 C3C	1			(use from 1/31/84 to 2/7/84) N N NA3C YA372C3C
	A595 BCC	1			(use after 2/7/84) N N NA3C YA595BCC
	A372 C3M	1			N N NA3M YA372C3M
	A372 C3L	1			N N NA3L YA372C3L
2					ROLL STOCK, Vinyl 64" Wide Order by the Inch N N N N
	R616 AA2	AR			Silver N N N YR616AA2
	R616 VC8	AR			Blue N N N YR616VC8
	R616 VM6	AR			Red N N N YR616VM6
	R616 BL3	AR			Tan N N N YR616BL3
2-3					BACK, w/Spring/Frame, Pad and Cover N N N N
	A852-3 C3A	1			N N NA3A YA852C3A
	A616-7 B3C	1			(use up to 1/31/84) N N NA3C YA616B3C
	A852-3 C3C	1			(use from 1/31/84 to 2/7/84) N N NA3C YA852C3C
	A616-7 BCC	1			(use after 2/7/84) N N NA3C YA616BCC
	A852-3 C3M	1			N N NA3M YA852C3M
	A852-3 C3L	1			N N NA3L YA852C3L
3					COVER, Back N N N N
	A374-5 C3A	1			N N NA3A YA374C3A
	A596-7 B3C	1			(use up to 1/31/84) N N NA3C YA596B3C
	A374-5 C3C	1			(use from 1/31/84 to 2/7/84) N N NA3C YA374C3C

MODEL CODES

B = GRAN FURY	F = FIFTH AVENUE/NEWPORT	P = RELIANT
C = LEBARON/TOWN & COUNTRY/EXC SEDAN	G = DIPLOMAT	T = E CLASS/NEW YORKER
C24 = LASER	H = VOYAGER	V = 600
D = ARIES	K = MINI RAM/CARAVAN/ROYAL	V24 = DAYTONA
E = 600	M = HORIZON/TURISMO	Z = OMNI/CHARGER/RAMPAGE

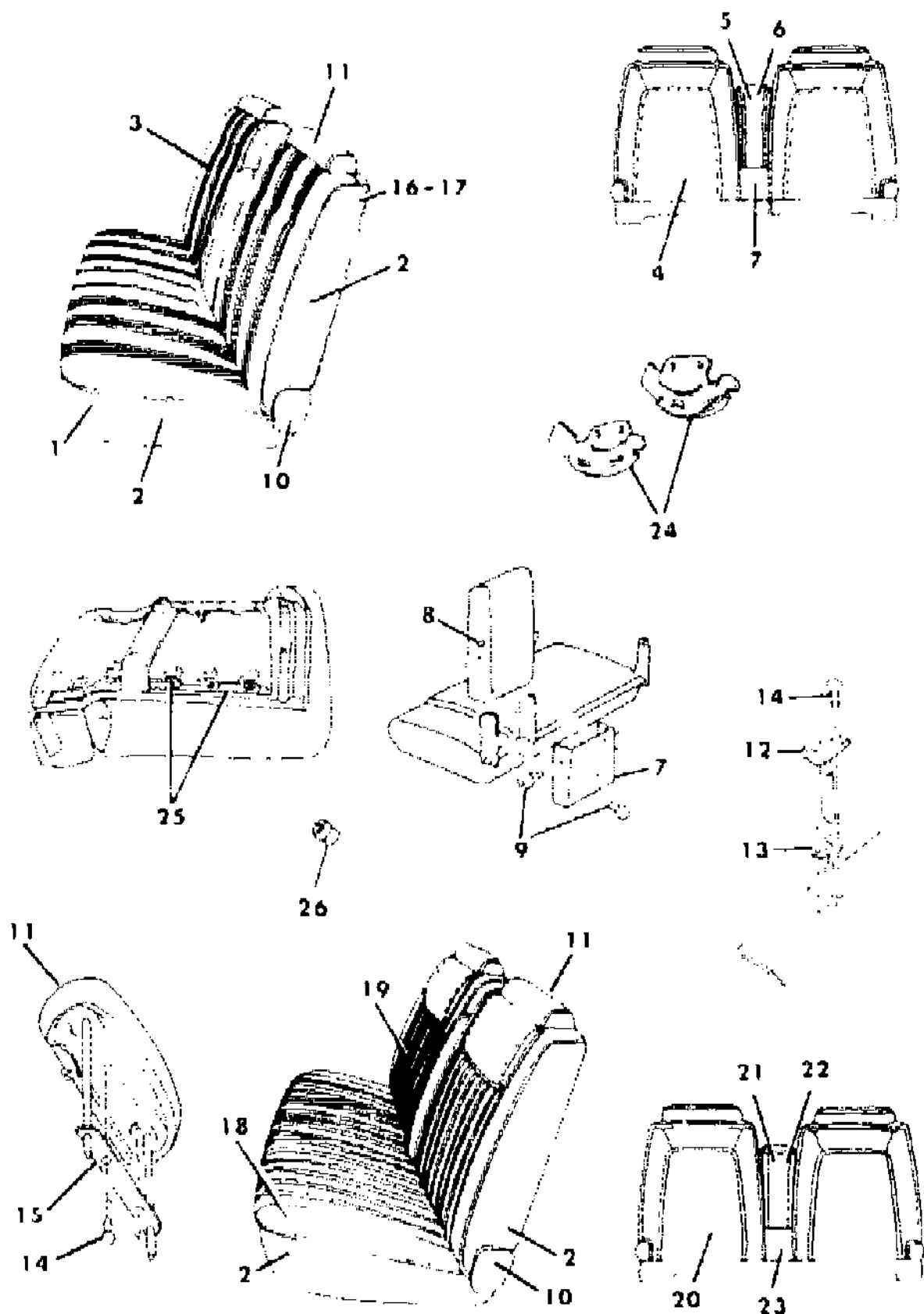
BODY STYLES

21 = 2-DOOR SEDAN	28 = FWD PICKUP	44 = 4-DOOR HATCHBACK
22 = 2-DOOR SPECIAL COUPE	35 = FWD VAN	45 = 4-DOOR STATION WAGON
24 = 2-DOOR HATCHBACK	36 = FWD WAGON	48 = 4-DOOR EXECUTIVE SEDAN
27 = 2-DOOR CONVERTIBLE	41 = 4-DOOR SEDAN	

AR = Use as Required - = Non Illustrated Part P.A.R. = Paint as Required

SEAT FRONT B,G M BODY TRIM CODES A3,F4
Figure ITM-1400

4244 1400



ITEM	PART NUMBER	QTY	BODY	MODEL	DESCRIPTION
	A596-7 BCC	1			(use after 2/7/84) N N NA3C YA596BCC
	A374-5 C3M	1			N N NA3M YA374C3M
	A374-5 C3L	1			N N NA3L YA374C3L
4					PANEL, Back of Front Seat N N N N
	S778-9 AA2	1			N N NA3A YS778AA2
	S778-9 VC8	1			N N NA3C YS778VC8
	S778-9 VM6	1			N N NA3M YS778VM6
	S778-9 BL3	1			N N NA3L YS778BL3
5-6					ARMREST and COVER N N N N
	B657 CA2	1			N N NA3A YB657CA2
	A718 BC7	1			(use up to 1/31/84) N N NA3C YA718BC7
	B657 CC8	1			(use after 1/31/84) N N NA3C YB657CC8
	B657 CM6	1			N N NA3M YB657CM6
	B657 BL3	1			N N NA3L YB657BL3
6					COVER, Armrest N N N N
	B376 CA2	1			N N NA3A YB376CA2
	A544 BC7	1			(use up to 1/31/84) N N NA3C YA544BC7
	B376 CC8	1			(use after 1/31/84) N N NA3C YB376CC8
	B376 CM6	1			N N NA3M YB376CM6
	B376 BL3	1			N N NA3L YB376BL3
7					COVER, Armrest Finish N N N N
	S728 AA3	1			N N NA3A YS728AA3
	S728 SC7	1			N N NA3C YS728SC7
	S728 TM6	1			N N NA3M YS728TM6
	S728 BL3	1			N N NA3L YS728BL3
8	4138 891	1			ROD, Armrest Lock Bar N N N Y4138891
	6006 324	1			NUT, Armrest Lock Rod N N N Y6006324
9	6030 082	2			BOLT, Armrest Attaching N N N Y6030082
	4138 742-3	1			ARM, Seat Back to Cushion w/Center Arm Rest N N N Y4138742
10	S876-7 SX9	1			COVER, Hinge Arm Outer (paint as required) N N N YS876SX9
	6030 981	2			NUT, Hinge Arm Cover Retaining N N N Y6030981
11					HEADREST N N N N
	S702 AA2	2			N N NA3A YS702AA2
	S702 SC7	2			N N NA3C YS702SC7
	S702 TM6	2			N N NA3M YS702TM6
	S702 BL3	2			N N NA3L,F4L YS702BL3
12					SLEEVE, Headrest N N N N

MODEL CODES

B = GRAN FURY	F = FIFTH AVENUE/NEWPORT	P = RELIANT
C = LEBARON/TOWN & COUNTRY/EXC SEDAN	G = DIPLOMAT	T = E CLASS/NEW YORKER
C24 = LASER	H = VOYAGER	V = 600
D = ARIES	K = MINI RAM/CARAVAN/ROYAL	V24 = DAYTONA
E = 600	M = HORIZON/TURISMO	Z = OMNI/CHARGER/RAMPAGE

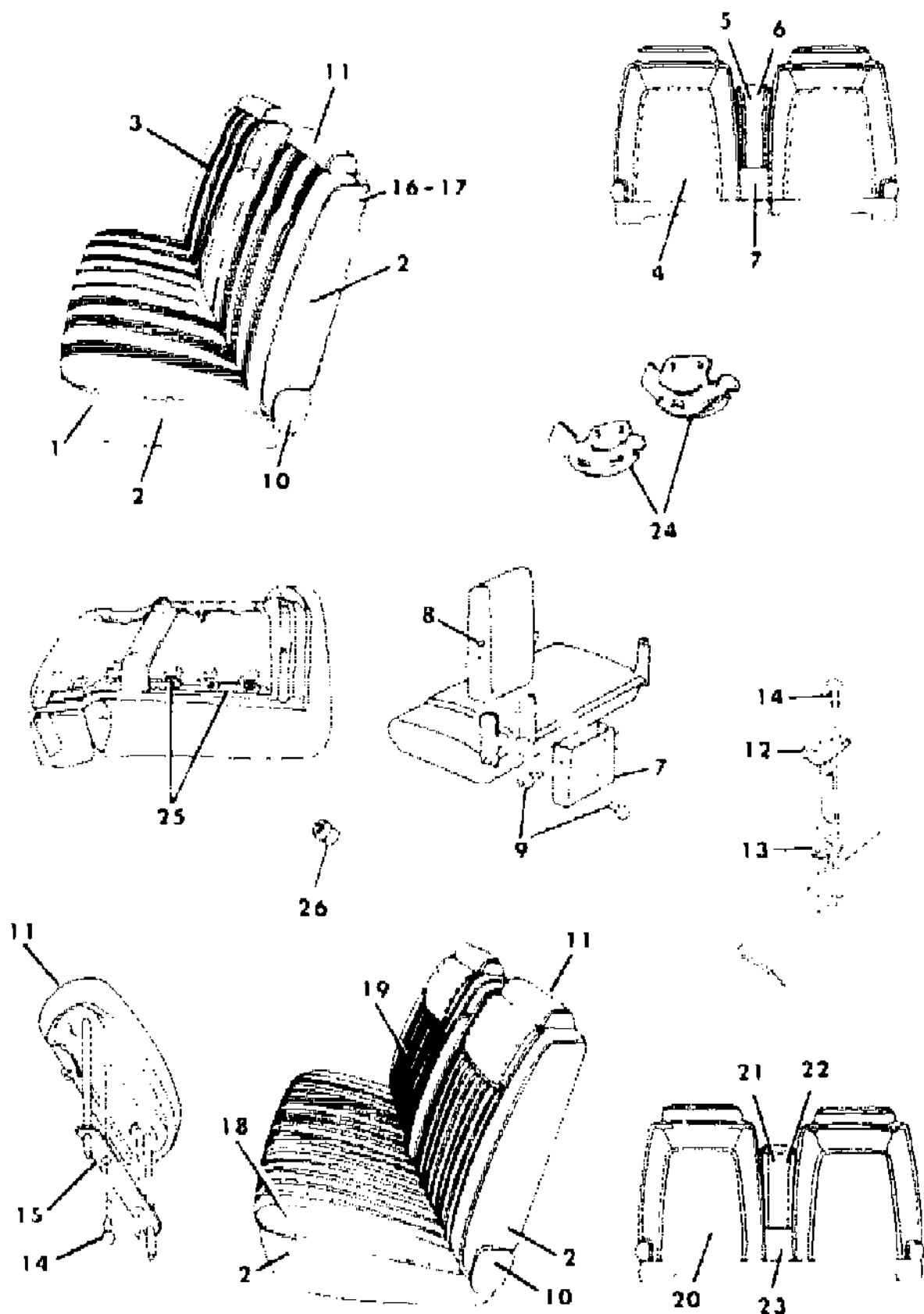
BODY STYLES

21 = 2-DOOR SEDAN	28 = FWD PICKUP	44 = 4-DOOR HATCHBACK
22 = 2-DOOR SPECIAL COUPE	35 = FWD VAN	45 = 4-DOOR STATION WAGON
24 = 2-DOOR HATCHBACK	36 = FWD WAGON	48 = 4-DOOR EXECUTIVE SEDAN
27 = 2-DOOR CONVERTIBLE	41 = 4-DOOR SEDAN	

AR = Use as Required - = Non Illustrated Part P.A.R. = Paint as Required

SEAT FRONT B,G M BODY TRIM CODES A3,F4
Figure ITM-1400

4244 1400



ITEM	PART NUMBER	QTY	BODY	MODEL	DESCRIPTION
	S690 AA3	4			N N NA3A YS690AA3
	S690 SC7	4			N N NA3C YS690SC7
	S690 TM6	4			N N NA3M YS690TM6
	S690 BL3	4			N N NA3L,F4L YS690BL3
13	4098 965	4			CATCH, Headrest N N N Y4098965
14		AR			SCREW (not serviced) N N N N
15	4018 808	2			COVER, Headrest Finish N N N Y4018808
16					BUTTON and RETAINER N N N N
	G385 AA2	AR			N N NA3A YG385AA2
	G385 VC8	AR			N N NA3C YG385VC8
	G385 VM6	AR			N N NA3M YG385VM6
	G385 BL3	AR			N N NA3L YG385BL3
17					RETAINER, Button (serviced in item 16) N N N N
18&2					CUSHION, w/Spring/Frame, Pad and Cover N N N N
	A650 B4L	1			(Standard) N N NF4L YA650B4L
	A655 B4L	1			(Heavy Duty) N N NF4L YA655B4L
18	A579 B4L	1			COVER, Cushion N N NF4L YA579B4L
19&2	A652-3 B4L	1			BACK, w/Spring/Frame, Pad and Cover N N NF4L YA652B4L
19	A478-9 B4L	1			COVER, Back N N NF4L YA478B4L
20	S778-9 BL3	1			PANEL, Back of Front Back N N NF4L YS778BL3
21-22	B657 BL3	1			ARMREST and COVER N N NF4L YB657BL3
22	B376 BL3	1			COVER, Armrest N N NF4L YB376BL3
23	S728 BL3	1			COVER, Armrest Finish N N NF4L YS728BL3
24	4190 698-9	1			REINFORCEMENT, Cushion to Back Attaching N N N Y4190698
25	6008 076	AR			HOG RING N N N Y6008076
26	4190 488	1			BUSHING, Inner Pivot Pin Right Only N N N Y4190488

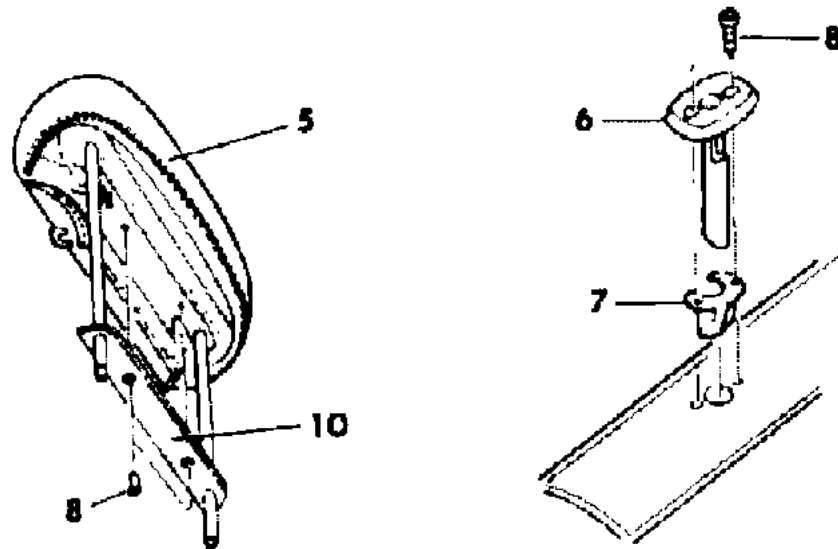
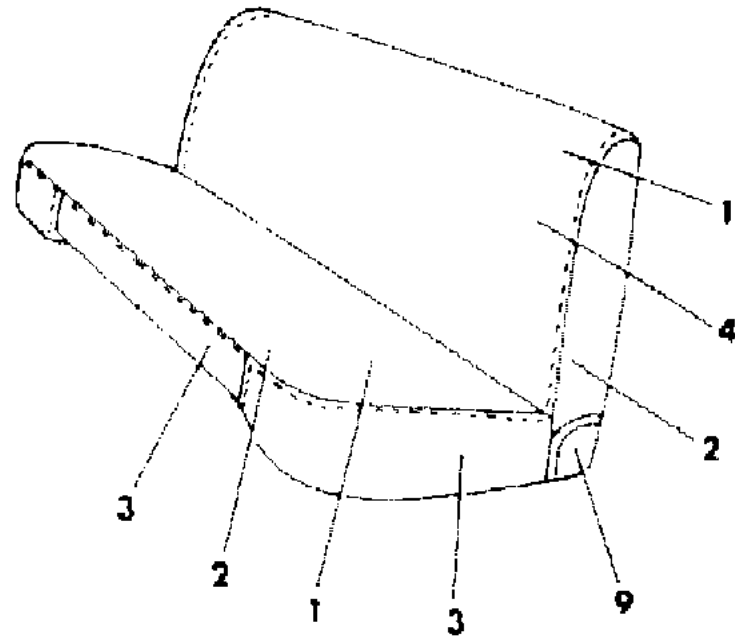
MODEL CODES
 B = GRAN FURY
 C = LEBARON/TOWN & COUNTRY/EXC SEDAN
 C24 = LASER
 D = ARIES
 E = 600
 F = FIFTH AVENUE/NEWPORT
 G = DIPLOMAT
 H = VOYAGER
 K = MINI RAM/CARAVAN/ROYAL
 M = HORIZON/TURISMO
 P = RELIANT
 T = E CLASS/NEW YORKER
 V = 600
 V24 = DAYTONA
 Z = OMNI/CHARGER/RAMPAGE

BODY STYLES
 21 = 2-DOOR SEDAN
 22 = 2-DOOR SPECIAL COUPE
 24 = 2-DOOR HATCHBACK
 27 = 2-DOOR CONVERTIBLE
 28 = FWD PICKUP
 35 = FWD VAN
 36 = FWD WAGON
 41 = 4-DOOR SEDAN
 44 = 4-DOOR HATCHBACK
 45 = 4-DOOR STATION WAGON
 48 = 4-DOOR EXECUTIVE SEDAN

AR = Use as Required - = Non Illustrated Part P.A.R. = Paint as Required

SEAT FRONT B,G M BODY TRIM CODE K2
Figure ITM-1500

4244 1500



ITEM	PART NUMBER	QTY	BODY	MODEL	DESCRIPTION
1-3					CUSHION, w/Spring/Frame, Pad and Cover N N N N
	N702 B2C	1			N N NK2C YN702B2C
	N702 B2L	1			N N NK2L YN702B2L
1					COVER, Cushion N N N N
	B313 V2C	1			N N NK2C YB313V2C
	B313 B2L	1			N N NK2L YB313B2L
2					ROLL STOCK, Vinyl 54" Wide Order By The Inch N N N N
	R615 VC8	AR			Blue N N N YR615VC8
	R615 BL3	AR			Tan N N N YR615BL3
3					ROLL STOCK, Vinyl 64" Wide Order By The Inch N N N N
	R616 VC8	AR			Blue N N N YR616VC8
	R616 BL3	AR			Tan N N N YR616BL3
4&2-3					BACK, w/Spring/Frame, Pad and Cover N N N N
	N695 V2C	1			N N NK2C YN695V2C
	N695 B2L	1			N N NK2L YN695B2L
4					COVER, Back N N N N
	N125 V2C	1			N N NK2C YN125V2C
	N125 B2L	1			N N NK2L YN125B2L
5					HEADREST N N N N
	S814 SC7	2			N N NK2C YS814SC7
	S814 BL3	2			N N NK2L YS814BL3
6					SLEEVE, Headrest N N N N
	S815 SC7	4			N N NK2C YS815SC7
	S815 BL3	4			N N NK2L YS815BL3
7	4098 871	4			CATCH, Headrest N N N Y4098871
8		AR			SCREW (not serviced) N N N N
9					COVER, Hinge Arm Outer N N N N
	S615 SC7	2			Blue N N N YS615SC7
	S615 BL3	2			Tan N N N YS615BL3
10	4018 808	2			COVER, Head Rest Finish N N N Y4018808
The following parts are not illustrated. NGER WAGON USES THE TWO (2) PASSENGER STATIONARY SEAT PLUS THE FOLDING REAR SEAT.					
	6029 579	2			BOLT, Front Back to Cushion Attaching N N N Y6029579
	4029 749	1			PAD, Heavy Duty Front Cushion N N N Y4029749

MODEL CODES

B = GRAN FURY	F = FIFTH AVENUE/NEWPORT	P = RELIANT
C = LEBARON/TOWN & COUNTRY/EXC SEDAN	G = DIPLOMAT	T = E CLASS/NEW YORKER
C24 = LASER	H = VOYAGER	V = 600
D = ARIES	K = MINI RAM/CARAVAN/ROYAL	V24 = DAYTONA
E = 600	M = HORIZON/TURISMO	Z = OMNI/CHARGER/RAMPAGE

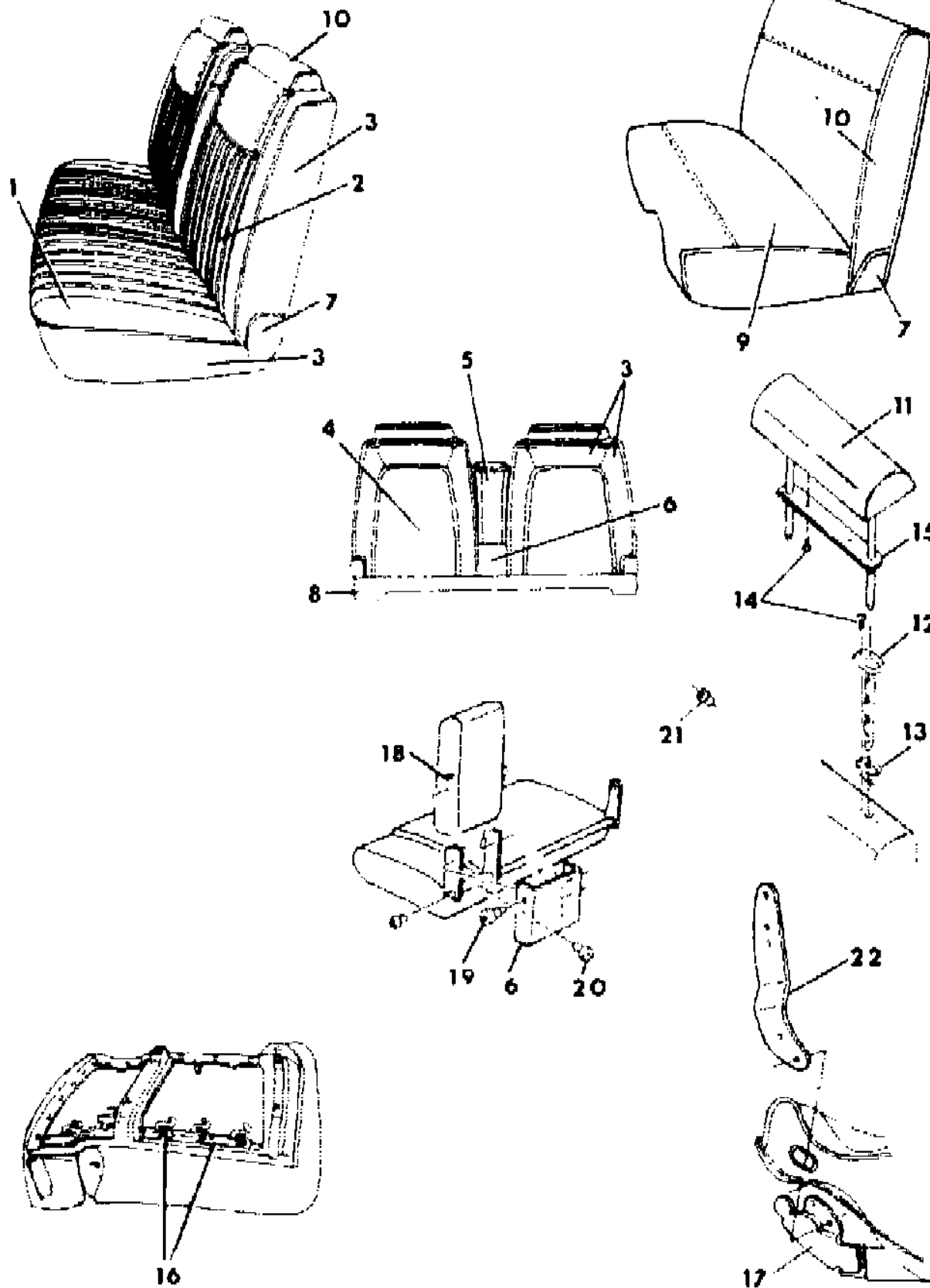
BODY STYLES

21 = 2-DOOR SEDAN	28 = FWD PICKUP	44 = 4-DOOR HATCHBACK
22 = 2-DOOR SPECIAL COUPE	35 = FWD VAN	45 = 4-DOOR STATION WAGON
24 = 2-DOOR HATCHBACK	36 = FWD WAGON	48 = 4-DOOR EXECUTIVE SEDAN
27 = 2-DOOR CONVERTIBLE	41 = 4-DOOR SEDAN	

AR = Use as Required - = Non Illustrated Part P.A.R. = Paint as Required

SEAT FRONT B,F,G M BODY FLEET POLICE AND OTHERS
Figure ITM-1600

4244 1600



ITEM	PART NUMBER	QTY	BODY	MODEL	DESCRIPTION
NOTE: Special equipment code is in the trim column. NGER WAGON USES THE TWO (2) PASSENGER STATIONARY SEAT PLUS THE FOLDING REAR SEAT.					
1	4196 517	1			COVER, Cushion N N N N Red, Vinyl N N NCBBP Y4196517
2	4196 518-9	1			COVER, Back N N N N Red, Vinyl N N NCBBP Y4196518
3	R616 VC8	AR			ROLL STOCK, Vinyl 64" Wide Order by the Inch. N N N N Blue N N N YR616VC8
	R616 VM6	AR			Red N N N YR616VM6
	R616 BL3	AR			Beige N N N YR616BL3
4	S778-9 VM6	1			PANEL, Back of Front Back N N N N Red N N N YS778VM6
5	4196 522	1			COVER, Armrest N N N N Red, Vinyl N N N Y4196522
6	S728 TM6	1			COVER, Armrest Finish N N N N Red N N N YS728TM6
7	S876-7 SX9	1			COVER, Hinge Arm Outer (black) (paint as required) N N N YS876SX9
8	R112 TM6	AR			CARPET, 54" Wide Order by the Inch. N N N N Red N N N YR112TM6
9	4196 800	1			COVER, Cushion N N N N Blue, Cloth N N NCBAN,CBAP Y4196800
	4196 804	1			Beige, Cloth N N NCBAN,CBAP Y4196804
10	4196 801	1			COVER, Back N N N N Blue, Cloth N N NCBAN,CBAP Y4196801
	4196 805	1			Beige, Cloth N N NCBAN,CBAP Y4196805
11	S702 SC7	2			HEADREST and COVER N N N N Blue N N N YS702SC7
	S702 TM6	2			Red N N N YS702TM6
	S702 BL3	2			Beige N N N YS702BL3
10	S690 SC7	4			SLEEVE, Headrest N N N N Blue N N N YS690SC7
	S690 TM6	4			Red N N N YS690TM6
	S690 BL3	4			Beige N N N YS690BL3
13	4098 965	4			CATCH, Headrest N N N Y4098965
14		AR			SCREW (not serviced) N N N N
15	4018 808	2			COVER, Headrest Finish N N N Y4018808
16	6008 076	AR			HOG RING N N N Y6008076

MODEL CODES

B = GRAN FURY	F = FIFTH AVENUE/NEWPORT	P = RELIANT
C = LEBARON/TOWN & COUNTRY/EXC SEDAN	G = DIPLOMAT	T = E CLASS/NEW YORKER
C24 = LASER	H = VOYAGER	V = 600
D = ARIES	K = MINI RAM/CARAVAN/ROYAL	V24 = DAYTONA
E = 600	M = HORIZON/TURISMO	Z = OMNI/CHARGER/RAMPAGE

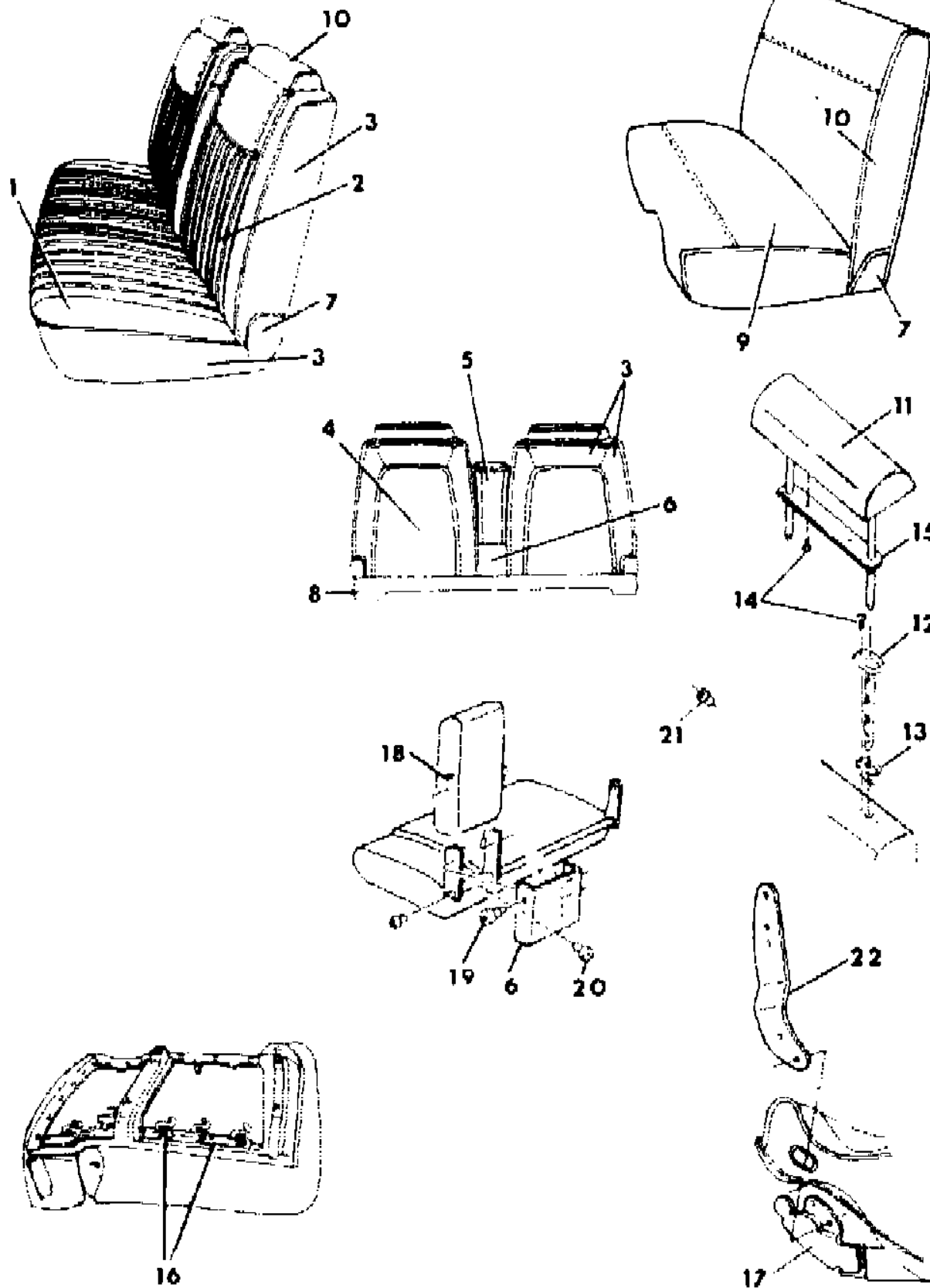
BODY STYLES

21 = 2-DOOR SEDAN	28 = FWD PICKUP	44 = 4-DOOR HATCHBACK
22 = 2-DOOR SPECIAL COUPE	35 = FWD VAN	45 = 4-DOOR STATION WAGON
24 = 2-DOOR HATCHBACK	36 = FWD WAGON	48 = 4-DOOR EXECUTIVE SEDAN
27 = 2-DOOR CONVERTIBLE	41 = 4-DOOR SEDAN	

AR = Use as Required - = Non Illustrated Part P.A.R. = Paint as Required

SEAT FRONT B,F,G M BODY FLEET POLICE AND OTHERS
Figure ITM-1600

4244 1600



ITEM	PART NUMBER	QTY	BODY	MODEL	DESCRIPTION
17	4190 698-9	1			REINFORCEMENT, Cushion to Back Attaching N N N Y4190698
18	4138 891	1			ROD, Armrest Lock N N N Y4138891
	6006 324	1			NUT, Arm Rest Lock Rod N N N Y6006324
19	6030 082	2			BOLT N N N Y6030082
20	0181 063	AR			SCREW N N N Y181063
21	4190 488	1			BUSHING, Inner Pivot Right Only N N N Y4190488
22	4190 698-9	1			REINFORCEMENT, Cushion to Back Attaching N N N Y4190698

MODEL CODES

B = GRAN FURY	F = FIFTH AVENUE/NEWPORT	P = RELIANT
C = LEBARON/TOWN & COUNTRY/EXC SEDAN	G = DIPLOMAT	T = E CLASS/NEW YORKER
C24 = LASER	H = VOYAGER	V = 600
D = ARIES	K = MINI RAM/CARAVAN/ROYAL	V24 = DAYTONA
E = 600	M = HORIZON/TURISMO	Z = OMNI/CHARGER/RAMPAGE

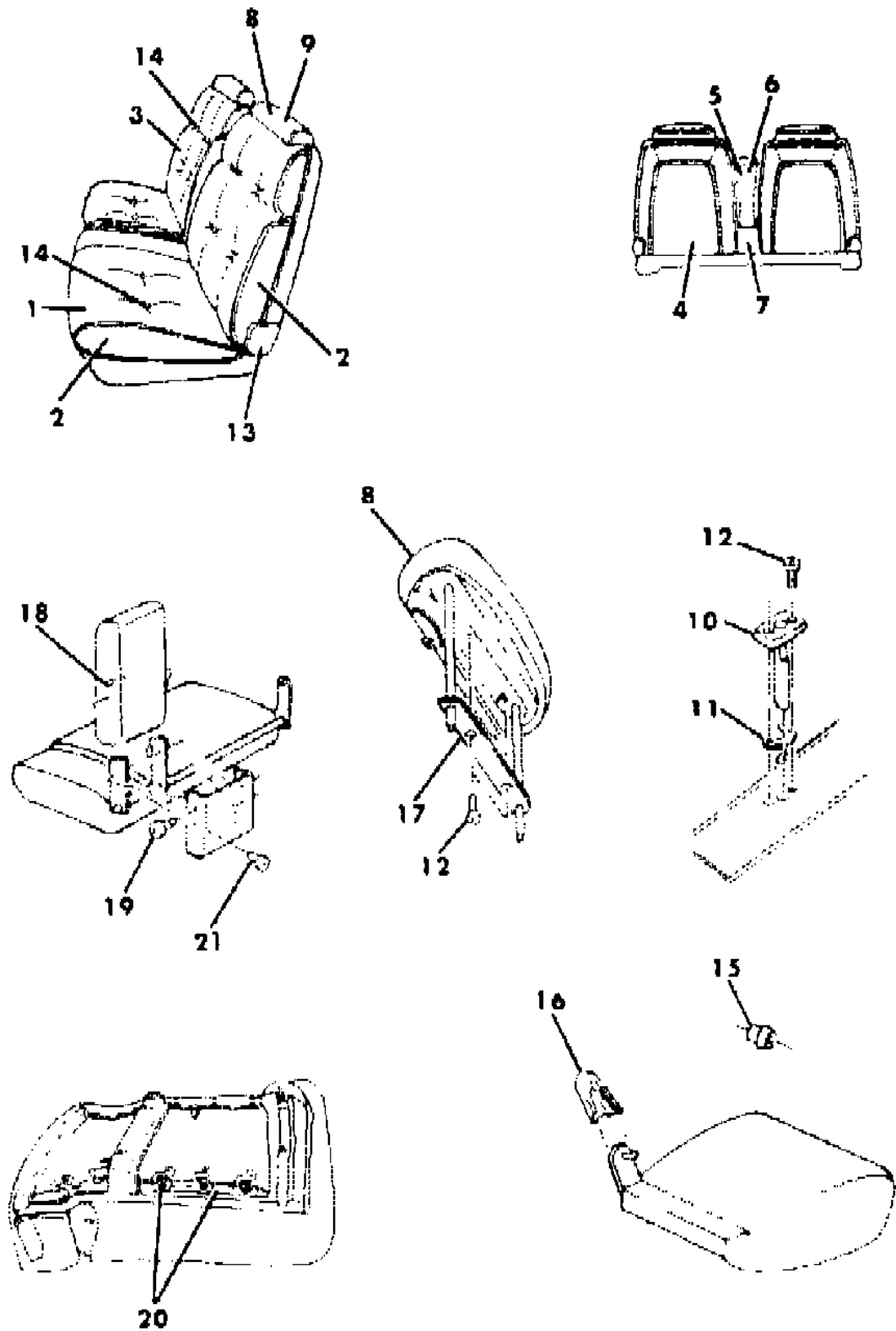
BODY STYLES

21 = 2-DOOR SEDAN	28 = FWD PICKUP	44 = 4-DOOR HATCHBACK
22 = 2-DOOR SPECIAL COUPE	35 = FWD VAN	45 = 4-DOOR STATION WAGON
24 = 2-DOOR HATCHBACK	36 = FWD WAGON	48 = 4-DOOR EXECUTIVE SEDAN
27 = 2-DOOR CONVERTIBLE	41 = 4-DOOR SEDAN	

AR = Use as Required - = Non Illustrated Part P.A.R. = Paint as Required

SEAT FRONT B,F,G M BODY TRIM CODES C9,H9
Figure ITM-1700

4244 1700



ITEM	PART NUMBER	QTY	BODY	MODEL	DESCRIPTION
1-2					CUSHION, w/Spring/Frame, Pad and Cover N N N N
	A632-3 C9A	1			Sample of Material Required N N NC9A,H9A YA632C9A
	A632-3 CCA	1			Sample of Material Required N N NC9A,H9A YA632CCA
	A632-3 C9C	1			Sample of Material Required N N NC9C,H9C YA632C9C
	A632-3 CCC	1			Sample of Material Required N N NC9C,H9C YA632CCC
	A632-3 C9M	1			Sample of Material Required N N NC9M,H9M YA632C9M
	A632-3 CCM	1			Sample of Material Required N N NC9M,H9M YA632CCM
	A632-3 C9L	1			Sample of Material Required N N NC9L,H9L YA632C9L
	A632-3 CCL	1			Sample of Material Required N N NC9L,H9L YA632CCL
1					COVER, Cushion N N N N
	A378-9 C9A	1			Sample of Material Required N N NC9A,H9A YA378C9A
	A378-9 CCA	1			Sample of Material Required N N NC9A,H9A YA378CCA
	A378-9 C9C	1			Sample of Material Required N N NC9C,H9C YA378C9C
	A378-9 CCC	1			Sample of Material Required N N NC9C,H9C YA378CCC
	A378-9 C9M	1			Sample of Material Required N N NC9M,H9M YA378C9M
	A378-9 CCM	1			Sample of Material Required N N NC9M,H9M YA378CCM
	A378-9 C9L	1			Sample of Material Required N N NC9L,H9L YA378C9L
	A378-9 CCL	1			Sample of Material Required N N NC9L,H9L YA378CCL
2					ROLL STOCK, Cloth 54' Wide Order by the Inch N N N N
	R021 CA3	AR			Sample of Material Required N N NC9A,H9A YR021CA3
	R093 AA3	AR			Sample of Material Required N N NC9A,H9A YR093AA3
	R021 CC7	AR			Sample of Material Required N N NC9C,H9C YR021CC7
	R093 AC7	AR			Sample of Material Required N N NC9C,H9C YR093AC7
	R021 CM6	AR			Sample of Material Required N N NC9M,H9M YR021CM6
	R093 AM6	AR			Sample of Material Required N N NC9M,H9M YR093AM6
	R021 CL3	AR			Sample of Material Required N N NC9L,H9L YR021CL3
	R093 BL3	AR			Sample of Material Required N N NC9L,H9L YR093BL3
2-3					BACK, w/Spring/Frame, Pad and Cover N N N N
	A634-5 C9A	1			Sample of Material Required N N NC9A,H9A YA634C9A
	A634-5 CCA	1			Sample of Material Required N N NC9A,H9A YA634CCA
	A634-5 C9C	1			Sample of Material Required N N NC9C,H9C YA634C9C
	A634-5 CCC	1			Sample of Material Required N N NC9C,H9C YA634CCC
	A634-5 C9M	1			Sample of Material Required N N NC9M,H9M YA634C9M
	A634-5 CCM	1			Sample of Material Required N N NC9M,H9M YA634CCM
	A634-5 C9L	1			Sample of Material Required N N NC9L,H9L YA634C9L
	A634-5 CCL	1			Sample of Material Required N N NC9L,H9L YA634CCL
3					COVER, Back N N N N
	A380-1 C9A	1			Sample of Material Required N N NC9A,H9A YA380C9A

MODEL CODES

B = GRAN FURY	F = FIFTH AVENUE/NEWPORT	P = RELIANT
C = LEBARON/TOWN & COUNTRY/EXC SEDAN	G = DIPLOMAT	T = E CLASS/NEW YORKER
C24 = LASER	H = VOYAGER	V = 600
D = ARIES	K = MINI RAM/CARAVAN/ROYAL	V24 = DAYTONA
E = 600	M = HORIZON/TURISMO	Z = OMNI/CHARGER/RAMPAGE

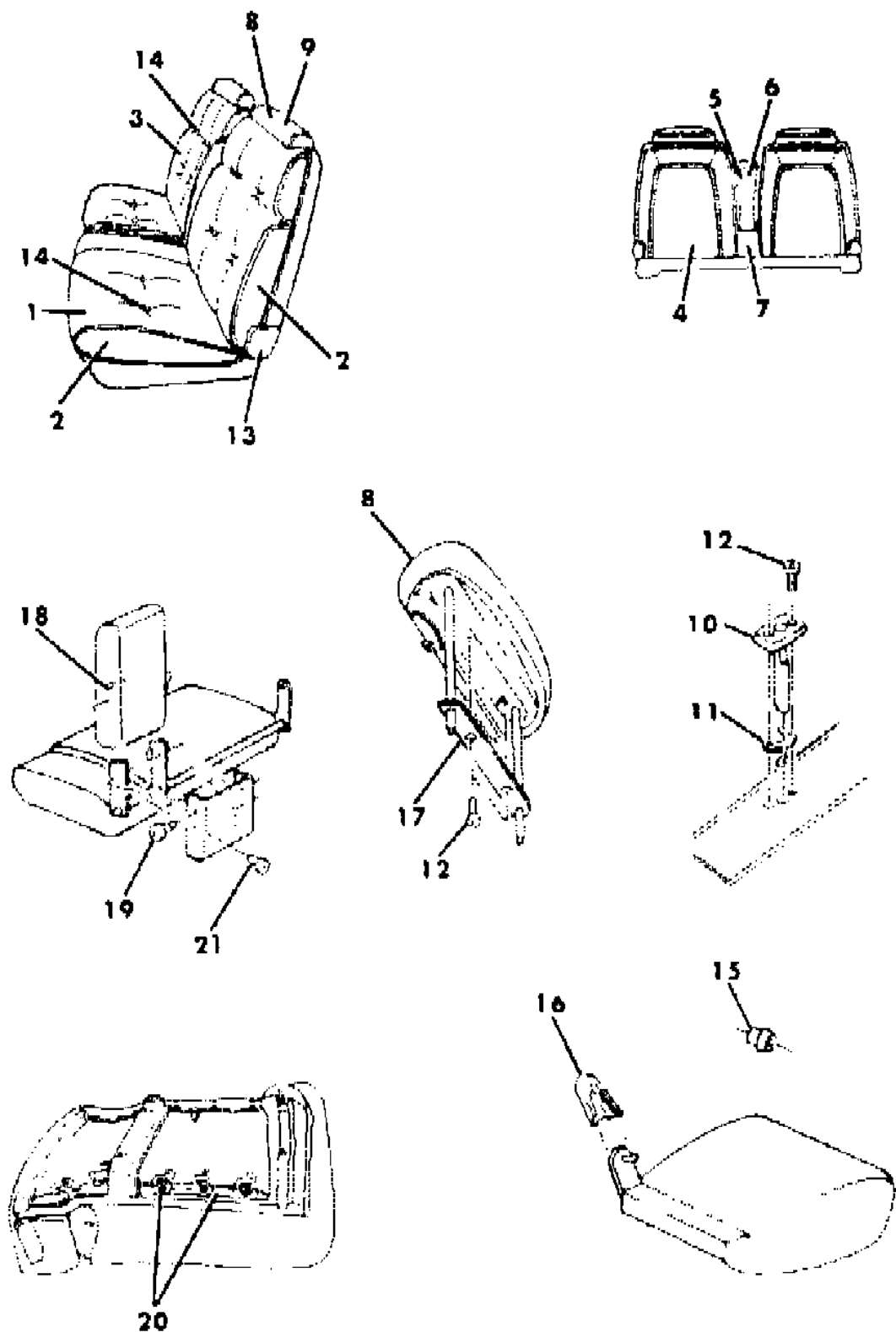
BODY STYLES

21 = 2-DOOR SEDAN	28 = FWD PICKUP	44 = 4-DOOR HATCHBACK
22 = 2-DOOR SPECIAL COUPE	35 = FWD VAN	45 = 4-DOOR STATION WAGON
24 = 2-DOOR HATCHBACK	36 = FWD WAGON	48 = 4-DOOR EXECUTIVE SEDAN
27 = 2-DOOR CONVERTIBLE	41 = 4-DOOR SEDAN	

AR = Use as Required - = Non Illustrated Part P.A.R. = Paint as Required

SEAT FRONT B,F,G M BODY TRIM CODES C9,H9
Figure ITM-1700

4244 1700



ITEM	PART NUMBER	QTY	BODY	MODEL	DESCRIPTION
	A380-1 CCA	1			Sample of Material Required N N NC9A,H9A YA380CCA
	A380-1 C9C	1			Sample of Material Required N N NC9C,H9C YA380C9C
	A380-1 CCC	1			Sample of Material Required N N NC9C,H9C YA380CCC
	A380-1 C9M	1			Sample of Material Required N N NC9M,H9M YA380C9M
	A380-1 CCM	1			Sample of Material Required N N NC9M,H9M YA380CCM
	A380-1 C9L	1			Sample of Material Required N N NC9L,H9L YA380C9L
	A380-1 CCL	1			Sample of Material Required N N NC9L,H9L YA380CCL
4					PANEL, Back of Front Back N N N N
	S738 CA3	2			Sample of Material Required N N NC9A,H9A YS738CA3
	S738 CAA	2			Sample of Material Required N N NC9A,H9A YS738CAA
	S738 CC7	2			Sample of Material Required N N NC9C,H9C YS738CC7
	S738 CCC	2			Sample of Material Required N N NC9C,H9C YS738CCC
	S738 CM6	2			Sample of Material Required N N NC9M,H9M YS738CM6
	S738 CMM	2			Sample of Material Required N N NC9M,H9M YS738CMM
	S738 CL3	2			Sample of Material Required N N NC9L,H9L YS738CL3
	S738 CLL	2			Sample of Material Required N N NC9L,H9L YS738CLL
5-6					ARMREST and COVER N N N N
	A642 CA3	1			Sample of Material Required N N NC9A,H9A YA642CA3
	A642 CCA	1			Sample of Material Required N N NC9A,H9A YA642CCA
	A642 CC7	1			Sample of Material Required N N NC9C,H9C YA642CC7
	A642 CCC	1			Sample of Material Required N N NC9C,H9C YA642CCC
	A642 CM6	1			Sample of Material Required N N NC9M,H9M YA642CM6
	A642 CCM	1			Sample of Material Required N N NC9M,H9M YA642CCM
	A642 CL3	1			Sample of Material Required N N NC9L,H9L YA642CL3
	A642 CCL	1			Sample of Material Required N N NC9L,H9L YA642CCL
6					COVER, Armrest N N N N
	A384 CA3	1			Sample of Material Required N N NC9A,H9A YA384CA3
	A384 CCA	1			Sample of Material Required N N NC9A,H9A YA384CCA
	A384 CC7	1			Sample of Material Required N N NC9C,H9C YA384CC7
	A384 CCC	1			Sample of Material Required N N NC9C,H9C YA384CCC
	A384 CM6	1			Sample of Material Required N N NC9M,H9M YA384CM6
	A384 CCM	1			Sample of Material Required N N NC9M,H9M YA384CCM
	A384 CL3	1			Sample of Material Required N N NC9L,H9L YA384CL3
	A384 CCL	1			Sample of Material Required N N NC9L,H9L YA384CCL
7					COVER, Armrest Finish N N N N
	S580 AA3	1			N N NC9A,H9A YS580AA3
	S580 VC7	1			N N NC9C,H9C YS580VC7
	S580 VM6	1			N N NC9M,H9M YS580VM6

MODEL CODES

B = GRAN FURY	F = FIFTH AVENUE/NEWPORT	P = RELIANT
C = LEBARON/TOWN & COUNTRY/EXC SEDAN	G = DIPLOMAT	T = E CLASS/NEW YORKER
C24 = LASER	H = VOYAGER	V = 600
D = ARIES	K = MINI RAM/CARAVAN/ROYAL	V24 = DAYTONA
E = 600	M = HORIZON/TURISMO	Z = OMNI/CHARGER/RAMPAGE

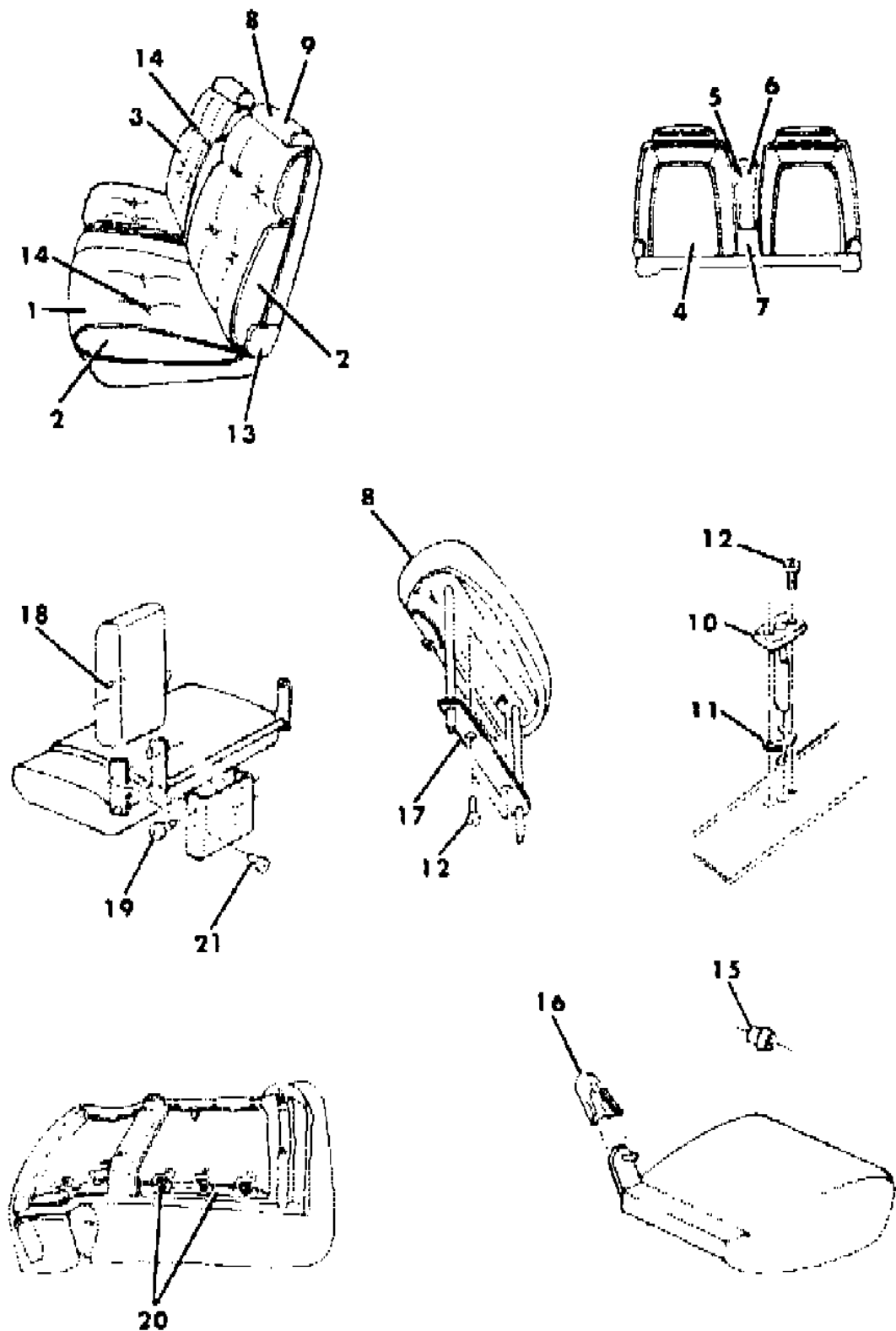
BODY STYLES

21 = 2-DOOR SEDAN	28 = FWD PICKUP	44 = 4-DOOR HATCHBACK
22 = 2-DOOR SPECIAL COUPE	35 = FWD VAN	45 = 4-DOOR STATION WAGON
24 = 2-DOOR HATCHBACK	36 = FWD WAGON	48 = 4-DOOR EXECUTIVE SEDAN
27 = 2-DOOR CONVERTIBLE	41 = 4-DOOR SEDAN	

AR = Use as Required - = Non Illustrated Part P.A.R. = Paint as Required

SEAT FRONT B,F,G M BODY TRIM CODES C9,H9
Figure ITM-1700

4244 1700



ITEM	PART NUMBER	QTY	BODY	MODEL	DESCRIPTION
	S580 BL3	1			N N NC9L,H9L YS580BL3
8-9					HEADREST and COVER N N N N
	A641 CA3	2			Sample of Material Required N N NC9A,H9A YA641CA3
	A641 CCA	2			Sample of Material Required N N NC9A,H9A YA641CCA
	A641 CC7	2			Sample of Material Required N N NC9C,H9C YA641CC7
	A641 CCC	2			Sample of Material Required N N NC9C,H9C YA641CCC
	A641 CM6	2			Sample of Material Required N N NC9M,H9M YA641CM6
	A641 CCM	2			Sample of Material Required N N NC9M,H9M YA641CCM
	A641 CL3	2			Sample of Material Required N N NC9L,H9L YA641CL3
	A641 CCL	2			Sample of Material Required N N NC9L,H9L YA641CCL
9					COVER, Headrest N N N N
	A385 CA3	2			Sample of Material Required N N NC9A,H9A YA385CA3
	A385 CCA	2			Sample of Material Required N N NC9A,H9A YA385CCA
	A385 CC7	2			Sample of Material Required N N NC9C,H9C YA385CC7
	A385 CCC	2			Sample of Material Required N N NC9C,H9C YA385CCC
	A385 CM6	2			Sample of Material Required N N NC9M,H9M YA385CM6
	A385 CCM	2			Sample of Material Required N N NC9M,H9M YA385CCM
	A385 CL3	2			Sample of Material Required N N NC9L,H9L YA385CL3
	A385 CCL	2			Sample of Material Required N N NC9L,H9L YA385CCL
10					SLEEVE, Headrest N N N N
	S690 AA3	4			Silver N N N YS690AA3
	S690 SC7	4			Blue N N N YS690SC7
	S690 TM6	4			Red N N N YS690TM6
	S690 BL3	4			Tan N N N YS690BL3
11	4098 965	4			CATCH, Headrest N N N Y4098965
12		AR			SCREW (not serviced) N N N N
13	S876-7 SX9	1			COVER, Hinge Arm Outer (paint as required) N N N YS876SX9
	6030 981	2			NUT, Hinge Arm Cover N N N Y6030981
14					BUTTON, Cushion and Back N N N N
	G380 CA3	AR			N N NC9A,H9A YG380CA3
	G380 CC7	AR			N N NC9C,H9C YG380CC7
	G380 CM6	AR			N N NC9M,H9M YG380CM6
	G380 CL3	AR			N N NC9L,H9L YG380CL3
15	4029 846	1			BUSHING, Front Cushion Inner Pivot Pin Right Only N N N Y4029846
16					COVER, Cushion Inner Bracket Right N N N N
	S682 AA3	1			Silver N N N YS682AA3
	S682 SC7	1			Blue N N N YS682SC7

MODEL CODES

B = GRAN FURY	F = FIFTH AVENUE/NEWPORT	P = RELIANT
C = LEBARON/TOWN & COUNTRY/EXC SEDAN	G = DIPLOMAT	T = E CLASS/NEW YORKER
C24 = LASER	H = VOYAGER	V = 600
D = ARIES	K = MINI RAM/CARAVAN/ROYAL	V24 = DAYTONA
E = 600	M = HORIZON/TURISMO	Z = OMNI/CHARGER/RAMPAGE

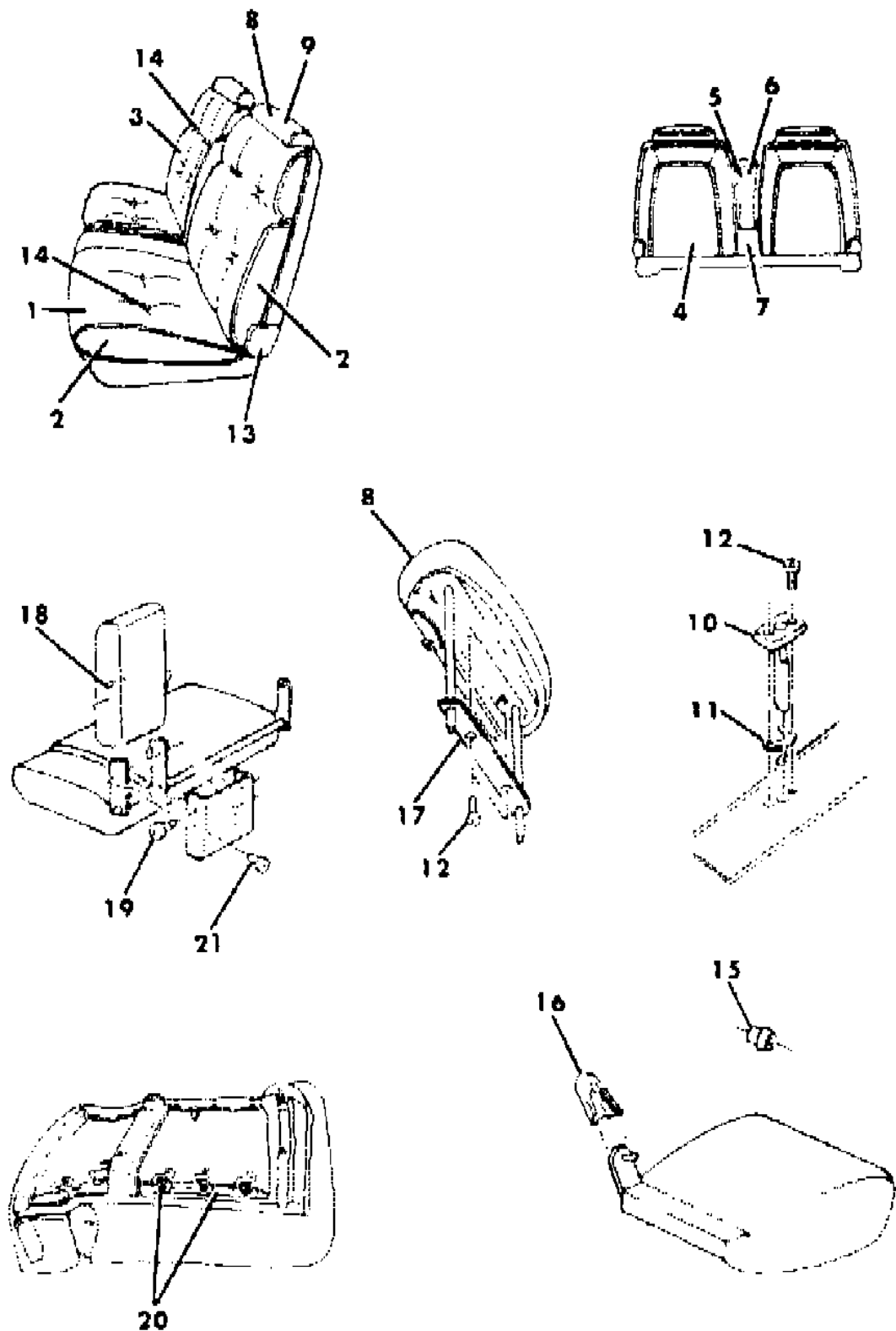
BODY STYLES

21 = 2-DOOR SEDAN	28 = FWD PICKUP	44 = 4-DOOR HATCHBACK
22 = 2-DOOR SPECIAL COUPE	35 = FWD VAN	45 = 4-DOOR STATION WAGON
24 = 2-DOOR HATCHBACK	36 = FWD WAGON	48 = 4-DOOR EXECUTIVE SEDAN
27 = 2-DOOR CONVERTIBLE	41 = 4-DOOR SEDAN	

AR = Use as Required - = Non Illustrated Part P.A.R. = Paint as Required

SEAT FRONT B,F,G M BODY TRIM CODES C9,H9
Figure ITM-1700

4244 1700



ITEM	PART NUMBER	QTY	BODY	MODEL	DESCRIPTION
	S682 TM6	1			Red N N N YS682TM6
	S682 BL3	1			Tan N N N YS682BL3
17	4018 808	2			COVER, Headrest Finish N N N Y4018808
18	4138 891	1			ROD, Armrest Lock N N N Y4138891
	6006 324	1			NUT, Armrest Lock Rod N N N Y6006324
19	6030 082	2			BOLT, Armrest Attaching N N N Y6030082
20	6008 076	AR			HOG RING N N N Y6008076
21	0181 063	2			SCREW, Armrest to Seat Back N N N Y181063
The following parts are not illustrated. NGER WAGON USES THE TWO (2) PASSENGER STATIONARY SEAT PLUS THE FOLDING REAR SEAT.					
	4138 743	1			ARM, Seat Back To Cushion w/Center Arm Rest, Left N N N Y4138743
	4098 886	1			Right N N N Y4098886

MODEL CODES

B = GRAN FURY	F = FIFTH AVENUE/NEWPORT	P = RELIANT
C = LEBARON/TOWN & COUNTRY/EXC SEDAN	G = DIPLOMAT	T = E CLASS/NEW YORKER
C24 = LASER	H = VOYAGER	V = 600
D = ARIES	K = MINI RAM/CARAVAN/ROYAL	V24 = DAYTONA
E = 600	M = HORIZON/TURISMO	Z = OMNI/CHARGER/RAMPAGE

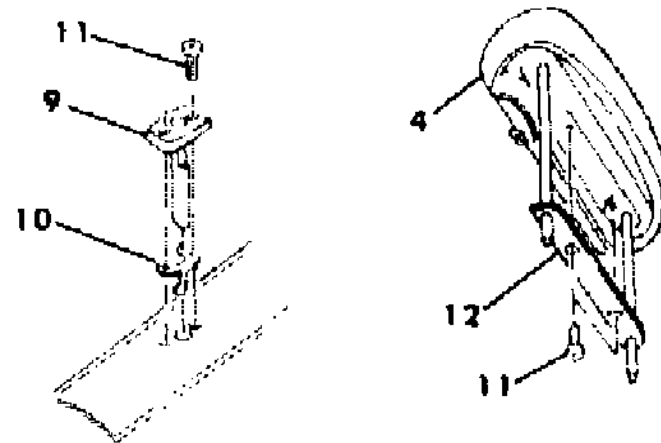
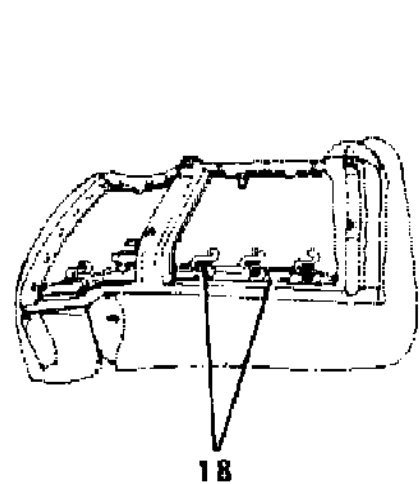
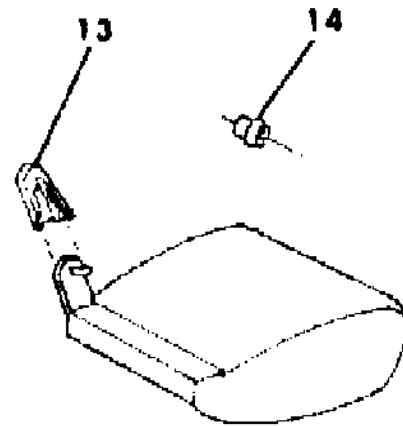
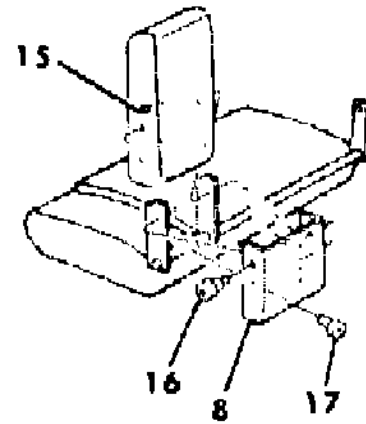
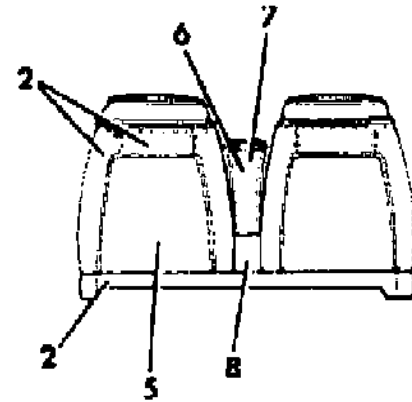
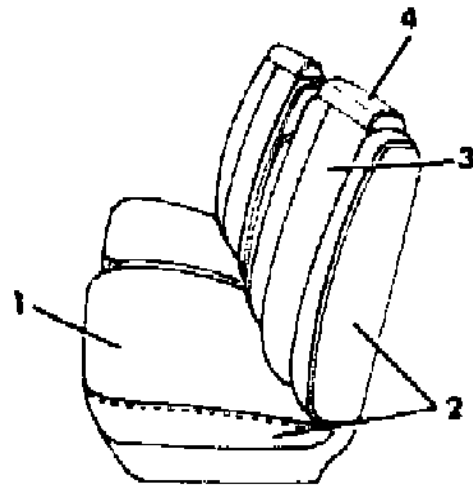
BODY STYLES

21 = 2-DOOR SEDAN	28 = FWD PICKUP	44 = 4-DOOR HATCHBACK
22 = 2-DOOR SPECIAL COUPE	35 = FWD VAN	45 = 4-DOOR STATION WAGON
24 = 2-DOOR HATCHBACK	36 = FWD WAGON	48 = 4-DOOR EXECUTIVE SEDAN
27 = 2-DOOR CONVERTIBLE	41 = 4-DOOR SEDAN	

AR = Use as Required - = Non Illustrated Part P.A.R. = Paint as Required

SEAT FRONT B,G M BODY TRIM CODE KX
Figure ITM-1800

4244 1800



ITEM	PART NUMBER	QTY	BODY	MODEL	DESCRIPTION
1-2					CUSHION, w/Spring/Frame, Pad and Cover N N N N
	N706-7 BXL	1			N N NKXL YN706BXL
1					COVER, Cushion N N N N
	N462-3 BXL	1			N N NKXL YN462BXL
2	R616 BL3	AR			ROLL STOCK, Vinyl 64" Wide Order By The Inch N N NKXL YR616BL3
3-2	N708-9 BXL	1			BACK, w/Spring/Frame, Pad and Cover N N NKXL YN708BXL
3	N198-9 BXL	1			COVER, Back N N NKXL YN198BXL
4	S702 BL3	2			HEADREST N N NKXL YS702BL3
5	S740 BL3	2			PANEL, Back of Front Back N N NKXL YS740BL3
6-7	G701 BL3	1			ARMREST and COVER N N NKXL YG701BL3
7	B376 BL3	1			COVER, Armrest N N NKXL YB376BL3
8	S580 BL3	1			COVER, Armrest Finish N N NKXL YS580BL3
9	S690 BL3	4			SLEEVE, Headrest N N NKXL YS690BL3
10	4098 965	4			CATCH, Headrest N N NKXL Y4098965
11		AR			SCREW (not serviced) N N N N
12	4018 808	2			COVER, Headrest Finish N N N Y4018808
13	S876-7 SX9	1			COVER, Hinge Arm Outer (paint as required) N N NKXL YS876SX9
	S682 BL3	1			COVER, Hinge Arm Inner Right Only N N N YS682BL3
14	4190 488	1			BUSHING, Front Seat Cushion Inner Pivot Pin Right Only N N N Y4190488
15	4138 891	1			ROD, Armrest Lock N N N Y4138891
	6006 324	1			NUT, Armrest Lock Rod N N N Y6006324
16	6030 082	2			BOLT, Armrest Attaching N N N Y6030082
17	0181 063	AR			SCREW, Armrest to Seat Back N N N Y181063
18	6008 076	AR			HOG RING N N N Y6008076
The following parts are not illustrated. NGER WAGON USES THE TWO (2) PASSENGER STATIONARY SEAT PLUS THE FOLDING REAR SEAT.					
	4098 886	1			ARM, Front Seat Back to Cushion, Right N N N Y4098886
	4138 765	1			Left N N N Y4138765

MODEL CODES

B = GRAN FURY	F = FIFTH AVENUE/NEWPORT	P = RELIANT
C = LEBARON/TOWN & COUNTRY/EXC SEDAN	G = DIPLOMAT	T = E CLASS/NEW YORKER
C24 = LASER	H = VOYAGER	V = 600
D = ARIES	K = MINI RAM/CARAVAN/ROYAL	V24 = DAYTONA
E = 600	M = HORIZON/TURISMO	Z = OMNI/CHARGER/RAMPAGE

BODY STYLES

21 = 2-DOOR SEDAN	28 = FWD PICKUP	44 = 4-DOOR HATCHBACK
22 = 2-DOOR SPECIAL COUPE	35 = FWD VAN	45 = 4-DOOR STATION WAGON
24 = 2-DOOR HATCHBACK	36 = FWD WAGON	48 = 4-DOOR EXECUTIVE SEDAN
27 = 2-DOOR CONVERTIBLE	41 = 4-DOOR SEDAN	

AR = Use as Required - = Non Illustrated Part P.A.R. = Paint as Required

SEAT FRONT F-S M BODY TRIM CODE SY
Figure ITM-1900

4244 1900

ITEM	PART NUMBER	QTY	BODY	MODEL	DESCRIPTION
1-2					CUSHION, w/Spring/Frame, Pad and Cover N N N N
	A612-3 BYA	1			N N NSYA YA612BYA
	A612-3 BYC	1			N N NSYC YA612BYC
	A612-3 BYM	1			N N NSYM YA612BYM
	A612-3 BYL	1			N N NSYL YA612BYL
1					COVER, Cushion N N N N
	A344-5 AYA	1			N N NSYA YA344AYA
	A344-5 AYC	1			N N NSYC YA344AYC
	A344-5 AYM	1			N N NSYM YA344AYM
	A344-5 BYL	1			N N NSYL YA344BYL
2					ROLL STOCK, Vinyl 64" Wide Order by the Inch N N N N
	R616 AA2	AR			N N NSYA YR616AA2
	R616 VC8	AR			N N NSYC YR616VC8
	R616 VM6	AR			N N NSYM YR616VM6
	R616 BL3	AR			N N NSYL YR616BL3
2-3					BACK, w/Spring/Frame, Pad and Cover N N N N
	A614-5 BYA	1			N N NSYA YA614BYA
	A614-5 BYC	1			N N NSYC YA614BYC
	A614-5 BYM	1			N N NSYM YA614BYM
	A614-5 BYL	1			N N NSYL YA614BYL
3					COVER, Back N N N N
	G496-7 AYA	1			N N NSYA YG496AYA
	G496-7 VYC	1			N N NSYC YG496VYC
	G496-7 AYM	1			N N NSYM YG496AYM
	G496-7 BYL	1			N N NSYL YG496BYL
4					PANEL, Back of Front Back N N N N
	S740 AA2	2			N N NSYA YS740AA2
	S740 VC8	2			N N NSYC YS740VC8
	S740 VM6	2			N N NSYM YS740VM6
	S740 BL3	2			N N NSYL YS740BL3
5-6					HEADREST and COVER N N N N
	A859 BYA	2			N N NSYA YA859BYA
	A859 BYC	2			N N NSYC YA859BYC
	A859 BYM	2			N N NSYM YA859BYM
	A859 BYL	2			N N NSYL YA859BYL
6					COVER, Headrest N N N N
	A508 BA2	2			N N NSYA YA508BA2
	A508 BC8	2			N N NSYC YA508BC8

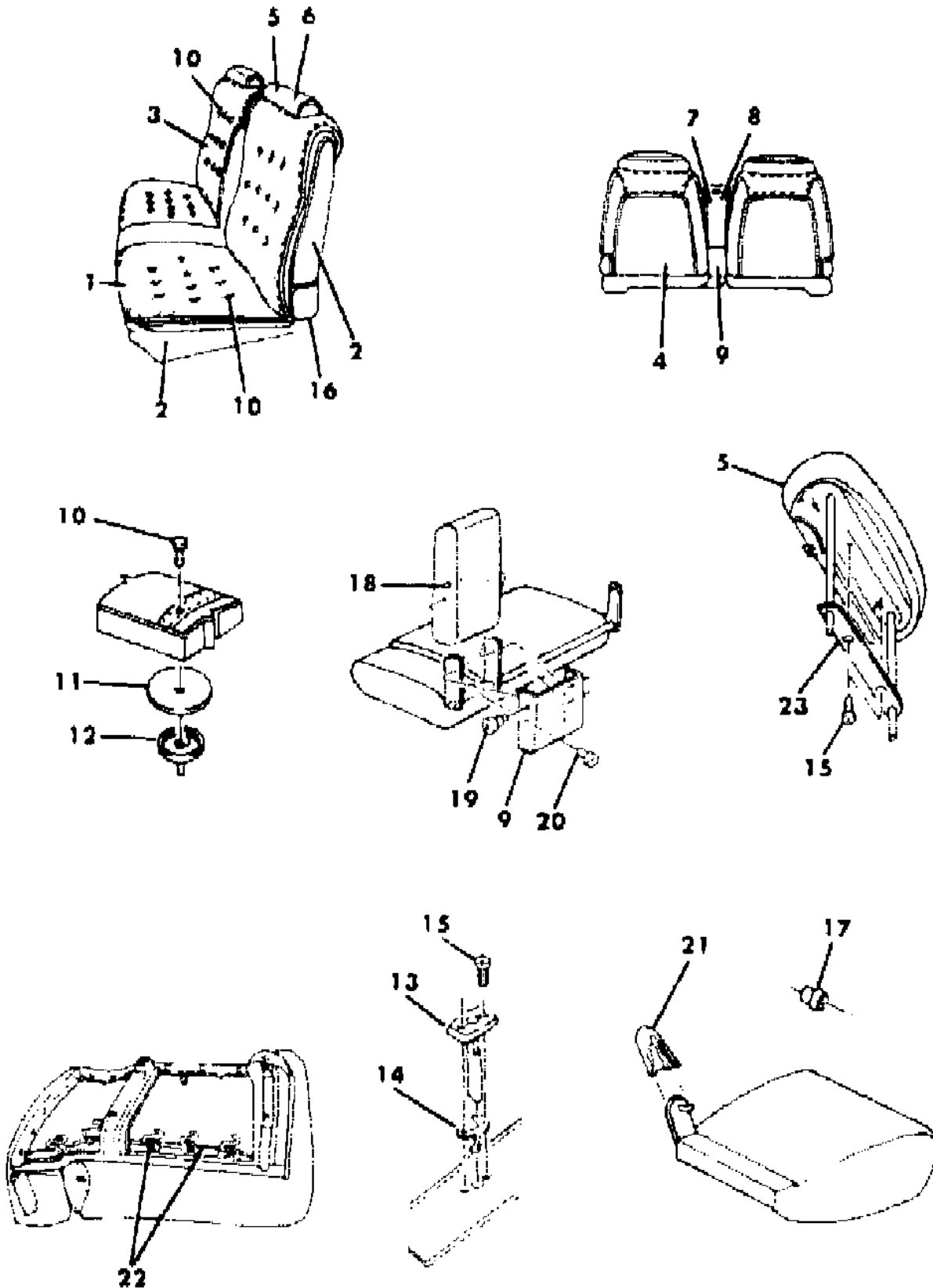
MODEL CODES

B = GRAN FURY	F = FIFTH AVENUE/NEWPORT	P = RELIANT
C = LEBARON/TOWN & COUNTRY/EXC SEDAN	G = DIPLOMAT	T = E CLASS/NEW YORKER
C24 = LASER	H = VOYAGER	V = 600
D = ARIES	K = MINI RAM/CARAVAN/ROYAL	V24 = DAYTONA
E = 600	M = HORIZON/TURISMO	Z = OMNI/CHARGER/RAMPAGE

BODY STYLES

21 = 2-DOOR SEDAN	28 = FWD PICKUP	44 = 4-DOOR HATCHBACK
22 = 2-DOOR SPECIAL COUPE	35 = FWD VAN	45 = 4-DOOR STATION WAGON
24 = 2-DOOR HATCHBACK	36 = FWD WAGON	48 = 4-DOOR EXECUTIVE SEDAN
27 = 2-DOOR CONVERTIBLE	41 = 4-DOOR SEDAN	

AR = Use as Required - = Non Illustrated Part P.A.R. = Paint as Required



SEAT FRONT F-S M BODY TRIM CODE SY
Figure ITM-1900

4244 1900

ITEM	PART NUMBER	QTY	BODY	MODEL	DESCRIPTION
	A508 BM6	2			N N NSYM YA508BM6
	A508 BL3	2			N N NSYL YA508BL3
7-8					ARMREST and COVER N N N N
	A640 AA2	1			N N NSYA YA640AA2
	A640 VC8	1			N N NSYC YA640VC8
	A640 VM6	1			N N NSYM YA640VM6
	A640 BL3	1			N N NSYL YA640BL3
8					COVER, Armrest N N N N
	A319 AA2	1			N N NSYA YA319AA2
	A319 VC8	1			N N NSYC YA319VC8
	A319 VM6	1			N N NSYM YA319VM6
	A319 BL3	1			N N NSYL YA319BL3
9					COVER, Armrest Finish N N N N
	S580 AA3	1			N N NSYA YS580AA3
	S580 VC7	1			N N NSYC YS580VC7
	S580 VM6	1			N N NSYM YS580VM6
	S580 BL3	1			N N NSYL YS580BL3
10					BUTTON and RETAINER, Cushion and Back N N N N
	S845 AA2	AR			N N NSYA YS845AA2
	S845 VC8	AR			N N NSYC YS845VC8
	S845 AM6	AR			N N NSYM YS845AM6
	S845 BL3	AR			N N NSYL YS845BL3
11	4018 167	AR			WASHER, Button N N N Y4018167
12		AR			RETAINER, Button (serviced in item 10) N N N N
13					SLEEVE, Headrest N N N N
	S690 AA3	4			N N NSYA YS690AA3
	S690 SC7	4			N N NSYC YS690SC7
	S690 TM6	4			N N NSYM YS690TM6
	S690 BL3	4			N N NSYL YS690BL3
14	4098 965	4			CATCH, Headrest N N N Y4098965
15		AR			SCREW (not serviced) N N N N
16	S876-7 SX9	1			COVER, Hinge Arm Outer (paint as required) N N N YS876SX9
17	4190 488	1			BUSHING, Cushion Inner Pivot Right Only N N N Y4190488
18	4138 891	1			ROD, Armrest Lock N N N Y4138891
	6006 324	1			NUT, Arm Rest Lock Rod N N N Y6006324
19	6030 082	2			BOLT, Armrest Attaching N N N Y6030082
20	0181 063	AR			SCREW, Armrest to Seat Back N N N Y181063
21					COVER, Hinge Arm Inner, Right N N N N

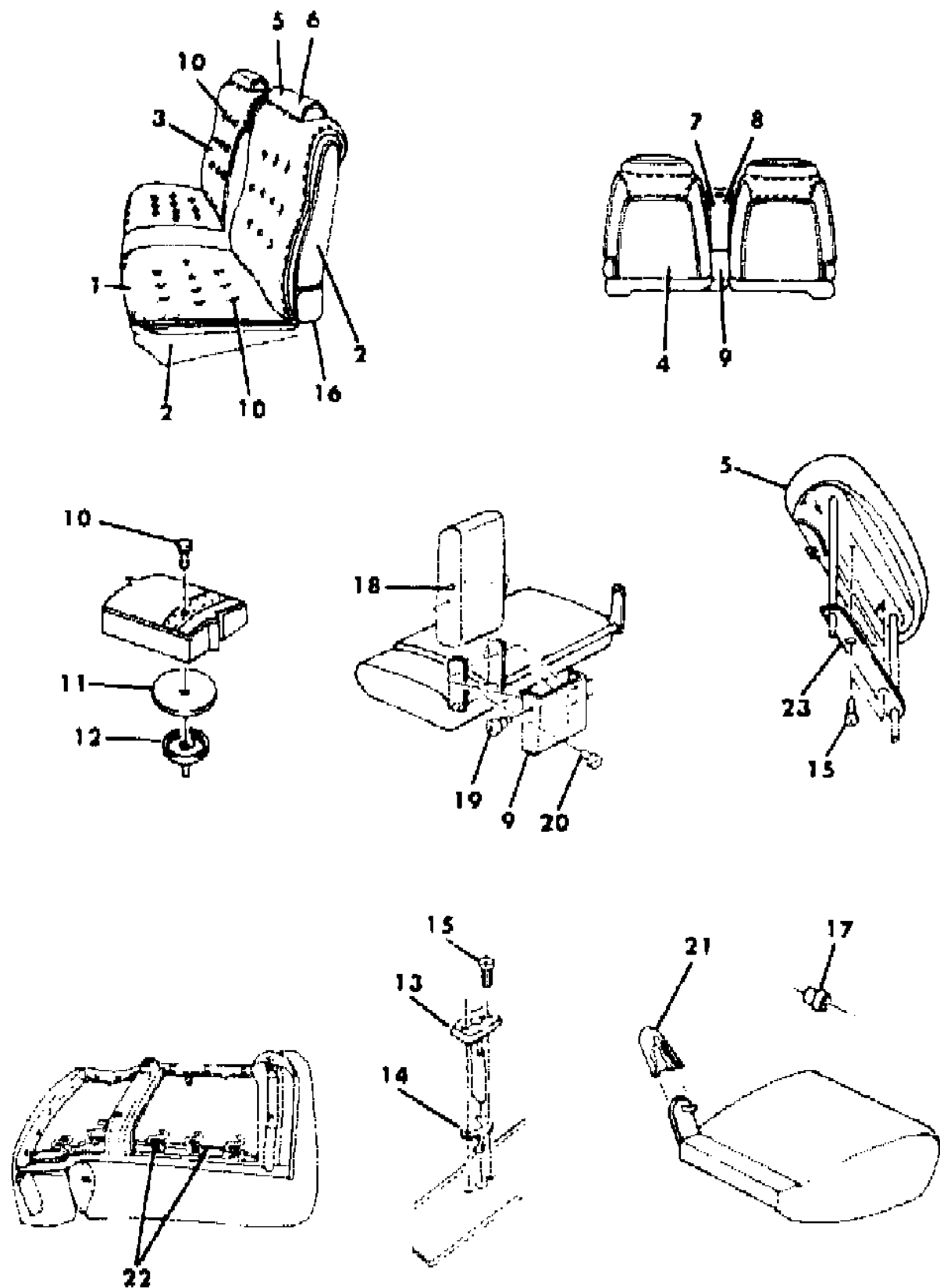
MODEL CODES

B = GRAN FURY	F = FIFTH AVENUE/NEWPORT	P = RELIANT
C = LEBARON/TOWN & COUNTRY/EXC SEDAN	G = DIPLOMAT	T = E CLASS/NEW YORKER
C24 = LASER	H = VOYAGER	V = 600
D = ARIES	K = MINI RAM/CARAVAN/ROYAL	V24 = DAYTONA
E = 600	M = HORIZON/TURISMO	Z = OMNI/CHARGER/RAMPAGE

BODY STYLES

21 = 2-DOOR SEDAN	28 = FWD PICKUP	44 = 4-DOOR HATCHBACK
22 = 2-DOOR SPECIAL COUPE	35 = FWD VAN	45 = 4-DOOR STATION WAGON
24 = 2-DOOR HATCHBACK	36 = FWD WAGON	48 = 4-DOOR EXECUTIVE SEDAN
27 = 2-DOOR CONVERTIBLE	41 = 4-DOOR SEDAN	

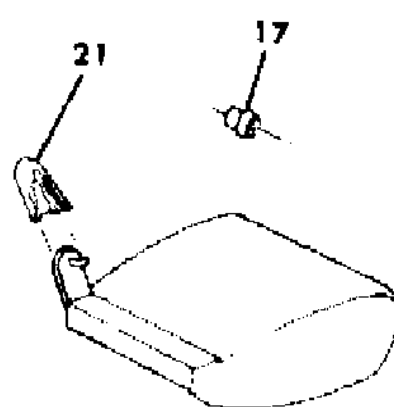
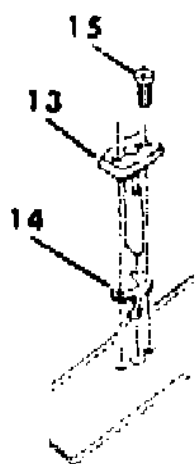
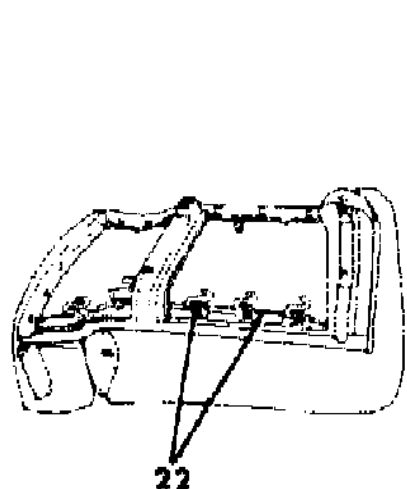
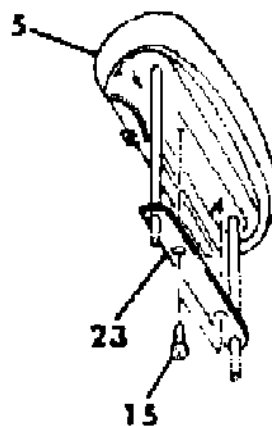
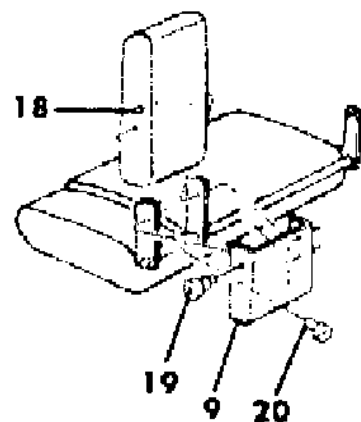
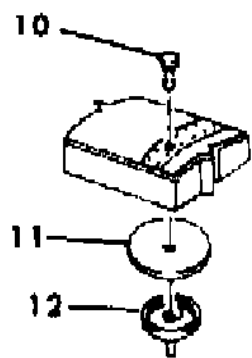
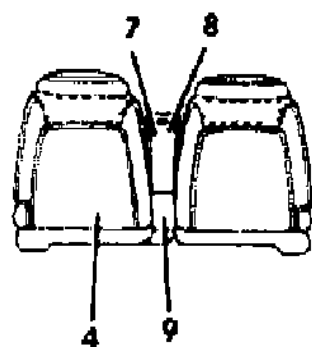
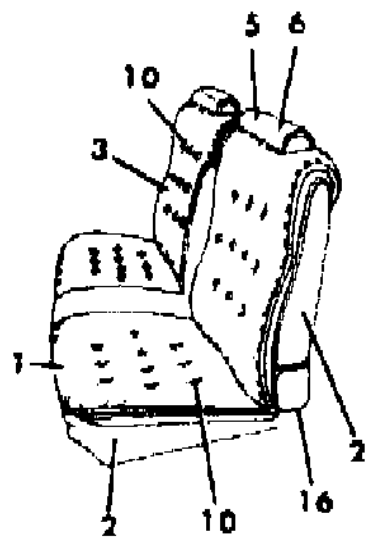
AR = Use as Required - = Non Illustrated Part P.A.R. = Paint as Required



SEAT FRONT F-S M BODY TRIM CODE SY
Figure ITM-1900

4244 1900

ITEM	PART NUMBER	QTY	BODY	MODEL	DESCRIPTION
	S682 AA3	1			N N NSYA YS682AA3
	S682 SC7	1			N N NSYC YS682SC7
	S682 TM6	1			N N NSYM YS682TM6
	S682 BL3	1			N N NSYL YS682BL3
22	6008 076	AR			HOG RING N N N Y6008076
23	4018 808	2			COVER, Headrest Finish N N N Y4018808



MODEL CODES

B = GRAN FURY	F = FIFTH AVENUE/NEWPORT	P = RELIANT
C = LEBARON/TOWN & COUNTRY/EXC SEDAN	G = DIPLOMAT	T = E CLASS/NEW YORKER
C24 = LASER	H = VOYAGER	V = 600
D = ARIES	K = MINI RAM/CARAVAN/ROYAL	V24 = DAYTONA
E = 600	M = HORIZON/TURISMO	Z = OMNI/CHARGER/RAMPAGE

BODY STYLES

21 = 2-DOOR SEDAN	28 = FWD PICKUP	44 = 4-DOOR HATCHBACK
22 = 2-DOOR SPECIAL COUPE	35 = FWD VAN	45 = 4-DOOR STATION WAGON
24 = 2-DOOR HATCHBACK	36 = FWD WAGON	48 = 4-DOOR EXECUTIVE SEDAN
27 = 2-DOOR CONVERTIBLE	41 = 4-DOOR SEDAN	

AR = Use as Required - = Non Illustrated Part P.A.R. = Paint as Required

SEAT FRONT F-S M BODY TRIM CODE S9
Figure ITM-2000

4244 2000

ITEM	PART NUMBER	QTY	BODY	MODEL	DESCRIPTION
1-2					CUSHION, w/Spring/Frame, Pad and Cover N N N N
	A604-5 B9A	1			N N NS9A YA604B9A
	A604-5 B9C	1			N N NS9C YA604B9C
	A604-5 B9M	1			N N NS9M YA604B9M
	A604-5 B9L	1			N N NS9L YA604B9L
1					COVER, Cushion N N N N
	A350-1 A9A	1			N N NS9A YA350A9A
	A350-1 A9C	1			N N NS9C YA350A9C
	A350-1 A9M	1			N N NS9M YA350A9M
	A350-1 B9L	1			N N NS9L YA350B9L
2					ROLL STOCK, Cloth 54" Wide Order by the Inch N N N N
	R093 AA3	AR			N N NS9A YR093AA3
	R093 AC7	AR			N N NS9C YR093AC7
	R093 AM6	AR			N N NS9M YR093AM6
	R093 BL3	AR			N N NS9L YR093BL3
2-3					BACK, w/Spring/Frame, Pad and Cover N N N N
	A606-7 B9A	1			N N NS9A YA606B9A
	A606-7 B9C	1			N N NS9C YA606B9C
	A606-7 B9M	1			N N NS9M YA606B9M
	A606-7 B9L	1			N N NS9L YA606B9L
3					COVER, Back N N N N
	A352-3 A9A	1			N N NS9A YA352A9A
	A352-3 A9C	1			N N NS9C YA352A9C
	A352-3 A9M	1			N N NS9M YA352A9M
	A352-3 B9L	1			N N NS9L YA352B9L
4					PANEL, Back N N N N
	S742 AA3	2			N N NS9A YS742AA3
	S742 AC7	2			N N NS9C YS742AC7
	S742 AM6	2			N N NS9M YS742AM6
	S742 BL3	2			N N NS9L YS742BL3
5					HEADREST and COVER N N N N
	A905 AA3	2			N N NS9A YA905AA3
	A905 AC7	2			N N NS9C YA905AC7
	A905 AM6	2			N N NS9M YA905AM6
	A905 BL3	2			N N NS9L YA905BL3
6					COVER, Headrest N N N N
	A357 AA3	2			N N NS9A YA357AA3
	A357 AC7	2			N N NS9C YA357AC7

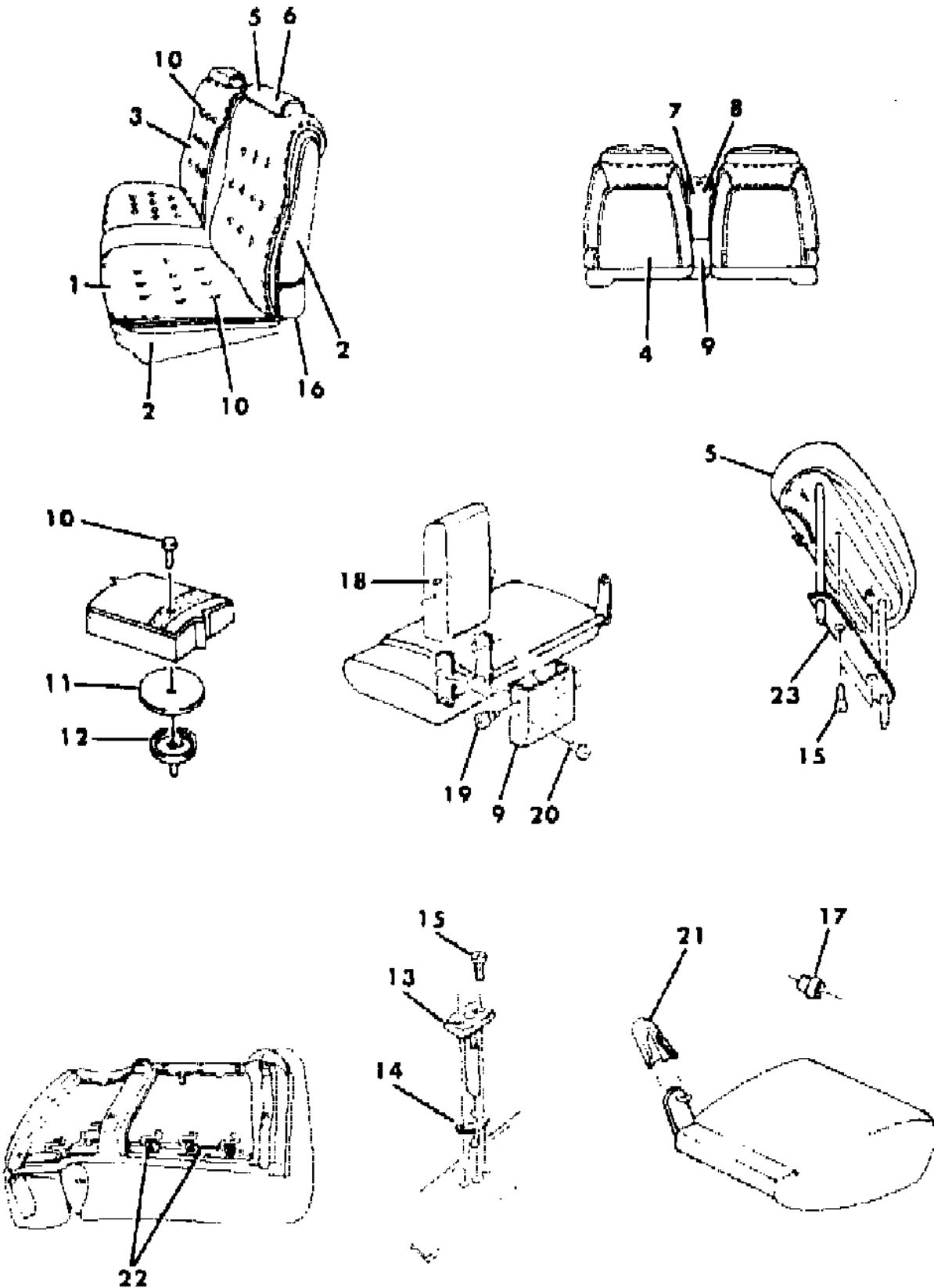
MODEL CODES

B = GRAN FURY	F = FIFTH AVENUE/NEWPORT	P = RELIANT
C = LEBARON/TOWN & COUNTRY/EXC SEDAN	G = DIPLOMAT	T = E CLASS/NEW YORKER
C24 = LASER	H = VOYAGER	V = 600
D = ARIES	K = MINI RAM/CARAVAN/ROYAL	V24 = DAYTONA
E = 600	M = HORIZON/TURISMO	Z = OMNI/CHARGER/RAMPAGE

BODY STYLES

21 = 2-DOOR SEDAN	28 = FWD PICKUP	44 = 4-DOOR HATCHBACK
22 = 2-DOOR SPECIAL COUPE	35 = FWD VAN	45 = 4-DOOR STATION WAGON
24 = 2-DOOR HATCHBACK	36 = FWD WAGON	48 = 4-DOOR EXECUTIVE SEDAN
27 = 2-DOOR CONVERTIBLE	41 = 4-DOOR SEDAN	

AR = Use as Required - = Non Illustrated Part P.A.R. = Paint as Required



SEAT FRONT F-S M BODY TRIM CODE S9
Figure ITM-2000

4244 2000

ITEM	PART NUMBER	QTY	BODY	MODEL	DESCRIPTION
	A357 AM6	2			N N NS9M YA357AM6
	A357 BL3	2			N N NS9L YA357BL3
7	A908 AA3	1			ARMREST and COVER N N N N
	A908 AC7	1			N N NS9A YA908AA3
	A908 AM6	1			N N NS9C YA908AC7
	A908 BL3	1			N N NS9M YA908AM6
8	A356 AA3	1			COVER, Armrest N N N N
	A356 AC7	1			N N NS9L YA908BL3
	A356 AM6	1			COVER, Armrest N N N N
	A356 BL3	1			N N NS9A YA356AA3
9	S580 AA3	1			N N NS9C YA356AC7
	S580 VC7	1			N N NS9M YA356AM6
	S580 VM6	1			N N NS9L YA356BL3
	S580 BL3	1			COVER, Armrest Finish N N N N
10	G378 AA3	AR			Silver N N N YS580AA3
	G378 AC7	AR			Blue N N N YS580VC7
	G378 AM6	AR			Red N N N YS580VM6
	G378 BL3	AR			Tan N N N YS580BL3
11	4018 167	AR			BUTTON and RETAINER, Cushion and Back N N N N
12		AR			N N NS9A YG378AA3
13		AR			N N NS9C YG378AC7
		AR			N N NS9M YG378AM6
		AR			N N NS9L YG378BL3
	S690 AA3	4			WASHER, Button N N N Y4018167
	S690 SC7	4			RETAINER, Button (serviced in item 10) N N N N
	S690 TM6	4			SLEEVE, Headrest N N N N
	S690 BL3	4			Silver N N N YS690AA3
14	4098 965	4			Blue N N N YS690SC7
15		AR			Red N N N YS690TM6
16	S876-7 SX9	1			Tan N N N YS690BL3
17	4190 488	1			CATCH, Headrest N N N Y4098965
18	4138 891	1			SCREW (not serviced) N N N N
	6006 324	1			COVER, Hinge Arm Outer (paint as required) N N N YS876SX9
19	6030 082	2			BUSHING, Front Seat Cushion Inner Pivot, Right Only N N N
20		AR			Y4190488
		AR			ROD, Armrest Lock N N N Y4138891
		AR			NUT, Armrest Lock Rod N N N Y6006324
		AR			BOLT, Armrest Attaching N N N Y6030082
		AR			SCREW, Armrest to Seat Back (not serviced) N N N N

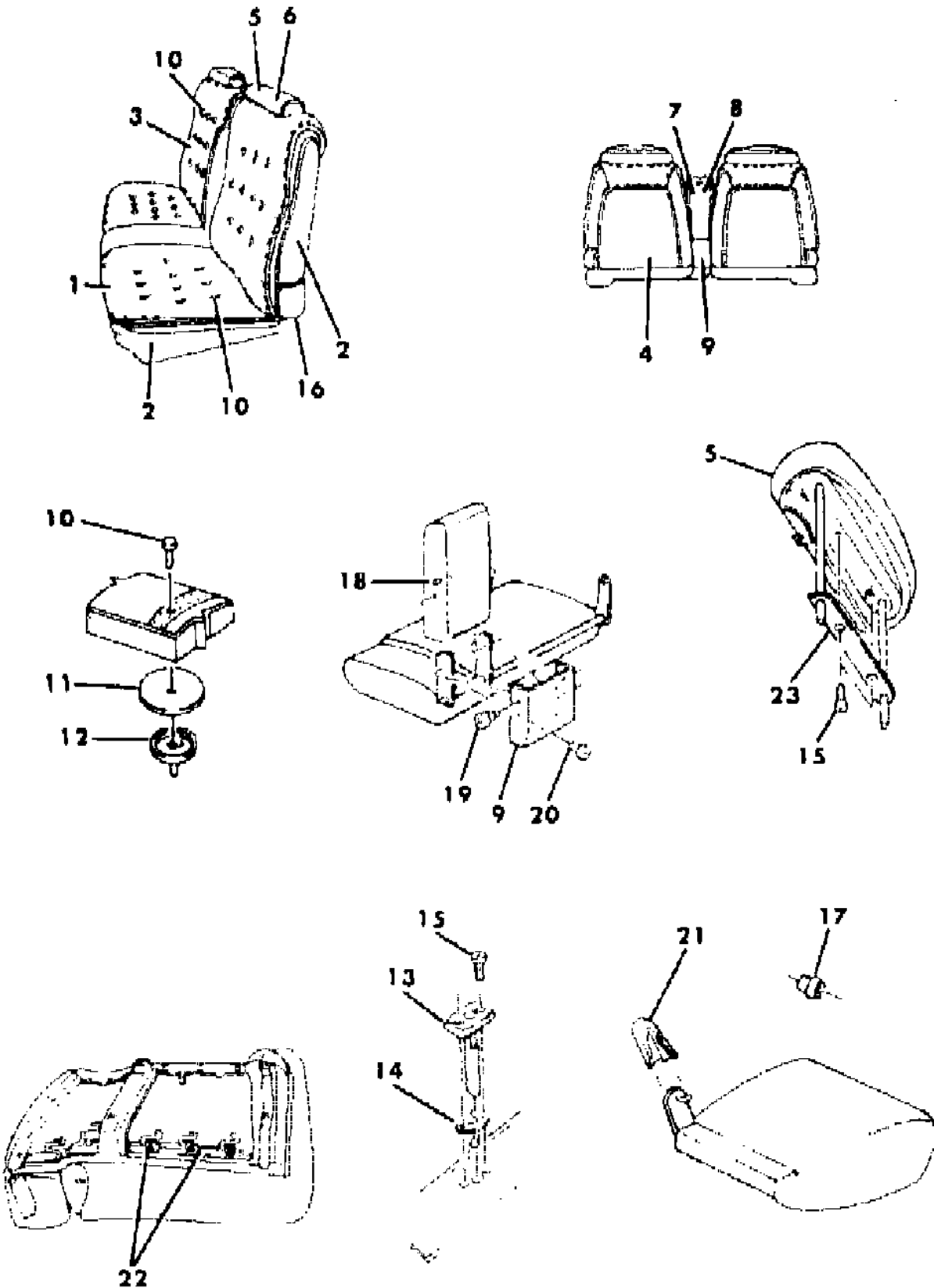
MODEL CODES

B = GRAN FURY	F = FIFTH AVENUE/NEWPORT	P = RELIANT
C = LEBARON/TOWN & COUNTRY/EXC SEDAN	G = DIPLOMAT	T = E CLASS/NEW YORKER
C24 = LASER	H = VOYAGER	V = 600
D = ARIES	K = MINI RAM/CARAVAN/ROYAL	V24 = DAYTONA
E = 600	M = HORIZON/TURISMO	Z = OMNI/CHARGER/RAMPAGE

BODY STYLES

21 = 2-DOOR SEDAN	28 = FWD PICKUP	44 = 4-DOOR HATCHBACK
22 = 2-DOOR SPECIAL COUPE	35 = FWD VAN	45 = 4-DOOR STATION WAGON
24 = 2-DOOR HATCHBACK	36 = FWD WAGON	48 = 4-DOOR EXECUTIVE SEDAN
27 = 2-DOOR CONVERTIBLE	41 = 4-DOOR SEDAN	

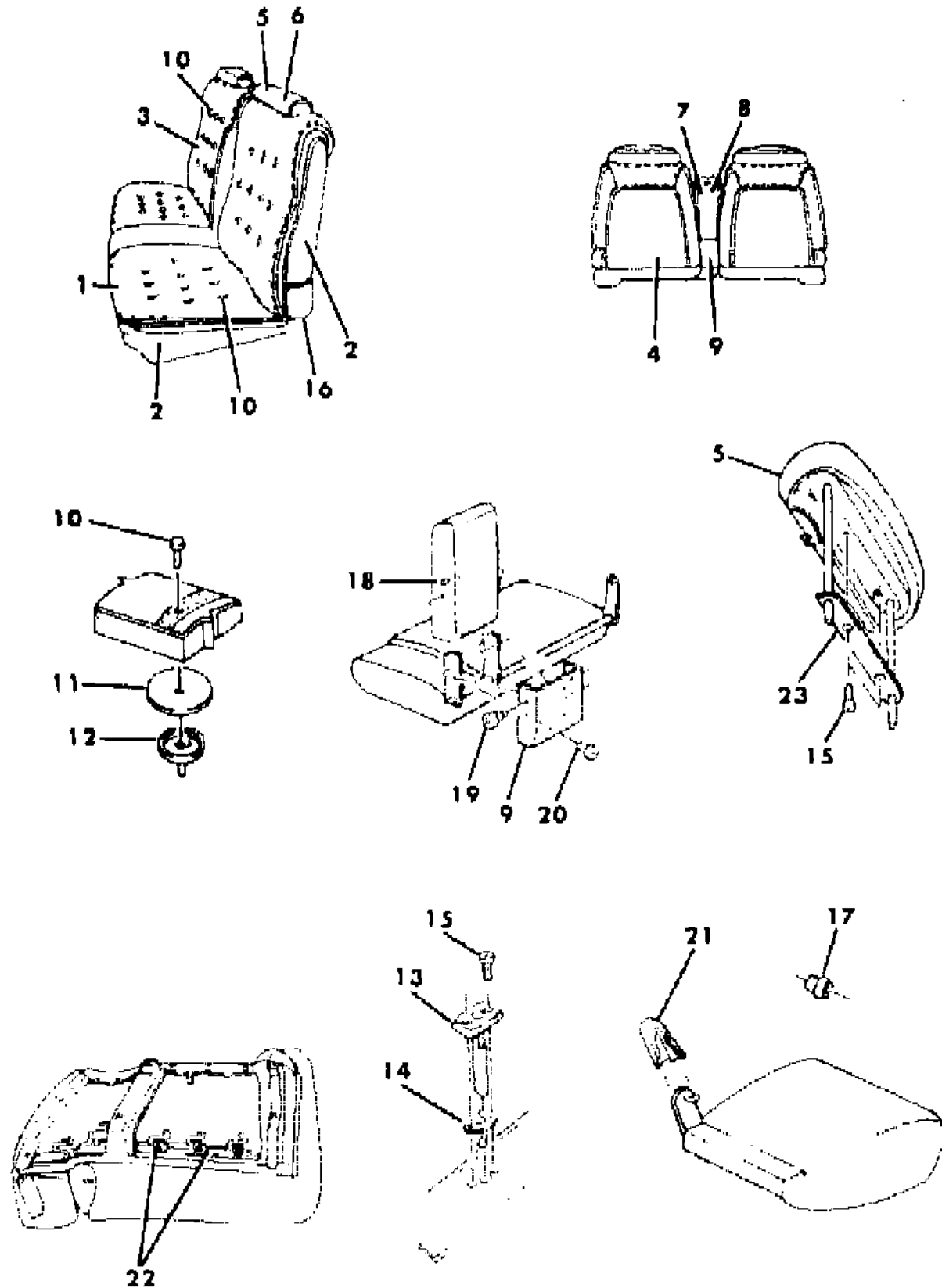
AR = Use as Required - = Non Illustrated Part P.A.R. = Paint as Required



SEAT FRONT F-S M BODY TRIM CODE S9
Figure ITM-2000

4244 2000

ITEM	PART NUMBER	QTY	BODY	MODEL	DESCRIPTION
21					COVER, Hinge Arm Inner Right N N N N
	S682 AA3	1			Silver N N N YS682AA3
	S682 SC7	1			Blue N N N YS682SC7
	S682 TM6	1			Red N N N YS682TM6
	S682 BL3	1			Tan N N N YS682BL3
22	6008 076	AR			HOG RING N N N Y6008076
23	4018 808	2			COVER, Headrest Finish N N N Y4018808
The following parts are not illustrated. NGER WAGON USES THE TWO (2) PASSENGER STATIONARY SEAT PLUS THE FOLDING REAR SEAT.					
	4138 743	1			ARM, Back to Cushion Armrest, Right N N N Y4138743
	4138 765	1			Left N N N Y4138765



MODEL CODES
 B = GRAN FURY
 C = LEBARON/TOWN & COUNTRY/EXC SEDAN
 C24 = LASER
 D = ARIES
 E = 600
 F = FIFTH AVENUE/NEWPORT
 G = DIPLOMAT
 H = VOYAGER
 K = MINI RAM/CARAVAN/ROYAL
 M = HORIZON/TURISMO
 P = RELIANT
 T = E CLASS/NEW YORKER
 V = 600
 V24 = DAYTONA
 Z = OMNI/CHARGER/RAMPAGE

BODY STYLES
 21 = 2-DOOR SEDAN
 22 = 2-DOOR SPECIAL COUPE
 24 = 2-DOOR HATCHBACK
 27 = 2-DOOR CONVERTIBLE
 28 = FWD PICKUP
 35 = FWD VAN
 36 = FWD WAGON
 41 = 4-DOOR SEDAN
 44 = 4-DOOR HATCHBACK
 45 = 4-DOOR STATION WAGON
 48 = 4-DOOR EXECUTIVE SEDAN

AR = Use as Required - = Non Illustrated Part P.A.R. = Paint as Required

SEAT FRONT B,F,G M BODY FLEET POLICE AND OTHERS
Figure ITM-1600

4244 2100

ITEM	PART NUMBER	QTY	BODY	MODEL	DESCRIPTION
------	-------------	-----	------	-------	-------------

NOTE: Special equipment code is in the trim column. NGER WAGON USES THE TWO (2) PASSENGER STATIONARY SEAT PLUS THE FOLDING REAR SEAT.

1	4196 276-7	1			COVER, Cushion N N N N Blue, Vinyl N N NCBCR Y4196276
	4196 660-1	1			Blue, Cloth N N NCBCN Y4196660
	4196 666-7	1			Beige, Cloth N N NCBCN Y4196666
	4196 810-1	1			Blue, Cloth N N NCBCP Y4196810
	4196 816-7	1			Beige, Cloth N N NCBCP Y4196816
2					COVER, Back N N N N
	4196 278-9	1			Blue, Vinyl N N NCBCR Y4196278
	4196 662-3	1			Blue, Cloth N N NCBCN Y4196662
	4196 668-9	1			Beige, Cloth N N NCBCN Y4196668
	4196 812-3	1			Blue, Cloth N N NCBCP Y4196812
	4196 818-9	1			Beige, Cloth N N NCBCP Y4196818
3					ROLL STOCK, Vinyl 64" Wide Order by the Inch. N N N N
	R616 VC8	AR			Blue N N N YR616VC8
	R616 BL3	AR			Beige N N N YR616BL3
4					PANEL, Back of Front Back N N N N
	S740 VC8	2			Blue N N N YS740VC8
	S740 BL3	2			Beige N N N YS740BL3
5					COVER, Armrest N N N N
	B376 CC8	1			Blue N N N YB376CC8
	B376 BL3	1			Beige N N N YB376BL3
6					HEADREST N N N N
	S702 SC7	2			Blue N N N YS702SC7
	S702 BL3	2			Beige N N N YS702BL3
7					SLEEVE, Headrest N N N N
	S690 SC7	4			Blue N N N YS690SC7
	S690 BL3	4			Beige N N N YS690BL3
8	4098 965	4			CATCH, Headrest N N N Y4098965
9		AR			SCREW (not serviced) N N N N
10	4018 808	2			COVER, Headrest Finish N N N Y4018808
11	4138 891	1			ROD, Armrest Lock N N N Y4138891
	6006 324	1			NUT, Armrest Lock Rod N N N Y6006324
12	6030 082	2			BOLT, Armrest Attaching N N N Y6030082
13					COVER, Armrest Finish N N N N
	S580 VC7	1			Blue N N N YS580VC7
	S580 BL3	1			Beige N N N YS580BL3

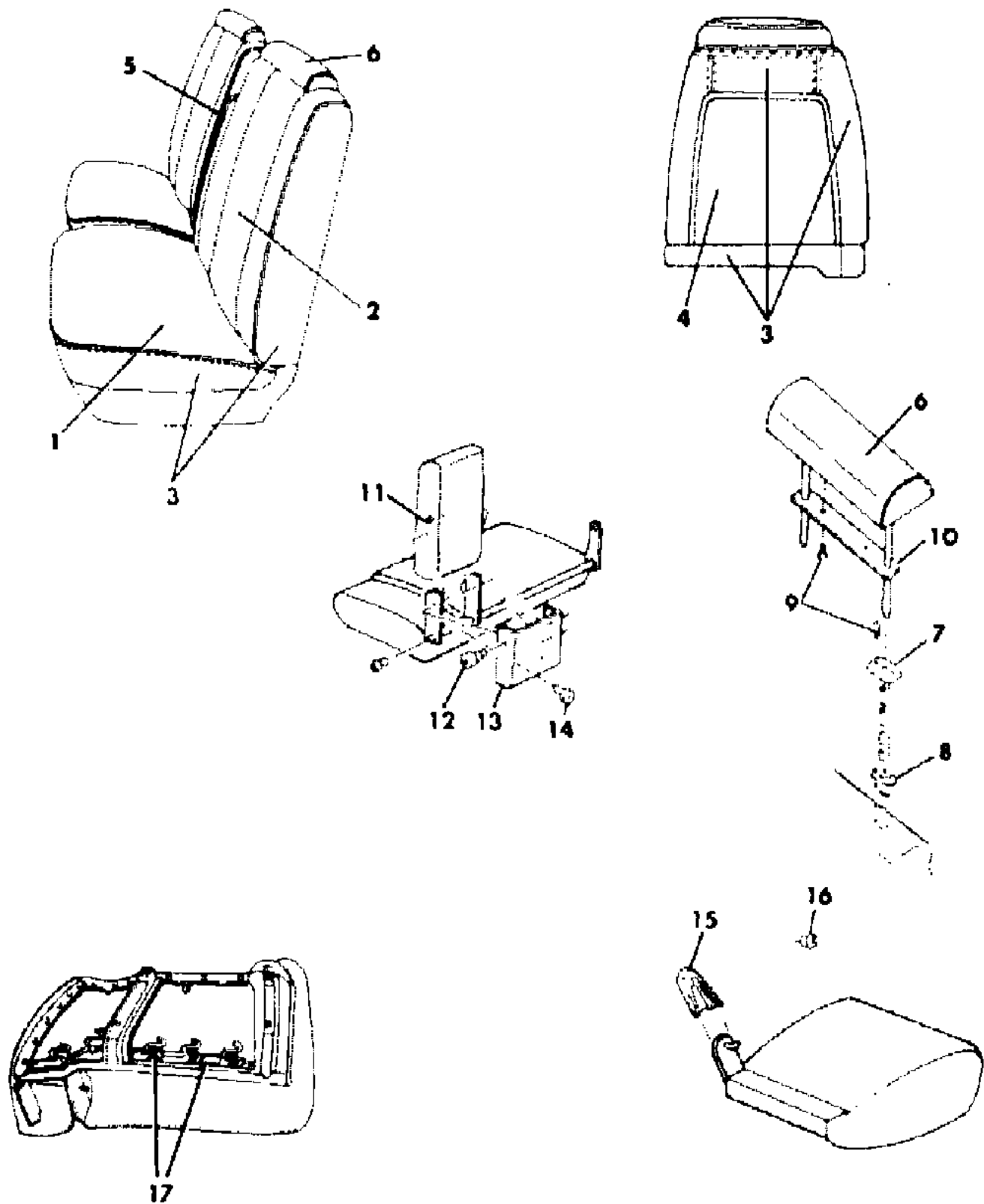
MODEL CODES

B = GRAN FURY	F = FIFTH AVENUE/NEWPORT	P = RELIANT
C = LEBARON/TOWN & COUNTRY/EXC SEDAN	G = DIPLOMAT	T = E CLASS/NEW YORKER
C24 = LASER	H = VOYAGER	V = 600
D = ARIES	K = MINI RAM/CARAVAN/ROYAL	V24 = DAYTONA
E = 600	M = HORIZON/TURISMO	Z = OMNI/CHARGER/RAMPAGE

BODY STYLES

21 = 2-DOOR SEDAN	28 = FWD PICKUP	44 = 4-DOOR HATCHBACK
22 = 2-DOOR SPECIAL COUPE	35 = FWD VAN	45 = 4-DOOR STATION WAGON
24 = 2-DOOR HATCHBACK	36 = FWD WAGON	48 = 4-DOOR EXECUTIVE SEDAN
27 = 2-DOOR CONVERTIBLE	41 = 4-DOOR SEDAN	

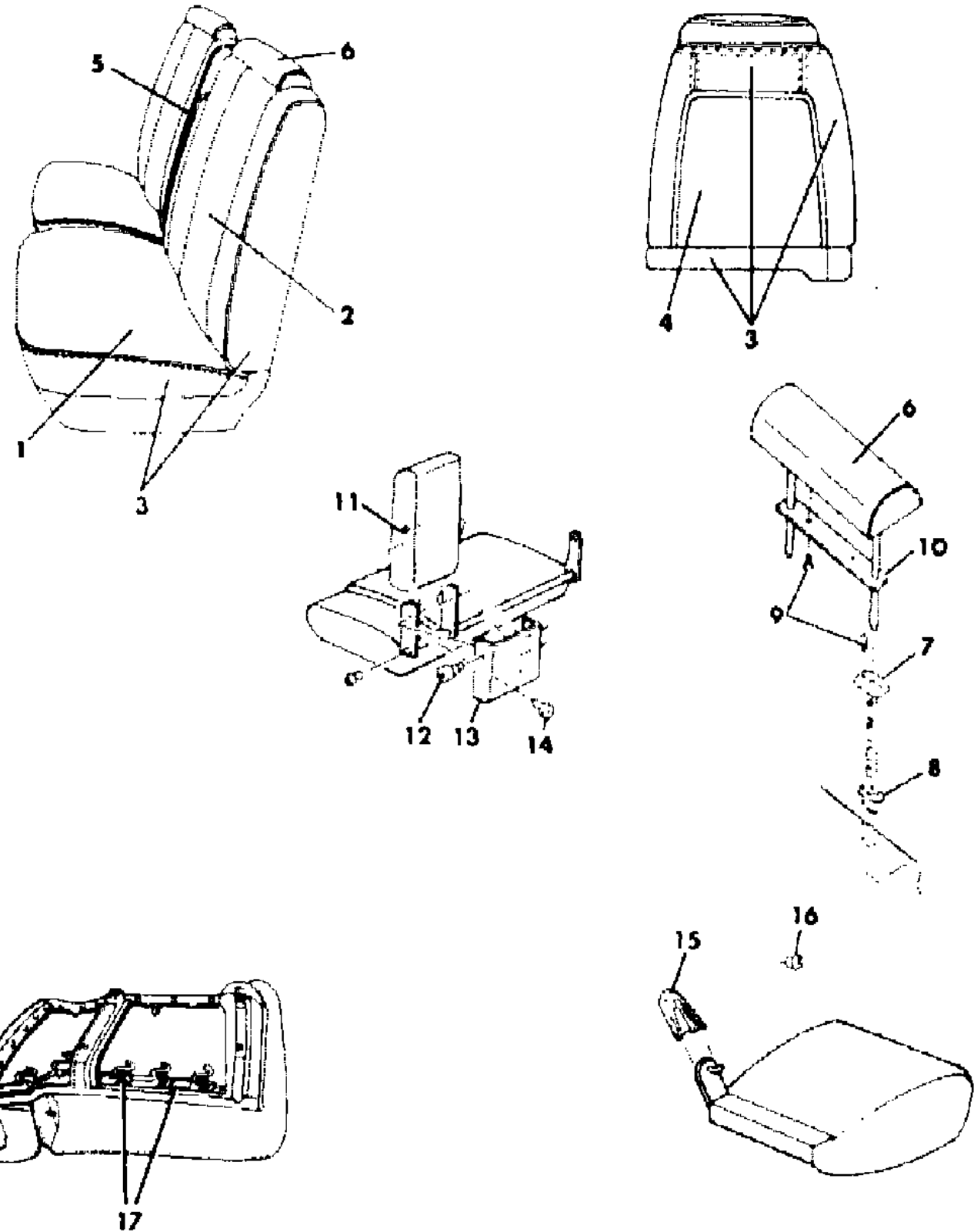
AR = Use as Required - = Non Illustrated Part P.A.R. = Paint as Required



SEAT FRONT B,F,G M BODY FLEET POLICE AND OTHERS
Figure ITM-1600

4244 2100

ITEM	PART NUMBER	QTY	BODY	MODEL	DESCRIPTION
14	0181 063	AR			SCREW, Armrest to Seat Back N N N Y181063
15	S682 SC7	1			COVER, Hinge Arm Inner, Right Only N N N N Blue N N N YS682SC7
	S682 BL3	1			Beige N N N YS682BL3
16	4190 488	1			BUSHING, Inner Pivot, Right Only N N N Y4190488
17	6008 076	AR			HOG RING N N N Y6008076



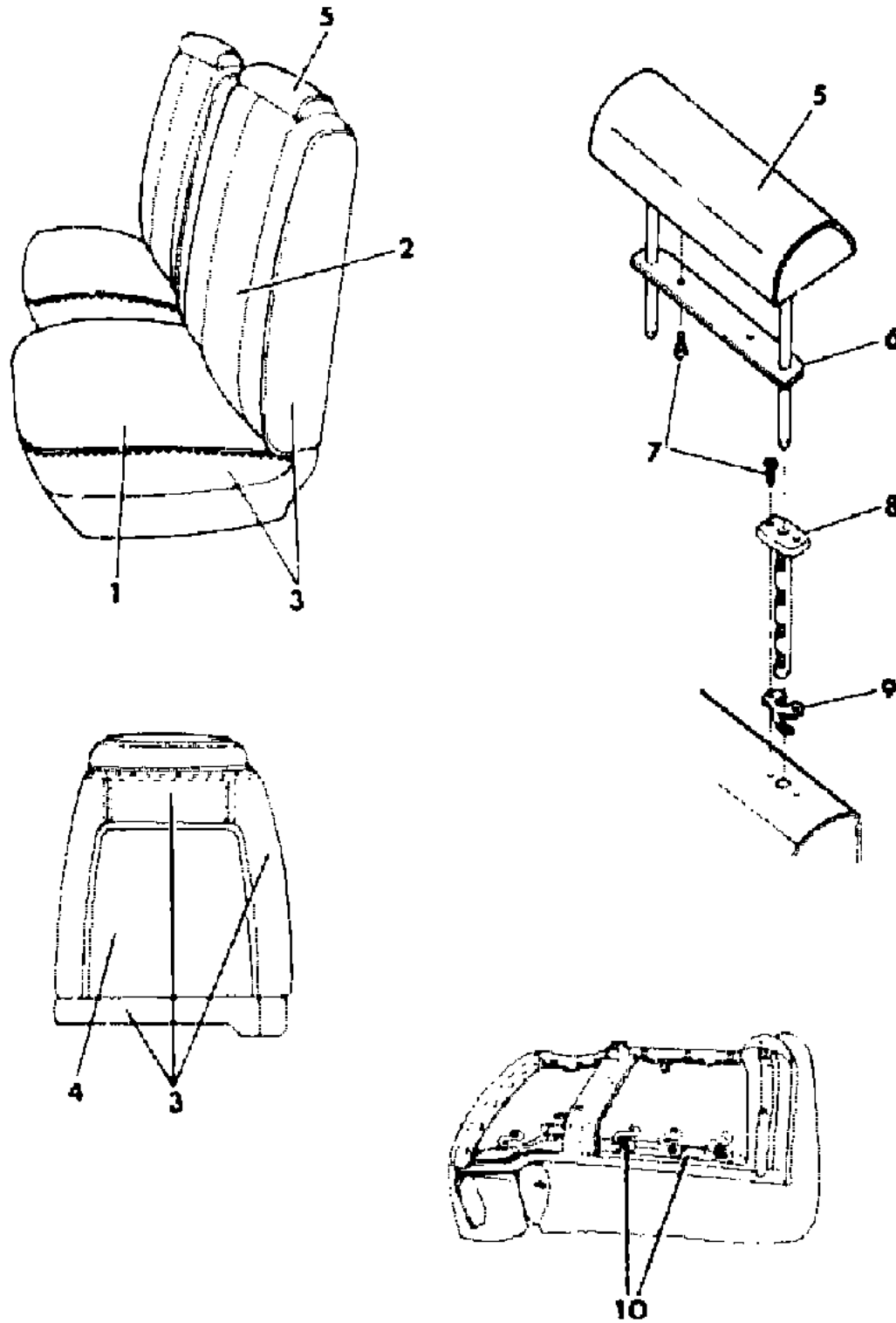
MODEL CODES
 B = GRAN FURY
 C = LEBARON/TOWN & COUNTRY/EXC SEDAN
 C24 = LASER
 D = ARIES
 E = 600
 F = FIFTH AVENUE/NEWPORT
 G = DIPLOMAT
 H = VOYAGER
 K = MINI RAM/CARAVAN/ROYAL
 M = HORIZON/TURISMO
 P = RELIANT
 T = E CLASS/NEW YORKER
 V = 600
 V24 = DAYTONA
 Z = OMNI/CHARGER/RAMPAGE

BODY STYLES
 21 = 2-DOOR SEDAN
 22 = 2-DOOR SPECIAL COUPE
 24 = 2-DOOR HATCHBACK
 27 = 2-DOOR CONVERTIBLE
 28 = FWD PICKUP
 35 = FWD VAN
 36 = FWD WAGON
 41 = 4-DOOR SEDAN
 44 = 4-DOOR HATCHBACK
 45 = 4-DOOR STATION WAGON
 48 = 4-DOOR EXECUTIVE SEDAN

AR = Use as Required - = Non Illustrated Part P.A.R. = Paint as Required

SEAT FRONT B,F,G M BODY FLEET POLICE AND OTHERS
Figure ITM-1600

4244 2200



ITEM	PART NUMBER	QTY	BODY	MODEL	DESCRIPTION
------	-------------	-----	------	-------	-------------

NOTE: Special equipment code is in the trim column. NGER WAGON USES THE TWO (2) PASSENGER STATIONARY SEAT PLUS THE FOLDING REAR SEAT.

1					COVER, Cushion N N N N
	4196 820	2			Blue, Cloth N N NCACN Y4196820
	4196 822	2			Beige, Cloth N N NCACN Y4196822
	4196 236	2			Blue, Vinyl N N NCACP Y4196236
	4196 608	2			Beige, Vinyl N N NCACP Y4196608
2					COVER, Back N N N N
	4196 812	2			Blue, Cloth N N N Y4196812
	4196 818	2			Beige, Cloth N N NCACN Y4196818
	4196 278	2			Blue, Vinyl N N NCACP Y4196278
	N198 BXL	2			Beige, Vinyl N N NCACP YN198BXL
3					ROLL STOCK, Vinyl 64" Wide Order by the Inch. N N N N
	R616 VC8	AR			Blue N N N YR616VC8
	R616 BL3	AR			Beige N N N YR616BL3
4					PANEL, Back of Front Back N N N N
	S740 VC8	2			Blue N N N YS740VC8
	S740 BL3	2			Beige N N N YS740BL3
5					HEADREST N N N N
	S702 SC7	2			Blue N N N YS702SC7
	S702 BL3	2			Beige N N N YS702BL3
6	4018 808	2			COVER, Headrest Finish N N N Y4018808
7		AR			SCREW (not serviced) N N N N
8					SLEEVE, Headrest N N N N
	S690 SC7	4			Blue N N N YS690SC7
	S690 BL3	4			Beige N N N YS690BL3
9	4098 965	4			CATCH, Headrest N N N Y4098965
10	6008 076	AR			HOG RING N N N Y6008076

MODEL CODES

B = GRAN FURY	F = FIFTH AVENUE/NEWPORT	P = RELIANT
C = LEBARON/TOWN & COUNTRY/EXC SEDAN	G = DIPLOMAT	T = E CLASS/NEW YORKER
C24 = LASER	H = VOYAGER	V = 600
D = ARIES	K = MINI RAM/CARAVAN/ROYAL	V24 = DAYTONA
E = 600	M = HORIZON/TURISMO	Z = OMNI/CHARGER/RAMPAGE

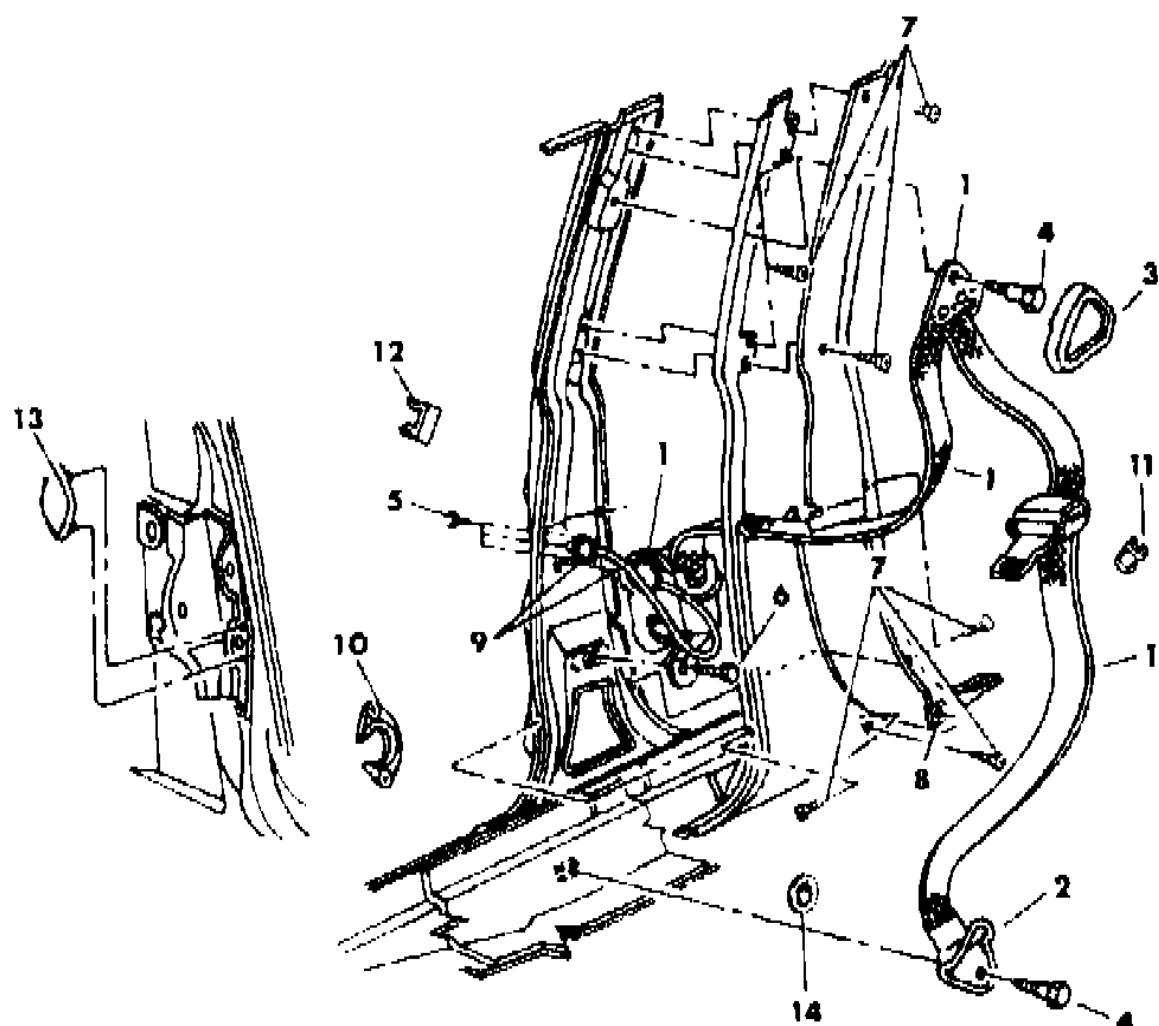
BODY STYLES

21 = 2-DOOR SEDAN	28 = FWD PICKUP	44 = 4-DOOR HATCHBACK
22 = 2-DOOR SPECIAL COUPE	35 = FWD VAN	45 = 4-DOOR STATION WAGON
24 = 2-DOOR HATCHBACK	36 = FWD WAGON	48 = 4-DOOR EXECUTIVE SEDAN
27 = 2-DOOR CONVERTIBLE	41 = 4-DOOR SEDAN	

AR = Use as Required - = Non Illustrated Part P.A.R. = Paint as Required

BELT FRONT SEAT LAP AND SHOULDER OUTER B,F,G M BODY
Figure ITM-2300

4244 2300



ITEM	PART NUMBER	QTY	BODY	MODEL	DESCRIPTION
1					BELT, Outer N N N N
					Label Number 4290466-7 N N N N
	F660-1 BA3	1			Silver N N N YF660BA3
	F660-1 BC7	1			Blue N N N YF660BC7
	F660-1 BM6	1			Red N N N YF660BM6
	F660-1 BL3	1			Tan N N N YF660BL3
2	F814 JX9	1			COVER, Swivel Plate (paint as required) N N N YF814JX9
3					COVER, Belt Hanger N N N N
	F828 AA3	2			Silver N N N YF828AA3
	F828 TC7	2			Blue N N N YF828TC7
	F828 TM6	2			Red N N N YF828TM6
	F828 BL3	2			Tan N N N YF828BL3
4	6031 216	2			BOLT N N N Y6031216
5		AR			SCREW (not serviced) N N N N
6	6031 484	2			BOLT N N N Y6031484
7		16			SCREW (not serviced) N N N N
8	0152 490	2			U-NUT N N N Y152490
9	4054 574-5	1			RELEASE, Tension Reliever N N N Y4054574
10	4054 365	2			RETAINER, Reliever Release Attaching N N N Y4054365
11					COVER, Unibelt Tip (serviced in item 1) N N N N
12	4054 971	2			CLIP, Reliever Cable to Cover Retaining N N N Y4054971
13	4172 612	2			PLUG, Reliever Release Hole N N N Y4172612
14	6025 160	2			RETAINER, Inertia Retractor Pendulum Shaft N N N Y6025160

MODEL CODES
 B = GRAN FURY
 C = LEBARON/TOWN & COUNTRY/EXC SEDAN
 C24 = LASER
 D = ARIES
 E = 600
 F = FIFTH AVENUE/NEWPORT
 G = DIPLOMAT
 H = VOYAGER
 K = MINI RAM/CARAVAN/ROYAL
 M = HORIZON/TURISMO
 P = RELIANT
 T = E CLASS/NEW YORKER
 V = 600
 V24 = DAYTONA
 Z = OMNI/CHARGER/RAMPAGE

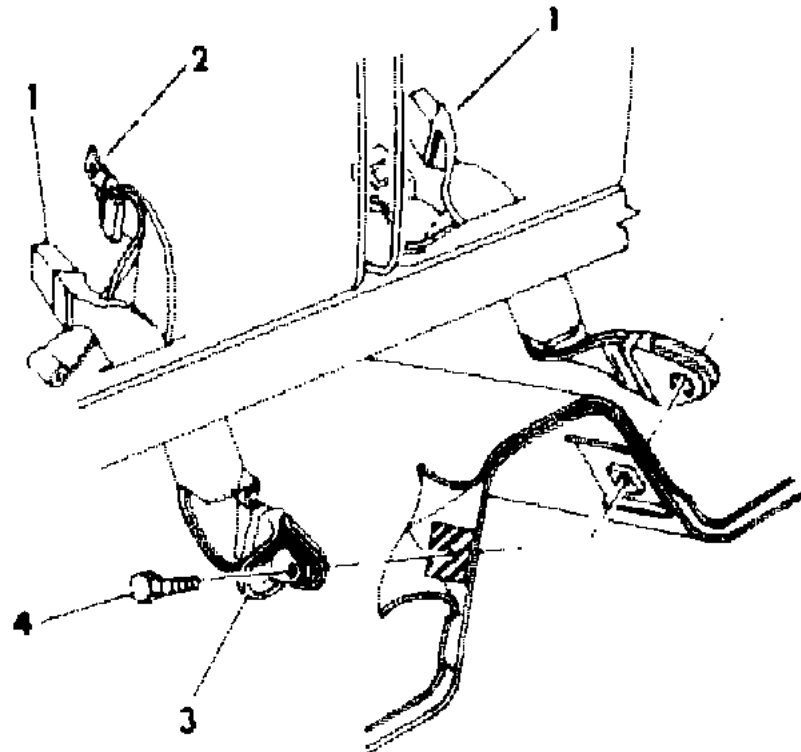
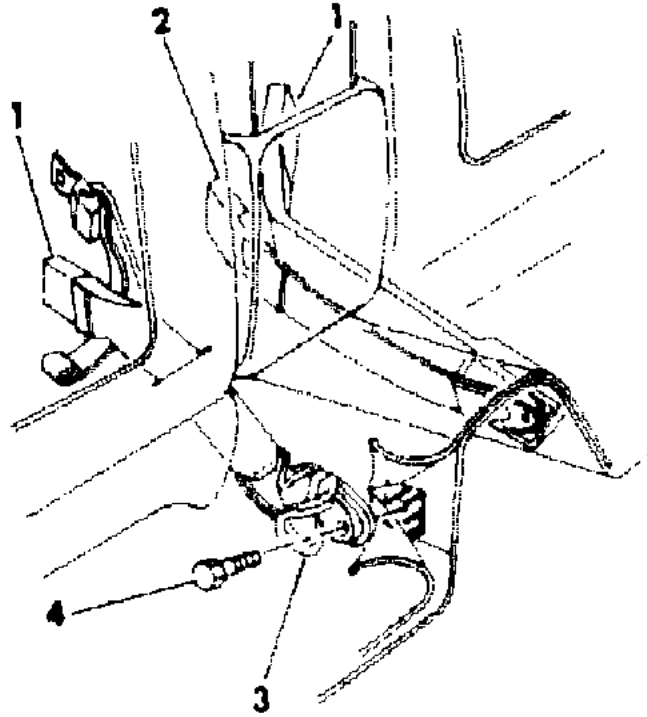
BODY STYLES
 21 = 2-DOOR SEDAN
 22 = 2-DOOR SPECIAL COUPE
 24 = 2-DOOR HATCHBACK
 27 = 2-DOOR CONVERTIBLE
 28 = FWD PICKUP
 35 = FWD VAN
 36 = FWD WAGON
 41 = 4-DOOR SEDAN
 44 = 4-DOOR HATCHBACK
 45 = 4-DOOR STATION WAGON
 48 = 4-DOOR EXECUTIVE SEDAN

AR = Use as Required - = Non Illustrated Part P.A.R. = Paint as Required

BELT FRONT SEAT LAP AND SHOULDER INNER B,F,G M BODY
Figure ITM-2400

4244 2400

ITEM	PART NUMBER	QTY	BODY	MODEL	DESCRIPTION
1					BELT, Buckle Half Right N N N N
					Label Number 4054666 N N N N
	F758 AA3	1			Silver N N N YF758AA3
	F758 SC7	1			Blue N N N YF758SC7
	F758 TM6	1			Red N N N YF758TM6
	F758 BL3	1			Tan N N N YF758BL3
					Label Number 4327360 N N N N
	F772 CA3	1			Silver N N N YF772CA3
	F772 CC7	1			Blue N N N YF772CC7
	F772 CM6	1			Red N N N YF772CM6
	F772 CL3	1			Tan N N N YF772CL3
					Label Number 4316752-3 N N N N
	F708-9 BA3	1			Silver N N N YF708BA3
	F708-9 BC7	1			Blue N N N YF708BC7
	F708-9 BM6	1			Red N N N YF708BM6
	F708-9 BL3	1			Tan N N N YF708BL3
2					BELT, Buckle Half Center Right N N N N
					Label Number 4290464 N N N N
	F658 BA3	1			Silver N N N YF658BA3
	F658 BC7	1			Blue N N N YF658BC7
	F658 BM6	1			Red N N N YF658BM6
	F658 BL3	1			Tan N N N YF658BL3
3	F814 JX9	2			COVER, Anchor Bolt (paint as required) N N N YF814JX9
4	6031 216	AR			BOLT N N N Y6031216



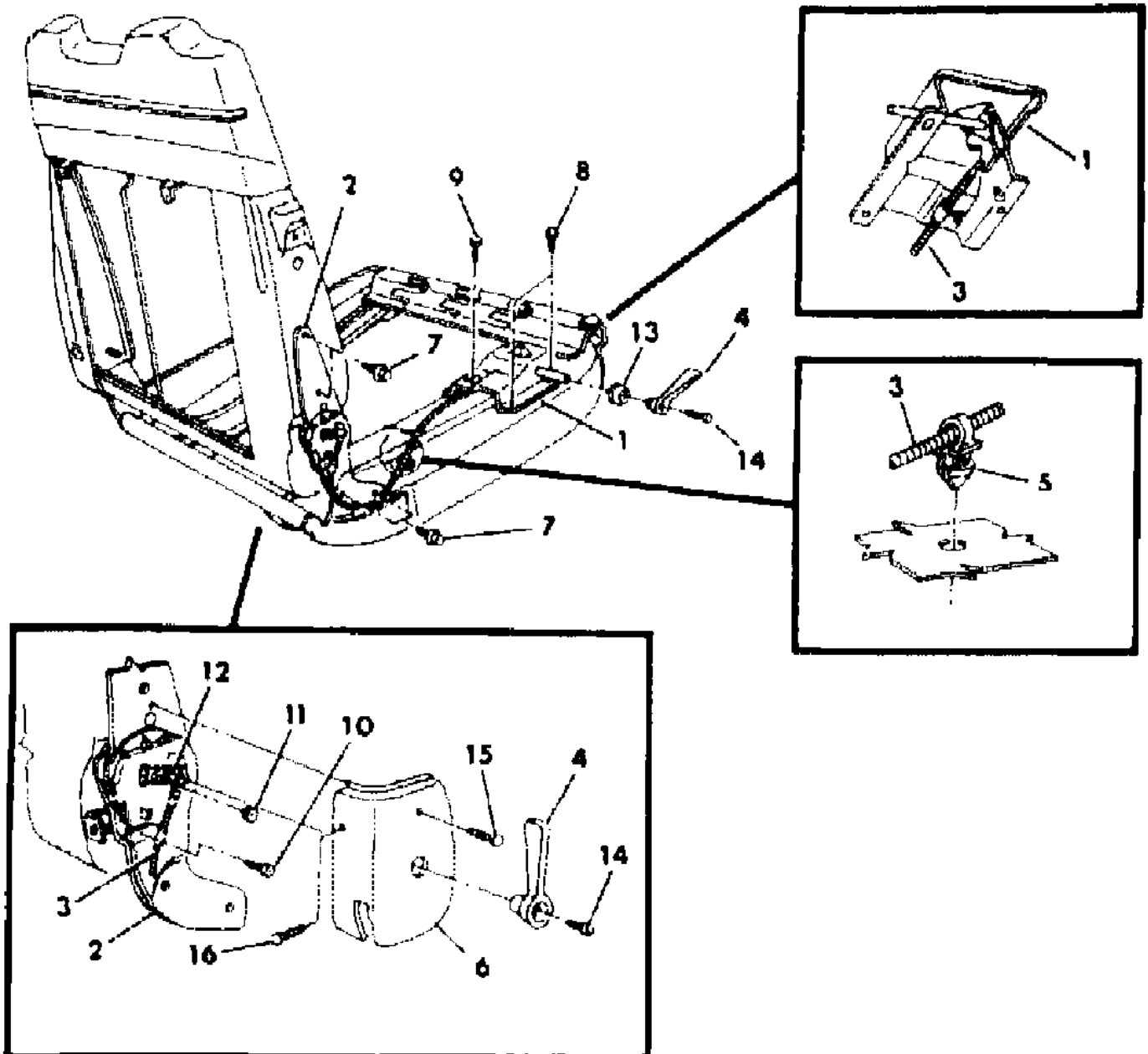
MODEL CODES
 B = GRAN FURY
 C = LEBARON/TOWN & COUNTRY/EXC SEDAN
 C24 = LASER
 D = ARIES
 E = 600
 F = FIFTH AVENUE/NEWPORT
 G = DIPLOMAT
 H = VOYAGER
 K = MINI RAM/CARAVAN/ROYAL
 M = HORIZON/TURISMO
 P = RELIANT
 T = E CLASS/NEW YORKER
 V = 600
 V24 = DAYTONA
 Z = OMNI/CHARGER/RAMPAGE

BODY STYLES
 21 = 2-DOOR SEDAN
 22 = 2-DOOR SPECIAL COUPE
 24 = 2-DOOR HATCHBACK
 27 = 2-DOOR CONVERTIBLE
 28 = FWD PICKUP
 35 = FWD VAN
 36 = FWD WAGON
 41 = 4-DOOR SEDAN
 44 = 4-DOOR HATCHBACK
 45 = 4-DOOR STATION WAGON
 48 = 4-DOOR EXECUTIVE SEDAN

AR = Use as Required - = Non Illustrated Part P.A.R. = Paint as Required

RECLINING FRONT SEAT AND SEAT BACK RELEASE B,F,G M BODY
Figure ITM-2500

4244 2300



ITEM	PART NUMBER	QTY	BODY	MODEL	DESCRIPTION
1	4018 066	1			ACTUATOR, Seat Back Release N N N Y4018066
2	4190 410	1			RECLINER, Front Seat Back N N N Y4190410
	4190 248-9	1			SPRING, Recliner Release Cam N N N Y4190248
3	3844 812	1			CABLE, Recliner Release N N N Y3844812
4	4138 298	AR			HANDLE, Seat Back Latch N N N Y4138298
5		AR			CLIP (not serviced) N N N N
6		AR			COVER (see seat illustration) N N N N
7	9422 041	AR			SCREW and WASHER N N N Y9422041
8		AR			SCREW, Actuator Attaching (not serviced) N N N N
9	6032 456	AR			SCREW, Actuator Attaching N N N Y6032456
10		AR			SCREW (not serviced) N N N N
11	0120 622	AR			NUT, Lock N N N Y120622
12	4029 871	1			ADAPTER, Recliner Actuator Handle N N N Y4029871
13	4098 080	1			BEZEL, Recliner Handle N N N Y4098080
14		AR			SCREW (not serviced) N N N N
15		AR			SCREW (not serviced) N N N N
16		AR			SCREW (not serviced) N N N N

The following parts are not illustrated. NGER WAGON USES THE TWO (2) PASSENGER STATIONARY SEAT PLUS THE FOLDING REAR SEAT.

	3871 470	AR			SPRING, Manual Seat Adjuster Release Lever N N N Y3871470
	4138 742	1			ARM, Front Seat Back to Cushion w/o Recliner N N N N Right, w/Bench,Center Arm Rest N N N Y4138742
	4138 743	1			Left, w/Bench,Center Arm Rest N N N Y4138743

MODEL CODES

B = GRAN FURY	F = FIFTH AVENUE/NEWPORT	P = RELIANT
C = LEBARON/TOWN & COUNTRY/EXC SEDAN	G = DIPLOMAT	T = E CLASS/NEW YORKER
C24 = LASER	H = VOYAGER	V = 600
D = ARIES	K = MINI RAM/CARAVAN/ROYAL	V24 = DAYTONA
E = 600	M = HORIZON/TURISMO	Z = OMNI/CHARGER/RAMPAGE

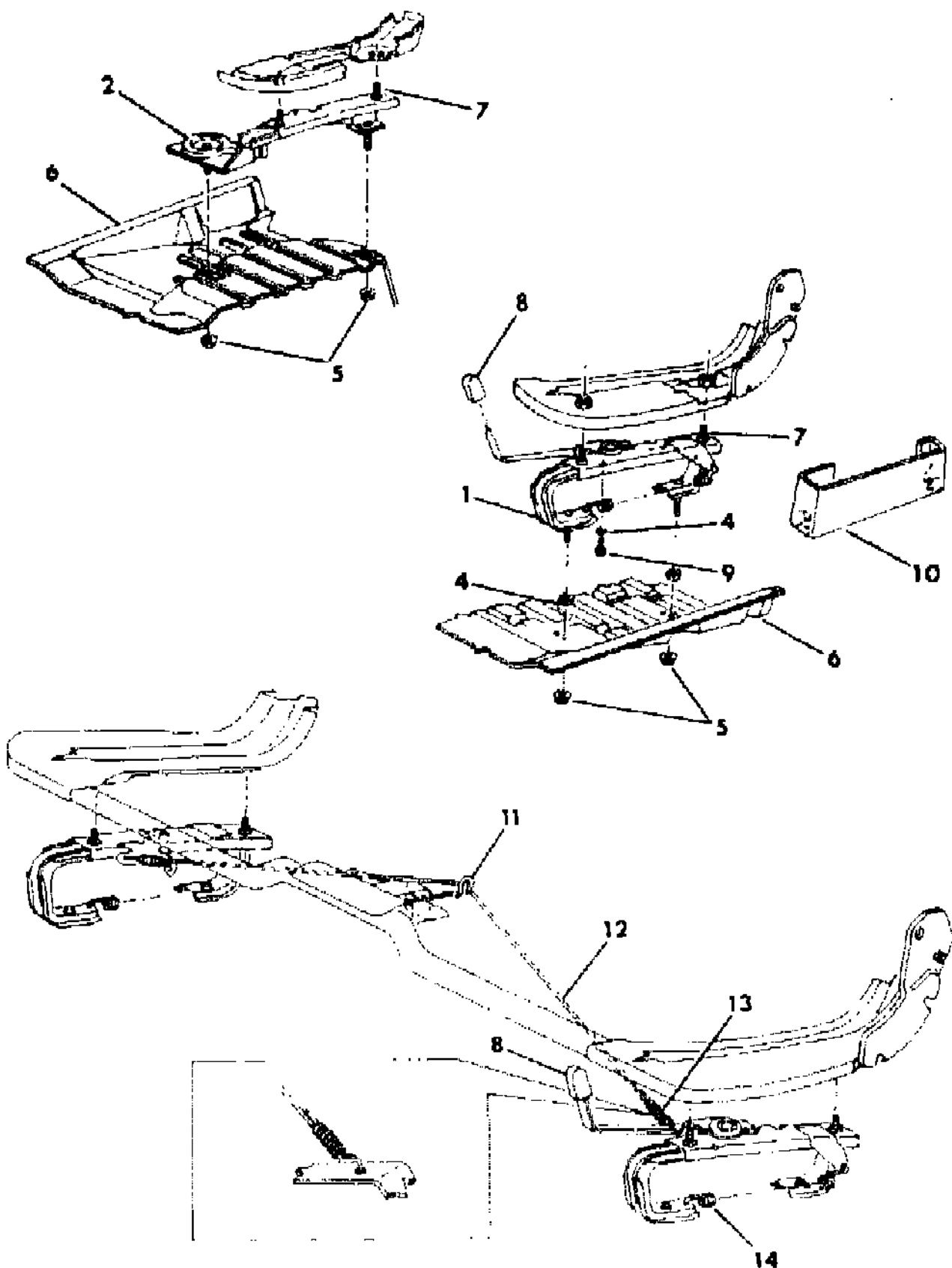
BODY STYLES

21 = 2-DOOR SEDAN	28 = FWD PICKUP	44 = 4-DOOR HATCHBACK
22 = 2-DOOR SPECIAL COUPE	35 = FWD VAN	45 = 4-DOOR STATION WAGON
24 = 2-DOOR HATCHBACK	36 = FWD WAGON	48 = 4-DOOR EXECUTIVE SEDAN
27 = 2-DOOR CONVERTIBLE	41 = 4-DOOR SEDAN	

AR = Use as Required - = Non Illustrated Part P.A.R. = Paint as Required

ADJUSTER MANUAL B,F,G M BODY
Figure ITM-2600

4244 2000



ITEM	PART NUMBER	QTY	BODY	MODEL	DESCRIPTION
1					ADJUSTER, Manual N N N N
	4290 831	1			Right, w/Bench N N N Y4290831
	4290 836	1			Left, w/Bench N N N Y4290836
	4290 844	1			Outer, w/60/40, Right w/o Police Package N N N Y4290844
	4290 843	1			w/Police Package N N N Y4290843
	4290 835	1			Outer, w/60/40, Left w/o Police Package N N N Y4290835
	4290 833	1			w/Police Package N N N Y4290833
	4172 363	1			SPRING, E.Z. Entry Release Lever Return w/60/40 N N N Y4172363
	4172 009	1			SPRING, Seat Adjuster Latch Return N N N Y4172009
2	4290 834	1			ADJUSTER, Manual 60/40, Right, Inner w/o Police Package N N N Y4290834
	4290 832	1			w/Police Package N N N Y4290832
	4290 830	1			Inner, w/60/40 w/o Police Package, Left N N N Y4290830
	4290 829	1			w/Police Package N N N Y4290829
4	6028 040	AR			RETAINER N N N Y6028040
5		AR			NUT and WASHER (not serviced) N N N N
6	4314 642-3	1			REINFORCEMENT, Front Floor Pan Seat Guide, Front Outer N N N Y4314642
	4314 644-5	1			Rear Floor Pan Seat Guide, Rear Outer N N N Y4314644
7	0181 088	AR			SCREW and WASHER N N N Y181088
8	5207 235	AR			KNOB, Front Seat Adjust Release N N N Y5207235
9	0181 063	AR			SCREW N N N Y181063
10					COVER, Inner, Left N N N N
	S621 AA7	1			Silver N N N YS621AA7
	S621 SC7	1			Blue N N N YS621SC7
	S621 TM6	1			Red N N N YS621TM6
	S621 BT8	1			Brown N N N YS621BT8
					Outer, Right N N N N
	S622 AA7	1			Silver N N N YS622AA7
	S622 TC7	1			Blue N N N YS622TC7
	S622 TM6	1			Red N N N YS622TM6
	S622 BT8	1			Brown N N N YS622BT8
					Outer, Left N N N N
	S623 AA7	1			Silver N N N YS623AA7
	S623 SC7	1			Blue N N N YS623SC7
	S623 TM6	1			Red N N N YS623TM6
	S623 BT8	1			Brown N N N YS623BT8

MODEL CODES

B = GRAN FURY	F = FIFTH AVENUE/NEWPORT	P = RELIANT
C = LEBARON/TOWN & COUNTRY/EXC SEDAN	G = DIPLOMAT	T = E CLASS/NEW YORKER
C24 = LASER	H = VOYAGER	V = 600
D = ARIES	K = MINI RAM/CARAVAN/ROYAL	V24 = DAYTONA
E = 600	M = HORIZON/TURISMO	Z = OMNI/CHARGER/RAMPAGE

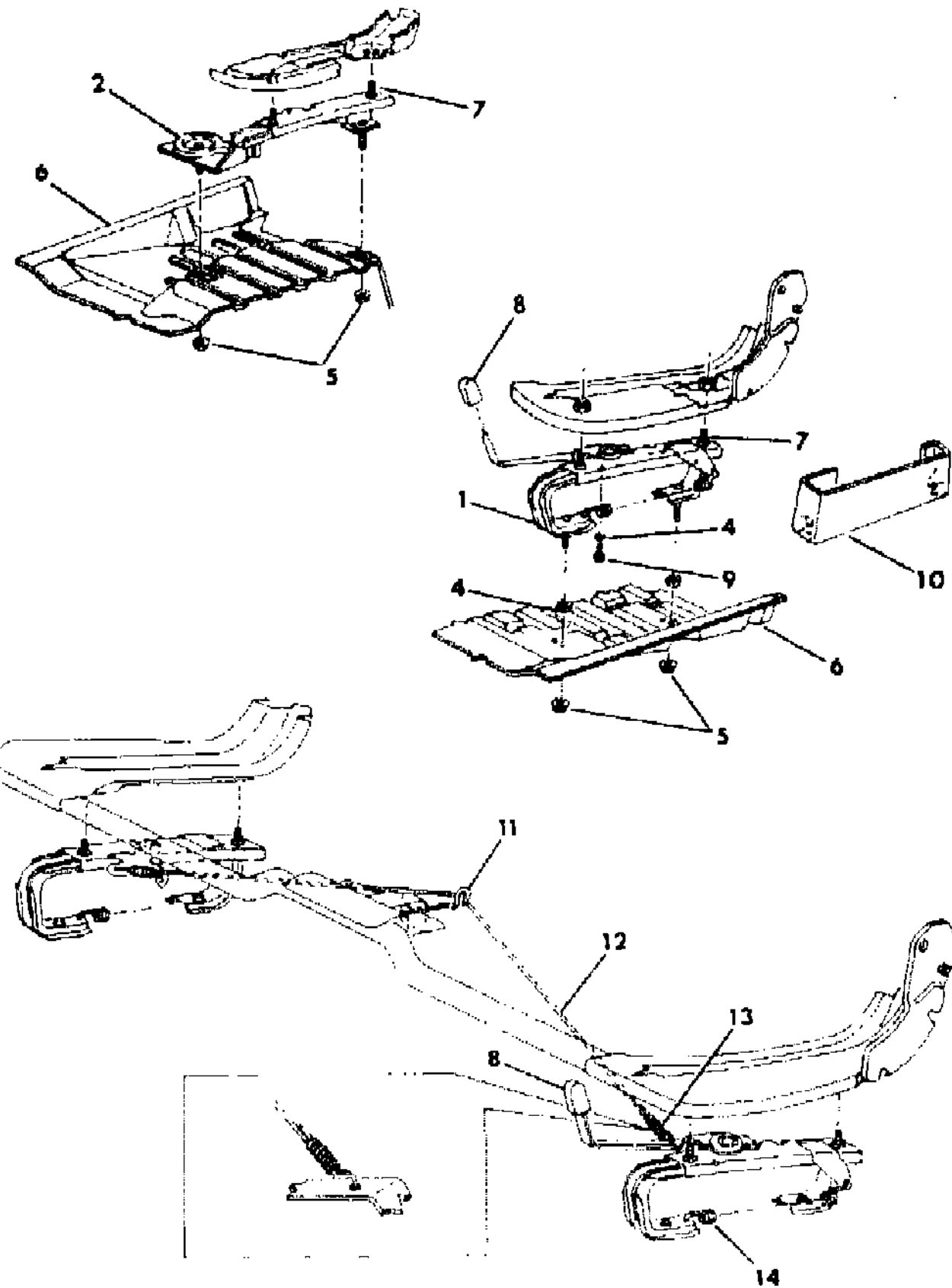
BODY STYLES

21 = 2-DOOR SEDAN	28 = FWD PICKUP	44 = 4-DOOR HATCHBACK
22 = 2-DOOR SPECIAL COUPE	35 = FWD VAN	45 = 4-DOOR STATION WAGON
24 = 2-DOOR HATCHBACK	36 = FWD WAGON	48 = 4-DOOR EXECUTIVE SEDAN
27 = 2-DOOR CONVERTIBLE	41 = 4-DOOR SEDAN	

AR = Use as Required - = Non Illustrated Part P.A.R. = Paint as Required

ADJUSTER MANUAL B,F,G M BODY
Figure ITM-2600

4244 2000



ITEM	PART NUMBER	QTY	BODY	MODEL	DESCRIPTION
					Inner, Right N N N N
	S872 AA7	1			Silver N N N YS872AA7
	S872 TC7	1			Blue N N N YS872TC7
	S872 TM6	1			Red N N N YS872TM6
	S872 BT8	1			Brown N N N YS872BT8
11	2942 556	1			HOOK, Seat Guide Wire N N N Y2942556
12	4172 057	1			WIRE, Seat Adjuster Latch w/Bench N N N Y4172057
	4172 174	1			w/60/40 N N N Y4172174
13	4172 333	AR			SPRING, Seat Adjuster Release Latch Return N N N Y4172333
14	3871 470	AR			SPRING, Seat Adjuster Return N N N Y3871470
The following parts are not illustrated. NGER WAGON USES THE TWO (2) PASSENGER STATIONARY SEAT PLUS THE FOLDING REAR SEAT.					
	6025 766	AR			NUT, Spring Cover Attaching N N N Y6025766
	0104 918	AR			BALL N N N Y104918

MODEL CODES

B = GRAN FURY	F = FIFTH AVENUE/NEWPORT	P = RELIANT
C = LEBARON/TOWN & COUNTRY/EXC SEDAN	G = DIPLOMAT	T = E CLASS/NEW YORKER
C24 = LASER	H = VOYAGER	V = 600
D = ARIES	K = MINI RAM/CARAVAN/ROYAL	V24 = DAYTONA
E = 600	M = HORIZON/TURISMO	Z = OMNI/CHARGER/RAMPAGE

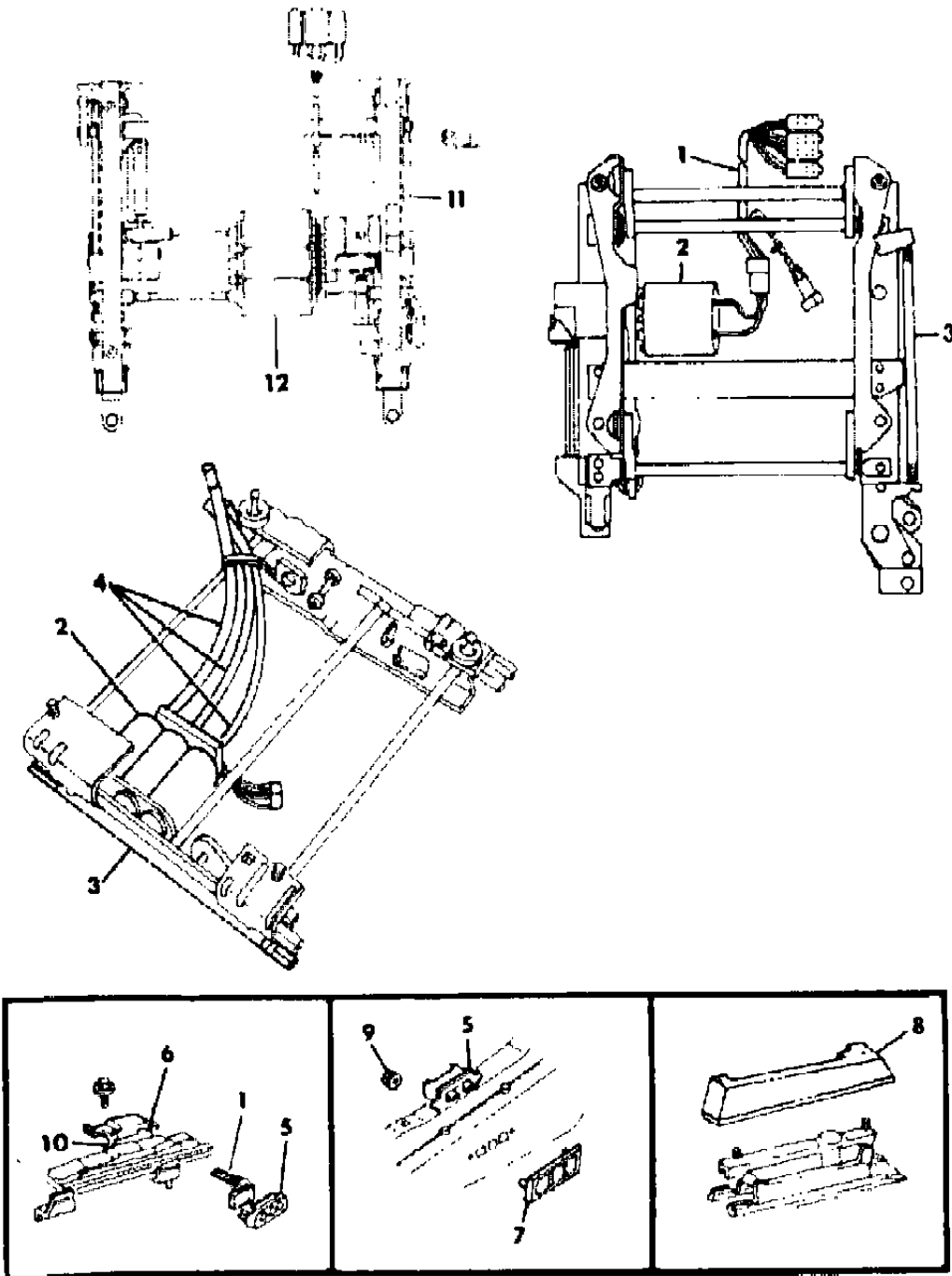
BODY STYLES

21 = 2-DOOR SEDAN	28 = FWD PICKUP	44 = 4-DOOR HATCHBACK
22 = 2-DOOR SPECIAL COUPE	35 = FWD VAN	45 = 4-DOOR STATION WAGON
24 = 2-DOOR HATCHBACK	36 = FWD WAGON	48 = 4-DOOR EXECUTIVE SEDAN
27 = 2-DOOR CONVERTIBLE	41 = 4-DOOR SEDAN	

AR = Use as Required - = Non Illustrated Part P.A.R. = Paint as Required

ADJUSTER ELECTRIC 60/40 SPLIT B,F,G M BODY Figure ITM-2700

4244 2700



ITEM	PART NUMBER	QTY	BODY	MODEL	DESCRIPTION
------	-------------	-----	------	-------	-------------

NOTE: THE FOLLOWING PARTS ARE FOR REPLACEMENT ONLY NOT FOR NEW INSTALLATION. NGER WAGON USES THE TWO (2) PASSENGER STATIONARY SEAT PLUS THE FOLDING REAR SEAT.

1	4209 431	1			WIRING, Seat Adjuster N N N Y4209431
2	4172 871	1			MOTOR, Left N N N Y4172871
	4239 716	1			Right, 4 Way N N N Y4239716
3	4318 294	1			ADJUSTER, Left N N N Y4318294
	4246 218	1			Right, 4 Way N N N Y4246218
4	4054 169	AR			HOUSING N N N Y4054169
	4054 168	AR			CABLE (Length 15.44") N N N Y4054168
5	3747 740	1			SWITCH, Left w/60/40 N N N Y3747740
	3747 957	1			Right N N N Y3747957
6	3747 795	1			BRACKET, Switch Mounting, Left N N N Y3747795
7	3746 967	1			BEZEL, Switch N N N Y3746967
8					COVER, Outer Left N N N N
	S689 AA7	1			Silver N N N YS689AA7
	S689 SC7	1			Blue N N N YS689SC7
	S689 TM6	1			Red N N N YS689TM6
	S689 BT8	1			Brown N N N YS689BT8
					Inner, Left N N N N
	S695 AA7	1			Silver N N N YS695AA7
	S695 SC7	1			Blue N N N YS695SC7
	S695 TM6	1			Red N N N YS695TM6
	S695 BT8	1			Brown N N N YS695BT8
					Outer, Right N N N N
	S576 AA7	1			Silver N N N YS576AA7
	S576 VC7	1			Blue N N N YS576VC7
	S576 VM6	1			Red N N N YS576VM6
	S576 BT8	1			Brown N N N YS576BT8
					Inner, Right N N N N
	S676 AA7	1			Silver N N N YS676AA7
	S676 AC7	1			Blue N N N YS676AC7
	S676 AM6	1			Red N N N YS676AM6
	S676 BT8	1			Brown N N N YS676BT8
9	6025 002	2			NUT and WASHER N N N Y6025002
10	9420 867	2			NUT N N N Y9420867
11	4316 794				ADJUSTER, Left N N N Y4316794
	4316 795	1			CABLE, Adjuster Outer, Fore and Aft N N N Y4316795
	4327 234	1			CABLE, Adjuster Inner, Fore and Aft (5.857") N N N Y4327234

MODEL CODES

B = GRAN FURY	F = FIFTH AVENUE/NEWPORT	P = RELIANT
C = LEBARON/TOWN & COUNTRY/EXC SEDAN	G = DIPLOMAT	T = E CLASS/NEW YORKER
C24 = LASER	H = VOYAGER	V = 600
D = ARIES	K = MINI RAM/CARAVAN/ROYAL	V24 = DAYTONA
E = 600	M = HORIZON/TURISMO	Z = OMNI/CHARGER/RAMPAGE

BODY STYLES

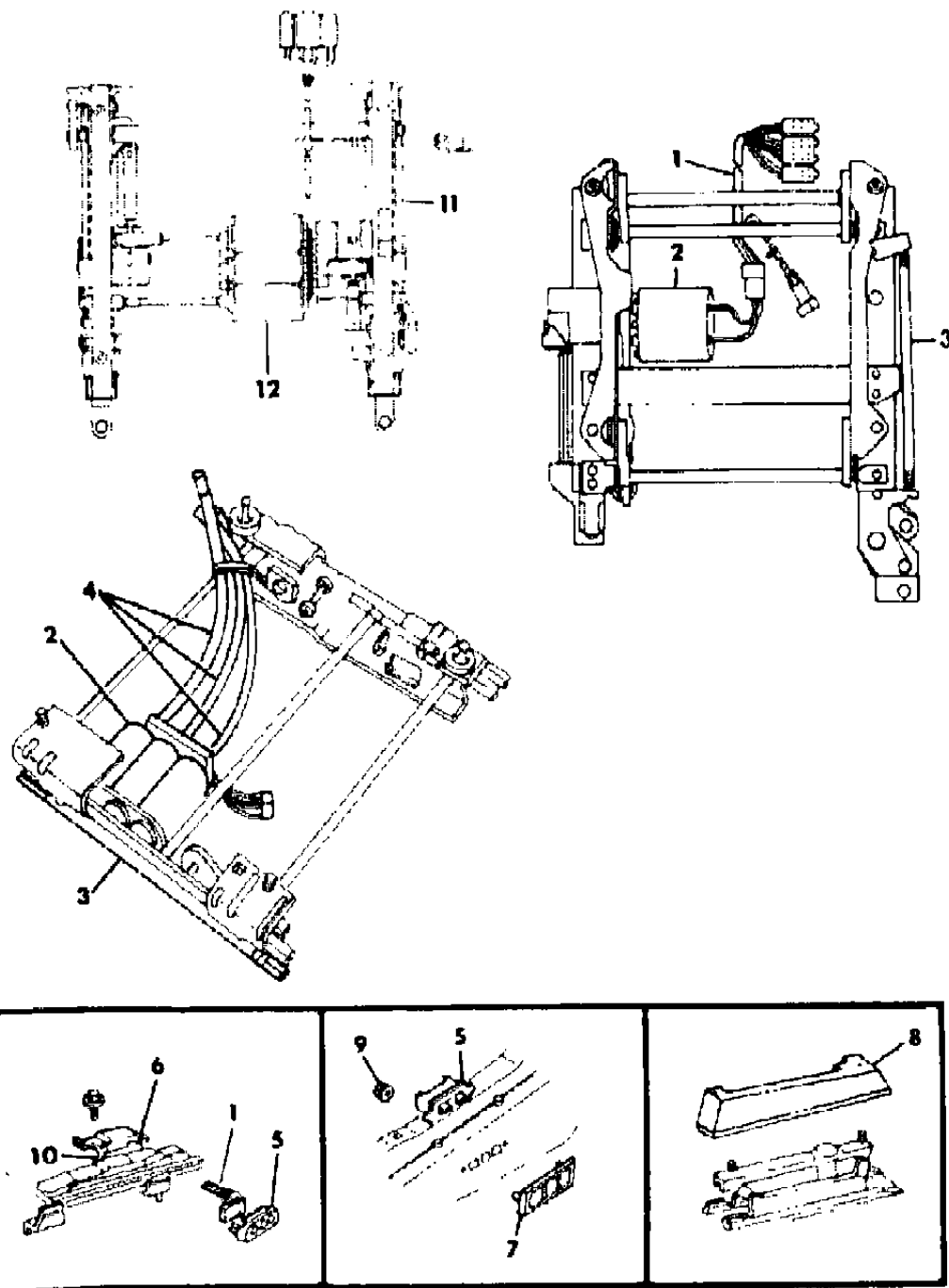
21 = 2-DOOR SEDAN	28 = FWD PICKUP	44 = 4-DOOR HATCHBACK
22 = 2-DOOR SPECIAL COUPE	35 = FWD VAN	45 = 4-DOOR STATION WAGON
24 = 2-DOOR HATCHBACK	36 = FWD WAGON	48 = 4-DOOR EXECUTIVE SEDAN
27 = 2-DOOR CONVERTIBLE	41 = 4-DOOR SEDAN	

AR = Use as Required - = Non Illustrated Part P.A.R. = Paint as Required

ADJUSTER ELECTRIC 60/40 SPLIT B,F,G M BODY

Figure ITM-2700

4244 2700



ITEM	PART NUMBER	QTY	BODY	MODEL	DESCRIPTION
	4316 797	1			SHAFT, Adjuster Flexible Up/Down N N N Y4316797
12	4327 232				MOTOR and TUBE, Left N N N Y4327232
The following parts are not illustrated. NGER WAGON USES THE TWO (2) PASSENGER STATIONARY SEAT PLUS THE FOLDING REAR SEAT.					
	4055 693	1			BRACKET, Seat Track Wiring N N N Y4055693
	6028 040	1			RETAINER, Wiring Bracket N N N Y6028040
	4239 718	1			CABLE, Verticle 4/Way Right (2.18") N N N Y4239718
	4239 720	1			CABLE, Horizontal 4/Way Right (3.62") N N N Y4239720
	4239 724	1			SPRING, Vertical 4/Way Right N N N Y4239724
	4239 722	1			SPRING, Horizontal 4/Way Right N N N Y4239722

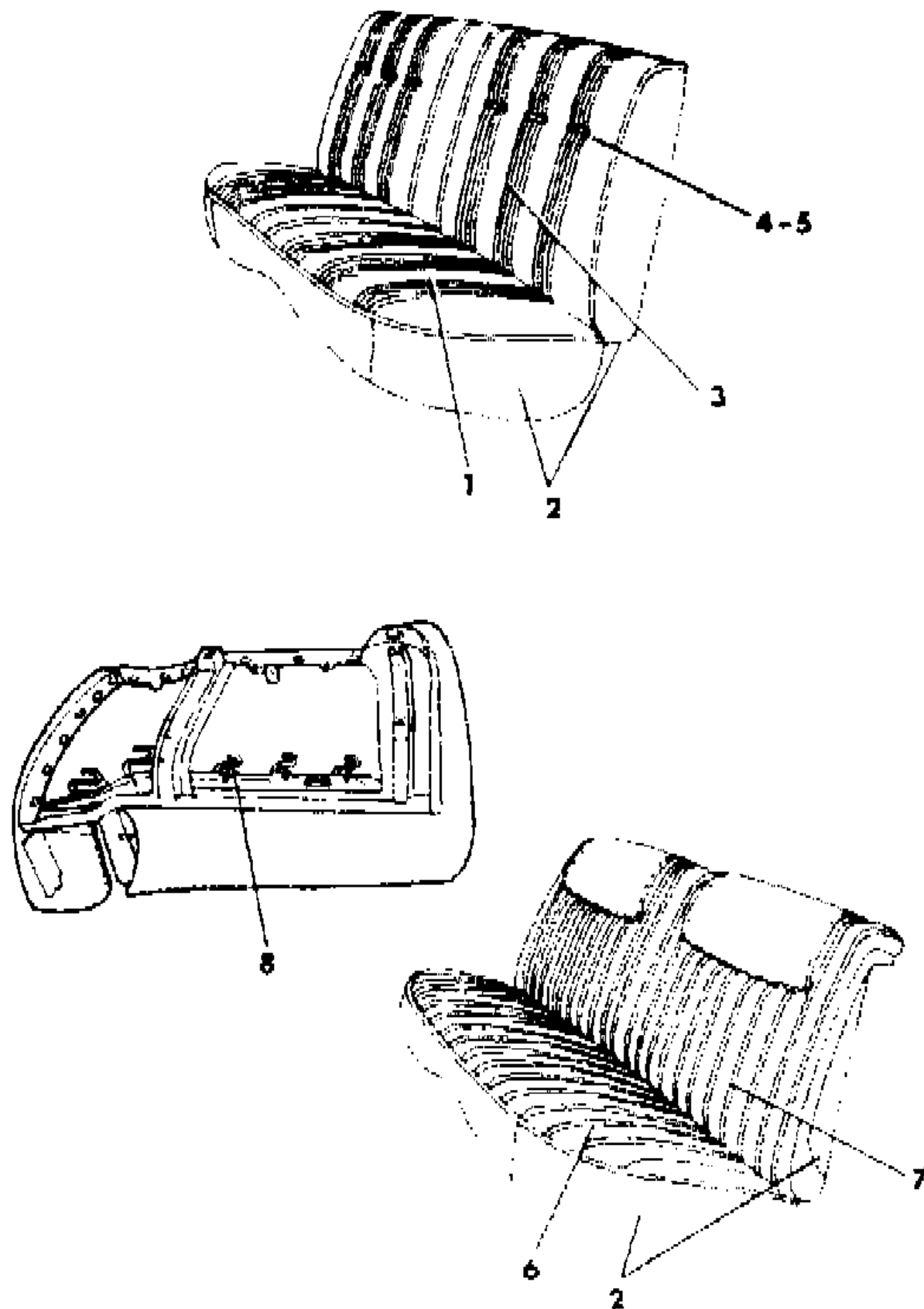
MODEL CODES
 B = GRAN FURY
 C = LEBARON/TOWN & COUNTRY/EXC SEDAN
 C24 = LASER
 D = ARIES
 E = 600
 F = FIFTH AVENUE/NEWPORT
 G = DIPLOMAT
 H = VOYAGER
 K = MINI RAM/CARAVAN/ROYAL
 M = HORIZON/TURISMO
 P = RELIANT
 T = E CLASS/NEW YORKER
 V = 600
 V24 = DAYTONA
 Z = OMNI/CHARGER/RAMPAGE

BODY STYLES
 21 = 2-DOOR SEDAN
 22 = 2-DOOR SPECIAL COUPE
 24 = 2-DOOR HATCHBACK
 27 = 2-DOOR CONVERTIBLE
 28 = FWD PICKUP
 35 = FWD VAN
 36 = FWD WAGON
 41 = 4-DOOR SEDAN
 44 = 4-DOOR HATCHBACK
 45 = 4-DOOR STATION WAGON
 48 = 4-DOOR EXECUTIVE SEDAN

AR = Use as Required - = Non Illustrated Part P.A.R. = Paint as Required

SEAT REAR B,G M BODY TRIM CODES A3,F4
Figure ITM-2800

4244 2800



ITEM	PART NUMBER	QTY	BODY	MODEL	DESCRIPTION
1-2					CUSHION, w/Spring/Frame, Pad and Cover N N N N
	A855 C3A	1			Heavy Duty N N N N
	A981 B3C	1			N N NA3A YA855C3A
	A855 C3C	1			(use up to 1/31/84) N N NA3C YA981B3C
	A981 BCC	1			(use from 1/31/84 to 2/7/84) N N NA3C YA855C3C
	A855 C3M	1			(use after 2/7/84) N N NA3C YA981BCC
	A855 C3L	1			N N NA3M YA855C3M
1					N N NA3L YA855C3L
					COVER, Cushion N N N N
	A373 C3A	1			N N NA3A YA373C3A
	A592 B1C	1			(use up to 1/31/84) N N NA3C YA592B1C
	A373 C3C	1			(use from 1/31/84 to 2/7/84) N N NA3C YA373C3C
	A592 BCC	1			(use after 2/7/84) N N NA3C YA592BCC
	A373 C3M	1			N N NA3M YA373C3M
	A373 C3L	1			N N NA3L YA373C3L
2					ROLL STOCK, Vinyl 64" Wide Order by the Inch N N N N
	R616 AA2	AR			Silver N N N YR616AA2
	R616 VC8	AR			Blue N N N YR616VC8
	R616 VM6	AR			Red N N N YR616VM6
	R616 BL3	AR			Tan N N N YR616BL3
2-3					BACK, w/Spring/Frame, Pad and Cover N N N N
	A857 C3A	1			Heavy Duty N N N N
	A982 B3C	1			N N NA3A YA857C3A
	A857 C3C	1			(use up to 1/31/84) N N NA3C YA982B3C
	A982 BCC	1			(use from 1/31/84 to 2/7/84) N N NA3C YA857C3C
	A857 C3M	1			(use after 2/7/84) N N NA3C YA982BCC
	A857 C3L	1			N N NA3M YA857C3M
					N N NA3L YA857C3L
3					COVER, Back N N N N
	A376 C3A	1			N N NA3A YA376C3A
	A594 B1C	1			(use up to 1/31/84) N N NA3C YA594B1C
	A376 C3C	1			(use from 1/31/84 to 2/7/84) N N NA3C YA376C3C
	A594 BCC	1			(use after 2/7/84) N N NA3C YA594BCC
	A376 C3M	1			N N NA3M YA376C3M
	A376 C3L	1			N N NA3L YA376C3L
4					BUTTON and RETAINER N N N N
	G385 AA2	AR			N N NA3A YG385AA2
	G385 VC8	AR			N N NA3C YG385VC8

MODEL CODES

B = GRAN FURY	F = FIFTH AVENUE/NEWPORT	P = RELIANT
C = LEBARON/TOWN & COUNTRY/EXC SEDAN	G = DIPLOMAT	T = E CLASS/NEW YORKER
C24 = LASER	H = VOYAGER	V = 600
D = ARIES	K = MINI RAM/CARAVAN/ROYAL	V24 = DAYTONA
E = 600	M = HORIZON/TURISMO	Z = OMNI/CHARGER/RAMPAGE

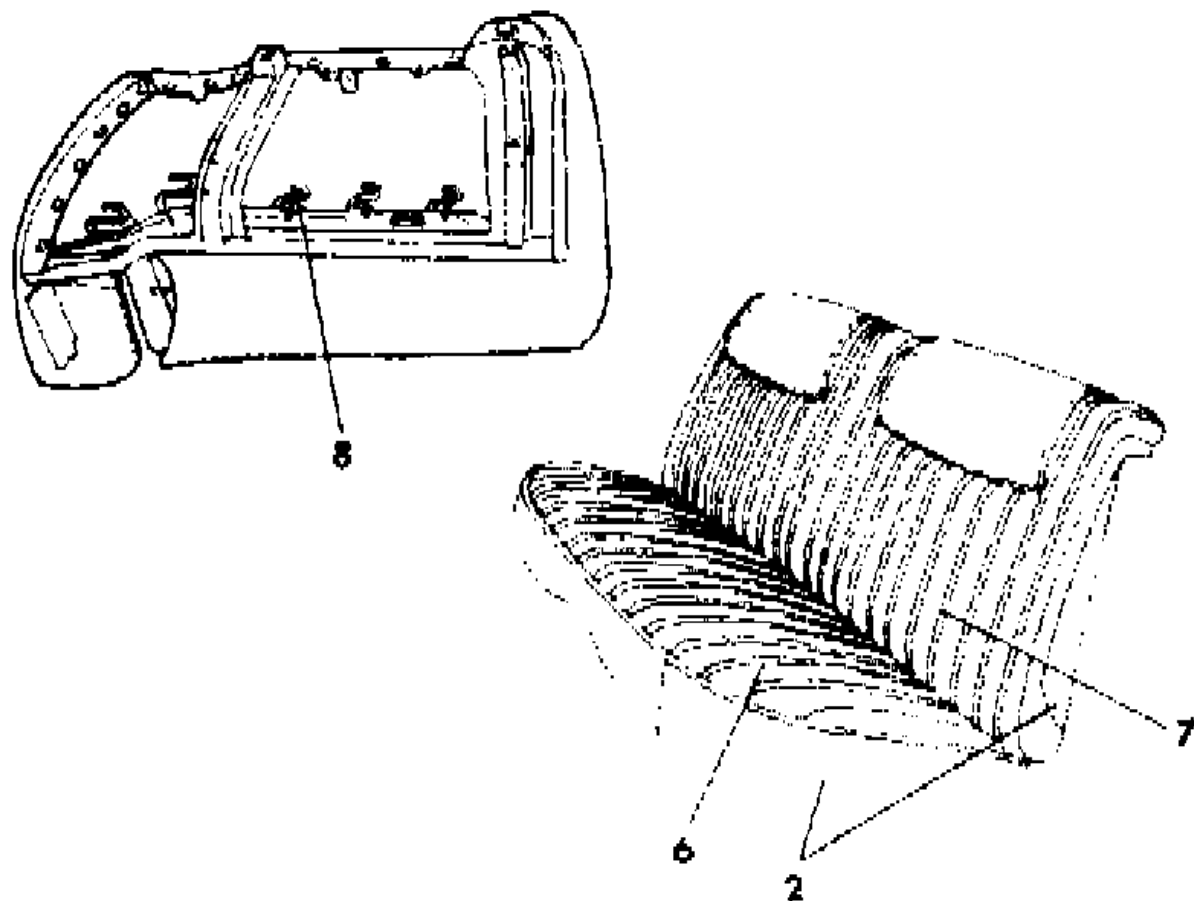
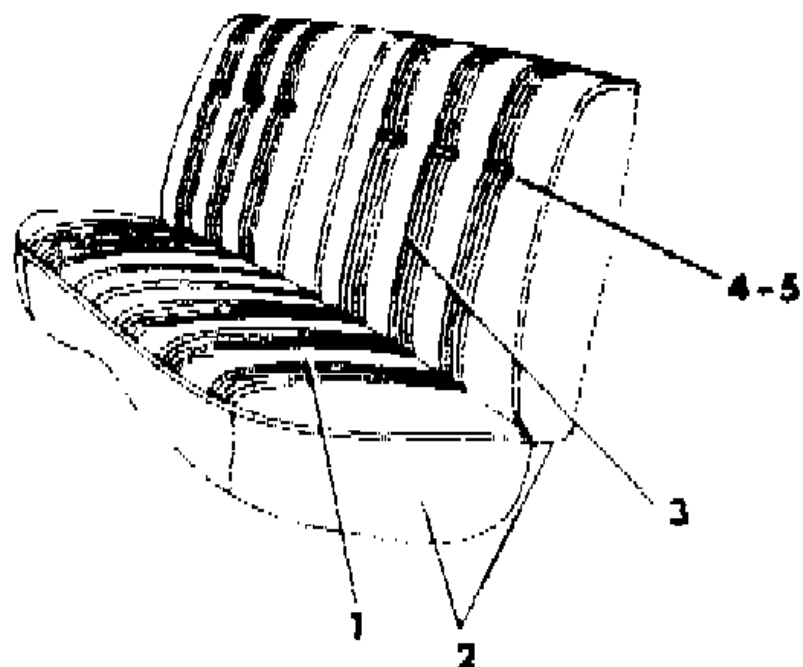
BODY STYLES

21 = 2-DOOR SEDAN	28 = FWD PICKUP	44 = 4-DOOR HATCHBACK
22 = 2-DOOR SPECIAL COUPE	35 = FWD VAN	45 = 4-DOOR STATION WAGON
24 = 2-DOOR HATCHBACK	36 = FWD WAGON	48 = 4-DOOR EXECUTIVE SEDAN
27 = 2-DOOR CONVERTIBLE	41 = 4-DOOR SEDAN	

AR = Use as Required - = Non Illustrated Part P.A.R. = Paint as Required

SEAT REAR B,G M BODY TRIM CODES A3,F4
Figure ITM-2800

4244 2800



ITEM	PART NUMBER	QTY	BODY	MODEL	DESCRIPTION
	G385 VM6	AR			N N NA3M YG385VM6
	G385 BL3	AR			N N NA3L YG385BL3
5		AR			RETAINER, Button (serviced in item 4) N N N N
6-2					CUSHION, w/Spring/Frame, Pad and Cover N N N N
	A984 B4L	1			N N NF4L YA984B4L
6					COVER, Cushion N N N N
	A530 B4L	1			N N NF4L YA530B4L
7-2					BACK, w/Spring/Frame, Pad and Cover N N N N
	A985 B4L	1			N N NF4L YA985B4L
7					COVER, Back N N N N
	A531 B4L	1			N N NF4L YA531B4L
8	6008 076	AR			HOG RING N N N Y6008076

MODEL CODES

B = GRAN FURY	F = FIFTH AVENUE/NEWPORT	P = RELIANT
C = LEBARON/TOWN & COUNTRY/EXC SEDAN	G = DIPLOMAT	T = E CLASS/NEW YORKER
C24 = LASER	H = VOYAGER	V = 600
D = ARIES	K = MINI RAM/CARAVAN/ROYAL	V24 = DAYTONA
E = 600	M = HORIZON/TURISMO	Z = OMNI/CHARGER/RAMPAGE

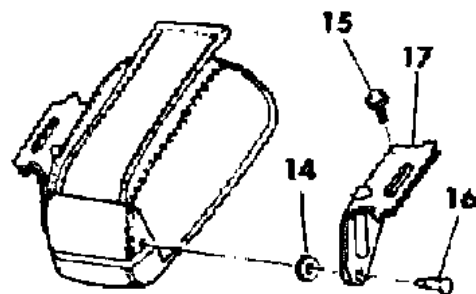
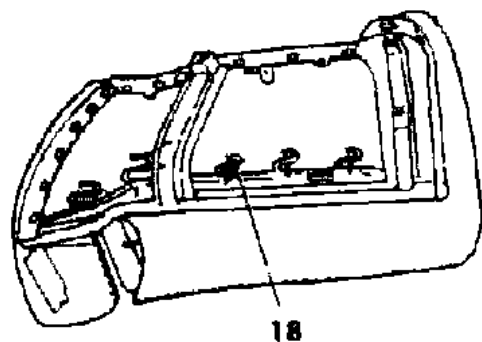
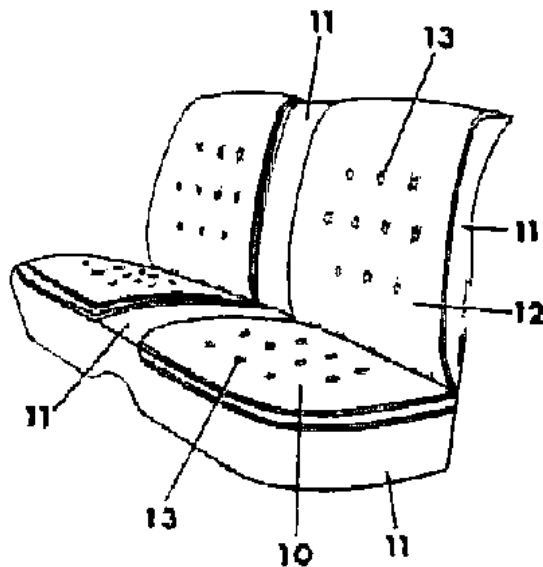
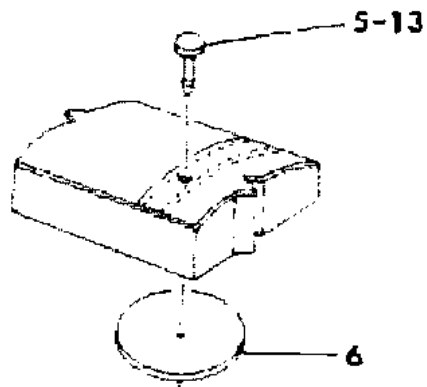
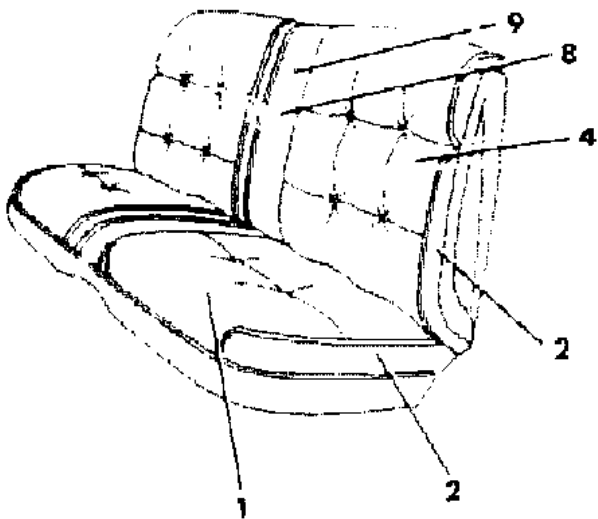
BODY STYLES

21 = 2-DOOR SEDAN	28 = FWD PICKUP	44 = 4-DOOR HATCHBACK
22 = 2-DOOR SPECIAL COUPE	35 = FWD VAN	45 = 4-DOOR STATION WAGON
24 = 2-DOOR HATCHBACK	36 = FWD WAGON	48 = 4-DOOR EXECUTIVE SEDAN
27 = 2-DOOR CONVERTIBLE	41 = 4-DOOR SEDAN	

AR = Use as Required - = Non Illustrated Part P.A.R. = Paint as Required

SEAT REAR B,F,G M BODY TRIM CODES C9,H9,S9,SY
Figure ITM-2900

4244 2900



ITEM	PART NUMBER	QTY	BODY	MODEL	DESCRIPTION
1-2					CUSHION, w/Spring/Frame, Pad and Cover N N N N
	A647 C9A	1			Sample of Material Required N N NC9A,H9A YA647C9A
	A647 CCA	1			Sample of Material Required N N NC9A,H9A YA647CCA
	A647 C9C	1			Sample of Material Required N N NC9C,H9C YA647C9C
	A647 CCC	1			Sample of Material Required N N NC9C,H9C YA647CCC
	A647 C9M	1			Sample of Material Required N N NC9M,H9M YA647C9M
	A647 CCM	1			Sample of Material Required N N NC9M,H9M YA647CCM
	A647 C9L	1			Sample of Material Required N N NC9L,H9L YA647C9L
	A647 CCL	1			Sample of Material Required N N NC9L,H9L YA647CCL
1					COVER, Cushion N N N N
	A382 C9A	1			Sample of Material Required N N NC9A,H9A YA382C9A
	A382 CCA	1			Sample of Material Required N N NC9A,H9A YA382CCA
	A382 C9C	1			Sample of Material Required N N NC9C,H9C YA382C9C
	A382 CCC	1			Sample of Material Required N N NC9C,H9C YA382CCC
	A382 C9M	1			Sample of Material Required N N NC9M,H9M YA382C9M
	A382 CCM	1			Sample of Material Required N N NC9M,H9M YA382CCM
	A382 C9L	1			Sample of Material Required N N NC9L,H9L YA382C9L
	A382 CCL	1			Sample of Material Required N N NC9L,H9L YA382CCL
2					ROLL STOCK, Cloth 54" Wide Order by the Inch N N N N
	R021 CA3	AR			N N NC9A,H9A YR021CA3
	R021 CC7	AR			N N NC9C,H9C YR021CC7
	R021 CM6	AR			N N NC9M,H9M YR021CM6
	R021 CL3	AR			N N NC9L,H9L YR021CL3
2-4					BACK, w/Spring/Frame, Pad and Cover N N N N
	A648 C9A	1			Sample of Material Required N N NC9A,H9A YA648C9A
	A648 CCA	1			Sample of Material Required N N NC9A,H9A YA648CCA
	A648 C9C	1			Sample of Material Required N N NC9C,H9C YA648C9C
	A648 CCC	1			Sample of Material Required N N NC9C,H9C YA648CCC
	A648 C9M	1			Sample of Material Required N N NC9M,H9M YA648C9M
	A648 CCM	1			Sample of Material Required N N NC9M,H9M YA648CCM
	A648 C9L	1			Sample of Material Required N N NC9L,H9L YA648C9L
	A648 CCL	1			Sample of Material Required N N NC9L,H9L YA648CCL
3					COVER, Back N N N N
	A383 C9A	1			Sample of Material Required N N NC9A,H9A YA383C9A
	A383 CCA	1			Sample of Material Required N N NC9A,H9A YA383CCA
	A383 C9C	1			Sample of Material Required N N NC9C,H9C YA383C9C
	A383 CCC	1			Sample of Material Required N N NC9C,H9C YA383CCC
	A383 C9M	1			Sample of Material Required N N NC9M,H9M YA383C9M

MODEL CODES

B = GRAN FURY	F = FIFTH AVENUE/NEWPORT	P = RELIANT
C = LEBARON/TOWN & COUNTRY/EXC SEDAN	G = DIPLOMAT	T = E CLASS/NEW YORKER
C24 = LASER	H = VOYAGER	V = 600
D = ARIES	K = MINI RAM/CARAVAN/ROYAL	V24 = DAYTONA
E = 600	M = HORIZON/TURISMO	Z = OMNI/CHARGER/RAMPAGE

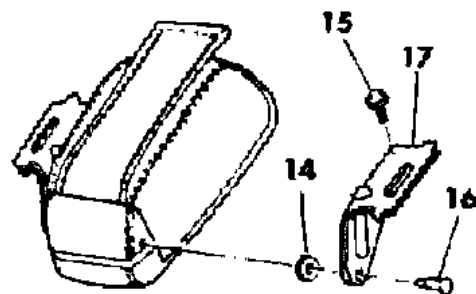
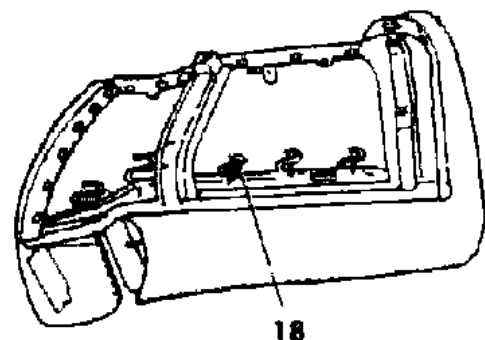
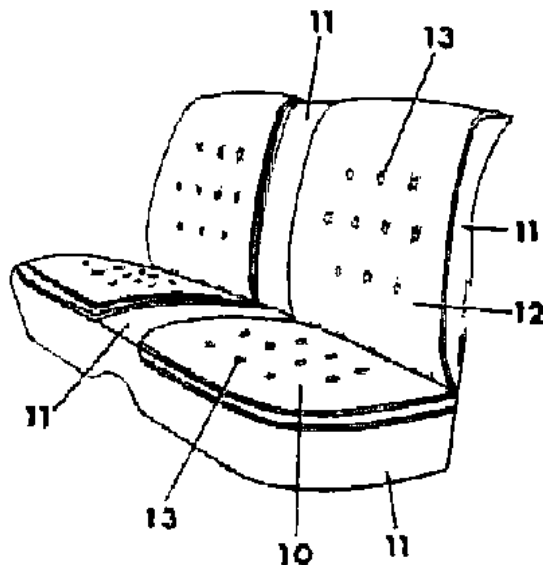
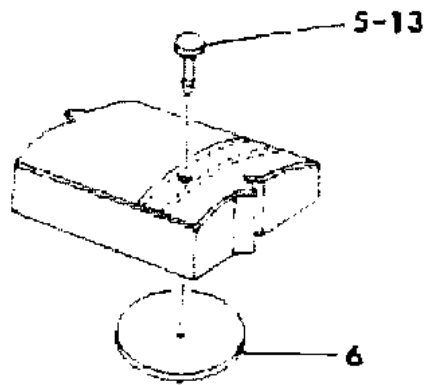
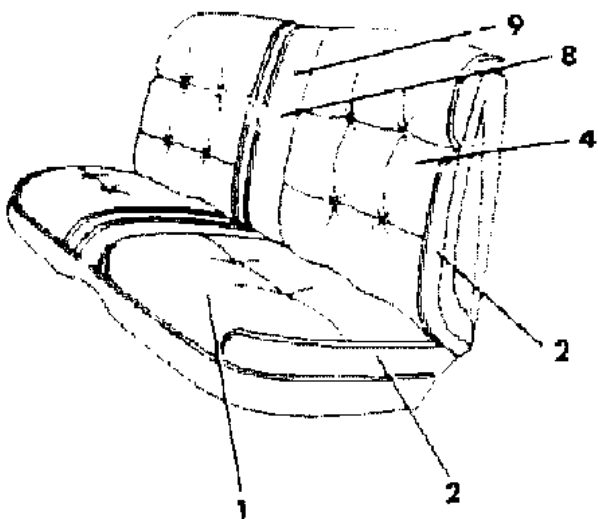
BODY STYLES

21 = 2-DOOR SEDAN	28 = FWD PICKUP	44 = 4-DOOR HATCHBACK
22 = 2-DOOR SPECIAL COUPE	35 = FWD VAN	45 = 4-DOOR STATION WAGON
24 = 2-DOOR HATCHBACK	36 = FWD WAGON	48 = 4-DOOR EXECUTIVE SEDAN
27 = 2-DOOR CONVERTIBLE	41 = 4-DOOR SEDAN	

AR = Use as Required - = Non Illustrated Part P.A.R. = Paint as Required

SEAT REAR B,F,G M BODY TRIM CODES C9,H9,S9,SY
Figure ITM-2900

4244 2900



ITEM	PART NUMBER	QTY	BODY	MODEL	DESCRIPTION
	A383 CCM	1			Sample of Material Required N N NC9M,H9M YA383CCM
	A383 C9L	1			Sample of Material Required N N NC9L,H9L YA383C9L
	A383 CCL	1			Sample of Material Required N N NC9L,H9L YA383CCL
5					BUTTON and RETAINER N N N N Cushion N N N N
	G381 CA3	AR			N N NC9A,H9A YG381CA3
	G381 CC7	AR			N N NC9C,H9C YG381CC7
	G381 CM6	AR			N N NC9M,H9M YG381CM6
	G381 CL3	AR			N N NC9L,H9L YG381CL3
					Back N N N N
	G380 CA3	AR			N N NC9A,H9A YG380CA3
	G380 CC7	AR			N N NC9C,H9C YG380CC7
	G380 CM6	AR			N N NC9M,H9M YG380CM6
	G380 CL3	AR			N N NC9L,H9L YG380CL3
6	4029 901	AR			WASHER, Button N N N Y4029901
8					ARMREST N N N N
	A649 CA3	1			Sample of Material Required N N NC9A,H9A YA649CA3
	A649 CCA	1			Sample of Material Required N N NC9A,H9A YA649CCA
	A649 CC7	1			Sample of Material Required N N NC9C,H9C YA649CC7
	A649 CCC	1			Sample of Material Required N N NC9C,H9C YA649CCC
	A649 CM6	1			Sample of Material Required N N NC9M,H9M YA649CM6
	A649 CCM	1			Sample of Material Required N N NC9M,H9M YA649CCM
	A649 CL3	1			Sample of Material Required N N NC9L,H9L YA649CL3
	A649 CCL	1			Sample of Material Required N N NC9L,H9L YA649CCL
9					COVER, Armrest N N N N
	A386 CA3	1			Sample of Material Required N N NC9A,H9A YA386CA3
	A386 CCA	1			Sample of Material Required N N NC9A,H9A YA386CCA
	A386 CC7	1			Sample of Material Required N N NC9C,H9C YA386CC7
	A386 CCC	1			Sample of Material Required N N NC9C,H9C YA386CCC
	A386 CM6	1			Sample of Material Required N N NC9M,H9M YA386CM6
	A386 CCM	1			Sample of Material Required N N NC9M,H9M YA386CCM
	A386 CL3	1			Sample of Material Required N N NC9L,H9L YA386CL3
	A386 CCL	1			Sample of Material Required N N NC9L,H9L YA386CCL
10-11					CUSHION, w/Spring/Frame, Pad and Cover N N N N
	A914 A9A	1			N N NS9A YA914A9A
	A914 A9C	1			N N NS9C YA914A9C
	A914 A9M	1			N N NS9M YA914A9M
	A914 B9L	1			N N NS9L YA914B9L

MODEL CODES

B = GRAN FURY	F = FIFTH AVENUE/NEWPORT	P = RELIANT
C = LEBARON/TOWN & COUNTRY/EXC SEDAN	G = DIPLOMAT	T = E CLASS/NEW YORKER
C24 = LASER	H = VOYAGER	V = 600
D = ARIES	K = MINI RAM/CARAVAN/ROYAL	V24 = DAYTONA
E = 600	M = HORIZON/TURISMO	Z = OMNI/CHARGER/RAMPAGE

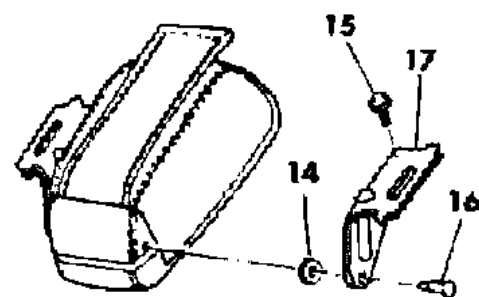
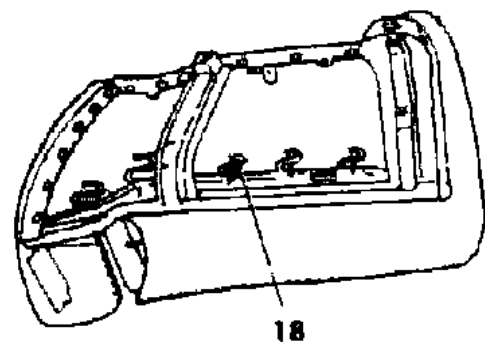
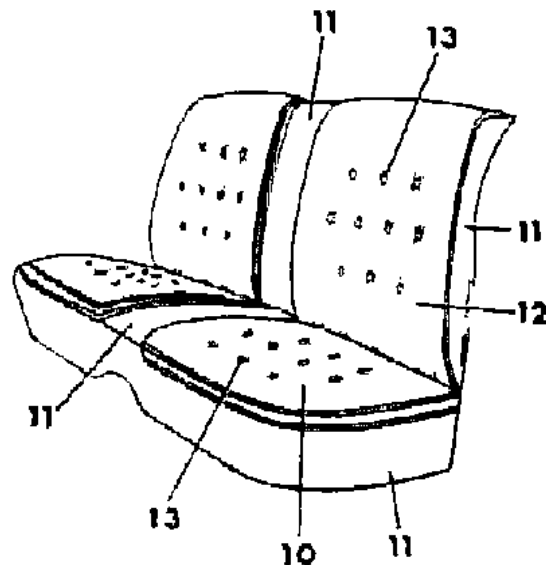
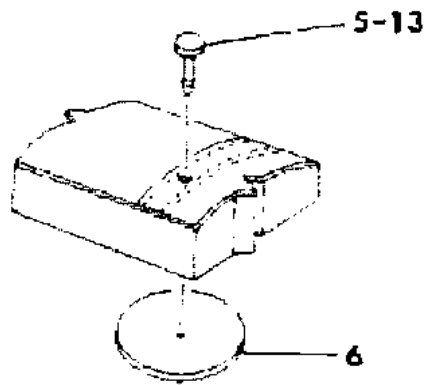
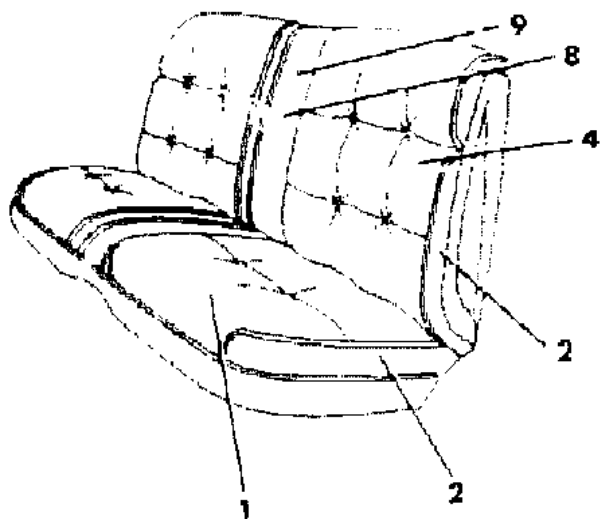
BODY STYLES

21 = 2-DOOR SEDAN	28 = FWD PICKUP	44 = 4-DOOR HATCHBACK
22 = 2-DOOR SPECIAL COUPE	35 = FWD VAN	45 = 4-DOOR STATION WAGON
24 = 2-DOOR HATCHBACK	36 = FWD WAGON	48 = 4-DOOR EXECUTIVE SEDAN
27 = 2-DOOR CONVERTIBLE	41 = 4-DOOR SEDAN	

AR = Use as Required - = Non Illustrated Part P.A.R. = Paint as Required

SEAT REAR B,F,G M BODY TRIM CODES C9,H9,S9,SY
Figure ITM-2900

4244 2900



ITEM	PART NUMBER	QTY	BODY	MODEL	DESCRIPTION
	A940 AYA	1			N N NSYA YA940AYA
	A940 AYC	1			N N NSYC YA940AYC
	A940 AYM	1			N N NSYM YA940AYM
	A940 BYL	1			N N NSYL YA940BYL
10					COVER, Cushion N N N N
	A354 A9A	1			N N NS9A YA354A9A
	A354 A9C	1			N N NS9C YA354A9C
	A354 A9M	1			N N NS9M YA354A9M
	A354 B9L	1			N N NS9L YA354B9L
	A348 AYA	1			N N NSYA YA348AYA
	A348 AYC	1			N N NSYC YA348AYC
	A348 AYM	1			N N NSYM YA348AYM
	A348 BYL	1			N N NSYL YA348BYL
11					ROLL STOCK, Cloth 54" Wide Order by the Inch N N N N
	R093 AA3	AR			Silver N N NS9A YR093AA3
	R093 AC7	AR			Blue N N NS9C YR093AC7
	R093 AM6	AR			Red N N NS9M YR093AM6
	R093 BL3	AR			Tan N N NS9L YR093BL3
					Vinyl 64" Wide Order By the Inch N N N N
	R616 AA2	AR			Silver N N NSYA YR616AA2
	R616 VC8	AR			Blue N N NSYC YR616VC8
	R616 VM6	AR			Red N N NSYM YR616VM6
	R616 BL3	AR			Tan N N NSYL YR616BL3
11-12					BACK, w/Spring/Frame, Pad and Cover N N N N
	A915 A9A	1			N N NS9A YA915A9A
	A915 A9C	1			N N NS9C YA915A9C
	A915 A9M	1			N N NS9M YA915A9M
	A915 B9L	1			N N NS9L YA915B9L
	A941 AYA	1			N N NSYA YA941AYA
	A941 AYC	1			N N NSYC YA941AYC
	A941 AYM	1			N N NSYM YA941AYM
	A941 BYL	1			N N NSYL YA941BYL
12					COVER, Back N N N N
	A355 A9A	1			N N NS9A YA355A9A
	A355 A9C	1			N N NS9C YA355A9C
	A355 A9M	1			N N NS9M YA355A9M
	A355 B9L	1			N N NS9L YA355B9L
	A349 AYA	1			N N NSYA YA349AYA

MODEL CODES

B = GRAN FURY	F = FIFTH AVENUE/NEWPORT	P = RELIANT
C = LEBARON/TOWN & COUNTRY/EXC SEDAN	G = DIPLOMAT	T = E CLASS/NEW YORKER
C24 = LASER	H = VOYAGER	V = 600
D = ARIES	K = MINI RAM/CARAVAN/ROYAL	V24 = DAYTONA
E = 600	M = HORIZON/TURISMO	Z = OMNI/CHARGER/RAMPAGE

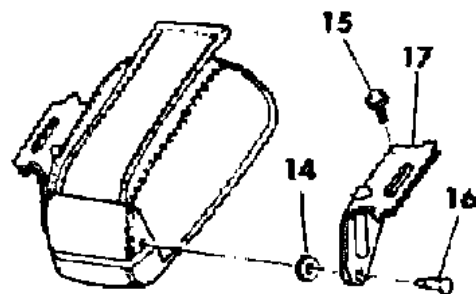
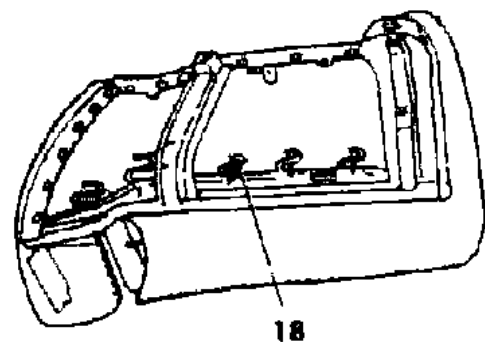
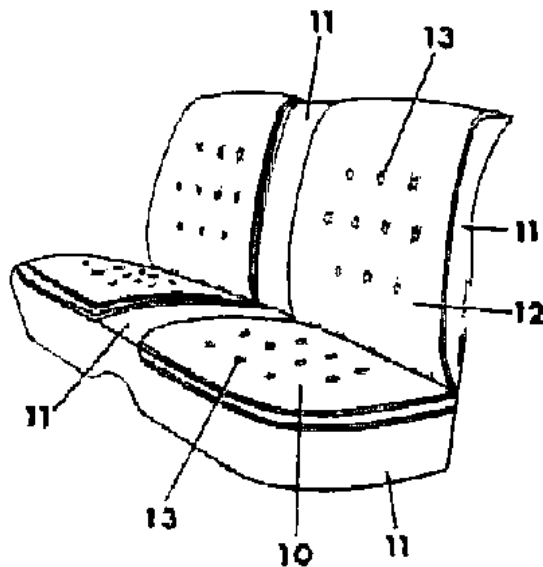
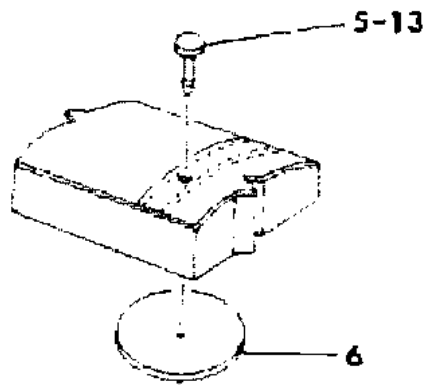
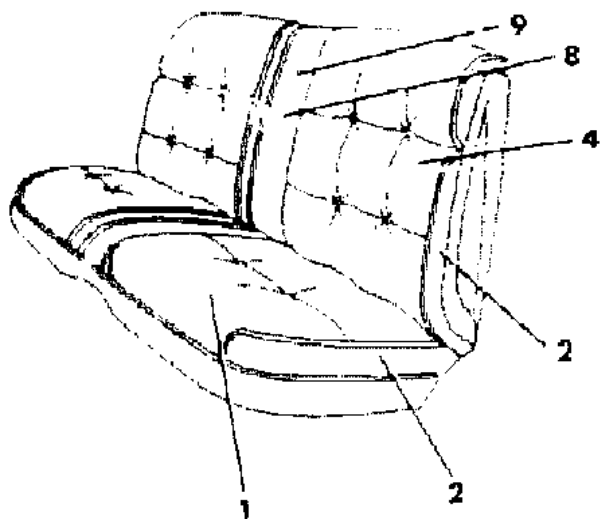
BODY STYLES

21 = 2-DOOR SEDAN	28 = FWD PICKUP	44 = 4-DOOR HATCHBACK
22 = 2-DOOR SPECIAL COUPE	35 = FWD VAN	45 = 4-DOOR STATION WAGON
24 = 2-DOOR HATCHBACK	36 = FWD WAGON	48 = 4-DOOR EXECUTIVE SEDAN
27 = 2-DOOR CONVERTIBLE	41 = 4-DOOR SEDAN	

AR = Use as Required - = Non Illustrated Part P.A.R. = Paint as Required

SEAT REAR B,F,G M BODY TRIM CODES C9,H9,S9,SY
Figure ITM-2900

4244 2900



ITEM	PART NUMBER	QTY	BODY	MODEL	DESCRIPTION
	A349 AYC	1			N N NSYC YA349AYC
	A349 AYM	1			N N NSYM YA349AYM
	A349 BYL	1			N N NSYL YA349BYL
13					BUTTON and RETAINER, Cushion and Back N N N N
	G379 AA3	AR			N N NS9A YG379AA3
	G379 AC7	AR			N N NS9C YG379AC7
	G379 AM6	AR			N N NS9M YG379AM6
	G379 BL3	AR			N N NS9L YG379BL3
	S846 AA2	AR			N N NSYA YS846AA2
	S846 VC8	AR			N N NSYC YS846VC8
	S846 AM6	AR			N N NSYM YS846AM6
	S846 BL3	AR			N N NSYL YS846BL3
14	6031 537	2			WASHER, Rear Seat Back Center Armrest Spacer N N N Y6031537
15	0181 063	2			BOLT, Armrest to Seat Back N N N Y181063
16	6026 584	2			SCREW, Armrest N N N Y6026584
17	4098 764-5	1			HINGE, Armrest N N N Y4098764
18	6008 076	AR			HOG RING N N N Y6008076

MODEL CODES

B = GRAN FURY	F = FIFTH AVENUE/NEWPORT	P = RELIANT
C = LEBARON/TOWN & COUNTRY/EXC SEDAN	G = DIPLOMAT	T = E CLASS/NEW YORKER
C24 = LASER	H = VOYAGER	V = 600
D = ARIES	K = MINI RAM/CARAVAN/ROYAL	V24 = DAYTONA
E = 600	M = HORIZON/TURISMO	Z = OMNI/CHARGER/RAMPAGE

BODY STYLES

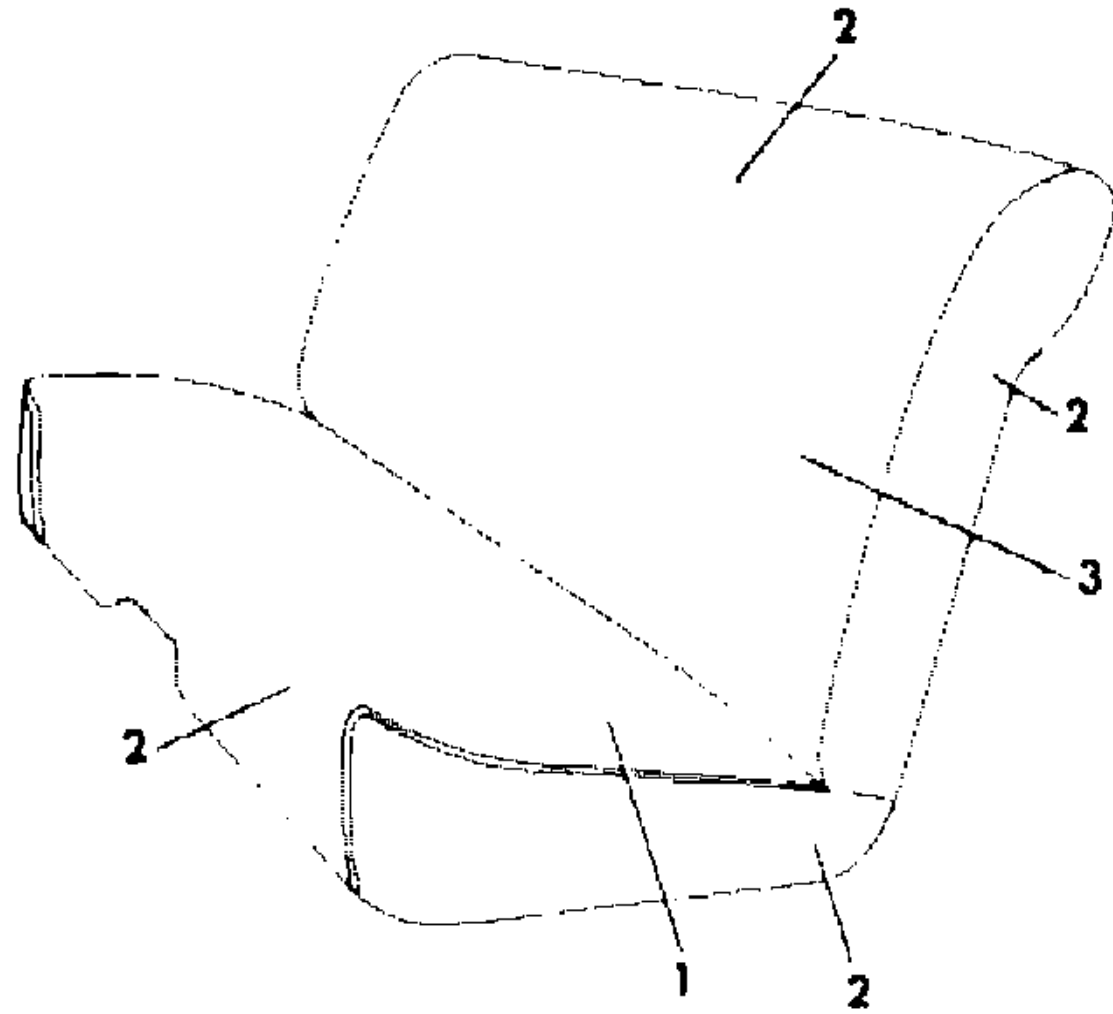
21 = 2-DOOR SEDAN	28 = FWD PICKUP	44 = 4-DOOR HATCHBACK
22 = 2-DOOR SPECIAL COUPE	35 = FWD VAN	45 = 4-DOOR STATION WAGON
24 = 2-DOOR HATCHBACK	36 = FWD WAGON	48 = 4-DOOR EXECUTIVE SEDAN
27 = 2-DOOR CONVERTIBLE	41 = 4-DOOR SEDAN	

AR = Use as Required - = Non Illustrated Part P.A.R. = Paint as Required

SEAT REAR B,G M BODY TRIM CODES K2,KX
Figure ITM-3000

4244 3000

ITEM	PART NUMBER	QTY	BODY	MODEL	DESCRIPTION
1-2					CUSHION, w/Spring/Frame, Pad and Cover N N N N
	N738 V2C	1			N N NK2C YN738V2C
	N738 B2L	1			N N NK2L,KXL YN738B2L
1					COVER, Cushion N N N N
	N163 V2C	1			N N NK2C YN163V2C
	N163 B2L	1			N N NK2L,KXL YN163B2L
2					ROLL STOCK, Vinyl 64" Wide Order By The Inch N N N N
	R616 VC8	AR			Blue N N NK2C YR616VC8
	R616 BL3	AR			Tan N N NK2L,KXL YR616BL3
3-2					BACK, w/Spring/Frame, Pad and Cover N N N N
	N740 V2C	1			N N NK2C YN740V2C
	N740 B2L	1			N N NK2L,KXL YN740B2L
3					COVER, Back N N N N
	N164 V2C	1			N N NK2C YN164V2C
	N164 B2L	1			N N NK2L,KXL YN164B2L
The following parts are not illustrated. NGER WAGON USES THE TWO (2) PASSENGER STATIONARY SEAT PLUS THE FOLDING REAR SEAT.					
	4138 071	2			PROTECTOR, Rear Seat Cushion Frame (w/Heavy Duty Cushion) N N N Y4138071
	3844 288	2			SCUFF PLATE, Cushion Hold Down N N N Y3844288
	6008 076	AR			HOG RING N N N Y6008076



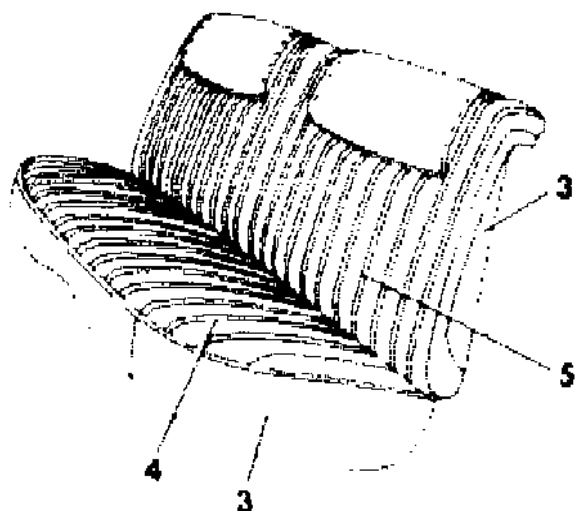
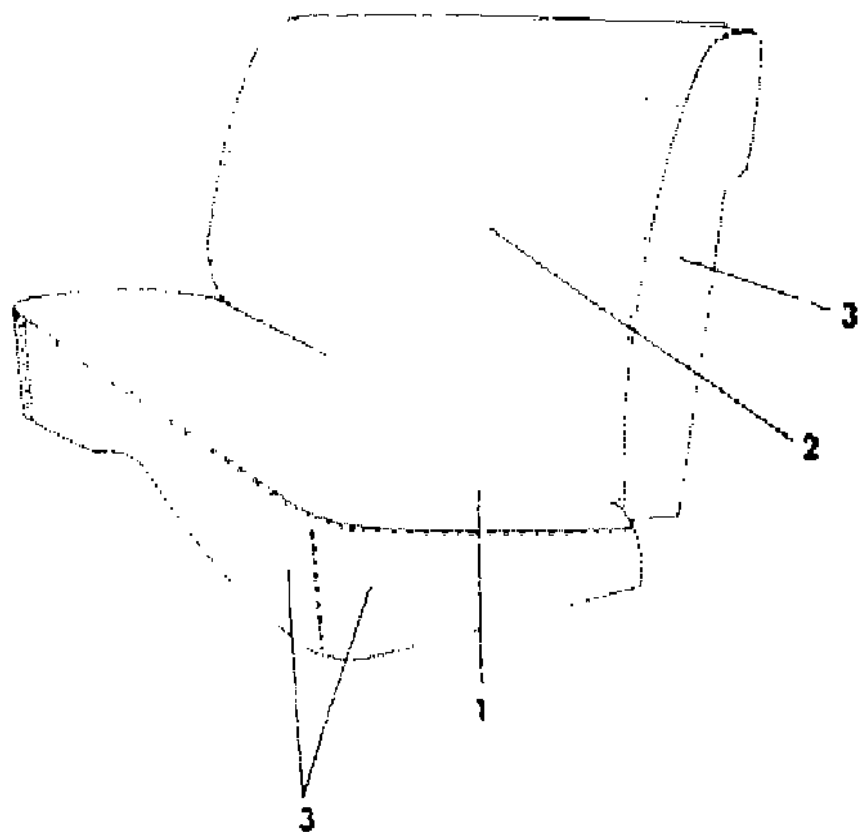
MODEL CODES
 B = GRAN FURY
 C = LEBARON/TOWN & COUNTRY/EXC SEDAN
 C24 = LASER
 D = ARIES
 E = 600
 F = FIFTH AVENUE/NEWPORT
 G = DIPLOMAT
 H = VOYAGER
 K = MINI RAM/CARAVAN/ROYAL
 M = HORIZON/TURISMO
 P = RELIANT
 T = E CLASS/NEW YORKER
 V = 600
 V24 = DAYTONA
 Z = OMNI/CHARGER/RAMPAGE

BODY STYLES
 21 = 2-DOOR SEDAN
 22 = 2-DOOR SPECIAL COUPE
 24 = 2-DOOR HATCHBACK
 27 = 2-DOOR CONVERTIBLE
 28 = FWD PICKUP
 35 = FWD VAN
 36 = FWD WAGON
 41 = 4-DOOR SEDAN
 44 = 4-DOOR HATCHBACK
 45 = 4-DOOR STATION WAGON
 48 = 4-DOOR EXECUTIVE SEDAN

AR = Use as Required - = Non Illustrated Part P.A.R. = Paint as Required

SEAT REAR B,F,G M BODY FLEET POLICE AND OTHERS
Figure ITM-3100

'244 1100



ITEM	PART NUMBER	QTY	BODY	MODEL	DESCRIPTION
NOTE: Special equipment code is in the trim coluum. NGER WAGON USES THE TWO (2) PASSENGER STATIONARY SEAT PLUS THE FOLDING REAR SEAT.					
1					COVER, Cushion N N N N
	4196 652	1			Blue, Cloth N N NCBCN Y4196652
	4196 656	1			Beige, Cloth N N NCBCN Y4196656
	4196 802	1			Blue, Cloth N N NCBCP Y4196802
	4196 806	1			Beige, Cloth N N NCBCP Y4196806
	4196 802	1			Blue, Cloth N N NCACN Y4196802
	4196 806	1			Beige, Cloth N N NCACN Y4196806
	4196 802	1			Blue, Cloth N N NCBAN Y4196802
	4196 806	1			Beige, Cloth N N NCBAN Y4196806
	N163 V2C	1			Blue, Vinyl N N NCACP,CBCR YN163V2C
	N163 B2L	1			Beige, Vinyl N N NCACP YN163B2L
2					COVER, Back N N N N
	4196 653	1			Blue, Cloth N N NCBCN Y4196653
	4196 657	1			Beige, Cloth N N NCBCN Y4196657
	4196 803	1			Blue, Cloth N N NCBCP Y4196803
	4196 807	1			Beige, Cloth N N NCBCP Y4196807
	4196 803	1			Blue, Cloth N N NCACN Y4196803
	4196 807	1			Beige, Cloth N N NCACN Y4196807
	4196 803	1			Blue, Cloth N N NCBAN Y4196803
	4196 807	1			Beige, Cloth N N NCBAN Y4196807
	N164 V2C	1			Blue, Vinyl N N NCACP,CBCR YN164V2C
	N164 B2L	1			Beige, Vinyl N N NCACP YN164B2L
3					ROLL STOCK, Vinyl 64" Wide Order by the Inch N N N N
	R616 VC8	AR			Blue N N N YR616VC8
	R616 VM6	AR			Red N N N YR616VM6
	R616 BL3	AR			Beige N N N YR616BL3
4					COVER, Cushion N N N N
	4196 520	1			Red, Vinyl N N NCBBP Y4196520
5					COVER, Back N N N N
	4196 521	1			Red, Vinyl N N NCBBP Y4196521

MODEL CODES

B = GRAN FURY	F = FIFTH AVENUE/NEWPORT	P = RELIANT
C = LEBARON/TOWN & COUNTRY/EXC SEDAN	G = DIPLOMAT	T = E CLASS/NEW YORKER
C24 = LASER	H = VOYAGER	V = 600
D = ARIES	K = MINI RAM/CARAVAN/ROYAL	V24 = DAYTONA
E = 600	M = HORIZON/TURISMO	Z = OMNI/CHARGER/RAMPAGE

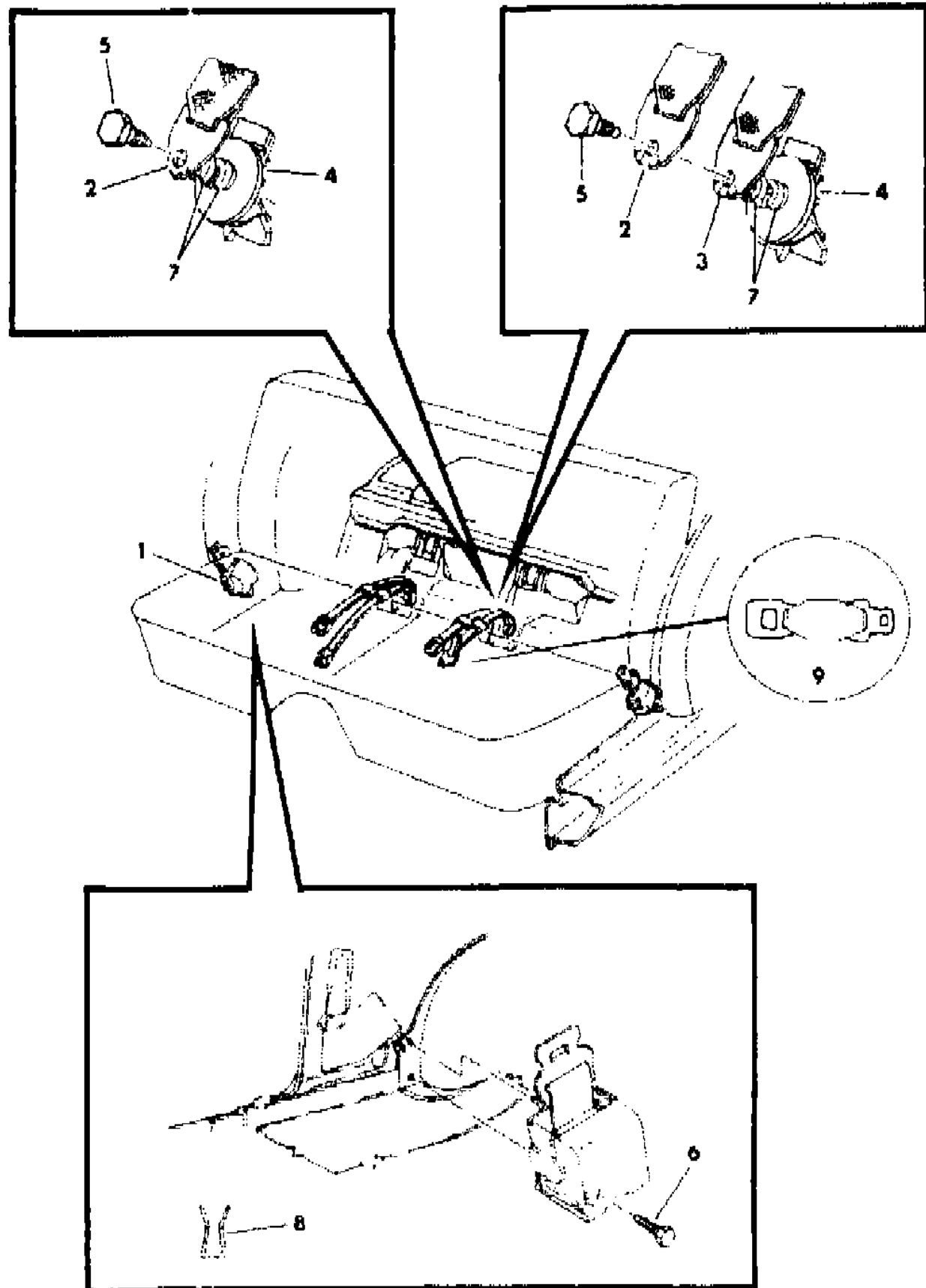
BODY STYLES

21 = 2-DOOR SEDAN	28 = FWD PICKUP	44 = 4-DOOR HATCHBACK
22 = 2-DOOR SPECIAL COUPE	35 = FWD VAN	45 = 4-DOOR STATION WAGON
24 = 2-DOOR HATCHBACK	36 = FWD WAGON	48 = 4-DOOR EXECUTIVE SEDAN
27 = 2-DOOR CONVERTIBLE	41 = 4-DOOR SEDAN	

AR = Use as Required - = Non Illustrated Part P.A.R. = Paint as Required

BELT REAR SEAT LAP B,F,G M BODY
Figure ITM-3200

4244 3200



ITEM	PART NUMBER	QTY	BODY	MODEL	DESCRIPTION
1					BELT, Outboard Tip Half N N N N
					Label Number 4290471 or 4327192 N N N N
	F665 BA3	2			Silver N N N YF665BA3
	F665 BC7	2			Blue N N N YF665BC7
	F665 BM6	2			Red N N N YF665BM6
2	F665 BL3	2			Tan N N N YF665BL3
					BELT, Buckle Half, Right N N N N
					Label Number 4316758 N N N N
	F714 BA3	2			Silver N N N YF714BA3
	F714 BC7	2			Blue N N N YF714BC7
3	F714 BM6	2			Red N N N YF714BM6
	F714 BL3	2			Tan N N N YF714BL3
					BELT, Buckle and Tip, Left N N N N
					Label Number 4316769 N N N N
	F719 BA3	1			Silver N N N YF719BA3
4	F719 BC7	1			Blue N N N YF719BC7
	F719 BM6	1			Red N N N YF719BM6
	F719 BL3	1			Tan N N N YF719BL3
	3861 291	AR			PAD, Swivel Plate N N N Y3861291
5	6031 216	2		BOLT N N N Y6031216	
6	6031 484	2		BOLT N N N Y6031484	
7		2		SPACER (not serviced) N N N N	
8	6002 972	2		U-CLIP N N N Y6002972	
9	4364 849	1		EXTENSION, Rear Seat Belt N N N Y4364849	

MODEL CODES

B = GRAN FURY	F = FIFTH AVENUE/NEWPORT	P = RELIANT
C = LEBARON/TOWN & COUNTRY/EXC SEDAN	G = DIPLOMAT	T = E CLASS/NEW YORKER
C24 = LASER	H = VOYAGER	V = 600
D = ARIES	K = MINI RAM/CARAVAN/ROYAL	V24 = DAYTONA
E = 600	M = HORIZON/TURISMO	Z = OMNI/CHARGER/RAMPAGE

BODY STYLES

21 = 2-DOOR SEDAN	28 = FWD PICKUP	44 = 4-DOOR HATCHBACK
22 = 2-DOOR SPECIAL COUPE	35 = FWD VAN	45 = 4-DOOR STATION WAGON
24 = 2-DOOR HATCHBACK	36 = FWD WAGON	48 = 4-DOOR EXECUTIVE SEDAN
27 = 2-DOOR CONVERTIBLE	41 = 4-DOOR SEDAN	

AR = Use as Required - = Non Illustrated Part P.A.R. = Paint as Required