

This publication contains Parts Information for all 1983 model year Domestic Built Passenger Cars and Front Wheel Drive Pickup Trucks.

The use of this Parts Catalog and the arrangement of information herein is explained in the General Information Section as indexed below.

## INDEX TO INFORMATION PAGES

● ABBREVIATIONS .....	INF 13-17
● ALPHABETICAL INDEX .....	INF-4
● BODY CODE PLATE INTERPRETATION .....	INF-9
● BUILD DATE MONTH AND YEAR .....	INF-7
● CAR LINE INFORMATION .....	INF-6
● COLOR CODE OR COMBINED PART NUMBERS .....	INF-5
● DATE CODE CORRELATION TABLES .....	INF-11
● ENGINE IDENTIFICATION CODES .....	INF-6
● ENGINE IDENTIFICATION NUMBERS .....	INF-6
● GROUP SYSTEM .....	INF-2
● HOW TO LOCATE PARTS .....	INF-2
● ILLUSTRATION INDEX .....	INF-4
● INTERIOR TRIM .....	INF-5
● METRIC CONVERSION TABLE .....	INF-10
● NUMERICAL INDEX .....	INF-4
● PAGE NUMBERING .....	INF-3
● PARTS CATALOG REVISION SERVICE .....	INF-4
● PARTS PACKAGES .....	INF-4
● PRICE CLASS (SERIES) INFORMATION .....	INF-8 & 9
● PRODUCT BULLETINS .....	INF-4
● SALES CODES .....	INF-4 & 12
● SPECIFYING INFORMATION .....	INF-3
● STANDARD PARTS .....	INF-4
● SYMBOLS USED IN THIS CATALOG .....	INF-3
● TRANSMISSION IDENTIFICATION .....	INF-5
● TRIM CODE AND BODY PAINT CODES .....	INF-9
● VEHICLE IDENTIFICATION PLATE .....	INF-7 & 8

## HOW TO USE THIS CATALOG AND LOCATE PARTS

This Catalog is divided into Parts Groups in which illustrations and Parts of a similar function and/or location are published (i.e., Group 5 - Brakes, Group 9 - Engine) as shown in the Group Contents listing on the right side of this page. Tab indexes are provided with the catalog binders to separate these Groups.

Several methods may be used to locate a specific item:

**Option A:** From the Group Contents listing, select the Group which would most logically contain the item. Open the catalog to respective tab index of that Group. Page 1 of the Group is always the fly or cover page which contains a listing of graphics in that Group. Select the graphic most likely to contain the item. Turn to that respective graphic number to locate the item sought which will reference to text below the graphic or on the adjoining page containing the part number.

**Option B:** If the "noun" name of the part you seek is known, refer to the Alphabetical Index section of the catalog. The group/illustration/ and item number you seek will be found adjacent to the part "noun" name. Locate the illustration and item to determine the part number.

(The Alphabetical Index, tailored to this catalog, is being expanded progressively as parts data is added to computer storage. Completion of this program will refer the user directly to the page number and item number to locate the part number. Currently, reference is to Group, Figure Number and Key or Item Number.)

**Note: Important Catalog Changes for 1982-83 are as follows:**

- Group 1 ● Heaters moved to Group 24
- Radios, Speakers and Antennas moved to Group 23B
- Floor mats moved to IT-carpets
- Rear window defogger (Blower) moved to Group 24
- Spotlights moved to Group 8
- Group 10 ● Engine oiling moved to Group 9
- Group 12 ● Fenders moved to Group 23-A
- Group 15 ● Hoods moved to Group 23-A
- Group 23-A ● Sill scuff plates to IT (Interior Trim)
- Group 23-C ● Seat hardware and belts to IT (Interior Trim)
- Group 23-D ● Plugs moved to Group 23-A

GROUP	CONTENTS
INF	Information Section
AL	Alphabetical Index
IL	Illustration Index
1	(See Note)
2	Front Suspension
3	Axle - Rear
4	Brake - Parking
5	Brake - Service
6	Clutch
7	Cooling
8	Electrical
9A	Engine - 4 Cylinder
9B	Engine - 6 Cylinder
9C	Engine - 8 Cylinder
10	(See Note)
11	Exhaust
12	(See Note)
13	Frame
14	Fuel System
15	(See Note)
16	Prop. Shaft and Universal Joint
17	Spring and Shock
19	Steering
21M	Transmission - Manual
21A	Transmission - Automatic
22	Wheel and Brake Drum
23	Body - Exterior Ornamentation
23A	Body - Major Sheet Metal
23B	Instrument Panel
23C	Doors, Mirrors and Related Parts
23D	Body - Miscellaneous
IT	Interior Trim, Seat Mechanisms & Belts
24	Heater and Air Conditioner
25	Emission Controls
NU	Numerical Index

## PAGE NUMBERING

Two-part page numbers are used throughout this catalog. The first part of the page designation indicates one major group or section. The second part indicates the actual page number in the group. For example:

2-1 indicates Group 2, Front Suspension, Page 1

3-4 indicates Group 3, Axle Rear, Page 4

In the maintenance of the Loose Leaf Parts Catalog Revision Service, it may become necessary to add information beyond the capacity of the page. In this event, an "A" page will be used. For example, if it becomes necessary, because of change, to add several part numbers to page 2-1 and space does not permit the addition, you will be given Page 2-1A. Page 2-1A should be filed immediately following Page 2-1.

## SYMBOLS USED IN THIS PARTS CATALOG

The following symbols are used in the Parts Catalog and revisions thereto:

# - Preceding a part number indicates parts which have been added and not previously published.

AR - Indicates the quantity required may vary or is to be determined by the user.

V - Suffix to engine displacement, preceded by a quantity indicates the number of carburetor Venturis (Barrels.)

## SPECIFYING INFORMATION

The following information is included in this Parts Catalog:

1. Part Name
2. Part Number
3. Model Application
4. Quantity used per vehicle
5. Description and dimensions necessary for proper identification of parts where necessary
6. Model or Engine Column:  
Engine by Displacement or Vehicle Car Line and/or Price Class or Body Style Code.
7. Effective points of series running changes are indicated by vehicle serial number, engine number or body number where applicable. When serial number effective points are not available, production effective dates are used. (Refer to the Federal Certification Label for the build date).
8. Parts designated as CANADA are available only in Canada for vehicles sold in Canada.

In the event replacement parts not listed herein are required, orders may be submitted by providing a description of the part, the applicable Figure and Item Number reference, the vehicle model, serial number, and when appropriate, the Trim code.

## ILLUSTRATION INDEX

This index is a compilation of catalog parts description data with reference to illustrations, figures and key numbers as shown:

The first page of each group contains a listing of all illustrations within that group. Also refer to illustrations alphabetically listed in information section.

## ALPHABETICAL INDEX

This index is a compilation of catalog parts description data with a reference to the location of the item by group - Figure and key number as shown in the following example:

Housing, w/Pump 7 - 1500/18

Group	_____
Illustration No.	_____
Item	_____

The index will be expanded progressively as data is added to computer files. To locate a part by name, refer to the Alphabetical Index. This index indicates the group and illustration and item number where the part is located. The Alphabetical Index can be found in INF section of the catalog.

## NUMERICAL INDEX

A listing of Part Numbers contained in the catalog. The numbers are in numerical sequence with reference to the group, illustration and item number where the part is located.

## PARTS PACKAGES

Service Parts Packages, containing all parts needed for specific service operation, are listed in their respective groups with related parts. The listing will show adaptability and model application.

## STANDARD PARTS

Important attaching standard parts such as bolts, nuts, etc. are generally listed in the text of the respective major parts groups

## SALES CODES

To provide positive identification of replacement parts selected Sales Codes are used as secondary qualifiers in some areas of this publication. An explanation of the use and a description of the Sales Codes employed will be found at the back of the INF section.

## CATALOG AND PARTS BULLETINS

CATALOG AND PARTS BULLETINS are issued when important changes are made in production or when corrections are to be made in the Parts Catalog between regular revisions. All catalogs should be noted and changed accordingly to remain current between revisions.

## PARTS CATALOG REVISION SERVICE

Subscribers to the Passenger Car Parts Catalog Revision Service will be periodically provided with revised copy incorporating the latest information. Revisions may be provided by Group or complete book copy.

## COLOR CODED OR COMBINED PART NUMBERS

Appearing throughout this catalog are part numbers containing both letters and numbers. For example: D500 KB7. These are good serviceable part numbers. The combination of letters and numbers merely indicates the parts are keyed to the interior color of the vehicles on which they are used.

In addition, Right and Left part numbers are frequently combined on one line; e.g. D500-1 KB7. Such numbers are interpreted as D500 KB7, Right side application, and D501 KB7 Left side. Right and Left Sides are always determined by their relationship to the driver when normally seated and looking forward.

## INTERIOR TRIM

Refer to the Group 23 Trim section of the catalog for information relative to Interior Soft and Hard Trim, Rolled Stock, etc.

## TRANSMISSION IDENTIFICATION

### MANUAL TRANSMISSION

(Example PP23044360001)

PLANT CODE	COMPONENT CODE	DATE CODE	SERIAL NUMBER
2 letters	3 digits	4 digits	4 digits
PP - New Process Gear Division	230 - 230 trans. 250 - 250 trans. 833 - 833 trans.	Based on the calendar on Page INF-11	A sequential number beginning with 0001 for each day's production

Location: Below centerline on Front Portion of Right Side

### AUTOMATIC TRANSMISSION

(Example PK3681063W44360001)

PLANT CODE	PART NO.	CHANGE CODE	DATE CODE	SERIAL NUMBER
2 letters	7 digits	1 digit	4 digits	4 digits
PK - Kokomo	3681063	W (Factory use only- of no significance to the field)	Based on the calendar on Page INF-11	A sequential number beginning with 0001 for each day's production.

Location: On Oil Pan Side Rail-Left Side.

**NOTE:** A derivative of the Vehicle Identification Number is also stamped on all production installed Engines and Transmissions, e.g.:

C                      A                      1000001  
Model Year    Assembly Plant    Vehicle Sequence Number

## ENGINE IDENTIFICATION NUMBERS

Following is an explanation of data found on the Engine Serial Number Pad

<b>1.7L (105 cu. in.):</b>	7 XB	123456	Sequence Number (123456th engine built for Chrysler)
Engine Plant 7	Salzgitter Ingolstadt		
Built for Chrysler			
<b>2.2L (135 cu. in.)</b>	B T 22	PC 6926	1 Shift Built Date Code (10,000 Day Calendar) Engine Usage (Passenger Car)
Model Year	Engine Plant (Trenton)	Displacement (Liters)	
<b>2.6L (156 cu. in.):</b>	G54B	AB1234	Sequence Number
Mitsubishi Motors produced 2.6L			
<b>225 Engine Typical:</b>	B 225 R	2 1024 A	Oversize Cylinder Bore Date Code (1024 Oct. 24) Shift Built
Model Year and/or Plant	Displacement	Engine Usage	
<b>318 Engine Typical:</b>	B 318	1024 2579	Daily Sequence Number (Optional) Date Code (1024 Oct. 24)
Model Year and/or Plant	Displacement		

### 1.7L ENGINE SERIAL NUMBER PARTS IDENTIFICATION CODE DEFINED:

A quantity of engine may contain undersize Crankshaft Bearings. Engines built with undersize Bearings have a circle around the last digit of the Engine Sequence Number. Undersize Rod or Main Bearing will always be .25mm U/S (approximately .010" U/S) and will have 1 or more of the following letters on the Crankshaft between the # 1 main and Rod journals:

R All Rod Bearings are .25mm U/S      RM All rod and Main Bearings are .25mm U/S  
M All Main Bearings are .25mm U/S      Bearing shells will be stamped .25 U/S

### 2.2L & 318 ENGINE SERIAL NUMBER & PARTS IDENTIFICATION CODES & SYMBOLS DEFINED:

A Oversize Cylinder Bore    HP High Performance    M Mound Road Engine    T Trenton Engine/Truck  
E Cast Crankshaft          K Taluca Engine Plant    PC Passenger Car Engine    W Windsor Engine  
H Standard 4 Bbl.          LC Low Compression    R Passenger Car Engine    X O/S Valve Guide  
S Special Engine

**DIAMOND** ( ) Tappets    **MALTESE CROSS** ( ) 001 U/S Crankshaft  
followed by **MALTESE CROSS** ( ) .010 U/S Crankshaft

#### Engine Number Location

Displacement	Serial Number Pad Located
1.7L	Above Oil Pump
2.2L	Rear Face of Block, below Cylinder Head
2.6L (G54B)	Right Upper front corner of Block
225	Right Side of Block below # 1 Spark Plug
318	Left Front of Block below Cylinder Head

**CAUTION:** Replacement Engine Assemblies are furnished with blank engine number pads. Dealers are governed by state and local regulations regarding the affixing of engine numbers to these engines. In states where license fees are based on displacement or taxable horsepower it will be necessary to change the vehicle registration only if the replacement engine differs from the one it replaces.

## BUILD DATE

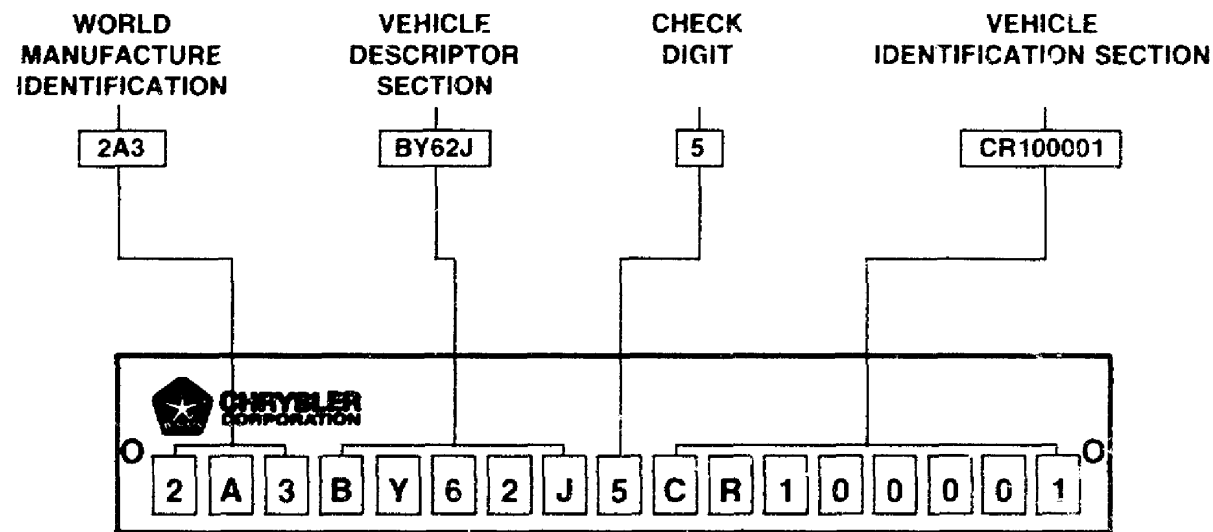
Vehicle build dates can be determined by reference to the VEHICLE CERTIFICATION LABEL located on the left "B" pillar or the left Front Door.

The Vehicle Certification Label includes, in addition to the VIN, the Month, Day, and Hour of build in the "Date of Manufacture" section.

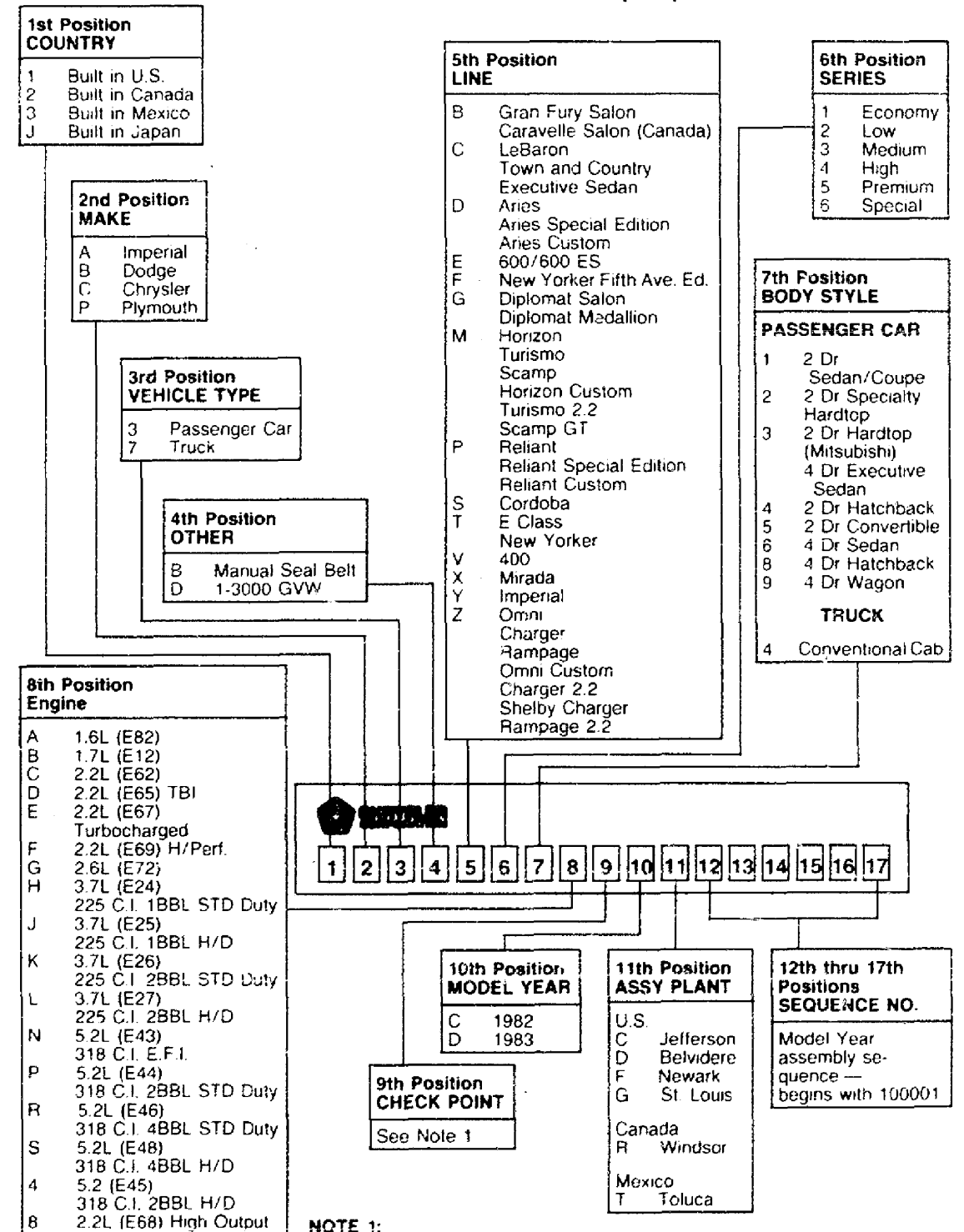
Alternately, the approximate build date can be determined from the Body Code Plate (see "Code Plate Interpretation").

## VEHICLE IDENTIFICATION PLATE

All assembly plants use a uniform method for assigning vehicle serial numbers (VIN). This number consists of 17 digits and is shown on the Vehicle Identification Plate which is located on the instrument panel - visible thru the windshield. The VIN number (serial number) also appears on the Federal Certification Label located on the left front door frame. (Always specify the vehicle serial number when ordering parts by description). A description of serial numbers follows:



## VEHICLE IDENTIFICATION NUMBER (VIN) DEFINED



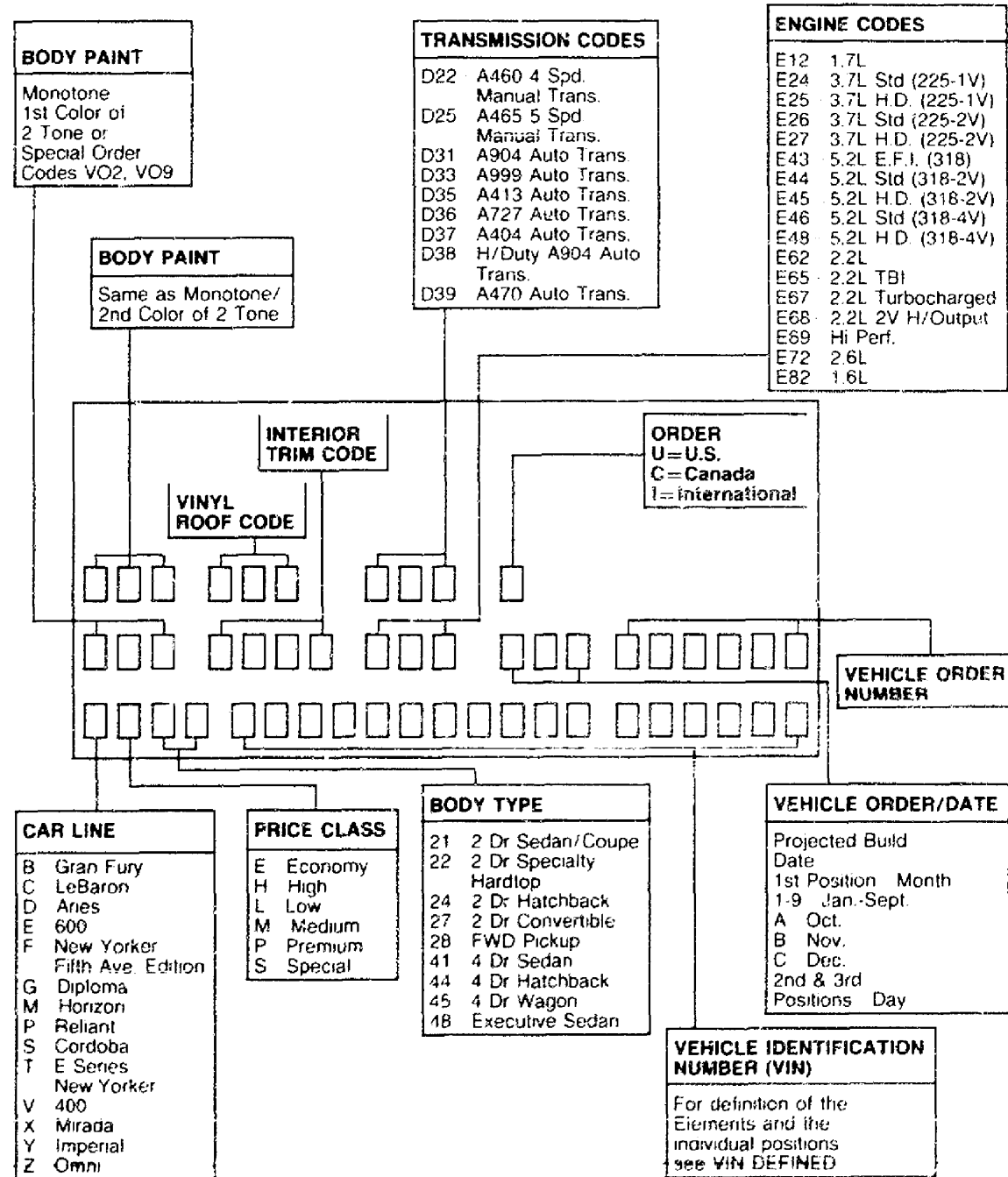
**NOTE 1:**  
The Check Digit will be a numeric character 0-9 or alpha X. It is for verification of the accuracy on the VIN through use of a prescribed mathematical formula mandated by Federal Code MVSS 115.



## BODY CODE PLATE

The Body Code Plate is located on the Left Front Side Shield or Wheel Housing or on the Upper Radiator Support. The Plate contains 5 rows of data. The bottom 2 rows, plus a portion of the center row, are reserved for specific information as depicted below. Starting at the center row, (following the reserved portion), other Sales Codes used to build a specific vehicle are listed in the ascending order by Alpha sequence

### CODE PLATE INTERPRETATION



## METRIC CONVERSION TABLE

### LINEAR MEASUREMENT

1 foot (ft.)	12 inches (in.)		1 centimeter (cm)	10 millimeters (mm)	
1 yard (yd.)	3 ft. 36 in.		1 meter (m)	100 cm 1000 mm	
1 mile (statute)	5,280 ft.		1 kilometer (km)	1000 meters	
<b>To convert</b>	<b>Into</b>	<b>Multiply by</b>	<b>To convert</b>	<b>Into</b>	<b>Multiply by</b>
inches	centimeters	2.5400	centimeters	inches	0.3937
inches	millimeters	25.4000	millimeters	inches	0.0394
feet	meters	0.3048	meters	feet	3.2808
feet	millimeters	304.8000	millimeters	feet	0.0033
yards	meters	0.9144	meters	yards	1.0936
miles	kilometers	1.6093	kilometers	miles	0.6214

### AREA MEASUREMENT

1 square foot (sq.ft.)	144 square inches (sq.in.)		1 sq. centimeter (cm <sup>2</sup> )	100 sq. millimeters (mm <sup>2</sup> )	
1 square yard (sq.yd.)	9 square feet		1 sq. meter (m <sup>2</sup> )	10,000 cm <sup>2</sup>	
1 acre	4,840 sq. ft.		1 are (a)	100 m <sup>2</sup>	
1 square mile	640 acres		1 sq. kilometer (km <sup>2</sup> )	1,000,000 m <sup>2</sup>	
<b>To convert</b>	<b>Into</b>	<b>Multiply by</b>	<b>To convert</b>	<b>Into</b>	<b>Multiply by</b>
square inches	sq. centimeters	6.4516	sq. centimeters	sq. inches	0.1550
square feet	sq. meters	0.0929	sq. meters	sq. feet	10.7639
square yards	sq. meters	0.8361	sq. meters	sq. yards	1.1960
acres	sq. meters	4,047.0	sq. meters	acres	0.0002
square miles	sq. kilometers	2.5900	sq. kilometers	sq. miles	0.3861

### CUBIC MEASUREMENT (VOLUME)

1 cubic foot (cu. ft.)	1,728 cubic inches (cu. in.)		1 cu. centimeter (cm <sup>3</sup> )	1000 cu. millimeters (mm <sup>3</sup> )	
1 cubic yard (cu. yd.)	27 cubic feet		1 cubic meter (m <sup>3</sup> )	1,000,000 cm <sup>3</sup>	
<b>To convert</b>	<b>Into</b>	<b>Multiply by</b>	<b>To convert</b>	<b>Into</b>	<b>Multiply by</b>
cubic inches	cu. centimeters	16.3872	cu. centimeters	cubic inches	0.0610
cubic feet	cubic meters	0.0283	cubic meters	cubic feet	35.3145
cubic yards	cubic meters	0.7646	cubic meters	cubic yards	1.3079

### LIQUID MEASUREMENT (CAPACITY)

1 pint (pt.)	28.875 cubic inches		1 centimeter (cl.)	10 milliliters (ml.)	
1 quart (qt.)	2 pints 57.75 cu. in.		1 liter (l)	100 cl. 1000 ml.	
1 gallon (gal.)	4 qts 231 cu. in.		1 kiloliter (kl)	1000 liters	
<b>To convert</b>	<b>Into</b>	<b>Multiply by</b>	<b>To convert</b>	<b>Into</b>	<b>Multiply by</b>
cubic inches	liters	0.0164	liters	cubic inches	61.0250
pints	liters	2.1132	liters	pints	0.4732
quarts	liters	0.9463	liters	quarts	1.0566
gallons	liters	3.7853	liters	gallons	0.2642
cubic feet	liters	28.3162	liters	cubic feet	0.0353

### WEIGHT MEASUREMENT

1 ounce (oz.)	16 drams		1 centigram (cg.)	10 milligrams (mg.)	
1 pound (lb.)	16 ounces		1 gram (g.)	100 cg. 1000 mg.	
1 short ton	2000 pounds		1 kilogram (kg.)	1000 grams	
1 long ton	2240 pounds		1 metric ton (t.)	1000 kg.	
<b>To convert</b>	<b>Into</b>	<b>Multiply by</b>	<b>To convert</b>	<b>Into</b>	<b>Multiply by</b>
drams	grams	1.7718	grams	drams	0.5644
ounces	grams	28.3495	grams	ounces	0.0353
pounds	kilograms	0.4536	kilograms	pounds	2.2046
tons (short)	tons (metric)	0.9072	tons (metric)	tons (short)	1.1023

### POWER MEASUREMENT

1 horsepower (hp)	746 watts	7457 kilowatts (kw)	1 horsepower (ps)	736 watts	7355 kw
<b>To convert</b>	<b>Into</b>	<b>Multiply by</b>	<b>To convert</b>	<b>Into</b>	<b>Multiply by</b>
horsepower (U.S.)	horsepower (met.)	1.0139	horsepower (met.)	horsepower (U.S.)	0.9863
horsepower (U.S.)	kilowatts	0.7457	kilowatts	horsepower (met.)	0.7355
kilowatts	horsepower (U.S.)	1.3405	horsepower (met.)	kilowatts	1.2596

## DATE CODE CORRELATION TABLE

1982 DAY NUMBER												
DATE	JAN.	FEB.	MAR.	APR.	MAY	JUNE	JULY	AUG.	SEPT.	OCT.	NOV.	DEC.
1	7462	7493	7521	7552	7582	7613	7643	7674	7705	7735	7766	7796
2	7463	7494	7522	7553	7583	7614	7644	7675	7706	7736	7767	7797
3	7464	7495	7523	7554	7584	7615	7645	7676	7707	7737	7768	7798
4	7465	7496	7524	7555	7585	7616	7646	7677	7708	7738	7769	7799
5	7466	7497	7525	7556	7586	7617	7647	7678	7709	7739	7770	7800
6	7467	7498	7526	7557	7587	7618	7648	7679	7710	7740	7771	7801
7	7468	7499	7527	7558	7588	7619	7649	7680	7711	7741	7772	7802
8	7469	7500	7528	7559	7589	7620	7650	7681	7712	7742	7773	7803
9	7470	7501	7529	7560	7590	7621	7651	7682	7713	7743	7774	7804
10	7471	7502	7530	7561	7591	7622	7652	7683	7714	7744	7775	7805
11	7472	7503	7531	7562	7592	7623	7653	7684	7715	7745	7776	7806
12	7473	7504	7532	7563	7593	7624	7654	7685	7716	7746	7777	7807
13	7474	7505	7533	7564	7594	7625	7655	7686	7717	7747	7778	7808
14	7475	7506	7534	7565	7595	7626	7656	7687	7718	7748	7779	7809
15	7476	7507	7535	7566	7596	7627	7657	7688	7719	7749	7780	7810
16	7477	7508	7536	7567	7597	7628	7658	7689	7720	7750	7781	7811
17	7478	7509	7537	7568	7598	7629	7659	7690	7721	7751	7782	7812
18	7479	7510	7538	7569	7599	7630	7660	7691	7722	7752	7783	7813
19	7480	7511	7539	7570	7600	7631	7661	7692	7723	7753	7784	7814
20	7481	7512	7540	7571	7601	7632	7662	7693	7724	7754	7785	7815
21	7482	7513	7541	7572	7602	7633	7663	7694	7725	7755	7786	7816
22	7483	7514	7542	7573	7603	7634	7664	7695	7726	7756	7787	7817
23	7484	7515	7543	7574	7604	7635	7665	7696	7727	7757	7788	7818
24	7485	7516	7544	7575	7605	7636	7666	7697	7728	7758	7789	7819
25	7486	7517	7545	7576	7606	7637	7667	7698	7729	7759	7790	7820
26	7487	7518	7546	7577	7607	7638	7668	7699	7730	7760	7791	7821
27	7488	7519	7547	7578	7608	7639	7669	7700	7731	7761	7792	7822
28	7489	7520	7548	7579	7609	7640	7670	7701	7732	7762	7793	7823
29	7490		7549	7580	7610	7641	7671	7702	7733	7763	7794	7824
30	7491		7550	7581	7611	7642	7672	7703	7734	7764	7795	7825
31	7492		7551		7612		7673	7704		7765		7826

1983 DAY NUMBER												
DATE	JAN.	FEB.	MAR.	APR.	MAY	JUNE	JULY	AUG.	SEPT.	OCT.	NOV.	DEC.
1	7827	7858	7886	7917	7947	7978	8008	8039	8070	8100	8131	8161
2	7828	7859	7887	7918	7948	7979	8009	8040	8071	8101	8132	8162
3	7829	7860	7888	7919	7949	7980	8010	8041	8072	8102	8133	8163
4	7830	7861	7889	7920	7950	7981	8011	8042	8073	8103	8134	8164
5	7831	7862	7890	7921	7951	7982	8012	8043	8074	8104	8135	8165
6	7832	7863	7891	7922	7952	7983	8013	8044	8075	8105	8136	8166
7	7833	7864	7892	7923	7953	7984	8014	8045	8076	8106	8137	8167
8	7834	7865	7893	7924	7954	7985	8015	8046	8077	8107	8138	8168
9	7835	7866	7894	7925	7955	7986	8016	8047	8078	8108	8139	8169
10	7836	7867	7895	7926	7956	7987	8017	8048	8079	8109	8140	8170
11	7837	7868	7896	7927	7957	7988	8018	8049	8080	8110	8141	8171
12	7838	7869	7897	7928	7958	7989	8019	8050	8081	8111	8142	8172
13	7839	7870	7898	7929	7959	7990	8020	8051	8082	8112	8143	8173
14	7840	7871	7899	7930	7960	7991	8021	8052	8083	8113	8144	8174
15	7841	7872	7900	7931	7961	7992	8022	8053	8084	8114	8145	8175
16	7842	7873	7901	7932	7962	7993	8023	8054	8085	8115	8146	8176
17	7843	7874	7902	7933	7963	7994	8024	8055	8086	8116	8147	8177
18	7844	7875	7903	7934	7964	7995	8025	8056	8087	8117	8148	8178
19	7845	7876	7904	7935	7965	7996	8026	8057	8088	8118	8149	8179
20	7846	7877	7905	7936	7966	7997	8027	8058	8089	8119	8150	8180
21	7847	7878	7906	7937	7967	7998	8028	8059	8090	8120	8151	8181
22	7848	7879	7907	7938	7968	7999	8029	8060	8091	8121	8152	8182
23	7849	7880	7908	7939	7969	8000	8030	8061	8092	8122	8153	8183
24	7850	7881	7909	7940	7970	8001	8031	8062	8093	8123	8154	8184
25	7851	7882	7910	7941	7971	8002	8032	8063	8094	8124	8155	8185
26	7852	7883	7911	7942	7972	8003	8033	8064	8095	8125	8156	8186
27	7853	7884	7912	7943	7973	8004	8034	8065	8096	8126	8157	8187
28	7854	7885	7913	7944	7974	8005	8035	8066	8097	8127	8158	8188
29	7855		7914	7945	7975	8006	8036	8067	8098	8128	8159	8189
30	7856		7915	7946	7976	8007	8037	8068	8099	8129	8160	8190
31	7857		7916		7977		8038	8069		8130		8191

## SALES CODES

Due to the increase complexity of qualifications required to describe the application of some replacement parts; particularly those related to Emission Control System, Sales Codes are used on a selected basis in some areas of this publication.

Normally, Sales Codes will be employed as secondary qualifiers and are for the express purpose of providing positive identification of parts applicable to vehicle components or systems so complex in nature that normal methods of written qualification are either inadequate or confusing.

The Sales code will always appear after the written description of the part; will be enclosed in parenthesis; will be prefixed S/C; and will follow a hyphen appended to the S/C, e.g.: (S/C-N95).

To determine whether or not the vehicle for which the part is being specified was built with a particular Sales Code it will be necessary to refer to the Body Code Plate depicted on page INF-7. Sales Codes are also listed on vehicle invoices and on the Maroney label which is affixed to the side glass on new units.

### DEFINITION OF SALES CODES USED

**N22 = ASPIRATOR.** Used in conjunction with catalytic exhaust system. Consists of a valve located in a line running from the clean side of the carburetor Air Cleaner to the Exhaust Manifold. CANADA only.

**N61 = JAPANESE EMISSION PACKAGE.** Mandatory for designated engines on cars sold in the Nation of Japan.

**N92 = LEAN BURN.** (Electronic Spark Advance). Used in conjunction with a conventional non-catalytic exhaust system. Unleaded fuel is not required. CANADA & EXPORT only.

**N93 = CANADIAN & EXPORT EMISSION CONTROLS.** Includes conventional non-catalytic exhaust system. Not available with Lean Burn, California Emission Controls.

**N94 = LEAN BURN** (Electronic Spark Advance) Used in conjunction with a catalytic exhaust system. Unleaded fuel is required. Not available with California Emission Controls.

**N95 = EMISSION CONTROLS TESTING & LABEL.** Commonly referred to as "California Emission Controls" due to it being mandatory for designated engines on cars sold in State of California.

**N96 = HIGH ALTITUDE EMISSION CONTROLS.** Required for some Car-line and Engine combinations sold in some geographical markets predominantly above 4000' elevation.

**N98 = WITHOUT LEAN BURN** (Electronic Spark Advance). Standard equipment on some selected Model & Engine combinations. Used in conjunction with a catalytic exhaust system. Unleaded fuel is required.

## ABBREVIATIONS

Abbreviations as used throughout this catalog are interpreted as follows:

ABS	ABSORBER	BTM	BOTTOM
ACC	ACCESSORY	BTN	BUTTON
ACCEL	ACCELERATOR	B/UP	BACK UP
A/CLNR	AIR CLEANER	BUSH	BUSHING
A/COND	AIR CONDITIONING	CAD	CADIUM
ACTG	ACTUATING	CAN	CANADA-CANADIAN
ACTR	ACTUATOR	CAP	CAPACITY
ADAPT	ADAPTER-ADAPTATION	C.A.S.	CLEANER AIR SYSTEM
ADJ	ADJUSTING-ADJUSTOR-ADJUSTABLE-ADJUSTMENT	CARB	CARBURETOR
A/INL	AIR INLET	CATA	CATALYTIC
ALTR	ALTERNATOR	C/BAR	CROSS BAR
ALUM	ALUMINUM	CBL	CABLE
AMP	AMPERE	C/BRD	CIRCUIT BOARD
AMPL	AMPLIFIER	C.BRKR	CIRCUIT BREAKER
AMTR	AMMETER	CCW	COUNTERCLOCKWISE
ANCH	ANCHOR	C/E	COMMUTATOR END
&	AND	CHAM	CHAMFRED
A/OUT	AIR OUTLET	CHMBR	CHAMBER
APPROX	APPROXIMATE, APPROXIMATELY	CHR	CHROMIUM
AR	AS REQUIRED	C.I.	CUBIC INCH
A/RATLR	ANTI RATTLER	C/IRON	CAST IRON
A REST	ARM REST	C/CASE	CRANKCASE
ARM	ARMATURE	CK/CHFT	CRANKSHAFT
A/SQK	ANTISQUEAK	CL	CLEANER
ASSY	ASSEMBLY	CL/NUT	CLINCH NUT
A/SUSP	AIR SUSPENSION	C/LP	COURTESY LAMP
A.T.C.	AUTOMATIC TEMPERATURE CONTROL	CLSR	CLOSURE
ATT	ATTACHING	C/LTR	CIGAR OR CIGARETTE LIGHTER
A/TRANS	AUTOMATIC TRANSMISSION	C/MBR	CROSSMEMBER
AUTO	AUTOMATIC	COE	CAB OVER ENGINE
AUX	AUXILIARY	COL	COLUMN
BAL	BALANCE	COMB	COMBINATION
BATT	BATTERY	COMBN	COMBUSTION
BBL	BARREL	COMP	COMPLETE, COMPONENT
B/BRK	BOOSTER BRAKE	COMPN	COMPRESSION
B/CRK	BELL CRANK	COMPR	COMPRESSOR
B.E.	BLACK ENAMEL	COMPRT	COMPARTMENT
B/JNT	BALL JOINT	COMTR	COMMUTATOR
BLK	BLOCK	COND	CONDENSER
BLT	BUILT	CONDT	CONDUIT
BLWR	BLOWER	CONDTG	CONDITIONING
BMPR	BUMPER	CONN	CONNECTING-CONNECTION-CONNECTOR
BOLT & RET	BOLT & RETAINER	CONT	CONTINUED-CONTROL
BOLT & WA	BOLT & WASHER	CONT'D	CONTINUED
BR	BRASS	CONV	CONVERTER
BRD	BOARD	COP	COPPER
BRG	BEARING	CO/SHFT	COUNTERSHAFT
BRK	BRAKE	CO/WT	COUNTERWEIGHT
BRKT	BRACKET	CP	CANDLEPOWER
BRKR	BREAKER	C/PILLAR	CENTER PILLAR
BRT	BRIGHT	CPLG	COUPLING
BRZ	BRONZE	C/SHFT	CROSS SHAFT
BSTR	BOOSTER	CSTG	CASTING
B/STUD	BALL STUD	CTR	CENTER
		CU	CUBIC
		CUSH	CUSHION

## ABBREVIATIONS (Cont'd.)

CUSH	CUSHION	EXP	EXPORT
CUST	CUSTOM	EXPN	EXPANSION
CV	CONVERTIBLE	EXT	EXTENSION
C/VAL	CONTROL VALVE	EXTL	EXTERNAL
CVR	COVER	EXTR	EXTRUDED
C/WT	COUNTERWEIGHT	F	FAHRENHEIT
CYL	CYLINDER	FACT	FACTORY
DBL	DOUBLE	F/AIR	FRESH AIR
D/CVR	DUST COVER	FAST	FASTENING-FASTENER
D/E	DRIVE END	F/AXLE	FRONT AXLE
DECAL	DECALCOMANIA	F/BRD	FLOOR BOARD
DEFL	DEFLECTOR	F/CPLG	FLUID COUPLING
DEFGR	DEFOGGER	F/DR	FRONT DOOR
DEFR	DEFROSTER	F/FILT	FUEL FILTER
DEG (°)	DEGREE	F/GA	FUEL GAGE
D/EXH	DUAL EXHAUST	F/IDLE	FAST IDLE
DIA	DIAMETER	FIL HD	FILLISTER HEAD
DIAG	DIAGONAL	FIN	FINISH
DIAPH	DIAPHRAGM	F/INJ	FUEL INJECTION
DIFF	DIFFERENTIAL	FLD	FIELD
DIM	DIMENSION	FLEX	FLEXIBLE
DIR	DIRECT-DIRECTIONAL	FLG	FLANGE
DIR CL	DIRECT CLUTCH	FL HD	FLAT HEAD
DIST	DISTRIBUTOR-DISTRIBUTING	FLR	FLOOR
DIV	DIVISION-DIVISIONAL	F/MLDG	FINISH MOULDING
D/LINK	DRAG LINK	FNDR	FENDER
D/LP	DOME LAMP	F/PAN	FLOOR PAN
DMPR	DAMPER	F/PUMP	FUEL PUMP
DOM	DOMESTIC	FREQ	FREQUENCY
D/PINION	DRIVE PINION	FRT	FRONT
DR	DOOR	FT	FOOT-FEET
D/R SHAFT	DOUBLE ROCKER SHAFT	F/TANK	FUEL TANK
DRIV	DRIVE	FTG	FITTING
DRVN	DRIVEN	F/TOP	FOLDING TOP
D/SEAL	DUST SEAL	GA	GAUGE-GAGE
D/SHLD	DUST SHIELD	GALV	GALVANIZED
D/SW	DIMMER SWITCH	GARN	GARNISH
EBL	ELECTRIC HEATED BACK LIGHT	G/BOX	GLOVE BOX
ECC	ECCENTRIC	GEN	GENERATOR
ECS	EVAPORATE EMISSION CONTROL SYSTEM	GLA	GLASS
E.F.I. (M)	ELECTRONIC FUEL EJECTION (METERING)	G/MLDG	GARNISH-MOULDING
E.G.R.	EXHAUST GAS RECIRCULATION	GND	GROUND
ELECT	ELECTRIC	GOV	GOVERNOR
ELIM	ELIMINATOR	GR	GEAR
EMR	ENGINE MAINTENANCE REMINDER	G/REG	GENERATOR-REGULATOR
ENG	ENGINE	GRL	GRILLE
EQ	EQUIPMENT	GRMT	GROMMET
ESC	ESCUTCHEON	G/SHIFT	GEARSHIFT
ETC	ET CETERA	GSKT	GASKET
EVAP	EVAPORATION-EVAPORATOR	GVW	GROSS VEHICLE WEIGHT
EX	EXTRA	H/BRK	HAND BRAKE
EXC	EXCLUDE	H/C	HIGH COMPRESSION
EXH	EXHAUST	HD	HEAD
		H/D	HEAVY DUTY
		HDL	HANDLE
		H/LIN	HEAD LINING
		HDLS	HEADLESS
		HDR	HEADER

**ABBREVIATIONS (Cont'd.)**

HEMI	HEMISPHERICAL	LOC	LOCATING
HEX	HEXAGON	LP	LAMP
HGE	HINGE	LPG	LIQUID PROPANE GAS
H/GUIDE	HYDRAGUIDE	L.S.H.	LOW SECTION HEIGHT
H/LP	HEADLAMP	LT	LEFT
H/PERF	HIGH PERFORMANCE	LUB	LUBRICANT-LUBRICATING
H/REST	HEAD REST	LUGG	LUGGAGE
HSG	HOUSING	LVR	LEVER
H/SNK	HEAT SINK	LWR	LOWER
H/SHLD	HEAT SHIELD	M & I	MARINE & INDUSTRIAL
NHT	HEATER	M/ADJ	MANUAL ADJUSTING
HVY	HEAVY	MAN	MANUAL
HYD	HYDRAULIC	MANF	MANIFOLD
I/ARM	IDLER ARM	MAR	MARINE
I.D.	INSIDE DIAMETER	MAX	MAXIMUM
IDENT	IDENTIFICATION	MAX PERF	MAXIMUM PERFORMANCE
IGN	IGNITION	M/BRK	MANUAL BRAKE
IN	INCH	MBR	MEMBER
INCL	INCLUSIVE-INCLUDES	M/CYL	MASTER CYLINDER
IND	INDUSTRIAL	MECH	MECHANISM
INDIC	INDICATOR	MED	MEDIUM
INL	INLET	MEDAL	MEDALLION
INR	INNER	MIL	MILITARY
INS	INSULATING-INSULATION- INSULATOR	MIN	MINIMUM
INST	INSTRUMENT-INSTRUCTION	MDLG	MOULDING
INT	INTAKE	MOD	MODEL
INTER	INTERMITTENTLY- INTERMEDIATE	M/MTRG	MAIN METERING
INTL	INTERNAL	M.P.H.	MILES PER HOUR
INTLK	INTERLOCK	MT	MOUNT
I/PNL	INSTRUMENT PANEL	MTG	MOUNTING
I/PULLEY	IDLER PULLEY	MTR	MOTOR
I/S	INSIDE	M/TRANS	MANUAL TRANSMISSION
J/BLK	JUNCTION BLOCK	MTRG	METERING
JNT	JOINT	NEG	NEGATIVE
K/DN	KICKDOWN	NEUT	NEUTRAL
KDX	KNOCK DOWN EXPORT	Ni	NICKEL
KILO	KILOMETER	NO. OR #	NUMBER
KNU	KNUCKLE	NOM	NOMINAL
K/UP	KICKUP	NO	NITROGEN OXIDE EMISSION CONTROL
LBS	POUNDS	N/PLT	NAME PLATE
L/C	LOW COMPRESSION	NUT & WA	NUT AND WASHER
LCF	LOW CAB FORWARD	O/CTR	OVER CENTER
L/COMPT	LUGGAGE COMPARTMENT	O.D.	OUTSIDE DIAMETER
LEA	LEATHER	O/DRV	OVER DRIVE
LED	LIGHT EMITTING DIODE	O/GA	OIL GAUGE
LGH	LENGTH	OPER	OPERATING
LHD	LEFT HAND DRIVE	OPNG	OPENING
L.H. THD	LEFT HAND THREAD	OPP	OPPOSITE
LIC	LICENSE	OPT	OPTIONAL
LIN	LINING-LINER	O/PUMP	OIL PUMP
LK	LOCK	ORN	ORNAMENT
LKG	LOCKING	O/RUNN	OVERRUNNING
LK/NUT	LOCK NUT	O/S	OUTSIDE
LK/WA	LOCK WASHER	O/SIZE	OVERSIZE
		OTR	OUTER
		OUTL	OUTLET

**ABBREVIATIONS (Cont'd.)**

OV	OVAL	RED	REDUCTION
O/W	OPTIONAL WITH	REFL	REFLECTOR
O/WRAP	OVERWRAP	REG	REGULATOR
OZ	OUNCE	REINF	REINFORCEMENT
P	PITCH	REL	RELEASE
PACK	PACKING	REM	REMOTE
PARK	PARKING	REQ	REQUIRED
PART	PARTIAL PARTITION	RES	RESISTOR
PASS	PASSENGER	RET	RETAINER
P/BRK	POWER BRAKE	RETG	RETAINING
P/BTN	PUSH BUTTON	REV	REVERSE
PC/BRD	PRINTED CIRCUIT BOARD	REVERB	REVERBERATOR
PED	PEDAL	R/FLR	REAR FLOOR
PERF	PERFORMANCE	RHD	RIGHT HAND DRIVE
PIST	PISTON	RHEO	RHEOSTAT
PIV	PIVOT	R.H. THD	RIGHT HAND THREAD
PKG	PACKAGE	R/L	RIGHT AND LEFT
PL	PLAIN	RPM	REVOLUTIONS PER MINUTE
P/LAMP	PARKING LAMP	R/QTR	REAR QUARTER
PLR	PILLAR	RR	REAR
PLT	PLATE-PLATED	RSVR	RESERVOIR
PLUNG	PLUNGER	RT	RIGHT
PL/WA	PLAIN WASHER	R/WDO	REAR WINDOW
P/MTR	POTENTIOMETER	S/ABS	SHOCK ABSORBER
PNL	PANEL	S/C	SALES CODE
PNTD	PAINTED	S/COMPT	SIDE COMPARTMENT
POS	POSITIVE	S/DEFL	STONE DEFLECTOR
POLY	POLYESTER	SECT	SECTION
P/PNL	POCKET PANEL	SER	SERIAL-SERVICE
PRESS	PRESSURE	S/EXH	SINGLE EXHAUST
PRI	PRIMARY	S-FIN	SEMI-FINISHED
PROD	PRODUCTION	S/GR	STEERING GEAR
P/ROD	PUSH ROD	SHFT	SHIFT
PROP	PROPELLER	SHLD	SHIELD
PRPG	PROPORTIONING	SIG	SIGNAL
PSF	POUNDS PER SQUARE FOOT	S/KNU	STEERING KNUCKLE
PSI	POUNDS PER SQUARE INCH	SLD	SLIDE
P/STRG	POWER STEERING	SLDG	SLIDING
PT	POINT	S/LP	STOP LAMP
PTO	POWER TAKE OFF	SLTD	SLOTTED
PWR	POWER	SLV	SLEEVE
Q/PNL	QUARTER PANEL	S/MBR	SIDE MARKER
QTR	QUARTER	SOC	SOCKET
Q/WDO	QUARTER WINDOW	SOL	SOLENOID
R	RADIUS	SPD	SPEED
R/A	REAR AXLE	SPEEDO	SPEEDOMETER
R/AXLE	REAR AXXLE	SPKR	SPEAKER
RAD	RADIATOR	SPL	SPECIAL
R/CONT	REMOTE CONTROL	SPL EQUIP	SPECIAL EQUIPMENT
RC/SHIFT	ROCKER SHAFT	SPRG	SPRING
RD	ROUND	S/PNL	SIDE PANEL
R/DR	REAR DOOR	SP/SHLD	SPLASH SHIELD
REC	RECEIVER	SQ	SQUARE
RECIR	RECIRCULATING	S/R SHAFT	SINGLE ROCKER SHAFT
RECT	RECTANGULAR	S/RAIL	SIDE RAIL
RECTR	RECTIFIER	S/RING	SNAP RING

## ABBREVIATIONS (CONT'D.)

S/SHLD	SIDE SHIELD	TRANSF	TRANSFER
S/SILL	SIDE SILL	TRIMD	TRIMMED
S/SPD	SINGLE SPEED	T/SIG	TURN SIGNAL
STA	STATION-STATIONARY	TRUN.	TRUNNION
STAB	STABILIZER	TST	TAIL STOP & TURNING
STD	STANDARD	T/STRIP	TACKING STRIP
STGHT	STRAIGHT	TUB	TUBULAR
STL	STEEL	U/BODY	UNDERBODY
STRG	STEERING	U/DRV	UNDERDRIVE
STRKR	STRIKER	U/JNT	UNIVERSAL JOINT
STRNR	STRAINER	UNIV	UNIVERSAL
STRTR	STARTER	UPR	UPPER
SUCT	SUCTION	U/S	UNDERSIZE
SUPT	SUPPORT	U/SEAT	UNDERSEAT
SUSP	SUSPENSION	U/W	USED WITH
SW	SWITCH	V	VENTUR (QTY OF CARB BBL)
SYNCH	SYNCHRONIZER	VAC	VACUUM
T	TEETH	VAL	VALVE
TAP	TAPPING	V/DMPR	VIBRATION DAMPER
TBI	THROTTLE BODY INJECTION	VENT	VENTILATOR-VENTILATING
T/BKL	TURN BUCKLE	VERT	VERTICAL
T/BLK	TERMINAL BLOCK	VOL CONT	VOLUME CONTROL
T/COMP	TRIMMED COMPLETE	V/REG	VOLTAGE REGULATOR
T/CONT	THROTTLE CONTROL	V/SPD	VARIABLE SPEED
T/CONV	TORQUE CONVERTER	V/WING	VENT WING
TEMP	TEMPERATURE	W	WATT
TERM	TERMINAL	WA	WASHER
T/GA	TEMPERATURE GAUGE	WAG	WAGON
T-GATE	TAILGATE	WB	WHEELBASE
THD	THREAD	W/BRG	WHEEL BEARING
THK	THICK	W/CORD	WEATHERCORD
THERMO	THERMOSTAT	WDO	WINDOW
3RD	THIRD	WHL	WHEEL
THR	THRUST	W/HSE	WHEELHOUSE
THROT	THROTTLE	W/LIFT	WINDOW LIFT
T.I.C.	THERMOSTATIC IGNITION	W/O	WITHOUT
	CONTROL	W/PUMP	WATER PUMP
T/LP	TAIL LAMP	W/REG	WINDOW REGULATOR
TORQ	TORQUE	W/SHLD	WINDSHIELD
TORS	TORSION	W/STRIP	WEATHERSTRIP
TPI	THREADS PER INCH	WT	WEIGHT
T/PIPE	TAIL PIPE	W/WASHER	WINDSHIELD WASHER
T/PLT	TAPPING PLATE	W/WPR	WINDSHIELD WIPER
T/PNL	TRIM PANEL	X/MBR	X MEMBER
TPR	TAPER		
TRANS	TRANSMISSION		

### NOTES

---

**GROUP 2 - FRONT SUSPENSION & DRIVE**

<b>ILLUSTRATION TITLE</b>	<b>GROUP-FIG. NO.</b>
DRIVE SHAFT IDENTIFICATION .....	Fig. 2-100
DRIVE SHAFT, FRONT (GKN) - M&Z w/1.7 Eng. w/VW-A412 4 Spd Man .....	Fig. 2-200
DRIVE SHAFT, FRONT (GKN) - M&Z w/1.6 & 1.7 ENG. w/4 & 5 SPEED MAN. TRANS. ....	Fig. 2-300
DRIVE SHAFT, FRONT (GKN) - M,Z,P,D,V,C,E,T w/2.2 & 2.6 Eng. ....	Fig. 2-400
DRIVE SHAFT, FRONT (CITROEN) P,D,V,C,E,T All, w/2.2 & 2.6 Eng. ....	Fig. 2-500
FRONT SUSPENSION-M,Z .....	Fig. 2-600
FRONT SUSPENSION-P,D,V,C,E,T .....	Fig. 2-700
FRONT SUSPENSION-B,F,G,X,S,Y .....	Fig. 2-800
ARM-UPPER CONTROL-B,F,G,X,S,Y .....	Fig. 2-900
ARM-LOWER CONTROL-B,F,G,X,S,Y .....	Fig. 2-1000
TIE RODS, STEERING GEAR AND LINKAGE - B,F,G,X,S,Y .....	Fig. 2-1100

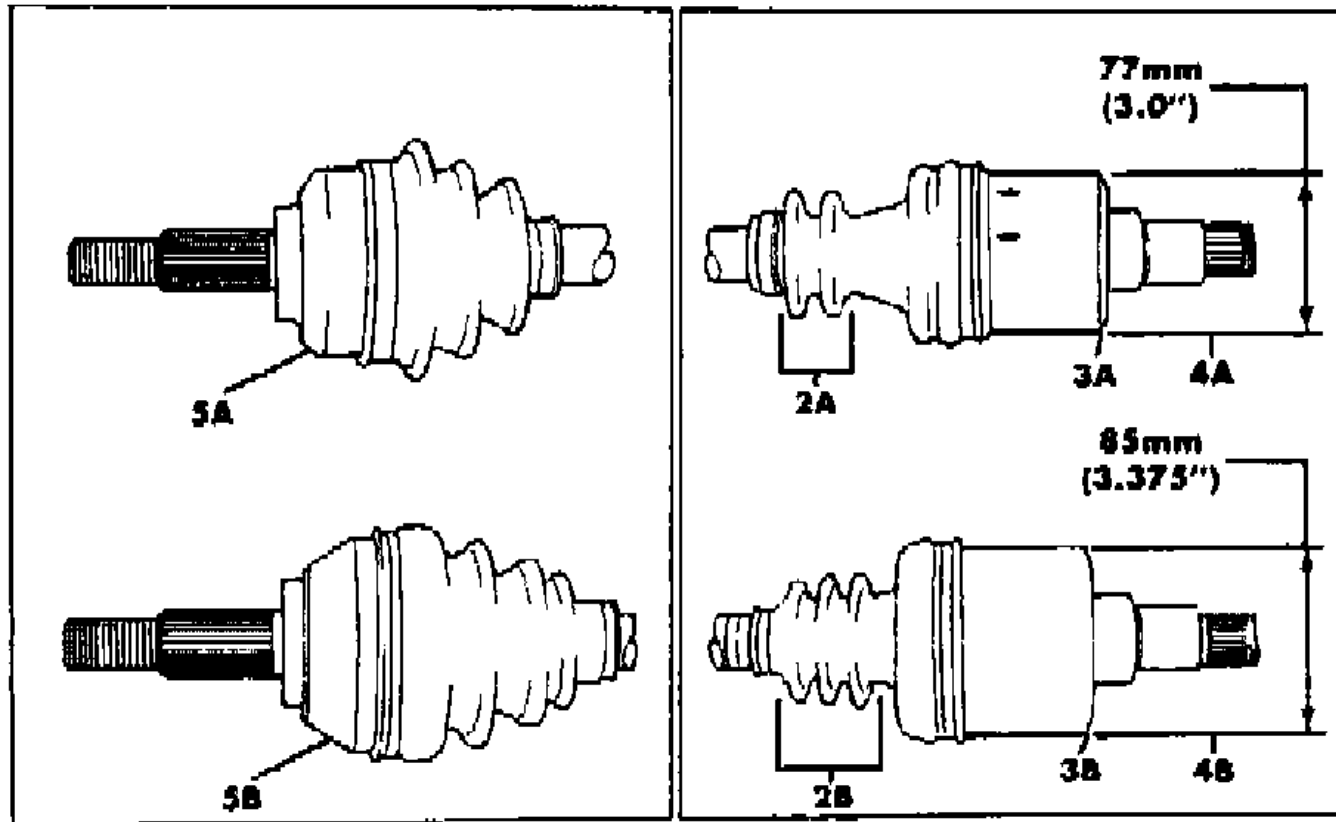
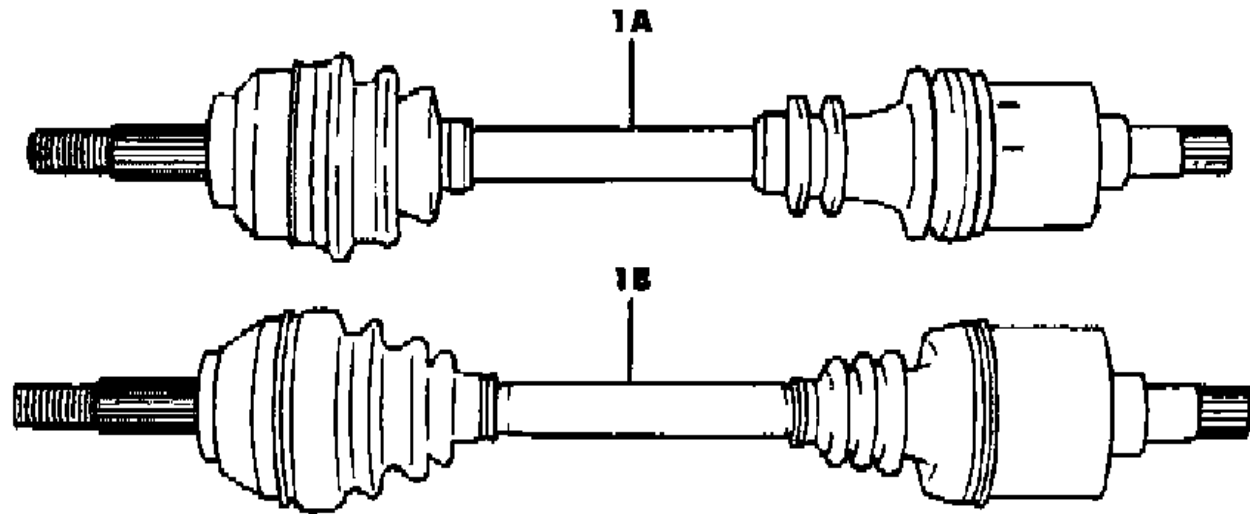
**ILLUSTRATION NOT AVAILABLE AT TIME OF PUBLICATION**

---

# DRIVE SHAFT IDENTIFICATION

Figure 2-100

3102 100



ITEM	PART NUMBER	QTY	BODY	MODEL	DESCRIPTION
------	-------------	-----	------	-------	-------------

Two different make Drive Shafts are being used on Front Wheel Drive vehicles, GKN & Citroen. Service replacement parts ARE NOT interchangeable.

NOTE: M&Z w/1.7 Eng. & VW-A412 4 Speed Manual uses GKN Shaft w/bolted flange type Inner Joint attached by 6 screws.

CAUTION: Some Models may have a GKN on one side and CITROEN on the other. To avoid problems, the make of Shaft MUST be determined prior to specifying parts.

The accompanying figure illustrates the characteristics of the two makes of Shaft. ing parts.

1	SHAFT Complete, Lt.			
1A	GKN			
1B	Citroen			
The appearance of Rt. Shafts is the same as the Lt. except for overall length and the Rt. Inner Joint stub shaft is longer and includes the speedometer drive worm.				
2	BOOT, Inner Joint			
2A	GKN = 2 Convolutions at inner end			
2B	CITROEN = 3 Convolutions at inner end			
3	SHOULDER, inner joint o.d. to inner face			
3A	GKN = Beveled			
3B	CITROEN = Abrupt (approx. 90 degree)			
4	OUTSIDE DIAMETER, inner joint			
4A	GKN = Approx. 77mm (3.0")			
4B	CITROEN = Approx. 85mm (3.375")			
5	SHOULDER, outer joint o.d. to seal surface			
5A	GKN = Curved from o.d.			
5B	CITROEN = Flat bevel with sharp angle at o.d.			

MODEL CODES

B = GRAN FURY	G = DIPLOMAT	V = 400
C = LEBARON/TOWN & COUNTRY	M = HORIZON/TURISMO/SCAMP	X = MIRADA
D = ARIES	P = RELIANT	Y = IMPERIAL
E = 600	S = CORDOBA	Z = OMNI/CHARGER/RAMPAGE
F = FIFTH AVENUE	T = E CLASS/NEWYORKER	

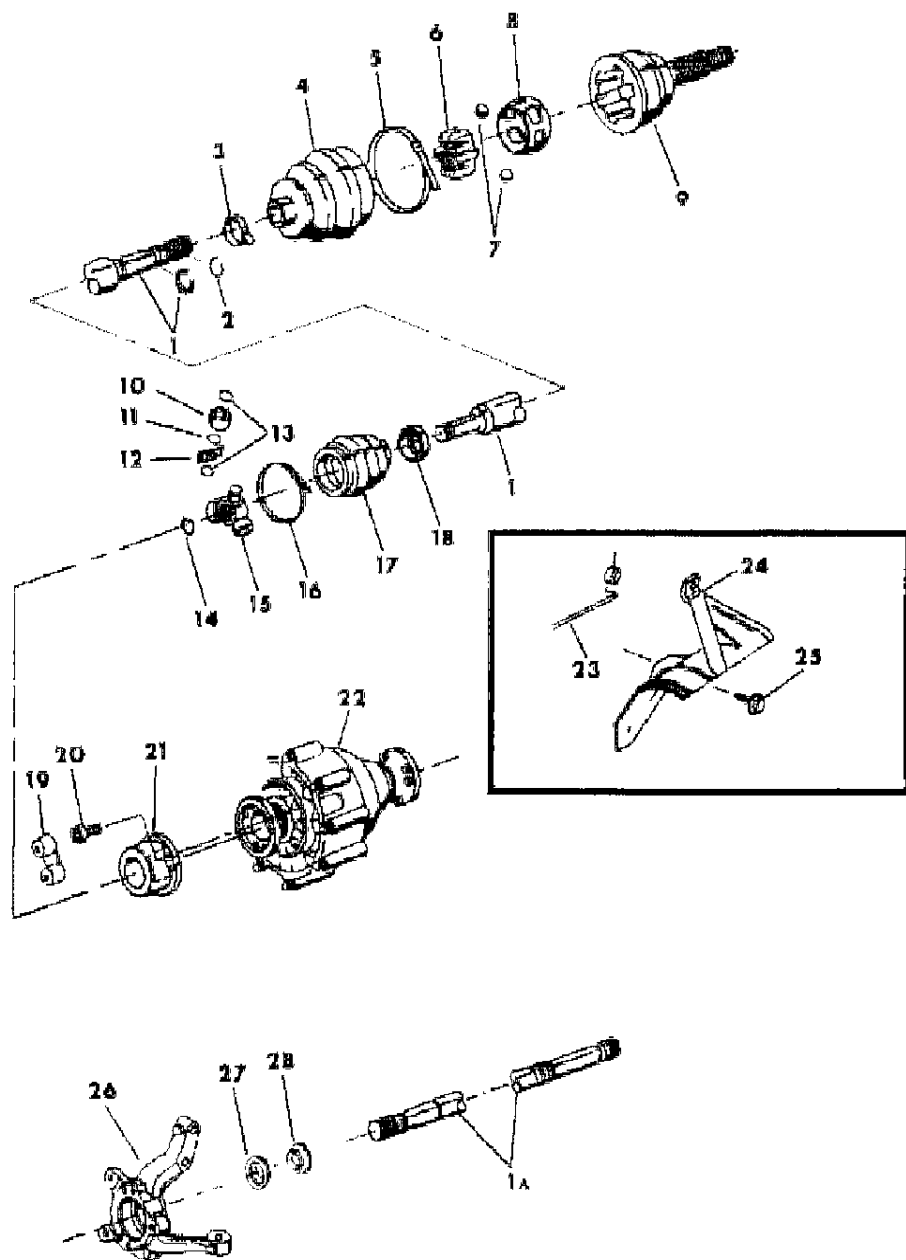
BODY STYLES

21 = 2-DOOR SEDAN	41 = 4-DOOR SEDAN
22 = 2-DOOR SPECIAL COUPE	45 = 4-DOOR STATION WAGON
24 = 2-DOOR HATCHBACK	44 = 4-DOOR HATCHBACK
27 = 2-DOOR CONVERTIBLE	48 = EXECUTIVE SEDAN
28 = FWD PICKUP	

AR = Use as Required - = Non Illustrated Part P.A.R. = Paint as Required

DRIVE SHAFT, FRONT (GKN) - M&Z w/1.7 Eng. w/VW-A412 4 Spd Man  
Figure 2-200

3102 200



ITEM	PART NUMBER	QTY	BODY	MODEL	DESCRIPTION
1	5212 570	1		All	SHAFT,Drive,Rt.
1A	5212 571	1		All	SHAFT,Drive, Lt.
2	5212 566	AR		All	SPACER-RING, Outer Joint (Also In 4205853 Pkg.)
3-5	4205 853	2		All	BOOT PKG., Outer Joint
3				All	Clamp, Inner
4				All	Boot
5				All	Clamp, Outer
NOTE: 4205853 Pkg (Item 3-5) also includes Lock Ring 5212580 for use w/Auto Trans-axle. r drive worm.					
6-9&					
27&28	4186 890	2		All	JOINT, COMPLETE, Drive Shaft, Outer
6				All	Cross
7				All	Ball
8				All	Cage
9				All	Housing
10-15	5212 567	2		All	TRIPODE, Complete Frt.
10				All	Race
11				All	Retainer
12				All	Needle
13				All	"O"Ring
14				All	Circlip
15				All	Cross
16-18	5212 568-9	1		All	BOOT PKG., Inner,Joint
16				All	Clamp
17				All	Boot
18				All	Seal
19	5212 596	6		All	CAP, Housing Screw
20	6500 199	12		All	SCREW, Housing
21	5212 572	2		All	HOUSING, Tripode, Trans. Axle
22				All	Trans.Axle (Man.Trans.) Ref.Only
23				All	Cylinder Block (Ref.Only)
24	5212 597	1		All	HEAT-SHIELD
25	6500 276	1		All	SCREW, Heat Shield Att.
	6500 267	2		All	
26	4052 580-1	1		All	KNUCKLE, Steering
27	5212 535	2		All	SEAL, Joint Outer
28	5212 536	2		All	WEAR-SLEEVE, Joint Outer

MODEL CODES

B = GRAN FURY	G = DIPLOMAT	V = 400
C = LEBARON/TOWN & COUNTRY	M = HORIZON/TURISMO/SCAMP	X = MIRADA
D = ARIES	P = RELIANT	Y = IMPERIAL
E = 600	S = CORDOBA	Z = OMNI/CHARGER/RAMPAGE
F = FIFTH AVENUE	T = E CLASS/NEWYORKER	

BODY STYLES

21 = 2-DOOR SEDAN	41 = 4-DOOR SEDAN
22 = 2-DOOR SPECIAL COUPE	45 = 4-DOOR STATION WAGON
24 = 2-DOOR HATCHBACK	44 = 4-DOOR HATCHBACK
27 = 2-DOOR CONVERTIBLE	48 = EXECUTIVE SEDAN
28 = FWD PICKUP	

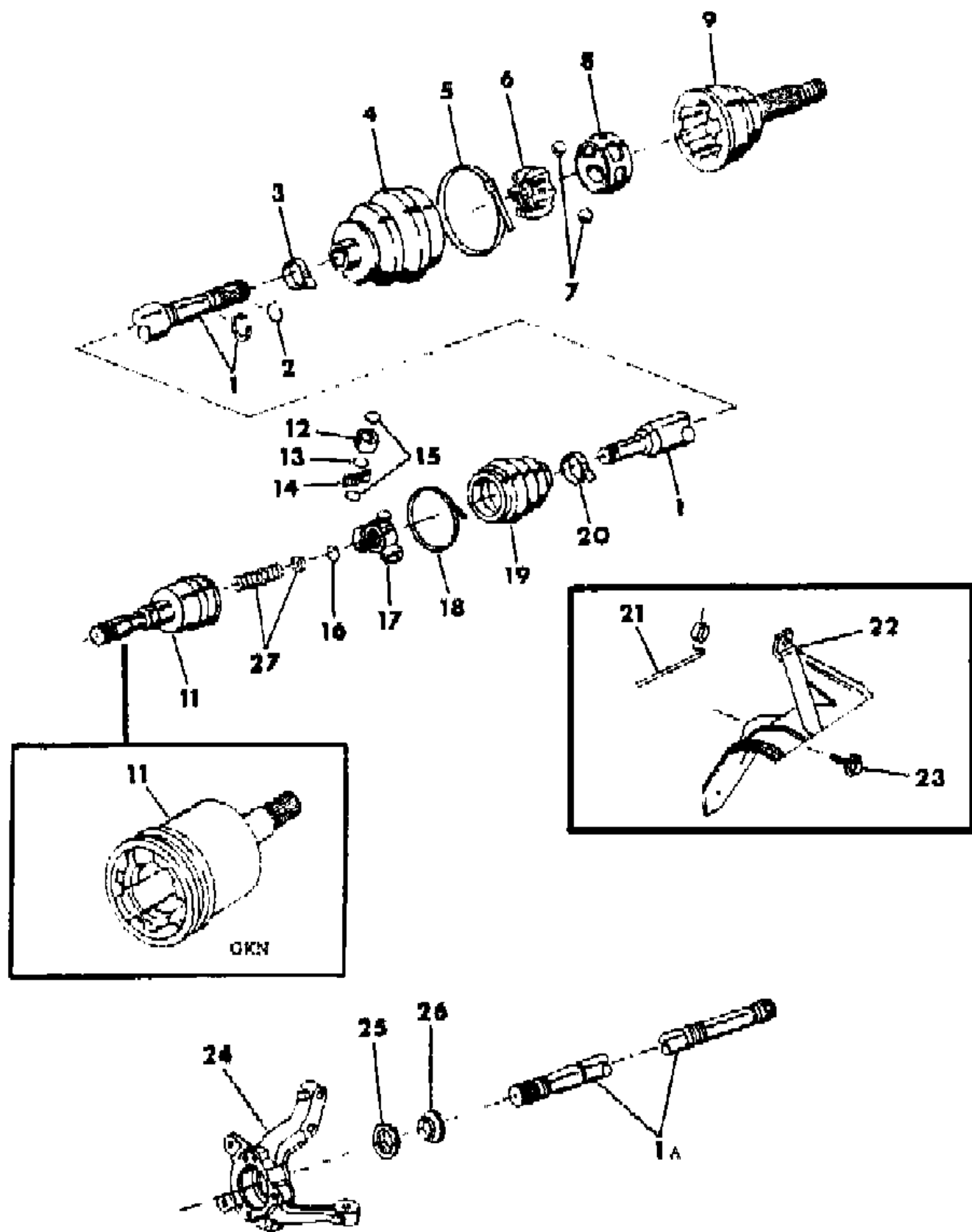
AR = Use as Required - = Non Illustrated Part P.A.R. = Paint as Required



DRIVE SHAFT, FRONT (GKN) - M&Z w/1.6 & 1.7 ENG. w/4 & 5 SPEED MAN. TRANS.

Figure 2-300

3102 300



ITEM	PART NUMBER	QTY	BODY	MODEL	DESCRIPTION
1	5212 676	1		All	SHAFT,Drive, 1.6 Eng. Rt.(Up To 5-23-83)
	5212 862	1		All	1.6 Eng. Rt.(After 5-23-83)
	5212 646	1		All	1.7 Eng., Rt.
1A	5212 677	1		All	SHAFT,Drive, 1.6 Eng. Lt.(Up To 5-23-83)
	5212 863	1		All	1.6 Eng. Lt.(After 5-23-83)
2	5212 647	1		All	1.7 Eng. Lt.
	5212 566	AR		All	SPACER-RING, Outer Joint (1.6 Eng. Up To 5-23-83)
	5212 857	AR		All	(1.6 Eng. After 5-23-83)
3-5&	5212 566	AR		All	SPACER-RING, Outer Joint (1.7 Eng.)
	4205 853	2		All	BOOT PKG, Outer Joint (1.6 Eng. Up To 5-23-83)
	5212 858	2		All	(1.6 Eng. After 5-23-83)
3	4205 853	2		All	BOOT PKG, Outer Joint (1.7 Eng.)
				All	Clamp, Inner
				All	Boot
4				All	Clamp, Outer
				All	JOINT, Comp.Drive Shaft, Outer (1.6 Eng. Up To 5-23-83)
	4186 890	2		All	(1.6 Eng. After 5-23-83)
6-9	5212 856	2		All	JOINT, Comp.Drive Shaft, Outer (1.7 Eng.)
	4186 890	2		All	
				All	Cross
6				All	Ball
7				All	Cage
8				All	Housing
9				All	HOUSING, w/Shaft, Dr.Shaft Joint, Inner
11	5212 644-5	1		All	TRIPOD, Comp. (1.6 Eng. Up To 5-23-83)
	5212 567	2		All	(1.6 Eng. After 5-23-83)
	5212 608	2		All	TRIPOD, Comp. (1.7 Eng.)
12-17	5212 567	2		All	
				All	Race
				All	Retainer
12				All	Needle
13				All	O Ring
14				All	Circlip
15				All	Cross
16				All	Cross
17				All	BOOT PKG.,Inner Joint, Rt.
18-20	4205 852	1		All	Lt.
	4057 033	1		All	
18				All	Clamp, Inner
19				All	Boot
20				All	Clamp, Outer

MODEL CODES

B = GRAN FURY	G = DIPLOMAT	V = 400
C = LEBARON/TOWN & COUNTRY	M = HORIZON/TURISMO/SCAMP	X = MIRADA
D = ARIES	P = RELIANT	Y = IMPERIAL
E = 600	S = CORDOBA	Z = OMNI/CHARGER/RAMPAGE
F = FIFTH AVENUE	T = E CLASS/NEWYORKER	

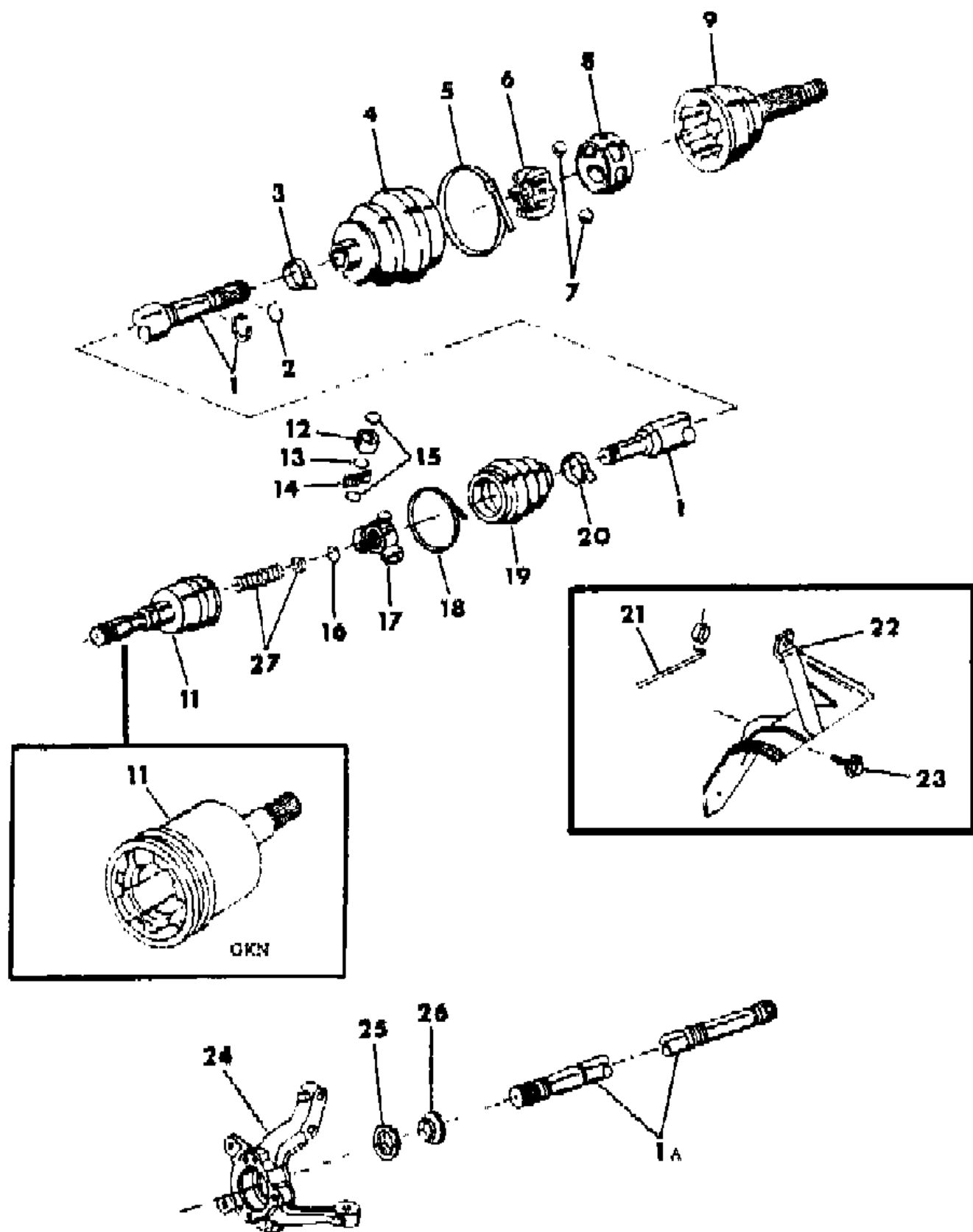
BODY STYLES

21 = 2-DOOR SEDAN	41 = 4-DOOR SEDAN
22 = 2-DOOR SPECIAL COUPE	45 = 4-DOOR STATION WAGON
24 = 2-DOOR HATCHBACK	44 = 4-DOOR HATCHBACK
27 = 2-DOOR CONVERTIBLE	48 = EXECUTIVE SEDAN
28 = FWD PICKUP	

AR = Use as Required - = Non Illustrated Part P.A.R. = Paint as Required

DRIVE SHAFT, FRONT (GKN) - M&Z w/1.6 & 1.7 ENG. w/4 & 5 SPEED MAN. TRANS.  
Figure 2-300

3102 300



ITEM	PART NUMBER	QTY	BODY	MODEL	DESCRIPTION
21				All	Cylinder Block (Ref.)
22	5212 597	1		All	HEAT-SHIELD, Man. Trans.
23	6500 276	1		All	BOLT, Heat Shield Att.
	6500 267	2		All	
24	#4052 580-1	1		All	KNUCKLE, Strg.
25	5212 535	2		All	SEAL, Joint Outer (Also Serv.In 4186890 Pkg.)
26	5212 536	2		All	WEAR-SLEEVE, Joint Outer (Also Serv.In 4186890 Pkg.)
27	5212 675	AR		All	SPRING,w/CUP, Housing Shaft,Inner

MODEL CODES

B = GRAN FURY	G = DIPLOMAT	V = 400
C = LEBARON/TOWN & COUNTRY	M = HORIZON/TURISMO/SCAMP	X = MIRADA
D = ARIES	P = RELIANT	Y = IMPERIAL
E = 600	S = CORDOBA	Z = OMNI/CHARGER/RAMPAGE
F = FIFTH AVENUE	T = E CLASS/NEWYORKER	

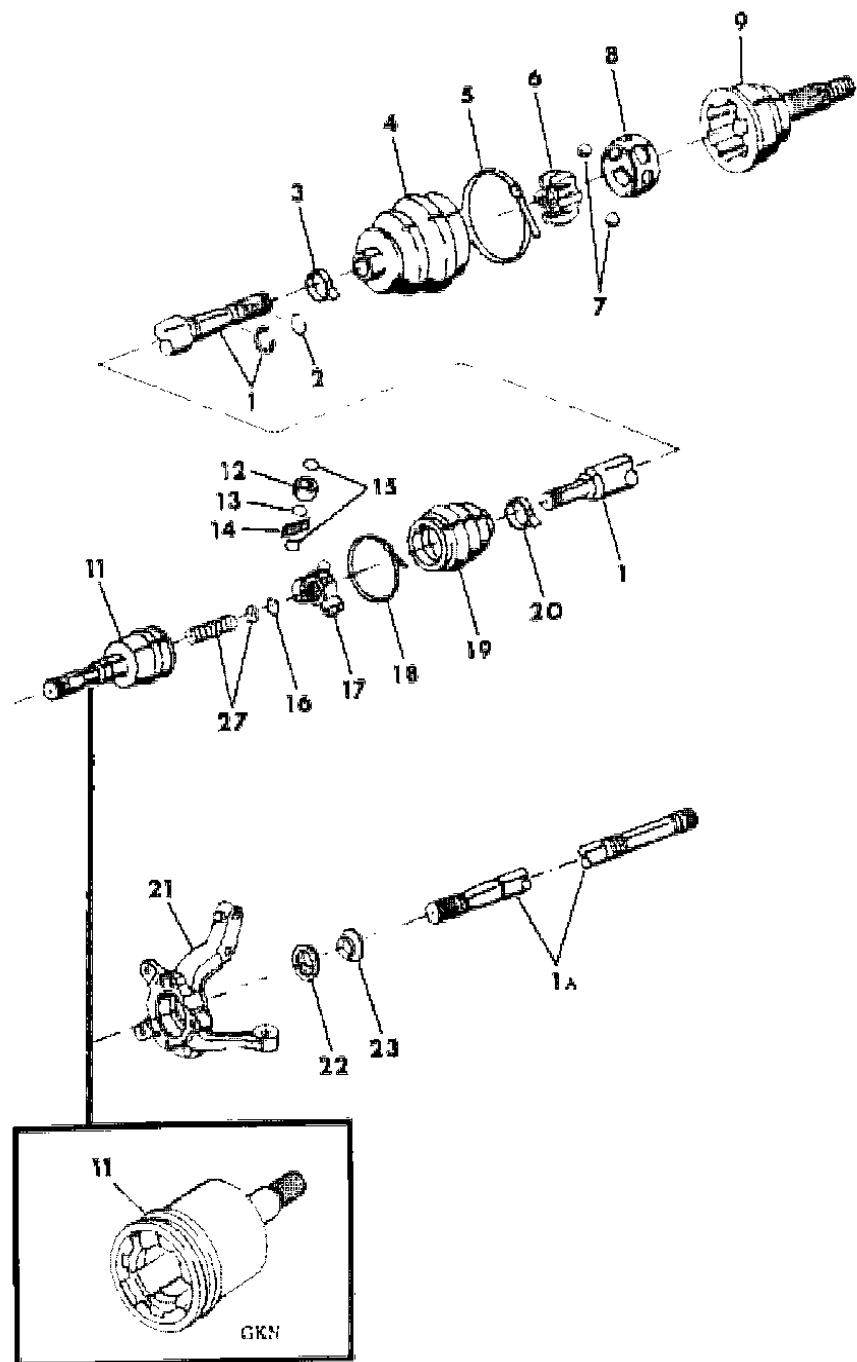
BODY STYLES

21 = 2-DOOR SEDAN	41 = 4-DOOR SEDAN
22 = 2-DOOR SPECIAL COUPE	45 = 4-DOOR STATION WAGON
24 = 2-DOOR HATCHBACK	44 = 4-DOOR HATCHBACK
27 = 2-DOOR CONVERTIBLE	48 = EXECUTIVE SEDAN
28 = FWD PICKUP	

AR = Use as Required - = Non Illustrated Part P.A.R. = Paint as Required

**DRIVE SHAFT, FRONT (GKN) - M,Z,P,D,V,C,E,T w/2.2 & 2.6 Eng.  
Figure 2-400**

3102 400



ITEM	PART NUMBER	QTY	BODY	MODEL	DESCRIPTION
NOTE: For identification of Shaft make (GKN or Citroen) see Figure 2-100. r drive worm.					
1	#5212 662	1		P,D,V,C	SHAFT DRIVE, Rt. (Up To Approx. 5-20-83)
	5212 864	1		P,D,V,C	(After Approx. 5-20-83)
	5212 660	1		M,Z	(Up To Approx. 5-20-83)
	5212 862	1		M,Z	(After Approx. 5-20-83)
1A	5212 663	1		P,D,V,C	SHAFT DRIVE, Lt. (Up To Approx. 5-20-83)
	5212 865	1		P,D,V,C	(After Approx. 5-20-83)
	5212 661	1		M,Z	(Up To Approx. 5-20-83)
	5212 863	1		M,Z	(After Approx. 5-20-83)
2	5212 566	AR		All	SPACER-Ring, Outer Joint (Up To Approx. 5-20-83)
	5212 857	AR		All	(After Approx. 5-20-83)
3-5	4205 853	2		All	BOOT PKG.,Outer Joint (Up To Approx. 5-20-83)
	5212 858	2		All	(After Approx. 5-20-83)
3				All	Clamp, Inner
4				All	Boot
5				All	Clamp, Outer
6-9	4186 891	2		All	JOINT COMP.,Drive Shaft, Outer (Up To Approx. 5-20-83)
	5212 856	2		All	(After Approx. 5-20-83)
6				All	Cross
7				All	Ball
8				All	Cage
9				All	Housing
11	5212 898-9	1		P,D,V,C	HOUSING, w/SHAFT, Joint Inner (w/2.6 Eng.)
	5212 898-9	1		M,Z	(w/2.2 Eng.)
	5212 896-7	1		P,D,V,C	(w/2.2 Eng.)
12-17	5212 608	AR		P,D,V,C	TRIPOD PKG., Comp.Inner Shaft (w/2.6 Eng.)
	5212 608	AR		M,Z	(w/2.2 Eng.)
	5212 859	AR		P,D,V,C	(w/2.2 Eng.)
12				All	Race
13				All	Retainer
14				All	Needle
15				All	O Ring
16				All	Circlip
17				All	Cross
18-20	5212 612-3	1		All	BOOT PKG.,Inner Joint (Up To Approx. 5-20-83)
	4205 852	1		All	Right (After Approx. 5-20-83)
	4057 033	1		All	Left (After Approx. 5-20-83)

**MODEL CODES**

B = GRAN FURY	G = DIPLOMAT	V = 400
C = LEBARON/TOWN & COUNTRY	M = HORIZON/TURISMO/SCAMP	X = MIRADA
D = ARIES	P = RELIANT	Y = IMPERIAL
E = 600	S = CORDOBA	Z = OMNI/CHARGER/RAMPAGE
F = FIFTH AVENUE	T = E CLASS/NEWYORKER	

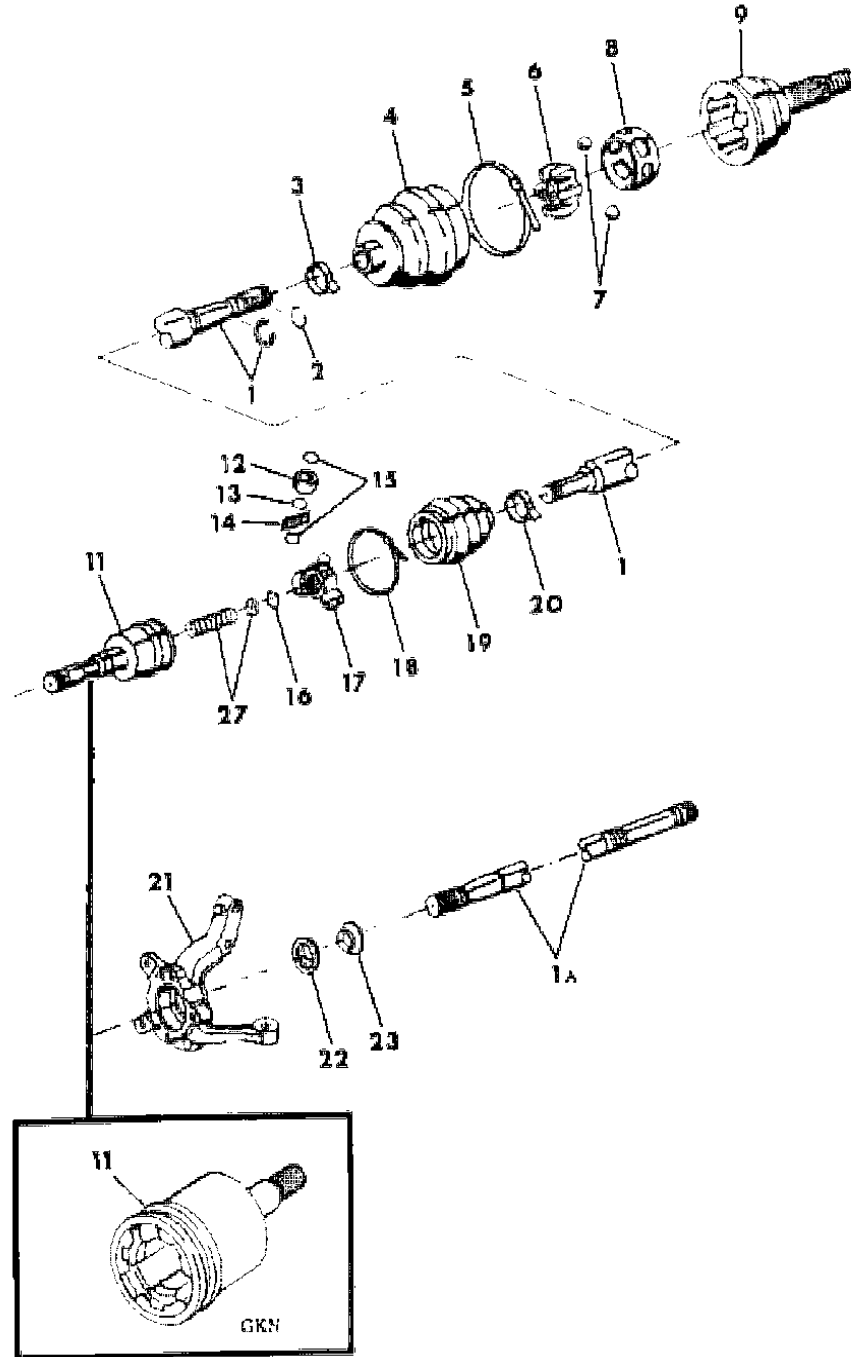
**BODY STYLES**

21 = 2-DOOR SEDAN	41 = 4-DOOR SEDAN
22 = 2-DOOR SPECIAL COUPE	45 = 4-DOOR STATION WAGON
24 = 2-DOOR HATCHBACK	44 = 4-DOOR HATCHBACK
27 = 2-DOOR CONVERTIBLE	48 = EXECUTIVE SEDAN
28 = FWD PICKUP	

AR = Use as Required - = Non Illustrated Part P.A.R. = Paint as Required

DRIVE SHAFT, FRONT (GKN) - M,Z,P,D,V,C,E,T w/2.2 & 2.6 Eng.  
Figure 2-400

3102 400



ITEM	PART NUMBER	QTY	BODY	MODEL	DESCRIPTION
18				All	Clamp, Inner
19				All	Boot
20				All	Clamp, Outer
21	#4052 580-1	1		All	KNUCKLE, Strg.
22	5212 535	2		All	SEAL, Joint Outer (Also Serv.In Pkg.4186891)
23	5212 536	2		All	WEAR-SLEEVE, Joint Outer (Also Serv.In Pkg.4186891)
27	5212 675	AR		All	SPRING,w/CUP, Hsg. Shaft, Inner

MODEL CODES

B = GRAN FURY	G = DIPLOMAT	V = 400
C = LEBARON/TOWN & COUNTRY	M = HORIZON/TURISMO/SCAMP	X = MIRADA
D = ARIES	P = RELIANT	Y = IMPERIAL
E = 600	S = CORDOBA	Z = OMNI/CHARGER/RAMPAGE
F = FIFTH AVENUE	T = E CLASS/NEWYORKER	

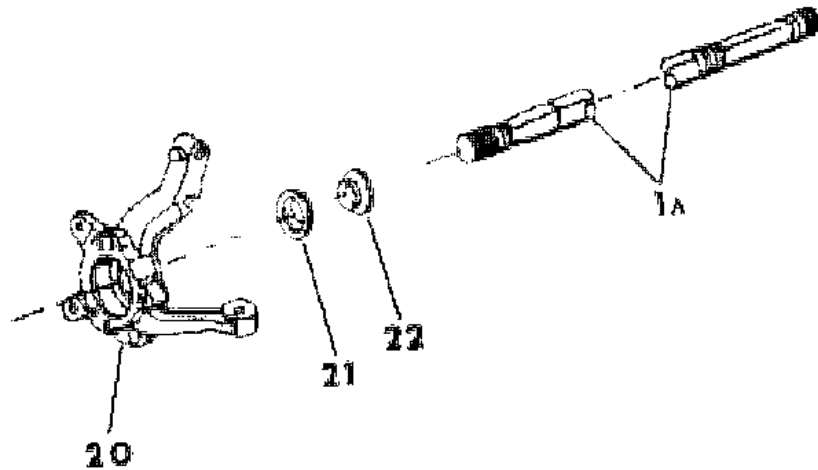
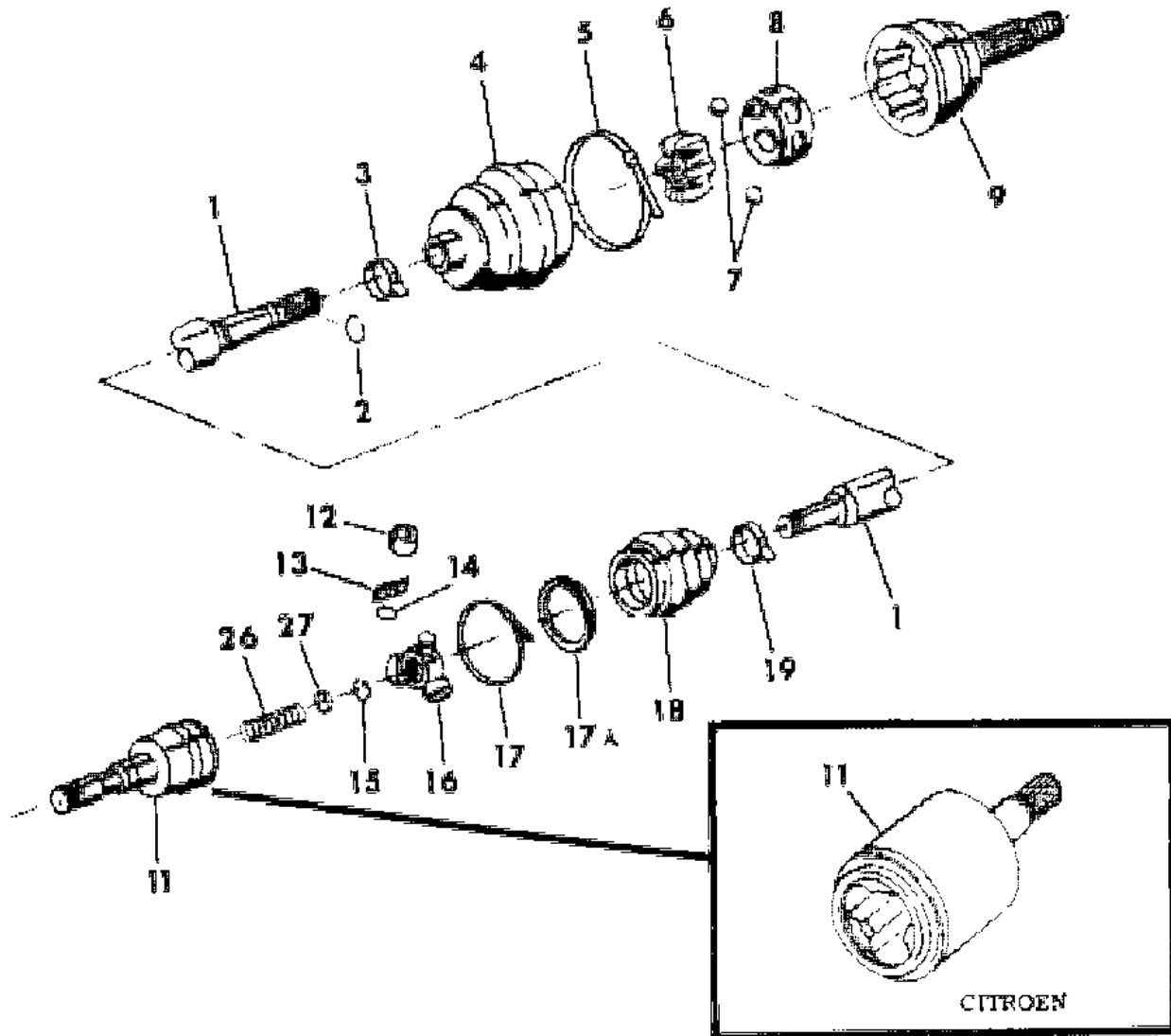
BODY STYLES

21 = 2-DOOR SEDAN	41 = 4-DOOR SEDAN
22 = 2-DOOR SPECIAL COUPE	45 = 4-DOOR STATION WAGON
24 = 2-DOOR HATCHBACK	44 = 4-DOOR HATCHBACK
27 = 2-DOOR CONVERTIBLE	48 = EXECUTIVE SEDAN
28 = FWD PICKUP	

AR = Use as Required - = Non Illustrated Part P.A.R. = Paint as Required

DRIVE SHAFT, FRONT (CITROEN) P,D,V,C,E,T All, w/2.2 & 2.6 Eng.  
Figure 2-500

3102 500



ITEM	PART NUMBER	QTY	BODY	MODEL	DESCRIPTION
NOTE: For identification of Shaft make (GKN or Citroen) see Figure 2-100. r drive worm.					
1	5212 744	1	All	All	SHAFT DRIVE, Rt.
1A	5212 745	1	All	All	SHAFT DRIVE, Lt.
2	5212 710	AR	All	All	SNAP-RING, Outer Joint
3-5	5212 713	2	All	All	BOOT PKG.,Outer Joint
3			All	All	Clamp, Inner
4			All	All	Boot
5	5212 720	AR	All	All	Clamp, Outer
6-9	4186 892	2	All	All	JOINT,COMP.DRIVE SHAFT, Outer
6			All	All	Cross
7			All	All	Ball
8			All	All	Cage
9			All	All	Housing
11	5212 746-7	1	All	All	HOUSING, w/SHAFT, Inner
12-16	5212 711	AR	All	All	TRIPOD PKG.,Comp.,Inner Shaft
12			All	All	Race
13			All	All	Needle
14			All	All	O Ring
15			All	All	Circlip
16			All	All	Cross
17-19	5212 716-7	1	All	All	BOOT PKG.,Inner Joint
17			All	All	Clamp, Inner
17A			All	All	Retainer, Ring
18			All	All	Boot
19			All	All	Clamp,Outer
20	4052 580-1	1	All	All	KNUCKLE, Strg.
21	5212 535	2	All	All	SEAL, Joint Outer (Also Serv.In 4186892 Pkg.)
22	5212 536	2	All	All	WEAR-SLEEVE, Joint Outer (Also Serv.In 4186892 Pkg.)
26	5212 740	AR	All	All	SPRING, Hsg. Shaft, Inner
27	5212 741	AR	All	All	CUP, Hsg. Shaft, Inner

MODEL CODES  
 B = GRAN FURY  
 C = LEBARON/TOWN & COUNTRY  
 D = ARIES  
 E = 600  
 F = FIFTH AVENUE  
 G = DIPLOMAT  
 M = HORIZON/TURISMO/SCAMP  
 P = RELIANT  
 S = CORDOBA  
 T = E CLASS/NEWYORKER  
 V = 400  
 X = MIRADA  
 Y = IMPERIAL  
 Z = OMNI/CHARGER/RAMPAGE

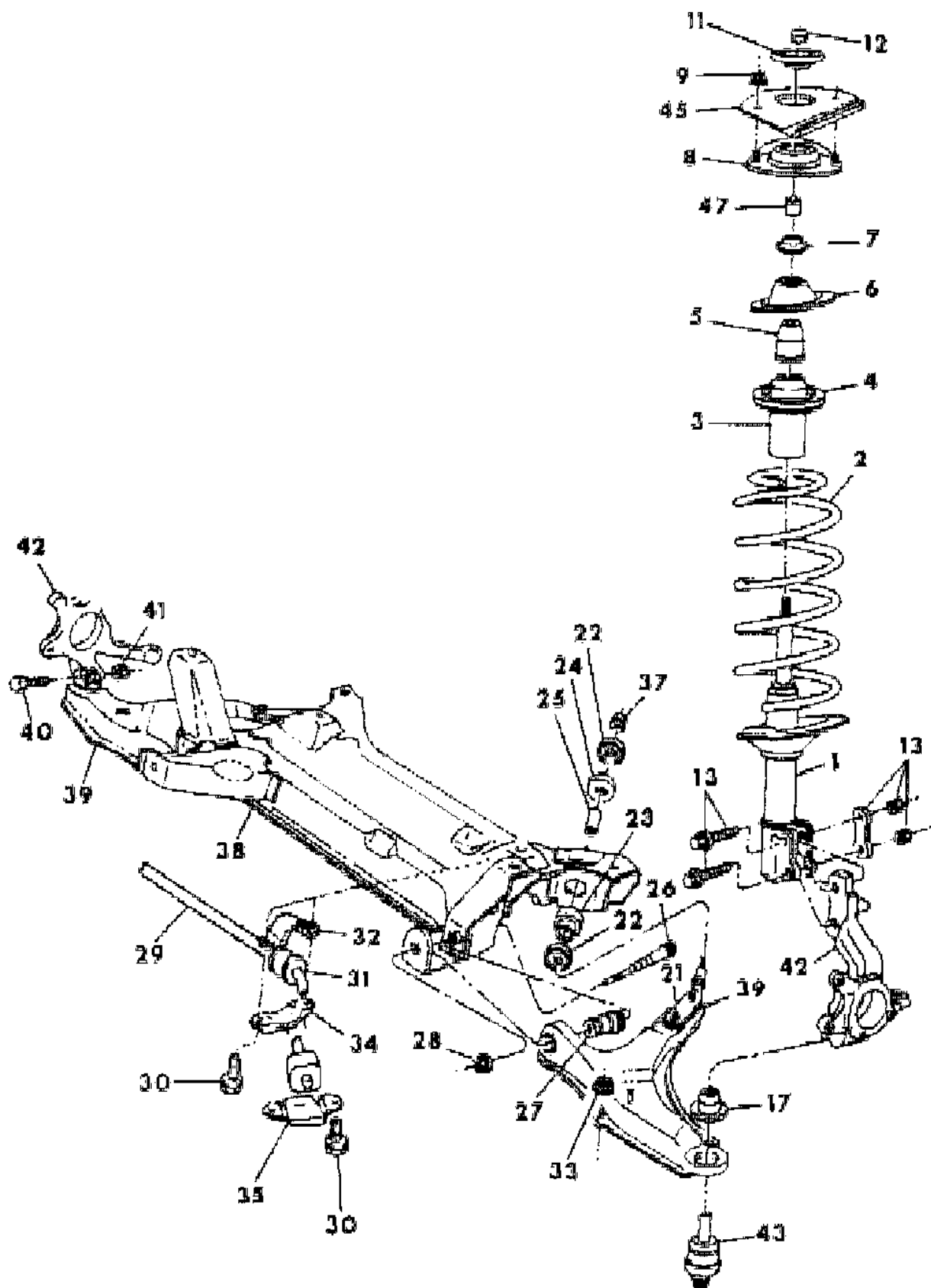
BODY STYLES  
 21 = 2-DOOR SEDAN  
 22 = 2-DOOR SPECIAL COUPE  
 24 = 2-DOOR HATCHBACK  
 27 = 2-DOOR CONVERTIBLE  
 28 = FWD PICKUP  
 41 = 4-DOOR SEDAN  
 45 = 4-DOOR STATION WAGON  
 44 = 4-DOOR HATCHBACK  
 48 = EXECUTIVE SEDAN

AR = Use as Required - = Non Illustrated Part P.A.R. = Paint as Required

# FRONT SUSPENSION-M,Z

## Figure 2-600

1102 500



ITEM	PART NUMBER	QTY	BODY	MODEL	DESCRIPTION
1	#4052 647	2	24,44		SHOCK ABSORBER Std. (Except Shelby)
	5204 734	2	28		Std. Or H.D.
	5204 734	2	24,44		w/Firm Feel Susp. Or H.D. (Except Shelby)
	4052 990	2	24		w/Shelby
2	#4014 451-2	1	24,44		Coil-Spring, 1.7L Eng.(A412 Man.Trans.) w/o A/C Std.
	4052 742	2	24,44		w/o A/C. H.D.
	4014 454	2	24,44		w/A/C, Std.
	4052 744	2	24,44		w/A/C, H.D.
	4014 452	1	24,44		COIL-Spring, 1.7L Eng.(A460 Man. Trans.) w/o A/C, Std., Rt.
	4014 454	1	24,44		w/o A/C, Std., Lt.
	4052 742	1	24,44		w/o A/C, H.D.,Rt.
	4052 744	1	24,44		w/o A/C, H.D.,Lt.
	4014 454	1	24,44		w/ A/C, Std., Rt.
	4014 456	1	24,44		w/ A/C, Std., Lt.
	4052 744	1	24,44		w/ A/C, H.D., Rt.
	4052 746	1	24,44		w/ A/C, H.D., Lt.
	4014 454	1	24,44		COIL-SPRING, 1.7L Eng., w/Auto. Trans. w/o A/C, Std.,Rt.
	4014 456	1	24,44		w/o A/c, Std. Lt.
	4052 744	1	24,44		w/o A/c, H.D. Rt.
	4052 746	1	24,44		w/o A/c, H.D. Lt.
	4014 456	1	24,44		w/A/C, Std., Rt.
	4014 458	1	24,44		w/A/C, Std., Lt.
	4052 744	1	24,44		w/A/C, H.D., Rt.
	4052 746	1	24,44		w/A/C, H.D., Lt.
4014 452	1	24,44		COIL-SPRING, 1.6 Eng. (Man.Trans.Only) Std. Rt.	
4014 454	1	24,44		Std., Lt.	
4052 742	1	24,44		H.D., Rt.	
4052 744	1	24,44		H.D., Lt.	
4014 452	1	24,44		COIL-SPRING, 2.2L Eng.(Man.Trans.) w/o A/C, Std.,Rt.	
4014 454	1	24,44		w/o A/C, Std., Lt.	
4052 744	1	24,44		w/o A/C, H.D., Rt.	
4052 746	1	24,44		w/o A/C, H.D., Lt.	
4014 454	1	24,44		w/A/C, Std., Rt.	
4014 456	1	24,44		w/A/C, Std., Lt.	
4052 744	1	24,44		w/A/C, H.D., Rt.	
4052 746	1	24,44		w/A/C, H.D., Lt.	
4014 454	1	24,44		COIL-SPRING, 2.2L Eng.(Auto.Trans.) w/o A/C, Std.,Rt.	

**MODEL CODES**

B = GRAN FURY	G = DIPLOMAT	V = 400
C = LEBARON/TOWN & COUNTRY	M = HORIZON/TURISMO/SCAMP	X = MIRADA
D = ARIES	P = RELIANT	Y = IMPERIAL
E = 600	S = CORDOBA	Z = OMNI/CHARGER/RAMPAGE
F = FIFTH AVENUE	T = E CLASS/NEWYORKER	

**BODY STYLES**

21 = 2-DOOR SEDAN	41 = 4-DOOR SEDAN
22 = 2-DOOR SPECIAL COUPE	45 = 4-DOOR STATION WAGON
24 = 2-DOOR HATCHBACK	44 = 4-DOOR HATCHBACK
27 = 2-DOOR CONVERTIBLE	48 = EXECUTIVE SEDAN
28 = FWD PICKUP	

AR = Use as Required - = Non Illustrated Part P.A.R. = Paint as Required

FRONT SUSPENSION-M,Z

Figure 2-600

1102 500

ITEM	PART NUMBER	QTY	BODY	MODEL	DESCRIPTION
	4014 456	1		24,44	w/o A/C, Std., Lt.
	4052 744	1		24,44	w/o A/C, H.D., Rt.
	4052 746	1		24,44	w/o A/C, H.D., Lt.
	4014 456	1		24,44	w/A/C, Std., Rt.
	4014 458	1		24,44	w/A/C, Std., Lt.
	4052 746	1		24,44	w/A/C, H.D., Rt.
	4052 748	1		24,44	w/A/C, H.D., Lt.
	4052 744	1		28	COIL-SPRING, 2.2 Eng. (Man.Trans.) w/o A/C, Rt.
	4052 746	1		28	w/o A/C, Lt.
	4052 746	2		28	w/A/C
	4052 744	1		28	COIL-SPRING, 2.2 Eng.(Auto.Trans.) w/o A/C, Rt.
	4052 746	1		28	w/o A/C, Lt.
	4052 746	1		28	w/A/C, Rt.
	4052 748	1		28	w/A/C, Lt.
3	5204 610	2	All		DUST-SHIELD (Except Shelby)
	4052 997	2	24		w/Shelby
4	4014 441	AR	All		SPACER, Spring Shock Upper
5	5204 608	2	All		BUMPER, Jounce (Except Shelby)
	4052 996	2	24		w/Shelby
6	4014 325	2	All		SEAT, Shock Upper
7	#5204 595	2	All		BALL-BEARING
8	#4052 556	2	All		MOUNT, Front Shock Upper
9	6100 051	4	All		NUT,w/WASHER
11	#4052 680	2	All		RETAINER, Shock Rebound Stop
12	6500 613	2	All		NUT, Shock Rod
13	4267 335	2	All		ATTACHING PKG., Frt. Shock Consists Of: 1-6500450 Cam-Bolt, Shock Mtg. Upper 1-6500451 Bolt, Shock Mtg. Lower 1-4014327 Washer, Shock Damper 2-6500536 Nut, Shock Knuckle Bolt
17	4014 242	2	All		SEAL, Ball Joint
21			All		RIVET (Not Serviced)
22	5204 534	4	All		RETAINER, Arm Strut Bushing
23	#5204 537	2	All		BUSHING, Arm Strut Frt.
24	#5204 538	2	All		BUSHING, Arm Strut Rear
25	5204 535	2	All		SLEEVE, Strut Bushing

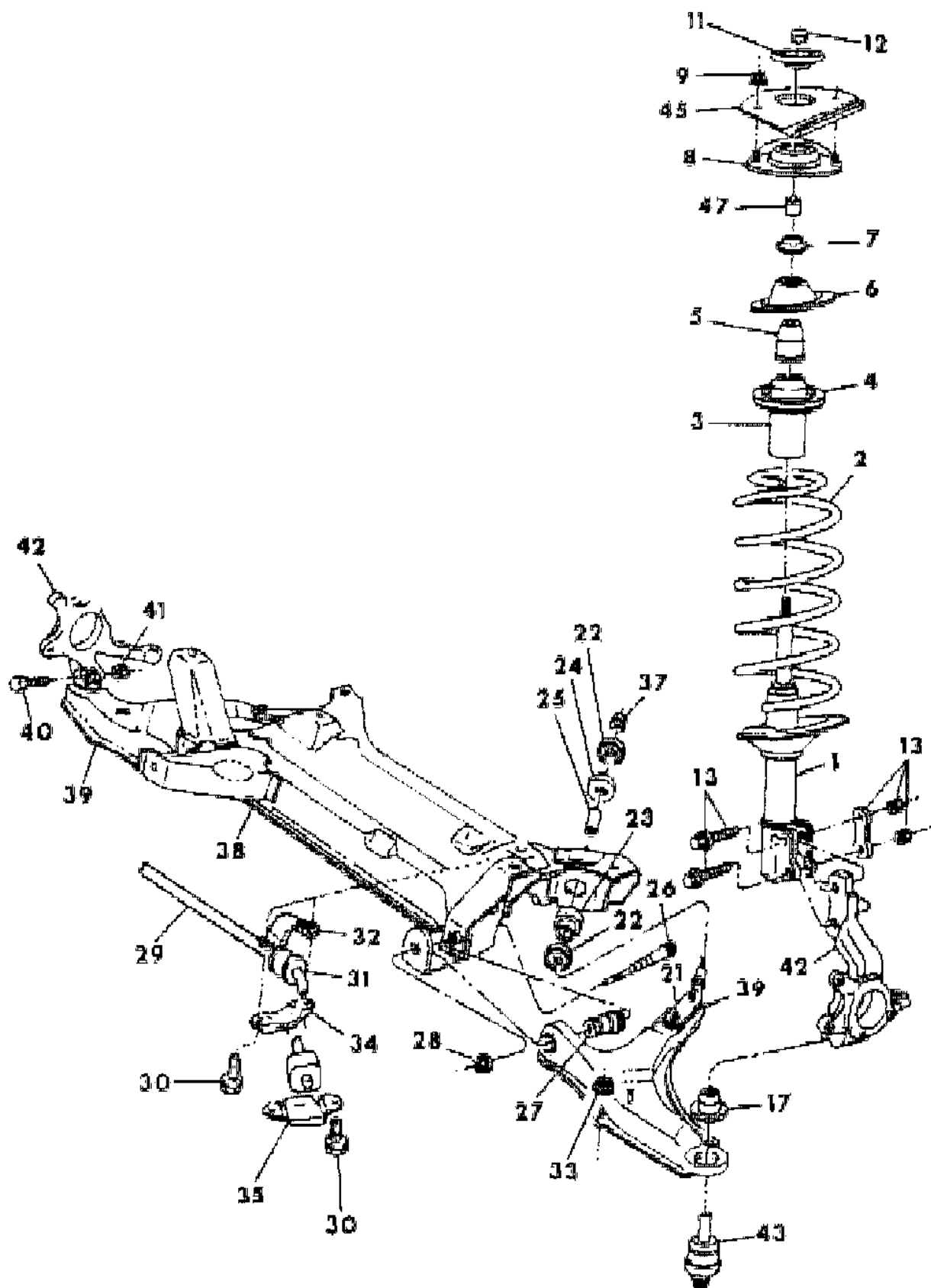
MODEL CODES

B = GRAN FURY	G = DIPLOMAT	V = 400
C = LEBARON/TOWN & COUNTRY	M = HORIZON/TURISMO/SCAMP	X = MIRADA
D = ARIES	P = RELIANT	Y = IMPERIAL
E = 600	S = CORDOBA	Z = OMNI/CHARGER/RAMPAGE
F = FIFTH AVENUE	T = E CLASS/NEWYORKER	

BODY STYLES

21 = 2-DOOR SEDAN	41 = 4-DOOR SEDAN
22 = 2-DOOR SPECIAL COUPE	45 = 4-DOOR STATION WAGON
24 = 2-DOOR HATCHBACK	44 = 4-DOOR HATCHBACK
27 = 2-DOOR CONVERTIBLE	48 = EXECUTIVE SEDAN
28 = FWD PICKUP	

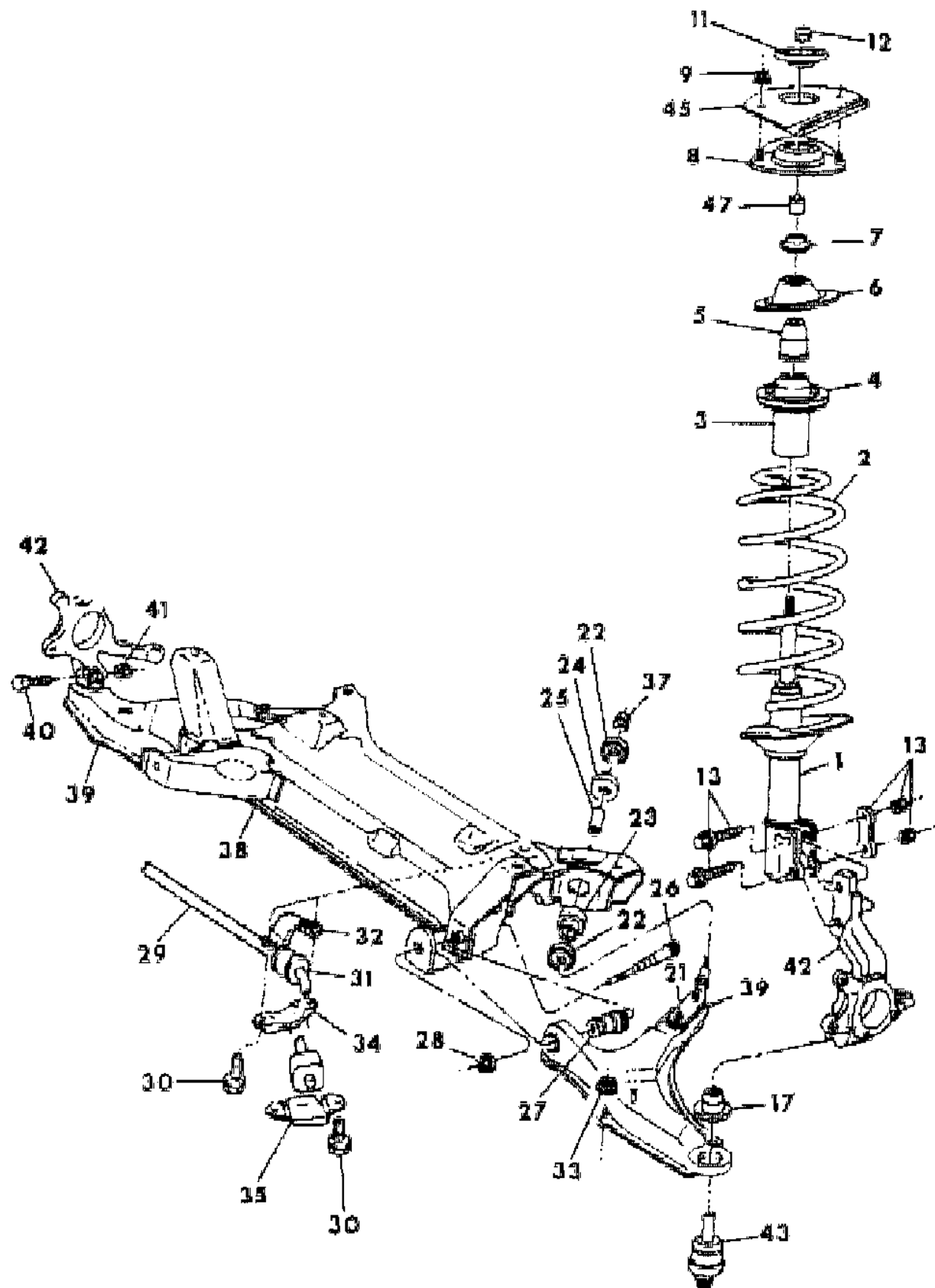
AR = Use as Required - = Non Illustrated Part P.A.R. = Paint as Required



# FRONT SUSPENSION-M,Z

## Figure 2-600

1102 500



ITEM	PART NUMBER	QTY	BODY	MODEL	DESCRIPTION
26	4014 239	2	All		BOLT, Pivot Shaft
27	5204 622	2	All		BUSHING, Cont.Arm Pivot Shaft
28	6500 231	2	All		NUT, Pivot Bolt
29	#4014 439	1	All		SWAY BAR, Frt., Std. w/Glass Belted Tires
	4014 440	1	All		Std., w/Steel Belted Tires
30	#6100 579	8	All		BOLT, Clamp
31	#4014 431	2	All		CUSHION, Shaft, w/Glass Belted Tires
	4014 432	2	All		w/Steel Belted Tires
32	#4014 416	2	All		CLAMP, Shaft Bushing, Upper
33	6100 517	4	All		NUT, Bolt
34	#4052 522	2	All		CLAMP, Shaft Bushing, Lower
35	#4014 418	2	All		RETAINER, Shaft Arm
37	6100 502	2	All		NUT, Strut
38			All		C/MEMBER (Ref.Only)
39	4052 634-5	1	All		ARM, Lower Control
	4106 180	2	All		TIE ROD END PKG. (Not Shown)
					Consists Of:
					1 -----Rod End
					1-6500121 Nut
					1-6100024 C/Pin
40	6500 449	2	All		BOLT, Knuckle To Ball Joint
41	6500 259	2	All		NUT, Knuckle To Ball Joint Bolt
42	#4052 580-1	1	All		KNUCKLE, Strg.
43	4014 323	2	All		BALL JOINT
45					PLATE, Shock Tower (See Fender Section)

**MODEL CODES**

B = GRAN FURY	G = DIPLOMAT	V = 400
C = LEBARON/TOWN & COUNTRY	M = HORIZON/TURISMO/SCAMP	X = MIRADA
D = ARIES	P = RELIANT	Y = IMPERIAL
E = 600	S = CORDOBA	Z = OMNI/CHARGER/RAMPAGE
F = FIFTH AVENUE	T = E CLASS/NEWYORKER	

**BODY STYLES**

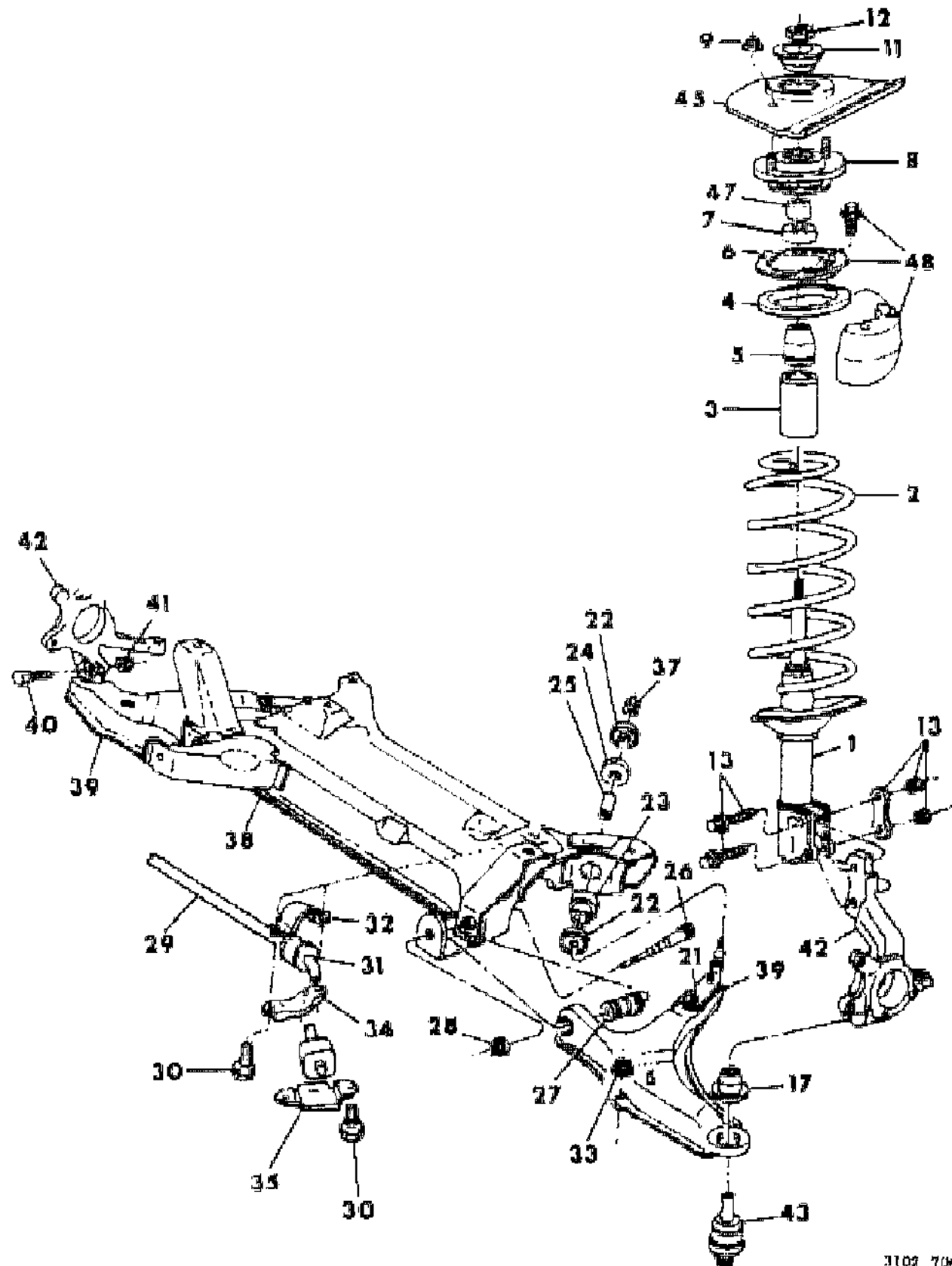
21 = 2-DOOR SEDAN	41 = 4-DOOR SEDAN
22 = 2-DOOR SPECIAL COUPE	45 = 4-DOOR STATION WAGON
24 = 2-DOOR HATCHBACK	44 = 4-DOOR HATCHBACK
27 = 2-DOOR CONVERTIBLE	48 = EXECUTIVE SEDAN
28 = FWD PICKUP	

AR = Use as Required - = Non Illustrated Part P.A.R. = Paint as Required



FRONT SUSPENSION-P,D,V,C,E,T  
Figure 2-700

3102 7001 A



3102 7001

ITEM	PART NUMBER	QTY	BODY	MODEL	DESCRIPTION
1	#4052 544	2	All		SHOCK ABSORBER Std.(Exc. C48)
	4052 545	2	All		SHOCK ABSORBER H.D. (Exc. C48)
	4052 543	2	All		SHOCK ABSORBER EXTRA H.D. (Exc. C48)
	4052 986	2	C48		SHOCK ABSORBER, Std.
2	#4014 456	1	P,D		COIL-SPRING, 2.2L Eng.(Man.Trans.)w/o A/C,Std.,Rt.
	4014 458	1	P,D		Lt.
	4052 746	1	P,D		w/o A/C, H.D., Rt.
	4052 748	1	P,D		w/o A/C, H.D., Lt.
	4014 458	1	P,D		w/A/C, Std.,Rt.
	4014 460	1	P,D		w/A/C, Std.,Lt.
	4052 748	1	P,D		w/A/C, H.D.,Rt.
	4052 750	1	P,D		w/A/C, H.D.,Lt.
	4014 456	1	P,D		COIL-SPRING,2.2L Eng.(Auto.Trans.) w/o A/C,Std.,Rt.
	4014 458	1	P,D		w/o A/C, Std., Lt.
	4052 746	1	P,D		w/o A/C, H.D., Rt.
	4052 748	1	P,D		w/o A/C, H.D., Lt.
	4014 458	1	P,D		w/A/C, Std., Rt.
	4014 460	1	P,D		w/A/C, Std., Lt.
	4052 748	1	P,D		w/A/C, H.D., Rt.
	4052 750	1	P,D		w/A/C, H.D., Lt.
	4014 458	1	P,D		COIL-SPRING, 2.6L Eng.,w/o A/C, Std.,Rt.
	4014 460	1	P,D		w/o A/C, Std.,Lt.
	4052 748	1	P,D		w/o A/C, H.D.,Rt.
	4052 750	1	P,D		w/o A/C, H.D.,Lt.
4014 460	1	P,D		w/A/C, Std.,Rt.	
4014 462	1	P,D		w/A/C, Std.,Lt.	
4052 750	2	P,D		w/A/C, H.D.	
4014 456	1	V,C,E,T		COIL-SPRING, 2.2L Eng.,(Man.Trans.) w/o A/C,Std.,Rt.	
4014 458	1	V,C,E,T		w/o A/C, Std.,Lt.	
4052 746	1	V,C,E,T		w/o A/C, H.D.,Rt.	
4052 748	1	V,C,E,T		w/o A/C, H.D.,Lt.	
4014 458	1	V,C,E,T		COIL-SPRING,2.2L Eng.(Auto.Trans.)w/o A/C,Std.,Rt.	
4014 460	1	V,C,E,T		w/o A/C, Std.,Lt.	
4052 748	1	V,C,E,T		w/o A/C, H.D.,Rt.	
4052 750	1	V,C,E,T		w/o A/C, H.D.,Lt.	
4014 458	1	V,C,E,T		COIL-SPRING, 2.2L Eng.(Man.Trans.)w/A/C, Std.,Rt.	
4014 460	1	V,C,E,T		w/A/C, Std.,Lt.	

MODEL CODES

B = GRAN FURY  
C = LEBARON/TOWN & COUNTRY  
D = ARIES  
E = 600  
F = FIFTH AVENUE

G = DIPLOMAT

M = HORIZON/TURISMO/SCAMP

P = RELIANT

S = CORDOBA

T = E CLASS/NEWYORKER

V = 400

X = MIRADA

Y = IMPERIAL

Z = OMNI/CHARGER/RAMPAGE

BODY STYLES

21 = 2-DOOR SEDAN

22 = 2-DOOR SPECIAL COUPE

24 = 2-DOOR HATCHBACK

27 = 2-DOOR CONVERTIBLE

28 = FWD PICKUP

41 = 4-DOOR SEDAN

45 = 4-DOOR STATION WAGON

44 = 4-DOOR HATCHBACK

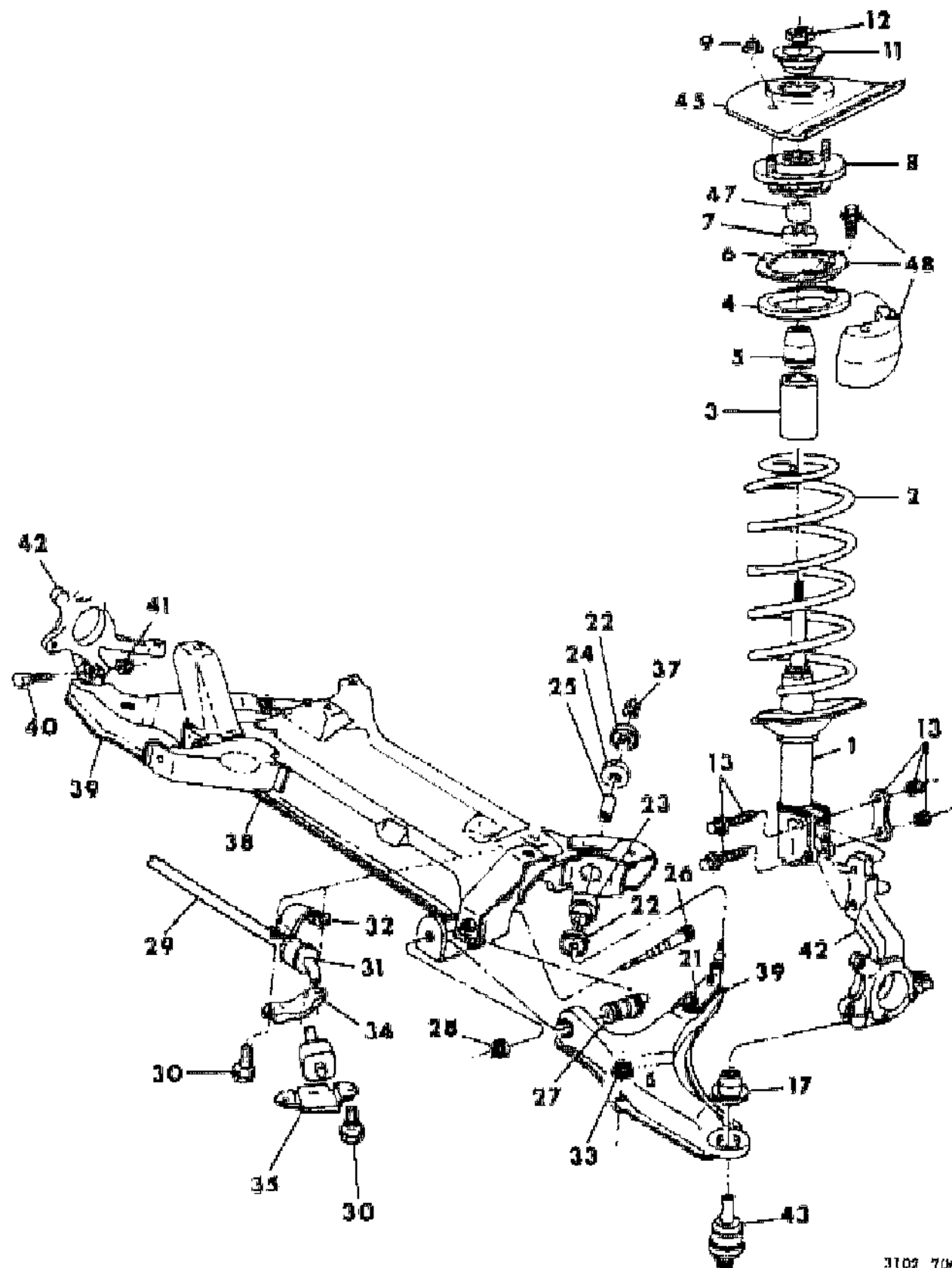
48 = EXECUTIVE SEDAN

AR = Use as Required - = Non Illustrated Part P.A.R. = Paint as Required

FRONT SUSPENSION-P,D,V,C,E,T

Figure 2-700

3102 7001 A



3102 7001

ITEM	PART NUMBER	QTY	BODY	MODEL	DESCRIPTION
	4052 748	1		V,C,E,T	w/A/C, H.D.,Rt.
	4052 750	1		V,C,E,T	w/A/C, H.D.,Lt.
	4014 460	1		V,C,E,T	COIL-SPRING, 2.2L Eng.(Auto.Trans.)w/A/C, Std.,Rt.
	4014 462	1		V,C,E,T	w/A/C,Std.,Lt.
	4052 748	1		V,C,E,T	w/A/C,H.D.,Rt.
	4052 750	1		V,C,E,T	w/A/C,H.D.,Lt.
	4014 458	1		V,C,E,T	COIL-SPRING,2.6L Eng.,w/o A/C, Std.,Rt.
	4014 460	1		V,C,E,T	w/o A/C,Std., Lt.
	4052 748	1		V,C,E,T	w/o A/C,H.D., Rt.
	4052 750	1		V,C,E,T	w/o A/C,H.D., Lt.
	4014 460	1		V,C,E,T	COIL-SPRING, 2.6L Eng.,w/A/C, Std.,Rt.
	4014 462	1		V,C,E,T	w/A/C, Std., Lt.
	4052 750	2		V,C,E,T	w/A/C, H.D.
3	5204 610	2	All		DUST-SHIELD
4	4014 441	AR	All		SPACER, Spring Shock Upper
5	5204 608	2	All		BUMPER, Jounce
6	4014 469	2	All		SEAT, Shock Upper (Up TO 12-15-82)
	4052 739	2	All		(After 12-15-82)
7	#5204 595	2	All		BALL-BEARING
8	#4052 684	2	All		MOUNT, Frt. Shock, Upper
9	6100 051	4	All		NUT,w/WASHER
11	#4052 680	2	All		RETAINER, Shock Rebound Stop
12	6500 613	2	All		NUT, Shock Rod
13	4267 335	2	All		ATTACHING PKG., Frt. Shock
					Consists Of:
					1-6500450 Cam-Bolt, Shock Mtg. Upper
					1-6500451 Bolt, Shock Mtg. Lower
					1-4014327 Washer, Shock Damper
					2-6500536 Nut, Shock Knuckle Bolt
17	4014 242	2	All		SEAL, Ball Joint
21			All		RIVET (Not Serviced)
22	5204 534	4	All		RETAINER, Arm Strut Bushing
23	#5204 537	2	All		BUSHING, Arm Strut Frt.
24	#5204 538	2	All		BUSHING, Arm Strut Rear
25	5204 535	2	All		SLEEVE, Strut Bushing
26	4014 239	2	All		BOLT, Pivot Shaft
27	5204 622	2	All		BUSHING, Cont. Arm Pivot Shaft

MODEL CODES

B = GRAN FURY	G = DIPLOMAT	V = 400
C = LEBARON/TOWN & COUNTRY	M = HORIZON/TURISMO/SCAMP	X = MIRADA
D = ARIES	P = RELIANT	Y = IMPERIAL
E = 600	S = CORDOBA	Z = OMNI/CHARGER/RAMPAGE
F = FIFTH AVENUE	T = E CLASS/NEWYORKER	

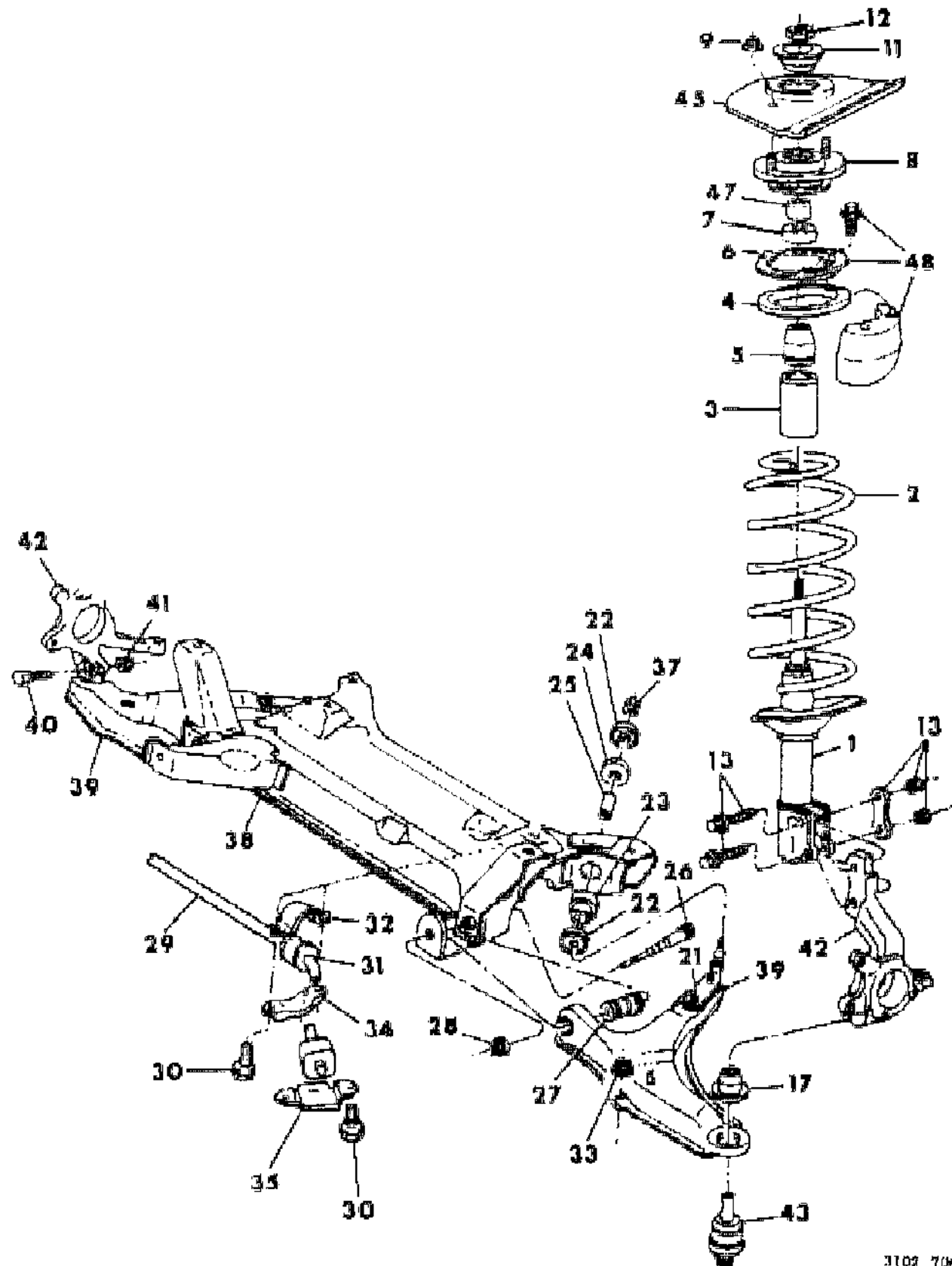
BODY STYLES

21 = 2-DOOR SEDAN	41 = 4-DOOR SEDAN
22 = 2-DOOR SPECIAL COUPE	45 = 4-DOOR STATION WAGON
24 = 2-DOOR HATCHBACK	44 = 4-DOOR HATCHBACK
27 = 2-DOOR CONVERTIBLE	48 = EXECUTIVE SEDAN
28 = FWD PICKUP	

AR = Use as Required - = Non Illustrated Part P.A.R. = Paint as Required

**FRONT SUSPENSION-P,D,V,C,E,T**  
**Figure 2-700**

3102 7000 A



3102 7000 1

ITEM	PART NUMBER	QTY	BODY	MODEL	DESCRIPTION
	4052 646	2		P,D,V,C	Extra Duty
28	6500 231	2	All		NUT, Pivot Bolt
29	#4052 541	1	21,22,2		SWAY BAR, Std.,w/Glass Belted Tires
	4052 542	1	All		w/Steel Belted Tires (Exc. 45)
	4014 436	1	All		Firm Feel Susp.Or Extra Duty
	4052 542	1	45		Std. Or H.D.
30	#6100 579	8	All		BOLT, Clamp
31	#4052 549	2	All		CUSHION,Shaft (Exc. 27)
	4014 432	2	27		Std.
	4014 433	2	All		Firm Feel Susp.Or Extra Duty
32	#4014 416	2	All		CLAMP,Shaft Bushing, Upper
33	6100 517	4	All		NUT, Bolt
34	#4052 522	2	All		CLAMP,Shaft Bushing, Lower
35	#4014 418	2	All		RETAINER,Shaft Arm
37	6100 502	2	All		NUT, Strut
38			All		C/MEMBER (Ref. Only)
39	#4052 634-5	1	All		ARM, Lower Control (Exc. C48)
	4052 648-9	1	P,D,V,C		Extra Duty (Exc. C48)
	4052 706-7	1	C48		Std.
40	6500 449	2	All		BOLT, Knuckle To Ball Joint (Exc. C48)
	6500 891	2	C48		BOLT, Knuckle To Ball Joint
41	6500 259	2	All		NUT, Knuckle To Ball Joint Bolt
42	#4052 580-1	1	All		KNUCKLE, Strg. (Exc. C48)
	4052 840-1	1	C48		KNUCKLE, Strg.
	6500 890	2	C48		NUT, Knuckle, Frt. Susp. Strg.
43	4014 323	2	All		BALL JOINT
45					PLATE, Shock Tower (See Fender Section)
47	#5204 615	2	All		SPACER, Bearing
48	#4052 736	2	E,T		SEAT ASSY, (After 12-15-82)
					Consists Of:
					1-4052739 Seat
					1----- Weight
					2-6100294 Screw & Washer
	4106 180	2	All		TIE ROD END PKG. (Not Ill.)
					Consists Of:
					1----- Rod End
					1-6500121 Nut

**MODEL CODES**

B = GRAN FURY	G = DIPLOMAT	V = 400
C = LEBARON/TOWN & COUNTRY	M = HORIZON/TURISMO/SCAMP	X = MIRADA
D = ARIES	P = RELIANT	Y = IMPERIAL
E = 600	S = CORDOBA	Z = OMNI/CHARGER/RAMPAGE
F = FIFTH AVENUE	T = E CLASS/NEWYORKER	

**BODY STYLES**

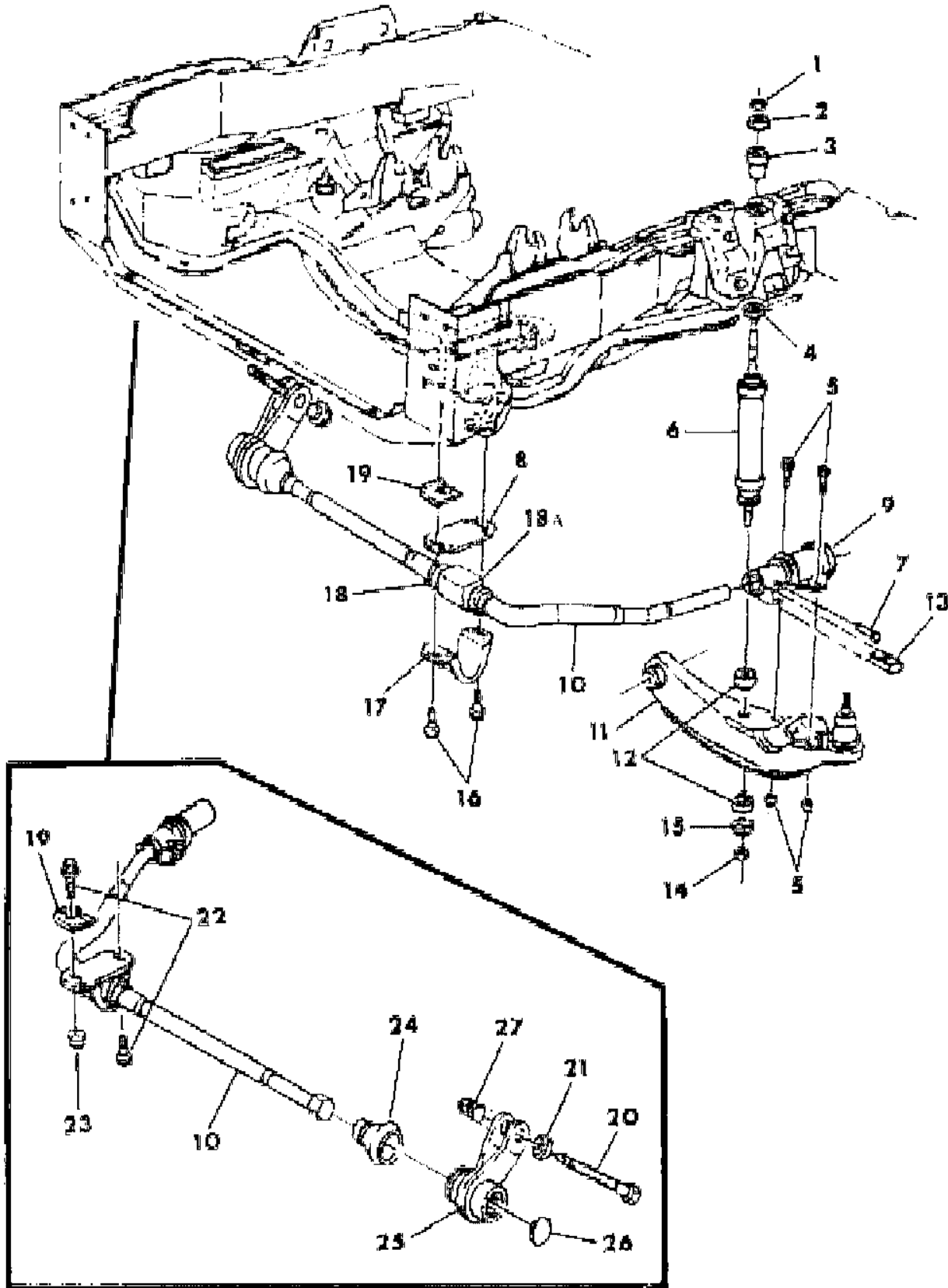
21 = 2-DOOR SEDAN	41 = 4-DOOR SEDAN
22 = 2-DOOR SPECIAL COUPE	45 = 4-DOOR STATION WAGON
24 = 2-DOOR HATCHBACK	44 = 4-DOOR HATCHBACK
27 = 2-DOOR CONVERTIBLE	48 = EXECUTIVE SEDAN
28 = FWD PICKUP	

AR = Use as Required - = Non Illustrated Part P.A.R. = Paint as Required



FRONT SUSPENSION-B,F,G,X,S,Y  
Figure 2-800

3102 RPO



ITEM	PART NUMBER	QTY	BODY	MODEL	DESCRIPTION
	4106 153			All	BUSHING PACKAGE, Spring to Lower Cont. Arm Consists of: 1----- Bushing 1 - 181146 Bolt 1- 152346 Nut
					2 -----Nut 2 -----Bolt 1-4014073 Plate 1-9425686 Bolt
	4186 805			B,F,G	BUSHING PACKAGE, Spring to Lower Cont. Arm, Police And Taxi Only Consists of: 1----- Bushing 1-4014073 Plate 1-0181146 Bolt 1-0152346 Nut 2 ----- Nut 2 ----- Bolt 1- 9425686 Bolt
	4186 828	1		All	PIVOT, PKG., Cushion Spring Consists of: 1 ----- Plate 1 ----- Cushion 1 ----- Retainer 2 ----- Clamp 1-4014073 Plate 2-6031753 Bolt,w/Washer 2-9425686 Bolt 1-6030854 Nut
1	0114 942	2		All	NUT, Front Shock Upper Mtg.
2	3722 001	4		All	RETAINER, Front Shock Upper Mtg. Bushing
3	3722 006	2		All	BUSHING, Front Shock Upper Mtg.
4	3722 001	4		All	RETAINER, Front Shock Upper Mtg. Bushing
5	4026 849	4		All	SCREW and NUT PACKAGE, Spring to Lower Cont. Arm Consists of: 1-----Screw w/Washer 1-----Nut

MODEL CODES

B = GRAN FURY	G = DIPLOMAT	V = 400
C = LEBARON/TOWN & COUNTRY	M = HORIZON/TURISMO/SCAMP	X = MIRADA
D = ARIES	P = RELIANT	Y = IMPERIAL
E = 600	S = CORDOBA	Z = OMNI/CHARGER/RAMPAGE
F = FIFTH AVENUE	T = E CLASS/NEWYORKER	

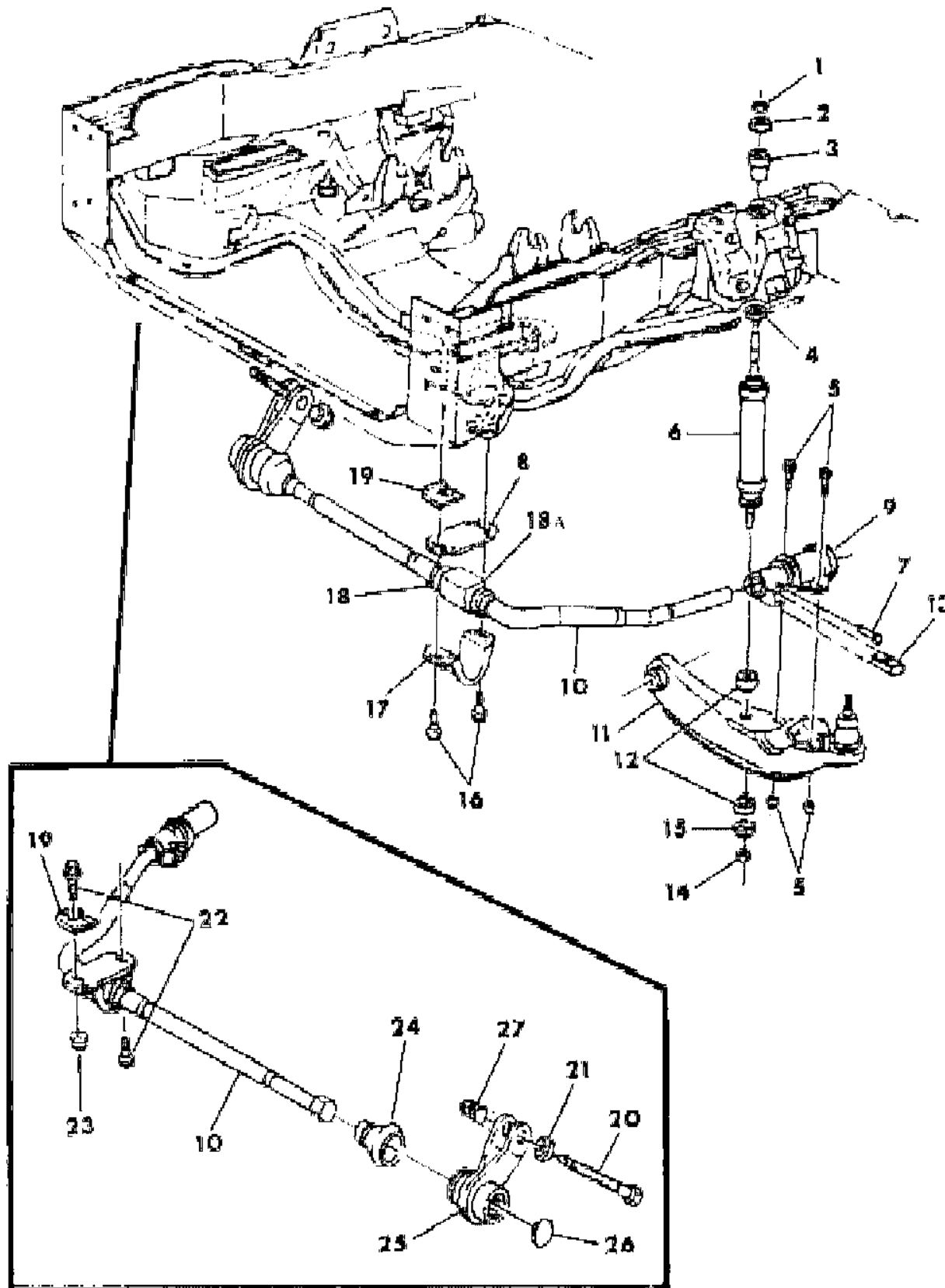
BODY STYLES

21 = 2-DOOR SEDAN	41 = 4-DOOR SEDAN
22 = 2-DOOR SPECIAL COUPE	45 = 4-DOOR STATION WAGON
24 = 2-DOOR HATCHBACK	44 = 4-DOOR HATCHBACK
27 = 2-DOOR CONVERTIBLE	48 = EXECUTIVE SEDAN
28 = FWD PICKUP	

AR = Use as Required - = Non Illustrated Part P.A.R. = Paint as Required

FRONT SUSPENSION-B,F,G,X,S,Y  
Figure 2-800

J102 RPO



ITEM	PART NUMBER	QTY	BODY	MODEL	DESCRIPTION
6	3879 932	2		B,F,G,X	
				22,41	SHOCK, Front, Std.
	4267 309	2		Y	Std.
	3879 281	2		B,F,G,X	H.D.
				22,41	Heavy Duty, 1" Dia.
	3879 281	2		45	Std. Or H.D.
	4057 093	2		B,F,G,X	Heavy Duty, 1-3/16" Dia.
7		2		All	RIVET, (Serviced in Item 10)
8		2		All	PLATE, (Serviced in Item 10)
9		2		All	BUSHING, (Serviced in Item 10)(Also in Bush.Pkg.4106153)
10	4014 142-3	1		All	TORSION BAR Or SPRING, Frt.
	4014 288-9	1		B,F,G	Police Only
11	4014 004-5	1		All	ARM, w/Shaft and Ball Joint, Lower Cont.
12	3643 891	4		All	BUSHING, Front Shock Lower Mtg.
13	4014 023	2		All	NUT, Shaft Cushion Link
14	0271 506	2		All	NUT, Front Shock Lower Mtg.
15		2		All	RETAINER (Serviced in Item 6)
16	6031 993	4		All	BOLT w/ Washer, Pivot Cushion Ret.
17		2		All	RETAINER (Serviced in Item 10)
18	3815 738	4		All	CLAMP, Pivot Cushion Seal
18A	4186 828	1		All	PIVOT PKG., Cushion Spring
19	4014 073	2		All	PLATE, Spring Pivot Cushion Friction (Also In Bush. Pkg., 4106153)
20	3815 680	2		All	BOLT, Spring Anchor Adj.
21	4014 100	2		All	BEARING, Spring Anchor Adj. Bolt
22	6030 912	4		All	BOLT, w/Washer, Pivot Cushion Ret.
23	6030 854	4		All	NUT, Pivot Cushion Ret. Bolt
24	2269 250	2		All	SEAL, Anchor Inner
25	4094 070	2		All	ANCHOR, Torsion Bar
26		2		All	PLUG (Serviced in Item 25)
27	4094 071	2		All	SWIVEL, Anchor Adj. Bolt

MODEL CODES

B = GRAN FURY	G = DIPLOMAT	V = 400
C = LEBARON/TOWN & COUNTRY	M = HORIZON/TURISMO/SCAMP	X = MIRADA
D = ARIES	P = RELIANT	Y = IMPERIAL
E = 600	S = CORDOBA	Z = OMNI/CHARGER/RAMPAGE
F = FIFTH AVENUE	T = E CLASS/NEWYORKER	

BODY STYLES

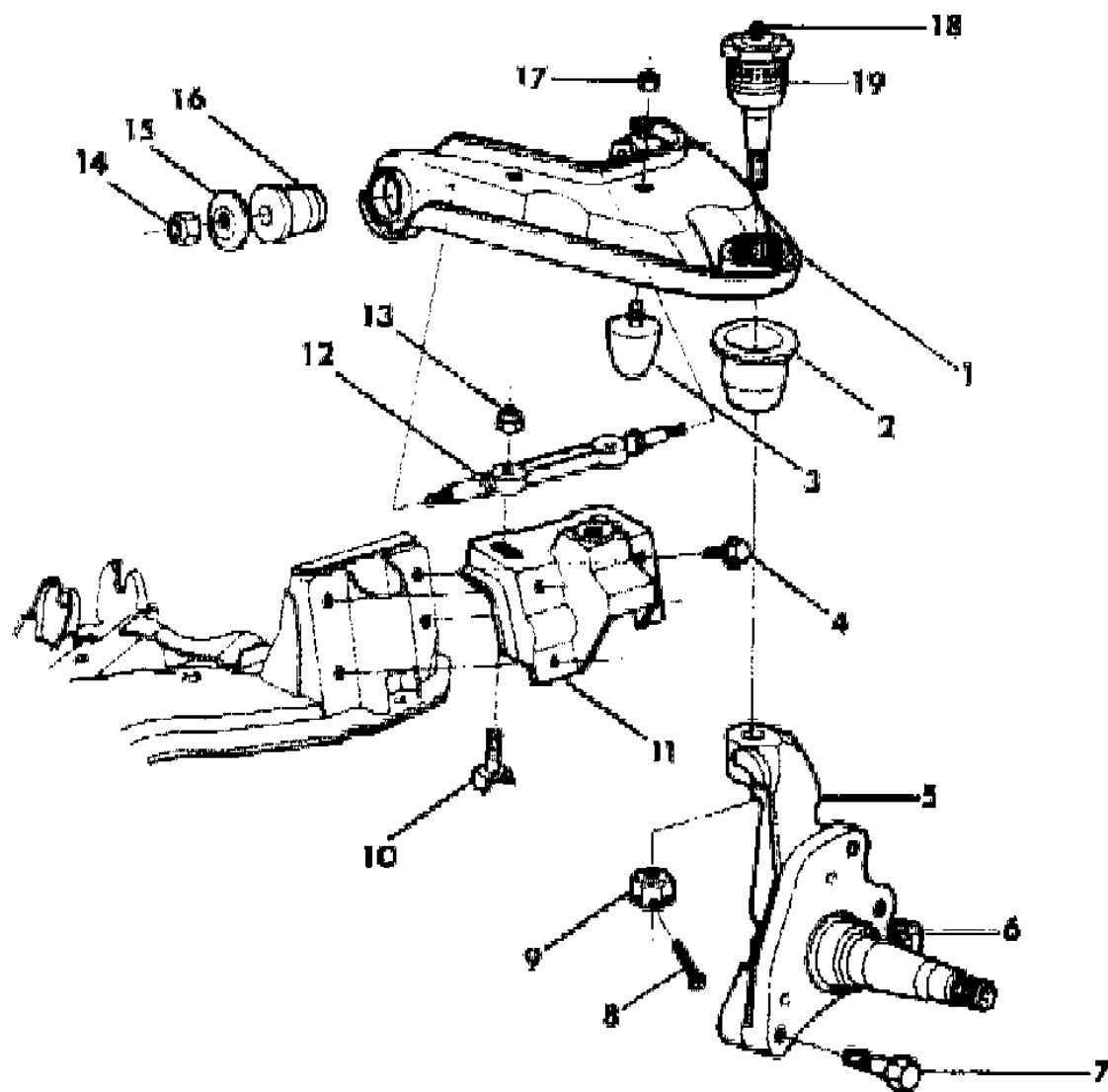
21 = 2-DOOR SEDAN	41 = 4-DOOR SEDAN
22 = 2-DOOR SPECIAL COUPE	45 = 4-DOOR STATION WAGON
24 = 2-DOOR HATCHBACK	44 = 4-DOOR HATCHBACK
27 = 2-DOOR CONVERTIBLE	48 = EXECUTIVE SEDAN
28 = FWD PICKUP	

AR = Use as Required - = Non Illustrated Part P.A.R. = Paint as Required

ARM-UPPER CONTROL-B,F,G,X,S,Y

Figure 2-900

3102 900



ITEM	PART NUMBER	QTY	BODY	MODEL	DESCRIPTION
1	4014 368-9	1		All	ARM, Frt. Wheel Upper Cont.
2	2269 127	2		All	SEAL, Ball Joint Upper
3	4014 050	2		All	BUMPER, Arm
4	#6031 240	8		All	SCREW,w/WASHER
5	3402 640-1	1		All	KNUCKLE, Strg. Linkage
6	3815 712-3	1		All	ARM, Strg. Linkage Knuckle
7	6029 441	4		All	BOLT, Knuckle
8		2		All	C/PIN (Not Serv.)
9	0273 911	2		All	NUT, Ball Joint
10	3815 473	4		All	BOLT, Pivot Bar Support
11	3815 706-7	1		All	SUPPORT, Pivot
	4014 352	2		All	SPACER, Cont.Arm Pivot Supt.,Frt. (Not Ill.)
	4014 353	2		All	Rear
12		2		All	PIVOT BAR (Serviced in Upper Control Arm)
13	6031 282	4		All	NUT, Pivot Bar Support Mtg.
14	6031 282	4		All	NUT, Pivot
15	3815 704	4		All	RETAINER, Arm Bushing
16	4106 195	4		All	BUSHING, Arm
17	0118 615	2		All	NUT, Bumper
18	6030 099	2		All	FITTING, Ball Joint
19	2298 534	2		All	BALL JOINT PKG., Upper

Consists of:  
 1 -----Ball Joint  
 1 - 2269127 Seal  
 1 - 0273911 NUT  
 1 -----C/Pin  
 1 - 1672960 Washer

MODEL CODES

B = GRAN FURY	G = DIPLOMAT	V = 400
C = LEBARON/TOWN & COUNTRY	M = HORIZON/TURISMO/SCAMP	X = MIRADA
D = ARIES	P = RELIANT	Y = IMPERIAL
E = 600	S = CORDOBA	Z = OMNI/CHARGER/RAMPAGE
F = FIFTH AVENUE	T = E CLASS/NEWYORKER	

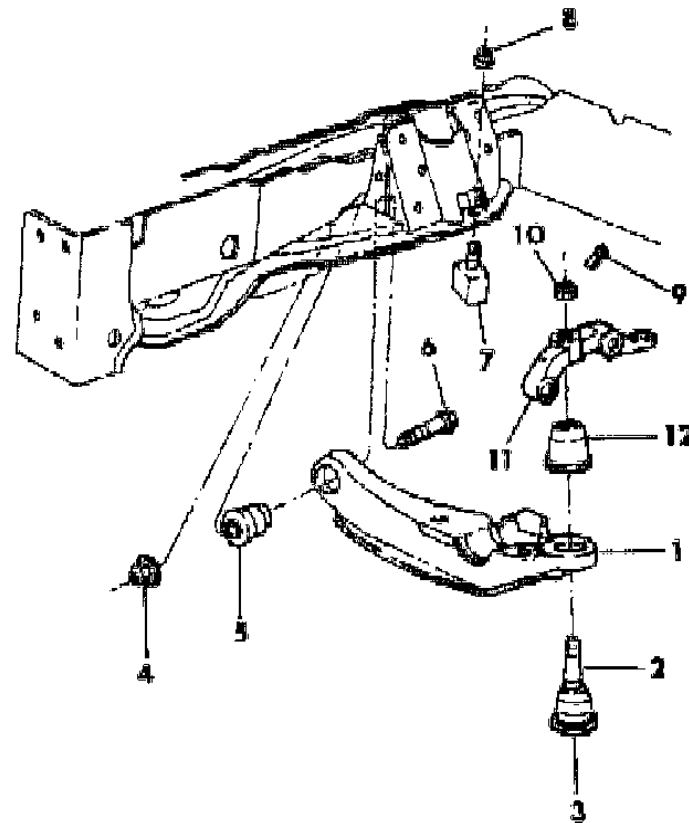
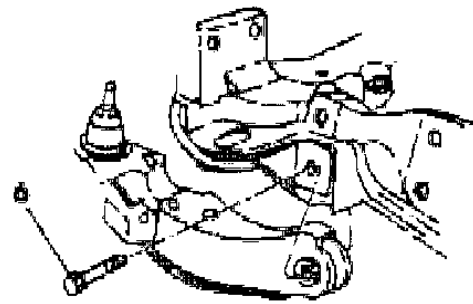
BODY STYLES

21 = 2-DOOR SEDAN	41 = 4-DOOR SEDAN
22 = 2-DOOR SPECIAL COUPE	45 = 4-DOOR STATION WAGON
24 = 2-DOOR HATCHBACK	44 = 4-DOOR HATCHBACK
27 = 2-DOOR CONVERTIBLE	48 = EXECUTIVE SEDAN
28 = FWD PICKUP	

AR = Use as Required - = Non Illustrated Part P.A.R. = Paint as Required

**ARM-LOWER CONTROL-B,F,G,X,S,Y**  
**Figure 2-1000**

3107 1000



ITEM	PART NUMBER	QTY	BODY	MODEL	DESCRIPTION
1	4014 004-5	1		All	ARM, Lower Control
2	3837 087	2		All	BALL JOINT PKG., Lower Consists of: 1 -----Ball Joint 1-3402540 Seal 1 - 273912 Nut 1 -----C/Pin
3	6030 099	2		All	FITTING, Ball Joint, Lower
4	6030 854	2		All	NUT, Pivot Bolt
5	3815 688	2		All	BUSHING, Arm Pivot
6	6030 853	2		All	BOLT, Pivot
7	3722 614	2		All	BUMPER, Arm
8	6025 011	2		All	NUT, Bumper
9		2		All	C/PIN (Not Serv.)
10	0273 912	2		All	NUT, Ball Joint Stud
11	3815 712-3	2		All	ARM, Steering Knuckle
12	3402 540	2		All	SEAL, Ball Joint Lower

**MODEL CODES**

B = GRAN FURY	G = DIPLOMAT	V = 400
C = LEBARON/TOWN & COUNTRY	M = HORIZON/TURISMO/SCAMP	X = MIRADA
D = ARIES	P = RELIANT	Y = IMPERIAL
E = 600	S = CORDOBA	Z = OMNI/CHARGER/RAMPAGE
F = FIFTH AVENUE	T = E CLASS/NEWYORKER	

**BODY STYLES**

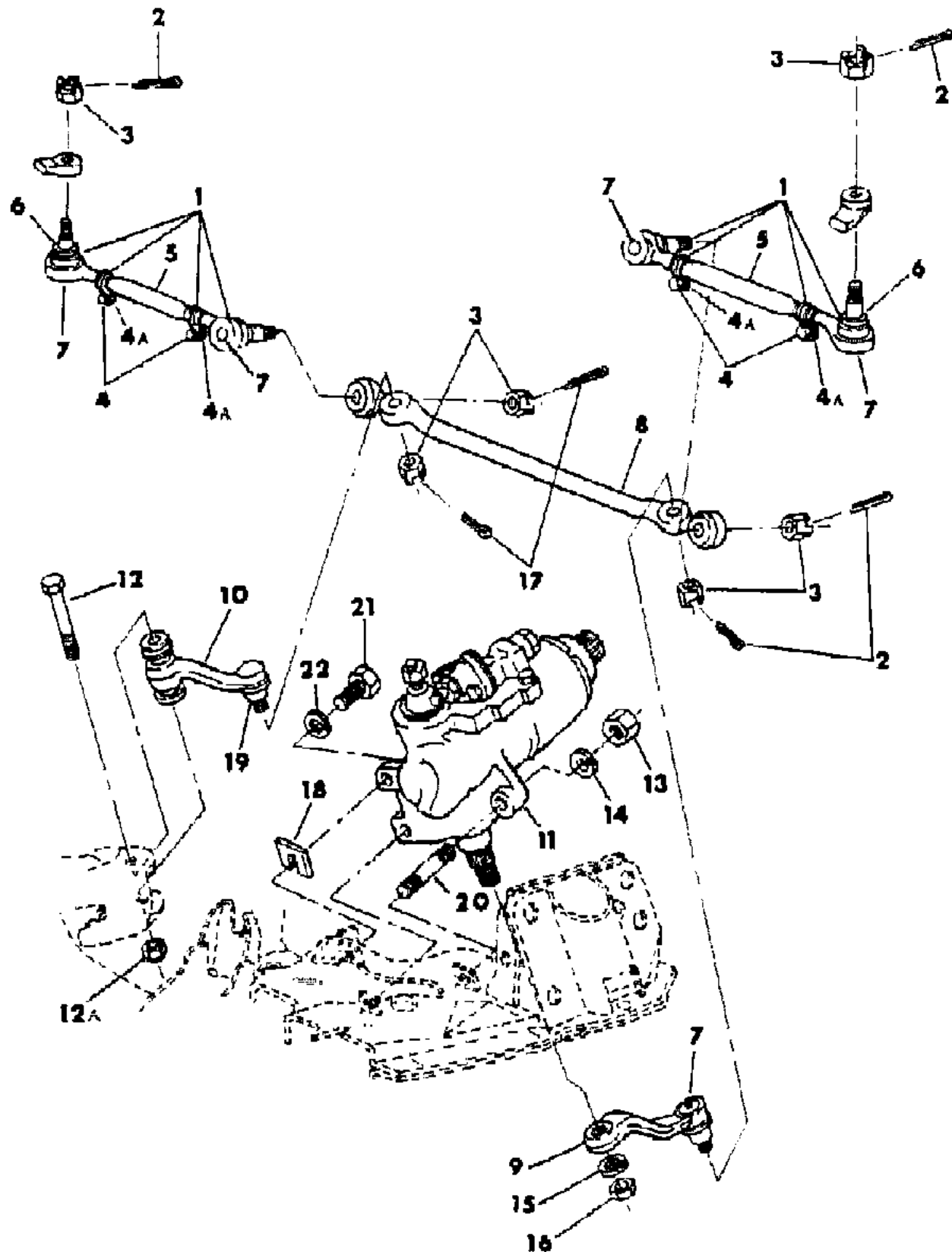
21 = 2-DOOR SEDAN	41 = 4-DOOR SEDAN
22 = 2-DOOR SPECIAL COUPE	45 = 4-DOOR STATION WAGON
24 = 2-DOOR HATCHBACK	44 = 4-DOOR HATCHBACK
27 = 2-DOOR CONVERTIBLE	48 = EXECUTIVE SEDAN
28 = FWD PICKUP	

AR = Use as Required - = Non Illustrated Part P.A.R. = Paint as Required



TIE RODS, STEERING GEAR AND LINKAGE - B,F,G,X,S,Y  
Figure 2-1100

3102 1106



ITEM	PART NUMBER	QTY	BODY	MODEL	DESCRIPTION
1	3420 155	2		All	END PACKAGE, Tie Rod Inner, L.H. THD. (9/16-18 Thd.) Consists of: 1 - 6028556 Bolt 1 - ---- --- Clamp 1 - ---- --- Clamp 1 - ---- --- End 1 -9425132 Nut, Stud 1 - 152363 Nut, Clamp Bolt
	3420 154	2		All	END PACKAGE, Tie Rod Outer, R.H. THD. (9/16-18 Thd.) Consists of: 1 - 6028 556 Bolt 1 - ---- --- Clamp 1 - ---- --- C/Pin 1 - ---- --- End 1 - 9425 132 Nut,Stud 1 - 152 363 Nut,Clamp Bolt
2		AR		All	C/PIN (Not Serv.)
3	9425 132	AR		All	NUT
4	0153 283	4		All	BOLT, Strg. Link Tie Rod Tube Clamp
4A	6028 727	4		All	NUT,Tube Clamp Bolt
5	4014 085	2		All	TUBE, Steering Link Tie Rod, (9/16-18 Thd.) w/Green Paint Stripe
6	2835 896	5		All	SEAL,Tie Rod Dust and Strg. Gear Arm
7	6030 099	5		All	FITTING, Tie Rod End and Strg. Gear Arm
8	3815 727	1		All	LINK, Steering Center
9	3815 777	1		All	ARM, Steering Link Gear, w/Power Strg.
10	4014 089	1		All	ARM, Steering Link Idler
11					CHUCK, Steering Gear (See Group 19)
12	0182 809	1		All	BOLT, Strg. Link Idler Arm Pivot Bushing
12A	6030 585	1		All	NUT, Pivot Bushing Bolt
13	0219 467	1		All	BOLT
14	6028 087	1		ALL	WASHER
15	6028 088	1		All	WASHER
16	6029 964	1		All	NUT
17		AR		All	C/PIN (Not Serv.)
18	6027 224	AR		All	WASHER
19	2835 895	1		All	SEAL, Steering Link Idler Arm
20	6030 443	1		All	STUD, Strg. Gear Mounting

MODEL CODES

B = GRAN FURY	G = DIPLOMAT	V = 400
C = LEBARON/TOWN & COUNTRY	M = HORIZON/TURISMO/SCAMP	X = MIRADA
D = ARIES	P = RELIANT	Y = IMPERIAL
E = 600	S = CORDOBA	Z = OMNI/CHARGER/RAMPAGE
F = FIFTH AVENUE	T = E CLASS/NEWYORKER	

BODY STYLES

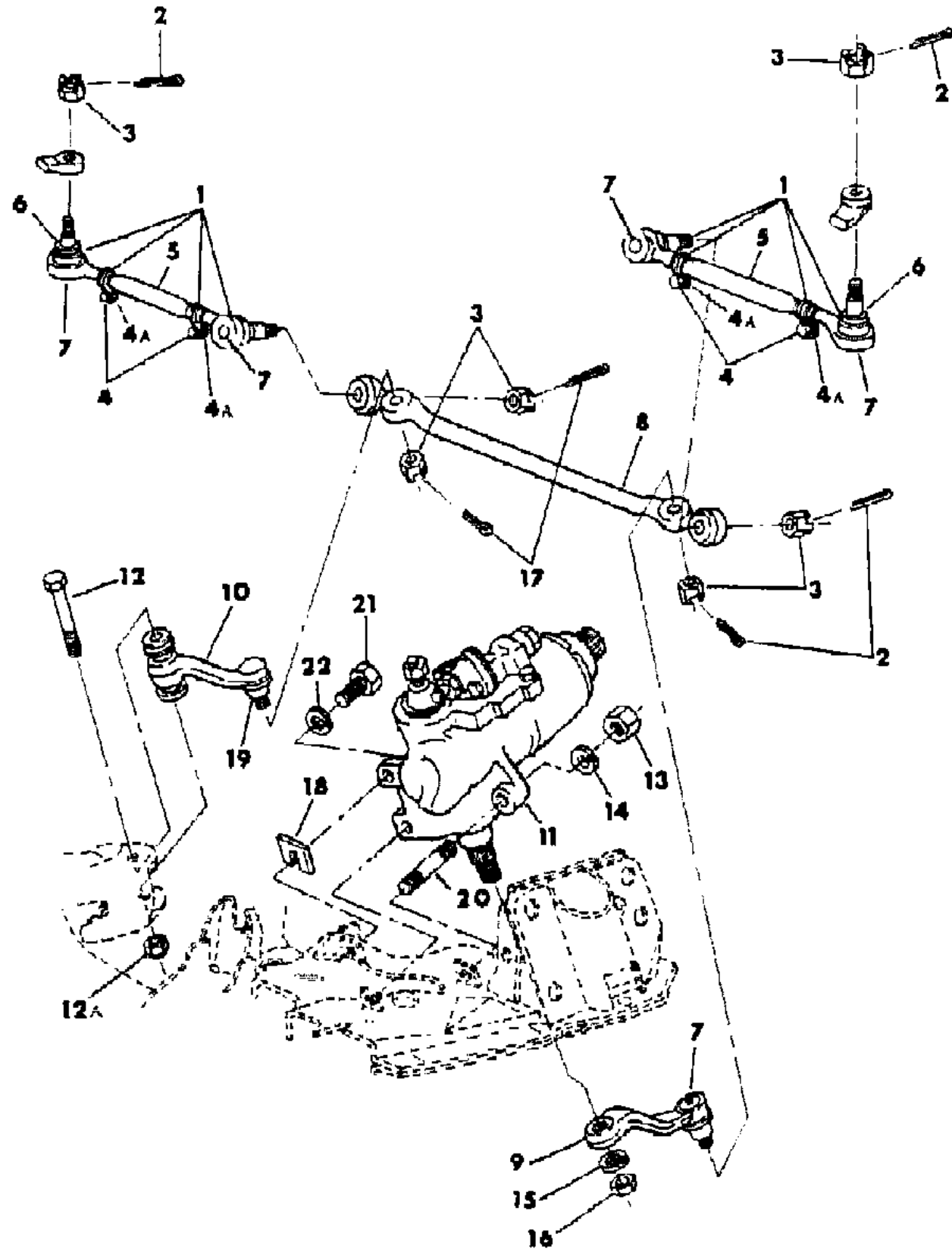
21 = 2-DOOR SEDAN	41 = 4-DOOR SEDAN
22 = 2-DOOR SPECIAL COUPE	45 = 4-DOOR STATION WAGON
24 = 2-DOOR HATCHBACK	44 = 4-DOOR HATCHBACK
27 = 2-DOOR CONVERTIBLE	48 = EXECUTIVE SEDAN
28 = FWD PICKUP	

AR = Use as Required - = Non Illustrated Part P.A.R. = Paint as Required

# TIE RODS, STEERING GEAR AND LINKAGE - B,F,G,X,S,Y

Figure 2-1100

3102 1106



ITEM	PART NUMBER	QTY	BODY	MODEL	DESCRIPTION
------	-------------	-----	------	-------	-------------

21	6031 732	2		All	BOLT, Strg. Gear Mounting
22	6028 087	AR		All	WASHER, Strg. Gear Housing to Frame

**MODEL CODES**

B = GRAN FURY	G = DIPLOMAT	V = 400
C = LEBARON/TOWN & COUNTRY	M = HORIZON/TURISMO/SCAMP	X = MIRADA
D = ARIES	P = RELIANT	Y = IMPERIAL
E = 600	S = CORDOBA	Z = OMNI/CHARGER/RAMPAGE
F = FIFTH AVENUE	T = E CLASS/NEWYORKER	

**BODY STYLES**

21 = 2-DOOR SEDAN	41 = 4-DOOR SEDAN
22 = 2-DOOR SPECIAL COUPE	45 = 4-DOOR STATION WAGON
24 = 2-DOOR HATCHBACK	44 = 4-DOOR HATCHBACK
27 = 2-DOOR CONVERTIBLE	48 = EXECUTIVE SEDAN
28 = FWD PICKUP	

AR = Use as Required - = Non Illustrated Part P.A.R. = Paint as Required

---

**GROUP 3 - REAR AXLE**

<b>ILLUSTRATION TITLE</b>	<b>GROUP-FIG. NO.</b>
REAR AXLE DIFFERENTIAL AND CARRIER 7-1/4" O.D. GEAR .....	Fig. 3-100
REAR AXLE DIFFERENTIAL AND CARRIER 8-1/4" O.D. GEAR-1-5/8" DIA. STEM .....	Fig. 3-200

**ILLUSTRATION NOT AVAILABLE AT TIME OF PUBLICATION**

---

# REAR AXLE DIFFERENTIAL AND CARRIER 7-1/4" O.D. GEAR

## Figure 3-100

3103 1/90

ITEM	PART NUMBER	QTY	BODY	MODEL	DESCRIPTION
NOTE: The 7-1/4" Dia. Gear Axle has a 1-3/8" Dia. stem and is embossed with carrier part number 3507881, 3723590 or 3723591. IT also has a separate cover.					
NOTE: Differential and Carriers have a metal tag bolted on them giving the ratio of the Rear Axle. ver.					
NOTE: The 7-1/4" Dia. Gear Axle is only offered without Sure-Grip. ver.					
NOTE: The 7-1/4" Dia. Gear Axle is only offered with 10" Brakes. ver.					
	4205 888	1		B,F,G,X	GEAR PACKAGE, Side Consists of: 2 - ---- --- Gear,Diff.Side 2 - ---- --- Pinion,Diff.Shaft
					1 - ----- Shaft,Diff. Pinion 1 - 0152 229 Pin, Diff. Pinion Shaft Lock 1 - 4137026 Screw, Diff. Pinion Shaft Lock 2 - ----- Washer,Gear Thrust
	4186 969	1		B,F,G,X	1 - 4131292 Washer Pkg., Diff. Gear GEAR and PINION PACKAGE, 2.24/2.26 To 1 (Stamp No. 4137027 Gear 4137033 Pinion)
	3621 939	1		B,F,G,X	2.71/2.76 to 1
	3723 672	1		B,F,G,X	2.94 To 1 Ratio Consists of: 1 - ---- --- Gear,Set 1 - 3507 575 Spacer
					1 - 2070 117 Washer,Flange 1 - 6028 041 Nut,Flange 1 - ---- --- Sheet,Instruction
	3420 091	2		B,F,G,X	BEARING PACKAGE Consists of: 1 - ---- --- Bearing 1 - ---- --- Collar,Brg. 1 - 2852 948 Seal,Shaft Oil
					1 - 2881 314 Gasket,Support Plt.,Inner 1 - 2070 933 Gasket,Support Plt.,Outer 1 - ---- --- Sheet,Instruction
	4137 615	1		B,F,G,X	DIFFERENTIAL,w/CARRIER and HOUSING, 2.71/2.76 to 1 Ratio w/o Axle Shafts, 59.50 Track
	4137 614	1		B,F,G,X	w/o Axle Shaft, 2.24 / 2.26, 59.50 Track
	4137 616	1		B,F,G,X	w/o Axle Shaft, 2.94 To 1 Ratio, 59.50 Track
1	4137 623	1		B,F,G,X	HOUSING, Axle w/Tubes, 2.24/ 2.26/ 2.71/ 2.76/ 2.94 To 1 Ratio

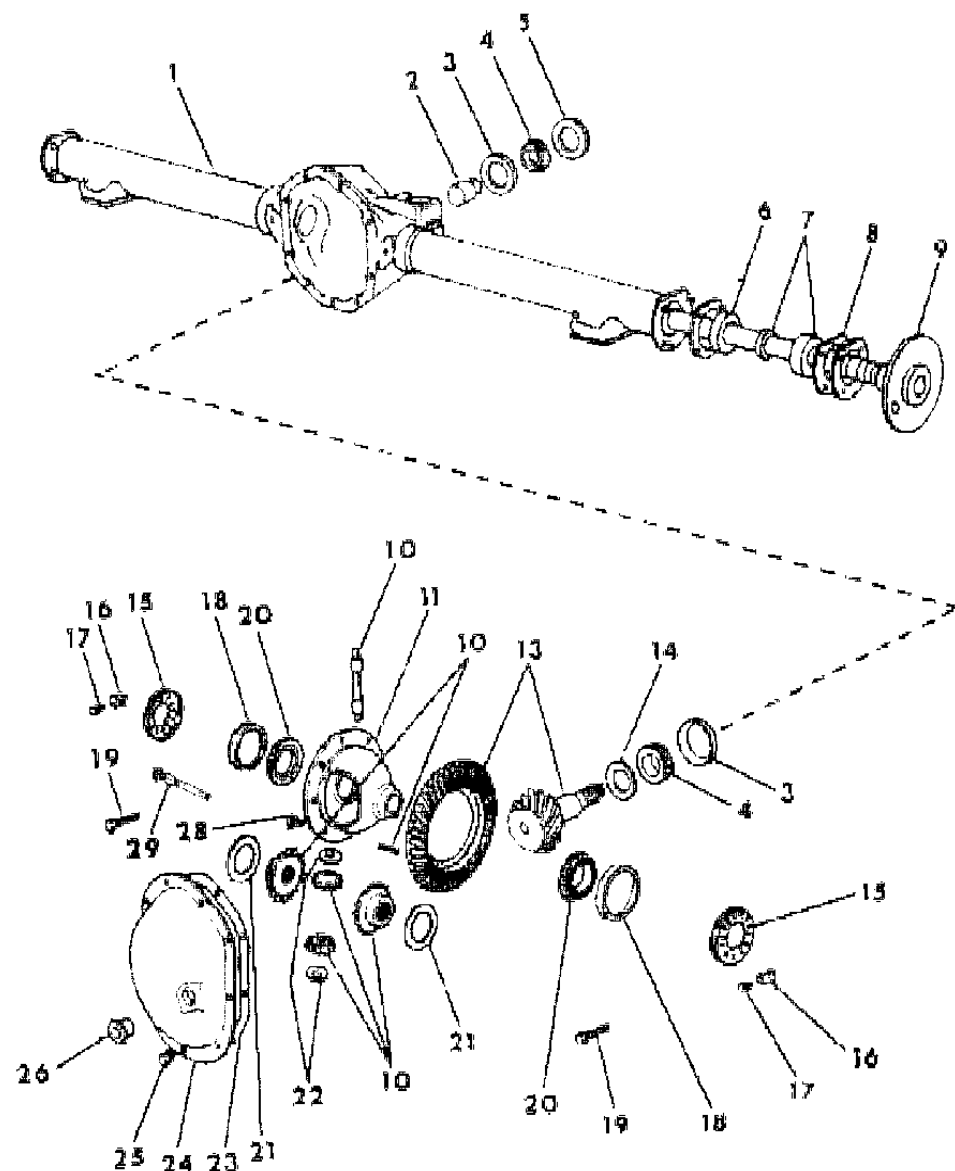
**MODEL CODES**

B = GRAN FURY	G = DIPLOMAT	V = 400
C = LEBARON/TOWN & COUNTRY	M = HORIZON/TURISMO/SCAMP	X = MIRADA
D = ARIES	P = RELIANT	Y = IMPERIAL
E = 600	S = CORDOBA	Z = OMNI/CHARGER/RAMPAGE
F = FIFTH AVENUE	T = E CLASS/NEWYORKER	

**BODY STYLES**

21 = 2-DOOR SEDAN	41 = 4-DOOR SEDAN
22 = 2-DOOR SPECIAL COUPE	45 = 4-DOOR STATION WAGON
24 = 2-DOOR HATCHBACK	44 = 4-DOOR HATCHBACK
27 = 2-DOOR CONVERTIBLE	48 = EXECUTIVE SEDAN
28 = FWD PICKUP	

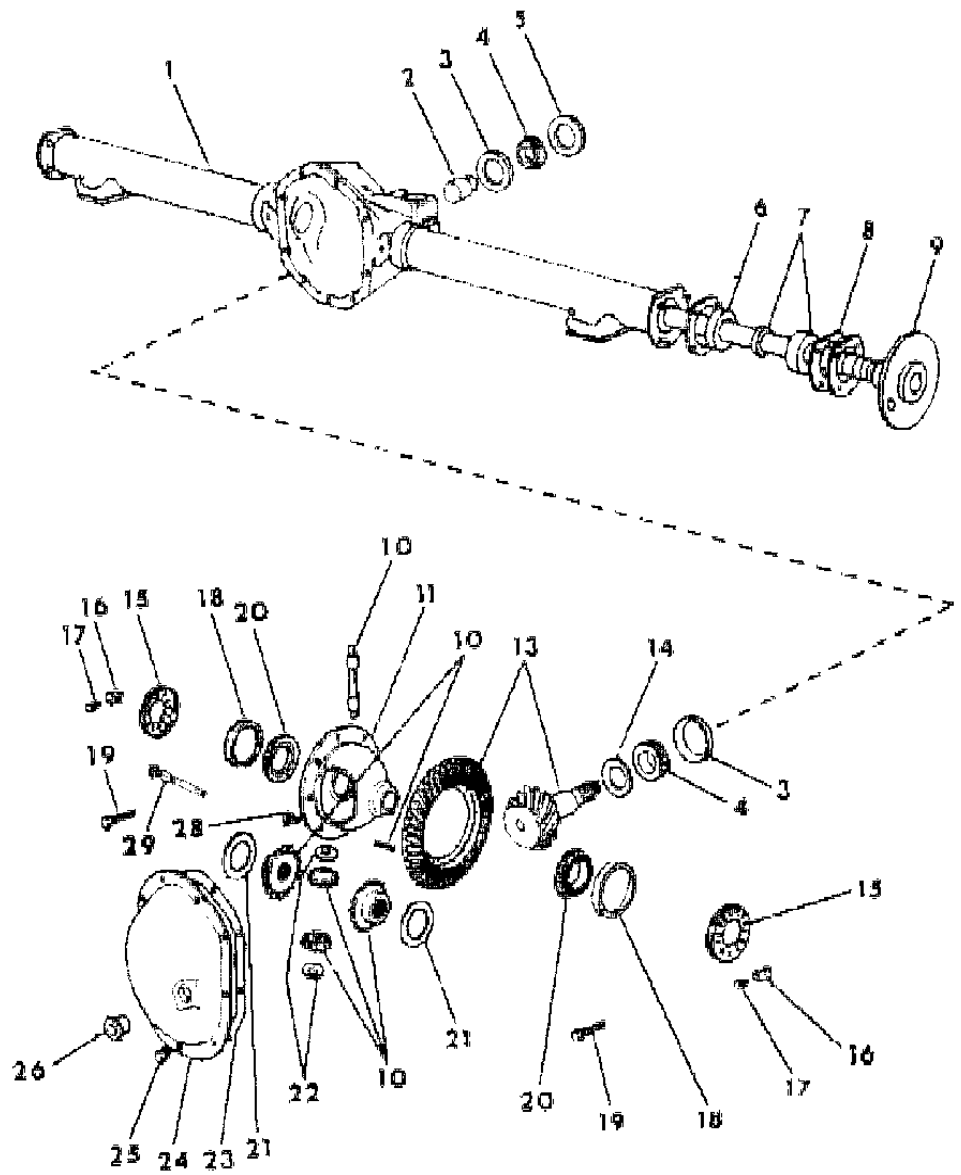
AR = Use as Required - = Non Illustrated Part P.A.R. = Paint as Required



# REAR AXLE DIFFERENTIAL AND CARRIER 7-1/4" O.D. GEAR

## Figure 3-100

3103 1/00



ITEM	PART NUMBER	QTY	BODY	MODEL	DESCRIPTION
2	3507 575	1		All	SPACER,Collapsible Type,31/64" Lgh.
3	2070 317	1		All	CUP,Axle Drive Pinion Brg.,Frnt.
	2070 319	1		All	Rear
4	2070 316	1		All	CONE,w/ROLLER,Axle Drive Pinion,Frnt.
	2931 817	1		All	SHIM, Axle Frnt. Drive Pinion
	2070 318	1		B,F,G,X	Rear
5	2881 041	1		All	SEAL,Drive Pinion Frnt. Oil,3-5/32" O.D.
6	2931 875	2		All	SEAL,Drive Shaft Oil,Inner
7	3420 091	2		B,F,G,X	BEARING,COLLAR,SEAL and GASKET PACKAGE, Axle Drive Shaft,w/2-7/8" O.D. Brg.
	3744 495	2		All	BEARING, ASSY. Axle Drive Shaft, 2-17/32 O.D.
8	3723 300	2		B,F,G,X	RETAINER,Drive Shaft Brg.
9	#4137 621	2		B,F,G,X	SHAFT,Rr. Axle Drive (25 T)
10	#4205 888	1		B,F,G,X	GEARS,PINIONS,SHAFT,WASHERS and PIN PACKAGE,Diff. Side, 2.24/2.26/2.71/2.76/ & 2.94 To 1 Ratio
11	4137 051	1		B,F,G,X	CASE,w/o Screws,Axle,Casting No.4137052, 2.71/2.76/2.94 To 1 Ratio
	4137 013	1		B,F,G,X	Casting No. 4137014, 2.24/2.26 To 1 Ratio
13	3621 939	1		B,F,G,X	GEAR and PINION PACKAGE,Axle,2.71/2.76 to 1 Ratio,,Incl. 2800275 Gear and 3621939 Pinion
	3723 672	1		B,F,G,X	2.94 to 1 Ratio
	4186 969	1		B,F,G,X	2.24/2.26 to 1 Ratio
NOTE: Diff. Gear and Pinions are SERVICED by M ATCHED SET they are contained in. The SET NUMBER must be ordered for replacement of either Gear or Pinion.					
14	3723 020	AR		B,F,G,X	SHIM,w/Inside Tabs, Axle Drive Pinion Rr. Brg.,.020" Thk.
	3723 021	AR		B,F,G,X	.021" Thk.
	3723 022	AR		B,F,G,X	.022" Thk.
	3723 023	AR		B,F,G,X	.023" Thk.
	3723 024	AR		B,F,G,X	.024" Thk.
	3723 025	AR		B,F,G,X	.025" Thk.
	3723 026	AR		B,F,G,X	.026" Thk.
	3723 027	AR		B,F,G,X	.027" Thk.
	3723 028	AR		B,F,G,X	.028" Thk.
	3723 029	AR		B,F,G,X	.029" Thk.
	3723 030	AR		B,F,G,X	.030" Thk.
	3723 031	AR		B,F,G,X	.031" Thk.
	3723 032	AR		B,F,G,X	.032" Thk.

MODEL CODES  
 B = GRAN FURY  
 C = LEBARON/TOWN & COUNTRY  
 D = ARIES  
 E = 600  
 F = FIFTH AVENUE  
 G = DIPLOMAT  
 M = HORIZON/TURISMO/SCAMP  
 P = RELIANT  
 S = CORDOBA  
 T = E CLASS/NEWYORKER  
 V = 400  
 X = MIRADA  
 Y = IMPERIAL  
 Z = OMNI/CHARGER/RAMPAGE

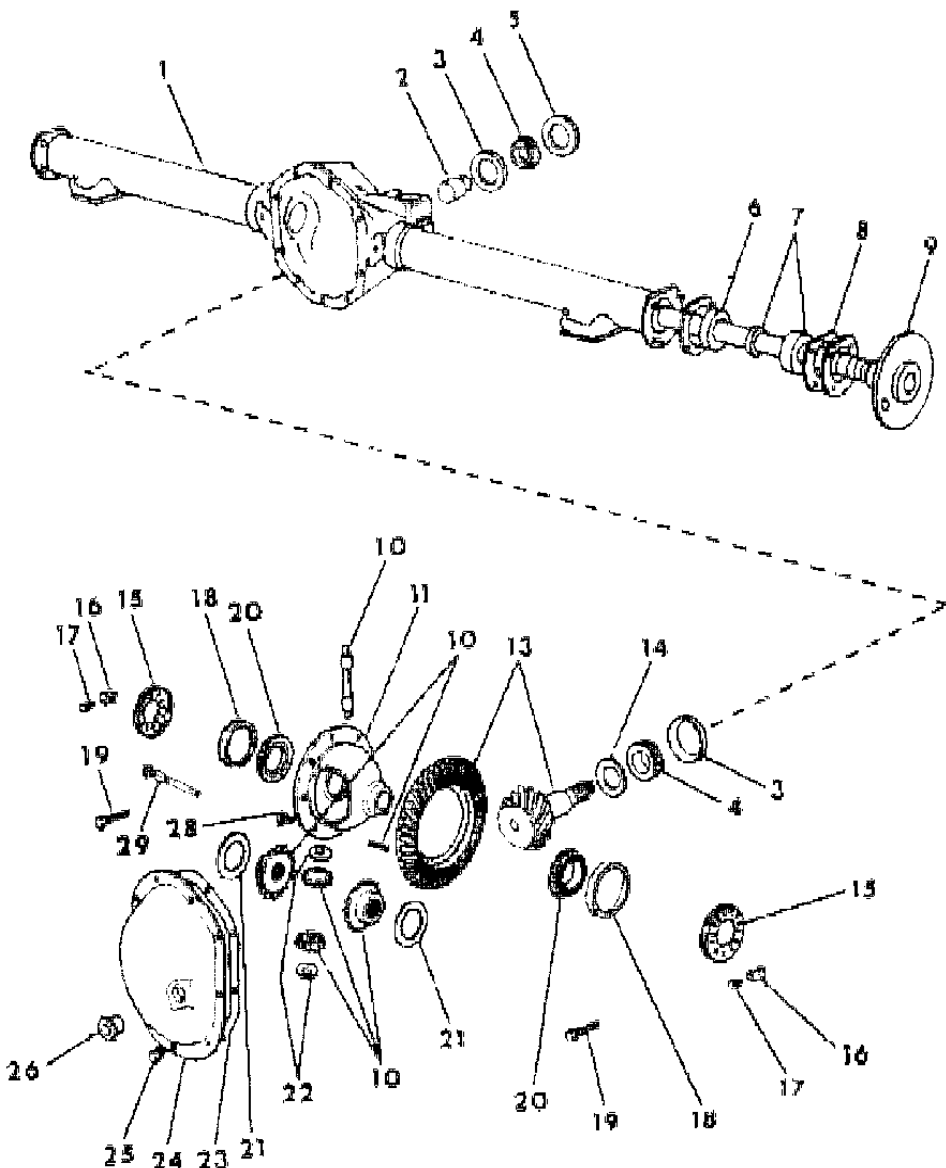
BODY STYLES  
 21 = 2-DOOR SEDAN  
 22 = 2-DOOR SPECIAL COUPE  
 24 = 2-DOOR HATCHBACK  
 27 = 2-DOOR CONVERTIBLE  
 28 = FWD PICKUP  
 41 = 4-DOOR SEDAN  
 45 = 4-DOOR STATION WAGON  
 44 = 4-DOOR HATCHBACK  
 48 = EXECUTIVE SEDAN

AR = Use as Required - = Non Illustrated Part P.A.R. = Paint as Required

# REAR AXLE DIFFERENTIAL AND CARRIER 7-1/4" O.D. GEAR

## Figure 3-100

3103 1/00



ITEM	PART NUMBER	QTY	BODY	MODEL	DESCRIPTION
	3723 033	AR		B,F,G,X	.033" Thk.
	3723 034	AR		B,F,G,X	.034" Thk.
	3723 035	AR		B,F,G,X	.035" Thk.
	3723 036	AR		B,F,G,X	.036" Thk.
	3723 037	AR		B,F,G,X	.037" Thk.
	3723 038	AR		B,F,G,X	.038" Thk.
15	3507 876	2		All	ADJUSTER
16	3723 858	2		All	LOCK,Adj.
17	6031 109	2		B,F,G	SCREW,Lock,1/4"-20 x 1/2"
	6023 092	2		B,F,G,X	5/16"-18 x 5/8"
18	1937 770	2		B,F,G,X	CUP,Diff. Brg.,2-57/64"O.D.
19	3507 572	4		B,F,G,X	SCREW,Cap
20	1937 771	2		B,F,G,X	CONE,w/ROLLERS,Diff. Brg.
21	4131 292	AR		B,F,G,X	WASHER PKG., Diff. Gear Thrust Consists Of: 2 - Washer .031/.033 2 - Washer .036/.038 2 - Washer .041/.043 2 - Washer .046/.048
22	2404 197	2		B,F,G	WASHER,Diff. Pinion
23				B,F,G	GASKET,Axle Carrier Cover,(Use Adhesive Silicone)
24	4186 968	1		B,F,G,X	COVER,w/RUBBER PLUG,Axle Carrier, 2.24/2.26/2.71/2.76/ & 2.94 To 1 Ratio
25	6031 645	10		B,F,G,X	SCREW, Cover
26	3723 687	1		All	PLUG,Axle Carrier Cover Filler,Rubber
28	4131 255	1		B,F,G,X	SCREW-PKG., Drive Gear, 3/8-24, w/Shoulder (Contains 10 Screws)
29	4137 026	1		All	SCREW, Diff.Pinion Shaft Lock, 2.26/2.76 Ratio
	2852 883	2		All	LOCK, Rr. Axle Drive Shaft (Not Ill.)

**MODEL CODES**

B = GRAN FURY	G = DIPLOMAT	V = 400
C = LEBARON/TOWN & COUNTRY	M = HORIZON/TURISMO/SCAMP	X = MIRADA
D = ARIES	P = RELIANT	Y = IMPERIAL
E = 600	S = CORDOBA	Z = OMNI/CHARGER/RAMPAGE
F = FIFTH AVENUE	T = E CLASS/NEWYORKER	

**BODY STYLES**

21 = 2-DOOR SEDAN	41 = 4-DOOR SEDAN
22 = 2-DOOR SPECIAL COUPE	45 = 4-DOOR STATION WAGON
24 = 2-DOOR HATCHBACK	44 = 4-DOOR HATCHBACK
27 = 2-DOOR CONVERTIBLE	48 = EXECUTIVE SEDAN
28 = FWD PICKUP	

AR = Use as Required - = Non Illustrated Part P.A.R. = Paint as Required

# REAR AXLE DIFFERENTIAL AND CARRIER 8-1/4" O.D. GEAR-1-5/8" DIA. STEM

## Figure 3-200

3103 200

ITEM	PART NUMBER	QTY	BODY	MODEL	DESCRIPTION
------	-------------	-----	------	-------	-------------

NOTE: The 8-1/4" Dia. gear axle has a 1-5/8" Dia. pinion shaft and carrier part number 3723598 or 3723599 embossed on it. It has a separate cover. ATCHED SET they are contained in. The SET NUMBER must be ordered for replacement of either Gear or Pinion.

NOTE: Differential and carriers have a metal tag bolted on them giving the ratio of the rear axle. ATCHED SET they are contained in. The SET NUMBER must be ordered for replacement of either Gear or Pinion.

	4186 957	1		All	GEAR and PINION PACKAGE, Axle Drive, 2.24 To 1 Ratio
	3837 581	1		All	2.93/2.94 to 1 Ratio
	3837 579	1		All	2.45/2.47 to 1 Ratio
					Consists of:
					1 - ---- --- Gear Set
					1 - 2800484 Cone,Rr.
					1 - 2800485 Cup,Rr.
					1 - 3507575 Spacer,Brg. Adj.
					1 - 2070316 Cone,Frt.
					1 - 2070317 Cup,Frt.
					1 - 2881041 Seal,Dr. Pinion Frt. Brg.
					1 - 4131255 Screw Pkg., Dr. Gear
	4176 754	1		All	GEAR PACKAGE, Axle Side
					Consists of:
					2 - ---- --- Gear,Side
					1 - 4131293 Washer Pkg., Diff. Gear Thrust
					2 - ---- --- Pinion,Diff.
					2 - 2852912 Washer,Pinion Thrust
					1 - 2852913 Shaft
					1 - 3507724 Screw,Lock
	3723 947	1		All	DIFFERENTIAL,w/CARRIER and HOUSING,2.24 To 1 Ratio
					w/o Sure-Grip w/o Axle Shafts 59.50 Track
	3723 984	1		All	2.45/2.47 to 1 Ratio,w/o Sure-Grip, 59.50 Track
	3723 987	1		All	2.94 to 1 Ratio,w/o Sure-Grip, 59.50 Track
	3723 986	1		All	2.94 to 1 Ratio,w/Sure-Grip, 59.50 Track
	3723 690	1		All	DIFFERENTIAL, PARTIAL, w/Sure-Grip, 2.94 To 1 Ratio
					NOTE: The Cone And Spring Type Sure-Grip Diff.,And Internal Parts Are Serviced As An Assy. Only. ATCHED SET they are contained in. The SET NUMBER must be ordered for replacement of either Gear or Pinion.
	3723 587	1		All	COUNTERWEIGHT, Diff. Partial, w/Sure-Grip
1	3723 982	2		All	SHAFT,Axle Drive (27T)
2	2931 875	2		All	OIL SEAL,Drive Shaft
3	3744 495	2		All	BEARING ASSEMBLY, Axle Drive Shaft, 2-17/32" O.D.
3A		1		All	SCREW, Brake Tube Tee Vent

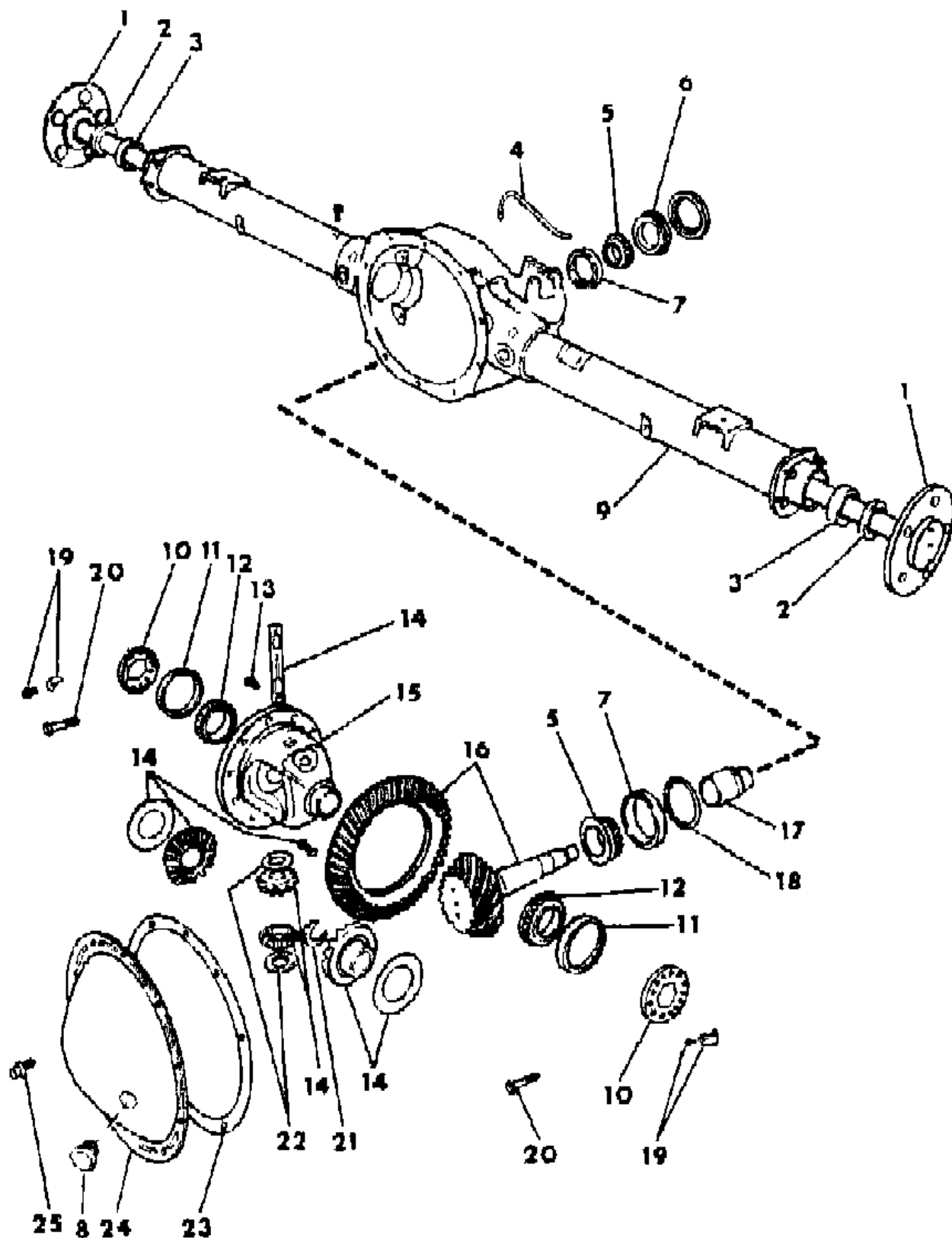
**MODEL CODES**

B = GRAN FURY	G = DIPLOMAT	V = 400
C = LEBARON/TOWN & COUNTRY	M = HORIZON/TURISMO/SCAMP	X = MIRADA
D = ARIES	P = RELIANT	Y = IMPERIAL
E = 600	S = CORDOBA	Z = OMNI/CHARGER/RAMPAGE
F = FIFTH AVENUE	T = E CLASS/NEWYORKER	

**BODY STYLES**

21 = 2-DOOR SEDAN	41 = 4-DOOR SEDAN
22 = 2-DOOR SPECIAL COUPE	45 = 4-DOOR STATION WAGON
24 = 2-DOOR HATCHBACK	44 = 4-DOOR HATCHBACK
27 = 2-DOOR CONVERTIBLE	48 = EXECUTIVE SEDAN
28 = FWD PICKUP	

AR = Use as Required - = Non Illustrated Part P.A.R. = Paint as Required



REAR AXLE DIFFERENTIAL AND CARRIER 8-1/4" O.D. GEAR-1-5/8" DIA. STEM

Figure 3-200

3103 200

ITEM	PART NUMBER	QTY	BODY	MODEL	DESCRIPTION
4	3723 966	1		All	VENT, Rr. Axle Tube
5	2070 316	1		All	CONE,w/ROLLERS,Axle Drive Pinion,Frnt.
	2931 817	1		All	SHIM, Axle Frnt. Brg. Adj.
	2800 484	1		All	Rr.
6	2881 041	1		All	OIL SEAL,Drive Pinion,3-5/32" O.D.
7	2070 317	1		All	CUP,Brg.,Axle Drive Pinion,Frnt.
	2800 485	1		All	Rr.
8	3723 687	1		All	PLUG,Axle Carrier Filler, Rubber
9	3723 967	1		All	HOUSING, Axle Drive Pinion
10	3507 876	2		All	ADJUSTER, Diff. Brg.
11	3723 569	2		All	CUP,Diff. Brg.
12	1790 541	2		All	CONE,w/ROLLERS,Diff. Brg.
13	4131 255	1		All	SCREW-PKG.,Gear Drive (Contains 10 Screws)
14	4176 754	1		All	GEAR, PKG.,Axle Diff. Side
	3507 724	1		All	SCREW, Diff. Pinion Shaft Lock
	3723 582	AR		All	WASHER,Gear Thrust,.032" Thk.
	3723 865	AR		All	WASHER,Gear Thrust,.037" Thk.
	3723 866	AR		All	.042" Thk.
	3723 867	AR		All	.047" Thk.
15	2881 423	1		All	CASE,Diff., 2.94 To 1 Ratio w/o Sure-Grip
	3432 435	1		All	2.24/2.26/2.45/2.47 To 1 Ratio, w/o Sure-Grip
	4131 293	1		All	WASHER, Gear Thrust
16	3837 579			All	GEAR and PINION PACKAGE, Axle Drive,2.45/2.47 to 1 Ratio, Incl. 3723578 Gear and 3723579 Pinion
	3837 581	1		All	2.93/2.94 to 1 Ratio,Incl. 2852933 Gear and 3507914 Pinion
	4186 957	1		All	2.24/2.26 to 1 Ratio
	3723 583	1		All	GEAR SET, Axle Drive,2.45/2.47 to 1 Ratio,Incl. 3723584 Gear and 3723585 Pinion
	3723 485	10		All	SCREW, Drive Gear
NOTE: Differential Gear and Pinion are serviced by MATCHED SET numbers only. The SET NUMBER must be ordered for replacement of either Gear or Pinion.Gear and Pinion numbers stamped on the item may be used to confirm the correct					
17	3507 575	1		All	SPACER
18	3723 620	1		All	SHIM,Drive Pinion Rr. Brg.,.020"Thk.
	3723 621	1		All	.021"Thk.
	3723 623	1		All	.023"Thk.
	3723 625	1		All	.025"Thk.
	3723 627	1		All	.027"Thk.

MODEL CODES

B = GRAN FURY

C = LEBARON/TOWN & COUNTRY

D = ARIES

E = 600

F = FIFTH AVENUE

G = DIPLOMAT

M = HORIZON/TURISMO/SCAMP

P = RELIANT

S = CORDOBA

T = E CLASS/NEWYORKER

V = 400

X = MIRADA

Y = IMPERIAL

Z = OMNI/CHARGER/RAMPAGE

BODY STYLES

21 = 2-DOOR SEDAN

22 = 2-DOOR SPECIAL COUPE

24 = 2-DOOR HATCHBACK

27 = 2-DOOR CONVERTIBLE

28 = FWD PICKUP

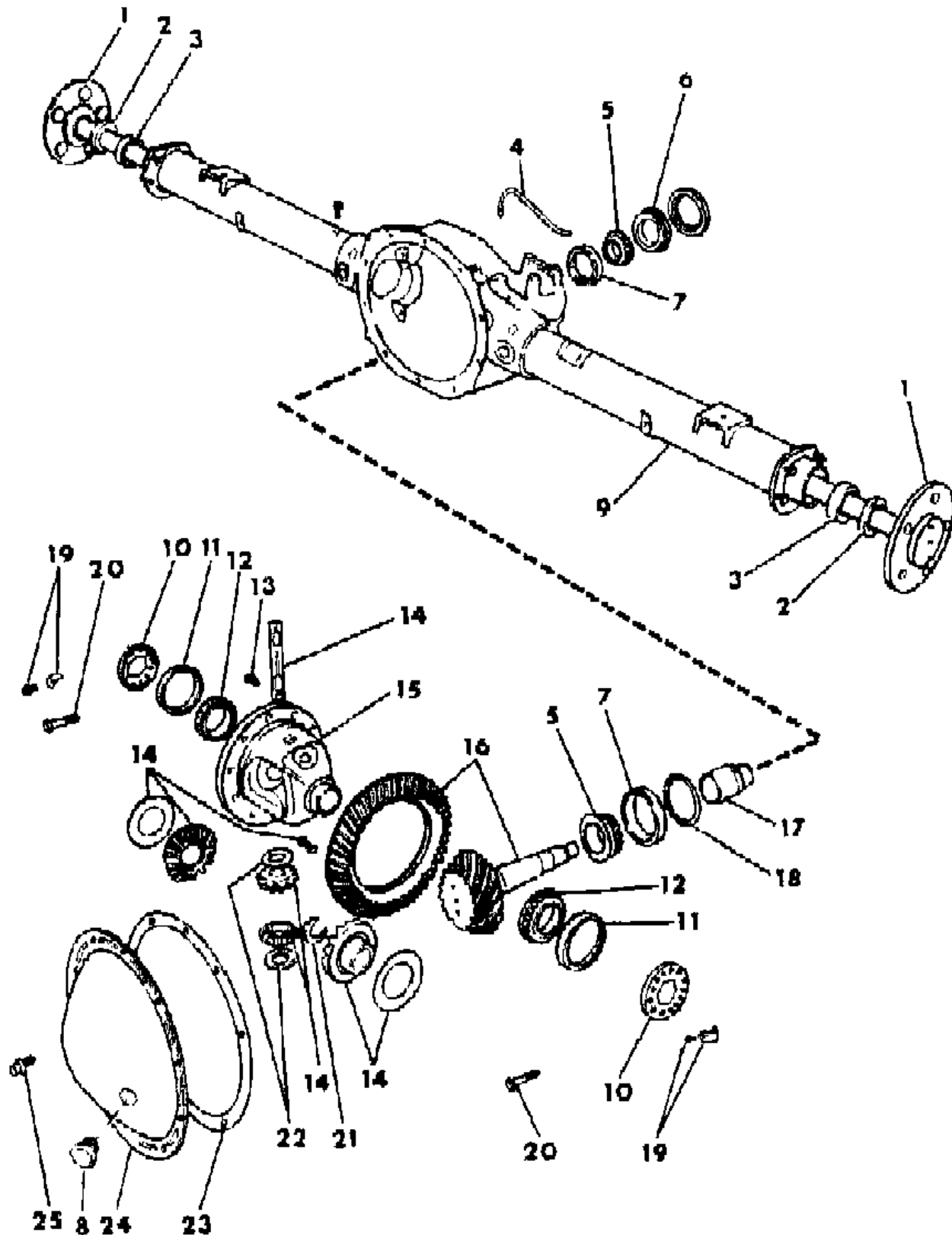
41 = 4-DOOR SEDAN

45 = 4-DOOR STATION WAGON

44 = 4-DOOR HATCHBACK

48 = EXECUTIVE SEDAN

AR = Use as Required - = Non Illustrated Part P.A.R. = Paint as Required





REAR AXLE DIFFERENTIAL AND CARRIER 8-1/4" O.D. GEAR-1-5/8" DIA. STEM

Figure 3-200

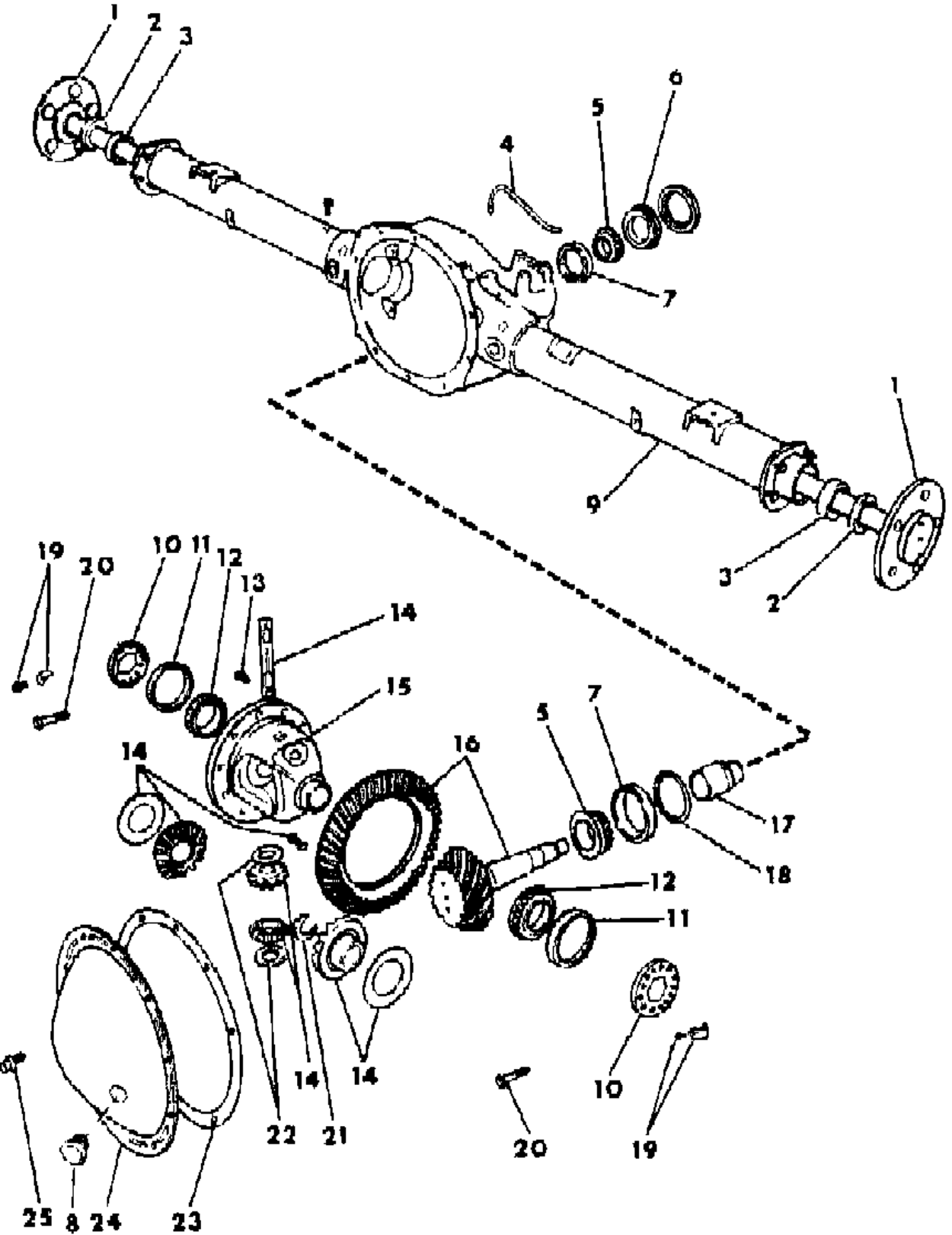
3103 200

ITEM	PART NUMBER	QTY	BODY	MODEL	DESCRIPTION
	3723 628	1	All		.028"Thk.
	3723 629	1	All		.029"Thk.
	3723 630	1	All		.030"Thk.
	3723 631	1	All		.031"Thk.
	3723 633	1	All		.033"Thk.
	3723 635	1	All		.035"Thk.
	3723 637	1	All		.037"Thk.
19	3723 859	2	All		LOCK,Adj.
	6031 109	2	All		SCREW,Lock,1/4"-20 x 1/2"
	6023 092	2	All		5/16"-18 x 5/8"
20	3432 695	4	All		SCREW,Cap
21	2852 883	2	All		LOCK,Drive Shaft
22	2852 912	2	All		WASHER,Drive Pinion Thrust
23			All		GASKET,Axle Carrier Cover(Use Silicone Adhesive)
24	4049 689	1	All		COVER,w/Rubber Plug,Axle Carrier
25	6031 109	10	All		SCREW,Cover

MODEL CODES  
 B = GRAN FURY  
 C = LEBARON/TOWN & COUNTRY  
 D = ARIES  
 E = 600  
 F = FIFTH AVENUE  
 G = DIPLOMAT  
 M = HORIZON/TURISMO/SCAMP  
 P = RELIANT  
 S = CORDOBA  
 T = E CLASS/NEWYORKER  
 V = 400  
 X = MIRADA  
 Y = IMPERIAL  
 Z = OMNI/CHARGER/RAMPAGE

BODY STYLES  
 21 = 2-DOOR SEDAN  
 22 = 2-DOOR SPECIAL COUPE  
 24 = 2-DOOR HATCHBACK  
 27 = 2-DOOR CONVERTIBLE  
 28 = FWD PICKUP  
 41 = 4-DOOR SEDAN  
 45 = 4-DOOR STATION WAGON  
 44 = 4-DOOR HATCHBACK  
 48 = EXECUTIVE SEDAN

AR = Use as Required - = Non Illustrated Part P.A.R. = Paint as Required



---

**GROUP 4 - BRAKES, PARKING**

<b>ILLUSTRATION TITLE</b>	<b>GROUP-FIG. NO.</b>
PARKING BRAKE LEVER & CONTROLS - M,Z - 24,44 .....	Fig. 4-100
PARKING BRAKE LEVER & CONTROLS - M,Z - 28 .....	Fig. 4-125
PARKING BRAKE LEVER - P,D,V,C,E,T .....	Fig. 4-150
PARKING BRAKE LEVER - B,F,G .....	Fig. 4-200
PARKING BRAKE LEVER - X,S,Y .....	Fig. 4-400
PARKING BRAKE CONTROLS - P,D,V,C,E,T .....	Fig. 4-450
PARKING BRAKE CONTROLS - B,F,G,X,S,Y .....	Fig. 4-500

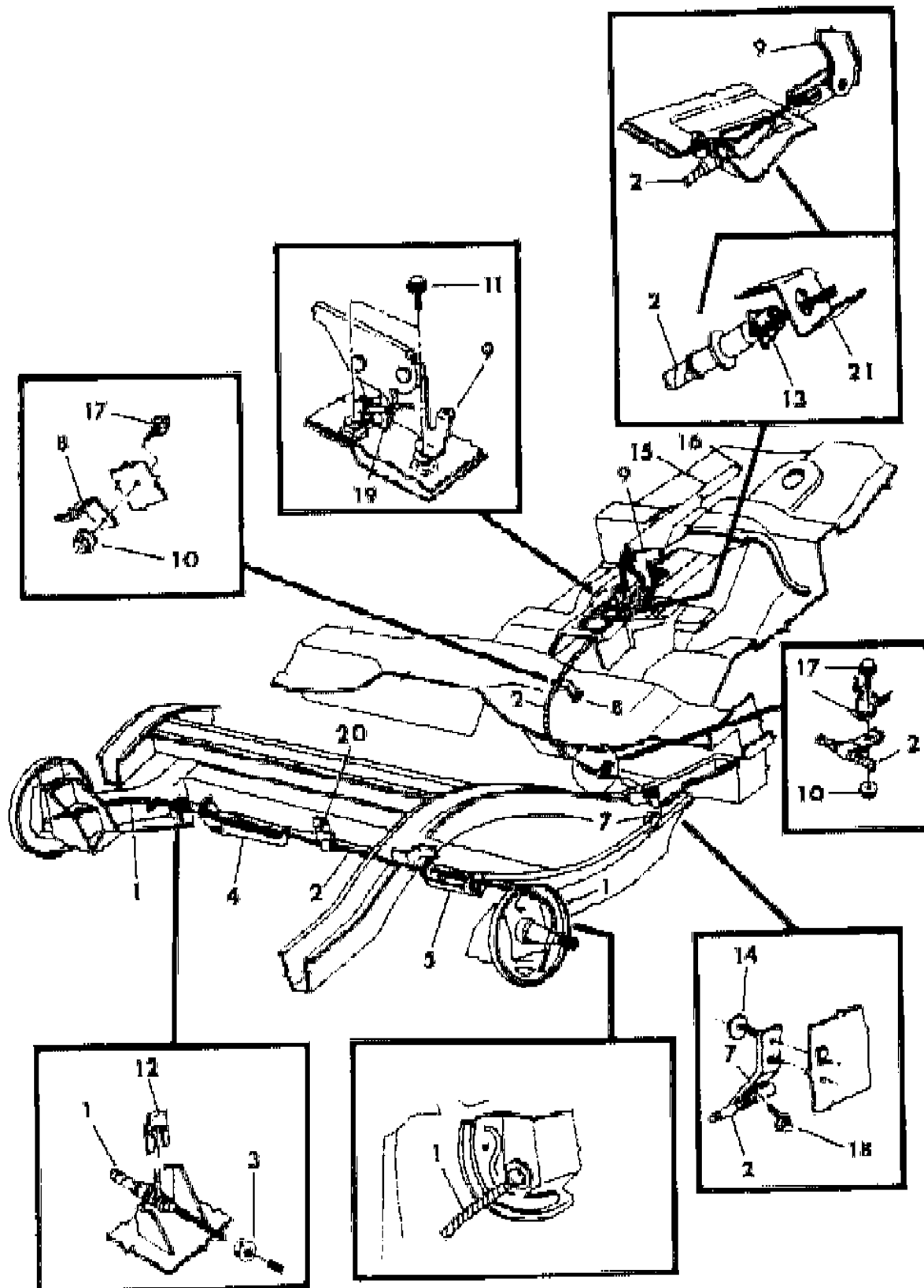
**ILLUSTRATION NOT AVAILABLE AT TIME OF PUBLICATION**

---

PARKING BRAKE LEVER & CONTROLS - M,Z - 24,44

Figure 4-100

3104 100



ITEM	PART NUMBER	QTY	BODY	MODEL	DESCRIPTION
1	4294 046	2		All	CABLE, Rear (up to 1-20-83)
1	4294 051	2		All	From to (1-20-83)
1	4294 051	2		All	After (5-16-83)
2	5204 111	1	44		CABLE, Frt.
	5204 120	1	24		
3	6030 607	1		All	NUT, Cable Adjusting Conn.
4	3575 604	1		All	CONNECTOR, Cable Adj.
5	3575 605	1		All	CONNECTOR, Frt. Cable To Rear Cable
7	5204 119	1		All	BRACKET, Cable Side Rail
8	5204 122	1		All	CLIP, Cable Tunnel Frt.
9	5211 931	1		All	LEVER, Parking Brake
10	0118 613	2		All	NUT, Frt. Cable Screw
11	6500 187	2		All	SCREW,w/WASHER, Park Brake Mtg.
12	2201 467	2		All	CLIP, Rear Cable
13	3467 924	1		All	RETAINER, Cable Frt.
14	6100 583	1		All	SCREW, Cable Side Rail Brkt.
15	5211 929	1		All	GRIP, Handle
16	4186 991	1		All	BUTTON REPAIR PKG.
17	0181 063	2		All	SCREW, Cable Clip
18		1		All	SCREW, Frt., Cable Rail Brkt. (Not Serv.)
19	5209 922	1		All	SWITCH, Park Brake Lever
20	5204 125	1		All	BRACKET, Cable To Rr. C/Member
21	#3880 236	1		All	BRACKET, Frt. Cable Rr. Side Rail

MODEL CODES

B = GRAN FURY	G = DIPLOMAT	V = 400
C = LEBARON/TOWN & COUNTRY	M = HORIZON/TURISMO/SCAMP	X = MIRADA
D = ARIES	P = RELIANT	Y = IMPERIAL
E = 600	S = CORDOBA	Z = OMNI/CHARGER/RAMPAGE
F = FIFTH AVENUE	T = E CLASS/NEWYORKER	

BODY STYLES

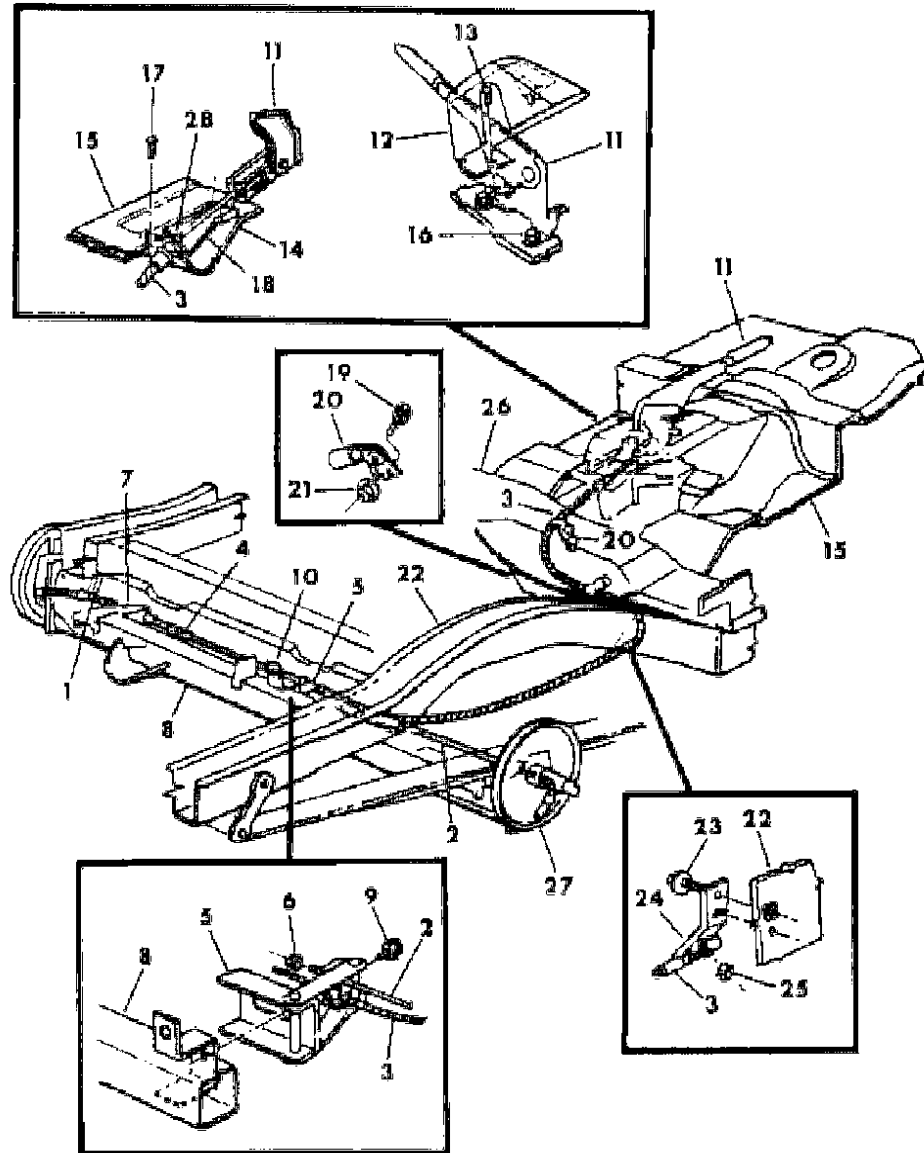
21 = 2-DOOR SEDAN	41 = 4-DOOR SEDAN
22 = 2-DOOR SPECIAL COUPE	45 = 4-DOOR STATION WAGON
24 = 2-DOOR HATCHBACK	44 = 4-DOOR HATCHBACK
27 = 2-DOOR CONVERTIBLE	48 = EXECUTIVE SEDAN
28 = FWD PICKUP	

AR = Use as Required - = Non Illustrated Part P.A.R. = Paint as Required

PARKING BRAKE LEVER & CONTROLS - M,Z - 28

Figure 4-125

3104 125



ITEM	PART NUMBER	QTY	BODY	MODEL	DESCRIPTION
1	4294 049	1		All	CABLE, Rear, Lt. (up to 5-16-83)
1	4294 132	1		All	(After 5-16-83)
2	4294 048	1		All	Rt. (up to 5-16-83)
2	4294 130	1		All	Rt. (After 5-16-83)
3	#3880 427	1		All	CABLE, Frt.
4	#3766 234	1		All	CONNECTOR, Frt. Cable To Rr. Cable
5	#3880 151	1		All	CONNECTOR, Cable Adj.
6	#6030 607	1		All	NUT, Cable Conn. Adj.
7					SEAT, Rear Spring Cable (Ref.)
8					AXLE, Rr. (Ref.)
9	#6100 312	1		All	SCREW, Guide
10	#3880 137	1		All	GUIDE, Cable
11	#5211 931	1		All	LEVER, Park Brake
12					COVER, Park Brake, w/o Console (Ref.)
13					SCREW, Cover w/o Console (Ref.)
14					REINFORCEMENT, Floor Pan (Ref.)
15					PAN, Frt. Floor (Ref.)
16	#6500 187	2		All	SCREW,w/WASHER, Park Brake Mtg.
17					SCREW, Frt. Floor Pan Cable (Ref.)
18					SEAL, Floor Pan (Ref.)
19	#0181 063	3		All	SCREW, Frt. Cable Clip
20	#5204 122	1		All	CLIP, Frt. Cable Tunnel
21	#0219 462	3		All	NUT, Frt. Cable Clip Bolt
22					RAIL, Rr. (Ref.)
23				All	SCREW, Cable Side Rail Brkt. (Not Serviced)
24	#3880 236	1		All	BRACKET, Frt. Cable Side
25	#0152 360	1		All	NUT, Brkt.
26					PAN, Rr. Floor (Ref.)
27					PLATE, Rr. Backing (Ref.)
28	#3467 924	1		All	RETAINER, Cable Frt.

MODEL CODES

B = GRAN FURY	G = DIPLOMAT	V = 400
C = LEBARON/TOWN & COUNTRY	M = HORIZON/TURISMO/SCAMP	X = MIRADA
D = ARIES	P = RELIANT	Y = IMPERIAL
E = 600	S = CORDOBA	Z = OMNI/CHARGER/RAMPAGE
F = FIFTH AVENUE	T = E CLASS/NEWYORKER	

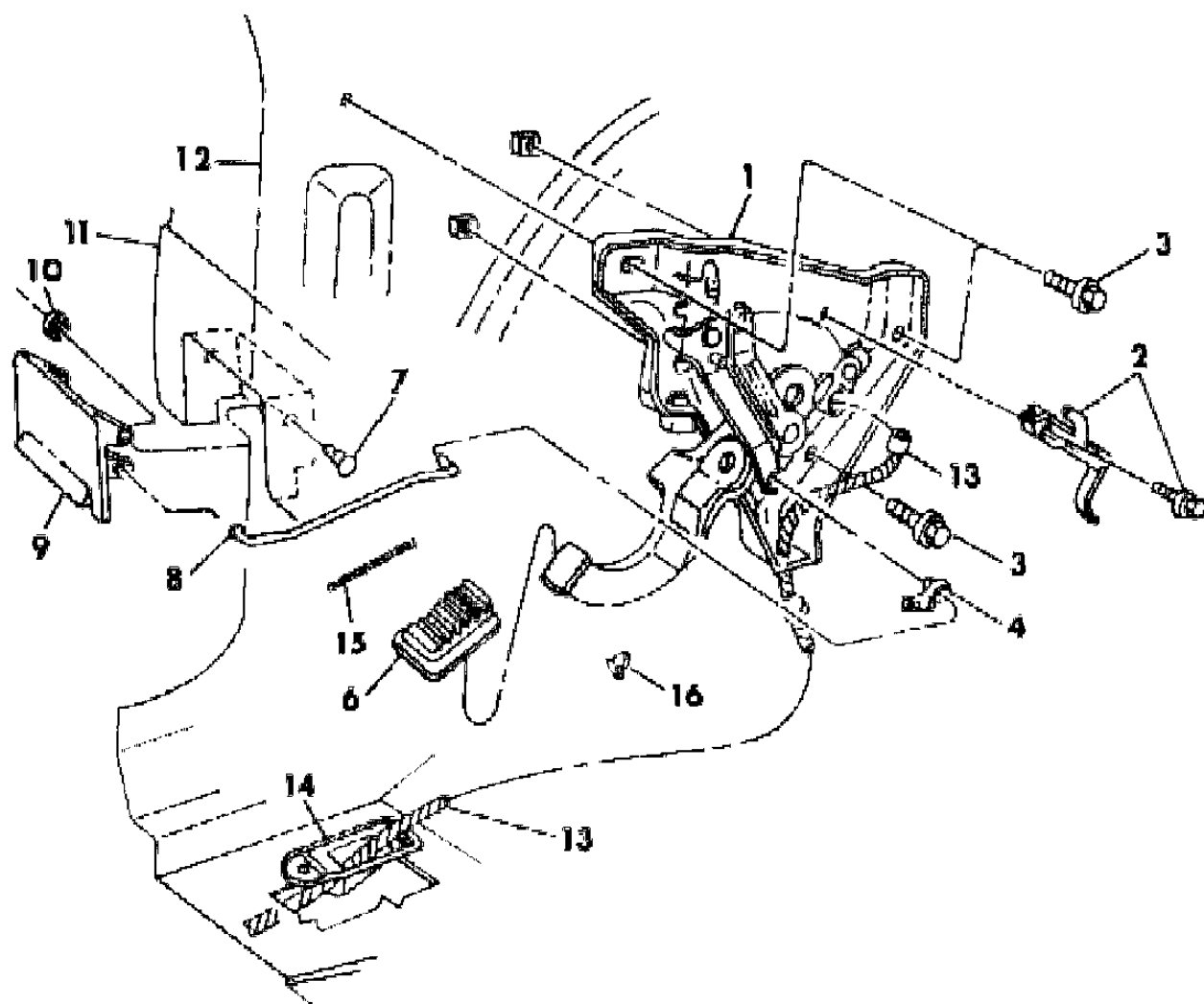
BODY STYLES

21 = 2-DOOR SEDAN	41 = 4-DOOR SEDAN
22 = 2-DOOR SPECIAL COUPE	45 = 4-DOOR STATION WAGON
24 = 2-DOOR HATCHBACK	44 = 4-DOOR HATCHBACK
27 = 2-DOOR CONVERTIBLE	48 = EXECUTIVE SEDAN
28 = FWD PICKUP	

AR = Use as Required - = Non Illustrated Part P.A.R. = Paint as Required

**PARKING BRAKE LEVER - P,D,V,C,E,T**  
**Figure 4-150**

3104 150



ITEM	PART NUMBER	QTY	BODY	MODEL	DESCRIPTION
1	#3880 486	1		All	LEVER,Park Brake
2	3747 327	1		A11	SWITCH, Lever Release
3	6100 584	3		All	SCREW,w/WASHER
4	3454 220	1		All	CLIP, Lever Rel.Rod
6	4019 175	1		All	PAD, Lever
7	4019 174	1		All	PIN, Pivot Rel.Handle
8	4019 172	1		All	ROD, Rel.
9	F296 BT8	1		All	Handle, Dk.Tan
	F296 VM6	1		All	Red
	F296 AC7	1		All	Dk.Blue
	F296 AA7	1		All	Dk.Silver
10	6031 147	1		All	CLIP, Rel. Handle Pivot Pin
11					INST.Panel (Ref.Only)
12					COWL SIDE (Ref.Only)
13	3766 435	1		All	CABLE, Front
14					GROMMET (Ref.Only)
15	4205 997	1		All	SPRING PKG., Rel. Rod Retainer
16	4205 996	1		All	BUMPER PKG.,Park Brake Lever

**MODEL CODES**

B = GRAN FURY	G = DIPLOMAT	V = 400
C = LEBARON/TOWN & COUNTRY	M = HORIZON/TURISMO/SCAMP	X = MIRADA
D = ARIES	P = RELIANT	Y = IMPERIAL
E = 600	S = CORDOBA	Z = OMNI/CHARGER/RAMPAGE
F = FIFTH AVENUE	T = E CLASS/NEWYORKER	

**BODY STYLES**

21 = 2-DOOR SEDAN	41 = 4-DOOR SEDAN
22 = 2-DOOR SPECIAL COUPE	45 = 4-DOOR STATION WAGON
24 = 2-DOOR HATCHBACK	44 = 4-DOOR HATCHBACK
27 = 2-DOOR CONVERTIBLE	48 = EXECUTIVE SEDAN
28 = FWD PICKUP	

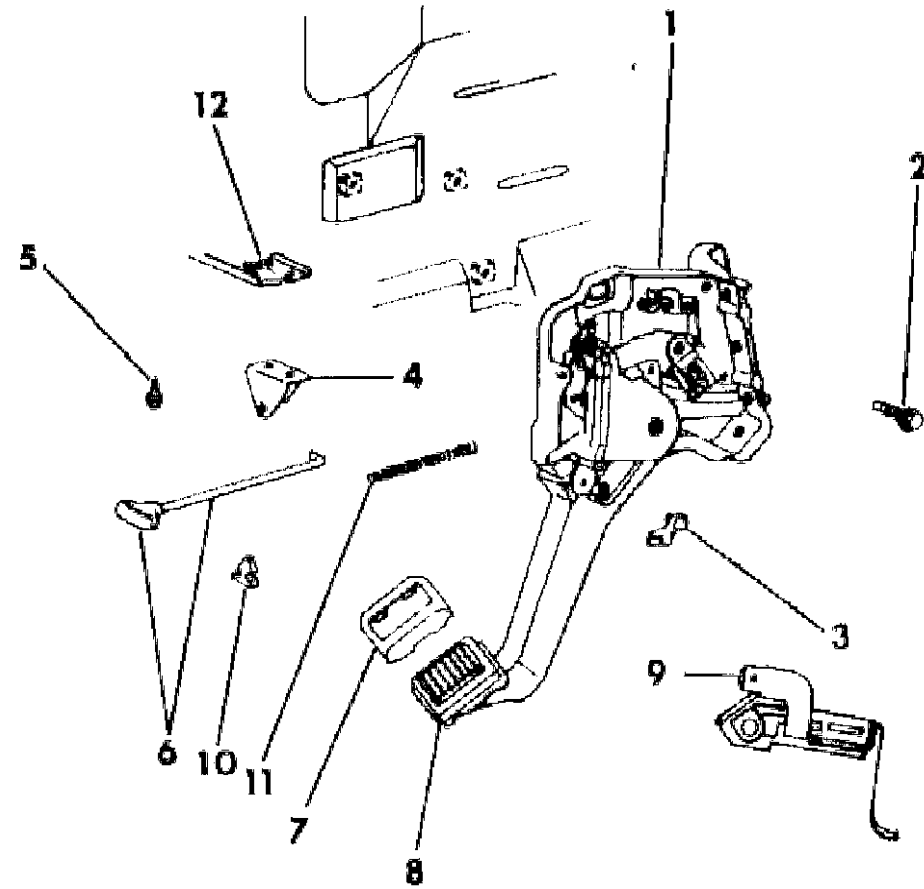
AR = Use as Required - = Non Illustrated Part P.A.R. = Paint as Required

# PARKING BRAKE LEVER - B,F,G

Figure 4-200

9104 200

ITEM	PART NUMBER	QTY	BODY	MODEL	DESCRIPTION
1	4019 369	1		All	LEVER,Park Brake
2	0181 088	3		All	SCREW w/WASHER, Lever Att.
3	3454 220	1		All	CLIP, Lever Rel. Rod
4	4019 545	1		All	BEZEL, Rel. Rod
5		2		All	SCREW (Not Serv.)
6	4019 543	1		All	ROD,w/KNOB, Lever Rel.
7	2467 513	1		All	BEZEL, Pedal Pad
8	2467 514	1		All	PAD, Pedal
9	3747 327	1		All	SWITCH, Park Brake
10	4205 996	1		All	BUMPER PKG., Lever Ret.
11	4205 997	1		All	SPRING PKG, Rel. Rod
12		1		All	REINF.Inst.Panel (Ref.Only)



**MODEL CODES**

B = GRAN FURY	G = DIPLOMAT	V = 400
C = LEBARON/TOWN & COUNTRY	M = HORIZON/TURISMO/SCAMP	X = MIRADA
D = ARIES	P = RELIANT	Y = IMPERIAL
E = 600	S = CORDOBA	Z = OMNI/CHARGER/RAMPAGE
F = FIFTH AVENUE	T = E CLASS/NEWYORKER	

**BODY STYLES**

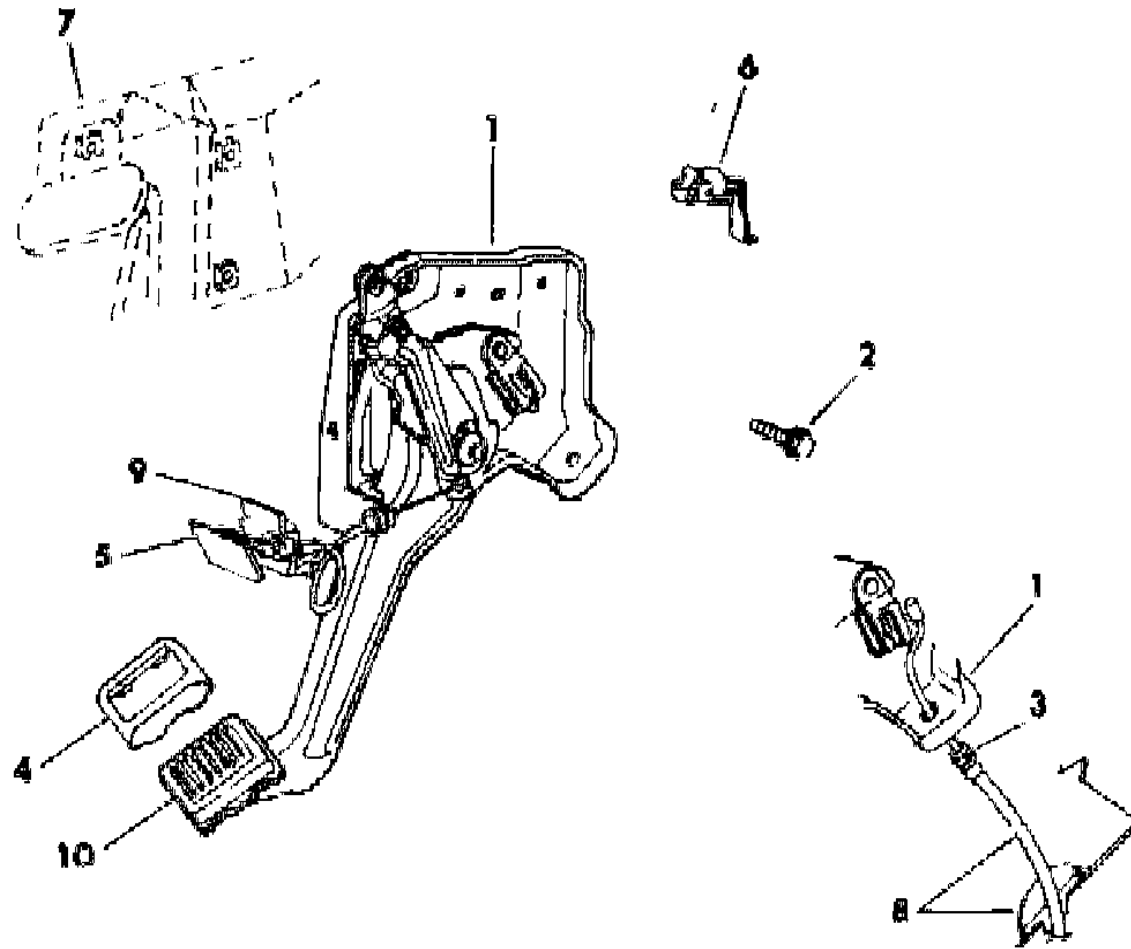
21 = 2-DOOR SEDAN	41 = 4-DOOR SEDAN
22 = 2-DOOR SPECIAL COUPE	45 = 4-DOOR STATION WAGON
24 = 2-DOOR HATCHBACK	44 = 4-DOOR HATCHBACK
27 = 2-DOOR CONVERTIBLE	48 = EXECUTIVE SEDAN
28 = FWD PICKUP	

AR = Use as Required - = Non Illustrated Part P.A.R. = Paint as Required

**PARKING BRAKE LEVER - X,S,Y**  
**Figure 4-400**

ITEM	PART NUMBER	QTY	BODY	MODEL	DESCRIPTION
1	4019 851	1		All	LEVER, Park Brake
2	0181 088	3		All	SCREW w/WASHER, Lever Att.
3		1		All	RETAINER, Cable Rear
4	2467 513	1		All	BEZEL, Pedal Pad
5	4019 503	1		X,S	RELEASE, Park Brake Lever
	5211 939	1		Y	
6	3747 327	1		All	SWITCH, Lever Release
7				All	COWL, Side Inner (Ref.)
8	3766 057	1		X,S	CABLE, Ft.
	5211 949	1		Y	
9				All	INST. Panel (Ref.)
10	2467 514	1		All	PAD, Pedal

3104 400



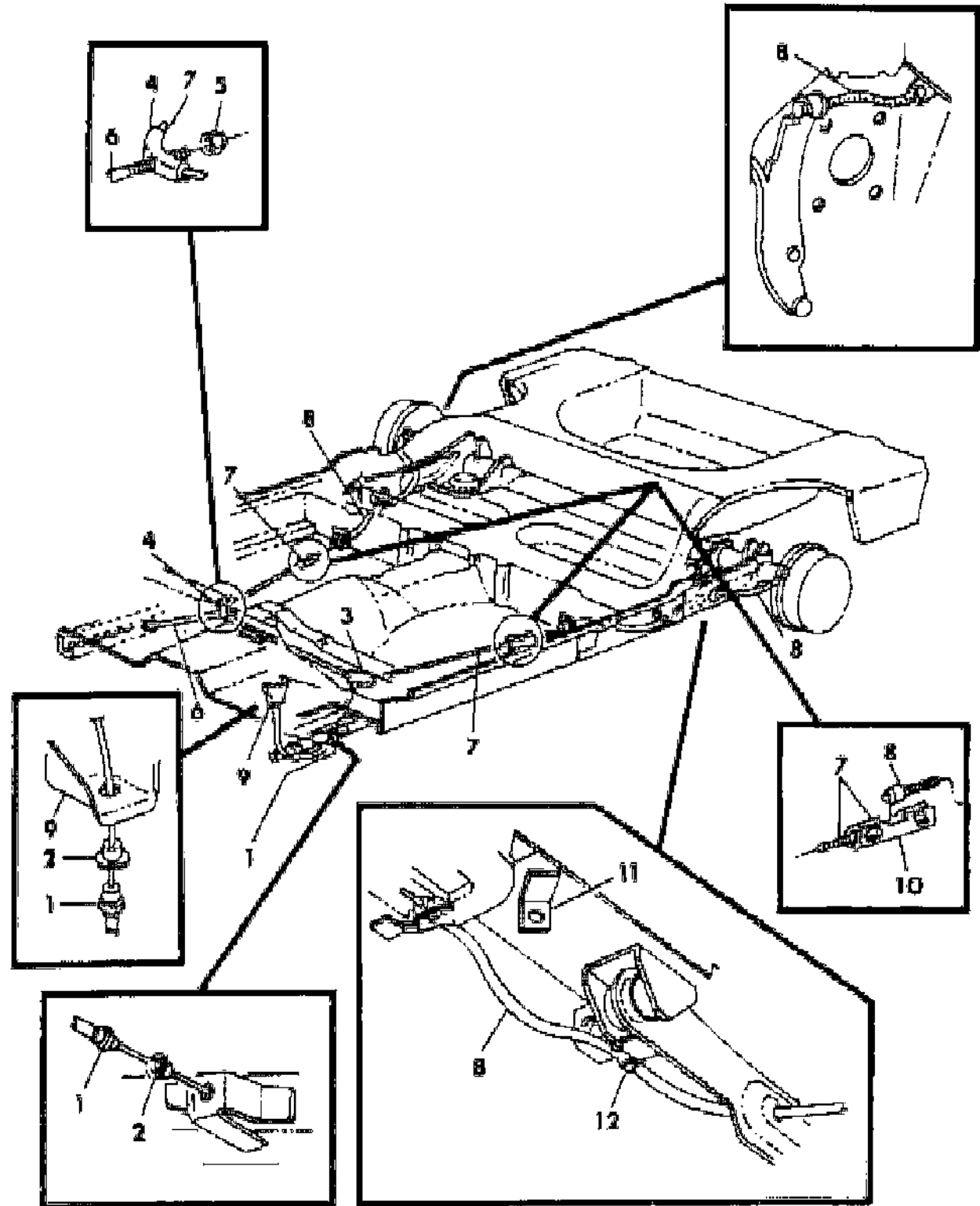
MODEL CODES  
 B = GRAN FURY                      G = DIPLOMAT                      V = 400  
 C = LEBARON/TOWN & COUNTRY    M = HORIZON/TURISMO/SCAMP    X = MIRADA  
 D = ARIES                            P = RELIANT                        Y = IMPERIAL  
 E = 600                                S = CORDOBA                        Z = OMNI/CHARGER/RAMPAGE  
 F = FIFTH AVENUE                    T = E CLASS/NEWYORKER

BODY STYLES  
 21 = 2-DOOR SEDAN                    41 = 4-DOOR SEDAN  
 22 = 2-DOOR SPECIAL COUPE        45 = 4-DOOR STATION WAGON  
 24 = 2-DOOR HATCHBACK            44 = 4-DOOR HATCHBACK  
 27 = 2-DOOR CONVERTIBLE          48 = EXECUTIVE SEDAN  
 28 = FWD PICKUP

AR = Use as Required - = Non Illustrated Part P.A.R. = Paint as Required

**PARKING BRAKE CONTROLS - P,D,V,C,E,T**  
**Figure 4-450**

3104 450



ITEM	PART NUMBER	QTY	BODY	MODEL	DESCRIPTION
1	3766 435	1		All	CABLE, Front
	5200 384	1		All	SEAL, Dash Panel Cable (Not Ill.)
2	3467 939	2		All	RETAINER, Cable Seal
3	3575 593	1		All	CONNECTOR, Frt. To Int. Cable
4	3467 901	1		All	EQUALIZER
5	6030 607	1		All	NUT, Cable Adjust Conn.
6	3766 379	1		All	HOOK, Int. Adjust Cable
	3880 022	1		All	CUSHION, Park Brake Hook Adjust (Not Ill.)
7	#3880 408	1		P,D,V,C	CABLE, Int.,w/200 MM x 32.5 MM Auto. Adj. Brakes
	3880 409	1		P,D,V,C	w/220 MM x 38.MM Auto. Adj. Brakes
	3880 410	1		E,T	
8	4294 070	2		P,D,V,C	CABLE, Rear, w/200 MM x 32.5 MM Auto. Adj. Brakes
	3880 485	2		P,D,V,C	w/220 MM x 38.0 MM Auto. Adj. Brakes (up to 11-10-82)
	3880 485	2		E,T	(up to 11-10-82)
	4294 069	2			(After 11-10-82)
9					LEVER (Ref.Only)
10	#3766 234	2		All	CONNECTOR, Int. Cable To Rr. Cable
11					BRKT. (Ref. See Ill. Gr.5)
12					BRKT. (Ref. See Ill. Gr.5)
	2201 467	2		All	CLIP, Rear Brake Cable To Susp. Brkt. (Not Ill.)

**MODEL CODES**

B = GRAN FURY	G = DIPLOMAT	V = 400
C = LEBARON/TOWN & COUNTRY	M = HORIZON/TURISMO/SCAMP	X = MIRADA
D = ARIES	P = RELIANT	Y = IMPERIAL
E = 600	S = CORDOBA	Z = OMNI/CHARGER/RAMPAGE
F = FIFTH AVENUE	T = E CLASS/NEWYORKER	

**BODY STYLES**

21 = 2-DOOR SEDAN	41 = 4-DOOR SEDAN
22 = 2-DOOR SPECIAL COUPE	45 = 4-DOOR STATION WAGON
24 = 2-DOOR HATCHBACK	44 = 4-DOOR HATCHBACK
27 = 2-DOOR CONVERTIBLE	48 = EXECUTIVE SEDAN
28 = FWD PICKUP	

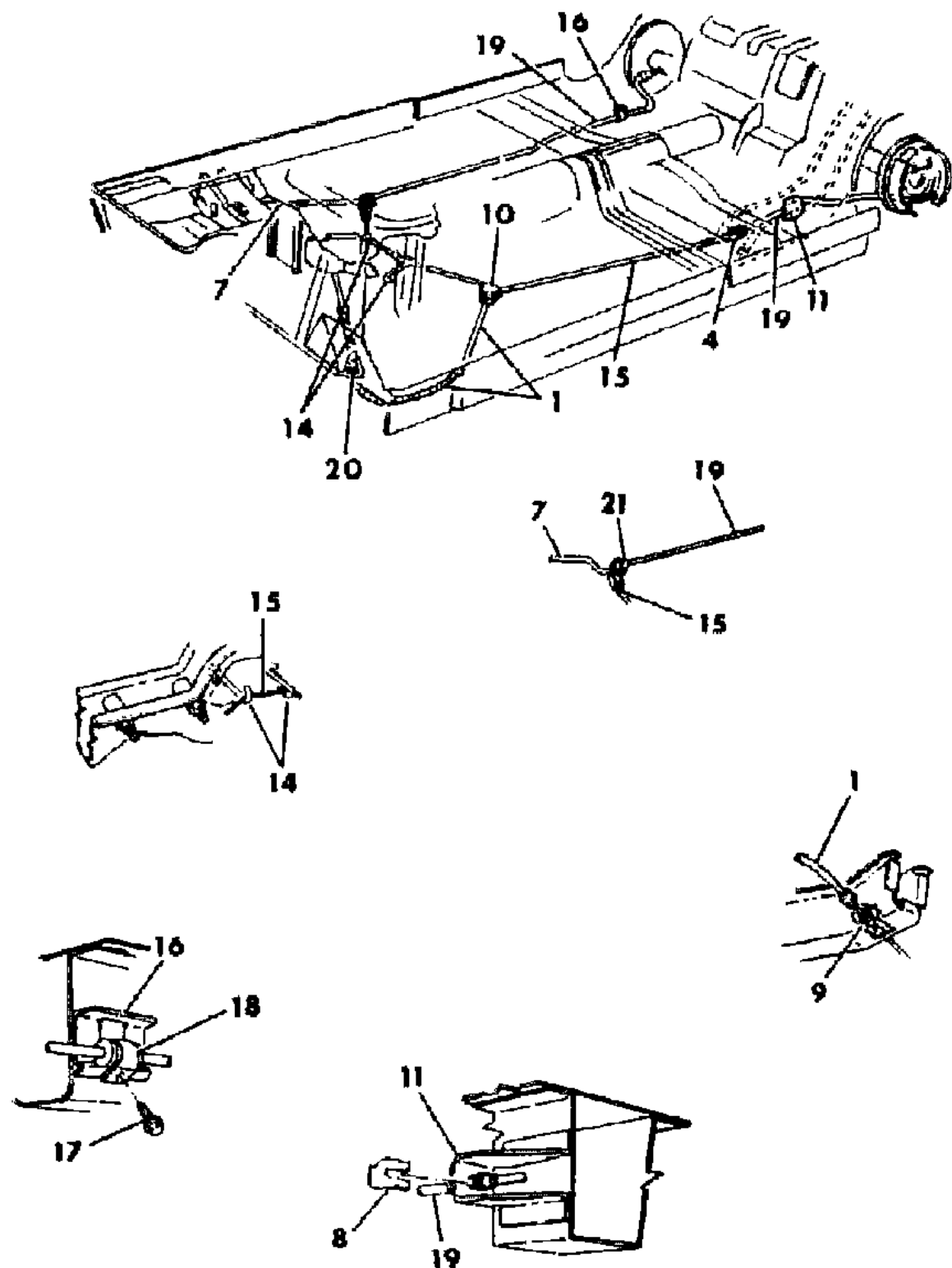
AR = Use as Required - = Non Illustrated Part P.A.R. = Paint as Required



PARKING BRAKE CONTROLS - B,F,G,X,S,Y

Figure 4-500

3104 500



ITEM	PART NUMBER	QTY	BODY	MODEL	DESCRIPTION
1	3766 292	1		All	CABLE, Frt.
4	3766 234	1		All	CONNECTOR, Inter. To Rear Cable,Lt.
7	3880 073	1		All	HOOK, Int. Cable Equalizer
8	2201 467	1		All	CLIP, Cable To Cable Supt.
9	3467 939	2		All	RETAINER, Cable Lower
10	3575 593	1		All	CONNECTOR, Frt. To Inter. Cable
11	3570 345	1		All	BRACKET, Rear Side Rail Cable, Lt.
14	3766 289	2		All	HOOK, Inter. Cable Guide
15	#3880 072	1		All	CABLE, Inter.
16	4073 057	1		All	BRACKET, Rear Side Rail Cable, Rt.
17		1		All	SCREW, (Not Serviced)
18	3699 186	1		All	CLAMP, Rear Cable Anchor, Rt.
19	3880 074	2		All	CABLE, Rear, Exc. Police & Taxi
	3880 075	2	F,G		Police & Taxi
20	2259 118	1	All		SEAL, Frt. Floor Pan Cable
21	3467 901	1	All		EQUALIZER, Cable Inter.

MODEL CODES

B = GRAN FURY	G = DIPLOMAT	V = 400
C = LEBARON/TOWN & COUNTRY	M = HORIZON/TURISMO/SCAMP	X = MIRADA
D = ARIES	P = RELIANT	Y = IMPERIAL
E = 600	S = CORDOBA	Z = OMNI/CHARGER/RAMPAGE
F = FIFTH AVENUE	T = E CLASS/NEWYORKER	

BODY STYLES

21 = 2-DOOR SEDAN	41 = 4-DOOR SEDAN
22 = 2-DOOR SPECIAL COUPE	45 = 4-DOOR STATION WAGON
24 = 2-DOOR HATCHBACK	44 = 4-DOOR HATCHBACK
27 = 2-DOOR CONVERTIBLE	48 = EXECUTIVE SEDAN
28 = FWD PICKUP	

AR = Use as Required - = Non Illustrated Part P.A.R. = Paint as Required

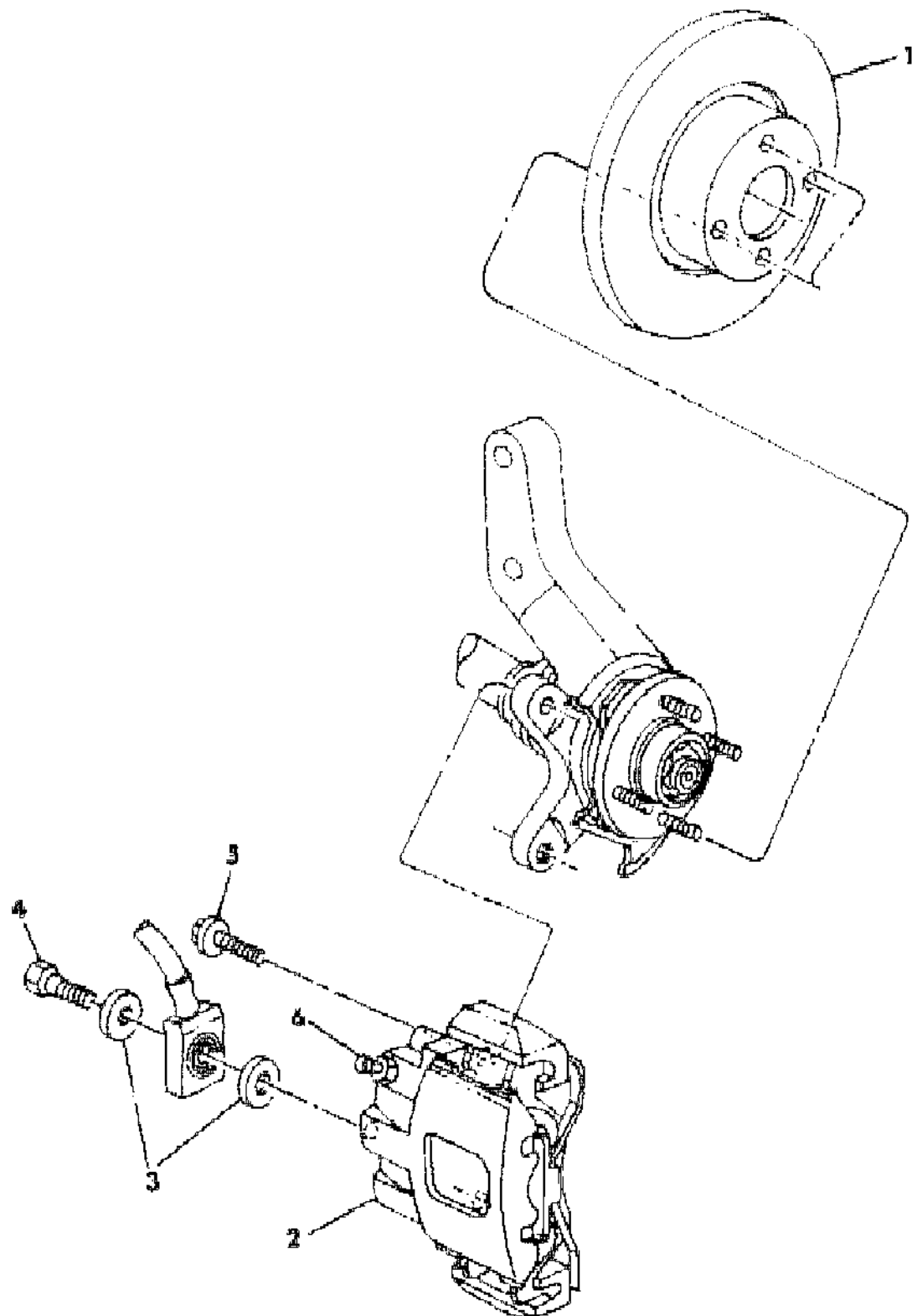
**GROUP 5 - BRAKES, SERVICE**

<b>ILLUSTRATION TITLE</b>	<b>GROUP-FIG. NO.</b>
FRONT WHEEL DISC BRAKES P,D, w/STD. BRAKES .....	Fig. 5-100
FRONT WHEEL DISC BRAKES P,D, w/H.Duty C.V.E.T. w/Std. Brakes (Shelby) .....	Fig. 5-150
CALIPER WITH HUB AND DISC (SLIDER TYPE) F,G,B,X,S,Y .....	Fig. 5-200
FRONT WHEEL DISC BRAKES M,Z .....	Fig. 5-300
REAR WHEEL BRAKE B,G,F,X,S,Y .....	Fig. 5-400
REAR WHEEL BRAKE (w/220 MM x 38.0 SIZE) P,D, w/H.DUTY, C,45, E,T, ALL .....	Fig. 5-500
REAR WHEEL BRAKE (w/200 MM x 32.5 SIZE) M,Z, ALL, P,D, w/STD., C, 2 DOOR, 4 DOOR, V, ALL .....	Fig. 5-550
MASTER CYLINDER M,Z,P,D,C,V,E,T .....	Fig. 5-600
MASTER CYLINDER, ALUMINUM F,G,B,X,S,Y .....	Fig. 5-700
POWER BRAKE UNIT P,D,C,V,E,T .....	Fig. 5-800
POWER BRAKE UNIT M,Z .....	Fig. 5-900
POWER BRAKE UNIT F,G,B,X,S,Y .....	Fig. 5-1000
BRAKE PEDAL AND BRACKET P,D,C,V,E,T .....	Fig. 5-1200
BRAKE PEDAL AND BRACKET M,Z .....	Fig. 5-1300
BRAKE PEDAL AND BRACKET F,G,B .....	Fig. 5-1400
BRAKE PEDAL AND BRACKET X,S,Y .....	Fig. 5-1500
BRAKE LINES P,D,C,V,E,T .....	Fig. 5-1600
BRAKE LINES M,Z .....	Fig. 5-1700
BRAKE LINES F,G,B,X,S,Y .....	Fig. 5-1800

**ILLUSTRATION NOT AVAILABLE AT TIME OF PUBLICATION**

**FRONT WHEEL DISC BRAKES P,D, w/STD. BRAKES**  
**Figure 5-100**

3105 160



ITEM	PART NUMBER	QTY	BODY	MODEL	DESCRIPTION
					NOTE: Manufactured by TEVES, Housing marked with letters ATE.
	4238 698	1			SHOE and LINING PKG.,(Riveted) Consists of: 2 - ---- --- Shoe and Lining, Inner
	4238 699	1			2 - ---- --- Shoe and Lining, Outer SHOE and LINING PKG.,(Bonded) Consists of: 2 - ---- --- Shoe and Lining, Inner
	4205 984	2			2 - ---- --- Shoe and Lining, Outer PISTON, SEAL, BOOT PACKAGE Consists of: 1 - ---- --- Piston
	4205 985	2			1 - ---- --- Seal 1 - ---- --- Boot BOOT and SEAL PACKAGE Consists of: 1 - ---- --- Seal
	4205 982	2			1 - ---- --- Boot BUSHING PKG. Consists of: 2 - ---- --- Bushing 2 - ---- --- Sleeve
1	4126 947	2			DISC BRAKE
2	#4238 684-5	1			HOUSING, Caliper Partial Componets of Caliper are as Follows:
	4267 329	2			Pin (Not Shown)
	4126 732	2			Clip (Not Shown)
	4238 683	2			ADAPTER (Not Shown)
	4205 984	2			Boot (Not Shown) see Pkg.
	4205 985	2			Seal (Not Shown) see Pkg.
	4205 984	2			Piston (Not Shown) see Pkg.
	4205 982	2			Bushing (Not Shown) see Pkg.
	4205 982	2			Sleeve (Not Shown) see Pkg.
	4126 733	2			CAP, Bleeder (Not Shown)
3	6030 084	4			GASKET
4	6030 230	2			BOLT

**MODEL CODES**

B = GRAN FURY	G = DIPLOMAT	V = 400
C = LEBARON/TOWN & COUNTRY	M = HORIZON/TURISMO/SCAMP	X = MIRADA
D = ARIES	P = RELIANT	Y = IMPERIAL
E = 600	S = CORDOBA	Z = OMNI/CHARGER/RAMPAGE
F = FIFTH AVENUE	T = E CLASS/NEWYORKER	

**BODY STYLES**

21 = 2-DOOR SEDAN	41 = 4-DOOR SEDAN
22 = 2-DOOR SPECIAL COUPE	45 = 4-DOOR STATION WAGON
24 = 2-DOOR HATCHBACK	44 = 4-DOOR HATCHBACK
27 = 2-DOOR CONVERTIBLE	48 = EXECUTIVE SEDAN
28 = FWD PICKUP	

AR = Use as Required - = Non Illustrated Part P.A.R. = Paint as Required

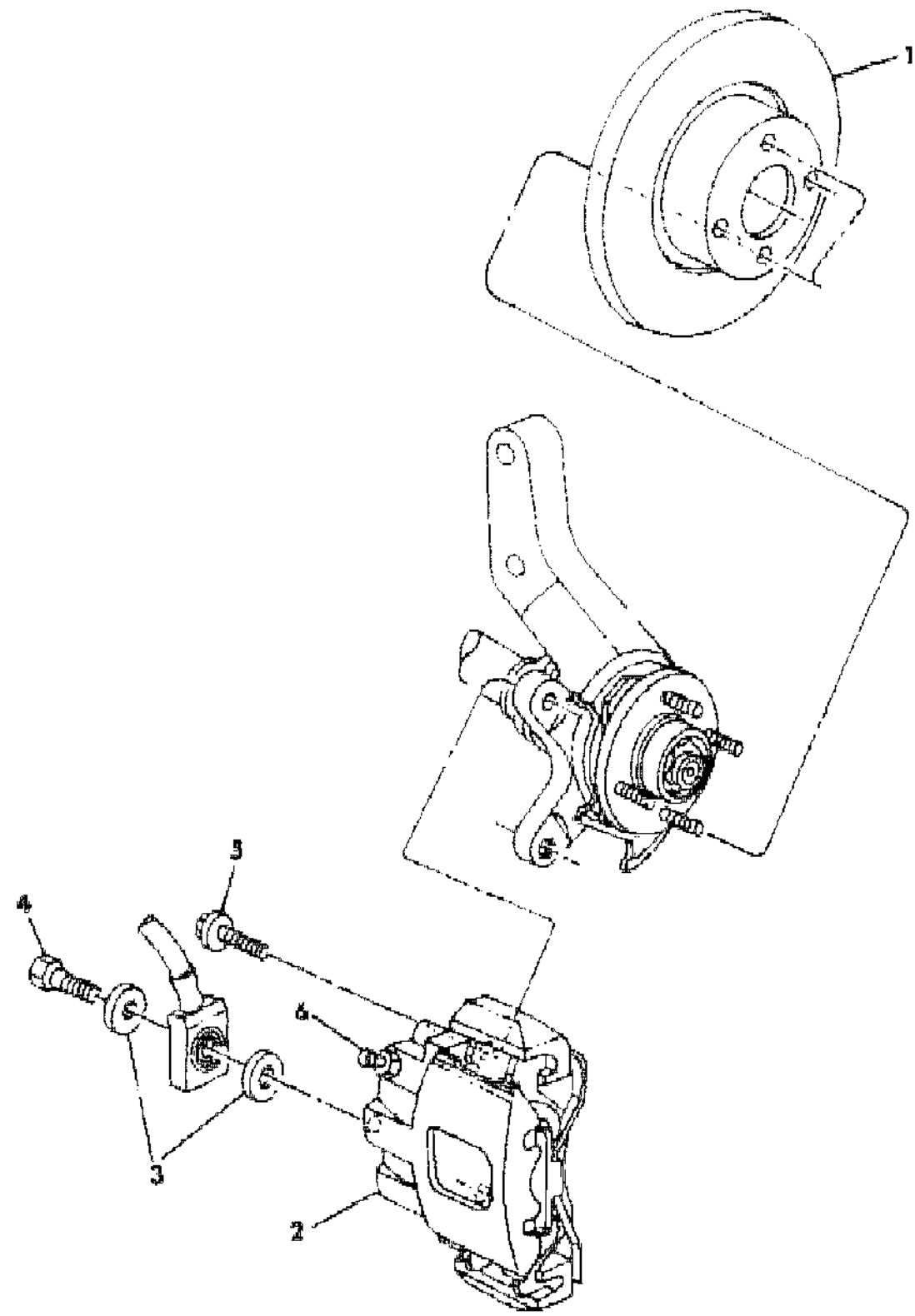
FRONT WHEEL DISC BRAKES P,D, w/STD. BRAKES

Figure 5-100

1105 100

ITEM	PART NUMBER	QTY	BODY	MODEL	DESCRIPTION
------	-------------	-----	------	-------	-------------

5	#6500 660	4			SCREW-HEX
6	4126 879	2			SCREW, Bleeder



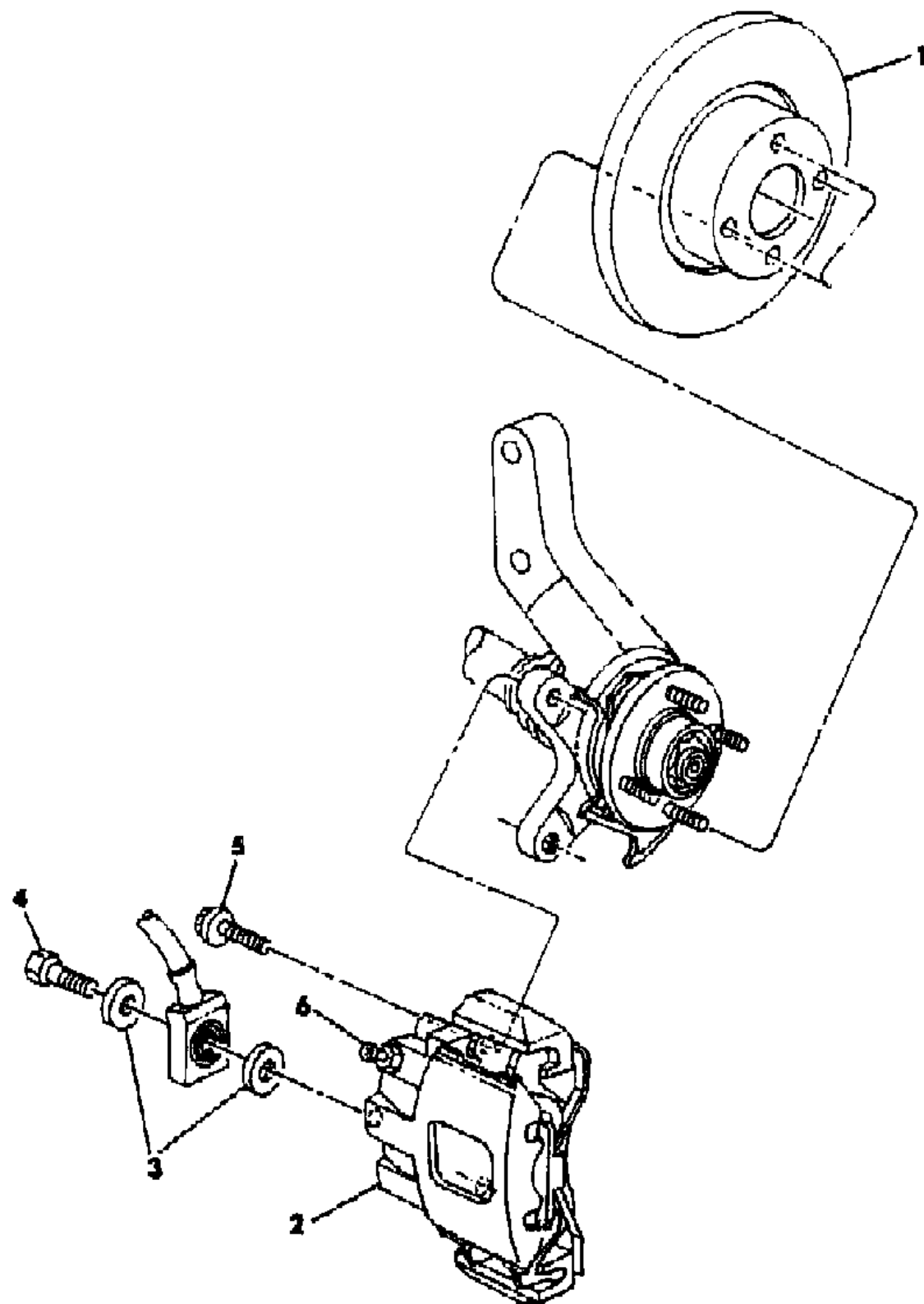
MODEL CODES  
 B = GRAN FURY  
 C = LEBARON/TOWN & COUNTRY  
 D = ARIES  
 E = 600  
 F = FIFTH AVENUE  
 G = DIPLOMAT  
 M = HORIZON/TURISMO/SCAMP  
 P = RELIANT  
 S = CORDOBA  
 T = E CLASS/NEWYORKER  
 V = 400  
 X = MIRADA  
 Y = IMPERIAL  
 Z = OMNI/CHARGER/RAMPAGE

BODY STYLES  
 21 = 2-DOOR SEDAN  
 22 = 2-DOOR SPECIAL COUPE  
 24 = 2-DOOR HATCHBACK  
 27 = 2-DOOR CONVERTIBLE  
 28 = FWD PICKUP  
 41 = 4-DOOR SEDAN  
 45 = 4-DOOR STATION WAGON  
 44 = 4-DOOR HATCHBACK  
 48 = EXECUTIVE SEDAN

AR = Use as Required - = Non Illustrated Part P.A.R. = Paint as Required

**FRONT WHEEL DISC BRAKES P,D, w/H.Duty C.V.E.T. w/Std. Brakes (Shelby)  
Figure 5-150**

3105 150



ITEM	PART NUMBER	QTY	BODY	MODEL	DESCRIPTION
					NOTE: Manufactured by TEVES, Housing marked with letters ATE.
	4238 788	1			SHOE and LINING PKG. 2 - ---- --- Shoe and Lining, Inner 2 - ---- --- Shoe and Lining, Outer
	4205 984	2			PISTON, Seal, Boot Pkg. Consists of: 1 - ---- --- Piston 1 - ---- --- Seal
	4205 985	2			1 - ---- --- Boot BOOT and Seal Pkg. Consists of: 1 - ---- --- Seal
	4205 982	2			1 - ---- --- Boot BUSHING PKG. 2 - ---- --- Bushing 2 - ---- --- Sleeve
	4267 329	1			PIN PKG. Consists of: 2 - ---- --- Pin 2 - ---- --- Grease Pkg.
1	4238 551	2			DISC
2	4238 710-1	1			HOUSING, Caliper Partial Components of Caliper are as Follows:
	4205 984	2			Piston (Not Shown) See Pkg.
	4205 982	2			Bushing (Not Shown) See Pkg.
	4205 984	2			Boot (Not Shown) See Pkg.
	4205 985	2			Seal (Not Shown) See Pkg.
	4126 733	2			Cap,Bleeder (Not Shown)
	4238 712	2			Adapter (Not Shown)
	4267 329	2			Pin, Hsg. Loc. (Not Shown)
	4126 732	2			Clip, Hsg. Anti Rattle (Not Shown)
	4205 982	2			Sleeve (Not Shown) See Pkg.
3	6030 084	4			Gasket
4	6030 230	2			Bolt
5	6500 660	2			Screw, Hex
6	#4126 879	2			Screw, Bleeder

**MODEL CODES**

B = GRAN FURY	G = DIPLOMAT	V = 400
C = LEBARON/TOWN & COUNTRY	M = HORIZON/TURISMO/SCAMP	X = MIRADA
D = ARIES	P = RELIANT	Y = IMPERIAL
E = 600	S = CORDOBA	Z = OMNI/CHARGER/RAMPAGE
F = FIFTH AVENUE	T = E CLASS/NEWYORKER	

**BODY STYLES**

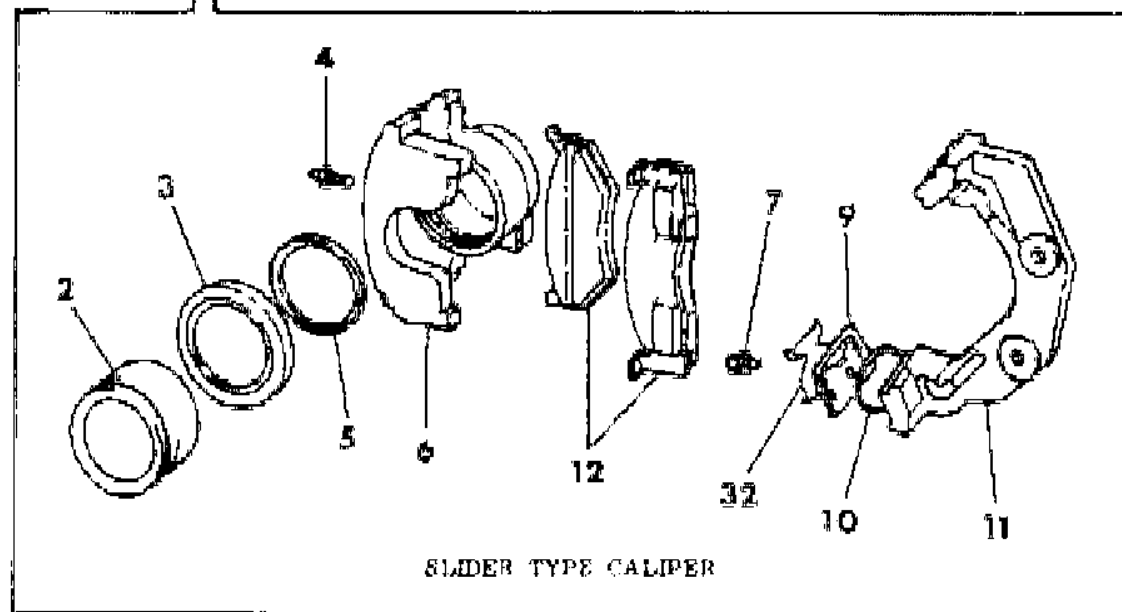
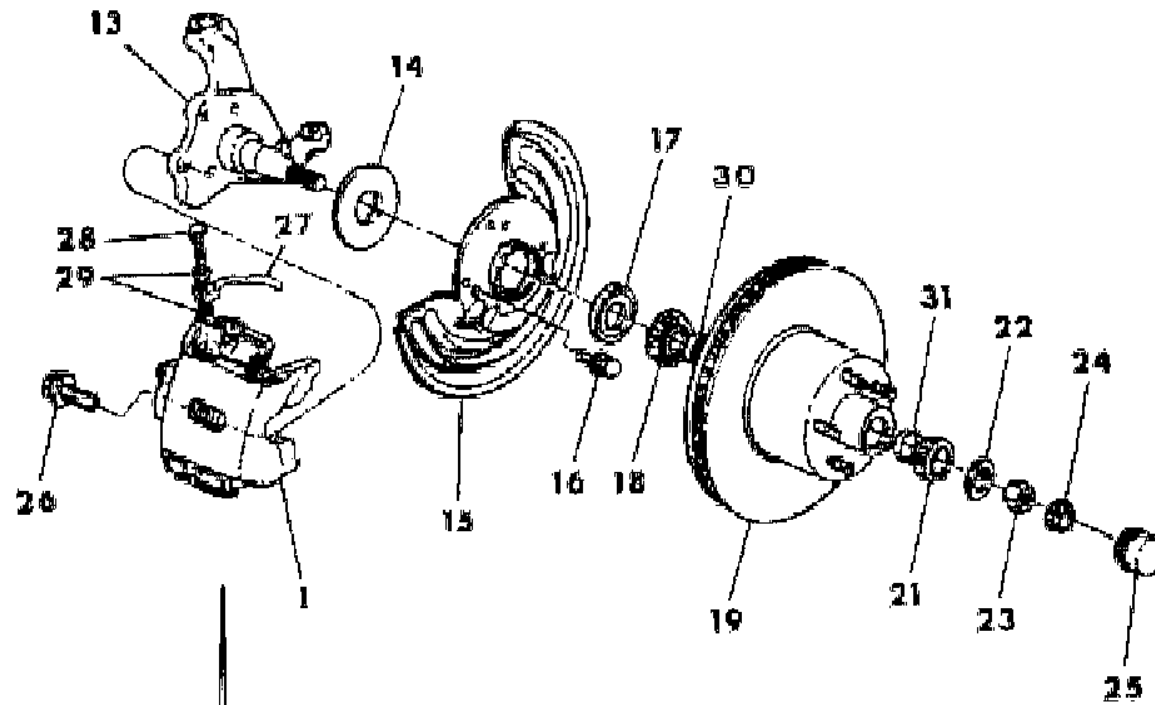
21 = 2-DOOR SEDAN	41 = 4-DOOR SEDAN
22 = 2-DOOR SPECIAL COUPE	45 = 4-DOOR STATION WAGON
24 = 2-DOOR HATCHBACK	44 = 4-DOOR HATCHBACK
27 = 2-DOOR CONVERTIBLE	48 = EXECUTIVE SEDAN
28 = FWD PICKUP	

AR = Use as Required - = Non Illustrated Part P.A.R. = Paint as Required

# CALIPER WITH HUB AND DISC (SLIDER TYPE) F,G,B,X,S,Y

## Figure 5-200

3105 200



ITEM	PART NUMBER	QTY	BODY	MODEL	DESCRIPTION
	4049 699	1		F,G,B	SHOE and LINING PKG. (AXLE SET) (H/Duty) Consists of: 2 - ---- Shoe and Lining, Inner 2 - ---- Shoe and Lining, Outer 1 - 4186997 Spring Pkg.
	4176 778	1		All	SHOE and LINING PKG. (Axle Set) Consists of: 2 - ---- Shoe and Lining, Outer 2 - ---- Shoe and Lining, Inner
	3683 975	1		All	1- 4186997 Spring Pkg. BEARING PACKAGE, Inner Consist of: 1 - 3580892 Cone
	1671 465	1		All	1 - ---- Cup 1 - 3580723 Seal BEARING PACKAGE, Outer Consists of: 1- --- Cone 1- --- Cup
	4186 990	2		All	BOOT and SEAL PACKAGE Consists of: 1 - ---- Seal 1 - ---- Boot 1 - ---- Silicon 1 - ---- Gage
	4186 989	1		All	PISTON, SEAL, BOOT PACKAGE Consists of: 1 - ---- Piston 1 - ---- Seal 1 - ---- Boot 1 - ---- Silicon 1 - ---- Gage
1-12		1		All	CALIPER, Slider Type (Service Components)
2	4186 989	2		All	PISTON, SEAL, BOOT PACKAGE
3	4186 990	2		All	BOOT, SEAL, PACKAGE
4	3780 788	2		All	SCREW, Bleeder
5	4186 990	2		All	SEAL, BOOT PACKAGE

**MODEL CODES**

B = GRAN FURY	G = DIPLOMAT	V = 400
C = LEBARON/TOWN & COUNTRY	M = HORIZON/TURISMO/SCAMP	X = MIRADA
D = ARIES	P = RELIANT	Y = IMPERIAL
E = 600	S = CORDOBA	Z = OMNI/CHARGER/RAMPAGE
F = FIFTH AVENUE	T = E CLASS/NEWYORKER	

**BODY STYLES**

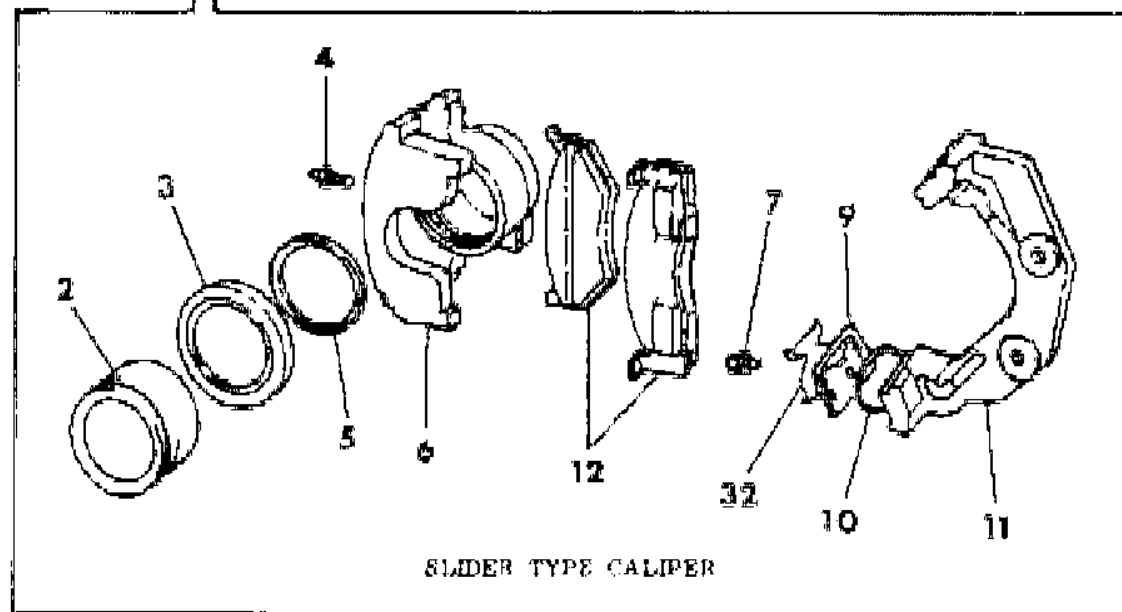
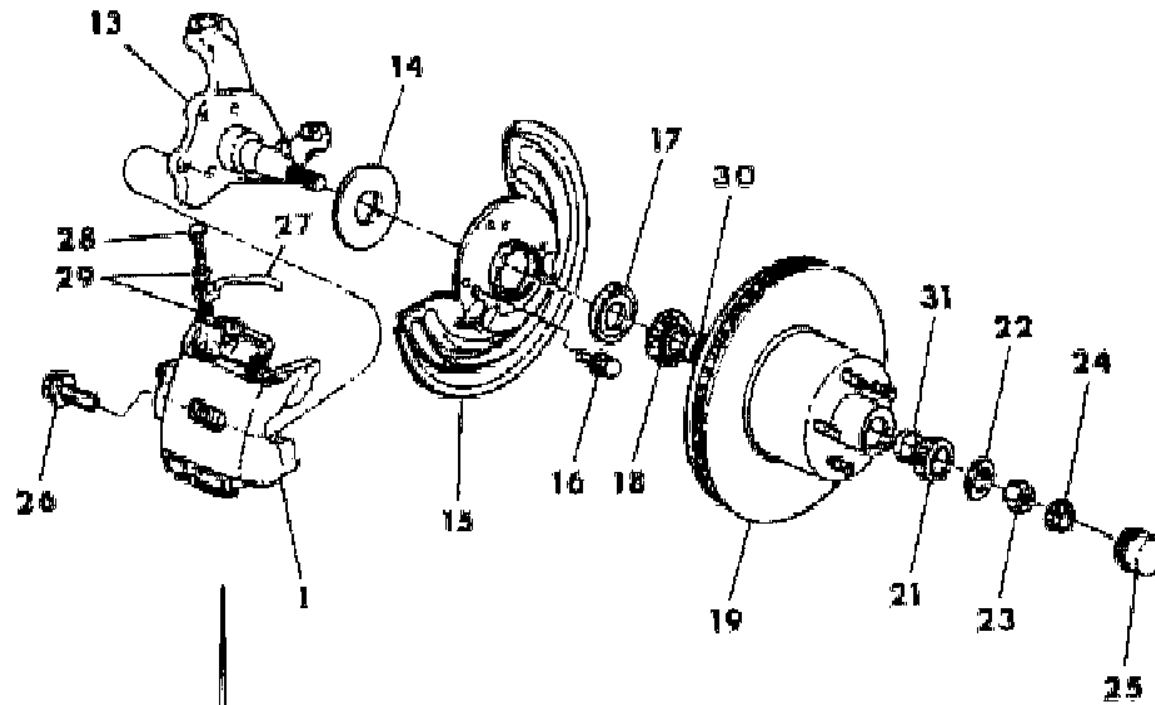
21 = 2-DOOR SEDAN	41 = 4-DOOR SEDAN
22 = 2-DOOR SPECIAL COUPE	45 = 4-DOOR STATION WAGON
24 = 2-DOOR HATCHBACK	44 = 4-DOOR HATCHBACK
27 = 2-DOOR CONVERTIBLE	48 = EXECUTIVE SEDAN
28 = FWD PICKUP	

AR = Use as Required - = Non Illustrated Part P.A.R. = Paint as Required

# CALIPER WITH HUB AND DISC (SLIDER TYPE) F,G,B,X,S,Y

## Figure 5-200

3105 200



ITEM	PART NUMBER	QTY	BODY	MODEL	DESCRIPTION
6	4126 843	1		All	HOUSING, Partl. Lt.
	4126 842	1		All	Rt.
7	6029 930	4		All	SCREW
9	3580 824	4		All	PLATE
10	3766 519	2		All	RUBBER BAND
11	#4267 344	2		All	ADAPTER, Caliper
12		2		All	SHOE and LINING (See above Packages)
13	3402 640-1	2		All	KNUCKLE, Rt. and Lt.
14	2944 704	2		All	SEAL
15	3880 518-9	2		All	SHIELD, Splash
16	0181 084	2		All	SCREW
17	3580 723	2		All	SEAL, Dust
19	4131 251	2		F,G,X,S	HUB with DISC (Std)
	4126 886	2		Y	
	3880 685	2		F,G,B	H/Duty
21	1671 465	2		All	CONE and ROLLER, Outer (Pkg.)
22	0600 194	2		All	WASHER, Thrust
23	6029 692	2		All	NUT, Bearing Adjusting
24	1673 324	2		All	NUT, Lock
25	3580 894	2		All	CAP
26	6030 952	4		All	SCREW and WASHER, Caliper Mounting
27	4240 508-9	1		All	HOSE, Brake
28	6030 026	2		All	SCREW, Hose to Caliper
29	6030 084	4		All	GASKET, Hose Screw
30	#3683 975	2		All	CUP, Bearing Inner
31	1671 465	2		All	CUP, Bearing Outer (Pkg.)
32	4186 997	4		All	SPRING

**MODEL CODES**

B = GRAN FURY	G = DIPLOMAT	V = 400
C = LEBARON/TOWN & COUNTRY	M = HORIZON/TURISMO/SCAMP	X = MIRADA
D = ARIES	P = RELIANT	Y = IMPERIAL
E = 600	S = CORDOBA	Z = OMNI/CHARGER/RAMPAGE
F = FIFTH AVENUE	T = E CLASS/NEWYORKER	

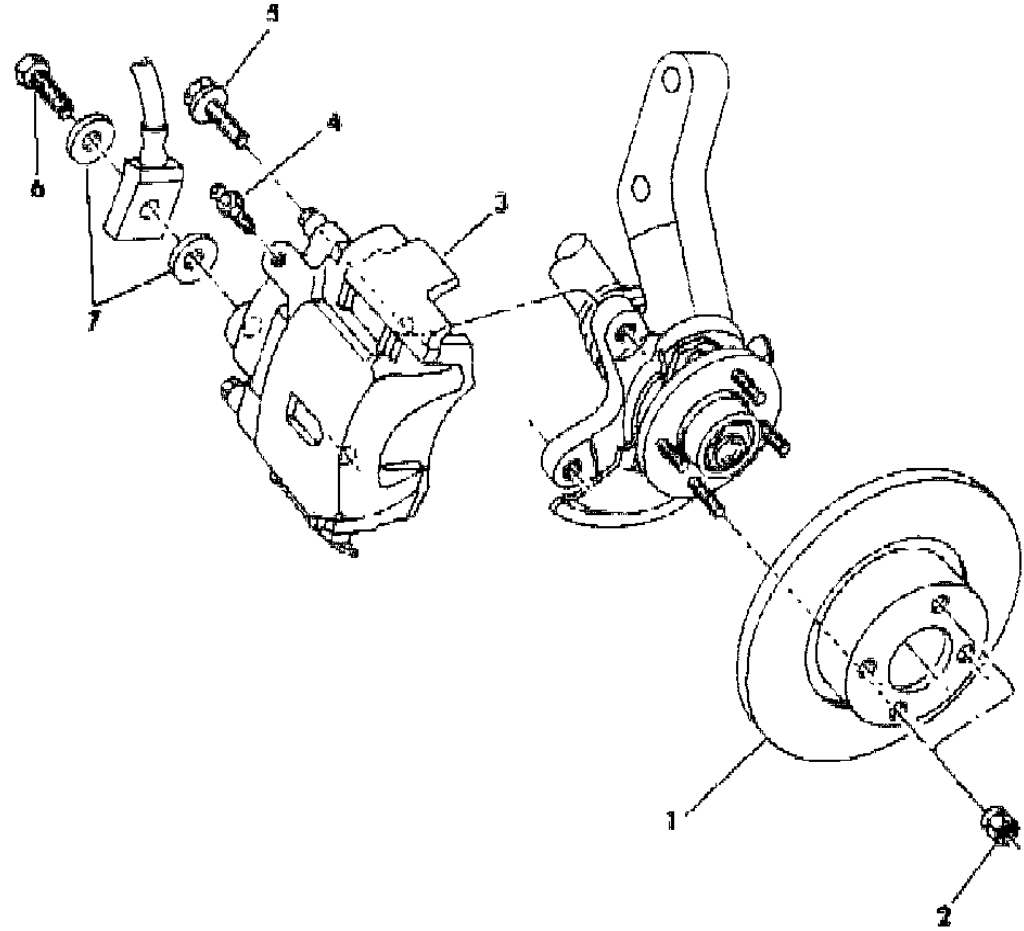
**BODY STYLES**

21 = 2-DOOR SEDAN	41 = 4-DOOR SEDAN
22 = 2-DOOR SPECIAL COUPE	45 = 4-DOOR STATION WAGON
24 = 2-DOOR HATCHBACK	44 = 4-DOOR HATCHBACK
27 = 2-DOOR CONVERTIBLE	48 = EXECUTIVE SEDAN
28 = FWD PICKUP	

AR = Use as Required - = Non Illustrated Part P.A.R. = Paint as Required

**FRONT WHEEL DISC BRAKES M,Z**  
**Figure 5-300**

3105 100



ITEM	PART NUMBER	QTY	BODY	MODEL	DESCRIPTION
					NOTE: Manufactured by KELSEY HAYES, Housing marked with letters KH.
	4238 786	1			SHOE and LINING PKG. Consists of: 2- --- --- Shoe and Lining, Clip, Inner 2- --- --- Shoe and Lining, Clip, Outer
	4267 331	2			2 - 5204393 Bushing BUSHING PKG. 2- --- --- Bushing
	4293 172	1			1- --- --- Grease Pkg. PIN PKG. 2- --- --- Pin 1- --- --- Grease Pkg.
1	5204 255	2			DISC Brake
2	#6500 526	16			NUT, Wheel Stud, Std.
3	#4238 676-7	1			HOUSING, Caliper, Partial Components of Caliper are as Follows:
	4293 172	1			Pin (Not Shown)
	4267 331	2			Bushing, Loc. Pin (Not Shown)
	4238 679	2			Piston (Not Shown)
	4238 681	2			Boot (Not Shown)
	4238 682	2			Seal (Not Shown)
	4238 688-9	1			Adapter (Not Shown)
	4238 878-9	1			Clip Anti-Rattle, Hsg. (Not Shown)
	5204 389	2			Cap, Bleeder Screw (Not Shown)
4	3780 788	2			SCREW, Bleeder
5	6500 660	4			SCREW and WASHER, Caliper Mounting
6	6030 230	2			BOLT, Brake Hose to Caliper
7	6030 084	4			GASKET, Inlet Hose

**MODEL CODES**

B = GRAN FURY	G = DIPLOMAT	V = 400
C = LEBARON/TOWN & COUNTRY	M = HORIZON/TURISMO/SCAMP	X = MIRADA
D = ARIES	P = RELIANT	Y = IMPERIAL
E = 600	S = CORDOBA	Z = OMNI/CHARGER/RAMPAGE
F = FIFTH AVENUE	T = E CLASS/NEWYORKER	

**BODY STYLES**

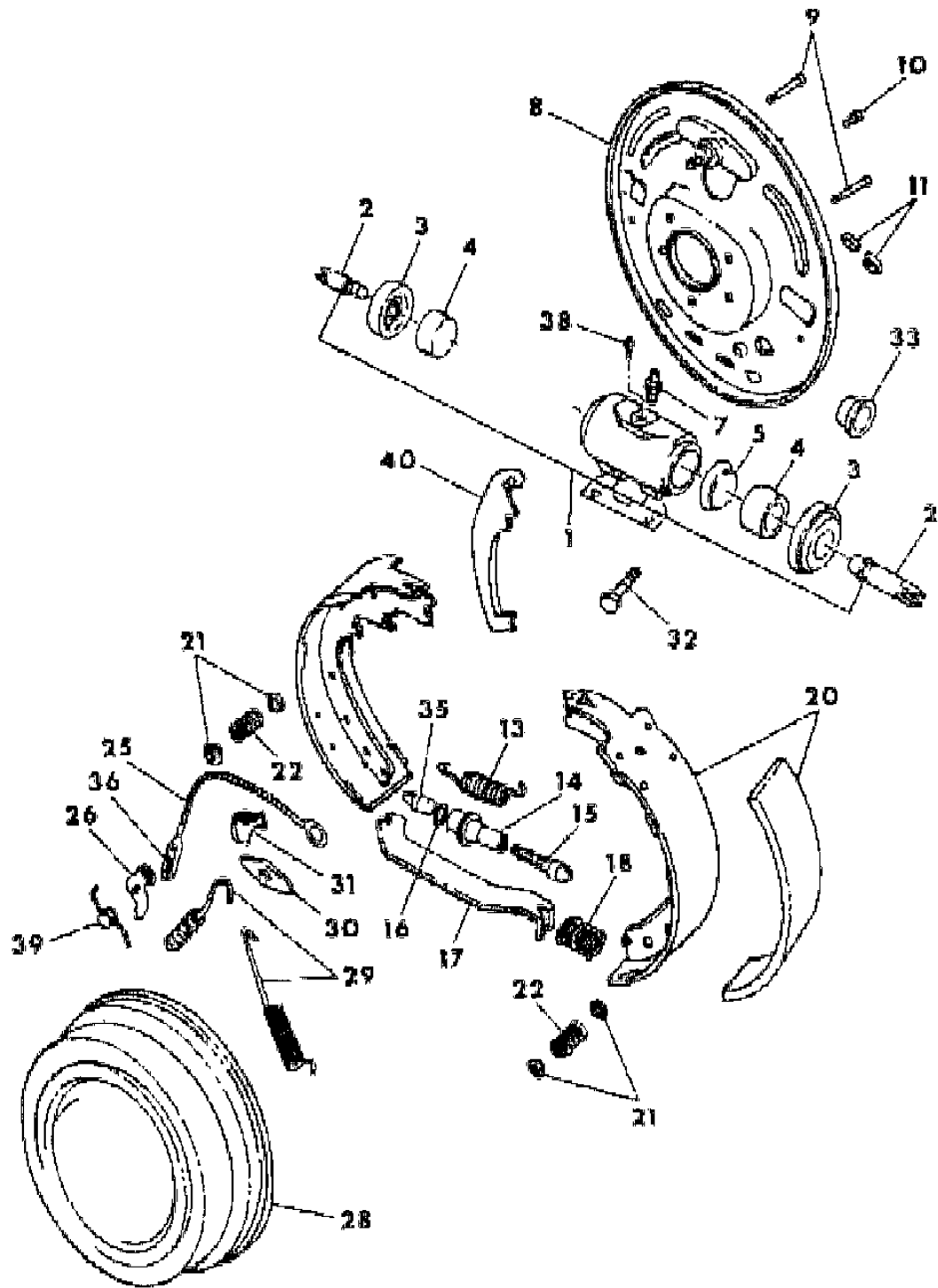
21 = 2-DOOR SEDAN	41 = 4-DOOR SEDAN
22 = 2-DOOR SPECIAL COUPE	45 = 4-DOOR STATION WAGON
24 = 2-DOOR HATCHBACK	44 = 4-DOOR HATCHBACK
27 = 2-DOOR CONVERTIBLE	48 = EXECUTIVE SEDAN
28 = FWD PICKUP	

AR = Use as Required - = Non Illustrated Part P.A.R. = Paint as Required



REAR WHEEL BRAKE B,G,F,X,S,Y  
Figure 5-400

3105 400



ITEM	PART NUMBER	QTY	BODY	MODEL	DESCRIPTION
	4049 682	2		All	SHOE and LINING PKG., 10" Brakes Consists of: 2 - ---- --- Shoe and Lining, Primary 2 - ---- --- Shoe and Lining, Secondary 2 - 2260835 Spring
	4026 648	1		F,G,B	1 - 4049681 Pin, Washer and Lock Pkg. SHOE and LINING PKG., 11" Brakes Taxi Lining Consists of: 2 - ---- --- Shoe and Lining, Primary 2 - ---- --- Shoe and Lining, Secondary
	4049 681	2		All	1 - 4049681 Pin, Washer and Lock Pkg. PIN, WASHER and Lock Pkg., Rr. Whl. Pk./Brk. and A/Adj. Consists of: 2 - ---- --- Pin, Rr. Whl. Brk. A/Adj. Lvr. 2- 2072643 Washer, Pkg./Brk. Lvr. Pin 2-2072644 Lock, Pkg./Brk. Lvr. Pin
1	3780 525	2		All	CYLINDER, WHEEL, 10" and 11" Brakes, Less P/Rods
2	2260 787	4		All	ROD, Wheel Cylinder Push
3	2881 618	4		All	BOOT, 10" and 11" Brakes
4	2260 843	4		All	PISTON, 10" and 11" Brakes
7	3766 674	2		All	SCREW, Bleeder
8	3699 601	2		All	SUPPORT, 10" Brakes
	3699 603	2		All	11" Brakes
9	2260 548	4		All	Pin, 2-11/32" Lgh., Fig. 1 Stamped on Head
	4049 681	AR		All	Rr. Whl. Brake, Auto. Adj. Lvr.
10	6028 921	AR		All	SCREW, Whl. Brake Cyl. Mtg.
11	2072 614	4		All	COVER, Brake Adj. Hole
13	3766 574	2		All	SPRING, 10" Brakes
	2880 555	2		All	11" Brakes
14	2944 692-3	AR		All	NUT, Auto. Adj. Pivot Screw
15	2881 686-7	AR		All	SCREW, Auto. Adj. Pivot
16	6027 559	AR		All	WASHER, Auto. Adj. Button
17	3880 756-7	1		All	STRUT, 11" Brakes
	4126 576-7	1		All	STRUT, 10" Brakes
18	2533 822	1		All	SPRING, Pk. Brk. Lvr. Strut, w/11" Brakes

MODEL CODES

B = GRAN FURY	G = DIPLOMAT	V = 400
C = LEBARON/TOWN & COUNTRY	M = HORIZON/TURISMO/SCAMP	X = MIRADA
D = ARIES	P = RELIANT	Y = IMPERIAL
E = 600	S = CORDOBA	Z = OMNI/CHARGER/RAMPAGE
F = FIFTH AVENUE	T = E CLASS/NEWYORKER	

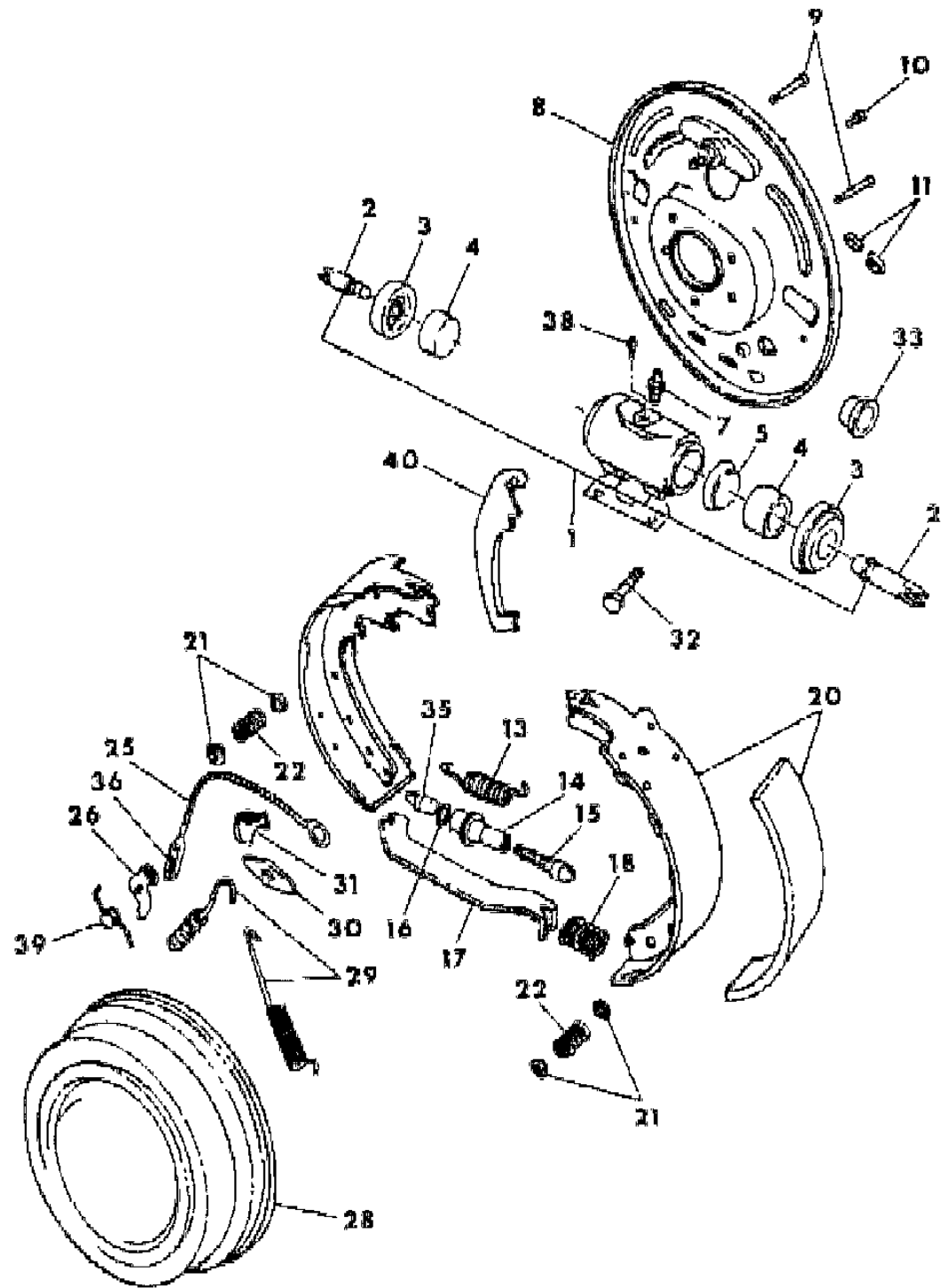
BODY STYLES

21 = 2-DOOR SEDAN	41 = 4-DOOR SEDAN
22 = 2-DOOR SPECIAL COUPE	45 = 4-DOOR STATION WAGON
24 = 2-DOOR HATCHBACK	44 = 4-DOOR HATCHBACK
27 = 2-DOOR CONVERTIBLE	48 = EXECUTIVE SEDAN
28 = FWD PICKUP	

AR = Use as Required - = Non Illustrated Part P.A.R. = Paint as Required

REAR WHEEL BRAKE B,G,F,X,S,Y  
Figure 5-400

3105 400



ITEM	PART NUMBER	QTY	BODY	MODEL	DESCRIPTION
20		2		All	SHOE and LINING (Serviced in Shoe and Lining Pkg.)
21	4126 525	4		All	RETAINER, Spring
22	4126 525	4		All	SPRING, Hold-Down
25	3461 663	2		All	CABLE, 10" Brakes
	3461 664	2		All	11" Brakes
26	3461 665	2		All	LEVER, Auto. Adj.
28	4049 661	2		All	DRUM, Rear Wheel, 10" Brakes
	3780 537	2		F,G,B	w/11" Brakes
29	2260 835	4		All	SPRING, 10" Brakes
	2260 789	4		All	11" Brakes
30	2267 045	2		All	PLATE, 10" Brakes
	2260 788	2		All	11" Brakes
31	2260 793	2		All	GUIDE, Auto. Adj. Cable
32	3723 668	AR		All	BOLT, Rr. Whl. Mtg., 1" Long
	3723 669	AR		All	15/16" Long
33	3699 549	AR		All	PLUG, Park Brake Cable Hole
34	2881 314	AR		All	GASKET, Axle Hsg. Brake Support Plate,
					5 Holes, Inner
	2070 933	AR		All	5 Holes, Outer
35	2944 586	2		All	BUTTON, Auto. Adj.
36	3461 660	2		All	SPRING, Auto. Adj. Cable
39	2944 580	2		All	SPRING, Rr. Whl. Brake A/Adj. Lever, Rt.
	2944 581	2		All	Lt.
40	3880 628-9	1		All	LEVER, Park Brake w/10" Brakes
				X,S	
	3880 630-1	1		All	w/11" Brakes

MODEL CODES

B = GRAN FURY	G = DIPLOMAT	V = 400
C = LEBARON/TOWN & COUNTRY	M = HORIZON/TURISMO/SCAMP	X = MIRADA
D = ARIES	P = RELIANT	Y = IMPERIAL
E = 600	S = CORDOBA	Z = OMNI/CHARGER/RAMPAGE
F = FIFTH AVENUE	T = E CLASS/NEWYORKER	

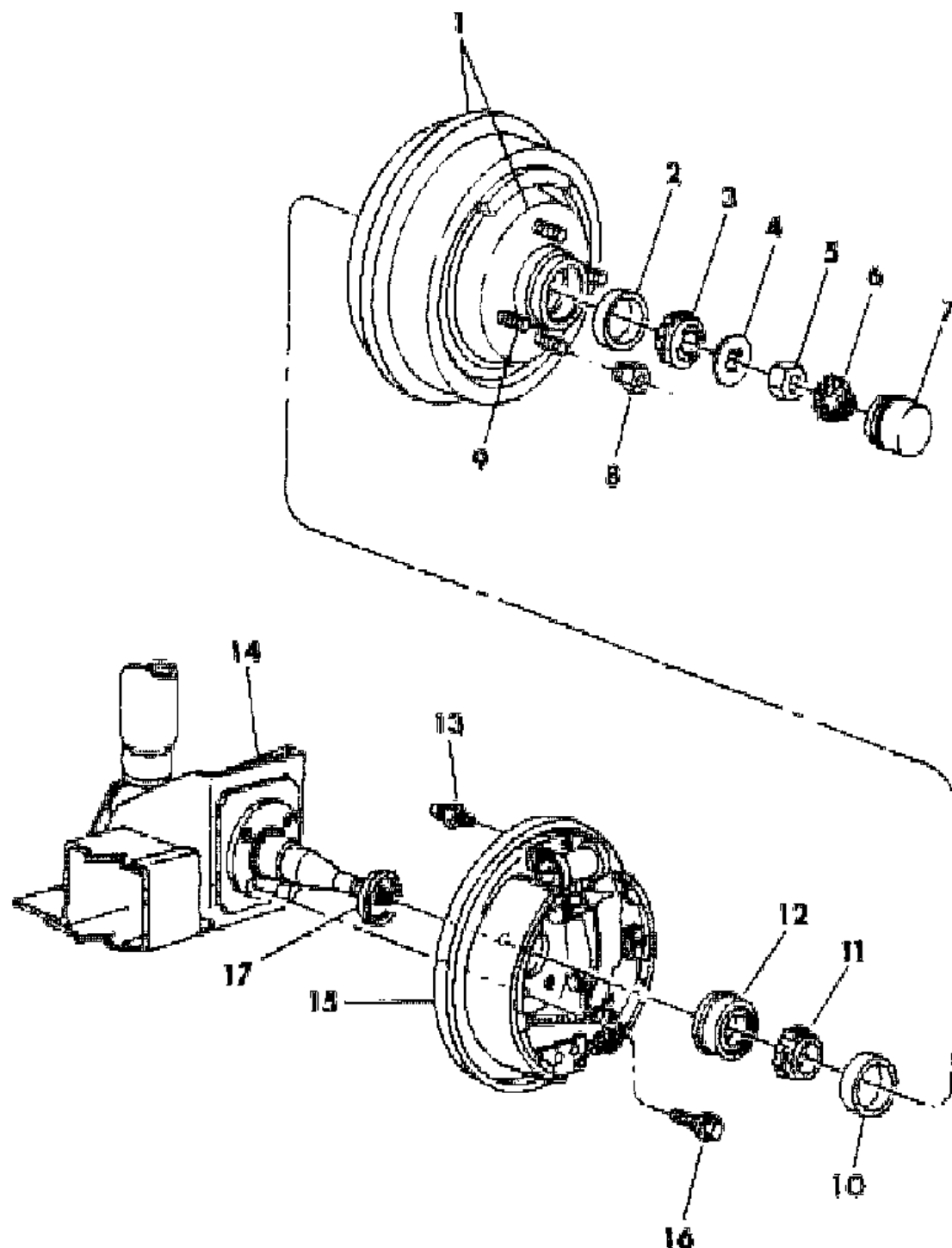
BODY STYLES

21 = 2-DOOR SEDAN	41 = 4-DOOR SEDAN
22 = 2-DOOR SPECIAL COUPE	45 = 4-DOOR STATION WAGON
24 = 2-DOOR HATCHBACK	44 = 4-DOOR HATCHBACK
27 = 2-DOOR CONVERTIBLE	48 = EXECUTIVE SEDAN
28 = FWD PICKUP	

AR = Use as Required - = Non Illustrated Part P.A.R. = Paint as Required

REAR WHEEL BRAKE (w/220 MM x 38.0 SIZE) P,D, w/H.DUTY, C,45, E,T, ALL  
Figure 5-500

3105 500



ITEM	PART NUMBER	QTY	BODY	MODEL	DESCRIPTION
	4238 826	2			SHOE and LINING PKG. Consists of: 2- --- --- Shoe and Lining Inner 2- --- --- Shoe and Lining Outer
1	4238 538	2			HUB and DRUM
2	3683 974	2			CUP, Bearing Outer
3	3580 888	2			CONE and ROLLER, Outer
4	0600 194	2			WASHER BEARING THRUST
5	6029 692	2			NUT, Bearing Adjusting
6	1673 324	2			LOCK, Rearing Adjusting Nut
7	3580 894	2			CAP, Grease
8	6500 526	8			NUT, Wheel Stud Std.
9	5204 272	8			STUD, Wheel
10		2			CUP, Bearing Inner (service in pkg.)
11	4238 567	2			CONE and ROLLER, Inner Pkg.
12	4238 570	2			SEAL, Dust
13	3766 674	2			SCREW, Bleeder
14	4228 123	2			SPINDLE
15	#4238 760	2			SUPPORT
16	6500 729	8			BOLT, Spindle Mtg.
Note: The Following Items are not Shown On Illustration. Gear and Pinion numbers stamped on the item may be used to confirm the correct MATCHED SET they are contained in.					
	4238 700	2			PLUG, Cable Hole
	4238 706	2			CYLINDER, Wheel Complete
	4238 717	2			CAP, Bleeder Screw
	6028 921	4			SCREW, Cylinder Mtg.
	4238 762-3	1			LEVER, Pk/Brk.
	4238 764-5	1			LEVER, a/Adj.
	4238 766-7	1			SCREW, a/Adj.
	4238 726-7	1			NUT, a/Adj.
	4238 770	2			SOCKET, a/Adj. Screw
	4238 851	2			SPRING, a/Adj. Lever
	4238 730	2			SPRING, Lower Shoe Return
	4238 731	2			SPRING, Shoe Return
	4238 732	4			RETAINER, Shoe Hold Down
	4238 771	4			PIN, Shoe Hold Down Spring
	4238 721	2			PLUG, Adj. Hole

MODEL CODES

B = GRAN FURY	G = DIPLOMAT	V = 400
C = LEBARON/TOWN & COUNTRY	M = HORIZON/TURISMO/SCAMP	X = MIRADA
D = ARIES	P = RELIANT	Y = IMPERIAL
E = 600	S = CORDOBA	Z = OMNI/CHARGER/RAMPAGE
F = FIFTH AVENUE	T = E CLASS/NEWYORKER	

BODY STYLES

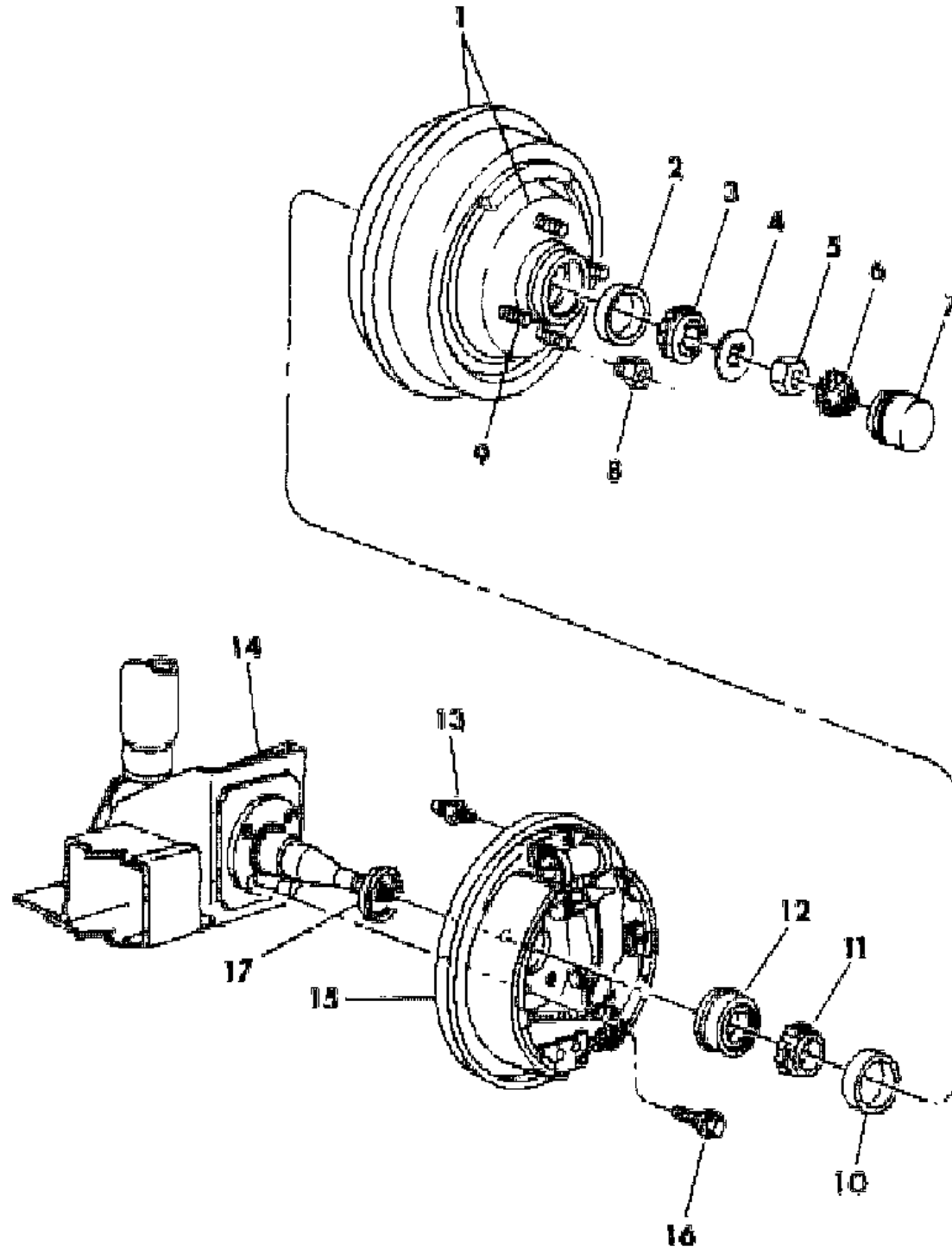
21 = 2-DOOR SEDAN	41 = 4-DOOR SEDAN
22 = 2-DOOR SPECIAL COUPE	45 = 4-DOOR STATION WAGON
24 = 2-DOOR HATCHBACK	44 = 4-DOOR HATCHBACK
27 = 2-DOOR CONVERTIBLE	48 = EXECUTIVE SEDAN
28 = FWD PICKUP	

AR = Use as Required - = Non Illustrated Part P.A.R. = Paint as Required

REAR WHEEL BRAKE (w/220 MM x 38.0 SIZE) P,D, w/H.DUTY, C,45, E,T, ALL  
Figure 5-500

3105 500

ITEM	PART NUMBER	QTY	BODY	MODEL	DESCRIPTION
	4238 715	2			WASHER, pk/Brk. Lever Wave
	4238 716	2			CLIP, pk/Brk. Lever, Ret.



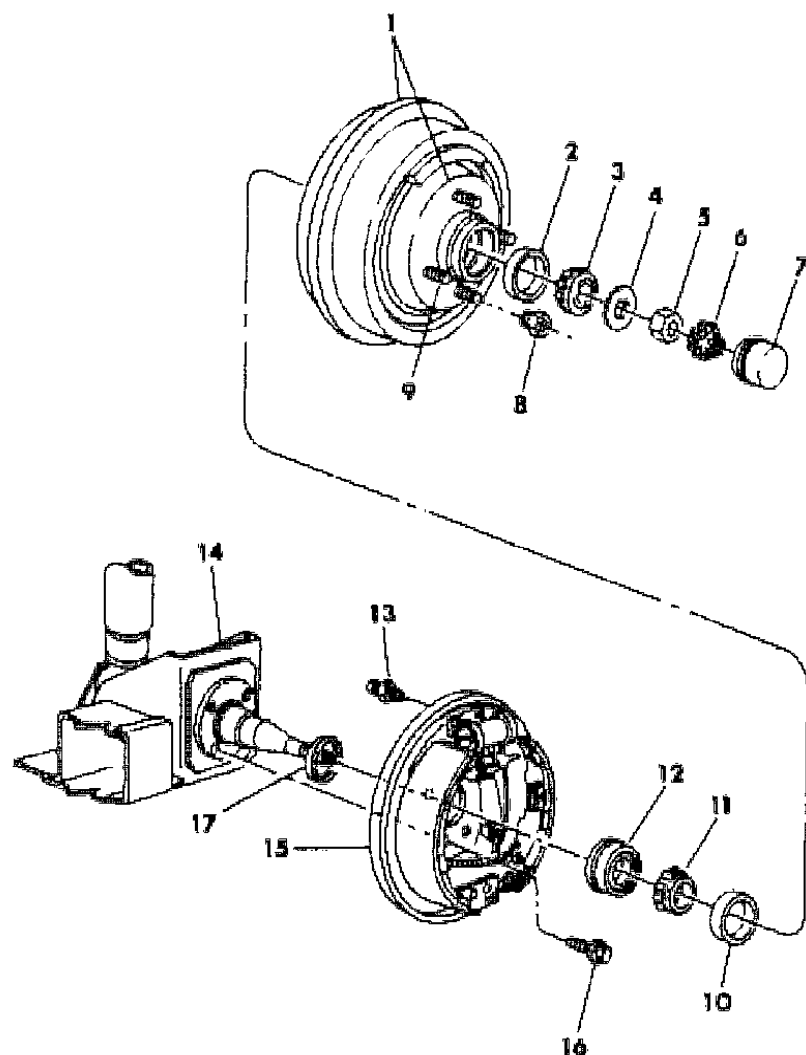
MODEL CODES  
 B = GRAN FURY  
 C = LEBARON/TOWN & COUNTRY  
 D = ARIES  
 E = 600  
 F = FIFTH AVENUE  
 G = DIPLOMAT  
 M = HORIZON/TURISMO/SCAMP  
 P = RELIANT  
 S = CORDOBA  
 T = E CLASS/NEWYORKER  
 V = 400  
 X = MIRADA  
 Y = IMPERIAL  
 Z = OMNI/CHARGER/RAMPAGE

BODY STYLES  
 21 = 2-DOOR SEDAN  
 22 = 2-DOOR SPECIAL COUPE  
 24 = 2-DOOR HATCHBACK  
 27 = 2-DOOR CONVERTIBLE  
 28 = FWD PICKUP  
 41 = 4-DOOR SEDAN  
 45 = 4-DOOR STATION WAGON  
 44 = 4-DOOR HATCHBACK  
 48 = EXECUTIVE SEDAN

AR = Use as Required - = Non Illustrated Part P.A.R. = Paint as Required

REAR WHEEL BRAKE (w/200 MM x 32.5 SIZE) M,Z, ALL, P,D, w/STD., C, 2 DOOR, 4 DOOR, V, ALL  
Figure 5-550

1105 550



ITEM	PART NUMBER	QTY	BODY	MODEL	DESCRIPTION
	4238 827	1		All	SHOE and LINING PKG. 2- --- --- Shoe and Lining Inner 2- --- --- Shoe and Lining Outer
1	4238 531	2			HUB and Drum
2	3683 974	2			CUP, Bearing Outer
3	3580 888	2			CONE and ROLLER, Outer
4	0600 194	2			WASHER BEARING THRUST
5	6029 692	2			NUT, Bearing Adjusting
6	1673 324	2			LOCK, Bearing Adjusting Nut
7	3580 894	2			CAP, Grease
8	6500 526	8			NUT, Wheel Stud Std.
8	6500 526	8			NUT, Wheel Stud Std.
9	5204 272	8			STUD, Wheel
10	4238 567	2			CUP, Bearing, Inner
11	4238 567	2			CONE and ROLLER, Inner
12	4238 570	2			SEAL, Dust
13	3766 674	2			SCREW, Bleeder
14	4228 123	2			SPINDLE
15	4238 697	2			SUPPORT
16	6500 729	8			BOLT, Spindle Mtg.
Note: The Following Items are not Shown on Illustration. Gear and Pinion numbers stamped on the item may be used to confirm the correct MATCHED SET they are contained in.					
	4238 700	2			PLUG, pk/Brk. Cable Hole
	4238 701	2			CYLINDER, Wheel Complete
	4238 706	2			CYLINDER, Wheel Complete (Shelby Charger)
	4238 717	2			CAP, Bleeder Screw
	6028 921	4			SCREW, Cylinder Mtg.
	4238 722-3	1			LEVER, a/Adj.
	4238 724-5	1			SCREW, a/Adj.
	4238 726-7	1			NUT, a/ADj.
	4238 728	2			TUBE, a/Adj.
	4238 851	2			SPRING, a/Adj. Lever
	4238 730	2			SPRING, Lower Shoe Return
	4238 731	2			SPRING, Shoe Return
	4238 732	4			RETAINER, Shoe Hold Down
	4238 733	4			PIN, Shoe Hold Down Spring
	4238 721	2			PLUG, Adj. Hole

MODEL CODES

B = GRAN FURY	G = DIPLOMAT	V = 400
C = LEBARON/TOWN & COUNTRY	M = HORIZON/TURISMO/SCAMP	X = MIRADA
D = ARIES	P = RELIANT	Y = IMPERIAL
E = 600	S = CORDOBA	Z = OMNI/CHARGER/RAMPAGE
F = FIFTH AVENUE	T = E CLASS/NEWYORKER	

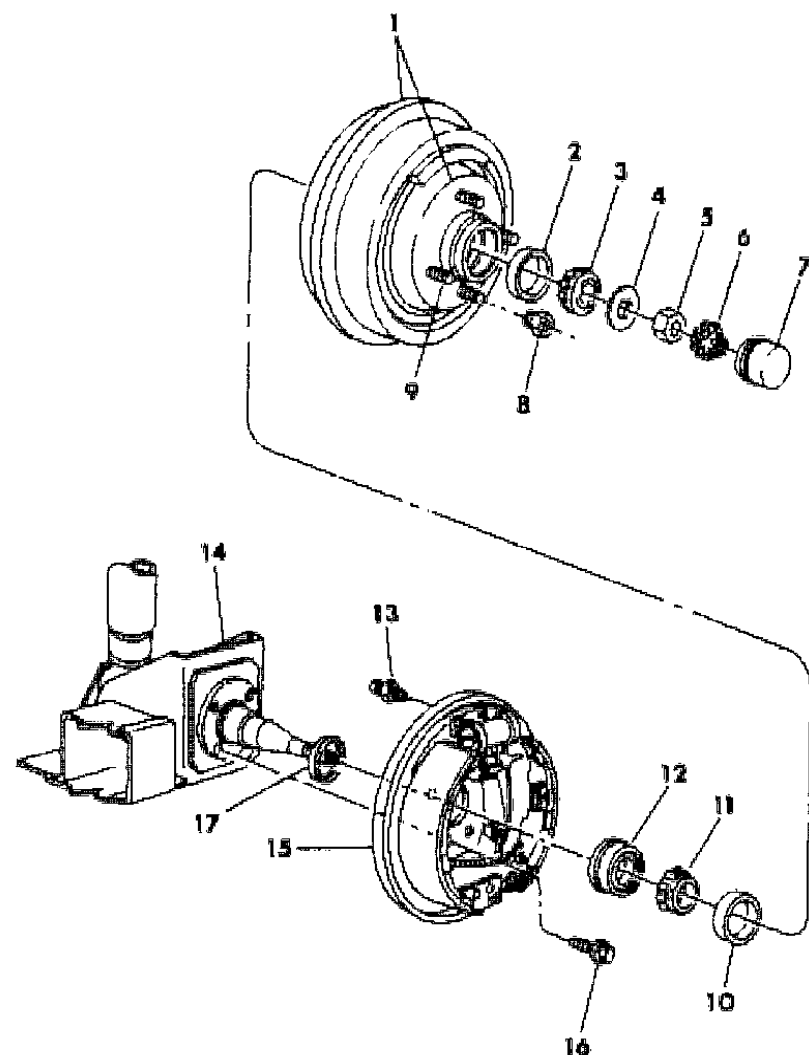
BODY STYLES

21 = 2-DOOR SEDAN	41 = 4-DOOR SEDAN
22 = 2-DOOR SPECIAL COUPE	45 = 4-DOOR STATION WAGON
24 = 2-DOOR HATCHBACK	44 = 4-DOOR HATCHBACK
27 = 2-DOOR CONVERTIBLE	48 = EXECUTIVE SEDAN
28 = FWD PICKUP	

AR = Use as Required - = Non Illustrated Part P.A.R. = Paint as Required

REAR WHEEL BRAKE (w/200 MM x 32.5 SIZE) M,Z, ALL, P,D, w/STD., C, 2 DOOR, 4 DOOR, V, ALL  
 Figure 5-550

1105 550



ITEM	PART NUMBER	QTY	BODY	MODEL	DESCRIPTION
------	-------------	-----	------	-------	-------------

	4238 715	2			WASHER, Pk/Brk. Lvr. Pin Wave
	4238 716	2			RING, Pk/Brk. Lvr. Pin Ret.
	4238 872-3	1			LEVER, Pk/Brk. w/Pin

MODEL CODES

B = GRAN FURY	G = DIPLOMAT	V = 400
C = LEBARON/TOWN & COUNTRY	M = HORIZON/TURISMO/SCAMP	X = MIRADA
D = ARIES	P = RELIANT	Y = IMPERIAL
E = 600	S = CORDOBA	Z = OMNI/CHARGER/RAMPAGE
F = FIFTH AVENUE	T = E CLASS/NEWYORKER	

BODY STYLES

21 = 2-DOOR SEDAN	41 = 4-DOOR SEDAN
22 = 2-DOOR SPECIAL COUPE	45 = 4-DOOR STATION WAGON
24 = 2-DOOR HATCHBACK	44 = 4-DOOR HATCHBACK
27 = 2-DOOR CONVERTIBLE	48 = EXECUTIVE SEDAN
28 = FWD PICKUP	

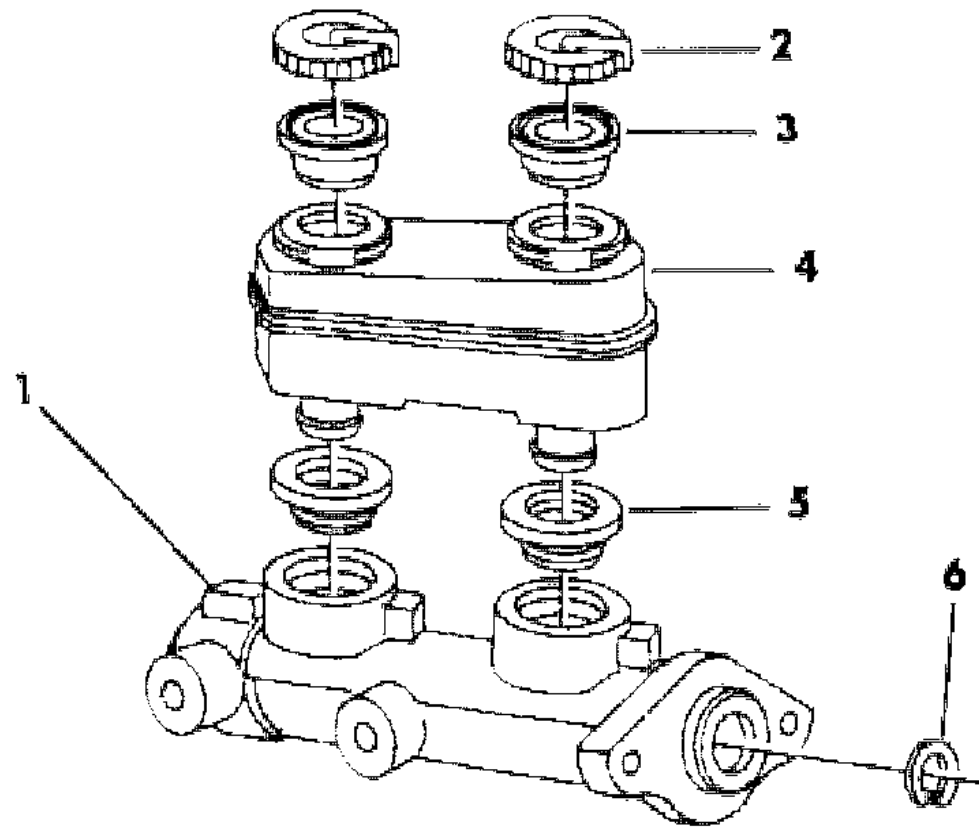
AR = Use as Required - = Non Illustrated Part P.A.R. = Paint as Required

MASTER CYLINDER M,Z,P,D,C,V,E,T  
Figure 5-600

3105 600A

ITEM	PART NUMBER	QTY	BODY	MODEL	DESCRIPTION
1	4271 388	1		All	MASTER CYL. (PARTAIL)
2	5204 056	2		All	CAP, M/Cylinder Reservoir
3	5204 057	2		All	DIAPHRAGM, Reservoir
4	3766 498	1		All	RESERVOIR, Master Cyl.
5	5204 149	2		All	GROMMET, Reservoir
6	#6101 181	1		All	STOP, Snap Ring

NOTE: Whenever the Brake Booster/Master Cyl. Push Rod is Disconnected from Brk. Pedal, replace ClipPart Number 4019421 Gear and Pinion numbers stamped on the item may be used to confirm the correct MATCHED SET they are contained in.



WITH POWER DISC BRAKES

MODEL CODES

B = GRAN FURY	G = DIPLOMAT	V = 400
C = LEBARON/TOWN & COUNTRY	M = HORIZON/TURISMO/SCAMP	X = MIRADA
D = ARIES	P = RELIANT	Y = IMPERIAL
E = 600	S = CORDOBA	Z = OMNI/CHARGER/RAMPAGE
F = FIFTH AVENUE	T = E CLASS/NEWYORKER	

BODY STYLES

21 = 2-DOOR SEDAN	41 = 4-DOOR SEDAN
22 = 2-DOOR SPECIAL COUPE	45 = 4-DOOR STATION WAGON
24 = 2-DOOR HATCHBACK	44 = 4-DOOR HATCHBACK
27 = 2-DOOR CONVERTIBLE	48 = EXECUTIVE SEDAN
28 = FWD PICKUP	

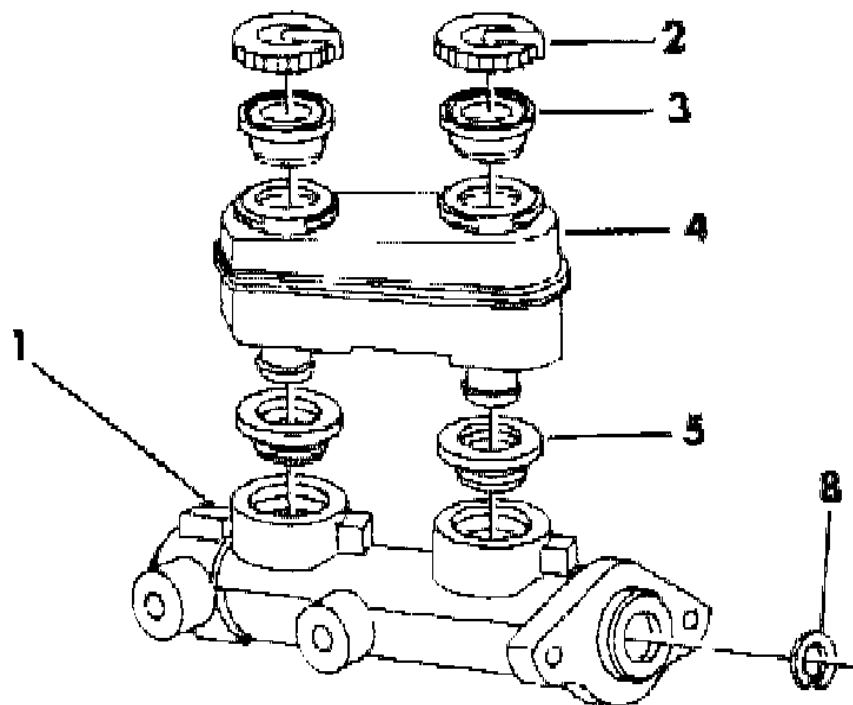
AR = Use as Required - = Non Illustrated Part P.A.R. = Paint as Required

**MASTER CYLINDER, ALUMINUM F,G,B,X,S,Y**  
**Figure 5-700**

ITEM	PART NUMBER	QTY	BODY	MODEL	DESCRIPTION
1	3880 289	1		All	MASTER CYL. (PARTAIL)
2	5204 056	2		All	CAP
3	5204 057	2		All	DIAPHRAGM
4	3766 448	1		All	RESERVOIR
5	5204 149	2		All	GROMMET
8	6029 170	1		All	STOP, Snap Ring
	2933 249	AR		All	FLUID, Brake Hi Temp., 12 oz.
	2933 250	AR		All	1 Quart
	2933 251	AR		All	1 Gallon
	2933 252	AR		All	5 Gallon
	4019 421	1		All	CLIP, Push Rod Pin (not shown) up to 3-1-83
	4294 036	1		All	CLIP, Push Rod Pin (not shown) after 3-1-83

NOTE: Whenever the Brake Booster/Master Cyl. Push Rod is disconnected from Brk Pedal, replace PartNumber 4019421 Gear and Pinion numbers stamped on the item may be used to confirm the correct MATCHED SET they are contained in.

3105 700A



WITH POWER DISC BRAKES

MODEL CODES

B = GRAN FURY	G = DIPLOMAT	V = 400
C = LEBARON/TOWN & COUNTRY	M = HORIZON/TURISMO/SCAMP	X = MIRADA
D = ARIES	P = RELIANT	Y = IMPERIAL
E = 600	S = CORDOBA	Z = OMNI/CHARGER/RAMPAGE
F = FIFTH AVENUE	T = E CLASS/NEWYORKER	

BODY STYLES

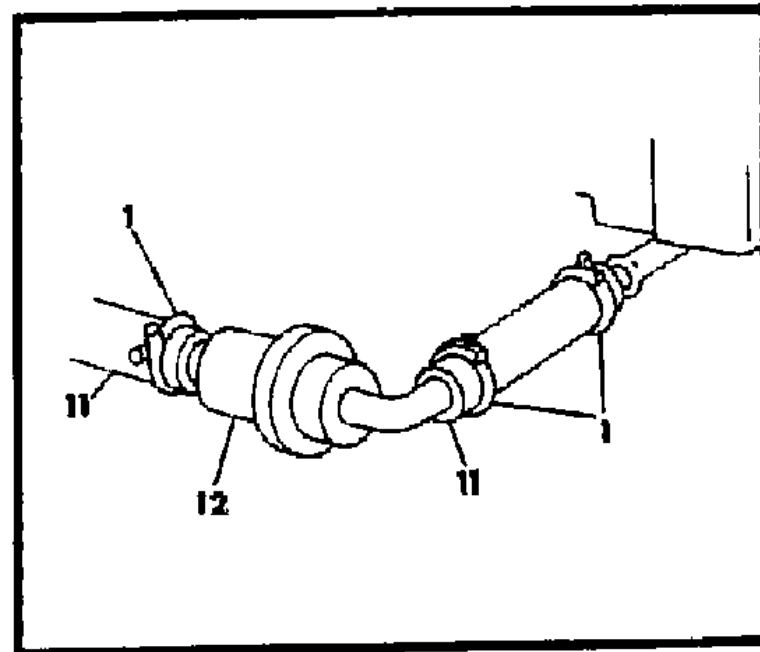
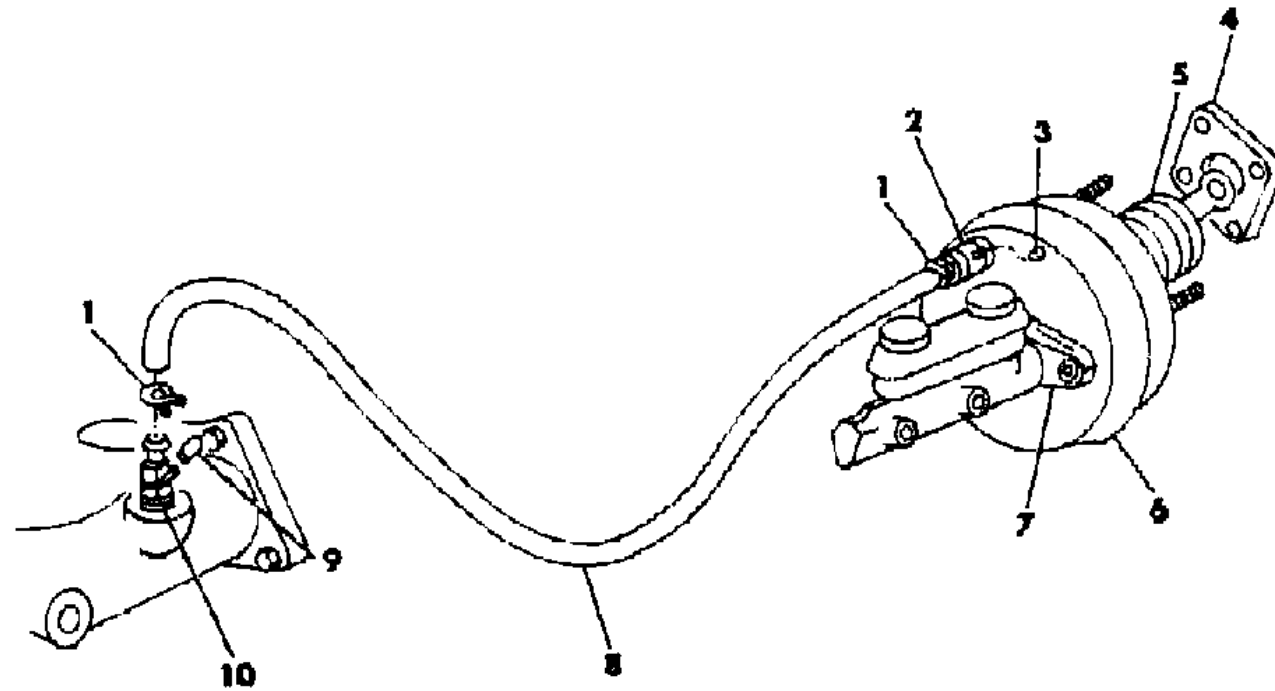
21 = 2-DOOR SEDAN	41 = 4-DOOR SEDAN
22 = 2-DOOR SPECIAL COUPE	45 = 4-DOOR STATION WAGON
24 = 2-DOOR HATCHBACK	44 = 4-DOOR HATCHBACK
27 = 2-DOOR CONVERTIBLE	48 = EXECUTIVE SEDAN
28 = FWD PICKUP	

AR = Use as Required - = Non Illustrated Part P.A.R. = Paint as Required



POWER BRAKE UNIT P,D,C,V,E,T  
Figure 5-800

3105 800



ITEM	PART NUMBER	QTY	BODY	MODEL	DESCRIPTION
1	2448 761	2			CLAMP
2	#4271 382	1			VALVE, and Grommet, Check Vacuum
3	3880 044	1			CAP, Check Valve
4	3699 447	1			GASKET
5	3880 006	1			BOOT, Push Rod
6					BOOSTER, Brake
	3880 277	1		P,D,V,C	All 2.2 Eng. w/Man. Trans.
	3880 277	1		P,D,V,C	All 2.6 Eng. w/Man.,w/Auto. Trans.
	3880 277	1		E,T	All 2.2 Eng. w/Man. Trans.
	3880 421	1		P,D	All w/H.Duty, w/Auto.,w/Man. Trans.
	3880 421	1		P,D,V,C	All 2.2 Eng. w/Auto. Trans.
	3880 421	1		E,T	All 2.2,2.6 Eng. w/Auto. Trans.
7	6500 230	2			NUT
8	3879 277	AR			HOSE, .34 I.D. 50 Ft. Roll
	3879 277	AR			HOSE, Bstr. to Filter
	3880 431	1			HOSE, Bstr. to Eng. Int. Manif. w/2.6 Eng.
9	3580 171	1			CAP, Conn. Alux Tube 3/16" I.D.
	3580 170	1			1/8" I.D.
10	4094 872	1			CONNECTOR, 5 Way
	4026 117	1			CONNECTOR, 7 Way
	4210 580	1			4 Way
	4241 873	1			3 Way
	5240 798	1			1 Way
11	4267 340	AR			HOSE .341 I.D. Hypalon, 50 ft. Roll
12	3766 429	1			FILTER
	4026 136	AR			HOSE .025 I.D. 50 Ft. Roll (Not Shwon)
	3847 935	1			CONNECTOR A/C Hose to Brk. Bstr. (Not Shown)
	3766 384	1			PLATE, M/cyl. Reinf. (not shown)
	4019 421	1			CLIP, Push Rod Pin (not shown)
	3880 431	1			HOSE, Bstr. to Eng. Int. Manif. (not shown)

NOTE: Whenever the Brake Booster/Master Cyl. Push Rod is disconnected from Brk Pedal, replace Clip Part Number 4019421.  
Gear and Pinion numbers stamped on the item may be used to confirm the correct MATCHED SET they are contained in.

MODEL CODES

B = GRAN FURY  
C = LEBARON/TOWN & COUNTRY  
D = ARIES  
E = 600  
F = FIFTH AVENUE

G = DIPLOMAT  
M = HORIZON/TURISMO/SCAMP  
P = RELIANT  
S = CORDOBA  
T = E CLASS/NEWYORKER

V = 400  
X = MIRADA  
Y = IMPERIAL  
Z = OMNI/CHARGER/RAMPAGE

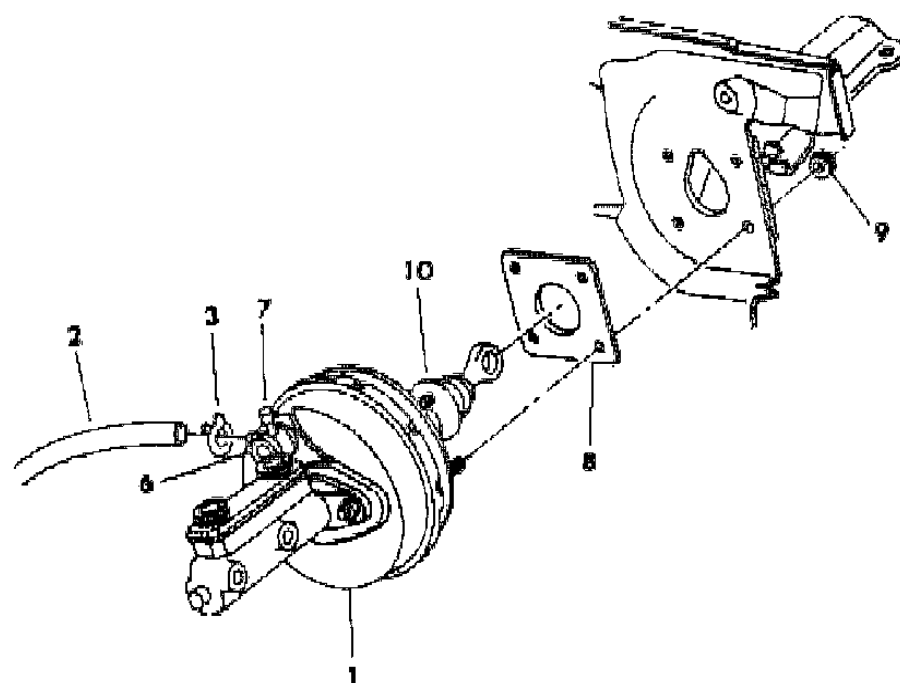
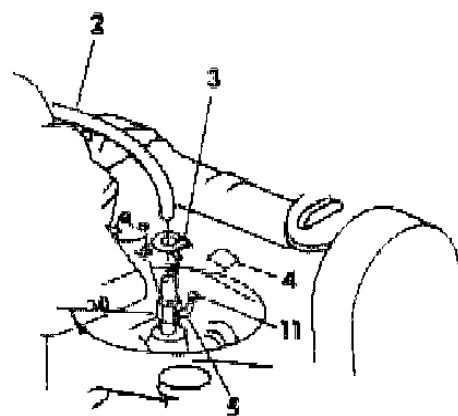
BODY STYLES

21 = 2-DOOR SEDAN  
22 = 2-DOOR SPECIAL COUPE  
24 = 2-DOOR HATCHBACK  
27 = 2-DOOR CONVERTIBLE  
28 = FWD PICKUP  
41 = 4-DOOR SEDAN  
45 = 4-DOOR STATION WAGON  
44 = 4-DOOR HATCHBACK  
48 = EXECUTIVE SEDAN

AR = Use as Required - = Non Illustrated Part P.A.R. = Paint as Required

**POWER BRAKE UNIT M,Z**  
**Figure 5-900**

3105 900



ITEM	PART NUMBER	QTY	BODY	MODEL	DESCRIPTION
1	#3880 483	1			BOOSTER, Brake
2	3879 277	AR			HOSE .34 I.D. 50 Ft. Roll
	4267 340	AR			.341 I.D. Hypalon
	4026 136	AR			.025 I.D. 50 Ft. Roll
	4026 511	AR			.145 I.D. 50 Ft. Roll
3	3880 431	1			20"long
	2448 761	2			CLAMP
	3580 170	1			CAP
	4094 139	1			CONNECTOR, 2 Way
	4094 872	1			5 Way
4	4026 117	1			7 Way
	4041 228	1			1 Way w/plug, P/Brk. Vac. Line
	5240 798	1			1 Way, Vacuum Control
	6	#4271 382	1		VALVE and GROMMET PKG.
	7	#3880 044	1		CAP
8	5204 061	1		GASKET	
9	6100 050	AR		NUT	
10	5204 069	1			BOOT
	3580 171	1			CAP, Tube 3/16" I.D. (not shown)
	6500 230	2			NUT, Bstr. to M/Cyl. Mtg. (Not Shown)
	5204 048	1			PLATE, M/Cyl. Reif. (Not Shown)
	4026 136	AR			HOSE .025 I.D. 50 Ft. Roll (Not Shown)
	3766 429	1			FILTER, Vac. Hose (Not Shown)
	4019 421	1			CLIP, Push Rod Pin (not shown)

NOTE: Whenever the Brake Booster/Master Cyl. Push Rod is Disconnected from Brk Pedal, replace Clip Part Number 4019421. Gear and Pinion numbers stamped on the item may be used to confirm the correct MATCHED SET they are contained in.

MODEL CODES

B = GRAN FURY	G = DIPLOMAT	V = 400
C = LEBARON/TOWN & COUNTRY	M = HORIZON/TURISMO/SCAMP	X = MIRADA
D = ARIES	P = RELIANT	Y = IMPERIAL
E = 600	S = CORDOBA	Z = OMNI/CHARGER/RAMPAGE
F = FIFTH AVENUE	T = E CLASS/NEWYORKER	

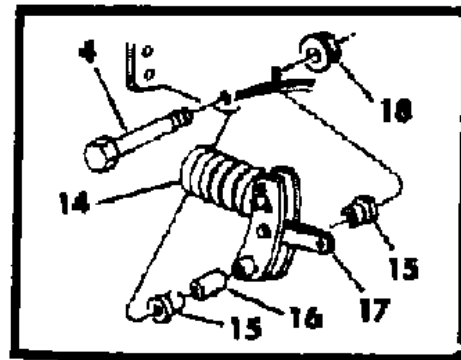
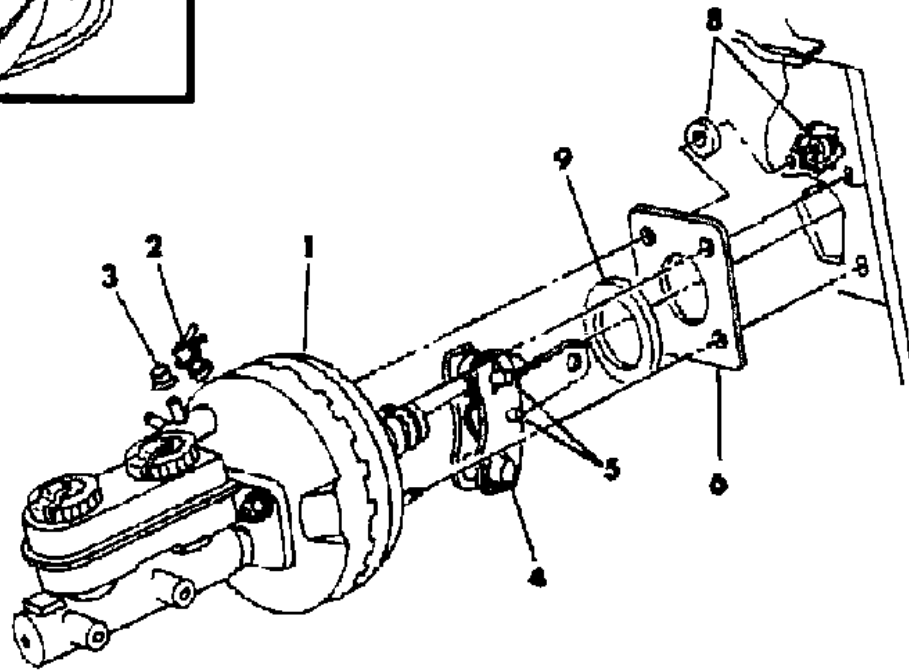
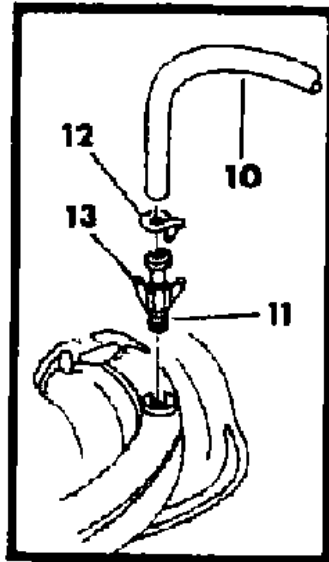
BODY STYLES

21 = 2-DOOR SEDAN	41 = 4-DOOR SEDAN
22 = 2-DOOR SPECIAL COUPE	45 = 4-DOOR STATION WAGON
24 = 2-DOOR HATCHBACK	44 = 4-DOOR HATCHBACK
27 = 2-DOOR CONVERTIBLE	48 = EXECUTIVE SEDAN
28 = FWD PICKUP	

AR = Use as Required - = Non Illustrated Part P.A.R. = Paint as Required

POWER BRAKE UNIT F,G,B,X,S,Y  
Figure 5-1000

3105 1000



ITEM	PART NUMBER	QTY	BODY	MODEL	DESCRIPTION
1	3880 348	1		All	BOOSTER
2	3420 973	1		All	VALVE and GROMMET PKG.
3	2944 127	1		All	CAP
4	6028 165	1		All	BOLT
5					PIN, Serviced w/Booster
6	3699 447	1		All	GASKET
8	0118 614	AR		All	NUT
9	3766 046	1		All	RING, Boot
10	3699 423	1		All	HOSE, Lgh. 20"
	3837 042	1		All	.215 I.D. Neoprene 50 ft. Roll
	3879 277	1		All	.34 I.D. (Flexible) 50 ft. Roll
	4267 340	1		All	.341 I.D. Hypalon 50 ft. Roll
	3780 796	AR		All	.350 I.D. 50 Ft. Roll
	4026 136	AR		All	.025 I.D. 50 Ft. Roll
	4026 511	AR		All	.145 I.D. 50 Ft. Roll
11	4210 580	1		All	CONNECTOR, 4-Way, w/Caps
	4026 117	1		All	7-Way, w/Caps
12	2448 761	AR		All	CLAMP, Hose Mounting
13	3580 171	1		All	CAP, Conn. Aux Tube, 3/16" I.D.
	3580 170	1		All	1/8" I.D.
	3580 172	1		All	1/4" I.D.
14	3766 073	1		All	BOOT, Plunger to Push Rod, Bendix
15	2467 770	2		All	BUSHING, Brake Pedal
16	2534 227	1		All	SLEEVE, Brake Pedal
17	4131 258	1		All	HUB, LEVER, Serviced w/Booster
18	6023 035	AR		All	NUT
	3766 429	1		All	FILTER, Vac. Hose
	3766 480	1		X,S	MUFFLER, Bstr. Vac. Hose (not shown)
	3880 050	1		Y	w/318 Engine w/EFM (not shown)
	4019 421	1		All	CLIP, Push Rod Pin (not shown)

NOTE: Whenever the Brake Booster/Master Cyl. Push Rod is disconnected from Brk Pedal, replace Clip Part Number 4019421. Gear and Pinion numbers stamped on the item may be used to confirm the correct MATCHED SET they are contained in.

MODEL CODES

B = GRAN FURY	G = DIPLOMAT	V = 400
C = LEBARON/TOWN & COUNTRY	M = HORIZON/TURISMO/SCAMP	X = MIRADA
D = ARIES	P = RELIANT	Y = IMPERIAL
E = 600	S = CORDOBA	Z = OMNI/CHARGER/RAMPAGE
F = FIFTH AVENUE	T = E CLASS/NEWYORKER	

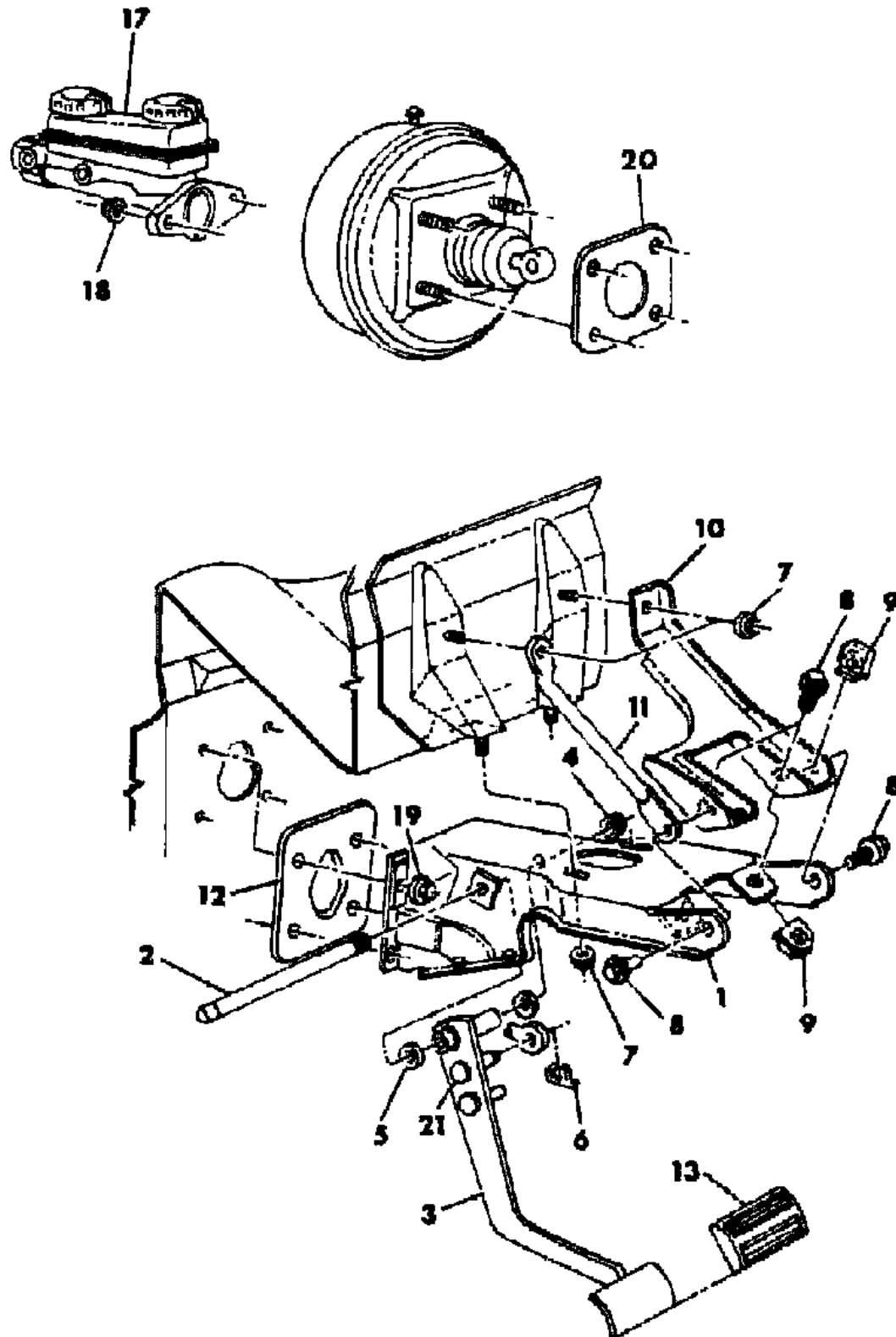
BODY STYLES

21 = 2-DOOR SEDAN	41 = 4-DOOR SEDAN
22 = 2-DOOR SPECIAL COUPE	45 = 4-DOOR STATION WAGON
24 = 2-DOOR HATCHBACK	44 = 4-DOOR HATCHBACK
27 = 2-DOOR CONVERTIBLE	48 = EXECUTIVE SEDAN
28 = FWD PICKUP	

AR = Use as Required - = Non Illustrated Part P.A.R. = Paint as Required

**BRAKE PEDAL AND BRACKET P,D,C,V,E,T**  
Figure 5-1200

3105 1200



ITEM	PART NUMBER	QTY	BODY	MODEL	DESCRIPTION
1	#3880 331	1			BRACKET, Auto. Trans.
1	#3880 332	1			Man. Trans.
2	4019 681	1			SHAFT PIVOT, Man. Trans.
	4019 685	1			Auto. Trans.
	3880 397	1			PEDAL, w/Man. Trans.
	3880 265	1			w/Auto. Trans.
4	6500 197	1			NUT
5	2467 770	2			BUSHING
6	4019 421	1			CLIP
7	6500 532	4			NUT, w/Washer
8	6100 584	4			SCREW, w/Washer
9	6500 501	4			U-NUT
10	3880 319	1			SUPPORT
11	4019 722	1			STRUT, I/Panel Support
12	#3880 257	1			SPACER
13	4019 715	1			PAD, Pedal w/ Man. Trans.
	4019 660	1			w/ Auto. Trans.
17					MASTER CYLINDER
18	6500 230	2			NUT w/Washer
19	6100 050	4			NUT w/Washer
20	3699 447	1			GASKET, Pwr. Bstr.
21	4019 420	1			PIN
	3747 993	1			SWITCH, Brk. Warning (Not Shown)
	6031 704	1			CLIP, Stop Lp. Sw. (Not Shown)
	3747 995	1			SWITCH w/Speed Control (Not Shown)
	3747 992	1			BRACKET, Switch Mtg. (Not Shown)
	3747 990	1			STRIKER, Stop Lp. Sw. (not Shown)

NOTE: Whenever the Brake Booster/Master Cyl. Push Rod is disconnected from Brk Pedal, replace Clip Part Number 4019421. Gear and Pinion numbers stamped on the item may be used to confirm the correct MATCHED SET they are contained in.

MODEL CODES

B = GRAN FURY	G = DIPLOMAT	V = 400
C = LEBARON/TOWN & COUNTRY	M = HORIZON/TURISMO/SCAMP	X = MIRADA
D = ARIES	P = RELIANT	Y = IMPERIAL
E = 600	S = CORDOBA	Z = OMNI/CHARGER/RAMPAGE
F = FIFTH AVENUE	T = E CLASS/NEWYORKER	

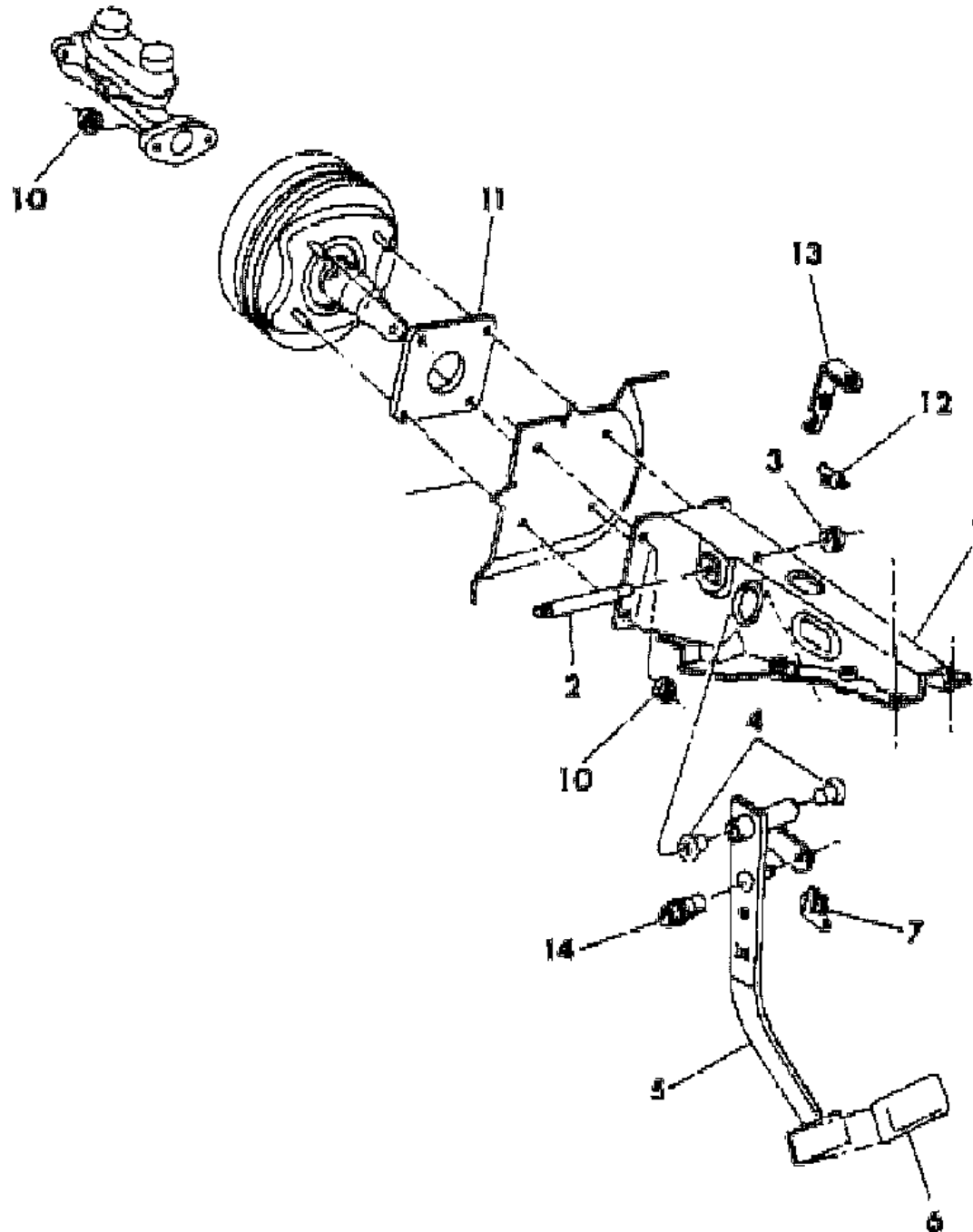
BODY STYLES

21 = 2-DOOR SEDAN	41 = 4-DOOR SEDAN
22 = 2-DOOR SPECIAL COUPE	45 = 4-DOOR STATION WAGON
24 = 2-DOOR HATCHBACK	44 = 4-DOOR HATCHBACK
27 = 2-DOOR CONVERTIBLE	48 = EXECUTIVE SEDAN
28 = FWD PICKUP	

AR = Use as Required - = Non Illustrated Part P.A.R. = Paint as Required

**BRAKE PEDAL AND BRACKET M,Z**  
**Figure 5-1300**

3105 1300



ITEM	PART NUMBER	QTY	BODY	MODEL	DESCRIPTION
	4019 700	1			BRACKET, Brake Pedal Support w/Man. Trans.(A460)
	4019 700	1			w/Auto. Trans. (A460)
	4188 103	1			w/Man. Trans. (A412)
2	4019 708	1			SHAFT, Brk Pedal, w/Man w/3.13/2.69 Gear Ratio
	5206 221	1			w/3.37 Gear Ratio
	5206 209	1			Auto.
3	6500 197	1			NUT
4	2467 770	2			BUSHING, Brake Pedal
5	#3880 247	1			PEDAL, w/Man. Trans.
	3880 249	1			w/Auto. Trans.
6	5206 237	1			PAD, Brake Pedal, Man.
	5206 231	1			Auto.
7	4019 421	1			CLIP
10	6500 230	1			NUT
11	5204 061	1			GASKET
12	2926 275	1			SWITCH w/Clip, Stop Lamp
	5209 994	1			w/Speed Control
13	5209 928	1			BRACKET
	5209 965	1			w/Speed Control
14	4019 420	1			PIN

NOTE: Whenever the Brake Booster/Master Cyl. Push Rod is disconnected from Brk Pedal, replace Clip Part Number 4019421.  
 Gear and Pinion numbers stamped on the item may be used to confirm the correct MATCHED SET they are contained in.

MODEL CODES

B = GRAN FURY	G = DIPLOMAT	V = 400
C = LEBARON/TOWN & COUNTRY	M = HORIZON/TURISMO/SCAMP	X = MIRADA
D = ARIES	P = RELIANT	Y = IMPERIAL
E = 600	S = CORDOBA	Z = OMNI/CHARGER/RAMPAGE
F = FIFTH AVENUE	T = E CLASS/NEWYORKER	

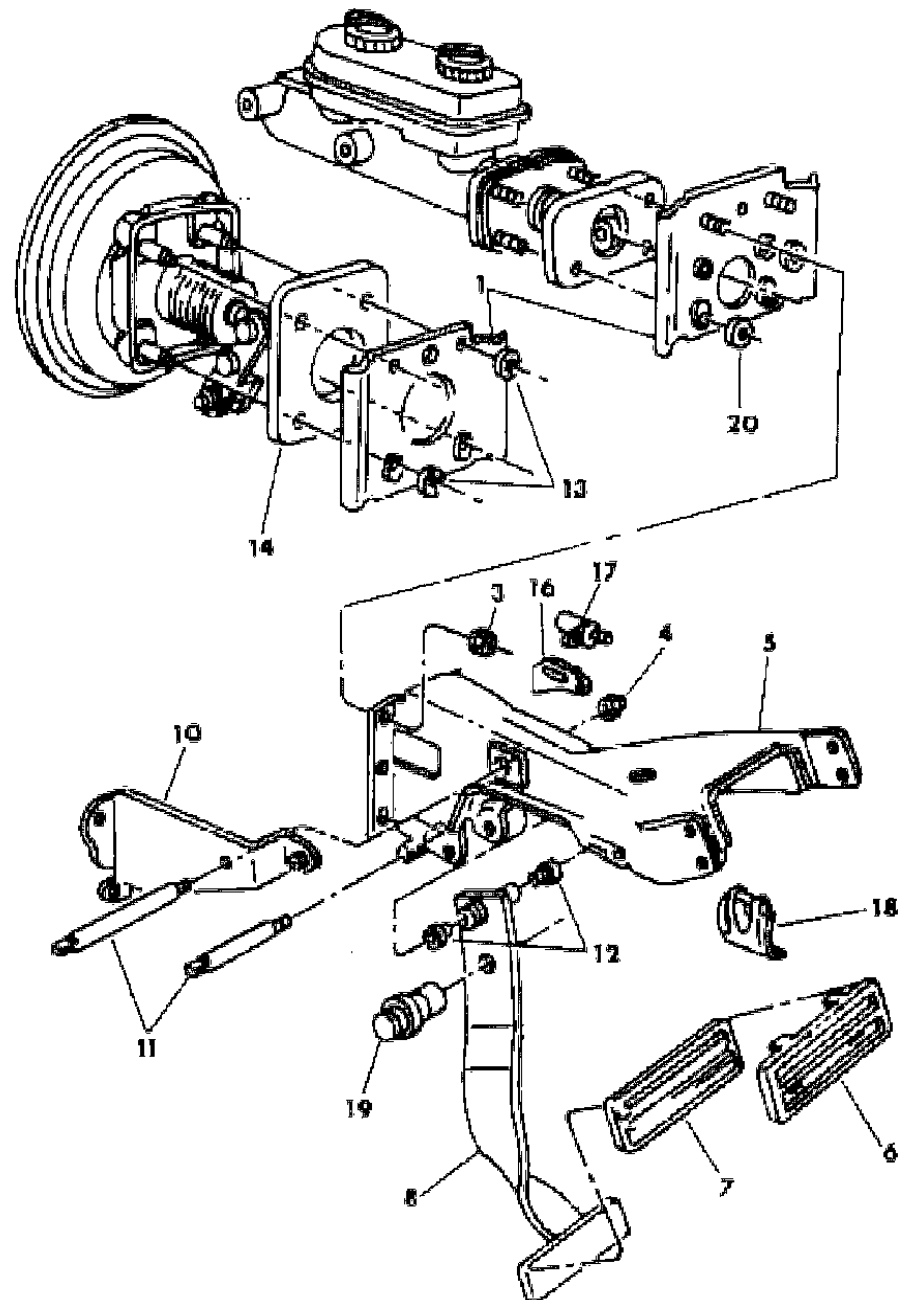
BODY STYLES

21 = 2-DOOR SEDAN	41 = 4-DOOR SEDAN
22 = 2-DOOR SPECIAL COUPE	45 = 4-DOOR STATION WAGON
24 = 2-DOOR HATCHBACK	44 = 4-DOOR HATCHBACK
27 = 2-DOOR CONVERTIBLE	48 = EXECUTIVE SEDAN
28 = FWD PICKUP	

AR = Use as Required - = Non Illustrated Part P.A.R. = Paint as Required

**BRAKE PEDAL AND BRACKET F,G,B**  
**Figure 5-1400**

3105 1400



ITEM	PART NUMBER	QTY	BODY	MODEL	DESCRIPTION
1	3766 120	1		All	REINFORCEMENT, Manual, Black
2	3766 122	1		All	GASKET
3	0118 614	4		All	NUT and WASHER
4	6023 035	1		All	NUT
5	4019 745	1		All	BRACKET
6	4019 661	1		All	BEZEL, w/Auto Trans.
7	3467 530	1		All	PAD, Manual
	4019 660	1		All	Auto.
8	4019 417	1		All	PEDAL, Man.
	4019 657	1		All	PEDAL and Clip, Auto.
10	4019 671	1		All	BRACKET
11	3748 703	1		All	SHAFT, Auto.
	3748 704	1		All	MANUAL
12	2467 770	2		All	BUSHING
13	6028 040	2		All	RETAINER
14	3699 190	1		All	GASKET
16	3747 020	1		All	BRACKET, Switch Mtg.
17	2926 275	1		All	SWITCH, Stop Lamp
	5209 994	1		All	w/Speed Control
	2809 033	1		All	Heavy Duty
18	4019 421	1		All	CLIP
19	4019 420	1		All	PIN
20	0118 614	2		All	NUT

NOTE: Whenever the Brake Booster/Master Cyl. Push Rod is disconnected from Brk pedal, replace Clip Part Number 4019421. Gear and Pinion numbers stamped on the item may be used to confirm the correct MATCHED SET they are contained in.

MODEL CODES

B = GRAN FURY	G = DIPLOMAT	V = 400
C = LEBARON/TOWN & COUNTRY	M = HORIZON/TURISMO/SCAMP	X = MIRADA
D = ARIES	P = RELIANT	Y = IMPERIAL
E = 600	S = CORDOBA	Z = OMNI/CHARGER/RAMPAGE
F = FIFTH AVENUE	T = E CLASS/NEWYORKER	

BODY STYLES

21 = 2-DOOR SEDAN	41 = 4-DOOR SEDAN
22 = 2-DOOR SPECIAL COUPE	45 = 4-DOOR STATION WAGON
24 = 2-DOOR HATCHBACK	44 = 4-DOOR HATCHBACK
27 = 2-DOOR CONVERTIBLE	48 = EXECUTIVE SEDAN
28 = FWD PICKUP	

AR = Use as Required - = Non Illustrated Part P.A.R. = Paint as Required

**BRAKE PEDAL AND BRACKET X,S,Y**  
**Figure 5-1500**

3165 1360

ITEM	PART NUMBER	QTY	BODY	MODEL	DESCRIPTION
3	3699 447	1		All	GASKET
4	6023 035	1		All	NUT
7	0118 614	2		All	NUT
	4019 652	1		All	BRACKET
9	0181 086	2		All	SCREW
10	4019 660	2		All	PAD, Auto.
11	4019 657	1		All	PEDAL and Clip, Auto.
	3748 703	1		All	SHAFT. Auto.
16	2467 770	2		All	BUSHING
21	4019 661	1		All	BEZEL
25	3747 716	1		All	BRACKET, Switch Mtg.
26	2926 275	1		All	SWITCH, w/Clip Stop Lamp
	5209 994	1		X,S,Y	w/Speed Control
27	4019 421	1		All	CLIP
28	4019 420	1		All	PIN
29	4019 654	1		All	SUPPORT, Brk. Ped. Brkt.
30	0181 086	2		All	SCREW and Washer

NOTE: Whenever the Brake Booster/Master Cyl. Push Rod is disconnected from Brk Pedal, replace Clip Part Number 4019421.  
 Gear and Pinion numbers stamped on the item may be used to confirm the correct MATCHED SET they are contained in.

---



---



---



---



---



---



---



---



---

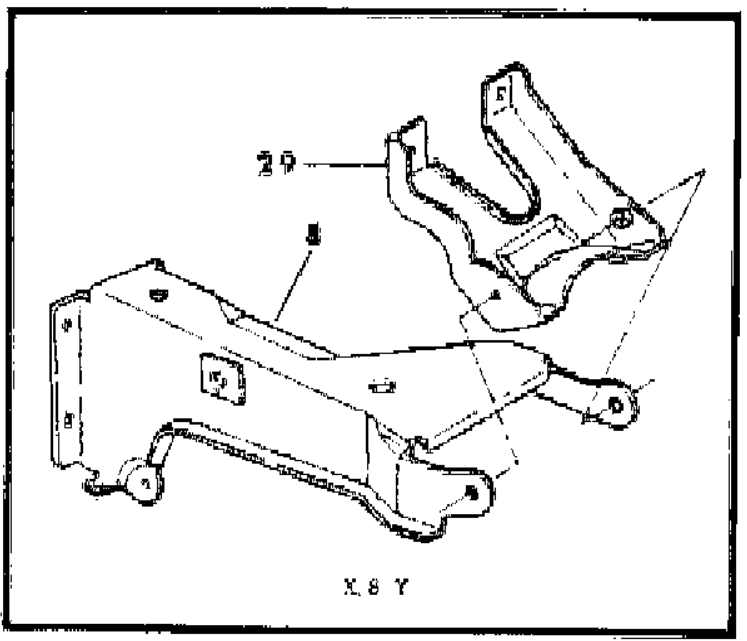
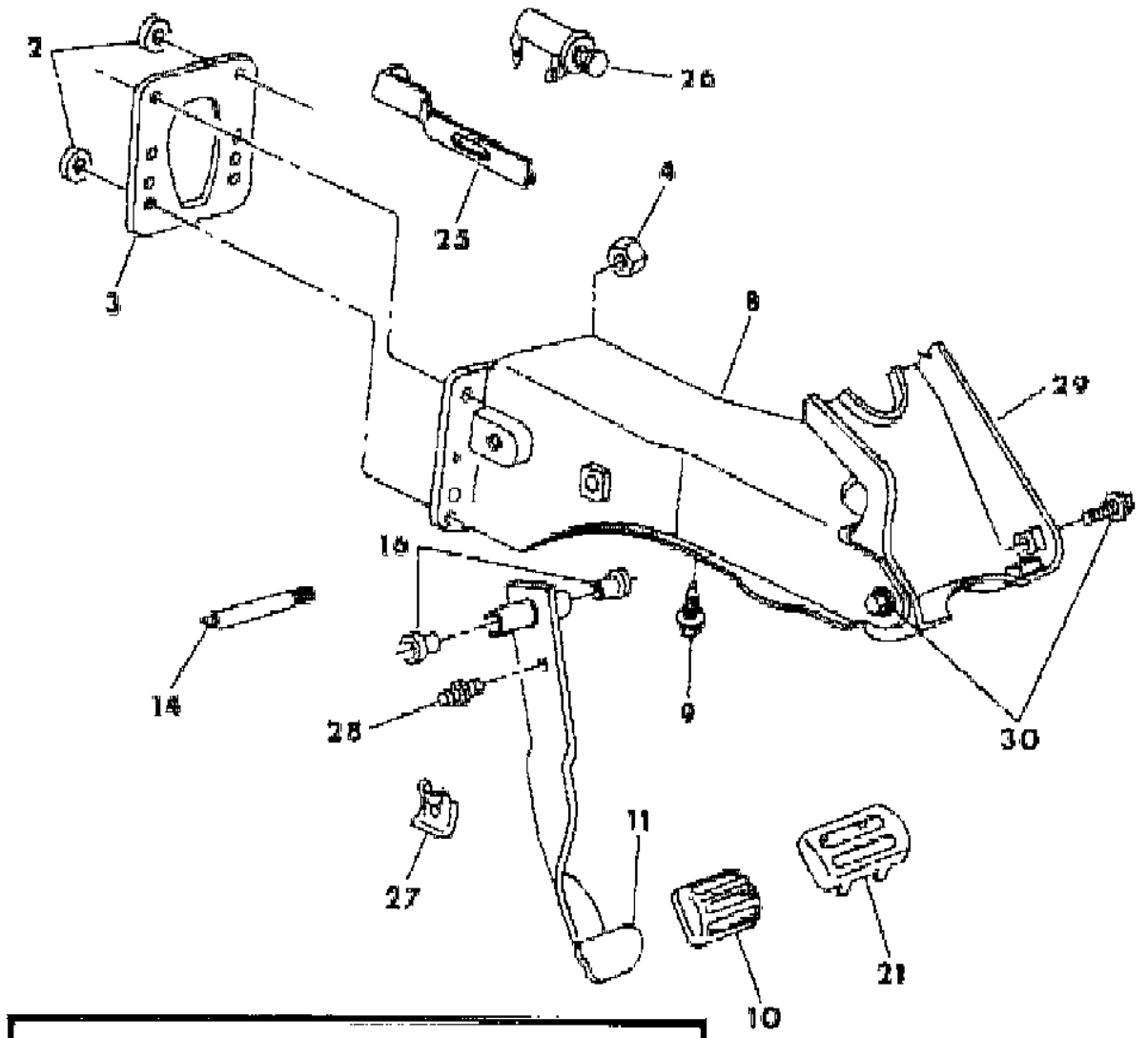


---

MODEL CODES  
 B = GRAN FURY  
 C = LEBARON/TOWN & COUNTRY  
 D = ARIES  
 E = 600  
 F = FIFTH AVENUE  
 G = DIPLOMAT  
 M = HORIZON/TURISMO/SCAMP  
 P = RELIANT  
 S = CORDOBA  
 T = E CLASS/NEWYORKER  
 V = 400  
 X = MIRADA  
 Y = IMPERIAL  
 Z = OMNI/CHARGER/RAMPAGE

BODY STYLES  
 21 = 2-DOOR SEDAN  
 22 = 2-DOOR SPECIAL COUPE  
 24 = 2-DOOR HATCHBACK  
 27 = 2-DOOR CONVERTIBLE  
 28 = FWD PICKUP  
 41 = 4-DOOR SEDAN  
 45 = 4-DOOR STATION WAGON  
 44 = 4-DOOR HATCHBACK  
 48 = EXECUTIVE SEDAN

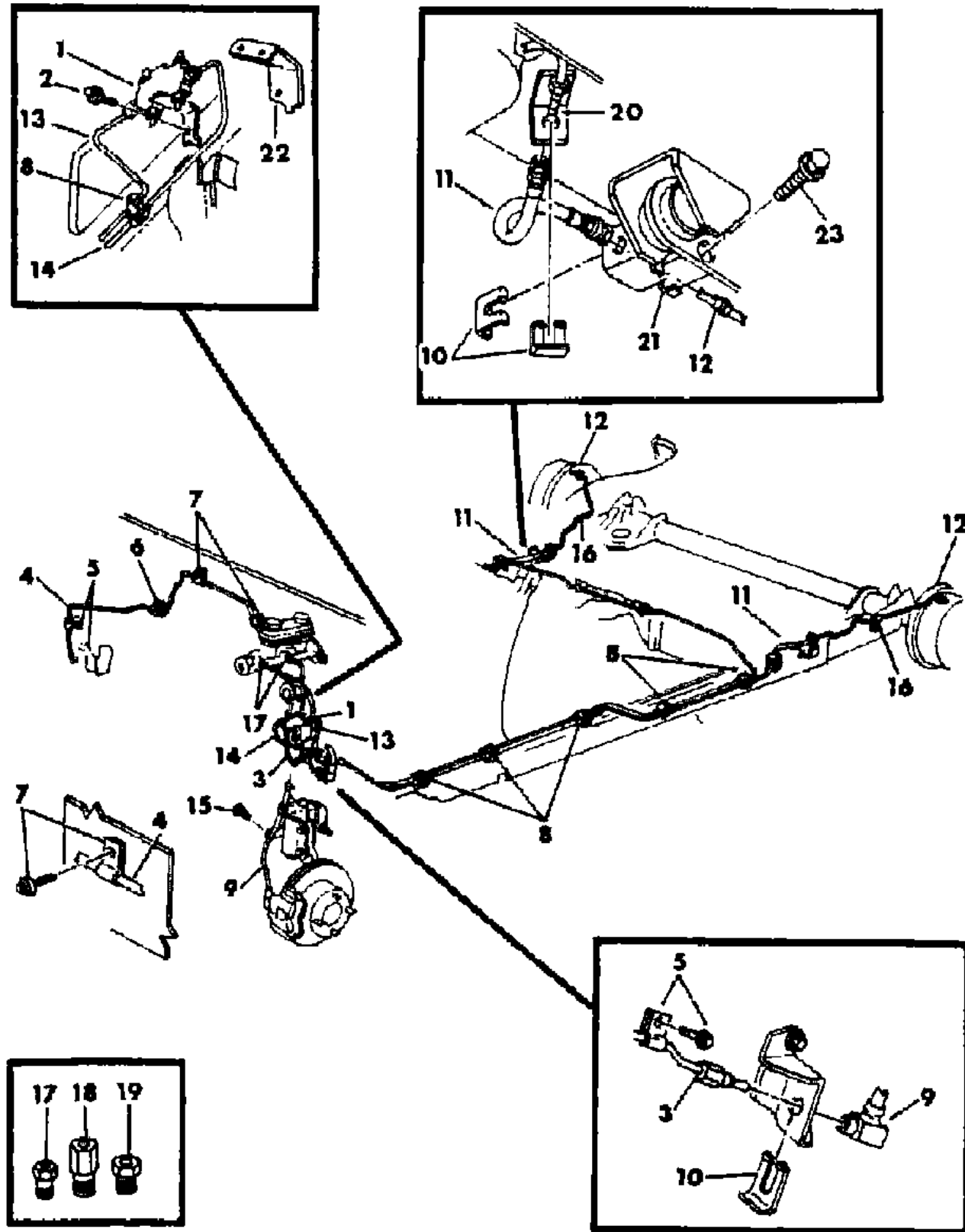
AR = Use as Required - = Non Illustrated Part P.A.R. = Paint as Required



# BRAKE LINES P,D,C,V,E,T

## Figure 5-1600

3105 1600



ITEM	PART NUMBER	QTY	BODY	MODEL	DESCRIPTION
1	4313 031	1			VALVE
2					SCREW (Not Serviced)
3	1843 251	AR			TUBING Brake 25 Ft. Roll 3/16" O.D.
4	1843 251	AR			TUBING Brake 25 Ft. Roll 3/16" O.D.
5					CLIP w/Screw (Not Serviced)
6					CLIP w/Screw (Not Serviced)
7					CLIP w/Screw (Not Serviced)
8	3766 495	6			CLIP
9	#4238 578-9	1			HOSE, Frt. Whl. Brk.
10	2208 893	6			LOCK
11	4126 654	2			HOSE, Rr. Whl. Brk.
12	1843 251	AR			TUBING BRAKE 25 Ft. Roll 3/16" O.D.
13	1843 251	AR			TUBING BRAKE 25 Ft. Roll 3/16" O.D.
14	1843 251	AR			TUBING BRAKE 25 Ft. Roll 3/16" O.D.
15	#6100 557	2			SCREW w/Washer
16					CLIP w/Screw (Not Serviced)
17	#6029 113	AR			NUT 3/8-24 Thd.
18	6029 113	AR			NUT 3/8-24 Thd., Long Hex
19	6031 714	AR			NUT 7/16-24 Thd.
20	4134 879	1			BRACKET, R/flr. Pan,Rail Brk.
21	#4238 800-1	1			BRACKET, Rr. Whl. Brk. Hose . up to 2-15-83
21	#4313 288-9	1			BRACKET, Rr. Whl. Brk. Hose . After 2-15-83
22		1			BRACKET,(Service w/Valve)
23	#6100 558	1			SCREW, w/Washer
	3879 283	AR			COVER, 25 Ft. Roll 3/16" O.D. Tubing (Not Shown)
	6100 276	2			SCREW, Rr. Whl. Brk. Hose Guide (not shown)
24	3620 790	1			SWITCHT,Brk. Warning

**MODEL CODES**

B = GRAN FURY	G = DIPLOMAT	V = 400
C = LEBARON/TOWN & COUNTRY	M = HORIZON/TURISMO/SCAMP	X = MIRADA
D = ARIES	P = RELIANT	Y = IMPERIAL
E = 600	S = CORDOBA	Z = OMNI/CHARGER/RAMPAGE
F = FIFTH AVENUE	T = E CLASS/NEWYORKER	

**BODY STYLES**

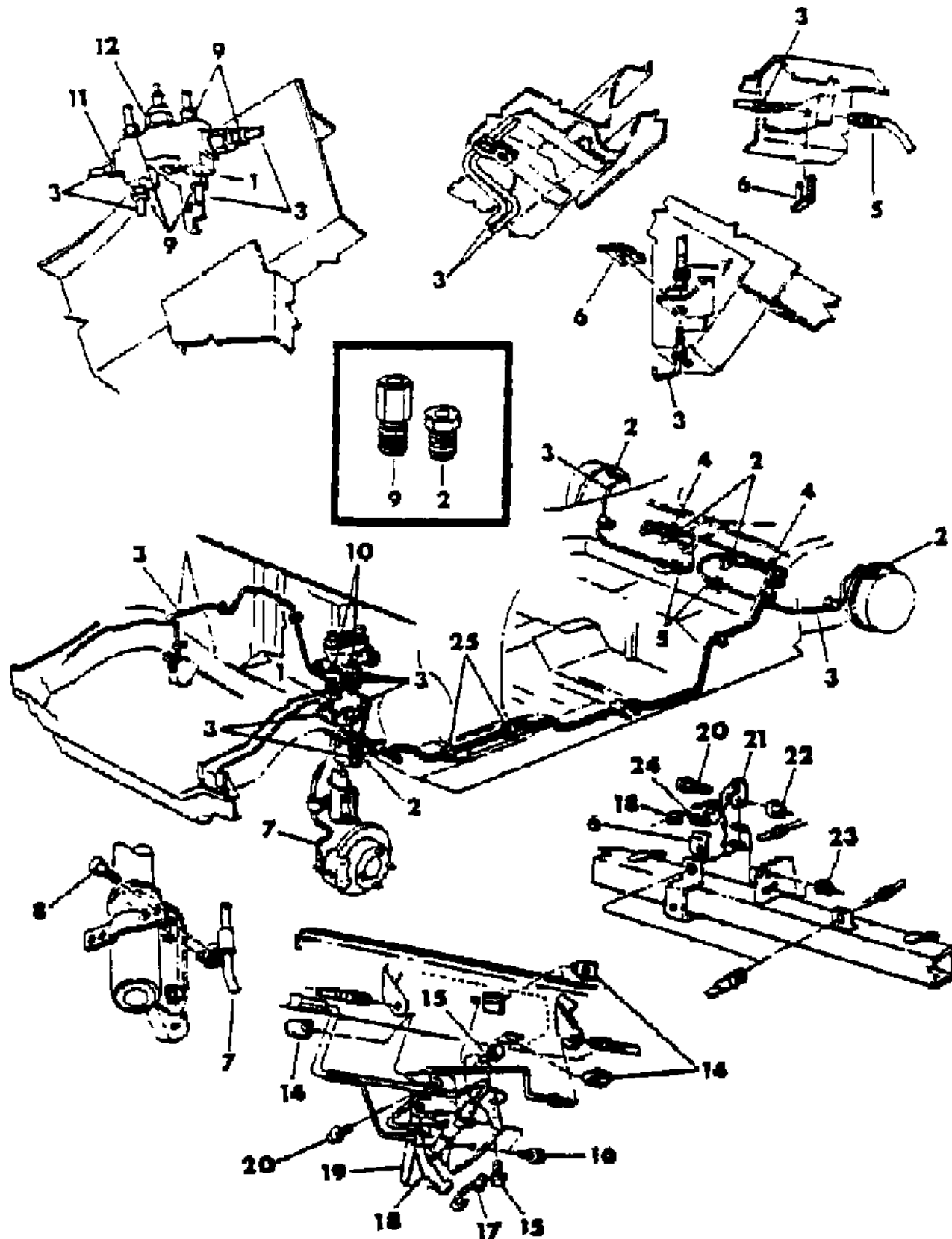
21 = 2-DOOR SEDAN	41 = 4-DOOR SEDAN
22 = 2-DOOR SPECIAL COUPE	45 = 4-DOOR STATION WAGON
24 = 2-DOOR HATCHBACK	44 = 4-DOOR HATCHBACK
27 = 2-DOOR CONVERTIBLE	48 = EXECUTIVE SEDAN
28 = FWD PICKUP	

AR = Use as Required - = Non Illustrated Part P.A.R. = Paint as Required



**BRAKE LINES M,Z**  
Figure 5-1700

3125 1700



ITEM	PART NUMBER	QTY	BODY	MODEL	DESCRIPTION
1	5204 080	1			VALVE, Metering and Warning
2	6029 113	AR			NUT
3	1843 251	AR			TUBING BRAKE 25 Ft. Roll 3/16" O.D.
4	2123 341	2			CLIP
5	5204 264	2			HOSE, Rear Brake
6	2208 893	2			CLIP
7	5204 260-1	1			HOSE, Front Brake
8	#6100 557	2			SCREW
9	#6029 113	AR			NUT
10	#6029 113	AR			NUT
11	6031 714	AR			NUT
12	3620 790	1			SWITCH, Brake Warning
13	2881 984	1			"O" RING
	3879 283	AR			COVER 25 Ft. Roll, 3/16" O.D. Tubing
	4026 140	AR			3/8" O.D. Tubing
	6030 084	AR			GASKET, Inlet Hose (not shown)
	6029 113	AR			NUT 3/8-24 Thd. Lg. Hex (not shown)
14	6101 283	3	28		U Nut
15	#6100 314	3	28		BOLT, w/washer
16	6100 301	2	28		BOLT, w/washer
17	#4313 008	1	28		SPRING
18	#3880 084	1	28		VALVE, Proportioning
19	#4238 815	1	28		BRACKET, Valve
20	#6500 572	1	28		BOLT
21	#3880 087	1	28		LEVER
22	#6100 048	1	28		NUT w/washer
23	#6100 051	2	28		NUT w/washer
24	3880 135	1	28		RETAINER
25	#3404 625	6			CLIP

MODEL CODES

B = GRAN FURY	G = DIPLOMAT	V = 400
C = LEBARON/TOWN & COUNTRY	M = HORIZON/TURISMO/SCAMP	X = MIRADA
D = ARIES	P = RELIANT	Y = IMPERIAL
E = 600	S = CORDOBA	Z = OMNI/CHARGER/RAMPAGE
F = FIFTH AVENUE	T = E CLASS/NEWYORKER	

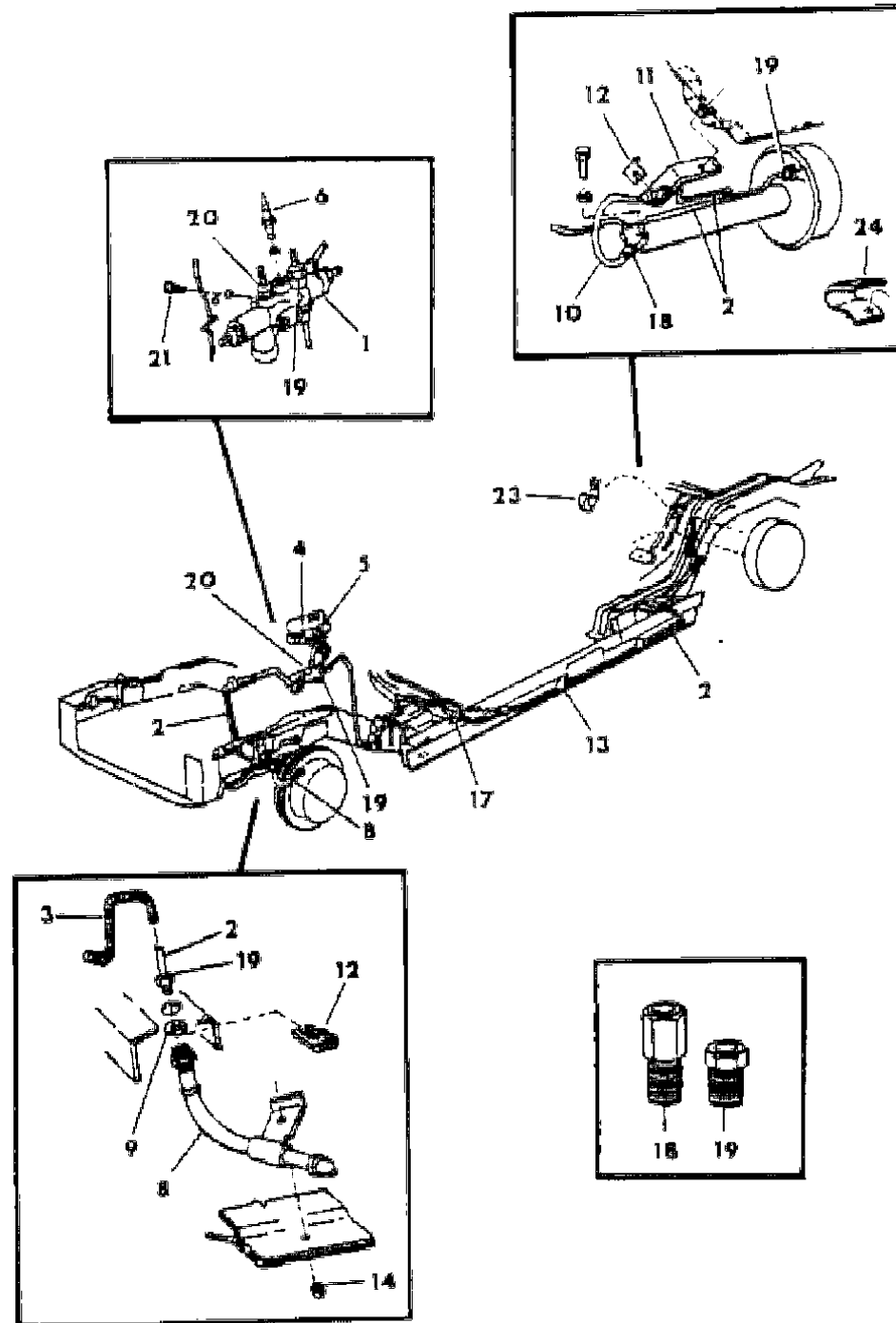
BODY STYLES

21 = 2-DOOR SEDAN	41 = 4-DOOR SEDAN
22 = 2-DOOR SPECIAL COUPE	45 = 4-DOOR STATION WAGON
24 = 2-DOOR HATCHBACK	44 = 4-DOOR HATCHBACK
27 = 2-DOOR CONVERTIBLE	48 = EXECUTIVE SEDAN
28 = FWD PICKUP	

AR = Use as Required - = Non Illustrated Part P.A.R. = Paint as Required

**BRAKE LINES F,G,B,X,S,Y**  
**Figure 5-1800**

J105 1800



ITEM	PART NUMBER	QTY	BODY	MODEL	DESCRIPTION
1	#3880 038	1		F,G	VALVE, Police
	4176 794	1		All	w/Disc Brakes
2	1843 251	1		All	TUBING, Brake, 25 ft. Roll, 3/16" O.D.
	1843 252	1		All	1/4" O.D.
	1843 253	1		All	5/16" O.D.
	1843 254	1		All	3/8" O.D.
3	3879 283	1		All	COVER, 25 ft. Rolls, 3/16" O.D. Tubing
					9-1/4 Coils per inch
	1843 257	1		All	3/16" O.D. Tubing, 11-1/2 Coils per inch
	1843 258	1		All	1/4" O.D. Tubing
	4026 140	1		All	3/8" O.D. Tubing
4	6026 888	2		All	NUT, Secondary Tube
5	6026 887	2		All	NUT, Primary Tube
6	3620 790	1		All	SWITCH, Mtrg. Prpg.
7	2881 984	1		All	"O" RING, Sw. Mtrg. Prpg.
8	4240 508-9	1		All	HOSE, Front Whl. Brake (Flexible)
9	6030 084	1		All	GASKET, Inlet Hose
10	4126 502	1		All	HOSE and TEE, Rear Axle
11	4126 503	1		All	BRACKET, Brake Tube Rear Hose
12	2208 893	4		All	LOCK
13	2207 933	1		All	CLIP
14	6025 004	1		All	NUT
17	2123 341	1		All	CLIP
18	6029 113	AR		All	NUT, 3/8-24 Thd. Long Hex
19	6031 714	AR		All	NUT, 7/16-24 Thd.
20	6026 436	1		All	NUT, Primary, 3/16" O.D.
21	6030 607	1		All	LOCK, Nut
23	3723 689	1		All	CLIP
24	3880 807	1		All	GUARD Rr. Axle Brk. Tube Tee
	3766 357	1		All	SHIELD Brk. Val. to RR. Hose (not shown)
	4126 794	1		All	SHIELD Frt. Brake Lt. Hose Heat (not shown)
	6029 113	AR		All	NUT, 3/8-24 Thd. (not shown)

**MODEL CODES**

B = GRAN FURY	G = DIPLOMAT	V = 400
C = LEBARON/TOWN & COUNTRY	M = HORIZON/TURISMO/SCAMP	X = MIRADA
D = ARIES	P = RELIANT	Y = IMPERIAL
E = 600	S = CORDOBA	Z = OMNI/CHARGER/RAMPAGE
F = FIFTH AVENUE	T = E CLASS/NEWYORKER	

**BODY STYLES**

21 = 2-DOOR SEDAN	41 = 4-DOOR SEDAN
22 = 2-DOOR SPECIAL COUPE	45 = 4-DOOR STATION WAGON
24 = 2-DOOR HATCHBACK	44 = 4-DOOR HATCHBACK
27 = 2-DOOR CONVERTIBLE	48 = EXECUTIVE SEDAN
28 = FWD PICKUP	

AR = Use as Required - = Non Illustrated Part P.A.R. = Paint as Required

---

**GROUP 6 - CLUTCH**

<b>ILLUSTRATION TITLE</b>	<b>GROUP-FIG. NO.</b>
CLUTCH - M,Z 1.7L Eng. & A-412 Trans. ....	Fig. 6-100
CLUTCH - M,Z 1.6 & 1.7 Eng. w/A-460 & 465 4 & 5 Speed Trans. ....	Fig. 6-125
CLUTCH - M,Z,P,D,V,C,E w/2.2L Eng.& A-460 & 465, 4 & 5 Speed Trans. ....	Fig. 6-150
CLUTCH PEDAL & LINKAGE- M,Z 1.7L Eng. & A-412 Trans. ....	Fig. 6-300
CLUTCH PEDAL AND LINKAGE - M,Z,P,D,V,C,E All Eng. w/A-460 & 465, 4 & 5 Speed Trans. ....	Fig. 6-350

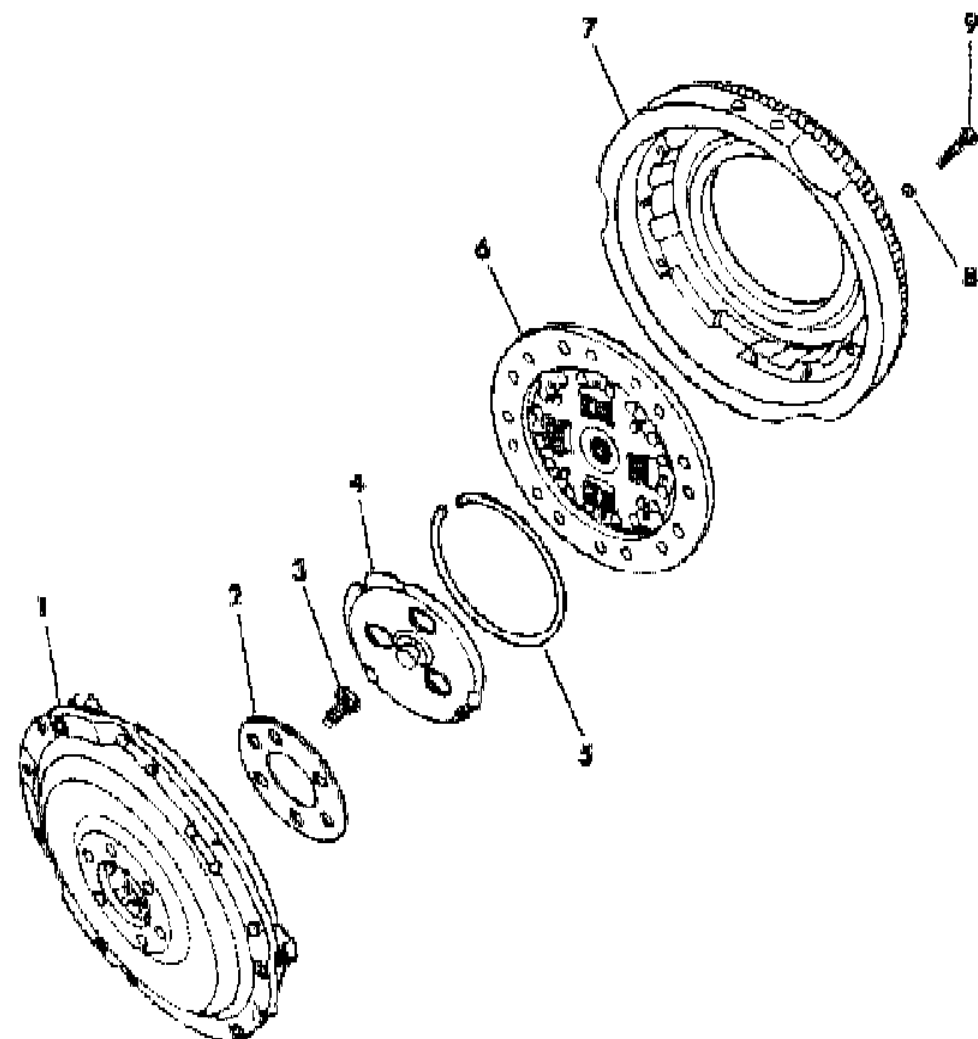
**ILLUSTRATION NOT AVAILABLE AT TIME OF PUBLICATION**

---

**CLUTCH - M,Z 1.7L Eng. & A-412 Trans.  
Figure 6-100**

ITEM	PART NUMBER	QTY	BODY	MODEL	DESCRIPTION
1	#4186 867	1		all	COVER, w/Plate, Clutch Pressure
2	5240 152	1		all	PLATE, C/Shaft Bolt Backing
3	6500 059	6		all	BOLT, Plate Backing
4-5	4186 869	1		all	PLATE w/RING, Clutch Release (Borg & Beck)
4	5222 866	1		all	(Luk)
5	4130 985	1		all	RING, Release Plate Retainer (Also Serviced In 4186869)(Borg & Beck)
	5222 868	1		all	(Luk)
6	4186 868	1		all	DISC, Clutch
7				All	FLYWHEEL ( Ref. See Gr. 9)
8				All	DOWEL, Lock ( Ref. See Gr. 9)
9				All	BOLT, Flywheel To Clutch ( Ref. See Gr. 9)

3108 100



**MODEL CODES**

B = GRAN FURY	G = DIPLOMAT	V = 400
C = LEBARON/TOWN & COUNTRY	M = HORIZON/TURISMO/SCAMP	X = MIRADA
D = ARIES	P = RELIANT	Y = IMPERIAL
E = 600	S = CORDOBA	Z = OMNI/CHARGER/RAMPAGE
F = FIFTH AVENUE	T = E CLASS/NEWYORKER	

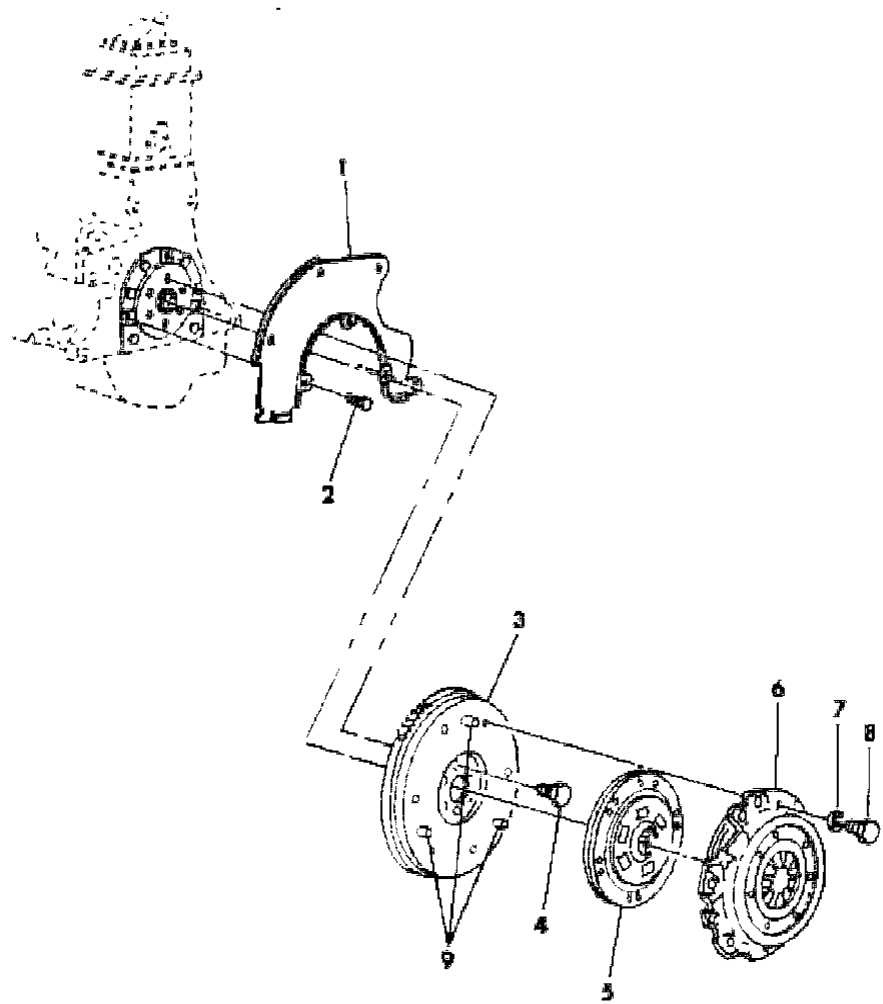
**BODY STYLES**

21 = 2-DOOR SEDAN	41 = 4-DOOR SEDAN
22 = 2-DOOR SPECIAL COUPE	45 = 4-DOOR STATION WAGON
24 = 2-DOOR HATCHBACK	44 = 4-DOOR HATCHBACK
27 = 2-DOOR CONVERTIBLE	48 = EXECUTIVE SEDAN
28 = FWD PICKUP	

AR = Use as Required - = Non Illustrated Part P.A.R. = Paint as Required

**CLUTCH - M,Z 1.6 & 1.7 Eng. w/A-460 & 465 4 & 5 Speed Trans.  
Figure 6-125**

3100 125



ITEM	PART NUMBER	QTY	BODY	MODEL	DESCRIPTION
1				all	COVER, Trans. Case Upper (Ref.)
2				all	SCREW, Cover (Ref.)
3				All	FLYWHEEL ( Ref. See Gr. 9)
4				All	SCREW, Flywheel ( Ref. See Gr. 9)
5	4205 865	1		all	DISC, Clutch
6	4205 864	1		All	COVER, w/PLATE, Clutch Pressure & Disc
7	6100 141	6		all	WASHER, Lock
8	6100 165	6		all	BOLT, Cover
9				All	DOWEL, Cover ( Ref. See Gr. 9)

MODEL CODES  
 B = GRAN FURY  
 C = LEBARON/TOWN & COUNTRY  
 D = ARIES  
 E = 600  
 F = FIFTH AVENUE  
 G = DIPLOMAT  
 M = HORIZON/TURISMO/SCAMP  
 P = RELIANT  
 S = CORDOBA  
 T = E CLASS/NEWYORKER  
 V = 400  
 X = MIRADA  
 Y = IMPERIAL  
 Z = OMNI/CHARGER/RAMPAGE

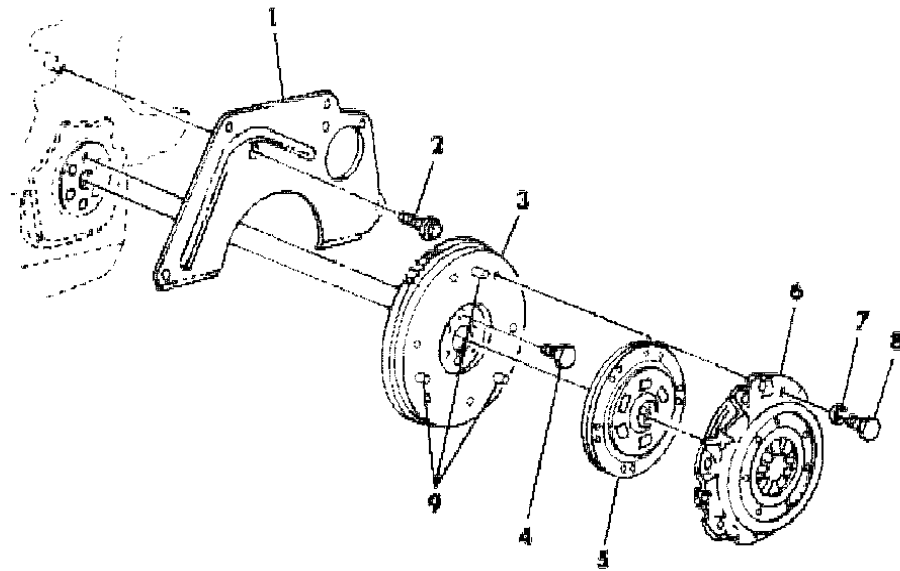
BODY STYLES  
 21 = 2-DOOR SEDAN  
 22 = 2-DOOR SPECIAL COUPE  
 24 = 2-DOOR HATCHBACK  
 27 = 2-DOOR CONVERTIBLE  
 28 = FWD PICKUP  
 41 = 4-DOOR SEDAN  
 45 = 4-DOOR STATION WAGON  
 44 = 4-DOOR HATCHBACK  
 48 = EXECUTIVE SEDAN

AR = Use as Required - = Non Illustrated Part P.A.R. = Paint as Required

**CLUTCH - M,Z,P,D,V,C,E w/2.2L Eng.& A-460 & 465, 4 & 5 Speed Trans.  
Figure 6-150**

ITEM	PART NUMBER	QTY	BODY	MODEL	DESCRIPTION
1				all	COVER, Trans. Case Upper (Ref. Only)
2				all	SCREW w/WA., (Ref. Only)
3				All	FLYWHEEL ( Ref. See Gr. 9)
4				All	BOLT, Flywheel Mtg. ( Ref. See Gr. 9)
5	#4295 006	1		all	DISC, Clutch
6	#4295 007	1		all	COVER,w/PLATE, Clutch Pressure & Disc Pkg.
7	6100 141	6		all	WASHER, Cover To Flywheel
8	6100 165	6		all	BOLT, Cover To Flywheel
9				All	DOWEL, Flywheel to Cover (Ref. See Gr. 9)

3106 130



**MODEL CODES**

B = GRAN FURY	G = DIPLOMAT	V = 400
C = LEBARON/TOWN & COUNTRY	M = HORIZON/TURISMO/SCAMP	X = MIRADA
D = ARIES	P = RELIANT	Y = IMPERIAL
E = 600	S = CORDOBA	Z = OMNI/CHARGER/RAMPAGE
F = FIFTH AVENUE	T = E CLASS/NEWYORKER	

**BODY STYLES**

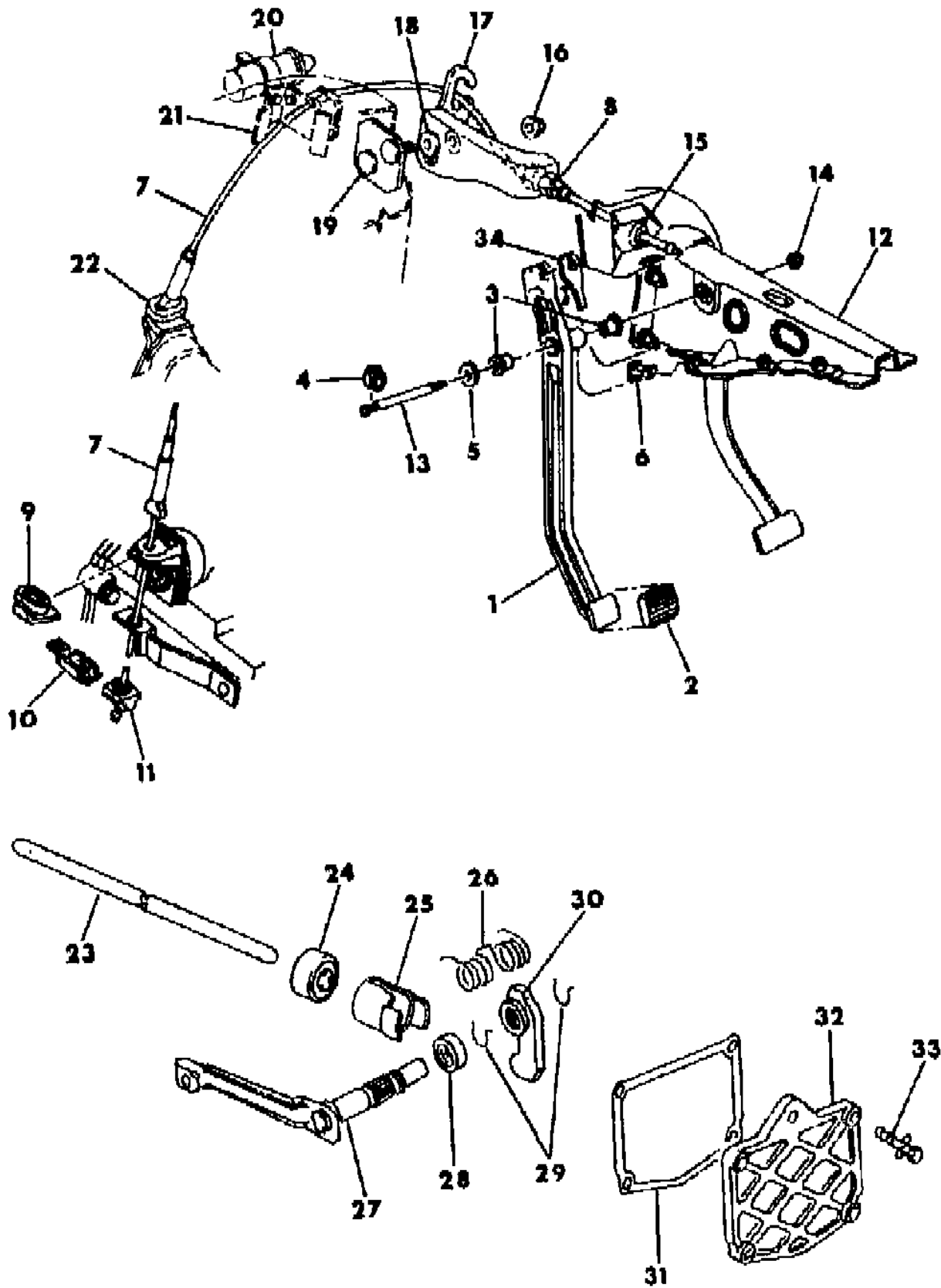
21 = 2-DOOR SEDAN	41 = 4-DOOR SEDAN
22 = 2-DOOR SPECIAL COUPE	45 = 4-DOOR STATION WAGON
24 = 2-DOOR HATCHBACK	44 = 4-DOOR HATCHBACK
27 = 2-DOOR CONVERTIBLE	48 = EXECUTIVE SEDAN
28 = FWD PICKUP	

AR = Use as Required - = Non Illustrated Part P.A.R. = Paint as Required

CLUTCH PEDAL & LINKAGE- M,Z 1.7L Eng. & A-412 Trans.  
Figure 6-300

3106 300B

ITEM	PART NUMBER	QTY	BODY	MODEL	DESCRIPTION
1	4318 712	1		All	PEDAL PACKAGE, Clutch Consists Of: 1----- Pedal 1-4188671 Seat,Cable Terminal
2	5206 237	1		All	PAD,Pedal
3	2467 770	2		All	BUSHING, Pedal
4	6030 373	1		All	LOCK-RING, Clutch Pedal Shaft
5	2073 632	1		All	WASHER, Clutch Pedal Shaft
6	2266 820	1		All	STOP, Clutch Pedal
7	4318 713	1		All	CABLE, Clutch Pedal
8	6031 447	1		All	SCREW w/WA., Cable Mtg., Brkt.
9	5206 234	1		All	GROMMET, Cable
10	5206 245	1		All	RETAINER, Clutch Cable Lock
11	5206 244	1		All	GROMMET, Cable Retainer
12		1		All	BRACKET, Pedal (Ref.See Grp.5)
13	5206 221	1		All	SHAFT, Pedal
14	6500 197	1		All	NUT, Shaft
15	3593 446	1		All	GROMMET, Cable Dash Panel
16	6100 050	2		All	NUT w/WA., Cable Mtg. Plate
17	5206 247	1		All	BRACKET, Cable Mtg.
18		1			PUSH-NUT (Not Serviced)
19	4188 101	1		All	PLATE, Cable Mtg.
20		1			COIL (See Illus. Gr. 8)
21		1			BRACKET (See Illus. Gr. 8)
22	5206 234	1		All	GROMMET, Cable
23	5240 081	1		All	ROD, Clutch Rel.
24	4094 827	1		All	BEARING, Clutch Rel.
25	5240 067	1		All	BUSHING, Rel. Bearing Pilot
26	5240 075	1		All	SPRING, Inner Lever
27	5240 068	1		All	SHAFT, Clutch Lever
28	4094 828	1		All	SEAL, Lever Shaft
29	5240 072	1		All	LOCK-RING, Linkage Lever
30	5240 071	1		All	LEVER, Linkage Inner
31	5240 061	1		All	GASKET, Linkage Cover
32	5240 062	1		All	COVER, Linkage
33	5240 024	1		All	BOLT, Linkage Cover
34	4188 671	1		All	SEAT, Clutch Cable Terminal



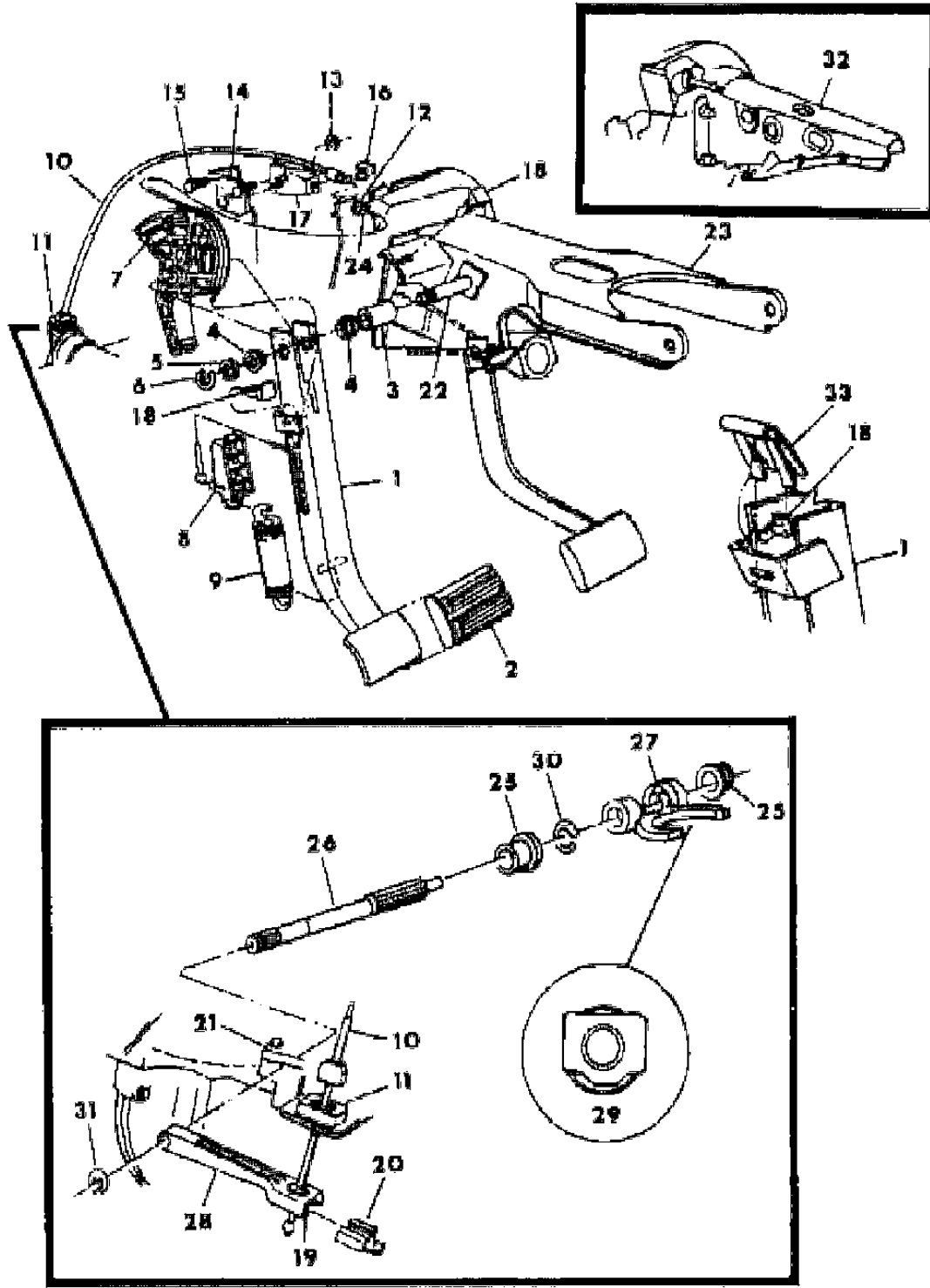
MODEL CODES  
 B = GRAN FURY  
 C = LEBARON/TOWN & COUNTRY  
 D = ARIES  
 E = 600  
 F = FIFTH AVENUE  
 G = DIPLOMAT  
 M = HORIZON/TURISMO/SCAMP  
 P = RELIANT  
 S = CORDOBA  
 T = E CLASS/NEWYORKER  
 V = 400  
 X = MIRADA  
 Y = IMPERIAL  
 Z = OMNI/CHARGER/RAMPAGE

BODY STYLES  
 21 = 2-DOOR SEDAN  
 22 = 2-DOOR SPECIAL COUPE  
 24 = 2-DOOR HATCHBACK  
 27 = 2-DOOR CONVERTIBLE  
 28 = FWD PICKUP  
 41 = 4-DOOR SEDAN  
 45 = 4-DOOR STATION WAGON  
 44 = 4-DOOR HATCHBACK  
 48 = EXECUTIVE SEDAN

AR = Use as Required - = Non Illustrated Part P.A.R. = Paint as Required

**CLUTCH PEDAL AND LINKAGE - M,Z,P,D,V,C,E All Eng. w/A-460 & 465, 4 & 5 Speed Trans.  
Figure 6-350**

3108 350



ITEM	PART NUMBER	QTY	BODY	MODEL	DESCRIPTION
1	#4188 668	1		P,D,V,C	PEDAL, Clutch
	4019 704	1		M,Z	
2	4019 715	1		P,D,V,C	PAD, Pedal
	5206 237	1		M,Z	
3	4019 716	1		P,D,V,C	SPACER, Pedal
	4019 706	1		M,Z	
4	4019 707	2	All		BUSHING, Pedal
5	2073 632	1	All		WASHER, Pedal Shaft
6	6030 373	1	All		LOCK-RING, Pedal Shaft
7	4019 747	1		M,Z	ADJUSTER, Pivot
	4188 669	1		P,D,V,C	
8	4019 695	1	All		POSITION-ADJUSTER
9	#4188 654	1		M,Z	SPRING, Clutch Cable Adj.
	4188 666	1		P,D,V,C	SPRING, Clutch Cable Adj.
	4019 749	1	All		DAMPER, Clutch Pedal Adj. Spring (Not Ill.)
10	5206 246	1		M,Z	CABLE, Clutch Pedal, w/1.7L Eng.
	4019 750	1		M-E,Z-E	w/1.6 & 1.7L Eng.
	4019 750	1	All		w/2.2L Eng.
	6029 654	1		P,D,V,C	CLIP, Pedal Cable, 2.2L Eng. (Not Illus.)
11	4188 670	1		M,Z	ISOLATOR, Cable, 1.7L Eng., w/3.37 Gear Ratio
	4188 670	1		M,Z	1.7L Eng., w/2.69 Gear Ratio
	4188 670	1		M,Z	1.6L Eng
	4188 670	1	All		2.2L Eng.
12	3593 446	1	All		GROMMET, Cable Panel Dash
13	6100 050	2	All		NUT,w/WASHER, Cable Mtg. Plate
14	4188 101	1	All		PLATE, Cable Mtg.
	6100 098	2	All		WELD-SCREW, Cable Plate Mtg.
15	3759 944	1	All		RETAINER, Plate
16	5211 884	1	All		CLIP, Cable, UP TO 11-5-1982
	4295 369	1	All		AFTER 11-5-1982
17	4019 717	1		P,D,V,C	BRACKET, Cable Mtg.
	5206 247	1		M,Z	w/1.7L Eng. w/3.37 Gear Ratio
	4188 664	1		M,Z	w/1.7L Eng. w/2.69 Gear Ratio
	4188 664	1		M,Z	w/1.6 & 2.2L Eng.
18	4019 709	1	All		BUMPER, Pedal Stop
18A	2266 820	1	All		BUMPER, Pedal Stop Brkt.
19	5206 244	1	All		GROMMET, Cable Retainer

MODEL CODES  
 B = GRAN FURY  
 C = LEBARON/TOWN & COUNTRY  
 D = ARIES  
 E = 600  
 F = FIFTH AVENUE  
 G = DIPLOMAT  
 M = HORIZON/TURISMO/SCAMP  
 P = RELIANT  
 S = CORDOBA  
 T = E CLASS/NEWYORKER  
 V = 400  
 X = MIRADA  
 Y = IMPERIAL  
 Z = OMNI/CHARGER/RAMPAGE

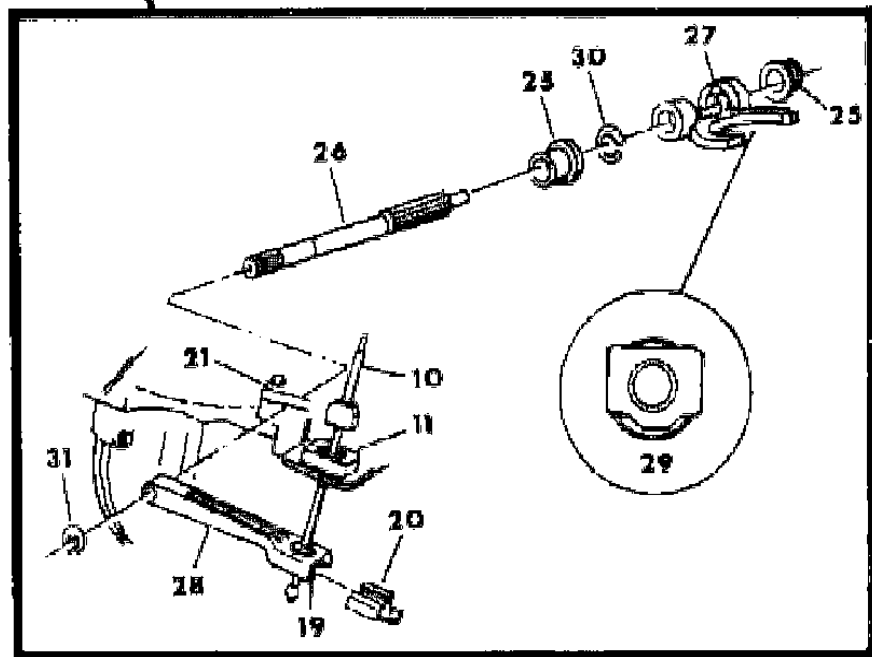
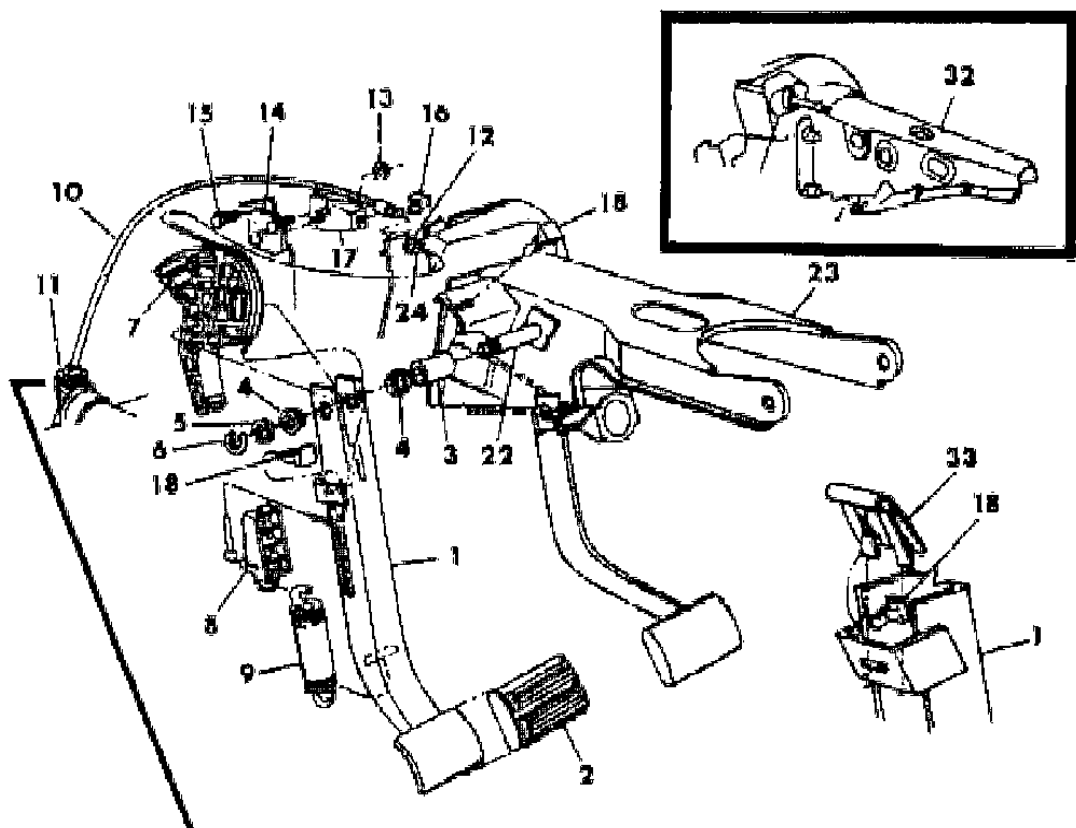
BODY STYLES  
 21 = 2-DOOR SEDAN  
 22 = 2-DOOR SPECIAL COUPE  
 24 = 2-DOOR HATCHBACK  
 27 = 2-DOOR CONVERTIBLE  
 28 = FWD PICKUP  
 41 = 4-DOOR SEDAN  
 45 = 4-DOOR STATION WAGON  
 44 = 4-DOOR HATCHBACK  
 48 = EXECUTIVE SEDAN

AR = Use as Required - = Non Illustrated Part P.A.R. = Paint as Required



**CLUTCH PEDAL AND LINKAGE - M,Z,P,D,V,C,E All Eng. w/A-460 & 465, 4 & 5 Speed Trans.  
Figure 6-350**

3108 350



ITEM	PART NUMBER	QTY	BODY	MODEL	DESCRIPTION
20	5206 245	1		All	RETAINER, Cable Lock
21				All	TRANS. (Ref.)
22				All	SHAFT (Ref. See Grp.5)
23				P,D,V,C	BRACKET (Ref. See Grp.5)
24	6031 447	1		All	NUT, Cable Mtg.
25	5222 710	1		All	BUSHING, Clutch Rel. Shaft, Inner
	5222 709	1		All	Outer
26	5222 708	1		All	SHAFT, Clutch Rel., w/1.6 & 2.2L Eng.
	4202 283	1		M,Z	w/1.7L Eng.
27	5222 707	1		All	FORK, Clutch Rel.
28	5222 975	1		All	LEVER, Clutch Rel. Shaft, w/1.6 & 2.2L Eng., Except (SHELBY)
	4295 544	1		All	w/(SHELBY)
	4202 284	1		M,Z	w/1.7L Eng.
29	4202 378	1		All	BEARING,w/SLEEVE, Clutch Rel.
30	6500 510	1		All	E-RING, Shaft Outer Bushing
31	6500 338	1		All	E-RING, Lever To Shaft
32				M,Z	BRACKET (Ref. See Grp.5)
33	4188 653	1		All	CLIP, Clutch Cable Adj. Spring

MODEL CODES  
 B = GRAN FURY  
 C = LEBARON/TOWN & COUNTRY  
 D = ARIES  
 E = 600  
 F = FIFTH AVENUE  
 G = DIPLOMAT  
 M = HORIZON/TURISMO/SCAMP  
 P = RELIANT  
 S = CORDOBA  
 T = E CLASS/NEWYORKER  
 V = 400  
 X = MIRADA  
 Y = IMPERIAL  
 Z = OMNI/CHARGER/RAMPAGE

BODY STYLES  
 21 = 2-DOOR SEDAN  
 22 = 2-DOOR SPECIAL COUPE  
 24 = 2-DOOR HATCHBACK  
 27 = 2-DOOR CONVERTIBLE  
 28 = FWD PICKUP  
 41 = 4-DOOR SEDAN  
 45 = 4-DOOR STATION WAGON  
 44 = 4-DOOR HATCHBACK  
 48 = EXECUTIVE SEDAN

AR = Use as Required - = Non Illustrated Part P.A.R. = Paint as Required

---

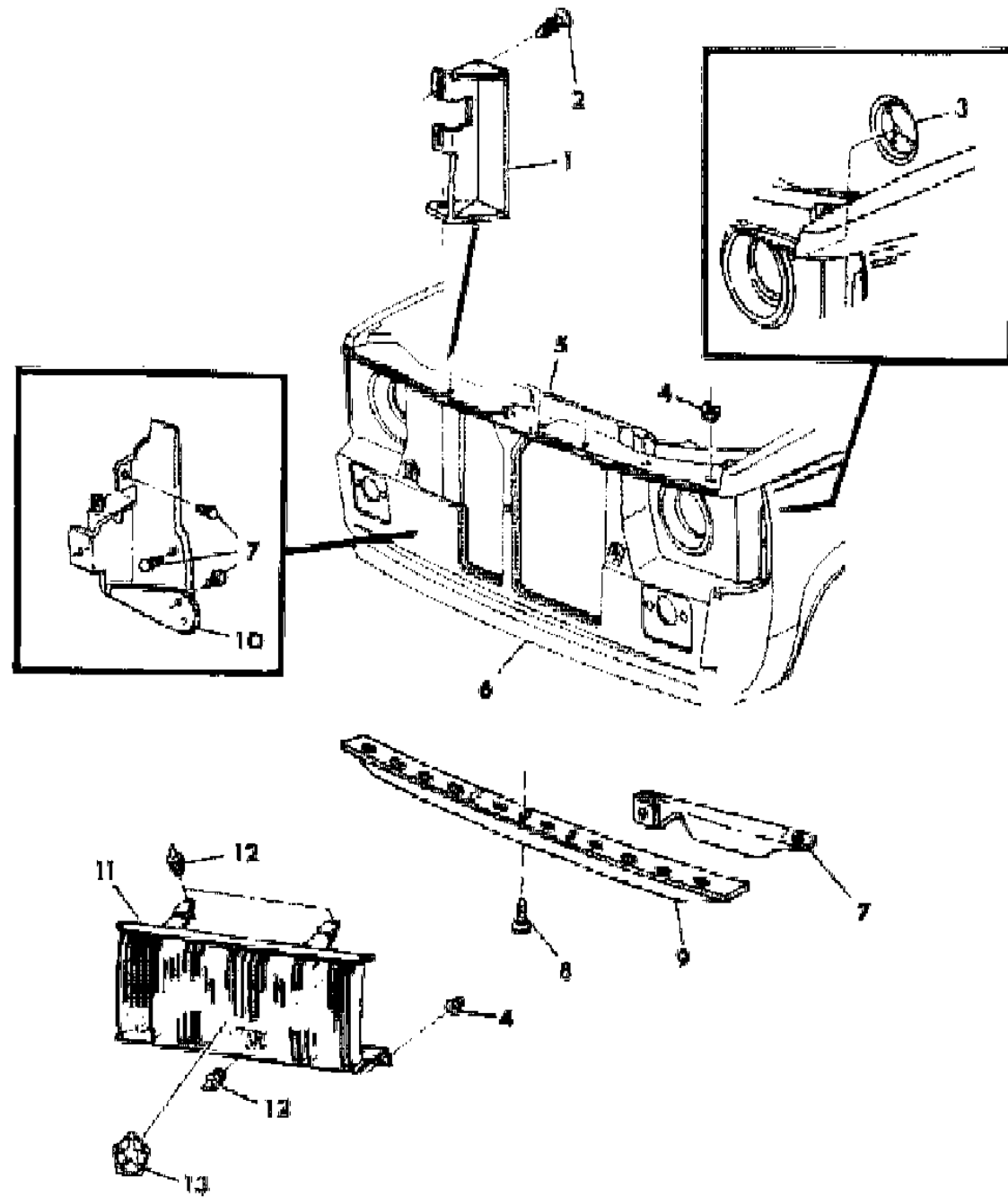
**GROUP 7 - COOLING**

<b>ILLUSTRATION TITLE</b>	<b>GROUP-FIG. NO.</b>
GRILLE AND RELATED PARTS M,Z .....	Fig. 7-100
GRILLE AND RELATED PARTS P,D .....	Fig. 7-200
GRILLE AND RELATED PARTS V,E .....	Fig. 7-300
GRILLE AND RELATED PARTS C,T .....	Fig. 7-400
GRILLE AND RELATED PARTS F .....	Fig. 7-500
GRILLE AND RELATED PARTS B,G .....	Fig. 7-600
GRILLE AND RELATED PARTS S .....	Fig. 7-700
GRILLE AND RELATED PARTS Y .....	Fig. 7-800
RADIATOR AND RELATED PARTS M,Z .....	Fig. 7-900
RADIATOR AND RELATED PARTS P,D,C,V,E,T .....	Fig. 7-1000
RADIATOR AND RELATED PARTS B,F,G,X,S,Y .....	Fig. 7-1100
COOLANT RESERVE TANKS .....	Fig. 7-1200
DRIVE BELTS 4 CYLINDER ENGINES .....	Fig. 7-1300
DRIVE BELTS 6 & 8 CYLINDER ENGINES .....	Fig. 7-1400
DRIVE PULLEYS 1.6L & 1.7L ENGINES .....	Fig. 7-1500
DRIVE PULLEYS 2.2L ENGINE .....	Fig. 7-1600
FAN AND PULLEYS 225 ENGINE .....	Fig. 7-1700
FAN AND PULLEYS 318 ENGINE .....	Fig. 7-1800
WATER PUMP AND RELATED PARTS 1.6L ENGINE .....	Fig. 7-1900
WATER PUMP AND RELATED PARTS 1.7L ENGINE .....	Fig. 7-2000
WATER PUMP AND RELATED PARTS 2.2L ENGINE .....	Fig. 7-2100
WATER PUMP AND RELATED PARTS 2.6L ENGINE .....	Fig. 7-2200
WATER PUMP AND RELATED PARTS 225 & 318 ENGINES .....	Fig. 7-2300
SPLASH SHIELDS M,Z,P,D,C,V,E,T .....	Fig. 7-2400

**ILLUSTRATION NOT AVAILABLE AT TIME OF PUBLICATION**

**GRILLE AND RELATED PARTS M,Z**  
**Figure 7-100**

3107 100A



ITEM	PART NUMBER	QTY	BODY	MODEL	DESCRIPTION
1	4296 041	1			SHIELD, Closure Panel Radiator Air - Rt.
2	6030 538	3			RETAINER
3	5201 335	2		M,Z 24	COVER, Closure Panel Headlamp Mtg. Opening
4	6031 234	8			NUT
5	4296 048	1			CROSSMEMBER, Radiator Yoke
6	4296 097	1			PANEL, Closure Headlamp Mtg.
7	4103 230-1	1		M,Z 24	BRACE, Fender Closure Headlamp Mtg. Opening
8	6030 441	AR		M,Z 44	RETAINER
9	4140 438	1		M,Z 44	DAM, Air w/Air Cond.
10	5201 389	2		M,Z 24,	BAFFLE, Closure Panel w/Air Cond.
11	4103 209	1		M 44	GRILLE, Radiator
	4103 305	1		Z 44	
12	6031 383	3			PIN, Drive
13	4103 304	1		M,Z 44	PENTASTAR, Grille Ornament

**MODEL CODES**

B = GRAN FURY	G = DIPLOMAT	V = 400
C = LEBARON/TOWN & COUNTRY	M = HORIZON/TURISMO/SCAMP	X = MIRADA
D = ARIES	P = RELIANT	Y = IMPERIAL
E = 600	S = CORDOBA	Z = OMNI/CHARGER/RAMPAGE
F = FIFTH AVENUE	T = E CLASS/NEWYORKER	

**BODY STYLES**

21 = 2-DOOR SEDAN	41 = 4-DOOR SEDAN
22 = 2-DOOR SPECIAL COUPE	45 = 4-DOOR STATION WAGON
24 = 2-DOOR HATCHBACK	44 = 4-DOOR HATCHBACK
27 = 2-DOOR CONVERTIBLE	48 = EXECUTIVE SEDAN
28 = FWD PICKUP	

AR = Use as Required - = Non Illustrated Part P.A.R. = Paint as Required

# GRILLE AND RELATED PARTS P,D

Figure 7-200

1107 200

ITEM	PART NUMBER	QTY	BODY	MODEL	DESCRIPTION
1					SHIELD, Closure Panel Radiator Air - Rt.
	4103 168	1			2.2L Eng.
	4103 174	1			2.6L Eng.
	4103 943	1			2.6L Eng. - Canada
2	6030 538	2			RETAINER
3	6029 189	4			SCREW w/WASHER
4	4296 129	1			CROSSMEMBER, Radiator Closure Panel
5	6032 061	3			NUT, Plastic Snap In
6	6031 234	4			NUT, Plastic Snap In
7	4297 098	1			PANEL, Headlamp Closure Mtg.
	4073 281	2			CAP, Closure Panel
8		8			U-NUT (not serviced)
9	6030 441	8			RETAINER
10	4266 397	1			DAM, Air - Canada
11	4103 148	2			BRACE, Radiator Grille Outer
12	4270 404	1			BRACE, Radiator Grille Center
13	6031 951	5			SCREW w/WASHER
14	4103 355	1		P	GRILLE, Radiator
	X594 BA2	1		D	Silver Metallic
	4293 207	1		D	Charcoal Grey Metallic
	X594 BC4	1		D	Glacier Blue Metallic
	4293 213	1		D	Nightwatch Blue
	X594 BL4	1		D	Beige Metallic
	X594 BM5	1		D	Crimson
	X594 BT8	1		D	Dark Sable
	4293 217	1		D	White
	4293 218	1		D	Black
15				D	LETTER, Radiator Grille
	4103 250	1			"D"
	4103 251	1			"O"
	4103 252	1			"D"
	4103 253	1			"G"
	4103 254	1			"E"

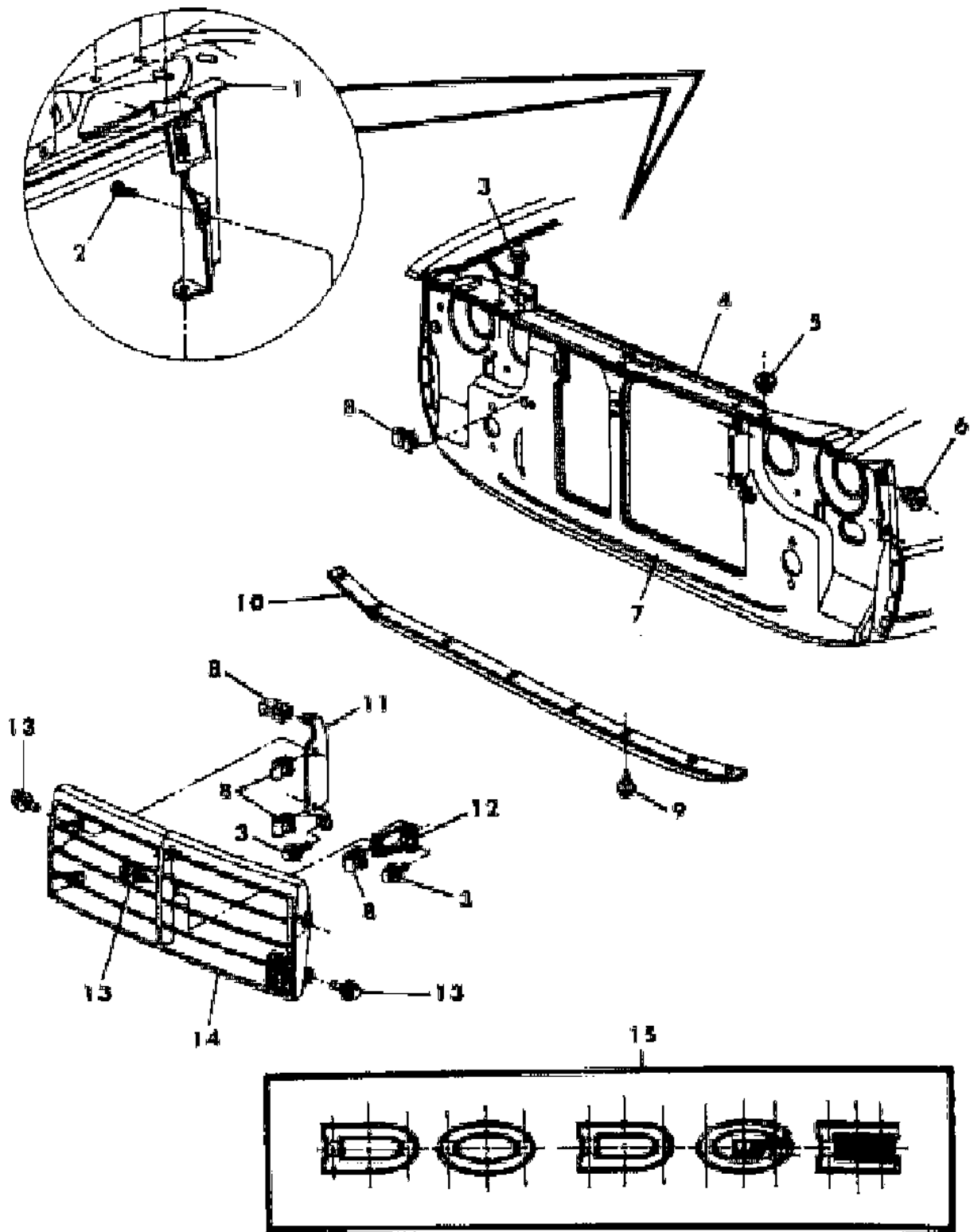
MODEL CODES

B = GRAN FURY	G = DIPLOMAT	V = 400
C = LEBARON/TOWN & COUNTRY	M = HORIZON/TURISMO/SCAMP	X = MIRADA
D = ARIES	P = RELIANT	Y = IMPERIAL
E = 600	S = CORDOBA	Z = OMNI/CHARGER/RAMPAGE
F = FIFTH AVENUE	T = E CLASS/NEWYORKER	

BODY STYLES

21 = 2-DOOR SEDAN	41 = 4-DOOR SEDAN
22 = 2-DOOR SPECIAL COUPE	45 = 4-DOOR STATION WAGON
24 = 2-DOOR HATCHBACK	44 = 4-DOOR HATCHBACK
27 = 2-DOOR CONVERTIBLE	48 = EXECUTIVE SEDAN
28 = FWD PICKUP	

AR = Use as Required - = Non Illustrated Part P.A.R. = Paint as Required

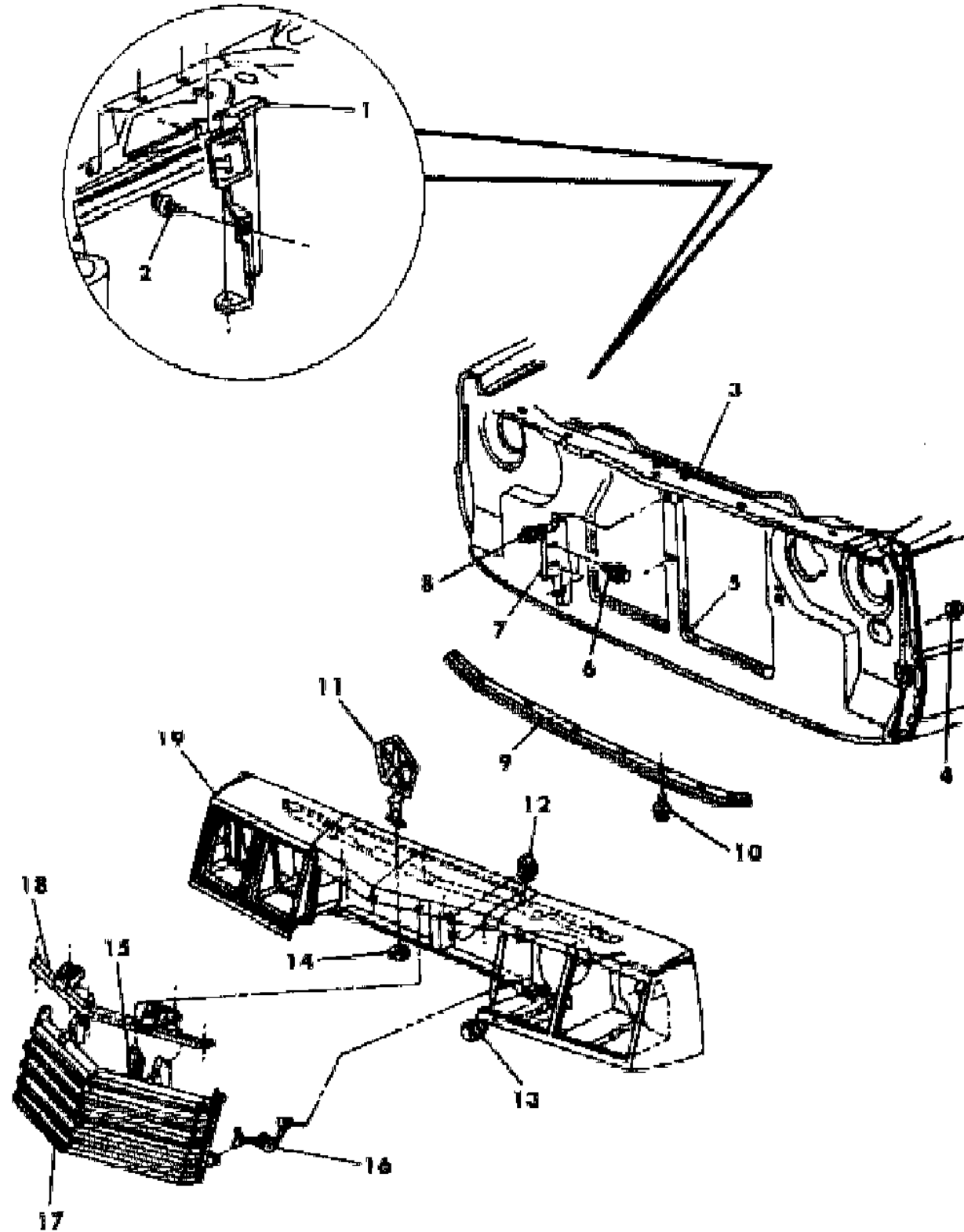


1107 200

GRILLE AND RELATED PARTS V,E

Figure 7-300

31(7) 100



ITEM	PART NUMBER	QTY	BODY	MODEL	DESCRIPTION
1					SHIELD, Closure Panel Radiator Air - Rt.
	4103 168	1			2.2L Eng.
	4103 174	1			2.6L Eng.
	4103 943	1			2.6L Eng. - Canada
2	6031 538	2			RETAINER
3	4074 484	1			CROSSMEMBER, Radiator Closure Panel
4	0219 462	4			NUT
5	4297 094	1			PANEL, Headlamp Closure Mtg.
6	6100 566	2			SCREW w/WASHER
7	4103 774	1			BRACKET, Radiator Closure Panel to Support Radiator Grille Panel
8	6029 198	2			SCREW w/WASHER
9	4266 397	1			DAM, Air - Canada
10	6031 441	8			RETAINER
11	4229 725	1			ORNAMENT
	4103 466	1			Pentastar
12	6100 041	2			U-NUT
13	6500 725	8			NUT, Snap In
14	6030 435	1			NUT
15		7			SCREW w/WASHER (not serviced)
16	4074 947	2			SPRING, Radiator Grille Return
17					GRILLE, Radiator
	X583 AA9	1			Charcoal Grey Metallic
	X583 AC9	1			Nightwatch Blue
	X583 BA2	1			Silver Metallic
	X583 BC4	1			Glacier Blue Metallic
	X583 BL4	1			Beige Metallic
	X583 BM5	1			Crimson
	X583 BT8	1			Dark Sable
	X583 AW3	1			White
	X583 AX9	1			Black
18	4103 717	1			MOULDING, Radiator Grille
19	4103 723	1			PANEL, Radiator Grille Headlamp Mtg.

NOTE: For M,Z Grille and Related Items Not Listed, Refer to Group 13. Gear and Pinion numbers stamped on the item may be used to confirm the correct MATCHED SET they are contained in.

MODEL CODES

B = GRAN FURY	G = DIPLOMAT	V = 400
C = LEBARON/TOWN & COUNTRY	M = HORIZON/TURISMO/SCAMP	X = MIRADA
D = ARIES	P = RELIANT	Y = IMPERIAL
E = 600	S = CORDOBA	Z = OMNI/CHARGER/RAMPAGE
F = FIFTH AVENUE	T = E CLASS/NEWYORKER	

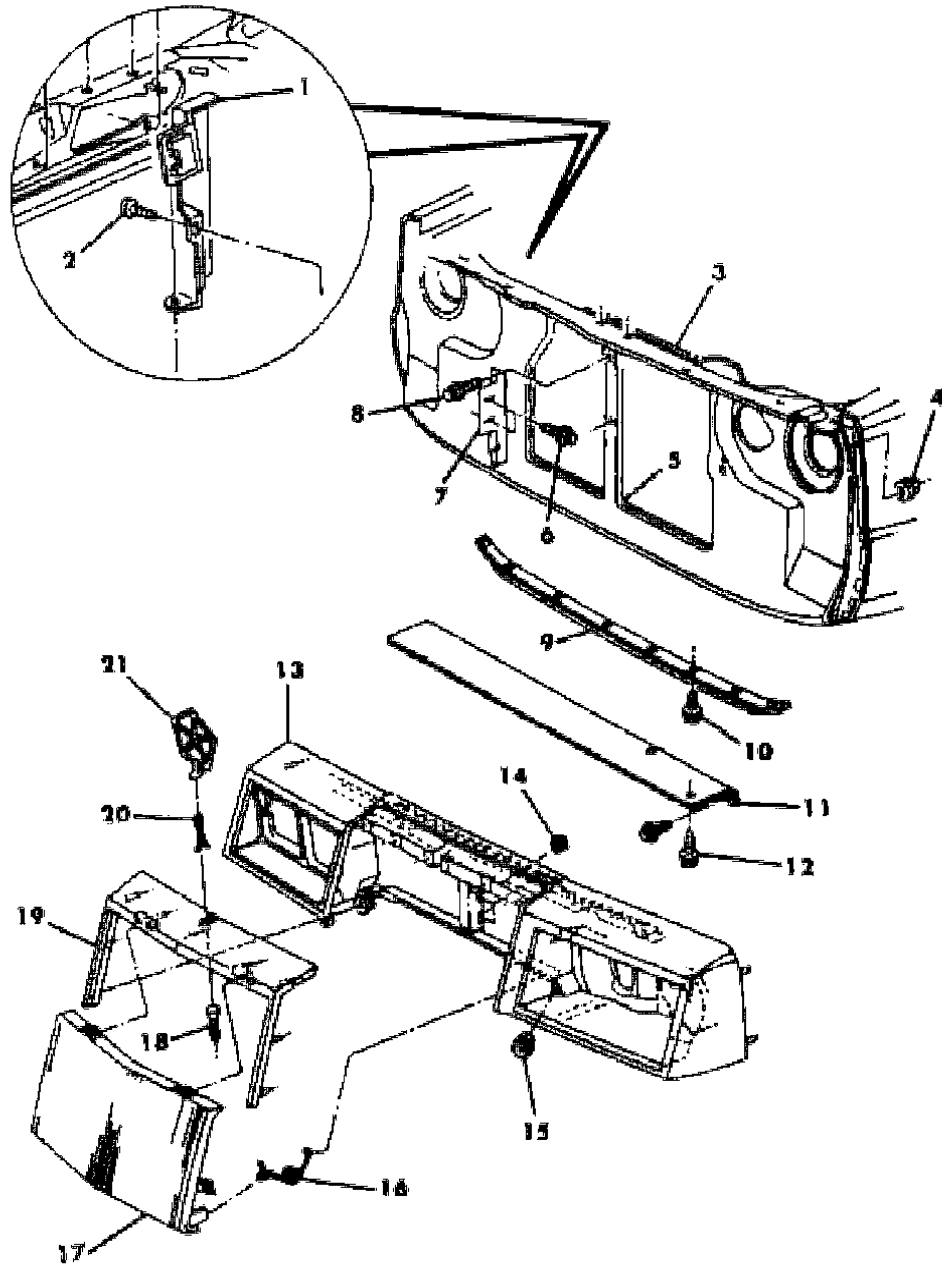
BODY STYLES

21 = 2-DOOR SEDAN	41 = 4-DOOR SEDAN
22 = 2-DOOR SPECIAL COUPE	45 = 4-DOOR STATION WAGON
24 = 2-DOOR HATCHBACK	44 = 4-DOOR HATCHBACK
27 = 2-DOOR CONVERTIBLE	48 = EXECUTIVE SEDAN
28 = FWD PICKUP	

AR = Use as Required - = Non Illustrated Part P.A.R. = Paint as Required

**GRILLE AND RELATED PARTS C,T**  
**Figure 7-400**

3107 400



ITEM	PART NUMBER	QTY	BODY	MODEL	DESCRIPTION
1					SHIELD, Closure Panel Radiator Air - Rt.
	4103 168	1			2.2L Eng.
	4103 174	1			2.6L Eng.
	4103 943	1			2.6L Eng. - Canada
2	6030 538	2			RETAINER
3	4074 484	1			CROSSMEMBER, Radiator Closure Panel
4	0219 462	4			NUT
5	4297 094	1			PANEL, Headlamp Closure Mtg.
6	6100 566	2			SCREW W/WASHER
7	4103 774	1			BRACKET, Radiator Closure Panel to Support Radiator Grille Panel
8	6029 198	2			SCREW w/WASHER
9	4266 397	1			DAM, Air - Canada
10	6030 441	8			RETAINER
11	4103 316	1			SHIELD, Grille to Ground Concealment
12	6031 299	5			RETAINER
13	4103 715	1			PANEL, Radiator Grille Headlamp Mtg.
14	6100 041	2			U-NUT
15	6500 725	8			NUT, Snap In
16	4074 947	2			SPRING, Radiator Grille Return
17					GRILLE, Radiator
	4103 331	1		T-P	
	4103 721	1		exc. T-	
18	3672 672	1			SPRING, Ornament
19	4103 708	1			MOULDING, Radiator Grille Headlamp Mtg. Panel Center
20	3672 780	1			RETAINER, Hood Ornament
21	4103 694	1			ORNAMENT, Radiator Grille (Crystal Pentastar)

MODEL CODES

B = GRAN FURY	G = DIPLOMAT	V = 400
C = LEBARON/TOWN & COUNTRY	M = HORIZON/TURISMO/SCAMP	X = MIRADA
D = ARIES	P = RELIANT	Y = IMPERIAL
E = 600	S = CORDOBA	Z = OMNI/CHARGER/RAMPAGE
F = FIFTH AVENUE	T = E CLASS/NEWYORKER	

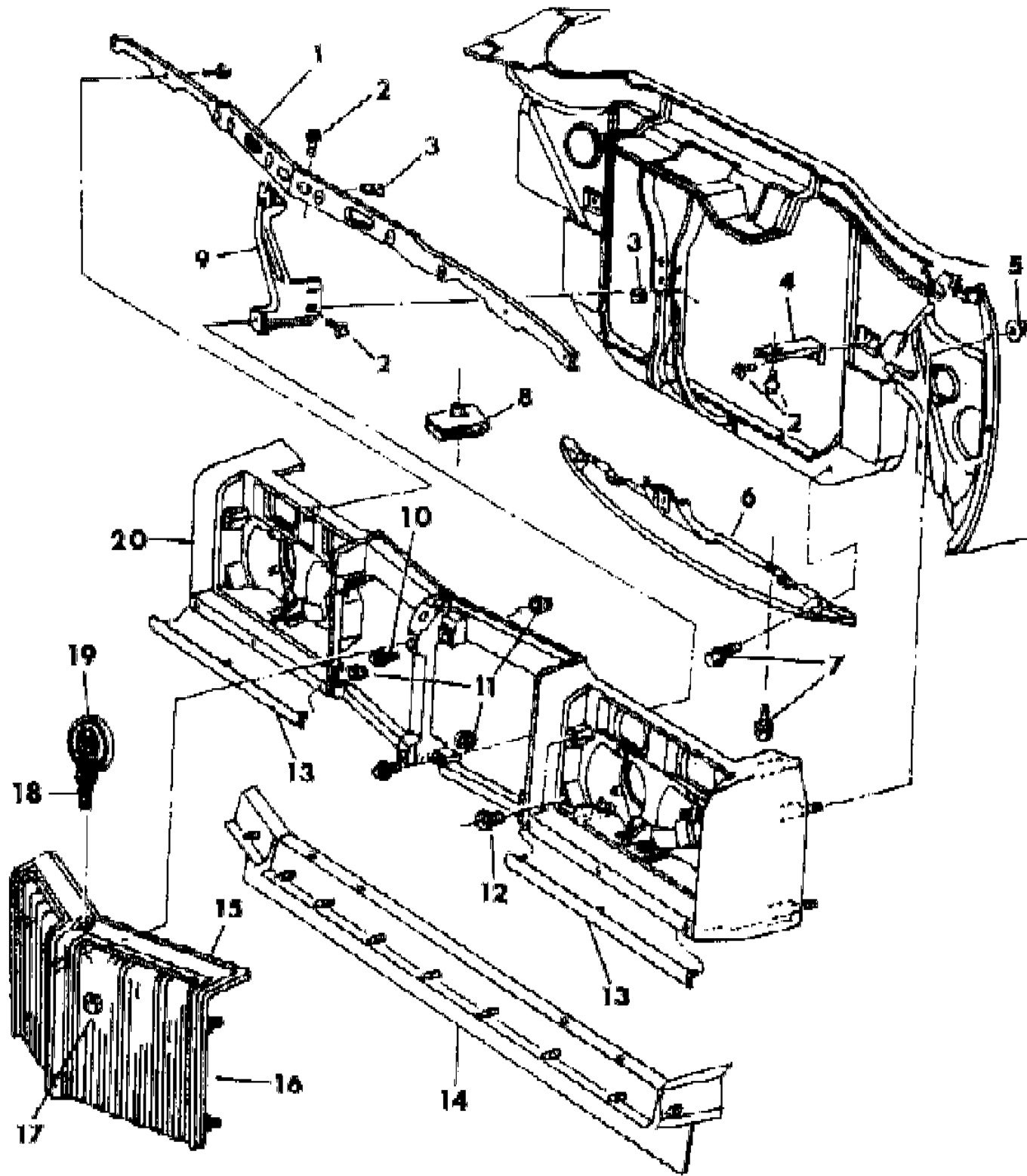
BODY STYLES

21 = 2-DOOR SEDAN	41 = 4-DOOR SEDAN
22 = 2-DOOR SPECIAL COUPE	45 = 4-DOOR STATION WAGON
24 = 2-DOOR HATCHBACK	44 = 4-DOOR HATCHBACK
27 = 2-DOOR CONVERTIBLE	48 = EXECUTIVE SEDAN
28 = FWD PICKUP	

AR = Use as Required - = Non Illustrated Part P.A.R. = Paint as Required

**GRILLE AND RELATED PARTS F**  
**Figure 7-500**

3107 500 B



ITEM	PART NUMBER	QTY	BODY	MODEL	DESCRIPTION
1		1			CROSSBAR, Radiator Grille Closure Panel - Upper (serv. in #14)
2	0181 063	AR			SCREW
3	0152 454	3			U-NUT
4	3868 650	1			BRACE, Radiator Grille Headlamp Mtg. Panel Lower
5	0219 462	6			NUT
6	4074 894	1			PANEL, Air Dam Valance
	6030 441	10			RETAINER
7	6031 951	5			SCREW
8	6030 013	2			U-NUT
9	4074 800	1			BRACE, Radiator Grille Closure Panel Center
10	6029 887	2			SCREW
11		6			NUT (not serviced)
12	6031 138	8			NUT, Spacer
13	4103 624-5	1			MOULDING, Rad. Grille Ext.
14	3868 952	1			SPOILER, Front Air w/Police Pkg.
15	4103 621	1			FRAME, Radiator Grille
16	4103 635	1			GRILLE, Radiator
17	6030 435	1			NUT, Ornament Attach
18	3672 780	1			RETAINER, Radiator Grille Frame Ornament
	3672 672	1			SPRING, Radiator Grille Frame Ornament
	4267 866	1			SPRING & RETAINER PKG., Radiator Grille Ornament
19	4103 694	1			ORNAMENT, Radiator Grille (Pentastar)
	4103 623	1			BASE, Ornament
20	4103 658	1			PANEL, Radiator Grille Headlamp Mtg.

**MODEL CODES**

B = GRAN FURY	G = DIPLOMAT	V = 400
C = LEBARON/TOWN & COUNTRY	M = HORIZON/TURISMO/SCAMP	X = MIRADA
D = ARIES	P = RELIANT	Y = IMPERIAL
E = 600	S = CORDOBA	Z = OMNI/CHARGER/RAMPAGE
F = FIFTH AVENUE	T = E CLASS/NEWYORKER	

**BODY STYLES**

21 = 2-DOOR SEDAN	41 = 4-DOOR SEDAN
22 = 2-DOOR SPECIAL COUPE	45 = 4-DOOR STATION WAGON
24 = 2-DOOR HATCHBACK	44 = 4-DOOR HATCHBACK
27 = 2-DOOR CONVERTIBLE	48 = EXECUTIVE SEDAN
28 = FWD PICKUP	

AR = Use as Required - = Non Illustrated Part P.A.R. = Paint as Required

# GRILLE AND RELATED PARTS B,G

## Figure 7-600

1107 600A

ITEM	PART NUMBER	QTY	BODY	MODEL	DESCRIPTION
1	0219 462	AR			NUT
2	6029 887	1			SCREW
3		1			CROSSBAR, Headlamp Mtg. Panel - Upper (serviced in #8)
4	3868 650	2			BRACE, Headlamp Mtg. Panel - Lower
5	6031 951	5			SCREW w/WASHER
6	4074 894	1			PANEL, Air Dam Valance
7	0181 063	7			SCREW w/WASHER
8	4074 800	1			BRACE, Vertical Lock Support
9		3			U-NUT (not serviced)
10	6025 002	7			NUT w/WASHER
11	4103 313	1			ORNAMENT
	6030 435	1			NUT, Ornament Attach
12	3672 672	1			SPRING, Ornament
	3672 780	1			RETAINER, Ornament
	4267 866	1			SPRING & RETAINER PKG., Radiator Grille Ornament
13	6030 013	2			U-NUT
14	6031 138	22			NUT
15	4074 754-5	1		B	GRILLE, Radiator Outer
	4103 410-1	1		G	
16	0152 386	10			SCREW
17	4074 786-7	1		B	GRILLE, Radiator Inner
	4103 408-9	1		G	
18	6029 887	1			SCREW
19	3868 952	1			SPOILER, Front Air w/Police Pkg.
20	4074 768	1		B	GRILLE, Radiator Center
	4103 414	1		G	
21	4074 781	1			PANEL, Radiator Grille Closure

### MODEL CODES

B = GRAN FURY

C = LEBARON/TOWN & COUNTRY

D = ARIES

E = 600

F = FIFTH AVENUE

G = DIPLOMAT

M = HORIZON/TURISMO/SCAMP

P = RELIANT

S = CORDOBA

T = E CLASS/NEWYORKER

V = 400

X = MIRADA

Y = IMPERIAL

Z = OMNI/CHARGER/RAMPAGE

### BODY STYLES

21 = 2-DOOR SEDAN

22 = 2-DOOR SPECIAL COUPE

24 = 2-DOOR HATCHBACK

27 = 2-DOOR CONVERTIBLE

28 = FWD PICKUP

41 = 4-DOOR SEDAN

45 = 4-DOOR STATION WAGON

44 = 4-DOOR HATCHBACK

48 = EXECUTIVE SEDAN

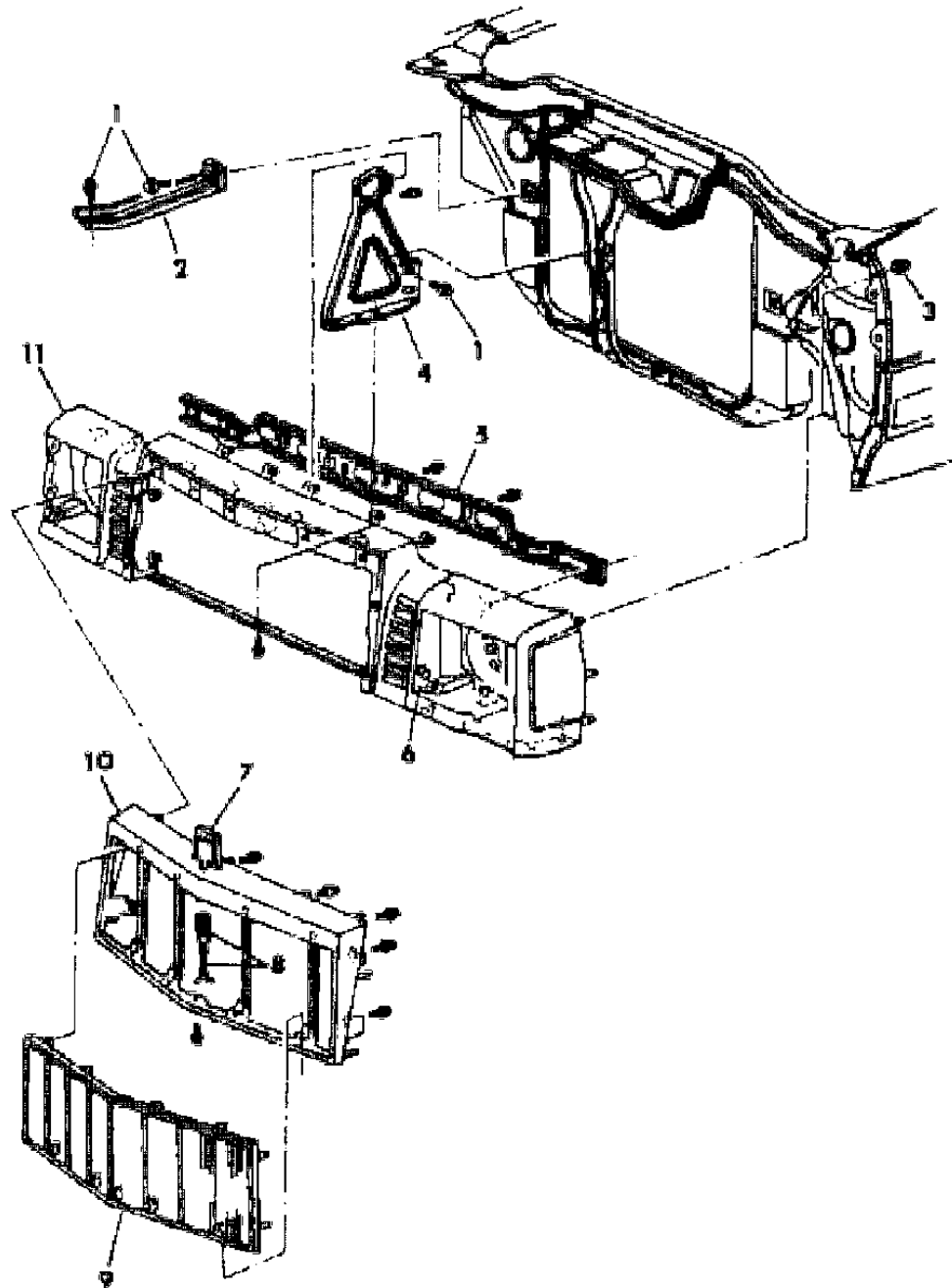
AR = Use as Required - = Non Illustrated Part P.A.R. = Paint as Required



# GRILLE AND RELATED PARTS S

Figure 7-700

3107 700



ITEM	PART NUMBER	QTY	BODY	MODEL	DESCRIPTION
1	0181 065	8			SCREW w/WASHER
2	4074 728	1			BRACE, Headlamp Mtg. Panel Lower Right
	4074 729	1			Left
3	0219 462	6			NUT
	6027 422	4			
4	4074 851	1			BRACE, Vertical Lock Support
5	4074 730	1			CROSSBAR, Headlamp Mtg. Panel Upper
6	6031 138	AR			SPACER NUT
7	4103 694	1			ORNAMENT, Headlamp Mtg. Panel
8	3672 672	1			SPRING, Radiator Grille Panel Ornament
	3672 780	1			RETAINER, Radiator Grille Panel Ornament
	4267 866	1			SPRING & RETAINER PKG., Radiator Grille Ornament
9	4074 606	1			GRILLE, Radiator
10	4103 228	1			MOULDING, Radiator Grille Headlamp Mtg. Panel
11	4103 932	1			PANEL, Radiator Grille Headlamp Mtg.

MODEL CODES

B = GRAN FURY	G = DIPLOMAT	V = 400
C = LEBARON/TOWN & COUNTRY	M = HORIZON/TURISMO/SCAMP	X = MIRADA
D = ARIES	P = RELIANT	Y = IMPERIAL
E = 600	S = CORDOBA	Z = OMNI/CHARGER/RAMPAGE
F = FIFTH AVENUE	T = E CLASS/NEWYORKER	

BODY STYLES

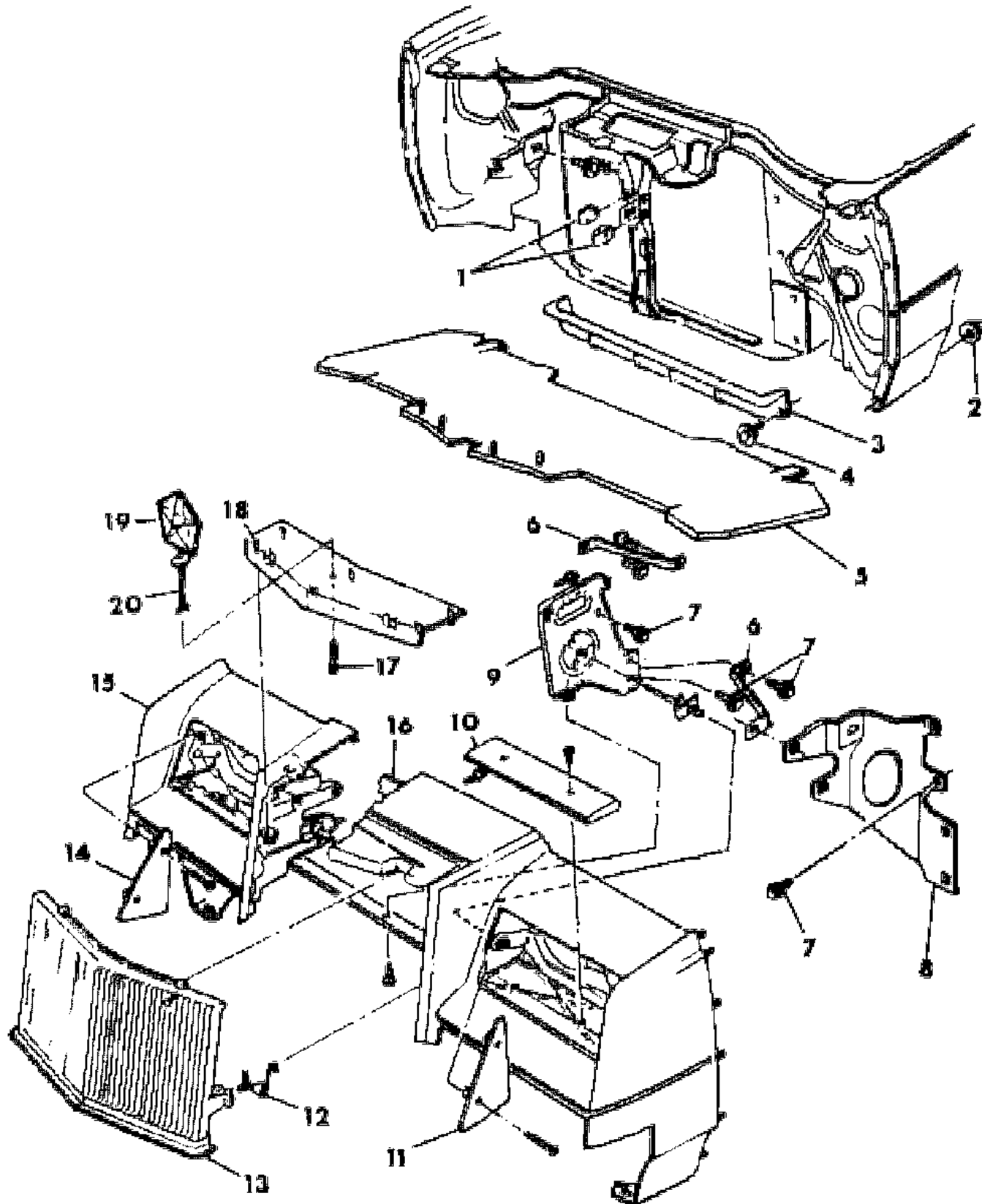
21 = 2-DOOR SEDAN	41 = 4-DOOR SEDAN
22 = 2-DOOR SPECIAL COUPE	45 = 4-DOOR STATION WAGON
24 = 2-DOOR HATCHBACK	44 = 4-DOOR HATCHBACK
27 = 2-DOOR CONVERTIBLE	48 = EXECUTIVE SEDAN
28 = FWD PICKUP	

AR = Use as Required - = Non Illustrated Part P.A.R. = Paint as Required

# GRILLE AND RELATED PARTS Y

Figure 7-800

1107 800



ITEM	PART NUMBER	QTY	BODY	MODEL	DESCRIPTION
1		3			U-NUT (not serviced)
2	6027 422	10			NUT
3	4074 820	1			SHIELD, Radiator Air Lower
4	6031 951	5			SCREW w/WASHER
5	4074 974	1			EXTENSION, Radiator Air Shield Lower
6	4074 941	2			STRUT, Radiator Grille Vertical Lock Support
7	0181 065	8			SCREW w/WASHER
8	4074 942-3	1			BRACE, Headlamp Mtg. Panel to Radiator Yoke Panel
9	4074 925	1			BRACE, Radiator Grille Headlamp Mtg. Lock Support
10	4103 294-5	1			PANEL, Headlamp Door Trim - Argent
11	4103 292-3	1			PANEL, Headlamp Opening Inner Trim - Argent
12	4074 947	2			SPRING, Radiator Grille Return
13	4074 996	1			GRILLE, Radiator
14	4103 296-7	1			PANEL, Headlamp Opening Side Trim - Outer
15	4103 267	1			PANEL & REINF., Headlamp Mtg. - Dealer Paint
16	4074 955	1			CROSSBAR, Radiator Grille Headlamp Mtg. - Upper
17	3672 672	1			SPRING, Ornament
	4267 886	1			SPRING & RETAINER PKG., Radiator Grille Ornament
18	4074 936	1			MOULDING, Radiator Grille Headlamp Mtg. Panel
19	4103 694	1			ORNAMENT, Radiator Grille (Pentastar)
20	3672 780	1			RETAINER, Ornament

MODEL CODES

B = GRAN FURY	G = DIPLOMAT	V = 400
C = LEBARON/TOWN & COUNTRY	M = HORIZON/TURISMO/SCAMP	X = MIRADA
D = ARIES	P = RELIANT	Y = IMPERIAL
E = 600	S = CORDOBA	Z = OMNI/CHARGER/RAMPAGE
F = FIFTH AVENUE	T = E CLASS/NEWYORKER	

BODY STYLES

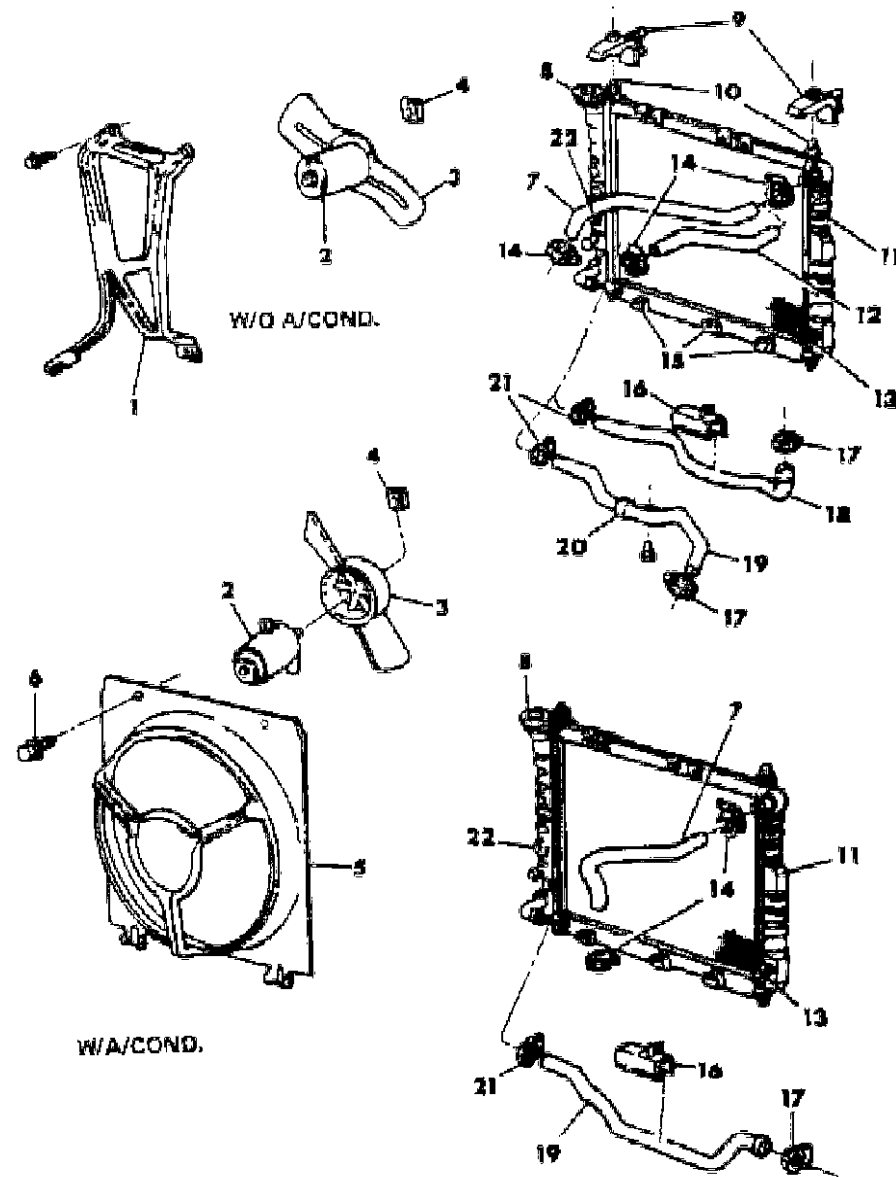
21 = 2-DOOR SEDAN	41 = 4-DOOR SEDAN
22 = 2-DOOR SPECIAL COUPE	45 = 4-DOOR STATION WAGON
24 = 2-DOOR HATCHBACK	44 = 4-DOOR HATCHBACK
27 = 2-DOOR CONVERTIBLE	48 = EXECUTIVE SEDAN
28 = FWD PICKUP	

AR = Use as Required - = Non Illustrated Part P.A.R. = Paint as Required

# RADIATOR AND RELATED PARTS M,Z

Figure 7-900

ITEM	PART NUMBER	QTY	BODY	MODEL	DESCRIPTION
1	4240 497	1			BRACKET, Fan Support w/o Air Cond.
2	4240 494	1			MOTOR, Fan w/Air Cond.
	4240 493	1			w/o Air Cond.
3					FAN
	4266 282	1			w/Air Cond.
	4266 069	1			w/o Air Cond.
4	6500 377	1			RETAINER, Fan
5					SHROUD, Fan Support
	4240 496	1			1.7L Eng. w/Air Cond. w/Man. Trans.
	4266 370	1			1.7L Eng. w/Air Cond. w/Auto. Trans.
	4240 496	1			2.2L Eng. w/Air Cond.
6	6100 558	4			SCREW
7					HOSE, Inlet
	4266 271	1			1.6L Eng.
	4266 298	1			1.7L Eng.
8	3781 830	1			CAP, Radiator
9					BRACKET, Radiator Upper Mtg.
	4140 566	1			Right
	4140 567	1			Left
10	4140 427	2			ISOLATOR, Radiator
11	4266 524	1			CORE, Radiator w/Air Cond. or Max. Cooling 1.7L & 2.2L Eng.
	4266 524	1			w/o Air Cond. or Max. Cooling up to 1-14-83
	4266 502	1			after 1-14-83
	4266 506	1			2.2L Eng. (Shelby Charger)
12	4266 285	1			HOSE, Inlet 2.2L Eng.
13	1686 198	1			COCK, Radiator Drain
14	6032 229	AR			CLAMP, Radiator Hose Inlet
15					CLIP, Spring - Lower Shroud Mtg.
	4266 212	2			w/Air Cond.
	4140 538	1			w/o Air Cond.
16	4140 849	1			CLIP, Radiator Outlet Hose 1.7L Eng. & 2.2L Eng.
17	6032 277	AR			CLAMP, Radiator Hose Outlet
18	4266 262	1			HOSE, Radiator Outlet 2.2L Eng.
19					HOSE, Outlet
	4266 281	1			1.6L Eng.
	4140 547	1			1.7L Eng.



MODEL CODES

B = GRAN FURY	G = DIPLOMAT	V = 400
C = LEBARON/TOWN & COUNTRY	M = HORIZON/TURISMO/SCAMP	X = MIRADA
D = ARIES	P = RELIANT	Y = IMPERIAL
E = 600	S = CORDOBA	Z = OMNI/CHARGER/RAMPAGE
F = FIFTH AVENUE	T = E CLASS/NEWYORKER	

BODY STYLES

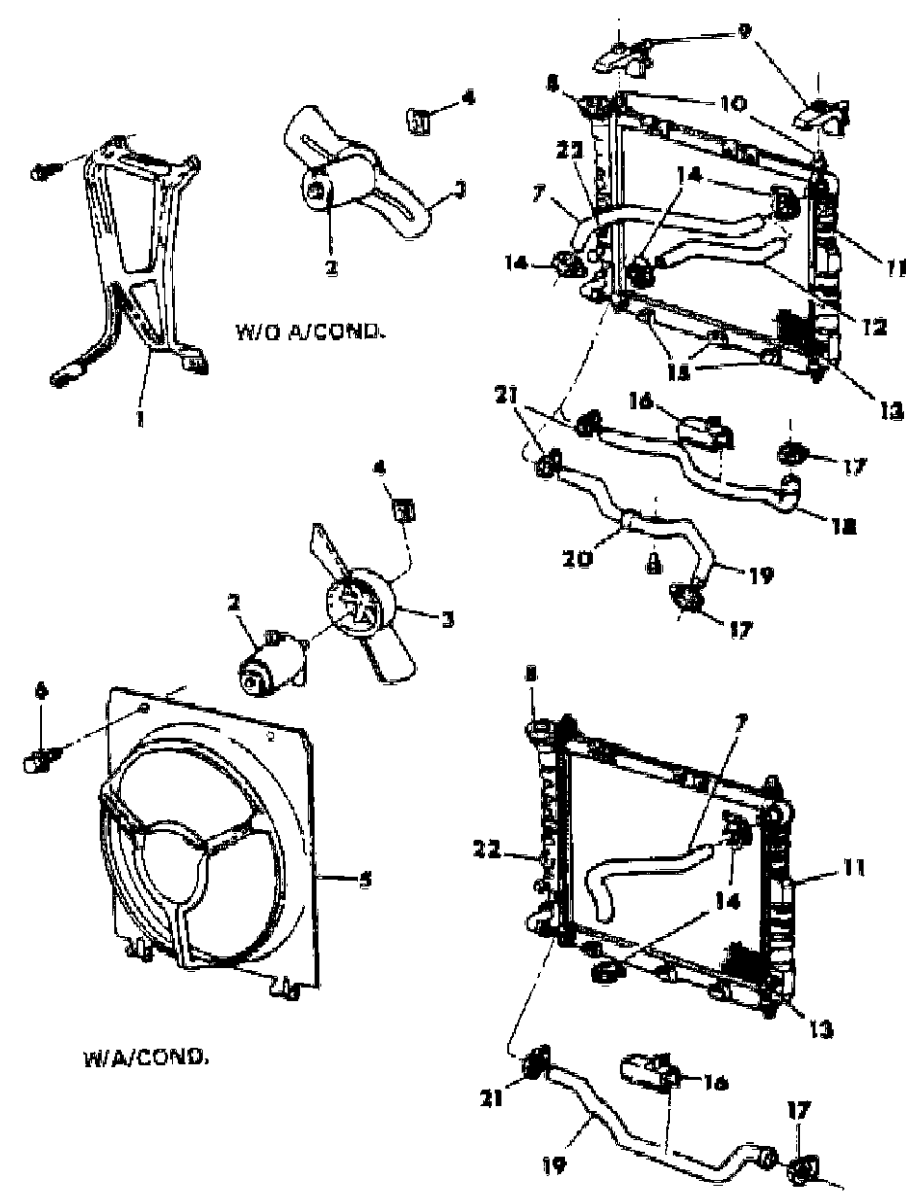
21 = 2-DOOR SEDAN	41 = 4-DOOR SEDAN
22 = 2-DOOR SPECIAL COUPE	45 = 4-DOOR STATION WAGON
24 = 2-DOOR HATCHBACK	44 = 4-DOOR HATCHBACK
27 = 2-DOOR CONVERTIBLE	48 = EXECUTIVE SEDAN
28 = FWD PICKUP	

AR = Use as Required - = Non Illustrated Part P.A.R. = Paint as Required

# RADIATOR AND RELATED PARTS M,Z

Figure 7-900

ITEM	PART NUMBER	QTY	BODY	MODEL	DESCRIPTION
20	4266 257	1			CLIP, Radiator Outlet Hose 1.6L Eng.
21	6032 276	AR			CLAMP, Radiator Hose Outlet
22	5209 923	1			SWITCH, Radiator Temp. Fan
	4221 284	1			w/Diesel
	6031 903	1			BUSHING, Fan Switch



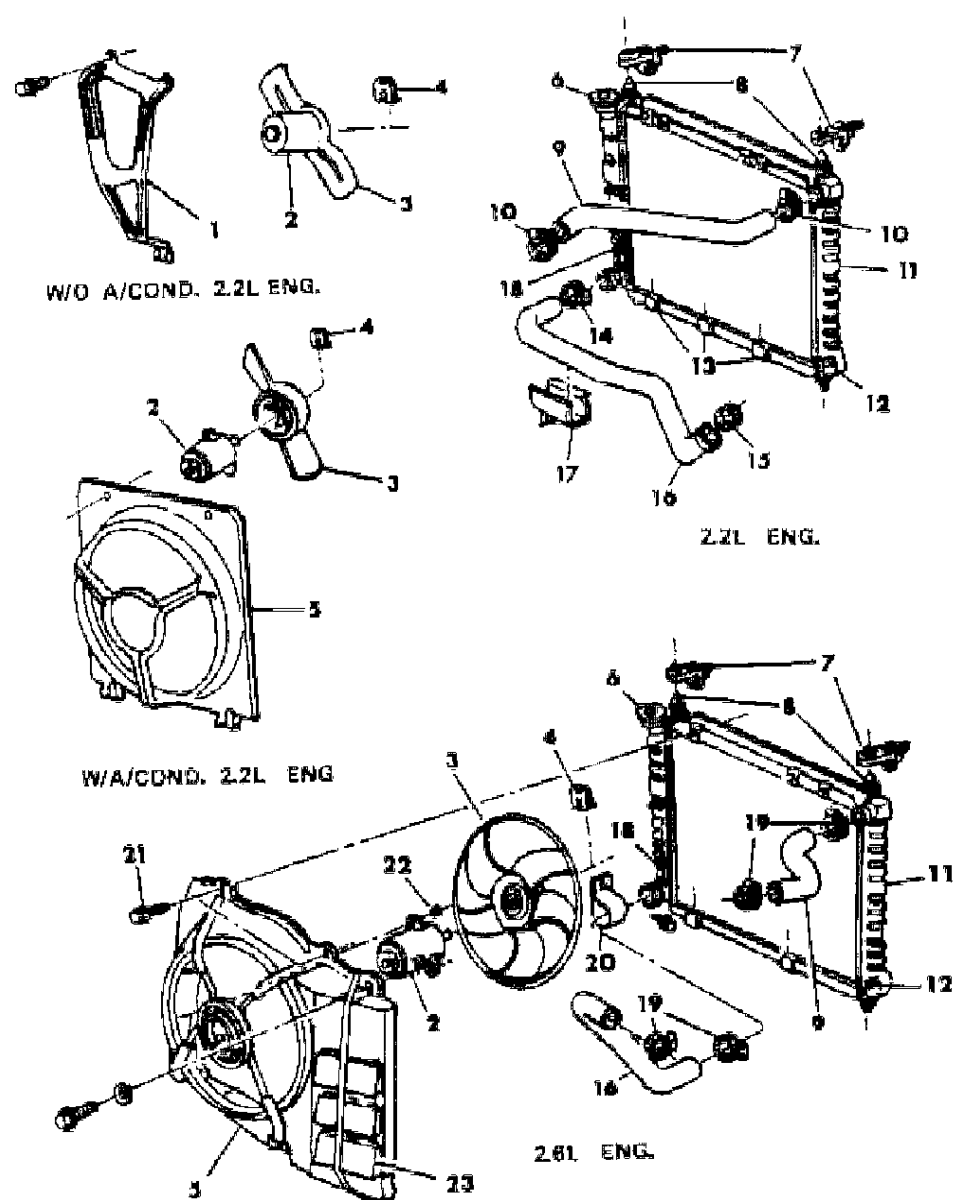
MODEL CODES  
 B = GRAN FURY  
 C = LEBARON/TOWN & COUNTRY  
 D = ARIES  
 E = 600  
 F = FIFTH AVENUE  
 G = DIPLOMAT  
 M = HORIZON/TURISMO/SCAMP  
 P = RELIANT  
 S = CORDOBA  
 T = E CLASS/NEWYORKER  
 V = 400  
 X = MIRADA  
 Y = IMPERIAL  
 Z = OMNI/CHARGER/RAMPAGE

BODY STYLES  
 21 = 2-DOOR SEDAN  
 22 = 2-DOOR SPECIAL COUPE  
 24 = 2-DOOR HATCHBACK  
 27 = 2-DOOR CONVERTIBLE  
 28 = FWD PICKUP  
 41 = 4-DOOR SEDAN  
 45 = 4-DOOR STATION WAGON  
 44 = 4-DOOR HATCHBACK  
 48 = EXECUTIVE SEDAN

AR = Use as Required - = Non Illustrated Part P.A.R. = Paint as Required

**RADIATOR AND RELATED PARTS P,D,C,V,E,T**  
**Figure 7-1000**

9107 1000



ITEM	PART NUMBER	QTY	BODY	MODEL	DESCRIPTION
1	4240 497	1			BRACKET, Fan Support w/o Air Cond. 2.2L Eng.
2	4240 494	1			MOTOR, Fan 2.2L Eng. w/Air Cond.
	4240 493	1			2.2L Eng. w/o Air Cond.
	5211 115	1			2.6L Eng.
3					FAN
	4266 282	1			2.2L Eng. w/Air Cond.
	4266 069	1			2.2L Eng. w/o Air Cond.
	4266 074	1			2.6L Eng.
4	6500 377	1			RETAINER, Fan
5	4240 496	1			SHROUD, Fan Support 2.2L Eng. w/Air Cond.
	4140 453	1			2.6L Eng.
6	3781 830	1			CAP, Radiator
7	4140 571	2			BRACKET, Radiator Upper Mtg.
8	4140 427	4			ISOLATOR, Radiator
9					HOSE, Inlet
	4140 574	1			2.2L Eng.
	4140 576	1			2.6L Eng.
	4266 138	1			2.6L Eng. (Silicone)
10	6032 277	2			CLAMP
	4041 606	2			CLAMP s/Steel
11					CORE, Radiator
	4140 686	1			2.2L Eng.
	4140 695	1			2.6L Eng.
12	1686 198	1			COCK, Radiator Drain
13	4140 538	3			CLIP, Spring - Lower Shroud Mtg. 2.2L Eng.
14	6032 276	1			CLAMP
15	6032 277	1			CLAMP
	4140 608	1			CLAMP s/Steel
16					HOSE, Outlet
	4266 260	1			2.2L Eng.
	4266 255	1			2.6L Eng. w/Automatic Speed Cont.
	4140 577	1			2.6L Eng. w/o Automatic Speed Cont.
	4266 139	1			2.6L Eng. (Silicone)
17	5240 760	1			CLIP, Radiator Outlet Hose 2.2L Eng.
18					SWITCH, Radiator Temp. Fan

**MODEL CODES**

B = GRAN FURY	G = DIPLOMAT	V = 400
C = LEBARON/TOWN & COUNTRY	M = HORIZON/TURISMO/SCAMP	X = MIRADA
D = ARIES	P = RELIANT	Y = IMPERIAL
E = 600	S = CORDOBA	Z = OMNI/CHARGER/RAMPAGE
F = FIFTH AVENUE	T = E CLASS/NEWYORKER	

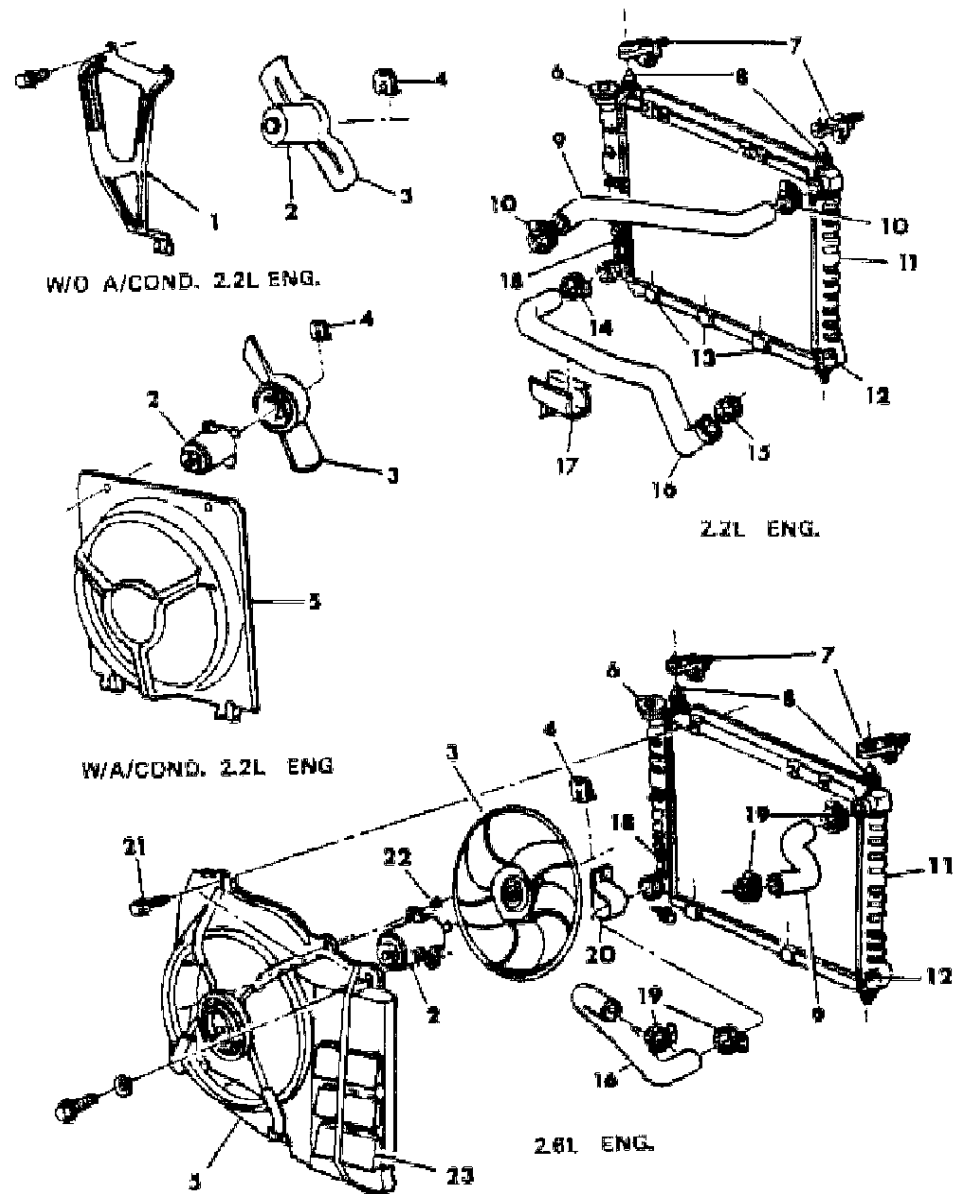
**BODY STYLES**

21 = 2-DOOR SEDAN	41 = 4-DOOR SEDAN
22 = 2-DOOR SPECIAL COUPE	45 = 4-DOOR STATION WAGON
24 = 2-DOOR HATCHBACK	44 = 4-DOOR HATCHBACK
27 = 2-DOOR CONVERTIBLE	48 = EXECUTIVE SEDAN
28 = FWD PICKUP	

AR = Use as Required - = Non Illustrated Part P.A.R. = Paint as Required

RADIATOR AND RELATED PARTS P,D,C,V,E,T  
Figure 7-1000

ITEM	PART NUMBER	QTY	BODY	MODEL	DESCRIPTION
	5209 923	1			2.2L Eng.
	4221 284	1			2.6L Eng.
	6031 903	1			BUSHING, Fan Switch
19	3683 824	2			CLAMP
	6032 276	AR			CLAMP
20	4266 257	1			CLIP, Radiator Outlet to Rail 2.6L Eng. w/Automatic Speed Cont.
21	6100 558	2			SCREW
22	6500 288	2			NUT
23	4266 057	AR			COVER, Radiator Fan Shroud Hole



MODEL CODES

B = GRAN FURY	G = DIPLOMAT	V = 400
C = LEBARON/TOWN & COUNTRY	M = HORIZON/TURISMO/SCAMP	X = MIRADA
D = ARIES	P = RELIANT	Y = IMPERIAL
E = 600	S = CORDOBA	Z = OMNI/CHARGER/RAMPAGE
F = FIFTH AVENUE	T = E CLASS/NEWYORKER	

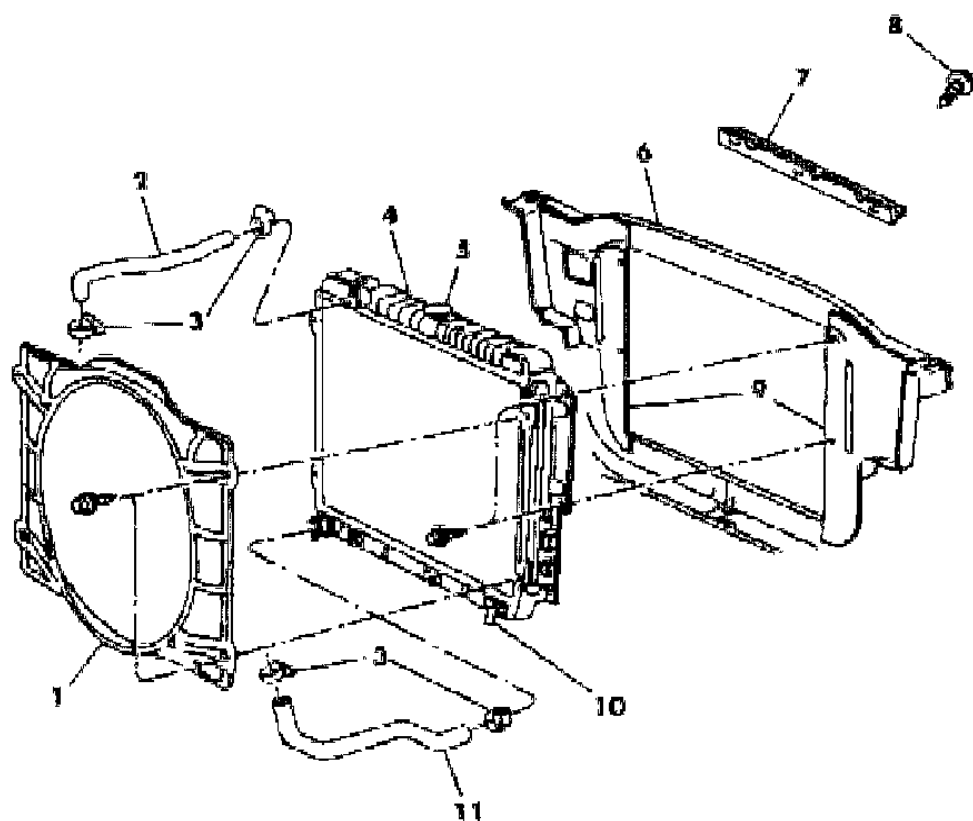
BODY STYLES

21 = 2-DOOR SEDAN	41 = 4-DOOR SEDAN
22 = 2-DOOR SPECIAL COUPE	45 = 4-DOOR STATION WAGON
24 = 2-DOOR HATCHBACK	44 = 4-DOOR HATCHBACK
27 = 2-DOOR CONVERTIBLE	48 = EXECUTIVE SEDAN
28 = FWD PICKUP	

AR = Use as Required - = Non Illustrated Part P.A.R. = Paint as Required

**RADIATOR AND RELATED PARTS B,F,G,X,S,Y**  
**Figure 7-1100**

3107 1100



ITEM	PART NUMBER	QTY	BODY	MODEL	DESCRIPTION
1	4140 318	1			SHROUD, Fan Support 225 Eng. w/22" Core w/Air Cond.
	3869 812	1			318 Eng. w/26" Core w/Air Cond.
2	4140 051	1			HOSE, Inlet 225 Eng.
	4140 711	1			318 Eng. w/Police or Fleet
	4140 710	1			318 Eng. w/o Police or Fleet
	4140 712	1			318 Eng. (Silicone)
3	2448 763	4			CLAMP
	4041 608	4			CLAMP s/Steel
4	4266 436	1			CORE, Radiator 225 Eng. 22"
	4266 431	1			318 Eng. 22" w/o Air Cond. w/o Max Cooling
	4140 641	1			318 Eng. 26" w/Max Cooling
	3781 830	1			CAP, Radiator
6	4103 464	1			CROSSMEMBER, Radiator Yoke
7	4103 056	1			SEAL, Radiator Yoke Crossmember to Radiator
8	6030 538	3			RETAINER, Radiator Yoke Crossmember to Radiator Seal
9	4016 338	1			PANEL, Radiator Yoke 22" Core - Rt.
	3868 679	1			22" Core - Lt.
	3868 682	1			318 Eng. 26" Core - Rt.
	3868 683	1			318 Eng. 26" Core - Lt.
	1686 198	1			COCK, Radiator Drain
	11	3870 113	1		
	4140 708	1			318 Eng. w/Police Pkg.
	3870 120	1			318 Eng. w/o Police Pkg.

MODEL CODES

B = GRAN FURY	G = DIPLOMAT	V = 400
C = LEBARON/TOWN & COUNTRY	M = HORIZON/TURISMO/SCAMP	X = MIRADA
D = ARIES	P = RELIANT	Y = IMPERIAL
E = 600	S = CORDOBA	Z = OMNI/CHARGER/RAMPAGE
F = FIFTH AVENUE	T = E CLASS/NEWYORKER	

BODY STYLES

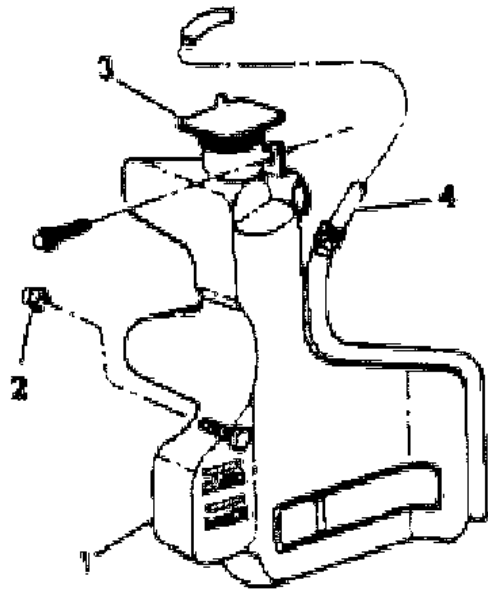
21 = 2-DOOR SEDAN	41 = 4-DOOR SEDAN
22 = 2-DOOR SPECIAL COUPE	45 = 4-DOOR STATION WAGON
24 = 2-DOOR HATCHBACK	44 = 4-DOOR HATCHBACK
27 = 2-DOOR CONVERTIBLE	48 = EXECUTIVE SEDAN
28 = FWD PICKUP	

AR = Use as Required - = Non Illustrated Part P.A.R. = Paint as Required

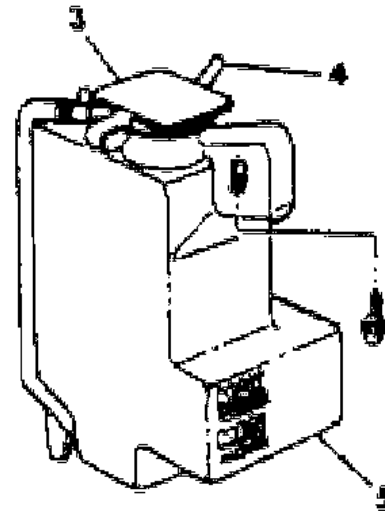
**COOLANT RESERVE TANKS**  
Figure 7-1200

J107 1200

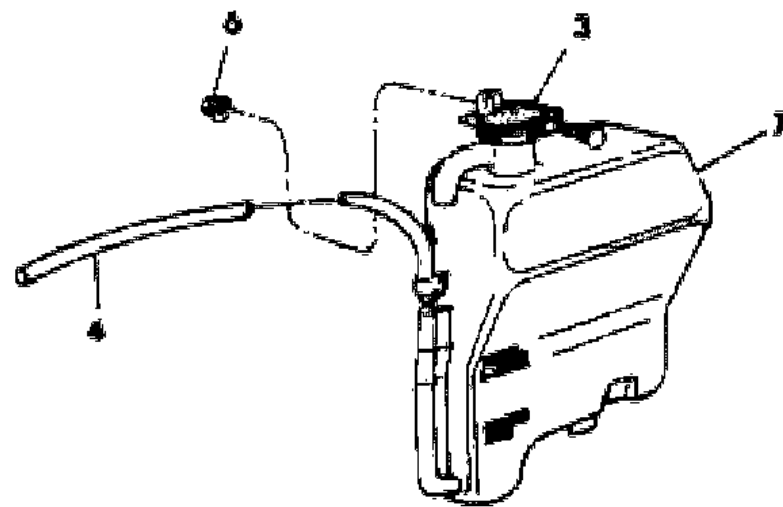
ITEM	PART NUMBER	QTY	BODY	MODEL	DESCRIPTION
1	4140 461	1			TANK, Coolant Reserve
2	6100 046	1			NUT
3	4140 464	1			CAP, Coolant Reserve Tank
4	4026 148	1			TUBE, Radiator to Coolant Reserve Tank (serv. in 50 ft. roll)
5	4140 463	1			TANK, Coolant Reserve
6	0219 462	1			NUT
7	4140 741	1			TANK, Coolant Reserve



M, Z



P, D, V, G, E, T



B, F, G, X, S, Y

MODEL CODES

B = GRAN FURY	G = DIPLOMAT	V = 400
C = LEBARON/TOWN & COUNTRY	M = HORIZON/TURISMO/SCAMP	X = MIRADA
D = ARIES	P = RELIANT	Y = IMPERIAL
E = 600	S = CORDOBA	Z = OMNI/CHARGER/RAMPAGE
F = FIFTH AVENUE	T = E CLASS/NEWYORKER	

BODY STYLES

21 = 2-DOOR SEDAN	41 = 4-DOOR SEDAN
22 = 2-DOOR SPECIAL COUPE	45 = 4-DOOR STATION WAGON
24 = 2-DOOR HATCHBACK	44 = 4-DOOR HATCHBACK
27 = 2-DOOR CONVERTIBLE	48 = EXECUTIVE SEDAN
28 = FWD PICKUP	

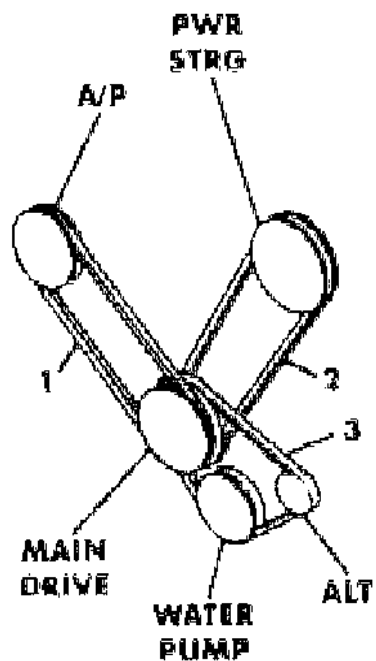
AR = Use as Required - = Non Illustrated Part P.A.R. = Paint as Required



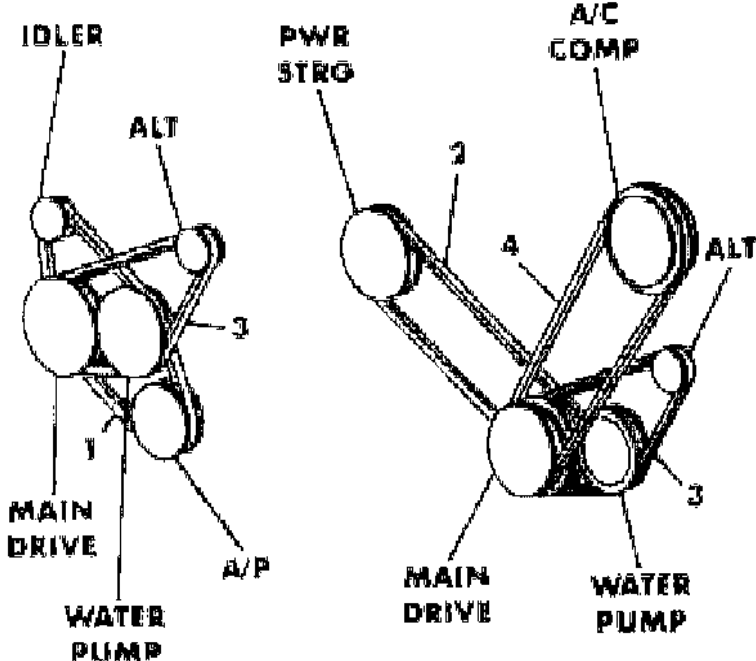
# DRIVE BELTS 4 CYLINDER ENGINES

Figure 7-1300

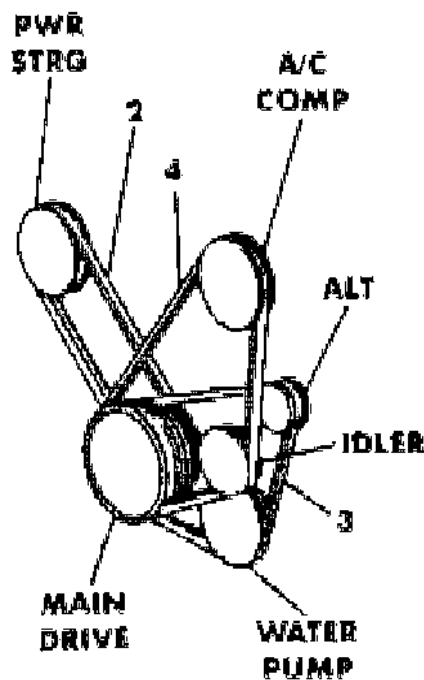
3107 1300A



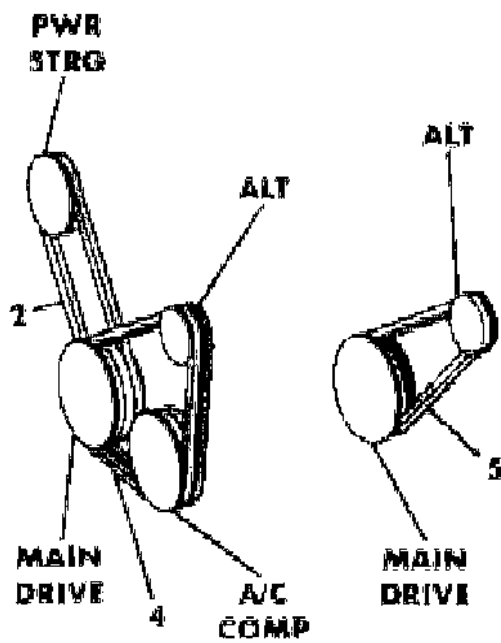
1.6L ENGINE



1.7L ENGINE



2.2L ENGINE



2.6L ENGINE

ITEM	PART NUMBER	QTY	BODY	MODEL	DESCRIPTION
1	4104 352	1			BELT, Air Pump Drive 1.6L Eng.
	5214 136	1			1.7L Eng.
	4201 481	1			2.2L Eng.
2	4273 077	1			BELT, Power Steering Drive 1.6L Eng. up to 5-2-83
	5214 136	1			after 5-2-83
	4267 343	1			1.7L Eng.
	4267 343	1			2.2L Eng.
	4027 330	1			2.6L Eng.
3	4298 096	1			BELT, Alt. & Water Pump Drive 1.6L Eng.
	5214 136	1			1.7L Eng.
	4273 076	1			2.2L Eng.
	4273 182	1			2.6L Eng.
4	4241 130	1			BELT, A/C Compressor Drive 1.7L Eng.
	4273 020	1			2.2L Eng.
	4106 242	2			2.6L Eng.
5	4027 319	2			BELT, Alt. Drive 2.6L Eng.

MODEL CODES

B = GRAN FURY	G = DIPLOMAT	V = 400
C = LEBARON/TOWN & COUNTRY	M = HORIZON/TURISMO/SCAMP	X = MIRADA
D = ARIES	P = RELIANT	Y = IMPERIAL
E = 600	S = CORDOBA	Z = OMNI/CHARGER/RAMPAGE
F = FIFTH AVENUE	T = E CLASS/NEWYORKER	

BODY STYLES

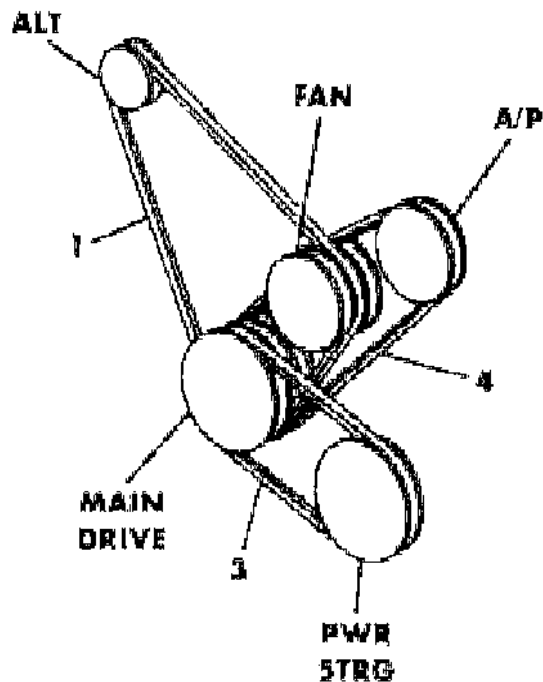
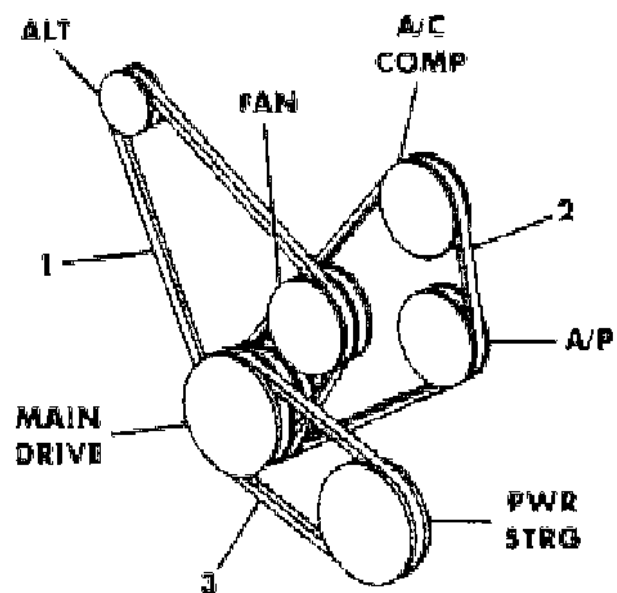
21 = 2-DOOR SEDAN	41 = 4-DOOR SEDAN
22 = 2-DOOR SPECIAL COUPE	45 = 4-DOOR STATION WAGON
24 = 2-DOOR HATCHBACK	44 = 4-DOOR HATCHBACK
27 = 2-DOOR CONVERTIBLE	48 = EXECUTIVE SEDAN
28 = FWD PICKUP	

AR = Use as Required - = Non Illustrated Part P.A.R. = Paint as Required

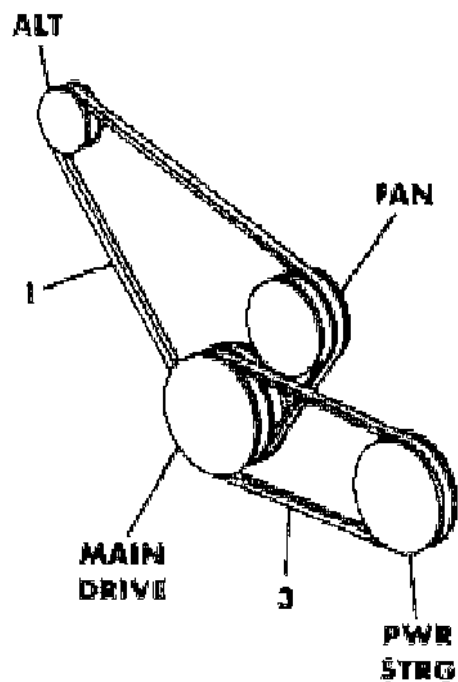
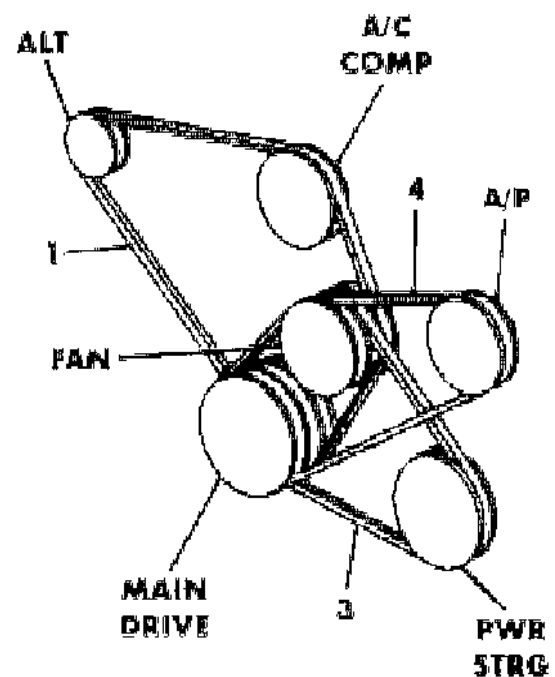
# DRIVE BELTS 6 & 8 CYLINDER ENGINES

Figure 7-1400

3107 1400A



225 ENGINE



318 ENGINE

ITEM	PART NUMBER	QTY	BODY	MODEL	DESCRIPTION
1					BELT, Alternator Drive
	4027 350	1			225 Eng. w/60 or 78 Amp. Alt.
	4106 217	1			225 Eng. w/114 Amp. Alt. w/Air Cond.
	4106 217	1			225 Eng. w/114 Amp. Alt. w/o Air Cond. w/Max Cooling
	4106 219	1			225 Eng. w/114 Amp. Alt. w/o Air Cond. w/o Max Cooling
	4106 207	1			318 Eng. w/60 or 78 Amp. Alt. w/o Air Cond.
	4106 240	2			318 Eng. w/114 Amp. Alt. w/o Air Cond.
2					BELT, Air Cond. Drive
	4173 211	1			225 Eng. w/Air Pump
	4179 404	1			225 Eng. w/o Air Pump
	4106 241	2			318 Eng. w/60 or 78 Amp. Alt. up to 11-16-82
	4298 184	2			after 11-16-82
	4106 240	2			318 Eng. w/114 Amp. Alt.
3					BELT, Power Steering Drive
	4027 319	1			225 Eng.
	4106 204	1			318 Eng.
4					BELT, Air Pump Drive
	3837 673	1			

MODEL CODES  
 B = GRAN FURY  
 C = LEBARON/TOWN & COUNTRY  
 D = ARIES  
 E = 600  
 F = FIFTH AVENUE  
 G = DIPLOMAT  
 M = HORIZON/TURISMO/SCAMP  
 P = RELIANT  
 S = CORDOBA  
 T = E CLASS/NEWYORKER  
 V = 400  
 X = MIRADA  
 Y = IMPERIAL  
 Z = OMNI/CHARGER/RAMPAGE

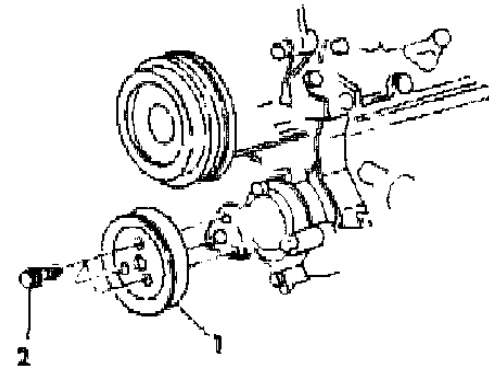
BODY STYLES  
 21 = 2-DOOR SEDAN  
 22 = 2-DOOR SPECIAL COUPE  
 24 = 2-DOOR HATCHBACK  
 27 = 2-DOOR CONVERTIBLE  
 28 = FWD PICKUP  
 41 = 4-DOOR SEDAN  
 45 = 4-DOOR STATION WAGON  
 44 = 4-DOOR HATCHBACK  
 48 = EXECUTIVE SEDAN

AR = Use as Required - = Non Illustrated Part P.A.R. = Paint as Required

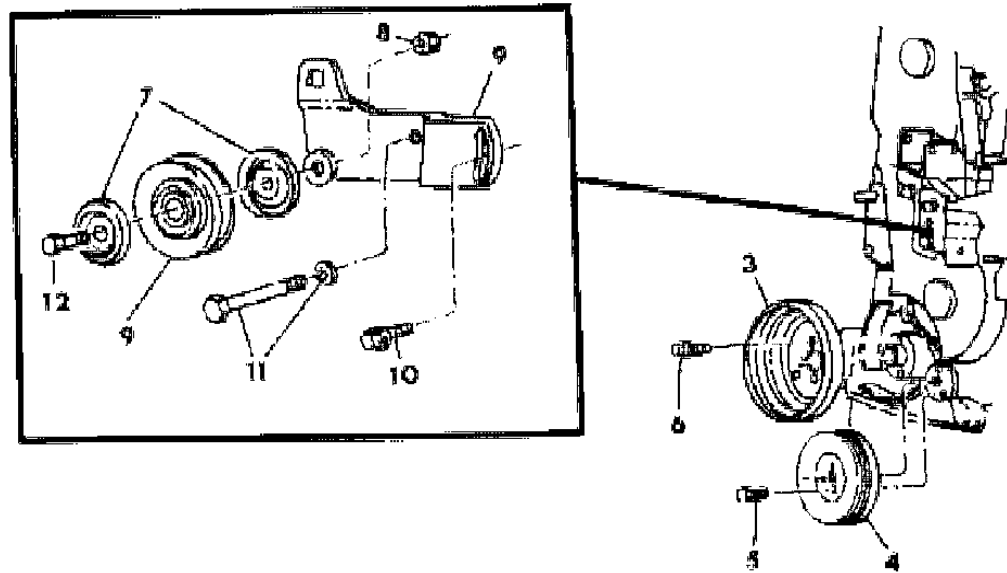
DRIVE PULLEYS 1.6L & 1.7L ENGINES

Figure 7-1500

3107 1500A



1.6 LITER



1.7 LITER

ITEM	PART NUMBER	QTY	BODY	MODEL	DESCRIPTION
1	4273 096	1			PULLEY, Water Pump
2	6500 665	3			SCREW w/WASHER
3	5214 486	1			PULLEY, Drive
4	5214 504	1			PULLEY, Water Pump
5	6500 137	3			SCREW w/WASHER
6	6500 350	4			BOLT
7	5214 065	2			SHIELD, Idler
8	0271 502	1			NUT
9	5214 176	1			PULLEY, Idler
	5214 178	1			BRACKET
10	6500 253	1			SCREW w/WASHER
11	6500 218	1			SCREW
	6100 233	1			WASHER
12	6500 374	1			SCREW w/WASHER

MODEL CODES

B = GRAN FURY	G = DIPLOMAT	V = 400
C = LEBARON/TOWN & COUNTRY	M = HORIZON/TURISMO/SCAMP	X = MIRADA
D = ARIES	P = RELIANT	Y = IMPERIAL
E = 600	S = CORDOBA	Z = OMNI/CHARGER/RAMPAGE
F = FIFTH AVENUE	T = E CLASS/NEWYORKER	

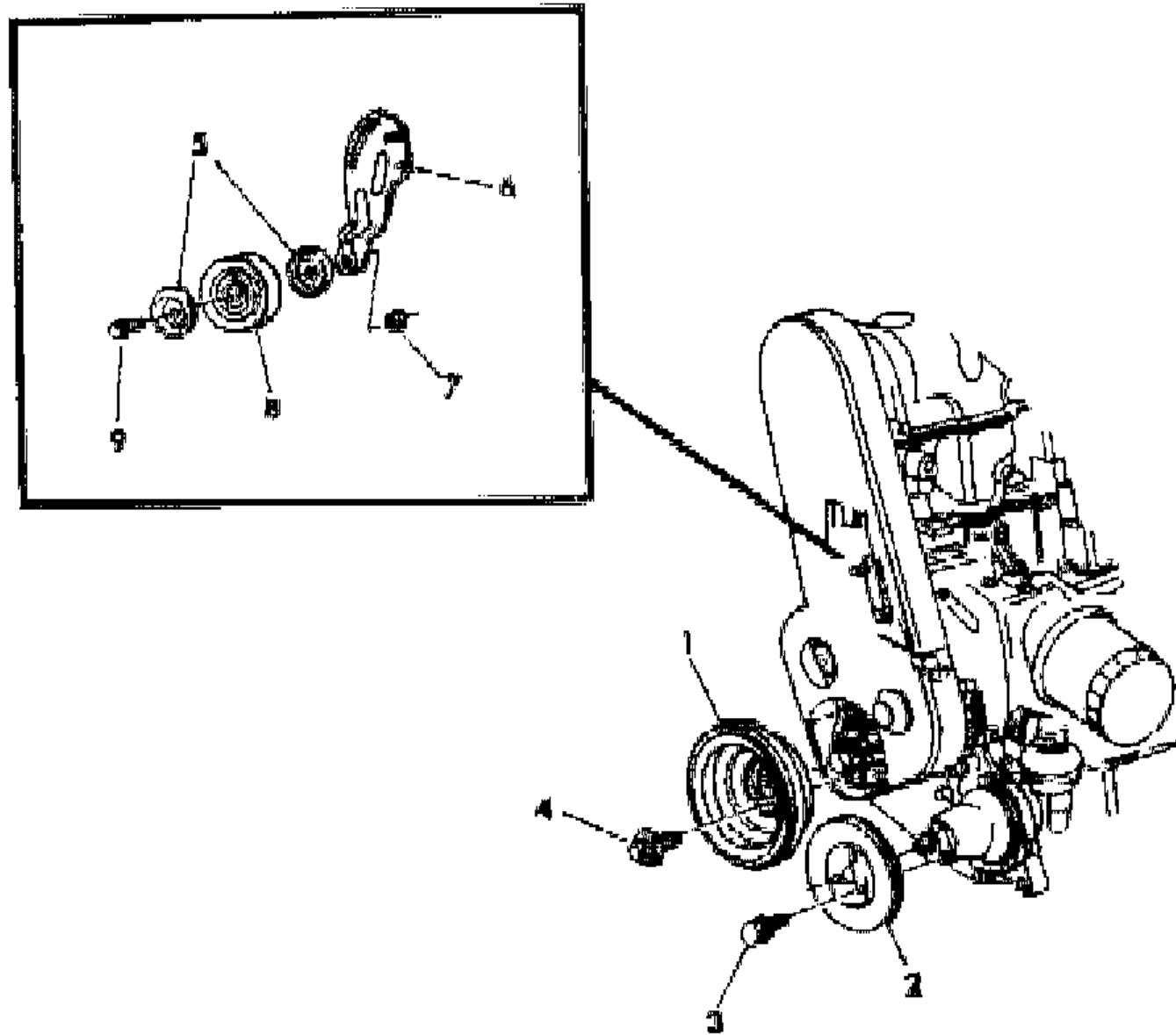
BODY STYLES

21 = 2-DOOR SEDAN	41 = 4-DOOR SEDAN
22 = 2-DOOR SPECIAL COUPE	45 = 4-DOOR STATION WAGON
24 = 2-DOOR HATCHBACK	44 = 4-DOOR HATCHBACK
27 = 2-DOOR CONVERTIBLE	48 = EXECUTIVE SEDAN
28 = FWD PICKUP	

AR = Use as Required - = Non Illustrated Part P.A.R. = Paint as Required

**DRIVE PULLEYS 2.2L ENGINE**  
**Figure 7-1600**

3107 1600



ITEM	PART NUMBER	QTY	BODY	MODEL	DESCRIPTION
1					PULLEY, Drive
	4201 464	1			w/Air Cond.
	4201 459	1			w/o Air Cond.
	4273 183	1		P,D,C,V	w/Air Cond. w/TBI - 4 V Ribbed
	4273 184	1		P,D,C,V	w/o Air Cond. w/TBI - 4 V Ribbed
2	4201 191	1			PULLEY, Water Pump
	4273 181	1		P,D,C,V	w/TBI - 4 V Ribbed
3	6500 136	3			SCREW w/WASHER
4	6500 350	4			BOLT
5	5214 065	2			SHIELD
6	5203 649	1			BRACKET, Idler Pulley
7	0271 502	1			NUT
8	3830 196	1			PULLEY, Idler
9	6500 374	2			SCREW w/WASHER

MODEL CODES  
 B = GRAN FURY  
 C = LEBARON/TOWN & COUNTRY  
 D = ARIES  
 E = 600  
 F = FIFTH AVENUE  
 G = DIPLOMAT  
 M = HORIZON/TURISMO/SCAMP  
 P = RELIANT  
 S = CORDOBA  
 T = E CLASS/NEWYORKER  
 V = 400  
 X = MIRADA  
 Y = IMPERIAL  
 Z = OMNI/CHARGER/RAMPAGE

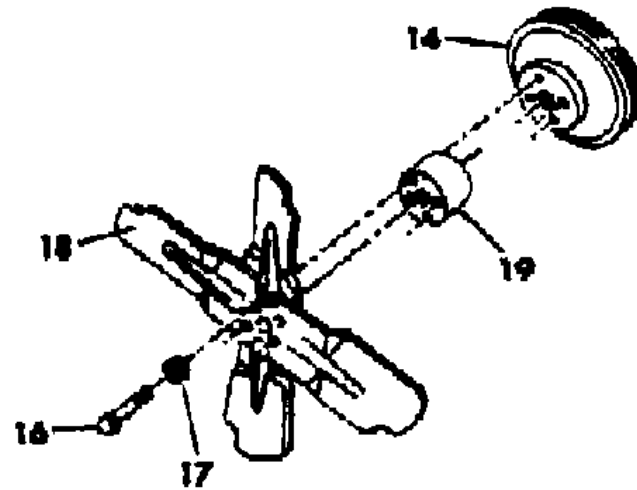
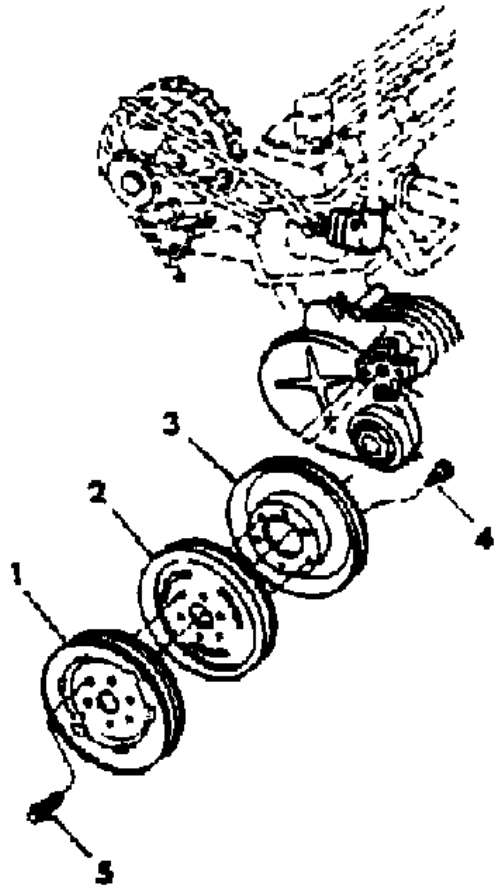
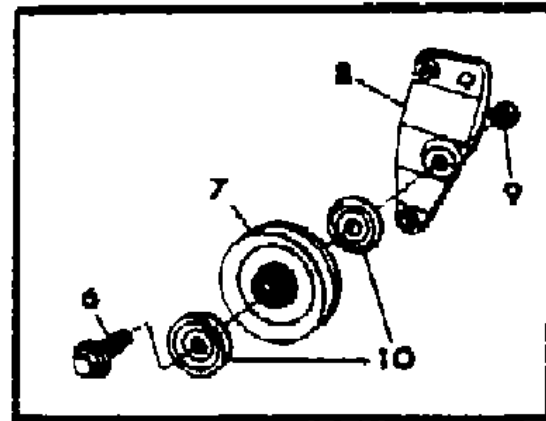
BODY STYLES  
 21 = 2-DOOR SEDAN  
 22 = 2-DOOR SPECIAL COUPE  
 24 = 2-DOOR HATCHBACK  
 27 = 2-DOOR CONVERTIBLE  
 28 = FWD PICKUP  
 41 = 4-DOOR SEDAN  
 45 = 4-DOOR STATION WAGON  
 44 = 4-DOOR HATCHBACK  
 48 = EXECUTIVE SEDAN

AR = Use as Required - = Non Illustrated Part P.A.R. = Paint as Required

# FAN AND PULLEYS 225 ENGINE

Figure 7-1700

3107 1700



W/AIR COND OR W/MAX COOLING

W/O AIR COND

ITEM	PART NUMBER	QTY	BODY	MODEL	DESCRIPTION
1	4095 536	1			PULLEY, Power Steering Pump Drive - 1 Groove
2		1			DAMPER, Vibration (Refer to Group 9)
3	4173 184	1			PULLEY, A/C Drive - Vibration Damper - w/Man. Trans. Double Groove
	3685 687	1			PULLEY, Fan & Alt. Drive w/Auto. Trans. Single Groove
4	6022 250	3			SCREW w/WASHER
5	0181 086	3			SCREW w/WASHER
6	6029 735	1			SCREW w/WASHER
7	3830 196	1			PULLEY, Idler
8	4100 783	1			BRACKET, Idler
9	0271 502	1			NUT
10	5214 065	2			SHIELD, Idler Pulley
11					DRIVE, Fan
	4095 853	1			w/Air Cond.
	4167 771	1			w/Max Cooling w/o Air Cond.
12	0181 088	4			SCREW
13	4140 442	1			FAN w/Air Cond. or Max Cooling
14					PULLEY, Fan
	4173 465	1			w/Air Cond.
	2202 666	1			w/o Air Cond.
15	0181 086	4			SCREW w/WASHER
16		4			BOLT (not serviced)
17		4			WASHER (not serviced)
18	3462 185	1			FAN w/o Air Cond.
19	2265 036	1			SPACER

MODEL CODES

B = GRAN FURY	G = DIPLOMAT	V = 400
C = LEBARON/TOWN & COUNTRY	M = HORIZON/TURISMO/SCAMP	X = MIRADA
D = ARIES	P = RELIANT	Y = IMPERIAL
E = 600	S = CORDOBA	Z = OMNI/CHARGER/RAMPAGE
F = FIFTH AVENUE	T = E CLASS/NEWYORKER	

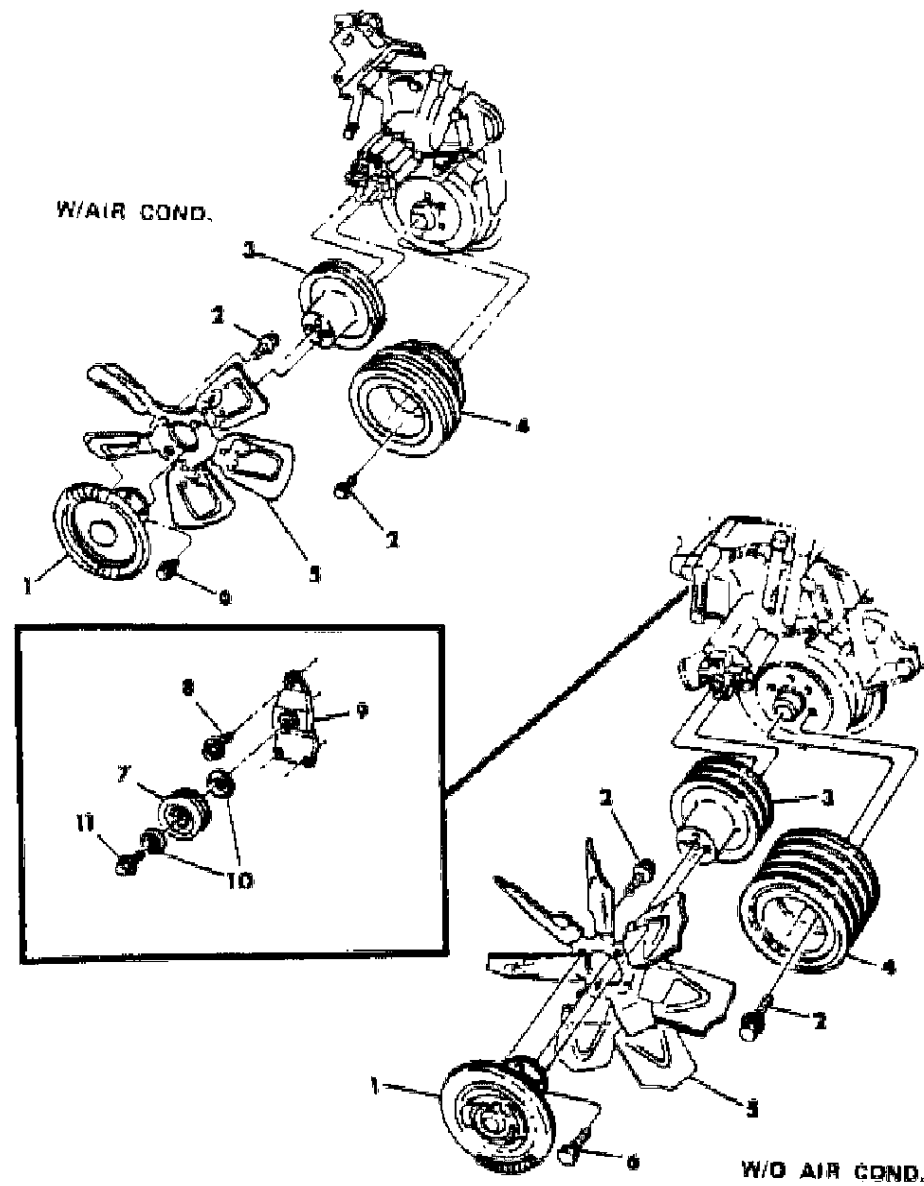
BODY STYLES

21 = 2-DOOR SEDAN	41 = 4-DOOR SEDAN
22 = 2-DOOR SPECIAL COUPE	45 = 4-DOOR STATION WAGON
24 = 2-DOOR HATCHBACK	44 = 4-DOOR HATCHBACK
27 = 2-DOOR CONVERTIBLE	48 = EXECUTIVE SEDAN
28 = FWD PICKUP	

AR = Use as Required - = Non Illustrated Part P.A.R. = Paint as Required

## FAN AND PULLEYS 318 ENGINE Figure 7-1800

5197 1800



ITEM	PART NUMBER	QTY	BODY	MODEL	DESCRIPTION
1					DRIVE, Fan
	4095 703	1			w/Air Cond.
	4095 703	1	B,F,G		w/Air Cond. w/Max Cooling 318 Eng. 2 Bbl.
	3769 617	1	B,F,G		w/Air Cond. w/Max Cooling 318 Eng. 4 Bbl.
	4167 771	1			w/o Air Cond. 318 Eng. 2 Bbl.
2	0181 086	10			SCREW w/WASHER
3					PULLEY, Fan
	3698 805	1			w/Air Cond.
	4179 953	1			w/o Air Cond. w/60 or 78 Amp. Alt.
	3870 211	1			w/o Air Cond. w/114 Amp. Alt.
4					PULLEY, Drive
	3614 382	1			w/Air Cond.
	3870 069	1			w/o Air Cond. w/60 or 78 Amp. Alt.
	3870 074	1			w/o Air Cond. w/114 Amp. Alt.
5					FAN
	4266 059	1			w/Air Cond.
	4140 442	1			w/o Air Cond.
6	0181 088	4			SCREW w/WASHER
7	3879 131	1			PULLEY, Idler
8	0181 112	3			SCREW w/WASHER
9	4100 639	1			BRACKET, Alt. & Air Cond. Compressor Mtg.
10	5214 065	2			SHIELD
11	9418 275	1			SCREW w/WASHER

**MODEL CODES**

B = GRAN FURY	G = DIPLOMAT	V = 400
C = LEBARON/TOWN & COUNTRY	M = HORIZON/TURISMO/SCAMP	X = MIRADA
D = ARIES	P = RELIANT	Y = IMPERIAL
E = 600	S = CORDOBA	Z = OMNI/CHARGER/RAMPAGE
F = FIFTH AVENUE	T = E CLASS/NEWYORKER	

**BODY STYLES**

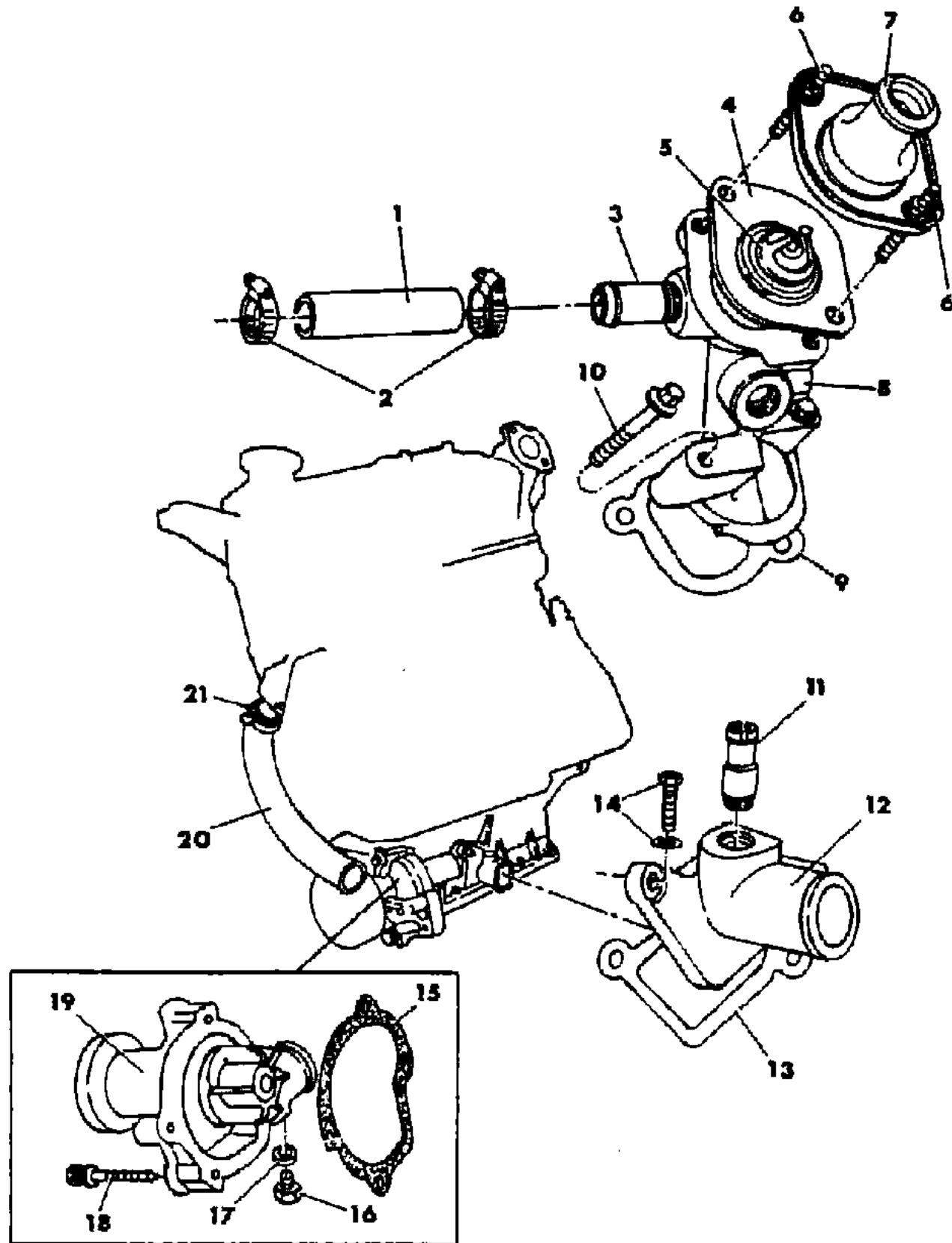
21 = 2-DOOR SEDAN	41 = 4-DOOR SEDAN
22 = 2-DOOR SPECIAL COUPE	45 = 4-DOOR STATION WAGON
24 = 2-DOOR HATCHBACK	44 = 4-DOOR HATCHBACK
27 = 2-DOOR CONVERTIBLE	48 = EXECUTIVE SEDAN
28 = FWD PICKUP	

AR = Use as Required - = Non Illustrated Part P.A.R. = Paint as Required

# WATER PUMP AND RELATED PARTS 1.6L ENGINE

## Figure 7-1900

3107 1900A



ITEM	PART NUMBER	QTY	BODY	MODEL	DESCRIPTION
	4271 919	1			REPAIR KIT, Water Pump
1	4105 421	1			HOSE, Thermostat By-Pass
2	0153 640	2			CLAMP, By-Pass Hose
3	4273 036	1			NIPPLE, Water Control Box Outlet
4	4179 895	1			GASKET, Cyl. Water Outlet Conn.
5	4105 768	1			THERMOSTAT
6	6500 384	2			STUD, Cyl. Water Outlet Conn.
	6100 233	2			WASHER, Cyl. Water Outlet Conn. Stud
7	5214 514	1			CONNECTOR, Cyl. Water Outlet
8	4105 400	1			BOX, Water Control
9	4105 408	1			GASKET, Water Control Box
10	6500 589	2			SCREW, Water Control Box Attach.
11	1779 258	1			NIPPLE, Heater Water Return to Pump
12	4273 705	1			ELBOW, Water Inlet
13	4273 706	1			GASKET, Inlet Elbow
14	4273 717	2			SCREW w/WASHER
15	4273 702	1			GASKET, Water Pump
16	4273 511	1			PLUG, Water Pump Drain
17	4273 512	1			GASKET, Water Pump Drain Plug
18	4273 703	4			SCREW w/WASHER, Water Pump Attach.
19	4173 703	1			PUMP, Water
20	4273 708	1			HOSE, Water Pump to Front Cover
21	4273 710	2			CLAMP

**MODEL CODES**

B = GRAN FURY	G = DIPLOMAT	V = 400
C = LEBARON/TOWN & COUNTRY	M = HORIZON/TURISMO/SCAMP	X = MIRADA
D = ARIES	P = RELIANT	Y = IMPERIAL
E = 600	S = CORDOBA	Z = OMNI/CHARGER/RAMPAGE
F = FIFTH AVENUE	T = E CLASS/NEWYORKER	

**BODY STYLES**

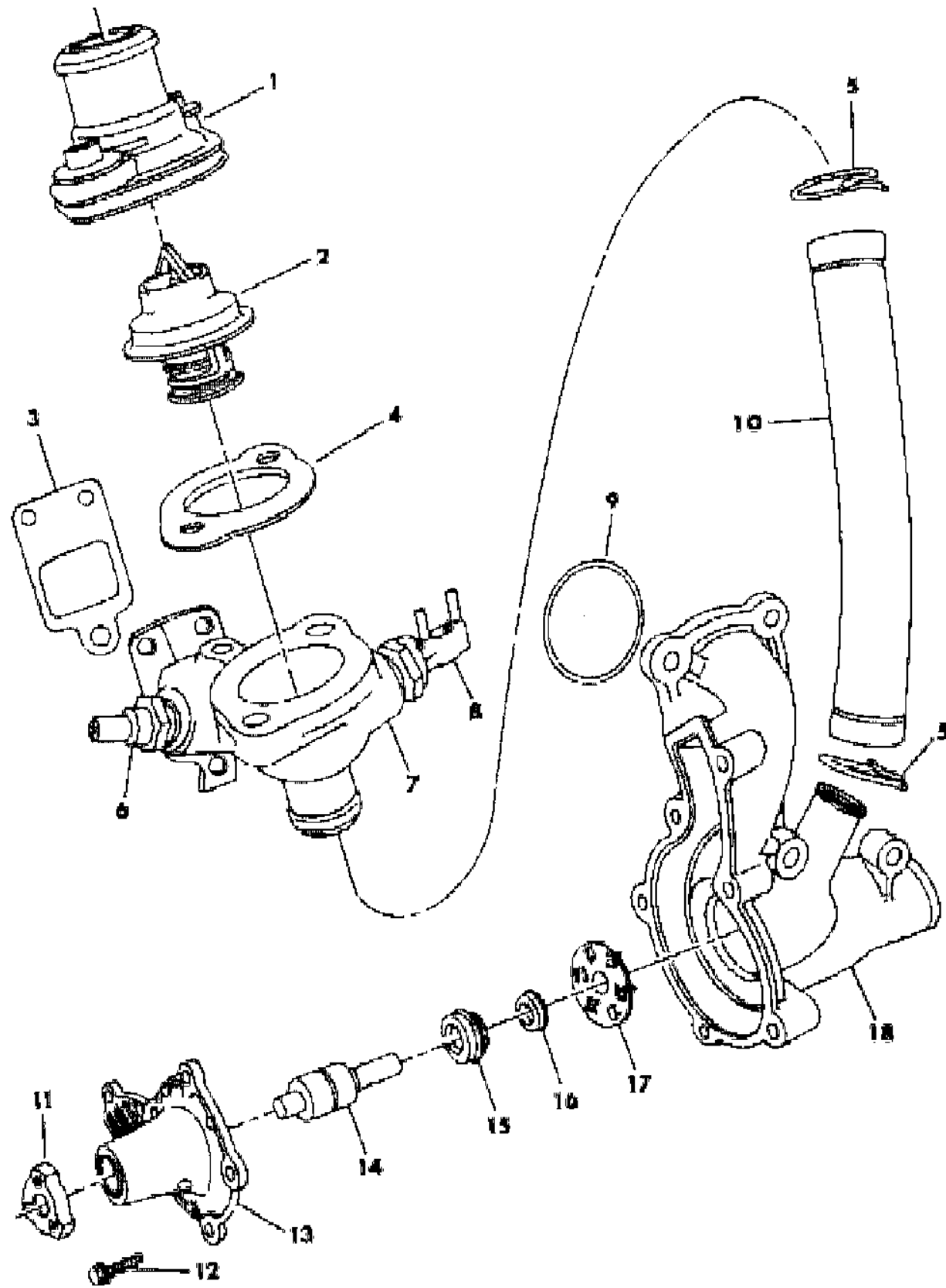
21 = 2-DOOR SEDAN	41 = 4-DOOR SEDAN
22 = 2-DOOR SPECIAL COUPE	45 = 4-DOOR STATION WAGON
24 = 2-DOOR HATCHBACK	44 = 4-DOOR HATCHBACK
27 = 2-DOOR CONVERTIBLE	48 = EXECUTIVE SEDAN
28 = FWD PICKUP	

AR = Use as Required - = Non Illustrated Part P.A.R. = Paint as Required

# WATER PUMP AND RELATED PARTS 1.7L ENGINE

## Figure 7-2000

1107 2000



ITEM	PART NUMBER	QTY	BODY	MODEL	DESCRIPTION
	5214 490	1			PUMP, Water (Contains Items 11,13,14,15,17)
1	5214 514	1			CONNECTOR, Cylinder Water Outlet
2	4105 436	1			THERMOSTAT 195 Degree
3	5240 344	1			GASKET, Water Control Box
4	4179 895	1			GASKET, Cylinder Water Outlet Connector
5	3683 824	2			CLAMP, Water Pump Bypass Hose
6		1			SWITCH, Eng. Temp. (Refer to Group 8)
7	5214 526	1			BOX, Water Control
8		1			SEND UNIT, Eng. Temp. (Refer to Group 8)
9	5240 692	1			GASKET, Water Pump Housing (Rubber)
10	5214 521	1			HOSE, Water Pump Bypass
11		1			HUB (serviced in Water Pump)
12	6100 229	3			SCREW, Water Pump Body (M 8x30)
	6100 297	1			M 8x35
13		1			BODY (serviced in Water Pump)
14		1			SHAFT (serviced in Water Pump)
15		1			SEAL (serviced in Water Pump)
16		1			RET. (serviced in Water Pump)
17		1			DEFLECTOR (serviced in Water Pump)
18	5240 603	1			HOUSING, Water Pump

NOTE: The Following Items Are Not Illustrated. Gear and Pinion numbers stamped on the item may be used to confirm the correct MATCHED SET they are contained in.

6101 336	1	SCREW w/WASHER, Water Pump Body Attach 10 MM
6100 300	2	SCREW w/WASHER, Water Pump Housing Attach - Long
6100 296	2	Short
6100 899	3	SCREW, Water Control Box Attach M 6x20
6100 123	3	WASHER
6500 384	1	STUD, Cylinder Water Outlet Connector
6100 233	1	WASHER, Cylinder Water Outlet Connector
6100 295	1	SCREW w/WASHER, Water Outlet Attach

**MODEL CODES**

B = GRAN FURY	G = DIPLOMAT	V = 400
C = LEBARON/TOWN & COUNTRY	M = HORIZON/TURISMO/SCAMP	X = MIRADA
D = ARIES	P = RELIANT	Y = IMPERIAL
E = 600	S = CORDOBA	Z = OMNI/CHARGER/RAMPAGE
F = FIFTH AVENUE	T = E CLASS/NEWYORKER	

**BODY STYLES**

21 = 2-DOOR SEDAN	41 = 4-DOOR SEDAN
22 = 2-DOOR SPECIAL COUPE	45 = 4-DOOR STATION WAGON
24 = 2-DOOR HATCHBACK	44 = 4-DOOR HATCHBACK
27 = 2-DOOR CONVERTIBLE	48 = EXECUTIVE SEDAN
28 = FWD PICKUP	

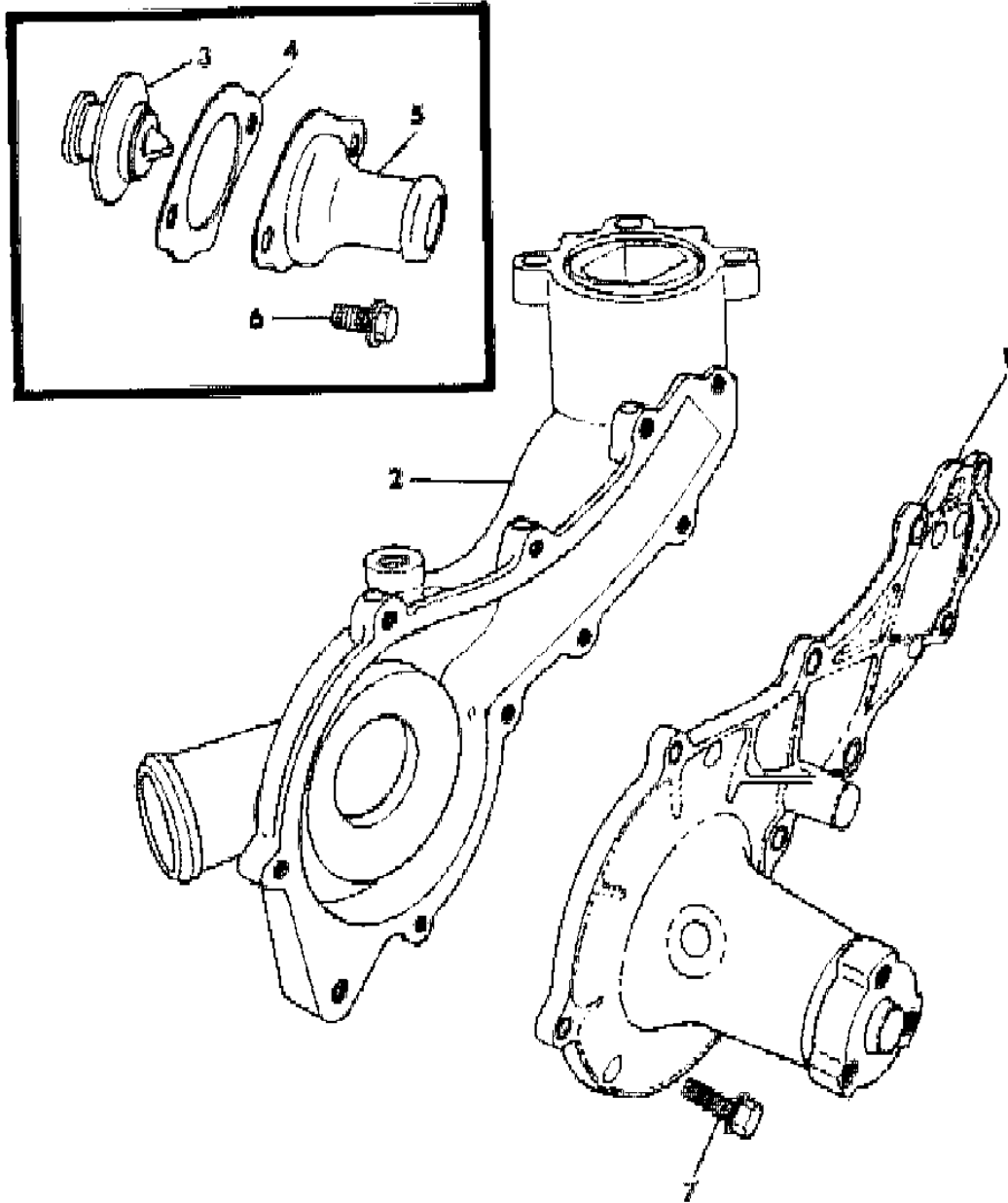
AR = Use as Required - = Non Illustrated Part P.A.R. = Paint as Required



# WATER PUMP AND RELATED PARTS 2.2L ENGINE

## Figure 7-2100

3127 2100



ITEM	PART NUMBER	QTY	BODY	MODEL	DESCRIPTION
1	5203 432	1			PUMP, Water
2	5203 714	1			HOUSING, Water Pump
3					THERMOSTAT
	4105 442	1			185 Degree
	4105 404	1			195 Degree
4	4179 895	1			GASKET, Water Outlet
5	5214 514	1			CONNECTOR, Water Outlet
6	6100 295	2			SCREW, Water Outlet Connector
7	6101 278	9			SCREW, Water Pump to Housing

NOTE: The Following Items Are Not Illustrated. Gear and Pinion numbers stamped on the item may be used to confirm the correct MATCHED SET they are contained in.

	5203 542	1			GASKET, Water Pump Housing (O-Ring)
	5203 339	1			NIPPLE, Thermostat Water Bypass
	6500 339	1			SCREW, Water Pump Housing Attach (M 8 x 1.25 x 30)
	6500 531	1			M 6 x 1.00 x 18
	4273 486	1			HOSE, Water Bypass
	0153 640	1			CLAMP, Bypass Hose
	4266 221	1			INSERT, Water Pump Nipple
	4273 487	1			BRACKET, Water Bypass Tube Attaching
	4273 488	1			HOSE, Water Bypass Tube

**MODEL CODES**

B = GRAN FURY	G = DIPLOMAT	V = 400
C = LEBARON/TOWN & COUNTRY	M = HORIZON/TURISMO/SCAMP	X = MIRADA
D = ARIES	P = RELIANT	Y = IMPERIAL
E = 600	S = CORDOBA	Z = OMNI/CHARGER/RAMPAGE
F = FIFTH AVENUE	T = E CLASS/NEWYORKER	

**BODY STYLES**

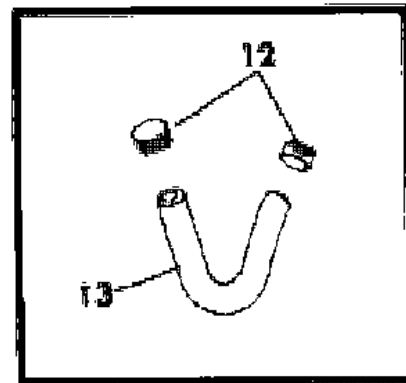
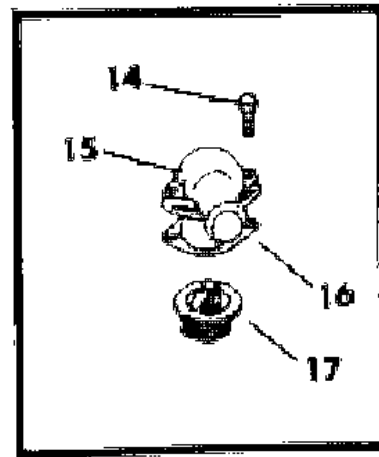
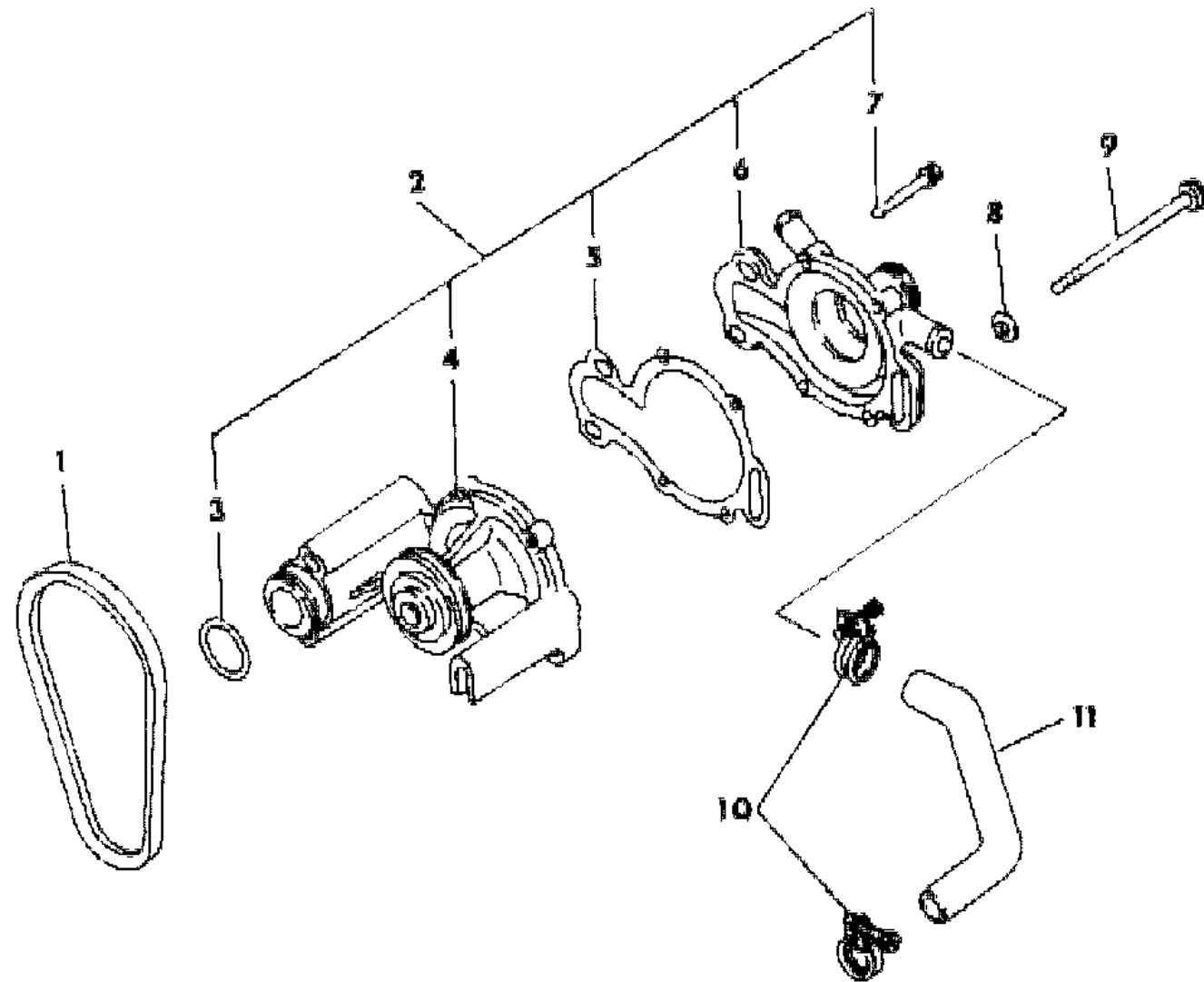
21 = 2-DOOR SEDAN	41 = 4-DOOR SEDAN
22 = 2-DOOR SPECIAL COUPE	45 = 4-DOOR STATION WAGON
24 = 2-DOOR HATCHBACK	44 = 4-DOOR HATCHBACK
27 = 2-DOOR CONVERTIBLE	48 = EXECUTIVE SEDAN
28 = FWD PICKUP	

AR = Use as Required - = Non Illustrated Part P.A.R. = Paint as Required

# WATER PUMP AND RELATED PARTS 2.6L ENGINE

## Figure 7-2200

J107 2300



ITEM	PART NUMBER	QTY	BODY	MODEL	DESCRIPTION
1	MD02 5221	1			V-BELT, Water Pump
2	MD02 5190	1			PUMP ASSY., Water
3	MD03 0764	1			RING, Water Pipe
4	MD02 5191	1			BODY, Water Pump
5	MD02 5196	1			GASKET, Water Pump
6	MD02 5192	1			CASE, Water Pump
7	MF24 1231	4			BOLT w/WASHER
8	MF45 0005	3			WASHER
9	MD02 5198	3			BOLT, Flange
10	MA60 9047	2			CLIP
11	MD02 5199	1			HOSE, Water Bypass
12	MS66 0164	3			CLIP, Hose (13.1)
	MS66 0162	3			CLIP, Hose (11)
13	MD02 1472	1			HOSE, Water
14	MF24 0056	2			BOLT w/WASHER
15	MD02 0634	1			FITTING, Water Outlet
16	MD00 0551	1			GASKET
17	MD00 5371	1			THERMOSTAT 180 Degree

**MODEL CODES**

B = GRAN FURY	G = DIPLOMAT	V = 400
C = LEBARON/TOWN & COUNTRY	M = HORIZON/TURISMO/SCAMP	X = MIRADA
D = ARIES	P = RELIANT	Y = IMPERIAL
E = 600	S = CORDOBA	Z = OMNI/CHARGER/RAMPAGE
F = FIFTH AVENUE	T = E CLASS/NEWYORKER	

**BODY STYLES**

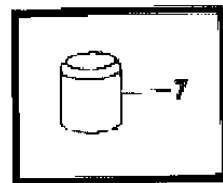
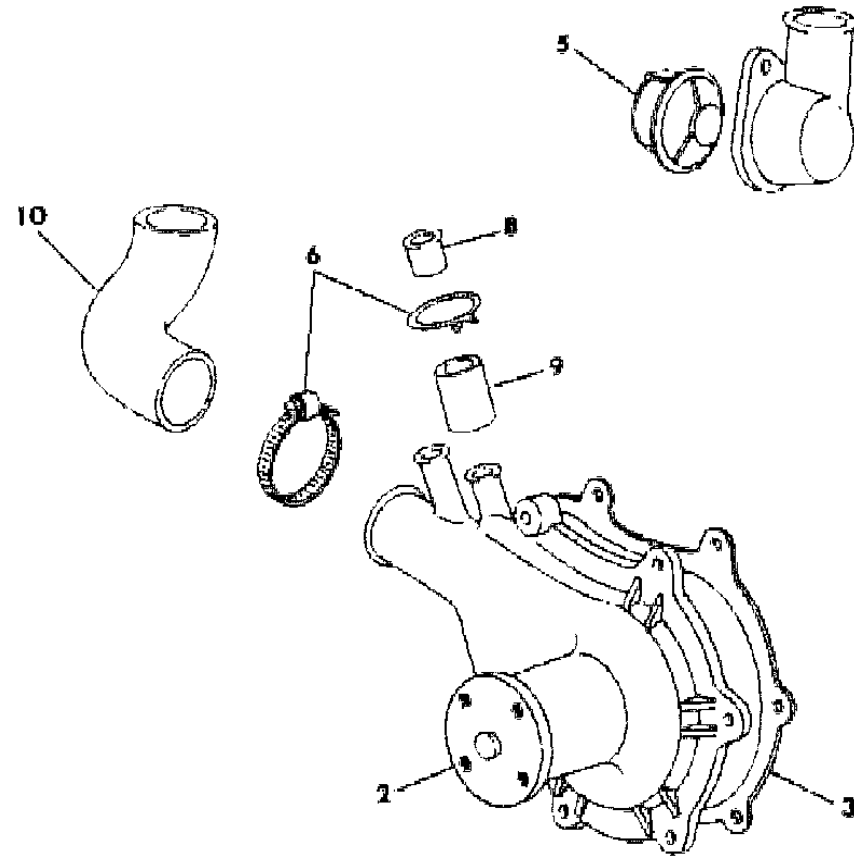
21 = 2-DOOR SEDAN	41 = 4-DOOR SEDAN
22 = 2-DOOR SPECIAL COUPE	45 = 4-DOOR STATION WAGON
24 = 2-DOOR HATCHBACK	44 = 4-DOOR HATCHBACK
27 = 2-DOOR CONVERTIBLE	48 = EXECUTIVE SEDAN
28 = FWD PICKUP	

AR = Use as Required - = Non Illustrated Part P.A.R. = Paint as Required

# WATER PUMP AND RELATED PARTS 225 & 318 ENGINES

## Figure 7-2300

3107 2300



ITEM	PART NUMBER	QTY	BODY	MODEL	DESCRIPTION
	4131 243	1			WATER PUMP PKG. 225 Eng. Consists Of: 1 - 1947523 Gasket, Interm. Plate 1 - ----- Pump, Water
	3837 641	1			WATER PUMP PKG. 318 Eng. Consists Of: 1 - 2121013 Gasket, Body 1 - ----- Pump, Water
2	3671 525	1		exc. Y	HUB, Fan Pulley
	3751 812	1		Y	
3	1947 521	1			GASKET, Water Pump Body 225 Eng.
	2129 013	1			318 Eng.
	1947 523	1			GASKET, Interm. Plate 225 Eng.
5	4131 240	1			THERMOSTAT 195 Degree
6	0153 640	AR			CLAMP, Water Pump Bypass Hose 225 Eng.
	4041 606	AR			CLAMP, s/Steel Screw Type, w/Silicone Hose 318 Eng.
	2448 762	AR			CLAMP w/o Silicone Hose
7	2128 425	1			CAP, Water Pump Body Heater Hole (Rubber)
	0870 469	1			CLAMP, Heater Hole Cap
8					NIPPLE, Water Pump Bypass
	4105 725	1			225 Eng.
	2402 903	1			318 Eng.
9	1315 466	AR			HOSE, Water Pump Bypass 225 Eng. 5/8" I.D. (Serv. in 50 ft. roll)
10	4095 227	1			HOSE 318 Eng. (Preformed)
	4012 595	1			Silicone
	6027 880	1			SCREW, Water Pump Body 3/8 - 16 x 2"
	9421 897	1			3/8 x 5"
	9416 171	1			3/8 x 1.25 225 Eng.
	6024 487	4			3/8 x 5/8" 225 Eng.
	9420 892	2			3/8 x 3/4" 318 Eng.
	6028 166	3			3/8 x 5 1/4" 318 Eng.

NOTE: The Following Items Are Not Illustrated. Gear and Pinion numbers stamped on the item may be used to confirm the correct MATCHED SET they are contained in.

MODEL CODES		
B = GRAN FURY	G = DIPLOMAT	V = 400
C = LEBARON/TOWN & COUNTRY	M = HORIZON/TURISMO/SCAMP	X = MIRADA
D = ARIES	P = RELIANT	Y = IMPERIAL
E = 600	S = CORDOBA	Z = OMNI/CHARGER/RAMPAGE
F = FIFTH AVENUE	T = E CLASS/NEWYORKER	

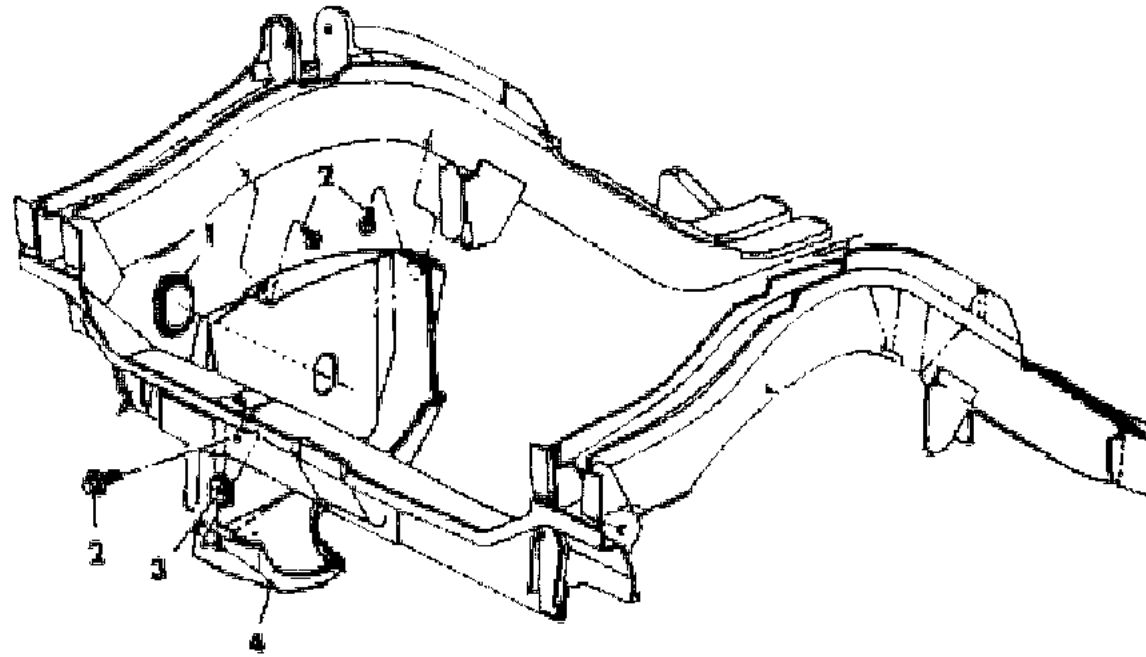
BODY STYLES	
21 = 2-DOOR SEDAN	41 = 4-DOOR SEDAN
22 = 2-DOOR SPECIAL COUPE	45 = 4-DOOR STATION WAGON
24 = 2-DOOR HATCHBACK	44 = 4-DOOR HATCHBACK
27 = 2-DOOR CONVERTIBLE	48 = EXECUTIVE SEDAN
28 = FWD PICKUP	

AR = Use as Required - = Non Illustrated Part P.A.R. = Paint as Required

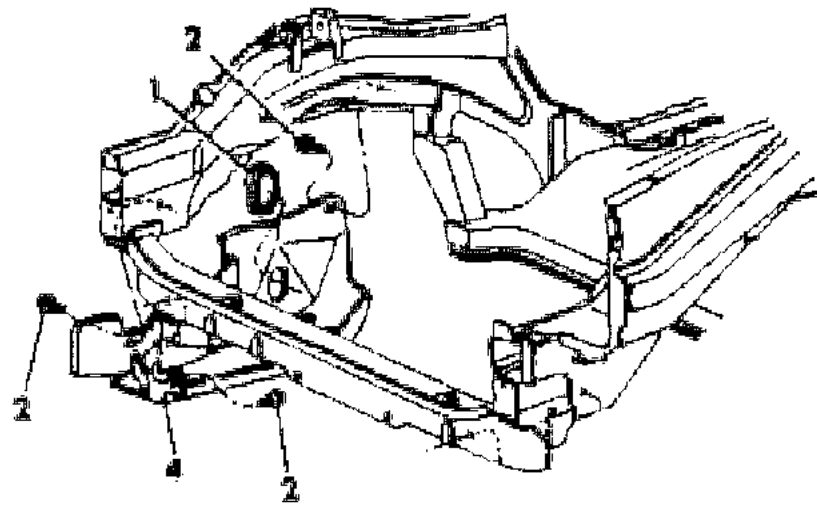
**SPLASH SHIELDS M,Z,P,D,C,V,E,T**  
**Figure 7-2400**

1107 2400

ITEM	PART NUMBER	QTY	BODY	MODEL	DESCRIPTION
1	2811 825	1			PLUG, Accessory Splash Shield
2		AR			SCREW (not serviced)
3	6031 482	1		M,Z	U-NUT
4	5202 638	1		M,Z	SHIELD, Accessory Splash
	4191 532	1		P,D,C,V	2.2L Eng.
	4191 534	1		P,D,C,V	2.6L Eng.
	4296 242	1		M,Z	EXTENSION, Splash Shield 1.6L Eng.



M, Z



P, D, C, V, E, T

h. system. Unleaded fuel is NOT required. Gear and Pinion numbers stamped on the item may be used to confirm the correct MATCHED SET they are contained in.

with Lean Burn, California Emission Control or High Altitude Emission Control. Gear and Pinion numbers stamped on the item may be used to confirm the correct MATCHED SET they are contained in.

ed Fuel IS required. Gear and Pinion numbers stamped on the item may be used to confirm the correct MATCHED SET they are contained in.

to it being mandatory for designated engines on cars sold in the State of California. Gear and Pinion numbers stamped on the item may be used to confirm the correct MATCHED SET they are contained in.

ne combinations. Used in conjunction with a Catalytic exh. system. Unleaded fuel IS required. Gear and Pinion numbers stamped on the item may be used to confirm the correct MATCHED SET they are contained in.

MODEL CODES

B = GRAN FURY	G = DIPLOMAT	V = 400
C = LEBARON/TOWN & COUNTRY	M = HORIZON/TURISMO/SCAMP	X = MIRADA
D = ARIES	P = RELIANT	Y = IMPERIAL
E = 600	S = CORDOBA	Z = OMNI/CHARGER/RAMPAGE
F = FIFTH AVENUE	T = E CLASS/NEWYORKER	

BODY STYLES

21 = 2-DOOR SEDAN	41 = 4-DOOR SEDAN
22 = 2-DOOR SPECIAL COUPE	45 = 4-DOOR STATION WAGON
24 = 2-DOOR HATCHBACK	44 = 4-DOOR HATCHBACK
27 = 2-DOOR CONVERTIBLE	48 = EXECUTIVE SEDAN
28 = FWD PICKUP	

AR = Use as Required - = Non Illustrated Part P.A.R. = Paint as Required

---

## GROUP 8 - ELECTRICAL

ILLUSTRATION TITLE	GROUP-FIG. NO.
<b>CROSS REFERENCE</b>	
CROSS REFERENCE ON ELECTRICAL PRODUCTION ITEMS .....	Fig. 8-100
<b>SWITCHES</b>	
SWITCH REFERENCE CHART .....	Fig. 8-200
<b>DISTRIBUTORS</b>	
DISTRIBUTOR 1.6--1.7--2.2L ENGINES .....	Fig. 8-300
DISTRIBUTOR 2.6L ENGINE .....	Fig. 8-400
DISTRIBUTOR 225--318 ENGINES .....	Fig. 8-500
<b>STARTERS</b>	
STARTER INSTALLATIONS .....	Fig. 8-600
STARTER 1.6 PEUGEOT ENGINE .....	Fig. 8-700
STARTER COMPONENTS 1.7L ENGINE CHRYSLER NO. 5206255 (BOSCH) .....	Fig. 8-800
STARTER COMPONENTS 1.7L ENGINE CHRYSLER NO. 5213395 (BOSCH) .....	Fig. 8-900
STARTER COMPONENTS 1.7L ENGINE CHRYSLER NO. 5206265 (NIPPONDENSO) .....	Fig. 8-1000
STARTER COMPONENTS 1.7L ENGINE CHRYSLER NO. 5213295 (NIPPONDENSO) .....	Fig. 8-1100
STARTER COMPONENTS 2.2L ENGINE CHRYSLER NO. 5213190 (NIPPONDENSO) .....	Fig. 8-1200
STARTER COMPONENTS 2.2L ENGINE CHRYSLER NO. 5213045 (BOSCH) .....	Fig. 8-1300
STARTER COMPONENTS 2.6L ENGINE .....	Fig. 8-1400
STARTER 225--318 ENGINE CHRYSLER NO. 4145360 .....	Fig. 8-1500
<b>ALTERNATORS</b>	
ALTERNATOR 1.6-1.7-2.2L ENGINES .....	Fig. 8-1600
ALTERNATOR 2.6L ENGINE .....	Fig. 8-1700
ALTERNATOR 60 & 78 AMP. 225--318 ENGINE .....	Fig. 8-1800
ALTERNATOR 114 AMP. 225--318 ENGINE .....	Fig. 8-1900
ALTERNATOR MOUNTINGS 1.6L--1.7--2.2--225 ENGINE .....	Fig. 8-2000
ALTERNATOR MOUNTINGS 318 ENGINE .....	Fig. 8-2100
<b>LAMPS</b>	
LAMPS--FRONT L BODY--24 .....	Fig. 8-2200
LAMPS & WIRING--REAR L BODY--24 .....	Fig. 8-2300
LAMPS--FRONT L BODY--44 .....	Fig. 8-2400
LAMPS & WIRING--REAR L BODY--44 .....	Fig. 8-2500
LAMPS--FRONT K BODY P-D .....	Fig. 8-2600
LAMPS & WIRING--REAR K BODY P-D .....	Fig. 8-2700

ILLUSTRATION NOT AVAILABLE AT TIME OF PUBLICATION

**GROUP 8 - ELECTRICAL**

**GROUP 8 - ELECTRICAL**

ILLUSTRATION TITLE	GROUP-FIG. NO.
<b>LAMPS (Continued)</b>	
LAMPS & WIRING--REAR K BODY P-D .....	Fig. 8-2700
LAMPS--FRONT M BODY--F .....	Fig. 8-2800
LAMPS & WIRING--REAR M BODY--F .....	Fig. 8-2900
LAMPS--FRONT C-V-E-T .....	Fig. 8-3000
LAMPS & WIRING--REAR C-V-E-T .....	Fig. 8-3100
LAMPS--FRONT M BODY--B,G .....	Fig. 8-3200
LAMPS & WIRING--REAR M BODY--B,G .....	Fig. 8-3300
LAMPS--FRONT L BODY--28 .....	Fig. 8-3400
LAMPS & WIRING--REAR L BODY--28 .....	Fig. 8-3500
LAMPS--FRONT J BODY--X .....	Fig. 8-3600
LAMPS & WIRING--REAR J BODY--X .....	Fig. 8-3700
LAMPS--FRONT J BODY--S .....	Fig. 8-3800
LAMPS & WIRING--REAR J BODY--S .....	Fig. 8-3900
LAMPS--FRONT J BODY--Y .....	Fig. 8-4000
LAMPS & WIRING--REAR J BODY--Y .....	Fig. 8-4100
HEADLAMP CONCEALED J BODY--Y .....	Fig. 8-4200
DOME--COURTESY--SPOTLIGHT L-K-E-M BODY .....	Fig. 8-4300
DOME AND COURTESY LAMP J BODY .....	Fig. 8-4400
ILLUMINATED DOOR LOCK LIGHT .....	Fig. 8-4500
<b>SOCKETS &amp; CABLES</b>	
SOCKETS & CABLES .....	Fig. 8-4600
<b>BULB CROSS REFERENCE</b>	
BULB CROSS REFERENCE .....	Fig. 8-4700
<b>WIRING--ENGINE &amp; RELATED PARTS</b>	
WIRING-ENGINE & RELATED PARTS L BODY .....	Fig. 8-4800
WIRING-ENGINE & RELATED PARTS K-E BODY .....	Fig. 8-4900
WIRING-ENGINE & RELATED PARTS M J BODY .....	Fig. 8-5000
<b>HORNS</b>	
HORN ALL MODELS .....	Fig. 8-5100
<b>TRIP COMPUTER</b>	
TRIP COMPUTER .....	Fig. 8-5200

ILLUSTRATION TITLE	GROUP-FIG. NO.
<b>ELECTRICAL MOUNTING BRACKETS</b>	
ELECTRICAL MOUNTING BRACKETS K E BODY .....	Fig. 8-5300
<b>WIRING--INSTRUMENT PANEL</b>	
WIRING, INSTRUMENT PANEL RELAY, BUZZER AND CHIMES .....	Fig. 8-5400
<b>FUSES &amp; CIRCUIT BREAKERS</b>	
FUSES AND CIRCUIT BREAKER .....	Fig. 8-5500
<b>SWITCHES--TURN SIGNAL &amp; HAZARD WARNING</b>	
SWITCHS-TURN SIGNAL AND HAZARD WARNING .....	Fig. 8-5600
<b>WIRING--BODY &amp; ACCESSORIES</b>	
WIRING--BODY & ACCESSORIES L BODY .....	Fig. 8-5700
WIRING--BODY & ACCESSORIES K BODY .....	Fig. 8-5800
WIRING--BODY & ACCESSORIES C-V-E-T .....	Fig. 8-5900
WIRING--BODY & ACCESSORIES M BODY .....	Fig. 8-6000
WIRING--BODY & ACCESSORIES J BODY .....	Fig. 8-6100
<b>TERMINAL CHARTS</b>	
TERMINAL CHART .....	Fig. 8-6200
TERMINAL CHART .....	Fig. 8-6300
<b>INSULATOR CHARTS</b>	
INSULATOR CHART .....	Fig. 8-6400
INSULATOR CHART .....	Fig. 8-6500
RETAINERS, CONNECTORS, PLUGS, SLEEVES AND PARTS CHART .....	Fig. 8-6600
RETAINERS, CONNECTORS, PLUGS AND SLEEVES CHART .....	Fig. 8-6700
INSULATOR CHART .....	Fig. 8-6800
INSULATOR 2 WAY .....	Fig. 8-6900
INSULATOR 2 WAY .....	Fig. 8-7000
INSULATOR 3 WAY .....	Fig. 8-7100
INSULATOR 4 WAY .....	Fig. 8-7200
INSULATOR 6 WAY .....	Fig. 8-7300
INSULATOR 8 WAY .....	Fig. 8-7400
INSULATOR 9 AND 10 WAY .....	Fig. 8-7500

**CROSS REFERENCE ON ELECTRICAL PRODUCTION ITEMS**

**Figure 8-100**

ITEM	PART NUMBER	QTY	BODY	MODEL	DESCRIPTION
"NOTE" D.N.S indicates the part number listed is not serviced. Gear and Pinion numbers stamped on the item may be used to confirm the correct MATCHED SET they are contained in.					
1					WIRING N N N N
	3843 567				Y3843567 ND.N.S. N N
	3843 862				Y3843862 ND.N.S. N N
	4055 552				Y4055552 ND.N.S. N N
	4055 692				Y4055692 ND.N.S. N N
	5211 510				Y5211510 ND.N.S. N N
	5211 511				Y5211511 ND.N.S. N N
2					RELAYS N N N N
	3747 133				Y3747133 N4049059 N N
	4049 059				N3747133 Y4049059 N N
	3843 295				Y3843295 N4111576 N N
	4111 576				N3843295 Y4111576 N N
	2926 433				Y2926433 N2932834 N N
	2932 834				N2926433 Y2932834 N N
	3747 808				Y3747808 N3747955 N N
	3747 955				N3747808 Y3747955 N N
	3747 569				Y3747569 N3744568 N N
	3744 568				N3747569 Y3744568 N N
	5209 925				Y5209925 N4057981 N N
	4057 981				N5209925 Y4057981 N N
	5209 949				Y5209949 N4057999 N N
	4057 999				N5209949 Y4057999 N N
	4209 144				Y4209144 N0 N N
	4186 387				Y4186387 N0 N N
	5209 974				Y5209974 N4057981 N N
	4057 981				N5209974 Y4057981 N N
	4221 260				N0 Y4221260 N N
	4221 006				Y4221006 N4221212 N N
	4221 212				N4221006 Y4221212 N N
	4221 061				Y4221061 N4221386 N N
	4221 386				N4221061 Y4221386 N N
	4221 386				Y4221386 N0 N N
3					CIRCUIT BREAKER N N N N
	4186 377				Y4186377 N0 N N
	3843 911				Y3843911 N0 N N

ILLUSTRATION NOT AVAILABLE AT TIME OF PUBLICATION

MODEL CODES

B = GRAN FURY	G = DIPLOMAT	V = 400
C = LEBARON/TOWN & COUNTRY	M = HORIZON/TURISMO/SCAMP	X = MIRADA
D = ARIES	P = RELIANT	Y = IMPERIAL
E = 600	S = CORDOBA	Z = OMNI/CHARGER/RAMPAGE
F = FIFTH AVENUE	T = E CLASS/NEWYORKER	

BODY STYLES

21 = 2-DOOR SEDAN	41 = 4-DOOR SEDAN
22 = 2-DOOR SPECIAL COUPE	45 = 4-DOOR STATION WAGON
24 = 2-DOOR HATCHBACK	44 = 4-DOOR HATCHBACK
27 = 2-DOOR CONVERTIBLE	48 = EXECUTIVE SEDAN
28 = FWD PICKUP	

AR = Use as Required - = Non Illustrated Part P.A.R. = Paint as Required

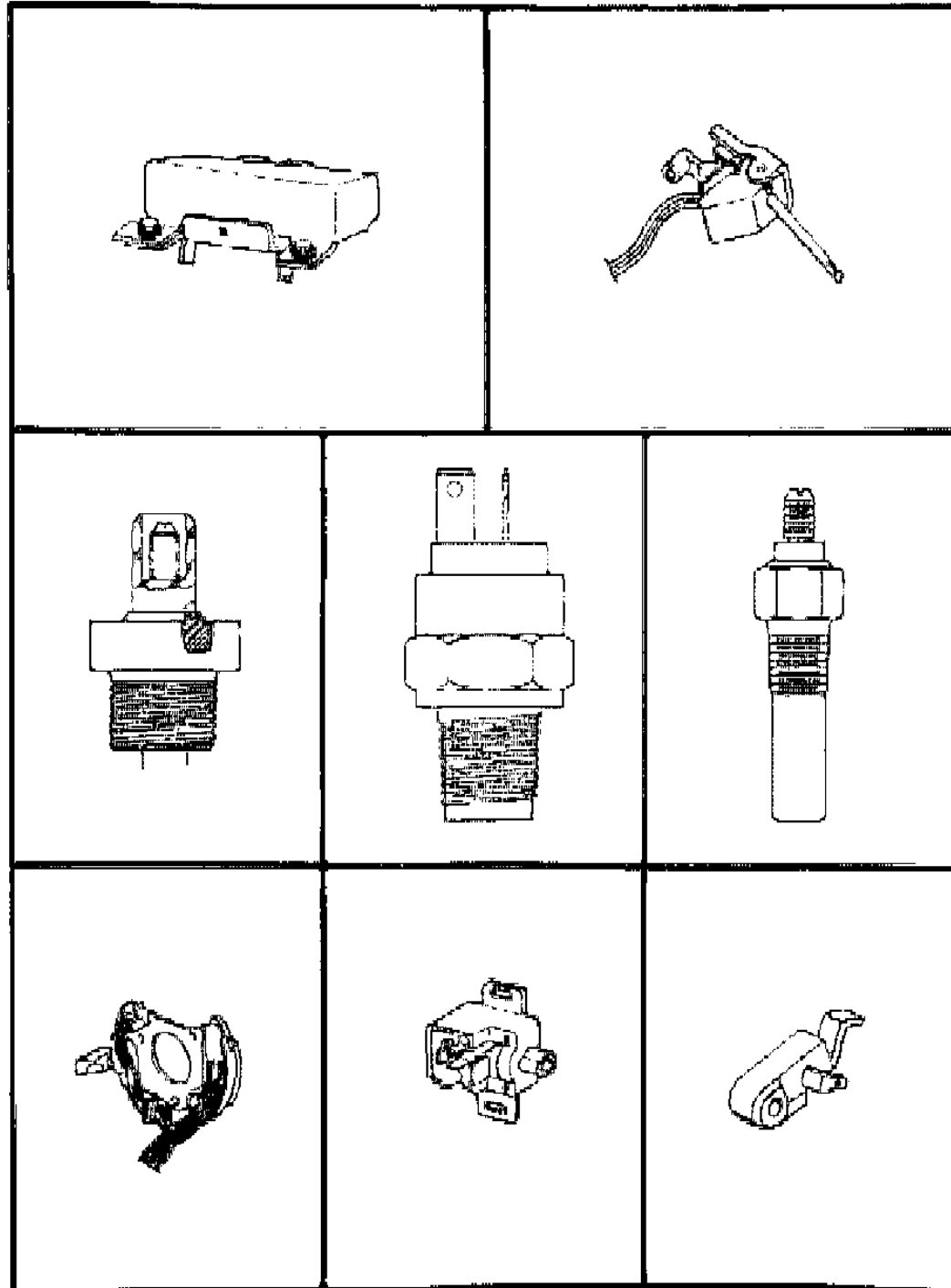




# SWITCH REFERENCE CHART

Figure 8-200

1168 200



ITEM	PART NUMBER	QTY	BODY	MODEL	DESCRIPTION
	4221 203			P,D,C,V	SWITCH, Amplifier Rr.
	3747 874			B,F,G	SWITCH, Amplifier Rr.
	3747 928			X,S	SWITCH, Amplifier Rr.
	4221 060			Y	SWITCH, Amplifier Rr.
	4221 462				SWITCH, Back Up Lamp 2.2L Eng. (Manual)
	4057 983				SWITCH, Back Up Lamp 1.7L Eng. (Manual)
	4057 750			ALL	SWITCH, Back Up & Neutral Starter (a/Trans.)
	3620 790			ALL	SWITCH, Brake System Warning
	3747 501			X,S,Y	SWITCH, Clock Reset
	5209 922			M,Z	SWITCH, Cargo Lamp (2 Door)
	4221 415			M,Z	SWITCH, Clutch Speed Cont. (w/A460 Trans)
	5209 979			M,Z	SWITCH, Clutch Speed Cont. (w/A412 Trans)
	4221 414			P,D,C,V	SWITCH, Clutch Speed Control
	3747 154			P,D,C,V	SWITCH, Deck Lid Release
	3747 154			B,F,G	SWITCH, Deck Lid Release
	3747 608			X,S,Y	SWITCH, Deck Lid Release
	4221 326			P,D,C,V	SWITCH, Door Ajar
	4221 025			B,F,G	SWITCH, Door Ajar Frt. & Rr.
	4221 101			X,S,Y	SWITCH, Door Ajar
	4221 141			P,D	SWITCH, Door Lock (Trim Panel Mtd.)
	3747 935			CVET,XS	SWITCH, Door Lock (Arm Rest)
	4131 376			B,F,G	SWITCH, Door Lock (Arm Rest)
	4221 254			M,Z	SWITCH, Door Pillar (Front)
	4221 117			P,D,C,V	SWITCH, Door Pillar (Front)
	3747 289			B,F,G,X	SWITCH, Door Pillar (Front)
	3747 289			PDCV,BF	SWITCH, Door Pillar (Rear)
	5209 985			M,Z	SWITCH, Ebl.(Electric Backlite)
	4221 078			P,D,C,V	SWITCH, Ebl.
	3747 641			B,F,G	SWITCH, Ebl.
	4186 361			X,S,Y	SWITCH, Ebl.
					SWITCH, EGR Charge Temp.
	4111 482			B,G,F,X	w/225 Eng.
	4111 482			B,G,F,X	w/318 Eng. E40 w/(S/C-N92)
	4111 482			B,G,F,X	w/318 Eng. E46 & E48 w/(S/C-N94, w/S/C-N95, w/S/C-N96)
	4111 482			B,G,F,X	w/318 Eng. E44 & E45 w/(S/C-N94) CANADA
	4091 471			B,G,F,X	w/318 Eng. E44 & E45 w/(S/C-N94, w/S/C-N96) FED
	4221 071			MZ,PD,C	SWITCH, Eng. Temp.(1.7L,2.2L)

**MODEL CODES**

B = GRAN FURY	G = DIPLOMAT	V = 400
C = LEBARON/TOWN & COUNTRY	M = HORIZON/TURISMO/SCAMP	X = MIRADA
D = ARIES	P = RELIANT	Y = IMPERIAL
E = 600	S = CORDOBA	Z = OMNI/CHARGER/RAMPAGE
F = FIFTH AVENUE	T = E CLASS/NEWYORKER	

**BODY STYLES**

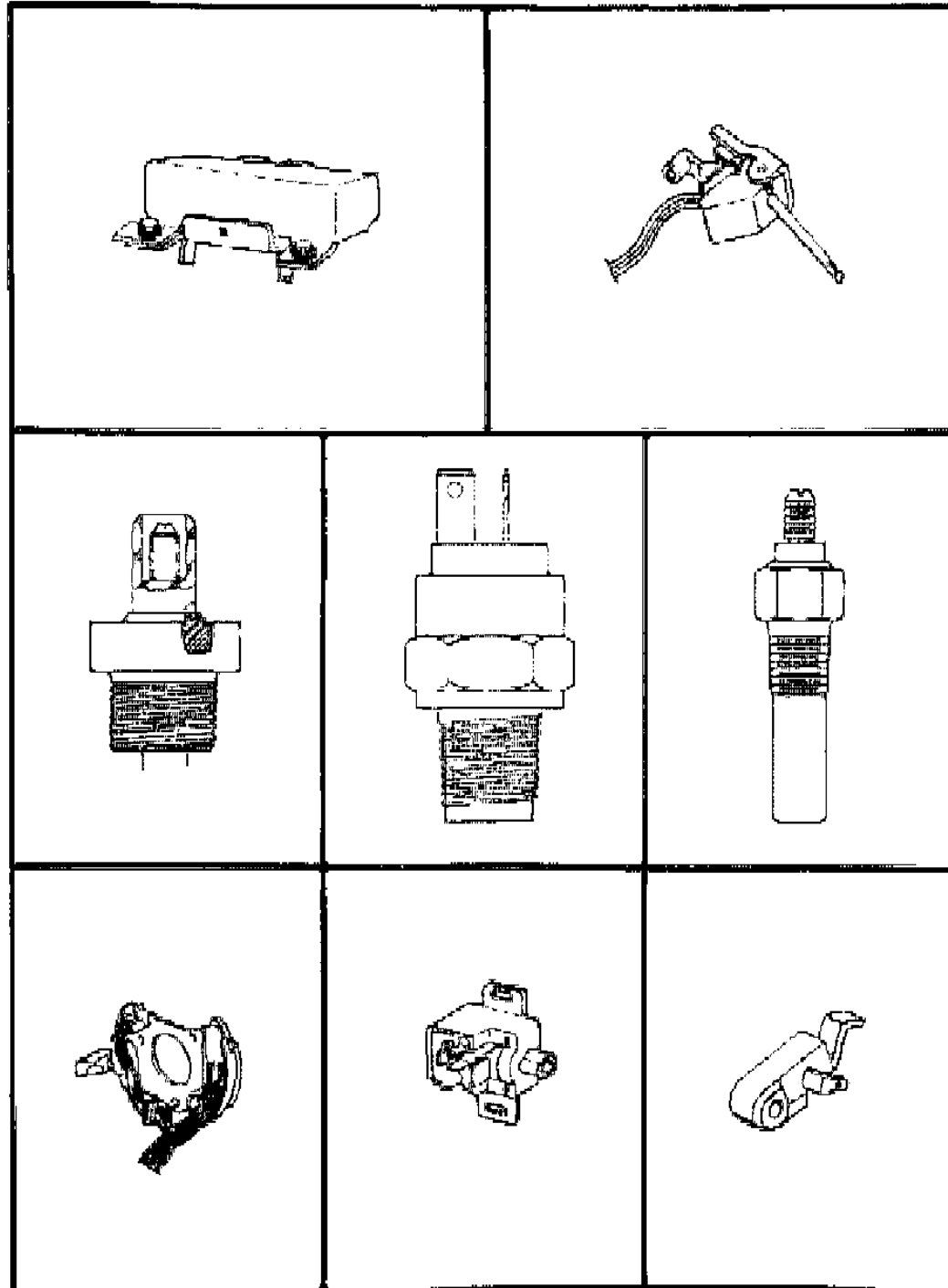
21 = 2-DOOR SEDAN	41 = 4-DOOR SEDAN
22 = 2-DOOR SPECIAL COUPE	45 = 4-DOOR STATION WAGON
24 = 2-DOOR HATCHBACK	44 = 4-DOOR HATCHBACK
27 = 2-DOOR CONVERTIBLE	48 = EXECUTIVE SEDAN
28 = FWD PICKUP	

AR = Use as Required - = Non Illustrated Part P.A.R. = Paint as Required

# SWITCH REFERENCE CHART

Figure 8-200

1148 200



ITEM	PART NUMBER	QTY	BODY	MODEL	DESCRIPTION
	3746 524			Y	SWITCH, Eng. Temp., E F I (E43)
	4091 719			M,Z	SWITCH, Engine Temp. (1.7L Eng.) (150 F) (Silver)
	4091 719			MZ,PD,C	w/S/C-N96, (2.2 L Eng.) All/Trans. (150 F) (Silver)
	4091 719			M,Z	w/S/C-N95, (2.2 L Eng.) w/m/Trans. (150 F) (Silver)
	4091 719			P,D,C,V	w/S/C-N94, w/S/C-N95, (2.2 L Eng.) w/m/Trans. (150F) (Silver)
	4145 716			MZ,PD,C	w/S/C-N94, S/C-N95 (2.2L Eng.) w/a/Trans. (125 F) (Blue)
	4145 716			M,Z	w/S/C-N94, (2.2L Eng.) w/a/Trans. (125 F) (Blue)
	4145 716			28	w/S/C-N96 (2.2L Eng.) (125 F) (Blue)
	4145 716			MZ,PD,C	w/S/C-N92, (2.2L Eng.) All/Trans. (125 F) (Blue)
	4091 471			B,F,G,X	SWITCH, Eng. Temp., 225, 318 Eng.
	4221 023			M,Z	SWITCH, w/Gasket,Lift Gate Cargo (4 Door)
	4221 025			M,Z	SWITCH, Lift Gate Cargo Lamp (4 Door)
	5209 922			P,D,C (	SWITCH, Lift Gate Cargo (Serviced In Latch Assy.)
	3747 079			P,D,C (	SWITCH, Lift Gate Ajar
	4221 107			M,Z,B,F	SWITCH, Glove Box Lamp
	3747 513			P,D,C,V	SWITCH, Glove Box Lamp
	5209 950			X,S,Y	SWITCH, Glove Box Lamp
	4221 223			M,Z	SWITCH, Hatch Release
	4221 248			M,Z	SWITCH, Headlamp
	4221 248			P,D,C,V	SWITCH, Headlamp
	4221 248			B,F,G,X	SWITCH, Headlamp
	5209 891			M,Z	SWITCH, Ignition
	3747 882			P,D,C,V	SWITCH, Ignition w/o Tilt
	4221 201			P,D,C,V	SWITCH, Ignition w/ Tilt
	4131 367			B,F,G,X	SWITCH, Ignition w/o Tilt
	3747 529			B,F,G,X	SWITCH, Ignition w/ Tilt
	5209 903			M,Z	SWITCH, Ignition Key Warning
	4131 522				SWITCH, Ignition Key Warning w/o Tilt (All Except M,Z)
	3488 432				SWITCH, Ignition Key Warning w/ Tilt (All Except M,Z)
	4186 353				SWITCH, Oil Pressure 1.7L Eng.
	4267 021				SWITCH, Oil Pressure 2.2L Eng.
	2889 298				SWITCH, Oil Pressure 2.6L Eng.
	4205 921				SWITCH, Oil Pressure 225 Eng.
	4186 352				SWITCH, Oil Pressure 318 Eng.
	3747 327				SWITCH, Parking Brake
	5209 923				SWITCH, Radiator Fan Air Temp. exc. 2.6L Eng.

MODEL CODES

B = GRAN FURY	G = DIPLOMAT	V = 400
C = LEBARON/TOWN & COUNTRY	M = HORIZON/TURISMO/SCAMP	X = MIRADA
D = ARIES	P = RELIANT	Y = IMPERIAL
E = 600	S = CORDOBA	Z = OMNI/CHARGER/RAMPAGE
F = FIFTH AVENUE	T = E CLASS/NEWYORKER	

BODY STYLES

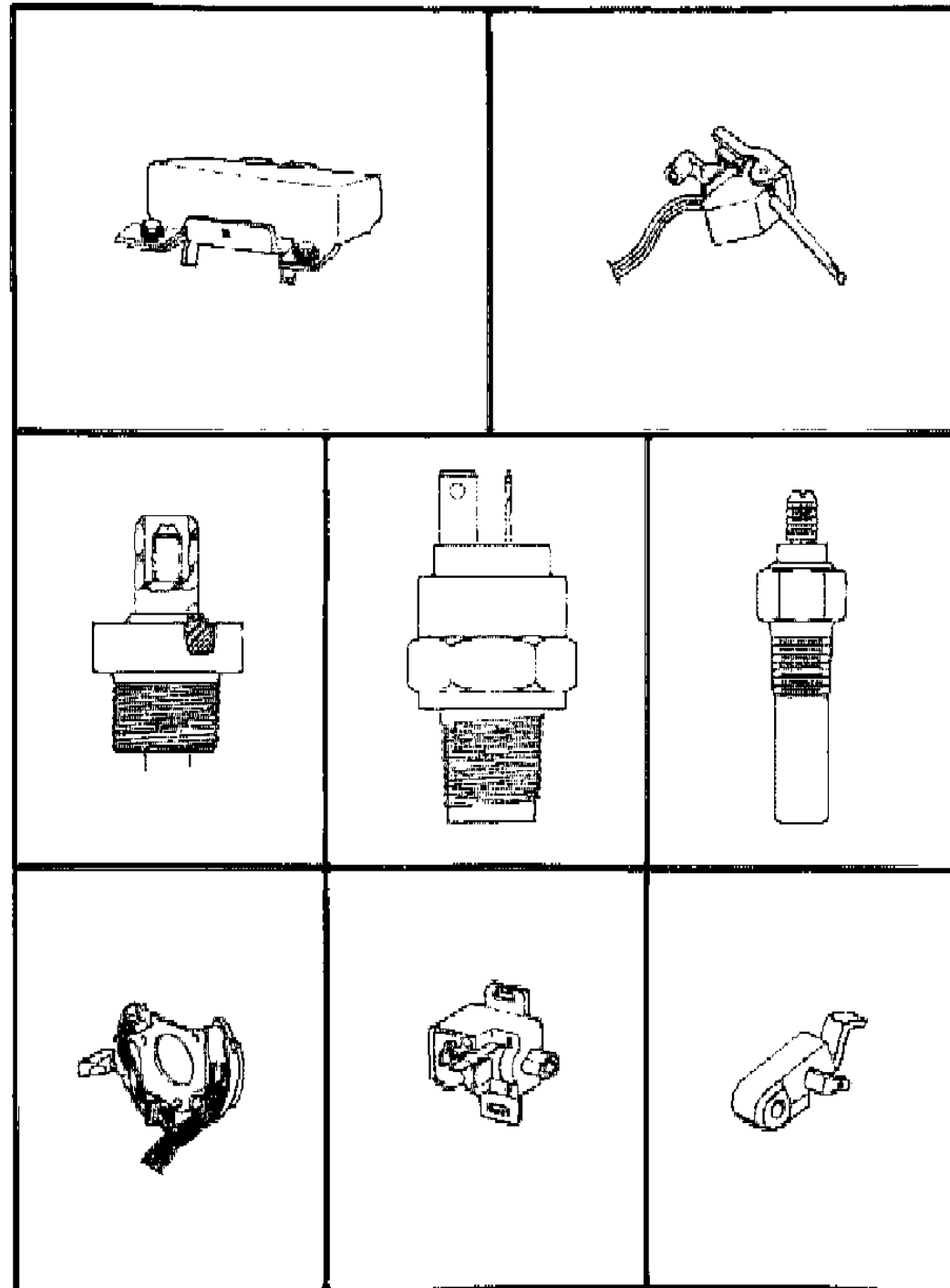
21 = 2-DOOR SEDAN	41 = 4-DOOR SEDAN
22 = 2-DOOR SPECIAL COUPE	45 = 4-DOOR STATION WAGON
24 = 2-DOOR HATCHBACK	44 = 4-DOOR HATCHBACK
27 = 2-DOOR CONVERTIBLE	48 = EXECUTIVE SEDAN
28 = FWD PICKUP	

AR = Use as Required - = Non Illustrated Part P.A.R. = Paint as Required

# SWITCH REFERENCE CHART

Figure 8-200

1148 200



ITEM	PART NUMBER	QTY	BODY	MODEL	DESCRIPTION
	3747 999				SWITCH, Radiator Fan Air Temp. 2.6L Eng.
	3747 740		P,D,C,V		SWITCH, Seat Adjuster (60/40 Bench)
	3747 740		B,F,G,X		SWITCH, Seat Adjuster (60/40 Bench)
	3747 815		Y		SWITCH, Seat Adjuster (60/40 Bench)
	3747 957		B,F,G,X		SWITCH, Seat Adjuster (60/40 Bench Right 4 Way)
	3747 814		Y		SWITCH, Seat Adjuster (60/40 Bench Right 4 Way)
	3747 741		X,S		SWITCH, Seat Adjuster (Bucket Seat)
	4221 013		Y		SWITCH, Seat Occupant
	2926 275		MZ,BFG,		SWITCH, Stop Lamp
	3747 993		P,D,C,V		SWITCH, Stop Lamp
	5209 994		MZ,BFG,		SWITCH, Stop Lamp Speed Control
	3747 995		P,D,C,V		SWITCH, Stop Lamp Speed Control
	5209 922		P,D,C,V		SWITCH, Trunk Ajar
	5209 922		Y		SWITCH, Trunk Lamp
					SWITCH, Turn Signal & Hazard Warning
	4221 330		M,Z		w/o Cornering Lamp
	4221 337				w/o Cornering Lamp w/o Tilt (All Except M,Z)
	4221 338				w/ Cornering Lamp w/o Tilt (All Except M,Z)
	4221 205				w/o Cornering Lamp w/ Tilt (All Except M,Z)
	4221 206				w/ Cornering Lamp w/ Tilt (All Except M,Z)
	4221 344				SWITCH, Vacuum Audible Message (2.2L Eng.)
	4221 345				SWITCH, Vacuum Audible Message (Tbi Eng.)
	4221 141		P,D		SWITCH, Window Lift (Trim Mtd. Single)
	4221 142		P,D		SWITCH, Window Lift (Trim Mtd. 2 Gang)
	4221 144		P,D		SWITCH, Window Lift (Trim Mtd. 4 Gang)
	3747 935		C,V,E,T		SWITCH, Window Lift (Arm Rest Single)
	4221 133		C,V,E,T		SWITCH, Window Lift (Arm Rest 5 Gang)
	4131 376		B,F,G		SWITCH, Window Lift (Arm Rest Single)
	3747 932		B,F,G		SWITCH, Window Lift (Arm Rest 5 Gang)
	3747 935		X,S,Y		SWITCH, Window Lift (Arm Rest Single)
	3747 936		X,S,Y		SWITCH, Window Lift (Arm Rest 2 Gang)
					SWITCH, Windshield Wiper
	5209 863		M,Z		2 Speed
	4221 124		M,Z		w/Intermittent
	3747 914		P,D,C,V		2 Speed w/o Tilt
	4221 125		P,D,C,V		w/Intermittent w/o Tilt
	4221 233		P,D,C,V		w/Intermittent w/ Tilt

**MODEL CODES**

B = GRAN FURY	G = DIPLOMAT	V = 400
C = LEBARON/TOWN & COUNTRY	M = HORIZON/TURISMO/SCAMP	X = MIRADA
D = ARIES	P = RELIANT	Y = IMPERIAL
E = 600	S = CORDOBA	Z = OMNI/CHARGER/RAMPAGE
F = FIFTH AVENUE	T = E CLASS/NEWYORKER	

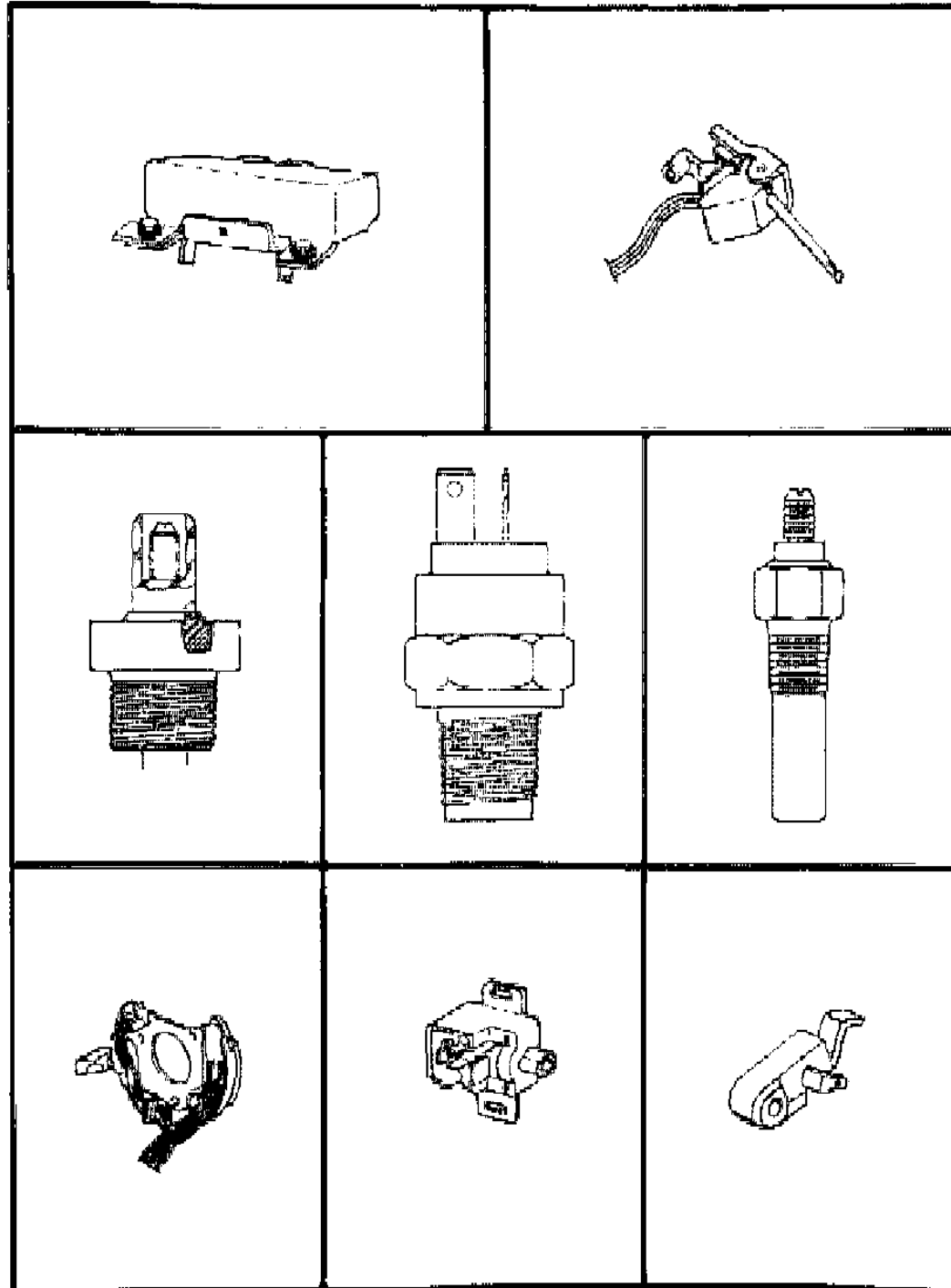
**BODY STYLES**

21 = 2-DOOR SEDAN	41 = 4-DOOR SEDAN
22 = 2-DOOR SPECIAL COUPE	45 = 4-DOOR STATION WAGON
24 = 2-DOOR HATCHBACK	44 = 4-DOOR HATCHBACK
27 = 2-DOOR CONVERTIBLE	48 = EXECUTIVE SEDAN
28 = FWD PICKUP	

AR = Use as Required - = Non Illustrated Part P.A.R. = Paint as Required

**SWITCH REFERENCE CHART**  
Figure 8-200

1168 200



ITEM	PART NUMBER	QTY	BODY	MODEL	DESCRIPTION
	3747 653			B,F,G	2 Speed w/o Tilt
	4221 042			B,F,G	w/Intermittent w/o Tilt
	4293 110			B,F,G	w/Intermittent w/ Tilt
	3747 654			X,S,Y	2 Speed w/o Tilt
	4221 051			X,S,Y	w/Intermittent w/o Tilt
	4293 111			X,S,Y	w/Intermittent w/ Tilt
	5209 875			M,Z	SWITCH, Wiper & Washer (Rear)
	4221 080			P,D,C	SWITCH, Wiper & Washer (Rear)

MODEL CODES  
 B = GRAN FURY  
 C = LEBARON/TOWN & COUNTRY  
 D = ARIES  
 E = 600  
 F = FIFTH AVENUE  
 G = DIPLOMAT  
 M = HORIZON/TURISMO/SCAMP  
 P = RELIANT  
 S = CORDOBA  
 T = E CLASS/NEWYORKER  
 V = 400  
 X = MIRADA  
 Y = IMPERIAL  
 Z = OMNI/CHARGER/RAMPAGE

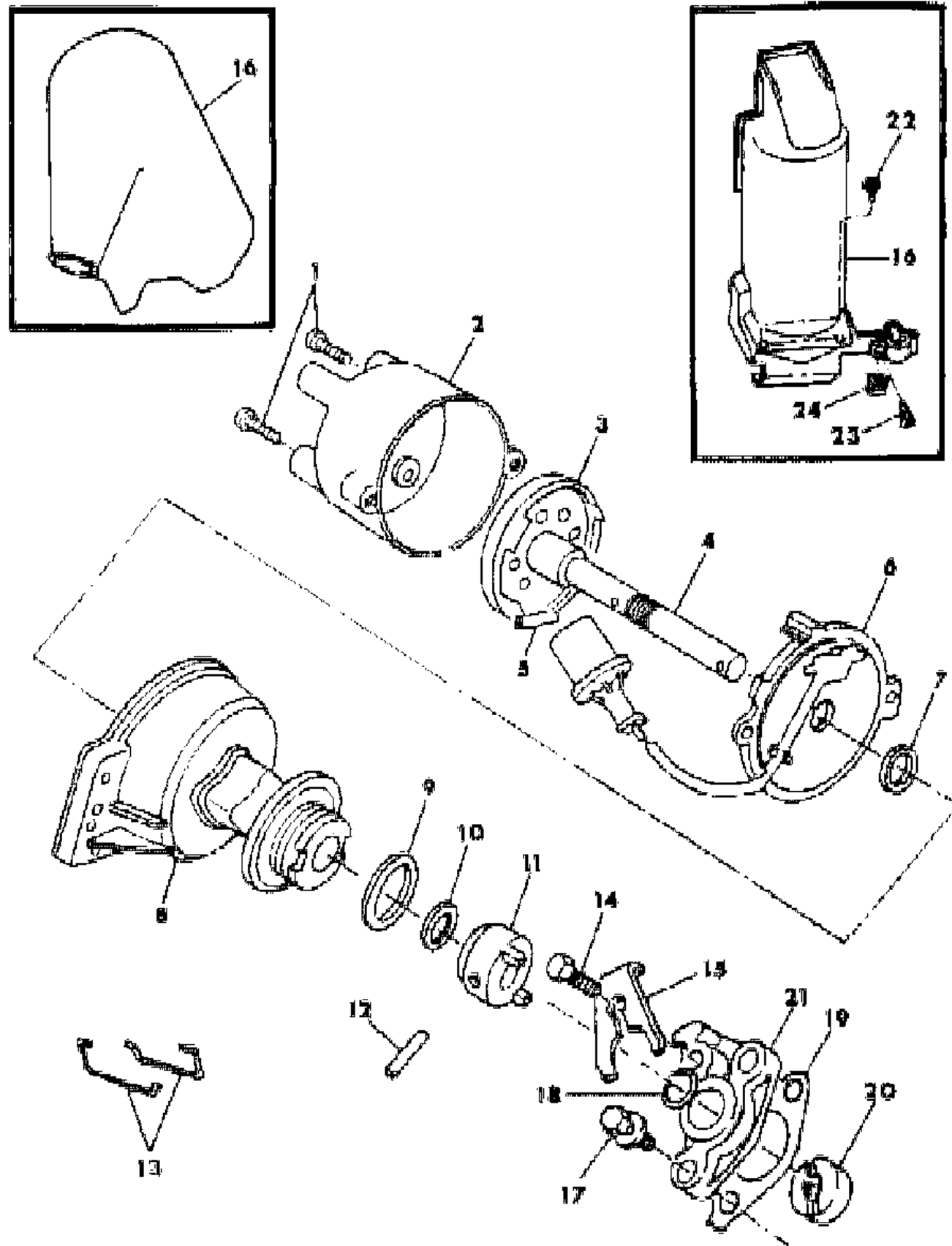
BODY STYLES  
 21 = 2-DOOR SEDAN  
 22 = 2-DOOR SPECIAL COUPE  
 24 = 2-DOOR HATCHBACK  
 27 = 2-DOOR CONVERTIBLE  
 28 = FWD PICKUP  
 41 = 4-DOOR SEDAN  
 45 = 4-DOOR STATION WAGON  
 44 = 4-DOOR HATCHBACK  
 48 = EXECUTIVE SEDAN

AR = Use as Required - = Non Illustrated Part P.A.R. = Paint as Required

# DISTRIBUTOR 1.6--1.7--2.2L ENGINES

Figure 8-300

3118 300



ITEM	PART NUMBER	QTY	BODY	MODEL	DESCRIPTION
	5213 575	1			DISTRIBUTOR, Ignition w/Cap & Rotor Y5213575 N5206945 N4240470 N0
	5206 945	1			DISTRIBUTOR, Ignition w/Cap & Rotor N5213575 Y5206945 N4240470 N0
	4240 470	1			DISTRIBUTOR, Ignition w/Cap & Rotor N5213575 N5206945 Y4240470 N0
1	6500 077	2			SCREW, Distributor Cap Y6500077 Y6500077 Y6500077 N0
2	4240 446	1			CAP, Distributor w/Screws Y4240446 Y4240446 Y4240446 N0
3	5213 728	1			ROTOR, Distributor Y5213728 Y5213728 Y5213728 N0
4		1			SHAFT, Distributor (Not Serviced) N0 N0 N0 N0
5		1			PIN, Distributor Shaft (Not Serviced) N0 N0 N0 N0
6	4240 471	1			SWITCH, w/Plate, Electronic Distributor Y4240471 Y4240471 Y4240471 N0
	5211 587	1			CONNECTOR, Distributor (Repair Package) Y5211587 Y5211587 Y5211587 N0
7		1			WASHER, Distributor Shaft (Not Serviced) N0 N0 N0 N0
8		1			HOUSING, Distributor (Not Serviced) N0 N0 N0 N0
9	6031 594	1			O-RING, Distributor Insert (Large) Y6031594 Y6031594 Y6031594 N0
	6031 196	1			O-RING, Distributor Insert (Small) Y6031196 Y6031196 Y6031196 N0
10		1			WASHER, Distributor Shaft (Not Serviced) N0 N0 N0 N0
11		1			COUPLING or GEAR, Distributor Drive (Not Serviced) N0 N0 N0 N0
12		1			PIN, Distributor Shaft (Not Serviced) N0 N0 N0 N0
13	5206 261	2			SPRING, Switch Plate Retainer Y5206261 Y5206261 Y5206261 N0
14	6100 304	1			SCREW, Distributor Clamp N0 Y6100304 N6100229 N0
14	6100 229	1			SCREW, Distributor Clamp N0 N6100304 Y6100229 N0
15	4273 834	1			CLAMP, Distributor Hold-Down Y4273834 N5206291 N4179922 N0
15	5206 291	1			CLAMP, Distributor Hold-Down N4273834 Y5206291 N4179922 N0
15	4179 922	1			CLAMP, Distributor Hold-Down N4273834 N5206291 Y4179922 N0
16	4273 822	1			SHIELD, Distributor Splash Y4273822 N5213378 N5213378 N0
16	5213 378	1			SHIELD, Distributor Splash N4273822 Y5213378 Y5213378 N0

MODEL CODES

B = GRAN FURY	G = DIPLOMAT	V = 400
C = LEBARON/TOWN & COUNTRY	M = HORIZON/TURISMO/SCAMP	X = MIRADA
D = ARIES	P = RELIANT	Y = IMPERIAL
E = 600	S = CORDOBA	Z = OMNI/CHARGER/RAMPAGE
F = FIFTH AVENUE	T = E CLASS/NEWYORKER	

BODY STYLES

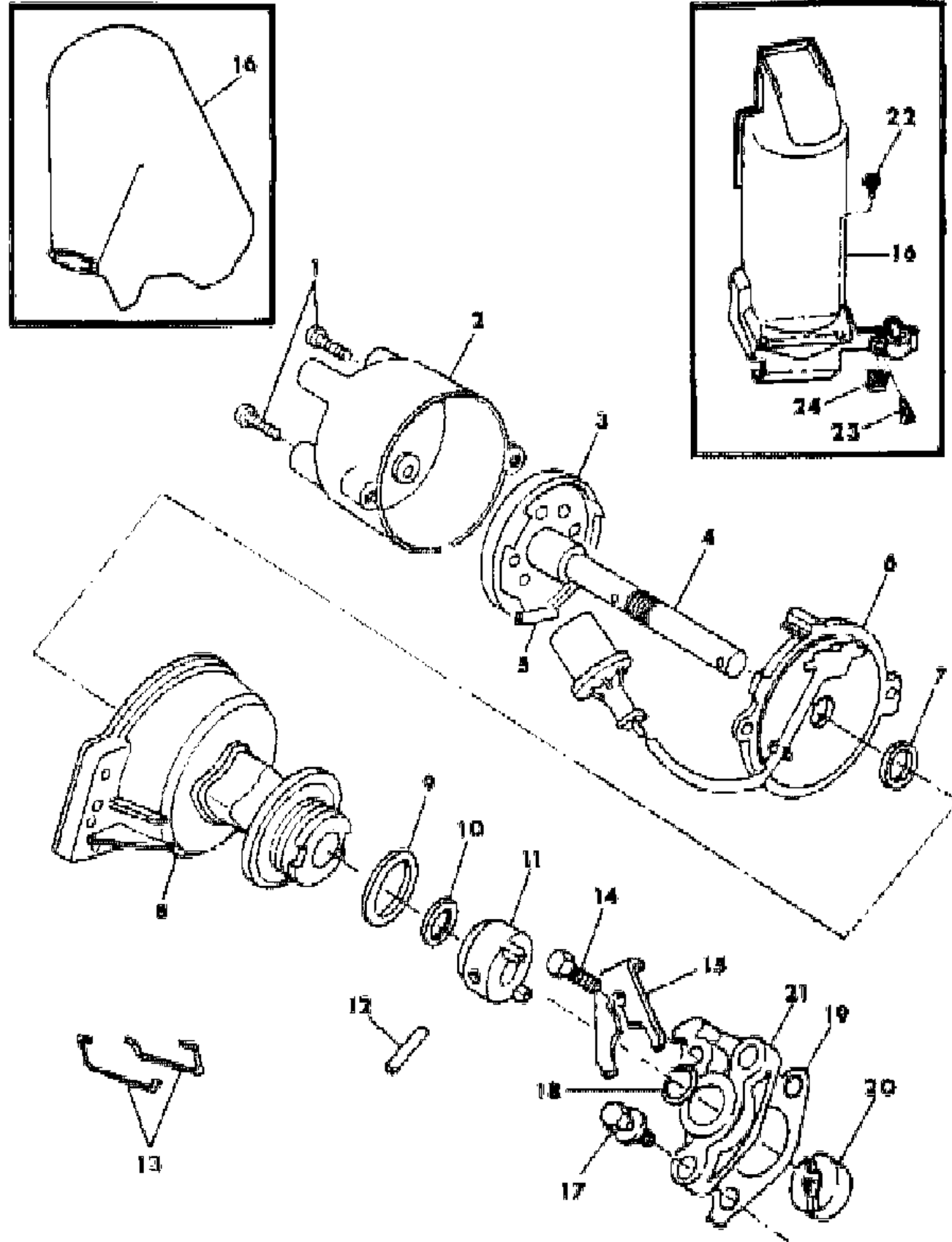
21 = 2-DOOR SEDAN	41 = 4-DOOR SEDAN
22 = 2-DOOR SPECIAL COUPE	45 = 4-DOOR STATION WAGON
24 = 2-DOOR HATCHBACK	44 = 4-DOOR HATCHBACK
27 = 2-DOOR CONVERTIBLE	48 = EXECUTIVE SEDAN
28 = FWD PICKUP	

AR = Use as Required - = Non Illustrated Part P.A.R. = Paint as Required

# DISTRIBUTOR 1.6--1.7--2.2L ENGINES

## Figure 8-300

3118 300



ITEM	PART NUMBER	QTY	BODY	MODEL	DESCRIPTION
17	4273 832	2			SCREW, Distributor Support Mounting Y4273832 N0 N0 N0
18	4273 820	1			GASKET, Distributor to Support Y4273820 N0 N0 N0
19	4273 831	1			GASKET, Distributor Support Mounting Y4273831 N0 N0 N0
20	4273 821	1			HUB, Distributor Drive Y4273821 N0 N0 N0
21	4273 830	1			SUPPORT, Distributor Mounting Y4273830 N0 N0 N0
22	6500 703	2			SCREW, Distributor Splash Shield Mounting N0 Y6500703 Y6500703 N0
23		1			SCREW, Distributor Connector Clamp (Not Serviced) N0 N0 N0 N0
24		1			J-NUT, Distributor Connector Clamp (Not Serviced) N0 N0 N0 N0
NOTE: The Following Items Are Not Shown On Illustration. 0 0 0 0 Gear and Pinion numbers stamped on the item may be used to confirm the correct MATCHED SET they are contained in.					
	5213 704	1			WICK, Distributor Shaft Oil N0 Y5213704 N0 N0

### MODEL CODES

B = GRAN FURY	G = DIPLOMAT	V = 400
C = LEBARON/TOWN & COUNTRY	M = HORIZON/TURISMO/SCAMP	X = MIRADA
D = ARIES	P = RELIANT	Y = IMPERIAL
E = 600	S = CORDOBA	Z = OMNI/CHARGER/RAMPAGE
F = FIFTH AVENUE	T = E CLASS/NEWYORKER	

### BODY STYLES

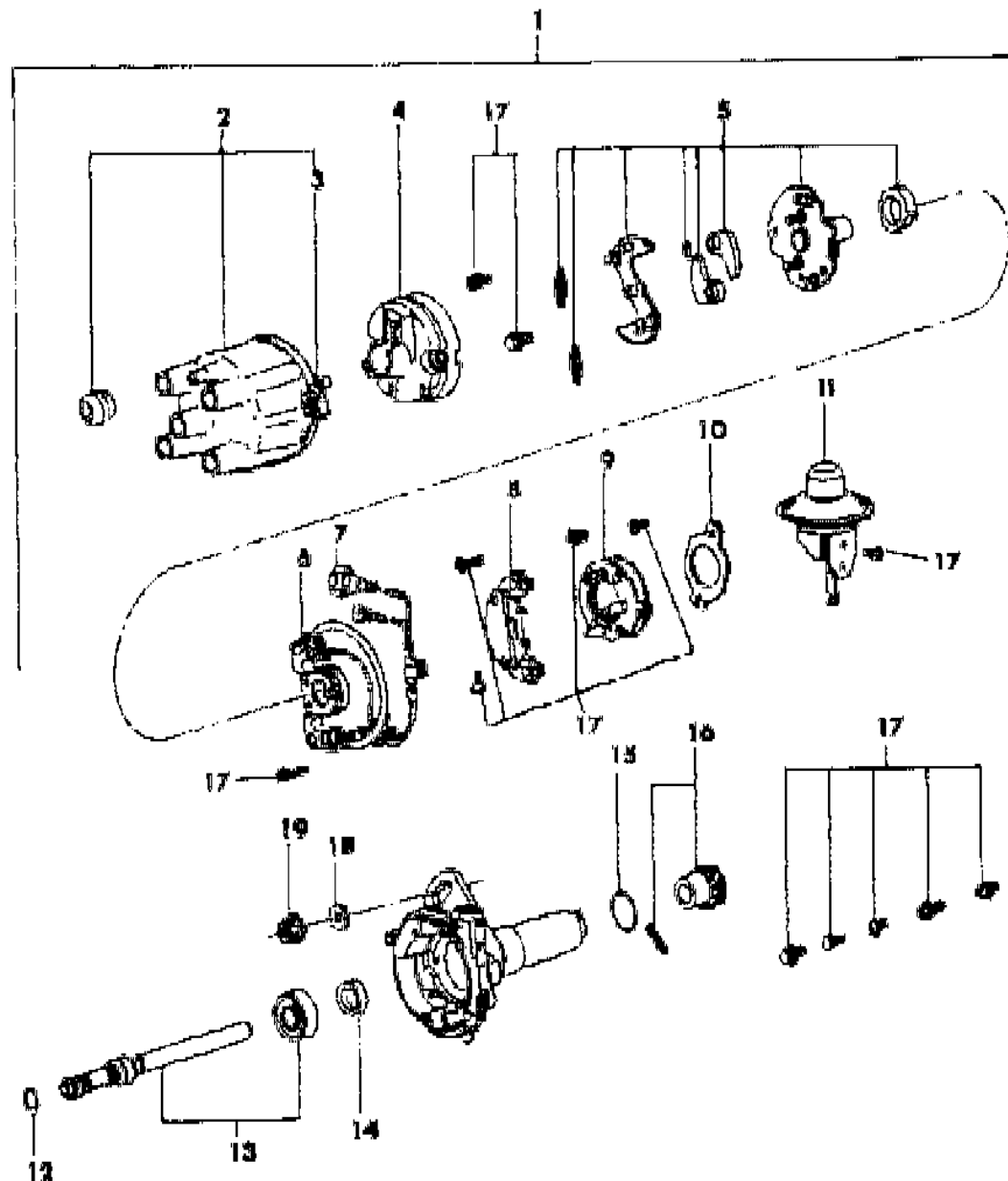
21 = 2-DOOR SEDAN	41 = 4-DOOR SEDAN
22 = 2-DOOR SPECIAL COUPE	45 = 4-DOOR STATION WAGON
24 = 2-DOOR HATCHBACK	44 = 4-DOOR HATCHBACK
27 = 2-DOOR CONVERTIBLE	48 = EXECUTIVE SEDAN
28 = FWD PICKUP	

AR = Use as Required - = Non Illustrated Part P.A.R. = Paint as Required

# DISTRIBUTOR 2.6L ENGINE

## Figure 8-400

311001 4000



ITEM	PART NUMBER	QTY	BODY	MODEL	DESCRIPTION
1	MD01 3791	1			DISTRIBUTOR, Ignition (w/o N95)
	MD01 3793	1			(w/N95)
	MD01 3792	1			(Canada)
2	MD60 7466	1			CAP, Distributor
3	MD60 2757	1			CONTACT, Distributor Cap Carbon
4	MD60 7734	1			ROTOR, Distributor
5	MD60 7474	1			GOVERNOR, Advance
6	MD60 7770	1			PICK-UP and PLATE
7	MD60 7771	1			WIRE, Distributor Lead
8	MD60 7478	1			IGNITER, Distributor
9	MD60 7470	1			BREAKER, Distributor
10	MD60 7359	1			PLATE, Distributor
11	MD60 7475	1			CONTROL, Vacuum (w/o N95)
	MD60 7477	1			(w/N95)
	MD60 7476	1			(Canada)
12	MD60 7472	1			WASHER, Distributor Shaft
13	MD60 7468	1			SHAFT, Distributor
14	MD60 7405	1			SEAL, Distributor Shaft Oil
15	MD60 2412	1			O-RING, Distributor Housing
16	MD60 7226	1			COUPLING, Distributor Shaft
17	MD60 7469	1			SCREW SET, Distributor
18	MD00 1530	1			WASHER, Distributor Hold-Down
19	MF43 4104	1			NUT, Distributor Hold-Down

### MODEL CODES

B = GRAN FURY

C = LEBARON/TOWN & COUNTRY

D = ARIES

E = 600

F = FIFTH AVENUE

G = DIPLOMAT

M = HORIZON/TURISMO/SCAMP

P = RELIANT

S = CORDOBA

T = E CLASS/NEWYORKER

V = 400

X = MIRADA

Y = IMPERIAL

Z = OMNI/CHARGER/RAMPAGE

### BODY STYLES

21 = 2-DOOR SEDAN

22 = 2-DOOR SPECIAL COUPE

24 = 2-DOOR HATCHBACK

27 = 2-DOOR CONVERTIBLE

28 = FWD PICKUP

41 = 4-DOOR SEDAN

45 = 4-DOOR STATION WAGON

44 = 4-DOOR HATCHBACK

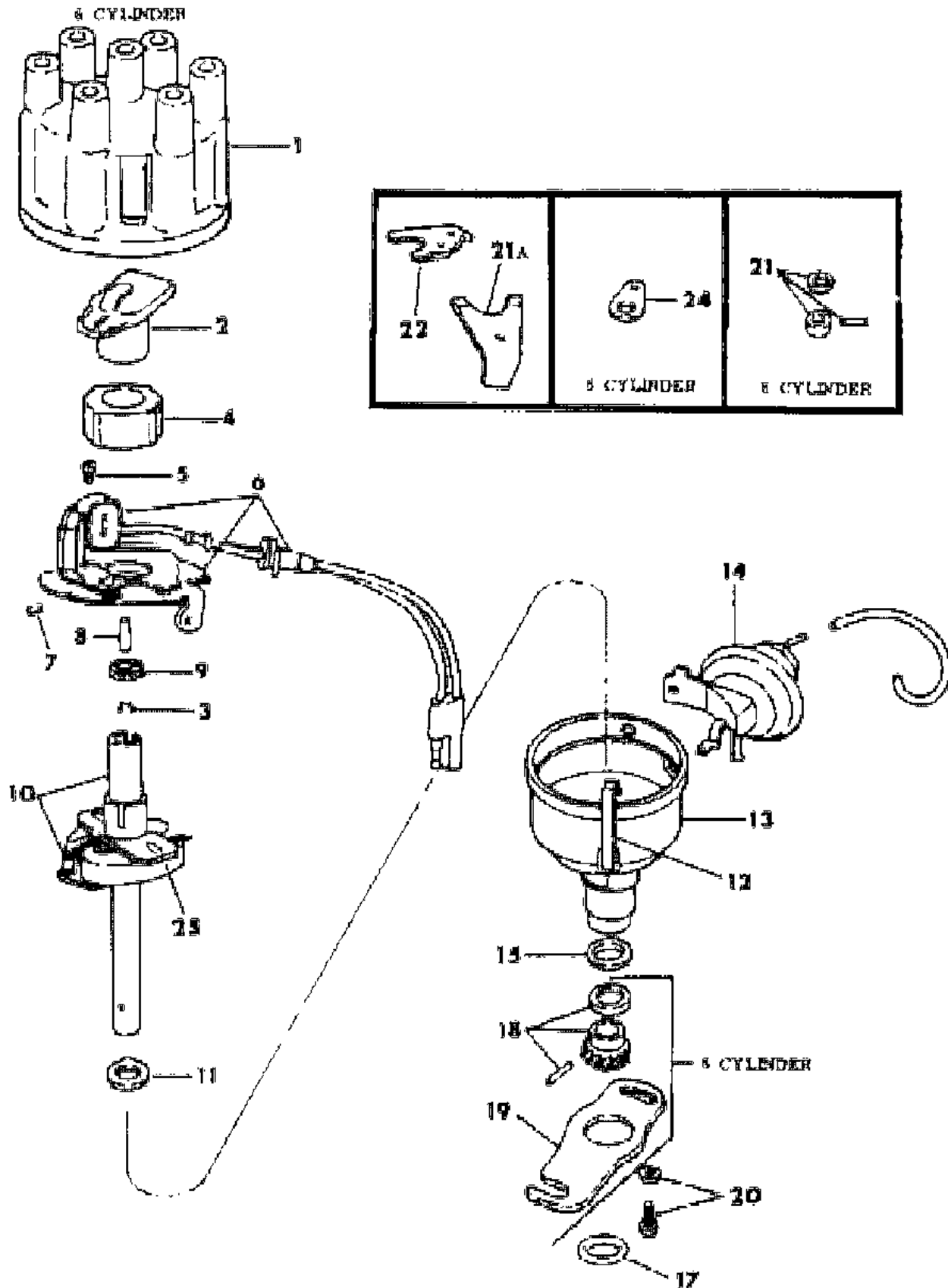
48 = EXECUTIVE SEDAN

AR = Use as Required - = Non Illustrated Part P.A.R. = Paint as Required

DISTRIBUTOR 225--318 ENGINES

Figure 8-500

8108 500



ITEM	PART NUMBER	QTY	BODY	MODEL	DESCRIPTION
	4145 754	1			DISTRIBUTOR, w/ (S/C -N92,S/C -N94,S/C -N95) Y4145754 N0 Y4145754 N0
	4145 752	1			w/ (S/C- N95) Y4145752 Y4145752 N0 N0
	4145 955	1			w/ (S/C- N98) Y4145955 Y4145955 N0 N0
	4145 613	1			w/ (S/C- N93) Y4145613 Y4145613 N0 N0
	4091 140	1			w/Efi w/318 Engine E43 Y4091140 N0 N4091142 N0
	4091 142	1			w/Efi w/318 Engine E43 N4091140 N0 Y4091142 N0 N0 N0 N0 N0
1	4111 630	1			CAP N0 Y4111630 N4111640 N0
1	4111 640	1			CAP N0 N4111630 Y4111640 N0
2	3874 401	1			ROTOR N0 Y3874401 Y3874401 N0
3		1			SNAP RING, w/Wick N0 N0 N0 N0 N0 N0 N0 N0
4	3656 862	1			RELUCTOR N0 Y3656862 N3656017 N0
4	3656 017	1			RELUCTOR N0 N3656862 Y3656017 N0
5	6026 763	1			SCREW, 8-32x 3/16 N0 Y6026763 Y6026763 N0
6	4145 239	1			PICK-UP and PLATE, w/4145752 & 4145754 N0 Y4145239 Y4145239 N0
	4145 210	1			PICK-UP and PLATE, w/4145955 & 4145613 N0 Y4145210 N0 N0
	4091 147	1			PICK-UP and PLATE, w/4091142 N0 N0 Y4091147 N0
7	9417 599	1			PIN, 3/32 x 3/8 N0 Y9417599 Y9417599 N0
8	9414 521	1			PIN, 3/32 x 9/16 N0 Y9414521 Y9414521 N0
9		1			SPACER N0 N0 N0 N0 N0 Y2642988 N0 N0
	2642 988	1			N0 Y2642988 N0 N0
	3874 408	1			N0 Y3874408 N0 N0
	2642 988	1			N0 N0 Y2642988 N0
	3874 408	1			N0 N0 Y3874408 N0
10		1			SHAFT, Dist. (Serviced in Assy.) N0 N0 N0 N0
11	2875 028	1			SEAL, Dist. Housing N0 N0 Y2875028 N0
12	1838 508	1			SPRING N0 Y1838508 Y1838508 N0
13		1			HOUSING and BEARING N0 N0 N0 N0 (Service in Dist.) N0 N0 N0 N0
14		1			CONTROL, Vacuum N0 N0 N0 N0 N0 Y3874878 N3755474 N0 N0 N3874878 Y3755474 N0
15	2095 630	1			GASKET, Dist. Mtg. Oil Ret. N0 Y2095630 N0 N0

MODEL CODES

B = GRAN FURY	G = DIPLOMAT	V = 400
C = LEBARON/TOWN & COUNTRY	M = HORIZON/TURISMO/SCAMP	X = MIRADA
D = ARIES	P = RELIANT	Y = IMPERIAL
E = 600	S = CORDOBA	Z = OMNI/CHARGER/RAMPAGE
F = FIFTH AVENUE	T = E CLASS/NEWYORKER	

BODY STYLES

21 = 2-DOOR SEDAN	41 = 4-DOOR SEDAN
22 = 2-DOOR SPECIAL COUPE	45 = 4-DOOR STATION WAGON
24 = 2-DOOR HATCHBACK	44 = 4-DOOR HATCHBACK
27 = 2-DOOR CONVERTIBLE	48 = EXECUTIVE SEDAN
28 = FWD PICKUP	

AR = Use as Required - = Non Illustrated Part P.A.R. = Paint as Required

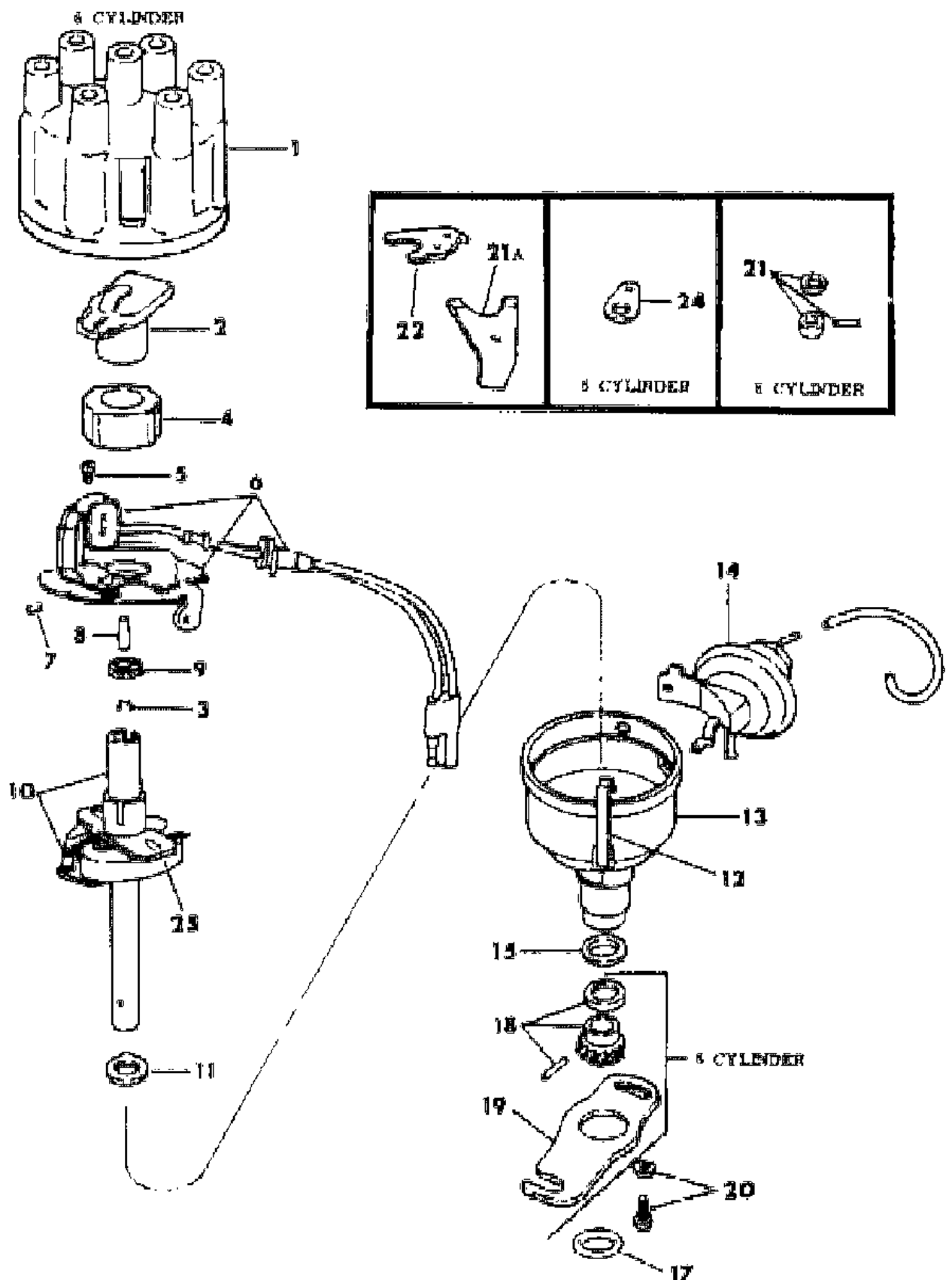


DISTRIBUTOR 225--318 ENGINES

Figure 8-500

8108 500

ITEM	PART NUMBER	QTY	BODY	MODEL	DESCRIPTION
17	2875 923	1			O-RING, Dist. Hsg. N0 N0 Y2875923 N0
18	2084 653	1			GEAR and PIN PACKAGE N0 Y2084653 N0 N0
19		1			ARM,(Service in Dist.) N0 N0 N0 N0
20	0181 088	1			SCREW and WASHER N0 Y0181088 Y0181088 N0
21		1			COLLAR, PIN & WASHER PKG. N0 N0 N0 N0
21a	4095 532	1			CLAMP, Dist. N0 Y4095532 N0 N0
22	1947 612	1			CLAMP, Dist. N0 N0 Y1947612 N0
24	4091 804	1			HOLD DOWN N0 Y4091804 N0 N0
25		1			WEIGHT, Governor (Not Serviced) N0 N0 N0 N0
	4145 370	1			SWITCHING RELAY, Elect. Ign. Dist. N0 Y4145370 N0 N0



MODEL CODES  
 B = GRAN FURY  
 C = LEBARON/TOWN & COUNTRY  
 D = ARIES  
 E = 600  
 F = FIFTH AVENUE  
 G = DIPLOMAT  
 M = HORIZON/TURISMO/SCAMP  
 P = RELIANT  
 S = CORDOBA  
 T = E CLASS/NEWYORKER  
 V = 400  
 X = MIRADA  
 Y = IMPERIAL  
 Z = OMNI/CHARGER/RAMPAGE

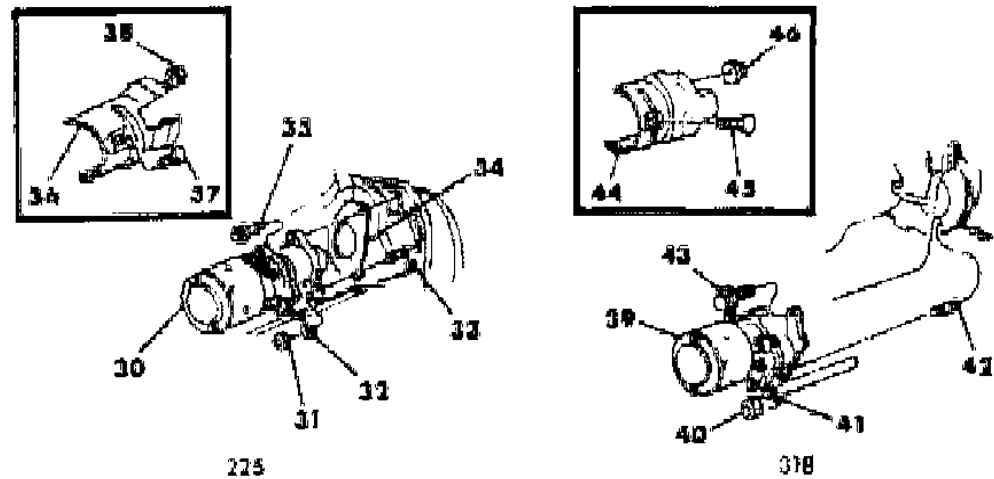
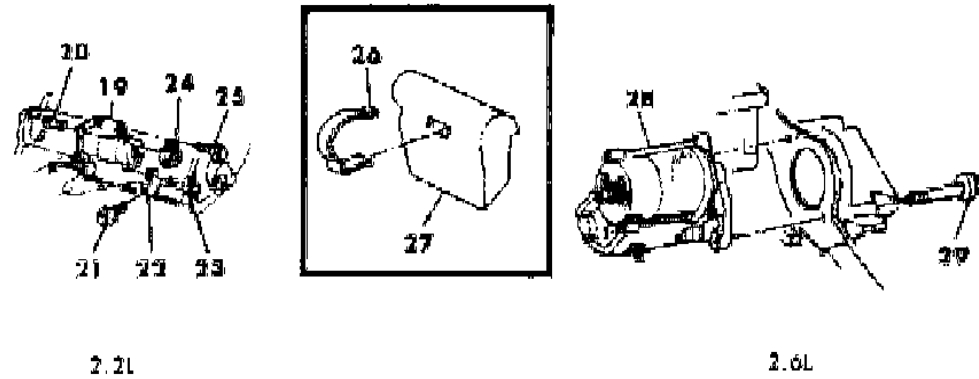
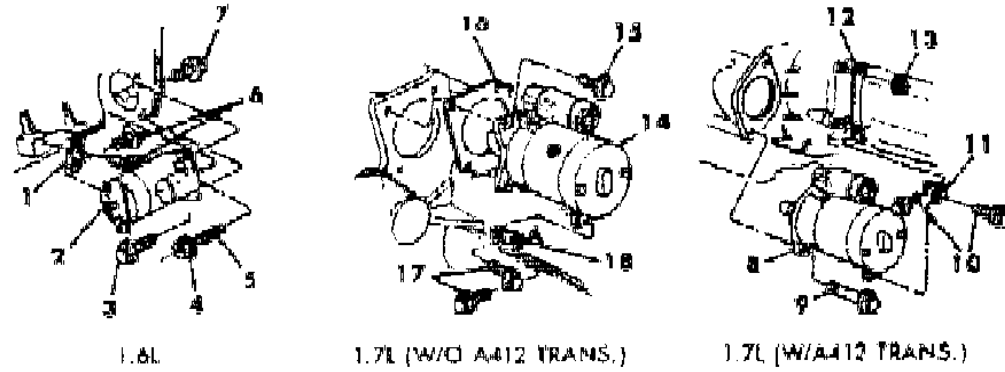
BODY STYLES  
 21 = 2-DOOR SEDAN  
 22 = 2-DOOR SPECIAL COUPE  
 24 = 2-DOOR HATCHBACK  
 27 = 2-DOOR CONVERTIBLE  
 28 = FWD PICKUP  
 41 = 4-DOOR SEDAN  
 45 = 4-DOOR STATION WAGON  
 44 = 4-DOOR HATCHBACK  
 48 = EXECUTIVE SEDAN

AR = Use as Required - = Non Illustrated Part P.A.R. = Paint as Required

# STARTER INSTALLATIONS

Figure 8-600

3100 800



ITEM	PART NUMBER	QTY	BODY	MODEL	DESCRIPTION
1	5213 303	1		1.6L	BRACKET, Starter Mounting
2	5213 301	1		1.6L	STARTER
3	6500 573	1		1.6L	SCREW, w/Washer
4	6101 362	1		1.6L	NUT, w/Washer
5	6500 764	1		1.6L	STUD
6	6100 303	2		1.6L	SCREW, w/Washer
7	6500 639	1		1.6L	SCREW, w/Washer
8	4057 937	1		1.7L	STARTER
9	6500 570	2		1.7L	BOLT
10	6100 303	2		1.7L	SCREW, w/Washer
11	5206 252	1		1.7L	BRACKET, Starter Mounting
12	5206 253	1		1.7L	BRACKET, Starter Mounting
13	6100 050	2		1.7L	NUT, w/Washer
14	4240 430	1		1.7L	STARTER
15	6500 278	3		1.7L	SCREW, w/Washer
16	5224 062	1		1.7L	SEAL, Starter Mounting
17	6100 303	2		1.7L	SCREW, w/Washer
18	5206 251	1		1.7L	BRACKET, Starter Mounting
19	5213 045	1		2.2L	STARTER
20	6500 522	1		2.2L	STUD
21	6100 342	1		2.2L	SCREW, w/Washer
22	5213 046	1		2.2L	BRACKET, Starter Mounting
23	6100 303	1		2.2L	SCREW, w/Washer
24	6101 318	1		2.2L	NUT, w/Washer
25	6500 278	2		2.2L	SCREW, w/Washer
26	4140 768	1		1.7L &	CLIP, Starter Heat Shield
27	4140 428	1		1.7L &	SHIELD, Starter Heat
28	MD02 5235	1		2.6L	STARTER
29	MF14 0271	2		2.6L	BOLT
30	4145 360	1		225	STARTER
31	0272 235	1		225	NUT
32		1		225	WASHER,(Not Serviced)
33	2095 875	1		225	STUD
34	2892 915	1		225	SEAL, Starter Mounting
35	6023 899	1		225	SCREW, w/Washer
36	4140 723	1		225	SHIELD, Starter Heat
37	6028 921	1		225	BOLT

MODEL CODES

B = GRAN FURY	G = DIPLOMAT	V = 400
C = LEBARON/TOWN & COUNTRY	M = HORIZON/TURISMO/SCAMP	X = MIRADA
D = ARIES	P = RELIANT	Y = IMPERIAL
E = 600	S = CORDOBA	Z = OMNI/CHARGER/RAMPAGE
F = FIFTH AVENUE	T = E CLASS/NEWYORKER	

BODY STYLES

21 = 2-DOOR SEDAN	41 = 4-DOOR SEDAN
22 = 2-DOOR SPECIAL COUPE	45 = 4-DOOR STATION WAGON
24 = 2-DOOR HATCHBACK	44 = 4-DOOR HATCHBACK
27 = 2-DOOR CONVERTIBLE	48 = EXECUTIVE SEDAN
28 = FWD PICKUP	

AR = Use as Required - = Non Illustrated Part P.A.R. = Paint as Required

# STARTER INSTALLATIONS

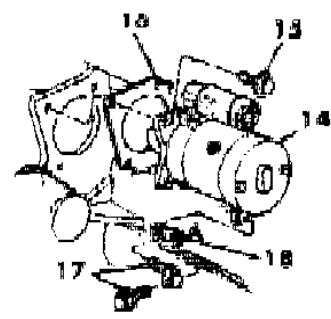
## Figure 8-600

31000 8000

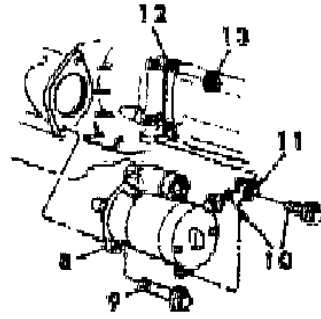
ITEM	PART NUMBER	QTY	BODY	MODEL	DESCRIPTION
38	9420 867	2		225	NUT, Stamped
39	4145 360	1		318	STARTER
40	0272 235	1		318	NUT
41		1		318	WASHER,(Not Serviced)
42	2095 875	1		318	STUD
43	6023 899	1		318	SCREW, w/Washer
44	4140 724	1		318	SHIELD, Starter Heat
45	6028 921	1		318	BOLT
46	9420 867	2		318	NUT, Stamped



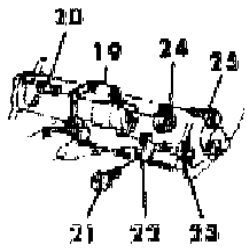
1.6L



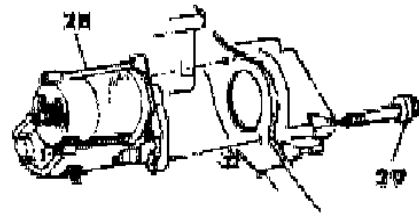
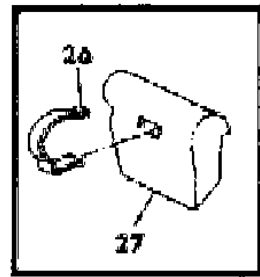
1.7L (W/O A412 TRANS.)



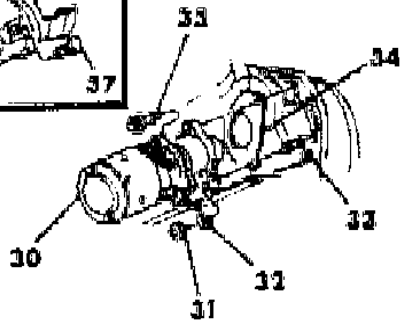
1.7L (W/A412 TRANS.)



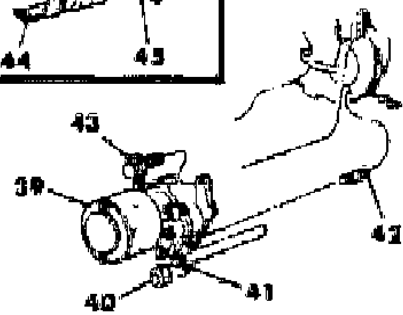
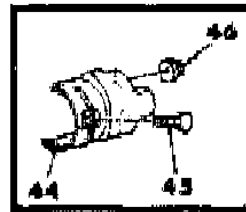
2.2L



2.6L



225



318

**MODEL CODES**

B = GRAN FURY	G = DIPLOMAT	V = 400
C = LEBARON/TOWN & COUNTRY	M = HORIZON/TURISMO/SCAMP	X = MIRADA
D = ARIES	P = RELIANT	Y = IMPERIAL
E = 600	S = CORDOBA	Z = OMNI/CHARGER/RAMPAGE
F = FIFTH AVENUE	T = E CLASS/NEWYORKER	

**BODY STYLES**

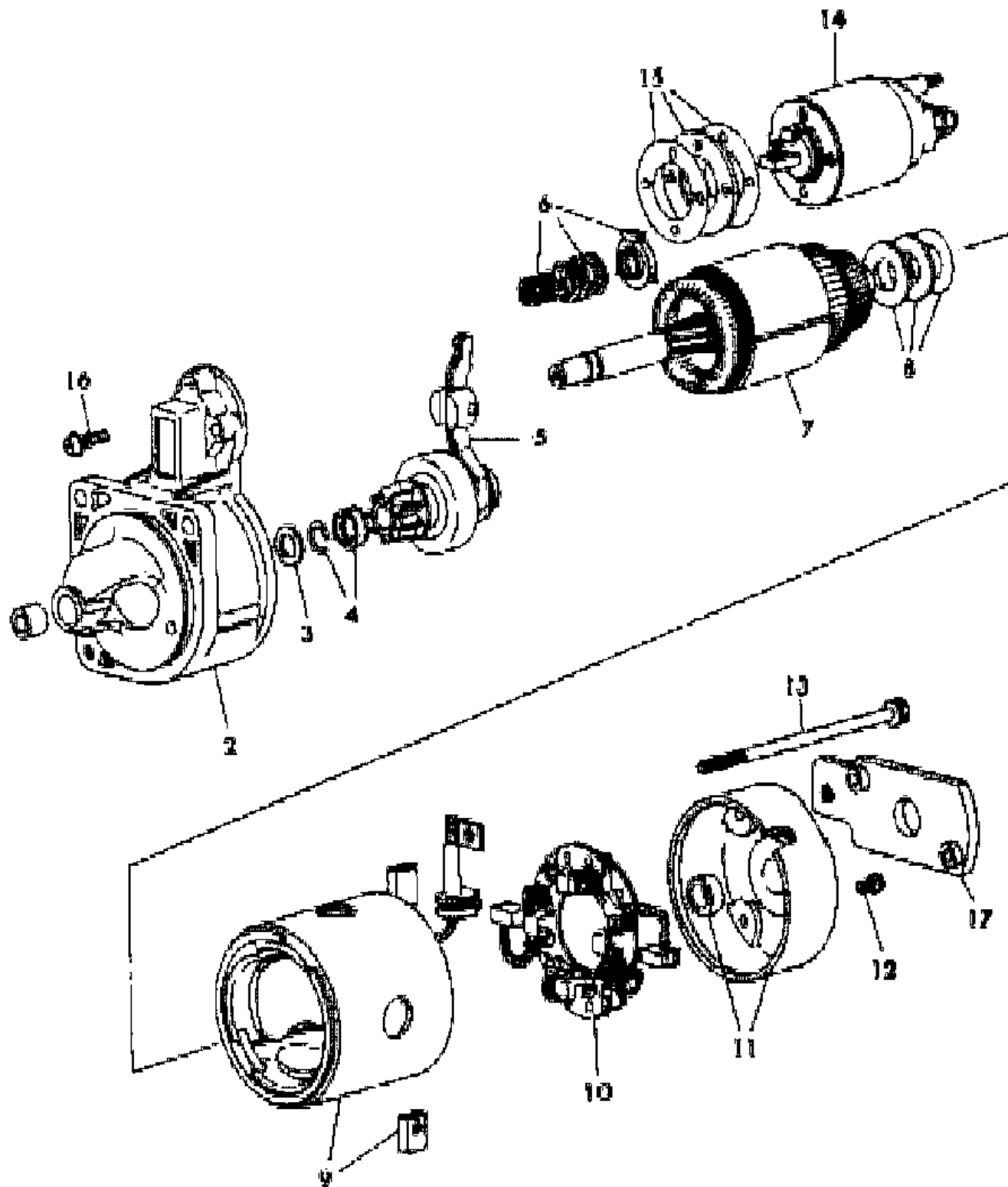
21 = 2-DOOR SEDAN	41 = 4-DOOR SEDAN
22 = 2-DOOR SPECIAL COUPE	45 = 4-DOOR STATION WAGON
24 = 2-DOOR HATCHBACK	44 = 4-DOOR HATCHBACK
27 = 2-DOOR CONVERTIBLE	48 = EXECUTIVE SEDAN
28 = FWD PICKUP	

AR = Use as Required - = Non Illustrated Part P.A.R. = Paint as Required

# STARTER 1.6 PEUGEOT ENGINE

Figure 8-700

VIEW 700



ITEM	PART NUMBER	QTY	BODY	MODEL	DESCRIPTION
1	5213 301	1			STARTER
2	5213 770	1			BRACKET,Starter Bracket
3	5213 773				STOPPER SET,Starter
4	5213 774	1			CLUTCH and BRACKET, Starter
5	5213 776	1			LEVER ASSEMBLY
6	5213 779	1			SPRING SET
7	5213 780	1			ARMATURE
8	5213 781	1			WASHER SET
9	5213 782	1			YOKE SET
10	5213 785	1			BRUSH HOLDER
11	5213 788	1			BRACKET,Rear
12	5213 792	2			HOLDER,Brush Screw (M5)
13	5213 793	2			BOLT,Thru (M6)
14	5213 794	1			SWITCH,Magnetic
15	5213 795	1			PACKING SET
16	5213 796	2			SCREW,Magnetic Switch (M6)
17	5213 797	1			SUPPORT

MODEL CODES

B = GRAN FURY	G = DIPLOMAT	V = 400
C = LEBARON/TOWN & COUNTRY	M = HORIZON/TURISMO/SCAMP	X = MIRADA
D = ARIES	P = RELIANT	Y = IMPERIAL
E = 600	S = CORDOBA	Z = OMNI/CHARGER/RAMPAGE
F = FIFTH AVENUE	T = E CLASS/NEWYORKER	

BODY STYLES

21 = 2-DOOR SEDAN	41 = 4-DOOR SEDAN
22 = 2-DOOR SPECIAL COUPE	45 = 4-DOOR STATION WAGON
24 = 2-DOOR HATCHBACK	44 = 4-DOOR HATCHBACK
27 = 2-DOOR CONVERTIBLE	48 = EXECUTIVE SEDAN
28 = FWD PICKUP	

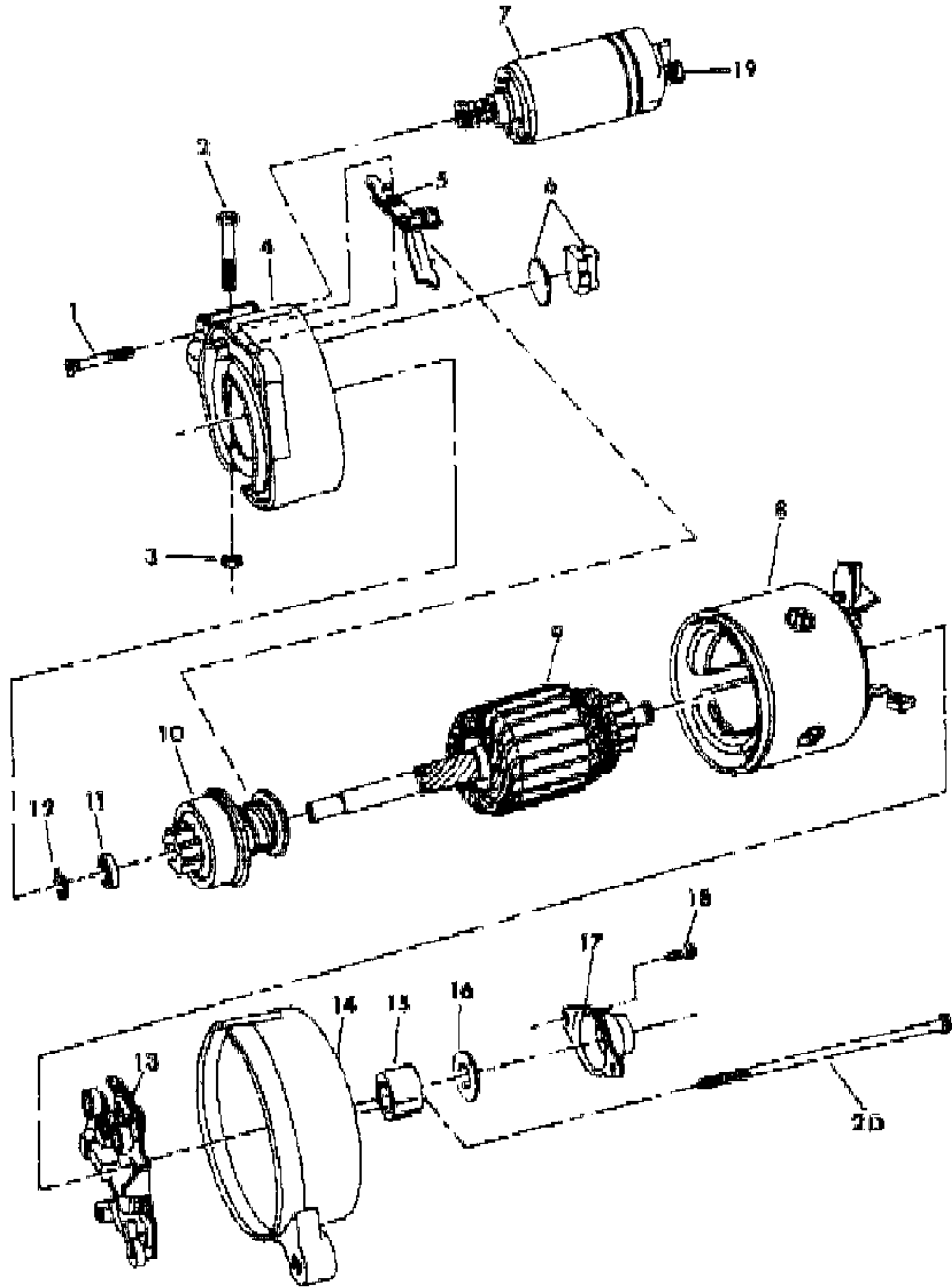
AR = Use as Required - = Non Illustrated Part P.A.R. = Paint as Required

STARTER COMPONENTS 1.7L ENGINE CHRYSLER NO. 5206255 (BOSCH)

Figure 8-800

ITEM	PART NUMBER	QTY	BODY	MODEL	DESCRIPTION
1	5206 629	2			SCREW, Solenoid
2	5206 628	1			PIN, Shift Fork Lever
3	5206 617	1			NUT, Shift Fork Lever
4	5206 622	1			HOUSING
5	5206 609	1			LEVER, Shift Fork
6	5206 627	1			SEAL PACKAGE
7	5206 626	1			SOLENOID
8	5206 625	1			FIELD FRAME
9	5206 623	1			ARMATURE
10	5206 624	1			CLUTCH
11	5206 619	1			WASHER, Ret.
12	5206 620	1			RING, Seal
13	5206 605	1			HOLDER, Brush
14	5206 606	1			HEAD, End
15	5206 610	1			BEARING, End Head
16	5206 618	1			SHIM PACKAGE
17	5206 612	1			COVER, Bearing
18	5206 621	2			SCREW, Bearing Cover
19	5206 616	1			NUT, Connecting Terminal
20	5206 613	2			BOLT-THRU

2158 800



MODEL CODES

B = GRAN FURY	G = DIPLOMAT	V = 400
C = LEBARON/TOWN & COUNTRY	M = HORIZON/TURISMO/SCAMP	X = MIRADA
D = ARIES	P = RELIANT	Y = IMPERIAL
E = 600	S = CORDOBA	Z = OMNI/CHARGER/RAMPAGE
F = FIFTH AVENUE	T = E CLASS/NEWYORKER	

BODY STYLES

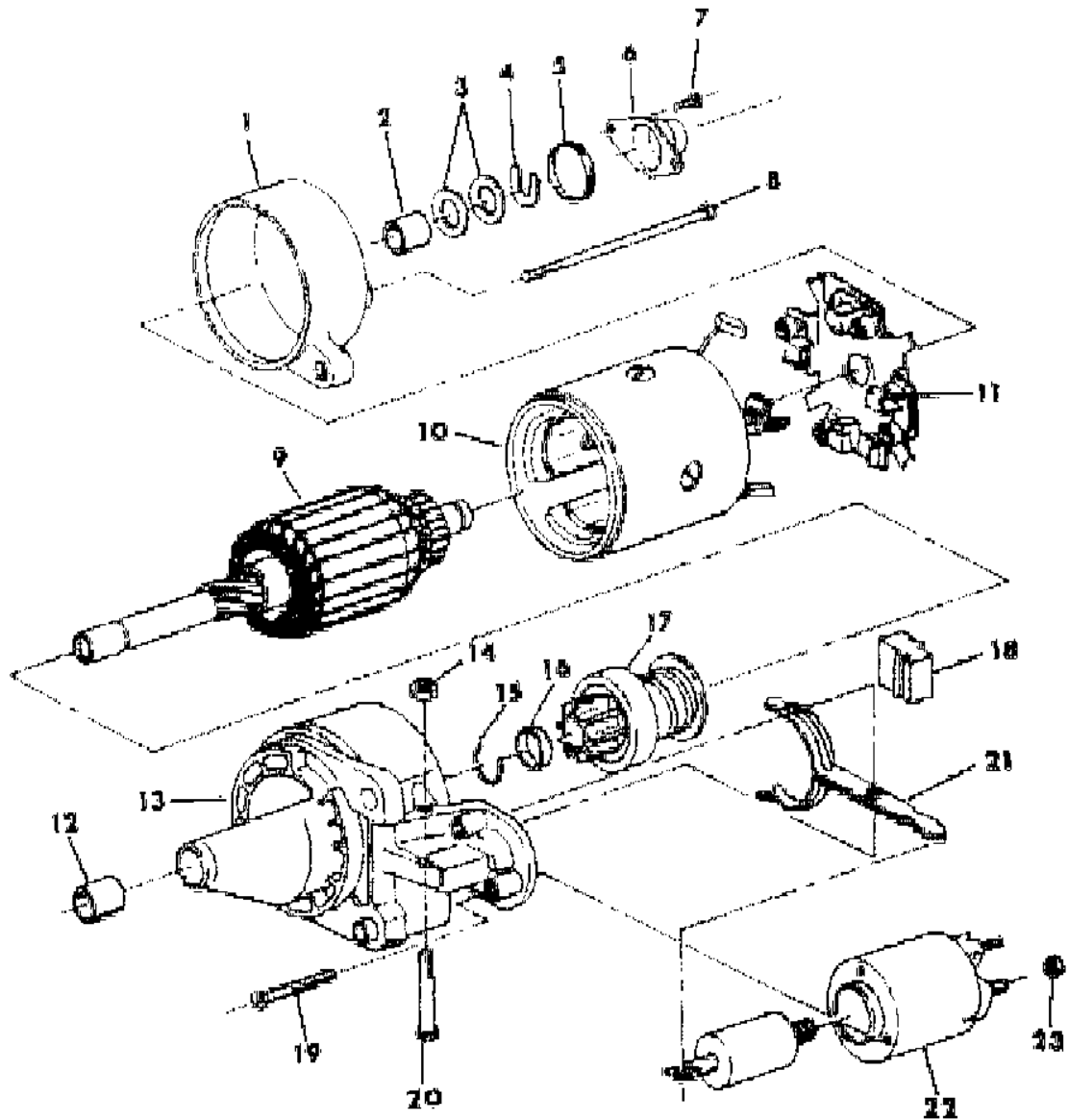
21 = 2-DOOR SEDAN	41 = 4-DOOR SEDAN
22 = 2-DOOR SPECIAL COUPE	45 = 4-DOOR STATION WAGON
24 = 2-DOOR HATCHBACK	44 = 4-DOOR HATCHBACK
27 = 2-DOOR CONVERTIBLE	48 = EXECUTIVE SEDAN
28 = FWD PICKUP	

AR = Use as Required - = Non Illustrated Part P.A.R. = Paint as Required

STARTER COMPONENTS 1.7L ENGINE CHRYSLER NO. 5213395 (BOSCH)

Figure 8-900

3108 900



ITEM	PART NUMBER	QTY	BODY	MODEL	DESCRIPTION
1	5206 606	1			HEAD, End
2	5206 610	1			BEARING, End Head
3	5206 618	1			SHIM PACKAGE
4	5206 619	1			WASHER, Retaining
5	5206 620	1			SEAL, Ring
6	5206 612	1			COVER, Bearing
7	5206 621	2			SCREW, Bearing Cover
8	5206 613	2			BOLT-THRU
9	5206 602	1			ARMATURE,(Serviced w/Snap Ring)
10	5206 604	1			FIELD FRAME
11	5206 605	1			BRUSH HOLDER
12	5206 611	1			BEARING, Housing
13	5206 601	1			HOUSING
14	5206 617	1			NUT, Fork shift Lever
15					SNAP RING,(Serviced in Shim Pkg. 5213392)
16					SEAL,(Serviced in Seal Pkg. 5206608)
17	5206 603	1			CLUTCH,(Serviced w/Snap & w/Seal)
18					SEAL,(Serviced in Seal Pkg. 5206608)
19	5206 615	3			SCREW, Solenoid
20	5206 614	1			PIN, Shift Fork Lever
21	5206 609	1			LEVER, Shift Fork
22		1			SOLENOID, Serv. in Assy.
23	5206 616	1			NUT, Connecting Terminal

MODEL CODES

B = GRAN FURY	G = DIPLOMAT	V = 400
C = LEBARON/TOWN & COUNTRY	M = HORIZON/TURISMO/SCAMP	X = MIRADA
D = ARIES	P = RELIANT	Y = IMPERIAL
E = 600	S = CORDOBA	Z = OMNI/CHARGER/RAMPAGE
F = FIFTH AVENUE	T = E CLASS/NEWYORKER	

BODY STYLES

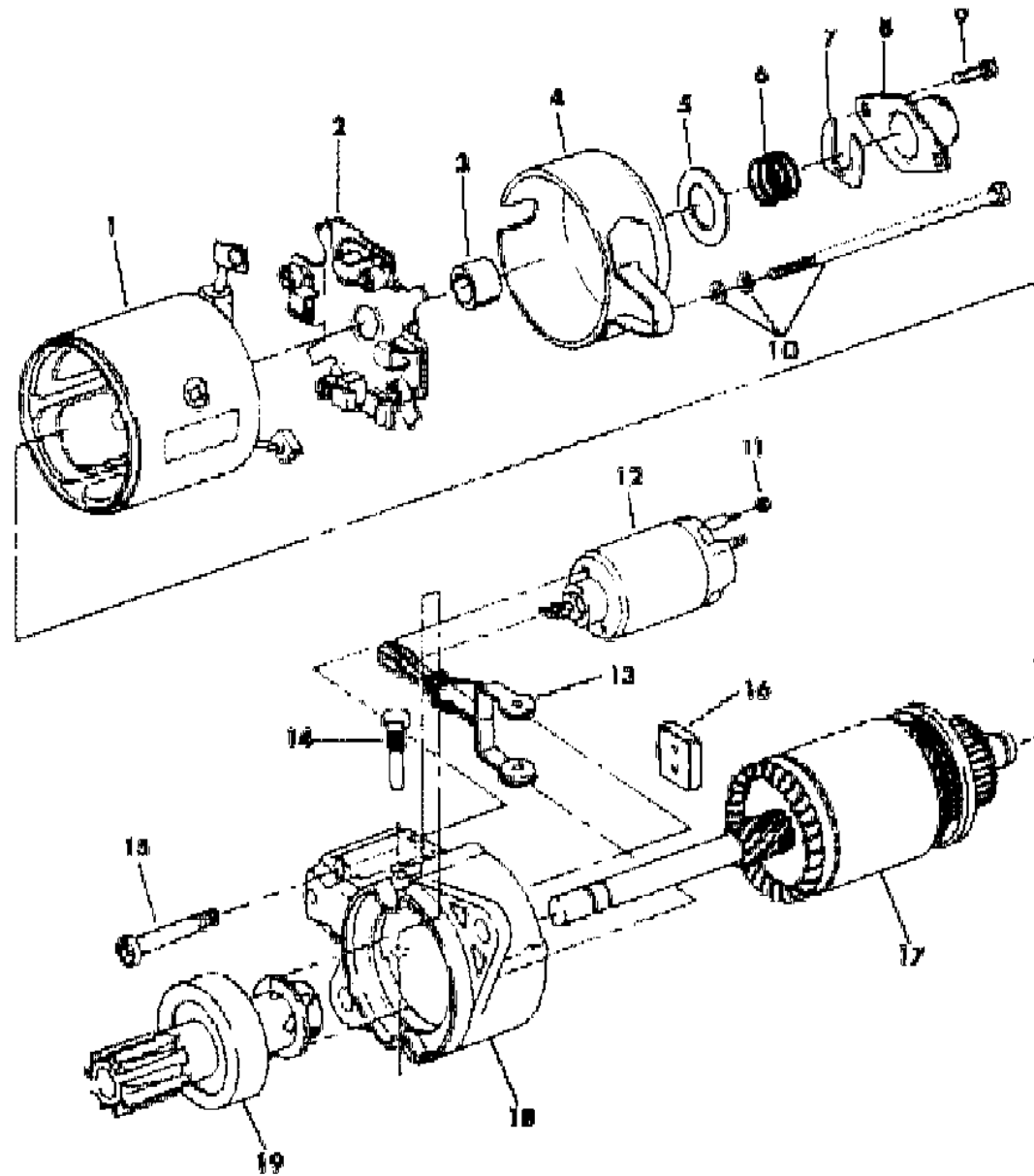
21 = 2-DOOR SEDAN	41 = 4-DOOR SEDAN
22 = 2-DOOR SPECIAL COUPE	45 = 4-DOOR STATION WAGON
24 = 2-DOOR HATCHBACK	44 = 4-DOOR HATCHBACK
27 = 2-DOOR CONVERTIBLE	48 = EXECUTIVE SEDAN
28 = FWD PICKUP	

AR = Use as Required - = Non Illustrated Part P.A.R. = Paint as Required

STARTER COMPONENTS 1.7L ENGINE CHRYSLER NO. 5206265 (NIPPONDENSO)

Figure 8-1000

J1608 1000



ITEM	PART NUMBER	QTY	BODY	MODEL	DESCRIPTION
1	5206 650	1			FIELD FRAME
2	5206 564	1			BRUSH HOLDER
3					BEARING, End Head (Service in 5206635)
4	5213 312	1			HEAD, End w/Brg.
5		1			SEAL,(Serviced in 5206640 Armature Brake Pkg.)
6		1			SPRING,(Serviced in 5206640 Armature Brake Pkg.)
7		1			PLATE,(Serviced in 5206640 Armature Brake Pkg.)
8	5213 315	1			COVER, Bearing
9		1			SCREW,(Serviced IN 5206640 Armature Brake Pkg.)
10	5206 642	2			BOLT-THRU
11	5206 645	1			NUT PACKAGE
12	5213 352	1			SOLENOID
13	5206 638	1			LEVER, Shift Fork
14	5206 565	1			PIN, Fork Shift Lever
15	5206 644	2			SCREW, Solenoid
16	5206 637	1			SEAL PACKAGE
17	5206 648	1			ARMATURE PACKAGE
18	5206 647	1			HOUSING PACKAGE
19	5206 649	1			CLUTCH PACKAGE
	5206 966	1			SNAP RING,(Not Shown)

MODEL CODES

B = GRAN FURY	G = DIPLOMAT	V = 400
C = LEBARON/TOWN & COUNTRY	M = HORIZON/TURISMO/SCAMP	X = MIRADA
D = ARIES	P = RELIANT	Y = IMPERIAL
E = 600	S = CORDOBA	Z = OMNI/CHARGER/RAMPAGE
F = FIFTH AVENUE	T = E CLASS/NEWYORKER	

BODY STYLES

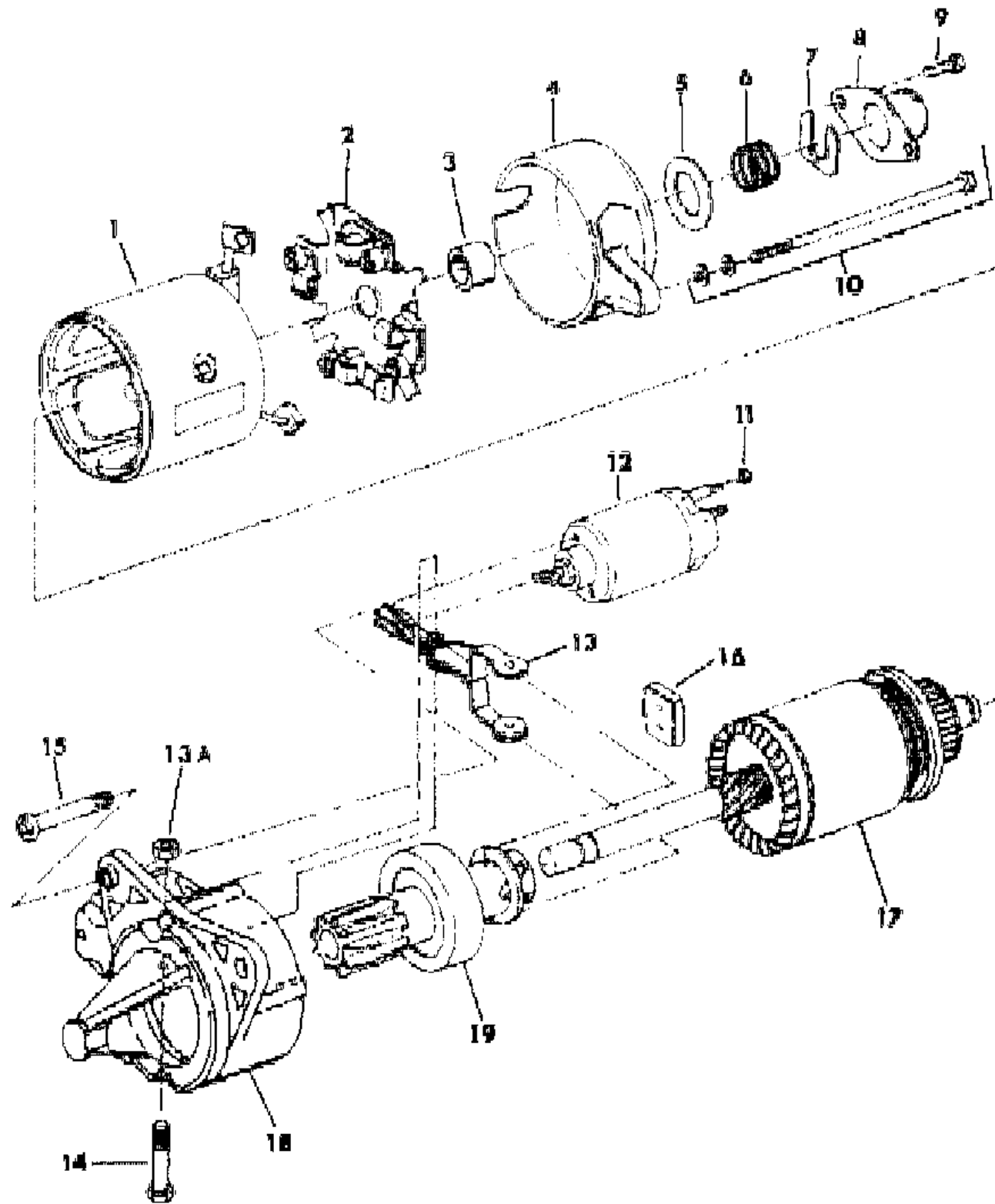
21 = 2-DOOR SEDAN	41 = 4-DOOR SEDAN
22 = 2-DOOR SPECIAL COUPE	45 = 4-DOOR STATION WAGON
24 = 2-DOOR HATCHBACK	44 = 4-DOOR HATCHBACK
27 = 2-DOOR CONVERTIBLE	48 = EXECUTIVE SEDAN
28 = FWD PICKUP	

AR = Use as Required - = Non Illustrated Part P.A.R. = Paint as Required

STARTER COMPONENTS 1.7L ENGINE CHRYSLER NO. 5213295 (NIPPONDENSO)

Figure 8-1100

1100 1100



ITEM	PART NUMBER	QTY	BODY	MODEL	DESCRIPTION
1	5213 353	1			FIELD FRAME
2	5206 634	1			BRUSH HOLDER
3	5213 315	1			BEARING, End Head
4	5213 312	1			HEAD, End. w/Brg.
5					SEAL,(Serviced in 5206640 Armature Brake Pkg.)
6					SPRING,(Serviced in 5206640 Armature Brake Pkg.)
7					PLATE,(Serviced in 5206640 Armature Brake Pkg.)
8	5206 641	1			COVER, Bearing
9					SCREW,(Serviced in 5206640 Armature Brake Pkg.)
10	5206 642	2			BOLT-THRU
11	5206 645	1			NUT PACKAGE
12	5213 352	1			SOLENOID
13	5206 638	1			LEVER, Shifting Fork
13A	5206 646	1			NUT, Shifting Fork Lever
14	5206 643	1			PIN, Fork Shift Lever
15	5206 644	2			SCREW, Solenoid
16	5206 637	1			SEAL PACKAGE
17	5206 631	1			ARMATURE
18	5206 630	1			HOUSING PACKAGE
19	5206 632	1			CLUTCH PACKAGE
	5206 966	1			SNAP RING,(Not Shown)

MODEL CODES

B = GRAN FURY	G = DIPLOMAT	V = 400
C = LEBARON/TOWN & COUNTRY	M = HORIZON/TURISMO/SCAMP	X = MIRADA
D = ARIES	P = RELIANT	Y = IMPERIAL
E = 600	S = CORDOBA	Z = OMNI/CHARGER/RAMPAGE
F = FIFTH AVENUE	T = E CLASS/NEWYORKER	

BODY STYLES

21 = 2-DOOR SEDAN	41 = 4-DOOR SEDAN
22 = 2-DOOR SPECIAL COUPE	45 = 4-DOOR STATION WAGON
24 = 2-DOOR HATCHBACK	44 = 4-DOOR HATCHBACK
27 = 2-DOOR CONVERTIBLE	48 = EXECUTIVE SEDAN
28 = FWD PICKUP	

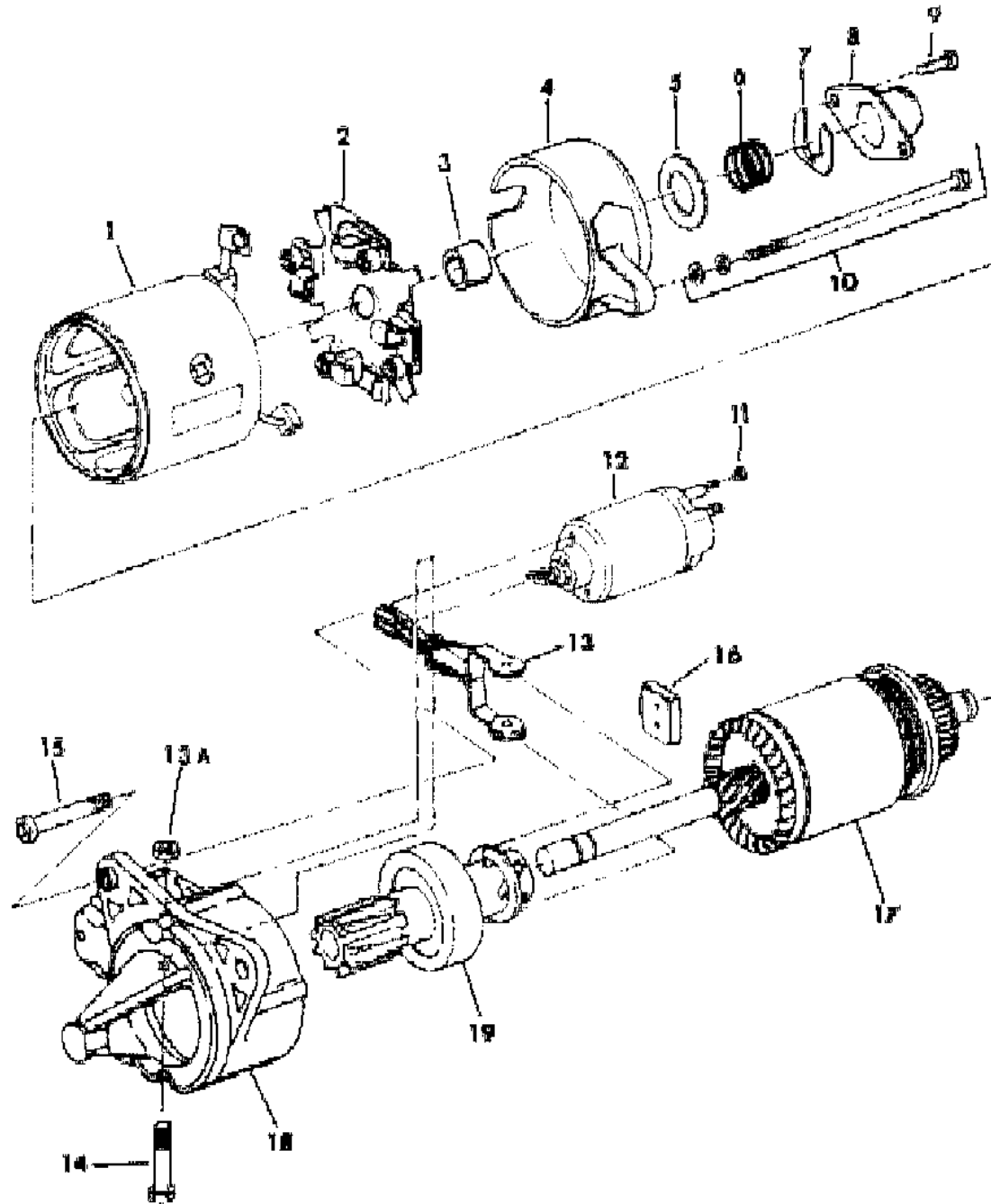
AR = Use as Required - = Non Illustrated Part P.A.R. = Paint as Required



STARTER COMPONENTS 2.2L ENGINE CHRYSLER NO. 5213190 (NIPPONDENSO)

Figure 8-1200

FIG 8-1200



ITEM	PART NUMBER	QTY	BODY	MODEL	DESCRIPTION
1	5213 311	1			FIELD FRAME
2	5206 634	1			BRUSH HOLDER
3					BEARING, End Head (Serviced In 5213312 Pkg.)
4	5213 312	1			HEAD, End. w/Brg.
5	5213 317				SEAL,(Also Serviced in 5206640 Armature Brake Pkg.)
6					SPRING,(Serviced in 5206640 Armature Brake Pkg.)
7					PLATE,(Serviced in 5206640 Armature Brake Pkg.)
8	5213 315	1			COVER, Bearing
9					SCREW,(Serviced in 5206640 Armature Brake Pkg.)
10	5206 642	2			BOLT-THRU
11	5206 645	1			NUT PACKAGE
12	5213 313	1			SOLENOID
	5213 316				NUT, Solenoid
13	5213 314	1			LEVER, Shifting Fork
13A	5206 646	1			NUT, Shifting Fork Lever
14	5206 643	1			PIN, Fork Shift Lever
15	5206 644	2			SCREW, Solenoid
16	5206 637	1			SEAL PACKAGE
17	5206 631	1			ARMATURE
18	5213 309	1			HOUSING PACKAGE
19	5213 310	1			CLUTCH PACKAGE
	5206 966	1			SNAP RING,(Not Shown)

MODEL CODES

B = GRAN FURY	G = DIPLOMAT	V = 400
C = LEBARON/TOWN & COUNTRY	M = HORIZON/TURISMO/SCAMP	X = MIRADA
D = ARIES	P = RELIANT	Y = IMPERIAL
E = 600	S = CORDOBA	Z = OMNI/CHARGER/RAMPAGE
F = FIFTH AVENUE	T = E CLASS/NEWYORKER	

BODY STYLES

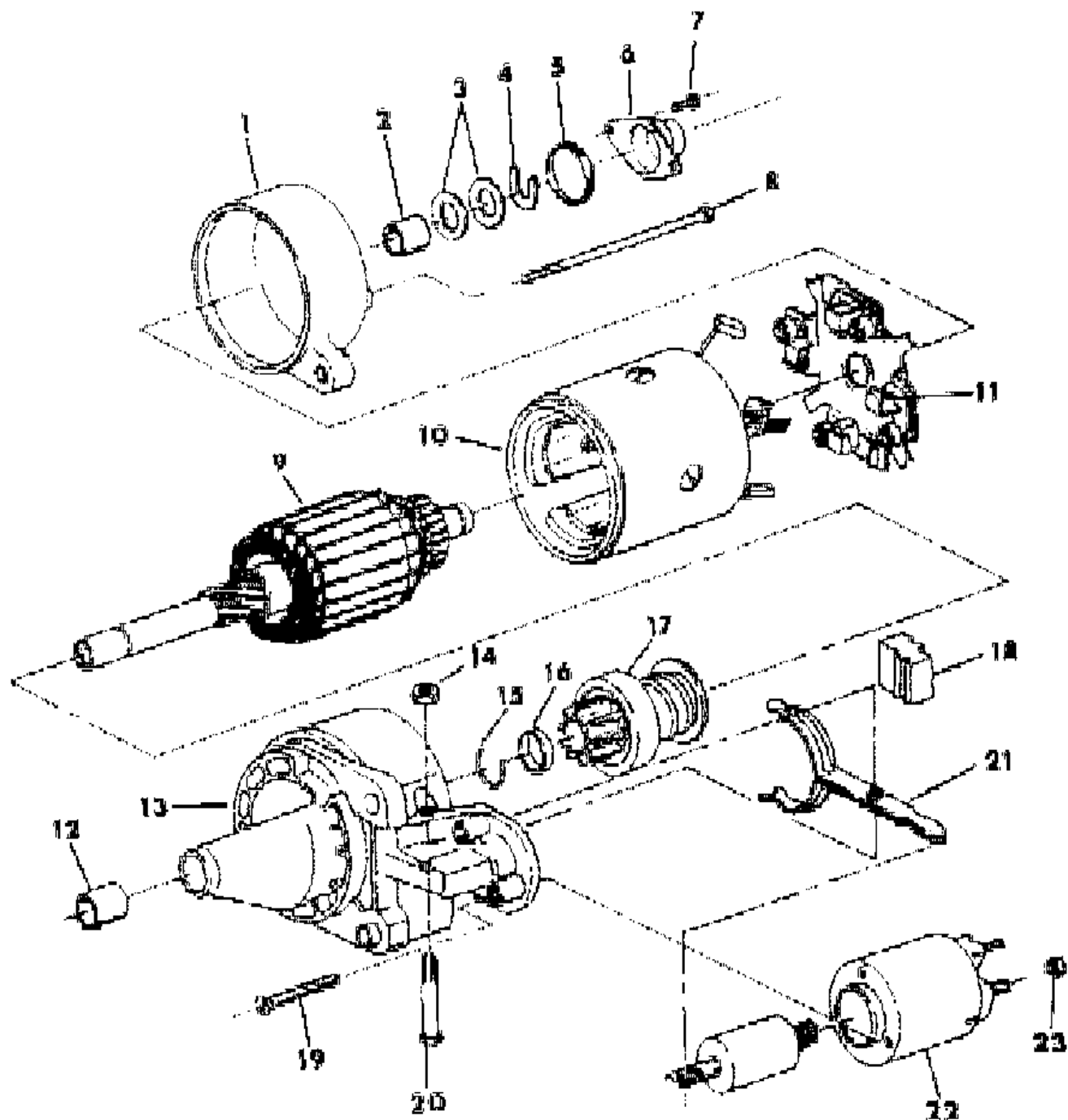
21 = 2-DOOR SEDAN	41 = 4-DOOR SEDAN
22 = 2-DOOR SPECIAL COUPE	45 = 4-DOOR STATION WAGON
24 = 2-DOOR HATCHBACK	44 = 4-DOOR HATCHBACK
27 = 2-DOOR CONVERTIBLE	48 = EXECUTIVE SEDAN
28 = FWD PICKUP	

AR = Use as Required - = Non Illustrated Part P.A.R. = Paint as Required

STARTER COMPONENTS 2.2L ENGINE CHRYSLER NO. 5213045 (BOSCH)

Figure 8-1300

1108 1300



ITEM	PART NUMBER	QTY	BODY	MODEL	DESCRIPTION
1	5206 606	1			HEAD, End
2	5206 610	1			BEARING, End Head
3	5213 392				SHIM PACKAGE
4	5213 393	1			WASHER, Retaining
5					SEAL,(Serviced in Seal Pkg. 5213387)
6	5206 612				COVER, Bearing
7	5213 396				SCREW, Bearing Cover
8	5206 613				BOLT-THRU
	5213 390				Washer, Thru Bolt
9	5213 383				ARMATURE
10	5213 385				FIELD FRAME
11	5206 605	1			BRUSH HOLDER
12	5213 388	1			BEARING, Housing
13	5213 382	1			HOUSING
14	5213 391	1			NUT, Fork Shift Lever
15					SNAP RING,(Serviced in Shim Pkg. 5213392)
16					SEAL,(Serviced in Seal Pkg. 5213387)
17	5213 384	1			CLUTCH
18		1			SEAL,(Serviced in Seal Pkg. 5213387)
19	5206 615	1			SCREW, Solenoid
20	5206 628	1			PIN, Shift Fork Lever
21	5206 609	1			LEVER, Shift Fork
22	5206 607	1			SOLENOID
23	5206 616				NUT, Connecting Terminal

MODEL CODES

B = GRAN FURY	G = DIPLOMAT	V = 400
C = LEBARON/TOWN & COUNTRY	M = HORIZON/TURISMO/SCAMP	X = MIRADA
D = ARIES	P = RELIANT	Y = IMPERIAL
E = 600	S = CORDOBA	Z = OMNI/CHARGER/RAMPAGE
F = FIFTH AVENUE	T = E CLASS/NEWYORKER	

BODY STYLES

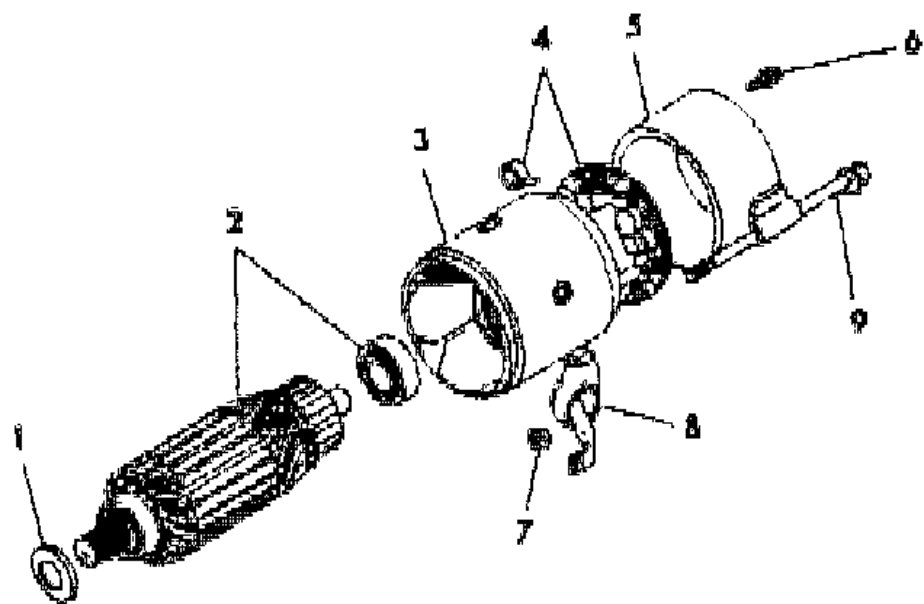
21 = 2-DOOR SEDAN	41 = 4-DOOR SEDAN
22 = 2-DOOR SPECIAL COUPE	45 = 4-DOOR STATION WAGON
24 = 2-DOOR HATCHBACK	44 = 4-DOOR HATCHBACK
27 = 2-DOOR CONVERTIBLE	48 = EXECUTIVE SEDAN
28 = FWD PICKUP	

AR = Use as Required - = Non Illustrated Part P.A.R. = Paint as Required

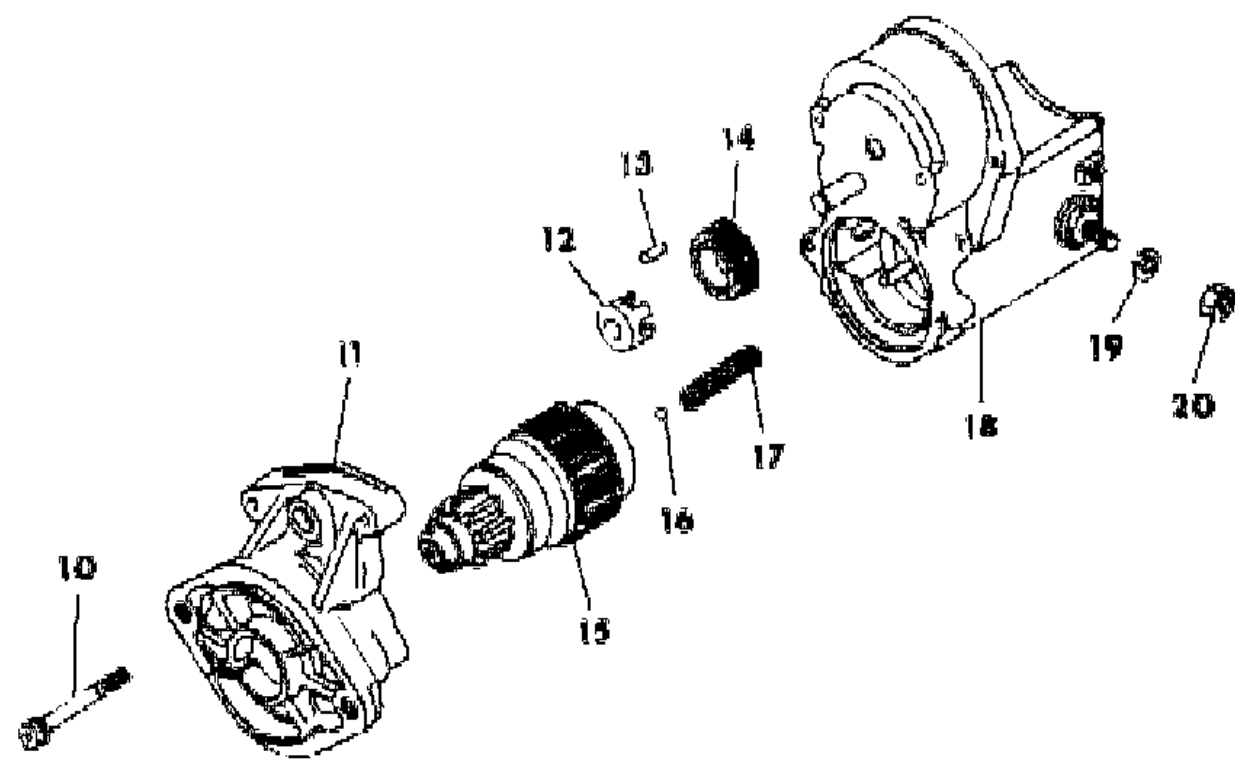
# STARTER COMPONENTS 2.6L ENGINE

Figure 8-1400

31078 1400



ITEM	PART NUMBER	QTY	BODY	MODEL	DESCRIPTION
1	MD02 5235	1			STARTER
2	MD60 4325	1			WASHER, FELT
3	MD60 4318	1			ARMATURE ASSEMBLY
4	MD60 4317	1			YOKE ASSEMBLY
5	MD60 4322	1			HOLDER ASSEMBLY
6	MD60 4333	1			FRAME ASSEMBLY
7	MD60 4335	2			SCREW, w/Washer
8	MD60 4330	1			NUT
9	MD60 4327	1			CAP, Terminal (Rubber)
10	MD60 4326	2			BOLT, w/Washer
11	MD60 4328	2			SCREW, w/Washer
12	MD60 4320	1			HOUSING, Sub Assy.
13	MD60 4332	1			RETAINER
14	MD60 4336	5			ROLLER, Clutch
15	MD60 4324	1			PINION
16	MD60 4319	1			CLUTCH SUB-ASSEMBLY
17	MD60 4323	1			BALL, Steel
18	MD60 4334	1			SPRING
19	MD60 4321	1			SWITCH, Magnetic (Solenoid)
20	MD60 4329	1			WASHER, Spring
21	MD60 4331	1			NUT, Hexagon



MODEL CODES

- |                            |                           |                          |
|----------------------------|---------------------------|--------------------------|
| B = GRAN FURY              | G = DIPLOMAT              | V = 400                  |
| C = LEBARON/TOWN & COUNTRY | M = HORIZON/TURISMO/SCAMP | X = MIRADA               |
| D = ARIES                  | P = RELIANT               | Y = IMPERIAL             |
| E = 600                    | S = CORDOBA               | Z = OMNI/CHARGER/RAMPAGE |
| F = FIFTH AVENUE           | T = E CLASS/NEWYORKER     |                          |

BODY STYLES

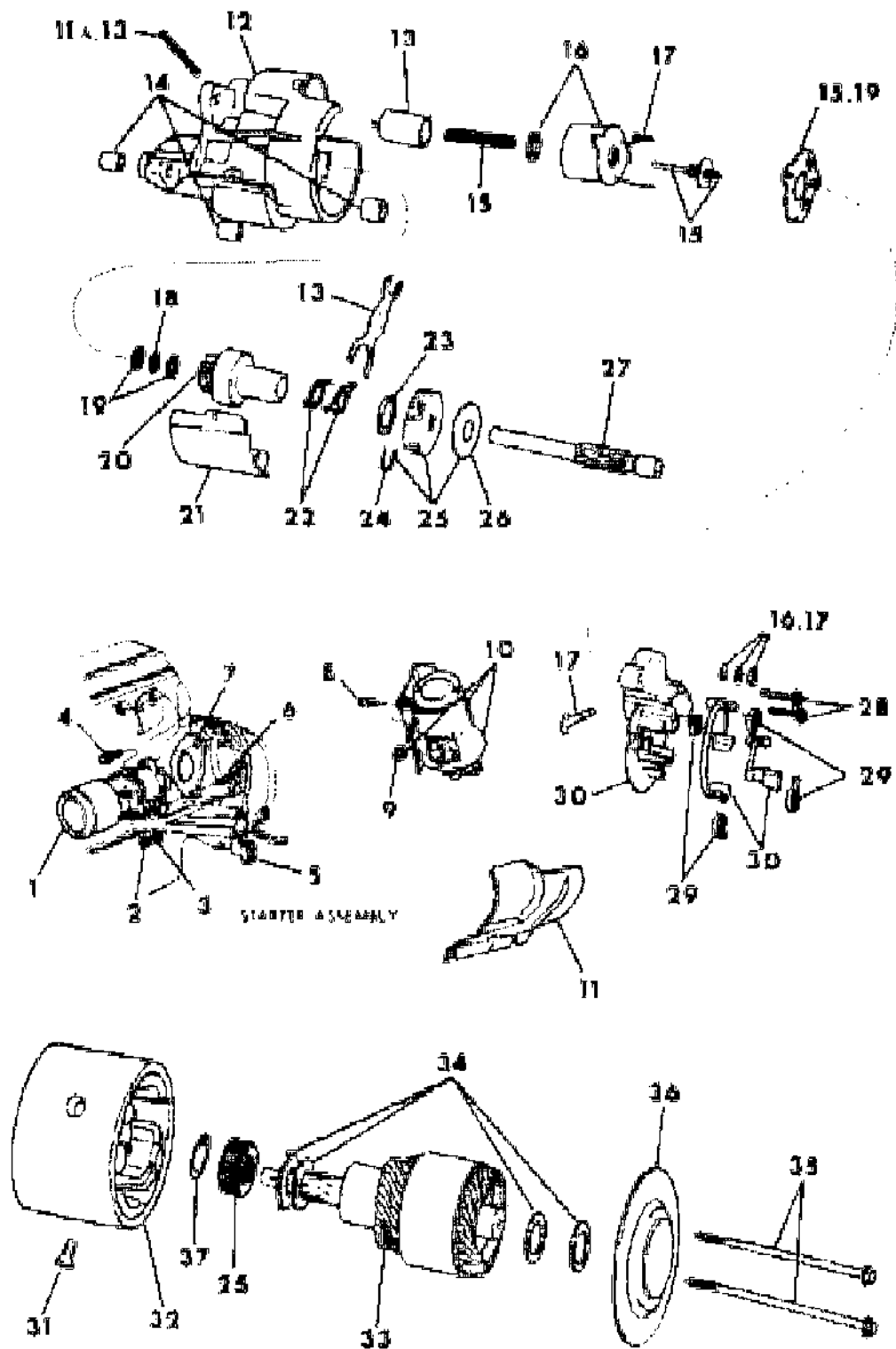
- |                           |                           |
|---------------------------|---------------------------|
| 21 = 2-DOOR SEDAN         | 41 = 4-DOOR SEDAN         |
| 22 = 2-DOOR SPECIAL COUPE | 45 = 4-DOOR STATION WAGON |
| 24 = 2-DOOR HATCHBACK     | 44 = 4-DOOR HATCHBACK     |
| 27 = 2-DOOR CONVERTIBLE   | 48 = EXECUTIVE SEDAN      |
| 28 = FWD PICKUP           |                           |

AR = Use as Required - = Non Illustrated Part P.A.R. = Paint as Required

STARTER 225--318 ENGINE CHRYSLER NO. 4145360

Figure 8-1500

1108 1500



ITEM	PART NUMBER	QTY	BODY	MODEL	DESCRIPTION
1	4145 360	1			STARTER
2	0272 235	1			NUT
3					WASHER, (Not Serviced)
4	6023 899	1			SCREW and WASHER
5					BRACKET, Oil Cooler Tube
6	2095 875	1			STUD, Mtg. 7/16 x 2.00
7	2892 915	1			SEAL, w/225 Eng.
8	6023 092	2			SCREW and WASHER
9	6025 001	1			NUT and WASHER
10	4140 724	1			SHIELD, Starter, w/318 Eng.
11	4140 723	1			SHIELD, Starter, w/225 Eng.
11A	2095 133	1			PIN, Shifting Fork Pivot
12	3755 261	1			HOUSING and BEARING, Gear
13	4057 940	1			CORE and SHIFTING FORK PACKAGE
14	3874 817	2			BEARING, Pinion Housing
	3874 818	1			Bearing, Gear Housing
15	2932 814	2			CONTACT and SPRING PACKAGE
16	3837 337	1			SOLENOID PACKAGE
	2875 558	1			Seal, Solenoid
17	3579 193	1			STUD PACKAGE
18	6022 006	1			RING, Pinion Shaft Ret.
19	2275 558	1			THRUST WASHER and RETANING RING PACKAGE
20	4145 978	1			CLUTCH ASSEMBLY
	4240 449	1			CLUTCH and SHIFTING FORK PACKAGE
21	2095 116	1			COVER, Gear Housing
22					ACTUATOR, (Serviced in 4240449 Pkg.)
23	6030 982	1			RING, Clutch Actuator Ret.
24	2095 117	1			SNAP RING, Pinion Shaft Gear Ret.
25	4106 092	1			GEAR and SNAP RING PACKAGE, w/Starter 4145360
	4026 347	1			GEAR, Starter Repair Pkg., Armature w/4145360 Starter
26	3755 256	1			WASHER, Pinion Shaft Gear w/4145360 Starter
27	4091 914	1			SHAFT, Pinion
28	0153 468	2			SCREW and WASHER
29	2084 666	1			SPRING PACKAGE
30	3874 345	1			BRUSH HOLDER
31	6030 160	4			SCREW, 3/8-16.66
32	4111 959	1			FRAME and FIELD, w/4145360 Starter

MODEL CODES

B = GRAN FURY	G = DIPLOMAT	V = 400
C = LEBARON/TOWN & COUNTRY	M = HORIZON/TURISMO/SCAMP	X = MIRADA
D = ARIES	P = RELIANT	Y = IMPERIAL
E = 600	S = CORDOBA	Z = OMNI/CHARGER/RAMPAGE
F = FIFTH AVENUE	T = E CLASS/NEWYORKER	

BODY STYLES

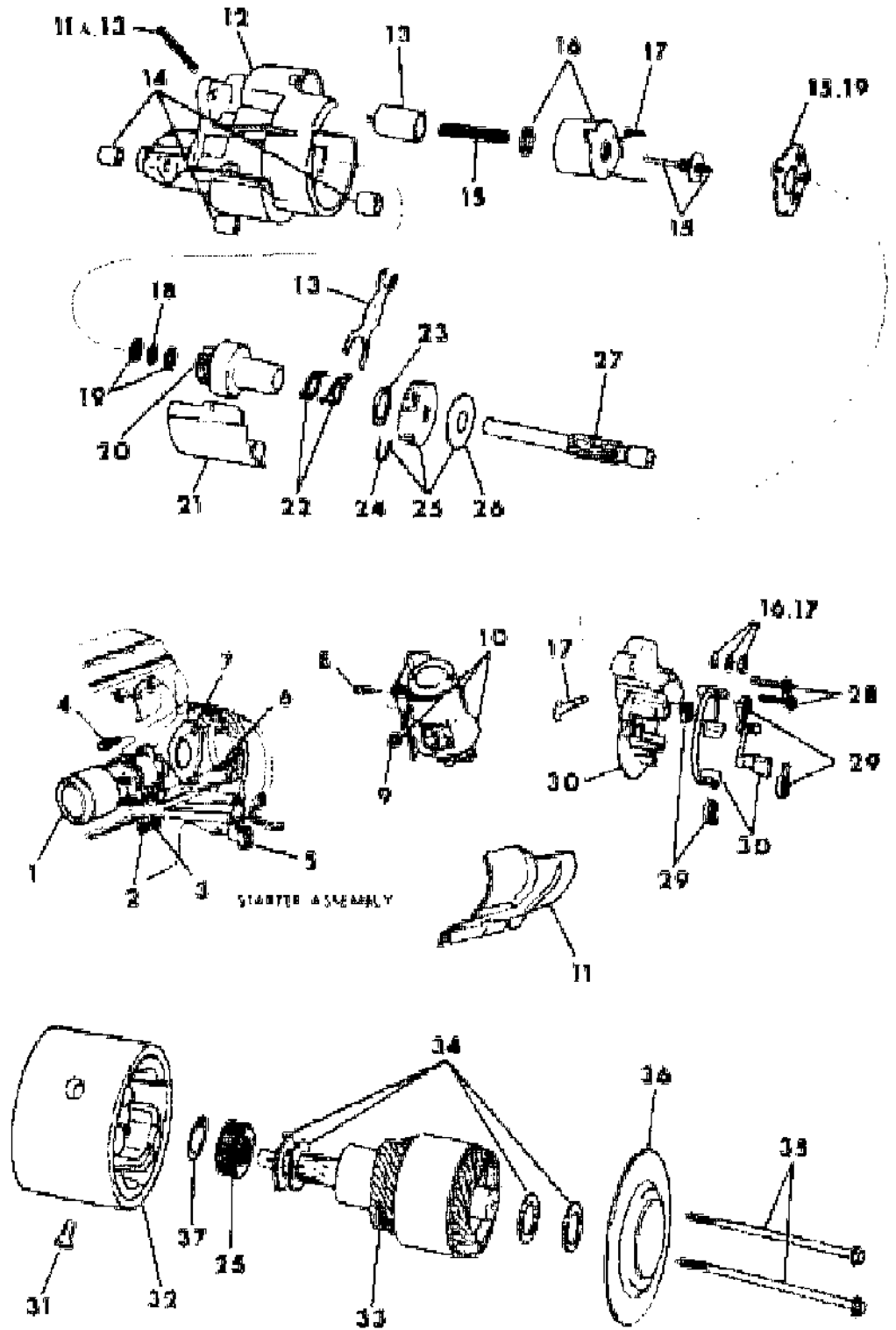
21 = 2-DOOR SEDAN	41 = 4-DOOR SEDAN
22 = 2-DOOR SPECIAL COUPE	45 = 4-DOOR STATION WAGON
24 = 2-DOOR HATCHBACK	44 = 4-DOOR HATCHBACK
27 = 2-DOOR CONVERTIBLE	48 = EXECUTIVE SEDAN
28 = FWD PICKUP	

AR = Use as Required - = Non Illustrated Part P.A.R. = Paint as Required

STARTER 225--318 ENGINE CHRYSLER NO. 4145360  
Figure 8-1500

1108 1500

ITEM	PART NUMBER	QTY	BODY	MODEL	DESCRIPTION
33	3837 334	1			ARMATURE, w/4145360 Starter
34	3837 340	1			THRUST WASHER PACKAGE
35	3755 231	2			SCREW, 1/4-20x5.42 w/4145360 Starter
36	2095 076	1			HEAD, End
37	6022 006	1			RING, Armature Gear Ret. w/4145360
NOTE: The Following Part Not Shown On Illustration Gear and Pinion numbers stamped on the item may be used to confirm the correct MATCHED SET they are contained in.					
	4111 971				RELAY, Starter
	2423 737				PLUG, Heat Shield



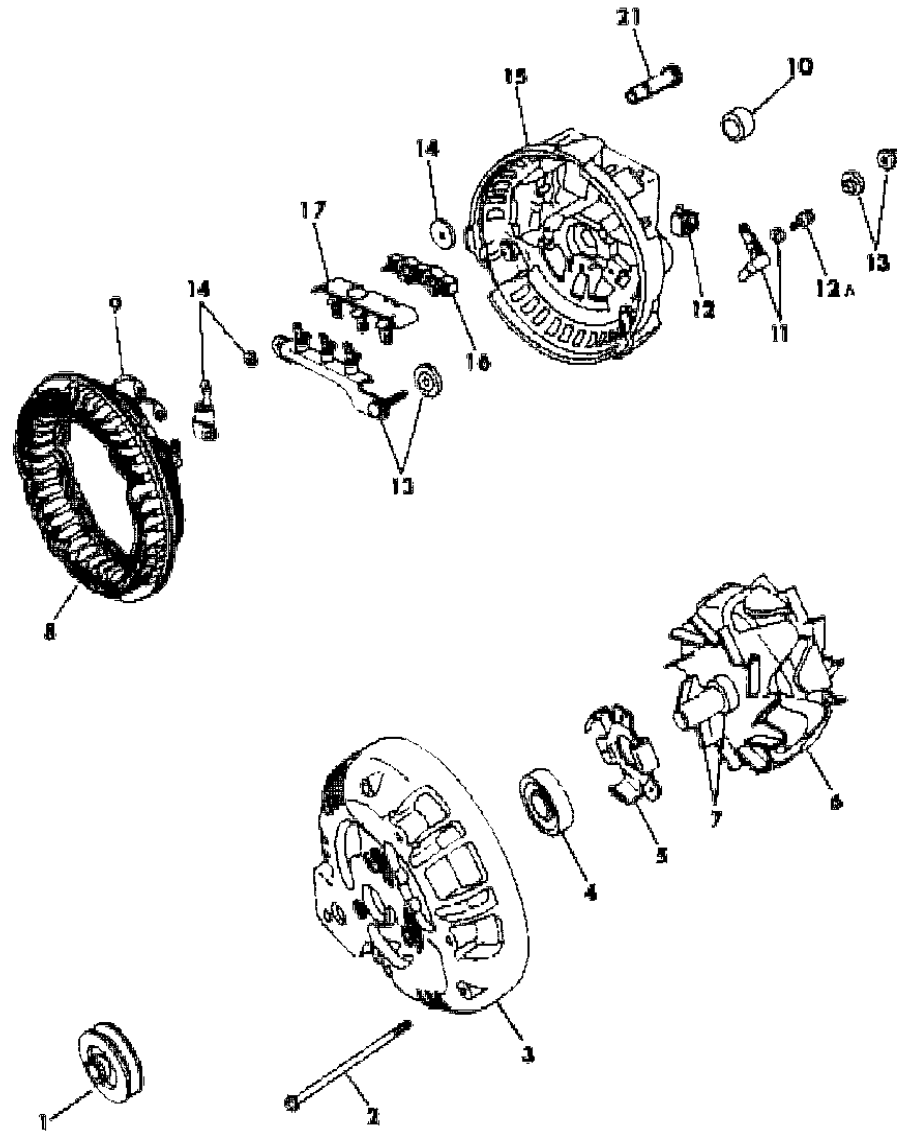
MODEL CODES  
 B = GRAN FURY  
 C = LEBARON/TOWN & COUNTRY  
 D = ARIES  
 E = 600  
 F = FIFTH AVENUE  
 G = DIPLOMAT  
 M = HORIZON/TURISMO/SCAMP  
 P = RELIANT  
 S = CORDOBA  
 T = E CLASS/NEWYORKER  
 V = 400  
 X = MIRADA  
 Y = IMPERIAL  
 Z = OMNI/CHARGER/RAMPAGE

BODY STYLES  
 21 = 2-DOOR SEDAN  
 22 = 2-DOOR SPECIAL COUPE  
 24 = 2-DOOR HATCHBACK  
 27 = 2-DOOR CONVERTIBLE  
 28 = FWD PICKUP  
 41 = 4-DOOR SEDAN  
 45 = 4-DOOR STATION WAGON  
 44 = 4-DOOR HATCHBACK  
 48 = EXECUTIVE SEDAN

AR = Use as Required - = Non Illustrated Part P.A.R. = Paint as Required

**ALTERNATOR 1.6-1.7-2.2L ENGINES**  
**Figure 8-1600**

3108 1500



ITEM	PART NUMBER	QTY	BODY	MODEL	DESCRIPTION
	5213 831	1			ALTERNATOR, 1.6 Eng. (Peugot)
	5213 053	1			ALTERNATOR and PULLEY, 78 Amp.
	5213 541	1			ALTERNATOR and PULLEY, 78 Amp. (T.B.I.)
	5213 079	1			ALTERNATOR and PULLEY, 60 Amp.
	5213 540	1			ALTERNATOR and PULLEY, 60 Amp. (T.B.I.)
1	4205 845	1			PULLEY, 2.75" Single Groove
	5213 564	1			PULLEY (Tbi Eng.)
	5226 019				PULLEY,1.6 Eng.
2	4091 505	3			SCREW, Frame, 10-32 x 3.40
3	5206 422	1			SHIELD, Drive End 78 Amp.
	5206 421	1			SHIELD, Drive End 60 Amp.
	5213 964	1			1.6 Eng.
4	3656 444	1			BEARING, Drive End Shield 78 Amp.
	2098 478	1			BEARING, Drive End Shield 60 Amp.
	5213 986				1.6 Eng.
5	4091 398	1			PLATE, Drive End Shield Ret.
6	4240 414	1			ROTOR, 78 Amp.
	4240 413	1			ROTOR, 60 Amp.
	5213 984	1			ROTOR, 1.6 Eng.
	5226 020	1			ROTOR, Parts Set,1.6 Eng.
	4145 342	1			Spacer, Altr. Rotor
7	3744 889	1			RETAINER and RING PACKAGE
8	4091 517	1			STATOR, 78 Amp.
	4091 515	1			STATOR, 60 Amp.
	5213 994	1			1.6 Eng.
9	3438 709	3			TERMINAL, Stator
10	3755 184	1			BEARING, Rectifier End Shield
11	5211 772	1			BRUSH and WASHER PACKAGE
	5213 993	1			BRUSH SET,1.6 Eng.
12	3438 159	1			BRUSH HOLDER, Axial .
	4091 667	1			BRUSH HOLDER, Radial
	5213 991	1			BRUSH HOLDER, 1.6 Eng.
12A	6031 272	2			SCREW and WASHER,8-32 X .53
13	4026 083	1			BATTERY TERMINAL and POSITIVE HEAT SINK, 78 Amp.
	4026 082	1			BATTERY TERMINAL and POSITIVE HEAT SINK, 60 Amp.
14	3620 793	1			CAPACITOR, STUD & INSULATOR
	5213 997	1			1.6 Eng.

**MODEL CODES**

B = GRAN FURY	G = DIPLOMAT	V = 400
C = LEBARON/TOWN & COUNTRY	M = HORIZON/TURISMO/SCAMP	X = MIRADA
D = ARIES	P = RELIANT	Y = IMPERIAL
E = 600	S = CORDOBA	Z = OMNI/CHARGER/RAMPAGE
F = FIFTH AVENUE	T = E CLASS/NEWYORKER	

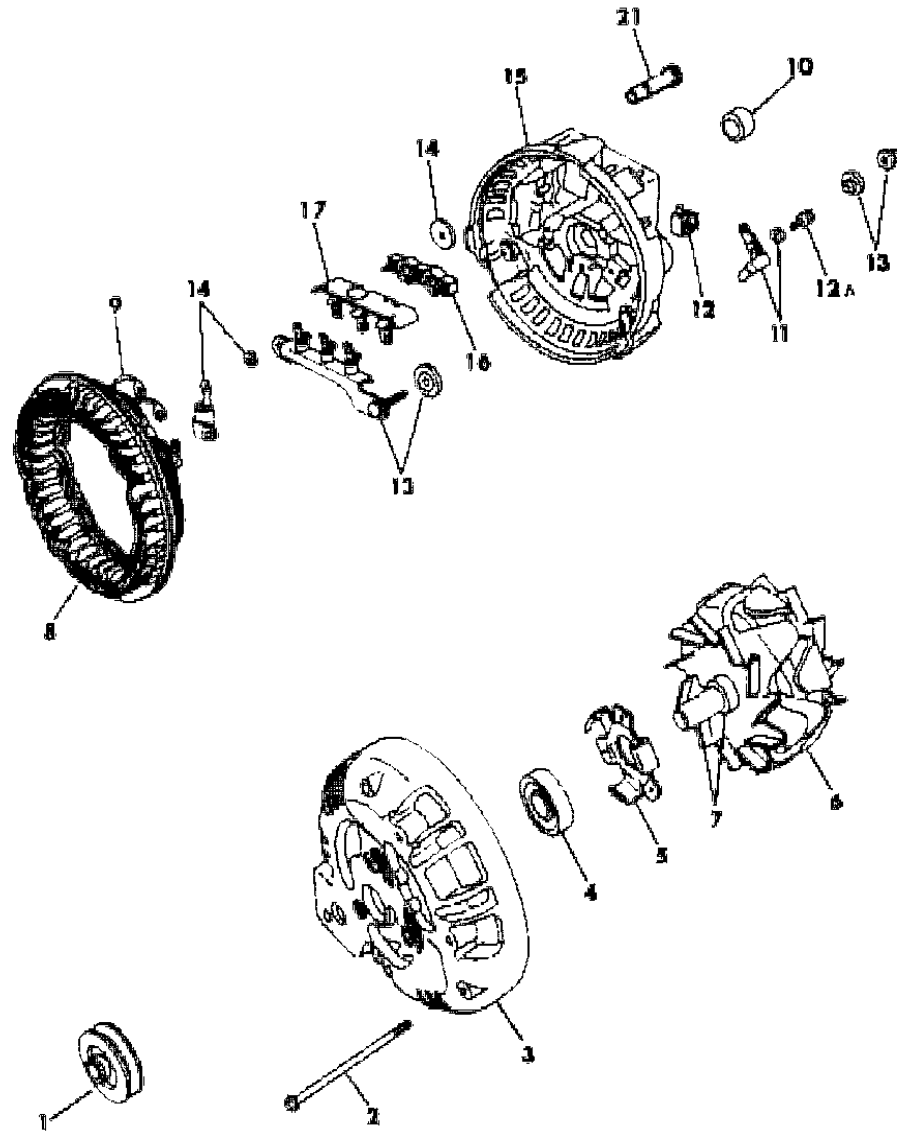
**BODY STYLES**

21 = 2-DOOR SEDAN	41 = 4-DOOR SEDAN
22 = 2-DOOR SPECIAL COUPE	45 = 4-DOOR STATION WAGON
24 = 2-DOOR HATCHBACK	44 = 4-DOOR HATCHBACK
27 = 2-DOOR CONVERTIBLE	48 = EXECUTIVE SEDAN
28 = FWD PICKUP	

AR = Use as Required - = Non Illustrated Part P.A.R. = Paint as Required

**ALTERNATOR 1.6-1.7-2.2L ENGINES**  
**Figure 8-1600**

3108 1600



ITEM	PART NUMBER	QTY	BODY	MODEL	DESCRIPTION
15	4240 405	1			SHIELD, Rectifier End 78 Amp.
	5213 092	1			SHIELD, Rectifier End 60 Amp.
	5213 987	1			1.6 Eng.
16	3438 729	1			INSULATOR
17	3755 114	1			HEAT SINK, Negative 78 Amp.
	3438 721	1			HEAT SINK, Negative 60 Amp.
18	6030 018				SCREW
19					SCREW,(Not Serviced)
20	0120 622				NUT,(Not Shown)
21	5213 191				INSERT,(Serviced in Rectifier End Shield)
NOTE: The Following Parts Not Shown On Illustration Gear and Pinion numbers stamped on the item may be used to confirm the correct MATCHED SET they are contained in.					
	9427 195				BOLT, Mtg. 3/8 x 7-1/4
	6500 273				WASHER, Altr. Mtg. Bolt Nut
	3838 078				STUD, Grd. Cable
	3620 794				TERMINAL PACKAGE
	6023 914				NUT, Grd. Stud
	6031 029				NUT and WASHER, Batt. Term.
	6023 914				NUT and WASHER, Pos. h/sink Mtg.
	5213 191				INSERT, Altr. Mtg.
	4124 952				MOLD, Field Term.
	4209 489				MOLD, Altr. (Repair)
	5213 999				SCREW, 1.6 Eng.
	5213 996				SCREW, w/Washer, 1.6 Eng.
	5213 998				WASHER,1.6 Eng.
	5213 989				O-RING,1.6 Eng.
	5226 572				SPRING,1.6 Eng.

**MODEL CODES**

B = GRAN FURY	G = DIPLOMAT	V = 400
C = LEBARON/TOWN & COUNTRY	M = HORIZON/TURISMO/SCAMP	X = MIRADA
D = ARIES	P = RELIANT	Y = IMPERIAL
E = 600	S = CORDOBA	Z = OMNI/CHARGER/RAMPAGE
F = FIFTH AVENUE	T = E CLASS/NEWYORKER	

**BODY STYLES**

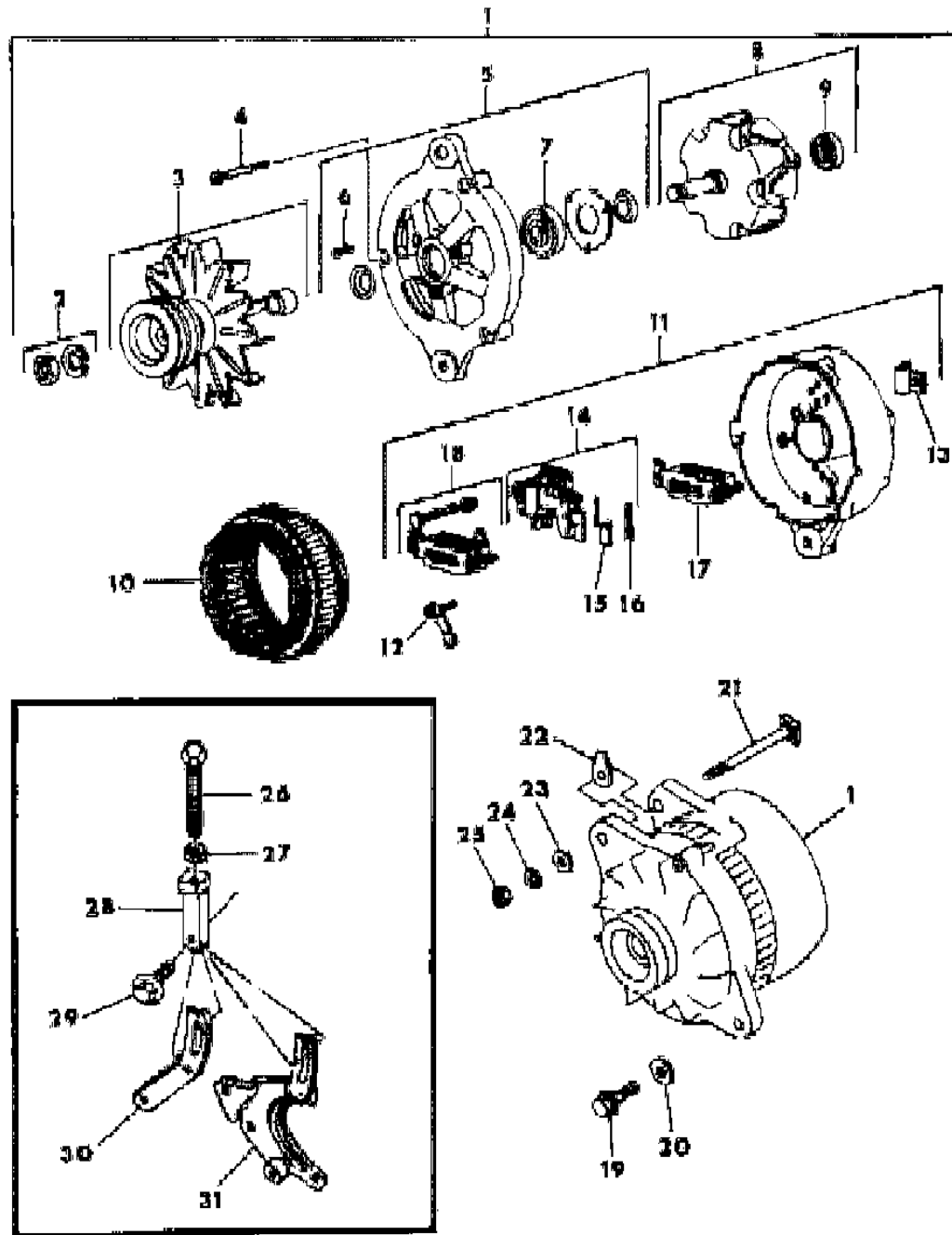
21 = 2-DOOR SEDAN	41 = 4-DOOR SEDAN
22 = 2-DOOR SPECIAL COUPE	45 = 4-DOOR STATION WAGON
24 = 2-DOOR HATCHBACK	44 = 4-DOOR HATCHBACK
27 = 2-DOOR CONVERTIBLE	48 = EXECUTIVE SEDAN
28 = FWD PICKUP	

AR = Use as Required - = Non Illustrated Part P.A.R. = Paint as Required

# ALTERNATOR 2.6L ENGINE

Figure 8-1700

3108 1700



ITEM	PART NUMBER	QTY	BODY	MODEL	DESCRIPTION
1	MD06 2007	1			ALTERNATOR
2	MM50 2340	1			NUT PACKAGE
3	MD60 7779	1			PULLEY
4	MD60 7205	1			SCREW SET
5	MD60 7424	1			BRACKET ASSEMBLY, Front
6	MD60 2938	1			SCREW SET
7	MM50 2264	1			BEARING
8	MD60 7425	1			ROTOR ASSEMBLY
9	MD60 2789	1			BEARING, Rear
10	MD60 7428	1			STATOR ASSEMBLY
11	MD60 7427	1			BRACKET ASSEMBLY, Rear
12	MD60 7431	1			TERNINAL SET
13	MD60 7262	1			CONDENSER ASSEMBLY
14	MD60 7372	1			REGULATOR ASSEMBLY
15	MD60 7373	2			BRUSH
16	MD60 2227	2			SPRING, Brush
17	MD60 7429	1			RECTIFIER ASSEMBLY
18	MD60 7430	1			RECTIFIER ASSEMBLY
19	MF02 7753	1			BOLT, Flange
20	MD00 1521	1			WASHER
21	MD02 1662	1			BOLT
22	MD00 1517				SHIM
23	MF45 0005	1			WASHER, Plain
24	MF45 0405	1			WASHER, Spring
25	MF43 0005	1			NUT
26	6500 490	1			BOLT, Altr. Adj.
27	6500 491	1			JAM NUT, Clevis To Altr. Adj. Slot
28	4241 147	1			CLEVIS, Altr. Adj. Assy.
29		1			SCREW, Clevis To Altr. Adj. Slot (Not Serv.)
30	4240 438	1			STRAP, Altr. Altr. Adj. w/o /Cond.
	4240 438	1			STRAP, Altr. Altr. Adj. w/ /Heater
31	4273 050	1			BRACKET, Altr. Adj. w/A/ Cond. Assy.

MODEL CODES

B = GRAN FURY	G = DIPLOMAT	V = 400
C = LEBARON/TOWN & COUNTRY	M = HORIZON/TURISMO/SCAMP	X = MIRADA
D = ARIES	P = RELIANT	Y = IMPERIAL
E = 600	S = CORDOBA	Z = OMNI/CHARGER/RAMPAGE
F = FIFTH AVENUE	T = E CLASS/NEWYORKER	

BODY STYLES

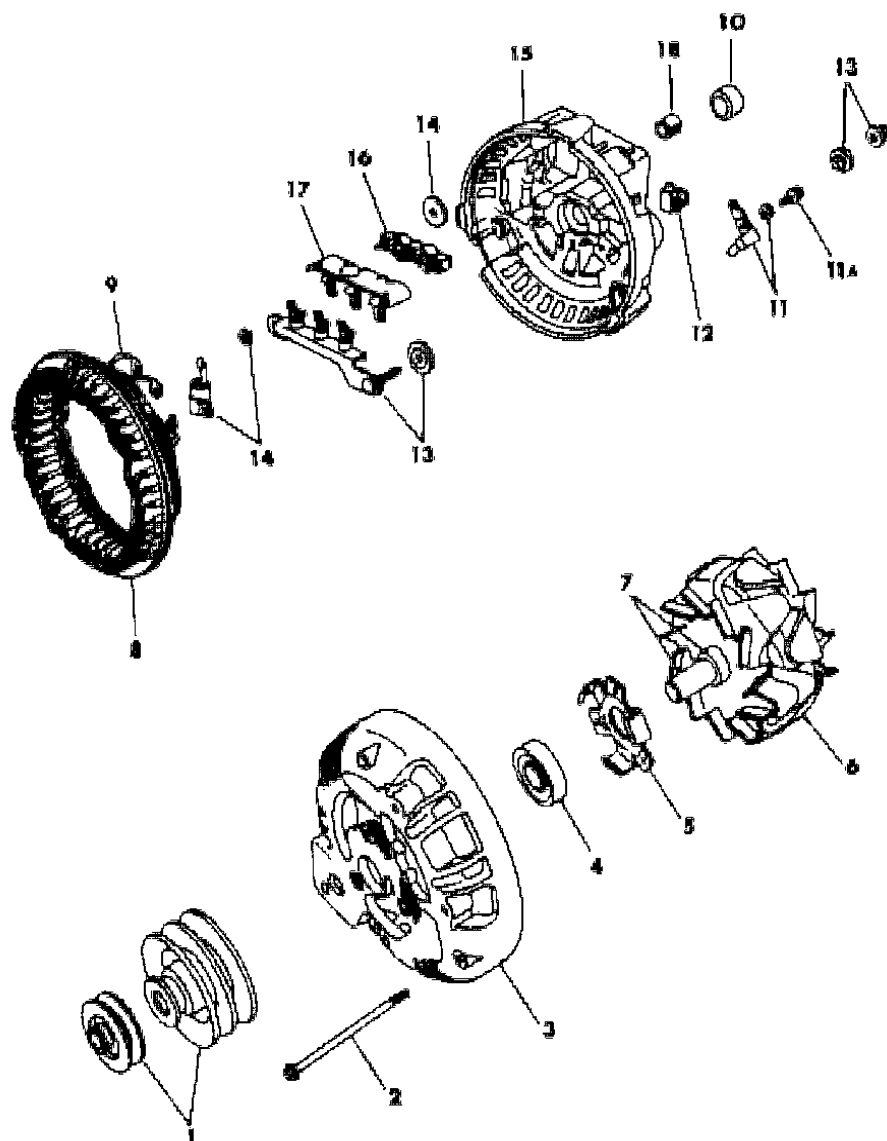
21 = 2-DOOR SEDAN	41 = 4-DOOR SEDAN
22 = 2-DOOR SPECIAL COUPE	45 = 4-DOOR STATION WAGON
24 = 2-DOOR HATCHBACK	44 = 4-DOOR HATCHBACK
27 = 2-DOOR CONVERTIBLE	48 = EXECUTIVE SEDAN
28 = FWD PICKUP	

AR = Use as Required - = Non Illustrated Part P.A.R. = Paint as Required



**ALTERNATOR 60 & 78 AMP. 225--318 ENGINE**  
**Figure 8-1800**

3108 1800



ITEM	PART NUMBER	QTY	BODY	MODEL	DESCRIPTION
NOTE: Service Alternators consists of an Alternator and Pulley. In most cases a double grooved Pulley type may be used as a service replacement for a single groove type; if not desirable, the Pulley from the original unit may be transferred to the new Alternator type may be used as a service replacement for a single groove type; if not desirable, the Pulley from the original unit may be transferred to the new Alternator type.					
NOTE: All Alternators are stamped with a production assembly number which may or may not be the serviced Alternator. Listed above is the Alternator stamped production number crossreferenced to the applicable service number. The SERVICED PART NUMBER must be ordered in all cases. Listed above is the Alternator stamped production number crossreferenced to the applicable service number.					
1					PULLEY N N N N
	4106 094	1			2.50 Single Groove N0 Y4106094 N0 N0
	4111 768	1			2.50 Double Groove N0 N0 Y4111768 Y4111768
2	4091 505	3			SCREW, Frame, 10-32x3.40 N0 Y4091505 Y4091505 Y4091505
3	4091 533	1			SHIELD, Drive End N0 Y4091533 N4091534 Y4091533
3	4091 534	1			SHIELD, Drive End N0 N4091533 Y4091534 N4091533
4	3656 444	1			BEARING, Drive End Shield N0 Y3656444 Y3656444 Y3656444
5	2095 012	1			RETAINER, Drive End Shield N0 Y2095012 Y2095012 Y2095012
6	4240 414	1			ROTOR N0 Y4240414 N4240413 Y4240414
6	4240 413	1			ROTOR N0 N4240414 Y4240413 N4240414
7	3744 889	1			RETAINER and SLIP RING PACKAGE N0 Y3744889 Y3744889 Y3744889
8	4091 517	1			STATOR N0 Y4091517 N4091515 Y4091517
8	4091 515	1			STATOR N0 N4091517 Y4091515 N4091517
9	3438 709	3			TERMINAL N0 Y3438709 Y3438709 Y3438709
10	3755 184	1			BEARING, Rectifier End Shield N0 Y3755184 Y3755184 Y3755184
11	4057 928	1			BRUSH and WASHER PACKAGE N0 Y4057928 Y4057928 Y4057928
11a	6031 272	2			SCREW N0 Y6031272 Y6031272 Y6031272
12	3438 159	1			BRUSH HOLDER, Axial N0 Y3438159 Y3438159 Y3438159
	4091 667	1			Radial N0 Y4091667 Y4091667 Y4091667
13	4240 488	1			BATTERY TERMINAL and POSITIVE HEAT SINK N0 Y4240488 Y4240488 Y4240488
14	3620 793	1			CAPACITOR STUD and INSULATOR PACKAGE N0 Y3620793 Y3620793 Y3620793
15	4091 535	1			SHIELD, Rectifier End N0 Y4091535 N4091516 Y4091535
15	4091 516	1			SHIELD, Rectifier End N0 N4091535 Y4091516 N4091535

**MODEL CODES**

B = GRAN FURY	G = DIPLOMAT	V = 400
C = LEBARON/TOWN & COUNTRY	M = HORIZON/TURISMO/SCAMP	X = MIRADA
D = ARIES	P = RELIANT	Y = IMPERIAL
E = 600	S = CORDOBA	Z = OMNI/CHARGER/RAMPAGE
F = FIFTH AVENUE	T = E CLASS/NEWYORKER	

**BODY STYLES**

21 = 2-DOOR SEDAN	41 = 4-DOOR SEDAN
22 = 2-DOOR SPECIAL COUPE	45 = 4-DOOR STATION WAGON
24 = 2-DOOR HATCHBACK	44 = 4-DOOR HATCHBACK
27 = 2-DOOR CONVERTIBLE	48 = EXECUTIVE SEDAN
28 = FWD PICKUP	

AR = Use as Required - = Non Illustrated Part P.A.R. = Paint as Required

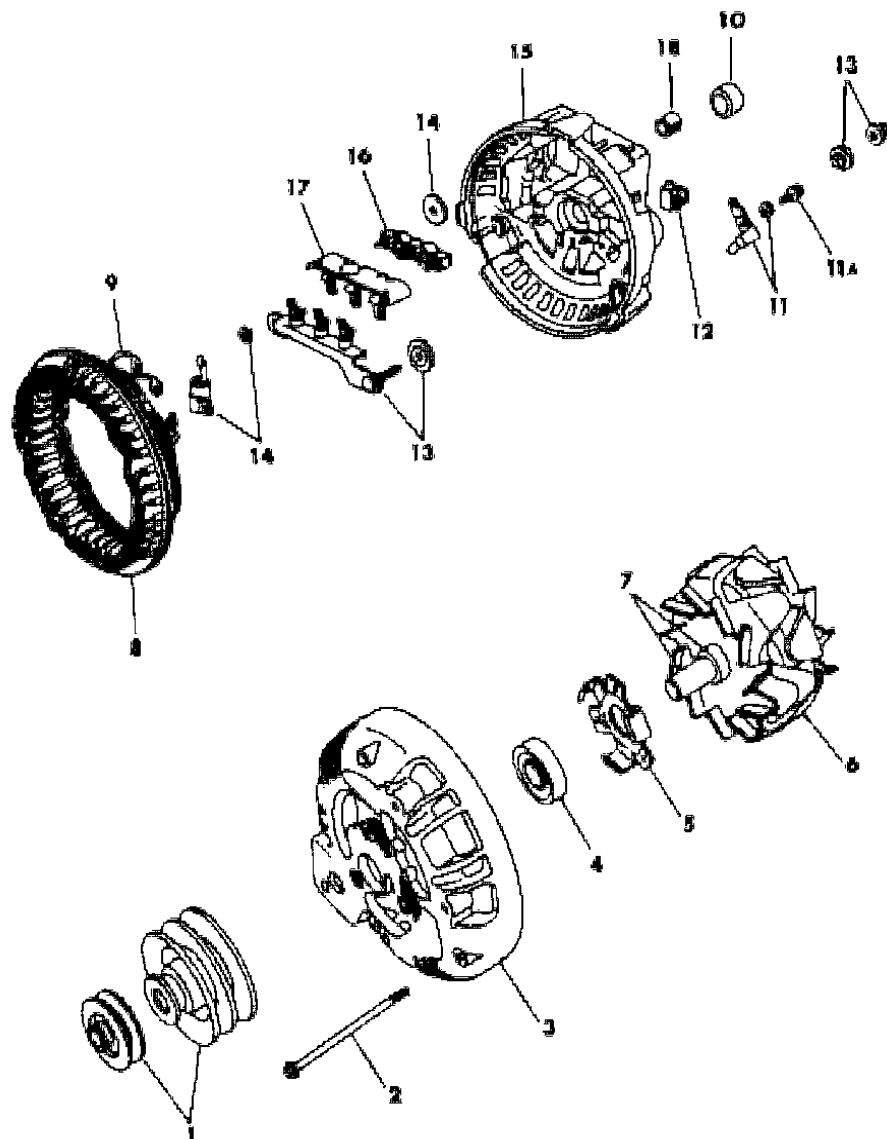
**ALTERNATOR 60 & 78 AMP. 225--318 ENGINE**  
**Figure 8-1800**

3108 1800

ITEM	PART NUMBER	QTY	BODY	MODEL	DESCRIPTION
16	3438 729	1			INSULATOR, Stator Term. Stud NO Y3438729 Y3438729
17	3755 114	1			HEAT SINK, Negative NO Y3755114 N3438721 Y3755114
17	3438 721	1			HEAT SINK, Negative NO N3755114 Y3438721 N3755114
18	2095 052	1			INSERT NO Y2095052 Y2095052 Y2095052

NOTE: THE FOLLOWING PARTS NOT SHOWN ILLUSTRATION iced Alternator. Listed above is the Alternator stamped production number crossreferenced to the app

					BOLT, Altr. Mtg., 3/8 - 16 x 4 1/4 N0433116 N N N
					3/8 - 16 x 4 1/2 N0433119 N N N
					3/8 - 16 x 6 N9422791 N N N
					3/8 - 16 x 5 1/2 N9423789 N N N
					3/8 - 16 x 4 7/8 N9421897 N N N
					3/8 - 16 x 5 1/4 N9422790 N N N
					3/8 - 16 x 5 N9421897 N N N
					3/8 - 16 x 7 1/4 N9437943 N N N
					3/8 - 16 x 7 1/2 N9437943 N N N
					3/8 - 16 x 4 3/4 N9428427 N N N
					NUT, Altr. Bolt, 3 / 8 x 16 9/16 N1523447 N N N
					SPACER, Rotor N4145342 N N N



**MODEL CODES**

B = GRAN FURY	G = DIPLOMAT	V = 400
C = LEBARON/TOWN & COUNTRY	M = HORIZON/TURISMO/SCAMP	X = MIRADA
D = ARIES	P = RELIANT	Y = IMPERIAL
E = 600	S = CORDOBA	Z = OMNI/CHARGER/RAMPAGE
F = FIFTH AVENUE	T = E CLASS/NEWYORKER	

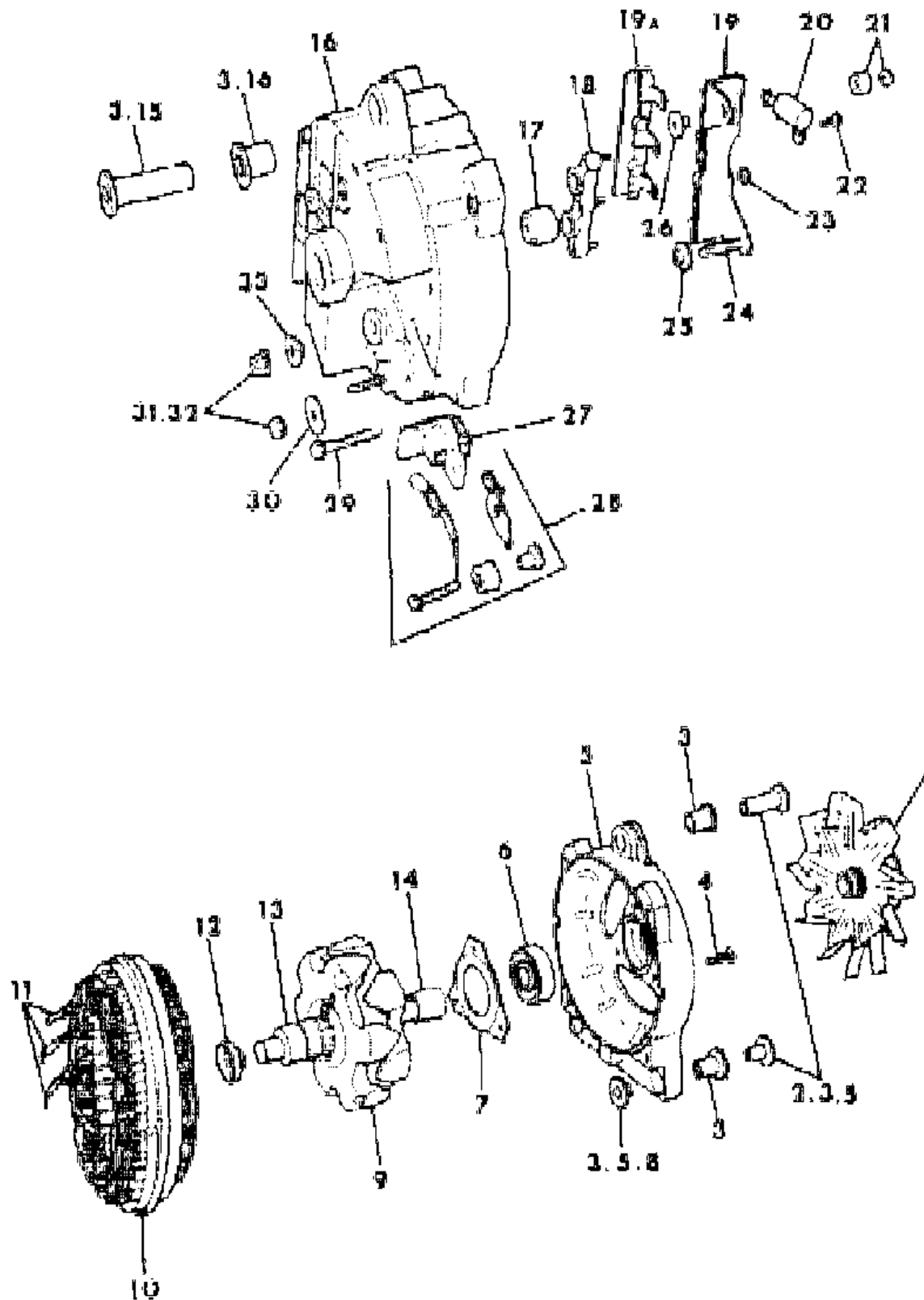
**BODY STYLES**

21 = 2-DOOR SEDAN	41 = 4-DOOR SEDAN
22 = 2-DOOR SPECIAL COUPE	45 = 4-DOOR STATION WAGON
24 = 2-DOOR HATCHBACK	44 = 4-DOOR HATCHBACK
27 = 2-DOOR CONVERTIBLE	48 = EXECUTIVE SEDAN
28 = FWD PICKUP	

AR = Use as Required - = Non Illustrated Part P.A.R. = Paint as Required

ALTERNATOR 114 AMP. 225--318 ENGINE  
Figure 8-1900

1108 1800



ITEM	PART NUMBER	QTY	BODY	MODEL	DESCRIPTION
	4091 460	1			ALTERNATOR, PROD. 4091460
1	4094 028	1			FAN and PULLEY, Double Groove
2					SLEEVE,(Service in Drive End Shield also Service in Isolator Pkg.)
3	4094 012	1			ISOLATOR PACKAGE
4	9428 120	3			SCREW
5	3874 995	1			DRIVE END SHIELD
6	3755 951	1			BEARING, Drive End Shield
7	3755 737	1			RETAINER, Drive End Shield Bearing
8					FERRULE,(Serv. in Drive End Shield & Isolator Pkg.)
9	4026 048	1			ROTOR and SPACER PACKAGE
10	3879 401	1			STATOR
11					TERMINAL,(Not Serviced)
12					RETAINER,(Serviced in Slip Ring & Retainer Pkg.)
13					SLIP RING,(Serviced in Slip Ring & Retainer Pkg.)
	3838 080	1			SLIP RING and RETAINER PACKAGE
14					SPACER,(Serviced in Rotor Pkg.)
15					SLEEVE,(Serviced in Isolator Pkg.)
16	4091 466	1			SHIELD, Rectifier End
17	3874 074	1			BEARING, Rectifier End Shield
18	3755 625	1			INSULATOR
19	4026 303	1			HEAT SINK, Positive
19A	3755 627	1			HEAT SINK, Negative
20					CAPACITOR,(Serviced in 3838078 Pkg.)
21					INSULATOR,(Serviced in 4026303 Pkg.)
22					SCREW,(Not Serviced)
23					NUT,(Not Serviced)
24					STUD,(Serviced in 3838078 Pkg.)
25					INSULATOR,(Serviced in 3838078 Pkg.)
26					SPACER,(Serviced in 3838078 Pkg.)
27	3838 078	1			CAPACITOR, STUD & INSULATOR Pkg.
28	3838 079	1			BRUSH ASSEMBLY
	3755 773	1			Brush Holder
29	6030 547	1			SCREW, Frame, 10x24 1 5/8
30					WASHER,(Not Serviced)
31	6031 029	1			NUT and WASHER
32	6023 201	1			NUT and WASHER

MODEL CODES

B = GRAN FURY	G = DIPLOMAT	V = 400
C = LEBARON/TOWN & COUNTRY	M = HORIZON/TURISMO/SCAMP	X = MIRADA
D = ARIES	P = RELIANT	Y = IMPERIAL
E = 600	S = CORDOBA	Z = OMNI/CHARGER/RAMPAGE
F = FIFTH AVENUE	T = E CLASS/NEWYORKER	

BODY STYLES

21 = 2-DOOR SEDAN	41 = 4-DOOR SEDAN
22 = 2-DOOR SPECIAL COUPE	45 = 4-DOOR STATION WAGON
24 = 2-DOOR HATCHBACK	44 = 4-DOOR HATCHBACK
27 = 2-DOOR CONVERTIBLE	48 = EXECUTIVE SEDAN
28 = FWD PICKUP	

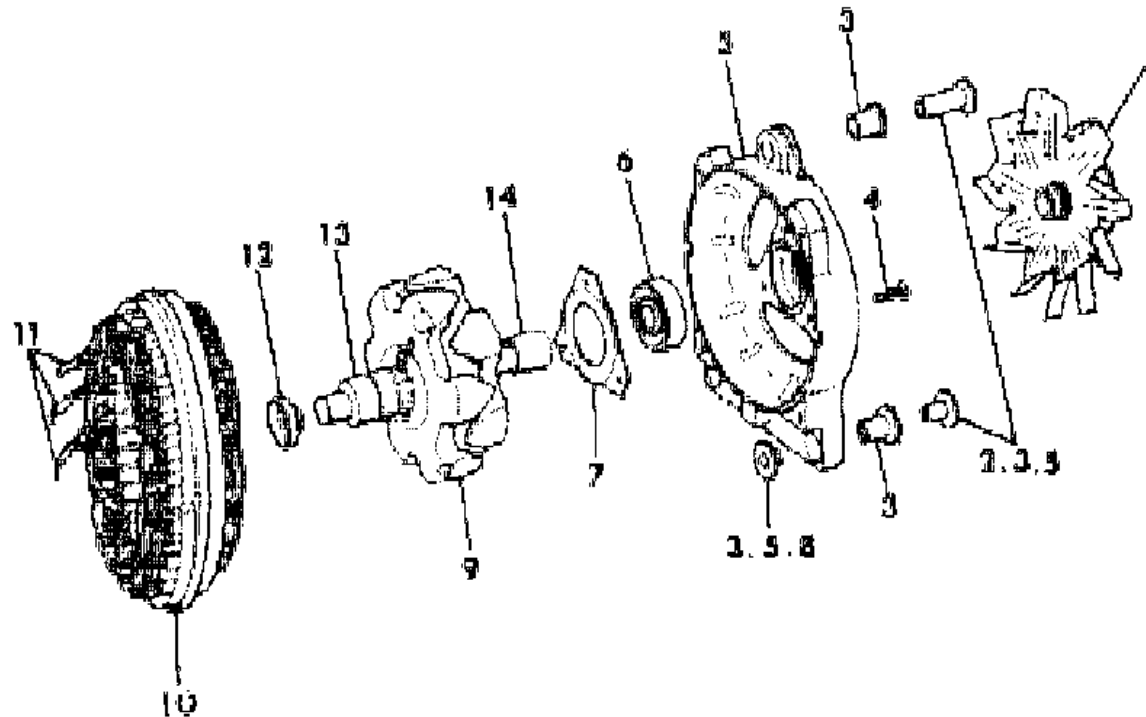
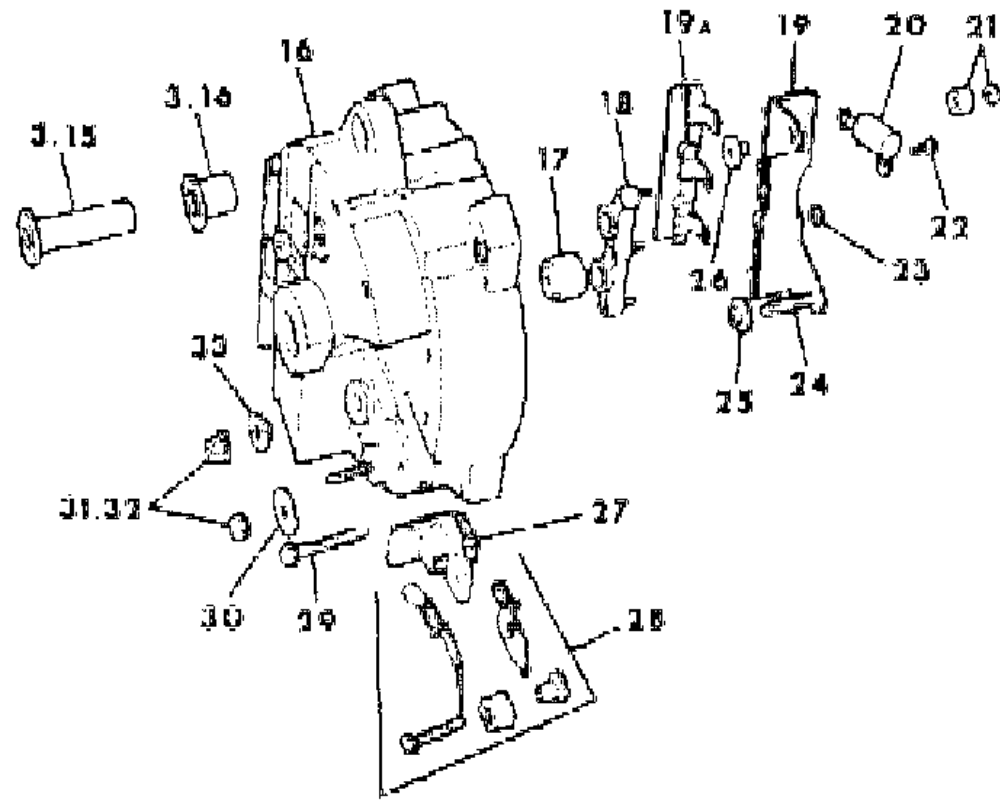
AR = Use as Required - = Non Illustrated Part P.A.R. = Paint as Required

ALTERNATOR 114 AMP. 225--318 ENGINE  
Figure 8-1900

1108 1800

ITEM	PART NUMBER	QTY	BODY	MODEL	DESCRIPTION
------	-------------	-----	------	-------	-------------

33					INSULATOR,(Serviced in Rectifier End Shield)
	3549 591				BOLT, Altr. Pivot



MODEL CODES  
 B = GRAN FURY  
 C = LEBARON/TOWN & COUNTRY  
 D = ARIES  
 E = 600  
 F = FIFTH AVENUE  
 G = DIPLOMAT  
 M = HORIZON/TURISMO/SCAMP  
 P = RELIANT  
 S = CORDOBA  
 T = E CLASS/NEWYORKER  
 V = 400  
 X = MIRADA  
 Y = IMPERIAL  
 Z = OMNI/CHARGER/RAMPAGE

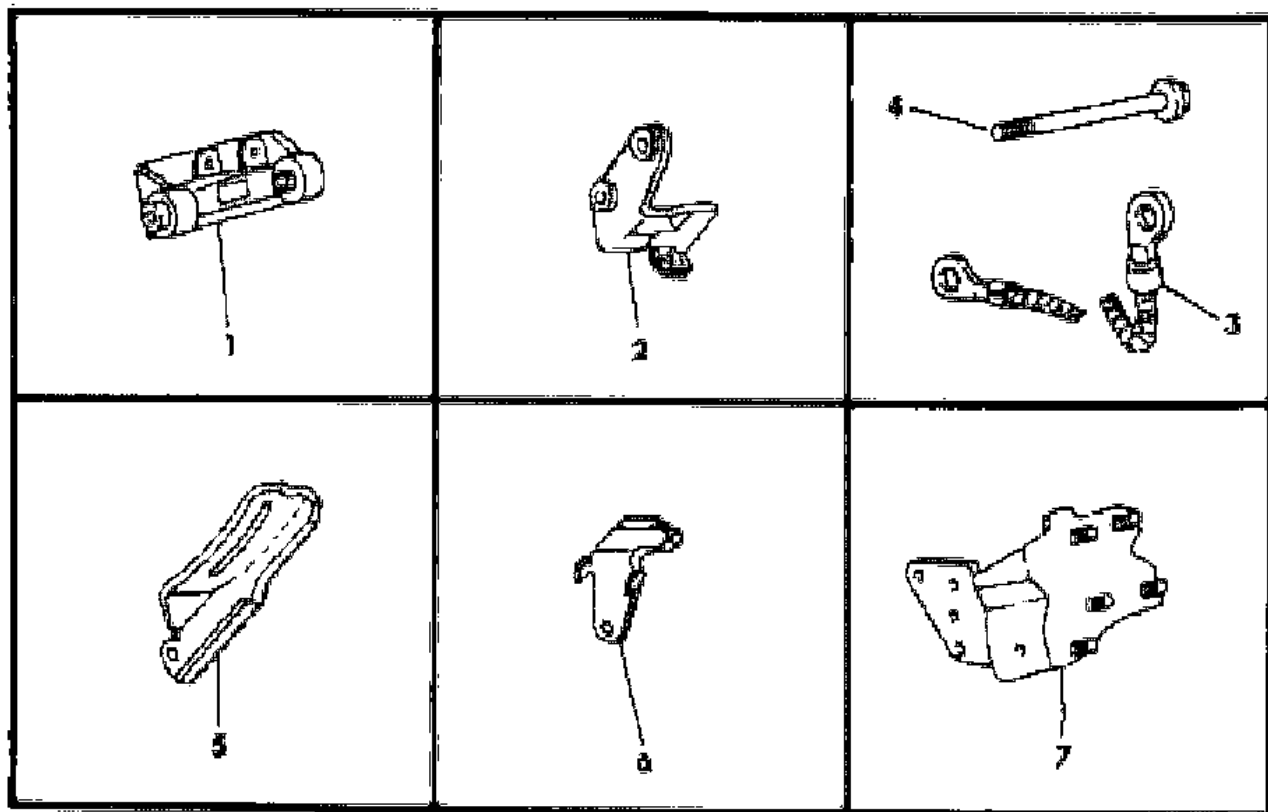
BODY STYLES  
 21 = 2-DOOR SEDAN  
 22 = 2-DOOR SPECIAL COUPE  
 24 = 2-DOOR HATCHBACK  
 27 = 2-DOOR CONVERTIBLE  
 28 = FWD PICKUP  
 41 = 4-DOOR SEDAN  
 45 = 4-DOOR STATION WAGON  
 44 = 4-DOOR HATCHBACK  
 48 = EXECUTIVE SEDAN

AR = Use as Required - = Non Illustrated Part P.A.R. = Paint as Required

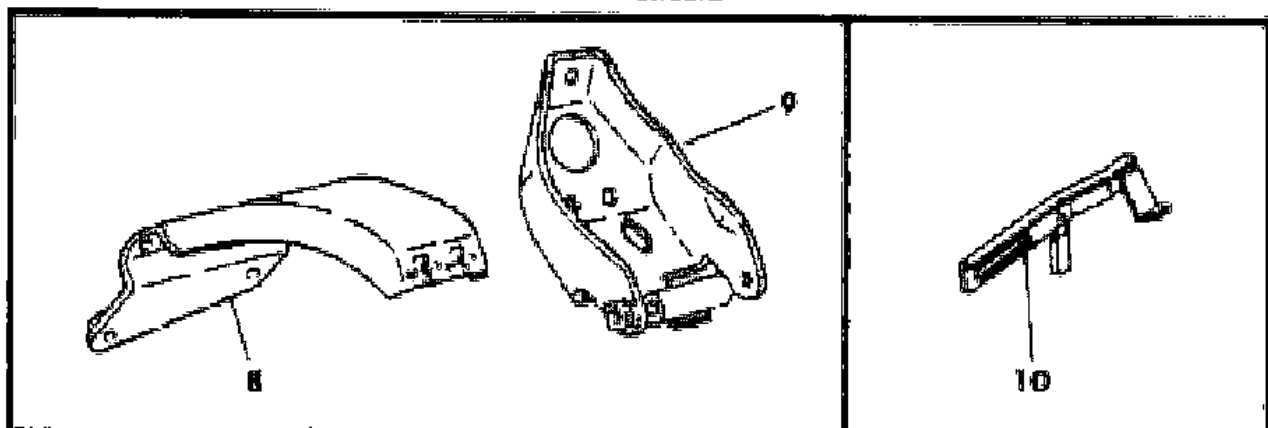
# ALTERNATOR MOUNTINGS 1.6L--1.7--2.2--225 ENGINE

Figure 8-2000

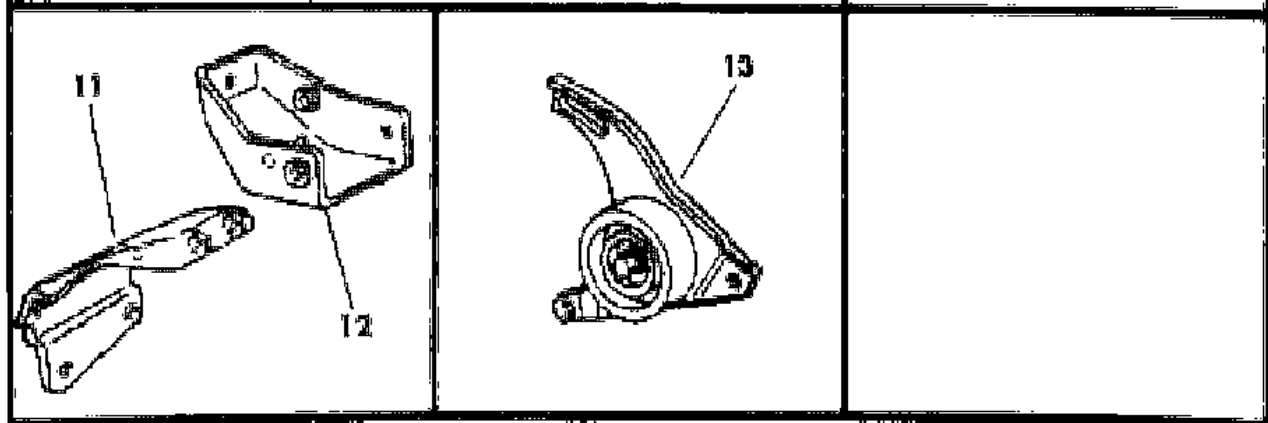
3108 8000



1.7 ENGINE



2.2 ENGINE



ITEM	PART NUMBER	QTY	BODY	MODEL	DESCRIPTION
1	5214 485	1			BRACKET, 1.7L Eng.
	4273 014	1			BRACKET, 2.2L Eng.. w/o A/Cond.
2	4298 183	1			BRACKET, 2.2L Eng.. w/ A/Cond.
	4241 192	1			BRACKET, Altr. Adj. Assy.
	4273 851	1			BRACKET, Altr. Adj. 1.6 Engine
	4268 558	AR		MZ,PD,C	INSERT, Isolator
	4268 074	AR		MZ,PD,C	ISOLATOR (Rubber)
	4268 068	AR		MZ,PD,C	SLEEVE, Isolator Altr. Rr.
	4268 067	1		MZ,PD,C	SLEEVE, Isolator
3	6500 609	1			BOLT, Altr. Adj.
	6500 597	1			U-NUT
	4209 363	1			GROUND STRAP, 1.7L Eng. (4-1/2")
	4209 364	1			2.2L Eng. (6-1/4")
	4209 620	1			STRAP, Altr. Adj. Bracket To Mtg. Bolt (4")
4	4209 449	1			STRAP, a/Cond. Compressor (6-3/4")
	5211 210	1		MZPDCVE	STRAP, Radio Noise Supp. Grd.
	9437 943	1			BOLT
	5213 191	1			INSERT, Altr. Mounting
5	4298 093	1			STRAP, Altr. Adj. 1.7L Eng.
	4241 283	1			STRAP, Altr. Adj. 2.2L Eng.
	4267 335	1			BOLT, Altr. Adj. 1.7L & 2.2L Eng.
6	4241 284	1			BRACKET, Altr. Adj. 1.7L Eng.
	4241 153	1			BRACKET, Altr. Adj. 2.2L Eng.
7	5240 756	1			BRACKET, Altr. Mtg. to Block w/60 or 78 Amp. Altr. 1.7L Eng.
8	5214 676	1		B,F,G,X	BRACKET, w/60 or 78 Amp. Altr. (Lower)
9	4273 058	1		B,F,G,X	BRACKET, w/60 or 78 Amp. Altr. (Upper)
10	4173 196	1		B,F,G,X	STRAP, Altr. Adj. w/Shields w/60 or 78 Amp. Altr.
11	5214 676	1		B,F,G,X	BRACKET, Altr. Mtg. to Block w/114 Amp. Altr. (Lower)
12	4095 279	1		B,F,G,X	BRACKET, Altr. Mtg. to Block w/114 Amp. Altr. (Upper)
13					BRACKET, w/Fuel Tube Shield
	4173 497	1		X,S	
	4041 405	1			IDLER, Roller & Bearing
NOTE: The following parts are not shown on illustration iced Alternator. Listed above is the Alternator stamped production number crossreferenced to the app					
	6029 381	1			SPACER, Altr. Mtg. w/60 or 78 Amp. Altr. w/Air Cond. w/225 Eng.
	4273 079	1			SPACER, Altr. Mtg. 1.7L & 2.2L Eng.

MODEL CODES

B = GRAN FURY	G = DIPLOMAT	V = 400
C = LEBARON/TOWN & COUNTRY	M = HORIZON/TURISMO/SCAMP	X = MIRADA
D = ARIES	P = RELIANT	Y = IMPERIAL
E = 600	S = CORDOBA	Z = OMNI/CHARGER/RAMPAGE
F = FIFTH AVENUE	T = E CLASS/NEWYORKER	

BODY STYLES

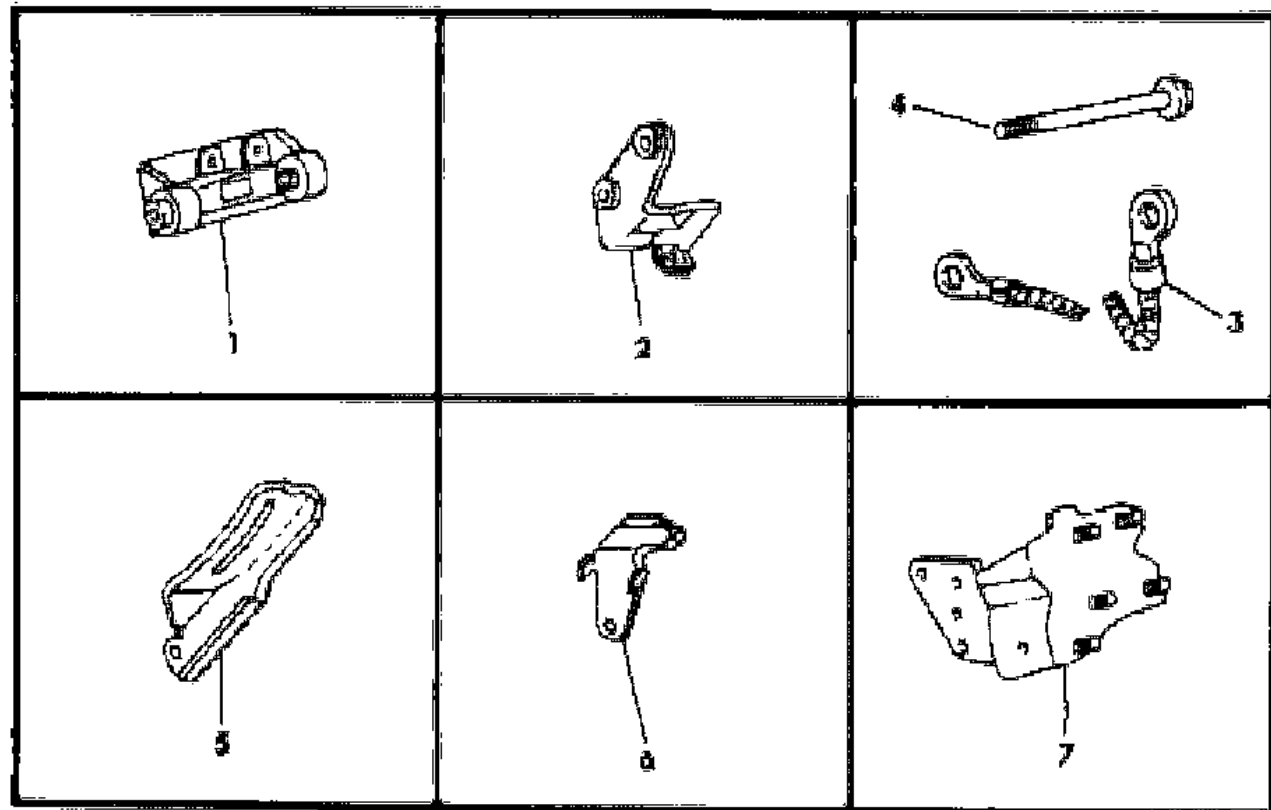
21 = 2-DOOR SEDAN	41 = 4-DOOR SEDAN
22 = 2-DOOR SPECIAL COUPE	45 = 4-DOOR STATION WAGON
24 = 2-DOOR HATCHBACK	44 = 4-DOOR HATCHBACK
27 = 2-DOOR CONVERTIBLE	48 = EXECUTIVE SEDAN
28 = FWD PICKUP	

AR = Use as Required - = Non Illustrated Part P.A.R. = Paint as Required

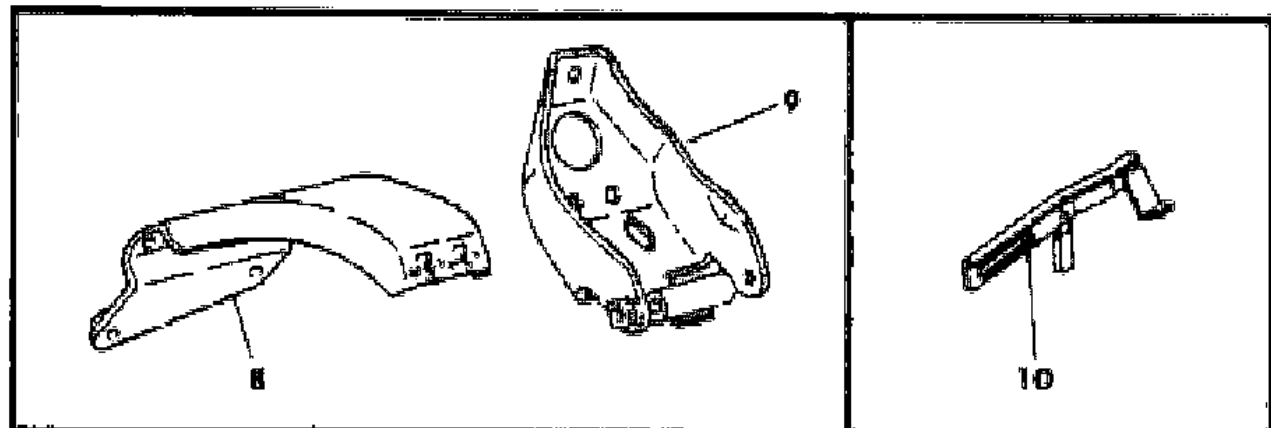
# ALTERNATOR MOUNTINGS 1.6L--1.7--2.2--225 ENGINE

Figure 8-2000

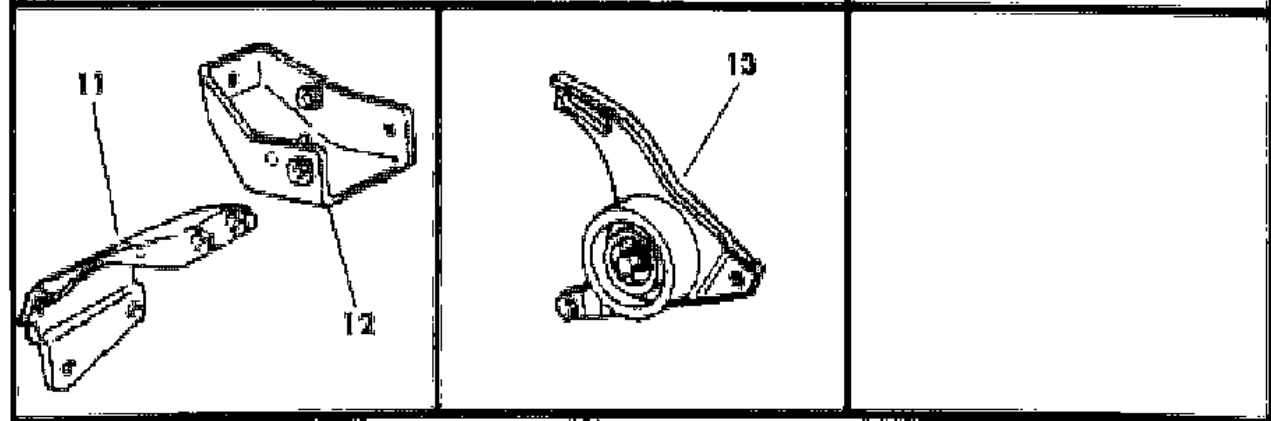
3108 8000



1.6 ENGINE



2.2 ENGINE



ITEM	PART NUMBER	QTY	BODY	MODEL	DESCRIPTION
------	-------------	-----	------	-------	-------------

	4241 157	1			SPACER, Altr. & a/C Mtg. Bracket Frt. 2.2L Eng.
	6500 340	1			SCREW, w/Washer,Altr. Bracket,Chain Case Cover

MODEL CODES

B = GRAN FURY	G = DIPLOMAT	V = 400
C = LEBARON/TOWN & COUNTRY	M = HORIZON/TURISMO/SCAMP	X = MIRADA
D = ARIES	P = RELIANT	Y = IMPERIAL
E = 600	S = CORDOBA	Z = OMNI/CHARGER/RAMPAGE
F = FIFTH AVENUE	T = E CLASS/NEWYORKER	

BODY STYLES

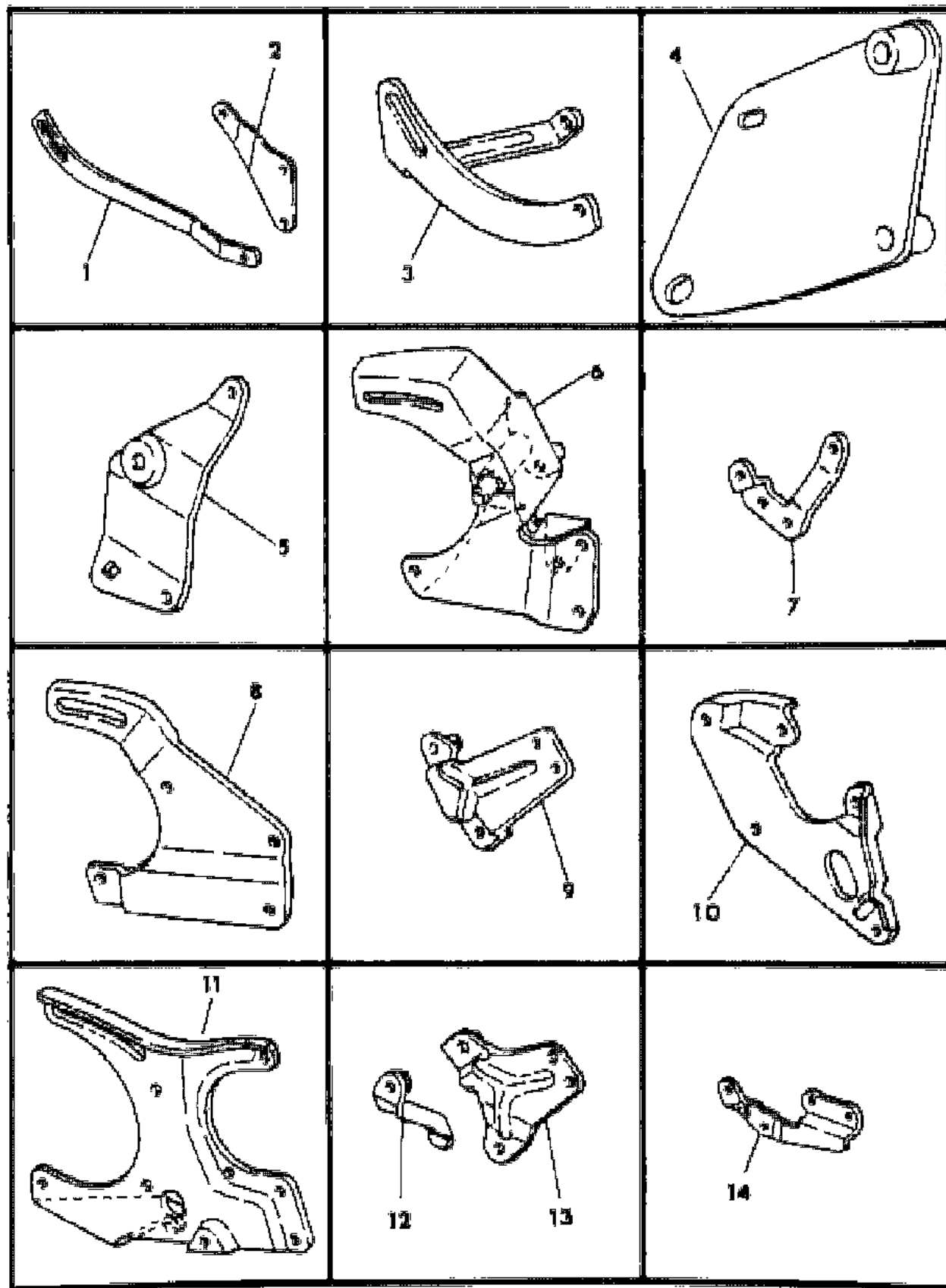
21 = 2-DOOR SEDAN	41 = 4-DOOR SEDAN
22 = 2-DOOR SPECIAL COUPE	45 = 4-DOOR STATION WAGON
24 = 2-DOOR HATCHBACK	44 = 4-DOOR HATCHBACK
27 = 2-DOOR CONVERTIBLE	48 = EXECUTIVE SEDAN
28 = FWD PICKUP	

AR = Use as Required - = Non Illustrated Part P.A.R. = Paint as Required

# ALTERNATOR MOUNTINGS 318 ENGINE

## Figure 8-2100

1104 8100



ITEM	PART NUMBER	QTY	BODY	MODEL	DESCRIPTION
1	3512 498	1		B,F,G,X	STRAP, Altr. Adj. w/60 or 78 Amp. Altr. w/o Air Cond.
2	2951 834	1		B,F,G,X	BRACKET, Altr. Mtg. to Block w/60 or 78 Amp. Altr. w/o Air Cond.
3	4095 271	1		B,F,G,X	BRACKET, Altr. Mtg. to Block w/60 or 78 Amp. Altr. w/Air Cond.
4				X,S	Refer to Group 24 or 25
6		1		B,F,G	BRACKET, Altr. Mtg., 114 Amp. Altr.
7	4071 733	1		B,F,G,X	SUPPORT, Altr. Mtg. and Adj. Bracket (Rear)
8		1		X,S	SUPPORT, Altr. Mtg. and Adj. Front, w/114 Amp. Altr.
9	3830 123	1		X,S	SUPPORT, w/114 Amp. Altr. Rear
10				B,F,G,X	Refer to Group 24
13	4100 653	1		B,F,G,X	BRACKET, Altr. Mtg. (Rear)
14	4104 388	1		B,F,G,X	BRACKET, w/114 Amp. Altr. w/Air Cond. Altr. Mtg.(Rear) 60 or 78 Amp.

NOTE: The following Parts are not shown on illustration iced Alternator. Listed above is the Alternator stamped production number crossreferenced to the app

6029 381	1				SPACER, Altr. Mtg. w/ 60 or 78 Amp. Altr. w/Air Cond.
6029 507	1				SPACER, Altr. Adj. Brkt. w/ 60 or 78 Amp. Altr. w/o Air Cond.
6031 433	1				SPACER, to Altr. and Air Cond. Compressor Mtg. Br kt. w/ 114 Amp. Altr.
4289 019	1		Y		GROUND STRAP, Rfi Supression

**MODEL CODES**

B = GRAN FURY	G = DIPLOMAT	V = 400
C = LEBARON/TOWN & COUNTRY	M = HORIZON/TURISMO/SCAMP	X = MIRADA
D = ARIES	P = RELIANT	Y = IMPERIAL
E = 600	S = CORDOBA	Z = OMNI/CHARGER/RAMPAGE
F = FIFTH AVENUE	T = E CLASS/NEWYORKER	

**BODY STYLES**

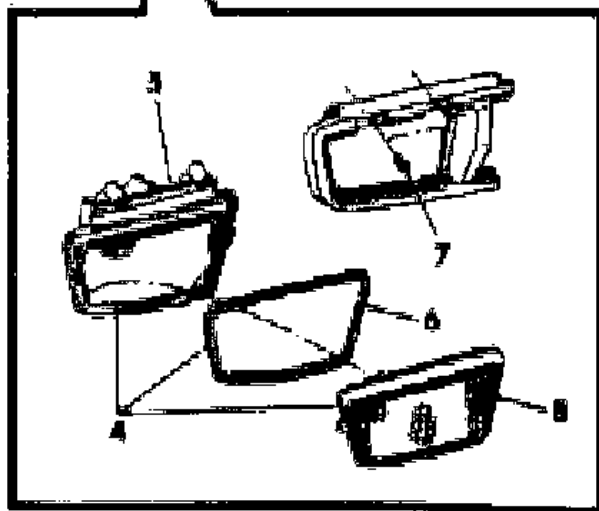
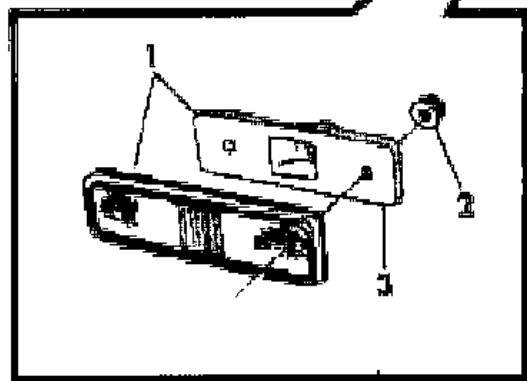
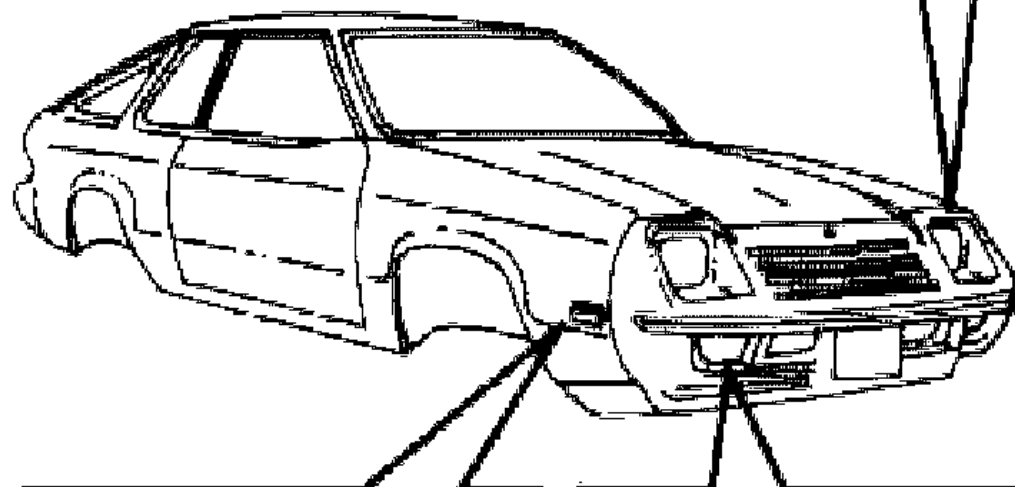
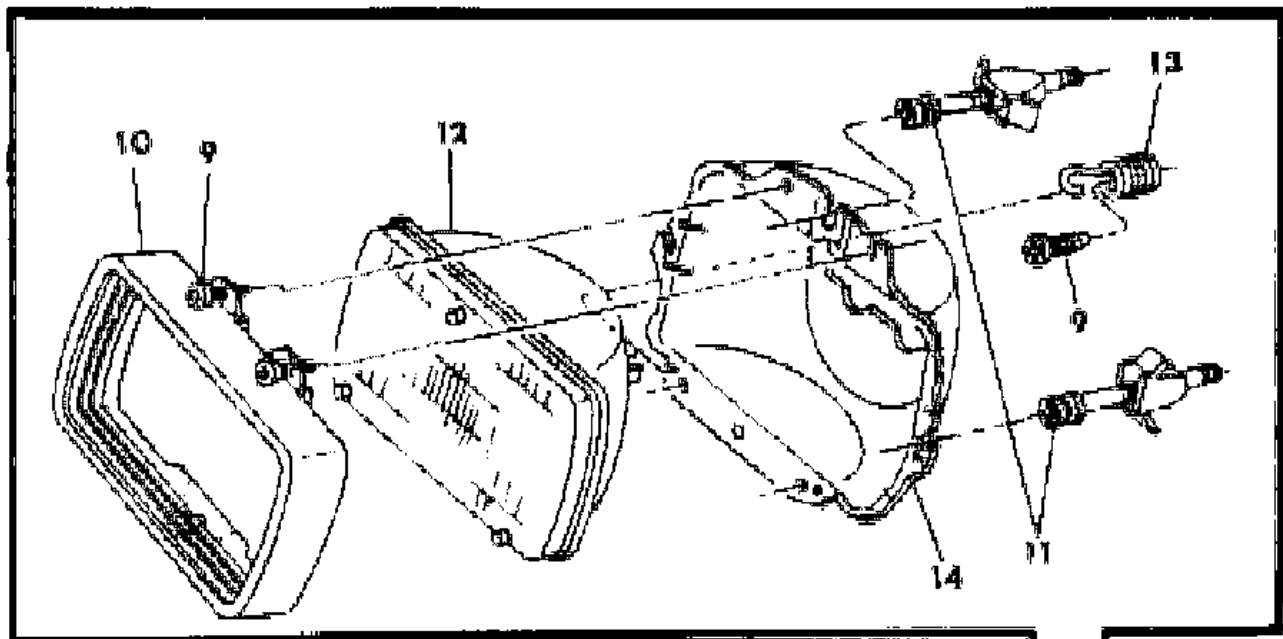
21 = 2-DOOR SEDAN	41 = 4-DOOR SEDAN
22 = 2-DOOR SPECIAL COUPE	45 = 4-DOOR STATION WAGON
24 = 2-DOOR HATCHBACK	44 = 4-DOOR HATCHBACK
27 = 2-DOOR CONVERTIBLE	48 = EXECUTIVE SEDAN
28 = FWD PICKUP	

AR = Use as Required - = Non Illustrated Part P.A.R. = Paint as Required

LAMPS--FRONT L BODY--24

Figure 8-2200

1104 1100



ITEM	PART NUMBER	QTY	BODY	MODEL	DESCRIPTION
1	3587 436	2			LAMP, Frt. Fender S/M
2	6028 471	4			NUT
3					HOUSING,(Serviced in Lamp Assy.)
4	5207 568-9	1			LAMP, Parking & Turn Signal Assy.
5					HOUSING,(Serviced in Lamp Assy.)
6	3798 253	2			SEAL,(Also Serviced in Lamp Assy.)
7					SCREW,(Serviced in Lamp Assy.)
8					LENS,(Serviced in Lamp Assy.)
9	0153 340				SCREW
10	4103 908	2			BEZEL
	4270 373	2			"SHELBY"
11	3868 985	2			SCREW, Sealed Beam Unit Mtg. Seat Adj.
12	0153 199	2			SEALED BEAM UNIT, (rt. way shift)
	0153 273	2			(lt. way shift) EXPORT
	0153 590	2			HALOGEN
13	5201 386	2			SPRING, Sealed Beam Unit Mtg. Seat Adj.
14	4074 686-7	2			SEAT, Sealed Beam Unit

NOTE: The following parts not on illustration iced Alternator. Listed above is the Alternator stamped production number crossreferenced to the app

3588 314	AR	SOCKET, Side Marker
3764 863	AR	Parking & Turn Signal Frt.
4055 433	AR	Parking & Turn Signal Frt. Repair Pkg.
3843 432	AR	Repair Pkg., (Park And Turn sig.)

MODEL CODES

B = GRAN FURY	G = DIPLOMAT	V = 400
C = LEBARON/TOWN & COUNTRY	M = HORIZON/TURISMO/SCAMP	X = MIRADA
D = ARIES	P = RELIANT	Y = IMPERIAL
E = 600	S = CORDOBA	Z = OMNI/CHARGER/RAMPAGE
F = FIFTH AVENUE	T = E CLASS/NEWYORKER	

BODY STYLES

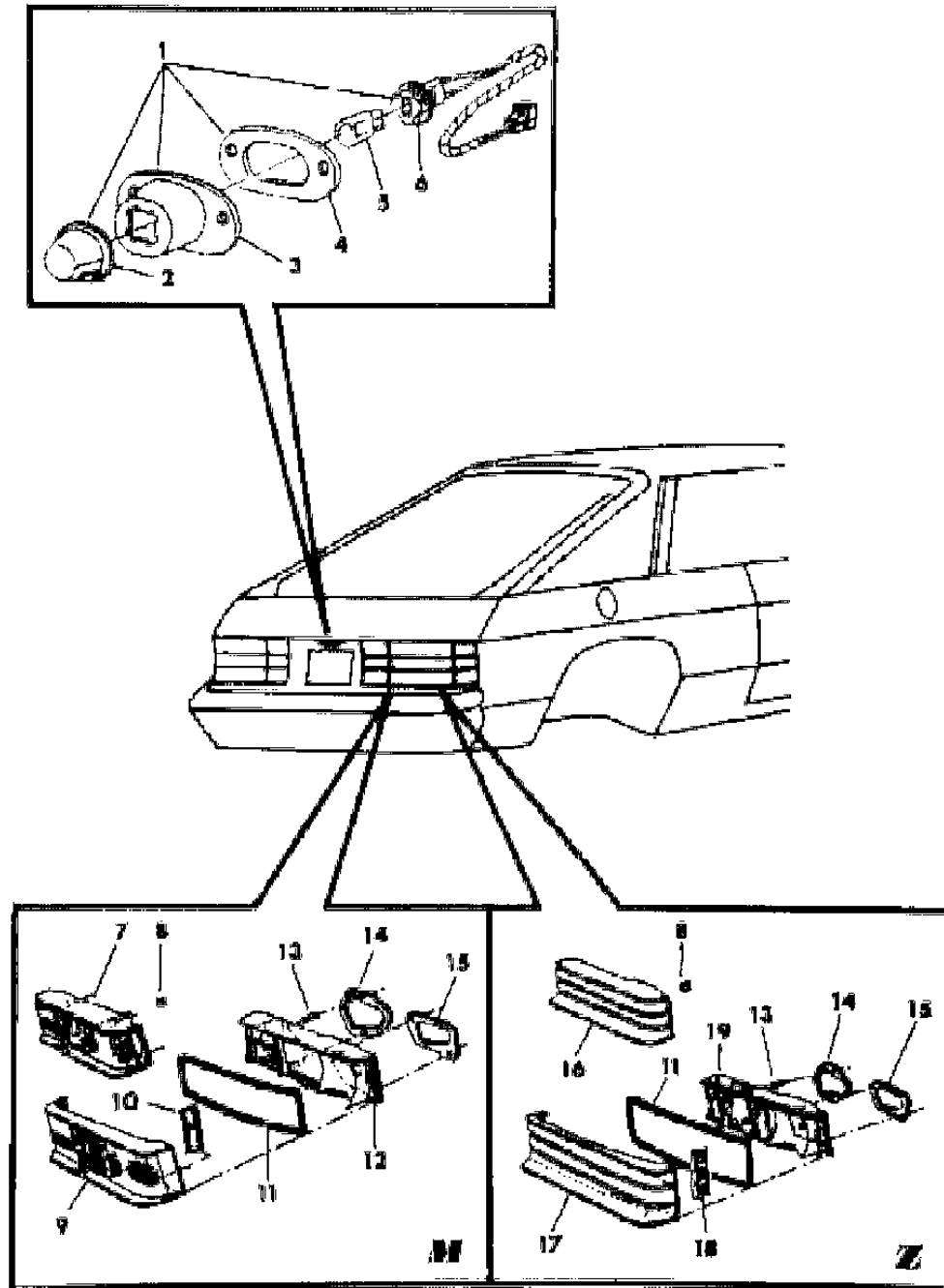
21 = 2-DOOR SEDAN	41 = 4-DOOR SEDAN
22 = 2-DOOR SPECIAL COUPE	45 = 4-DOOR STATION WAGON
24 = 2-DOOR HATCHBACK	44 = 4-DOOR HATCHBACK
27 = 2-DOOR CONVERTIBLE	48 = EXECUTIVE SEDAN
28 = FWD PICKUP	

AR = Use as Required - = Non Illustrated Part P.A.R. = Paint as Required



LAMPS & WIRING--REAR L BODY--24  
Figure 8-2300

SIDE 2300



ITEM	PART NUMBER	QTY	BODY	MODEL	DESCRIPTION
1	5207 516	1			LAMP ASSEMBLY, License
2					LENS,(Serviced in Lamp Assy.)
3					HOUSING,(Serviced in Lamp Assy.)
4					GASKET,(Serviced in Lamp Assy.)
5	9425 542				BULB
6					SOCKET and CABLE, (Not Serviced)
7	5207 564-5	1		M	LAMP ASSEMBLY, Export
				M	LAMP, (Not Serviced)
8	6023 205	8			NUT
9	5207 674-5	1		M	LENS ASSEMBLY
	5207 588-9	1		M	LENS ASSEMBLY, Export
10				M	REFLECTOR,(Serviced in Lens Assy.)
11	3798 253	2			SEAL, Adhesive Type 33" Long (Also Serviced in Lamp Assy.)
12	5207 670-1	1		M	HOUSING
13	6031 398				STUD, (Serviced in Lamp Assy.)
14	5207 626	2			GASKET, Inboard (Also Serviced in Lamp Assy.)
15	5207 628-9	1			GASKET, Outboard (Also Serviced in Lamp Assy.)
16	5207 564-5	1		Z	LAMP ASSEMBLY, Export
				Z	LAMP, (Not Serviced)
17	5207 686-7	1		Z	LENS ASSEMBLY
	5207 588-9	1		Z	LENS ASSEMBLY, Export
18				Z	REFLECTOR,(Serviced in Lens Assy.)
19	5207 692-3	1		Z	HOUSING
NOTE: The following parts not shown on illustration iced Alternator. Listed above is the Alternator stamped production number crossreferenced to the app					
	5211 711	AR			SOCKET, Turn Signal Rr.
	3780 745	AR			Back-Up
	2584 972	AR			Repair Pkg.
	4124 081	AR			Tail Light
	3588 314	AR			Side Marker
	5207 664	2			WELT, Lift Gate
	9417 866	2			BULB, B/Up Lamp

MODEL CODES

B = GRAN FURY	G = DIPLOMAT	V = 400
C = LEBARON/TOWN & COUNTRY	M = HORIZON/TURISMO/SCAMP	X = MIRADA
D = ARIES	P = RELIANT	Y = IMPERIAL
E = 600	S = CORDOBA	Z = OMNI/CHARGER/RAMPAGE
F = FIFTH AVENUE	T = E CLASS/NEWYORKER	

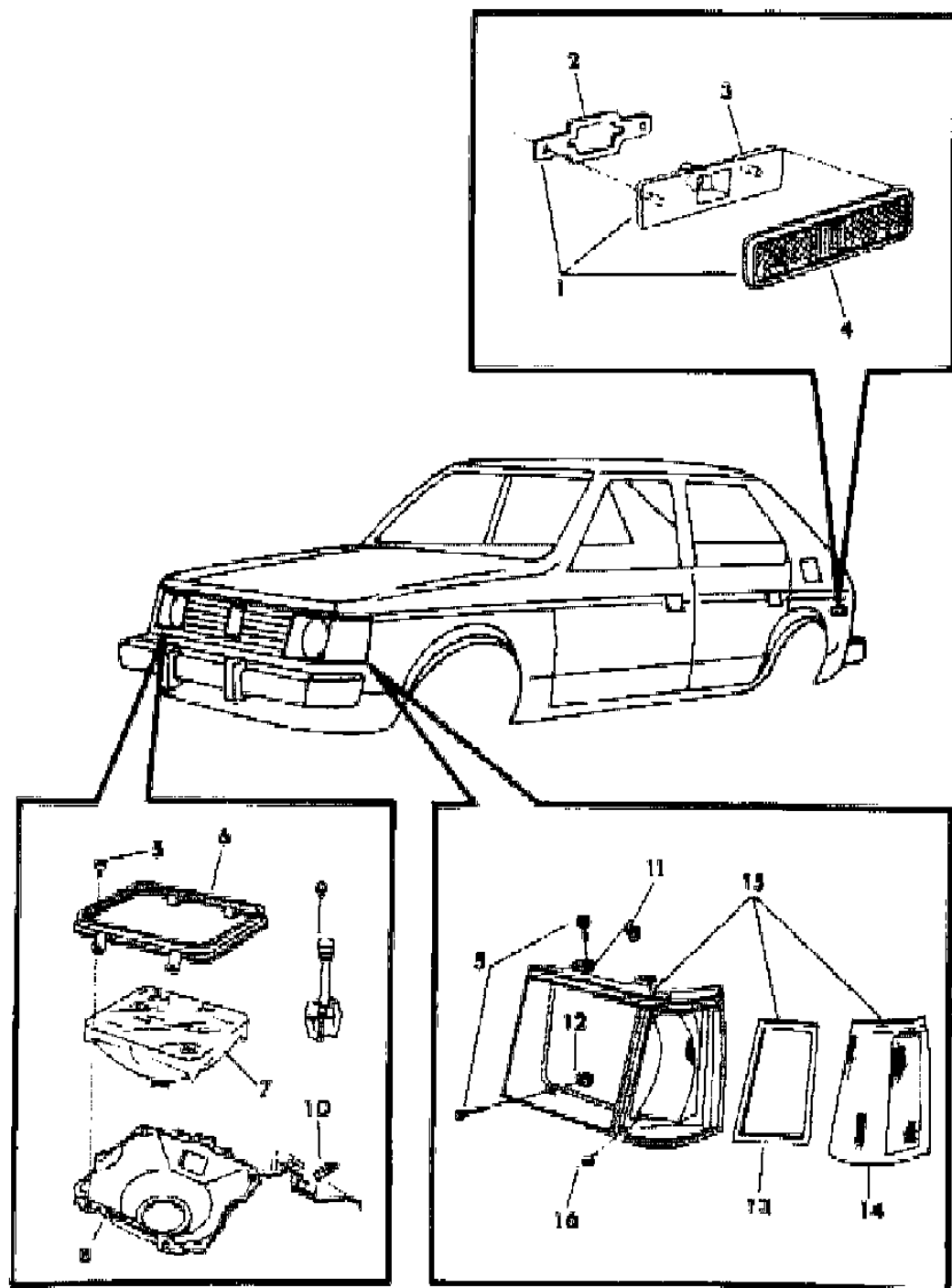
BODY STYLES

21 = 2-DOOR SEDAN	41 = 4-DOOR SEDAN
22 = 2-DOOR SPECIAL COUPE	45 = 4-DOOR STATION WAGON
24 = 2-DOOR HATCHBACK	44 = 4-DOOR HATCHBACK
27 = 2-DOOR CONVERTIBLE	48 = EXECUTIVE SEDAN
28 = FWD PICKUP	

AR = Use as Required - = Non Illustrated Part P.A.R. = Paint as Required

LAMPS--FRONT L BODY--44  
Figure 8-2400

1104 2400



ITEM	PART NUMBER	QTY	BODY	MODEL	DESCRIPTION
1	3587 440	2			LAMP, Qtr. Pnl. S/Marker Assy.
2					GASKET,(Serviced in Lamp Assy.)
3					HOUSING,(Serviced in Lamp Assy.)
4					LENS,(Serviced in Lamp Assy.)
5					SCREW,(Not Serviced)
6	5201 204	2			RETAINER, Sealed Beam Unit
7	0153 199	2			SEALED BEAM UNIT,(Rt. Way Shift)
	0153 273	2			(lt. Way Shift) EXPORT
	0153 590	2			Halogen
8	4103 468-9	2			SEAT, Sealed Beam Unit
9	4270 581	4			SCREW, w/Nut,Sealed Beam Unit Seat Adj.
10	5201 386	2			SPRING, Sealed Beam Unit Mtg. Seat Adj.
11	6031 234	4			NUT, Spacer
12	6031 138	4			NUT, Spacer
13	3798 253	2			SEAL
14	5207 624-5	1			LENS,(Also Serviced in Bezel Assy.)
15	4103 216-7	1			BEZEL, h/Lp., Park, t/Sig. and S/Marker Assy.
16					VENT STRIP,(Serviced in Bezel Assy.)

NOTE: The following parts not shown on illustration iced Alternator. Listed above is the Alternator stamped production number crossreferenced to the app

3513 686	SOCKET, Side Marker
3588 314	SOCKET, Side Marker (Repair)
3764 863	Turn Signal Frt.
3843 432	Repair Pkg.
4055 433	PARK, t/Sig. Repair Pkg.

MODEL CODES

B = GRAN FURY	G = DIPLOMAT	V = 400
C = LEBARON/TOWN & COUNTRY	M = HORIZON/TURISMO/SCAMP	X = MIRADA
D = ARIES	P = RELIANT	Y = IMPERIAL
E = 600	S = CORDOBA	Z = OMNI/CHARGER/RAMPAGE
F = FIFTH AVENUE	T = E CLASS/NEWYORKER	

BODY STYLES

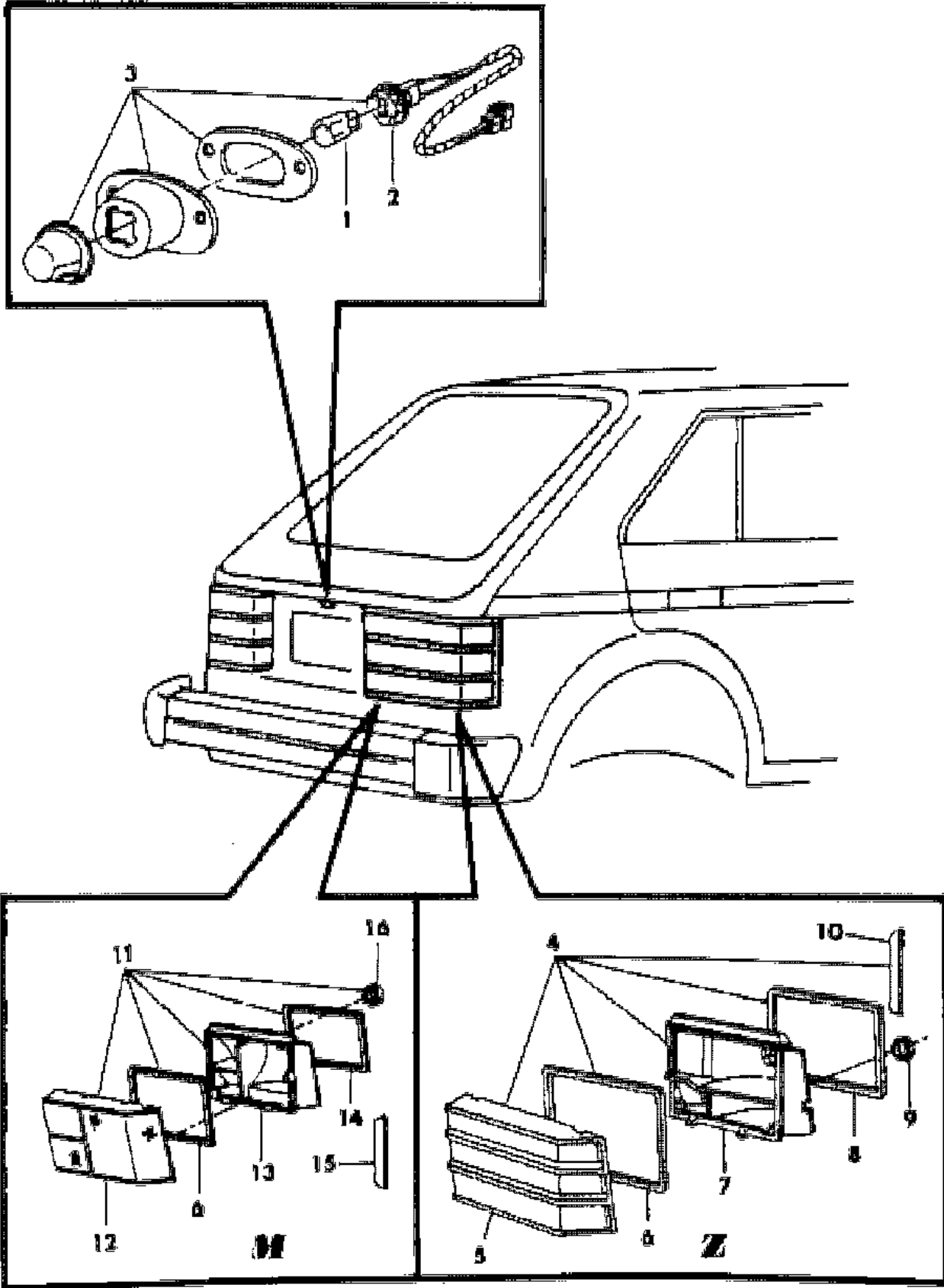
21 = 2-DOOR SEDAN	41 = 4-DOOR SEDAN
22 = 2-DOOR SPECIAL COUPE	45 = 4-DOOR STATION WAGON
24 = 2-DOOR HATCHBACK	44 = 4-DOOR HATCHBACK
27 = 2-DOOR CONVERTIBLE	48 = EXECUTIVE SEDAN
28 = FWD PICKUP	

AR = Use as Required - = Non Illustrated Part P.A.R. = Paint as Required

LAMPS & WIRING--REAR L BODY--44

Figure 8-2500

1108 2500



ITEM	PART NUMBER	QTY	BODY	MODEL	DESCRIPTION
1	9425 542				BULB
2					SOCKET and CABLE, (Not Serviced)
3	5207 516				LAMP ASSEMBLY, License Housing (License) Serviced In Lamp Assy.
4	5207 656-7			Z	LAMP ASSEMBLY
5	5207 662-3	1		Z	LENS
	5207 740-1	1		Z	LENS EXPORT
6	3798 253	2		M,Z	SEAL
7		2		Z	HOUSING ASSEMBLY, Serv. in #4
	5207 526-7	2		Z	HOUSING ASSEMBLY, Export
8	3798 253			Z	SEAL,(Also Serviced in Housing Assy.)
9				Z	GROUND RING,(Serviced in Housing Assy.)
10	5207 620			Z	WELT
11	5207 648-9			M	LAMP ASSEMBLY
12	5207 654-5	1		M	LENS
	5207 540-1	1		M	LENS EXPORT
13		1		M	HOUSING, (Serv.in #11)
	5207 526-7	1		M	HOUSING ASSEMBLY, Export
14	3798 253			M	SEAL
15	5207 666-7	2		M	WELT
16				M	GROUND RING,(Serviced in Housing Assy.)

NOTE:The following parts not shown on illustration. iced Alternator. Listed above is the Alternator stamped production number crossreferenced to the app

5211 711	SOCKET, Turn Signal Rr.
3780 745	BACK-UP
2584 972	Repair Pkg.
4124 081	Tail Light
4274 800	Back Up - And 1-4124083 Term.& 4124071 Term.

MODEL CODES

B = GRAN FURY	G = DIPLOMAT	V = 400
C = LEBARON/TOWN & COUNTRY	M = HORIZON/TURISMO/SCAMP	X = MIRADA
D = ARIES	P = RELIANT	Y = IMPERIAL
E = 600	S = CORDOBA	Z = OMNI/CHARGER/RAMPAGE
F = FIFTH AVENUE	T = E CLASS/NEWYORKER	

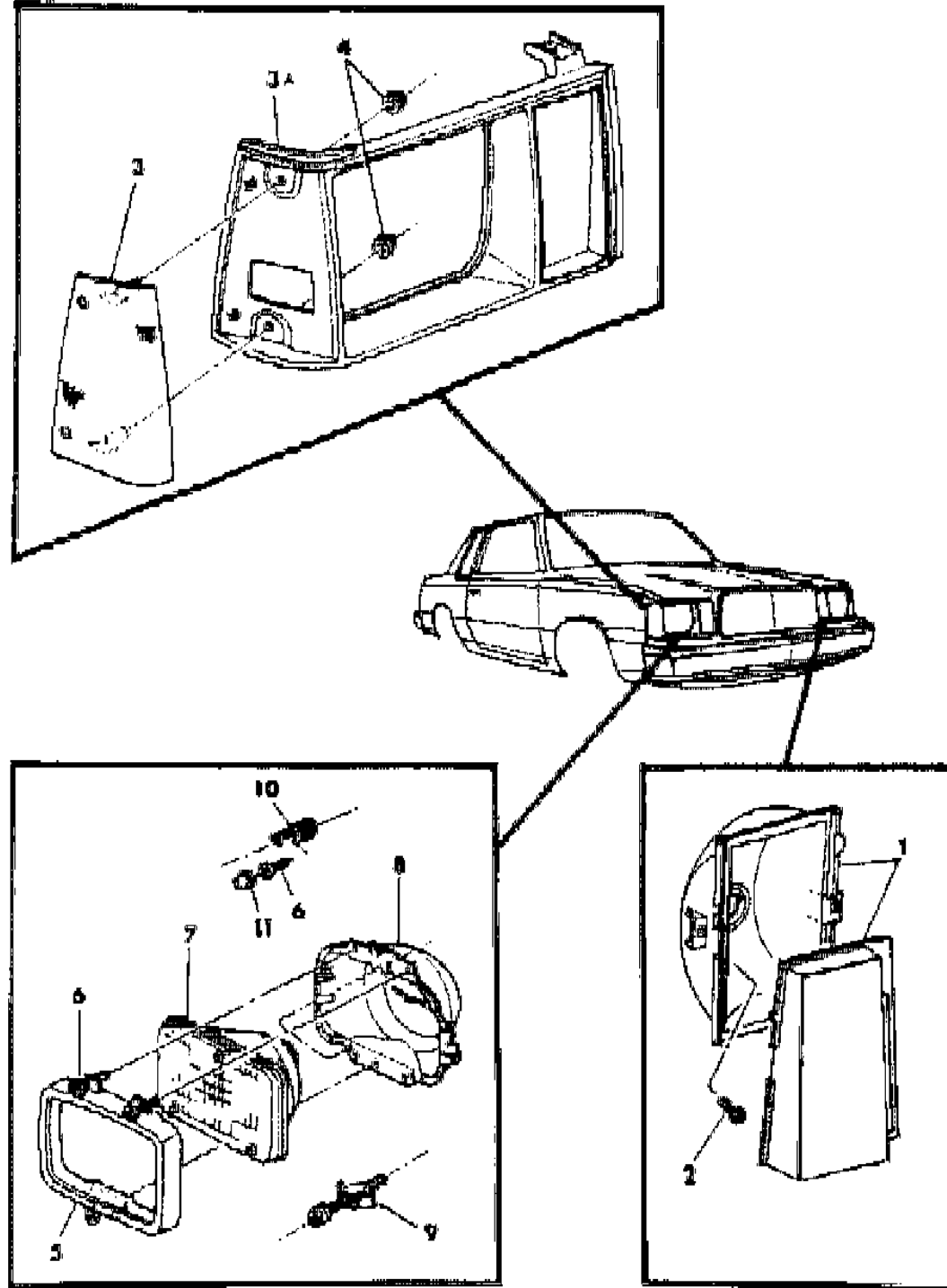
BODY STYLES

21 = 2-DOOR SEDAN	41 = 4-DOOR SEDAN
22 = 2-DOOR SPECIAL COUPE	45 = 4-DOOR STATION WAGON
24 = 2-DOOR HATCHBACK	44 = 4-DOOR HATCHBACK
27 = 2-DOOR CONVERTIBLE	48 = EXECUTIVE SEDAN
28 = FWD PICKUP	

AR = Use as Required - = Non Illustrated Part P.A.R. = Paint as Required

LAMPS--FRONT K BODY P-D  
Figure 8-2600

31106 2600



ITEM	PART NUMBER	QTY	BODY	MODEL	DESCRIPTION
1	4174 002-3				LAMP, h/Lamp Bezel Park & t/Sig. Assy.
2	6031 138	4			SCREW
3	4174 108-9				LAMP, h/Lamp Bezel s/Marker Assy.
3a	4270 574-5				BEZEL, Head Lamp
4	6029 471	4			NUT
5	4103 378	2			RETAINER,(up to 12-17-82)
	4103 378	2			(aft.12-17-82)
6	0153 340	6			SCREW
7					SEALED BEAM UNIT
	0153 590				Halogen (Rt. Way Shift) 7"
	0153 199				(Rt. Way Shift) 7" (Exc. Halogen)
	0153 273				(Lt. Way Shift) 7" (Export)
8	4103 468-9				SEAT, Rect. h/Lamp
9	4270 581	2			NUT and SCREW
10	5201 386	2			SPRING, Rect. h/Lamp
11	6030 765	6			CAP,(Screw Protector)
NOTE: The following parts not shown on illustration iced Alternator. Listed above is the Alternator stamped production number crossreferenced to the app					
					SOCKET
	3843 432	2			Park and T/Sig.
	3588 314	2			Side Marker
	4274 100	2			Side Marker (Repair)
	9417 866	2			Bulb, Cornering Lamp

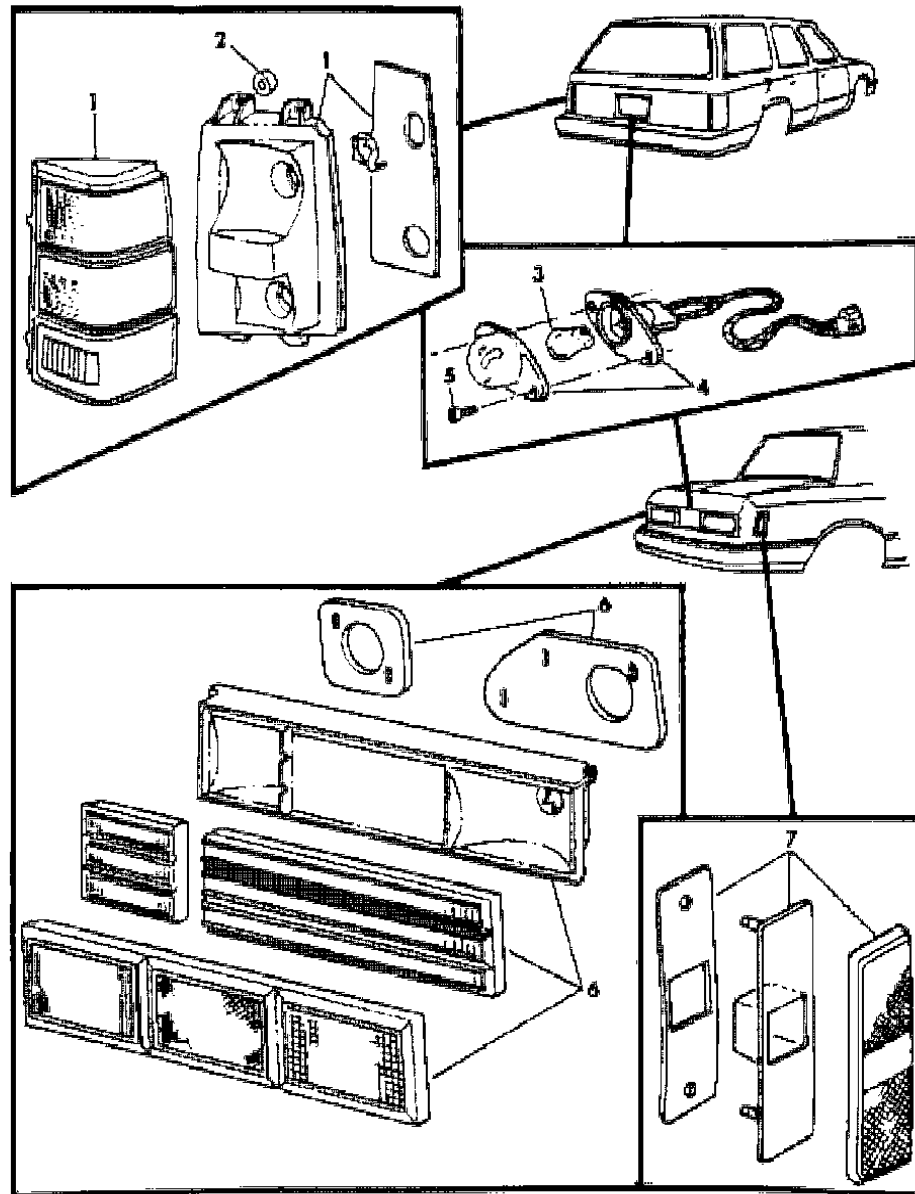
MODEL CODES  
 B = GRAN FURY  
 C = LEBARON/TOWN & COUNTRY  
 D = ARIES  
 E = 600  
 F = FIFTH AVENUE  
 G = DIPLOMAT  
 M = HORIZON/TURISMO/SCAMP  
 P = RELIANT  
 S = CORDOBA  
 T = E CLASS/NEWYORKER  
 V = 400  
 X = MIRADA  
 Y = IMPERIAL  
 Z = OMNI/CHARGER/RAMPAGE

BODY STYLES  
 21 = 2-DOOR SEDAN  
 22 = 2-DOOR SPECIAL COUPE  
 24 = 2-DOOR HATCHBACK  
 27 = 2-DOOR CONVERTIBLE  
 28 = FWD PICKUP  
 41 = 4-DOOR SEDAN  
 45 = 4-DOOR STATION WAGON  
 44 = 4-DOOR HATCHBACK  
 48 = EXECUTIVE SEDAN

AR = Use as Required - = Non Illustrated Part P.A.R. = Paint as Required

LAMPS & WIRING--REAR K BODY P-D  
Figure 8-2700

3104 2700



ITEM	PART NUMBER	QTY	BODY	MODEL	DESCRIPTION
1					LAMP, Qtr. Pnl. t/Stop & t/Sig. b/Up & Side Marker Assy.
	4174 080-1			P (45)	
	4174 096-7			D (45)	
	4174 298			P,D (45)	BRACKET, Qtr. Pnl. (Not Shown)
2	4174 299			P,D (45)	GASKET, Qtr. Pnl.
3	9425 542	2			BULB,(License)
4	4174 560				LAMP ASSEMBLY, License Housing (License) Serviced In Lamp Assy.
5					SCREW,(Not Serviced)
6	4174 046-7			P-L (21)	LAMP, t/Stop t/Sig. & b/Up Assy.
	4174 052-3			P-H (21)	
	4174 422-3			D-L (21)	
	4174 426-7			D-H (21)	
7	4174 118-9				LAMP, Qtr. Pnl. s/Marker Assy.
	4209 799			P-D 45	WIRING,Rt.Rear Lamp
	4274 107			P-D 45	WIRING,License Lamp
	4274 638			P-D 21-	WIRING,License & Trunk Lamp
	4221 261				LAMP, Trunk
NOTE: The following parts not shown on illustration iced Alternator. Listed above is the Alternator stamped production number crossreferenced to the app					
					SOCKET
	3588 314	2		(21,41)	Side Marker
	4274 100	2			Side Marker, t/Sig. (Repair Pkg.)
	4124 081	4		(21,41)	Tail Stop
	4124 071				Terminal
	4124 083				Terminal(Ground)
	3588 314	4			License
	3843 432	4			Park & t/Sig.
	2822 196	2		(45)	Tail Stop and T/Sig.
	5211 711	2			Rr. t/Sig. w/(60Deg.)
	5211 712	2			Back Up w/(90Deg.)
	4274 800				Back Up
	9417 866				BULB, Back-Up Lamp

MODEL CODES

B = GRAN FURY	G = DIPLOMAT	V = 400
C = LEBARON/TOWN & COUNTRY	M = HORIZON/TURISMO/SCAMP	X = MIRADA
D = ARIES	P = RELIANT	Y = IMPERIAL
E = 600	S = CORDOBA	Z = OMNI/CHARGER/RAMPAGE
F = FIFTH AVENUE	T = E CLASS/NEWYORKER	

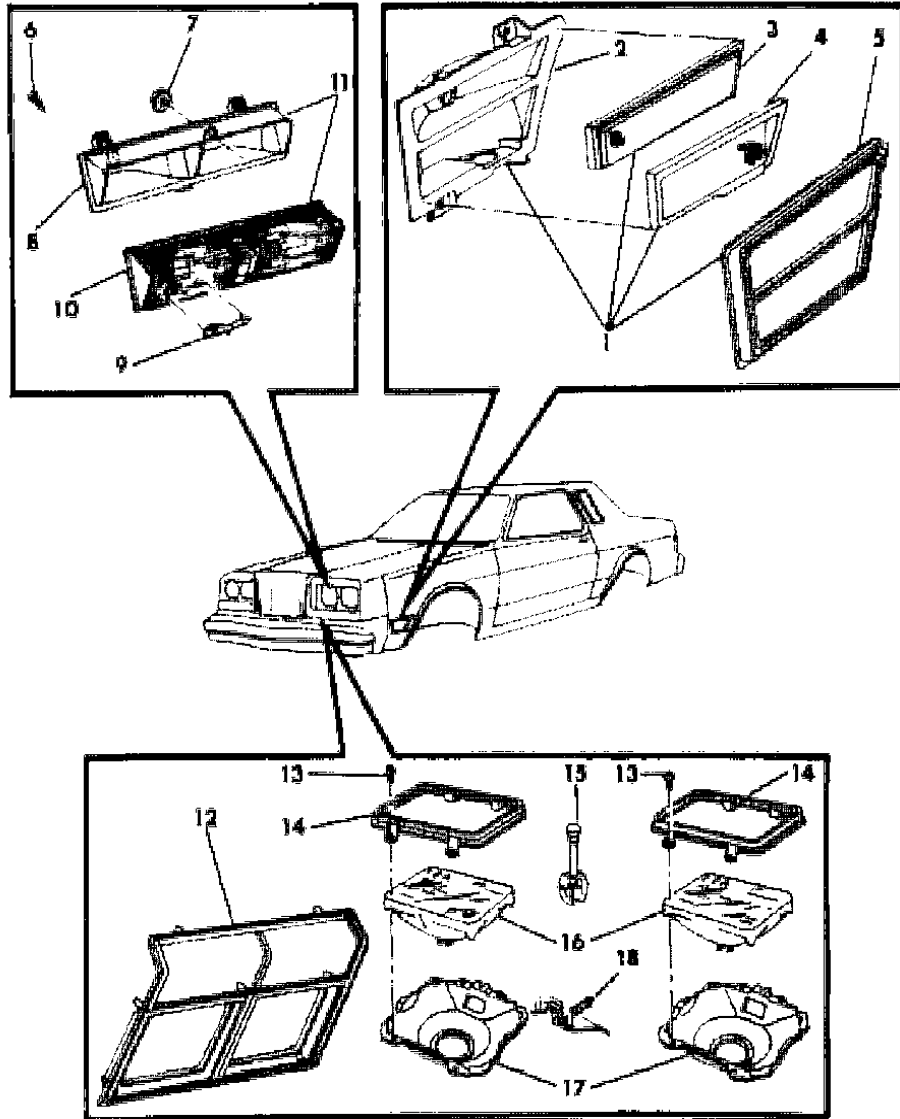
BODY STYLES

21 = 2-DOOR SEDAN	41 = 4-DOOR SEDAN
22 = 2-DOOR SPECIAL COUPE	45 = 4-DOOR STATION WAGON
24 = 2-DOOR HATCHBACK	44 = 4-DOOR HATCHBACK
27 = 2-DOOR CONVERTIBLE	48 = EXECUTIVE SEDAN
28 = FWD PICKUP	

AR = Use as Required - = Non Illustrated Part P.A.R. = Paint as Required

LAMPS--FRONT M BODY--F  
Figure 8-2800

3106 2800



ITEM	PART NUMBER	QTY	BODY	MODEL	DESCRIPTION
1	4076 790-1				LAMP, Cornering & s/Marker Assy.
	4174 867				LAMP, s/Marker Assy.
2					HOUSING,(Serviced In Lamp Assy.)
3					LENS,(Serviced in Lamp Assy.) Upper
4					LENS,(Serviced in Lamp Assy.) Lower
5					BEZEL,(Serviced in Lamp Assy.)
6					SCREW,(Not Serviced)
7					PLATE,(Serviced in Lamp Assy.)
8					HOUSING,(Serviced in Lamp Assy.)
9					NAME PLATE, Chrysler,(Serviced in 4076565 Lamp Assy.)
10					LENS,(Serviced in Lamp Assy.)
11	4174 364-5				LAMP, Park & t/Sig. Assy.
12	4103 638-9				BEZEL
13					SCREW,(Not Serviced)
14	4016 088	4			RETAINER, Sealed Beam Unit
15	3868 985	8			SCREW, w/Nut Sealed Beam Unit
16	0153 440	2			SEALED BEAM UNIT, High Beam (Halogen)
	0153 481	2			High Low Beam (Halogen)
	0153 200	2			High Beam
	0153 201	2			High & Low Beam
17	3868 928-9	1			SEAT, Sealed Beam Unit, High Beam
	3868 926-7	1			High & Low Beam
18	3868 789	4			SPRING, Sealed Beam Unit Mtg. Seat Adj.
NOTE: The following parts not shown on illustration iced Alternator. Listed above is the Alternator stamped production number crossreferenced to the app					
	3843 432				SOCKET, Turn Signal
	3513 686				SOCKET, Side Marker
	4124 721				w/ Cable Cornering Lamp

MODEL CODES

B = GRAN FURY	G = DIPLOMAT	V = 400
C = LEBARON/TOWN & COUNTRY	M = HORIZON/TURISMO/SCAMP	X = MIRADA
D = ARIES	P = RELIANT	Y = IMPERIAL
E = 600	S = CORDOBA	Z = OMNI/CHARGER/RAMPAGE
F = FIFTH AVENUE	T = E CLASS/NEWYORKER	

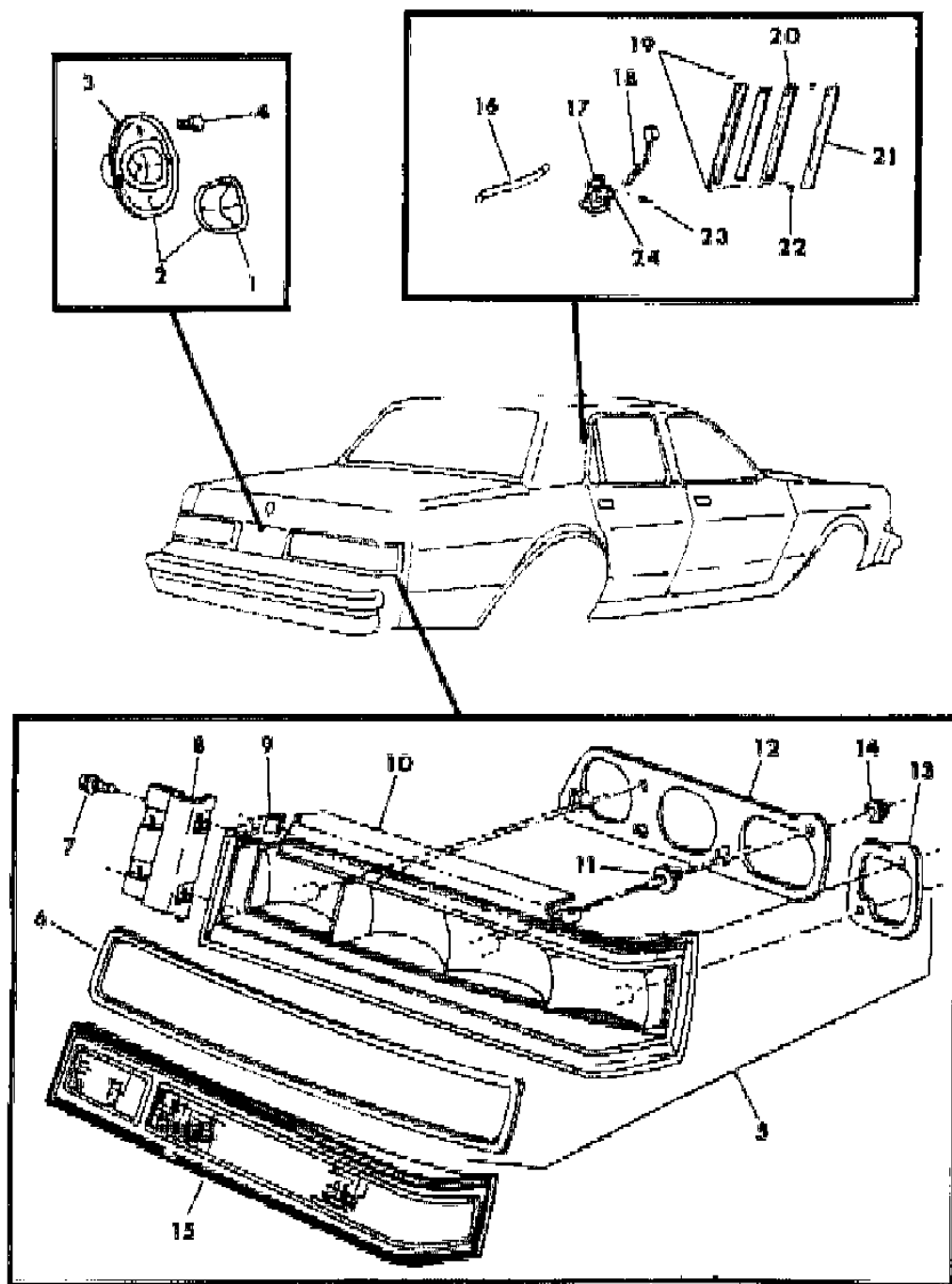
BODY STYLES

21 = 2-DOOR SEDAN	41 = 4-DOOR SEDAN
22 = 2-DOOR SPECIAL COUPE	45 = 4-DOOR STATION WAGON
24 = 2-DOOR HATCHBACK	44 = 4-DOOR HATCHBACK
27 = 2-DOOR CONVERTIBLE	48 = EXECUTIVE SEDAN
28 = FWD PICKUP	

AR = Use as Required - = Non Illustrated Part P.A.R. = Paint as Required

LAMPS & WIRING--REAR M BODY--F  
Figure 8-2900

3305 2400



ITEM	PART NUMBER	QTY	BODY	MODEL	DESCRIPTION
1					LENS,(Serviced in Lamp Assy.)
2	4076 808				LAMP ASSEMBLY, License
3					HOUSING,(Serviced in Lamp Assy.)
4					SCREW,(Not Serviced)
5	4174 356-7	1			LAMP, Lwr.Deck Oping Pnl.t/Stop & t/Sig. Assy.
6					SEAL,(Serviced in Lamp Assy.)
7					SCREW,(Not Serviced)
8	4229 652				SUPPORT
9					NUT, Speed
10					HOUSING,(Serviced in Lamp Assy.)
11					STUD,(Serviced in Lamp Assy.)
12					GASKET,(Serviced In Lamp Assy.)
13					GASKET,(Serviced In Lamp Assy.)
14	6023 205	12			NUT
15	4076 892-3				LENS
16	4229 163	AR			WIRE, 12 Volts
17	4229 291	AR			RETAINER, Inverter Assy.
18		AR			WIRE, Lamp, 110 Volts
19	4057 555	AR			NUT, 3/16
20	4229 160-1				LENS, Light Insert Assy.
21	4229 806-7				BEZEL, Rear Dr. Qtr. Wdo. Assy.
22	4094 619				RETAINER PACKAGE
23		AR			RIVET, 1/8 x .032
24	4229 162	AR			INVERTER, Rear Opera Lamp Assy.
	4209 675				WIRING,Lamp Rear
	4267 275				LAMP, Trunk
NOTE: The following parts not shown on illustration iced Alternator. Listed above is the Alternator stamped production number crossreferenced to the app					
	3513 686				SOCKET, License
	4124 081				Tail & Turn Signal
	3513 686				Side Marker
	4124 545				Socket
	3513 686				Side Marker (Repair)
	4274 800				Back Up

MODEL CODES

B = GRAN FURY	G = DIPLOMAT	V = 400
C = LEBARON/TOWN & COUNTRY	M = HORIZON/TURISMO/SCAMP	X = MIRADA
D = ARIES	P = RELIANT	Y = IMPERIAL
E = 600	S = CORDOBA	Z = OMNI/CHARGER/RAMPAGE
F = FIFTH AVENUE	T = E CLASS/NEWYORKER	

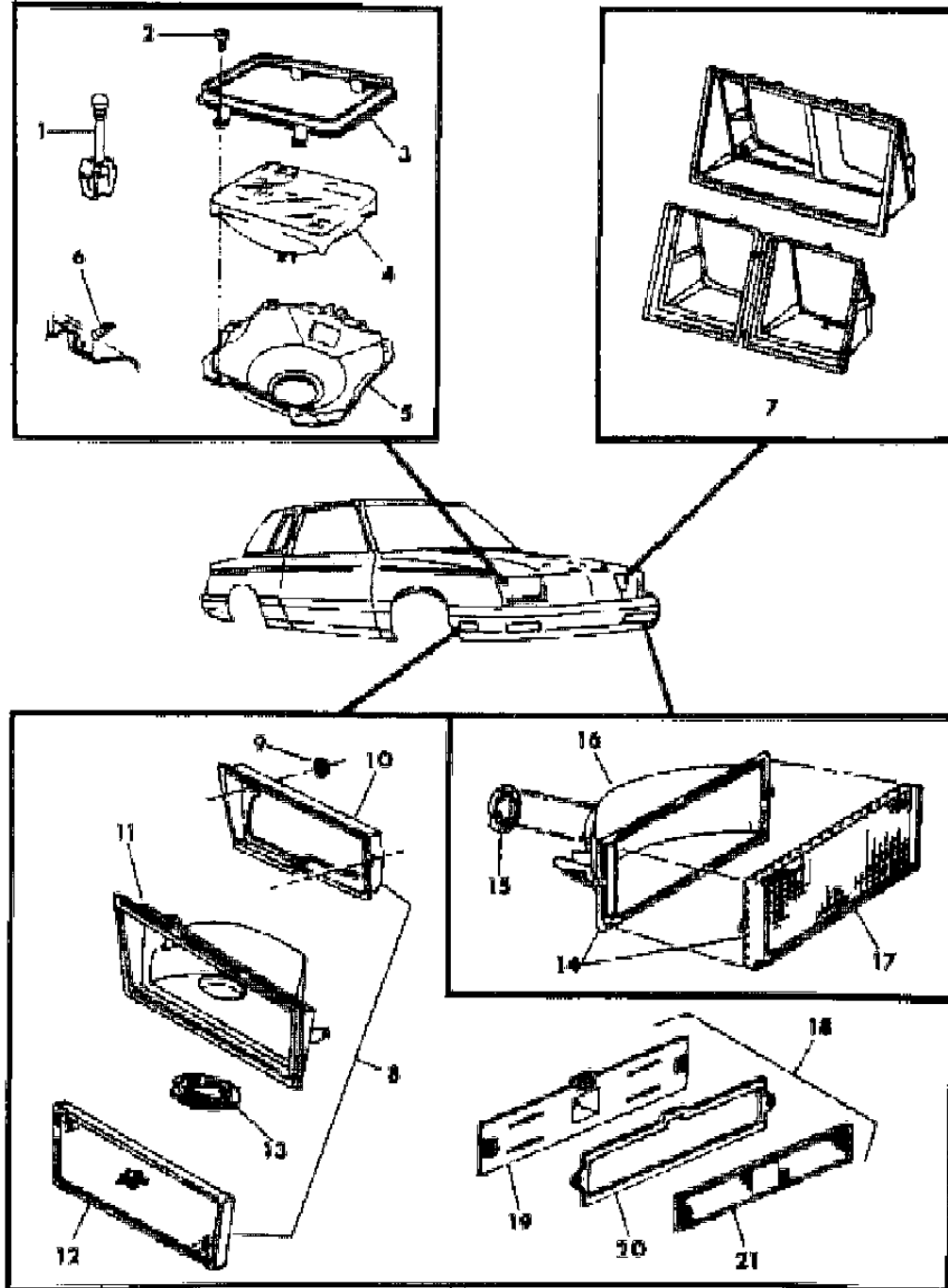
BODY STYLES

21 = 2-DOOR SEDAN	41 = 4-DOOR SEDAN
22 = 2-DOOR SPECIAL COUPE	45 = 4-DOOR STATION WAGON
24 = 2-DOOR HATCHBACK	44 = 4-DOOR HATCHBACK
27 = 2-DOOR CONVERTIBLE	48 = EXECUTIVE SEDAN
28 = FWD PICKUP	

AR = Use as Required - = Non Illustrated Part P.A.R. = Paint as Required

LAMPS--FRONT C-V-E-T  
Figure 8-3000

3104 J6000



ITEM	PART NUMBER	QTY	BODY	MODEL	DESCRIPTION
1	3868 985	1			SCREW, w/Nut, Sealed Beam Unit
2					SCREW, (Not Serviced)
3	4016 088				RETAINER, Sealed Beam Unit
4					SEALED BEAM UNIT
	0153 440				High Beam (Halogen)
	0153 481				High & Low Beam (Halogen)
	0153 200				High Beam
	0153 201				High & Low Beam
5					SEAT, Sealed Beam
	3868 928-9				High Beam
	3868 926-7				High & Low Beam
6	3868 789				SPRING, Sealed Beam Unit Seat Adj.
7					BEZEL, h/LAMP Assy.
	4270 550-1			C,T	Bezel
	4270 556-7			V,E	Bezel (Inter)
	4270 558-9			V,E	Bezel (Outer)
8	4174 206-7				LAMP, Cornering
9	6029 471	4			NUT
10	4174 212-3				BRACKET
11					HOUSING, (Serviced In Lamp Assy.)
	4174 546-7	1		C-V	BEZEL, "Town & Country"
12					LENS, (Serviced In Lamp Assy.)
13					PLATE, (Serviced In Lamp Assy.)
14	4174 200-1				LAMP, Park & Turn Signal Assy.
15					PLATE, (Serviced In Lamp Assy.)
16					HOUSING, (Serviced In Lamp Assy.)
17					LENS, (Serviced In Lamp Assy.)
18	4174 224				LAMP, s/Marker Assy.
19					HOUSING, (Serviced In Lamp Assy.)
20					GASKET, (Serviced In Lamp Assy.)
21					LENS, (Serviced In Lamp Assy.)
NOTE: The following parts not shown on illustration iced Alternator. Listed above is the Alternator stamped production number crossreferenced to the app					
	4274 100				SOCKET, Side Marker
	4124 721				w/Cable Cornering Lamp
	3843 432			E,T	SOCKET, Park & t/Sig.
	9417 866				BULB, Cornering Lamp

MODEL CODES

B = GRAN FURY

C = LEBARON/TOWN & COUNTRY

D = ARIES

E = 600

F = FIFTH AVENUE

G = DIPLOMAT

M = HORIZON/TURISMO/SCAMP

P = RELIANT

S = CORDOBA

T = E CLASS/NEWYORKER

V = 400

X = MIRADA

Y = IMPERIAL

Z = OMNI/CHARGER/RAMPAGE

BODY STYLES

21 = 2-DOOR SEDAN

22 = 2-DOOR SPECIAL COUPE

24 = 2-DOOR HATCHBACK

27 = 2-DOOR CONVERTIBLE

28 = FWD PICKUP

41 = 4-DOOR SEDAN

45 = 4-DOOR STATION WAGON

44 = 4-DOOR HATCHBACK

48 = EXECUTIVE SEDAN

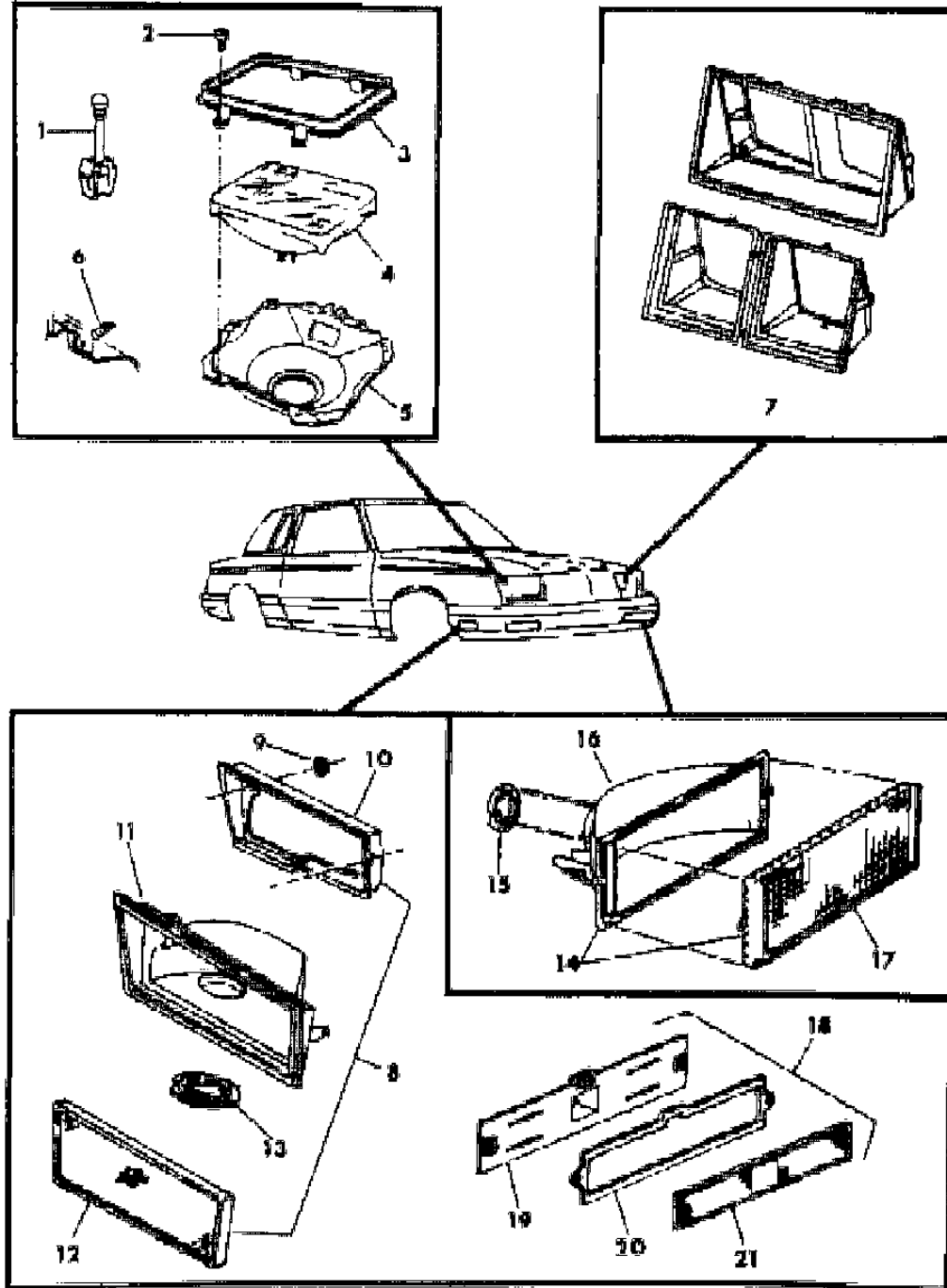
AR = Use as Required - = Non Illustrated Part P.A.R. = Paint as Required



LAMPS--FRONT C-V-E-T  
Figure 8-3000

ITEM	PART NUMBER	QTY	BODY	MODEL	DESCRIPTION
	2983 170				SOCKET PACKAGE

1104 J000



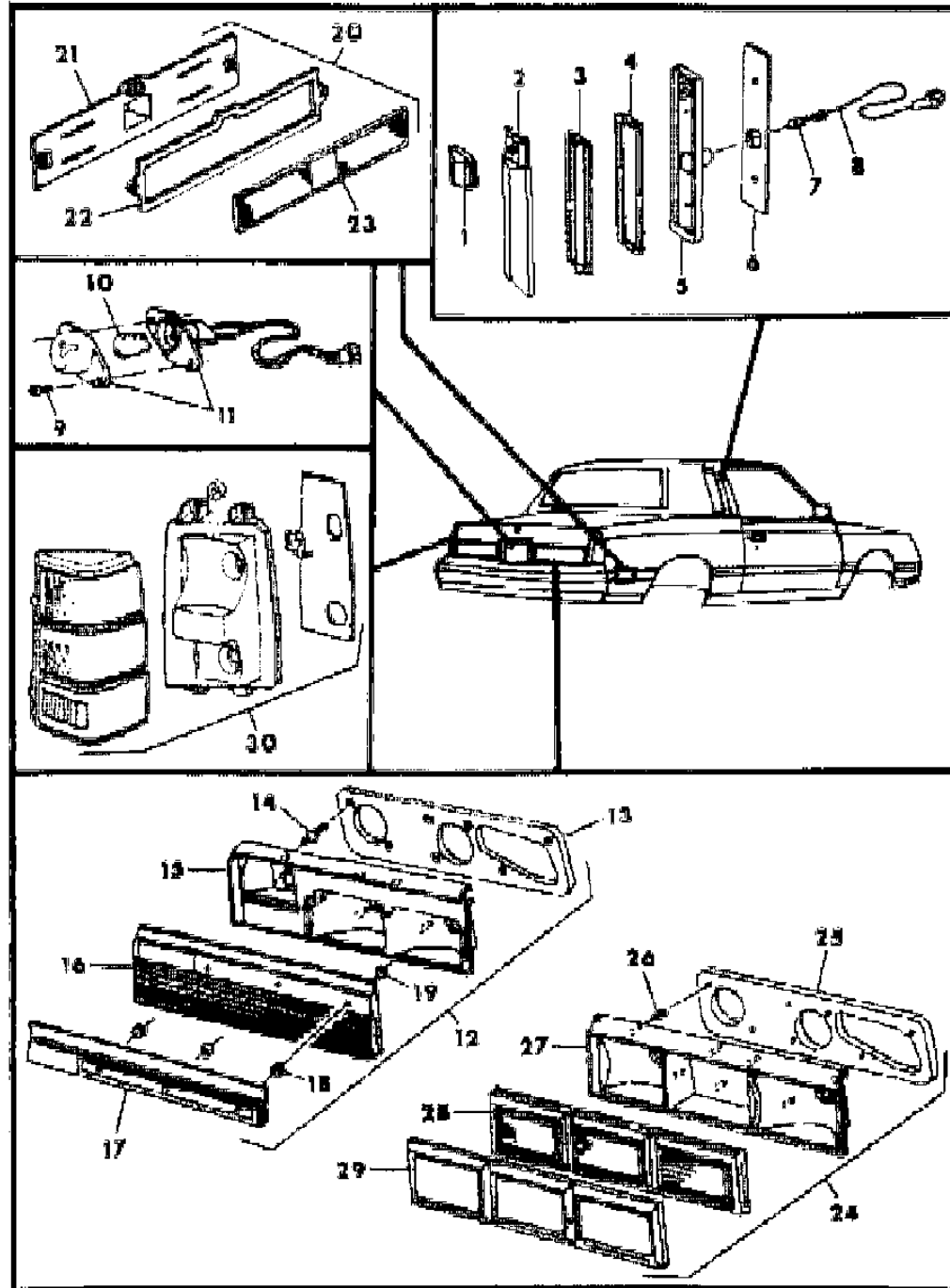
MODEL CODES  
 B = GRAN FURY  
 C = LEBARON/TOWN & COUNTRY  
 D = ARIES  
 E = 600  
 F = FIFTH AVENUE  
 G = DIPLOMAT  
 M = HORIZON/TURISMO/SCAMP  
 P = RELIANT  
 S = CORDOBA  
 T = E CLASS/NEWYORKER  
 V = 400  
 X = MIRADA  
 Y = IMPERIAL  
 Z = OMNI/CHARGER/RAMPAGE

BODY STYLES  
 21 = 2-DOOR SEDAN  
 22 = 2-DOOR SPECIAL COUPE  
 24 = 2-DOOR HATCHBACK  
 27 = 2-DOOR CONVERTIBLE  
 28 = FWD PICKUP  
 41 = 4-DOOR SEDAN  
 45 = 4-DOOR STATION WAGON  
 44 = 4-DOOR HATCHBACK  
 48 = EXECUTIVE SEDAN

AR = Use as Required - = Non Illustrated Part P.A.R. = Paint as Required

LAMPS & WIRING--REAR C-V-E-T  
Figure 8-3100

FIG 8-3100



ITEM	PART NUMBER	QTY	BODY	MODEL	DESCRIPTION
1	3881 692				COVER
2	3881 689				LENS ASSEMBLY
	4318 202-3			TP-41	LENS ASSEMBLY
	4174 598-9			TP-41	BEZEL,Opera Lamp
				TP-41	FILTER,(Serv.in Lens Assy.)
	9437 448			TP-41	BULB
	0153 365			TP-41	SCREW,Attaching
3					FILTER,(Serviced In Lens Assy.)
4	3881 688				GASKET, Lens
5	4186 356				HOUSING ASSEMBLY
6					GASKET, Housing (Serviced In Housing Assy.)
7	9428 049				BULB
8	3746 516				SOCKET
9					SCREW,(Not Serviced)
10	9425 542				BULB,(License)
11	4174 560				LAMP ASSEMBLY, License
12	4174 214-5			C	LAMP, Tail Stop & t/Signal Assy.
	4174 502-3			T	LAMP ASSY., Tail Stop & Turn Signal
13				C,T	GASKET,(Serviced in Lamp Assy.)
14				C,T	STUD,(Serviced in Lamp Assy.)
15				C,T	HOUSING,(Serviced In Lamp ASSY.)
16				C,T	LENS,(Serviced In Lamp Assy.)
17				C,T	BEZEL,(Serviced In Lamp Assy.)
18				C,T	GASKET,(Serviced In Lamp Assy.)
19	9420 294			C,T	NUT
20	4174 311			C-V-E	LAMP, s/Marker Assy.
	4319 882-3			CV 27	BEZEL,s/Marker Lamp
21					HOUSING,(Serviced In Lamp Assy.)
22					GASKET,(Serviced in Lamp Assy.)
23					LENS,(Serviced in Lamp Assy.)
24	4174 314-5			V	LAMP, Tail Stop & t/Signal Assy.
	4174 500-1			E	LAMP, Tail Stop & t/Signal Assy.
25				V,E	GASKET,(Serviced In Lamp Assy.)
26				V,E	STUD,(Serviced In Lamp Assy.)
27				V,E	HOUSING,(Serviced In Lamp Assy.)
28				V,E	LENS,(Serviced In Lamp Assy.)
29				V,E	BEZEL,(Serviced In Lamp Assy.)

MODEL CODES

B = GRAN FURY

C = LEBARON/TOWN & COUNTRY

D = ARIES

E = 600

F = FIFTH AVENUE

G = DIPLOMAT

M = HORIZON/TURISMO/SCAMP

P = RELIANT

S = CORDOBA

T = E CLASS/NEWYORKER

V = 400

X = MIRADA

Y = IMPERIAL

Z = OMNI/CHARGER/RAMPAGE

BODY STYLES

21 = 2-DOOR SEDAN

22 = 2-DOOR SPECIAL COUPE

24 = 2-DOOR HATCHBACK

27 = 2-DOOR CONVERTIBLE

28 = FWD PICKUP

41 = 4-DOOR SEDAN

45 = 4-DOOR STATION WAGON

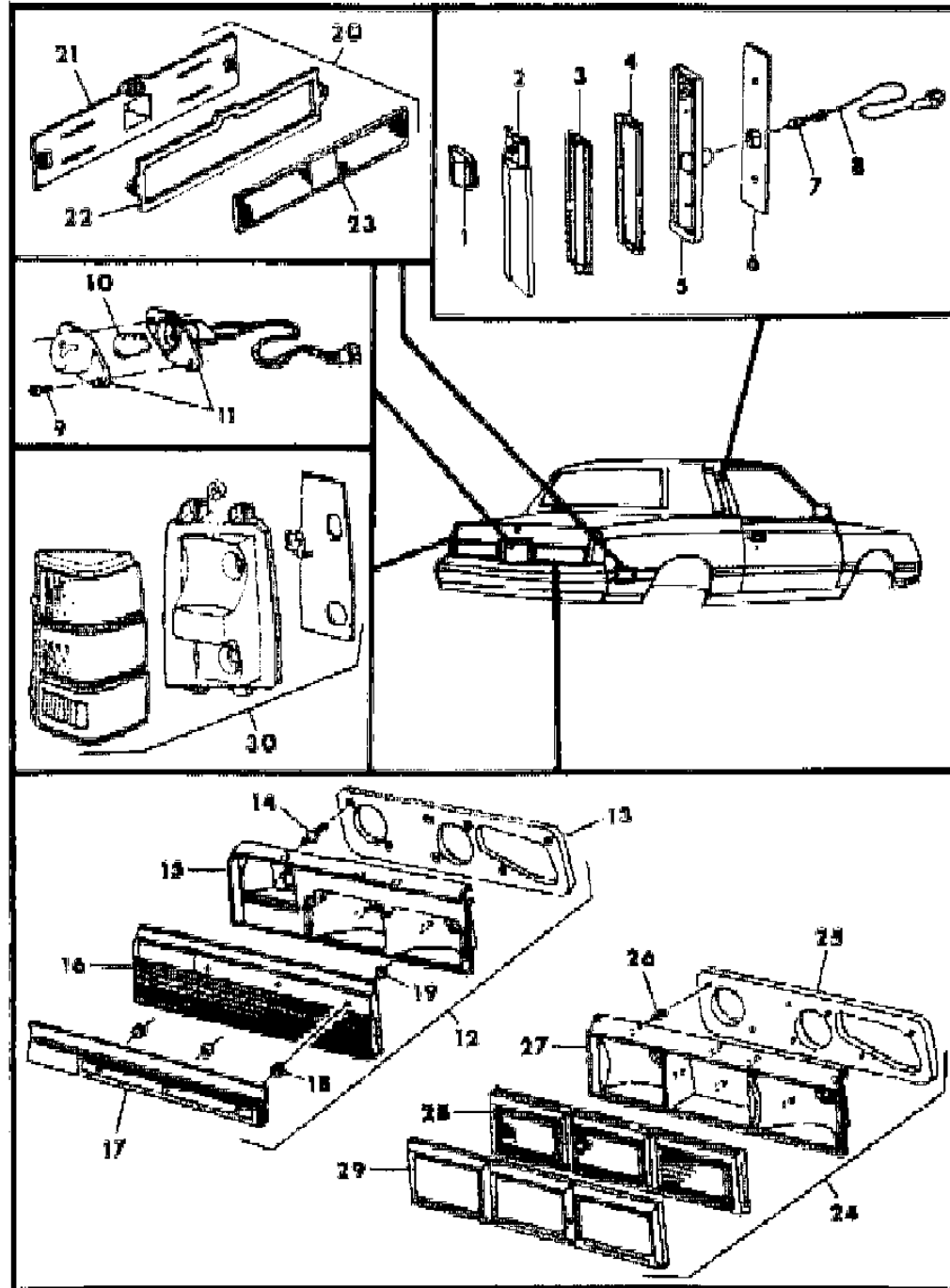
44 = 4-DOOR HATCHBACK

48 = EXECUTIVE SEDAN

AR = Use as Required - = Non Illustrated Part P.A.R. = Paint as Required

LAMPS & WIRING--REAR C-V-E-T  
Figure 8-3100

FIG 8-3100



ITEM	PART NUMBER	QTY	BODY	MODEL	DESCRIPTION
30	4174 080-1			C (45)	LAMP, Qtr. Pnl. t/S t/Sig. b/Up & s/Marker Assy.
	4174 299			C (45)	Gasket, Qtr. Pnl. T/S T/Sig. B/Up & S/Marker (Not Shown)
	4174 298			C (45)	Bracket, Qtr. Pnl. T/S T/Sig. B/Up & S/Marker (Not Shown)
	4209 799			C	WIRING,Rt.Rear Lamp
	4274 640			C-V 21-	WIRING,License & Trunk Ajar Lamp
	4221 261				LAMP PKG.,Trunk
NOTE: The following parts not shown on illustration iced Alternator. Listed above is the Alternator stamped production number crossreferenced to the app					
					SOCKET, License Lamp
	3588 314				Side Marker
	3780 745				Back Up Repair Pkg.
	9417 866				BULB, B/Up Lamp
	4124 081				SOCKET, Tail Lamp

MODEL CODES

B = GRAN FURY	G = DIPLOMAT	V = 400
C = LEBARON/TOWN & COUNTRY	M = HORIZON/TURISMO/SCAMP	X = MIRADA
D = ARIES	P = RELIANT	Y = IMPERIAL
E = 600	S = CORDOBA	Z = OMNI/CHARGER/RAMPAGE
F = FIFTH AVENUE	T = E CLASS/NEWYORKER	

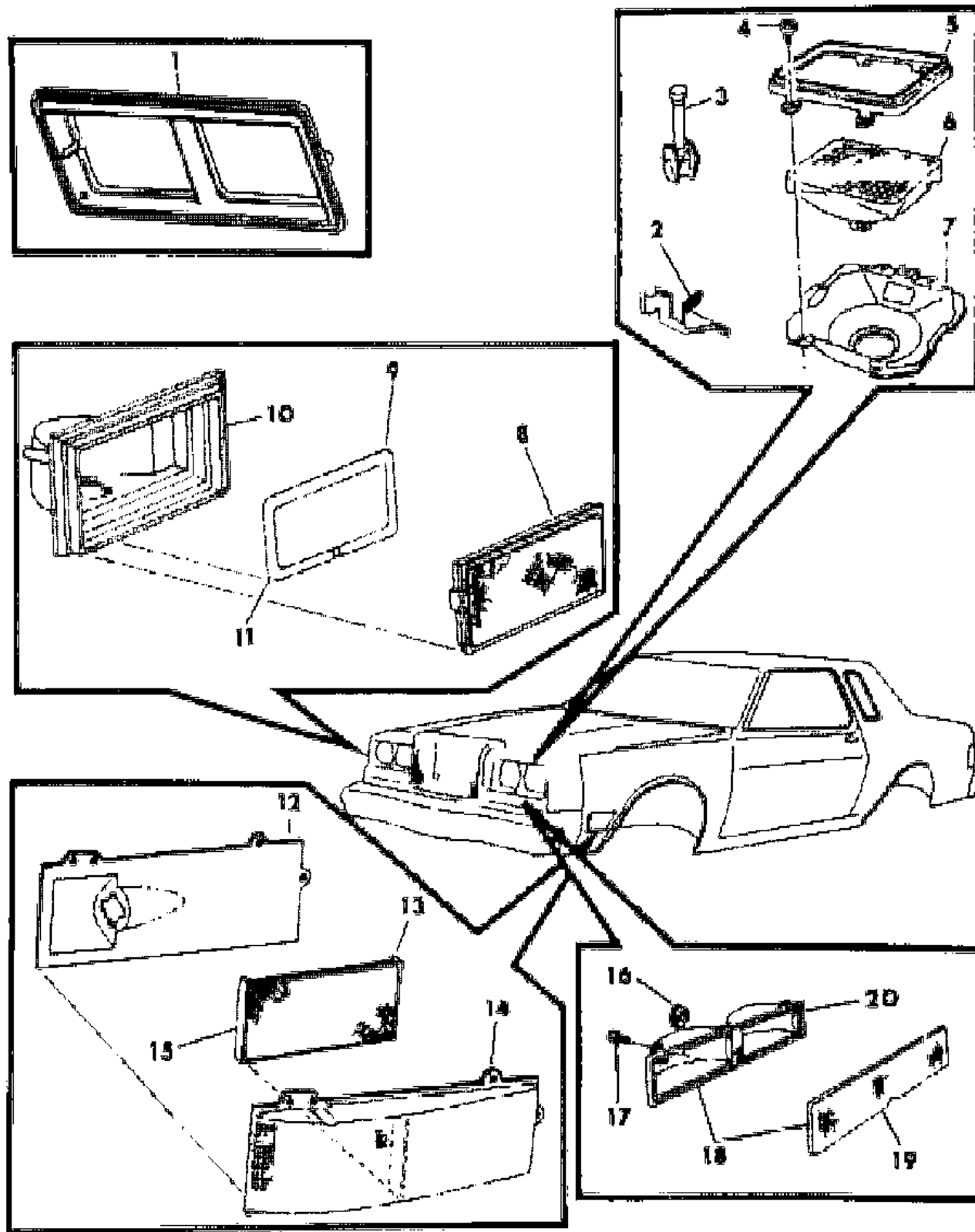
BODY STYLES

21 = 2-DOOR SEDAN	41 = 4-DOOR SEDAN
22 = 2-DOOR SPECIAL COUPE	45 = 4-DOOR STATION WAGON
24 = 2-DOOR HATCHBACK	44 = 4-DOOR HATCHBACK
27 = 2-DOOR CONVERTIBLE	48 = EXECUTIVE SEDAN
28 = FWD PICKUP	

AR = Use as Required - = Non Illustrated Part P.A.R. = Paint as Required

LAMPS--FRONT M BODY--B,G  
Figure 8-3200

3108 3.800



ITEM	PART NUMBER	QTY	BODY	MODEL	DESCRIPTION
1	4074 626	2			BEZEL, H/Lamp Assy.
2	3868 789	4			SPRING, Sealed Beam Unit Seat Adj.
3	3868 985				SCREW, w/Nut, Sealed Beam Unit
4					SCREW, (Not Serviced)
5	4016 088				RETAINER, Sealed Beam Unit
6					SEALED BEAM UNIT
	0153 440				High Beam (Halogen)
	0153 481				High & Low Beam (Halogen)
	0153 200				High Beam
	0153 201				High & Low Beam
7					SEAT, Sealed Beam
	3868 928-9				High Beam
	3868 926-7				High & Low Beam
8					HOUSING, (Serviced in Lamp)
9					REFLECTOR, (Serviced in Lamp Assy.)
10					LENS, (Serviced in Lamp Assy.)
11	4076 570-1				LAMP, s/Marker Assy.
12					PLATE
13					SCREW, (Not Serviced)
14	4076 566-7				LAMP, Park & t/Signal Assy.
15					LENS, (Serviced in Lamp Assy.)
16					HOUSING, (Serviced in Lamp Assy.)
NOTE: The following parts not shown on illustration iced Alternator. Listed above is the Alternator stamped production number crossreferenced to the app					
	3843 432				SOCKET, Turn Signal, Park
	3513 686				SOCKET, Side Marker (Repair)

MODEL CODES

B = GRAN FURY  
C = LEBARON/TOWN & COUNTRY  
D = ARIES  
E = 600  
F = FIFTH AVENUE

G = DIPLOMAT  
M = HORIZON/TURISMO/SCAMP  
P = RELIANT  
S = CORDOBA  
T = E CLASS/NEWYORKER

V = 400  
X = MIRADA  
Y = IMPERIAL  
Z = OMNI/CHARGER/RAMPAGE

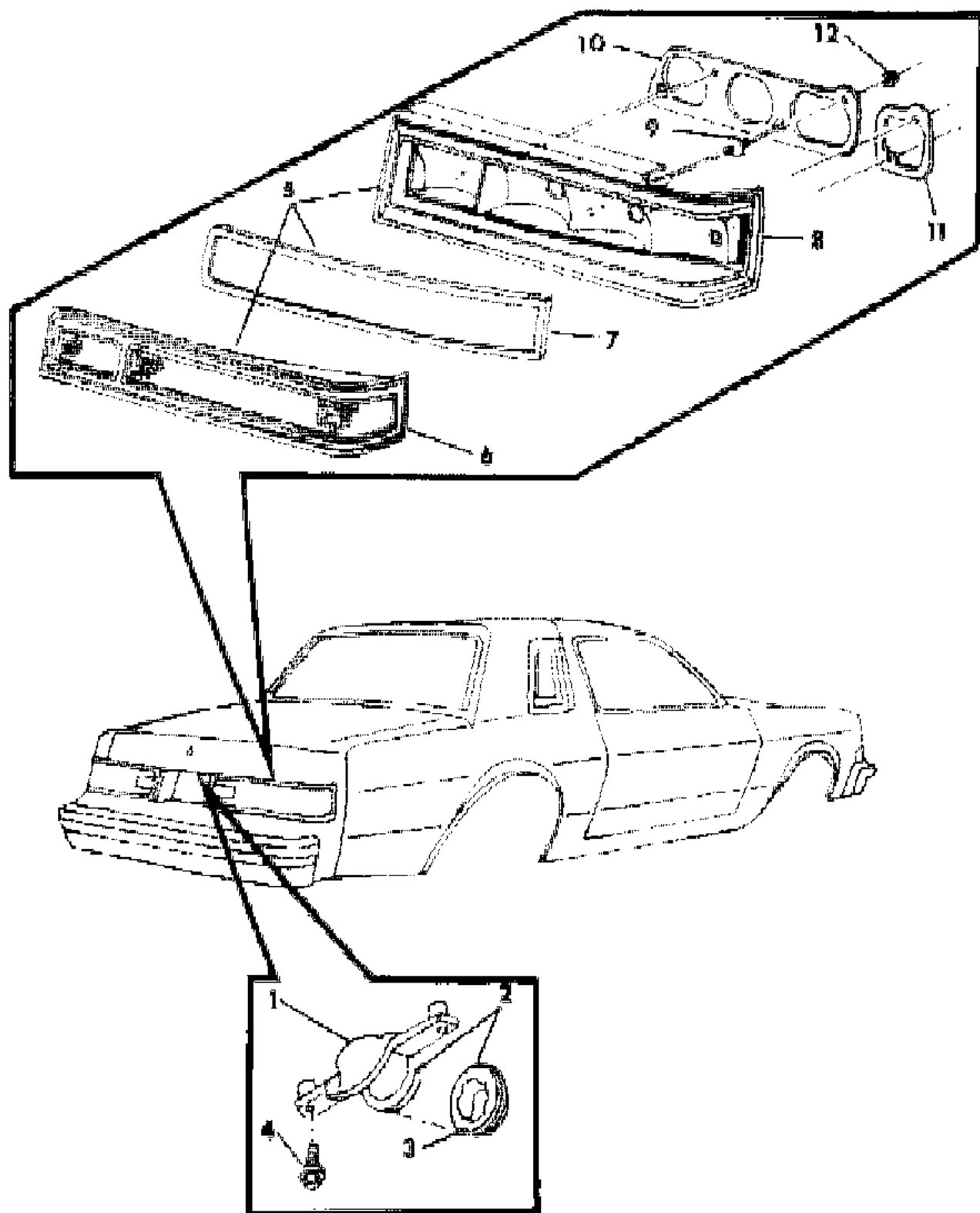
BODY STYLES

21 = 2-DOOR SEDAN  
22 = 2-DOOR SPECIAL COUPE  
24 = 2-DOOR HATCHBACK  
27 = 2-DOOR CONVERTIBLE  
28 = FWD PICKUP  
41 = 4-DOOR SEDAN  
45 = 4-DOOR STATION WAGON  
44 = 4-DOOR HATCHBACK  
48 = EXECUTIVE SEDAN

AR = Use as Required - = Non Illustrated Part P.A.R. = Paint as Required

LAMPS & WIRING--REAR M BODY--B,G  
Figure 8-3300

3108 3300



ITEM	PART NUMBER	QTY	BODY	MODEL	DESCRIPTION
1					LENS,(Serviced in Lamp Assy.)
2	4076 812	1			LAMP ASSEMBLY, License
3					HOUSING,(Serviced in Lamp Assy.)
4	0152 490				U-NUT
5	4076 574-5	1		G	LAMP, t/S Side Marker & Back Up Assy.
6	4225 074-5	1		B	LAMP, t/S Side Marker & Back Up Assy.
7	4076 688-9	1			LENS ASSEMBLY
8	3798 253				SEAL
	4076 686-7			G	HOUSING
				B	HOUSING,(Serviced In Lamp Assy.)
9					STUD,(Serviced In Lamp Assy.)
10		8			GASKET,(Serviced In Lamp Assy.)
11					GASKET,(Serviced in Lamp Assy.)
12	6023 205	2			NUT
	4209 878				WIRING,Rear Lamps
	4267 275				LAMP, Trunk

NOTE: The following parts not shown on illustration iced Alternator. Listed above is the Alternator stamped production number crossreferenced to the app

3513 686	SOCKET, License
4124 081	Tail Light, Turn Signal
3513 686	Side Marker
4274 800	Back Up
9417 866	BULB, B/Up Lamp

MODEL CODES

B = GRAN FURY	G = DIPLOMAT	V = 400
C = LEBARON/TOWN & COUNTRY	M = HORIZON/TURISMO/SCAMP	X = MIRADA
D = ARIES	P = RELIANT	Y = IMPERIAL
E = 600	S = CORDOBA	Z = OMNI/CHARGER/RAMPAGE
F = FIFTH AVENUE	T = E CLASS/NEWYORKER	

BODY STYLES

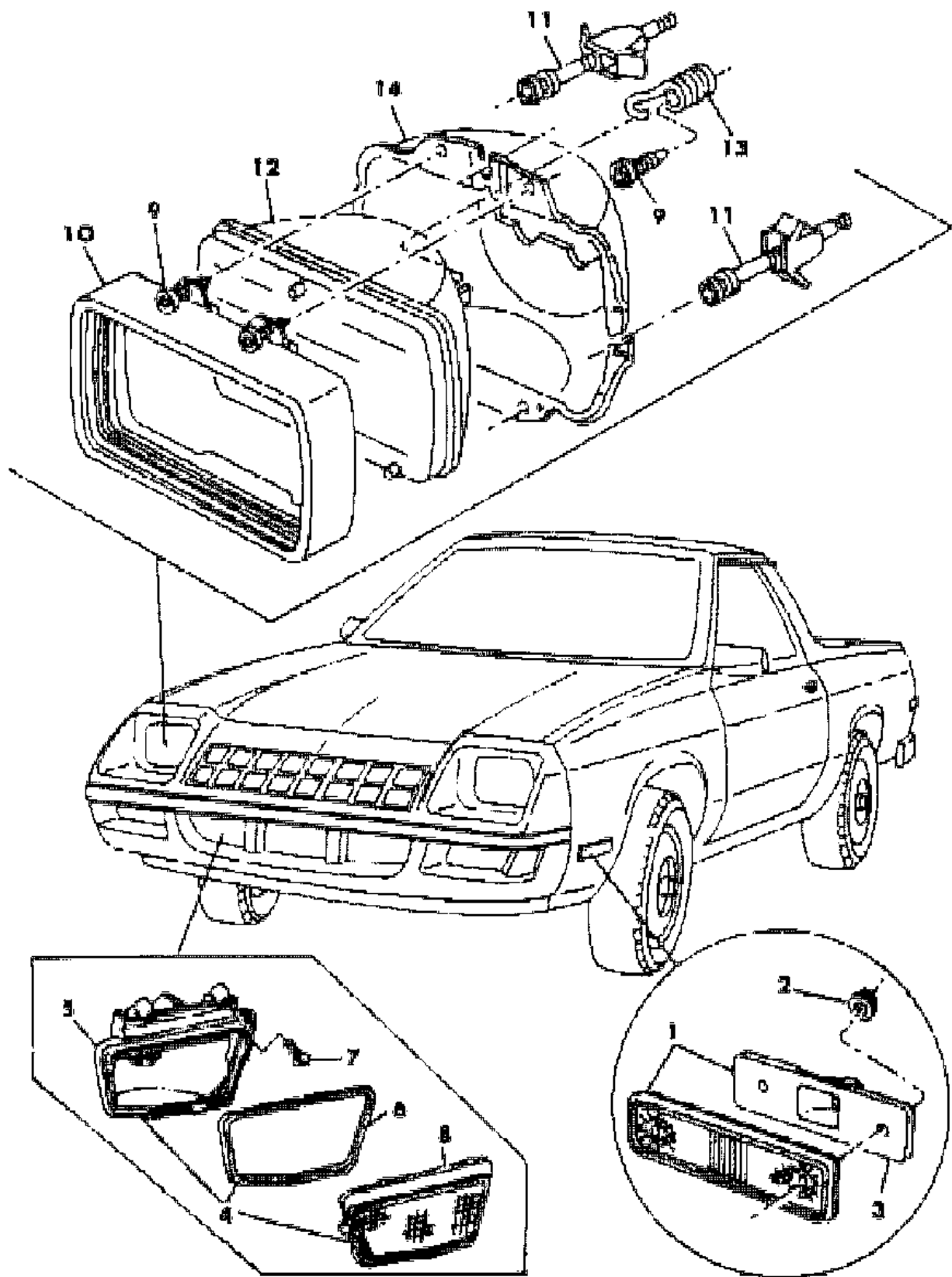
21 = 2-DOOR SEDAN	41 = 4-DOOR SEDAN
22 = 2-DOOR SPECIAL COUPE	45 = 4-DOOR STATION WAGON
24 = 2-DOOR HATCHBACK	44 = 4-DOOR HATCHBACK
27 = 2-DOOR CONVERTIBLE	48 = EXECUTIVE SEDAN
28 = FWD PICKUP	

AR = Use as Required - = Non Illustrated Part P.A.R. = Paint as Required

LAMPS--FRONT L BODY--28

Figure 8-3400

31.028 3400



ITEM	PART NUMBER	QTY	BODY	MODEL	DESCRIPTION
1	3587 436	2			LAMP, Frt. Fender S/M
2	6028 471	4			NUT
3					HOUSING,(Serviced in Lamp Assy.)
4	5207 568-9	1			LAMP, Parking & Turn Signal Assy.
5					HOUSING,(Serviced in Lamp Assy.)
6	3798 253	2			SEAL,(Also Serviced in Lamp Assy.)
7					SCREW,(Serviced in Lamp Assy.)
8					LENS,(Serviced in Lamp Assy.)
9	0153 340				SCREW
10	4103 908	2			BEZEL
11	3868 985	2			SCREW
12	0153 199	2			SEALED BEAM UNIT, (Lt. Way Shift)
	0153 273	2			(Rt. Way Shift) EXPORT
	0153 590	2			HALOGEN
13	5201 386	2			SPRING, Sealed Beam Unit Mtg. Seat Adj.
14	4074 686-7	2			SEAT, Sealed Beam Unit
NOTE: The following parts not shown on illustration iced Alternator. Listed above is the Alternator stamped production number crossreferenced to the app					
	4274 041				SOCKET, Cable & t/Sig.
	3513 686				Side Marker (Repair Pkg.)
	3588 314				Side Marker
	3764 863				Parking & Turn Signal Frt.
	4055 433				Parking & Turn Signal Frt. (Repair Pkg.)
	3843 432				Parking & Turn Signal Frt. (Repair Pkg.)

MODEL CODES

B = GRAN FURY	G = DIPLOMAT	V = 400
C = LEBARON/TOWN & COUNTRY	M = HORIZON/TURISMO/SCAMP	X = MIRADA
D = ARIES	P = RELIANT	Y = IMPERIAL
E = 600	S = CORDOBA	Z = OMNI/CHARGER/RAMPAGE
F = FIFTH AVENUE	T = E CLASS/NEWYORKER	

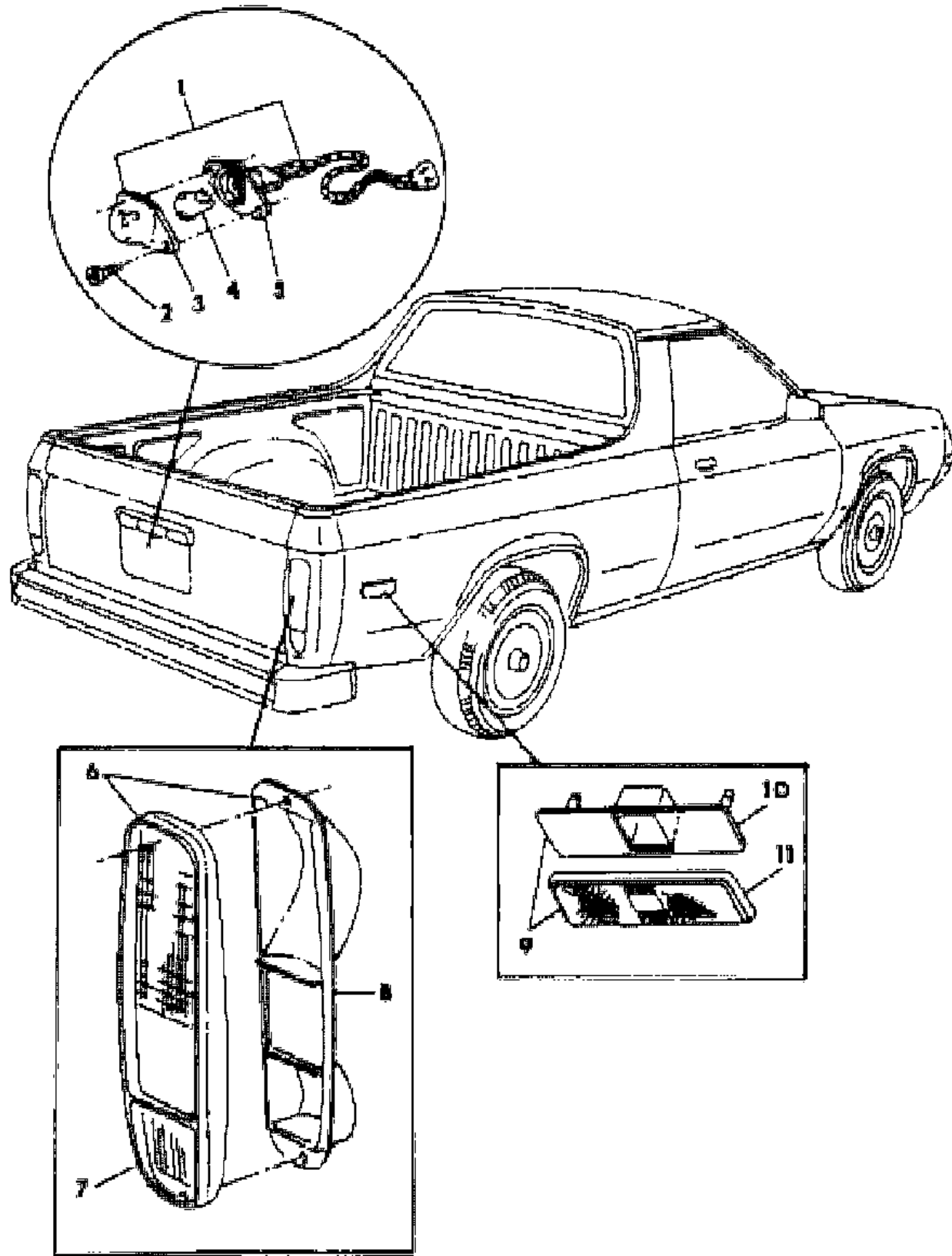
BODY STYLES

21 = 2-DOOR SEDAN	41 = 4-DOOR SEDAN
22 = 2-DOOR SPECIAL COUPE	45 = 4-DOOR STATION WAGON
24 = 2-DOOR HATCHBACK	44 = 4-DOOR HATCHBACK
27 = 2-DOOR CONVERTIBLE	48 = EXECUTIVE SEDAN
28 = FWD PICKUP	

AR = Use as Required - = Non Illustrated Part P.A.R. = Paint as Required

LAMPS & WIRING--REAR L BODY--28  
Figure 8-3500

31.049 1500



ITEM	PART NUMBER	QTY	BODY	MODEL	DESCRIPTION
1	4174 379				LAMP ASSEMBLY, License
2					SCREW,(Not Serviced)
3					LENS,(Serviced in Lamp Assy.)
4	9425 542				BULB
5					HOUSING,(Serviced in Lamp Assy.)
6	5207 716-7				LAMP, Tail Stop & Turn Signal Assy.
7					LENS,(Serviced in Lamp Assy.)
8					HOUSING,(Serviced In Lamp Assy.)
9	4174 383	2			LAMP, Rear s/Marker Assy.
10					HOUSING,(Serviced In Lamp Assy.)
11					LENS,(Serviced In Lamp Assy.)

NOTE: The following part not shown on illustration iced Alternator. Listed above is the Alternator stamped production number crossreferenced to the app

					SOCKET
	3764 863				Tail Stop & t/Sig.
	4274 800				Back Up

MODEL CODES

B = GRAN FURY	G = DIPLOMAT	V = 400
C = LEBARON/TOWN & COUNTRY	M = HORIZON/TURISMO/SCAMP	X = MIRADA
D = ARIES	P = RELIANT	Y = IMPERIAL
E = 600	S = CORDOBA	Z = OMNI/CHARGER/RAMPAGE
F = FIFTH AVENUE	T = E CLASS/NEWYORKER	

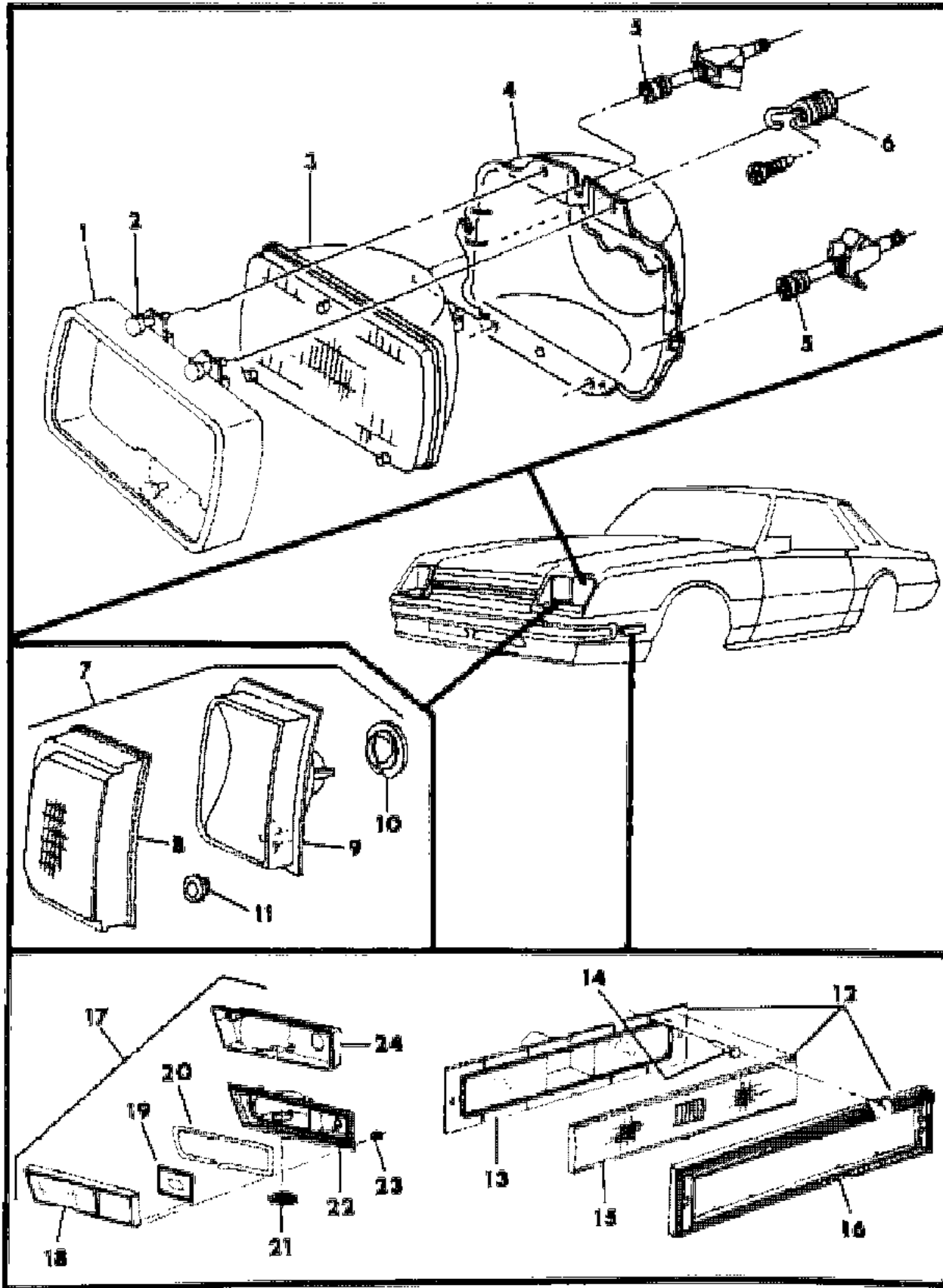
BODY STYLES

21 = 2-DOOR SEDAN	41 = 4-DOOR SEDAN
22 = 2-DOOR SPECIAL COUPE	45 = 4-DOOR STATION WAGON
24 = 2-DOOR HATCHBACK	44 = 4-DOOR HATCHBACK
27 = 2-DOOR CONVERTIBLE	48 = EXECUTIVE SEDAN
28 = FWD PICKUP	

AR = Use as Required - = Non Illustrated Part P.A.R. = Paint as Required

LAMPS--FRONT J BODY--X  
Figure 8-3600

J104 3600



ITEM	PART NUMBER	QTY	BODY	MODEL	DESCRIPTION
1	4074 802				RETAINER, h/Lamp Assy.
2					SCREW,(Not Serviced)
3					SEALED BEAM UNIT
	0153 199				(Rt. Way Shift)
	0153 273				(Lt. Way Shift) EXPORT
	0153 590				Rt. Way Shift (Halogen)
4	4074 686-7				SEAT, Sealed Beam Unit
5	4270 581				NUT and SCREW ASSEMBLY
6	3868 789				SPRING, Sealed Beam Unit
7	4076 988-9				LAMP, Park and T/Sig. Assy.
8					LENS,(Serviced in Lamp Assy.)
9					HOUSING,(Serviced in Lamp Assy.)
10					PLATE,(Serviced in Lamp Assy.)
11	6029 471				NUT
12	4076 089				LAMP, s/Marker Assy. (w/o Bezel)
13					HOUSING,(Serviced in Lamp Assy.)
14					SCREW,(Not Serviced)
15					LENS,(Serviced in Lamp Assy.)
16	3587 420				BEZEL
17	4076 834-5				LAMP, Cornering & s/Marker Assy.
18	4076 880-1				LENS ASSEMBLY
19					REFLECTOR,(Serviced in Lens Assy.)
20	3798 253				SEAL
21					PLATE,(Serviced in Lamp Assy.)
22					HOUSING,(Serviced in Lamp Assy.)
23					NUT,(Not Serviced )
24	4076 840-1				BRACKET
NOTE: The following parts not shown on illustration iced Alternator. Listed above is the Alternator stamped production number crossreferenced to the app					
					SOCKET
	3843 432				Parking & Turn Signal
	3588 314				Side Marker
	3513 686				Side Marker (Repair)
	3764 865				Cornering (Repair Pkg.)
	4124 721				w/ Cable Cornering Lamp
	4209 261				WIRING,Cornering Lamp

MODEL CODES

B = GRAN FURY

C = LEBARON/TOWN & COUNTRY

D = ARIES

E = 600

F = FIFTH AVENUE

G = DIPLOMAT

M = HORIZON/TURISMO/SCAMP

P = RELIANT

S = CORDOBA

T = E CLASS/NEWYORKER

V = 400

X = MIRADA

Y = IMPERIAL

Z = OMNI/CHARGER/RAMPAGE

BODY STYLES

21 = 2-DOOR SEDAN

22 = 2-DOOR SPECIAL COUPE

24 = 2-DOOR HATCHBACK

27 = 2-DOOR CONVERTIBLE

28 = FWD PICKUP

41 = 4-DOOR SEDAN

45 = 4-DOOR STATION WAGON

44 = 4-DOOR HATCHBACK

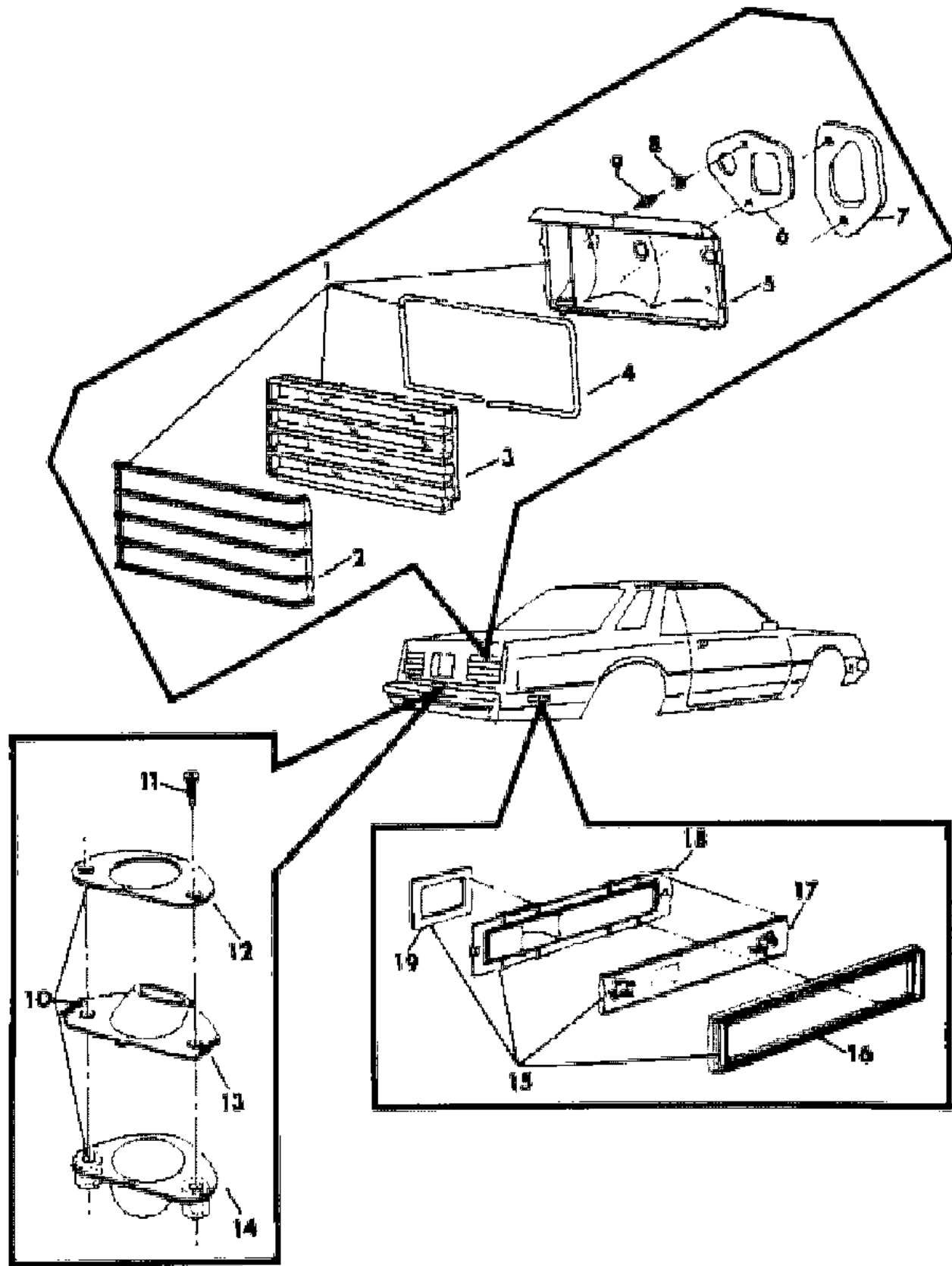
48 = EXECUTIVE SEDAN

AR = Use as Required - = Non Illustrated Part P.A.R. = Paint as Required



LAMPS & WIRING--REAR J BODY--X  
Figure 8-3700

3188 9700



ITEM	PART NUMBER	QTY	BODY	MODEL	DESCRIPTION
1	4076 610-1				LAMP, t/Light t/Sig. & Back Up Assy.
2					BEZEL,(Serviced in Lamp & Lens Assy.)
3	4076 704-5				LENS ASSEMBLY
4	3798 253				SEAL
5					HOUSING,(Serviced in Lamp Assy.)
6					GASKET, Inboard (Serviced in Lamp Assy.)
7					GASKET, Outboard (Serviced in Lamp Assy.)
8	6023 205				NUT
9					STUD,(Serviced in Lamp Assy.)
10	4076 850				LAMP ASSEMBLY, License
	3588 314				Socket, License
11					SCREW,(Not Serviced)
12					GASKET,(Serviced in Lamp Assy.)
13					PLATE,(Serviced in Lamp Assy.)
14					LENS,(Serviced in Lamp Assy.)
15	4076 099				LAMP, s/Marker & Reflector Assy. (w/o Bezel)
16	3587 420				BEZEL
17					LENS,(Serviced in Lamp Assy.)
18					HOUSING,(Serviced in Lamp Assy.)
19					GASKET,(Serviced in Lamp Assy.)
20	4267 275				LAMP, Trunk

MODEL CODES

B = GRAN FURY	G = DIPLOMAT	V = 400
C = LEBARON/TOWN & COUNTRY	M = HORIZON/TURISMO/SCAMP	X = MIRADA
D = ARIES	P = RELIANT	Y = IMPERIAL
E = 600	S = CORDOBA	Z = OMNI/CHARGER/RAMPAGE
F = FIFTH AVENUE	T = E CLASS/NEWYORKER	

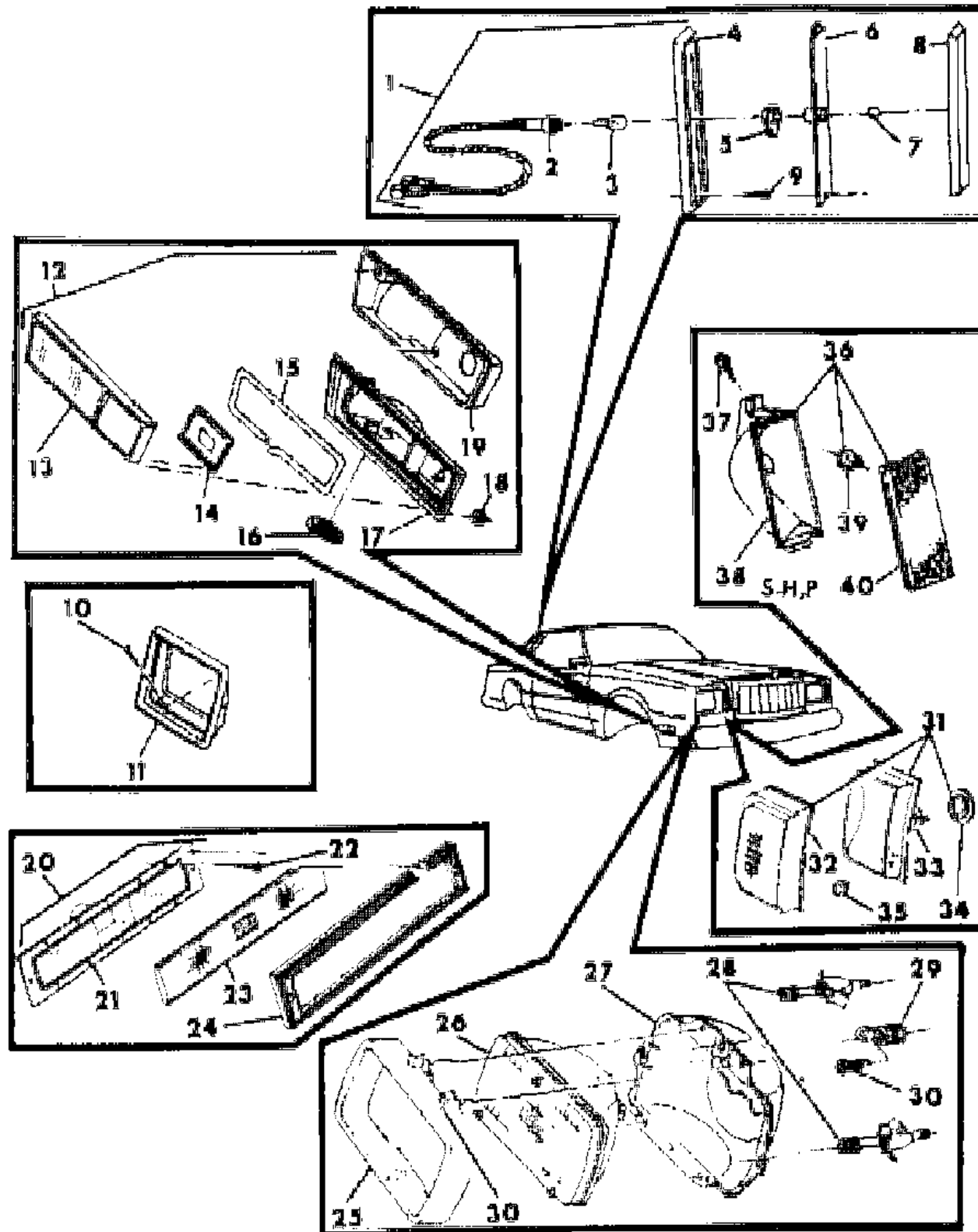
BODY STYLES

21 = 2-DOOR SEDAN	41 = 4-DOOR SEDAN
22 = 2-DOOR SPECIAL COUPE	45 = 4-DOOR STATION WAGON
24 = 2-DOOR HATCHBACK	44 = 4-DOOR HATCHBACK
27 = 2-DOOR CONVERTIBLE	48 = EXECUTIVE SEDAN
28 = FWD PICKUP	

AR = Use as Required - = Non Illustrated Part P.A.R. = Paint as Required

LAMPS--FRONT J BODY--S  
Figure 8-3800

3109 1800



ITEM	PART NUMBER	QTY	BODY	MODEL	DESCRIPTION
1	4076 816-7			S-P	LAMP ASSEMBLY, Opera
2					SOCKET and CABLE, (Serviced in Lamp Assy.)
	3513 686				Socket Repair Pkg.
3	9437 448				BULB
4					BEZEL,(Serviced in Lamp Assy.)
5					GASKET,(Serviced in Lamp Assy.)
6					HOUSING,(Serviced in Lamp Assy.)
7					FILTER,(Serviced in Lamp Assy.)
8					LENS,(Serviced in Lamp Assy.)
9	0153 365				SCREW
10					SCREW,(Not Serviced)
11	4074 604-5			S-P	BEZEL, h/Lamp
12	4076 834-5				LAMP, Cornering & s/Marker Assy.
13	4076 880-1				LENS ASSEMBLY
14					REFLECTOR,(Serviced in Lens Assy.)
15	3798 253				SEAL
16					PLATE,(Serviced in Lamp Assy.)
17					HOUSING,(Serviced in Lamp Assy.)
18					NUT,(Not Serviced)
19	4076 840-1				BRACKET
20	4076 089				LAMP, s/Marker Assy. (w/o Bezel)
21					HOUSING,(Serviced in Lamp Assy.)
22					SCREW,(Not Serviced)
23					LENS,(Serviced In Lamp Assy.)
24	3587 420				BEZEL
25	4074 802				RETAINER, h/Lamp Assy.
26					SEALED BEAM UNIT
	0153 199				(Rt. Way shift)
	0153 590				(Rt. Way shift) Halogen
	0153 273				(Lt. Way Shift),EXPORT
27	4074 686-7				SEAT, Sealed Beam (Hi-Lo)
28	4270 581				NUT and SCREW ASSEMBLY
29	3868 789				SPRING
30	0153 340				SCREW
31	4076 988-9				LAMP, Park & t/Sig. Assy.
32					LENS,(Serviced in Lamp Assy.)
33					HOUSING,(Serviced in Lamp Assy.)

MODEL CODES

B = GRAN FURY	G = DIPLOMAT	V = 400
C = LEBARON/TOWN & COUNTRY	M = HORIZON/TURISMO/SCAMP	X = MIRADA
D = ARIES	P = RELIANT	Y = IMPERIAL
E = 600	S = CORDOBA	Z = OMNI/CHARGER/RAMPAGE
F = FIFTH AVENUE	T = E CLASS/NEWYORKER	

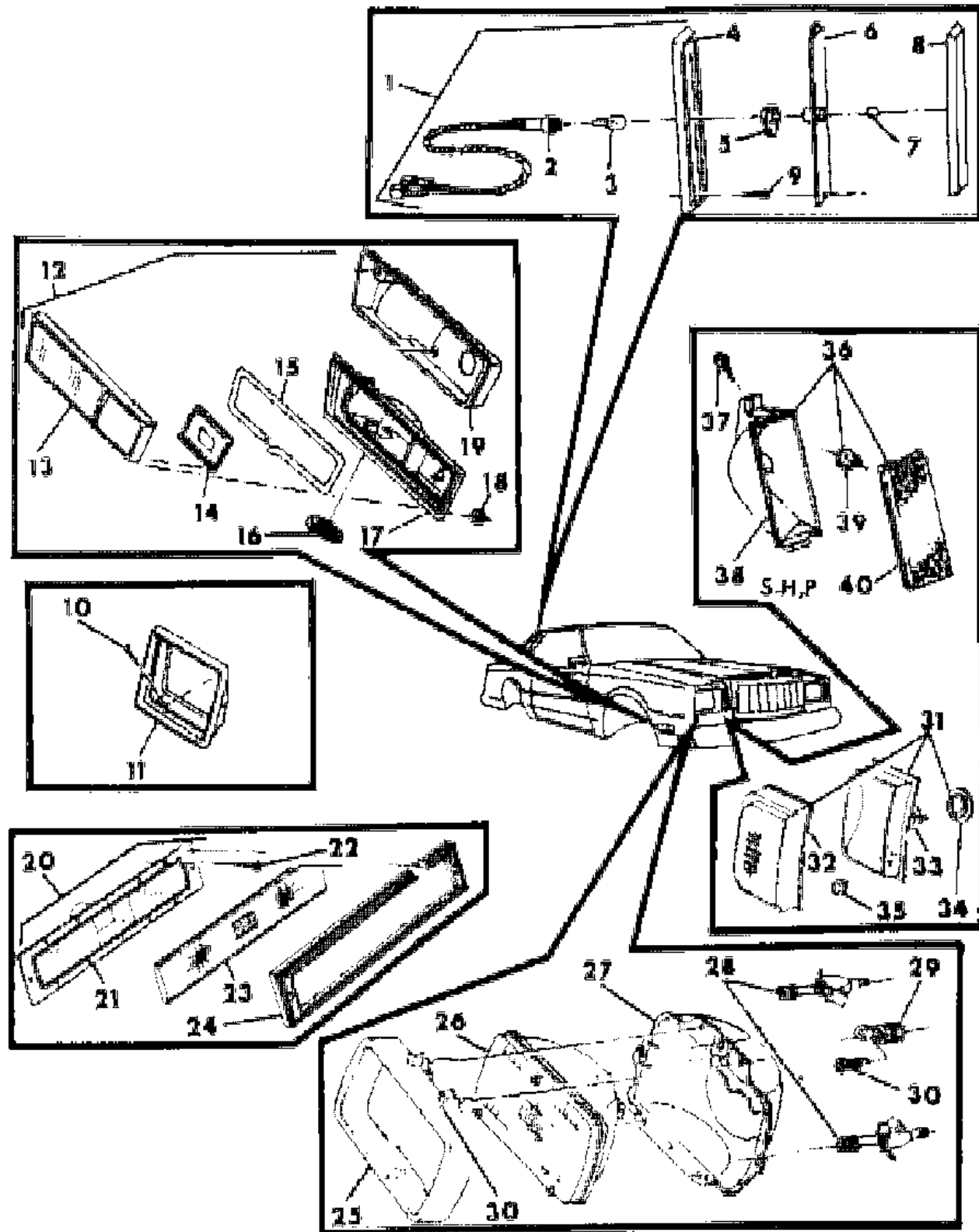
BODY STYLES

21 = 2-DOOR SEDAN	41 = 4-DOOR SEDAN
22 = 2-DOOR SPECIAL COUPE	45 = 4-DOOR STATION WAGON
24 = 2-DOOR HATCHBACK	44 = 4-DOOR HATCHBACK
27 = 2-DOOR CONVERTIBLE	48 = EXECUTIVE SEDAN
28 = FWD PICKUP	

AR = Use as Required - = Non Illustrated Part P.A.R. = Paint as Required

LAMPS--FRONT J BODY--S  
Figure 8-3800

3109 1800



ITEM	PART NUMBER	QTY	BODY	MODEL	DESCRIPTION
34					PLATE,(Serviced in Lamp Assy.)
35	6029 471				NUT
36	4174 182-3			S-P	LAMP, Park & Turn Sig. Assy.
37					SCREW,(Not Serviced)
38					HOUSING,(Serviced in Lamp Assy.)
39	6031 234				NUT, Plastic
40					LENS,(Serviced in Lamp Assy.)

NOTE: the following parts not shown on illustration iced Alternator. Listed above is the Alternator stamped production number crossreferenced to the app

4124 721	SOCKET, Cornering w/Cable
4209 261	WIRING,Cornering Lamp

MODEL CODES

B = GRAN FURY	G = DIPLOMAT	V = 400
C = LEBARON/TOWN & COUNTRY	M = HORIZON/TURISMO/SCAMP	X = MIRADA
D = ARIES	P = RELIANT	Y = IMPERIAL
E = 600	S = CORDOBA	Z = OMNI/CHARGER/RAMPAGE
F = FIFTH AVENUE	T = E CLASS/NEWYORKER	

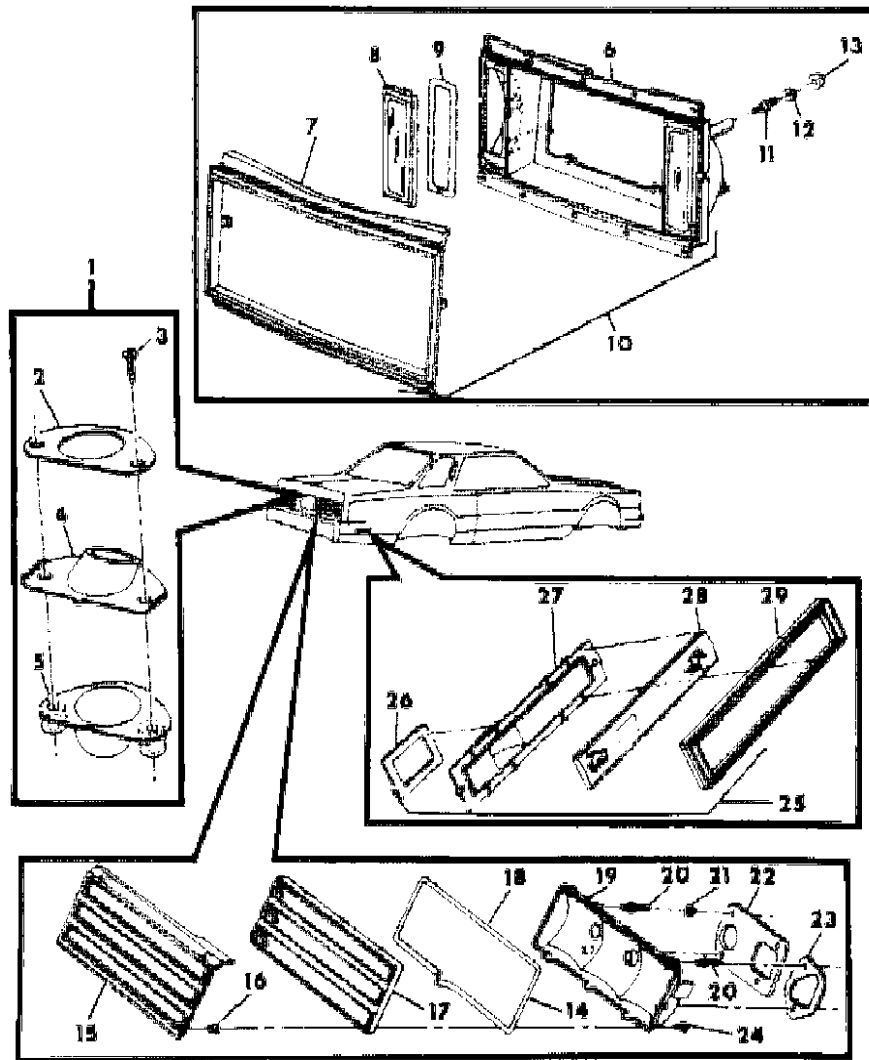
BODY STYLES

21 = 2-DOOR SEDAN	41 = 4-DOOR SEDAN
22 = 2-DOOR SPECIAL COUPE	45 = 4-DOOR STATION WAGON
24 = 2-DOOR HATCHBACK	44 = 4-DOOR HATCHBACK
27 = 2-DOOR CONVERTIBLE	48 = EXECUTIVE SEDAN
28 = FWD PICKUP	

AR = Use as Required - = Non Illustrated Part P.A.R. = Paint as Required

LAMPS & WIRING--REAR J BODY--S  
Figure 8-3900

310R 3900



ITEM	PART NUMBER	QTY	BODY	MODEL	DESCRIPTION
1-5	4076 850				LAMP ASSEMBLY, License
2					GASKET,(Serviced in Lamp Assy.)
3					SCREW,(Not Serviced)
4					PLATE,(Serviced in Lamp Assy.)
5					LENS,(Serviced in Lamp Assy.)
6					HOUSING,(Serviced in Lamp Assy.)
7					BEZEL,(Serviced in Lamp Assy.)
8	4076 806-7				LENS, b/Up
9	3798 253				SEAL
10-6	4076 616				LAMP, Lwr. Dk. Opng. Pnl. b/Up (For Tapes See Exterior)
11					STUD,(Not Serviced)
12					SEAL,(Not Serviced)
13	6023 205				NUT
14	4076 608-9				LAMP, t/Light & t/Sig. Assy.
15					BEZEL, Lwr. Dk. Opng. t/S t/Sig. Assy.
	X206-7 AA9				Silver Dark
	X206-7 AC4				Blue Light
	X206-7 BA2				Silver Light
	X206-7 BL4				Tan
	X206-7 BM5				Red
	X206-7 BT8				Brown
	X206-7 TXX				Black
	X206-7 TBB				Blue Dark
	X206-7 VW3				Peal White
16					CAP,(Serviced in Assy.)
17	4076 714-5				LENS ASSEMBLY
18	3798 253				SEAL
19					HOUSING,(Serviced In Assy.)
20					STUD,(Serviced in Lamp Assy.)
21	6023 205				NUT
22					GASKET,(Serviced In Lamp Assy.)
23					GASKET,(Serviced in Lamp Assy.)
24					SCREW,(Not Serviced)
25-28	4076 099				LAMP, s/Marker Assy.
26					GASKET,(Serviced in Lamp Assy.)
27					HOUSING,(Serviced in Lamp Assy.)
28					LENS,(Serviced in Lamp Assy.)

MODEL CODES

B = GRAN FURY	G = DIPLOMAT	V = 400
C = LEBARON/TOWN & COUNTRY	M = HORIZON/TURISMO/SCAMP	X = MIRADA
D = ARIES	P = RELIANT	Y = IMPERIAL
E = 600	S = CORDOBA	Z = OMNI/CHARGER/RAMPAGE
F = FIFTH AVENUE	T = E CLASS/NEWYORKER	

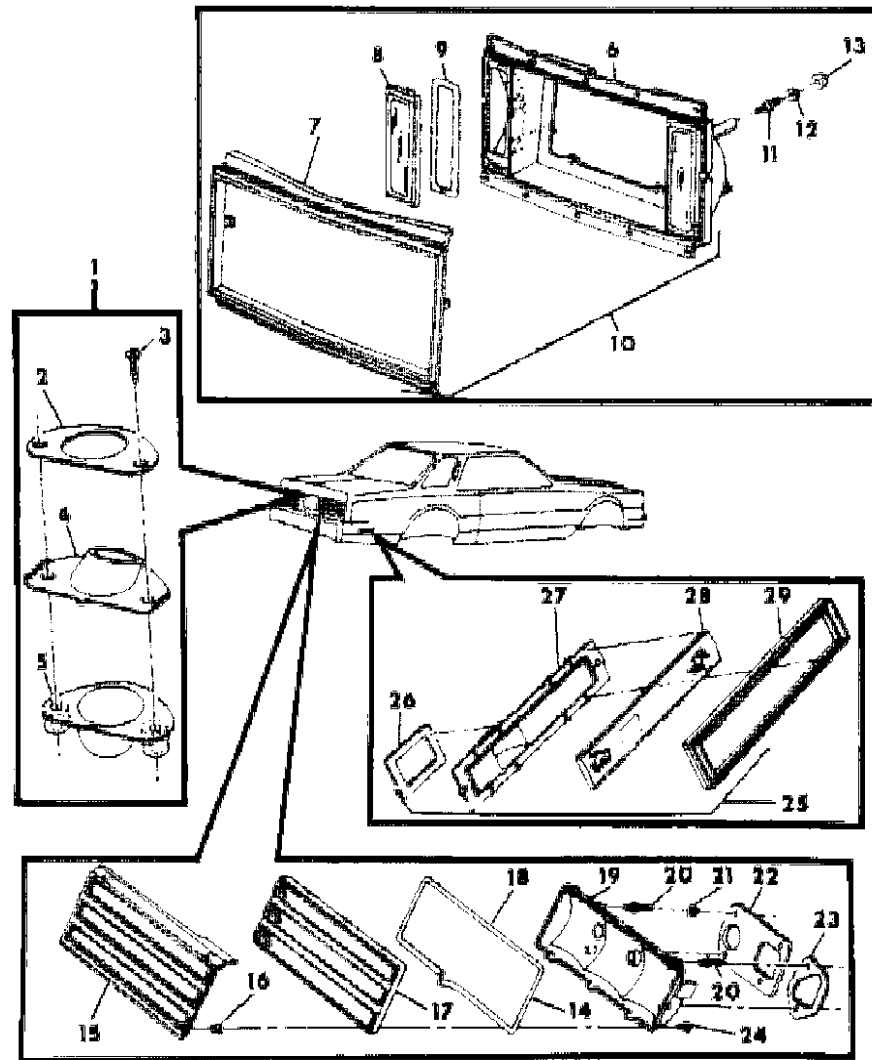
BODY STYLES

21 = 2-DOOR SEDAN	41 = 4-DOOR SEDAN
22 = 2-DOOR SPECIAL COUPE	45 = 4-DOOR STATION WAGON
24 = 2-DOOR HATCHBACK	44 = 4-DOOR HATCHBACK
27 = 2-DOOR CONVERTIBLE	48 = EXECUTIVE SEDAN
28 = FWD PICKUP	

AR = Use as Required - = Non Illustrated Part P.A.R. = Paint as Required

LAMPS & WIRING--REAR J BODY--S  
Figure 8-3900

310R 3900



ITEM	PART NUMBER	QTY	BODY	MODEL	DESCRIPTION
------	-------------	-----	------	-------	-------------

29	3587 420				BEZEL
NOTE: The following parts not shown on illustration iced Alternator. Listed above is the Alternator stamped production number crossreferenced to the app					
	3588 314				SOCKET Side Marker
	3513 686				Side Marker (Repair)
	4124 081				Tail, Stop & Turn Signal
	3764 865				Back Up
	3588 314				License
	4267 275				LAMP, Trunk

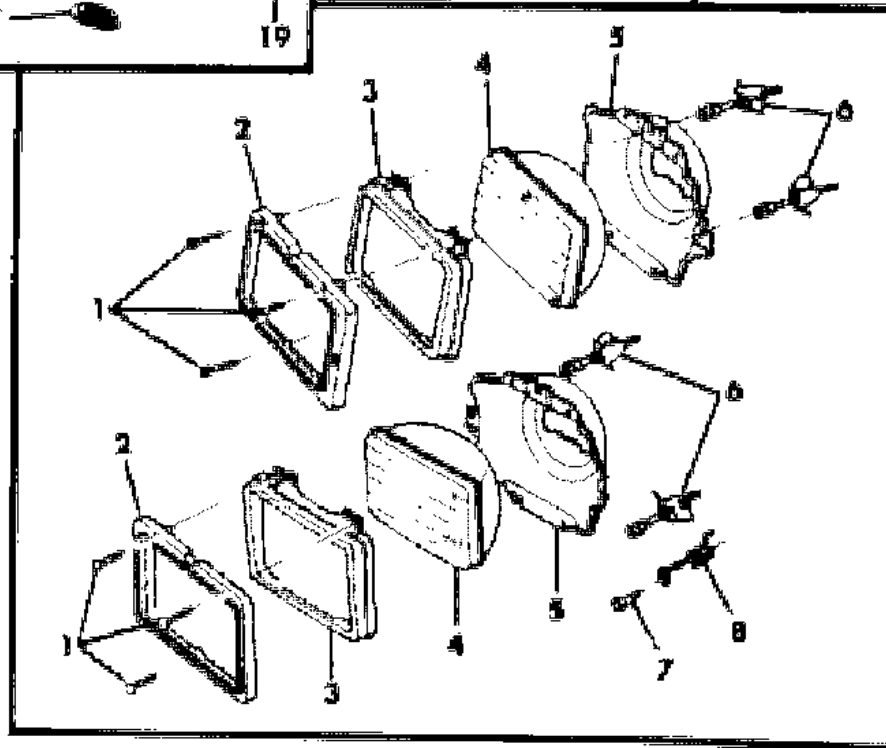
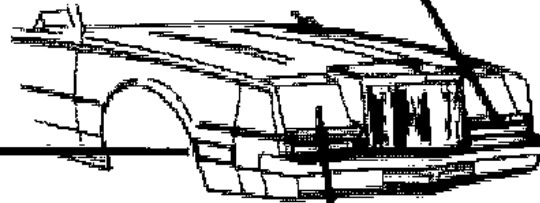
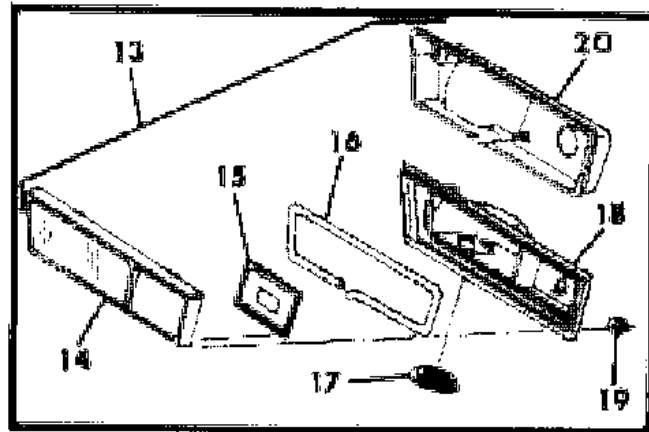
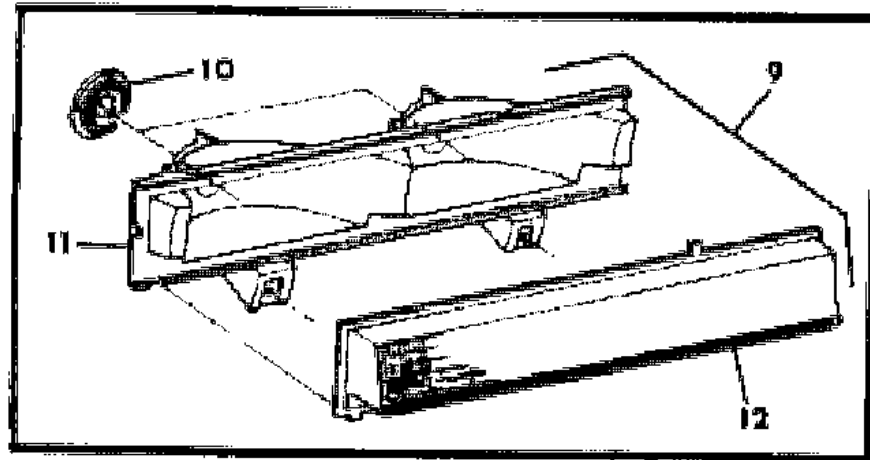
MODEL CODES  
 B = GRAN FURY  
 C = LEBARON/TOWN & COUNTRY  
 D = ARIES  
 E = 600  
 F = FIFTH AVENUE  
 G = DIPLOMAT  
 M = HORIZON/TURISMO/SCAMP  
 P = RELIANT  
 S = CORDOBA  
 T = E CLASS/NEWYORKER  
 V = 400  
 X = MIRADA  
 Y = IMPERIAL  
 Z = OMNI/CHARGER/RAMPAGE

BODY STYLES  
 21 = 2-DOOR SEDAN  
 22 = 2-DOOR SPECIAL COUPE  
 24 = 2-DOOR HATCHBACK  
 27 = 2-DOOR CONVERTIBLE  
 28 = FWD PICKUP  
 41 = 4-DOOR SEDAN  
 45 = 4-DOOR STATION WAGON  
 44 = 4-DOOR HATCHBACK  
 48 = EXECUTIVE SEDAN

AR = Use as Required - = Non Illustrated Part P.A.R. = Paint as Required

LAMPS--FRONT J BODY--Y  
Figure 8-4000

1108 4000



ITEM	PART NUMBER	QTY	BODY	MODEL	DESCRIPTION
1					SCREW,(Not Serviced)
2	4074 908-9	2			BEZEL, h/Lamp
3	4074 956	4			RETAINER, Rect. h/Lamp
4					SEALED BEAM UNIT
	0153 481	2			Halogen (Hi-Lo)
	0153 440	2			Halogen (Hi)
5	3868 926-7	2			SEAT, Rect. h/Lamp (Hi-Lo)
	3868 928-9	2			(Hi)
6	3868 985	8			NUT and SCREW
7					SCREW,(Not Serviced)
8	3868 789	4			SPRING, Rect. H/Lamp
9-12	4174 008-9	1			LAMP, Park & t/Sig. Assy.
10					Plate (Serviced in Lamp Assy.)
11					Housing (Serviced In Lamp Assy.)
12					Lens (Serviced In Lamp Assy.)
13	4076 834-5				LAMP, Cornering & s/Marker Assy.
14	4076 880-1				LENS ASSEMBLY
15					REFLECTOR,(Serviced in Lens Assy.)
16	3798 253				SEAL
17					PLATE,(Serviced In Lamp Assy.)
18					HOUSING,(Serviced In Lamp Assy.)
19					NUT,(Not Serviced)
20	4076 840-1				BRACKET
	3513 686				SOCKET, Side Marker
	3843 432				SOCKET, Park & t/Sig.
	4124 721				SOCKET, Cable Cornering

MODEL CODES

B = GRAN FURY	G = DIPLOMAT	V = 400
C = LEBARON/TOWN & COUNTRY	M = HORIZON/TURISMO/SCAMP	X = MIRADA
D = ARIES	P = RELIANT	Y = IMPERIAL
E = 600	S = CORDOBA	Z = OMNI/CHARGER/RAMPAGE
F = FIFTH AVENUE	T = E CLASS/NEWYORKER	

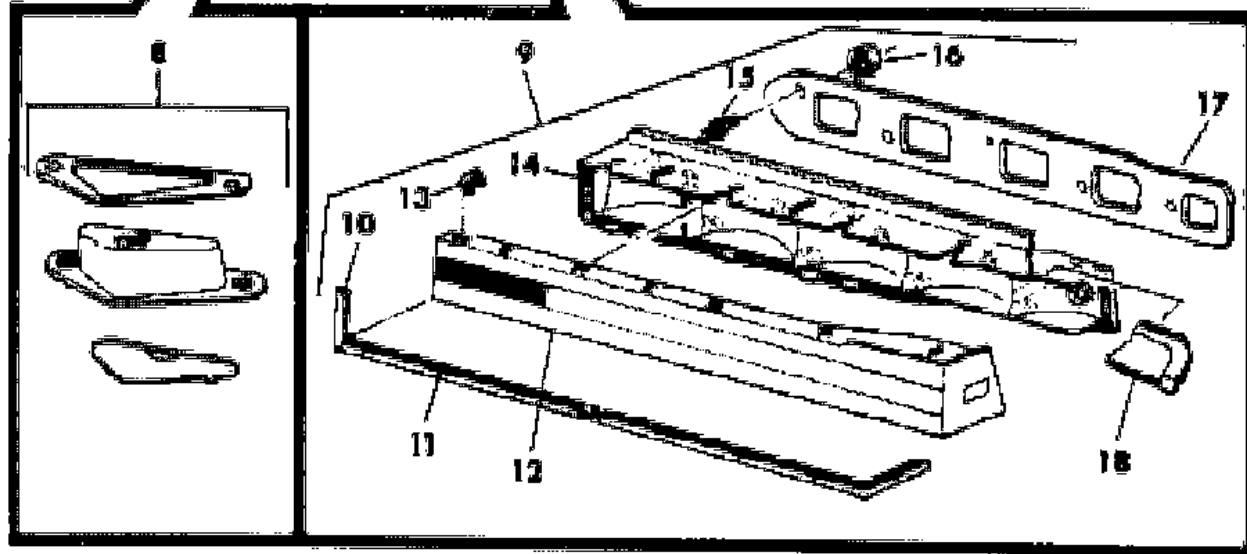
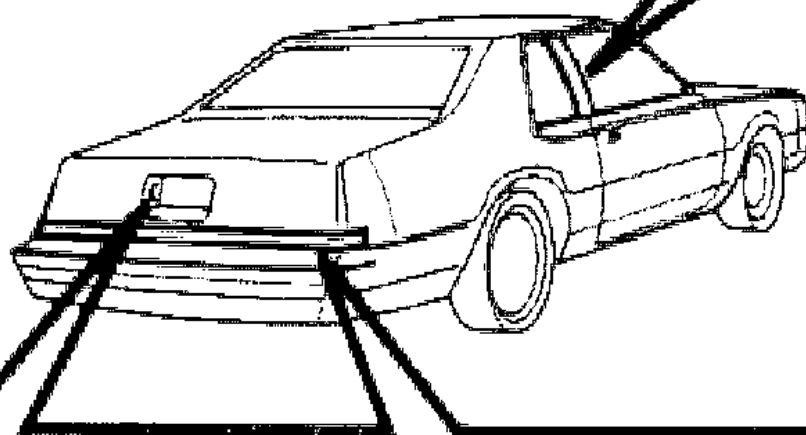
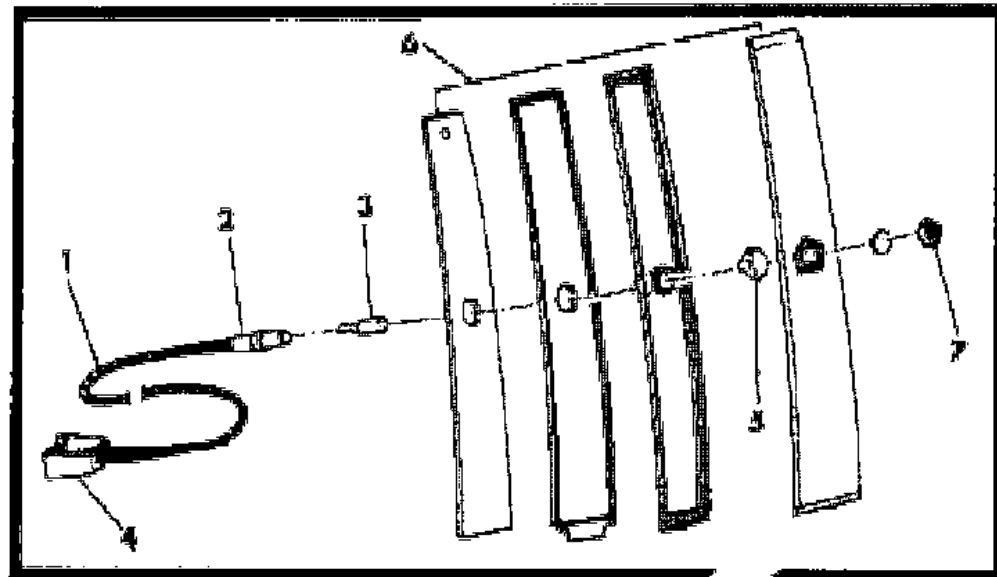
BODY STYLES

21 = 2-DOOR SEDAN	41 = 4-DOOR SEDAN
22 = 2-DOOR SPECIAL COUPE	45 = 4-DOOR STATION WAGON
24 = 2-DOOR HATCHBACK	44 = 4-DOOR HATCHBACK
27 = 2-DOOR CONVERTIBLE	48 = EXECUTIVE SEDAN
28 = FWD PICKUP	

AR = Use as Required - = Non Illustrated Part P.A.R. = Paint as Required

LAMPS & WIRING--REAR J BODY--Y  
Figure 8-4100

1109 4100



ITEM	PART NUMBER	QTY	BODY	MODEL	DESCRIPTION
1					WIRING,(Not Serviced)
2	3746 516	AR			SOCKET
3	9437 448	AR			BULB
4	3513 350	AR			INSULATOR
	2983 406	AR			Term.
5	6029 471	AR			NUT
6	4174 032-3	1			LAMP, Opera Lamp Assy. Consists Gasket Plate Housing Filter Lens Tape SEAL, Opera Lamp
7	4174 198	2			MEDALLION
8	4174 042	2			LAMP ASSEMBLY, License
9	4174 018-9				HOUSING, Tail Stop, t/Sig. & b/Up Assy.
10					BEZEL,(Serviced in Lens Assy.)
11					BEZEL,(Serviced in Lens Assy.)
12	4174 070-1	1			LENS, Tail Stop, t/Sig. and b/Up Assy.
13		AR			CLIP,(Serviced in Housing Assy.)
14					HOUSING,(Serviced In Housing Assy.)
15					STUD,(Serviced in Housing Assy.)
16	6023 205	AR			NUT
17					GASKET,(Serviced in Housing Assy.)
18	4174 244-5				EXTENSION, Lower Deck Housing
	4209 024				WIRING,License & Back-up
	3591 801				LAMP, Trunk LENS,Trunk Lamp, (Serv. in Assy.) BRACKET,Trunk Lamp
	3591 126				
NOTE: The following parts not shown on illustration iced Alternator. Listed above is the Alternator stamped production number crossreferenced to the app					
	4124 081				SOCKET, Tail Stop t/Sig.
	4209 353				SOCKET, Side Marker
	5211 712				SOCKET, Back Up

MODEL CODES

B = GRAN FURY	G = DIPLOMAT	V = 400
C = LEBARON/TOWN & COUNTRY	M = HORIZON/TURISMO/SCAMP	X = MIRADA
D = ARIES	P = RELIANT	Y = IMPERIAL
E = 600	S = CORDOBA	Z = OMNI/CHARGER/RAMPAGE
F = FIFTH AVENUE	T = E CLASS/NEWYORKER	

BODY STYLES

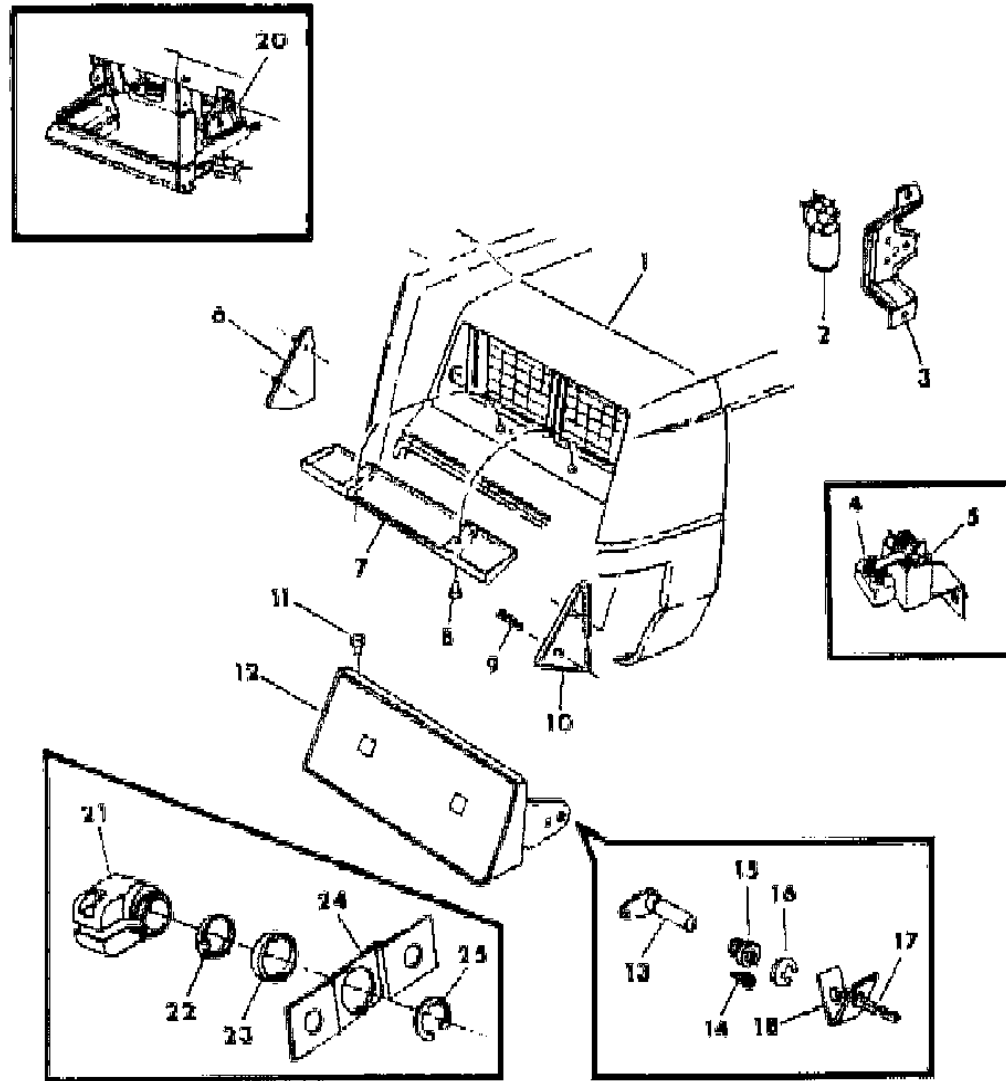
21 = 2-DOOR SEDAN	41 = 4-DOOR SEDAN
22 = 2-DOOR SPECIAL COUPE	45 = 4-DOOR STATION WAGON
24 = 2-DOOR HATCHBACK	44 = 4-DOOR HATCHBACK
27 = 2-DOOR CONVERTIBLE	48 = EXECUTIVE SEDAN
28 = FWD PICKUP	

AR = Use as Required - = Non Illustrated Part P.A.R. = Paint as Required


# HEADLAMP CONCEALED J BODY--Y

## Figure 8-4200

FIGURE 8-4200



To manually open headlamp doors, disconnect all wires to headlamp door motor (located behind center of grille) then rotate knob located at lower end of headlamp door motor in direction of arrow until headlamp doors open fully.



ITEM	PART NUMBER	QTY	BODY	MODEL	DESCRIPTION
1					GRILLE and HEADLAMP MOUNTING, See Group 7
2	4240 524	1			MOTOR, h/Lamp Door
3	4074 925	1			BRACE, h/Lamp Door Motor
4	2983 415	1			CIRCUIT BREAKER
5	3747 911	1			RELAY
6	4103 292-3	1			PANEL, h/Lamp (Inter Trim)
7	4103 294-5	1			PANEL, h/Lamp (Door Trim)
8					SCREW,(Not Serviced)
9					SCREW,(Not Serviced)
10	4103 296-7	1			PANEL, h/Lamp (Outer Trim)
11	4074 968	4			BUMPER
12	4074 910-1	1			DOOR ASSEMBLY
13	4074 922-3	1			CRANK ASSEMBLY
14					NUT,(Not Serviced)
15					BUSHING,(Serviced In Assy.)
16					RING,(Serviced In Assy.)
17	4074 924	2			BAR, Torsion
18	6027 292	2			RETAINER
19	2998 799	1			DECAL, h/Lamp Door
20	4074 992-3	1			BRACKET, h/Lamp Outer Pivot
	6024 067				Screw & Washer
21	4103 266				COLLAR, h/Lamp Door Adjusting Screw, (Set) Collar Assy. h/Lamp Door Adj. (Not Serviced)
22	4103 261				SLEEVE, h/Lamp Door
23					BUSHING, h/Lamp Door (Serviced in Coller Assy.)
24	4103 258	2			BRACKET, h/Lamp Door
25	4103 262				RETAINER, h/Lamp Door
	4240 523				BOOT,(Not Shown)

**MODEL CODES**

B = GRAN FURY	G = DIPLOMAT	V = 400
C = LEBARON/TOWN & COUNTRY	M = HORIZON/TURISMO/SCAMP	X = MIRADA
D = ARIES	P = RELIANT	Y = IMPERIAL
E = 600	S = CORDOBA	Z = OMNI/CHARGER/RAMPAGE
F = FIFTH AVENUE	T = E CLASS/NEWYORKER	

**BODY STYLES**

21 = 2-DOOR SEDAN	41 = 4-DOOR SEDAN
22 = 2-DOOR SPECIAL COUPE	45 = 4-DOOR STATION WAGON
24 = 2-DOOR HATCHBACK	44 = 4-DOOR HATCHBACK
27 = 2-DOOR CONVERTIBLE	48 = EXECUTIVE SEDAN
28 = FWD PICKUP	

AR = Use as Required - = Non Illustrated Part P.A.R. = Paint as Required



**DOME--COURTESY--SPOTLIGHT L-K-E-M BODY**  
**Figure 8-4300**

3108 4800

ITEM	PART NUMBER	QTY	BODY	MODEL	DESCRIPTION
1	3488 936	2		P,D,B,F	LENS, Dome Lamp
2	5209 922	1		M,Z (24	SWITCH, Cargo Lamp
	4221 023	1		M,Z (44	Serviced in Latch Assy.
3	5209 554	1		P,D,C (	
				M,Z (44	LENS, Cargo Lamp
4					LENS
	3488 995	1		M,Z (44	Forward Dome Lamp, w/Sun Roof-Hinged w/Removeable Glass
	5209 525	1		M,Z (44	Forward Dome Lamp, w/o Sun Roof-Hinged w/Removeable Glass
	5209 525	1		M,Z (24	Forward Dome Lamp
	H408 AX9	1		M,Z (28	ESCUTCHEON, Dome Lamp (Black)
	H408 BL3	1		M,Z (28	ESCUTCHEON, Dome Lamp (Tan)
	H408 AM6	1		M,Z (28	ESCUTCHEON, Dome Lamp (Red)
	3488 995	1		M,Z (24	Cargo Lamp
	4220 595	1		C,V (22	Door Courtesy Lamp Frt. Door
	4220 597			CV,ET(4	Door Courtesy Lamp Frt. & Rr. Door
	3488 995	1		B,F,G	Door Courtesy Lamp
5					LAMP ASSEMBLY
	3591 803	1		M,Z (24	Cargo
	3591 596	AR		M,Z,B,F	TERMINAL
	5209 559	1		M,Z (24	SEAL, Cargo Lamp
					HOUSING
	5209 523	1		M,Z	Forward Dome Lamp
6	3593 541	2		B,F,G	BEZEL, Dome Lamp Center
7	3488 976	AR			INSULATOR ASSEMBLY
8	3591 132	2		B,F,G	LAMP, Courtesy w/Shield Header Mtg. Assy.
	4220 249			PDCVETB	LAMP, Dome & Map (Pkg.)
	3591 873			P,D,C,V	LENS, Dome & Map Lamp
	3591 873			B,F,G	LENS, Dome & Map Lamp
					SWITCH, Reading Lamp W/Shield Header Mtg. (Serviced in 4055342 Header Lamp Wiring Assy.)
	2983 409	4		B,F,G	TERMINAL
	4058 247	2		B,F,G	INSULATOR
	4055 342	1		B,F,G	WIRING ASSEMBLY, w/Switch
9	3591 130	1		B,F,G	LAMP, Courtesy, Under Panel Assy.
10					BRACKET, Lamp Courtesy Frt.
	4220 392			PDCVET	BRACKET, Lamp Courtesy Frt. & Rr.

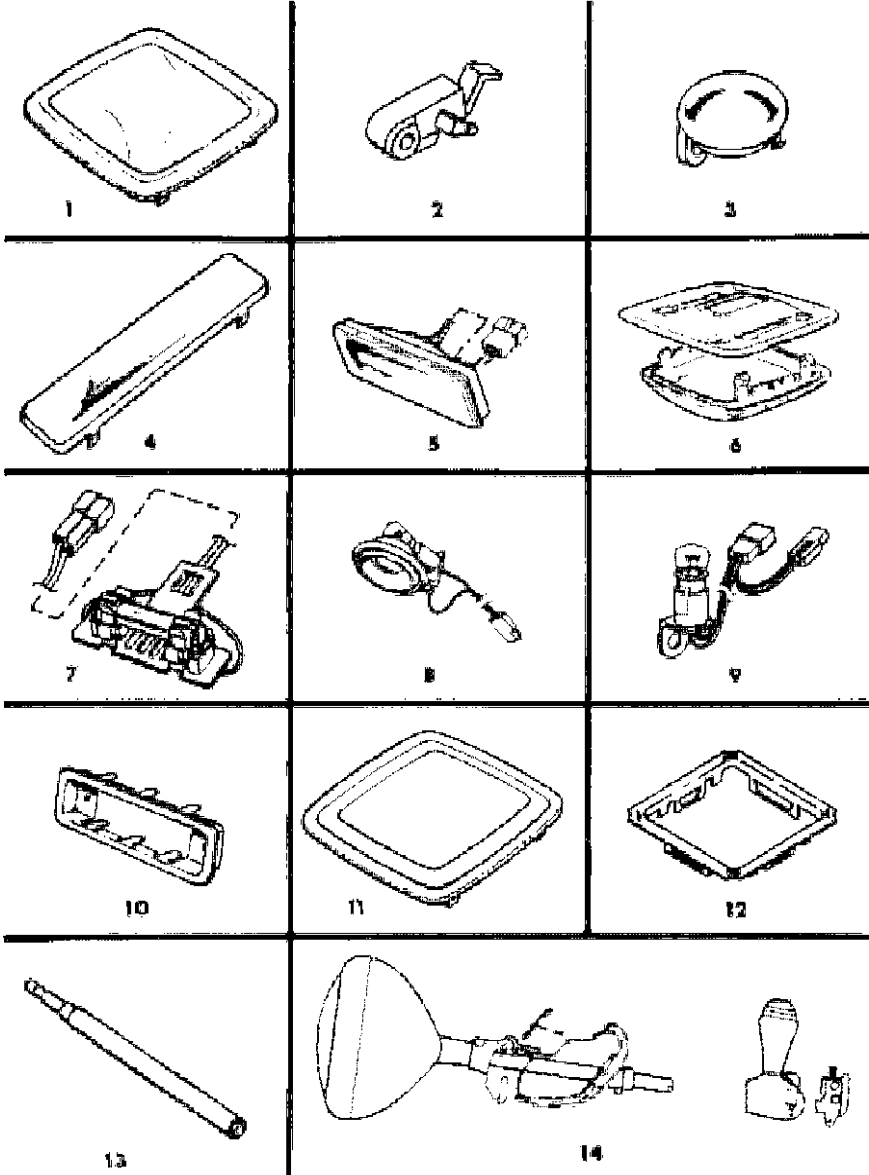
**MODEL CODES**

B = GRAN FURY	G = DIPLOMAT	V = 400
C = LEBARON/TOWN & COUNTRY	M = HORIZON/TURISMO/SCAMP	X = MIRADA
D = ARIES	P = RELIANT	Y = IMPERIAL
E = 600	S = CORDOBA	Z = OMNI/CHARGER/RAMPAGE
F = FIFTH AVENUE	T = E CLASS/NEWYORKER	

**BODY STYLES**

21 = 2-DOOR SEDAN	41 = 4-DOOR SEDAN
22 = 2-DOOR SPECIAL COUPE	45 = 4-DOOR STATION WAGON
24 = 2-DOOR HATCHBACK	44 = 4-DOOR HATCHBACK
27 = 2-DOOR CONVERTIBLE	48 = EXECUTIVE SEDAN
28 = FWD PICKUP	

AR = Use as Required - = Non Illustrated Part P.A.R. = Paint as Required



**DOME--COURTESY--SPOTLIGHT L-K-E-M BODY**  
**Figure 8-4300**

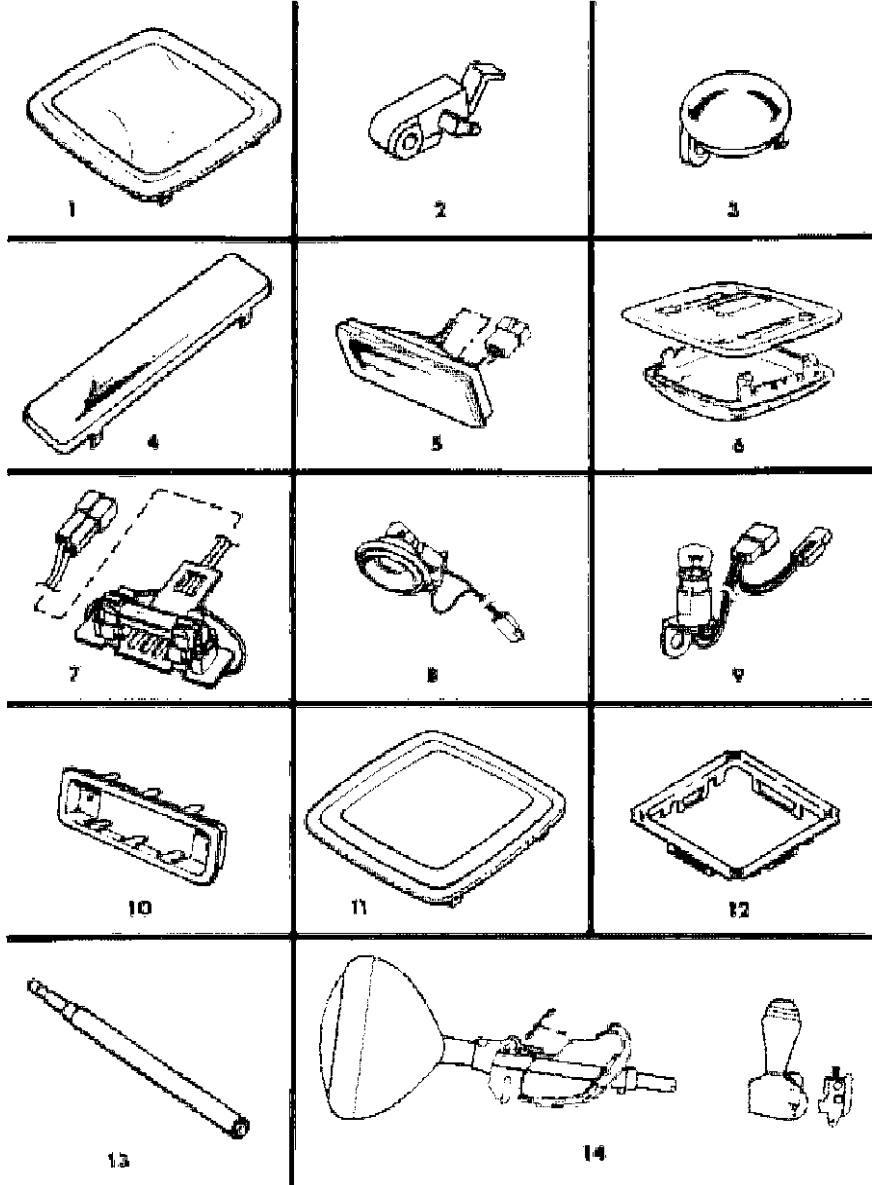
3108 4800

ITEM	PART NUMBER	QTY	BODY	MODEL	DESCRIPTION
	3591 126	AR		B,F,G	Painted
	3591 126	AR		M,Z	BRACKET, Cargo Lamp
11	3593 728			P,D,C,V	LAMP, Dome or Cargo
12	3593 282	1		B,F,G	BRACKET, Dome Lamp Mtg.
	4047 293	1		P,D,C,V	BRACKET, Dome Lamp Mtg.
	3593 282	1		P,D,C,V	w/o Soft H/Lining, w/Cargo Light
	4274 161	1			DIODE and MOLD, Repair, w/A/Cond.
	4274 103	1			DIODE and MOLD, Throttle Opener Sol., w/Air
14					SPOTLIGHT,(Not Serviced)
	1641 511	1			Switch, w/s Pillar Spotlight
	1233 878	1			Switch, w/s Pillar Spotlight Toggle
	4209 749	1			Wiring, Spotlight Fleet
NOTE: The following parts not shown on illustration iced Alternator. Listed above is the Alternator stamped production number crossreferenced to the app					
	4076 842-3			B	LAMP, Ctr. Plr. Opera Assy.
	9431 809				BULB, Rr. Dr. Reading Lamp
	9431 808				BULB, Dome Lamp
	4220 594			C,V (22	LAMP, Courtesy Frt. Door Assy.
	4220 596			CV,ET(4	LAMP, Courtesy Frt. & Rr. Door Assy.
	3591 803			B,F,G	LAMP, Courtesy Frt. & Rr. Door Assy.
	4221 150	1		PD,CV,E	LAMP, Under Hood Assy.
	4220 490	1		P,D,C,V	LAMP, Dome w/Switch (Additional Dome Lamp)
	4047 778	1		P,D	STRAP, Dome Lamp Bracket Mtg.

MODEL CODES  
 B = GRAN FURY  
 C = LEBARON/TOWN & COUNTRY  
 D = ARIES  
 E = 600  
 F = FIFTH AVENUE  
 G = DIPLOMAT  
 M = HORIZON/TURISMO/SCAMP  
 P = RELIANT  
 S = CORDOBA  
 T = E CLASS/NEWYORKER  
 V = 400  
 X = MIRADA  
 Y = IMPERIAL  
 Z = OMNI/CHARGER/RAMPAGE

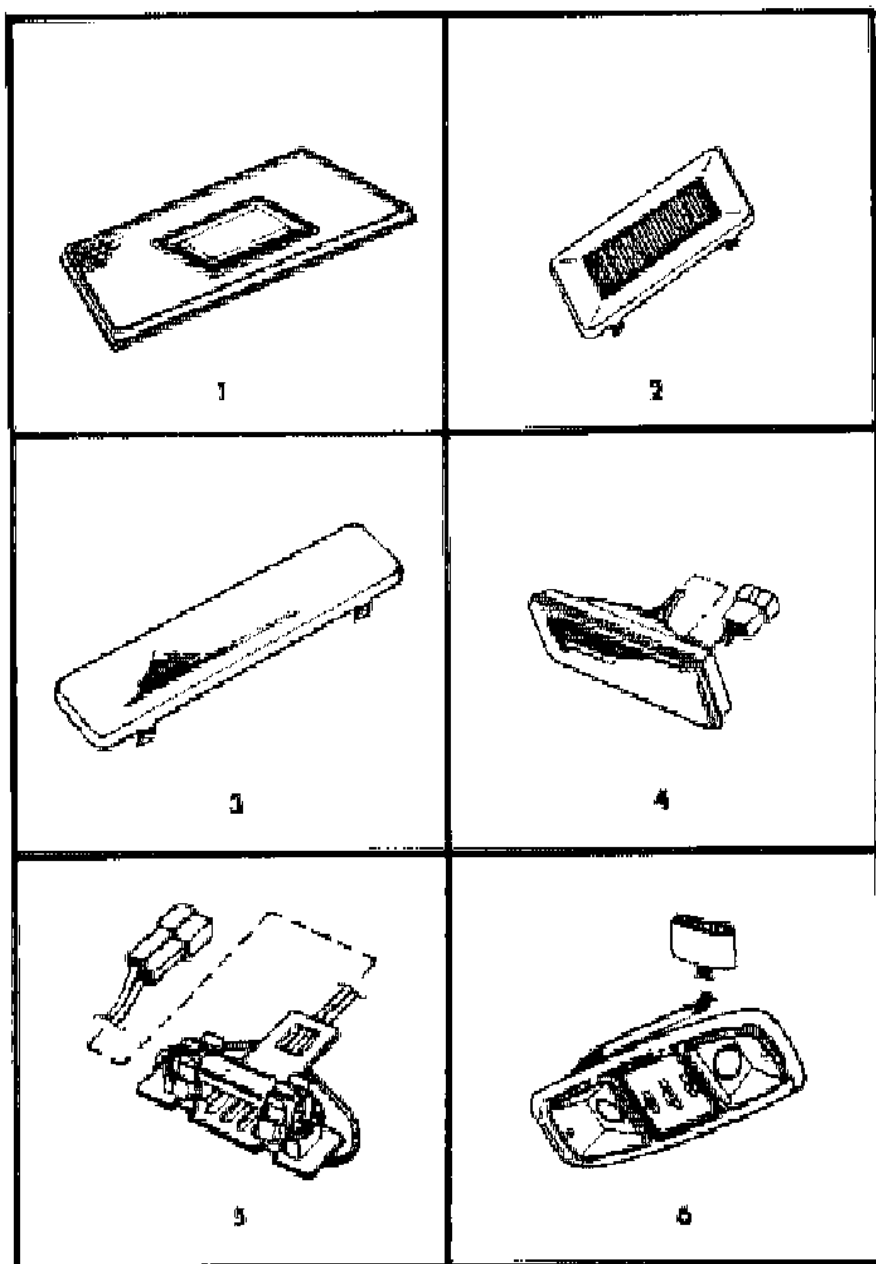
BODY STYLES  
 21 = 2-DOOR SEDAN  
 22 = 2-DOOR SPECIAL COUPE  
 24 = 2-DOOR HATCHBACK  
 27 = 2-DOOR CONVERTIBLE  
 28 = FWD PICKUP  
 41 = 4-DOOR SEDAN  
 45 = 4-DOOR STATION WAGON  
 44 = 4-DOOR HATCHBACK  
 48 = EXECUTIVE SEDAN

AR = Use as Required - = Non Illustrated Part P.A.R. = Paint as Required



**DOME AND COURTESY LAMP J BODY**  
**Figure 8-4400**

3194 4460



ITEM	PART NUMBER	QTY	BODY	MODEL	DESCRIPTION
1	4047 294			Y	LENS, Frt. Door Courtesy Lamp
1	3488 995			Y	LENS, Trunk
3					LENS
	3591 818			X,S	LENS, Courtesy Lamp (White 8 By 3) (Frt. Door)
	4011 944			X,S	LENS, Courtesy Lamp (Red) (Frt. Door)
4					LAMP ASSEMBLY
	3591 944	2		X,S	Rr. Qtr. Courtesy
	3591 596	4		X,S	TERMINAL
5	3488 976	AR			INSULATOR ASSEMBLY
6	3591 955	1		X,S,Y	LAMP, Reading Frt. Mtg. (Bright Finish) Assy.
	3591 783	1		X,S,Y	LAMP, Reading Frt. Mtg. (Wood Grain) Assy.
	3591 041	1		X,S	LAMP DOME, w/Sun Roof
	3591 789	1		X,S,Y	BRACKET, Reading Lamp Frt. Header Mtg.
	6032 019	1		X,S,Y	RING, Reading Lamp Frt. Header Mtg.
	3591 944	1		X,S	LAMP, Rr. Qtr. Reading Lamp Assy.
	3591 946			X,S	Lens & Bezel
				Y	LAMP, Rr. Qtr. Reading Lamp Assy.
	4047 992-3	1		Y	Lens, Reading Lamp
	4047 998-9	1		Y	Bezel, Reading Lamp
	4047 984-5	1		Y	Medallion, Reading Lamp
NOTE: The following parts not shown on illustration iced Alternator. Listed above is the Alternator stamped production number crossreferenced to the app					
	4124 874	2		X,S	SWITCH AND WIRING, Rr. Door Reading Lamp
	4209 512-3	1		Y	SWITCH, Ft. Door Reading Lamp w/Wiring
	4209 512-3	1		Y	SWITCH, Rear Qtr. Lamp
	9431 808	1			BULB, Dome Lamp
	4221 008	1		X,S,Y	LAMP, Under Hood Assy.
	4267 275	1		B,F,G,X	LAMP, Trunk (Pkg.)

**MODEL CODES**

B = GRAN FURY	G = DIPLOMAT	V = 400
C = LEBARON/TOWN & COUNTRY	M = HORIZON/TURISMO/SCAMP	X = MIRADA
D = ARIES	P = RELIANT	Y = IMPERIAL
E = 600	S = CORDOBA	Z = OMNI/CHARGER/RAMPAGE
F = FIFTH AVENUE	T = E CLASS/NEWYORKER	

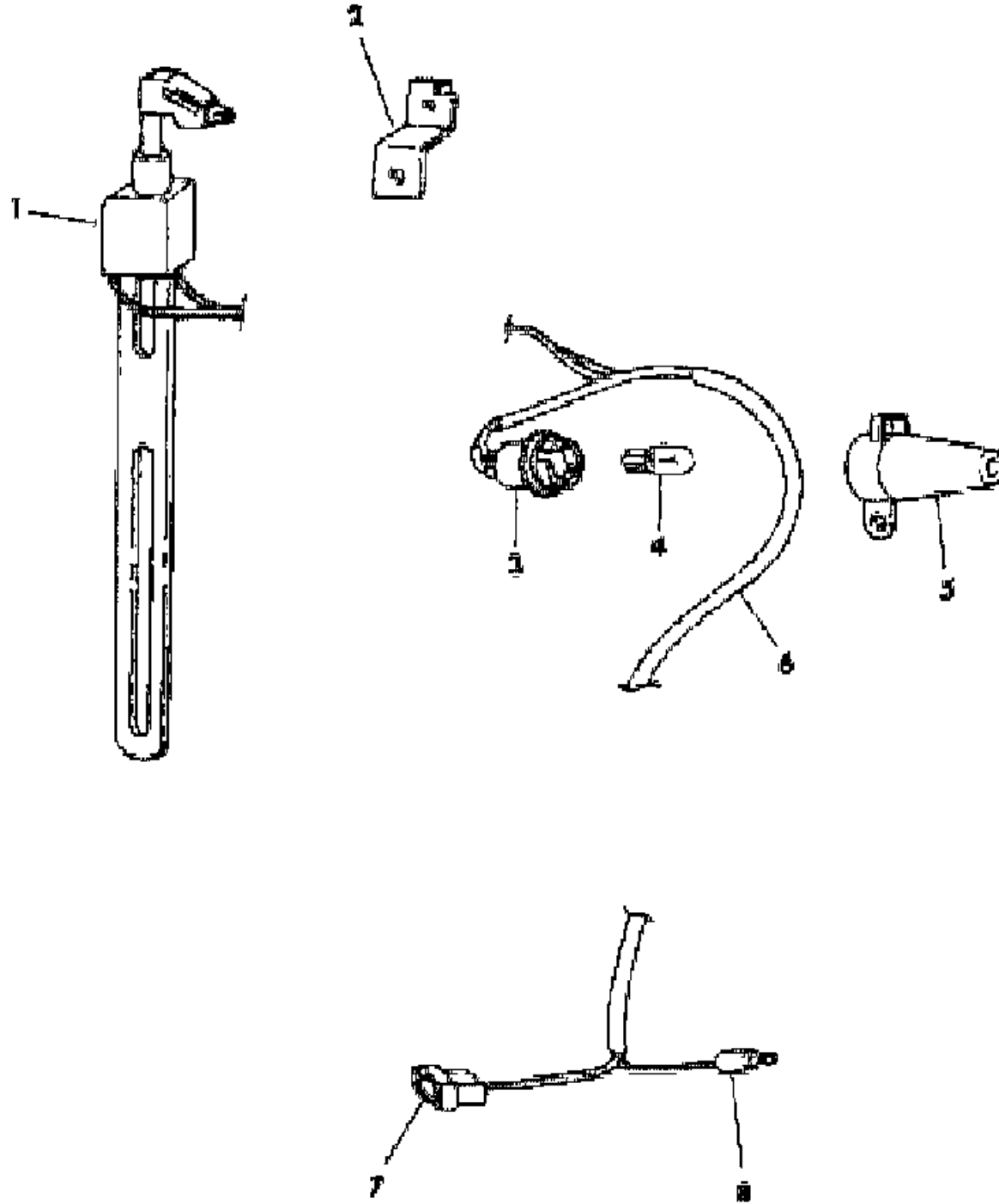
**BODY STYLES**

21 = 2-DOOR SEDAN	41 = 4-DOOR SEDAN
22 = 2-DOOR SPECIAL COUPE	45 = 4-DOOR STATION WAGON
24 = 2-DOOR HATCHBACK	44 = 4-DOOR HATCHBACK
27 = 2-DOOR CONVERTIBLE	48 = EXECUTIVE SEDAN
28 = FWD PICKUP	

AR = Use as Required - = Non Illustrated Part P.A.R. = Paint as Required

**ILLUMINATED DOOR LOCK LIGHT**  
Figure 8-4500

1166 4500



ITEM	PART NUMBER	QTY	BODY	MODEL	DESCRIPTION
1	3747 819	1			SWITCH
2	3591 902	1			BRACKET
3	3513 686				SOCKET
4	9421 330				BULB
5	3591 894				HOUSING
6					WIRING,(Not Serviced)
7	4274 264				INSULATOR
8	3843 386				Term.
	2580 065				MOLD
	1843 444				Term.
	4186 387				RELAY,(Not Shown)
	4172 675				CABLE ASSEMBLY

MODEL CODES

B = GRAN FURY	G = DIPLOMAT	V = 400
C = LEBARON/TOWN & COUNTRY	M = HORIZON/TURISMO/SCAMP	X = MIRADA
D = ARIES	P = RELIANT	Y = IMPERIAL
E = 600	S = CORDOBA	Z = OMNI/CHARGER/RAMPAGE
F = FIFTH AVENUE	T = E CLASS/NEWYORKER	

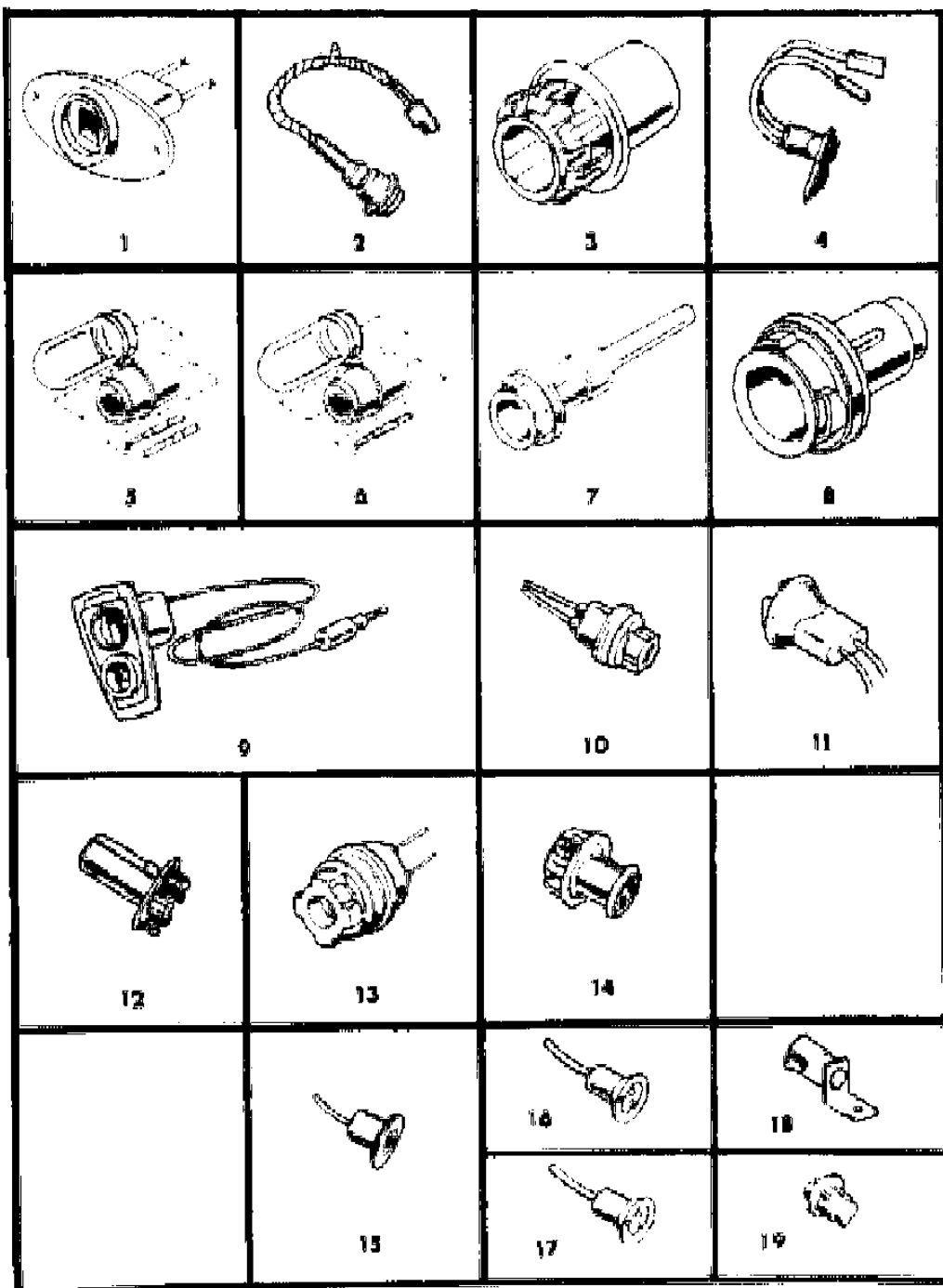
BODY STYLES

21 = 2-DOOR SEDAN	41 = 4-DOOR SEDAN
22 = 2-DOOR SPECIAL COUPE	45 = 4-DOOR STATION WAGON
24 = 2-DOOR HATCHBACK	44 = 4-DOOR HATCHBACK
27 = 2-DOOR CONVERTIBLE	48 = EXECUTIVE SEDAN
28 = FWD PICKUP	

AR = Use as Required - = Non Illustrated Part P.A.R. = Paint as Required

## SOCKETS & CABLES Figure 8-4600

3103 4600



ITEM	PART NUMBER	QTY	BODY	MODEL	DESCRIPTION
1	4055 498-9			X,S	SOCKET and CABLE, License
2	3843 060			B,F,G,X	SOCKET, Rr. Bmpr. Back-Up
4	3843 799			S	SOCKET and CABLE, Fender Turn Signal Indic.
5	3746 516			M,Z	SOCKET Rr. Window Indic.
	3746 516			MZ,PDC,	Cargo
	3746 516				Opera
	3746 516			PD,CV,B	Console
6					SOCKET
	3746 515			All	Radio Illumination
	3746 515			B,F,G	Rr. Window Indic.
	3746 515			B,F,G	Head Lamp Switch Illumination
	3746 515			B,F,G	Wiper Switch
	3746 515			B,F,G	Ash Rec.
	4124 341				SOCKET and CABLE, Liftgate
7	4055 433			M,Z	SOCKET, Park Lamp Repair Pkg.
8	5211 537			M,Z	SOCKET, Type C-2
9					SOCKET and CABLE, Fender T/Signal Indic.
10					SOCKET, Back-Up & Side Marker
11	3588 314			B,F,G	SOCKET and CABLE, License Repair
12					SOCKET, Turn Signal
	2926 370			B,F,G	Frnt.
13					SOCKET and CABLE
	4055 028			X	Qtr. Pnl. Turn Signal
	4055 028			X	Frnt. Turn Signal and Side Marker
14	2822 196			P,D,C (	SOCKET, Tail Stop t/Sig.
15	3764 865				SOCKET, Cornering Lamp Repair
	4124 721			C,V,X,S	SOCKET, w/Cable Cornering
17	3843 432			M,Z,B,F	SOCKET, Park & Turn Signal Repair
18	2096 857			B,F,G,C	SOCKET and BRACE, Courtesy Lp.
19	3744 750			All	SOCKET, Printed Circuit Board
NOTE: The following parts not shown on illustration iced Alternator. Listed above is the Alternator stamped production number crossreferenced to the app					
	3843 432			P,D,C,V	SOCKET, Park & T/Sig.
	3513 686			M,Z	SOCKET, Side Marker (Frnt.)
	3588 314			PD,CV(2	SOCKET, Side Marker (Rr)
	4124 081			PD,CV(2	SOCKET, Tail Stop and T/Sig.

### MODEL CODES

B = GRAN FURY

C = LEBARON/TOWN & COUNTRY

D = ARIES

E = 600

F = FIFTH AVENUE

G = DIPLOMAT

M = HORIZON/TURISMO/SCAMP

P = RELIANT

S = CORDOBA

T = E CLASS/NEWYORKER

V = 400

X = MIRADA

Y = IMPERIAL

Z = OMNI/CHARGER/RAMPAGE

### BODY STYLES

21 = 2-DOOR SEDAN

22 = 2-DOOR SPECIAL COUPE

24 = 2-DOOR HATCHBACK

27 = 2-DOOR CONVERTIBLE

28 = FWD PICKUP

41 = 4-DOOR SEDAN

45 = 4-DOOR STATION WAGON

44 = 4-DOOR HATCHBACK

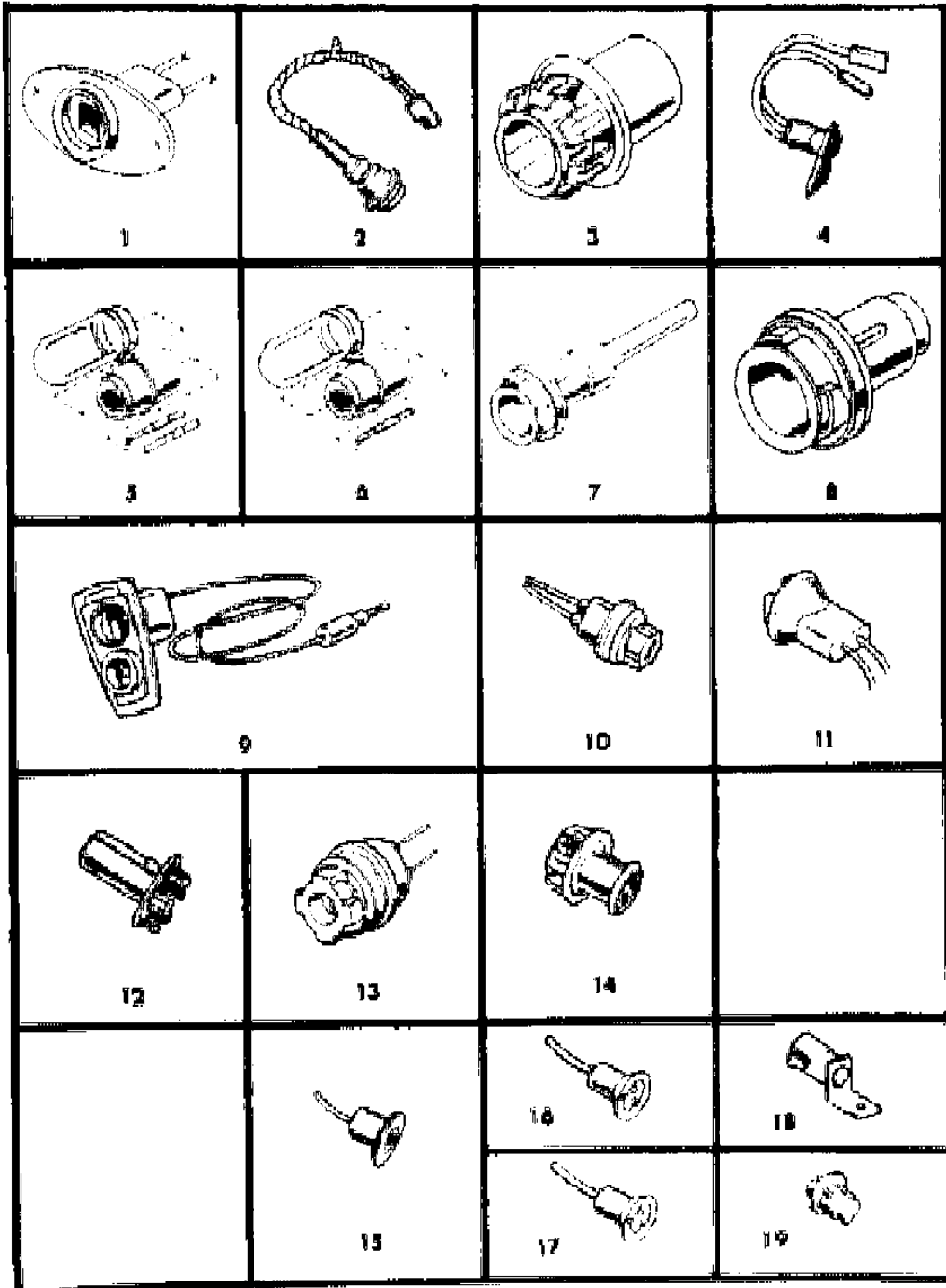
48 = EXECUTIVE SEDAN

AR = Use as Required - = Non Illustrated Part P.A.R. = Paint as Required

# SOCKETS & CABLES

Figure 8-4600

3103 4600



ITEM	PART NUMBER	QTY	BODY	MODEL	DESCRIPTION
	5211 712			PD,CV(2)	SOCKET, Back UP
	5211 711			P,D,C (	SOCKET, Back UP SOCKET, Gate Open

MODEL CODES  
 B = GRAN FURY  
 C = LEBARON/TOWN & COUNTRY  
 D = ARIES  
 E = 600  
 F = FIFTH AVENUE  
 G = DIPLOMAT  
 M = HORIZON/TURISMO/SCAMP  
 P = RELIANT  
 S = CORDOBA  
 T = E CLASS/NEWYORKER  
 V = 400  
 X = MIRADA  
 Y = IMPERIAL  
 Z = OMNI/CHARGER/RAMPAGE

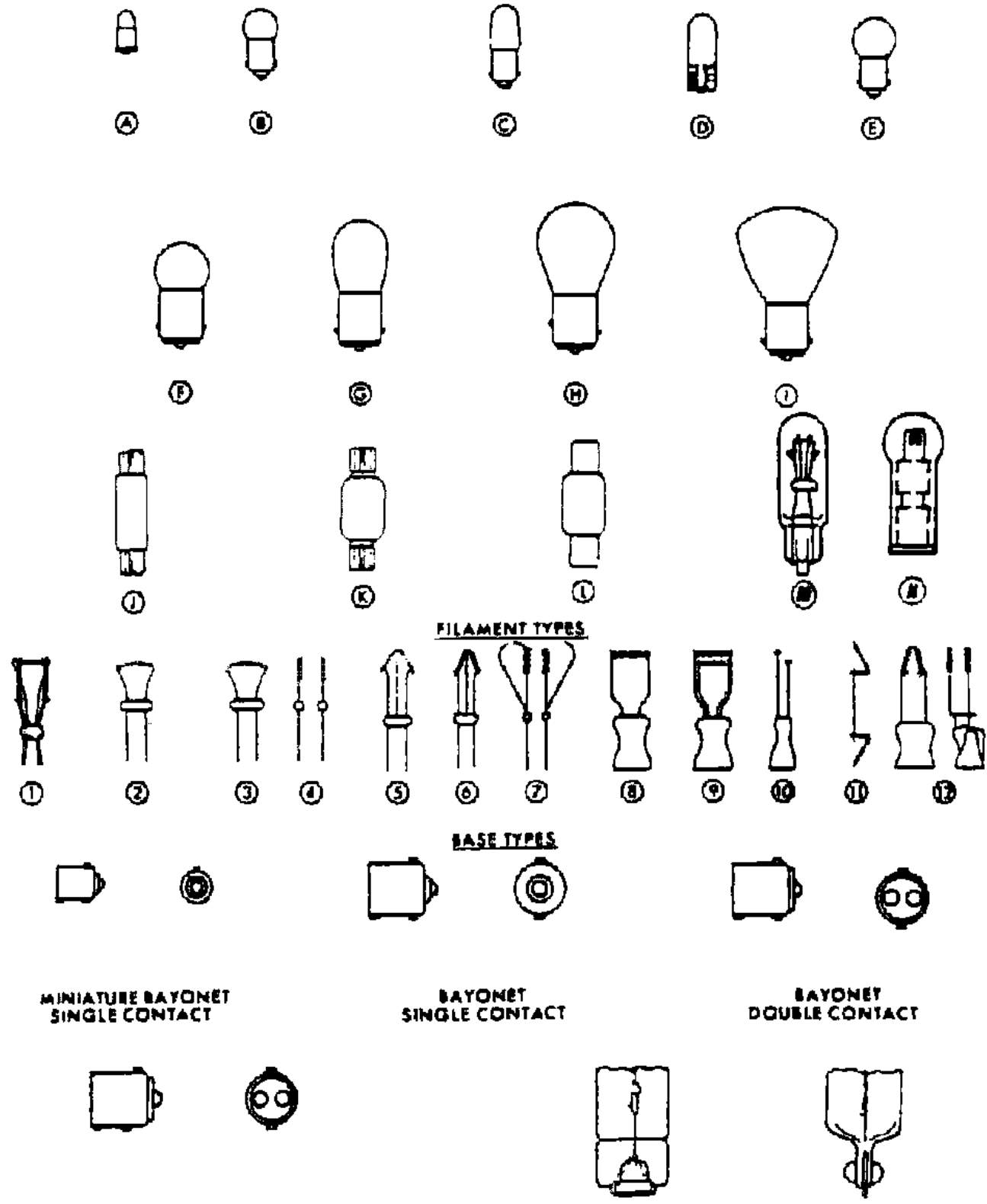
BODY STYLES  
 21 = 2-DOOR SEDAN  
 22 = 2-DOOR SPECIAL COUPE  
 24 = 2-DOOR HATCHBACK  
 27 = 2-DOOR CONVERTIBLE  
 28 = FWD PICKUP  
 41 = 4-DOOR SEDAN  
 45 = 4-DOOR STATION WAGON  
 44 = 4-DOOR HATCHBACK  
 48 = EXECUTIVE SEDAN

AR = Use as Required - = Non Illustrated Part P.A.R. = Paint as Required

# BULB CROSS REFERENCE

Figure 8-4700

3108 4700



ITEM	PART NUMBER	QTY	BODY	MODEL	DESCRIPTION
A	9423 277				SINGLE N330 N1 Y9423277 N
B	0131 282				SINGLE N53 N5 Y0131282 N
	0274 004				SINGLE N1445 N5 Y0274004 N
	0273 987				SINGLE N363 N5 Y0273987 N
C	0193 065				SINGLE N1815 N5 Y0193065 N
	0152 240				SINGLE N1816 N5 Y0152240 N
	0152 244				SINGLE N1891 N1 Y0152244 N
	0274 020				SINGLE N1892 N1 Y0274020 N
	9428 049				SINGLE N756 NC-2F Y9428049 N
D	9415 969				WEDGE N158 N5 Y9415969 N
	9417 561				SINGLE WEDGE N161 N1 Y9417561 N
	9425 542				SINGLE WEDGE N168 N5 Y9425542 N
	9421 330				SINGLE WEDGE N194 N1 Y9421330 N
E	0127 934				SINGLE N57 N5 Y0127934 N
	9412 348				SINGLE N257 N2 Y9412348 N
	9417 863				SINGLE N1895 N1 Y9417863 N
F	0142 450				SINGLE N67 N2 Y0142450 N
	0142 453				DOUBLE N90 N2 Y0142453 N
G	0151 577				SINGLE N1003 N8 Y0151577 N
	0151 578				DOUBLE N1004 N8 Y0151578 N
H	0142 454				SINGLE N93 N2 Y0142454 N
	9436 790				SINGLE WEDGE N73 NC-2F Y9436790 N
	0142 456				SINGLE N1141 N8 Y0142456 N
	9417 866				SINGLE N1156 N8 Y9417866 N
	9438 848				DOUBLE N2057 N8 Y9438848 NWHITE
	9438 850				DOUBLE N2057NA N8 Y9438850 NAMBER
	9419 780				DOUBLE N1157A N8 Y9419780 N
J	9423 295				DOUBLE N1157NA N8 Y9423295 N
	9431 809				DOUBLE WEDGE N212.2 NC-8 Y9431809 N
	9431 808				FESTOON CAP - DOUBLE N211-2 N11 Y9431808 N
L	9436 790				SINGLE WEDGE N74 NC-2F Y9436790 N
M	3832 347				NV022 N Y3832347 N
	9437 173				NGE-912 N Y9437173 N
N	9438 068				N194A N Y9438068 N

**MODEL CODES**

B = GRAN FURY	G = DIPLOMAT	V = 400
C = LEBARON/TOWN & COUNTRY	M = HORIZON/TURISMO/SCAMP	X = MIRADA
D = ARIES	P = RELIANT	Y = IMPERIAL
E = 600	S = CORDOBA	Z = OMNI/CHARGER/RAMPAGE
F = FIFTH AVENUE	T = E CLASS/NEWYORKER	

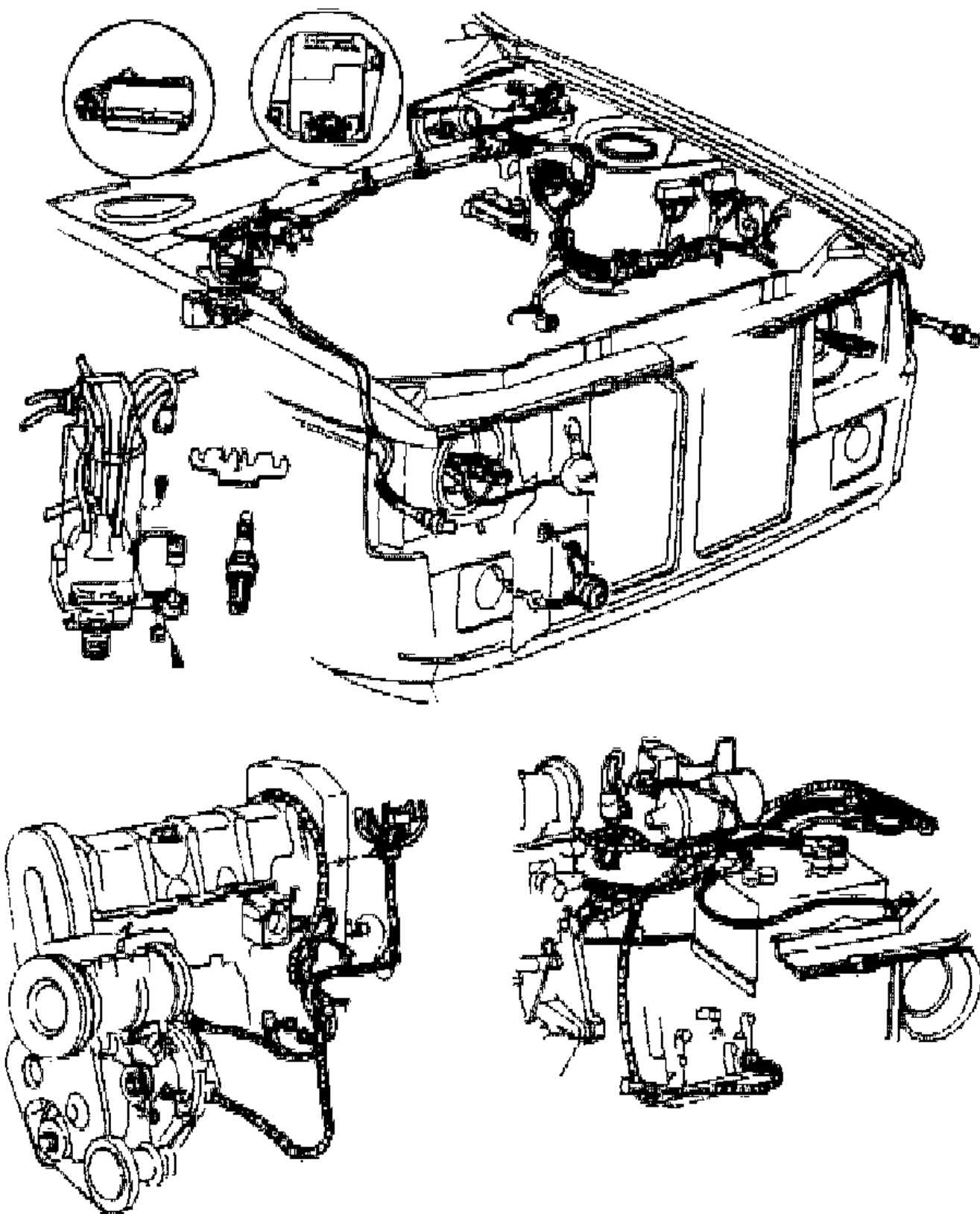
**BODY STYLES**

21 = 2-DOOR SEDAN	41 = 4-DOOR SEDAN
22 = 2-DOOR SPECIAL COUPE	45 = 4-DOOR STATION WAGON
24 = 2-DOOR HATCHBACK	44 = 4-DOOR HATCHBACK
27 = 2-DOOR CONVERTIBLE	48 = EXECUTIVE SEDAN
28 = FWD PICKUP	

AR = Use as Required - = Non Illustrated Part P.A.R. = Paint as Required

**WIRING-ENGINE & RELATED PARTS L BODY**  
**Figure 8-4800**

3108 4800



ITEM	PART NUMBER	QTY	BODY	MODEL	DESCRIPTION
1					WIRING,ENGINE
	4304 080				w/ A.C. 1.7 Eng.
	4304 081				w/oA.C. 1.7 Eng.
	4274 801				2.2 Eng.
	4274 821				1.6 Eng.
	4304 622				2.2 Eng. "SHELBY"
2	4274 814				CABLE,Battery (Ground)
	4274 892				Positive (1.6 Eng.)
	4304 082				Positive (w/ A 460 Trans.1.7 Eng)
	4304 083				Positive (w/ A-412 Trans.1.7 Eng)
	4274 894				Positive,2.2 Eng. Auto.Trans
	4274 893				Positive,2.2 Eng. Man.Trans.
3	6500 275				BOLT,Ground to Body
4	1841 499				SEPERATOR,Spark Plug Cable (1.6 Eng.)
	4179 190				(2.2 Eng.)
5	5213 361	2			CABLE,Spark Plug (1.6 Eng.) #1 & 4
	5213 363	2			(1.6 Eng.) #2 & 3
	5213 377	1			(1.7 Eng.) #1
	5213 376	1			(1.7 Eng.) #2
	5213 375	1			(1.7 Eng.) #3
	5213 374	1			(1.7 Eng.) #4
	5213 372	2			(2.2 Eng.) #2 & 3
	5213 373	2			(2.2 Eng.) #1 & 4
	4145 413				NIPPLE,Dist. End
	5213 355				NIPPLE,Coil End
6	4240 432				CABLE PACKAGE, Ign. w/1.7 Eng.
7	5213 351				CABLE, Ignition Coil (1.6 Eng.)
	5213 357				(1.7 Eng.)
	5213 358				(2.2 Eng.)
8	3874 490				PLUG,Spark P65 PR
9	2642 919				GASKET,Spark Plug
10	4176 009				COIL,Ignition
	4213 552				BRACKET,Coil Mtg.
11	4222 916				CAPACITOR,Ign.Coil
12					WIRING,Front End (Headlamp to Inst.Panel)
	4274 860			24	w/1.6 Eng.
	4274 862			44	w/1.6 Eng.

**MODEL CODES**

B = GRAN FURY	G = DIPLOMAT	V = 400
C = LEBARON/TOWN & COUNTRY	M = HORIZON/TURISMO/SCAMP	X = MIRADA
D = ARIES	P = RELIANT	Y = IMPERIAL
E = 600	S = CORDOBA	Z = OMNI/CHARGER/RAMPAGE
F = FIFTH AVENUE	T = E CLASS/NEWYORKER	

**BODY STYLES**

21 = 2-DOOR SEDAN	41 = 4-DOOR SEDAN
22 = 2-DOOR SPECIAL COUPE	45 = 4-DOOR STATION WAGON
24 = 2-DOOR HATCHBACK	44 = 4-DOOR HATCHBACK
27 = 2-DOOR CONVERTIBLE	48 = EXECUTIVE SEDAN
28 = FWD PICKUP	

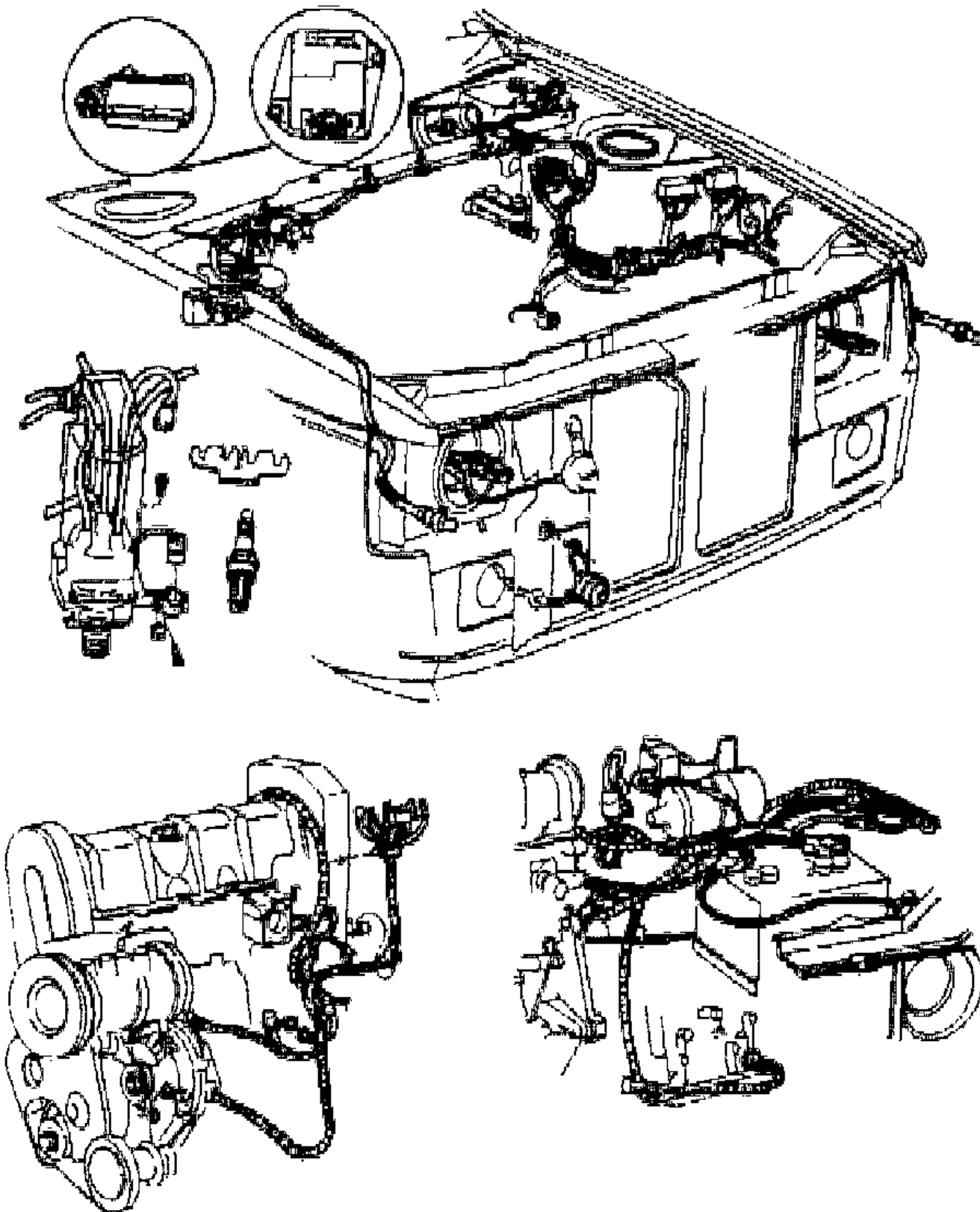
AR = Use as Required - = Non Illustrated Part P.A.R. = Paint as Required



# WIRING-ENGINE & RELATED PARTS L BODY

## Figure 8-4800

3108 4800



ITEM	PART NUMBER	QTY	BODY	MODEL	DESCRIPTION
	4274 854			24-28	w/1.7 & 2.2Eng.w/A.C.
	4274 855			24-28	w/1.7 & 2.2Eng.w/o A.C.
	4274 857			44	w/1.7 & 2.2Eng.w/ A.C.
	4274 858			44	w/1.7 & 2.2Eng.w/o A.C.
	4304 533				w/2.2Eng. "SHELBY"
13	4209 374				WIRING,Alternator (1.7 Eng.)
14	4124 656				WIRING,Speed Control (Eng.Compartment)
15	5213 305				CONTROL UNIT,Elec. (1.7 & 2.2 Eng. Export
16	4111 990				REGULATOR, Voltage
17	4274 035				MOLD,Spark Advance (Repair w/Tab)
	4274 036				(Repair w/Bar)
	4209 978				(Repair 6-Way)
18					CONTROL,ELEC. SPARK ADVANCE
	5213 641				w/Man. Trans. (1.6 Eng.)
	5213 679				w/All Trans. (1.6 Eng.) (CANADA)
	5213 441				w/Man. Trans. (1.7 Eng.) (CANADA)
	5213 440				w/Auto.Trans. (1.7 Eng.) (CANADA)
	5213 438				w/Man. Trans. (1.7 Eng.) (CALIF.)
	5213 437				w/Auto.Trans. (1.7 Eng.)
	5213 542				w/Man..Trans. (1.7 Eng.)
	5213 834			24-41-2	w/Man.Trans. (2.2 Eng.)up to 11-4-82
	5213 856			24-41-2	w/Man.Trans. (2.2 Eng.)aft. 11-4-82
	5213 852				w/Auto.Trans. (2.2 Eng.) up to 10-8-82
	5213 854				w/Auto.Trans. (2.2 Eng.) After 10-8-82
	5213 838			24-41	w/Man. Trans. (2.2 Eng.) CALIF.
	5213 836			24-41	w/Auto.Trans. (2.2 Eng.) CALIF. up to 11-1-82
	5213 858			24-41	w/Auto.Trans. (2.2 Eng.) CALIF. aft. 11-1-82
	5213 840				w/2.2 Eng. High Altitude
	5213 753				w/2.2 Eng. CANADA
	5213 691			28	w/2.2 Eng. up to 11-1-82
	5213 868				w/2.2 Eng. After 11-1-82
	5213 974				"SHELBY"
	5213 978				"SHELBY"
	5213 876				1.6 Peugeot
19	4267 269				SWITCH,Oil Pressure (1.6 Eng.)
	4186 353				(1.7 Eng.)
	4267 021				(2.2 Eng.)

**MODEL CODES**

B = GRAN FURY	G = DIPLOMAT	V = 400
C = LEBARON/TOWN & COUNTRY	M = HORIZON/TURISMO/SCAMP	X = MIRADA
D = ARIES	P = RELIANT	Y = IMPERIAL
E = 600	S = CORDOBA	Z = OMNI/CHARGER/RAMPAGE
F = FIFTH AVENUE	T = E CLASS/NEWYORKER	

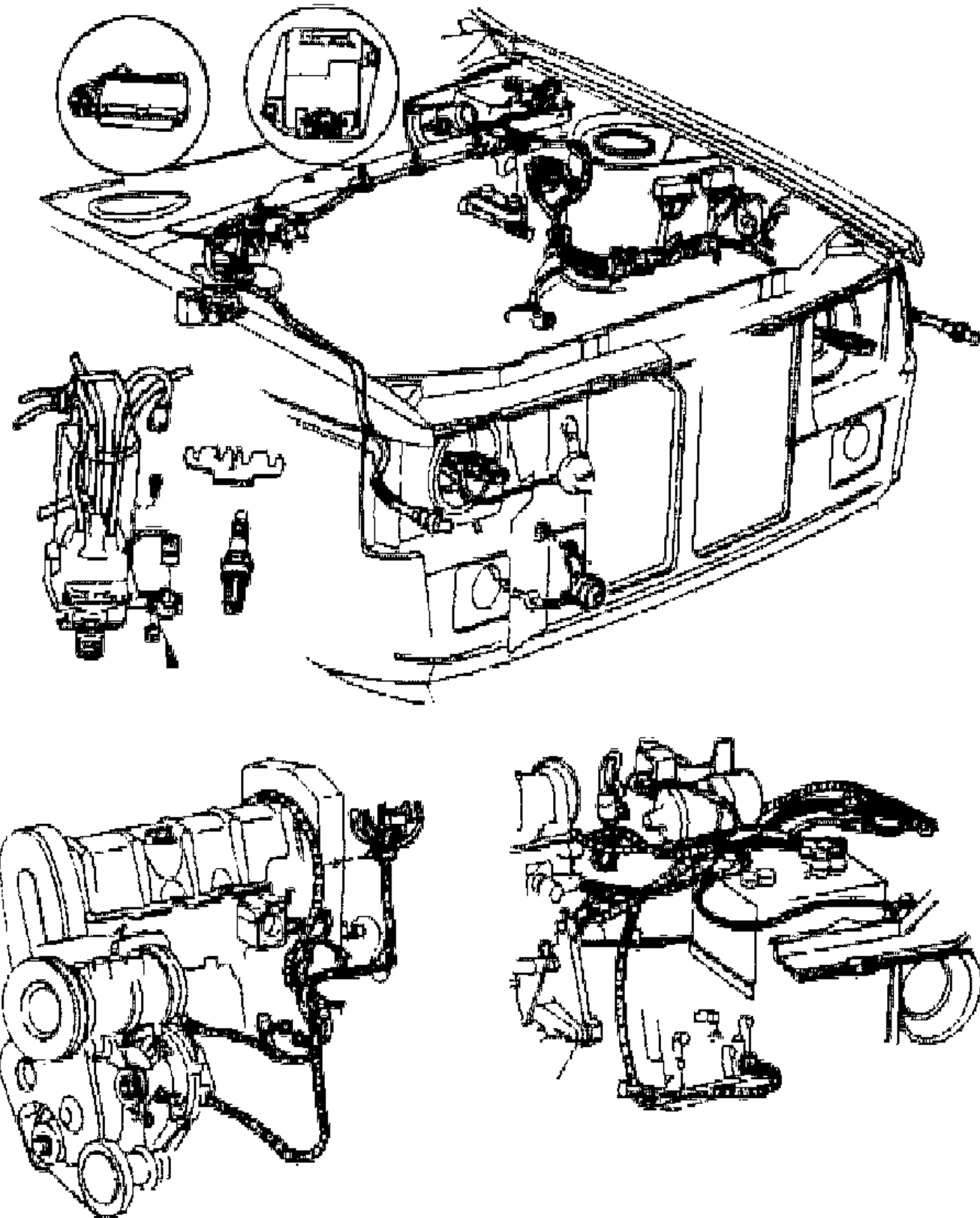
**BODY STYLES**

21 = 2-DOOR SEDAN	41 = 4-DOOR SEDAN
22 = 2-DOOR SPECIAL COUPE	45 = 4-DOOR STATION WAGON
24 = 2-DOOR HATCHBACK	44 = 4-DOOR HATCHBACK
27 = 2-DOOR CONVERTIBLE	48 = EXECUTIVE SEDAN
28 = FWD PICKUP	

AR = Use as Required - = Non Illustrated Part P.A.R. = Paint as Required

**WIRING-ENGINE & RELATED PARTS L BODY**  
**Figure 8-4800**

3108 4800



ITEM	PART NUMBER	QTY	BODY	MODEL	DESCRIPTION
	4267 300				(2.2 Eng. w/T.B.I.)
	4221 289				(2.2 Eng. Turbo.)
	2889 298				(2.6 Eng.)
20	4221 071				SWITCH,Eng.Temp. (1.7 & 2.2)
	4091 719				(1.7 Eng. 150 Deg.)Silver & 2.2 Eng.Calif.
	4145 348				(1.7 Eng. 98 Deg.)
	4145 716				(2.2 Eng.125 Deg.) Blue
	4267 281				SENSOR,Eng. Temp. 1.6 Eng.
	5213 737				RELAY, Starter

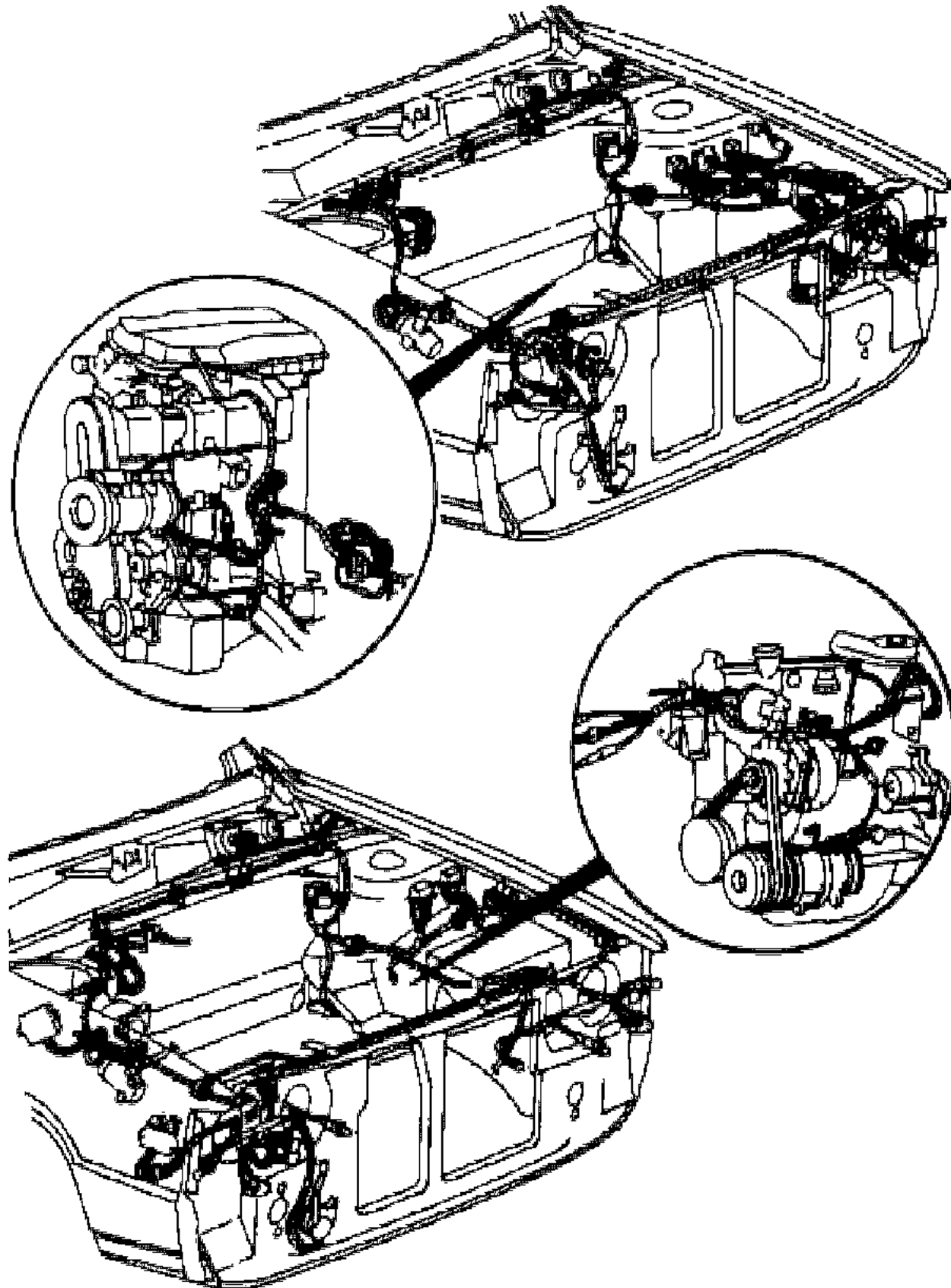
MODEL CODES  
 B = GRAN FURY  
 C = LEBARON/TOWN & COUNTRY  
 D = ARIES  
 E = 600  
 F = FIFTH AVENUE  
 G = DIPLOMAT  
 M = HORIZON/TURISMO/SCAMP  
 P = RELIANT  
 S = CORDOBA  
 T = E CLASS/NEWYORKER  
 V = 400  
 X = MIRADA  
 Y = IMPERIAL  
 Z = OMNI/CHARGER/RAMPAGE

BODY STYLES  
 21 = 2-DOOR SEDAN  
 22 = 2-DOOR SPECIAL COUPE  
 24 = 2-DOOR HATCHBACK  
 27 = 2-DOOR CONVERTIBLE  
 28 = FWD PICKUP  
 41 = 4-DOOR SEDAN  
 45 = 4-DOOR STATION WAGON  
 44 = 4-DOOR HATCHBACK  
 48 = EXECUTIVE SEDAN

AR = Use as Required - = Non Illustrated Part P.A.R. = Paint as Required

**WIRING-ENGINE & RELATED PARTS K-E BODY**  
**Figure 8-4900**

1108 4900



ITEM	PART NUMBER	QTY	BODY	MODEL	DESCRIPTION
1					WIRING, Engine
	4274 792				(2.2 Eng.)
	4274 794				(2.6 Eng.)
	4274 335			P-D-C-V	w/A.C. Throttle Kicker Jumper
2	4274 887				CABLE,Battery (Ground)
	4274 886				Positive,2.6 Eng.
	4274 975				Positive,w/Man.Trans.2.2 Eng.
	4274 272				Positive,w/Auto.Trans. 2.2 & 2.6 Eng.
	4339 717				Battery Feed
3	6500 275				BOLT,Battery Ground
4	MD02 7766	1			CABLE PACKAGE, 2.6 Eng.
	MD02 7717	1			#4 2.6 Eng.
	MD02 7716	1			#3 2.6 Eng.
	MD02 7715	1			#2 2.6 Eng.
	MD02 7714	1			#1 2.6 Eng.
	5213 372	2			# 2-3-(2.2 Eng.)
	5213 373	2			# 1-4-(2.2 Eng.)
	4240 435	1			CABLE SET-Pkg. 2.2 Eng.
5	MD00 1790	2			SEPERATOR,Cable (2.6 Eng.)
	MD02 4699	2			SEPERATOR,Cable (2.6 Eng.)
	4179 190				SEPERATOR,Cable (2.2 Eng.)
6	3874 490	4			PLUG,Spark 2.2 & 2.6 Eng. PR-65
	MS85 1237	4			BPR 5 ES 11
	MS85 1407	4			PLUG,Spark 2.6 Eng. W16EPRU10
	MS85 1432	4			PLUG,Spark 2.6 Eng. W16EU10
	5213 693				RN 12 YC Copper Tip
7	2642 919	AR			GASKET,Spark Plug
8	MD02 7723				WIRE,Coil 2.6 Eng.
	5213 358				WIRE,Coil 2.2 Eng.
9	4145 413				NIPPLE,Dist. End. 2.2 Eng.
	5213 355				NIPPLE,Coil End. 2.2 Eng.
10	MD02 5702				COIL and BRACKET, 2.6 Eng.
	4176 009				2.2 Eng.
	4213 532				BRACKET,Coil 2.2 Eng.
	4222 103			P-D-C-V	CAPACITOR,Coil
11	4304 441			P-D	WIRING,FRONT END (Headlamp to Inst.Panel) w/75 Amp.Alt. w/A.C. 2.6 Eng.

**MODEL CODES**

B = GRAN FURY	G = DIPLOMAT	V = 400
C = LEBARON/TOWN & COUNTRY	M = HORIZON/TURISMO/SCAMP	X = MIRADA
D = ARIES	P = RELIANT	Y = IMPERIAL
E = 600	S = CORDOBA	Z = OMNI/CHARGER/RAMPAGE
F = FIFTH AVENUE	T = E CLASS/NEWYORKER	

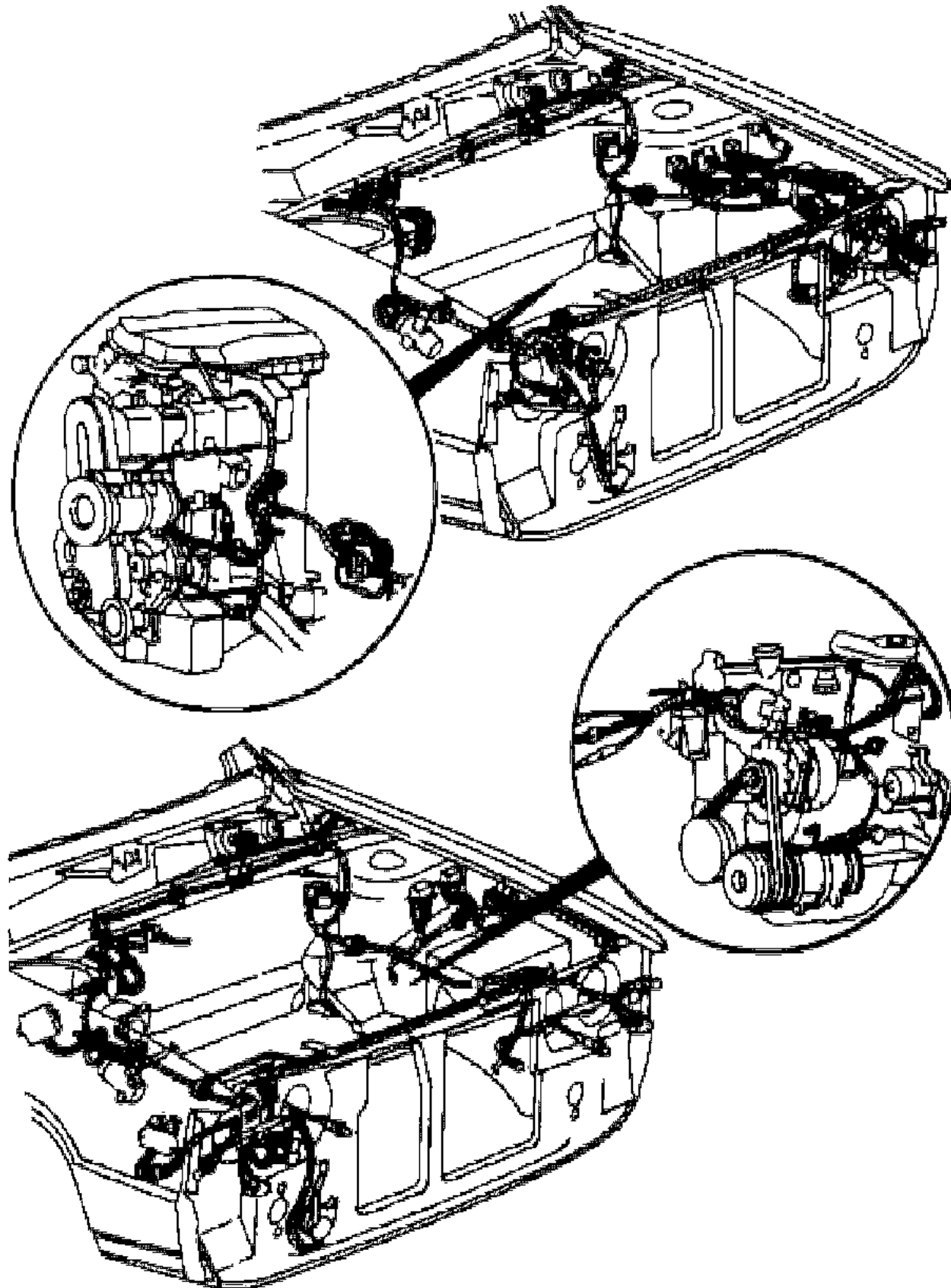
**BODY STYLES**

21 = 2-DOOR SEDAN	41 = 4-DOOR SEDAN
22 = 2-DOOR SPECIAL COUPE	45 = 4-DOOR STATION WAGON
24 = 2-DOOR HATCHBACK	44 = 4-DOOR HATCHBACK
27 = 2-DOOR CONVERTIBLE	48 = EXECUTIVE SEDAN
28 = FWD PICKUP	

AR = Use as Required - = Non Illustrated Part P.A.R. = Paint as Required

**WIRING-ENGINE & RELATED PARTS K-E BODY**  
**Figure 8-4900**

1108 4906



ITEM	PART NUMBER	QTY	BODY	MODEL	DESCRIPTION
	4304 442			P-D	w/75 Amp.Alt. w/o A.C. 2.6 Eng. up to 11-20-82
	4304 573			P-D	aft.11-20-82
	4304 437			P-D	w/78 Amp.Alt. w/o A.C. 2.2 Eng.
	4304 436			P-D	w/78 Amp.Alt. w/ A.C. 2.2 Eng.
	4304 438			P-D	w/60 Amp.Alt. 2.2 Eng.
	4304 468			P-D	w/75 Amp.Alt. 2.6 Eng. w/A.C. CANADA
	4304 464			C-V-E-T	w/78 Amp.Alt. 2.2 Eng. w/A.C.
	4304 465			C-V-E-T	w/60 or 78 Amp.Alt. 2.2 Eng. w/o A.C.
	4304 443			C-V-E-T	w/75 Amp.Alt. 2.6 Eng. w/ A.C.
	4304 463			C-V-E-T	w/75 Amp.Alt. 2.6 Eng. w/o A.C.
	4304 469			C-V-E-T	w/75 Amp.Alt. 2.6 Eng. w/A.C.
	4274 888				WIRING,Speed Control Eng.Comp.
	4274 600				WIRING,Relay POLICE
12	4111 990				REGULATOR,Voltage
13	4274 036				MOLD,Elec.Spark Advance (Repair w/Bar)
	4274 035				w/Tab
	4209 978				w/6-Way
14					CONTROL-ELECTRONIC SPARK ADVANCE
	5213 834				w/Man.Trans. 2.2 Eng.
	5213 852				w/Auto.Trans. 2.2 Eng. up to 10-8-82
	5213 854				w/Auto.Trans. 2.2 Eng. Aft. 10-8-82
	5213 838				w/Man. Trans. 2.2 Eng. Calif.
	5213 836				w/Auto.Trans. 2.2 Eng. up to 11-1-82 Calif.
	5213 858				w/Auto.Trans. 2.2 Eng. Aft.11-1-82
	5213 840				w/2.2 Eng. High Alt.
	5213 980				MODULE, Logic
15	4111 138				GASKET,Lean Burn Computer
16	4106 140				RESISTOR,BALLAST 2.2 Eng.
17	4267 021				SWITCH,Oil Press. 2.2 Eng.
	4293 115				w/ 2.2 Eng. T.B.I.
	2889 298				w/ 2.6 Eng.
18	4220 332			P-D-C-V	SENDING UNIT,Oil Press--w/Gauge
	4221 132				FITTING,Oil Press. --w/Gauge
19	4220 334			P-D-C-V	SENDING UNIT,Temp. --w/Gauge
20	4221 071				SWITCH,Eng.Temp. 1.6 2.2 2.6 Eng.
	4091 719				2.2 Eng. 150 Deg. Silver
	4145 716				2.2 Eng. 125 Deg. Blue

**MODEL CODES**

B = GRAN FURY	G = DIPLOMAT	V = 400
C = LEBARON/TOWN & COUNTRY	M = HORIZON/TURISMO/SCAMP	X = MIRADA
D = ARIES	P = RELIANT	Y = IMPERIAL
E = 600	S = CORDOBA	Z = OMNI/CHARGER/RAMPAGE
F = FIFTH AVENUE	T = E CLASS/NEWYORKER	

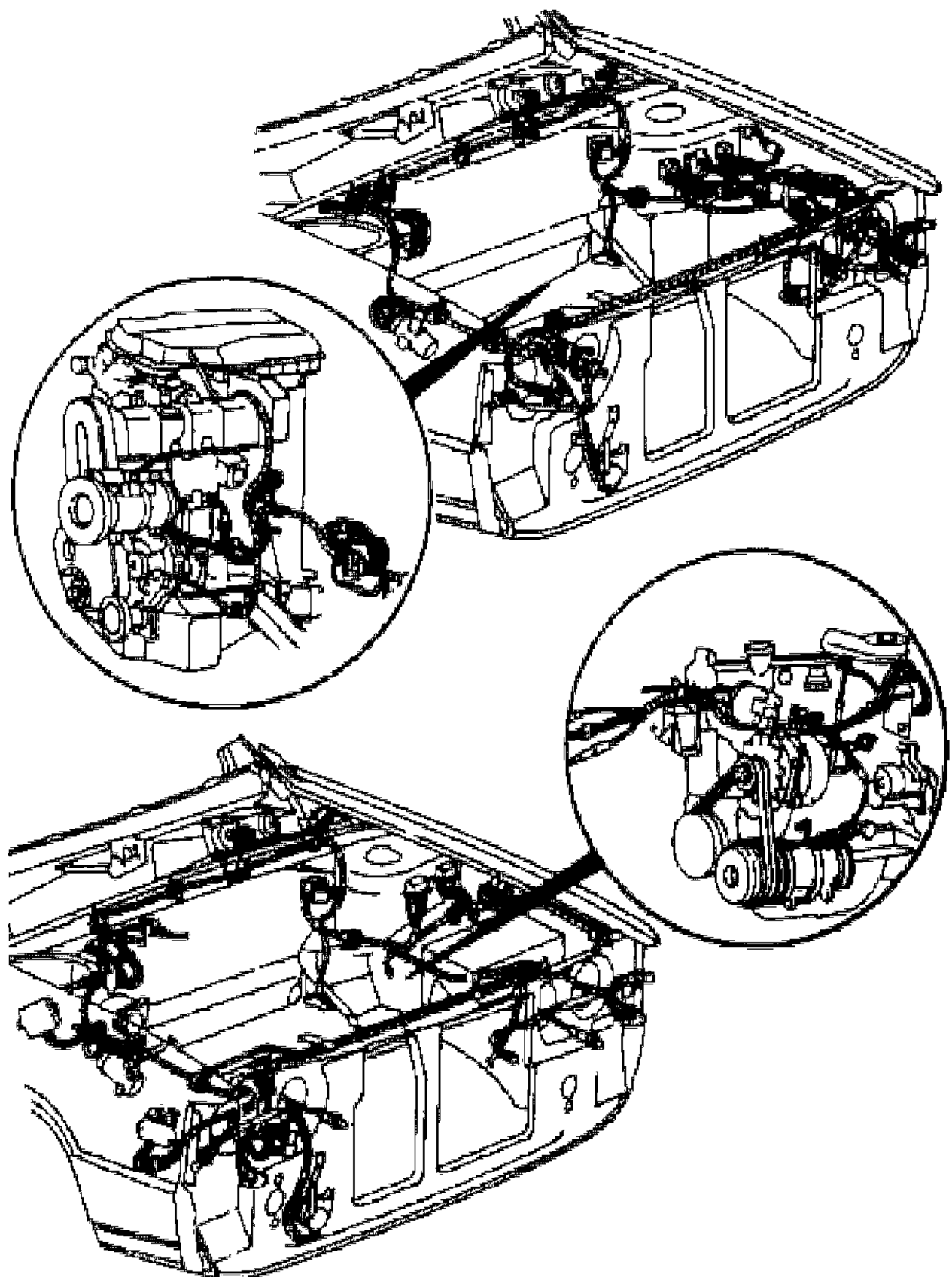
**BODY STYLES**

21 = 2-DOOR SEDAN	41 = 4-DOOR SEDAN
22 = 2-DOOR SPECIAL COUPE	45 = 4-DOOR STATION WAGON
24 = 2-DOOR HATCHBACK	44 = 4-DOOR HATCHBACK
27 = 2-DOOR CONVERTIBLE	48 = EXECUTIVE SEDAN
28 = FWD PICKUP	

AR = Use as Required - = Non Illustrated Part P.A.R. = Paint as Required

**WIRING-ENGINE & RELATED PARTS K-E BODY**  
**Figure 8-4900**

1108 4900



ITEM	PART NUMBER	QTY	BODY	MODEL	DESCRIPTION
21	4221 344				SWITCH,Vacuum Audible Message 2.2 & 2.6 Eng.
	4221 345				w/T.B.I.
22	4267 281			E	SENSOR,Eng.Temp. w/T.B.I.
	5213 463			E	SENSOR,Charge Temp. 2.2 Eng.w/T.B.I.
	5213 737				RELAY,Starter

MODEL CODES  
 B = GRAN FURY  
 C = LEBARON/TOWN & COUNTRY  
 D = ARIES  
 E = 600  
 F = FIFTH AVENUE  
 G = DIPLOMAT  
 M = HORIZON/TURISMO/SCAMP  
 P = RELIANT  
 S = CORDOBA  
 T = E CLASS/NEWYORKER  
 V = 400  
 X = MIRADA  
 Y = IMPERIAL  
 Z = OMNI/CHARGER/RAMPAGE

BODY STYLES  
 21 = 2-DOOR SEDAN  
 22 = 2-DOOR SPECIAL COUPE  
 24 = 2-DOOR HATCHBACK  
 27 = 2-DOOR CONVERTIBLE  
 28 = FWD PICKUP  
 41 = 4-DOOR SEDAN  
 45 = 4-DOOR STATION WAGON  
 44 = 4-DOOR HATCHBACK  
 48 = EXECUTIVE SEDAN

AR = Use as Required - = Non Illustrated Part P.A.R. = Paint as Required

**WIRING-ENGINE & RELATED PARTS M J BODY**  
**Figure 8-5000**

ILLUSTRATION NOT AVAILABLE AT TIME OF PUBLICATION

ITEM	PART NUMBER	QTY	BODY	MODEL	DESCRIPTION
1					WIRING,ENGINE
	4274 995			B,F,G,X	225 Eng. w/E.S.A. CALIF.
	4209 487			B,F,G,X	225 Eng. w/E.C.U.
	4209 234			B,F,G,X	318 Eng. w/E.S.A.
	4209 233			B,F,G,X	318 Eng. w/E.S.A. CANADA
	4209 232			B,F,G,X	318 Eng. w/E.S.A. FLEET
	4274 197			Y	318 Eng. w/E.F.I.
	4124 776			B,F,G	WIRING,Battery Acc.Feed POLICE
2	4274 212			B,F,G,X	CABLE,Battery Ground w/225 Eng.
	4274 210			B,F,G,X	w/318 Eng.
	4274 213			B,F,G,X	CABLE,Battery Possitive w/100 Amp.Alt.225 Eng.
	4274 211			B,F,G,X	Positive w/60-78 Amp.Alt. 225 Eng.
	4274 218			B,F,G,X	Positive w/60-78-114 Amp.Alt. 318 Eng.
3	4209 275			B,F,G,X	CONDUIT,Battery Cable
	1622 535				BOLT,Battery Cable Clamp
	1622 536				NUT,Battery Cable
4	1841 499				SEPERATOR
	2875 604				SEPERATOR
	2875 605				SEPERATOR
	3755 972	2			SEPERATOR
5	4145 928	2			CABLE,Spark Plug, 225 Eng. #1-6
	4145 929	2			#2-5
	4145 927	2			#3-4
	4145 925	4			318 Eng. #1-2-3-4
	4145 924	3			318 Eng. #5-7-8
	4145 923	1			318 Eng. #6
6	4240 433	1			CABLE PACKAGE, 225 Eng.
	4240 434				CABLE PACKAGE, 318 Eng.
7					CABLE,Coil
	5213 370				w/225 Eng.
	5213 367				w/318 Eng.
	4111 930				w/318 Eng. 4BBL.
	4145 413				NIPPLE,Dist.End.
	5213 355				NIPPLE,Coil End.
8					PLUG,SPARK
	4091 678				w/225 Eng. P560PR
	3874 490				w/318 Eng. P65PR

MODEL CODES

B = GRAN FURY	G = DIPLOMAT	V = 400
C = LEBARON/TOWN & COUNTRY	M = HORIZON/TURISMO/SCAMP	X = MIRADA
D = ARIES	P = RELIANT	Y = IMPERIAL
E = 600	S = CORDOBA	Z = OMNI/CHARGER/RAMPAGE
F = FIFTH AVENUE	T = E CLASS/NEWYORKER	

BODY STYLES

21 = 2-DOOR SEDAN	41 = 4-DOOR SEDAN
22 = 2-DOOR SPECIAL COUPE	45 = 4-DOOR STATION WAGON
24 = 2-DOOR HATCHBACK	44 = 4-DOOR HATCHBACK
27 = 2-DOOR CONVERTIBLE	48 = EXECUTIVE SEDAN
28 = FWD PICKUP	

AR = Use as Required - = Non Illustrated Part P.A.R. = Paint as Required

**WIRING-ENGINE & RELATED PARTS M J BODY**  
**Figure 8-5000**

ILLUSTRATION NOT AVAILABLE AT TIME OF PUBLICATION

ITEM	PART NUMBER	QTY	BODY	MODEL	DESCRIPTION
	5213 693				Copper Tip RN12YC
9	2642 919				GASKET,Spark Plug
10	4176 009				COIL,Ignition
	4145 192				BRACKET,Coil
	4048 646				CAPACITOR,Ign.Coil
11					WIRING,FRONT END (Headlamp to Inst.Panel)
	4209 224			B,F,G	w/114 Amp.Alt.
	4209 223			B,F,G	w/60 or 78 Amp.Alt.
	4209 226			X,S	w/60 or 78 Amp.Alt.
	4209 227			X,S	w/114 Amp.Alt.
	4274 097			Y	w/114 Amp.Alt. w/E.F.M.
	4209 459			Y	w/114 Amp.Alt. w/318 Eng. 4BBL.
	4209 695			B,F,G,X	Auto.Trans.Switch Conn.(Repair)
12	4124 736			B,F,G,X	WIRING,Speed Control (Eng.Comp.)
13	4111 850			B,F,G,X	CONTROL UNIT,Elec.Ign. 225 Eng.
14	4293 082			Y	MODULE,Auto.Shutdown w/E.F.M.
15	4176 029			Y	RELAY and BRACKET, Power Module
16	3588 421			B,F,G,X	WIRING,Elec.Ign.Unit w/Mold
17	4274 049			Y	WIRING,Elec.Switch Module
18	4111 990				REGULATOR,Voltage
19	4111 971				RELAY,Starter
20	4145 370			B,F,G,X	RELAY,Switching Elec.Ign.Dist.
21	4274 035				MOLD,Elec.Spark Advance Repair w/Tab
	4274 036				w/Bar
	4209 978				6-Way
	4209 477			Y	E.F.I. Throttle Sensor
	4209 478			Y	E.F.I. Fuel Flow Resistor
22					CONTROL,ELECTRONIC SPARK ADVANCE
	4289 034			B,F,G,X	w/225 Eng. CALIF.
	4289 058			B,F,G,X	w/N94
	4145 452			B,F,G,X	w/318 Eng. 2BBL. CANADA & EXPORT
	4145 467			B,F,G,X	w/318 Eng. 4BBL. CANADA
	4145 996			B,F,G	w/318 Eng. 4BBL.
	4145 998			B,F,G	w/318 Eng. POLICE
	4289 063			B,F,G,X	w/318 Eng. 2BBL.
	4145 996			B,F,G,X	w/318 Eng. 4BBL. CALIF.
	4145 980			B,F,G,X	w/318 Eng. 2BBL. HIGH ALT.

MODEL CODES

B = GRAN FURY	G = DIPLOMAT	V = 400
C = LEBARON/TOWN & COUNTRY	M = HORIZON/TURISMO/SCAMP	X = MIRADA
D = ARIES	P = RELIANT	Y = IMPERIAL
E = 600	S = CORDOBA	Z = OMNI/CHARGER/RAMPAGE
F = FIFTH AVENUE	T = E CLASS/NEWYORKER	

BODY STYLES

21 = 2-DOOR SEDAN	41 = 4-DOOR SEDAN
22 = 2-DOOR SPECIAL COUPE	45 = 4-DOOR STATION WAGON
24 = 2-DOOR HATCHBACK	44 = 4-DOOR HATCHBACK
27 = 2-DOOR CONVERTIBLE	48 = EXECUTIVE SEDAN
28 = FWD PICKUP	

AR = Use as Required - = Non Illustrated Part P.A.R. = Paint as Required

**WIRING-ENGINE & RELATED PARTS M J BODY**  
**Figure 8-5000**

ITEM	PART NUMBER	QTY	BODY	MODEL	DESCRIPTION
	4145 726			Y	w/318 Eng. E.F.M.
	4289 104			Y	w/318 Eng. E.F.M. HIGH ALT.
23	4111 138				GASKET,Lean Burn
24	4289 003			B,F,G,X	SHIELD,HEAT-E.S.A.HSG.
25	4091 815			Y	RESISTOR,BALLAST E.F.M.
	4106 140				E.S.A. 2 Prong
	4145 833			Y	RESISTOR,BALLAST-Fuel Pump
26	2423 737			B,F,G,X	PLUG,E.C.U.Mtg.
	2524 792			E,T	PLUG,T.B.I. Control Hsg.
27	4186 352				SWITCH,Oil Press. w/Light 318 Eng.
28	2427 237			B,F,G	SENDING UNIT,Oil w/Gauge
29	3747 433				FITTING,w/o Vacuum Adv. 318 Eng.
	3747 434				FITTING,w/Vacuum Adv. 318 Eng.
	3747 432				w/225 Eng.
30	4051 140			B,F,G,X	SENDING UNIT,Temp.Gauge
	3746 524			Y	SWITCH,Eng.Temp. w/E.F.I.
	4091 471			B,F,G,X	SENSOR,Eng.Temp.
	4267 281			E	SENSOR,Eng.Temp.T.B.I.
31	4221 344				SWITCH,Vacuum Audible Message 2.2 Eng.
	4221 344				w/T.B.I.

ILLUSTRATION NOT AVAILABLE AT TIME OF PUBLICATION

MODEL CODES  
 B = GRAN FURY  
 C = LEBARON/TOWN & COUNTRY  
 D = ARIES  
 E = 600  
 F = FIFTH AVENUE  
 G = DIPLOMAT  
 M = HORIZON/TURISMO/SCAMP  
 P = RELIANT  
 S = CORDOBA  
 T = E CLASS/NEWYORKER  
 V = 400  
 X = MIRADA  
 Y = IMPERIAL  
 Z = OMNI/CHARGER/RAMPAGE

BODY STYLES  
 21 = 2-DOOR SEDAN  
 22 = 2-DOOR SPECIAL COUPE  
 24 = 2-DOOR HATCHBACK  
 27 = 2-DOOR CONVERTIBLE  
 28 = FWD PICKUP  
 41 = 4-DOOR SEDAN  
 45 = 4-DOOR STATION WAGON  
 44 = 4-DOOR HATCHBACK  
 48 = EXECUTIVE SEDAN

AR = Use as Required - = Non Illustrated Part P.A.R. = Paint as Required



**HORN ALL MODELS**  
**Figure 8-5100**

ITEM	PART NUMBER	QTY	BODY	MODEL	DESCRIPTION
	2808 869			MZ,PD,B	HORN, High Note Pkg.
	2808 868			MZ,BFG,	HORN, Low Note Pkg.
	4222 288			P,D,C,V	HORN, w/Bracket Low Note Pkg.
	4048 958			X,Y	HORN, w/Bracket 3Rd Note Pkg.
	4048 454			S	HORN, w/Bracket 3Rd Note Pkg.
	5211 213			M,Z	BRACKET, Horn
	4222 126			P,D,C.V	BRACKET, Horn High Note
	4048 989			MZPDCVE	PLATE, Horn Mounting or Backing
	4222 449			B,F,G	BRACKET, Horn

ILLUSTRATION NOT AVAILABLE AT TIME OF PUBLICATION

MODEL CODES  
 B = GRAN FURY                      G = DIPLOMAT                      V = 400  
 C = LEBARON/TOWN & COUNTRY    M = HORIZON/TURISMO/SCAMP    X = MIRADA  
 D = ARIES                            P = RELIANT                        Y = IMPERIAL  
 E = 600                                S = CORDOBA                        Z = OMNI/CHARGER/RAMPAGE  
 F = FIFTH AVENUE                   T = E CLASS/NEWYORKER

BODY STYLES  
 21 = 2-DOOR SEDAN                      41 = 4-DOOR SEDAN  
 22 = 2-DOOR SPECIAL COUPE            45 = 4-DOOR STATION WAGON  
 24 = 2-DOOR HATCHBACK                44 = 4-DOOR HATCHBACK  
 27 = 2-DOOR CONVERTIBLE               48 = EXECUTIVE SEDAN  
 28 = FWD PICKUP

AR = Use as Required - = Non Illustrated Part P.A.R. = Paint as Required

TRIP COMPUTER  
Figure 8-5200

ITEM	PART NUMBER	QTY	BODY	MODEL	DESCRIPTION
1	4222 920				SENSOR,Fuel Flow,2.6 Eng.
	4222 065				SENSOR,Fuel Flow,2.2 Eng.
2	4275 344				BRACKET,Fuel Flow
3	4203 211				HOSE,Carb. to Sensor Tube
4	4222 101				SHIFTER, Level
5	4222 714				SENSOR,Speed
6					CABLE,Speedo. (Group 21)
7	6032 020				STUD
8	0152 443				NUT
9	4304 156				WIRING,Sensor to Shifter Jumper
10					CLAMP, (Not Serv.)
11	2448 761				CLAMP
12	6500 464				SCREW
13	4274 826				WIRING,Trip Computer (Inst.Pnl.)
	4304 327				WIRING,Trip Computer (w/Console)
	4274 974				WIRING,Trip Computer

ILLUSTRATION NOT AVAILABLE AT TIME OF PUBLICATION

MODEL CODES

B = GRAN FURY	G = DIPLOMAT	V = 400
C = LEBARON/TOWN & COUNTRY	M = HORIZON/TURISMO/SCAMP	X = MIRADA
D = ARIES	P = RELIANT	Y = IMPERIAL
E = 600	S = CORDOBA	Z = OMNI/CHARGER/RAMPAGE
F = FIFTH AVENUE	T = E CLASS/NEWYORKER	

BODY STYLES

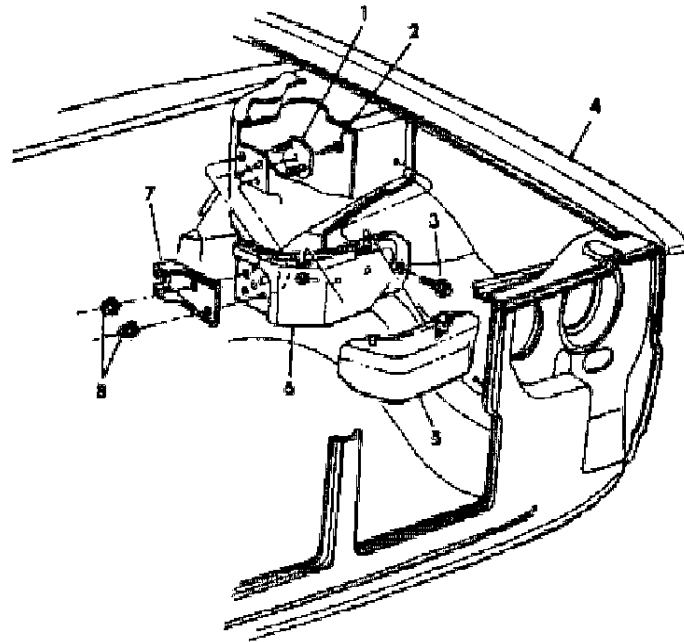
21 = 2-DOOR SEDAN	41 = 4-DOOR SEDAN
22 = 2-DOOR SPECIAL COUPE	45 = 4-DOOR STATION WAGON
24 = 2-DOOR HATCHBACK	44 = 4-DOOR HATCHBACK
27 = 2-DOOR CONVERTIBLE	48 = EXECUTIVE SEDAN
28 = FWD PICKUP	

AR = Use as Required - = Non Illustrated Part P.A.R. = Paint as Required

**ELECTRICAL MOUNTING BRACKETS K E BODY**  
**Figure 8-5300**

ITEM	PART NUMBER	QTY	BODY	MODEL	DESCRIPTION
1					BRACKET,(See Gr.6)
2	3759 944				RETAINER
3	6100 566				SCREW and WASHER
4					FENDER
5	4191 527				COVER, Plastic
6	4296 055				BRACKET ASSEMBLY
7					BRACKET,(See Gr.6)
8	6100 050	2			NUT

1108 5300



**MODEL CODES**

B = GRAN FURY	G = DIPLOMAT	V = 400
C = LEBARON/TOWN & COUNTRY	M = HORIZON/TURISMO/SCAMP	X = MIRADA
D = ARIES	P = RELIANT	Y = IMPERIAL
E = 600	S = CORDOBA	Z = OMNI/CHARGER/RAMPAGE
F = FIFTH AVENUE	T = E CLASS/NEWYORKER	

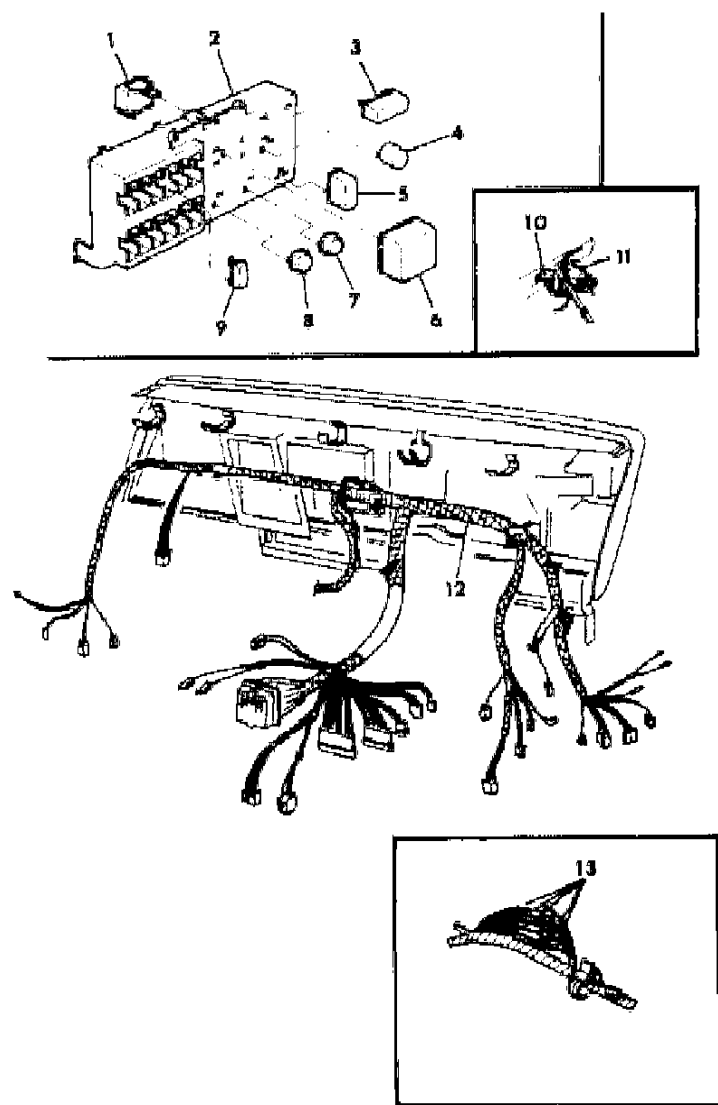
**BODY STYLES**

21 = 2-DOOR SEDAN	41 = 4-DOOR SEDAN
22 = 2-DOOR SPECIAL COUPE	45 = 4-DOOR STATION WAGON
24 = 2-DOOR HATCHBACK	44 = 4-DOOR HATCHBACK
27 = 2-DOOR CONVERTIBLE	48 = EXECUTIVE SEDAN
28 = FWD PICKUP	

AR = Use as Required - = Non Illustrated Part P.A.R. = Paint as Required

**WIRING, INSTRUMENT PANEL RELAY, BUZZER AND CHIMES**  
**Figure 8-5400**

1108 8100



ITEM	PART NUMBER	QTY	BODY	MODEL	DESCRIPTION
1					RELAY, Window Lift Safety
2					MODULE,(Serviced in Inst. Pnl. Wiring Assy.)
	4274 566			P,D,C,V	MODULE, Fuse Block & Relay (w/Dots & Letter) Assy.
	4124 690			M,Z	Fuse Block & Relay (w/o Dots)
	5211 741			MZ,PDCV	Fuse Block & Relay (w/ Dots)
	4124 697			B,F,G	Fuse Block & Relay (w/Dots)
	4124 752				Terminal, Buss Bar (3 WaY)
	4124 258				Terminal, Buss Bar (1 WaY)
3	3747 751				BUZZER, Warning
	3780 458				BUZZER, Warning Kay & Head Lamp
	4222 086				CHIMES and BRACKET
	4048 581			B,F,G	CHIMES, 3 Way Chimes
	4222 555			P,D,C,V	BRACKET, Chimes
	4274 022	AR		P,D,C,V	BRACKET, Fuse Block Mtg.
	4124 727	AR		X,S	BRACKET, Fuse Block Mtg.
4	2889 565				RELAY, Thermal Time Delay
	4221 061			B,F,G,X	RELAY, Amplifier (Not Shown)
	4221 055			Y	RELAY, Amplifier (Not Shown)
	4221 065			Y	RELAY, Reverse Gear Indic. Lamp
5	3747 298				RELAY, Horn
	4221 272			P,D,C,V	BRACKET, Relay Radiator Fan Motor w/A/Cond ( 2.2L Eng.)
	3747 822			Y	RELAY and BRACKET, (43) Throttle Switch
6					RELAY, Rear Heated Window (Serviced in Switch Assy.)
	4221 287				RELAY, Radiator Fan Motor
	4221 285				RELAY, Fan Control (Not Shown) 2.6L Eng.
	4221 287				RELAY, Radiator Fan Motor (Not Shown)
	4221 386				RELAY, Radiator Fan Motor w/A/C (E72)
7	2932 877				FLASHER, Hazard Warning
	3837 161				FLASHER, Turn Signal (2 Lamp)
	3837 162				FLASHER, Turn Signal (3 Lamp)
9	4186 377				BREAKER, Circuit (6 Amp.)
	4186 379				BREAKER, Circuit (30 Amp.)
10					RELAY and BRACKET, A/C Cutoff
11					CONTROL ASSEMBLY, (Group 24)
12					WIRING, Inst.Panel Main Harness
	4304 387			M,Z	w/A/Cond., w/Rallye Cluster

**MODEL CODES**

B = GRAN FURY	G = DIPLOMAT	V = 400
C = LEBARON/TOWN & COUNTRY	M = HORIZON/TURISMO/SCAMP	X = MIRADA
D = ARIES	P = RELIANT	Y = IMPERIAL
E = 600	S = CORDOBA	Z = OMNI/CHARGER/RAMPAGE
F = FIFTH AVENUE	T = E CLASS/NEWYORKER	

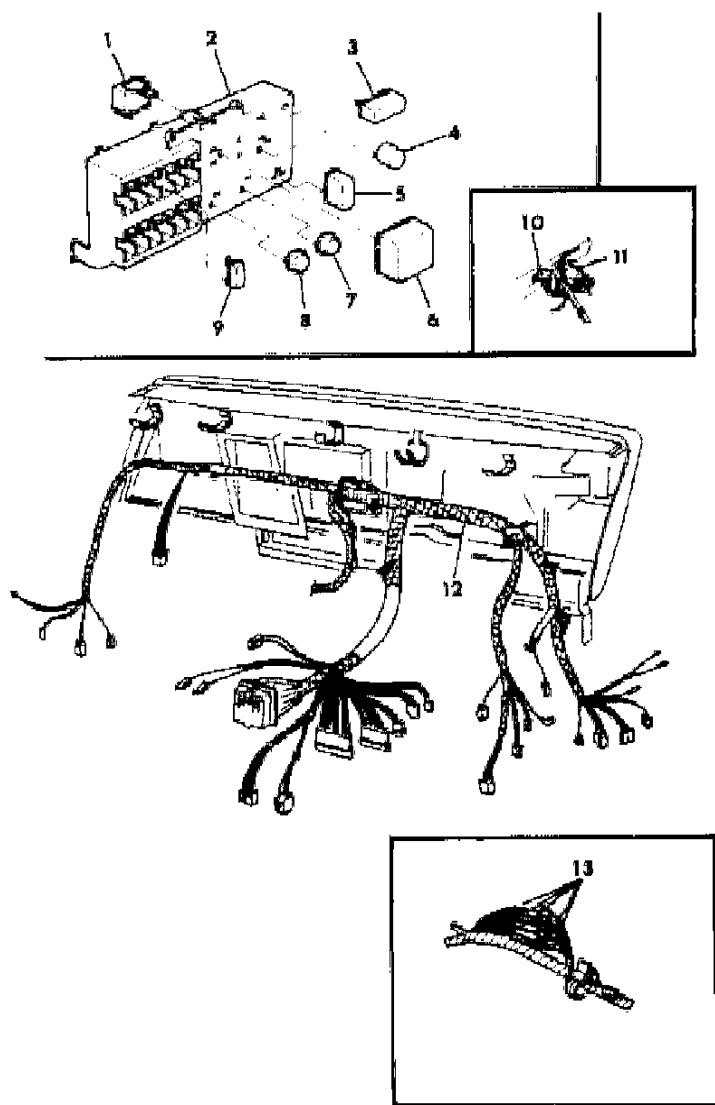
**BODY STYLES**

21 = 2-DOOR SEDAN	41 = 4-DOOR SEDAN
22 = 2-DOOR SPECIAL COUPE	45 = 4-DOOR STATION WAGON
24 = 2-DOOR HATCHBACK	44 = 4-DOOR HATCHBACK
27 = 2-DOOR CONVERTIBLE	48 = EXECUTIVE SEDAN
28 = FWD PICKUP	

AR = Use as Required - = Non Illustrated Part P.A.R. = Paint as Required

**WIRING, INSTRUMENT PANEL RELAY, BUZZER AND CHIMES**  
**Figure 8-5400**

1/08 8100



ITEM	PART NUMBER	QTY	BODY	MODEL	DESCRIPTION
	4304 386			M,Z	w/o A/Cond., w/Rallye Cluster
	4304 389			M,Z	w/A/Cond., w/o Rallye Cluster
	4304 388			M,Z	w/o A/Cond., w/o Rallye Cluster
	4274 612			P,D	w/ A/Cond.
	4274 613			P,D	w/ Heater, w/o A/Cond.
	4274 614			C,V,E,T	w/ A/Cond. w/o Audible Message
	4274 615			C,V,E,T	w/o A/C w/o Audible Message
	4274 617			C,V,E,T	w/o A/C w/Audible Message
	4274 616			C,V,E,T	w/ A/Cond. w/ Audible Message
	4209 757			B,F,G	w/A/Cond. ,w/Heater
	4209 715			X,S	w/Light Pkg. or w/o Light Pkg.
	4274 099			Y	Inst. Pnl. w/E43 Eng.
	4209 527			Y	Inst. Pnl. w/E46 Eng.
	4274 960			C,V,E,T	WIRING, Audible Message Ctr.
	4304 237			M,Z	Wiring, Lamp w/Light Pkg. Acc.
	4209 729			M,Z	Wiring, Wiper System i/Pnl. Rr.
	4274 044				Wiring, Valance Assy.
				M,Z	Lift Gate, I/Pnl. (Not Serviced)
	4209 967			M,Z	Speed Control (I/Pnl.) a/Trans.
	4304 098			M,Z	Speed Control (I/Pnl.) m/Trans.
	4274 933			P,D	Speed Control
	4304 099			MZ,PD,C	Speed Control (Jumper Repair)
	5211 635			M,Z	Stereo I/Pnl.(4 Door)
	5211 721			M,Z	Radio, (Frt.Dual Speakers) 2 Door
	4209 309	1		P,D,C (	WIRING, Power Liftgate Release
	4209 752			P,D	w/ Pwrs. Seats, Doors And Windows
	4304 097	1		P,D,C,V	Speed Control (I/Pnl.) m/Trans.
	4304 072			C,V,27	Under Panel Courtesy Lamps
	4209 292			B,F,G	w/ Power Lift Gate Release
	4209 295			B,F,G	w/ Oil Gauge
	4209 759			B,F,G	Speed Control (I/Pnl.)
	4274 019			B,F,G	WIRING, Panel w/Lighting & w/ or w/o Clock Rt.
	4124 803			B,F,G	Relay Control (Police)
	4274 172			B,G	Illuminated Entry.(I/Pnl.)
	4124 566			X,S	Illuminated Entry.(I/Pnl.)
	4209 541	1		X,S	Power Booster w/Power Antenna
	4124 749			X,S,Y	Pwr. Roof

**MODEL CODES**

B = GRAN FURY	G = DIPLOMAT	V = 400
C = LEBARON/TOWN & COUNTRY	M = HORIZON/TURISMO/SCAMP	X = MIRADA
D = ARIES	P = RELIANT	Y = IMPERIAL
E = 600	S = CORDOBA	Z = OMNI/CHARGER/RAMPAGE
F = FIFTH AVENUE	T = E CLASS/NEWYORKER	

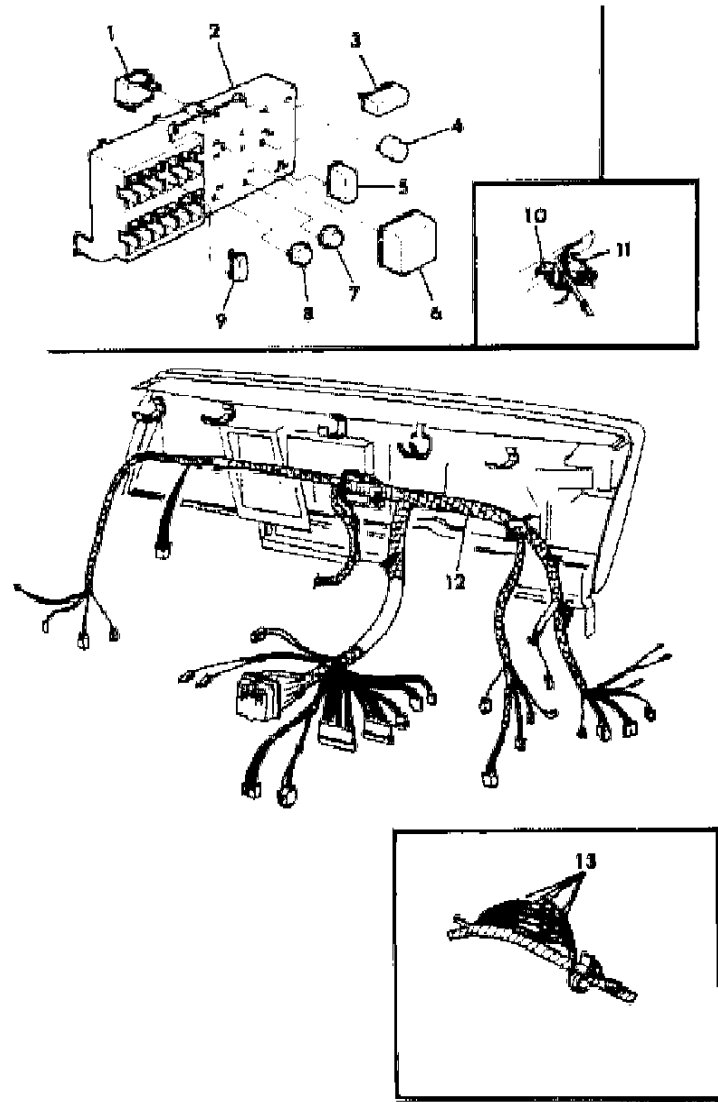
**BODY STYLES**

21 = 2-DOOR SEDAN	41 = 4-DOOR SEDAN
22 = 2-DOOR SPECIAL COUPE	45 = 4-DOOR STATION WAGON
24 = 2-DOOR HATCHBACK	44 = 4-DOOR HATCHBACK
27 = 2-DOOR CONVERTIBLE	48 = EXECUTIVE SEDAN
28 = FWD PICKUP	

AR = Use as Required - = Non Illustrated Part P.A.R. = Paint as Required

**WIRING, INSTRUMENT PANEL RELAY, BUZZER AND CHIMES**  
**Figure 8-5400**

1108 8100



ITEM	PART NUMBER	QTY	BODY	MODEL	DESCRIPTION
	4124 558			X,S	Rr. Heated Wdo.
	4304 072	1		C,V (27	Under Panel Courtesy Lamps
	4124 812				DIODE and MOLD, Repair
	4274 091				DIODE and MOLD, Repair w/a/Cond. w/Ebl.
13					CABLE, Fusible Link (Sold by The 25'Spool)
	4026 095				No. 16 Dark Blue
	4026 094				No. 14 Red
	4026 093				No. 12 Black
	4026 092				No. 10 Dark Green
	4026 096				No. 18 Gray
	4131 507				No. 20 Orange
					CABLE, Fusible Link (Sold by The 100'Spool)
	2275 220				No. 8 Brown
	1752 490				No. 14 Green
	1752 489				No. 16 Blue
	1752 488				No. 18 Yellow
	1752 492				No. 10 Blue

**MODEL CODES**

B = GRAN FURY	G = DIPLOMAT	V = 400
C = LEBARON/TOWN & COUNTRY	M = HORIZON/TURISMO/SCAMP	X = MIRADA
D = ARIES	P = RELIANT	Y = IMPERIAL
E = 600	S = CORDOBA	Z = OMNI/CHARGER/RAMPAGE
F = FIFTH AVENUE	T = E CLASS/NEWYORKER	

**BODY STYLES**

21 = 2-DOOR SEDAN	41 = 4-DOOR SEDAN
22 = 2-DOOR SPECIAL COUPE	45 = 4-DOOR STATION WAGON
24 = 2-DOOR HATCHBACK	44 = 4-DOOR HATCHBACK
27 = 2-DOOR CONVERTIBLE	48 = EXECUTIVE SEDAN
28 = FWD PICKUP	

AR = Use as Required - = Non Illustrated Part P.A.R. = Paint as Required

**FUSES AND CIRCUIT BREAKER**  
**Figure 8-5500**

ILLUSTRATION NOT AVAILABLE AT TIME OF PUBLICATION

ITEM	PART NUMBER	QTY	BODY	MODEL	DESCRIPTION
	9426 337				1-1/4,5 Amp.
	6101 132				Blade Type, 4 Amp.
	6101 131				Blade Type, 3 Amp.
	9426 868				1-1/4, 5 Amp.
	6101 133				Blade Type, 5 Amp.
	0147 683				3/4, 6 Amp.
	0106 653				1-1/4, 20 Amp.
	6101 137				Blade Type, 20 Amp.
	9426 331				1-1/4, 30 Amp.
	6101 139				Blade Type, 30 Amp.
	9434 296				7/8, 2 Amp.
	6101 138				Blade Type, 25 Amp. CIRCUIT BREAKER
	3747 809				20 Amp. Acc.
	3747 810				30 Amp. Acc.
	4186 377			M,Z	6 Amp. w/Rr.Wiper Washer,w/Power Deck Lid LiftgateRelease-Elect.
	4209 584				15 Amp., w/Sun Roof
	3843 814			B,F,G	30 Amp.,w/Power Seat and/or Power Windows and /or Power Door Locks
	4186 379				30 Amp.,w/Power Seat and/or Power Windows and /or Power Door Locks and/or Sun Roof
	2983 415			X	5 Amp., H/Lamp Cover

**MODEL CODES**

B = GRAN FURY	G = DIPLOMAT	V = 400
C = LEBARON/TOWN & COUNTRY	M = HORIZON/TURISMO/SCAMP	X = MIRADA
D = ARIES	P = RELIANT	Y = IMPERIAL
E = 600	S = CORDOBA	Z = OMNI/CHARGER/RAMPAGE
F = FIFTH AVENUE	T = E CLASS/NEWYORKER	

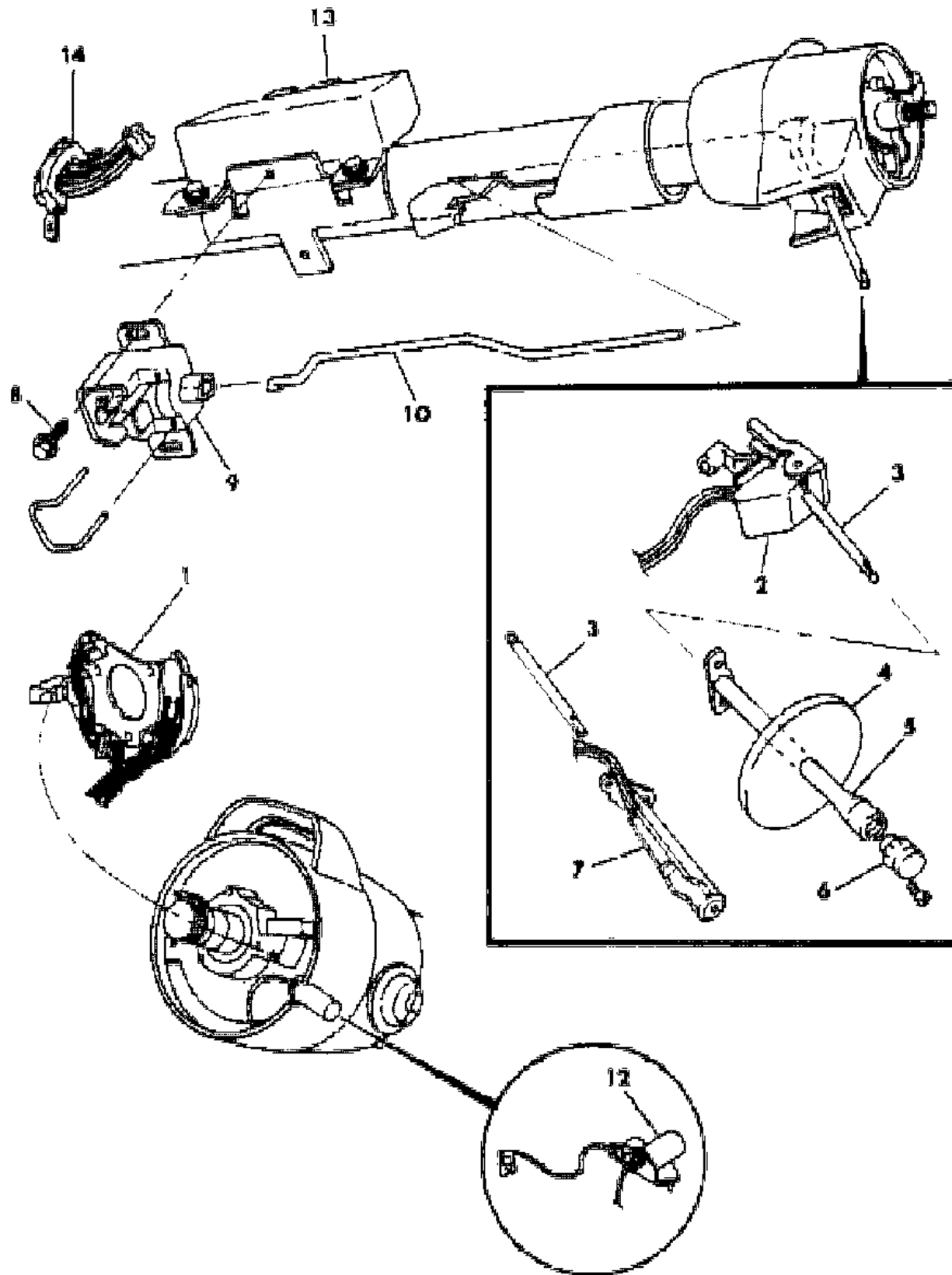
**BODY STYLES**

21 = 2-DOOR SEDAN	41 = 4-DOOR SEDAN
22 = 2-DOOR SPECIAL COUPE	45 = 4-DOOR STATION WAGON
24 = 2-DOOR HATCHBACK	44 = 4-DOOR HATCHBACK
27 = 2-DOOR CONVERTIBLE	48 = EXECUTIVE SEDAN
28 = FWD PICKUP	

AR = Use as Required - = Non Illustrated Part P.A.R. = Paint as Required

**SWITCHES-TURN SIGNAL AND HAZARD WARNING**  
Figure 8-5600

1104 5600



ITEM	PART NUMBER	QTY	BODY	MODEL	DESCRIPTION	
1	4221 339	1		M,Z	SWITCH, Turn Signal & Hazard Warning	
	4221 337			P,D,C,V	w/o Cornering Lamp, w/o Tilt Strg.	
	4221 337			B,F,G,X	w/o Cornering Lamp, w/o Tilt Strg.	
	4221 304			P,D,C,V	w/o Cornering Lamp, w/Tilt Strg. Sag.#7841454	
	4221 304			B,F,G,X	w/o Cornering Lamp, w/Tilt Strg.,Sag.#7841454	
	4221 305			P,D,C,V	w/Cornering Lamp, w/Tilt Strg.Sag.#7841455	
	4221 305			B,F,G,X	w/Cornering Lamp, w/Tilt Strg. Sag.#7841455	
	4221 205				Sag.#7835634	
	4221 338			P,D,C,V	w/Cornering Lamp, w/o Tilt Strg.	
	4221 338			B,F,G,X	w/Cornering Lamp, w/o Tilt Strg.	
2	4019 782	1			ARM, Sig. Switch w/Tilt Strg.	
	5209 863			M,Z	SWITCH, w/Shield Wiper & Washer,2 Speed w/o Intermittent Wipe (w/Lever and Knob)	
	4221 231			P,D,C,V	w/Shield Wiper & Washer,2 Speed w/o Intermittent Wiper. (w/ Lever & Knob)	
	4221 282			M,Z	2 Speed w/Intermittent Wiper w/o Tilt Strg. w/Shaft	
	3747 653			B,F,G	w/Shield Wiper and Washer,2 Speed w/o Intermittent Wipe. w/ Shaft	
	3747 654			X,S	2 Speed w/o Intermittent Wipe. w/Shaft	
	4221 232			P,D,C,V	2 Speed w/Intermittent Wiper w/o Tilt Strg. w/Shaft	
	4221 042			B,F,G	2 Speed w/Intermittent Wiper w/o Tilt Strg. w/Shaft	
	4221 233			P,D,C,V	2 Speed w/Intermittent Wiper w/Tilt Strg.	
	4293 110			B,F,G	2 Speed w/Intermittent Wiper w/Tilt Strg.	
	4293 111			X,S,Y	2 Speed w/Intermittent Wiper w/Tilt Strg.	
	4221 051			X,S	2 Speed w/Intermittent Wipe, w/o Tilt Strg. w/Shaft	
	3	3747 946	1		MZ,PD,C	SHAFT, Turn Signal & w/Shield Wiper Switch
		3747 946	1		B,F,G	SHAFT,w/o Tilt
3747 566		1		PD,CV,E	SHAFT,w/Tilt	
3747 946		1		X,S,Y	SHAFT, w/ or w/o Tilt	
4		P199 VX9				SHIELD, Turn Signal Switch Opening
5	3747 998	1		ALL	COVER, Turn Signal and w/Shield Wiper Switch, w/o Auto. Speed Control	
	3747 645	1		ALL	CLIP, W/S Wiper & Wash. Switch Cover	
	4221 418	1		ALL	SILENCER, Switch Cover w/o Speed Control	
	6	4221 002	1		B,F,G,X	KNOB, w/s Wiper and Washer Switch (w/o Intermittent) Assy.
		1			KNOB, w/s Wiper and Washer Switch (w/Intermittent) Assy.	

**MODEL CODES**

B = GRAN FURY	G = DIPLOMAT	V = 400
C = LEBARON/TOWN & COUNTRY	M = HORIZON/TURISMO/SCAMP	X = MIRADA
D = ARIES	P = RELIANT	Y = IMPERIAL
E = 600	S = CORDOBA	Z = OMNI/CHARGER/RAMPAGE
F = FIFTH AVENUE	T = E CLASS/NEWYORKER	

**BODY STYLES**

21 = 2-DOOR SEDAN	41 = 4-DOOR SEDAN
22 = 2-DOOR SPECIAL COUPE	45 = 4-DOOR STATION WAGON
24 = 2-DOOR HATCHBACK	44 = 4-DOOR HATCHBACK
27 = 2-DOOR CONVERTIBLE	48 = EXECUTIVE SEDAN
28 = FWD PICKUP	

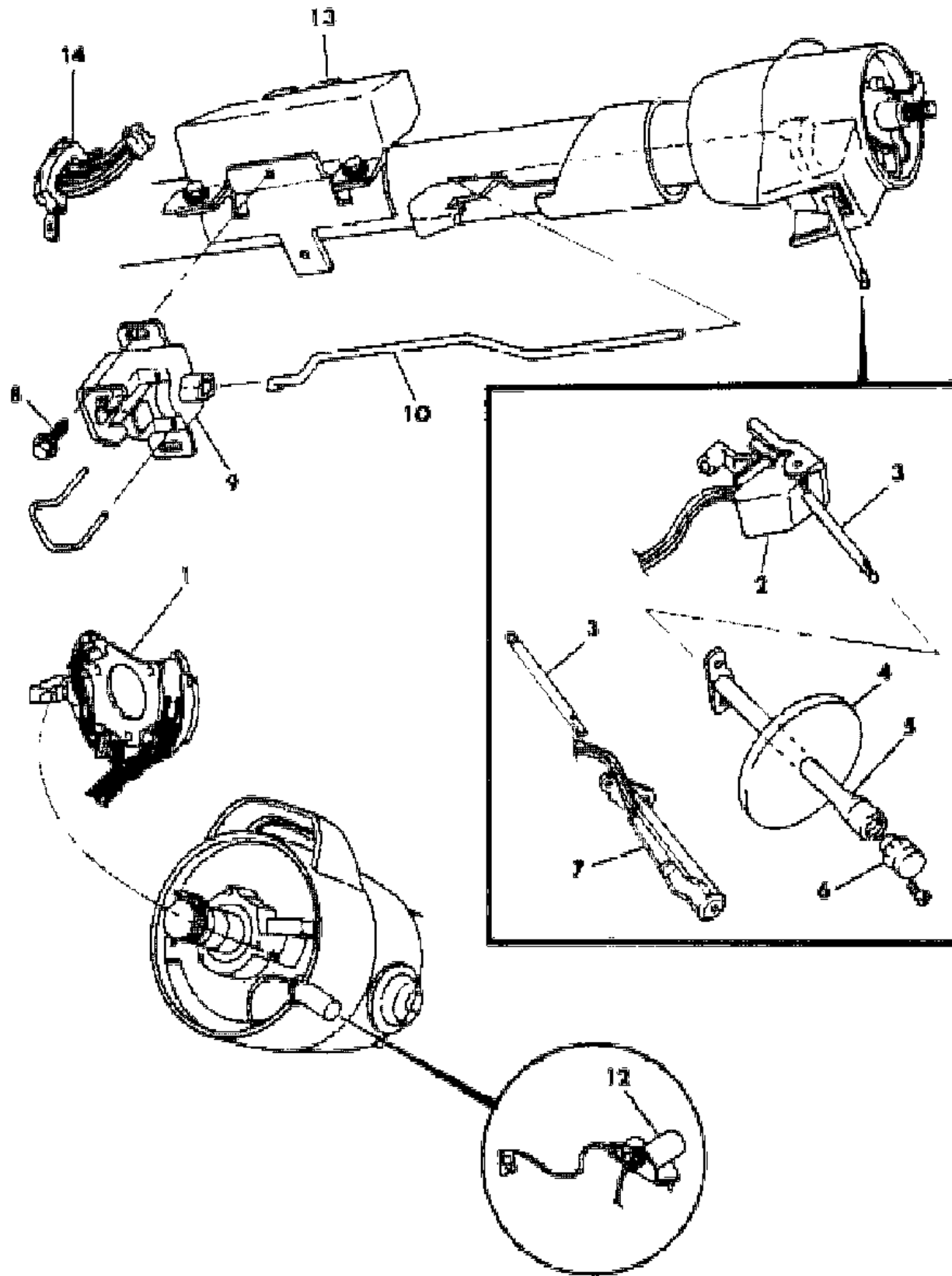
AR = Use as Required - = Non Illustrated Part P.A.R. = Paint as Required



# SWITCHES-TURN SIGNAL AND HAZARD WARNING

Figure 8-5600

1104 5600



ITEM	PART NUMBER	QTY	BODY	MODEL	DESCRIPTION
	P161 AA7	1			Silver
	P161 VC7				Blue
	P161 VM6				Red
	P161 BT8				Tan
	P161 VX9				Black
	3747 914	1		P,D,C,V	KNOB, w/Shaft,w/s Wiper & Washer Switch (w/o Intermittent)
	4188 491	1		P,D,C,V	KNOB, w/Screw Hazard Warning w/Tilt Strg.
	4188 491	1		B,F,G,X	KNOB, w/Screw Hazard Warning w/Tilt Strg.
7	3747 881	1		P,D,C,V	SWITCH, w/Lever,w/Auto Speed Control Tilt Strg. (5-1/2in)
	3747 881	1		B,G,X,S	SWITCH, w/Lever,w/Auto Speed Control Tilt Strg. (5-1/2in)
	P165 AM6	1		C,V (27	SWITCH,w/Lever, w/Auto Speed Control Tilt Strg. (Red)
	P165 BT8	1		C,V (27	SWITCH, w/Lever,w/Auto Speed Control Tilt Strg. (Brown)
	3747 895	1		ALL	SWITCH, w/Lever,w/Auto Speed control w/o Tilt Strg.
					SWITCH, w/Lever,w/Auto Speed Control Tilt Strg. & Turn Signal
	P160 AA7			F-S, Y	Silver
	P160 VB2			F-S, Y	Light Blue
	P160 VC7			F-S, Y	Blue
	P160 VD2			F-S, Y	Heather
	P160 VF5			F-S, Y	Green
	P160 VH9			F-S, Y	Aubergine
	P160 VM6			F-S, Y	Red
	P160 VT6			F-S, Y	Tan
	4221 416			M,Z	SWITCH, Clutch Speed Cont. (w/A412 Trans.)
	6031 668			M,Z	Clip, Clutch Speed Cont. (w/A412 Trans.)
	4221 415			M,Z	SWITCH, Clutch Speed Cont. (w/A460 Trans.)
	4221 414			P,D,C,V	SWITCH, Speed Cont. Clutch w/Bracket
	5209 965			M,Z	BRACKET, Stop Lamp & Speed Control Switch
	5209 928			M,Z	BRACKET, Stop w/o Speed Cont.
	3747 020			B,F,G	BRACKET, Stop Lamp w/ or w/o Speed Cont.
	3747 716			X,S,Y	BRACKET, Stop Lamp w/ or w/o Speed Cont.
	5209 994			MZ,BFG,	SWITCH, Stop Lamp Speed Cont.
	3747 995			P,D,C,V	SWITCH, Stop Lamp Speed Cont.
	3747 993			P,D,C,V	SWITCH, Stop Lamp w/o Speed Cont.
	2926 275			MZ,BFG,	SWITCH, Stop Lamp w/o Speed Cont.
	3747 327			P,D,C,V	SWITCH, Parking Brake
	3747 327			B,F,G,X	SWITCH, Parking Brake

MODEL CODES

B = GRAN FURY	G = DIPLOMAT	V = 400
C = LEBARON/TOWN & COUNTRY	M = HORIZON/TURISMO/SCAMP	X = MIRADA
D = ARIES	P = RELIANT	Y = IMPERIAL
E = 600	S = CORDOBA	Z = OMNI/CHARGER/RAMPAGE
F = FIFTH AVENUE	T = E CLASS/NEWYORKER	

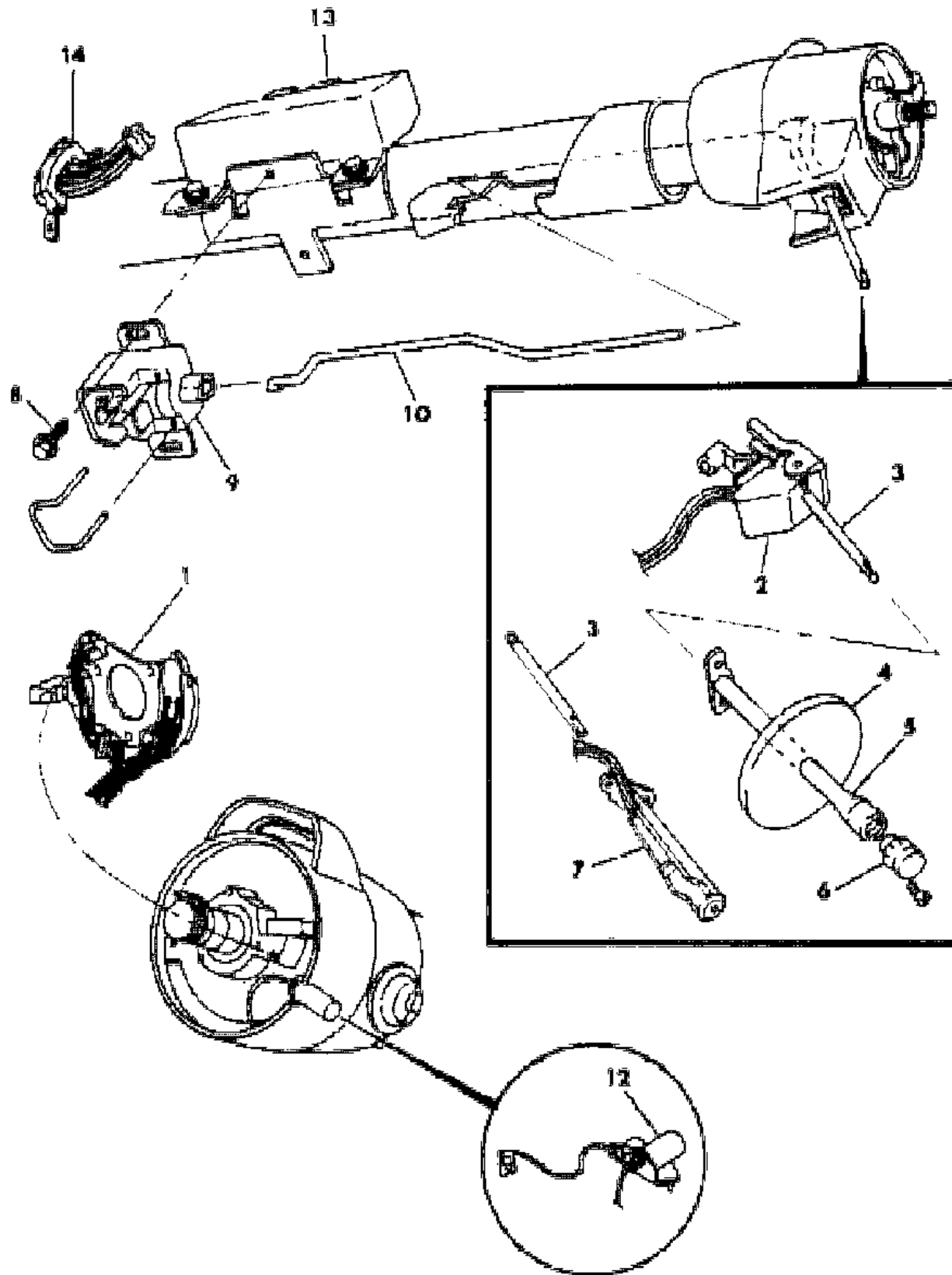
BODY STYLES

21 = 2-DOOR SEDAN	41 = 4-DOOR SEDAN
22 = 2-DOOR SPECIAL COUPE	45 = 4-DOOR STATION WAGON
24 = 2-DOOR HATCHBACK	44 = 4-DOOR HATCHBACK
27 = 2-DOOR CONVERTIBLE	48 = EXECUTIVE SEDAN
28 = FWD PICKUP	

AR = Use as Required - = Non Illustrated Part P.A.R. = Paint as Required

**SWITCHES-TURN SIGNAL AND HAZARD WARNING**  
**Figure 8-5600**

1104 5600



ITEM	PART NUMBER	QTY	BODY	MODEL	DESCRIPTION
	3747 992			P,D,C,V	BRACKET, Stop Lamp Switch w/ or w/o Speed Cont
	3747 990			P,D,C,V	STRIKER, Plate Brake
8					SCREW,(Not Serviced)
9	4057 985	1		M,Z	SWITCH, Head Lamp Beam Selector
	4131 373	1		B,F,G,X	w/o Tilt Strg.
	4221 198	1		P,D,C,V	w/o Tilt Strg.
	4131 525	1		B,F,G,X	w/Tilt Strg.
	4221 200	1		P,D,C,V	w/Tilt Strg.
10	5209 904	1		M,Z	ROD, H/Lamp Beam Selector Actuating
	3747 920	1		P,D,C,V	w/Tilt w/Console w/A/Trans.
	3747 887	1		P,D,C,V	w/Tilt w/o Console w/A/Trans.
	4221 062	1		P,D,C,V	w/o Tilt
	3747 816	1		B,F,G,X	w/o Tilt Strg.
	3747 921	1		B,F,G,X	w/Tilt Strg. w/A/Trans. w/Console
	3747 837	1		B,F,G,X	w/Tilt Strg. w/A/Trans. w/o Console
	4019 787	1			ACTUATOR, Dimmer Switch Rod w/Tilt Strg.
	4188 291	1		P,D,C,V	(w/o Tilt)
	5206 025	1		M,Z	(w/o Tilt)
	4019 901	1		X,S	(w/o Tilt)
	4019 902	1		B,F,G	(w/o Tilt)
12	4221 308	1		M,Z	LAMP, Ignition & Starter Switch, w/Time Delay
	4221 769	1		P,D,C,V	w/o Tilt Strg.
	4221 302	1		P,D,C,V	w/Tilt Strg.
	4221 148	1		B,F,G,X	w/o Tilt Strg.
	4293 919	1		B,G,F,X	w/Tilt Strg.
	4222 060	1		ALL	CONTROL, Intermittent Wiper
13	5209 891	1		M,Z	SWITCH, Ignition & Starter
	3747 529	1		B,F,G,X	w/Tilt Strg.
	4131 367	1		B,F,G,X	w/o Tilt Strg.
	3747 882	1		P,D,C,V	w/o Tilt Strg.
	4221 201	1		P,D,C,V	w/ Tilt Strg.
14	4274 200	1		B,F,G,X	WIRING, w/Tilt Strg. (Jumper)
	4274 899	1			WIRING, w/Tilt Strg. (Jumper)
NOTE: The following parts not Shown on illustration iced Alternator. Listed above is the Alternator stamped production number crossreferenced to the app					
	2889 565	1			RELAY, Ignition Lamp Thermal Time Delay
	2889 565	1			RELAY, Head Lamp Thermal Time Delay

**MODEL CODES**

B = GRAN FURY	G = DIPLOMAT	V = 400
C = LEBARON/TOWN & COUNTRY	M = HORIZON/TURISMO/SCAMP	X = MIRADA
D = ARIES	P = RELIANT	Y = IMPERIAL
E = 600	S = CORDOBA	Z = OMNI/CHARGER/RAMPAGE
F = FIFTH AVENUE	T = E CLASS/NEWYORKER	

**BODY STYLES**

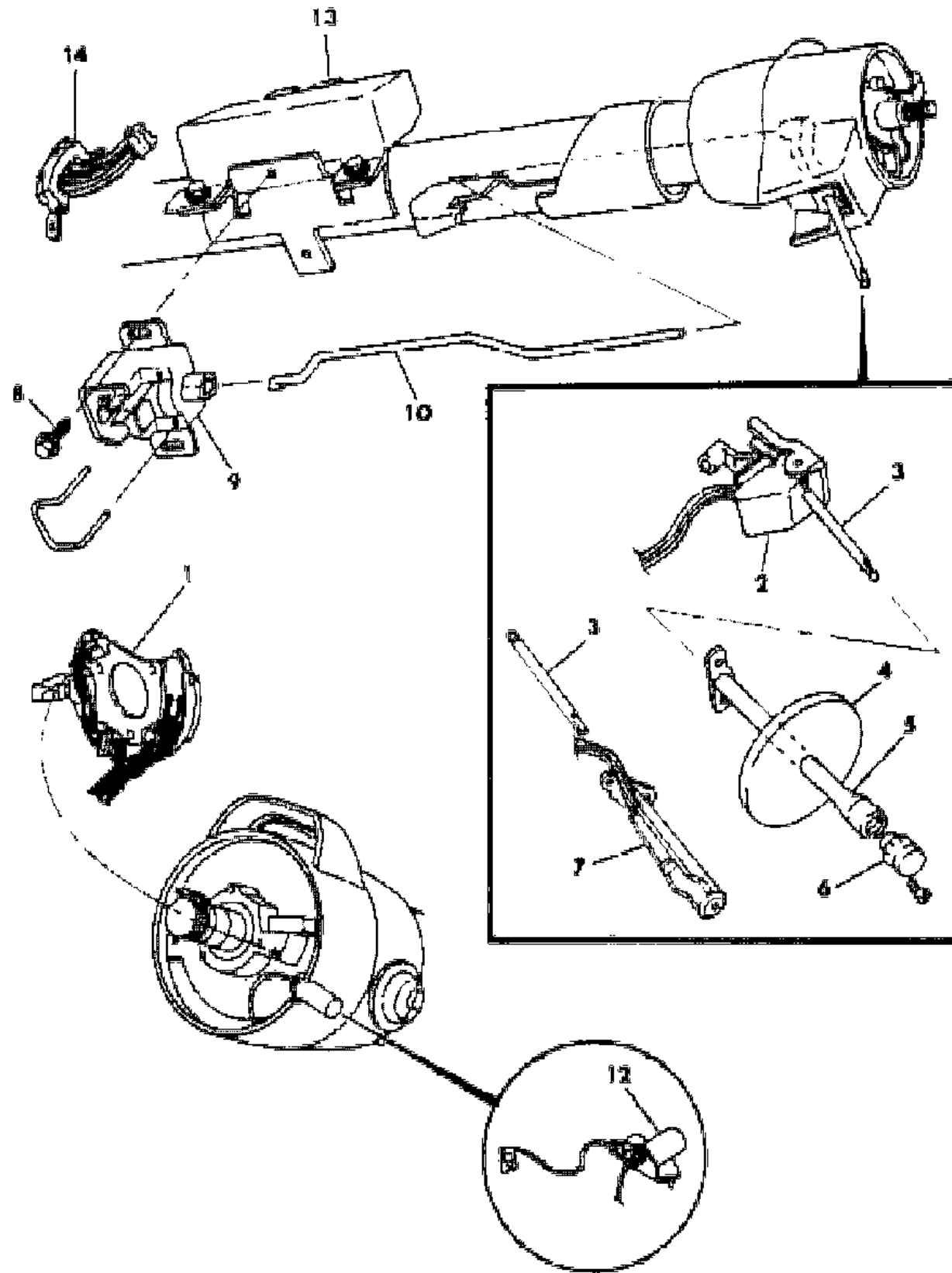
21 = 2-DOOR SEDAN	41 = 4-DOOR SEDAN
22 = 2-DOOR SPECIAL COUPE	45 = 4-DOOR STATION WAGON
24 = 2-DOOR HATCHBACK	44 = 4-DOOR HATCHBACK
27 = 2-DOOR CONVERTIBLE	48 = EXECUTIVE SEDAN
28 = FWD PICKUP	

AR = Use as Required - = Non Illustrated Part P.A.R. = Paint as Required

SWITCHES-TURN SIGNAL AND HAZARD WARNING

Figure 8-5600

1104 5600



ITEM	PART NUMBER	QTY	BODY	MODEL	DESCRIPTION
	6023 088	1	B,F,G,X		SCREW, Mtg. Std. Column
	6029 130	1	B,F,G,X		w/Tilt Strg.
	3747 595	1	P,D,C,V		PLUG, Ignition Switch Lamp Opening w/o Tilt Strg.
	3747 595	1	B,F,G,X		PLUG, Ignition Switch Lamp Opening w/o Tilt Strg.
	4221 303	1	P,D,C,V		SWITCH, Ignition Key Buzzer w/o Tilt Strg.
	4131 522	1	B,F,G,X		SWITCH, Ignition Key Buzzer w/o Tilt Strg.
	3488 432	1	P,D,C,V		SWITCH, Ignition Key Buzzer w/Tilt Strg.
	3488 432	1	B,F,G,X		SWITCH, Ignition Key Buzzer w/Tilt Strg.
	4221 309	1	M,Z		SWITCH, Ignition Key Buzzer
	4124 086	1	PD-CV-B		WIRING, Tilt Column
	4124 091	1	X-S-Y		WIRING, Tilt Column

MODEL CODES

B = GRAN FURY	G = DIPLOMAT	V = 400
C = LEBARON/TOWN & COUNTRY	M = HORIZON/TURISMO/SCAMP	X = MIRADA
D = ARIES	P = RELIANT	Y = IMPERIAL
E = 600	S = CORDOBA	Z = OMNI/CHARGER/RAMPAGE
F = FIFTH AVENUE	T = E CLASS/NEWYORKER	

BODY STYLES

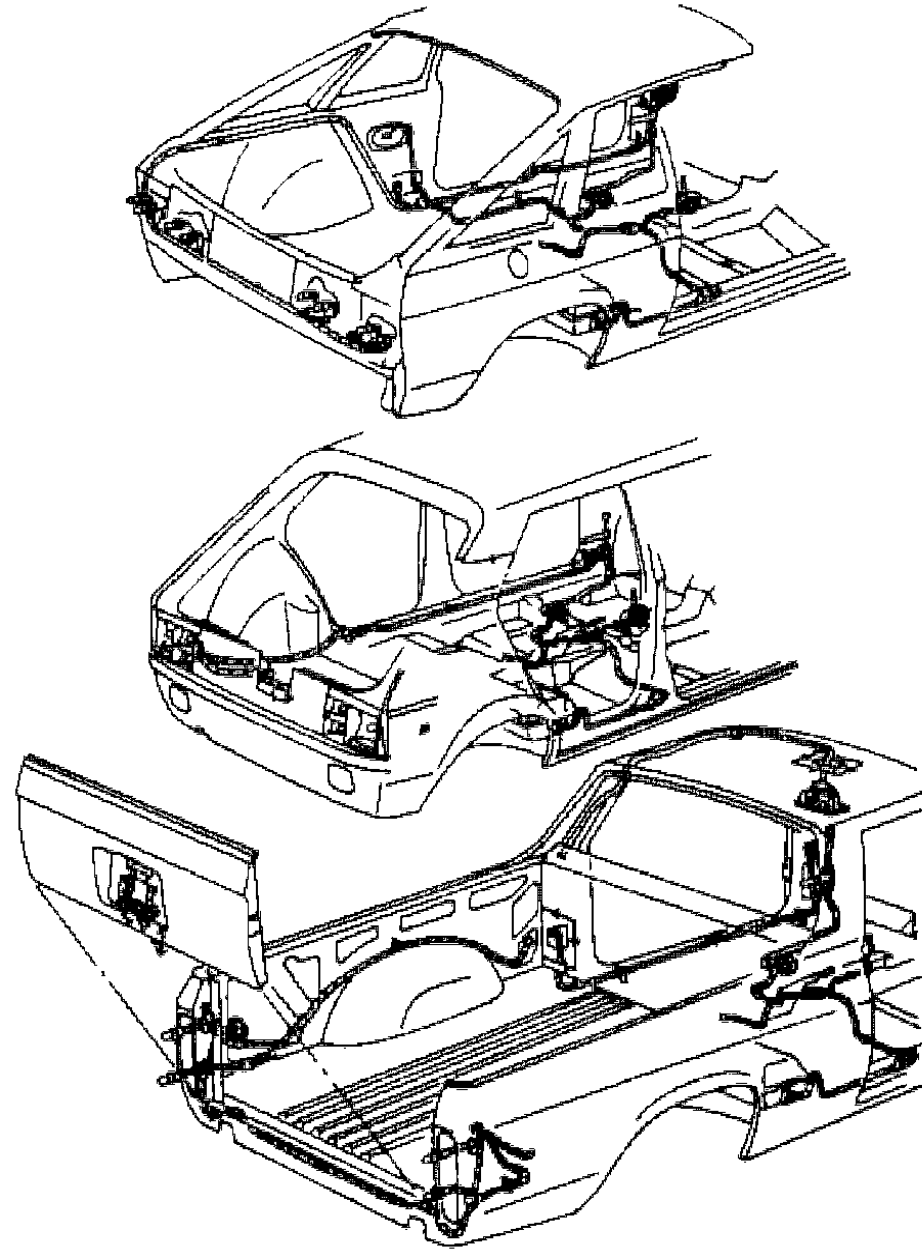
21 = 2-DOOR SEDAN	41 = 4-DOOR SEDAN
22 = 2-DOOR SPECIAL COUPE	45 = 4-DOOR STATION WAGON
24 = 2-DOOR HATCHBACK	44 = 4-DOOR HATCHBACK
27 = 2-DOOR CONVERTIBLE	48 = EXECUTIVE SEDAN
28 = FWD PICKUP	

AR = Use as Required - = Non Illustrated Part P.A.R. = Paint as Required

WIRING--BODY & ACCESSORIES L BODY

Figure 8-5700

1108 5700



ITEM	PART NUMBER	QTY	BODY	MODEL	DESCRIPTION
1					WIRING,BODY
	4304 362	1		M (44)	w/Rr. Wiper & Washer
	4304 360	1		Z (44)	w/Rr. Wiper & Washer
	4274 920			Z (44)	w/Heated Rear Window
	4274 958			M (44)	w/Heated Rear Window
	4274 806			M,Z (24	w/Heated Rear Window
	4304 092			M,Z (24	w/o Heated Rear Window
	4209 867			28	Rear
	4274 233			28	Front
2					WIRING, ACCESSORIES
	4274 812	1		M-Z	Floor Pan, w/E.T.R. & Cassette
	4274 811			M-Z	Floor Pan, w/AM-FM-MX-E.T.R & M.T.R.
	4274 965			M-Z	Heated Rear Window--Rear
	4304 363			M-Z44	Heated Rear Window & Lift Gate
	4209 870			28	Tailgate
	4304 238	1			Console w/Accessory Lamp
	4304 298	1			Console, w/o Acc. Lamp
	4240 492				Liftgate Wiper Mtr.Jumper
	4274 042	1		28	Dome & Body Ground,Visor
	4209 729			M-Z	Wiper,Rear
	5211 503			M-Z44	Cargo Lamp
3					SWITCH,Door Pillar
	5209 922			21	SWITCH,Cargo Lamp
	4221 023			44	SWITCH & GASKET,Lift Gate,Cargo Lamp

MODEL CODES

B = GRAN FURY	G = DIPLOMAT	V = 400
C = LEBARON/TOWN & COUNTRY	M = HORIZON/TURISMO/SCAMP	X = MIRADA
D = ARIES	P = RELIANT	Y = IMPERIAL
E = 600	S = CORDOBA	Z = OMNI/CHARGER/RAMPAGE
F = FIFTH AVENUE	T = E CLASS/NEWYORKER	

BODY STYLES

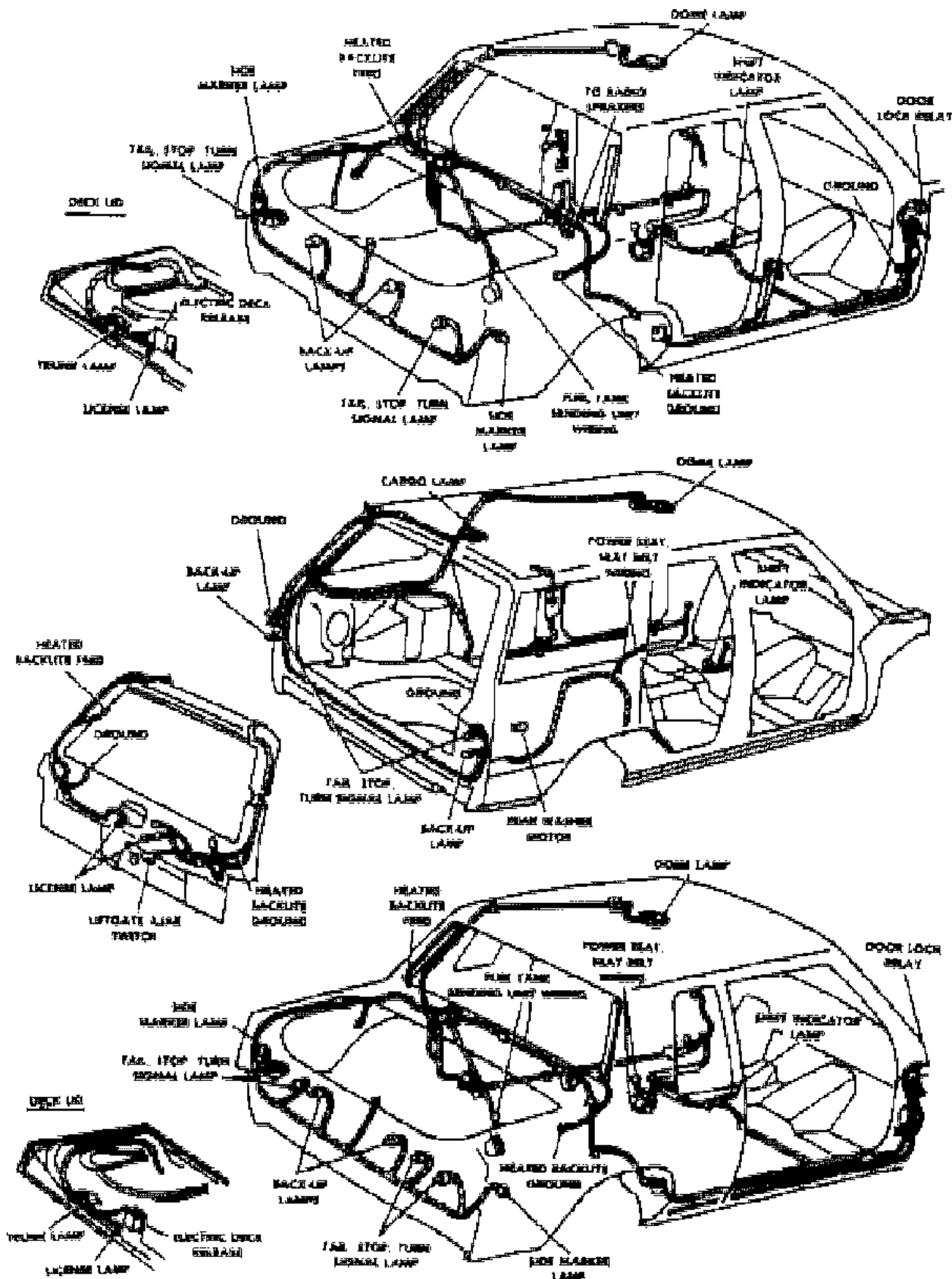
21 = 2-DOOR SEDAN	41 = 4-DOOR SEDAN
22 = 2-DOOR SPECIAL COUPE	45 = 4-DOOR STATION WAGON
24 = 2-DOOR HATCHBACK	44 = 4-DOOR HATCHBACK
27 = 2-DOOR CONVERTIBLE	48 = EXECUTIVE SEDAN
28 = FWD PICKUP	

AR = Use as Required - = Non Illustrated Part P.A.R. = Paint as Required

# WIRING--BODY & ACCESSORIES K BODY

## Figure 8-5800

JK08 5800



ITEM	PART NUMBER	QTY	BODY	MODEL	DESCRIPTION
1					WIRING,BODY
	4274 626	1		P-D 21-	w/or w/o Heated Rear Window
	4274 633			P-D 45	w/ or w/o Heated Rear Window
	4274 108			P-D 45	w/Heated Window & Lift Gate
	4274 980			P-D 45	w/Liftgate Release & E.T.R.Radio
	4274 979				w/Liftgate Release & Rear Wiper
	4274 982			P-D 45	w/Liftgate Release,Rear Wiper & M.T.R.
2					WIRING, ACCESSORY
	4209 646				w/Seat Adjust Switch
	4304 155			21-22-2	w/Seat Adjust Switch & Console Lamp
	4274 831			41-45	w/Floor Pan--Door Lock w/o Pwr.Wdo.
	4304 086			41-45	w/Lift Floor Pan,w/Pwr. Wdo. w/o Door Lock
	4304 089			41-45	w/Lift Floor Pan,w/Pwr.Wdo. w/Door Lock
	4274 700				w/Dome Lamp Foward
	4124 815				w/Roof Light Jumper
	4274 726			41	w/Roof Light Jumper,w/Grommet
	4274 699				w/Roof Light Jumper,w/Grommet (Fleet)
	4304 154				w/Console Lamp
	4274 090	AR			w/Oil & Temp. Gauge w/Police Pkg. 2.6
	4274 943				w/Oil Gauge
	4274 658				w/Lift Floor Pan & Door Lock
	4274 678				w/Dome Lamp
	4274 573			P-D 21-	w/M.T.R. & Deck Lid Release
	4274 584				w/Deck Lid Release & Spotlights
	4274 246				w/Visor Vanity,Map & Dome Lamp
3	4246 575			J-E-T	SOLENOID,Fuel Filler Door
4	4221 117				SWITCH,Door Pillar, Front
	3747 289				SWITCH,Door Pillar, Rear
	4221 326				SWITCH,Door Ajar Indicator (Aud.Message Center)
	5209 922				SWITCH,Trunk Ajar Indic.
	4221 052			45	SWITCH,Lift Gate Ajar

**MODEL CODES**

B = GRAN FURY	G = DIPLOMAT	V = 400
C = LEBARON/TOWN & COUNTRY	M = HORIZON/TURISMO/SCAMP	X = MIRADA
D = ARIES	P = RELIANT	Y = IMPERIAL
E = 600	S = CORDOBA	Z = OMNI/CHARGER/RAMPAGE
F = FIFTH AVENUE	T = E CLASS/NEWYORKER	

**BODY STYLES**

21 = 2-DOOR SEDAN	41 = 4-DOOR SEDAN
22 = 2-DOOR SPECIAL COUPE	45 = 4-DOOR STATION WAGON
24 = 2-DOOR HATCHBACK	44 = 4-DOOR HATCHBACK
27 = 2-DOOR CONVERTIBLE	48 = EXECUTIVE SEDAN
28 = FWD PICKUP	

AR = Use as Required - = Non Illustrated Part P.A.R. = Paint as Required

**WIRING--BODY & ACCESSORIES C-V-E-T**  
**Figure 8-5900**

ITEM	PART NUMBER	QTY	BODY	MODEL	DESCRIPTION
1					WIRING,BODY
	4304 366			C-22-41	w/Heated Rear Window
	4304 367			V-22-41	w/Heated Rear Window
	4304 365			C 22-27	w/o Heated Rear Window
	4304 372			T	w/Heated Rear Window
	4304 371			E	w/Heated Rear Window
	4304 368			C 45	w/ or w/o Heated Rear Window
	4304 520			TP	w/Heated Rear Window,w/2.2 & 2.6 Eng.
	4304 521			TP	w/Heated Rear Window, 2.2 T.B.I.
2					WIRING,ACCESSORY
	4274 982			C 45	w/Liftgate Release,w/Wiper
	4274 980	1		C 45	w/Liftgate Release,w/Wiper,w/E.T.R.
	4274 108	1		C 45	w/Heated Rear Window & Lift Gate
	4274 556			C-V 22	w/Liftgate Ajar & Release
	4274 556			E-T	w/Liftgate Ajar & Release
	4209 132			C-V 22	w/Door Ajar
	4274 668			CV-ET-4	w/Lift Floor Pan,w/Pwr.Door Lock
	4274 668			CV 21 2	w/Lift Floor Pan, w/Power Door Lock
	4274 825			C-V 41	w/Door Lock,Floor Pan
	4274 825	1		E-T	w/Door Lock,Floor Pan
	4274 656			C-V 22	w/Lift Floor Pan
	4304 400			C-V-E-T	w/Seat Adjuster-50-50 Seats
	4274 798			C	w/Power Mirror Pigtail
	4209 646			C-V	w/Seat Adjust.Switch
	4304 155			C,V 21-	w/Seat Adjust Switch & Console Lamp
	4209 780			C-V 21	w/Low Fuel Warning
	4274 246			C-V	w/Visor,Vanity,Dome & Map Lamp
	4304 147			CV-ET 4	w/Seat Adjust. & Console Lamp
	4274 588			CV-ET E	w/Rear Speaker,Premium E.T.R
	4274 575			CV-ET E	w/Rear Speaker,Premium E.T.R.
3	4246 575				SOLENOID,Fuel Filler Door
4	4221 117				SWITCH,Door Pillar Frt.
	3747 289				SWITCH,Door Pillar Rear
	4221 326				SWITCH,Door Ajar (Aud.Message)
	5209 922				SWITCH,Trunk Ajar Indicator
	4221 052			C-45	SWITCH,Lift Gate Ajar

ILLUSTRATION NOT AVAILABLE AT TIME OF PUBLICATION

MODEL CODES

B = GRAN FURY	G = DIPLOMAT	V = 400
C = LEBARON/TOWN & COUNTRY	M = HORIZON/TURISMO/SCAMP	X = MIRADA
D = ARIES	P = RELIANT	Y = IMPERIAL
E = 600	S = CORDOBA	Z = OMNI/CHARGER/RAMPAGE
F = FIFTH AVENUE	T = E CLASS/NEWYORKER	

BODY STYLES

21 = 2-DOOR SEDAN	41 = 4-DOOR SEDAN
22 = 2-DOOR SPECIAL COUPE	45 = 4-DOOR STATION WAGON
24 = 2-DOOR HATCHBACK	44 = 4-DOOR HATCHBACK
27 = 2-DOOR CONVERTIBLE	48 = EXECUTIVE SEDAN
28 = FWD PICKUP	

AR = Use as Required - = Non Illustrated Part P.A.R. = Paint as Required

**WIRING--BODY & ACCESSORIES M BODY**  
**Figure 8-6000**

ITEM	PART NUMBER	QTY	BODY	MODEL	DESCRIPTION
1					WIRING,BODY
	4209 876			B-F-G	WIRING, BODY
2					WIRING, ACCESSORIES
	4274 159			B-F-G	w/Heated Rear Window w/Diode
	4209 971				w/Front Door & Illum. Entry
	4124 814				w/Roof Wire 8 Ft. (Dome)
	4209 537				w/Power Antenna
	4124 815				w/Roof Light Jumper
	4055 789				w/Fuel Tank Sending Unit
	4209 471			F,S	w/Opera Lamp
	4055 389			B-F-G	w/Dome Lamp
	4124 328				w/Frt. Door Courtesy Lamp
	4209 907				w/Rear Door Courtesy Lamp
4	3747 289				SWITCH,Door Pillar Frt. & Rear
	4221 024				SWITCH,Door Ajar Indicator

ILLUSTRATION NOT AVAILABLE AT TIME OF PUBLICATION

MODEL CODES

B = GRAN FURY	G = DIPLOMAT	V = 400
C = LEBARON/TOWN & COUNTRY	M = HORIZON/TURISMO/SCAMP	X = MIRADA
D = ARIES	P = RELIANT	Y = IMPERIAL
E = 600	S = CORDOBA	Z = OMNI/CHARGER/RAMPAGE
F = FIFTH AVENUE	T = E CLASS/NEWYORKER	

BODY STYLES

21 = 2-DOOR SEDAN	41 = 4-DOOR SEDAN
22 = 2-DOOR SPECIAL COUPE	45 = 4-DOOR STATION WAGON
24 = 2-DOOR HATCHBACK	44 = 4-DOOR HATCHBACK
27 = 2-DOOR CONVERTIBLE	48 = EXECUTIVE SEDAN
28 = FWD PICKUP	

AR = Use as Required - = Non Illustrated Part P.A.R. = Paint as Required

**WIRING--BODY & ACCESSORIES J BODY**  
**Figure 8-6100**

ITEM	PART NUMBER	QTY	BODY	MODEL	DESCRIPTION
1					WIRING,BODY
	4209 982			X	w/ or w/o Heated Rear Window
	4209 983			S	w or w/o Heated Rear Window
	4209 888			Y	w/ or w/o Heated Rear Window
2					WIRING, ACCESSORY
	4274 160			X-S	w/Heated Rear Window w/Diode
	4267 275			X-S	w/Lift Gate Release & Trunk Lamp
	4209 512-3			Y	w/Reading Lamp,w/ Switch Rear
	4209 905			Y	w/Reading Lamp Feed Rear
	4209 972			S,P	w/Reading & Opera Lamp Feed
	4209 895			X-S,S	w/Reading & Opera Lamp Feed
	4124 914			X,S	w/Reading Lamp Header & Vanity Lamp Rear
	4274 048			Y	w/Fuel Tank Sending Unit,w/E.F.I.
3	3747 289				SWITCH,Door Pillar Frt. & Rear
	4221 101				SWITCH,Door Ajar Indicator
	5209 922				SWITCH,Trunk Lamp

ILLUSTRATION NOT AVAILABLE AT TIME OF PUBLICATION

MODEL CODES

B = GRAN FURY	G = DIPLOMAT	V = 400
C = LEBARON/TOWN & COUNTRY	M = HORIZON/TURISMO/SCAMP	X = MIRADA
D = ARIES	P = RELIANT	Y = IMPERIAL
E = 600	S = CORDOBA	Z = OMNI/CHARGER/RAMPAGE
F = FIFTH AVENUE	T = E CLASS/NEWYORKER	

BODY STYLES

21 = 2-DOOR SEDAN	41 = 4-DOOR SEDAN
22 = 2-DOOR SPECIAL COUPE	45 = 4-DOOR STATION WAGON
24 = 2-DOOR HATCHBACK	44 = 4-DOOR HATCHBACK
27 = 2-DOOR CONVERTIBLE	48 = EXECUTIVE SEDAN
28 = FWD PICKUP	

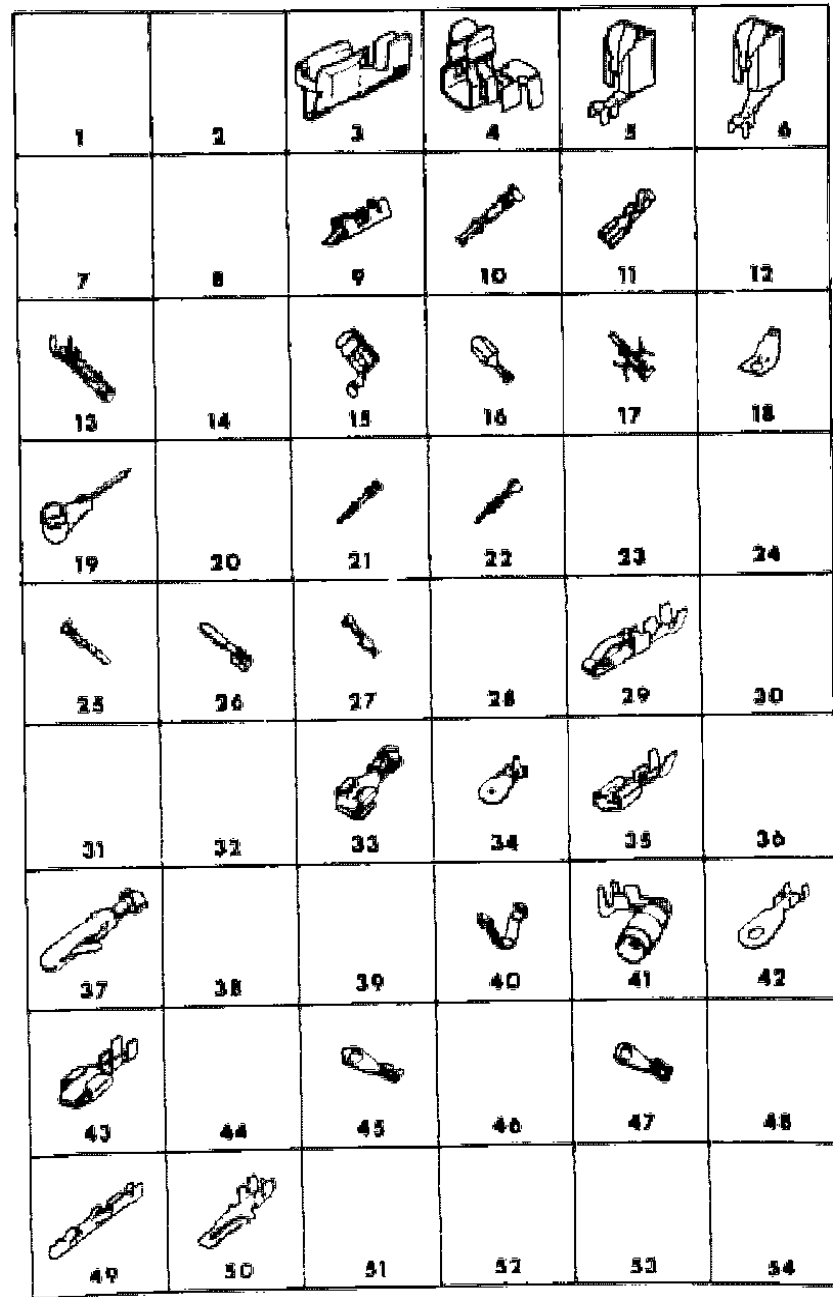
AR = Use as Required - = Non Illustrated Part P.A.R. = Paint as Required



# TERMINAL CHART

## Figure 8-6200

3106 9800



ITEM	PART NUMBER	QTY	BODY	MODEL	DESCRIPTION
1					TERMINAL
2					TERMINAL
3	3513 613				TERMINAL
4	2290 207				TERMINAL
5	3764 606				TERMINAL
6	3764 607				TERMINAL
7					TERMINAL
8					TERMINAL
9	2496 532				TERMINAL
10	2983 410				TERMINAL
11	2580 061				TERMINAL
12					TERMINAL
13	3513 544				TERMINAL
14					TERMINAL
15	2926 722				TERMINAL
16	3513 482				TERMINAL
17	2983 411				TERMINAL
18	3764 192				TERMINAL
19	3588 946				TERMINAL
20					TERMINAL
21	2983 409				TERMINAL
22	2889 435				TERMINAL
23					TERMINAL
24					TERMINAL
25	2889 434				TERMINAL
26	2983 412				TERMINAL
27	3513 586				TERMINAL
28					TERMINAL
29	3764 556				TERMINAL
30					TERMINAL
31					TERMINAL
32					TERMINAL
33	2291 588				TERMINAL
34	0903 895				TERMINAL
35	3764 570				TERMINAL
36					TERMINAL
37	3513 543				TERMINAL

**MODEL CODES**

B = GRAN FURY	G = DIPLOMAT	V = 400
C = LEBARON/TOWN & COUNTRY	M = HORIZON/TURISMO/SCAMP	X = MIRADA
D = ARIES	P = RELIANT	Y = IMPERIAL
E = 600	S = CORDOBA	Z = OMNI/CHARGER/RAMPAGE
F = FIFTH AVENUE	T = E CLASS/NEWYORKER	

**BODY STYLES**

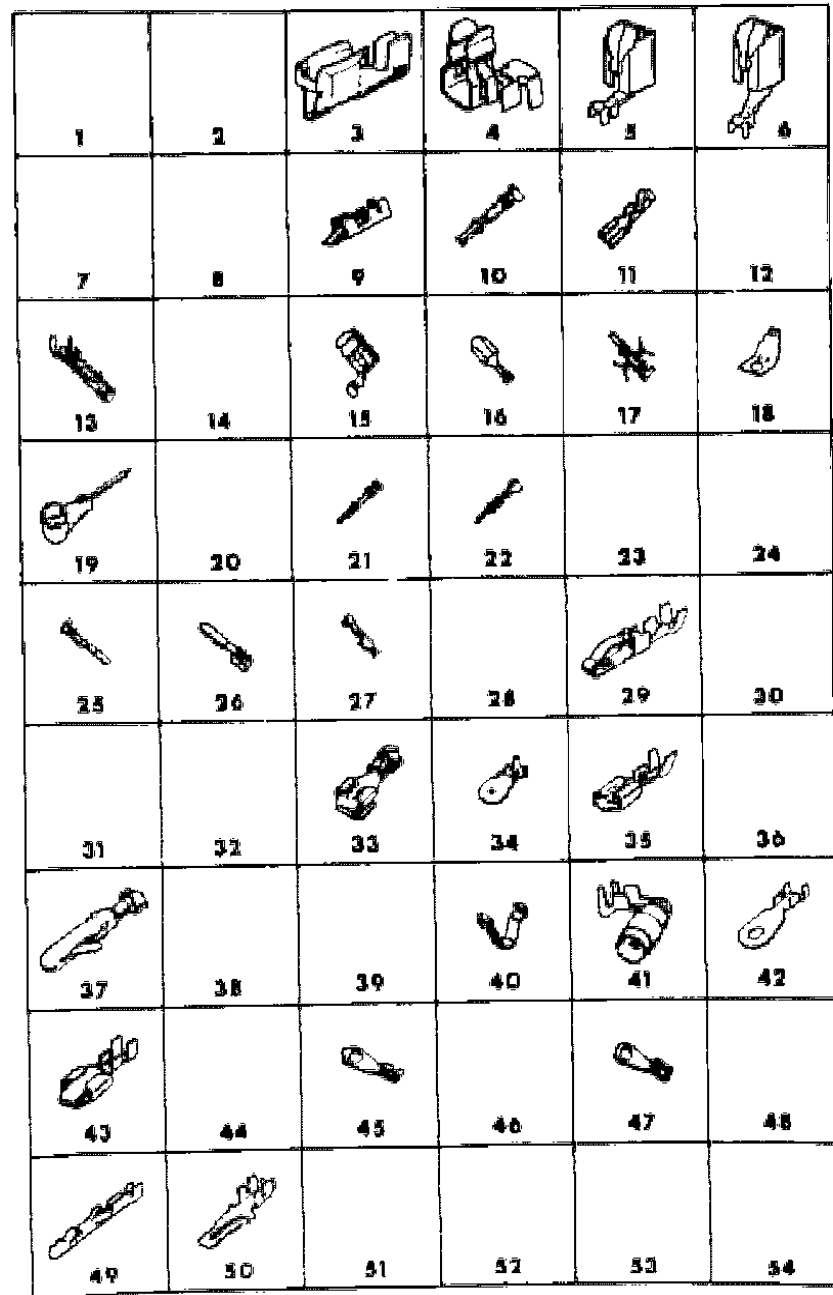
21 = 2-DOOR SEDAN	41 = 4-DOOR SEDAN
22 = 2-DOOR SPECIAL COUPE	45 = 4-DOOR STATION WAGON
24 = 2-DOOR HATCHBACK	44 = 4-DOOR HATCHBACK
27 = 2-DOOR CONVERTIBLE	48 = EXECUTIVE SEDAN
28 = FWD PICKUP	

AR = Use as Required - = Non Illustrated Part P.A.R. = Paint as Required

# TERMINAL CHART

## Figure 8-6200

3106 9800



ITEM	PART NUMBER	QTY	BODY	MODEL	DESCRIPTION
38					TERMINAL
39					TERMINAL
40	2427 725				TERMINAL
41	3843 577				TERMINAL
42					TERMINAL, Not Serv.
43	3588 819				TERMINAL
44					TERMINAL
45	3513 637				TERMINAL
46					TERMINAL
47	3438 709				TERMINAL
48					TERMINAL
49	3513 756				TERMINAL
50	3513 692				TERMINAL
51					TERMINAL
52					TERMINAL
53					TERMINAL
54					TERMINAL

**MODEL CODES**

B = GRAN FURY	G = DIPLOMAT	V = 400
C = LEBARON/TOWN & COUNTRY	M = HORIZON/TURISMO/SCAMP	X = MIRADA
D = ARIES	P = RELIANT	Y = IMPERIAL
E = 600	S = CORDOBA	Z = OMNI/CHARGER/RAMPAGE
F = FIFTH AVENUE	T = E CLASS/NEWYORKER	

**BODY STYLES**

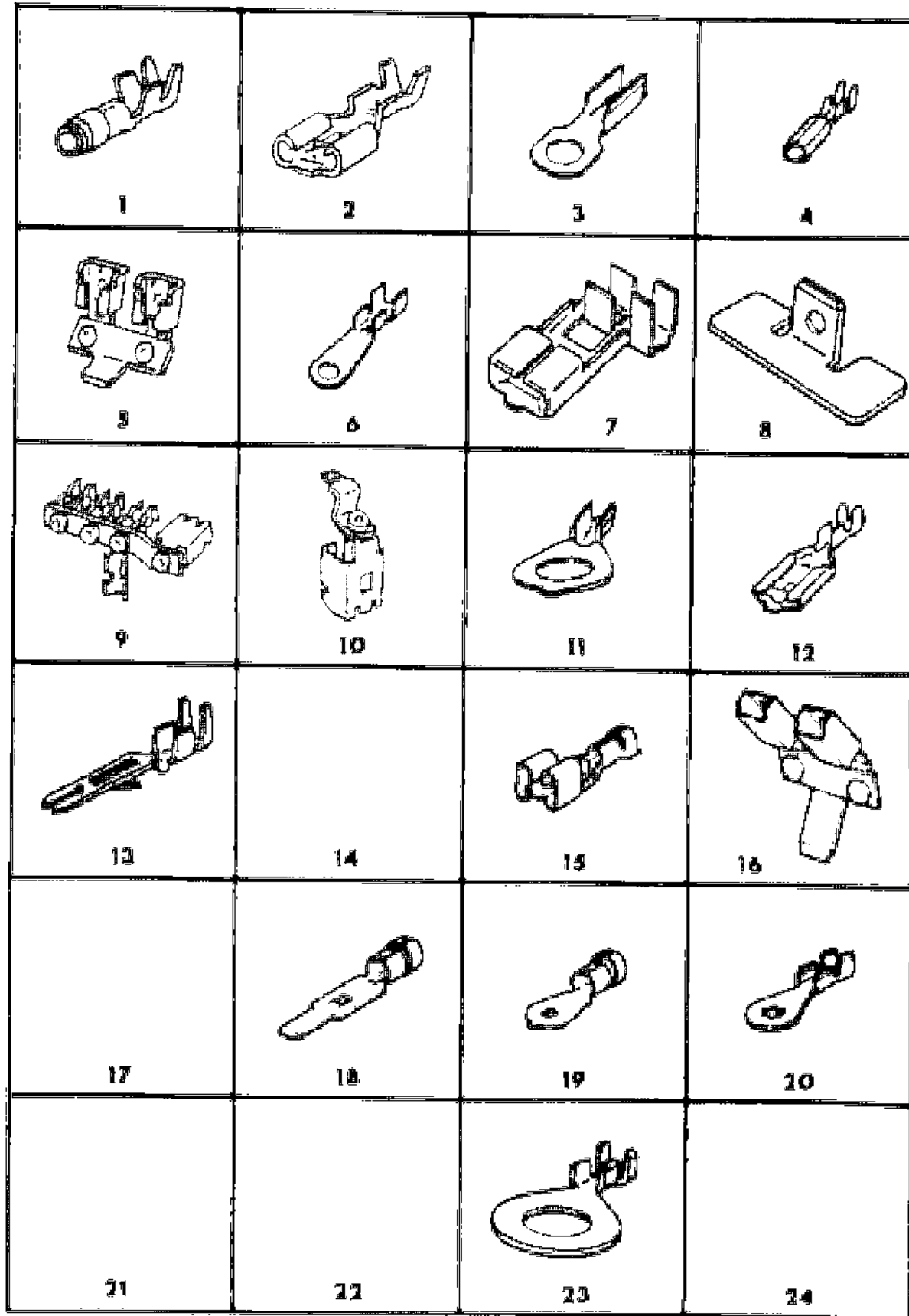
21 = 2-DOOR SEDAN	41 = 4-DOOR SEDAN
22 = 2-DOOR SPECIAL COUPE	45 = 4-DOOR STATION WAGON
24 = 2-DOOR HATCHBACK	44 = 4-DOOR HATCHBACK
27 = 2-DOOR CONVERTIBLE	48 = EXECUTIVE SEDAN
28 = FWD PICKUP	

AR = Use as Required - = Non Illustrated Part P.A.R. = Paint as Required

# TERMINAL CHART

## Figure 8-6200

J108 8300



ITEM	PART NUMBER	QTY	BODY	MODEL	DESCRIPTION
1	3843 576				TERMINAL
2	3843 935				TERMINAL
3	2197 947				TERMINAL
4	2258 118				TERMINAL
5	4055 250				TERMINAL
6	2290 069				TERMINAL
7	4055 468				TERMINAL
8	4055 775				TERMINAL
9	4055 301				TERMINAL
10	4055 645				TERMINAL
11	5211 602				TERMINAL
12	1704 562				TERMINAL
13	5211 580				TERMINAL
14					TERMINAL
15	3843 601				TERMINAL
16	3843 917				TERMINAL
	3843 918				TERMINAL
	3843 919				TERMINAL
17					TERMINAL
18	3843 386				TERMINAL
19	3843 803				TERMINAL
20	3843 435				TERMINAL
21					TERMINAL
22					TERMINAL
23	5211 599				TERMINAL
24					TERMINAL

**MODEL CODES**

B = GRAN FURY	G = DIPLOMAT	V = 400
C = LEBARON/TOWN & COUNTRY	M = HORIZON/TURISMO/SCAMP	X = MIRADA
D = ARIES	P = RELIANT	Y = IMPERIAL
E = 600	S = CORDOBA	Z = OMNI/CHARGER/RAMPAGE
F = FIFTH AVENUE	T = E CLASS/NEWYORKER	

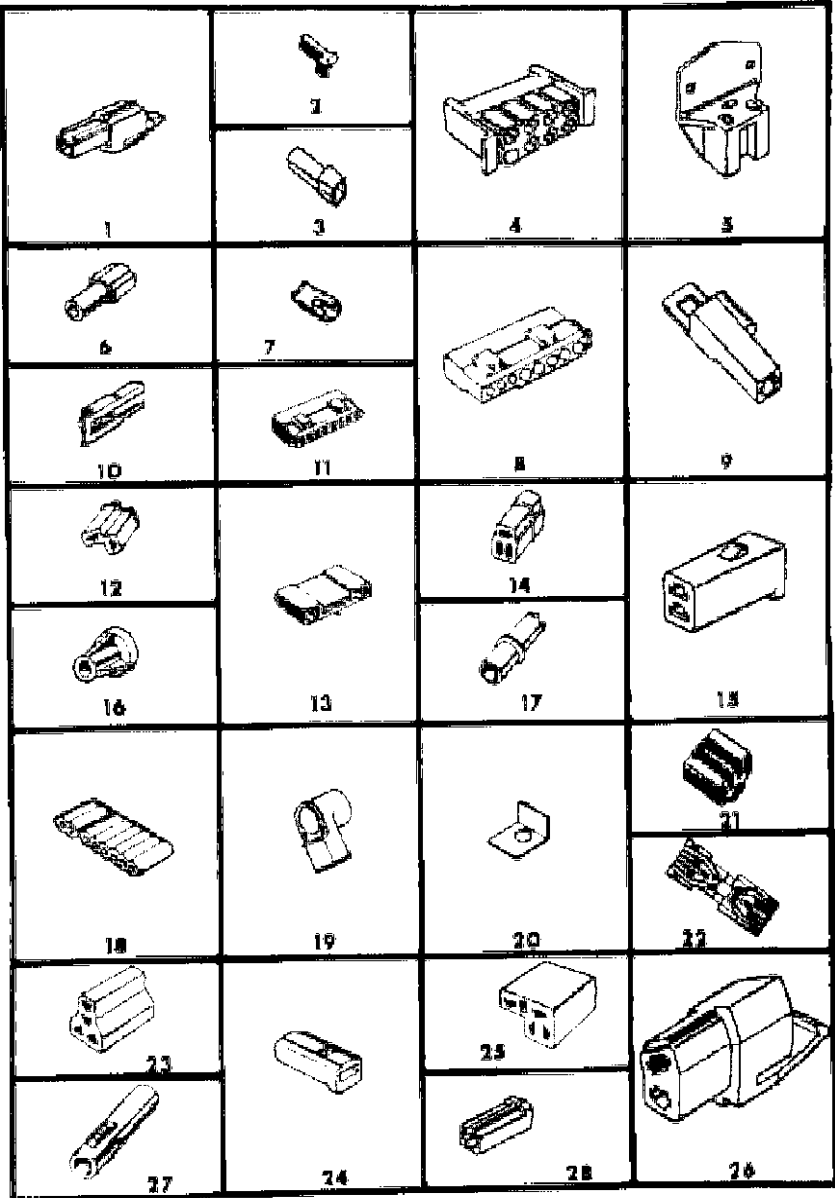
**BODY STYLES**

21 = 2-DOOR SEDAN	41 = 4-DOOR SEDAN
22 = 2-DOOR SPECIAL COUPE	45 = 4-DOOR STATION WAGON
24 = 2-DOOR HATCHBACK	44 = 4-DOOR HATCHBACK
27 = 2-DOOR CONVERTIBLE	48 = EXECUTIVE SEDAN
28 = FWD PICKUP	

AR = Use as Required - = Non Illustrated Part P.A.R. = Paint as Required

**INSULATOR CHART**  
Figure 8-6400

3128 8400



ITEM	PART NUMBER	QTY	BODY	MODEL	DESCRIPTION
1	3764 945				INSULATOR
2	2497 701				INSULATOR
3	4124 235				INSULATOR
4	2926 256				INSULATOR
5	3513 696				INSULATOR
6	3513 346				INSULATOR
7	3588 518				INSULATOR
8	2983 401				INSULATOR
9	3513 755				INSULATOR
10	3764 856				INSULATOR
11	2983 403				INSULATOR
12	3588 523				INSULATOR
13	3588 399				INSULATOR
14	3588 522				INSULATOR
15	3764 263				INSULATOR
16	3764 325				INSULATOR
17	3588 781				INSULATOR
18	3730 649				INSULATOR
19	2258 754				INSULATOR
20	3730 587				INSULATOR
21	2857 754				INSULATOR
22	3513 665				INSULATOR
23	2497 481				INSULATOR
24	3764 857				INSULATOR
25	2889 432				INSULATOR
26	3764 943				INSULATOR
27	3513 345				INSULATOR
28	3764 946				INSULATOR

MODEL CODES  
 B = GRAN FURY  
 C = LEBARON/TOWN & COUNTRY  
 D = ARIES  
 E = 600  
 F = FIFTH AVENUE  
 G = DIPLOMAT  
 M = HORIZON/TURISMO/SCAMP  
 P = RELIANT  
 S = CORDOBA  
 T = E CLASS/NEWYORKER  
 V = 400  
 X = MIRADA  
 Y = IMPERIAL  
 Z = OMNI/CHARGER/RAMPAGE

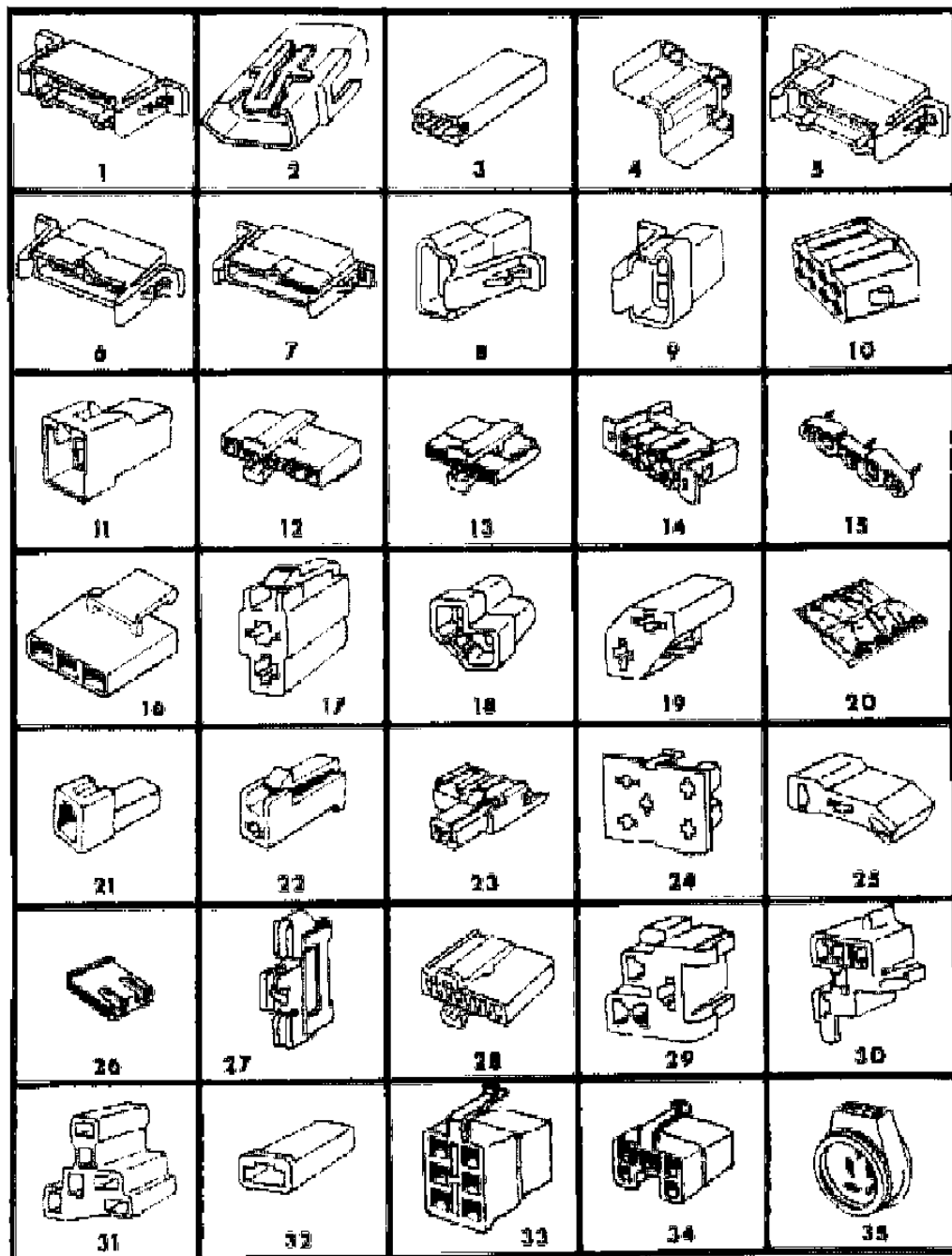
BODY STYLES  
 21 = 2-DOOR SEDAN  
 22 = 2-DOOR SPECIAL COUPE  
 24 = 2-DOOR HATCHBACK  
 27 = 2-DOOR CONVERTIBLE  
 28 = FWD PICKUP  
 41 = 4-DOOR SEDAN  
 45 = 4-DOOR STATION WAGON  
 44 = 4-DOOR HATCHBACK  
 48 = EXECUTIVE SEDAN

AR = Use as Required - = Non Illustrated Part P.A.R. = Paint as Required

# INSULATOR CHART

## Figure 8-6400

3105 6MM



ITEM	PART NUMBER	QTY	BODY	MODEL	DESCRIPTION
1	3843 413				INSULATOR
2	3843 795				INSULATOR
3	3843 895				INSULATOR
4	4055 589				INSULATOR
5	4055 002				INSULATOR
6	4055 003				INSULATOR
7	4055 004				INSULATOR
8	4055 005				INSULATOR
9	4055 006				INSULATOR
10	4055 047				INSULATOR
11	5211 582				INSULATOR
12	3764 557				INSULATOR
13	3764 572				INSULATOR
14	3843 241				INSULATOR
15	3755 625				INSULATOR
16	4055 640				INSULATOR
17	4055 019				INSULATOR
18	4055 020				INSULATOR
19	4055 021				INSULATOR
20	3513 664				INSULATOR
21	3843 753				INSULATOR
22	3843 754				INSULATOR
23	3588 520				INSULATOR
24	4055 026				INSULATOR
25	4055 148				INSULATOR
26	3588 517				INSULATOR
27	4055 304				INSULATOR
28	4055 582				INSULATOR
29	4055 311				INSULATOR
30	4205 923				INSULATOR
31	4055 384				INSULATOR
32	4055 395				INSULATOR
33	5211 546				INSULATOR
34	5211 545				INSULATOR
35	4055 680				INSULATOR

**MODEL CODES**

B = GRAN FURY	G = DIPLOMAT	V = 400
C = LEBARON/TOWN & COUNTRY	M = HORIZON/TURISMO/SCAMP	X = MIRADA
D = ARIES	P = RELIANT	Y = IMPERIAL
E = 600	S = CORDOBA	Z = OMNI/CHARGER/RAMPAGE
F = FIFTH AVENUE	T = E CLASS/NEWYORKER	

**BODY STYLES**

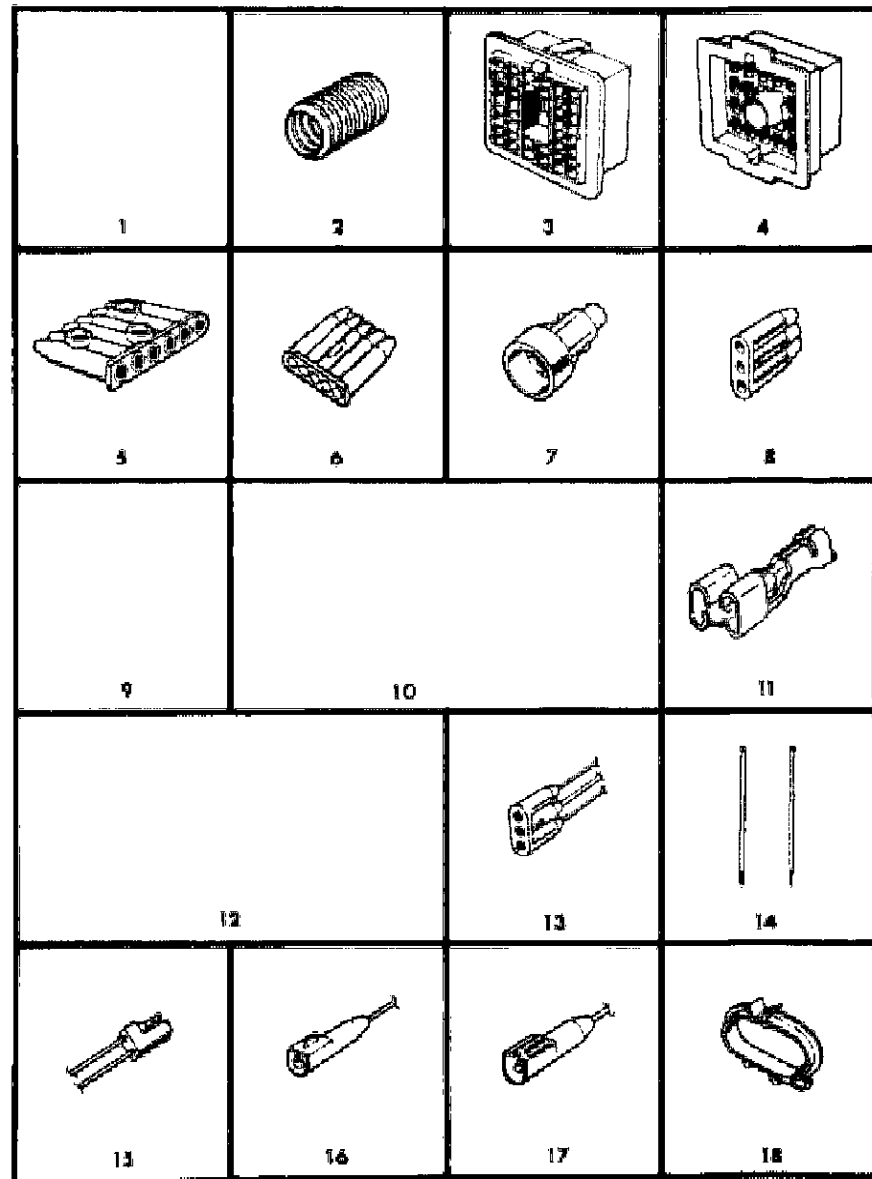
21 = 2-DOOR SEDAN	41 = 4-DOOR SEDAN
22 = 2-DOOR SPECIAL COUPE	45 = 4-DOOR STATION WAGON
24 = 2-DOOR HATCHBACK	44 = 4-DOOR HATCHBACK
27 = 2-DOOR CONVERTIBLE	48 = EXECUTIVE SEDAN
28 = FWD PICKUP	

AR = Use as Required - = Non Illustrated Part P.A.R. = Paint as Required

# RETAINERS, CONNECTORS, PLUGS, SLEEVES AND PARTS CHART

## Figure 8-6600

1108 6600



ITEM	PART NUMBER	QTY	BODY	MODEL	DESCRIPTION
1					
2	3843 499				TUBING
3	4055 401				CONNECTOR,(FEMALE 40 WAY)
4	4055 400				CONNECTOR,(MALE 40 WAY)
5	4209 978				MOLD,(6 Way) Repair Esa & Efm (w/Bar)
	4209 977				MOLD,(6 Way) Repair Esa & Efm (w/Tab)
6	4055 466				MOLD, w/Tab (Electronic Spark Advance Repair)
	4055 467				MOLD, w/Bar (Electronic Spark Advance Repair)
7	3843 398				CONNECTOR
8	3843 399				CONNECTOR
9					
10					
11	3843 601				TERMINAL
12					
13	3843 428				CONNECTOR
14	2945 704				TY STRIP
15	3588 743				CONNECTOR
16	3843 427				CONNECTOR,(FEMALE)
17	3843 426				CONNECTOR,(MALE)
18	6016 046				CLIP

**MODEL CODES**

B = GRAN FURY	G = DIPLOMAT	V = 400
C = LEBARON/TOWN & COUNTRY	M = HORIZON/TURISMO/SCAMP	X = MIRADA
D = ARIES	P = RELIANT	Y = IMPERIAL
E = 600	S = CORDOBA	Z = OMNI/CHARGER/RAMPAGE
F = FIFTH AVENUE	T = E CLASS/NEWYORKER	

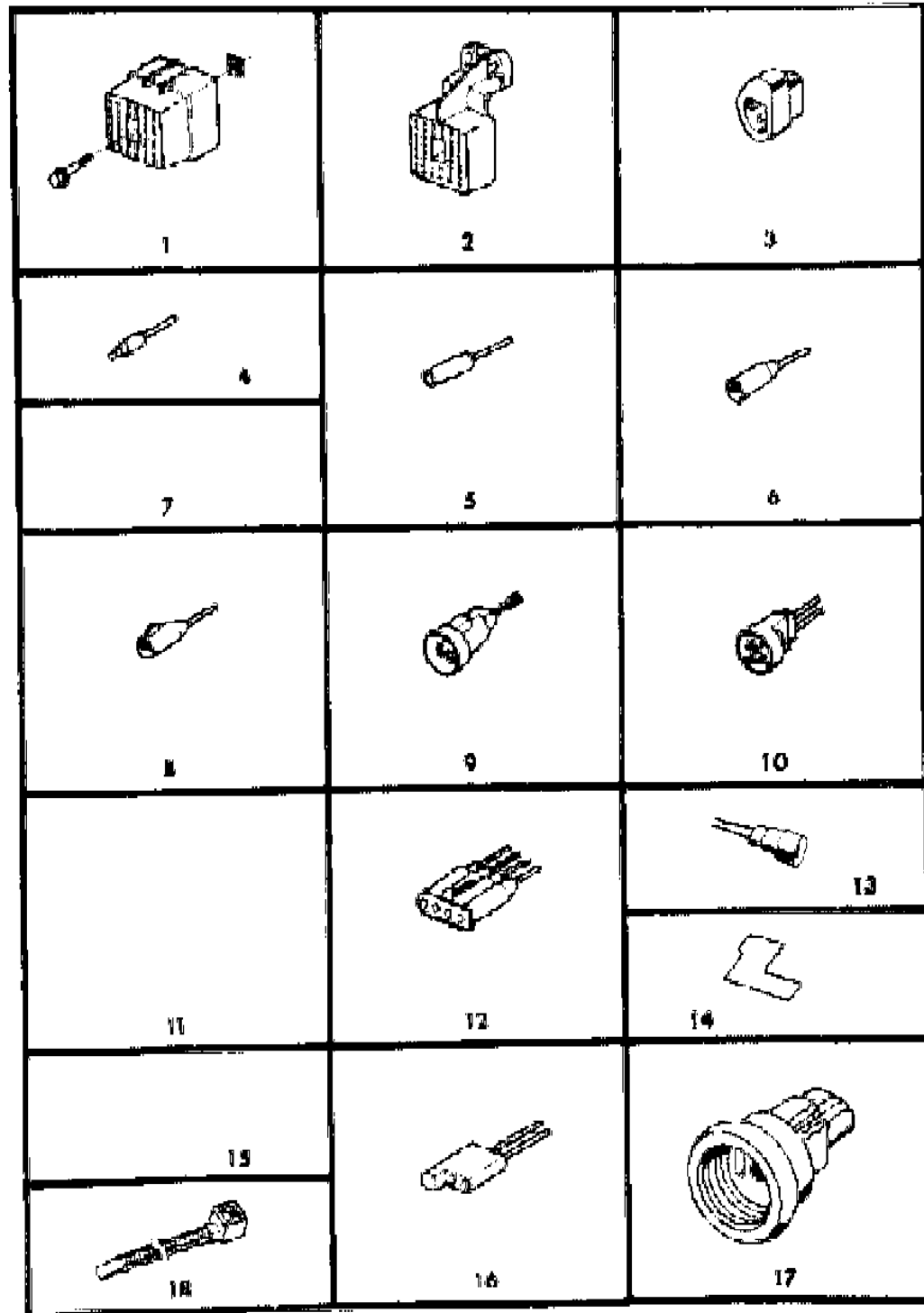
**BODY STYLES**

21 = 2-DOOR SEDAN	41 = 4-DOOR SEDAN
22 = 2-DOOR SPECIAL COUPE	45 = 4-DOOR STATION WAGON
24 = 2-DOOR HATCHBACK	44 = 4-DOOR HATCHBACK
27 = 2-DOOR CONVERTIBLE	48 = EXECUTIVE SEDAN
28 = FWD PICKUP	

AR = Use as Required - = Non Illustrated Part P.A.R. = Paint as Required

## RETAINERS, CONNECTORS, PLUGS AND SLEEVES CHART Figure 8-6700

1108 8700



ITEM	PART NUMBER	QTY	BODY	MODEL	DESCRIPTION
1	3843 606				DISCONNECT,(MALE 40 WAY)
2	3843 608				DISCONNECT,(FEMALE 40 WAY)
3	3843 397				CONNECTOR,(v/Reg.)
4	3843 922				CONNECTOR,(MALE)
5	3843 923				CONNECTOR,(FEMALE)
6	3843 936				CONNECTOR,(MALE)
7					
8	3843 937				CONNECTOR,(FEMALE)
9	3843 945				MOLD
10	3843 430				MOLD
11					
12	3843 946				MOLD
13	2631 340				CONNECTOR
14	4055 335				CONNECTOR
15					
16	3843 949				MOLD, Dist.
17	5211 620				MOLD
18	6015 898				CLIP
	4124 807				MOLD,Detonation Sensor

**MODEL CODES**

B = GRAN FURY	G = DIPLOMAT	V = 400
C = LEBARON/TOWN & COUNTRY	M = HORIZON/TURISMO/SCAMP	X = MIRADA
D = ARIES	P = RELIANT	Y = IMPERIAL
E = 600	S = CORDOBA	Z = OMNI/CHARGER/RAMPAGE
F = FIFTH AVENUE	T = E CLASS/NEWYORKER	

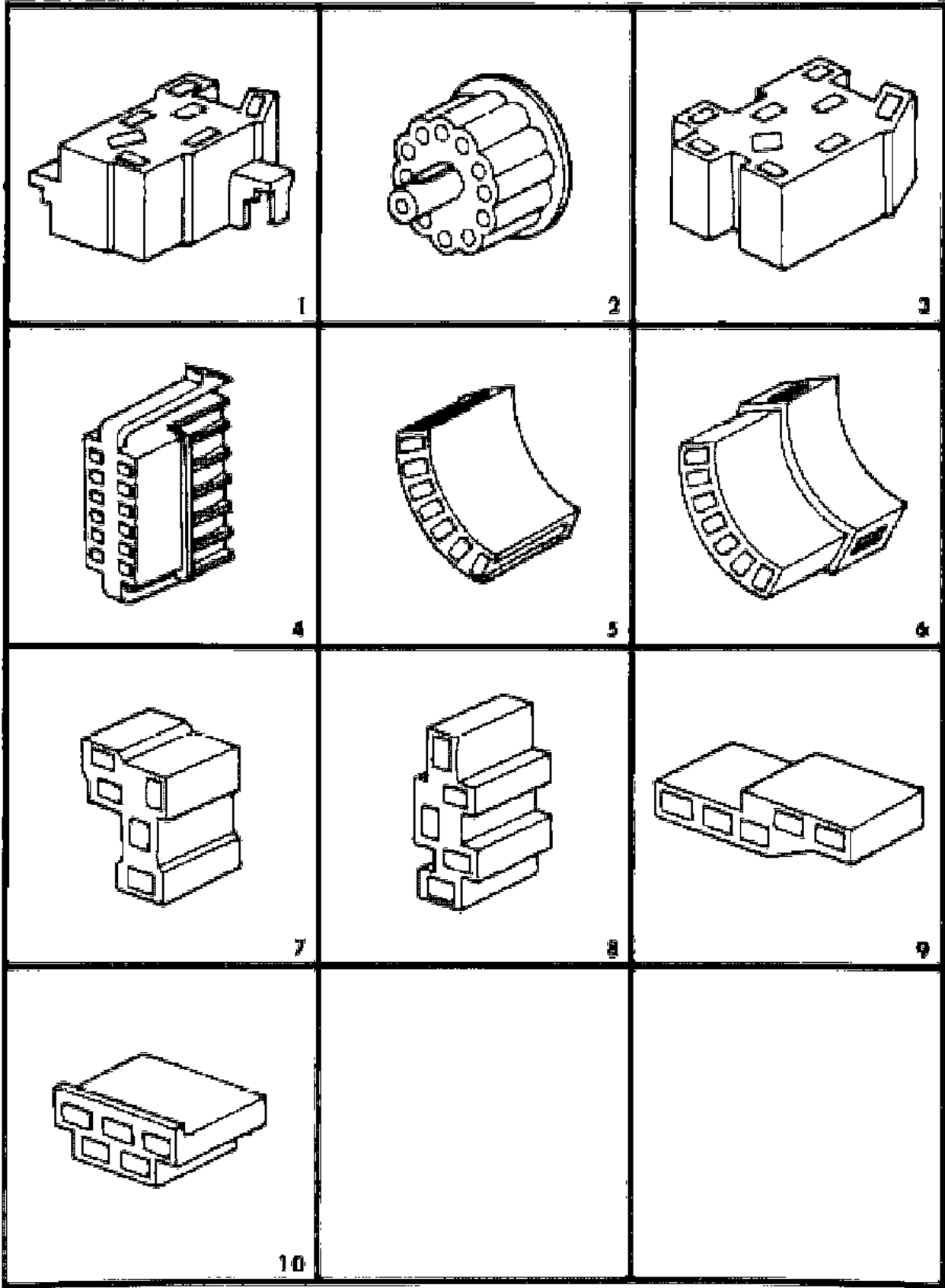
**BODY STYLES**

21 = 2-DOOR SEDAN	41 = 4-DOOR SEDAN
22 = 2-DOOR SPECIAL COUPE	45 = 4-DOOR STATION WAGON
24 = 2-DOOR HATCHBACK	44 = 4-DOOR HATCHBACK
27 = 2-DOOR CONVERTIBLE	48 = EXECUTIVE SEDAN
28 = FWD PICKUP	

AR = Use as Required - = Non Illustrated Part P.A.R. = Paint as Required

**INSULATOR CHART**  
Figure 8-6400

3108 6600



ITEM	PART NUMBER	QTY	BODY	MODEL	DESCRIPTION
1	2258 102				INSULATOR
2	3635 477				INSULATOR
3	3843 141				INSULATOR
4	3843 001				INSULATOR
5	4055 023				INSULATOR
6	4055 022				INSULATOR
7	2889 044				INSULATOR
8					INSULATOR, Not Serv.
9	3513 477				INSULATOR
10	3513 150				INSULATOR

MODEL CODES  
 B = GRAN FURY  
 C = LEBARON/TOWN & COUNTRY  
 D = ARIES  
 E = 600  
 F = FIFTH AVENUE  
 G = DIPLOMAT  
 M = HORIZON/TURISMO/SCAMP  
 P = RELIANT  
 S = CORDOBA  
 T = E CLASS/NEWYORKER  
 V = 400  
 X = MIRADA  
 Y = IMPERIAL  
 Z = OMNI/CHARGER/RAMPAGE

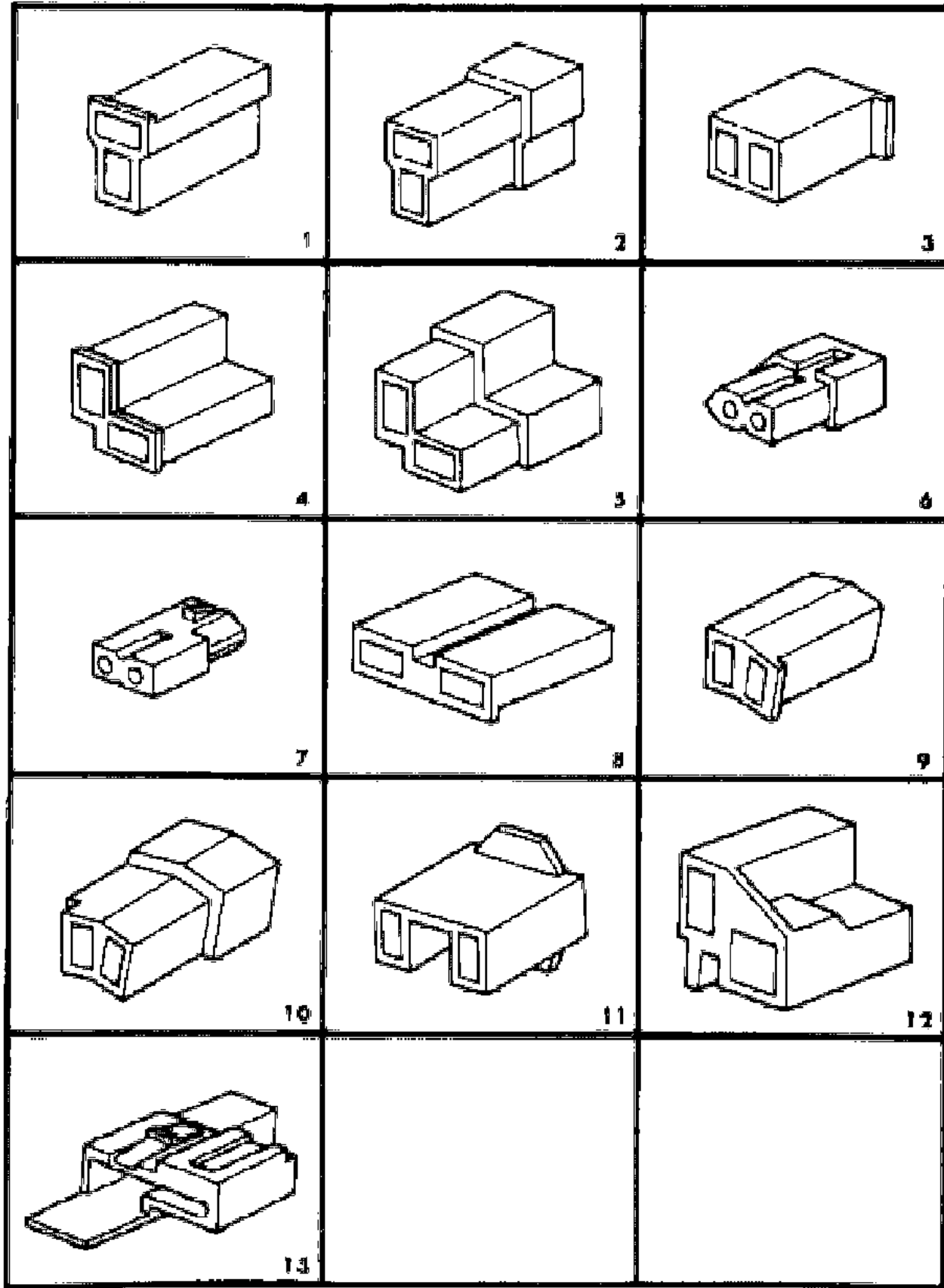
BODY STYLES  
 21 = 2-DOOR SEDAN  
 22 = 2-DOOR SPECIAL COUPE  
 24 = 2-DOOR HATCHBACK  
 27 = 2-DOOR CONVERTIBLE  
 28 = FWD PICKUP  
 41 = 4-DOOR SEDAN  
 45 = 4-DOOR STATION WAGON  
 44 = 4-DOOR HATCHBACK  
 48 = EXECUTIVE SEDAN

AR = Use as Required - = Non Illustrated Part P.A.R. = Paint as Required



INSULATOR 2 WAY  
Figure 8-6900

3102 6900



ITEM	PART NUMBER	QTY	BODY	MODEL	DESCRIPTION
1	3764 944				INSULATOR
2	2298 882				INSULATOR
3	3513 507				INSULATOR
4	2298 882				INSULATOR
5					INSULATOR, Not Serv.
6	3513 350				INSULATOR
7	3513 349				INSULATOR
8	3588 517				INSULATOR
9	1842 003				INSULATOR
10	2770 859				INSULATOR
11	4186 045				INSULATOR,(use 3 way insulator)
12					INSULATOR, Not Serv.
13					INSULATOR, Not Serv.

MODEL CODES

B = GRAN FURY	G = DIPLOMAT	V = 400
C = LEBARON/TOWN & COUNTRY	M = HORIZON/TURISMO/SCAMP	X = MIRADA
D = ARIES	P = RELIANT	Y = IMPERIAL
E = 600	S = CORDOBA	Z = OMNI/CHARGER/RAMPAGE
F = FIFTH AVENUE	T = E CLASS/NEWYORKER	

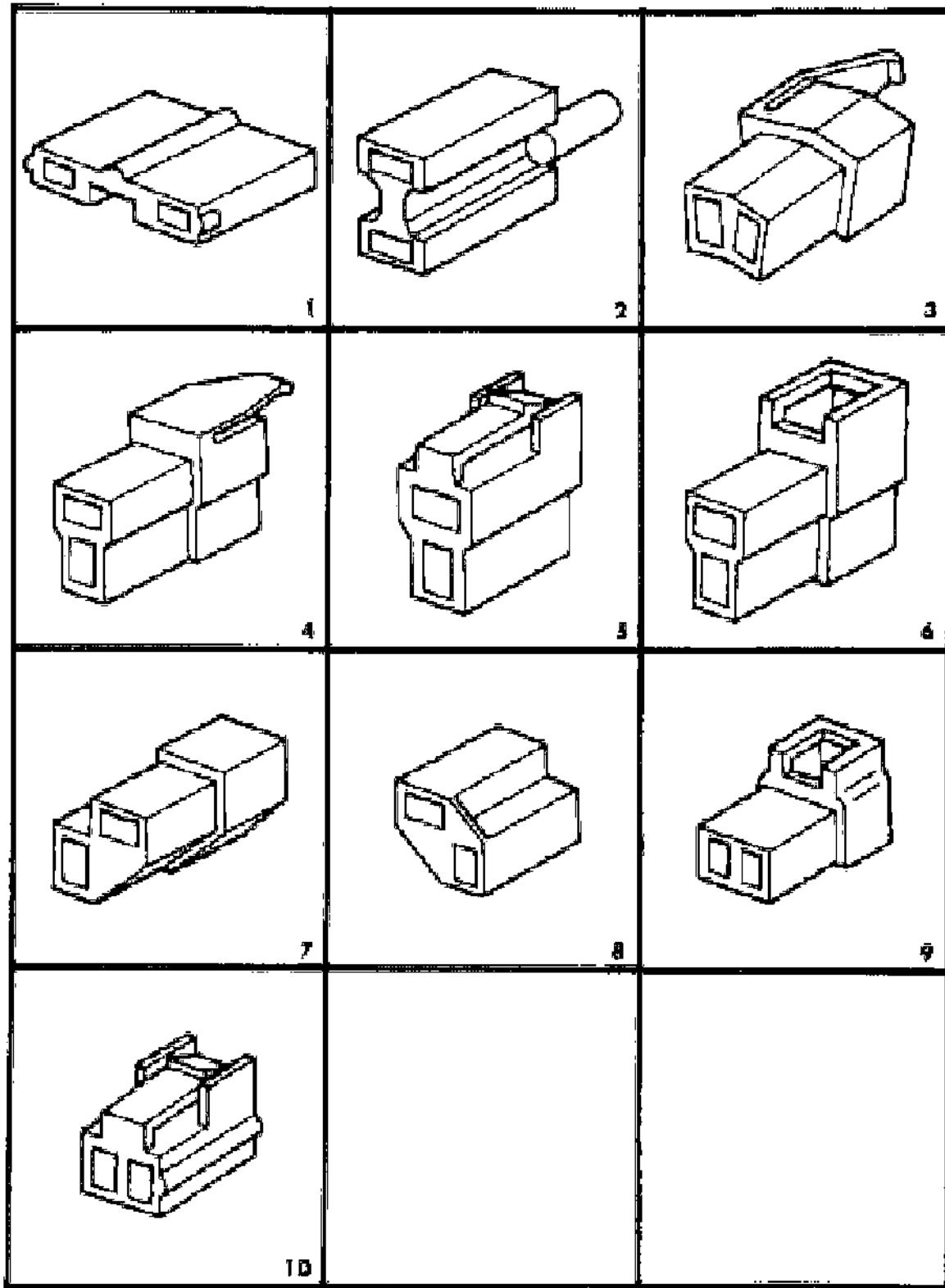
BODY STYLES

21 = 2-DOOR SEDAN	41 = 4-DOOR SEDAN
22 = 2-DOOR SPECIAL COUPE	45 = 4-DOOR STATION WAGON
24 = 2-DOOR HATCHBACK	44 = 4-DOOR HATCHBACK
27 = 2-DOOR CONVERTIBLE	48 = EXECUTIVE SEDAN
28 = FWD PICKUP	

AR = Use as Required - = Non Illustrated Part P.A.R. = Paint as Required

INSULATOR 2 WAY  
Figure 8-6900

110# 7000



ITEM	PART NUMBER	QTY	BODY	MODEL	DESCRIPTION
1					INSULATOR, Not Serv.
2	3588 525				INSULATOR
3	3747 943				INSULATOR
4	3764 949				INSULATOR
5	4055 019				INSULATOR
6	4055 018				INSULATOR
7					INSULATOR, Not Serv.
8					INSULATOR, Not Serv.
9	4055 011				INSULATOR
10	4055 012				INSULATOR

MODEL CODES

B = GRAN FURY	G = DIPLOMAT	V = 400
C = LEBARON/TOWN & COUNTRY	M = HORIZON/TURISMO/SCAMP	X = MIRADA
D = ARIES	P = RELIANT	Y = IMPERIAL
E = 600	S = CORDOBA	Z = OMNI/CHARGER/RAMPAGE
F = FIFTH AVENUE	T = E CLASS/NEWYORKER	

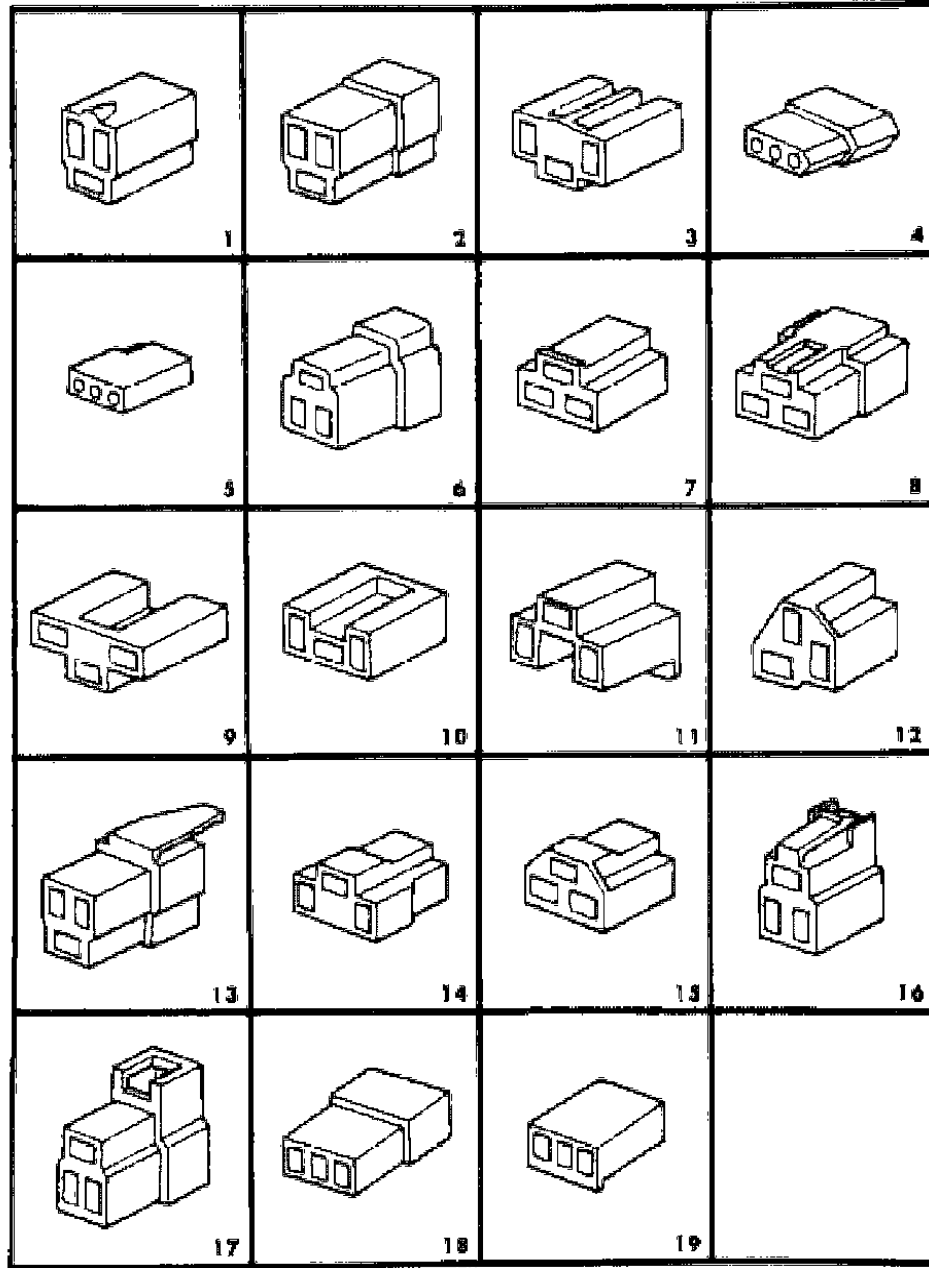
BODY STYLES

21 = 2-DOOR SEDAN	41 = 4-DOOR SEDAN
22 = 2-DOOR SPECIAL COUPE	45 = 4-DOOR STATION WAGON
24 = 2-DOOR HATCHBACK	44 = 4-DOOR HATCHBACK
27 = 2-DOOR CONVERTIBLE	48 = EXECUTIVE SEDAN
28 = FWD PICKUP	

AR = Use as Required - = Non Illustrated Part P.A.R. = Paint as Required

**INSULATOR 3 WAY**  
**Figure 8-7100**

3106 7100



ITEM	PART NUMBER	QTY	BODY	MODEL	DESCRIPTION
1	2298 882				INSULATOR
2	2298 882				INSULATOR
3	2298 882				INSULATOR
4	2983 407				INSULATOR
5	2983 408				INSULATOR
6	3588 882				INSULATOR
7	2298 882				INSULATOR
8	3588 442				INSULATOR
9	2298 882				INSULATOR
10	2771 760				INSULATOR
11	4186 045				INSULATOR
12	2889 650				INSULATOR
13	3764 947				INSULATOR
14	3843 282				INSULATOR
15	3843 059				INSULATOR
16	4055 008				INSULATOR
17	4055 007				INSULATOR
18	2298 882				INSULATOR
19	2298 882				INSULATOR

**MODEL CODES**

B = GRAN FURY	G = DIPLOMAT	V = 400
C = LEBARON/TOWN & COUNTRY	M = HORIZON/TURISMO/SCAMP	X = MIRADA
D = ARIES	P = RELIANT	Y = IMPERIAL
E = 600	S = CORDOBA	Z = OMNI/CHARGER/RAMPAGE
F = FIFTH AVENUE	T = E CLASS/NEWYORKER	

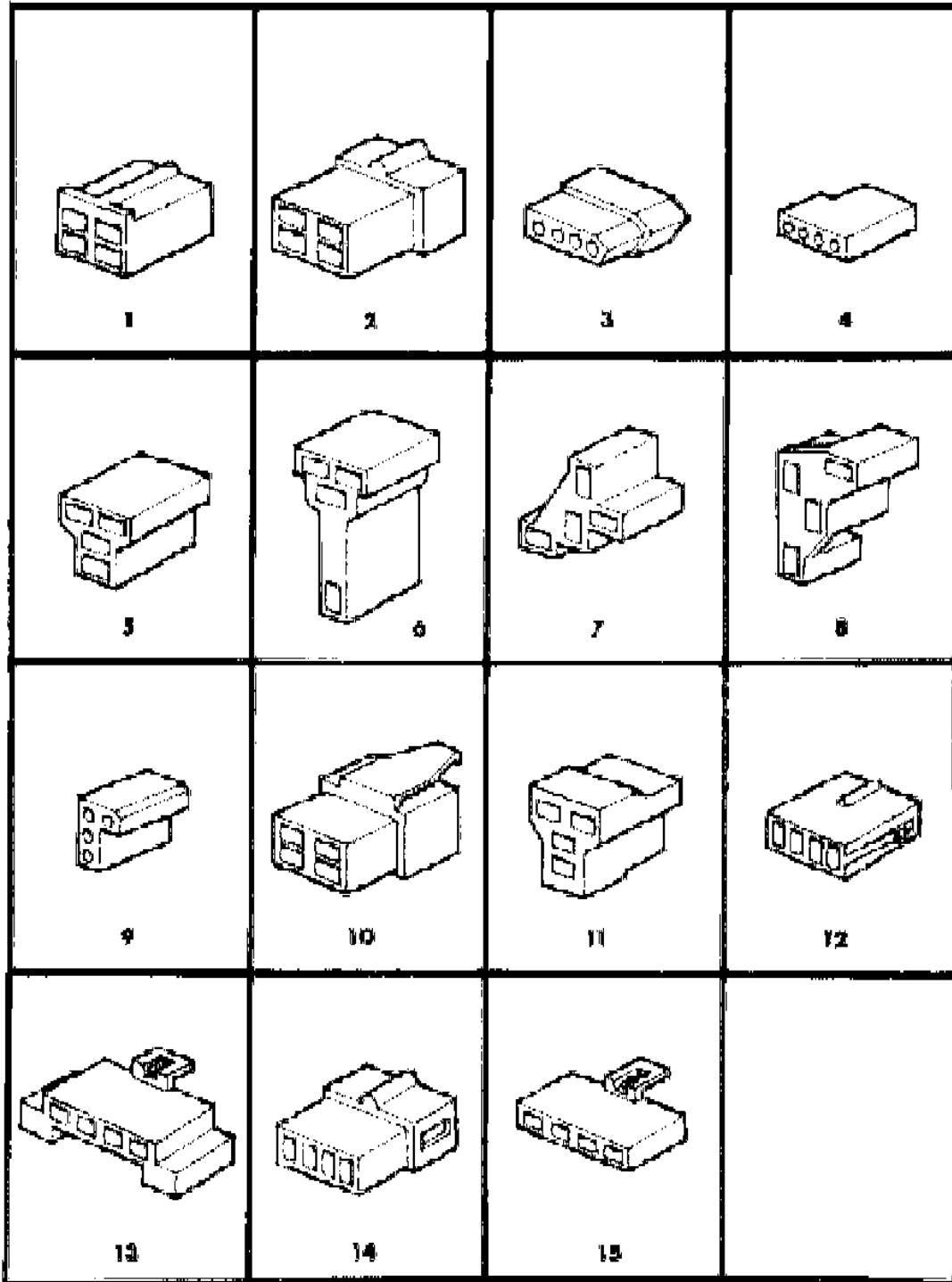
**BODY STYLES**

21 = 2-DOOR SEDAN	41 = 4-DOOR SEDAN
22 = 2-DOOR SPECIAL COUPE	45 = 4-DOOR STATION WAGON
24 = 2-DOOR HATCHBACK	44 = 4-DOOR HATCHBACK
27 = 2-DOOR CONVERTIBLE	48 = EXECUTIVE SEDAN
28 = FWD PICKUP	

AR = Use as Required - = Non Illustrated Part P.A.R. = Paint as Required

**INSULATOR 4 WAY**  
Figure 8-7200

31.04 7200



ITEM	PART NUMBER	QTY	BODY	MODEL	DESCRIPTION
1	2298 882				INSULATOR
2	2298 882				INSULATOR
3	2983 405				INSULATOR
4	2983 406				INSULATOR
5	2889 904				INSULATOR
6	3513 550				INSULATOR
7	2448 822				INSULATOR
8	2983 335				INSULATOR
9	3843 019				INSULATOR
10	3764 948				INSULATOR
11	3843 283				INSULATOR
12	4055 025				INSULATOR
13	3843 896				INSULATOR
14	4055 024				INSULATOR
15	4055 249				INSULATOR
	4124 262				INSULATOR, 5 WAY

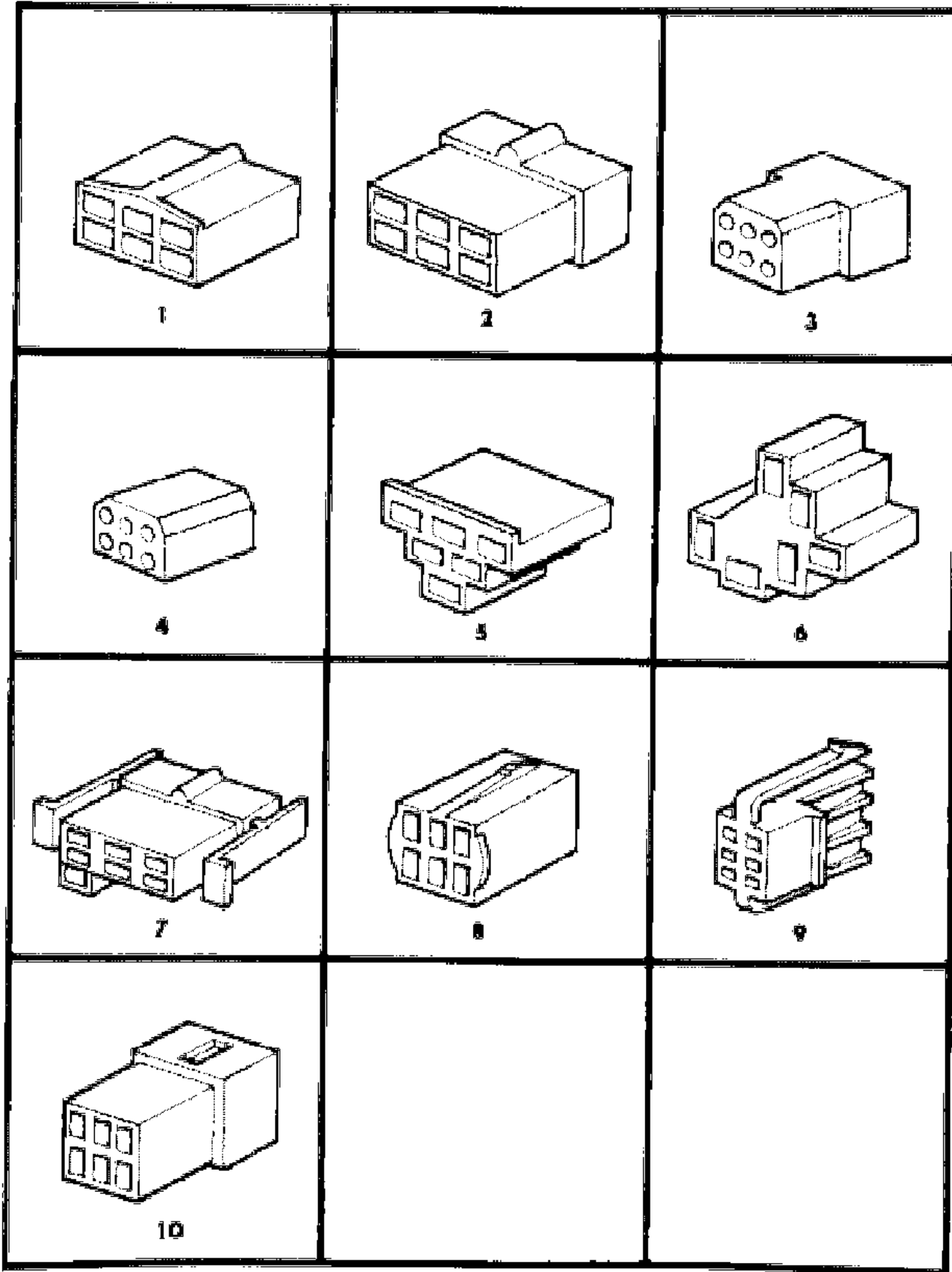
MODEL CODES  
 B = GRAN FURY                      G = DIPLOMAT                      V = 400  
 C = LEBARON/TOWN & COUNTRY    M = HORIZON/TURISMO/SCAMP    X = MIRADA  
 D = ARIES                            P = RELIANT                        Y = IMPERIAL  
 E = 600                                S = CORDOBA                        Z = OMNI/CHARGER/RAMPAGE  
 F = FIFTH AVENUE                    T = E CLASS/NEWYORKER

BODY STYLES  
 21 = 2-DOOR SEDAN                    41 = 4-DOOR SEDAN  
 22 = 2-DOOR SPECIAL COUPE        45 = 4-DOOR STATION WAGON  
 24 = 2-DOOR HATCHBACK            44 = 4-DOOR HATCHBACK  
 27 = 2-DOOR CONVERTIBLE          48 = EXECUTIVE SEDAN  
 28 = FWD PICKUP

AR = Use as Required - = Non Illustrated Part P.A.R. = Paint as Required

**INSULATOR 6 WAY**  
**Figure 8-7300**

310B 7300



ITEM	PART NUMBER	QTY	BODY	MODEL	DESCRIPTION
1					INSULATOR, Not Serv.
2	2448 822				INSULATOR
3	3513 348				INSULATOR
4	3513 347				INSULATOR
5					INSULATOR, Not Serv.
6	3588 024				INSULATOR
7	3764 640-1				INSULATOR
8	4055 015				INSULATOR
9	3843 002				INSULATOR
10	4055 014				INSULATOR

**MODEL CODES**

B = GRAN FURY	G = DIPLOMAT	V = 400
C = LEBARON/TOWN & COUNTRY	M = HORIZON/TURISMO/SCAMP	X = MIRADA
D = ARIES	P = RELIANT	Y = IMPERIAL
E = 600	S = CORDOBA	Z = OMNI/CHARGER/RAMPAGE
F = FIFTH AVENUE	T = E CLASS/NEWYORKER	

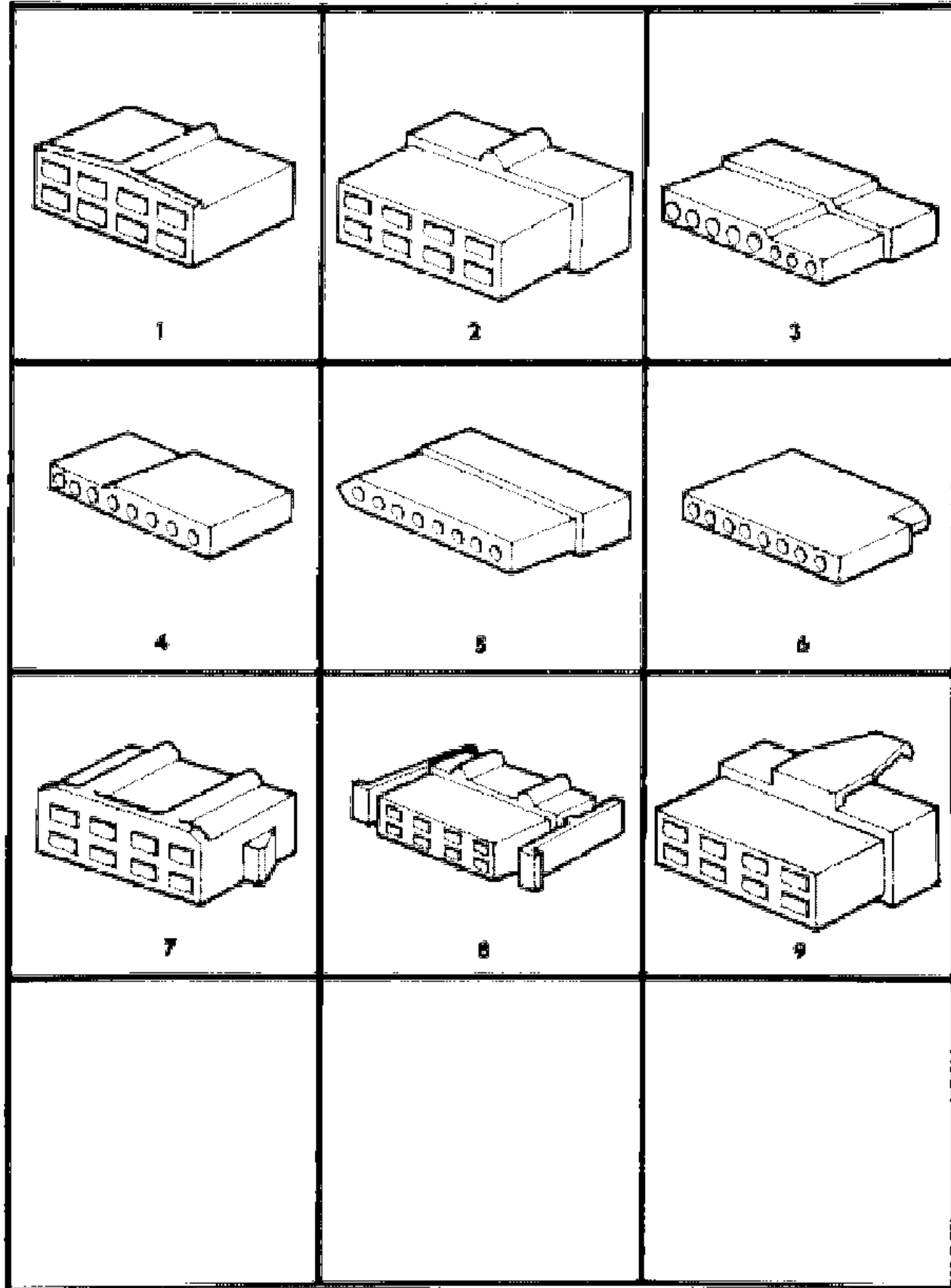
**BODY STYLES**

21 = 2-DOOR SEDAN	41 = 4-DOOR SEDAN
22 = 2-DOOR SPECIAL COUPE	45 = 4-DOOR STATION WAGON
24 = 2-DOOR HATCHBACK	44 = 4-DOOR HATCHBACK
27 = 2-DOOR CONVERTIBLE	48 = EXECUTIVE SEDAN
28 = FWD PICKUP	

AR = Use as Required - = Non Illustrated Part P.A.R. = Paint as Required

**INSULATOR 8 WAY**  
**Figure 8-7400**

1108 7400



ITEM	PART NUMBER	QTY	BODY	MODEL	DESCRIPTION
1					INSULATOR, Not Serv.
2	1972 882				INSULATOR
3	2983 401				INSULATOR
4	2983 402				INSULATOR
5	2983 403				INSULATOR
6	2983 404				INSULATOR
7	3588 945				INSULATOR
8	2926 258				INSULATOR
9	3764 953				INSULATOR

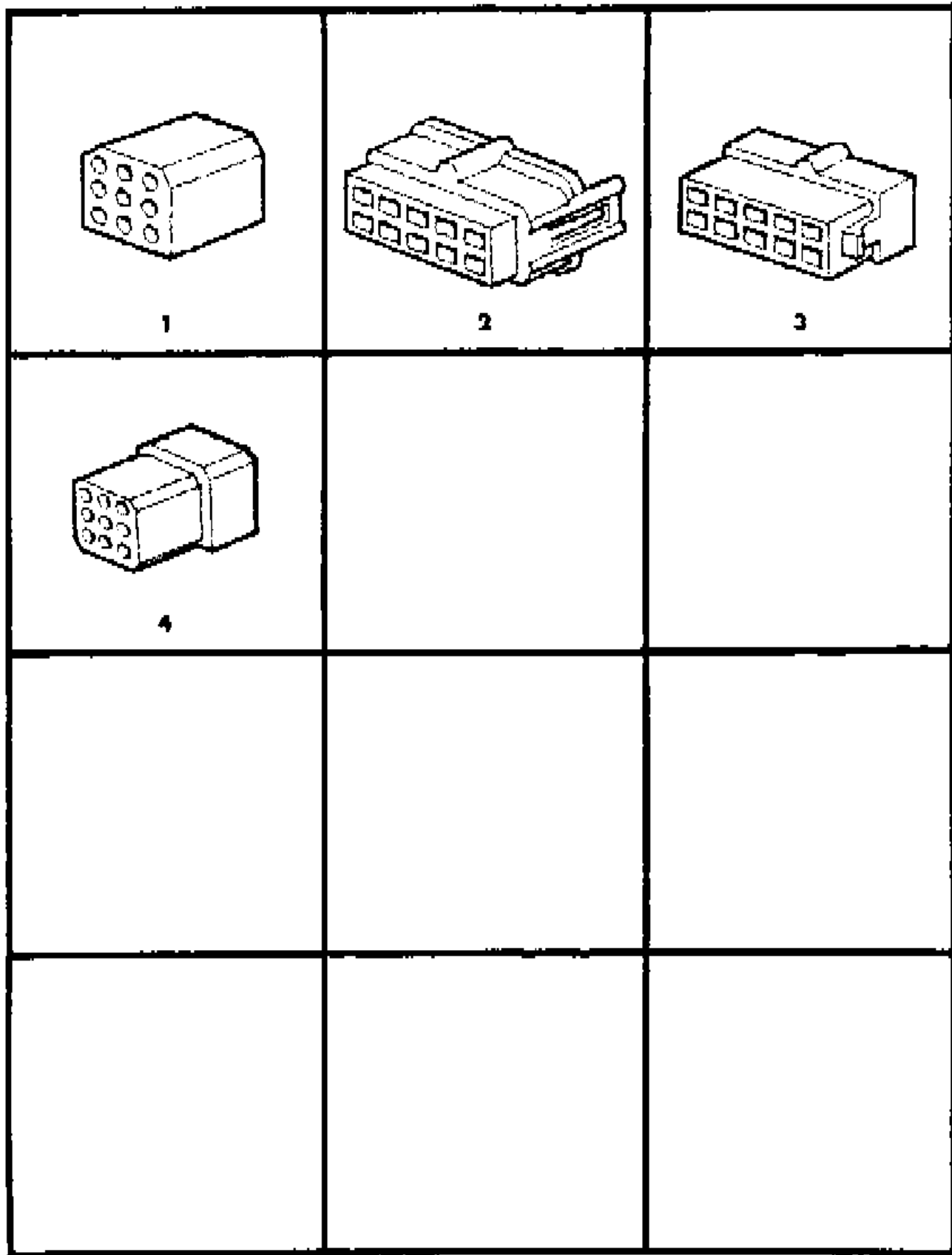
MODEL CODES  
 B = GRAN FURY                      G = DIPLOMAT                      V = 400  
 C = LEBARON/TOWN & COUNTRY    M = HORIZON/TURISMO/SCAMP    X = MIRADA  
 D = ARIES                            P = RELIANT                        Y = IMPERIAL  
 E = 600                                S = CORDOBA                        Z = OMNI/CHARGER/RAMPAGE  
 F = FIFTH AVENUE                    T = E CLASS/NEWYORKER

BODY STYLES  
 21 = 2-DOOR SEDAN                    41 = 4-DOOR SEDAN  
 22 = 2-DOOR SPECIAL COUPE        45 = 4-DOOR STATION WAGON  
 24 = 2-DOOR HATCHBACK            44 = 4-DOOR HATCHBACK  
 27 = 2-DOOR CONVERTIBLE          48 = EXECUTIVE SEDAN  
 28 = FWD PICKUP

AR = Use as Required - = Non Illustrated Part P.A.R. = Paint as Required

**INSULATOR 9 AND 10 WAY**  
**Figure 8-7500**

1108 7500



ITEM	PART NUMBER	QTY	BODY	MODEL	DESCRIPTION
1	3764 639				INSULATOR
2	2585 030				INSULATOR
3					INSULATOR, Not Serv.
4	3843 099				INSULATOR,(Male)
	3764 639				INSULATOR,(Female)
	4209 949				INSULATOR

MODEL CODES  
 B = GRAN FURY  
 C = LEBARON/TOWN & COUNTRY  
 D = ARIES  
 E = 600  
 F = FIFTH AVENUE  
 G = DIPLOMAT  
 M = HORIZON/TURISMO/SCAMP  
 P = RELIANT  
 S = CORDOBA  
 T = E CLASS/NEWYORKER  
 V = 400  
 X = MIRADA  
 Y = IMPERIAL  
 Z = OMNI/CHARGER/RAMPAGE

BODY STYLES  
 21 = 2-DOOR SEDAN  
 22 = 2-DOOR SPECIAL COUPE  
 24 = 2-DOOR HATCHBACK  
 27 = 2-DOOR CONVERTIBLE  
 28 = FWD PICKUP  
 41 = 4-DOOR SEDAN  
 45 = 4-DOOR STATION WAGON  
 44 = 4-DOOR HATCHBACK  
 48 = EXECUTIVE SEDAN

AR = Use as Required - = Non Illustrated Part P.A.R. = Paint as Required

**GROUP 9A - ENGINE, 4 CYLINDER**

ILLUSTRATION TITLE	GROUP-FIG. NO.
ENGINE, CYLINDER BLOCK, CYLINDER HEAD 4 CYLINDER ENG. 1.6 L, M,Z	Fig. 9A-100
TORQUE CONVERTER, DRIVE PLATE 4 CYLINDER ENG. 1.6 L, M,Z	Fig. 9A-150
TRANSMISSION OIL COOLER 4 CYLINDER ENG. 1.6 L, M,Z	Fig. 9A-175
OIL PUMP, OIL PAN, OIL LEVEL INDICATOR, OIL FILTER 4 CYLINDER ENG. 1.6 L, M,Z	Fig. 9A-200
CRANKSHAFT, CONNECTING ROD, PISTONS, RINGS, FLYWHEEL 4 CYLINDER ENG. 1.6 L, M,Z	Fig. 9A-300
CAMSHAFT, ROCKER SHAFT, INTAKE AND EXHAUST VALVES 4 CYLINDER ENG. 1.6 L, M,Z	Fig. 9A-400
TIMING CHAIN, SPROCKETS, COVER 4 CYLINDER ENG. 1.6 L, M,Z	Fig. 9A-500
INTAKE AND EXHAUST MANIFOLD, CRANKCASE VENT VALVE 4 CYLINDER ENG. 1.6 L, M,Z	Fig. 9A-600
ENGINE MOUNTINGS 4 CYLINDER ENG. 1.6 L, M,Z	Fig. 9A-700
ENGINE STRUT, W/MAN. TRANS. 4 CYLINDER ENG. 1.6 L, M,Z	Fig. 9A-800
ENGINE, CYLINDER BLOCK, CYLINDER HEAD 4 CYLINDER ENG. 1.7 L, M,Z	Fig. 9A-900
TORQUE CONVERTER, DRIVE PLATE 4 CYLINDER ENGINE 1.7 L, M,Z	Fig. 9A-1000
TRANSMISSION OIL COOLER 4 CYLINDER 1.7 L, M,Z	Fig. 9A-1050
OIL PUMP, OIL PAN, OIL LEVEL INDICATOR, OIL FILTER 4 CYLINDER ENGINE 1.7 L, M,Z	Fig. 9A-1100
CRANKSHAFT, CONNECTING ROD, PISTONS, RINGS, FLYWHEEL 4 CYLINDER ENGINE 1.7 L, M,Z	Fig. 9A-1200
CAMSHAFT, INTERMEDIATE SHAFT, INTAKE AND EXHAUST VALVES 4 CYLINDER ENGINE 1.7 L, M,Z	Fig. 9A-1300
TIMING BELT, SPROCKETS, COVERS AND PULLEY 4 CYLINDER ENGINE 1.7 L, M,Z	Fig. 9A-1400
INTAKE AND EXHAUST MANIFOLD 4 CYLINDER ENGINE 1.7 L, M,Z	Fig. 9A-1500
ENGINE MOUNTING 4 CYLINDER ENGINE 1.7 L, M,Z	Fig. 9A-1600
ENGINE STRUT, W/MAN. TRANS. 4 CYLINDER ENGINE 1.7 L, M,Z	Fig. 9A-1700
CRANKCASE VENT VALVE, HOSE, OIL FILLER CAP 4 CYLINDER ENGINE 1.7 L, M,Z	Fig. 9A-1800
ENGINE, CYLINDER BLOCK, CYLINDER HEAD 4 CYLINDER 2.2 L. ENG. M,Z,P,D,C,V,E,T	Fig. 9A-1900
TORQUE CONVERTER, DRIVE PLATE 4 CYLINDER 2.2 L. ENG., M,Z,P,D,C,V,E,T	Fig. 9A-2000
TRANSMISSION OIL COOLER 4 CYLINDER 2.2 L. ENG., M,Z,P,D,C,V,E,T	Fig. 9A-2100
OIL PUMP, OIL PAN, OIL LEVEL INDICATOR, OIL FILTER 4 CYLINDER 2.2 L. ENG., M,Z,P,D,C,V,E,T	Fig. 9A-2200
CRANKSHAFT, CONNECTING ROD, PISTONS, RINGS, FLYWHEEL 4 CYLINDER 2.2 L ENGINE M,Z,P,D,C,V,E,T	Fig. 9A-2300
CAMSHAFT, INTERMEDIATE SHAFT, INTAKE AND EXHAUST VALVES 4 CYLINDER 2.2 L ENGINE, M,Z,P,D,C,V,E,T	Fig. 9A-2400
TIMING BELT, SPROCKETS, COVERS 4 CYLINDER 2.2 L ENGINE, M,Z,P,D,C,V,E,T	Fig. 9A-2500
INTAKE AND EXHAUST MANIFOLD 4 CYLINDER 2.2 L ENGINE, M,Z,P,D,C,V,E,T	Fig. 9A-2600
ENGINE MOUNTING 4 CYLINDER 2.2 L ENGINE, M,Z,P,D,C,V,E,T	Fig. 9A-2700
ENGINE STRUT, w/MAN. TRANS. 4 CYLINDER 2.2 L ENG., M,Z,P,D,C,V,E,T	Fig. 9A-2800
ENGINE, CYLINDER BLOCK 4 CYLINDER 2.6 L ENG., P,D,C,V,E,T	Fig. 9A-2900
ENGINE OVERHAUL GASKET SET 4 CYLINDER 2.6 L ENG., P,D,C,V,E,T	Fig. 9A-3000
CYLINDER HEAD AND RELATED PARTS 4 CYLINDER 2.6 L ENG., P,D,C,V,E,T	Fig. 9A-3100
CYLINDER BLOCK AND RELATED PARTS 4 CYLINDER 2.6 L ENG., P,D,C,V,E,T	Fig. 9A-3200
TORQUE CONVERTER, DRIVE PLATE 4 CYLINDER 2.6 L ENG. P,D,C,V,E,T	Fig. 9A-3300

**ILLUSTRATION NOT AVAILABLE AT TIME OF PUBLICATION**



---

**GROUP 9A - ENGINE, 4 CYLINDER**

**ILLUSTRATION TITLE**

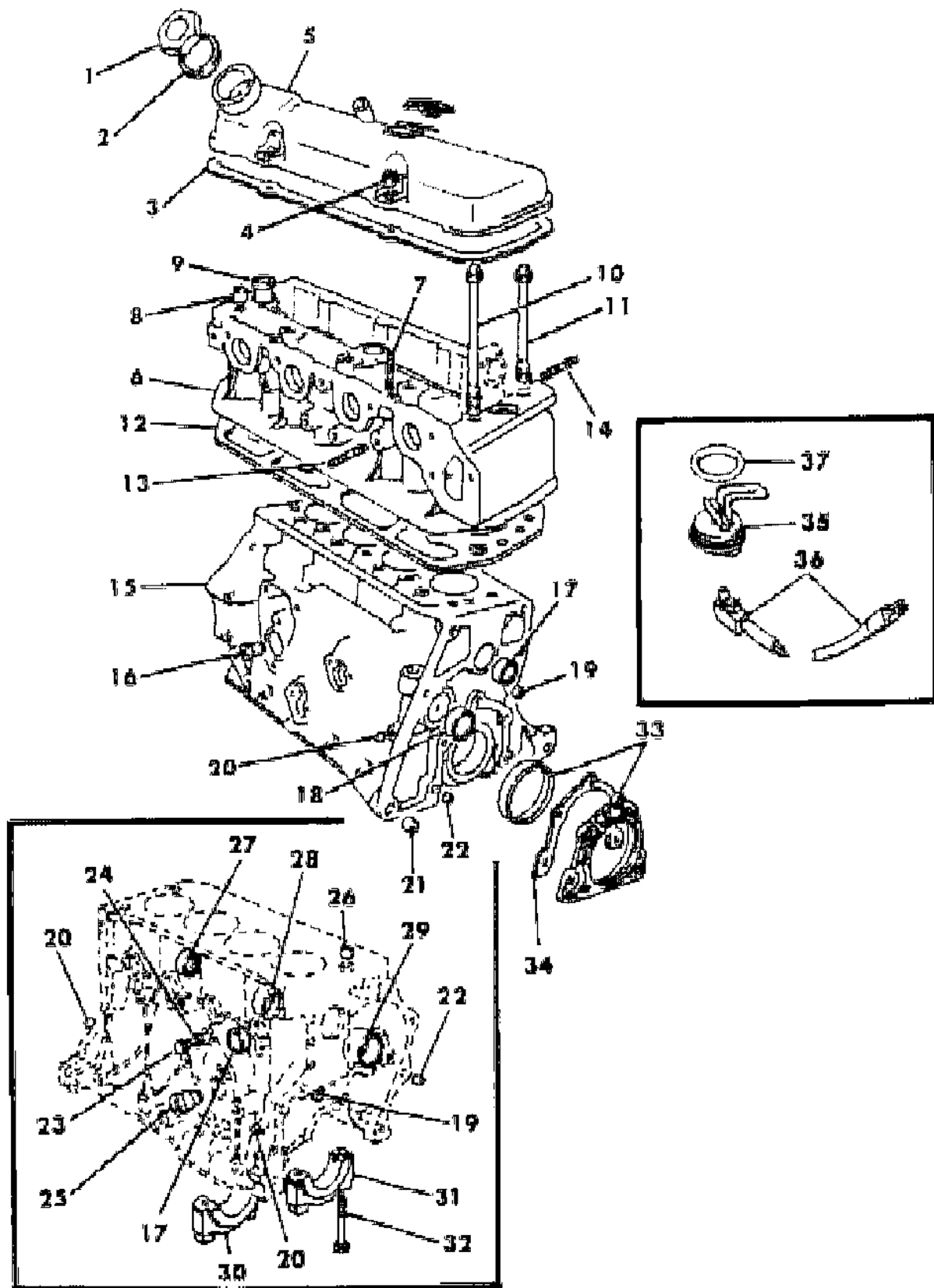
**GROUP-FIG. NO.**

**INSULATOR CHARTS (Continued)**

TORQUE CONVERTER, DRIVE PLATE 4 CYLINDER 2.6 L ENG. P,D,C,V,E,T .....	Fig. 9A-3300
TRANSMISSION OIL COOLER 4 CYLINDER 2.6 L ENG. P,D,C,V,E,T .....	Fig. 9A-3350
CRANKSHAFT, CONNECTING RODS, PISTONS, RINGS 4 CYLINDER 2.6 L ENG., P,D,C,V,E,T .....	Fig. 9A-3400
CAMSHAFT, VALVES, TIMING CHAIN AND RELATED PARTS 4 CYLINDER 2.6 L ENG., P,D,C,V,E,T .....	Fig. 9A-3500
BALANCING SHAFT AND RELATED PARTS 4 CYLINDER 2.6 L ENG., P,D,C,V,E,T .....	Fig. 9A-3600
MANIFOLD, INTAKE AND EXHAUST 4 CYLINDER 2.6 L ENG., P,D,C,V,E,T .....	Fig. 9A-3700
OIL PUMP, OIL PAN, OIL LEVEL INDICATOR, TIMING COVER 4 CYLINDER 2.6 L ENG., P,D,C,V,E,T .....	Fig. 9A-3800
ENGINE MOUNTING 4 CYLINDER 2.6 L Engine, P,D,C,V,E,T .....	Fig. 9A-3900

**ENGINE, CYLINDER BLOCK, CYLINDER HEAD 4 CYLINDER ENG. 1.6 L, M,Z**  
**Figure 9A-100**

J156 100A



ITEM	PART NUMBER	QTY	BODY	MODEL	DESCRIPTION
	4271 980	1		M,Z	GASKET SET, Engine, Complete
					Consist of:
					2-4273512 Gasket, Cyl. Block Water Drain Plug
					1-4273517 OIL SEAL, Front Cover
					1-4273532 Gasket, Rear Seal Housing
					1-4173774 SEAL W/HOUSING, Assy., Crankshaft
					1-4273608 GASKET, Cylinder Head
					1-4273621 GASKET, Cylinder Head Cover
					1-4273631 GASKET, Oil Filler Cap
					8-4273515 OIL SEAL, Valve Stem
					1-4273716 GASKET, Oil Pan
					1-4273722 GASKET, Oil Pan Bottom Cover
					1-4273726 GASKET, Oil Pan Drain Plug
					1-4273735 GASKET, Oil Level Indicator
					1-4273737 GASKET, Oil Level Indicator Bracket
					1- GASKET, Oil Pump Relief Valve Plug (Service Pkg. 4271998)
					1- SEAL, Oil Pump Relief Valve (Service in Pkg. 4271998)
					1-4273772 Gasket, Oil Pick-Up Strainer
					1-4273702 Gasket, Water Pump To Oil Pan
					1-4273706 Gasket, Water Inlet Elbow To Oil Pan
					1-4273787 Gasket, Intake Manifold
					1-4273793 Gasket, Exhaust Manifold
					1-4273519 Gasket, Front Cover
	4173 751	1			SHORT ENGINE, Assy.
1	#4293 702	1			CAP, Oil Filler
2	#4273 631	1			GASKET, Oil Filler Cap
3	#4273 621	1			GASKET, Cylinder Head Cover
4	#4273 625	6			NUT, Cylinder Head Cover Stud
5	#4173 780	1			COVER, Cylinder Head
6	#4273 603	1			HEAD, Cylinder
7	#4273 624	6			STUD, Cylinder Head Cover
8	#4273 614	5			DOWEL, Rocker Shaft Locating
9	#4273 606	3			PLUG, Cylinder Head
10	#4273 613	5			BOLT, Cylinder Head (M10x1.25x151.5)
11	#4273 612	6			BOLT, Cylinder Head (M10x1.25x128)
12	#4273 608	1			GASKET, Cylinder Head

**MODEL CODES**

B = GRAN FURY	G = DIPLOMAT	V = 400
C = LEBARON/TOWN & COUNTRY	M = HORIZON/TURISMO/SCAMP	X = MIRADA
D = ARIES	P = RELIANT	Y = IMPERIAL
E = 600	S = CORDOBA	Z = OMNI/CHARGER/RAMPAGE
F = FIFTH AVENUE	T = E CLASS/NEWYORKER	

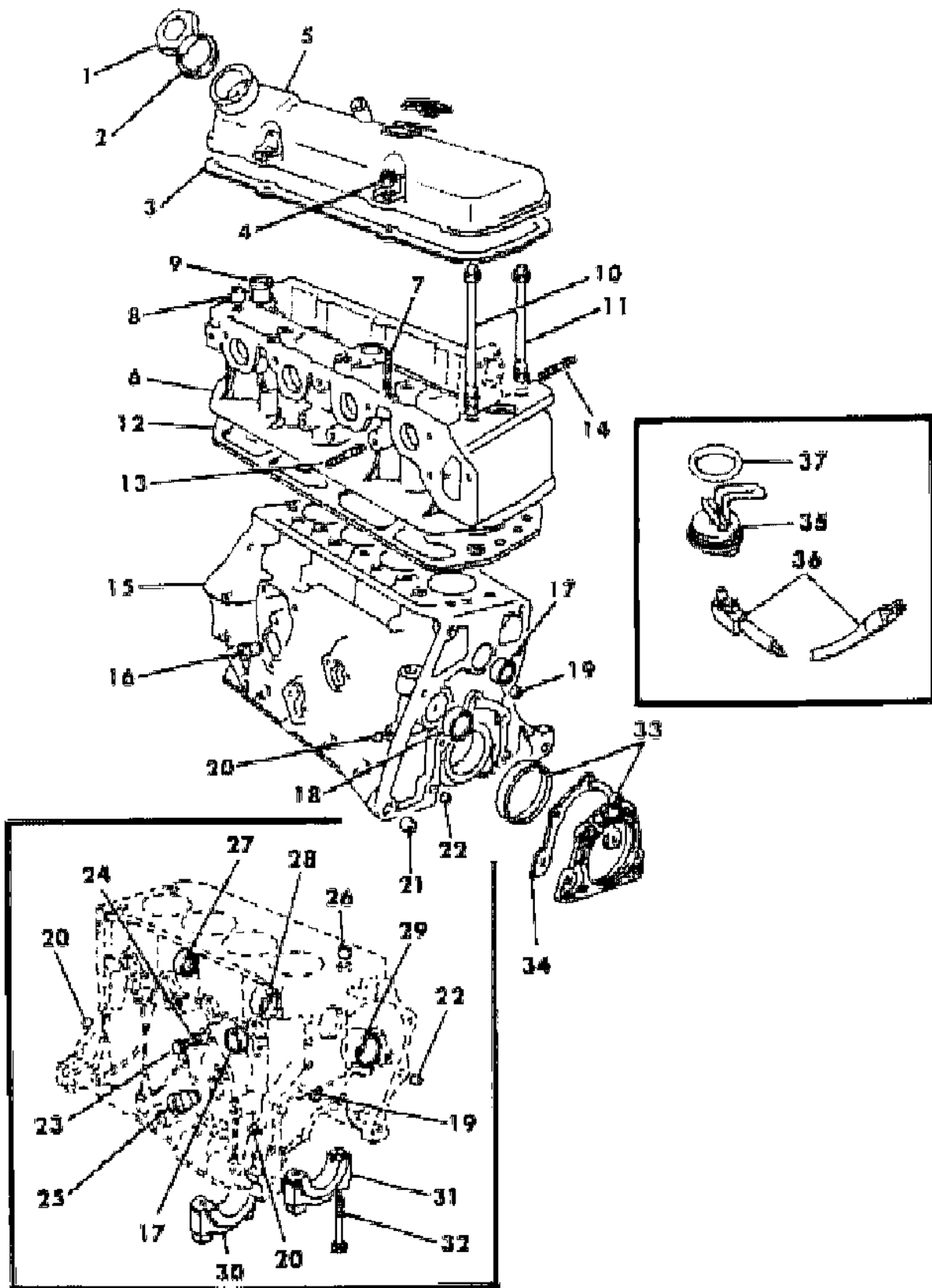
**BODY STYLES**

21 = 2-DOOR SEDAN	41 = 4-DOOR SEDAN
22 = 2-DOOR SPECIAL COUPE	45 = 4-DOOR STATION WAGON
24 = 2-DOOR HATCHBACK	44 = 4-DOOR HATCHBACK
27 = 2-DOOR CONVERTIBLE	48 = EXECUTIVE SEDAN
28 = FWD PICKUP	

AR = Use as Required - = Non Illustrated Part P.A.R. = Paint as Required

**ENGINE, CYLINDER BLOCK, CYLINDER HEAD 4 CYLINDER ENG. 1.6 L, M,Z**  
**Figure 9A-100**

J156 100A



ITEM	PART NUMBER	QTY	BODY	MODEL	DESCRIPTION
13	#4273 624	8			STUD, Intake Manifold
14	#4273 791	5			STUD, Exhaust Manifold
15	#	1			BLOCK, Assy. (Serviced in Short Eng. Assy.)
16	#4273 778	1			BUSHING, Oil Pump
17	#4273 508	5			PLUG, Cyl. Block
18	#4273 510	1			PLUG, Cyl. Block
19	#4273 506	2			PLUG, Cyl. Block
20	#4273 504	2			PLUG, Cyl. Block
21	#4273 525	2			DOWEL, Clutch Housing Locating
22	#4273 514	4			DOWEL, Front Cover Locating
23	#4273 511	1			PLUG, Cyl. Block Water Drain
24	#4273 512	1			GASKET, Cyl. Block Water Drain Plug
25	#4273 782	1			BUSHING, Oil Pump
26	#4273 614	2			DOWEL, Cyl. Head Locating
27	#4173 752	1			BEARING, Camshaft, No.1
28	#4173 753	1			BEARING, Camshaft, No.2
29	#4173 754	1			BEARING, Camshaft, No.3
30	00SA SSY	4			CAP, Crankshaft Bearing (1,2,4,5) (Serviced in Short Eng. 4173751)
31	00SA SSY	1			CAP, Crankshaft Bearing (3) (Serviced in Short Eng. 4173751)
32	#4273 540	10			SCREW, Crankshaft Bearing Cap
33	#4173 774	1			HOUSING, Assy. Crankshaft Rear Seal (w/Seal)
34	#4273 532	1			GASKET, Crankshaft Rear Seal Housing
35	#5213 548	1			HEATER, Eng. Block
36	#5213 549	1			CORD, Eng. Block Heater
37	6027 513	AR			"O"RING, Eng. Block Heater

**MODEL CODES**

B = GRAN FURY	G = DIPLOMAT	V = 400
C = LEBARON/TOWN & COUNTRY	M = HORIZON/TURISMO/SCAMP	X = MIRADA
D = ARIES	P = RELIANT	Y = IMPERIAL
E = 600	S = CORDOBA	Z = OMNI/CHARGER/RAMPAGE
F = FIFTH AVENUE	T = E CLASS/NEWYORKER	

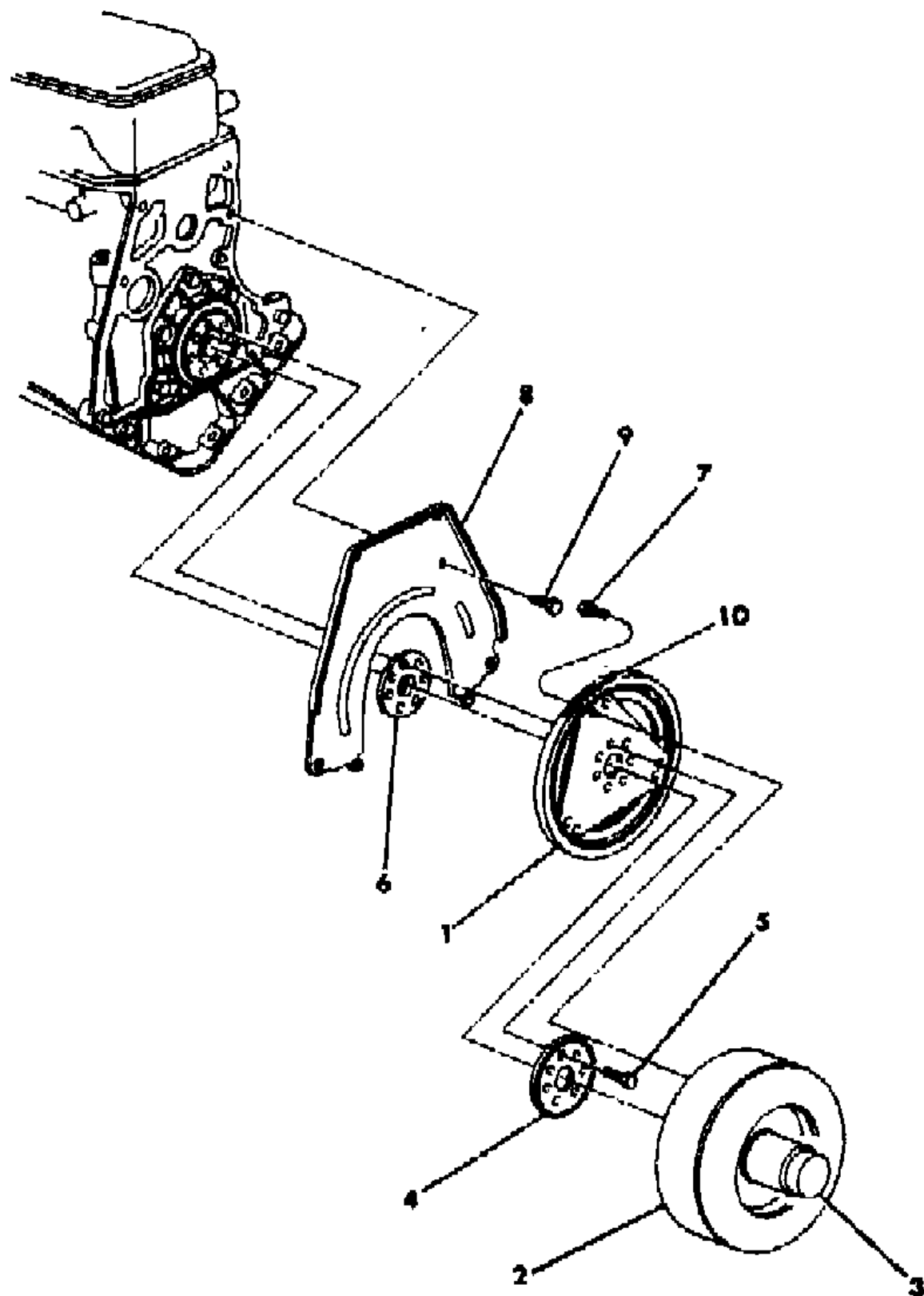
**BODY STYLES**

21 = 2-DOOR SEDAN	41 = 4-DOOR SEDAN
22 = 2-DOOR SPECIAL COUPE	45 = 4-DOOR STATION WAGON
24 = 2-DOOR HATCHBACK	44 = 4-DOOR HATCHBACK
27 = 2-DOOR CONVERTIBLE	48 = EXECUTIVE SEDAN
28 = FWD PICKUP	

AR = Use as Required - = Non Illustrated Part P.A.R. = Paint as Required

**TORQUE CONVERTER, DRIVE PLATE 4 CYLINDER ENG. 1.6 L, M,Z**  
**Figure 9A-150**

3158 150



ITEM	PART NUMBER	QTY	BODY	MODEL	DESCRIPTION
1	#5222 573	1		M,Z	DRIVE PLATE, Assy. Torque Converter
2	#5222 588	1		M,Z	TORQUE CONVERTER (up to 3/1/83)
	4295 535	1		M,Z	(after 3/1/83)
3	#4269 057	1		M,Z	SEAL, Trans. Torque Converter Impeller Hub
4	#5222 563	1		M,Z	PLATE, Crankshaft Bolt Backing
5	#6500 896	7		M,Z	BOLT, Backing Plate To Crankshaft
6	#5212 404	7		M,Z	ADAPTER, Torque Converter Pilot
7	#6500 250	3		M,Z	BOLT, Drive Plate To Torque Converter
8	#4202 931	1		M,Z	COVER, Trans. Case Upper (See Group 21)
9	#6500 770	1		M,Z	SCREW, Trans. Case Upper Cover
10	#5212 440	1		M,Z	GEAR, Torque Converter Starter Ring

**MODEL CODES**

B = GRAN FURY	G = DIPLOMAT	V = 400
C = LEBARON/TOWN & COUNTRY	M = HORIZON/TURISMO/SCAMP	X = MIRADA
D = ARIES	P = RELIANT	Y = IMPERIAL
E = 600	S = CORDOBA	Z = OMNI/CHARGER/RAMPAGE
F = FIFTH AVENUE	T = E CLASS/NEWYORKER	

**BODY STYLES**

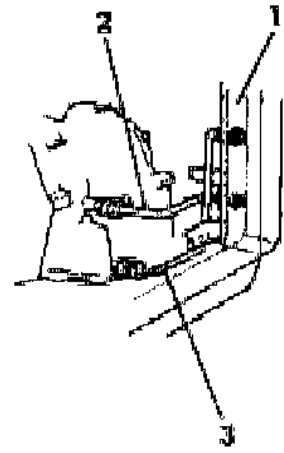
21 = 2-DOOR SEDAN	41 = 4-DOOR SEDAN
22 = 2-DOOR SPECIAL COUPE	45 = 4-DOOR STATION WAGON
24 = 2-DOOR HATCHBACK	44 = 4-DOOR HATCHBACK
27 = 2-DOOR CONVERTIBLE	48 = EXECUTIVE SEDAN
28 = FWD PICKUP	

AR = Use as Required - = Non Illustrated Part P.A.R. = Paint as Required

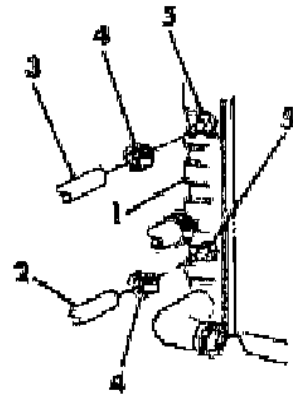
**TRANSMISSION OIL COOLER 4 CYLINDER ENG. 1.6 L, M,Z**  
**Figure 9A-175**

3156 (75)

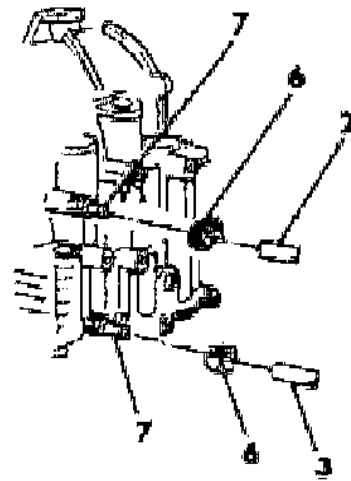
ITEM	PART NUMBER	QTY	BODY	MODEL	DESCRIPTION
1	4140 568	1			OIL COOLER, Radiator (Trans. Oil Water Cooler)
2	#4266 179	1			HOSE, Trans. Oil Radiator Cooler (Return)
3	#4266 178	1			HOSE, Trans. Oil Radiator Cooler (Pressure)
4	#6032 282	2			CLAMP, Trans. Oil Cooler Hose (Radiator End)
6	#6032 282	2			CLAMP, Trans. Oil Cooler Hose (Trans. End)
7	#4269 775	2			CONNECTOR, Trans. Oil Cooler Hose (Trans. End)
10	#4266 294	1			OIL COOLER, Trans. Oil Cooler Hose (Air Cooled)
11	#4266 177	1			HOSE, Trans. Oil Cooler Hose (Return)
12	#4266 176	1			HOSE, Trans. Oil Cooler Hose (PRESSURE)
13	#6032 282	2			CLAMP, Trans. Oil Cooler Hose (Cooler End)
14	#6032 282	2			CLAMP, Trans. Oil Cooler Hose (Trans. End)
15	#4269 775	2			CONNECTOR, Trans. Oil Cooler Hose (Trans. End)
16	#6032 196	1			SCREW, Oil Cooler To Panel



**TRANSMISSION OIL COOLER ASSEMBLY (WATER COOLED)**

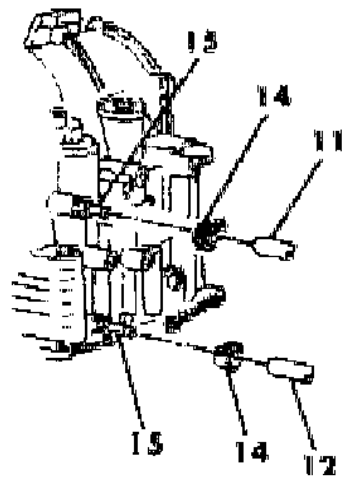


**RADIATOR END**

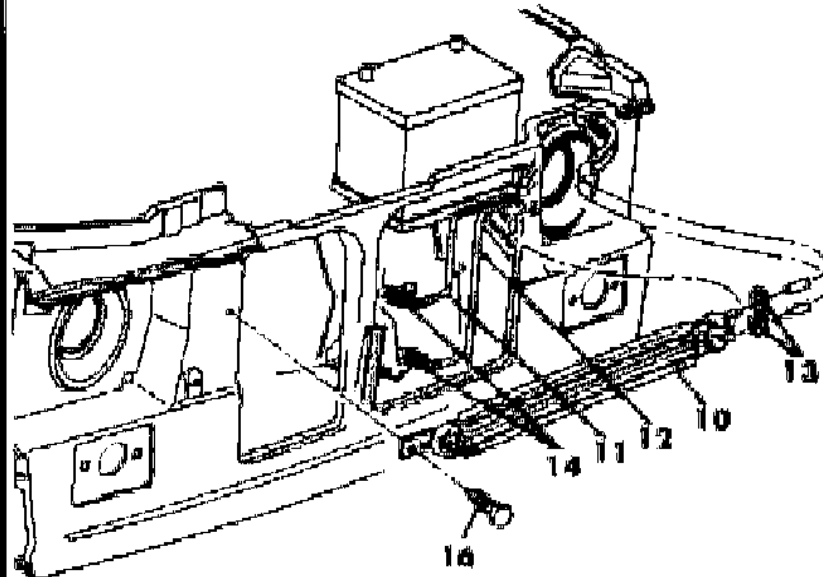


**TRANSMISSION END**

**TRANSMISSION OIL COOLER (WATER COOLED)**



**TRANSMISSION END**



**TRANSMISSION OIL COOLING (AIR COOLED)**

**TRANSMISSION OIL COOLER (AIR COOLED)**

**MODEL CODES**

B = GRAN FURY

C = LEBARON/TOWN & COUNTRY

D = ARIES

E = 600

F = FIFTH AVENUE

G = DIPLOMAT

M = HORIZON/TURISMO/SCAMP

P = RELIANT

S = CORDOBA

T = E CLASS/NEWYORKER

V = 400

X = MIRADA

Y = IMPERIAL

Z = OMNI/CHARGER/RAMPAGE

**BODY STYLES**

21 = 2-DOOR SEDAN

22 = 2-DOOR SPECIAL COUPE

24 = 2-DOOR HATCHBACK

27 = 2-DOOR CONVERTIBLE

28 = FWD PICKUP

41 = 4-DOOR SEDAN

45 = 4-DOOR STATION WAGON

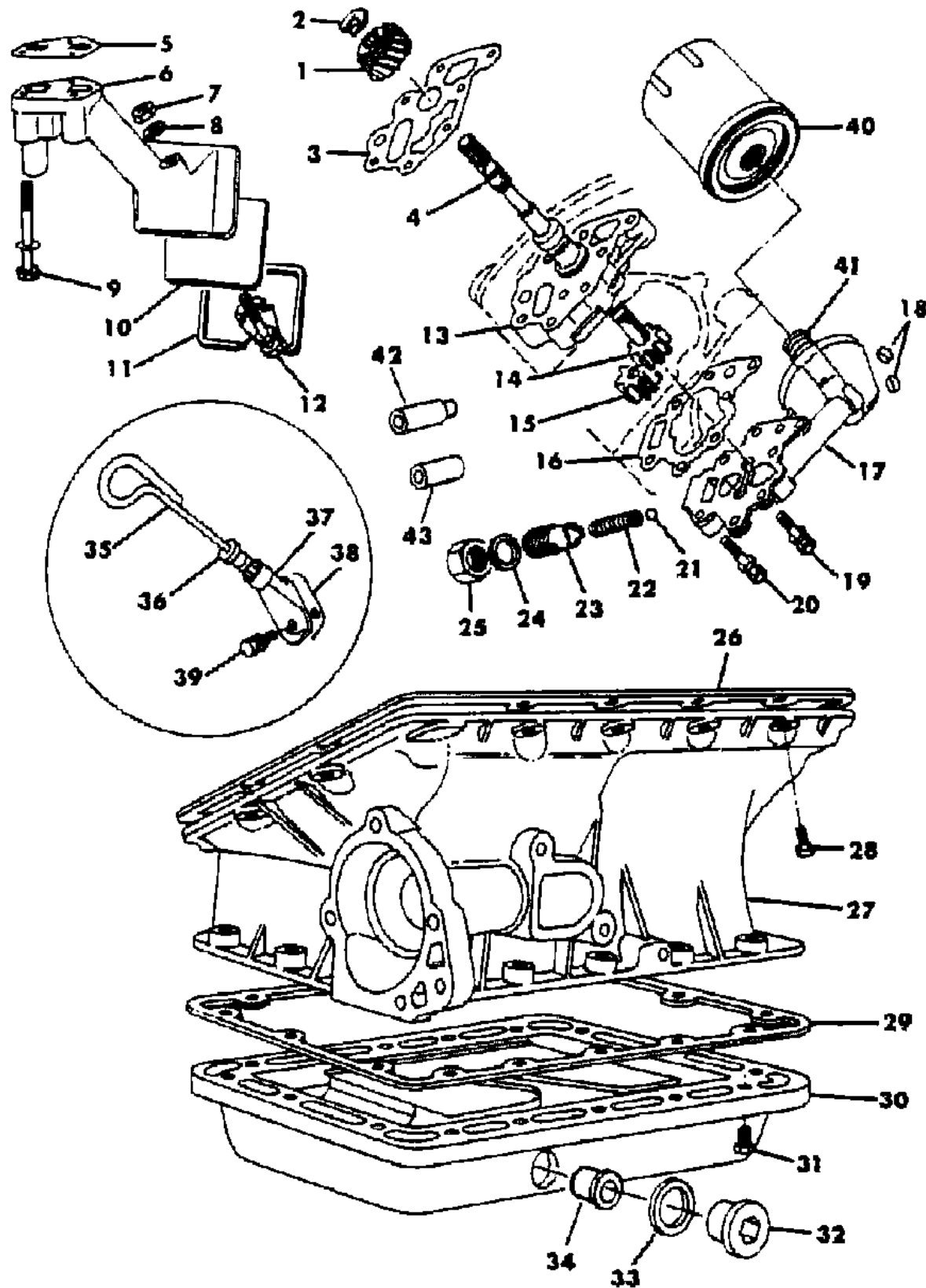
44 = 4-DOOR HATCHBACK

48 = EXECUTIVE SEDAN

AR = Use as Required - = Non Illustrated Part P.A.R. = Paint as Required

OIL PUMP, OIL PAN, OIL LEVEL INDICATOR, OIL FILTER 4 CYLINDER ENG. 1.6 L, M,Z  
Figure 9A-200

3158 200



ITEM	PART NUMBER	QTY	BODY	MODEL	DESCRIPTION
	4273 802				OIL PUMP, Assy. Consists of: 1- ----- Gasket, Oil Pump 1- ----- Body Assy. Oil Pump 1- ----- Drive Gear, Oil Pump 1- ----- Gear, Oil Pump 1- ----- Gasket, Body 1- ----- Plug, Oil Pump Cover 1- ----- Cover, Assy., Oil Pump
					3- ----- Screw, Oil Pump Cover (MM 7x1.0x50) 4- ----- Screw, Oil Pump Cover (MM 7x1.0x60) 1- ----- Plug, Relief Valve (also in 4271998) 1- ----- Ball, Valve Oil Pump (also in 4271998)
					1- ----- Spring, Relief Valve (also in 4271998) 1- ----- Body, Relief Valve (also in 4271998) 1- ----- Gasket, Relief Valve (also in 4271998)
	4271 998				PACKAGE, Oil Pump Relief Valve Consists of: 1 ----- Valve, Oil Pump Relief 1 ----- Spring, Relief Valve 1 ----- Gasket, Relief Valve Plug 1 ----- Plug, Relief Valve 1 ----- Body, Relief Valve 1 ----- Seal, Relief Valve
1	#4273 766	1			DRIVE GEAR, Oil Pump
2	#4273 767	1			RETAINING RING, Oil Pump Gear
3		1			GASKET, Oil Pump (Service in 4273802 Pump)
4	#4273 761	1			DRIVE SHAFT, Oil Pump
5	#4273 772	1			GASKET, Strainer Oil Pick-Up
6	#4273 768	1			STRAINER, Oil Pick-Up
7	#4273 776	1			NUT, Screen Cover Strainer Screw
8	#4273 775	1			WASHER, Screen Cover Strainer Screw
9	#4273 773	3			SCREW, Oil Pick-Up Strainer (M7x1.0x50)
10	#4273 770	1			SCREEN, Strainer Oil Pick-Up
11	#4273 771	1			COVER, Oil Strainer Screen
12	#4273 774	1			SCREW, Screen Cover Strainer
13		1			BODY, Oil Pump (Service in 4273802 Pump)

MODEL CODES

B = GRAN FURY

C = LEBARON/TOWN & COUNTRY

D = ARIES

E = 600

F = FIFTH AVENUE

G = DIPLOMAT

M = HORIZON/TURISMO/SCAMP

P = RELIANT

S = CORDOBA

T = E CLASS/NEWYORKER

V = 400

X = MIRADA

Y = IMPERIAL

Z = OMNI/CHARGER/RAMPAGE

BODY STYLES

21 = 2-DOOR SEDAN

22 = 2-DOOR SPECIAL COUPE

24 = 2-DOOR HATCHBACK

27 = 2-DOOR CONVERTIBLE

28 = FWD PICKUP

41 = 4-DOOR SEDAN

45 = 4-DOOR STATION WAGON

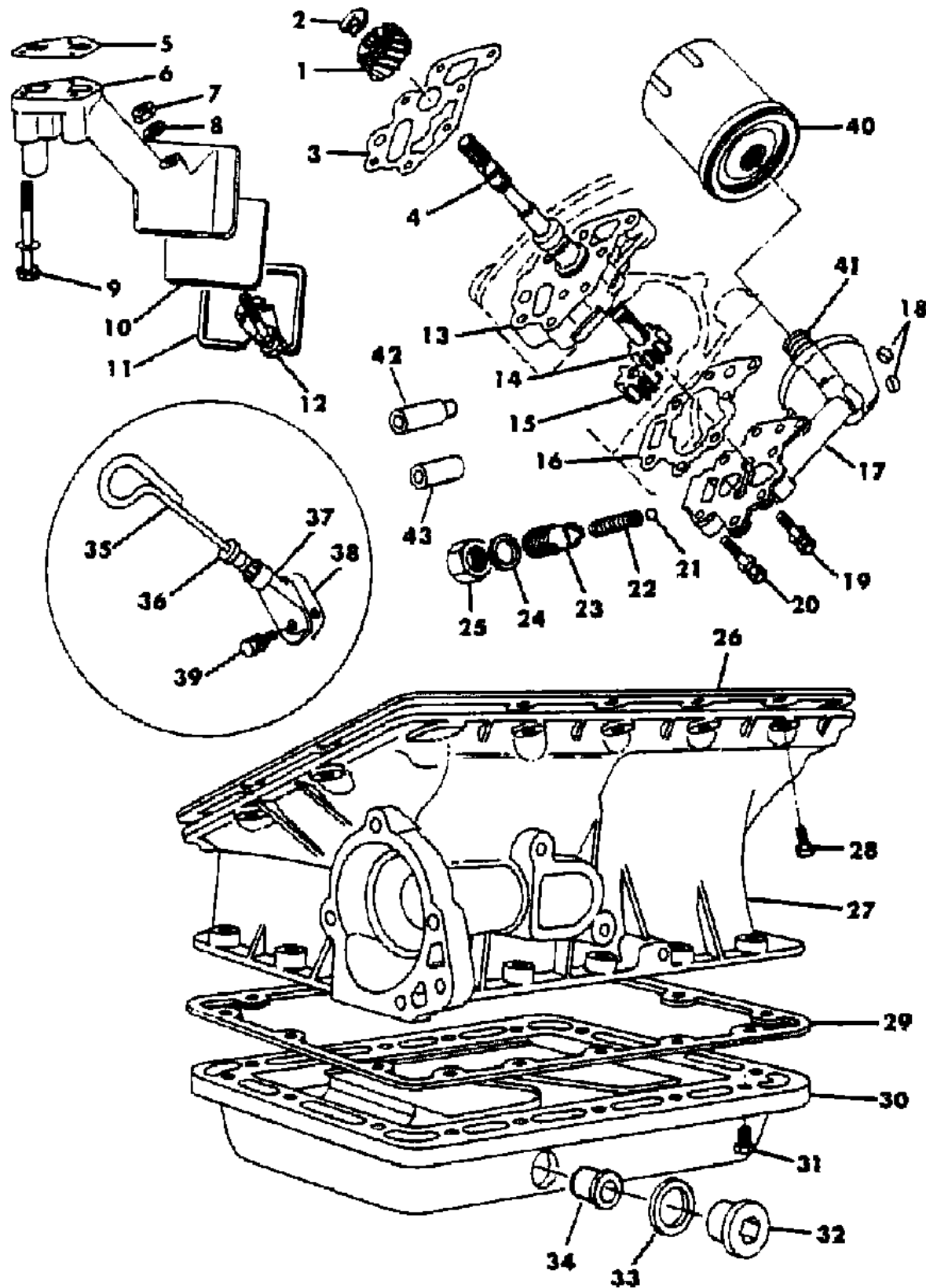
44 = 4-DOOR HATCHBACK

48 = EXECUTIVE SEDAN

AR = Use as Required - = Non Illustrated Part P.A.R. = Paint as Required

OIL PUMP, OIL PAN, OIL LEVEL INDICATOR, OIL FILTER 4 CYLINDER ENG. 1.6 L, M,Z  
Figure 9A-200

3158 200



ITEM	PART NUMBER	QTY	BODY	MODEL	DESCRIPTION
14		1			DRIVE GEAR, Oil Pump (Service in 4273802 Pump)
15		1			GEAR, Oil Pump (Service in 4273802 Pump)
16		1			GASKET , Oil Pump (Between Body and Cover)(Service in 4273802 Pump)
17		1			COVER, Oil Pump (Service in 4273802 Pump)
18		2			PLUG, Oil Pump Cover (Service in 4273802 Pump)
19		3			SCREW, Oil Pump Cover (M7x1.0x50)(Service in 4273802 Pump)
20		4			SCREW, Oil Pump Cover (M7x1.0x60) (Service in 4273802 Pump)
21	#	1			BALL, Relief Valve
22	000S PKG	1			SPRING, Relief Valve, Oil Pump (Service Pkg. 4271998)
23	000S PKG	1			BODY, Relief Valve (Service Pkg. 4271998)
24	000S PKG	1			GASKET, Relief Valve Plug (Service Pkg. 4271998)
25	000S PKG	1			PLUG, Relief Valve (Service Pkg. 4271998)
26	#4273 716	1			GASKET, Oil Pan
27	#4273 714	1			OIL PAN
28	#4273 717	14			SCREW, Oil Pan
29	#4273 722	1			GASKET, Oil Pan Bottom Cover
30	#4273 718	1			COVER Assy., Oil Pan Bottom
31	#4273 724	6			SCREW, Oil Pan Bottom Cover
32	#4273 728	1			PLUG, Oil Pan Drain
33	#4273 726	1			GASKET, Oil Pan Drain Plug
34	#4273 720	1			COLLAR, Oil Pan Drain Plug
35	#4273 731	1			INDICATOR, Oil Level
36	#4273 735	1			GASKET, Oil Level Indicator
37	#4273 736	1			BRACKET, Oil Level Indicator
38	#4273 737	1			GASKET, Oil Level Indicator Bracket
39	#4273 520	2			SCREW, Oil Level Indicator Bracket
40	#4273 810	1			OIL FILTER
41	#4273 811	1			ADAPTER, Oil Filter
42	#4273 778	1			BUSHING, Oil Pump
43	#4273 782	1			BUSHING, Oil Pump

MODEL CODES

B = GRAN FURY	G = DIPLOMAT	V = 400
C = LEBARON/TOWN & COUNTRY	M = HORIZON/TURISMO/SCAMP	X = MIRADA
D = ARIES	P = RELIANT	Y = IMPERIAL
E = 600	S = CORDOBA	Z = OMNI/CHARGER/RAMPAGE
F = FIFTH AVENUE	T = E CLASS/NEWYORKER	

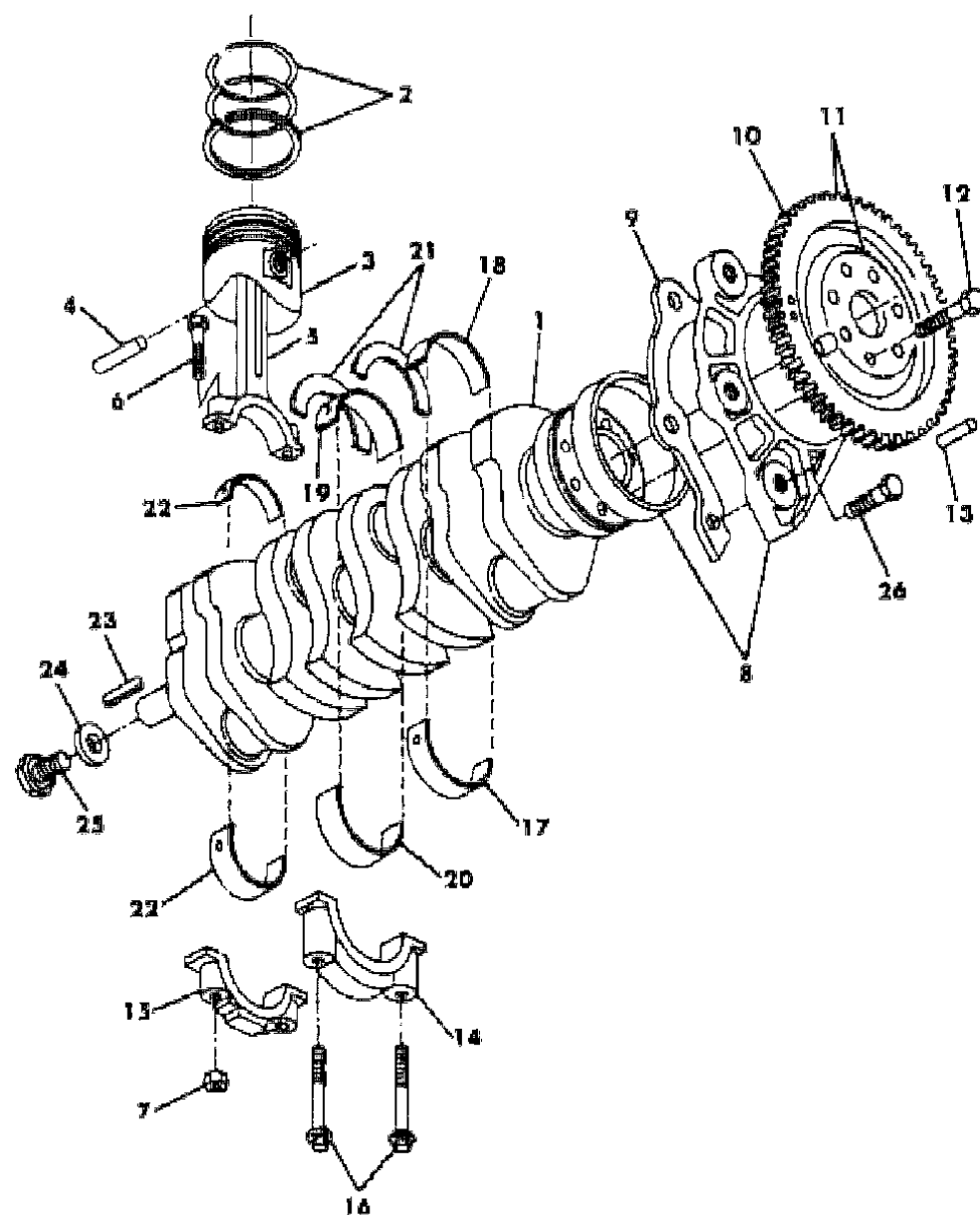
BODY STYLES

21 = 2-DOOR SEDAN	41 = 4-DOOR SEDAN
22 = 2-DOOR SPECIAL COUPE	45 = 4-DOOR STATION WAGON
24 = 2-DOOR HATCHBACK	44 = 4-DOOR HATCHBACK
27 = 2-DOOR CONVERTIBLE	48 = EXECUTIVE SEDAN
28 = FWD PICKUP	

AR = Use as Required - = Non Illustrated Part P.A.R. = Paint as Required

**CRANKSHAFT, CONNECTING ROD, PISTONS, RINGS, FLYWHEEL 4 CYLINDER ENG. 1.6 L, M,Z**  
**Figure 9A-300**

3198 J00



ITEM	PART NUMBER	QTY	BODY	MODEL	DESCRIPTION
1	#4273 530	1			CRANKSHAFT
2	#4271 995	4			RINR SET, Piston, Std. (For One Piston)
	4271 996	4			0.10 MM O/S
	4271 997	4			0.40 MM O/S
3	#4173 776	4			PISTON, Std. (Stamped B)
	4173 777	4			Std. (Stamped C)
	4173 778	4			Std. (Stamped D)
4	#4273 561	4			PIN, Piston
5	#4173 775	4			ROD Assy. Connecting, w/Cap
6	#4273 548	8			SCREW, Connecting Rod Bearing Cap
7	#4273 549	8			NUT, Connecting Rod Bearing Cap Screw
8	#4173 774	1			HOUSHING Assy., Crankshaft Rear Seal (w/Seal)
9	#4273 532	1			GASKET, Crankshaft Rear Seal Housing
10	#4202 950	1			GEAR, Flywheel Ring
11	#4202 927	1			FLYWHEEL Assy., w/Ring Gear
12	#6500 636	7			BOLT, Flywheel To Crankshaft
13	#6031 923	3			DOWEL, Clutch Cover To Flywheel
14	00SA SSY				CAP, Crankshaft Bearing (Service in Short Eng. 4173751)
15	00SA SSY				CAP, Connecting Rod Bearing (Service in Connecting Rod Assy. 4173775)
16	#4273 540	10			SCREW, Crankshaft Bearing Cap
17	#4173 756	2			BEARING, Crankshaft No.1 and 5 Lower, Std.
	4173 760	2			0.10 MM U/S
	4173 764	2			0.20 MM U/S
	4173 768	2			0.50 MM U/S
18	#4173 757	6			BEARING, Crankshaft No.1,2,4,5 Upper And No.2,4 Lower, Std.
	4173 761	6			0.10 MM U/S.
	4173 765	6			0.20 MM U/S.
	4173 769	6			0.50 MM U/S.
19	#4173 758	1			BEARING, Crankshaft No.3 Upper, Std.
	4173 762	1			0.10 MM U/S.
	4173 766	1			0.20 MM U/S.
	4173 770	1			0.50 MM U/S.
	4173 755	1			BEARING, Crankshaft No.3 Lower, Std.
	4173 759	1			0.10 MM U/S.
	4173 763	1			0.20 MM U/S.
	4173 767	1			0.50 MM U/S.

**MODEL CODES**

B = GRAN FURY	G = DIPLOMAT	V = 400
C = LEBARON/TOWN & COUNTRY	M = HORIZON/TURISMO/SCAMP	X = MIRADA
D = ARIES	P = RELIANT	Y = IMPERIAL
E = 600	S = CORDOBA	Z = OMNI/CHARGER/RAMPAGE
F = FIFTH AVENUE	T = E CLASS/NEWYORKER	

**BODY STYLES**

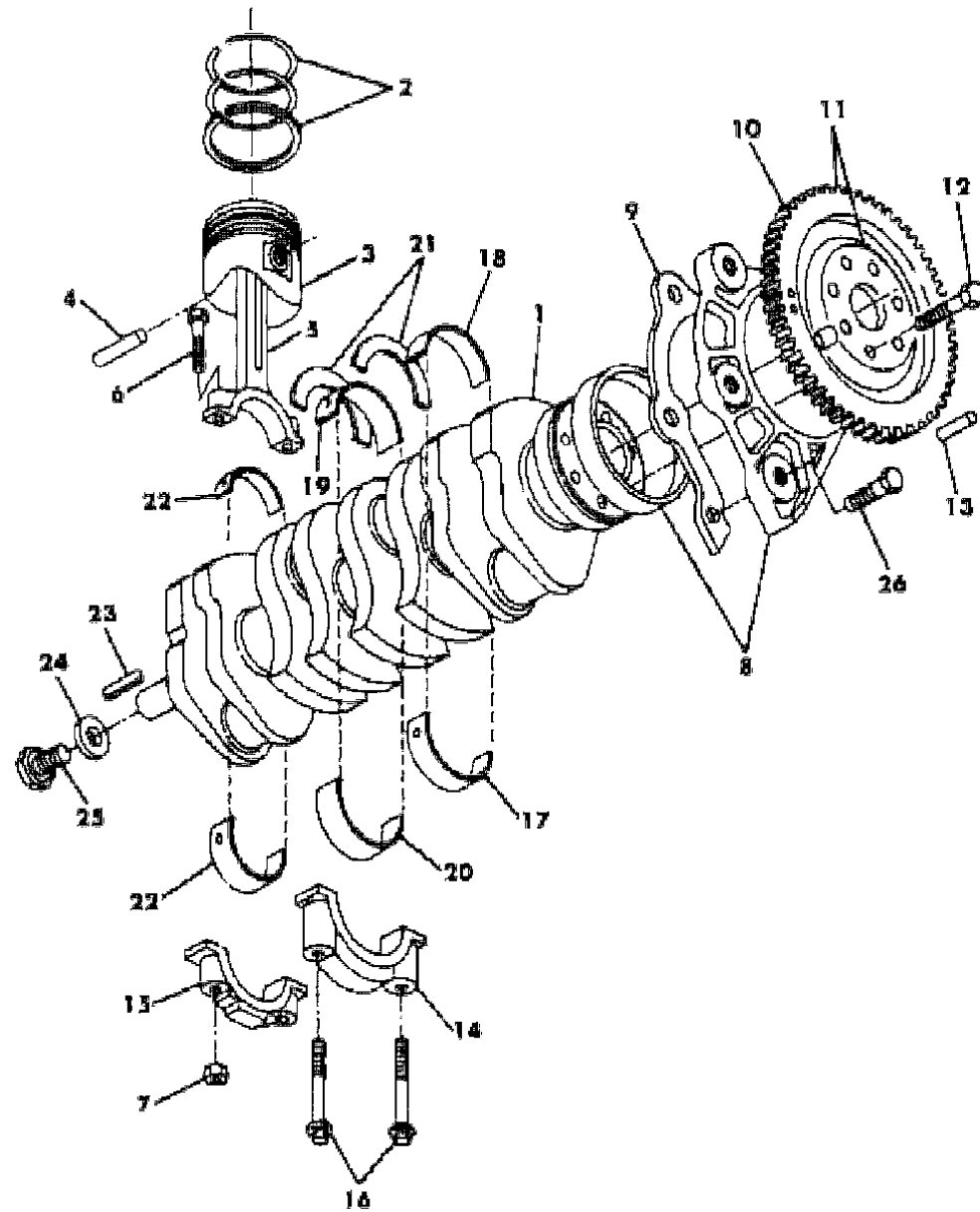
21 = 2-DOOR SEDAN	41 = 4-DOOR SEDAN
22 = 2-DOOR SPECIAL COUPE	45 = 4-DOOR STATION WAGON
24 = 2-DOOR HATCHBACK	44 = 4-DOOR HATCHBACK
27 = 2-DOOR CONVERTIBLE	48 = EXECUTIVE SEDAN
28 = FWD PICKUP	

AR = Use as Required - = Non Illustrated Part P.A.R. = Paint as Required



**CRANKSHAFT, CONNECTING ROD, PISTONS, RINGS, FLYWHEEL 4 CYLINDER ENG. 1.6 L, M,Z**  
**Figure 9A-300**

3198 J00



ITEM	PART NUMBER	QTY	BODY	MODEL	DESCRIPTION
21	#4173 771	2			THRUST WASHER, Std.
	4173 772	2			0.10 MM U/S.
	4173 773	2			0.20 MM U/S.
22	#4273 551	8			BEARING, Connecting Rod, Std.
	4173 779	8			0.10 MM U/S.
23	#4273 804	1			KEY, Crankshaft Timing Sprocket and Pully
24	#4273 807	1			WASHER, Crankshaft and Pully Screw
25	#4273 806	1			SCREWR, Crankshaft and Pully
26	#4273 534	5			SCREW, Crankshaft Rear Seal Housing

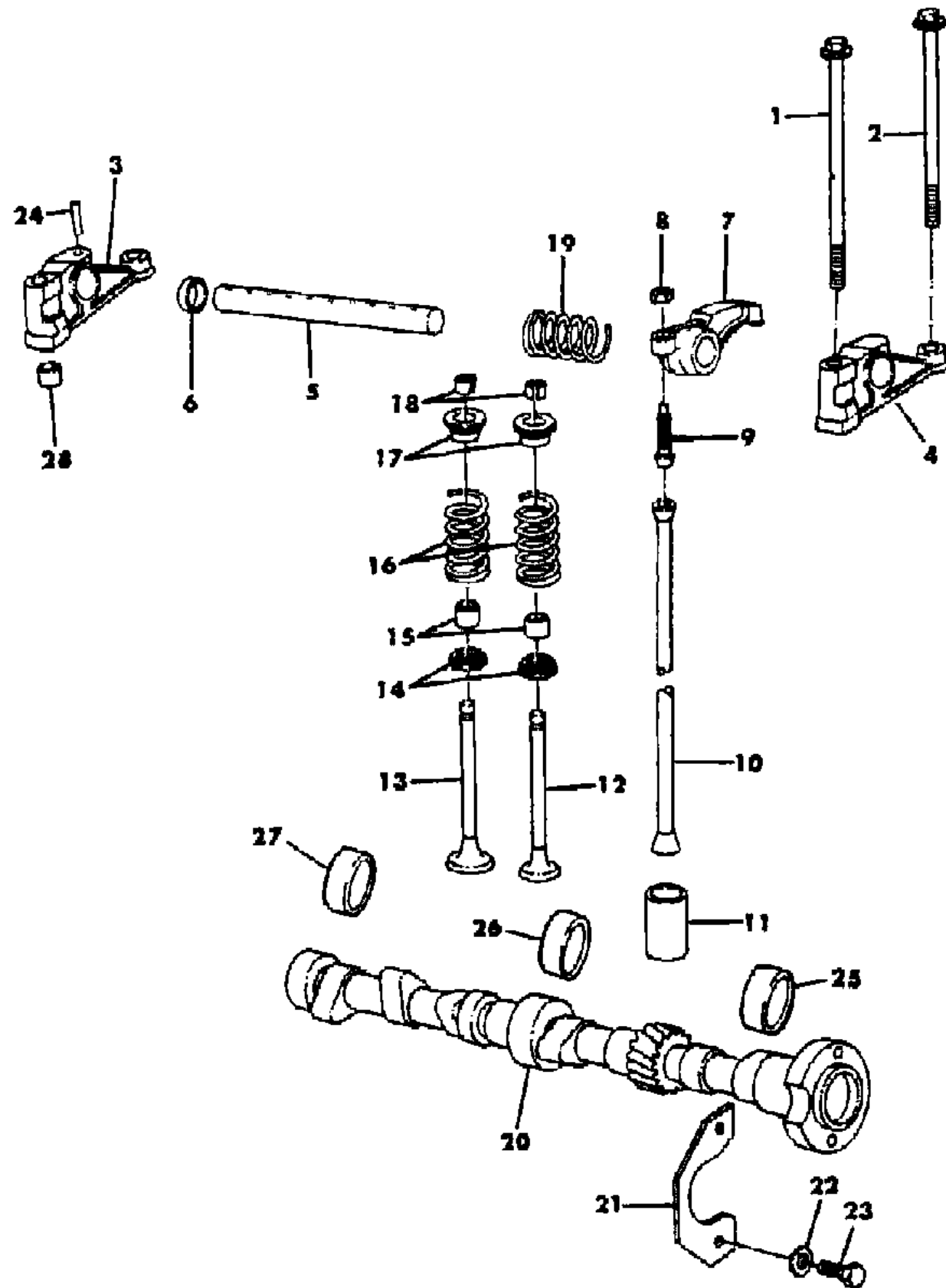
MODEL CODES  
 B = GRAN FURY  
 C = LEBARON/TOWN & COUNTRY  
 D = ARIES  
 E = 600  
 F = FIFTH AVENUE  
 G = DIPLOMAT  
 M = HORIZON/TURISMO/SCAMP  
 P = RELIANT  
 S = CORDOBA  
 T = E CLASS/NEWYORKER  
 V = 400  
 X = MIRADA  
 Y = IMPERIAL  
 Z = OMNI/CHARGER/RAMPAGE

BODY STYLES  
 21 = 2-DOOR SEDAN  
 22 = 2-DOOR SPECIAL COUPE  
 24 = 2-DOOR HATCHBACK  
 27 = 2-DOOR CONVERTIBLE  
 28 = FWD PICKUP  
 41 = 4-DOOR SEDAN  
 45 = 4-DOOR STATION WAGON  
 44 = 4-DOOR HATCHBACK  
 48 = EXECUTIVE SEDAN

AR = Use as Required - = Non Illustrated Part P.A.R. = Paint as Required

**CAMSHAFT, ROCKER SHAFT, INTAKE AND EXHAUST VALVES 4 CYLINDER ENG. 1.6 L, M,Z**  
**Figure 9A-400**

3158 400



ITEM	PART NUMBER	QTY	BODY	MODEL	DESCRIPTION
1	#4273 613	5			BOLT, Cylinder Head (M10x1.25x151)
	4273 612	5			(M10x1.25x128)
	4273 684	3			SUPPORT, Rocker Shaft No. 1,3,5
4	#4273 685	2			SUPPORT, Rocker Shaft No. 2 and 4
5	#4273 679	2			SHAFT Assy., Rocker
6		2			PLUG, Rocker Shaft (Do Not Service)
7	#4273 678	4			ROCKER, Right
	4273 677	4			Left
8	#4273 687	8			LOCK NUT, Rocker Adjusting Screw
9	#4273 686	8			SCREW, Rocker Adjusting
10	#4273 676	8			STEM, Rocker (Push Rod)
11	#4273 601	8			TAPPET, Valve
12	#4273 651	4			VALVE, Exhaust
13	#4273 645	4			VALVE, Intake
14	#4273 660	8			WASHER, Valve Spring Lower
15	#4273 515	8			SEAL, Valve Stem
16	#4273 657	8			SPRING, Valve
17	#4273 663	8			RETAINER, Valve
18	#4273 667	16			LOCK, Valve Spring
19	#4273 536	4			SPRING, Rocker Spacer
20	#4273 587	1			CAMSHAFT
21	#4273 590	1			PLATE, Camshaft Lateral Retaining
22	#4273 591	2			WASHER, Camshaft Retaining Plate
23	#4273 583	2			SCREW, Camshaft Retaining Plate
24	#4273 682	2			PIN, Rocker Shaft
25	#4173 754	1			BEARING, Camshaft No.3
26	#4173 753	1			BEARING, Camshaft No.2
27	#4173 752	1			BEARING, Camshaft No.1
28	#4273 614	5			DOWEL, Rocker Shaft Locating

**MODEL CODES**

B = GRAN FURY	G = DIPLOMAT	V = 400
C = LEBARON/TOWN & COUNTRY	M = HORIZON/TURISMO/SCAMP	X = MIRADA
D = ARIES	P = RELIANT	Y = IMPERIAL
E = 600	S = CORDOBA	Z = OMNI/CHARGER/RAMPAGE
F = FIFTH AVENUE	T = E CLASS/NEWYORKER	

**BODY STYLES**

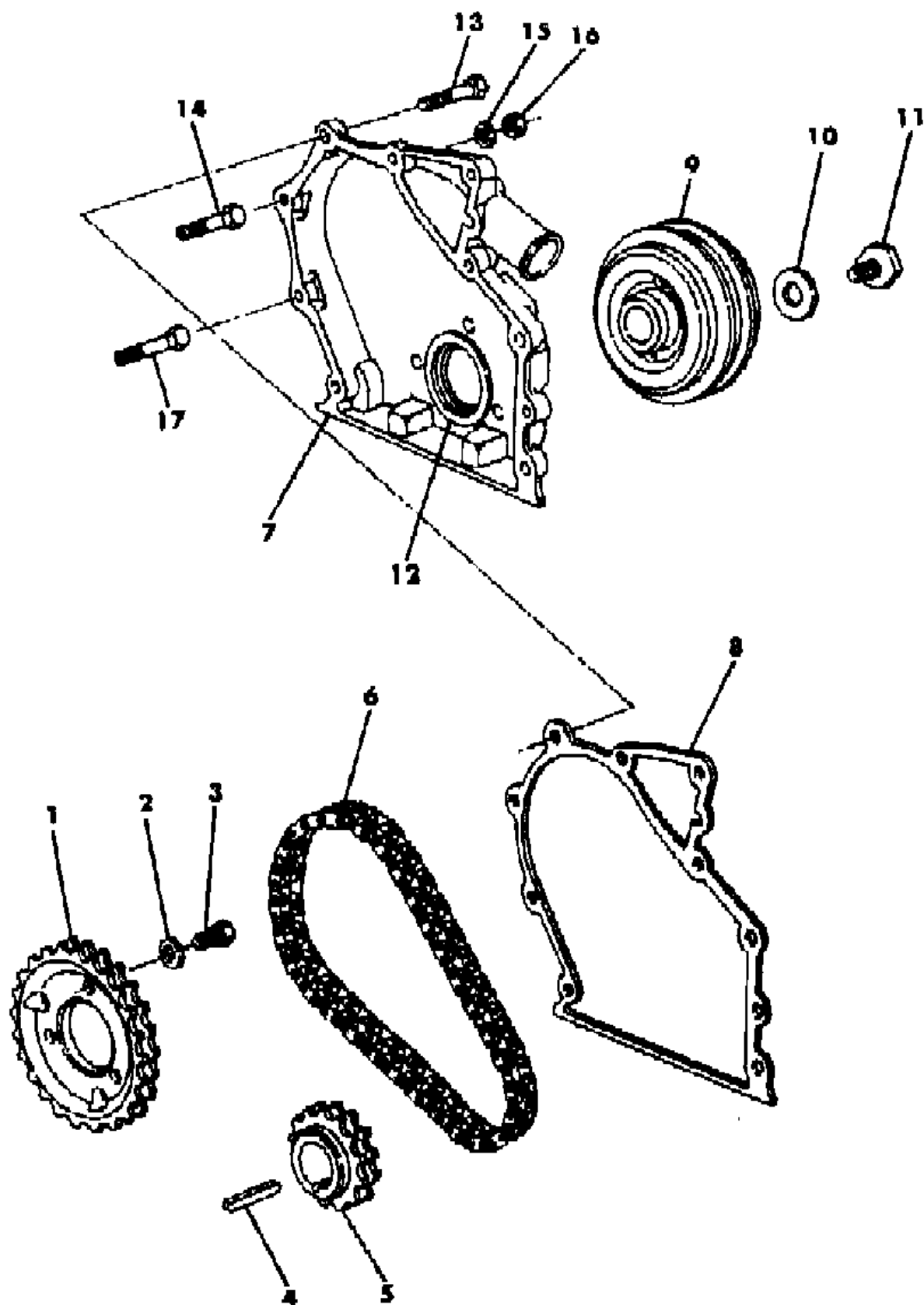
21 = 2-DOOR SEDAN	41 = 4-DOOR SEDAN
22 = 2-DOOR SPECIAL COUPE	45 = 4-DOOR STATION WAGON
24 = 2-DOOR HATCHBACK	44 = 4-DOOR HATCHBACK
27 = 2-DOOR CONVERTIBLE	48 = EXECUTIVE SEDAN
28 = FWD PICKUP	

AR = Use as Required - = Non Illustrated Part P.A.R. = Paint as Required

**TIMING CHAIN, SPROCKETS, COVER 4 CYLINDER ENG. 1.6 L, M,Z**  
**Figure 9A-500**

3158 500

ITEM	PART NUMBER	QTY	BODY	MODEL	DESCRIPTION
1	#4273 847	1			SPROCKET, Camshaft
2	#4273 584	3			WASHER, Camshaft Sprocket Screw
3	#4273 583	3			SCREW, Camshaft Sprocket
4	#4273 804	1			KEY, Camshaft Sprocket and Pully
5	#4273 535	1			SPROCKET, Crankshaft Timing Chain
6	#4273 635	1			CHAIN, Timing
7	#4273 842	1			COVER, Chain Case
8	#4273 519	1			GASKET, Chain Case Cover (Front Cover)
9	#4273 803	1			PULLY, Crankshaft Drive
10	#4273 807	1			WASHER, Crankshaft and Pully Screw
11	#4273 806	1			SCREW, Crankshaft and Pully
12	#4173 789	1			OIL SEAL, Front Cover
13	#4273 521	2			SCREW, Front Cover
14	#4273 522	1			SCREW, Front Cover
15	#4273 523	1			WASHER, Front Cover
16	#4273 524	1			NUT, Front Cover
17	#4273 520	7			SCREW, Front Cover



**MODEL CODES**

B = GRAN FURY	G = DIPLOMAT	V = 400
C = LEBARON/TOWN & COUNTRY	M = HORIZON/TURISMO/SCAMP	X = MIRADA
D = ARIES	P = RELIANT	Y = IMPERIAL
E = 600	S = CORDOBA	Z = OMNI/CHARGER/RAMPAGE
F = FIFTH AVENUE	T = E CLASS/NEWYORKER	

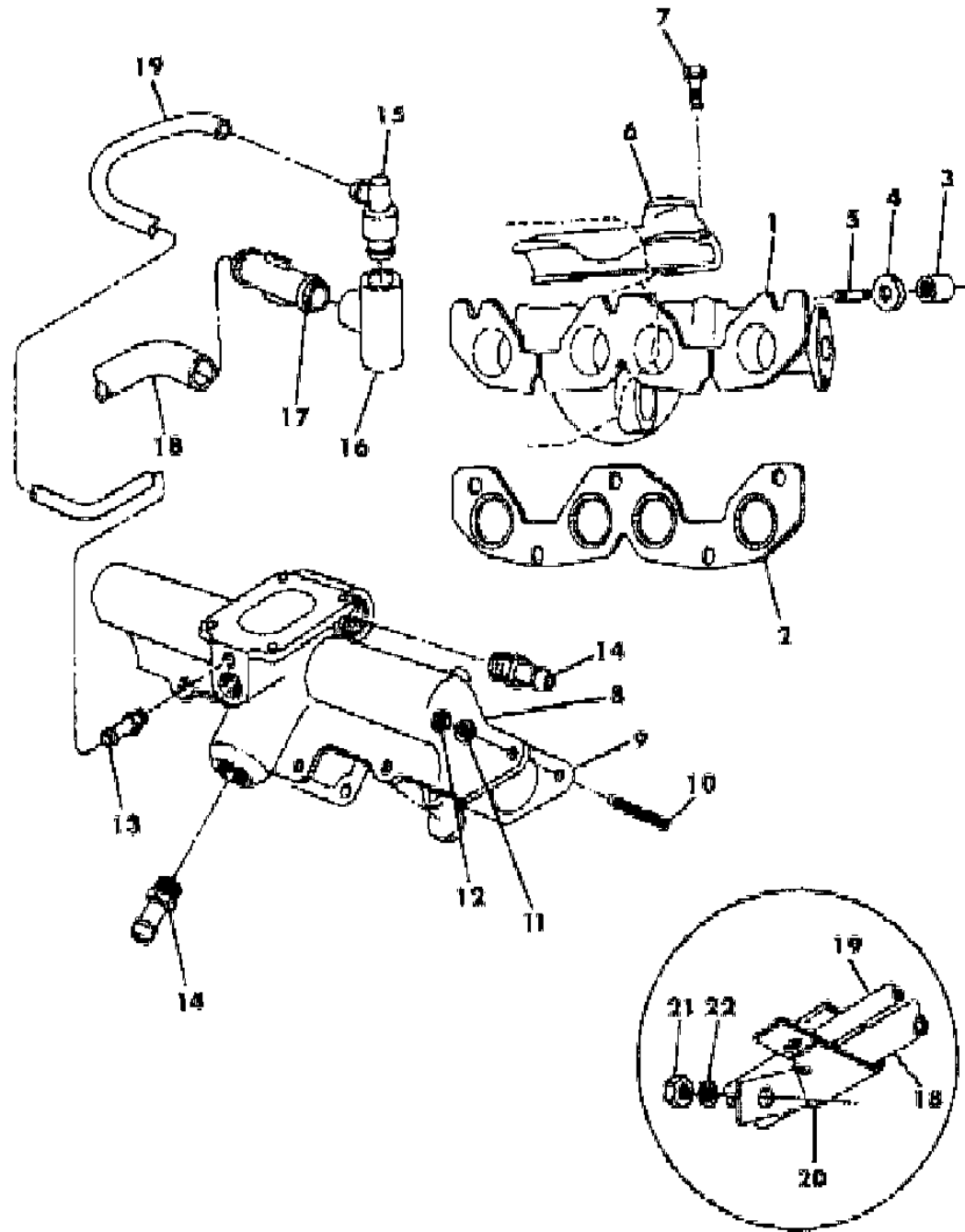
**BODY STYLES**

21 = 2-DOOR SEDAN	41 = 4-DOOR SEDAN
22 = 2-DOOR SPECIAL COUPE	45 = 4-DOOR STATION WAGON
24 = 2-DOOR HATCHBACK	44 = 4-DOOR HATCHBACK
27 = 2-DOOR CONVERTIBLE	48 = EXECUTIVE SEDAN
28 = FWD PICKUP	

AR = Use as Required - = Non Illustrated Part P.A.R. = Paint as Required

INTAKE AND EXHAUST MANIFOLD, CRANKCASE VENT VALVE 4 CYLINDER ENG. 1.6 L, M,Z  
Figure 9A-600

9156 800



ITEM	PART NUMBER	QTY	BODY	MODEL	DESCRIPTION
1	#4273 790	1			MANIFOLD, Exhaust
2	#4273 793	1			GASKET, Exhaust Manifold
3	#4173 798	5			NUT, Exhaust Manifold
4	#4273 796	5			WASHER, Exhaust Manifold
5	#4273 791	5			STUD, Exhaust Manifold
6	#4273 798	1			PLATE, Hot Air Intake
7	#4173 796	4			SCREW, Hot Air Intake Plate
8	#4273 786	1			MANIFOLD, Intake
9	#4273 787	1			GASKET, Intake Manifold
10	#4273 624	8			STUD, Intake Manifold
11	#4273 775	8			WASHER, Intake Manifold Stud
12	#4273 788	8			NUT, Intake Manifold Stud
13	#4173 794	1			CONNECTOR, Blow By Pickup Intake Manifold
14	#4173 799	2			CONNECTOR, Intake Manifold To Water Pump, Water Outlet
15	#4273 145	1			VALVE, Crankcase Vent
16	#4273 332	1			ELBOW, Crankcase Vent Valve (Attaching)
17	#4105 734	1			CONNECTOR, Crankcase Vent Valve Elbow to Hose
18	#5214 992	1			HOSE, Crankcase Vent Valve to Air Cleaner
19	#5214 991	1			HOSE, Crankcase Vent Valve to Intake Manifold Vacuum Source
20	#4273 337	1			BRACKET, Crankcase Vent Hose Support
21	#6100 517	1			NUT, Crankcase Vent Hose Support Bracket (attaching)
22		1			WASHER, Crankcase Vent Hose Support Bracket Nut (attaching)

MODEL CODES

B = GRAN FURY	G = DIPLOMAT	V = 400
C = LEBARON/TOWN & COUNTRY	M = HORIZON/TURISMO/SCAMP	X = MIRADA
D = ARIES	P = RELIANT	Y = IMPERIAL
E = 600	S = CORDOBA	Z = OMNI/CHARGER/RAMPAGE
F = FIFTH AVENUE	T = E CLASS/NEWYORKER	

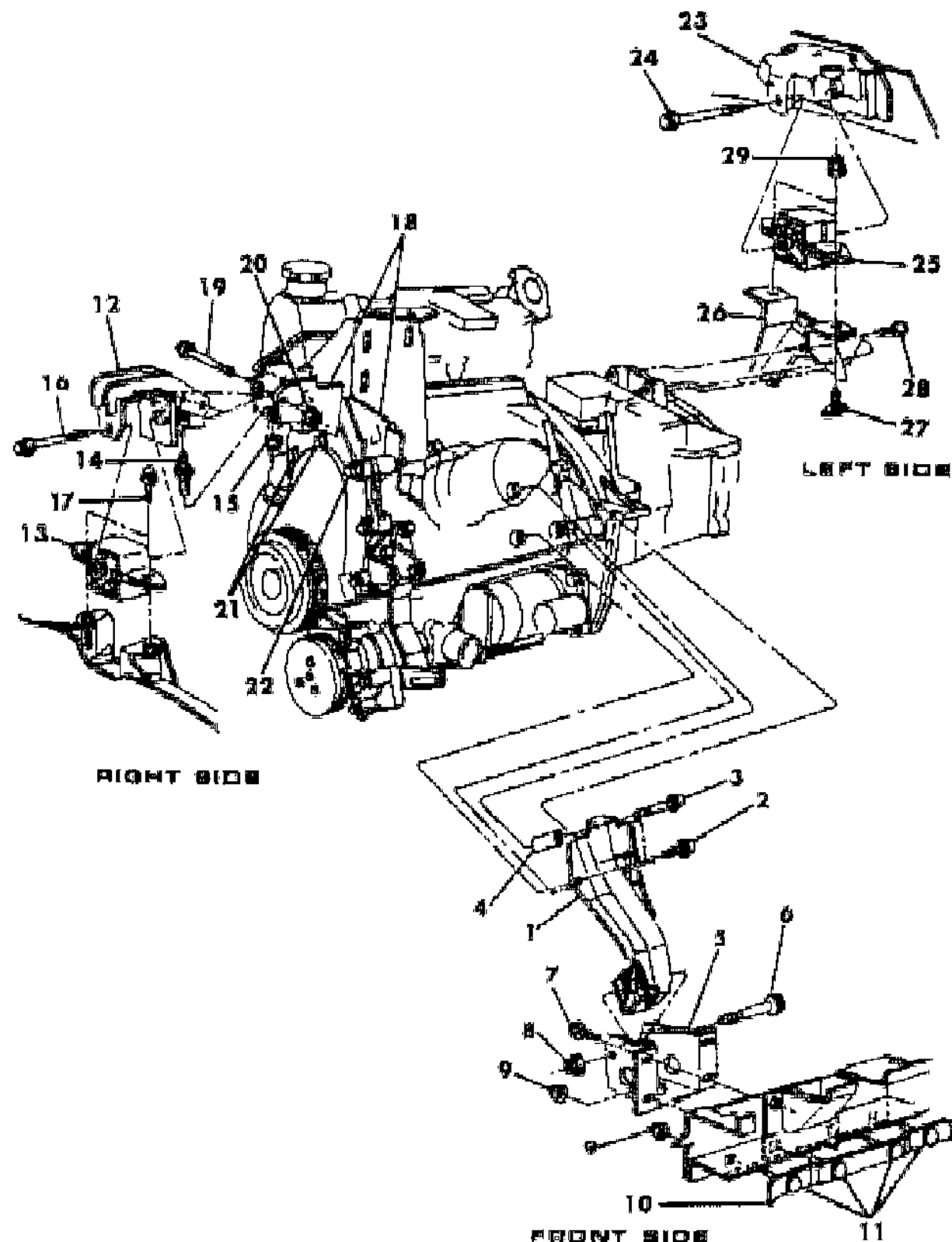
BODY STYLES

21 = 2-DOOR SEDAN	41 = 4-DOOR SEDAN
22 = 2-DOOR SPECIAL COUPE	45 = 4-DOOR STATION WAGON
24 = 2-DOOR HATCHBACK	44 = 4-DOOR HATCHBACK
27 = 2-DOOR CONVERTIBLE	48 = EXECUTIVE SEDAN
28 = FWD PICKUP	

AR = Use as Required - = Non Illustrated Part P.A.R. = Paint as Required

**ENGINE MOUNTINGS 4 CYLINDER ENG. 1.6 L, M,Z**  
**Figure 9A-700**

3:58 705



ITEM	PART NUMBER	QTY	BODY	MODEL	DESCRIPTION
1	#4269 354	1			INSULATOR, Engine Support Front
2	6500 157	3			SCREW W/WASHER, Front Engine Support To Block
3	6500 726	1			SCREW W/WASHER, Front Engine Support To Block (Long)
4	6032 258	1			SPACER, Front Engine Support To Block
	4273 526	1			SPACER, Engine Support Bracket
5	#4296 110	1			BRACKET, Front Side Rail Front Crossmember Engine Mounting Front
6	#6500 263	1			SCREW w/Washer, Bracket to Insulator Engine Front Support
7	#6500 535	2			SCREW w/Washer, Bracket to Front Side Rail Crossmember Reinforcement
8	#6100 053	1			NUT, Bracket to Insulator Eng. Front Support Screw
9	#6100 518	4			NUT, Front Crossmember Tie Plate Screw
10	#5202 257	1			TIE PLATE, Front Crossmember
11	#6500 233	4			SCREW, Front Crossmember Tie Plate
12	#5202 902	1			BRACKET, Eng. Support Insulator, Right
13	#4295 198	1			BUSHING, Eng. Support Insulator, Right
14	#5202 043	1			STUD, Eng. Support Insulator Bracket to Eng. Mounting, Right and Power Strg. Pump Mounting Bracket
15	#6500 164	1			NUT, Eng. Bracket Right and Power Strg. Pump Bracket Stud
16	#4271 953	1			SCREW w/Washer, Eng. Support Insulator and Bracket, Right
17	#6500 555	2			SCREW w/Washer, Bushing to Side Rail Bracket, Right
18	#4273 220	1			BRACKET, Eng. Mounting Right and Power Strg. Pump Mounting
19	#6500 369	2			BOLT, Bracket to Bracket Right and Power Strg. Pump Mounting Bracket
20	#6500 165	2			NUT, Bracket Right and Power Strg. Pump Mounting Bracket Bolt
21	#6500 192	2			SCREW w/Washer, Bracket Mounting
22	#6101 326	1			SCREW w/Washer, Bracket Mounting
23		1			BRACKET, Frame Side Rail (Welded)
24	#4271 953	1			SCREW w/Washer, Insulator to Frame Side Rail Bracket
25	#4295 198	1			BUSHING, Eng. Support Insulator Left
26	#4267 208	1			BRACKET, Eng. Support Insulator Left, w/Man. Trans.
	4267 207	1			w/Auto. Trans.
27	#6500 724	2			T-BOLT, Bushing to Insulator Bracket
28	#6500 717	3			SCREW w/Washer, Eng. Support Insulator Bracket to Trans.
29	#6500 611	2			NUT, Bushing to Insulator Bracket Screw

**MODEL CODES**

B = GRAN FURY	G = DIPLOMAT	V = 400
C = LEBARON/TOWN & COUNTRY	M = HORIZON/TURISMO/SCAMP	X = MIRADA
D = ARIES	P = RELIANT	Y = IMPERIAL
E = 600	S = CORDOBA	Z = OMNI/CHARGER/RAMPAGE
F = FIFTH AVENUE	T = E CLASS/NEWYORKER	

**BODY STYLES**

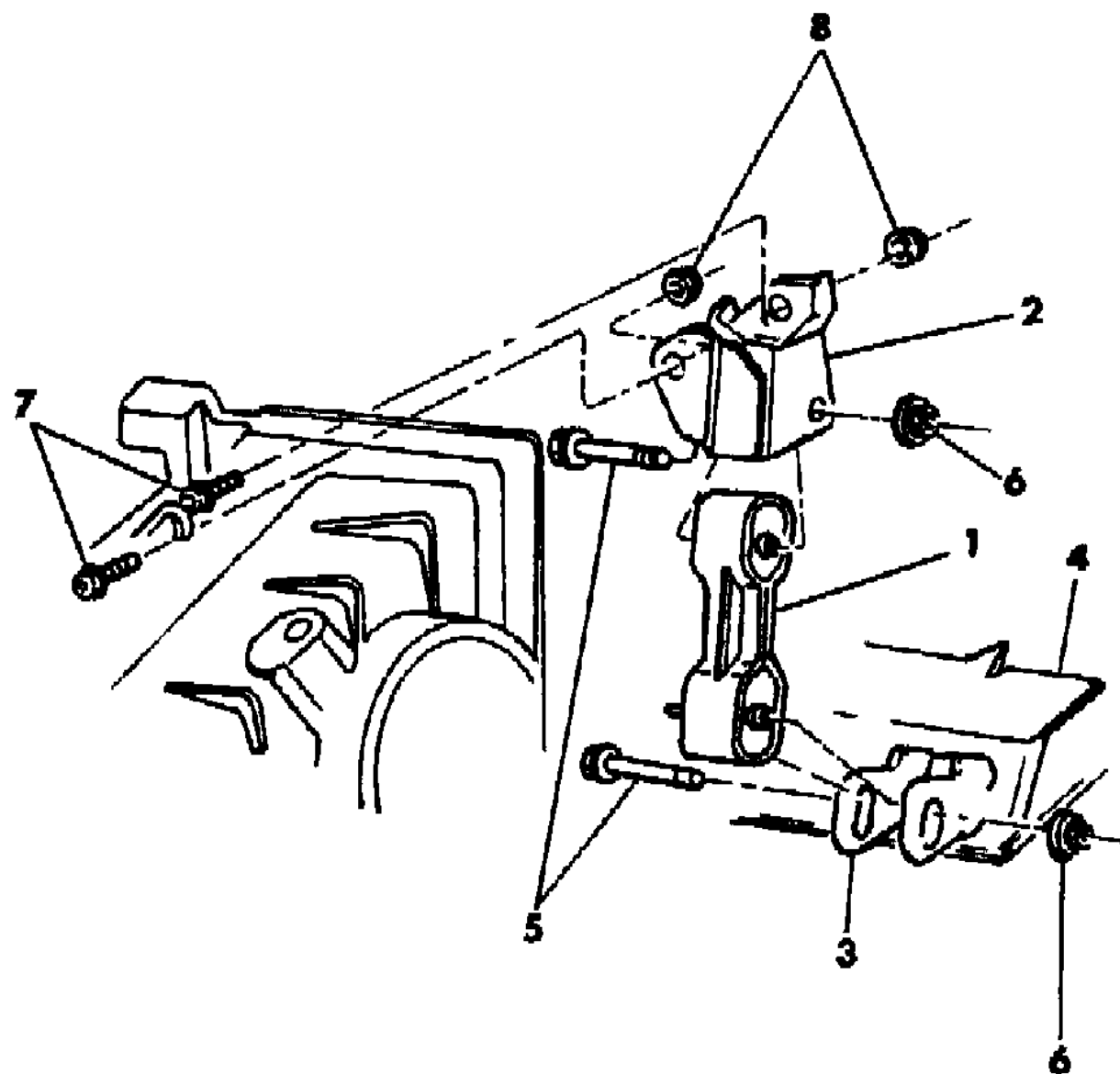
21 = 2-DOOR SEDAN	41 = 4-DOOR SEDAN
22 = 2-DOOR SPECIAL COUPE	45 = 4-DOOR STATION WAGON
24 = 2-DOOR HATCHBACK	44 = 4-DOOR HATCHBACK
27 = 2-DOOR CONVERTIBLE	48 = EXECUTIVE SEDAN
28 = FWD PICKUP	

AR = Use as Required - = Non Illustrated Part P.A.R. = Paint as Required

**ENGINE STRUT, W/MAN. TRANS. 4 CYLINDER ENG. 1.6 L, M,Z**  
**Figure 9A-800**

3158 800

ITEM	PART NUMBER	QTY	BODY	MODEL	DESCRIPTION
1	#4191 282	1			STRUT, Man. Trans. to Support Crossmember Roll, w/Man. Trans.
2	#4191 284	1			BRACKET, Man. Trans. to Engine Roll Strut w/Man. Trans.
3		1			BRACKET, Support Crossmember to Eng. Roll Strut (Serviced in # 5202733 Crossmember
4	#5202 733	1			CROSSMEMBER, Front Suspension
5	#6101 342	2			SCREW w/Washer, Bracket to Strut
6	#6100 053	2			NUT, Bracket to Strut Screw
7	#6100 342	2			BOLT, Man. Trans. to Eng. Roll Strut Bracket
8	#6100 517	2			NUT, Man. Trans. to Eng. Roll Strut Bracket Bolt



**MODEL CODES**

B = GRAN FURY	G = DIPLOMAT	V = 400
C = LEBARON/TOWN & COUNTRY	M = HORIZON/TURISMO/SCAMP	X = MIRADA
D = ARIES	P = RELIANT	Y = IMPERIAL
E = 600	S = CORDOBA	Z = OMNI/CHARGER/RAMPAGE
F = FIFTH AVENUE	T = E CLASS/NEWYORKER	

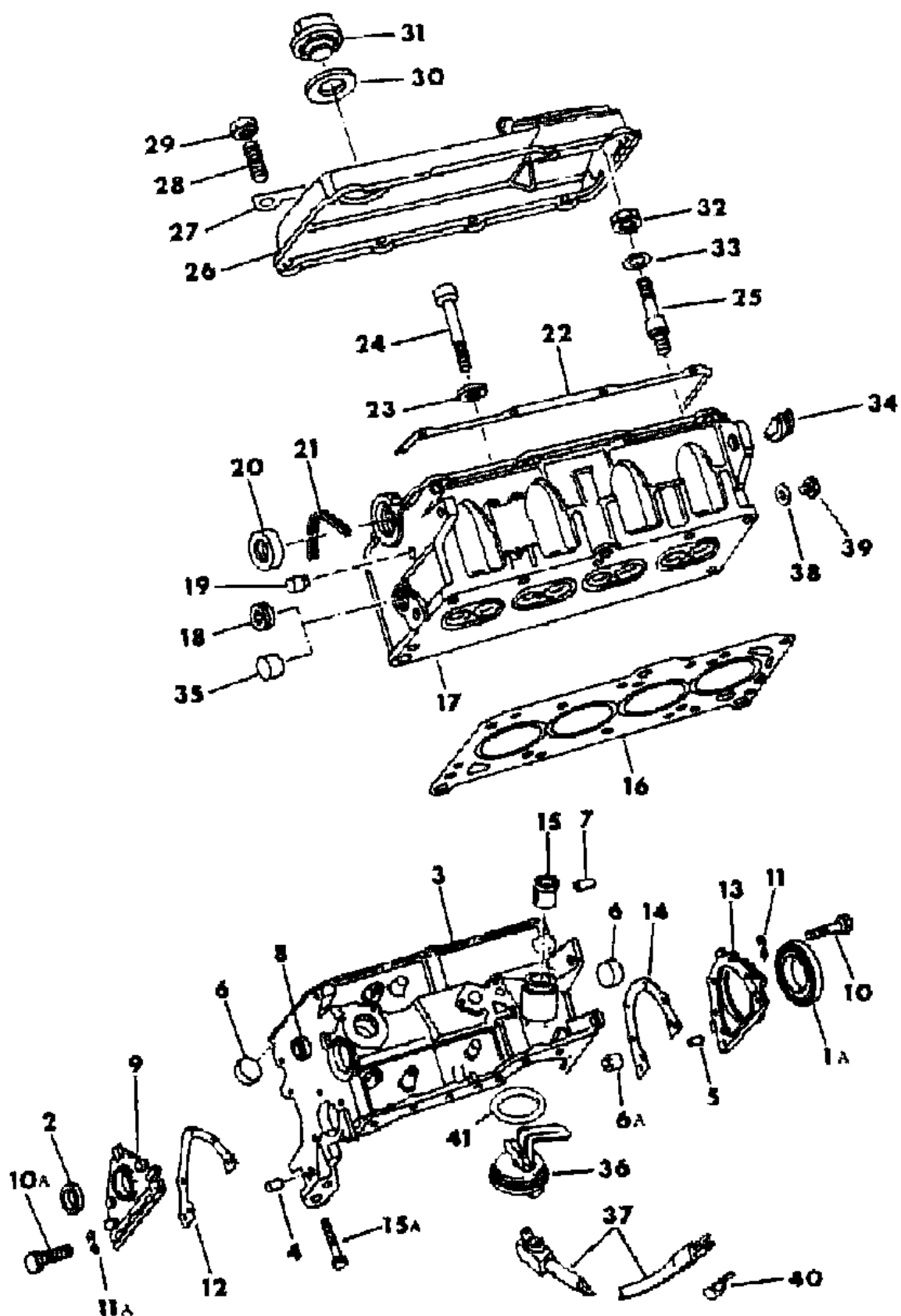
**BODY STYLES**

21 = 2-DOOR SEDAN	41 = 4-DOOR SEDAN
22 = 2-DOOR SPECIAL COUPE	45 = 4-DOOR STATION WAGON
24 = 2-DOOR HATCHBACK	44 = 4-DOOR HATCHBACK
27 = 2-DOOR CONVERTIBLE	48 = EXECUTIVE SEDAN
28 = FWD PICKUP	

AR = Use as Required - = Non Illustrated Part P.A.R. = Paint as Required

**ENGINE, CYLINDER BLOCK, CYLINDER HEAD 4 CYLINDER ENG. 1.7 L, M,Z**  
**Figure 9A-900**

1138 900A



ITEM	PART NUMBER	QTY	BODY	MODEL	DESCRIPTION
	4267 197	1		M,Z	GASKET SET, Engine, Complete
					Consist of:
					1 - 4094810 Oil Seal Rear
					1 - 5240435 Oil Seal, Retainer Rear
					1 - 4186220 Oil Seal, Front
					1 - 5240311 Gasket, Intake and Exhaust Manifold
					1 - 5240634 Gasket, Intake to Exhaust Manifold
					1 - 5240694 Gasket, Oil Filter Base
					1 - 5240678 Gasket, Cylinder Water Outlet Connector
					1 - 5240344 Gasket, Water Control Box
					3 - 5240698 Grommet, Timing Belt Cover
					1 - 5240468 Seal Camshaft Journal No.1
					1 - 4186220 Seal Camshaft
					1 - 4186220 Seal Intermediate Shaft
					1 - 5240440 "O"Ring, Intermediate Shaft Retainer Assy.
					1 - 4240141 Gasket, Cylinder Head
					1 - 5240525 Seal, Cylinder Head Cover, Rear
					1 - 4201755 Gasket, Cylinder Head Cover
					8 - 4094826 Oil Seal, Valve Stem
					1 - 5203148 Gasket, Oil Pan Drain Plug
					1 - 5240509 Gasket, Oil Pan
					1 - 5240692 Gasket, Water Pump Housing
Note: Eng. Assy. Partial Consist of a Block with internal parts and a Head with internal parts. This Partial Assy. does not include a Water Pump, Manifold and Electrical components such as Alternator and Distributor.					
1	#5240 405	1			ENGINE, Assy. Partial, (See Note)
1A	4094 810	1			OIL SEAL, Rear
2	4186 220	1			OIL SEAL, Front
3	5240 986	1			BLOCK, w/Pistons, Engine Cylinder
4	5240 414	2			PIN, Oil Seal Retainer, Locating Front
5	5240 414	2			PIN, Oil Seal Retainer, Locating Rear
6	5240 411	3			PLUG, Cylinder Block Core
6a	5240 849	2			DOWEL, Cylinder Block to Clutch Housing or Torque Converter Housing
	5240 411	1			PLUG, Intermediate Shaft Hole
7	5240 531	1			PLUG, Oil Pump Distributor Drive Shaft Sleeve
8	5240 413	2			PLUG, Cylinder Block Oil Gallery
9	5240 427	1			RETAINER, Oil Seal, Front

**MODEL CODES**

B = GRAN FURY	G = DIPLOMAT	V = 400
C = LEBARON/TOWN & COUNTRY	M = HORIZON/TURISMO/SCAMP	X = MIRADA
D = ARIES	P = RELIANT	Y = IMPERIAL
E = 600	S = CORDOBA	Z = OMNI/CHARGER/RAMPAGE
F = FIFTH AVENUE	T = E CLASS/NEWYORKER	

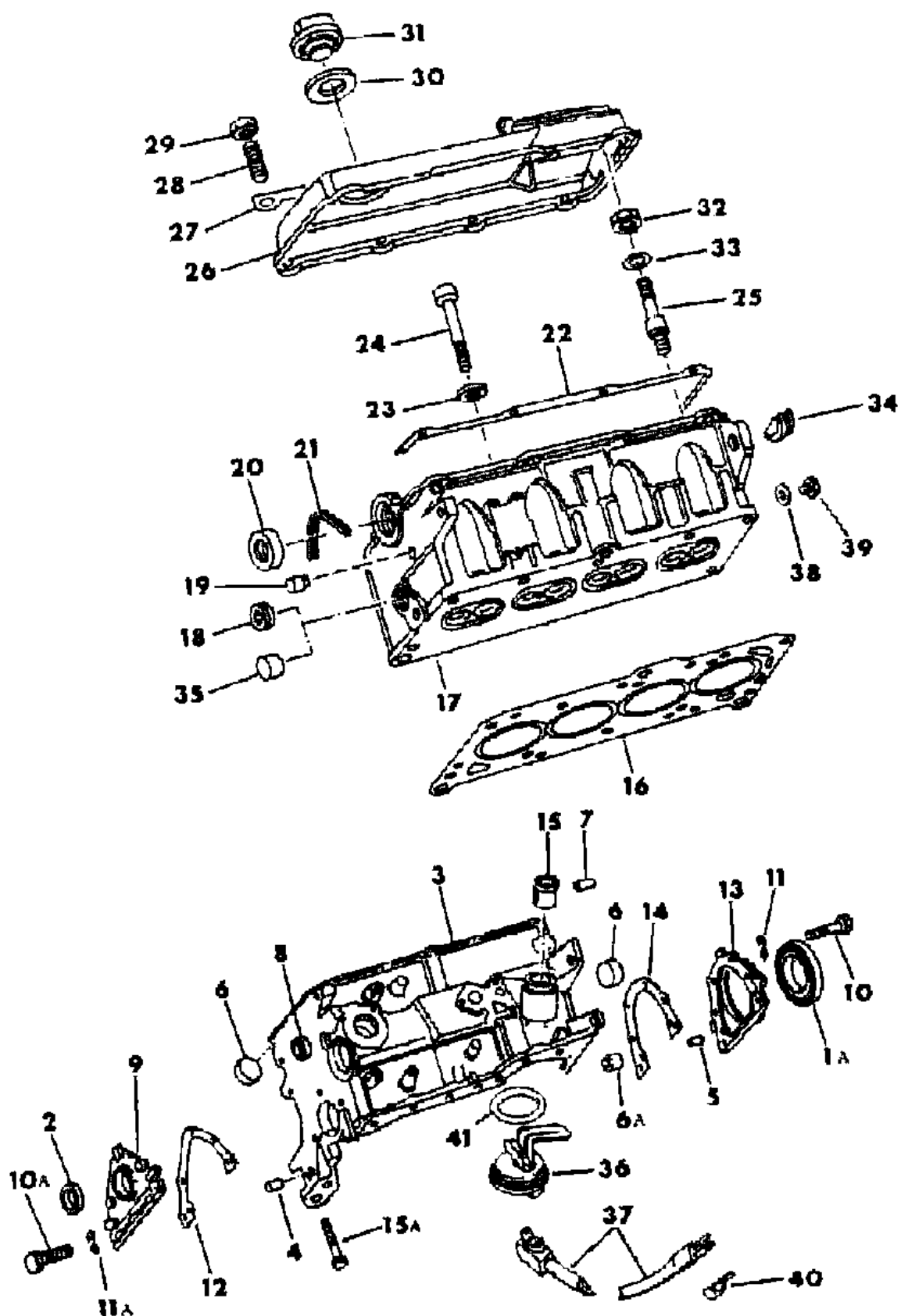
**BODY STYLES**

21 = 2-DOOR SEDAN	41 = 4-DOOR SEDAN
22 = 2-DOOR SPECIAL COUPE	45 = 4-DOOR STATION WAGON
24 = 2-DOOR HATCHBACK	44 = 4-DOOR HATCHBACK
27 = 2-DOOR CONVERTIBLE	48 = EXECUTIVE SEDAN
28 = FWD PICKUP	

AR = Use as Required - = Non Illustrated Part P.A.R. = Paint as Required

ENGINE, CYLINDER BLOCK, CYLINDER HEAD 4 CYLINDER ENG. 1.7 L, M,Z  
Figure 9A-900

1150 900A



ITEM	PART NUMBER	QTY	BODY	MODEL	DESCRIPTION
10	5240 537	6			SCREW, Rear Oil Seal Retainer (6x18 mm)
10a	5240 537	4			SCREW, Front Oil Seal Retainer (6X18 mm)
	5240 538	1			SCREW, Front Oil Seal Retainer (8 X 20 mm)
11	5240 520	6			WASHER, Rear Oil Seal Retainer Screw
11A	5240 520	4			WASHER, Front Oil Seal Retainer Screw
	5240 922	1			WASHER, Front Oil Seal Retainer Screw
12	5240 431	1			GASKET, Oil Seal Retainer, Front
13	5240 433	1			RETAINER, Oil Seal, Rear
14	5214 198	1			GASKET, Oil Seal Retainer, Rear
15	5240 416	1			SLEEVE, Oil Pump and Distributor Drive Shaft
15A	#5240 999	10			SCREW, Crankshaft Bearing Cap
16	#4240 141	1			GASKET, Cylinder Head
17	5240 475	1			HEAD, Cylinder, Assy.
	5240 996	1			(Canada)
18	5240 915	1			PLUG, Cylinder Head Core Hole (threaded type)
19	5240 482	1			PLUG, Cylinder Head Oil Line Cup
20	4186 220	1			SEAL, Camshaft
21	5240 468	1			SEAL, Camshaft Journal No.1
22	4201 755	1			GASKET, Cylinder Head Cover
23	5240 479	10			WASHER, Cylinder Head Screw
24	5240 478	10			SCREW, Cylinder Head
25	5240 465	10			STUD, Camshaft Bearing Cap
26	5240 489	1			COVER, Cylinder Head, Assy.
27	5240 495	2			RAIL, Cylinder Head Cover
28	4201 756	4			STUD, Cylinder Head Cover (6 X 15 mm)
	4201 757	4			STUD, Cylinder Head Cover (6 X 25 mm)
29	5240 436	8			NUT, Cylinder Head Cover Stud
30		1			GASKET, Cylinder Head Cover Oil Filler Cap (Serviced in Oil Filler Cap)
31	5240 498	1			CAP, Cylinder Head Cover Oil Filler
32	5240 927	10			NUT, Camshaft Bearing Cap Stud
33	5240 928	10			WASHER, Camshaft Baring Cap Stud Nut
34	5240 524	1			SEAL, Cylinder Head Cover, Rear
35	5240 482	1			PLUG, Cylinder Head Core Hole Cup (B 25 mm)
	5240 483	1			(B 24 mm)
36	5206 360	1			HEATER, Engine Block
37	5206 359	1			CORD, Heater

MODEL CODES

B = GRAN FURY	G = DIPLOMAT	V = 400
C = LEBARON/TOWN & COUNTRY	M = HORIZON/TURISMO/SCAMP	X = MIRADA
D = ARIES	P = RELIANT	Y = IMPERIAL
E = 600	S = CORDOBA	Z = OMNI/CHARGER/RAMPAGE
F = FIFTH AVENUE	T = E CLASS/NEWYORKER	

BODY STYLES

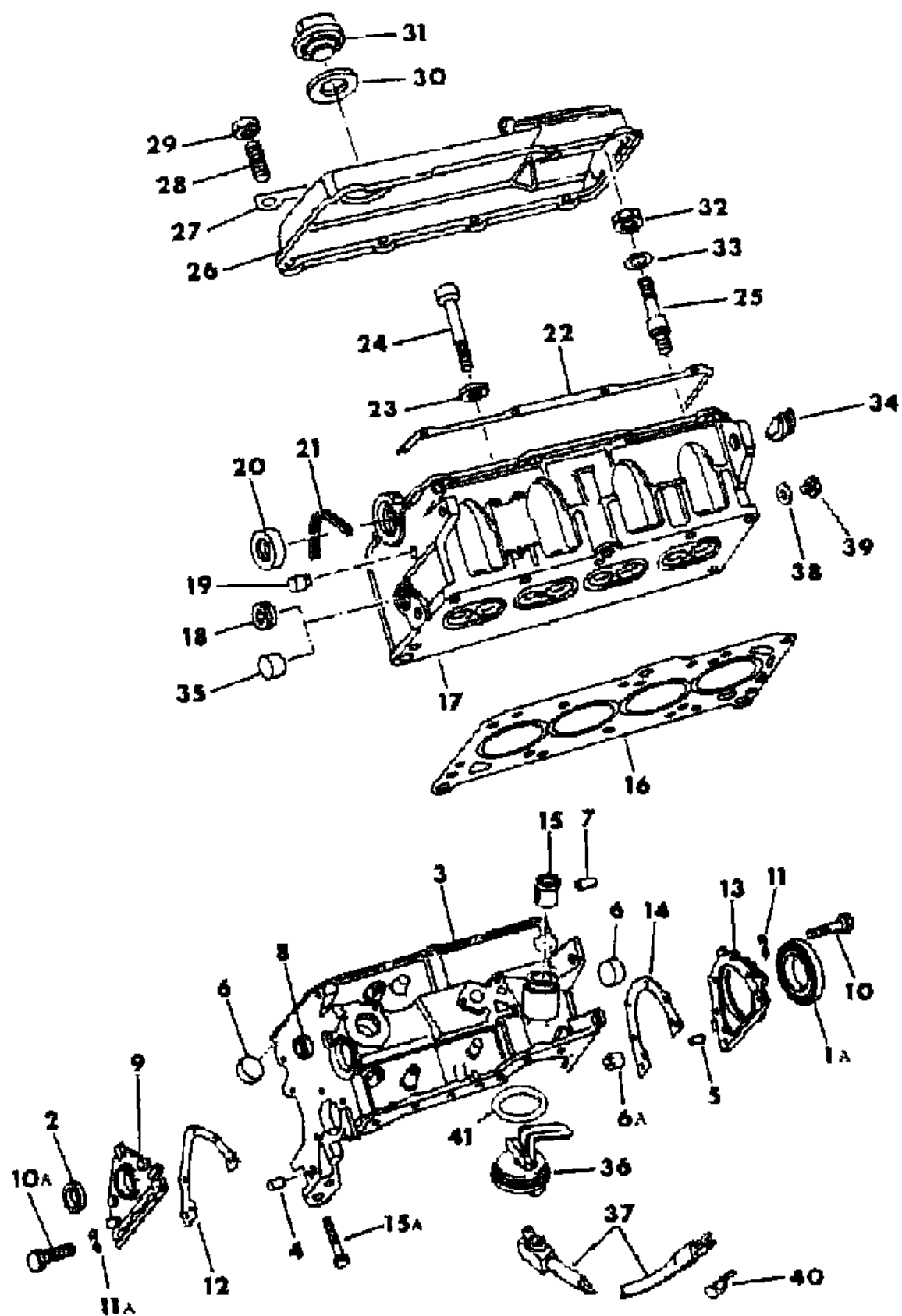
21 = 2-DOOR SEDAN	41 = 4-DOOR SEDAN
22 = 2-DOOR SPECIAL COUPE	45 = 4-DOOR STATION WAGON
24 = 2-DOOR HATCHBACK	44 = 4-DOOR HATCHBACK
27 = 2-DOOR CONVERTIBLE	48 = EXECUTIVE SEDAN
28 = FWD PICKUP	

AR = Use as Required - = Non Illustrated Part P.A.R. = Paint as Required



ENGINE, CYLINDER BLOCK, CYLINDER HEAD 4 CYLINDER ENG. 1.7 L, M,Z  
Figure 9A-900

1158 900A



ITEM	PART NUMBER	QTY	BODY	MODEL	DESCRIPTION
38	5240 789	AR			GASKET, Cylinder Head Air Injection Hole Plug
39	5240 791	AR			PLUG, Cylinder Head Air Injection Hole
40	6015 412	1			CLIP, Engine Heater Cord
41	6027 513	1			O-RING, Eng. Block Heater (.06 O/S)

MODEL CODES

B = GRAN FURY	G = DIPLOMAT	V = 400
C = LEBARON/TOWN & COUNTRY	M = HORIZON/TURISMO/SCAMP	X = MIRADA
D = ARIES	P = RELIANT	Y = IMPERIAL
E = 600	S = CORDOBA	Z = OMNI/CHARGER/RAMPAGE
F = FIFTH AVENUE	T = E CLASS/NEWYORKER	

BODY STYLES

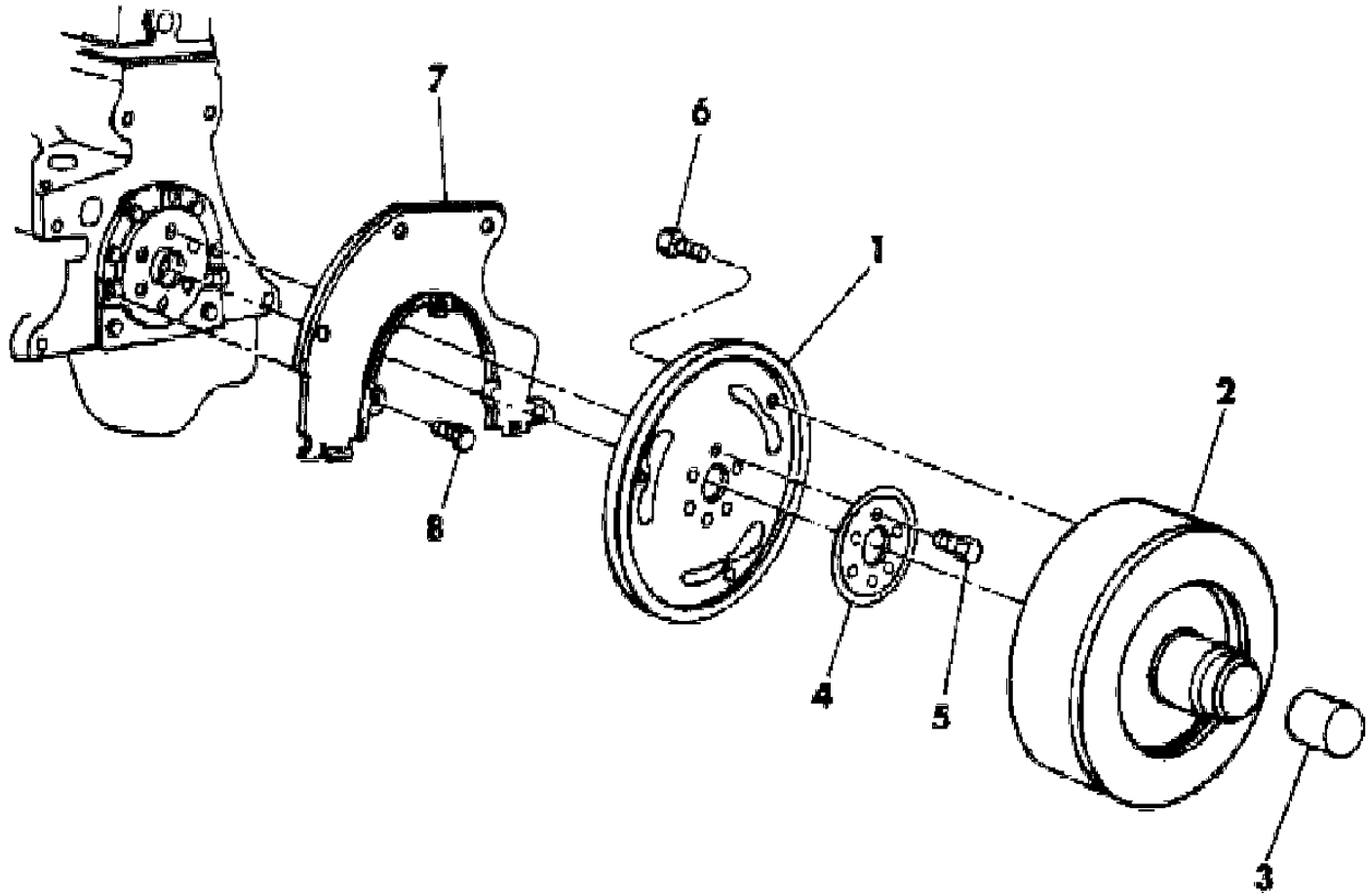
21 = 2-DOOR SEDAN	41 = 4-DOOR SEDAN
22 = 2-DOOR SPECIAL COUPE	45 = 4-DOOR STATION WAGON
24 = 2-DOOR HATCHBACK	44 = 4-DOOR HATCHBACK
27 = 2-DOOR CONVERTIBLE	48 = EXECUTIVE SEDAN
28 = FWD PICKUP	

AR = Use as Required - = Non Illustrated Part P.A.R. = Paint as Required

**TORQUE CONVERTER, DRIVE PLATE 4 CYLINRER ENGINE 1.7 L, M,Z**  
**Figure 9A-1000**

3158 1000A

ITEM	PART NUMBER	QTY	BODY	MODEL	DESCRIPTION
1	5222 542	1			DRIVE PLATE, Assy. Torque Converter (w/Ring Gear)
2	#4293 057	1			TORQUE CONVERTER
3	3515 138	1			SEAL, Trans. Torque Converter Impeller Hub
4	5240 152	1			PLATE, Cranshaft Bolt Backing
5	6500 320	6			BOLT, Drive Plate to Crankshaft
6	6500 184	3			BOLT, Drive Plate to Torque Converter
7	#5224 086	1			COVER, Trans. Case Upper (See Group 21)
8	6100 988	3			SCREW, Trans. Case Upper Cover



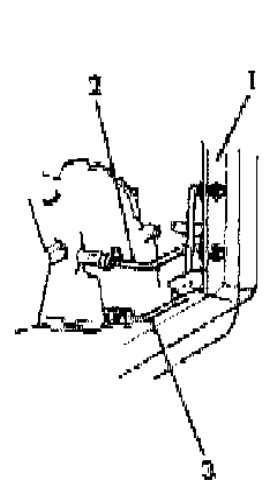
MODEL CODES  
 B = GRAN FURY                      G = DIPLOMAT                      V = 400  
 C = LEBARON/TOWN & COUNTRY    M = HORIZON/TURISMO/SCAMP    X = MIRADA  
 D = ARIES                            P = RELIANT                        Y = IMPERIAL  
 E = 600                                S = CORDOBA                        Z = OMNI/CHARGER/RAMPAGE  
 F = FIFTH AVENUE                    T = E CLASS/NEWYORKER

BODY STYLES  
 21 = 2-DOOR SEDAN                    41 = 4-DOOR SEDAN  
 22 = 2-DOOR SPECIAL COUPE        45 = 4-DOOR STATION WAGON  
 24 = 2-DOOR HATCHBACK            44 = 4-DOOR HATCHBACK  
 27 = 2-DOOR CONVERTIBLE          48 = EXECUTIVE SEDAN  
 28 = FWD PICKUP

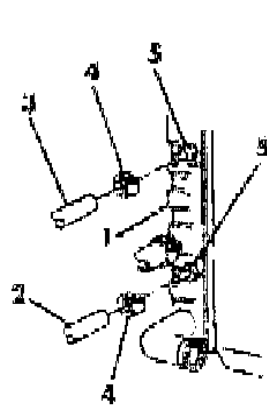
AR = Use as Required - = Non Illustrated Part P.A.R. = Paint as Required

**TRANSMISSION OIL COOLER 4 CYLINDER 1.7 L, M,Z**  
**Figure 9A-1050**

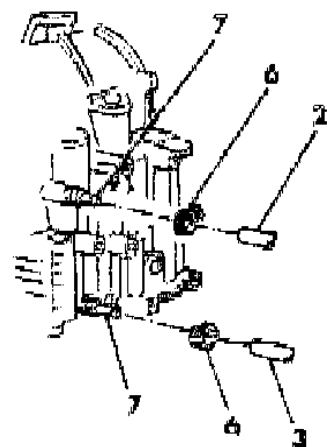
3158 1050



**TRANSMISSION OIL COOLER ASSEMBLY (WATER COOLED)**

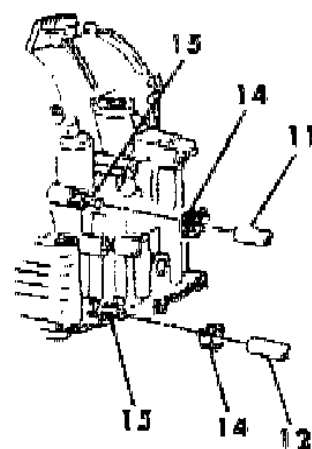


**RADIATOR END**

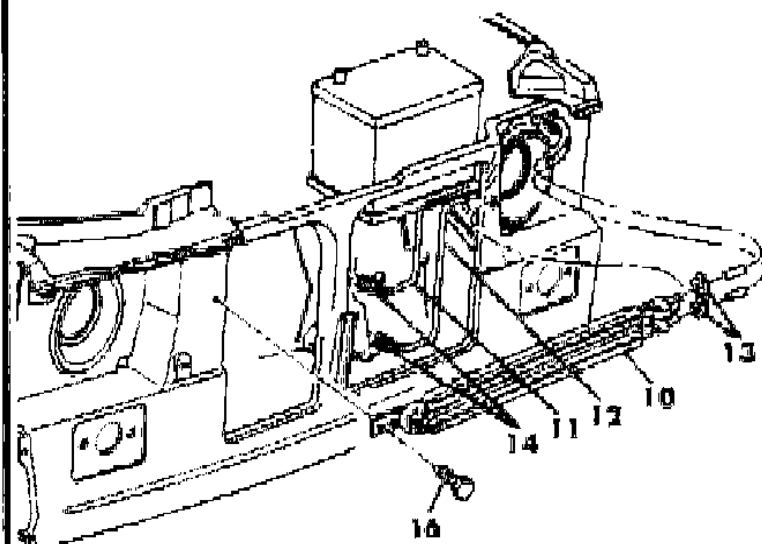


**TRANSMISSION END**

**TRANSMISSION OIL COOLER (WATER COOLED)**



**TRANSMISSION END**



**TRANSMISSION OIL COOLING (AIR COOLED)**

**TRANSMISSION OIL COOLER (AIR COOLED)**

ITEM	PART NUMBER	QTY	BODY	MODEL	DESCRIPTION
1	4140 568	1			OIL COOLER, Radiator (Trans. Oil Water Cooler)
2	#4266 179	1			HOSE, Trans. Oil Radiator Cooler (Return)
3	#4266 178	1			HOSE, Trans. Oil Radiator Cooler (Pressure)
4	#6032 282	2			CLAMP, Trans. Oil Cooler Hose (Radiator End)
5	#6500 170	2			CONNECTOR, Trans. Oil Cooler Hose (Radiator End)
6	#6032 282	2			CLAMP, Trans. Oil Cooler Hose (Trans. End)
7	#4269 775	2			CONNECTOR, Trans. Oil Cooler Hose (Trans. End)
10	#4266 294	1			OIL COOLER, Trans. Oil Cooler Hose (Air Cooled)
11	#4266 177	1			HOSE, Trans. Oil Cooler Hose (Return)
12	#4266 176	1			HOSE, Trans. Oil Cooler Hose (PRESSURE)
13	#6032 282	2			CLAMP, Trans. Oil Cooler Hose (Cooler End)
14	#6032 282	2			CLAMP, Trans. Oil Cooler Hose (Trans. End)
15	#4269 775	2			CONNECTOR, Trans. Oil Cooler Hose (Trans. End)
16	#6032 196	1			SCREW, Oil Cooler To Panel

**MODEL CODES**

B = GRAN FURY	G = DIPLOMAT	V = 400
C = LEBARON/TOWN & COUNTRY	M = HORIZON/TURISMO/SCAMP	X = MIRADA
D = ARIES	P = RELIANT	Y = IMPERIAL
E = 600	S = CORDOBA	Z = OMNI/CHARGER/RAMPAGE
F = FIFTH AVENUE	T = E CLASS/NEWYORKER	

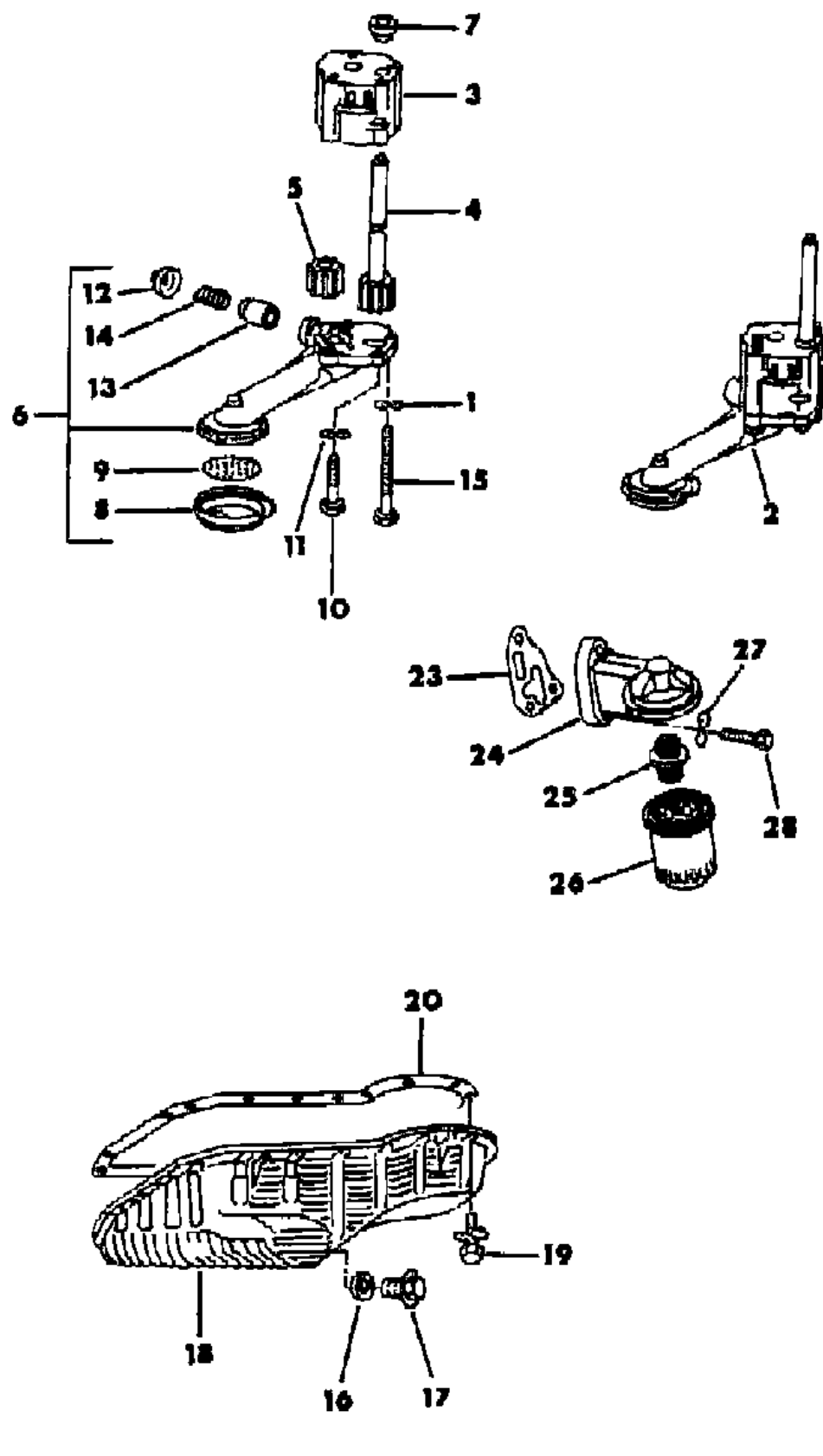
**BODY STYLES**

21 = 2-DOOR SEDAN	41 = 4-DOOR SEDAN
22 = 2-DOOR SPECIAL COUPE	45 = 4-DOOR STATION WAGON
24 = 2-DOOR HATCHBACK	44 = 4-DOOR HATCHBACK
27 = 2-DOOR CONVERTIBLE	48 = EXECUTIVE SEDAN
28 = FWD PICKUP	

AR = Use as Required - = Non Illustrated Part P.A.R. = Paint as Required

OIL PUMP, OIL PAN, OIL LEVEL INDICATOR, OIL FILTER 4 CYLINDER ENGINE 1.7 L, M,Z  
Figure 9A-1100

315R 1100



ITEM	PART NUMBER	QTY	BODY	MODEL	DESCRIPTION
1	5240 922	2			WASHER, Oil Pump Mounting Screw
2	#5240 510	1			PUMP, Oil, Assy.
3	5240 511	1			HOUSING, Oil Pump, Assy.
4	5240 515	1			SHAFT, Oil Pump Drive, Assy.
5	5240 985	1			GEAR, Oil Pump Drive
6	#5240 594	1			COVER, Oil Pump, Assy.
7	5240 415	1			BUSHING, Oil Pump and Distributor Driv Shaft
8	5240 918	1			BAFFLE, Oil Pump
9	5240 988	1			SCREEN, Oil Pump Baffle
10	5240 519	2			SCREW, Oil Pump Housing
11	5240 520	2			WASHER, Oil Pump Housing Screw
12		1			RETAINER, Relief Valve Spring (Serviced in Cover Assy.)
13		1			PISTON, Oil Pump (Serviced in Cover Assy.)
14		1			SPRING, Relief Valve (Serviced in Cover Assy.)
15	5240 921	2			SCREW, Oil Pump Mounting
16	5203 148	1			GASKET, Oil Pan Drain Plug
17	5240 837	1			PLUG, Oil Pan Drain
	4240 045	1			Magnetic type
18	5240 355	1			PAN, Oil
19	5240 437	20			SCREW, Oil Pan Attaching
20	4131 166	1			GASKET, Oil Pan
21	5240 738	1			INDICATOR, Oil Level
22	5214 128	1			TUBE, Oil Level Indicator
23	5240 694	1			GASKET, Oil Filter Base
24	5240 336	1			BASE, Oil Filter
25	4104 511	1			ADAPTER, Oil Filter To Oil Filter Base
26	#4105 409	1			FILTER, Oil
27	6100 233	3			WASHER, Oil Filter Base Screw
28	6100 901	3			SCREW, Oil Filter Base

MODEL CODES

B = GRAN FURY	G = DIPLOMAT	V = 400
C = LEBARON/TOWN & COUNTRY	M = HORIZON/TURISMO/SCAMP	X = MIRADA
D = ARIES	P = RELIANT	Y = IMPERIAL
E = 600	S = CORDOBA	Z = OMNI/CHARGER/RAMPAGE
F = FIFTH AVENUE	T = E CLASS/NEWYORKER	

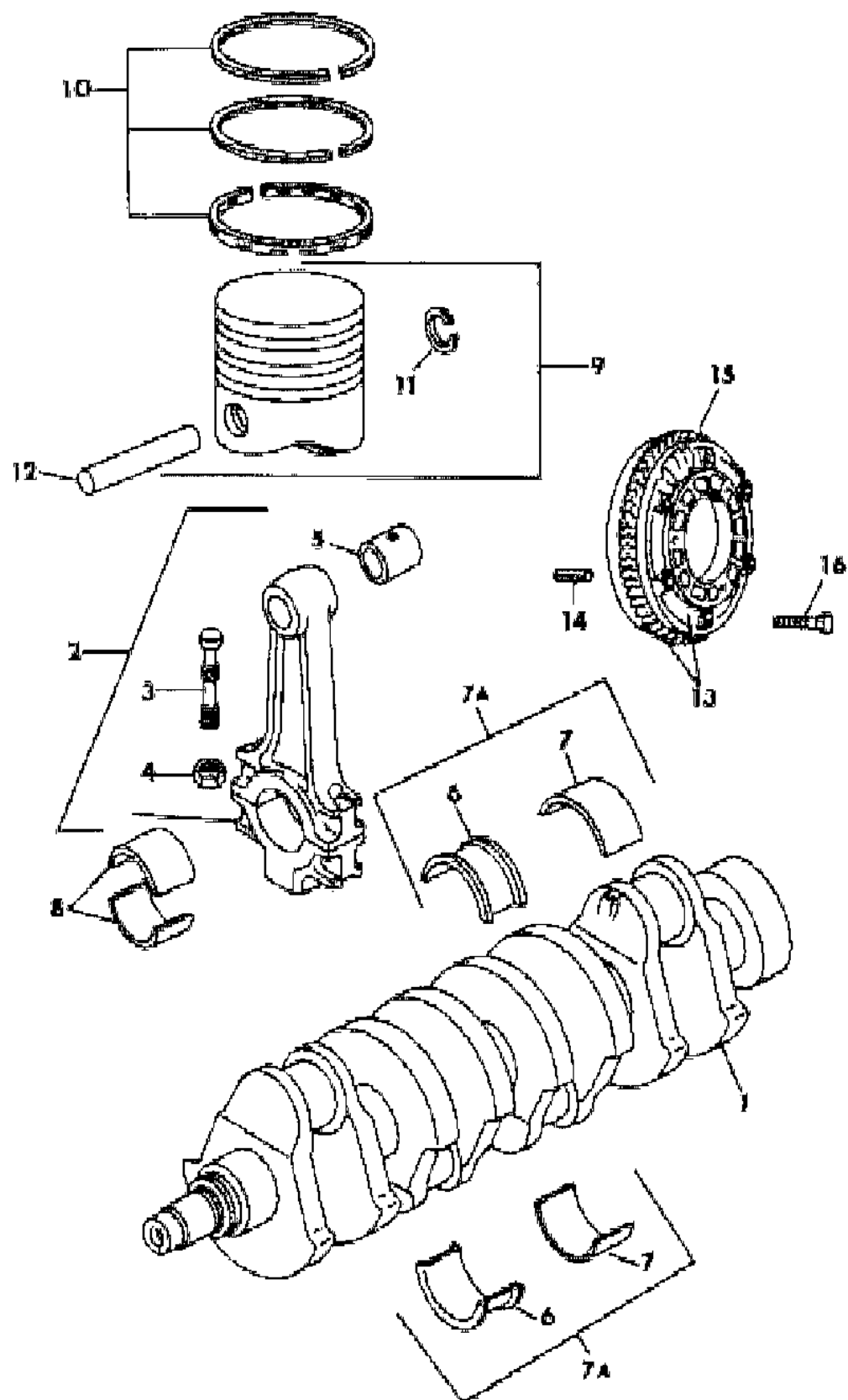
BODY STYLES

21 = 2-DOOR SEDAN	41 = 4-DOOR SEDAN
22 = 2-DOOR SPECIAL COUPE	45 = 4-DOOR STATION WAGON
24 = 2-DOOR HATCHBACK	44 = 4-DOOR HATCHBACK
27 = 2-DOOR CONVERTIBLE	48 = EXECUTIVE SEDAN
28 = FWD PICKUP	

AR = Use as Required - = Non Illustrated Part P.A.R. = Paint as Required

**CRANKSHAFT, CONNECTING ROD, PISTONS, RINGS, FLYWHEEL 4 CYLINDER ENGINE 1.7 L, M,Z**  
**Figure 9A-1200**

31& 1200



ITEM	PART NUMBER	QTY	BODY	MODEL	DESCRIPTION
1	5240 417	1			CRANKSHAFT, Assy.
2	4094 874	1			PACKAGE, Connecting Rod Assy. Consists of: 4 ----- ROD, Connecting Assy.
3	5240 449	8			SCREW, Connecting Rod and Cap
	5240 450	8			w/Round Head
4	5240 451	8			NUT, Connecting Rod and Cap Screw
5	4131 202	4			BUSHING, Connecting Rod
6	4131 058	1			BEARING PACKING, Crankshaft, No.3, Std. Consists of: 1 ----- Bearing, Crankshaft, Upper 1 ----- Bearing, Crankshaft, Lower
	4131 059	1			BEARING PACKAGE, Crankshaft, No.3, 0.25 U/S.
	4131 060	1			BEARING PACKAGE, Crankshaft, No.3, 0.50 U/S.
	4131 061	1			BEARING PACKAGE, Crankshaft, No.3, 0.75 U/S.
7	4094 805	4			BEARING PACKAGE, Crankshaft, No's, 1,2,4,5, Std. Consists of: 1 ----- BEARING, Crankshaft, No's, 1,2,4,5, Upper 1 ----- BEARING, Crankshaft, No's, 1,2,4,5, Lower
	4094 806	4			BEARING PACKAGE, Crankshaft, No's, 1,2,4,5, 0.25 U/S.
	4094 807	4			BEARING PACKAGE, Crankshaft, No's, 1,2,4,5, 0.50 U/S.
	4094 808	4			BEARING PACKAGE, Crankshaft, No's, 1,2,4,5, 0.75 U/S.
7A	4131 062	1			BEARING PACKAGE, Crankshaft, Complete, No's. 1,2,3,4,5, Std. Consists of: 4 ----- BEARING, No's 1,2,4,5 Upper 4 ----- BEARING, No's 1,2,4,5 Lower 1 ----- BEARING, No. 3 Upper 1 ----- BEARING, No. 3 Lower
	4131 063	1			BEARING PACKAGE, Crankshaft, Complete, No's. 1,2,3,4,5, 0.25 U/S.
	4131 064	1			BEARING PACKAGE, Crankshaft, Complete, No's. 1,2,3,4,5, 0.50 U/S.
	4131 065	1			BEARING PACKAGE, Crankshaft, Complete, No's. 1,2,3,4,5, 0.75 U/S.
8	4094 818	1			BEARING PACKAGE, Connecting Rod, Std. Consists of: 4 ----- BEARING, Upper

MODEL CODES  
 B = GRAN FURY  
 C = LEBARON/TOWN & COUNTRY  
 D = ARIES  
 E = 600  
 F = FIFTH AVENUE  
 G = DIPLOMAT  
 M = HORIZON/TURISMO/SCAMP  
 P = RELIANT  
 S = CORDOBA  
 T = E CLASS/NEWYORKER  
 V = 400  
 X = MIRADA  
 Y = IMPERIAL  
 Z = OMNI/CHARGER/RAMPAGE

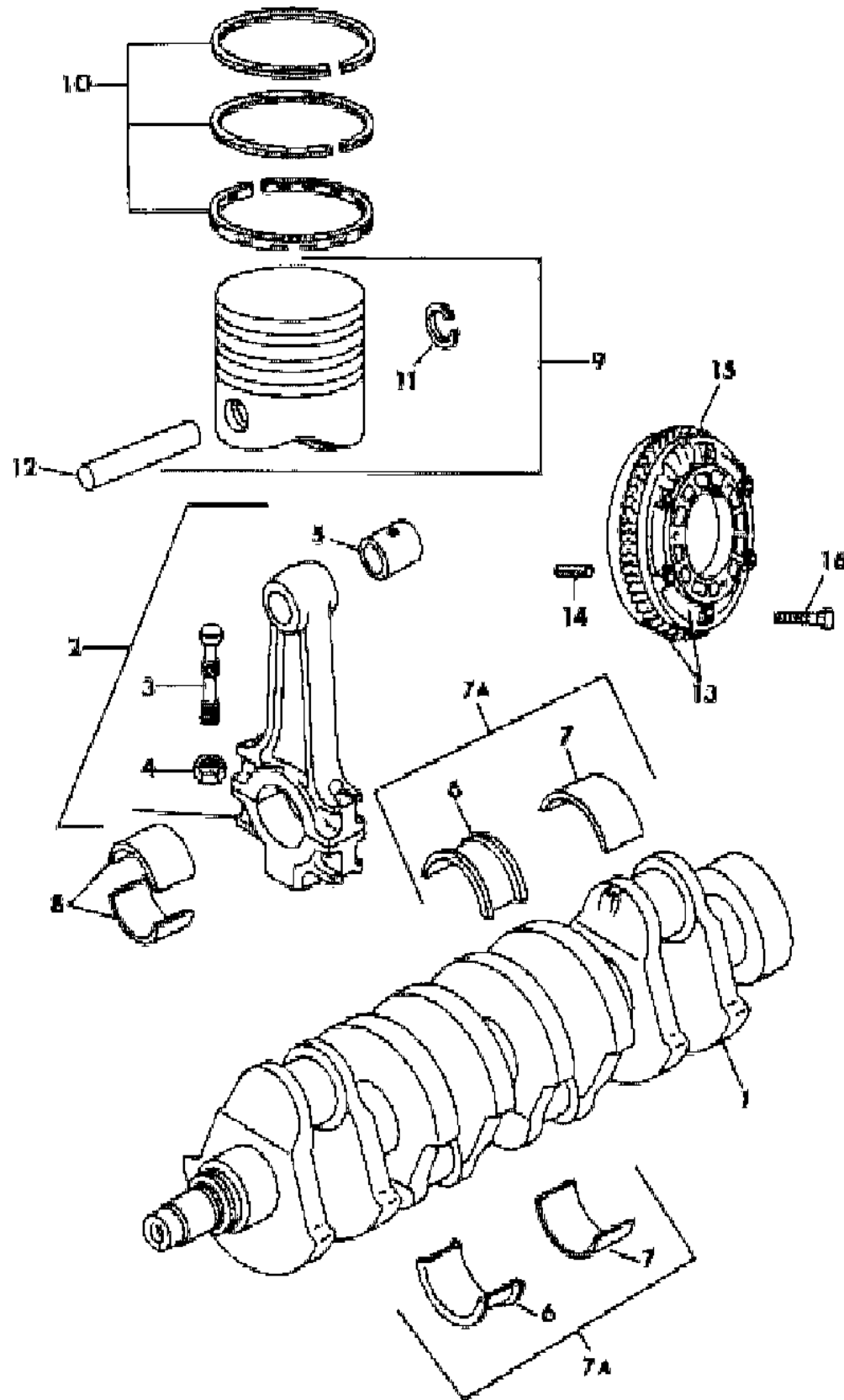
BODY STYLES  
 21 = 2-DOOR SEDAN  
 22 = 2-DOOR SPECIAL COUPE  
 24 = 2-DOOR HATCHBACK  
 27 = 2-DOOR CONVERTIBLE  
 28 = FWD PICKUP  
 41 = 4-DOOR SEDAN  
 45 = 4-DOOR STATION WAGON  
 44 = 4-DOOR HATCHBACK  
 48 = EXECUTIVE SEDAN

AR = Use as Required - = Non Illustrated Part P.A.R. = Paint as Required

# CRANKSHAFT, CONNECTING ROD, PISTONS, RINGS, FLYWHEEL 4 CYLINDER ENGINE 1.7 L, M,Z

## Figure 9A-1200

31& 1200



ITEM	PART NUMBER	QTY	BODY	MODEL	DESCRIPTION
					4 ----- BEARING, Lower
	4094 819	1			BEARING PACKAGE, Connecting Rod, 0.25 U/S
	4094 820	1			BEARING PACKAGE, Connecting Rod, 0.50 U/S
	4094 821	1			BEARING PACKAGE, Connecting Rod, 0.75 U/S
9	4186 275	4			PISTON, w/Pin, Std. (For One Cylinder)
	4186 276	4			.25 MM o/s
	4186 277	4			.50 MM o/s
	4186 279	4			1.0 MM o/s
10	4186 272	4			RING SET, Piston, Std. (For Single Piston)
	4186 273	4			RING SET, Piston, .25 MM O/S (For Single Piston)
	4186 274	4			RING SET, Piston, .50 MM O/S (For Single Piston)
	4186 278	4			RING SET, Piston, 1.0 MM O/S (For Single Piston)
	4186 268	1			RING SET, Piston, Std. (For Complete Engine)
	4186 271	1			RING SET, Piston, 1.0 MM O/S (For Complete Engine)
11	5240 442	8			RETAINER, Piston Pin
12	5240 441	4			PIN, Piston
13	5222 972	1			FLYWHEEL, Assy. (w/Ring Gear), (w/A460 Man. Trans.) (w/2.69 and 3.13 top Gear Ratio)
	5240 156	1			(w/A412 Man. Trans.),(w/3.37 top Gear Ratio)
14	6031 923	3			DOWEL, Cluth to Flywheel
15	5240 159	1			GEAR, Flywheel Ring (w/A412 Man. Trans.), (w/3.37 top Gear Ratio)
	5206 000	1			(w/A460 Man. Trans.), (w/2.69 And 3.13 top Gear Ratio)
16	6500 349	6			SCREW, Fywheel to Crankshaft,(w/A460 Man. Trans.)
	6500 061	6			SCREW, Fywheel to Clutch (w/A412 Man. Trans.)

**MODEL CODES**

B = GRAN FURY	G = DIPLOMAT	V = 400
C = LEBARON/TOWN & COUNTRY	M = HORIZON/TURISMO/SCAMP	X = MIRADA
D = ARIES	P = RELIANT	Y = IMPERIAL
E = 600	S = CORDOBA	Z = OMNI/CHARGER/RAMPAGE
F = FIFTH AVENUE	T = E CLASS/NEWYORKER	

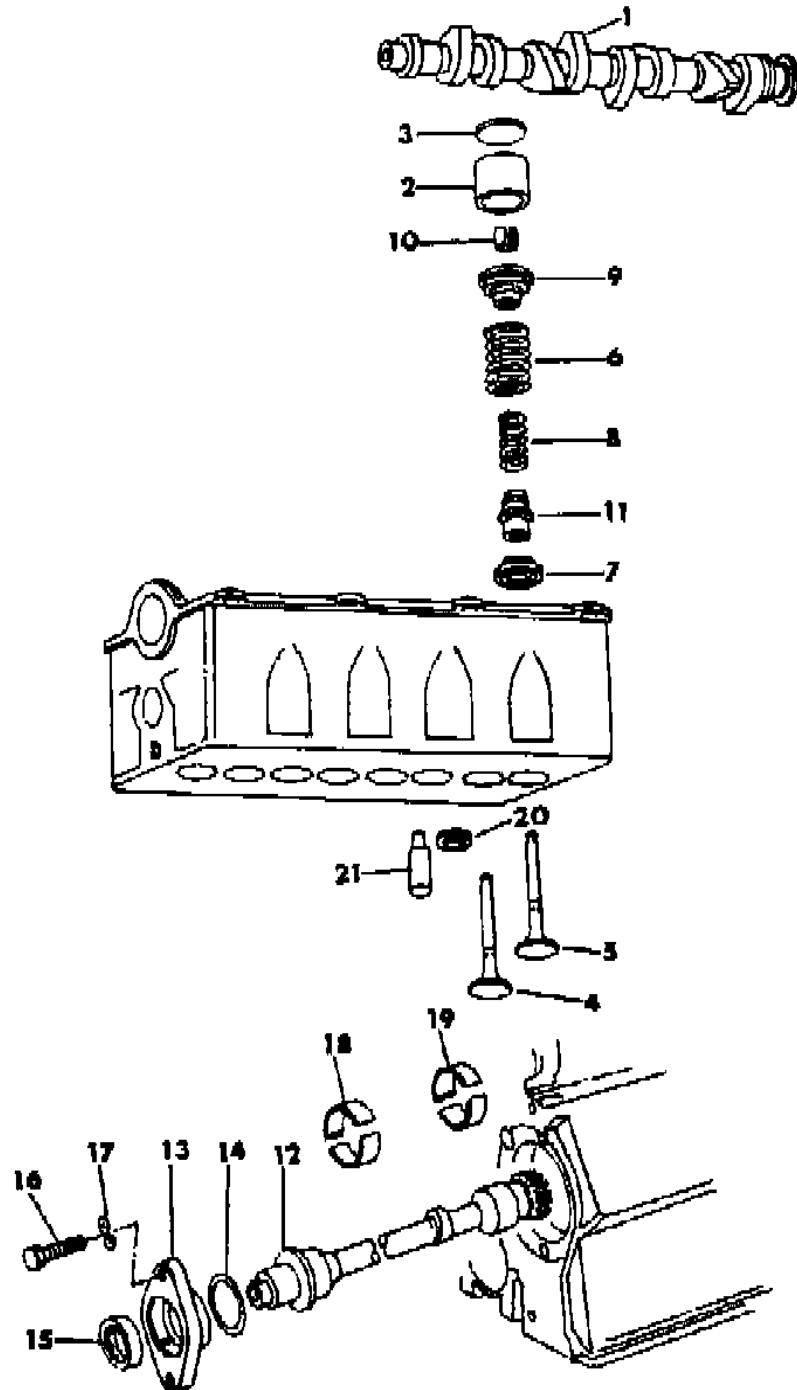
**BODY STYLES**

21 = 2-DOOR SEDAN	41 = 4-DOOR SEDAN
22 = 2-DOOR SPECIAL COUPE	45 = 4-DOOR STATION WAGON
24 = 2-DOOR HATCHBACK	44 = 4-DOOR HATCHBACK
27 = 2-DOOR CONVERTIBLE	48 = EXECUTIVE SEDAN
28 = FWD PICKUP	

AR = Use as Required - = Non Illustrated Part P.A.R. = Paint as Required

**CAMSHAFT, INTERMEDIATE SHAFT, INTAKE AND EXHAUST VALVES 4 CYLINDER ENGINE 1.7 L, M,Z**  
**Figure 9A-1300**

3168 1300



ITEM	PART NUMBER	QTY	BODY	MODEL	DESCRIPTION
1	5240 967	1			CAMSHAFT
2	5240 508	8			TAPPET, Valve
3	5240 946	8			SPACER, Valve Tappet, 3.00
	5240 945	AR			3.05 O/S.
	5240 944	AR			3.10 O/S.
	5240 943	AR			3.15 O/S.
	5240 942	AR			3.20 O/S.
	5240 941	AR			3.25 O/S.
	5240 573	AR			3.30 O/S.
	5240 574	AR			3.35 O/S.
	5240 575	AR			3.40 O/S.
	5240 576	AR			3.45 O/S.
	5240 577	AR			3.50 O/S.
	5240 578	AR			3.55 O/S.
	5240 579	AR			3.60 O/S.
	5240 580	AR			3.65 O/S.
	5240 581	AR			3.70 O/S.
	5240 582	AR			3.75 O/S.
	5240 583	AR			3.80 O/S.
	5240 584	AR			3.85 O/S.
	5240 585	AR			3.90 O/S.
	5240 586	AR			3.95 O/S.
	5240 587	AR			4.00 O/S.
	5240 588	AR			4.05 O/S.
	5240 589	AR			4.10 O/S.
	5240 590	AR			4.15 O/S.
	5240 591	AR			4.20 O/S.
	5240 592	AR			4.25 O/S.
4	5240 994	4			VALVE, Intake (98.7 mm) (Early Type)
	4267 222	4			PACKAGE, Intake Valve, (98.7 mm) (Late Type) Consists of one Valve, one Retainer and two Locks
	5240 970	AR			VALVE, Intake (98.2 mm) (Early Type)
	4267 223	AR			PACKAGE, Intake Valve (98.2 mm) (Late Type) Consists of one Valve, one Retainer and two Locks
5	5240 948	AR			VALVE, Exhaust (98.0 mm) (Early Type)
	4267 225	AR			PACKAGE, Exhaust Valve, (98.0 mm)(Late Type) Consists of 1-Exhaust, 1-Retainer, 2-Locks

**MODEL CODES**

B = GRAN FURY	G = DIPLOMAT	V = 400
C = LEBARON/TOWN & COUNTRY	M = HORIZON/TURISMO/SCAMP	X = MIRADA
D = ARIES	P = RELIANT	Y = IMPERIAL
E = 600	S = CORDOBA	Z = OMNI/CHARGER/RAMPAGE
F = FIFTH AVENUE	T = E CLASS/NEWYORKER	

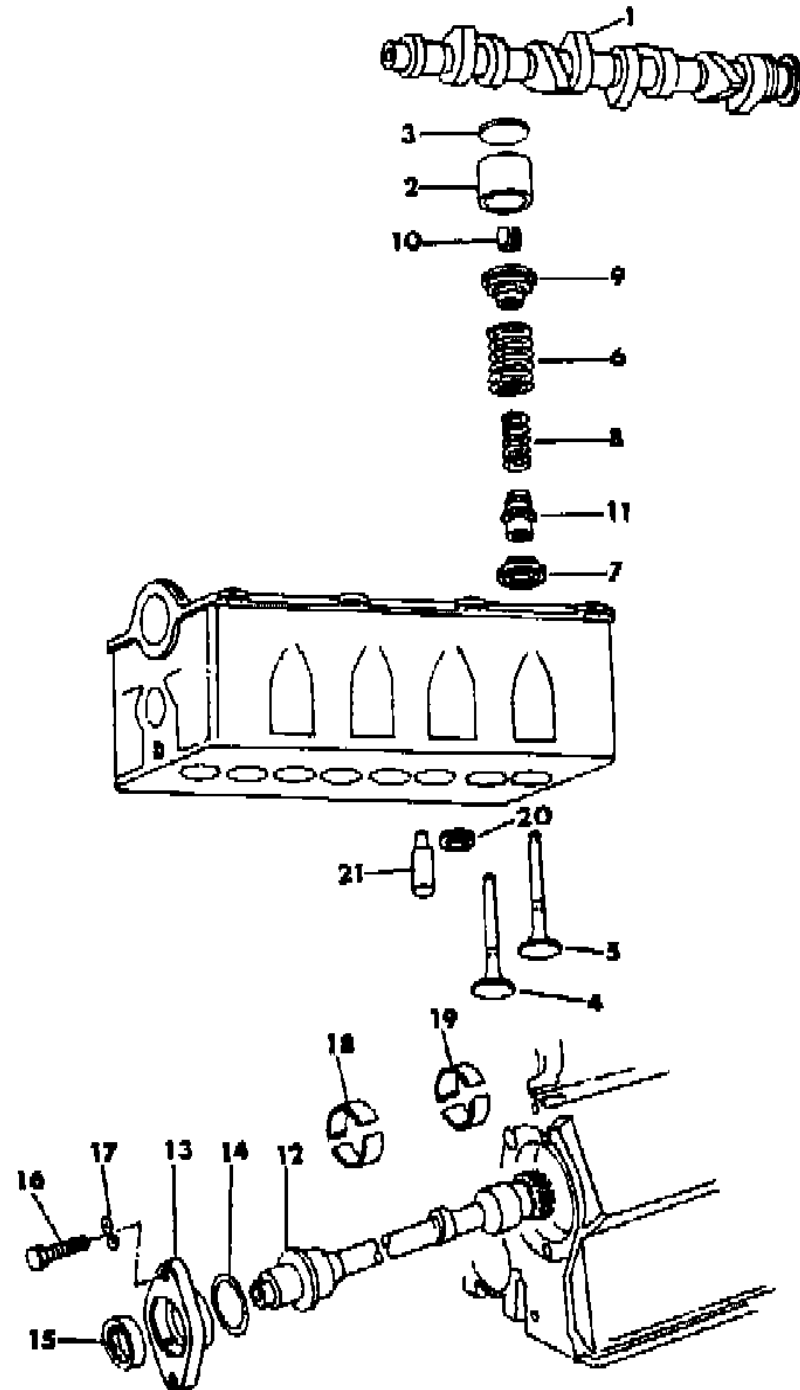
**BODY STYLES**

21 = 2-DOOR SEDAN	41 = 4-DOOR SEDAN
22 = 2-DOOR SPECIAL COUPE	45 = 4-DOOR STATION WAGON
24 = 2-DOOR HATCHBACK	44 = 4-DOOR HATCHBACK
27 = 2-DOOR CONVERTIBLE	48 = EXECUTIVE SEDAN
28 = FWD PICKUP	

AR = Use as Required - = Non Illustrated Part P.A.R. = Paint as Required

**CAMSHAFT, INTERMEDIATE SHAFT, INTAKE AND EXHAUST VALVES 4 CYLINDER ENGINE 1.7 L, M,Z**  
**Figure 9A-1300**

3168 1300



ITEM	PART NUMBER	QTY	BODY	MODEL	DESCRIPTION
	5240 995	4			(98.5 mm) (Early Type)
	4267 224	4			PACKAGE, Exhaust Valve (98.5 mm) (Late Type) Consists of 1-Valve, 1-Retainer, 2-Locks
6	5240 503	8			SPRING, Valve , Outer
7	5240 929	8			SEAT, Valve Spring
8	5240 504	8			SPRING, Valve, Inner
9	4201 760	8			RETAINER, Valve Spring
10	4201 761	16			LOCK, Valve Spring Retainer
11	4186 331	1			SEAL PKG., Valve Stem Oil (Consist of 8 Seals)
12	5240 469	1			SHAFT, Intermediate, Assy.
13	5240 522	1			RETAINER, Intermediate Shaft
14	5240 440	1			"O"RING, Intermediate Shaft Retainer
15	#4186 220	1			SEAL, Intermediate Shaft
16	5240 200	2			SCREW, Intermediate Shaft Retainer Mounting
17	5240 922	2			WASHER, Intermediate Shaft Retainer Screw
18		1			BUSHING, Intermediate Shaft, Front (Serviced in Block)
19		1			BUSHING, Intermediate Shaft, Rear (Serviced in Block)
20	5240 923	4			INSERT, Intake Valve Seat
	5240 924	4			INSERT, Exhaust Valve Seat
21	5240 925	AR			GUIDE, Intake Valve Stem
	5240 998	4			GUIDE, Exhaust Valve Stem

MODEL CODES  
 B = GRAN FURY  
 C = LEBARON/TOWN & COUNTRY  
 D = ARIES  
 E = 600  
 F = FIFTH AVENUE  
 G = DIPLOMAT  
 M = HORIZON/TURISMO/SCAMP  
 P = RELIANT  
 S = CORDOBA  
 T = E CLASS/NEWYORKER  
 V = 400  
 X = MIRADA  
 Y = IMPERIAL  
 Z = OMNI/CHARGER/RAMPAGE

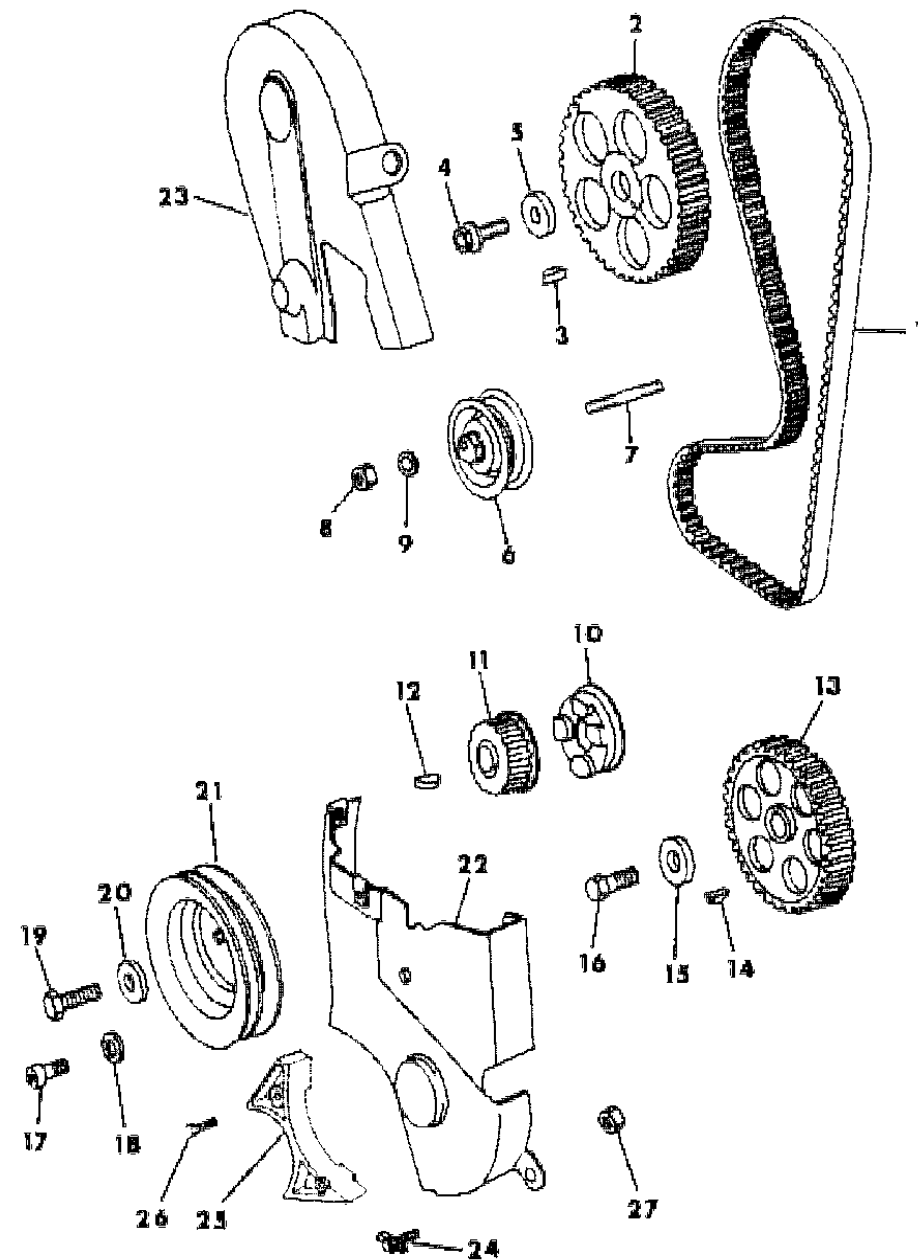
BODY STYLES  
 21 = 2-DOOR SEDAN  
 22 = 2-DOOR SPECIAL COUPE  
 24 = 2-DOOR HATCHBACK  
 27 = 2-DOOR CONVERTIBLE  
 28 = FWD PICKUP  
 41 = 4-DOOR SEDAN  
 45 = 4-DOOR STATION WAGON  
 44 = 4-DOOR HATCHBACK  
 48 = EXECUTIVE SEDAN

AR = Use as Required - = Non Illustrated Part P.A.R. = Paint as Required



**TIMING BELT, SPROCKETS, COVERS AND PULLEY 4 CYLINDER ENGINE 1.7 L, M,Z**  
**Figure 9A-1400**

3158 1400A



ITEM	PART NUMBER	QTY	BODY	MODEL	DESCRIPTION
1	5240 346	1			BELT, Timing
2	5240 369	1			SPROCKET, Camshaft
3	6500 150	1			KEY, Camshaft Sprocket
4	6500 155	1			SCREW, Camshaft Sprocket Retaining
5	5240 631	1			WASHER, Camshaft Sprocket Retaining Screw
6	5240 607	1			PULLEY Tension
7	6100 750	1			STUD, Tension Pulley
8	6100 219	1			NUT, Tension Pulley Stud
9	6100 129	1			WASHER, Tension Pulley Stud
10	5240 700	1			GUIDE, Belt
11	5240 370	1			SPROCKET, Crankshaft
12	6500 150	1			KEY, Crankshaft Sprocket
13	5240 369	1			SPROCKET, Intermediate Shaft
14	6500 150	1			KEY, Intermediate Shaft Sprocket
15	5240 631	1			WASHER, Intermediate Shaft Sprocket Retaining Bolt
16	6500 155	1			BOLT, Intermediate Shaft Sprocket Retaining
17	6500 181	1			SCREW, Timing Bolt Cover To Water Pump
18					WASHER, (Not Serviced)
19	6500 156	1			BOLT, Crankshaft
20	5240 631	1			WASHER, Crankshaft Bolt
21					PULLEY, Drive (See Group 7)
22	5240 794	1			COVER, Timing Belt, Lower
23	5240 793	1			COVER, Timing Belt, Upper
24	6100 275	3			SCREW, Timing Belt Cover (6 X 16 mm)
	6100 277	2			SCREW, Timing Belt Cover To Cylinder Head (6 X 25 mm)
25	5214 122	1			SHIELD, Timing Belt
26	6101 006	2			SCREW, Timing Belt Shield Attaching
27	6100 041	1			"U" NUT, Timing Belt Cover Attaching

**MODEL CODES**

B = GRAN FURY	G = DIPLOMAT	V = 400
C = LEBARON/TOWN & COUNTRY	M = HORIZON/TURISMO/SCAMP	X = MIRADA
D = ARIES	P = RELIANT	Y = IMPERIAL
E = 600	S = CORDOBA	Z = OMNI/CHARGER/RAMPAGE
F = FIFTH AVENUE	T = E CLASS/NEWYORKER	

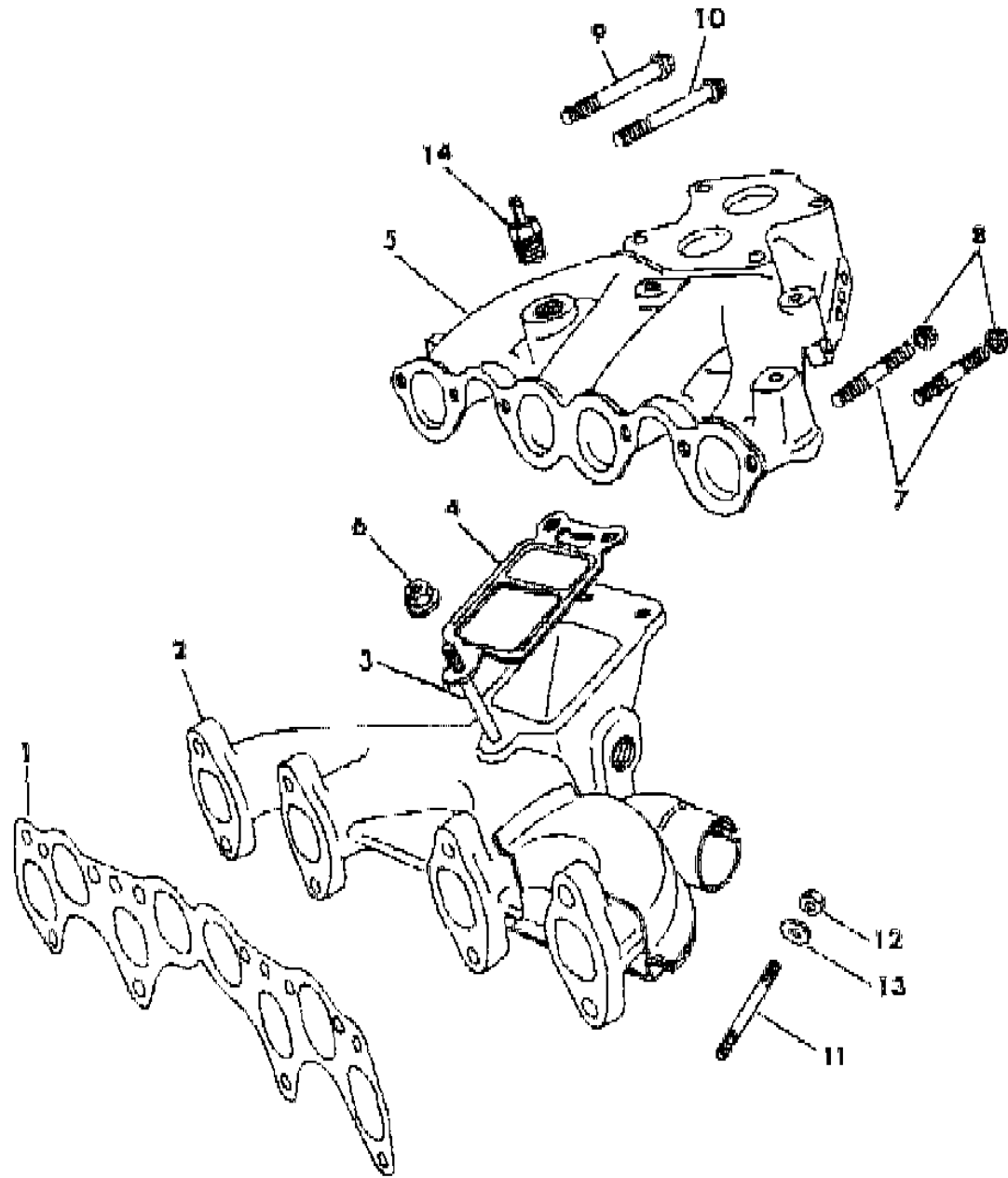
**BODY STYLES**

21 = 2-DOOR SEDAN	41 = 4-DOOR SEDAN
22 = 2-DOOR SPECIAL COUPE	45 = 4-DOOR STATION WAGON
24 = 2-DOOR HATCHBACK	44 = 4-DOOR HATCHBACK
27 = 2-DOOR CONVERTIBLE	48 = EXECUTIVE SEDAN
28 = FWD PICKUP	

AR = Use as Required - = Non Illustrated Part P.A.R. = Paint as Required

**INTAKE AND EXHAUST MANIFOLD 4 CYLINDER ENGINE 1.7 L, M,Z**  
**Figure 9A-1500**

3158 1500A



ITEM	PART NUMBER	QTY	BODY	MODEL	DESCRIPTION
1	5240 311	1			GASKET, Intake and Exhaust Manifold
2	4179 921	1			MANIFOLD, Exhaust, w/Air Heater, Assy.
3	6100 741	1			STUD, Exhaust To Intake Manifold
	6100 297	2			SCREW, Exhaust To Intake Manifold
4	5240 634	1			GASKET, Intake To Exhaust Manifold
5	5214 797	1			MANIFOLD, Intake
6	6100 050	1			NUT, w/Washer, Exhaust To Intake Manifold Stud
7	6100 732	2			STUD, Intake To Exhaust Manifold
8	6100 050	2			NUT, w/Washer, Intake To Exhaust Manifold Stud I
9	6500 390	4			BOLT, Intake Manifold To Cylinder Head
10	6500 391	2			BOLT, Intake Manifold To Cylinder Head
11	5240 838	8			STUD, Exhaust Manifold To Cylinder Head
12	6500 363	8			NUT, Exhaust Manifold To Cylinder Head Stud
13	6100 878	8			WASHER, Exhaust Manifold To Cylinder Head Stud
14	5240 798	1			CONNECTOR, Vacuum Control, w/Air Conditioning
	1859 127	1			PLUG, Intake Manifold Vacuum, w/o Air Conditioning
	6031 789	1			CONNECTOR, Exhaust Manifold

MODEL CODES  
 B = GRAN FURY  
 C = LEBARON/TOWN & COUNTRY  
 D = ARIES  
 E = 600  
 F = FIFTH AVENUE  
 G = DIPLOMAT  
 M = HORIZON/TURISMO/SCAMP  
 P = RELIANT  
 S = CORDOBA  
 T = E CLASS/NEWYORKER  
 V = 400  
 X = MIRADA  
 Y = IMPERIAL  
 Z = OMNI/CHARGER/RAMPAGE

BODY STYLES  
 21 = 2-DOOR SEDAN  
 22 = 2-DOOR SPECIAL COUPE  
 24 = 2-DOOR HATCHBACK  
 27 = 2-DOOR CONVERTIBLE  
 28 = FWD PICKUP  
 41 = 4-DOOR SEDAN  
 45 = 4-DOOR STATION WAGON  
 44 = 4-DOOR HATCHBACK  
 48 = EXECUTIVE SEDAN

AR = Use as Required - = Non Illustrated Part P.A.R. = Paint as Required

**ENGINE MOUNTING 4 CYLINDER ENGINE 1.7 L, M,Z**  
**Figure 9A-1600**

3186 1600

ITEM	PART NUMBER	QTY	BODY	MODEL	DESCRIPTION
1	5202 975	1			INSULATOR, Engine Support, Front, w/Man Trans. w/3.37 Top Gear Ratio
2	4269 277	1			w/Man. Trans. w/2.69, 3.13 Top Gear Ratio
	6500 161	2			BOLT, Engine Support Insulator Bracket To Engine Lug Front, w/ Auto. Trans. and Man. Trans. w/2.69 Top Gear Ratio.
3	6500 570	2			w/Man. Trans. w/3.37 Top Gear Ratio
	#4296 110	1			BRACKET, Front Side Rail Front Crossmember, Engine Mounting Front
4	5202 257	1			PLATE, Front Crossmember Flange, Assy.
5	6500 233	4			SCREW, Front Crossmember Flange Tie Plate
6	6500 535	2			SCREW, w/Washer, Engine Support Insulator Bracket To Engine Mounting Front Bracket, Front
7	6100 518	2			NUT, Engine Support Insulator Bracket To Engine Mounting Front Bracket, Front
8	#4271 953	1			SCREW, w/Washer, Engine Support Insulator to Frame, Front
9	6100 053	1			NUT, Engine Support Insulator to Frame, Front
10	6100 518	2			NUT, Front Crossmember Flange Tie Plate
11	#5202 902	1			BRACKET Assy. Eng. Support Insulator Rt. w/Man. Trans. w/2.69, 3.13 Top Gear Ratio.
	4270 166	1			w/Man. Trans. w/3.37 Top Gear Ratio.
12	#4295 198	1			BUSHING Assy. Eng. Support Insulator w/Man. Trans. w/2.69, 3.13 Top Gear Ratio.
13	5202 043	1			STUD, Engine Support Insulator Bracket To Engine Mounting, Right
14	6500 164	1			NUT, Stud
15	4271 953	1			SCREW w/Washer, Engine Support Insulator To Frame, Right
16	6500 555	2			SCREW w/Washer, Bushing Assy. To Insulator Bracket
17	6500 165	2			NUT, Engine Support Insulator Bracket To Engine Mounting Bolt, Right
18	6100 053	1			NUT, Engine Support Insulator To Frame Screw
19	4191 976	2			REINFORCEMENT, Insulator Shell
20	#4268 071	1			BRACKET, Engine Mounting, Rt.
21	5240 728	1			SPACER, Engine Mounting, Rt.
22	6500 369	2			BOLT, Eng. Support Insulator Bracket To Eng. Mounting Assy. Rt.
23	6500 253	1			SCREW, w/WASHER, Eng. Mounting Rt.
24	#4267 207	1			BRACKET PKG., Eng. Support Insulator Lt., w/Auto. Trans.
	4267 205	1			w/Man. Trans. w/3.37 Top Gear Ratio

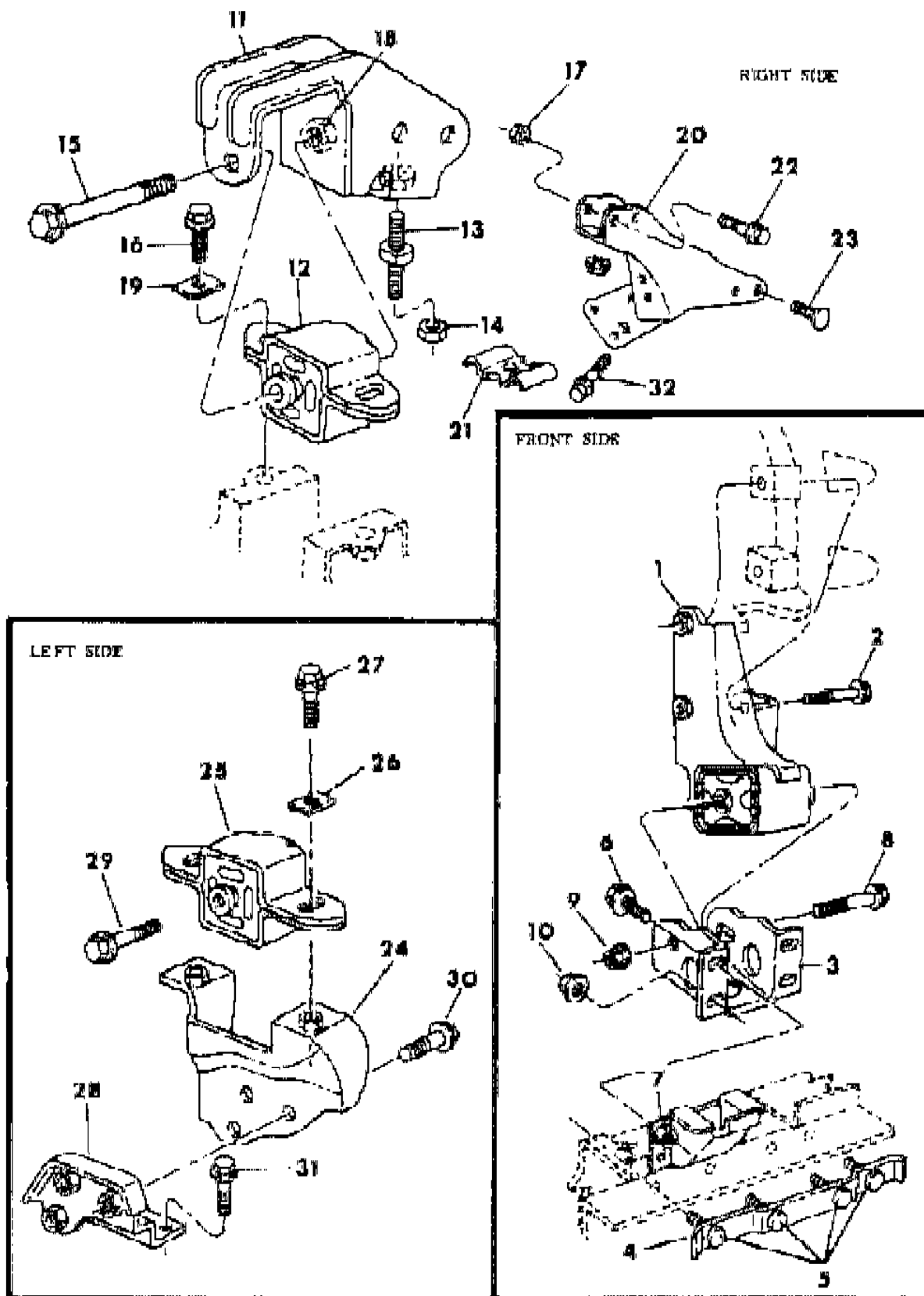
**MODEL CODES**

B = GRAN FURY	G = DIPLOMAT	V = 400
C = LEBARON/TOWN & COUNTRY	M = HORIZON/TURISMO/SCAMP	X = MIRADA
D = ARIES	P = RELIANT	Y = IMPERIAL
E = 600	S = CORDOBA	Z = OMNI/CHARGER/RAMPAGE
F = FIFTH AVENUE	T = E CLASS/NEWYORKER	

**BODY STYLES**

21 = 2-DOOR SEDAN	41 = 4-DOOR SEDAN
22 = 2-DOOR SPECIAL COUPE	45 = 4-DOOR STATION WAGON
24 = 2-DOOR HATCHBACK	44 = 4-DOOR HATCHBACK
27 = 2-DOOR CONVERTIBLE	48 = EXECUTIVE SEDAN
28 = FWD PICKUP	

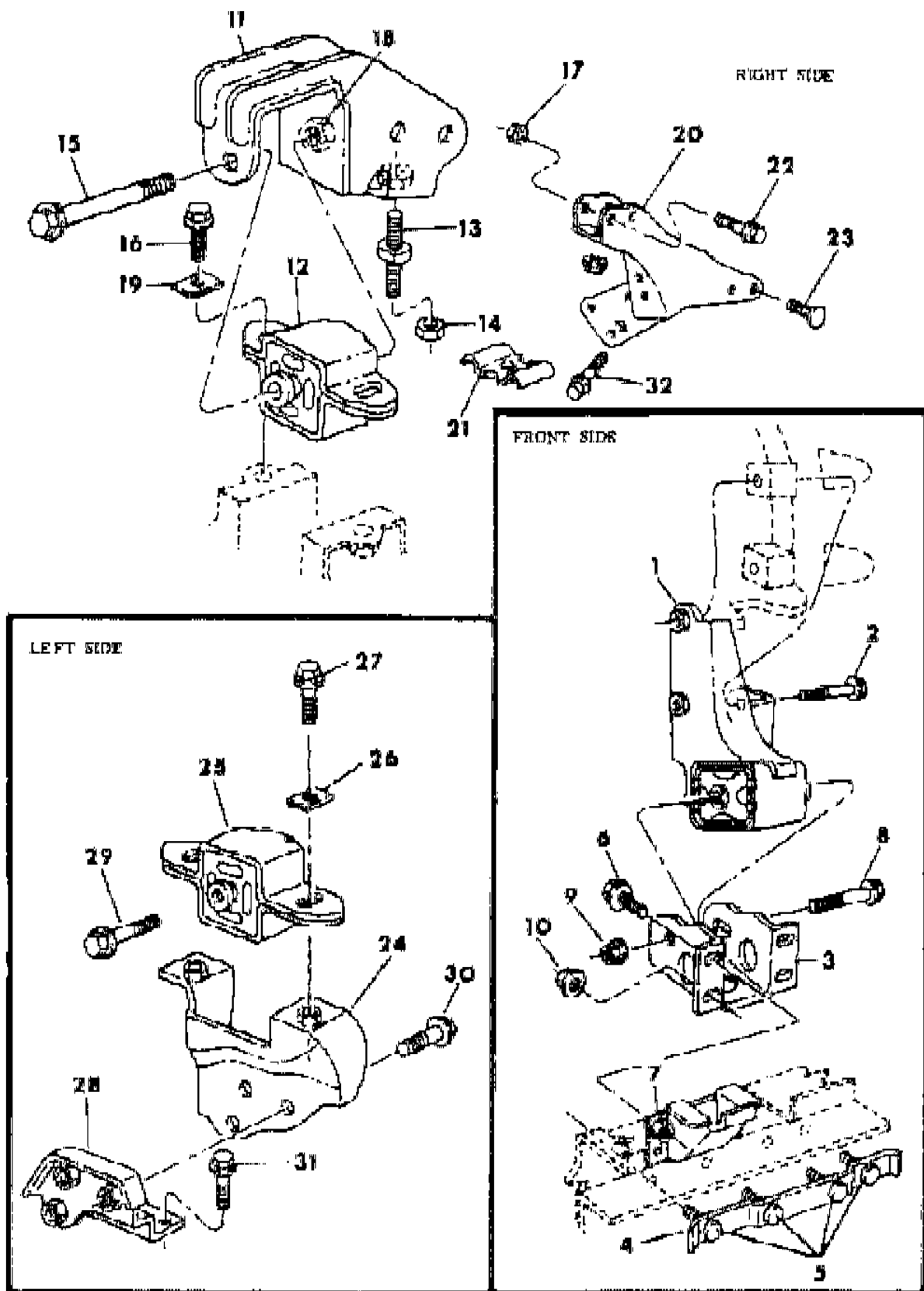
AR = Use as Required - = Non Illustrated Part P.A.R. = Paint as Required



**ENGINE MOUNTING 4 CYLINDER ENGINE 1.7 L, M,Z**  
**Figure 9A-1600**

3186 1600

ITEM	PART NUMBER	QTY	BODY	MODEL	DESCRIPTION
	4267 206	1			w/Man. Trans., w/2.69, 3.13 Top gear Ratio.
25	#4295 198	1			BUSHING Assy., Eng. Support Insulator
26	4191 976	2			REINFORCEMENT, Insulator Shell
27	6500 724	2			SCREW w/WASHER, Bushing Assy. To Insulator Bracket
28	5202 778	1			BRACKET ASSY. Man. Trans. Adapter, Lt. w/Man. Tran s. w/3.37 Top Gear Ratio.
29	4271 953	1			SCREW w/Washer, Eng. Support Insulator To Frame, Lt.
30	6500 576	3			SCREW w/Washer, Eng. Support Bracket To Trans. Case, Lt.
31	6500 253	4			SCREW w/Washer, Eng. Support Insulator Bracket To Man. Trans. Housing, Lt. w/3.37 Top Gear Ratio.
	6500 495	3			To Trans. Case, Lt. w/Auto. Trans.
32	#6500 132	2			SCREW w/Washer, Eng. Bracket Rt., Alter. Bracket (M8 x 1.25 x 65 lg.)



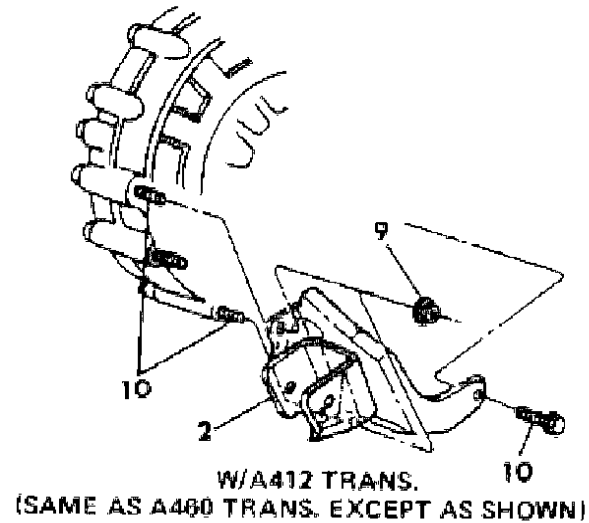
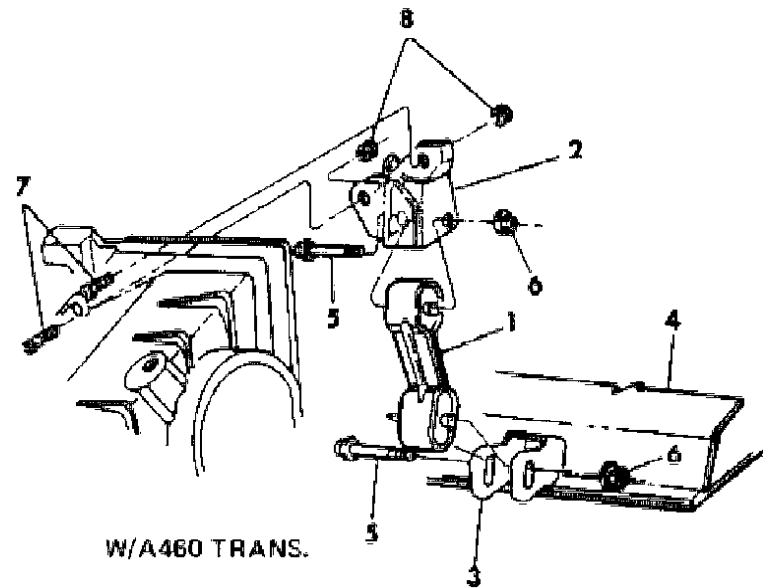
MODEL CODES  
 B = GRAN FURY  
 C = LEBARON/TOWN & COUNTRY  
 D = ARIES  
 E = 600  
 F = FIFTH AVENUE  
 G = DIPLOMAT  
 M = HORIZON/TURISMO/SCAMP  
 P = RELIANT  
 S = CORDOBA  
 T = E CLASS/NEWYORKER  
 V = 400  
 X = MIRADA  
 Y = IMPERIAL  
 Z = OMNI/CHARGER/RAMPAGE

BODY STYLES  
 21 = 2-DOOR SEDAN  
 22 = 2-DOOR SPECIAL COUPE  
 24 = 2-DOOR HATCHBACK  
 27 = 2-DOOR CONVERTIBLE  
 28 = FWD PICKUP  
 41 = 4-DOOR SEDAN  
 45 = 4-DOOR STATION WAGON  
 44 = 4-DOOR HATCHBACK  
 48 = EXECUTIVE SEDAN

AR = Use as Required - = Non Illustrated Part P.A.R. = Paint as Required

**ENGINE STRUT, W/MAN. TRANS. 4 CYLINDER ENGINE 1.7 L, M,Z**  
**Figure 9A-1700**

3158 1700



ITEM	PART NUMBER	QTY	BODY	MODEL	DESCRIPTION
1	#4191 281	1			STRUT, Man. Trans. To Eng., Roll
2	#4052 557	1			BRACKET, Man. Trans. To Eng. Roll Strut, w/Man. Trans. w/3.37 Top Gear Ratio
3	4191 284	1			w/Man. Trans. w/2.69, 3.13 Top Gear Ratio.
4	#5202 733	1			BRACKET, Suspension Crossmember To Eng. Roll Strut (Serviced in #5202733 Front Suspension Crossmember Assy. CROSSMEMBER, Front Suspension Assy.
5	#6101 342	2			SCREW w/Washer, Man. Trans. To Suspension Crossmember Eng. Roll Strut w/412 Man. Trans. w/3.37 Top Gear Ratio
6	#6100 053	2			NUT w/Washer, Man. Trans. to Suspension Crossmember Eng. Roll Strut .
7	6100 342	2			STUD, Man. Trans. to Eng. Roll Strut Bracket
8	6100 517	2			NUT, Man. Trans. to Eng. Roll Strut Bracket
9	6100 518	2			NUT, Man. Trans. to Eng. Roll Strut Bracket, w/Man. Trans. w/3.37 Top Gear Ratio.
10	#6100 346	3			SCREW, Man. Trans. to Roll Strut Bracket, w/Auto Trana. w/3.37 Top Gear Ratio.

**MODEL CODES**

B = GRAN FURY	G = DIPLOMAT	V = 400
C = LEBARON/TOWN & COUNTRY	M = HORIZON/TURISMO/SCAMP	X = MIRADA
D = ARIES	P = RELIANT	Y = IMPERIAL
E = 600	S = CORDOBA	Z = OMNI/CHARGER/RAMPAGE
F = FIFTH AVENUE	T = E CLASS/NEWYORKER	

**BODY STYLES**

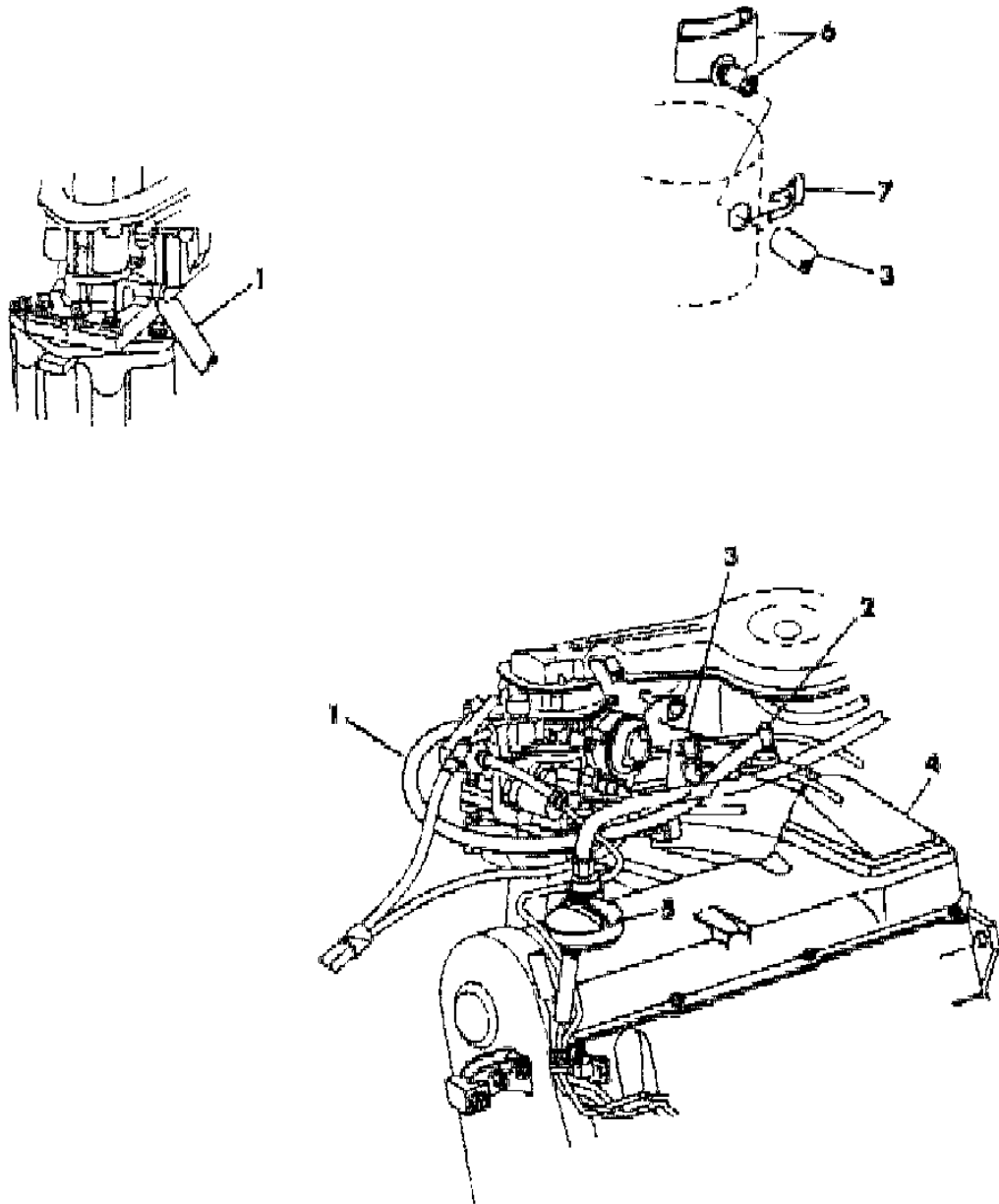
21 = 2-DOOR SEDAN	41 = 4-DOOR SEDAN
22 = 2-DOOR SPECIAL COUPE	45 = 4-DOOR STATION WAGON
24 = 2-DOOR HATCHBACK	44 = 4-DOOR HATCHBACK
27 = 2-DOOR CONVERTIBLE	48 = EXECUTIVE SEDAN
28 = FWD PICKUP	

AR = Use as Required - = Non Illustrated Part P.A.R. = Paint as Required

**CRANKCASE VENT VALVE, HOSE, OIL FILLER CAP 4 CYLINDER ENGINE 1.7 L, M,Z**  
**Figure 9A-1800**

ITEM	PART NUMBER	QTY	BODY	MODEL	DESCRIPTION
NOTE (1) Part No. 4026136 Consists of a 50" foot Rool Rough Stock ifold and Electrical components such as Alternator and Distributor.					
1	4026 136	AR			HOSE, Crankcase Vent Valve to Carb. (27" lg.) w/(S/C-N98),(See Note)
	4041 243	1			(Formed Hose)
2	5214 088	1			VALVE, Crankcase Vent
3	#4241 146	1			HOSE, Crankcase Vent Valve Molded
4	5240 489	1			COVER, Cylinder Head, Assy.
5	5240 498	1			CAP, Cylinder Head Cover Oil Filler
6	5214 435	1			FILTER, Crankcase Inlet Air
7	5214 436	1			CLIP, Crankcase Inlet Air Filter

3158 1800A



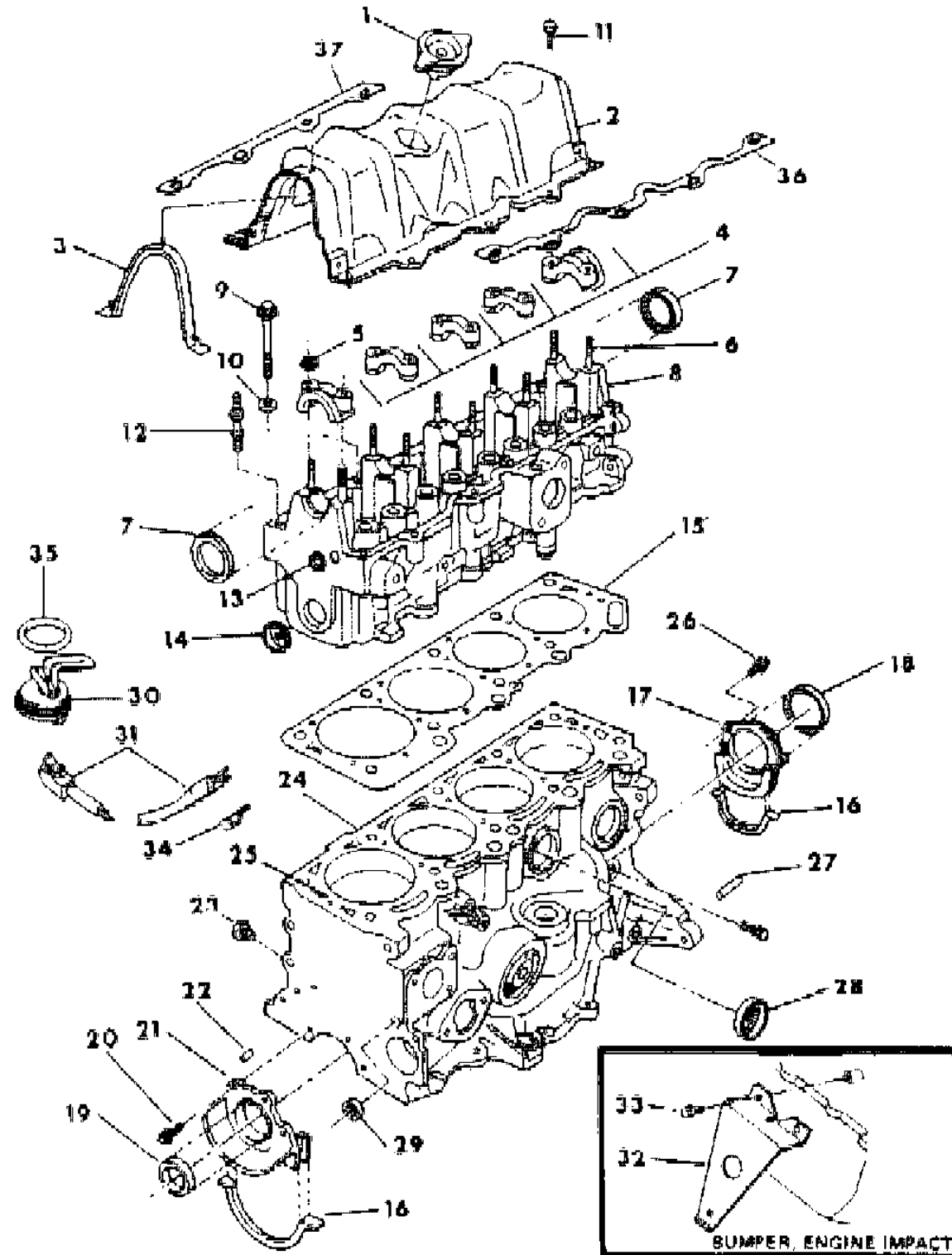
MODEL CODES  
 B = GRAN FURY  
 C = LEBARON/TOWN & COUNTRY  
 D = ARIES  
 E = 600  
 F = FIFTH AVENUE  
 G = DIPLOMAT  
 M = HORIZON/TURISMO/SCAMP  
 P = RELIANT  
 S = CORDOBA  
 T = E CLASS/NEWYORKER  
 V = 400  
 X = MIRADA  
 Y = IMPERIAL  
 Z = OMNI/CHARGER/RAMPAGE

BODY STYLES  
 21 = 2-DOOR SEDAN  
 22 = 2-DOOR SPECIAL COUPE  
 24 = 2-DOOR HATCHBACK  
 27 = 2-DOOR CONVERTIBLE  
 28 = FWD PICKUP  
 41 = 4-DOOR SEDAN  
 45 = 4-DOOR STATION WAGON  
 44 = 4-DOOR HATCHBACK  
 48 = EXECUTIVE SEDAN

AR = Use as Required - = Non Illustrated Part P.A.R. = Paint as Required

**ENGINE, CYLINDER BLOCK, CYLINDER HEAD 4 CYLINDER 2.2 L. ENG. M,Z,P,D,C,V,E,T**  
**Figure 9A-1900**

3158 1000xc



ITEM	PART NUMBER	QTY	BODY	MODEL	DESCRIPTION
NOTE 1: These Packages do not contain Gaskets for all required sealings. R.T.V. Sealer #4026070 and Gasket Eliminator #4205918 must be used in addition as described in the Chrysler repair Manual.					
NOTE 2: When replacing a cyl. Head that is stamped O/S. J .050 O/S. Camshaft Journals use the Std. Cyl. Head # 4105399 (Early Production w/Casting No. 5203655 and the Std. Camshaft Pkg. #4271910 or use 4105443 Cyl. Head (Late Production w/Casting No. 4105443)					
	4240 097	1			GASKET PACKAGE, Engine Upper (See Note 1) Consists of: 1-5203780 Gasket, Cyl. Head 8-4201332 Seal, Valve Stem Oil 2-5214479 Seal, Cyl. Head Cover End
	4240 098	1			1-4179895 Gasket, Cyl. Water Outlet Connection GASKET PACKAGE, Engine Lower (See Note 1) Consists of: 1-1407748 Seal, Oil Pump Cover to Oil Pump Suction Pipe 1-5203542 Gasket, Water Pump Housing 1-5203778 Seal, Oil Pan to Retainer
NOTE: Short Engine Assembly consists of the Cylinder Block with Piston and Rings, Crankshaft and Bearings, Connecting Rods and Bearings. . 5203655 and the Std. Camshaft Pkg. #4271910 or use 4105443 Cyl. Head (Late Production w/Casting No. 4105443)					
1A	#5214 968	1			SHORT ENGINE, Assy. (Except E68 Eng.)
	4201 991	1			(w/E68 Eng.)
NOTE: Fitted Case Engine Assy. consists of the Block with Pistons Rings, Connecting Rods and Bearings. . 5203655 and the Std. Camshaft Pkg. #4271910 or use 4105443 Cyl. Head (Late Production w/Casting No. 4105443) and the Std. Camshaft Pkg. #4271910					
	4227 916	1			FITTED CASE ENGINE, Assy.
1	2946 051	1			CAP ASSY., Oil Filler
2	#4273 057	1			COVER, Cylinder Head, (See Note 1) (Except E68 Eng.)
	4105 774	1			(w/E68 Eng.)
3	5214 479	2			SEAL, Cylinder Head Cover End
4					CAPS, Camshaft Bearing (Serviced in Cyl. Head), (See Note 1)
5	6500 165	10			NUT, Camshaft Bearing Cap Stud
6	6500 342	10			STUD, Camshaft Bearing Cap
7	#4105 395	1			SEAL, Camshaft Front (Timing Belt End)
	4105 397	1			SEAL, Camshaft Rear (Trans. End) (52.35 MM O.D.) (Painted Yellow)
	4105 396	1			(52.62 MM O.D.)
8	#4105 399	1			HEAD ASSY. Cylinder (Partial) w/Std. Camshaft journals (w/ Casting No. 5203655 Early Production)
	4105 443	1			w/Std. Camshaft journals(w/Casting No. 4105443 Late Production)

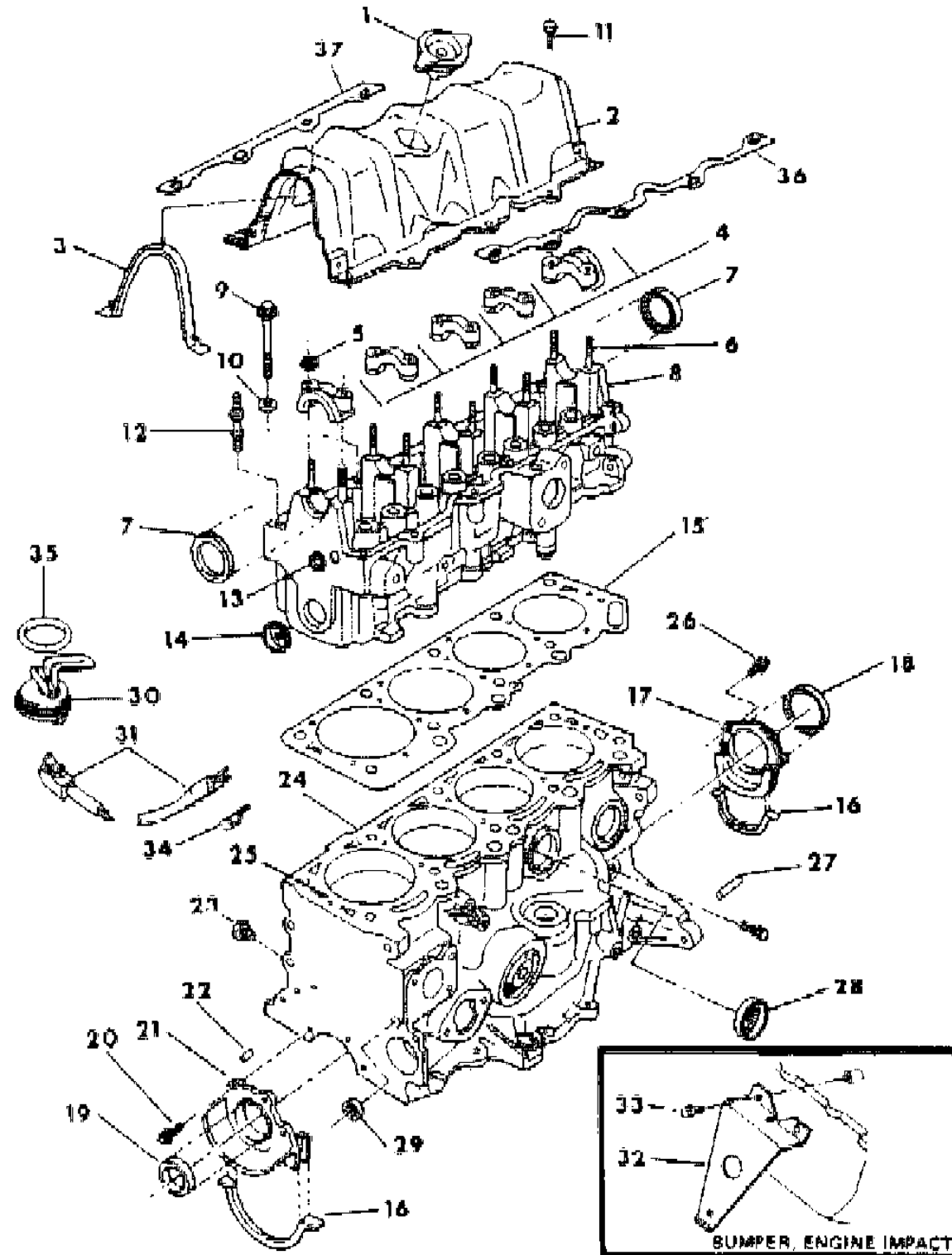
MODEL CODES		
B = GRAN FURY	G = DIPLOMAT	V = 400
C = LEBARON/TOWN & COUNTRY	M = HORIZON/TURISMO/SCAMP	X = MIRADA
D = ARIES	P = RELIANT	Y = IMPERIAL
E = 600	S = CORDOBA	Z = OMNI/CHARGER/RAMPAGE
F = FIFTH AVENUE	T = E CLASS/NEWYORKER	

BODY STYLES	
21 = 2-DOOR SEDAN	41 = 4-DOOR SEDAN
22 = 2-DOOR SPECIAL COUPE	45 = 4-DOOR STATION WAGON
24 = 2-DOOR HATCHBACK	44 = 4-DOOR HATCHBACK
27 = 2-DOOR CONVERTIBLE	48 = EXECUTIVE SEDAN
28 = FWD PICKUP	

AR = Use as Required - = Non Illustrated Part P.A.R. = Paint as Required

**ENGINE, CYLINDER BLOCK, CYLINDER HEAD 4 CYLINDER 2.2 L. ENG. M,Z,P,D,C,V,E,T**  
**Figure 9A-1900**

3158 1000pc



ITEM	PART NUMBER	QTY	BODY	MODEL	DESCRIPTION
		1			w/.050 O/S. Camshaft journals (See Note 2)
9	6500 397	10			SCREW, Cylinder Head (10x122.5 MM)
10	#6500 543	10			WASHER, Cylinder Head Screw
11	6100 275	3			SCREW, w/Washer, Cyl. Head
12	6500 435	4			STUD, Cylinder Head Cover (M6)
	6100 276	5			SCREW w/Washer
13	5203 340	2			PLUG, Cyl. Head Oil Gallery Hole (5/8)
	4105 971	AR			(.065" O/Size)
14	5203 341	2			PLUG, Cyl. Head Water Hole (1-1/4")
	4105 972	AR			(1-1/4")
15	5203 780	1			GASKET, Cyl. Head
16	5203 778	2			SEALER, Oil Pan To Retainer
17	5214 784	1			RETAINER ASSY. Crankshaft Oil Seal Rear, w/Oil Seal, (See Note 1)
18	5203 590	1			OIL SEAL, Crankshaft Rear
19	#4105 395	1			OIL SEAL, Crankshaft Front
20	6101 278	2			SCREW, w/Washer, Crankshaft Oil Seal Retainer, Front
21	5214 788	1			RETAINER ASSY., Crankshaft Oil Seal Front, w/Oil Seal, (See Note 1)
22	5203 466	4			DOWEL, Cyl. Block To Crankshaft Seal Retainer (Not Serviced)
23		1			PLUG, Cyl. Block Water Jacket Drain 1/4" Pipe (Not Serviced)
24					BLOCK ASSY., Cyl. (Service in Short Eng. Assy.)
25					DOWEL, Cyl. Block To Cyl. Head (Not Serviced)
26	6101 278	2			SCREW, w/Washer, Crankshaft Oil Seal Retainer, Rear
27	5240 849	2			DOWEL, Cyl. Block To Clutch Housing or Trans. Case
28	5203 342	5			PLUG, Cyl. Block Water Hole 1-5/8"
	5203 344	AR			.065 O/S
29	5203 340	2			PLUG, Cyl. Block Oil Gallery 5/8"
30	5213 083	1			HEATER, Eng. Block
31	5206 359	1			CORD, Eng. Block Heater
32	#4105 438	1			BUMPER, Eng. Impact
33	6101 052	2			SCREW w/Washer, Impact Bumper
34	6015 412	2			CLIP, Eng. Block Heater Cord
35	6027 513	AR			"O" RING, Eng. Block Heater
36	#4201 977	1			DOUBLE, Cyl. Head Cover, Front
37	#4201 978	1			DOUBLE, Cyl. Head Cover, Rear

**MODEL CODES**

B = GRAN FURY	G = DIPLOMAT	V = 400
C = LEBARON/TOWN & COUNTRY	M = HORIZON/TURISMO/SCAMP	X = MIRADA
D = ARIES	P = RELIANT	Y = IMPERIAL
E = 600	S = CORDOBA	Z = OMNI/CHARGER/RAMPAGE
F = FIFTH AVENUE	T = E CLASS/NEWYORKER	

**BODY STYLES**

21 = 2-DOOR SEDAN	41 = 4-DOOR SEDAN
22 = 2-DOOR SPECIAL COUPE	45 = 4-DOOR STATION WAGON
24 = 2-DOOR HATCHBACK	44 = 4-DOOR HATCHBACK
27 = 2-DOOR CONVERTIBLE	48 = EXECUTIVE SEDAN
28 = FWD PICKUP	

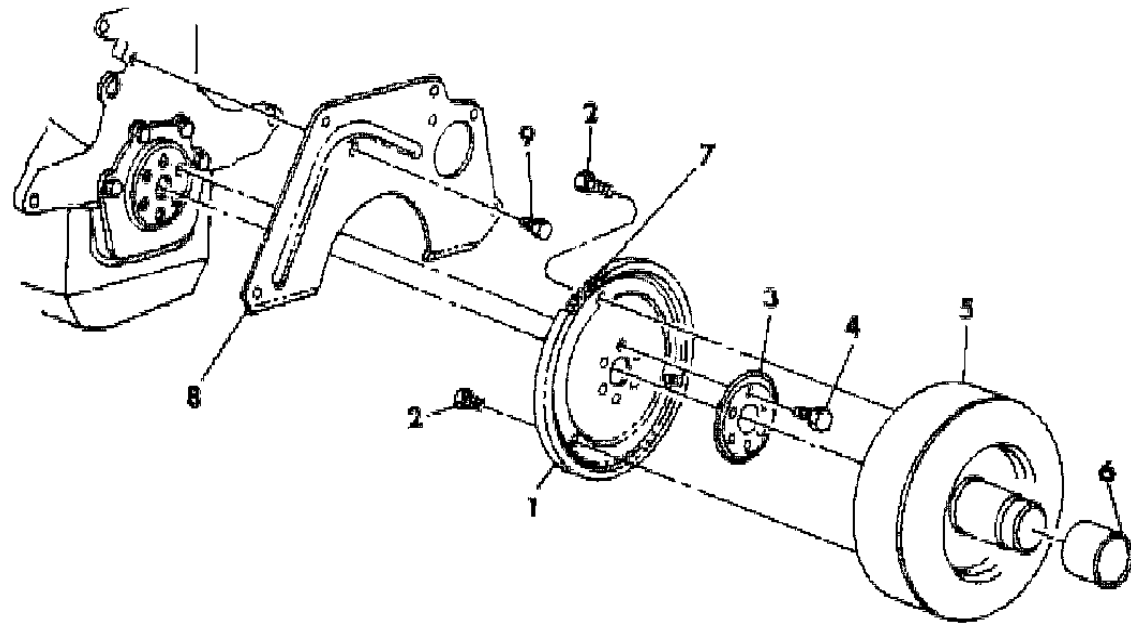
AR = Use as Required - = Non Illustrated Part P.A.R. = Paint as Required



**TORQUE CONVERTER, DRIVE PLATE 4 CYLINDER 2.2 L. ENG., M,Z,P,D,C,V,E,T**  
**Figure 9A-2000**

315B 2000A

ITEM	PART NUMBER	QTY	BODY	MODEL	DESCRIPTION
1	5222 639	1			PLATE ASSY., Torque Converter Drive
2	6500 500	3			BOLT, Drive Plate To Torque Converter
3	5222 613	1			PLATE, Crankshaft Bolt Backing
4	6500 311	6			BOLT, Drive Plate To Crankshaft
5	#4293 058	1			TORQUE CONVETER ASSY.
6	3515 138	1			SEAL, Torque Converter Impeller Hub To Trans.
7		1			GEAR, Torque Converter Ring (Service in Drive Plate Assy.)
8	5222 454	1			COVER, Trans. Case Upper (See Group 21)
9	6100 265	2			SCREW, Trans. Case Upper (See Group 21)



**MODEL CODES**

B = GRAN FURY	G = DIPLOMAT	V = 400
C = LEBARON/TOWN & COUNTRY	M = HORIZON/TURISMO/SCAMP	X = MIRADA
D = ARIES	P = RELIANT	Y = IMPERIAL
E = 600	S = CORDOBA	Z = OMNI/CHARGER/RAMPAGE
F = FIFTH AVENUE	T = E CLASS/NEWYORKER	

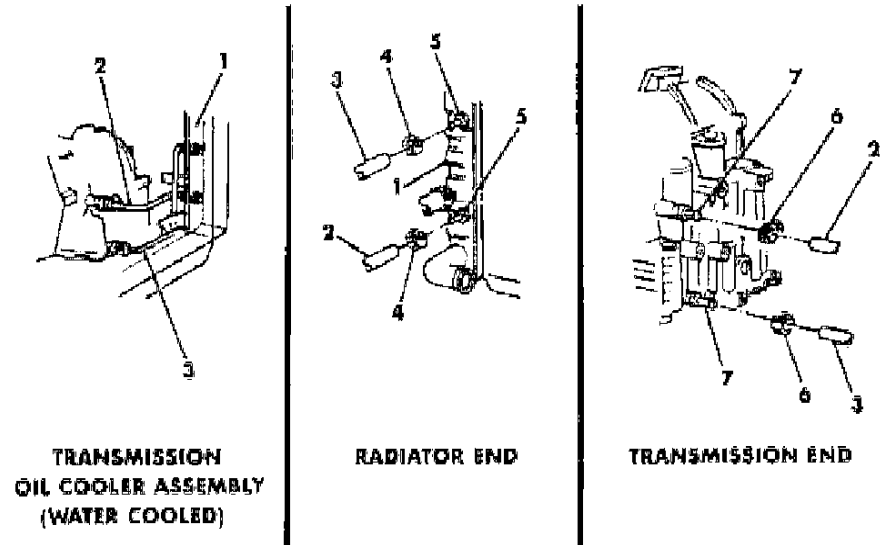
**BODY STYLES**

21 = 2-DOOR SEDAN	41 = 4-DOOR SEDAN
22 = 2-DOOR SPECIAL COUPE	45 = 4-DOOR STATION WAGON
24 = 2-DOOR HATCHBACK	44 = 4-DOOR HATCHBACK
27 = 2-DOOR CONVERTIBLE	48 = EXECUTIVE SEDAN
28 = FWD PICKUP	

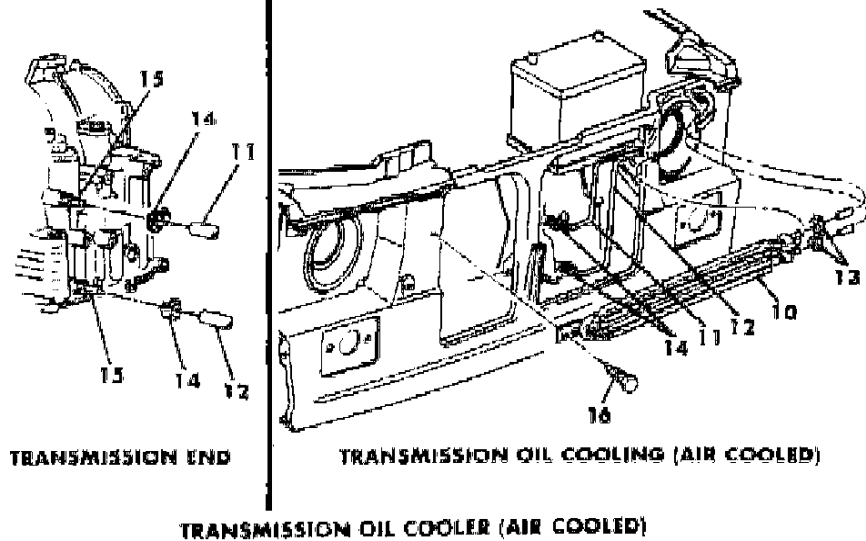
AR = Use as Required - = Non Illustrated Part P.A.R. = Paint as Required

**TRANSMISSION OIL COOLER 4 CYLINDER 2.2 L. ENG., M,Z,P,D,C,V,E,T**  
**Figure 9A-2100**

31.58 2100A



**TRANSMISSION OIL COOLER (WATER COOLED)**



ITEM	PART NUMBER	QTY	BODY	MODEL	DESCRIPTION
1	#4140 568	1		M,Z	OIL COOLER, Radiator Trans. Oil (Water Cooled)
	4140 569	1		P,D,C,V	
2	#4266 179	1		M,Z	HOSE, Trans. Oil Radiator Cooler (Return)
	4266 189	1		P,D,C,V	
3	#4266 178	1		M,Z	HOSE, Trans. Oil Radiator Cooler (Pressure)
	4266 193	1		P,D,C,V	
4	#6032 282	2			CLAMP, Trans. Oil Cooler Hose (Radiator End)
5	#6500 170	2			CONNECTOR, Trans. Oil Cooler Hose (Radiator End)
6	#6032 282	2			CLAMP, Trans. Oil Cooler Hose (Trans. End)
7	#4269 775	2			CONNECTOR, Trans. Oil Cooler Hose (Trans. End)
10	#4266 294	1		M,Z	OIL COOLER, Trans. Oil (Air Cooled)
	4266 196	1		P,D,C,V	(Auxiliary Air Cooled)
11	#4266 177	1		M,Z	HOSE, Trans. Oil Air Cooled (Return)
	4266 197	1		P,D,C,V	
12	#4266 176	1		M,Z	HOSE, Trans. Oil Air Cooler (Pressure)
	4266 198	1		P,D,C,V	
13	#6032 282	1			CLAMP, Trans. Oil Cooler Hose (Cooler End)
14	#6032 282	2			CLAMP, Trans. Oil Cooler Hose (Trans. End)
15	#4269 775	2			CONNECTOR, Trans. Oil Cooler Hose (Trans. End)
16	#6032 196	1			SCREW, Air Cooler To Panel

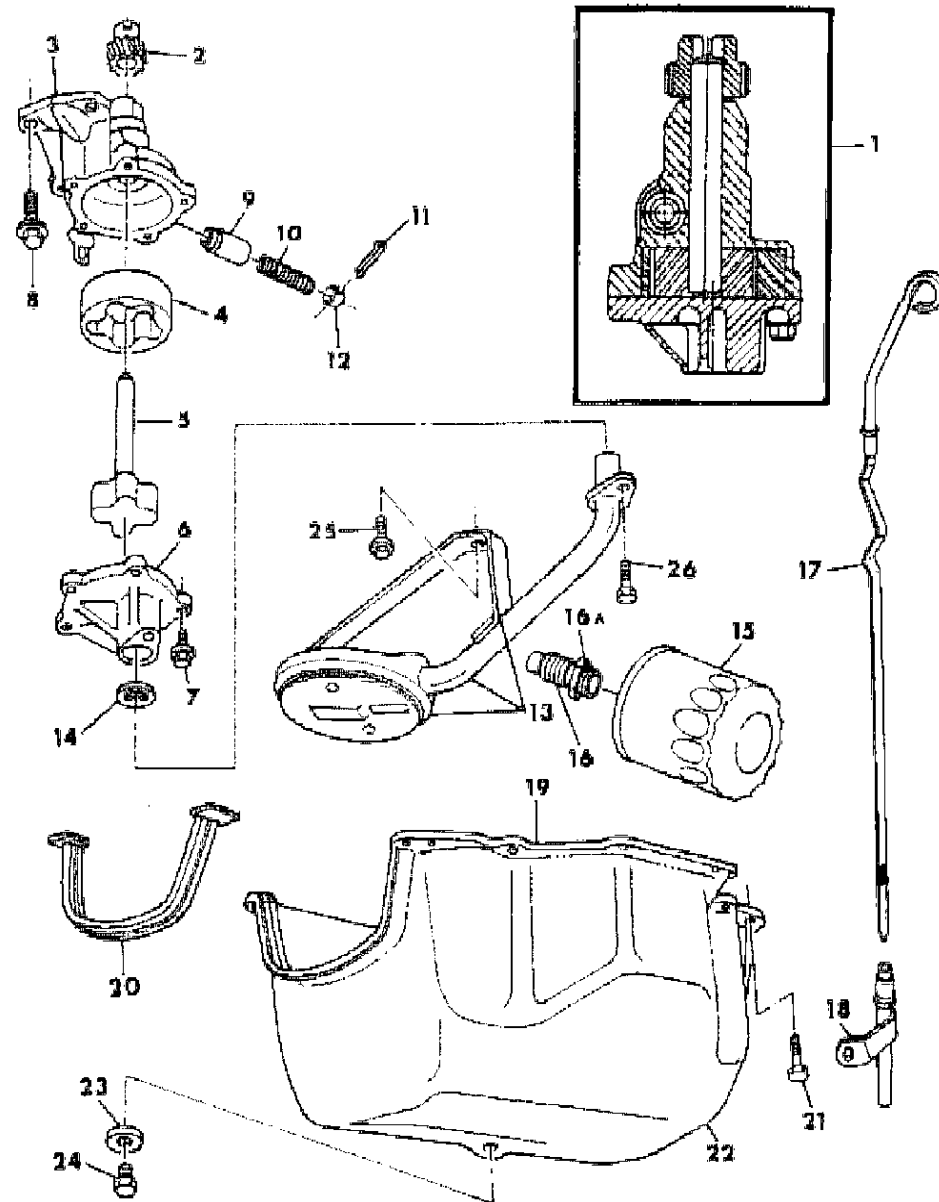
MODEL CODES  
 B = GRAN FURY  
 C = LEBARON/TOWN & COUNTRY  
 D = ARIES  
 E = 600  
 F = FIFTH AVENUE  
 G = DIPLOMAT  
 M = HORIZON/TURISMO/SCAMP  
 P = RELIANT  
 S = CORDOBA  
 T = E CLASS/NEWYORKER  
 V = 400  
 X = MIRADA  
 Y = IMPERIAL  
 Z = OMNI/CHARGER/RAMPAGE

BODY STYLES  
 21 = 2-DOOR SEDAN  
 22 = 2-DOOR SPECIAL COUPE  
 24 = 2-DOOR HATCHBACK  
 27 = 2-DOOR CONVERTIBLE  
 28 = FWD PICKUP  
 41 = 4-DOOR SEDAN  
 45 = 4-DOOR STATION WAGON  
 44 = 4-DOOR HATCHBACK  
 48 = EXECUTIVE SEDAN

AR = Use as Required - = Non Illustrated Part P.A.R. = Paint as Required

**OIL PUMP, OIL PAN, OIL LEVEL INDICATOR, OIL FILTER 4 CYLINDER 2.2 L. ENG., M,Z,P,D,C,V,E,T**  
**Figure 9A-2200**

3158 2200A



ITEM	PART NUMBER	QTY	BODY	MODEL	DESCRIPTION
NOTE 1 For all required sealings R.T.V, Sealer 4026070 and Gasket eliminator 4205918 must be used as described in the Chrysler Repair Manual. . 5203655 and the Std. Camshaft Pkg. #4271910 or use 4105443 Cyl. Head (Late Production w/Casting No. 5203415)					
1	5203 415	1			PUMP ASSY. OIL
2		1			GEAR, Oil Pump and Distributor Drive (Service in Oil Pump Assy. 5203415)
3		1			BODY, Oil Pump (Service in Oil Pump 5203415)
4		1			ROTOR, Oil Pump Outer (Service in Oil Pump Drive Shaft and Rotor Pkg. 4240008)
5		1			ROTOR, Oil Pump Inner (Service in Oil Pump Drive Shaft and Rotor Pkg. 4240008)
6	5203 322	1			COVER, Oil Pump
7	#6100 277	5			SCREW w/Washer, Oil Pump Cover
8	6500 151	2			SCREW w/Washer, Oil Pump Mounting
9	2120 764	1			PLUNGER, Oil Pressure Relief Valve
10	2402 473	1			SPRING, Oil Pressure Relief Valve
11		1			PIN, Oil Pressure Relief Valve (Not Serviced)
12	2806 273	1			CAP, Oil Pressure Relief Valve
13	5203 324	1			STRAINER ASSY. Oil Pump Suction Pipe
14	1407 748	1			SEAL, Oil Pump Cover To Oil Pump Suction Pipe
15	#4105 409	1			FILTER ASSY., Oil
16	#4273 323	1			STANDPIPE ASSY., Oil Filter Base to Oil Filter
16A	#2120 017	1			GASKET, Oil Filter Standpipe Adapter
17	#4105 446	1			INDICATER, Oil Level
18	#4173 376	1			TUBE, Oil Level Indicator And Clip
19		AR			SEALER, Oil Pan (Apply as Required), (See Note 1)
20	5203 778	2			SEAL, Oil Pan To Retainer
21	6500 507	11			SCREW w/Washer, Oil Pan Attaching
22	5203 776	1			PAN ASSY., Oil
23	6032 145	1			GASKET, Oil Pan Drain Plug
24	#4271 941	1			PLUG, Oil Pan Drain
25	6500 461	1			SCREW w/Washer, Suction Pipe And Strainer Bracket Attaching
26	6500 070	1			SCREW, Suction Pipe And Strainer Bracket Assy. Attaching
27	#4052 677	1			SHIELD, Eng. Oil Pan w/S/C-F57 Heavy Service Pkg.
28	#6100 287	8			SCREW, Front Suspension to Shield, w/S/C-F57 Heavy Service Pkg.

**MODEL CODES**

B = GRAN FURY	G = DIPLOMAT	V = 400
C = LEBARON/TOWN & COUNTRY	M = HORIZON/TURISMO/SCAMP	X = MIRADA
D = ARIES	P = RELIANT	Y = IMPERIAL
E = 600	S = CORDOBA	Z = OMNI/CHARGER/RAMPAGE
F = FIFTH AVENUE	T = E CLASS/NEWYORKER	

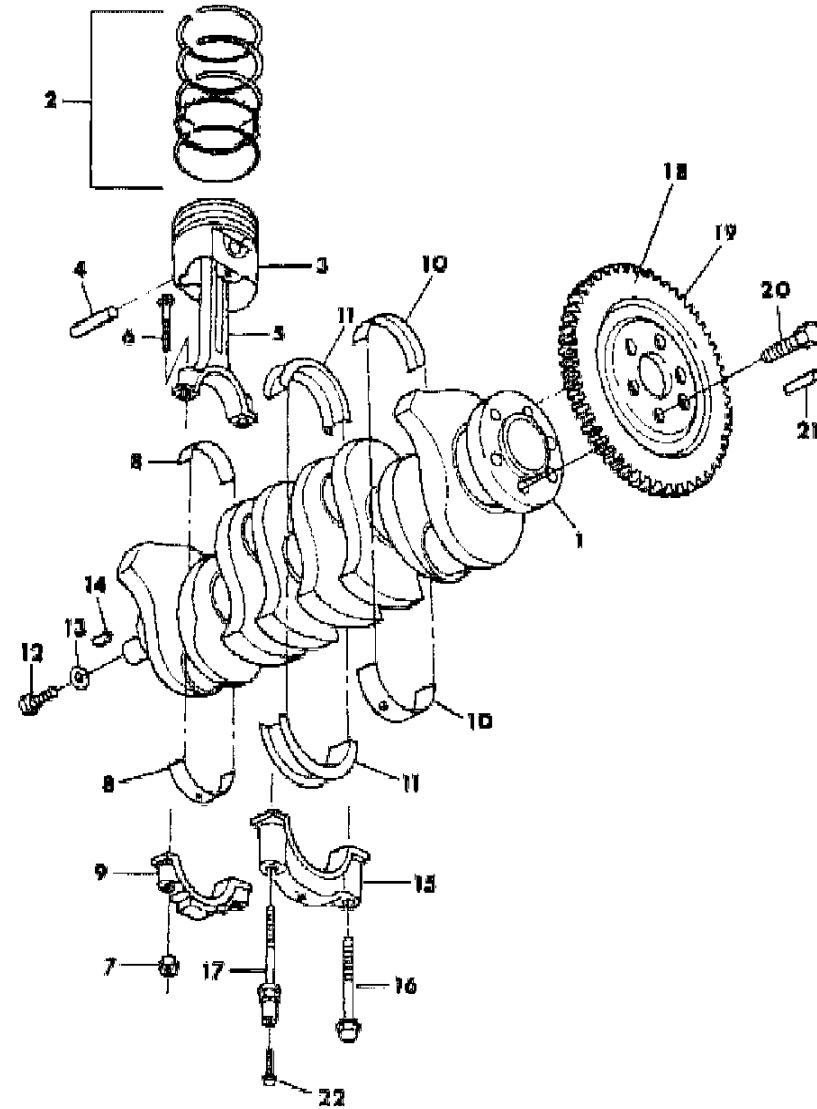
**BODY STYLES**

21 = 2-DOOR SEDAN	41 = 4-DOOR SEDAN
22 = 2-DOOR SPECIAL COUPE	45 = 4-DOOR STATION WAGON
24 = 2-DOOR HATCHBACK	44 = 4-DOOR HATCHBACK
27 = 2-DOOR CONVERTIBLE	48 = EXECUTIVE SEDAN
28 = FWD PICKUP	

AR = Use as Required - = Non Illustrated Part P.A.R. = Paint as Required

**CRANKSHAFT, CONNECTING ROD, PISTONS, RINGS, FLYWHEEL 4 CYLINDER 2.2 L ENGINE M,Z,P,D,C,V,E,T**  
**Figure 9A-2300**

1150 2300



ITEM	PART NUMBER	QTY	BODY	MODEL	DESCRIPTION
1	5214 737	1			CRANKSHAFT
2	4240 137	1			RING SET, Piston, Std. (For Complete Engine)
	4240 138	1			0.5 O/S
	4240 139	1			RING PKG., Piston, Std. (For Single Piston)
	4240 140	1			0.5 O/S
3	#4271 929	4			PISTON, w/Pin, Std.
	4271 930	4			0.50 MM
4	5203 800	4			PIN, Piston
5	5203 384	4			ROD ASSY, Connecting, w/Cap
6	4227 677	8			BOLT, Connecting Rod Bearing Cap
7	4227 678	8			NUT, Connecting Rod Bearing Cap Bolt
8	4240 025	4			BEARING PACKAGE, Connecting Rod, Std.
					Consists of:
					2 ----- Bearings, Connecting Rod
	4240 026	4			0.025 U/S
	4240 027	4			0.050 U/S
	4240 028	4			0.250 U/S
	4240 029	4			0.275 U/S
	4240 030	4			0.300 U/S
9					CAP, Connecting Rod (Service in Connecting Rod Assy.)
10	4240 013	4			BEARING PACKAGE, Crankshaft Upper And Lower No. 1,2,4,5
					Std.
					Consists of:
					1 ----- Bearing, Upper No. 1,2,4,5
					1 ----- Bearing, Lower No. 1,2,4,5
	4240 014	4			0.025 U/S
	4240 015	4			0.050 U/S
	4240 016	4			0.250 U/S
	4240 017	4			0.275 U/S
	4240 018	4			0.300 U/S
11	4240 019	1			BEARING PACKAGE, Crankshaft Upper and Lower No. 3 Std.
					Consists of:
					1 ----- Bearing, Upper No.3
					1 ----- Bearing, Lower No.3
	4240 020	1			0.025 U/S
	4240 021	1			0.050 U/S
	4240 022	1			0.250 U/S

**MODEL CODES**

B = GRAN FURY	G = DIPLOMAT	V = 400
C = LEBARON/TOWN & COUNTRY	M = HORIZON/TURISMO/SCAMP	X = MIRADA
D = ARIES	P = RELIANT	Y = IMPERIAL
E = 600	S = CORDOBA	Z = OMNI/CHARGER/RAMPAGE
F = FIFTH AVENUE	T = E CLASS/NEWYORKER	

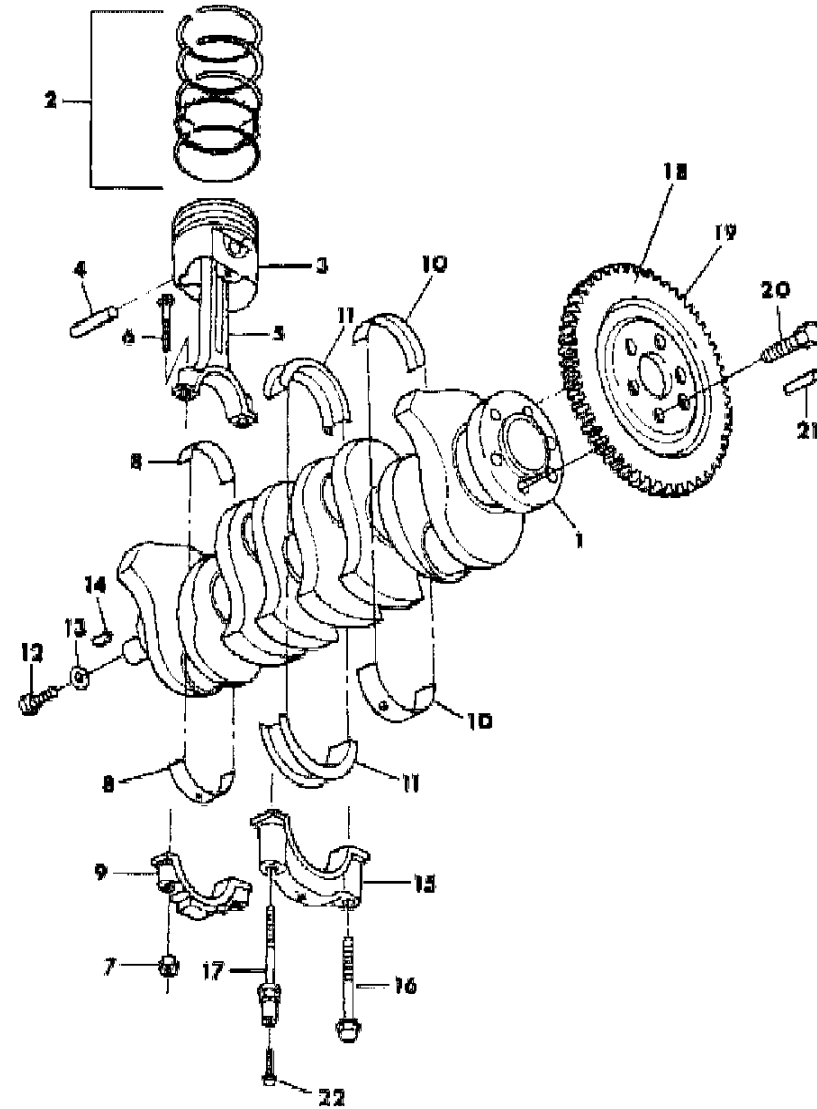
**BODY STYLES**

21 = 2-DOOR SEDAN	41 = 4-DOOR SEDAN
22 = 2-DOOR SPECIAL COUPE	45 = 4-DOOR STATION WAGON
24 = 2-DOOR HATCHBACK	44 = 4-DOOR HATCHBACK
27 = 2-DOOR CONVERTIBLE	48 = EXECUTIVE SEDAN
28 = FWD PICKUP	

AR = Use as Required - = Non Illustrated Part P.A.R. = Paint as Required

**CRANKSHAFT, CONNECTING ROD, PISTONS, RINGS, FLYWHEEL 4 CYLINDER 2.2 L ENGINE M,Z,P,D,C,V,E,T**  
**Figure 9A-2300**

3150 2300



ITEM	PART NUMBER	QTY	BODY	MODEL	DESCRIPTION
	4240 023	1			0.275 U/S
	4240 024	1			0.300 U/S
12	6500 430	1			SCREW, Crankshaft Sprocket
13	6500 431	1			WASHER, Crankshaft Sprocket Screw
14	6500 150	1			KEY, Crankshaft Sprocket
15	4105 211	1			CAP, Crankshaft Bearing No.1
	4105 212	1			No.2
	4105 213	1			No.3
	4105 214	1			No.4
	4105 215	1			No.5
16	6500 400	9			SCREW, Crankshaft Bearing Cap
17	6500 401	1			SCREW, Crankshaft Bearing Cap
18	5222 678	1			FLYWHEEL ASSY., (w/Ring Gear) w/Man. Trans.
19		1			GEAR, Flywheel (Service in Flywheel Assy.)
20	#6500 553	6			BOLT, Flywheel To Crankshaft
21	6031 923	3			DOWEL, Clutch Cover To Flywheel
22	6500 461	1			SCREW w/Washer

**MODEL CODES**

B = GRAN FURY	G = DIPLOMAT	V = 400
C = LEBARON/TOWN & COUNTRY	M = HORIZON/TURISMO/SCAMP	X = MIRADA
D = ARIES	P = RELIANT	Y = IMPERIAL
E = 600	S = CORDOBA	Z = OMNI/CHARGER/RAMPAGE
F = FIFTH AVENUE	T = E CLASS/NEWYORKER	

**BODY STYLES**

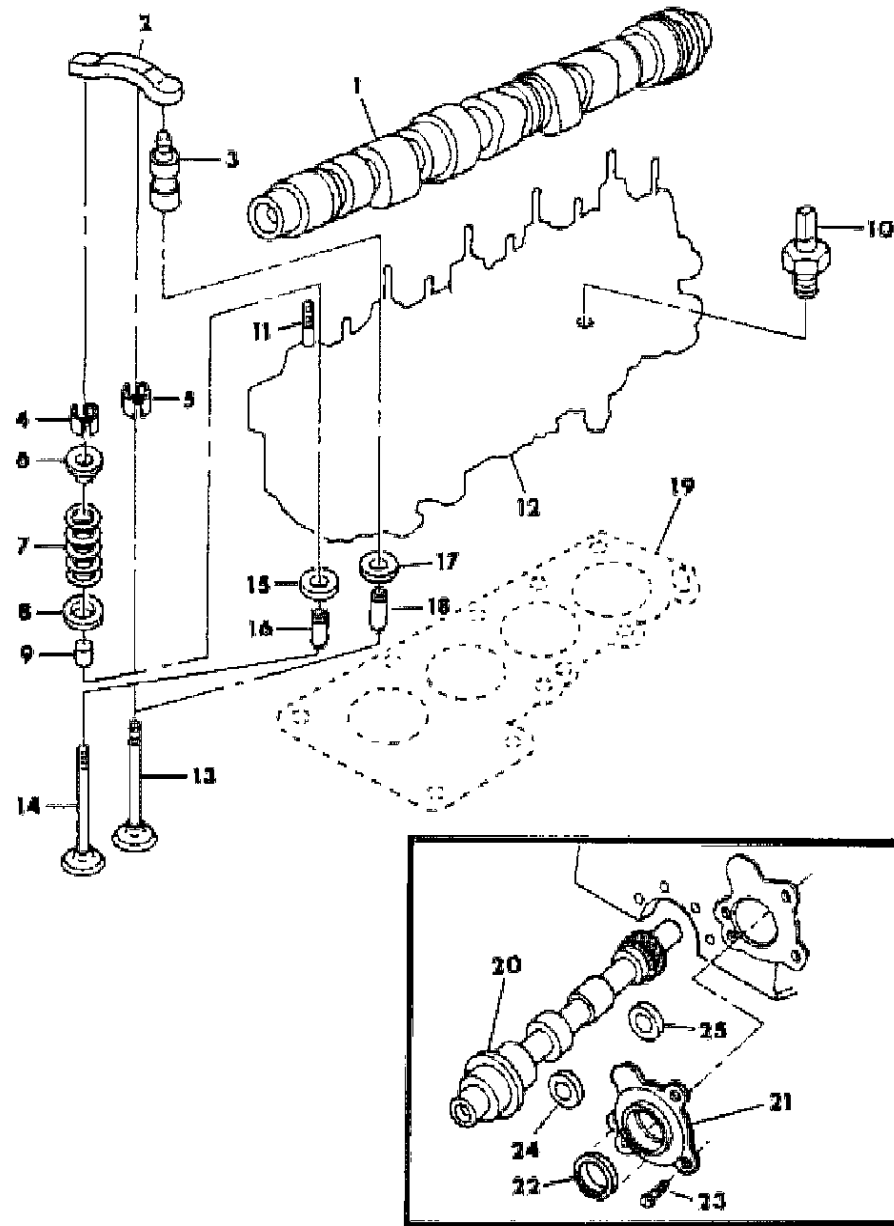
21 = 2-DOOR SEDAN	41 = 4-DOOR SEDAN
22 = 2-DOOR SPECIAL COUPE	45 = 4-DOOR STATION WAGON
24 = 2-DOOR HATCHBACK	44 = 4-DOOR HATCHBACK
27 = 2-DOOR CONVERTIBLE	48 = EXECUTIVE SEDAN
28 = FWD PICKUP	

AR = Use as Required - = Non Illustrated Part P.A.R. = Paint as Required

# CAMSHAFT, INTERMEDIATE SHAFT, INTAKE AND EXHAUST VALVES 4 CYLINDER 2.2 L ENGINE, M,Z,P,D,C,V,E,T

## Figure 9A-2400

3188 1450



ITEM	PART NUMBER	QTY	BODY	MODEL	DESCRIPTION
NOTE 1: GASKET Eliminator #4205918 must be used as described in the Chrysler repair Manual . 5203655 and the Std. Camshaft Pkg. #4271910 or use 4105443 Cyl. Head (Late Production w/Casting No. 4105445) and the Std. Camshaft Pkg. 4271910.					
1	#4271 910	1			CAMSHAFT PACKAGE, w/Std. Journals Consists of: 1----- Camshaft
	4271 911	1			8-5203491 Rocker, Valve CAMSHAFT PACKAGE, w/.050 O/S Journals Consists of: 1----- Camshaft, w/50 O/S Journals (Stamped O/S.J) 8-5203491 Rocker, Valve
2	5203 491	8			ROCKER, Valve
3	4240 007	8			ADJUSTER, Valve Lash
4	5203 577	8			LOCK, Exhaust Valve Spring Retainer
5	4201 349	8			LOCK, Intake Valve Spring Retainer
6	5203 578	8			RETAINER, Valve Spring Intake and Exhaust
7	4201 192	8			SPRING, Valve (up to 10-4-82) (except E67,E68 Eng.)
	4105 755	8			SPRING, w/Damper Assy. (after 10-4-82) (except E67, E68 Eng.)
	4105 793	8			(w/E67, E68 Eng.)
8	5203 474	8			SEAT, Valve Spring
9	4201 332	8			SEAL, Valve Guide, Std.
	4105 366	8			0.15 O/S., (Green)
	4105 367	8			0.40 O/S., (Yellow)
	4105 368	8			0.80 O/S., (Red)
10	5203 339	1			NIPPLE, Thermostat Water By-Pass
11	6500 342	10			STUD, Camshaft Bearing Cap
12		1			HEAD ASSY., Cylinder (partial)
13	#5214 861	4			VALVE, Intake, Std.
	5214 862	4			0.15 O/S
	5214 863	4			0.40 O/S
	5214 864	4			0.80 O/S
14	#5214 866	4			VALVE, Exhaust, Std.
8	6500 831	1			SCREW, Camshaft Sprocket
	5214 868	4			0.40 O/S
	5214 869	4			0.80 O/S
15	5203 792	4			SEAT, Exhaust Valve 36.815 MM O/S
16	#4105 715	4			GUIDE, Exhaust Valve, 43 MM Lgh.,12.740 MM O/D

**MODEL CODES**

B = GRAN FURY	G = DIPLOMAT	V = 400
C = LEBARON/TOWN & COUNTRY	M = HORIZON/TURISMO/SCAMP	X = MIRADA
D = ARIES	P = RELIANT	Y = IMPERIAL
E = 600	S = CORDOBA	Z = OMNI/CHARGER/RAMPAGE
F = FIFTH AVENUE	T = E CLASS/NEWYORKER	

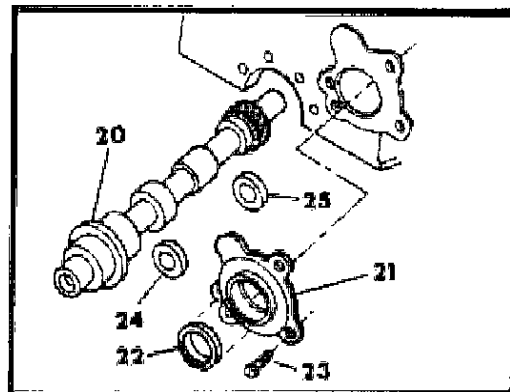
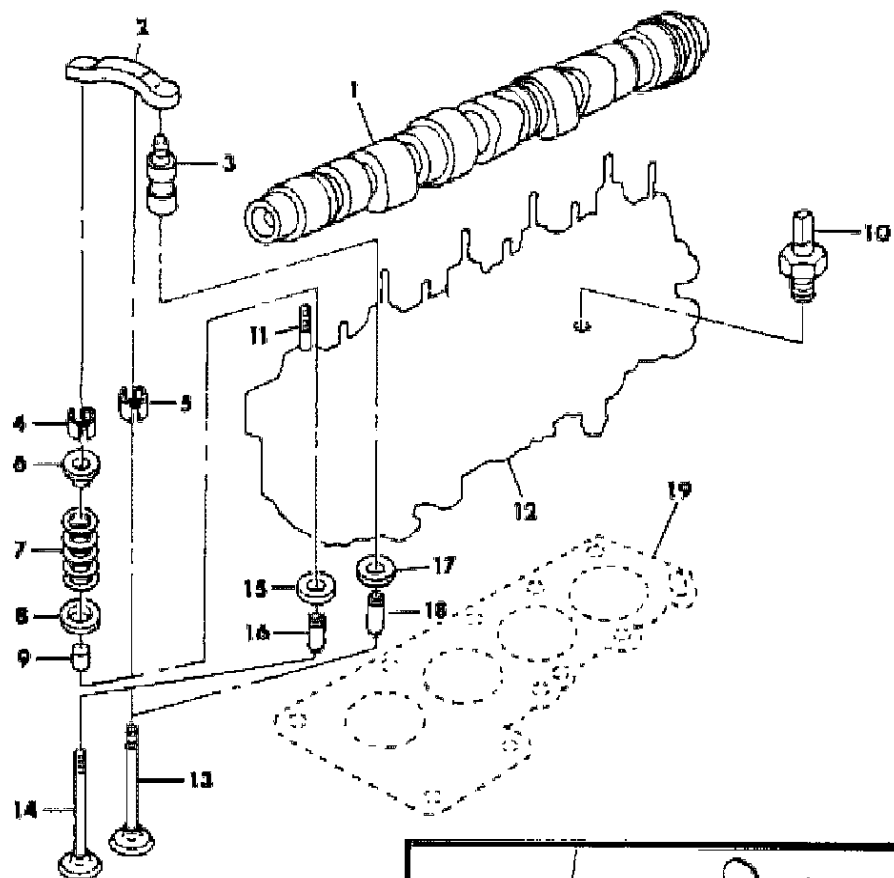
**BODY STYLES**

21 = 2-DOOR SEDAN	41 = 4-DOOR SEDAN
22 = 2-DOOR SPECIAL COUPE	45 = 4-DOOR STATION WAGON
24 = 2-DOOR HATCHBACK	44 = 4-DOOR HATCHBACK
27 = 2-DOOR CONVERTIBLE	48 = EXECUTIVE SEDAN
28 = FWD PICKUP	

AR = Use as Required - = Non Illustrated Part P.A.R. = Paint as Required

**CAMSHAFT, INTERMEDIATE SHAFT, INTAKE AND EXHAUST VALVES 4 CYLINDER 2.2 L ENGINE, M,Z,P,D,C,V,E,T**  
**Figure 9A-2400**

3158 1450



ITEM	PART NUMBER	QTY	BODY	MODEL	DESCRIPTION
17	5203 472	4			SEAT, Intake Valve, 43.375 MM O/D
18	#4105 716	4			GUIDE, Intake Valve, 12.740 MM O/D, 40 MM Lgh.
19	5203 780	1			GASKET, Cyl. Head
20	5203 411	1			SHAFT, Intermediate
21	5203 325	1			RETAINER ASSY. Intermediate Shaft Oil Seal (See Note 1)
22	#4105 395	1			SEAL, Intermediate Shaft
23	6101 278	3			SCREW, Intermediate Shaft Oil Seal Retainer Mounting
24	4105 216	1			BEARING, Intermediate Shaft, Front
25	4105 217	1			BEARING, Intermediate Shaft, Rear

**MODEL CODES**

B = GRAN FURY	G = DIPLOMAT	V = 400
C = LEBARON/TOWN & COUNTRY	M = HORIZON/TURISMO/SCAMP	X = MIRADA
D = ARIES	P = RELIANT	Y = IMPERIAL
E = 600	S = CORDOBA	Z = OMNI/CHARGER/RAMPAGE
F = FIFTH AVENUE	T = E CLASS/NEWYORKER	

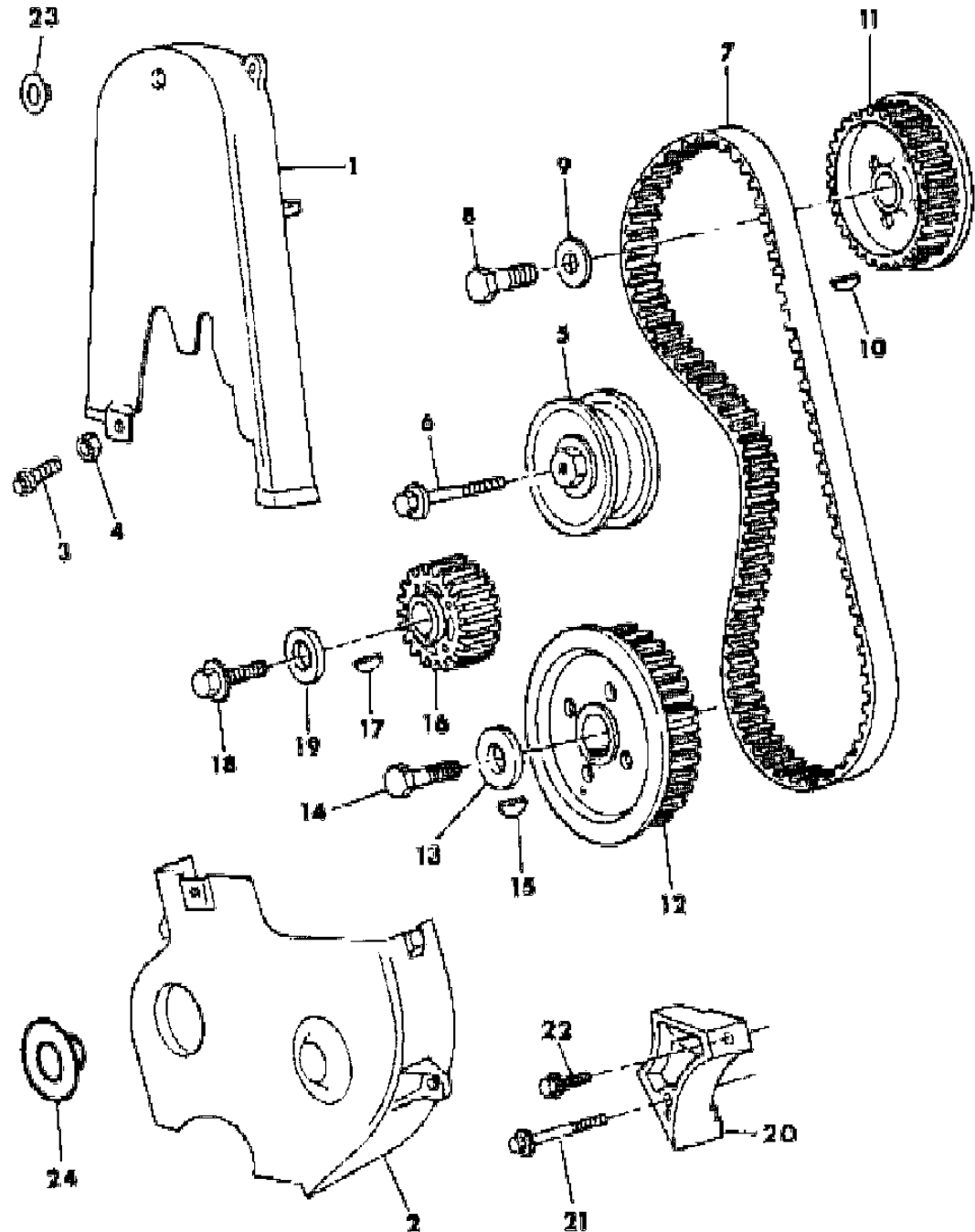
**BODY STYLES**

21 = 2-DOOR SEDAN	41 = 4-DOOR SEDAN
22 = 2-DOOR SPECIAL COUPE	45 = 4-DOOR STATION WAGON
24 = 2-DOOR HATCHBACK	44 = 4-DOOR HATCHBACK
27 = 2-DOOR CONVERTIBLE	48 = EXECUTIVE SEDAN
28 = FWD PICKUP	

AR = Use as Required - = Non Illustrated Part P.A.R. = Paint as Required

**TIMING BELT, SPROCKETS, COVERS 4 CYLINDER 2.2 L ENGINE, M,Z,P,D,C,V,E,T**  
**Figure 9A-2500**

1158 2500



ITEM	PART NUMBER	QTY	BODY	MODEL	DESCRIPTION
1	#4105 714	1			COVER, Timing Belt, Upper
2	#4105 293	1			COVER, Timing Belt, Lower
3	6100 286	3			SCREW, Timing Belt Cover (M6x1.00 X 16 Lgh.)
4	6100 516	2			NUT, Timing Belt Cover
	6100 041	1			U-NUT, Timing Belt Cover
5	5203 469	1			PULLEY, Tension
6	6101 277	1			SCREW w/Washer, Tension Pulley Mounting
7	5203 401	1			BELT, Tension
8	6500 831	1			SCREW, Camshaft Sprocket
9	6500 346	1			WASHER, Camshaft Sprocket Screw
10	6500 150	1			KEY, Camshaft Sprocket
11	#5214 870	1			SPROCKET, Camshaft Except (S/C-E68 Shelby)
	5203 606	1			W/(S/C-E68 Shelby)
12	#5214 870	1			SPROCKET, Intermediate Shaft Except (S/C-E68 Shelby)
	5203 606	1			W/(S/C-E68 Shelby)
13	6500 346	1			WASHER, Intermediate Shaft Sprocket Screw
14	6500 831	1			SCREW, Intermediate Shaft Sprocket
15	6500 150	1			KEY, Intermediate Shaft Sprocket
16	5203 575	1			SPROCKET, Crankshaft
17	6500 150	1			KEY, Crankshaft Sprocket
18	6500 430	1			SCREW, Crankshaft Sprocket
19	6500 431	1			WASHER, Crankshaft Sprocket Screw
20	5214 636	1			SHIELD, Timing Belt
21	6101 278	1			SCREW w/Washer, Timing Belt Shield Mounting
22	6101 279	1			SCREW w/Washer, Timing Belt Shield Mounting
23	#2094 631	1			PLUG, Timing Belt Cover, Upper
24	4227 940	1			PLUG, Timing Belt Cover, Lower

**MODEL CODES**

B = GRAN FURY	G = DIPLOMAT	V = 400
C = LEBARON/TOWN & COUNTRY	M = HORIZON/TURISMO/SCAMP	X = MIRADA
D = ARIES	P = RELIANT	Y = IMPERIAL
E = 600	S = CORDOBA	Z = OMNI/CHARGER/RAMPAGE
F = FIFTH AVENUE	T = E CLASS/NEWYORKER	

**BODY STYLES**

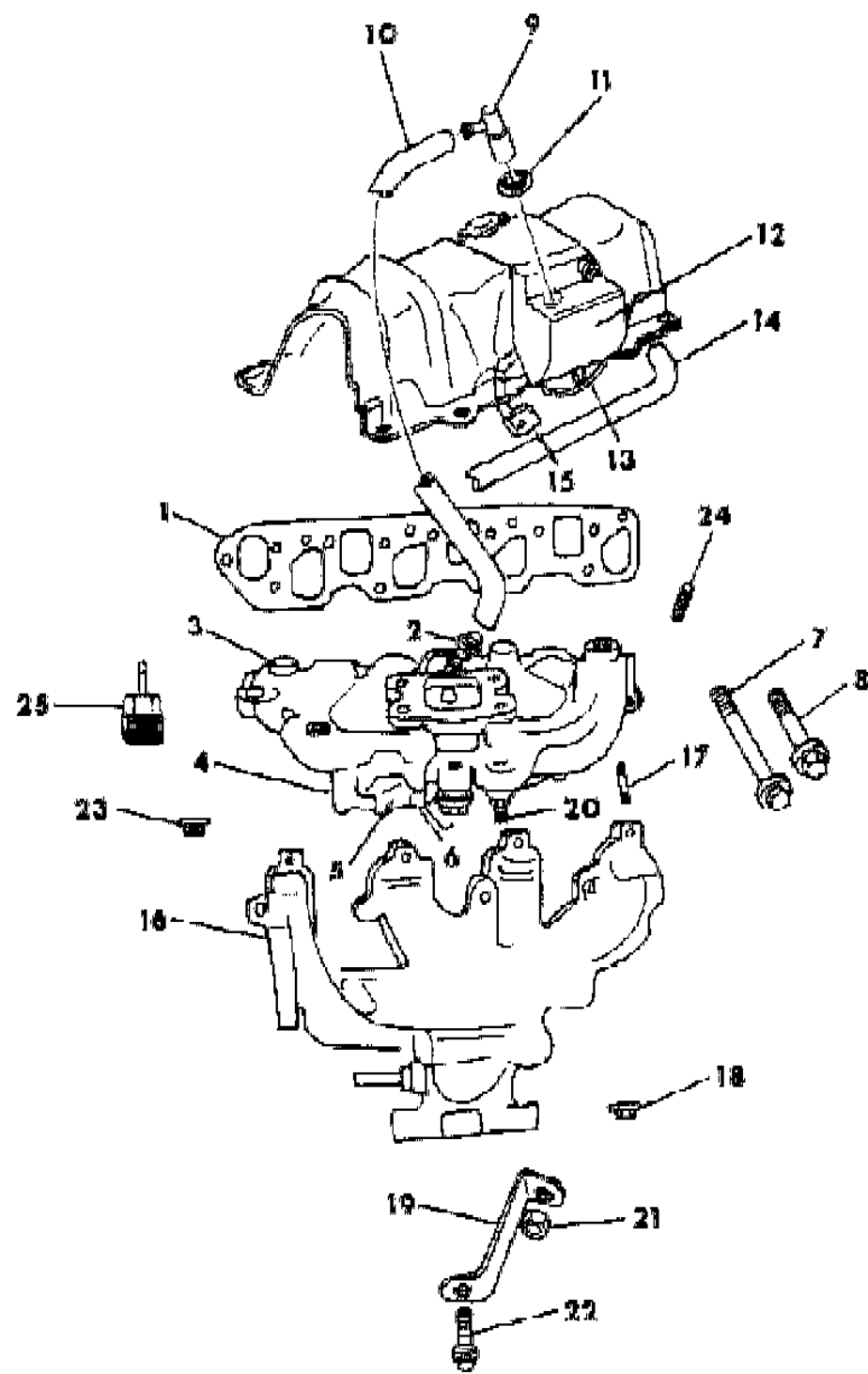
21 = 2-DOOR SEDAN	41 = 4-DOOR SEDAN
22 = 2-DOOR SPECIAL COUPE	45 = 4-DOOR STATION WAGON
24 = 2-DOOR HATCHBACK	44 = 4-DOOR HATCHBACK
27 = 2-DOOR CONVERTIBLE	48 = EXECUTIVE SEDAN
28 = FWD PICKUP	

AR = Use as Required - = Non Illustrated Part P.A.R. = Paint as Required



**INTAKE AND EXHAUST MANIFOLD 4 CYLINDER 2.2 L ENGINE, M,Z,P,D,C,V,E,T**  
**Figure 9A-2600**

1150 2600



ITEM	PART NUMBER	QTY	BODY	MODEL	DESCRIPTION
NOTE 1: These Packages do not contain Gaskets for all required sealings. R.T.V. Sealer #4026070 and Gasket Eliminator #4205918 must be used in addition as described in the Chrysler repair Manual.					
NOTE (2) Part No. 4026136 Consists of a 50 Foot Roll Hose (Use as Required) on as described in the Chrysler repair Manual.					
	4240 096	1			GASKET PACKAGE, Manifold (See Note 1) Consists of: 1-5214650 Gasket, Intake and Exhaust Manifold 1-4201384 Gasket, Exhaust Manifold Crossover Flange
1	#4273 306	1			GASKET, Intake and Exhaust Manifold
2	5203 143	1			NIPPLE, Crankcase Vent Hole
3	#4273 303	1			MANIFOLD, Intake, Except E65 Throttle Body Injection Eng.,E68 Shelby Eng. w/E65 Throttle Body Injection Eng. w/E68 Eng. Shelby
4	5203 614	1			COVER, Intake Manifold Water Crossover
5	5203 688	1			GASKET, Intake Manifold to Water Crossover
6	6101 278	7			SCREW w/Washer, Crossover Cover to Intake Manifold
7	6500 391	4			BOLT, Intake Manifold to Cyl. Head (M8x90)
8	6500 390	4			BOLT, Intake Manifold to Cyl. Head (M8x65)
9	#4273 145	1			VALVE, Crankcase Vent, Except E67 Turbo Charge Eng. w/E67 Turbo Charge Eng.
10	4026 136	AR			HOSE, Crankcase Vent Valve to Intake Manifold (8.00 MM Lgh.), (See Note 2), Except E65 Throttle Body Injection Eng. (up to 12/13/82) 4293 793 1 HEATER PKG. PCV System (7.50 MM Lgh.) (after 12/13/82) 4173 380 1 w/E65 Throttle Body Injection Eng.
11	3751 510	1			GROMMET, Vent Valve
12	4105 955	1			MODULE ASSY, Crankcase Vent (Includes Grommet and Gasket)
13	5214 597	1			GASKET, Crankcase Vent Module
14	5214 572	1			HOSE, Crankcase Vent Module to Air Cleaner (Formed Hose), Except E65 Throttle Injection Eng. w/E65 Throttle Body Injection Eng.
15	4241 103	1			CLIP, Crankcase Vent Module Retaining
16	#4273 099	1			MAINFOLD, Exhaust
17	6500 679	8			STUD, Exhaust Manifold to Cyl. Head
18	6500 363	8			NUT, Exhaust Manifold to Cyl. Head Stud
19	5203 144	1			BRACKET, Intake Manifold Support
20	6500 422	1			STUD Intake Manifold Support Bracket

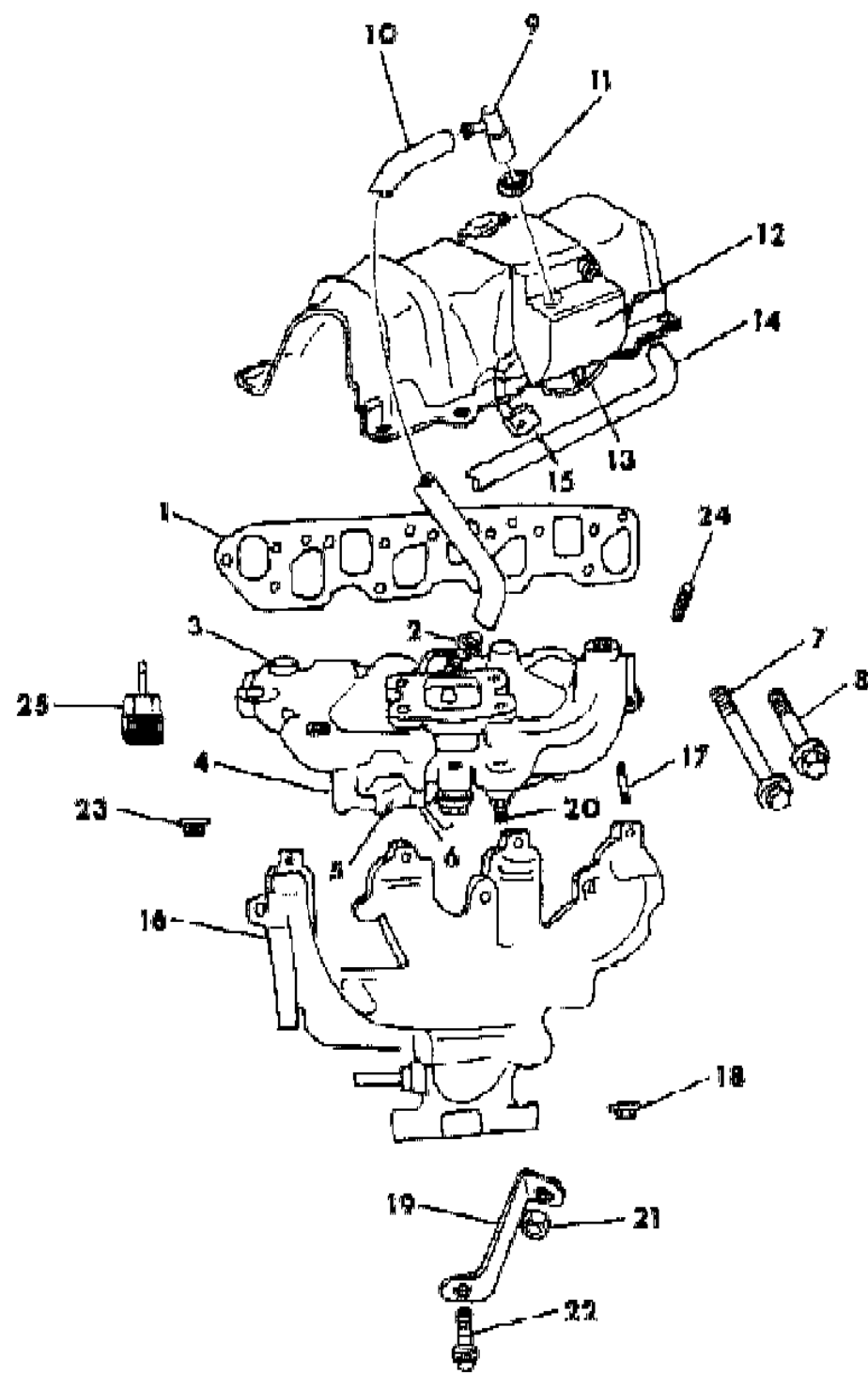
MODEL CODES  
 B = GRAN FURY  
 C = LEBARON/TOWN & COUNTRY  
 D = ARIES  
 E = 600  
 F = FIFTH AVENUE  
 G = DIPLOMAT  
 M = HORIZON/TURISMO/SCAMP  
 P = RELIANT  
 S = CORDOBA  
 T = E CLASS/NEWYORKER  
 V = 400  
 X = MIRADA  
 Y = IMPERIAL  
 Z = OMNI/CHARGER/RAMPAGE

BODY STYLES  
 21 = 2-DOOR SEDAN  
 22 = 2-DOOR SPECIAL COUPE  
 24 = 2-DOOR HATCHBACK  
 27 = 2-DOOR CONVERTIBLE  
 28 = FWD PICKUP  
 41 = 4-DOOR SEDAN  
 45 = 4-DOOR STATION WAGON  
 44 = 4-DOOR HATCHBACK  
 48 = EXECUTIVE SEDAN

AR = Use as Required - = Non Illustrated Part P.A.R. = Paint as Required

INTAKE AND EXHAUST MANIFOLD 4 CYLINDER 2.2 L ENGINE, M,Z,P,D,C,V,E,T  
Figure 9A-2600

1150 2600



ITEM	PART NUMBER	QTY	BODY	MODEL	DESCRIPTION
21	6100 050	1			NUT w/Washer, Intake Manifold Support Bracket
22	6100 305	1			SCREW w/Washer, Intake Manifold Support Bracket to Exhaust Manifold Attaching
23	6500 362	1			PLUG, Exhaust Manifold (M18)
		1			PLUG, Exhaust Manifold (3/4-14) (w/E65 Throttle Body Injection Eng.) (Not Serviced)
24	1859 127	1			PLUG, Intake Manifold Vaccumm
25	#4026 117	1			CONNECTOR, Vaccumm Control (3/8")
	6031 789	1			CONNECTOR, Exhaust Manifold

MODEL CODES  
 B = GRAN FURY  
 C = LEBARON/TOWN & COUNTRY  
 D = ARIES  
 E = 600  
 F = FIFTH AVENUE  
 G = DIPLOMAT  
 M = HORIZON/TURISMO/SCAMP  
 P = RELIANT  
 S = CORDOBA  
 T = E CLASS/NEWYORKER  
 V = 400  
 X = MIRADA  
 Y = IMPERIAL  
 Z = OMNI/CHARGER/RAMPAGE

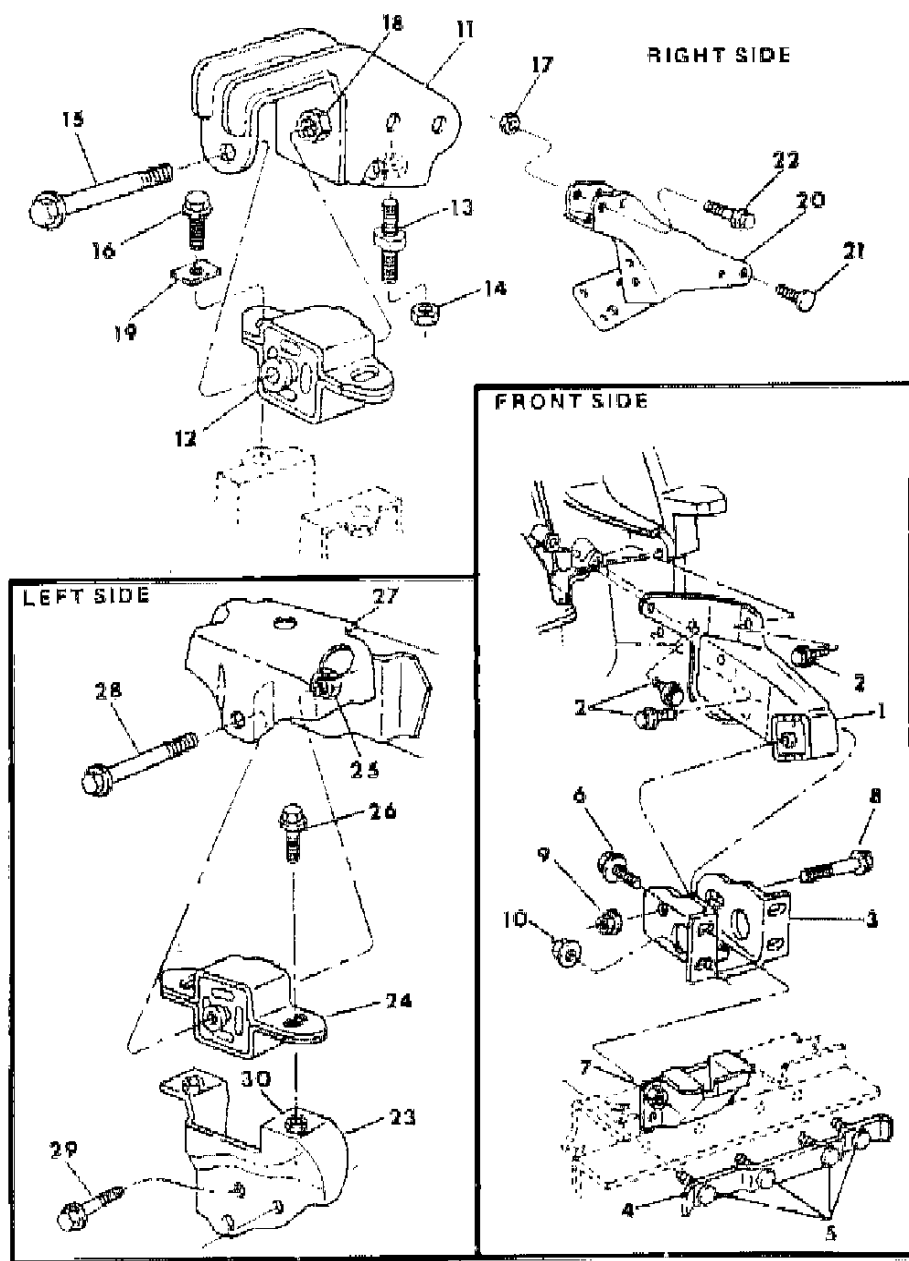
BODY STYLES  
 21 = 2-DOOR SEDAN  
 22 = 2-DOOR SPECIAL COUPE  
 24 = 2-DOOR HATCHBACK  
 27 = 2-DOOR CONVERTIBLE  
 28 = FWD PICKUP  
 41 = 4-DOOR SEDAN  
 45 = 4-DOOR STATION WAGON  
 44 = 4-DOOR HATCHBACK  
 48 = EXECUTIVE SEDAN

AR = Use as Required - = Non Illustrated Part P.A.R. = Paint as Required

**ENGINE MOUNTING 4 CYLINDER 2.2 L ENGINE, M,Z,P,D,C,V,E,T**  
**Figure 9A-2700**

ITEM	PART NUMBER	QTY	BODY	MODEL	DESCRIPTION
1	4269 279	1		M,Z	INSULATOR, Engine Support Front
	4295 018	1		P,D,C,V	
2	6500 503	1			SCREW w/Washer, Eng. Support Insulator Bracket to Eng.
2	6500 506	1			SCREW w/Washer, Bracket to Trans. Front
	6500 486	2			SCREW w/Washer, Eng. Support Insulator Bracket to Eng. Block Front
3	#4296 110	1			BRACKET, Front Side Rail Front Crossmember Engine Mounting Front
4	5202 257	1			TIEPLATE ASSY.,Front Crossmember Flange
5	6500 233	4			SCREW, Front Crossmember Flange Tie Plate
6	#6500 535	2	M,Z		SCREW w/Washer, Eng. Support Insulator Bracket to Eng. Mounting Front Bracket Front
7	6100 518	2			NUT, Eng. Support Insulator Bracket to Eng. Mounting Front Bracket Screw
8	#4271 953	1			SCREW w/Washer, Eng. Support Insulator to Frame Front
9	6100 053	1			NUT, Eng. Support Insulator to Frame Front
10	6100 518	2			NUT, Front Crossmember Flange Tie Plate
11	5202 902	1	M,Z		BRACKET ASSY., Eng. Support Insulator Rt.
	4191 900	1	P,D,C,V		
12	#4295 198	1			BUSHING ASSY., Eng. Support Insulator, Rt.
13	5202 043	1			STUD, Eng. Support Insulator Bracket to Eng. Mounting Assy. Rt.
14	6500 164	1			NUT, Eng. Support Insulator Bracket to Eng. Mounting Assy. Stud Rt.
15	#4271 953	1			SCREW w/Washer, Eng. Support Insulator to Frame
16	#6500 555	2			SCREW w/Washer, Bushing Assy. to Insulator Bracket
17	6500 165	2			NUT, Eng. Support Insulator Bracket to Eng. Mounting Assy. Bolt
18		1			NUT, Eng. Support Insulator to Frame Screw (Not Serviced)
19					SIDE RAIL (See Group 13) I
20	4213 629	1			BRACKET ASSY., Eng. Mounting, Rt.
21	6500 340	2			SCREW w/Washer, Eng. Mounting Spacer to Block (M10x1.50 - 80 Lg)
21	#6500 157	2			(M10 X1.50 - 25 lgh.)
22	6500 369	2			BOLT, Eng. Support Insulator Bracket To Eng. Mounting Assy.
23	#4267 208	1	M,Z		BRACKET ASSY., Engine Support Insulator Left, w/Man Trans.
	4267 207	1	M,Z		w/Auto. Trans.
	4267 206	1	P,D,C,V		w/Man. Trans.
	4267 205	1	P,D,C,V		w/Auto. Trans.

3158 2160A



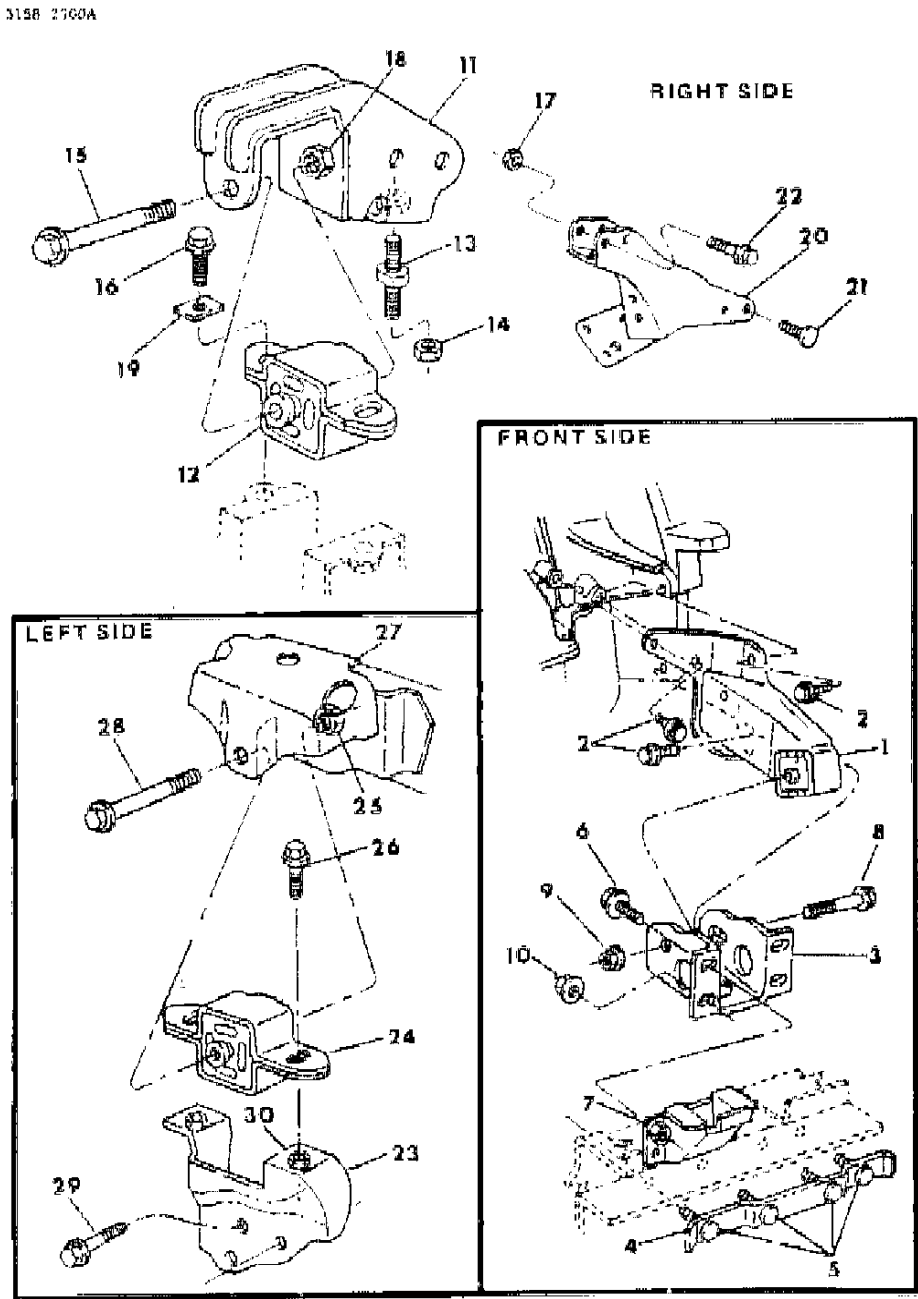
MODEL CODES  
 B = GRAN FURY  
 C = LEBARON/TOWN & COUNTRY  
 D = ARIES  
 E = 600  
 F = FIFTH AVENUE  
 G = DIPLOMAT  
 M = HORIZON/TURISMO/SCAMP  
 P = RELIANT  
 S = CORDOBA  
 T = E CLASS/NEWYORKER  
 V = 400  
 X = MIRADA  
 Y = IMPERIAL  
 Z = OMNI/CHARGER/RAMPAGE

BODY STYLES  
 21 = 2-DOOR SEDAN  
 22 = 2-DOOR SPECIAL COUPE  
 24 = 2-DOOR HATCHBACK  
 27 = 2-DOOR CONVERTIBLE  
 28 = FWD PICKUP  
 41 = 4-DOOR SEDAN  
 45 = 4-DOOR STATION WAGON  
 44 = 4-DOOR HATCHBACK  
 48 = EXECUTIVE SEDAN

AR = Use as Required - = Non Illustrated Part P.A.R. = Paint as Required

**ENGINE MOUNTING 4 CYLINDER 2.2 L ENGINE, M,Z,P,D,C,V,E,T**  
**Figure 9A-2700**

ITEM	PART NUMBER	QTY	BODY	MODEL	DESCRIPTION
24	#4295 198	1			BUSHING ASSY., Engine Support Insulator
25	6500 626	1			U-NUT, Insulator To Front Side Rail, Left
26	#6500 724	2			SCREW w/Washer, Bushing Assy. to Insulator Bracket
27		1			BRACKET, Frame Side Rail (See Group 13)
28	6500 627	1			SCREW w/Washer, Engine Support Insulator to Frame Side Rail Bracket
29	6500 297	3			SCREW w/Washer, Engine Support Insulator Bracket to Trans. Case
30	#6500 611	2			NUTw/Washer, Bushing Assy. to Insulator Bracket



MODEL CODES  
 B = GRAN FURY  
 C = LEBARON/TOWN & COUNTRY  
 D = ARIES  
 E = 600  
 F = FIFTH AVENUE  
 G = DIPLOMAT  
 M = HORIZON/TURISMO/SCAMP  
 P = RELIANT  
 S = CORDOBA  
 T = E CLASS/NEWYORKER  
 V = 400  
 X = MIRADA  
 Y = IMPERIAL  
 Z = OMNI/CHARGER/RAMPAGE

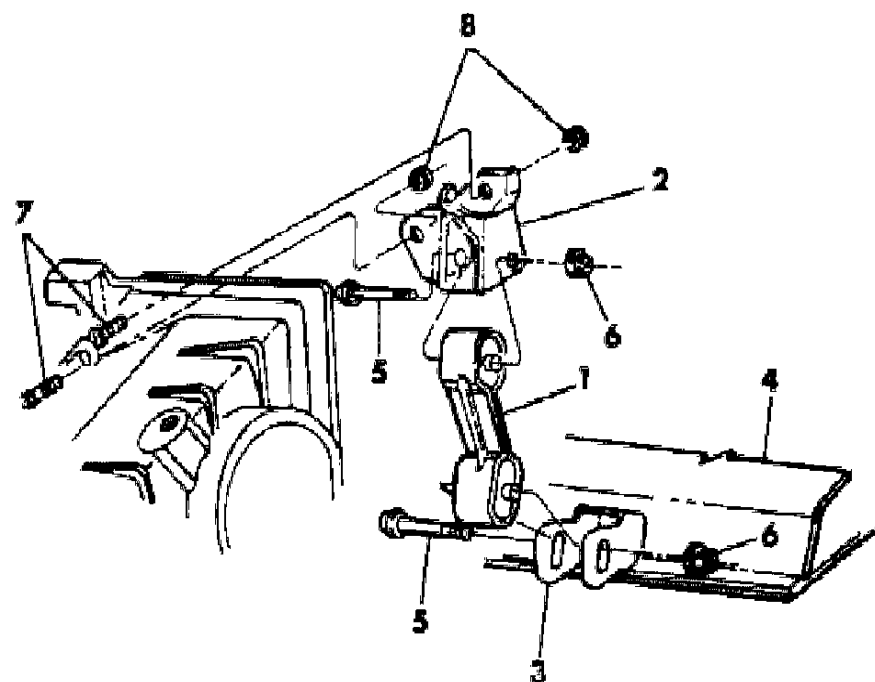
BODY STYLES  
 21 = 2-DOOR SEDAN  
 22 = 2-DOOR SPECIAL COUPE  
 24 = 2-DOOR HATCHBACK  
 27 = 2-DOOR CONVERTIBLE  
 28 = FWD PICKUP  
 41 = 4-DOOR SEDAN  
 45 = 4-DOOR STATION WAGON  
 44 = 4-DOOR HATCHBACK  
 48 = EXECUTIVE SEDAN

AR = Use as Required - = Non Illustrated Part P.A.R. = Paint as Required

**ENGINE STRUT, w/MAN. TRANS. 4 CYLINDER 2.2 L ENG., M,Z,P,D,C,V,E,T**  
**Figure 9A-2800**

2158 2800

ITEM	PART NUMBER	QTY	BODY	MODEL	DESCRIPTION
1	#4191 282	1			STRUT, Man. Trans. to Support Crossmember Roll, w /Man. Trans.
2	#4191 284	1			BRACKET, Man. Trans. to Engine Roll Strut, w/Man. Trans.
3		1			BRACKET, Support Crossmember to Eng. Roll Strut, Serviced in # 4191206 Front side Rail Front Crossmember
4	#4191 206	1			CROSSMEMBER, Front Side Rail Front
5	#6101 342	2			SCREW W/Washer, Bracket to Strut
6	6100 053	2			NUT, Bracket to Strut Screw
7	#6100 342	2			BOLT, Man. Trans. to Eng. Roll Strut Bracket
8	#6100 517	2			NUT, Man. Trans. to Eng. Roll Strut Bracket Bolt



**MODEL CODES**

B = GRAN FURY	G = DIPLOMAT	V = 400
C = LEBARON/TOWN & COUNTRY	M = HORIZON/TURISMO/SCAMP	X = MIRADA
D = ARIES	P = RELIANT	Y = IMPERIAL
E = 600	S = CORDOBA	Z = OMNI/CHARGER/RAMPAGE
F = FIFTH AVENUE	T = E CLASS/NEWYORKER	

**BODY STYLES**

21 = 2-DOOR SEDAN	41 = 4-DOOR SEDAN
22 = 2-DOOR SPECIAL COUPE	45 = 4-DOOR STATION WAGON
24 = 2-DOOR HATCHBACK	44 = 4-DOOR HATCHBACK
27 = 2-DOOR CONVERTIBLE	48 = EXECUTIVE SEDAN
28 = FWD PICKUP	

AR = Use as Required - = Non Illustrated Part P.A.R. = Paint as Required

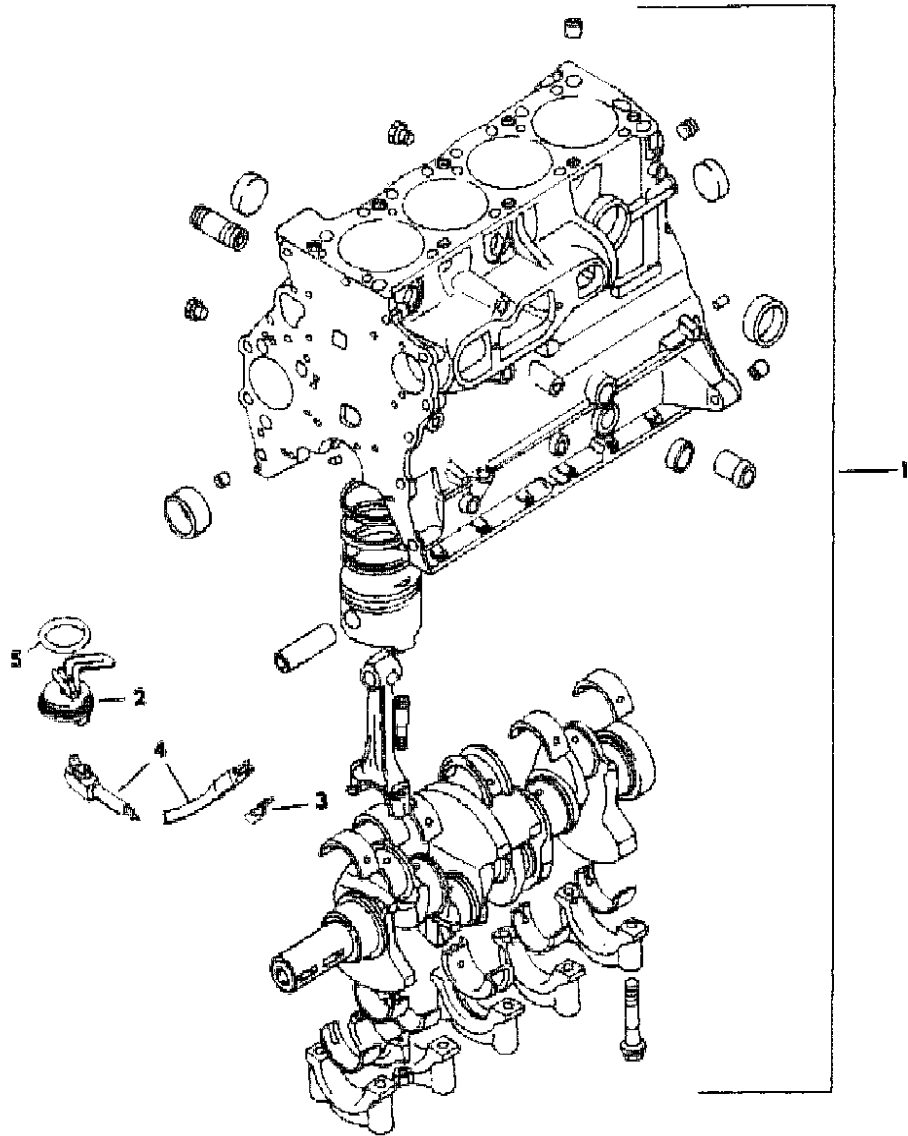
**ENGINE, CYLINDER BLOCK 4 CYLINDER 2.6 L ENG., P,D,C,V,E,T**  
**Figure 9A-2900**

3158 2900A

ITEM	PART NUMBER	QTY	BODY	MODEL	DESCRIPTION
------	-------------	-----	------	-------	-------------

Note: This Short Engine includes a Cylinder Block with Pistons and Rings, Connecting Rod and Bearings, Crankshaft and Bearings with Caps. on as described in the Chrysler repair Manual.

1	MD02 5787 MD02 5788				ENGINE, Short (See Note) U.S. (See Note) CANADA
2	5213 084	1			HEATER, Engine Block
3	6015 412	1			CLIP, Engine Block Heater Cord
4	3614 282	1			CORD, Engine Block Heater
5	6027 513	1			"O"RING, Engine Block Heater (.06 O/S)



**MODEL CODES**

B = GRAN FURY	G = DIPLOMAT	V = 400
C = LEBARON/TOWN & COUNTRY	M = HORIZON/TURISMO/SCAMP	X = MIRADA
D = ARIES	P = RELIANT	Y = IMPERIAL
E = 600	S = CORDOBA	Z = OMNI/CHARGER/RAMPAGE
F = FIFTH AVENUE	T = E CLASS/NEWYORKER	

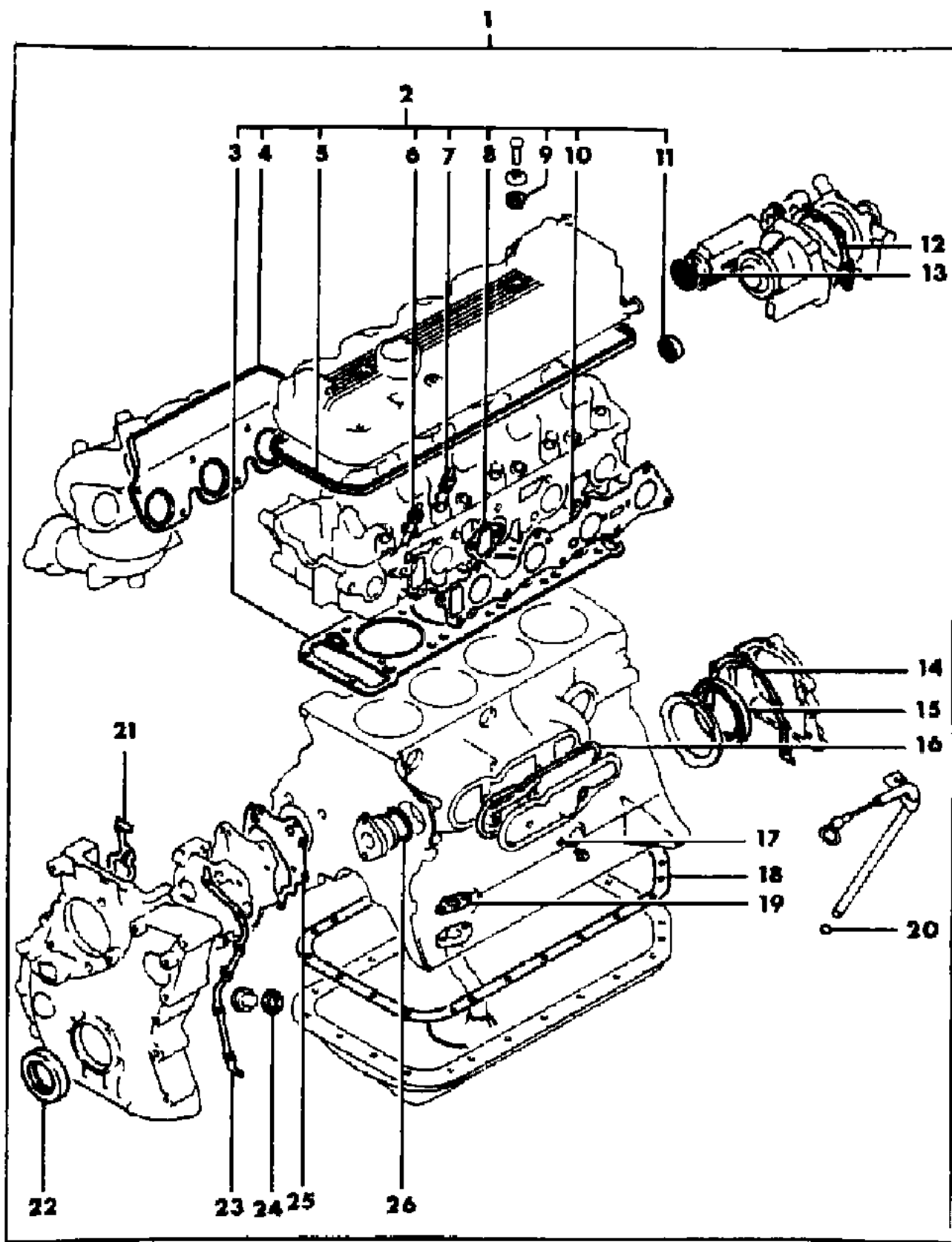
**BODY STYLES**

21 = 2-DOOR SEDAN	41 = 4-DOOR SEDAN
22 = 2-DOOR SPECIAL COUPE	45 = 4-DOOR STATION WAGON
24 = 2-DOOR HATCHBACK	44 = 4-DOOR HATCHBACK
27 = 2-DOOR CONVERTIBLE	48 = EXECUTIVE SEDAN
28 = FWD PICKUP	

AR = Use as Required - = Non Illustrated Part P.A.R. = Paint as Required

**ENGINE OVERHAUL GASKET SET 4 CYLINDER 2.6 L ENG., P,D,C,V,E,T**  
**Figure 9A-3000**

3158 3000A



ITEM	PART NUMBER	QTY	BODY	MODEL	DESCRIPTION
1	#MD99 7050	1		P,D,V,C	GASKET SET, Engine Overhaul
2	#MD99 7021	1		P,D,V,C	GASKET SET, Engine Upper
3	MDO2 6654	1			GASKET, Cylinder Head
4	MD02 5684	1			GASKET, Exhaust Manifold
5	MD02 4682	1			GASKET, Rocker Cover
6	MD00 0508	8			SEAL, Valve Stem
7	MD00 9786	4			"O"Ring
8	MD02 3388	2			GASKET, Fuel Pump
9	MD00 0523	2			Oil Seal
10	MD02 4628	1			Gasket, Inlet Manifold
11	MD02 4529	1			OIL SEAL
12	MD02 5196	1			GASKET, Water Pump
13	MD03 0764	1			O-RING, Water Pipe
14	MD02 0292	1			Gasket, Oil Seal Case
15	MD05 0604	1			Oil Seal
	MD02 0435	1			Oil Seal Rear
16	MD02 0239	1			GASKET, Cover
17	MD02 0256	2			O-RING
18	MD02 4777	1			GASKET, Oil Pan
19	MD02 1577	1			GASKET, Oil Screen
20	MF52 0004	1			O-RING
21	MD02 0324	1			GASKET, Chain Case
22	MD02 0308	1			OIL SEAL
23	MD02 0325	1			GASKET, Chain Case
24	MD00 0312	1			GASKET, Oil Drain Plug (18)
24	MD05 0317	1			GASKET, Oil Drain Plug (14)
25	MD06 0529	1			GASKET, Oil Pump
26	MD02 1045	1			O-RING

**MODEL CODES**

B = GRAN FURY	G = DIPLOMAT	V = 400
C = LEBARON/TOWN & COUNTRY	M = HORIZON/TURISMO/SCAMP	X = MIRADA
D = ARIES	P = RELIANT	Y = IMPERIAL
E = 600	S = CORDOBA	Z = OMNI/CHARGER/RAMPAGE
F = FIFTH AVENUE	T = E CLASS/NEWYORKER	

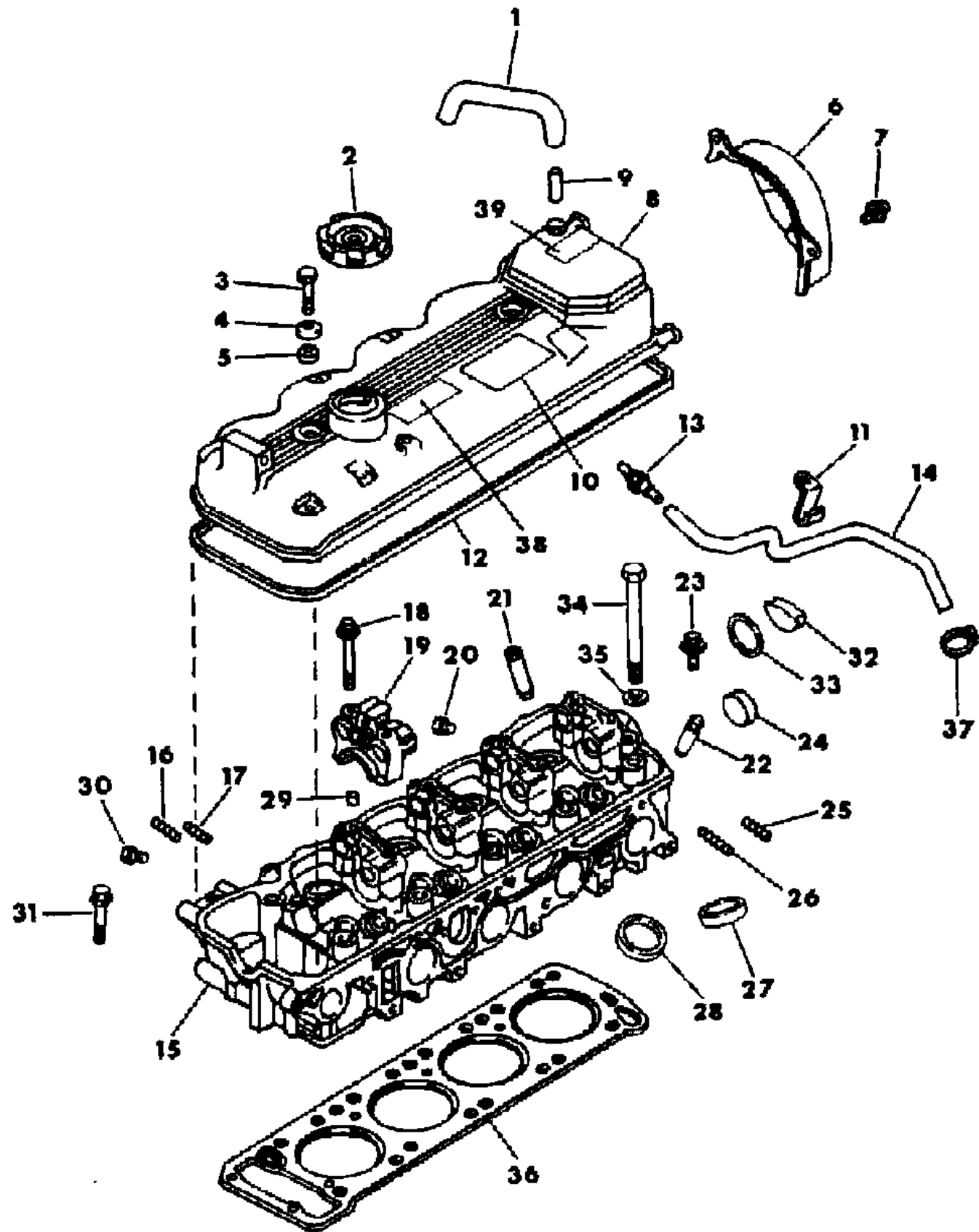
**BODY STYLES**

21 = 2-DOOR SEDAN	41 = 4-DOOR SEDAN
22 = 2-DOOR SPECIAL COUPE	45 = 4-DOOR STATION WAGON
24 = 2-DOOR HATCHBACK	44 = 4-DOOR HATCHBACK
27 = 2-DOOR CONVERTIBLE	48 = EXECUTIVE SEDAN
28 = FWD PICKUP	

AR = Use as Required - = Non Illustrated Part P.A.R. = Paint as Required

**CYLINDER HEAD AND RELATED PARTS 4 CYLINDER 2.6 L ENG., P,D,C,V,E,T**  
**Figure 9A-3100**

3158 3100A



ITEM	PART NUMBER	QTY	BODY	MODEL	DESCRIPTION
1	MD02 4889	1			HOSE, Breather (up to Sept. 81)
	MD01 5753	1			(after Sept. 81)
2	MD00 8784	1			CAP, Oil Filter
3	MF10 0063	2			BOLT (8x40)
4	MD00 0522	2			WASHER
5	MD00 0523	2			OIL SEAL
6	MD02 4883	1			COVER, Belt
7	MF14 0021	2			BOLT, Cover Belt (8x12)
8	#MD06 0063	1			COVER, Assy. Rocker (Includes Pipe) (U.S. Except Calif. and
					Canada) (up to January 83)
	MD07 3973	1			(From Febuary 83)
	MD06 3588	1			(Canada)
	MD06 0064	1			(Calif.)
9	MD02 6618	1			PIPE, Breather
10	MD00 9781	1			LABEL, Caution
11	MD02 4869	1			CLAMP, P.C.V. Hose
12	MD02 4682	1			GASKET, Rocker Cover
13	MD02 6613	1			VALVE, P.C.V.
14	#MD02 6609	1			HOSE, P.C.V.
15	MD02 6510	1			HEAD, Assy. Cylinder (U.S.)
	MD02 6520	1			(Canada)
16	MD00 5470	5			STUD, (8x25)
17	MD00 5317	3			STUD
	MF40 1937	1			STUD (8x28)
18	MD02 0566	10			BOLT, Flange
19					CAP, Camshaft (Serviced in Head Assy.)
20	MD02 2295	2			PLUG, Taper
21					GUIDE, Valve, Exhaust
	MD02 0561	4			0.05 MM O/S
	MD02 0562	4			0.25 MM O/S
	MD02 0563	4			0.50 MM O/S
22					GUIDE, Valve Inlet
	MD02 0551	4			0.05 MM O/S
	MD02 0552	4			0.25 MM O/S
	MD02 0553	4			0.50 MM O/S
23	MF14 0227	2			BOLT, Flange (8x25)
24	MD00 0427	1			PLUG, Expansion

**MODEL CODES**

B = GRAN FURY	G = DIPLOMAT	V = 400
C = LEBARON/TOWN & COUNTRY	M = HORIZON/TURISMO/SCAMP	X = MIRADA
D = ARIES	P = RELIANT	Y = IMPERIAL
E = 600	S = CORDOBA	Z = OMNI/CHARGER/RAMPAGE
F = FIFTH AVENUE	T = E CLASS/NEWYORKER	

**BODY STYLES**

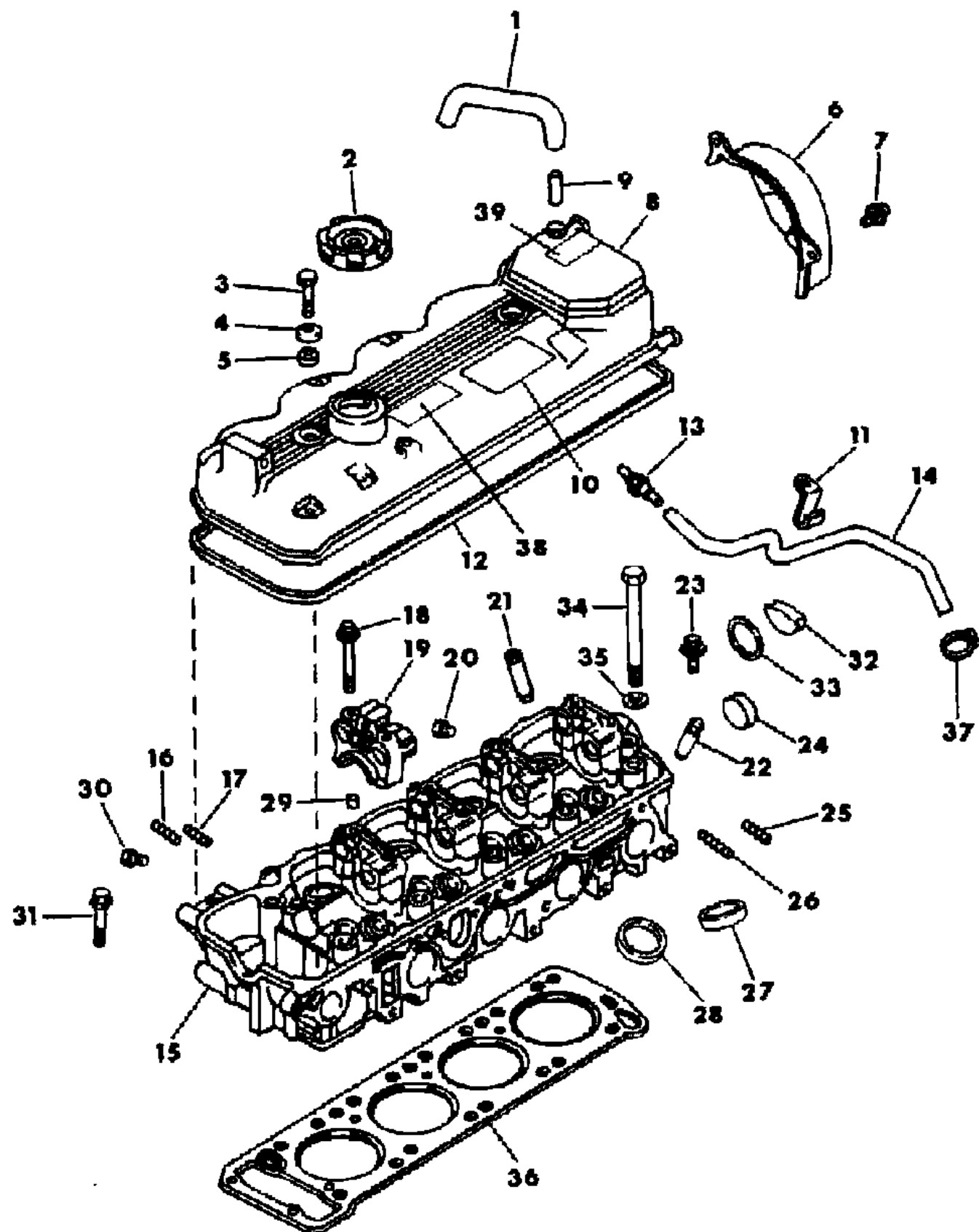
21 = 2-DOOR SEDAN	41 = 4-DOOR SEDAN
22 = 2-DOOR SPECIAL COUPE	45 = 4-DOOR STATION WAGON
24 = 2-DOOR HATCHBACK	44 = 4-DOOR HATCHBACK
27 = 2-DOOR CONVERTIBLE	48 = EXECUTIVE SEDAN
28 = FWD PICKUP	

AR = Use as Required - = Non Illustrated Part P.A.R. = Paint as Required



**CYLINDER HEAD AND RELATED PARTS 4 CYLINDER 2.6 L ENG., P,D,C,V,E,T**  
**Figure 9A-3100**

3158 3100A



ITEM	PART NUMBER	QTY	BODY	MODEL	DESCRIPTION
25	MS40 1428	6			STUD (8x28)
26	MS40 1427	6			STUD (8x25)
27		4			SEAT, Valve, Exhaust
	MD02 6517	4			0.30 MM O/S (U.S.)
	MD02 6518	4			0.60 MM O/S (U.S.)
	MD02 4546	4			0.30 MM O/S (Canada)
	MD02 4547	4			0.60 MM O/S (Canada)
28		4			SEAT, Valve, Intake
	MD02 6514	4			0.30 MM O/S
	MD02 6515	4			0.60 MM O/S
29	MS47 1104	10			BUSHING, Knock (8x9)
30	MD00 0429	1			PLUG, Taper
31	MS24 1076	2			BOLT, w/Washer (8x50)
32	MD02 0718	1			PACKING, Semi- Circular
33	MD02 4529	1			SEAL, Camshaft
34	MD02 0730	10			BOLT, Cylinder Head
35	MD02 0733	10			WASHER, Cylinder Head Bolt
36	MD02 6654	1			GASKET, Cylinder Head
37	MS66 0164	1			CLIP, P.C.V., Hose
38	#MD02 6700	1			LABEL (except Canada)
	MD02 6701	1			(Canada)
39	#MD06 0065	1			LABEL, Engine Part No. (except Calif. and Canada)
	MD06 0066	1			(Calif.)
	MD06 3589	1			(Canada)

**MODEL CODES**

B = GRAN FURY	G = DIPLOMAT	V = 400
C = LEBARON/TOWN & COUNTRY	M = HORIZON/TURISMO/SCAMP	X = MIRADA
D = ARIES	P = RELIANT	Y = IMPERIAL
E = 600	S = CORDOBA	Z = OMNI/CHARGER/RAMPAGE
F = FIFTH AVENUE	T = E CLASS/NEWYORKER	

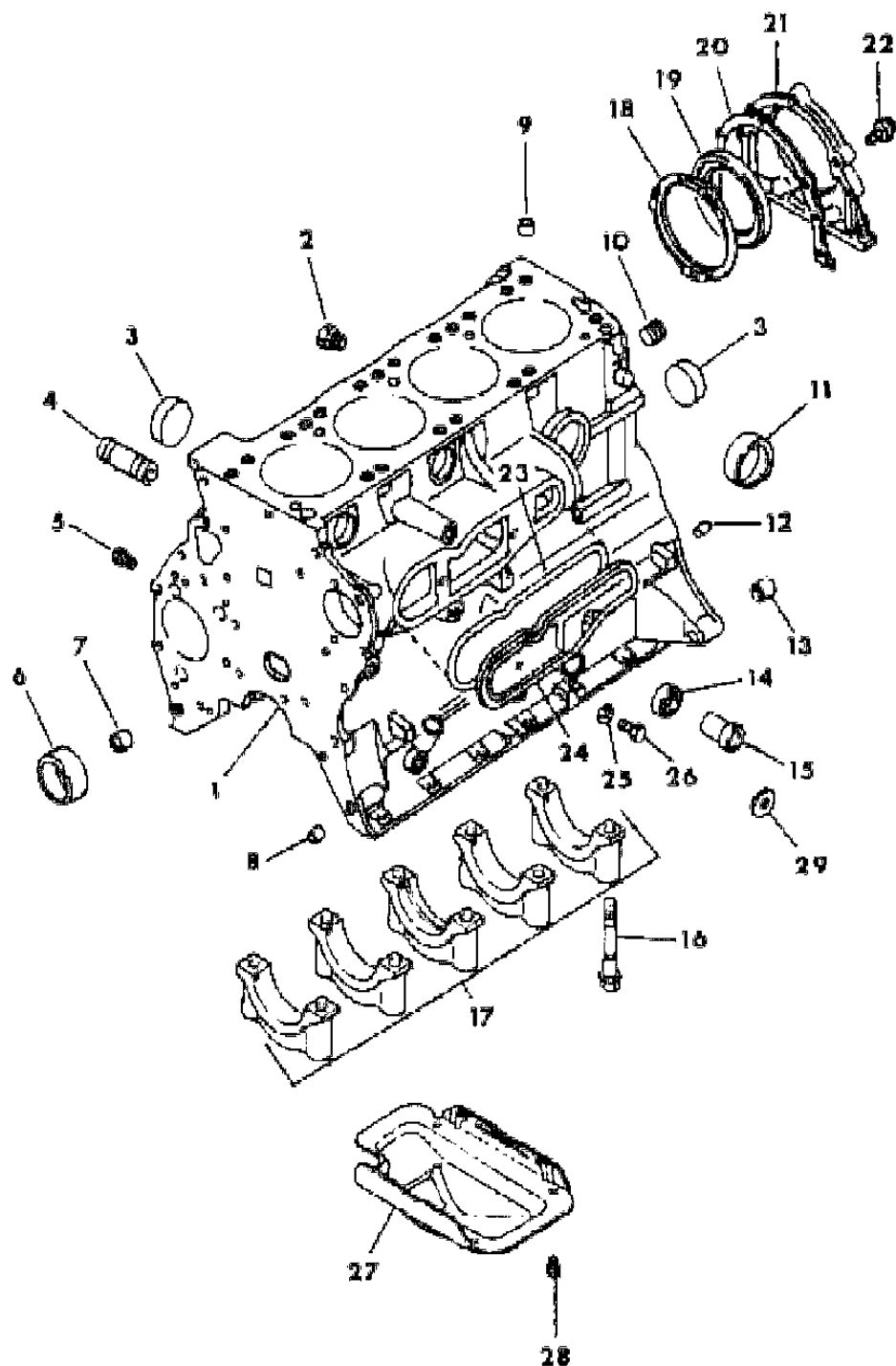
**BODY STYLES**

21 = 2-DOOR SEDAN	41 = 4-DOOR SEDAN
22 = 2-DOOR SPECIAL COUPE	45 = 4-DOOR STATION WAGON
24 = 2-DOOR HATCHBACK	44 = 4-DOOR HATCHBACK
27 = 2-DOOR CONVERTIBLE	48 = EXECUTIVE SEDAN
28 = FWD PICKUP	

AR = Use as Required - = Non Illustrated Part P.A.R. = Paint as Required

**CYLINDER BLOCK AND RELATED PARTS 4 CYLINDER 2.6 L ENG., P,D,C,V,E,T**  
**Figure 9A-3200**

3158 1200A



ITEM	PART NUMBER	QTY	BODY	MODEL	DESCRIPTION
1	MD02 4505	1			BLOCK Assy., Cylinder (U.S. And Export)
1	MD02 6200	1			(Canada)
2	MD00 0269	1			PLUG, Taper
3	MD00 0427	3			CAP, Sealing
4	MD02 0235	1			STUD, Oil Filter
5	MD02 4567	1			PLUG, Taper
6	MD02 1118	2			BEARING, Rear
7	MD02 0234	1			NOZZLE
8	MS47 1104	2			BUSHING, Knock (8x9)
9	MS47 1111	2			BUSHING, Knock (12x13)
10	MS66 1122	1			PLUG, Taper (3/8)
11	MF66 5544	3			CAP, Sealing (50)
12	MF47 2403	2			PIN, Dowel (6)
13	MD02 4778	2			BUSHING, Knock
14	MF66 5539	4			CAP, Sealing (28)
15	MD02 5364	2			JOINT
16	MD02 0223	10			BOLT, Bearing Cap
17					CAP, Crankshaft Bearing (Serviced in Block Assy.)
18	MD02 0436	1			OIL SEPARATOR
19	MD02 0435	1			OIL SEAL, Rear
20	MD02 0292	1			GASKET, Oil Seal Case
21	MD02 4509	1			CASE, Oil Seal
22	MF14 0208	5			BOLT, Flange (6x22)
23	MD02 0239	1			GASKET, Cover
24	MD02 0237	1			COVER
25	MD02 0256	2			"O"RING
26	MF14 0003	2			BOLT (6x12)
27	MD02 4524	1			SEAL, Crankcase
28	MF24 1223	5			BOLT, w/Washer (6x12)
29	MD02 6203	2			CAP, Sealing

**MODEL CODES**

B = GRAN FURY	G = DIPLOMAT	V = 400
C = LEBARON/TOWN & COUNTRY	M = HORIZON/TURISMO/SCAMP	X = MIRADA
D = ARIES	P = RELIANT	Y = IMPERIAL
E = 600	S = CORDOBA	Z = OMNI/CHARGER/RAMPAGE
F = FIFTH AVENUE	T = E CLASS/NEWYORKER	

**BODY STYLES**

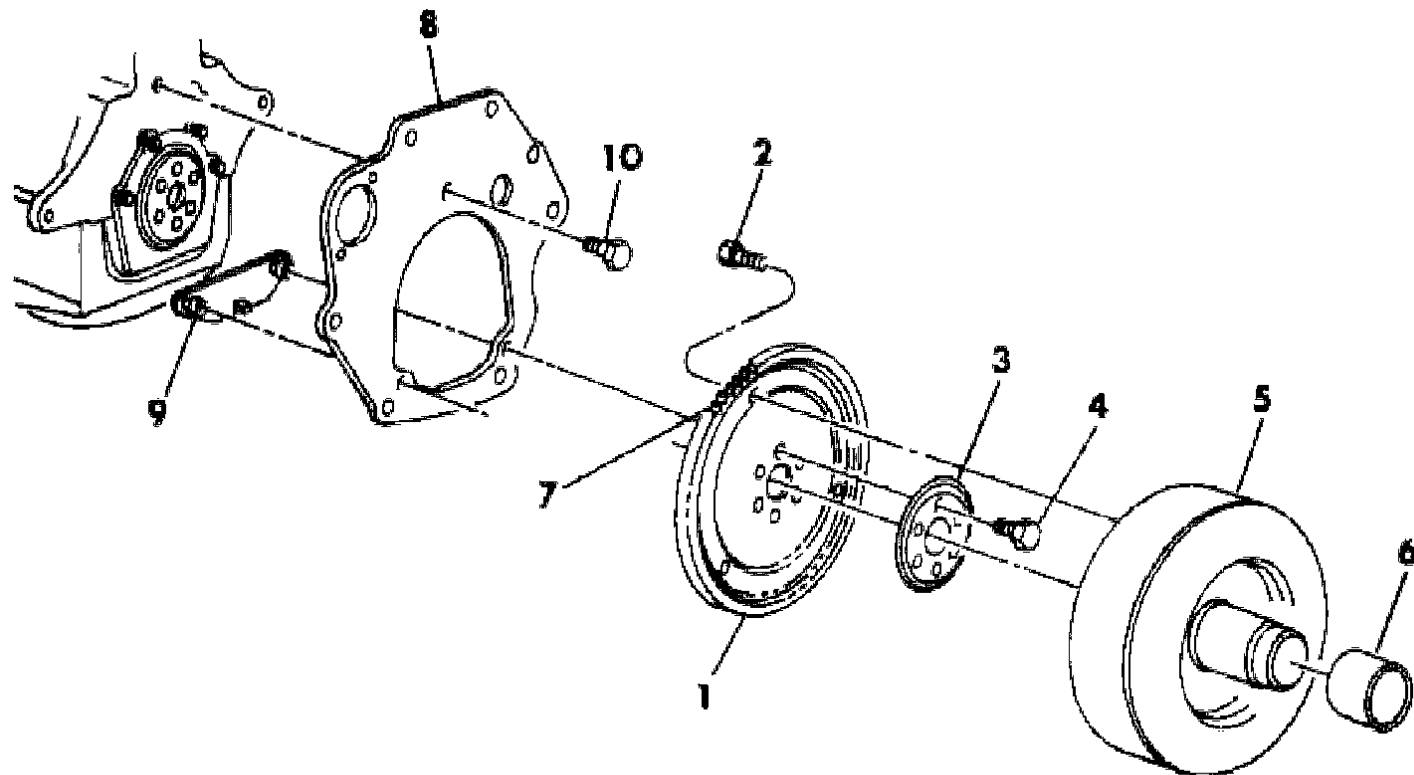
21 = 2-DOOR SEDAN	41 = 4-DOOR SEDAN
22 = 2-DOOR SPECIAL COUPE	45 = 4-DOOR STATION WAGON
24 = 2-DOOR HATCHBACK	44 = 4-DOOR HATCHBACK
27 = 2-DOOR CONVERTIBLE	48 = EXECUTIVE SEDAN
28 = FWD PICKUP	

AR = Use as Required - = Non Illustrated Part P.A.R. = Paint as Required

**TORQUE CONVERTER, DRIVE PLATE 4 CYLINDER 2.6 L ENG. P,D,C,V,E,T**  
**Figure 9A-3300**

3158 3300A

ITEM	PART NUMBER	QTY	BODY	MODEL	DESCRIPTION
1	5222 641	1			PLATE ASSY., Torque Converter
2	6500 500	3			BOLT, Drive Plate to Torque Converter
3	5222 585	1			PLATE, Crankshaft Bolt Backing
4	6500 269	6			BOLT, Drive Plate to Crankshaft
5	#4293 058	1			TORQUE CONVERTER ASSY.
6	3515 138	1			SEAL, Trans. Torque Converter Impeller Hub
7		1			GEAR, Torque Converter Ring (Service in Drive Plate Assy.)
8	5224 388	1			SPACER, Plate Trans. (See Group 21)
9	5224 393	1			COVER, Trans. Torque Converter (See Group 21)
10	6101 221	1			SCREW, Trans. Spacer Plate



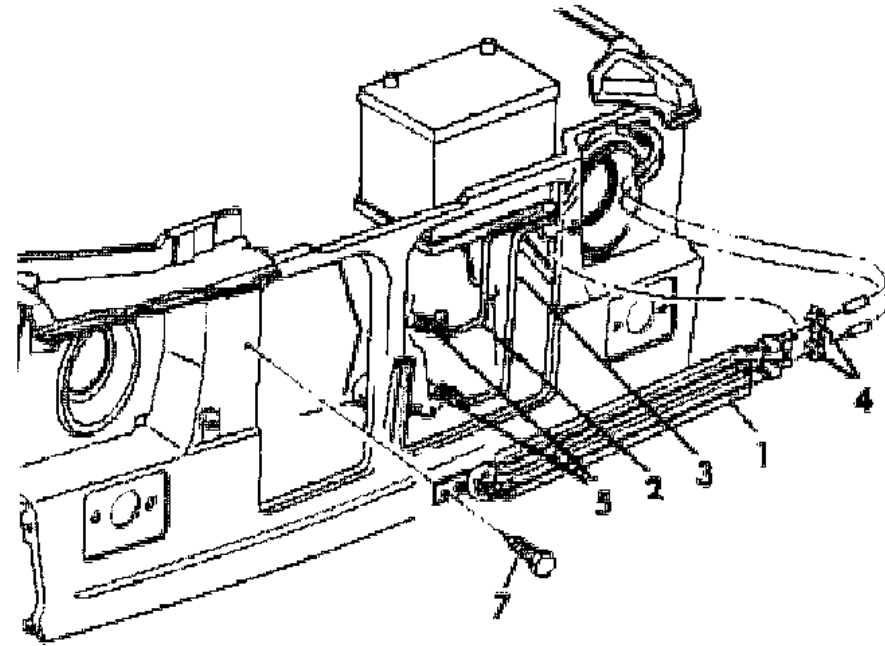
MODEL CODES  
 B = GRAN FURY  
 C = LEBARON/TOWN & COUNTRY  
 D = ARIES  
 E = 600  
 F = FIFTH AVENUE  
 G = DIPLOMAT  
 M = HORIZON/TURISMO/SCAMP  
 P = RELIANT  
 S = CORDOBA  
 T = E CLASS/NEWYORKER  
 V = 400  
 X = MIRADA  
 Y = IMPERIAL  
 Z = OMNI/CHARGER/RAMPAGE

BODY STYLES  
 21 = 2-DOOR SEDAN  
 22 = 2-DOOR SPECIAL COUPE  
 24 = 2-DOOR HATCHBACK  
 27 = 2-DOOR CONVERTIBLE  
 28 = FWD PICKUP  
 41 = 4-DOOR SEDAN  
 45 = 4-DOOR STATION WAGON  
 44 = 4-DOOR HATCHBACK  
 48 = EXECUTIVE SEDAN

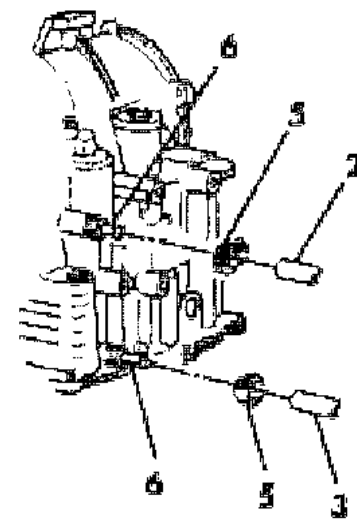
AR = Use as Required - = Non Illustrated Part P.A.R. = Paint as Required

**TRANSMISSION OIL COOLER 4 CYLINDER 2.6 L ENG. P,D,C,V,E,T**  
**Figure 9A-3350**

3158 JJ50



**TRANSMISSION OIL COOLING (AIR COOLED)**



**TRANSMISSION END**

ITEM	PART NUMBER	QTY	BODY	MODEL	DESCRIPTION
1	#4266 344				OIL COOLER, Trans. Oil Air
	4266 196				Auxiliary Oil Cooler (Air Cooled)
2	#4266 197	1			HOSE, Trans. Oil Air Cooler (Return)
3	#4266 198	1			HOSE, Trans. Oil Air Cooler (Pressure)
4	#6032 282	2			CLAMP, Trans. Oil Cooler Hose (Cooler End)
5	#6032 282	2			CLAMP, Trans. Oil Cooler Hose (Trans. End)
6	#4269 775	2			CONNECTOR, Trans. Oil Cooler Hose (Trans. End)
7	#6032 196	1			SCREW, Oil Cooler To Panel

**MODEL CODES**

B = GRAN FURY	G = DIPLOMAT	V = 400
C = LEBARON/TOWN & COUNTRY	M = HORIZON/TURISMO/SCAMP	X = MIRADA
D = ARIES	P = RELIANT	Y = IMPERIAL
E = 600	S = CORDOBA	Z = OMNI/CHARGER/RAMPAGE
F = FIFTH AVENUE	T = E CLASS/NEWYORKER	

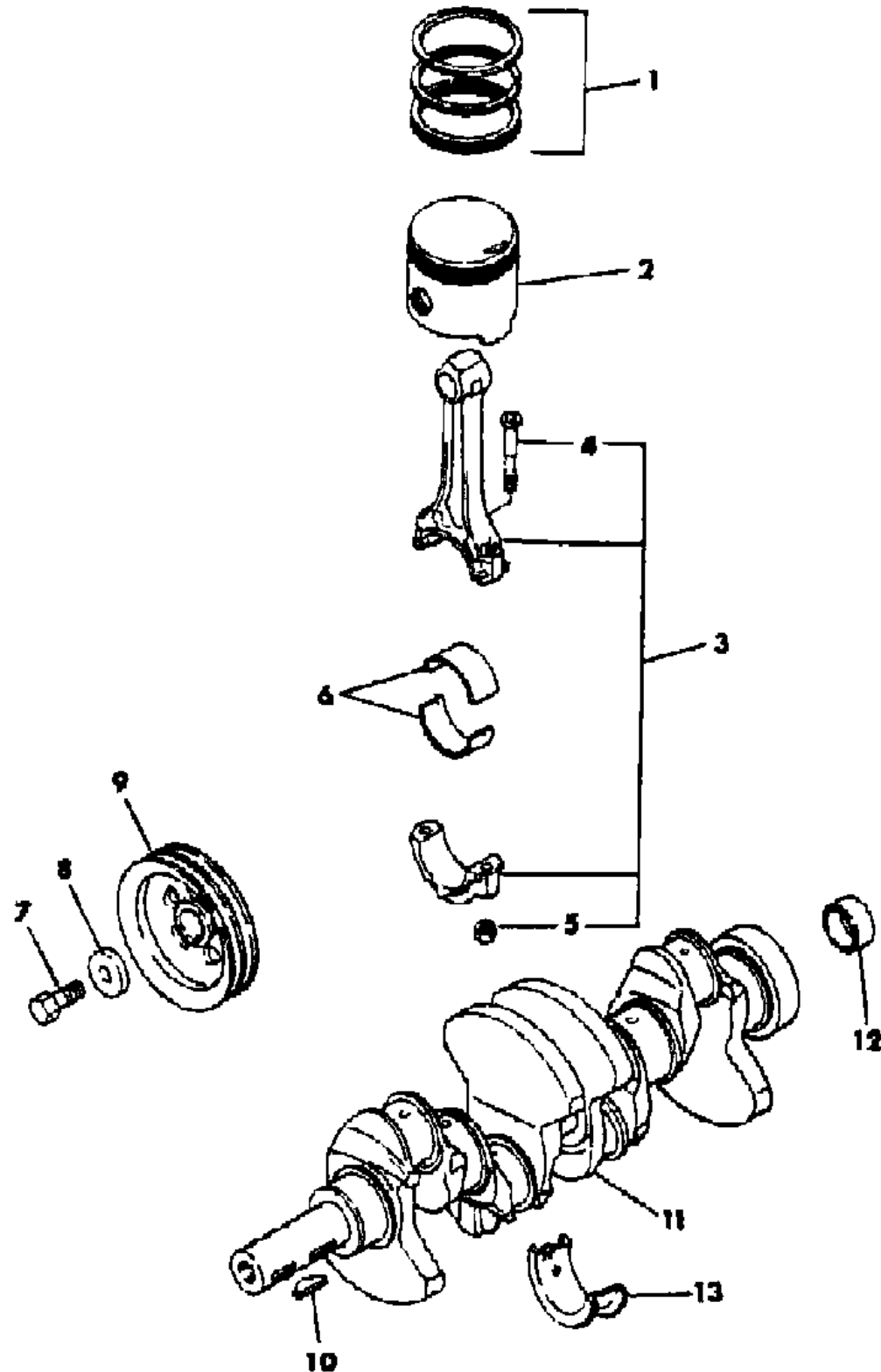
**BODY STYLES**

21 = 2-DOOR SEDAN	41 = 4-DOOR SEDAN
22 = 2-DOOR SPECIAL COUPE	45 = 4-DOOR STATION WAGON
24 = 2-DOOR HATCHBACK	44 = 4-DOOR HATCHBACK
27 = 2-DOOR CONVERTIBLE	48 = EXECUTIVE SEDAN
28 = FWD PICKUP	

AR = Use as Required - = Non Illustrated Part P.A.R. = Paint as Required

**CRANKSHAFT, CONNECTING RODS, PISTONS, RINGS 4 CYLINDER 2.6 L ENG., P,D,C,V,E,T**  
**Figure 9A-3400**

3158 3400



ITEM	PART NUMBER	QTY	BODY	MODEL	DESCRIPTION
1	MD02 6835	1			RING SET, Piston, Std.
	MD02 6836	1			0.25 MM O/S
	MD02 6837	1			0.50 MM O/S
	MD02 6838	1			0.75 MM O/S
	MD02 6839	1			1.00 MM O/S
2	MD02 6921	4			PISTON, w/Pin, Std.
	MD02 6931	4			0.25 MM O/S
	MD02 6932	4			0.50 MM O/S
	MD02 6933	4			0.75 MM O/S
	MD02 6934	4			1.00 MM O/S
3	MD02 0855	4			ROD Assy. Connecting
4	MD02 1105	8			BOLT, Connecting Rod
5	MD00 6704	8			NUT, Connecting Rod
6	MD02 6430	1			BEARING SET, Connecting Rod, Std.
	MD02 6431	1			0.25 MM U/S
	MD02 6432	1			0.50 MM U/S
	MD02 6433	1			0.75 MM U/S
7	MD02 0830	1			BOLT Crankshaft Pulley
8	MD02 0831	1			WASHER
9	MD02 4895	1			PULLEY, Crankshaft (up to 3/30/82)
	MD06 2006	1			(from 4/1/82 to 4/1/83)
	MD07 4096	1			(after 4/1/83)
10	MD00 0606	2			KEY
11	MD02 6408	1			CRANKSHAFT
12	MD02 4893	1			BUSHING, Crankshaft
13	MD02 6815	1			BEARING SET, Crankshaft, Std.
	MD02 6816	1			0.25 MM U/S
	MD02 6817	1			0.50 MM U/S
	MD02 6818	1			0.75 MM U/S

**MODEL CODES**

B = GRAN FURY	G = DIPLOMAT	V = 400
C = LEBARON/TOWN & COUNTRY	M = HORIZON/TURISMO/SCAMP	X = MIRADA
D = ARIES	P = RELIANT	Y = IMPERIAL
E = 600	S = CORDOBA	Z = OMNI/CHARGER/RAMPAGE
F = FIFTH AVENUE	T = E CLASS/NEWYORKER	

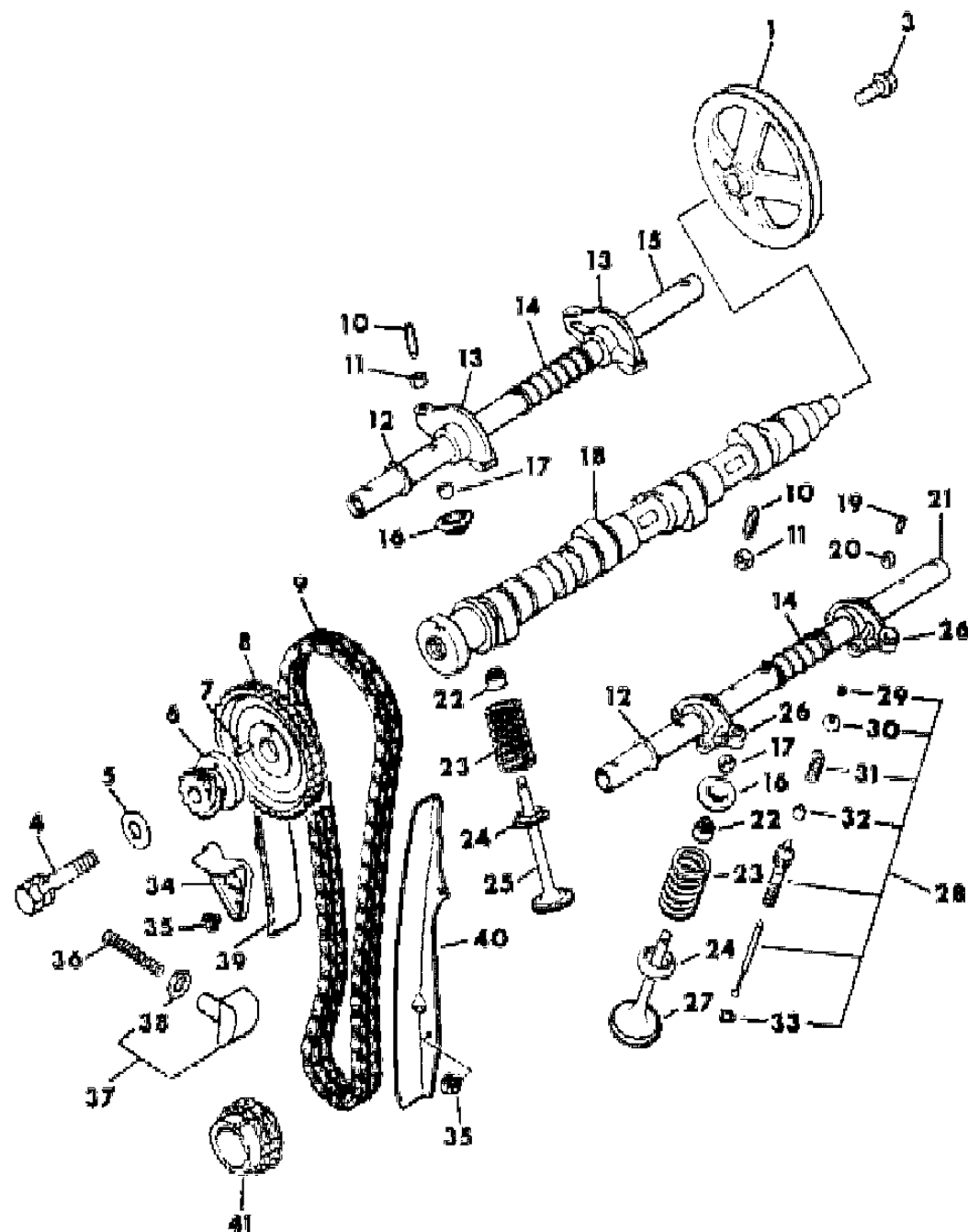
**BODY STYLES**

21 = 2-DOOR SEDAN	41 = 4-DOOR SEDAN
22 = 2-DOOR SPECIAL COUPE	45 = 4-DOOR STATION WAGON
24 = 2-DOOR HATCHBACK	44 = 4-DOOR HATCHBACK
27 = 2-DOOR CONVERTIBLE	48 = EXECUTIVE SEDAN
28 = FWD PICKUP	

AR = Use as Required - = Non Illustrated Part P.A.R. = Paint as Required

**CAMSHAFT, VALVES, TIMING CHAIN AND RELATED PARTS 4 CYLINDER 2.6 L ENG., P,D,C,V,E,T**  
**Figure 9A-3500**

3158 3300



ITEM	PART NUMBER	QTY	BODY	MODEL	DESCRIPTION
1	#MD02 5669	1			PULLEY, Camshaft
3	MF14 0262	1			BOLT, Flange (10x25)
4	MS24 1117	1			BOLT, w/Washer (14x70)
5	MF45 0008	1			WASHER, Plain (14)
6	MD02 1247	1			GEAR, Distributor)
7	MD02 1219	1			PIN, Spring
8	MD02 1246	1			SPROCKET, Camshaft
9	MD02 1230	1			CHAIN, Timing
10	MD01 9845	8			SCREW, Adjusting Rocker Arm
11	MD00 0961	8			NUT
12	MD00 0964	2			WASHER, Waved
13	MD02 3226	4			ARM, Rocker C, Right
14	MD02 1211	6			SPRING, Rocker Shaft
15	MD02 3198	1			SHAFT Assy., Rocker Arm Rt.
16	MD00 8761	8			RETAINER, Valve Spring
17	MD00 8760	16			LOCK, Valve Spring Retainer
18	MD02 6730	1			CAMSHAFT
19	MD00 9371	4			SCREW, Adjusting Rocker Arm
20	MD00 9372	4			NUT
21	MD02 3196	1			SHAFT, Assy. Rocker Arm, Lt.
22	MD00 0508	8			SEAL, Valve Stem
23	MD02 2591	8			SPRING, Valve
24	MD00 0507	8			SEAT, Valve Spring
25	MD02 4519	4			VALVE, Exhaust
26	MD02 3225	4			ARM, Rocker, Left
27	MD02 4518	4			VALVE, Inlet
28	MD00 9440	4			VALVE Assy. Jet
29	MD00 9365	8			LOCK, Valve Spring Retainer
30	MD00 9784	4			RETAINER, Valve Spring
31	MD00 9783	4			SPRING, Valve
32	MD00 6268	4			SEAL, Valve Stem
33	MD00 9786	4			"O"RING
34	MD02 1237	1			HOLDER, Camshaft Sprocket
35	MS10 1311	4			BOLT, Flange (6x10)
36	MD02 1234	1			SPRING, Tensioner
37	MD02 1233	1			SLEEVE, Complete
38	MD02 1242	1			SHEET, Rubber

**MODEL CODES**

B = GRAN FURY	G = DIPLOMAT	V = 400
C = LEBARON/TOWN & COUNTRY	M = HORIZON/TURISMO/SCAMP	X = MIRADA
D = ARIES	P = RELIANT	Y = IMPERIAL
E = 600	S = CORDOBA	Z = OMNI/CHARGER/RAMPAGE
F = FIFTH AVENUE	T = E CLASS/NEWYORKER	

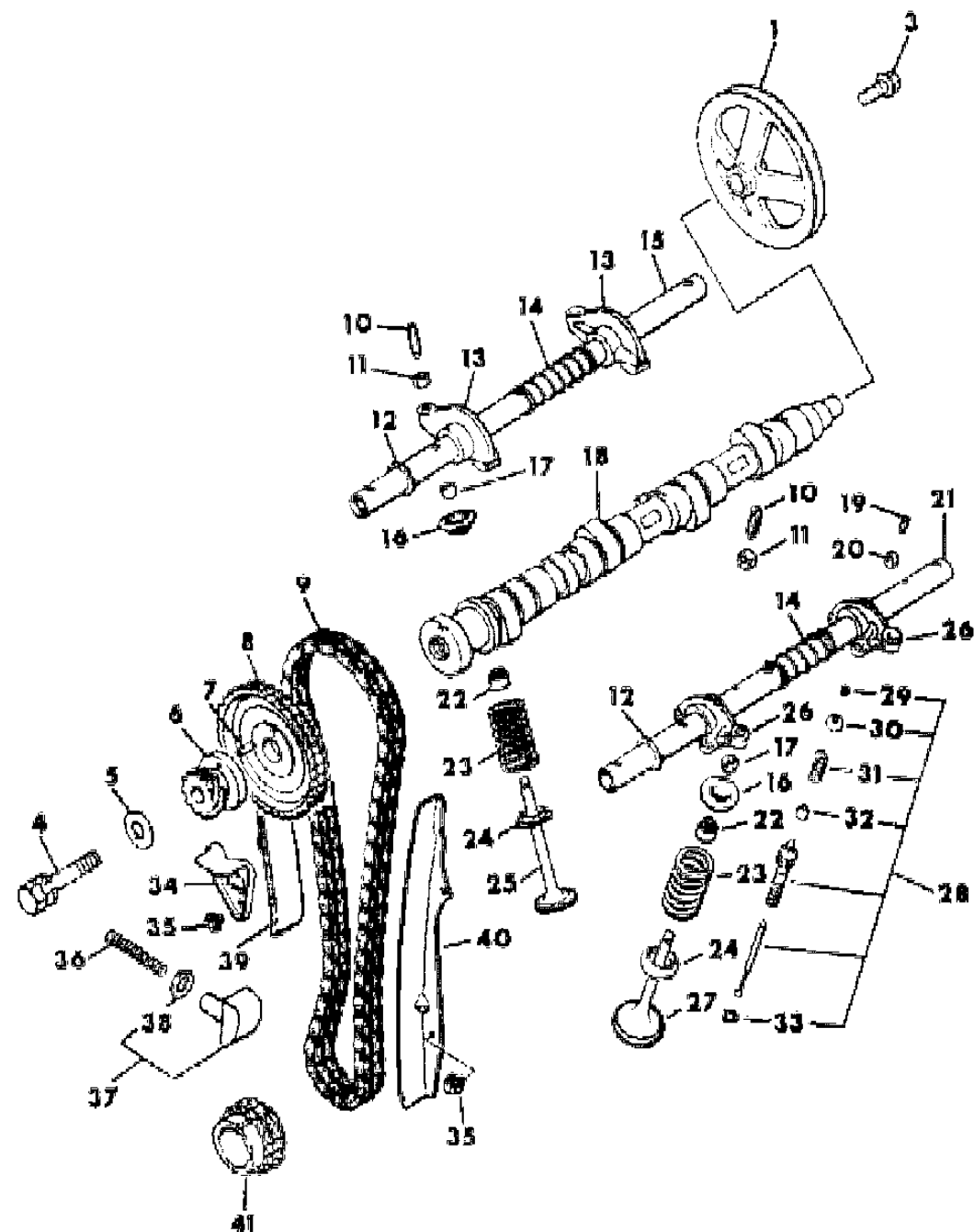
**BODY STYLES**

21 = 2-DOOR SEDAN	41 = 4-DOOR SEDAN
22 = 2-DOOR SPECIAL COUPE	45 = 4-DOOR STATION WAGON
24 = 2-DOOR HATCHBACK	44 = 4-DOOR HATCHBACK
27 = 2-DOOR CONVERTIBLE	48 = EXECUTIVE SEDAN
28 = FWD PICKUP	

AR = Use as Required - = Non Illustrated Part P.A.R. = Paint as Required

**CAMSHAFT, VALVES, TIMING CHAIN AND RELATED PARTS 4 CYLINDER 2.6 L ENG., P,D,C,V,E,T**  
**Figure 9A-3500**

3158 3300



ITEM	PART NUMBER	QTY	BODY	MODEL	DESCRIPTION
39	MD02 1232	1			GUIDE, Chain Loose Side
40	MD02 1231	1			GUIDE, Chain Tension Side
41	MD02 0843	1			SPROCKET, Crankshaft

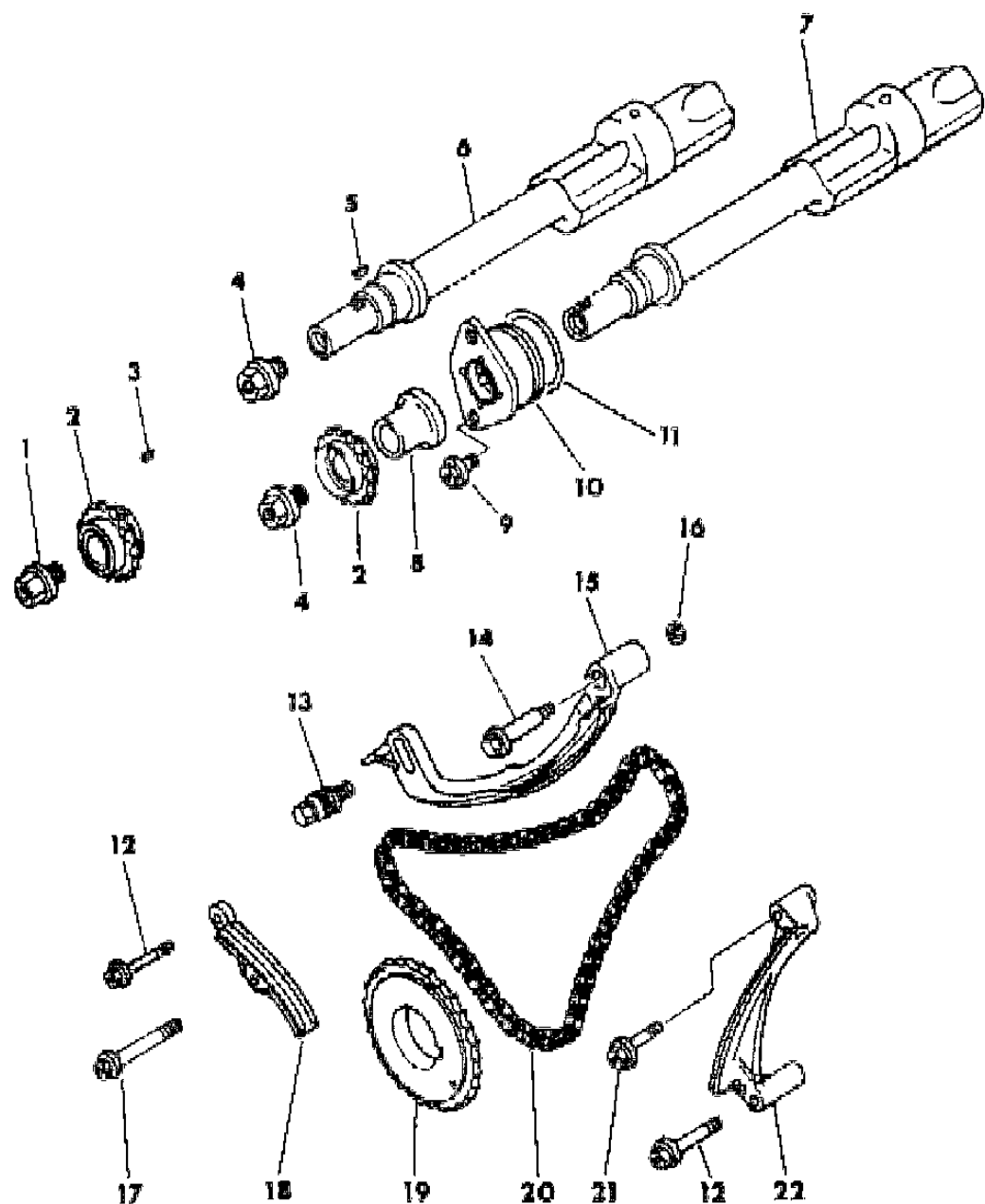
MODEL CODES  
 B = GRAN FURY  
 C = LEBARON/TOWN & COUNTRY  
 D = ARIES  
 E = 600  
 F = FIFTH AVENUE  
 G = DIPLOMAT  
 M = HORIZON/TURISMO/SCAMP  
 P = RELIANT  
 S = CORDOBA  
 T = E CLASS/NEWYORKER  
 V = 400  
 X = MIRADA  
 Y = IMPERIAL  
 Z = OMNI/CHARGER/RAMPAGE

BODY STYLES  
 21 = 2-DOOR SEDAN  
 22 = 2-DOOR SPECIAL COUPE  
 24 = 2-DOOR HATCHBACK  
 27 = 2-DOOR CONVERTIBLE  
 28 = FWD PICKUP  
 41 = 4-DOOR SEDAN  
 45 = 4-DOOR STATION WAGON  
 44 = 4-DOOR HATCHBACK  
 48 = EXECUTIVE SEDAN

AR = Use as Required - = Non Illustrated Part P.A.R. = Paint as Required

**BALANCING SHAFT AND RELATED PARTS 4 CYLINDER 2.6 L ENG., P,D,C,V,E,T**  
**Figure 9A-3600**

3138 3600



ITEM	PART NUMBER	QTY	BODY	MODEL	DESCRIPTION
1	MD02 7152	1			BOLT
2	MD02 1172	2			SPROCKET Assy.
3	MF47 6204	1			KEY, Woodruff (3x10)
4	MD02 7152	1			BOLT
5	MF47 6204	2			KEY, Woodruff (3x10)
6	MD02 4845	1			SHAFT, Counterbalance Rt.
7	MD02 4846	1			SHAFT, Counterbalance Lt.
8	MD02 0255	1			SPACER
9	MF14 0204	2			BOLT Flange
10	MD02 0897	1			PLATE Assy., Thrust
11	MD02 1045	1			"O"RING
12	MS10 1322	2			BOLT, Flange
13	MD02 1158	1			BOLT, Special B
14	MD02 1157	1			BOLT, Special A
15	MD02 1156	1			GUIDE, Chain B
16	MF45 0404	1			WASHER, Spring (6)
17	MS10 1325	1			BOLT, Flange (6x60)
18	MD02 1114	1			GUIDE, Chain C
19	MD02 1170	1			SPROCKET, Crankshaft B
20	MD02 1155	1			CHAIN B
21	MS10 1317	1			BOLT, Flange (6x32)
22	MD02 1111	1			GUIDE, Chain A

**MODEL CODES**

B = GRAN FURY	G = DIPLOMAT	V = 400
C = LEBARON/TOWN & COUNTRY	M = HORIZON/TURISMO/SCAMP	X = MIRADA
D = ARIES	P = RELIANT	Y = IMPERIAL
E = 600	S = CORDOBA	Z = OMNI/CHARGER/RAMPAGE
F = FIFTH AVENUE	T = E CLASS/NEWYORKER	

**BODY STYLES**

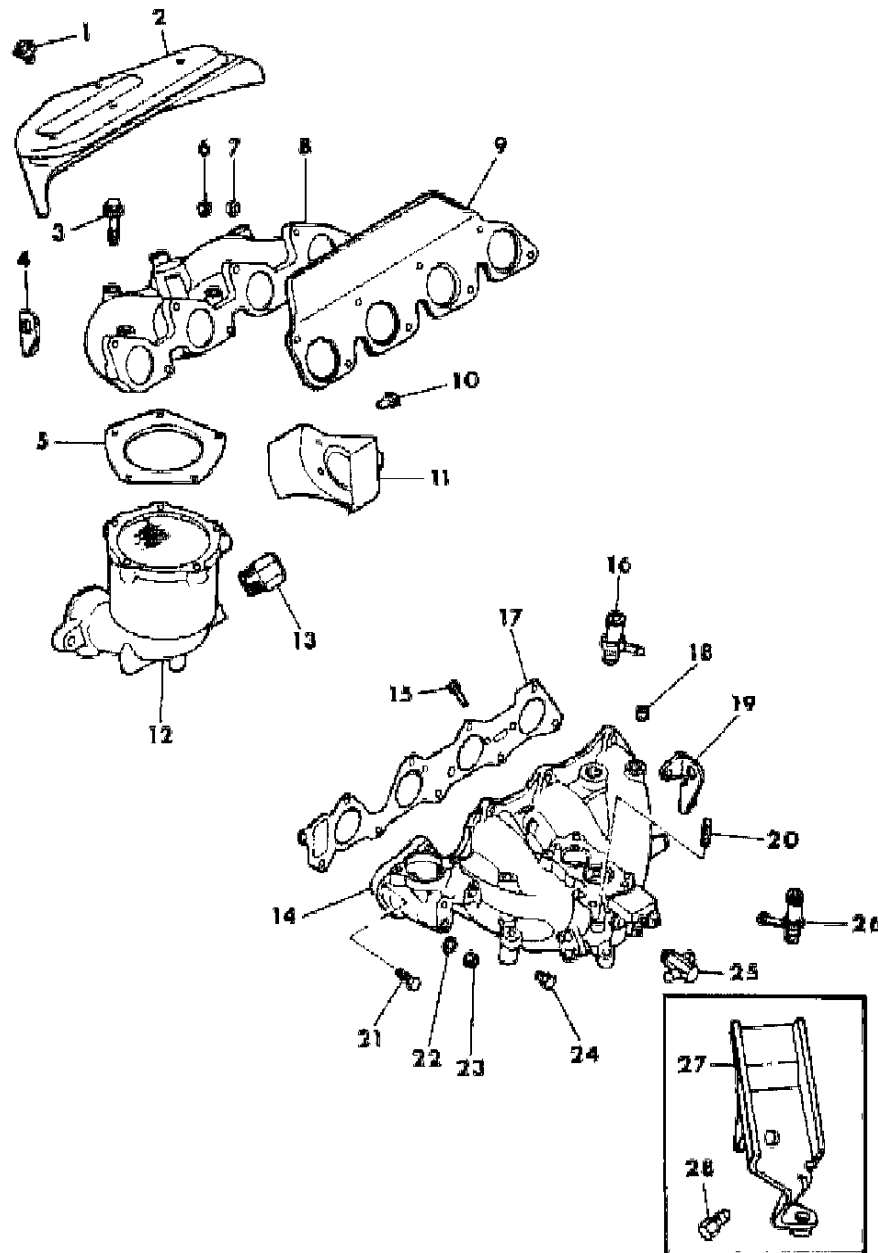
21 = 2-DOOR SEDAN	41 = 4-DOOR SEDAN
22 = 2-DOOR SPECIAL COUPE	45 = 4-DOOR STATION WAGON
24 = 2-DOOR HATCHBACK	44 = 4-DOOR HATCHBACK
27 = 2-DOOR CONVERTIBLE	48 = EXECUTIVE SEDAN
28 = FWD PICKUP	

AR = Use as Required - = Non Illustrated Part P.A.R. = Paint as Required



**MANIFOLD, INTAKE AND EXHAUST 4 CYLINDER 2.6 L ENG., P,D,C,V,E,T**  
**Figure 9A-3700**

3158 370003



ITEM	PART NUMBER	QTY	BODY	MODEL	DESCRIPTION
1	MD00 9669	5			BOLT, Flange, w/Washer
2	MD02 5543	1			COWL, Heat (U.S.)
	MD02 5153	1			(Canada)
	MD02 5156	1			PROTECTOR, Heat (Canada)
3	MD02 3492	5			BOLT, Flange
4	MD00 0255	1			HANGER, Engine, Front
5	MD02 5614	1			GASKET Assy.
6	MD00 0569	8			NUT
7	MS45 0035	8			WASHER, Plain (8)
8	MD02 5534	1			MANIFOLD, Exhaust (U.S.)
	MD02 5155	1			(Canada)
9	#MD02 5684	1			GASKET, Exhaust Manifold
10	MD00 9494	3			BOLT, Flange
11	MD02 5544	1			COVER
12	MD02 5535	1			CASE Assy., Catalyst
13	MD02 5365	1			JOINT
14	MD02 4626	1			MANIFOLD, Inlet (U.S.)
	MD02 4637	1			(Canada)
15	MD02 4599	1			NIPPLE
16	MD02 4705	1			JOINT
17	MD02 4628	1			GASKET, Inlet Manifold (U.S.)
	MD02 6535	1			(Canada)
18	MD02 4629	1			PLUG, Taper
19	MD02 6525	1			HANGER, Engine Rear
20	MS40 1403	1			STUD (6x8)
21	MF24 1256	1			BOLT, w/Washer (8x28)
22	MF45 0405	9			WASHER, Spring (8)
23	MF43 0005	9			NUT (8)
24	MD02 4567	1			PLUG, Taper
25	MD02 6657	1			JOINT (U.S.)
	MD02 6535	1			(Canada)
26	#4241 986	1			CONNECTOR, Vacuum Control (Audible Message Center 2-3/8" Outlets)
27	#MD02 6848	1			BLOCKER
28	#MF14 0022	1			BOLT, Flange (8x22)
	MF16 0026	1			(8x14)

**MODEL CODES**

B = GRAN FURY	G = DIPLOMAT	V = 400
C = LEBARON/TOWN & COUNTRY	M = HORIZON/TURISMO/SCAMP	X = MIRADA
D = ARIES	P = RELIANT	Y = IMPERIAL
E = 600	S = CORDOBA	Z = OMNI/CHARGER/RAMPAGE
F = FIFTH AVENUE	T = E CLASS/NEWYORKER	

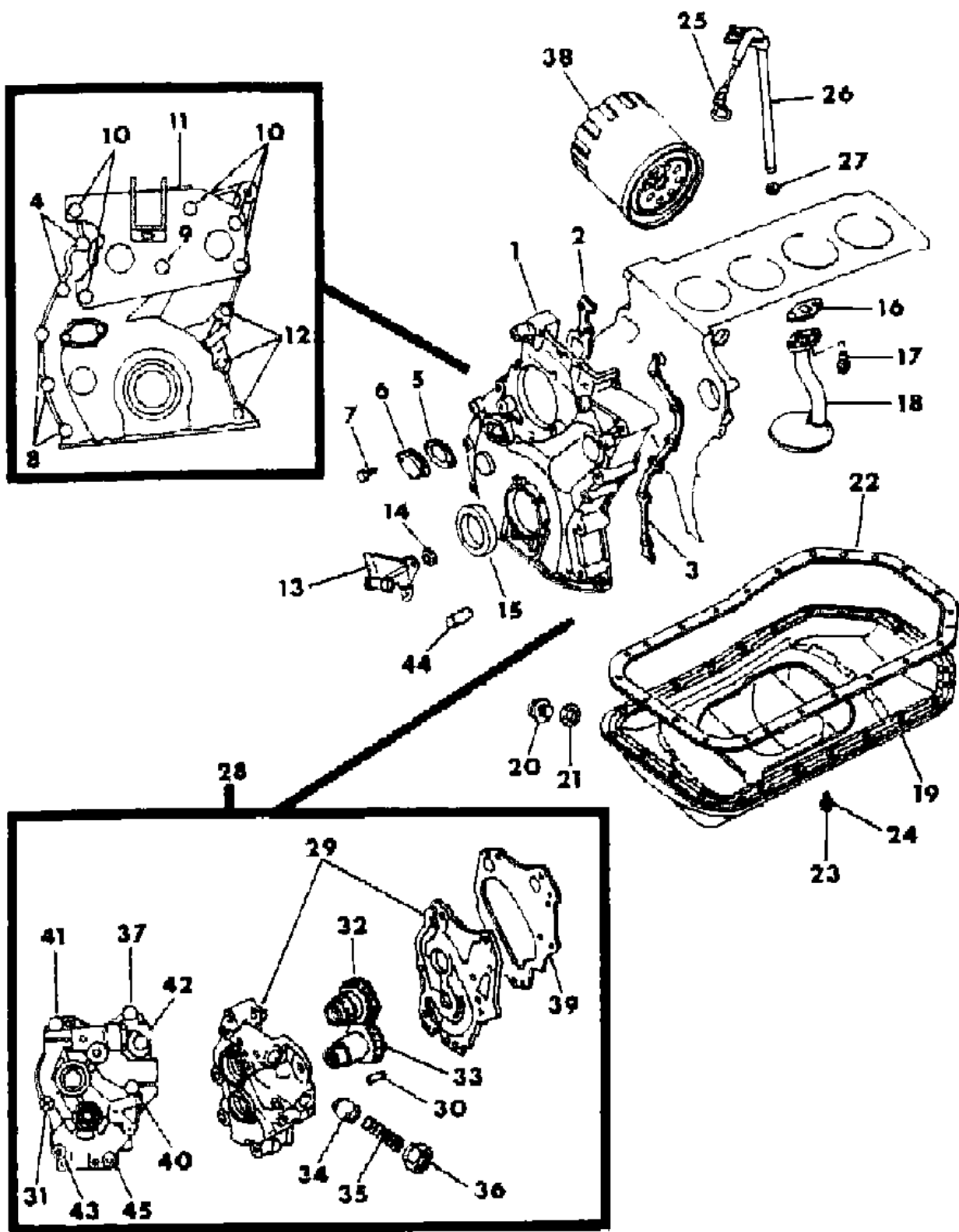
**BODY STYLES**

21 = 2-DOOR SEDAN	41 = 4-DOOR SEDAN
22 = 2-DOOR SPECIAL COUPE	45 = 4-DOOR STATION WAGON
24 = 2-DOOR HATCHBACK	44 = 4-DOOR HATCHBACK
27 = 2-DOOR CONVERTIBLE	48 = EXECUTIVE SEDAN
28 = FWD PICKUP	

AR = Use as Required - = Non Illustrated Part P.A.R. = Paint as Required

OIL PUMP, OIL PAN, OIL LEVEL INDICATOR, TIMING COVER 4 CYLINDER 2.6 L ENG., P,D,C,V,E,T  
Figure 9A-3800

3158 3800A



ITEM	PART NUMBER	QTY	BODY	MODEL	DESCRIPTION
1	MD02 4770	1			CASE, Timing Chain
2	MD02 0324	1			GASKET, Chain Case, Rt.
3	MD02 0325	1			GASKET, Chain Case, Lt.
4	MS10 1243	2			BOLT, Flange (8x58)
5	MD02 0353	1			GASKET
6	MD02 0349	1			COVER
7	MF14 0206	2			BOLT, Flange (6x18)
8	MS10 1245	3			BOLT, Flange (8x68)
9	MF24 1257	1			BOLT, w/Washer (8x30)
10	MF24 1269	5			BOLT, w/Washer (8x80)
11	MD02 4884	1			BRACKET, Engine Support, Right
12	MF24 1269	3			BOLT, w/Washer (8x75)
13	MD02 4396	1			BRACKET, Timing Indicator (up to 3/30/82)
	MD06 2008	1			(from 4/1/82 to 4/1/83)
	MD07 4097	1			(after 4/1/83)
14	MD02 4397	1			SPACER
15	MD02 0308	1			OIL SEAL, Front
16	MD02 1577	1			GASKET, Oil Screen
17	MS24 1071	2			BOLT, w/Washer
18	MD02 5223	1			SCREEN Assy., Oil
19	MD02 4775	1			PAN Assy., Oil
20	MD00 0318	1			PLUG, Oil Drain (M18)
	MD05 0316	1			(M14)
21	MD00 0312	1			GASKET, Oil Drain Plug (M18)
	MD05 0317	1			(M14)
22	MD02 4777	1			GASKET, Oil Pan
23	MF24 1223	24			BOLT, w/Washer (6x12)
24	MD02 4419	1			SPACER (15MM)
25	MD02 6762	1			ROD Assy., Oil Level Gauge
26	MD02 4928	1			GUIDE, Oil Level Gauge
27	MF52 0004	1			"O"RING (9)
28	MD02 2564	1			PUMP Assy., Oil (up to July 82)
	MD06 0517	1			(after July 82)
29	MD02 2565	1			BODY w/Cover Assy., Oil Pump (up to July 82)
	MD06 0518	1			(after July 82)
30	MD02 3415	2			PIN
31	MF35 0081	1			SCREW, w/Washer (6x35) (up to July 82)

MODEL CODES

B = GRAN FURY	G = DIPLOMAT	V = 400
C = LEBARON/TOWN & COUNTRY	M = HORIZON/TURISMO/SCAMP	X = MIRADA
D = ARIES	P = RELIANT	Y = IMPERIAL
E = 600	S = CORDOBA	Z = OMNI/CHARGER/RAMPAGE
F = FIFTH AVENUE	T = E CLASS/NEWYORKER	

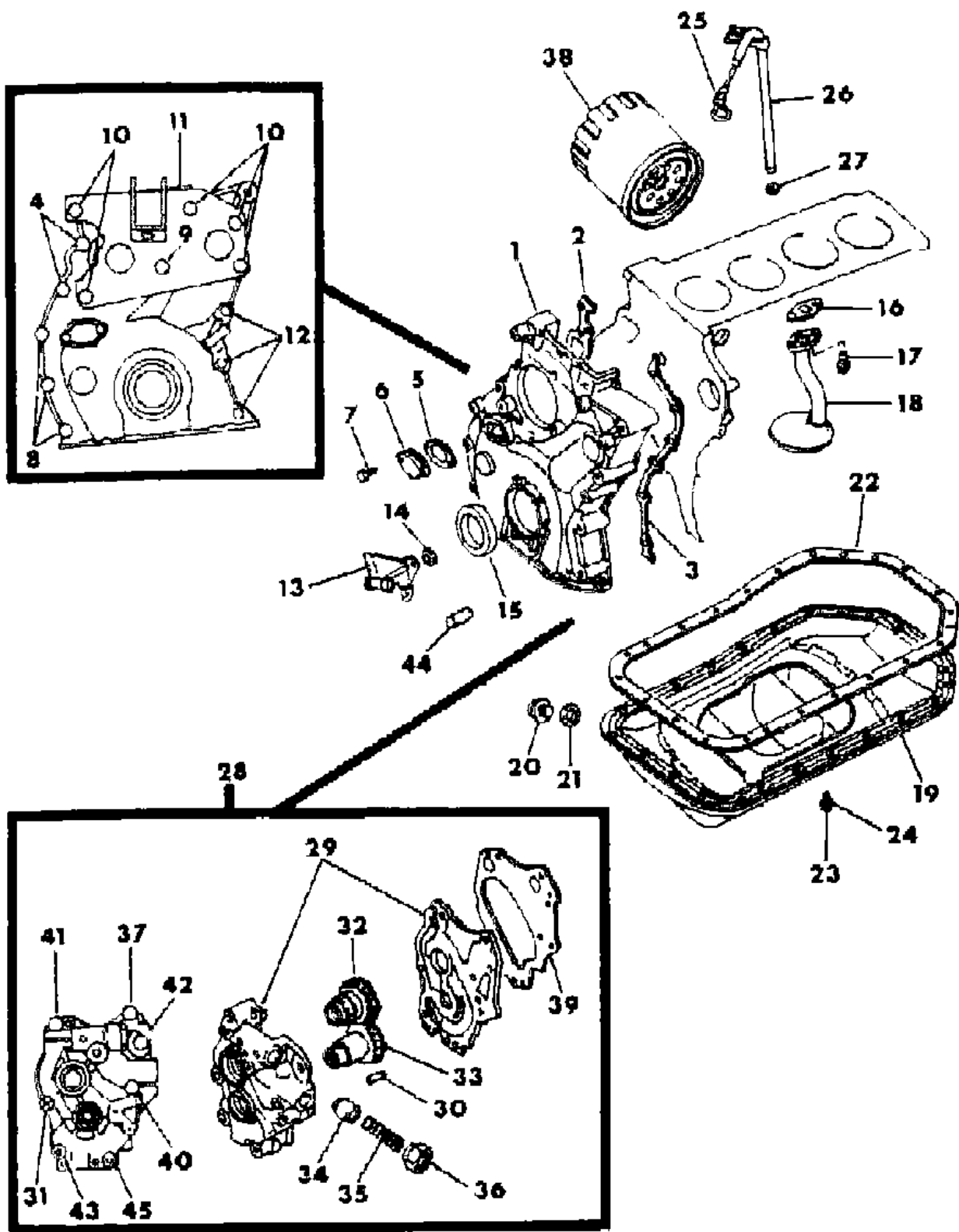
BODY STYLES

21 = 2-DOOR SEDAN	41 = 4-DOOR SEDAN
22 = 2-DOOR SPECIAL COUPE	45 = 4-DOOR STATION WAGON
24 = 2-DOOR HATCHBACK	44 = 4-DOOR HATCHBACK
27 = 2-DOOR CONVERTIBLE	48 = EXECUTIVE SEDAN
28 = FWD PICKUP	

AR = Use as Required - = Non Illustrated Part P.A.R. = Paint as Required

OIL PUMP, OIL PAN, OIL LEVEL INDICATOR, TIMING COVER 4 CYLINDER 2.6 L ENG., P,D,C,V,E,T  
Figure 9A-3800

3158 3800A



ITEM	PART NUMBER	QTY	BODY	MODEL	DESCRIPTION
	MF35 0083	1			(6x40) (after July 82)
32	MD02 2558	1			GEAR, Oil Pump Driven (up to July 82)
	MD06 1314	1			(after July 82)
33	#MD02 2557	1			GEAR, Oil Pump Drive (up to July 82)
	MD06 1313	1			(after July 82)
34	MD02 1563	1			PLUNGER, Relief
35	MD01 7405	1			SPRING, Relief (up to July 82)
	MD05 0299	1			(after July 82)
36	MD02 1564	1			PLUG
37	MS10 1315	1			BOLT, Flange (6x16)
38	MD00 1445	1			FILTER Assy., Oil
40	#MD06 0521	1			GASKET, Oil Pump
40	MS10 1319	1			BOLT, Flange (6x38)
41	MS10 1322	1			BOLT, Flange (6x45)
42	MS10 1316	1			BOLT, Flange (6x22)
43	MF24 0050	1			BOLT w/Washer (8x14)
44	MD02 4419	1			SPACER
45	MD02 7152	1			BOLT

MODEL CODES

B = GRAN FURY	G = DIPLOMAT	V = 400
C = LEBARON/TOWN & COUNTRY	M = HORIZON/TURISMO/SCAMP	X = MIRADA
D = ARIES	P = RELIANT	Y = IMPERIAL
E = 600	S = CORDOBA	Z = OMNI/CHARGER/RAMPAGE
F = FIFTH AVENUE	T = E CLASS/NEWYORKER	

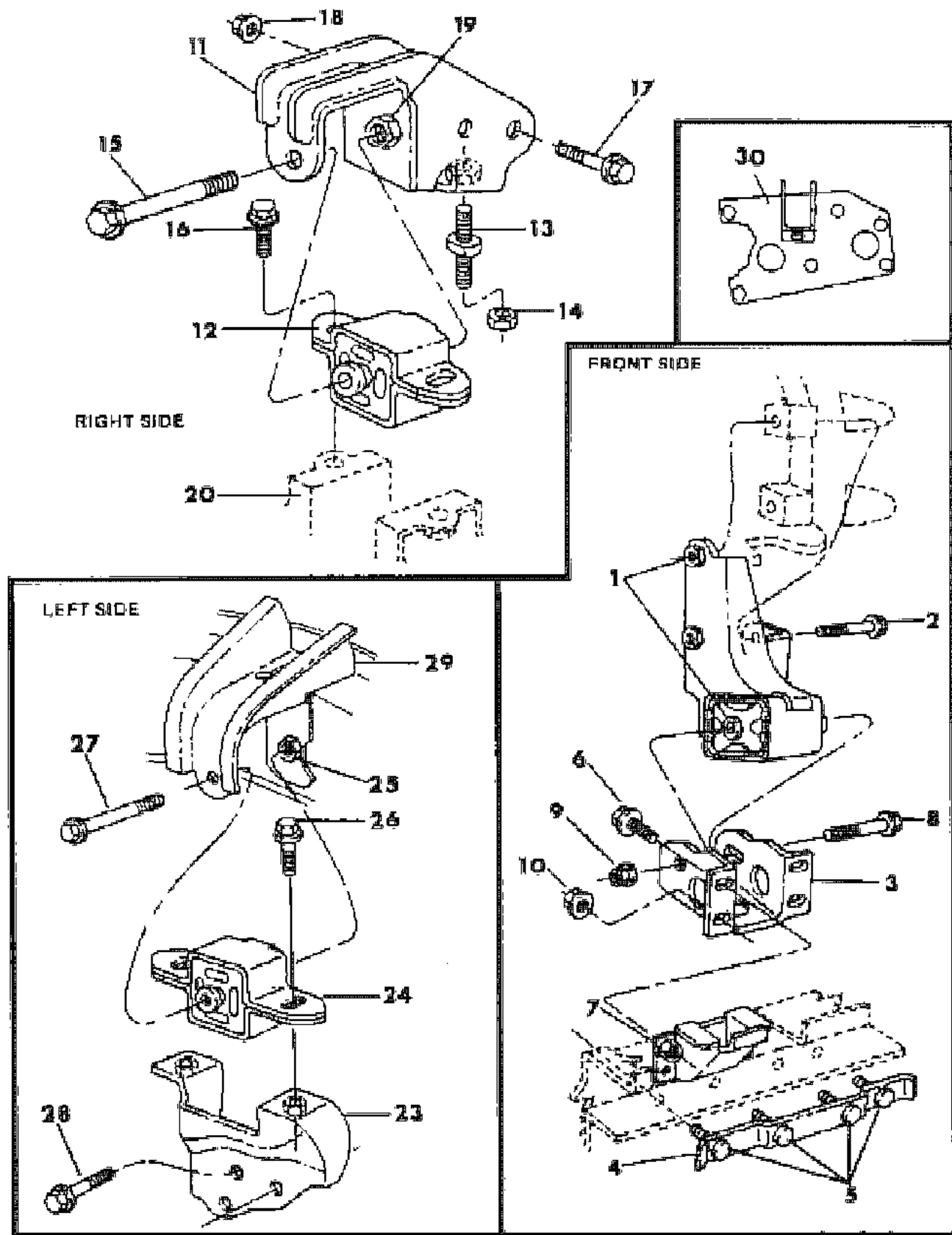
BODY STYLES

21 = 2-DOOR SEDAN	41 = 4-DOOR SEDAN
22 = 2-DOOR SPECIAL COUPE	45 = 4-DOOR STATION WAGON
24 = 2-DOOR HATCHBACK	44 = 4-DOOR HATCHBACK
27 = 2-DOOR CONVERTIBLE	48 = EXECUTIVE SEDAN
28 = FWD PICKUP	

AR = Use as Required - = Non Illustrated Part P.A.R. = Paint as Required

**ENGINE MOUNTING 4 CYLINDER 2.6 L Engine, P,D,C,V,E,T**  
**Figure 9A-3900**

9156 3900B



ITEM	PART NUMBER	QTY	BODY	MODEL	DESCRIPTION
1	4191 891	1			INSULATOR, Engine Support Front
2	#4271 953	1			SCREW w/Washer, Eng. Support to Frame
3	#4296 110	1			BRACKET, Front Side Rail Front Crossmember Eng. Mounting Front Crossmember
4	#5202 257	1			TIE PLATE ASSY., Front Crossmember Flange
5	6500 233	4			SCREW, Front Crossmember Flange Tie Plate
6	6500 535	2			SCREW w/Washer, Eng. Support Insulator to Adapter Plate
7	6100 539	1			NUT w/Washer, Eng. Support Insulator to Frame, Front
8	#4271 953	1			SCREW w/Washer, Eng. Support Insulator Bracket to Adapter Plate
9	6100 053	1			NUT, Eng. Support Insulator to Frame, Front
10	6100 518	2			NUT, Front Crossmember Flange Tie Plate
11	4191 970	1			BRACKET ASSY., Eng. Support Insulator, Rt.
12	#4295 198	1			BUSHING ASSY., Eng. Support Insulator
13	5202 043	1			STUD, Eng. Support Insulator Bracket to Eng. Mounting Assy. Rt.
14	6500 164	1			NUT, Eng. Support Insulator Bracket to Eng. Mounting Assy. Stud
15	#4271 953	1			SCREW w/Washer, Eng. Support Insulator to Frame
16	#6500 555	2			BOLT, Bushing Assy. to Bracket
17	6500 369	2			BOLT, Eng. Support Insulator Bracket to Eng. Mounting Assy.
18	6500 165	2			NUT, Eng. Support Insulator Bracket to Eng. Mounting Assy. Bolt
19		1			NUT, Service in Bracket Assy. (4191970)
20		1			RAIL, Frame Front Side (See Group 13)
23	#4267 205	1			BRACKET ASSY., Eng. Support Insulator, Lt.
24	#4295 198	1			BUSHING ASSY., Eng. Support Insulator
25	#6500 626	1			NUT, Insulator to Front Side Rail Lt.
26	#4271 953	1			SCREW w/Washer, Eng. Support Insulator to Frame
27	#4271 953	1			SCREW w/Washer, Eng. Support Insulator to Frame Side Rail Bracket Left
28	6500 495	3			SCREW w/Washer, Eng. Support Insulator Bracket to Trans. Case Left
29					BRACKET, Side Rail Eng. Mounting Lt. (See Group 13 Front Frame Left Side Rail)
30	#MD02 4884				BRACKET, Eng. Support, Right

**MODEL CODES**

B = GRAN FURY	G = DIPLOMAT	V = 400
C = LEBARON/TOWN & COUNTRY	M = HORIZON/TURISMO/SCAMP	X = MIRADA
D = ARIES	P = RELIANT	Y = IMPERIAL
E = 600	S = CORDOBA	Z = OMNI/CHARGER/RAMPAGE
F = FIFTH AVENUE	T = E CLASS/NEWYORKER	

**BODY STYLES**

21 = 2-DOOR SEDAN	41 = 4-DOOR SEDAN
22 = 2-DOOR SPECIAL COUPE	45 = 4-DOOR STATION WAGON
24 = 2-DOOR HATCHBACK	44 = 4-DOOR HATCHBACK
27 = 2-DOOR CONVERTIBLE	48 = EXECUTIVE SEDAN
28 = FWD PICKUP	

AR = Use as Required - = Non Illustrated Part P.A.R. = Paint as Required

---

**GROUP 9B - ENGINE, 6 CYLINDER**

<b>ILLUSTRATION TITLE</b>	<b>GROUP-FIG. NO.</b>
ENGINE 6 CYLINDER .....	Fig. 9B-100
TRANSMISSION OIL COOLER - 6 CYLINDER ENGINE .....	Fig. 9B-200
OIL PUMP, OIL FILTER, OIL PAN AND OIL LEVEL INDIC (6 CYLINDER ENGINE) .....	Fig. 9B-300
PISTON, CRANKSHAFT, CONNECTING ROD 6 CYLINDER ENGINE .....	Fig. 9B-400
CAMSHAFT, VALVES, ROCKERS, TIMING CHAIN, SPROCKET 6 CYLINDER ENGINE .....	Fig. 9B-500
ENGINE MOUNTINGS 6 CYLINDER ENGINE .....	Fig. 9B-600
MANIFOLD WITH HEAT CONTROLS 6 CYLINDER ENGINE .....	Fig. 9B-700
CRANKCASE VENT, CAP, HOSE, VALVE 6 CYLINDER ENGINE .....	Fig. 9B-800

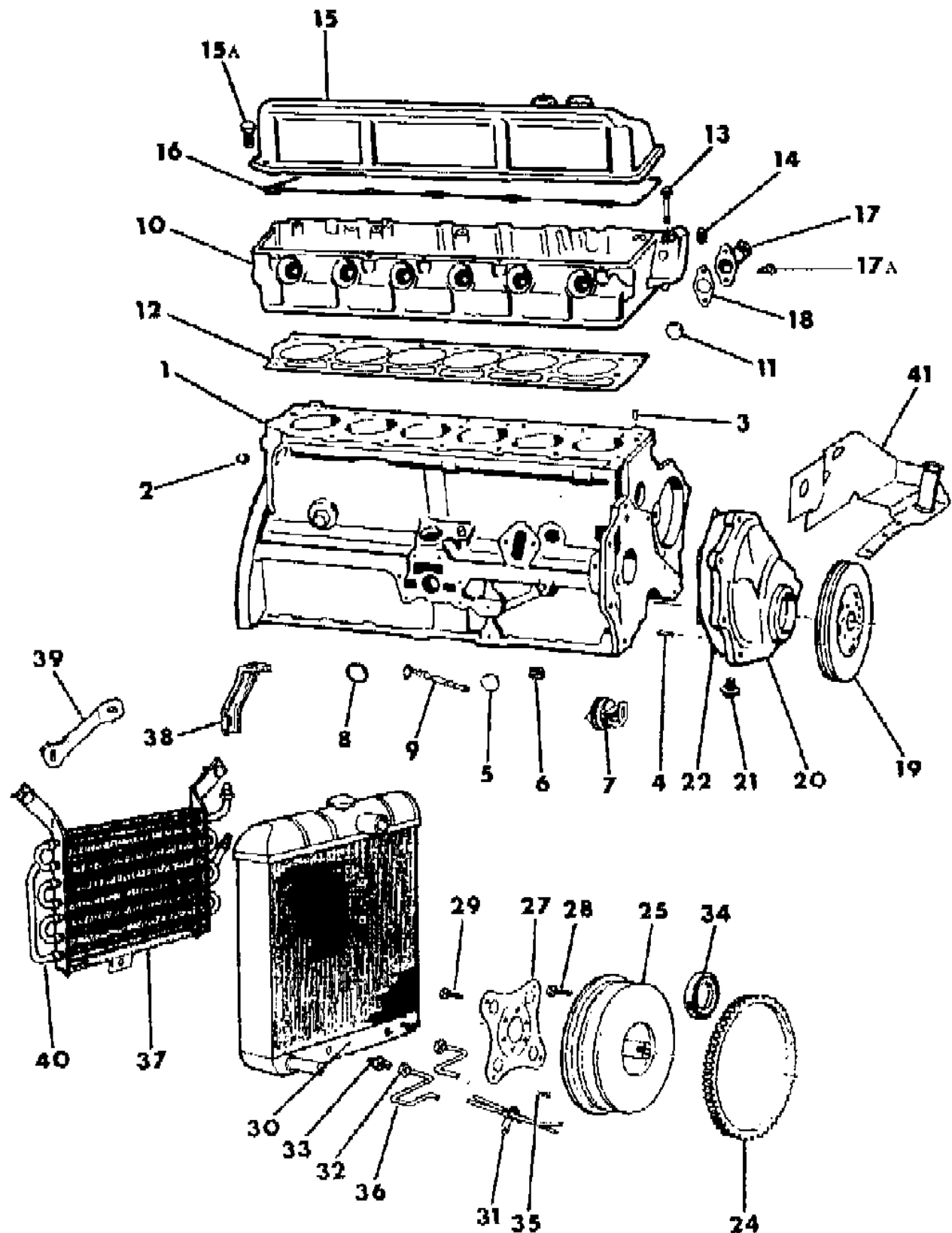
**ILLUSTRATION NOT AVAILABLE AT TIME OF PUBLICATION**

---

ENGINE 6 CYLINDER

Figure 9B-100

3156 100A



ITEM	PART NUMBER	QTY	BODY	MODEL	DESCRIPTION
------	-------------	-----	------	-------	-------------

NOTE: ALL Engines Contain Std. Bores and Crankshaft Bearings unless the following symbols appear in the Serial Number. on as described in the Chrysler repair Manual.

The Letter "A" immediately following the engine identification number indicates Bore .020" (.508 MM)larger than Standard. on as described in the Chrysler repair Manual.

The Letter "B" immediately following the engine identification number indicates Main and Conn.Rod Brgs .010 (.254 MM) smaller than Std. on as described in the Chrysler repair Manual.

The Letters "AB" immediately following the engine identification number indicates Cylinder Bore .020" (.508 MM) larger than Standard and the Main and Connecting Rod Bearings .010" (.254 MM) smaller than Standard.

The Letters in the circular pad at either end of the eng. number are for the use of FACTORY Inspectors only and should not be used for eng. numbers. Connecting Rod Bearings .010" (.254 MM) smaller than Standard.

Always mention Serial Numbers when ordering major assemblies. Connecting Rod Bearings .010" (.254 MM) smaller than Standard

NOTE 1: When a complete overhaul engine Gasket Set is required for the 6 cylinder engine, use upper and lower engine Gasket Sets and Oil Seal Package and Intake and Exhaust Manifold Gasket Set and also Oil Pan Gasket Set.

NOTE 2: When a valve grinding Gasket Set is required for the 6 cyl. engine, use upper engine Gasket Set and Intake and Exhaust Manifold Gasket Set. and Intake and Exhaust Manifold Gasket Set and also Oil Pan Gasket Set.

NOTE 3: Parts listed w/(S/C-F57) are for heavy service. and Intake and Exhaust Manifold Gasket Set and also Oil Pan Gasket Set.

4267 187	1				GASKET SET, Engine, Upper (See Note 1 and 2) Consists of: 1 - 4201149 Gasket, Cyl. Head 1 - 4095784 Gasket, Cyl. Head Cover
					1 - 2465391 Gasket, Exh. Pipe Flange 6 - 4095543 SEAL, Intake Valve Stem Oil 6 - 4071006 Shield, Exhaust Valve Stem Oil 1 - 1947671 Gasket, Cyl. Water Outlet Elbow
4106 048	1				GASKET SET, Engine, Lower (See Note 1) Consists of: 1 - 1947554 Gasket, Chain Case Cover 1 - 1947521 Gasket, Water Pump Body
					1 - 1947523 Gasket, Water Pump Intermediate Plate 1 - 2121404 Gasket, Oil Pump Body 1 - 618622 Gasket, Oil Pressure Relief Valve Cap 1 - 3577870 Gasket, Fuel Pump Flange
					1 - 2465391 Gasket, Exhaust Flange 1 - 3830108 Oil Seal, Chain Case Cover
1	4227 894	1			Short Engine Assembly consists of the Cylinder Block with Pistons and Rings, Crankshaft and Bearings, Connecting Rods and Bearings. and Intake and Exhaust Manifold Gasket Set and also Oil Pan Gasket Set. SHORT ENGINE

MODEL CODES

B = GRAN FURY

C = LEBARON/TOWN & COUNTRY

D = ARIES

E = 600

F = FIFTH AVENUE

G = DIPLOMAT

M = HORIZON/TURISMO/SCAMP

P = RELIANT

S = CORDOBA

T = E CLASS/NEWYORKER

V = 400

X = MIRADA

Y = IMPERIAL

Z = OMNI/CHARGER/RAMPAGE

BODY STYLES

21 = 2-DOOR SEDAN

22 = 2-DOOR SPECIAL COUPE

24 = 2-DOOR HATCHBACK

27 = 2-DOOR CONVERTIBLE

28 = FWD PICKUP

41 = 4-DOOR SEDAN

45 = 4-DOOR STATION WAGON

44 = 4-DOOR HATCHBACK

48 = EXECUTIVE SEDAN

AR = Use as Required - = Non Illustrated Part P.A.R. = Paint as Required

**ENGINE 6 CYLINDER**  
**Figure 9B-100**

3156 100A

ITEM	PART NUMBER	QTY	BODY	MODEL	DESCRIPTION
------	-------------	-----	------	-------	-------------

Fitted Case Engine Assy. consists of the Block with Pistons and Rings, Connecting Rods and Bearings. and Intake and Exhaust Manifold Gasket Set and also Oil Pan Gasket Set.

1A	4227 893	1			FITTED CASE ENGINE
2	1122 532	2			DOWEL, Cyl.Block to Clutch or Torque Converter housing , Std.
	1736 347	2			.007 Over Center
	1736 348	2			.014 Over Center
	1736 353	2			.021 Over Center
3	0141 195	2			DOWEL, Block to Cyl.Head
4	0141 195	2			DOWEL, Block to Chain Case Cover
5	2406 356	AR			PLUG, Cyl. Block Water Hole
	2406 575	AR			.065 O/S
6	6028 668	1			PLUG, Cyl. Block Oil Gallery 3/8" Pipe
7	3755 677	1			HEATER, Engine Block
8	6027 513	1			"O" RING, Eng.Heater
9	3614 282	1			CORD, Eng. Heater
9A	6015 412	2			CLIP, Eng. Heater Cord
10	4095 776	1			HEAD, Cyl.
11	6029 497	2			PLUG, Cyl. Head Cup
12	#4201 200	1			GASKET, Cyl.Head
13	1947 687	14			BOLT, Cyl. Head, 7/16" X 4-3/8"
14	1859 127	AR			PLUG, Cyl.Head, 3/8" Pipe
15	4095 780	1			COVER, Cyl. Head
15A	6031 688	8			SCREW, w/Washer, Cyl. Head Cover
16	4095 784	1			GASKET, Cyl.Head Cover
17	2121 524	1			ELBOW, Cyl.Head Water Outlet
17A	0180 124	2			BOLT, Water Outlet Elbow
18	1947 671	1			GASKET, Cyl.Water Outlet Elbow
19	4095 527	1			DAMPER, Crankshaft Vibration, w/Auto.Trans.
20	#4100 670	1			COVER, Chain Case, w/Timing Indicator
21	0181 086	6			SCREW, Cover
	6024 246	1			5/16" x 3/4"
22	1947 554	1			GASKET, Chain Case Cover
24	2121 196	1			GEAR, Torque Converter or Flywheel Ring

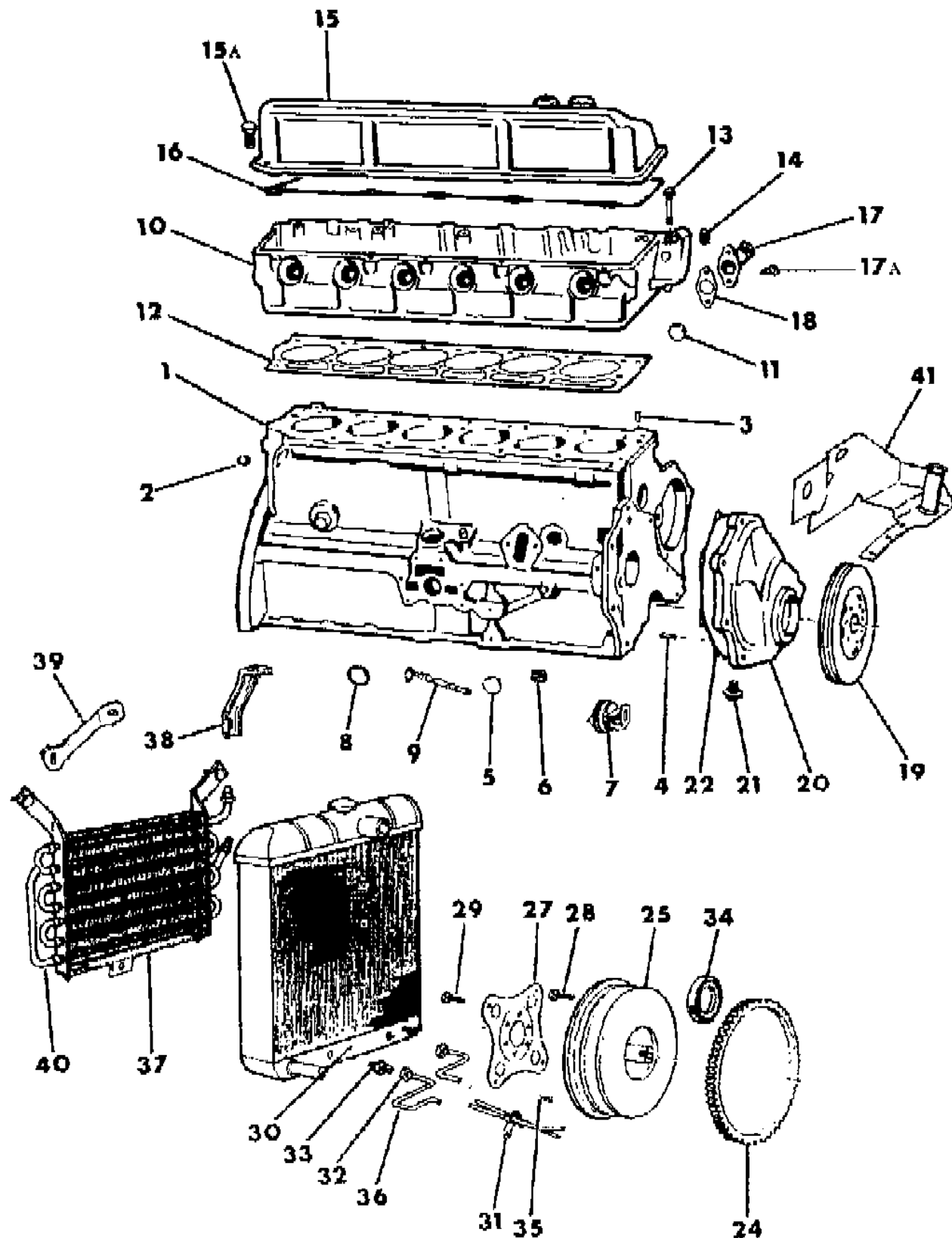
Note To replace the original production Torque Converter look on the front cover surface for a decal which will indicate a "lock up" or a "non lock up" Torque Converter. The Trans. Input Shaft and the Torque Converter hub has one less spline for the lock up and non lock up units are not interchangeable. On the curved surface of the rear Torque Converter cover will be stamped the last 3 digits of the production part number 4202379 stamped (379). For service replacement use the following Cross Reference.

PRODUCTION|REMANUFACTURED

MODEL CODES		
B = GRAN FURY	G = DIPLOMAT	V = 400
C = LEBARON/TOWN & COUNTRY	M = HORIZON/TURISMO/SCAMP	X = MIRADA
D = ARIES	P = RELIANT	Y = IMPERIAL
E = 600	S = CORDOBA	Z = OMNI/CHARGER/RAMPAGE
F = FIFTH AVENUE	T = E CLASS/NEWYORKER	

BODY STYLES	
21 = 2-DOOR SEDAN	41 = 4-DOOR SEDAN
22 = 2-DOOR SPECIAL COUPE	45 = 4-DOOR STATION WAGON
24 = 2-DOOR HATCHBACK	44 = 4-DOOR HATCHBACK
27 = 2-DOOR CONVERTIBLE	48 = EXECUTIVE SEDAN
28 = FWD PICKUP	

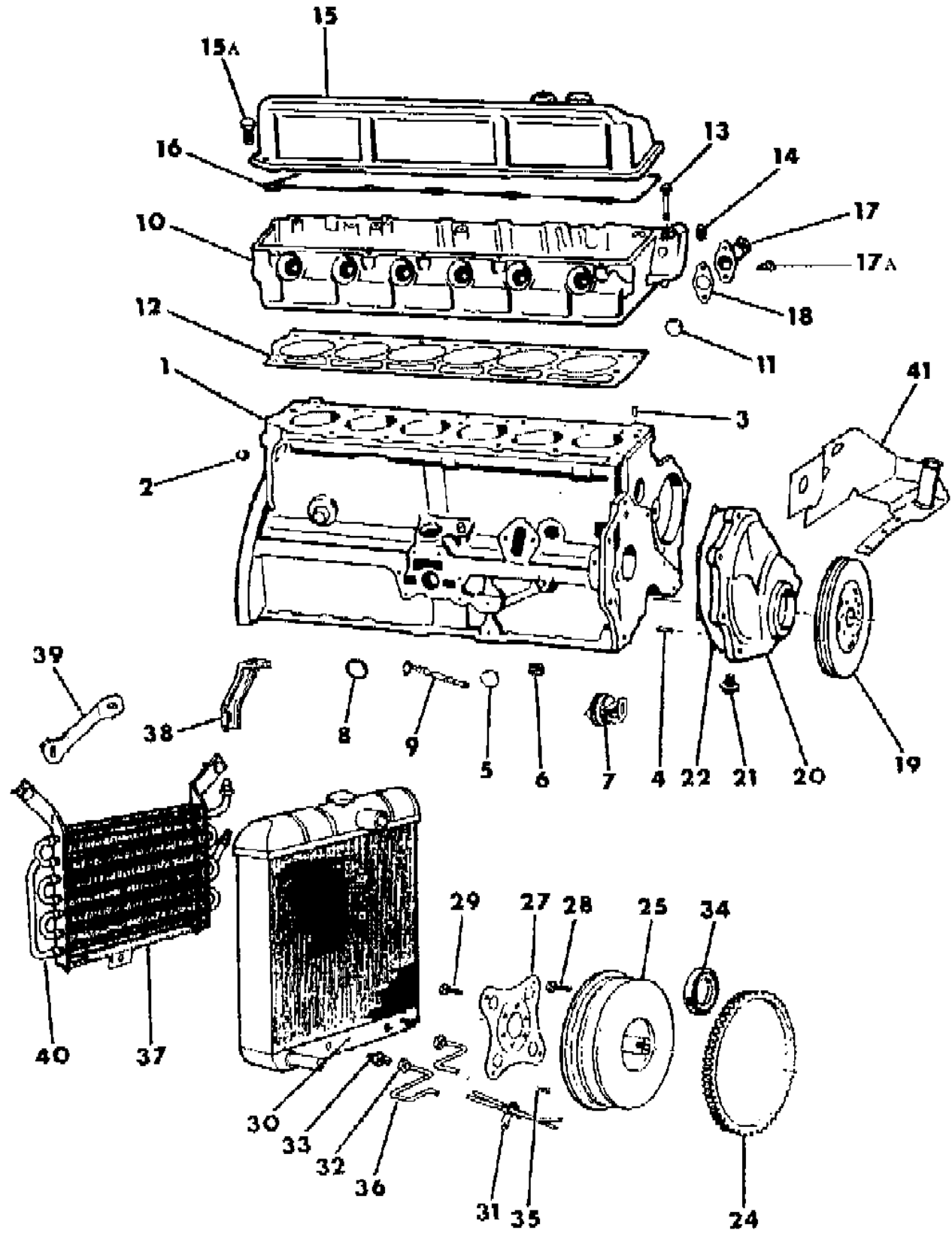
AR = Use as Required - = Non Illustrated Part P.A.R. = Paint as Required



**ENGINE 6 CYLINDER**  
**Figure 9B-100**

3156 100A

ITEM	PART NUMBER	QTY	BODY	MODEL	DESCRIPTION
					TORQUE CONVERTER TORQUE CONVERTER
					STAMPED No. Service No.
					379 4106563
					381 4106569
25	4106 563	1			CONVERTER, Torque, w/2 Bbl. Carb.
	4106 569	1			w/1 Bbl. Carb.
27	4058 428	1			PLATE, Torque Converter Drive
28	1949 424	6			SCREW, Converter Drive Plate to Crankshaft
29	1949 765	4			SCREW, Drive Plate to Converter
30	4140 380	1			COOLER, Radiator Core Trans. OIL, 12" Lgh. x 1.00"O/Dia., w/o Air Cond.
	4140 383	1			12" Lgh. x 1.25" O/Dia., w/Air Cond.
31	4140 425	1	ALL		BRACKET, Trans. Oil Cooler Tube, Rear
	4104 703	1	ALL		Front
32	1941 667	2			NUT, Trans. Oil Cooler Tube, Cooler End
	1941 667	2			Trans. End
33	0118 749	AR			CONNECTOR, Trans. Oil Cooler Tube
34	3515 138	1			SEAL, Trans. Torque Converter Impeller Hub, w/Std.Duty Trans.
	3515 137	1			w/Heavy Duty A727 TRANS.
35	2808 673	8			SPRING, Torque Converter Overrunning Clutch Roller
36	1843 251	AR			TUBE, Trans. Oil Cooler (25 ft.roll Rough Stock)
37	#4266 033	1	ALL		COOLER, Trans. Auxiliary Oil
38	#4266 034	1	F,G		BRACKET, Trans. Auxiliary Oil Cooler, Right
39	#4266 035	1	F,G		BRACKET, Trans. Auxiliary Oil Cooler, Left
40	4026 139	AR	F,G		TUBE, Trans. Auxiliary Oil Cooler
41	4100 777	1			INDICATOR, Timing



MODEL CODES  
 B = GRAN FURY  
 C = LEBARON/TOWN & COUNTRY  
 D = ARIES  
 E = 600  
 F = FIFTH AVENUE  
 G = DIPLOMAT  
 M = HORIZON/TURISMO/SCAMP  
 P = RELIANT  
 S = CORDOBA  
 T = E CLASS/NEWYORKER  
 V = 400  
 X = MIRADA  
 Y = IMPERIAL  
 Z = OMNI/CHARGER/RAMPAGE

BODY STYLES  
 21 = 2-DOOR SEDAN  
 22 = 2-DOOR SPECIAL COUPE  
 24 = 2-DOOR HATCHBACK  
 27 = 2-DOOR CONVERTIBLE  
 28 = FWD PICKUP  
 41 = 4-DOOR SEDAN  
 45 = 4-DOOR STATION WAGON  
 44 = 4-DOOR HATCHBACK  
 48 = EXECUTIVE SEDAN

AR = Use as Required - = Non Illustrated Part P.A.R. = Paint as Required



**TRANSMISSION OIL COOLER - 6 CYLINDER ENGINE**  
**Figure 9B-200**

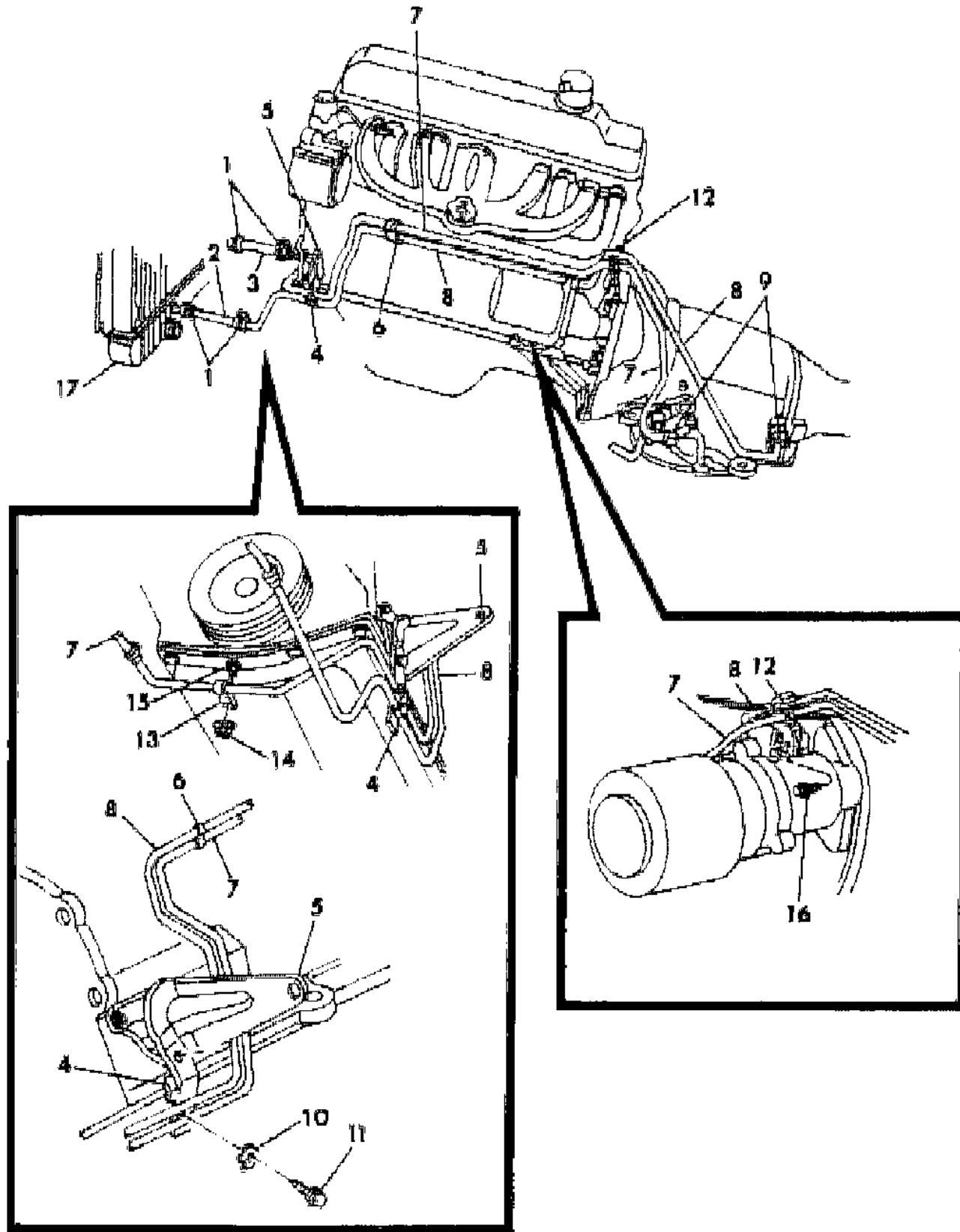
3156 200

ITEM	PART NUMBER	QTY	BODY	MODEL	DESCRIPTION
------	-------------	-----	------	-------	-------------

NOTE: "A" HOSE Transmission Oil Cooler 50ft. Roll Part No. 4026139 cut to length shown. ction part number 4202379 stamped (379). For service replacement use the following Cross Reference.

NOTE: "B" Tube Transmission Oil Cooler 25ft. Roll Part No. 1843253 cut to length shown. ction part number 4202379 stamped (379). For service replacement use the following Cross Reference.

1	0153 456	AR			CLAMP, Trans. Oil Cooler Hose
2	00NO TEA	1			HOSE, Trans. Oil Cooler (From Trans.) 6.25" of Note "A"
3	00NO TEA	1			HOSE, Trans. Oil Cooler (to Trans.) 6.50" of Note "A"
4	#4140 703	1			BRACKET, Trans. Oil Cooler Tube To Eng. Lt. Frt.
5		1			BRACKET, Power Strg. Pump (See Group 19)
6		1			CLIP, Trans. Oil Cooler Tube (Not Serviced)
7	00NO TEB	1			TUBE, Assy. Trans. Oil Cooler Outlet (From Trans.)length 68.588" of Note "B"
8	00NO TEB	1			TUBE, Assy. Trans. Oil Cooler Intlet (To Trans.) length 64.606" of Note "B"
9	1941 667	2			NUT, Trans. Oil Cooler Tube (Trans. End)
	0118 749	2			CONNECTOR, Trans. Oil Cooler Tube (Trans. End)
10		1			CLIP, Trans. Oil Cooler (Not Serviced)
11		1			SCREW, Trans. Oil Cooler Clip (Not Serviced)
12	4140 425	1			BRACKET, Trans. Oil Cooler Tube, Rear
13	6026 225	1			CLIP, Trans. Oil Cooler Tube To Oil Pan (Not Serviced)
14	0120 376	1			NUT, Clip To Stud
15		1			STUD, Oil Pan To Engine (Not Serviced)
16		1			SCREW, Trans. Oil Cooler Tube Bracket Rear (Not Serviced)
17	4140 380	1			COOLER, Radiator Core Trans. Oil (12" Lgh.x 1.00" O/Dia.)
	4140 383	1			(12" Lgh.x 1.25 O/Dia.)



**MODEL CODES**

B = GRAN FURY	G = DIPLOMAT	V = 400
C = LEBARON/TOWN & COUNTRY	M = HORIZON/TURISMO/SCAMP	X = MIRADA
D = ARIES	P = RELIANT	Y = IMPERIAL
E = 600	S = CORDOBA	Z = OMNI/CHARGER/RAMPAGE
F = FIFTH AVENUE	T = E CLASS/NEWYORKER	

**BODY STYLES**

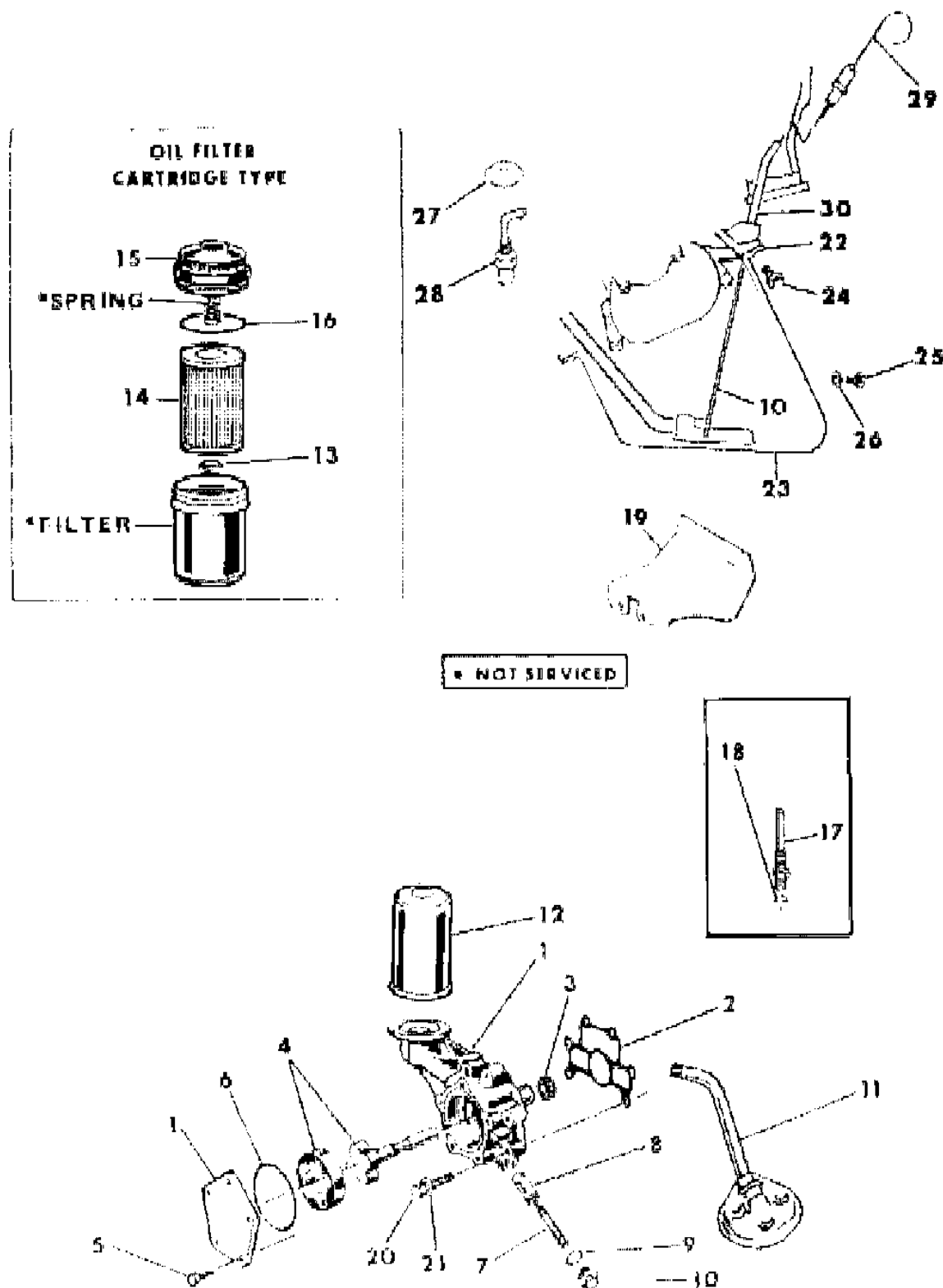
21 = 2-DOOR SEDAN	41 = 4-DOOR SEDAN
22 = 2-DOOR SPECIAL COUPE	45 = 4-DOOR STATION WAGON
24 = 2-DOOR HATCHBACK	44 = 4-DOOR HATCHBACK
27 = 2-DOOR CONVERTIBLE	48 = EXECUTIVE SEDAN
28 = FWD PICKUP	

AR = Use as Required - = Non Illustrated Part P.A.R. = Paint as Required

# OIL PUMP, OIL FILTER, OIL PAN AND OIL LEVEL INDIC (6 CYLINDER ENGINE)

## Figure 9B-300

5156 200



\* NOT SERVICED

ITEM	PART NUMBER	QTY	BODY	MODEL	DESCRIPTION
1	4186 182	1			OIL PUMP PACKAGE Consist of: 1-4095863 Gasket 1- ----- Pump
2	4095 863	1			GASKET, Oil Pump Body
3	1947 225	1			GEAR, Oil Pump Drive
4	4186 183	1			SHAFT And ROTOR PKG. Consists of: 1- ----- Rotor, Outer 1- ----- Shaft, w/Inner Rotor
5	0181 063	5			SCREW, Oil Pump Cover
6	2268 921	1			GASKET, Oil Pump Cover
7	1737 742	1			SPRING, Oil Pressure Relief Valve
8	2120 764	1			PLUNGER, Oil Pressure Relief Valve
9	0618 622	1			GASKET, Oil Pressure Relief Valve Cap
10	0618 621	1			CAP, Oil Pressure Relief Valve
11	2780 999	1			STRAINER, Oil Pimp Suction
12	3549 957	1			FILTER, Oil (Sealed Type)
13	2532 753	1			GASKET, Oil Filter Body (Cartridge Type)
14	2532 752	1			CARTRIDGE, Oil Filter (Cartridge Type)
15	2806 671	1			COVER, Oil Filter (Cartridge Type)
16	2532 754	1			GASKET, Oil Filter Cover
17	3577 848	1			VALVE, Oil Filter Stand-Pipe Assembly
18	2120 017	1			GASKET, Oil Filter Stand-Pipe Adapter
19	2468 645	1			SHIELD, Oil Pump Body Splash
20	1800 835	5			SCREW, Oil Pump
21	9416 160	3			WASHER, Oil Pump Screw
22	4049 287	1			GASKET SET, Oil Pan Consists of: 1- ----- Gasket, Oil Pan, Rt. 1- ----- Gasket, Oil Pan, Lt. 1- ----- Gasket, Oil Pan, Frt. 1- ----- Gasket, Oil Pan, Rr.
23	4006 368	1			PAN, Oil
24	6022 271	18			SCREW, w/Washer, Oil Pan Attaching 5/16"x 9/16"
	0181 088	5			5/16"x 13/16"
	6031 814	1			STUD, Oil Pan

**MODEL CODES**

B = GRAN FURY	G = DIPLOMAT	V = 400
C = LEBARON/TOWN & COUNTRY	M = HORIZON/TURISMO/SCAMP	X = MIRADA
D = ARIES	P = RELIANT	Y = IMPERIAL
E = 600	S = CORDOBA	Z = OMNI/CHARGER/RAMPAGE
F = FIFTH AVENUE	T = E CLASS/NEWYORKER	

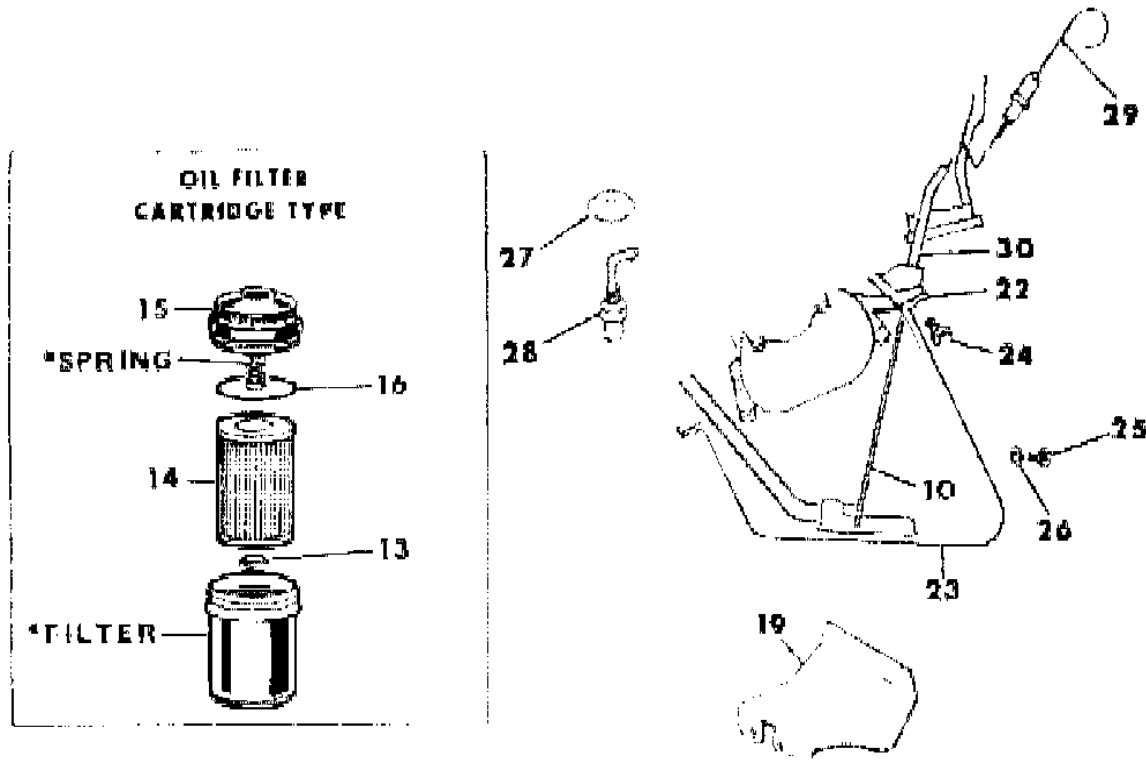
**BODY STYLES**

21 = 2-DOOR SEDAN	41 = 4-DOOR SEDAN
22 = 2-DOOR SPECIAL COUPE	45 = 4-DOOR STATION WAGON
24 = 2-DOOR HATCHBACK	44 = 4-DOOR HATCHBACK
27 = 2-DOOR CONVERTIBLE	48 = EXECUTIVE SEDAN
28 = FWD PICKUP	

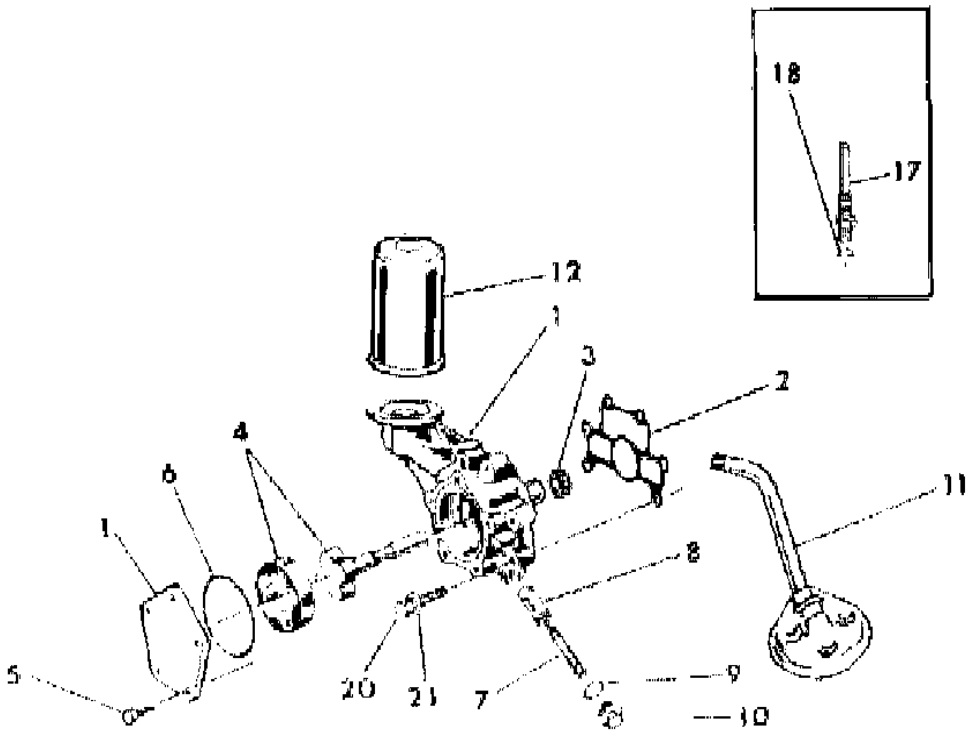
AR = Use as Required - = Non Illustrated Part P.A.R. = Paint as Required

**OIL PUMP, OIL FILTER, OIL PAN AND OIL LEVEL INDIC (6 CYLINDER ENGINE)**  
**Figure 9B-300**

3156 200



ITEM	PART NUMBER	QTY	BODY	MODEL	DESCRIPTION
25	#4271 941	1			PLUG, Oil Pan Drain
26	#6032 145	1			GASKET, Oil Pan Drain Plug
27	3751 510	1			GROMMET, Crankcase Vent Valve
28	3671 076	1			VALVE, Crankcase Vent
29	4105 289	1			INDICATOR, Oil Level
30	4100 729	1			TUBE, Oil Level Indicator



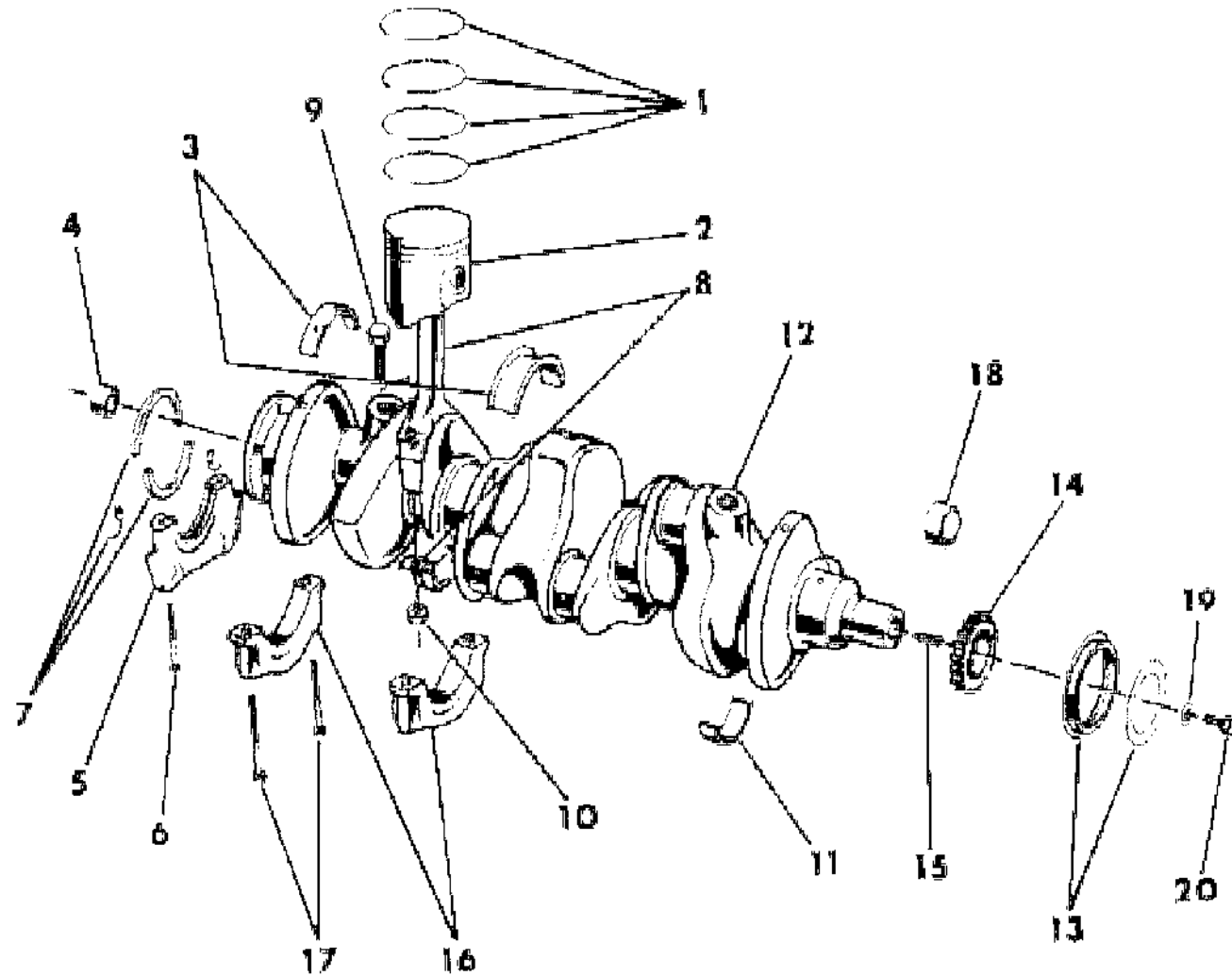
MODEL CODES  
 B = GRAN FURY  
 C = LEBARON/TOWN & COUNTRY  
 D = ARIES  
 E = 600  
 F = FIFTH AVENUE  
 G = DIPLOMAT  
 M = HORIZON/TURISMO/SCAMP  
 P = RELIANT  
 S = CORDOBA  
 T = E CLASS/NEWYORKER  
 V = 400  
 X = MIRADA  
 Y = IMPERIAL  
 Z = OMNI/CHARGER/RAMPAGE

BODY STYLES  
 21 = 2-DOOR SEDAN  
 22 = 2-DOOR SPECIAL COUPE  
 24 = 2-DOOR HATCHBACK  
 27 = 2-DOOR CONVERTIBLE  
 28 = FWD PICKUP  
 41 = 4-DOOR SEDAN  
 45 = 4-DOOR STATION WAGON  
 44 = 4-DOOR HATCHBACK  
 48 = EXECUTIVE SEDAN

AR = Use as Required - = Non Illustrated Part P.A.R. = Paint as Required

**PISTON, CRANKSHAFT, CONNECTING ROD 6 CYLINDER ENGINE**  
**Figure 9B-400**

3156 400



ITEM	PART NUMBER	QTY	BODY	MODEL	DESCRIPTION
1	4131 203	1			RING SET, Piston (All Pistons) Std. to .009 O/S, w/(E24, E26 Eng.)
	4131 204	1			.020 to .029 O/S
	4131 212	1			Std. to .009 O/S., w/(E25, E26 Eng.)
	4131 213	1			.020 to .029 O/S
	4131 205	6			RING SET, Piston (One Piston) Std. to .009 O/S, w/(E24, E26 Eng.)
	4131 206	6			.020 to .029 O/S
	4131 214	6			Std. to .009 O/S w/(E25, E27 Eng.)
	4131 215	6			.020 to .029 O/S

The following Pistons include Pin and Retaining Rings. ction part number 4202379 stamped (379). For service replacement use the following Cross Reference.

2	2084 384	6			PISTON, w/PIN, Std.
	2084 385	6			.005 O/S
	2084 386	6			.020 O/S
	2084 387	6			.040 O/S

When .001 thicker wall Crankshaft Main Bearings are used for Engines in production, a Maltese Cross is stamped on the Model Part of the Cyl. Block. ction part number 4202379 stamped (379). For service replacement use the following Cross Reference.

Crankshaft Bearing Packages consist of one upper and one lower Bearing. ction part number 4202379 stamped (379). For service replacement use the following Cross Reference.

3	4049 242	3			BEARING PACKAGE, Crankshaft, Nos. 1,2,4, Std.
	4049 243	3			.001 U/S
	4049 244	3			.002 U/S
	4049 245	3			.003 U/S
	4049 246	3			.010 U/S
	4049 247	3			.011 U/S
	4049 248	3			.012 U/S
	4049 249	1			No. 3, Std.
	4049 250	1			.001 U/S
	4049 251	1			.002 U/S
	4049 252	1			.003 U/S
	4049 253	1			.010 U/S
	4049 254	1			.011 U/S
	4049 255	1			.012 U/S
4	0053 298	1			BUSHING, Crankshaft Trans. Pilot
5	1947 557	1			RETAINER, Crankshaft Bearing Oil Seal Lower
6	9418 004	2			SCREW

**MODEL CODES**

B = GRAN FURY	G = DIPLOMAT	V = 400
C = LEBARON/TOWN & COUNTRY	M = HORIZON/TURISMO/SCAMP	X = MIRADA
D = ARIES	P = RELIANT	Y = IMPERIAL
E = 600	S = CORDOBA	Z = OMNI/CHARGER/RAMPAGE
F = FIFTH AVENUE	T = E CLASS/NEWYORKER	

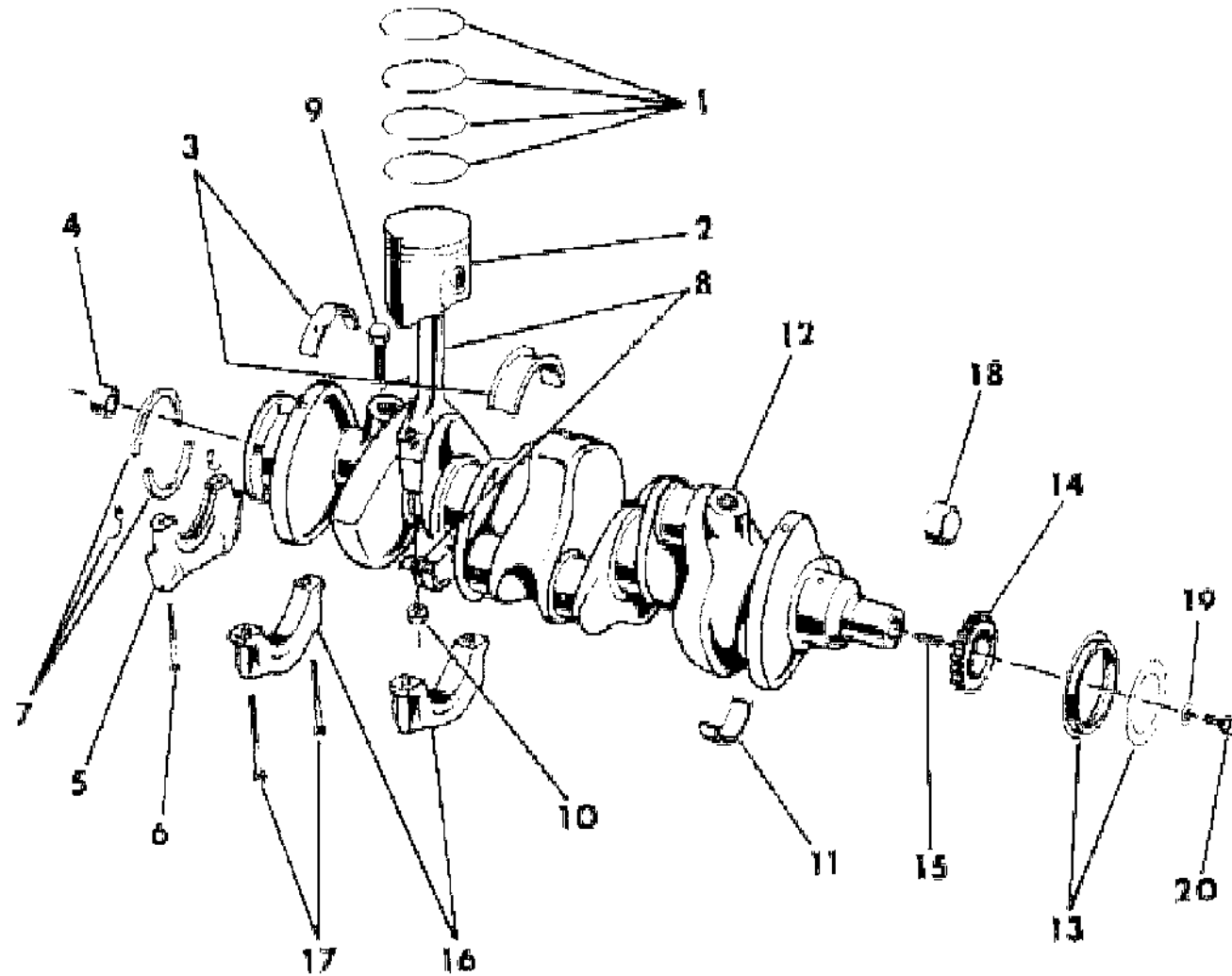
**BODY STYLES**

21 = 2-DOOR SEDAN	41 = 4-DOOR SEDAN
22 = 2-DOOR SPECIAL COUPE	45 = 4-DOOR STATION WAGON
24 = 2-DOOR HATCHBACK	44 = 4-DOOR HATCHBACK
27 = 2-DOOR CONVERTIBLE	48 = EXECUTIVE SEDAN
28 = FWD PICKUP	

AR = Use as Required - = Non Illustrated Part P.A.R. = Paint as Required

**PISTON, CRANKSHAFT, CONNECTING ROD 6 CYLINDER ENGINE**  
**Figure 9B-400**

3156 400



ITEM	PART NUMBER	QTY	BODY	MODEL	DESCRIPTION
7	4240 150	1			OIL SEAL PACKAGE, Crankshaft Rear Bearing Consists of: 2 - ----- Oil Seal, Bearing 2 - ----- Oil Seal, Retainer
Connecting Rod includes Bearing Cap, Bolt, Nut, Lockwasher and Bushing, but does not include Bearing ction part number 4202379 stamped (379). For service replacement use the following Cross Reference.					
8	4041 994	6			ROD, Connecting
9	3830 614	12			BOLT, Rod Cap
10	1737 695	12			NUT, Rod Cap Bolt
When .001 thicker wall Connecting Rod Bearings are used for Engines in production, a Maltese Cross is stamped on the model pac of the Cylinder Block. ction part number 4202379 stamped (379). For service replacement use the following Cross Reference. Connecting Rod Bearing Packages consist of one upper and one lower Bearing. ction part number 4202379 stamped (379). For service replacement use the following Cross Reference.					
11	4049 256	6			BEARING PACKAGE, Connecting Rod, Std.
	4049 257	6			.001 U/S
	4049 258	6			.002 U/S
	4049 259	6			.003 U/S
	4049 260	6			.010 U/S
	4049 261	6			.012 U/S
12	4100 646	1			CRANKSHAFT
13	3830 108	1			OIL SEAL, Chain Case Cover
14	2128 912	1			SPROCKET, Crankshaft
15	6029 411	1			KEY, Sprocket
16	4027 425	1			CAP, Crankshaft Bearing, No. 1
	4027 426	1			No. 2
	4027 427	1			No. 3
	4027 428	1			No. 4
17	1618 695	8			SCREW, Crankshaft Cap
18	3751 037	1			PLUG, Crankshaft
19	1855 561	1			WASHER, Crankshaft Screw
20	6025 547	1			SCREW, Crankshaft

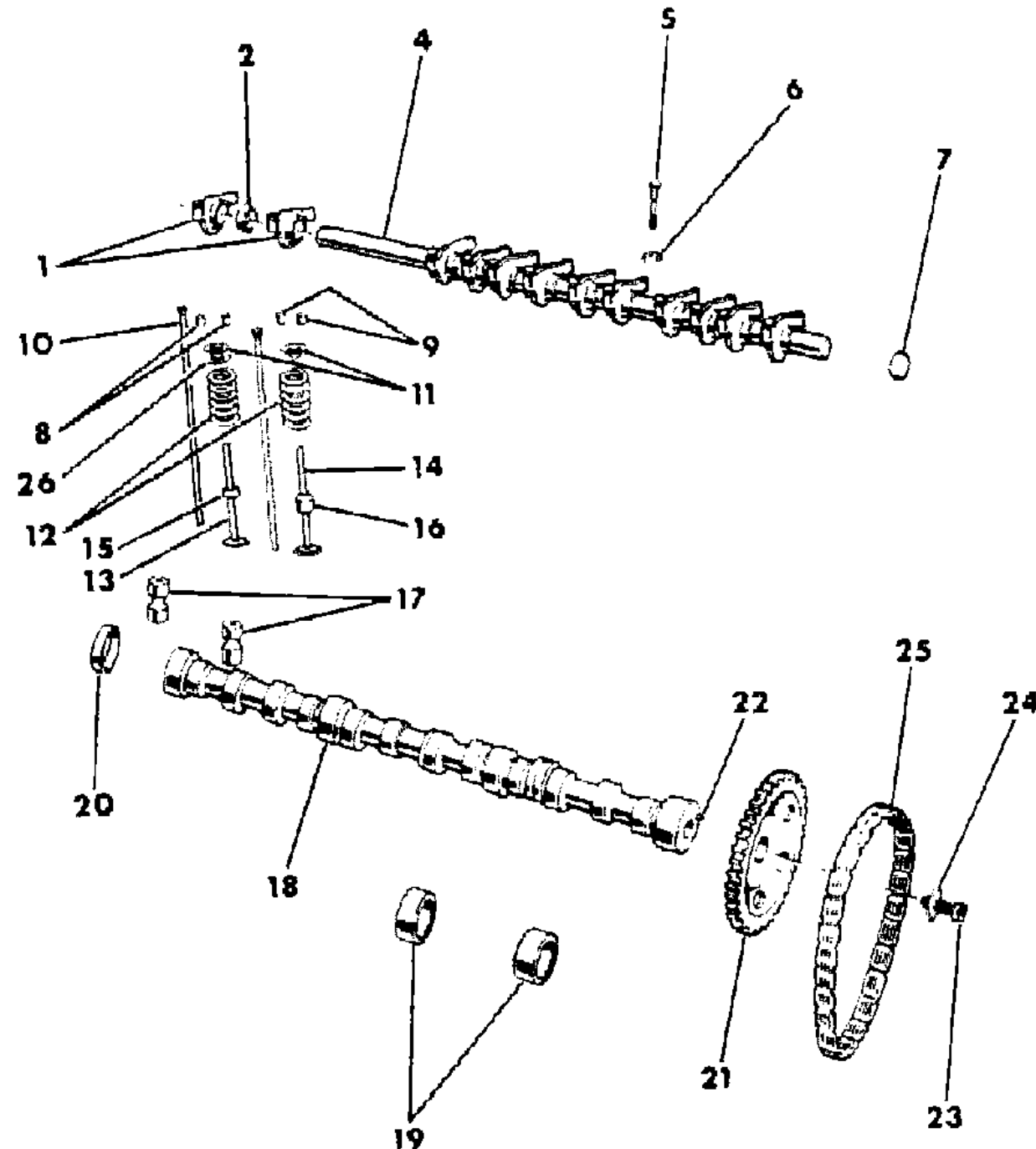
MODEL CODES  
 B = GRAN FURY  
 C = LEBARON/TOWN & COUNTRY  
 D = ARIES  
 E = 600  
 F = FIFTH AVENUE  
 G = DIPLOMAT  
 M = HORIZON/TURISMO/SCAMP  
 P = RELIANT  
 S = CORDOBA  
 T = E CLASS/NEWYORKER  
 V = 400  
 X = MIRADA  
 Y = IMPERIAL  
 Z = OMNI/CHARGER/RAMPAGE

BODY STYLES  
 21 = 2-DOOR SEDAN  
 22 = 2-DOOR SPECIAL COUPE  
 24 = 2-DOOR HATCHBACK  
 27 = 2-DOOR CONVERTIBLE  
 28 = FWD PICKUP  
 41 = 4-DOOR SEDAN  
 45 = 4-DOOR STATION WAGON  
 44 = 4-DOOR HATCHBACK  
 48 = EXECUTIVE SEDAN

AR = Use as Required - = Non Illustrated Part P.A.R. = Paint as Required

**CAMSHAFT, VALVES, ROCKERS, TIMING CHAIN, SPROCKET 6 CYLINDER ENGINE**  
**Figure 9B-500**

3156 500



ITEM	PART NUMBER	QTY	BODY	MODEL	DESCRIPTION
1	4173 909	12			ROCKER, Valve
2	2120 694	6			SPACER, Valve Rocker
4	4100 397	1			SHAFT, Rocker
5	3870 322	1			SCREW, Rocker Shaft Retainer, 5/16" x 2-1/4"
	0179 745	6			3/8 x 1-3/4"
6	1947 616	6			RETAINER, Rocker Shaft, End and Intermediate
	1947 617	1			Center
7	1324 268	2			PLUG, Rocker Shaft
8	0381 875	12			LOCK, Intake Valve Spring
9	1614 666	12			LOCK, Exhaust Valve Spring
10	4173 482	12			ROD, Valve Push
11	2402 045	12			RETAINER, Valve Spring
12	1739 534	12			SPRING, Valve
13	1947 623	6			VALVE, Intake, Std.
	2121 578	6			.005 O/S
	2121 579	6			.015 O/S
	2121 580	6			.030 O/S
14	3698 590	6			VALVE, Exhaust, Std.
	3698 591	6			.005 O/S
	3698 592	6			.015 O/S
	3698 593	6			.030 O/S
15	4095 543	6			SEAL, Intake Valve Guide
16	4071 006	6			SHIELD, Exhaust Valve Stem Oil
17	4106 028	12			TAPPET, Valve, Std.
	4106 029	12			.001 O/S
	4106 030	12			.008 O/S
	4106 031	12			.030 O/S
18	4105 275	1			CAMSHAFT
19	4100 754	1			BEARING, Camshaft, No. 1, Std.
	4100 755	1			No. 2, Std.
	4100 756	1			No. 3, Std.
	2121 727	1			No. 4, Std.
	4100 762	1			No. 1, .010 O/S
	4100 763	1			No. 2, .010 O/S
	4100 764	1			No. 3, .010 O/S
	2205 516	1			No. 4, .010 O/S
20	2402 905	1			PLUG, Camshaft Rear Bearing

**MODEL CODES**

B = GRAN FURY	G = DIPLOMAT	V = 400
C = LEBARON/TOWN & COUNTRY	M = HORIZON/TURISMO/SCAMP	X = MIRADA
D = ARIES	P = RELIANT	Y = IMPERIAL
E = 600	S = CORDOBA	Z = OMNI/CHARGER/RAMPAGE
F = FIFTH AVENUE	T = E CLASS/NEWYORKER	

**BODY STYLES**

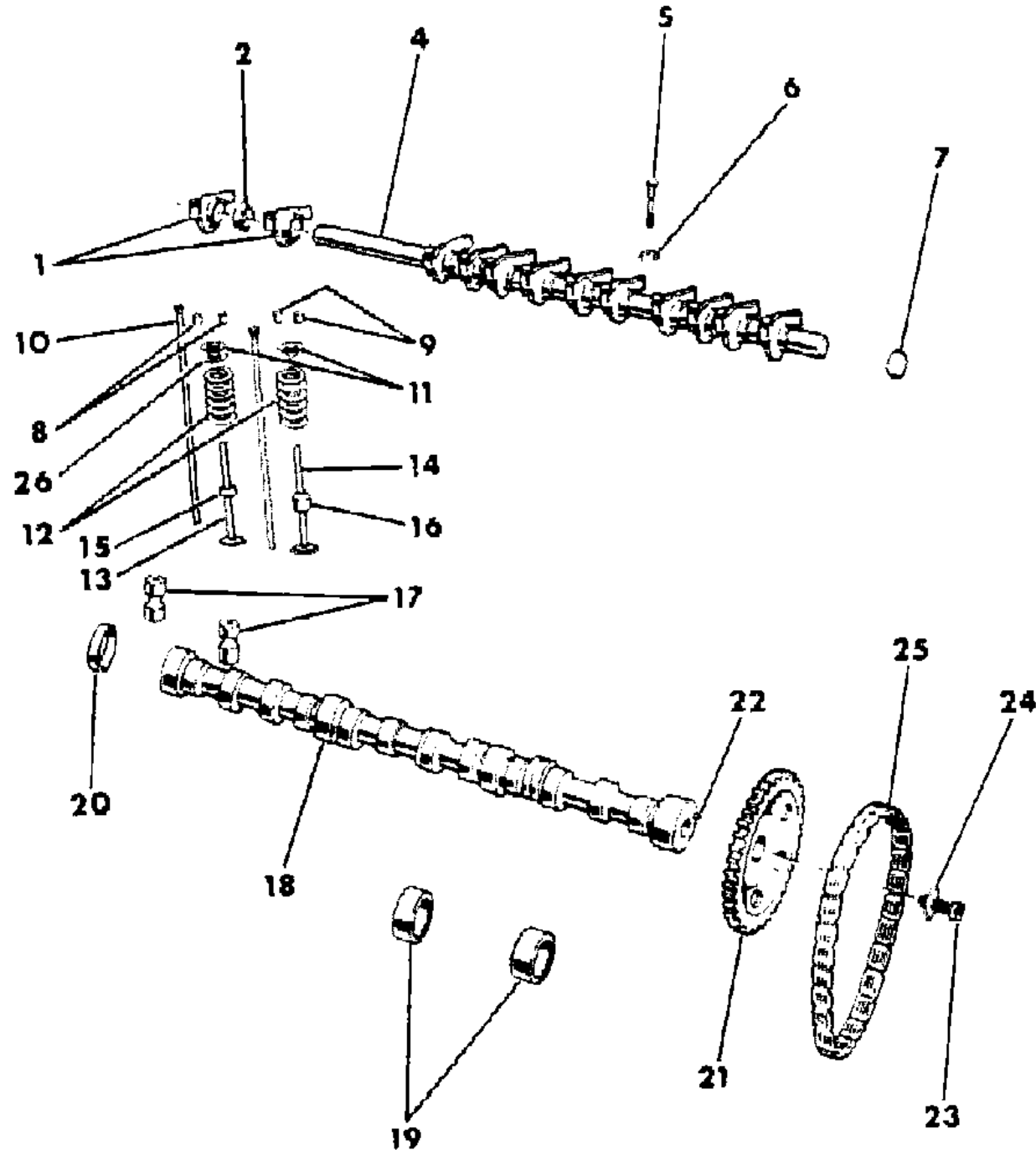
21 = 2-DOOR SEDAN	41 = 4-DOOR SEDAN
22 = 2-DOOR SPECIAL COUPE	45 = 4-DOOR STATION WAGON
24 = 2-DOOR HATCHBACK	44 = 4-DOOR HATCHBACK
27 = 2-DOOR CONVERTIBLE	48 = EXECUTIVE SEDAN
28 = FWD PICKUP	

AR = Use as Required - = Non Illustrated Part P.A.R. = Paint as Required

**CAMSHAFT, VALVES, ROCKERS, TIMING CHAIN, SPROCKET 6 CYLINDER ENGINE**  
**Figure 9B-500**

3156 500

ITEM	PART NUMBER	QTY	BODY	MODEL	DESCRIPTION
	2463 041	1			Oversize
21	2806 945	1			SPROCKET, Camshaft
22	0141 195	1			DOWEL, Sprocket
23	0181 140	1			SCREW, Sprocket Retainer
24	6023 053	1			WASHER, Screw
25	3514 866	1			CHAIN, Timing
26	1859 144	AR			SPACER, Valve Spring (Service only)



MODEL CODES  
 B = GRAN FURY  
 C = LEBARON/TOWN & COUNTRY  
 D = ARIES  
 E = 600  
 F = FIFTH AVENUE  
 G = DIPLOMAT  
 M = HORIZON/TURISMO/SCAMP  
 P = RELIANT  
 S = CORDOBA  
 T = E CLASS/NEWYORKER  
 V = 400  
 X = MIRADA  
 Y = IMPERIAL  
 Z = OMNI/CHARGER/RAMPAGE

BODY STYLES  
 21 = 2-DOOR SEDAN  
 22 = 2-DOOR SPECIAL COUPE  
 24 = 2-DOOR HATCHBACK  
 27 = 2-DOOR CONVERTIBLE  
 28 = FWD PICKUP  
 41 = 4-DOOR SEDAN  
 45 = 4-DOOR STATION WAGON  
 44 = 4-DOOR HATCHBACK  
 48 = EXECUTIVE SEDAN

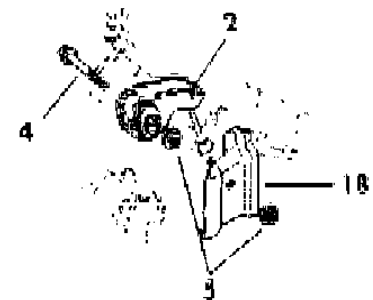
AR = Use as Required - = Non Illustrated Part P.A.R. = Paint as Required

# ENGINE MOUNTINGS 6 CYLINDER ENGINE

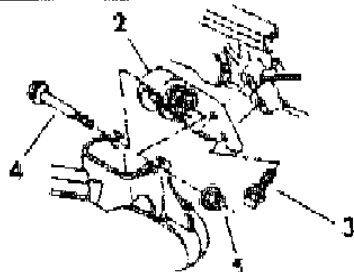
## Figure 9B-600

3156 600

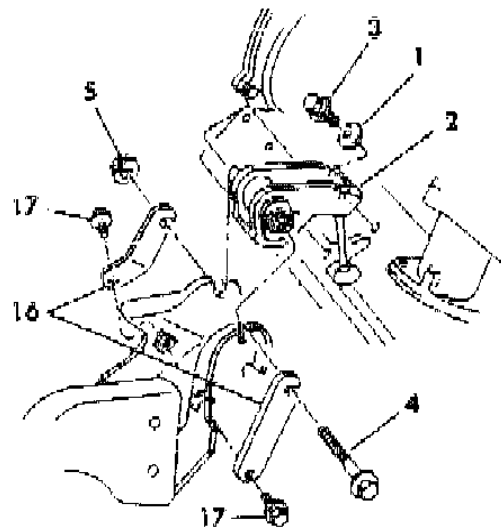
ITEM	PART NUMBER	QTY	BODY	MODEL	DESCRIPTION
2	#4295 459	1		B,F,G,X	INSULATOR, Eng. Front, Right
	3642 821	1		B,F,G,X	Left
3	6029 770	AR			SCREW, w/Washer, Insulator to Cylinder Block
4	6031 205	2			BOLT, Eng. Front Support Ins. to Frame
5	6030 478	2			NUT, Eng. Front Support Ins. to Frame Bolt
6	3410 700	2			SPACER, Eng. Rear Support Ins. Bracket
7	3726 821	1		B,F,G,X	INSULATOR, Eng. Rear Support, w/o Heavy Duty Torison Bar Rear Crossmember
	3817 295	1		B,F,G,X	w/Heavy Duty Torsion Bar Rr. Crosssmember
10	6029 770	2		ALL	BOLT, Eng. Rear Support to Trans. Ext.
11	6028 237	1			BOLT, Eng. Rear Support Ins. to Crossmember
12	9417 098	1			WASHER, Ins. to Crossmember Bolt
13	0152 348	1			Nut, Ins. to Crossmember Bolt
16	3817 256	1			STRAP, Left Engine Support Bracket, Front
	3817 257	1			Rear
17	9416 171	2			Screw, Strap
18	4005 151	1		B,F,G,X	SHIELD, Engine Mounting Heat, w/(S/Code N98)
	6030 478	1			NUT, Eng. Heat Shield



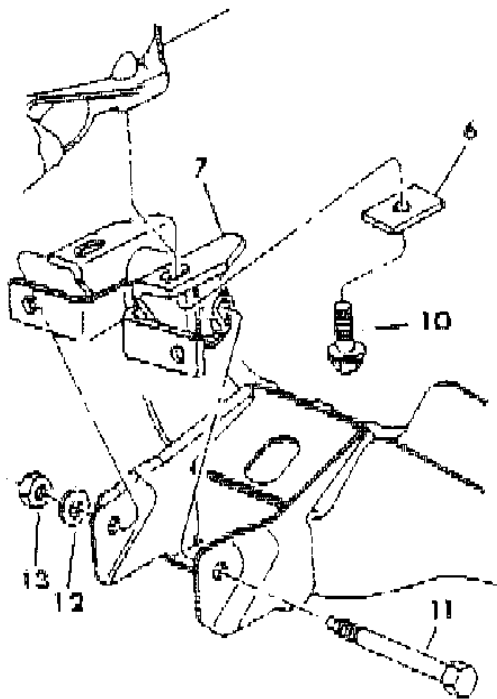
LEFT SIDE-F.F.G (E24,25) W/(S-CN95)



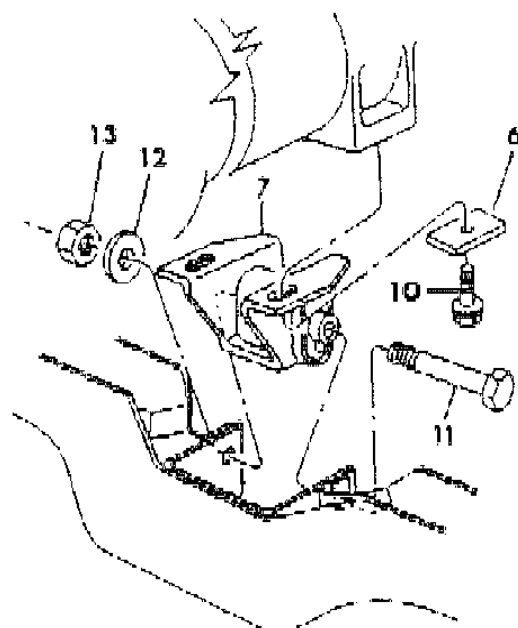
RIGHT SIDE-FRONT SIDE



LEFT SIDE-FRONT SUPPORT



REAR SUPPORT-X,S



REAR SUPPORT-F,G

### MODEL CODES

B = GRAN FURY

C = LEBARON/TOWN & COUNTRY

D = ARIES

E = 600

F = FIFTH AVENUE

G = DIPLOMAT

M = HORIZON/TURISMO/SCAMP

P = RELIANT

S = CORDOBA

T = E CLASS/NEWYORKER

V = 400

X = MIRADA

Y = IMPERIAL

Z = OMNI/CHARGER/RAMPAGE

### BODY STYLES

21 = 2-DOOR SEDAN

22 = 2-DOOR SPECIAL COUPE

24 = 2-DOOR HATCHBACK

27 = 2-DOOR CONVERTIBLE

28 = FWD PICKUP

41 = 4-DOOR SEDAN

45 = 4-DOOR STATION WAGON

44 = 4-DOOR HATCHBACK

48 = EXECUTIVE SEDAN

AR = Use as Required - = Non Illustrated Part P.A.R. = Paint as Required

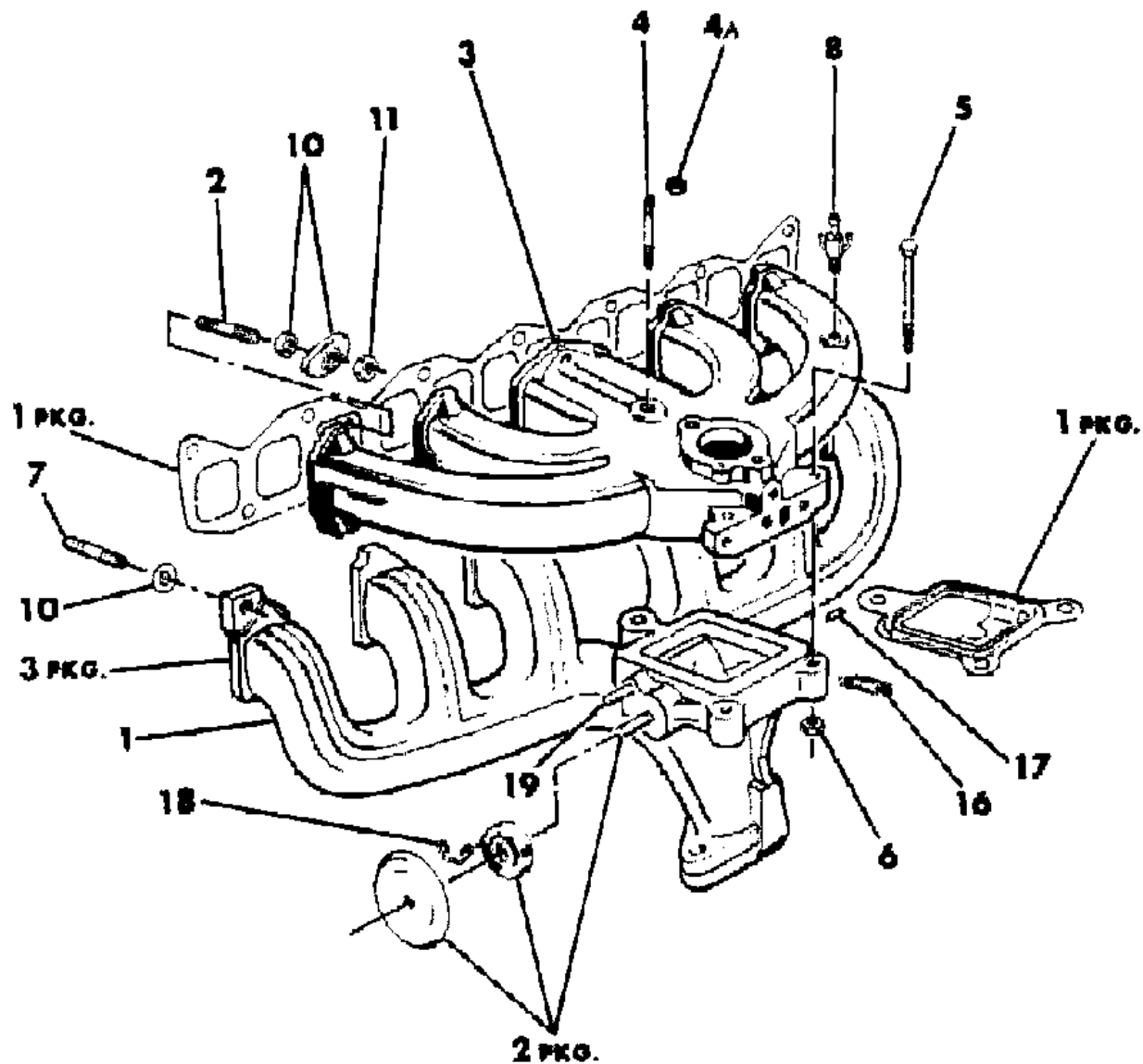


# MANIFOLD WITH HEAT CONTROLS 6 CYLINDER ENGINE

## Figure 9B-700

3156 700

ITEM	PART NUMBER	QTY	BODY	MODEL	DESCRIPTION
1Pkg	#4186 180	1			PACKAGE, Intake and Exhaust Manifold Gasket Consists of: 1 - ----- Gasket, Intake and Exhaust Manifold 1 - ----- Gasket, Intake to Exhaust Manifold
2Pkg	4186 175	1			HEAT CONTROL VALVE PACKAGE, Manifold Consists of: 1 - ----- Shaft 1 - ----- Plate 2 - ----- Bushing 1 - ----- Counterweight 1 - 2946107 Stop, Valve 1 - ----- Thermostat 2 - ----- Seal 1 - 3462514 Spring, Valve Shaft Damper
3Pkg	4186 239	1			PACKAGE, Exhaust Manifold, w/(S/C-N93, N98) Consists, of: 1 - ----- Manifold, Exhaust, Assy. 1 - 3744826 Package, Exhaust Manifold Mounting Parts 1 - 152568 Stud, Intake to Exhaust Manifold 1 - 6025020 Nut w/Washer 1 - 3751635 Gasket, Intake to Exhaust Manifold
4Pkg	3744 826	1			PACKAGE, Exhaust Manifold Mounting Consists of: 10 - 3751636 Washer, Intake and Exhaust Manifold Stud 2 - 6030210 Nut, Exhaust Manifold Stud Upper Ends 2 - 3751637 Washer, Exhaust Manifold Stud Upper Ends
1	4100 445	1			MANIFOLD, Exhaust, w/(S/C-N95)
	4186 239	1			w/(S/C-N93, N98)
2	6031 867	2			STUD, Exhaust Manifold Outlet
	6024 380	2			
3	4104 579	1			MANIFOLD, Intake, Except 2 Bbl. Carb.
	4104 594	1			w/2 Bbl. Carb.
4	0152 568	1			STUD, Intake to Exhaust Manifold
4A	0143 438	10			NUT, Intake and Exhaust Manifold Stud
	0115 729	AR			NUT, Intake and Exhaust Manifold Stud
5	6030 003	2			BOLT, Intake to Exhaust Manifold, w/Cast Iron Intake Manifold
	6031 330	2			w/Alum. Intake Manifold



**MODEL CODES**

B = GRAN FURY	G = DIPLOMAT	V = 400
C = LEBARON/TOWN & COUNTRY	M = HORIZON/TURISMO/SCAMP	X = MIRADA
D = ARIES	P = RELIANT	Y = IMPERIAL
E = 600	S = CORDOBA	Z = OMNI/CHARGER/RAMPAGE
F = FIFTH AVENUE	T = E CLASS/NEWYORKER	

**BODY STYLES**

21 = 2-DOOR SEDAN	41 = 4-DOOR SEDAN
22 = 2-DOOR SPECIAL COUPE	45 = 4-DOOR STATION WAGON
24 = 2-DOOR HATCHBACK	44 = 4-DOOR HATCHBACK
27 = 2-DOOR CONVERTIBLE	48 = EXECUTIVE SEDAN
28 = FWD PICKUP	

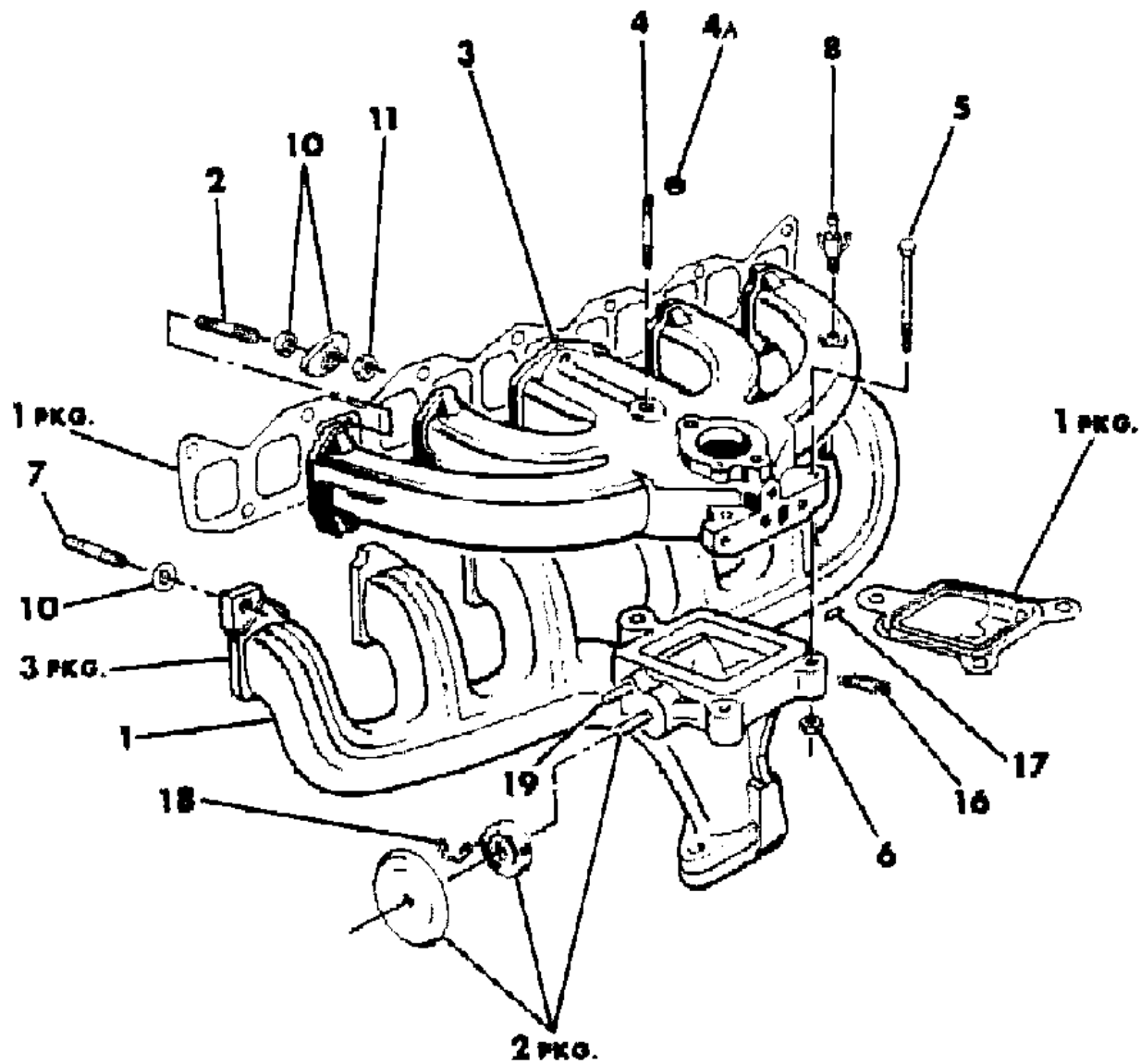
AR = Use as Required - = Non Illustrated Part P.A.R. = Paint as Required

# MANIFOLD WITH HEAT CONTROLS 6 CYLINDER ENGINE

## Figure 9B-700

3156 700

ITEM	PART NUMBER	QTY	BODY	MODEL	DESCRIPTION
6	6025 020	AR			NUT, Intake to Exhaust Manifold Bolt or Stud
7	6031 867	AR			STUD, Intake Manifold
	6031 867	AR			STUD, Intake and Exhaust Manifold
8	#4026 119	AR			CONNECTOR, Intake Manifold Vacuum Control O.D. .1875 w/ Two Side Tubes
	4026 117	AR			O.D. .1875 w/One Side Tube and O.D. .125 Center Tube
	4094 872	AR			w/Three Side Tubes
	4210 580	AR			w/4 Connection 2-3/16, 1-1/8, 1-1/4 (Location in Carb.)
	3766 033	AR			w/5 Connection 2-3/16, 1-1/8, 1-1/4, 1-3/8
9	2121 223	1			WASHER, Intake Manifold Stud
10	3751 636	10			WASHER, Intake and Exhaust Manifold Stud
	3751 637	2			WASHER, Exhaust Manifold Upper End Stud
11	6030 210	2			NUT, Exhaust Manifold Upper End Stud
16	3462 514	1			SPRING, Heat Control Valve Shaft
17	1639 597	1			PIN, Heat Control Valve Shaft Spring
18	2946 107	1			STOP, Heat Control Valve
19	0141 162	1			PIN, Heat Control Valve Stop



**MODEL CODES**

B = GRAN FURY	G = DIPLOMAT	V = 400
C = LEBARON/TOWN & COUNTRY	M = HORIZON/TURISMO/SCAMP	X = MIRADA
D = ARIES	P = RELIANT	Y = IMPERIAL
E = 600	S = CORDOBA	Z = OMNI/CHARGER/RAMPAGE
F = FIFTH AVENUE	T = E CLASS/NEWYORKER	

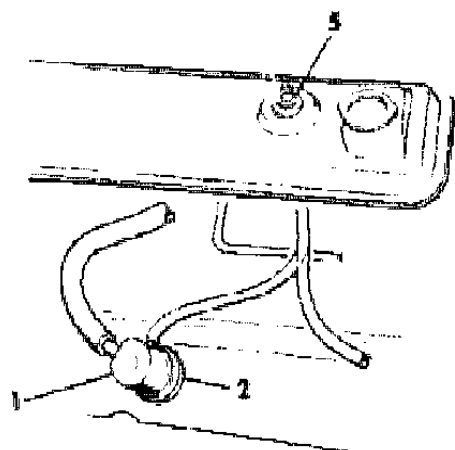
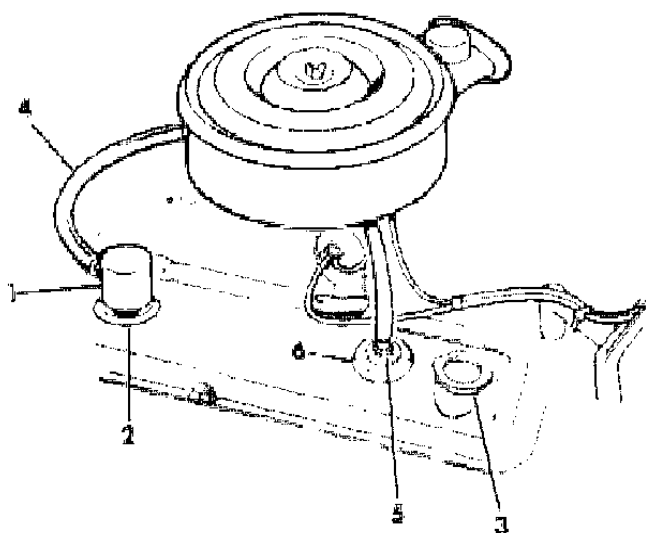
**BODY STYLES**

21 = 2-DOOR SEDAN	41 = 4-DOOR SEDAN
22 = 2-DOOR SPECIAL COUPE	45 = 4-DOOR STATION WAGON
24 = 2-DOOR HATCHBACK	44 = 4-DOOR HATCHBACK
27 = 2-DOOR CONVERTIBLE	48 = EXECUTIVE SEDAN
28 = FWD PICKUP	

AR = Use as Required - = Non Illustrated Part P.A.R. = Paint as Required

**CRANKCASE VENT, CAP, HOSE, VALVE 6 CYLINDER ENGINE**  
**Figure 9B-800**

3156 800



ITEM	PART NUMBER	QTY	BODY	MODEL	DESCRIPTION
*NOTE Part Number 4026136, 4026146 Consists of 50Ft. Roll (Use as Required) ction part number 4202379 stamped (379). For service replacement use the following Cross Reference.					
1	#4273 322	1	All		AIR CLEANER, Crankcase Vent Inlet
2	2946 079	1	All		GROMMET, Crankcase Vent Inlet Air Cleaner
3	2946 051	1	All		CAP, Oil Filler
4	4026 146	AR	ALL		HOSE, Crankcase Vent Inlet Air Cleaner to Air Cleaner, 225 Eng., 8" Lgh. required, (See Note 1)
5	3671 076	1	All		VALVE, Crankcase Vent
6	3751 510	1	All		GROMMET, Crankcase Vent Valve
7	4026 136	1	ALL		HOSE, Crankcase Vent Valve to Carb., w/225 Eng., 14" Lgh. Required (See Note)

**MODEL CODES**

B = GRAN FURY	G = DIPLOMAT	V = 400
C = LEBARON/TOWN & COUNTRY	M = HORIZON/TURISMO/SCAMP	X = MIRADA
D = ARIES	P = RELIANT	Y = IMPERIAL
E = 600	S = CORDOBA	Z = OMNI/CHARGER/RAMPAGE
F = FIFTH AVENUE	T = E CLASS/NEWYORKER	

**BODY STYLES**

21 = 2-DOOR SEDAN	41 = 4-DOOR SEDAN
22 = 2-DOOR SPECIAL COUPE	45 = 4-DOOR STATION WAGON
24 = 2-DOOR HATCHBACK	44 = 4-DOOR HATCHBACK
27 = 2-DOOR CONVERTIBLE	48 = EXECUTIVE SEDAN
28 = FWD PICKUP	

AR = Use as Required - = Non Illustrated Part P.A.R. = Paint as Required

**GROUP 9C - ENGINE, 8 CYLINDER**

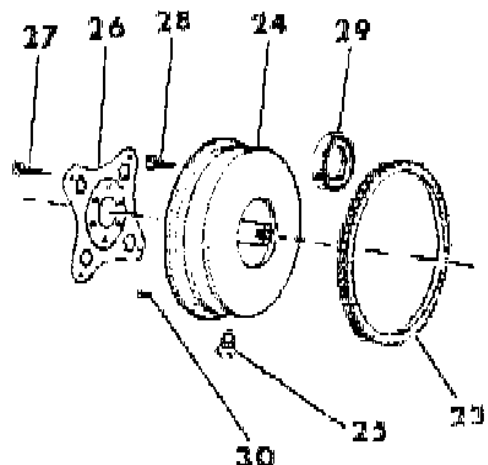
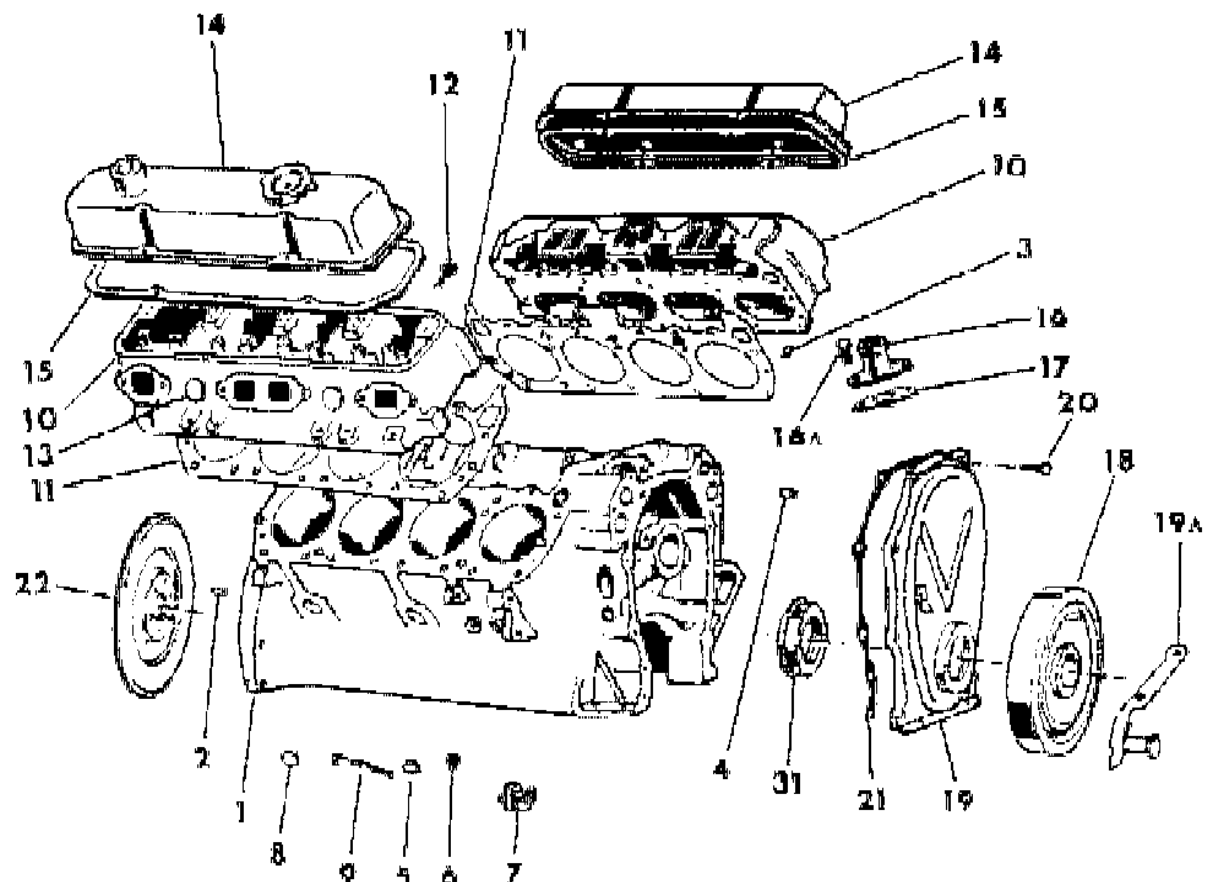
<b>ILLUSTRATION TITLE</b>	<b>GROUP-FIG. NO.</b>
ENGINE 8 CYLINDER .....	Fig. 9C-100
ENGINE OIL COOLER F,G,B 8 CYLINDER ENGINE .....	Fig. 9C-200
TRANSMISSION OIL COOLER - 8 CYLINDER ENGINE .....	Fig. 9C-300
TRANSMISSION AUXILIARY OIL COOLER, B,F,G 8 CYLINDER ENGINE .....	Fig. 9C-400
OIL PUMP AND OIL FILTER, OIL PAN, OIL LEVEL INDICATOR 8 CYLINDER ENGINE .....	Fig. 9C-500
CAMSHAFT, VALVES, ROCKERS, TIMING CHAIN, SPOCKET 8 CYLINDER ENGINE .....	Fig. 9C-600
CRANKSHAFT, PISTONS, AND RINGS 8 CYLINDER ENGINE .....	Fig. 9C-700
ENGINE MOUNTINGS 8 CYLINDER .....	Fig. 9C-800
MANIFOLD WITH HEAT CONTROL 8 CYLINDER .....	Fig. 9C-900
CRANKCASE VENT, CAP, HOSE, VALVE 8 CYLINDER ENGINE .....	Fig. 9C-1000

**ILLUSTRATION NOT AVAILABLE AT TIME OF PUBLICATION**

# ENGINE 8 CYLINDER

## Figure 9C-100

3109 100



ITEM	PART NUMBER	QTY	BODY	MODEL	DESCRIPTION
NOTE: The following symbols are used in connection with engine numbers. Engine numbers without symbols indicate Standard Cylinders and Crankshaft Bearings. The Letter "A" immediately following the engine number indicates Bore .020" (.508 MM) larger than the engine identification number indicates Main and Connecting Rod Bearings .010" (.254 MM) smaller than Standard. rings. The Letter "A" immediately following the engine number indicates Bore .020" (.508 MM) larger than Standard. The Letter "B" The Letters "AB" immediately following the engine identification number indicates Cylinder Bore .020" (.508 MM) larger than Standard. Main and Connecting Rod Bearings .010" (.254 MM) smaller than Standard.					
The Letters in the circular pads at either end of the engine numbers are for the use of factory inspectors only and should not be connected with the engine numbers. Always mention Serial Numbers when ordering major assemblies.					
NOTE 1: When a complete overhaul engine gasket set is required for 8 cylinder engines use upper and lower Engine Gasket Sets, Intake Manifold Gasket, also Exhaust Manifold Gasket and Oil Pan Gaskets.					
NOTE 2: When a valve grinding gasket set is required for 8 cylinder engines use Upper Engine Gasket Set, Intake Manifold Gasket also Exhaust Manifold Gasket					
NOTE 3: All Parts listed are for 318 Engines Gasket					
	4049 264	1			GASKET SET, Engine, Upper, w/318 Except E48-Eng. Consists of: 2 - 4041005 Gasket. Cyl. Head 2 - 2951267 Gasket. Cyl. Head Cover 8 - 2205958 Shield. Valve Stem Oil, Exhaust 8 - 4071006 Shield. Valve Stem Oil, Exhaust 8 - 3671616 Seal, Valve Guide, Intake 2 - 3818115 Gasket, Exh. Pipe Flange
	3837 644	1			GASKET SET, Engine, Lower w/318 Eng. Consists of: 1 - 2129012 Gasket, Chain Case Cover 1 - 50082 Gasket, Cyl. Water Outlet 2 - ----- Gasket, Oil Pan End 1 - 212903 Gasket, Water Pump Body 1 - 3577870 Gasket, Fuel Pump Flange 1 - 1326837 Gasket, Ignition Distributor 1 - 2899532 Seal, Chain Case Cover Oil 1 - 6027245 O-Ring, Ign. Dist. Housing 1 - 2875923 O-Ring, Ign. Dist. Housing
	4049 265	1			GASKET SET, Engine, Upper w/318-E48 Eng. Consists of: 2 - 4027329 Gasket, Cyl. Head 2 - 2951267 Gasket, Cyl. Head Cover 1 - 3491023 Gasket, Cyl. Head Cover Oil Filler Pipe

### MODEL CODES

B = GRAN FURY	G = DIPLOMAT	V = 400
C = LEBARON/TOWN & COUNTRY	M = HORIZON/TURISMO/SCAMP	X = MIRADA
D = ARIES	P = RELIANT	Y = IMPERIAL
E = 600	S = CORDOBA	Z = OMNI/CHARGER/RAMPAGE
F = FIFTH AVENUE	T = E CLASS/NEWYORKER	

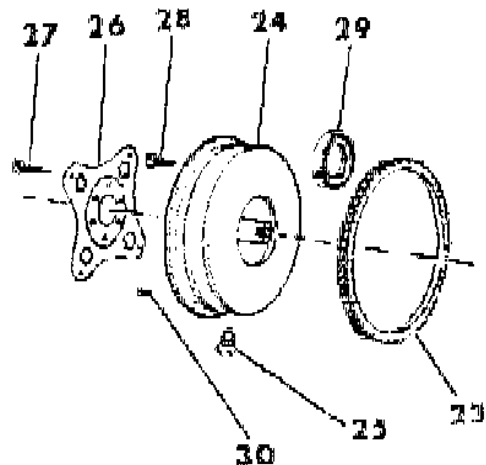
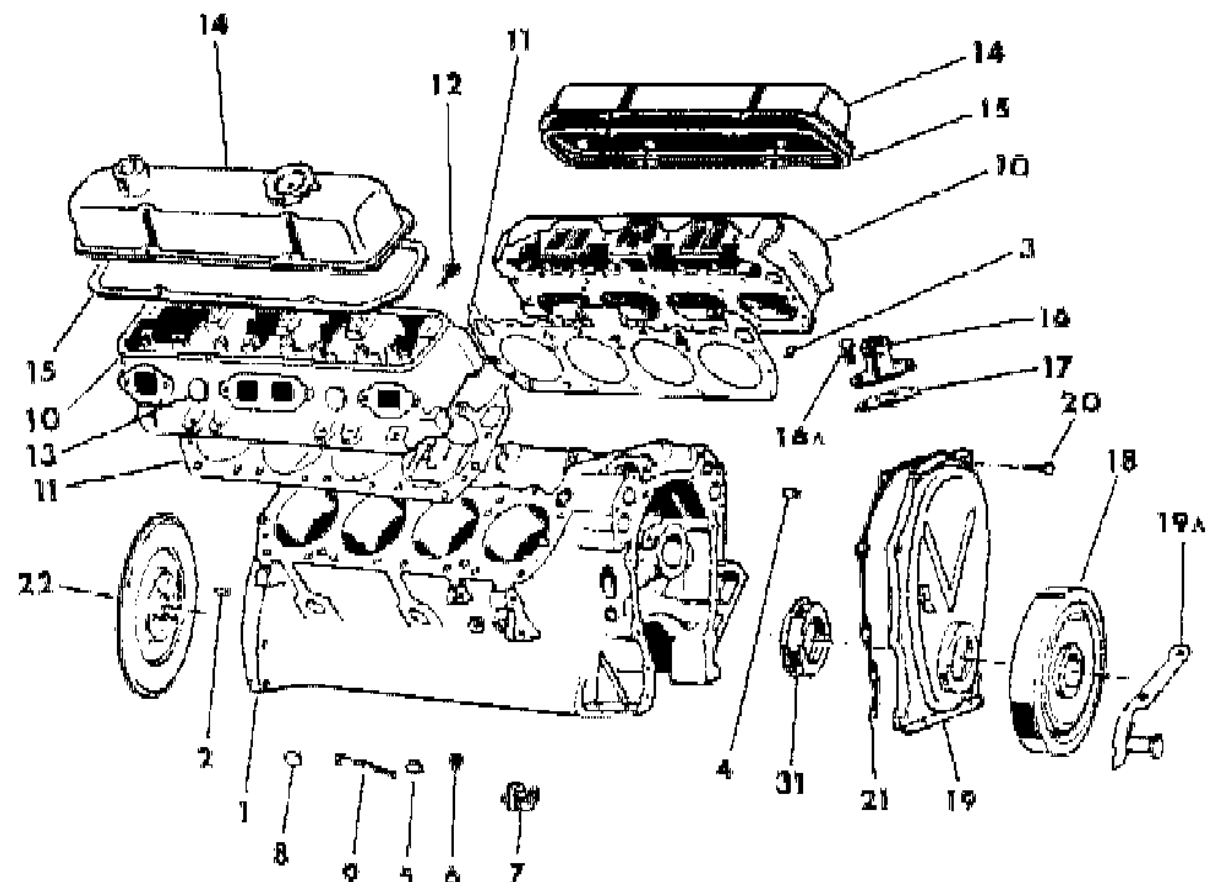
### BODY STYLES

21 = 2-DOOR SEDAN	41 = 4-DOOR SEDAN
22 = 2-DOOR SPECIAL COUPE	45 = 4-DOOR STATION WAGON
24 = 2-DOOR HATCHBACK	44 = 4-DOOR HATCHBACK
27 = 2-DOOR CONVERTIBLE	48 = EXECUTIVE SEDAN
28 = FWD PICKUP	

AR = Use as Required - = Non Illustrated Part P.A.R. = Paint as Required

**ENGINE 8 CYLINDER**  
**Figure 9C-100**

3109 100



ITEM	PART NUMBER	QTY	BODY	MODEL	DESCRIPTION
					8 - 4071003 Seal, Valve Guide, Intake
					2 - 3818115 Gasket, Exh. Pipe Flange
					8 - 4071006 Shield, Valve Stem Oil, Exhaust
					8 - 2205958 Shield, Valve Stem Oil, Exhaust (Priormodels only)
NOTE: Short Engine Assemblies consists of the Cylinder Block with Pistons and Rings, Crankshaft and Bearings, Connecting Rods and Bearings. Gasket					
1	#4105 987	1			SHORT ENGINE, w/318 Except E48 Eng.
	4105 989	1			w/E48-318 Eng.
Fitted Case Engine Assy. consists of the cylinder Block with Pistons and Rings, Connecting Rods and Bearings. Gasket					
1A	#4105 990	1			FITTED CASE ENGINE, w/318 Except E48 Eng.
	4105 992	1			w/E48-318 Eng.
2	1122 532	2			DOWEL, Cyl. Block to Clutch or Torque Converter Housing, Std.
	1736 347	AR			.007 Over Center
	1736 348	AR			.014 Over Center
	1736 353	AR			.021 Over Center
3	0141 215	4			DOWEL, Cyl. Block to Cyl. Head
5	#5203 342	AR			PLUG, Cyl. Block Core Hole, 1.635
	2406 575	AR			1.695
	5203 341	AR			1.2585
6	3462 871	1			PLUG, Cyl. Block Oil Line
	3751 818	2			PLUG, Cyl. Block Oil Hole
7	3755 677	2			HEATER, Engine Block
8	6027 513	AR			"O"RING, Engine Heater
9	3614 314	1			CORD, Engine Block Heater
10	4100 405	2			HEAD, Cylinder, w/318 Except E48 Eng.
	4227 948	2			w/(E48-318 Eng.) (up to 12/13/82)
	4100 409	2			w/(E48-318 Eng.) (after 12/13/82)
11	#4186 348	2			GASKET, Cyl. Head, w/318 Except E48 Eng.
	4131 141	2			w/318-E48 Eng.
12	6031 045	10			BOLT, Cyl. Head, 1/2 x 1-7/8"
	6031 101	8			1/2 x 3-5/8"
	2463 260	2			1/2 x 4-5/8"
13	#5203 341	AR			PLUG, Cyl. Head Core Hole
14	#4071 035	1			COVER, Cyl. Head, Right
	4041 016	1			Left
14a	#6031 688	10			SCREW, Cyl. Head Cover
15	#4273 129	2			GASKET, Cyl. Head Cover, w/318 Except E48 Eng.

**MODEL CODES**

B = GRAN FURY	G = DIPLOMAT	V = 400
C = LEBARON/TOWN & COUNTRY	M = HORIZON/TURISMO/SCAMP	X = MIRADA
D = ARIES	P = RELIANT	Y = IMPERIAL
E = 600	S = CORDOBA	Z = OMNI/CHARGER/RAMPAGE
F = FIFTH AVENUE	T = E CLASS/NEWYORKER	

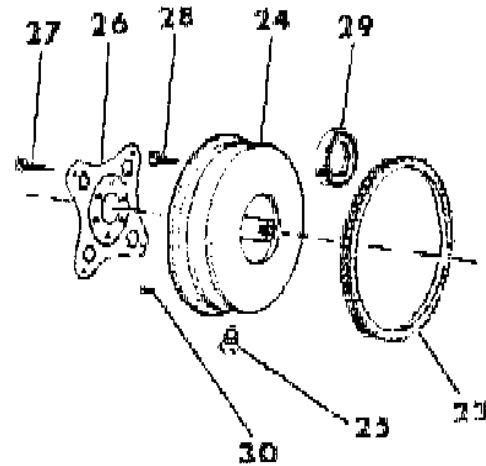
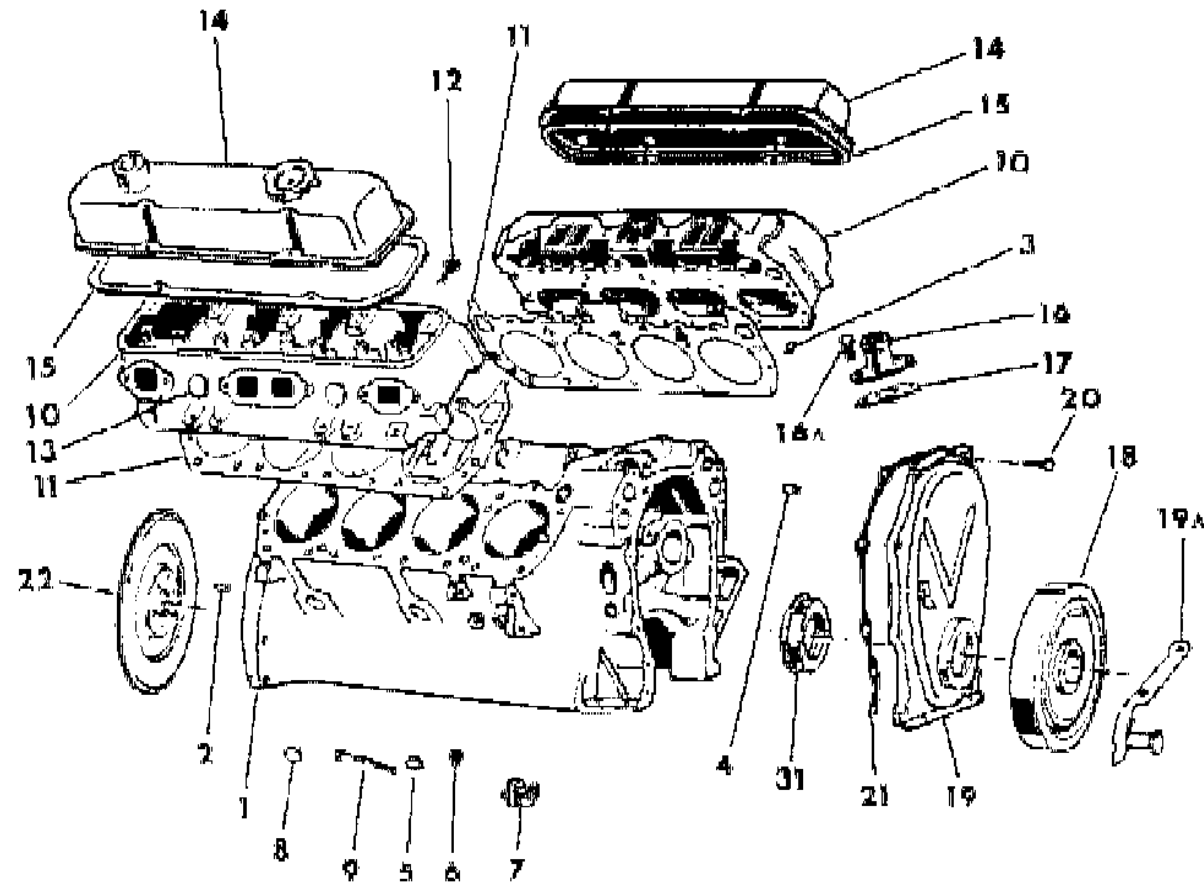
**BODY STYLES**

21 = 2-DOOR SEDAN	41 = 4-DOOR SEDAN
22 = 2-DOOR SPECIAL COUPE	45 = 4-DOOR STATION WAGON
24 = 2-DOOR HATCHBACK	44 = 4-DOOR HATCHBACK
27 = 2-DOOR CONVERTIBLE	48 = EXECUTIVE SEDAN
28 = FWD PICKUP	

AR = Use as Required - = Non Illustrated Part P.A.R. = Paint as Required

**ENGINE 8 CYLINDER**  
**Figure 9C-100**

3109 100



ITEM	PART NUMBER	QTY	BODY	MODEL	DESCRIPTION
	4095 088	2			w/(E48-318 Eng.)
16	4100 490	1			CONNECTOR, Cyl. Water Outlet
16a	6031 413	2			BOLT, Cyl. Water Outlet Connector
17	4173 461	1			GASKET, Cyl. Water Outlet Connector
18	4173 443	1			DAMPER, Crankshaft Vibration, w/318 Eng.
19	3769 964	1			COVER, Chain Case, Assy.
19A	4095 625	1			INDICATOR, Timing
20	#0181 112	2			SCREW, Chain Case Cover, 3/8 x 1"
	9420 892	1			3/8 x 2-3/4"
21	2129 012	1			GASKET, Chain Case Cover
22					FLYWHEEL, w/Ring Gear (Not used)
23					GEAR, Flywheel Ring (Not used)
	2121 196	1			GEAR, Torque Converter Ring, (I.D. 11.250")
	3515 203	1			(I.D. 11.193") w/(E48-318 Eng.)
24	4106 564	1			TORQUE CONVERTER, w/(E44,E45,E46 318 Eng. (See Note)
	4293 053	1			w/(E48-318 Eng.) (See Note),w/lock-up Version
	4202 722	1			w/(E43-318 Eng.) (See Note), w/Lock-up Version
25	6023 092	1			SCREW w/Washer, Torque Converter Drain
26	4058 429	1			PLATE, Torque Converter Drive
27	1949 424	6			SCREW, Drive Plate to Crankshaft
28	1949 765	4			SCREW, Drive Plate to Torque Converter
29	3515 138	1			SEAL, Trans. Torque Converter Impeller Hub, w/A904 Auto.
					Trans.
	3515 137	1			w/A727 Auto. Trans.
30	1942 187	8			SPRING, Torque Converter Overrunning Clutch Roller
31	3830 109	1			OIL SEAL, Chain Case Cover

NOTE: To replace the original Production Torque Converter look on the front cover surface for a Decal which will indicate a Lockup or a Non-Lockup Torque Converter. The Trans. Input Shaft and the Torque Converter Hub has one less spline for the Lockup Lock units are not interchangeable. On the curved surface of the rear Torque Converter Cover will be stamped the last three digits of the production Part No. stamped (488) For service replacement use the following Cross Reference.

	PRODUCTION	REMANUFACTURED
	TORQUE CONVERTER	TORQUE CONVERTER
	STAMPED	SERVICE
	385	4106564
	531	4293053
	721	4202722
	415	4106572

MODEL CODES		
B = GRAN FURY	G = DIPLOMAT	V = 400
C = LEBARON/TOWN & COUNTRY	M = HORIZON/TURISMO/SCAMP	X = MIRADA
D = ARIES	P = RELIANT	Y = IMPERIAL
E = 600	S = CORDOBA	Z = OMNI/CHARGER/RAMPAGE
F = FIFTH AVENUE	T = E CLASS/NEWYORKER	

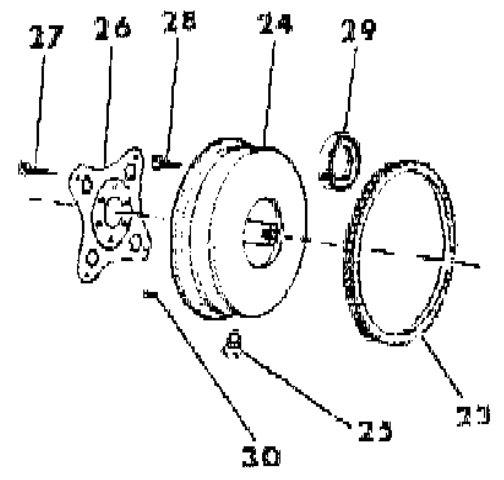
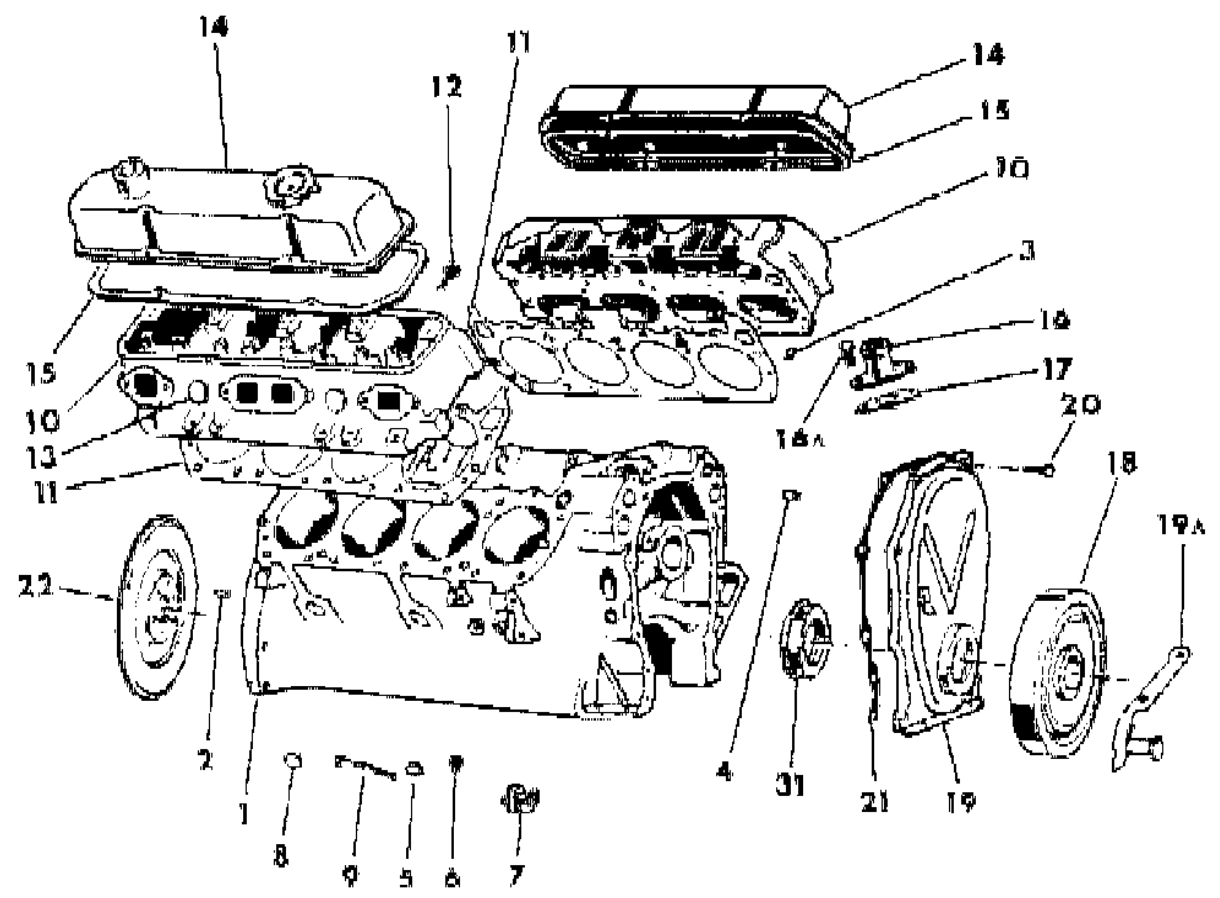
BODY STYLES	
21 = 2-DOOR SEDAN	41 = 4-DOOR SEDAN
22 = 2-DOOR SPECIAL COUPE	45 = 4-DOOR STATION WAGON
24 = 2-DOOR HATCHBACK	44 = 4-DOOR HATCHBACK
27 = 2-DOOR CONVERTIBLE	48 = EXECUTIVE SEDAN
28 = FWD PICKUP	

AR = Use as Required - = Non Illustrated Part P.A.R. = Paint as Required

ENGINE 8 CYLINDER  
Figure 9C-100

ITEM	PART NUMBER	QTY	BODY	MODEL	DESCRIPTION
------	-------------	-----	------	-------	-------------

3109 100



385|4106564  
389|4106565  
410|4186052

MODEL CODES  
 B = GRAN FURY  
 C = LEBARON/TOWN & COUNTRY  
 D = ARIES  
 E = 600  
 F = FIFTH AVENUE  
 G = DIPLOMAT  
 M = HORIZON/TURISMO/SCAMP  
 P = RELIANT  
 S = CORDOBA  
 T = E CLASS/NEWYORKER  
 V = 400  
 X = MIRADA  
 Y = IMPERIAL  
 Z = OMNI/CHARGER/RAMPAGE

BODY STYLES  
 21 = 2-DOOR SEDAN  
 22 = 2-DOOR SPECIAL COUPE  
 24 = 2-DOOR HATCHBACK  
 27 = 2-DOOR CONVERTIBLE  
 28 = FWD PICKUP  
 41 = 4-DOOR SEDAN  
 45 = 4-DOOR STATION WAGON  
 44 = 4-DOOR HATCHBACK  
 48 = EXECUTIVE SEDAN

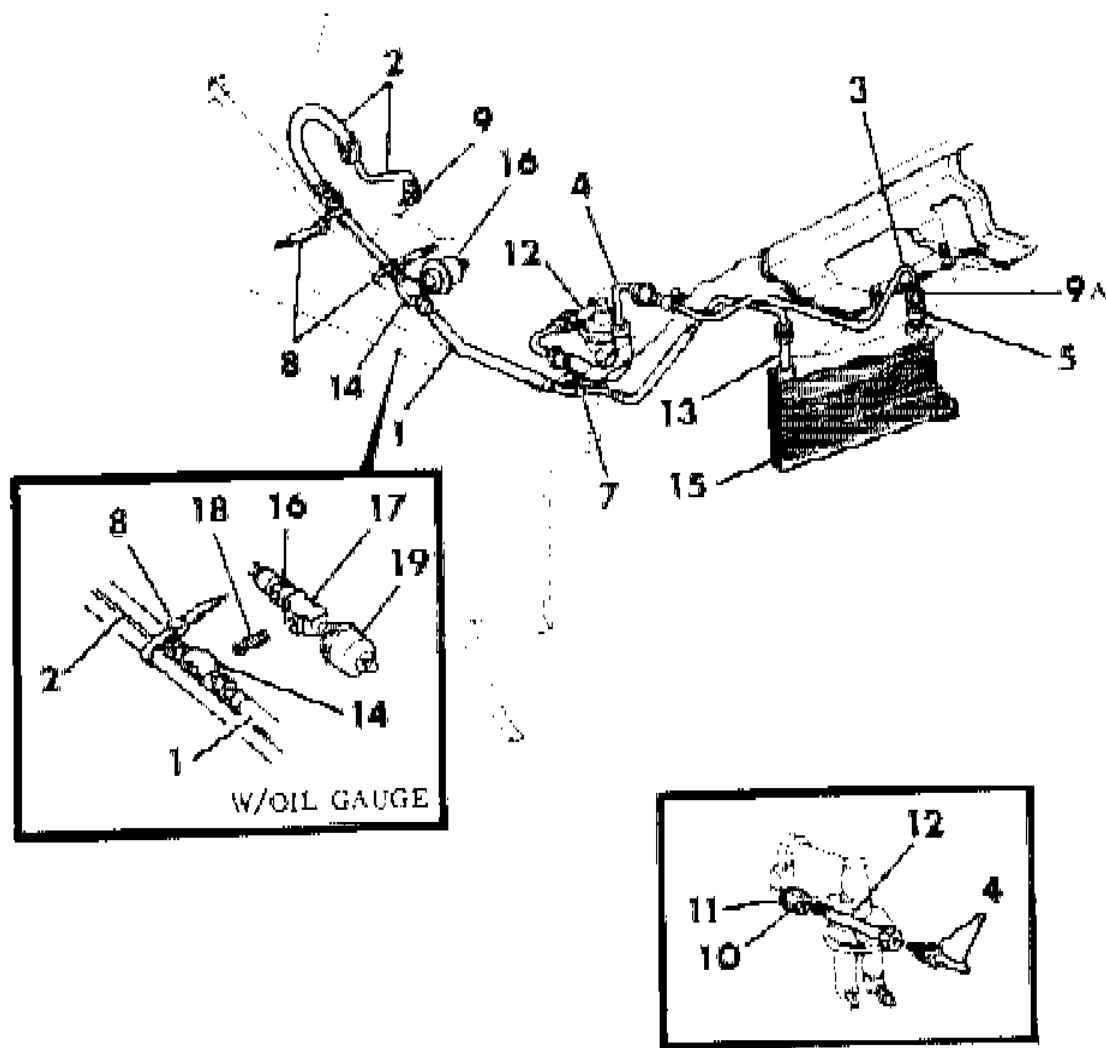
AR = Use as Required - = Non Illustrated Part P.A.R. = Paint as Required



# ENGINE OIL COOLER F,G,B 8 CYLINDER ENGINE

Figure 9C-200

3100 200



ITEM	PART NUMBER	QTY	BODY	MODEL	DESCRIPTION
1	4140 400	1			TUBE, Engine Oil Cooler, Front
2	4026 548	1			TUBE, Engine Oil Cooler, Rear
3	4026 548	1			TUBE, Oil Cooler to Engine, Front
4	4026 549	1			TUBE, Oil Cooler to Engine, Rear
5	2264 514	1			VALVE, Engine Oil Cooler Check
6		1			CLIP, (Not Serviced)
7		1			CLIP, (Not Serviced)
8		2			CLIP, (Not Serviced)
9	6031 741	1			CONNECTOR, Engine to Oil Cooler Tube
9A	0137 406	1			CONNECTOR, Check Valve to Oil Cooler Tube
10	4071 712	1			NUT, Fuel Pump
11		1			WASHER, (Not Serviced)
12	6032 002	1			PIPE Nipple, Return Line
13	6032 005	1			PIPE Nipple, Outlet Line
14	0128 275	1			TEE, Oil Pressure Sensing Unit
15	4140 394	1			OIL COOLER, Engine
16		1			SWITCH, Oil Pressure (See Group 8 Electrical)
17		1			TEE, Dual Sensing Unit (w/Oil Gauge) (Not Serviced )
18	0142 868	1			NIPPLE, Connector (w/Oil Gauge)
19		1			SENDING UNIT, Oil Pressure w/(Oil Gauge) (See Group 8 Electrical)
20	1316 864	1			"O"RING, Engine Oil Cooler Tube Junction Seal

MODEL CODES

B = GRAN FURY	G = DIPLOMAT	V = 400
C = LEBARON/TOWN & COUNTRY	M = HORIZON/TURISMO/SCAMP	X = MIRADA
D = ARIES	P = RELIANT	Y = IMPERIAL
E = 600	S = CORDOBA	Z = OMNI/CHARGER/RAMPAGE
F = FIFTH AVENUE	T = E CLASS/NEWYORKER	

BODY STYLES

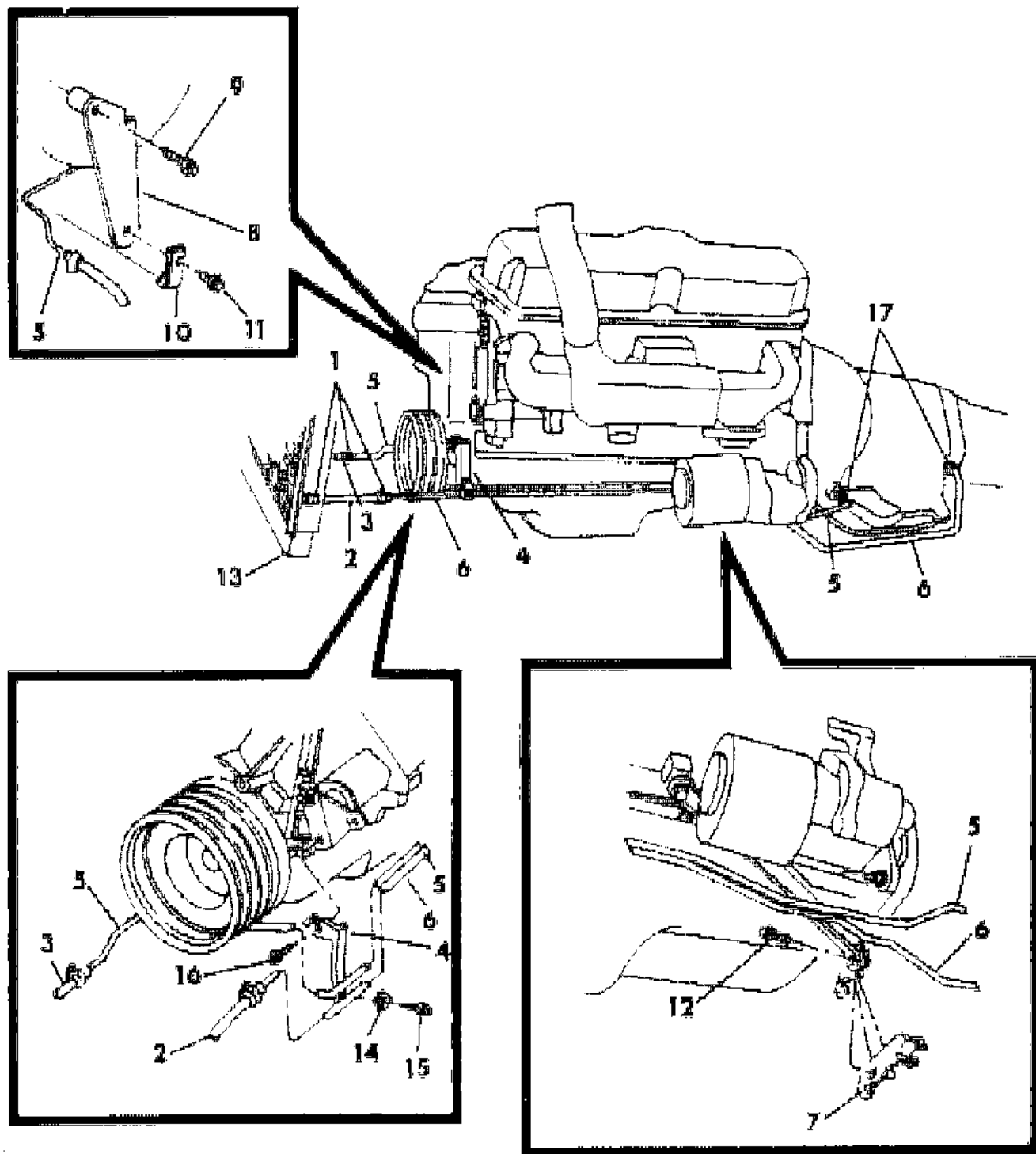
21 = 2-DOOR SEDAN	41 = 4-DOOR SEDAN
22 = 2-DOOR SPECIAL COUPE	45 = 4-DOOR STATION WAGON
24 = 2-DOOR HATCHBACK	44 = 4-DOOR HATCHBACK
27 = 2-DOOR CONVERTIBLE	48 = EXECUTIVE SEDAN
28 = FWD PICKUP	

AR = Use as Required - = Non Illustrated Part P.A.R. = Paint as Required

# TRANSMISSION OIL COOLER - 8 CYLINDER ENGINE

## Figure 9C-300

3109 100



ITEM	PART NUMBER	QTY	BODY	MODEL	DESCRIPTION
NOTE "A" HOSE, Transmission Oil Cooler, 50Ft. RollPart No. 4026139 cut to length shown. rt No. stamped (488) For service replacement use the following Cross Reference.					
NOTE "B" TUBE, Transmission Oil Cooler, 25Ft. RollPart No. 1843253 cut to length shown. rt No. stamped (488) For service replacement use the following Cross Reference.					
1	0153 456	AR			CLAMP, Trans. Oil Cooler Hose
2	00NO TEA	AR			HOSE, Trans. Oil Cooler (to Trans.) length 6.75" of Note "A"
3	00NO TEA	1			HOSE, Trans. Oil Cooler (from Trans.) length 6.25" of Note "A"
4	4140 415	1			BRACKET, Trans. Oil Cooler Tube to Power Strg. Bracket left front
5	00NO TEB	1			TUBE, Trans. Oil Cooler Outlet (from Trans.) length 48.355" of Note "B" (except A727 Trans.)
	00NO TEB	1			length 48.223" of Note "B" (w/A727 Trans.)
6	00NO TEB	1			TUBE, Trans. Oil Cooler Inlet (to Trans.) length 51.399" of Note "B" (except A727 Trans.)
	00NO TEB	1			length 52.464" of Note "B" (w/A727 Trans.)
7	4140 422	1			BRACKET, Trans. Oil Cooler Tube to Trans. Housing (except A727 Trans.)
	4140 340	1			(w/A727 Trans.)
8	4140 414	1			BRACKET, Trans. Oil Cooler Tube To Chain Cover
9	0181 126	1			BOLT, Bracket
10		1			CLIP, Trans. Oil Cooler Tube (Not Serviced)
11		2			SCREW, Tube Clip (Not Serviced)
12		1			BOLT, Trans. Oil Cooler Tube Bracket
13	4140 380	1			COOLER, Radiator Core Trans. Oil (12" lgh. X 1.00" O/Dia.)
	4140 383	1			(12" lgh. X 1.25" O/Dia.)
	4140 382	1			(12" lgh. X 1.50" O/Dia.)
14		1			CLIP, Trans. Oil Cooler Tube (Not Serviced)
15		2			SCREW, Clip (Not Serviced)
16		1			SCREW, Trans. Oil Cooler Tube Bracket (Not Serviced)
17	1941 667	2			NUT, Trans. Oil Cooler Tube (Trans. End)
	0118 749	2			CONNECTOR, Trans. Oil Cooler Tube (Trans End)

**MODEL CODES**

B = GRAN FURY	G = DIPLOMAT	V = 400
C = LEBARON/TOWN & COUNTRY	M = HORIZON/TURISMO/SCAMP	X = MIRADA
D = ARIES	P = RELIANT	Y = IMPERIAL
E = 600	S = CORDOBA	Z = OMNI/CHARGER/RAMPAGE
F = FIFTH AVENUE	T = E CLASS/NEWYORKER	

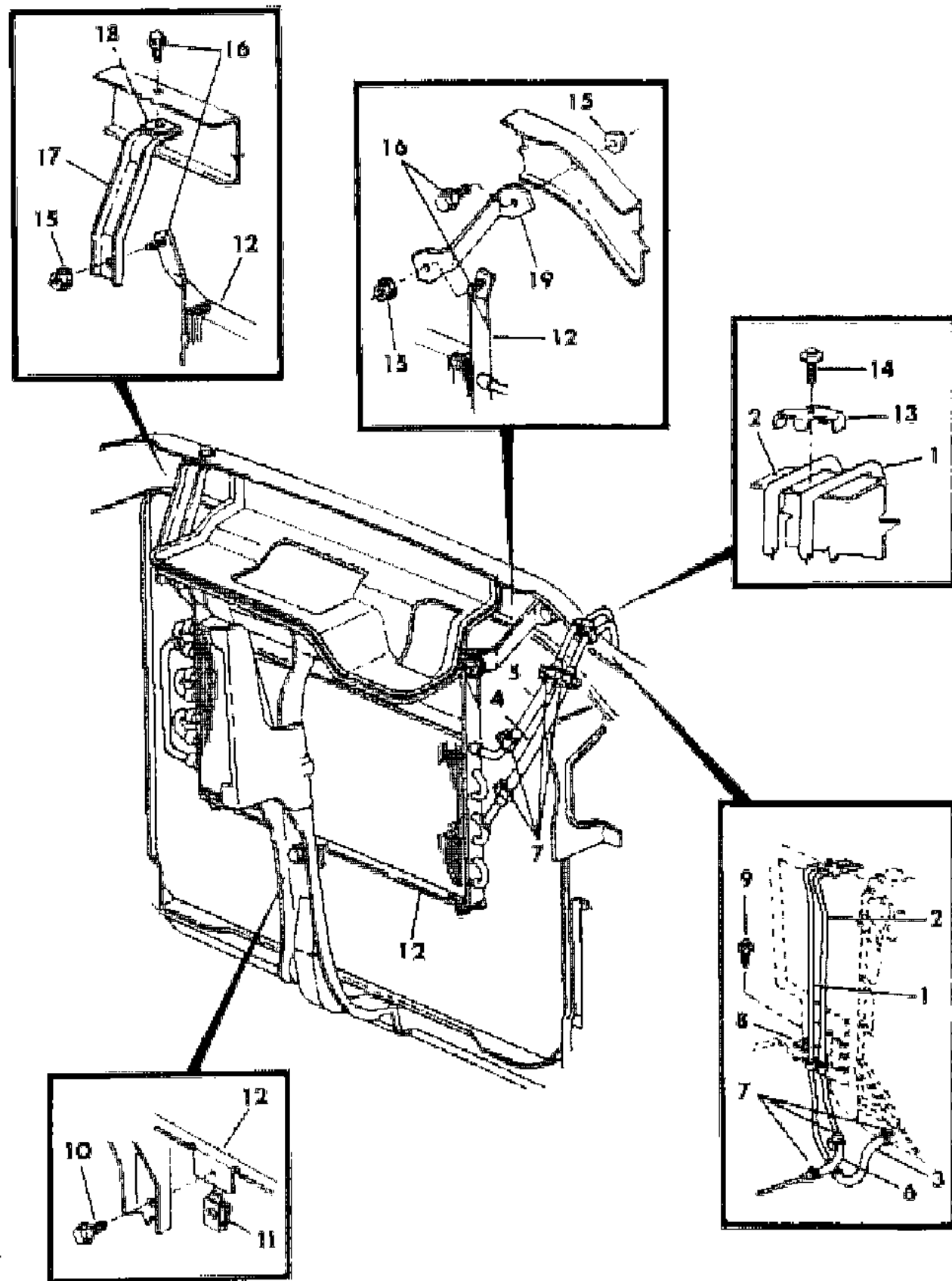
**BODY STYLES**

21 = 2-DOOR SEDAN	41 = 4-DOOR SEDAN
22 = 2-DOOR SPECIAL COUPE	45 = 4-DOOR STATION WAGON
24 = 2-DOOR HATCHBACK	44 = 4-DOOR HATCHBACK
27 = 2-DOOR CONVERTIBLE	48 = EXECUTIVE SEDAN
28 = FWD PICKUP	

AR = Use as Required - = Non Illustrated Part P.A.R. = Paint as Required

**TRANSMISSION AUXILIARY OIL COOLER, B,F,G 8 CYLINDER ENGINE**  
**Figure 9C-400**

3109 400



ITEM	PART NUMBER	QTY	BODY	MODEL	DESCRIPTION
NOTE "A" HOSE, Transmission Oil Cooler, 50Ft. RollPart No. 4026139 cut to length shown. rt No. stamped (488) For service replacement use the following Cross Reference.					
NOTE "B" TUBE, Transmission Oil Cooler, 25Ft. RollPart No. 1843253 cut to length shown. rt No. stamped (488) For service replacement use the following Cross Reference.					
1	00NO TEB	1			TUBE, Trans. Oil Cooler To Auxiliary Oil Cooler, length 27.097" of Note "B"
2	00NO TEB	1			TUBE, Auxiliary Oil Cooler To Trans., length 27.242" of Note "B"
3	00NO TEA	1			HOSE, Trans. Oil Cooler To Auxiliary Oil Cooler, length 6.50" of Note "A"
4	00NO TEA	1			HOSE, Trans. Oil Cooler To Auxiliary Oil Cooler, length 15.5" of Note A
5	00NO TEA	1			HOSE, Auxiliary Oil Cooler To Trans., length 12" of Note A
6	00NO TEA	1			HOSE, Auxiliary Oil Cooler To Trans., length 6.75" of Note "A"
7	0153 456	AR			CLIP, Hose To Tube
8	4140 350	1			BRACKET, Trans. Auxiliary Oil Cooler Tube To Frame
9		1			SCREW, Bracket (Not Serviced)
10		1			SCREW, Hood Lock Support To Auxiliary Oil Cooler
11		1			U-NUT, Hood Lock Support To Auxiliary Oil Cooler Screw
12	4266 033	1			COOLER, Auxiliary, Trans. Oil
13		1			CLIP, Trans. Auxiliary Oil Cooler Tubes (Not Serviced)
14		1			SCREW, Clip (Not Serviced)
15	0219 462	3			NUT, Trans. Auxiliary Oil Cooler Bracket Screw
16	0181 063	3			SCREW, Trans. Auxiliary Oil Cooler Bracket
17	4266 034	1			BRACKET, Rt. Trans. Auxiliary Oil Cooler
18		1			U-Nut, Auxiliary Oil Cooler Rt. Bracket (Not Serviced)
19	#4266 035	1			Bracket, Lt. Trans. Auxiliary Oil Cooler
	4266 036	1			BRACKET, Trans. Auxillary Oil Cooler Mounting, Lower
	4266 037	1			BRACKET, Trans. Auxillary Oil Cooler Mounting, Rear

**MODEL CODES**

B = GRAN FURY	G = DIPLOMAT	V = 400
C = LEBARON/TOWN & COUNTRY	M = HORIZON/TURISMO/SCAMP	X = MIRADA
D = ARIES	P = RELIANT	Y = IMPERIAL
E = 600	S = CORDOBA	Z = OMNI/CHARGER/RAMPAGE
F = FIFTH AVENUE	T = E CLASS/NEWYORKER	

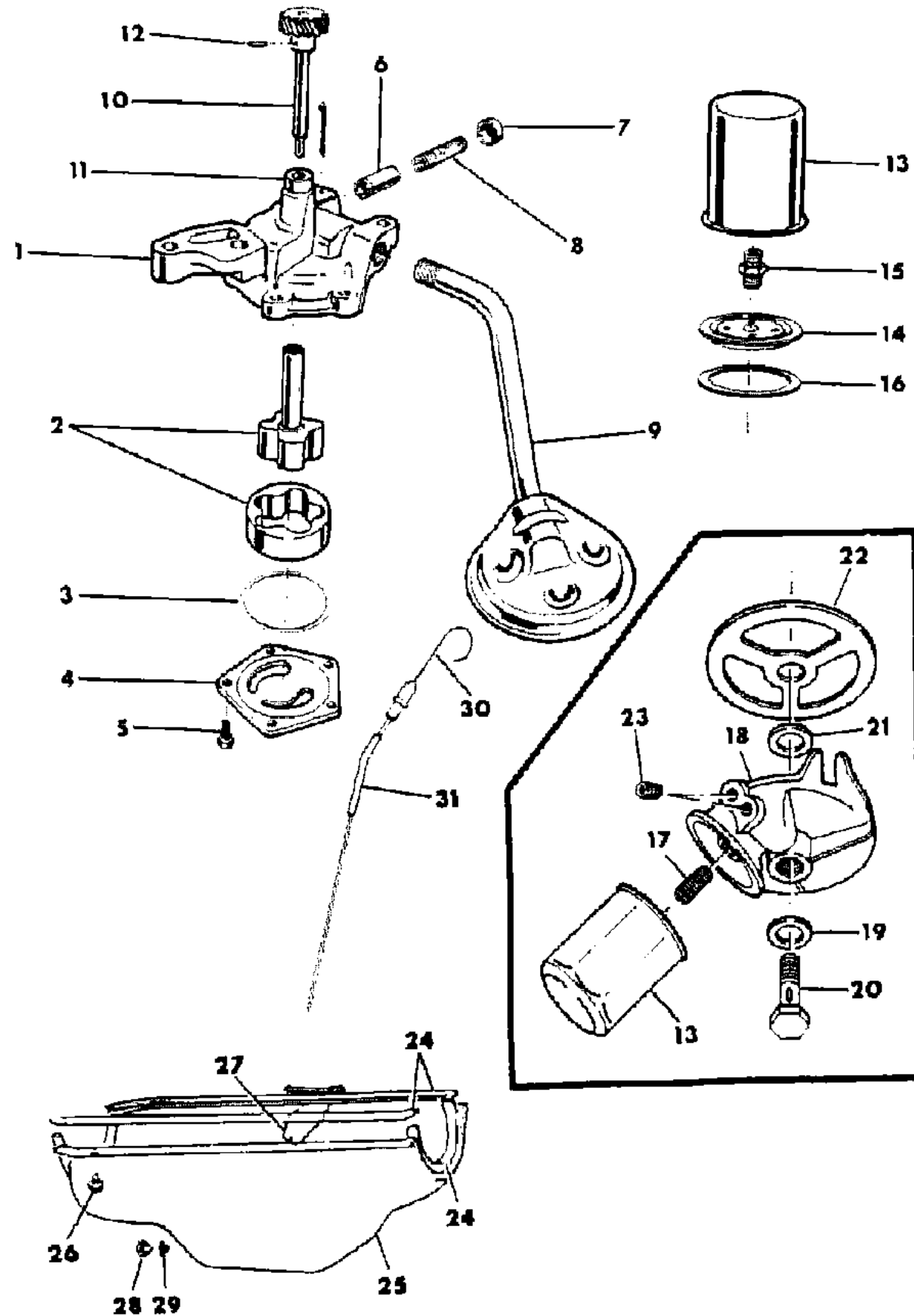
**BODY STYLES**

21 = 2-DOOR SEDAN	41 = 4-DOOR SEDAN
22 = 2-DOOR SPECIAL COUPE	45 = 4-DOOR STATION WAGON
24 = 2-DOOR HATCHBACK	44 = 4-DOOR HATCHBACK
27 = 2-DOOR CONVERTIBLE	48 = EXECUTIVE SEDAN
28 = FWD PICKUP	

AR = Use as Required - = Non Illustrated Part P.A.R. = Paint as Required

**OIL PUMP AND OIL FILTER, OIL PAN, OIL LEVEL INDICATOR 8 CYLINDER ENGINE**  
**Figure 9C-500**

3109 500



ITEM	PART NUMBER	QTY	BODY	MODEL	DESCRIPTION
1	2806 270	1			OIL PUMP
2	3837 648	1			DRIVE SHAFT AND ROTOR PACKAGE, Oil Pump Consists of: 1- ----- Shaft w/Inner Rotor 1- ----- Rotor, Outer
3	2268 921	1			1- 2268921 Gasket, Oil Pump Cover Consists of: 1- ----- Shaft, Assy. Oil Pump Drive 1- ----- Rotor Outer, Oil Pump
4	4071 043	1			GASKET, Oil Pump Cover
5	0220 785	5			COVER, Oil Pump
6	2843 208	1			SCREW, Oil Pump Cover
7	2806 273	1			PLUNGER, Oil Pressure Relief Valve
8	2402 473	1			CAP, Oil Pressure Relief Valve
9	2468 849	1			SPRING, Oil Pressure Relief Valve
10	4095 260	1			SHAFT, Oil Pump and Distributer Drive . Assy.
11	2863 584	1			BUSHING, Oil Pump Distributer Drive Shaft
12	0103 726	1			PIN, Oil Pump and Distributer Drive Gear
13	3549 957	1			FILTER, Oil
14	2402 103	1			PLATE, Oil Filter Adapter w/(S/C-N92,N94)
15	3671 602	1			ADAPTER, Oil Filter to Cylinder Block w/(S/C-N92,N94)
16	3671 314	1			GASKET, Oil Filter Adapter Plate w/(S/C-N92,N94)
17	4104 511	1			ADAPTER, Oil Filter to Oil Filter Base, w/(S/C-N61,N94,N95)
18	4179 726	1			BASE, Oil Filter Assy., w/(S/C-N61,N94,N95)
19	4105 210	1			GASKET, Oil Filter Base Screw, w/(S/C-N61,N94,N95)
20	4186 347	1			SCREW, Oil Filter Base w/(S/C-N61,N94,N95)
21	2463 512	1			SEAL, Oil Filter Base Screw, w/(S/C-N61,N94,N95)
22	3577 674	1			GASKET, Oil Filter Base, w/(S/C-N61,N94,N95)
23		1			PLUG, Oil Filter Base, w/(S/C-N61,N94,N95),(3/8 dia.)
24	4240 153	1			GASKET SET, Oil Pan Consists of: 2- ----- Gasket, Oil Pan Side 2- ----- Gasket, Oil Pan End
25	4006 387	1			PAN, Oil
26	1947 963	14			SCREW, w/Washer, Oil Pan 5/16" X 13/16"
	6025 926	4			SCREW, w/Washer, Oil Pan 5/16" X 1"

**MODEL CODES**

B = GRAN FURY	G = DIPLOMAT	V = 400
C = LEBARON/TOWN & COUNTRY	M = HORIZON/TURISMO/SCAMP	X = MIRADA
D = ARIES	P = RELIANT	Y = IMPERIAL
E = 600	S = CORDOBA	Z = OMNI/CHARGER/RAMPAGE
F = FIFTH AVENUE	T = E CLASS/NEWYORKER	

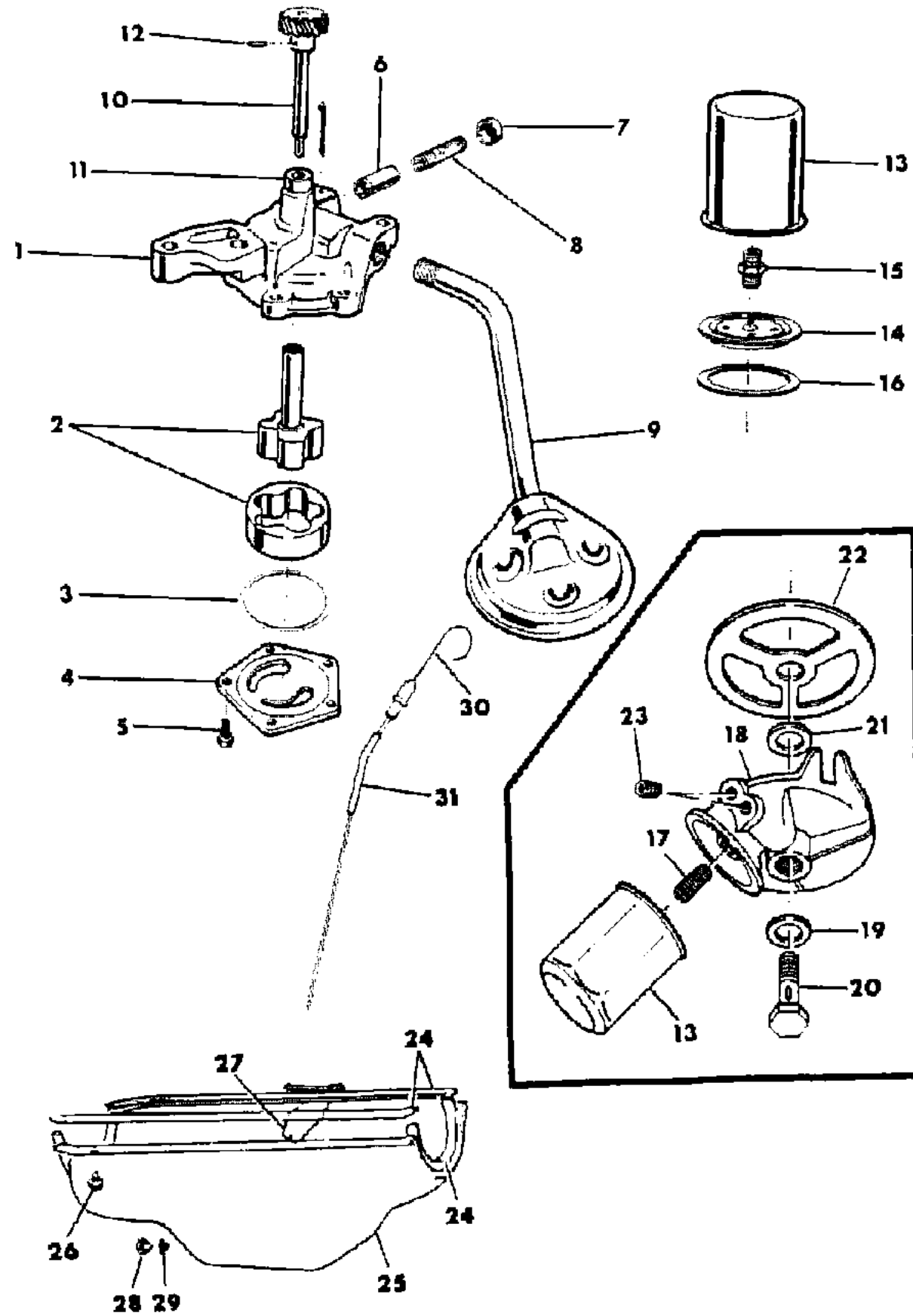
**BODY STYLES**

21 = 2-DOOR SEDAN	41 = 4-DOOR SEDAN
22 = 2-DOOR SPECIAL COUPE	45 = 4-DOOR STATION WAGON
24 = 2-DOOR HATCHBACK	44 = 4-DOOR HATCHBACK
27 = 2-DOOR CONVERTIBLE	48 = EXECUTIVE SEDAN
28 = FWD PICKUP	

AR = Use as Required - = Non Illustrated Part P.A.R. = Paint as Required

OIL PUMP AND OIL FILTER, OIL PAN, OIL LEVEL INDICATOR 8 CYLINDER ENGINE  
Figure 9C-500

3109 500



ITEM	PART NUMBER	QTY	BODY	MODEL	DESCRIPTION
27	3577 794	1			BAFFLE, Crankshaft Oil Scraper, (E48-318 Eng.)
28	#4271 941	1			PLUG, Oil Pan Drain
29	6032 145	1			GASKET, Oil Pan Drain Plug
30	3870 265	1			INDICATOR, Oil Level
31	4027 249	1			TUBE, Oil Level Indicator

MODEL CODES

B = GRAN FURY	G = DIPLOMAT	V = 400
C = LEBARON/TOWN & COUNTRY	M = HORIZON/TURISMO/SCAMP	X = MIRADA
D = ARIES	P = RELIANT	Y = IMPERIAL
E = 600	S = CORDOBA	Z = OMNI/CHARGER/RAMPAGE
F = FIFTH AVENUE	T = E CLASS/NEWYORKER	

BODY STYLES

21 = 2-DOOR SEDAN	41 = 4-DOOR SEDAN
22 = 2-DOOR SPECIAL COUPE	45 = 4-DOOR STATION WAGON
24 = 2-DOOR HATCHBACK	44 = 4-DOOR HATCHBACK
27 = 2-DOOR CONVERTIBLE	48 = EXECUTIVE SEDAN
28 = FWD PICKUP	

AR = Use as Required - = Non Illustrated Part P.A.R. = Paint as Required

**CAMSHAFT, VALVES, ROCKERS, TIMING CHAIN, SPOCKET 8 CYLINDER ENGINE**  
**Figure 9C-600**

3109 600A

ITEM	PART NUMBER	QTY	BODY	MODEL	DESCRIPTION
1	4095 708	8			ROCKER, Valve, Right, w/318 Eng.
	4095 709	8			Left, w/318 Eng.
3	2532 149	2			SHAFT, Valve Rocker
4	2463 322	6			RETAINER, Valve Rocker Shaft, End and Center
	2463 323	4			Intermediate
5	0181 095	10			SCREW, Valve Rocker Shaft Retainer
6	1324 268	4			PLUG, Valve Rocker Shaft
7	0381 875	16			LOCK, Intake Valve Spring Retainer
	1614 666	16			LOCK, Exhaust Spring Retainer
8	2402 045	16			RETAINER, Valve Spring
8A	1859 144	AR			SPACER, Valve Spring
9	4095 291	16			ROD, Valve Push
10	1739 534	16			SPRING, Valve, w/318 except E48 Eng.
	3751 741	16			w/E48-318 Eng.)
11	2465 335	8			VALVE, Intake, Std., w/318 Except E48 Eng.
	2465 336	8			.005 O/S
	2465 337	8			.015 O/S
	2465 338	8			.030 O/S
	3683 801	8			Std., w/E48-318 Eng.
	3683 802	8			.005 O/S
	3683 803	8			.015 O/S
	3683 804	8			.030 O/S
12	4100 387	8			VALVE, Exhaust, Std. w/318 Except E48 Eng.
	4100 388	8			.005 O/S
	4100 389	8			.015 O/S
	4100 390	8			.030 O/S
	4100 632	8			w/(E48-318 Eng.), Std.
	4100 633	8			.005 O/S
	4100 634	8			.015 O/S
	4100 635	8			.030 O/S
13	4071 006	8			SHIELD, Valve Stem Oil Exhaust
	4095 543	8			SEAL, Valve Guide Intake
	4049 338	16			TAPPET, Valve, Std.
14	4049 339	16			.001 O/S
	4049 340	16			.008 O/S
	4049 341	16			.030 O/S
14	4179 768	1			CAMSHAFT, w/318 Except E48 Eng.

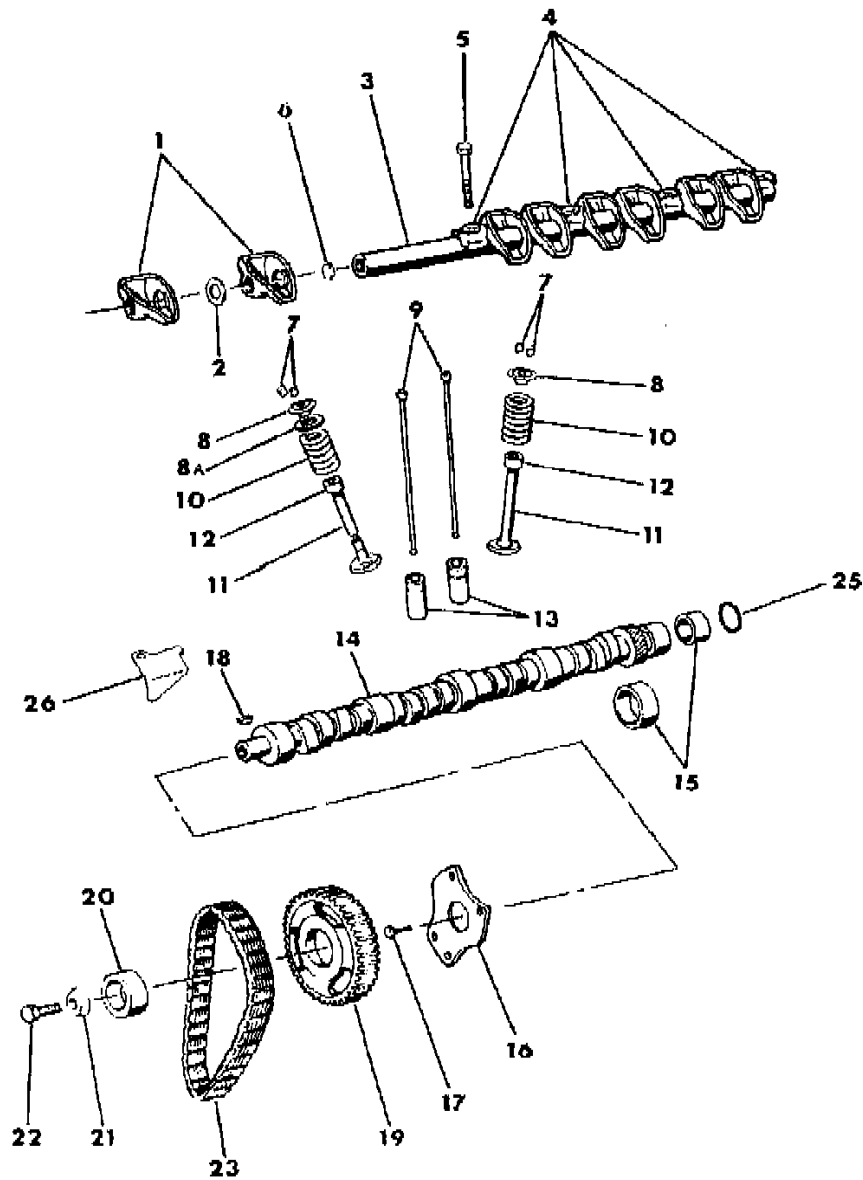
MODEL CODES

B = GRAN FURY	G = DIPLOMAT	V = 400
C = LEBARON/TOWN & COUNTRY	M = HORIZON/TURISMO/SCAMP	X = MIRADA
D = ARIES	P = RELIANT	Y = IMPERIAL
E = 600	S = CORDOBA	Z = OMNI/CHARGER/RAMPAGE
F = FIFTH AVENUE	T = E CLASS/NEWYORKER	

BODY STYLES

21 = 2-DOOR SEDAN	41 = 4-DOOR SEDAN
22 = 2-DOOR SPECIAL COUPE	45 = 4-DOOR STATION WAGON
24 = 2-DOOR HATCHBACK	44 = 4-DOOR HATCHBACK
27 = 2-DOOR CONVERTIBLE	48 = EXECUTIVE SEDAN
28 = FWD PICKUP	

AR = Use as Required - = Non Illustrated Part P.A.R. = Paint as Required

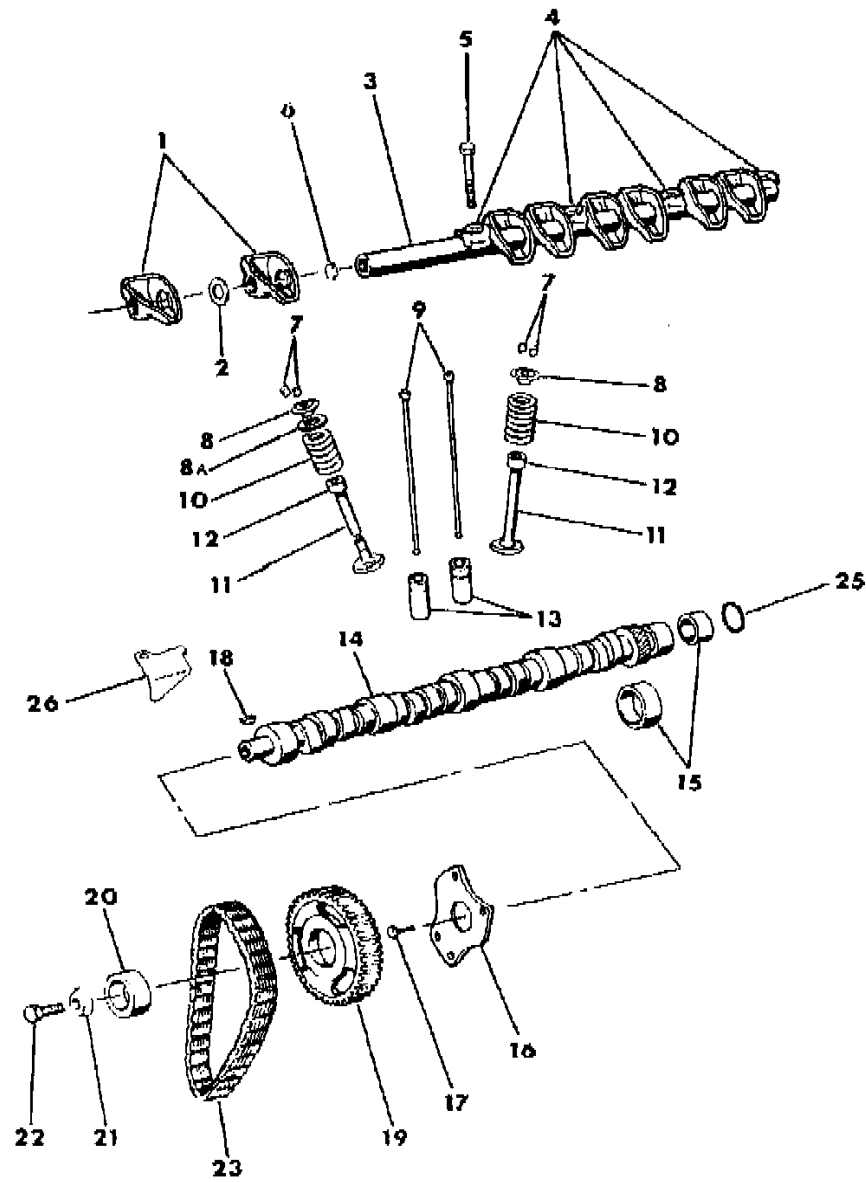


**CAMSHAFT, VALVES, ROCKERS, TIMING CHAIN, SPOCKET 8 CYLINDER ENGINE  
Figure 9C-600**

3109 600A

ITEM	PART NUMBER	QTY	BODY	MODEL	DESCRIPTION
	4227 879	1			w/E48-318 Eng.
15	3830 603	1			BEARING, Camshaft No. 1
	4179 776	1			No. 2
	4179 777	1			No. 3
	4179 778	1			No. 4
	1632 526	1			No. 5
16	1618 670	1			PLATE, Camshaft Sprocket Thrust
17	0191 674	3			SCREW, Thrust Plate
18	0106 751	1			KEY, Camshaft
19	2843 610	1			SPROCKET, Camshaft, w/(E43,E44,E46-318 Eng.)
	2899 556	1			w/(E45,E48-318 Eng.)
20	2843 661	1			ECCENTRIC, Camshaft
21	1618 732	1			WASHER, Sprocket Retainer Screw
22	6029 735	1			SCREW, Camshaft Sprocket Retainer
23	3514 182	1			CHAIN, Timing, w/(E43,E44,E46-318 Eng.)
	1327 319	1			w/(E45,E48-318 Eng.)
25	1821 722	1			PLUG, Camshaft Rear Bearing
26	3671 649	1			TAB, Timing Chain Oil

NOTE: To Identify Between a Right & Left Rocker For the 318 Engine. The Left Rocker Push Rod Socket is approx. 1/16" to the Left and the Right Rocker SOCKET is approx. 1/16" to the right.



MODEL CODES  
 B = GRAN FURY                      G = DIPLOMAT                      V = 400  
 C = LEBARON/TOWN & COUNTRY   M = HORIZON/TURISMO/SCAMP   X = MIRADA  
 D = ARIES                              P = RELIANT                        Y = IMPERIAL  
 E = 600                                  S = CORDOBA                       Z = OMNI/CHARGER/RAMPAGE  
 F = FIFTH AVENUE                    T = E CLASS/NEWYORKER

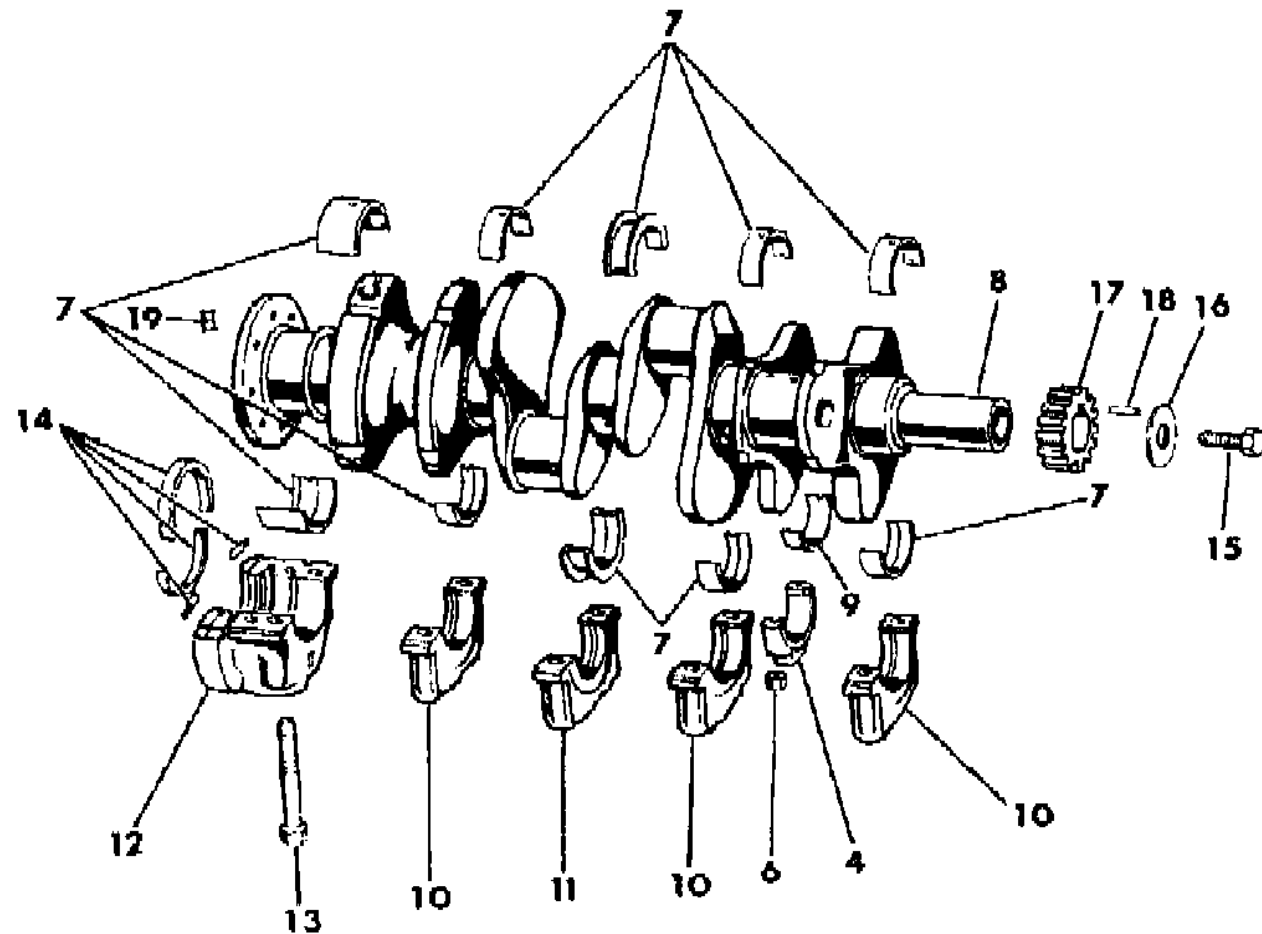
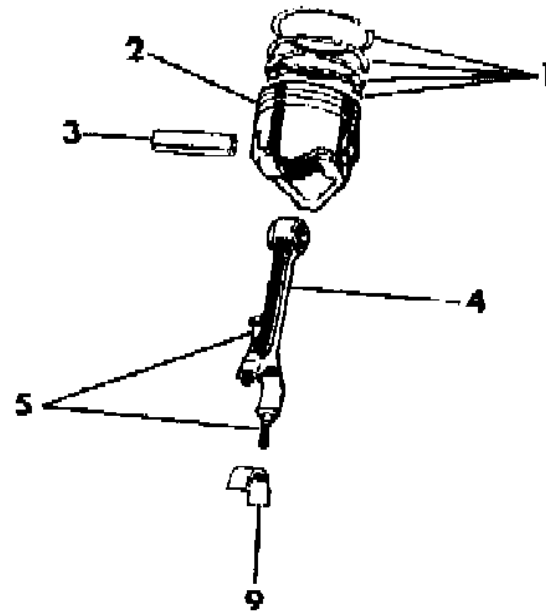
BODY STYLES  
 21 = 2-DOOR SEDAN                    41 = 4-DOOR SEDAN  
 22 = 2-DOOR SPECIAL COUPE       45 = 4-DOOR STATION WAGON  
 24 = 2-DOOR HATCHBACK            44 = 4-DOOR HATCHBACK  
 27 = 2-DOOR CONVERTIBLE          48 = EXECUTIVE SEDAN  
 28 = FWD PICKUP

AR = Use as Required - = Non Illustrated Part P.A.R. = Paint as Required

# CRANKSHAFT, PISTONS, AND RINGS 8 CYLINDER ENGINE

## Figure 9C-700

3109 700A



ITEM	PART NUMBER	QTY	BODY	MODEL	DESCRIPTION
1	2808 550	1			RING SET, Piston, (Set for all Pistons) w/318 Except E48 Eng., Std. to .009 O/S
	2808 551	1			.020 to .029 O/S
1	2808 553	1			(Set for all Pistons) w/E48-318 Eng., Std. to .009 O/S
	2808 554	1			.020 to .029 O/S
	3780 004	8			(Set for one Piston), w/318 Except E48-Eng., Std. to .009 O/S
	3780 005	8			.020 to .029 O/S
	3780 007	8			(Set for one Piston) w/E48-318 Eng., Std. to .009 O/S
	3780 008	8			.020 to .029 O/S
NOTE: The following Pistons include Pin and Piston. SOCKET is approx. 1/16" to the right.					
2	3685 751	8			PISTON, w/Pin, w/318 Eng.
	3685 753	8			.020 O/S, w/318 Eng.
3	2658 878	8			PIN, Piston, Std.
	2658 879	8			.003 O/S
	2658 880	8			.008 O/S
NOTE: Connecting Rod includes Cap, Bolt, Nut, Lockwasher and Bushing. SOCKET is approx. 1/16" to the right.					
4	3751 015	8			ROD, Connecting
5	3830 614	16			BOLT, Connecting Rod Bearing Cap
6	1737 695	16			NUT, Rod Cap Bolt
NOTE: Crankshaft Bearing Package consists of one Upper and one Lower Bearing. SOCKET is approx. 1/16" to the right.					
7					BEARING PACKAGE, Crankshaft
	4106 009	1			No.1, w/318 Except E48 Eng. Std.
	4106 010	1			.001 U/S
	4106 011	1			.002 U/S
	4106 012	1			.003 U/S
	4106 013	1			.010 U/S
	4106 014	1			.012 U/S
	4186 194	2			Nos. 2,4, w/318 Except E48 Eng. Std.
	4186 195	2			.001 U/S
	4186 196	2			.002 U/S
	4186 197	2			.003 U/S
	4186 198	2			.010 U/S
	4186 199	2			.012 U/S
	4240 083	3			Nos. 1,2,4, w/(E48-318 Eng.) Std.
	4240 084	3			.001 U/S
	4240 085	3			.002 U/S
	4240 086	3			.003 U/S

**MODEL CODES**

B = GRAN FURY	G = DIPLOMAT	V = 400
C = LEBARON/TOWN & COUNTRY	M = HORIZON/TURISMO/SCAMP	X = MIRADA
D = ARIES	P = RELIANT	Y = IMPERIAL
E = 600	S = CORDOBA	Z = OMNI/CHARGER/RAMPAGE
F = FIFTH AVENUE	T = E CLASS/NEWYORKER	

**BODY STYLES**

21 = 2-DOOR SEDAN	41 = 4-DOOR SEDAN
22 = 2-DOOR SPECIAL COUPE	45 = 4-DOOR STATION WAGON
24 = 2-DOOR HATCHBACK	44 = 4-DOOR HATCHBACK
27 = 2-DOOR CONVERTIBLE	48 = EXECUTIVE SEDAN
28 = FWD PICKUP	

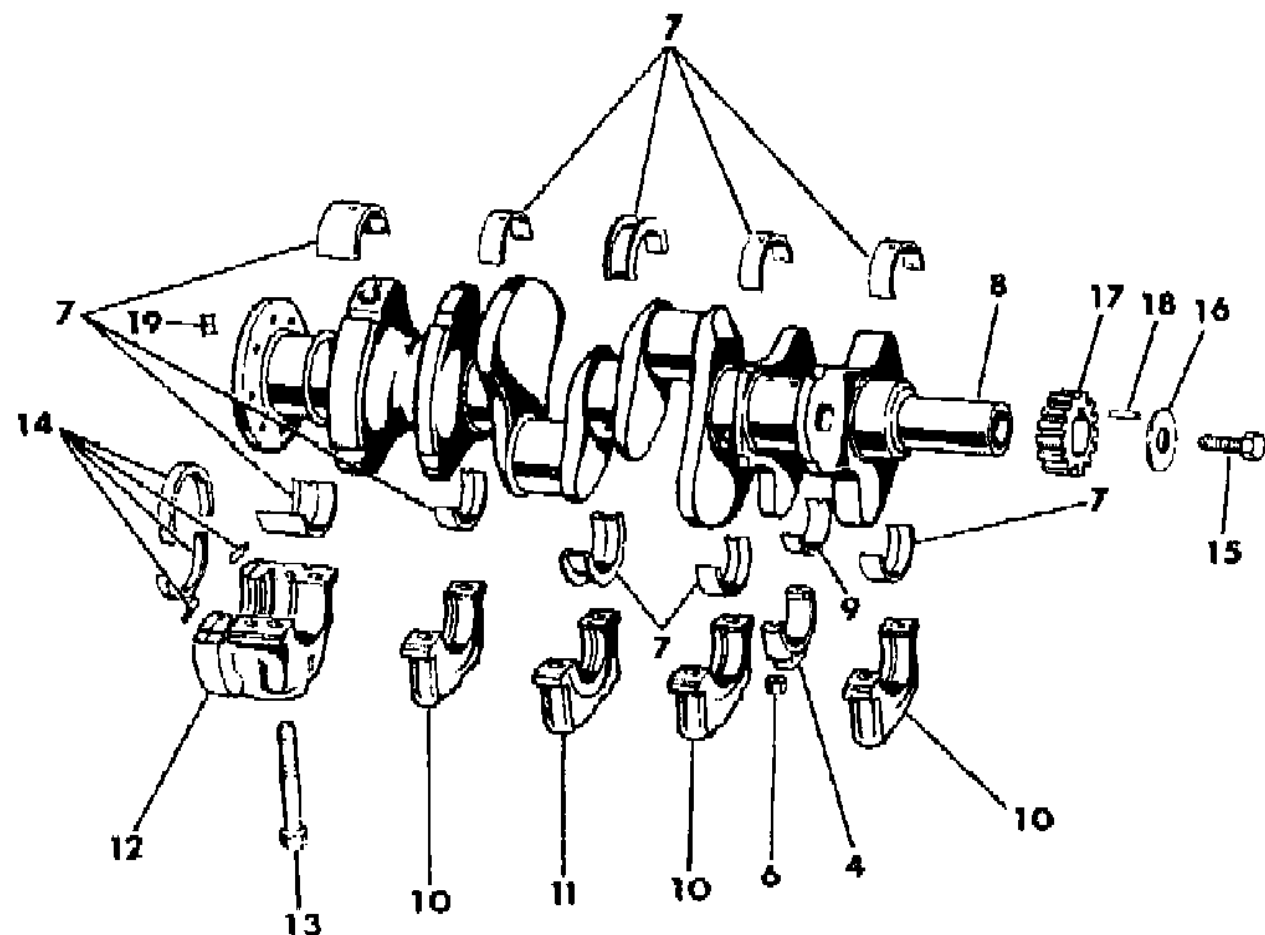
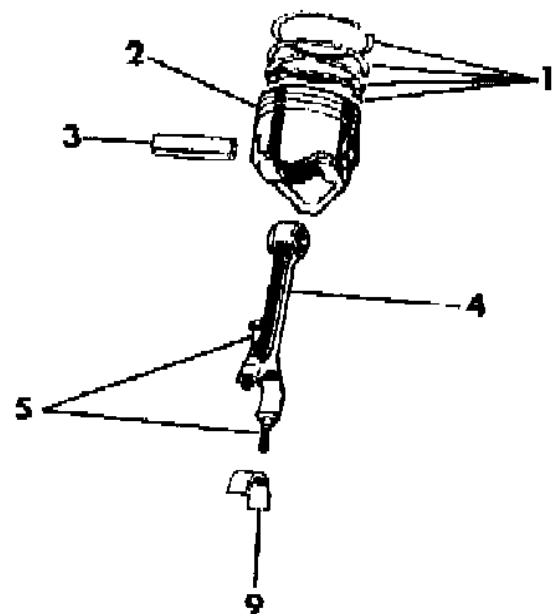
AR = Use as Required - = Non Illustrated Part P.A.R. = Paint as Required



CRANKSHAFT, PISTONS, AND RINGS 8 CYLINDER ENGINE

Figure 9C-700

3109 700A



ITEM	PART NUMBER	QTY	BODY	MODEL	DESCRIPTION
	4240 087	3			.010 U/S
	4240 088	3			.012 U/S
	3780 075	1			No.3, w/(318 Eng.) Std.
	3780 076	1			.001 U/S
	3780 077	1			.002 U/S
	3780 078	1			.003 U/S
	3780 079	1			.010 U/S
	3780 080	1			.012 U/S
	3514 151	1			No. 5 w/318 Eng.  Std.
	3514 152	1			.001 U/S
	3514 153	1			.002 U/S
	3514 154	1			.003 U/S
	3514 155	1			.010 U/S
	3514 156	1			.012 U/S
8	3751 831	1			CRANKSHAFT, w/318 Except E48 Eng.
	4227 880	1			w/E48-318 Eng.
9					BEARING PACKAGE, Connecting Rod
	4186 118	8			w/318 Except E48 Eng. Std.
	4186 119	8			.001 U/S
	4186 120	8			.002 U/S
	4186 121	8			.003 U/S
	4186 122	8			.010 U/S
	4186 123	8			.012 U/S
	2421 305	8			w/E48-318 Eng. Std.
	2421 306	8			.001 U/S
	2421 307	8			.002 U/S
	2421 308	8			.003 U/S
	2421 309	8			.010 U/S
	2421 310	8			.012 U/S
10					CAP, Crankshaft Bearing
	2863 854	3			Nos. 1,2,4 w/318Eng.
11	2463 582	1			CAP, Crankshaft Bearing, No. 3, w/318 Eng.
12	4173 189	1			CAP, Crankshaft Bearing, No. 5, w/318 Eng.
13	1618 695	AR			SCREW, Crankshaft Bearing Cap, w/318 Eng.
	6032 082	4			w/E48-318 Eng.
14	4240 044	1			OIL SEAL PACKAGE, Crankshaft Rear Bearing, w/318 Eng.
					Consists of:

MODEL CODES

B = GRAN FURY	G = DIPLOMAT	V = 400
C = LEBARON/TOWN & COUNTRY	M = HORIZON/TURISMO/SCAMP	X = MIRADA
D = ARIES	P = RELIANT	Y = IMPERIAL
E = 600	S = CORDOBA	Z = OMNI/CHARGER/RAMPAGE
F = FIFTH AVENUE	T = E CLASS/NEWYORKER	

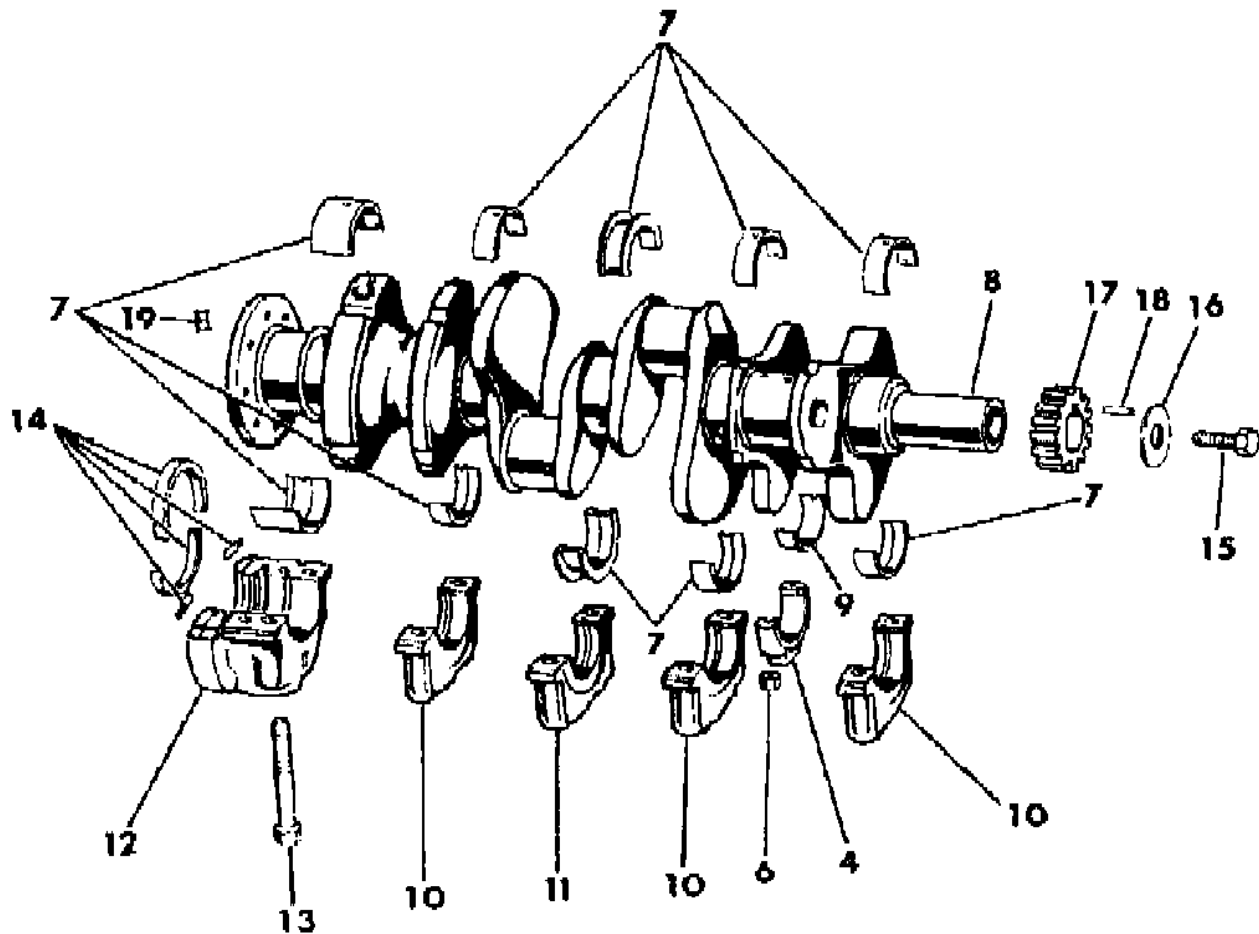
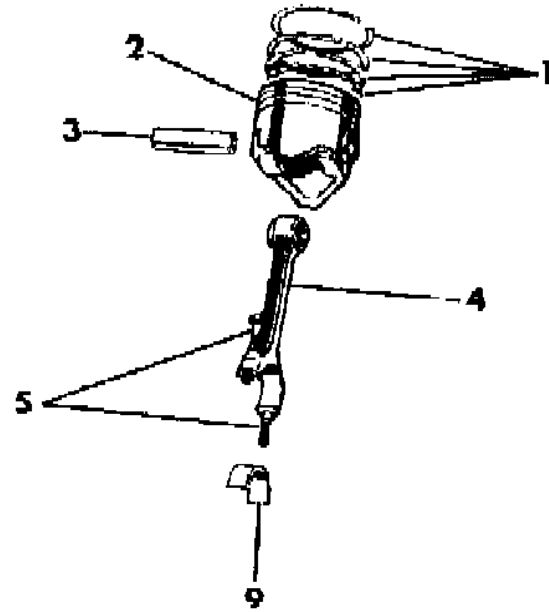
BODY STYLES

21 = 2-DOOR SEDAN	41 = 4-DOOR SEDAN
22 = 2-DOOR SPECIAL COUPE	45 = 4-DOOR STATION WAGON
24 = 2-DOOR HATCHBACK	44 = 4-DOOR HATCHBACK
27 = 2-DOOR CONVERTIBLE	48 = EXECUTIVE SEDAN
28 = FWD PICKUP	

AR = Use as Required - = Non Illustrated Part P.A.R. = Paint as Required

**CRANKSHAFT, PISTONS, AND RINGS 8 CYLINDER ENGINE**  
**Figure 9C-700**

3109 700A



ITEM	PART NUMBER	QTY	BODY	MODEL	DESCRIPTION
					1 - ----- Seal, Cap, Upper
					1 - ----- Seal, Cap, Lower
15	1821 414	1			SCREW, Crankshaft
16	1855 561	1			WASHER Crankshaft Screw
17					SPROCKET, Crankshaft
	2463 385	1			w/(E43,E44,E46-318 Eng.)
	1637 657	1			w/(E45,E48-318 Eng.)
18	6029 411	1			KEY, Sprocket
19	0053 298	1			BUSHING, Crankshaft Trans. Pilot

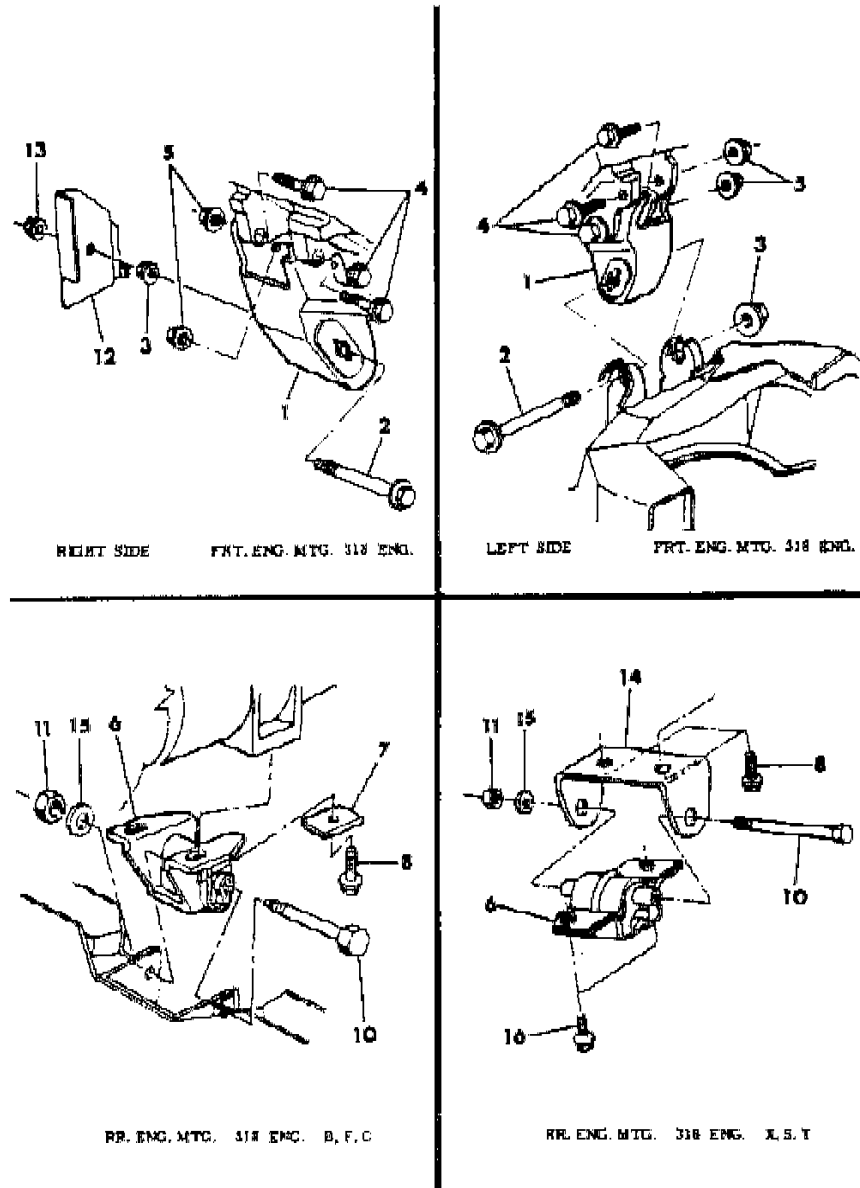
MODEL CODES  
 B = GRAN FURY                      G = DIPLOMAT                      V = 400  
 C = LEBARON/TOWN & COUNTRY    M = HORIZON/TURISMO/SCAMP    X = MIRADA  
 D = ARIES                            P = RELIANT                        Y = IMPERIAL  
 E = 600                                S = CORDOBA                        Z = OMNI/CHARGER/RAMPAGE  
 F = FIFTH AVENUE                    T = E CLASS/NEWYORKER

BODY STYLES  
 21 = 2-DOOR SEDAN                    41 = 4-DOOR SEDAN  
 22 = 2-DOOR SPECIAL COUPE        45 = 4-DOOR STATION WAGON  
 24 = 2-DOOR HATCHBACK            44 = 4-DOOR HATCHBACK  
 27 = 2-DOOR CONVERTIBLE            48 = EXECUTIVE SEDAN  
 28 = FWD PICKUP

AR = Use as Required - = Non Illustrated Part P.A.R. = Paint as Required

## ENGINE MOUNTINGS 8 CYLINDER Figure 9C-800

3109 000A



ITEM	PART NUMBER	QTY	BODY	MODEL	DESCRIPTION
1	3642 818	1		ALL	INSUATOR, Engine Front Support, Right, w/318 Eng.
	3817 237	1		ALL	Left, w/318 Eng.
2	6031 205	2			BOLT, Engine Front Support Insulator to Frame
3	6030 478	2			NUT, Insulator to Frame Bolt
4	0870 469	AR		ALL	SCREW, Insulator Bracket to Cylinder Block, Front Lug
	6030 713	2			SCREW, Insulator Bracket to Cylinder Block, Rear Lug
5	6030 829	AR			NUT, Insulator Bracket to Cylinder Block
6					INSULATOR, Engine Rear Support
	3726 821	1		B,F,G	w/o Heavy Duty Crossmember, w/318 Eng.
	3817 295	1		B,F,G	w/Heavy Duty Crossmember, w/318 Eng.
	4001 861	1		X,S,Y	w/318 Eng.
7	3410 700	2			SPACER, Eng. Rear Support Insulator Brkt.
8	6029 770	2			SCREW, Eng. Rear Support
10	6028 237	1			BOLT, Eng. Rear Support Insulator to Crossmember Mounting
11	0152 348	1			NUT, Insulator to Crossmember Mounting Bolt
12	4237 022	1			SHIELD, Right, Engine Mount Heat, w/Catalytic Exhaust System
13	6030 478	1			NUT, Engine Mount Heat Shield, w/(S/C-N95)
14	4001 856	1		X,S,Y	BRACKET, Engine Rear Support Insulator
15	#9417 098	2			WASHER, Insulator To Crossmember Mounting Bolt Nut
16	#6031 922	2		X,S,Y	SCREW w/Washer, Crossmember to Engine Rear Support Insulator

**MODEL CODES**

B = GRAN FURY	G = DIPLOMAT	V = 400
C = LEBARON/TOWN & COUNTRY	M = HORIZON/TURISMO/SCAMP	X = MIRADA
D = ARIES	P = RELIANT	Y = IMPERIAL
E = 600	S = CORDOBA	Z = OMNI/CHARGER/RAMPAGE
F = FIFTH AVENUE	T = E CLASS/NEWYORKER	

**BODY STYLES**

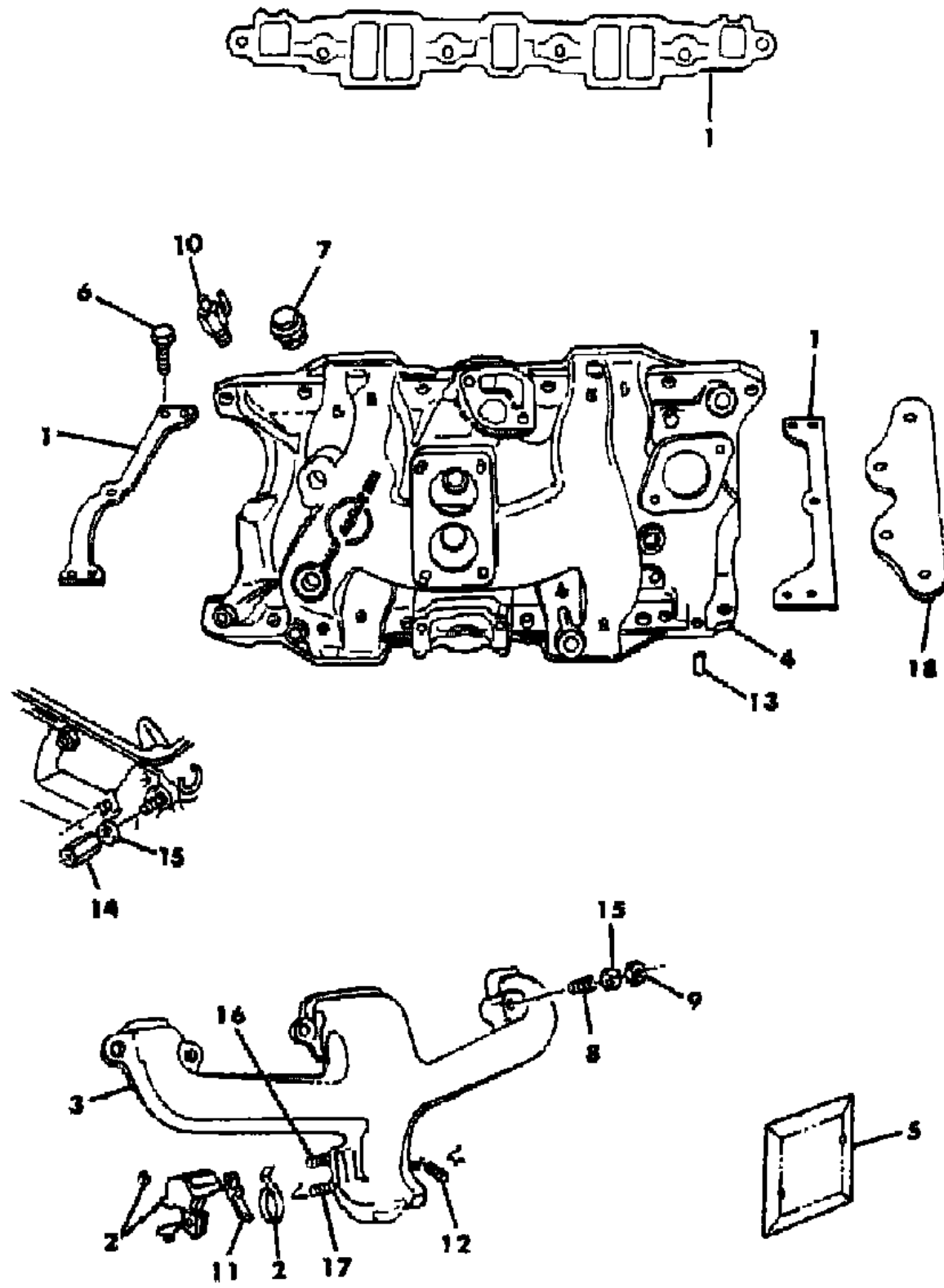
21 = 2-DOOR SEDAN	41 = 4-DOOR SEDAN
22 = 2-DOOR SPECIAL COUPE	45 = 4-DOOR STATION WAGON
24 = 2-DOOR HATCHBACK	44 = 4-DOOR HATCHBACK
27 = 2-DOOR CONVERTIBLE	48 = EXECUTIVE SEDAN
28 = FWD PICKUP	

AR = Use as Required - = Non Illustrated Part P.A.R. = Paint as Required

# MANIFOLD WITH HEAT CONTROL 8 CYLINDER

Figure 9C-900

3109 900



318-360 ENGINE

ITEM	PART NUMBER	QTY	BODY	MODEL	DESCRIPTION
1	3837 605	1			GASKET SET, Intake Manifold, w/(E44, E45-318 Eng.) Consists of: 2 - ----- Gasket, Intake Manifold 1 - ----- Gasket, Intake Manifold Frt. 1 - ----- Gasket, Intake Manifold Rr.
	3514 187	1			GASKET SET, Intake Manifold, w/(E43,E46,E48-318 Eng.) Consists of: 2 - ----- Gasket, Intake Manifold 1 - ----- Gasket, Intake Manifold Frt. 1 - ----- Gasket, Intake Manifold Rr. 1 - ----- Sealer, Intake Manifold End Gasket
2	3683 947	1			PACKAGE, Manifold Heat Control Valve Consists of: 1 - ----- Plate, Valve 1 - ----- Shaft, Valve 1 - 2946083 Stop, Valve 1 - ----- Wheel 1 - ----- Thermostat, Valve 1 - 2951626 Spring, Valve Shaft 2 - ----- Bushing, Shaft 2 - ----- Seal, Shaft
3	4105 058	1		ALL	Manifold, Exhaust, Right, w/(E43,E45,E46-318 Eng.) w/(S/C-N94, N95, N96 U/S Built)
	4105 059	1		B,F,G	Right, w/(E48-318 Eng.)
	4227 756	1		ALL	Right, w/(E44-318 Eng.), w/(S/C-N92, N94), Export, Canada Built
	4173 162	1		ALL	Left, w/(E43,E44,E45,E46-318 Eng. w/(S/C-N94,N95, N96) U/S Built
	4173 165	1		F,G	Left, w/(E48-318 Eng.)
	4095 239	1		ALL	Left, w/(E44-318 Eng.), w/(S/C-N92, N94) Export, Canada
4					MANIFOLD, Intake
	4201 135	1		ALL	w/(E44,E45-318 Eng.)
	4179 457	1		ALL	w/(E46, E48-318 Eng.)
	4201 399	1		Y	w/(E43-318 Eng.)
5	3698 458	1		ALL	SHIELD, Intake Manifold Heat
6	0454 467	11		ALL	BOLT, Intake Manifold, 3/8 x 1-5/8"
7	4041 067	1		ALL	JET, Intake Manifold Floor, (Except E43-318 Eng.)

MODEL CODES

B = GRAN FURY	G = DIPLOMAT	V = 400
C = LEBARON/TOWN & COUNTRY	M = HORIZON/TURISMO/SCAMP	X = MIRADA
D = ARIES	P = RELIANT	Y = IMPERIAL
E = 600	S = CORDOBA	Z = OMNI/CHARGER/RAMPAGE
F = FIFTH AVENUE	T = E CLASS/NEWYORKER	

BODY STYLES

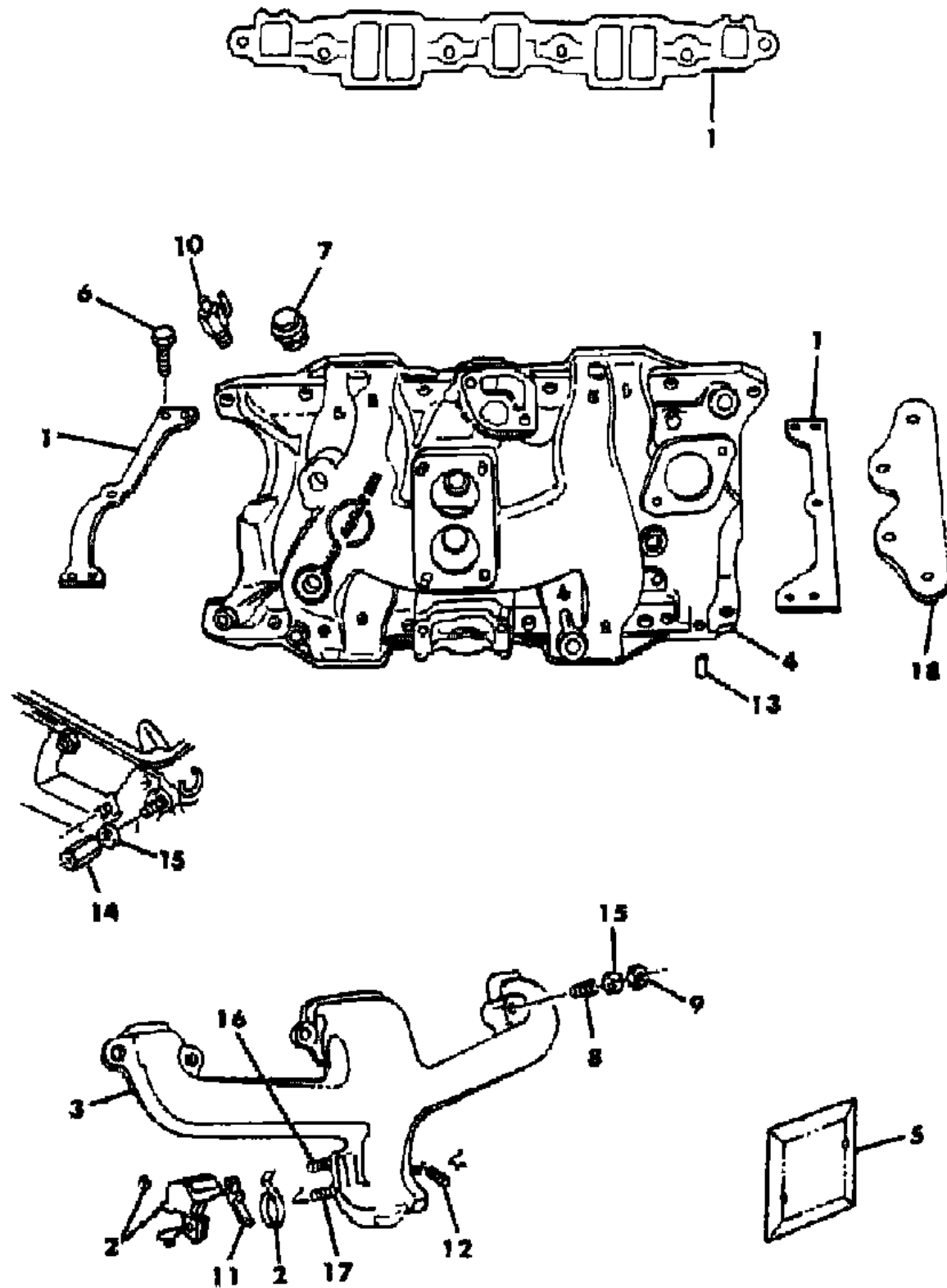
21 = 2-DOOR SEDAN	41 = 4-DOOR SEDAN
22 = 2-DOOR SPECIAL COUPE	45 = 4-DOOR STATION WAGON
24 = 2-DOOR HATCHBACK	44 = 4-DOOR HATCHBACK
27 = 2-DOOR CONVERTIBLE	48 = EXECUTIVE SEDAN
28 = FWD PICKUP	

AR = Use as Required - = Non Illustrated Part P.A.R. = Paint as Required

# MANIFOLD WITH HEAT CONTROL 8 CYLINDER

Figure 9C-900

3109 900



318-360 ENGINE

ITEM	PART NUMBER	QTY	BODY	MODEL	DESCRIPTION
	4201 146	1		Y	Upper, w/(E43-318 Eng.)
	4201 147	1		Y	Lower, w/(E43-318 Eng.)
8	6028 356	1	ALL		SCREW, Exhaust Manifold Left, 3-3/16" Lgh., w/Tapped Head
	6028 355	1	ALL		STUD, Exhaust Manifold Left, 1-14/16" Lgh. Hex.
	6030 622	1	ALL		2-15/16" Lgh. Hex.
	0117 713	4	ALL		STUD, Exhaust End
	0181 097	3	ALL		SCREW, Exhaust Manifold Long, 5/16 x 2-1/8"
	0181 096	2	ALL		5/16 x 1-7/8"
	6029 832	3	ALL		5/16 x 1-1/8"
	2121 223	AR	ALL		WASHER
9	0120 368	AR	ALL		NUT, Exhaust Manifold
10	4094 852	1	ALL		CONNECTOR, Intake Manifold Vacuum Control (See Group 5)
	4210 580	1	ALL		4-Connections 2-3/16", 1-1/8", 1-1/4"
11	2946 083	1	ALL		STOP, Exhaust Manifold Heat Control Valve
12	2951 626	1	ALL		SPRING, Exhaust Manifold Heat Control Valve Shaft
13	4006 583	2	ALL		DOWEL, Intake Manifold Gasket
14	6031 179	1	ALL		Nut, Exhaust Manifold End
15	2121 223	1	ALL		WASHER, Exhaust Manifold End
16	9409 667	1	ALL		PIN, Heat control Valve Stop
17	2951 627	1	ALL		PIN, Exhaust Manifold Heat Control
18	#4105 671	1	ALL		BLOCKER, Intake Manifold Gasket Rear

MODEL CODES

B = GRAN FURY	G = DIPLOMAT	V = 400
C = LEBARON/TOWN & COUNTRY	M = HORIZON/TURISMO/SCAMP	X = MIRADA
D = ARIES	P = RELIANT	Y = IMPERIAL
E = 600	S = CORDOBA	Z = OMNI/CHARGER/RAMPAGE
F = FIFTH AVENUE	T = E CLASS/NEWYORKER	

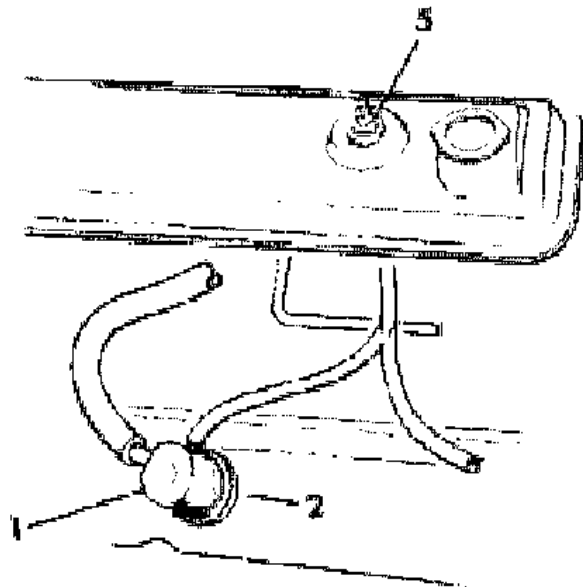
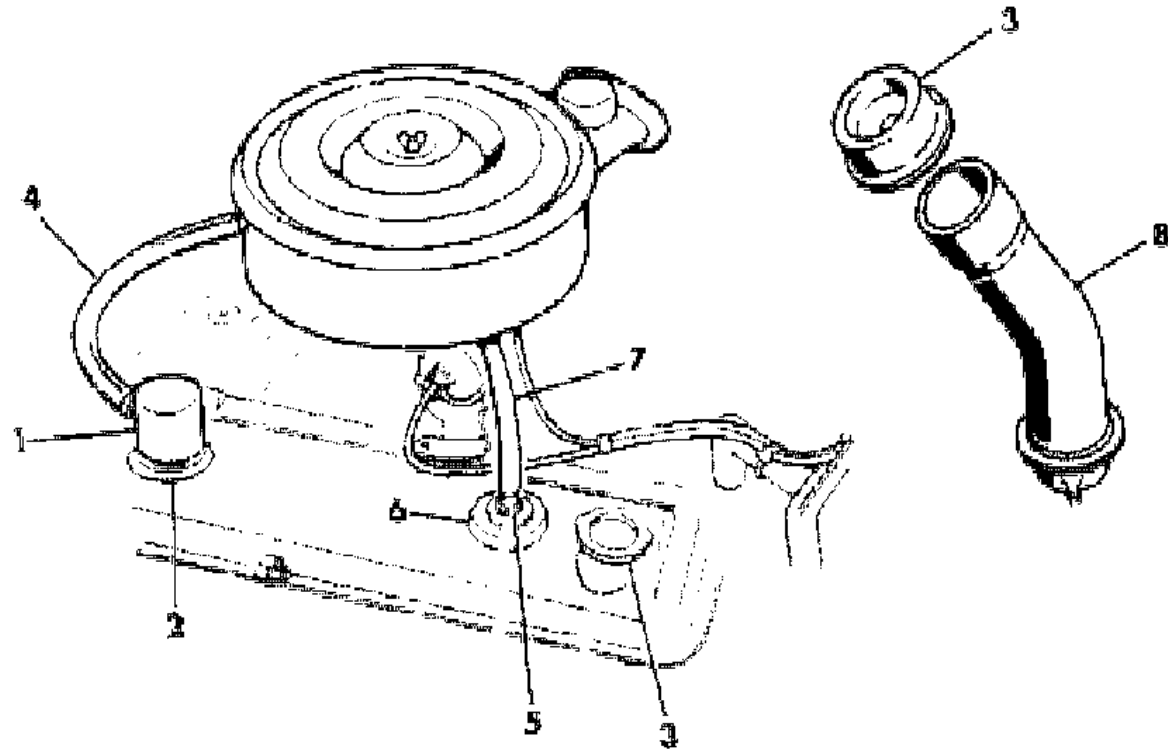
BODY STYLES

21 = 2-DOOR SEDAN	41 = 4-DOOR SEDAN
22 = 2-DOOR SPECIAL COUPE	45 = 4-DOOR STATION WAGON
24 = 2-DOOR HATCHBACK	44 = 4-DOOR HATCHBACK
27 = 2-DOOR CONVERTIBLE	48 = EXECUTIVE SEDAN
28 = FWD PICKUP	

AR = Use as Required - = Non Illustrated Part P.A.R. = Paint as Required

**CRANKCASE VENT, CAP, HOSE, VALVE 8 CYLINDER ENGINE**  
**Figure 9C-1000**

3109 1000A



ITEM	PART NUMBER	QTY	BODY	MODEL	DESCRIPTION
NOTE Part Number 4026136, 4026146 Consists of 50Ft. Roll (Use as Required) SOCKET is approx. 1/16" to the right.					
1	4273 322	1			AIR CLEANER, Crankcase Vent Inlet
2	2946 079	1			GROMMET, Crankcase Vent Inlet Air Cleaner
3	2946 051	1			CAP, Oil Filter (Except E43,E45,E48-318 Eng., Police Pkg.)
	2960 622	1			w/(E43,E45,E48-318 Eng., w/Police Pkg.)
4	4026 146	AR			HOSE, Crankcase Vent Inlet Air Cleaner to Air Cleaner, 5.25 Lgh. required (See Note)
	2951 378	1			HOSE, Crankcase Vent Inlet Air Cleaner to Air Cleaner, (Molded Hose Cut to Fit 3x3")w/318-2BBL.Eng.
5	3671 076	1			VALVE, Crankcase Vent
6	3751 510	1			GROMMET, Crankcase Vent Valve
7	4026 136	AR		See Not	HOSE, Crankcase Vent Valve to Carb., Cut to 14" Lgh. w/318 2BBL and 19" Lgh. w/318 4BBL Eng.
8	4173 223	1			TUBE, Oil Filler, w/(ELD-318 2BBL. H-Duty, ELE 3184BBL. Police Eng.)
9	4179 924	1			BRACKET, Crankcase Vent Hose Retainer, w/(E43,E46,E48-318 Eng.)

ection 27150.1 and with the Department of California Highway Patrols regulations adopted pursuant to Vehicle Code Section 27150.2 when used in the applications specified in this document.

**MODEL CODES**

B = GRAN FURY	G = DIPLOMAT	V = 400
C = LEBARON/TOWN & COUNTRY	M = HORIZON/TURISMO/SCAMP	X = MIRADA
D = ARIES	P = RELIANT	Y = IMPERIAL
E = 600	S = CORDOBA	Z = OMNI/CHARGER/RAMPAGE
F = FIFTH AVENUE	T = E CLASS/NEWYORKER	

**BODY STYLES**

21 = 2-DOOR SEDAN	41 = 4-DOOR SEDAN
22 = 2-DOOR SPECIAL COUPE	45 = 4-DOOR STATION WAGON
24 = 2-DOOR HATCHBACK	44 = 4-DOOR HATCHBACK
27 = 2-DOOR CONVERTIBLE	48 = EXECUTIVE SEDAN
28 = FWD PICKUP	

AR = Use as Required - = Non Illustrated Part P.A.R. = Paint as Required

---

**GROUP 11 - EXHAUST**

<b>ILLUSTRATION TITLE</b>	<b>GROUP-FIG. NO.</b>
EXHAUST SYSTEM M,Z .....	Fig. 11-100
EXHAUST SYSTEM P,D,C,V,E,T .....	Fig. 11-200
EXHAUST SYSTEM 225 ENGINE .....	Fig. 11-300
EXHAUST SYSTEM 318 ENGINE .....	Fig. 11-400
HEAT SHIELDS M,Z .....	Fig. 11-500
HEAT SHIELDS P,D,C,V,E,T .....	Fig. 11-600
HEAT SHIELDS B,F,G,X,S,Y .....	Fig. 11-700

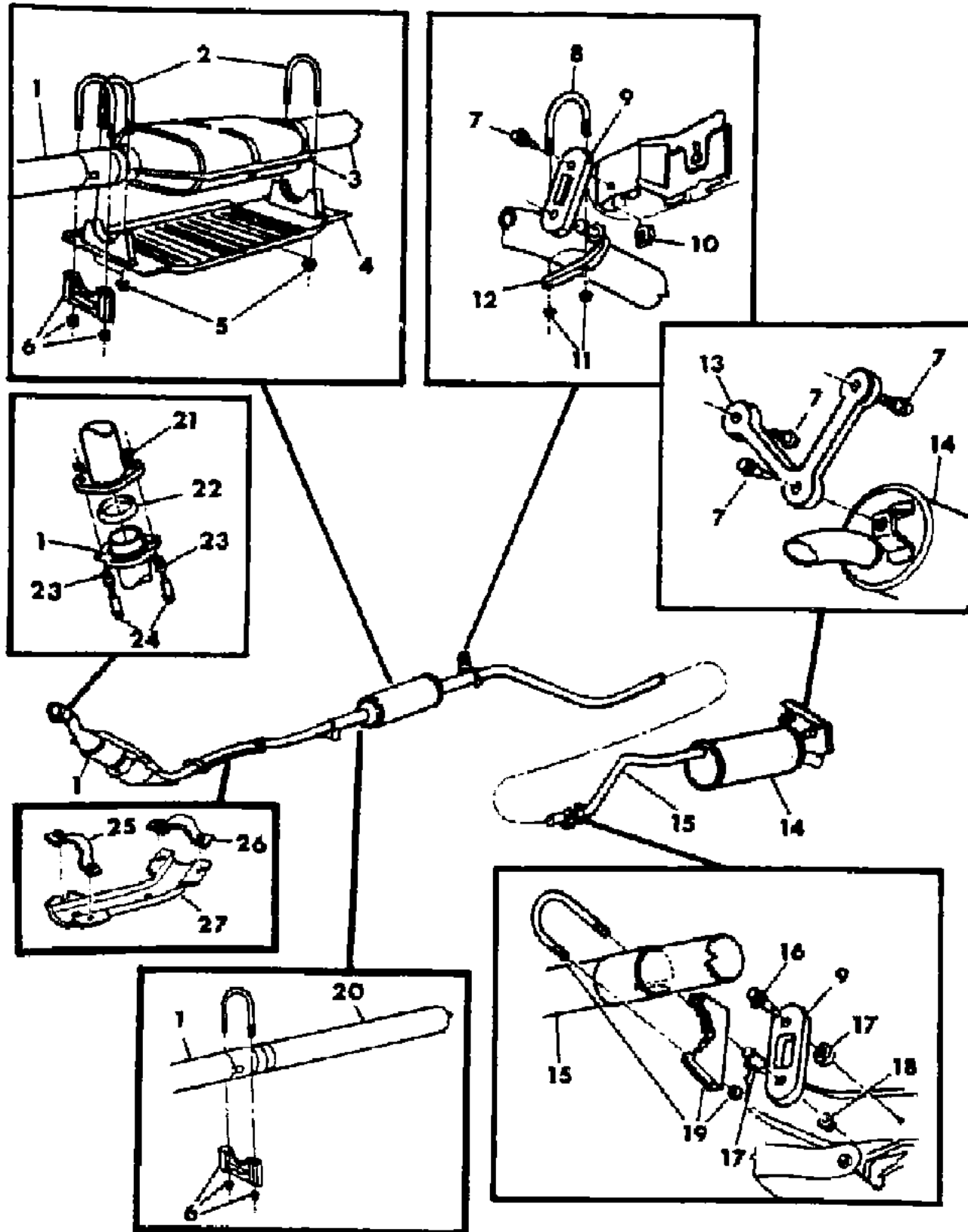
**ILLUSTRATION NOT AVAILABLE AT TIME OF PUBLICATION**

---

# EXHAUST SYSTEM M,Z

## Figure 11-100

3111 100B



ITEM	PART NUMBER	QTY	BODY	MODEL	DESCRIPTION
1					CONVERTER, Catalytic w/Pipes - Frt.
	4301 091	1		24,44	1.6L Eng.
	4150 965	1		24,44	1.6L Eng. w/(S/C - N37) - Canada
	4150 823	1			2.2L Eng. w/(S/C - N37, N21)
	4301 084	1		28	2.2L Eng. w/(S/C - N37, N22)
					PIPE, Exhaust - Frt.
	4150 792	1		24,44	1.7L Eng. w/Auto Trans. or A460 Man. Trans.
	4150 793	1		24,44	1.7L Eng. w/A412 Man. Trans.
	4150 833	1		24,44	2.2L Eng. w/Resonator - Canada
2	5217 124	2		24,44	U-BOLT, Heat Shield Saddle Brkt. 1.6L Eng.
3					CONVERTER, Catalytic w/Pipes - Rear
	4301 087	1		24	1.6L Eng.
	4301 088	1		44	1.6L Eng.
	4150 624	1		24	1.7L Eng.
	4150 625	1		44	1.7L Eng.
4	4150 502	1		24,44	SHIELD, Heat - Catalytic Conv. - 1.6L Eng.
5	6100 516	4		24,44	NUT, Heat Shield Saddle Brkt. - 1.6L Eng.
6	4150 292	1			CLAMP, Saddle
7	6500 202	AR			SCREW
8					U-BOLT, Exhaust Pipe Support
	4150 242	1		24,44	1.6L Eng.
	5217 107	1		24,44	1.7L Eng.
	4150 889	1			2.2L Eng.
9	5217 108	1			INSULATOR
10	6101 283	AR			U-NUT
11	6100 516	2			NUT
12					SUPPORT, Exhaust Pipe
	4150 325	1		24,44	1.6L - 1.7L Eng.
	4150 886	1			2.2L Eng.
13	5217 133	1			INSULATOR, Tail Pipe Rear Support
14					MUFFLER, Exhaust
	4150 565	1		24,44	1.6L Eng.
	5217 176	1		24,44	1.7L Eng.
	4301 159	1		24	2.2L Eng. w/(S/C - N42)
	4301 083	1		24	2.2L Eng. w/o (S/C - N42)
	4301 083	1		44	2.2L Eng.
	4301 077	1		28	2.2L Eng.

**MODEL CODES**

B = GRAN FURY	G = DIPLOMAT	V = 400
C = LEBARON/TOWN & COUNTRY	M = HORIZON/TURISMO/SCAMP	X = MIRADA
D = ARIES	P = RELIANT	Y = IMPERIAL
E = 600	S = CORDOBA	Z = OMNI/CHARGER/RAMPAGE
F = FIFTH AVENUE	T = E CLASS/NEWYORKER	

**BODY STYLES**

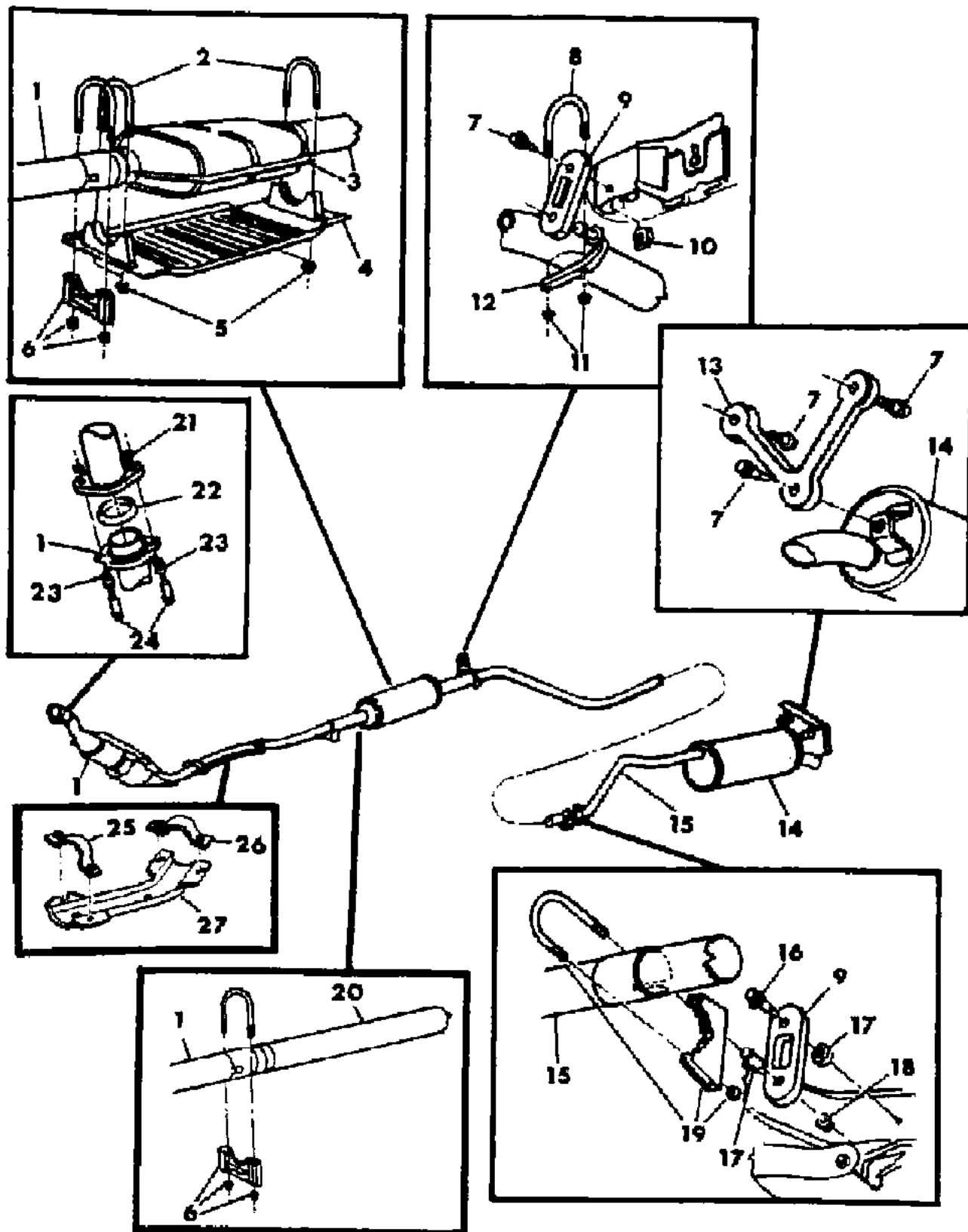
21 = 2-DOOR SEDAN	41 = 4-DOOR SEDAN
22 = 2-DOOR SPECIAL COUPE	45 = 4-DOOR STATION WAGON
24 = 2-DOOR HATCHBACK	44 = 4-DOOR HATCHBACK
27 = 2-DOOR CONVERTIBLE	48 = EXECUTIVE SEDAN
28 = FWD PICKUP	

AR = Use as Required - = Non Illustrated Part P.A.R. = Paint as Required



EXHAUST SYSTEM M,Z  
Figure 11-100

3111 100B



ITEM	PART NUMBER	QTY	BODY	MODEL	DESCRIPTION
	4301 036	1		28	2.2L Eng. w/(S/C - N62, N92)
	4301 187	1			MUFFLER w/PIPE 2.2L Eng. (Shelby Charger) MUFFLER w/TAILOPIPE
	4301 156	1		24	2.2L Eng. w/(S/C - N42)
	4301 072	1		24	2.2L Eng. w/o (S/C - N42)
	4301 073	1		44	2.2L Eng.
	4301 075	1		28	2.2L Eng. w/(S/C - N94, N95, N96)
	4004 988	1			CLAMP, Muffler Inlet 1.6L & 2.2L Eng.
	4150 277	1			CLAMP, Muffler Inlet 1.6L & 2.2L Eng.
15					PIPE, Tail
	4150 438	1		24	1.6L Eng.
	4150 439	1		44	1.6L Eng.
	5217 136	1		24	1.7L Eng.
	5217 088	1		44	1.7L Eng.
	4301 157	1		24	2.2L Eng. w/(S/C - N42)
	4150 438	1		24	2.2L Eng. w/o (S/C - N42)
	4301 157	1		24	2.2L Eng. High Perf. w/(S/C - N94, N95, N96) - Shelby Charger
	4150 439	1		44	2.2L Eng.
	4150 693	1		28	2.2L Eng.
16	6500 306	1			SCREW
17	4131 336	AR		24,44	SPACER, Tail Pipe Frt. Support Insulator
18	6500 305	1		24,44	NUT
19	4150 335	1		24,44	SUPPORT, Tail Pipe Front
	4150 333	1		28	2.2L Eng.
20					PIPE, Exhaust Extension
	4150 289	1		24	1.6L Eng. - Canada up to 6-1-83
	4301 220	1		24	after 6-1-83
	4150 291	1		44	1.6L Eng. - Canada up to 6-1-83
	4301 221	1		44	after 6-1-83
	4150 289	1		24	2.2L Eng. w/o (S/C - N42) up to 6-1-83
	4301 220	1		24	after 6-1-83
	4150 291	1		44	2.2L Eng. up to 6-1-83
	4301 221	1		44	after 6-1-83
	4150 724	1		28	2.2L Eng. up to 6-1-83
	4301 222	1		28	after 6-1-83
	4150 989	1		24	2.2L Eng. w/Resonator w/(S/C - N42, N94, N95, N96) up to 6-1-83

MODEL CODES

B = GRAN FURY	G = DIPLOMAT	V = 400
C = LEBARON/TOWN & COUNTRY	M = HORIZON/TURISMO/SCAMP	X = MIRADA
D = ARIES	P = RELIANT	Y = IMPERIAL
E = 600	S = CORDOBA	Z = OMNI/CHARGER/RAMPAGE
F = FIFTH AVENUE	T = E CLASS/NEWYORKER	

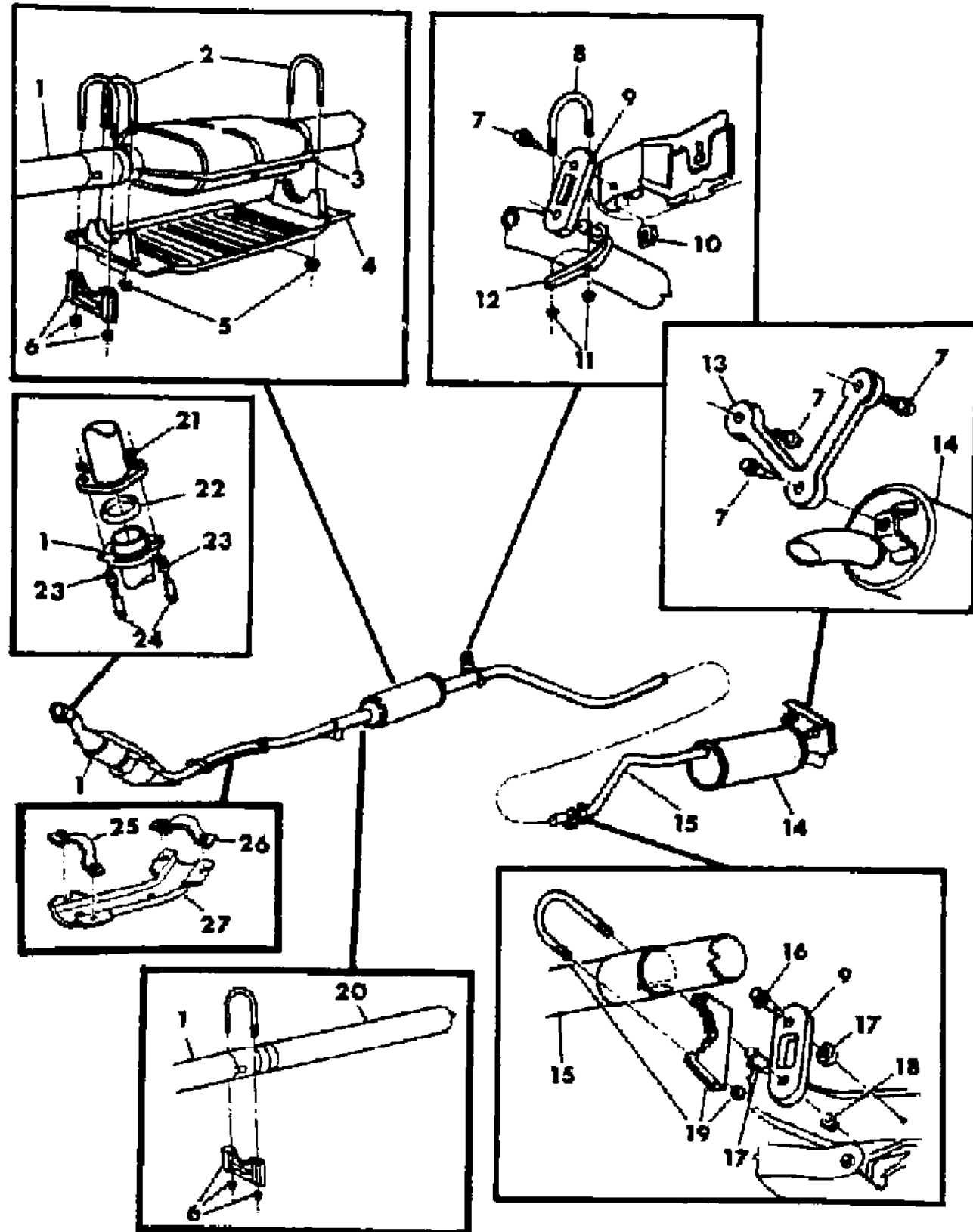
BODY STYLES

21 = 2-DOOR SEDAN	41 = 4-DOOR SEDAN
22 = 2-DOOR SPECIAL COUPE	45 = 4-DOOR STATION WAGON
24 = 2-DOOR HATCHBACK	44 = 4-DOOR HATCHBACK
27 = 2-DOOR CONVERTIBLE	48 = EXECUTIVE SEDAN
28 = FWD PICKUP	

AR = Use as Required - = Non Illustrated Part P.A.R. = Paint as Required

EXHAUST SYSTEM M,Z  
Figure 11-100

3111 100B



ITEM	PART NUMBER	QTY	BODY	MODEL	DESCRIPTION
	4301 223	1		24	after 6-1-83
	4150 989	1		24	2.2L Eng. High Perf. w/Resonator w/(S/C - N94, N95, N96) Shelby Charger up to 6-1-83
	4301 223	1		24	after 6-1-83
21	6100 499	2			NUT
22	4150 666	1			RING, Sealing
23	5217 004	2			SPRING
24	5217 003	2			BOLT
25	4150 940	1			BRACKET, Front Converter Pipe Heat Shield Support - Frt.
26	4150 941	1			BRACKET, Front Converter Pipe Heat Shield Support - Rear
27	4150 938	1			SHIELD, Front Converter Pipe Heat

MODEL CODES

B = GRAN FURY	G = DIPLOMAT	V = 400
C = LEBARON/TOWN & COUNTRY	M = HORIZON/TURISMO/SCAMP	X = MIRADA
D = ARIES	P = RELIANT	Y = IMPERIAL
E = 600	S = CORDOBA	Z = OMNI/CHARGER/RAMPAGE
F = FIFTH AVENUE	T = E CLASS/NEWYORKER	

BODY STYLES

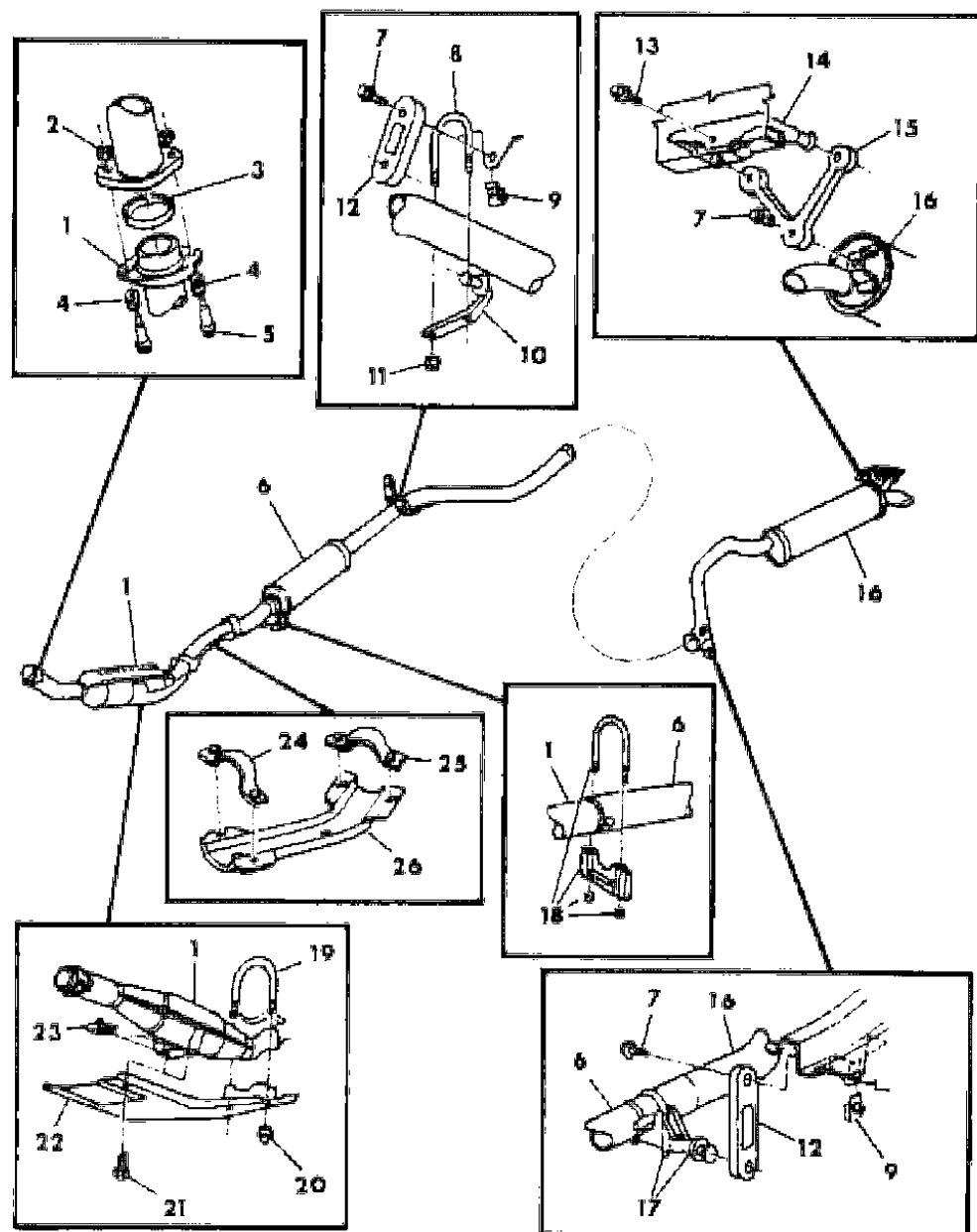
21 = 2-DOOR SEDAN	41 = 4-DOOR SEDAN
22 = 2-DOOR SPECIAL COUPE	45 = 4-DOOR STATION WAGON
24 = 2-DOOR HATCHBACK	44 = 4-DOOR HATCHBACK
27 = 2-DOOR CONVERTIBLE	48 = EXECUTIVE SEDAN
28 = FWD PICKUP	

AR = Use as Required - = Non Illustrated Part P.A.R. = Paint as Required

# EXHAUST SYSTEM P,D,C,V,E,T

## Figure 11-200

3111 200A



ITEM	PART NUMBER	QTY	BODY	MODEL	DESCRIPTION
1					CONVERTER, Catalytic w/Pipes - Frt.
	4150 796	1			2.2L Eng.
	4301 233	1	E,T		2.2L Eng. w/TBI
	MD01 5531	1			2.6L Eng.
2	6100 499	2			NUT
3	4150 666	1			RING, Sealing
4	5217 004	2			SPRING
5	5217 003	2			BOLT
6					PIPE, Exhaust Extension w/Resonator
	4150 844	1	P,D,C,V		2.2L Eng. up to 6-1-83
	4301 227	1	P,D,C,V		after 6-1-83
	4150 764	1	E,T		2.2L Eng. up to 6-1-83
	4301 225	1	E,T		after 6-1-83
	4150 908	1	P,D,C,V		2.6L Eng. up to 6-1-83
	4301 228	1	P,D,C,V		after 6-1-83
	4301 001	1	P,D,C,V		2.6L Eng. - Canada & Export
	4150 809	1	E,T		2.6L Eng.
	4301 003	1	E,T		2.6L Eng. - Canada & Export
	4339 718	1			2.6L Eng. Executive Sedan
	4340 000	1			2.6L Eng. Limo
7	6500 202	3			BOLT, Shoulder
8					U-BOLT, Ext. Pipe Support
	4150 889	1			2.2L Eng.
	4150 242	1			2.6L Eng.
9	6101 283	2			U-NUT
10	4150 886	1			SUPPORT, Ext. Pipe
11	6100 516	2			NUT
12	5217 108	2			INSULATOR up to 1-3-83
	4301 195	2			after 1-3-83
13	6100 590	1			SCREW
14	4150 434	1			BRACKET, Tail Pipe Rear Support
15	5217 133	1			INSULATOR, Tail Pipe Rear Support
16					MUFFLER, Exhaust w/Tail Pipe
	4150 783	1	P,D,C,V		2.2L Eng.
	4301 070	1	P,D,C,V		2.2L Eng. - Canada & Export
	4150 772	1	E,T		2.2L Eng.
	4150 784	1	P,D,C,V		2.6L Eng.

**MODEL CODES**

B = GRAN FURY	G = DIPLOMAT	V = 400
C = LEBARON/TOWN & COUNTRY	M = HORIZON/TURISMO/SCAMP	X = MIRADA
D = ARIES	P = RELIANT	Y = IMPERIAL
E = 600	S = CORDOBA	Z = OMNI/CHARGER/RAMPAGE
F = FIFTH AVENUE	T = E CLASS/NEWYORKER	

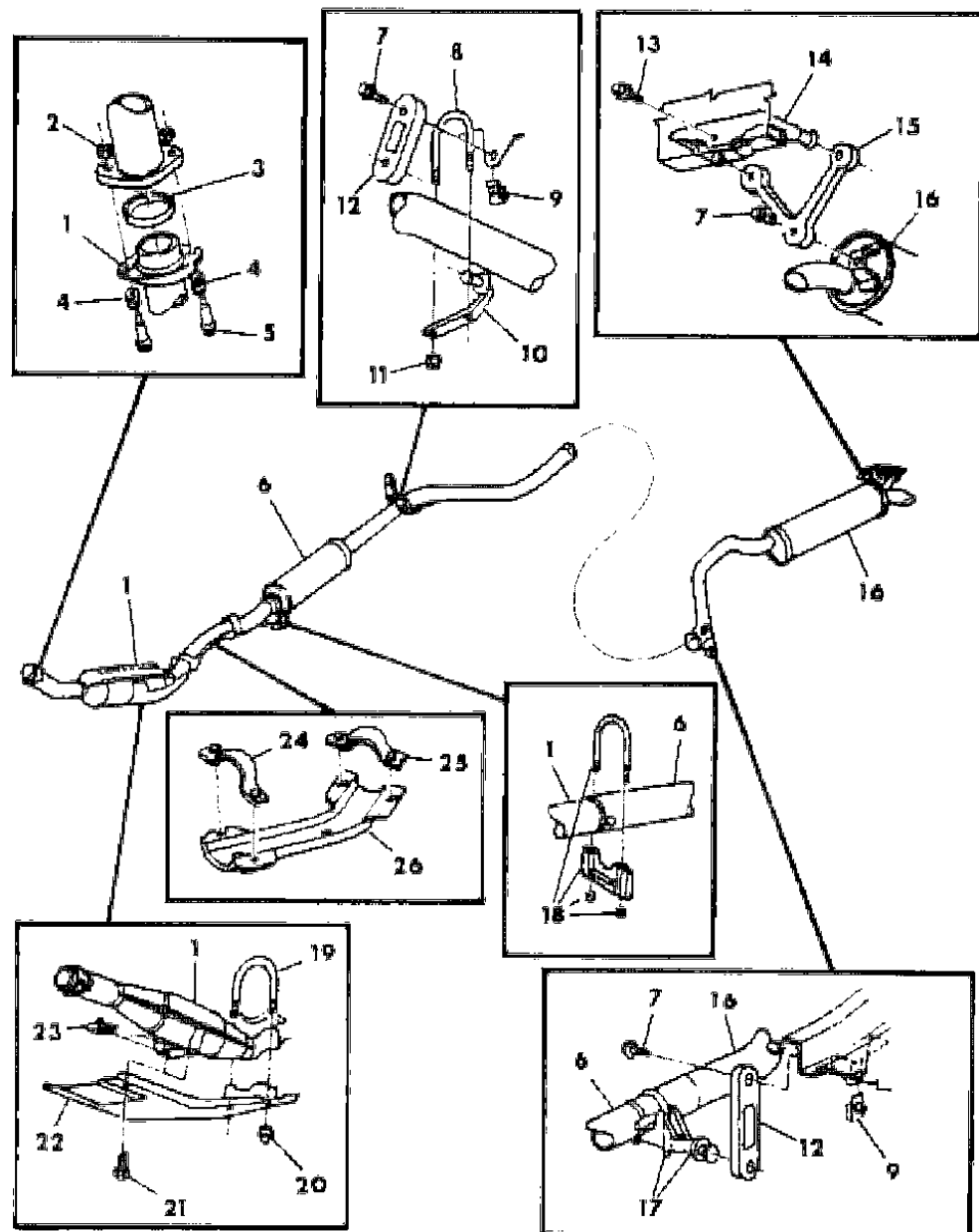
**BODY STYLES**

21 = 2-DOOR SEDAN	41 = 4-DOOR SEDAN
22 = 2-DOOR SPECIAL COUPE	45 = 4-DOOR STATION WAGON
24 = 2-DOOR HATCHBACK	44 = 4-DOOR HATCHBACK
27 = 2-DOOR CONVERTIBLE	48 = EXECUTIVE SEDAN
28 = FWD PICKUP	

AR = Use as Required - = Non Illustrated Part P.A.R. = Paint as Required

EXHAUST SYSTEM P,D,C,V,E,T  
Figure 11-200

3111 200A



ITEM	PART NUMBER	QTY	BODY	MODEL	DESCRIPTION
	4301 005	1		P,D,C,V	2.6L Eng. - Canada & Export
	4150 773	1		E,T	2.6L Eng. up to 2-16-83
	4301 193	1		E,T	after 2-16-83
	4301 008	1		E,T	2.6L Eng. - Canada & Export
17	4150 333	1			SUPPORT, Tail Pipe Front
18	4150 292	1			CLAMP
19	4150 513	1			U-BOLT - 2.6L Eng.
20	6100 516	2			NUT, Locking - 2.6L Eng.
21	6100 276	2			SCREW
22	4150 939	1			SHIELD, Heat - Catalytic Converter
23	6101 308	2			U-NUT
24	4150 940	1			BRACKET, Front Converter Pipe Heat Shield Support - Frt.
25	4150 995	1			BRACKET, Front Converter Pipe Heat Shield Support - Rear
26	4150 937	1			SHIELD, Front Converter Pipe Heat

MODEL CODES

B = GRAN FURY	G = DIPLOMAT	V = 400
C = LEBARON/TOWN & COUNTRY	M = HORIZON/TURISMO/SCAMP	X = MIRADA
D = ARIES	P = RELIANT	Y = IMPERIAL
E = 600	S = CORDOBA	Z = OMNI/CHARGER/RAMPAGE
F = FIFTH AVENUE	T = E CLASS/NEWYORKER	

BODY STYLES

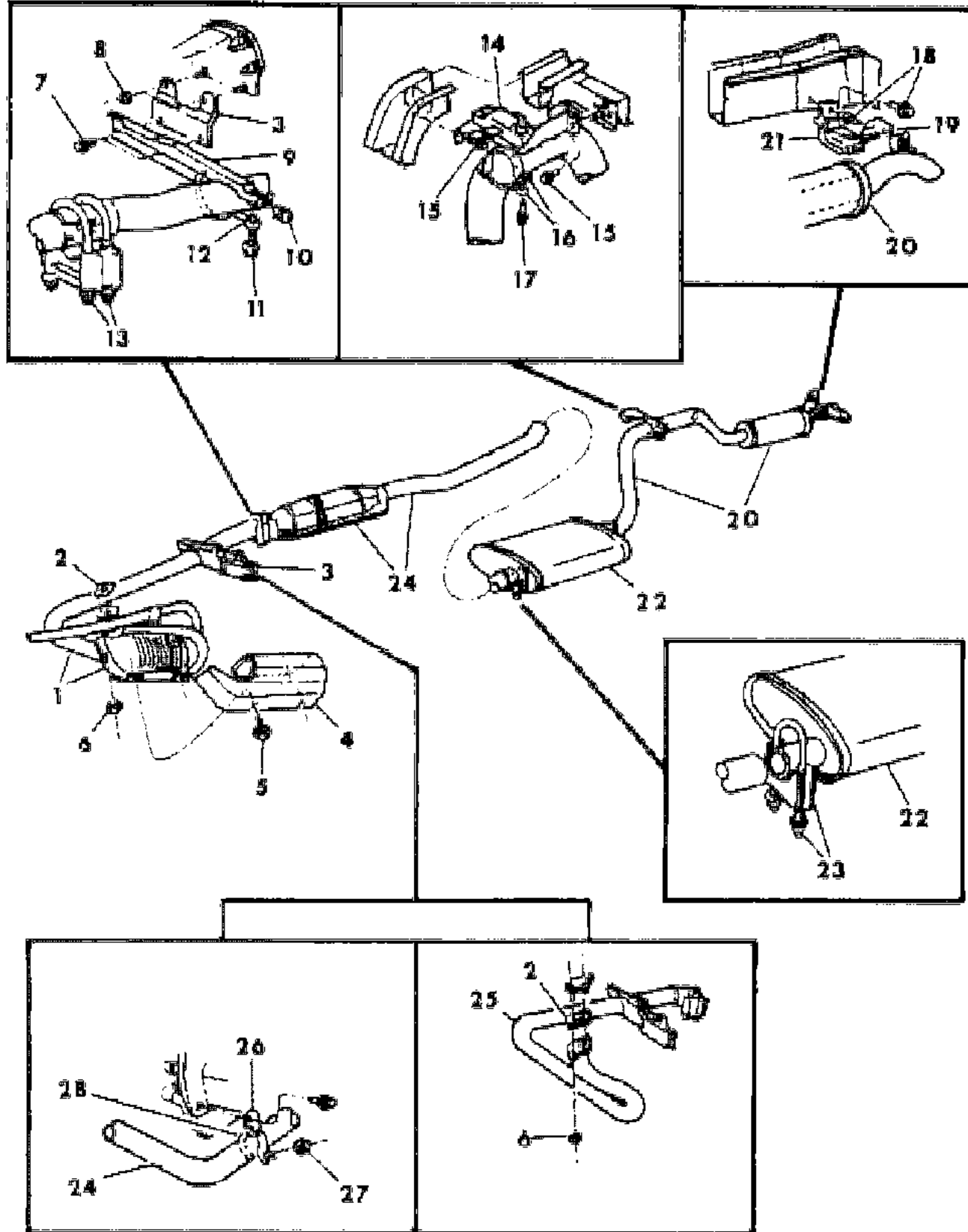
21 = 2-DOOR SEDAN	41 = 4-DOOR SEDAN
22 = 2-DOOR SPECIAL COUPE	45 = 4-DOOR STATION WAGON
24 = 2-DOOR HATCHBACK	44 = 4-DOOR HATCHBACK
27 = 2-DOOR CONVERTIBLE	48 = EXECUTIVE SEDAN
28 = FWD PICKUP	

AR = Use as Required - = Non Illustrated Part P.A.R. = Paint as Required

# EXHAUST SYSTEM 225 ENGINE

Figure 11-300

3111 100A



ITEM	PART NUMBER	QTY	BODY	MODEL	DESCRIPTION
1	4301 100	1			CONVERTER, Catalytic w/Pipes - Front
2	2465 391	1			GASKET, Exhaust Pipe Flange
3	4004 466	1			PLATE, Converter Support Brkt. to Trans.
4	4150 081	1			SHIELD, Heat - Front Converter
5	0181 063	4			SCREW
6	0152 346	2			NUT
7	6031 024	2			SCREW
8	6025 405	2			NUT
9	4150 334	1			BRACKET, Catalytic Converter Support
10	6029 335	1			U-NUT
11	0153 190	1			SCREW
12	4150 219	1			CLAMP
13	4004 961	2			CLAMP
14	4004 581	1			BRACKET, Tail Pipe Front Support
15	6031 734	2			SCREW
16	4004 552	1			SUPPORT, Tail Pipe Front
17	6027 086	1			SCREW
18	6031 734	2			SCREW
19	4004 940	1			BLADE, Tail Pipe Rear Support
20	4150 186	1			PIPE, Tail w/Resonator
21	4004 742	1			SUPPORT, Tail Pipe Rear
22	4150 280	1			MUFFLER, Exhaust
23	4004 988	1			CLAMP
24	4150 715	1			CONVERTER, Catalytic w/Pipes - Rear
	4150 354	1			Canada
25					PIPE, Exhaust
	4150 462	1			w/o Front Converter - Canada
	4150 214	1			Export
26	4004 479	1			BRACE, Exhaust Pipe - Export
27	6031 607	1			NUT - Export
28	4004 478	1			J-BOLT, Exhaust Pipe Support - Export

MODEL CODES

B = GRAN FURY	G = DIPLOMAT	V = 400
C = LEBARON/TOWN & COUNTRY	M = HORIZON/TURISMO/SCAMP	X = MIRADA
D = ARIES	P = RELIANT	Y = IMPERIAL
E = 600	S = CORDOBA	Z = OMNI/CHARGER/RAMPAGE
F = FIFTH AVENUE	T = E CLASS/NEWYORKER	

BODY STYLES

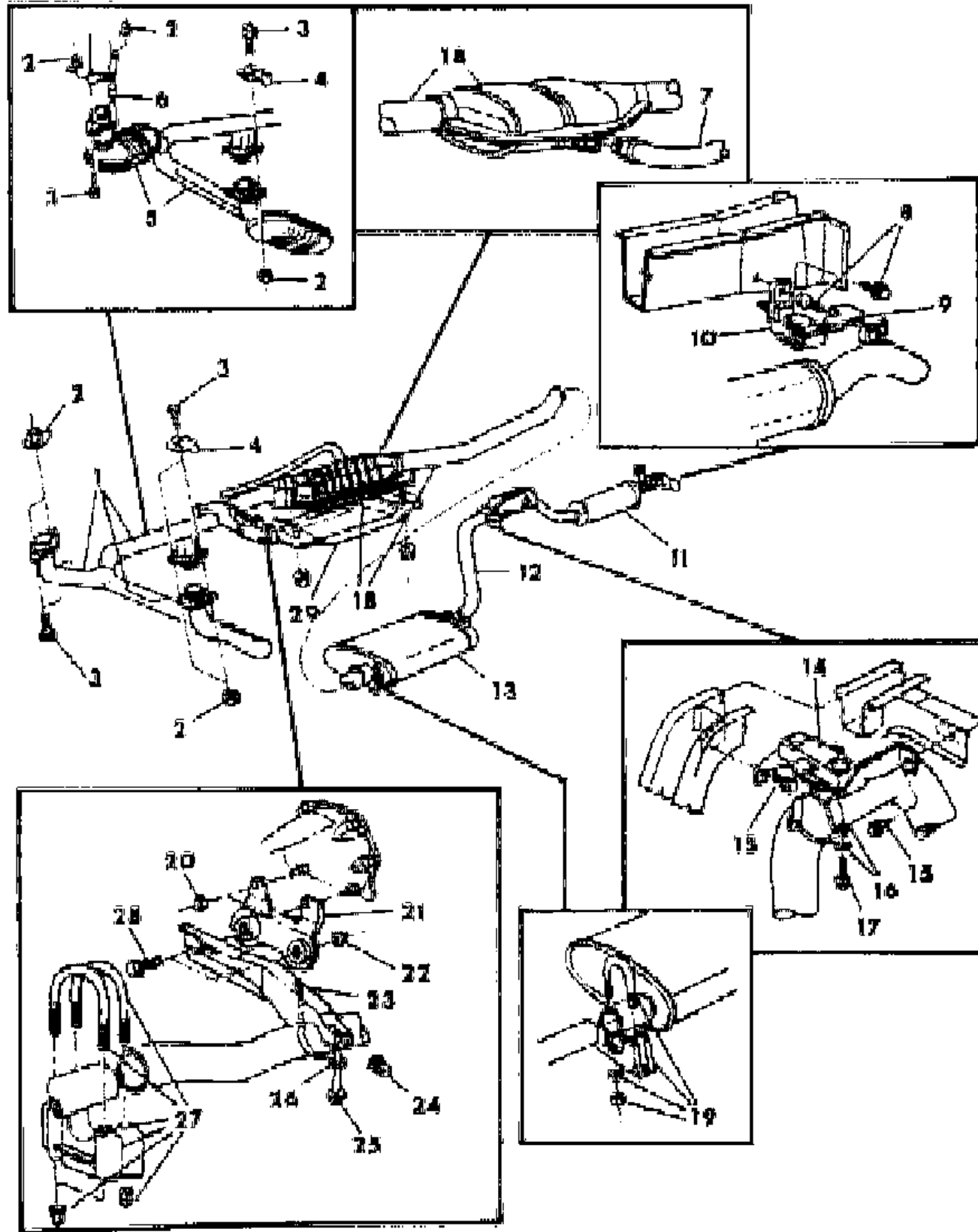
21 = 2-DOOR SEDAN	41 = 4-DOOR SEDAN
22 = 2-DOOR SPECIAL COUPE	45 = 4-DOOR STATION WAGON
24 = 2-DOOR HATCHBACK	44 = 4-DOOR HATCHBACK
27 = 2-DOOR CONVERTIBLE	48 = EXECUTIVE SEDAN
28 = FWD PICKUP	

AR = Use as Required - = Non Illustrated Part P.A.R. = Paint as Required

# EXHAUST SYSTEM 318 ENGINE

## Figure 11-400

31.11 400E



ITEM	PART NUMBER	QTY	BODY	MODEL	DESCRIPTION
1					PIPE, Exhaust
	4150 324	1			w/o Front Converter
	4150 342	1			Canada
2	6025 405	AR			NUT
	6031 959	AR			NUT
3	0181 127	AR			BOLT
4	4004 001	2			RETAINER
5					CONVERTER, Catalytic w/Pipes - Front
	4150 524	1			318 Eng. 2 Bbl.
	4150 330	1			318 Eng. 4 Bbl.
6	6031 888	1			STUD, Shoulder
7	4150 638	1			TUBE, Air Line to Catalytic Converter
8	6031 734	2			SCREW
9	4004 940	1			BLADE, Tail Pipe Rear Support
10	4004 742	1			SUPPORT, Tailpipe Rear
11	4150 553	1			RESONATOR
12	4150 170	1			PIPE, Tail w/o Resonator
13					MUFFLER, Exhaust
	4150 280	1			318 Eng. 2 Bbl.
	4150 425	1		B,F,G	318 Eng. 4 Bbl.
	4150 425	1		Y	318 Eng. w/EFM
	4150 678	1			318 Eng. 4 Bbl. - Export
14	4004 581	1			BRACKET, Tail Pipe Front Support
15	6031 734	2			SCREW
16					SUPPORT, Tail Pipe - Front
	4004 552	1			Natural
	4004 553	1			Silver
17	6027 086	1			SCREW
18					CONVERTER, Catalytic w/Pipes - Rear
	4150 744	1			318 Eng. 2 Bbl.
	4150 718	1			318 Eng. 4 Bbl.
	4150 722	1		Y	318 Eng. w/EFM
	4150 354	1			318 Eng. - Canada
19	4004 961	2			CLAMP, Saddle
20	6025 405	2			NUT
21	4150 623	1			PLATE
22	0118 614	2			NUT

### MODEL CODES

B = GRAN FURY

C = LEBARON/TOWN & COUNTRY

D = ARIES

E = 600

F = FIFTH AVENUE

G = DIPLOMAT

M = HORIZON/TURISMO/SCAMP

P = RELIANT

S = CORDOBA

T = E CLASS/NEWYORKER

V = 400

X = MIRADA

Y = IMPERIAL

Z = OMNI/CHARGER/RAMPAGE

### BODY STYLES

21 = 2-DOOR SEDAN

22 = 2-DOOR SPECIAL COUPE

24 = 2-DOOR HATCHBACK

27 = 2-DOOR CONVERTIBLE

28 = FWD PICKUP

41 = 4-DOOR SEDAN

45 = 4-DOOR STATION WAGON

44 = 4-DOOR HATCHBACK

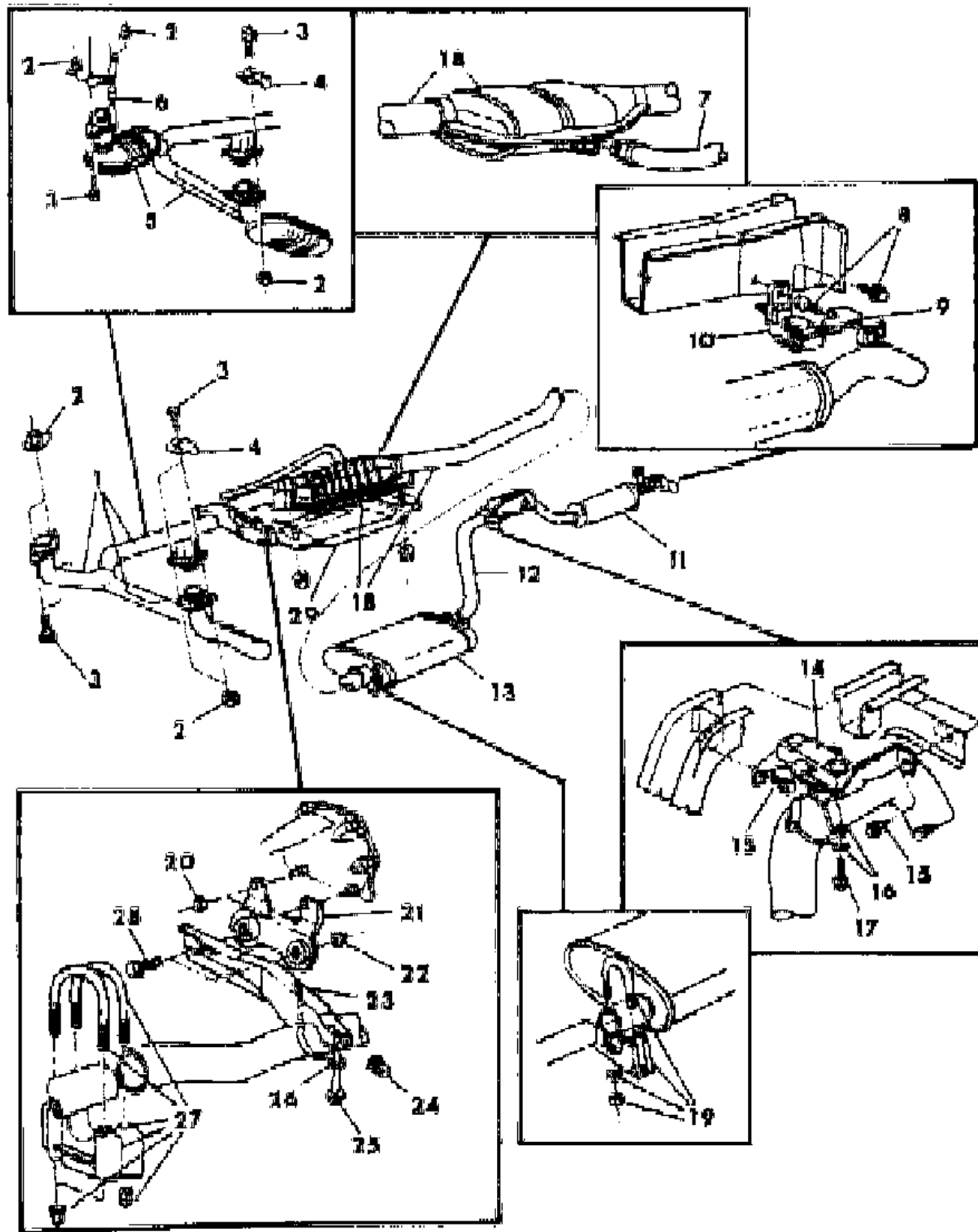
48 = EXECUTIVE SEDAN

AR = Use as Required - = Non Illustrated Part P.A.R. = Paint as Required

# EXHAUST SYSTEM 318 ENGINE

Figure 11-400

31.11 400E



ITEM	PART NUMBER	QTY	BODY	MODEL	DESCRIPTION
23	4150 334	1			BRACKET, Catalytic Converter Support
24	6029 355	1			U-NUT
25	0153 190	1			SCREW
26	4150 219	1			CLAMP
27	4004 988	1			CLAMP, Saddle
28	6022 245	1			SCREW
29	4150 151	1	B,F,G		SHIELD, Rear Converter Heat
	4004 385	1	B,F,G		Canada

MODEL CODES

B = GRAN FURY	G = DIPLOMAT	V = 400
C = LEBARON/TOWN & COUNTRY	M = HORIZON/TURISMO/SCAMP	X = MIRADA
D = ARIES	P = RELIANT	Y = IMPERIAL
E = 600	S = CORDOBA	Z = OMNI/CHARGER/RAMPAGE
F = FIFTH AVENUE	T = E CLASS/NEWYORKER	

BODY STYLES

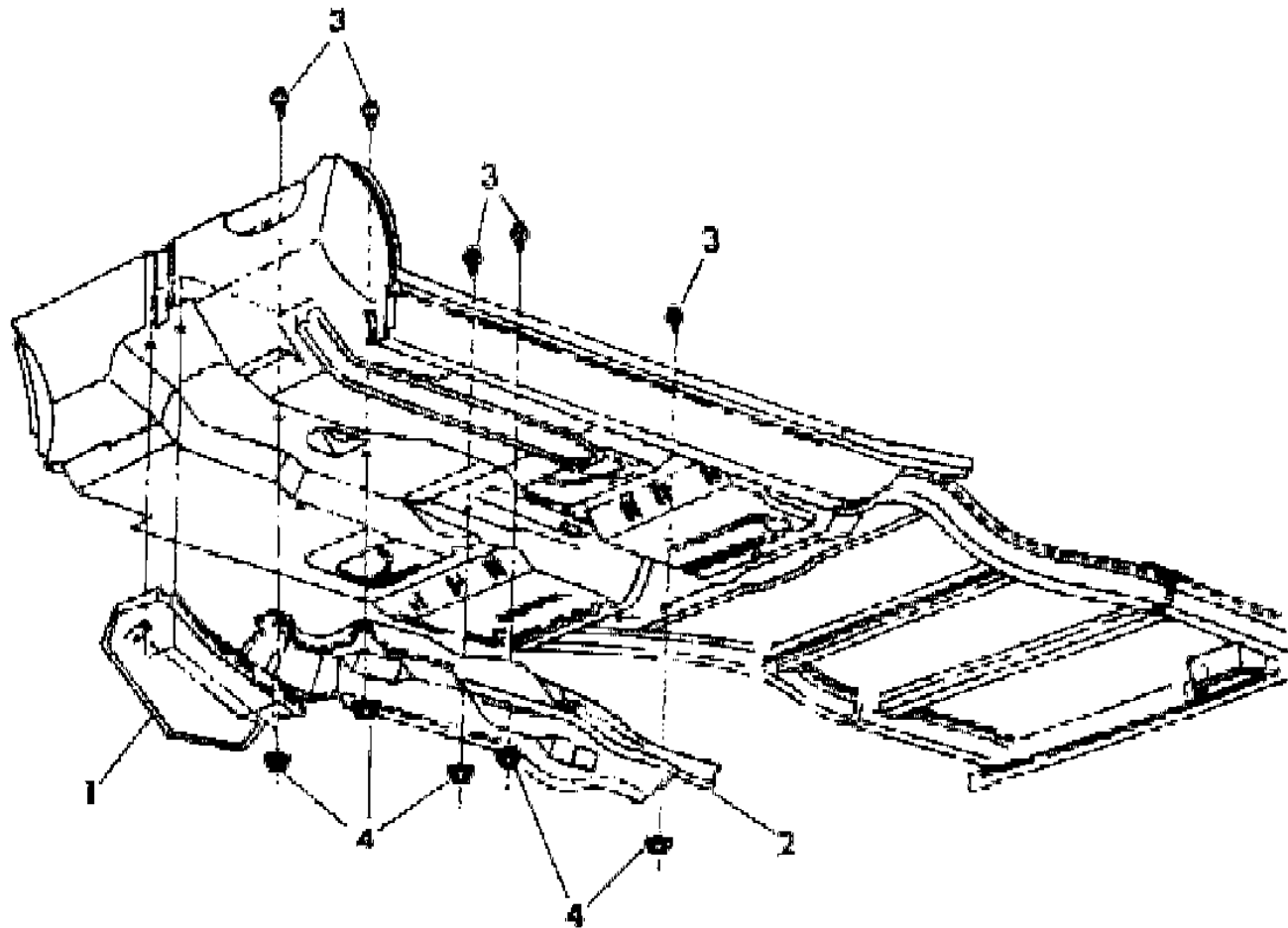
21 = 2-DOOR SEDAN	41 = 4-DOOR SEDAN
22 = 2-DOOR SPECIAL COUPE	45 = 4-DOOR STATION WAGON
24 = 2-DOOR HATCHBACK	44 = 4-DOOR HATCHBACK
27 = 2-DOOR CONVERTIBLE	48 = EXECUTIVE SEDAN
28 = FWD PICKUP	

AR = Use as Required - = Non Illustrated Part P.A.R. = Paint as Required

HEAT SHIELDS M,Z  
Figure 11-500

3111 500A

ITEM	PART NUMBER	QTY	BODY	MODEL	DESCRIPTION
1	4266 325	1			SHIELD, Front Floor Pan
2	4266 097	1		24	SHIELD, Insulated Converter 1.6L & 1.7L Eng.
	4266 096	1		44	
3		7			SCREW (not serviced)
4	0219 462	7			NUT



MODEL CODES		
B = GRAN FURY	G = DIPLOMAT	V = 400
C = LEBARON/TOWN & COUNTRY	M = HORIZON/TURISMO/SCAMP	X = MIRADA
D = ARIES	P = RELIANT	Y = IMPERIAL
E = 600	S = CORDOBA	Z = OMNI/CHARGER/RAMPAGE
F = FIFTH AVENUE	T = E CLASS/NEWYORKER	

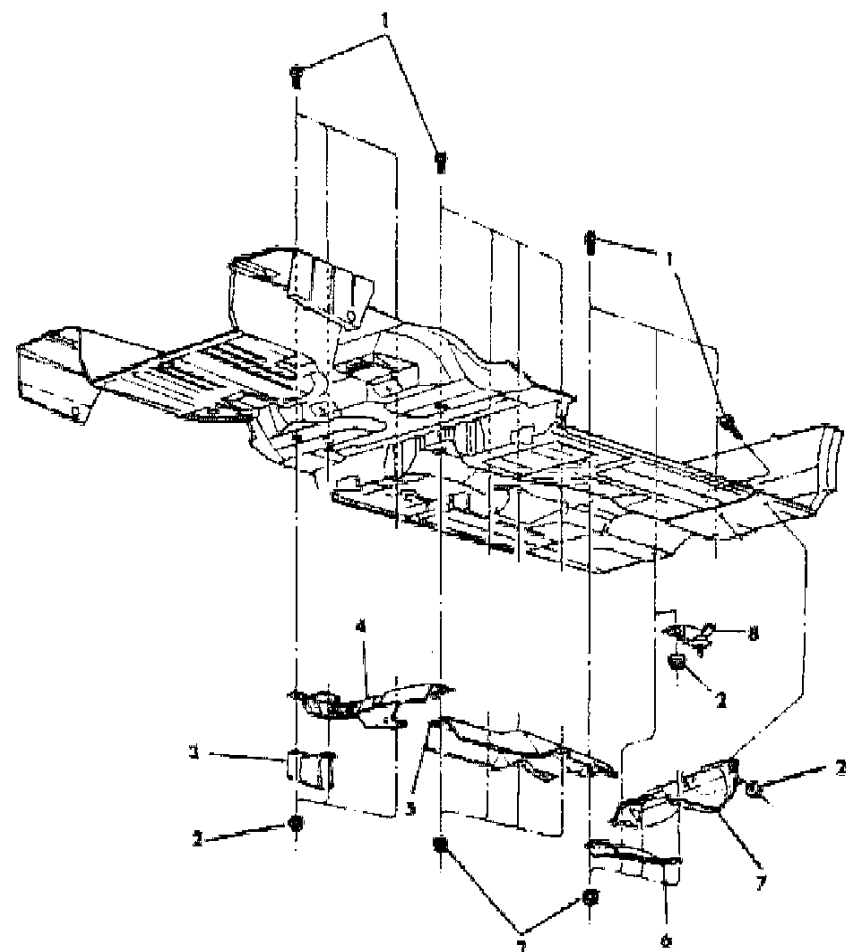
BODY STYLES	
21 = 2-DOOR SEDAN	41 = 4-DOOR SEDAN
22 = 2-DOOR SPECIAL COUPE	45 = 4-DOOR STATION WAGON
24 = 2-DOOR HATCHBACK	44 = 4-DOOR HATCHBACK
27 = 2-DOOR CONVERTIBLE	48 = EXECUTIVE SEDAN
28 = FWD PICKUP	

AR = Use as Required - = Non Illustrated Part P.A.R. = Paint as Required



HEAT SHIELDS P,D,C,V,E,T  
Figure 11-600

3113 600B



ITEM	PART NUMBER	QTY	BODY	MODEL	DESCRIPTION
1		AR			SCREW (not serviced)
2	0219 462	AR			NUT
3	4140 824	1			SHIELD, Front Floor Pan Rear Heat Aux.
4	4140 803	1			SHIELD, Front Floor Rear Heat
5	4266 273	1			SHIELD, Catalytic Heat
6	4140 801	1			SHIELD, Frt. Floor Frt. Heat
7	4140 813	1			SHIELD, Dash Panel Heat
8	4266 299	1			BRACKET, Dash Panel Heat Shield Attach. w/Bucket Seats - Man. Trans.
	4266 159	1			SHIELD, Muffler Heat w/o Trunk Dress Up after 5-16-83 (not shown)

MODEL CODES

B = GRAN FURY	G = DIPLOMAT	V = 400
C = LEBARON/TOWN & COUNTRY	M = HORIZON/TURISMO/SCAMP	X = MIRADA
D = ARIES	P = RELIANT	Y = IMPERIAL
E = 600	S = CORDOBA	Z = OMNI/CHARGER/RAMPAGE
F = FIFTH AVENUE	T = E CLASS/NEWYORKER	

BODY STYLES

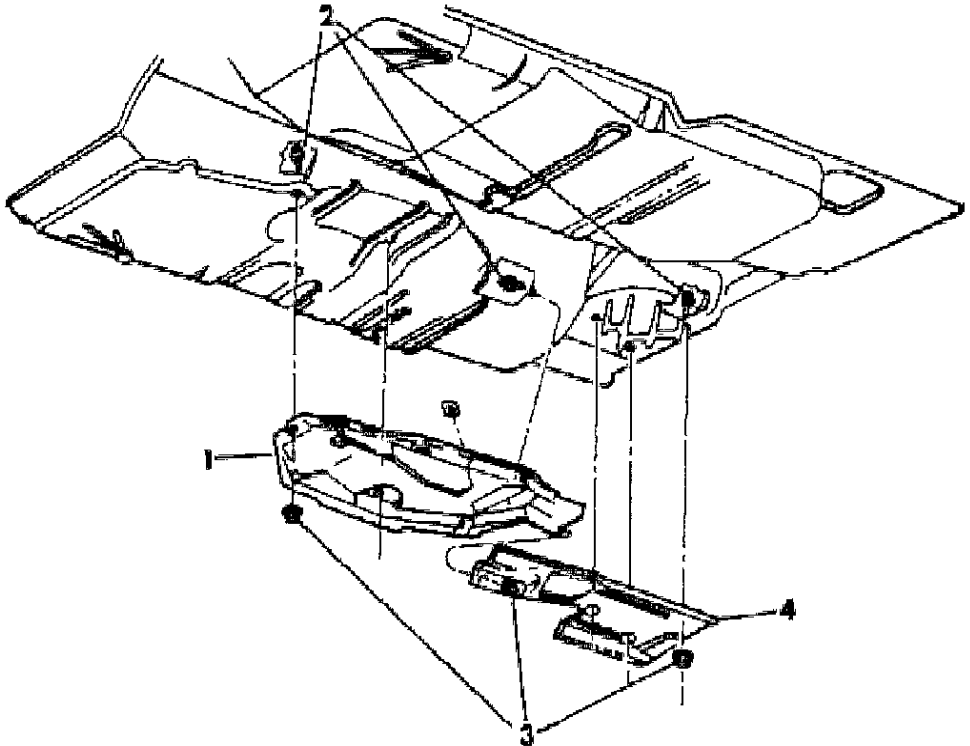
21 = 2-DOOR SEDAN	41 = 4-DOOR SEDAN
22 = 2-DOOR SPECIAL COUPE	45 = 4-DOOR STATION WAGON
24 = 2-DOOR HATCHBACK	44 = 4-DOOR HATCHBACK
27 = 2-DOOR CONVERTIBLE	48 = EXECUTIVE SEDAN
28 = FWD PICKUP	

AR = Use as Required - = Non Illustrated Part P.A.R. = Paint as Required

**HEAT SHIELDS B,F,G,X,S,Y**  
**Figure 11-700**

1111 700B

ITEM	PART NUMBER	QTY	BODY	MODEL	DESCRIPTION
1	4266 011	1			SHIELD, Front Floor Pan Heat
2	0181 063	AR			SCREW
3	0219 462	AR			NUT
4	3791 301	1			SHIELD, Center Floor Pan



MODEL CODES  
 B = GRAN FURY  
 C = LEBARON/TOWN & COUNTRY  
 D = ARIES  
 E = 600  
 F = FIFTH AVENUE  
 G = DIPLOMAT  
 M = HORIZON/TURISMO/SCAMP  
 P = RELIANT  
 S = CORDOBA  
 T = E CLASS/NEWYORKER  
 V = 400  
 X = MIRADA  
 Y = IMPERIAL  
 Z = OMNI/CHARGER/RAMPAGE

BODY STYLES  
 21 = 2-DOOR SEDAN  
 22 = 2-DOOR SPECIAL COUPE  
 24 = 2-DOOR HATCHBACK  
 27 = 2-DOOR CONVERTIBLE  
 28 = FWD PICKUP  
 41 = 4-DOOR SEDAN  
 45 = 4-DOOR STATION WAGON  
 44 = 4-DOOR HATCHBACK  
 48 = EXECUTIVE SEDAN

AR = Use as Required - = Non Illustrated Part P.A.R. = Paint as Required

---

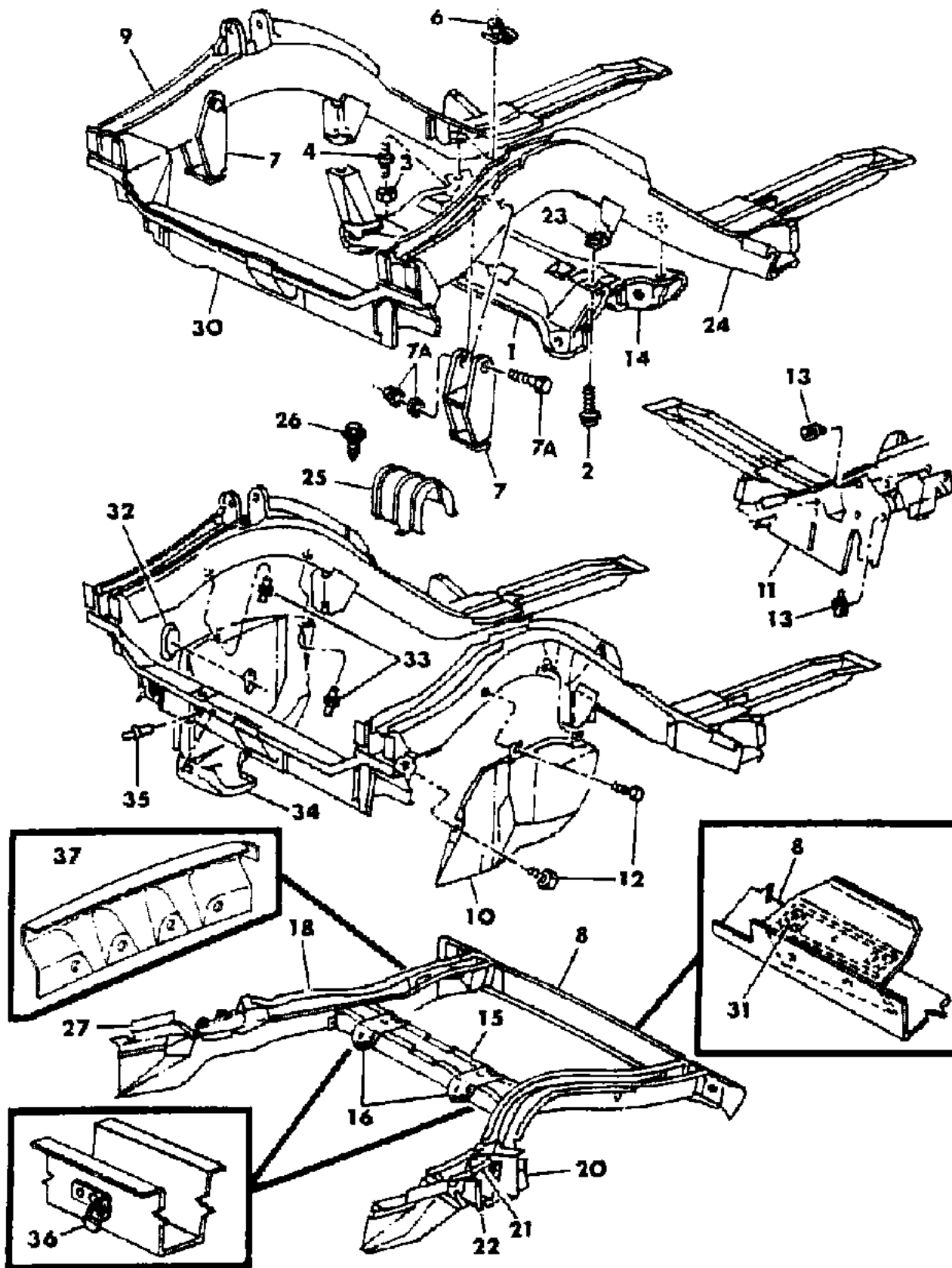
**GROUP 13 - FRAME & BUMPERS**

<b>ILLUSTRATION TITLE</b>	<b>GROUP-FIG. NO.</b>
FRAME M,Z .....	Fig. 13-100
SHIELD, BOOT AIR DEFLECTOR M,Z,P,D,V,C,E,T - w/2.2 Eng. ....	Fig. 13-125
FRAME P,D,V,C,E,T .....	Fig. 13-150
FRAME B,F,G,X,S,Y .....	Fig. 13-200
BATTERY TRAYS - M,Z,B,F,G,X,S,Y .....	Fig. 13-400
BATTERY TRAY - P,D,V,C,E,T .....	Fig. 13-450
FASCIA, BUMPER FRONT M,Z-24-28 .....	Fig. 13-500
FASCIA, BUMPER REAR M,Z 24 .....	Fig. 13-600
BUMPER, REAR M,Z-28 .....	Fig. 13-650
BUMPER, FRONT and REAR M,Z 44 .....	Fig. 13-700
BUMPER, FRONT P,D .....	Fig. 13-800
BUMPER, FRONT V,E .....	Fig. 13-825
BUMPER, FRONT C,T .....	Fig. 13-850
BUMPER, REAR P,D,V,C,E,T - 21,22,27,41 .....	Fig. 13-900
BUMPER, REAR P,D,C-45 .....	Fig. 13-950
BUMPER, FRONT B,F,G .....	Fig. 13-1000
BUMPER, REAR B,G - 41 .....	Fig. 13-1100
BUMPER, REAR F-41 .....	Fig. 13-1200
FASCIA, BUMPER FRONT X .....	Fig. 13-1700
BUMPER, FRONT S .....	Fig. 13-1800
BUMPER, REAR X,S .....	Fig. 13-1900
BUMPER, FRONT Y .....	Fig. 13-2000
BUMPER, REAR Y .....	Fig. 13-2050
FILLER, BUMPER F .....	Fig. 13-2100
FILLER, BUMPER B,G .....	Fig. 13-2200
FILLER, BUMPER X,S .....	Fig. 13-2300
FILLER, BUMPER Y .....	Fig. 13-2350

**ILLUSTRATION NOT AVAILABLE AT TIME OF PUBLICATION**

FRAME M,Z  
Figure 13-100

3113 100



ITEM	PART NUMBER	QTY	BODY	MODEL	DESCRIPTION
1	#5202 733	1		All	CROSSMEMBER, Frt. Susp. Comp., Use W/Auto. Trans. Only
	4052 605	1		All	Use w/1.7 Eng.
	4052 606	1		All	Use w/1.6 & 2.2 Eng., Up To 6-30-83
	4322 094	1		All	After 6-30-83
	5202 257	1		All	TIE-PLATE, Frt. C/Member Flange (Not Ill.)
2	6500 245	2		All	BOLT and Washer
3	6500 122	2		All	NUT, Stud
4	5202 246	2		All	STUD, Frt. Susp. C/Member Rr.
6	#5202 328	2		All	NUT, Plate
	5202 289	1		All	REINFORCEMENT, Frt. C/MEM. Strg. Gear Mtg. Lt.(Not Ill.)
7		2		All	BRACKET, Frt. Side Rail Shipping Tie Down (Not Serviced)
7A		2		All	BOLT, NUT And WASHER (Not Serviced)
8	5218 348	1		All	CROSSMEMBER, Rear Floor Pan Rr.
9	#5218 354-5	1		All	RAIL, Front Side
10	5202 625	1		All	SHIELD, Trans Appearance Lt. (See Gr.7 For Rt. Side- GRILLE AND RELATED PARTS- SHIELD, Closure Panel To Rad. Air)
					SHIELD, Front Side Rail Rr. Splash, Rt. (Rubber)
11	5202 617	1		All	SHIELD, Front Side Rail Rr. Splash, Rt. (Rubber)
12				All	SCREW (Not Serviced)
13	6029 886	AR		All	FASTENER, Shield Splash S/Rail
14	5202 186-7	1		All	BRACKET, Front Susp. C/Mbr. To S/Rail Rr. Supt.
15	5218 151	1		24,44	CROSSMEMBER, Rr. Floor Pan Front
					REINF. Rr. Slat Belt Inner Anchor (Not Serviced)
16	5218 346-7	1		44	RAIL Rr. Floor Pan Side
					4050 896-7
	5218 198-9	1		28	
	5218 196-7	1		28	EXTENSION, Rr. Floor Pan Side Rail (Not Ill.)
20				All	GUSSET w/NUT, Rr. Side Lt. (Not Serviced)
21	3767 433	4		All	REINFORCEMENT, w/Nut, Rear Susp. Mtg. Gusset
22	5200 338-9	1		All	SUPPORT, Rr. Floor Pan To Sill Lower Jacking
23	4191 299	2		All	PLATE, Front S/Rail Front Susp. C/Mbr. Front Supt.
					BRACE, Front Rail To Sill Inner Extension, Jacking Assist
25	5202 604	1		All	SHIELD, Strg. Gear Boot Splash, Rt.
					4052 597
26				All	SCREW (Not Serviced)
27	5200 034-5	1		All	PANEL, Side Sill Inner Rear
30	#5218 318	1		All	CROSSMEMBER, w/BRKT., Eng., Frt. Mtg.
31	5200 399	1		All	REINFORCEMENT & P/NUT, Exhaust Hanger Support

MODEL CODES

B = GRAN FURY	G = DIPLOMAT	V = 400
C = LEBARON/TOWN & COUNTRY	M = HORIZON/TURISMO/SCAMP	X = MIRADA
D = ARIES	P = RELIANT	Y = IMPERIAL
E = 600	S = CORDOBA	Z = OMNI/CHARGER/RAMPAGE
F = FIFTH AVENUE	T = E CLASS/NEWYORKER	

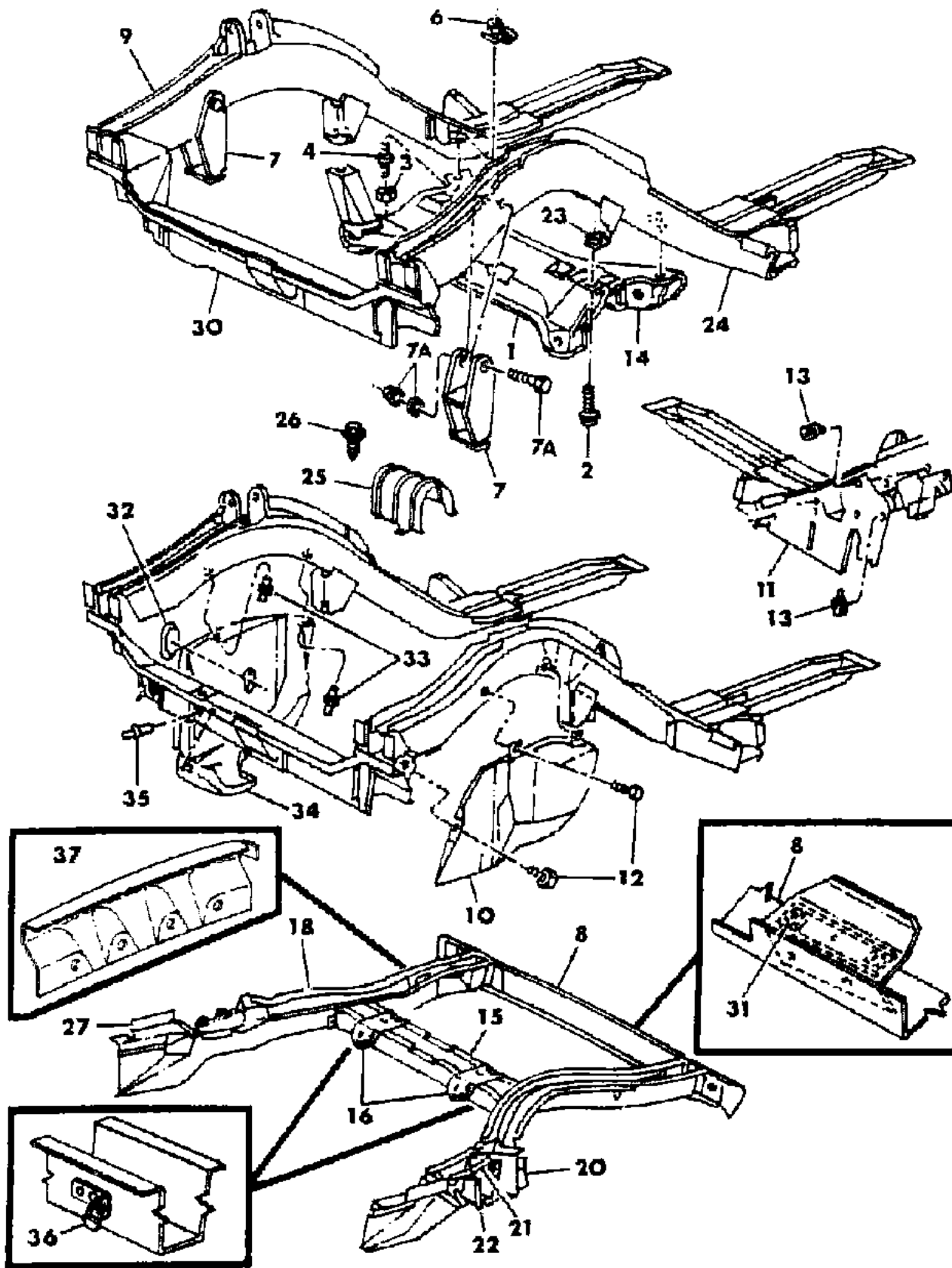
BODY STYLES

21 = 2-DOOR SEDAN	41 = 4-DOOR SEDAN
22 = 2-DOOR SPECIAL COUPE	45 = 4-DOOR STATION WAGON
24 = 2-DOOR HATCHBACK	44 = 4-DOOR HATCHBACK
27 = 2-DOOR CONVERTIBLE	48 = EXECUTIVE SEDAN
28 = FWD PICKUP	

AR = Use as Required - = Non Illustrated Part P.A.R. = Paint as Required

FRAME M,Z  
Figure 13-100

3113 100



ITEM	PART NUMBER	QTY	BODY	MODEL	DESCRIPTION
32	2811 825	2	All		PLUG, Acc. Pulley Shield
33	6032 049	AR	All		RETAINER
34	5202 638	1	All		SHIELD, Acc. Pulley Splash, Rt.
35	6031 390	AR	All		RETAINER
	5218 208	1	28		CROSSMEMBER,w/BRACKET, Brake Line Mtg. (Not Ill.)
36	#5230 390-1	1	24,44		BRKT. Rr. Floor Pan C/Mem. Rr. Brake Line
37	#5230 340	1	24		DEFLECTOR, Rr.FI.Pan Side Rail Fuel Filler Tube
		4	24		SCREW, Deflector Att. (Not Serviced)
	5218 190	1	28		CROSSMEMBER, w/BRACKET, Rr. Cargo Panel Shock Mtg. (Not Ill.)
	4206 669	1	28		CROSSMEMBER, Cargo Floor Panel Inter. (Not Ill.)

MODEL CODES

B = GRAN FURY	G = DIPLOMAT	V = 400
C = LEBARON/TOWN & COUNTRY	M = HORIZON/TURISMO/SCAMP	X = MIRADA
D = ARIES	P = RELIANT	Y = IMPERIAL
E = 600	S = CORDOBA	Z = OMNI/CHARGER/RAMPAGE
F = FIFTH AVENUE	T = E CLASS/NEWYORKER	

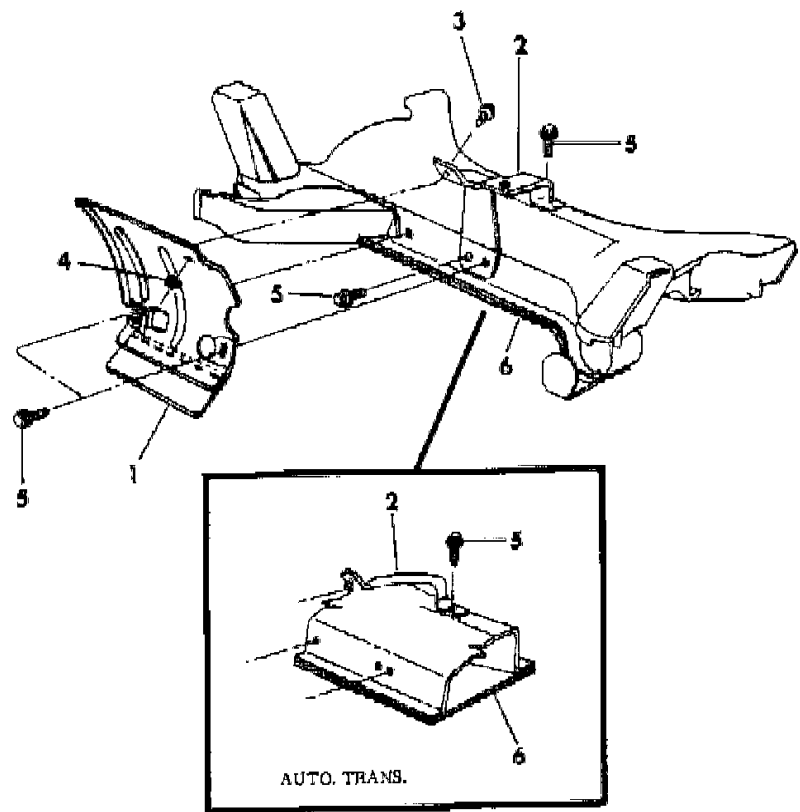
BODY STYLES

21 = 2-DOOR SEDAN	41 = 4-DOOR SEDAN
22 = 2-DOOR SPECIAL COUPE	45 = 4-DOOR STATION WAGON
24 = 2-DOOR HATCHBACK	44 = 4-DOOR HATCHBACK
27 = 2-DOOR CONVERTIBLE	48 = EXECUTIVE SEDAN
28 = FWD PICKUP	

AR = Use as Required - = Non Illustrated Part P.A.R. = Paint as Required

**SHIELD, BOOT AIR DEFLECTOR M,Z,P,D,V,C,E,T - w/2.2 Eng.**  
**Figure 13-125**

3113 125



ITEM	PART NUMBER	QTY	BODY	MODEL	DESCRIPTION
1	4140 456	1		All	SHIELD, Boot Air Deflector
2	4188 375	1		All	BRACKET, Shield Att., Man.Trans.
	4140 765	1		All	Auto.Trans.
3	6100 286	1		All	SCREW,w/WASHER
4	6100 047	1		All	NUT,w/WASHER
5	6101 264	AR		All	BOLT
6					C/MEMBER, Frt. (Ref.)

**MODEL CODES**

B = GRAN FURY	G = DIPLOMAT	V = 400
C = LEBARON/TOWN & COUNTRY	M = HORIZON/TURISMO/SCAMP	X = MIRADA
D = ARIES	P = RELIANT	Y = IMPERIAL
E = 600	S = CORDOBA	Z = OMNI/CHARGER/RAMPAGE
F = FIFTH AVENUE	T = E CLASS/NEWYORKER	

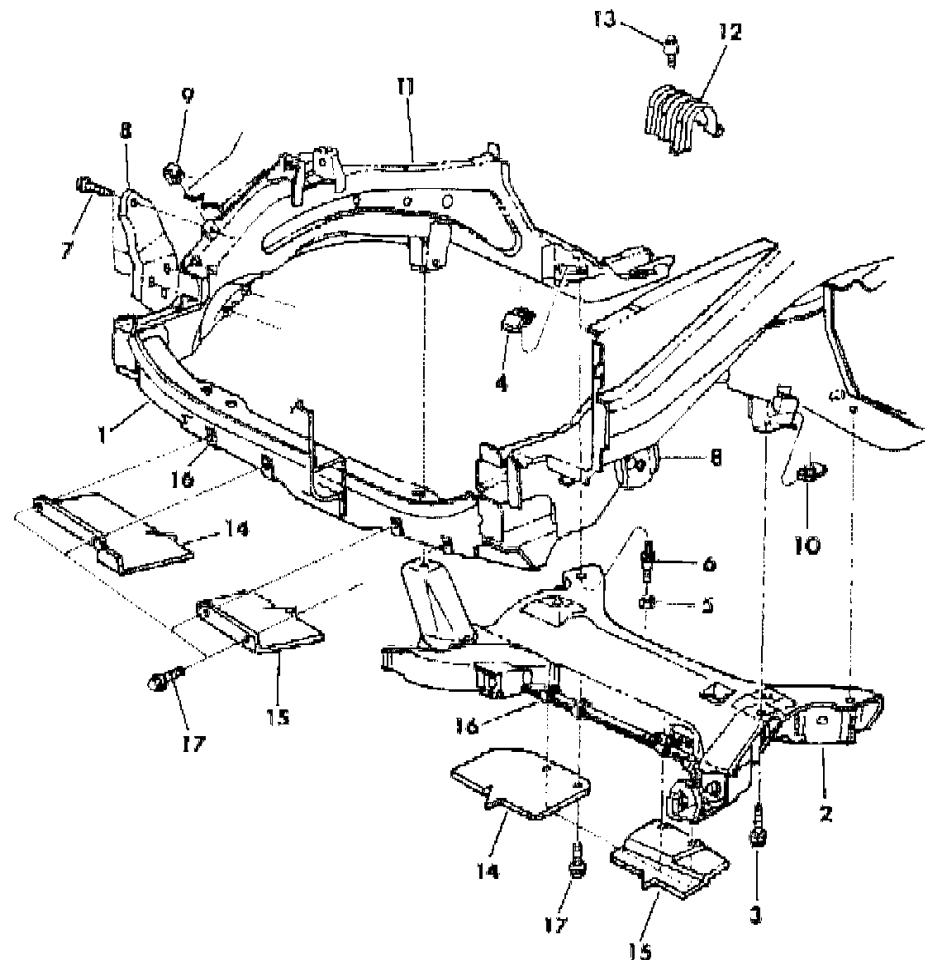
**BODY STYLES**

21 = 2-DOOR SEDAN	41 = 4-DOOR SEDAN
22 = 2-DOOR SPECIAL COUPE	45 = 4-DOOR STATION WAGON
24 = 2-DOOR HATCHBACK	44 = 4-DOOR HATCHBACK
27 = 2-DOOR CONVERTIBLE	48 = EXECUTIVE SEDAN
28 = FWD PICKUP	

AR = Use as Required - = Non Illustrated Part P.A.R. = Paint as Required

FRAME P,D,V,C,E,T  
Figure 13-150

3113 150A



ITEM	PART NUMBER	QTY	BODY	MODEL	DESCRIPTION
1	4191 206	1		All	CROSSMEMBER, Frt. S/Rail Frt. w/Eng. Mtg. Brkt.
2	#4191 280	1		All	CROSSMEMBER, Frt. Susp. Comp.
	5202 257	1		All	TIE-PLATE, Frt.C/Mem. Flange (Not Ill.)
3	6500 245	2		All	SCREW,w/Washer, C/Member Mtg.
	4297 017	1		All	C/MEMBER, Rear Floor Pan Rr. Susp.(Not Ill.)
	4129 590	1		All	C/MEMBER, Rear Floor Pan Rr. (Not Ill.)
4	#5202 328	2		All	NUT-PLATE, C/Member Mtg.,Rr.
	5202 289	1		All	REINFORCEMENT, Frt. C/Mem. Strg. Gear Mtg. Lt.(Not Ill.)
5	6500 122	2		All	NUT, Stud
6	5202 246	2		All	STUD, C/Member Mtg.
7	6100 230	6		All	SCREW,w/WASHER
8				All	BRACKET, Frt. S/Rail Shipping Tie Down (Not Serviced)
9		2		All	U-NUT (Not Serviced)
10	4191 299	2		All	PLATE, Frt. S/Rail C/Member Frt. Supt.
11	#4297 122-3	1		All	RAIL, Frt. Side And Reinf. Frt. Side Rail Frt.
	4191 250-1	1		All	RAIL, Frt. Side Rail Frt. Comp.
12	5202 604	1		All	SHIELD, Strg. Gear Boot Splash, Rt.
	4052 597	1		All	Lt.
13				All	SCREW (Not Serviced)
	4297 064-5	1		P,D,V,C	RAIL, Rr. Floor Pan Side (Not Ill.)
	4200 960-1	1		E,T	
	4191 248-9	1		All	RAIL, Frt. Side Rail Rr.(Not Ill.)
14	#4052 677	1		All	SHIELD, Eng. Oil Pan w/H.D. Serv.Pkg.(S/C-F57)
15	#4052 679	1		All	SHIELD, Trans. Oil Pan
16	#6101 308	8		All	U-NUT
17	#6100 287	8		All	BOLT,w/WASHER

MODEL CODES

B = GRAN FURY	G = DIPLOMAT	V = 400
C = LEBARON/TOWN & COUNTRY	M = HORIZON/TURISMO/SCAMP	X = MIRADA
D = ARIES	P = RELIANT	Y = IMPERIAL
E = 600	S = CORDOBA	Z = OMNI/CHARGER/RAMPAGE
F = FIFTH AVENUE	T = E CLASS/NEWYORKER	

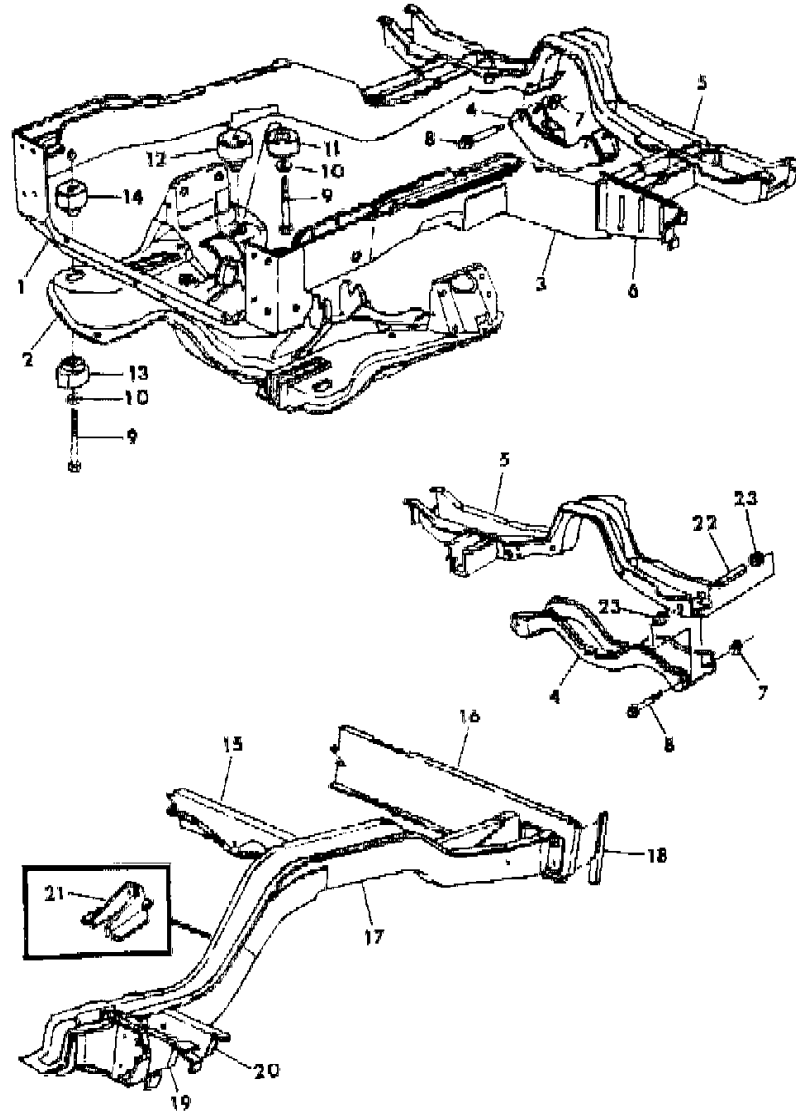
BODY STYLES

21 = 2-DOOR SEDAN	41 = 4-DOOR SEDAN
22 = 2-DOOR SPECIAL COUPE	45 = 4-DOOR STATION WAGON
24 = 2-DOOR HATCHBACK	44 = 4-DOOR HATCHBACK
27 = 2-DOOR CONVERTIBLE	48 = EXECUTIVE SEDAN
28 = FWD PICKUP	

AR = Use as Required - = Non Illustrated Part P.A.R. = Paint as Required

FRAME B,F,G,X,S,Y  
Figure 13-200

3113 200



ITEM	PART NUMBER	QTY	BODY	MODEL	DESCRIPTION
1	4001 887	1		All	CROSSMEMBER, Frt. Side Rail Frt.
2	4237 439	1		All	CROSSMEMBER, Frt. Suspension w/225 Eng.
	4005 257	1		All	w/318, Eng.
3	#4129 898-9	1		All	RAIL, Frt. Side
4	4001 797	1	B,F,G		CROSSMEMBER, Frame Trans. Mtg.
	4001 797	1	X,S		w/H.D. Service Pkg. (S/C-F57)
	4005 242	1	X,S,Y		Frame Trans. Mtg. Isolated
	4129 840	1	X,S,Y		Rear Trans. Mtg.
5	4129 841	1	All		CROSSMEMBER, Frt. Side Rail Rr.
6	3791 010	1	All		REINFORCEMENT, Frt. Side Rail to Side Sill Inr. Rt.
	4015 653	1	All		Lt.
	4001 830-1	1	X,S		REINFORCEMENT, Frt. S/Rail Frt. Bumper Brkt. (Not Ill.)
7	0152 344	2	B,F,G,X		NUT, Std.
	0118 615	2	Y		All
	0118 615	2	X,S		w/Special Sound Insulator Pkg. (S/C-C17)
8	6029 550	2	B,F,G,X		BOLT, Std.
	6031 922	2	Y		All
	6031 922	2	X,S		w/Special Sound Insulator Pkg. (S/C-C17)
9	6031 150	4	All		BOLT, Body Hold Down
10	4001 701	4	All		WASHER, Body Hold Down
11	4001 552	2	All		ISOLATOR, Rr. Lwr. Cushion
12	4001 554	2	All		ISOLATOR, Rr. Upr. Cushion
13	4001 596	2	All		ISOLATOR, Frt. Lwr. Cushion
14	4001 595	2	All		ISOLATOR, Frt. Upr. Cushion
15	4015 652	1	All		CROSSMEMBER, Rr. Shock Abs.
16	4134 491	1	All		CROSSMEMBER, Rr. Floor Pan Rr.
17	4129 446-7	1	B,F,G		RAIL, Rear Floor Pan
	4129 446-7	1	41		
	4129 446-7	1	X,S,Y		
	4129 448-9	1	B,F,G		
18	4015 634	2	B,F,G		REINFORCEMENT,Rr. Floor Pan Rr. C/Member, w/H.D.Service Pkg. (S/C-F58)
			22		RAIL, Rr. Floor Pan Rr. Side
19	3850 120-1	1	All		SUPPORT, w/Gusset Ctr. Flr. Pan Rr. Susp. Frt. Hgr. Brkt.
20		1	All		REINFORCEMENT, Rr. Side Rail to Side Sill Inr. Rr.(Not Serviced)
21	4073 057	2	All		BRACKET,Rear Side Rail Park Brake Cable

MODEL CODES

B = GRAN FURY	G = DIPLOMAT	V = 400
C = LEBARON/TOWN & COUNTRY	M = HORIZON/TURISMO/SCAMP	X = MIRADA
D = ARIES	P = RELIANT	Y = IMPERIAL
E = 600	S = CORDOBA	Z = OMNI/CHARGER/RAMPAGE
F = FIFTH AVENUE	T = E CLASS/NEWYORKER	

BODY STYLES

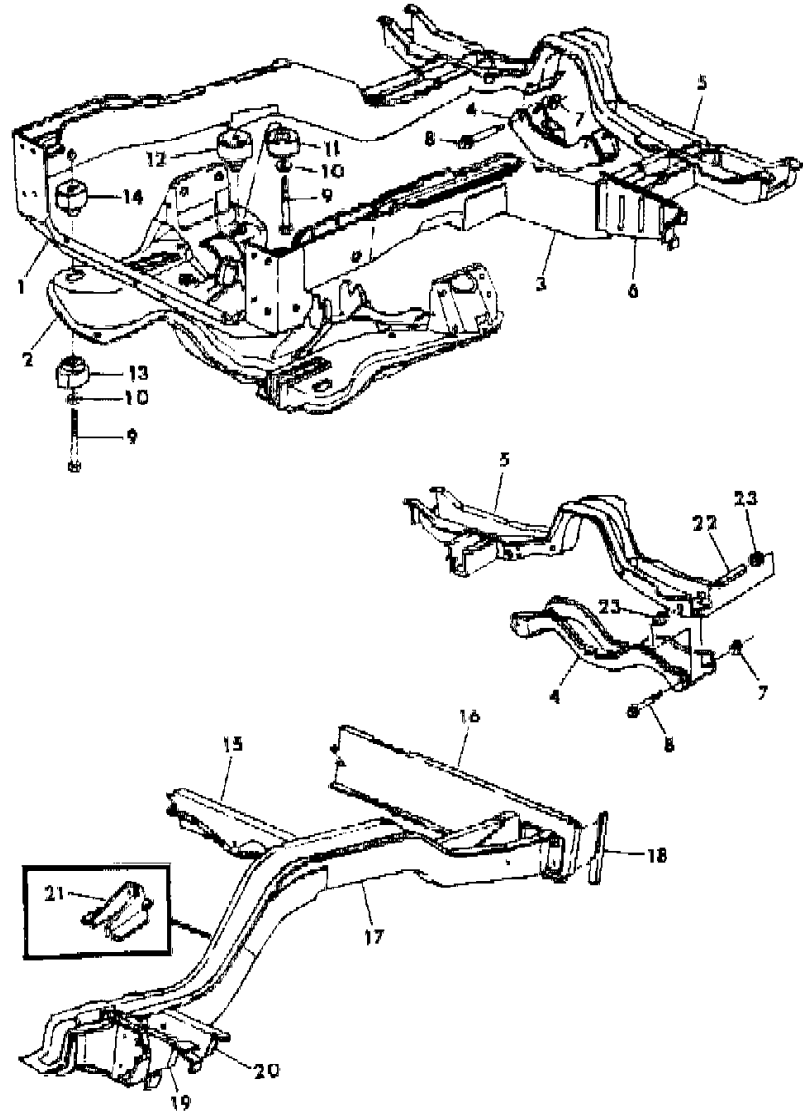
21 = 2-DOOR SEDAN	41 = 4-DOOR SEDAN
22 = 2-DOOR SPECIAL COUPE	45 = 4-DOOR STATION WAGON
24 = 2-DOOR HATCHBACK	44 = 4-DOOR HATCHBACK
27 = 2-DOOR CONVERTIBLE	48 = EXECUTIVE SEDAN
28 = FWD PICKUP	

AR = Use as Required - = Non Illustrated Part P.A.R. = Paint as Required



FRAME B,F,G,X,S,Y  
Figure 13-200

3113 200



ITEM	PART NUMBER	QTY	BODY	MODEL	DESCRIPTION
22	4001 862	2		Y	SLEEVE, Trans. Mtg.C/Member Isolator
	4001 862	2		X,S	w/Special Sound Insulator Pkg. (S/C-C17)
23	4001 865	4		Y	ISOLATOR,w/INSERT, Trans. Mtg. C/Member
	4001 865	4		X,S	w/Special Sound Insulator Pkg. (S/C-C17)
	4005 248-9	1		All	PLATE, Frt. S/Rail C/Member Reinf.Rr., H.D. (Not Ill.)

MODEL CODES

B = GRAN FURY	G = DIPLOMAT	V = 400
C = LEBARON/TOWN & COUNTRY	M = HORIZON/TURISMO/SCAMP	X = MIRADA
D = ARIES	P = RELIANT	Y = IMPERIAL
E = 600	S = CORDOBA	Z = OMNI/CHARGER/RAMPAGE
F = FIFTH AVENUE	T = E CLASS/NEWYORKER	

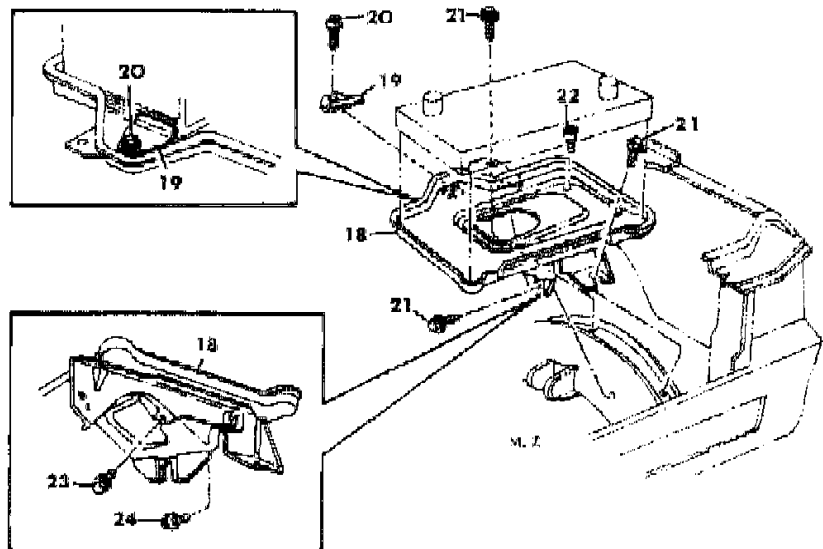
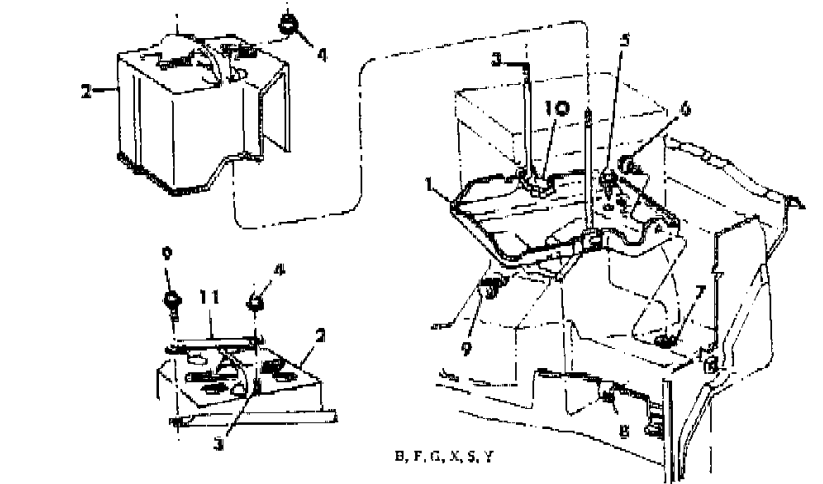
BODY STYLES

21 = 2-DOOR SEDAN	41 = 4-DOOR SEDAN
22 = 2-DOOR SPECIAL COUPE	45 = 4-DOOR STATION WAGON
24 = 2-DOOR HATCHBACK	44 = 4-DOOR HATCHBACK
27 = 2-DOOR CONVERTIBLE	48 = EXECUTIVE SEDAN
28 = FWD PICKUP	

AR = Use as Required - = Non Illustrated Part P.A.R. = Paint as Required

**BATTERY TRAYS - M,Z,B,F,G,X,S,Y**  
**Figure 13-400**

1113 400



ITEM	PART NUMBER	QTY	BODY	MODEL	DESCRIPTION
1	4005 179	1		B,F,G,X	TRAY, Battery
2	4005 186	1		B,F,G,X	STRAP & THERMOGUARD, Battery Hold Down
3	2074 089	2		B,F,G,X	STUD, Hold Down
4	6029 920	2		All	NUT & WASHER
5	6026 823	1		All	SCREW & WASHER
6	0181 088	AR		All	SCREW & WASHER
7		AR		All	U-NUT (Not Serviced)
8	6029 324	1		B,F,G,X	U-NUT
9		2		B,F,G,X	SCREW & WASHER (Not Serviced)
10	4005 061	2		B,F,G,X	CLIP, Hold Down Stud
11	4005 182	1		B,F,G,X	STRUT, Batt. Hold Down to Fnдр.
	4005 185	1		B,F,G,X	SLEEVE, Batt. Hold Down To Fender Strut, H.D.(Not Ill)
18	#5202 590	1		M,Z	TRAY, Battery Complete
19	5202 576	1		M,Z	RETAINER
	6500 325	1		M,Z-24-	STUD, Battery Retainer
	6500 326	1		M,Z-24-	NUT & WASHER
20	6100 595	AR		M,Z	SCREW & WASHER
21	6500 354	AR		M,Z	SCREW & WASHER
22	6101 283	AR		M,Z	U-NUT
23				M,Z	SCREW, Hex Flange (Not Serviced)
24				M,Z	SCREW & WASHER (Not Serviced)

**MODEL CODES**

B = GRAN FURY	G = DIPLOMAT	V = 400
C = LEBARON/TOWN & COUNTRY	M = HORIZON/TURISMO/SCAMP	X = MIRADA
D = ARIES	P = RELIANT	Y = IMPERIAL
E = 600	S = CORDOBA	Z = OMNI/CHARGER/RAMPAGE
F = FIFTH AVENUE	T = E CLASS/NEWYORKER	

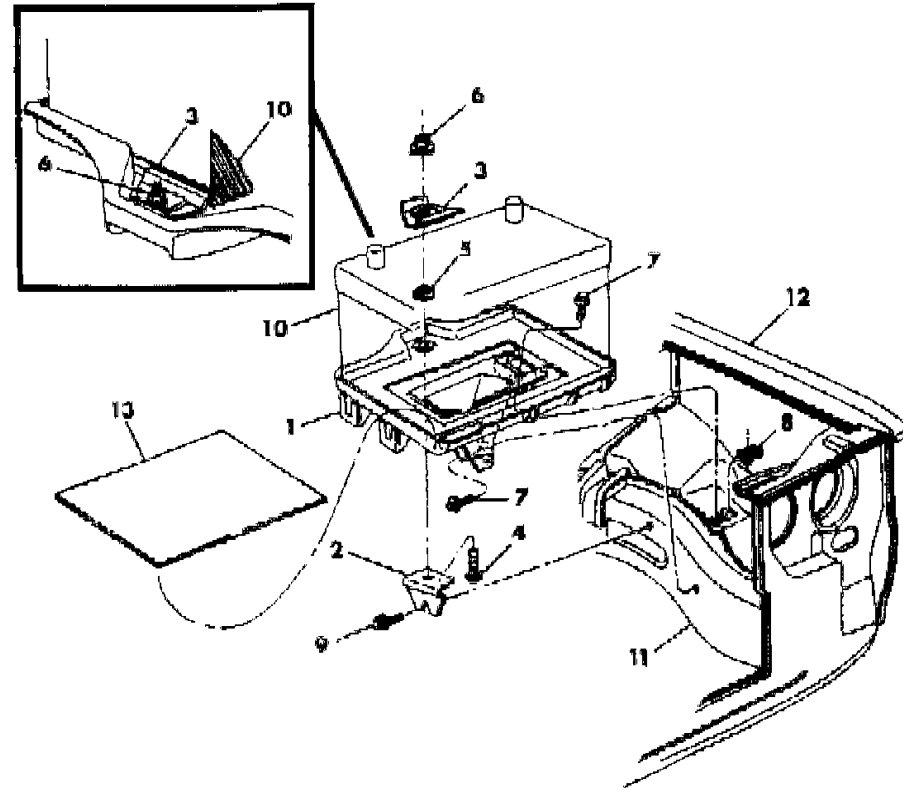
**BODY STYLES**

21 = 2-DOOR SEDAN	41 = 4-DOOR SEDAN
22 = 2-DOOR SPECIAL COUPE	45 = 4-DOOR STATION WAGON
24 = 2-DOOR HATCHBACK	44 = 4-DOOR HATCHBACK
27 = 2-DOOR CONVERTIBLE	48 = EXECUTIVE SEDAN
28 = FWD PICKUP	

AR = Use as Required - = Non Illustrated Part P.A.R. = Paint as Required

**BATTERY TRAY - P,D,V,C,E,T**  
**Figure 13-450**

3113 450A



ITEM	PART NUMBER	QTY	BODY	MODEL	DESCRIPTION
1	4191 535	1		All	TRAY, Battery
2	#4103 775	1		All	BRACKET, Battery Hold-Down
3	5202 576	1		All	RETAINER, Battery
4	6101 013	1		All	BOLT, Retainer
5					PUSH-NUT (Not Serviced)
6	6500 326	1		All	NUT,w/WASHER
7	6500 300	2		All	BOLT, Tray Att.
8	6101 283	1		All	U-NUT
9	6100 588	1		All	SCREW,w/WASHER
10					BATTERY (Ref.)
11					SIDE RAIL (Ref.)
12					FENDER (Ref.)
13	#4296 145	1		All	SHIELD, w/Speed Cont.

**MODEL CODES**

B = GRAN FURY	G = DIPLOMAT	V = 400
C = LEBARON/TOWN & COUNTRY	M = HORIZON/TURISMO/SCAMP	X = MIRADA
D = ARIES	P = RELIANT	Y = IMPERIAL
E = 600	S = CORDOBA	Z = OMNI/CHARGER/RAMPAGE
F = FIFTH AVENUE	T = E CLASS/NEWYORKER	

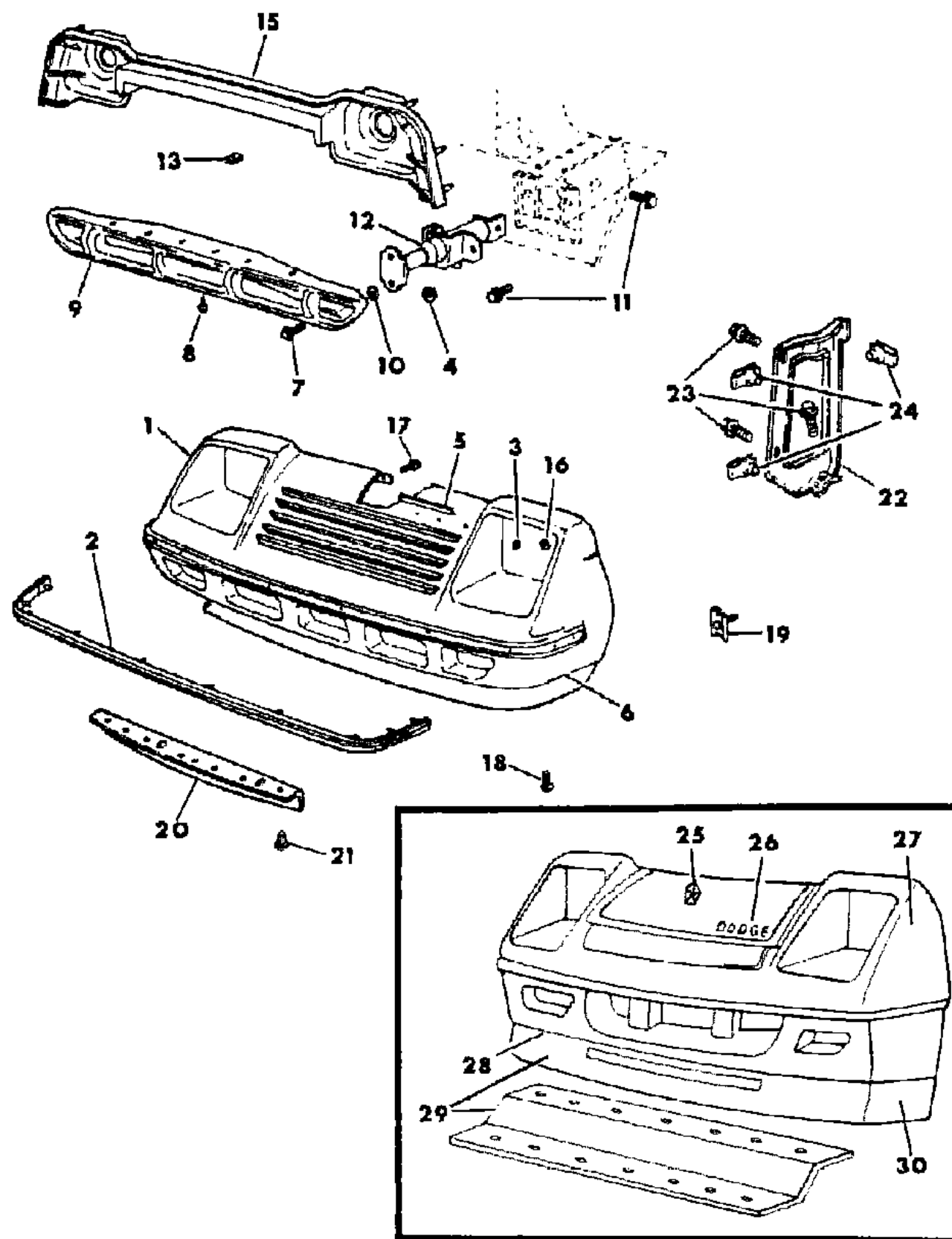
**BODY STYLES**

21 = 2-DOOR SEDAN	41 = 4-DOOR SEDAN
22 = 2-DOOR SPECIAL COUPE	45 = 4-DOOR STATION WAGON
24 = 2-DOOR HATCHBACK	44 = 4-DOOR HATCHBACK
27 = 2-DOOR CONVERTIBLE	48 = EXECUTIVE SEDAN
28 = FWD PICKUP	

AR = Use as Required - = Non Illustrated Part P.A.R. = Paint as Required

FASCIA, BUMPER FRONT M,Z-24-28  
Figure 13-500

3113 500D



ITEM	PART NUMBER	QTY	BODY	MODEL	DESCRIPTION
1	#4194 866	1	Z		FASCIA, Bumper Front, w/Nerf
1	#4194 865	1	Z		w/o Nerf
	4194 325	1	M		
	4074 515	1	M,Z		TAPE STRIPE, Fascia (Not Ill.)
2	#4271 448	1	M		NERF STRIP, Black W/Bright Center
	4271 449	1	M		Black Vinyl
	4271 450	1	Z		Black W/ Bright Center
	4271 446	1	Z		Black Vinyl
3	1839 995	3	M,Z		NUT, Name Plate
4	6500 086	4	M,Z		NUT & WASHER
5	5216 125	1	M		NAME PLATE,Plymouth
	4103 208	1	Z		Dodge
6	#4194 461	1	M,Z		LICENSE PLATE Frt. Att.,Pkg.
	5216 164	1	M,Z		BRACKET, License Plate
	5200 365	AR	M,Z		Bumper(Rubber)
7	6500 381	4	M,Z		BOLT, Reinf. To Absorber
8			M,Z		SCREW & WASHER (Not Serviced)
9	5216 181	1	M,Z		REINFORCEMENT
10			M,Z		PUSHNUT (Not Serviced)
11	6100 592	6	M,Z		SCREW & WASHER
12	5205 109	2	M,Z		ABSORBER, Front (5 Mile Impact) Up To 10-4-82
	4194 959	2	M,Z		(2 1/2 Mile Impact) w/Man. Trans., Eff. 10-4-82
	4194 959	2	M,Z		w/Auto Trans. w/o A/C
	4194 951	2	M,Z		w/Auto Trans. w/A/C
13	6031 482	6	M,Z		U-NUT
15	5201 328	1	M,Z		SUPPORT, Fascia Rad. Grill H/L Mtg.
16	6500 321	AR	M,Z		SPRING-NUT, Fascia To Nerf
17					SCREW & WASHER (Not Serviced)
18	6030 441	4	M,Z		RETAINER, Fascia To Fender
19	6500 272	8	M,Z		RETAINER,Fascia to Air Shield
20	4140 438	1	M,Z		AIR-DAM, Front Bumper Fascia, w/Air Cond.
21	6030 441	AR	M,Z		RETAINER, Air-Dam To Frt. Bumper Fascia
22	4103 218-9	1	M,Z		BRACE, Fascia Support
23	6100 567	AR	M,Z		SCREW,w/WASHER
24	6100 041	AR	M,Z		U-NUT
25	#4270 369	1	Z,S-24		PENASTAR, Frt. Bumper Fascia
26	#T444 BA1	1	Z,S-24		DECAL-DODGE, Silver

MODEL CODES

B = GRAN FURY  
C = LEBARON/TOWN & COUNTRY  
D = ARIES  
E = 600  
F = FIFTH AVENUE

G = DIPLOMAT

M = HORIZON/TURISMO/SCAMP  
P = RELIANT  
S = CORDOBA  
T = E CLASS/NEWYORKER

V = 400

X = MIRADA  
Y = IMPERIAL  
Z = OMNI/CHARGER/RAMPAGE

BODY STYLES

21 = 2-DOOR SEDAN  
22 = 2-DOOR SPECIAL COUPE  
24 = 2-DOOR HATCHBACK  
27 = 2-DOOR CONVERTIBLE  
28 = FWD PICKUP

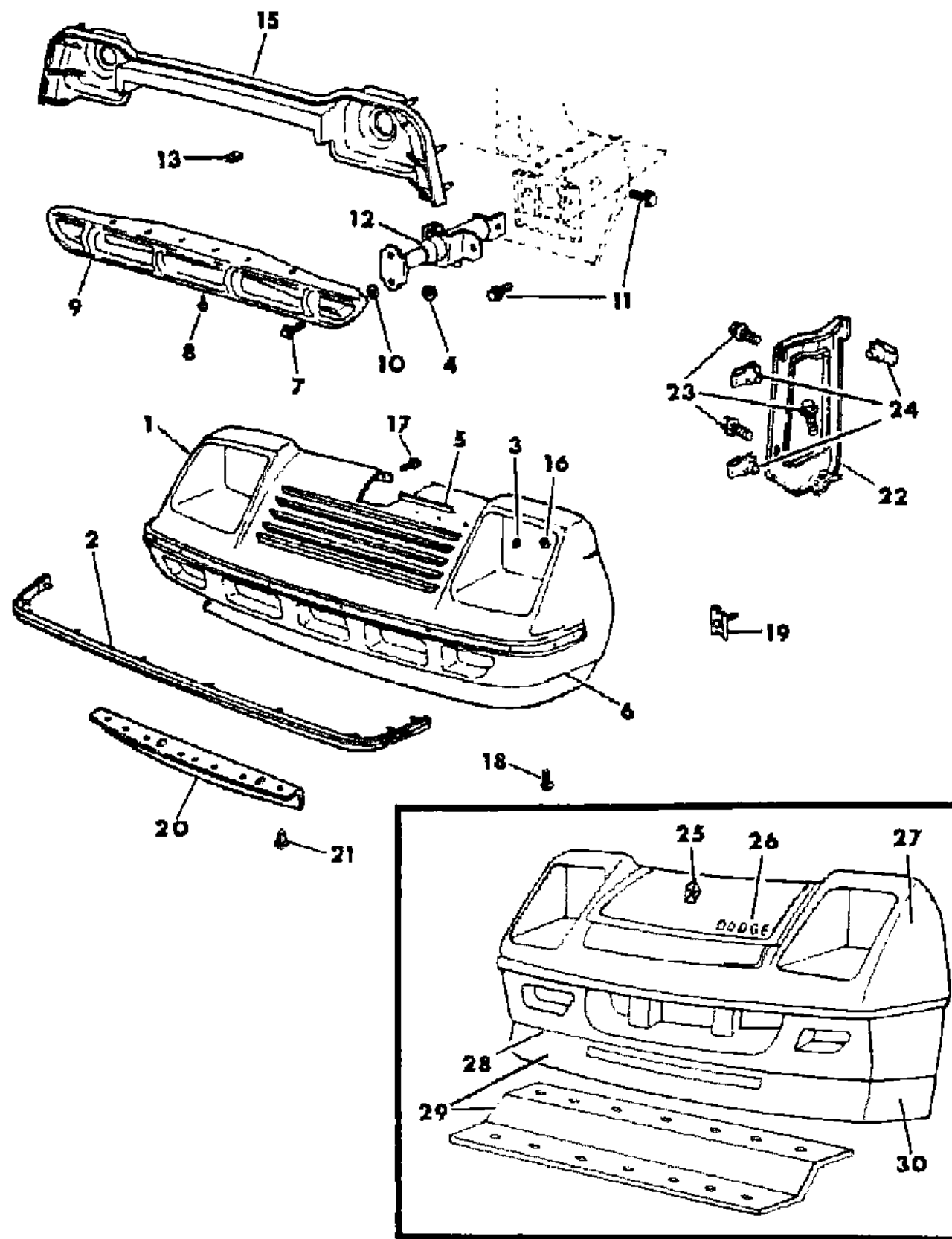
41 = 4-DOOR SEDAN  
45 = 4-DOOR STATION WAGON  
44 = 4-DOOR HATCHBACK  
48 = EXECUTIVE SEDAN

AR = Use as Required - = Non Illustrated Part P.A.R. = Paint as Required

FASCIA, BUMPER FRONT M,Z-24-28

Figure 13-500

3113 500D



ITEM	PART NUMBER	QTY	BODY	MODEL	DESCRIPTION
	T444 BB6	1		Z,S-24	Blue
27	#4270 376	1		Z,S-24	FASCIA, Frt.Bumper (Paint As Req.)
28	#4270 389	1		Z,S-24	LICENSE PLATE PKG. Frt.
29	#X901 BAB	1		Z,S-24	AIR-DAM, Frt. Bumper Fascia, Silver w/Blue Accent
	X901 BBA	1		Z,S-24	Blue w/Silver Accent
	6500 897	AR		Z,S-24	U-CLIP, Air-Dam Att.
	6500 898	AR		Z,S-24	RIVET, Air-Dam Att.
30	#4339 061	1		Z,S-24	TAPE-SET, Air-Dam Side, Blue
	4339 060	1		Z,S-24	Silver
	4270 472	2		Z,S-24	STRAP, Air-Dam To Fender Ext.(Not Ill.)
	4270 473	2		Z,S-24	BRACKET, Sill Cover To Side Aperture (Not Ill.)

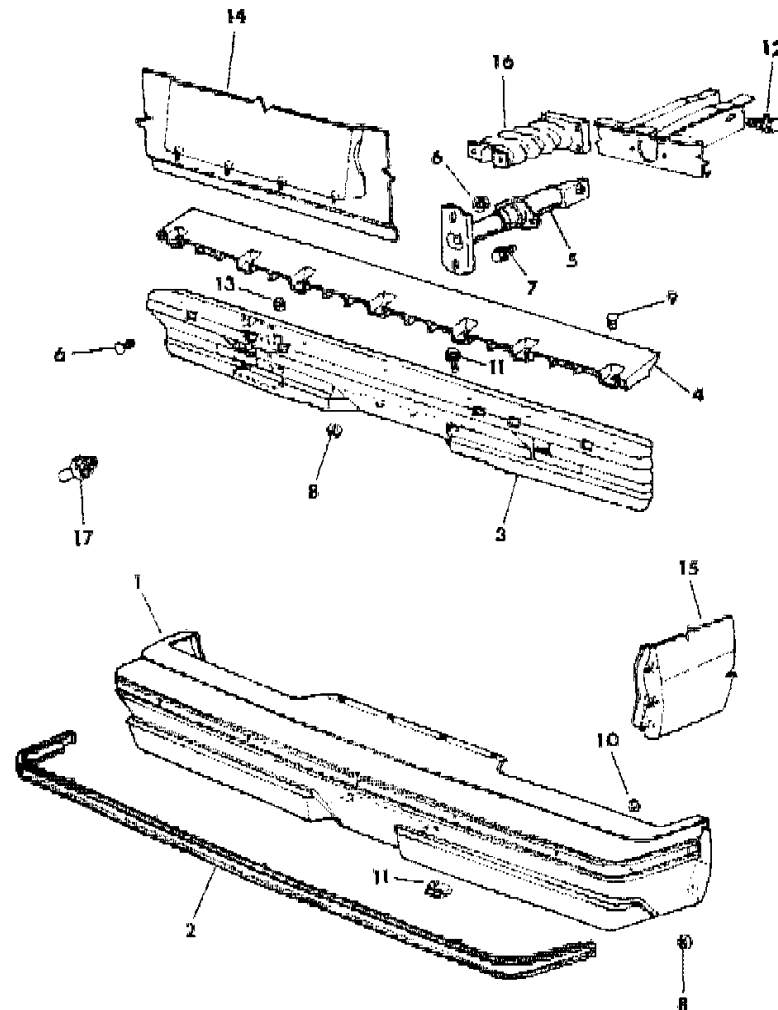
MODEL CODES  
 B = GRAN FURY  
 C = LEBARON/TOWN & COUNTRY  
 D = ARIES  
 E = 600  
 F = FIFTH AVENUE  
 G = DIPLOMAT  
 M = HORIZON/TURISMO/SCAMP  
 P = RELIANT  
 S = CORDOBA  
 T = E CLASS/NEWYORKER  
 V = 400  
 X = MIRADA  
 Y = IMPERIAL  
 Z = OMNI/CHARGER/RAMPAGE

BODY STYLES  
 21 = 2-DOOR SEDAN  
 22 = 2-DOOR SPECIAL COUPE  
 24 = 2-DOOR HATCHBACK  
 27 = 2-DOOR CONVERTIBLE  
 28 = FWD PICKUP  
 41 = 4-DOOR SEDAN  
 45 = 4-DOOR STATION WAGON  
 44 = 4-DOOR HATCHBACK  
 48 = EXECUTIVE SEDAN

AR = Use as Required - = Non Illustrated Part P.A.R. = Paint as Required

FASCIA, BUMPER REAR M,Z 24  
Figure 13-600

3113 600



ITEM	PART NUMBER	QTY	BODY	MODEL	DESCRIPTION
1	5216 313	1		M,Z	FASCIA, Rear Bumper, w/Nerf
	5216 312	1		M,Z	w/o Nerf
2	#4271 437	1		M,Z	NERF STRIP, Black W/Bright Center
	4271 447	1		M,Z	Black Vinyl
	6500 321	AR		M,Z	NUT, Spring
3	4103 322	1		M,Z	REINFORCEMENT, Fascia
4	5216 308	1		M,Z	SUPPORT, Fascia
5	5205 165	2		M,Z	ABSORBER, Rear (5 Mile Impact)
	4194 976	2		M,Z	( 2 1/2 Mile Impact)
6	6500 381	4		M,Z	BOLT
	6500 086	4		M,Z	SCREW & WASHER
7	6100 592	4		M,Z	SCREW & WASHER
8	6100 046	10		M,Z	NUT & WASHER
9	6031 390	7		M,Z	RETAINER, Support To Reinforcement
10	6500 321	AR		M,Z	SPRING-NUT, Fascia To Nerf
11	6031 482	2		M,Z	U-Nut
12	6500 309	AR		M,Z	SCREW & WASHER
13				M,Z	PUSHNUT (Not Serviced)
14				M,Z	PANEL, Liftgate Opening (Ref.)
15				M,Z	PANEL, Qtr. (Ref.)
16	#4103 213	2		M,Z	BOOT ,Absorber Unit
	6003 654	8		M,Z	RETAINER
17	6031 548	2		M,Z	RETAINER, Fascia To Reinf.
18	#5230 144	2		M,Z	RETAINER, Qtr. O/S Panel Rr. Bumper Fascia

MODEL CODES

B = GRAN FURY	G = DIPLOMAT	V = 400
C = LEBARON/TOWN & COUNTRY	M = HORIZON/TURISMO/SCAMP	X = MIRADA
D = ARIES	P = RELIANT	Y = IMPERIAL
E = 600	S = CORDOBA	Z = OMNI/CHARGER/RAMPAGE
F = FIFTH AVENUE	T = E CLASS/NEWYORKER	

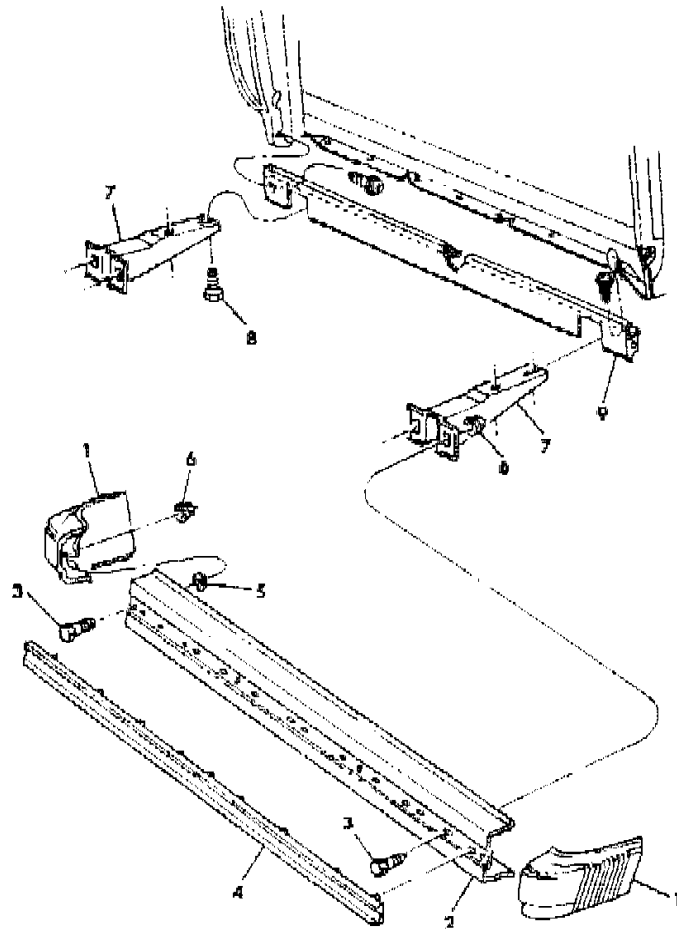
BODY STYLES

21 = 2-DOOR SEDAN	41 = 4-DOOR SEDAN
22 = 2-DOOR SPECIAL COUPE	45 = 4-DOOR STATION WAGON
24 = 2-DOOR HATCHBACK	44 = 4-DOOR HATCHBACK
27 = 2-DOOR CONVERTIBLE	48 = EXECUTIVE SEDAN
28 = FWD PICKUP	

AR = Use as Required - = Non Illustrated Part P.A.R. = Paint as Required

**BUMPER, REAR M,Z-28**  
**Figure 13-650**

3113 650



ITEM	PART NUMBER	QTY	BODY	MODEL	DESCRIPTION
1	#4194 854-5	1		All	CAP, Bumper End
2	#4194 852	1		All	BUMPER,w/TAPE, Rear
	5216 001	1		All	w/o Tape
3	#6500 381	6		All	BOLT, Bumper
4	#4194 862	1		All	NERF, Bumper Rear
5				All	PUSH-NUT (Not Serviced)
6	6500 086	AR		All	NUT,w/WASHER
7	#4194 858	2		All	SUPPORT,Bumper Rear
8		2		All	SCREW,w/WASHER (Not Serviced)
9				All	PANEL, Tailgate (Ref. See Gr.23)

**MODEL CODES**

B = GRAN FURY	G = DIPLOMAT	V = 400
C = LEBARON/TOWN & COUNTRY	M = HORIZON/TURISMO/SCAMP	X = MIRADA
D = ARIES	P = RELIANT	Y = IMPERIAL
E = 600	S = CORDOBA	Z = OMNI/CHARGER/RAMPAGE
F = FIFTH AVENUE	T = E CLASS/NEWYORKER	

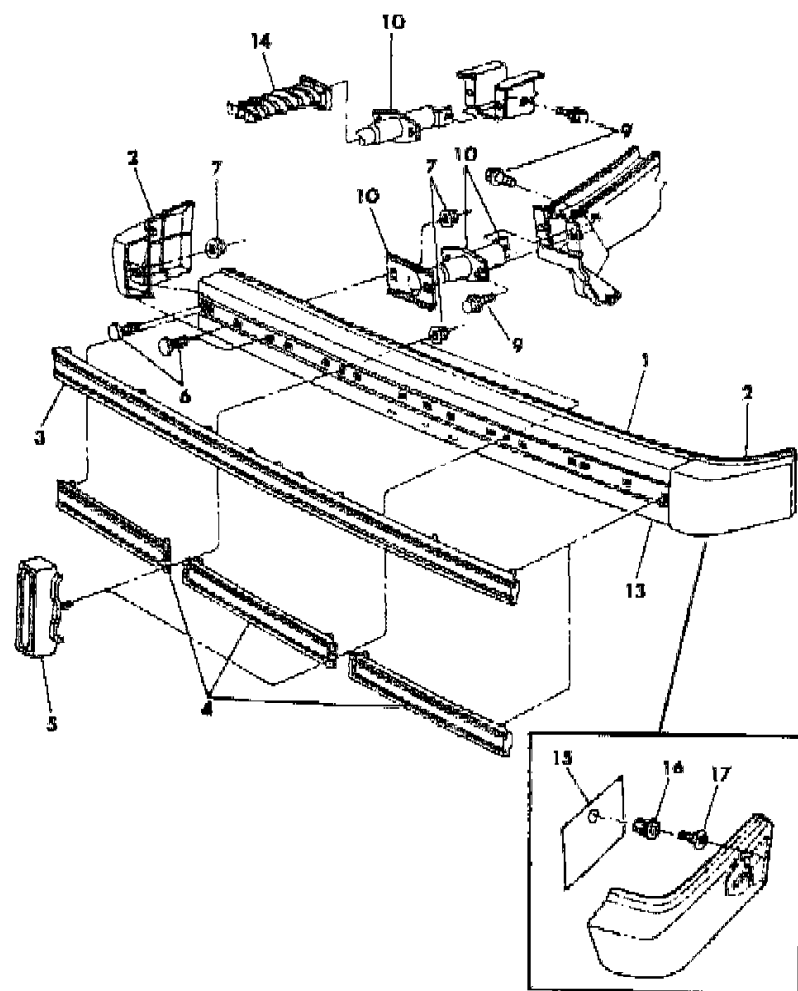
**BODY STYLES**

21 = 2-DOOR SEDAN	41 = 4-DOOR SEDAN
22 = 2-DOOR SPECIAL COUPE	45 = 4-DOOR STATION WAGON
24 = 2-DOOR HATCHBACK	44 = 4-DOOR HATCHBACK
27 = 2-DOOR CONVERTIBLE	48 = EXECUTIVE SEDAN
28 = FWD PICKUP	

AR = Use as Required - = Non Illustrated Part P.A.R. = Paint as Required

**BUMPER, FRONT and REAR M,Z 44**  
**Figure 13-700**

3112 700A



ITEM	PART NUMBER	QTY	BODY	MODEL	DESCRIPTION
1	5216 002	1		M,Z	BUMPER, Front and Rear W/Nerf and Guards
	4194 272	1		M,Z	w/Tape (Black)
2	#4270 600-1	1		M,Z	CAP, Bumper End Front
	6500 750	2		M,Z	SCREW, Cap To Fender
	4270 612-3	1		M,Z	Rear
		2		M,Z	FASTENER, w/Nut, Rr.Bumper To Qtr.Panel (Not Serv.)
3	#4194 862	1		M,Z	NERF STRIP, w/o Guards
4	5216 012	3		M,Z	NERF STRIP, w/Guards
5	5216 190	2		M,Z	GUARD, Front and Rear
6	6500 075	6		M,Z	BOLT
7	6500 086	8		M,Z	NUT and WASHER
9	6100 592	6		M,Z	SCREW and WASHER
10	5204 980	2		M,Z	ABSORBER, Front (5 Mile Impact) Up To 10-4-82
	4194 971	2		M,Z	(2 1/2 Mile Impact) w/Man. Trans. Eff.10-4-82
	4194 971	2		M,Z	w/Auto. Trans. w/o A/C
	4194 963	2		M,Z	w/Auto. Trans. w/A/C
	4194 965	2		M,Z	LIMITER-BRKT., Frt.Bumper (2 1/2 Mile Impact) w/Auto. Trans. & A/C (Not Ill.)
	5204 981	2		M,Z	Absorber, Rear (5 mile Impact Up To 10-4-82
	4194 986	2		M,Z	(2 1/2 Mile Impact) Eff. 10-4-82
13	5216 016	AR		M,Z	BRACKET,License Plate, Frt.
	4194 462	1		M,Z	LICENSE PLATE, Att.Pkg.,Frt.(Not Ill.)
	5216 050	AR		M,Z	BUTTON, Rubber
	5200 365	AR		M,Z	BUTTON, Rubber
	6023 925	AR		M,Z	NUT
14	#4103 318	2		M,Z	BOOT, Absorber,Front
	4103 213	2		M,Z	Rear
	6003 654	AR		M,Z	RETAINER (Push-Nut)
15	#4270 604	4		M,Z	TAPE, Isolator Bumper End Cap, Frt.& Rr.
16	6500 797	4		M,Z	RIVET-NUT
17	#6500 750	4		M,Z	SCREW, Rivet-Nut

**MODEL CODES**

B = GRAN FURY	G = DIPLOMAT	V = 400
C = LEBARON/TOWN & COUNTRY	M = HORIZON/TURISMO/SCAMP	X = MIRADA
D = ARIES	P = RELIANT	Y = IMPERIAL
E = 600	S = CORDOBA	Z = OMNI/CHARGER/RAMPAGE
F = FIFTH AVENUE	T = E CLASS/NEWYORKER	

**BODY STYLES**

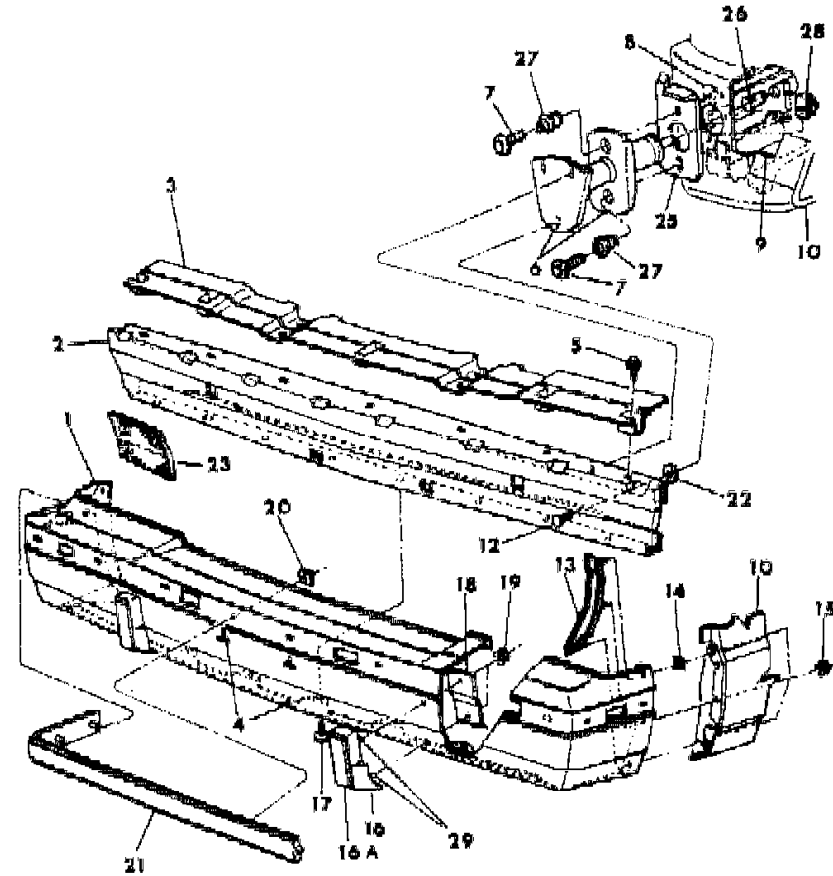
21 = 2-DOOR SEDAN	41 = 4-DOOR SEDAN
22 = 2-DOOR SPECIAL COUPE	45 = 4-DOOR STATION WAGON
24 = 2-DOOR HATCHBACK	44 = 4-DOOR HATCHBACK
27 = 2-DOOR CONVERTIBLE	48 = EXECUTIVE SEDAN
28 = FWD PICKUP	

AR = Use as Required - = Non Illustrated Part P.A.R. = Paint as Required



**BUMPER, FRONT P,D**  
**Figure 13-800**

3113 800A



ITEM	PART NUMBER	QTY	BODY	MODEL	DESCRIPTION
1	#4103 698	1		All	FASCIA, Bumper Frt. (Paint As Req.)
2	4194 919	1		All	REINFORCEMENT, Fascia Frt., Up To 9-13-82
	4103 346	1		All	After 9-13-82
3	4194 182	1		All	SUPPORT, Fascia Frt.
4	4194 180	1		All	BRACKET, License Plate Mtg.
	4194 463	1		All	LICENSE PLATE, Frt.Att.Pkg.
5				All	SCREW,W/WASHER (Not Serviced)
6	4147 743	2		All	ABSORBER, Frt., Use w/Man. Trans. (5 Mile Impact)
	4194 944	2		All	Use w/Auto. Trans., w/Grommet & Isolator (5 Mile Impact)
	4194 948	2		All	2 1/2 Mile Impact
7	#6500 630	4		All	SCREW,w/WASHER
	4194 737	2		All	BRACKET, Fascia Mtg. w/Man. Trans.(2 1/2 Mile Impact (Not III.))
8				All	RAIL, Frt. Side (Ref.Only)
9				All	REINFORCEMENT, Frt. S/Rail (Ref.Only)
10				All	PANEL, Fender (Ref. Only)
12	6500 463	4		All	BOLT, Carriage
13	#4194 274-5	1		All	RETAINER, Fascia
14	6100 840	1		All	PUSH-NUT
15	6101 289	6		All	NUT, Retainer
16	#4271 409	2		All	GUARD, Front (Paint As Req.)
16A	#4103 664	2		All	CUSHION, Guard Frt.
17	6030 441	8		All	RETAINER
18	4194 714	2		All	PLATE, Guard Att.
19	6100 047	4		All	NUT,w/WASHER
20	6500 321	12		All	SPRING-NUT
21	#4194 883	1		45-P	NERF, Frt. Fascia, w/o Body Side Vinyl Mldg.
	X288 BC9	1		All	w/Body Side Vinyl Mldg. Blue (K5C)
	X288 BA2	1		All	Silver (K5A)
	X288 BM5	1		All	Red (K5R)
	X288 BL4	1		All	Beige (K5L)
	X288 AW3	1		All	Pearl White (K5W)
	X288 AX9	1		All	Black (K5X)
	X288 BT8	1		All	Sable Brown (KT5)
22		4		All	RETAINER, Reinf. To Absorber (Not Serviced)
23		2		All	PAD, Bumper Fascia (Serviced In Reinf. Item 2)
25	#4194 927	2		All	LIMITER-BRACKET, Abs. To Rail

MODEL CODES

B = GRAN FURY	G = DIPLOMAT	V = 400
C = LEBARON/TOWN & COUNTRY	M = HORIZON/TURISMO/SCAMP	X = MIRADA
D = ARIES	P = RELIANT	Y = IMPERIAL
E = 600	S = CORDOBA	Z = OMNI/CHARGER/RAMPAGE
F = FIFTH AVENUE	T = E CLASS/NEWYORKER	

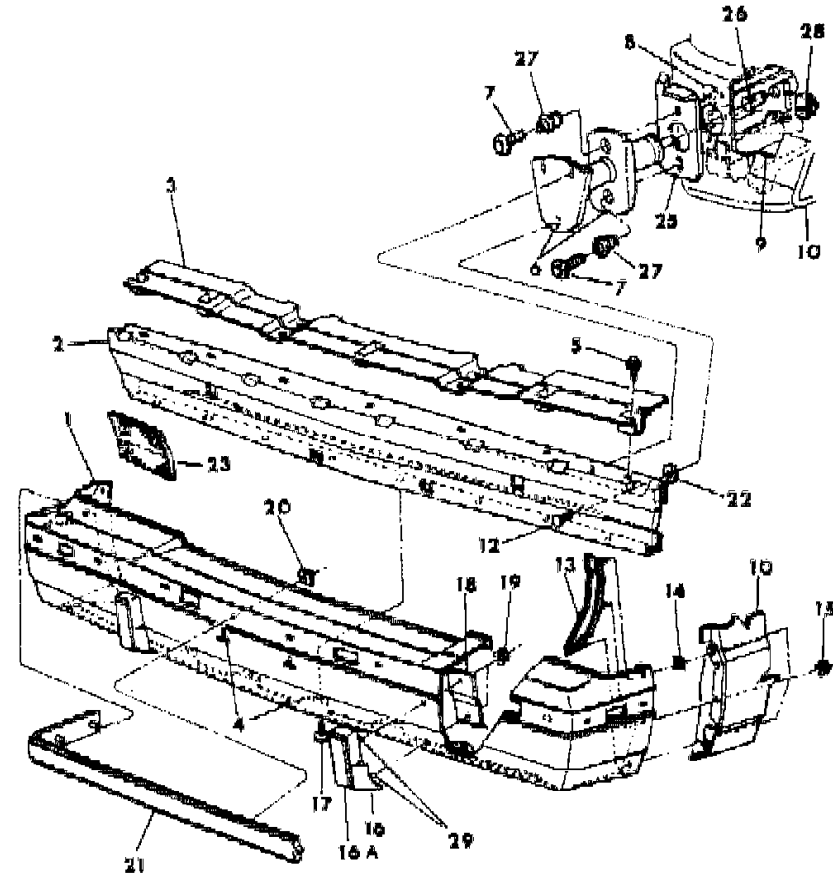
BODY STYLES

21 = 2-DOOR SEDAN	41 = 4-DOOR SEDAN
22 = 2-DOOR SPECIAL COUPE	45 = 4-DOOR STATION WAGON
24 = 2-DOOR HATCHBACK	44 = 4-DOOR HATCHBACK
27 = 2-DOOR CONVERTIBLE	48 = EXECUTIVE SEDAN
28 = FWD PICKUP	

AR = Use as Required - = Non Illustrated Part P.A.R. = Paint as Required

**BUMPER, FRONT P,D**  
**Figure 13-800**

3113 800A



ITEM	PART NUMBER	QTY	BODY	MODEL	DESCRIPTION
26		2		All	GROMMET (Serviced In Absorber Item 6)
27		4		All	ISOLATOR (Serviced In Absorber Item 6)
28	#6500 634	2		All	U-NUT
29	#6500 489	4		All	BOLT, Guard

**MODEL CODES**

B = GRAN FURY	G = DIPLOMAT	V = 400
C = LEBARON/TOWN & COUNTRY	M = HORIZON/TURISMO/SCAMP	X = MIRADA
D = ARIES	P = RELIANT	Y = IMPERIAL
E = 600	S = CORDOBA	Z = OMNI/CHARGER/RAMPAGE
F = FIFTH AVENUE	T = E CLASS/NEWYORKER	

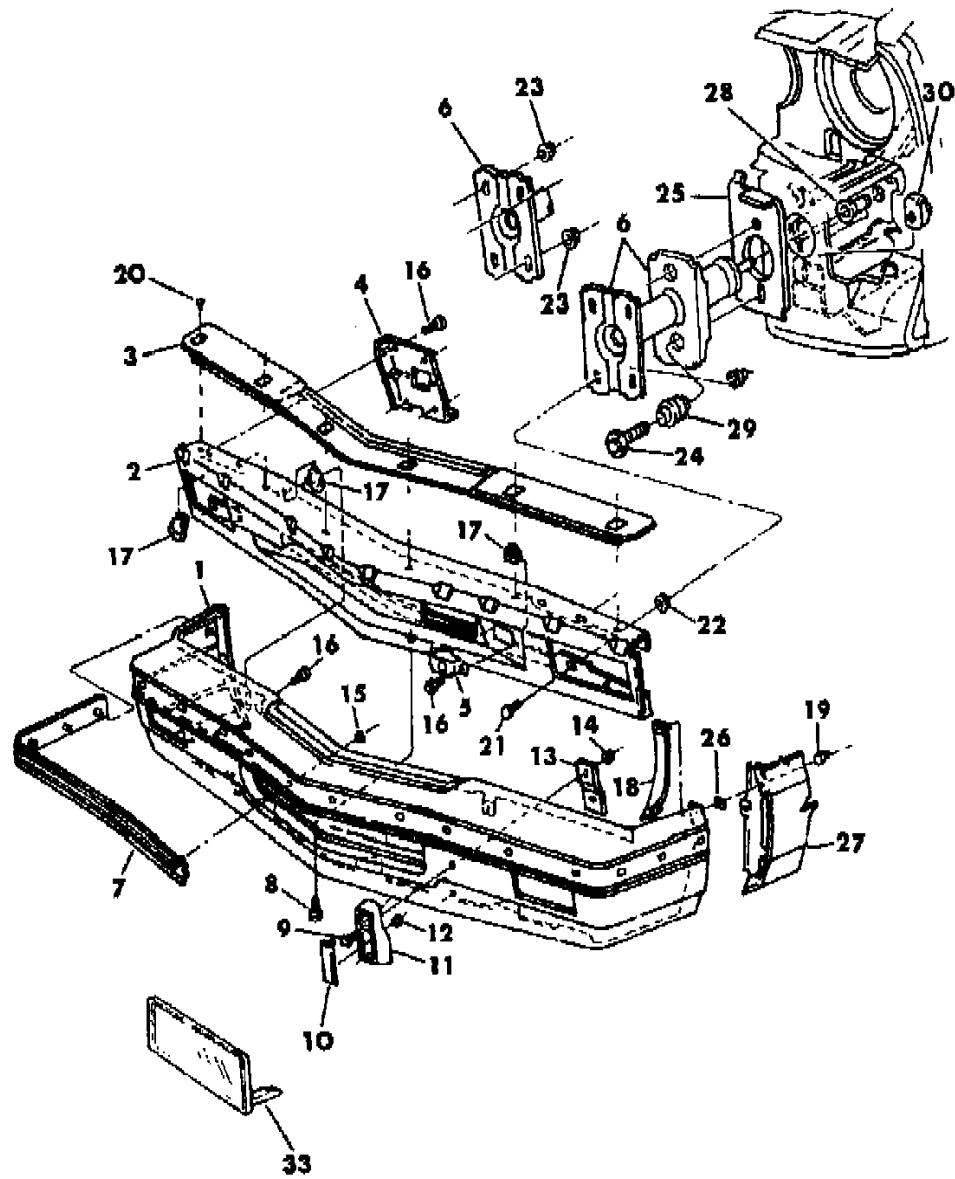
**BODY STYLES**

21 = 2-DOOR SEDAN	41 = 4-DOOR SEDAN
22 = 2-DOOR SPECIAL COUPE	45 = 4-DOOR STATION WAGON
24 = 2-DOOR HATCHBACK	44 = 4-DOOR HATCHBACK
27 = 2-DOOR CONVERTIBLE	48 = EXECUTIVE SEDAN
28 = FWD PICKUP	

AR = Use as Required - = Non Illustrated Part P.A.R. = Paint as Required

**BUMPER, FRONT V,E**  
Figure 13-825

3113 825A



ITEM	PART NUMBER	QTY	BODY	MODEL	DESCRIPTION
1	#4194 440	1		All	FASCIA,Bumper Frt.(Paint As Req.)
2	#4194 439	1		All	REINFORCEMENT, Fascia
3	#4194 414	1		All	SUPPORT, Fascia
4	#4194 356-7	1		All	BRACKET, Fascia, Park And Turn Lamp Mtg.
5	#4194 386	2		All	BRACE, Fascia Guard
6	#4194 946	2		All	ABSORBER, Frt. (5 Mile Impact)
	4194 917	2		All	2 1/2 Mile Impact
7	#X310 BL4	1		All	Nerf, Bumper Frt., Beige (K5L)
	X310 BA2	1		All	Silver (K5A)
	X310 BM5	1		All	Red (K5R)
	X310 BT8	1		All	Sable Brown (K5T)
	X310 AC9	1		All	Nightwatch Blue (K5C)
	X310 AW3	1		All	Pearl White (K5W)
	X310 AX9	1		All	Black (K5X)
	4074 504	1		E-S	Nerf
8	#6030 441	8		All	RETAINER, Bumper To Reinf.
9	#6500 489	4		All	BOLT, Guard
10	#4194 422	2		All	CUSHION, Frt.
11	#X574-5 AT3	1		All	GUARD,Frnt. (Paint As Req.)
12	#6031 147	4		All	SPRING-NUT
13	#4194 417	2		All	PLATE, Guard Att.
14	#6100 047	4		All	NUT,w/WASHER
15				All	WASHER (Not Serviced)
16	#6100 286	16		All	SCREW,w/WASHER
17	#6100 041	16		All	U-NUT
18	#4194 274-5	2		All	RETAINER
19	#6101 289	4		All	NUT,Retainer
20				All	RIVET (Not Serviced)
21	#6500 463	4		All	BOLT,Carriage
22				All	RETAINER (Not Serviced)
23	#6100 051	5		All	NUT,w/WASHER
24	#6500 630	4		All	SCREW,w/WASHER
25	#4194 927	2		All	LIMITER-BRACKET
26	#6100 840	4		All	PUSH-NUT, Retainer
27				All	PANEL (Fender Ref.)
28				All	GROMMET (Serviced In Absorber Item 6)
29				All	ISOLATOR (Serviced In Absorber Item 6)

MODEL CODES

B = GRAN FURY	G = DIPLOMAT	V = 400
C = LEBARON/TOWN & COUNTRY	M = HORIZON/TURISMO/SCAMP	X = MIRADA
D = ARIES	P = RELIANT	Y = IMPERIAL
E = 600	S = CORDOBA	Z = OMNI/CHARGER/RAMPAGE
F = FIFTH AVENUE	T = E CLASS/NEWYORKER	

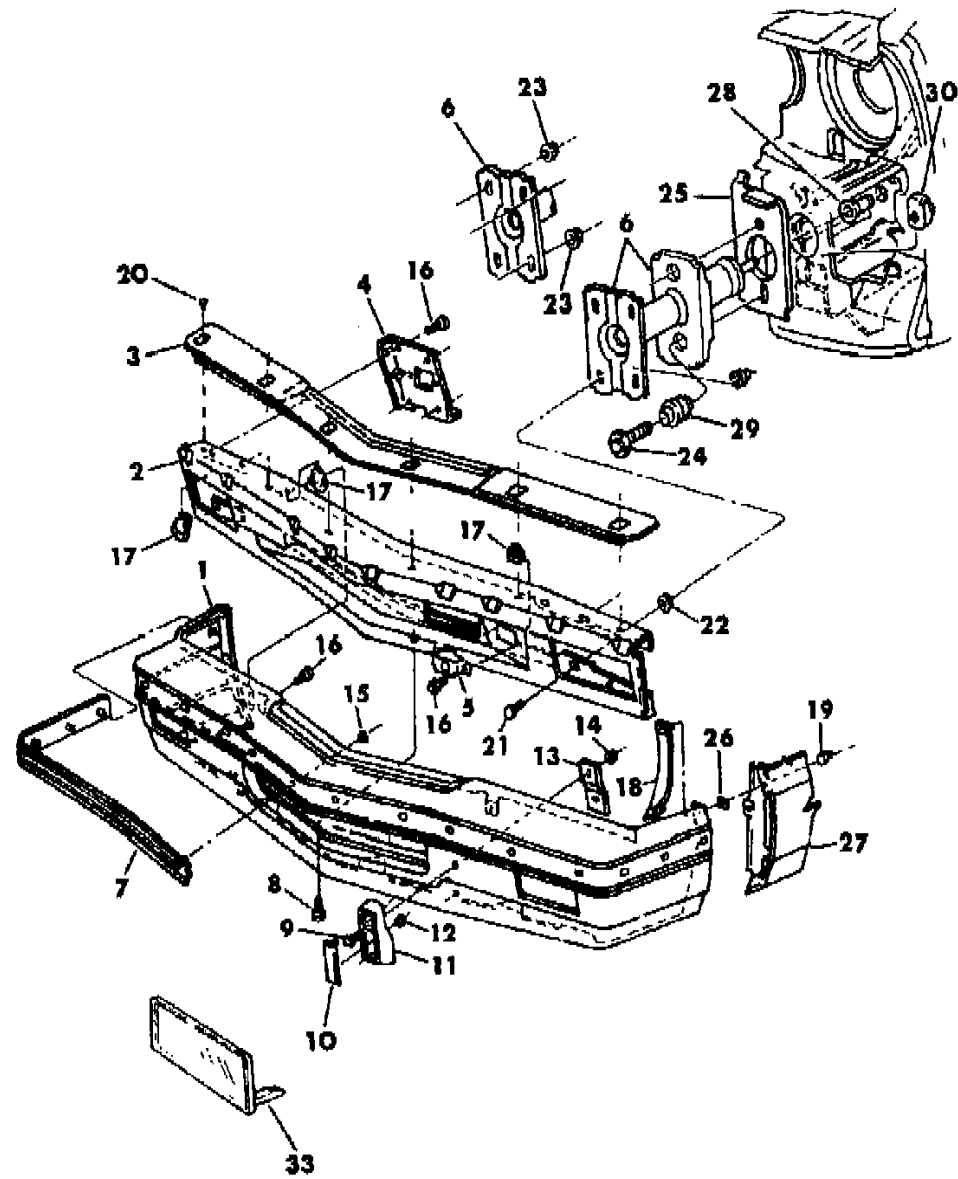
BODY STYLES

21 = 2-DOOR SEDAN	41 = 4-DOOR SEDAN
22 = 2-DOOR SPECIAL COUPE	45 = 4-DOOR STATION WAGON
24 = 2-DOOR HATCHBACK	44 = 4-DOOR HATCHBACK
27 = 2-DOOR CONVERTIBLE	48 = EXECUTIVE SEDAN
28 = FWD PICKUP	

AR = Use as Required - = Non Illustrated Part P.A.R. = Paint as Required

BUMPER, FRONT V,E  
Figure 13-825

3113 825A



ITEM	PART NUMBER	QTY	BODY	MODEL	DESCRIPTION
30	#6500 634	2		All	U-NUT
33	#4194 434	1		All	LICENSE PLATE, Frt. Att.Pkg.

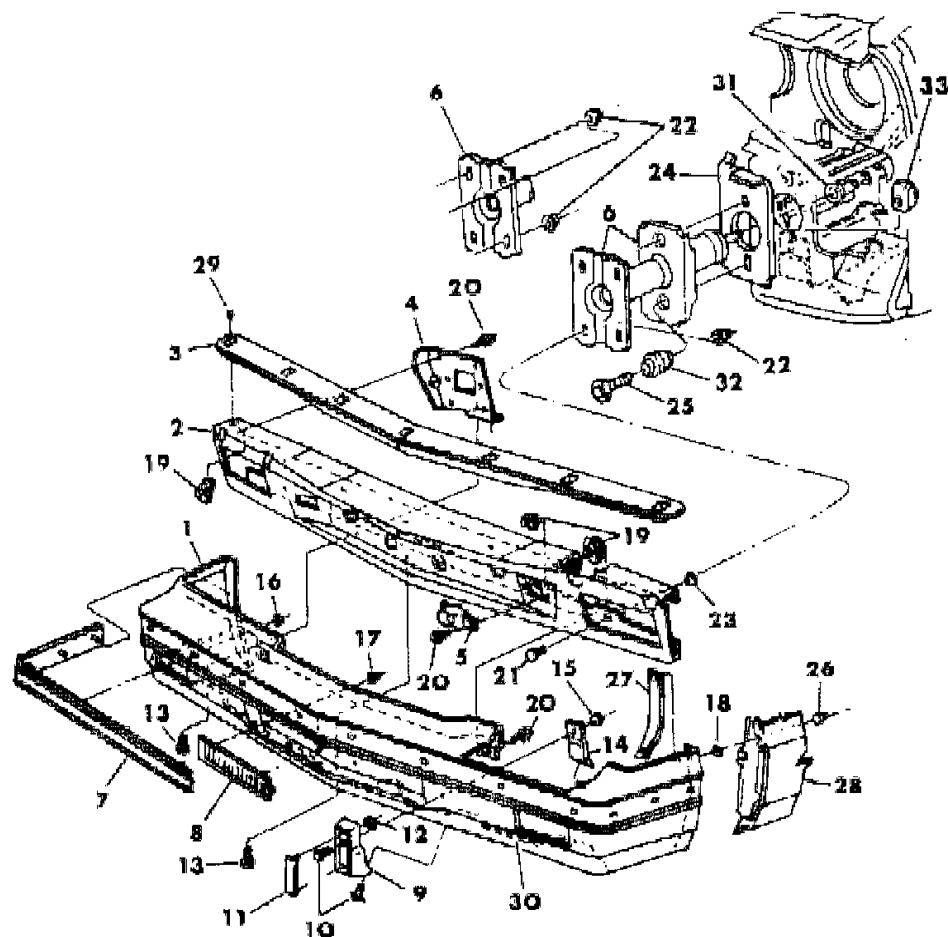
MODEL CODES  
 B = GRAN FURY  
 C = LEBARON/TOWN & COUNTRY  
 D = ARIES  
 E = 600  
 F = FIFTH AVENUE  
 G = DIPLOMAT  
 M = HORIZON/TURISMO/SCAMP  
 P = RELIANT  
 S = CORDOBA  
 T = E CLASS/NEWYORKER  
 V = 400  
 X = MIRADA  
 Y = IMPERIAL  
 Z = OMNI/CHARGER/RAMPAGE

BODY STYLES  
 21 = 2-DOOR SEDAN  
 22 = 2-DOOR SPECIAL COUPE  
 24 = 2-DOOR HATCHBACK  
 27 = 2-DOOR CONVERTIBLE  
 28 = FWD PICKUP  
 41 = 4-DOOR SEDAN  
 45 = 4-DOOR STATION WAGON  
 44 = 4-DOOR HATCHBACK  
 48 = EXECUTIVE SEDAN

AR = Use as Required - = Non Illustrated Part P.A.R. = Paint as Required

**BUMPER, FRONT C,T**  
**Figure 13-850**

3113 850



ITEM	PART NUMBER	QTY	BODY	MODEL	DESCRIPTION
1	#4194 375	1		All	FASCIA,Bumper Frt.(Paint As Req.)
2	#4103 374	1		All	REINFORCEMENT, Fascia Frt.
3	#4194 362	1		All	SUPPORT, Fascia Frt.
4	#4194 356-7	1		All	BRACKET, Fascia Park And Turn Lamp Mtg.
5	#4194 386	2		All	BRACE, Fascia Guard
6	#4194 946	2		All	ABSORBER, Frt. (5 Mile Impact)
	4194 917	2		All	2 1/2 Mile Impact)
7	#X284 AA9	1		All	NERF, Bumper Frt.,Charcoal Grey
	X284 BA2	1		All	Silver (K5A)
	X284 BM5	1		All	Red (K5R)
	X284 BT8	1		All	Sable Brown (K5T)
	X284 AC9	1		All	Nightwatch Blue (K5C)
	X284 AW3	1		All	Pearl White (K5W)
	X284 BL4	1		All	Beige (K5L)
	X284 AX9	1		All	Black (K5X)
	4103 337	1		T-P,C-4	NERF,Brite
8	#4194 368	1		All	GRILLE,Fascia, Lower
9	#X572-3 AT3	1		All	GUARD, Frt.(Paint As Req.)
10	#6500 489	1		All	BOLT, Guard
11	#4194 380	2		All	CUSHION, Guard
12	#6031 147	4		All	SPRING-NUT
13	#6030 441	8		All	RETAINER, Bumper To Reinf.
14	#4194 382	2		All	PLATE,Guard Att.
15	#6100 047	4		All	NUT,w/WASHER
16					WASHER (Not Serviced)
17					NUT (Not Serviced)
18	#6100 840	4		All	PUSH-NUT
19	#6100 041	14		All	U-NUT
20	#6100 286	14		All	SCREW,w/WASHER
21	#6500 463	4		All	BOLT,Carriage
22	#6100 051	4		All	NUT,w/WASHER
23					RETAINER (Not Serviced)
24	#4194 927	2		All	LIMITER-PLATE, Brkt. To Rail
25	#6100 593	4		All	SCREW,w/WASHER
26	#6101 289	4		All	NUT,Retainer
27	#4194 274-5	1		All	RETAINER, Fascia
28					PANEL (Fender Ref.)

**MODEL CODES**

B = GRAN FURY	G = DIPLOMAT	V = 400
C = LEBARON/TOWN & COUNTRY	M = HORIZON/TURISMO/SCAMP	X = MIRADA
D = ARIES	P = RELIANT	Y = IMPERIAL
E = 600	S = CORDOBA	Z = OMNI/CHARGER/RAMPAGE
F = FIFTH AVENUE	T = E CLASS/NEWYORKER	

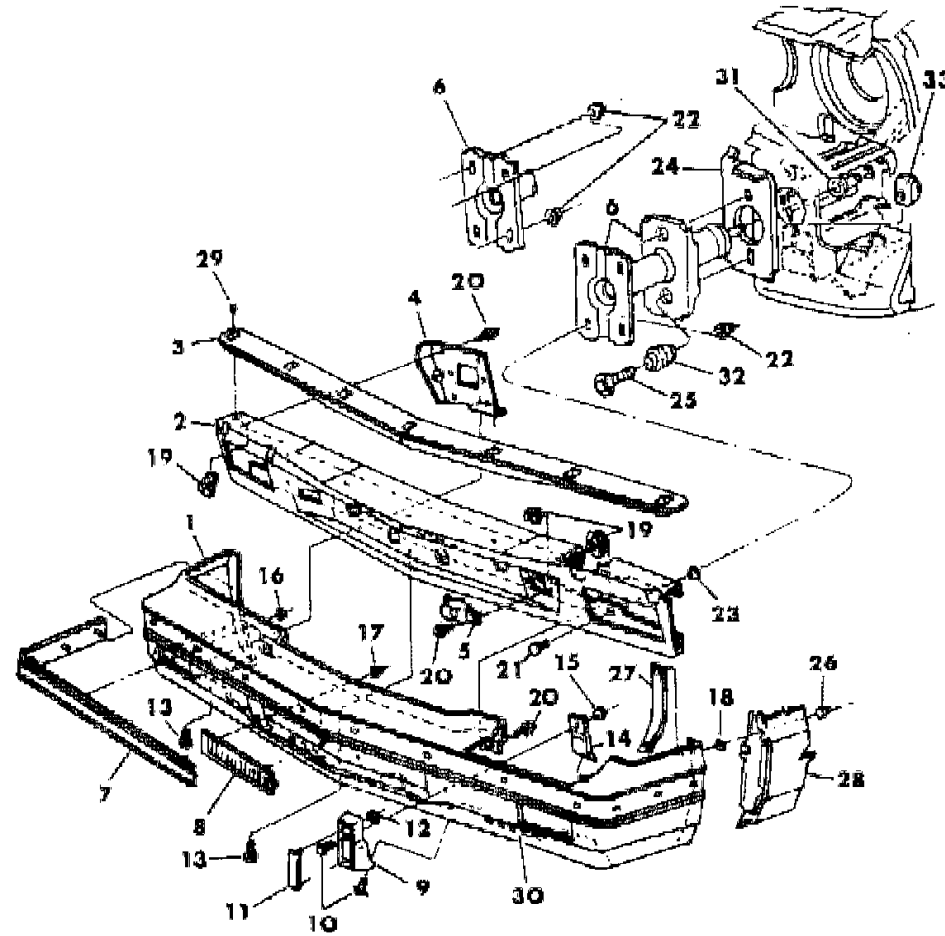
**BODY STYLES**

21 = 2-DOOR SEDAN	41 = 4-DOOR SEDAN
22 = 2-DOOR SPECIAL COUPE	45 = 4-DOOR STATION WAGON
24 = 2-DOOR HATCHBACK	44 = 4-DOOR HATCHBACK
27 = 2-DOOR CONVERTIBLE	48 = EXECUTIVE SEDAN
28 = FWD PICKUP	

AR = Use as Required - = Non Illustrated Part P.A.R. = Paint as Required

**BUMPER, FRONT C,T**  
**Figure 13-850**

3113 850



ITEM	PART NUMBER	QTY	BODY	MODEL	DESCRIPTION
29					RIVET (Not Serviced)
30	#4194 372	1		All	LICENSE-PLATE, Frt. Att.Pkg.
31					GROMMET (Serviced In Absorber Item 6)
32					ISOLATOR (Serviced In Absorber Item 6)
33	#6500 634	2		All	U-NUT

**MODEL CODES**

B = GRAN FURY	G = DIPLOMAT	V = 400
C = LEBARON/TOWN & COUNTRY	M = HORIZON/TURISMO/SCAMP	X = MIRADA
D = ARIES	P = RELIANT	Y = IMPERIAL
E = 600	S = CORDOBA	Z = OMNI/CHARGER/RAMPAGE
F = FIFTH AVENUE	T = E CLASS/NEWYORKER	

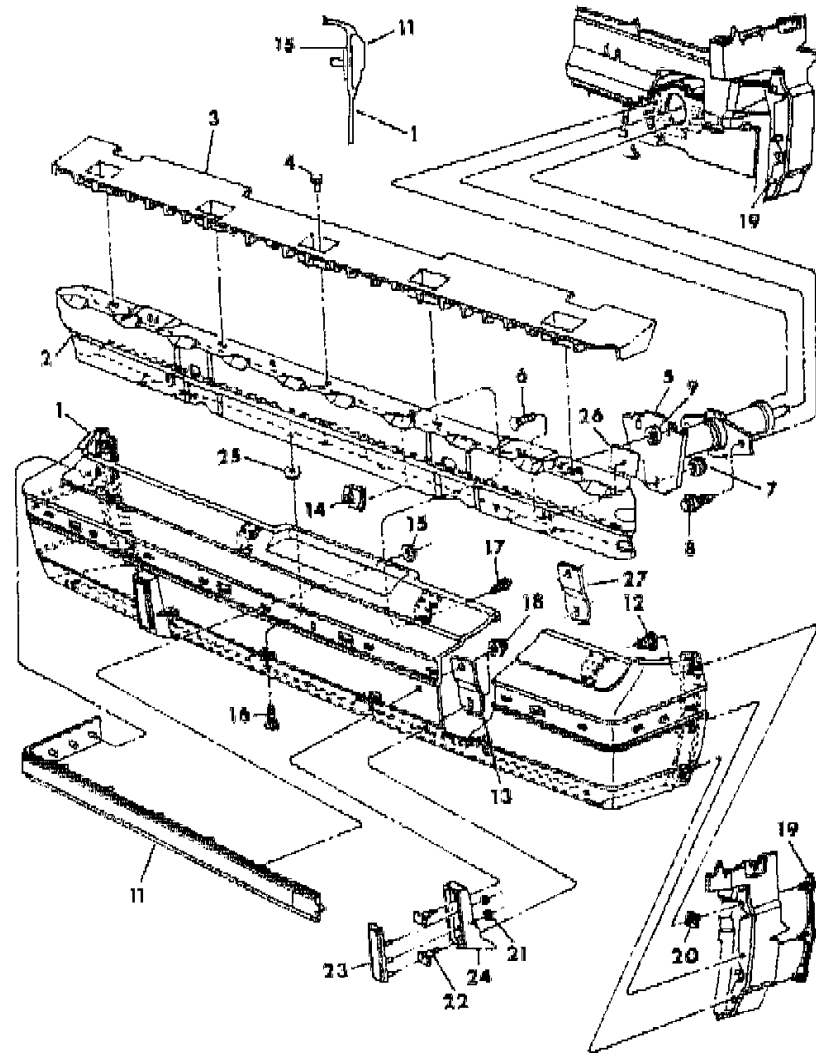
**BODY STYLES**

21 = 2-DOOR SEDAN	41 = 4-DOOR SEDAN
22 = 2-DOOR SPECIAL COUPE	45 = 4-DOOR STATION WAGON
24 = 2-DOOR HATCHBACK	44 = 4-DOOR HATCHBACK
27 = 2-DOOR CONVERTIBLE	48 = EXECUTIVE SEDAN
28 = FWD PICKUP	

AR = Use as Required - = Non Illustrated Part P.A.R. = Paint as Required

**BUMPER, REAR P,D,V,C,E,T - 21,22,27,41**  
**Figure 13-900**

3112 900



ITEM	PART NUMBER	QTY	BODY	MODEL	DESCRIPTION
1	#X586 AW3	1		All	FASCIA,Bumper Rr. (Paint As Req.)
2	4194 670	1		All	REINF. Fascia
	4103 347	1		C-48	
3	4194 672	1		All	SUPPORT, Fascia
4					RIVET (Not Serviced)
5	4147 742	1		All	ABSORBER, Rr.Impact (5 Mile Impact)
	4194 740	1		All	(2 1/2 Mile Impact)
6	6500 463	6		All	BOLT, Reinf.
7	6100 051	6		All	NUT,w/WASHER
8	6100 593	4		All	SCREW,WASHER
9					PUSH-NUT (Not Serviced)
10	6100 840	4		All	PUSH-NUT
11	#X287 BA2	1		All	NERF,w/Body Side Mldg., Silver (K5A)
	X287 BL4	1		All	Beige (K5L)
	X287 AC9	1		All	Nightwatch Blue (K5C)
	X287 BT8	1		All	Sable Brown (K5T)
	X287 BM5	1		All	Red (K5R)
	X287 AW3	1		All	Pearl White (K5W)
	X287 AX9	1		All	Black (K5X)
	4074 558	1		E-S	NERF
	4103 339	1		T-P,C-4	NERF, Brite
12	6101 289	6		All	NUT,Flange
13	4194 714	2		All	PLATE, Att.
14	6100 041	4		All	U-NUT
15					WASHER (Not Serviced)
16	6030 441	AR		All	RETAINER
17	6500 452	4		All	BOLT
18	6100 047	4		All	NUT,w/WASHER
19					RETAINER (Body Ref.Only)
20	6500 321	6		All	SPRING-NUT
21	6031 147	4		All	SPRING-NUT
22	6500 489	4		All	BOLT
23	#4103 664	2		All	CUSHION, Guard Rr.
24	#4271 409	2		All	GUARD, Rear (Paint As Req.)
25	4194 690	6		All	SHIM, Fascia To Reinf. Rr. Bumper
26	4194 692	2		All	SHIM, Reinf. To Absorber Rr. Bumper
27	#4194 715	2		All	ISOLATOR,Guard Plate Att.

**MODEL CODES**

B = GRAN FURY	G = DIPLOMAT	V = 400
C = LEBARON/TOWN & COUNTRY	M = HORIZON/TURISMO/SCAMP	X = MIRADA
D = ARIES	P = RELIANT	Y = IMPERIAL
E = 600	S = CORDOBA	Z = OMNI/CHARGER/RAMPAGE
F = FIFTH AVENUE	T = E CLASS/NEWYORKER	

**BODY STYLES**

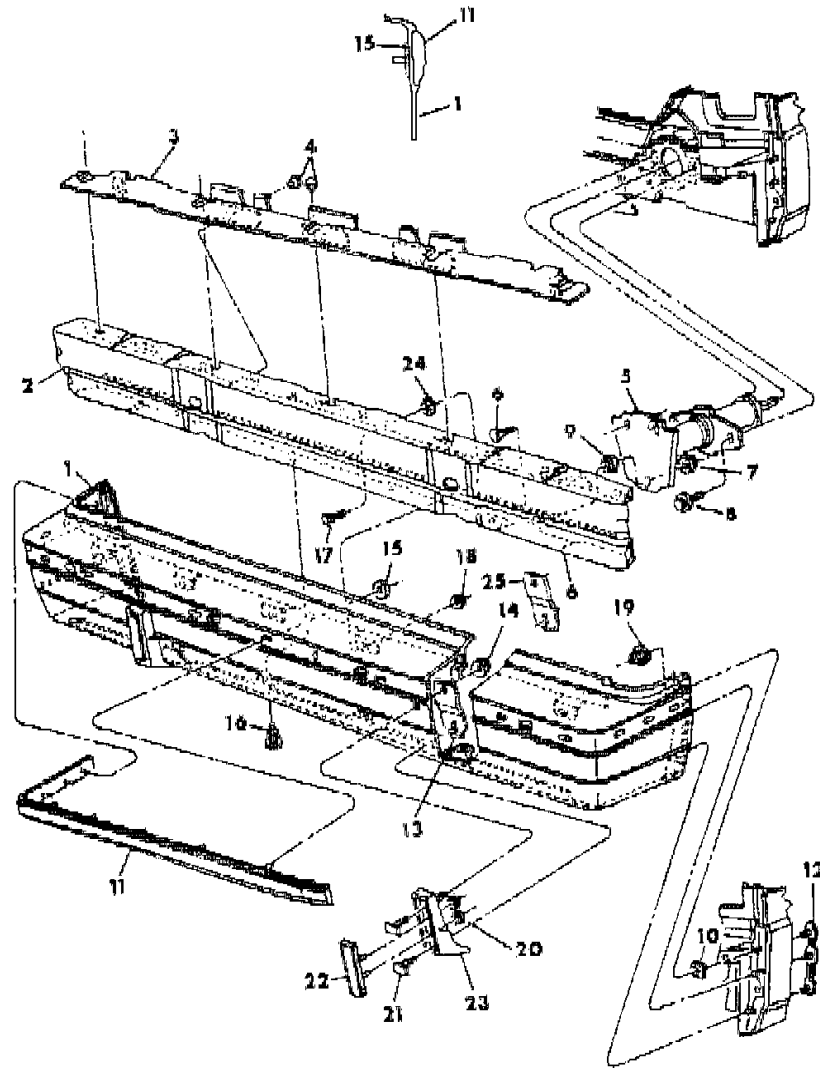
21 = 2-DOOR SEDAN	41 = 4-DOOR SEDAN
22 = 2-DOOR SPECIAL COUPE	45 = 4-DOOR STATION WAGON
24 = 2-DOOR HATCHBACK	44 = 4-DOOR HATCHBACK
27 = 2-DOOR CONVERTIBLE	48 = EXECUTIVE SEDAN
28 = FWD PICKUP	

AR = Use as Required - = Non Illustrated Part P.A.R. = Paint as Required

# BUMPER, REAR P,D,C-45

## Figure 13-950

3113 990



ITEM	PART NUMBER	QTY	BODY	MODEL	DESCRIPTION
1	X569 VY2	1		All	FASCIA,Bumper Rr., (Paint As Req.)
2	#4270 624	1		All	REINF., Fascia, Up To 9-15-82
	4103 348	1		All	After 9-15-82
3	4194 725	1		All	SUPPORT, Fascia
4					RIVET (Not Serviced)
5	4147 742	2		All	ABSORBER, Rr., Impact (5 Mile Impact)
	4194 740	2		All	(2 1/2 Mile Impact)
6	6500 463	6		All	BOLT, Reinf.
7	6100 051	6		All	NUT,w/WASHER
8	6100 593	4		All	SCREW,w/WASHER
9					PUSH-NUT (Not Serviced)
10	6500 321	6		All	SPRING-NUT
11	#4194 885	1		All	NERF, Bumper Rr. Brite
12					RETAINER (Body Ref.Only)
13	4194 714	2		All	PLATE, Att.
14	6100 047	4		All	NUT,w/WASHER
15					WASHER (Not Serviced)
16	6030 441	AR		All	RETAINER
17	6500 452	6		All	BOLT
18	6100 048	6		All	NUT,w/WASHER
19	6101 289	6		All	NUT,Flange
20	6031 147	4		All	SPRING-NUT
21	6500 489	4		All	BOLT
22	#4103 664	2		All	CUSHION, Guard Rr.
23	#4271 409	2		All	GUARD, Rear (Paint As Req.)
24	6100 840	6		All	RETAINER
25	#4194 715	2		All	ISOLATOR,Guard Plate Att.

### MODEL CODES

B = GRAN FURY	G = DIPLOMAT	V = 400
C = LEBARON/TOWN & COUNTRY	M = HORIZON/TURISMO/SCAMP	X = MIRADA
D = ARIES	P = RELIANT	Y = IMPERIAL
E = 600	S = CORDOBA	Z = OMNI/CHARGER/RAMPAGE
F = FIFTH AVENUE	T = E CLASS/NEWYORKER	

### BODY STYLES

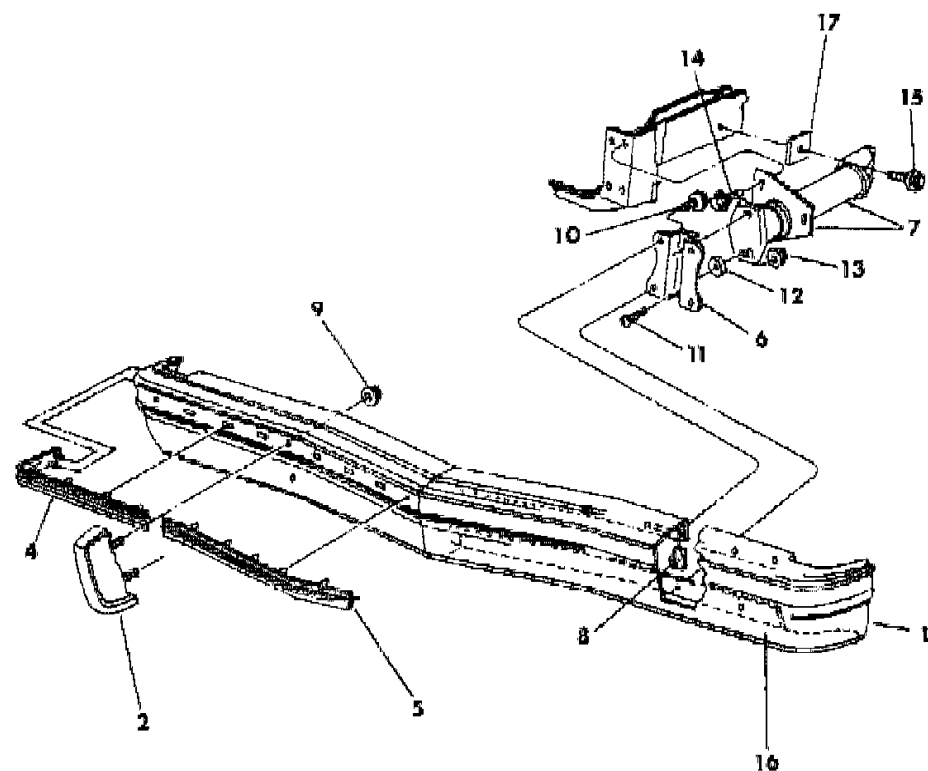
21 = 2-DOOR SEDAN	41 = 4-DOOR SEDAN
22 = 2-DOOR SPECIAL COUPE	45 = 4-DOOR STATION WAGON
24 = 2-DOOR HATCHBACK	44 = 4-DOOR HATCHBACK
27 = 2-DOOR CONVERTIBLE	48 = EXECUTIVE SEDAN
28 = FWD PICKUP	

AR = Use as Required - = Non Illustrated Part P.A.R. = Paint as Required



**BUMPER, FRONT B,F,G**  
**Figure 13-1000**

3113 1000



ITEM	PART NUMBER	QTY	BODY	MODEL	DESCRIPTION
1	4110 263	1		All	BUMPER, Frt., w/Guards w/Nerf
2	4110 214	2		All	GUARD, Bumper Frt., w/Nerf
4	4110 266	2		All	NERF, Bumper End
5	4110 268	1		All	Nerf, Bumper Center
6	4110 269	2		All	ADAPTER, Bumper Frt.
7	4147 506-7	1		All	ABSORBER, Impact, Frt.
8				All	U-NUT (Not Serviced)
9	0118 614	4		All	NUT,w/WASHER, Guard Att.
10		8		All	SCREW,w/WASHER (Not Serviced)
11	0153 366	4		All	BOLT, Adapter Att.
12	6026 648	4		All	RETAINER, Adapter
13	6031 572	4		All	NUT, Bolt
14	6031 627	4		All	SCREW,w/WASHER, Absorber Att.
15	6030 471	2		All	SCREW,w/WASHER, Absorber Att.
16	4110 226	1		All	BRACKET, License Plate Mtg.
	4194 464	1		All	LICENSE-PLATE, Frt.Att.Pkg.
17	3753 122	2		All	PLATE, Anti-Slip

MODEL CODES

B = GRAN FURY	G = DIPLOMAT	V = 400
C = LEBARON/TOWN & COUNTRY	M = HORIZON/TURISMO/SCAMP	X = MIRADA
D = ARIES	P = RELIANT	Y = IMPERIAL
E = 600	S = CORDOBA	Z = OMNI/CHARGER/RAMPAGE
F = FIFTH AVENUE	T = E CLASS/NEWYORKER	

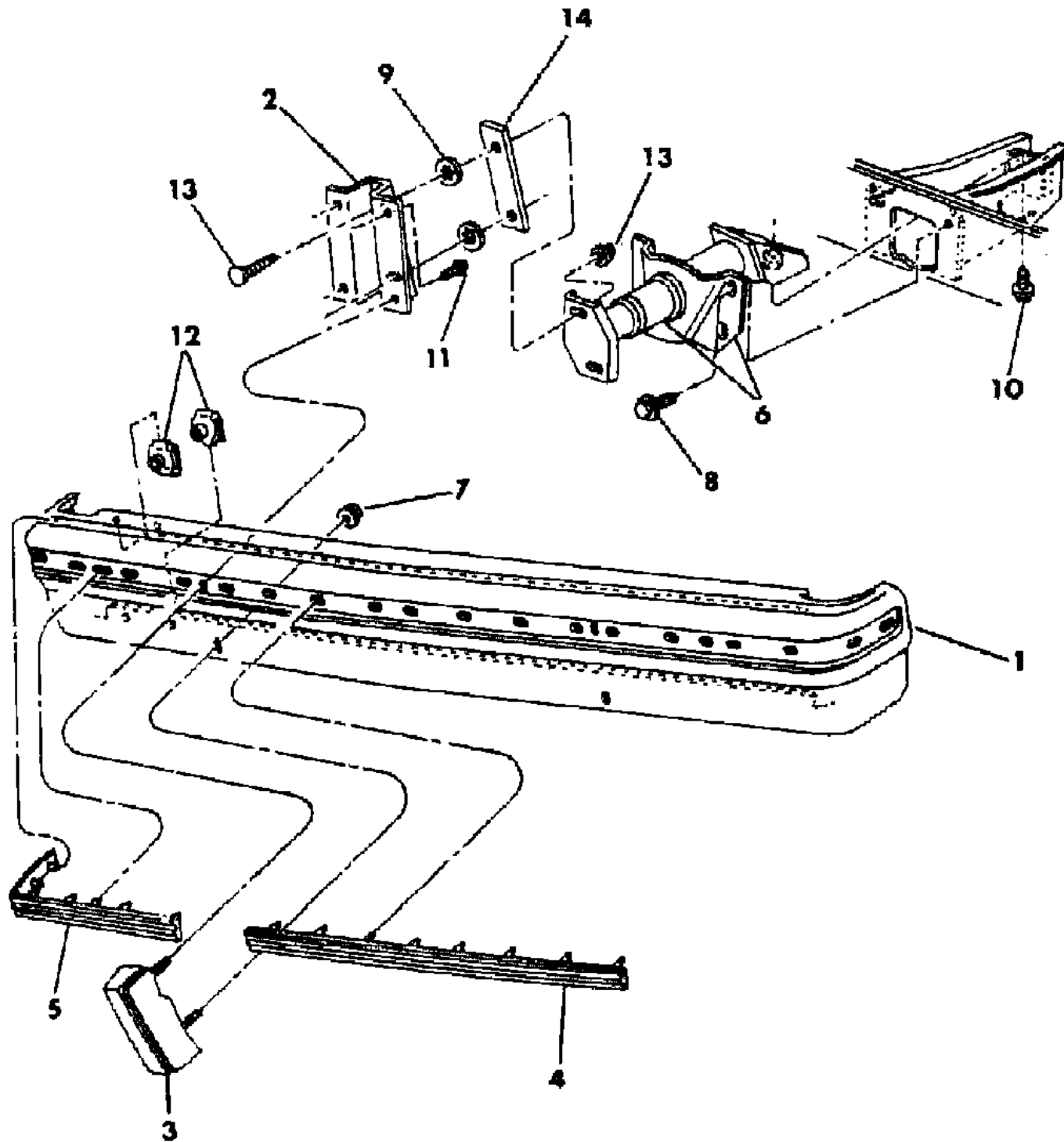
BODY STYLES

21 = 2-DOOR SEDAN	41 = 4-DOOR SEDAN
22 = 2-DOOR SPECIAL COUPE	45 = 4-DOOR STATION WAGON
24 = 2-DOOR HATCHBACK	44 = 4-DOOR HATCHBACK
27 = 2-DOOR CONVERTIBLE	48 = EXECUTIVE SEDAN
28 = FWD PICKUP	

AR = Use as Required - = Non Illustrated Part P.A.R. = Paint as Required

**BUMPER, REAR B,G - 41**  
**Figure 13-1100**

3113 1100



ITEM	PART NUMBER	QTY	BODY	MODEL	DESCRIPTION
1	4110 578	1		All	BUMPER, Rear w/Guards, w/Nerf
2	4110 530	2		All	ADAPTER, Absorber
3	4110 508	2		All	GUARD, Bumper Rear, w/Nerf
4	4110 586	1		All	NERF, Bumper Center, w/Guards
	4110 583	1		All	w/o Guards
5	4110 584-5	1		All	NERF, Bumper End, w/Guards
6	4147 511	2		All	ABSORBER, Impact Rear
7	0118 614	4		All	Nut,w/WASHER, Guard Att.
8	6031 627	4		All	SCREW,w/WASHER, Absorber Mtg.
9	6026 648	4		All	RETAINER, Adapter
10	6030 471	2		All	SCREW,w/WASHER, Absorber Att.
11		8		All	SCREW,w/WASHER (Not Serviced)
12		8		All	U-NUT (Not Serviced)
13	0153 366	4		All	BOLT, Adapter
	6031 572	4		All	NUT,w/WASHER
14	3753 124	AR		All	SHIM
	4110 598	2		All	BLOCKER, Bumper Rr. (Not Ill.)

**MODEL CODES**

B = GRAN FURY	G = DIPLOMAT	V = 400
C = LEBARON/TOWN & COUNTRY	M = HORIZON/TURISMO/SCAMP	X = MIRADA
D = ARIES	P = RELIANT	Y = IMPERIAL
E = 600	S = CORDOBA	Z = OMNI/CHARGER/RAMPAGE
F = FIFTH AVENUE	T = E CLASS/NEWYORKER	

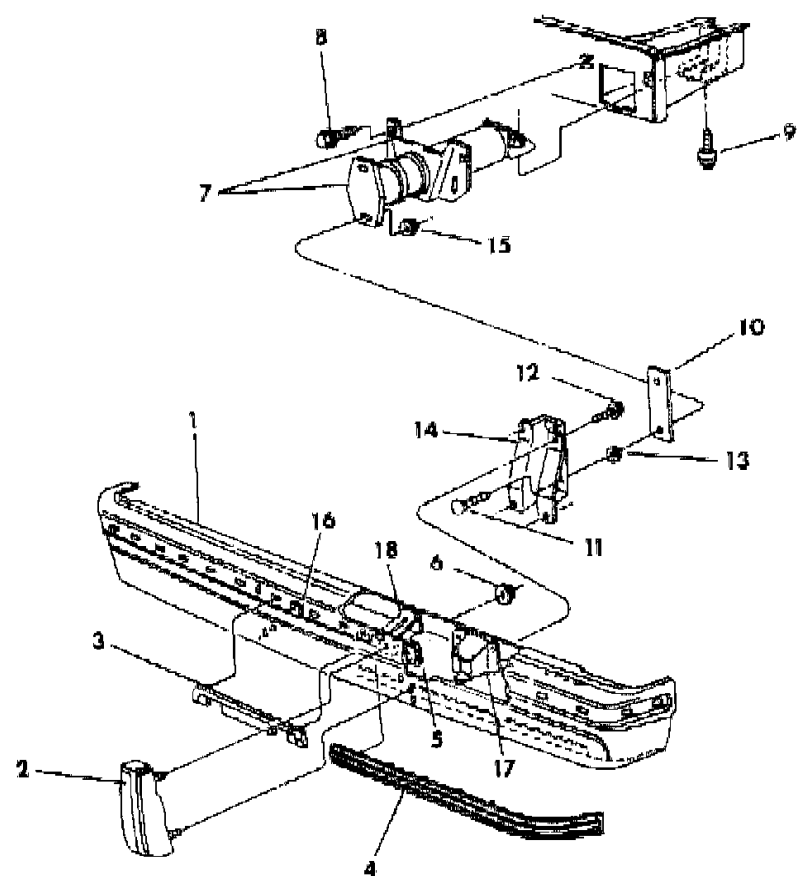
**BODY STYLES**

21 = 2-DOOR SEDAN	41 = 4-DOOR SEDAN
22 = 2-DOOR SPECIAL COUPE	45 = 4-DOOR STATION WAGON
24 = 2-DOOR HATCHBACK	44 = 4-DOOR HATCHBACK
27 = 2-DOOR CONVERTIBLE	48 = EXECUTIVE SEDAN
28 = FWD PICKUP	

AR = Use as Required - = Non Illustrated Part P.A.R. = Paint as Required

**BUMPER, REAR F-41**  
**Figure 13-1200**

3113 1200



ITEM	PART NUMBER	QTY	BODY	MODEL	DESCRIPTION
1	#4194 564	1		All	BUMPER, Rear,w/Guards w/Nerf
2	#4194 566-7	1		All	GUARD, Bumper Rear, w/Nerf
3	4110 536	1		All	NERF, Bumper Center
4	#4194 568-9	1		All	NERF, Bumper End
5		8		All	U-NUT (Not Serviced)
6	0118 614	4		All	NUT,w/WASHER, Guard Att.
7	4147 511	2		All	ABSORBER, Impact Rear
8	6031 627	4		All	SCREW,w/WASHER, Absorber Mtg.
9	6030 471	2		All	SCREW,w/WASHER, Absorber Mtg.
10	3753 124	AR		All	SHIM
11	0153 366	4		All	BOLT, Brkt.
12		8		All	SCREW,w/WASHER (Not Serviced)
13	6026 648	4		All	RETAINER, Brkt.
14	4110 530	2		All	BRACKET, Bumper Adapter
15	6031 572	4		All	NUT,w/WASHER, Absorber Mtg.
17	4110 598	2		All	BLOCKER, Bumper Rr.
18	4110 550	2		All	BULKHEAD, Bumper Rear

**MODEL CODES**

B = GRAN FURY	G = DIPLOMAT	V = 400
C = LEBARON/TOWN & COUNTRY	M = HORIZON/TURISMO/SCAMP	X = MIRADA
D = ARIES	P = RELIANT	Y = IMPERIAL
E = 600	S = CORDOBA	Z = OMNI/CHARGER/RAMPAGE
F = FIFTH AVENUE	T = E CLASS/NEWYORKER	

**BODY STYLES**

21 = 2-DOOR SEDAN	41 = 4-DOOR SEDAN
22 = 2-DOOR SPECIAL COUPE	45 = 4-DOOR STATION WAGON
24 = 2-DOOR HATCHBACK	44 = 4-DOOR HATCHBACK
27 = 2-DOOR CONVERTIBLE	48 = EXECUTIVE SEDAN
28 = FWD PICKUP	

AR = Use as Required - = Non Illustrated Part P.A.R. = Paint as Required

FASCIA, BUMPER FRONT X  
Figure 13-1700

3113 1700

ITEM	PART NUMBER	QTY	BODY	MODEL	DESCRIPTION
1	0181 063	10		All	SCREW,w/WASHER, Fascia Att.
2	0152 454	AR		All	U-NUT
3		2		All	BOLT (Not Serviced)
4	4110 322	1		All	BRACE, Fascia To Hood
5	6031 354	AR		All	SCREW,w/WASHER, Supt.
6	6025 011	2		All	NUT,w/WASHER
7		8		All	U-NUT (Not Serviced)
8		12		All	NUT (Body Ref. Only)
9		8		All	SCREW (Not Serviced)
10	#4271 419	1		All	FASCIA, Bumper Frt. (Paint As Req.)
11	#4110 362-3	1		All	BEZEL, Fascia H/L
12	4110 308	1		All	ABSORBER, Fascia Frt.
13	#4110 306-7	1		All	SUPPORT, Absorber
14	4110 320	2		All	BRACE, Fascia H/Lamp To Yoke
	4110 322	1		All	H/Lamp Supt. To Supt.
15	4110 324	1		All	STRAP, Fascia
16	6023 092	2		All	SCREW,w/WASHER, Strap Att.
17		2		All	J-NUT (Not Serviced)
18	4110 326	1		All	BRACKET, License Plate Mtg.
	4194 466	1		All	LICENSE-PLATE,Frnt.Att.Pkg.
19	4110 305	1		All	NERF, Fascia, w/Brite Center
	6500 321	AR		All	SPRING-NUT (Push-On) (Not Ill.)
20	4110 278	1		All	SUPPORT, Fascia & H/Lamp
	4110 333	1		All	SUPPORT, Fascia Upper (Not Ill.)
21	4140 049	1		All	AIR-DAM, Frt. Bumper Fascia, w/Air Cond.
22	6031 390	5		All	RETAINER, Air-Dam
23	4240 541	1		All	GRILLE-BAR, Replacement Pkg. Upper
					Consists Of:
					1 ----- Grille-Bar,Upper
					10 ----- Clips
					1 ----- Instruct. Sheet
	4240 550	4		All	GRILLE-BAR, Replacement Pkg.,Lower
					Consists Of:
					1 ----- Grille-Bar, Lower
					10 ----- Clips
					1 ----- Instruct.Sheet

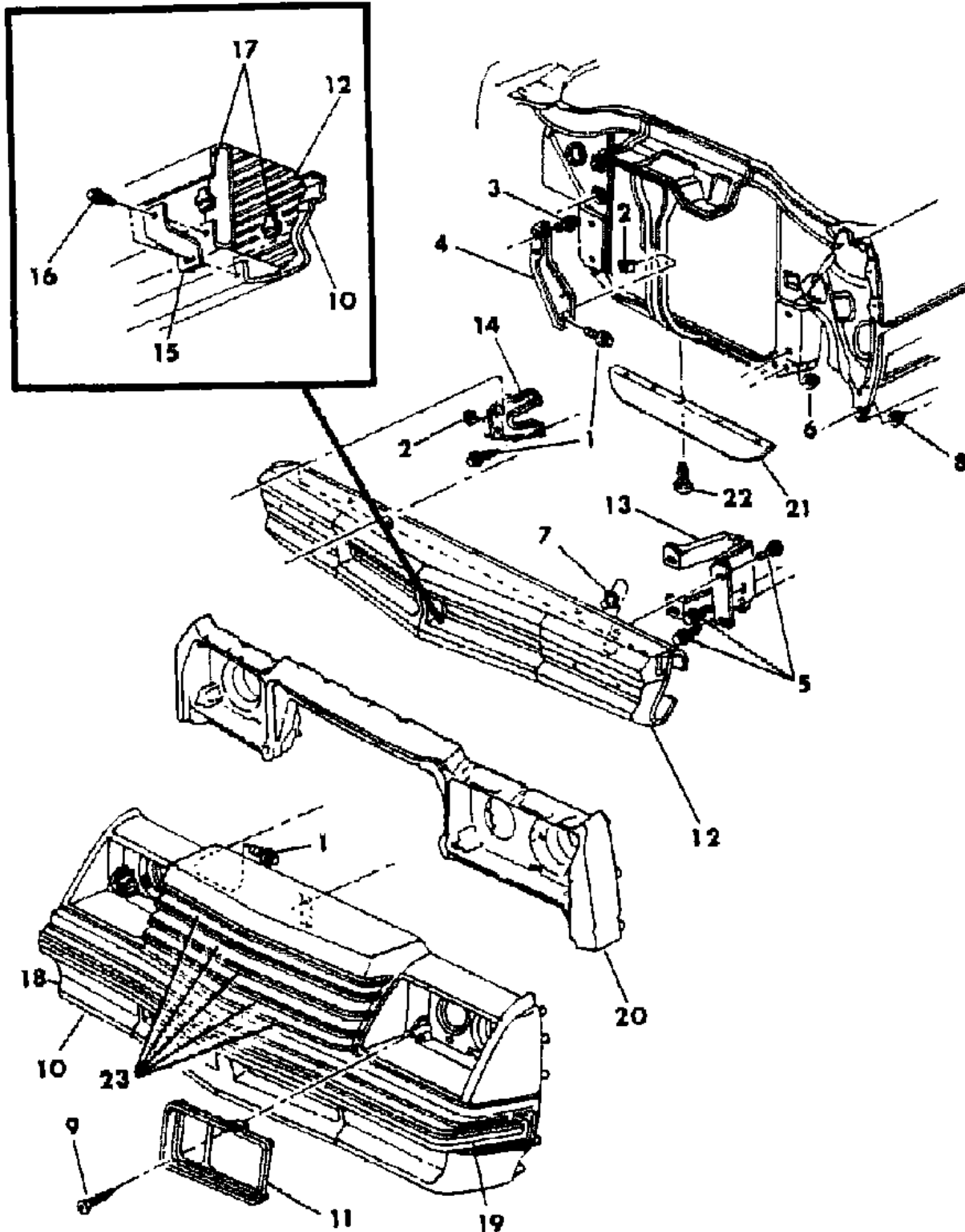
MODEL CODES

B = GRAN FURY	G = DIPLOMAT	V = 400
C = LEBARON/TOWN & COUNTRY	M = HORIZON/TURISMO/SCAMP	X = MIRADA
D = ARIES	P = RELIANT	Y = IMPERIAL
E = 600	S = CORDOBA	Z = OMNI/CHARGER/RAMPAGE
F = FIFTH AVENUE	T = E CLASS/NEWYORKER	

BODY STYLES

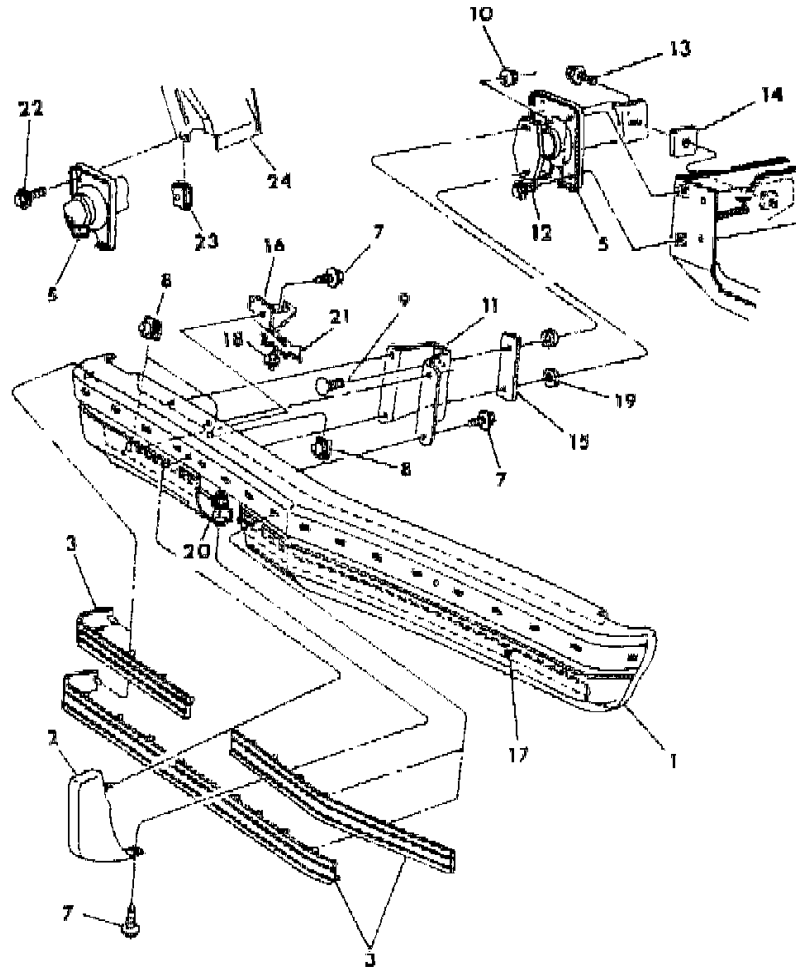
21 = 2-DOOR SEDAN	41 = 4-DOOR SEDAN
22 = 2-DOOR SPECIAL COUPE	45 = 4-DOOR STATION WAGON
24 = 2-DOOR HATCHBACK	44 = 4-DOOR HATCHBACK
27 = 2-DOOR CONVERTIBLE	48 = EXECUTIVE SEDAN
28 = FWD PICKUP	

AR = Use as Required - = Non Illustrated Part P.A.R. = Paint as Required



**BUMPER, FRONT S**  
**Figure 13-1800**

3115 1800



ITEM	PART NUMBER	QTY	BODY	MODEL	DESCRIPTION
1	4194 052	1		All	BUMPER, Frt.
2	X151 TX9	2		All	GUARD, Bumper Frt., Black
3	X262 TX9	1		All	NERF, Center, w/White Stripe, w/Guards, Black
	X260-1 TX9	1		All	End, w/Guards, w/White Stripe, Black
5	4147 506-7	1		All	ABSORBER, Impact Frt.
7		12		All	SCREW,w/WASHER (Not Serviced)
8		10		All	U-NUT (Not Serviced)
9	0153 367	4		All	BOLT, Adapter
10	6031 572	4		All	NUT,w/WASHER
11	4194 056-7	1		All	ADAPTER, Absorber Impact
12	6031 627	4		All	BOLT,w/WASHER, Absorber Mtg.
13	6030 471	2		All	BOLT,w/WASHER
14	3753 122	2		All	PLATE, Anti-Slip
15				All	INSULATOR (Not Serviced)
16	4194 060-1	1		All	BRACKET, Fender Panel Ext.
17	4110 291	1		All	BRACKET, License Plate Mtg.
	4194 465	1		All	LICENSE-PLATE, Frt.Att. Pkg.
18	6031 548	2		All	RETAINER, Brkt.
19	6026 648	AR		All	RETAINER, Adapter
20	0118 614	4		All	NUT,w/WASHER, Guard Att.
21				All	EXTENSION, Frt. Fender (Ref.Only)
22	0181 088	2		All	SCREW,w/WASHER
23		2		All	U-NUT (Not Serviced)
24				All	YOKE, Rad. (Ref. Only)

**MODEL CODES**

B = GRAN FURY	G = DIPLOMAT	V = 400
C = LEBARON/TOWN & COUNTRY	M = HORIZON/TURISMO/SCAMP	X = MIRADA
D = ARIES	P = RELIANT	Y = IMPERIAL
E = 600	S = CORDOBA	Z = OMNI/CHARGER/RAMPAGE
F = FIFTH AVENUE	T = E CLASS/NEWYORKER	

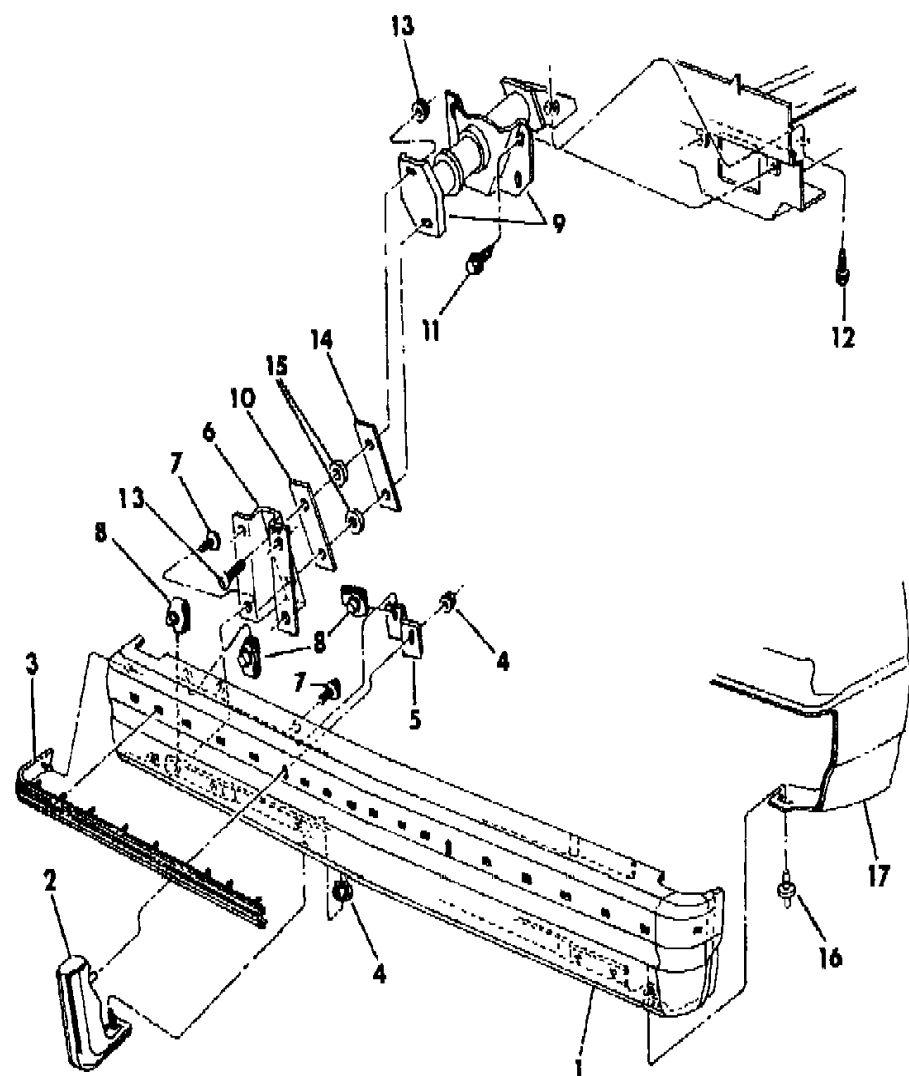
**BODY STYLES**

21 = 2-DOOR SEDAN	41 = 4-DOOR SEDAN
22 = 2-DOOR SPECIAL COUPE	45 = 4-DOOR STATION WAGON
24 = 2-DOOR HATCHBACK	44 = 4-DOOR HATCHBACK
27 = 2-DOOR CONVERTIBLE	48 = EXECUTIVE SEDAN
28 = FWD PICKUP	

AR = Use as Required - = Non Illustrated Part P.A.R. = Paint as Required

**BUMPER, REAR X,S**  
**Figure 13-1900**

3113 1900A



ITEM	PART NUMBER	QTY	BODY	MODEL	DESCRIPTION
1	4194 553	1		All	BUMPER, Rear, w/Guards w/Nerf
2	X153 TX9	2		All	GUARD w/NERF, Black
3	X194 TX9	1		S-P	NERF, Rr.Bumper, Black
	X195 TX9	1		X,S-S	w/o Guards, Black
	X196 TX9	1		X,S-S	w/Guards, Black
4	0118 614	4		All	Nut,w/WASHER, Guard Att.
5	4194 560	2		All	BULKHEAD, Bumper Rear
6	4194 556	2		All	ADAPTER, Absorber
7		8		All	SCREW,w/WASHER (Not Serviced)
8		AR		All	U-NUT (Not Serviced)
9	4147 512	2		All	ABSORBER, Impact
10		2		All	INSULATOR (Not Serviced)
11	6031 627	4		All	SCREW,w/WASHER
12	6030 471	2		All	SCREW,w/WASHER
13	0153 469	4		All	BOLT, Adapter
	0153 367	4		All	BOLT, w/Shim
	6031 572	4		All	NUT,w/WASHER
14	3835 104	AR		All	SHIM
15	6026 648	AR		All	RETAINER, Absorber
	4110 569	2		All	RETAINER, Bumper To Panel (Not Ill.)
17				All	EXT. Qtr. Panel (Ref.Only)

MODEL CODES

B = GRAN FURY	G = DIPLOMAT	V = 400
C = LEBARON/TOWN & COUNTRY	M = HORIZON/TURISMO/SCAMP	X = MIRADA
D = ARIES	P = RELIANT	Y = IMPERIAL
E = 600	S = CORDOBA	Z = OMNI/CHARGER/RAMPAGE
F = FIFTH AVENUE	T = E CLASS/NEWYORKER	

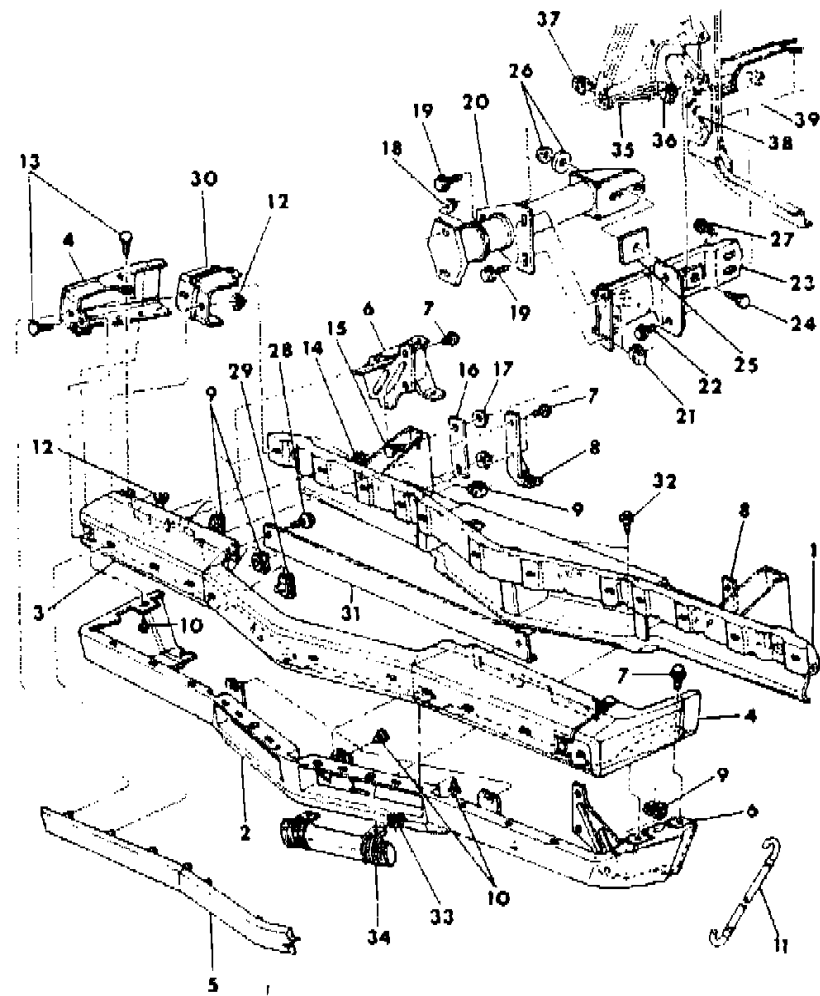
BODY STYLES

21 = 2-DOOR SEDAN	41 = 4-DOOR SEDAN
22 = 2-DOOR SPECIAL COUPE	45 = 4-DOOR STATION WAGON
24 = 2-DOOR HATCHBACK	44 = 4-DOOR HATCHBACK
27 = 2-DOOR CONVERTIBLE	48 = EXECUTIVE SEDAN
28 = FWD PICKUP	

AR = Use as Required - = Non Illustrated Part P.A.R. = Paint as Required

**BUMPER, FRONT Y**  
**Figure 13-2000**

3113 2000



ITEM	PART NUMBER	QTY	BODY	MODEL	DESCRIPTION
1	4194 106	1		All	REINFORCEMENT, Bumper Frt.
2				All	FILLER (Ref. Only)
3	4194 101	1		All	BUMPER, Frt.
4	4194 102-3	1		All	END-CAP
5	4194 116	1		All	NERF, Bumper Frt.
6	4194 126-7	1		All	BRACKET, Filler Supt.
7	0153 339	12		All	SCREW,w/WASHER
8	4194 115	2		All	BRACKET, Bumper To Reinf. Tie
9	6030 864	12		All	NUT
10	6030 538	AR		All	RETAINER
11	4110 569	2		All	RETAINER
12	6031 505	4		All	NUT,w/WASHER
13	6031 420	4		All	BOLT
14	6031 505	12		All	NUTw/WASHER
15	6031 828	4		All	BOLT
16					INSULATOR (Not Serviced)
17	6026 647	4		All	RETAINER
18	6030 383	4		All	NUT,w/WASHER
19	6031 354	6		All	SCREW,w/WASHER
20	4052 492	2		All	ABSORBER, Impact Frt.
21					U-NUT (Not Serviced)
22	6031 627	4		All	SCREW,w/WASHER
23	4052 460-1	1		All	RAIL-EXT.w/Brkt., Absorber Impact
24					SCREW (Not Serviced)
25	3753 122	2		All	PLATE, Anti-Slip
26	0219 469	2		All	NUT
	6030 146	2		All	WASHER
27	6030 471	2		All	SCREW,w/WASHER
28	0153 346	2		All	SCREW,w/WASHER
29	0153 345	2		All	U-NUT
30	4194 132-3	1		All	GASKET,Bumper Frt.
31	4194 138	1		All	TENSION-TIE
32					SCREW,w/WASHER (Not Serviced)
33	6031 938	AR		All	U-NUT
34	4194 120-1	1		All	GRILLE,Bumper Cooling Slot
35	4052 500	2		All	BRACE, Asorber Impact
36	0153 294	4		All	U-NUT

MODEL CODES

B = GRAN FURY	G = DIPLOMAT	V = 400
C = LEBARON/TOWN & COUNTRY	M = HORIZON/TURISMO/SCAMP	X = MIRADA
D = ARIES	P = RELIANT	Y = IMPERIAL
E = 600	S = CORDOBA	Z = OMNI/CHARGER/RAMPAGE
F = FIFTH AVENUE	T = E CLASS/NEWYORKER	

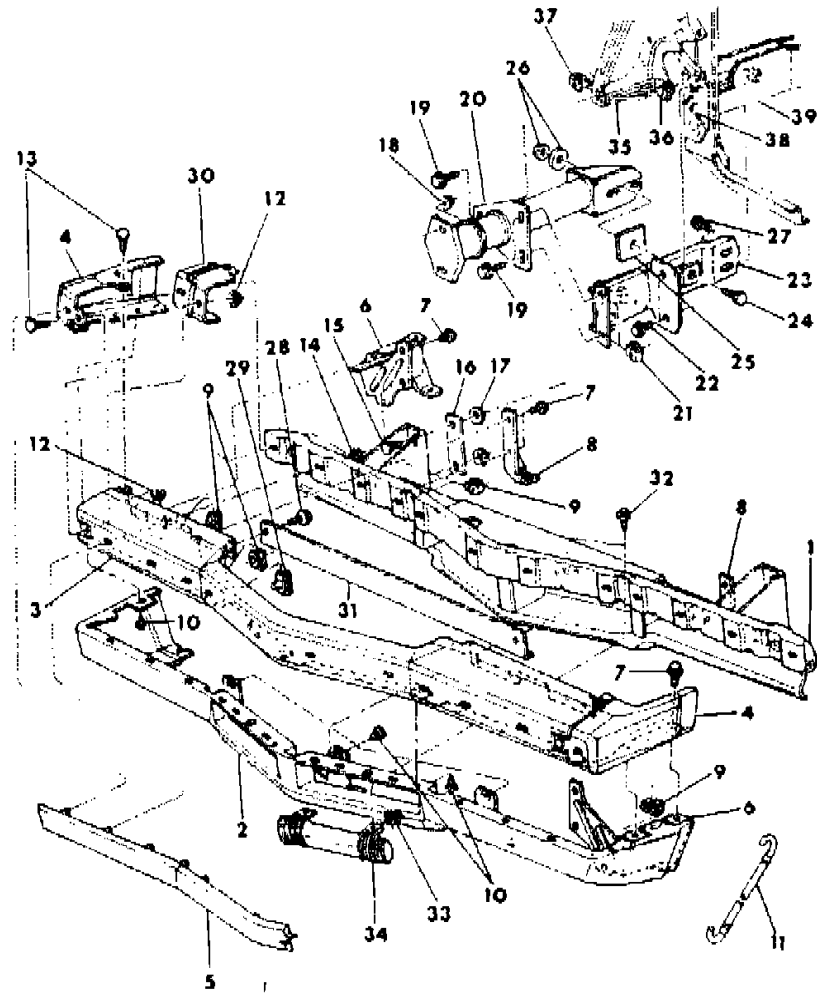
BODY STYLES

21 = 2-DOOR SEDAN	41 = 4-DOOR SEDAN
22 = 2-DOOR SPECIAL COUPE	45 = 4-DOOR STATION WAGON
24 = 2-DOOR HATCHBACK	44 = 4-DOOR HATCHBACK
27 = 2-DOOR CONVERTIBLE	48 = EXECUTIVE SEDAN
28 = FWD PICKUP	

AR = Use as Required - = Non Illustrated Part P.A.R. = Paint as Required

**BUMPER, FRONT Y**  
**Figure 13-2000**

3113 2000



ITEM	PART NUMBER	QTY	BODY	MODEL	DESCRIPTION
37	6031 906	2		All	U-NUT
38					BRACE, Rad. Grille (Ref. Only)
39					FRAME (Ref. Only)
	4194 135	1		All	BRACKET, License Plate Mtg. (Not Ill.)
	4194 467	1		All	LICENSE PLATE, Frt. Att.Pkg.(Not Ill.)

MODEL CODES

B = GRAN FURY	G = DIPLOMAT	V = 400
C = LEBARON/TOWN & COUNTRY	M = HORIZON/TURISMO/SCAMP	X = MIRADA
D = ARIES	P = RELIANT	Y = IMPERIAL
E = 600	S = CORDOBA	Z = OMNI/CHARGER/RAMPAGE
F = FIFTH AVENUE	T = E CLASS/NEWYORKER	

BODY STYLES

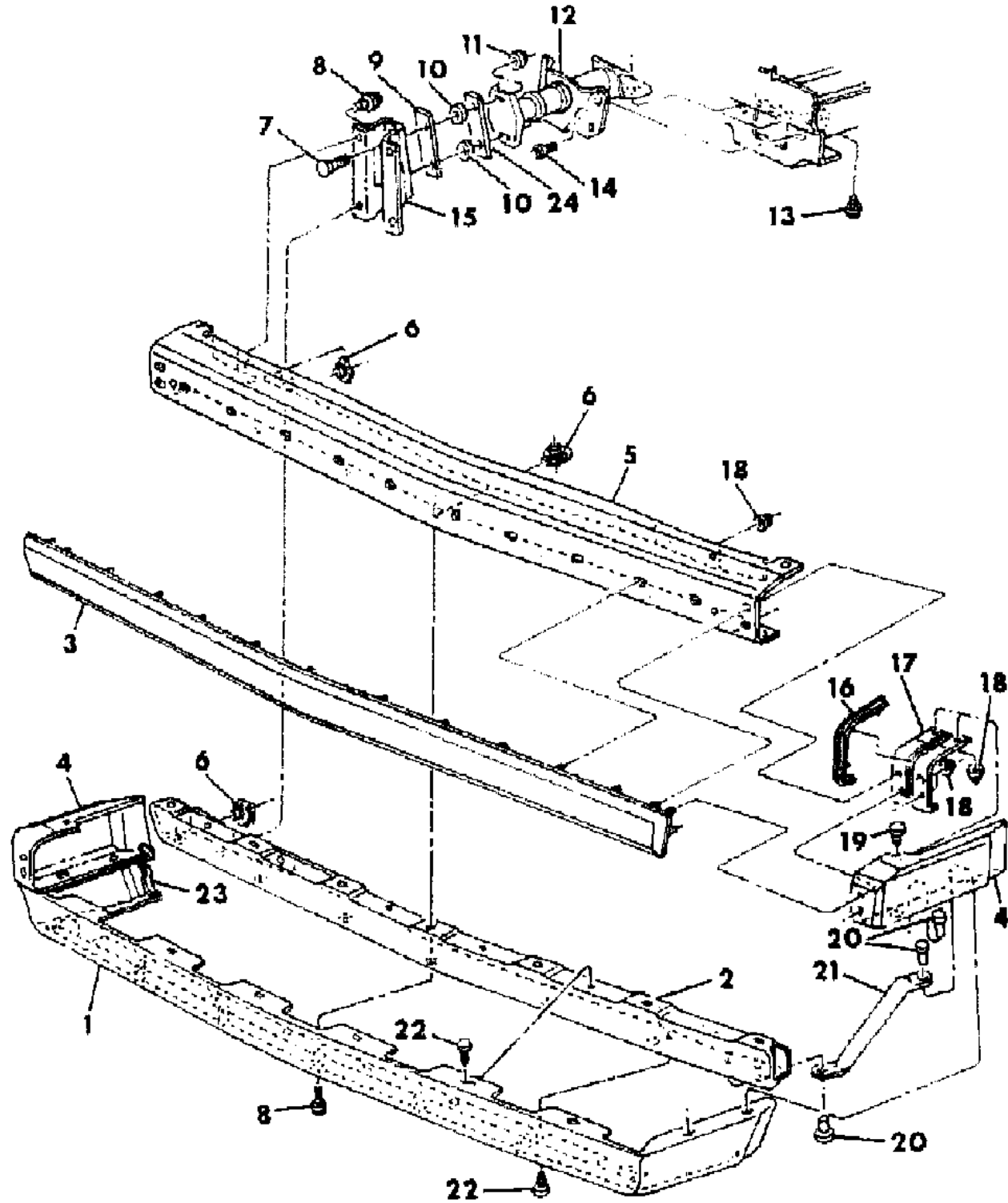
21 = 2-DOOR SEDAN	41 = 4-DOOR SEDAN
22 = 2-DOOR SPECIAL COUPE	45 = 4-DOOR STATION WAGON
24 = 2-DOOR HATCHBACK	44 = 4-DOOR HATCHBACK
27 = 2-DOOR CONVERTIBLE	48 = EXECUTIVE SEDAN
28 = FWD PICKUP	

AR = Use as Required - = Non Illustrated Part P.A.R. = Paint as Required



**BUMPER, REAR Y**  
**Figure 13-2050**

3113 2050



ITEM	PART NUMBER	QTY	BODY	MODEL	DESCRIPTION
1	4194 510	1		All	FASCIA, Bumper Rear (Paint As Req.)
2	4194 514	1		All	REINFORCEMENT, Fascia
3	4194 516	1		All	NERF, Bumper Rr.
4	4194 508-9	1		All	END-CAP, Bumper Rr.
5	4194 502	1		All	BUMPER, Rr.
6					U-NUT (Not Serviced)
7	0153 469	4		All	BOLT
8					BOLT (Not Serviced)
9					INSULATOR (Not Serviced)
10	6026 334	4		All	RETAINER
11	6031 572	4		All	NUT,w/WASHER
12	4052 493	2		All	ABSORBER, Rr.
13	6030 471	2		All	SCREW,w/WASHER
14	6031 627	4		All	SCREW,w/WASHER
15	4194 506	2		All	ADAPTER, Absorber
16	4194 524	2		All	GASKET, End-Cap
17	4194 522-3	1		All	BRACKET, End-Cap To Bumper
18	0118 614	AR		All	NUT,w/WASHER
19	0153 485	8		All	BOLT
20					RIVET (Not Serviced)
21	4194 520	2		All	BRACE, Fascia To End-Cap
22	6030 441	14		All	RETAINER
23	4194 515	2		All	SPRING-CLIP, Fascia To Filler
24	3753 124	AR		All	SHIM

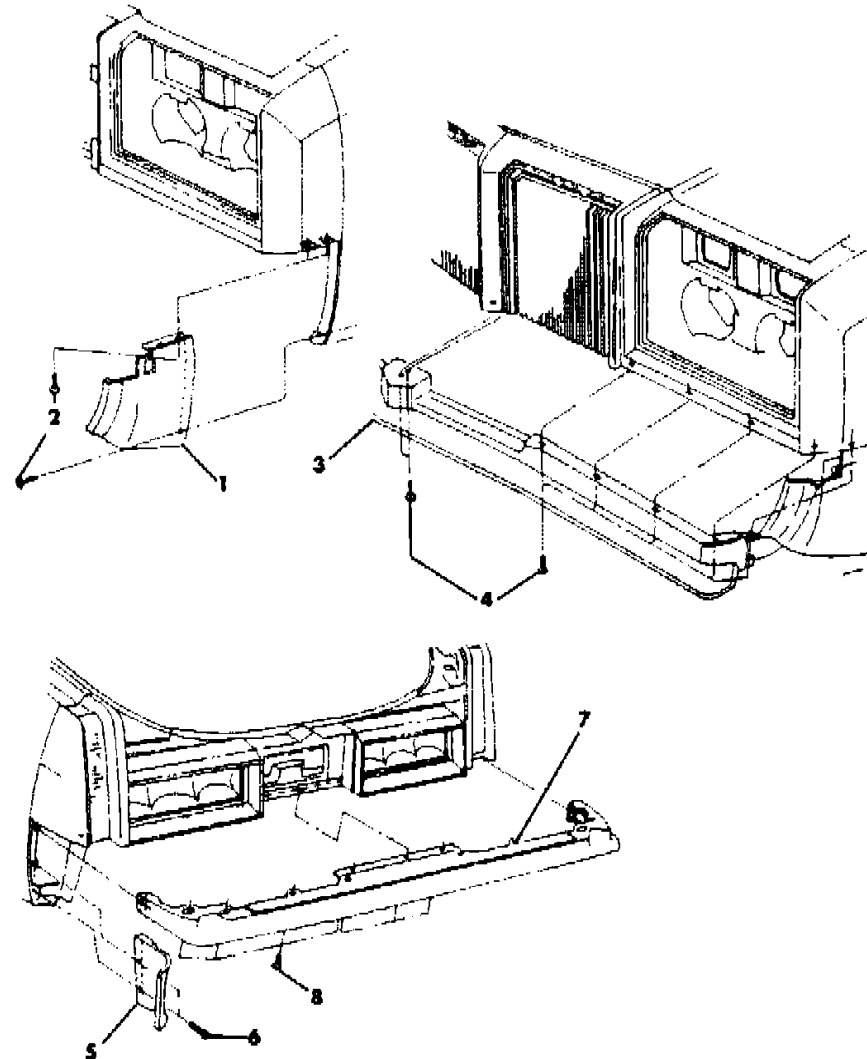
MODEL CODES  
 B = GRAN FURY  
 C = LEBARON/TOWN & COUNTRY  
 D = ARIES  
 E = 600  
 F = FIFTH AVENUE  
 G = DIPLOMAT  
 M = HORIZON/TURISMO/SCAMP  
 P = RELIANT  
 S = CORDOBA  
 T = E CLASS/NEWYORKER  
 V = 400  
 X = MIRADA  
 Y = IMPERIAL  
 Z = OMNI/CHARGER/RAMPAGE

BODY STYLES  
 21 = 2-DOOR SEDAN  
 22 = 2-DOOR SPECIAL COUPE  
 24 = 2-DOOR HATCHBACK  
 27 = 2-DOOR CONVERTIBLE  
 28 = FWD PICKUP  
 41 = 4-DOOR SEDAN  
 45 = 4-DOOR STATION WAGON  
 44 = 4-DOOR HATCHBACK  
 48 = EXECUTIVE SEDAN

AR = Use as Required - = Non Illustrated Part P.A.R. = Paint as Required

**FILLER, BUMPER F**  
**Figure 13-2100**

3113 2100



ITEM	PART NUMBER	QTY	BODY	MODEL	DESCRIPTION
1	X518-9 VT5	1		All	FILLER, Frt. Fender Bumper Side (Paint As Req.)
2		AR		All	SCREW (Not Serviced)
3	#4271 411	1		All	FILLER, Grill Closure Pnl.Bumper Frt.(Paint As Req.)
4					SCREW (Not Serviced)
	4074 501	AR		All	SUPPORT, Frt. Bumper Filler Edge Repair (Not Ill.)
	6031 939	AR		All	CLIP, Supt. (Not Ill.)
	4074 502	1		All	SPACER, Frt. Bumper Filler (Not Ill.)
5	X536-7 VW3	1		All	FILLER, Qtr. o/s Panel Bumper Rr.(Paint As Req.)
6					SCREW (Not Serviced)
7	#X539 BT8	1		All	FILLER, Deck Opng. Rr. Bumper Center (Paint As Req.)
8					SCREW (Not Serviced)
	4206 338	AR		All	SUPPORT, Rr. Bumper Filler Lip Edge Repair (Not Ill.)

**MODEL CODES**

B = GRAN FURY	G = DIPLOMAT	V = 400
C = LEBARON/TOWN & COUNTRY	M = HORIZON/TURISMO/SCAMP	X = MIRADA
D = ARIES	P = RELIANT	Y = IMPERIAL
E = 600	S = CORDOBA	Z = OMNI/CHARGER/RAMPAGE
F = FIFTH AVENUE	T = E CLASS/NEWYORKER	

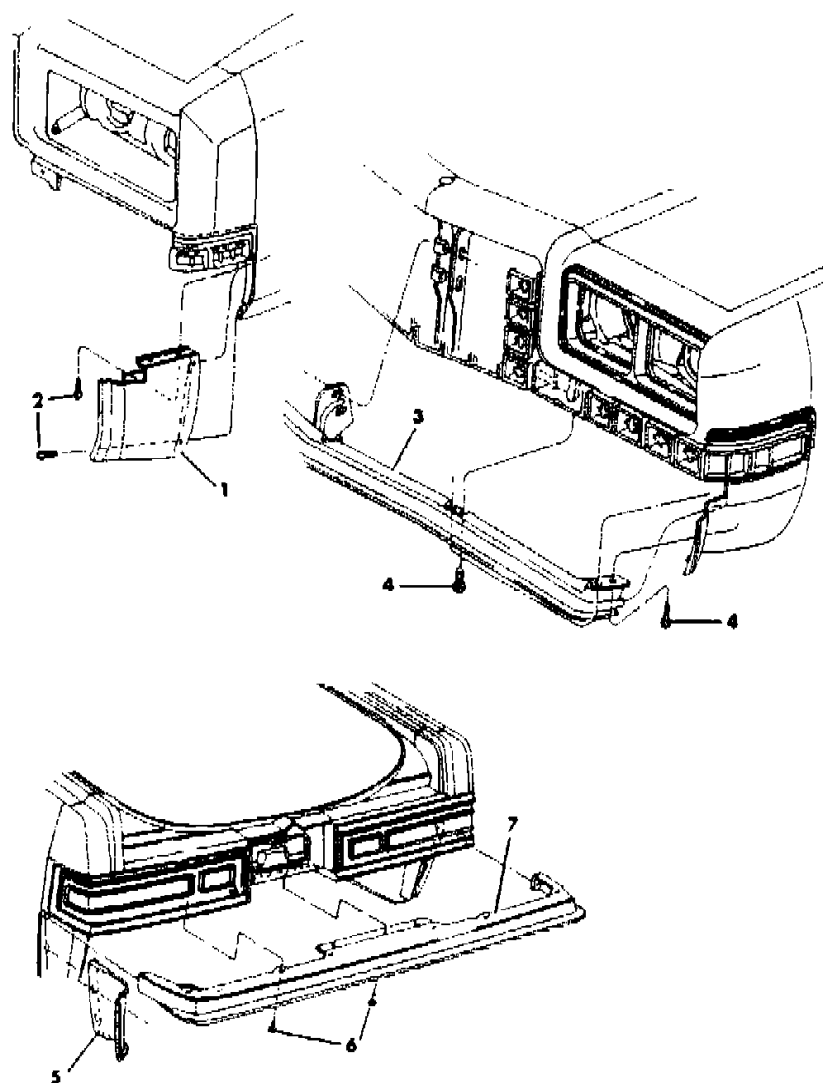
**BODY STYLES**

21 = 2-DOOR SEDAN	41 = 4-DOOR SEDAN
22 = 2-DOOR SPECIAL COUPE	45 = 4-DOOR STATION WAGON
24 = 2-DOOR HATCHBACK	44 = 4-DOOR HATCHBACK
27 = 2-DOOR CONVERTIBLE	48 = EXECUTIVE SEDAN
28 = FWD PICKUP	

AR = Use as Required - = Non Illustrated Part P.A.R. = Paint as Required

**FILLER, BUMPER B,G**  
**Figure 13-2200**

31.3 2200



ITEM	PART NUMBER	QTY	BODY	MODEL	DESCRIPTION
1	#X532-3 TT1	1		All	FILLER, Fender Bumper Side, (Paint As Req.)
2		AR		All	SCREW (Not Serviced)
3	#X522 VT5	1		All	Filler, Bumper Frt., (Paint As Req.)
4		AR		All	SCREW (Not Serviced)
	4074 501	AR		All	SUPPORT, Frt. Bumper Filler Edge Repair (Not Ill.)
	6031 939	AR		All	CLIP, Supt. (Not Ill.)
5	X536-7 VW3	1		All	FILLER, Qtr. O/S Panel Bumper Rr.(Paint As Req.)
		AR		All	SCREW (Not Serviced)
7	#X539 BT8	1		All	FILLER, Deck Opng. Bumper Rr., (Paint As Req.)
	4206 338	AR		All	SUPPORT, Rr. Bumper Filler Lip Edge Repair (Not Ill.)

**MODEL CODES**

B = GRAN FURY	G = DIPLOMAT	V = 400
C = LEBARON/TOWN & COUNTRY	M = HORIZON/TURISMO/SCAMP	X = MIRADA
D = ARIES	P = RELIANT	Y = IMPERIAL
E = 600	S = CORDOBA	Z = OMNI/CHARGER/RAMPAGE
F = FIFTH AVENUE	T = E CLASS/NEWYORKER	

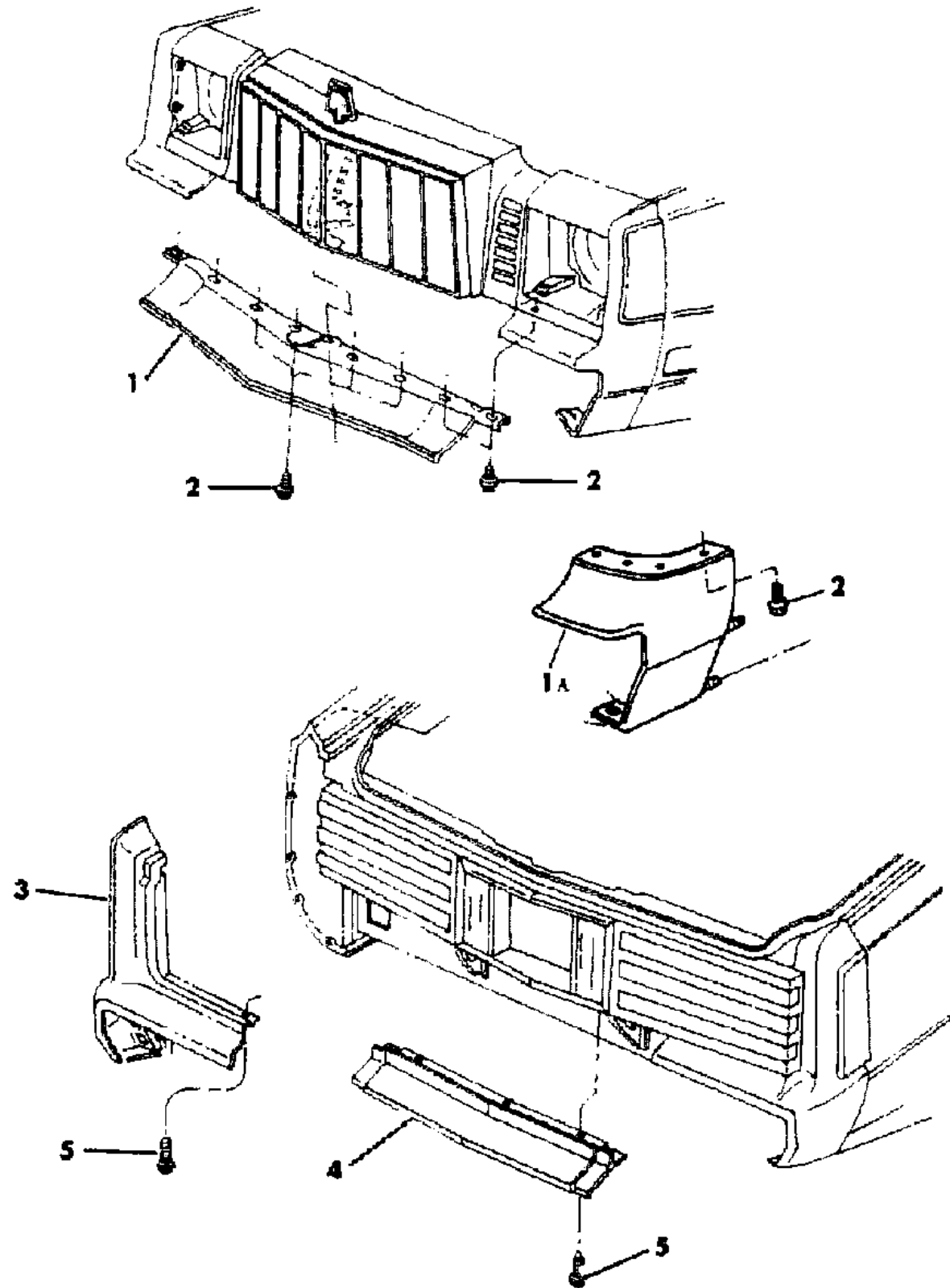
**BODY STYLES**

21 = 2-DOOR SEDAN	41 = 4-DOOR SEDAN
22 = 2-DOOR SPECIAL COUPE	45 = 4-DOOR STATION WAGON
24 = 2-DOOR HATCHBACK	44 = 4-DOOR HATCHBACK
27 = 2-DOOR CONVERTIBLE	48 = EXECUTIVE SEDAN
28 = FWD PICKUP	

AR = Use as Required - = Non Illustrated Part P.A.R. = Paint as Required

FILLER, BUMPER X,S  
Figure 13-2300

3113 2300



ITEM	PART NUMBER	QTY	BODY	MODEL	DESCRIPTION
1	#4271 401	1		S	FILLER, Rad. Grill Bumper Frt.(Paint As Req.)
1A	#X576-7 AW3 4194 082	1 2		S S	FILLER, Fender Bumper Side (Paint As Req.) RETAINER, Fender Bumper Filler To Frt. Bumper (Not Ill.)
2		AR		All	SCREW (Not Serviced)
3					EXTENSION, Qtr. O/S Panel (See Ill. Gp.23)
4	X535 VW3 X534 VW3	1 1		S X	FILLER, Deck Opng. Lower Panel Bumper Rr.(Paint As Req.) (Paint As Req.)
5		AR		All	SCREW (Not Serviced)

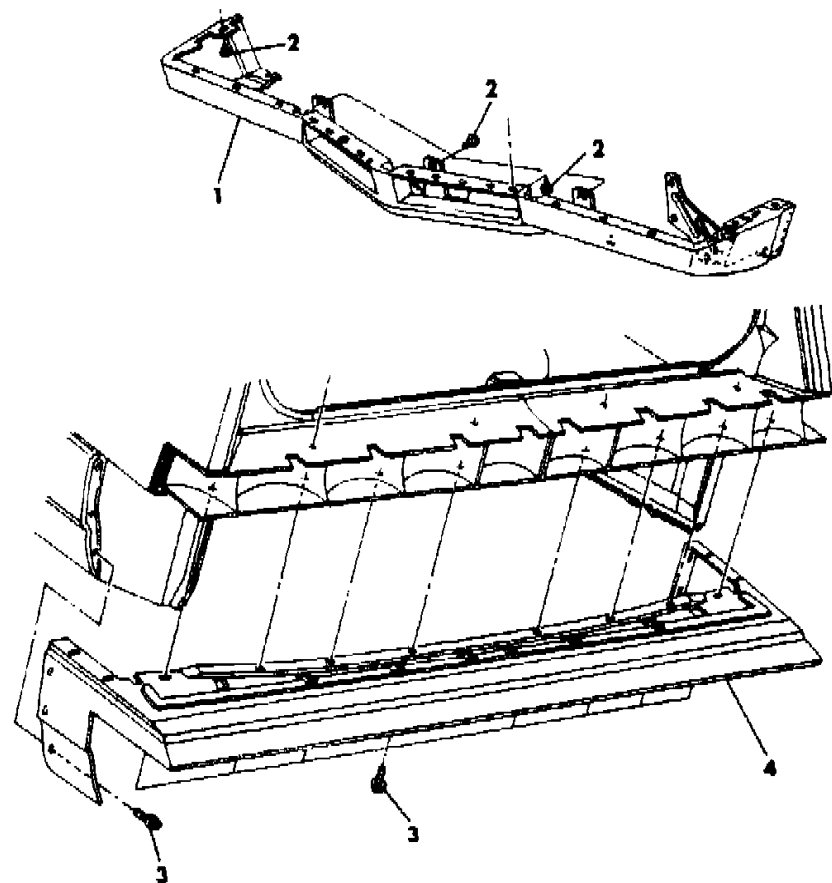
MODEL CODES  
 B = GRAN FURY  
 C = LEBARON/TOWN & COUNTRY  
 D = ARIES  
 E = 600  
 F = FIFTH AVENUE  
 G = DIPLOMAT  
 M = HORIZON/TURISMO/SCAMP  
 P = RELIANT  
 S = CORDOBA  
 T = E CLASS/NEWYORKER  
 V = 400  
 X = MIRADA  
 Y = IMPERIAL  
 Z = OMNI/CHARGER/RAMPAGE

BODY STYLES  
 21 = 2-DOOR SEDAN  
 22 = 2-DOOR SPECIAL COUPE  
 24 = 2-DOOR HATCHBACK  
 27 = 2-DOOR CONVERTIBLE  
 28 = FWD PICKUP  
 41 = 4-DOOR SEDAN  
 45 = 4-DOOR STATION WAGON  
 44 = 4-DOOR HATCHBACK  
 48 = EXECUTIVE SEDAN

AR = Use as Required - = Non Illustrated Part P.A.R. = Paint as Required

FILLER, BUMPER Y  
Figure 13-2350

3113 2350



ITEM	PART NUMBER	QTY	BODY	MODEL	DESCRIPTION
1	4240 534	1		All	FILLER, Bumper Frt. Lower (Paint As Req.)
2	6030 538	AR		All	RETAINER, Filler
	4194 090	2		All	RETAINER, Fender Bumper Filler To Frt.Bumper (Not Ill.)
3					SCREW (Not Serviced)
4	#4206 842	1		All	FILLER, Bumper Rr. To Tail Lamp (Paint As Req.)
	4206 728	1		All	SUPPORT, Rr. Bumper Filler Lip Edge (Not Ill.)

cars sold in the State of California. applications specified in this document.

Feet elevation applications specified in this document.

MODEL CODES

B = GRAN FURY	G = DIPLOMAT	V = 400
C = LEBARON/TOWN & COUNTRY	M = HORIZON/TURISMO/SCAMP	X = MIRADA
D = ARIES	P = RELIANT	Y = IMPERIAL
E = 600	S = CORDOBA	Z = OMNI/CHARGER/RAMPAGE
F = FIFTH AVENUE	T = E CLASS/NEWYORKER	

BODY STYLES

21 = 2-DOOR SEDAN	41 = 4-DOOR SEDAN
22 = 2-DOOR SPECIAL COUPE	45 = 4-DOOR STATION WAGON
24 = 2-DOOR HATCHBACK	44 = 4-DOOR HATCHBACK
27 = 2-DOOR CONVERTIBLE	48 = EXECUTIVE SEDAN
28 = FWD PICKUP	

AR = Use as Required - = Non Illustrated Part P.A.R. = Paint as Required

**GROUP 14 - FUEL**

**ILLUSTRATION NOT AVAILABLE AT TIME OF PUBLICATION**

<b>ILLUSTRATION TITLE</b>	<b>GROUP-FIG. NO.</b>
FRESH AIR INLET SYSTEM .....	Fig. 14-100
FRESH AIR INLET SYSTEM - M,Z,P,D,C,V,E,T .....	Fig. 14-200
AIR CLEANER - W/1.6 LITER ENGINE .....	Fig. 14-300
AIR CLEANER - W/1.7 LITER ENGINE .....	Fig. 14-400
AIR CLEANER - T.B.I. ....	Fig. 14-500
AIR CLEANER - W/2.2 LITER ENGINE .....	Fig. 14-600
AIR CLEANER - W/2.6 LITER ENGINE .....	Fig. 14-700
AIR CLEANER - W/225 ENGINE .....	Fig. 14-800
AIR CLEANER - W/318-2BBL ENGINE .....	Fig. 14-900
AIR CLEANER - W/318-4BBL ENGINE .....	Fig. 14-1000
AIR CLEANER - E.F.I.-W/318 (E43) ENGINE .....	Fig. 14-1100
CARBURETOR CHOKE, CHOKE CONTROL, FLANGE GASKETS .....	Fig. 14-1200
CARBURETOR AND COMPONENT PARTS HOLLEY-1BBL. (6145) .....	Fig. 14-1300
CARBURETOR AND COMPONENT PARTS HOLLEY-2BBL.(5220) .....	Fig. 14-1400
CARBURETOR AND COMPONENT PARTS HOLLEY-2BBL.(6520) 0 .....	Fig. 14-1500
CARBURETOR AND COMPONENT PARTS CARTER-2BBL. ....	Fig. 14-1700
CARBURETOR AND COMPONENT PARTS CARTER-4BBL. ....	Fig. 14-1800
CARBURETOR COMPONENT PARTS - W/2.6 LITRE ENGINE .....	Fig. 14-1900
CARBURETOR - W/2.6 LITER ENGINE .....	Fig. 14-2000
FUEL CONTROLER - E.F.I.- W/318 (E43) ENGINE .....	Fig. 14-2100
THROTTLE BODY-E.F.I.- W/318 (E43) ENGINE .....	Fig. 14-2200
THROTTLE BODY INJECTOR .....	Fig. 14-2300
CARBURETOR HEAT SHIELD - FUEL FILTER AND RELATED PARTS .....	Fig. 14-2400
FUEL FILTER-E.F.I.- W/318 (E43) ENGINE .....	Fig. 14-2500
FUEL FILTER - W/T.B.I. ....	Fig. 14-2600
THROTTLE CONTROL W/1.6 LITER ENGINE .....	Fig. 14-2700
THROTTLE CONTROL - M,Z W/1.7 LITER ENGINE .....	Fig. 14-2800
THROTTLE CONTROL - M,Z W/2.2 LITER ENGINE .....	Fig. 14-2900
THROTTLE CONTROL - P,D,C,V,E,T W/2.2 LITER ENGINE .....	Fig. 14-3000
THROTTLE CONTROLS - T.B.I. ....	Fig. 14-3100
THROTTLE CONTROL - P,D,C,V,E,T W/2.6 LITER ENGINE .....	Fig. 14-3200
THROTTLE CONTROL W/225 - 1BBL ENGINE AUTO TRANS. ....	Fig. 14-3300
THROTTLE CONTROL W/225 - 2BBL ENGINE AUTO TRANS .....	Fig. 14-3400
THROTTLE CONTROL W/318 - 2BBL AUTO TRANS. - F,G,X,S,B .....	Fig. 14-3500
THROTTLE CONTROL W/318 - 4BBL ENGINE w/AUTO TRANS. - F,G,X,S,B .....	Fig. 14-3600
THROTTLE CONTROL W/E.F.I. - w/318 (E43) ENGINE .....	Fig. 14-3700
SPEED CONTROL - M,Z .....	Fig. 14-3800
SPEED CONTROL - T.B.I. ....	Fig. 14-3850

---

**GROUP 14 - FUEL**

**ILLUSTRATION TITLE**

**GROUP-FIG. NO.**

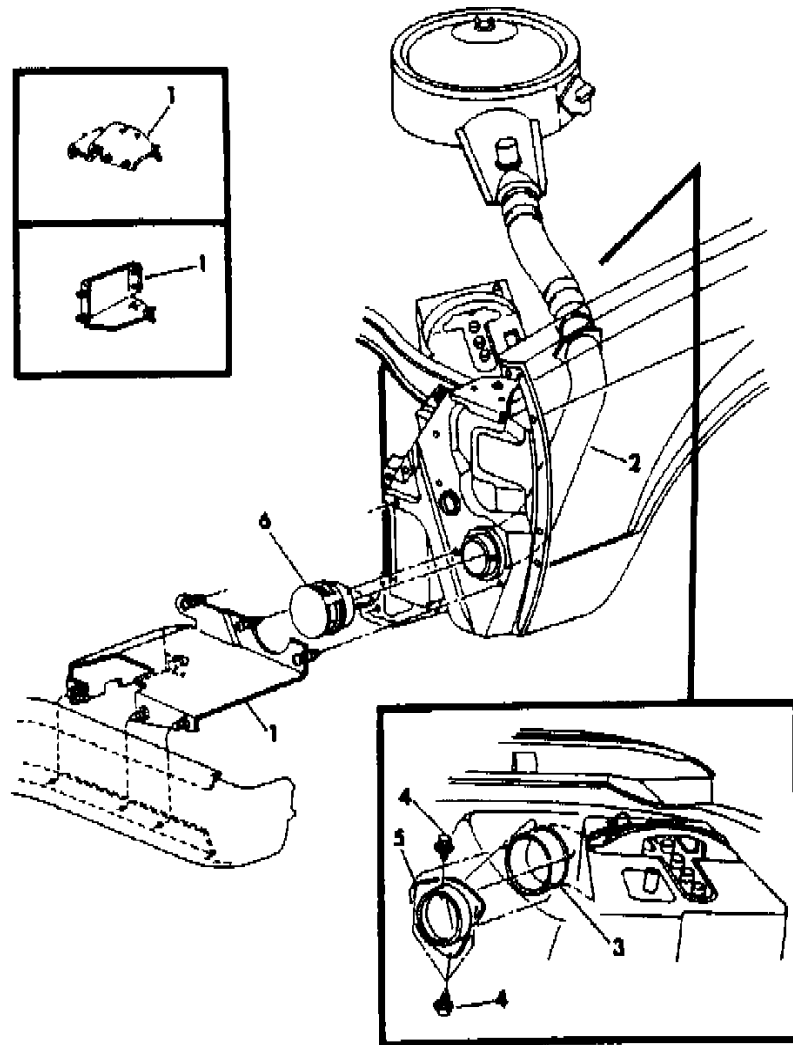
**INSULATOR CHARTS (Continued)**

SPEED CONTROL - T.B.I. ....	Fig. 14-3850
SPEED CONTROL - P,D,C,V,E,T W/2.2 LITER ENGINE ....	Fig. 14-3900
SPEED CONTROL - P,D,C,V,E,T W/2.6 LITER ENGINE ....	Fig. 14-4000
SPEED CONTROL - F,G,X,S,Y,B ....	Fig. 14-4100
ACCELERATOR PEDAL M,Z,P,D,C,V,E,T ....	Fig. 14-4200
ACCELERATOR PEDAL F,G,X,S,Y,B ....	Fig. 14-4300
FUEL PUMP AND FUEL FILTER - W/2.6 LITER ENGINE ....	Fig. 14-4400
FUEL PUMPS ....	Fig. 14-4500
FUEL PUMP AND SENDING UNIT W/E.F.I. - 318 (E43) ENGINE ....	Fig. 14-4600
FUEL PUMP AND SENDING UNIT - W/T.B.I. ....	Fig. 14-4700
FUEL LINES - M,Z ....	Fig. 14-4800
FUEL LINES - P,D,C,V,E,T ....	Fig. 14-4900
FUEL LINES - TBI ....	Fig. 14-5000
FUEL LINES - F,G,X,S,B ....	Fig. 14-5100
FUEL LINES - Y ....	Fig. 14-5200
FUEL TANK AND FUEL FILLER TUBES M,Z ....	Fig. 14-5300
FUEL TANK AND FILLER TUBES P,D,C,V,E,T ....	Fig. 14-5400
FUEL TANK AND FILLER TUBES T.B.I. ....	Fig. 14-5500
FUEL TANK AND FUEL FILLER TUBES F,G,X,S,Y,B ....	Fig. 14-5600

# FRESH AIR INLET SYSTEM

## Figure 14-100

3114 100



ITEM	PART NUMBER	QTY	BODY	MODEL	DESCRIPTION
1					BAFFLE, Engine Air
	4074 745	1		F,G,B	
	4074 690	1		X,S-S	
	4074 827	1		S-H,S-P	
2	3868 689				DUCT, Engine Air
3	3868 920	1			SEAL, Air Duct
4		2			SCREW (not serviced)
5	3868 552	1			COLLAR, Air Duct
6	3868 957	1		BFG,XS	DEFLECTOR and ADAPTER, Air Intake Duct
	4074 977	1		Y	
NOTE: The following items are not illustrated applications specified in this document.					
	6031 299	AR			RETAINER, Engine Air Baffle

### MODEL CODES

B = GRAN FURY	G = DIPLOMAT	V = 400
C = LEBARON/TOWN & COUNTRY	M = HORIZON/TURISMO/SCAMP	X = MIRADA
D = ARIES	P = RELIANT	Y = IMPERIAL
E = 600	S = CORDOBA	Z = OMNI/CHARGER/RAMPAGE
F = FIFTH AVENUE	T = E CLASS/NEWYORKER	

### BODY STYLES

21 = 2-DOOR SEDAN	41 = 4-DOOR SEDAN
22 = 2-DOOR SPECIAL COUPE	45 = 4-DOOR STATION WAGON
24 = 2-DOOR HATCHBACK	44 = 4-DOOR HATCHBACK
27 = 2-DOOR CONVERTIBLE	48 = EXECUTIVE SEDAN
28 = FWD PICKUP	

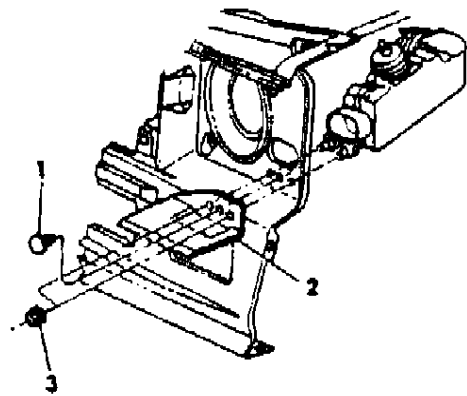
AR = Use as Required - = Non Illustrated Part P.A.R. = Paint as Required



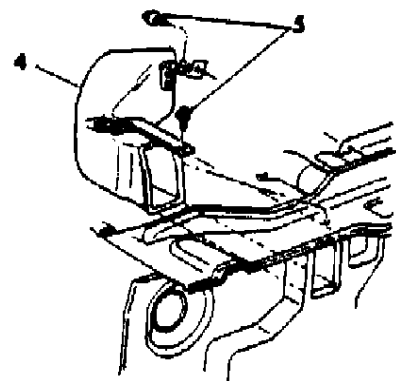
FRESH AIR INLET SYSTEM - M,Z,P,D,C,V,E,T  
Figure 14-200

ITEM	PART NUMBER	QTY	BODY	MODEL	DESCRIPTION
1	6031 299	AR			RETAINER
2	5201 395	1		M,Z	SHIELD, Air Inlet Closure Panel
3	6029 471	AR			NUT
4	4266 164	1		P,D,C,V	DUCT, Carburetor Air
5					SCREW (not serviced)
6	4240 164	1		P,D,C,V	DUCT, Air Cleaner
7	5201 394	1		P,D,C,V	ADAPTER, Air Inlet
8	4103 277	1		P,D,C,V	BAFFLE, Air Inlet
9	4103 182	1		P,D,C,V	DUCT, Panel to E.S.A. Housing

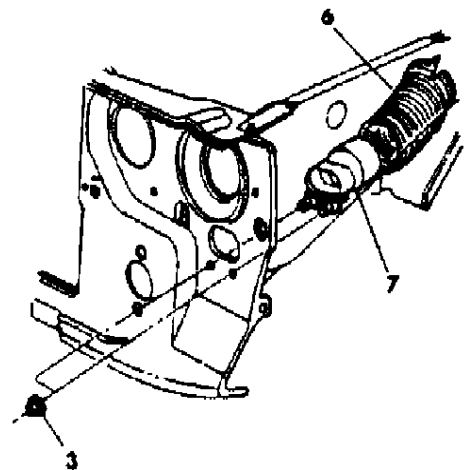
3114 200



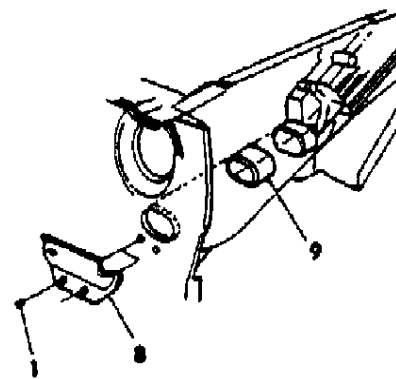
M, Z



P, D, C, V - W/2.0L ENGINE



P, D, C, V - W/2.6L ENGINE



P, D, C, V - W/2.2L ENGINE

MODEL CODES

B = GRAN FURY	G = DIPLOMAT	V = 400
C = LEBARON/TOWN & COUNTRY	M = HORIZON/TURISMO/SCAMP	X = MIRADA
D = ARIES	P = RELIANT	Y = IMPERIAL
E = 600	S = CORDOBA	Z = OMNI/CHARGER/RAMPAGE
F = FIFTH AVENUE	T = E CLASS/NEWYORKER	

BODY STYLES

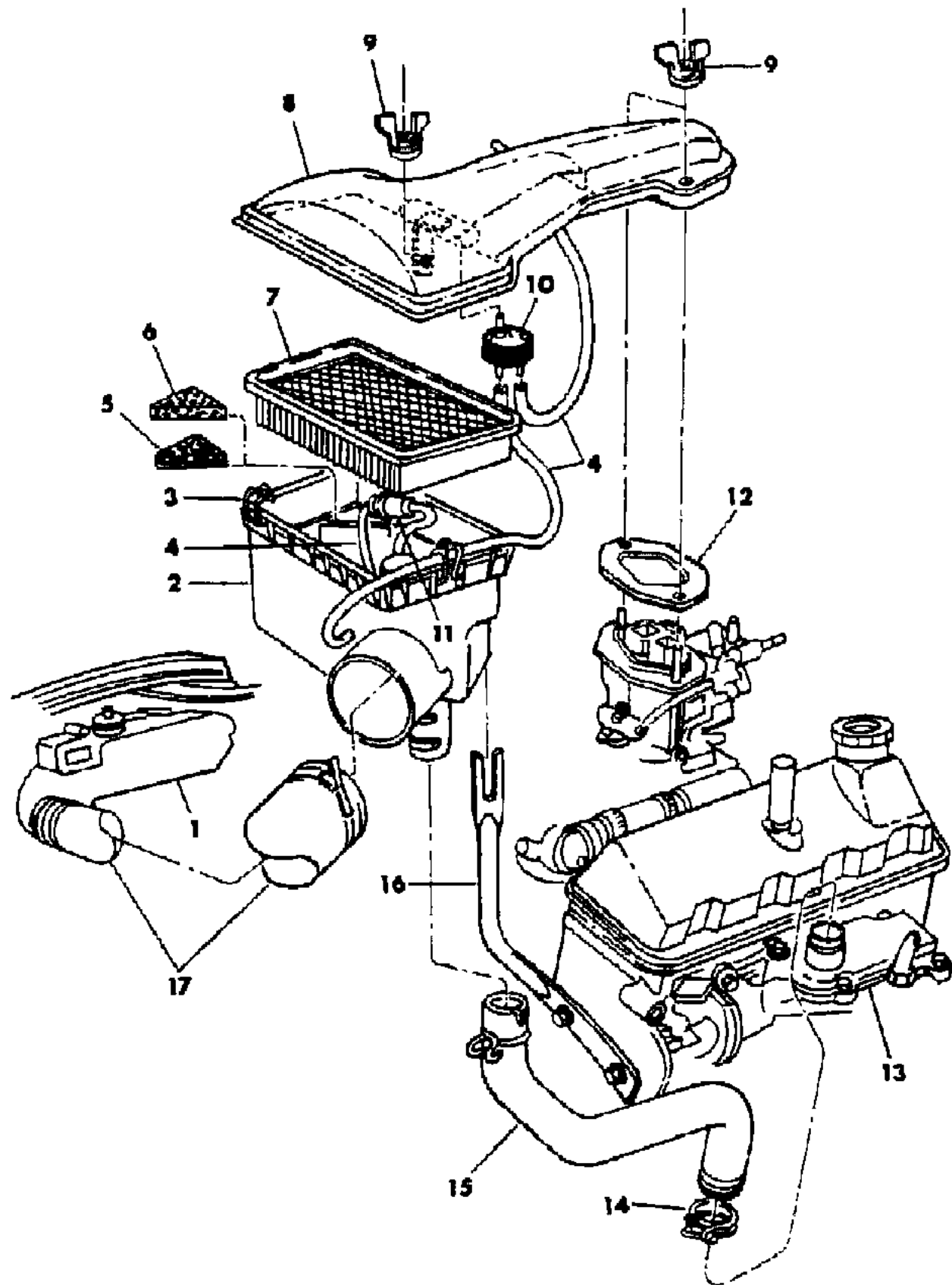
21 = 2-DOOR SEDAN	41 = 4-DOOR SEDAN
22 = 2-DOOR SPECIAL COUPE	45 = 4-DOOR STATION WAGON
24 = 2-DOOR HATCHBACK	44 = 4-DOOR HATCHBACK
27 = 2-DOOR CONVERTIBLE	48 = EXECUTIVE SEDAN
28 = FWD PICKUP	

AR = Use as Required - = Non Illustrated Part P.A.R. = Paint as Required

AIR CLEANER - W/1.6 LITER ENGINE

Figure 14-300

3114 300



ITEM	PART NUMBER	QTY	BODY	MODEL	DESCRIPTION
1					CONTROL, Refer to GR. 8
2	4275 723	1			BODY, Air Cleaner
3	4227 053	3			LATCH, Air Cleaner Cover
4	2951 794	AR			HOSE
5	4275 087	1			FILTER, Crankcase Inlet Air
6	4275 088	1			ARRESTOR, Flame Crankcase
7	4213 582	1			FILTER, Air Cleaner
8	4275 730	1			COVER, Air Cleaner
	4275 731	1			Canada
9	5240 734	1			WINGNUT, Air Cleaner
10	4131 147	1			SENSOR, Air Cleaner Temp.
	6031 147	2			NUT, Temp. Sensor
11	4201 385	1			VALVE, Heated Air Delay
12	5214 058	1			GASKET, Air Cleaner to Carb.
13					HEATER, Refer to Gr. 9
14					CLAMP, (not serviced)
15	4241 990	1			CONNECTOR, Air Heater to Air Cleaner
16	4227 154	1			BRACKET, Air Cleaner Mounting
17	4106 052	1			DUCT, Air Cleaner Fresh Air Inlet

MODEL CODES

B = GRAN FURY	G = DIPLOMAT	V = 400
C = LEBARON/TOWN & COUNTRY	M = HORIZON/TURISMO/SCAMP	X = MIRADA
D = ARIES	P = RELIANT	Y = IMPERIAL
E = 600	S = CORDOBA	Z = OMNI/CHARGER/RAMPAGE
F = FIFTH AVENUE	T = E CLASS/NEWYORKER	

BODY STYLES

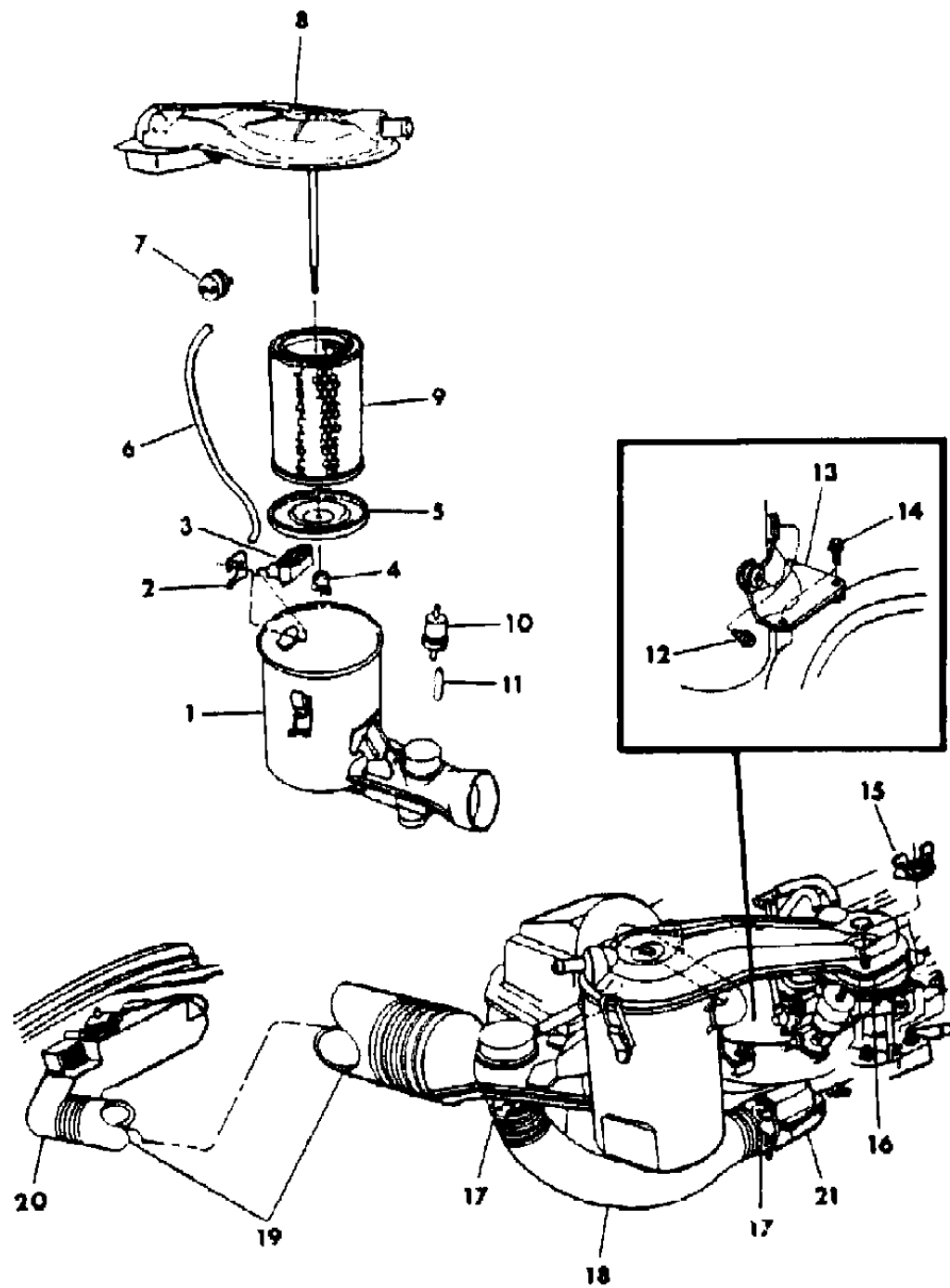
21 = 2-DOOR SEDAN	41 = 4-DOOR SEDAN
22 = 2-DOOR SPECIAL COUPE	45 = 4-DOOR STATION WAGON
24 = 2-DOOR HATCHBACK	44 = 4-DOOR HATCHBACK
27 = 2-DOOR CONVERTIBLE	48 = EXECUTIVE SEDAN
28 = FWD PICKUP	

AR = Use as Required - = Non Illustrated Part P.A.R. = Paint as Required

AIR CLEANER - W/1.7 LITER ENGINE

Figure 14-400

3114 400



ITEM	PART NUMBER	QTY	BODY	MODEL	DESCRIPTION
1	5214 432	1			BODY, Air Cleaner
2					CLAMP, See Group 9
3					FILTER, See Group 9
4	5240 734	1			WINGNUT, Air Filter
5	5240 651	1			RETAINER
6	4026 511	AR			HOSE
7	4131 147	1			SENSOR, Air Cleaner Temp.
8	5214 437	1			COVER, Air Cleaner
9	5240 668				FILTER, Air
10	4201 385	1			VALVE, Heated Air Delay
11	4026 511	AR			HOSE
12	6100 277	2			SCREW, w/ WASHER, Support to Air Cleaner
13	5240 633	1			SUPPORT, Air Cleaner
14	6100 276	2			SCREW, w/ WASHER, Support Mounting
15	5240 734	2			WINGNUT, Air Cleaner
16	5214 058	1			GASKET, Air Cleaner to Carburetor
17	3683 824	2			CLAMP
18	4241 993	1			CONNECTOR, Air Heater to Air Cleaner
19	4106 052	1			DUCT, Air Cleaner Fresh Air
20					CONTROL, Ref. to Gr. 8
21	4179 921	1			HEATER, Carburetor Air

	4179 438	1			Canada
NOTE: The following items are not illustrated applications specified in this document.					
	5214 781	1			DIAPHRAGM, Air Cleaner Snorkel Vacuum
	4201 111	1			CAP, Clean Air Nipple, w/(SC-N92)
	2448 761	1			CLAMP, Clean Air Nipple Cap, w/(SC-N92)
	5240 732	2			ISOLATOR, Air Cleaner Support

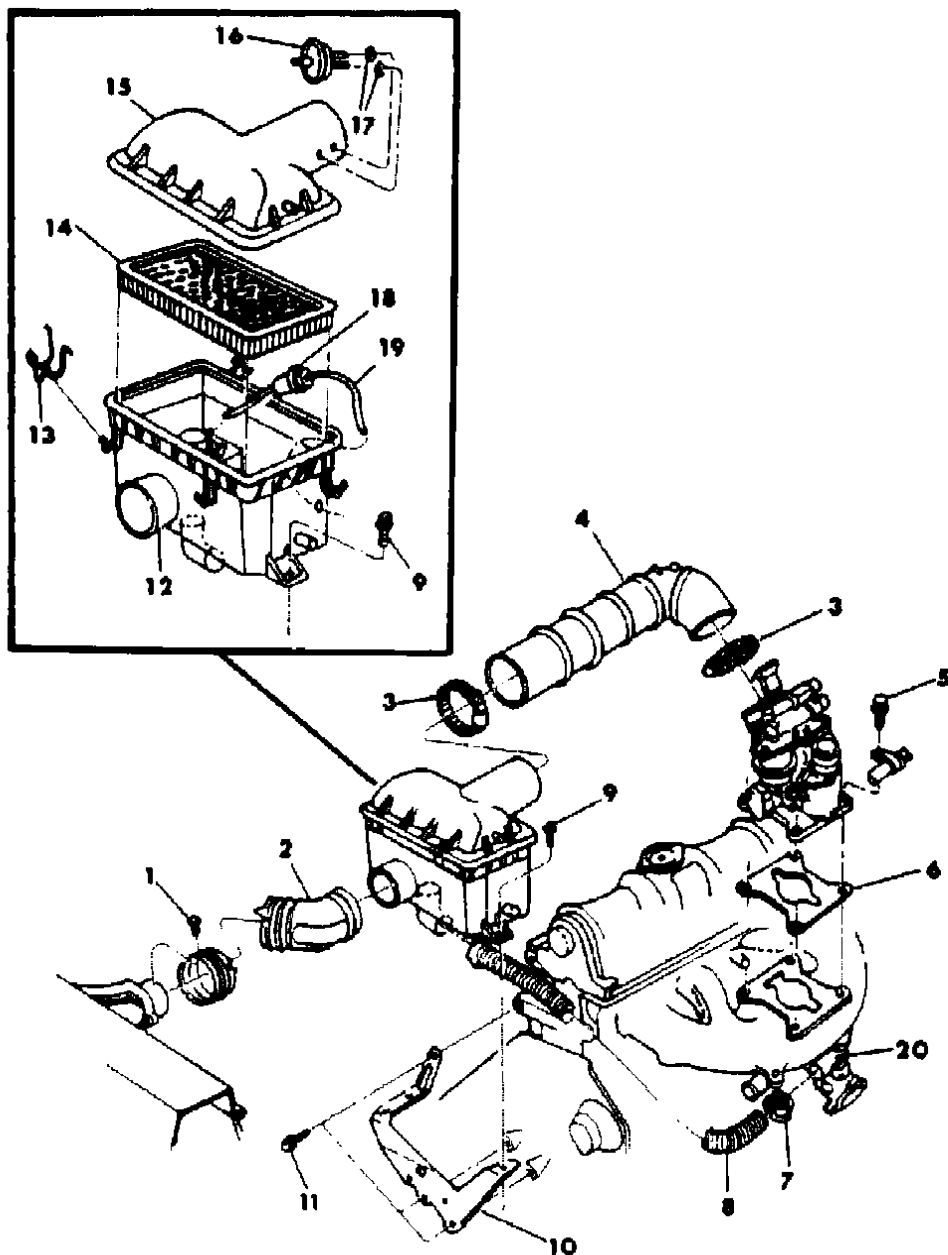
MODEL CODES		
B = GRAN FURY	G = DIPLOMAT	V = 400
C = LEBARON/TOWN & COUNTRY	M = HORIZON/TURISMO/SCAMP	X = MIRADA
D = ARIES	P = RELIANT	Y = IMPERIAL
E = 600	S = CORDOBA	Z = OMNI/CHARGER/RAMPAGE
F = FIFTH AVENUE	T = E CLASS/NEWYORKER	

BODY STYLES	
21 = 2-DOOR SEDAN	41 = 4-DOOR SEDAN
22 = 2-DOOR SPECIAL COUPE	45 = 4-DOOR STATION WAGON
24 = 2-DOOR HATCHBACK	44 = 4-DOOR HATCHBACK
27 = 2-DOOR CONVERTIBLE	48 = EXECUTIVE SEDAN
28 = FWD PICKUP	

AR = Use as Required - = Non Illustrated Part P.A.R. = Paint as Required

AIR CLEANER - T.B.I  
Figure 14-500

3112 500A



ITEM	PART NUMBER	QTY	BODY	MODEL	DESCRIPTION
1					SCREW (not serviced)
2	4287 920	1			DUCT, Air Cleaner Fresh Air
3	6032 367	2			CLAMP
4	4275 534	1			HOSE, Air Cleaner to Throttle Body
5	6100 229	4			SCREW and Washer
6	4275 527	1			GASKET, Throttle Body
7		1			CLAMP (not serviced)
8	4241 990	1			CONNECTOR, Heater Air
9		3			SCREW and WASHER (not serviced)
10	4275 357	1			BRACKET, Air Cleaner Mounting
11	6500 158	3			SCREW and WASHER
12	4275 361	1			BODY, Air Cleaner
13	4227 053	5			LATCH, Air Cleaner Cover
14	4213 583	1			FILTER, Air Cleaner
15	4275 360	1			COVER, Air Cleaner
16	4131 147	1			SENSOR, Air Cleaner Temp
17	6031 147	2			NUT, Temp Sensor
18	4201 385	1			DELAY, Heated Air
19	2951 791	AR			HOSE, Delay Valve
20	5203 338	1			HEATER, Carb. Air

MODEL CODES

B = GRAN FURY	G = DIPLOMAT	V = 400
C = LEBARON/TOWN & COUNTRY	M = HORIZON/TURISMO/SCAMP	X = MIRADA
D = ARIES	P = RELIANT	Y = IMPERIAL
E = 600	S = CORDOBA	Z = OMNI/CHARGER/RAMPAGE
F = FIFTH AVENUE	T = E CLASS/NEWYORKER	

BODY STYLES

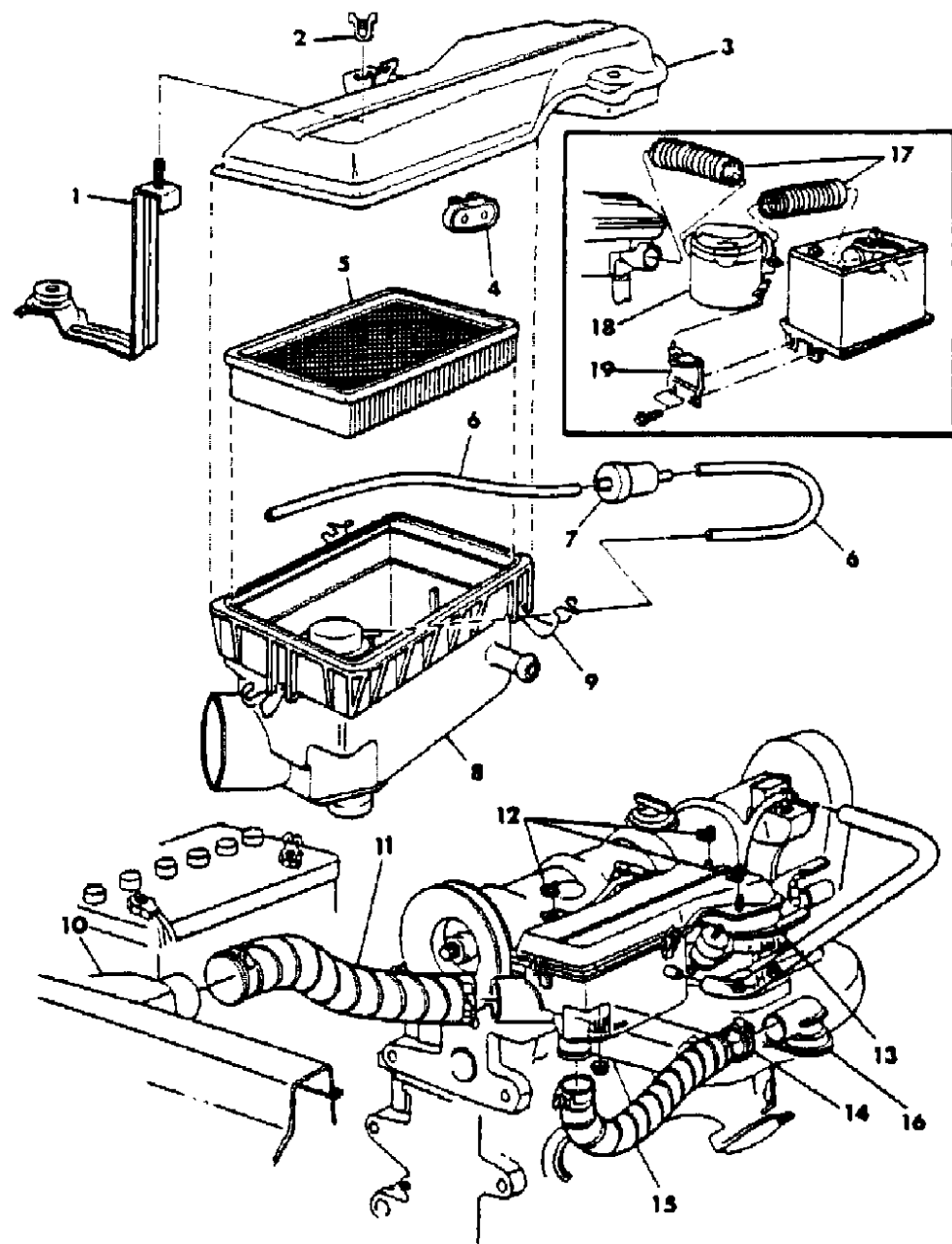
21 = 2-DOOR SEDAN	41 = 4-DOOR SEDAN
22 = 2-DOOR SPECIAL COUPE	45 = 4-DOOR STATION WAGON
24 = 2-DOOR HATCHBACK	44 = 4-DOOR HATCHBACK
27 = 2-DOOR CONVERTIBLE	48 = EXECUTIVE SEDAN
28 = FWD PICKUP	

AR = Use as Required - = Non Illustrated Part P.A.R. = Paint as Required

AIR CLEANER - W/2.2 LITER ENGINE

Figure 14-600

3114 600



ITEM	PART NUMBER	QTY	BODY	MODEL	DESCRIPTION
1	4268 570	1			BRACKET, Air Cleaner Support
2	5240 734	3			WINGNUT, Air Cleaner Attaching
3	4275 724	1			COVER, Air Cleaner
4	4275 702	1		M,Z-28	SENSOR, Air Cleaner Temp.
5	4131 147	1			SENSOR, Air Cleaner Temp.
6	4213 582	1			FILTER, Air Cleaner
7	4026 511	AR			HOSE
8	4201 385	1			VALVE, Heated Air Delay
9	4275 723	1			BODY, Air Cleaner
10	4227 053	3			LATCH, Air Cleaner Cover
11					CONTROL, Ref. to Gr. 8
					DUCT, Air Cleaner Fresh Air
	4240 165	1		P,D,C,V	
	4240 074	1		M,Z	
12	5240 734	3			WINGNUT, Air Cleaner
13	5214 058	1			GASKET, Air Cleaner to Carburetor
14	3683 824	1			CLAMP
15	4271 913	1			CONNECTOR, Carburetor Air Heater to Air Cleaner
16	5203 338	1			HEATER, Carburetor Air
17	4104 173	2			DUCT, Fresh Air Resonator
18	4241 960	1			RESONATOR, Fresh Air Intake
19	4241 962	1			BRACKET, Resonator Mounting

MODEL CODES

B = GRAN FURY	G = DIPLOMAT	V = 400
C = LEBARON/TOWN & COUNTRY	M = HORIZON/TURISMO/SCAMP	X = MIRADA
D = ARIES	P = RELIANT	Y = IMPERIAL
E = 600	S = CORDOBA	Z = OMNI/CHARGER/RAMPAGE
F = FIFTH AVENUE	T = E CLASS/NEWYORKER	

BODY STYLES

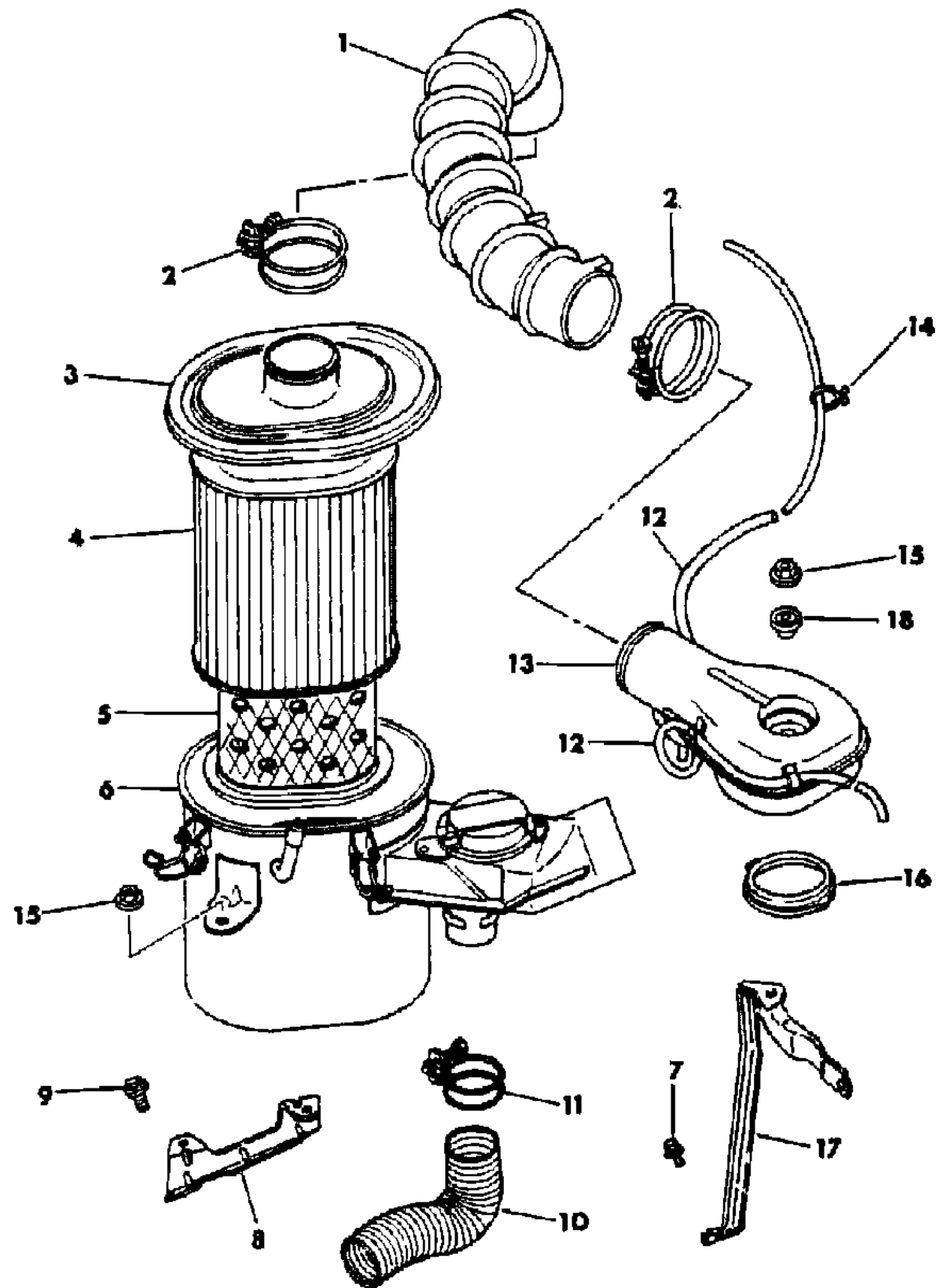
21 = 2-DOOR SEDAN	41 = 4-DOOR SEDAN
22 = 2-DOOR SPECIAL COUPE	45 = 4-DOOR STATION WAGON
24 = 2-DOOR HATCHBACK	44 = 4-DOOR HATCHBACK
27 = 2-DOOR CONVERTIBLE	48 = EXECUTIVE SEDAN
28 = FWD PICKUP	

AR = Use as Required - = Non Illustrated Part P.A.R. = Paint as Required

AIR CLEANER - W/2.6 LITER ENGINE

Figure 14-700

3114 700



ITEM	PART NUMBER	QTY	BODY	MODEL	DESCRIPTION
1	MD02 5188	1			HOSE, Air Intake
2	MF66 1034	2			CLAMP, Hose
3	MD60 3339	1			COVER, Air Cleaner
	MD60 3388	1			Canada
4	MD60 3340	1			ELEMENT, Air Cleaner
5	MD60 3341	1			ELEMENT, Carbon
6	MD60 3338	1			BODY, Air Cleaner
	MD60 3387	1			Canada
7	MF24 3649	1			BOLT w/WASHER
8	MD02 7507	1			BRACKET, Air Cleaner
	MD02 7671	1			Canada
9	MD02 5178	2			BOLT, Flange
10	MD02 5185	1			DUCT, Heat
	MD02 6672	1			Canada
11	MF66 1023	2			CLAMP, Hose
12	MD03 0216	2			HOSE
13	MD02 5187	1			HORN, Air
14	MS47 0362	1			CLIP, Snap
15	MB13 3765	1			NUT
16	MD02 5181	1			GASKET, Air Cleaner
17	MD02 7508	1			STAY, Air Cleaner
18	MD60 3366	1			WASHER, Seal
	MD60 3386	1			FILTER, Crankcase Vent (not illustrated)

MODEL CODES

B = GRAN FURY	G = DIPLOMAT	V = 400
C = LEBARON/TOWN & COUNTRY	M = HORIZON/TURISMO/SCAMP	X = MIRADA
D = ARIES	P = RELIANT	Y = IMPERIAL
E = 600	S = CORDOBA	Z = OMNI/CHARGER/RAMPAGE
F = FIFTH AVENUE	T = E CLASS/NEWYORKER	

BODY STYLES

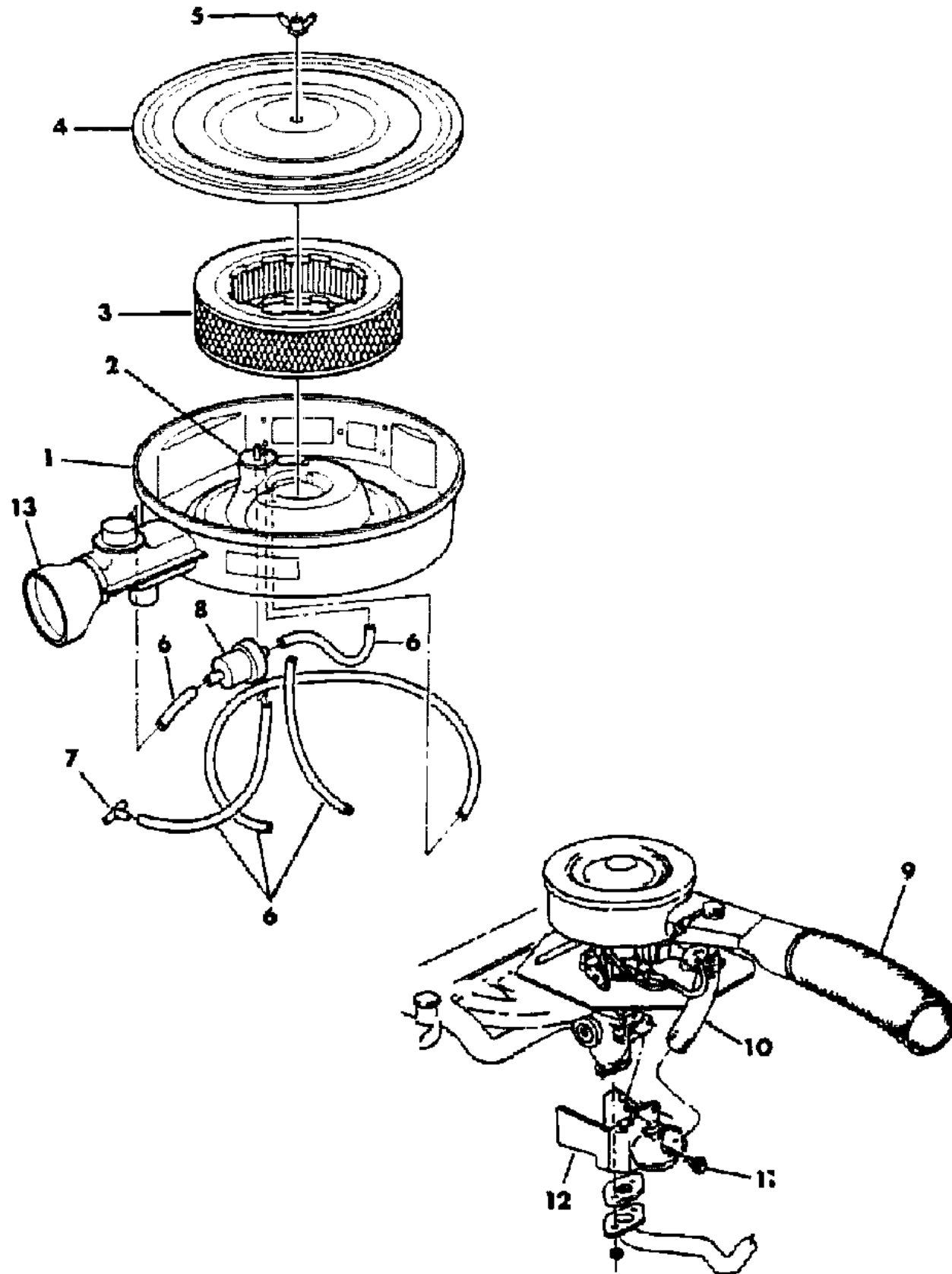
21 = 2-DOOR SEDAN	41 = 4-DOOR SEDAN
22 = 2-DOOR SPECIAL COUPE	45 = 4-DOOR STATION WAGON
24 = 2-DOOR HATCHBACK	44 = 4-DOOR HATCHBACK
27 = 2-DOOR CONVERTIBLE	48 = EXECUTIVE SEDAN
28 = FWD PICKUP	

AR = Use as Required - = Non Illustrated Part P.A.R. = Paint as Required

# AIR CLEANER - W/225 ENGINE

## Figure 14-800

3114 800



ITEM	PART NUMBER	QTY	BODY	MODEL	DESCRIPTION
1					BODY, Air Cleaner
	4241 419	1			w/E24,E25 w/(SC-N98)
	4241 442	1			w/E26,E27 w/(SC-N98)
	4241 505	1			w/E24,E25 w/(SC-N94,N95)
	4241 443	1			w/E26,E27 w/(SC-N93)
2	4240 062	1			SENSOR, Air Cleaner Temp.
3	1739 547	1			FILTER, Air Cleaner
4	4041 654	1			COVER, Air Cleaner
5	0118 614	1			NUT, Air Cleaner
6	4026 511	AR			HOSE, Air Cleaner
7	2875 908	AR			TEE
8					VALVE, Heated Air Delay
	4201 385	2			w/E24,E25 w/(SC-N95)
	4201 385	1			w/E24,E25,E26,E27 w/(SC-N98,N93)
9					DUCT, Air Cleaner
	4049 348	1			w/(SC N98)
	4241 810	1			w/(SC N94,N95)
10	4241 310	1			CONNECTOR
11	0181 084	2			SCREW, w/ WASHER
12	4104 520	1			HEATER, Carburetor Air
13	4213 633	1			ADAPTER, Snorkel to Fresh Air Duct

NOTE: The following items are not illustrated. applications specified in this document.

	4100 432	1			DIAPHRAGM, Air Cleaner Snorkel Vacuum
	4071 681	1			NIPPLE, Air Cleaner Body to Asperator Hose, w/E26,E27 w/(SC-N98)
	4071 703	1			GASKET, Air Cleaner Cover
	2951 394	1			CLAMP, Air Cleaner
	2951 393	1			w/E24,E25 w/(SC-N95,N94)
					w/E26,E27 w/(SC-N93,N98)
	1947 797	1			GASKET, Air Cleaner to Carb.
	2536 626	1			w/E24,E25 w/(SC-N95,N98,N94)
					w/E26,E27 w/(SC-N93,N98)

### MODEL CODES

B = GRAN FURY

C = LEBARON/TOWN & COUNTRY

D = ARIES

E = 600

F = FIFTH AVENUE

G = DIPLOMAT

M = HORIZON/TURISMO/SCAMP

P = RELIANT

S = CORDOBA

T = E CLASS/NEWYORKER

V = 400

X = MIRADA

Y = IMPERIAL

Z = OMNI/CHARGER/RAMPAGE

### BODY STYLES

21 = 2-DOOR SEDAN

22 = 2-DOOR SPECIAL COUPE

24 = 2-DOOR HATCHBACK

27 = 2-DOOR CONVERTIBLE

28 = FWD PICKUP

41 = 4-DOOR SEDAN

45 = 4-DOOR STATION WAGON

44 = 4-DOOR HATCHBACK

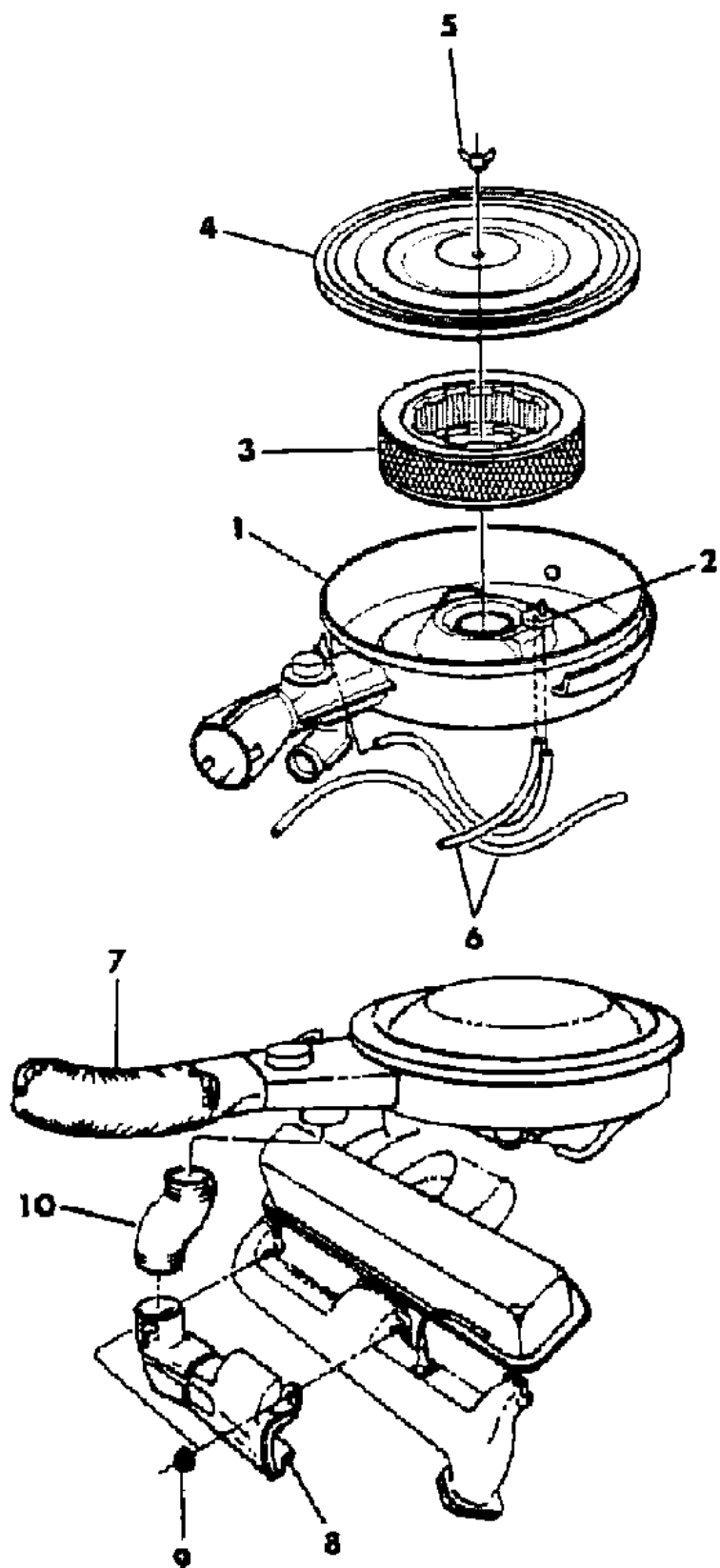
48 = EXECUTIVE SEDAN

AR = Use as Required - = Non Illustrated Part P.A.R. = Paint as Required

AIR CLEANER - W/318-2BBL ENGINE

Figure 14-900

3114 900



ITEM	PART NUMBER	QTY	BODY	MODEL	DESCRIPTION
1					BODY, Air Cleaner
	4227 075	1			w/E44,E45, w/(SC-N94,N95,N96)
	4227 093	1			w/E44 w/(SC-N92)
	4227 092	1			w/E44 w/(SC-N94),Canada
2	4240 062	1			SENSOR, Air Cleaner Temp.
3					FILTER, Air Cleaner
	4201 103	1			w/E44 w/(SC-N94,N95,N96)
	1739 547	1			w/E44 w/(SC-N92)
4	4041 654	1			COVER, Air Cleaner
5	0118 614	1			NUT, Air Cleaner
6	4026 511	AR			HOSE, Air Cleaner
7					DUCT, Air Cleaner to Bodyside
	4049 348	1		F,G,X,S	
8	4227 981	1			HEATER, Carburetor Air
9	6025 004	2			NUT, w/ WASHER
10	4241 310	1			CONNECTOR, Air Heater to Air Cleaner
NOTE: The following items are not illustrated. applications specified in this document.					
	2951 393	1			CLAMP, Air Cleaner
	2536 626	1			GASKET, Air Cleaner to Carb.
	4100 432	1			DIAPHRAGM, Air Cleaner Snorkel Vacuum
	4071 703	1			GASKET, Air Cleaner Cover
	4213 633	1			ADAPTER, Snorkel to Fresh Air Duct

MODEL CODES

B = GRAN FURY	G = DIPLOMAT	V = 400
C = LEBARON/TOWN & COUNTRY	M = HORIZON/TURISMO/SCAMP	X = MIRADA
D = ARIES	P = RELIANT	Y = IMPERIAL
E = 600	S = CORDOBA	Z = OMNI/CHARGER/RAMPAGE
F = FIFTH AVENUE	T = E CLASS/NEWYORKER	

BODY STYLES

21 = 2-DOOR SEDAN	41 = 4-DOOR SEDAN
22 = 2-DOOR SPECIAL COUPE	45 = 4-DOOR STATION WAGON
24 = 2-DOOR HATCHBACK	44 = 4-DOOR HATCHBACK
27 = 2-DOOR CONVERTIBLE	48 = EXECUTIVE SEDAN
28 = FWD PICKUP	

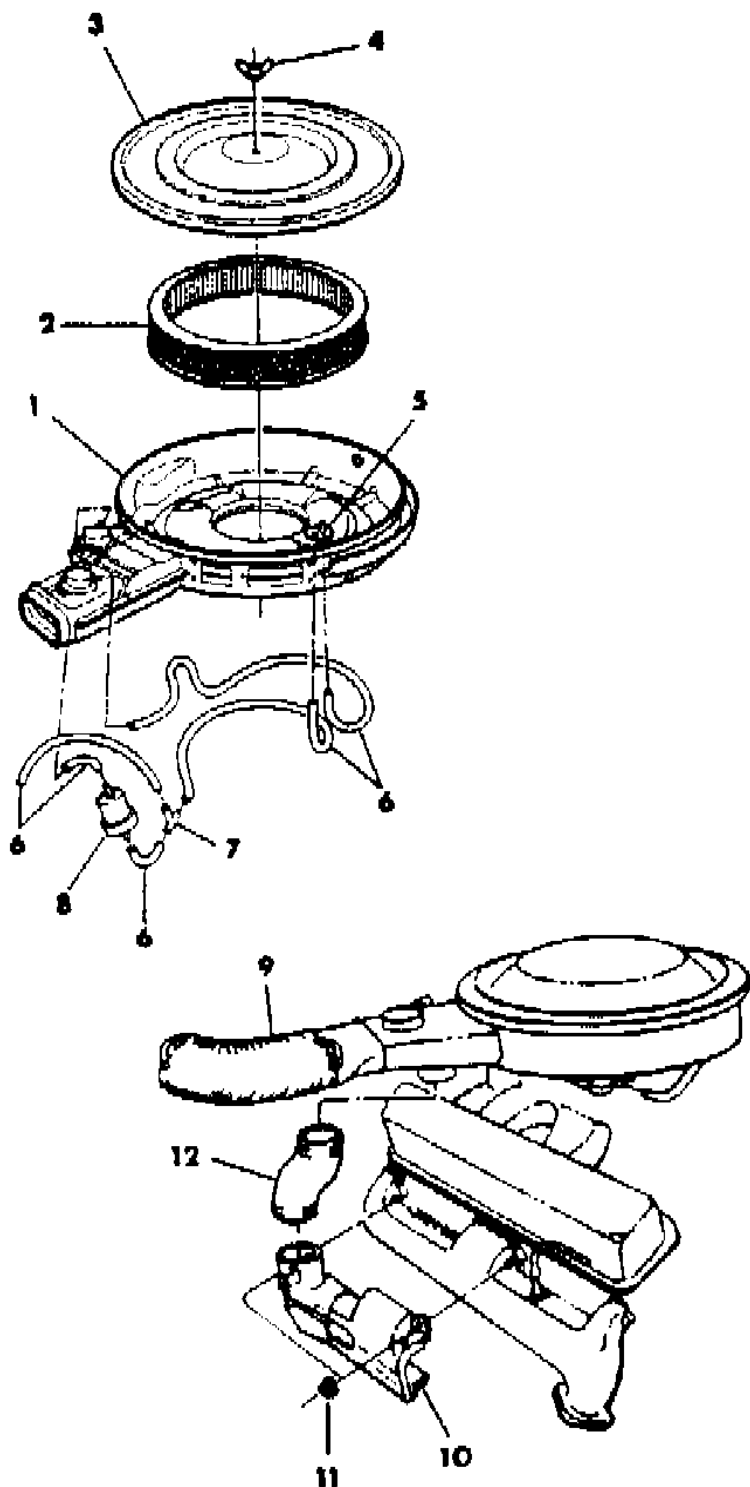
AR = Use as Required - = Non Illustrated Part P.A.R. = Paint as Required



AIR CLEANER - W/318-4BBL ENGINE

Figure 14-1000

3114 1000



ITEM	PART NUMBER	QTY	BODY	MODEL	DESCRIPTION
1					BODY, Air Cleaner
	4227 099	1			w/E46,E48 w/(SC-N92)
	4105 944	1			w/E46,E48 w/(SC-N94,N95,N96)
2	2863 349	1			FILTER, Air Cleaner
3	2951 757	1			COVER, Air Cleaner
4	6031 609	1			WINGNUT, Air Cleaner
5	4240 062	1			SENSOR, Air Cleaner Temp.
6	4206 511	AR			HOSE,Air Cleaner
7	2857 908	2			TEE
8	4201 385	1			VALVE, Heated Air Delay
9					DUCT, Air Cleaner to Bodyside
	4049 348	1			w/ (SC-N92)
	4179 789	1			w/ (SC-N94,N95,N96)
10	4227 981	1			HEATER, Carburetor Air
11	6025 004	2			NUT, w/ WASHER
12	4241 310	1			CONNECTOR, Air Heater to Air Cleaner
NOTE: The following items are not illustrated. applications specified in this document.					
					DIAPHRAGM, Air Cleaner Snorkel Vacuum
	4100 432	1			w/E46,E48 w/(SC-N92)
	4201 010	1			w/E46,E48 w/(SC-N94,N95)
	4071 703	1			GASKET, Air Cleaner Cover
	1826 286	1			STUD, Air Cleaner to Carb.
	4100 602	1			GASKET, Air Cleaner to Carb.
					ADAPTER, Snorkel to Fresh Air Duct
	4213 632	1			w/(SC N92,N94,N96)
	4213 633	1			w/(SC N95)

MODEL CODES

B = GRAN FURY	G = DIPLOMAT	V = 400
C = LEBARON/TOWN & COUNTRY	M = HORIZON/TURISMO/SCAMP	X = MIRADA
D = ARIES	P = RELIANT	Y = IMPERIAL
E = 600	S = CORDOBA	Z = OMNI/CHARGER/RAMPAGE
F = FIFTH AVENUE	T = E CLASS/NEWYORKER	

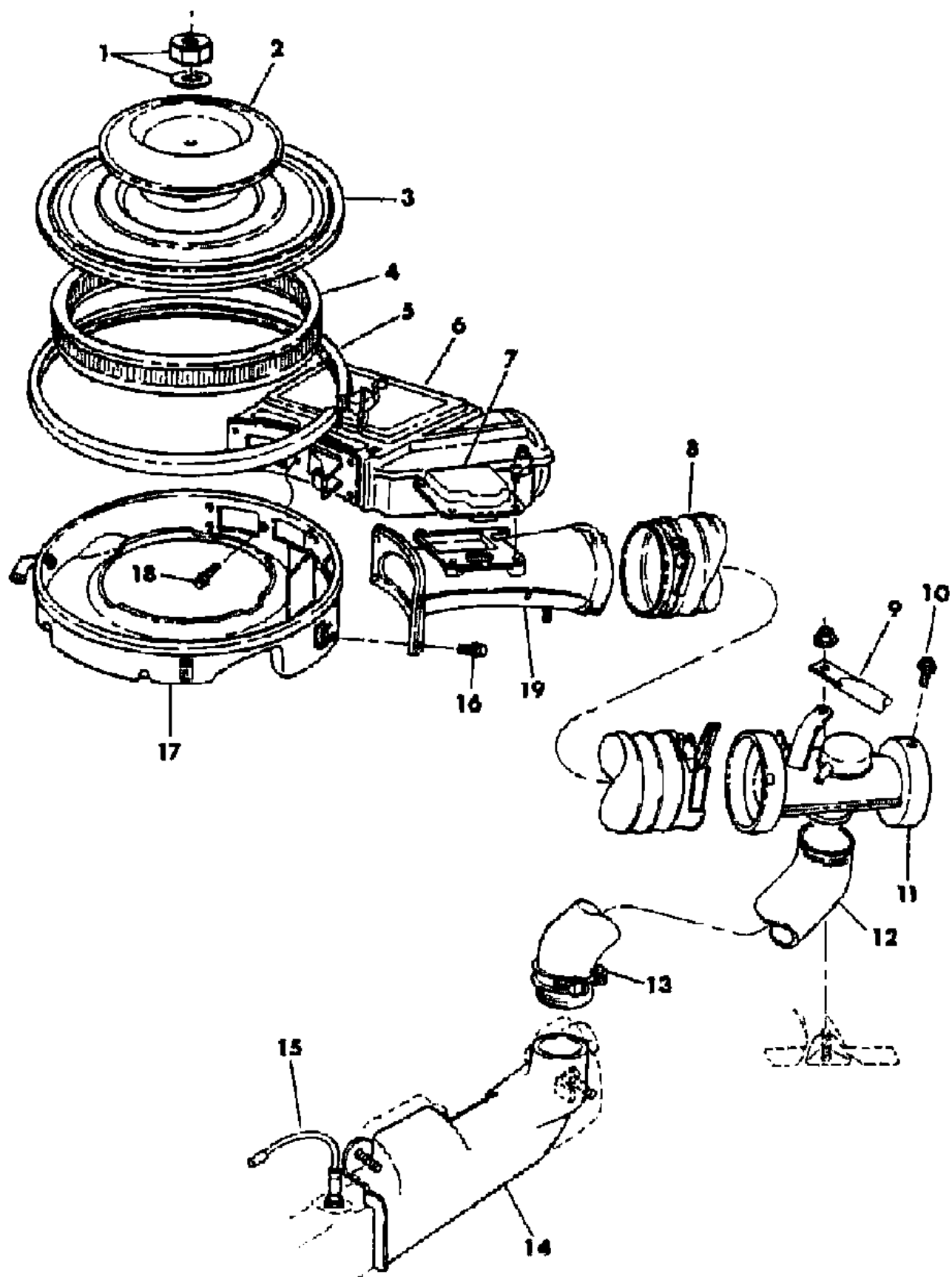
BODY STYLES

21 = 2-DOOR SEDAN	41 = 4-DOOR SEDAN
22 = 2-DOOR SPECIAL COUPE	45 = 4-DOOR STATION WAGON
24 = 2-DOOR HATCHBACK	44 = 4-DOOR HATCHBACK
27 = 2-DOOR CONVERTIBLE	48 = EXECUTIVE SEDAN
28 = FWD PICKUP	

AR = Use as Required - = Non Illustrated Part P.A.R. = Paint as Required

**AIR CLEANER - E.F.I.-W/318 (E43) ENGINE**  
**Figure 14-1100**

3114 1100



ITEM	PART NUMBER	QTY	BODY	MODEL	DESCRIPTION
1	0120 375	1			NUT, w/WASHER
2		1			PLATE, Engine Ident. Name (not serviced)
3	4268 160	1			COVER, Air Cleaner
4	4071 703	1			GASKET, Air Cleaner Cover
5	2863 349	1			FILTER, Air Cleaner
6	4241 700	1			CLAMP, Air Cleaner Cover Retaining
7					CONTROL ASSY., Refer to Gr. 8
8	4267 128	1			FLOWMETER, Air
9	4091 325	1			GASKET, Flowmeter Air Cleaner
10	4091 326	1			GASKET, Flowmeter Cover
11	4201 145	1			DUCT, Fresh Air
12					STRUT, Battery Hold Down, Refer to Gr. 13
13					SCREW (not serviced)
14	4179 431	1			ADAPTOR, Heated Air
15	4241 310	1			CONNECTOR
16	2448 763	1			CLAMP
17	4173 186	1			HEATER, Carburetor Air
18					SENSOR, Oxgen, Refer to Gr. 25
19		4			SCREW (not serviced)
20	4173 119	1			BODY, Air Cleaner
21		5			SCREW (not serviced)
22	4267 127	1			SNORKEL, Air Cleaner

**MODEL CODES**

B = GRAN FURY	G = DIPLOMAT	V = 400
C = LEBARON/TOWN & COUNTRY	M = HORIZON/TURISMO/SCAMP	X = MIRADA
D = ARIES	P = RELIANT	Y = IMPERIAL
E = 600	S = CORDOBA	Z = OMNI/CHARGER/RAMPAGE
F = FIFTH AVENUE	T = E CLASS/NEWYORKER	

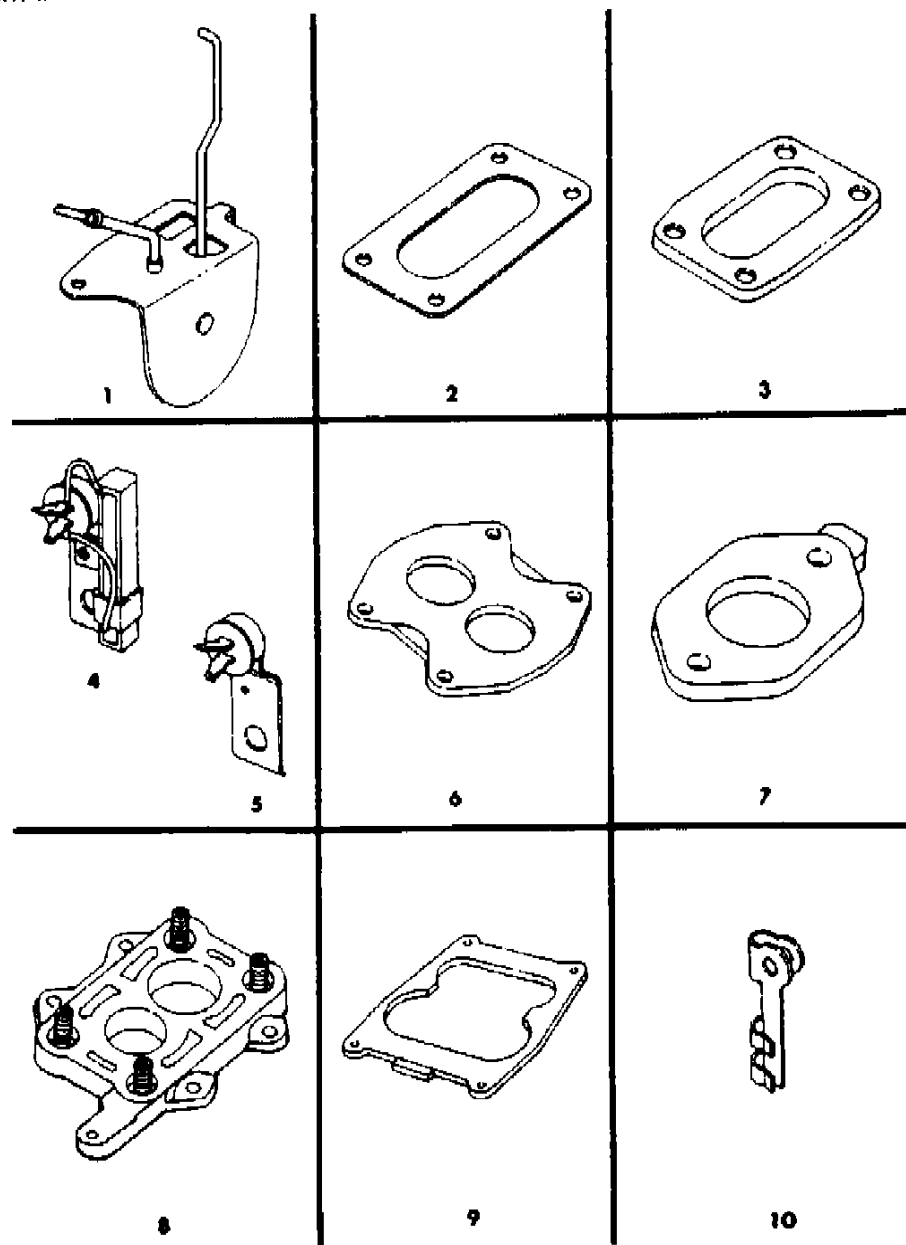
**BODY STYLES**

21 = 2-DOOR SEDAN	41 = 4-DOOR SEDAN
22 = 2-DOOR SPECIAL COUPE	45 = 4-DOOR STATION WAGON
24 = 2-DOOR HATCHBACK	44 = 4-DOOR HATCHBACK
27 = 2-DOOR CONVERTIBLE	48 = EXECUTIVE SEDAN
28 = FWD PICKUP	

AR = Use as Required - = Non Illustrated Part P.A.R. = Paint as Required

**CARBURETOR CHOKE, CHOKE CONTROL, FLANGE GASKETS**  
**Figure 14-1200**

3114 1700



ITEM	PART NUMBER	QTY	BODY	MODEL	DESCRIPTION
1					CHOKE, Carburetor
	4213 715	1			w/225-1BBL.
	4095 337	1			w/225-2BBL.
	4095 338	1			w/318-2BBL., w/(SC-N92,N94,N95,N96)
	4095 984	1			w/318-4BBL., w/(SC-N94,N95,N96)
	4095 331	1			w/318-4BBL., w/(SC-N92)
2					GASKET
	4095 975	1			w/1.7,2.2 Liter Eng., Spacer to Carb.
	4095 975	1			w/1.6 Liter Eng., Carb. Flange
3					GASKET, Carb. Flange
	4095 970	1			w/225-2BBL.
	4095 970	1			w/318-2BBL., w/(SC-N92,N94,N95)
4					CONTROL, Choke
	4049 777	1			w/318-2BBL.
	4106 096	1			w/318-4BBL., w/(SC-N94,N95,N96)
	4049 777	1			w/318-4BBL., w/(SC-N92)
5	4049 799	1			CONTROL, Choke, w/225 Eng.
6	4179 302	1			INSULATOR, Spacer, w/1.7,2.2 Liter Eng.
7	4071 983	1			GASKET, Flange, w/225-1BBL.
8	4293 755	1			SPACER, Carb., w/1.7,2.2 Liter Eng.
9	3698 365	1			GASKET, Flange, w/318-4BBL.
10					CLIP, Choke Rod End
	4095 966	1			w/225,318-2BBL.
	4041 917	1			w/318-4BBL.

MODEL CODES

B = GRAN FURY	G = DIPLOMAT	V = 400
C = LEBARON/TOWN & COUNTRY	M = HORIZON/TURISMO/SCAMP	X = MIRADA
D = ARIES	P = RELIANT	Y = IMPERIAL
E = 600	S = CORDOBA	Z = OMNI/CHARGER/RAMPAGE
F = FIFTH AVENUE	T = E CLASS/NEWYORKER	

BODY STYLES

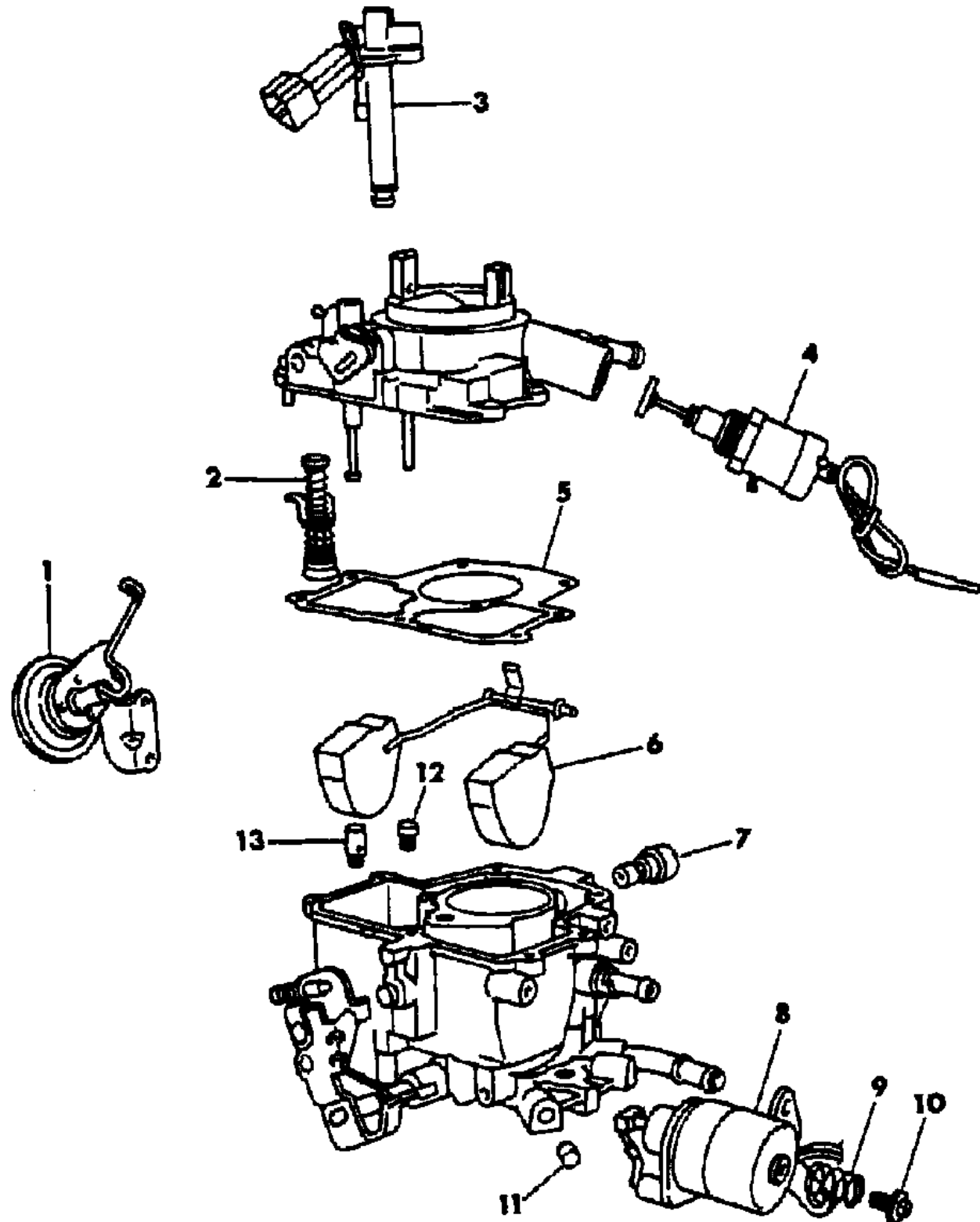
21 = 2-DOOR SEDAN	41 = 4-DOOR SEDAN
22 = 2-DOOR SPECIAL COUPE	45 = 4-DOOR STATION WAGON
24 = 2-DOOR HATCHBACK	44 = 4-DOOR HATCHBACK
27 = 2-DOOR CONVERTIBLE	48 = EXECUTIVE SEDAN
28 = FWD PICKUP	

AR = Use as Required - = Non Illustrated Part P.A.R. = Paint as Required

CARBURETOR AND COMPONENT PARTS HOLLEY-1BBL. (6145)

Figure 14-1300

3114 1300



ITEM	PART NUMBER	QTY	BODY	MODEL	DESCRIPTION
	4227 337				B,F,G,X,S w/(SC-N96)   225/A NR-40032 N4227337 Y4227337 N1
	4227 348				B,F,G,X,S w/(SC-N95)   225/A NR-40042 N4227348 Y4227348 N2
	4287 073				B,F,G,X,S w/(SC-N94,N95,N96)   225/A NR-40042-1 N4287073 Y4287073 N3
	4267 154				GASKET SET Y4267154 Y4267154 Y4267154 N
	4267 155				REPAIR KIT Y4267155 Y4267155 Y4267155 N
1	4271 950				DIAPHRAGM, w/LINK, Choke Y4271950 Y4271950 Y4271950 N
2	4049 859				CUP, Pump Piston Y4049859 Y4049859 Y4049859 N
	4267 152				PUMP, Accel. Y4267152 Y4267152 Y4267152 N
3	4267 219				SOLENOID, Duty-Cycle Y4267219 Y4267219 Y4267219 N
4	4186 308				SOLENOID, Switch Vent Y4186308 Y4186308 Y4186308 N
5	4267 151				GASKET, Air Horn Y4267151 Y4267151 Y4267151 N
6	4240 042				FLOAT Y4240042 Y4240042 Y4240042 N
7	4026 259				NEEDLE and SEAT Y4026259 Y4026259 Y4026259 N
8	4267 240				SOLENOID, Speed-Up Y4267240 Y4267240 Y4267240 N
9	4240 034				SPRING, Solenoid Adjusting Screw Y4240034 Y4240034 Y4240034 N
10	4240 035				SCREW, Solenoid Adjusting Y4240035 Y4240035 Y4240035 N
11	4267 140				PLUG, Idle Needle Y4267140 Y4267140 Y4267140 N
12	4293 729				JET, Main Y4293729 Y4293729 Y4293729 N
13	4267 186				VALVE, Power Y4267186 Y4267186 Y4267186 N

MODEL CODES

B = GRAN FURY	G = DIPLOMAT	V = 400
C = LEBARON/TOWN & COUNTRY	M = HORIZON/TURISMO/SCAMP	X = MIRADA
D = ARIES	P = RELIANT	Y = IMPERIAL
E = 600	S = CORDOBA	Z = OMNI/CHARGER/RAMPAGE
F = FIFTH AVENUE	T = E CLASS/NEWYORKER	

BODY STYLES

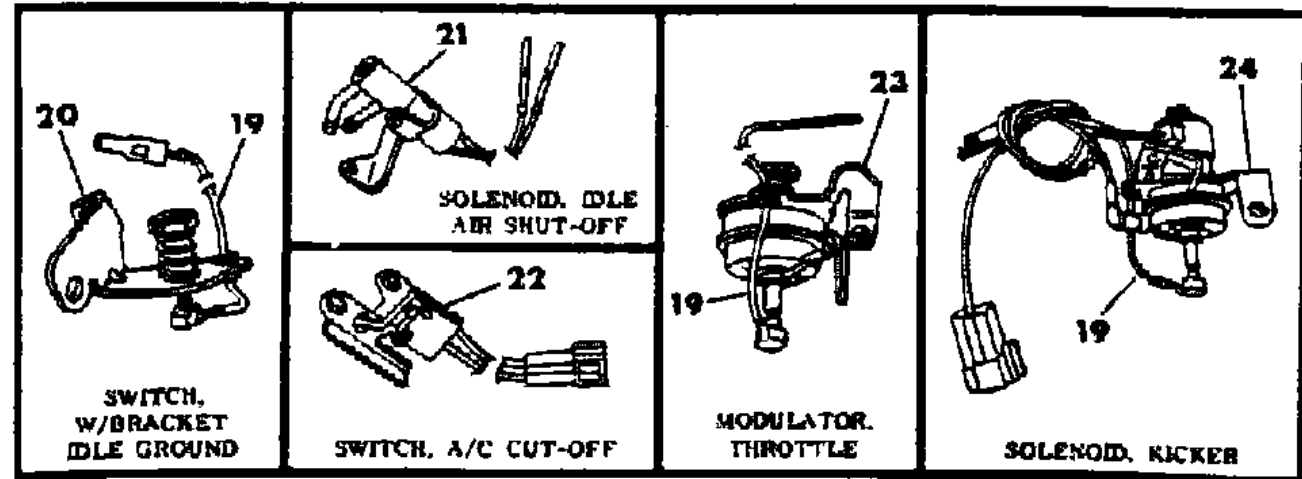
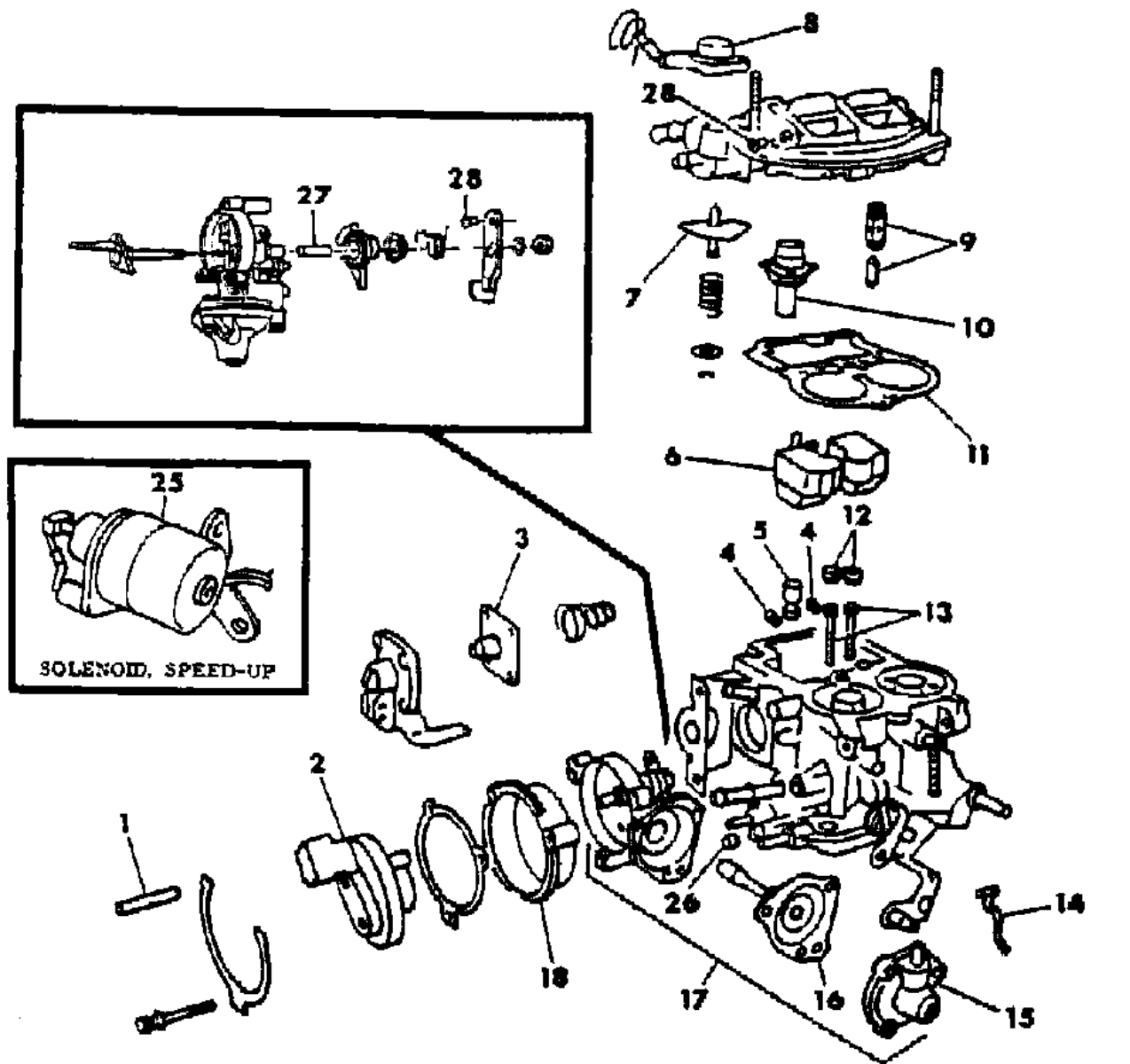
21 = 2-DOOR SEDAN	41 = 4-DOOR SEDAN
22 = 2-DOOR SPECIAL COUPE	45 = 4-DOOR STATION WAGON
24 = 2-DOOR HATCHBACK	44 = 4-DOOR HATCHBACK
27 = 2-DOOR CONVERTIBLE	48 = EXECUTIVE SEDAN
28 = FWD PICKUP	

AR = Use as Required - = Non Illustrated Part P.A.R. = Paint as Required

# CARBURETOR AND COMPONENT PARTS HOLLEY-2BBL.(5220)

## Figure 14-1400

3114 1400A



ITEM	PART NUMBER	QTY	BODY	MODEL	DESCRIPTION
	4227 391				M,Z w/(SC-N94) w/o Air Cond.   1.6L/M NR-40036-1 N4227391 Y4227391 N1
	4227 380				M,Z w/(SC-N94) w or w/o Air Cond.   2.2L/M NR-40020-1 N4227380 Y4227380 N2
	4227 381				M,Z w/(SC-N94) w or w/o Air Cond.   2.2L/A NR-40022-1 N4227381 Y4227381 N3
	4227 382				M,Z,P,D,C,V,L,J,E,T w/(SC-N62) w/o Air Cond.   2.2L/M NR-40023-1 N4227382 Y4227382 N4
	4227 383				M,Z,P,D,C,V,L,J,E,T w/(SC-N62) w/ Air Cond.   2.2L/M NR-40024-1 N4227383 Y4227383 N5
	4227 384				M,Z,P,D,C,V,L,J,E,T w/(SC-N62) w/o Air Cond.   2.2L/A NR-40025-1 N4227384 Y4227384 N6
	4227 385				M,Z,P,D,C,V,L,J,E,T w/(SC-N62) w/ Air Cond.   2.2L/A NR-40026-1 N4227385 Y4227385 N7
	4227 386				M,Z w/(SC-N96) w or w/o Air Cond.   2.2L/M NR-40039-1 N4227386 Y4227386 N8
	4227 387				M,Z w/(SC-N96) w or w/o Air Cond.   2.2L/A NR-40041-1 N4227387 Y4227387 N9
	4287 082				M,Z,P,D,,V,J,E,T w/(SC-N62) w/o Air Cond.   2.2L/M NR-40023-2 N4287082 Y4287082 N10
	4287 083				M,Z,P,D,,V,J,E,T w/(SC-N62) w/ Air Cond.   2.2L/M NR-40024-2 N4287083 Y4287083 N11
	4287 084				M,Z w/(SC-N62) w or w/o Air Cond.   2.2L/A NR-40025-2 N4287084 Y4287084 N12
	4287 084				P,D,C,V,J,E,T w/(SC-N62) w/o Air Cond.   2.2L/A NR-40025-2 N4287084 Y4287084 N12
	4287 085				P,D,C,V,J,E,T w/(SC-N62) w/ Air Cond.   2.2L/A NR-40026-2 N4287085 Y4287085 N13
	4287 094				M,Z w/(SC-N94) w or w/o Air Cond.   2.2L/M NR-40109 N4287094 Y4287094 N14
	4287 095				M,Z w/(SC-N94) w or w/o Air Cond.   2.2L/A NR-40110 N4287095 Y4287095 N15
	4300 017				M,Z w/(SC-N94) w or w/o Air Cond.   2.2L/M NR-40109-1 N4300017 Y4300017 N16
	4300 018				M,Z w/(SC-N94) w or w/o Air Cond.   2.2L/A NR-40110-1 N4300018 Y4300018 N17
	4271 875				GASKET SET Y4271875 Y4271875 Y4271875 Y4271875

**MODEL CODES**

B = GRAN FURY	G = DIPLOMAT	V = 400
C = LEBARON/TOWN & COUNTRY	M = HORIZON/TURISMO/SCAMP	X = MIRADA
D = ARIES	P = RELIANT	Y = IMPERIAL
E = 600	S = CORDOBA	Z = OMNI/CHARGER/RAMPAGE
F = FIFTH AVENUE	T = E CLASS/NEWYORKER	

**BODY STYLES**

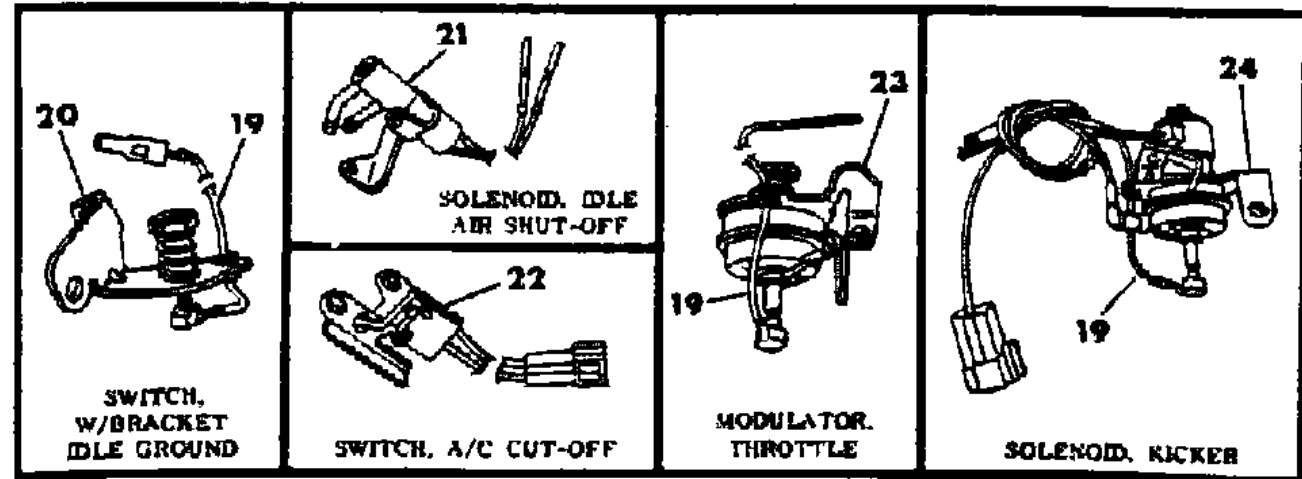
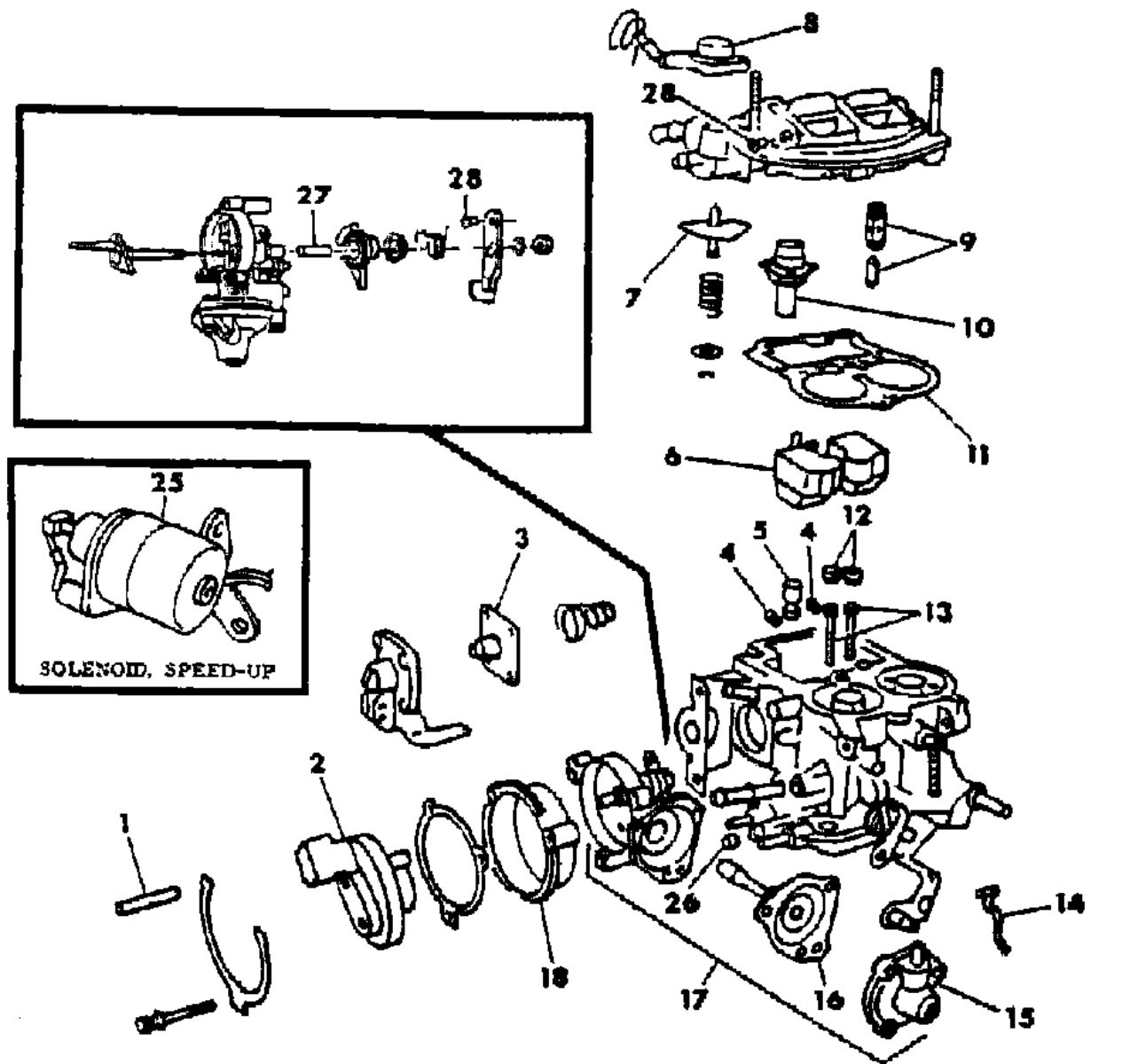
21 = 2-DOOR SEDAN	41 = 4-DOOR SEDAN
22 = 2-DOOR SPECIAL COUPE	45 = 4-DOOR STATION WAGON
24 = 2-DOOR HATCHBACK	44 = 4-DOOR HATCHBACK
27 = 2-DOOR CONVERTIBLE	48 = EXECUTIVE SEDAN
28 = FWD PICKUP	

AR = Use as Required - = Non Illustrated Part P.A.R. = Paint as Required

# CARBURETOR AND COMPONENT PARTS HOLLEY-2BBL.(5220)

## Figure 14-1400

3114 1400A



ITEM	PART NUMBER	QTY	BODY	MODEL	DESCRIPTION
	4293 726				REPAIR KIT Y4293726 Y4293726 Y4293726 N4273726
1	4273 726				REPAIR KIT N4293726 N4293726 N4293726 Y4273726
	4293 790				RIVET, Thermostat Ring Y4293790 Y4293790 Y4293790 Y4293790
2	4186 295				THERMOSTAT, w/CAP, Choke Y4186295 Y4186295 Y4186295 Y4186295
	4131 121				DIAPHRAGM, Pump Y4131121 Y4131121 Y4131121 Y4131121
4					JET, Main N0 N0 N0 N0
	4293 777				Primary Y4293777 N4293759 N4293759 N4186127
	4293 759				Primary N4293777 Y4293759 Y4293759 N4186127
	4186 127				Primary N4293777 N4293759 N4293759 Y4186127
	4293 711				Secondary Y4293711 N4131124 N4131124 N4271902
	4131 124				Secondary N4293711 Y4131124 Y4131124 N4271902
	4271 902				Secondary N4293711 N4131124 N4131124 Y4271902
5	4131 168				VALVE, Power Y4131168 Y4131168 Y4131168 Y4131168
6	4240 081				FLOAT Y4240081 Y4240081 Y4240081 Y4240081
7	4131 139				DIAPHRAGM, w/SHAFT, E.A.V. Y4131139 Y4131139 Y4131139 Y4131139
	4186 305				SOLENOID, E.A.V. Y4186305 Y4186305 Y4186305 N4293722
8	4293 722				SOLENOID, E.A.V. N4186305 N4186305 N4186305 Y4293722
9	4131 116				NEEDLE and SEAT Y4131116 Y4131116 Y4131116 Y4131116
10	4131 115				DIAPHRAGM, w/STEM, Power Valve Y4131115 Y4131115 Y4131115 Y4131115
	4271 869				GASKET, Air Horn Y4271869 Y4271869 Y4271869 Y4271869
12					BLEED, Hi-Speed N0 N0 N0 N0
	4267 107				Primary Y4267107 N4131127 N4131127 Y4267107
	4131 127				Primary N4267107 Y4131127 Y4131127 N4267107
	4131 128				Secondary Y4131128 Y4131128 Y4131128 N4271925
	4271 925				Secondary N4131128 N4131128 N4131128 Y4271925
13					TUBE, Main Well N0 N0 N0 N0
	4186 291				Primary Y4186291 Y4186291 Y4186291 Y4186291
	4186 291				Secondary Y4186291 Y4186291 Y4186291 Y4186291
14	4271 948				LINK, Fast Idle Y4271948 Y4271948 Y4271948 Y4271948
15					COVER, Choke Diaphragm N0 N0 N0 N0
16	4267 178				DIAPHRAGM, Choke Y4267178 N4131210 N4131210 N4131210
	4131 210				DIAPHRAGM, Choke N4267178 Y4131210 Y4131210 Y4131210

**MODEL CODES**

B = GRAN FURY	G = DIPLOMAT	V = 400
C = LEBARON/TOWN & COUNTRY	M = HORIZON/TURISMO/SCAMP	X = MIRADA
D = ARIES	P = RELIANT	Y = IMPERIAL
E = 600	S = CORDOBA	Z = OMNI/CHARGER/RAMPAGE
F = FIFTH AVENUE	T = E CLASS/NEWYORKER	

**BODY STYLES**

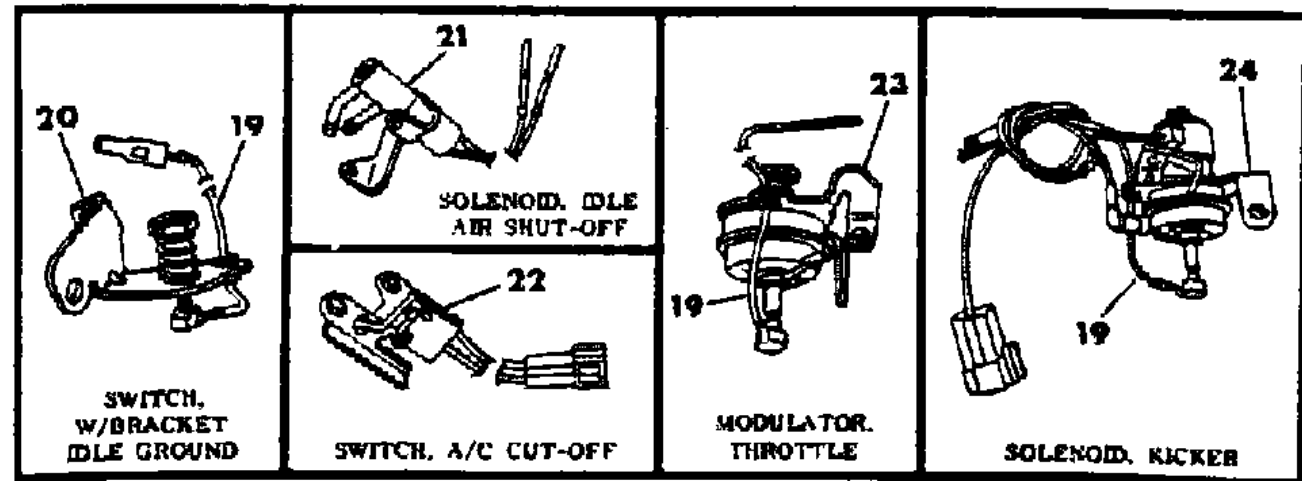
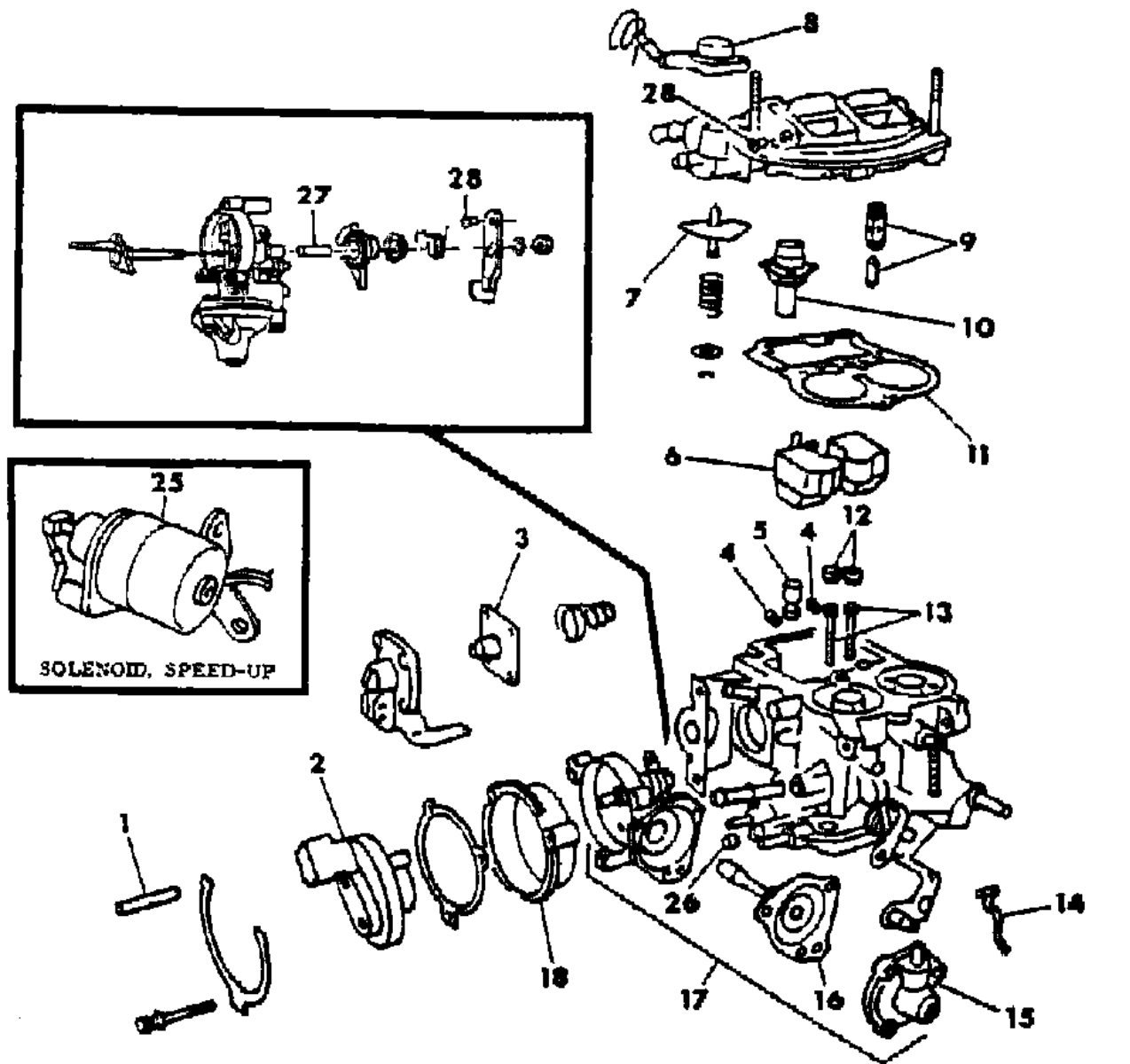
21 = 2-DOOR SEDAN	41 = 4-DOOR SEDAN
22 = 2-DOOR SPECIAL COUPE	45 = 4-DOOR STATION WAGON
24 = 2-DOOR HATCHBACK	44 = 4-DOOR HATCHBACK
27 = 2-DOOR CONVERTIBLE	48 = EXECUTIVE SEDAN
28 = FWD PICKUP	

AR = Use as Required - = Non Illustrated Part P.A.R. = Paint as Required

CARBURETOR AND COMPONENT PARTS HOLLEY-2BBL.(5220)

Figure 14-1400

3114 1400A



ITEM	PART NUMBER	QTY	BODY	MODEL	DESCRIPTION
17	4293 735				HOUSING, w/DIAPHRAGM, Choke Y4293735 N4293778
					N4293778 N4293779
17	4293 778				HOUSING, w/DIAPHRAGM, Choke N4293735 Y4293778
					Y4293778 N4293779
17	4293 779				HOUSING, w/DIAPHRAGM, Choke N4293735 N4293778
					N4293778 Y4293779
18	4267 096				HOUSING, Thermostat Y4267096 Y4267096 Y4267096
					Y4267096
19	4293 718				WIRE and TERMINAL N0 Y4293718 Y4293718 N0
20	4293 717				SWITCH, w/BRACKET, Idle Ground Y4293717 N0 N0 N0
21					SOLENOID, Idle Shut-Off N0 N0 N0 N0
22					SWITCH, A/C Cut-Off N0 N0 N0 N0
23	4293 746				MODULATOR, Throttle N0 Y4293746 N4293747 N0
23	4293 747				MODULATOR, Throttle N0 N4293746 Y4293747 N0
24					SOLENOID, Kicker N0 N0 N0 N0
25	4293 724				SOLENOID, Speed-Up N0 N0 N0 Y4293724
26	4267 140				PLUG, Idle Needle Y4267140 Y4267140 Y4267140 Y4267140
27	4131 131				BUSHING, Choke Housing Shaft Y4131131 Y4131131 Y4131131
					Y4131131
28	4131 114				RETAINER, Choke Rod Y4131114 Y4131114 Y4131114
					Y4131114
					GASKET SET Y4271875 Y4271875 Y4271875 Y4271875
					REPAIR KIT Y4293726 Y4293726 Y4293726 Y4293726
1	4293 790				RIVET, Thermostat Ring Y4293790 Y4293790 Y4293790
					Y4293790
2	4186 295				THERMOSTAT, w/CAP, Choke Y4186295 Y4186295 Y4186295
					Y4186295
3	4131 121				DIAPHRAGM, Pump Y4131121 Y4131121 Y4131121 Y4131121
4					JET, Main N0 N0 N0 N0
					Primary Y4186127 Y4186127 Y4186127 N0
					Secondary Y4271902 Y4271902 Y4271902 N0
5	4131 168				VALVE, Power Y4131168 Y4131168 Y4131168 Y4131168
6	4240 081				FLOAT Y4240081 Y4240081 Y4240081 Y4240081
7	4131 139				DIAPHRAGM, w/SHAFT, E.A.V. Y4131139 Y4131139 Y4131139
					Y4131139
8	4293 722				SOLENOID, E.A.V. Y4293722 Y4293722 Y4293722 N4186305
8	4186 305				SOLENOID, E.A.V. N4293722 N4293722 N4293722 Y4186305

MODEL CODES

B = GRAN FURY	G = DIPLOMAT	V = 400
C = LEBARON/TOWN & COUNTRY	M = HORIZON/TURISMO/SCAMP	X = MIRADA
D = ARIES	P = RELIANT	Y = IMPERIAL
E = 600	S = CORDOBA	Z = OMNI/CHARGER/RAMPAGE
F = FIFTH AVENUE	T = E CLASS/NEWYORKER	

BODY STYLES

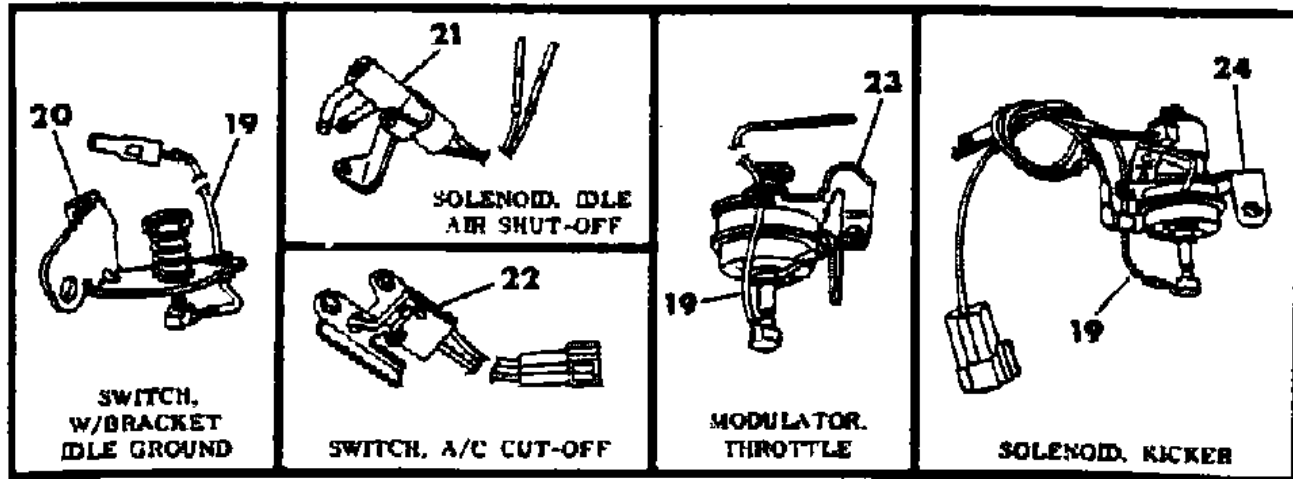
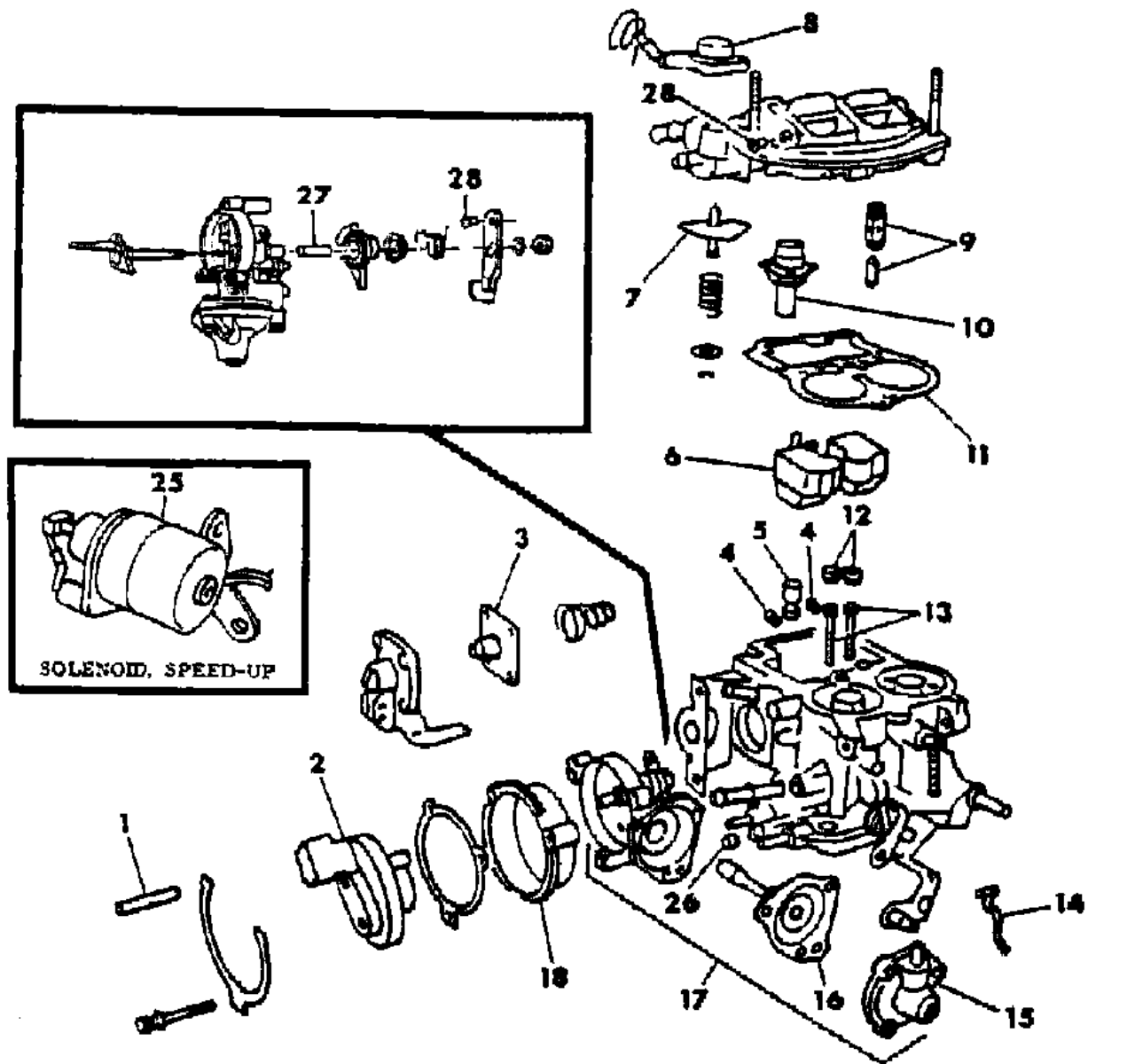
21 = 2-DOOR SEDAN	41 = 4-DOOR SEDAN
22 = 2-DOOR SPECIAL COUPE	45 = 4-DOOR STATION WAGON
24 = 2-DOOR HATCHBACK	44 = 4-DOOR HATCHBACK
27 = 2-DOOR CONVERTIBLE	48 = EXECUTIVE SEDAN
28 = FWD PICKUP	

AR = Use as Required - = Non Illustrated Part P.A.R. = Paint as Required

# CARBURETOR AND COMPONENT PARTS HOLLEY-2BBL.(5220)

## Figure 14-1400

3114 1400A



ITEM	PART NUMBER	QTY	BODY	MODEL	DESCRIPTION
9	4131 116				NEEDLE and SEAT Y4131116 Y4131116 Y4131116 Y4131116
10	4131 115				DIAPHRAGM, w/STEM, Power Valve Y4131115 Y4131115 Y4131115 Y4131115
11	4271 869				GASKET, Air Horn Y4271869 Y4271869 Y4271869 Y4271869
12					BLEED, Hi-Speed N0 N0 N0 N0
	4267 107				Primary Y4267107 Y4267107 Y4267107 N0
	4271 295				Secondary Y4271295 Y4271295 Y4271295 N0
13					TUBE, Main Well N0 N0 N0 N0
	4186 291				Primary Y4186291 Y4186291 Y4186291 Y4186291
	4186 291				Secondary Y4186291 Y4186291 Y4186291 Y4186291
14	4271 948				LINK, Fast Idle Y4271948 Y4271948 Y4271948 Y4271948
15					COVER, Choke Diaphragm N0 N0 N0 N0
16	4131 210				DIAPHRAGM, Choke Y4131210 Y4131210 Y4131210 Y4131210
17	4293 779				HOUSING, w/DIAPHRAGM, Choke Y4293779 N4293780 N4293778 N4293778
17	4293 780				HOUSING, w/DIAPHRAGM, Choke N4293779 Y4293780 N4293778 N4293778
17	4293 778				HOUSING, w/DIAPHRAGM, Choke N4293779 N4293780 Y4293778 Y4293778
18	4267 096				HOUSING, Thermostat Y4267096 Y4267096 Y4267096 Y4267096
19	4293 718				WIRE and TERMINAL Y4293718 N0 N0 Y4293718
19	4293 718				WIRE and TERMINAL Y4293718 N0 N0 Y4293718
21					SOLENOID, Idle Shut-Off N0 N0 N0 N0
22					SWITCH, A/C Cut-Off N0 N0 N0 N0
23	4293 746				MODULATOR, Throttle N0 N0 N0 Y4293746
24	4293 748				SOLENOID, Kicker Y4293748 N0 N4293749 N0
24	4293 749				SOLENOID, Kicker N4293748 N0 Y4293749 N0
25	4293 724				SOLENOID, Speed-Up N0 Y4293724 N0 N0
26	4267 140				PLUG, Idle Needle Y4267140 Y4267140 Y4267140 Y4267140
27	4131 131				BUSHING, Choke Housing Shaft Y4131131 Y4131131 Y4131131 Y4131131
28	4131 114				RETAINER, Choke Rod Y4131114 Y4131114 Y4131114 Y4131114
	4271 875				GASKET SET Y4271875 Y4271875 Y4271875 Y4271875
	4293 726				REPAIR KIT Y4293726 N4293814 N4293814 N4293814
	4293 814				REPAIR KIT N4293726 Y4293814 Y4293814 Y4293814

MODEL CODES  
 B = GRAN FURY  
 C = LEBARON/TOWN & COUNTRY  
 D = ARIES  
 E = 600  
 F = FIFTH AVENUE  
 G = DIPLOMAT  
 M = HORIZON/TURISMO/SCAMP  
 P = RELIANT  
 S = CORDOBA  
 T = E CLASS/NEWYORKER  
 V = 400  
 X = MIRADA  
 Y = IMPERIAL  
 Z = OMNI/CHARGER/RAMPAGE

BODY STYLES  
 21 = 2-DOOR SEDAN  
 22 = 2-DOOR SPECIAL COUPE  
 24 = 2-DOOR HATCHBACK  
 27 = 2-DOOR CONVERTIBLE  
 28 = FWD PICKUP  
 41 = 4-DOOR SEDAN  
 45 = 4-DOOR STATION WAGON  
 44 = 4-DOOR HATCHBACK  
 48 = EXECUTIVE SEDAN

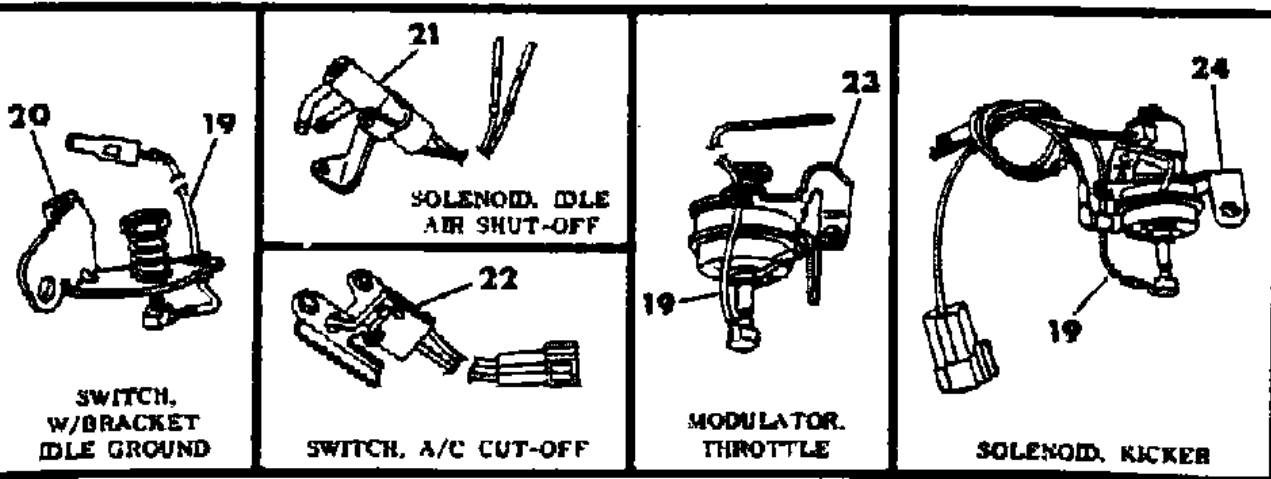
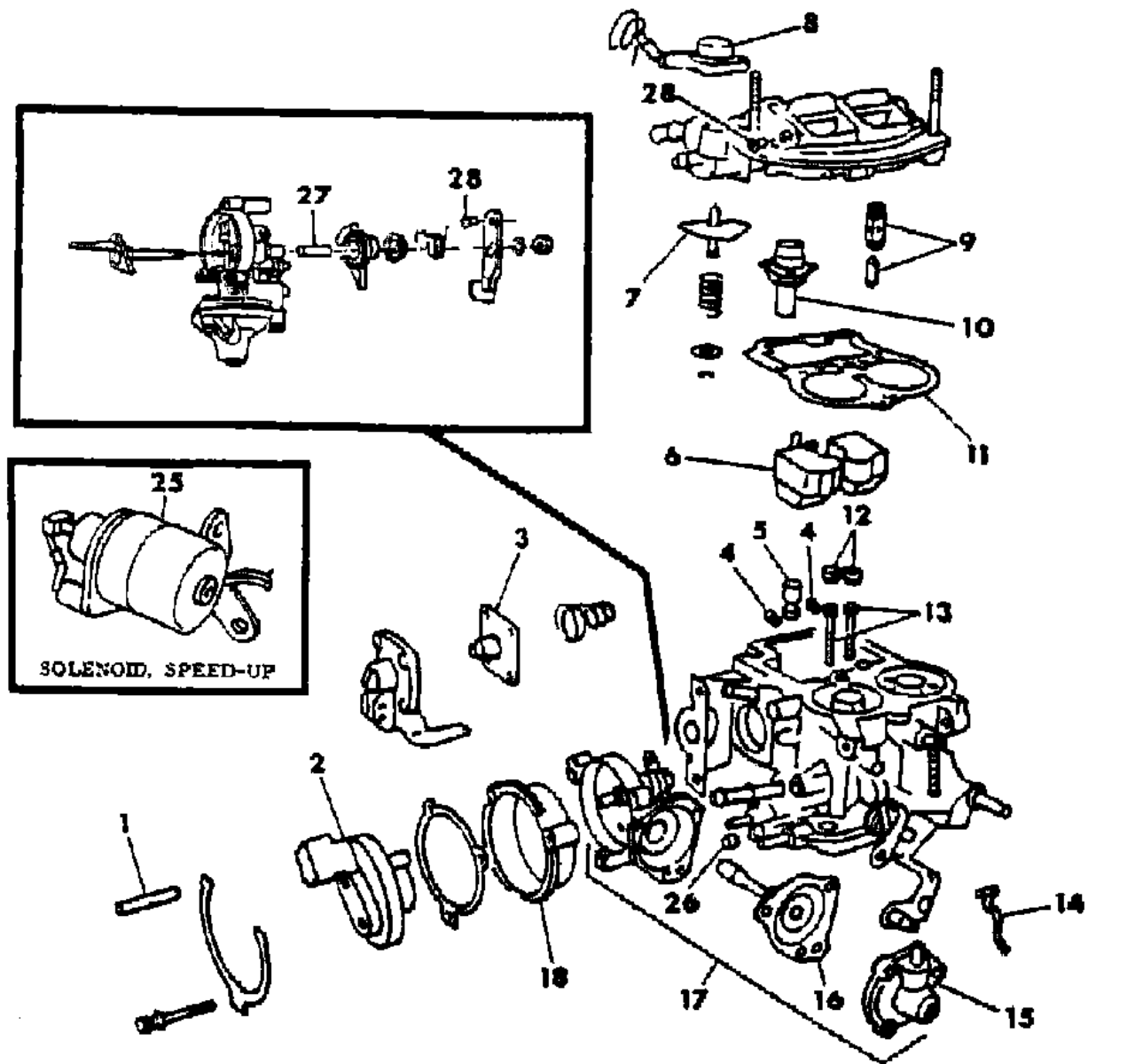
AR = Use as Required - = Non Illustrated Part P.A.R. = Paint as Required



# CARBURETOR AND COMPONENT PARTS HOLLEY-2BBL.(5220)

## Figure 14-1400

3114 1400A



ITEM	PART NUMBER	QTY	BODY	MODEL	DESCRIPTION
1	4293 790				RIVET, Thermostat Ring Y4293790 Y4293790 Y4293790
2	4186 295				THERMOSTAT, w/CAP, Choke Y4186295 Y4186295 Y4186295
3	4131 121				DIAPHRAGM, Pump Y4131121 Y4131121 Y4131121 Y4131121
4	4293 777				JET, Main N0 N N N
	4131 169				Primary Y4293777 N4131169 N4131169 N4131169
	4131 124				Primary N4293777 Y4131169 Y4131169 Y4131169
	4271 984				Secondary Y4131124 N4271984 N4271984 N4271984
5	4131 168				Secondary N4131124 Y4271984 Y4271984 Y4271984
6	4240 081				VALVE, Power Y4131168 Y4131168 Y4131168 Y4131168
7	4131 139				FLOAT Y4240081 Y4240081 Y4240081 Y4240081
					DIAPHRAGM, w/Shaft, E.V.A. Y4131139 Y4131139 Y4131139
8	4186 305				Y4131139
8	4293 722				SOLENOID, E.V.A. Y4186305 N4293722 N4293722 N4293722
9	4131 116				SOLENOID, E.V.A. N4186305 Y4293722 Y4293722 Y4293722
10	4131 115				NEEDLE and SEAT Y4131116 Y4131116 Y4131116 Y4131116
					DIAPHRAGM, w/STEM, Power Valve Y4131115 Y4131115
11	4271 869				Y4131115 Y4131115
12					GASKET, Air Horn Y4271869 Y4271869 Y4271869 Y4271869
					BLEED, Hi-Speed N0 N N N
	4131 128				Primary Y4131128 N4267107 N4267107 N4267107
	4267 107				Primary N4131128 Y4267107 Y4267107 Y4267107
	4131 128				Secondary Y4131128 N4271925 N4271925 N4271925
	4271 925				Secondary N4131128 Y4271925 Y4271925 Y4271925
13					TUBE, Main Well N0 N N N
	4186 291				Primary Y4186291 Y4186291 Y4186291 Y4186291
	4186 291				Secondary Y4186291 Y4186291 Y4186291 Y4186291
14	4271 948				LINK, Fast Idle Y4271948 Y4271948 Y4271948 Y4271948
15					COVER, Choke Diaphragm N0 N N N
16	4231 210				DIAPHRAGM, Choke Y4231210 N4267178 N4267178 N4267178
16	4267 178				DIAPHRAGM, Choke N4231210 Y4267178 Y4267178 Y4267178
17	4293 780				HOUSING, w/DIAPHRAGM, Choke Y4293780 N4293812
					N4293812 N4293812
17	4293 812				HOUSING, w/DIAPHRAGM, Choke N4293780 Y4293812
					Y4293812 Y4293812

**MODEL CODES**

B = GRAN FURY	G = DIPLOMAT	V = 400
C = LEBARON/TOWN & COUNTRY	M = HORIZON/TURISMO/SCAMP	X = MIRADA
D = ARIES	P = RELIANT	Y = IMPERIAL
E = 600	S = CORDOBA	Z = OMNI/CHARGER/RAMPAGE
F = FIFTH AVENUE	T = E CLASS/NEWYORKER	

**BODY STYLES**

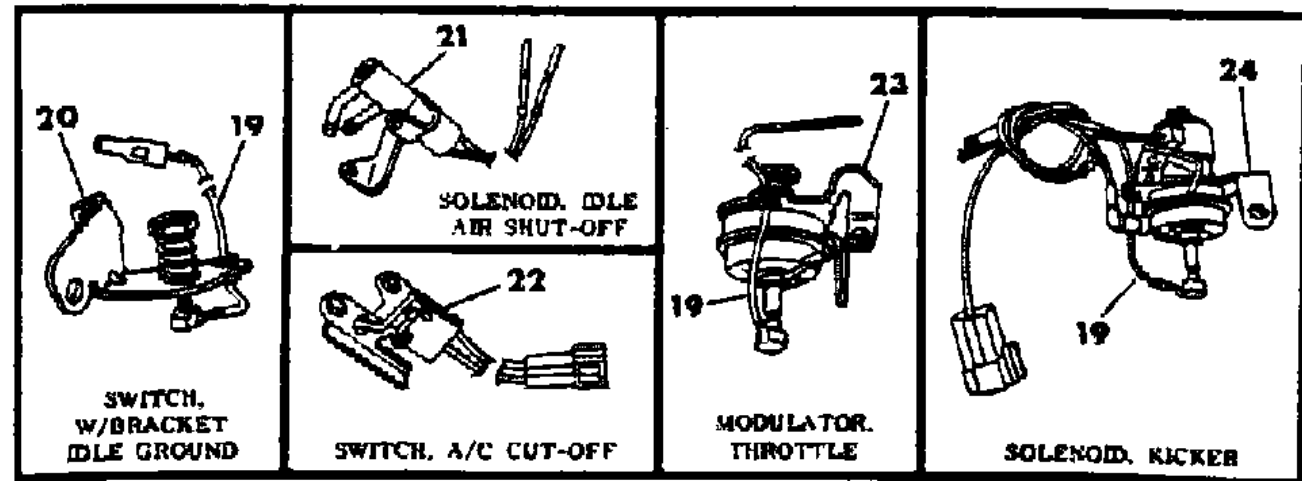
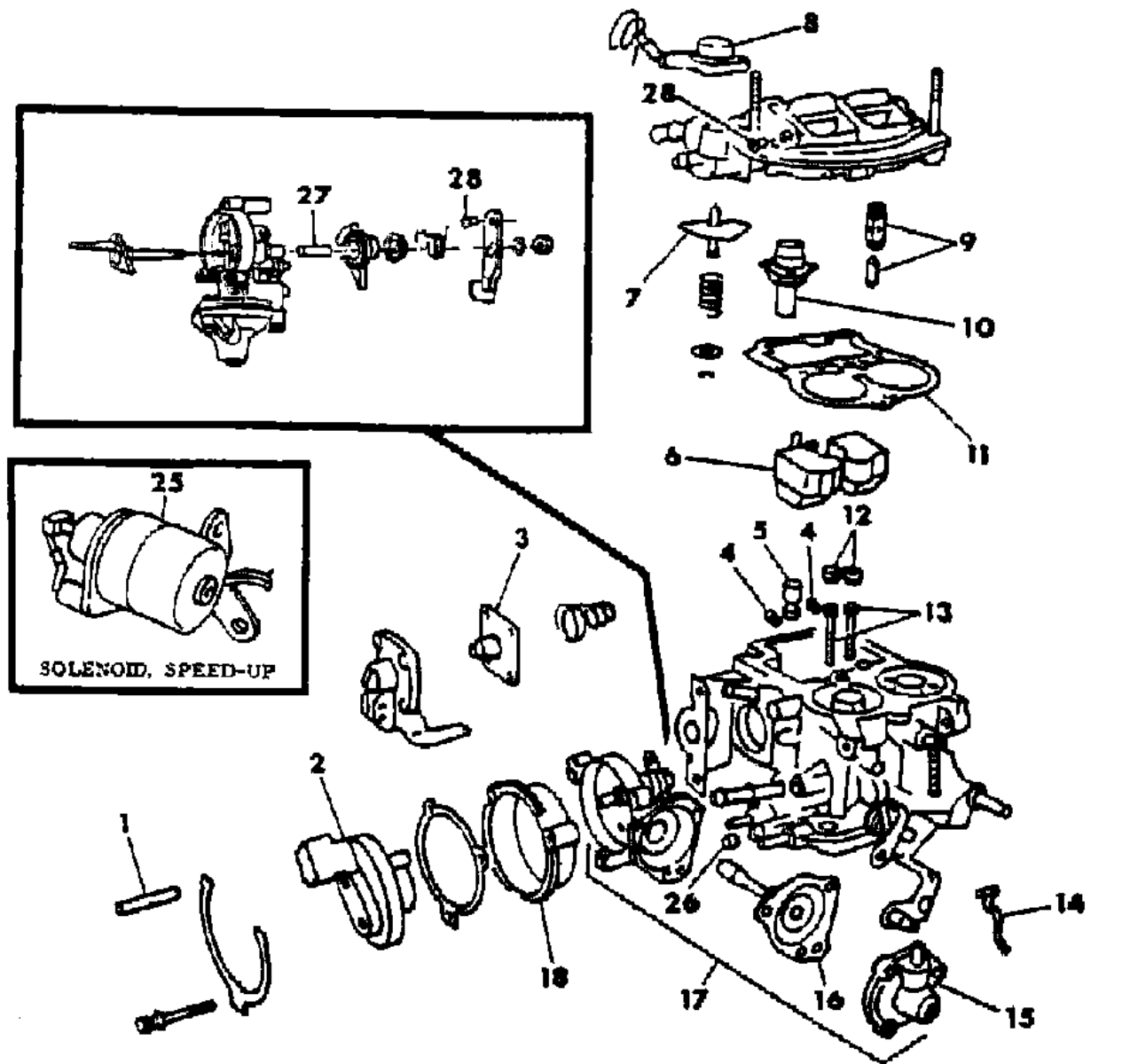
21 = 2-DOOR SEDAN	41 = 4-DOOR SEDAN
22 = 2-DOOR SPECIAL COUPE	45 = 4-DOOR STATION WAGON
24 = 2-DOOR HATCHBACK	44 = 4-DOOR HATCHBACK
27 = 2-DOOR CONVERTIBLE	48 = EXECUTIVE SEDAN
28 = FWD PICKUP	

AR = Use as Required - = Non Illustrated Part P.A.R. = Paint as Required

# CARBURETOR AND COMPONENT PARTS HOLLEY-2BBL.(5220)

## Figure 14-1400

3114 1400A



ITEM	PART NUMBER	QTY	BODY	MODEL	DESCRIPTION
18	4267 096				HOUSING, Thermostat Y4267096 Y4267096 Y4267096
19	4293 718				WIRE and TERMINAL Y4293718 N Y4293718 Y4293718
20					SWITCH, w/BRACKET, Idle Ground N0 N N N
21					SOLENOID, Idle Shut-Off N0 N N N
22					SWITCH, A/C Cut-Off N0 N N N
23	4293 747				MODULATOR, Throttle Y4293747 N N0 N0
24	4293 748				SOLENOID, Kicker N0 N Y4293748 N4293749
24	4293 749				SOLENOID, Kicker N0 N N4293748 Y4293749
25	4293 724				SOLENOID, Speed-Up N0 Y4293724 N N
26	4267 140				PLUG, Idle Needle Y4267140 Y4267140 Y4267140 Y4267140
27	4131 131				BUSHING, Choke Housing Shaft Y4131131 Y4131131 Y4131131 Y4131131
28	4131 114				RETAINER, Choke Rod Y4131114 Y4131114 Y4131114 Y4131114
	4131 187				CONNECTOR, Four-Way (not illustrated) Y4131187 N N N
	4271 875				GASKET SET Y4271875 Y4271875 Y4271875 Y4271875
	4293 814				REPAIR KIT Y4293814 N4293726 N4293726 N4293726
	4293 726				REPAIR KIT N4293814 Y4293726 Y4293726 Y4293726
1	4293 790				RIVET, Thermostat Ring Y4293790 Y4293790 Y4293790 Y4293790
2	4186 295				THERMOSTAT, w/CAP, Choke Y4186295 Y4186295 Y4186295 Y4186295
3	4131 121				DIAPHRAGM, Pump Y4131121 Y4131121 Y4131121 Y4131121
4					JET, Main N0 N0 N0 N0
	4131 169				Primary Y4131169 N4293759 N4293759 N4293759
	4293 759				Primary N4131169 Y4293759 Y4293759 Y4293759
	4271 984				Secondary Y4271984 N4293811 N4293811 N4293811
	4293 811				Secondary N4271984 Y4293811 Y4293811 Y4293811
5	4131 168				VALVE, Power Y4131168 Y4131168 Y4131168 Y4131168
6	4240 081				FLOAT Y4240081 Y4240081 Y4240081 Y4240081
7	4131 139				DIAPHRAGM, w/SHAFT, E.V.A. Y4131139 Y4131139 Y4131139 Y4131139
8	4293 722				SOLENOID, E.V.A. Y4293722 N4186305 N4186305 N4186305
8	4186 305				SOLENOID, E.V.A. N4293722 Y4186305 Y4186305 Y4186305
9	4131 116				NEEDLE and SEAT Y4131116 Y4131116 Y4131116 Y4131116

**MODEL CODES**

B = GRAN FURY	G = DIPLOMAT	V = 400
C = LEBARON/TOWN & COUNTRY	M = HORIZON/TURISMO/SCAMP	X = MIRADA
D = ARIES	P = RELIANT	Y = IMPERIAL
E = 600	S = CORDOBA	Z = OMNI/CHARGER/RAMPAGE
F = FIFTH AVENUE	T = E CLASS/NEWYORKER	

**BODY STYLES**

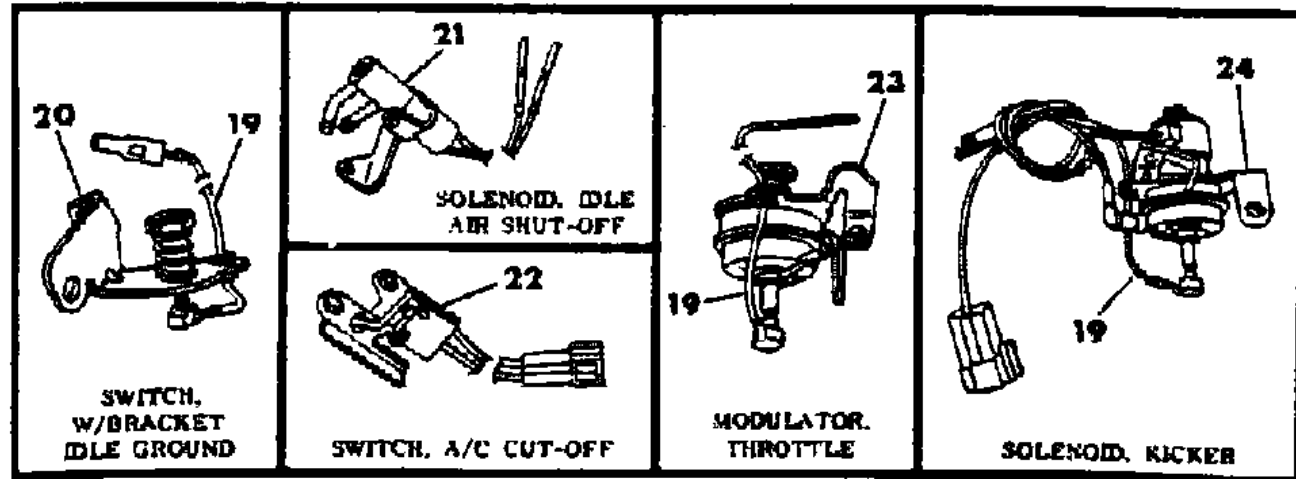
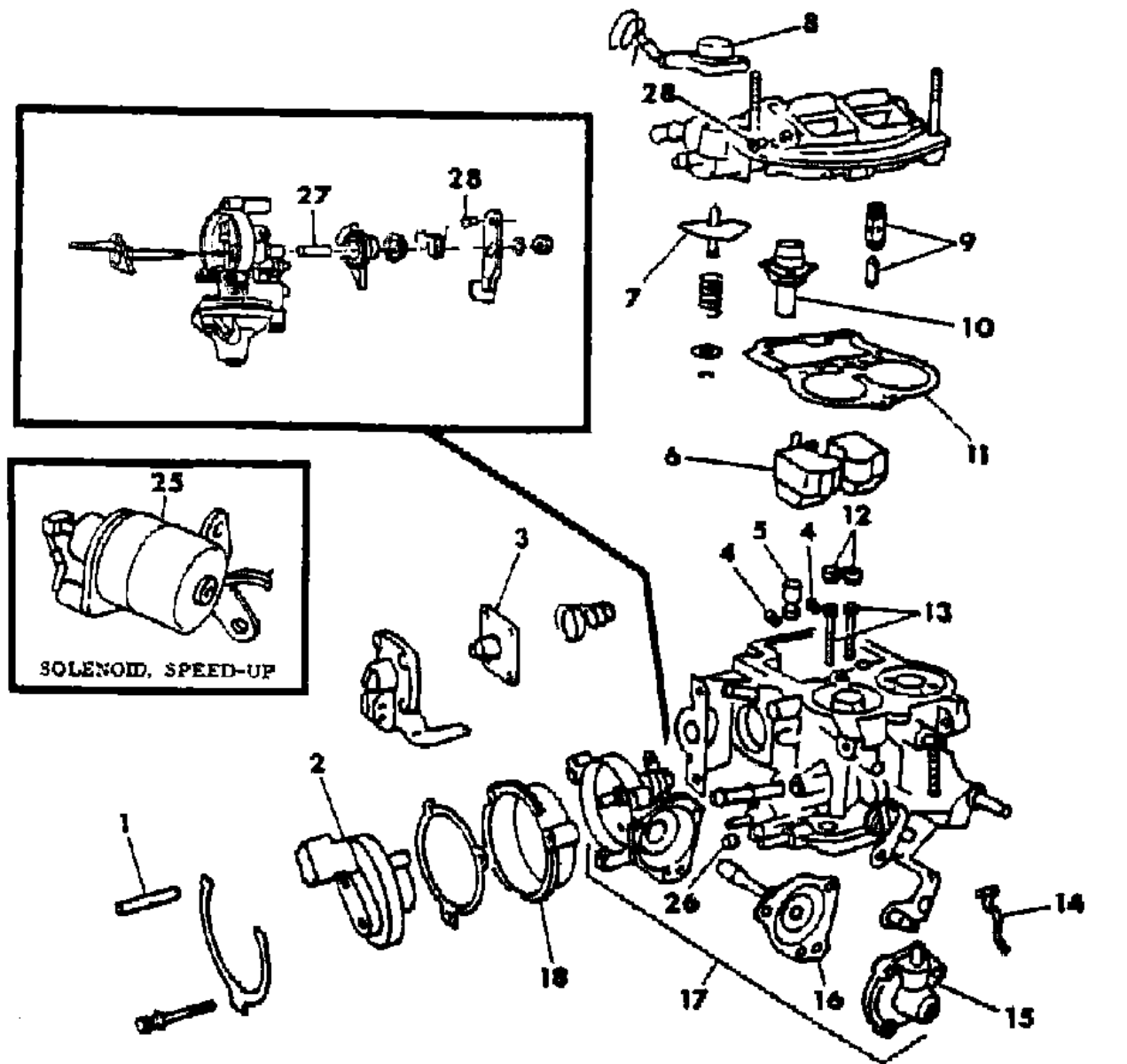
21 = 2-DOOR SEDAN	41 = 4-DOOR SEDAN
22 = 2-DOOR SPECIAL COUPE	45 = 4-DOOR STATION WAGON
24 = 2-DOOR HATCHBACK	44 = 4-DOOR HATCHBACK
27 = 2-DOOR CONVERTIBLE	48 = EXECUTIVE SEDAN
28 = FWD PICKUP	

AR = Use as Required - = Non Illustrated Part P.A.R. = Paint as Required

# CARBURETOR AND COMPONENT PARTS HOLLEY-2BBL.(5220)

## Figure 14-1400

3114 1400A



ITEM	PART NUMBER	QTY	BODY	MODEL	DESCRIPTION
10	4131 115				DIAPHRAGM, w/STEM, Power Valve Y4131115 Y4131115 Y4131115 Y4131115
11	4271 869				GASKET, Air Horn Y4271869 Y4271869 Y4271869 Y4271869
12	4267 107				BLEED, Hi-Speed N0 N0 N0 N0 Primary Y4267107 N4131127 N4131127 N4131127 Primary N4267107 Y4131127 Y4131127 Y4131127 Secondary Y4271925 N4131128 N4131128 N4267051 Secondary N4271925 Y4131128 Y4131128 N4267051 Secondary N4271925 N4131128 N4131128 Y4267051
13	4186 291				TUBE, Main Well N0 N0 N0 N0 Primary Y4186291 Y4186291 Y4186291 Y4186291 Secondary Y4186291 Y4186291 Y4186291 Y4186291
14	4271 984				LINK, Fast Idle Y4271984 Y4271984 Y4271984 N0
15	4267 178				COVER, Choke Diaphragm N0 N0 N0 N0
16	4131 210				DIAPHRAGM, Choke N4267178 Y4131210 Y4131210 Y4131210
17	4293 812				HOUSING, w/DIAPHRAGM, Choke Y4293812 N4293780 N4293780 N4293780
17	4293 780				HOUSING, w/DIAPHRAGM, Choke N4293812 Y4293780 Y4293780 Y4293780
18	4267 096				HOUSING, Thermostat Y4267096 Y4267096 Y4267096 Y4267096
19	4293 718				WIRE and TERMINAL N0 Y4293718 Y4293718 Y4293718
20					SWITCH, w/BRACKET, Idle Ground N0 N0 N0 N0
21					SOLENOID, Idle Shut-Off N0 N0 N0 N0
22					SWITCH, A/C Cut-Off N0 N0 N0 N0
23	4293 747				MODULATOR, Throttle N0 Y4293747 N4293746 N4293746
23	4293 746				MODULATOR, Throttle N0 N4293747 Y4293746 Y4293746
24	4293 749				SOLENOID, Kicker Y4293749 N0 N0 N0
25					SOLENOID, Speed-Up N0 N0 N0 N0
26	4267 140				PLUG, Idle Needle Y4267140 Y4267140 Y4267140 Y4267140
27	4131 131				BUSHING, Choke Housing Shaft Y4131131 Y4131131 Y4131131 Y4131131
28	4131 114				RETAINER, Choke Rod Y4131114 Y4131114 Y4131114 Y4131114 GASKET SET Y4271875 N N N REPAIR KIT Y4293726 N N N

**MODEL CODES**

B = GRAN FURY	G = DIPLOMAT	V = 400
C = LEBARON/TOWN & COUNTRY	M = HORIZON/TURISMO/SCAMP	X = MIRADA
D = ARIES	P = RELIANT	Y = IMPERIAL
E = 600	S = CORDOBA	Z = OMNI/CHARGER/RAMPAGE
F = FIFTH AVENUE	T = E CLASS/NEWYORKER	

**BODY STYLES**

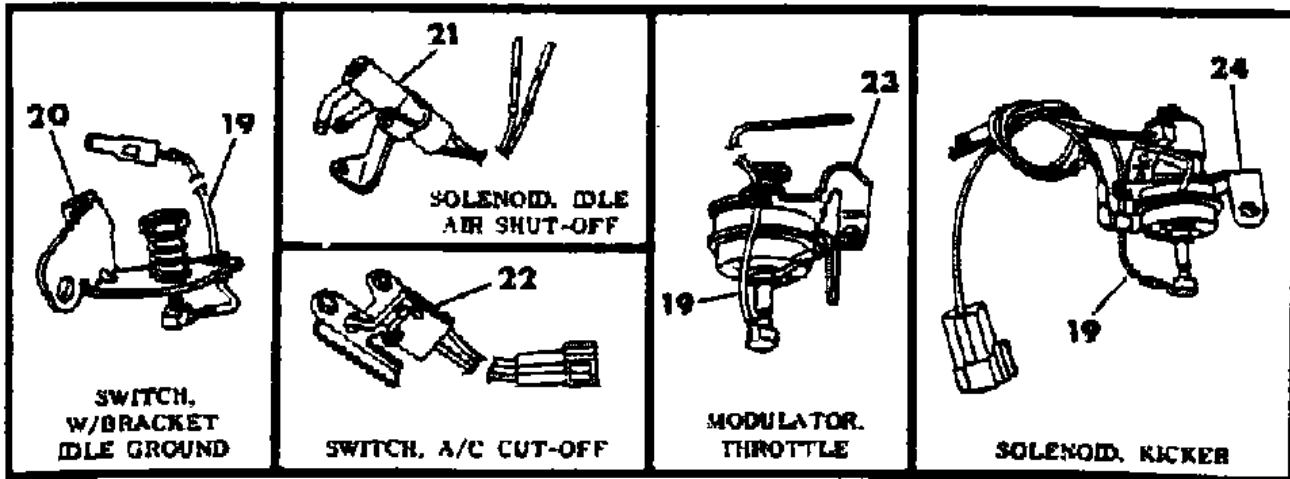
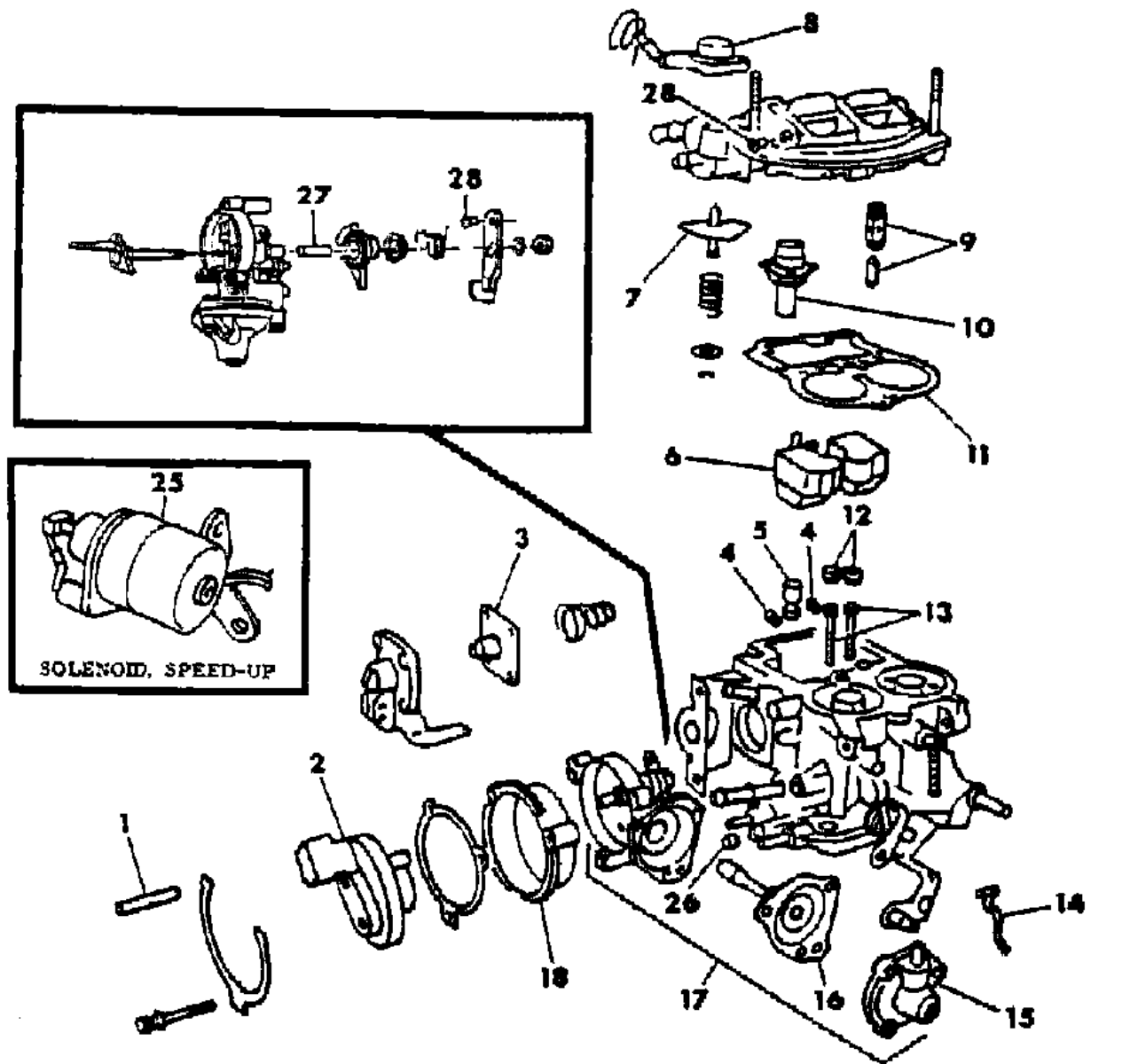
21 = 2-DOOR SEDAN	41 = 4-DOOR SEDAN
22 = 2-DOOR SPECIAL COUPE	45 = 4-DOOR STATION WAGON
24 = 2-DOOR HATCHBACK	44 = 4-DOOR HATCHBACK
27 = 2-DOOR CONVERTIBLE	48 = EXECUTIVE SEDAN
28 = FWD PICKUP	

AR = Use as Required - = Non Illustrated Part P.A.R. = Paint as Required

CARBURETOR AND COMPONENT PARTS HOLLEY-2BBL.(5220)

Figure 14-1400

3114 1400A



ITEM	PART NUMBER	QTY	BODY	MODEL	DESCRIPTION
1	4293 790				RIVET, Thermostat Ring Y4293790 N N N
2	4186 295				THERMOSTAT, w/CAP, Choke Y4186295 N N N
3	4131 121				DIAPHRAGM, Pump Y4131121 N N N
4	4293 759				JET, Main N0 N N N Primary Y4293759 N N N
	4293 811				Secondary Y4293811 N N N
5	4131 168				VALVE, Power Y4131168 N N N
6	4240 081				FLOAT Y4240081 N N N
7	4131 139				DIAPHRAGM, w/SHAFT, EVA Y4131139 N N N
8	4186 305				SOLENOID, EVA Y4186305 N N N
9	4131 116				NEEDLE and SEAT Y4131116 N N N
10	4131 115				DIAPHRAGM, w/SHAFT, Power Valve Y4131115 N N N
11	4271 869				GASKET, Air Horn Y4271869 N N N
12	4131 127				BLEED, Hi-Speed N0 N N N Primary Y4131127 N N N
	4267 051				Secondary Y4267051 N N N
13	4186 291				TUBE, Main Well N0 N N N Primary Y4186291 N N N
	4186 291				Secondary Y4186291 N N N
14					LINK, Fast Idle N0 N N N
15					COVER, Choke Diaphragm N0 N N N
16	4131 210				DIAPHRAGM, Choke Y4131210 N N N
17	4293 780				HOUSING, w/DIAPHRAGM, Choke Y4293780 N N N
18	4267 096				HOUSING, Thermostat Y4267096 N N N
19	4293 718				WIRE and TERMINAL Y4293718 N N N
20					SWITCH, w/BRACKET, Idle Ground N0 N N N
21					SOLENOID, Idle Shut Off N0 N N N
22					SWITCH, A/C Cut Off N0 N N N
23	4293 747				MODULATOR, Throttle Y4293747 N N N
24					SOLENOID, Kicker N0 N N N
25					SOLENOID, Speed-Up N0 N N N
26	4267 140				PLUG, Idle Needle Y4267140 N N N
27	4131 131				BUSHING, Choke Shaft Y4131131 N N N
28	4131 114				RETAINER, Choke Rod Y4131114 N N N

MODEL CODES

B = GRAN FURY	G = DIPLOMAT	V = 400
C = LEBARON/TOWN & COUNTRY	M = HORIZON/TURISMO/SCAMP	X = MIRADA
D = ARIES	P = RELIANT	Y = IMPERIAL
E = 600	S = CORDOBA	Z = OMNI/CHARGER/RAMPAGE
F = FIFTH AVENUE	T = E CLASS/NEWYORKER	

BODY STYLES

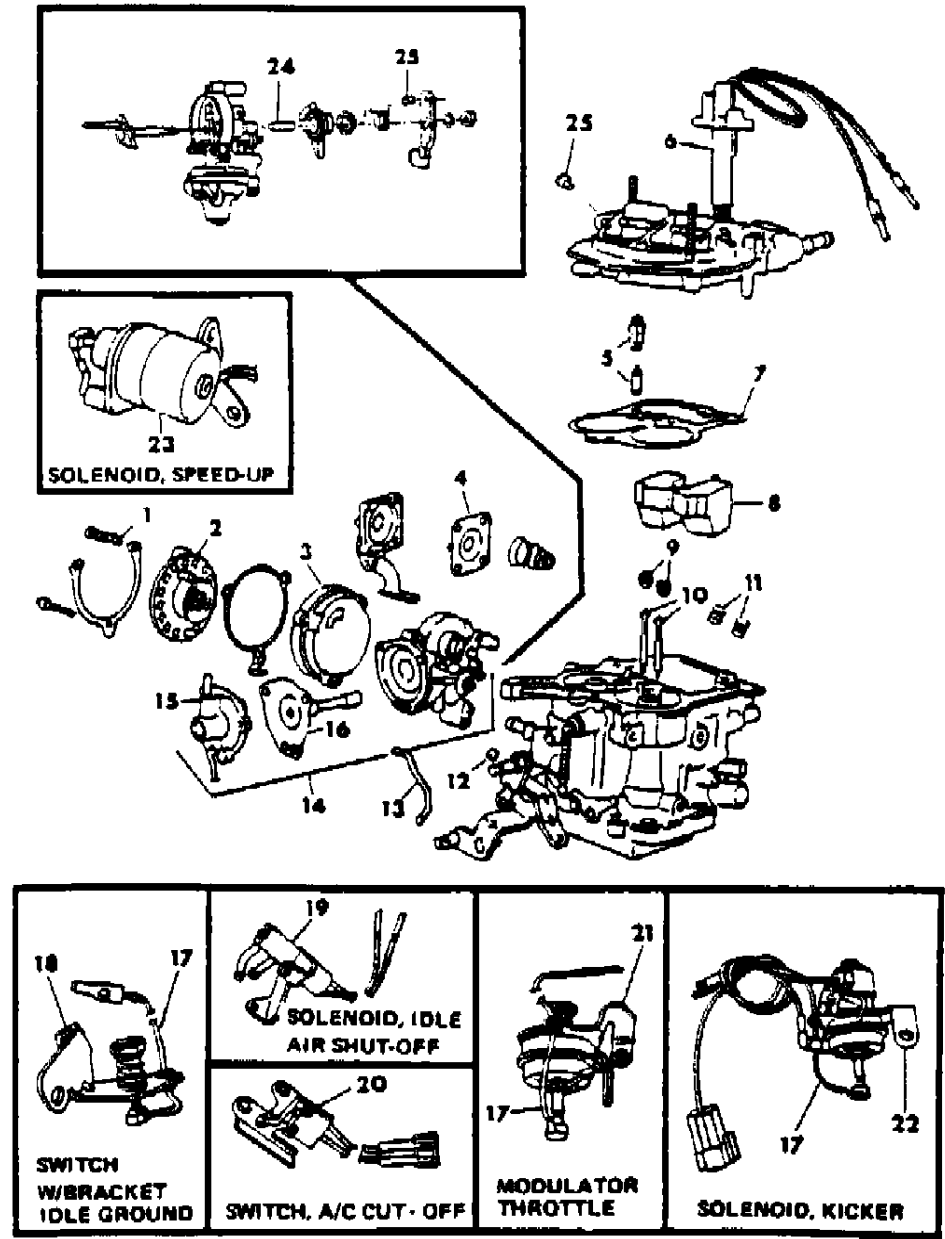
21 = 2-DOOR SEDAN	41 = 4-DOOR SEDAN
22 = 2-DOOR SPECIAL COUPE	45 = 4-DOOR STATION WAGON
24 = 2-DOOR HATCHBACK	44 = 4-DOOR HATCHBACK
27 = 2-DOOR CONVERTIBLE	48 = EXECUTIVE SEDAN
28 = FWD PICKUP	

AR = Use as Required - = Non Illustrated Part P.A.R. = Paint as Required

CARBURETOR AND COMPONENT PARTS HOLLEY-2BBL.(6520) 0

Figure 14-1500

3114 1500A



ITEM	PART NUMBER	QTY	BODY	MODEL	DESCRIPTION
	4227 388				M,Z w/(SC-N94,N95) w/o Air Cond   1.6L/M NR-40015-1 N4227388 Y4227388 N1
	4227 389				M,Z w/(SC-N96) w/o Air Cond.   1.6L/M NR-40053-1 N4227389 Y4227389 N2
	4227 390				M,Z w/(SC-N95) w/o Air Cond.   1.6L/M NR-40035-1 N4227390 Y4227390 N3
	4227 361				M,Z w/(SC-N94) w/o Air Cond.   1.7L/M NR-40080 N4227361 Y4227361 N4
	4227 362				M,Z w/(SC-N94) w/ Air Cond.   1.7L/M NR-40081 N4227362 Y4227362 N5
	4227 365				M,Z,P,D,C,V,E,T w/(SC-N94,N95) w or w/o Air Cond.   2.2L/M NR-40003-1 N4227365 Y4227365 N6
	4227 366				M,Z,P,D,C,V,E,T w/(SC-N94,N95) w/o Air Cond.   2.2L/A NR- 40010-1 N4227366 Y4227366 N7
	4227 367				M,Z,P,D,C,V,E,T w/(SC-N94,N95) w/ Air Cond.   2.2L/A NR- 40004-1 N4227367 Y4227367 N8
	4227 368				M,Z,P,D,C,V,E,T w/(SC-N94,N95) w or w/o Air Cond.   2.2/M NR-40046-1 N4227368 Y4227368 N9
	4227 369				M,Z,P,D,C,V,E,T w/(SC-N94,N95) w/o Air Cond.   2.2L/A NR- 40047-1 N4227369 Y4227369 N10
	4227 370				M,Z,P,D,C,V,E,T w/(SC-N94,N95) w/ Air Cond.   2.2L/A NR- 40048-1 N4227370 Y4227370 N11
	4227 371				M,Z,P,D,C,V,E,T w/(SC-N95) w or w/o Air Cond.   2.2L/M NR- 40007-1 N4227371 Y4227371 N12
	4227 372				M,Z,P,D,C,V,E,T w/(SC-N95) w/o Air Cond.   2.2L/A NR-40012-1 N4227372 Y4227372 N13
	4227 373				M,Z,P,D,C,V,E,T w/(SC-N95) w/ Air Cond.   2.2L/A NR-40008-1 N4227373 Y4227373 N14
	4227 374				M,Z,P,D,C,V,E,T w/(SC-N96) w or w/o Air Cond.   2.2L/M NR- 40005-1 N4227374 Y4227374 N15
	4227 375				M,Z,P,D,C,V,E,T w/(SC-N96) w/o Air Cond.   2.2L/A NR-40014-1 N4227375 Y4227375 N16
	4227 376				M,Z,P,D,C,V,E,T w/(SC-N96) w/ Air Cond.   2.2L/A NR-40006-1 N4227376 Y4227376 N17
	4227 377				M,Z,P,D,C,V,E,T w/(SC-N96) w or w/o Air Cond.   2.2L/M NR- 40050-1 N4227377 Y4227377 N18

MODEL CODES

B = GRAN FURY	G = DIPLOMAT	V = 400
C = LEBARON/TOWN & COUNTRY	M = HORIZON/TURISMO/SCAMP	X = MIRADA
D = ARIES	P = RELIANT	Y = IMPERIAL
E = 600	S = CORDOBA	Z = OMNI/CHARGER/RAMPAGE
F = FIFTH AVENUE	T = E CLASS/NEWYORKER	

BODY STYLES

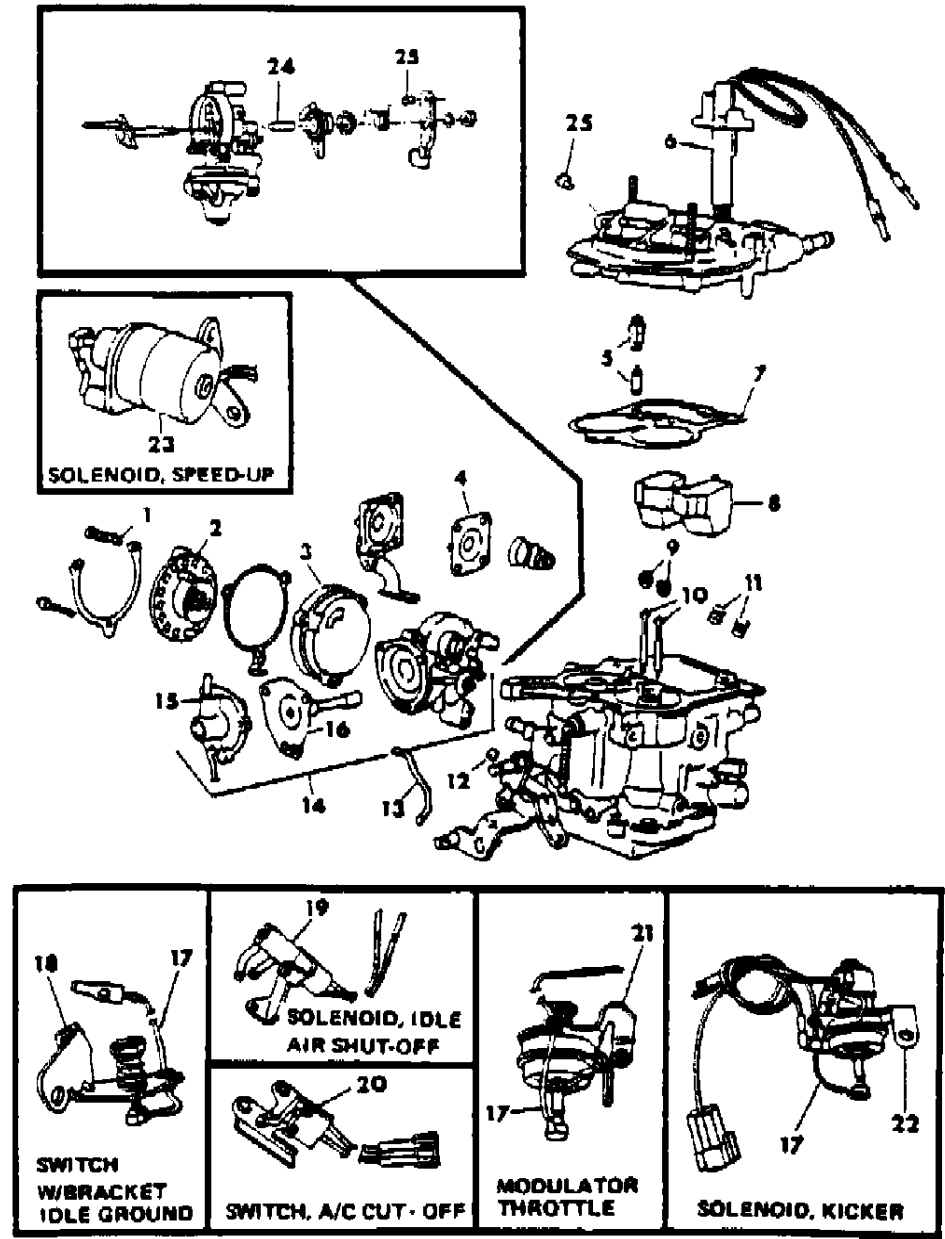
21 = 2-DOOR SEDAN	41 = 4-DOOR SEDAN
22 = 2-DOOR SPECIAL COUPE	45 = 4-DOOR STATION WAGON
24 = 2-DOOR HATCHBACK	44 = 4-DOOR HATCHBACK
27 = 2-DOOR CONVERTIBLE	48 = EXECUTIVE SEDAN
28 = FWD PICKUP	

AR = Use as Required - = Non Illustrated Part P.A.R. = Paint as Required

CARBURETOR AND COMPONENT PARTS HOLLEY-2BBL.(6520) 0

Figure 14-1500

3114 1500A



ITEM	PART NUMBER	QTY	BODY	MODEL	DESCRIPTION
	4227 378				M,Z,P,D,C,V,E,T w/(SC-N96) w/o Air Cond.   2.2L/A NR-40051-1 N4227378 Y4227378 N19
	4227 379				M,Z,P,D,C,V,E,T w/(SC-N96) w/ Air Cond.   2.2L/A NR-40052-1 N4227379 Y4227379 N20
	4287 087				M,Z,P,D,C,V,E,T w/(SC-N21,N94) w/ Air Cond   2.2L/A NR-40004-2 N4287087 Y4287087 N21
	4287 087				M,Z, w/(SC-N21,N95) w/ Air Cond   2.2L/A NR-40004-2 N4287087 Y4287087 N21
	4287 093				M,Z,P,D,C,V,J,E,T w/(SC-N21,N95) w/Air Cond   2.2L/A NR-40008-2 N4287093 Y4287093 N22
	4287 086				M,Z,P,D,C,V,J,E,T w/(SC-N21,N94) w/o Air Cond   2.2L/A NR-40010-2 N4287086 Y4287086 N23
	4287 086				M,Z w/(SC-N21,N95) w/o Air Cond   2.2L/A NR-40010-2 N4287086 Y4287086 N23
	4287 092				M,Z,P,D,C,V,J,E,T w/(SC-N21,N95) w/o Air Cond   2.2L/A NR-40012-2 N4287092 Y4287092 N24
	4227 397				M,Z w/(SC-N94) w/o Air Cond   1.6L/A NR-40107 N4227397 Y4227397 N25
	4227 398				M,Z w/(SC-N21,N94,N95) w or w/o Air Cond   2.2L/M NR-40108 N4227398 Y4227398 N26
	4287 090				M,Z w/(SC-N21,N96) w or w/o Air Cond   2.2L/M NR-40111 N4287090 Y4287090 N27
	4227 392				M,Z w/(SC-N94,N95) w/o Air Cond   1.7L/M NR-40100 N4227392 Y4227392 N28
	4227 393				M,Z w/(SC-N94,N95) w/ Air Cond   1.7L/M NR-40101 N4227393 Y4227393 N29
	4300 001				M,Z,P,D,C,V,J,E,T w/(SC-N96) w/o AIR Cond   2.2L/A NR-40014-2 N4300001 Y4300001 N30
	4300 002				M,Z,P,D,C,V,J,E,T w/(SC-N96) w/ Air Cond   2.2L/A NR-40006-2 N4300002 Y4300002 N31
	4300 007				M,Z w/(SC-N21,N94,N95) w or w/o Air Cond   2.2L/M NR-40127 N4300007 Y4300007 N32
	4267 174				GASKET SET Y4267174 Y4267174 Y4267174 Y4267174
	4267 177				REPAIR KIT Y4267177 N4240199 Y4267177 N4293767
	4240 199				REPAIR KIT N4267177 Y4240199 N4267177 N4293767
	4293 767				REPAIR KIT N4267177 N4240199 N4267177 Y4293767

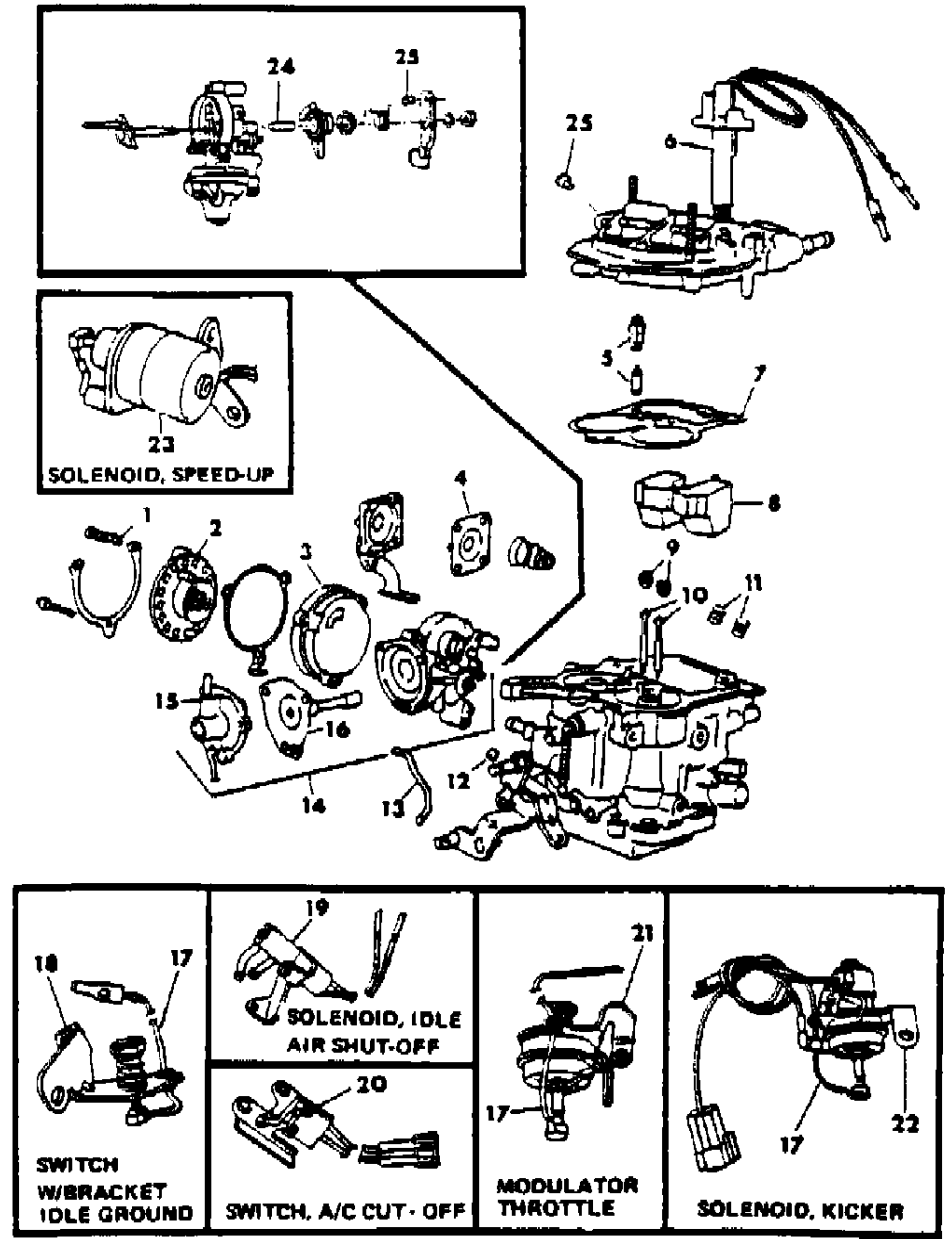
MODEL CODES  
 B = GRAN FURY  
 C = LEBARON/TOWN & COUNTRY  
 D = ARIES  
 E = 600  
 F = FIFTH AVENUE  
 G = DIPLOMAT  
 M = HORIZON/TURISMO/SCAMP  
 P = RELIANT  
 S = CORDOBA  
 T = E CLASS/NEWYORKER  
 V = 400  
 X = MIRADA  
 Y = IMPERIAL  
 Z = OMNI/CHARGER/RAMPAGE

BODY STYLES  
 21 = 2-DOOR SEDAN  
 22 = 2-DOOR SPECIAL COUPE  
 24 = 2-DOOR HATCHBACK  
 27 = 2-DOOR CONVERTIBLE  
 28 = FWD PICKUP  
 41 = 4-DOOR SEDAN  
 45 = 4-DOOR STATION WAGON  
 44 = 4-DOOR HATCHBACK  
 48 = EXECUTIVE SEDAN

AR = Use as Required - = Non Illustrated Part P.A.R. = Paint as Required

**CARBURETOR AND COMPONENT PARTS HOLLEY-2BBL.(6520) 0**  
**Figure 14-1500**

3114 1500A



ITEM	PART NUMBER	QTY	BODY	MODEL	DESCRIPTION
1	4293 790				RIVET, Thermostat Ring Y4293790 Y4293790 Y4293790
2	4186 295				THERMOSTAT, w/CAP, Choke Y4186295 Y4186295 Y4186295
3	4267 096				HOUSING, Thermostat Y4267096 Y4267096 Y4267096
4	4131 121				DIAPHRAGM, Pump Y4131121 Y4131121 Y4131121 Y4131121
5	4131 116				NEEDLE and SEAT Y4131116 Y4131116 Y4131116 Y4131116
6	4293 736				SOLENOID, Duty-Cycle Y4293736 Y4293736 Y4293736
6	4293 764				N4293764 SOLENOID, Duty-Cycle N4293736 N4293736 N4293736
7	4186 329				GASKET, Air Horn Y4186329 Y4186329 Y4186329 Y4186329
8	4186 293				FLOAT Y4186293 Y4186293 Y4186293 Y4186293
9					BLEED, Hi-Speed N0 N0 N0 N0
	4131 127				Primary Y4131127 N4131128 Y4131127 N4131107
	4131 128				Primary N4131127 Y4131128 N4131127 N4131107
	4131 107				Primary N4131127 N4131128 N4131127 Y4131107
	4131 127				Secondary Y4131127 Y4131127 Y4131127 N4131128
	4131 128				Secondary N4131127 N4131127 N4131127 Y4131128
10					TUBE, Main Well N0 N0 N0 N0
	4186 291				Primary Y4186291 Y4186291 Y4186291 Y4186291
	4186 291				Secondary Y4186291 Y4186291 Y4186291 Y4186291
11					JET, Main N0 N0 N0 N0
	4131 125				Primary Y4131125 N4271899 Y4131125 N4271889
	4271 899				Primary N4131125 Y4271899 N4131125 N4271889
	4271 889				Primary N4131125 N4271899 N4131125 Y4271889
	4293 786				Secondary Y4293786 N4131092 N4293734 N4271905
	4131 092				Secondary N4293786 Y4131092 N4293734 N4271905
	4293 734				Secondary N4293786 N4131092 Y4293734 N4271905
	4271 905				Secondary N4293786 N4131092 N4293734 Y4271905
12	4267 140				PLUG, Idle Needle Y4267140 Y4267140 Y4267140 Y4267140
13					LINK, Fast Idle N0 N0 N0 N0
14	4293 735				HOUSING, w/DIAPHRAGM, Choke Y4293735 N4293756
					Y4293735 N4271919
14	4293 756				HOUSING, w/DIAPHRAGM, Choke N4293735 Y4293756
					N4293735 N4271919

MODEL CODES  
 B = GRAN FURY  
 C = LEBARON/TOWN & COUNTRY  
 D = ARIES  
 E = 600  
 F = FIFTH AVENUE  
 G = DIPLOMAT  
 M = HORIZON/TURISMO/SCAMP  
 P = RELIANT  
 S = CORDOBA  
 T = E CLASS/NEWYORKER  
 V = 400  
 X = MIRADA  
 Y = IMPERIAL  
 Z = OMNI/CHARGER/RAMPAGE

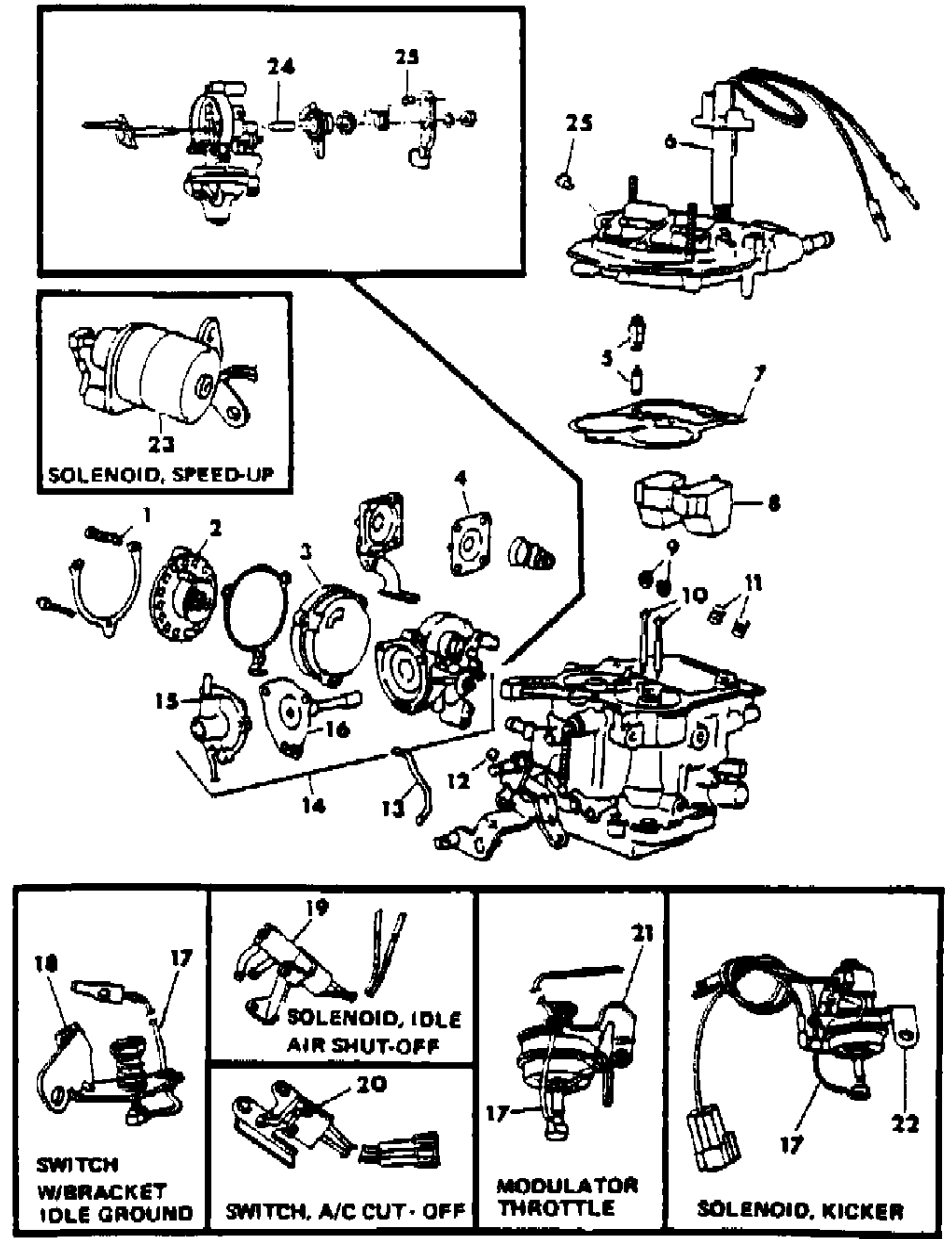
BODY STYLES  
 21 = 2-DOOR SEDAN  
 22 = 2-DOOR SPECIAL COUPE  
 24 = 2-DOOR HATCHBACK  
 27 = 2-DOOR CONVERTIBLE  
 28 = FWD PICKUP  
 41 = 4-DOOR SEDAN  
 45 = 4-DOOR STATION WAGON  
 44 = 4-DOOR HATCHBACK  
 48 = EXECUTIVE SEDAN

AR = Use as Required - = Non Illustrated Part P.A.R. = Paint as Required

CARBURETOR AND COMPONENT PARTS HOLLEY-2BBL.(6520) 0

Figure 14-1500

3114 1500A



ITEM	PART NUMBER	QTY	BODY	MODEL	DESCRIPTION
14	4271 919				HOUSING, w/DIAPHRAGM, Choke N4293735 N4293756 N4293735 Y4271919
15					COVER, Choke Diaphragm N0 N0 N0 N0
16	4267 178				DIAPHRAGM, w/SHAFT, Choke Y4267178 N4240198 Y4267178 N4131210
16	4240 198				DIAPHRAGM, w/SHAFT, Choke N4267178 Y4240198 N4267178 N4131210
16	4131 210				DIAPHRAGM, w/SHAFT, Choke N4267178 N4240198 N4267178 Y4131210
17	4293 761				WIRE and TERMINAL Y4293761 Y4293761 Y4293761 N0
18	4293 717				SWITCH, w/BRACKET, Idle Ground Y4293717 Y4293717 Y4293717 N0
19					SOLENOID, Idle Shut-Off N0 N0 N0 N0
20					SWITCH, A/C Cut-Off N0 N0 N0 N0
21					MODULATOR, Throttle N0 N0 N0 N0
22					SOLENOID, Kicker N0 N0 N0 N0
23	4293 724				SOLENOID, Speed-Up N0 N0 N0 Y4293724
24	4131 131				BUSHING, Choke Housing Shaft Y4131131 Y4131131 Y4131131 Y4131131
25	4131 114				RETAINER, Rod Y4131114 Y4131114 Y4131114 Y4131114
	4267 174				GASKET SET Y4267174 Y4267174 Y4267174 Y4267174
	4293 767				REPAIR KIT Y4293767 N4293773 N4293773 N4293773
	4293 773				REPAIR KIT N4293767 Y4293773 Y4293773 Y4293773
1	4293 790				RIVET, Thermostat Ring Y4293790 Y4293790 Y4293790 Y4293790
2	4186 295				THERMOSTAT, w/CAP, Choke Y4186295 Y4186295 Y4186295 Y4186295
3	4267 096				HOUSING, Thermostat Y4267096 Y4267096 Y4267096 Y4267096
4	4131 121				DIAPHRAGM, Pump Y4131121 Y4131121 Y4131121 Y4131121
5	4131 116				NEEDLE and SEAT Y4131116 Y4131116 Y4131116 Y4131116
6	4293 765				SOLENOID, Duty-Cycle Y4293765 N4293751 N4293736 N4293736
6	4293 751				SOLENOID, Duty-Cycle N4293765 Y4293751 N4293736 N4293736
6	4293 736				SOLENOID, Duty-Cycle N4293765 N4293751 Y4293736 Y4293736

MODEL CODES  
 B = GRAN FURY  
 C = LEBARON/TOWN & COUNTRY  
 D = ARIES  
 E = 600  
 F = FIFTH AVENUE  
 G = DIPLOMAT  
 M = HORIZON/TURISMO/SCAMP  
 P = RELIANT  
 S = CORDOBA  
 T = E CLASS/NEWYORKER  
 V = 400  
 X = MIRADA  
 Y = IMPERIAL  
 Z = OMNI/CHARGER/RAMPAGE

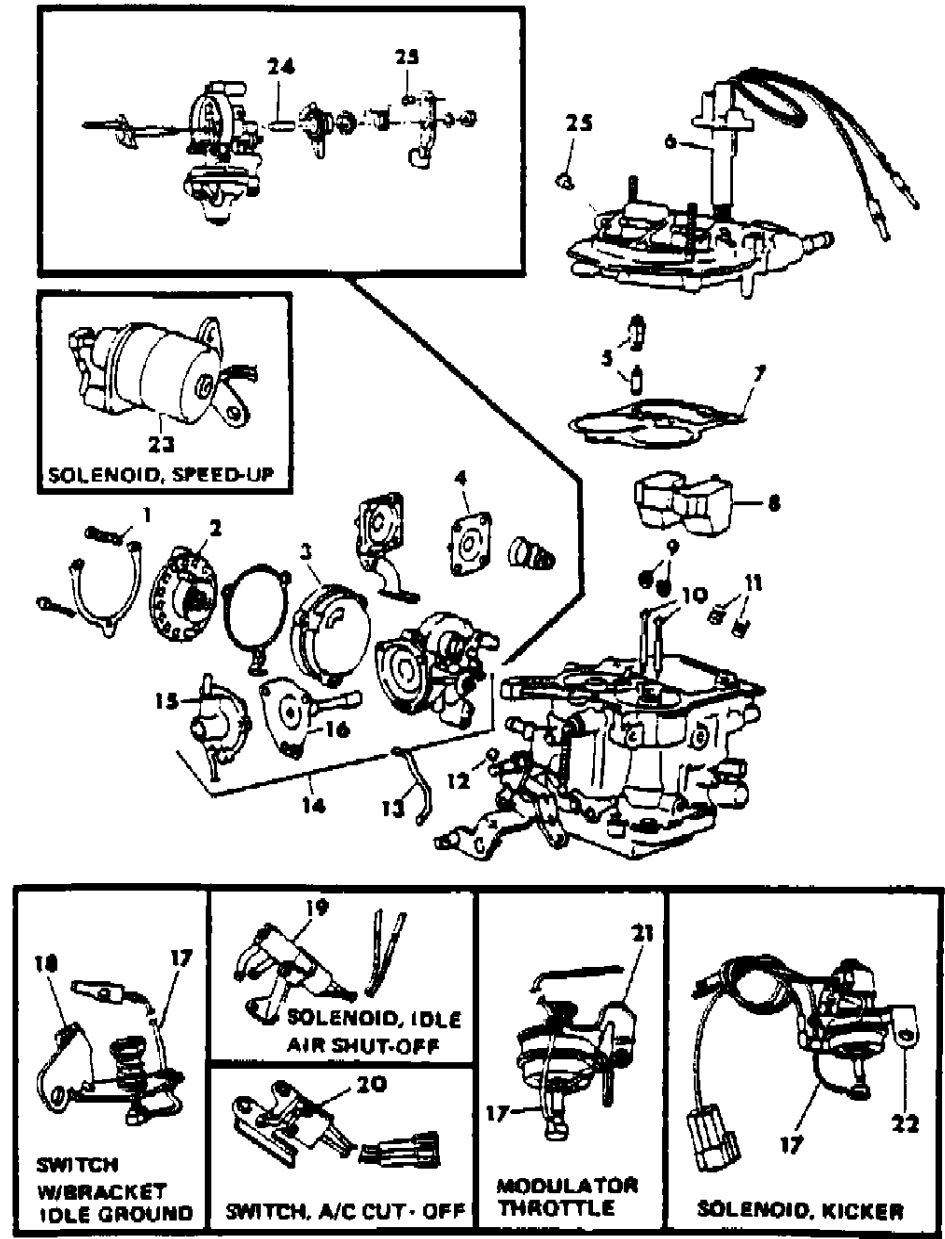
BODY STYLES  
 21 = 2-DOOR SEDAN  
 22 = 2-DOOR SPECIAL COUPE  
 24 = 2-DOOR HATCHBACK  
 27 = 2-DOOR CONVERTIBLE  
 28 = FWD PICKUP  
 41 = 4-DOOR SEDAN  
 45 = 4-DOOR STATION WAGON  
 44 = 4-DOOR HATCHBACK  
 48 = EXECUTIVE SEDAN

AR = Use as Required - = Non Illustrated Part P.A.R. = Paint as Required



**CARBURETOR AND COMPONENT PARTS HOLLEY-2BBL.(6520) 0**  
**Figure 14-1500**

3114 1500A



ITEM	PART NUMBER	QTY	BODY	MODEL	DESCRIPTION
7	4186 329				GASKET, Air Horn Y4186329 Y4186329 Y4186329 Y4186329
8	4186 293				FLOAT Y4186293 Y4186293 Y4186293 Y4186293
9					BLEED, Hi-Speed N0 N0 N0 N0
	4267 107				Primary Y4267107 N4271985 N4271985 N4271985
	4271 985				Primary N4267107 Y4271985 Y4271985 Y4271985
	4131 128				Secondary Y4131128 N4131127 N4131127 N4131127
	4131 127				Secondary N4131128 Y4131127 Y4131127 Y4131127
10					TUBE, Main Well N0 N0 N0 N0
	4186 291				Primary Y4186291 Y4186291 Y4186291 Y4186291
	4186 291				Secondary Y4186291 Y4186291 Y4186291 Y4186291
11					JET, Main N0 N0 N0 N0
	4271 889				Primary Y4271889 N4271983 N4271983 N4271983
	4271 983				Primary N4271889 Y4271983 Y4271983 Y4271983
	4271 905				Secondary Y4271905 N4293762 N4293763 N4293763
	4293 762				Secondary N4271905 Y4293762 N4293763 N4293763
	4293 763				Secondary N4271905 N4293762 Y4293763 Y4293763
12	4267 140				PLUG, Idle Needle Y4267140 Y4267140 Y4267140 Y4267140
13					LINK, Fast Idle N0 N0 N0 N0
14	4271 919				HOUSING, w/DIAPHRAGM, Choke Y4271919 N4293770
					N4293770 N4293770
14	4293 770				HOUSING, w/DIAPHRAGM, Choke N4271919 Y4293770
					Y4293770 Y4293770
15					COVER, Choke Diaphragm N0 N0 N0 N0
16	4131 210				DIAPHRAGM, w/SHAFT, Choke Y4131210 N4293772 N4293772
					N4293772
16	4293 772				DIAPHRAGM, w/SHAFT, Choke N4131210 Y4293772 Y4293772
					Y4293772
17	4293 718				WIRE and TERMINAL N0 Y4293718 N4271992 N4293760
17	4271 992				WIRE and TERMINAL N0 N4293718 Y4271992 N4293760
17	4293 760				WIRE and TERMINAL N0 N4293718 N4271992 Y4293760
18	4293 752				SWITCH, w/BRACKET, Idle Ground N0 N0 Y4293752 N0
19	4293 733				SOLENOID, Idle Shut-Off N0 Y4293733 N0 N0
20	4293 719				SWITCH, A/C Cut-Off N0 N0 Y4293719 Y4293719
21	4293 747				MODULATOR, Throttle N0 Y4293747 N0 Y4293747
22					SOLENOID, Kicker N0 N0 N0 N0
23	4293 766				SOLENOID, Speed-Up Y4293766 N0 N0 N0

MODEL CODES  
 B = GRAN FURY  
 C = LEBARON/TOWN & COUNTRY  
 D = ARIES  
 E = 600  
 F = FIFTH AVENUE  
 G = DIPLOMAT  
 M = HORIZON/TURISMO/SCAMP  
 P = RELIANT  
 S = CORDOBA  
 T = E CLASS/NEWYORKER  
 V = 400  
 X = MIRADA  
 Y = IMPERIAL  
 Z = OMNI/CHARGER/RAMPAGE

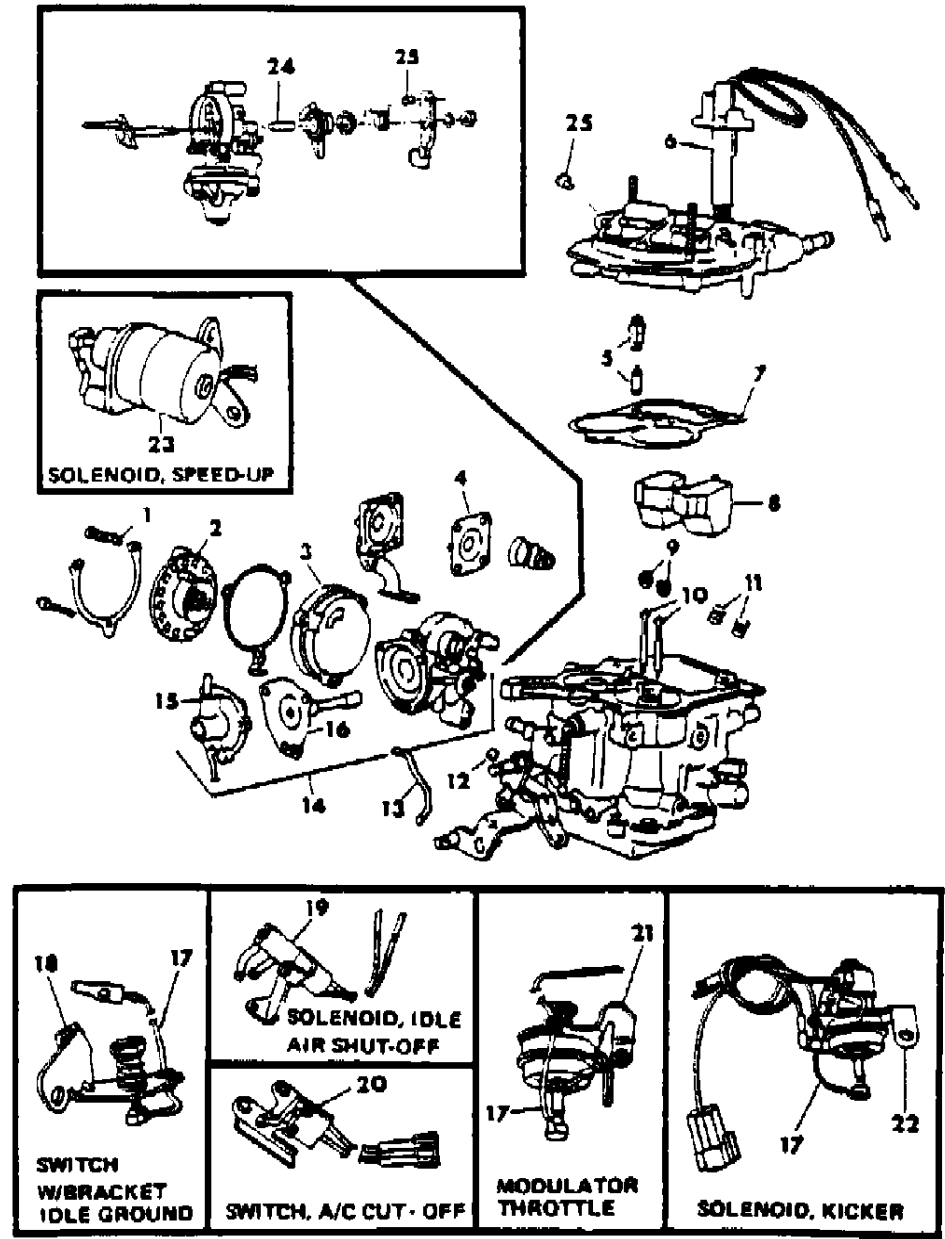
BODY STYLES  
 21 = 2-DOOR SEDAN  
 22 = 2-DOOR SPECIAL COUPE  
 24 = 2-DOOR HATCHBACK  
 27 = 2-DOOR CONVERTIBLE  
 28 = FWD PICKUP  
 41 = 4-DOOR SEDAN  
 45 = 4-DOOR STATION WAGON  
 44 = 4-DOOR HATCHBACK  
 48 = EXECUTIVE SEDAN

AR = Use as Required - = Non Illustrated Part P.A.R. = Paint as Required

CARBURETOR AND COMPONENT PARTS HOLLEY-2BBL.(6520) 0

Figure 14-1500

3114 1500A



ITEM	PART NUMBER	QTY	BODY	MODEL	DESCRIPTION
24	4131 131				BUSHING, Choke Housing Shaft Y4131131 Y4131131 Y4131131 Y4131131
25	4131 114				RETAINER, Rod Y4131114 Y4131114 Y4131114 Y4131114
	4267 174				GASKET SET Y4267174 Y4267174 Y4267174 Y4267174
	4240 199				REPAIR KIT Y4240199 N4293773 N4293773 Y4240199
	4293 773				REPAIR KIT N4240199 Y4293773 Y4293773 N4240199
1	4293 790				RIVET, Thermostat Ring Y4293790 Y4293790 Y4293790 Y4293790
2	4186 295				THERMOSTAT, w/CAP, Choke Y4186295 Y4186295 Y4186295 Y4186295
3	4267 096				HOUSING, Thermostat Y4267096 Y4267096 Y4267096 Y4267096
4	4131 121				DIAPHRAGM, Pump Y4131121 Y4131121 Y4131121 Y4131121
5	4131 116				NEEDLE and SEAT Y4131116 Y4131116 Y4131116 Y4131116
6	4293 751				SOLENOID, Duty-Cycle Y4293751 N4293736 N4293736 Y4293751
6	4293 736				SOLENOID, Duty-Cycle N4293751 Y4293736 Y4293736 N4293751
7	4186 329				GASKET, Air Horn Y4186329 Y4186329 Y4186329 Y4186329
8	4186 293				FLOAT Y4186293 Y4186293 Y4186293 Y4186293
9					BLEED, Hi-Speed N0 N0 N0 N0
	4271 985				Primary Y4271985 Y4271985 Y4271985 N4186340
	4186 340				Primary N4271985 N4271985 N4271985 Y4186340
	4131 127				Secondary Y4131127 Y4131127 Y4131127 Y4131127
10					TUBE, Main Well N0 N0 N0 N0
	4186 291				Primary Y4186291 Y4186291 Y4186291 Y4186291
	4186 291				Secondary Y4186291 Y4186291 Y4186291 Y4186291
11					JET, Main N0 N0 N0 N0
	4271 983				Primary Y4271983 Y4271983 Y4271983 N4271901
	4271 901				Primary N4271983 N4271983 N4271983 Y4271901
	4293 734				Secondary Y4293734 N4293763 N4293763 N4271984
	4293 763				Secondary N4293734 Y4293763 Y4293763 N4271984
	4271 984				Secondary N4293734 N4293763 N4293763 Y4271984
12	4267 140				PLUG, Idle Needle Y4267140 Y4267140 Y4267140 Y4267140
13					LINK, Fast Idle N0 N0 N0 N0
14	4293 768				HOUSING, w/DIAPHRAGM, Choke Y4293768 N4293770 N4293770 Y4293768

MODEL CODES  
 B = GRAN FURY  
 C = LEBARON/TOWN & COUNTRY  
 D = ARIES  
 E = 600  
 F = FIFTH AVENUE  
 G = DIPLOMAT  
 M = HORIZON/TURISMO/SCAMP  
 P = RELIANT  
 S = CORDOBA  
 T = E CLASS/NEWYORKER  
 V = 400  
 X = MIRADA  
 Y = IMPERIAL  
 Z = OMNI/CHARGER/RAMPAGE

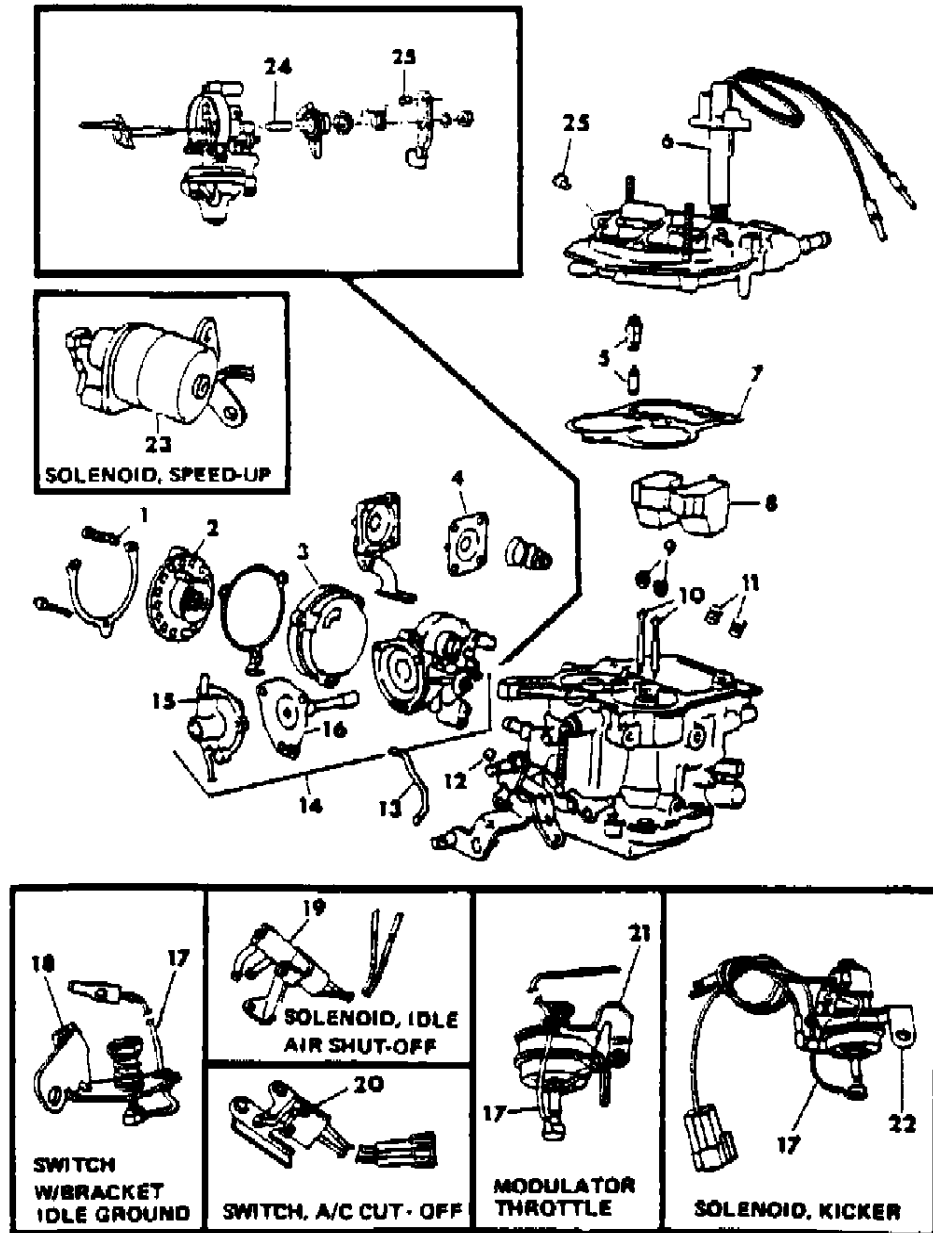
BODY STYLES  
 21 = 2-DOOR SEDAN  
 22 = 2-DOOR SPECIAL COUPE  
 24 = 2-DOOR HATCHBACK  
 27 = 2-DOOR CONVERTIBLE  
 28 = FWD PICKUP  
 41 = 4-DOOR SEDAN  
 45 = 4-DOOR STATION WAGON  
 44 = 4-DOOR HATCHBACK  
 48 = EXECUTIVE SEDAN

AR = Use as Required - = Non Illustrated Part P.A.R. = Paint as Required

CARBURETOR AND COMPONENT PARTS HOLLEY-2BBL.(6520) 0

Figure 14-1500

3114 1500A



ITEM	PART NUMBER	QTY	BODY	MODEL	DESCRIPTION
14	4293 770				HOUSING, w/DIAPHRAGM, Choke N4293768 Y4293770 Y4293770 N4293768
15					COVER, Choke Diaphragm N0 N0 N0 N0
16	4240 198				DIAPHRAGM, w/SHAFT, Choke Y4240198 N4293772 N4293772 N4293772
16	4293 772				DIAPHRAGM, w/SHAFT, Choke N4240198 Y4293772 Y4293772 Y4293772
17	4293 718				WIRE and TERMINAL Y4293718 N4271992 N4293760 Y4293718
17	4271 992				WIRE and TERMINAL N4293718 Y4271992 N4293760 N4293718
17	4293 760				WIRE and TERMINAL N4293718 N4271992 Y4293760 N4293718
18	4293 752				SWITCH, w/BRACKET, Idle Ground N0 Y4293752 N0 N0
19	4293 733				SOLENOID, Idle Shut-Off Y4293733 N0 N0 Y4293733
20	4293 719				SWITCH, A/C Cut-Off N0 N0 Y4293719 N0
21	4293 747				MODULATOR, Throttle Y4293747 N0 Y4293747 Y4293747
22					SOLENOID, Kicker N0 N0 N0 N0
23					SOLENOID, Speed-Up N0 N0 N0 N0
24	4131 131				BUSHING, Choke Housing Shaft Y4131131 Y4131131 Y4131131 Y4131131
25	4131 114				RETAINER, Rod Y4131114 Y4131114 Y4131114 Y4131114
	4267 174				GASKET SET Y4267174 Y4267174 Y4267174 Y4267174
	4267 177				REPAIR KIT Y4267177 Y4267177 N4293776 N4293776
	4293 776				REPAIR KIT N4267177 N4267177 Y4293776 Y4293776
1	4293 790				RIVET, Thermostat Ring Y4293790 Y4293790 Y4293790 Y4293790
2	4186 295				THERMOSTAT, w/CAP, Choke Y4186295 Y4186295 Y4186295 Y4186295
3	4267 096				HOUSING, Thermostat Y4267096 Y4267096 Y4267096 Y4267096
4	4131 121				DIAPHRAGM, Pump Y4131121 Y4131121 Y4131121 Y4131121
5	4131 116				NEEDLE and SEAT Y4131116 Y4131116 Y4131116 Y4131116
6	4293 736				SOLENOID, Duty-Cycle Y4293736 Y4293736 N4293751 N4293751
6	4293 751				SOLENOID, Duty-Cycle N4293736 N4293736 Y4293751 Y4293751
7	4186 329				GASKET, Air Horn Y4186329 Y4186329 Y4186329 Y4186329
8	4186 293				FLOAT Y4186293 Y4186293 Y4186293 Y4186293
9					BLEED, Hi-Speed N0 N0 N0 N0

MODEL CODES

B = GRAN FURY	G = DIPLOMAT	V = 400
C = LEBARON/TOWN & COUNTRY	M = HORIZON/TURISMO/SCAMP	X = MIRADA
D = ARIES	P = RELIANT	Y = IMPERIAL
E = 600	S = CORDOBA	Z = OMNI/CHARGER/RAMPAGE
F = FIFTH AVENUE	T = E CLASS/NEWYORKER	

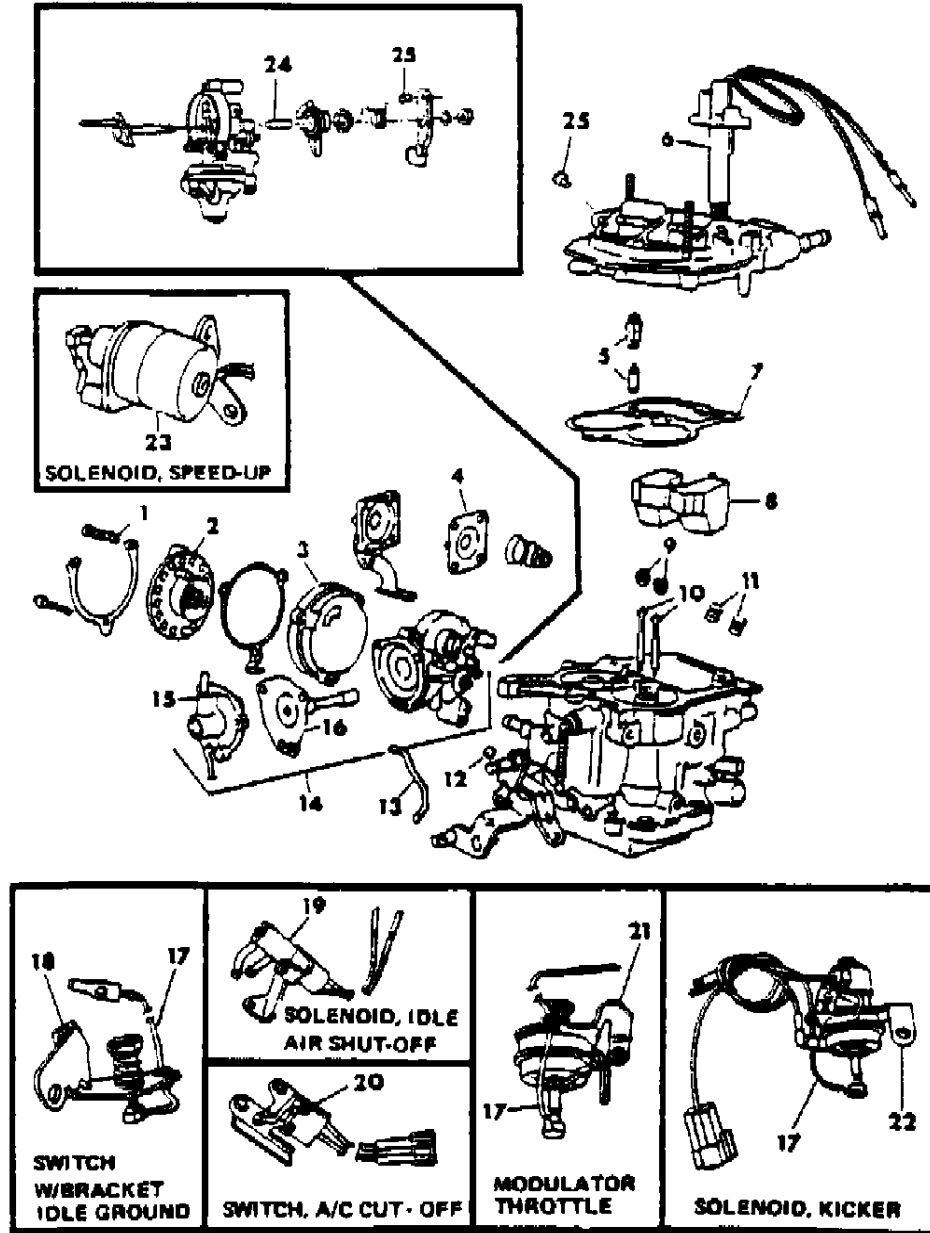
BODY STYLES

21 = 2-DOOR SEDAN	41 = 4-DOOR SEDAN
22 = 2-DOOR SPECIAL COUPE	45 = 4-DOOR STATION WAGON
24 = 2-DOOR HATCHBACK	44 = 4-DOOR HATCHBACK
27 = 2-DOOR CONVERTIBLE	48 = EXECUTIVE SEDAN
28 = FWD PICKUP	

AR = Use as Required - = Non Illustrated Part P.A.R. = Paint as Required

**CARBURETOR AND COMPONENT PARTS HOLLEY-2BBL.(6520) 0**  
**Figure 14-1500**

3114 1500A



ITEM	PART NUMBER	QTY	BODY	MODEL	DESCRIPTION
	4186 340				Primary Y4186340 Y4186340 N4267107 N4267107
	4267 107				Primary N4186340 N4186340 Y4267107 Y4267107
	4131 127				Secondary Y4131127 Y4131127 N4267107 N4267107
	4267 107				Secondary N4131127 N4131127 Y4267107 Y4267107
10					TUBE, Main Well N0 N0 N0 N0
	4186 291				Primary Y4186291 Y4186291 Y4186291 Y4186291
	4186 291				Secondary Y4186291 Y4186291 Y4186291 Y4186291
11					JET, Main N0 N0 N0 N0
	4271 901				Primary Y4271901 Y4271901 N4131125 N4131125
	4131 125				Primary N4271901 N4271901 Y4131125 Y4131125
	4271 984				Secondary Y4271984 Y4271984 N4293707 N4293707
	4293 707				Secondary N4271984 N4271984 Y4293707 Y4293707
12	4267 140				PLUG, Idle Needle Y4267140 Y4267140 Y4267140 Y4267140
13					LINK, Fast Idle N0 N0 N0 N0
14	4293 769				HOUSING, w/DIAPHRAGM, Choke Y4293769 Y4293769
					N4293774 N4293774
14	4293 774				HOUSING, w/DIAPHRAGM, Choke N4293769 N4293769
					Y4293774 Y4293774
15					COVER, Choke Diaphragm N0 N0 N0 N0
16	4293 772				DIAPHRAGM, w/SHAFT, Choke Y4293772 N4267178 Y4293772
					Y4293772
16	4267 178				DIAPHRAGM, w/SHAFT, Choke N4293772 Y4267178 N4293772
					N4293772
17	4271 992				WIRE and TERMINAL Y4271992 N4293760 N4293718 N0
17	4293 760				WIRE and TERMINAL N4271992 Y4293760 N4293718 N0
17	4293 718				WIRE and TERMINAL N4271992 N4293760 Y4293718 N0
18	4293 752				SWITCH, w/BRACKET, Idle Ground Y4293752 N0 N0 Y4293752
19	4293 733				SOLENOID, Idle Shut-Off N0 N0 Y4293733 N0
20	4293 719				SWITCH, A/C Cut-Off N0 Y4293719 N0 N0
21	4293 747				MODULATOR, Throttle N0 Y4293747 Y4293747 N0
22					SOLENOID, Kicker N0 N0 N0 N0
23	4293 724				SOLENOID, Speed-Up N0 N0 N0 Y4293724
24	4131 131				BUSHING, Choke Housing Shaft Y4131131 Y4131131 Y4131131
					Y4131131
25	4131 114				RETAINER, Rod Y4131114 Y4131114 Y4131114 Y4131114
	4267 174				GASKET SET Y4267174 Y4267174 Y4267174 Y4267174
	4293 776				REPAIR KIT Y4293776 N4240199 N4240199 N4240199

**MODEL CODES**

B = GRAN FURY	G = DIPLOMAT	V = 400
C = LEBARON/TOWN & COUNTRY	M = HORIZON/TURISMO/SCAMP	X = MIRADA
D = ARIES	P = RELIANT	Y = IMPERIAL
E = 600	S = CORDOBA	Z = OMNI/CHARGER/RAMPAGE
F = FIFTH AVENUE	T = E CLASS/NEWYORKER	

**BODY STYLES**

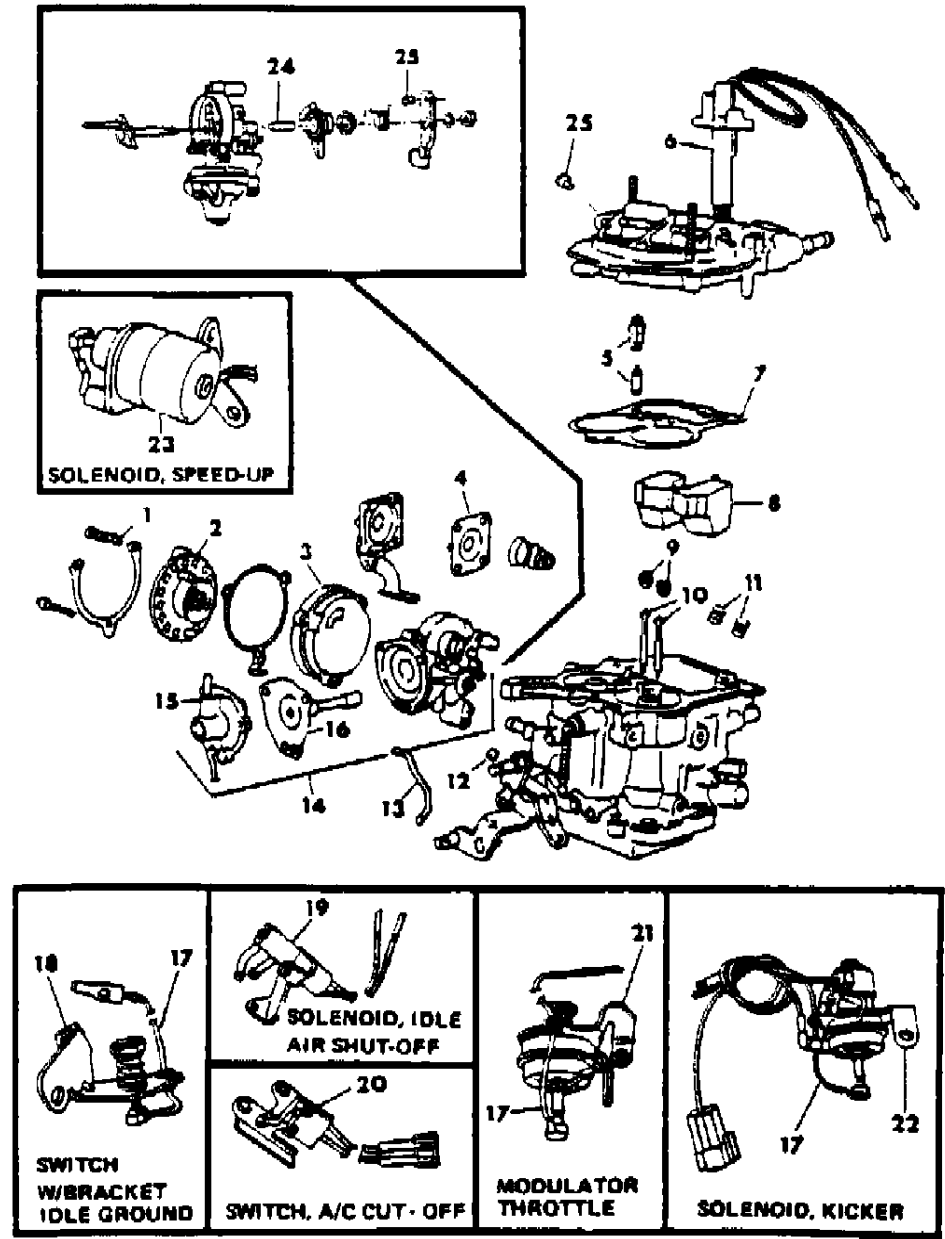
21 = 2-DOOR SEDAN	41 = 4-DOOR SEDAN
22 = 2-DOOR SPECIAL COUPE	45 = 4-DOOR STATION WAGON
24 = 2-DOOR HATCHBACK	44 = 4-DOOR HATCHBACK
27 = 2-DOOR CONVERTIBLE	48 = EXECUTIVE SEDAN
28 = FWD PICKUP	

AR = Use as Required - = Non Illustrated Part P.A.R. = Paint as Required

CARBURETOR AND COMPONENT PARTS HOLLEY-2BBL.(6520) 0

Figure 14-1500

3114 1500A



ITEM	PART NUMBER	QTY	BODY	MODEL	DESCRIPTION
	4240 199				REPAIR KIT N4293776 Y4240199 Y4240199 Y4240199
1	4293 790				RIVET, Thermostat Ring Y4293790 Y4293790 Y4293790
2	4186 295				THERMOSTAT, w/CAP, Choke Y4186295 Y4186295 Y4186295
3	4267 096				HOUSING, Thermostat Y4267096 Y4267096 Y4267096
4	4131 121				DIAPHRAGM, Pump Y4131121 Y4131121 Y4131121 Y4131121
5	4131 116				NEEDLE and SEAT Y4131116 Y4131116 Y4131116 Y4131116
6	4293 751				SOLENOID, Duty-Cycle Y4293751 Y4293751 N4293736
6	4293 736				SOLENOID, Duty-Cycle N4293751 N4293751 Y4293736
7	4186 329				GASKET, Air Horn Y4186329 Y4186329 Y4186329 Y4186329
8	4186 293				FLOAT Y4186293 Y4186293 Y4186293 Y4186293
9	4267 107				BLEED, Hi-Speed N0 N0 N0 N0
	4267 107				Primary Y4267107 N0 N0 N0
	4267 107				Secondary Y4267107 N0 N0 N0
10	4186 291				TUBE, Main Well N0 N0 N0 N0
	4186 291				Primary Y4186291 Y4186291 Y4186291 Y4186291
	4186 291				Secondary Y4186291 Y4186291 Y4186291 Y4186291
11	4131 125				JET,Main N0 N0 N0 N0
	4293 707				Primary Y4131125 N0 N0 N0
	4293 707				Secondary Y4293707 N0 N0 N0
12	4267 140				PLUG, Idle Needle Y4267140 Y4267140 Y4267140 Y4267140
13					LINK, Fast Idle N0 N0 N0 N0
14	4293 774				HOUSING, w/DIAPHRAGM, Choke Y4293774 N4293768
					N4293768 N4293768
14	4293 768				HOUSING, w/DIAPHRAGM, Choke N4293774 Y4293768
					Y4293768 Y4293768
15					COVER, Choke Diaphragm N0 N0 N0 N0
16	4293 772				DIAPHRAGM, w/Shaft, Choke Y4293772 N4240198 N4240198
					N4240198
16	4240 198				DIAPHRAGM, w/Shaft, Choke N4293772 Y4240198 Y4240198
					Y4240198
17	4293 718				WIRE and TERMINAL N0 Y4293718 N0 N0
18					SWITCH, w/BRACKET, Idle Ground N0 N0 N0 N0

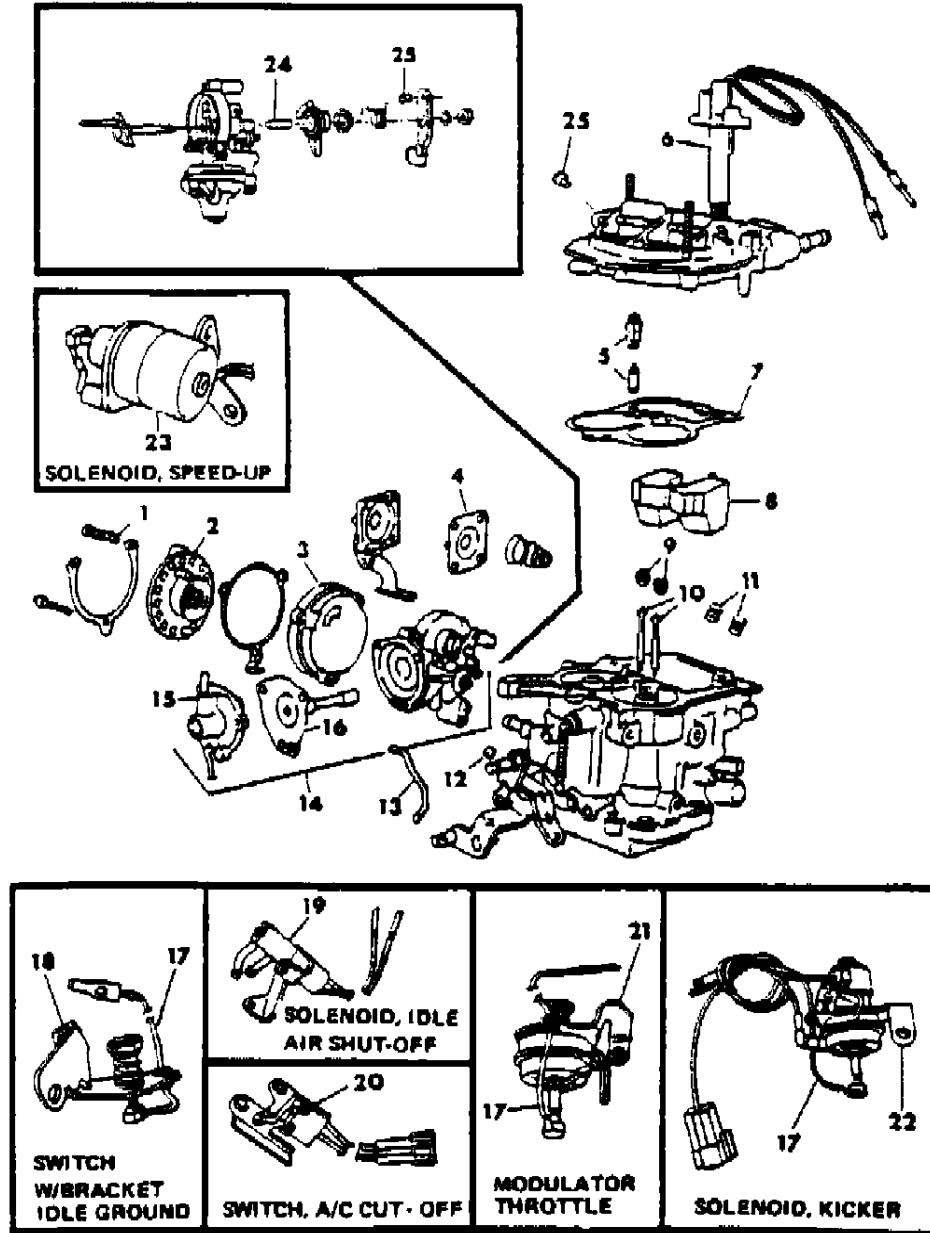
MODEL CODES  
 B = GRAN FURY  
 C = LEBARON/TOWN & COUNTRY  
 D = ARIES  
 E = 600  
 F = FIFTH AVENUE  
 G = DIPLOMAT  
 M = HORIZON/TURISMO/SCAMP  
 P = RELIANT  
 S = CORDOBA  
 T = E CLASS/NEWYORKER  
 V = 400  
 X = MIRADA  
 Y = IMPERIAL  
 Z = OMNI/CHARGER/RAMPAGE

BODY STYLES  
 21 = 2-DOOR SEDAN  
 22 = 2-DOOR SPECIAL COUPE  
 24 = 2-DOOR HATCHBACK  
 27 = 2-DOOR CONVERTIBLE  
 28 = FWD PICKUP  
 41 = 4-DOOR SEDAN  
 45 = 4-DOOR STATION WAGON  
 44 = 4-DOOR HATCHBACK  
 48 = EXECUTIVE SEDAN

AR = Use as Required - = Non Illustrated Part P.A.R. = Paint as Required

**CARBURETOR AND COMPONENT PARTS HOLLEY-2BBL.(6520) 0**  
**Figure 14-1500**

3114 1500A



ITEM	PART NUMBER	QTY	BODY	MODEL	DESCRIPTION
19	4293 733				SOLENOID, Idle Shut-Off N0 Y4293733 N0 N0
20	4293 719				SWITCH, A/C Cut-Off N0 N0 N0 Y4293719
21	4293 747				MODULATOR, Throttle N0 Y4293747 N0 N0
22	4293 749				SOLENOID, Kicker Y4293749 N0 N0 Y4293749
23	4293 724				SOLENOID, Speed-Up N0 N0 Y4293724 N0
24	4131 131				BUSHING, Choke Housing Shaft Y4131131 Y4131131 Y4131131 Y4131131
25	4131 114				RETAINER, Rod Y4131114 Y4131114 Y4131114 Y4131114
	4267 174				GASKET SET Y4267174 Y4267174 Y4267174 Y4267174
	4240 199				REPAIR KIT Y4240199 N4293773 Y4240199 N4293773
	4293 773				REPAIR KIT N4240199 Y4293773 N4240199 Y4293773
1	4293 790				RIVET, Thermostat Ring Y4293790 Y4293790 Y4293790 Y4293790
2	4186 295				THERMOSTAT, w/ CAP, Choke Y4186295 Y4186295 Y4186295 Y4186295
3	4267 096				HOUSING, Thermostat Y4267096 Y4267096 Y4267096 Y4267096
4	4131 121				DIAPHRAGM, Pump Y4131121 Y4131121 Y4131121 Y4131121
5	4131 116				NEEDLE and SEAT Y4131116 Y4131116 Y4131116 Y4131116
6	4293 736				SOLENOID, Duty-Cycle Y4293736 Y4293736 Y4293736 Y4293736
7	4186 329				GASKET, Air Horn Y4186329 Y4186329 Y4186329 Y4186329
8	4186 293				FLOAT Y4186293 Y4186293 Y4186293 Y4186293
9					BLEED, Hi-Speed N0 N0 N0 N0
	4271 985				Primary Y4271985 N4186340 Y4271985 N4186340
	4186 340				Primary N4271985 Y4186340 N4271985 Y4186340
	4131 127				Secondary Y4131127 Y4131127 Y4131127 Y4131127
10					TUBE, Main Well N0 N0 N0 N0
	4186 291				Primary Y4186291 Y4186291 Y4186291 Y4186291
	4186 291				Secondary Y4186291 Y4186291 Y4186291 Y4186291
11					JET, Main N0 N0 N0 N0
	4271 983				Primary Y4271983 N4271901 Y4271983 N4271901
	4271 901				Primary N4271983 Y4271901 N4271983 Y4271901
	4293 763				Secondary Y4293763 N4271984 Y4293763 N4271984
	4271 984				Secondary N4293763 Y4271984 N4293763 Y4271984
12	4267 140				PLUG, Idle Needle Y4267140 Y4267140 Y4267140 Y4267140
13					LINK, Fast Idle N0 N0 N0 N0

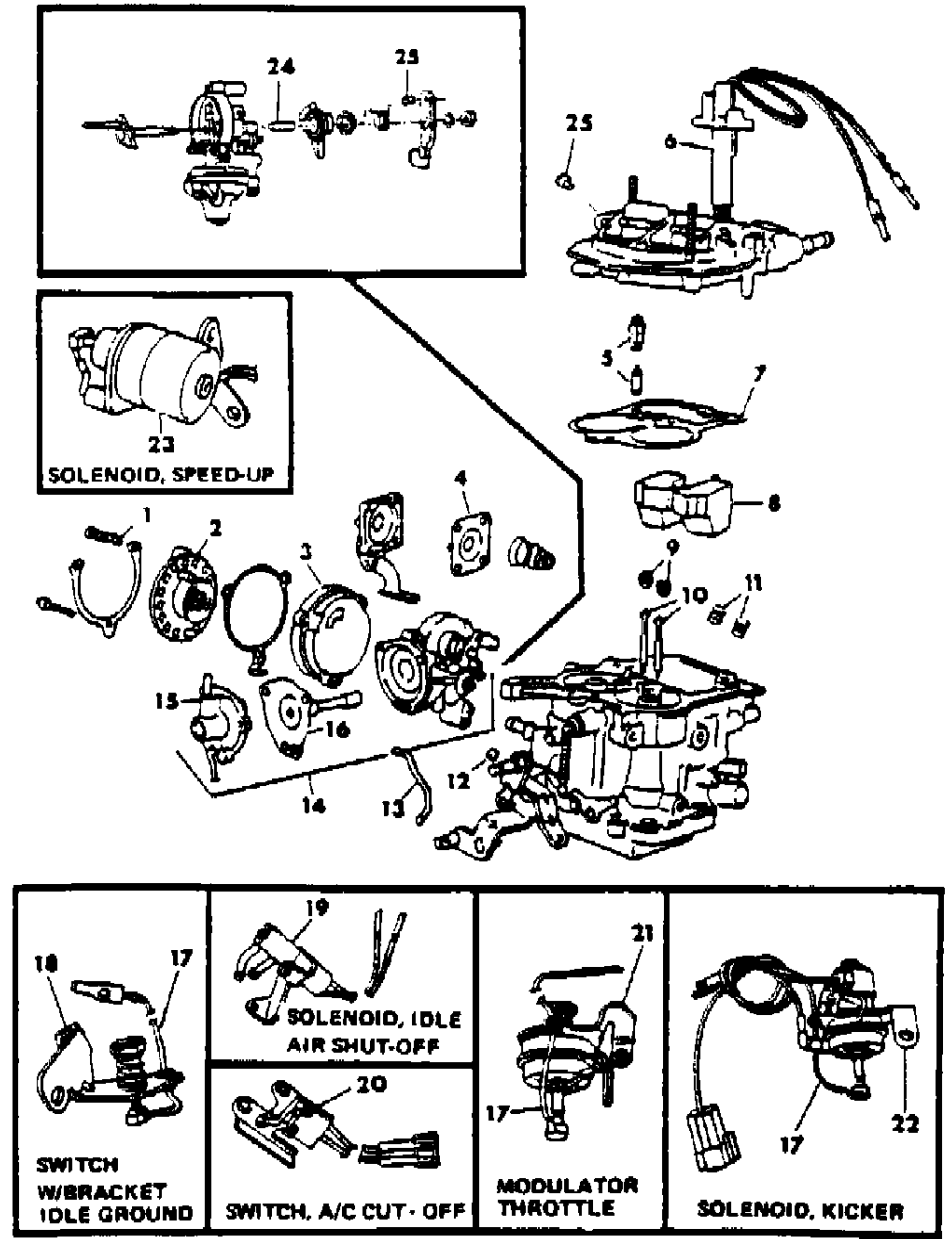
MODEL CODES  
 B = GRAN FURY  
 C = LEBARON/TOWN & COUNTRY  
 D = ARIES  
 E = 600  
 F = FIFTH AVENUE  
 G = DIPLOMAT  
 M = HORIZON/TURISMO/SCAMP  
 P = RELIANT  
 S = CORDOBA  
 T = E CLASS/NEWYORKER  
 V = 400  
 X = MIRADA  
 Y = IMPERIAL  
 Z = OMNI/CHARGER/RAMPAGE

BODY STYLES  
 21 = 2-DOOR SEDAN  
 22 = 2-DOOR SPECIAL COUPE  
 24 = 2-DOOR HATCHBACK  
 27 = 2-DOOR CONVERTIBLE  
 28 = FWD PICKUP  
 41 = 4-DOOR SEDAN  
 45 = 4-DOOR STATION WAGON  
 44 = 4-DOOR HATCHBACK  
 48 = EXECUTIVE SEDAN

AR = Use as Required - = Non Illustrated Part P.A.R. = Paint as Required

**CARBURETOR AND COMPONENT PARTS HOLLEY-2BBL.(6520) 0**  
**Figure 14-1500**

3114 1500A



ITEM	PART NUMBER	QTY	BODY	MODEL	DESCRIPTION
14	4293 768				HOUSING, w/DIAPHRAGM, Choke Y4293768 N4293770 Y4293768 N4293770
14	4293 770				HOUSING, w/DIAPHRAGM, Choke N4293768 Y4293770 N4293768 Y4293770
15					COVER, Choke Diaphragm N0 N0 N0 N0
16	4240 198				DIAPHRAGM, w/SHAFT, Choke Y4240198 N4293772 Y4240198 N4293772
16	4293 772				DIAPHRAGM, w/SHAFT, Choke N4240198 Y4293772 N4240198 Y4293772
17	4293 760				WIRE and TERMINAL Y4293760 Y4293760 Y4293760 Y4293760
18					SWITCH, w/ BRACKET, Idle Ground N0 N0 N0 N0
19					SOLENOID, Idle Shut-Off N0 N0 N0 N0
20					SWITCH, A/C Cut-Off N0 N0 N0 N0
21	4293 747				MODULATOR, Throttle Y4293747 Y4293747 Y4293747 Y4293747
22					SOLENOID, Kicker N0 N0 N0 N0
23					SOLENOID, Speed-Up N0 N0 N0 N0
24	4131 131				BUSHING, Choke Housing Shaft Y4131131 Y4131131 Y4131131 Y4131131
25	4131 114				RETAINER, Rod Y4131114 Y4131114 Y4131114 Y4131114
	4267 174				GASKET SET N0 Y4267174 Y4267174 Y4267174
	4293 776				REPAIR KIT N0 Y4293776 Y4293776 N4293767
	4293 767				REPAIR KIT N0 N4293776 N4293776 Y4293767
1	4293 790				RIVET, Thermostat Ring Y4293790 Y4293790 Y4293790 Y4293790
2	4186 295				THERMOSTAT, w/ CAP, Choke Y4186295 Y4186295 Y4186295 Y4186295
3	4267 096				HOUSING, Thermostat Y4267096 Y4267096 Y4267096 Y4267096
4	4131 121				DIAPHRAGM, Pump Y4131121 Y4131121 Y4131121 Y4131121
5	4131 116				NEEDLE and SEAT Y4131116 Y4131116 Y4131116 Y4131116
6	4293 736				SOLENOID, Duty-Cycle Y4293736 N4293751 N4293751 N4293764
6	4293 751				SOLENOID, Duty-Cycle N4293736 Y4293751 Y4293751 N4293764
6	4293 764				SOLENOID, Duty-Cycle N4293736 N4293751 N4293751 Y4293764

MODEL CODES  
 B = GRAN FURY  
 C = LEBARON/TOWN & COUNTRY  
 D = ARIES  
 E = 600  
 F = FIFTH AVENUE  
 G = DIPLOMAT  
 M = HORIZON/TURISMO/SCAMP  
 P = RELIANT  
 S = CORDOBA  
 T = E CLASS/NEWYORKER  
 V = 400  
 X = MIRADA  
 Y = IMPERIAL  
 Z = OMNI/CHARGER/RAMPAGE

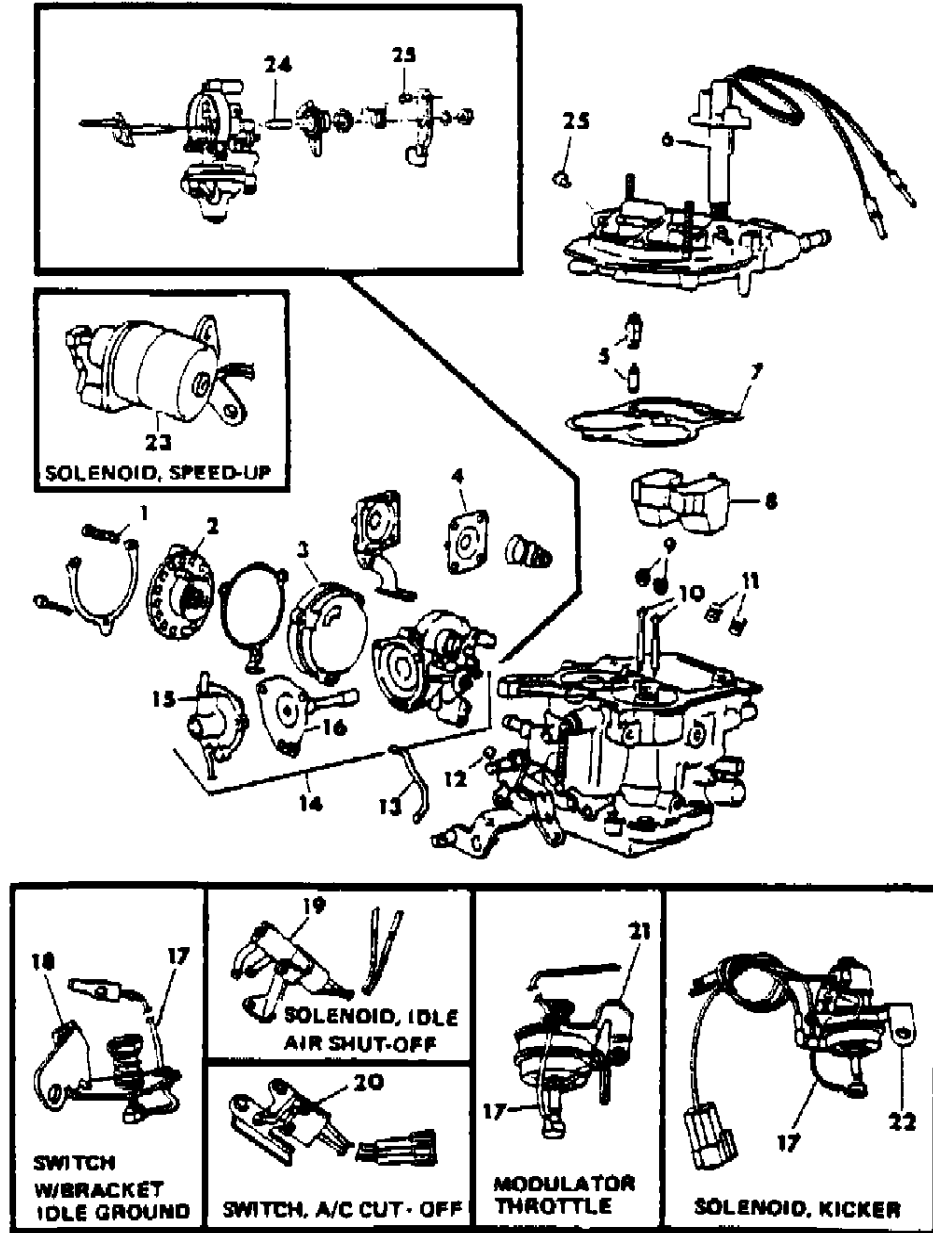
BODY STYLES  
 21 = 2-DOOR SEDAN  
 22 = 2-DOOR SPECIAL COUPE  
 24 = 2-DOOR HATCHBACK  
 27 = 2-DOOR CONVERTIBLE  
 28 = FWD PICKUP  
 41 = 4-DOOR SEDAN  
 45 = 4-DOOR STATION WAGON  
 44 = 4-DOOR HATCHBACK  
 48 = EXECUTIVE SEDAN

AR = Use as Required - = Non Illustrated Part P.A.R. = Paint as Required

CARBURETOR AND COMPONENT PARTS HOLLEY-2BBL.(6520) 0

Figure 14-1500

3114 1500A



ITEM	PART NUMBER	QTY	BODY	MODEL	DESCRIPTION
7	4186 329				GASKET, Air Horn N0 Y4186329 Y4186329 Y4186329
8	4186 293				FLOAT Y4186293 Y4186293 Y4186293 Y4186293
9					BLEED, Hi-Speed N0 N0 N0 N0
	4293 127				Primary Y4293127 N4186340 N4267107 N4267107
	4186 340				Primary N4293127 Y4186340 N4267107 N4267107
	4267 107				Primary N4293127 N4186340 Y4267107 Y4267107
	4271 925				Secondary Y4271925 N4131127 N4267107 N4131128
	4131 127				Secondary N4271925 Y4131127 N4267107 N4131128
	4267 107				Secondary N4271925 N4131127 Y4267107 N4131128
	4131 128				Secondary N4271925 N4131127 N4267107 Y4131128
10					TUBE, Main Well N0 N0 N0 N0
	4186 291				Primary Y4186291 Y4186291 Y4186291 Y4186291
	4186 291				Secondary Y4186291 Y4186291 Y4186291 Y4186291
11					JET, Main N0 N0 N0 N0
	4271 899				Primary Y4271899 N4271901 N4131125 N4271889
	4271 901				Primary N4271899 Y4271901 N4131125 N4271889
	4131 125				Primary N4271899 N4271901 Y4131125 N4271889
	4271 889				Primary N4271899 N4271901 N4131125 Y4271889
	4293 786				Secondary Y4293786 N4271984 N4293707 N4271905
	4271 984				Secondary N4293786 Y4271984 N4293707 N4271905
	4293 707				Secondary N4293786 N4271984 Y4293707 N4271905
	4271 905				Secondary N4293786 N4271984 N4293707 Y4271905
12	4267 140				PLUG, Idle Needle Y4267140 Y4267140 Y4267140 Y4267140
13					LINK, Fast Idle N0 N0 N0 N0
14	4293 770				HOUSING, w/ DIAPHRAGM, Choke N0 Y4293770 N4293774
					N4271919
14	4293 774				HOUSING, w/ DIAPHRAGM, Choke N0 N4293770 Y4293774
					N4271919
14	4271 919				HOUSING, w/ DIAPHRAGM, Choke N0 N4293770 N4293774
					Y4271919
15					COVER, Choke Diaphragm N0 N0 N0 N0
16	4267 178				DIAPHRAGM, w/ SHAFT, Choke Y4267178 N4293772 N4293775
					N4131210
16	4293 772				DIAPHRAGM, w/ SHAFT, Choke N4267178 Y4293772 N4293775
					N4131210
16	4293 775				DIAPHRAGM, w/ SHAFT, Choke N4267178 N4293772 Y4293775
					N4131210

MODEL CODES  
 B = GRAN FURY  
 C = LEBARON/TOWN & COUNTRY  
 D = ARIES  
 E = 600  
 F = FIFTH AVENUE  
 G = DIPLOMAT  
 M = HORIZON/TURISMO/SCAMP  
 P = RELIANT  
 S = CORDOBA  
 T = E CLASS/NEWYORKER  
 V = 400  
 X = MIRADA  
 Y = IMPERIAL  
 Z = OMNI/CHARGER/RAMPAGE

BODY STYLES  
 21 = 2-DOOR SEDAN  
 22 = 2-DOOR SPECIAL COUPE  
 24 = 2-DOOR HATCHBACK  
 27 = 2-DOOR CONVERTIBLE  
 28 = FWD PICKUP  
 41 = 4-DOOR SEDAN  
 45 = 4-DOOR STATION WAGON  
 44 = 4-DOOR HATCHBACK  
 48 = EXECUTIVE SEDAN

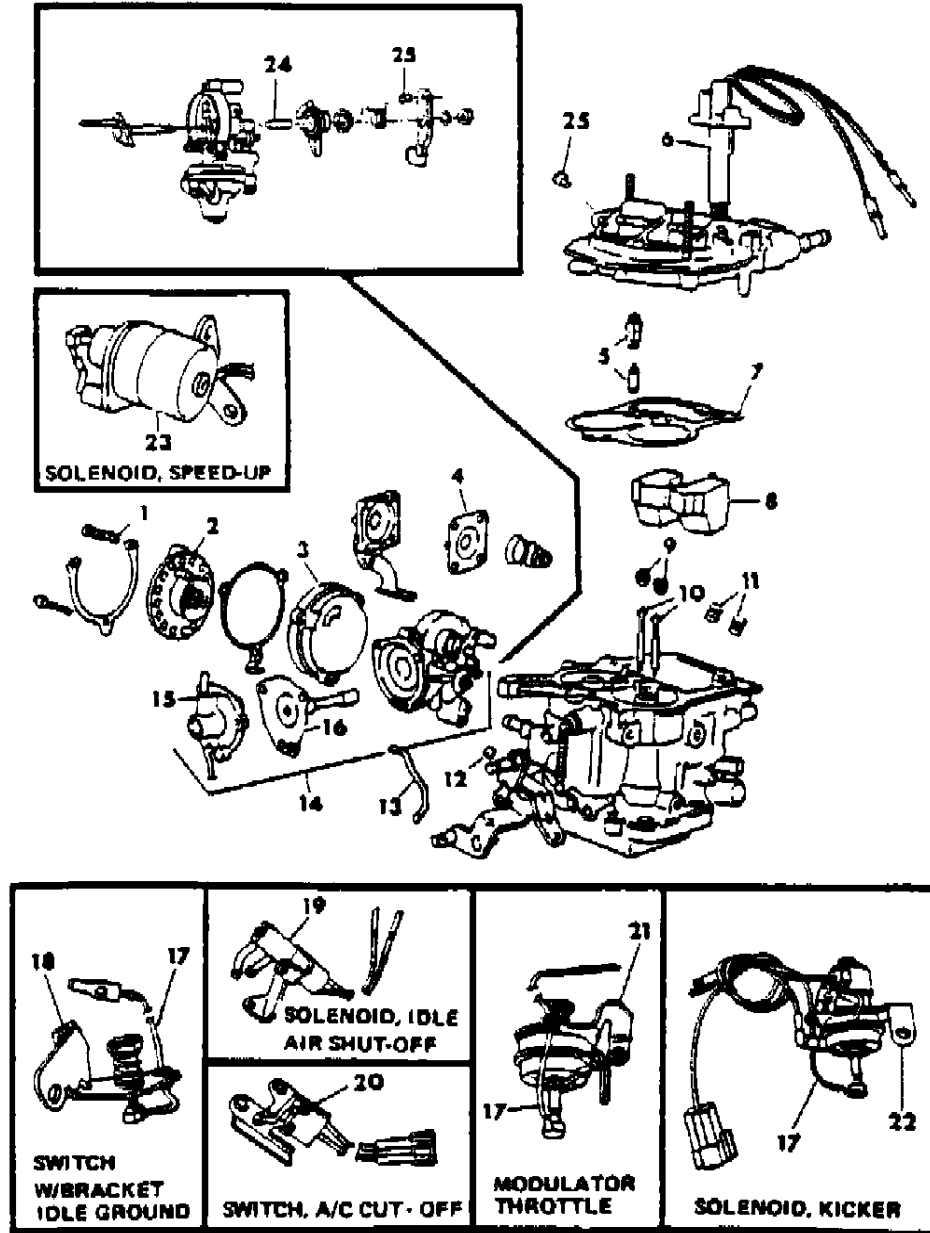
AR = Use as Required - = Non Illustrated Part P.A.R. = Paint as Required



CARBURETOR AND COMPONENT PARTS HOLLEY-2BBL.(6520) 0

Figure 14-1500

3114 1500A



ITEM	PART NUMBER	QTY	BODY	MODEL	DESCRIPTION
16	4131 210				DIAPHRAGM, w/ SHAFT, Choke N4267178 N4293772 N4293775 Y4131210
17					WIRE and TERMINAL N0 N0 N0 N0
18					SWITCH, w/BRACKET, Idle Ground N0 N0 N0 N0
19					SOLENOID, Idle Shut-Off N0 N0 N0 N0
20					SWITCH, A/C Cut-Off N0 N0 N0 N0
21					MODULATOR, Throttle N0 N0 N0 N0
22	4293 749				SOLENOID, Kicker N0 Y4293749 Y4293749 N0
23	4293 724				SOLENOID, Speed-Up N0 N0 N0 Y4293724
24	4131 131				BUSHING, Choke Housing Shaft Y4131131 Y4131131 Y4131131 Y4131131
25	4131 114				RETAINER, Rod Y4131114 Y4131114 Y4131114 Y4131114
	4267 174				GASKET SET Y4267174 Y4267174 Y4267174 N4267178
	4267 178				GASKET SET N4267174 N4267174 N4267174 Y4267178
	4293 767				REPAIR KIT Y4293767 N4293776 N4293776 N4293773
	4293 776				REPAIR KIT N4293767 Y4293776 Y4293776 N4293773
	4293 773				REPAIR KIT N4293767 N4293776 N4293776 Y4293773
1	4293 790				RIVET, Thermostat Ring Y4293790 N N N
2	4186 295				THERMOSTAT, w/ CAP, Choke Y4186295 Y4186295 Y4186295 Y4186295
3	4267 096				HOUSING, Thermostat Y4267096 Y4267096 Y4267096 Y4267096
4	4131 121				DIAPHRAGM, Pump Y4131121 Y4131121 Y4131121 Y4131121
5	4131 116				NEEDLE and SEAT Y4131116 Y4131116 Y4131116 Y4131116
6	4293 765				SOLENOID, Duty-Cycle Y4293765 N4293751 N4293751 N4293751
6	4293 751				SOLENOID, Duty-Cycle N4293765 Y4293751 Y4293751 Y4293751
7	4186 329				GASKET, Air Horn Y4186329 Y4186329 Y4186329 Y4186329
8	4186 293				FLOAT Y4186293 Y4186293 Y4186293 N
9					BLEED, Hi-Speed N0 N N N
	4267 107				Primary Y4267107 Y4267107 Y4267107 N4293864
	4293 864				Primary N4267107 N4267107 N4267107 Y4293864
	4131 128				Secondary Y4131128 N N N
10					TUBE, Main Well N0 N N N
	4186 291				Primary Y4186291 Y4186291 Y4186291 Y4186291
	4186 291				Secondary Y4186291 Y4186291 Y4186291 Y4186291

MODEL CODES  
 B = GRAN FURY  
 C = LEBARON/TOWN & COUNTRY  
 D = ARIES  
 E = 600  
 F = FIFTH AVENUE  
 G = DIPLOMAT  
 M = HORIZON/TURISMO/SCAMP  
 P = RELIANT  
 S = CORDOBA  
 T = E CLASS/NEWYORKER  
 V = 400  
 X = MIRADA  
 Y = IMPERIAL  
 Z = OMNI/CHARGER/RAMPAGE

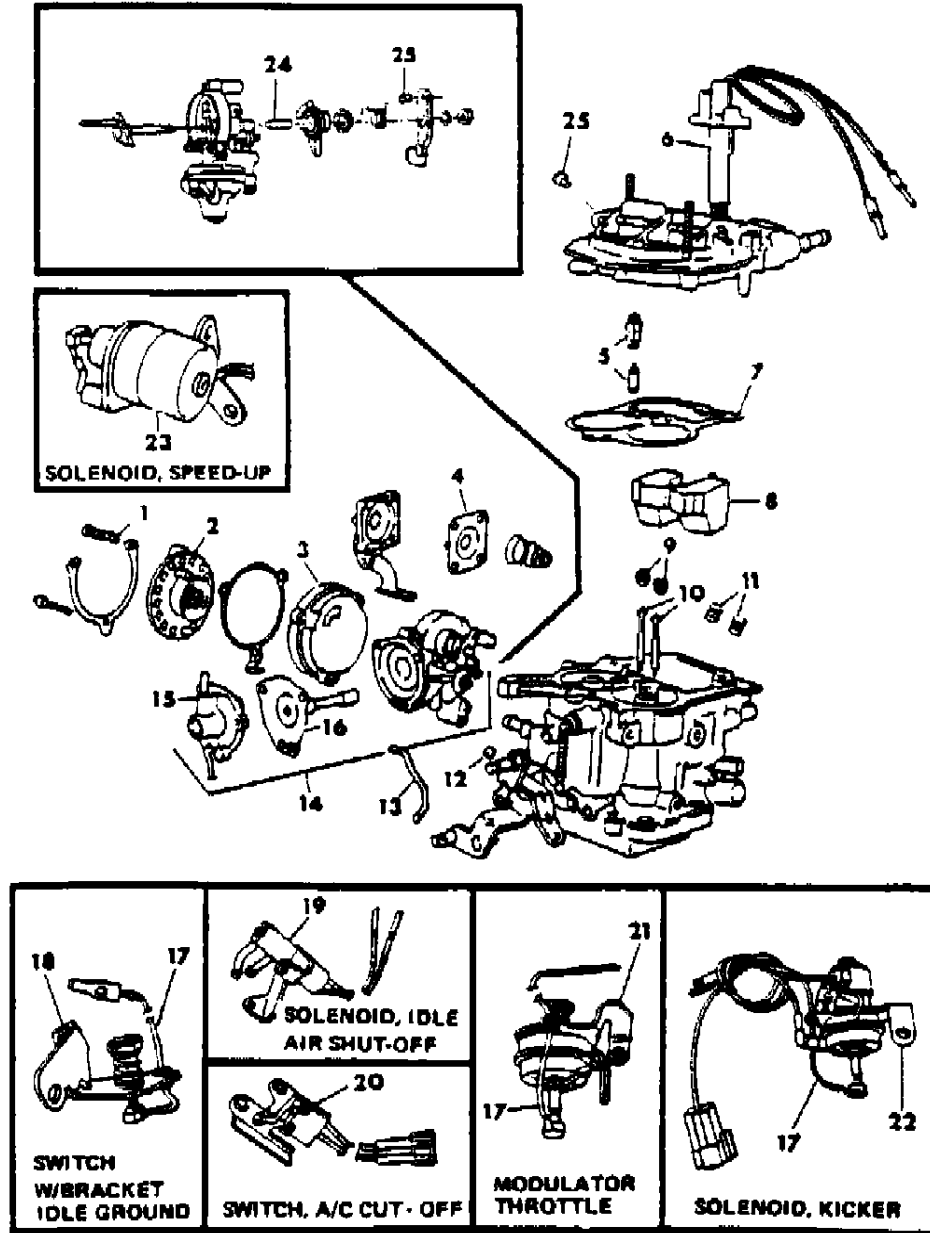
BODY STYLES  
 21 = 2-DOOR SEDAN  
 22 = 2-DOOR SPECIAL COUPE  
 24 = 2-DOOR HATCHBACK  
 27 = 2-DOOR CONVERTIBLE  
 28 = FWD PICKUP  
 41 = 4-DOOR SEDAN  
 45 = 4-DOOR STATION WAGON  
 44 = 4-DOOR HATCHBACK  
 48 = EXECUTIVE SEDAN

AR = Use as Required - = Non Illustrated Part P.A.R. = Paint as Required

CARBURETOR AND COMPONENT PARTS HOLLEY-2BBL.(6520) 0

Figure 14-1500

3114 1500A



ITEM	PART NUMBER	QTY	BODY	MODEL	DESCRIPTION
11					JET, Main N0 N N N
	4271 889				Primary Y4271889 N4131125 N4131125 Y4271889
	4131 125				Primary N4271889 Y4131125 Y4131125 N4271889
	4271 905				Secondary Y4271905 N4293707 N4293707 N4293863
	4293 707				Secondary N4271905 Y4293707 Y4293707 N4293863
	4293 863				Secondary N4271905 N4293707 N4293707 Y4293863
12	4267 140				PLUG, Idle Needle Y4267140 Y4267140 Y4267140 Y4267140
13					LINK, Fast Idle N0 N N N
14	4271 919				HOUSING, w/ DIAPHRAGM, Choke Y4271919 N4293774
					N4293774 N4293770
14	4293 774				HOUSING, w/ DIAPHRAGM, Choke N4271919 Y4293774
					Y4293774 N4293770
14	4293 770				HOUSING, w/ DIAPHRAGM, Choke N4271919 N4293774
					N4293774 Y4293770
15					COVER, Choke Diaphragm N0 N N N
16	4131 210				DIAPHRAGM, w/ SHAFT, Choke Y4131210 N4293775 N4293775
					N4293772
16	4293 775				DIAPHRAGM, w/ SHAFT, Choke N4131210 Y4293775 Y4293775
					N4293772
16	4293 772				DIAPHRAGM, w/ SHAFT, Choke N4131210 N4293775 N4293775
					Y4293772
17					WIRE and TERMINAL N0 N N N
18					SWITCH, w/ BRACKET, Idle Ground N0 N N N
19					SOLENOID, Idle Shut-Off N0 N N N
20	4293 719				SWITCH, A/C Cut-Off Y4293719 N N0 N0
21					MODULATOR, Throttle N0 N N N
22					SOLENOID, Kicker N0 N N N
23	4293 766				SOLENOID, Speed-Up Y4293766 N4293724 N N4293749
23	4293 724				SOLENOID, Speed-Up N4293766 Y4293724 N N4293749
23	4293 749				SOLENOID, Speed-Up N4293766 N4293724 N Y4293749
24	4131 131				BUSHING, Choke Housing Shaft Y4131131 Y4131131
					Y4131131 Y4131131
25	4131 114				RETAINER, Rod Y4131114 Y4131114 Y4131114 Y4131114

MODEL CODES  
 B = GRAN FURY  
 C = LEBARON/TOWN & COUNTRY  
 D = ARIES  
 E = 600  
 F = FIFTH AVENUE  
 G = DIPLOMAT  
 M = HORIZON/TURISMO/SCAMP  
 P = RELIANT  
 S = CORDOBA  
 T = E CLASS/NEWYORKER  
 V = 400  
 X = MIRADA  
 Y = IMPERIAL  
 Z = OMNI/CHARGER/RAMPAGE

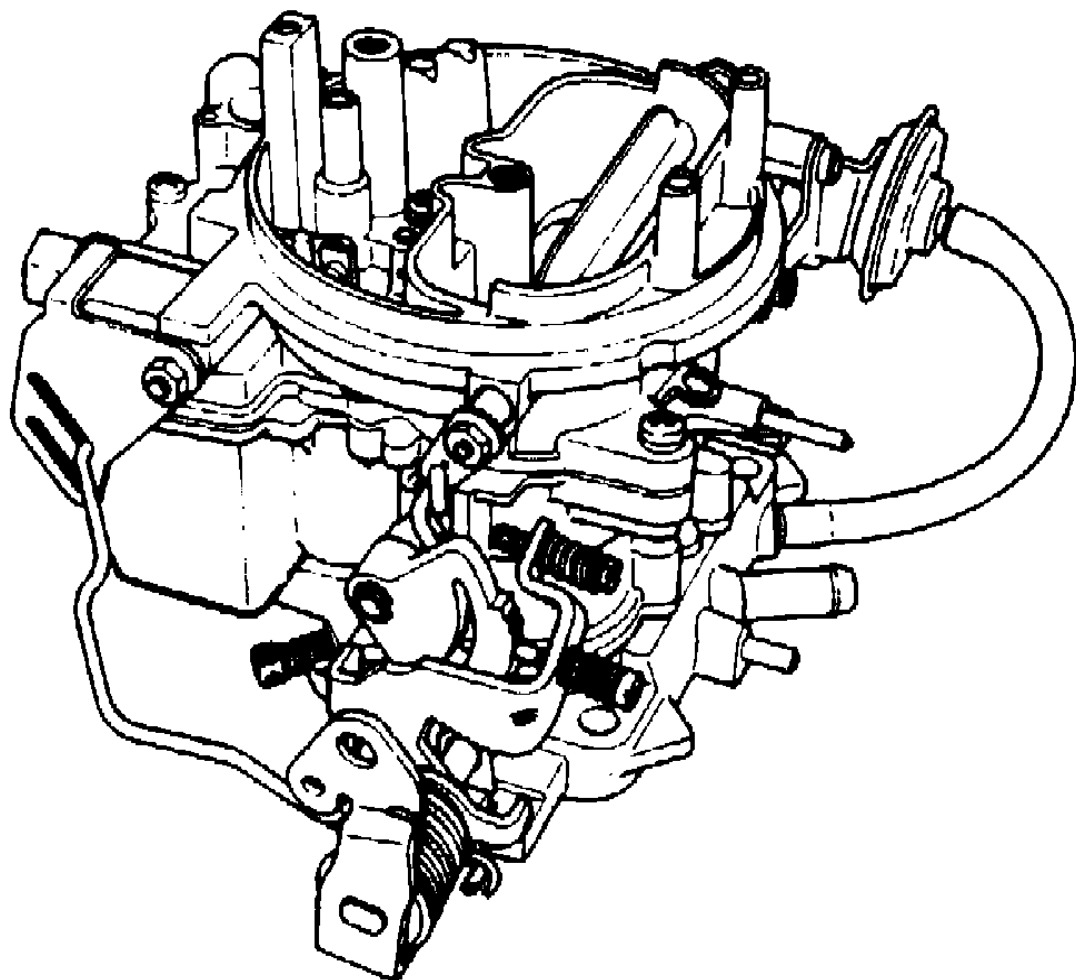
BODY STYLES  
 21 = 2-DOOR SEDAN  
 22 = 2-DOOR SPECIAL COUPE  
 24 = 2-DOOR HATCHBACK  
 27 = 2-DOOR CONVERTIBLE  
 28 = FWD PICKUP  
 41 = 4-DOOR SEDAN  
 45 = 4-DOOR STATION WAGON  
 44 = 4-DOOR HATCHBACK  
 48 = EXECUTIVE SEDAN

AR = Use as Required - = Non Illustrated Part P.A.R. = Paint as Required

CARBURETOR AND COMPONENT PARTS CARTER-2BBL.

Figure 14-1700

3114 1700



ITEM	PART NUMBER	QTY	BODY	MODEL	DESCRIPTION
	4179 128				B,G,F,X,S w/(SC-N93,N98)   225/A NBBB-8290 N4179128 Y4179128 N1
	4179 129				B,G,F,X,S,Y w/(SC-N94,N95,N96)   318/A NBBB-8291 N4179129 Y4179129 N2
	4287 023				B,G,F,X,S,Y w/(SC-N94,N92)   318/A NBBB-8369 N4287023 Y4287023 N3
	4287 088				B,G,F,X,S,Y w/(SC-N94,N95)   318/A NBBB-8381 N4287088 Y4287088 N4
	4287 089				B,G,F,X,S,Y w/(SC-N96) 318/A NBBB-8382 N4287089 Y4287089 N5
	4267 213				KIT, Repair Y4267213 N4267163 N4271962 N4271962
	4267 163				KIT, Repair N4267213 Y4267163 N4271962 N4271962
	4271 962				KIT, Repair N4267213 N4267163 Y4271962 Y4271962
	4049 319				SET, Gasket Y4049319 N4267214 N4271942 N
	4267 214				SET, Gasket N4049319 Y4267214 N4271942 N
	4271 942				SET, Gasket N4049319 N4267214 Y4271942 N
	2933 042				NEEDLE and SEAT Y2933042 Y2933042 Y2933042 Y2933042
	4094 866				CUP, Accel. Pump Y4094866 Y4094866 Y4094866 Y4094866
	4094 867				PLUNGER, Accel. Pump Y4094867 N4064867 Y4094867 N
	4064 867				PLUNGER, Accel. Pump N4094867 Y4064867 N4094867 N
	4240 135				GASKET, Air Horn Y4240135 N4267198 Y4240135 Y4240135
	4267 198				GASKET, Air Horn N4240135 Y4267198 N4240135 N4240135
	4095 337				CHOKE Y4095337 N4095338 N4095329 N
	4095 338				CHOKE N4095337 Y4095338 N4095329 N
	4095 329				CHOKE N4095337 N4095338 Y4095329 N
	3879 841				DIAPHRAGM, Choke Y3879841 N3879842 N0 N
	3879 842				DIAPHRAGM, Choke N3879841 Y3879842 N0 N
	4267 130				DIAPHRAGM, w/BRACKET, Choke N0 Y4267130 N4271956 N4271956
	4271 956				DIAPHRAGM, w/BRACKET, Choke N0 N4267130 Y4271956 Y4271956
	2933 008				JET, Main Y2933008 Y2933008 N2809305 Y2933008
	2809 305				JET, Main N2933008 N2933008 Y2809305 N2933008
	4186 190				ROD, Metering Y4186190 N4267217 N4267218 N4267217
	4267 217				ROD, Metering N4186190 Y4267217 N4267218 Y4267217
	4267 218				ROD, Metering N4186190 N4267217 Y4267218 N4267217
	4271 855				PLUG, Idle Mix Y4271855 N4267191 Y4271855 Y4271855

MODEL CODES

B = GRAN FURY	G = DIPLOMAT	V = 400
C = LEBARON/TOWN & COUNTRY	M = HORIZON/TURISMO/SCAMP	X = MIRADA
D = ARIES	P = RELIANT	Y = IMPERIAL
E = 600	S = CORDOBA	Z = OMNI/CHARGER/RAMPAGE
F = FIFTH AVENUE	T = E CLASS/NEWYORKER	

BODY STYLES

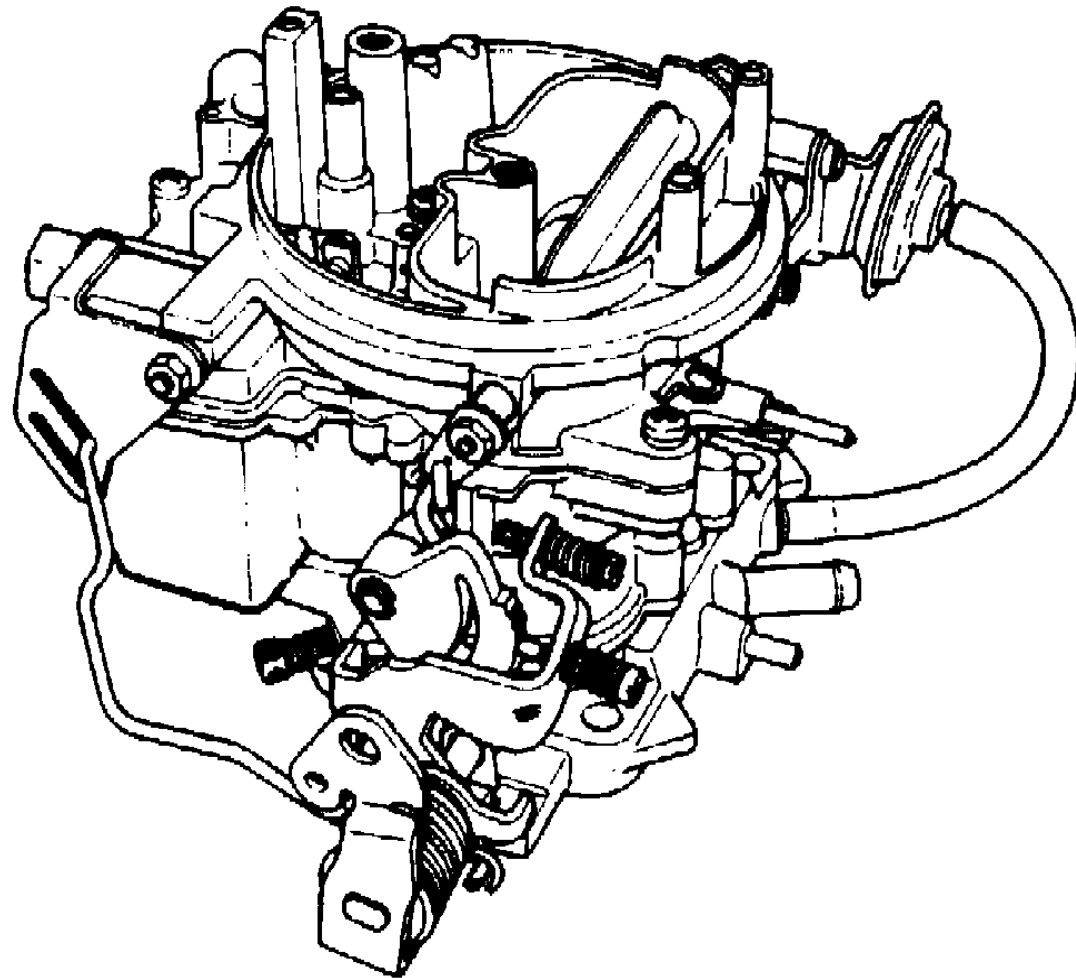
21 = 2-DOOR SEDAN	41 = 4-DOOR SEDAN
22 = 2-DOOR SPECIAL COUPE	45 = 4-DOOR STATION WAGON
24 = 2-DOOR HATCHBACK	44 = 4-DOOR HATCHBACK
27 = 2-DOOR CONVERTIBLE	48 = EXECUTIVE SEDAN
28 = FWD PICKUP	

AR = Use as Required - = Non Illustrated Part P.A.R. = Paint as Required

CARBURETOR AND COMPONENT PARTS CARTER-2BBL.

Figure 14-1700

3114 1700



ITEM	PART NUMBER	QTY	BODY	MODEL	DESCRIPTION
	4267 191				PLUG, Idle Mix N4271855 Y4267191 N4271855 N4271855
	4267 142				SOLENOID Y4267142 N4186227 N0 N
	4186 227				SOLENOID N4267142 Y4186227 N0 N
	4240 136				WIRE and BRACKET, Ground N0 N0 Y4240136 N
	3481 274				FLOAT Y3481274 Y3481274 Y3481274 Y3481274
	4049 198				TRANSDUCER, E.S.A. N0 Y4049198 N0 N
	4240 040				SOLENOID, Bowl Vent N0 Y4240040 N0 Y4240040
	4240 127				SOLENOID, Pulsing N0 Y4240127 N0 Y4240127
	4267 146				SOLENOID, w/BRACKET N0 Y4267146 N0 Y4267146
	4267 166				POP RIVETS, Tamper Resist Y4267166 Y4267166 N0 N
	4267 192				ROLL Pin, Tamper Resist Y4267192 Y4267192 N0 N
	4271 962				KIT, Repair Y4271962 N N N
	2933 008				JET, Main Y2933008 N N N
	2933 042				NEEDLE and SEAT Y2933042 N N N
	3481 274				FLOAT Y3481274 N N N
	4094 866				CUP, Accel Pump Y4094866 N N N
	4240 040				SOLENOID, Bowl Vent Y4240040 N N N
	4240 127				SOLENOID, Pulsing Y4240127 N N N
	4240 135				GASKET, Air Horn Y4240135 N N N
	4267 146				SOLENOID, w/BRACKET Y4267146 N N N
	4267 217				ROD, Metering Y4267217 N N N
	4271 855				PLUG, Idle Mix Y4271855 N N N
	4271 956				DIAPHRAGM, w/BRACKET, Choke Y4271956 N N N

MODEL CODES

B = GRAN FURY	G = DIPLOMAT	V = 400
C = LEBARON/TOWN & COUNTRY	M = HORIZON/TURISMO/SCAMP	X = MIRADA
D = ARIES	P = RELIANT	Y = IMPERIAL
E = 600	S = CORDOBA	Z = OMNI/CHARGER/RAMPAGE
F = FIFTH AVENUE	T = E CLASS/NEWYORKER	

BODY STYLES

21 = 2-DOOR SEDAN	41 = 4-DOOR SEDAN
22 = 2-DOOR SPECIAL COUPE	45 = 4-DOOR STATION WAGON
24 = 2-DOOR HATCHBACK	44 = 4-DOOR HATCHBACK
27 = 2-DOOR CONVERTIBLE	48 = EXECUTIVE SEDAN
28 = FWD PICKUP	

AR = Use as Required - = Non Illustrated Part P.A.R. = Paint as Required

**CARBURETOR AND COMPONENT PARTS CARTER-4BBL.**  
**Figure 14-1800**

ITEM	PART NUMBER	QTY	BODY	MODEL	DESCRIPTION
	4287 051				B,G w/(SC-N94,N95)   318/A NTQ-9385 N4287051 Y4287051 N1
	4179 177				B,G,F,X,S,Y w/(SC-N92)   318/A NTQ-9364 N4179177 Y4179177 N2
	4227 251				B,G w/(SC-N96)   318/A NTQ-9374 N4227251 Y4227251 N3
	4287 072				B,G w/(SC-N94)   318/A NTQ-9388 N4287072 Y4287072 N4
	4271 945				KIT, Repair Y4271945 Y4271945 Y4271945 Y4271945
	4267 212				SET, Gasket Y4267212 Y4267212 Y4267212 N4267212
	3621 161				NEEDLE and SEAT Y3621161 Y3621161 Y3621161 Y3621161
	4094 867				CUP or PLUNGER, Accel. Pump Y4094867 Y4094867 Y4094867
	4186 236				GASKET, Air Horn Y4186236 Y4186236 Y4186236 Y4186236
	4095 984				CHOKE Y4095984 N4095331 Y4095984 Y4095984
	4095 331				CHOKE N4095984 Y4095331 N4095984 N4095984
	4267 133				DIAPHRAGM, Choke Y4267133 N4131250 Y4267133 Y4267133
	4131 250				DIAPHRAGM, Choke N4267133 Y4131250 N4267133 N4267133
	4026 269				JET, Primary Y4026269 N3683905 Y4026269 Y4026269
	3683 905				JET, Primary N4026269 Y3683905 N4026269 N4026269
	4049 189				JET, Secondary Y4049189 Y4049189 Y4049189 Y4049189
	4267 132				ROD, Metering Y4267132 N4131177 N4271999 Y4267132
	4131 177				ROD, Metering N4267132 Y4131177 N4271999 N4267132
	4271 999				ROD, Metering N4267132 N4131177 Y4271999 N4267132
	4271 855				PLUG, Idle Mix N0 Y4271855 Y4271855 Y4271855
	4240 185				SOLENOID, Bowl Vent Y4240185 N4267136 Y4240185 Y4240185
	4267 136				SOLENOID, Bowl Vent N4240185 Y4267136 N4240185 N4240185
	4267 138				WIAE and BRACKET, Ground N0 Y4267138 N0 N
	3780 155				FLOAT Y3780155 Y3780155 Y3780155 Y3780155
	4267 166				RIVET, Pop Tamper Resist Y4267166 N0 Y4267166 N
	4267 134				SOLENOID and BRACKET Y4267134 N0 Y4267134 Y4267134
	4267 135				SOLENOID, Pulsing N0 N0 Y4267135 Y4267135

ILLUSTRATION NOT AVAILABLE AT TIME OF PUBLICATION

MODEL CODES

B = GRAN FURY	G = DIPLOMAT	V = 400
C = LEBARON/TOWN & COUNTRY	M = HORIZON/TURISMO/SCAMP	X = MIRADA
D = ARIES	P = RELIANT	Y = IMPERIAL
E = 600	S = CORDOBA	Z = OMNI/CHARGER/RAMPAGE
F = FIFTH AVENUE	T = E CLASS/NEWYORKER	

BODY STYLES

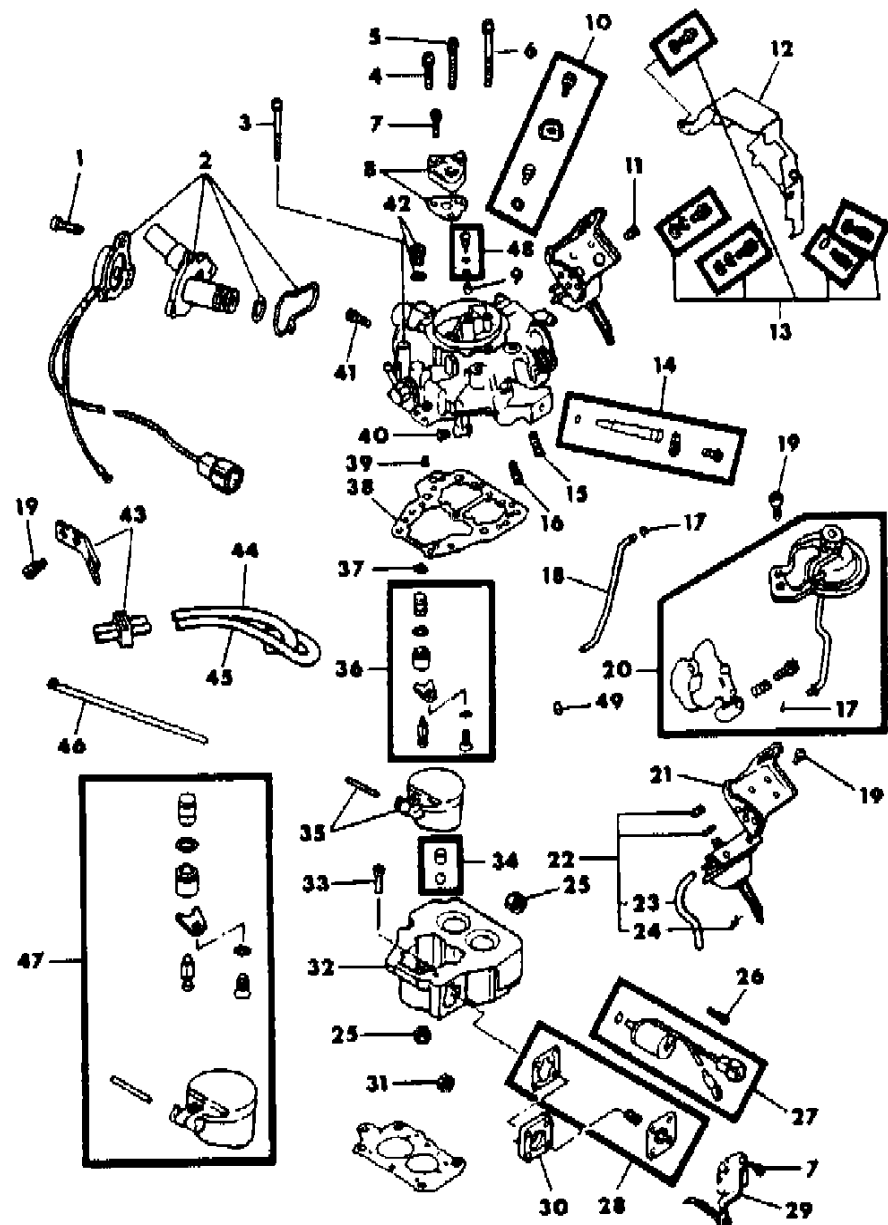
21 = 2-DOOR SEDAN	41 = 4-DOOR SEDAN
22 = 2-DOOR SPECIAL COUPE	45 = 4-DOOR STATION WAGON
24 = 2-DOOR HATCHBACK	44 = 4-DOOR HATCHBACK
27 = 2-DOOR CONVERTIBLE	48 = EXECUTIVE SEDAN
28 = FWD PICKUP	

AR = Use as Required - = Non Illustrated Part P.A.R. = Paint as Required

# CARBURETOR COMPONENT PARTS - W/2.6 LITRE ENGINE

## Figure 14-1900

3114 1900



ITEM	PART NUMBER	QTY	BODY	MODEL	DESCRIPTION
1	MF35 0029	4			SCREW, w/WASHER
	MF35 0023	4			Canada
2	MD60 6945	1			VALVE, Bowl Vent UP to April 1982
	MD60 8222	1			After April 1982
3	MD60 6984	1			SCREW, w/WASHER
4	MF35 0056	2			SCREW, w/WASHER
5	MF35 0061	1			SCREW, w/WASHER
6	MD60 6865	2			SCREW, w/WASHER
7	MF35 0031	6			SCREW, w/WASHER
8	MD60 6933	1			BODY, Enrichment Valve
9	MD60 8162	1			JET SET, Main Air Up to April 1982
	MD60 6377	1			After April 1982
10	MD60 6984	1			Canada
	MD60 6982	1			JET SET, Pilot Secondary
	MD60 6847	1			#75, except Canada
11	MF35 0048	1			SCREW, w/WASHER
12	MD60 6932	1			COVER, Choke
13	MD60 6977	1			SCREW KIT, Choke Cover
14	MD60 6935	1			JET SET, Pilot Primary
	MD60 8241	1			#58.8, except Canada
15	MF35 0032	1			SCREW, w/WASHER
16	MF35 0026	2			SCREW, w/WASHER
17	MD60 0213	3			RING, Snap
18	MD60 6854	1			ROD, Choke
19	MF35 0047	9			SCREW, w/WASHER
20	MD60 6942	1			THROTTLE KIT, Opener
21	MD60 6949	1			BRACKET, Cable
22	MD60 8163	1			BODY, Depression Chamber
	MD60 8164	1			Canada
23	MD60 6951	1			HOSE, Vaccum
24	MD60 6527	1			RETAINER, Snap
25	MF43 0003	4			NUT
26	MF35 0050	1			SCREW, w/WASHER
27	MD60 6943	1			VALVE, Solenoid
28	MD60 6849	1			DIAPHRAGM KIT, Pump

**MODEL CODES**

B = GRAN FURY	G = DIPLOMAT	V = 400
C = LEBARON/TOWN & COUNTRY	M = HORIZON/TURISMO/SCAMP	X = MIRADA
D = ARIES	P = RELIANT	Y = IMPERIAL
E = 600	S = CORDOBA	Z = OMNI/CHARGER/RAMPAGE
F = FIFTH AVENUE	T = E CLASS/NEWYORKER	

**BODY STYLES**

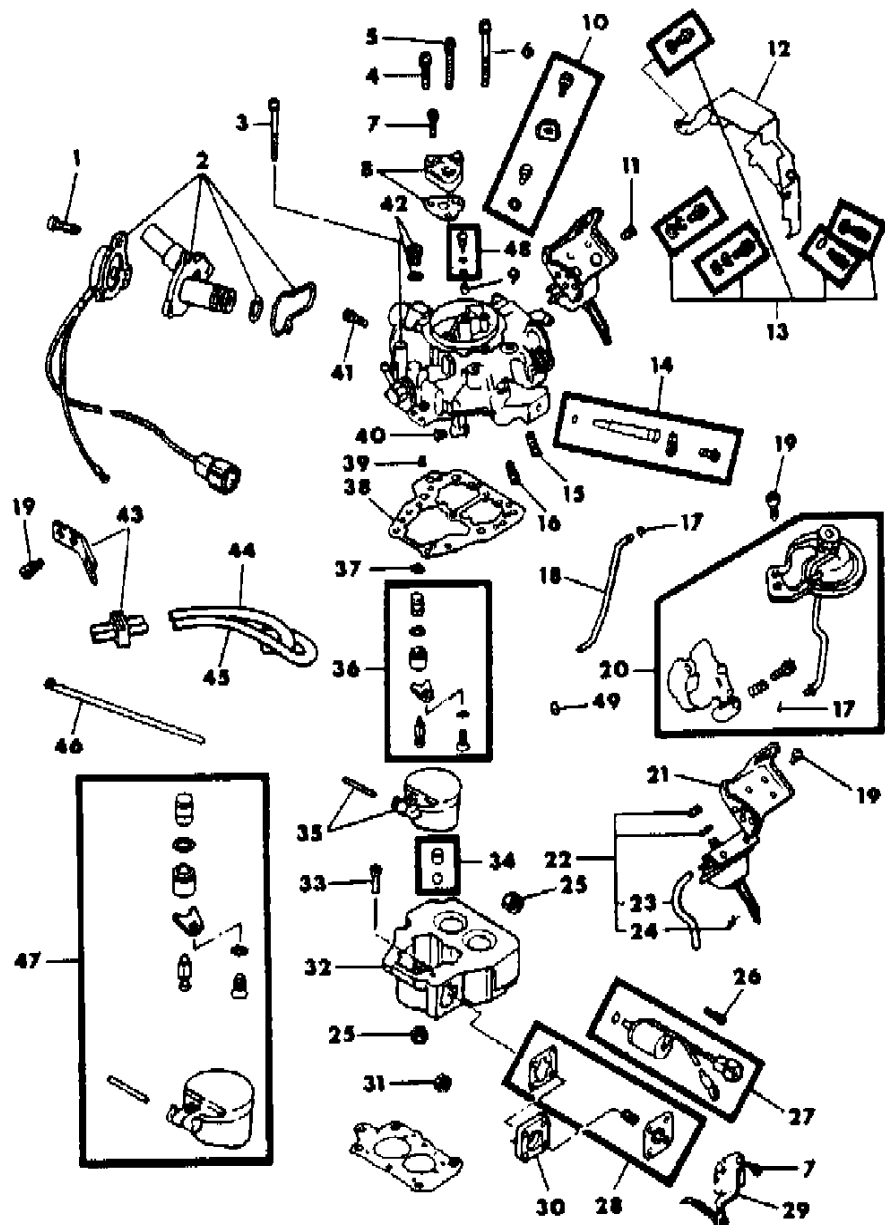
21 = 2-DOOR SEDAN	41 = 4-DOOR SEDAN
22 = 2-DOOR SPECIAL COUPE	45 = 4-DOOR STATION WAGON
24 = 2-DOOR HATCHBACK	44 = 4-DOOR HATCHBACK
27 = 2-DOOR CONVERTIBLE	48 = EXECUTIVE SEDAN
28 = FWD PICKUP	

AR = Use as Required - = Non Illustrated Part P.A.R. = Paint as Required

# CARBURETOR COMPONENT PARTS - W/2.6 LITRE ENGINE

## Figure 14-1900

3114 1900



ITEM	PART NUMBER	QTY	BODY	MODEL	DESCRIPTION
29	MD60 6850	1			COVER, Pump
	MD60 6972	1			Canada
30	MD60 6851	1			BODY, Pump
31	MF43 0002	4			NUT
32					BODY, Mixing
	MD60 8165	1			Exc. Calif., Up to April 1982
	MD60 8168	1			Exc. Calif., After April 1982
	MD60 8166	1			Calif.
	MD60 6947	1			Canada
33	MD60 6983	1			JET SET, Enrichment
	MD60 0116	1			#60, Except Canada
34	MD60 6852	1			CHECK VALVE KIT, Pump
35	MD60 6844	1			FLOAT and PIN KIT
36	MD60 6931	1			VALVE KIT, Needle
37	MD60 6952	1			SHIM KIT
38	MD60 8135	1			GASKET, Float Chamber Cover
39	MD60 6980	1			JET SET, Main Secondary
	MD60 6234	1			#185, Except Canada
40					JET SET, Main Primary
	MD60 8161	1			Up to April 1982
	MD60 8240	1			After April 1982
	MD60 6950	1			Canada
41	MF35 0049	3			SCREW, w/WASHER
42	MD60 6956	1			SCREW, w/WASHER
43	MD60 6953	1			JOINT KIT
44	MD03 0204	1			HOSE, Vacuum
45	MD03 1102	1			HOSE, Vacuum
45	MD03 0241	1			CANADA
46	MD60 6222	1			CLIP
47	MD60 6946	1			FLOAT and NEEDLE VALVE KIT
48	MD60 8125	1			SCREW KIT, Hi-Altitude

**MODEL CODES**

B = GRAN FURY	G = DIPLOMAT	V = 400
C = LEBARON/TOWN & COUNTRY	M = HORIZON/TURISMO/SCAMP	X = MIRADA
D = ARIES	P = RELIANT	Y = IMPERIAL
E = 600	S = CORDOBA	Z = OMNI/CHARGER/RAMPAGE
F = FIFTH AVENUE	T = E CLASS/NEWYORKER	

**BODY STYLES**

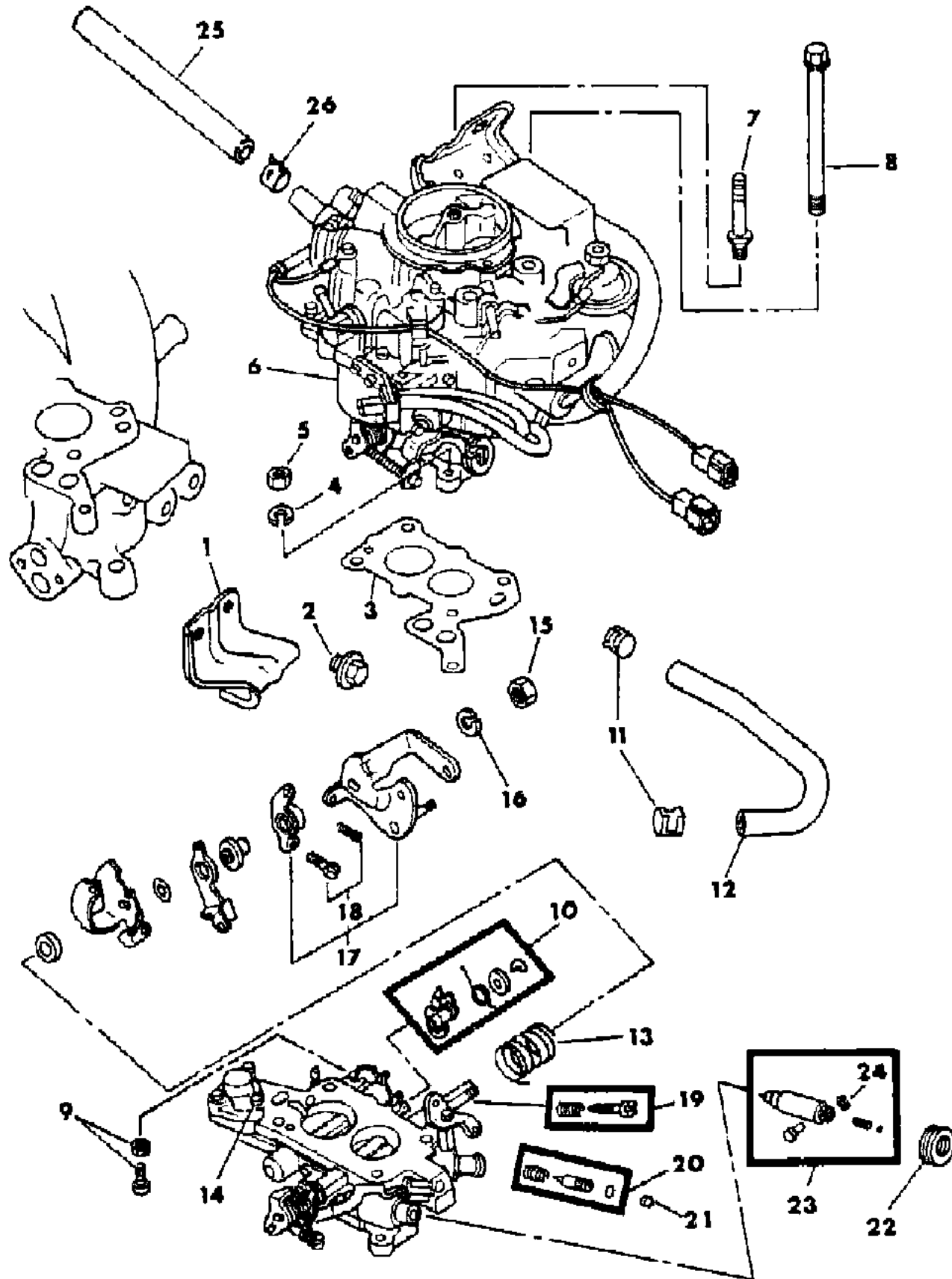
21 = 2-DOOR SEDAN	41 = 4-DOOR SEDAN
22 = 2-DOOR SPECIAL COUPE	45 = 4-DOOR STATION WAGON
24 = 2-DOOR HATCHBACK	44 = 4-DOOR HATCHBACK
27 = 2-DOOR CONVERTIBLE	48 = EXECUTIVE SEDAN
28 = FWD PICKUP	

AR = Use as Required - = Non Illustrated Part P.A.R. = Paint as Required

# CARBURETOR - W/2.6 LITER ENGINE

Figure 14-2000

3114 2000



ITEM	PART NUMBER	QTY	BODY	MODEL	DESCRIPTION
	MD60 8127	1			GASKET SET, Carburetor
	MD60 8128	1			Canada
1	MD02 5438	1			BRACKET
2	MF14 0021	2			BOLT, Flange Up to Dec. 1981
	MF14 0022	1			After Jan. 1982
3	MD02 5344	1			GASKET, Carburetor Flange w/(SC N95,N98)
	MD02 5434	1			w/(SC N93)
4	MF45 0404	1			WASHER, Spring
5	MF43 0004	1			NUT
6					CARBURETOR
	MD01 7306	1			Except Calif. and Hi-Altitude
	MD01 7066	1			Calif. and Hi-Altitude
	MD01 7307	1			Hi-Altitude
	MD06 0260	1			Canada
7	MD02 5402	1			STUD
8	MD02 5419	4			BOLT w/WASHER
9	MD60 6833	1			SCREW KIT, Secondary Adjusting
10	MD60 6938	1			SPRING KIT, Secondary
11	MS66 0164	2			CLIP, Hose
12	MD60 6941	1			HOSE and CLIPS, Water
13	MD60 6944	1			SPRING, Throttle
	MD60 8116	1			Canada
14	MF35 0027	3			SCREW, w/WASHER
15	MD60 0059	1			NUT
16	MF45 0405	1			WASHER, Spring
17	MD60 6937	1			LEVER, Throttle
18	MD60 6517	1			SCREW KIT, Fast Idle
19	MD60 6855	1			SCREW KIT, Speed Adjusting
20	MD60 6939	1			SCREW KIT, Mixture Adjusting
21	MD60 8086	1			PLUG KIT
22	MD60 6523	1			CAP, Rubber
23	MD60 6660	1			VALVE KIT, Sub E.G.R.
24	MD60 6522	1			RING, Snap
25	MD02 7365	1			HOSE, Vapor
26	MS66 0165	1			CLIP, Hose

MODEL CODES

B = GRAN FURY	G = DIPLOMAT	V = 400
C = LEBARON/TOWN & COUNTRY	M = HORIZON/TURISMO/SCAMP	X = MIRADA
D = ARIES	P = RELIANT	Y = IMPERIAL
E = 600	S = CORDOBA	Z = OMNI/CHARGER/RAMPAGE
F = FIFTH AVENUE	T = E CLASS/NEWYORKER	

BODY STYLES

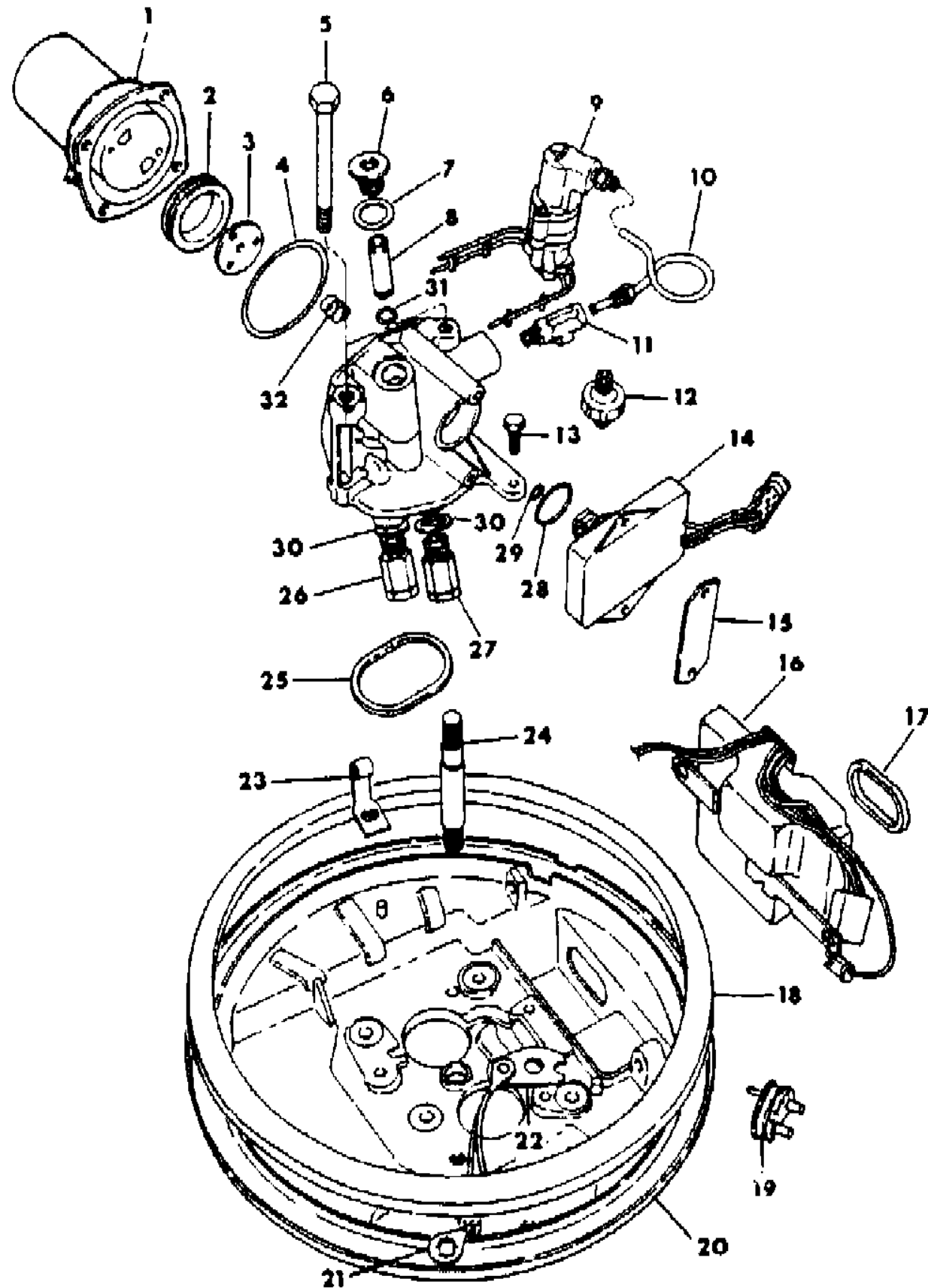
21 = 2-DOOR SEDAN	41 = 4-DOOR SEDAN
22 = 2-DOOR SPECIAL COUPE	45 = 4-DOOR STATION WAGON
24 = 2-DOOR HATCHBACK	44 = 4-DOOR HATCHBACK
27 = 2-DOOR CONVERTIBLE	48 = EXECUTIVE SEDAN
28 = FWD PICKUP	

AR = Use as Required - = Non Illustrated Part P.A.R. = Paint as Required



FUEL CONTROLER - E.F.I.- W/318 (E43) ENGINE  
Figure 14-2100

3114 2100



ITEM	PART NUMBER	QTY	BODY	MODEL	DESCRIPTION
	4267 193	1			CONTROL, Fuel Consists of Items 1-15,17-33 on illustration no 1500
1		1			PUMP
2		1			BOOT
3		1			PLATE
4		1			"O"-RING
5		2			BOLT
6		1			CAP, Regular
7		1			WASHER
8		1			VALVE, Pressure Regular
9		1			REGULATOR
10		1			TUBE
11		1			TEE, Fitting
12	4091 901	1			SWITCH, Pressure
13		1			BOLT
14		1			FLOWMETER
15		1			BRACKET
16	4293 081	1			MODULE, Power
17		1			GASKET, Power Module
18	4111 042	1			GASKET, E.F.I. Air Cleaner
19	4240 147	1			SENSOR, Controler Temp.
20		1			PLATE
21		1			LEAD
22		1			PLATE, Ground
23		2			CLIP
24		1			STUD, Lever Mounting
25	4091 268	1			SEAL, Pump
26	4145 915	1			VALVE, Check
27	4145 119	1			FITTING
28		1			"O"-RING
29	6031 196	1			"O"-RING
30	4091 439	2			SEAL
31		1			"O"-RING
32		1			SPRING
33		1			BELLHOUSE
34					SEATS, Fuel Line to Metering Pump .120-.122 Dia.
	4145 071	1			

MODEL CODES

B = GRAN FURY	G = DIPLOMAT	V = 400
C = LEBARON/TOWN & COUNTRY	M = HORIZON/TURISMO/SCAMP	X = MIRADA
D = ARIES	P = RELIANT	Y = IMPERIAL
E = 600	S = CORDOBA	Z = OMNI/CHARGER/RAMPAGE
F = FIFTH AVENUE	T = E CLASS/NEWYORKER	

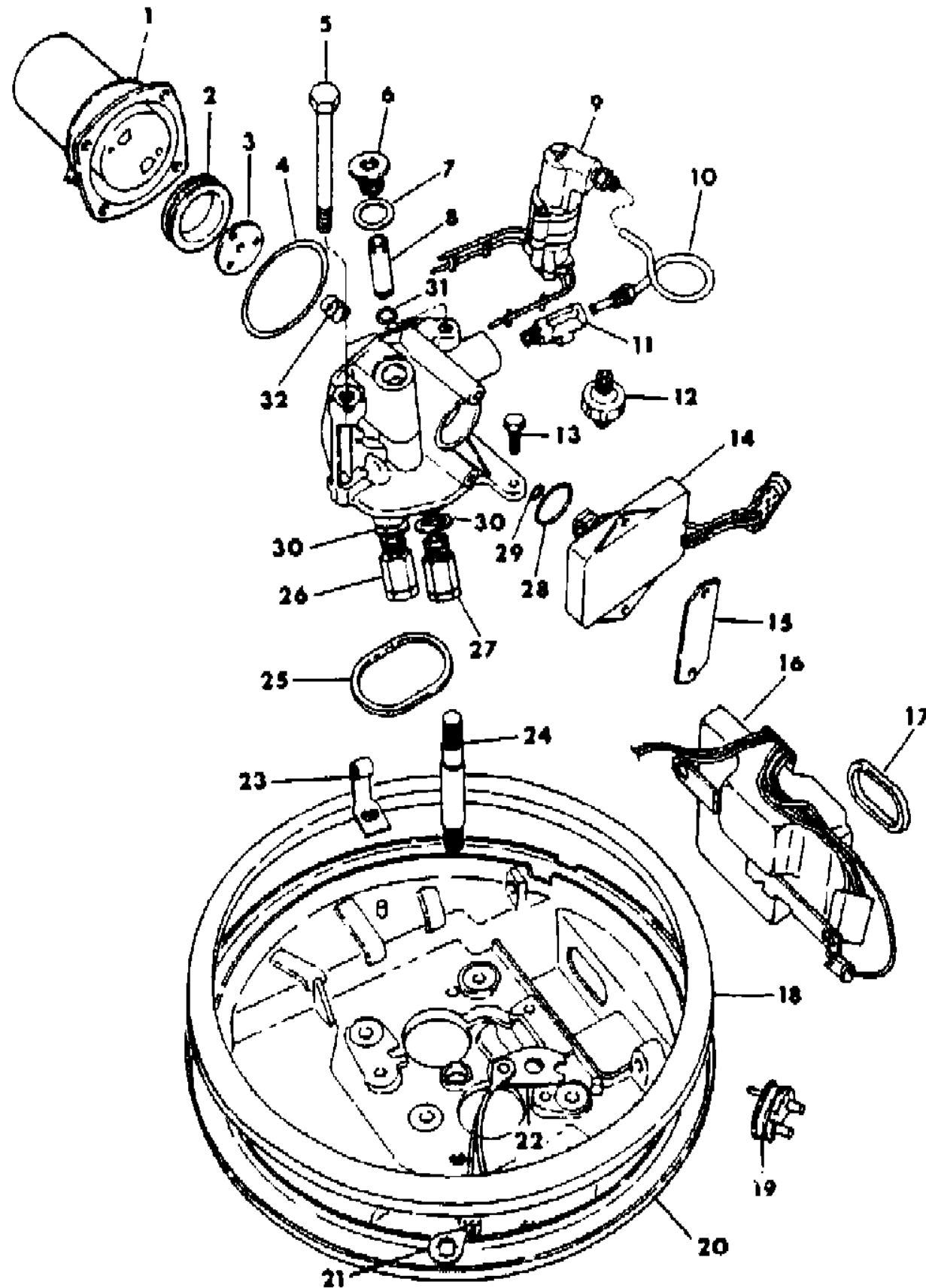
BODY STYLES

21 = 2-DOOR SEDAN	41 = 4-DOOR SEDAN
22 = 2-DOOR SPECIAL COUPE	45 = 4-DOOR STATION WAGON
24 = 2-DOOR HATCHBACK	44 = 4-DOOR HATCHBACK
27 = 2-DOOR CONVERTIBLE	48 = EXECUTIVE SEDAN
28 = FWD PICKUP	

AR = Use as Required - = Non Illustrated Part P.A.R. = Paint as Required

FUEL CONTROLER - E.F.I.- W/318 (E43) ENGINE  
Figure 14-2100

3114 2100



ITEM	PART NUMBER	QTY	BODY	MODEL	DESCRIPTION
	4145 136	1			.248-.250 Dia.
	0120 392	1			WASHER, Throttle Body to Fuel Control
	4145 030	1			GASKET, Pump Support Plate

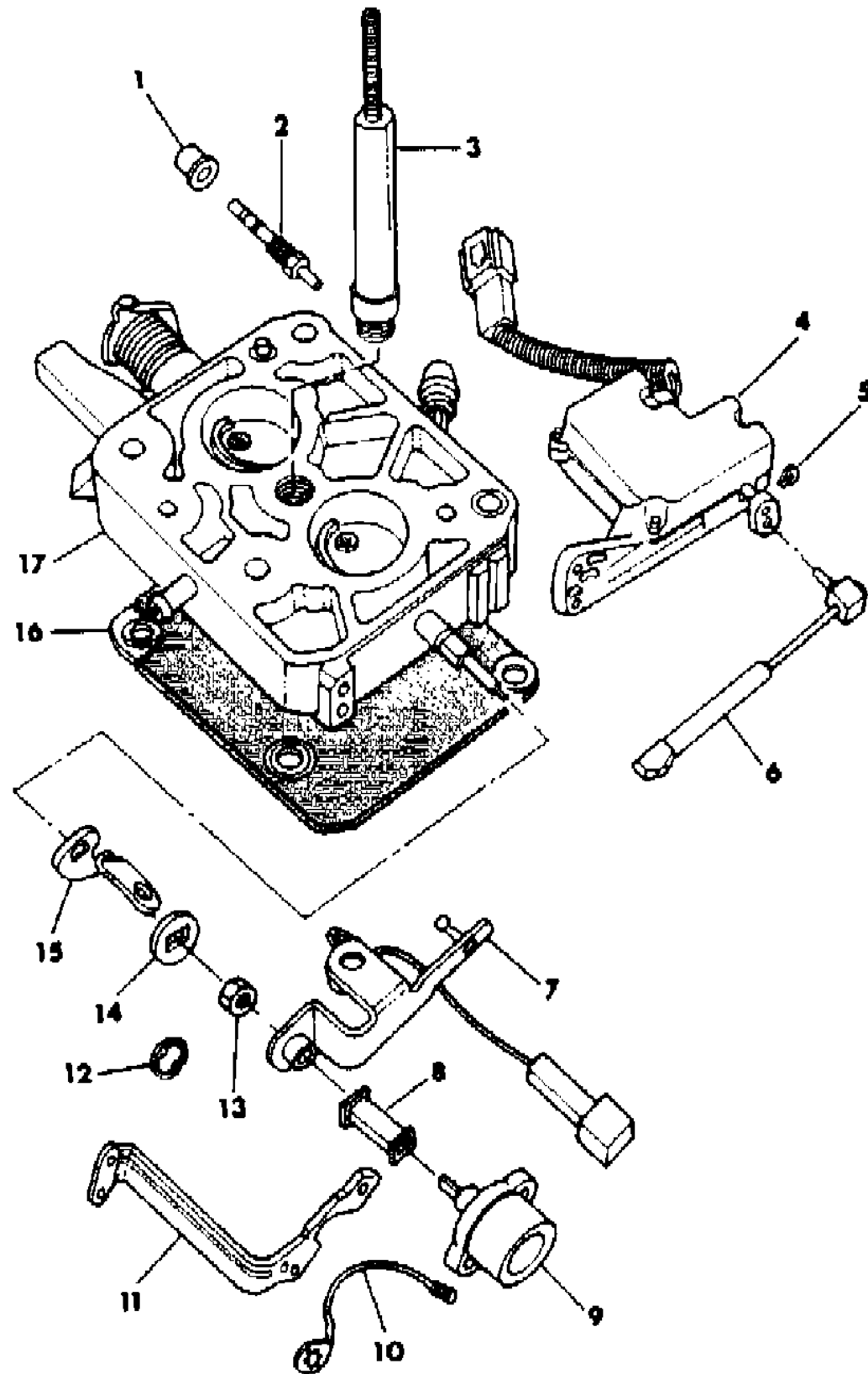
MODEL CODES  
 B = GRAN FURY                      G = DIPLOMAT                      V = 400  
 C = LEBARON/TOWN & COUNTRY   M = HORIZON/TURISMO/SCAMP   X = MIRADA  
 D = ARIES                            P = RELIANT                        Y = IMPERIAL  
 E = 600                                S = CORDOBA                       Z = OMNI/CHARGER/RAMPAGE  
 F = FIFTH AVENUE                  T = E CLASS/NEWYORKER

BODY STYLES  
 21 = 2-DOOR SEDAN                    41 = 4-DOOR SEDAN  
 22 = 2-DOOR SPECIAL COUPE       45 = 4-DOOR STATION WAGON  
 24 = 2-DOOR HATCHBACK            44 = 4-DOOR HATCHBACK  
 27 = 2-DOOR CONVERTIBLE         48 = EXECUTIVE SEDAN  
 28 = FWD PICKUP

AR = Use as Required - = Non Illustrated Part P.A.R. = Paint as Required

THROTTLE BODY-E.F.I.- W/318 (E43) ENGINE  
Figure 14-2200

3114 2200



ITEM	PART NUMBER	QTY	BODY	MODEL	DESCRIPTION
1		1			NUT
2		1			STUD
3	4145 063	1			RETAINER
4	4145 049	1			MOTOR, Automatic Speed Control
5		1			E-RING
6	4145 037	1			ROD, Adjust
7		1			ARM,w/CABLE
8	4145 056	1			COUPLING, Throttle Body
9	4267 126	1			POTENTIOMETER, Throttle Position
10		1			LEAD
11		1			BRACKET
12		1			E-RING
13		1			NUT
14		1			WASHER
15		1			FOLLOWER
16	4145 070	1			SPACER
17	4145 061	1			BODY, Throttle
18	6031 796	1			STUD

MODEL CODES

B = GRAN FURY	G = DIPLOMAT	V = 400
C = LEBARON/TOWN & COUNTRY	M = HORIZON/TURISMO/SCAMP	X = MIRADA
D = ARIES	P = RELIANT	Y = IMPERIAL
E = 600	S = CORDOBA	Z = OMNI/CHARGER/RAMPAGE
F = FIFTH AVENUE	T = E CLASS/NEWYORKER	

BODY STYLES

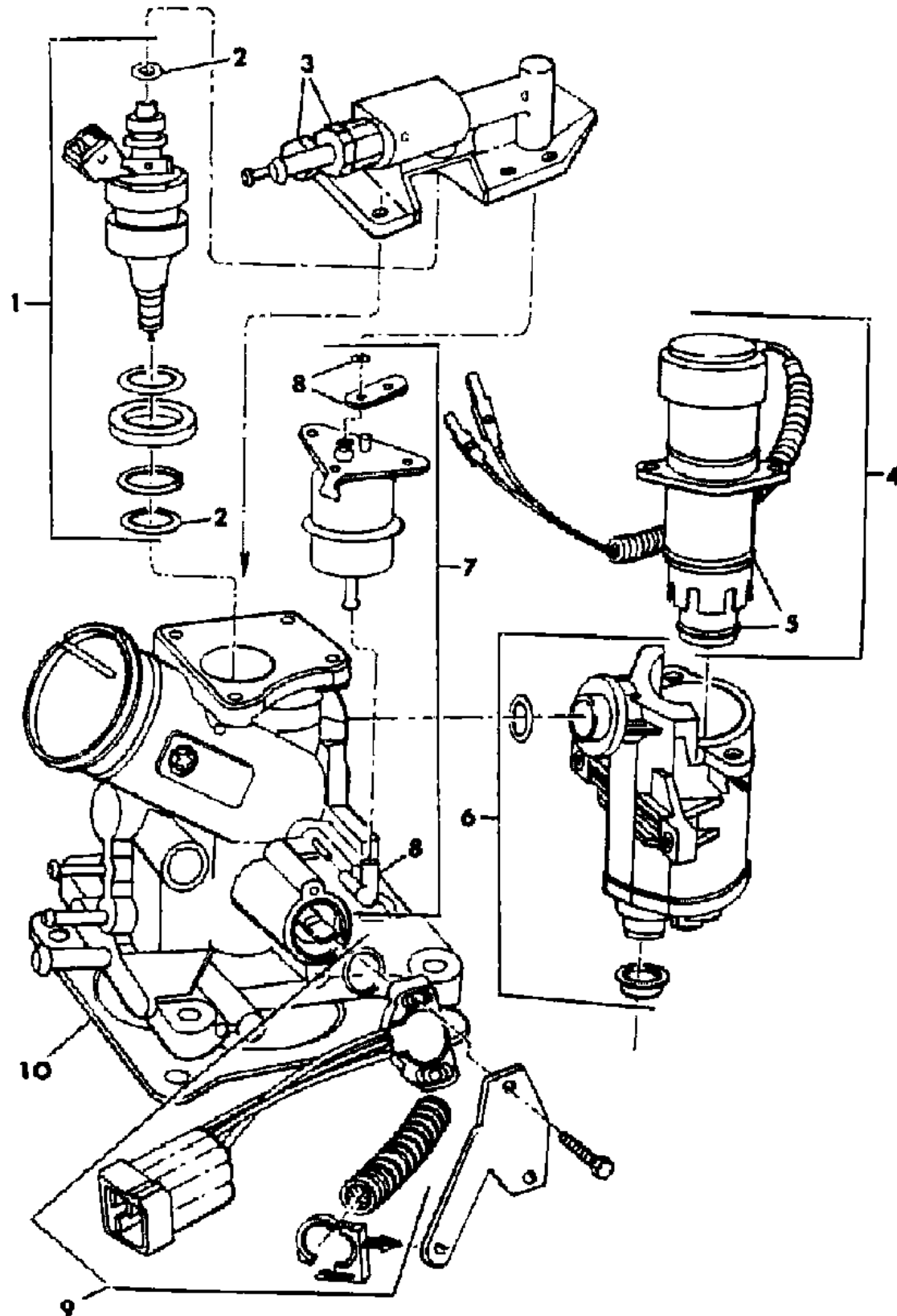
21 = 2-DOOR SEDAN	41 = 4-DOOR SEDAN
22 = 2-DOOR SPECIAL COUPE	45 = 4-DOOR STATION WAGON
24 = 2-DOOR HATCHBACK	44 = 4-DOOR HATCHBACK
27 = 2-DOOR CONVERTIBLE	48 = EXECUTIVE SEDAN
28 = FWD PICKUP	

AR = Use as Required - = Non Illustrated Part P.A.R. = Paint as Required

# THROTTLE BODY INJECTOR

## Figure 14-2300

3114 2300



ITEM	PART NUMBER	QTY	BODY	MODEL	DESCRIPTION
	4268 827	1			BODY, Throttle
1	4275 985	1			INJECTOR KIT, Throttle Body
2	4275 991	1			O-RING KIT, Injector
3	4287 316	1			FITTING KIT, Hose
4	4287 712	1			MOTOR KIT, A.I.S.
5	4287 714	1			O-RING KIT, A.I.S. Motor
6	4287 730	1			HOUSING KIT, A.I.S. Motor
7	4287 320	1			REGULATOR KIT, Pressure
8	4287 324	1			HOSE and SEAL KIT, Pressure Regulator
9	4287 743	1			POTENIOMETER KIT
10	4275 531	1			GASKET, Throttle Body to Intake Manifold
NOTE: The following item is not illustrated applications specified in this document.					
	4287 749	1			WIRE KIT, Ground

**MODEL CODES**

B = GRAN FURY	G = DIPLOMAT	V = 400
C = LEBARON/TOWN & COUNTRY	M = HORIZON/TURISMO/SCAMP	X = MIRADA
D = ARIES	P = RELIANT	Y = IMPERIAL
E = 600	S = CORDOBA	Z = OMNI/CHARGER/RAMPAGE
F = FIFTH AVENUE	T = E CLASS/NEWYORKER	

**BODY STYLES**

21 = 2-DOOR SEDAN	41 = 4-DOOR SEDAN
22 = 2-DOOR SPECIAL COUPE	45 = 4-DOOR STATION WAGON
24 = 2-DOOR HATCHBACK	44 = 4-DOOR HATCHBACK
27 = 2-DOOR CONVERTIBLE	48 = EXECUTIVE SEDAN
28 = FWD PICKUP	

AR = Use as Required - = Non Illustrated Part P.A.R. = Paint as Required

# CARBURETOR HEAT SHIELD - FUEL FILTER AND RELATED PARTS

## Figure 14-2400

3114 2400 A

ITEM	PART NUMBER	QTY	BODY	MODEL	DESCRIPTION
Note: For Y-w/318 E.F.I. (E43) Engine see illustration 14-2500. applications specified in this document.					
Note: For P,D,C,V,E,T, w/2.6 Liter Engine see Illustration 14-4400 applications specified in this document.					
1					CARBURETOR, See Carburetor Charts
2	1843 253	AR			TUBE, Fuel Filter Hose to Carburetor (serviced in 50' roll)
	4268 268	AR			w/1.6 Liter Engine
3	1843 253	AR			TUBE, Fuel Pump to Fuel Filter
	4027 122	AR			w/225 Eng.
	4203 316	AR			w/318 Eng.
4	4203 316	AR			HOSE, Fuel Filter
5	2448 761	AR			CLAMP
6					CLIP, Fuel Pump to Fuel Filter Hose (not serviced)
7	4105 070	1			EXTENSION, Carburetor Heat, w/225 Eng.
8					STUD, Carburetor Attaching
	6500 579	4			w/1.6 Liter Engine
	0152 534	2			w/225-2 BBL Eng., Front
	6031 221	2			w/225-2 BBL Eng., Rear
	0152 534	2			w/318 Eng. Front
	6031 221	2			w/318 Eng. Rear
9					FILTER, Fuel
	4240 049	1			w/1.6 Liter Engine
	4186 209	1			w/1.7 Liter Engine
	4240 102	1			w/2.2 Liter Engine
	4186 209	1			w/2.2 Liter Engine, w/(SC-J98)
	4049 224	1			w/225 Engine
	4049 224	1			w/318 (E44,E45,E46) Engine
	4106 001	1			w/318 (E48) Engine
	2084 467	1	Y		w/318 (E46) Engine
	2084 467	1			w/318 Engine, Export
10	5214 558	1			SHIELD, Carburetor Heat, w/225 Eng.
11	4179 975	1			CLIP, Fuel Filter Hose to Carburetor Hose Tube, w/225 Eng.
12	6028 370	1			SCREW w/WASHER
13	4241 239	1			BLOCKER, Front Impact, w/2.6L Eng. (E72)
14	MD02 7418	1			BLOCKER, Rear Impact, w/2.6L Eng. (E72)
15	4026 117	1			CONNECTOR, Intake Manifold Vacuum Control, w/2.2L Eng.
16	4213 590	1			VALVE, w/HOSE, Flow Control, w/2.2L Eng.

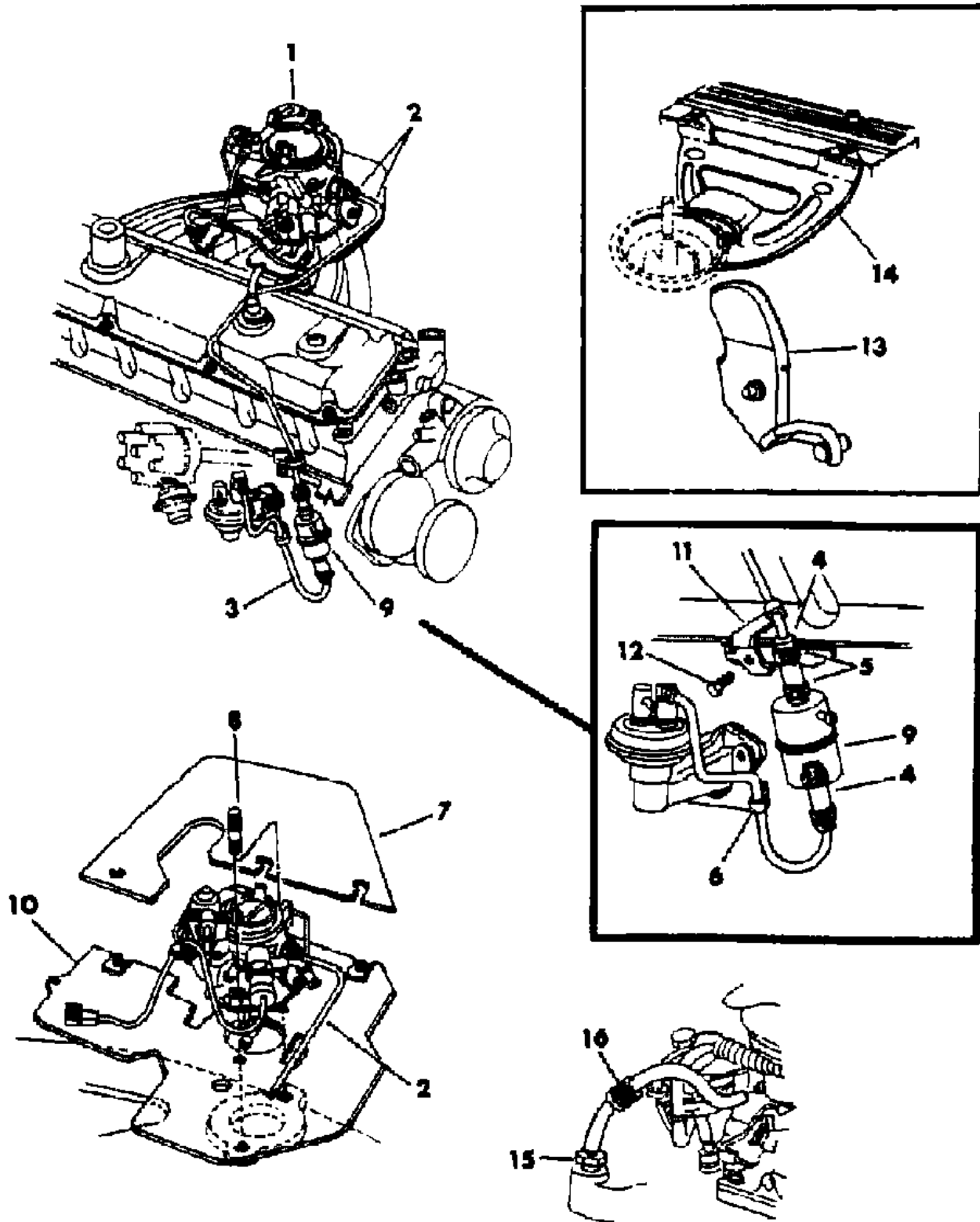
**MODEL CODES**

B = GRAN FURY	G = DIPLOMAT	V = 400
C = LEBARON/TOWN & COUNTRY	M = HORIZON/TURISMO/SCAMP	X = MIRADA
D = ARIES	P = RELIANT	Y = IMPERIAL
E = 600	S = CORDOBA	Z = OMNI/CHARGER/RAMPAGE
F = FIFTH AVENUE	T = E CLASS/NEWYORKER	

**BODY STYLES**

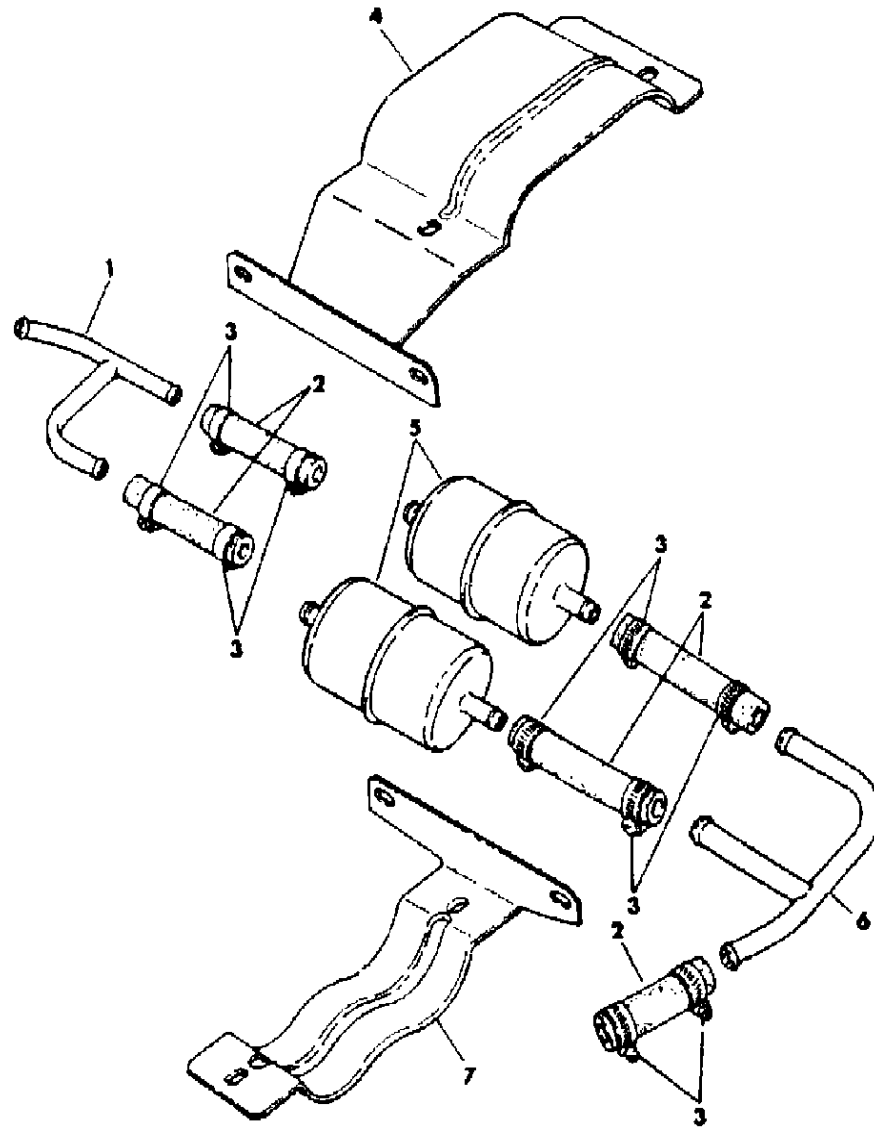
21 = 2-DOOR SEDAN	41 = 4-DOOR SEDAN
22 = 2-DOOR SPECIAL COUPE	45 = 4-DOOR STATION WAGON
24 = 2-DOOR HATCHBACK	44 = 4-DOOR HATCHBACK
27 = 2-DOOR CONVERTIBLE	48 = EXECUTIVE SEDAN
28 = FWD PICKUP	

AR = Use as Required - = Non Illustrated Part P.A.R. = Paint as Required



FUEL FILTER-E.F.I.- W/318 (E43) ENGINE  
Figure 14-2500

3114 2500



ITEM	PART NUMBER	QTY	BODY	MODEL	DESCRIPTION
	4240 170	1			FILTER PACKAGE, Fuel
1	4185 338	1			TUBE, Fuel Extension Front
2	4185 500	AR			HOSE
3	0153 456	AR			CLAMP
4	4185 366	1			BRACKET, Lower
5	4131 201	2			FILTER PACKAGE, Fuel
6	4185 339	1			TUBE, Fuel Extension Rear
7	4185 367	1			BRACKET, Upper

MODEL CODES

B = GRAN FURY	G = DIPLOMAT	V = 400
C = LEBARON/TOWN & COUNTRY	M = HORIZON/TURISMO/SCAMP	X = MIRADA
D = ARIES	P = RELIANT	Y = IMPERIAL
E = 600	S = CORDOBA	Z = OMNI/CHARGER/RAMPAGE
F = FIFTH AVENUE	T = E CLASS/NEWYORKER	

BODY STYLES

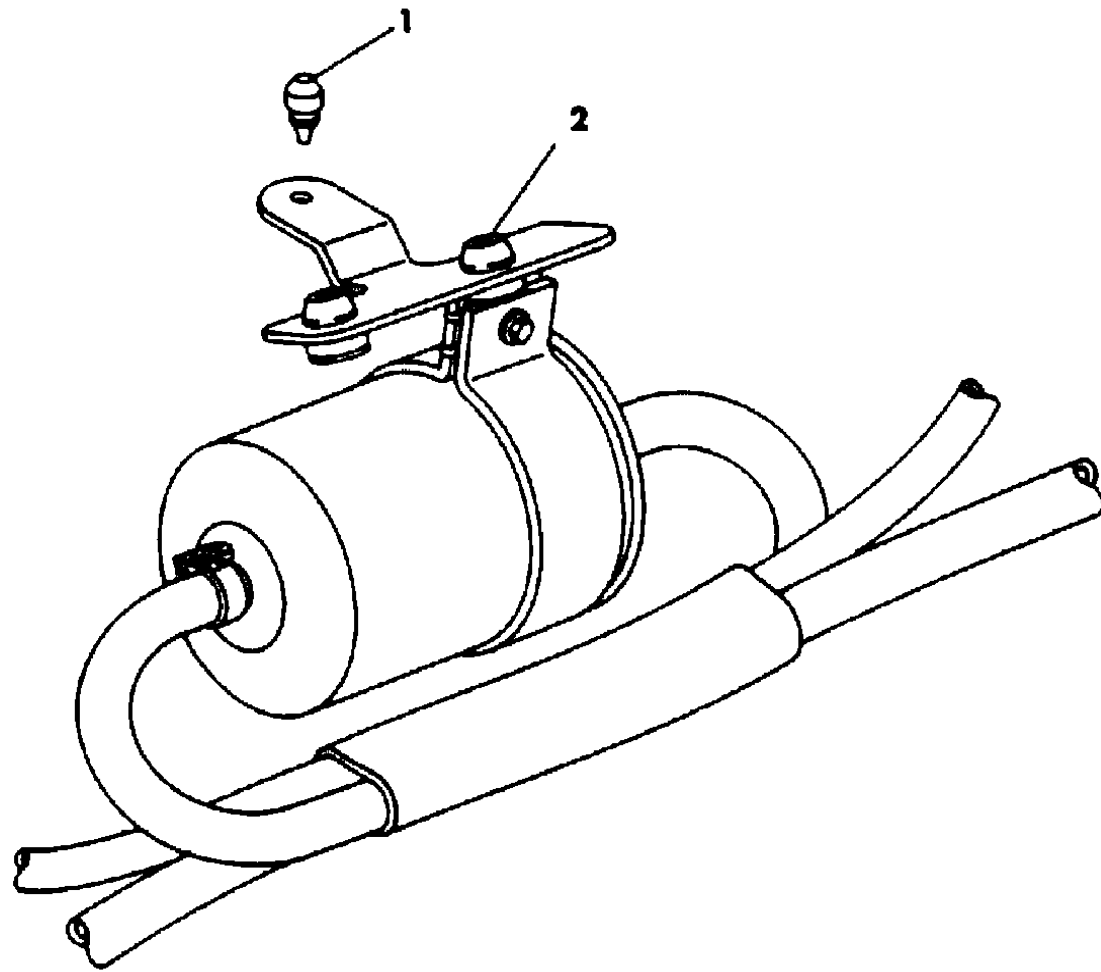
21 = 2-DOOR SEDAN	41 = 4-DOOR SEDAN
22 = 2-DOOR SPECIAL COUPE	45 = 4-DOOR STATION WAGON
24 = 2-DOOR HATCHBACK	44 = 4-DOOR HATCHBACK
27 = 2-DOOR CONVERTIBLE	48 = EXECUTIVE SEDAN
28 = FWD PICKUP	

AR = Use as Required - = Non Illustrated Part P.A.R. = Paint as Required

FUEL FILTER - W/T.B.I.  
Figure 14-2600

3114 2600

ITEM	PART NUMBER	QTY	BODY	MODEL	DESCRIPTION
	4287 745	1			FILTER, Fuel
1	4105 179	1			BUMPER, Fuel Filter Bracket
2	4105 178	2			ISOLATOR, Fuel Filter Bracket



MODEL CODES

B = GRAN FURY	G = DIPLOMAT	V = 400
C = LEBARON/TOWN & COUNTRY	M = HORIZON/TURISMO/SCAMP	X = MIRADA
D = ARIES	P = RELIANT	Y = IMPERIAL
E = 600	S = CORDOBA	Z = OMNI/CHARGER/RAMPAGE
F = FIFTH AVENUE	T = E CLASS/NEWYORKER	

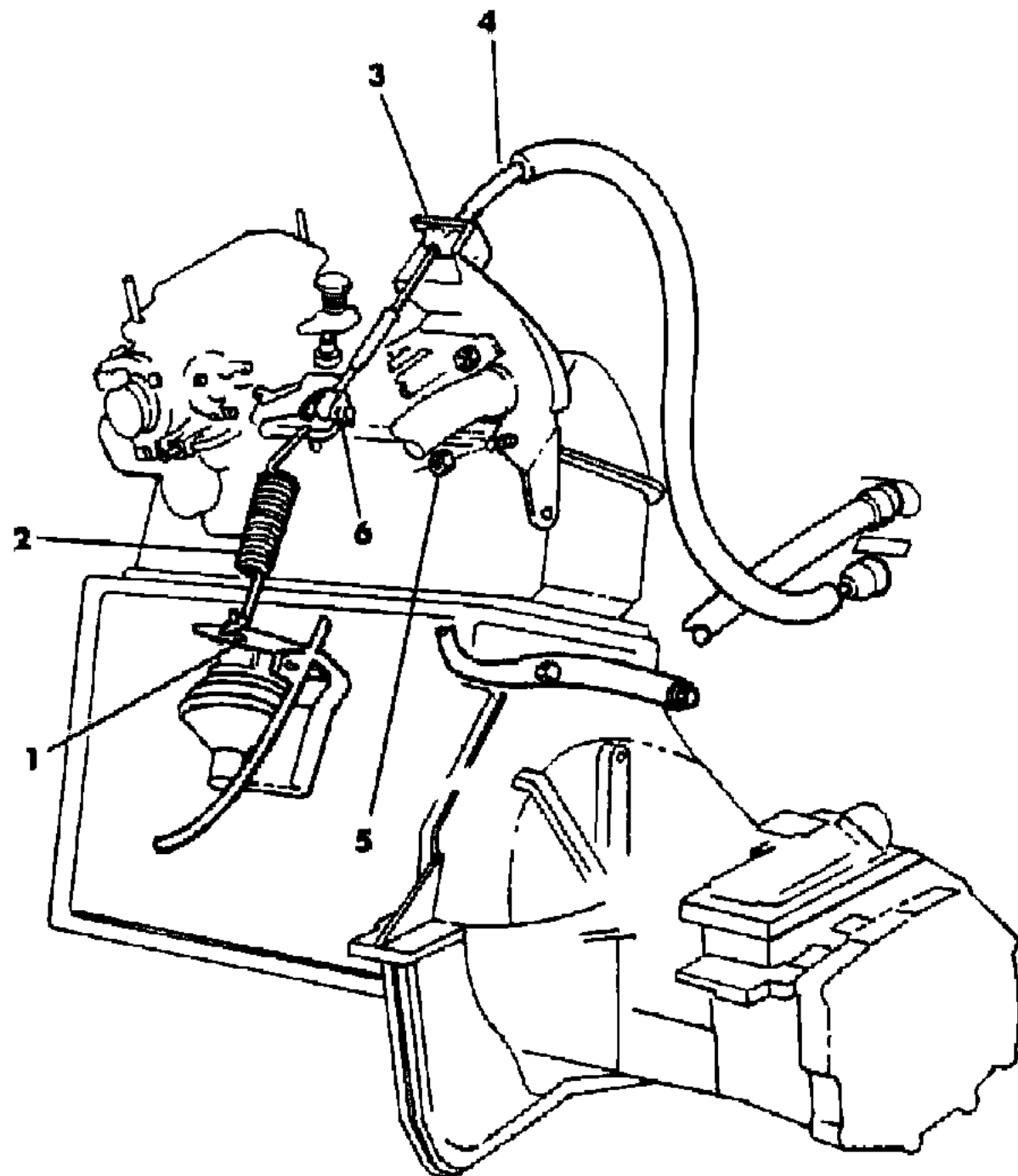
BODY STYLES

21 = 2-DOOR SEDAN	41 = 4-DOOR SEDAN
22 = 2-DOOR SPECIAL COUPE	45 = 4-DOOR STATION WAGON
24 = 2-DOOR HATCHBACK	44 = 4-DOOR HATCHBACK
27 = 2-DOOR CONVERTIBLE	48 = EXECUTIVE SEDAN
28 = FWD PICKUP	

AR = Use as Required - = Non Illustrated Part P.A.R. = Paint as Required

THROTTLE CONTROL W/1.6 LITER ENGINE  
Figure 14-2700

3114 2700 4



ITEM	PART NUMBER	QTY	BODY	MODEL	DESCRIPTION
1	4268 846	1			BRACKET, Throttle Spring Mounting
2	4268 844	1			SPRING, Accel. Pedel Return w/Manual Trans.
	4275 920	1			w/Auto Trans.
3	4275 990	1			BRACKET, Throttle Control Cable Mounting
4	4275 989	1			CABLE, Throttle Control
5	6100 517	1			NUT
6	6031 628	1			CLIP
NOTE: The following items are not illustrated applications specified in this document.					
	4268 839	1			BRACKET, Auto Trans Cable
	4268 840	1			CABLE, Auto Trans

MODEL CODES

B = GRAN FURY	G = DIPLOMAT	V = 400
C = LEBARON/TOWN & COUNTRY	M = HORIZON/TURISMO/SCAMP	X = MIRADA
D = ARIES	P = RELIANT	Y = IMPERIAL
E = 600	S = CORDOBA	Z = OMNI/CHARGER/RAMPAGE
F = FIFTH AVENUE	T = E CLASS/NEWYORKER	

BODY STYLES

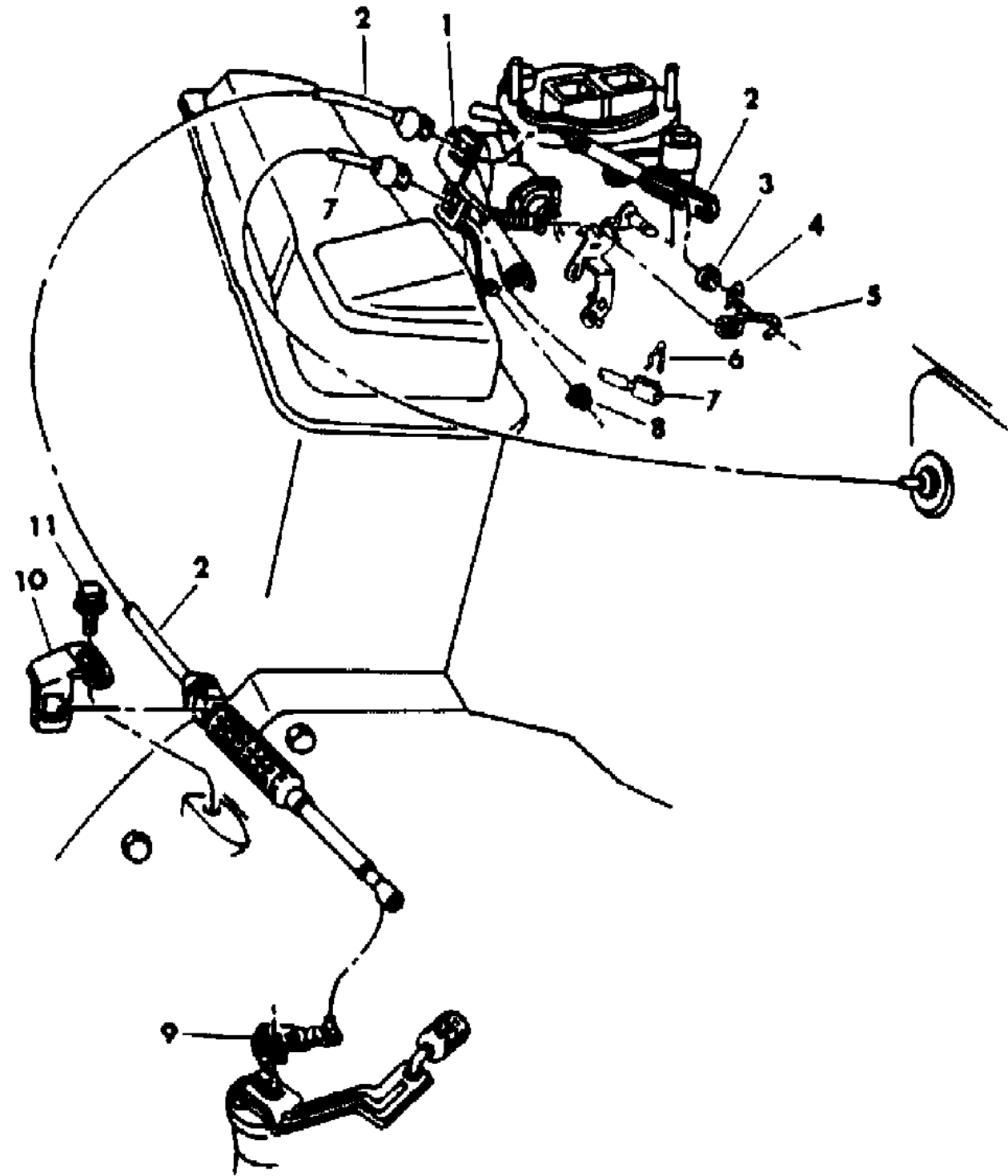
21 = 2-DOOR SEDAN	41 = 4-DOOR SEDAN
22 = 2-DOOR SPECIAL COUPE	45 = 4-DOOR STATION WAGON
24 = 2-DOOR HATCHBACK	44 = 4-DOOR HATCHBACK
27 = 2-DOOR CONVERTIBLE	48 = EXECUTIVE SEDAN
28 = FWD PICKUP	

AR = Use as Required - = Non Illustrated Part P.A.R. = Paint as Required



THROTTLE CONTROL - M,Z W/1.7 LITER ENGINE  
Figure 14-2800

3114 2800



ITEM	PART NUMBER	QTY	BODY	MODEL	DESCRIPTION
1					BRACKET, Cable Mounting
	4268 830	1			w/Manual Trans.
	4268 829	1			w/Auto Trans.
2	5214 059	1			CABLE, Auto Trans.
3		1			WASHER (not serviced)
4	6031 511	1			CLIP, Carburetor Lever Stud, w/Auto Trans.
5					SPRING, Accel. Pedal Return
	4268 844	1			w/Manual Trans.
	4275 920	1			w/Auto Trans.
6	6031 628	1			CLIP, Throttle Control Cable
7	5214 732	1			CABLE, Throttle Control
8	6100 047	2			NUT w/WASHER
9	5240 826	1			LEVER, Auto Trans. Throttle Control
10	5214 346	1			BRACKET, Auto Trans. Cable Mounting
11	6100 264	1			SCREW w/WASHER
	5214 081	1			SPRING, Auto Trans Cable

MODEL CODES

B = GRAN FURY	G = DIPLOMAT	V = 400
C = LEBARON/TOWN & COUNTRY	M = HORIZON/TURISMO/SCAMP	X = MIRADA
D = ARIES	P = RELIANT	Y = IMPERIAL
E = 600	S = CORDOBA	Z = OMNI/CHARGER/RAMPAGE
F = FIFTH AVENUE	T = E CLASS/NEWYORKER	

BODY STYLES

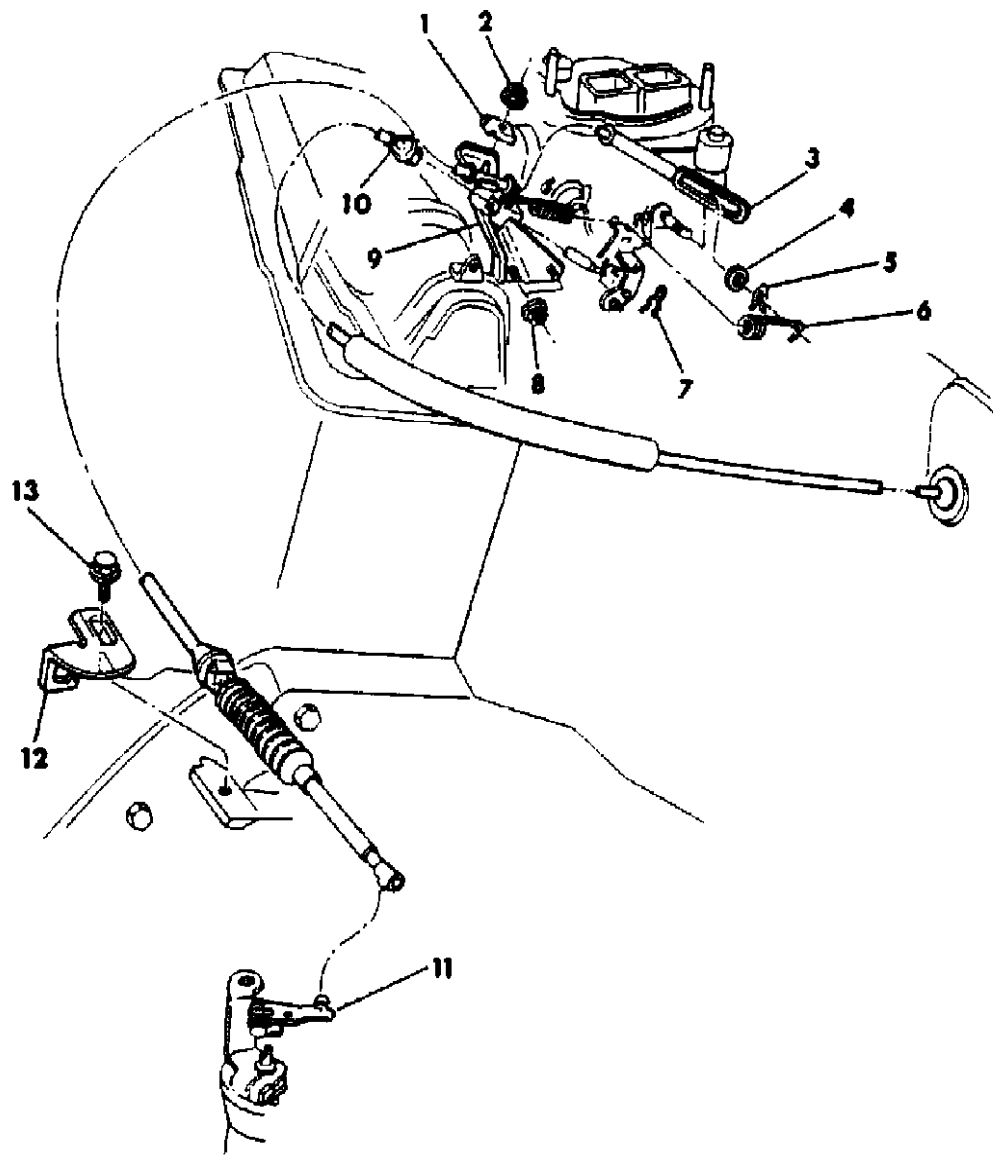
21 = 2-DOOR SEDAN	41 = 4-DOOR SEDAN
22 = 2-DOOR SPECIAL COUPE	45 = 4-DOOR STATION WAGON
24 = 2-DOOR HATCHBACK	44 = 4-DOOR HATCHBACK
27 = 2-DOOR CONVERTIBLE	48 = EXECUTIVE SEDAN
28 = FWD PICKUP	

AR = Use as Required - = Non Illustrated Part P.A.R. = Paint as Required

THROTTLE CONTROL - M,Z W/2.2 LITER ENGINE  
Figure 14-2900

3114 2900

ITEM	PART NUMBER	QTY	BODY	MODEL	DESCRIPTION
1	2402 210	1			CLIP, Auto Trans. Cable Mounting
2	0219 462	1			NUT w/WASHER
3	4268 843	1			CABLE, Auto Trans.
4		1			WASHER, Carburetor Lever Stud, Auto Trans. (not serviced)
5	6031 511	1			CLIP, Carburetor Lever Stud, Auto Trans.
6					SPRING, Accel. Pedel Return
	4268 844	1			w/Manual Trans.
	4275 920	1			w/Auto Trans.
7	6031 628	1			CLIP, Throttle Control Cable
8	6100 047	2			NUT w/WASHER
9	5214 702	1			BRACKET, Cable Mounting
10	4275 906	1			CABLE, Throttle Control
11	5240 826	1			LEVER, Auto Trans. Throttle Control
12	5214 346	1			BRACKET, Atuo Trans. Cable Mounting
13	6100 264	1			SCREW w/WASHER
	5214 081	1			SPRING, Auto Trans Cable



MODEL CODES

B = GRAN FURY	G = DIPLOMAT	V = 400
C = LEBARON/TOWN & COUNTRY	M = HORIZON/TURISMO/SCAMP	X = MIRADA
D = ARIES	P = RELIANT	Y = IMPERIAL
E = 600	S = CORDOBA	Z = OMNI/CHARGER/RAMPAGE
F = FIFTH AVENUE	T = E CLASS/NEWYORKER	

BODY STYLES

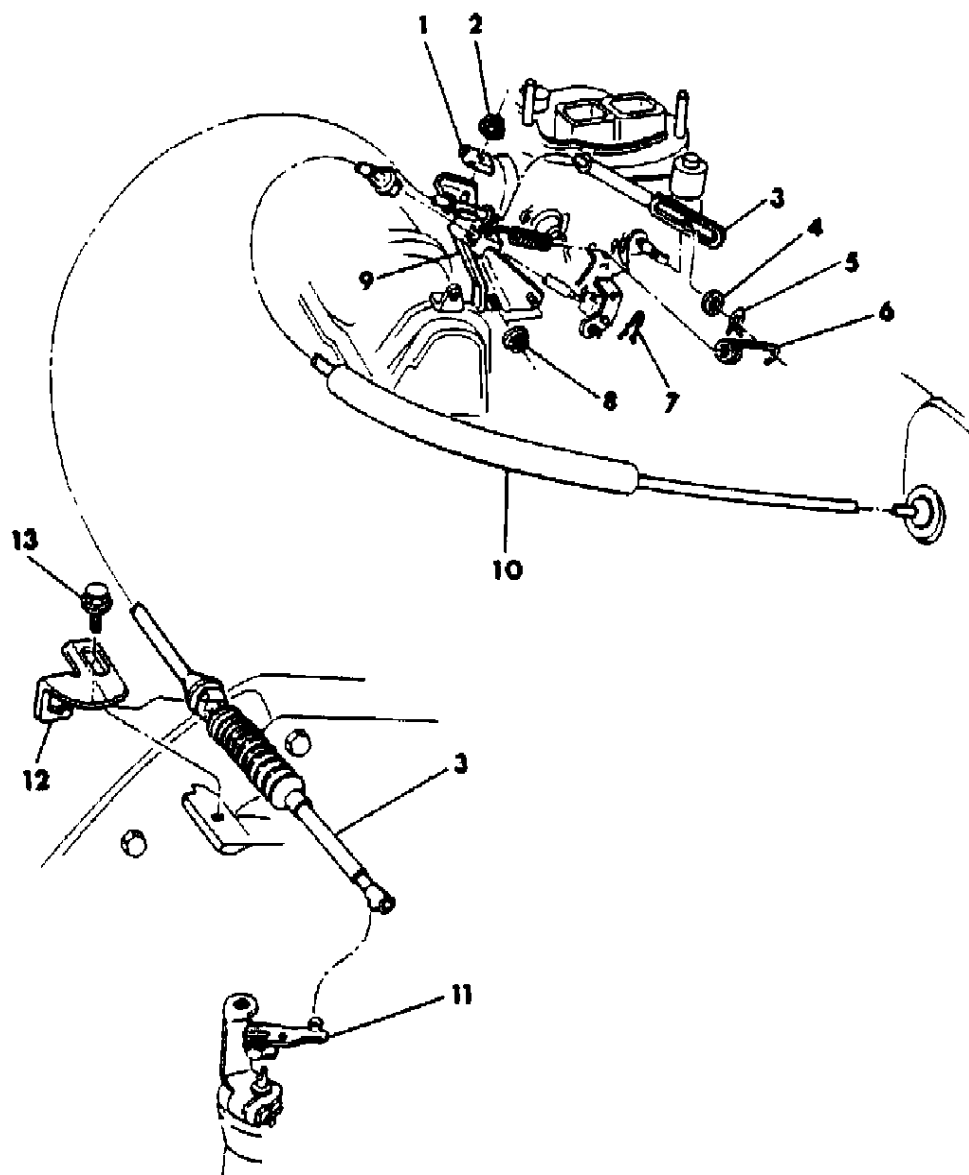
21 = 2-DOOR SEDAN	41 = 4-DOOR SEDAN
22 = 2-DOOR SPECIAL COUPE	45 = 4-DOOR STATION WAGON
24 = 2-DOOR HATCHBACK	44 = 4-DOOR HATCHBACK
27 = 2-DOOR CONVERTIBLE	48 = EXECUTIVE SEDAN
28 = FWD PICKUP	

AR = Use as Required - = Non Illustrated Part P.A.R. = Paint as Required

THROTTLE CONTROL - P,D,C,V,E,T W/2.2 LITER ENGINE  
Figure 14-3000

3114 3000

ITEM	PART NUMBER	QTY	BODY	MODEL	DESCRIPTION
1	2402 210	1			CLIP, Auto Trans. Cable Mounting
2	0120 375	1			NUT w/WASHER
3	4275 918	1			CABLE, Auto Trans.
4		1			WASHER (not serviced)
5	6031 511	1			CLIP, Carburetor Lever Stud Auto Trans.
6					SPRING, Accel. Pedel Return
	5214 123	1			w/Manual Trans.
	4275 920	1			w/Auto Trans.
7	6031 628	1			CLIP, Throttle Control Cable Pin
8	6100 047	2			NUT w/WASHER
9	5214 702	1			BRACKET, Cable Mounting
10	4275 907	1			CABLE, Throttle Control
11	5240 826	1			LEVER, Auto Trans. Throttle Control
12	5214 346	1			BRACKET, Auto Trans. Cable Mounting
13	6100 264	1			SCREW w/WASHER
	5214 081	1			SPRING, Auto Trans Cable



MODEL CODES

B = GRAN FURY	G = DIPLOMAT	V = 400
C = LEBARON/TOWN & COUNTRY	M = HORIZON/TURISMO/SCAMP	X = MIRADA
D = ARIES	P = RELIANT	Y = IMPERIAL
E = 600	S = CORDOBA	Z = OMNI/CHARGER/RAMPAGE
F = FIFTH AVENUE	T = E CLASS/NEWYORKER	

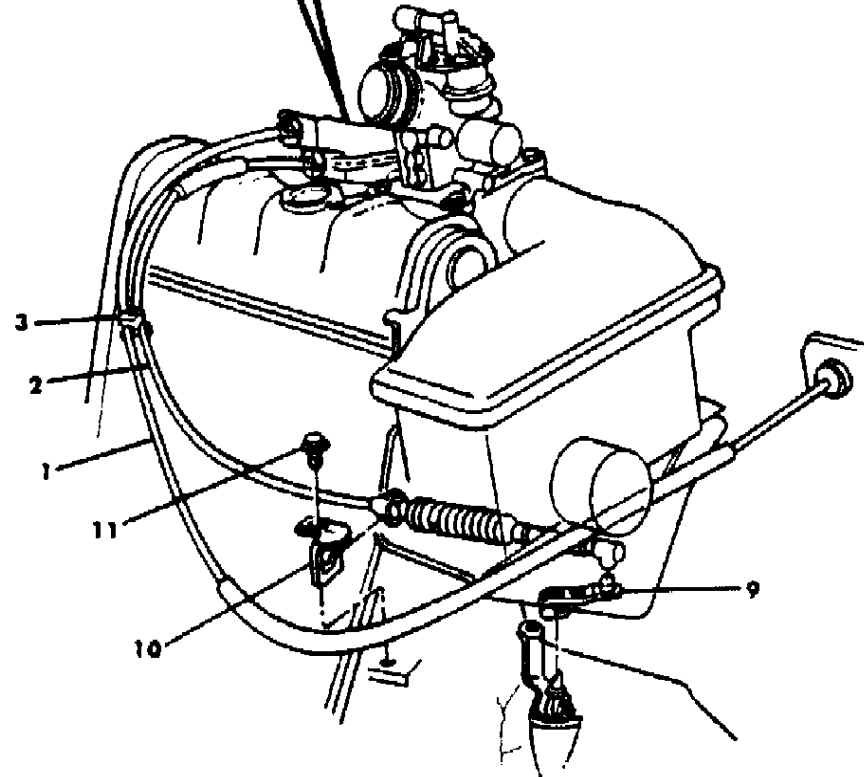
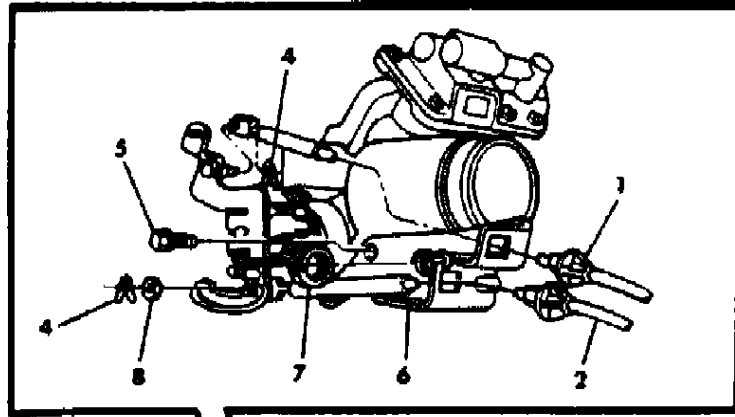
BODY STYLES

21 = 2-DOOR SEDAN	41 = 4-DOOR SEDAN
22 = 2-DOOR SPECIAL COUPE	45 = 4-DOOR STATION WAGON
24 = 2-DOOR HATCHBACK	44 = 4-DOOR HATCHBACK
27 = 2-DOOR CONVERTIBLE	48 = EXECUTIVE SEDAN
28 = FWD PICKUP	

AR = Use as Required - = Non Illustrated Part P.A.R. = Paint as Required

THROTTLE CONTROLS - T.B.I  
Figure 14-3100

3114 3100



ITEM	PART NUMBER	QTY	BODY	MODEL	DESCRIPTION
1	4275 949	1			CABLE, Throttle Control
2	4287 503	1			CABLE, Auto Trans.
3	4241 555	1			RETAINER, Cable
4	6031 628	2			CLIP
5	6100 265	2			SCREW and WASHER, Bracket Attaching
6	4268 831	1			BRACKET, Cable Mounting
7	4268 832	1			SPRING, Accel. Pedal Return
8					WASHER (not serviced)
9	5240 826	1			LEVER, Auto Trans. Throttle Control
10	5214 346	1			BRACKET, Auto Trans. Cable Mounting
11	6500 136	1			SCREW and WASHER, Auto Trans. Cable Mounting

MODEL CODES

B = GRAN FURY	G = DIPLOMAT	V = 400
C = LEBARON/TOWN & COUNTRY	M = HORIZON/TURISMO/SCAMP	X = MIRADA
D = ARIES	P = RELIANT	Y = IMPERIAL
E = 600	S = CORDOBA	Z = OMNI/CHARGER/RAMPAGE
F = FIFTH AVENUE	T = E CLASS/NEWYORKER	

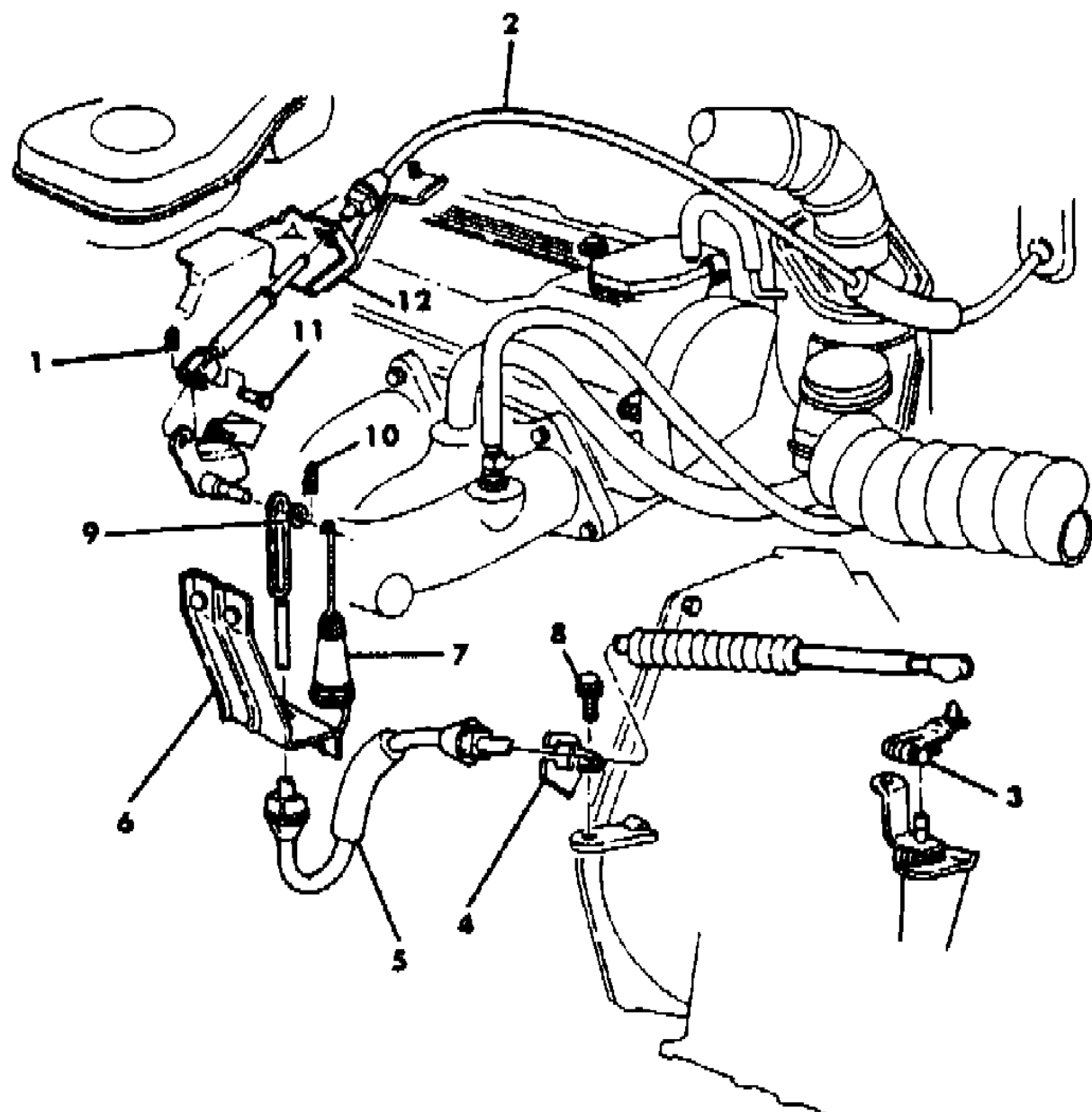
BODY STYLES

21 = 2-DOOR SEDAN	41 = 4-DOOR SEDAN
22 = 2-DOOR SPECIAL COUPE	45 = 4-DOOR STATION WAGON
24 = 2-DOOR HATCHBACK	44 = 4-DOOR HATCHBACK
27 = 2-DOOR CONVERTIBLE	48 = EXECUTIVE SEDAN
28 = FWD PICKUP	

AR = Use as Required - = Non Illustrated Part P.A.R. = Paint as Required

THROTTLE CONTROL - P,D,C,V,E,T W/2.6 LITER ENGINE  
Figure 14-3200

3114 3200



ITEM	PART NUMBER	QTY	BODY	MODEL	DESCRIPTION
1	6023 285	1			CLIP, Throttle Control Cable
2	4268 825	1			CABLE, Throttle Control
3	5240 826	1			LEVER, Throttle Control
4	5214 344	1			BRACKET
5					CABLE, Auto Trans
	4241 207	1			Up to 11-15-82
	4287 514	1			AFTER 11-15-82
6					BRACKET
7	5214 579	1			SPRING, Accelerator Return
8	6100 264	1			SCREW, w/WASHER
9		1			WASHER (not serviced)
10	6031 511	1			CLIP, Carb Lever Stud
11	2264 706	1			PIN, Throttle Control Cable
12	MD60 6949	1			BRACKET, Throttle Control Cable
	5214 081	1			SPRING, Auto Trans Cable

MODEL CODES

B = GRAN FURY	G = DIPLOMAT	V = 400
C = LEBARON/TOWN & COUNTRY	M = HORIZON/TURISMO/SCAMP	X = MIRADA
D = ARIES	P = RELIANT	Y = IMPERIAL
E = 600	S = CORDOBA	Z = OMNI/CHARGER/RAMPAGE
F = FIFTH AVENUE	T = E CLASS/NEWYORKER	

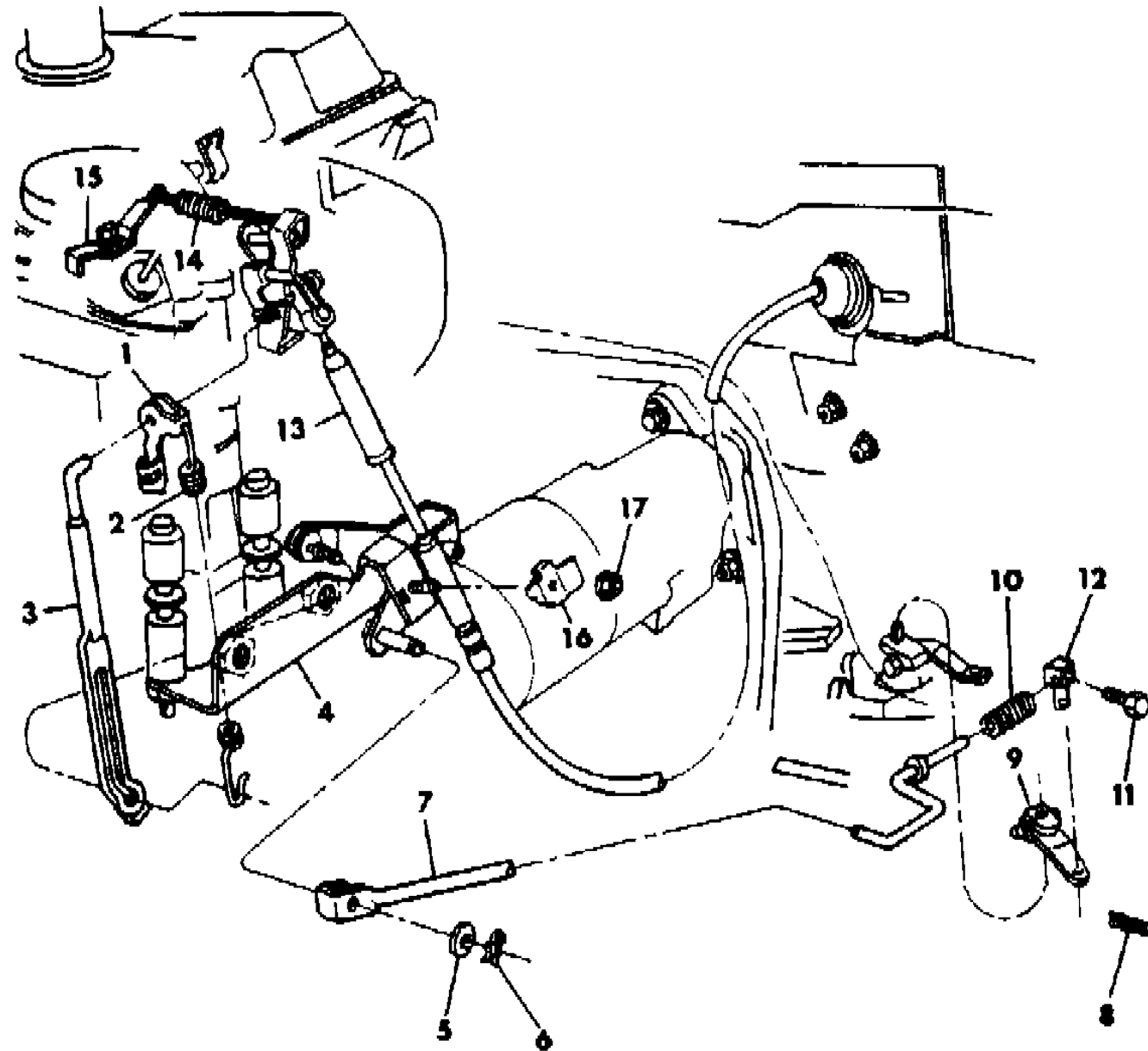
BODY STYLES

21 = 2-DOOR SEDAN	41 = 4-DOOR SEDAN
22 = 2-DOOR SPECIAL COUPE	45 = 4-DOOR STATION WAGON
24 = 2-DOOR HATCHBACK	44 = 4-DOOR HATCHBACK
27 = 2-DOOR CONVERTIBLE	48 = EXECUTIVE SEDAN
28 = FWD PICKUP	

AR = Use as Required - = Non Illustrated Part P.A.R. = Paint as Required

THROTTLE CONTROL W/225 - 1BBL ENGINE AUTO TRANS.  
Figure 14-3300

3114 3300



ITEM	PART NUMBER	QTY	BODY	MODEL	DESCRIPTION
1	3870 699	1			CLIP
2	4027 590	1			SPRING
3	4095 175	1			ROD
4	4095 995	1			BRACKET
5		1			WASHER (not serviced)
6	6026 776	1			CLIP
7	4095 994	1			ROD, Bell Crank to Trans.
8	6025 867	1			CLIP
9	4071 980	1			LEVER, Auto Trans.
10	3769 198	1			SPRING
11	0181 082	1			SCREW
12	4027 374	1			SWIVEL
13					CABLE, Throttle Control
	4095 176	1		F,G,B	
	4173 437	1		X,S	
14					SPRING
	4095 317	1			Inner
	4095 318	1			Outer
15	4104 266	1			BRACKET
16	2402 210	1			CLIP
17	0120 375	1			NUT w/WASHER

NOTE: The following items are not illustrated. applications specified in this document.

6031 628	1				CLIP, Throttle Control Pin
----------	---	--	--	--	----------------------------

NOTE: The following items are used with the Fast Idle Throttle Control applications specified in this document.

2536 847	1		B,F,G		COLLAR, Cable Adjusting
4041 547	1		B,F,G		LEVER, Fast Idle Adjusting
4041 545	1		B,F,G		CABLE, Fast Idle
4041 546	1		B,F,G		BRACKET, Fast Idle Cable

MODEL CODES

B = GRAN FURY	G = DIPLOMAT	V = 400
C = LEBARON/TOWN & COUNTRY	M = HORIZON/TURISMO/SCAMP	X = MIRADA
D = ARIES	P = RELIANT	Y = IMPERIAL
E = 600	S = CORDOBA	Z = OMNI/CHARGER/RAMPAGE
F = FIFTH AVENUE	T = E CLASS/NEWYORKER	

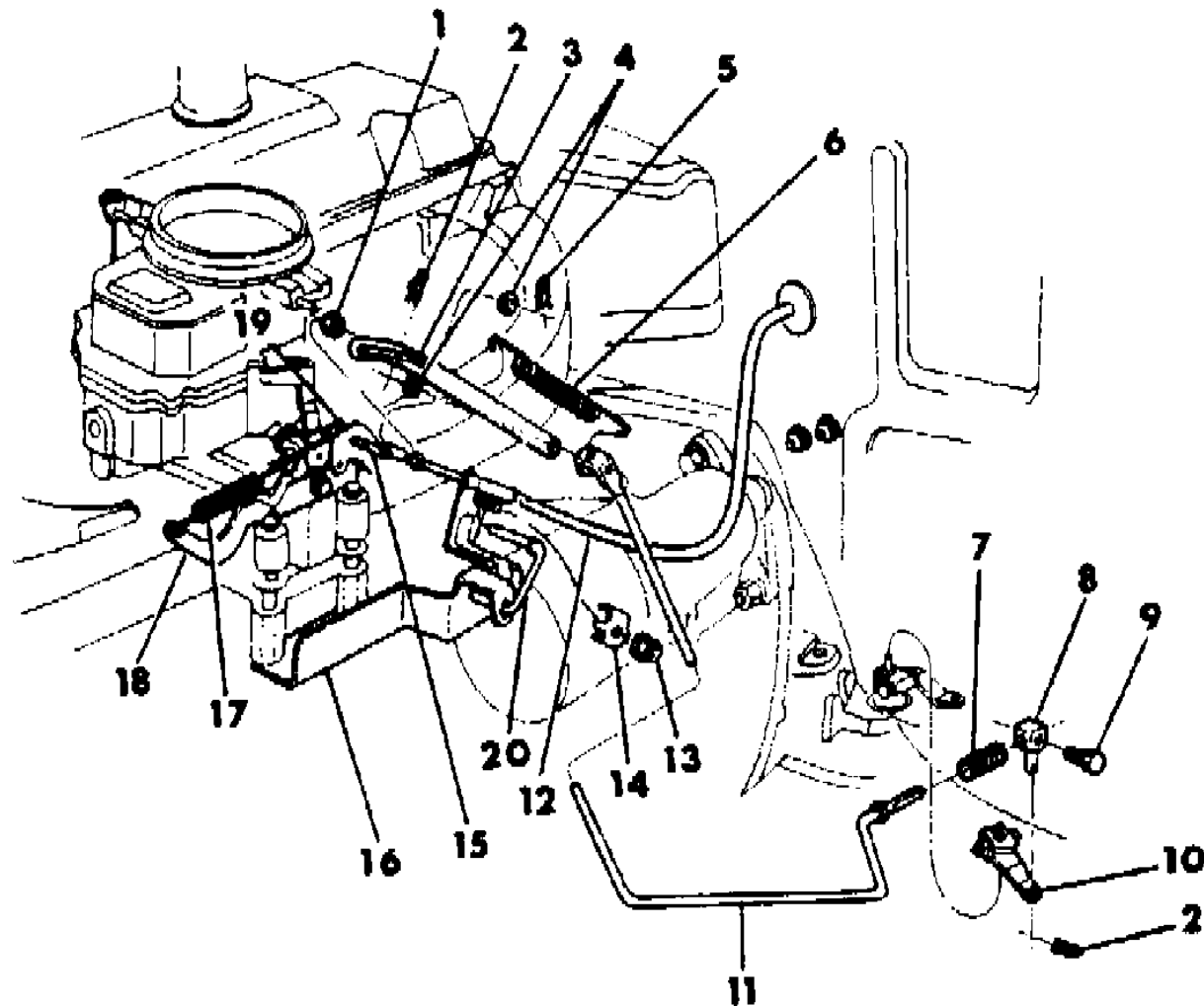
BODY STYLES

21 = 2-DOOR SEDAN	41 = 4-DOOR SEDAN
22 = 2-DOOR SPECIAL COUPE	45 = 4-DOOR STATION WAGON
24 = 2-DOOR HATCHBACK	44 = 4-DOOR HATCHBACK
27 = 2-DOOR CONVERTIBLE	48 = EXECUTIVE SEDAN
28 = FWD PICKUP	

AR = Use as Required - = Non Illustrated Part P.A.R. = Paint as Required

THROTTLE CONTROL W/225 - 2BBL ENGINE AUTO TRANS  
Figure 14-3400

3114 34.00



ITEM	PART NUMBER	QTY	BODY	MODEL	DESCRIPTION
1	6028 699	1			NUT
2	6025 867	2			CLIP
3	4041 501	1			LINK
4		2			WASHER (not serviced)
5	6026 776	1			CLIP
6	4027 590	1			SPRING, Rod Return
7	3769 198	1			SPRING
8	4027 374	1			SWIVEL
9	0181 082	1			SCREW
10		1			LEVER, See Group 21
11	4104 267	1			ROD, Carburetor to Trans.
12	4095 320	1			CABLE, Throttle Control
13	0120 375	1			NUT w/WASHER
14	2402 210	1			CLIP, Cable Mounting
15	3418 900	1			STUD
16	4027 397	1			BRACKET
17	4095 811	1			SPRING, Pedel Return
18	4041 504	1			BRACKET, Pedel Return Spring w/o Air Cond.
19	6023 285	1			CLIP
20	3418 807	1			STABILIZER, Trans Rod

NOTE: The following items are used with the Fast Idle Throttle Control applications specified in this document.

2536 847	1	B,F,G	COLLAR, Cable Adjusting
4041 547	1	B,F,G	LEVER, Fast Idle Adjusting
4041 545	1	B,F,G	CABLE, Fast Idle
4041 546	1	B,F,G	BRACKET, Fast Idle Cable

MODEL CODES

B = GRAN FURY	G = DIPLOMAT	V = 400
C = LEBARON/TOWN & COUNTRY	M = HORIZON/TURISMO/SCAMP	X = MIRADA
D = ARIES	P = RELIANT	Y = IMPERIAL
E = 600	S = CORDOBA	Z = OMNI/CHARGER/RAMPAGE
F = FIFTH AVENUE	T = E CLASS/NEWYORKER	

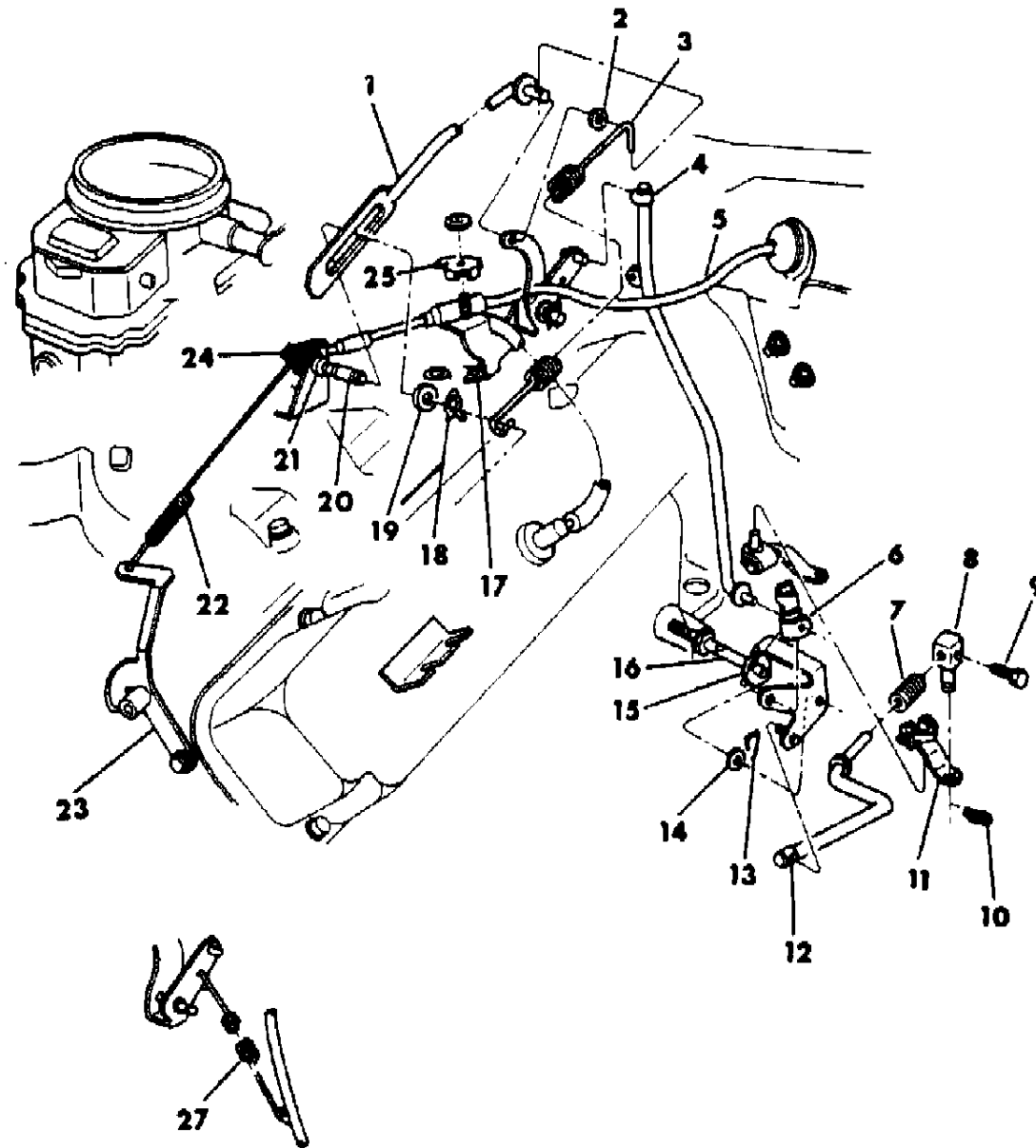
BODY STYLES

21 = 2-DOOR SEDAN	41 = 4-DOOR SEDAN
22 = 2-DOOR SPECIAL COUPE	45 = 4-DOOR STATION WAGON
24 = 2-DOOR HATCHBACK	44 = 4-DOOR HATCHBACK
27 = 2-DOOR CONVERTIBLE	48 = EXECUTIVE SEDAN
28 = FWD PICKUP	

AR = Use as Required - = Non Illustrated Part P.A.R. = Paint as Required

THROTTLE CONTROL W/318 - 2BBL AUTO TRANS. - F,G,X,S,B  
Figure 14-3500

3114 3500



ITEM	PART NUMBER	QTY	BODY	MODEL	DESCRIPTION
1	3769 872	1			ROD
2	0120 393	1			WASHER
3	3870 696	1			SPRING
4					ROD
	4041 509	1			w/A904 Trans.
	4041 520	1			w/A727 Trans.
5	4027 358	1			CABLE
6	2899 361	1			CLIP
7	3769 198	1			SPRING
8	4027 374	1			SWIVEL
9	0181 082	1			SCREW
10	6025 867	1			CLIP
11					LEVER, Trans. See Group 21
12					ROD
	4071 978	1			w/904 Trans.
	4027 383	1			w/727 Trans.
13	6027 983	1			CLIP
14	0120 394	1			WASHER
15					BELLCRANK
	3751 529	1			w/A904 Trans.
	3751 535	1			w/A727 Trans.
16	3751 531	1			STUD, Trans. Bellcrank
17	3870 670	1			BRACKET, Cable Mounting
18	6026 776	1			CLIP
19		1			WASHER (not serviced)
20	3418 900	1			STUD
21	6030 607	1			NUT
22	3870 659	1			SPRING
23					BRACKET, See Group 25
24	6023 285	1			CLIP
25	2402 210	1			CLIP
26	0120 375	1			NUT w/WASHER
27	3870 666	1			SPRING, Linkage Assist
NOTE: The following items are used with the Fast Idle Throttle Control applications specified in this document.					
	2536 847	1			COLLAR, Cable Adjusting
	4041 547	1			LEVER, Fast Idle Adjusting
	4041 545	1			CABLE, Fast Idle

MODEL CODES

B = GRAN FURY	G = DIPLOMAT	V = 400
C = LEBARON/TOWN & COUNTRY	M = HORIZON/TURISMO/SCAMP	X = MIRADA
D = ARIES	P = RELIANT	Y = IMPERIAL
E = 600	S = CORDOBA	Z = OMNI/CHARGER/RAMPAGE
F = FIFTH AVENUE	T = E CLASS/NEWYORKER	

BODY STYLES

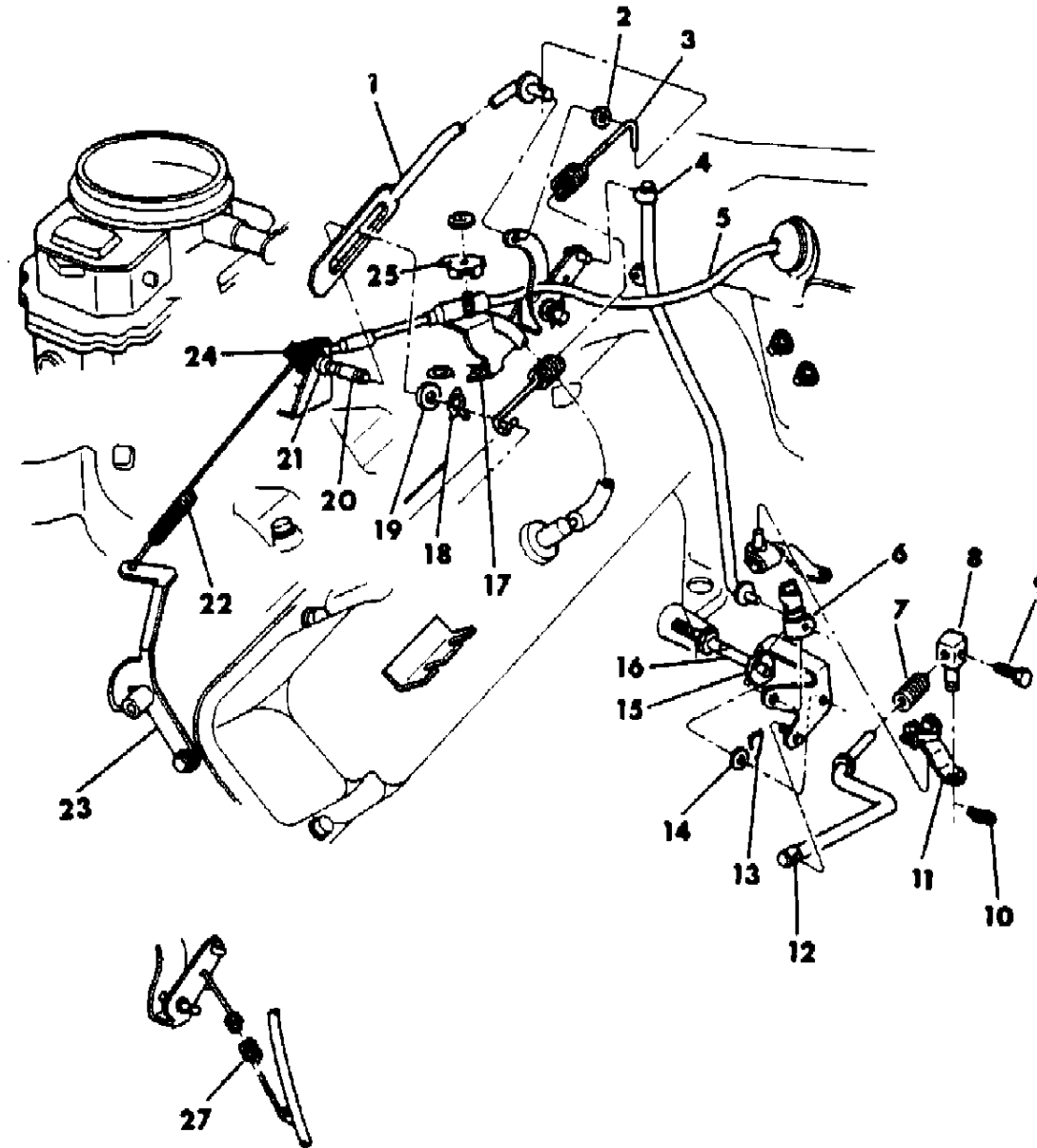
21 = 2-DOOR SEDAN	41 = 4-DOOR SEDAN
22 = 2-DOOR SPECIAL COUPE	45 = 4-DOOR STATION WAGON
24 = 2-DOOR HATCHBACK	44 = 4-DOOR HATCHBACK
27 = 2-DOOR CONVERTIBLE	48 = EXECUTIVE SEDAN
28 = FWD PICKUP	

AR = Use as Required - = Non Illustrated Part P.A.R. = Paint as Required



**THROTTLE CONTROL W/318 - 2BBL AUTO TRANS. - F,G,X,S,B**  
**Figure 14-3500**

3114 3500



ITEM	PART NUMBER	QTY	BODY	MODEL	DESCRIPTION
	4041 546	1			BRACKET, Fast Idle Cable

**MODEL CODES**

B = GRAN FURY	G = DIPLOMAT	V = 400
C = LEBARON/TOWN & COUNTRY	M = HORIZON/TURISMO/SCAMP	X = MIRADA
D = ARIES	P = RELIANT	Y = IMPERIAL
E = 600	S = CORDOBA	Z = OMNI/CHARGER/RAMPAGE
F = FIFTH AVENUE	T = E CLASS/NEWYORKER	

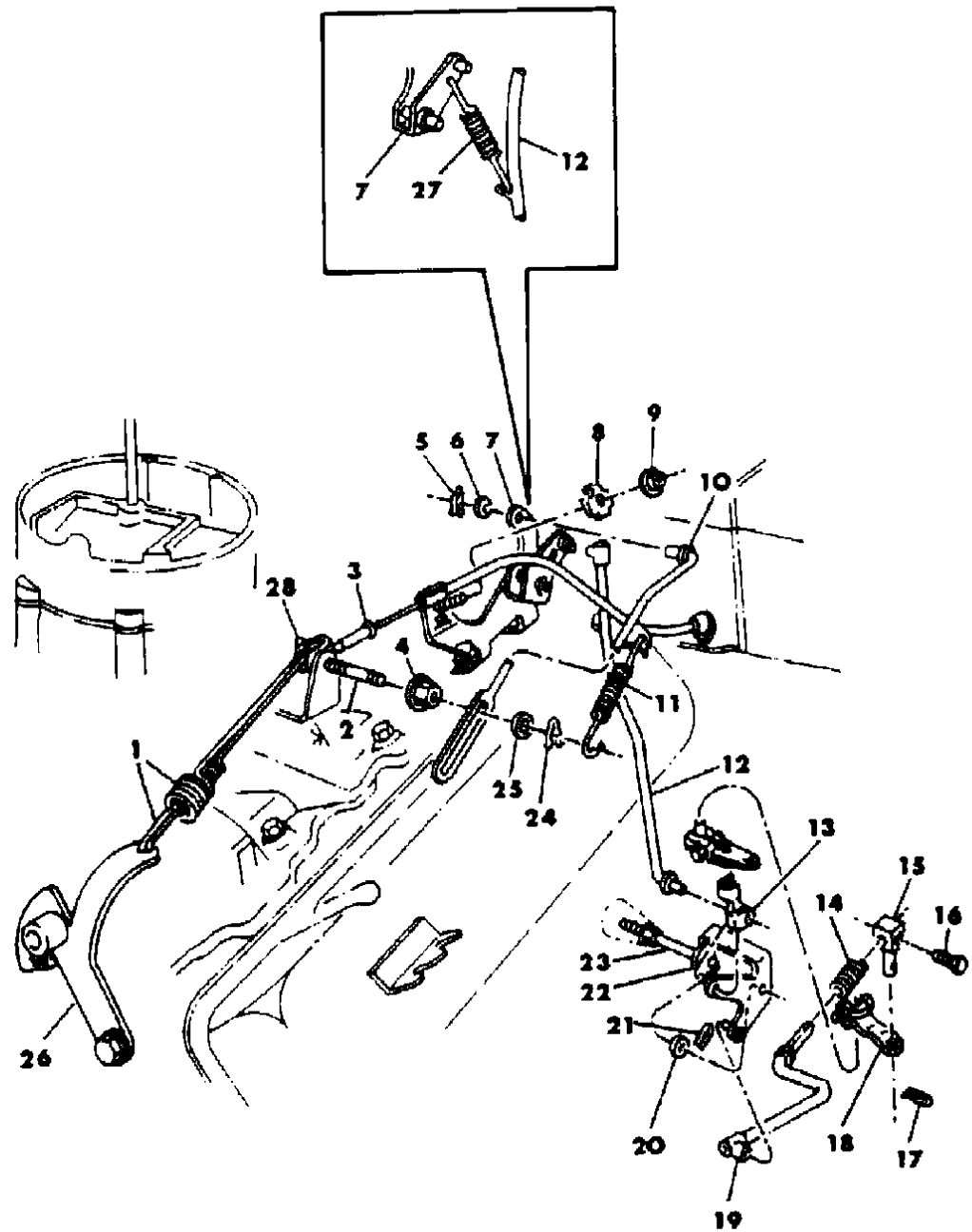
**BODY STYLES**

21 = 2-DOOR SEDAN	41 = 4-DOOR SEDAN
22 = 2-DOOR SPECIAL COUPE	45 = 4-DOOR STATION WAGON
24 = 2-DOOR HATCHBACK	44 = 4-DOOR HATCHBACK
27 = 2-DOOR CONVERTIBLE	48 = EXECUTIVE SEDAN
28 = FWD PICKUP	

AR = Use as Required   - = Non Illustrated Part   P.A.R. = Paint as Required

THROTTLE CONTROL W/318 - 4BBL ENGINE w/AUTO TRANS. - F,G,X,S,B  
Figure 14-3600

3114 3800



ITEM	PART NUMBER	QTY	BODY	MODEL	DESCRIPTION
1					SPRING
	3870 659	1			Inner
	3870 660	1			Outer
2	3418 900	1			STUD
3	4027 355	1			CABLE, Throttle Control
4	6030 607	1			NUT
5	6025 867	1			CLIP
6	0120 393	1			WASHER
7	4027 101	1			BRACKET, Cable Mounting
8	2402 210	1			CLIP
9	0120 375	1			NUT w/WASHER
10	4041 548	1			ROD
11	4027 590	1			SPRING
12					ROD
	4041 509	1			w/A904 Trans.
	4041 520	1			w/A727 Trans.
13	2899 361	1			CLIP
14	3769 198	1			SPRING
15	4027 374	1			SWIVEL
16	0181 082	1			SCRRW
17	6025 867	1			CLIP
18					LEVER, See Group 21
19					ROD
	4071 978	1			w/A904 Trans.
	4173 225	1			w/A727 Trans.
20	0120 394	1			WASHER
21	6027 983	1			CLIP
22					BELLCRANK
	3751 529	1			w/A904 Trans.
	3751 535	1			w/A727 Trans.
23	3751 531	1			STUD
24	6026 776	1			CLIP
25		1			WASHER (not serviced)
26					BRACKET, See Group 25
27	3870 666	1			SPRING, Linkage Assist
28	6023 285	1			CLIP, Throttle Control
NOTE: The following items are used with the Fast Idle Throttle Control applications specified in this document.					
	2536 847	1		B,F,G	COLLAR, Cable Adjusting

MODEL CODES

B = GRAN FURY	G = DIPLOMAT	V = 400
C = LEBARON/TOWN & COUNTRY	M = HORIZON/TURISMO/SCAMP	X = MIRADA
D = ARIES	P = RELIANT	Y = IMPERIAL
E = 600	S = CORDOBA	Z = OMNI/CHARGER/RAMPAGE
F = FIFTH AVENUE	T = E CLASS/NEWYORKER	

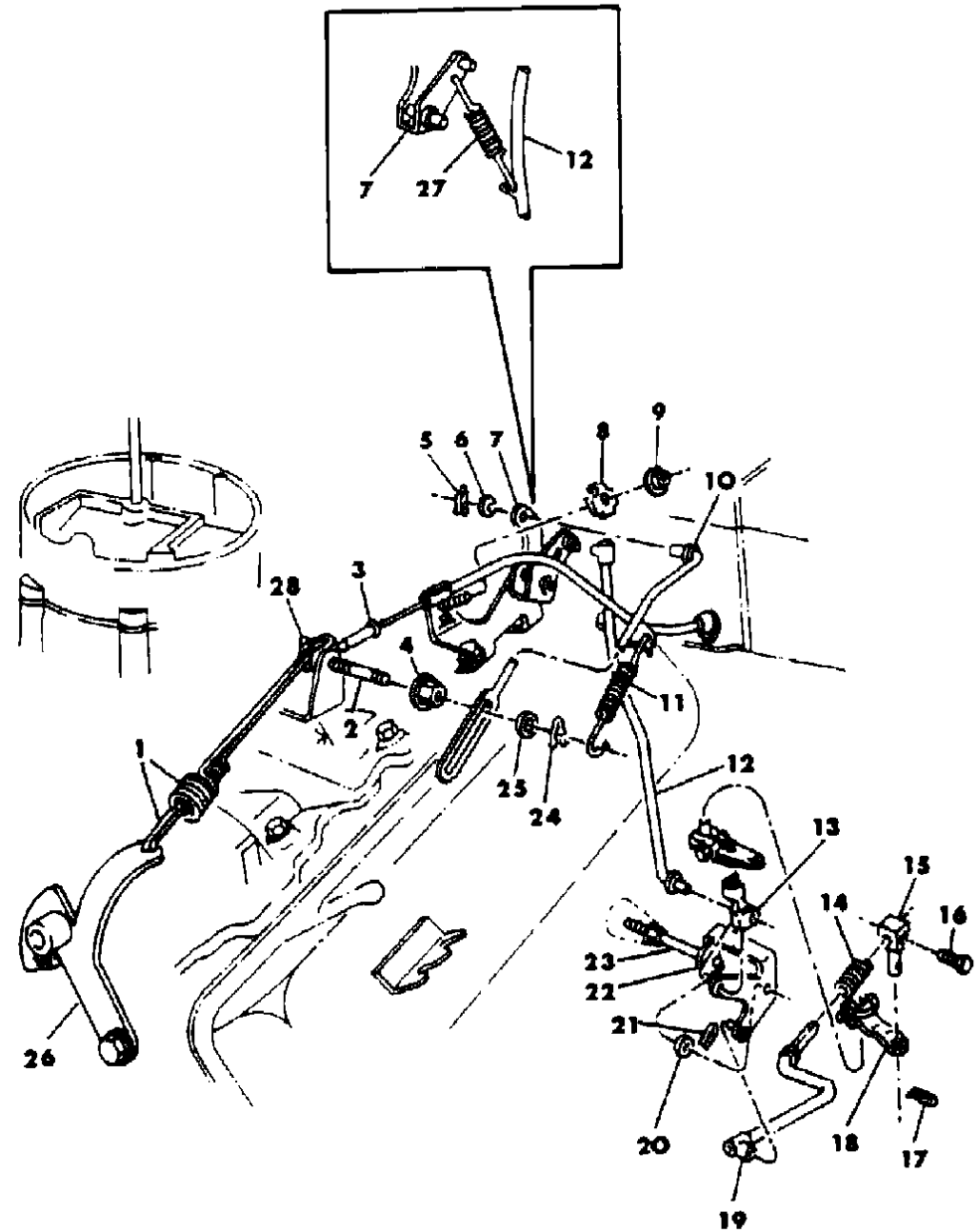
BODY STYLES

21 = 2-DOOR SEDAN	41 = 4-DOOR SEDAN
22 = 2-DOOR SPECIAL COUPE	45 = 4-DOOR STATION WAGON
24 = 2-DOOR HATCHBACK	44 = 4-DOOR HATCHBACK
27 = 2-DOOR CONVERTIBLE	48 = EXECUTIVE SEDAN
28 = FWD PICKUP	

AR = Use as Required - = Non Illustrated Part P.A.R. = Paint as Required

THROTTLE CONTROL W/318 - 4BBL ENGINE w/AUTO TRANS. - F,G,X,S,B  
Figure 14-3600

3114 3800



ITEM	PART NUMBER	QTY	BODY	MODEL	DESCRIPTION
	4041 547	1		B,F,G	LEVER, Fast Idle Adjusting
	4041 545	1		B,F,G	CABLE, Fast Idle
	4041 546	1		B,F,G	BRACKET, Fast Idle Cable

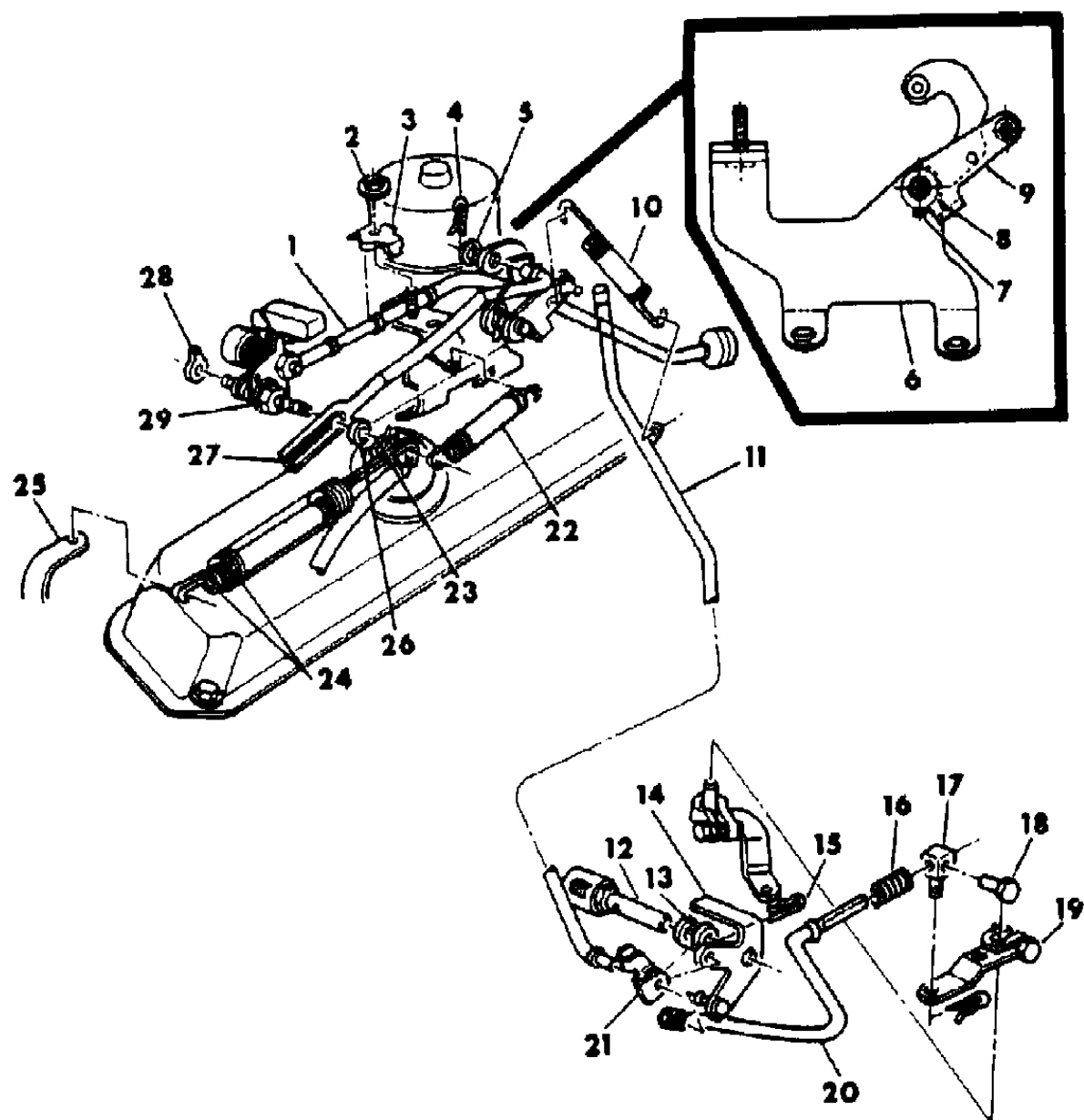
MODEL CODES  
 B = GRAN FURY                      G = DIPLOMAT                      V = 400  
 C = LEBARON/TOWN & COUNTRY    M = HORIZON/TURISMO/SCAMP    X = MIRADA  
 D = ARIES                            P = RELIANT                        Y = IMPERIAL  
 E = 600                                S = CORDOBA                        Z = OMNI/CHARGER/RAMPAGE  
 F = FIFTH AVENUE                    T = E CLASS/NEWYORKER

BODY STYLES  
 21 = 2-DOOR SEDAN                    41 = 4-DOOR SEDAN  
 22 = 2-DOOR SPECIAL COUPE        45 = 4-DOOR STATION WAGON  
 24 = 2-DOOR HATCHBACK            44 = 4-DOOR HATCHBACK  
 27 = 2-DOOR CONVERTIBLE           48 = EXECUTIVE SEDAN  
 28 = FWD PICKUP

AR = Use as Required - = Non Illustrated Part P.A.R. = Paint as Required

THROTTLE CONTROL W/E.F.I. - w/318 (E43) ENGINE  
Figure 14-3700

3114 3790



ITEM	PART NUMBER	QTY	BODY	MODEL	DESCRIPTION
1	5214 343	1			CABLE, Throttle Control
2	0120 375	1			NUT w/WASHER, Cable Mounting
3	2402 210	1			CLIP, Cable Mounting
4	6025 867	2			CLIP
5	0120 393	1			WASHER, Throttle Body to Cable
6	4104 339	1			BRACKET, Cable Mounting
7	6027 983	1			PIN, Roll
8	0120 394	1			WASHER
9	3870 685	1			LEVER, Cable Mounting Bracket
10	3870 666	1			SPRING, Linkage Assist
11	4071 929	1			ROD, Cable Mounting Bracket Lever to Trans. Bellcrank
12	3751 531	1			STUD, Trans. Bellcrank
13	0120 394	1			WASHER, Trans. Bellcrank Stud
14	4104 343	1			BELLCRANK
15	6027 983	1			CLIP, Trans. Bellcrank Stud
16	3769 198	1			SPRING, Trans. Rod
17	4027 374	1			SWIVEL, Trans. Rod
18	0181 082	1			SCREW, Swivel
19					LEVER, see Group 21
20	4241 222	1			ROD, Bellcrank to Trans.
21	2899 361	1			CLIP, Rod End
22	4027 590	1			SPRING, Trans. Rod Return
23	6026 776	1			CLIP, Throttle Body Lever Stud
24					SPRING
	4104 349	1			Inner
	4104 350	1			Outer
25					BRACKET, see Group 25
26	0120 393	1			WASHER
27	4095 998	1			ROD, Throttle Body to Cable Mounting Bracket Lever
28	4095 162	1			CLIP, Throttle Cable to Throttle Stud Attaching
29	6030 607	1			NUT, Throttle Stud

MODEL CODES

B = GRAN FURY	G = DIPLOMAT	V = 400
C = LEBARON/TOWN & COUNTRY	M = HORIZON/TURISMO/SCAMP	X = MIRADA
D = ARIES	P = RELIANT	Y = IMPERIAL
E = 600	S = CORDOBA	Z = OMNI/CHARGER/RAMPAGE
F = FIFTH AVENUE	T = E CLASS/NEWYORKER	

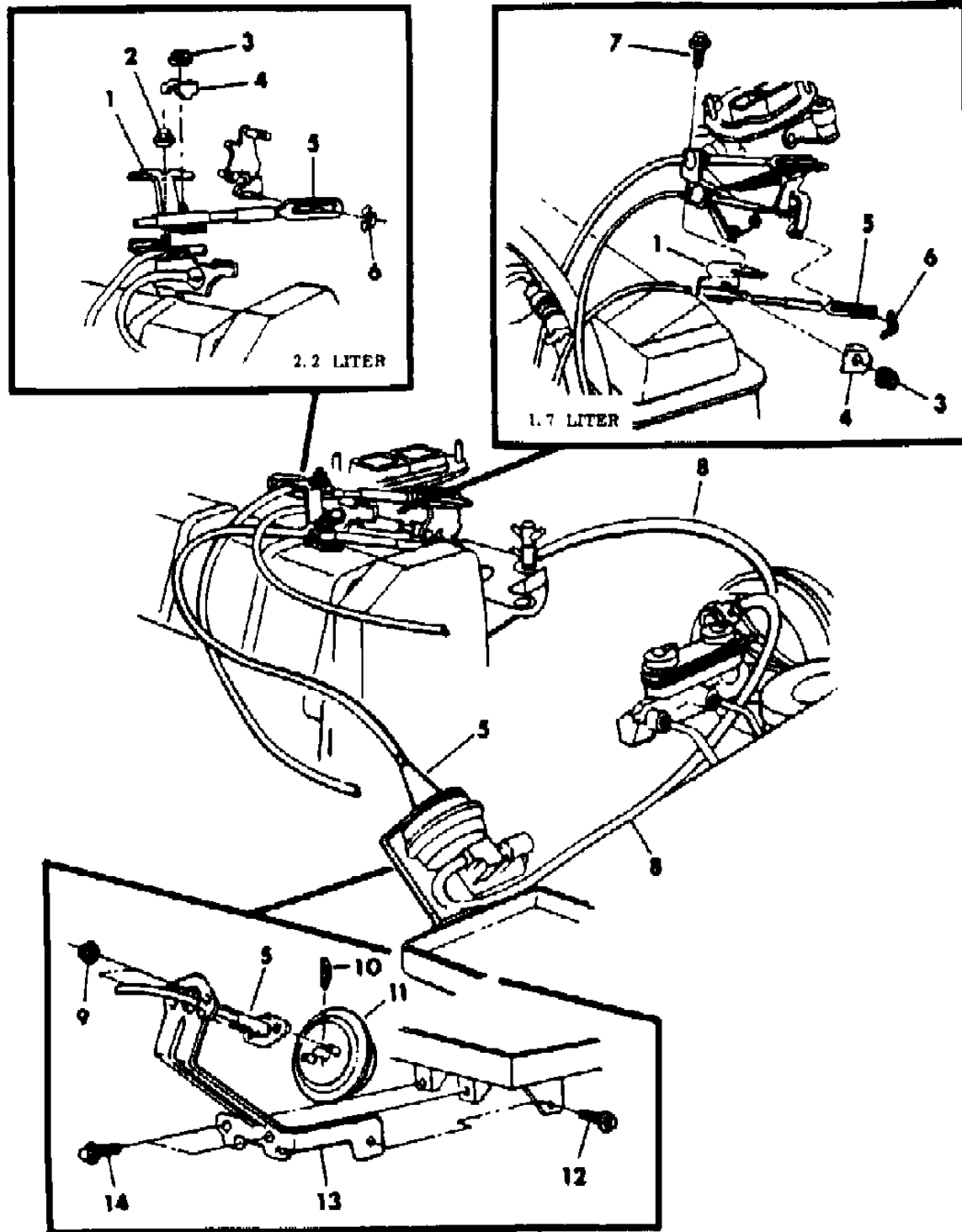
BODY STYLES

21 = 2-DOOR SEDAN	41 = 4-DOOR SEDAN
22 = 2-DOOR SPECIAL COUPE	45 = 4-DOOR STATION WAGON
24 = 2-DOOR HATCHBACK	44 = 4-DOOR HATCHBACK
27 = 2-DOOR CONVERTIBLE	48 = EXECUTIVE SEDAN
28 = FWD PICKUP	

AR = Use as Required - = Non Illustrated Part P.A.R. = Paint as Required

**SPEED CONTROL - M,Z**  
**Figure 14-3800**

3114 3800



ITEM	PART NUMBER	QTY	BODY	MODEL	DESCRIPTION
					SPEED CONTROL PACKAGE
	4293 079	1			w/1.7L Engine (see note 1,2)
	4293 079	1			w/2.2L Engine
1	5214 599	1			BRACKET, Speed Control Cable Mounting w/1.7L Eng.
	5214 349	1			w/2.2L Eng., w/Manual Trans.
	5214 710	1			w/2.2L Eng., w/Auto Trans.
2	6025 004	1			NUT, w/WASHER
3	0120 375	1			NUT, w/WASHER
4	2402 210	1			CLIP, Cable Mounting
5					CABLE, Speed Control
	5214 342	1			w/1.7L Eng.
	4241 771	1			w/2.2L Eng.
6	6031 629	1			CLIP, Cable to Carb.
7	0219 462	1			SCREW, w/WASHER, Cable Mounting Bracket Attaching
8	3744 933	AR			HOSE
9	6025 004	2			NUT, w/WASHER
10	6025 867	1			CLIP, Cable to Servo
11	4241 551	1			SERVO, Speed Control
12	6500 300	1			SCREW, Bracket to Battery Tray Mounting, Inner
13	4275 904	1			BRACKET, Servo Mounting
14	6100 304	2			SCREW, Bracket to Battery Tray

NOTE 1: Order 1-5214559 Bracket, 1-5214342 Cable, 1-4220893 Cable. applications specified in this document.  
NOTE 2: Units equipped with a Manual Trans. order 1-4221678 Switch, Clutch. applications specified in this document.

**MODEL CODES**

B = GRAN FURY	G = DIPLOMAT	V = 400
C = LEBARON/TOWN & COUNTRY	M = HORIZON/TURISMO/SCAMP	X = MIRADA
D = ARIES	P = RELIANT	Y = IMPERIAL
E = 600	S = CORDOBA	Z = OMNI/CHARGER/RAMPAGE
F = FIFTH AVENUE	T = E CLASS/NEWYORKER	

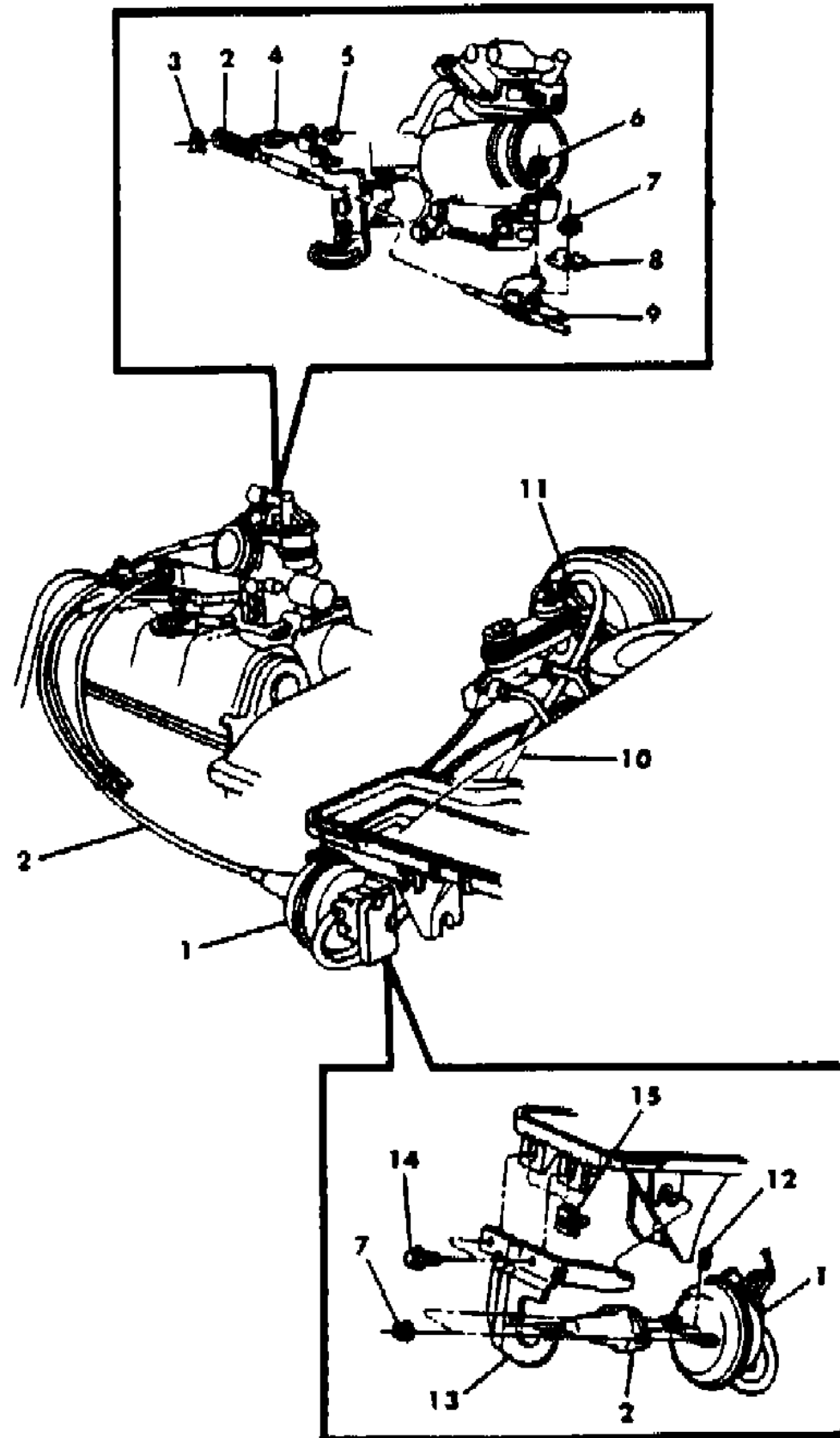
**BODY STYLES**

21 = 2-DOOR SEDAN	41 = 4-DOOR SEDAN
22 = 2-DOOR SPECIAL COUPE	45 = 4-DOOR STATION WAGON
24 = 2-DOOR HATCHBACK	44 = 4-DOOR HATCHBACK
27 = 2-DOOR CONVERTIBLE	48 = EXECUTIVE SEDAN
28 = FWD PICKUP	

AR = Use as Required - = Non Illustrated Part P.A.R. = Paint as Required

**SPEED CONTROL - T.B.I.**  
**Figure 14-3850**

3114 JB50



ITEM	PART NUMBER	QTY	BODY	MODEL	DESCRIPTION
	4293 078	1			SPEED CONTROL PACKAGE (see note 1,2,3,4)
1	4179 306	1			SERVO, Speed Control
2	4268 836	1			CABLE, Servo to Throttle Body
3	6031 629	1			CLIP, Cable to Stud
4	5214 596	1			STUD
5	6100 496	1			NUT, Lock
6	6025 001	1			NUT and WASHER, Cable Mounting Bracket
7	6025 004	3			NUT and WASHER
8	2402 210	1			CLIP, Cable Mounting
9	4268 833	1			BRACKET, Speed Control Cable Mounting
10	3744 933	AR			HOSE
11	2448 761	1			CLAMP
12	6025 867	1			CLIP
13	4241 770	1			BRACKET, Servo Mounting
14	6100 288	2			SCREW and WASHER
15	6500 681	2			U-NUT

NOTE 1: Units equipped with a Tilt Steering Wheel also specify part no. 3747881 Lever. Lever which is in the package may be returned for credit with an offsetting order for part no. 3747881

NOTE 2: For vehicles which are not equipped with Intermittant Wipers you must also specify part no. 4293077 Intermittant Wiper Conversion Pkg. an offsetting order for part no. 3747881

NOTE 3: Units equipped with a Trip Computer order 1-4220751 Cable. an offsetting order for part no. 3747881

NOTE 4: Order 1-4268836 Cable, 1-4268833 Bracket. an offsetting order for part no. 3747881

MODEL CODES

B = GRAN FURY	G = DIPLOMAT	V = 400
C = LEBARON/TOWN & COUNTRY	M = HORIZON/TURISMO/SCAMP	X = MIRADA
D = ARIES	P = RELIANT	Y = IMPERIAL
E = 600	S = CORDOBA	Z = OMNI/CHARGER/RAMPAGE
F = FIFTH AVENUE	T = E CLASS/NEWYORKER	

BODY STYLES

21 = 2-DOOR SEDAN	41 = 4-DOOR SEDAN
22 = 2-DOOR SPECIAL COUPE	45 = 4-DOOR STATION WAGON
24 = 2-DOOR HATCHBACK	44 = 4-DOOR HATCHBACK
27 = 2-DOOR CONVERTIBLE	48 = EXECUTIVE SEDAN
28 = FWD PICKUP	

AR = Use as Required - = Non Illustrated Part P.A.R. = Paint as Required

**SPEED CONTROL - P,D,C,V,E,T W/2.2 LITER ENGINE**  
**Figure 14-3900**

3114 3900B

ITEM	PART NUMBER	QTY	BODY	MODEL	DESCRIPTION
	4293 078	1			SPEED CONTROL PACKAGE (see note 1,2,3)
1	4241 773	1			CABLE, Speed Control
2	5214 349	1			BRACKET, Cable Mounting w/Manual Trans
	5214 710	1			w/Auto Trans
3	2402 210	1			CLIP, Cable Mounting
4	6025 004	1			NUT, w/WASHER
5	6031 629	1			CLIP, Cable to Carb
6		AR			HOSE, w/Manual Brakes (not serviced)
7	2448 761	1			CLAMP
8	3744 953	AR			HOSE, w/Power Brakes
9	6500 681	2			U-NUT
10	4241 770	1			BRACKET, Servo Mounting
11	6100 288	2			SCREW, w/WASHER
12	6025 004	2			NUT
13	4179 306	1			SERVO, Speed Control
14	6025 867	1			CLIP

NOTE 1: Units equipped with a Tilt Steering Wheel also specify part no. 3747881 Lever. Lever which is in the package may be returned for credit with an offsetting order for part no. 3747881

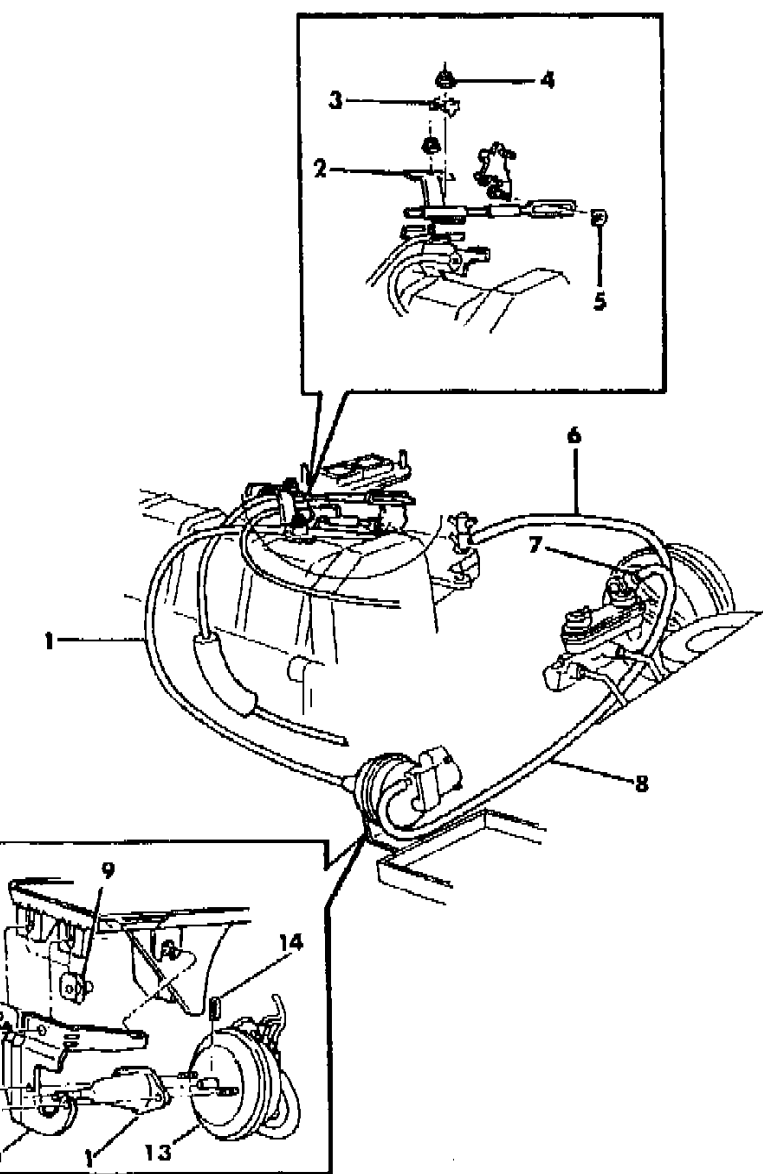
NOTE 2: For vehicles which are not equipped with Intermittant Wipers you must also specify part no. 4293077 Intermittant Wiper Conversion Pkg. an offsetting order for part no. 3747881

NOTE 3: Units equipped with a Trip Computer order 1-4220751 Cable. an offsetting order for part no. 3747881

MODEL CODES  
 B = GRAN FURY  
 C = LEBARON/TOWN & COUNTRY  
 D = ARIES  
 E = 600  
 F = FIFTH AVENUE  
 G = DIPLOMAT  
 M = HORIZON/TURISMO/SCAMP  
 P = RELIANT  
 S = CORDOBA  
 T = E CLASS/NEWYORKER  
 V = 400  
 X = MIRADA  
 Y = IMPERIAL  
 Z = OMNI/CHARGER/RAMPAGE

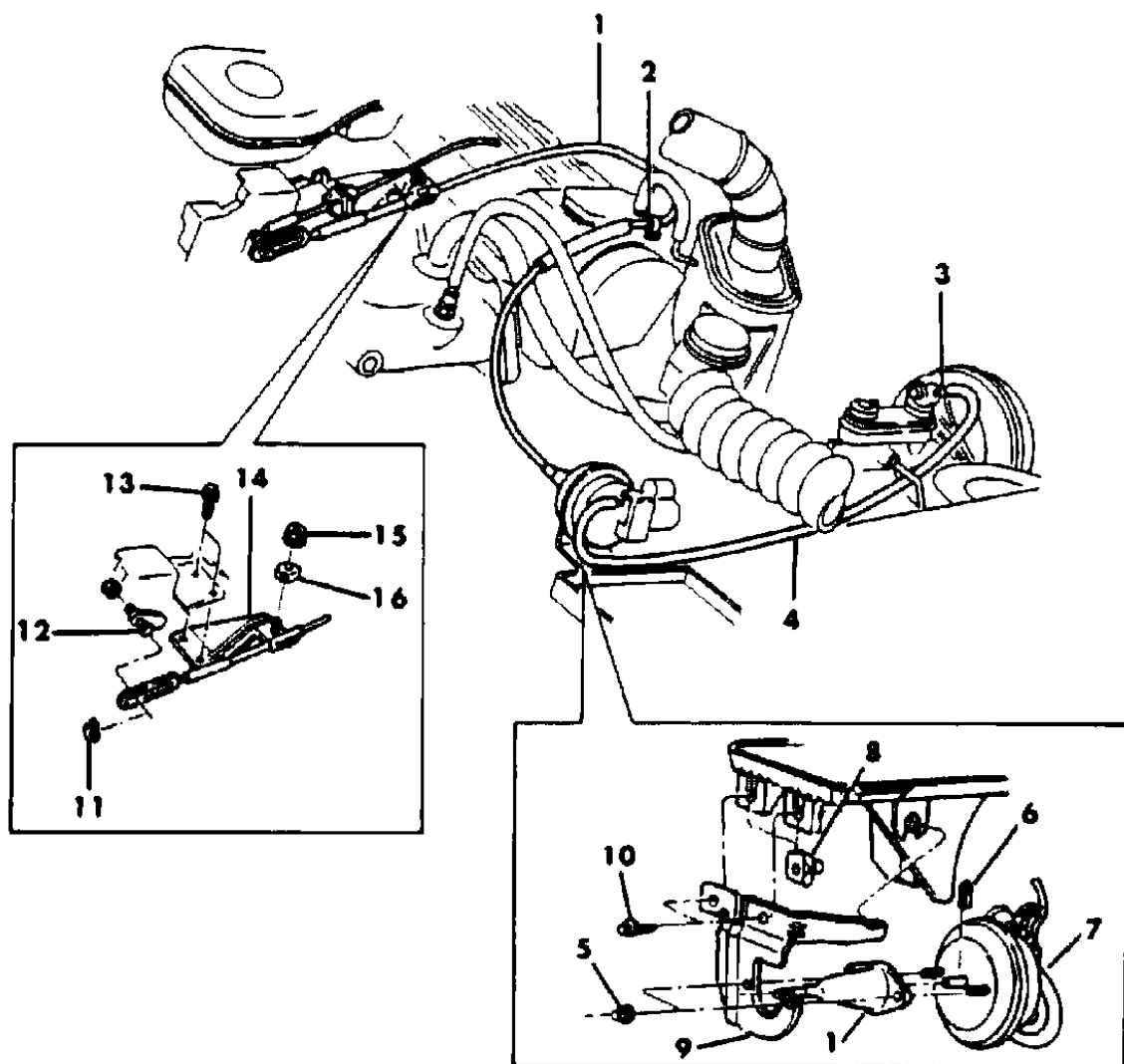
BODY STYLES  
 21 = 2-DOOR SEDAN  
 22 = 2-DOOR SPECIAL COUPE  
 24 = 2-DOOR HATCHBACK  
 27 = 2-DOOR CONVERTIBLE  
 28 = FWD PICKUP  
 41 = 4-DOOR SEDAN  
 45 = 4-DOOR STATION WAGON  
 44 = 4-DOOR HATCHBACK  
 48 = EXECUTIVE SEDAN

AR = Use as Required - = Non Illustrated Part P.A.R. = Paint as Required



**SPEED CONTROL - P,D,C,V,E,T W/2.6 LITER ENGINE**  
**Figure 14-4000**

3114 4000A



ITEM	PART NUMBER	QTY	BODY	MODEL	DESCRIPTION
	4293 078	1			SPEED CONTROL PACKAGE, (see note 1,2,3,4)
1	4241 774	1			CABLE, Speed Control
2	5214 591	1			CLIP
3	2448 761	1			CLAMP
4	3744 933	AR			HOSE
5	6025 004	2			NUT
6	6025 867	1			CLIP
7	4179 306	1			SERVO, Speed Control
8	6500 681	2			U-NUT
9	4241 770	1			BRACKET, Servo Mounting
10	6100 288	2			SCREW, w/WASHER
11	6031 629	1			CLIP
12	5214 596	1			STUD, Carb Lever
13	6100 239	1			SCREW, w/WASHER
14	5214 594	1			BRACKET, Cable Mounting
15	6025 004	1			NUT, w/WASHER
16	2402 210	1			CLIP, Cable Mounting

NOTE 1: Units equipped with a Tilt Steering Wheel also specify part no. 3747881 Lever. Lever which is in the package may be returned for credit with an offsetting order for part no. 3747881

NOTE 2: For vehicles which are not equipped with Intermittant Wipers you must also specify part no. 4293077 Intermittant Wiper Conversion Pkg. an offsetting order for part no. 3747881

NOTE 3: Units equipped with Trip Computer also order 1-4220751 Cable. an offsetting order for part no. 3747881

NOTE 4: Order 1-4293085 Adapter Package an offsetting order for part no. 3747881

**MODEL CODES**

B = GRAN FURY	G = DIPLOMAT	V = 400
C = LEBARON/TOWN & COUNTRY	M = HORIZON/TURISMO/SCAMP	X = MIRADA
D = ARIES	P = RELIANT	Y = IMPERIAL
E = 600	S = CORDOBA	Z = OMNI/CHARGER/RAMPAGE
F = FIFTH AVENUE	T = E CLASS/NEWYORKER	

**BODY STYLES**

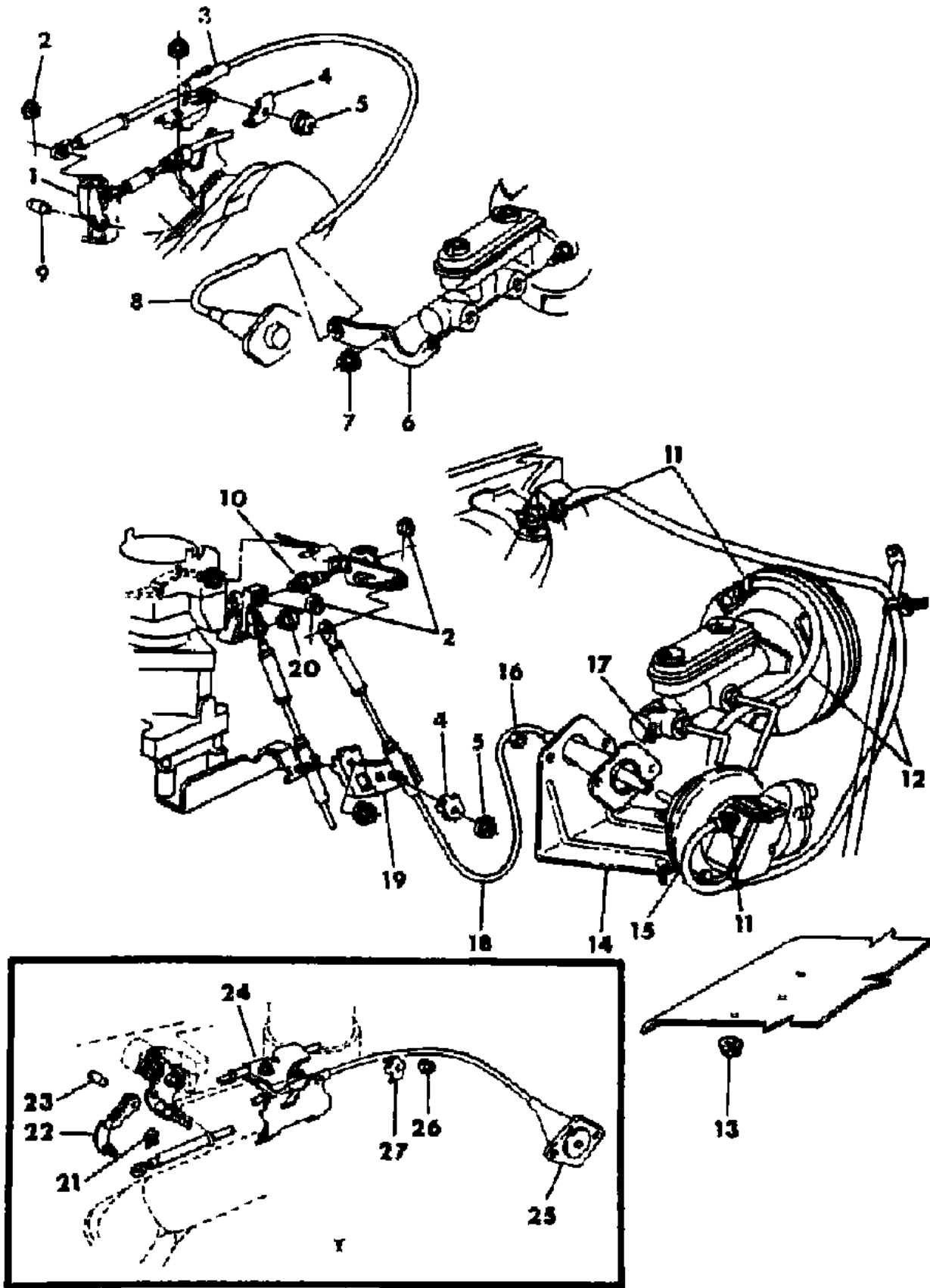
21 = 2-DOOR SEDAN	41 = 4-DOOR SEDAN
22 = 2-DOOR SPECIAL COUPE	45 = 4-DOOR STATION WAGON
24 = 2-DOOR HATCHBACK	44 = 4-DOOR HATCHBACK
27 = 2-DOOR CONVERTIBLE	48 = EXECUTIVE SEDAN
28 = FWD PICKUP	

AR = Use as Required - = Non Illustrated Part P.A.R. = Paint as Required



**SPEED CONTROL - F,G,X,S,Y,B**  
**Figure 14-4100**

3114 4100



ITEM	PART NUMBER	QTY	BODY	MODEL	DESCRIPTION
	4205 879	1			SPEED CONTROL PACKAGE (see note 1)
1	4095 071	1	F,G,X,S		LINK, Lost Motion w/225-1BBL Eng.
	4027 798	1	F,G,X,S		w/225-2BBL Eng.
	3769 261	1	F,G,X,S		w/318 Eng.
2	6030 479	2	F,G,X,S		CLIP w/225-1BBL.
	6030 479	1	F,G,X,S		w/225-2BBL.
	6030 479	1	F,G,X,S		w/318
3	2899 376	1	F,G,X,S		BRACKET w/318-2BBL.
	3830 868	1	F,G,X,S		w/318-4BBL.
4	2402 210	1	F,G,X,S		CLIP
5	0120 375	1	F,G,X,S		NUT, w/WASHER
6	4173 480	1	F,G,X,S		BRACKET, Cable Routing w/318
	4241 221	1	Y		w/318-E.F.I.
7	0118 614	1	F,G,X,S		NUT w/318
	6025 004	1	Y		w/318-E.F.I.
8	4241 249	1	F,G,X,S		CABLE, Speed Control
9	6029 629	1	F,G,X,S		PIN, Lost Motion Link w/225-2BBL.
	6029 629	1	F,G,X,S		w/318
10	3830 871	1			PIN, Pivot and Spring Anchor, w/225-1BBL.
11	2448 761	AR			CLAMP
12	3744 933	AR			HOSE
13	0120 375	3			NUT, w/WASHER
14	4104 323	1			BRACKET
15	4241 243	1			SERVO, Speed Control
16	6025 004	2			NUT
17	6025 867	1			CLIP
18	4104 331	1	F,G,X,S		CABLE w/225-1BBL.
	4104 330	1	F,G,X,S		w/225-2BBL.
19	4041 505	1	F,G,X,S		BRACKET, w/225
20	0454 748	1	F,G,X,S		NUT, w/225-1BBL.

**MODEL CODES**

B = GRAN FURY	G = DIPLOMAT	V = 400
C = LEBARON/TOWN & COUNTRY	M = HORIZON/TURISMO/SCAMP	X = MIRADA
D = ARIES	P = RELIANT	Y = IMPERIAL
E = 600	S = CORDOBA	Z = OMNI/CHARGER/RAMPAGE
F = FIFTH AVENUE	T = E CLASS/NEWYORKER	

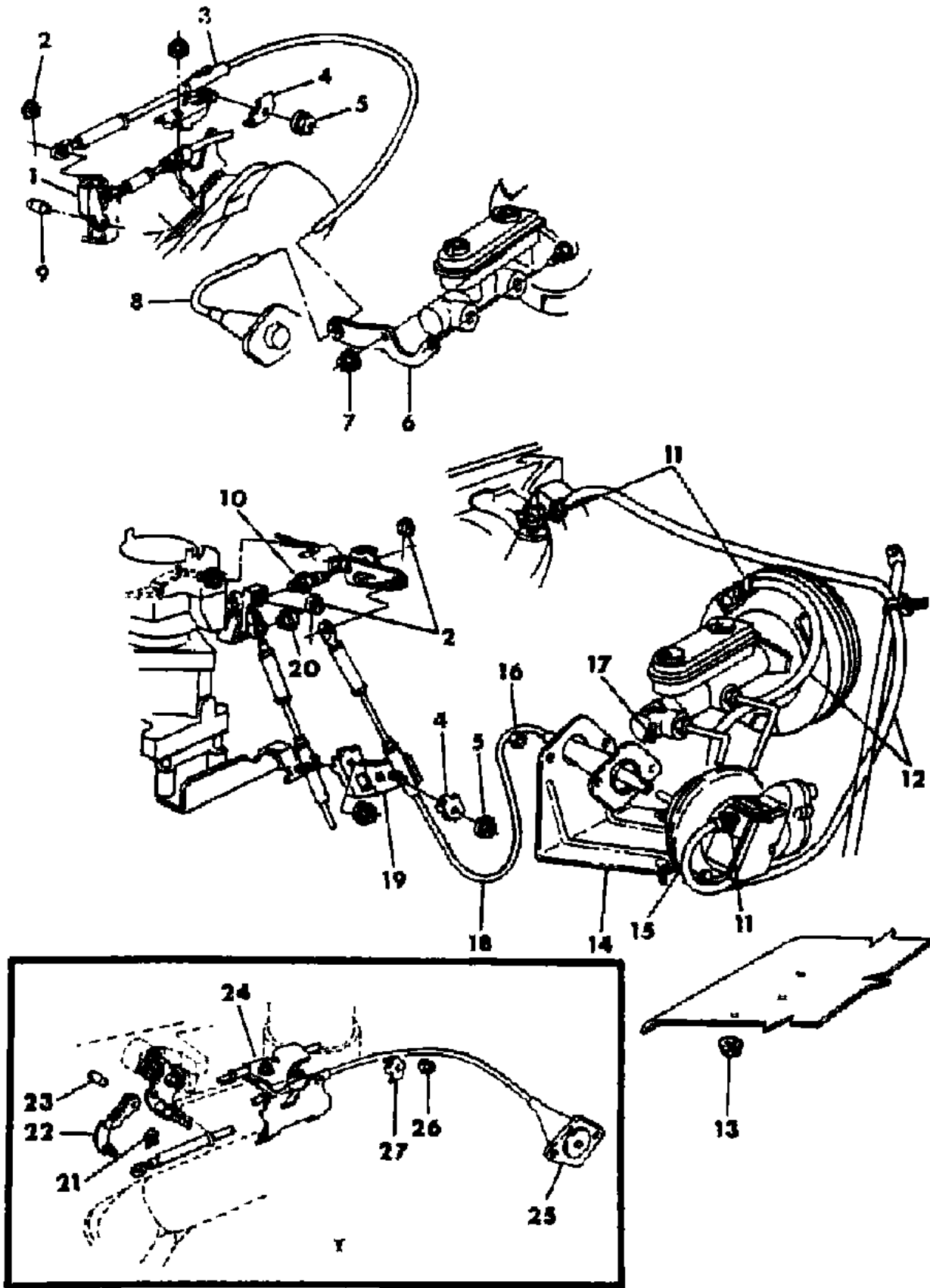
**BODY STYLES**

21 = 2-DOOR SEDAN	41 = 4-DOOR SEDAN
22 = 2-DOOR SPECIAL COUPE	45 = 4-DOOR STATION WAGON
24 = 2-DOOR HATCHBACK	44 = 4-DOOR HATCHBACK
27 = 2-DOOR CONVERTIBLE	48 = EXECUTIVE SEDAN
28 = FWD PICKUP	

AR = Use as Required - = Non Illustrated Part P.A.R. = Paint as Required

**SPEED CONTROL - F,G,X,S,Y,B**  
**Figure 14-4100**

3114 4100



ITEM	PART NUMBER	QTY	BODY	MODEL	DESCRIPTION
21	6030 479	1		Y	CLIP
22	4095 107	1		Y	LINK, Lost Motion
23	6029 629	1		Y	PIN, Lost Motion Link
24	4071 914	1		Y	BRACKET
25	4241 249	1		Y	CABLE, Speed Control
26	0120 375	1		Y	NUT, w/WASHER
27	2402 210	1		Y	CLIP

NOTE 1: Units equipped with a Tilt Steering Wheel also specify part no. 3747881 Lever. Lever which is in the package may be returned for credit with an offsetting order for part no. 3747881

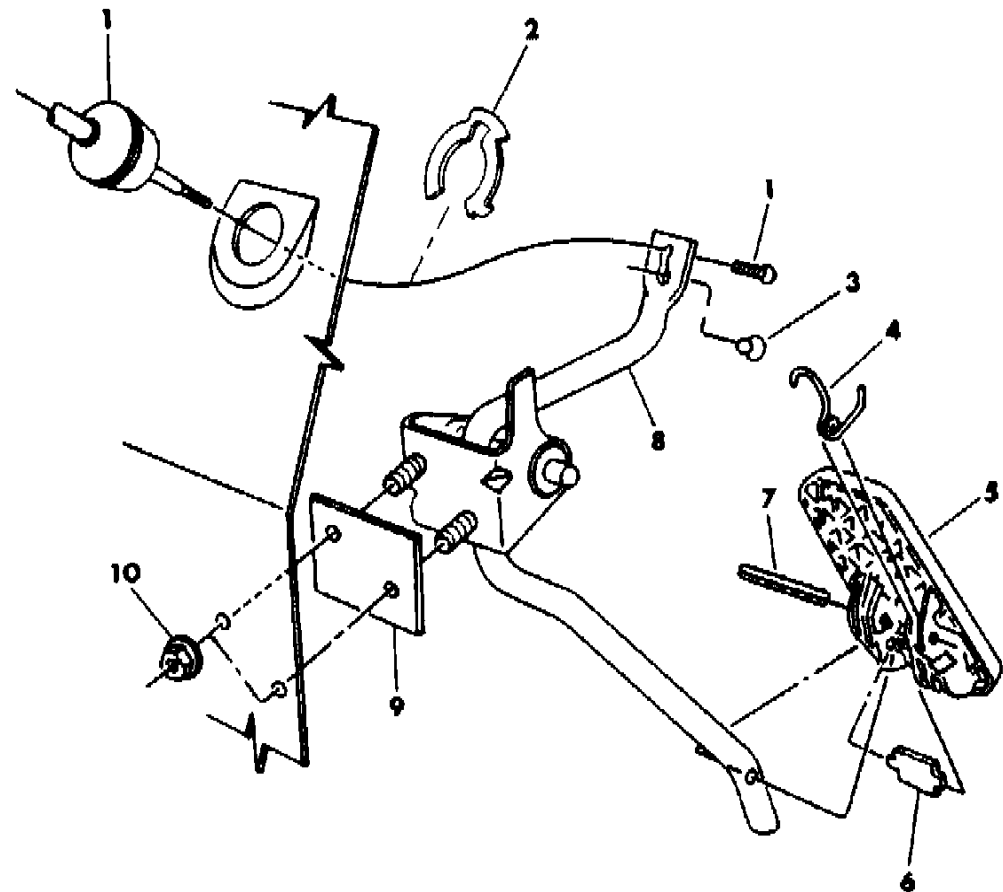
MODEL CODES  
 B = GRAN FURY  
 C = LEBARON/TOWN & COUNTRY  
 D = ARIES  
 E = 600  
 F = FIFTH AVENUE  
 G = DIPLOMAT  
 M = HORIZON/TURISMO/SCAMP  
 P = RELIANT  
 S = CORDOBA  
 T = E CLASS/NEWYORKER  
 V = 400  
 X = MIRADA  
 Y = IMPERIAL  
 Z = OMNI/CHARGER/RAMPAGE

BODY STYLES  
 21 = 2-DOOR SEDAN  
 22 = 2-DOOR SPECIAL COUPE  
 24 = 2-DOOR HATCHBACK  
 27 = 2-DOOR CONVERTIBLE  
 28 = FWD PICKUP  
 41 = 4-DOOR SEDAN  
 45 = 4-DOOR STATION WAGON  
 44 = 4-DOOR HATCHBACK  
 48 = EXECUTIVE SEDAN

AR = Use as Required - = Non Illustrated Part P.A.R. = Paint as Required

**ACCELERATOR PEDAL M,Z,P,D,C,V,E,T**  
**Figure 14-4200**

3114 4200



ITEM	PART NUMBER	QTY	BODY	MODEL	DESCRIPTION
1					CABLE, Throttle Control, see Throttle Control Illustration
2	5214 613	1			CLIP, Retainer
3	2465 483	1			PLUG
4	2899 354	1			SPRING
	4104 196	1			w/2.2l Eng. (E68)
5	3769 053	1			PEDAL, Accelerator
	4227 170	1			w/2.2L Eng. (E68)
6	2899 342	1			PAD
7	9429 032	1			PIN, Spring
8					BRACKET and SHAFT, Accelerator
	4241 765	1		M,Z	Up To 9-14-82
	4275 543	1		M,Z	After 9-14-82
	4201 377	1		P,D,C,V	
9	4201 048	1			SEAL, Bracket Mounting
10	6100 048	2			NUT w/WASHER
	3769 054	1		P,D,C,V	BEZEL, Accel Pedal
	5214 416	1			GROMMET, Throttle Control (not illustrated)

**MODEL CODES**

B = GRAN FURY	G = DIPLOMAT	V = 400
C = LEBARON/TOWN & COUNTRY	M = HORIZON/TURISMO/SCAMP	X = MIRADA
D = ARIES	P = RELIANT	Y = IMPERIAL
E = 600	S = CORDOBA	Z = OMNI/CHARGER/RAMPAGE
F = FIFTH AVENUE	T = E CLASS/NEWYORKER	

**BODY STYLES**

21 = 2-DOOR SEDAN	41 = 4-DOOR SEDAN
22 = 2-DOOR SPECIAL COUPE	45 = 4-DOOR STATION WAGON
24 = 2-DOOR HATCHBACK	44 = 4-DOOR HATCHBACK
27 = 2-DOOR CONVERTIBLE	48 = EXECUTIVE SEDAN
28 = FWD PICKUP	

AR = Use as Required - = Non Illustrated Part P.A.R. = Paint as Required

ACCELERATOR PEDAL F,G,X,S,Y,B

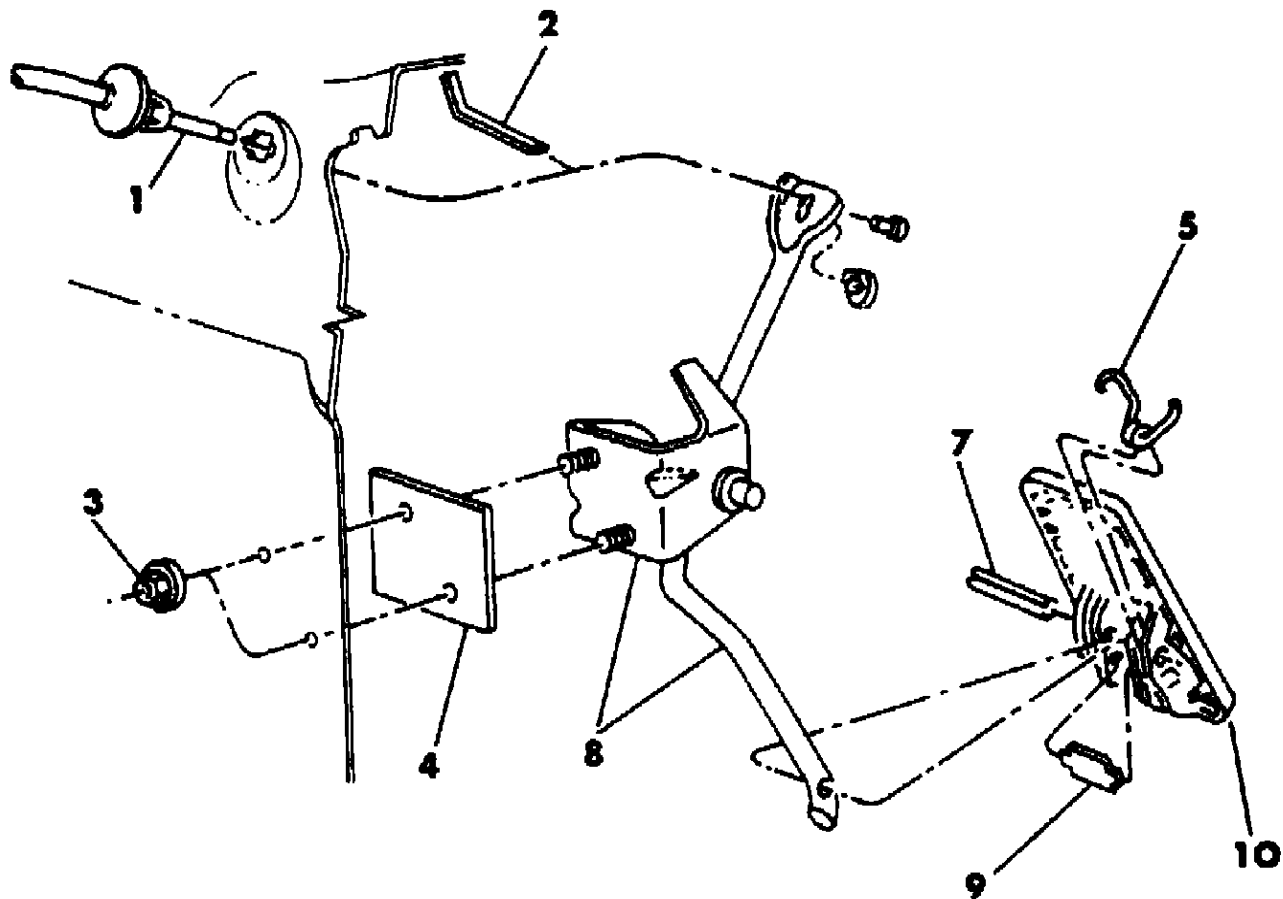
Figure 14-4300

3114 4300

ITEM	PART NUMBER	QTY	BODY	MODEL	DESCRIPTION
1					CABLE, Throttle Control, see Throttle Control Illustration
2	3462 725	1			RETAINER
3	6025 004	2			NUT w/WASHER
4	4201 048	1			SEAL
5	2899 354	1			SPRING
6	2465 483	1			PLUG
7	9429 032	1			PIN, Spring
8					BRACKET, Accelerator Shaft
	3870 689	1		F,G,B	
	4241 329	1		X,S,Y	
9	2899 342	1			PAD
10	4105 073	1			PEDAL, Acceleator

NOTE: The following items are not illustrated an offsetting order for part no. 3747881

4241 256	1				SPACER, Accel Pedal Bracket
2129 856	1				SPACER, Accel Pedal Bracket Spacer, w/318 Engine
3769 054	1				BEZEL, Accel Pedal
2899 351	2				BUSHING, Accel Shaft Bracket



MODEL CODES  
 B = GRAN FURY                          G = DIPLOMAT                          V = 400  
 C = LEBARON/TOWN & COUNTRY          M = HORIZON/TURISMO/SCAMP          X = MIRADA  
 D = ARIES                                  P = RELIANT                                  Y = IMPERIAL  
 E = 600    S = CORDOBA                                  Z = OMNI/CHARGER/RAMPAGE  
 F = FIFTH AVENUE                                  T = E CLASS/NEWYORKER

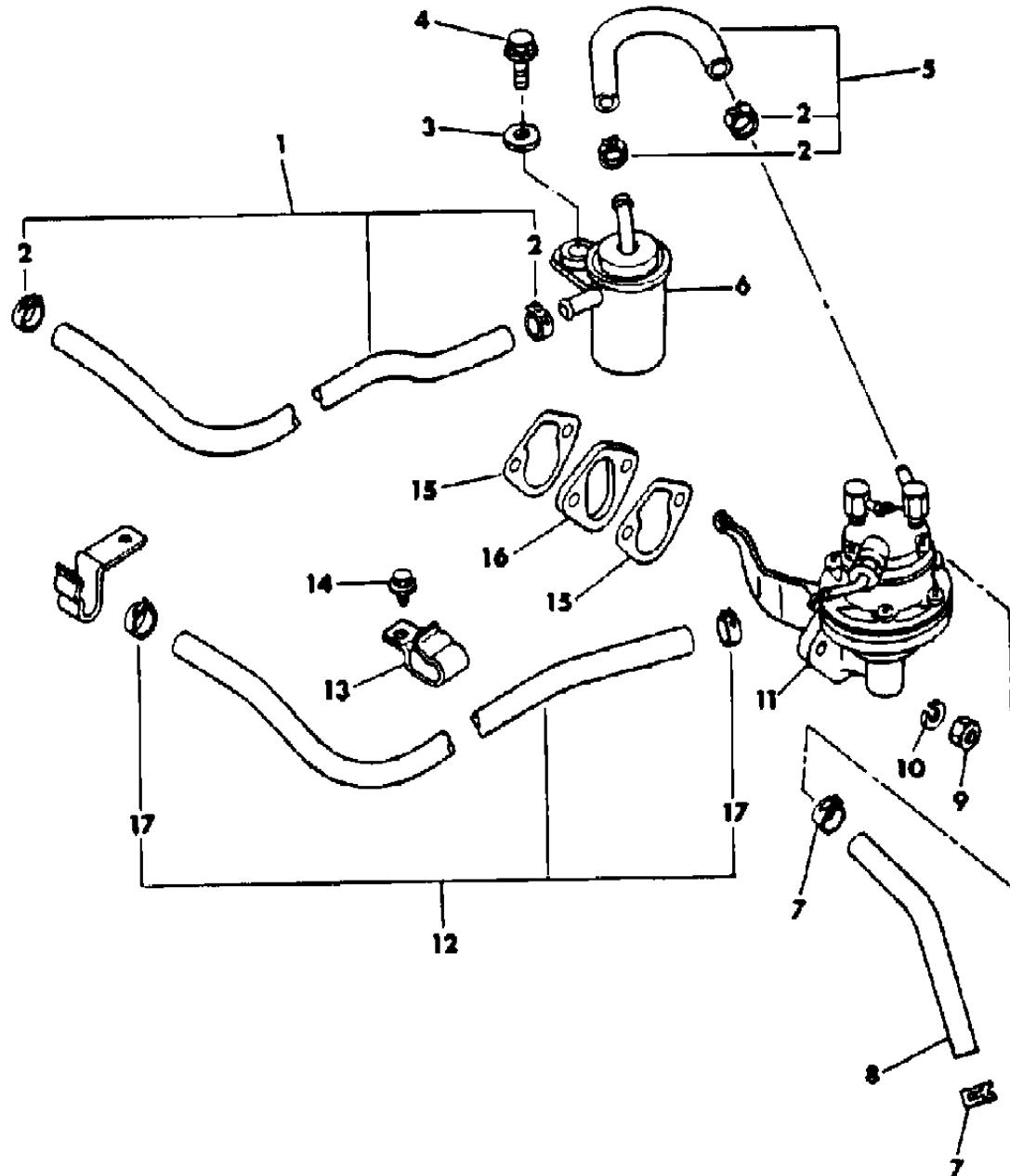
BODY STYLES  
 21 = 2-DOOR SEDAN                          41 = 4-DOOR SEDAN  
 22 = 2-DOOR SPECIAL COUPE                  45 = 4-DOOR STATION WAGON  
 24 = 2-DOOR HATCHBACK                          44 = 4-DOOR HATCHBACK  
 27 = 2-DOOR CONVERTIBLE                          48 = EXECUTIVE SEDAN  
 28 = FWD PICKUP

AR = Use as Required - = Non Illustrated Part P.A.R. = Paint as Required

# FUEL PUMP AND FUEL FILTER - W/2.6 LITER ENGINE

Figure 14-4400

3114 4400



ITEM	PART NUMBER	QTY	BODY	MODEL	DESCRIPTION
1					HOSE and CLIPS, Fuel
	MD02 6605	1			Up to April 1982
	MD06 3139	1			After April 1982
2	MS66 0164	4			CLIP, Hose
3	MD00 1521	1			WASHER, Plain
4	MF14 0027	1			BOLT, Flange
5	MD02 6606	1			HOSE and CLIPS, Fuel
6	MD02 6581	1			FILTER, Fuel
7	MS66 0162	1			CLIP, Hose
8	MD02 6607	1			HOSE and CLIPS, Fuel
9	MF43 0005	2			NUT
10	MF45 0405	2			WASHER, Spring
11	MD02 6591	1			PUMP, Fuel
12					HOSE and CLIPS, Fuel
	MD02 6608	1			Up to April 1982
	MD06 3140	1			After April 1982
13	MD02 6604	1			CLAMP, Fuel Hose
14	MF14 0202	1			BOLT, Flange
15	MD02 3388	2			GASKET, Fuel Pump
16	MD02 3389	1			INSULATOR, Fuel Pump
17	MS66 0162	2			CLIP, Hose

MODEL CODES

B = GRAN FURY	G = DIPLOMAT	V = 400
C = LEBARON/TOWN & COUNTRY	M = HORIZON/TURISMO/SCAMP	X = MIRADA
D = ARIES	P = RELIANT	Y = IMPERIAL
E = 600	S = CORDOBA	Z = OMNI/CHARGER/RAMPAGE
F = FIFTH AVENUE	T = E CLASS/NEWYORKER	

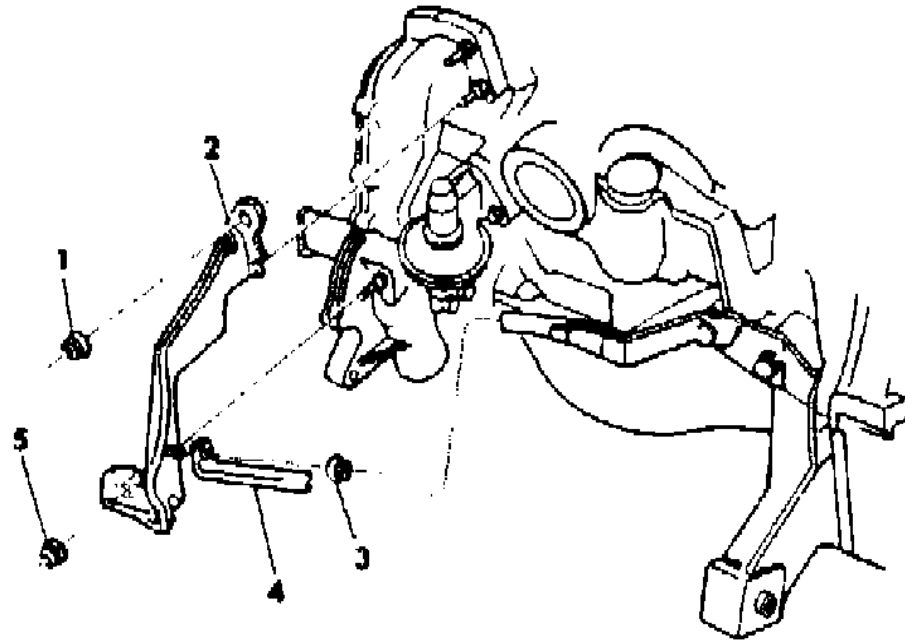
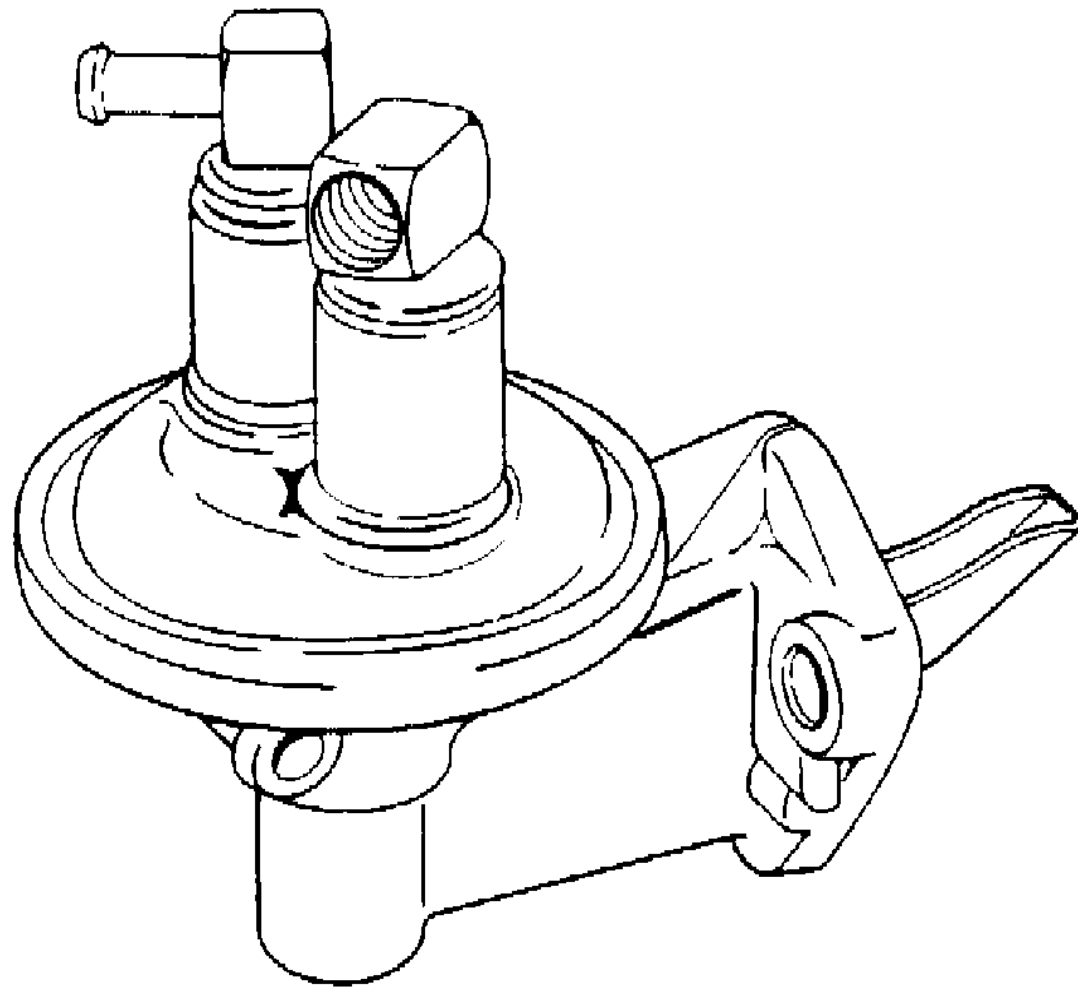
BODY STYLES

21 = 2-DOOR SEDAN	41 = 4-DOOR SEDAN
22 = 2-DOOR SPECIAL COUPE	45 = 4-DOOR STATION WAGON
24 = 2-DOOR HATCHBACK	44 = 4-DOOR HATCHBACK
27 = 2-DOOR CONVERTIBLE	48 = EXECUTIVE SEDAN
28 = FWD PICKUP	

AR = Use as Required - = Non Illustrated Part P.A.R. = Paint as Required

## FUEL PUMPS Figure 14-4500

3114 45 814



ITEM	PART NUMBER	QTY	BODY	MODEL	DESCRIPTION
NOTE: For Y Model- w/E.F.I.-318 (E43) Engine see illustration 14-4600 an offsetting order for part no. 3747881					
NOTE: For P,D,C,V,E,T Model w/2.6 Liter Engine see Illustration 14-4400 an offsetting order for part no. 3747881					
					PUMP, Fuel
	4271 946	1			w/1.6 Liter Engine
	4271 891	1			w/1.7 Liter Engine
	4271 892	1			w/2.2 Liter Engine
	4271 893	1			w/225 Engine
	4271 894	1			w/318 Engine
					GASKET, Fuel Pump Flange
	5240 332	1			w/1.6 Liter Engine
	5240 332	1			w/1.7 Liter Engine
	5214 680	1			w/2.2 Liter Engine
	3577 870	1			w/225,318 Engine
					BOLT, Fuel Pump Attaching
	6500 564	2			w/1.6 Liter Engine
	6023 526	2			w/225,318 Engine
1	6100 517	1			NUT, Hex Lock, w/2.2 Liter Eng.
2	4104 182	1			BLOCKER, Fuel Pump, w/2.2 Liter Eng.
3	6100 516	1			NUT, Hex Lock, w/2.2 Liter Eng.
4	4104 183	1			STRUT, Fuel Pump Blocker, w/2.2 Liter Eng.
5	6100 518	1			NUT, Hex Lock, w/2.2 Liter Eng.

**MODEL CODES**

B = GRAN FURY	G = DIPLOMAT	V = 400
C = LEBARON/TOWN & COUNTRY	M = HORIZON/TURISMO/SCAMP	X = MIRADA
D = ARIES	P = RELIANT	Y = IMPERIAL
E = 600	S = CORDOBA	Z = OMNI/CHARGER/RAMPAGE
F = FIFTH AVENUE	T = E CLASS/NEWYORKER	

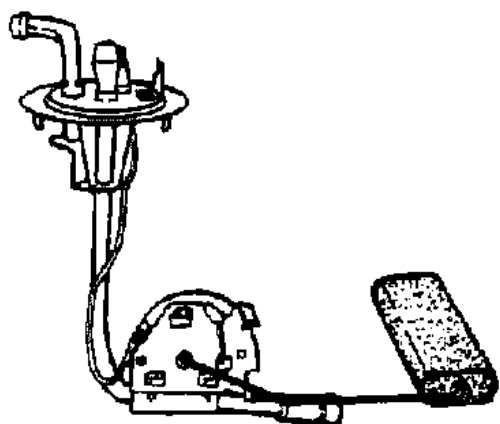
**BODY STYLES**

21 = 2-DOOR SEDAN	41 = 4-DOOR SEDAN
22 = 2-DOOR SPECIAL COUPE	45 = 4-DOOR STATION WAGON
24 = 2-DOOR HATCHBACK	44 = 4-DOOR HATCHBACK
27 = 2-DOOR CONVERTIBLE	48 = EXECUTIVE SEDAN
28 = FWD PICKUP	

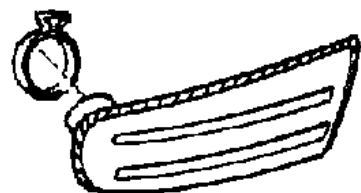
AR = Use as Required - = Non Illustrated Part P.A.R. = Paint as Required

FUEL PUMP AND SENDING UNIT W/E.F.I. - 318 (E43) ENGINE  
Figure 14-4600

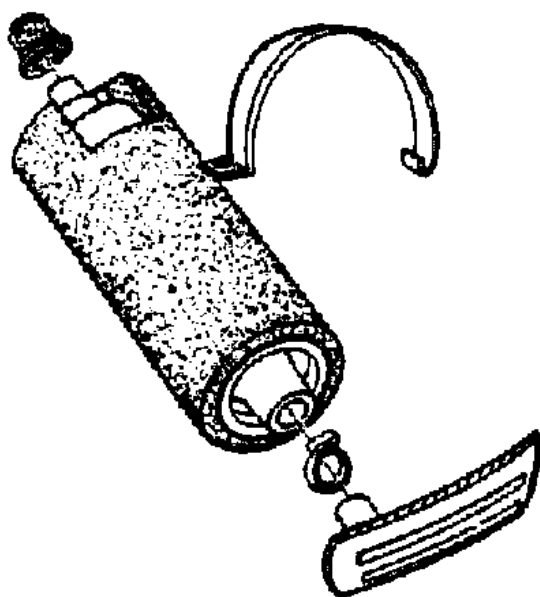
3114 4600



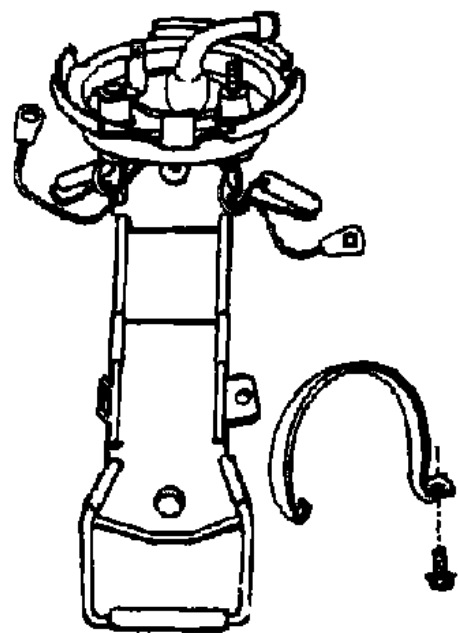
1



2



3



4

ITEM	PART NUMBER	QTY	BODY	MODEL	DESCRIPTION
1	4051 674	1			UNIT PACKAGE, Fuel Sending
	1948 757	1			SEAL, Fuel Level (not illustrated)
	1730 095	1			RETAINER, Fuel Unit (not illustrated)
2	4051 587	1			FILTER PACKAGE, Fuel Pump
	4051 583	1			PUMP PACKAGE, Fuel
3	6031 475	1			SEAL, Fuel Pump (not illustrated)
	4002 490	1			RETAINER, Fuel Pump (not illustrated)
	4051 586	1			MOUNTING PACKAGE, Fuel Pump
NOTE: The following items are not illustrated an offsetting order for part no. 3747881					
	4071 951	1			COVER, Fuel Pump Pad
	3577 870	1			GASKET, Fuel Pump Pad Cover
	4267 088	1			VALVE, Check

MODEL CODES

B = GRAN FURY	G = DIPLOMAT	V = 400
C = LEBARON/TOWN & COUNTRY	M = HORIZON/TURISMO/SCAMP	X = MIRADA
D = ARIES	P = RELIANT	Y = IMPERIAL
E = 600	S = CORDOBA	Z = OMNI/CHARGER/RAMPAGE
F = FIFTH AVENUE	T = E CLASS/NEWYORKER	

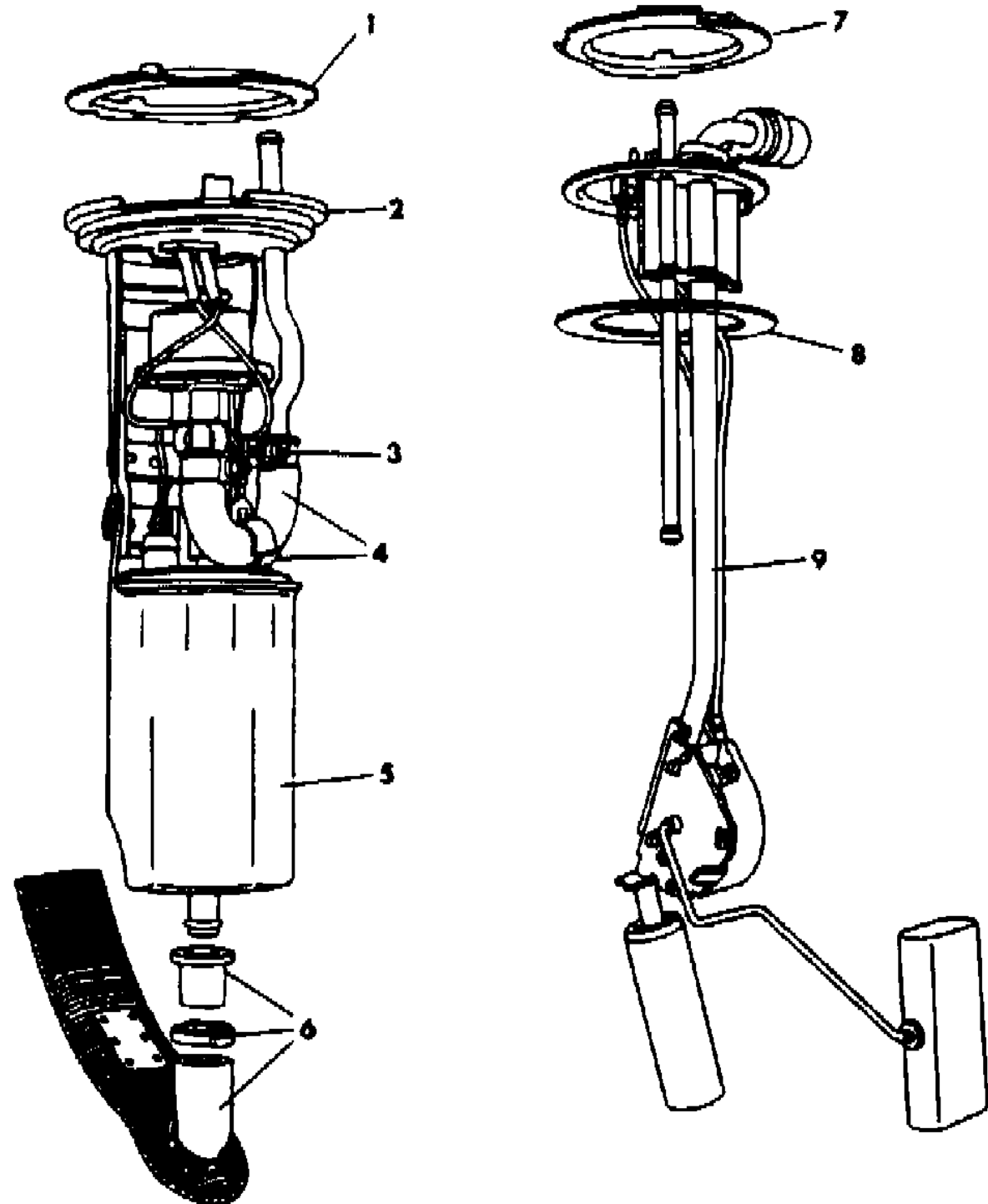
BODY STYLES

21 = 2-DOOR SEDAN	41 = 4-DOOR SEDAN
22 = 2-DOOR SPECIAL COUPE	45 = 4-DOOR STATION WAGON
24 = 2-DOOR HATCHBACK	44 = 4-DOOR HATCHBACK
27 = 2-DOOR CONVERTIBLE	48 = EXECUTIVE SEDAN
28 = FWD PICKUP	

AR = Use as Required - = Non Illustrated Part P.A.R. = Paint as Required

FUEL PUMP AND SENDING UNIT - W/T.B.I.  
Figure 14-4700

3114 4700



ITEM	PART NUMBER	QTY	BODY	MODEL	DESCRIPTION
1	4279 445	1			RETAINER, Fuel PUMP
2	6031 475	1			SEAL, Fuel Pump
3	6500 651	2			CLAMP
4	4271 405	1			HOSE, w/SLEEVE
5	4279 296	1			PUMP, Less Filter, Fuel
6	4293 084	1			FILTER, Fuel Pump
7	1730 095	1			RETAINER, Fuel Sending Unit
8	1948 757	1			SEAL, Fuel Sending Unit
9	4051 663	1			UNIT, Fuel Sending
	4275 325	1			PAD, Fuel Pump Pad (not illustrated)

MODEL CODES

B = GRAN FURY	G = DIPLOMAT	V = 400
C = LEBARON/TOWN & COUNTRY	M = HORIZON/TURISMO/SCAMP	X = MIRADA
D = ARIES	P = RELIANT	Y = IMPERIAL
E = 600	S = CORDOBA	Z = OMNI/CHARGER/RAMPAGE
F = FIFTH AVENUE	T = E CLASS/NEWYORKER	

BODY STYLES

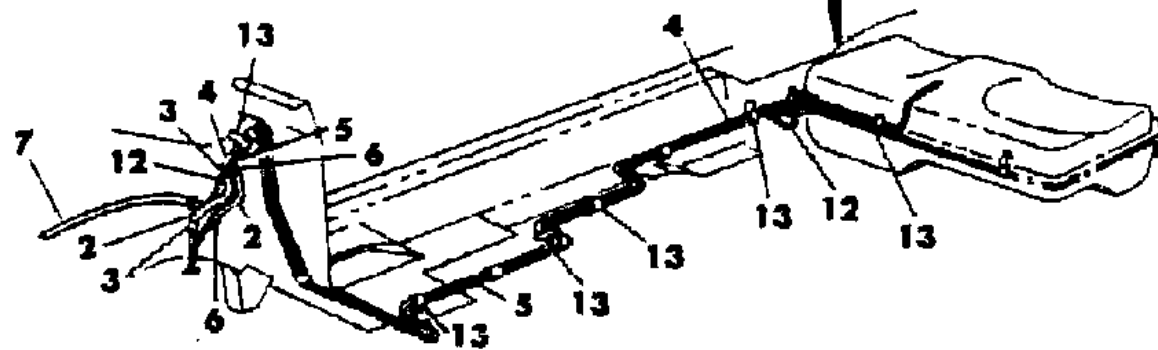
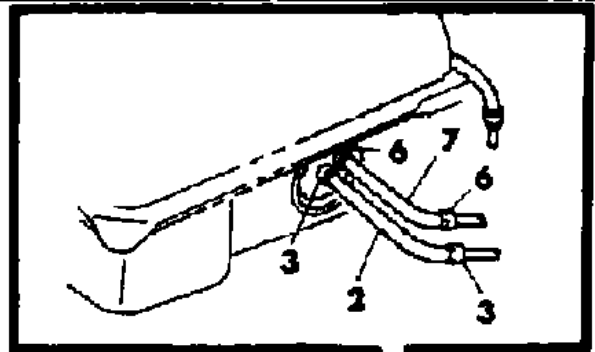
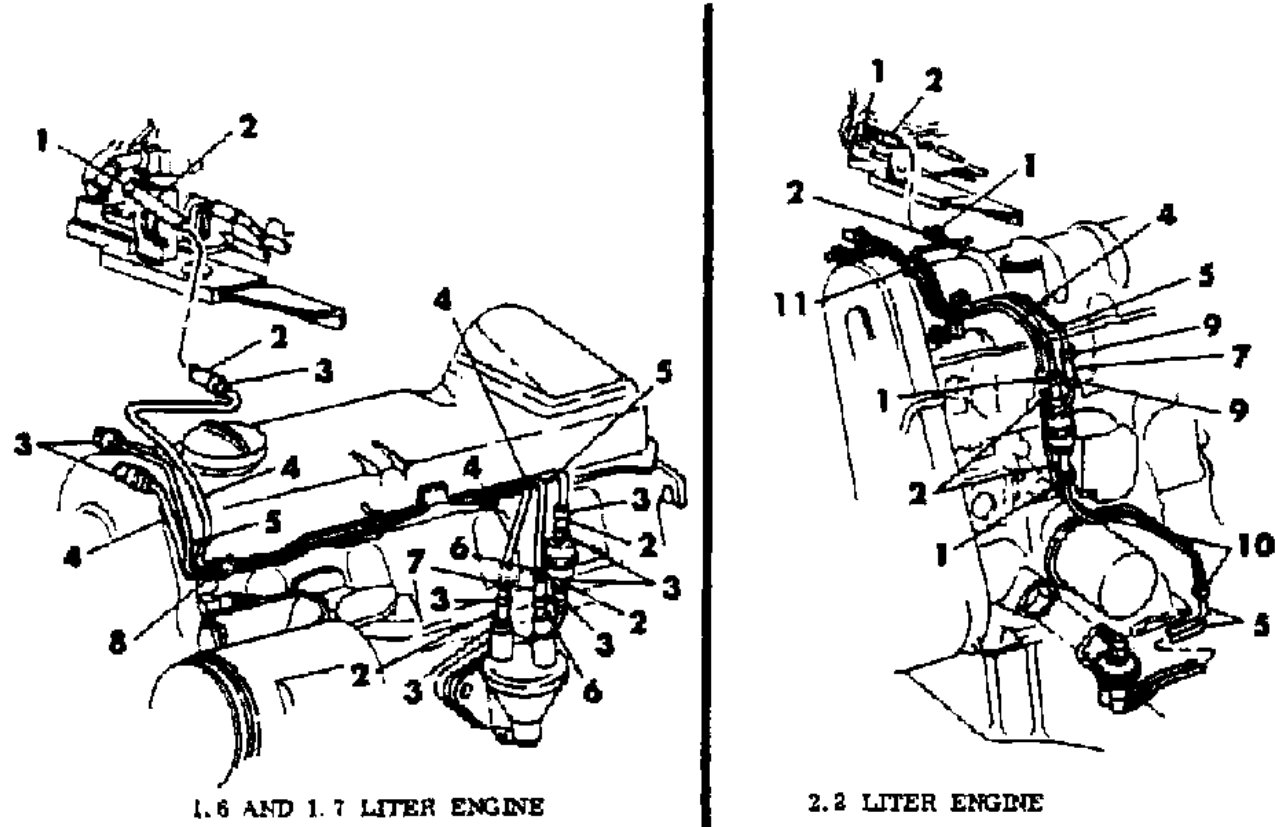
21 = 2-DOOR SEDAN	41 = 4-DOOR SEDAN
22 = 2-DOOR SPECIAL COUPE	45 = 4-DOOR STATION WAGON
24 = 2-DOOR HATCHBACK	44 = 4-DOOR HATCHBACK
27 = 2-DOOR CONVERTIBLE	48 = EXECUTIVE SEDAN
28 = FWD PICKUP	

AR = Use as Required - = Non Illustrated Part P.A.R. = Paint as Required



FUEL LINES - M,Z  
Figure 14-4800

3114 4800



ITEM	PART NUMBER	QTY	BODY	MODEL	DESCRIPTION
1	2463 937	AR			CLAMP
2	4203 316	AR			HOSE, (50 ft. roll) 5/16 I.D. Carb. to Fuel Tube Fuel Filter Fuel Pump
3	2448 761	AR			Return Tube Front to Engine Fuel Return Tube Fuel Tube Front to Engine Fuel Pump Tube Fuel Tube Rear to Fuel Tank
4	1843 253	AR			CLAMP
5	4268 268	AR			TUBE, (25 ft. roll) 5/16 I.D. Fuel Filter Hose to Carb. Hose Fuel Pump to Fuel Tank Tube Hose Fuel
6	1843 252	AR			TUBE, Fuel Filter Hose to Carb. Hose, w/1.6 Liter Engine
7	4203 211	AR			TUBE, (25 ft. roll) 1/4 O.D. Fuel Vapor Return Fuel Pump to Filter Hose Fuel Pump to Fuel Tank Tube Hose Fuel Vapor Return Fuel Return
8	5214 412	AR			CLAMP (not serviced)
9	2925 705	AR			CLAMP (not serviced)
10	2530 700	AR			CLIP
11	1843 251	AR			CLAMP (not serviced)
12		AR			HOSE, (50 ft. roll) 1/4 I.D. Fuel Pump Fuel Filter to Fuel Vapor Return Tube Vapor Tube Front to Canister Fuel Return Tube Rear to Fuel Tank
13		AR			CLIP, Fuel Tubes CLAMP (not serviced) CLIP TUBE, (25 ft. roll) 3/16 O.D. Fuel Vapor CLIP (not serviced)

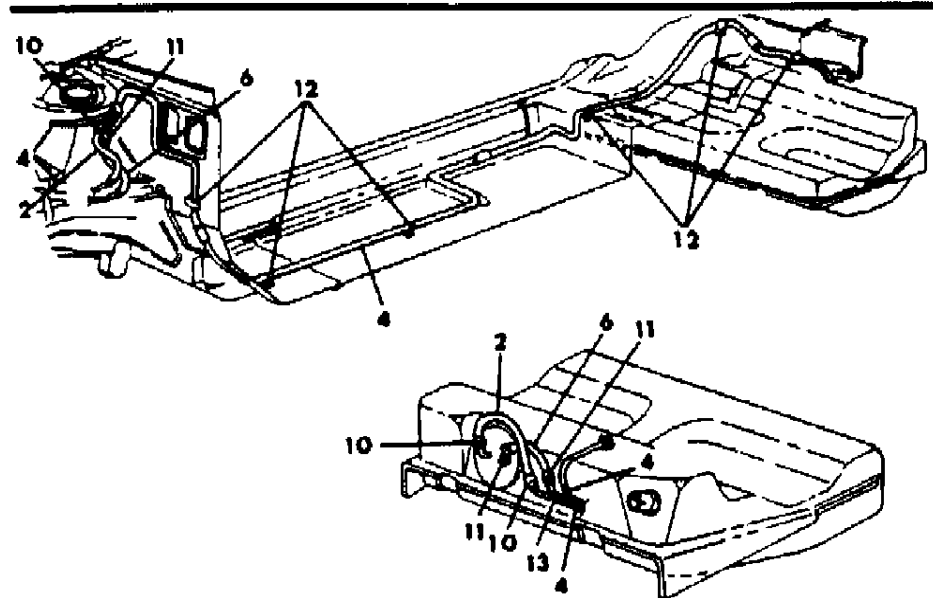
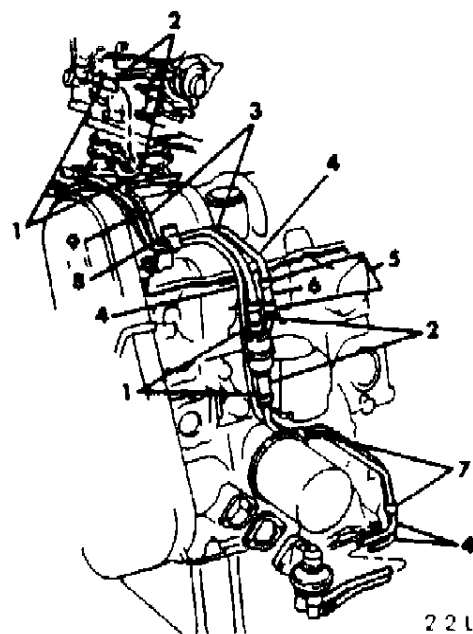
MODEL CODES  
 B = GRAN FURY  
 C = LEBARON/TOWN & COUNTRY  
 D = ARIES  
 E = 600  
 F = FIFTH AVENUE  
 G = DIPLOMAT  
 M = HORIZON/TURISMO/SCAMP  
 P = RELIANT  
 S = CORDOBA  
 T = E CLASS/NEWYORKER  
 V = 400  
 X = MIRADA  
 Y = IMPERIAL  
 Z = OMNI/CHARGER/RAMPAGE

BODY STYLES  
 21 = 2-DOOR SEDAN  
 22 = 2-DOOR SPECIAL COUPE  
 24 = 2-DOOR HATCHBACK  
 27 = 2-DOOR CONVERTIBLE  
 28 = FWD PICKUP  
 41 = 4-DOOR SEDAN  
 45 = 4-DOOR STATION WAGON  
 44 = 4-DOOR HATCHBACK  
 48 = EXECUTIVE SEDAN

AR = Use as Required - = Non Illustrated Part P.A.R. = Paint as Required

FUEL LINES - P,D,C,V,E,T  
Figure 14-4900

3114 4900



ITEM	PART NUMBER	QTY	BODY	MODEL	DESCRIPTION
1	2463 937	AR			CLAMP
2	4203 316	AR			HOSE, (50 ft. roll) 5/16 I.D. Fuel Filter Hose Tube to Carb. Fuel Filter Hose Fuel Tube Front to Fuel Pump Fuel Tube Rear to Fuel Tank
3	1843 253	AR			TUBE, (25 ft. roll) 5/16 O.D. Fuel Filter Hose to Carb. Hose
4	1843 252	AR			TUBE, (25 ft. roll) 1/4 O.D. Fuel Vapor Return Fuel Pump to Filter Hose Fuel Pump to Fuel Tank Tube Hose Fuel Fuel Vapor
5		AR			CLAMP (not serviced)
6	4203 211	AR			HOSE, (50 ft. roll) 1/4 I.D. Fuel Filter to Fuel Vapor Return Tube Fuel Return Front to Engine Fuel Return Rear to Fuel Tank
7	2925 705	2			CLIP
8		AR			CLIP (not serviced)
9	2530 700	1			CLIP
10	2448 761	AR			CLAMP
11		AR			CLAMP (not serviced)
12		AR			CLIP (not serviced)
13	4185 262	1			TUBE, Fuel Return

MODEL CODES

B = GRAN FURY	G = DIPLOMAT	V = 400
C = LEBARON/TOWN & COUNTRY	M = HORIZON/TURISMO/SCAMP	X = MIRADA
D = ARIES	P = RELIANT	Y = IMPERIAL
E = 600	S = CORDOBA	Z = OMNI/CHARGER/RAMPAGE
F = FIFTH AVENUE	T = E CLASS/NEWYORKER	

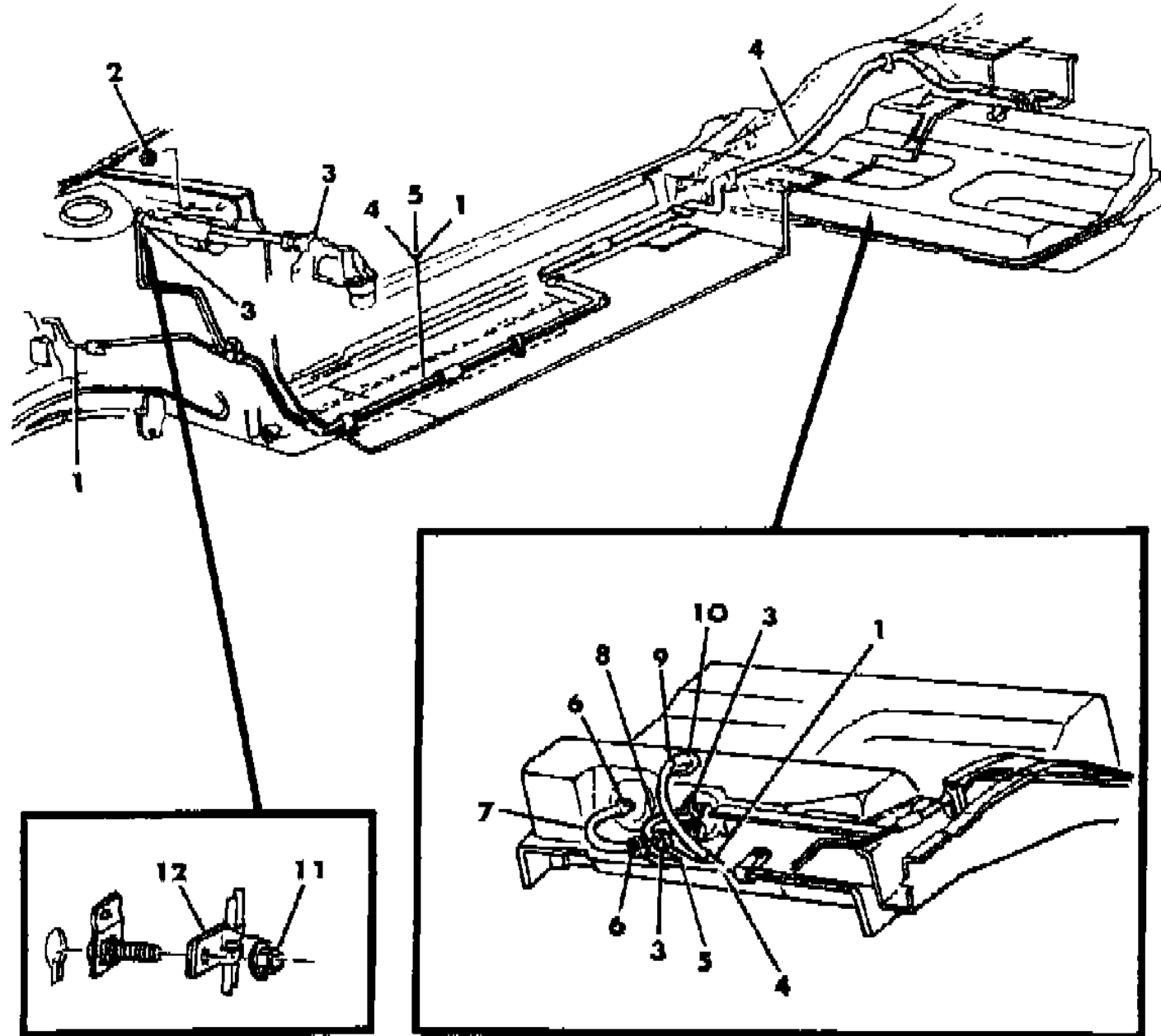
BODY STYLES

21 = 2-DOOR SEDAN	41 = 4-DOOR SEDAN
22 = 2-DOOR SPECIAL COUPE	45 = 4-DOOR STATION WAGON
24 = 2-DOOR HATCHBACK	44 = 4-DOOR HATCHBACK
27 = 2-DOOR CONVERTIBLE	48 = EXECUTIVE SEDAN
28 = FWD PICKUP	

AR = Use as Required - = Non Illustrated Part P.A.R. = Paint as Required

FUEL LINES - TBI  
Figure 14-5000

3114 5000



ITEM	PART NUMBER	QTY	BODY	MODEL	DESCRIPTION
1	4279 360	1			TUBE, Fuel Vapor
2	6025 004	2			NUT, w/ WASHER
3	6500 650	4			CLAMP
4	4279 541	AR			TUBE, Fuel
5	4279 511	AR			TUBE, Fuel Return
6	6500 651	2			CLAMP
7	4185 590	AR			HOSE, Fuel to Fuel Tank
8	4279 366	1			HOSE, Fuel Return to Fuel Tank
9	4203 106	AR			HOSE, Vapor
10	4185 254	1			VALVE, Roll Over
11	6025 004	1			NUT
12	6032 287	1			CLIP

MODEL CODES

B = GRAN FURY	G = DIPLOMAT	V = 400
C = LEBARON/TOWN & COUNTRY	M = HORIZON/TURISMO/SCAMP	X = MIRADA
D = ARIES	P = RELIANT	Y = IMPERIAL
E = 600	S = CORDOBA	Z = OMNI/CHARGER/RAMPAGE
F = FIFTH AVENUE	T = E CLASS/NEWYORKER	

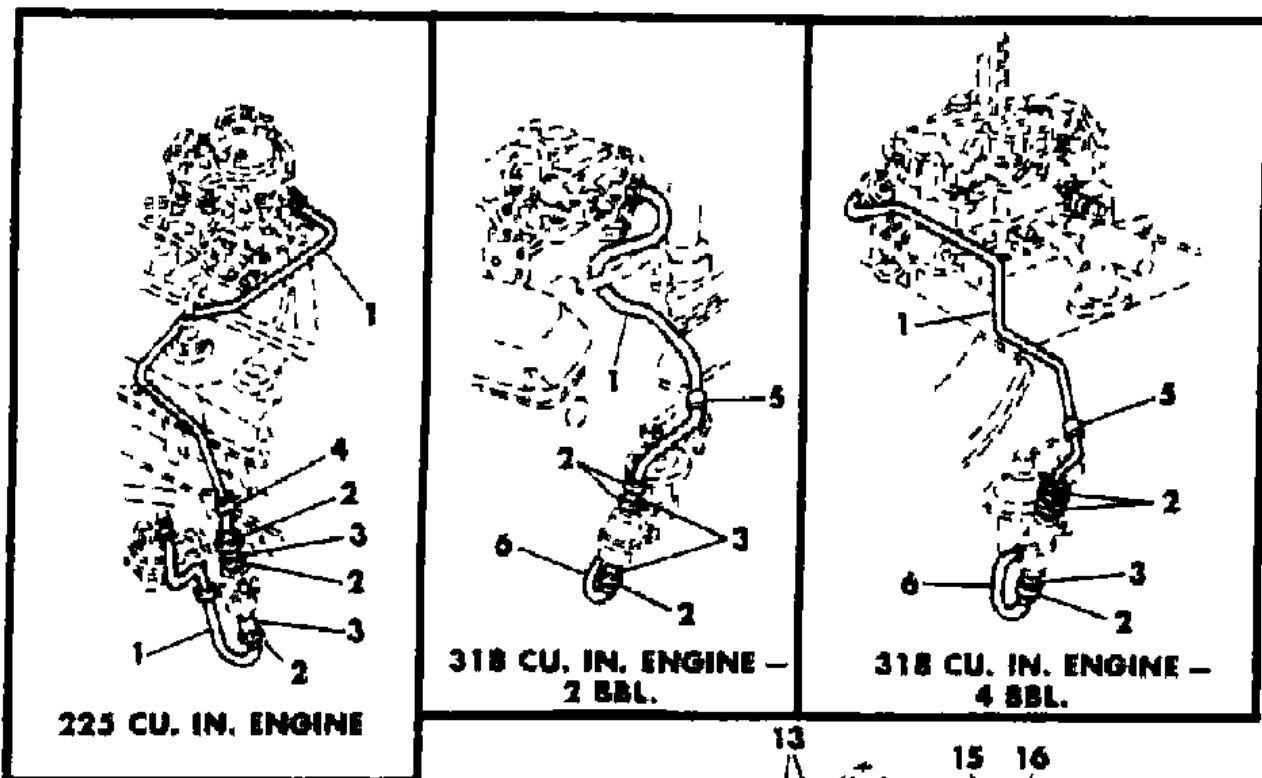
BODY STYLES

21 = 2-DOOR SEDAN	41 = 4-DOOR SEDAN
22 = 2-DOOR SPECIAL COUPE	45 = 4-DOOR STATION WAGON
24 = 2-DOOR HATCHBACK	44 = 4-DOOR HATCHBACK
27 = 2-DOOR CONVERTIBLE	48 = EXECUTIVE SEDAN
28 = FWD PICKUP	

AR = Use as Required - = Non Illustrated Part P.A.R. = Paint as Required

FUEL LINES - F,G,X,S,B  
Figure 14-5100

3114 5100

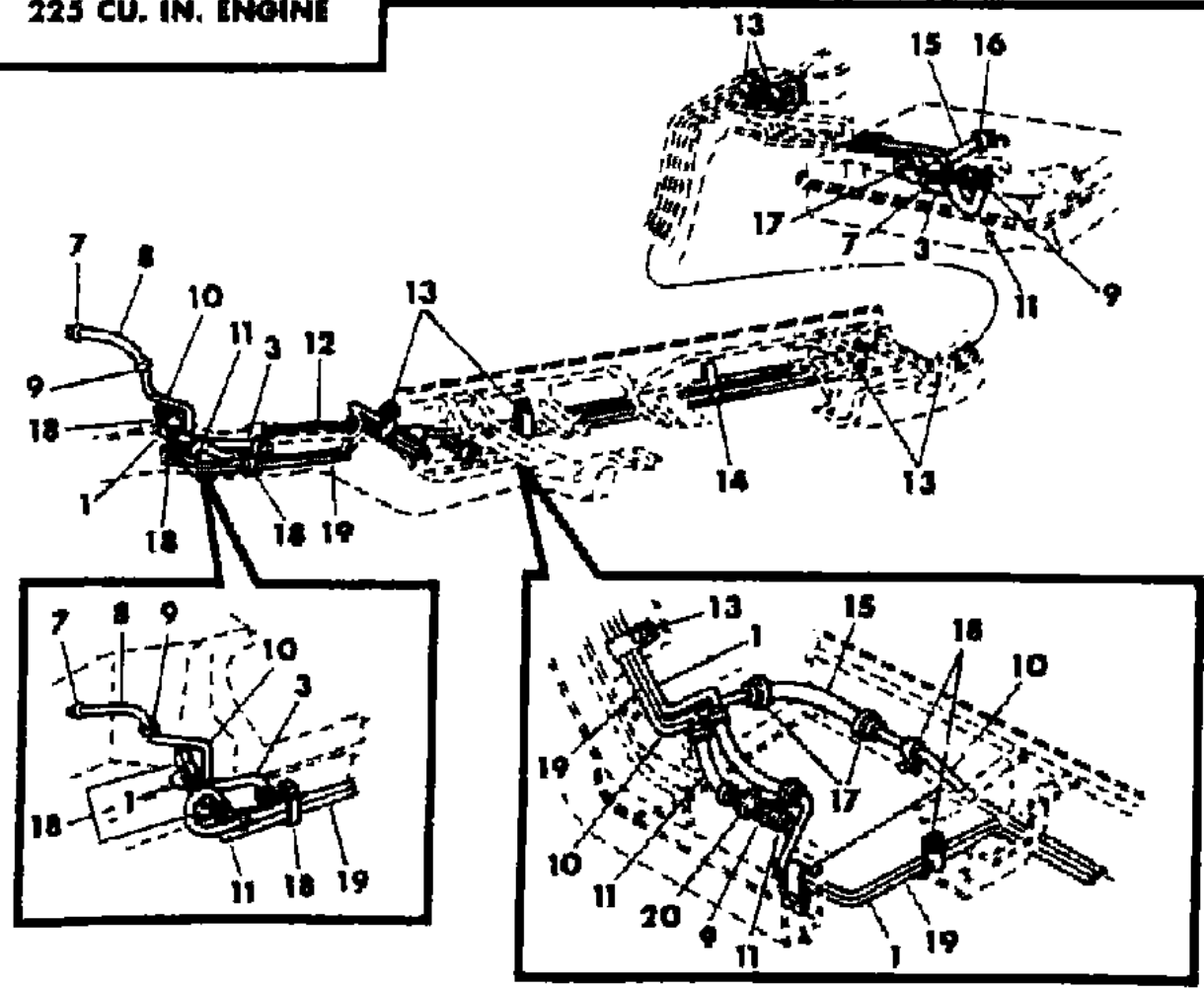


ITEM	PART NUMBER	QTY	BODY	MODEL	DESCRIPTION
1	1843 253	AR			TUBE, (25 ft. roll) 5/16 O.D. Fuel Filter Hose to Carb. Fuel Pump to Fuel Filter Hose Fuel Front Fuel Rear
2	2463 937	AR			CLAMP
3	4203 316	AR			HOSE, (50 ft. roll) 5/16 Fuel Filter Fuel Pump
4	4179 975	1			Fuel Tube Rear to Tank Front Fuel to Rear CLIP, Fuel Filter Hose to Carb. Tube
5	4179 759	1			CLIP, Fuel Tube Locating
6	4027 122	1			TUBE, Fuel Pump to Fuel Filter Hose
7	2448 761	AR			CLAMP
8	4210 989	1			HOSE, Vapor Canister to Fuel Tank Vapor Tube Front
9		AR			CLAMP (not serviced)
10	1843 251	AR			TUBE, (25 ft. roll) 3/16 O.D. Fuel Vapor Front Fuel Vapor Rear
11	4203 211	AR			HOSE, (50 ft. roll) 1/4 I.D. Fuel Return Tube Front to Filter Separator Fuel Return Tube Rear to Tank Fuel Return Check Valve to Fuel Return Tube Rear 6 Cyl. Fuel Return Check Valve to Fuel Return Tube Front 6 Cyl.
12	4185 424	1			Fuel Return Tube Front to Fuel Return Tube Rear PLATE, Fuel Tube Cover
13	3583 483	AR			CLIP
14		AR			CLIP, Fuel Vapor Tube Sill Push-On (not serviced)
15	4203 106	AR			HOSE, (50 ft. roll) 3/16 I.D. Fuel Vapor Tube Rear to Tank Fuel Vapor Tube Front To Fuel Vapor Tube Rear
16		AR			CLAMP (not serviced)
17	0153 456	AR			CLAMP
18		AR			CLIP (not serviced)
19	1843 252	AR			TUBE, (25 ft. roll) 1/4 O.D. Fuel Return Front

MODEL CODES  
 B = GRAN FURY  
 C = LEBARON/TOWN & COUNTRY  
 D = ARIES  
 E = 600  
 F = FIFTH AVENUE  
 G = DIPLOMAT  
 M = HORIZON/TURISMO/SCAMP  
 P = RELIANT  
 S = CORDOBA  
 T = E CLASS/NEWYORKER  
 V = 400  
 X = MIRADA  
 Y = IMPERIAL  
 Z = OMNI/CHARGER/RAMPAGE

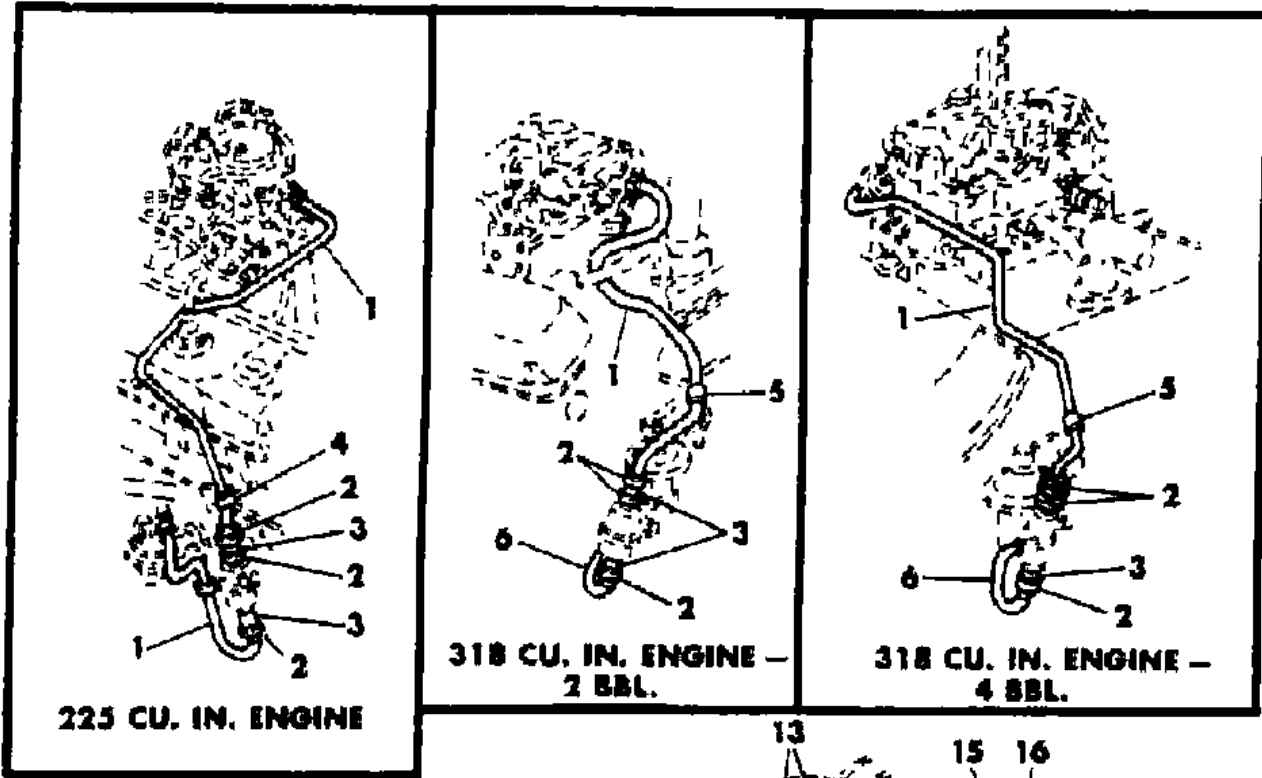
BODY STYLES  
 21 = 2-DOOR SEDAN  
 22 = 2-DOOR SPECIAL COUPE  
 24 = 2-DOOR HATCHBACK  
 27 = 2-DOOR CONVERTIBLE  
 28 = FWD PICKUP  
 41 = 4-DOOR SEDAN  
 45 = 4-DOOR STATION WAGON  
 44 = 4-DOOR HATCHBACK  
 48 = EXECUTIVE SEDAN

AR = Use as Required - = Non Illustrated Part P.A.R. = Paint as Required



FUEL LINES - F,G,X,S,B  
Figure 14-5100

3114 5100



ITEM	PART NUMBER	QTY	BODY	MODEL	DESCRIPTION
------	-------------	-----	------	-------	-------------

20	4185 363	1			Fuel Return Rear VALVE, Fuel Return Flow Check 6 Cyl.
----	----------	---	--	--	---

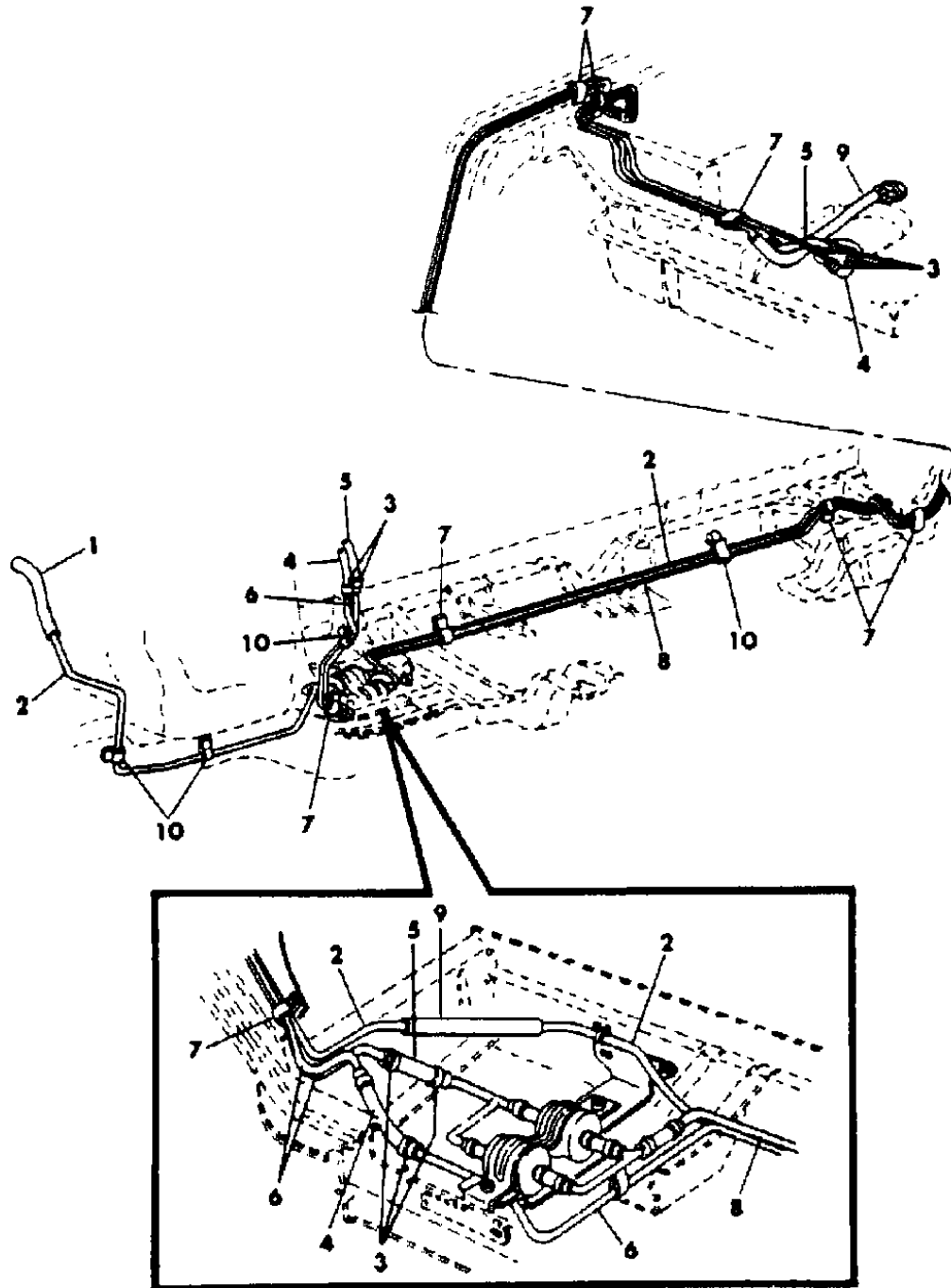
MODEL CODES  
 B = GRAN FURY                    G = DIPLOMAT                    V = 400  
 C = LEBARON/TOWN & COUNTRY   M = HORIZON/TURISMO/SCAMP   X = MIRADA  
 D = ARIES                            P = RELIANT                      Y = IMPERIAL  
 E = 600                                S = CORDOBA                      Z = OMNI/CHARGER/RAMPAGE  
 F = FIFTH AVENUE                T = E CLASS/NEWYORKER

BODY STYLES  
 21 = 2-DOOR SEDAN                41 = 4-DOOR SEDAN  
 22 = 2-DOOR SPECIAL COUPE    45 = 4-DOOR STATION WAGON  
 24 = 2-DOOR HATCHBACK        44 = 4-DOOR HATCHBACK  
 27 = 2-DOOR CONVERTIBLE      48 = EXECUTIVE SEDAN  
 28 = FWD PICKUP

AR = Use as Required - = Non Illustrated Part P.A.R. = Paint as Required

FUEL LINES - Y  
Figure 14-5200

3114 5200



ITEM	PART NUMBER	QTY	BODY	MODEL	DESCRIPTION
	4210 989	1			HOSE, Vapoe Canister to Fuel Tank Vapor Tube
	1843 251	1			TUBE, (25 ft roll) 3/16 O.D. Fuel Vapor Front Fuel Vapor Rear
3	6032 054	AR			CLAMP
4	4185 499	AR			HOSE, (50ft roll) 5/16 I.D. Fuel Return Tube Front to Mod. Tube Fuel Return Tube Front to Return Tube Rear Fuel Return Tube Rear to Fuel Tank
5	4185 500	AR			HOSE, (50ft roll) 3/8 I.D. Fuel Tube Front to Mod. Fuel Tube Front to Fuel Filter Fuel Return Tube Rear to Fuel Tank
6	1843 252	AR			TUBE, (25ft roll) 1/4 O.D. Fuel Front Fuel Return Fuel Return Rear
7	6031 303	7			CLIP
8	1843 254	AR			TUBE, (25ft roll) 3/8 O.D. Fuel Rear
9	4203 106	AR			HOSE, (50ft roll) 3/16 I.D. Fuel Vapor Tube Rear to Fuel Tank Fuel Vapor Tube Front to Fuel Vapor Tube Rear
10					CLIP (not serviced)

MODEL CODES

B = GRAN FURY	G = DIPLOMAT	V = 400
C = LEBARON/TOWN & COUNTRY	M = HORIZON/TURISMO/SCAMP	X = MIRADA
D = ARIES	P = RELIANT	Y = IMPERIAL
E = 600	S = CORDOBA	Z = OMNI/CHARGER/RAMPAGE
F = FIFTH AVENUE	T = E CLASS/NEWYORKER	

BODY STYLES

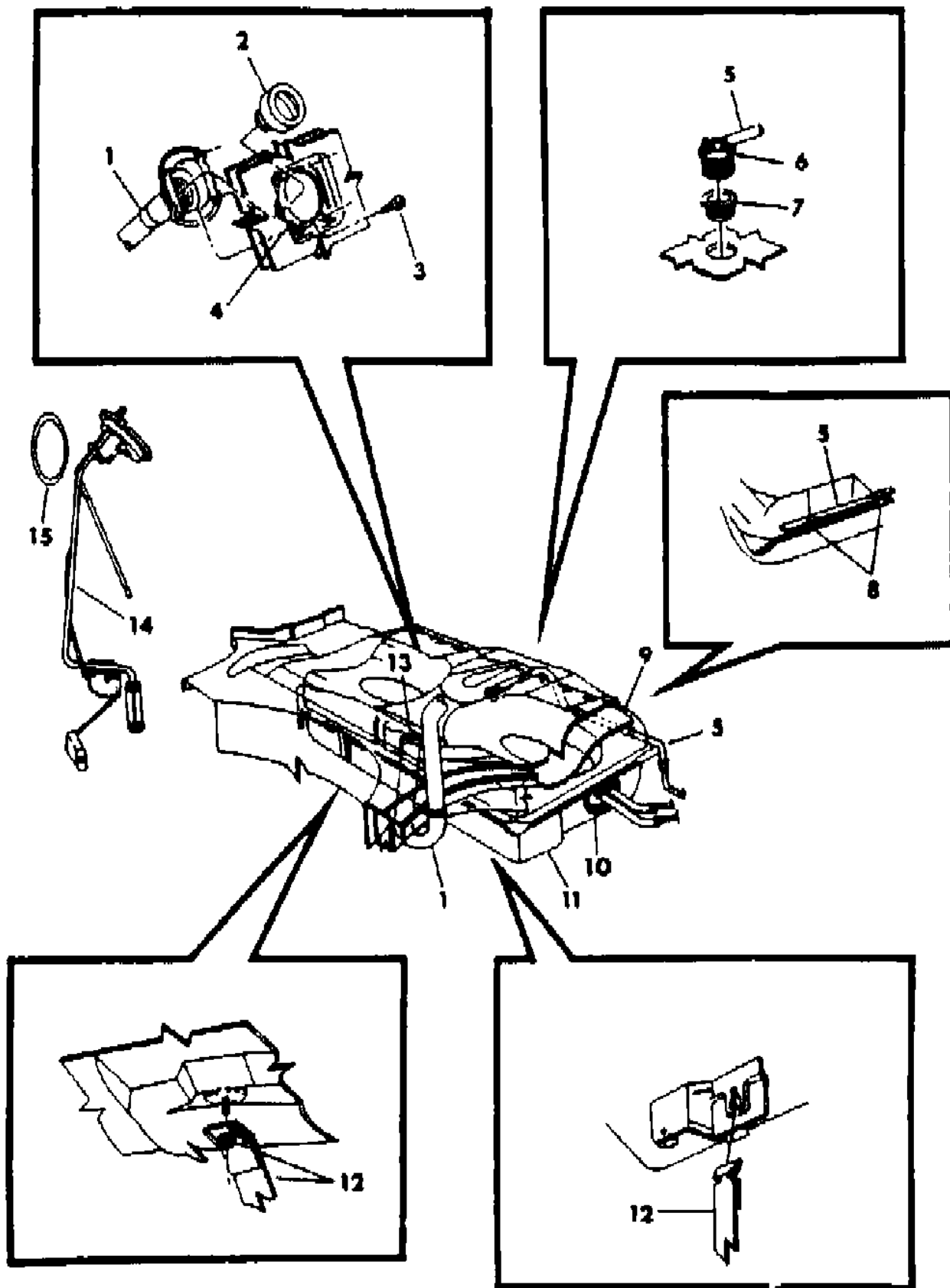
21 = 2-DOOR SEDAN	41 = 4-DOOR SEDAN
22 = 2-DOOR SPECIAL COUPE	45 = 4-DOOR STATION WAGON
24 = 2-DOOR HATCHBACK	44 = 4-DOOR HATCHBACK
27 = 2-DOOR CONVERTIBLE	48 = EXECUTIVE SEDAN
28 = FWD PICKUP	

AR = Use as Required - = Non Illustrated Part P.A.R. = Paint as Required

# FUEL TANK AND FUEL FILLER TUBES M,Z

## Figure 14-5300

3114 5300



ITEM	PART NUMBER	QTY	BODY	MODEL	DESCRIPTION
1					TUBE, Fuel Tank Filler
	4185 378	1	44		w/Unleaded Gas
	4185 376	1	24		w/Unleaded Gas
	4279 217	1	28		w/Unleaded Gas
	4279 218	1	28		w/Leaded Gas, Canada & Export
	4185 379	1	44		w/Leaded Gas, Canada & Export
2	4185 377	1	24		w/Leaded Gas, Canada & Export
					CAP, Gas
	4271 993	1	44,28		Non Locking
	5217 677	1	24		Non Locking
	5217 646	1	24		Locking
	4279 144	1	44,28		TETHER, Gas Cap
	3	AR			SCREW (not serviced)
4	5200 436	1	24		GASKET
5	4203 106	AR			HOSE, Vapor Tube Rear to Rollover Valve
6	4185 254	1			VALVE, Rollover and Vapor Separator
7	4002 149	1			GROMMET, Valve
8	5217 564	AR			CLIP, Vapor Hose to Fuel Tank
9	5217 516	2			INSULATOR, Fuel Tank
10	4002 490	1			RETAINER, Fuel Gauge
11	5217 670	1			TANK, Fuel
12	4185 520-1	1			STRAP, Fuel Tank Support
13	5217 578	1			GROMMET, Tank to Tube
14	5211 383	1			GAUGE, Tank Unit
15	6031 475	1			SEAL, O-Ring

NOTE: The following items are not illustrated an offsetting order for part no. 3747881

3792 550	1				LABEL, Unleaded Fuel Only
3791 699	1				French/English

**MODEL CODES**

B = GRAN FURY	G = DIPLOMAT	V = 400
C = LEBARON/TOWN & COUNTRY	M = HORIZON/TURISMO/SCAMP	X = MIRADA
D = ARIES	P = RELIANT	Y = IMPERIAL
E = 600	S = CORDOBA	Z = OMNI/CHARGER/RAMPAGE
F = FIFTH AVENUE	T = E CLASS/NEWYORKER	

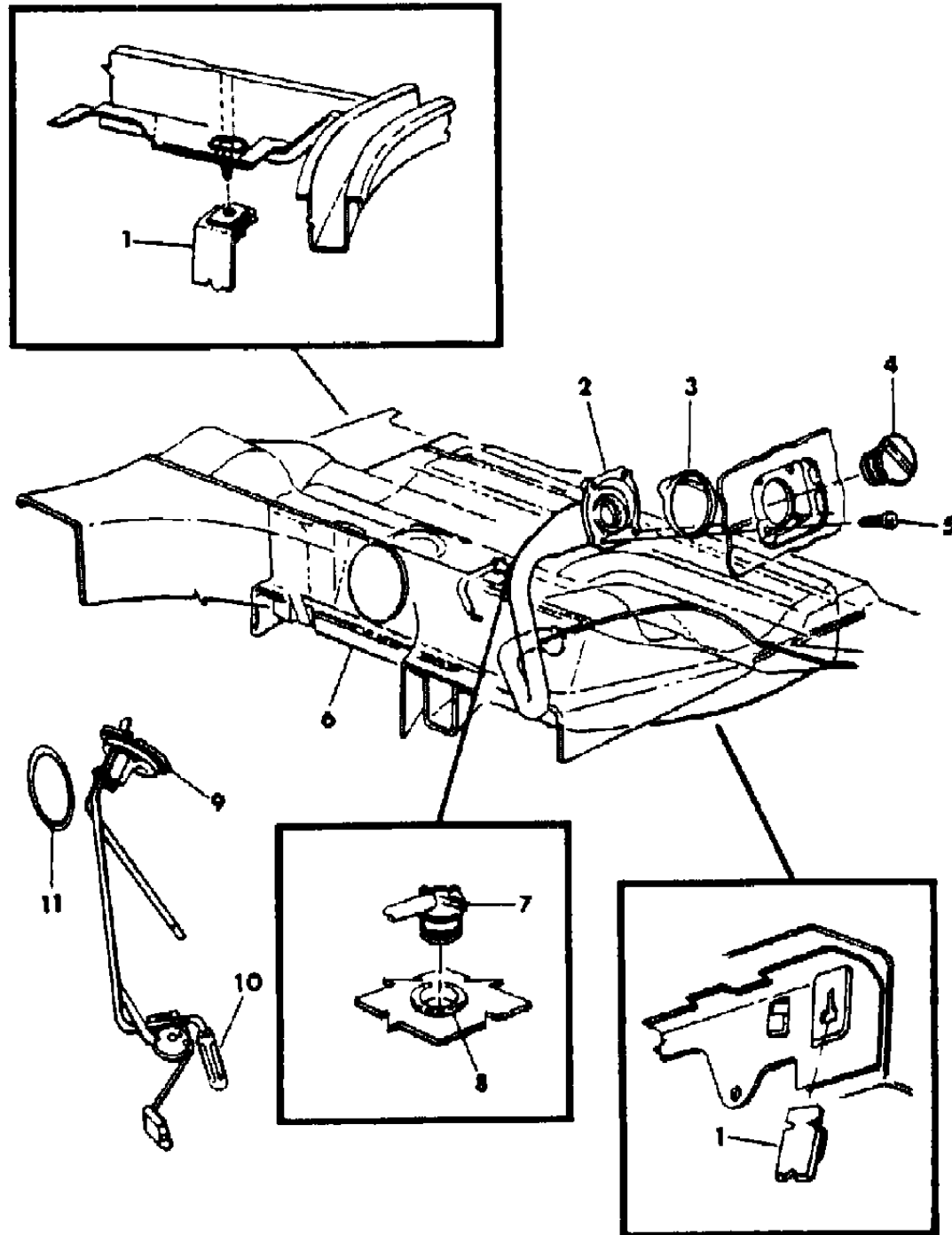
**BODY STYLES**

21 = 2-DOOR SEDAN	41 = 4-DOOR SEDAN
22 = 2-DOOR SPECIAL COUPE	45 = 4-DOOR STATION WAGON
24 = 2-DOOR HATCHBACK	44 = 4-DOOR HATCHBACK
27 = 2-DOOR CONVERTIBLE	48 = EXECUTIVE SEDAN
28 = FWD PICKUP	

AR = Use as Required - = Non Illustrated Part P.A.R. = Paint as Required

FUEL TANK AND FILLER TUBES P,D,C,V,E,T  
Figure 14-5400

3114 5400



ITEM	PART NUMBER	QTY	BODY	MODEL	DESCRIPTION
1					STRAP, Fuel Tank Support
	4185 490-1	1			UP to 1-3-83
	4279 486-7	1			After 1-3-83
2					TUBE, Fuel Tank Filler
	4185 409	1			w/ Unleaded Gas
	4185 410	1			w/ Leaded Gas, Canada & Export
3					GASKET, Filler Tube to Panel (serviced in Tube)
4					CAP, Gas
	4271 993	1			Non Locking
	4279 144	1			TETHER, Gas Cap
5		4			SCREW, Filler tube to Panel (not serviced)
6					TANK, Fuel
	4279 230	1			Up to 1-3-83
	4279 485	1			After 1-3-83
7	4185 254	1			VALVE, Rollover
8	4002 149	1			GROMMET, Rollover Valve
9					GAUGE, Tank Unit
	4051 682	1			w/o Warning Signals
	4051 684	1			w/ Warning Signals
10	1670 694	1			FILTER, Tank Unit Gauge
11	1948 757	1			SEAL, Tank Unit Gauge

NOTE: The following items are not illustrated an offsetting order for part no. 3747881

	5217 578	1			GROMMET, Fuel Tank to Filler Tube
	3792 550	1			LABEL, Unleaded Gas
	4304 651	1			Unleaded Premium Gas Recommended
	4185 506	1			PAD, Fuel Tank Positioning
	1730 095	1			RETAINER, Fuel Tank Gauge

MODEL CODES

B = GRAN FURY

C = LEBARON/TOWN & COUNTRY

D = ARIES

E = 600

F = FIFTH AVENUE

G = DIPLOMAT

M = HORIZON/TURISMO/SCAMP

P = RELIANT

S = CORDOBA

T = E CLASS/NEWYORKER

V = 400

X = MIRADA

Y = IMPERIAL

Z = OMNI/CHARGER/RAMPAGE

BODY STYLES

21 = 2-DOOR SEDAN

22 = 2-DOOR SPECIAL COUPE

24 = 2-DOOR HATCHBACK

27 = 2-DOOR CONVERTIBLE

28 = FWD PICKUP

41 = 4-DOOR SEDAN

45 = 4-DOOR STATION WAGON

44 = 4-DOOR HATCHBACK

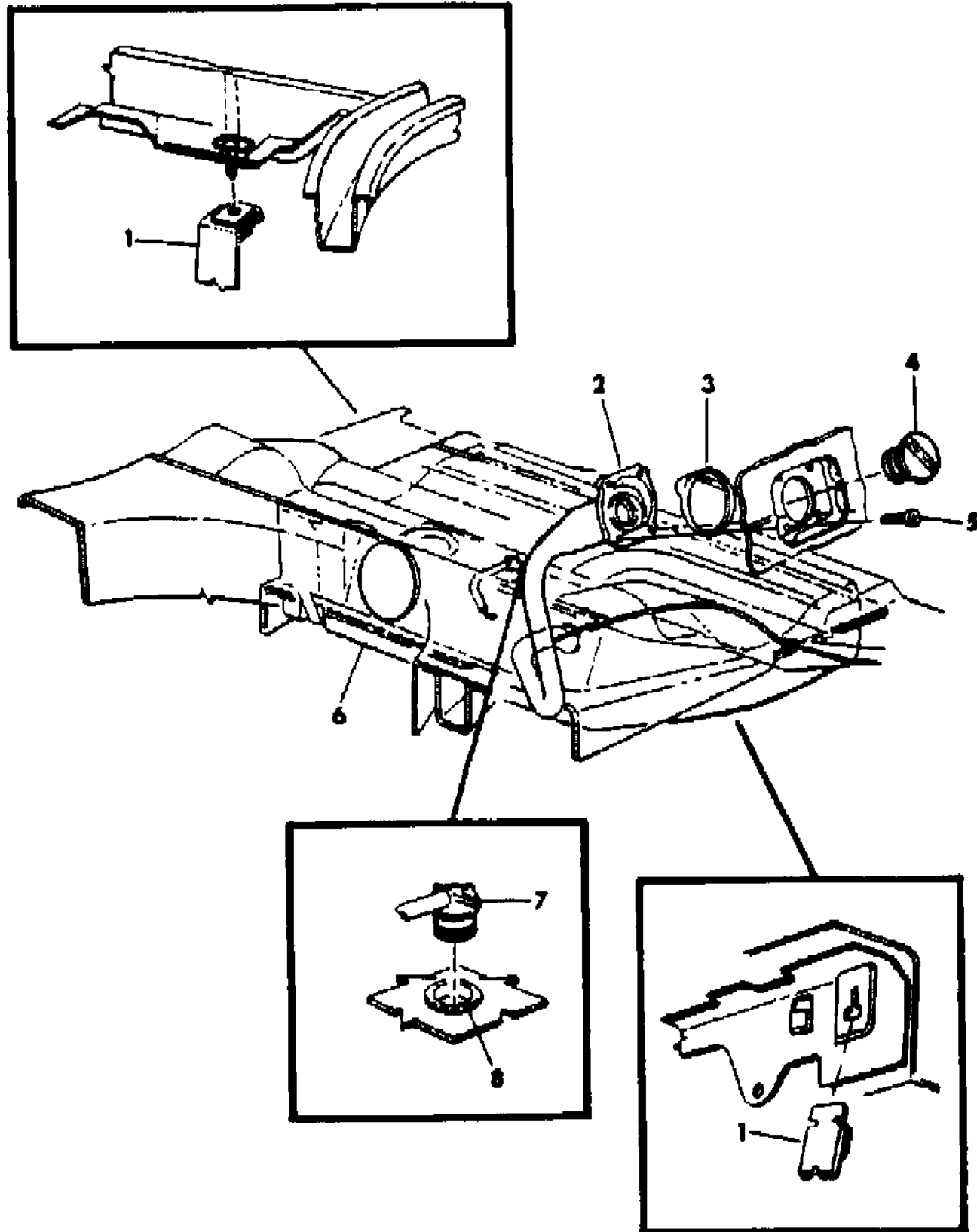
48 = EXECUTIVE SEDAN

AR = Use as Required - = Non Illustrated Part P.A.R. = Paint as Required



FUEL TANK AND FILLER TUBES T.B.I.  
Figure 14-5500

3114 5900



ITEM	PART NUMBER	QTY	BODY	MODEL	DESCRIPTION
1	4279 174-5	1			STRAP, Fuel Tank Support
2	4185 409	1			TUBE, Fuel Tank Filler
3					GASKET, Filler Tube to Panel (serviced in Tube)
4	4271 993	1			CAP, Gas
5					SCREW, Filler Tube to panel (not serviced)
6	4279 443	1			TANK, Fuel
7	4185 254	1			VALVE, Rollover
8	4002 149	1			GROMMET, Rollover Valve
NOTE: The following items are not illustrated an offsetting order for part no. 3747881					
	4185 506	1			PAD, Fuel Tank Positioning
	5217 578	1			GROMMET, Fuel Filler Tube

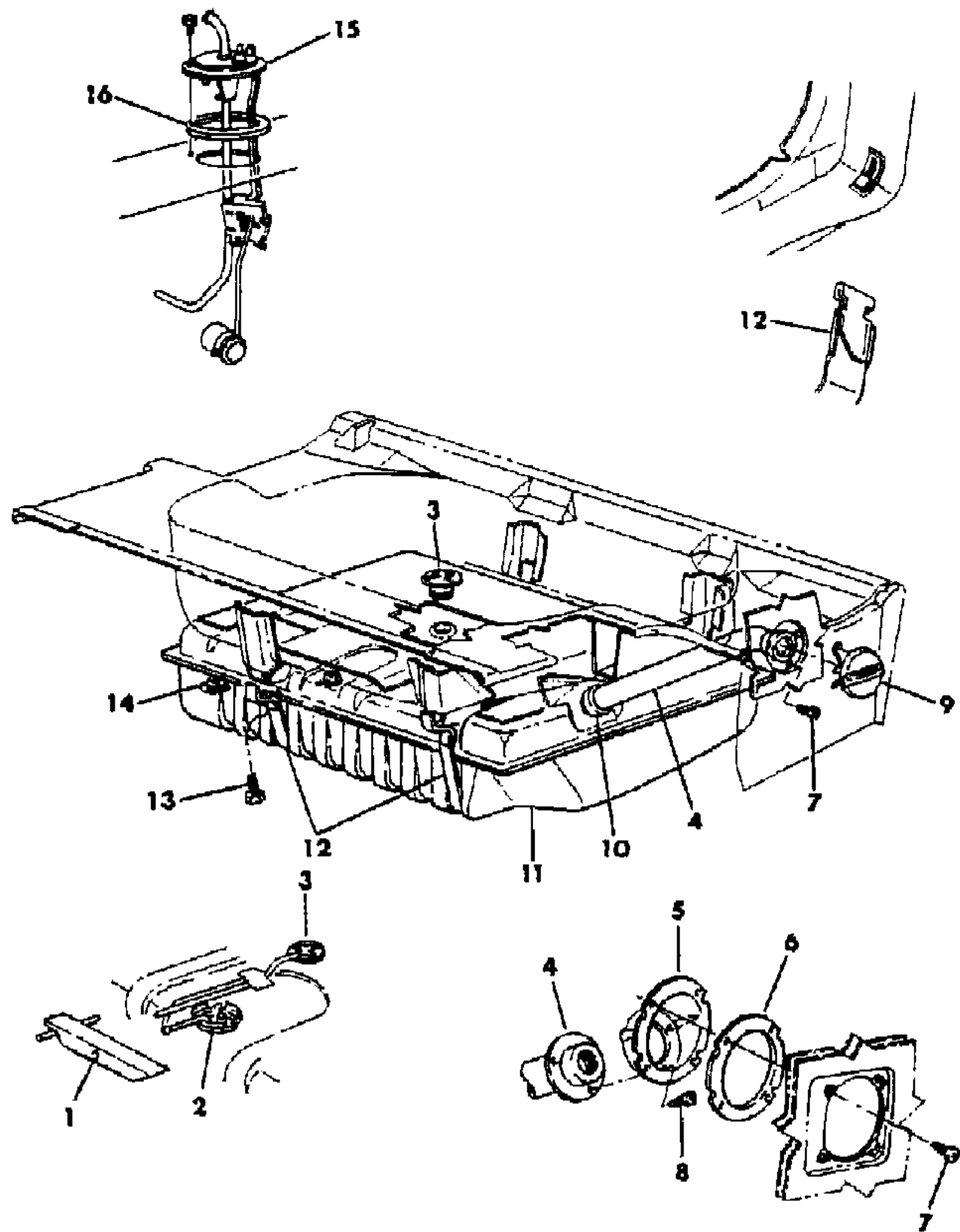
MODEL CODES  
 B = GRAN FURY  
 C = LEBARON/TOWN & COUNTRY  
 D = ARIES  
 E = 600  
 F = FIFTH AVENUE  
 G = DIPLOMAT  
 M = HORIZON/TURISMO/SCAMP  
 P = RELIANT  
 S = CORDOBA  
 T = E CLASS/NEWYORKER  
 V = 400  
 X = MIRADA  
 Y = IMPERIAL  
 Z = OMNI/CHARGER/RAMPAGE

BODY STYLES  
 21 = 2-DOOR SEDAN  
 22 = 2-DOOR SPECIAL COUPE  
 24 = 2-DOOR HATCHBACK  
 27 = 2-DOOR CONVERTIBLE  
 28 = FWD PICKUP  
 41 = 4-DOOR SEDAN  
 45 = 4-DOOR STATION WAGON  
 44 = 4-DOOR HATCHBACK  
 48 = EXECUTIVE SEDAN

AR = Use as Required - = Non Illustrated Part P.A.R. = Paint as Required

FUEL TANK AND FUEL FILLER TUBES F,G,X,S,Y,B  
Figure 14-5600

3114 5600



ITEM	PART NUMBER	QTY	BODY	MODEL	DESCRIPTION	
1	4185 449	1		F,G,X,S	SHIELD, Fuel Tank to Floor Pan Splash	
	4002 677	1				
2	4185 593	1		Y	RETAINER, Fuel Gauge	
	4002 490	1		F,G,X,S		
	1730 095	1		Y		
3	4002 252	1			VALVE, Rollover	
	4				TUBE, Fuel Tank Filler	
		4185 309	1		F,G,B	Unleaded Gas
		4185 312	1		F,G,B	Leaded Gas
		4185 311	1		X,S	Unleaded Gas
		4185 310	1		X,S	Leaded Gas
		4185 120	1		Y	Unleaded Gas
	4185 143	1		Y	Leaded Gas	
5					HOUSING, Filler Tube	
	4185 019	1		F,G,X,S		
6	4185 129	1		Y	GASKET, Filler Tube to Wheel House Panel	
	4185 037	1		F,G,B		
7	4185 037	1		X,S	SCREW, Housing to Body Panel	
	4185 118	1		Y		
	9414 722	4		Y		
		4		F,G,X,S		(not serviced)
8	9414 722	3		Y	SCREW, Housing to Filler Tube	
	9414 722	3		F,G,X,S		Except 45
9					CAP, Filler Tube	
	4186 237	1		F,G,B	Non Locking	
	4185 483	1		F,G,B	Locking	
	4186 237	1		X,S	Non Locking	
	4185 483	1		X,S	Locking	
	4185 483	1		Y	w/318 Eng., w/(SC-E46)	
10	4185 544	1		Y	w/E.F.I.	
	4186 237	1		Y	Non-Locking w/E46	
	4002 010	1			GROMMET, Fuel Tank to Filler Tube	
	11					TANK, Fuel
4279 004		1		F,G,X,S	Up to 10-25-82	
4279 479		1		F,G,X,S	After 10-25-82	
4185 578		1		Y	Up to 11-10-82	

MODEL CODES

B = GRAN FURY	G = DIPLOMAT	V = 400
C = LEBARON/TOWN & COUNTRY	M = HORIZON/TURISMO/SCAMP	X = MIRADA
D = ARIES	P = RELIANT	Y = IMPERIAL
E = 600	S = CORDOBA	Z = OMNI/CHARGER/RAMPAGE
F = FIFTH AVENUE	T = E CLASS/NEWYORKER	

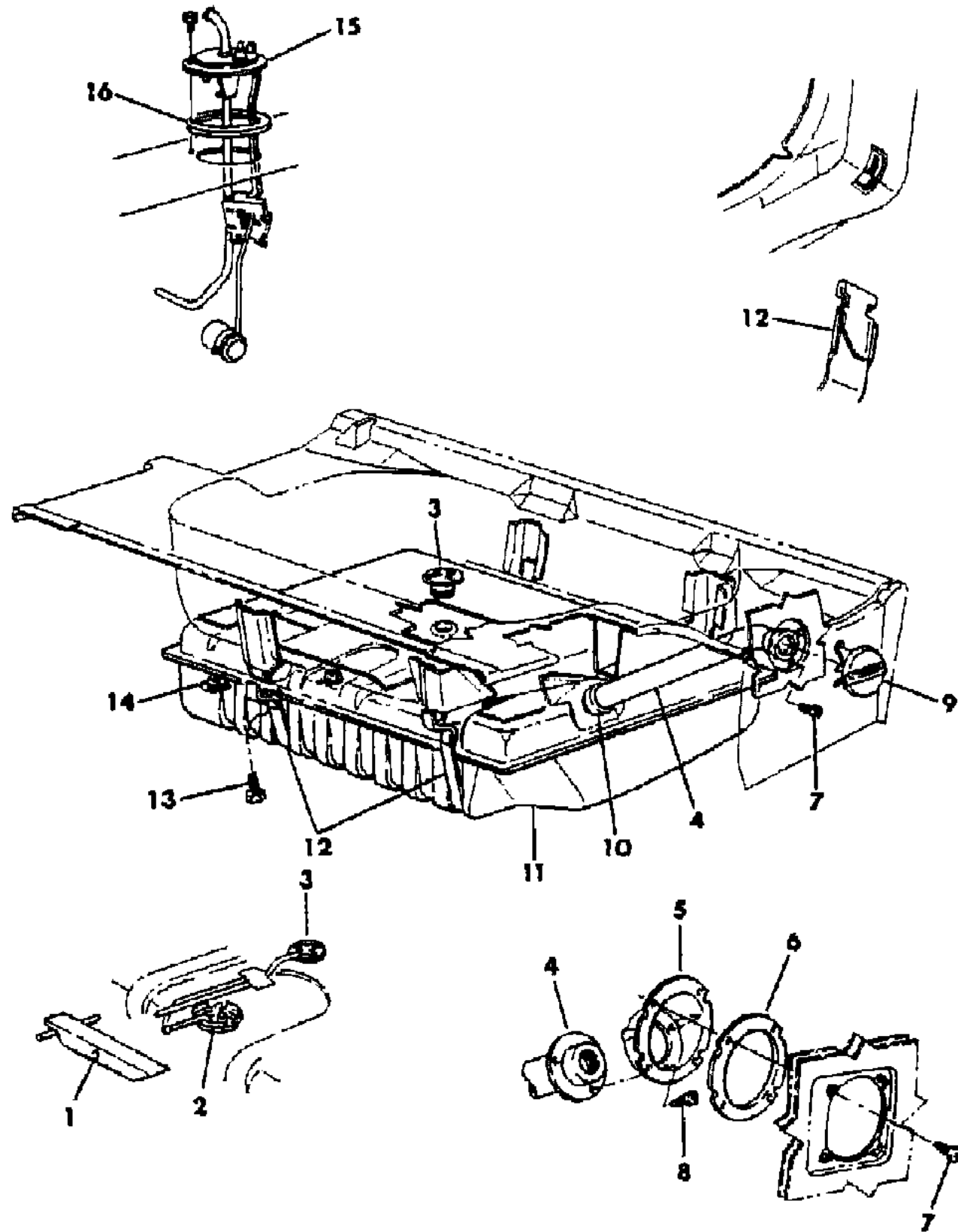
BODY STYLES

21 = 2-DOOR SEDAN	41 = 4-DOOR SEDAN
22 = 2-DOOR SPECIAL COUPE	45 = 4-DOOR STATION WAGON
24 = 2-DOOR HATCHBACK	44 = 4-DOOR HATCHBACK
27 = 2-DOOR CONVERTIBLE	48 = EXECUTIVE SEDAN
28 = FWD PICKUP	

AR = Use as Required - = Non Illustrated Part P.A.R. = Paint as Required

FUEL TANK AND FUEL FILLER TUBES F,G,X,S,Y,B  
Figure 14-5600

3114 5600



ITEM	PART NUMBER	QTY	BODY	MODEL	DESCRIPTION
	4279 472	1		Y	After 11-10-82
12	4185 450	1			STRAP, Fuel Tank Mounting
	4185 451	1			Right
	4185 451	1			Left
13	6031 706	2			BOLT
14		2			U-NUT (not serviced)
15					GAUGE, Tank Unit
	4051 398	1		F,G,B	
	4051 399	1		X,S	
	4051 415	1		Y	w/318 (E46,E44) Engine
For the "Y" body see the Fuel Pump and Sending Unit illustration 14-4600 an offsetting order for part no. 3747881					
16	6031 475	1		F,G,X,S	SEAL, Fuel Tank Gauge
	1948 757	1		Y	
	4002 149	1			GROMMET, Rollover Valve

MODEL CODES  
 B = GRAN FURY  
 C = LEBARON/TOWN & COUNTRY  
 D = ARIES  
 E = 600  
 F = FIFTH AVENUE  
 G = DIPLOMAT  
 M = HORIZON/TURISMO/SCAMP  
 P = RELIANT  
 S = CORDOBA  
 T = E CLASS/NEWYORKER  
 V = 400  
 X = MIRADA  
 Y = IMPERIAL  
 Z = OMNI/CHARGER/RAMPAGE

BODY STYLES  
 21 = 2-DOOR SEDAN  
 22 = 2-DOOR SPECIAL COUPE  
 24 = 2-DOOR HATCHBACK  
 27 = 2-DOOR CONVERTIBLE  
 28 = FWD PICKUP  
 41 = 4-DOOR SEDAN  
 45 = 4-DOOR STATION WAGON  
 44 = 4-DOOR HATCHBACK  
 48 = EXECUTIVE SEDAN

AR = Use as Required - = Non Illustrated Part P.A.R. = Paint as Required

---

**GROUP 16 - PROP.SHAFT**

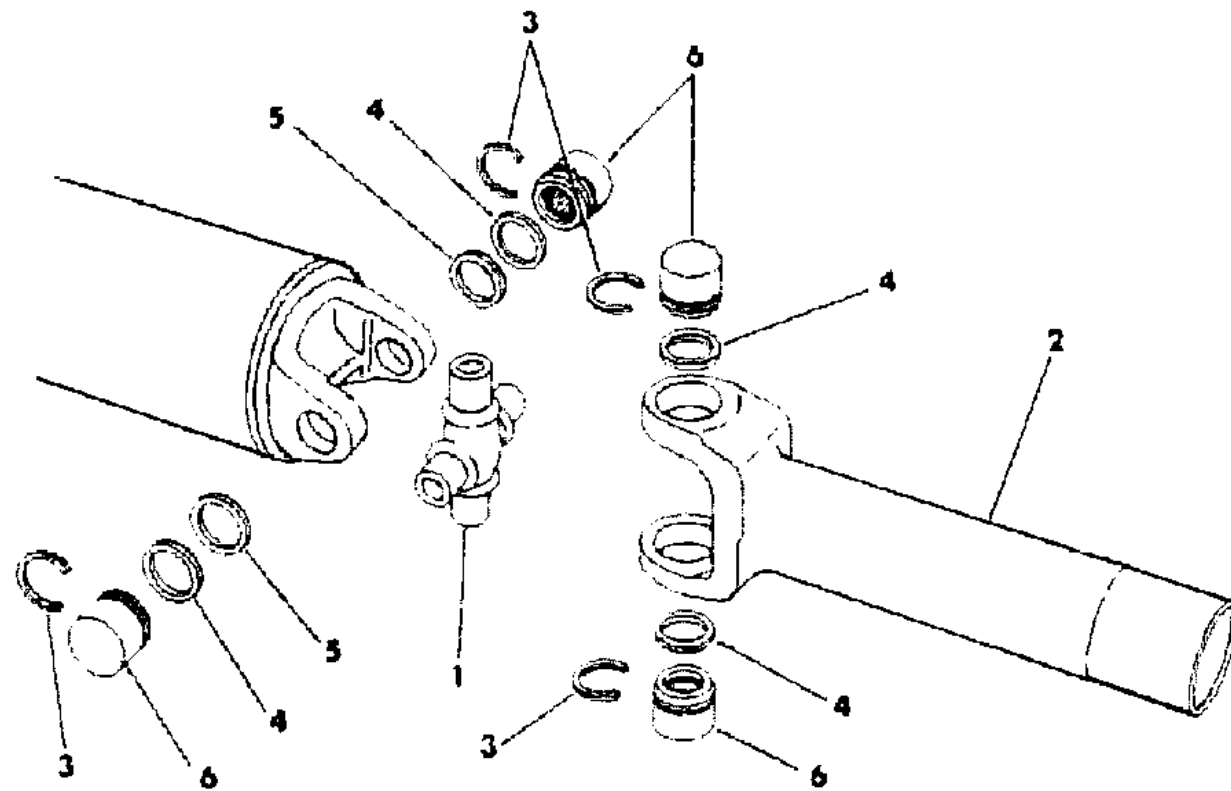
<b>ILLUSTRATION TITLE</b>	<b>GROUP-FIG. NO.</b>
PROPELLER SHAFT .....	Fig. 16-100
PROPELLER SHAFT IDENTIFICATION-7260 .....	Fig. 16-200

**ILLUSTRATION NOT AVAILABLE AT TIME OF PUBLICATION**

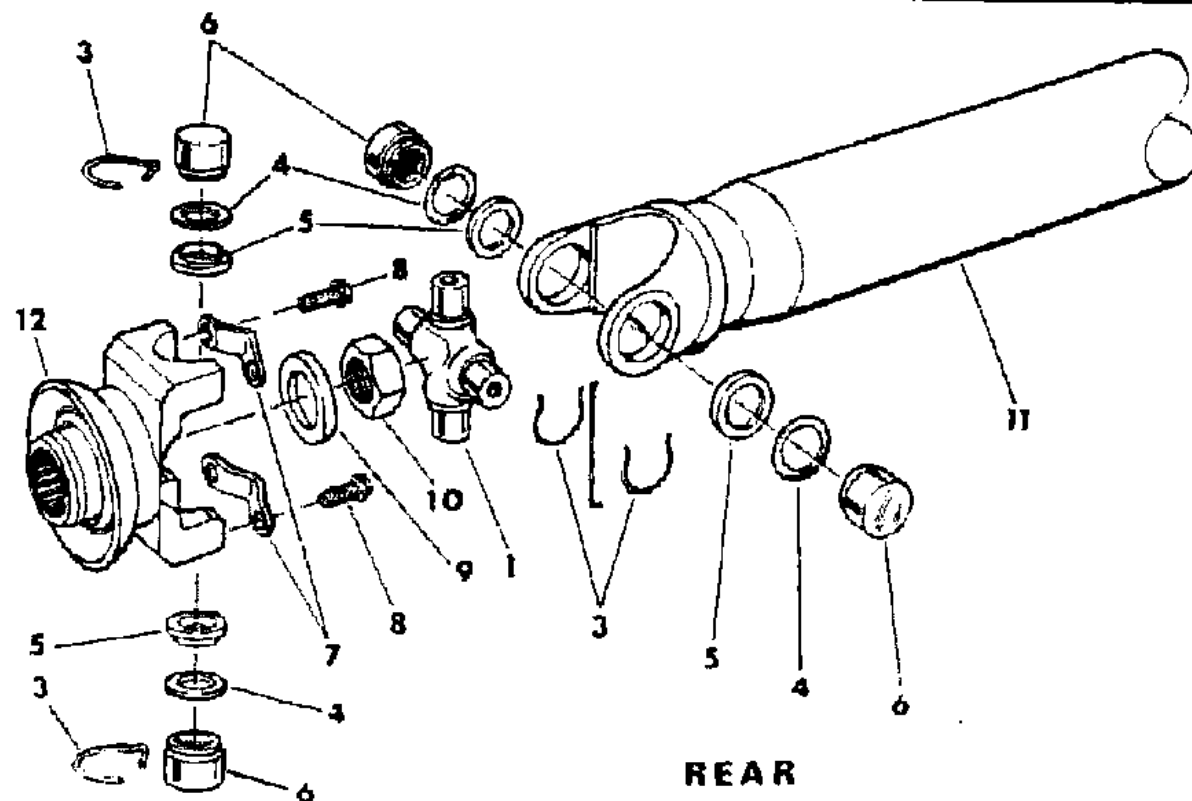
---

**PROPELLER SHAFT  
Figure 16-100**

3116 100



**FRONT**



**REAR**

ITEM	PART NUMBER	QTY	BODY	MODEL	DESCRIPTION
	3780 250	1		All	CROSS and Roller BUSHING PKG., Consists of: 4- ---- Cross Roller and Bushing 1- ---- Cross 4- 858006 Retainer
1	3780 250	1		All	CROSS PKG.
2	#4137 259	1		All	YOKE, Assy., U/Jnt. Slip Spline, 8.03 Lgh., 29 Tooth Spline, w/ 727 Auto. Trans. 6.86 Lgh., 25 Tooth Spline, all except 727 Auto. Trans.
3	0858 006	AR		All	RETAINER, U/Jnt. Cross Roller Bushing (Oversize)
	3516 517	AR		All	RETAINER, U/Jnt. Cross Roller
	1739 909	AR		All	RETAINER, U/Jnt. Cross Roller
4	0857 999	AR		All	SEAL
5	1739 912	AR		All	RETAINER, Roller Dust Shield
6		AR		All	ROLLER and BUSHING (Serviced in above Pkg.)
7	1828 824	2		All	CLAMP
8	6029 562	4		All	SCREW
9	2070 117	1		All	WASHER
10	6028 041	1		All	NUT
11		1		All	SHAFT (See Chart)
12	3723 251	1		All	YOKE, Assy. Axle Drive Pinion, w/7-1/4", 8-1/4" Axle

**MODEL CODES**

B = GRAN FURY	G = DIPLOMAT	V = 400
C = LEBARON/TOWN & COUNTRY	M = HORIZON/TURISMO/SCAMP	X = MIRADA
D = ARIES	P = RELIANT	Y = IMPERIAL
E = 600	S = CORDOBA	Z = OMNI/CHARGER/RAMPAGE
F = FIFTH AVENUE	T = E CLASS/NEWYORKER	

**BODY STYLES**

21 = 2-DOOR SEDAN	41 = 4-DOOR SEDAN
22 = 2-DOOR SPECIAL COUPE	45 = 4-DOOR STATION WAGON
24 = 2-DOOR HATCHBACK	44 = 4-DOOR HATCHBACK
27 = 2-DOOR CONVERTIBLE	48 = EXECUTIVE SEDAN
28 = FWD PICKUP	

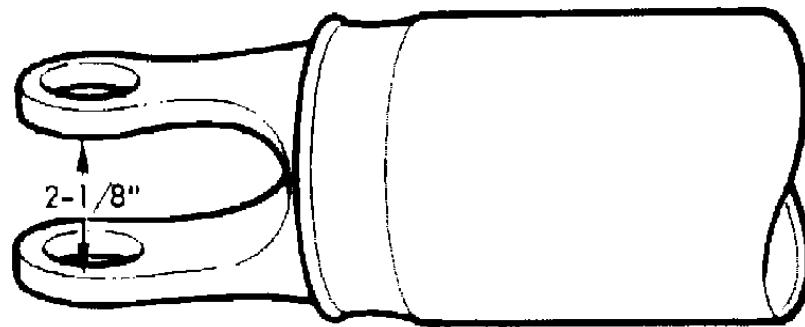
AR = Use as Required - = Non Illustrated Part P.A.R. = Paint as Required

PROPELLER SHAFT IDENTIFICATION-7260

Figure 16-200

3116 200

PROPELLER SHAFT TYPE IDENTIFICATION  
CAN BE DETERMINED BY  
INSIDE MEASUREMENT  
OF YOKE AREA AS FOLLOWS:



TYPE 7260  
2-1/8" INSIDE YOKE

ITEM	PART NUMBER	QTY	BODY	MODEL	DESCRIPTION
------	-------------	-----	------	-------	-------------

NOTE: The following Trans. Sale Codes are defined. an offsetting order for part no. 3747881

- w/(S/C-D09 = all Man. Trans) an offsetting order for part no. 3747881
- w/(S/C-D10 = all 3 speed Man. Trans.) an offsetting order for part no. 3747881
- w/(S/C-D30 = all Auto. Trans.) an offsetting order for part no. 3747881
- w/(S/C-D31 = A904 Auto Trans.) an offsetting order for part no. 3747881
- w/(S/C-D32 = A998 Auto Trans.) an offsetting order for part no. 3747881
- w/(S/C-D33 = A999 Auto Trans.) an offsetting order for part no. 3747881
- w/(S/C-D36 = A727 Auto Trans.) an offsetting order for part no. 3747881
- w/(S/C-D38 = A904 H. D. Auto Trans.) an offsetting order for part no. 3747881

- B,F,G,- 41; w/7.25 Axle |ALL Up To 2-21-83 NAll N54.35 N3 N3467570
- B,F,G,- 41; w/7.25 Axle |ALL After 2-21-83 NAll N54.35 N3 N3578426
- B,F,G,- 41,45; w/8.25 Axle|ALL ND31,D33,D38 N52.70 N3 N3467155
- X,S, w/8.25 Axle|All ND31,D33 N52.70 N3 N#3578245
- Y, w/8.25 Axle|All ND31,D33 N52.70 N3 N3578227
- B,F,G,-41,45, w/8.25 axle|All ND36 N48.60 N3 1/4 N3578372
- X,S,Y, w/8.25 Axle|All ND36 N48.60 N3 1/4 N3578372

MODEL CODES

- |                            |                           |                          |
|----------------------------|---------------------------|--------------------------|
| B = GRAN FURY              | G = DIPLOMAT              | V = 400                  |
| C = LEBARON/TOWN & COUNTRY | M = HORIZON/TURISMO/SCAMP | X = MIRADA               |
| D = ARIES                  | P = RELIANT               | Y = IMPERIAL             |
| E = 600                    | S = CORDOBA               | Z = OMNI/CHARGER/RAMPAGE |
| F = FIFTH AVENUE           | T = E CLASS/NEWYORKER     |                          |

BODY STYLES

- |                           |                           |
|---------------------------|---------------------------|
| 21 = 2-DOOR SEDAN         | 41 = 4-DOOR SEDAN         |
| 22 = 2-DOOR SPECIAL COUPE | 45 = 4-DOOR STATION WAGON |
| 24 = 2-DOOR HATCHBACK     | 44 = 4-DOOR HATCHBACK     |
| 27 = 2-DOOR CONVERTIBLE   | 48 = EXECUTIVE SEDAN      |
| 28 = FWD PICKUP           |                           |

AR = Use as Required - = Non Illustrated Part P.A.R. = Paint as Required

---

**GROUP 17 - REAR SUSPENSION**

<b>ILLUSTRATION TITLE</b>	<b>GROUP-FIG. NO.</b>
REAR SUSPENSION - M,Z-24,44 .....	Fig. 17-100
REAR SUSPENSION - M,Z-28 .....	Fig. 17-125
REAR SUSPENSION - P,D,V,C,E,T .....	Fig. 17-150
REAR SUSPENSION - B,F,G,X,S,Y .....	Fig. 17-200
FRONT SWAY BAR - B,F,G,X,S,Y .....	Fig. 17-400
REAR SWAY BAR - B,F,G,X,S,Y .....	Fig. 17-600

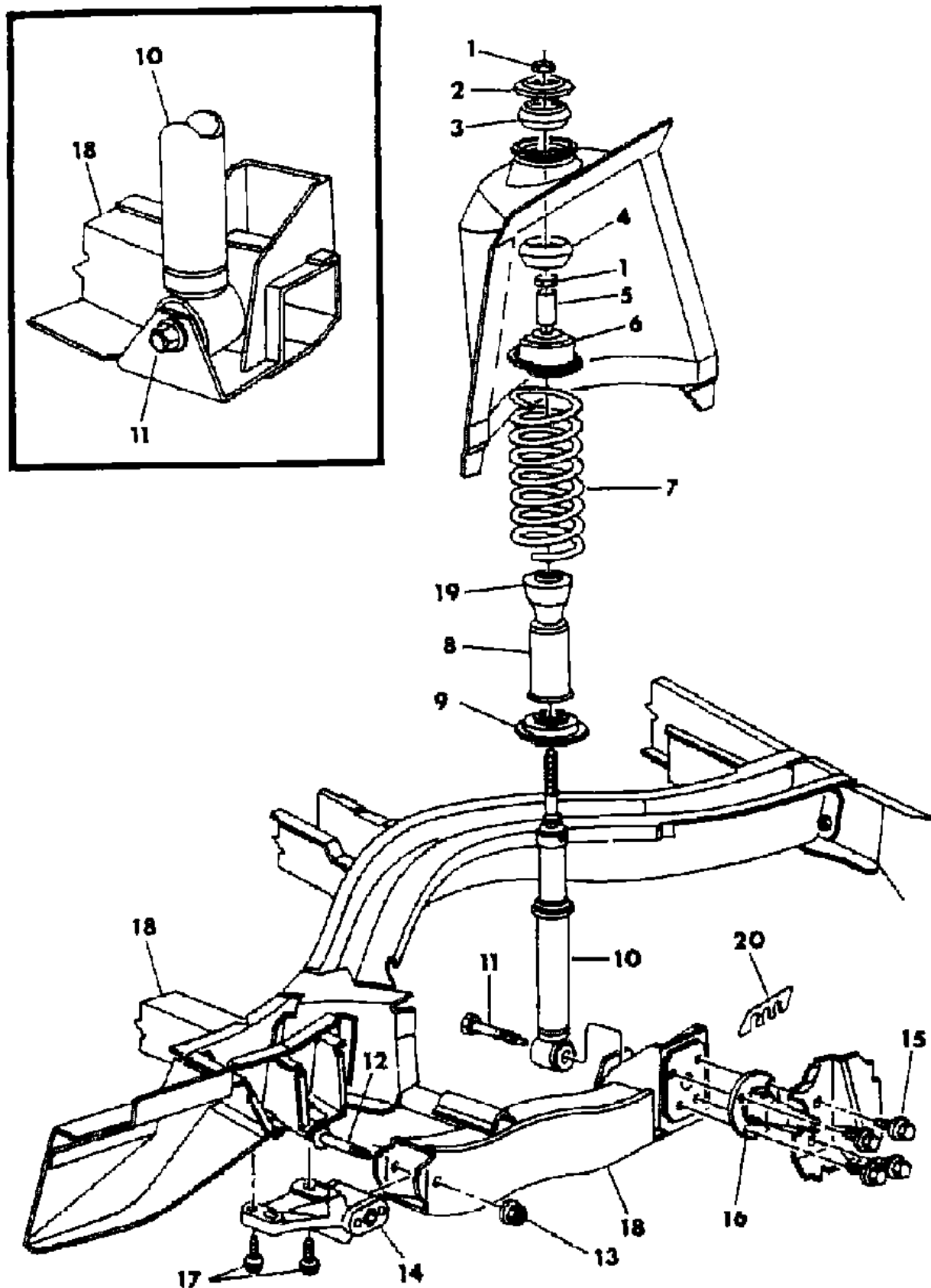
**ILLUSTRATION NOT AVAILABLE AT TIME OF PUBLICATION**

---

REAR SUSPENSION - M,Z-24,44

Figure 17-100

3117 100



ITEM	PART NUMBER	QTY	BODY	MODEL	DESCRIPTION
1	6100 219	4	All		NUT, Shock Mtg.
2	5205 032	2	All		RETAINER, Upper
3	5204 969	2	All		ISOLATOR, Upper
4	5204 932	2	All		ISOLATOR, Lower
5	5204 939	2	All		SLEEVE, Seat
6	5205 185	2	All		SEAT, Upper
7	5205 154	2	All		COIL-SPRING, Rear Std. (Exc. Shelby)
	5205 174	2	All		H.D. Or w/Firm Feel Susp. (Exc. Shelby)
	4228 324	2	24		w/Shelby
8	5204 937	2	All		DUST-SHIELD
9	5205 186	2	All		SEAT, Lower
10	#5205 194	2	44		SHOCK ABSORBER, Rear, Std.
	5205 195	2	24		STD. (Except Shelby)
	5205 191	2	24		H.D. (Except Shelby)
	5205 189	2	44		H.D.
	5205 196	2	24		(w/Shelby)
11	6500 115	2	All		BOLT, Shock Mtg. Lower
12	6100 986	2	All		BOLT, Hanger To Cont. Arm
13	6100 518	2	All		NUT, Bolt
14	5205 097	2	All		HANGER, w/Bushing, Rear Pivot, Std.
	5205 142	2	All		w/Firm Feel Suspension
15	6500 729	8	All		BOLT, Spindle (Up To 9-13-82)
	6500 844	8	All		(After 9-13-82)
16	#4228 123	2	All		SPINDLE, Rear Wheel Mtg.
17	6500 200	4	All		SCREW,w/WASHER, Rear Hanger Mtg.
18	5205 149	1	All		CONTROL ARM & C/MEMBER, Rear Suspension Lower, w/
					Sway Bar Shaft (Except Shelby)
	4228 310	1	24		w/ Shelby
19	5205 182	2	All		BUMPER, Jounce (Except Shelby)
	4228 330	2	24		w/Shelby
	5208 884	2	All		INSULATOR,Rear Shock (In Rear Wheel Well Area) (Not Ill.)
	5208 537	2	All		COVER,Rear Shock (In Rear Wheel Well Area) (Not Ill.)
20	5205 114	AR	All		SHIM, Rear Wheel Alignment
	5205 125	2	24		COVER, Insulator Sound (Not Ill.)
	5205 126	2	24		RETAINER, Cover Insulator Sound (Not Ill.)

MODEL CODES

B = GRAN FURY  
C = LEBARON/TOWN & COUNTRY  
D = ARIES  
E = 600  
F = FIFTH AVENUE

G = DIPLOMAT

M = HORIZON/TURISMO/SCAMP

P = RELIANT

S = CORDOBA

T = E CLASS/NEWYORKER

V = 400

X = MIRADA

Y = IMPERIAL

Z = OMNI/CHARGER/RAMPAGE

BODY STYLES

21 = 2-DOOR SEDAN

22 = 2-DOOR SPECIAL COUPE

24 = 2-DOOR HATCHBACK

27 = 2-DOOR CONVERTIBLE

28 = FWD PICKUP

41 = 4-DOOR SEDAN

45 = 4-DOOR STATION WAGON

44 = 4-DOOR HATCHBACK

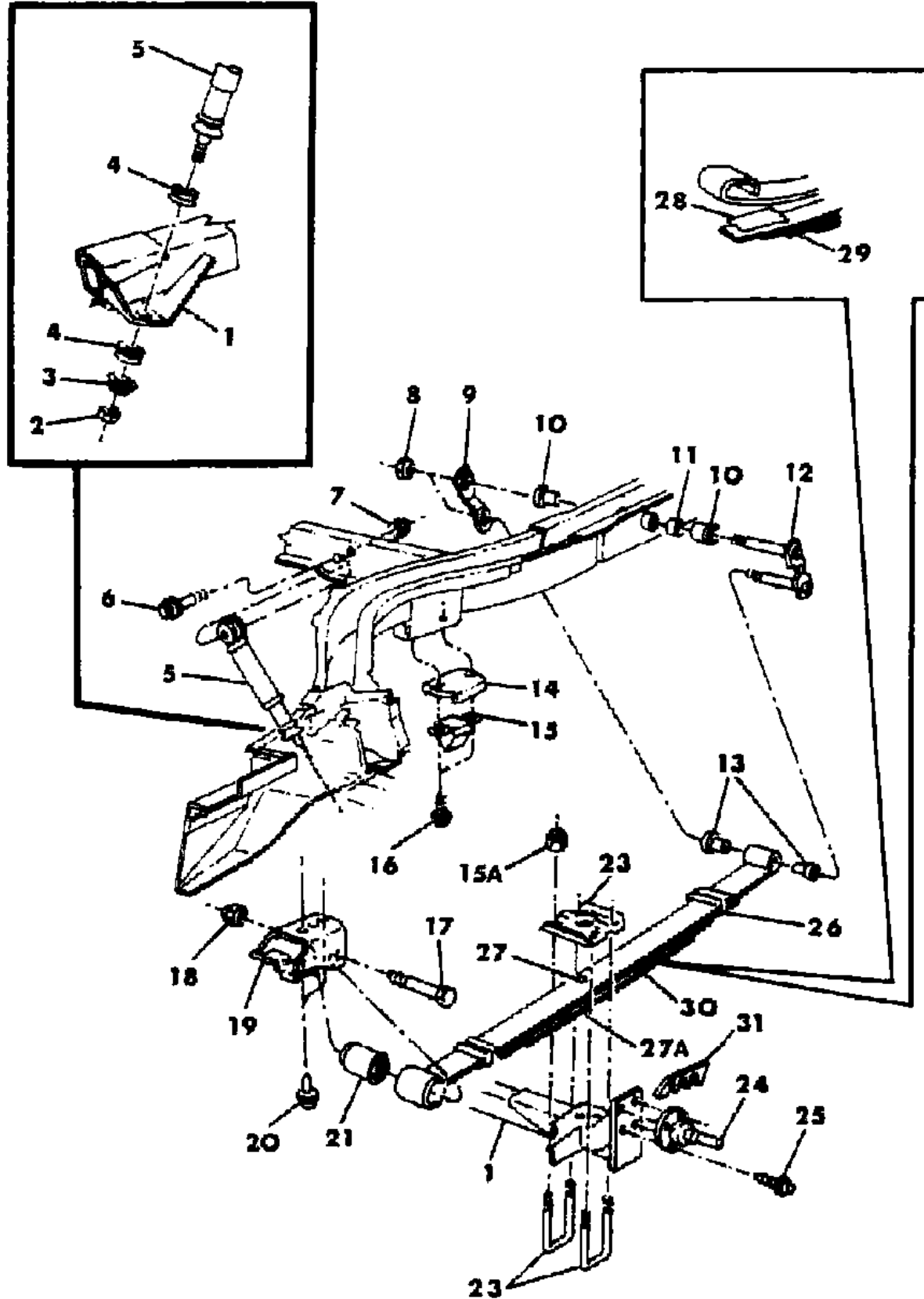
48 = EXECUTIVE SEDAN

AR = Use as Required - = Non Illustrated Part P.A.R. = Paint as Required



REAR SUSPENSION - M,Z-28  
Figure 17-125

3117 125



ITEM	PART NUMBER	QTY	BODY	MODEL	DESCRIPTION
1	4228 061	1	All		AXLE-TUBE, Rear
2	#6100 219	2	All		NUT,Shock
3		2	All		RETAINER (Not Serviced)
4	3643 891	4	All		BUSHING, Shock Lower
5	#4271 393	2	All		SHOCK ABSORBER PKG., Rear
					Consists Of:
					1 ----- Shock
					2 - 3643891 Bushing
					1 ----- Retainer
					1 -6100219 Nut
6	#6101 272	2	All		BOLT,Shock, Upper
7	#6500 197	2	All		NUT, Bolt
8	#0271 502	4	All		NUT, Shackle
9	#4014 703	2	All		PLATE, Shackle, Loose
10	3643 989	8	All		BUSHING, Shackle
11	3780 513	2	All		INSERT, Shackle Bushing
12	4094 060	2	All		SHACKLE,w/PIN
13	3643 989	8	All		BUSHING, Shackle
14	#4228 043	2	All		BRACKET, Jounce Bumper Stop
15	#4228 044	2	All		BUMPER, Axle Jounce
15A	#6500 480	8	All		NUT, Clip
16		4	All		SCREW,w/WASHER (Not Serviced)
17	6500 767	2	All		BOLT, Pivot Frt. Bushing
18	#6100 502	2	All		NUT,Bolt Pivot
19	#4228 012-3	1	All		HANGER, Spring Frt.
20	#6500 200	4	All		BOLT, Hanger Frt. Att.
21	3815 221	2	All		BUSHING, Spring Frt. Pivot
23	#4293 161	2	All		CLIP w/PLATE, Spring Mtg.
24	4228 123	2	All		SPINDLE, Wheel Mtg.
25	6500 729	8	All		BOLT, Spindle Mtg. (Up To 9-13-82)
	6500 844	8	All		(After 9-13-82)
26	2808 399	AR	All		CLIP And CLAMP PKG.
					Consists Of:
					1----- Insulator
					1----- Clip
					1----- Clamp
27	#2961 233	2	All		BOLT, Spring Center

MODEL CODES

B = GRAN FURY	G = DIPLOMAT	V = 400
C = LEBARON/TOWN & COUNTRY	M = HORIZON/TURISMO/SCAMP	X = MIRADA
D = ARIES	P = RELIANT	Y = IMPERIAL
E = 600	S = CORDOBA	Z = OMNI/CHARGER/RAMPAGE
F = FIFTH AVENUE	T = E CLASS/NEWYORKER	

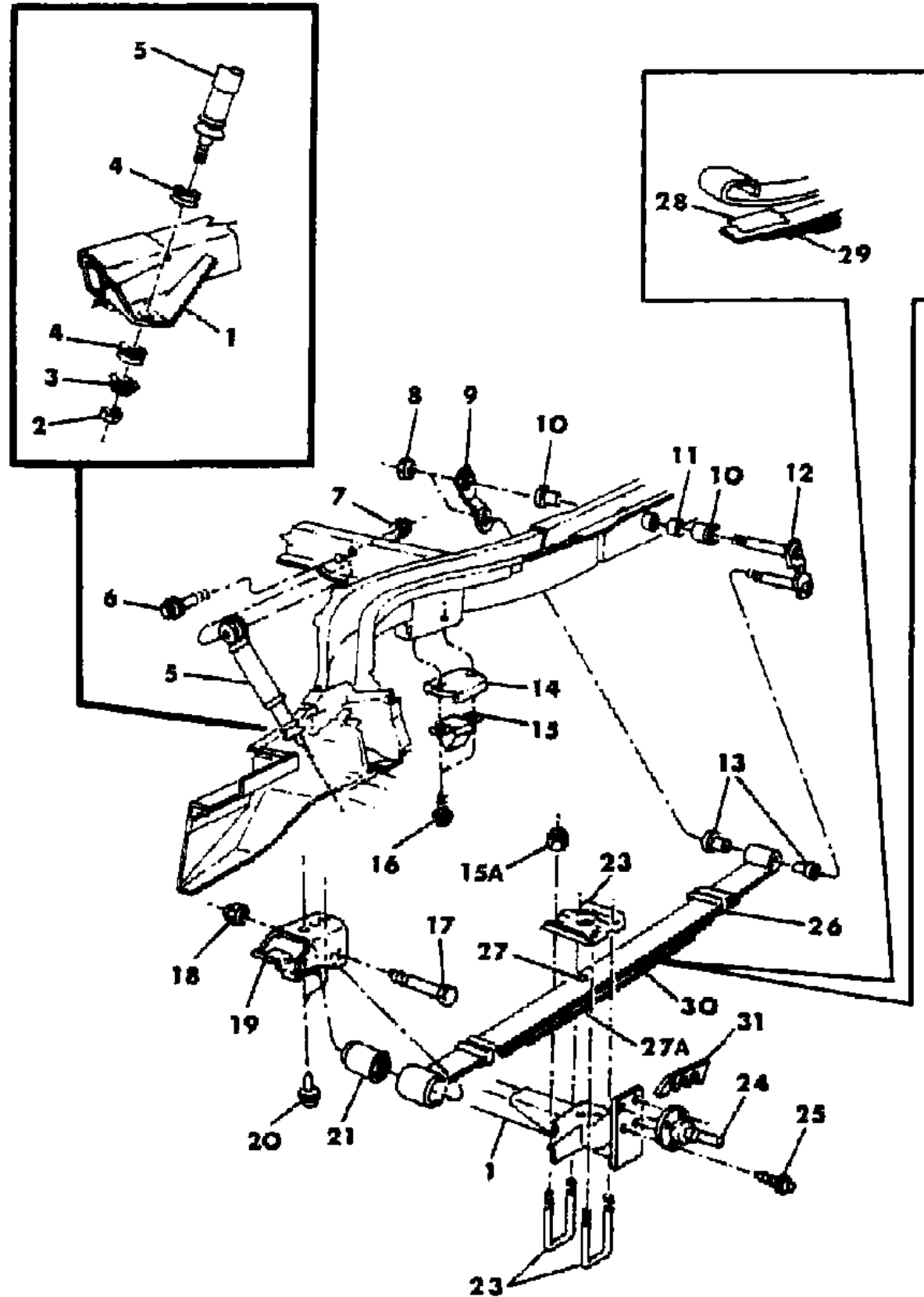
BODY STYLES

21 = 2-DOOR SEDAN	41 = 4-DOOR SEDAN
22 = 2-DOOR SPECIAL COUPE	45 = 4-DOOR STATION WAGON
24 = 2-DOOR HATCHBACK	44 = 4-DOOR HATCHBACK
27 = 2-DOOR CONVERTIBLE	48 = EXECUTIVE SEDAN
28 = FWD PICKUP	

AR = Use as Required - = Non Illustrated Part P.A.R. = Paint as Required

REAR SUSPENSION - M,Z-28  
Figure 17-125

3117 125



ITEM	PART NUMBER	QTY	BODY	MODEL	DESCRIPTION
27A	0114 942	2	All		NUT, Bolt
28	1948 396	AR	All		INTERLINER
29	2539 512	AR	All		INTERLEAF
30	#4228 025	2	All		SPRING, Rear, Std.Or H.D.
31	5205 114	AR	All		SHIM, Rr. Wheel Alignment

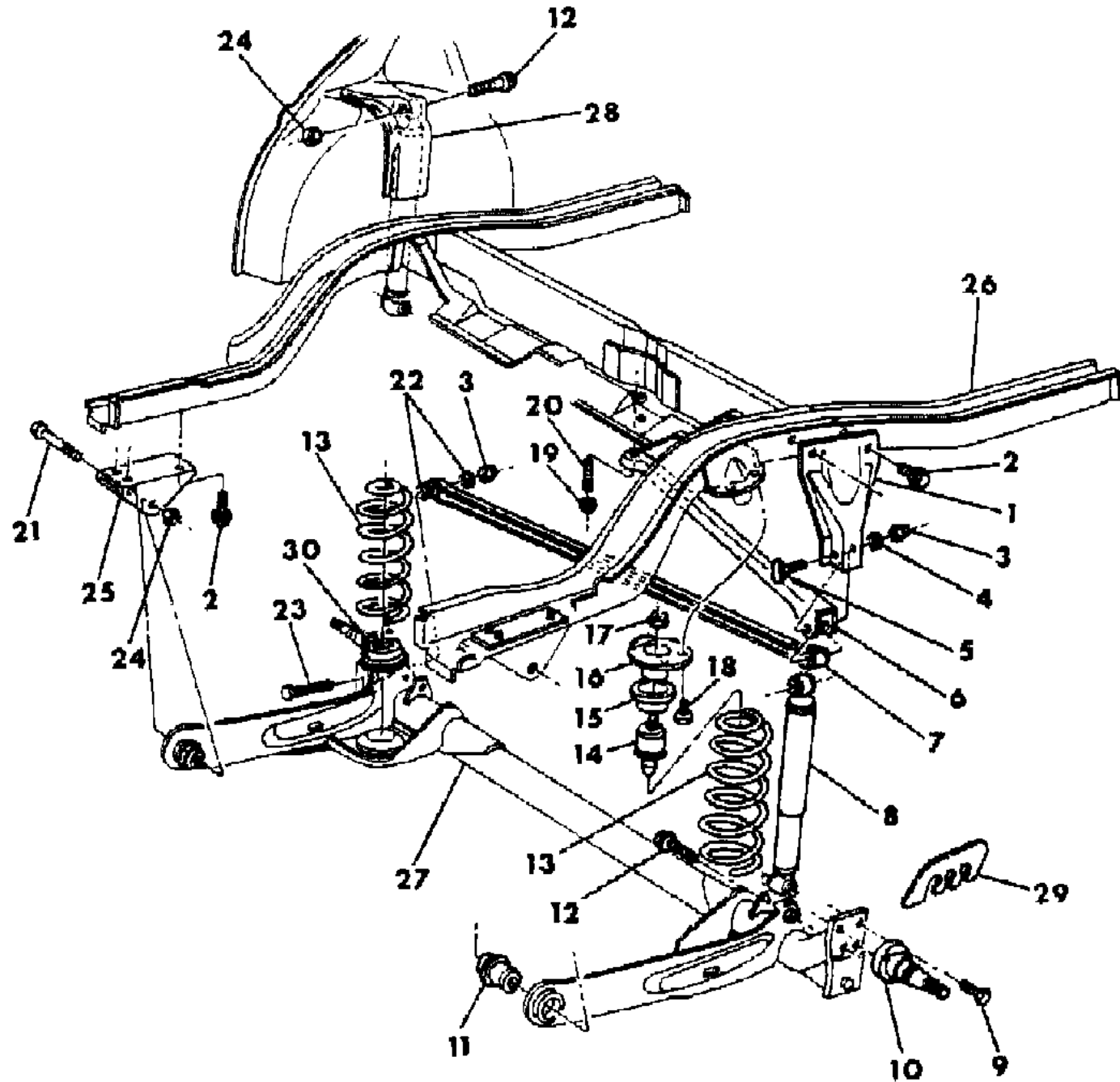
MODEL CODES  
 B = GRAN FURY  
 C = LEBARON/TOWN & COUNTRY  
 D = ARIES  
 E = 600  
 F = FIFTH AVENUE  
 G = DIPLOMAT  
 M = HORIZON/TURISMO/SCAMP  
 P = RELIANT  
 S = CORDOBA  
 T = E CLASS/NEWYORKER  
 V = 400  
 X = MIRADA  
 Y = IMPERIAL  
 Z = OMNI/CHARGER/RAMPAGE

BODY STYLES  
 21 = 2-DOOR SEDAN  
 22 = 2-DOOR SPECIAL COUPE  
 24 = 2-DOOR HATCHBACK  
 27 = 2-DOOR CONVERTIBLE  
 28 = FWD PICKUP  
 41 = 4-DOOR SEDAN  
 45 = 4-DOOR STATION WAGON  
 44 = 4-DOOR HATCHBACK  
 48 = EXECUTIVE SEDAN

AR = Use as Required - = Non Illustrated Part P.A.R. = Paint as Required

REAR SUSPENSION - P,D,V,C,E,T  
Figure 17-150

3117 150



ITEM	PART NUMBER	QTY	BODY	MODEL	DESCRIPTION
	4271 374	1		All	ASSIST PACKAGE, Rear Suspension (S/C-S53) Consists Of: 1- 4147921 Tubing, w/Tee & Valve 2- 4147922 Cylinder 2- 4147937 Sleeve 2- 6032174 Clamp 1----- Label (English) 1----- Label (French) 1----- Label (Spanish) 2-4147936 Valve-Cap 11----- Strap 1----- Instruction Sheet
1	#4147 851	1		All	BRACKET, Track Bar Mtg. (Up To Approx. 11-15-82) (After Approx. 11-15-82)
2	6101 271	8		All	BOLT, Brkt.
3	6500 480	1		All	NUT, Pivot Bolt
4	6100 132	1		All	WASHER, Pivot Bolt
5	6500 415	1		All	PIVOT-BOLT
6	#4147 852	1		All	BRACE, Track Bar Mtg.
7	#4271 370	1		All	TRACK-BAR, PKG. Consists Of: ----- Track-Bar 1-6500631 Bolt 2-6500632 Washer
8	#4147 848	2		P,D	SHOCK ABSORBER, w/Bushing, Std.
	4147 849	2		V,C,E,T	Std.
	4228 260	2		All	H.D.
	4228 261	2		P,D	Extra Duty
9	6500 729	8		All	BOLT, Spindle (Up To 9-13-82) (After 9-13-82)
10	#4228 123	2		All	SPINDLE, Rear Wheel Mtg.
11	#4147 857	2		All	BUSHING, Cont. Arm Pivot, Std. Or H.D.
	4147 951	2		P,D	Extra Duty
12	6101 272	4		All	BOLT, Shock Mtg.
13	#4147 823	2		P,D,21	COIL-SPRING, Std.
	4147 833	2		P,D,21	H.D.
	4147 824	2		P,D,41	Std.

MODEL CODES

B = GRAN FURY	G = DIPLOMAT	V = 400
C = LEBARON/TOWN & COUNTRY	M = HORIZON/TURISMO/SCAMP	X = MIRADA
D = ARIES	P = RELIANT	Y = IMPERIAL
E = 600	S = CORDOBA	Z = OMNI/CHARGER/RAMPAGE
F = FIFTH AVENUE	T = E CLASS/NEWYORKER	

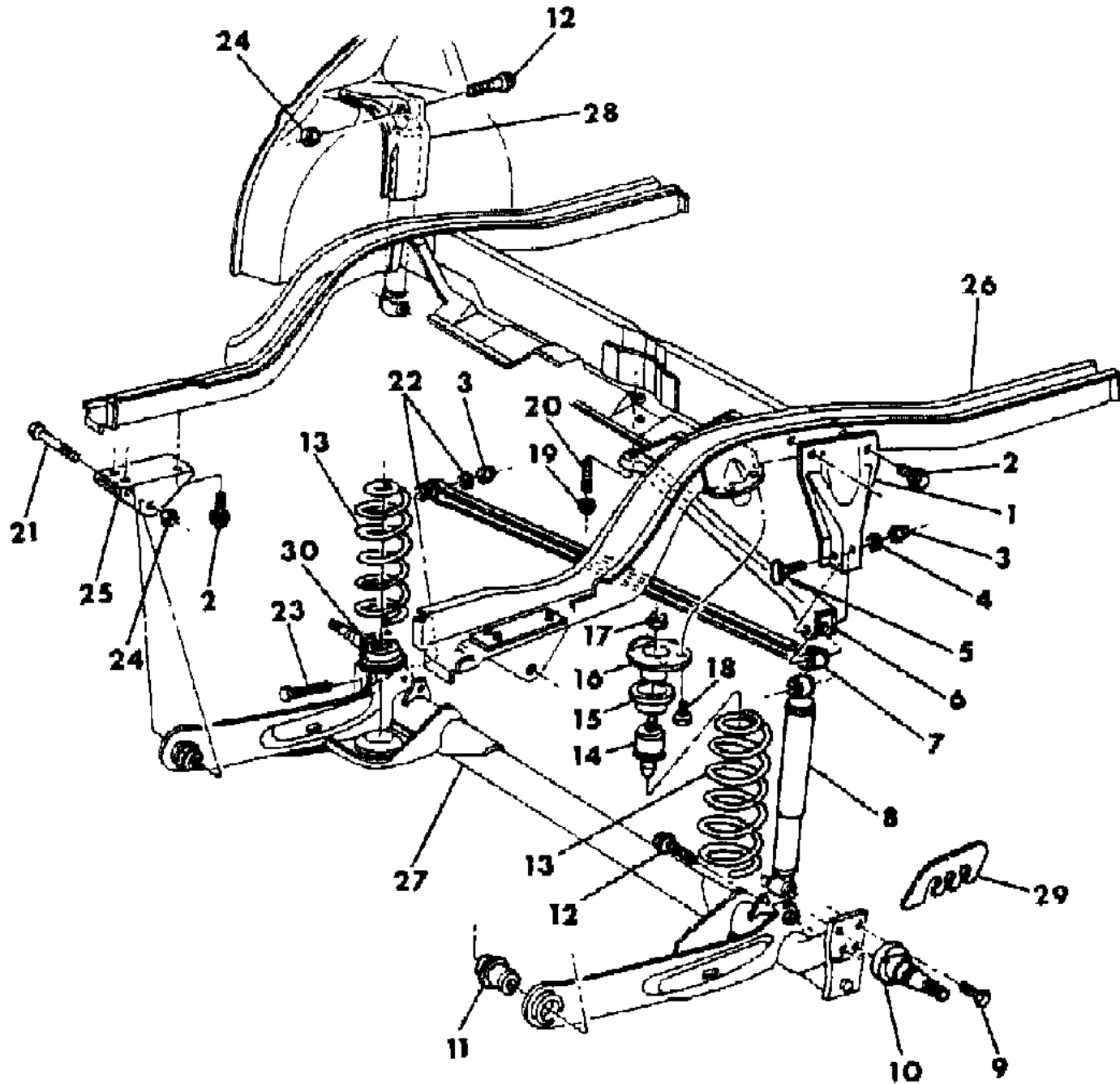
BODY STYLES

21 = 2-DOOR SEDAN	41 = 4-DOOR SEDAN
22 = 2-DOOR SPECIAL COUPE	45 = 4-DOOR STATION WAGON
24 = 2-DOOR HATCHBACK	44 = 4-DOOR HATCHBACK
27 = 2-DOOR CONVERTIBLE	48 = EXECUTIVE SEDAN
28 = FWD PICKUP	

AR = Use as Required - = Non Illustrated Part P.A.R. = Paint as Required

REAR SUSPENSION - P,D,V,C,E,T  
Figure 17-150

3117 150



ITEM	PART NUMBER	QTY	BODY	MODEL	DESCRIPTION
	4147 834	2		P,D,41	H.D.
	4147 827	2		P,D,45	Std.
	4147 836	2		P,D,45	H.D.
	4147 823	2		V,C,22,	STD.
	4147 833	2		V,C,22,	H.D.
	4147 824	2		V,C,E,T	STD.
	4147 834	2		V,C,E,T	H.D.
	4147 827	2		C,45	STD.
	4147 836	2		C,45	H.D.
	4147 899	2		P,D,V,C	EXTRA DUTY (Exc. C48)
	4147 838	2		C,48	Std.
14	4147 708	2	All		BUMPER, Jounce
15	4147 759	2	All		ISOLATOR, Spring Upper
16	4147 747	2	All		CUP, Jounce Bumper, Use w/13" Wheels
	4147 752	2	All		Use w/14" Wheels, Up To 11-1-82
	4147 813	2	All		After 11-1-82
17	6100 518	2	All		NUT, Bumper
18			All		SCREW (Not Serviced)
19	6500 436	1	All		NUT, Stud
	6500 691	1	All		Use w/H.D. Service Pkg. (S/C F57)
20	6500 437	1	All		STUD, Brace
	6500 744	1	All		Use w/H.D. Service Pkg. (S/C F57)
21	6100 412	1	All		BOLT, Hanger
22	6500 547	2	All		WASHER, Pivot Bolt
23	6500 481	1	All		PIVOT-BOLT
24	6500 197	3	All		NUT, Bolt
25	#4147 816-7	1	All		HANGER, Frt. Pivot (Up To 11-15-82)
	4228 312-3	1	All		(After 11-15-82)
26			All		FRAME ( Ref.)
27	#4147 811	1	All		CONTROL-ARM, w/AXLE CHANNEL, Rear Axle, Std. Or H.D., w/o H.D. Service Pkg.(S/C-F57)
	4147 902	1	All		w/Firm Feel Susp.,Extra Duty Or w/H.D. Service Pkg. (S/C-F57)
28			All		REINF. w/House (Ref.)
29	5205 114	AR	All		SHIM, Rear Wheel Alignment
30	#4147 853	2	All		ISOLATOR, Spring Lower
	4147 916	1	All		DAMPER, Axle Torque Shaft, use w/H.D. Service Pkg.(S/C F57) (Not Ill.)

MODEL CODES

B = GRAN FURY	G = DIPLOMAT	V = 400
C = LEBARON/TOWN & COUNTRY	M = HORIZON/TURISMO/SCAMP	X = MIRADA
D = ARIES	P = RELIANT	Y = IMPERIAL
E = 600	S = CORDOBA	Z = OMNI/CHARGER/RAMPAGE
F = FIFTH AVENUE	T = E CLASS/NEWYORKER	

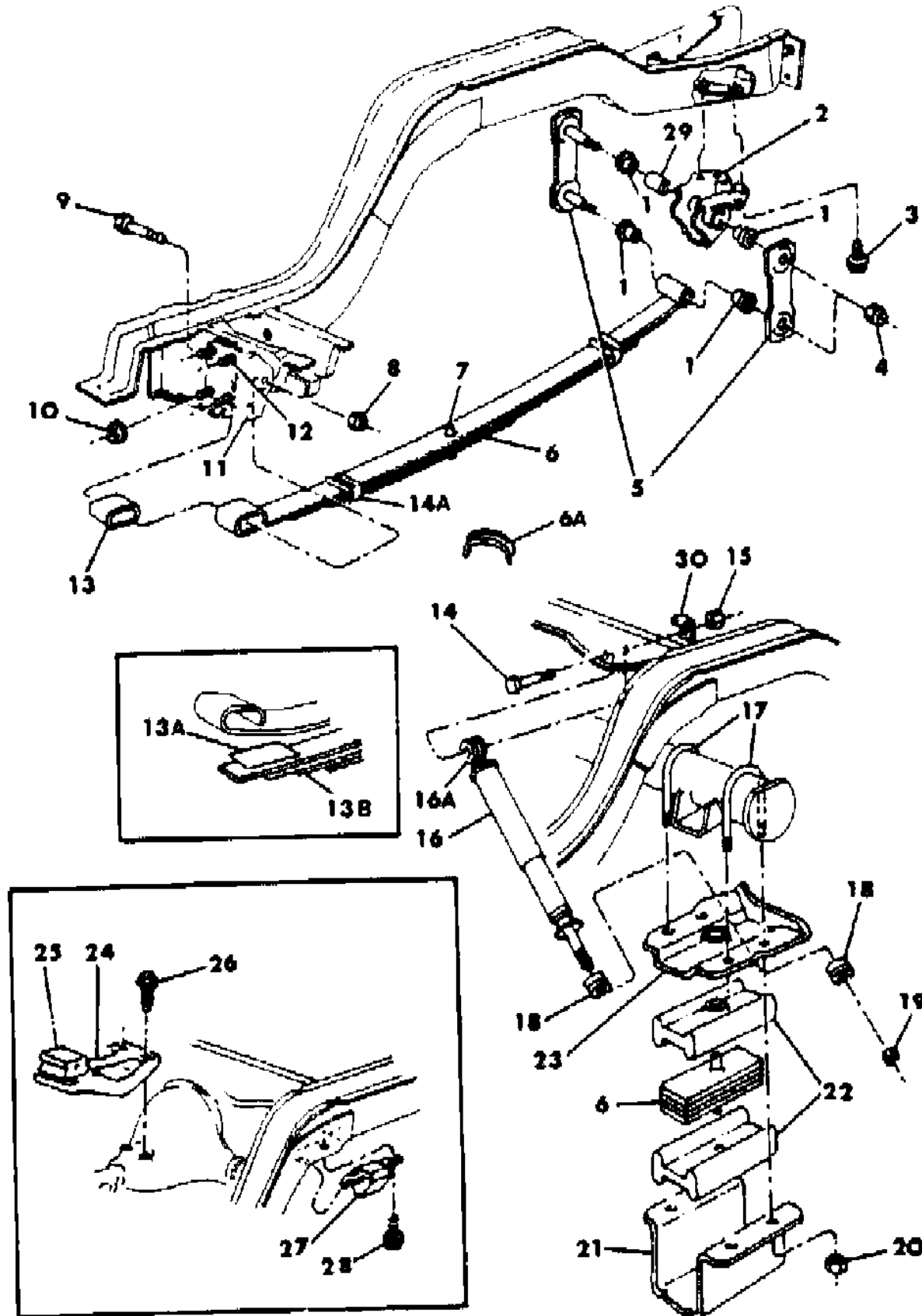
BODY STYLES

21 = 2-DOOR SEDAN	41 = 4-DOOR SEDAN
22 = 2-DOOR SPECIAL COUPE	45 = 4-DOOR STATION WAGON
24 = 2-DOOR HATCHBACK	44 = 4-DOOR HATCHBACK
27 = 2-DOOR CONVERTIBLE	48 = EXECUTIVE SEDAN
28 = FWD PICKUP	

AR = Use as Required - = Non Illustrated Part P.A.R. = Paint as Required

REAR SUSPENSION - B,F,G,X,S,Y  
Figure 17-200

3117 200



ITEM	PART NUMBER	QTY	BODY	MODEL	DESCRIPTION
1	3643 989	8		All	BUSHING, Shackle Pivot
2	4014 634-5	1		All	HANGER, Rear,Std. Or H.D. w/o Rear Sway Bar
	4014 704-5	1		All	w/Rear Sway Bar
3	6030 876	4		All	BOLT, Hanger
4	0271 502	4		All	NUT, Shackle
5	3780 515	2		All	SHACKLE AND BUSHING PKG., STD. Or H.D. w/o Rear Sway Bar
					Consists of:
					1 - ---- --- Shackle w/Pin
					1 - ---- --- Plate
					4 - 3643 989 Bushing
					2 - 271 502 Nut
	4094 060	2		All	SHACKLE AND BUSHING PKG., w/7 1/4 Or 8 1/4" Axle, w/ Rear Sway Bar
					Consists of:
					1 - ---- --- Shackle w/Pin
					1 - 4014 703 Plate
					4 - 3643 989 Bushing
					2 - 271 502 Nut
6	4026 817	2		B,F,G,X	SPRING,w/BUSHING, Std. (4 Leaf)
	4267 332	2		Y	
	4131 332	2		B,F,G	H.D. Police Cars Only (5 Leaf)
	4186 001	2		All	H.D. (5 Leaf)
6A	1829 929	AR		All	INSULATOR, Alignment Clip
7	3643 558	2		All	BOLT, Rear Spring Center
8	0152 370	2		All	NUT, Bolt Pivot
9	0433 179	2		All	LT, Bushing Pivot
10	6025 011	8		All	NUT, Hanger, Frt.
11	4052 205	2		All	HANGER, Frt.
12	2403 247	8		All	BOLT, Hanger, Frt.
13	3815 210	2		All	BUSHING, Frt. Pivot
	4052 125	2		All	w/Extra Duty Susp.
13A	1948 396	AR		B,F,G,X	INTERLINER
	4147 674	AR		Y	
13B	2539 512	AR		All	INTERLEAF
14	0181 173	2		All	Bolt, Rear Shock Upper Mtg.
14A	2808 399	AR		All	CLIP AND CLAMP PKG.

MODEL CODES

B = GRAN FURY  
C = LEBARON/TOWN & COUNTRY  
D = ARIES  
E = 600  
F = FIFTH AVENUE

G = DIPLOMAT

M = HORIZON/TURISMO/SCAMP  
P = RELIANT  
S = CORDOBA  
T = E CLASS/NEWYORKER

V = 400

X = MIRADA  
Y = IMPERIAL  
Z = OMNI/CHARGER/RAMPAGE

BODY STYLES

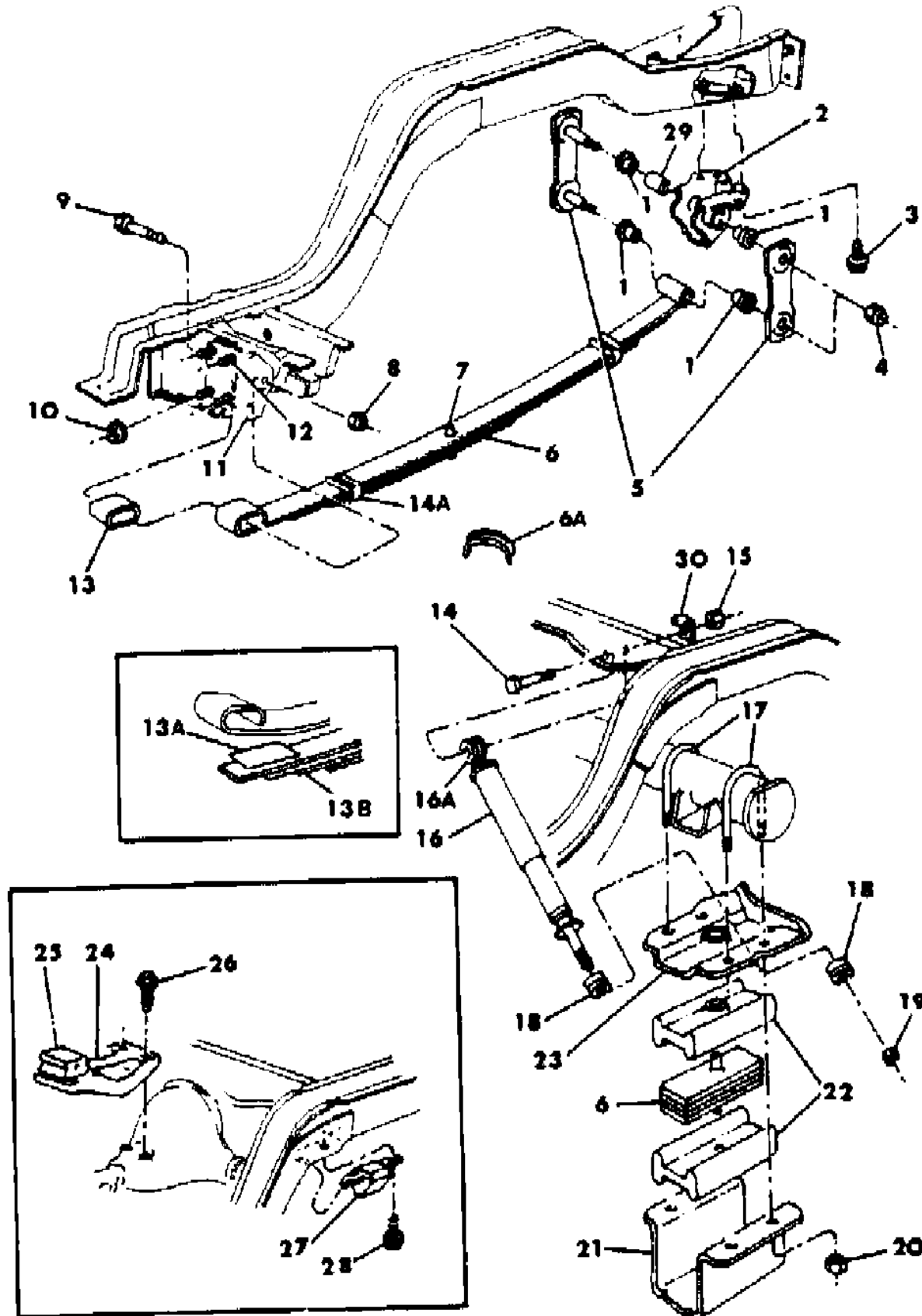
21 = 2-DOOR SEDAN  
22 = 2-DOOR SPECIAL COUPE  
24 = 2-DOOR HATCHBACK  
27 = 2-DOOR CONVERTIBLE  
28 = FWD PICKUP

41 = 4-DOOR SEDAN  
45 = 4-DOOR STATION WAGON  
44 = 4-DOOR HATCHBACK  
48 = EXECUTIVE SEDAN

AR = Use as Required - = Non Illustrated Part P.A.R. = Paint as Required

REAR SUSPENSION - B,F,G,X,S,Y  
Figure 17-200

3117 200



ITEM	PART NUMBER	QTY	BODY	MODEL	DESCRIPTION
					Consists of:
					1 - ---- Insulator
					1 - ---- Clip
					1 - ---- Clamp
15	0152 348	2	All		NUT, Bolt
16	4267 310	2	Y		SHOCK, Rear, Std.
	4026 825	2	B,F,G,X		Std.
	4026 826	2	All		H.D., 1" Dia.
	4057 094	2	B,F,G		H.D., 1-3/8" Dia.
16A	1319 902	2	All		BUSHING, Rear Shock Upper Mtg., 1"Dia. Std.Or H.D.
17	3845 264	4	All		CLIP, 4-3/8" Lgh., 7/16-20 Thd.
18	3643 891	4	All		BUSHING, Lower Mtg.
19	0272 235	2	All		NUT, Lower Mtg.
20	0152 347	8	All		NUT, Clip
21	3815 206	2	All		CLAMP, Spring Isolator, Std.
	3815 309	2	All		H.D. Or Firm Feel Susp.
22	3815 207	4	All		ISOLATOR
23	3845 168-9	1	All		SPRING-PLATE, 7-1/4" Axle w/o Rear Sway Bar
	3845 128-9	1	All		8-1/4" Axle, w/o Rear Sway Bar
	4014 710-1	1	All		7-1/4" Or 8-1/4" Axle w/Sway Bar
24	3845 241	1	All		SUPPORT, Pinion Carrier Bumper, w/7-1/4" Axle
	3845 249	1	All		w/8-1/4"
25	3845 139	1	All		BUMPER, w/o Support
26	0181 086	2	All		SCREW,w/WASHER, Support Mtg.Std.
	0181 112	2	All		H.D.
27	3845 988	2	All		BUMPER, w/Support Side Rail, Std. Or H.D., w/o Rear Sway Bar
	4014 503	2	All		w/Support, w/Rear Sway Bar
	2834 767	2	All		w/o Support, w/Rear Sway Bar
28		2	All		SCREW,w/WASHER, Side Rail Att.(Not Serv.)
	2403 462	4	All		SPACER, Spring Center Bolt (Not Shown)
	4014 703	2	All		PLATE, Spring Shackle, Loose, w/Rear Sway Bar (Not Ill.)
29	3780 513	2	B,F,G		INSERT, Extra Duty

MODEL CODES

B = GRAN FURY	G = DIPLOMAT	V = 400
C = LEBARON/TOWN & COUNTRY	M = HORIZON/TURISMO/SCAMP	X = MIRADA
D = ARIES	P = RELIANT	Y = IMPERIAL
E = 600	S = CORDOBA	Z = OMNI/CHARGER/RAMPAGE
F = FIFTH AVENUE	T = E CLASS/NEWYORKER	

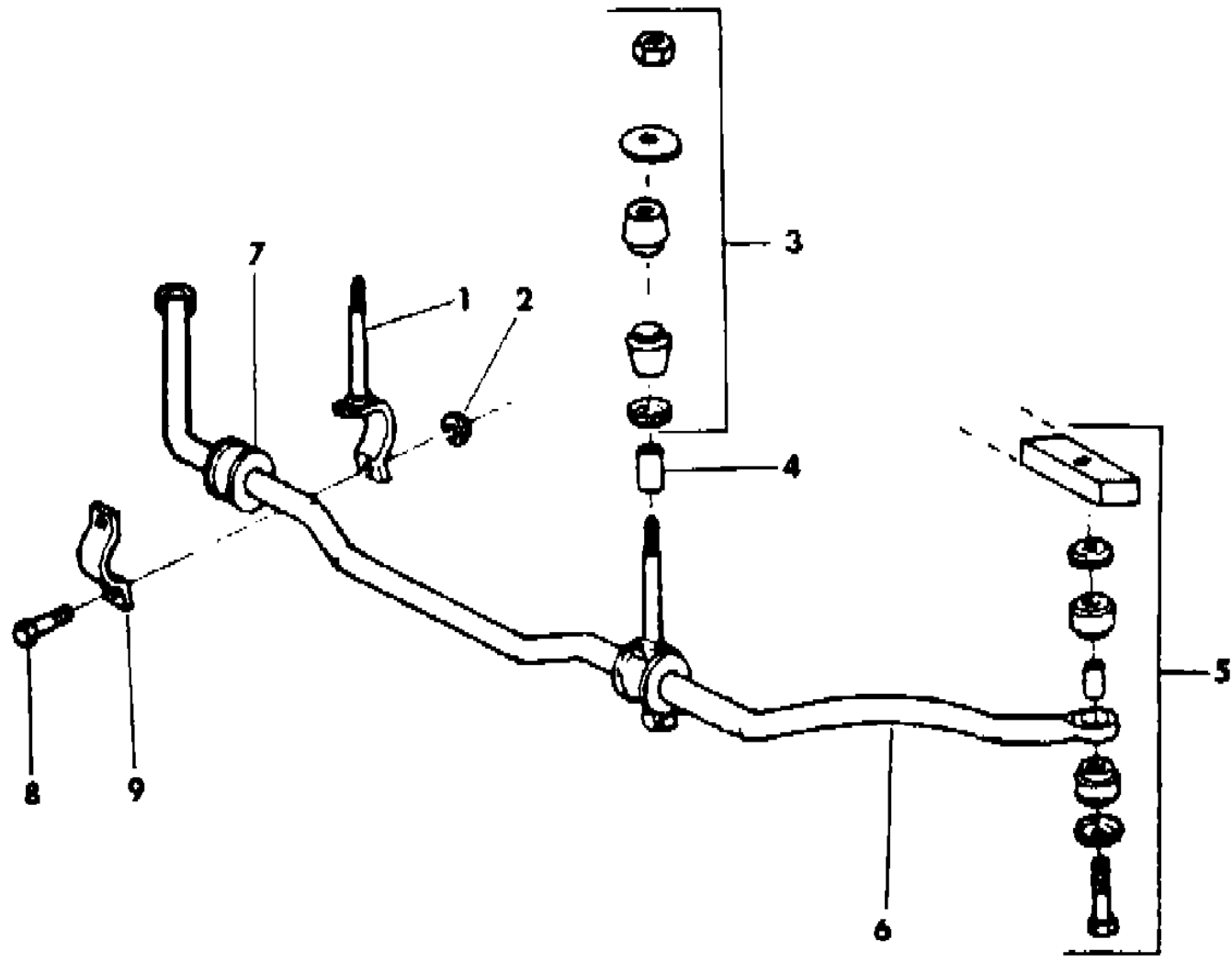
BODY STYLES

21 = 2-DOOR SEDAN	41 = 4-DOOR SEDAN
22 = 2-DOOR SPECIAL COUPE	45 = 4-DOOR STATION WAGON
24 = 2-DOOR HATCHBACK	44 = 4-DOOR HATCHBACK
27 = 2-DOOR CONVERTIBLE	48 = EXECUTIVE SEDAN
28 = FWD PICKUP	

AR = Use as Required - = Non Illustrated Part P.A.R. = Paint as Required

**FRONT SWAY BAR - B,F,G,X,S,Y**  
**Figure 17-400**

3117 400



ITEM	PART NUMBER	QTY	BODY	MODEL	DESCRIPTION
1	3815 669	2		All	LINK, Shaft Bush., Std. Or H.D.
	4014 078	2		All	Extra Duty, Or Firm Feel Susp.
2	6025 405	2		All	NUT, Strap Bolt
3	4106 161	2		All	ATTACHING PKG., Sway Bar Consists of: 1 - 181 116 Bolt 1 - 118 615 Nut 2 - ---- Retainer 2 - ---- Insulator
14	0181 173	2		All	Bolt, Rear Shock Upper Mtg. 1 - 6025 405 Nut
4	3815 668	2		All	SLEEVE, Shaft Insulator Link
5	4267 328	2		All	ATTACHING PKG.,Front Sway Bar Shaft End Consists Of: 2----- Cushion 2----- Retainer 2-4014023 Nut 1----- Sleeve 1-9425686 Link
6	4014 033	1		All	SHAFT, Sway Bar, Std. Or H.D.
	4014 126	1		All	Extra Duty
7	#4014 035	2		All	BUSHING, Std. Or H.D.
	4014 341	2		All	Extra Duty Or Firm Feel Susp.
8	9425 686	2		All	BOLT, Strap
9	3815 720	2		All	STRAP, Bush. Retainer, Std.Or H.D.
	4014 080	2		All	Extra Duty, Or Firm Feel Susp.

**MODEL CODES**

B = GRAN FURY	G = DIPLOMAT	V = 400
C = LEBARON/TOWN & COUNTRY	M = HORIZON/TURISMO/SCAMP	X = MIRADA
D = ARIES	P = RELIANT	Y = IMPERIAL
E = 600	S = CORDOBA	Z = OMNI/CHARGER/RAMPAGE
F = FIFTH AVENUE	T = E CLASS/NEWYORKER	

**BODY STYLES**

21 = 2-DOOR SEDAN	41 = 4-DOOR SEDAN
22 = 2-DOOR SPECIAL COUPE	45 = 4-DOOR STATION WAGON
24 = 2-DOOR HATCHBACK	44 = 4-DOOR HATCHBACK
27 = 2-DOOR CONVERTIBLE	48 = EXECUTIVE SEDAN
28 = FWD PICKUP	

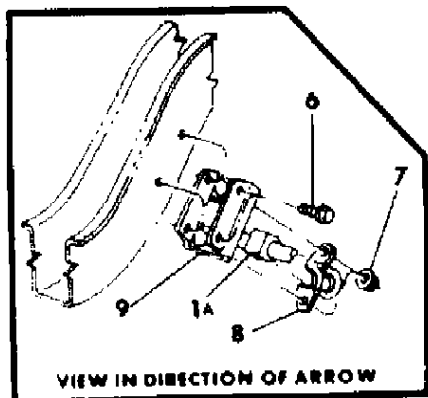
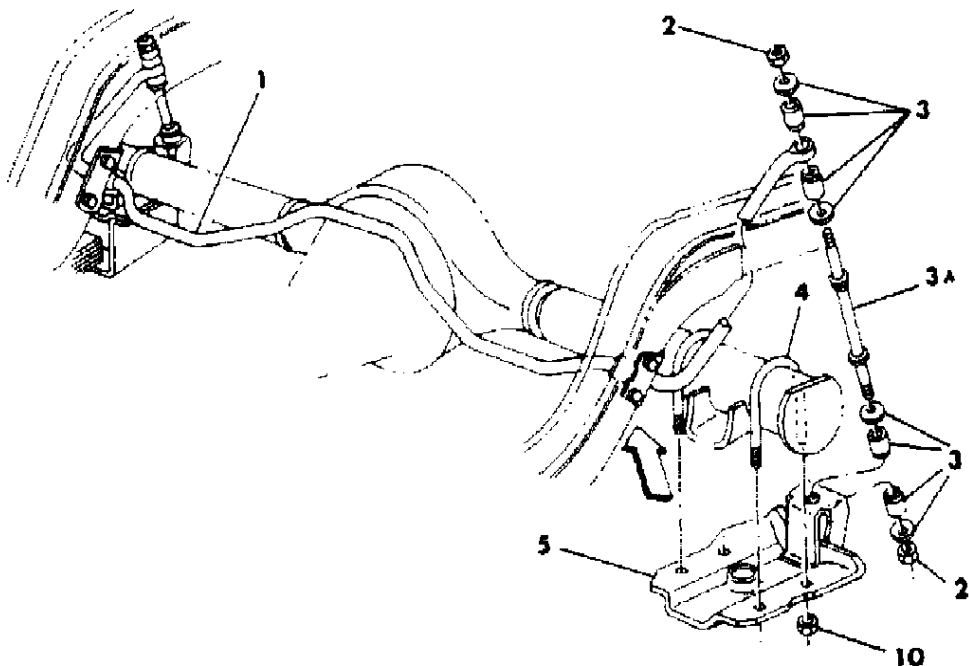
AR = Use as Required - = Non Illustrated Part P.A.R. = Paint as Required

REAR SWAY BAR - B,F,G,X,S,Y

Figure 17-600

3117 600

ITEM	PART NUMBER	QTY	BODY	MODEL	DESCRIPTION
1	4014 714	1		All	SHAFT, Sway Bar, Rear
1A	3722 992	1		All	BUSHING, Shaft
2	0118 614	4		All	NUT, Link
3	3879 212	2		All	ATTACHING PKG.,Sway Bar Rear Consists of: 2 - ---- Insulator 1 - 118 614 Nut 2 - ---- Retainer
3A	4057 086	2		All	LINK AND INSULATOR PKG. Consists of: 1 - ---- Link 4 - ---- Insulator 2 - 118 614 Nut
4	3845 264	4		All	CLIP, 4-3/8" Lgh., 7/16-20 Thd.
5	4014 710-1	2		All	PLATE, Shaft
6	6030 466	8		All	SCREW, Brkt. Att.
7	6028 727	8		All	NUT, Brkt.
8	3643 506	2		All	STRAP, Shaft Brkt.
9	4014 708-9	1		All	BRACKET, Shaft
10	6023 018	8		All	NUT, CLIP



MODEL CODES

B = GRAN FURY	G = DIPLOMAT	V = 400
C = LEBARON/TOWN & COUNTRY	M = HORIZON/TURISMO/SCAMP	X = MIRADA
D = ARIES	P = RELIANT	Y = IMPERIAL
E = 600	S = CORDOBA	Z = OMNI/CHARGER/RAMPAGE
F = FIFTH AVENUE	T = E CLASS/NEWYORKER	

BODY STYLES

21 = 2-DOOR SEDAN	41 = 4-DOOR SEDAN
22 = 2-DOOR SPECIAL COUPE	45 = 4-DOOR STATION WAGON
24 = 2-DOOR HATCHBACK	44 = 4-DOOR HATCHBACK
27 = 2-DOOR CONVERTIBLE	48 = EXECUTIVE SEDAN
28 = FWD PICKUP	

AR = Use as Required - = Non Illustrated Part P.A.R. = Paint as Required



**GROUP 19 - STEERING**

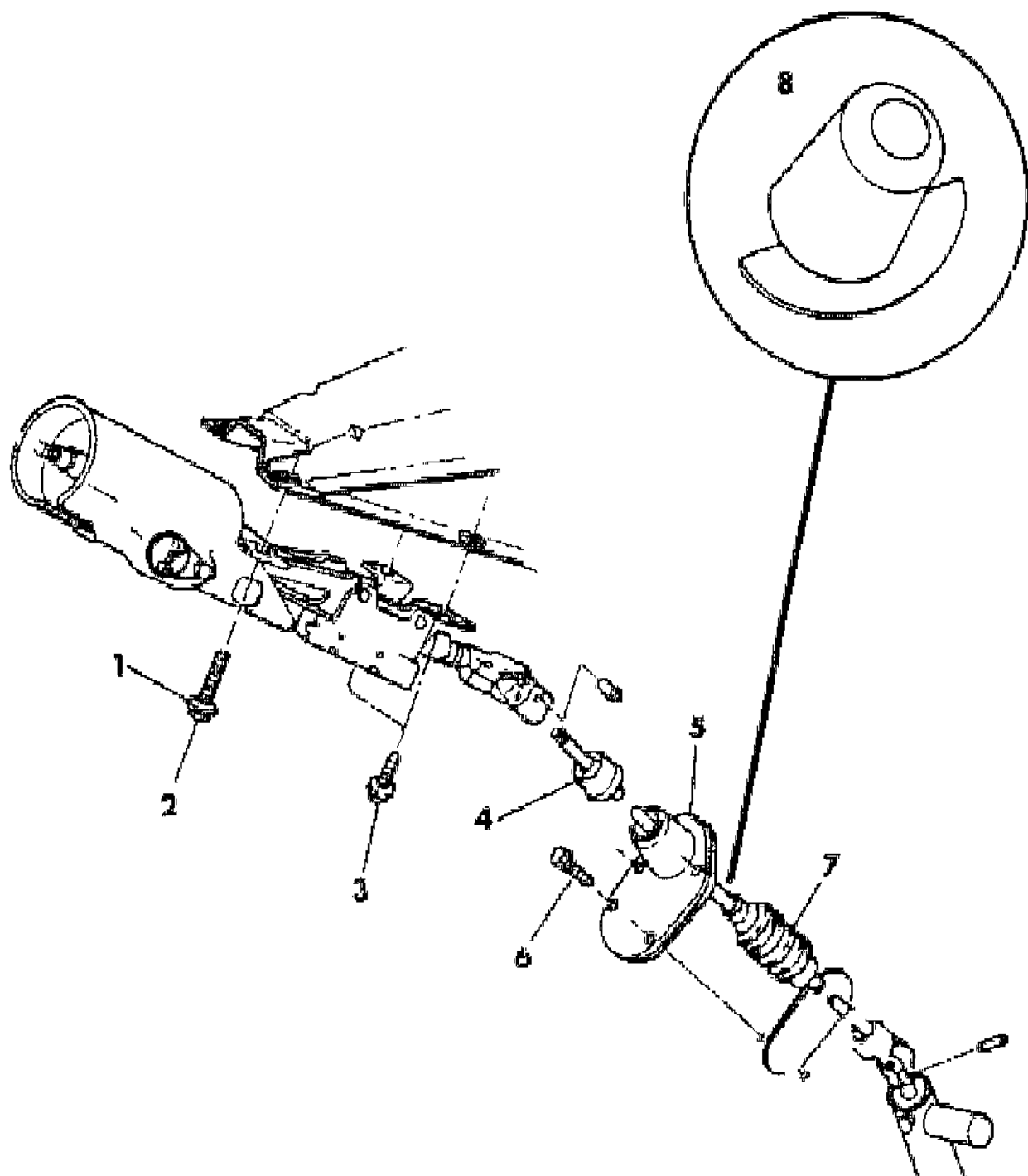
<b>ILLUSTRATION TITLE</b>	<b>GROUP-FIG. NO.</b>
COLUMN ATTACHING STUD, BOLT, COVER, SEAL M,Z .....	Fig. 19-100
STEERING WHEEL 4 SPOKE, M,Z .....	Fig. 19-200
STEERING WHEEL 2 SPOKE w/HORN CAP, P,D .....	Fig. 19-300
STEERING WHEEL 4 SPOKE SPORT P,D,V,C,X,S,E,T .....	Fig. 19-400
STEERING WHEEL 2 SPOKE W/RIM INLAY OR LEATHER WRAPED W/SPOKE SWITCH P,D,C,V,B,F,G,X, S,Y,E,T .....	Fig. 19-500
STEERING COLUMN, JACKET, SHAFT AND COUPLING ASSY. M,Z .....	Fig. 19-600
STEERING COLUMN (Upper)(Except Tilt Strg.) P,D,V,C,B,F,G,X,S,E,T .....	Fig. 19-700
STEERING COLUMN (Lower) Except Tilt Strg. B,F,G,X,S .....	Fig. 19-800
STEERING COLUMN (LOWER) & RELATED PARTS w/ or w/o Tilt Strg. P,D,V,C,E,T .....	Fig. 19-900
TILT STEERING COLUMN (UPPER) P,D,V,C,B,F,G,X,S,Y,E,T .....	Fig. 19-1000
TILT STEERING COLUMN (LOWER) P,D,V,C,B,F,G,X,S,Y,E,T .....	Fig. 19-1100
RACK AND PINION MANUAL STEERING GEAR AND ATTACHING PARTS M,Z,P,D,V,C .....	Fig. 19-1200
RACK AND PINION POWER STEERING GEAR (SAGINAW) AND ATTACHING PARTS M,Z,P,D,V,C,E,T ...	Fig. 19-1300
RACK AND PINION POWER STEERING GEAR (TRW) AND ATTACHING PARTS P,D,V,C,E,T .....	Fig. 19-1400
POWER STEERING GEAR CHUCK ASSEMBLY B,F,G,X,S,Y .....	Fig. 19-1500
POWER STEERING PUMP AND ATTACHING PARTS M,Z,P,D,V,C,E,T W/1.7, 2.2, & 2.6 ENG. ....	Fig. 19-1600
POWER STEERING PUMP AND ATTACHING PARTS M,Z W/1.6 ENG. ....	Fig. 19-1650
POWER STEERING PUMP, PULLEY, BRACKETS, OIL COOLER B,F,G,X,S,Y .....	Fig. 19-1700
POWER STEERING PUMP ENGINE BRACKETS B,F,G,X,S,Y .....	Fig. 19-1800
POWER STEERING PUMP HOSE CHART, M,Z,P,D,V,C,E,T .....	Fig. 19-1900
POWER STEERING PUMP HOSE CHART, B,F,G,X,S,Y .....	Fig. 19-2000

**ILLUSTRATION NOT AVAILABLE AT TIME OF PUBLICATION**

**COLUMN ATTACHING STUD, BOLT, COVER, SEAL M,Z**  
**Figure 19-100**

3119 100

ITEM	PART NUMBER	QTY	BODY	MODEL	DESCRIPTION
1	6500 240	2			STUD, Strg. Col. Attaching
2	6100 047	2			NUT, Strg. Column Attaching Stud
3	6100 558	2			SCREW, w/Washer, Strg. Column Attaching
4	5206 038	1			SEAL, Strg. Shaft
5	5206 041	1			COVER, w/Seal, Strg. Column Dash
6		4			SCREW, Strg. Column Dash Cover (Not Serviced)
7	4188 636	1			SHIELD, Strg. Column Intermediate Shaft Coupling
8	#5231 212	1			LINER, Dash Strg. Col. Cover



**MODEL CODES**

B = GRAN FURY	G = DIPLOMAT	V = 400
C = LEBARON/TOWN & COUNTRY	M = HORIZON/TURISMO/SCAMP	X = MIRADA
D = ARIES	P = RELIANT	Y = IMPERIAL
E = 600	S = CORDOBA	Z = OMNI/CHARGER/RAMPAGE
F = FIFTH AVENUE	T = E CLASS/NEWYORKER	

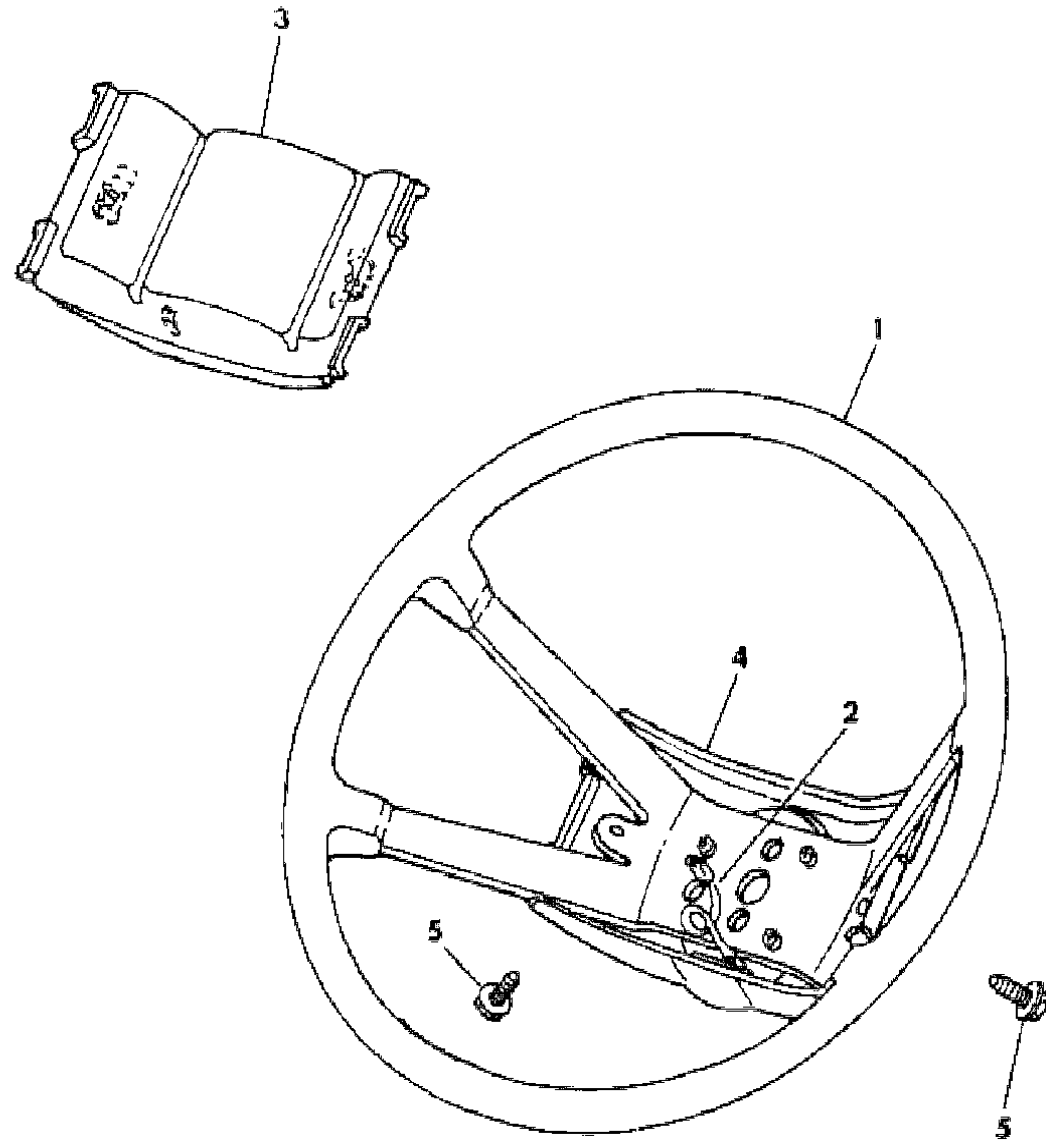
**BODY STYLES**

21 = 2-DOOR SEDAN	41 = 4-DOOR SEDAN
22 = 2-DOOR SPECIAL COUPE	45 = 4-DOOR STATION WAGON
24 = 2-DOOR HATCHBACK	44 = 4-DOOR HATCHBACK
27 = 2-DOOR CONVERTIBLE	48 = EXECUTIVE SEDAN
28 = FWD PICKUP	

AR = Use as Required - = Non Illustrated Part P.A.R. = Paint as Required

**STEERING WHEEL 4 SPOKE, M,Z**  
**Figure 19-200**

3119 200



ITEM	PART NUMBER	QTY	BODY	MODEL	DESCRIPTION
1	#P065 BC7	1			WHEEL, Strg. 4 Spoke, Blue
	P065 AM6	1			Red
	P065 BT8	1			Sable Brown
	P065 AA7	1			Silver
	P065 AX9	1			Black
2	5209 989	1			RING, Horn Contact
3	#P203 BC7	1			PAD, Assy. Strg. Wheel Horn, Blue
	P203 AM6	1			Red
	P203 BT8	1			Sable Brown
	P203 AA7	1			Silver
	P203 AX9	1			Black
4	#P058 BC7	1			SHROUD, Strg. Wheel Hub, Blue (Izumi Co.)
	P058 AM6	1			Red
	P058 BT8	1			Sable Brown
	P058 AA7	1			Silver
	P058 AX9	1			Black
	P068 BC7	1			Blue (Sheller Globe CO.)
	P068 AM6	1			Red
	P068 BT8	1			Sable Brown
	P068 AA7	1			Silver
P068 AX9	1			Black	
5	6031 652	2			SCREW, Strg. Wheel Horn Pad

MODEL CODES

B = GRAN FURY	G = DIPLOMAT	V = 400
C = LEBARON/TOWN & COUNTRY	M = HORIZON/TURISMO/SCAMP	X = MIRADA
D = ARIES	P = RELIANT	Y = IMPERIAL
E = 600	S = CORDOBA	Z = OMNI/CHARGER/RAMPAGE
F = FIFTH AVENUE	T = E CLASS/NEWYORKER	

BODY STYLES

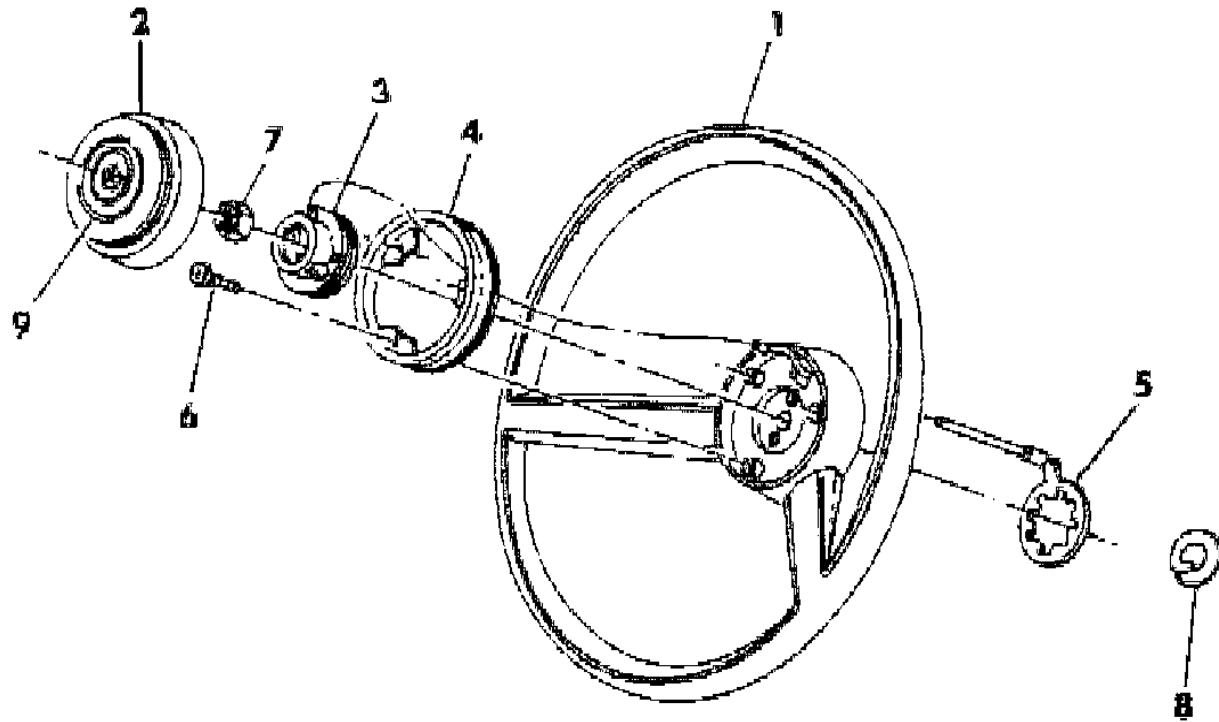
21 = 2-DOOR SEDAN	41 = 4-DOOR SEDAN
22 = 2-DOOR SPECIAL COUPE	45 = 4-DOOR STATION WAGON
24 = 2-DOOR HATCHBACK	44 = 4-DOOR HATCHBACK
27 = 2-DOOR CONVERTIBLE	48 = EXECUTIVE SEDAN
28 = FWD PICKUP	

AR = Use as Required - = Non Illustrated Part P.A.R. = Paint as Required

**STEERING WHEEL 2 SPOKE w/HORN CAP, P,D**  
**Figure 19-300**

9118 300

ITEM	PART NUMBER	QTY	BODY	MODEL	DESCRIPTION
1	#P066 BC7	1			WHELL ASSY. Strg., Blue
	P066 AM6	1			Red
	P066 BT8	1			Sable Brown
2	#P208 BC7	1			CAP ASSY., Horn, Blue
	P208 AM6	1			Red
	P208 BT8	1			Sable Brown
3	#4221 016	1			SWITCH, Horn
	4147 010	1			SWITCH, w/Damper, Horn (w/Auto. Trans.)
4	5211 990	1			BEZEL, Strg. Wheel Trim
	3747 907	1			RING ASSY. Horn Contact
6		3			SCREW, Trim Bezel (Not Serviced)
7	6500 126	1			NUT, Strg. Wheel
8	3747 899	1			CAM, Turn Signal Cancelling
9		1			ORNAMENT, Horn Cap (Service in Item 2)



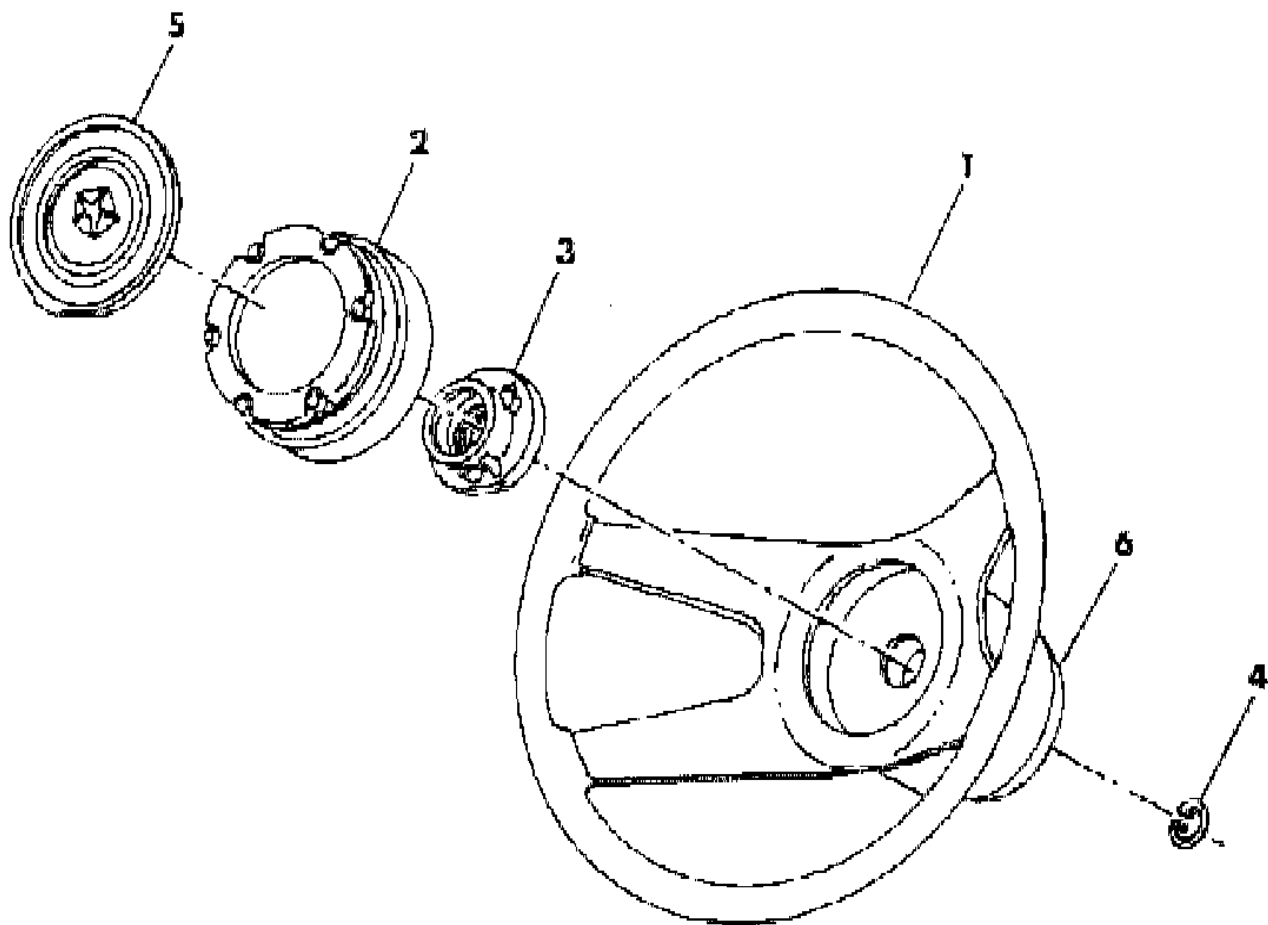
MODEL CODES  
 B = GRAN FURY  
 C = LEBARON/TOWN & COUNTRY  
 D = ARIES  
 E = 600  
 F = FIFTH AVENUE  
 G = DIPLOMAT  
 M = HORIZON/TURISMO/SCAMP  
 P = RELIANT  
 S = CORDOBA  
 T = E CLASS/NEWYORKER  
 V = 400  
 X = MIRADA  
 Y = IMPERIAL  
 Z = OMNI/CHARGER/RAMPAGE

BODY STYLES  
 21 = 2-DOOR SEDAN  
 22 = 2-DOOR SPECIAL COUPE  
 24 = 2-DOOR HATCHBACK  
 27 = 2-DOOR CONVERTIBLE  
 28 = FWD PICKUP  
 41 = 4-DOOR SEDAN  
 45 = 4-DOOR STATION WAGON  
 44 = 4-DOOR HATCHBACK  
 48 = EXECUTIVE SEDAN

AR = Use as Required - = Non Illustrated Part P.A.R. = Paint as Required

**STEERING WHEEL 4 SPOKE SPORT P,D,V,C,X,S,E,T**  
**Figure 19-400**

3119 400



ITEM	PART NUMBER	QTY	BODY	MODEL	DESCRIPTION
1	#P063 AC7	1			WHEEL, Strg. w/4 Spoke, Blue
	P063 AM6	1			Red
	P063 BT8	1			Sable Brown
	P063 AA7	1			Silver
2	#P207 AC7	1			PAD, Strg. Wheel Horn, Blue
	P207 AM6	1			Red
	P207 BT8	1			Sable Brown
	P207 AA7	1			Silver
3	4221 016	1			SWITCH, Horn
	4147 010	1			SWITCH, w/Damper, w/Auto Trans.
4	3747 899	1			CAM, Turn Signal Cancelling
5		1			ORNAMENT, Strg. Wheel Horn Pad (Serv. In Item 2)
6	#P201 AC9	1			SHROUD, Strg. Wheel Hub, Blue
	P201 AM6	1			Red
	P201 BT8	1			Tan
	P201 AA7	1			Silver

**MODEL CODES**

B = GRAN FURY	G = DIPLOMAT	V = 400
C = LEBARON/TOWN & COUNTRY	M = HORIZON/TURISMO/SCAMP	X = MIRADA
D = ARIES	P = RELIANT	Y = IMPERIAL
E = 600	S = CORDOBA	Z = OMNI/CHARGER/RAMPAGE
F = FIFTH AVENUE	T = E CLASS/NEWYORKER	

**BODY STYLES**

21 = 2-DOOR SEDAN	41 = 4-DOOR SEDAN
22 = 2-DOOR SPECIAL COUPE	45 = 4-DOOR STATION WAGON
24 = 2-DOOR HATCHBACK	44 = 4-DOOR HATCHBACK
27 = 2-DOOR CONVERTIBLE	48 = EXECUTIVE SEDAN
28 = FWD PICKUP	

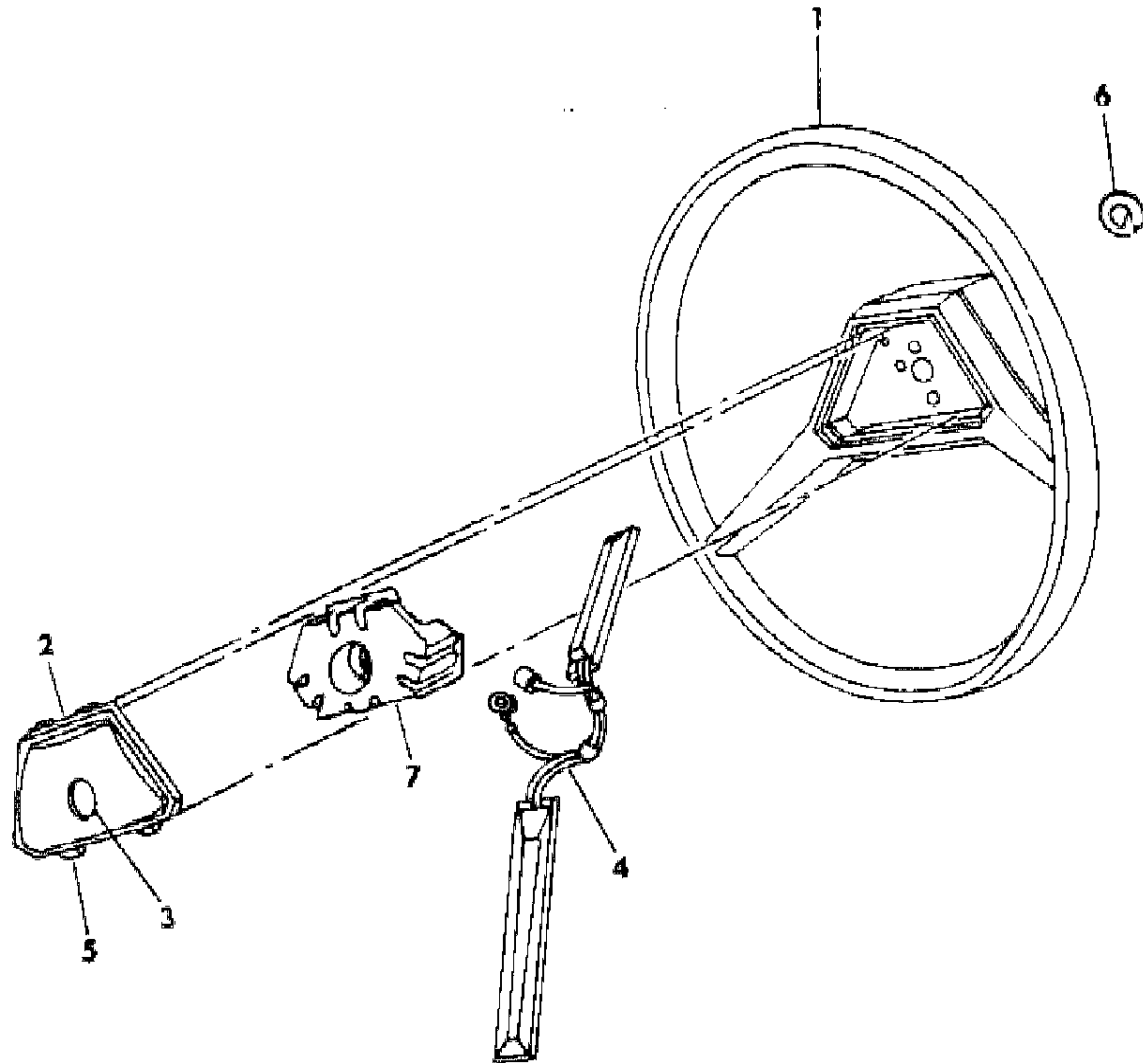
AR = Use as Required - = Non Illustrated Part P.A.R. = Paint as Required

STEERING WHEEL 2 SPOKE W/RIM INLAY OR LEATHER WRAPED W/SPOKE SWITCH P,D,C,V,B,F,G,X,S,Y,E,T

Figure 19-500

3119 500

ITEM	PART NUMBER	QTY	BODY	MODEL	DESCRIPTION
1	P062 AC7	1			WHEEL, Strg. w/Rim Inlay, Blue
	P062 AA7	1			Silver
	P062 AM6	1			Red
	P062 BT8	1			Sable Brown
	P061 AC7	1			WHEEL ASSY., Std. w/Leather Wrapped , Blue
2	P061 AM6	1			Red
	P061 BT8	1			Sable Brown
	P061 AA7	1			Silver
	P180 VC7	1		Except	PAD, Strg. Wheel, Blue
	P180 AA7	1		Except	Silver
	P180 VM6	1		Except	Red
	P180 BT8	1		Except	Sable Brown
3	P181 VC7	1		Y	PAD, Strg. Wheel (For a Pentagon Shape Ornament) Blue
	P181 AA7	1		Y	Silver
	P181 VM6	1		Y	Red
	P181 BT8	1		Y	Sable Brown
	#4267 339	1		Except	ORNAMENT, Strg. Wheel
	4188 347	1		Y	
4	#4221 120	1			SWITCH, Horn (w/2 Spoke)
5	4188 259	1			BASE, Strg. Wheel Pad
6	3747 899	1			CAM, Turn Signal Cancelling
7	#4188 731	1		P,D,C,V	DAMPER, Strg. Wheel, w/Auto. Trans.



MODEL CODES

B = GRAN FURY	G = DIPLOMAT	V = 400
C = LEBARON/TOWN & COUNTRY	M = HORIZON/TURISMO/SCAMP	X = MIRADA
D = ARIES	P = RELIANT	Y = IMPERIAL
E = 600	S = CORDOBA	Z = OMNI/CHARGER/RAMPAGE
F = FIFTH AVENUE	T = E CLASS/NEWYORKER	

BODY STYLES

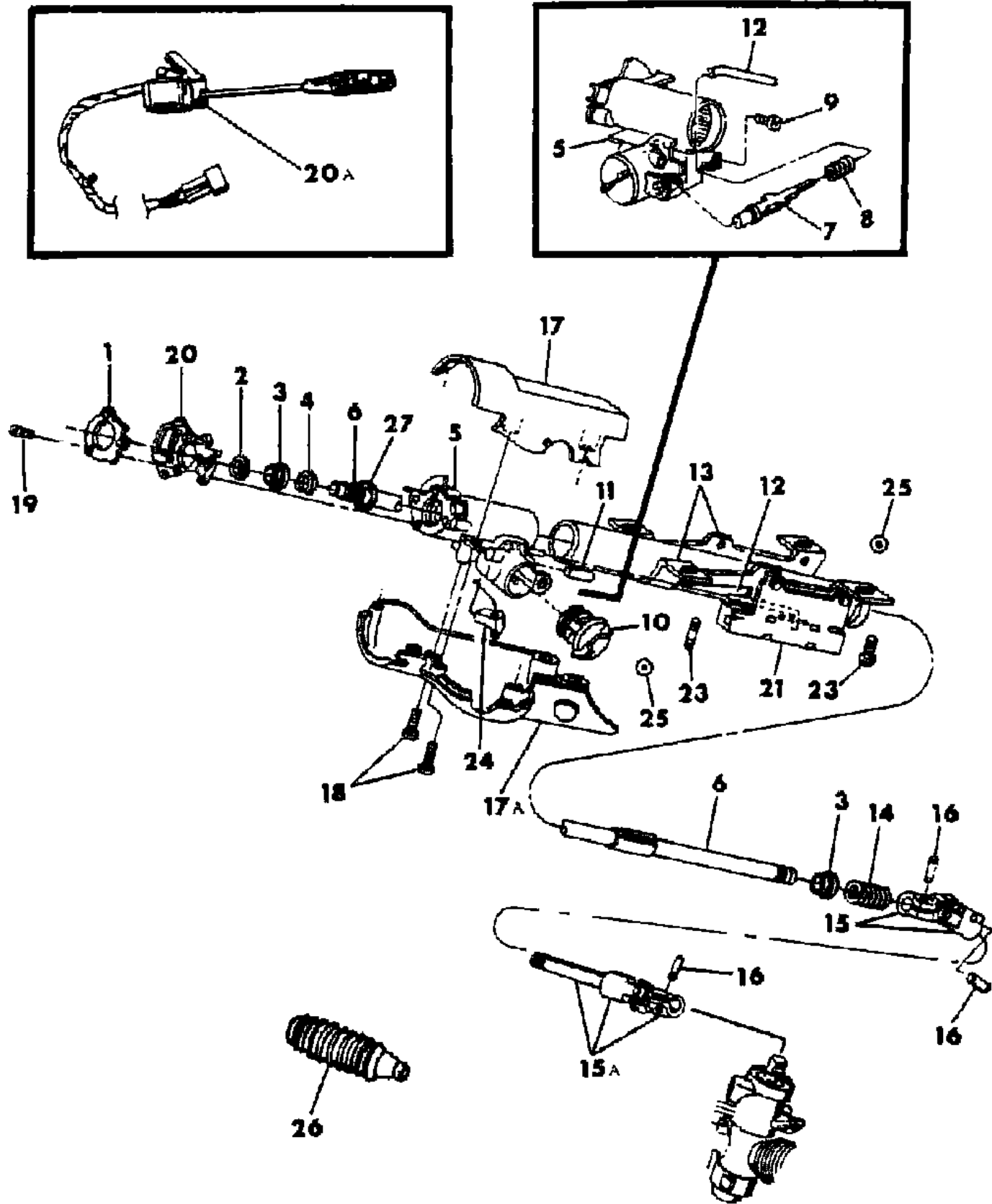
21 = 2-DOOR SEDAN	41 = 4-DOOR SEDAN
22 = 2-DOOR SPECIAL COUPE	45 = 4-DOOR STATION WAGON
24 = 2-DOOR HATCHBACK	44 = 4-DOOR HATCHBACK
27 = 2-DOOR CONVERTIBLE	48 = EXECUTIVE SEDAN
28 = FWD PICKUP	

AR = Use as Required - = Non Illustrated Part P.A.R. = Paint as Required

# STEERING COLUMN, JACKET, SHAFT AND COUPLING ASSY. M,Z

## Figure 19-600

3119 600



ITEM	PART NUMBER	QTY	BODY	MODEL	DESCRIPTION
1	4019 293	1			PLATE, Strg. Column Shaft Bearing Retainer
1A		3			SCREW, Strg. Column Shaft Bearing Retainer Plate (Not Serviced)
2	#6032 364	1			SNAP RING, Strg. Column Shaft Bearing, Upper
3	5211 820	2			BEARING, Strg. Shaft Shift
4	6023 045	1			SNAP RING, Strg. Column Shaft Bearing, Lower
5	#4147 001	1			HOUSING, Strg. Lock, Assy.
6	#4188 795	1			SHAFT, Strg., Upper, Assy.
7	5206 177	1			LEVER, Lock Inhibitor, Assy.
8	5206 010	1			SPRING, Lock Inhibitor Lever
8	5206 070	1			SPRING, Lock Bolt
9		1			SCREW, Lock Inhibitor Lever (Not Serviced)
10		1			LOCK, Ignition (See Cylinder and Key Illustration in Body Section)
11	6100 685	1			PIN, Ignition Lock Cylinder Spring
12	5206 025	1			ACTUATOR, Ignition Switch
13	5211 963	1			JACKET, Strg. Column, Assy.,w/4Door
	5211 956	1			w/2Door
14	5206 183	1			SPRING, Strg. Column Lower Bearing
15	5206 191	1			COUPLING, Upper Strg. Shaft
15A	#4267 349	1			COUPLING, w/Lower Strg. Shaft (w/Man. Strg.)
	5206 189	1			(w/Power Strg.)
16	6500 148	3			PIN, Strg. Shaft Coupling Spring
17	#P678 VX9	1			SHROUD, Strg. Column, Upper
17A	#P679 VX9	1			SHROUD, Strg. Column, Lower
18	9414 716	4			SCREW, Strg. Column Shroud
19		3			SCREW, Strg. Column Shaft Bearing Retainer Plate (Not Serviced)
20		1			SWITCH, Turn Signal And Hazzard Warning (See Group 8)
20A		1			LEVER, Turn Signal, w/W/S Wiper and Washer Switch (See Group 8)
21		1			SWITCH, Ignition And Starter (SEE GROUP 8)
22					
23	6100 560	2			SCREW, Col. Mounting (up to 9/27/82)
	6101 371	2			(After 9/27/82)
	6100 558	2			SCREW, Col. Mounting (up to 9/27/82)
	6101 370	2			(After 9/27/82)
24	5209 903	1			SWITCH, Ignition Key Buzzer (See Group 8)

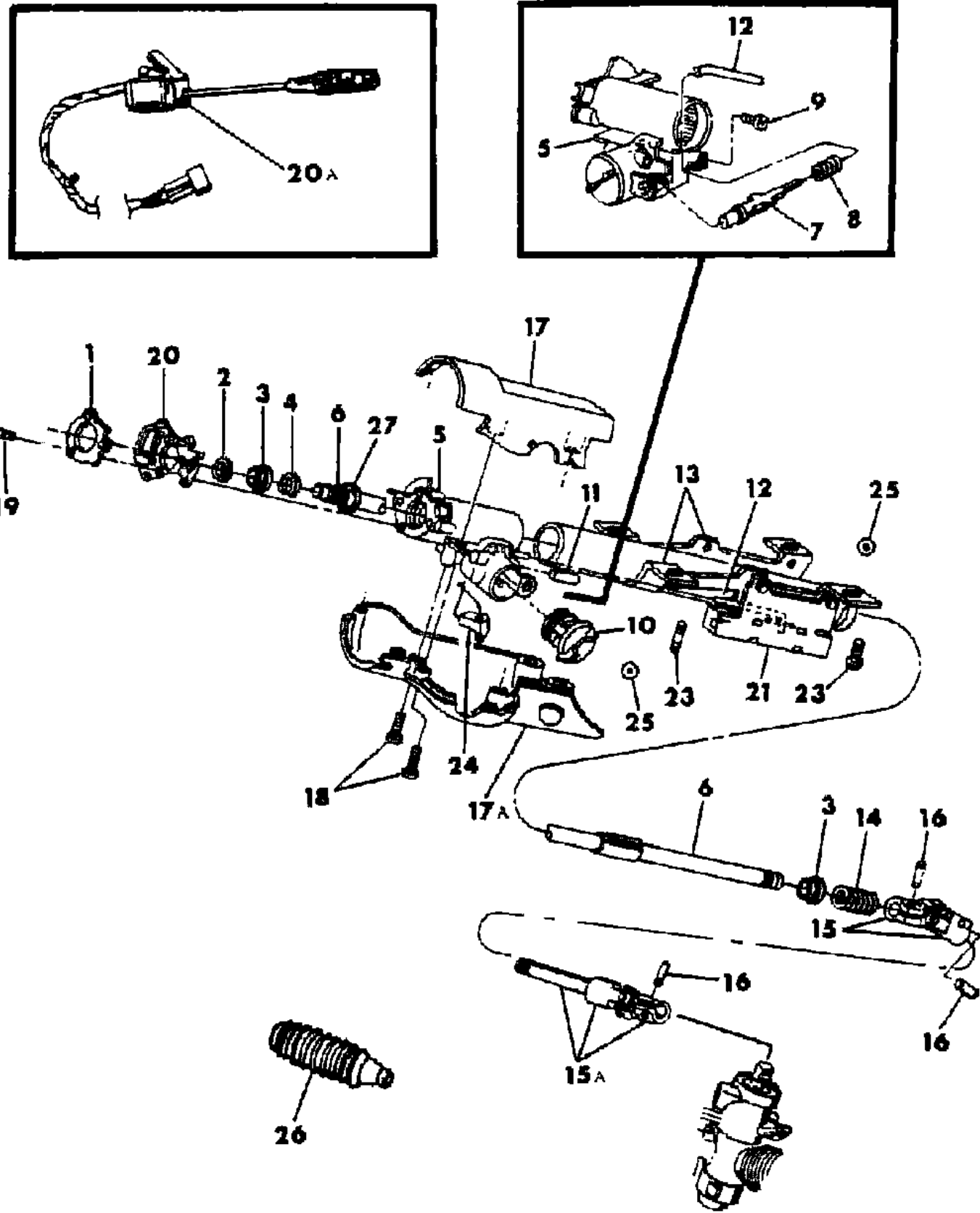
MODEL CODES  
 B = GRAN FURY  
 C = LEBARON/TOWN & COUNTRY  
 D = ARIES  
 E = 600  
 F = FIFTH AVENUE  
 G = DIPLOMAT  
 M = HORIZON/TURISMO/SCAMP  
 P = RELIANT  
 S = CORDOBA  
 T = E CLASS/NEWYORKER  
 V = 400  
 X = MIRADA  
 Y = IMPERIAL  
 Z = OMNI/CHARGER/RAMPAGE

BODY STYLES  
 21 = 2-DOOR SEDAN  
 22 = 2-DOOR SPECIAL COUPE  
 24 = 2-DOOR HATCHBACK  
 27 = 2-DOOR CONVERTIBLE  
 28 = FWD PICKUP  
 41 = 4-DOOR SEDAN  
 45 = 4-DOOR STATION WAGON  
 44 = 4-DOOR HATCHBACK  
 48 = EXECUTIVE SEDAN

AR = Use as Required - = Non Illustrated Part P.A.R. = Paint as Required

STEERING COLUMN, JACKET, SHAFT AND COUPLING ASSY. M,Z  
Figure 19-600

3119 600



ITEM	PART NUMBER	QTY	BODY	MODEL	DESCRIPTION
25	6100 047	2			NUT, w/Coned Washer, Col. Mounting
26	#4188 636	1			SHIELD, Strg. Col. Intermediate Shaft Coupling
27	#6030 655	2			"O"RING, Strg. Col. Shaft

MODEL CODES  
 B = GRAN FURY  
 C = LEBARON/TOWN & COUNTRY  
 D = ARIES  
 E = 600  
 F = FIFTH AVENUE  
 G = DIPLOMAT  
 M = HORIZON/TURISMO/SCAMP  
 P = RELIANT  
 S = CORDOBA  
 T = E CLASS/NEWYORKER  
 V = 400  
 X = MIRADA  
 Y = IMPERIAL  
 Z = OMNI/CHARGER/RAMPAGE

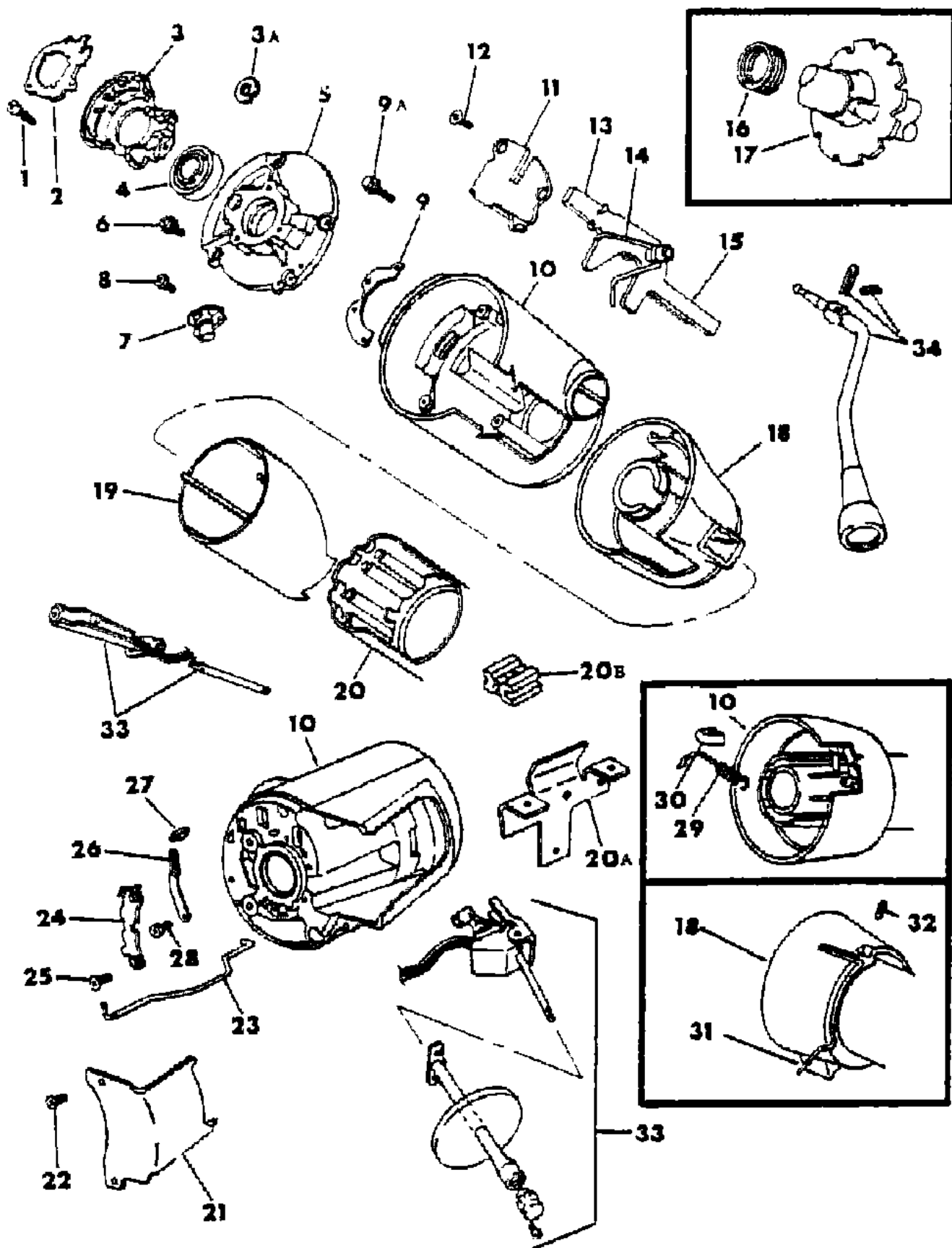
BODY STYLES  
 21 = 2-DOOR SEDAN  
 22 = 2-DOOR SPECIAL COUPE  
 24 = 2-DOOR HATCHBACK  
 27 = 2-DOOR CONVERTIBLE  
 28 = FWD PICKUP  
 41 = 4-DOOR SEDAN  
 45 = 4-DOOR STATION WAGON  
 44 = 4-DOOR HATCHBACK  
 48 = EXECUTIVE SEDAN

AR = Use as Required - = Non Illustrated Part P.A.R. = Paint as Required



**STEERING COLUMN (Upper)(Except Tilt Strg.) P,D,V,C,B,F,G,X,S,E,T**  
**Figure 19-700**

3119 700



ITEM	PART NUMBER	QTY	BODY	MODEL	DESCRIPTION
1		1			SCREW, Strg. Column Shaft Brg. Retainer(Not Serviced)
2	#4188 907	1			PLATE, Strg. Column Shaft Brg. Retainer
3					(See Group 8)
3A	6024 333	1			SNAP RING, Bearing
4	2265 656	1			BEARING, Strg. Col. Upper Shaft
5	#4188 908	1			HOUSING, Strg. Col. Shaft Bearing
6		1			SCREW, Bearing Housing (Not Serviced)
7					(See Group 8)
8					(See Group 8)
9	4188 076	1			PLATE, Strg. Col. Lock Housing
9A		4			SCREW, Plate (Not Serviced)
10	4019 875	1			HOUSING, Strg. Column Lock
11	4188 063	1			BELLCRANK, Ignition Switch, Assy.
12		4			SCREW, Bellcrank (Not Serviced)
13	2950 840	1			LEVER, Strg. Col. Shaft Lock
14	2996 858				SPRING, Strg. Col. Lock
15	2950 844	1			LEVER, Strg. Col. Gearshift Housing Lock Assy.
16	4019 549	1			SPRING, Strg. Column Shaft Lock Plate
17	4019 612	1			PLATE, Strg. Col. Shaft Lock
18	4188 190	1		Except	HOUSING, Strg. Col. Gearshift, w/Auto Trans., (Col. Shift)
	4019 493	1	X,S		w/Auto. Trans.,(Col. Shift)
	2996 799	1			SUPPORT, Strg. Col. Gearshift Housing
18A	4188 075	1			HOUSING, Strg. Col. Lock Control (Floor Shift)
19	4019 640	1		X,S	EXTENSION, Strg. Col. Gear Shift Housing (Col. Shift)
	4188 064	1		X,S	SHROUD, Strg. Col. Jacket (Floor Shift)
20	4019 897	1		B,F,G	JACKET, Strg. Col.
	4188 288	1		P,D,C,V	
	4019 872	1		X,S	w/Auto. Trans. Col. Gearshift
	4188 006	1		X,S	w/Floor Shift
20A	4019 759	1		B,F,G,X	PLATE, Strg. Col. Switch Mounting
	4188 283	1		P,D,C,V	
20B	3748 492	1			SPACER, Strg. Col. Support Bracket
21	4188 297	1			COVER, Strg. Col. Lock
22		2			SCREW, Cover (Not Serviced)
23	4019 902	1		B,F,G	ACTUATOR, Ignition Switch
	4019 901	1		X,S	
	4188 291	1		P,D,C,V	

**MODEL CODES**

B = GRAN FURY	G = DIPLOMAT	V = 400
C = LEBARON/TOWN & COUNTRY	M = HORIZON/TURISMO/SCAMP	X = MIRADA
D = ARIES	P = RELIANT	Y = IMPERIAL
E = 600	S = CORDOBA	Z = OMNI/CHARGER/RAMPAGE
F = FIFTH AVENUE	T = E CLASS/NEWYORKER	

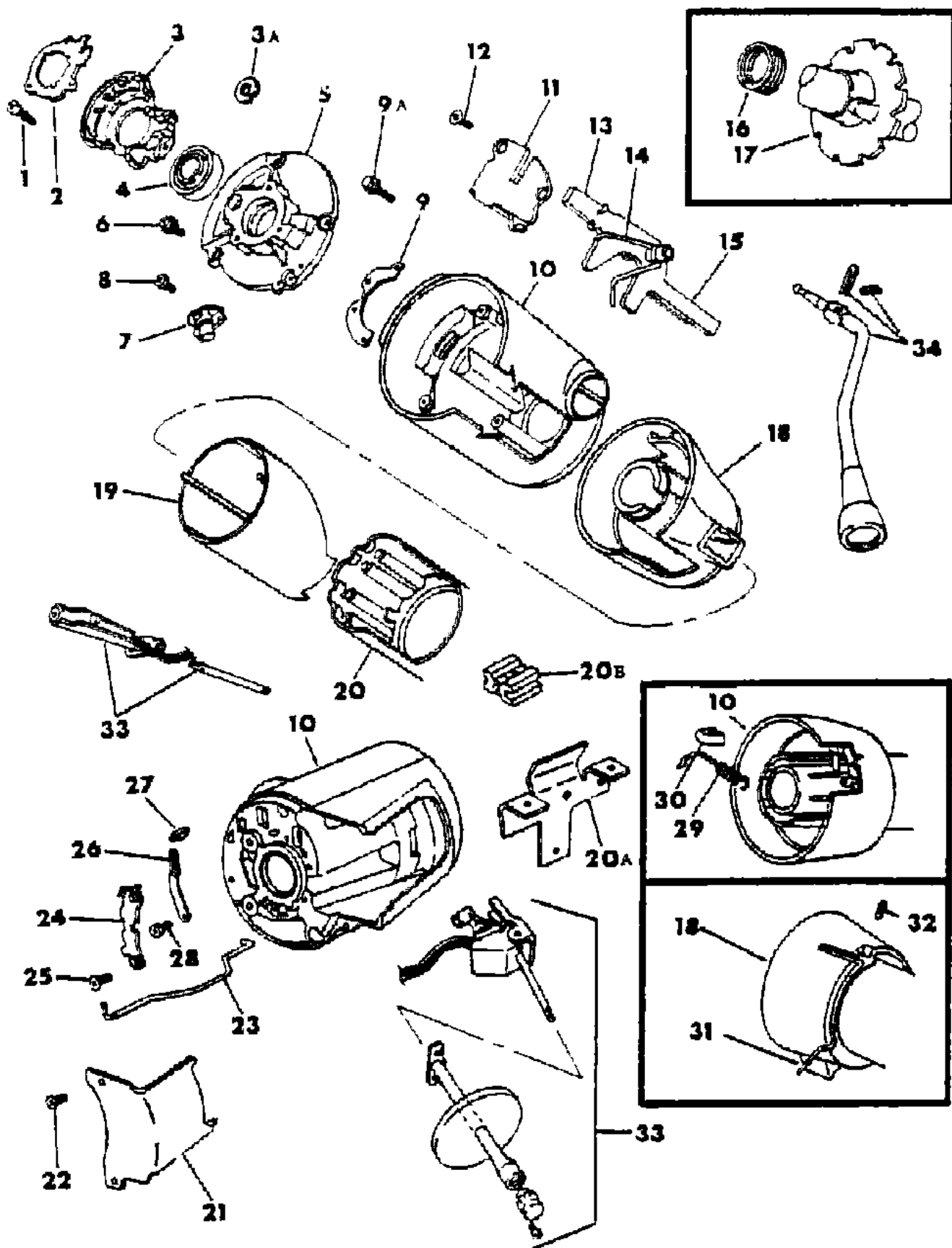
**BODY STYLES**

21 = 2-DOOR SEDAN	41 = 4-DOOR SEDAN
22 = 2-DOOR SPECIAL COUPE	45 = 4-DOOR STATION WAGON
24 = 2-DOOR HATCHBACK	44 = 4-DOOR HATCHBACK
27 = 2-DOOR CONVERTIBLE	48 = EXECUTIVE SEDAN
28 = FWD PICKUP	

AR = Use as Required - = Non Illustrated Part P.A.R. = Paint as Required

**STEERING COLUMN (Upper)(Except Tilt Strg.) P,D,V,C,B,F,G,X,S,E,T**  
**Figure 19-700**

3119 700



ITEM	PART NUMBER	QTY	BODY	MODEL	DESCRIPTION
24	4188 572	1		B,F,G,X	GATE, Col. Gearshift Lever
	4147 146	1		P,D,V,C	GATE, Col. Gearshift Lever
25					Screw (Not Serviced)
26	4019 588	1			SPRING, Lock Cylinder Retainer
27	4019 548	1			PLUNGER, Lock Cylinder Retainer
28					Screw (Not Serviced)
29	3575 256	1			SPRING, Strg. Col. Lock Control Housing (Floor Shift)
30	3575 257	1			BUMPER, Strg. Col. Lock Control Housing (Floor Shift)
31		1			POINTER, Gear Selector Indicator (See Group 21)
32	0125 735	1			Screw, Set, Col. Shift
33					SEE Group 8 Electrical
34					LEVER, Assy. Strg. Col. Gearshift (See Group 21)

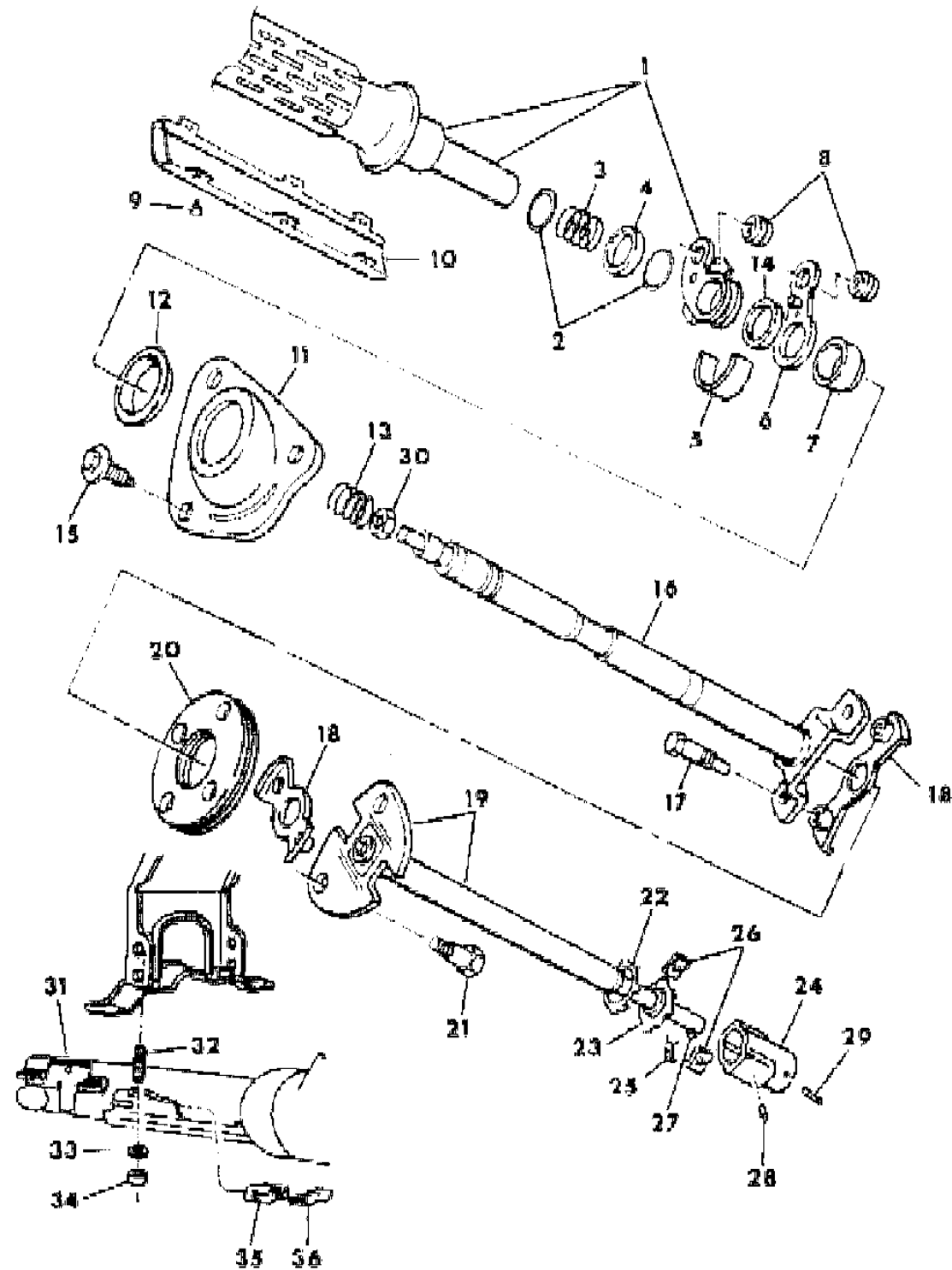
MODEL CODES  
 B = GRAN FURY  
 C = LEBARON/TOWN & COUNTRY  
 D = ARIES  
 E = 600  
 F = FIFTH AVENUE  
 G = DIPLOMAT  
 M = HORIZON/TURISMO/SCAMP  
 P = RELIANT  
 S = CORDOBA  
 T = E CLASS/NEWYORKER  
 V = 400  
 X = MIRADA  
 Y = IMPERIAL  
 Z = OMNI/CHARGER/RAMPAGE

BODY STYLES  
 21 = 2-DOOR SEDAN  
 22 = 2-DOOR SPECIAL COUPE  
 24 = 2-DOOR HATCHBACK  
 27 = 2-DOOR CONVERTIBLE  
 28 = FWD PICKUP  
 41 = 4-DOOR SEDAN  
 45 = 4-DOOR STATION WAGON  
 44 = 4-DOOR HATCHBACK  
 48 = EXECUTIVE SEDAN

AR = Use as Required - = Non Illustrated Part P.A.R. = Paint as Required

**STEERING COLUMN (Lower) Except Tilt Strg. B,F,G,X,S**  
**Figure 19-800**

3219 K00



ITEM	PART NUMBER	QTY	BODY	MODEL	DESCRIPTION
1	3748 247	1		B,F,G	TUBE, Strg. Col. Gearshift, w/Auto. Trans., w/Col.Shift
	4019 854	1		X,S	w/Auto. Trans. Col. Shift
2		2			WASHER, Tube Retainer (Serviced in Tube Assy.)
3		1			SPRING, Tube Retainer (Serviced in Tube Assy.)
4	3748 241	1			BEARING, Strg. Col. Shaft
5	3575 082	1			SEAL, Strg. Col. Jacket to Tube
6		1			
7	3748 229	1		B,F,G,X	SUPPORT, Shaft Bearing (Floor Shift)
8					
9	6015 925	4			RETAINER, Wiring Trough
10	#	1		ALL	TROUGH, Strg. Col. Wiring (Serv. In 4019262)
11	3748 802	1		B,F,G	PLATE, Jacket Support
	4019 856	1		X,S	
12	3748 634	1			GROMMET, Strg. Col.
13	3748 242	1			SPRING, Strg. Col. Lower Bearing
15	0181 088	3			SCREW and WASHER, Jacket Support Plate
16	4094 080	1		B,F,G	SHAFT, Strg. Col. Upper,
	4019 858	1		X,S	
17	6031 801	2		ALL	BOLT, Strg. Col. Shaft Coupling
18	4186 826	2		ALL	STRAP PKG., Steering Col. Coupling, w/Bolts
19	3748 649	1		B,F G	SHAFT, Strg. Col. Coupling, Intermediate, w/Power Strg.
20	3748 310	1			COUPLING, Strg. Col. Shaft
21	6031 802	2		ALL	BOLT, Strg. Col. Shaft Coupling
22	2530 538	1		ALL	COVER, Shaft Coupling Body
23	4019 278	1		ALL	SEAL, Shaft Coupling Body
24	3837 669	1		ALL	BODY, Strg. Col. Shaft Coupling, w/Power Strg.
25	2925 492	1		ALL	SPRING, Shaft Coupling Body
26	2800 738	2		ALL	SHOE, Strg. Col. Shaft Coupling Body
27	2266 743	1		ALL	PIN, Strg. Col. Intermediate Shaft Coupling
28	6029 951	1		ALL	PIN, Coupling Body
29	6028 750	1		ALL	PIN, Spring Coupling
30	6500 126	1		ALL	NUT, Steering Wheel
31	4019 759	1			PLATE, Strg. Col. Switch Mounting
32	6027 947	2			STUD, Strg. Col. Mounting
33		2			WASHER, Stud (Not Serviced)
34	6027 403	2			Nut, Stud
35		1			CLIP, Strg. Col. Ground (Not Serviced)

**MODEL CODES**

B = GRAN FURY	G = DIPLOMAT	V = 400
C = LEBARON/TOWN & COUNTRY	M = HORIZON/TURISMO/SCAMP	X = MIRADA
D = ARIES	P = RELIANT	Y = IMPERIAL
E = 600	S = CORDOBA	Z = OMNI/CHARGER/RAMPAGE
F = FIFTH AVENUE	T = E CLASS/NEWYORKER	

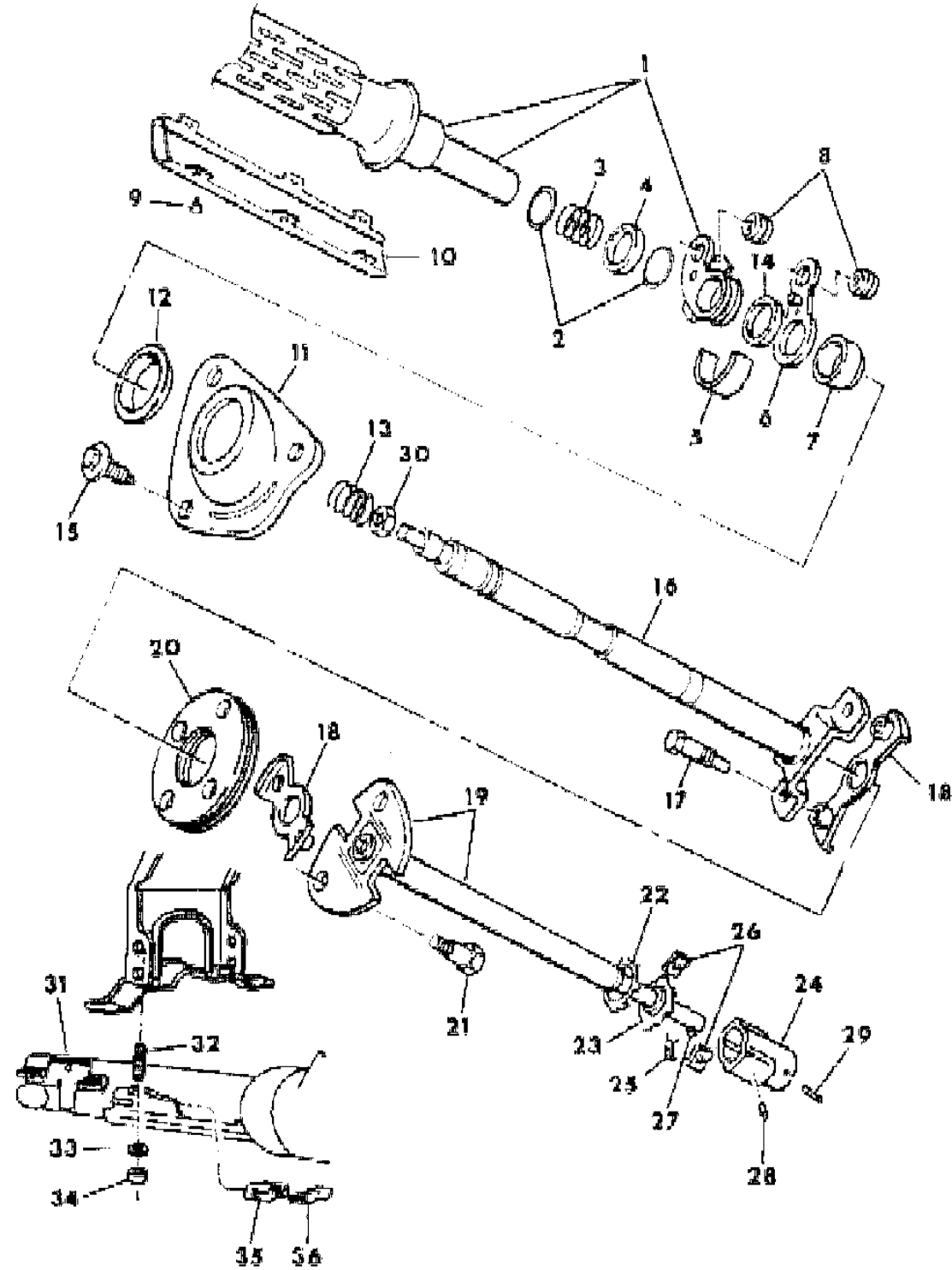
**BODY STYLES**

21 = 2-DOOR SEDAN	41 = 4-DOOR SEDAN
22 = 2-DOOR SPECIAL COUPE	45 = 4-DOOR STATION WAGON
24 = 2-DOOR HATCHBACK	44 = 4-DOOR HATCHBACK
27 = 2-DOOR CONVERTIBLE	48 = EXECUTIVE SEDAN
28 = FWD PICKUP	

AR = Use as Required - = Non Illustrated Part P.A.R. = Paint as Required

STEERING COLUMN (Lower) Except Tilt Strg. B,F,G,X,S  
Figure 19-800

3219 K60



ITEM	PART NUMBER	QTY	BODY	MODEL	DESCRIPTION
36	3748 492	2			SPACER, Strg. Col. Ground Clip

MODEL CODES  
 B = GRAN FURY  
 C = LEBARON/TOWN & COUNTRY  
 D = ARIES  
 E = 600  
 F = FIFTH AVENUE  
 G = DIPLOMAT  
 M = HORIZON/TURISMO/SCAMP  
 P = RELIANT  
 S = CORDOBA  
 T = E CLASS/NEWYORKER  
 V = 400  
 X = MIRADA  
 Y = IMPERIAL  
 Z = OMNI/CHARGER/RAMPAGE

BODY STYLES  
 21 = 2-DOOR SEDAN  
 22 = 2-DOOR SPECIAL COUPE  
 24 = 2-DOOR HATCHBACK  
 27 = 2-DOOR CONVERTIBLE  
 28 = FWD PICKUP  
 41 = 4-DOOR SEDAN  
 45 = 4-DOOR STATION WAGON  
 44 = 4-DOOR HATCHBACK  
 48 = EXECUTIVE SEDAN

AR = Use as Required - = Non Illustrated Part P.A.R. = Paint as Required

**STEERING COLUMN (LOWER) & RELATED PARTS w/ or w/o Tilt Strg. P,D,V,C,E,T**  
**Figure 19-900**

3119 900

ITEM	PART NUMBER	QTY	BODY	MODEL	DESCRIPTION
1	6500 126	1			NUT, Strg. Wheel
2					WHEEL, Strg. (See Strg. Wheels)
3					STEERING COLUMN (See Strg. Column Upper)
4					LEVER, Gear Shift (See Group 21)
5	5211 997	1			TROUGH, Strg. Col. Wiring
6	6015 925	4			RETAINER, Trough
7	3748 492	2			SPACER, Strg. Col. Support Bracket
8	6500 240	5			STUD, Strg. Col. Mounting
9					WASHER (Not Serviced)
10	6500 512	5			NUT, Strg. Col. Mounting Stud
11		1			BRACKET, Strg. Col. Support Upper (Serviced in Jacket Assy.)
12		1			BRACKET, Strg. Col. Support Lower (Serviced in Jacket Assy.) w/o Tilt Strg.
	4188 284	1			w/Tilt Strg.
13	4188 295	1			TUBE, Strg. Col. Gearshift, w/Auto. Trans. Col. Shift
14	3748 241	1			BEARING, Strg. Col. Shaft (Col Shift), w/o Tilt Strg.
	4188 307	1			w/Tilt Strg.
15	3748 229	1			SUPPORT, Strg. Col. Shaft Bearing (Floor Shift), w/o Tilt Strg.
	4188 314	1			RETAINER, Bearing, w/Tilt Strg.
16	3748 242	1			SPRING, Strg. Col. Lower Bearing
17	4188 275	1			SHAFT, Strg. Col. Upper, (Except Tilt Strg.)
	4188 273	1			(Tilt Strg. only)
18		1			BRACKET, Strg. Col. Support (See Brake Group 5)
19	#4188 794	1			SEAL, Strg. Shaft
20	#4188 896	1			COVER, Dash Seal
21					SCREW, Dash Seal Cover (Not Serviced)
22	4188 296	1			SPRING, Strg. Shaft Coupling
23	4188 280	1			COUPLING ASSY. Lower Strg. Shaft (Man. Strg.)
	4188 281	1			(Power Strg.)
24	6500 148	1			PIN, Strg. Shaft Coupling
25	4188 335	1			SHIELD, Strg. Shaft Coupling (Man. Strg.)
	4188 336	1			(Power Strg.)
26					GEAR ASSY. (See Strg. Gear)
27					BRACKET, Brake Pedal (See Brake Group 5)
28	6024 333	1			SNAP RING, Strg. Col. Shaft Bearing Upper
29	#P446 BT8	1			SHIELD, Instrument Panel to Steering Column (Paint as required)
30	#3575 082	1			SEAL, Strg. Col. Jacket to Tube

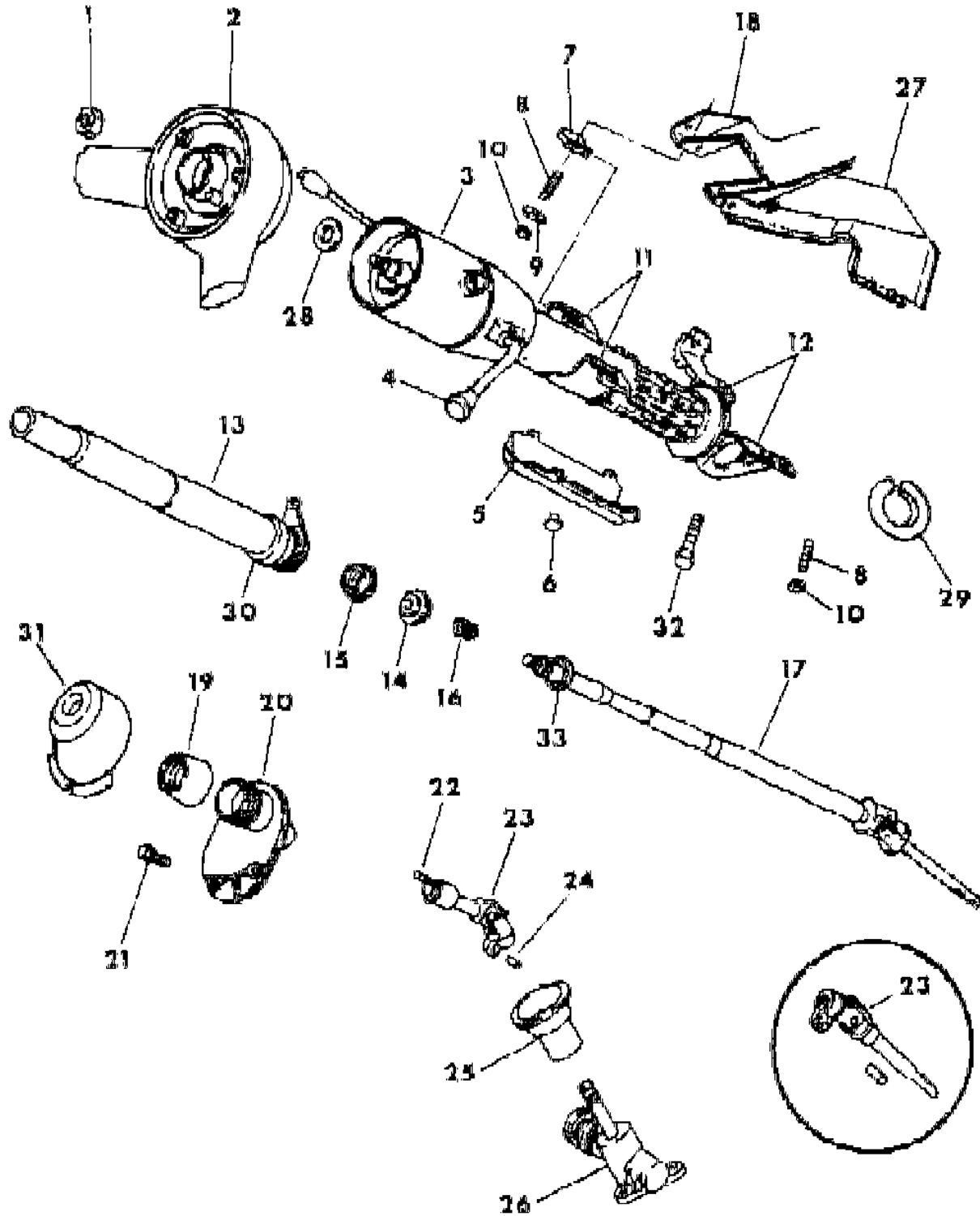
**MODEL CODES**

B = GRAN FURY	G = DIPLOMAT	V = 400
C = LEBARON/TOWN & COUNTRY	M = HORIZON/TURISMO/SCAMP	X = MIRADA
D = ARIES	P = RELIANT	Y = IMPERIAL
E = 600	S = CORDOBA	Z = OMNI/CHARGER/RAMPAGE
F = FIFTH AVENUE	T = E CLASS/NEWYORKER	

**BODY STYLES**

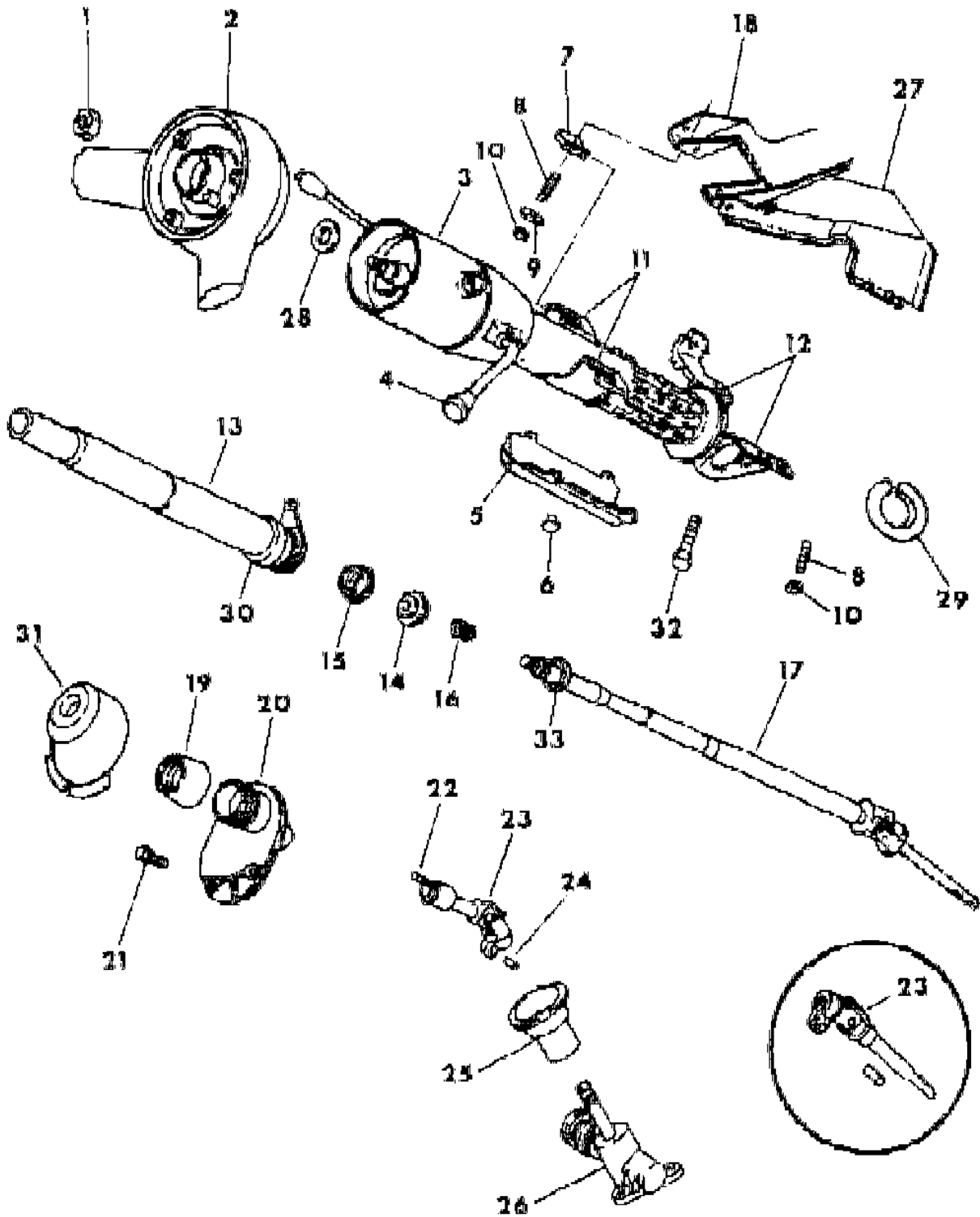
21 = 2-DOOR SEDAN	41 = 4-DOOR SEDAN
22 = 2-DOOR SPECIAL COUPE	45 = 4-DOOR STATION WAGON
24 = 2-DOOR HATCHBACK	44 = 4-DOOR HATCHBACK
27 = 2-DOOR CONVERTIBLE	48 = EXECUTIVE SEDAN
28 = FWD PICKUP	

AR = Use as Required - = Non Illustrated Part P.A.R. = Paint as Required



# STEERING COLUMN (LOWER) & RELATED PARTS w/ or w/o Tilt Strg. P,D,V,C,E,T Figure 19-900

3119 900



ITEM	PART NUMBER	QTY	BODY	MODEL	DESCRIPTION
------	-------------	-----	------	-------	-------------

31	#4188 868	1			COVER, Dash, Strg. Col.
32	#6101 221	2			BOLT, Strg. Col. Support Bracket, w/Tilt Strg.
33	#6030 655	1			"O"RING, Strg. Col. Shaft

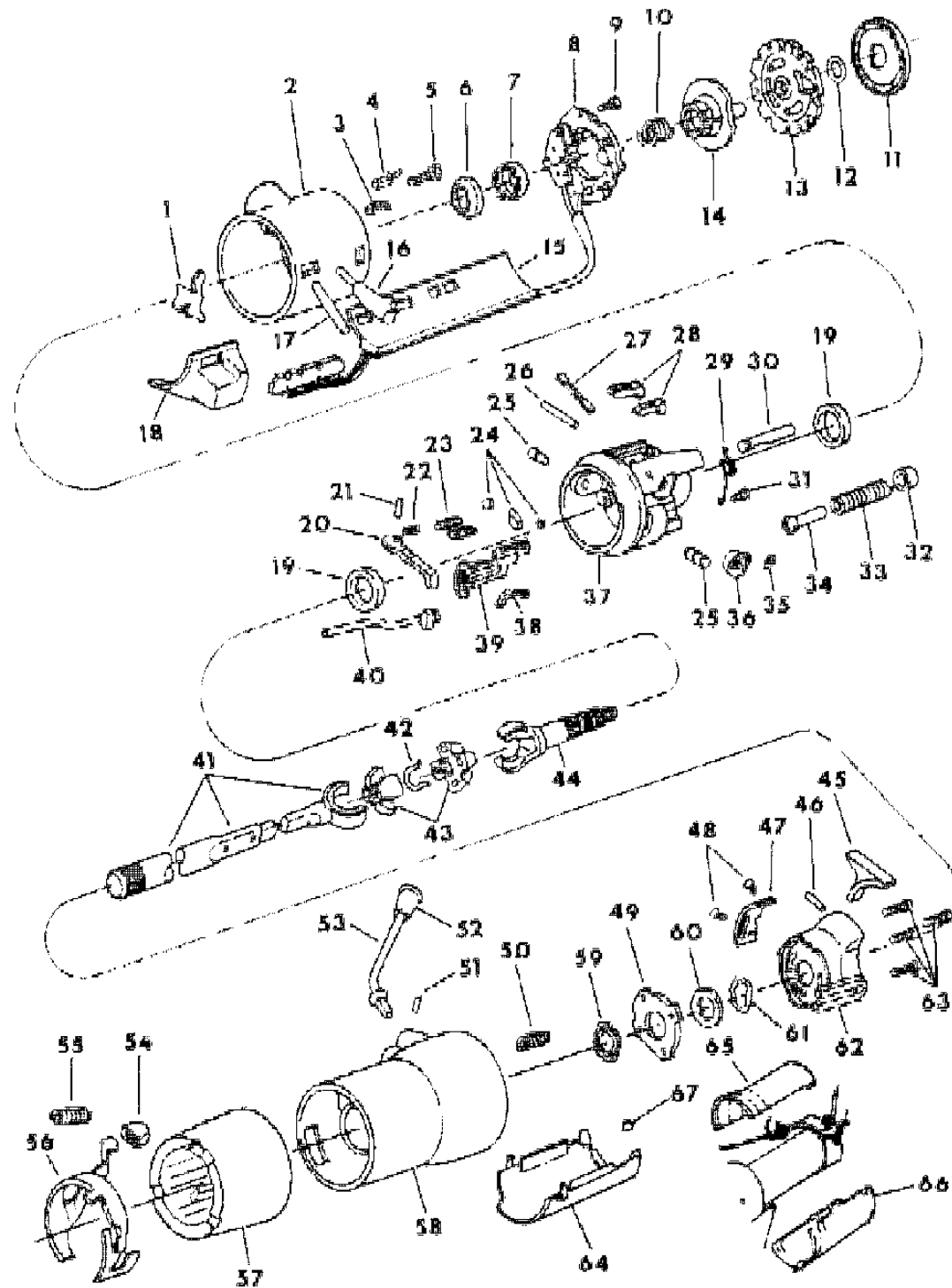
MODEL CODES		
B = GRAN FURY	G = DIPLOMAT	V = 400
C = LEBARON/TOWN & COUNTRY	M = HORIZON/TURISMO/SCAMP	X = MIRADA
D = ARIES	P = RELIANT	Y = IMPERIAL
E = 600	S = CORDOBA	Z = OMNI/CHARGER/RAMPAGE
F = FIFTH AVENUE	T = E CLASS/NEWYORKER	

BODY STYLES	
21 = 2-DOOR SEDAN	41 = 4-DOOR SEDAN
22 = 2-DOOR SPECIAL COUPE	45 = 4-DOOR STATION WAGON
24 = 2-DOOR HATCHBACK	44 = 4-DOOR HATCHBACK
27 = 2-DOOR CONVERTIBLE	48 = EXECUTIVE SEDAN
28 = FWD PICKUP	

AR = Use as Required - = Non Illustrated Part P.A.R. = Paint as Required

**TILT STEERING COLUMN (UPPER) P,D,V,C,B,F,G,X,S,Y,E,T**  
**Figure 19-1000**

3119 1000



ITEM	PART NUMBER	QTY	BODY	MODEL	DESCRIPTION
1	4019 778	1			SHIELD, Tilt Lever Opening
2	#4188 838	1			COVER, Lock Housing
3	4019 793	1			CLIP, Buzzer Switch Retaining
4	3488 432	1			SWITCH, Ignition Key Buzzer
5	3467 402	2			SCREW, Oval Head Cross Recess
6	2781 675	1			RACE, Inner
7	3575 980	1			SEAT, Upper Bearing Inner Race
8		1			SWITCH, Turn Signal and Hazzard Warning (See group8)
9	3467 814	3			SCREW, Binding Head Cross Recess
10	3575 981	1			SPRING, Upper Bearing
11		1			COVER, Shaft Lock
12	2925 062	1			RING, Retainer
13	4019 336	1			LOCK, Shaft
14	4188 484	1			CAM, Turn Signal Switch Cancelling
15	4188 202	1	B,F,G,X		TROUGH, Strg. Column Wiring
	5211 997	1	P,D,V,C		
16		1			LEVER, Turn Signal Indicator, (See Group 8)
17	4019 909	1			LEVER, Strg. Col. Release Lock
18	#4147 002	1			CAP, End Cover
19	2950 549	2			BEARING, Strg. Shaft Upper
20	4188 478	1			LEVER, Shoe Release
21	2880 259	1			PIN, Shoe Release Lever
22	2880 262	1			SPRING, Shoe Release Lever
23	3467 392	2			SPRING, Shoe
24	3467 378	3			BUMPER
25	3467 823	2			PIN, Pivot
26	3467 382	1			PIN, Dowel
27	#4188 835	1			SHAFT, Drive
28	3467 388	1			SHOE, Strg. Wheel Lock, w/3 Position
	4019 785	1			w/4 Position
29	3467 390	1			SPRING, Lock Bolt
30	3467 377	1			BOLT, Lock
31	3467 431	1			SCREW, Hex. Washer Head
	3467 385	1			SCREW, Hex. Washer Head
32	2880 367	1			RETAINER, Spring
33	3575 695	1			SPRING, Wheel Tilt
34	2880 361	1			GUIDE, Spring

**MODEL CODES**

B = GRAN FURY	G = DIPLOMAT	V = 400
C = LEBARON/TOWN & COUNTRY	M = HORIZON/TURISMO/SCAMP	X = MIRADA
D = ARIES	P = RELIANT	Y = IMPERIAL
E = 600	S = CORDOBA	Z = OMNI/CHARGER/RAMPAGE
F = FIFTH AVENUE	T = E CLASS/NEWYORKER	

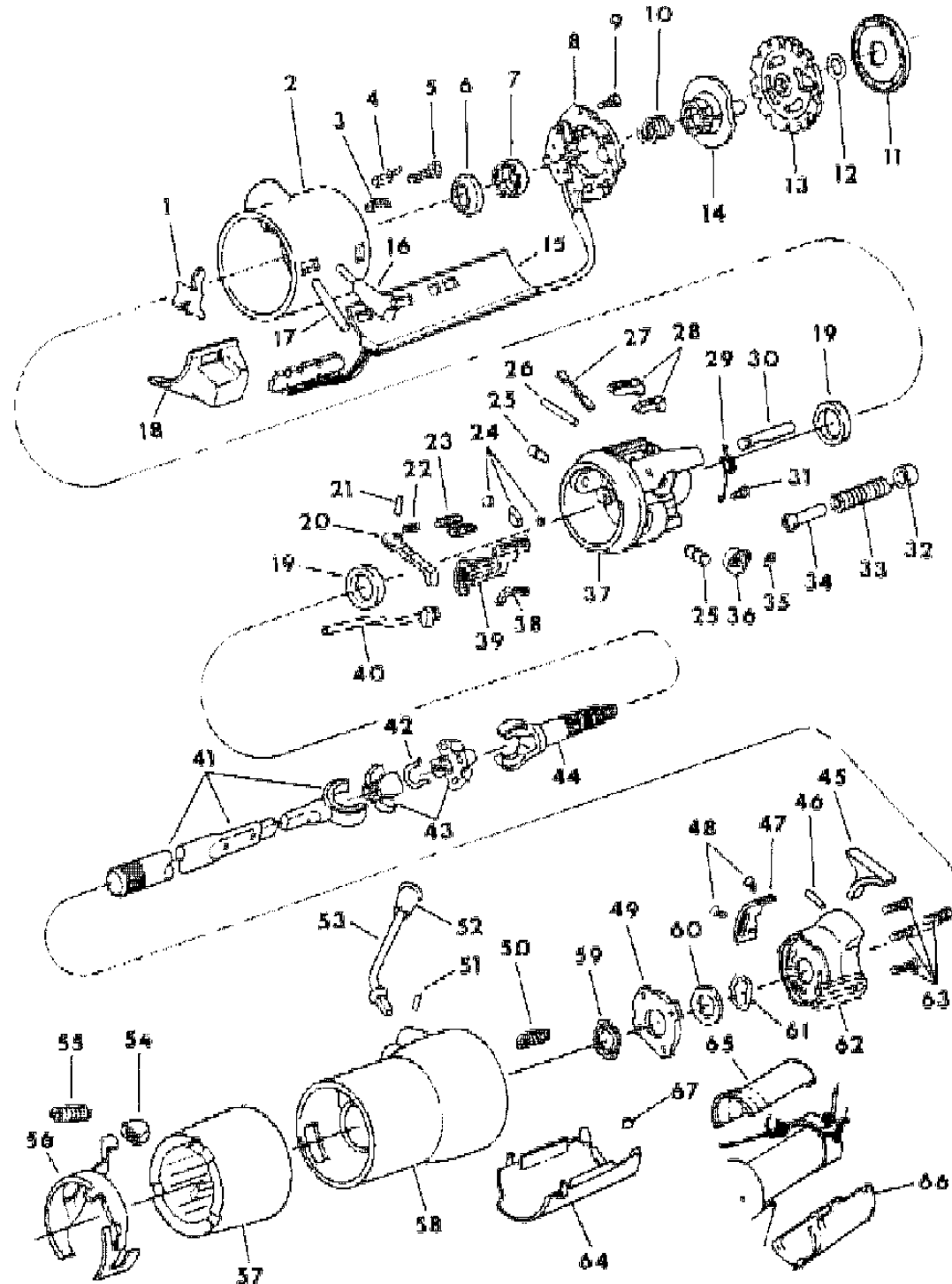
**BODY STYLES**

21 = 2-DOOR SEDAN	41 = 4-DOOR SEDAN
22 = 2-DOOR SPECIAL COUPE	45 = 4-DOOR STATION WAGON
24 = 2-DOOR HATCHBACK	44 = 4-DOOR HATCHBACK
27 = 2-DOOR CONVERTIBLE	48 = EXECUTIVE SEDAN
28 = FWD PICKUP	

AR = Use as Required - = Non Illustrated Part P.A.R. = Paint as Required

**TILT STEERING COLUMN (UPPER) P,D,V,C,B,F,G,X,S,Y,E,T**  
**Figure 19-1000**

3519 1000



ITEM	PART NUMBER	QTY	BODY	MODEL	DESCRIPTION
35	3467 384	1			RING, Retaining
36	4019 781	1			SECTOR, Switch Actuator
37	4188 479	1			HOUSING, Steering Col. Shaft, Upper Bearing
38	3467 391	1			SPRING, Rack Preload
39	4019 786	1			RACK, Switch Actuator
40	4188 486	1		B,F,G,X	ACTUATOR, Ignition Switch w/o Console
	4188 716	1		P,D,V,C	w/o Console
	4188 487	1		B,F,G,X	w/Console
	4188 717	1		P,D,V,C	w/Console
41	4188 315	1		B,F,G	SHAFT ASSY. Strg. Column
	4188 317	1		X,S,Y	
	4188 316	1		P,D,V,C	
	4188 476	1		B,F,G	SHAFT ASSY., Lower
	4188 322	1		P,D,V,C	SHAFT ASSY., Lower
	4188 477	1		X,S,Y	SHAFT ASSY., Lower
42		1			SPRING, (Service in 3514995 Kit)
43	3514 995	1			SPHERE, and Spring, Service Kit
44	4094 094	1			SHAFT, Upper w/Race, Strg. Column
44A	3748 501	1		B,F,G,X	SPACER, Upper Strg. Shaft (Col. Shift)
45	4019 296	1			PLATE, Shroud Retaing, w/Floor Shift
46	2880 259	1			PIN, Release Lever
47	3748 497	1		B,F,G,X	GATE, Shift Lever
	3748 497	1		P,D,V,C	GATE, Shift Lever - (Up To 10-18-82)
	4147 105	1		P,D,V,C	(After 10-18-82)
48	3467 402	2			SCREW, Oval Head Cross Recess
49	3748 498	1			PLATE, Lock
50	2880 284	1			SPRING, Strg. Column Shift Lever
51	0152 233	1			PIN, Lever Spring
52	2883 402	1			KNOB, Column Shift Lever (Black)
53	4188 197	1		Except	LEVER w/Knob, Column Gearshift (Black)
	4188 304	1		F,Y	(Bright Finish)
54	4019 619	1			PAD, Key Release Lever, w/Floor Shift
55	4019 298	1			SPRING, Key Release, w/Floor Shift
56	4019 297	1			LEVER, Key Release, w/Floor Shift
57	4188 325	1			SHROUD, Col. Housing, w/Floor Shift
58	4188 638	1		Except	BOWL, Gearshift Lever, w/Col. Shift
	4188 639	1		X,S,Y	

**MODEL CODES**

B = GRAN FURY	G = DIPLOMAT	V = 400
C = LEBARON/TOWN & COUNTRY	M = HORIZON/TURISMO/SCAMP	X = MIRADA
D = ARIES	P = RELIANT	Y = IMPERIAL
E = 600	S = CORDOBA	Z = OMNI/CHARGER/RAMPAGE
F = FIFTH AVENUE	T = E CLASS/NEWYORKER	

**BODY STYLES**

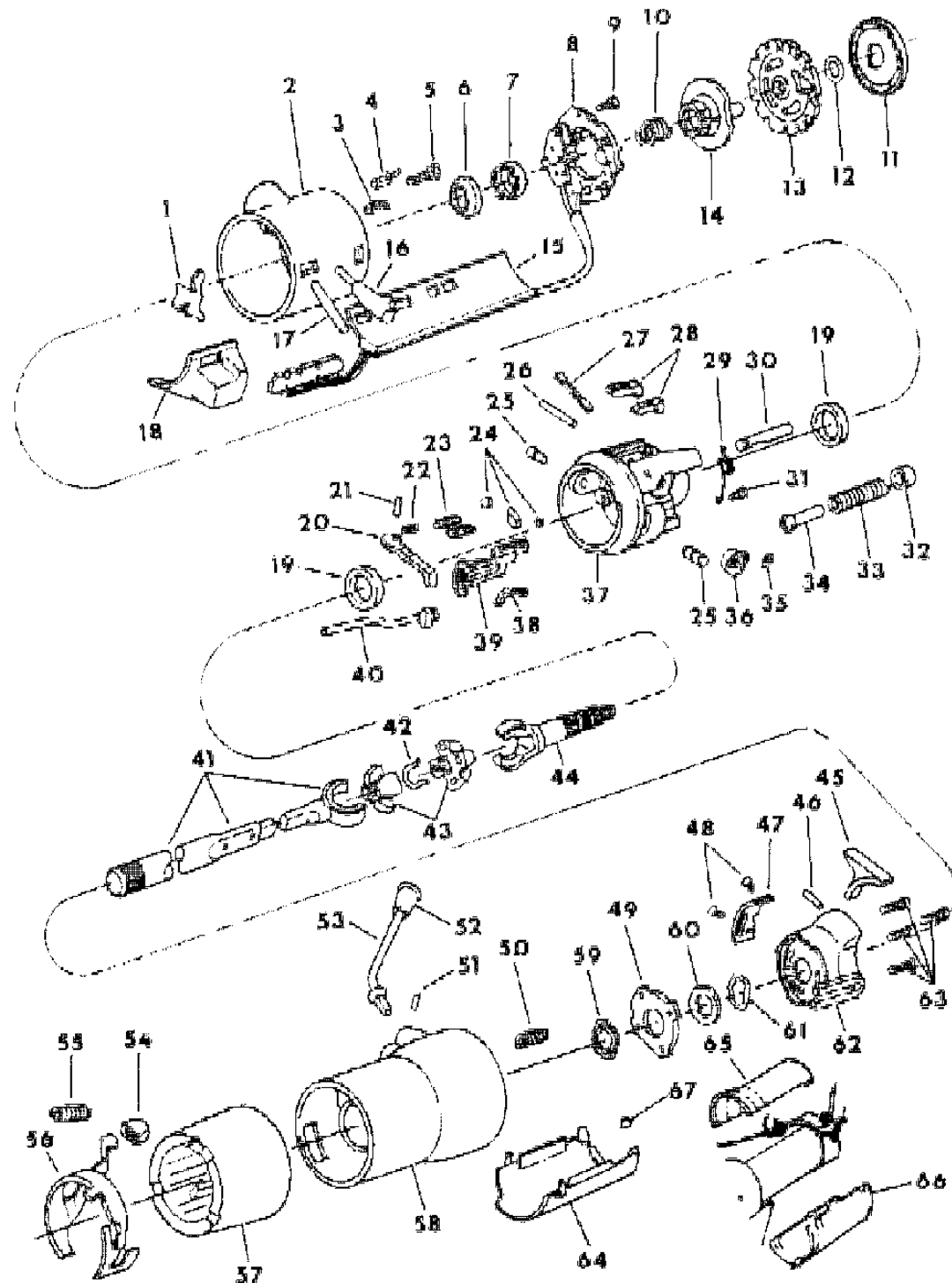
21 = 2-DOOR SEDAN	41 = 4-DOOR SEDAN
22 = 2-DOOR SPECIAL COUPE	45 = 4-DOOR STATION WAGON
24 = 2-DOOR HATCHBACK	44 = 4-DOOR HATCHBACK
27 = 2-DOOR CONVERTIBLE	48 = EXECUTIVE SEDAN
28 = FWD PICKUP	

AR = Use as Required - = Non Illustrated Part P.A.R. = Paint as Required



TILT STEERING COLUMN (UPPER) P,D,V,C,B,F,G,X,S,Y,E,T  
Figure 19-1000

3179 1000



ITEM	PART NUMBER	QTY	BODY	MODEL	DESCRIPTION
59	3748 592	1			WASHER, Wave (Col. Shift)
60	3467 423	1			WASHER, Thrust
61	3467 415	1			RING, Shift Tube Retainer
62	4019 780	1			SUPPORT, Bearing Housing, w/o Console
	4188 036	1		P,D,V,C	w/Console
63	3748 500	4			SCREW, Support
64	4188 203	1		X,S,Y	COVER, Gearshift Bowl, w/Col. Shift
65	4188 032	1		X,S	EXTENSION, Strg. Col. Shroud, Upper, w/Floor Shift
66	4188 033	1		X,S	EXTENSION, Strg. Col. Shroud, Lower, w/Floor Shift
67	6015 925	4			RETAINER, Strg. Col. Wiring Trough
68	4188 492	1		X,S,Y	SPRING PIN, Preload
69		1			SEAL, Strg. Shaft, w/Floor Shift (Serv. In Jacket Assy)
70	#6500 126	1			NUT, Strg. Wheel
71	#4188 872	1			PIN, Switch Actuator Pivot

MODEL CODES

B = GRAN FURY	G = DIPLOMAT	V = 400
C = LEBARON/TOWN & COUNTRY	M = HORIZON/TURISMO/SCAMP	X = MIRADA
D = ARIES	P = RELIANT	Y = IMPERIAL
E = 600	S = CORDOBA	Z = OMNI/CHARGER/RAMPAGE
F = FIFTH AVENUE	T = E CLASS/NEWYORKER	

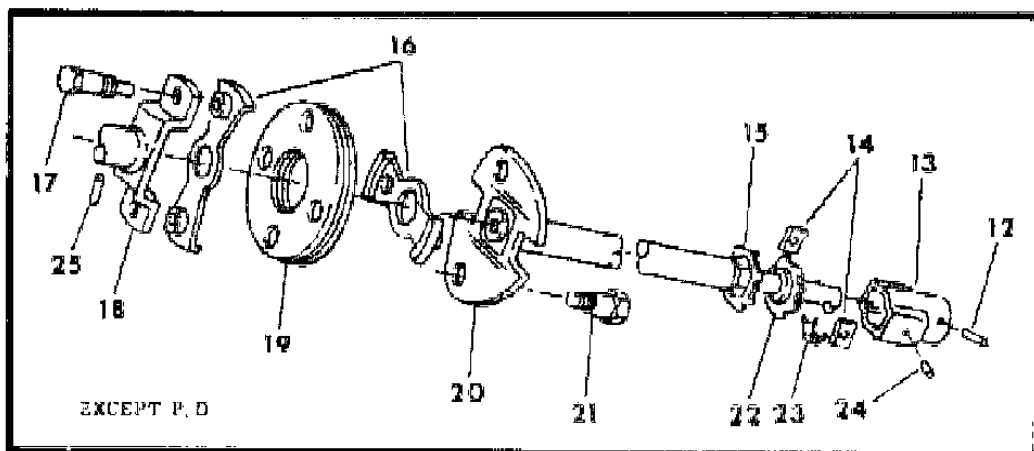
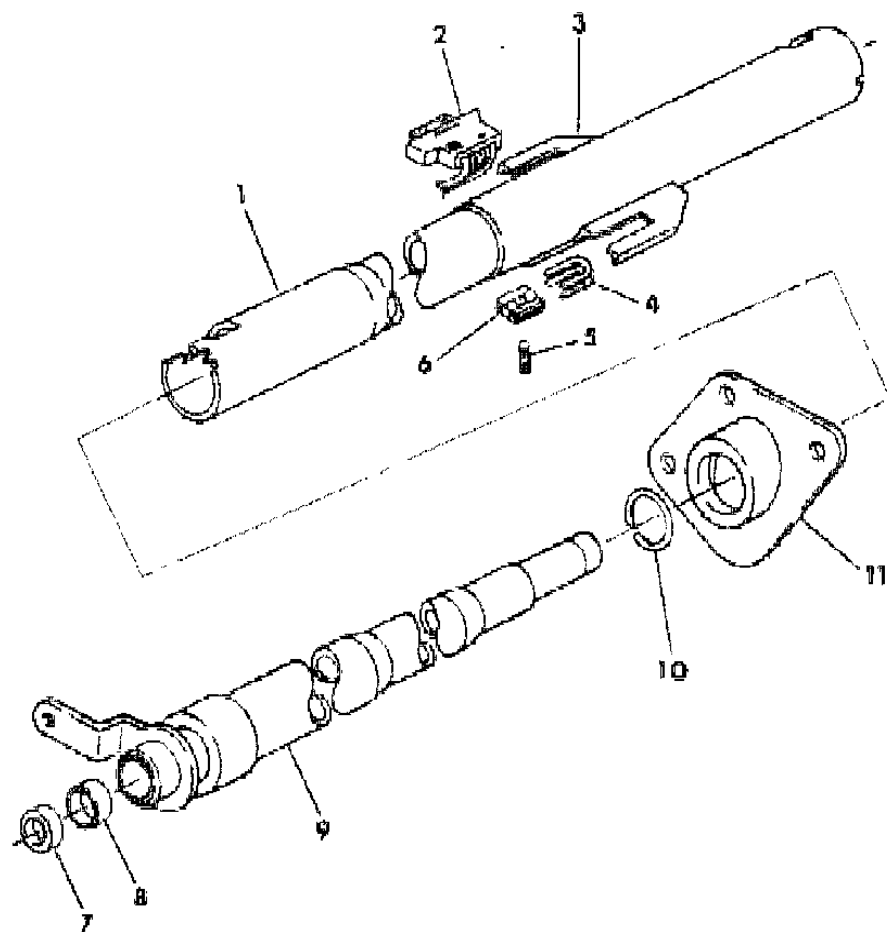
BODY STYLES

21 = 2-DOOR SEDAN	41 = 4-DOOR SEDAN
22 = 2-DOOR SPECIAL COUPE	45 = 4-DOOR STATION WAGON
24 = 2-DOOR HATCHBACK	44 = 4-DOOR HATCHBACK
27 = 2-DOOR CONVERTIBLE	48 = EXECUTIVE SEDAN
28 = FWD PICKUP	

AR = Use as Required - = Non Illustrated Part P.A.R. = Paint as Required

**TILT STEERING COLUMN (LOWER) P,D,V,C,B,F,G,X,S,Y,E,T**  
**Figure 19-1100**

1119 1100



ITEM	PART NUMBER	QTY	BODY	MODEL	DESCRIPTION
1	#4188 830	1		B,F,G	JACKET ASSY. Strg. Col., w/ Col. Shift
	4188 834	1		X,S	w/Floor Shift
	4188 834	1		X,S	(Late Production)
	4188 312	1		P,D,V,C	w/Floor Shift
	4188 831	1		X,S,Y	w/Col. Shift
	4188 831	1		X,S,Y	(Late Production)
	4188 311	1		P,D,V,C	w/Col. Shift
2					(See Group 8)
3	4019 271	1		B,F,G	BRACKET, Strg. Col. Support
	4188 284	1		P,D,V,C	Lower Jacket
4		1			CLIP, Strg. Col. Ground (Not Serviced)
5	6500 127	4		B,F,G	SCREW, w/Washer, Bracket To Strg. Col.
	6027 947	2		B,F,G,X	STUD, Strg. Col. Mounting
	6101 221	2		P,D,V,C	BOLT, Strg. Col. Support Bracket
6	3748 492	2			SPACER, Strg. Col. Support Bracket
7	4019 501	1		B,F,G,X	BEARING, Strg. Shaft, Lower, w/Col. Shift
	4019 294	1		F,G,X,S	w/Floor Shift
8	2530 566	1			INSULATOR, Bearing (Col, Shift)
9	4188 319	1		B,F,G	TUBE, Strg. Col. Gearshift, w/o Console
	4188 321	1		X,S,Y	w/o Console
	4188 320	1		P,D,V,C	w/o Console
10	3748 400	1		B,F,G,X	GROMMET, Strg. Col.
11	4019 274	1		B,F,G,X	PLATE, Strg. Col. Jacket Support
12	2266 743	1		B,F,G,X	PIN, Strg. Col. Shaft Lower Coupling
13	3837 669	1		B,F,G,X	Body, Strg. Col. Shaft Coupling
14	2800 738	2		B,F,G,X	SHOE, Coupling Body
15	2530 538	1		B,F,G,X	COVER, Coupling Body
16	4106 199	1		B,F,G,X	STRAP PACKAGE, Strg. Col. Coupling, w/Bolts
17	6030 999	2			BOLT, Coupling
18	3748 271	1		B,F,G,X	FLANGE, Strg. Col. Shaft Coupling
19	3748 263	1		B,F,G,X	COUPLING, Strg. Col. Shaft
20	4019 262	1		B,F,G,X	SHAFT, Strg. Col. Coupling Intermediate, 6.34" Lgh
21	6031 168	2		B,F,G,X	BOLT, Coupling
22	4019 278	1		B,F,G,X	SEAL, Coupling Body
23	2925 492	1		B,F,G,X	SPRING, Strg. Col. Shaft Coupling Body
24	6029 951	1		B,F,G,X	PIN, Coupling Body
25	6028 750	1		B,F,G,X	PIN, Coupling Body

**MODEL CODES**

B = GRAN FURY	G = DIPLOMAT	V = 400
C = LEBARON/TOWN & COUNTRY	M = HORIZON/TURISMO/SCAMP	X = MIRADA
D = ARIES	P = RELIANT	Y = IMPERIAL
E = 600	S = CORDOBA	Z = OMNI/CHARGER/RAMPAGE
F = FIFTH AVENUE	T = E CLASS/NEWYORKER	

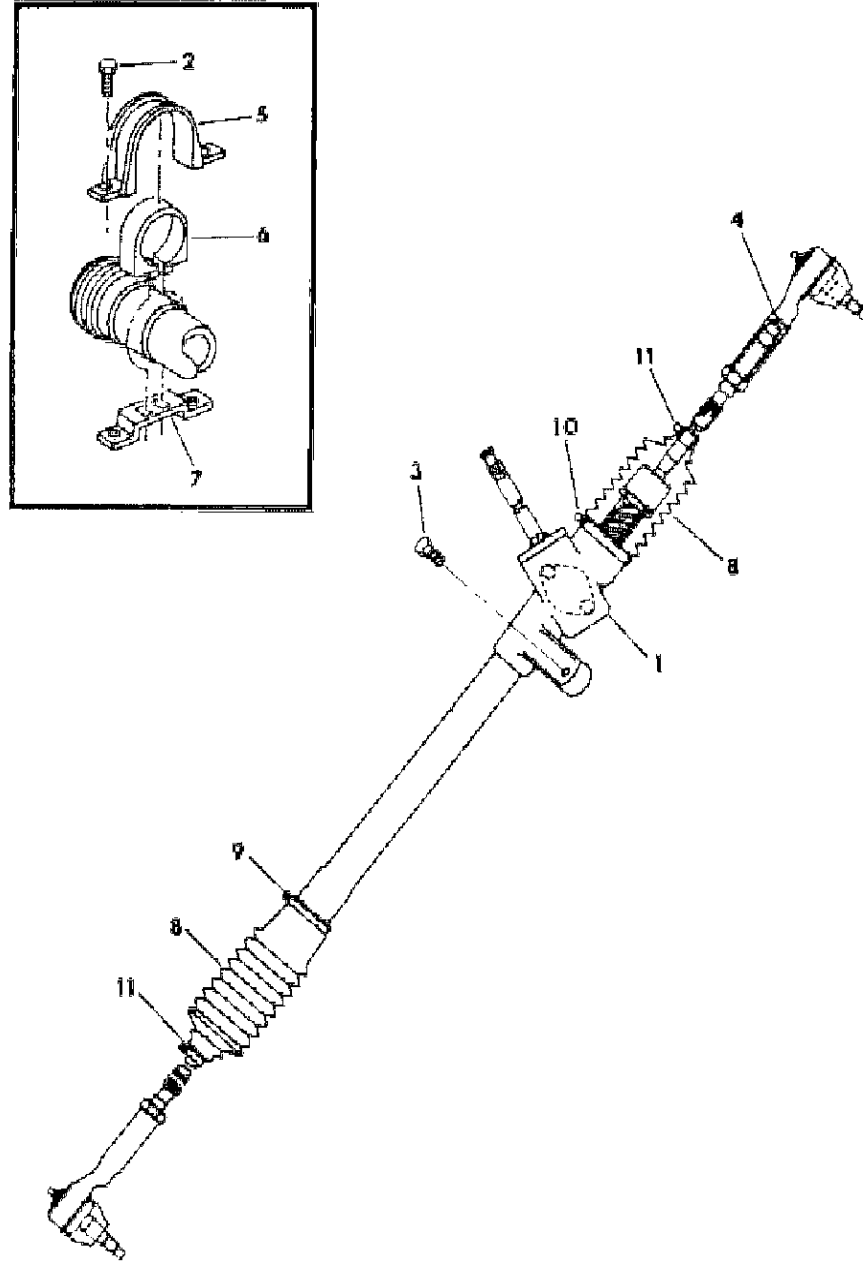
**BODY STYLES**

21 = 2-DOOR SEDAN	41 = 4-DOOR SEDAN
22 = 2-DOOR SPECIAL COUPE	45 = 4-DOOR STATION WAGON
24 = 2-DOOR HATCHBACK	44 = 4-DOOR HATCHBACK
27 = 2-DOOR CONVERTIBLE	48 = EXECUTIVE SEDAN
28 = FWD PICKUP	

AR = Use as Required - = Non Illustrated Part P.A.R. = Paint as Required

**RACK AND PINION MANUAL STEERING GEAR AND ATTACHING PARTS M,Z,P,D,V,C**  
**Figure 19-1200**

191B-1200



ITEM	PART NUMBER	QTY	BODY	MODEL	DESCRIPTION
1	#4188 856	1		M,Z	GEAR, Rack and Pinion (Manual Strg.)
	3643 360	1		P,D,V,C	
2	6100 576	2			BOLT, Rack and Pinion Strg. Gear, Rt.
3	6101 265	2			BOLT, Rack and Pinion Strg. Gear, Lt.
4	4106 180	2			TIE ROD, Strg. Gear, Outer End
5	5205 225	1			BRACKET, Rack Pinion Strg. Gear Mounting Outer
6	5205 227	1			BUSHING, Rack and Pinion Strg. Gear Mounting
7	5205 226	1			BRACKET, Rack and Pinion Strg. Gear Mounting Inner
8	#4131 348	1			SERVICE KIT, Boot and Clamp, Rt. Consists of: 1 - 4147138 Boot, Tie Rod to Rack Tube, Rt. 1 - 5205313 Clamp, Boot to Tie Rod 1 - 5205315 Clamp, Boot to Tube, Rt.
---	#4147 071	1			ADAPTOR, Tube To Boot - Rt.
	4131 349	1			SERVICE KIT, Boot and Clamp, Lt. Consists of: 1 - 4147137 Boot, Tie Rod to Housing, Lt. 1 - 5205313 Clamp, Boot to Tie Rod 1 - 5205314 Clamp, Boot to Casting, Lt.
9	#4147 140	1			CLAMP, Boot to Tube, Rt.
10	#4147 139	1			CLAMP, Boot to Tube, Lt. (Gear Housing)
11	5205 313	2			CLAMP, Boot to Tie Rod

**MODEL CODES**

B = GRAN FURY	G = DIPLOMAT	V = 400
C = LEBARON/TOWN & COUNTRY	M = HORIZON/TURISMO/SCAMP	X = MIRADA
D = ARIES	P = RELIANT	Y = IMPERIAL
E = 600	S = CORDOBA	Z = OMNI/CHARGER/RAMPAGE
F = FIFTH AVENUE	T = E CLASS/NEWYORKER	

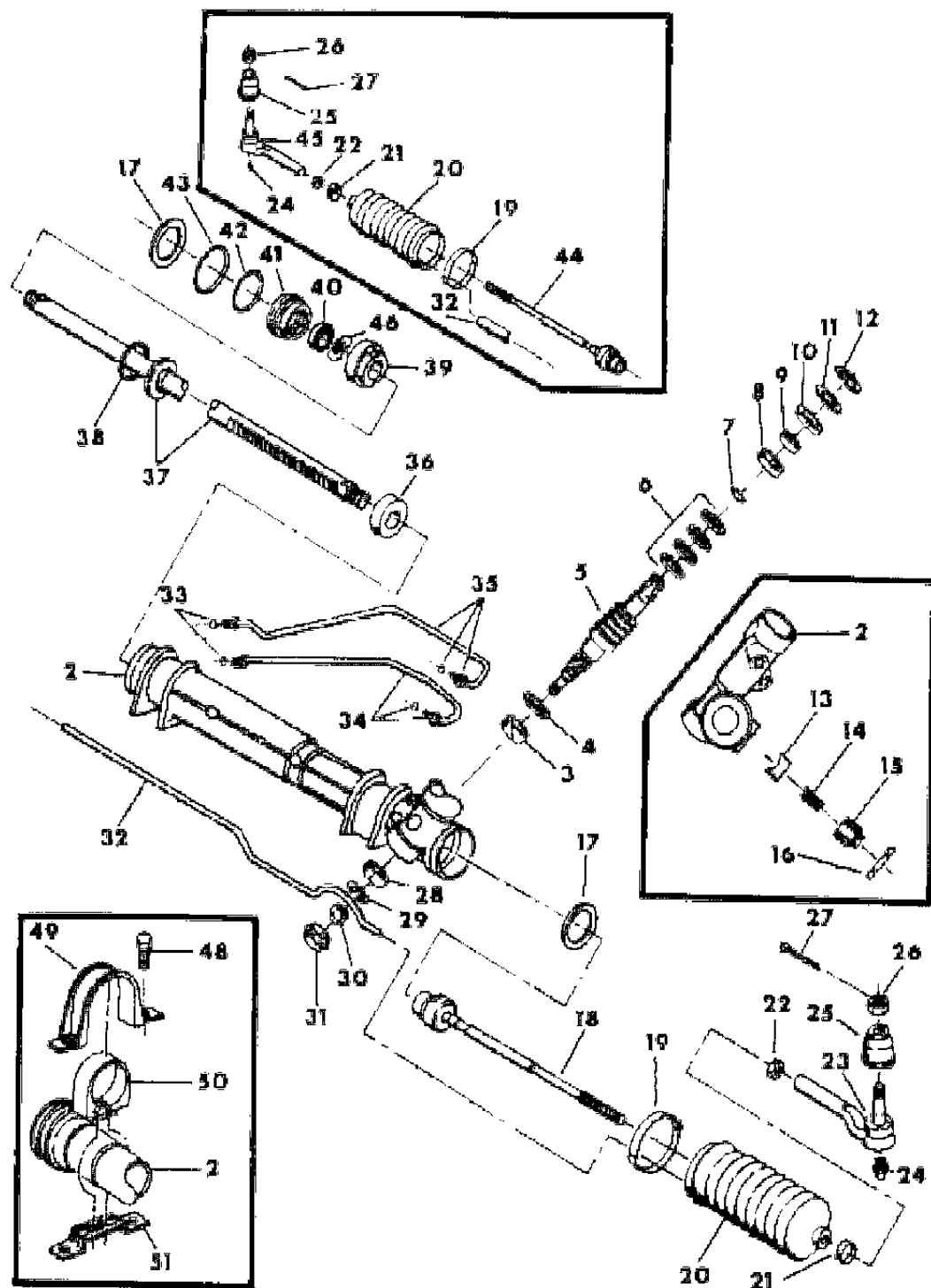
**BODY STYLES**

21 = 2-DOOR SEDAN	41 = 4-DOOR SEDAN
22 = 2-DOOR SPECIAL COUPE	45 = 4-DOOR STATION WAGON
24 = 2-DOOR HATCHBACK	44 = 4-DOOR HATCHBACK
27 = 2-DOOR CONVERTIBLE	48 = EXECUTIVE SEDAN
28 = FWD PICKUP	

AR = Use as Required - = Non Illustrated Part P.A.R. = Paint as Required

**RACK AND PINION POWER STEERING GEAR (SAGINAW) AND ATTACHING PARTS M,Z,P,D,V,C,E,T**  
**Figure 19-1300**

3119 1300



ITEM	PART NUMBER	QTY	BODY	MODEL	DESCRIPTION
	4106 180	2			PACKAGE, Tie Rod, Outer Consists of: 1 ----- Tie Rod, Outer 1- 6500121 Nut 1 ----- Pin, Cotter
	5205 328	1			SERVICE KIT, Valve Pinion, w/S/C-S12,S13,(Except Shelby)
	5205 336	1	M,Z		Firm Feel Suspension w/S/C-S14,(Except Shelby)
	4147 091	1	M,Z		w/Shelby
	4147 091	1	P,D,V,C		Firm Feel Suspension w/(S/C-S14) Consists of: 1 ----- Bushing, Upper Pinion 1 ----- Seal, Rack and Pinion 1 ----- Valve Assy. w/Pinion
					4 ----- Ring, Valve Body 1- 5205288 Ring, Retaining, Spool Shaft 1 ----- Seal, Stub Shaft 1 ----- Seal, Stub Shaft Dust
	4147 092	1			SERVICE KIT, Boot, Strg. Gear, Right
	4147 093	1			Left Consists, of: 1 ----- Boot, Rack and Pinion
					1- ----- Clamp, Boot
	4147 094	1	M,Z		SERVICE KIT, Inner Tie Rod, Assy. Right
	4147 133	1	M,Z		Left
	4147 095	1	P,D,V,C		Right
	4147 136	1	P,D,V,C		Left Consists of: 1- 5205287 Ring, Shock Dampener 1----- Clamp, Boot
					1- 5205275 Nut, Hex Jam
	4147 096	1			SERVICE KIT, Bulkhead, Assy. Consists, of: 1----- Clamp, Boot 1 ----- Bulkhead, Cylinder Inner 1 ----- Seal, Rack and Pinion (Bulkhead) 1 ----- Seal, "O"Ring 1 ----- Bulkhead, Cylinder Outer

**MODEL CODES**

B = GRAN FURY	G = DIPLOMAT	V = 400
C = LEBARON/TOWN & COUNTRY	M = HORIZON/TURISMO/SCAMP	X = MIRADA
D = ARIES	P = RELIANT	Y = IMPERIAL
E = 600	S = CORDOBA	Z = OMNI/CHARGER/RAMPAGE
F = FIFTH AVENUE	T = E CLASS/NEWYORKER	

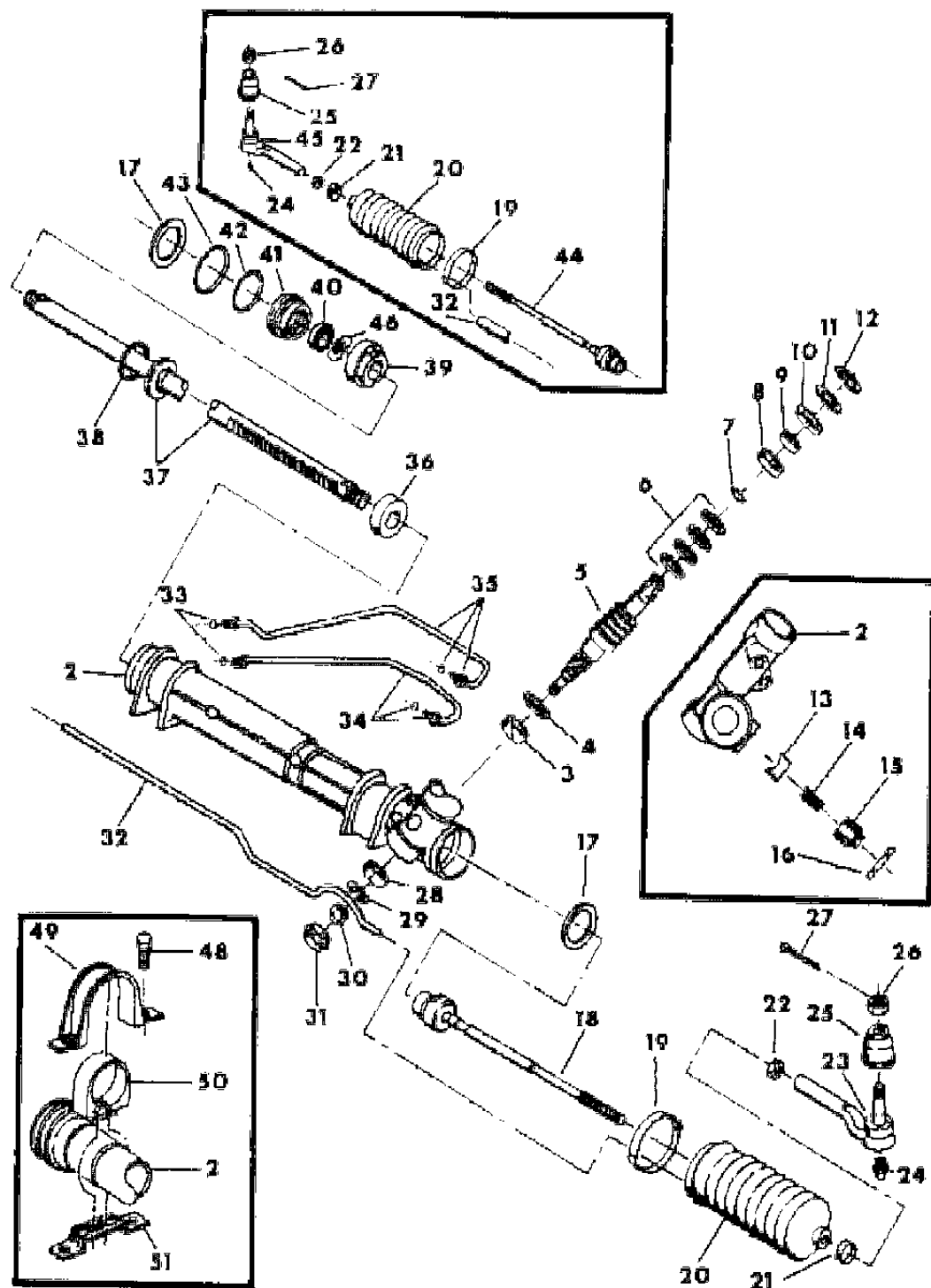
**BODY STYLES**

21 = 2-DOOR SEDAN	41 = 4-DOOR SEDAN
22 = 2-DOOR SPECIAL COUPE	45 = 4-DOOR STATION WAGON
24 = 2-DOOR HATCHBACK	44 = 4-DOOR HATCHBACK
27 = 2-DOOR CONVERTIBLE	48 = EXECUTIVE SEDAN
28 = FWD PICKUP	

AR = Use as Required - = Non Illustrated Part P.A.R. = Paint as Required

**RACK AND PINION POWER STEERING GEAR (SAGINAW) AND ATTACHING PARTS M,Z,P,D,V,C,E,T**  
**Figure 19-1300**

3119 1300



ITEM	PART NUMBER	QTY	BODY	MODEL	DESCRIPTION
					1 ----- Ring, Bulkhead Retaining
					1 ----- Tie Rod, Assy., Inner
					1 ----- Spring, Wave Washer
	4147 098	1			SERVICE KIT, Seal, Rack and Pinion Consists of:
					1----- Clamp, Boot
					1 ----- Seal, Inner Rack
					1 ----- Ring, Piston
					1 ----- Seal, Rack and Pinion (Bulkhead)
	4147 099	1			1 ----- Seal, "O"Ring
					1 ----- Ring, Bulkhead Retaining
					SERVICE KIT, Seal, Strg. Gear Bulkhead Consists of:
					1----- Clamp, Boot
					1----- Ring, Bulkhead Retaining
					1----- Seal, Outer Rack
					1----- Seal, Ring
	5205 295	1			SERVICE KIT, Pinion Bearing Consists of:
					1 ----- Seal, Rack and Pinion
					1 ----- Seal, Stub Shaft
	4147 100	1			1- 5205278 Ring, Seal Retaining
					1 ----- Seal, Stub Shaft Dust
					1 ----- Bearing, Ball, Assy.
					SERVICE KIT, Valve Ring Seal . Consists of:
					4 ----- Ring, Valve Body
					1 ----- Seal, Stub Shaft
					1 ----- Seal, Stub Shaft Dust
	5205 298	1			SERVICE KIT, Pinion and Shaft Seal Consists of:
					1 ----- Bushing Upper Pinion
					1 ----- Seal, Rack and Pinion
					1 ----- Seal, Stub Shaft
					1 ----- Seal, Stub Shaft Dust
	5205 299	1			SERVICE KIT, Spool Shaft Bearing, Assy. Consists of:

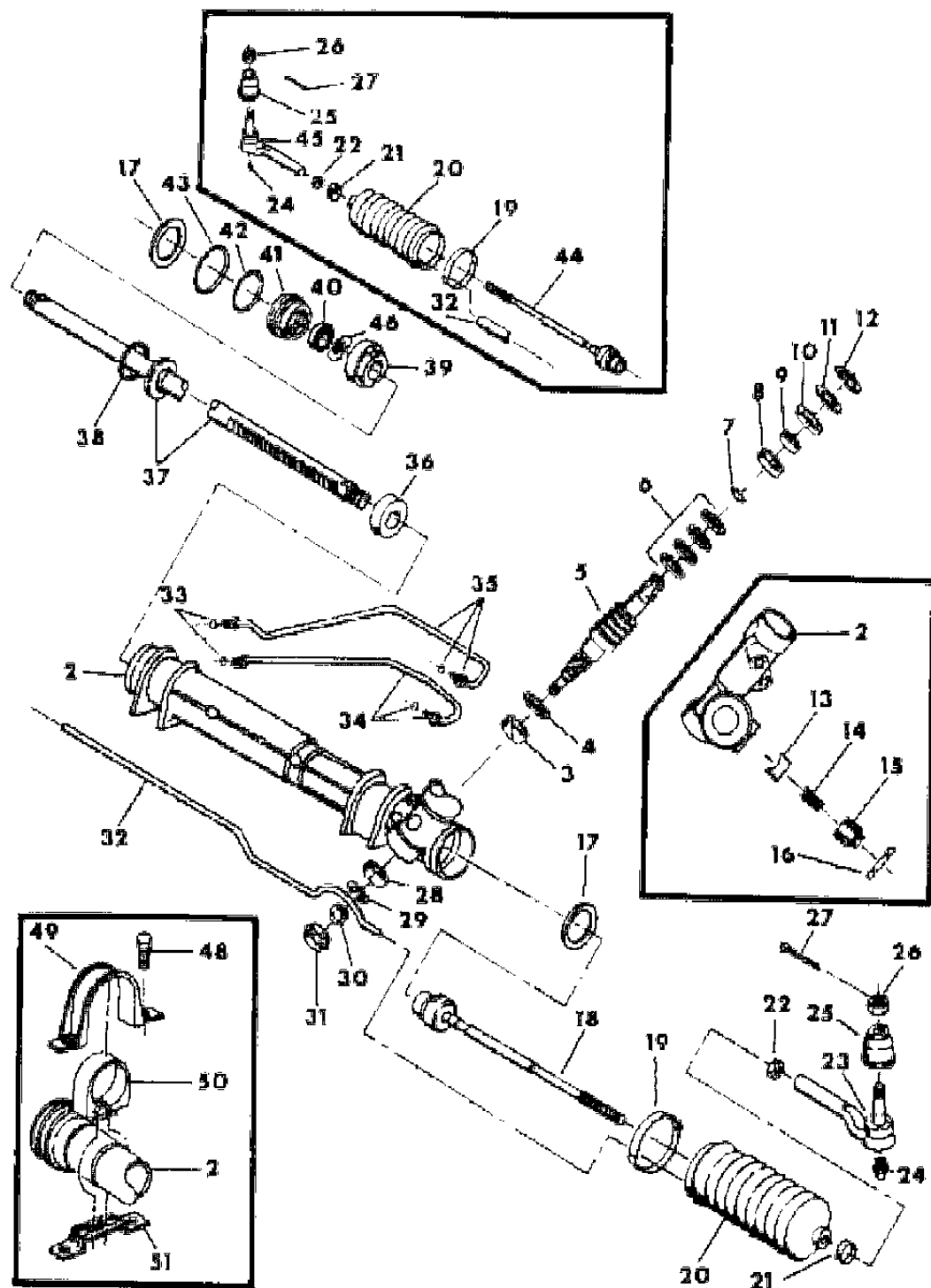
MODEL CODES  
 B = GRAN FURY  
 C = LEBARON/TOWN & COUNTRY  
 D = ARIES  
 E = 600  
 F = FIFTH AVENUE  
 G = DIPLOMAT  
 M = HORIZON/TURISMO/SCAMP  
 P = RELIANT  
 S = CORDOBA  
 T = E CLASS/NEWYORKER  
 V = 400  
 X = MIRADA  
 Y = IMPERIAL  
 Z = OMNI/CHARGER/RAMPAGE

BODY STYLES  
 21 = 2-DOOR SEDAN  
 22 = 2-DOOR SPECIAL COUPE  
 24 = 2-DOOR HATCHBACK  
 27 = 2-DOOR CONVERTIBLE  
 28 = FWD PICKUP  
 41 = 4-DOOR SEDAN  
 45 = 4-DOOR STATION WAGON  
 44 = 4-DOOR HATCHBACK  
 48 = EXECUTIVE SEDAN

AR = Use as Required - = Non Illustrated Part P.A.R. = Paint as Required

**RACK AND PINION POWER STEERING GEAR (SAGINAW) AND ATTACHING PARTS M,Z,P,D,V,C,E,T**  
**Figure 19-1300**

3119 1300



ITEM	PART NUMBER	QTY	BODY	MODEL	DESCRIPTION
					1 ----- Seal, Rack and Pinion
					1 ----- Annulus, Stub Shaft Bearing
					1 ----- Bearing, Needle
					1 ----- Seal, Stub Shaft
					1 ----- Seal, Stub Shaft Dust
1-46	#4293 168	1	M,Z		GEAR, Assy. Rack and Pinion w/(S/C-S12 Normal Suspension and S13 H.D. Susp. (Except Shelby)
	4293 169	1	M,Z		w/(S/C-S14) Firm Feel Suspension (Except Shelby)
	4147 228	1	M,Z		w/Shelby
	4293 164	1	P,D,V,C		(Sag. Strg. Gear) w/S12 Normal Susp. & S13 H.D. Susp.
	4147 009	1	P,D,V,C		(Saginaw Strg. Gear) (S/C-S75 Firm Feel Power Strg.)
2	#4147 082	1	M,Z		HOUSING, Assy.
	4147 083	1	P,D,V,C		
3		1			Bushing, Upper Pinion (Serviced in 5205328, 5205298)
4		1			SEAL, Rack and Pinion (Serviced in 5205328, 5205298, 5205299)
5		1			PINION, w/Valve Assy. (Serviced in 5205328 or 5205336)
6		4			RING, Valve Body (Serviced in 5205328, 4147100)
7	5205 288	1			RING, Spool Shaft Retaining (Also Serviced in 5205328)
8		1			ANNULUS, Stub Shaft Bearing (Serviced in 5205299)
9		1			BEARING, Needle, Assy. (Serviced in 5205299)
10		1			SEAL, Stub Shaft (Serviced in 5205328, 5205295, 5205298, 5205299)
11		1			SEAL, Stub Shaft Dust (Serviced in 5205328, 5205295, 4147100, 5205298, 5205299)
12	5205 278	1			RING, Seal Retaining (Also Serviced in 5205295)
13	5205 282	1			BEARING, Rack
14	5205 280	1			SPRING, Adjuster
15	5205 286	1			PLUG, Adjuster
16	5205 285	1			NUT, Adjuster Plug Lock
17	5205 287	2	P,D,V,C		RING, Shock Dampener
	4147 088	2	M,Z		
18		1			TIE ROD, Assy. Inner (Serviced in Package)
19	#4147 084	2			CLAMP, Boot (Also Serviced in Package)
20		1			BOOT, Rack and Pinion (Serviced in 4147092 Rt., 4147093 Lt. Pkg.)
21	#4147 085	2			CLAMP, Boot (Tie Rod End)
22	5205 275	2			NUT, Hex Jam

**MODEL CODES**

B = GRAN FURY	G = DIPLOMAT	V = 400
C = LEBARON/TOWN & COUNTRY	M = HORIZON/TURISMO/SCAMP	X = MIRADA
D = ARIES	P = RELIANT	Y = IMPERIAL
E = 600	S = CORDOBA	Z = OMNI/CHARGER/RAMPAGE
F = FIFTH AVENUE	T = E CLASS/NEWYORKER	

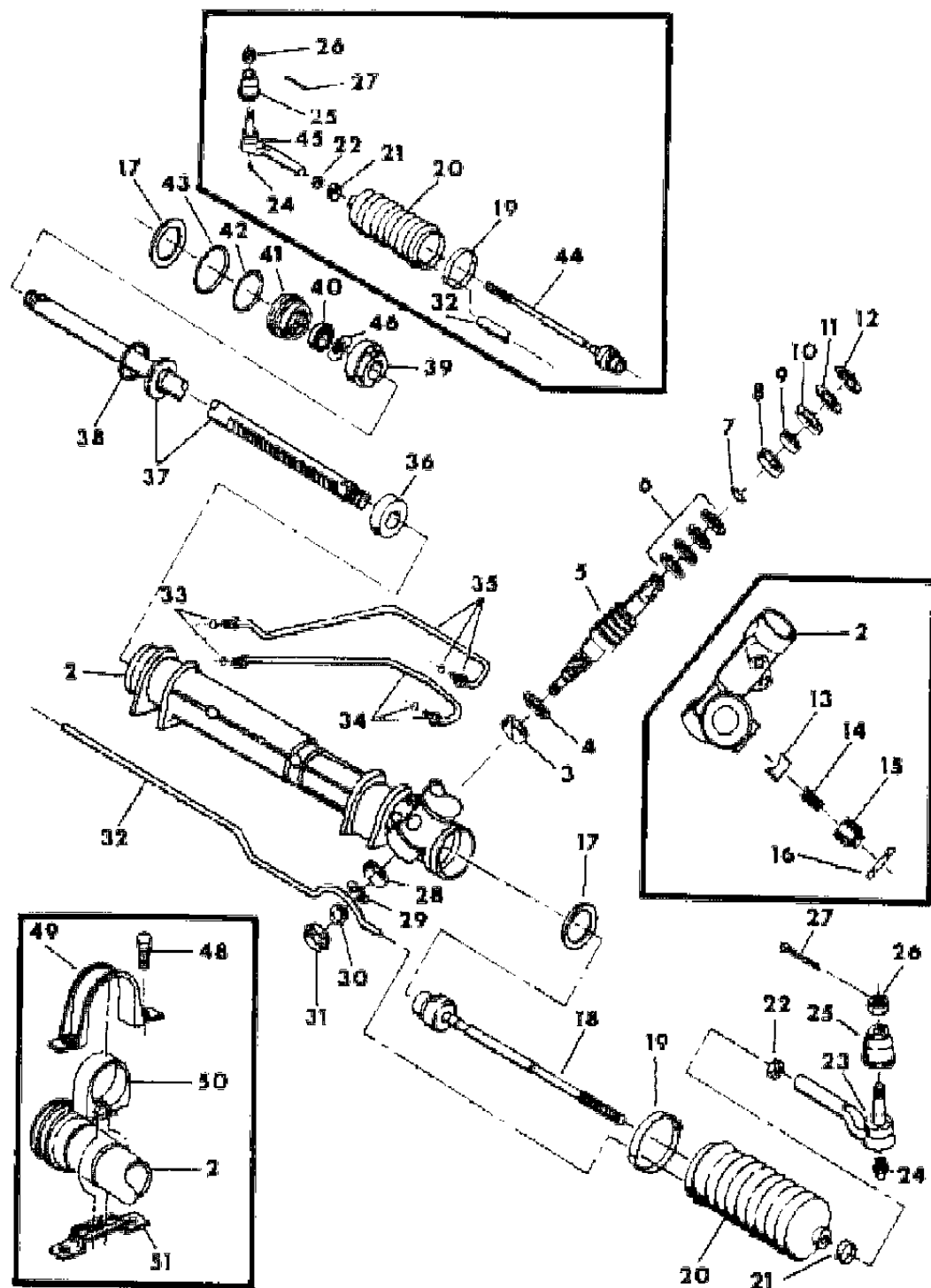
**BODY STYLES**

21 = 2-DOOR SEDAN	41 = 4-DOOR SEDAN
22 = 2-DOOR SPECIAL COUPE	45 = 4-DOOR STATION WAGON
24 = 2-DOOR HATCHBACK	44 = 4-DOOR HATCHBACK
27 = 2-DOOR CONVERTIBLE	48 = EXECUTIVE SEDAN
28 = FWD PICKUP	

AR = Use as Required - = Non Illustrated Part P.A.R. = Paint as Required

**RACK AND PINION POWER STEERING GEAR (SAGINAW) AND ATTACHING PARTS M,Z,P,D,V,C,E,T**  
**Figure 19-1300**

3119 1300



ITEM	PART NUMBER	QTY	BODY	MODEL	DESCRIPTION
23		1			TIE ROD, Outer, Left (Serviced in 4106180)
24		2			FITTING, Lubrication (Not Serviced)
25		2			SEAL, Tie Rod (Serviced in 4106180)
26	6500 121	2			NUT, Outer Tie Rod
27		2			PIN, Cotter (Not Serviced)
28		1			BEARING, Ball, Assy. (Serviced in 5205295)
29	5205 279	1			RING, Pinion Bearing Retaining
30	5205 268	1			NUT, Hex Lock
31	5205 284	1			COVER, Dust
32	#4147 086	1		M,Z	TUBE, Breather
	4147 087	1		P,D,V,C	
33	#3815 859	4			SEAL, Cylinder Oil Line "O"Ring
34	#4147 090	1			KIT, Cylinder Oil Line, Left, w/"O"Ring Seal
35	#4147 089	1			KIT, Cylinder Oil Line, Right w/"O"Ring Seal
36		1			SEAL, Inner Rack (Serviced in 5205293)
37	#4147 079	1		M,Z	RACK, Assy. w/Piston, Strg. (Except Shelby)
	4147 224	1		M,Z	w/Shelby
	4147 080	1		P,D,V,C	Except (S/C-S75 Firm Feel Power Strg.)
	4147 081	1		P,D,V,C	W/(S/C-S75 Firm Feel Power Strg.)
38		1			RING, Piston (Serviced in 5205293)
39		1			BULKHEAD, Cylinder Inner (Serviced in 4147096)
40		1			SEAL, Rack and Pinion (Bulkhead) (Serviced in 4147096, 4147098)
41		1			Bulkhead, Cylinder Outer (Serviced in 4147096)
42		1			SEAL, "O"Ring (Serviced in 4147096, 4147098)
43	#4147 097	1			RING, Bulkhead Retaining (Serviced also in 4147096, 4147098)
44		1			TIE ROD, Assy., Inner, Right (Serviced in 4147133, 4147094, 4147095, 4147136)
45		1			TIE ROD, Assy., Outer, Right (Serviced in 4106180)
46		1			SPRING, Wave Washer (Serviced in 4147096)
47	6101 265	2			BOLT, Rack and Pinion Strg. Gear Mounting, Left
48	6100 576	2			BOLT, Rack and Pinion Strg. Gear Mounting, Right
49	3643 424	1			BRACKET, Rack and Pinion Strg. Gear Mounting, Outer, Left
	3643 470	1			Right
50	3643 425	1			BUSHING, Rack and Pinion Strg. Gear, Left
	3643 471	1			Right
51	3643 423	1			BRACKET, Rack and Pinion Strg. Gear Mounting, Inner, Left

**MODEL CODES**

B = GRAN FURY	G = DIPLOMAT	V = 400
C = LEBARON/TOWN & COUNTRY	M = HORIZON/TURISMO/SCAMP	X = MIRADA
D = ARIES	P = RELIANT	Y = IMPERIAL
E = 600	S = CORDOBA	Z = OMNI/CHARGER/RAMPAGE
F = FIFTH AVENUE	T = E CLASS/NEWYORKER	

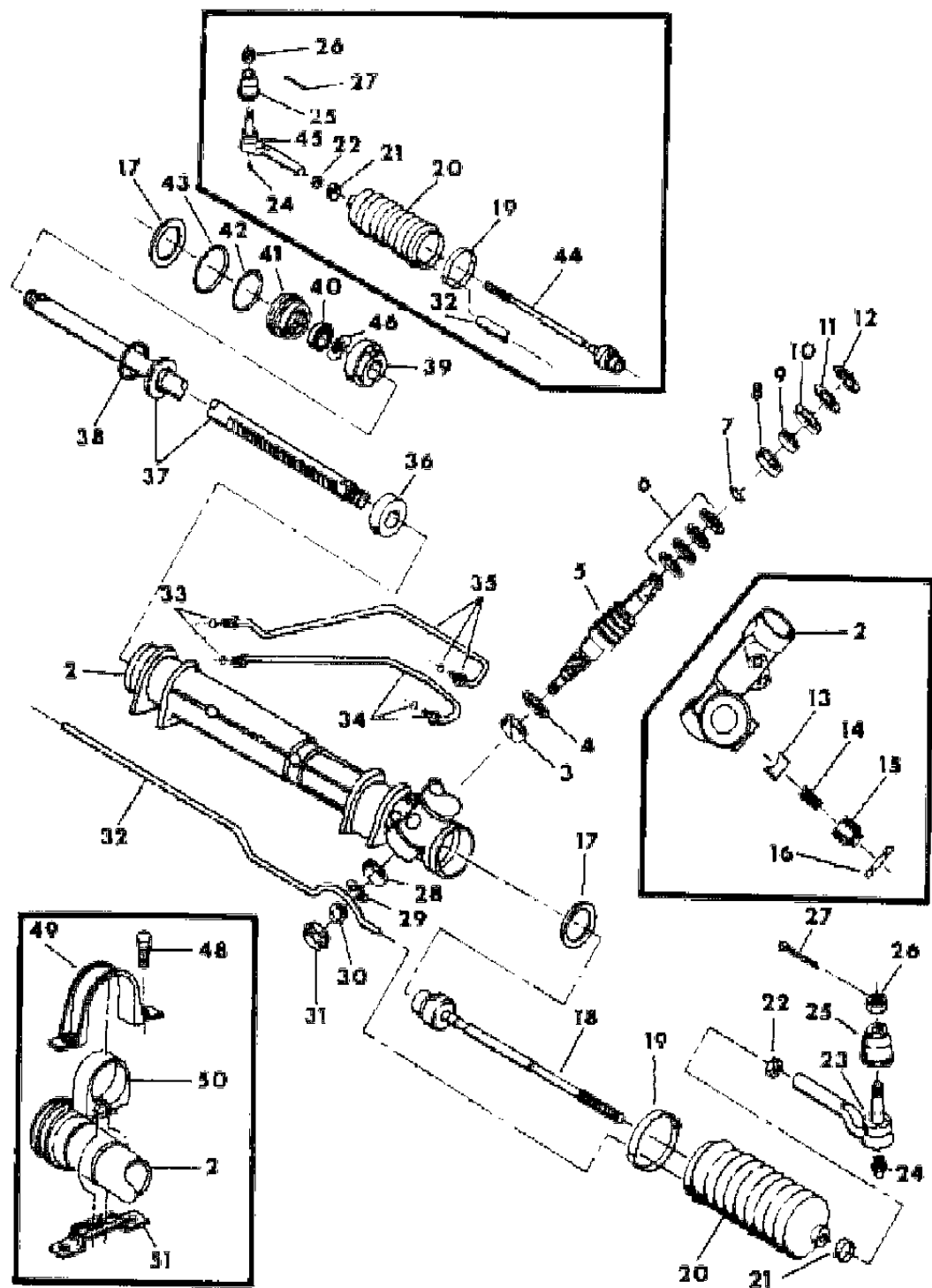
**BODY STYLES**

21 = 2-DOOR SEDAN	41 = 4-DOOR SEDAN
22 = 2-DOOR SPECIAL COUPE	45 = 4-DOOR STATION WAGON
24 = 2-DOOR HATCHBACK	44 = 4-DOOR HATCHBACK
27 = 2-DOOR CONVERTIBLE	48 = EXECUTIVE SEDAN
28 = FWD PICKUP	

AR = Use as Required - = Non Illustrated Part P.A.R. = Paint as Required

**RACK AND PINION POWER STEERING GEAR (SAGINAW) AND ATTACHING PARTS M,Z,P,D,V,C,E,T**  
**Figure 19-1300**

3119 1300



ITEM	PART NUMBER	QTY	BODY	MODEL	DESCRIPTION
------	-------------	-----	------	-------	-------------

	3643 469	1			Right
--	----------	---	--	--	-------

MODEL CODES  
 B = GRAN FURY  
 C = LEBARON/TOWN & COUNTRY  
 D = ARIES  
 E = 600  
 F = FIFTH AVENUE  
 G = DIPLOMAT  
 M = HORIZON/TURISMO/SCAMP  
 P = RELIANT  
 S = CORDOBA  
 T = E CLASS/NEWYORKER  
 V = 400  
 X = MIRADA  
 Y = IMPERIAL  
 Z = OMNI/CHARGER/RAMPAGE

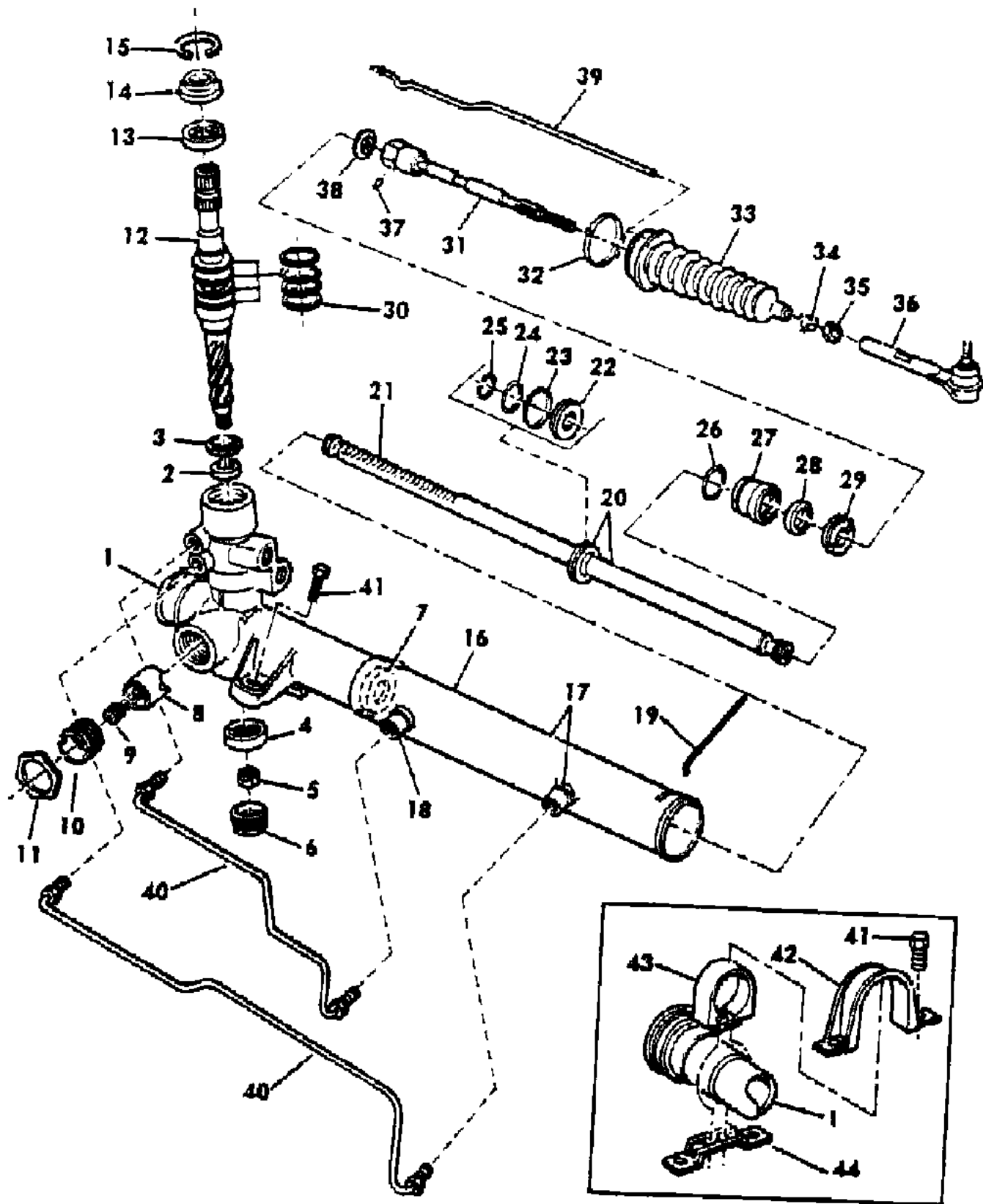
BODY STYLES  
 21 = 2-DOOR SEDAN  
 22 = 2-DOOR SPECIAL COUPE  
 24 = 2-DOOR HATCHBACK  
 27 = 2-DOOR CONVERTIBLE  
 28 = FWD PICKUP  
 41 = 4-DOOR SEDAN  
 45 = 4-DOOR STATION WAGON  
 44 = 4-DOOR HATCHBACK  
 48 = EXECUTIVE SEDAN

AR = Use as Required - = Non Illustrated Part P.A.R. = Paint as Required



**RACK AND PINION POWER STEERING GEAR (TRW) AND ATTACHING PARTS P,D,V,C,E,T**  
**Figure 19-1400**

3119 1400



ITEM	PART NUMBER	QTY	BODY	MODEL	DESCRIPTION
	4106 180	2			PACKAGE, Tie Rod Outer Consists of: 1 ----- Tie Rod Outer 1-6500121 Nut 1 ----- Pin Cotter
	3815 865	1			SERVICE KIT, Yoke Consists of: 1 ----- Bearing, Yoke 1 ----- Spring, Yoke
	3815 866	1			SERVICE KIT, Yoke Plug Consists of: 1 ----- Plug 1 ----- Locknut
	3815 874	2			SERVICE RING KIT, Shock Dampner Consists of: 1 ----- Dampner, Shock 1-3815885 Spring Pin, Inner Tie Rod
	3815 875	1			SERVICE KIT, Valve Consists of: 1 ----- Valve Assy. 4 ----- Valve Rings
	3815 876	1			SERVICE KIT, Seal, Pinion and Shaft Consists of: 1 ----- Seal, Input Shaft 1 ----- Seal, Upper Pinion 1 ----- Ring, Retaining 4 ----- Rings, Valve
	3815 878	1			SERVICE KIT, Rack Seal Consists of: 1 ----- Seal, Rack 1 ----- Seal, Rack 1 ----- "O"Ring 1 ----- "O"Ring
	3815 879	2			SERVICE KIT, Tie Rod, Inner Consists of: 1 ----- Horizontal Socket, Assy.

**MODEL CODES**

B = GRAN FURY	G = DIPLOMAT	V = 400
C = LEBARON/TOWN & COUNTRY	M = HORIZON/TURISMO/SCAMP	X = MIRADA
D = ARIES	P = RELIANT	Y = IMPERIAL
E = 600	S = CORDOBA	Z = OMNI/CHARGER/RAMPAGE
F = FIFTH AVENUE	T = E CLASS/NEWYORKER	

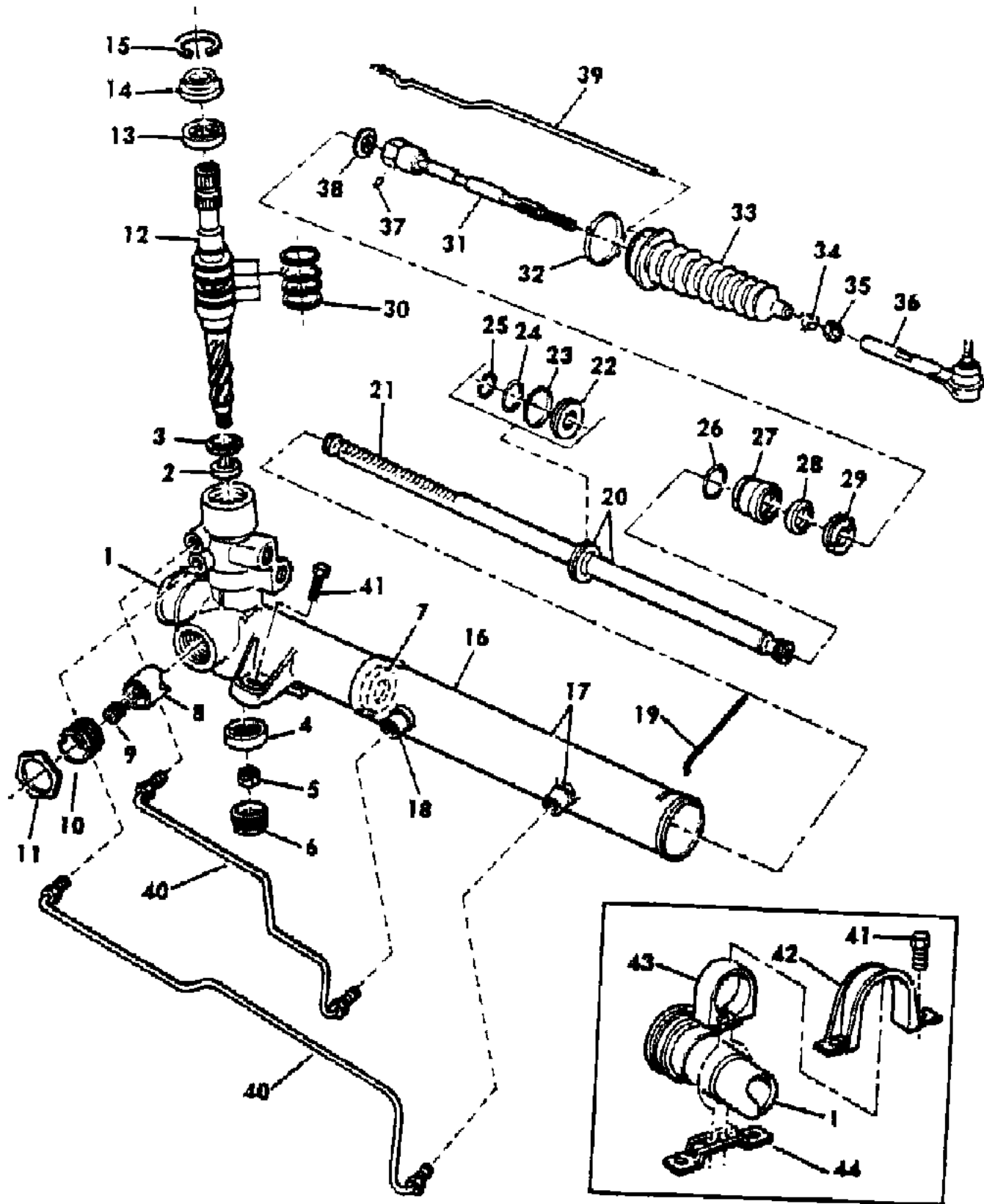
**BODY STYLES**

21 = 2-DOOR SEDAN	41 = 4-DOOR SEDAN
22 = 2-DOOR SPECIAL COUPE	45 = 4-DOOR STATION WAGON
24 = 2-DOOR HATCHBACK	44 = 4-DOOR HATCHBACK
27 = 2-DOOR CONVERTIBLE	48 = EXECUTIVE SEDAN
28 = FWD PICKUP	

AR = Use as Required - = Non Illustrated Part P.A.R. = Paint as Required

**RACK AND PINION POWER STEERING GEAR (TRW) AND ATTACHING PARTS P,D,V,C,E,T**  
**Figure 19-1400**

3119 1400



ITEM	PART NUMBER	QTY	BODY	MODEL	DESCRIPTION
					1- 3815885 Pin, Spring
	3815 880	2			SERVICE KIT, Boot (Tapered Boot)
					1- 3815863 Clamp, Inboard
					1 ----- Bellows
	3815 881	1			SERVICE KIT, Bushing Rack
					Consists of:
					1 ----- Bushing
					1 ----- "O"Ring
					1 ----- Seal
	3815 882	1			SERVICE KIT, Pinion Shaft Bearing
					Consists of:
					1 ----- Bearing
					1 ----- Bushing
					1 ----- Seal
					1 ----- Seal
1		1	P,D,V,C		GEAR ASSY., Pwr. Strg. (Serv. Sag. # 4293164) Refer to Saginaw Strg. Fig. 19-1300
1	3815 862	1			HOUSING, Power Strg. Rack and Pinion
2		1			BUSHING, Pinion (Serviced in 3815882, 3815862)
3		1			SEAL (Serviced in 3815876, 3815862, 3815882)
4	3815 868	1			BEARING Assy., Pinion (also Serviced in 3815862)
5	3815 869	1			LOCKNUT, Pinion
6	3815 870	1			PLUG, Pinion
7		1			SEAL (Serviced in 3815878, 3815862)
8		1			BEARING YOKE (Serviced in 3815865)
9		1			SPRING (Serviced in 3815865)
10		1			PLUG (Serviced in 3815866)
11		1			LOCKNUT (Serviced in 3815866)
12	3815 875	1			VALVE ASSY. KIT
13		1			BEARING (Serviced in 3815882)
14	3815 877	1			SEAL, Shaft (Also Serviced in 3815882, 3815876)
15	3815 886	1			RETAINING RING (Also Serviced in 3815876)
16		1			TUBE ASSY. (Serviced in 3815862)
17		1			TUBE RACK (Serviced in 3815862)
18		1			WELD STUD (Serviced in 3815862)
19	3815 884	1			RETAINING WIRE, Lock Ring
20	3815 861	1			RACK ASSY.

**MODEL CODES**

B = GRAN FURY	G = DIPLOMAT	V = 400
C = LEBARON/TOWN & COUNTRY	M = HORIZON/TURISMO/SCAMP	X = MIRADA
D = ARIES	P = RELIANT	Y = IMPERIAL
E = 600	S = CORDOBA	Z = OMNI/CHARGER/RAMPAGE
F = FIFTH AVENUE	T = E CLASS/NEWYORKER	

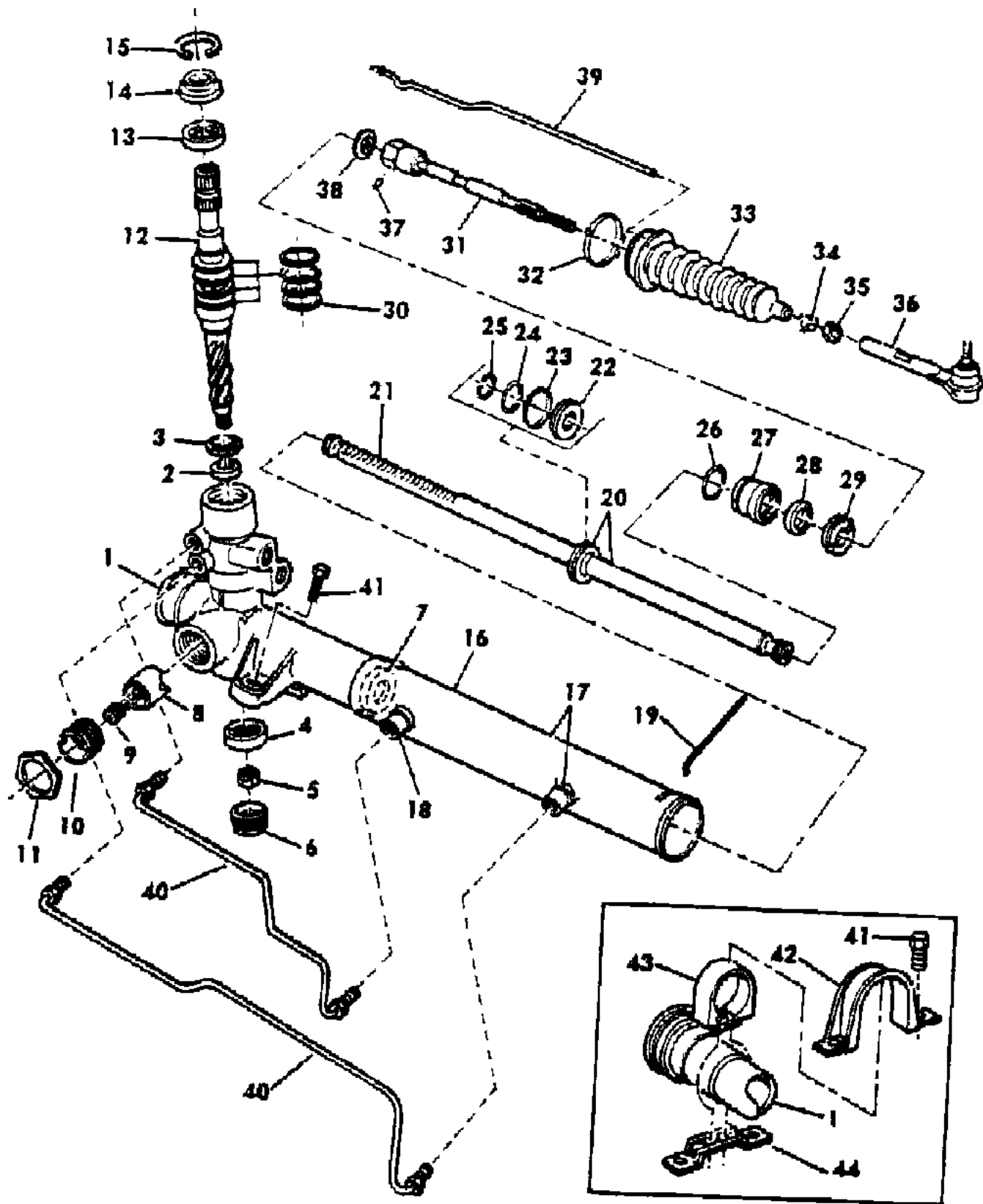
**BODY STYLES**

21 = 2-DOOR SEDAN	41 = 4-DOOR SEDAN
22 = 2-DOOR SPECIAL COUPE	45 = 4-DOOR STATION WAGON
24 = 2-DOOR HATCHBACK	44 = 4-DOOR HATCHBACK
27 = 2-DOOR CONVERTIBLE	48 = EXECUTIVE SEDAN
28 = FWD PICKUP	

AR = Use as Required - = Non Illustrated Part P.A.R. = Paint as Required

**RACK AND PINION POWER STEERING GEAR (TRW) AND ATTACHING PARTS P,D,V,C,E,T**  
**Figure 19-1400**

3119 1400



ITEM	PART NUMBER	QTY	BODY	MODEL	DESCRIPTION
21		1			RACK (Serviced in 3815861 Rack Assy.)
22		1			PISTON (Serviced in 3815861 Rack Assy.)
23		1			PISTON RING (Serviced in 3815878, 3815861)
24		1			"O"RING (Serviced in 3815878, 3815861)
25		1			RETAINING RING (Serviced in 3815861)
26		1			"O"RING, Bushing (Serviced in 3815878, 3815881)
27		1			BUSHING, Rack (Serviced in 3815881)
28		1			SEAL (Serviced in 3815878, 3815881)
29	3815 883	1			LOCK RING, Bushing
30		4			VALVE RINGS (Serviced in 3815876)
31		1			HORIZONTAL SOCKET ASSY. (Serviced in 3815879)
32	3815 863	2			INBOARD CLAMP (Also Serviced in 3815880)
33		1			BELLOWS (Serviced in 3815880) Tapered
34	3815 864	2			OUTBOARD CLAMP
35	3815 867	2			LOCK NUT
36		2			VERTICAL SOCKET ASSY. (Serviced in 4106180 Tie Rod Outer Pkg.)
37	3815 885	2			SPRING PIN, Inner Tie Rod (Also Serviced in 3815874, 3815879)
38		2			SHOCK DAMPER (Serviced in 3815874 Kit)
39	3815 871	1			BREATHER TUBE, Rack
40	3815 872	1			LINE ASSY., Cylinder, Left
	3815 873	1			Right
41	6100 576	2			BOLT, Rack and Pinion Power Strg. Gear Mounting, Rt.
	6101 265	2			Lt.
42	3643 470	1			BRACKET, Rack and Pinion Power Strg. Gear Mounting, Outer Rt.
43	3643 471	1			BUSHING, Rack and Pinion Power Strg. Gear Mounting
44	3643 469	1			BRACKET, Rack and Pinion Power Strg. Gear Mounting, Inner RT.

**MODEL CODES**

B = GRAN FURY	G = DIPLOMAT	V = 400
C = LEBARON/TOWN & COUNTRY	M = HORIZON/TURISMO/SCAMP	X = MIRADA
D = ARIES	P = RELIANT	Y = IMPERIAL
E = 600	S = CORDOBA	Z = OMNI/CHARGER/RAMPAGE
F = FIFTH AVENUE	T = E CLASS/NEWYORKER	

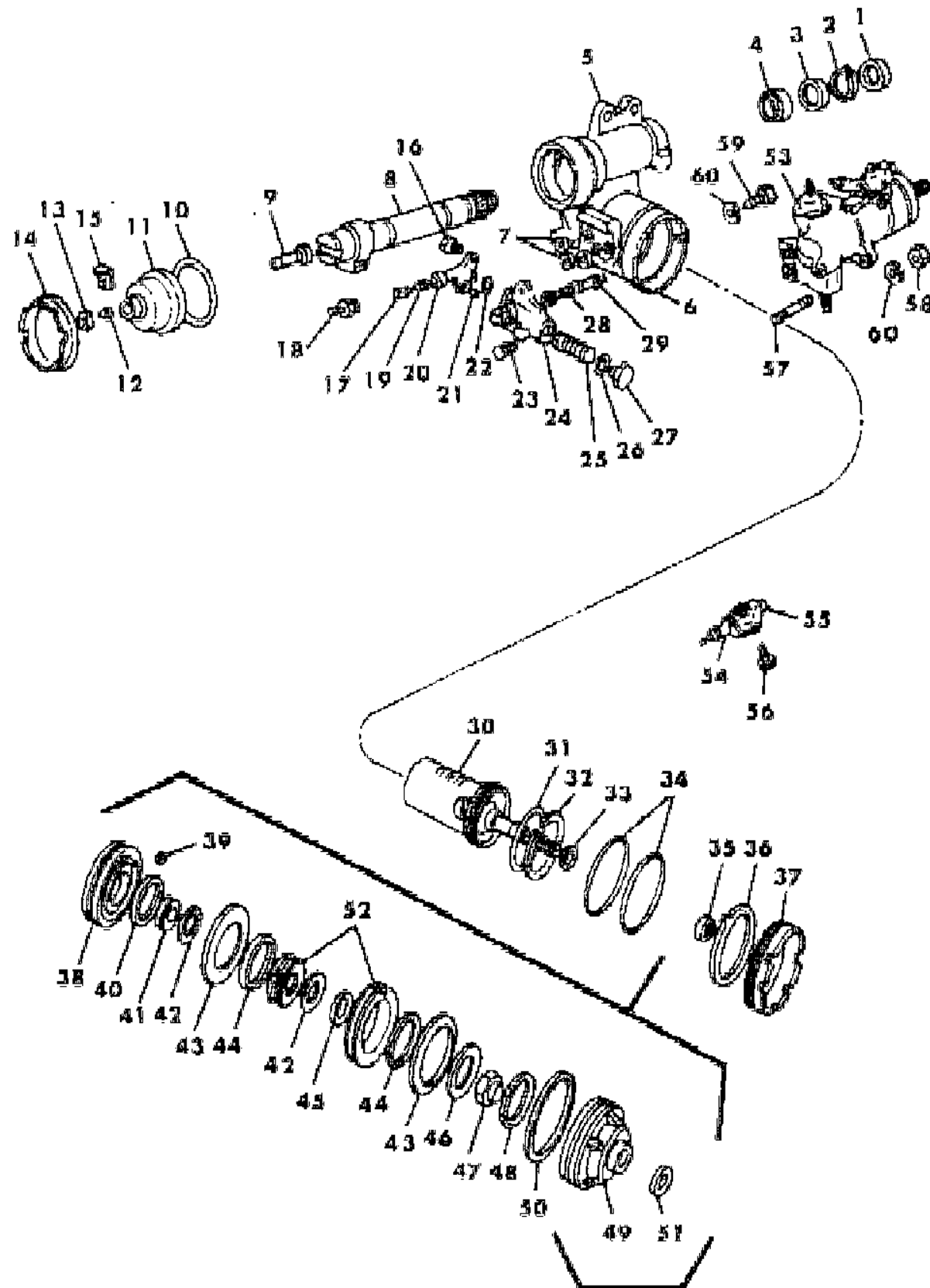
**BODY STYLES**

21 = 2-DOOR SEDAN	41 = 4-DOOR SEDAN
22 = 2-DOOR SPECIAL COUPE	45 = 4-DOOR STATION WAGON
24 = 2-DOOR HATCHBACK	44 = 4-DOOR HATCHBACK
27 = 2-DOOR CONVERTIBLE	48 = EXECUTIVE SEDAN
28 = FWD PICKUP	

AR = Use as Required - = Non Illustrated Part P.A.R. = Paint as Required

**POWER STEERING GEAR CHUCK ASSEMBLY B,F,G,X,S,Y**  
**Figure 19-1500**

1119 1500



ITEM	PART NUMBER	QTY	BODY	MODEL	DESCRIPTION
	3879 921	1			PACKAGE, Strg. Gear Lower Sector Seal Consists of: 1 - ----- Seal, Strg. Gear Shaft Oil 1 - ----- Seal, Strg. Gear Shaft Dust
	3879 920	1			PACKAGE, Strg. Gear Sector Cover Seal Consists of: 1 - ----- "O" Ring, Gear Shaft Cvr. 1 - ----- "O" Ring, Gear Shaft Cvr. 1 - ----- "O" Ring, Gear Shaft Cvr.
	4057 085	1			1 - ----- Seal, Adj. Screw 1 - ----- Gasket, Gear Shaft Adjusting Nut PACKAGE, Valve and "O" Ring, Strg. Gear Consists of: 1 - 3643281 Valve, Gear Pressure 1 - 6030655 "O" Ring, Gear Valve Hsg. 1 - 6030656 "O" Ring, Gear Pressure Control Valve 1 - ----- Sleeve, Hose Return
	3879 919	1			PACKAGE, Strg. Valve Body Seal Consists of: 1 - 6030655 "O" Ring, Gear Valve Hsg. 1 - 6030656 "O" Ring, Gear Press. Control Valve
	3879 924	1			2 - 6030657 "O" Ring, Gear Hsg. Port 1 - 6030658 "O" Ring, Hsg. to Valve PACKAGE, Strg. Gear Power Train Consists of: 1 - ----- Ring, Strg. Gear Ferrule 2 - ----- "O" Ring, Strg. Gear Cyl. Head 1 - ----- Seal, Strg. Gear Reaction Upper 1 - 1733602 "O" Ring, Strg. Gear Hsg. Head 1 - ----- Seal, Worm Sleeve 1 - ----- Ring, Worm Seal 1 - ----- Ring, Gear Reaction Lwr. 1 - ----- "O" Ring, Gear Piston Ring
	4057 088	1			1 - ----- Ring, Gear Piston 1 - ----- Washer, Gear Hsg. Head Nut PACKAGE, Strg. Gear Valve Housing and Seal Consists of:

**MODEL CODES**

B = GRAN FURY  
 C = LEBARON/TOWN & COUNTRY  
 D = ARIES  
 E = 600  
 F = FIFTH AVENUE

G = DIPLOMAT  
 M = HORIZON/TURISMO/SCAMP  
 P = RELIANT  
 S = CORDOBA  
 T = E CLASS/NEWYORKER

V = 400

X = MIRADA

Y = IMPERIAL

Z = OMNI/CHARGER/RAMPAGE

**BODY STYLES**

21 = 2-DOOR SEDAN

22 = 2-DOOR SPECIAL COUPE

24 = 2-DOOR HATCHBACK

27 = 2-DOOR CONVERTIBLE

28 = FWD PICKUP

41 = 4-DOOR SEDAN

45 = 4-DOOR STATION WAGON

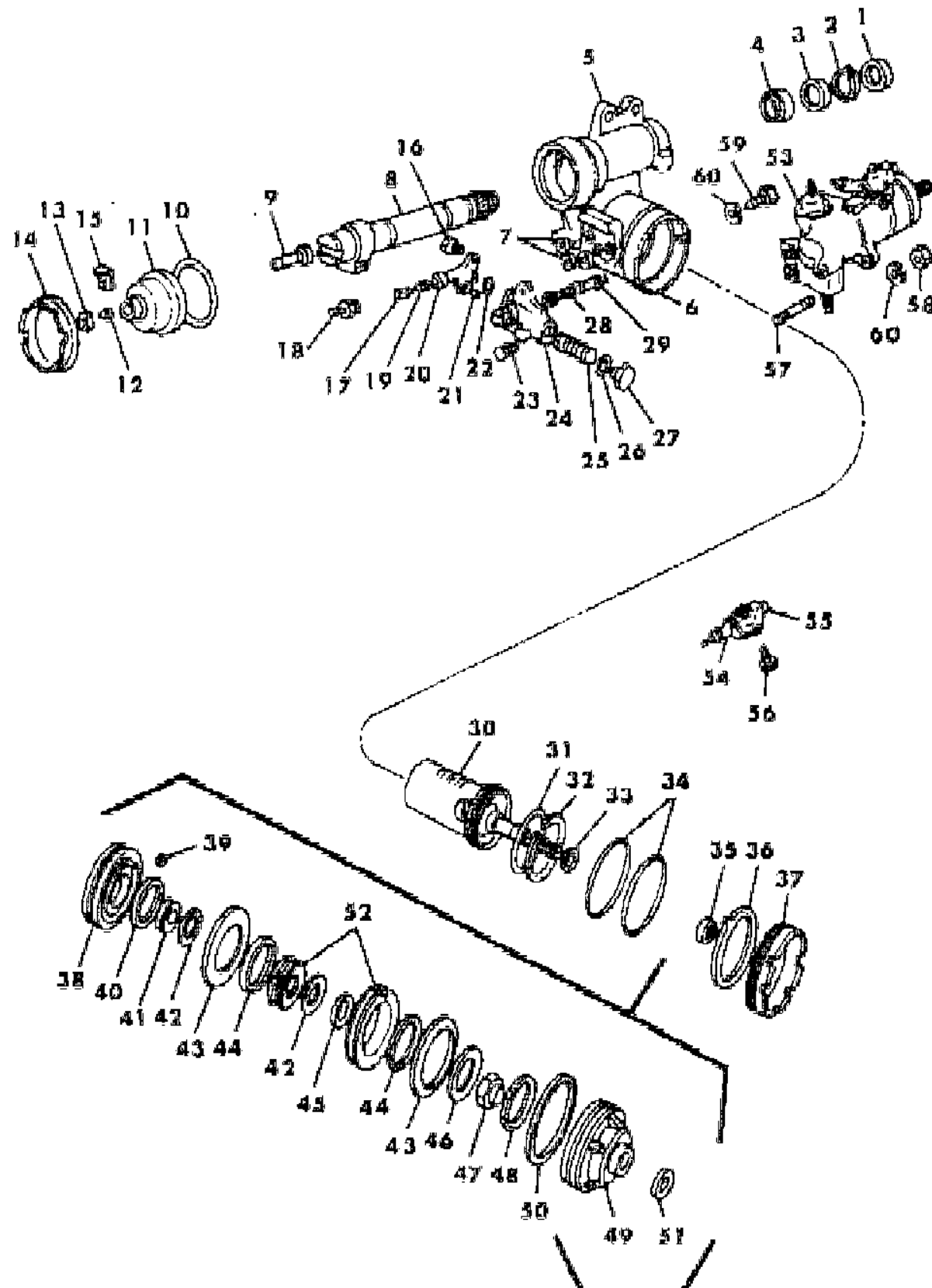
44 = 4-DOOR HATCHBACK

48 = EXECUTIVE SEDAN

AR = Use as Required - = Non Illustrated Part P.A.R. = Paint as Required

**POWER STEERING GEAR CHUCK ASSEMBLY B,F,G,X,S,Y**  
**Figure 19-1500**

1119 1500



ITEM	PART NUMBER	QTY	BODY	MODEL	DESCRIPTION
					1 - ----- Housing, Strg. Gear Valve Assy.
					1 - 3879919 Package, Strg. Gear Valve Seal
1		1			DUST SEAL, Strg. Gear Shaft (Serviced in Pkg. 3879921)
2	2127 049	1			SNAP RING, Strg. Gear Shaft Dust Seal
3	1670 356	1			RETAINER, Strg. Gear Shaft Seal
4		1			OIL SEAL, Strg. Gear Shaft (Serviced in Pkg. 3879921)
5	3643 317	1			HOUSING, Strg. Gear
6	6030 658	1			"O" RING, Gear Housing to Valve (also serviced in 3879919)
7	6030 657	2			"O" RING, Gear Housing Port (also Serviced in 3879919)
8	3643 302	1			SHAFT, Strg. Gear
9	2948 857	1			SCREW, Gear Shaft Adjusting
10		1			"O" RING, Strg. Gear Shaft Cover (Serviced in Pkg.3879920)
11	3643 301	1			COVER, Strg. Gear Shaft
12		1			BUTTON, Strg. Gear Identification Tester (Not Serv.)
13	6028 983	1			Nut, Strg. Gear Shaft Adjusting Screw
14	1733 627	1			Nut, Strg. Gear Shaft Cover
15		1			GASKET, Strg. Shaft Adj. Screw Nut (Serviced in Pkg. 3879920)
16	9408 948	2			SCREW, Pressure Control Valve Att.
17		1			PISTON, Pressure Control Valve (Serviced in 4057085 Valve)
18		1			ADAPTER, Strg. Gear Return Hose (Serviced in Pkg. 4057085)
19		1			SPRING, Pressure Control Valve (Serviced in Pkg. 4057085)
20		1			BODY, Pressure Control Valve (Serviced in Pkg. 4057085)
21	#6030 656	1			"O" RING, Strg. Gear Pressure Control Valve (also serviced in Pkg. 3879919)
22	6030 655	1			"O" RING, Strg. Gear Valve Housing (also serviced in Pkg. 3879919)
23		1			PLUG, Strg. Gear Valve (Serviced in Housing and Seal Pkg. 3643280)
24		1			HOUSING, Strg. Gear Valve (Serviced in Housing and Seal Pkg. 3643280)
25		1			PISTON, Strg. Gear Valve (Serviced in Housing and Seal Pkg. 3643280)
26	1733 724	1			GASKET, Strg. Gear Valve Plug
27		1			PLUG, Strg. Gear Valve (Serviced in Valve 3643280)
28	1823 151	1			SPRING, Strg. Gear Valve
29	1822 380	1			LEVER, Strg. Gear Valve
30	2948 855	1		Except,	WORM w/PISTON, Strg. Gear

**MODEL CODES**

B = GRAN FURY	G = DIPLOMAT	V = 400
C = LEBARON/TOWN & COUNTRY	M = HORIZON/TURISMO/SCAMP	X = MIRADA
D = ARIES	P = RELIANT	Y = IMPERIAL
E = 600	S = CORDOBA	Z = OMNI/CHARGER/RAMPAGE
F = FIFTH AVENUE	T = E CLASS/NEWYORKER	

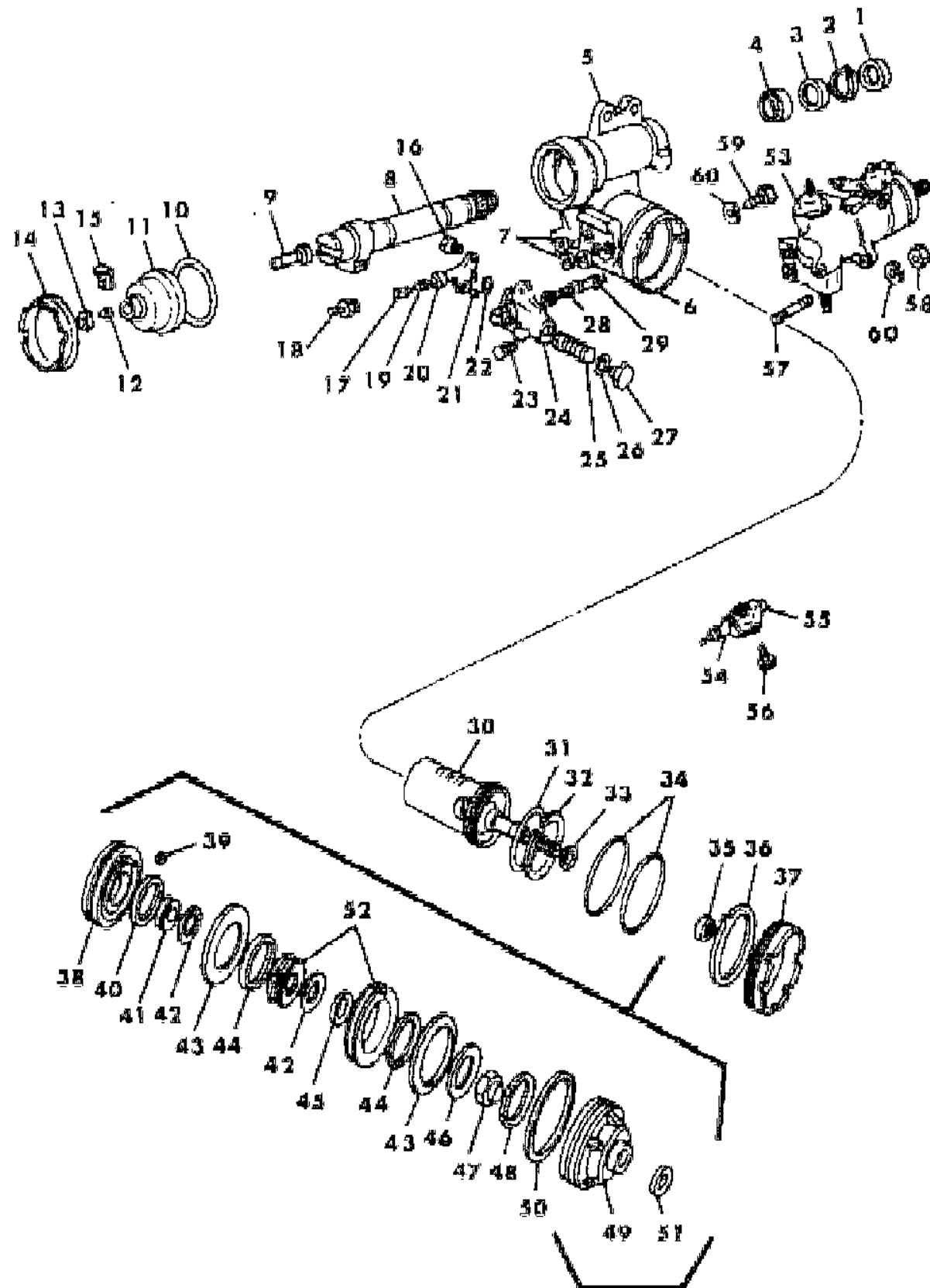
**BODY STYLES**

21 = 2-DOOR SEDAN	41 = 4-DOOR SEDAN
22 = 2-DOOR SPECIAL COUPE	45 = 4-DOOR STATION WAGON
24 = 2-DOOR HATCHBACK	44 = 4-DOOR HATCHBACK
27 = 2-DOOR CONVERTIBLE	48 = EXECUTIVE SEDAN
28 = FWD PICKUP	

AR = Use as Required - = Non Illustrated Part P.A.R. = Paint as Required

POWER STEERING GEAR CHUCK ASSEMBLY B,F,G,X,S,Y  
Figure 19-1500

1119 1500



ITEM	PART NUMBER	QTY	BODY	MODEL	DESCRIPTION
	3815 854	1		Y	
31		1			RING, Strg. Gear Piston (Serviced in Pkg. 3879924)
32		1			RING, Strg. Gear Piston Sealing (Serviced in Pkg. 3879924)
33	1822 406	1			RING, Strg. Gear Worm Seal
34		2			"O" RING, Strg. Gear Cyl. Head (Serviced in Pkg. 3879924)
35	2537 796	1			BEARING, Strg. Gear Worm
36		1			WASHER, Strg. Gear Hsg. Head Nut (Serviced in Pkg. 3879924)
37	1733 625	1			NUT, Strg. Gear Hsg. Head
38	3643 173	1			HEAD, Strg. Gear Cylinder
39		1			"O" RING, Strg. Gear Ferruel (Serv. In Pkg. 3879924)
40		1			"O" RING, Strg. Gear Reaction (Serviced in Pkg. 3879924)
41	1856 292	1			RACE, Strg. Gear Thrust Brg., Inner
42	1822 158	2			BEARING, Strg. Gear Thrust
43	3643 129	2		ALL	SPRING, Strg. Gear Reaction (Exc. Police Cars)
	3643 169	2			(Police Cars)
44	1822 150	2			RING, Strg. Gear Reaction
45	1822 156	1			RACE, Strg. Gear Thrust Bearing, Outer
46	1733 790	1			WASHER, Strg. Gear Reaction
47	1822 157	1			NUT, Strg. Gear Thrust Bearing
48	1822 151	1			SEAL, Strg. Gear Reaction Upper
49	3643 315	1			HEAD, Strg. Gear Housing
50	1733 602	1			"O" RING, Strg. Gear Hsg. Head
51	3643 321	1			SEAL, Strg. Gear Worm Shaft
52	1822 390	1			SPACER, w/Center Race, Strg. Gear
53	4026 481	1		Except	CHUCK, Power Strg. Gear, Exc. Police Cars (Remanufactured Part)
	3815 853	1		Y	
	3643 334	1			(Police Cars)
54	4057 085	1			VALVE and "O"Ring PKg., Strg. Gear
55	3643 280	1			VALVE, Strg. Gear Assy. (Includes Valve 3643281)
56	0220 800	2			SCREW, Strg. Gear Valve Mounting
57	6030 443	1			STUD, Strg. Gear Mounting
58	0219 467	1			Nut
59	6031 732	2			BOLT, Strg. Gear Mounting
60	6027 224	AR			WASHER, Strg. Gear Mounting
61	1822 321	1			SNAP RING, Strg. Gear Cyl. Head
62	1822 320	1			SLEEVE, Strg. Gear Worn

MODEL CODES

B = GRAN FURY  
C = LEBARON/TOWN & COUNTRY  
D = ARIES  
E = 600  
F = FIFTH AVENUE

G = DIPLOMAT  
M = HORIZON/TURISMO/SCAMP  
P = RELIANT  
S = CORDOBA  
T = E CLASS/NEWYORKER

V = 400  
X = MIRADA  
Y = IMPERIAL  
Z = OMNI/CHARGER/RAMPAGE

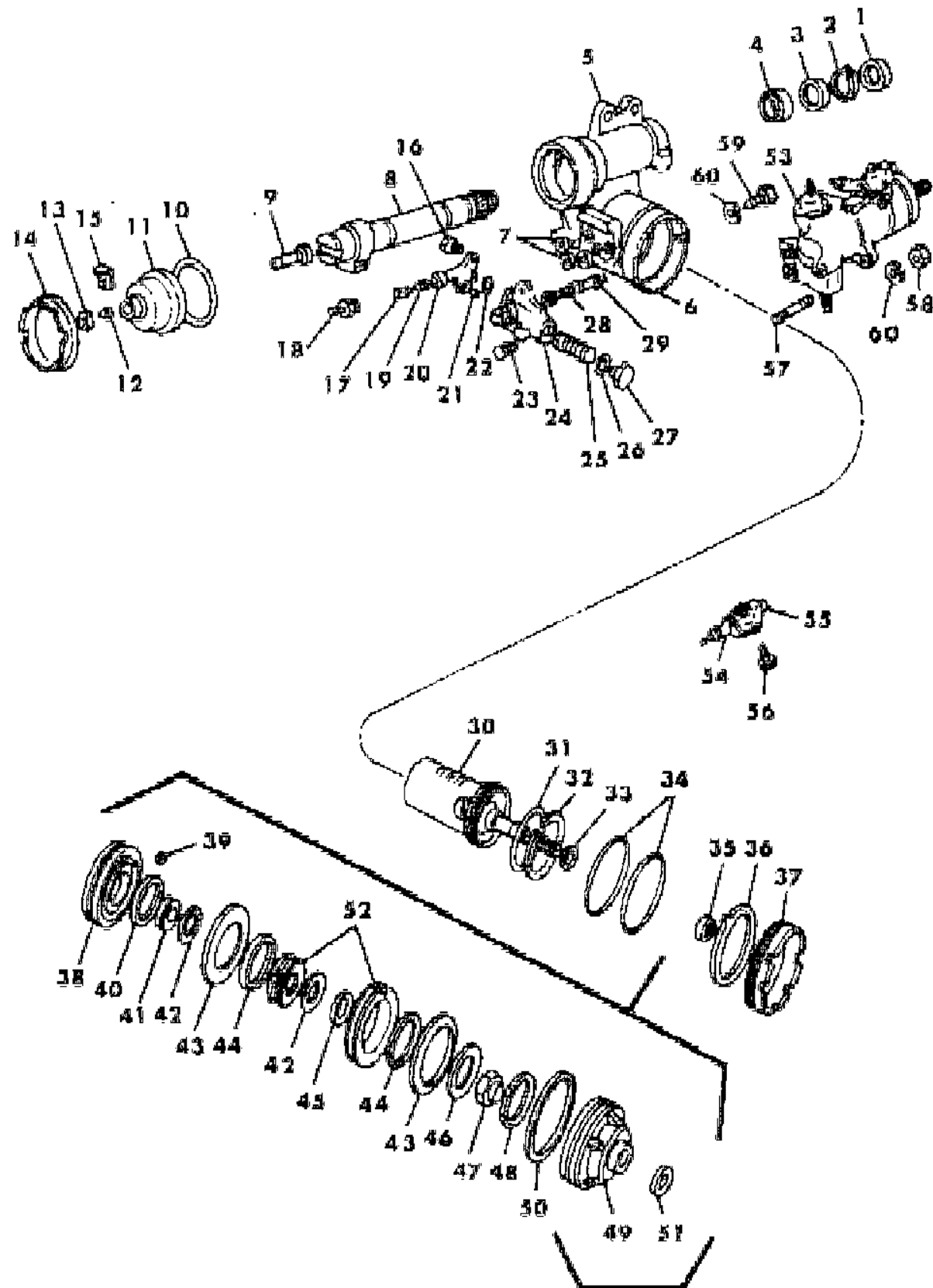
BODY STYLES

21 = 2-DOOR SEDAN  
22 = 2-DOOR SPECIAL COUPE  
24 = 2-DOOR HATCHBACK  
27 = 2-DOOR CONVERTIBLE  
28 = FWD PICKUP  
41 = 4-DOOR SEDAN  
45 = 4-DOOR STATION WAGON  
44 = 4-DOOR HATCHBACK  
48 = EXECUTIVE SEDAN

AR = Use as Required - = Non Illustrated Part P.A.R. = Paint as Required

POWER STEERING GEAR CHUCK ASSEMBLY B,F,G,X,S,Y  
Figure 19-1500

1119 1500



ITEM	PART NUMBER	QTY	BODY	MODEL	DESCRIPTION
63	1822 151	1			SEAL, Strg. Gear Reaction, Upper
64	2084 215	1			PLUG, Strg. Gear Recirculating Ball Guide

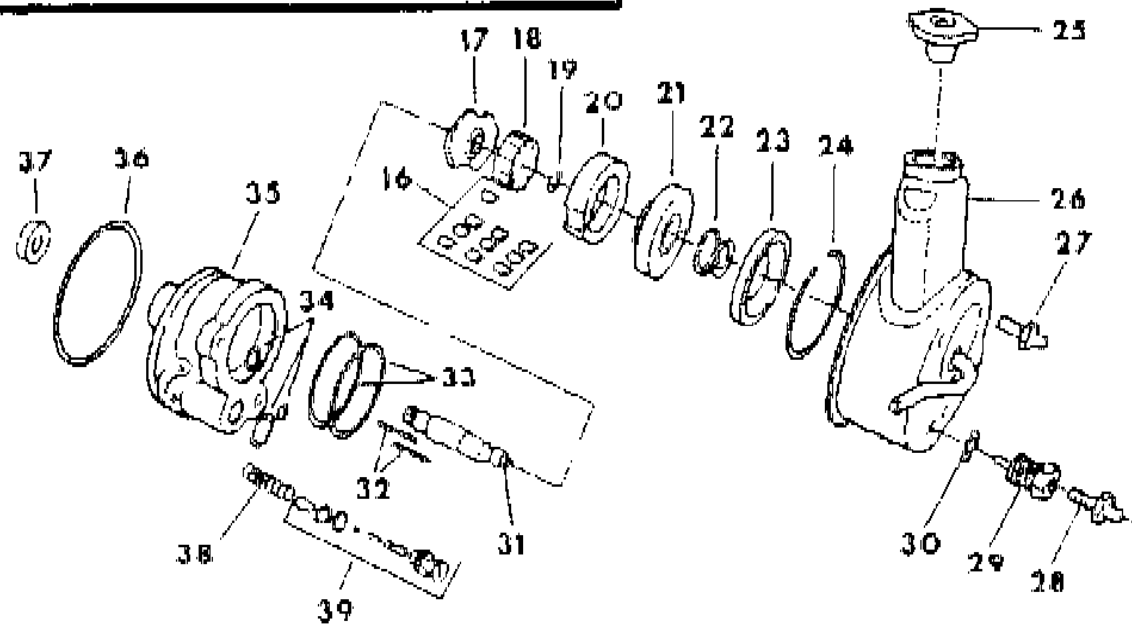
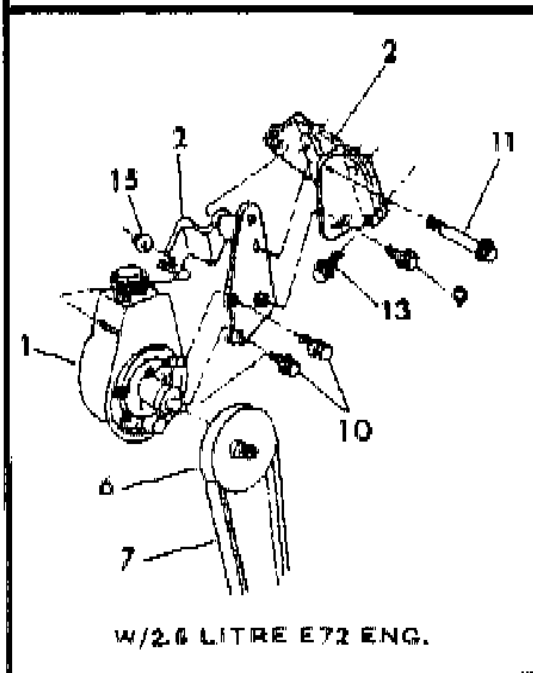
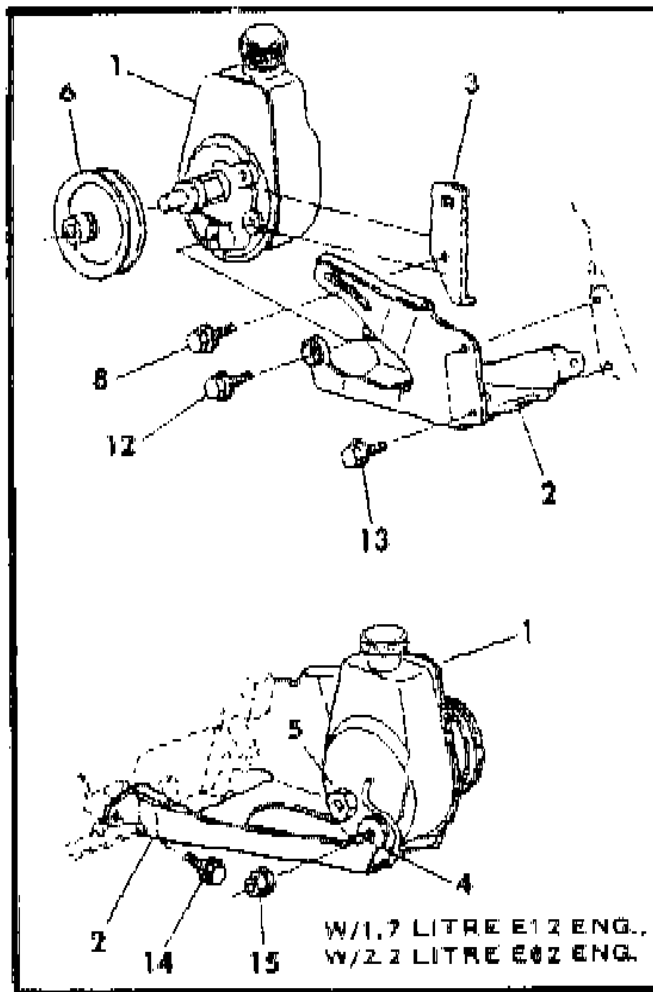
MODEL CODES  
 B = GRAN FURY  
 C = LEBARON/TOWN & COUNTRY  
 D = ARIES  
 E = 600  
 F = FIFTH AVENUE  
 G = DIPLOMAT  
 M = HORIZON/TURISMO/SCAMP  
 P = RELIANT  
 S = CORDOBA  
 T = E CLASS/NEWYORKER  
 V = 400  
 X = MIRADA  
 Y = IMPERIAL  
 Z = OMNI/CHARGER/RAMPAGE

BODY STYLES  
 21 = 2-DOOR SEDAN  
 22 = 2-DOOR SPECIAL COUPE  
 24 = 2-DOOR HATCHBACK  
 27 = 2-DOOR CONVERTIBLE  
 28 = FWD PICKUP  
 41 = 4-DOOR SEDAN  
 45 = 4-DOOR STATION WAGON  
 44 = 4-DOOR HATCHBACK  
 48 = EXECUTIVE SEDAN

AR = Use as Required - = Non Illustrated Part P.A.R. = Paint as Required

**POWER STEERING PUMP AND ATTACHING PARTS M,Z,P,D,V,C,E,T W/1.7, 2.2, & 2.6 ENG.  
Figure 19-1600**

3119 1900



ITEM	PART NUMBER	QTY	BODY	MODEL	DESCRIPTION
	2537 838	1			SERVICE KIT, Seal Consists of: 1 ----- Magnet 1 ----- Seal, Drive Shaft 1 ----- Seal, "O"Ring 2 ----- Seal, "O"Ring 1 ----- Seal, "O"Ring 2 ----- Seal, "O"Ring 1 ----- Seal, "O"Ring
	3815 961	1			SERVICE KIT, Retaining Ring and Drive Shaft Consists of: 1 ----- Ring, Shaft Retaining 1 ----- Shaft, Drive
	3815 960				SERVICE KIT, Ring Retaining
	3815 964	1			SERVICE KIT, Rotor, Vane and Ring Consists of: 1 ----- Ring, Pump 1 ----- Ring, Shaft Retaining 1 ----- Rotor, Pump 10 ----- Vane, Pump
	3643 453	1			SERVICE KIT, Pump Reservoir Consists of: 1 ----- Reservoir 1 ----- Seal, "O"Ring 1 ----- Seal, "O"Ring 2 ----- Seal, "O"Ring
1	#3815 956	1	M,Z		PUMP, Power Strg., Assy. (Except Shelby)
	4188 832	1	M,Z		(w/Shelby)
1	#3815 956	1	P,D,V,C		w/(S/C-S12,S13 Suspension)
1	#4188 832	1	P,D,V,C		w/(S/C-S14 Suspension)
2	5214 608	1	M,Z		BRACKET, Power Strg. Pump Mounting, w/(E12 Eng.)
	5214 491	1	P,D,V,C		w/(E62 Eng.)
	4105 054	1	P,D,V,C		BRACKET, Power Strg. Mounting, Pump Side, w/(E72 Eng.)
	4173 238	1	P,D,V,C		BRACKET, Power Strg. Mounting, Eng. Side, w/(E72 Eng.)
3	5203 743	1			BRACKET, Power Strg. Pump Adjusting, w/(E12, E62 Eng.)
4	3815 915	2			STUD, Power Strg. Pump Mounting
5	5205 269				STUD, Power Strg. Pump Mounting

**MODEL CODES**

B = GRAN FURY	G = DIPLOMAT	V = 400
C = LEBARON/TOWN & COUNTRY	M = HORIZON/TURISMO/SCAMP	X = MIRADA
D = ARIES	P = RELIANT	Y = IMPERIAL
E = 600	S = CORDOBA	Z = OMNI/CHARGER/RAMPAGE
F = FIFTH AVENUE	T = E CLASS/NEWYORKER	

**BODY STYLES**

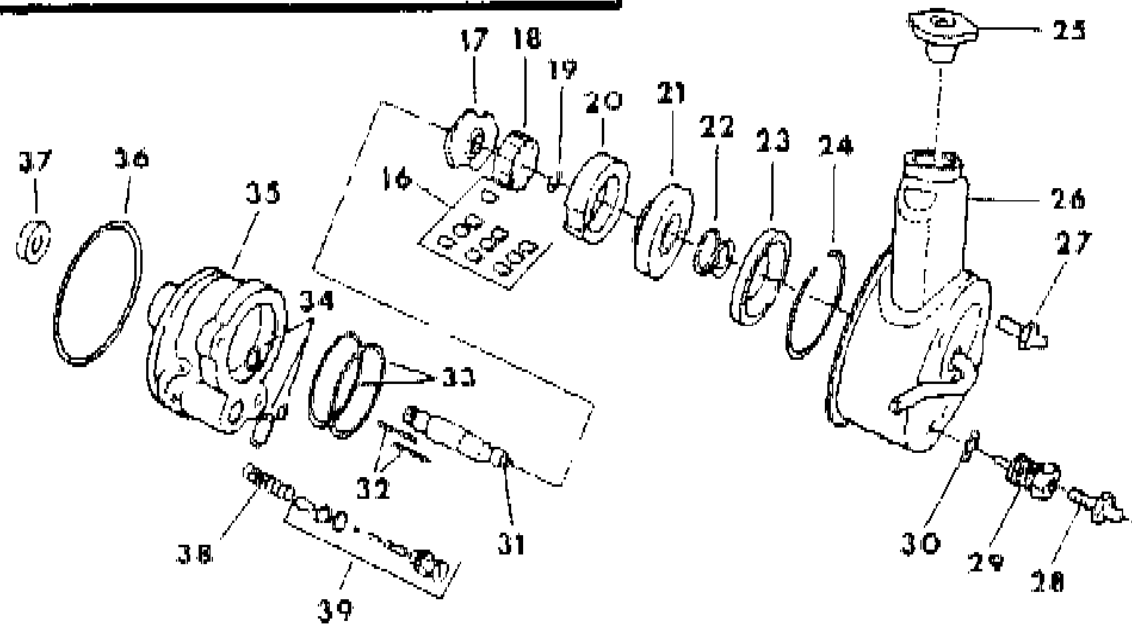
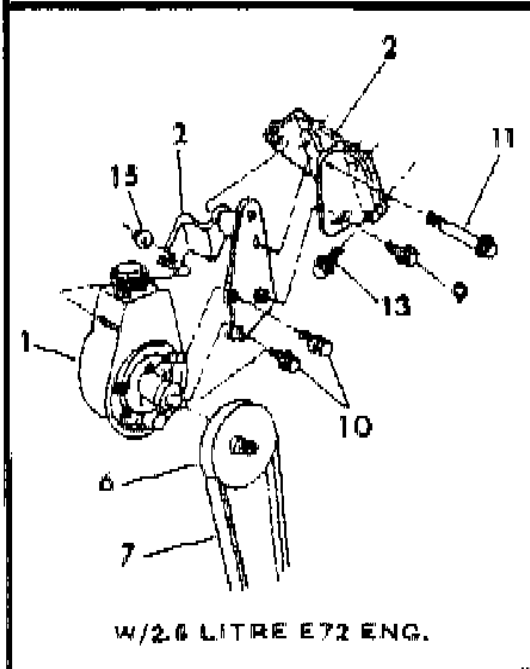
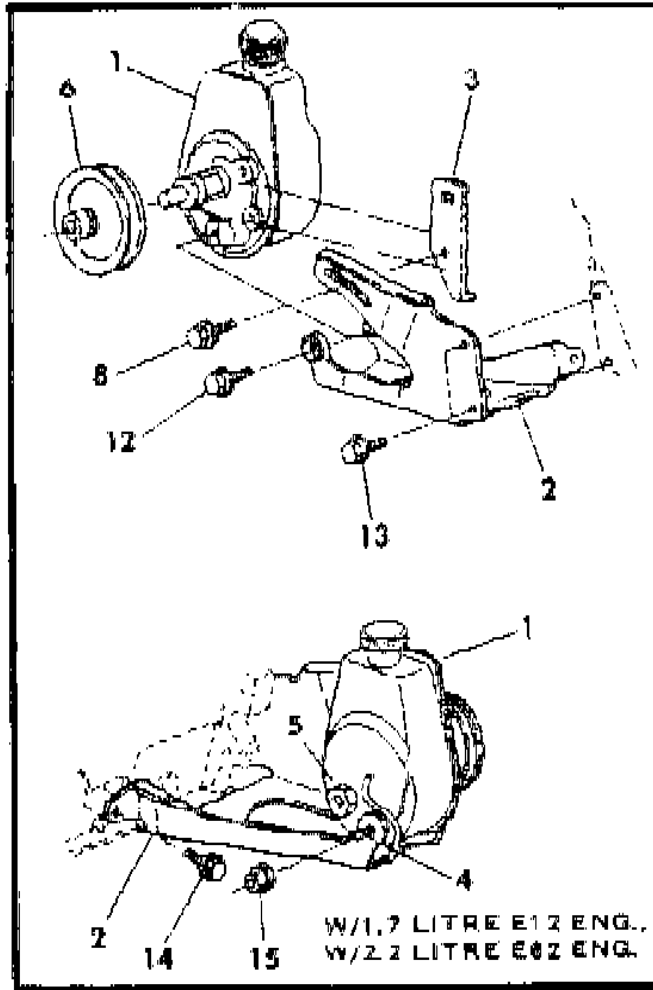
21 = 2-DOOR SEDAN	41 = 4-DOOR SEDAN
22 = 2-DOOR SPECIAL COUPE	45 = 4-DOOR STATION WAGON
24 = 2-DOOR HATCHBACK	44 = 4-DOOR HATCHBACK
27 = 2-DOOR CONVERTIBLE	48 = EXECUTIVE SEDAN
28 = FWD PICKUP	

AR = Use as Required - = Non Illustrated Part P.A.R. = Paint as Required



POWER STEERING PUMP AND ATTACHING PARTS M,Z,P,D,V,C,E,T W/1.7, 2.2, & 2.6 ENG.  
Figure 19-1600

3119 1900



ITEM	PART NUMBER	QTY	BODY	MODEL	DESCRIPTION
6	5214 796	1		M,Z	PULLEY, Power Strg. Pump, w/(E12 Eng.)
	5214 734	1			w/(E62 Eng.)
	4173 230	1		P,D,V,C	w/(E72 Eng.)
7		1			BELT, Power Strg. Pump, Drive (Refer To Group 7)
8	6500 416	1			SCREW, w/Washer, Mounting Bracket To Cylinder Block
9	6500 158			P,D,V,C	SCREW, w/Washer, Power Strg. Pump Adjusting Slot w/(E72 Eng.)
	6500 416			M,Z	w/(E12, E62 Eng.)
	6500 157			P,D,V,C	w/(E62 Eng.)
10	6500 267			P,D,V,C	SCREW, w/Washer, Engine Side Bracket To Pump w/(E72 Eng.)
11	6500 438			P,D,V,C	SCREW, w/Washer, Pump Pivot w/(E72 Eng.)
12	6500 399	1			SCREW, w/Washer, Power Strg. Pump Mounting Bracket To Power Strg. Pump
13	6500 253	1			SCREW, w/Washer, Power Strg. Bracket To Block w/(E12, E62 Eng.)
	6500 253	4		P,D,V,C	SCREW, w/Washer, Power Strg. Bracket To Cyl. Head w/(E72 Eng.)
14	6500 399	1			SCREW, w/Washer, Power Strg. Pump Mounting Bracket To Block
15	6100 518	1			NUT, Power Strg. Pump Mounting Stud
16		10			VANE, (Serviced in 4031303 Repair Kit)
17	#3815 914	1			PLATE, Pump Thrust
18		1			ROTOR, Pump (Serviced in 3815964 Repair Kit)
19	2891 166	1			RING, Pump Drive Shaft Retaining
20		1			RING, Pump (Serviced in 4031303 Repair Kit)
21	#3815 967	1			PLATE, Pump Pressure
22	#3815 966	1			SPRING, Pump Pressure Plate
23	2537 820	1			PLATE, Pump End
24	2537 823	1			RING, End Plate Retaining
25	#4219 036	1			CAP, Oil Pump Reservoir
26	3643 453	1			SERVICE KIT, Reservoir
27	#3815 915	1			STUD, Pump Mounting
28	#3815 915	1			STUD, Pump Mounting
29	#5205 267	1			FITTING, Union Assy. (Except Shelby)
	3815 983	1			w/Shelby
	3815 983	1			FITTING, Union Assy., w/(S14 Firm Feel Suspension, S16 Heavy Duty Suspension)
30	2537 838	1			SERVICE Kit, Seal

MODEL CODES

B = GRAN FURY	G = DIPLOMAT	V = 400
C = LEBARON/TOWN & COUNTRY	M = HORIZON/TURISMO/SCAMP	X = MIRADA
D = ARIES	P = RELIANT	Y = IMPERIAL
E = 600	S = CORDOBA	Z = OMNI/CHARGER/RAMPAGE
F = FIFTH AVENUE	T = E CLASS/NEWYORKER	

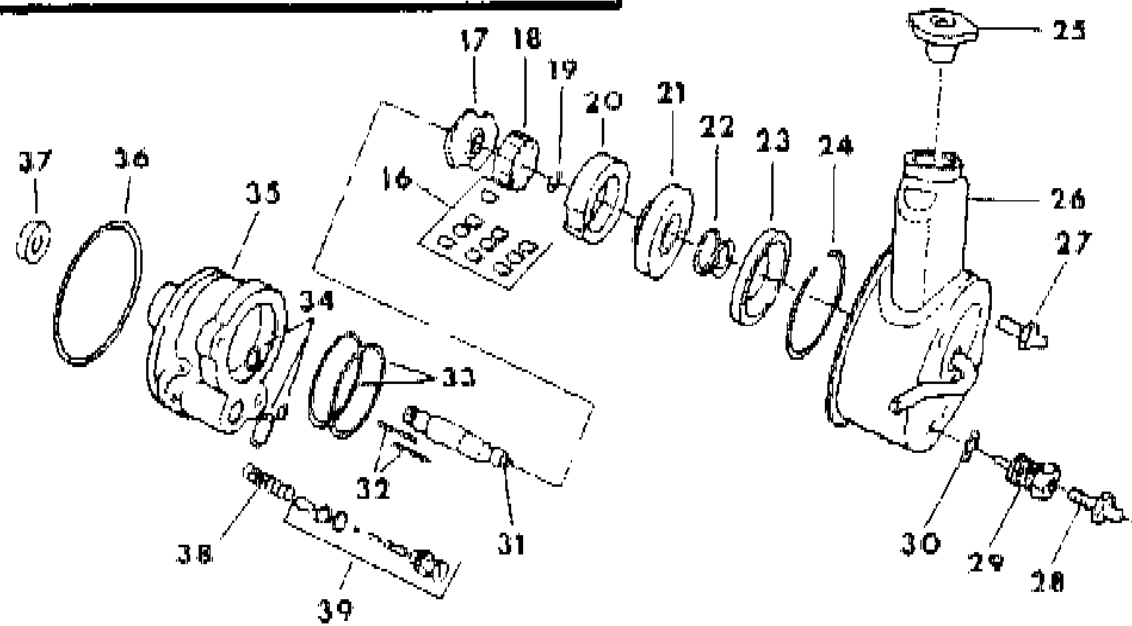
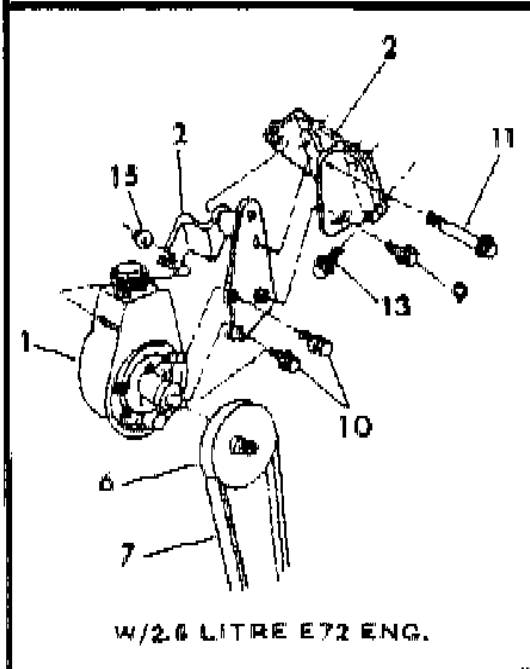
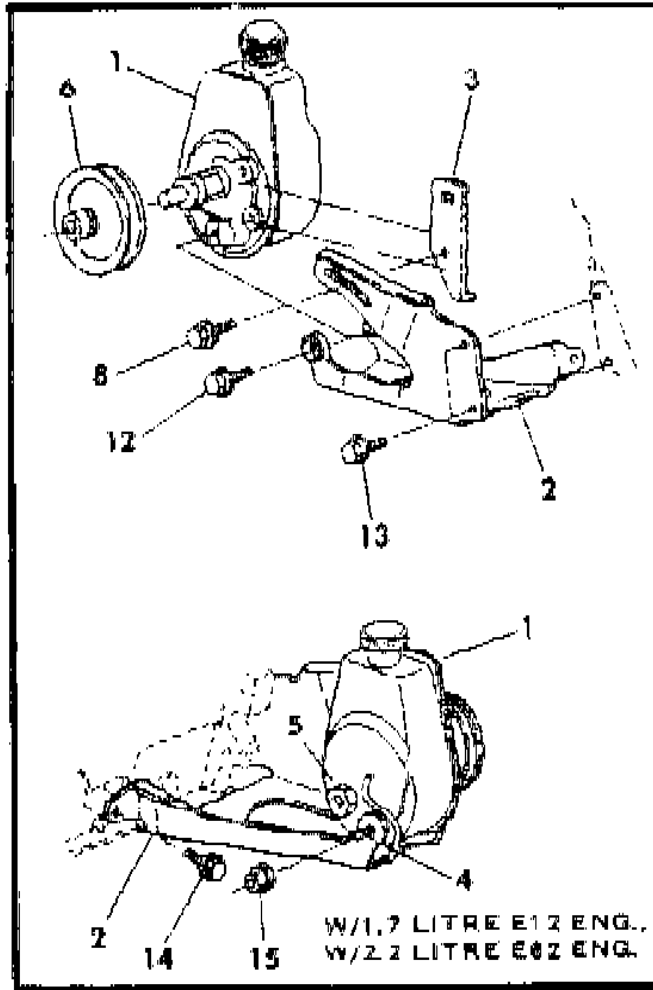
BODY STYLES

21 = 2-DOOR SEDAN	41 = 4-DOOR SEDAN
22 = 2-DOOR SPECIAL COUPE	45 = 4-DOOR STATION WAGON
24 = 2-DOOR HATCHBACK	44 = 4-DOOR HATCHBACK
27 = 2-DOOR CONVERTIBLE	48 = EXECUTIVE SEDAN
28 = FWD PICKUP	

AR = Use as Required - = Non Illustrated Part P.A.R. = Paint as Required

POWER STEERING PUMP AND ATTACHING PARTS M,Z,P,D,V,C,E,T W/1.7, 2.2, & 2.6 ENG.  
Figure 19-1600

3119 1900



ITEM	PART NUMBER	QTY	BODY	MODEL	DESCRIPTION
31	#3815 961	1			SERVICE Kit, Pump Drive Shaft and Retaining Ring
	3815 960	1			SERVICE Kit, Ring Retaining
32	2537 819	2			PIN, Pump Ring Dowel
33	2537 838	1			SERVICE KIT, Seal
34	2537 838	1			SERVICE KIT, Seal
35		1			HOUSING, Assy. Pump (Serviced in Pump Assy. # 3643431)
36	2537 828	1			SEAL, Pump Reservoir "O"Ring
	3815 908	1			SEAL, Pump Reservoir "O"Ring
37	2537 899	1			SEAL, Pump Drive Shaft
38	2537 833	1			SPRING, Pump Flow Control
39	#3815 965	1		M,Z	VALVE, Pump Flow Control, Assy. (Except Shelby)
	2891 695	1		M,Z	w/Shelby
	3815 965	1		P,D,V,C	w/(S/C-S12, S13 Suspension)
	2891 695	1		P,D,V,C	w/(S/C-S14 Suspension)

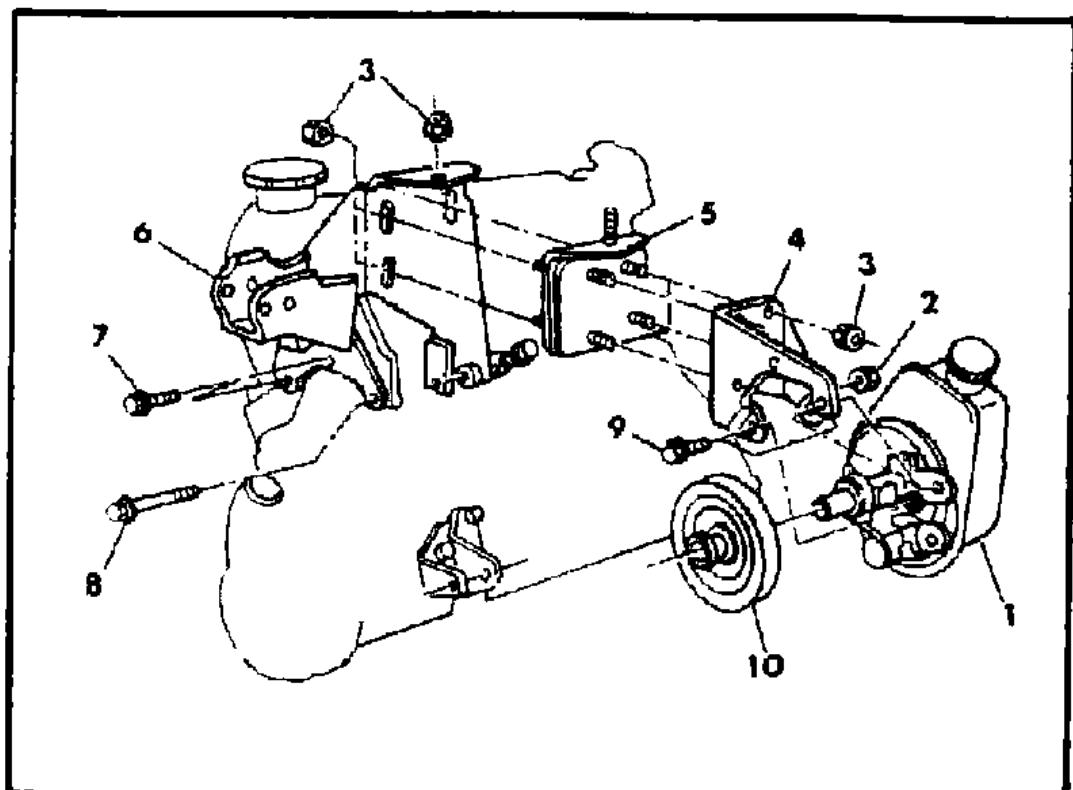
MODEL CODES  
 B = GRAN FURY  
 C = LEBARON/TOWN & COUNTRY  
 D = ARIES  
 E = 600  
 F = FIFTH AVENUE  
 G = DIPLOMAT  
 M = HORIZON/TURISMO/SCAMP  
 P = RELIANT  
 S = CORDOBA  
 T = E CLASS/NEWYORKER  
 V = 400  
 X = MIRADA  
 Y = IMPERIAL  
 Z = OMNI/CHARGER/RAMPAGE

BODY STYLES  
 21 = 2-DOOR SEDAN  
 22 = 2-DOOR SPECIAL COUPE  
 24 = 2-DOOR HATCHBACK  
 27 = 2-DOOR CONVERTIBLE  
 28 = FWD PICKUP  
 41 = 4-DOOR SEDAN  
 45 = 4-DOOR STATION WAGON  
 44 = 4-DOOR HATCHBACK  
 48 = EXECUTIVE SEDAN

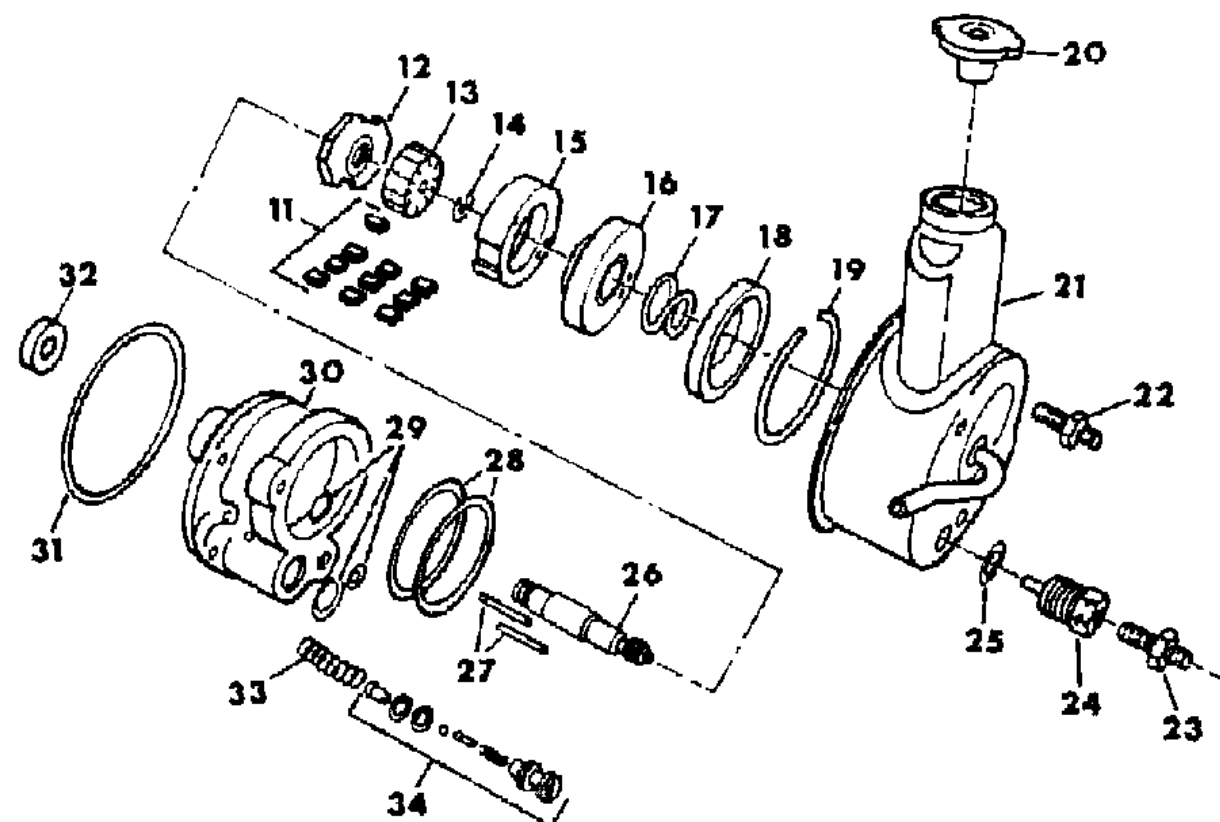
AR = Use as Required - = Non Illustrated Part P.A.R. = Paint as Required

POWER STEERING PUMP AND ATTACHING PARTS M,Z W/1.6 ENG.  
Figure 19-1650

3119 1650



ITEM	PART NUMBER	QTY	BODY	MODEL	DESCRIPTION
	2537 838	1			SERVICE KIT, Seal Consists of: 1 ----- Magnet 1 ----- Seal, "O"Ring 2 ----- Seal, "O"Ring
	3815 961	1			SERVICE KIT, Retaining Ring and Drive Shaft Consists of: 1 ----- Seal, "O"Ring 2 ----- Seal, "O"Ring 1 ----- Seal, "O"Ring
	3815 960				SERVICE KIT, Ring Retaining
	3815 964	1			SERVICE KIT, Rotor, Vane and Ring Consists of: 1 ----- Ring, Pump 1 ----- Ring, Shaft Retaining 1 ----- Rotor, Pump 10 ----- Vane, Pump
	2891 741	1			SERVICE KIT, Pump Reservoir Consists of: 1 ----- Reservoir 1 ----- Seal, "O"Ring 1 ----- Seal, "O"Ring 2 ----- Seal, "O"Ring
1	#3815 982	1	M,Z		PUMP, Power Strg., Assy.
2	#6100 518	1	M,Z		NUT, Lock
3	#6100 517	9	M,Z		NUT, Lock
4	#4273 141	1	M,Z		BRACKET, p/Strg. Pump Mtg.
5	#4273 140	1	M,Z		ISOLATOR, p/Strg. Pump
6	#4273 018	1	M,Z		BRACKET, Eng. Mtg. Rt. & p/Strg. Pump Mtg.
7	#6500 192	2	M,Z		SCREW & WASHER
8	#	1	M,Z		SCREW & WASHER (Not Serv.)
9	#6500 399	2	M,Z		SCREW & WASHER
10	#4273 071	1	M,Z		PULLEY, p/Strg. Pump
11		10			VANE, (Serviced in 3815964 Repair Kit)
12	#3815 914	1			PLATE, Pump Thrust



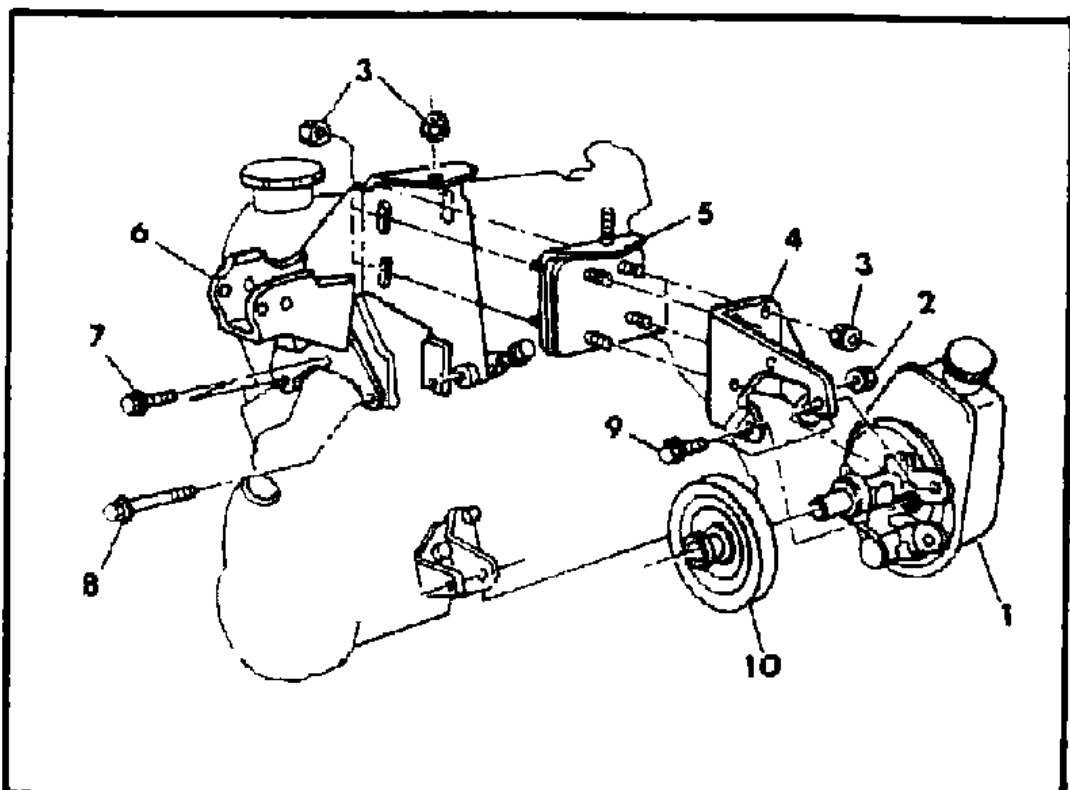
MODEL CODES  
 B = GRAN FURY  
 C = LEBARON/TOWN & COUNTRY  
 D = ARIES  
 E = 600  
 F = FIFTH AVENUE  
 G = DIPLOMAT  
 M = HORIZON/TURISMO/SCAMP  
 P = RELIANT  
 S = CORDOBA  
 T = E CLASS/NEWYORKER  
 V = 400  
 X = MIRADA  
 Y = IMPERIAL  
 Z = OMNI/CHARGER/RAMPAGE

BODY STYLES  
 21 = 2-DOOR SEDAN  
 22 = 2-DOOR SPECIAL COUPE  
 24 = 2-DOOR HATCHBACK  
 27 = 2-DOOR CONVERTIBLE  
 28 = FWD PICKUP  
 41 = 4-DOOR SEDAN  
 45 = 4-DOOR STATION WAGON  
 44 = 4-DOOR HATCHBACK  
 48 = EXECUTIVE SEDAN

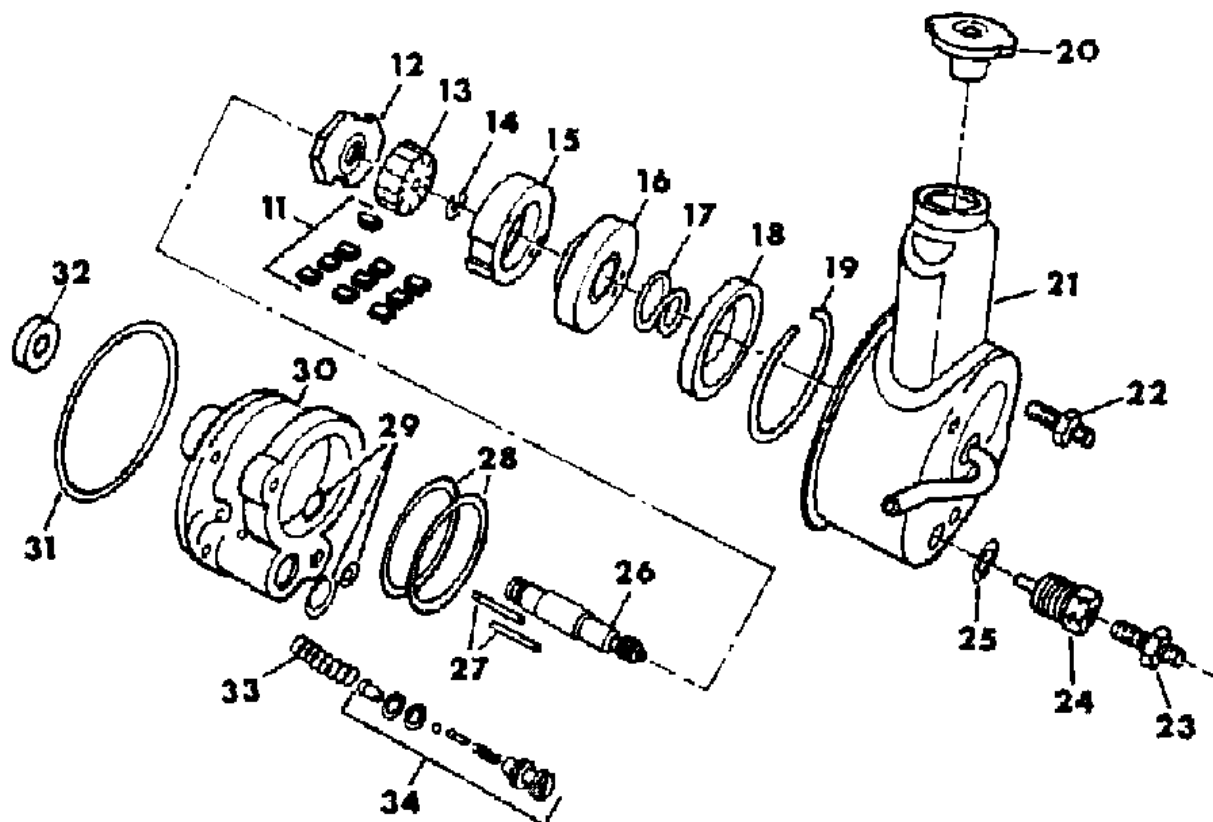
AR = Use as Required - = Non Illustrated Part P.A.R. = Paint as Required

POWER STEERING PUMP AND ATTACHING PARTS M,Z W/1.6 ENG.  
Figure 19-1650

3119 1650



ITEM	PART NUMBER	QTY	BODY	MODEL	DESCRIPTION
13		1			ROTOR, Pump (Serviced in 3815964 Repair Kit)
14	2891 166	1			RING, Pump Drive Shaft Retaining
15		1			RING, Pump (Serviced in 3815964 Repair Kit)
16	#3815 967	1			PLATE, Pump Pressure
17	#3815 966	1			SPRING, Pump Pressure Plate
18	2537 820	1			PLATE, Pump End
19	2537 823	1			RING, End Plate Retaining
20	#4219 036	1			CAP, Oil Pump Reservoir
21	2891 741	1			SERVICE KIT, Reservoir
22	#3815 915	1			STUD, Pump Mounting
23	#3815 915	1			STUD, Pump Mounting
24	#5205 267	1			FITTING, Union Assy.
	3815 983	1			FITTING, Union Assy., w/(S14 Firm Feel Suspension, S16 Heavy Duty Suspension)
25	2537 838	1			SERVICE Kit, Seal
26	#3815 961	1			SERVICE Kit, Pump Drive Shaft and Retaining Ring
	3815 960	1			SERVICE Kit, Ring Retaining
27	2537 819	2			PIN, Pump Ring Dowel
28	2537 838	1			SERVICE KIT, Seal
29	2537 838	1			SERVICE KIT, Seal
30		1			HOUSING, Assy. Pump (Serviced in Pump Assy. # 3643431)
31	2537 828	1			SEAL, Pump Reservoir "O"Ring
	3815 908	1			SEAL, Pump Reservoir "O"Ring
32	2537 899	1			SEAL, Pump Drive Shaft
33	2537 833	1			SPRING, Pump Flow Control
34	#3815 965	1			VALVE, Pump Flow Control, Assy.



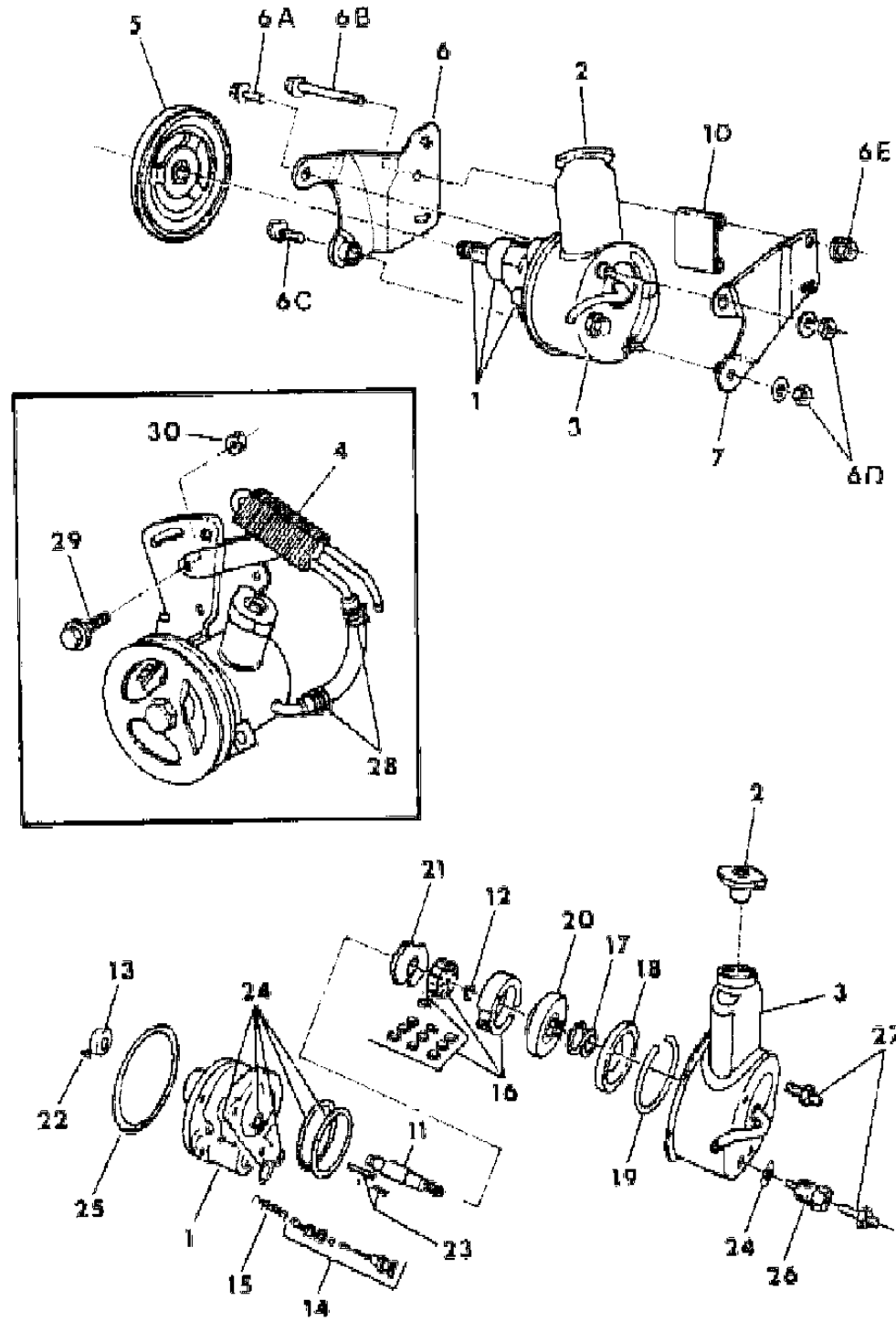
MODEL CODES  
 B = GRAN FURY  
 C = LEBARON/TOWN & COUNTRY  
 D = ARIES  
 E = 600  
 F = FIFTH AVENUE  
 G = DIPLOMAT  
 M = HORIZON/TURISMO/SCAMP  
 P = RELIANT  
 S = CORDOBA  
 T = E CLASS/NEWYORKER  
 V = 400  
 X = MIRADA  
 Y = IMPERIAL  
 Z = OMNI/CHARGER/RAMPAGE

BODY STYLES  
 21 = 2-DOOR SEDAN  
 22 = 2-DOOR SPECIAL COUPE  
 24 = 2-DOOR HATCHBACK  
 27 = 2-DOOR CONVERTIBLE  
 28 = FWD PICKUP  
 41 = 4-DOOR SEDAN  
 45 = 4-DOOR STATION WAGON  
 44 = 4-DOOR HATCHBACK  
 48 = EXECUTIVE SEDAN

AR = Use as Required - = Non Illustrated Part P.A.R. = Paint as Required

**POWER STEERING PUMP, PULLEY, BRACKETS, OIL COOLER B,F,G,X,S,Y**  
**Figure 19-1700**

3119 1700



ITEM	PART NUMBER	QTY	BODY	MODEL	DESCRIPTION
1	3815 971	1			OIL PUMP, Power Strg.
2	#4219 036	1			CAP, Oil Pump Reservoir
3	2891 741	1			RESERVOIR, Power Strg. Oil Pump
4	3643 482	1			COOLER, Power Strg. Pump Oil
NOTE: Steering pump pulleys can be identified by the Part No. stamped on the Pulley, the last 2 digits are twice the size of the first 5 digits. an offsetting order for part no. 3747881					
5	4041 015	1			PULLEY, Strg. Pump w/225 Eng. (See Note)
	3870 089	1			w/318,360 Eng.
6	4179 685	1			BRACKET, Power Strg. Pump, Front, w/225 Eng.
	4179 736	1			Front, w/318, 360, Eng.
6A	6101 052	1			BOLT, Pump Mounting Bracket
6B	6101 050	1			BOLT, Pump Mounting Bracket Spacer
6C	0433 105	1			BOLT, Pump Mounting Bracket, w/318, 360 Eng.
6D	6100 525	2			NUT, Bolt Mounting Bracket
6E	0152 344	1			NUT, Bolt Mounting Bracket Spacer, w/225 Eng.
7	4179 682	1			BRACKET, Power Strg. Pump Rear, w/225 Eng.
	4179 738	1			BRACKET, Power Strg. Pump Rear, Pump, w/318, 360 Eng.
10	6029 507	1			SPACER, Pump Mounting Bracket, w/318, 360 Eng.
	6028 609	1			w/225 Eng.
11	#3815 961	1			SHAFT and Retaining RING PACKAGE, Pump
	3815 960	1			SERVICE KIT, Ring Retaining
12	2891 166	1			RING, Pump Drive Shaft Retaining
13	2537 899	1			SEAL, Pump Drive Shaft
14	#2891 460	1			VALVE, Pump Flow Control Pressure Relief
15	2537 833	1			SPRING, Pump Flow Control
16	3815 974	1			REPAIR KIT, Pump Ring and Rotor Vane
17	3815 966	1			SPRING, Pump Pressure Plate
18	2537 820	1			PLATE, Pump End
19	2537 823	1			RING, Pump End Plate Retainer
20	3815 967	1			PLATE, Pump Pressure
21	#3815 914	1			PLATE, Pump Thrust
22	2537 818	1			KEY, Pump Drive Shaft
23	2537 819	2			PIN, Pump Ring Dowel
24	2537 838	1			SEAL Kit, Pump
25	2537 828	1			SEAL, Oil Pump Reservoir
	3815 908	1			O RING, Oil Pump Reservoir
26	3643 493	1			FITTING, Pump Discharge

MODEL CODES

B = GRAN FURY	G = DIPLOMAT	V = 400
C = LEBARON/TOWN & COUNTRY	M = HORIZON/TURISMO/SCAMP	X = MIRADA
D = ARIES	P = RELIANT	Y = IMPERIAL
E = 600	S = CORDOBA	Z = OMNI/CHARGER/RAMPAGE
F = FIFTH AVENUE	T = E CLASS/NEWYORKER	

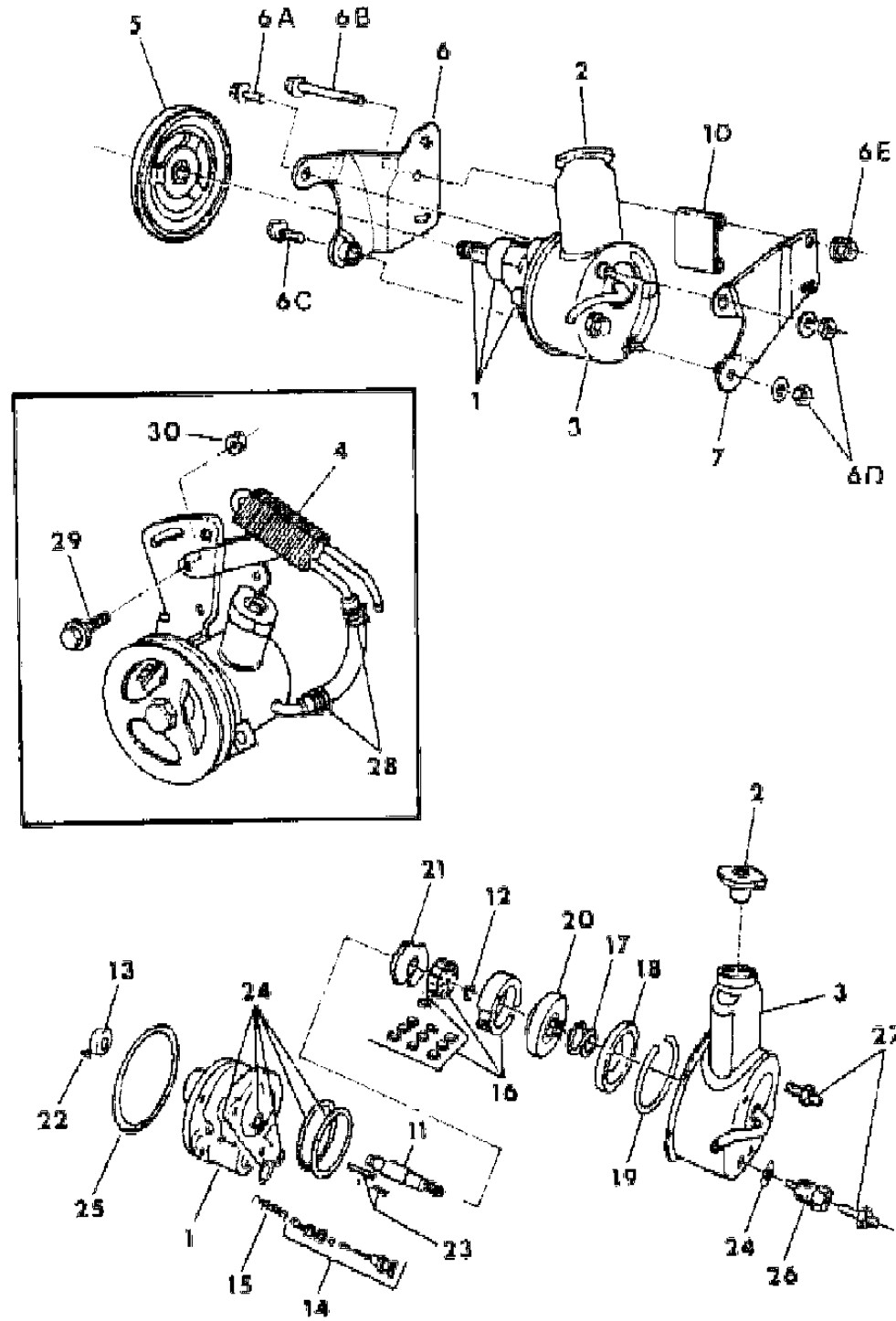
BODY STYLES

21 = 2-DOOR SEDAN	41 = 4-DOOR SEDAN
22 = 2-DOOR SPECIAL COUPE	45 = 4-DOOR STATION WAGON
24 = 2-DOOR HATCHBACK	44 = 4-DOOR HATCHBACK
27 = 2-DOOR CONVERTIBLE	48 = EXECUTIVE SEDAN
28 = FWD PICKUP	

AR = Use as Required - = Non Illustrated Part P.A.R. = Paint as Required

POWER STEERING PUMP, PULLEY, BRACKETS, OIL COOLER B,F,G,X,S,Y  
Figure 19-1700

3119 1700



ITEM	PART NUMBER	QTY	BODY	MODEL	DESCRIPTION
27	3643 466	2			STUD, Pump Mounting
28		AR			CLAMP, Oil Cooler Hose (Not Serviced)
29		1			BOLT, Oil Cooler Mounting (Not Serviced)
30	6025 020	1			NUT, Oil Cooler Mounting
31	5205 254	1			O RING, Power Strg. Pressure Hose (Pump End)

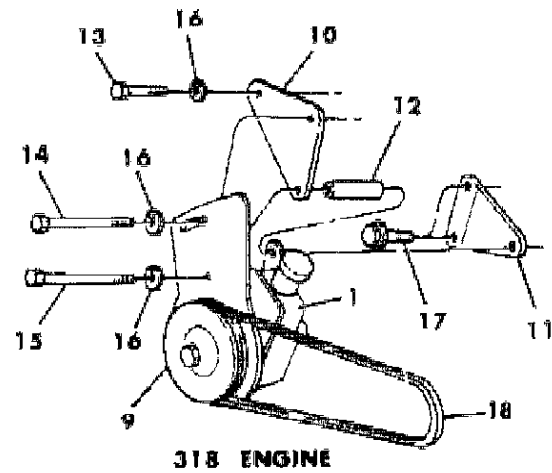
MODEL CODES  
 B = GRAN FURY  
 C = LEBARON/TOWN & COUNTRY  
 D = ARIES  
 E = 600  
 F = FIFTH AVENUE  
 G = DIPLOMAT  
 M = HORIZON/TURISMO/SCAMP  
 P = RELIANT  
 S = CORDOBA  
 T = E CLASS/NEWYORKER  
 V = 400  
 X = MIRADA  
 Y = IMPERIAL  
 Z = OMNI/CHARGER/RAMPAGE

BODY STYLES  
 21 = 2-DOOR SEDAN  
 22 = 2-DOOR SPECIAL COUPE  
 24 = 2-DOOR HATCHBACK  
 27 = 2-DOOR CONVERTIBLE  
 28 = FWD PICKUP  
 41 = 4-DOOR SEDAN  
 45 = 4-DOOR STATION WAGON  
 44 = 4-DOOR HATCHBACK  
 48 = EXECUTIVE SEDAN

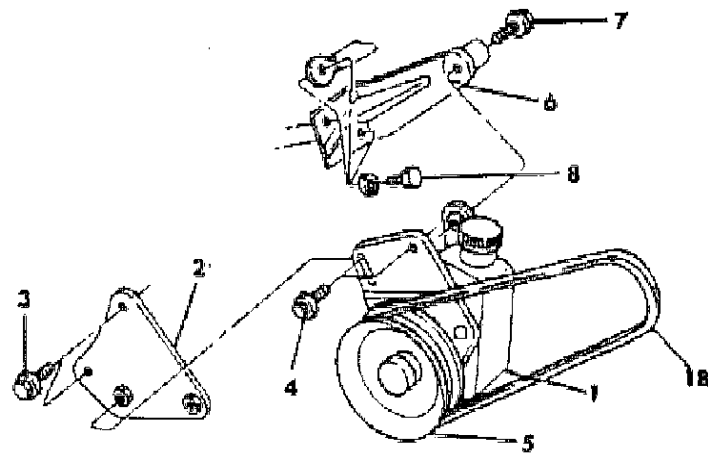
AR = Use as Required - = Non Illustrated Part P.A.R. = Paint as Required

**POWER STEERING PUMP ENGINE BRACKETS B,F,G,X,S,Y**  
**Figure 19-1800**

3139 1800



**318 ENGINE**



**225 ENGINE**

ITEM	PART NUMBER	QTY	BODY	MODEL	DESCRIPTION
1	#3815 949	1		Except	OIL PUMP, Power Strg.
	3815 950	1		Y	
2	4179 937	1			BRACKET, Power Strg. Pump Mounting Front, w/o Air cond., w/ Air Pump, w/225 Eng.
2	4179 937	1			w/o Air Cond., w/o Air Pump, w/225 Eng.
3	6022 266	2			SCREW w/Washer, Pump Mounting to Water Pump, 225 Eng.
4	0181 112	2			SCREW, Pump Mounting and Pivot, 225 Eng.
5	4041 015	1			PULLEY, Power Strg. Pump, 225 Eng.
6	4173 139	1			BRACKET, Pump to Eng. Side, 225 Eng.
7	6027 877	1			SCREW, Pump Mounting Pivot, Rear, 225 Eng.
8		2			BOLT, (NOT Serviced), 225 Eng.
9	3870 089	1			PULLEY, Power Strg. Pump, 318,360 Eng.
10	2951 747	1			BRACKET, Power Strg. Pump Engine, Front w/318 Eng.
11	2951 852	1			BRACKET, Pump Engine, Rear w/318 Eng.
12	6029 507	1			SPACER, Power Strg. Pump Mounting Bracket
13	9420 892	1			BOLT, Water Pump
14	6028 166	1			BOLT, Water Pump
15	0433 105	1			BOLT, Power Strg. Pump Mounting Bracket, w/318 Eng.
16		3			WASHER (Not Serviced)
17	0181 112	1			SCREW, Rear Bracket,
18		1			BELT, Power Strg. Pump Drive (Refer To Group 7)

**MODEL CODES**

B = GRAN FURY	G = DIPLOMAT	V = 400
C = LEBARON/TOWN & COUNTRY	M = HORIZON/TURISMO/SCAMP	X = MIRADA
D = ARIES	P = RELIANT	Y = IMPERIAL
E = 600	S = CORDOBA	Z = OMNI/CHARGER/RAMPAGE
F = FIFTH AVENUE	T = E CLASS/NEWYORKER	

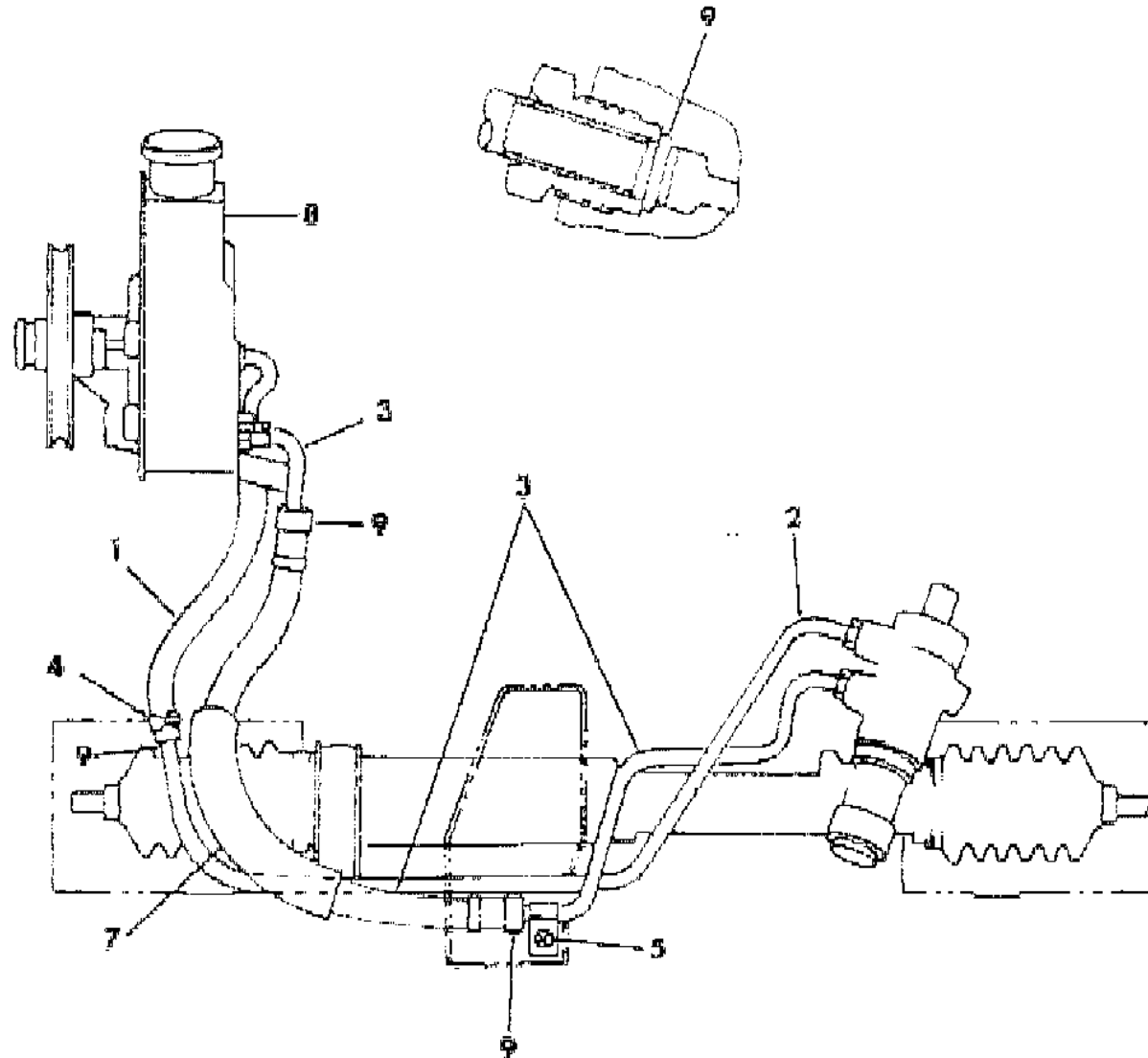
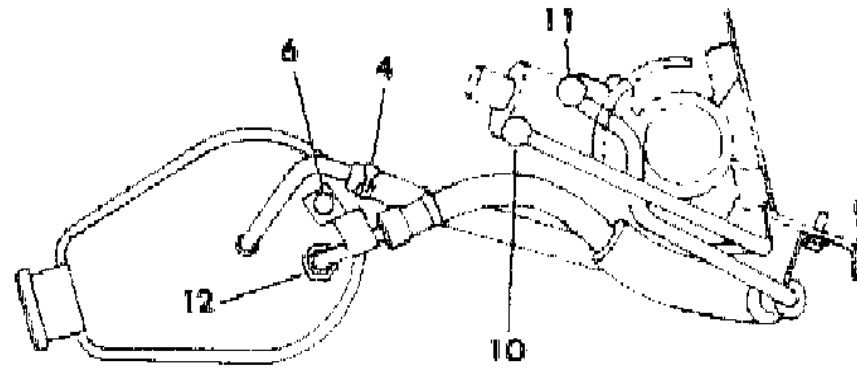
**BODY STYLES**

21 = 2-DOOR SEDAN	41 = 4-DOOR SEDAN
22 = 2-DOOR SPECIAL COUPE	45 = 4-DOOR STATION WAGON
24 = 2-DOOR HATCHBACK	44 = 4-DOOR HATCHBACK
27 = 2-DOOR CONVERTIBLE	48 = EXECUTIVE SEDAN
28 = FWD PICKUP	

AR = Use as Required - = Non Illustrated Part P.A.R. = Paint as Required

**POWER STEERING PUMP HOSE CHART, M,Z,P,D,V,C,E,T**  
**Figure 19-1900**

3110 1900



ITEM	PART NUMBER	QTY	BODY	MODEL	DESCRIPTION
NOTE 1: Part No. 3879925 Consists of a 50' Foot Roll use as required an offsetting order for part no. 3747881					
1		1		ALL	HOSE, Return, Power Strg. Pump (Cut to 11" From Part No. 3879925 See Note 1)
2	3815 848	1	M,Z		TUBE w/Nut, Power Strg. Pump Return Hose, w/(1.7 Litre Eng.)
	3815 846	1	M,Z		w/(2.2 Litre Eng.)
3	3815 847	1	P,D,V,C		w/(2.2 and 2.6 Litre Eng's), W/(T.R.W Strg, Gear)
	3815 919	1	P,D,V,C		w/(2.2 and 2.6 Litre Eng's), W/(Saginaw Strg. Gear)
	3815 841	1	M,Z		HOSE, Pressure, Strg. Pump, w/(1.7 Eng.) Up To 11-15-82
	3815 985	1	M,Z		After 11-15-82
4	3815 839	1	M,Z		w/(2.2 Litre Eng.)
	3815 840	1	P,D,V,C		w/(2.2 and 2.6 Litre Eng's)
	3643 496	1	M,Z		TUBE & NUT ASSY., P/Strg. Pump Pressure Hose Pump End
4		2			CLAMP, Power Strg. Pump Return Hose (Not Serviced)
5	6100 295	1	M,Z		SCREW, Power Strg. Pump Pressure Hose Clamp To Frame
6	0118 615	1			NUT, Pressure Hose Clamp To Power Strg. Pump
7		1			SLEEVE, Power Strg. Pump Pressure Hose (Service in Pressure Hose)
8	#3815 956	1			PUMP, Power Strg.
9	5205 254	3			"O"Ring, Power Strg. Hose
10		1			NUT, Power Strg. Pump Return Hose Strg. Gear End (Serviced in Tube Assy.)
11		1			NUT, Power Strg. Pump Pressure Hose, Strg. Gear End (Serviced in Pressure Hose )
12		1			NUT, Power Strg. Pump Pressure Hose, Pump End (Serviced in Pressure Hose )

MODEL CODES  
 B = GRAN FURY  
 C = LEBARON/TOWN & COUNTRY  
 D = ARIES  
 E = 600  
 F = FIFTH AVENUE  
 G = DIPLOMAT  
 M = HORIZON/TURISMO/SCAMP  
 P = RELIANT  
 S = CORDOBA  
 T = E CLASS/NEWYORKER  
 V = 400  
 X = MIRADA  
 Y = IMPERIAL  
 Z = OMNI/CHARGER/RAMPAGE

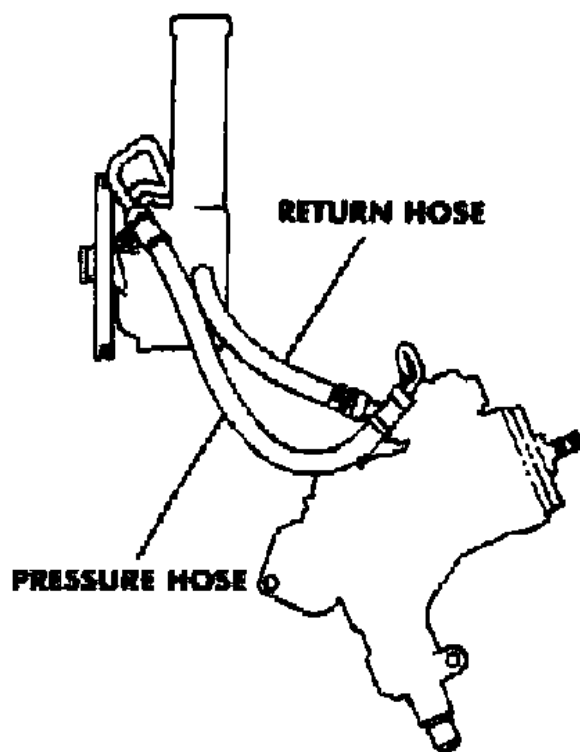
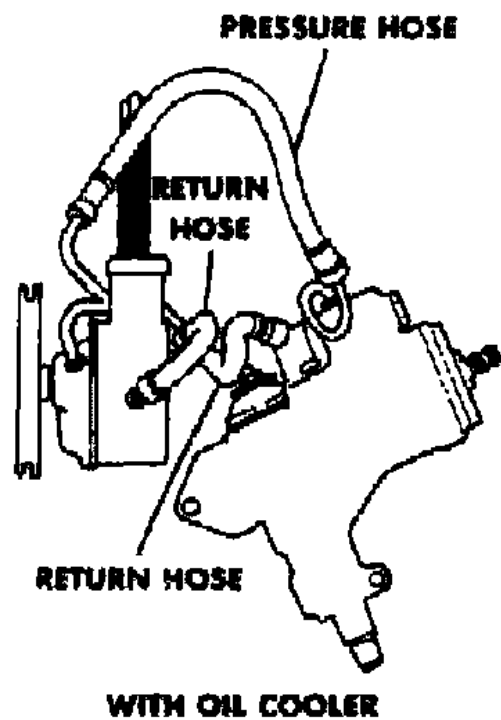
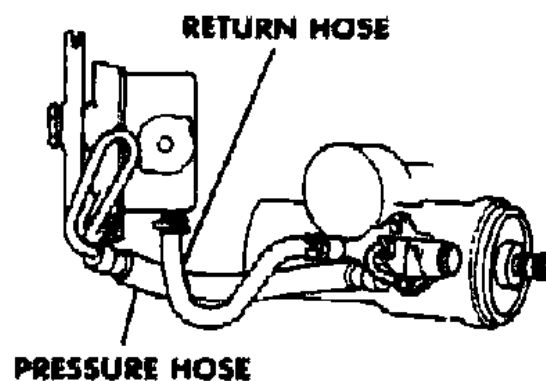
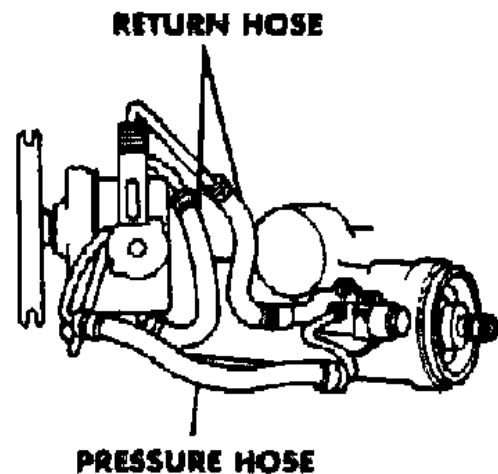
BODY STYLES  
 21 = 2-DOOR SEDAN  
 22 = 2-DOOR SPECIAL COUPE  
 24 = 2-DOOR HATCHBACK  
 27 = 2-DOOR CONVERTIBLE  
 28 = FWD PICKUP  
 41 = 4-DOOR SEDAN  
 45 = 4-DOOR STATION WAGON  
 44 = 4-DOOR HATCHBACK  
 48 = EXECUTIVE SEDAN

AR = Use as Required - = Non Illustrated Part P.A.R. = Paint as Required



**POWER STEERING PUMP HOSE CHART, B,F,G,X,S,Y**  
**Figure 19-2000**

3119 Z000



**SEE CHART  
FOR QUANTITY  
AND PART NUMBERS**

ITEM	PART NUMBER	QTY	BODY	MODEL	DESCRIPTION
------	-------------	-----	------	-------	-------------

NOTE A - Hose Return Power Steering Pump, 50 ft.Roll - Part No. 3879925 Cut To Length Shown an offsetting order for part no. 3747881

	3643 477				w/225 Eng. N10 of Note N N Y3643477
	3643 477				w/318 Eng. w/o Oil Cooler (See Note A) N10 of Note N N Y3643477
					w/318 Eng. w/Oil Cooler (See Note A) N N10 of Note N2-3/4 of A N3643477

**MODEL CODES**

B = GRAN FURY	G = DIPLOMAT	V = 400
C = LEBARON/TOWN & COUNTRY	M = HORIZON/TURISMO/SCAMP	X = MIRADA
D = ARIES	P = RELIANT	Y = IMPERIAL
E = 600	S = CORDOBA	Z = OMNI/CHARGER/RAMPAGE
F = FIFTH AVENUE	T = E CLASS/NEWYORKER	

**BODY STYLES**

21 = 2-DOOR SEDAN	41 = 4-DOOR SEDAN
22 = 2-DOOR SPECIAL COUPE	45 = 4-DOOR STATION WAGON
24 = 2-DOOR HATCHBACK	44 = 4-DOOR HATCHBACK
27 = 2-DOOR CONVERTIBLE	48 = EXECUTIVE SEDAN
28 = FWD PICKUP	

AR = Use as Required - = Non Illustrated Part P.A.R. = Paint as Required

---

**GROUP 21M - TRANSMISSION, MANUAL**

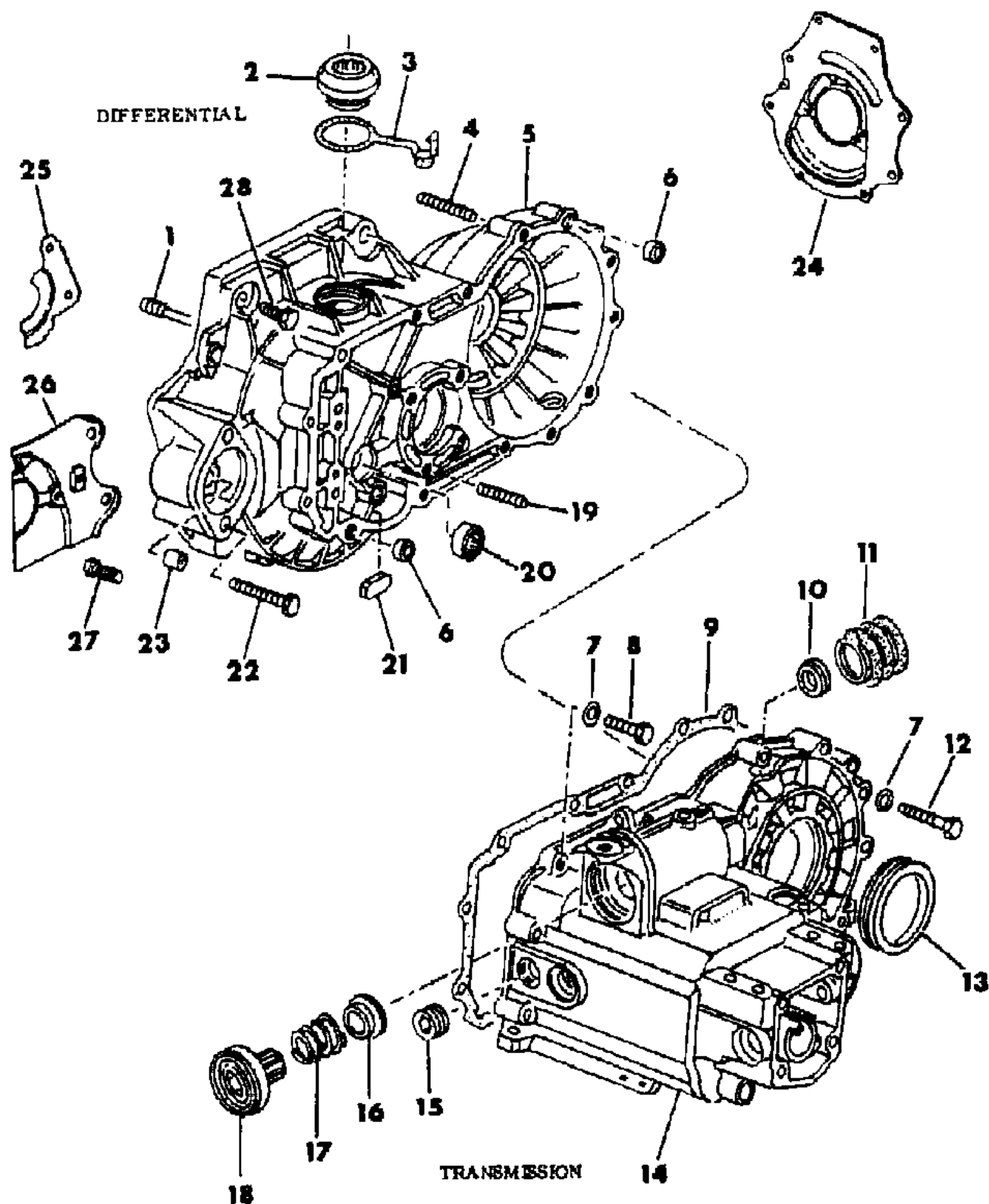
<b>ILLUSTRATION TITLE</b>	<b>GROUP-FIG. NO.</b>
MANUAL 4 SPEED TRANSAXLE A-412 DIFFERENTIAL CARRIER AND CLUTCH HOUSING M,Z	Fig. 21M-100
GEARS AND SHAFTS MANUAL 4 SPEED TRANSMISSION-A412 M,Z	Fig. 21M-200
DIFFERENTIAL MANUAL 4 SPEED TRANSMISSION A412 M,Z	Fig. 21M-300
SHIFT ROD, SELECTOR SHAFT AND SELECTOR FORKS MANUAL 4 SPEED TRANSMISSION A412 M,Z	Fig. 21M-400
CHRYSLER-A460 TRANSAXLE CASE	Fig. 21M-500
CHRYSLER-A460 TRANSAXLE GEAR TRAIN	Fig. 21M-600
CHRYSLER-A460 TRANSAXLE-INTERNAL CONTROLS	Fig. 21M-700
CHRYSLER-A460 TRANSAXLE DIFFERENTIAL	Fig. 21M-800
CHRYSLER-A465 TRANSAXLE CASE	Fig. 21M-900
CHRYSLER-A465 TRANSAXLE GEAR TRAIN	Fig. 21M-1000
CHRYSLER-A465 TRANSAXLE-INTERNAL CONTROLS	Fig. 21M-1100
CHRYSLER-A465 TRANSAXLE DIFFERENTIAL	Fig. 21M-1200
GEARSHIFT CONTROLS-A460 TRANSAXLE BENCH SEAT-P,D	Fig. 21M-1300
GEARSHIFT CONTROLS-A465 TRANSAXLE BUCKET SEATS-P,D,C,V,E	Fig. 21M-1400
GEARSHIFT CONTROLS-A460,A465 M,Z	Fig. 21M-1500
GEARSHIFT CONTROLS - M,Z W/ A412 TRANSAXLE	Fig. 21M-1600
SPEEDOMETER CABLES	Fig. 21M-1700
SPEEDOMETER CABLE AND DRIVE PINION	Fig. 21M-1800
TRANSAXLE MOUNTING CHRYSLER - A460,A465	Fig. 21M-1900

**ILLUSTRATION NOT AVAILABLE AT TIME OF PUBLICATION**

---

**MANUAL 4 SPEED TRANSAXLE A-412 DIFFERENTIAL CARRIER AND CLUTCH HOUSING M,Z**  
**Figure 21M-100**

3121 100



ITEM	PART NUMBER	QTY	BODY	MODEL	DESCRIPTION
NOTE: The Transaxle Part Number is stamped on the lower part of the Transaxle. an offsetting order for part no. 3747881					
	5240 048	1			TRANSAXLE
	4186 097	1			SEAL and GASKET REPAIR PACKAGE, Transmission, Complete
					Consists of:
					1-5240061 Gasket, Clutch Link. Cover
					1-4094828 Seal, Clutch Lever Shaft
					2-4094829 Seal(Axle)
					1-5240106 Gasket, Case To Clutch Housing
					1-4094830 Seal, Shift Shaft
					1-5240121 Washer, Seal
					1-5240126 Seal, Detent Nut
					1-5240127 Seal, Shift Shaft, Outer
					1-4186099 Bushing Assembly, Clutch Rel. Rod
					1-4094831 Seal, Input Shaft
					2-5240174 Seal, Bearing Ret. Sc.
					2-4094834 Seal, Flange O/S
					1-4057046 Seal, Speedo. Drive Pinion
					1-5240166 Seal, Pinion Adapter
1	6101 129	1			SCREW w/WA., Cyl. Block to Trans.
2	5240 163	1			RETAINER, Probe
3	5240 164	1			PLUG, Probe Retainer
4	5240 018	3			STUD, Mount
5	5240 092	1			HOUSING, Diff. Carrier and Clutch
6	5240 100	2			DOWEL
7		14			WASHER, Case to Clutch Hsg. Screws (Not Serviced)
8	5222 924	2			SCREW, Case to Clutch Hsg.
9	5240 106	1			GASKET, Case to Clutch Hsg.
10	4094 830	1			SEAL, Shift Shaft, Inner
11	5240 127	1			SEAL or BOOT, Shift Shaft, Outer
12	5222 925	12			SCREW, Case to Clutch Hsg.
13	4094 829	2			SEAL ASSEMBLY, Frt. Axle Lip
14	5240 088	1			CASE, Transmission, Partial
15	5240 096	1			PLUG, Fill or Drain
16	5240 111	1			SLINGER, Shift Shaft
17	5240 110	1			SPRING, Shift
18	5240 113	1			HOUSING, Shift Shaft

**MODEL CODES**

B = GRAN FURY	G = DIPLOMAT	V = 400
C = LEBARON/TOWN & COUNTRY	M = HORIZON/TURISMO/SCAMP	X = MIRADA
D = ARIES	P = RELIANT	Y = IMPERIAL
E = 600	S = CORDOBA	Z = OMNI/CHARGER/RAMPAGE
F = FIFTH AVENUE	T = E CLASS/NEWYORKER	

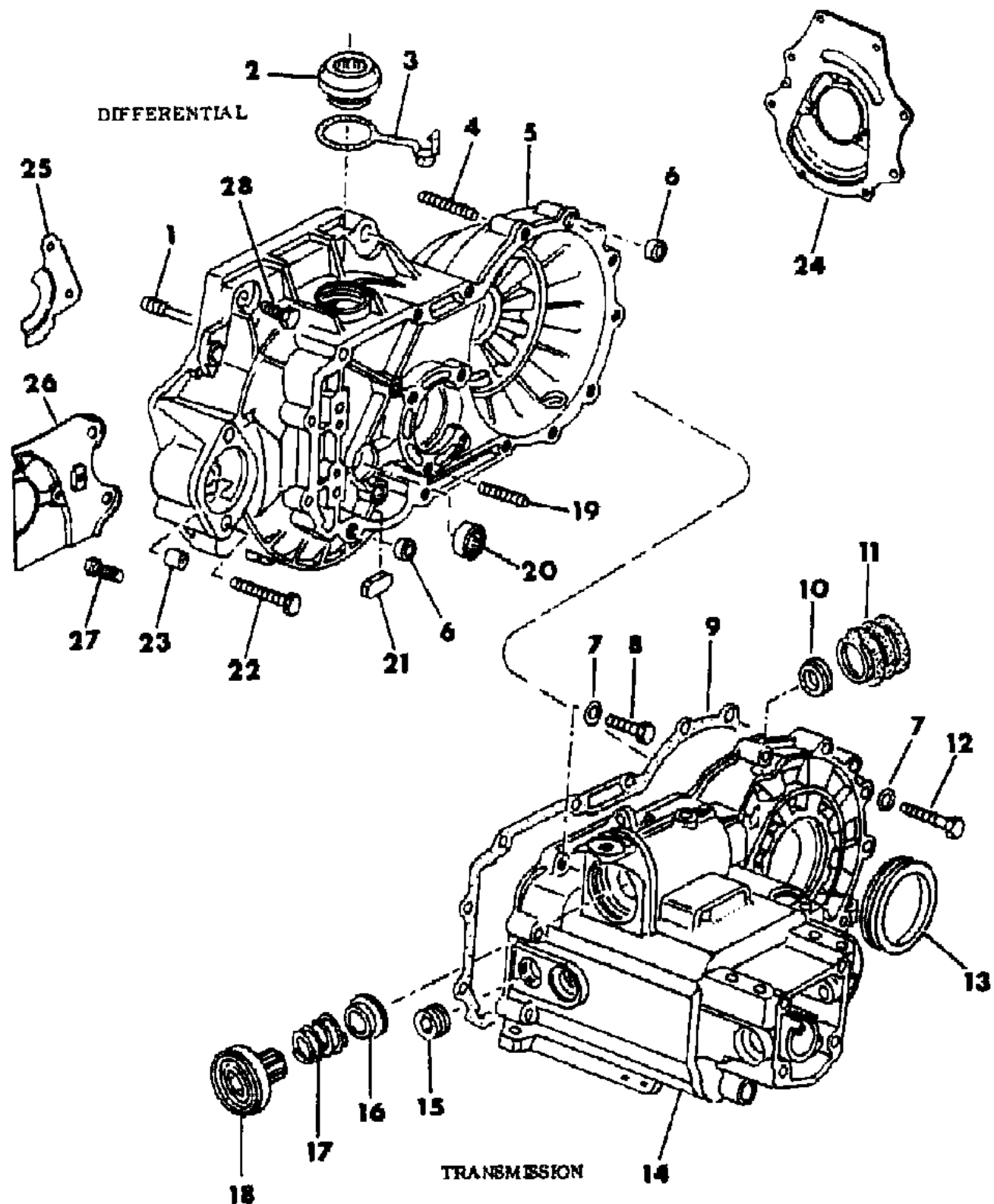
**BODY STYLES**

21 = 2-DOOR SEDAN	41 = 4-DOOR SEDAN
22 = 2-DOOR SPECIAL COUPE	45 = 4-DOOR STATION WAGON
24 = 2-DOOR HATCHBACK	44 = 4-DOOR HATCHBACK
27 = 2-DOOR CONVERTIBLE	48 = EXECUTIVE SEDAN
28 = FWD PICKUP	

AR = Use as Required - = Non Illustrated Part P.A.R. = Paint as Required

**MANUAL 4 SPEED TRANSAXLE A-412 DIFFERENTIAL CARRIER AND CLUTCH HOUSING M,Z**  
**Figure 21M-100**

3121 100



ITEM	PART NUMBER	QTY	BODY	MODEL	DESCRIPTION
19		4			STUD
20	5240 150	1			BEARING, Drive Shaft Needle
21	5240 099	1			MAGNET, Chip Collector
22	6500 220	2			STUD, Starter
23	5240 101	1			BUSHING, Starter Pilot
24	5222 836	1			COVER, Engine/Trans. Dust, Large
25	5222 839	1			COVER, Engine/Trans. Dust, Small
26	5222 836	1			COVER ASSEMBLY, Eng./Trans. Dust, Large
27	6100 988	4			SCREW w/WA., Small Dust Cover Hex
	6500 190	3			Large Dust Cover Hex
28	6100 346	2			SCREW w/WA.
29		1			SWITCH, Back-Up Light(Not Shown)(See Group 8 Starter)

MODEL CODES  
 B = GRAN FURY  
 C = LEBARON/TOWN & COUNTRY  
 D = ARIES  
 E = 600  
 F = FIFTH AVENUE  
 G = DIPLOMAT  
 M = HORIZON/TURISMO/SCAMP  
 P = RELIANT  
 S = CORDOBA  
 T = E CLASS/NEWYORKER  
 V = 400  
 X = MIRADA  
 Y = IMPERIAL  
 Z = OMNI/CHARGER/RAMPAGE

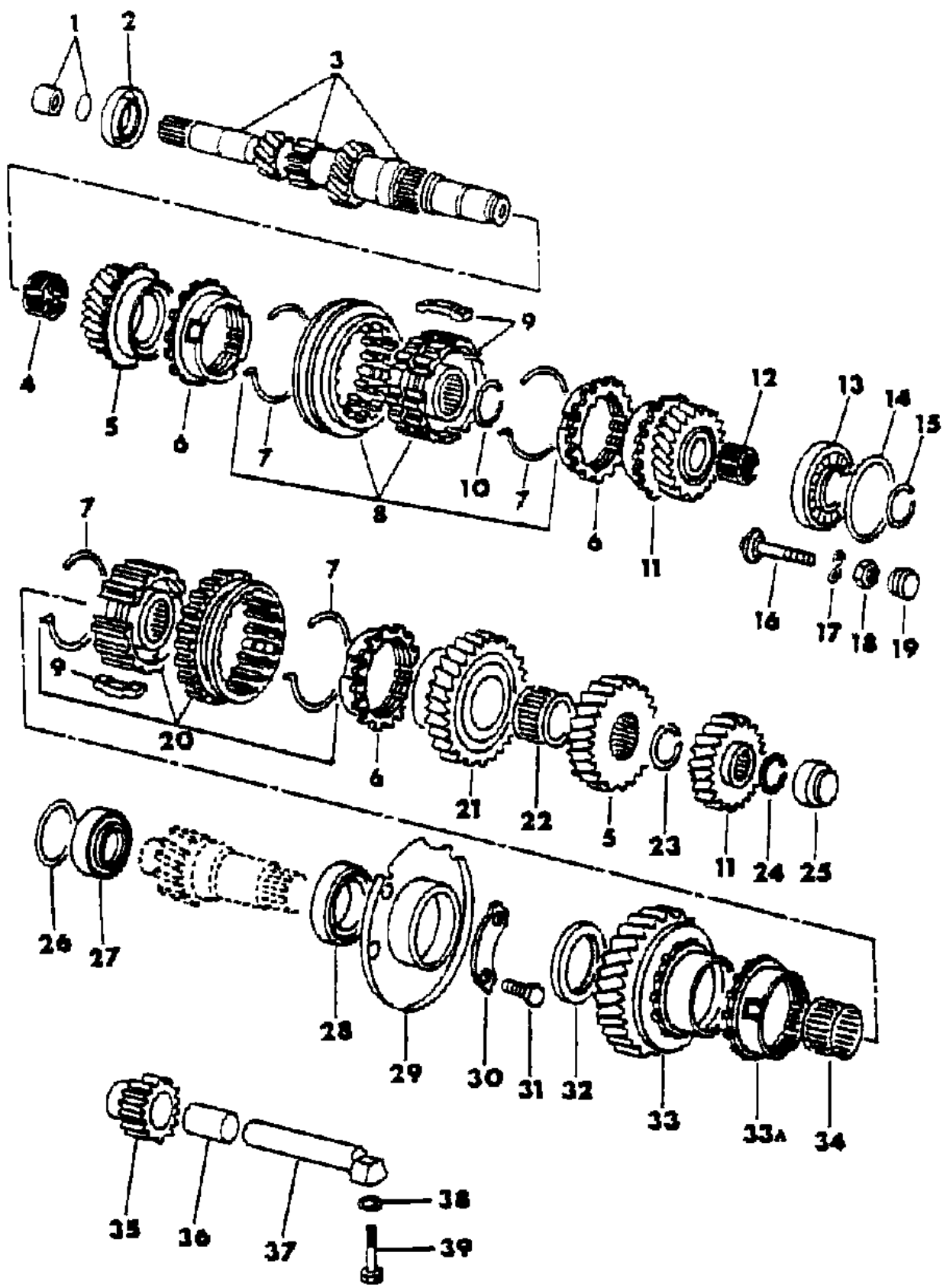
BODY STYLES  
 21 = 2-DOOR SEDAN  
 22 = 2-DOOR SPECIAL COUPE  
 24 = 2-DOOR HATCHBACK  
 27 = 2-DOOR CONVERTIBLE  
 28 = FWD PICKUP  
 41 = 4-DOOR SEDAN  
 45 = 4-DOOR STATION WAGON  
 44 = 4-DOOR HATCHBACK  
 48 = EXECUTIVE SEDAN

AR = Use as Required - = Non Illustrated Part P.A.R. = Paint as Required

**GEARS AND SHAFTS MANUAL 4 SPEED TRANSMISSION-A412 M,Z**  
**Figure 21M-200**

J121 200

ITEM	PART NUMBER	QTY	BODY	MODEL	DESCRIPTION
1	4186 099	1			BUSHING w/SEAL, Clutch Release Rod
	4186 098	1			SEAL, w/ Installing Cap
2	4094 831	1			SEAL ASSEMBLY, Input or Main Shaft Lip
3	4202 770	1			SHAFT ASSEMBLY, Input or Main
4	5240 213	1			BEARING, Needle
5	5240 195	1			GEAR SET, 3rd Speed
6	5240 199	3			RING, Synchronizer 2nd, 3rd and 4th
7	5240 204	5			SPRING, Synchronizer 1st, 2nd, 3rd and 4th
8	5240 202	1			SYNCHRONIZER ASSEMBLY, 3rd and 4th
9	5240 208	6			STRUT, Synch. 1st, 2nd and 3rd
10	5240 210	1			SNAP RING
11	5240 218	1			GEAR SET, 4th Speed
12	4094 832	1			BEARING, 4 th Gear Needle
13	4186 095	1			BEARING ASSEMBLY, Trans. Input or Main Shaft,Rr. Ball
14	5240 284	AR			SHIM, Diff. Case, .015" Thk.
	5240 285	AR			SHIM, .030" Thk.
	5240 287	AR			SHIM, .060" Thk.
	5240 288	AR			SHIM, .070" Thk.
	5240 289	AR			SHIM, .080" Thk.
15	5222 902	1			SNAP RING, Ball Bearing, Inner
16	5222 884	3			SCREW ASSEMBLY, Ball Brg. Retainer
17	5240 015	3			WASHER, Ball Brg. Retainer Wave
18	5240 011	3			NUT, Ball Brg. Retainer Screw
19	5240 174	3			SEAL, Brg. Retaining Screw
20	5240 191	1			SYNCHRONIZER ASSEMBY, 1st and 2nd
21	5240 194	1			GEAR, 2nd Countershaft, 35T
22	5240 190	1			BEARING and RACE ASSEMBLY, Needle 2nd Gear
23	5240 221	AR			SNAP RING, 2.5 mm
	5240 222	AR			SNAP RING, 2.6
	5240 223	AR			SNAP RING, 2.7
	5240 224	AR			SNAP RING, 2.8
	5240 225	AR			SNAP RING, 2.9
	5240 226	AR			SNAP RING, 3.0
24	5240 198	1			SNAP RING, 4th Gear
25	4202 546	1			BEARING ASSEMBLY, Trans. Countershaft Rr. Needle
26	5240 227	AR			SHIM, Countershaft, 0.75
	5240 228	AR			SHIM, 0.80



MODEL CODES  
 B = GRAN FURY  
 C = LEBARON/TOWN & COUNTRY  
 D = ARIES  
 E = 600  
 F = FIFTH AVENUE  
 G = DIPLOMAT  
 M = HORIZON/TURISMO/SCAMP  
 P = RELIANT  
 S = CORDOBA  
 T = E CLASS/NEWYORKER  
 V = 400  
 X = MIRADA  
 Y = IMPERIAL  
 Z = OMNI/CHARGER/RAMPAGE

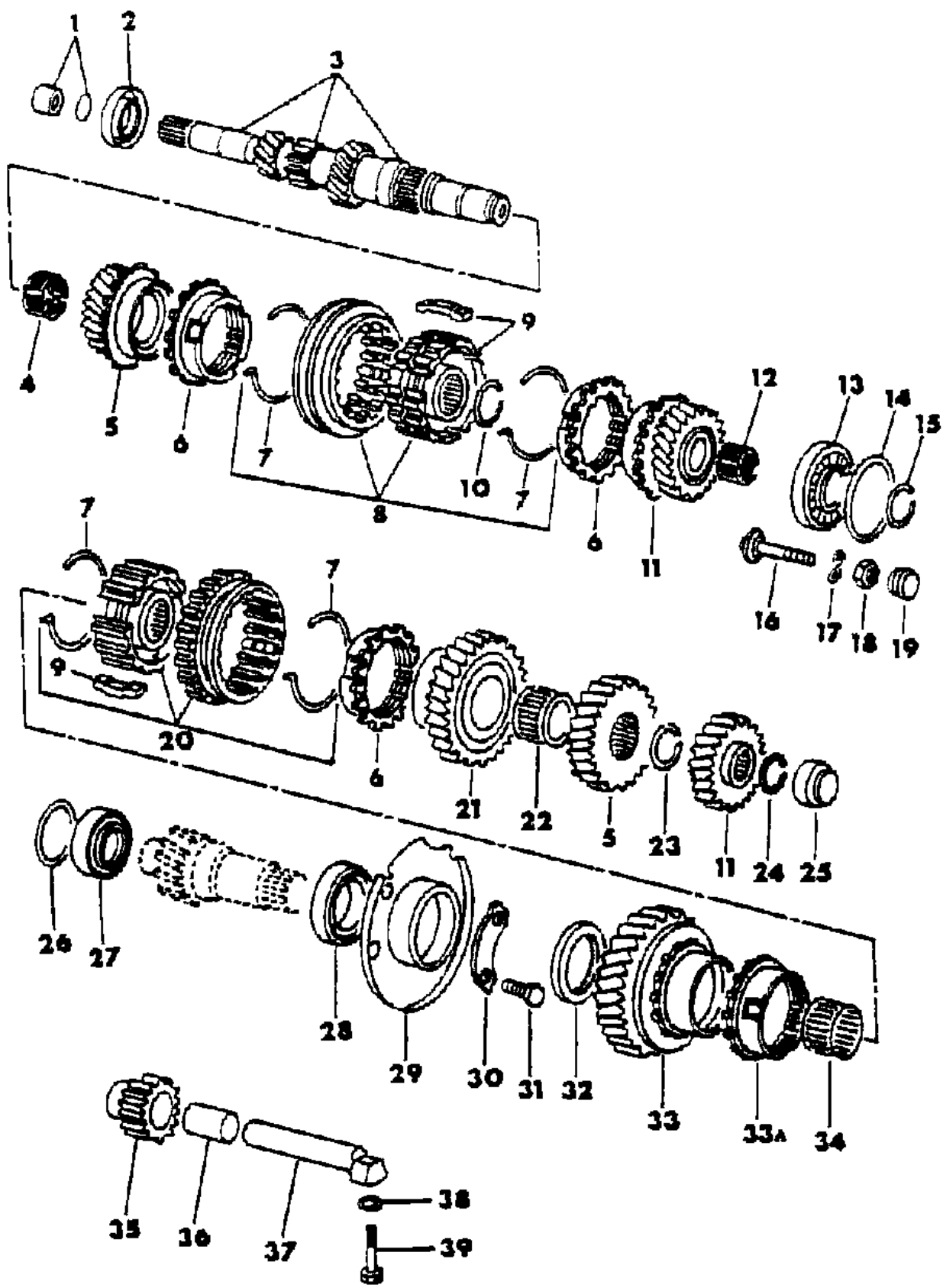
BODY STYLES  
 21 = 2-DOOR SEDAN  
 22 = 2-DOOR SPECIAL COUPE  
 24 = 2-DOOR HATCHBACK  
 27 = 2-DOOR CONVERTIBLE  
 28 = FWD PICKUP  
 41 = 4-DOOR SEDAN  
 45 = 4-DOOR STATION WAGON  
 44 = 4-DOOR HATCHBACK  
 48 = EXECUTIVE SEDAN

AR = Use as Required - = Non Illustrated Part P.A.R. = Paint as Required

GEARS AND SHAFTS MANUAL 4 SPEED TRANSMISSION-A412 M,Z  
Figure 21M-200

J121 200

ITEM	PART NUMBER	QTY	BODY	MODEL	DESCRIPTION
	5240 229	AR			SHIM, 0.85
	5240 230	AR			SHIM, 0.90
	5240 231	AR			SHIM, 0.95
	5240 232	AR			SHIM, 1.00
	5240 233	AR			SHIM, 1.05
	5240 234	AR			SHIM, 1.10
	5240 235	AR			SHIM, 1.15
	5240 236	AR			SHIM, 1.20
	5240 237	AR			SHIM, 1.25
	5240 238	AR			SHIM, 1.30
	5240 239	AR			SHIM, 1.35
	5240 240	AR			SHIM, 1.40
	5240 241	AR			SHIM, 0.65
	5240 242	AR			SHIM, 0.70
27	5240 260	AR			BEARING or RACE, Countershaft, Inner
	5240 264	1			Outer
28	5222 801	1			BEARING ASSEMBLY, Trans. Countershaft, Small
29	4057 048	1			PLATE, Countershaft Brg.
30	5222 886	2			PLATE, Brg. Retainer Locking
31	5240 026	4			SCREW, Brg. Locking Plate
32	5240 188	1			WASHER, Thrust 1st Gear Countershaft
33	5240 193	1			GEAR, Countershaft 1st, 38T
33A	5222 828	1			RING, Synch. 1st
34	5240 184	1			BEARING ASSEMBLY, 1st Gear Countershaft Needle
35	5222 900	1			GEAR,w/BUSHING, Reverse Idler
36	5240 247	1			BUSHING, Reverse Idler Gear
37	5240 245	1			SHAFT, Reverse Idler Gear
38	5240 022	1			WASHER, Sealing, Alum.
39	5222 883	1			SCREW, Reverse Idler Shaft



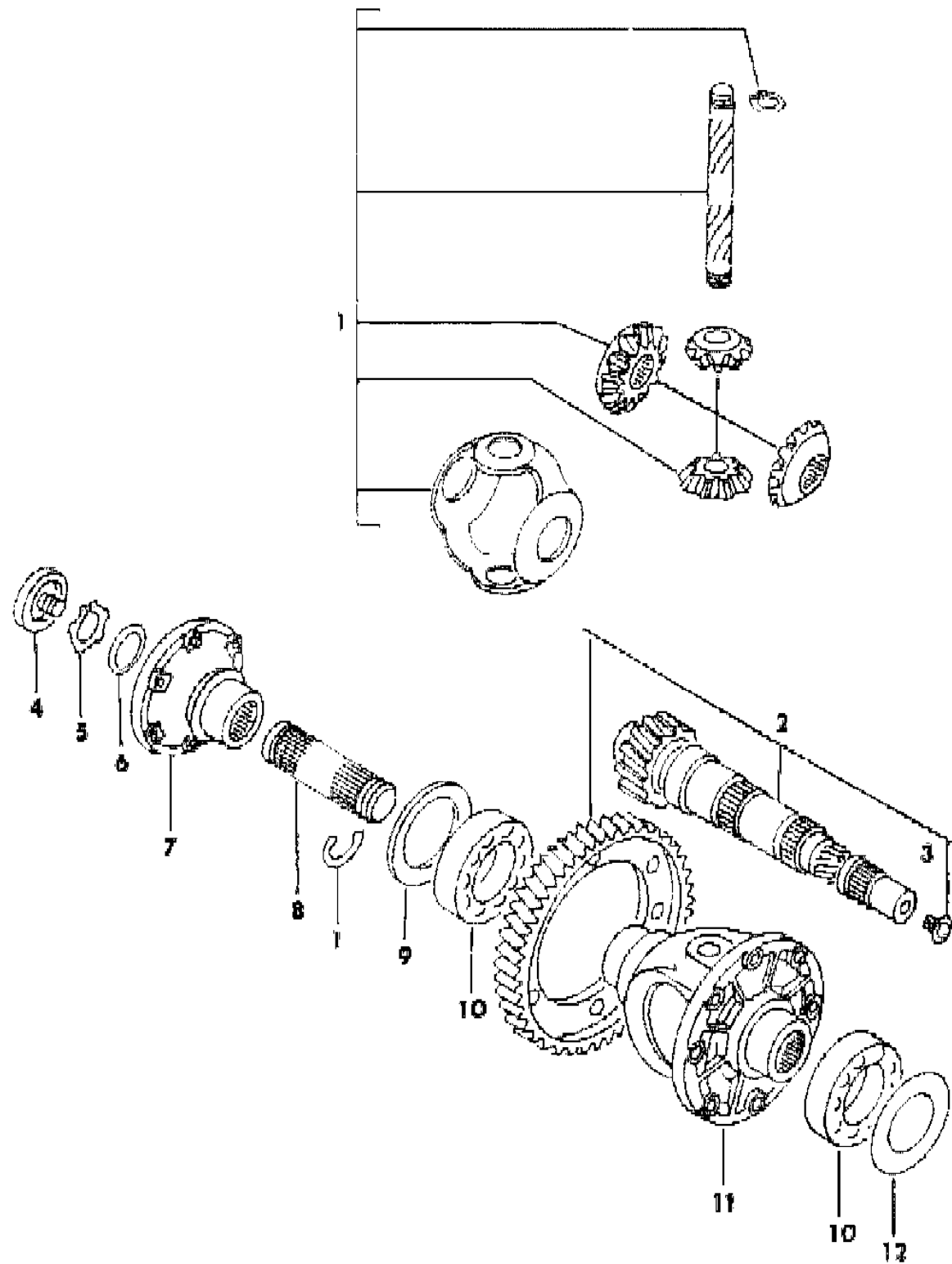
MODEL CODES  
 B = GRAN FURY  
 C = LEBARON/TOWN & COUNTRY  
 D = ARIES  
 E = 600  
 F = FIFTH AVENUE  
 G = DIPLOMAT  
 M = HORIZON/TURISMO/SCAMP  
 P = RELIANT  
 S = CORDOBA  
 T = E CLASS/NEWYORKER  
 V = 400  
 X = MIRADA  
 Y = IMPERIAL  
 Z = OMNI/CHARGER/RAMPAGE

BODY STYLES  
 21 = 2-DOOR SEDAN  
 22 = 2-DOOR SPECIAL COUPE  
 24 = 2-DOOR HATCHBACK  
 27 = 2-DOOR CONVERTIBLE  
 28 = FWD PICKUP  
 41 = 4-DOOR SEDAN  
 45 = 4-DOOR STATION WAGON  
 44 = 4-DOOR HATCHBACK  
 48 = EXECUTIVE SEDAN

AR = Use as Required - = Non Illustrated Part P.A.R. = Paint as Required

**DIFFERENTIAL MANUAL 4 SPEED TRANSMISSION A412 M,Z**  
**Figure 21M-300**

3121 370



ITEM	PART NUMBER	QTY	BODY	MODEL	DESCRIPTION
1	4094 835	1			PINION AND CROSS SHAFT PACKAGE, Trans. Differential Consists of: 2 - ----- Pinion, Large 2 - ----- Pinion, Side, Small 1 - ----- Washer, Pinion 1 - ----- Cross Shaft, Diff. 2 - ----- C-Ring 2 - ----- C-Ring 2 - 5240021 Snap Ring
2	4057 394	1			GEAR SET,w/STUDS,NUTS and LOCK PLATE,Used w/ 5240048 Trans.
	4057 049	1			DRIVE GEAR SET ATTACHING PARTS PACKAGE Consists of: 8 - ----- STUD, Shoulder 8 - ----- NUT, Diff. Case 4 - ----- PLATE, Lock
3	4202 545	1			PLUG, Bearing
4	4094 834	2			SEAL, Flange
5	5240 292	2			SNAP RING, Flange
6	5240 291	2			WASHER, Spring
7	4202 773	2			FLANGE w/SLINGER
8	5240 290	2			SHAFT, Output
9	5240 293	2			SPACER, Brg.
10	5222 819	2			RACE, Trans. Diff.
	5222 823	2			BEARING
11	5240 271	1			CASE or HOUSING, Trans. Diff.
	5240 021	2			SNAP RING, Diff. Case Cross Shaft
12	5240 284	AR			SHIM, Diff. Case, 0.15
	5240 285	AR			SHIM, 0.30
	5240 287	AR			SHIM, 0.60
	5240 288	AR			SHIM, 0.70
	5240 289	AR			SHIM, 0.80

**MODEL CODES**

B = GRAN FURY	G = DIPLOMAT	V = 400
C = LEBARON/TOWN & COUNTRY	M = HORIZON/TURISMO/SCAMP	X = MIRADA
D = ARIES	P = RELIANT	Y = IMPERIAL
E = 600	S = CORDOBA	Z = OMNI/CHARGER/RAMPAGE
F = FIFTH AVENUE	T = E CLASS/NEWYORKER	

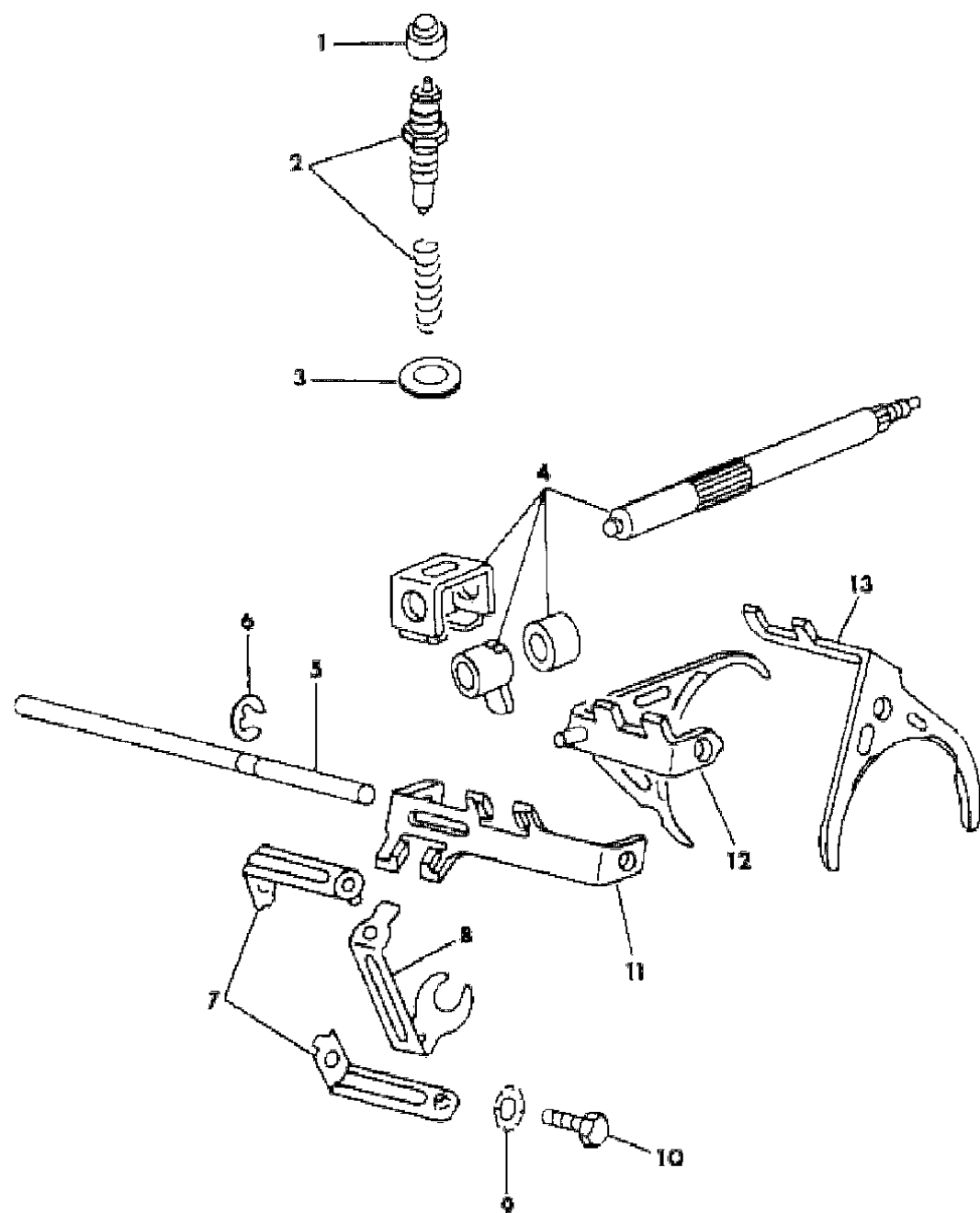
**BODY STYLES**

21 = 2-DOOR SEDAN	41 = 4-DOOR SEDAN
22 = 2-DOOR SPECIAL COUPE	45 = 4-DOOR STATION WAGON
24 = 2-DOOR HATCHBACK	44 = 4-DOOR HATCHBACK
27 = 2-DOOR CONVERTIBLE	48 = EXECUTIVE SEDAN
28 = FWD PICKUP	

AR = Use as Required - = Non Illustrated Part P.A.R. = Paint as Required

**SHIFT ROD, SELECTOR SHAFT AND SELECTOR FORKS MANUAL 4 SPEED TRANSMISSION A412 M,Z**  
**Figure 21M-400**

3121 400



ITEM	PART NUMBER	QTY	BODY	MODEL	DESCRIPTION
1	5240 126	1			SEAL, Detent Nut
2	5240 119	1			DETENT ASSEMBLY, Shift Shaft
	5240 012	1			NUT, Detent
3	5240 121	1			WASHER, Detent Nut Sealing
4	5222 911	1			SHAFT ASSEMBLY, Shift
5	5240 124	1			SHAFT, Shift Fork
6	5240 251	2			E-RING, Shift Shaft Fork
7	5240 128	2			BRACKET, Reverse Gear Shifter
8	4202 549	1			SHIFTER, Reverse Gear
	4202 548	1			PAD, Reverse Gear Shifter (Not Shown)
9		2			WASHER, Lock (Not Serviced)
10		2			BOLT, Hex (Not Serviced)
11	5240 253	1			FORK, Reverse Gear Shift
12	5240 248	1			FORK, Selector 1st and 2nd
13	5240 252	1			FORK, Selector 3rd and 4th

**MODEL CODES**

B = GRAN FURY	G = DIPLOMAT	V = 400
C = LEBARON/TOWN & COUNTRY	M = HORIZON/TURISMO/SCAMP	X = MIRADA
D = ARIES	P = RELIANT	Y = IMPERIAL
E = 600	S = CORDOBA	Z = OMNI/CHARGER/RAMPAGE
F = FIFTH AVENUE	T = E CLASS/NEWYORKER	

**BODY STYLES**

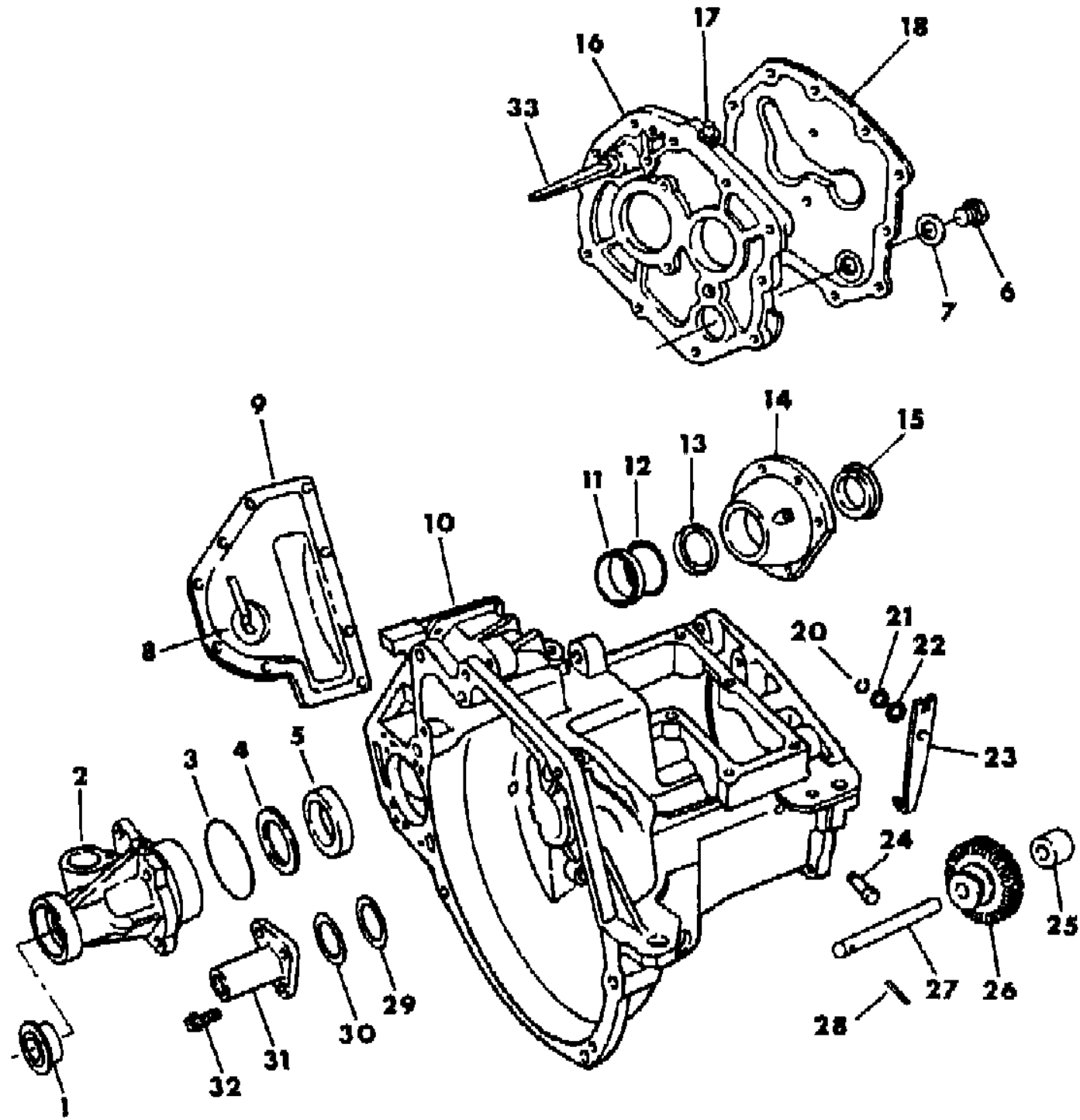
21 = 2-DOOR SEDAN	41 = 4-DOOR SEDAN
22 = 2-DOOR SPECIAL COUPE	45 = 4-DOOR STATION WAGON
24 = 2-DOOR HATCHBACK	44 = 4-DOOR HATCHBACK
27 = 2-DOOR CONVERTIBLE	48 = EXECUTIVE SEDAN
28 = FWD PICKUP	

AR = Use as Required - = Non Illustrated Part P.A.R. = Paint as Required



**CHRYSLER-A460 TRANSAXLE CASE**  
**Figure 21M-500**

3121 500A



ITEM	PART NUMBER	QTY	BODY	MODEL	DESCRIPTION
NOTE: The Transaxle Part No. is stamped on a Tag that is attached to an End Cover an offsetting order for part no. 3747881					
					TRANSAXLE
	4269 287	1		M,Z	w/1.6 Liter Engine, w/2.69 Overall Ratio
	4295 733	1		M,Z	w/1.7 Liter Engine, w/2.69 Overall Ratio
	4295 497	1		M,Z	w/1.7 Liter Engine, w/3.13 Overall Ratio
	4269 288	1		M,Z	w/2.2 Liter Engine, w/2.69 Overall Ratio
	4269 288	1		P,D,C,V	w/2.2 Liter Engine, w/2.69 Overall Ratio
1	5205 591	1			SEAL, Trans Extension
2	4269 961	1			EXTENSION w/BUSHING, Trans.
3	6500 111	1			"O"-Ring, Trans Extension
4	5222 255	1			RETAINER, Trans Extension Oil
5	5222 259	1			CUP, Trans Retainer Diff.
6	4202 535	2			PLUG, Drain and Fill
7	2070 122	2			GASKET, Drain and Fill Plug
8	3681 601	1			MAGNET, Trans Chip Collector
9	5222 787	1			PAN, Trans Diff Oil
	6500 739	8			SCREW, Oil Pan To Case
	6500 469	2			STUD, Oil Pan To Case
	6500 470	2			NUT, Stud
10					CASE, Transaxle
	4269 021	1			w/4269288 Trans
	4269 129	1			w/4269287 Trans
	4269 128	1			w/4295733,497 Trans
11	5222 259	1			CUP, Diff Retainer Bearing
12					SPACER, Trans Final Drive
	4207 134	1			0.50mm (.020")
	4207 135	1			0.55mm (.022")
	4207 136	1			0.60mm (.024")
	4207 137	1			0.65mm (.026")
	4207 138	1			0.70mm (.027")
	4207 139	1			0.75mm (.029")
	4207 140	1			0.80mm (.031")
	4207 141	1			0.85mm (.033")
	4207 142	1			0.90mm (.035")
	4207 143	1			0.95mm (.037")
	4207 144	1			1.00mm (.039")
	4207 145	1			1.05mm (.041")

**MODEL CODES**

B = GRAN FURY	G = DIPLOMAT	V = 400
C = LEBARON/TOWN & COUNTRY	M = HORIZON/TURISMO/SCAMP	X = MIRADA
D = ARIES	P = RELIANT	Y = IMPERIAL
E = 600	S = CORDOBA	Z = OMNI/CHARGER/RAMPAGE
F = FIFTH AVENUE	T = E CLASS/NEWYORKER	

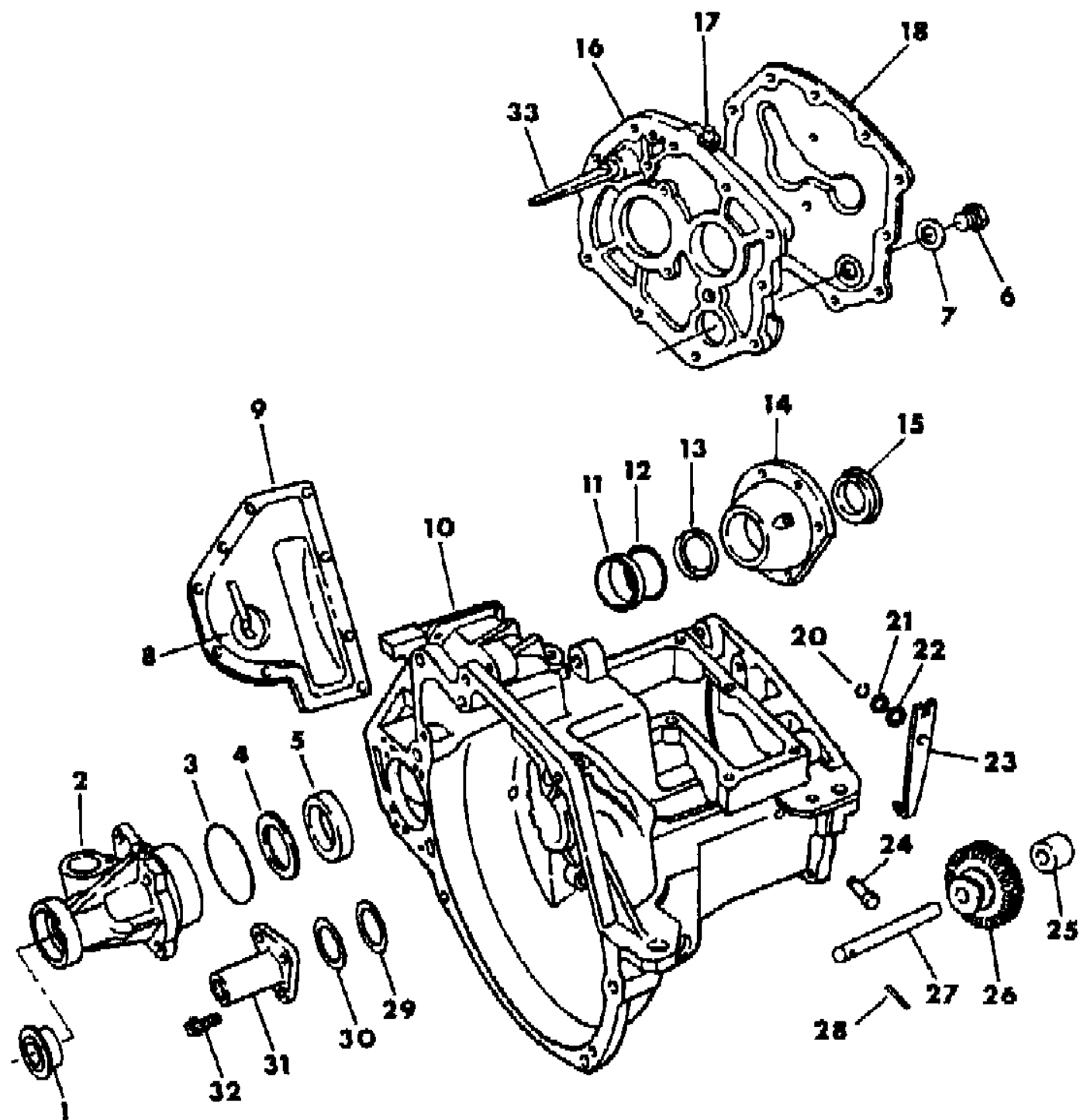
**BODY STYLES**

21 = 2-DOOR SEDAN	41 = 4-DOOR SEDAN
22 = 2-DOOR SPECIAL COUPE	45 = 4-DOOR STATION WAGON
24 = 2-DOOR HATCHBACK	44 = 4-DOOR HATCHBACK
27 = 2-DOOR CONVERTIBLE	48 = EXECUTIVE SEDAN
28 = FWD PICKUP	

AR = Use as Required - = Non Illustrated Part P.A.R. = Paint as Required

CHRYSLER-A460 TRANSAXLE CASE  
Figure 21M-500

3121 500A



ITEM	PART NUMBER	QTY	BODY	MODEL	DESCRIPTION
13	5222 256	1			BAFFLE, Oil Feed
14	5222 781	1			RETAINER, Diff Bearing
15	5205 591	1			SEAL, Bearing Retainer
16	5222 698	1			PLATE, Trans Bearing Retainer
17	2124 715	1			VENT, Trans
18	4269 258	1			COVER, Rear
20	6026 125	1			E-CLIP, Reverse Lever Pivot
21	0391 888	1			WASHER, Spring Wave
22	5205 609	1			WASHER, Reverse Lever Pivot
23	5222 656	1			LEVER, Gearshift Reverse
24	5205 625	1			PIN, Reverse Lever Clevis
25	4202 367	1			SPACER, Reverse Idler
26	5222 651	1			GEAR, Reverse Idler
27	5222 654	1			SHAFT, Reverse Idler
28	6100 234	1			ROLL PIN, Reverse Idler
29					SPACER, Input Shaft
	4202 751	1			0.62mm (.024")
	4202 301	1			0.66mm (.026")
	4202 302	1			0.70mm (.028")
	4202 303	1			0.74mm (.029")
	4202 304	1			0.78mm (.031")
	4202 305	1			0.82mm (.032")
	4202 306	1			0.86mm (.034")
	4202 307	1			0.90mm (.035")
	4202 308	1			0.94mm (.037")
	4202 309	1			0.98mm (.039")
	4202 310	1			1.02mm (.040")
	4202 311	1			1.06mm (.042")
	4202 312	1			1.10mm (.043")
	4202 313	1			1.14mm (.045")
	4202 314	1			1.18mm (.046")
	4202 315	1			1.22mm (.048")
	4202 316	1			1.26mm (.050")
	4202 317	1			1.30mm (.051")
	4202 318	1			1.34mm (.053")
	4202 319	1			1.38mm (.054")
	4202 320	1			1.42mm (.056")

MODEL CODES

B = GRAN FURY	G = DIPLOMAT	V = 400
C = LEBARON/TOWN & COUNTRY	M = HORIZON/TURISMO/SCAMP	X = MIRADA
D = ARIES	P = RELIANT	Y = IMPERIAL
E = 600	S = CORDOBA	Z = OMNI/CHARGER/RAMPAGE
F = FIFTH AVENUE	T = E CLASS/NEWYORKER	

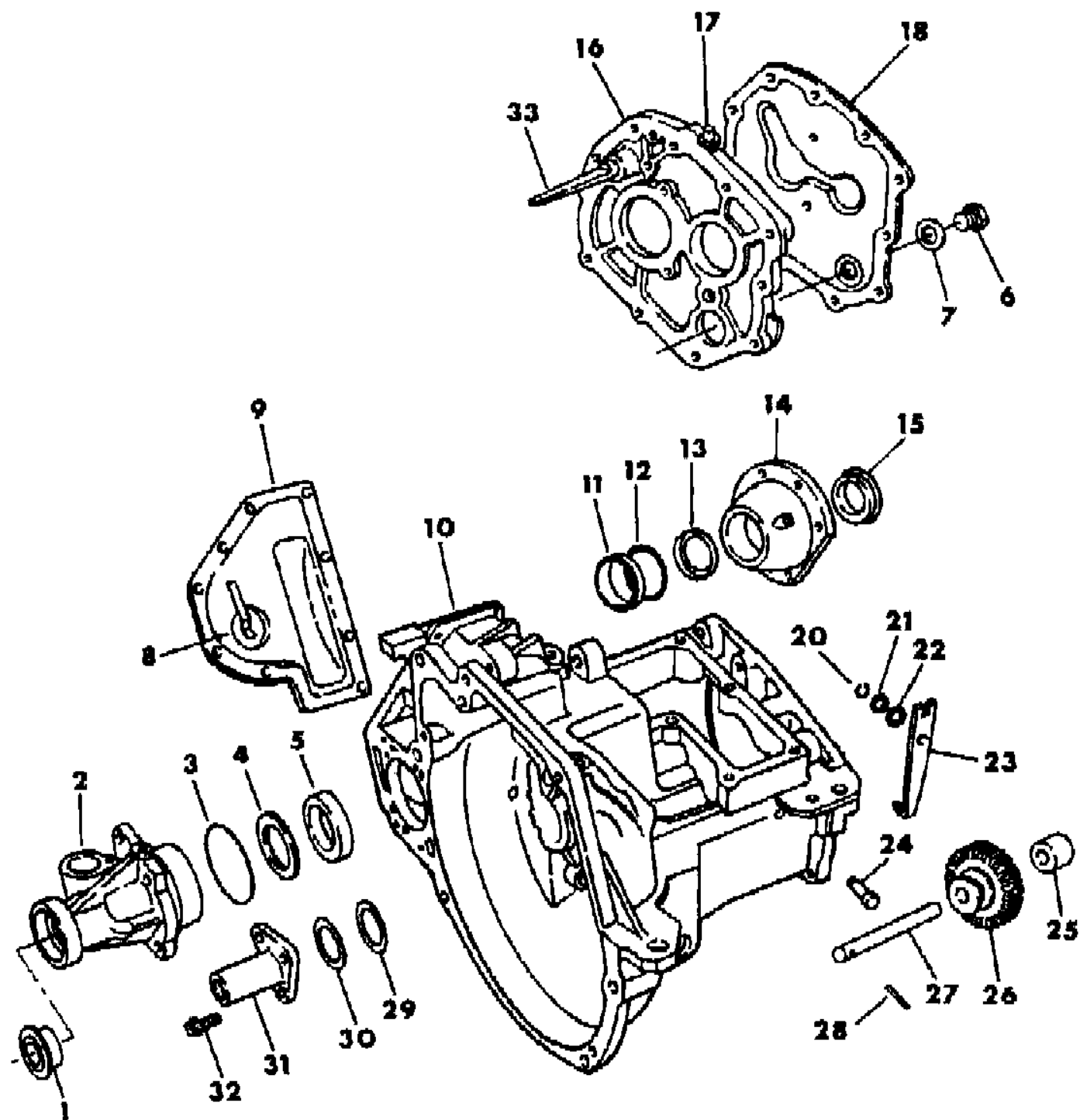
BODY STYLES

21 = 2-DOOR SEDAN	41 = 4-DOOR SEDAN
22 = 2-DOOR SPECIAL COUPE	45 = 4-DOOR STATION WAGON
24 = 2-DOOR HATCHBACK	44 = 4-DOOR HATCHBACK
27 = 2-DOOR CONVERTIBLE	48 = EXECUTIVE SEDAN
28 = FWD PICKUP	

AR = Use as Required - = Non Illustrated Part P.A.R. = Paint as Required

CHRYSLER-A460 TRANSAXLE CASE  
Figure 21M-500

3121 500A



ITEM	PART NUMBER	QTY	BODY	MODEL	DESCRIPTION
	4202 321	1			1.46mm (.057")
	4202 322	1			1.50mm (.059")
	4202 323	1			1.54mm (.061")
	4202 324	1			1.58mm (.062")
	4202 325	1			1.62mm (.064")
	4202 326	1			1.66mm (.065")
	4202 752	1			1.70mm (.067")
	4202 753	1			1.74mm (.069")
	4202 754	1			1.78mm (.070")
30	5222 721	1			SEAL, Trans Input Shaft
31	4295 175	1			RETAINER, Trans Bearing Pilot and Seal
	4202 093	1			STRAP, Trans. Bearing Retainer
	6500 138	2			SCREW w/WA., Bearing Retainer Strap
32	6500 318	3			BOLT, Retainer to Case
33	4202 499	1			OIL SCOOP, Trans Bearing Rear
NOTE: The following items are not illustrated an offsetting order for part no. 3747881					
	0106 959	1			PLUG, Expansion
	5222 723	1			COVER, Timing Window, Except 4295733,497 Trans.
	4202 205	1			w/4295733,497 Trans.
	5222 757	1			DOWEL, Case to Bearing Retainer

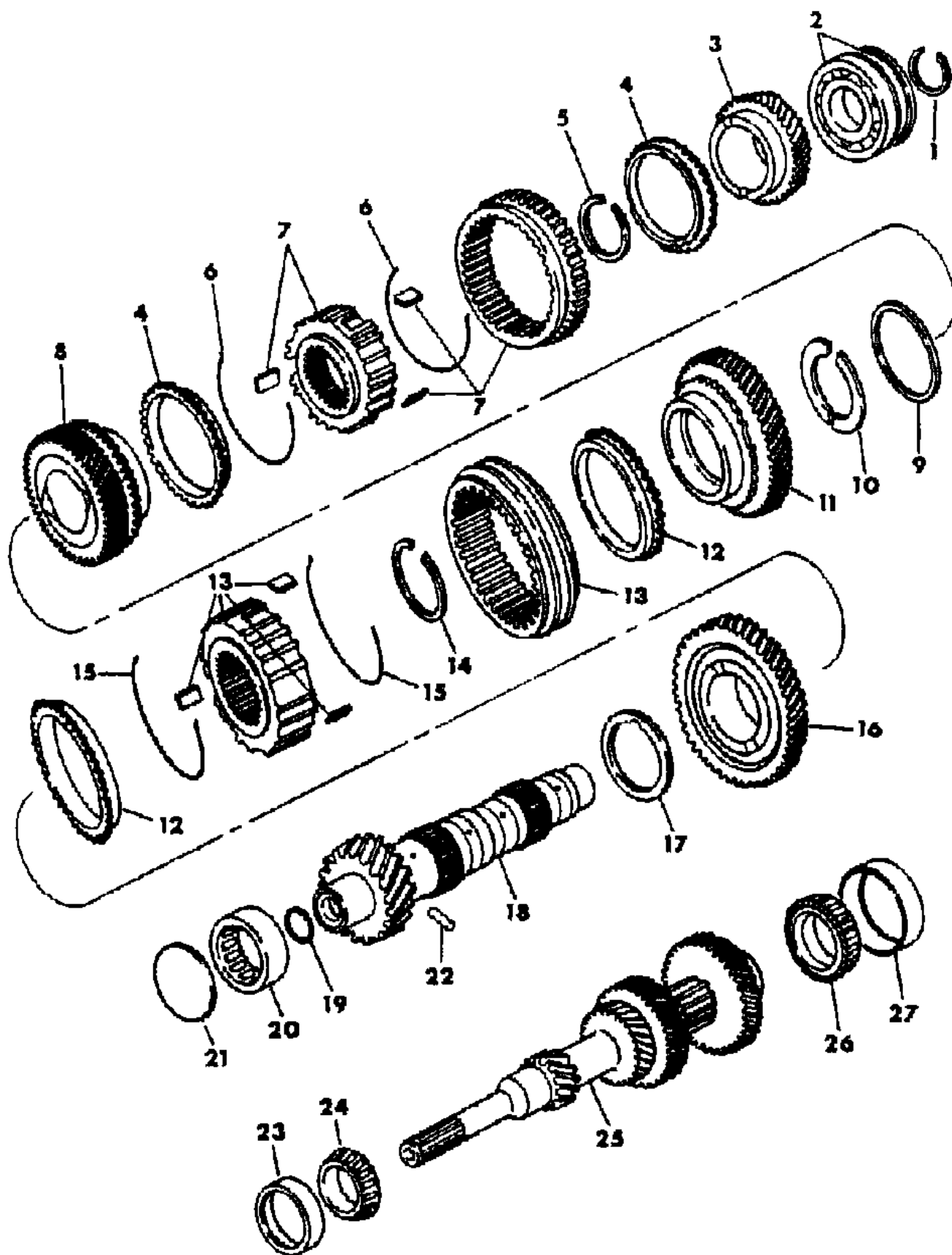
MODEL CODES  
 B = GRAN FURY  
 C = LEBARON/TOWN & COUNTRY  
 D = ARIES  
 E = 600  
 F = FIFTH AVENUE  
 G = DIPLOMAT  
 M = HORIZON/TURISMO/SCAMP  
 P = RELIANT  
 S = CORDOBA  
 T = E CLASS/NEWYORKER  
 V = 400  
 X = MIRADA  
 Y = IMPERIAL  
 Z = OMNI/CHARGER/RAMPAGE

BODY STYLES  
 21 = 2-DOOR SEDAN  
 22 = 2-DOOR SPECIAL COUPE  
 24 = 2-DOOR HATCHBACK  
 27 = 2-DOOR CONVERTIBLE  
 28 = FWD PICKUP  
 41 = 4-DOOR SEDAN  
 45 = 4-DOOR STATION WAGON  
 44 = 4-DOOR HATCHBACK  
 48 = EXECUTIVE SEDAN

AR = Use as Required - = Non Illustrated Part P.A.R. = Paint as Required

CHRYSLER-A460 TRANSAXLE GEAR TRAIN  
Figure 21M-600

3121 600



ITEM	PART NUMBER	QTY	BODY	MODEL	DESCRIPTION
1	6500 315	1			SNAP RING, Inter Shaft Inner
2	4202 524	1			BEARING, Inter Shaft Rear
3	4269 066	1			GEAR, Fourth Speed
4	4295 799	2			RING, Fourth Speed Synchronizer Stop
5	6500 316	1			SNAP RING, Third and Fourth Gear, Inner
6	4202 124	2			SPRING, Third and Fourth Gear Synchronizer
7	4269 388	1			SYCHRONIZER, Third and Fourth Gear
8	4269 065	1			GEAR, Third Speed
9	5222 749	1			RING, Washer Retaining
10	4202 533	2			WASHER, Split Thrust
11	4269 064	1			GEAR, Second Speed
12	4295 799	2			RING, First and Second Synchronizer Stop
13	4269 386	1			SYNCHRONIZER, First and Second Speed
14	6024 131	1			SNAP RING, First and Second Speed Gear, Inner
15	4202 124	2			SPRING, First and Second Speed Gear Synchronizer
16	4269 063	1			GEAR, First Speed
17	4202 534	1			WASHER, Low Gear Thrust
18	4202 110	1			SHAFT, Intermediate, w/2.69 Overall Ratio
	4202 112	1			w/3.13 Overall Ratio
19	5222 959	1			RING, Inter Shaft Oil Retaining
20	4202 590	1			BEARING, Inter Shaft Roller
21	5222 957	1			FEEDER, Inter Shaft Inner Oil
22	5222 738	1			PIN, Thrust Washer Retainer
23	5205 564	1			CUP, Input Shaft Bearing, Front
24	5205 565	1			CONE BEARING, Input Shaft, Front
25	4269 139	1			SHAFT, Input
26	5205 568	1			CONE BEARING, Input Shaft, Rear
27	5205 567	1			CUP, Input Shaft Rear Bearing

MODEL CODES

B = GRAN FURY	G = DIPLOMAT	V = 400
C = LEBARON/TOWN & COUNTRY	M = HORIZON/TURISMO/SCAMP	X = MIRADA
D = ARIES	P = RELIANT	Y = IMPERIAL
E = 600	S = CORDOBA	Z = OMNI/CHARGER/RAMPAGE
F = FIFTH AVENUE	T = E CLASS/NEWYORKER	

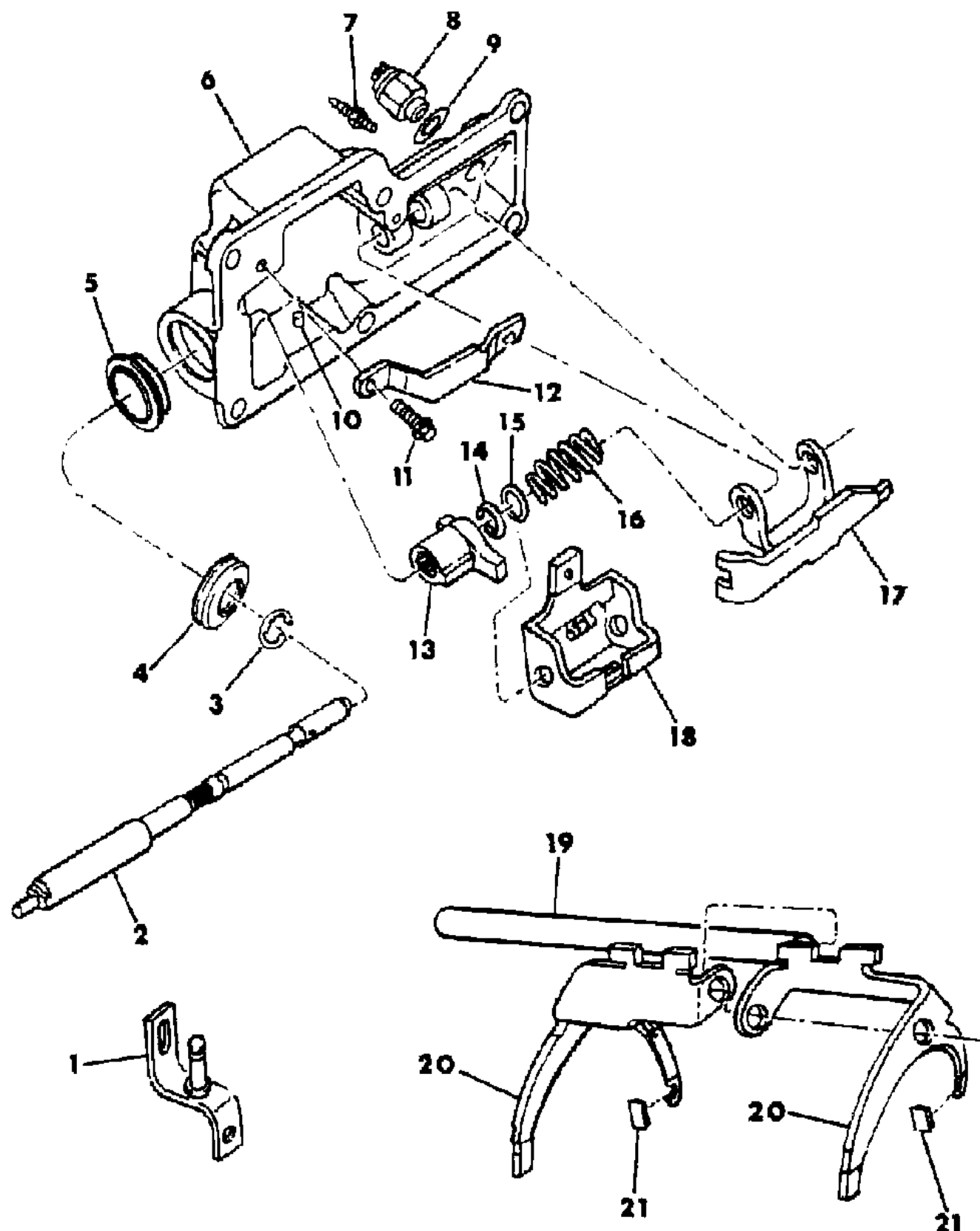
BODY STYLES

21 = 2-DOOR SEDAN	41 = 4-DOOR SEDAN
22 = 2-DOOR SPECIAL COUPE	45 = 4-DOOR STATION WAGON
24 = 2-DOOR HATCHBACK	44 = 4-DOOR HATCHBACK
27 = 2-DOOR CONVERTIBLE	48 = EXECUTIVE SEDAN
28 = FWD PICKUP	

AR = Use as Required - = Non Illustrated Part P.A.R. = Paint as Required

CHRYSLER-A460 TRANSAXLE-INTERNAL CONTROLS  
Figure 21M-700

3121 700



ITEM	PART NUMBER	QTY	BODY	MODEL	DESCRIPTION
1	4267 342	1			LEVER PKG., G/Shift Operating, w/1.7 Liter Eng.
	4295 293	1			LEVER w/BALL STUD, G/Shift Oper., Except w/1.7 Liter Eng.
	6500 568	1			NUT, Hex Flange Lock (Not Shown)
2	4269 100	1			SHAFT, Gearshift Selector
3	6030 595	1			SNAP RING
4	4202 486	1			BOOT
5	4295 197	1			SEAL, Trans Gearshift Housing
6	4269 164	1			HOUSING
7	5222 638	1			PLUG, First And Second Shift Adjusting
8	3488 270	1			SWITCH, Back-Up Light
9	1302 807	1			WASHER, Back-Up Light Switch
10	4130 888	1			PIN, Selector Stop
	6032 156	1			RING, Selector Stop Pin
11	6500 417	2			BOLT, Stop Plate
12	4205 856	1			PLATE, Gearshift Fork Stop
13	4269 262	1			SELECTOR, Gearshift Detent
14	6500 328	1			E-CLIP, Gearshift
15	4202 471	1			WASHER, Crossover Spring
16	4295 287	1			SPRING, Crossover
17	4205 856	1			LEVER, Reverse Shift
18	4295 119	1			BLOCKER, Gearshift
19	4269 219	1			RAIL, Trans G/Shift, Except 4295733,497 Trans.
	5222 688	1			w/4295733,497 Trans.
20	4269 254	1			FORK, Trans. G/Shift, Third and Fourth
	4295 651	1			First and Second
21	2514 621	4			INSERT, Gearshift Fork

NOTE: The following items are not illustrated an offsetting order for part no. 3747881

6100 929	2				BOLT, Gearshift Housing to Case
6500 313	2				
6500 318	2				
6100 887	1				WASHER, Gearshift

MODEL CODES

B = GRAN FURY	G = DIPLOMAT	V = 400
C = LEBARON/TOWN & COUNTRY	M = HORIZON/TURISMO/SCAMP	X = MIRADA
D = ARIES	P = RELIANT	Y = IMPERIAL
E = 600	S = CORDOBA	Z = OMNI/CHARGER/RAMPAGE
F = FIFTH AVENUE	T = E CLASS/NEWYORKER	

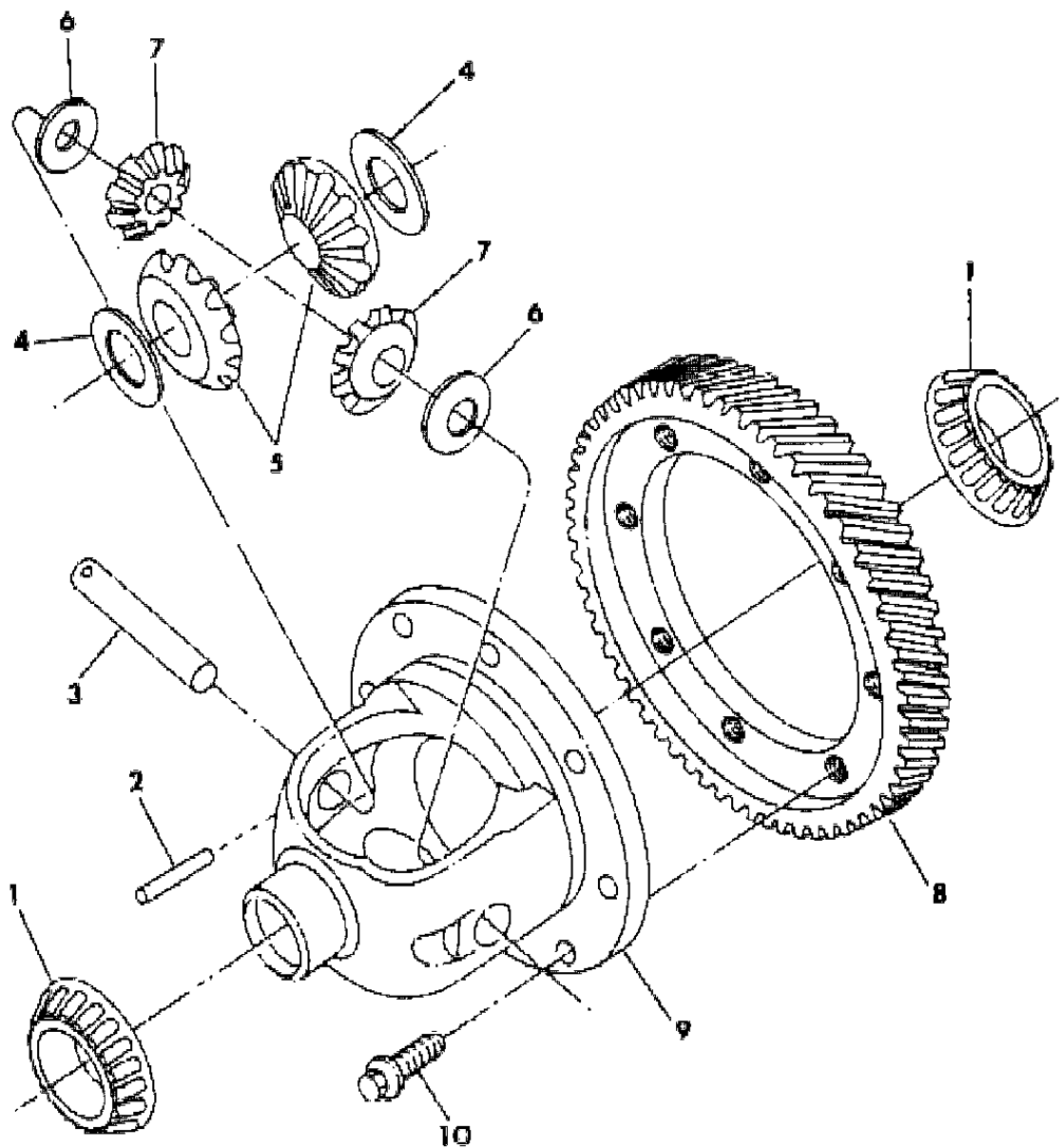
BODY STYLES

21 = 2-DOOR SEDAN	41 = 4-DOOR SEDAN
22 = 2-DOOR SPECIAL COUPE	45 = 4-DOOR STATION WAGON
24 = 2-DOOR HATCHBACK	44 = 4-DOOR HATCHBACK
27 = 2-DOOR CONVERTIBLE	48 = EXECUTIVE SEDAN
28 = FWD PICKUP	

AR = Use as Required - = Non Illustrated Part P.A.R. = Paint as Required

**CHRYSLER-A460 TRANSAXLE DIFFERENTIAL**  
**Figure 21M-800**

3121 800



ITEM	PART NUMBER	QTY	BODY	MODEL	DESCRIPTION
1	5224 301	2			CONE BEARING, Differential
2	6101 284	1			PIN, Differential Roll
3	4207 073	1			SHAFT, Differential
4	5212 212	2			WASHER, Differential Side Gear
5	4295 415	2			GEAR, Differential Side
6	5212 211	2			WASHER, Pinion
7	5212 209	2			PINION, Differential
8	5222 772	1			GEAR, Final Drive, Except 4295497 Trans. 7 1/2" Dia.
	5222 774	1			w/4295497 Trans. 7 3/4" Dia.
9	5222 775	1			CASE, Differential
10	6500 353	8			BOLT, Drive Gear to Case

**MODEL CODES**

B = GRAN FURY	G = DIPLOMAT	V = 400
C = LEBARON/TOWN & COUNTRY	M = HORIZON/TURISMO/SCAMP	X = MIRADA
D = ARIES	P = RELIANT	Y = IMPERIAL
E = 600	S = CORDOBA	Z = OMNI/CHARGER/RAMPAGE
F = FIFTH AVENUE	T = E CLASS/NEWYORKER	

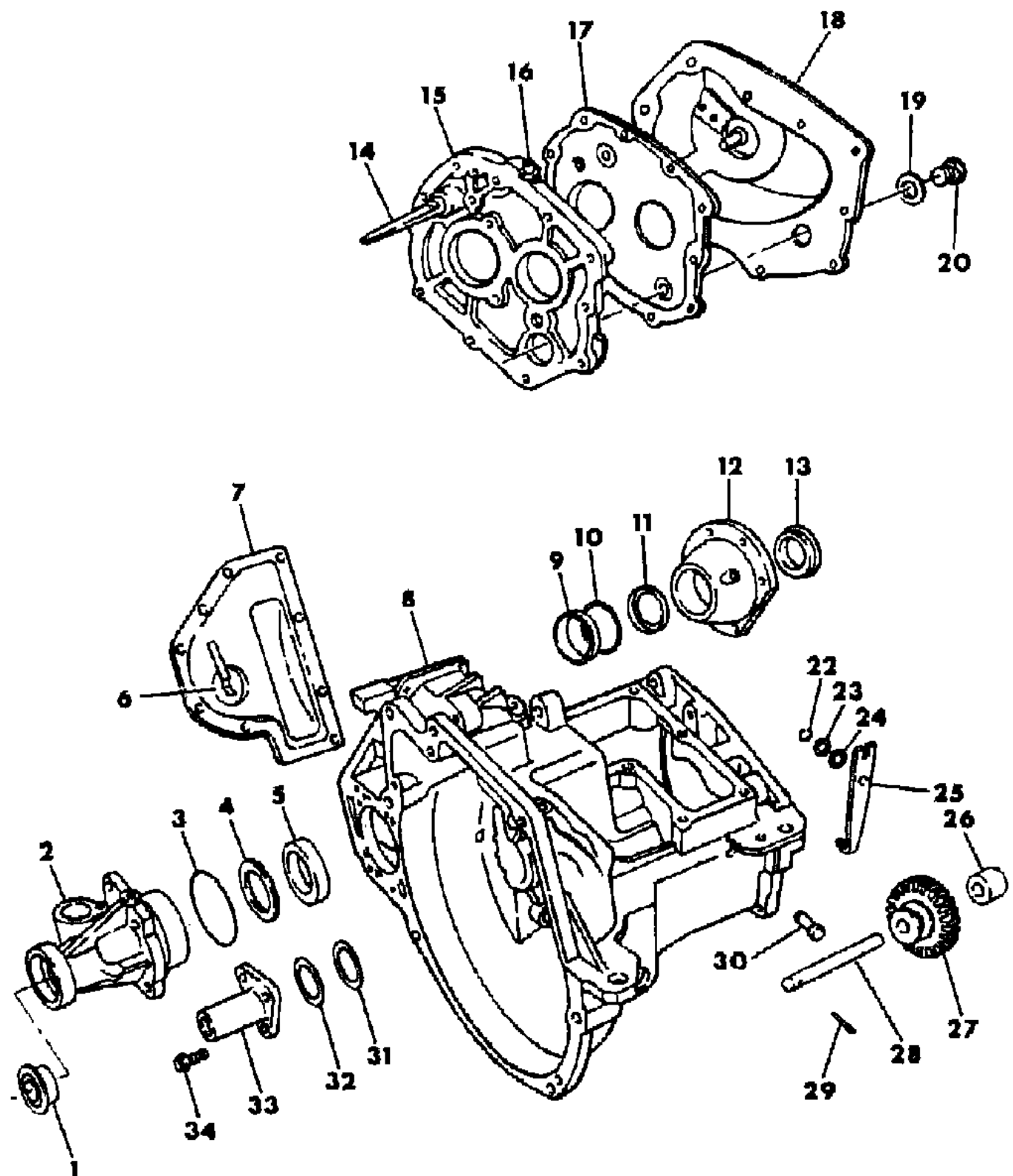
**BODY STYLES**

21 = 2-DOOR SEDAN	41 = 4-DOOR SEDAN
22 = 2-DOOR SPECIAL COUPE	45 = 4-DOOR STATION WAGON
24 = 2-DOOR HATCHBACK	44 = 4-DOOR HATCHBACK
27 = 2-DOOR CONVERTIBLE	48 = EXECUTIVE SEDAN
28 = FWD PICKUP	

AR = Use as Required - = Non Illustrated Part P.A.R. = Paint as Required

**CHRYSLER-A465 TRANSAXLE CASE**  
**Figure 21M-900**

3121 800A



ITEM	PART NUMBER	QTY	BODY	MODEL	DESCRIPTION
NOTE: The Transaxle Part No. is stamped on a Tag tht is attached to an End Cover an offsetting order for part no. 3747881					
					TRANSAXLE
	4269 224	1		M,Z,P,D	w/2.2 Liter Eng., w/2.20 Overall Ratio
	4269 226	1		M,Z	w/2.2 Liter Eng., w/2.57 Overall Ratio
	4269 226	1		P,D,C,V	w/2.2 Liter Eng., w/2.57 Overall Ratio
	4269 226	1		E	w/2.2 Liter Eng., w/2.57 Overall Ratio
	4295 502	1		Z	w/2.2 Liter Eng., w/2.78 Overall Ratio (SHELBY)
1	5205 591	1			SEAL, Trans. Extension
2	5222 784	1			EXTENSION w/BUSHING, Trans.
3	6500 111	1			"O"-RING, Trans. Extension
4	5222 255	1			RETAINER, Trans. Extension Oil
5	5222 259	1			CUP, Trans. Retainer Diff.
6	3681 601	1			MAGNET, Trans. Chip Collector
7	5222 787	1			PAN, Trans. Diff. Oil
	6500 559	3			SCREW, Oil Pan To Case, M8x1.25 x 40
	6500 739	5			M8x1.25x16
	6500 921	2			STUD, Oil Pan To Case
8	4269 021	1			CASE, Transaxle
9	5222 259	1			CUP, Diff. Retainer Bearing
10					SPACER, Trans. Final Drive
	4207 134	1			0.50mm (.020")
	4207 135	1			0.55mm (.022")
	4207 136	1			0.60mm (.024")
	4207 137	1			0.65mm (.026")
	4207 138	1			0.70mm (.027")
	4207 139	1			0.75mm (.029")
	4207 140	1			0.80mm (.031")
	4207 141	1			0.85mm (.033")
	4207 142	1			0.90mm (.035")
	4207 143	1			0.95mm (.037")
	4207 144	1			1.00mm (.039")
	4207 145	1			1.05mm (.041")
11	5222 256	1			BAFFLE, Oil Feed
12	5222 781	1			RETAINER, Diff. Bearing
13	5205 591	1			SEAL, Bearing Retainer
14	4202 842	1			OIL SCOOP, Trans. Bearing Rear
15	4202 843	1			PLATE, Trans. Bearing Retainer

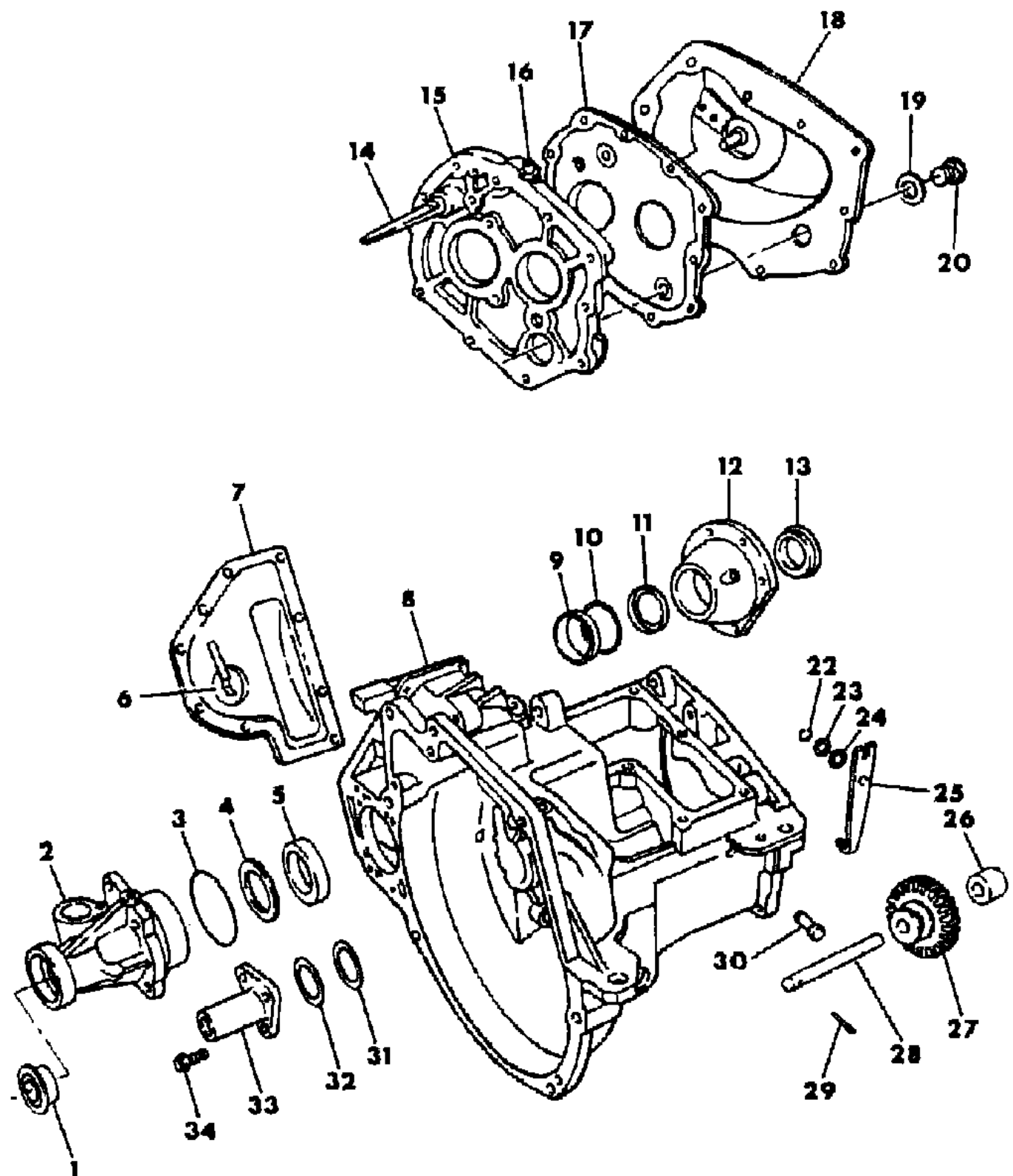
MODEL CODES  
 B = GRAN FURY  
 C = LEBARON/TOWN & COUNTRY  
 D = ARIES  
 E = 600  
 F = FIFTH AVENUE  
 G = DIPLOMAT  
 M = HORIZON/TURISMO/SCAMP  
 P = RELIANT  
 S = CORDOBA  
 T = E CLASS/NEWYORKER  
 V = 400  
 X = MIRADA  
 Y = IMPERIAL  
 Z = OMNI/CHARGER/RAMPAGE

BODY STYLES  
 21 = 2-DOOR SEDAN  
 22 = 2-DOOR SPECIAL COUPE  
 24 = 2-DOOR HATCHBACK  
 27 = 2-DOOR CONVERTIBLE  
 28 = FWD PICKUP  
 41 = 4-DOOR SEDAN  
 45 = 4-DOOR STATION WAGON  
 44 = 4-DOOR HATCHBACK  
 48 = EXECUTIVE SEDAN

AR = Use as Required - = Non Illustrated Part P.A.R. = Paint as Required

CHRYSLER-A465 TRANSAXLE CASE  
Figure 21M-900

3121 800A



ITEM	PART NUMBER	QTY	BODY	MODEL	DESCRIPTION
16	2124 715	1			VENT, Trans.
17	5222 758	1			PLATE, Trans. Bearing Back-Up
18	4202 860	1			COVER, Trans. Oil Feed
19	2070 122	1			GASKET, Drain and Fill Plug
20	4202 535	1			PLUG, Drain and Fill
22	6026 125	1			E-CLIP, Reverse Lever Povit
23	0391 888	1			WASHER, Spring Wave
24	5205 609	1			WASHER, Reverse Lever Povit
25	5222 656	1			LEVER, Gearshift Reverse
26	4202 367	1			SPACER, Reverse Idler
27	5222 651	1			GEAR, Reverse Idler
28	5222 654	1			SHAFT, Reverse Idler
29	6100 234	1			ROLL PIN, Reverse Idler
30	5205 625	1			PIN, Reverse Lever Clevis
31					SPACER, Input Shaft
	4202 751	1			0.62mm (.024")
	4202 301	1			0.66mm (.026")
	4202 302	1			0.70mm (.028")
	4202 303	1			0.74mm (.029")
	4202 304	1			0.78mm (.031")
	4202 305	1			0.82mm (.032")
	4202 306	1			0.86mm (.034")
	4202 307	1			0.90mm (.035")
	4202 308	1			0.94mm (.037")
	4202 309	1			0.98mm (.039")
	4202 310	1			1.02mm (.040")
	4202 311	1			1.06mm (.042")
	4202 312	1			1.10mm (.043")
	4202 313	1			1.14mm (.045")
	4202 314	1			1.18mm (.046")
	4202 315	1			1.22mm (.048")
	4202 316	1			1.26mm (.050")
	4202 317	1			1.30mm (.051")
	4202 318	1			1.34mm (.053")
	4202 319	1			1.38mm (.054")
	4202 320	1			1.42mm (.056")
	4202 321	1			1.46mm (.057")

MODEL CODES  
 B = GRAN FURY  
 C = LEBARON/TOWN & COUNTRY  
 D = ARIES  
 E = 600  
 F = FIFTH AVENUE  
 G = DIPLOMAT  
 M = HORIZON/TURISMO/SCAMP  
 P = RELIANT  
 S = CORDOBA  
 T = E CLASS/NEWYORKER  
 V = 400  
 X = MIRADA  
 Y = IMPERIAL  
 Z = OMNI/CHARGER/RAMPAGE

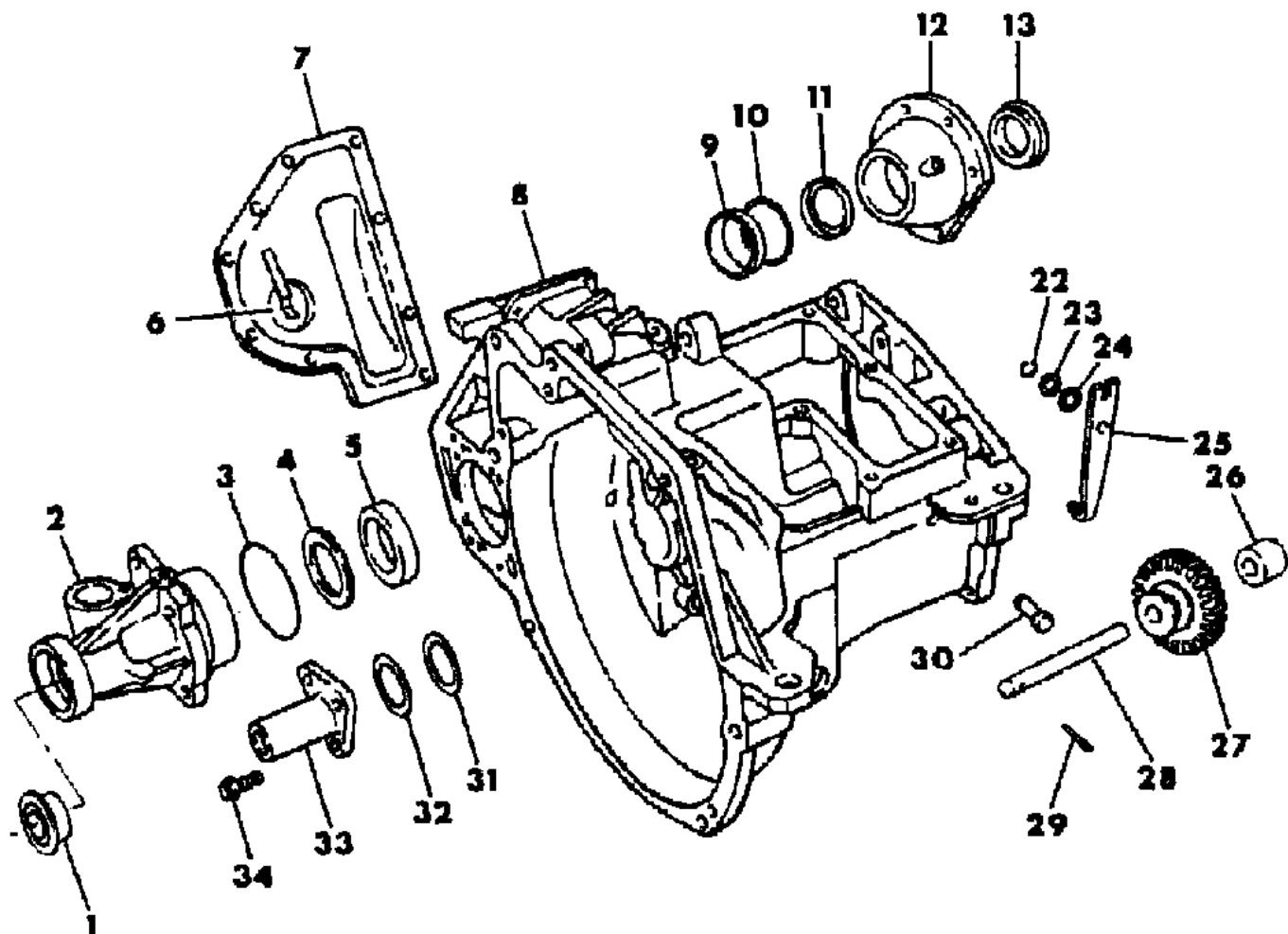
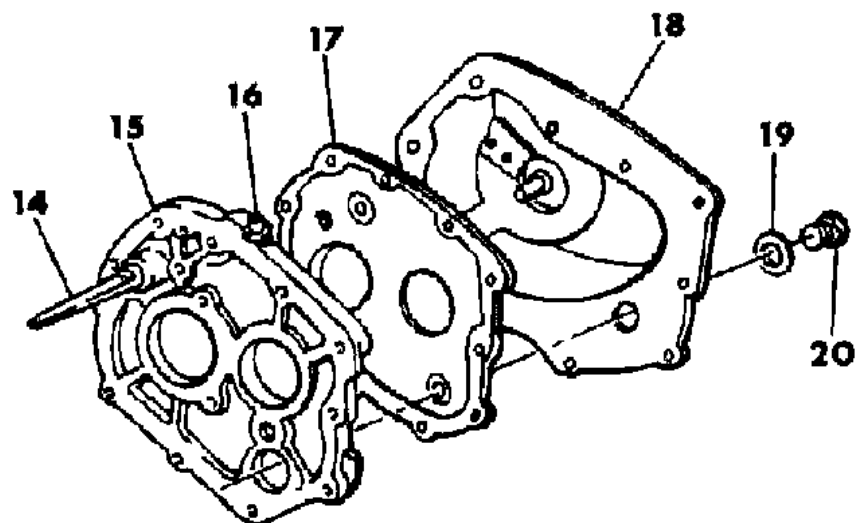
BODY STYLES  
 21 = 2-DOOR SEDAN  
 22 = 2-DOOR SPECIAL COUPE  
 24 = 2-DOOR HATCHBACK  
 27 = 2-DOOR CONVERTIBLE  
 28 = FWD PICKUP  
 41 = 4-DOOR SEDAN  
 45 = 4-DOOR STATION WAGON  
 44 = 4-DOOR HATCHBACK  
 48 = EXECUTIVE SEDAN

AR = Use as Required - = Non Illustrated Part P.A.R. = Paint as Required



CHRYSLER-A465 TRANSAXLE CASE  
Figure 21M-900

3121 800A



ITEM	PART NUMBER	QTY	BODY	MODEL	DESCRIPTION
	4202 322	1			1.50mm (.059")
	4202 323	1			1.54mm (.061")
	4202 324	1			1.58mm (.062")
	4202 325	1			1.62mm (.064")
	4202 326	1			1.66mm (.065")
	4202 752	1			1.70mm (.067")
	4202 753	1			1.74mm (.069")
	4202 754	1			1.78mm (.070")
32	5222 721	1			SEAL, Trans. Input Shaft
33	4295 175	1			RETAINER, Trans. Bearing Pilot and Seal
	4202 093	1			STRAP, Trans. Bearing Retainer
34	6500 318	3			BOLT, Retainer to Case
NOTE: The following items are not illustrated an offsetting order for part no. 3747881					
	0106 959	1			PLUG, Expansion
	5222 723	1			COVER, Timing Window
	5222 757	1			DOWEL, Case to Bearing Retainer

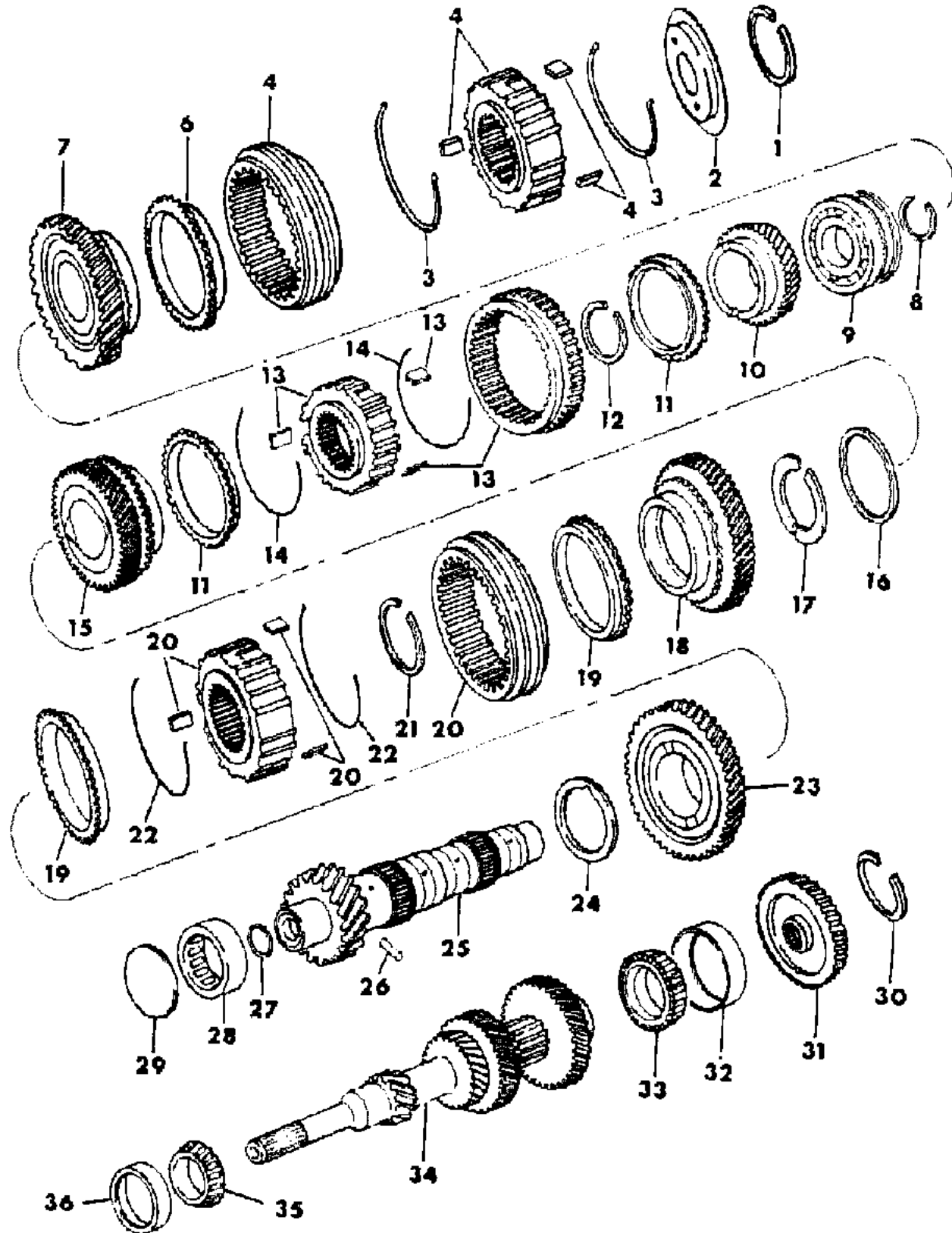
MODEL CODES  
 B = GRAN FURY  
 C = LEBARON/TOWN & COUNTRY  
 D = ARIES  
 E = 600  
 F = FIFTH AVENUE  
 G = DIPLOMAT  
 M = HORIZON/TURISMO/SCAMP  
 P = RELIANT  
 S = CORDOBA  
 T = E CLASS/NEWYORKER  
 V = 400  
 X = MIRADA  
 Y = IMPERIAL  
 Z = OMNI/CHARGER/RAMPAGE

BODY STYLES  
 21 = 2-DOOR SEDAN  
 22 = 2-DOOR SPECIAL COUPE  
 24 = 2-DOOR HATCHBACK  
 27 = 2-DOOR CONVERTIBLE  
 28 = FWD PICKUP  
 41 = 4-DOOR SEDAN  
 45 = 4-DOOR STATION WAGON  
 44 = 4-DOOR HATCHBACK  
 48 = EXECUTIVE SEDAN

AR = Use as Required - = Non Illustrated Part P.A.R. = Paint as Required

CHRYSLER-A465 TRANSAXLE GEAR TRAIN  
Figure 21M-1000

1121 1000A



ITEM	PART NUMBER	QTY	BODY	MODEL	DESCRIPTION
1	6500 837	1			SNAP RING, Inter Shaft Fifth Speed
2	5222 762	1			PLATE, Fifth Speed Synchronizer Retainer
3	4202 124	2			SPRING, Fifth Speed Synchronizer
4	5222 760	1			SYNCHRONIZER, Fifth Speed
6	4295 799	1			RING, Fifth Speed Synchronizer Stop
7	4269 138	1			GEAR, Fifth Speed
8	6500 315	1			SNAP RING, Inter Shaft Inner
9	4269 136	1			BEARING, Inter Shaft Rear
10	4269 066	1			GEAR, Fourth Speed
11	4295 799	2			RING, Fourth Speed Synchronizer Stop
12	6500 316	1			SNAP RING, Third and Fourth Gear, Inner
13	4269 388	1			SYNCHRONIZER, Third and Fourth Gear
14	4202 124	2			SPRING, Third and Fourth Gear Synchronizer
15	4269 065	1			GEAR, Third Speed
16	5222 749	1			RING, Washer Retaining
17	4202 533	2			WASHER, Split Thrust
18	4269 064	1			GEAR, Second Speed
19	4295 799	2			RING, First and Second Synchronizer Stop
20	4269 386	1			SYNCHRONIZER, First and Second Speed
21	6024 131	1			SNAP RING, First and Second Speed Gear, Inner
22	4202 124	2			SPRING, First and Second Speed Gear Synchronizer
23	4269 063	1			GEAR, First Speed
24	4202 534	1			WASHER, Low Gear Thrust
25					SHAFT, Intermediate
	5222 753	1			w/4269224 Trans. 19T
	5222 755	1			w/4269226 Trans. 16T
	4295 525	1			w/4295502 Trans. 15T
26	5222 738	1			PIN, Thrust Washer Retainer
27	5222 959	1			RING, Inner Shaft Oil Retaining
28	4202 590	1			BEARING, Inter Shaft Roller
29	5222 957	1			FEEDER, Inter Shaft Inner Oil
30	6500 837	1			SNAP RING, Fifth Speed Gear Input Shaft
31	5222 659	1			GEAR, Fifth Speed Input Shaft
32	5205 567	1			CUP, Input Shaft Rear Bearing
33	5205 568	1			CONE BEARING, Input Shaft Rear
34	5222 725	1			SHAFT, Input
35	5205 565	1			CONE BEARING, Input Shaft Front

MODEL CODES

B = GRAN FURY	G = DIPLOMAT	V = 400
C = LEBARON/TOWN & COUNTRY	M = HORIZON/TURISMO/SCAMP	X = MIRADA
D = ARIES	P = RELIANT	Y = IMPERIAL
E = 600	S = CORDOBA	Z = OMNI/CHARGER/RAMPAGE
F = FIFTH AVENUE	T = E CLASS/NEWYORKER	

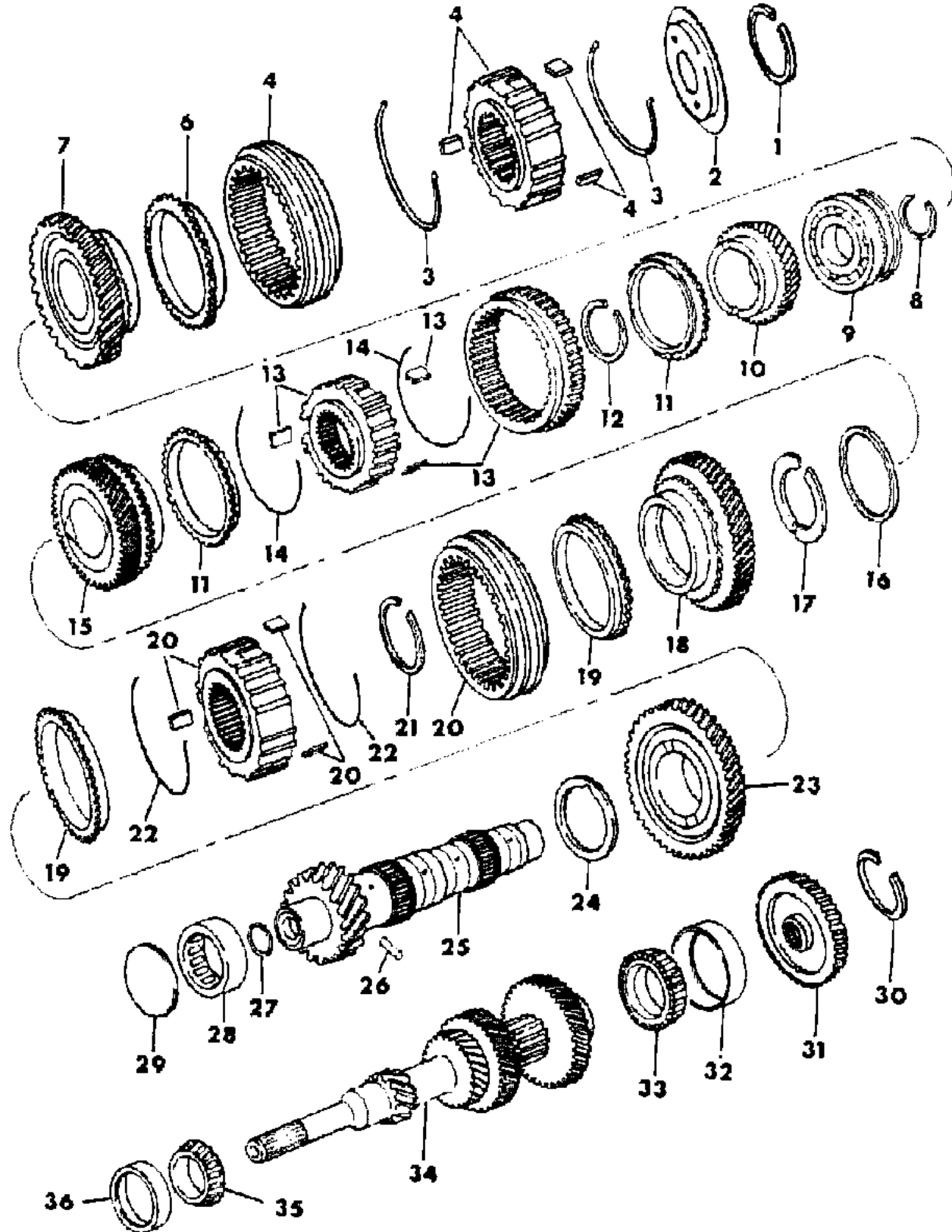
BODY STYLES

21 = 2-DOOR SEDAN	41 = 4-DOOR SEDAN
22 = 2-DOOR SPECIAL COUPE	45 = 4-DOOR STATION WAGON
24 = 2-DOOR HATCHBACK	44 = 4-DOOR HATCHBACK
27 = 2-DOOR CONVERTIBLE	48 = EXECUTIVE SEDAN
28 = FWD PICKUP	

AR = Use as Required - = Non Illustrated Part P.A.R. = Paint as Required

CHRYSLER-A465 TRANSAXLE GEAR TRAIN  
Figure 21M-1000

1121 1000A



ITEM	PART NUMBER	QTY	BODY	MODEL	DESCRIPTION
36	5205 564	1			CUP, Input Shaft Bearing Front

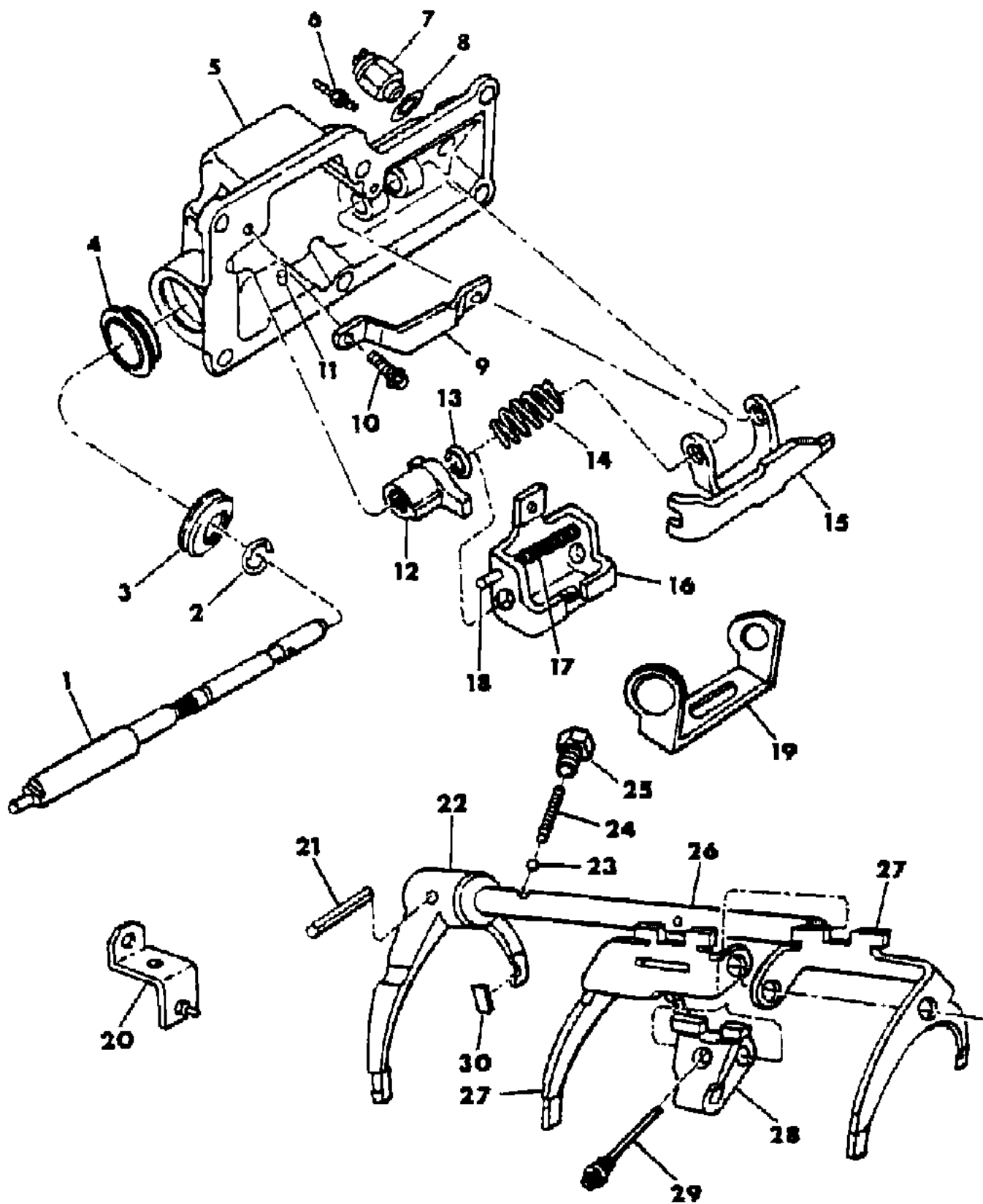
MODEL CODES  
 B = GRAN FURY  
 C = LEBARON/TOWN & COUNTRY  
 D = ARIES  
 E = 600  
 F = FIFTH AVENUE  
 G = DIPLOMAT  
 M = HORIZON/TURISMO/SCAMP  
 P = RELIANT  
 S = CORDOBA  
 T = E CLASS/NEWYORKER  
 V = 400  
 X = MIRADA  
 Y = IMPERIAL  
 Z = OMNI/CHARGER/RAMPAGE

BODY STYLES  
 21 = 2-DOOR SEDAN  
 22 = 2-DOOR SPECIAL COUPE  
 24 = 2-DOOR HATCHBACK  
 27 = 2-DOOR CONVERTIBLE  
 28 = FWD PICKUP  
 41 = 4-DOOR SEDAN  
 45 = 4-DOOR STATION WAGON  
 44 = 4-DOOR HATCHBACK  
 48 = EXECUTIVE SEDAN

AR = Use as Required - = Non Illustrated Part P.A.R. = Paint as Required

CHRYSLER-A465 TRANSAXLE-INTERNAL CONTROLS  
Figure 21M-1100

3121 1100A



ITEM	PART NUMBER	QTY	BODY	MODEL	DESCRIPTION
1	4269 100	1			SHAFT, Gearshift Selector
2	6030 595	1			SNAP RING
3	4202 486	1			BOOT
4	4295 197	1			SEAL, Trans. Gearshift Housing
5	4269 164	1			HOUSING
6	5222 638	1			PLUG, First And Second Shift Adjusting
7	3488 270	1			SWITCH, Back-Up Light
8	1302 807	1			GASKET, Back-Up Light Switch
9	4205 856	1			PLATE, Gearshift Fork Stop
10	6500 417	2			BOLT, Stop Plate to Fork
11	4130 888	1			PIN, Selector Stop
	6032 156	1			RING, Selector Stop Pin
12	4269 262	1			SELECTOR, Gearshift Detent
13	6500 328	1			E-CLIP, Gearshift
14	4295 287	1			SPRING, Crossover
15	4205 856	1			LEVER, Reverse Shift
16	4295 043	1			BLOCKER, Gearshift
17	4295 046	1			SPRING, Fifth Speed Shift Load
18	4295 028	1			PIN, Fifth Speed Shift Load Spring
19	4269 355	1			PLATE, Spring Stop
20	4295 293	1			LEVER, Gearshift Operating
21		1			PIN, Slotted Spring
22	4269 086	1			FORK w/INSERTS, Fifth Speed
23	0104 918	1			BALL, Fifth Speed Detent
24	4295 296	1			SPRING, Rail Detent
25	6500 619	1			SCREW, Detent Spring
26	4269 137	1			RAIL, Trans. Gearshift
27	4269 254	1			FORK, Trans. Gearshift, Third and Fourth
	4295 651	1			First and Second
28	4269 089	1			SHIFTER, Fifth Speed
29	4202 883	1			PIN, Shifter Guide
30	2514 621	6			INSERT, Gearshift Fork
NOTE: The following items are not illustrated an offsetting order for part no. 3747881					
	6100 929	2			BOLT, Gearshift Housing to Case
	6500 313	2			
	6500 318	2			
	6100 887	1			WASHER, Gearshift

MODEL CODES

B = GRAN FURY	G = DIPLOMAT	V = 400
C = LEBARON/TOWN & COUNTRY	M = HORIZON/TURISMO/SCAMP	X = MIRADA
D = ARIES	P = RELIANT	Y = IMPERIAL
E = 600	S = CORDOBA	Z = OMNI/CHARGER/RAMPAGE
F = FIFTH AVENUE	T = E CLASS/NEWYORKER	

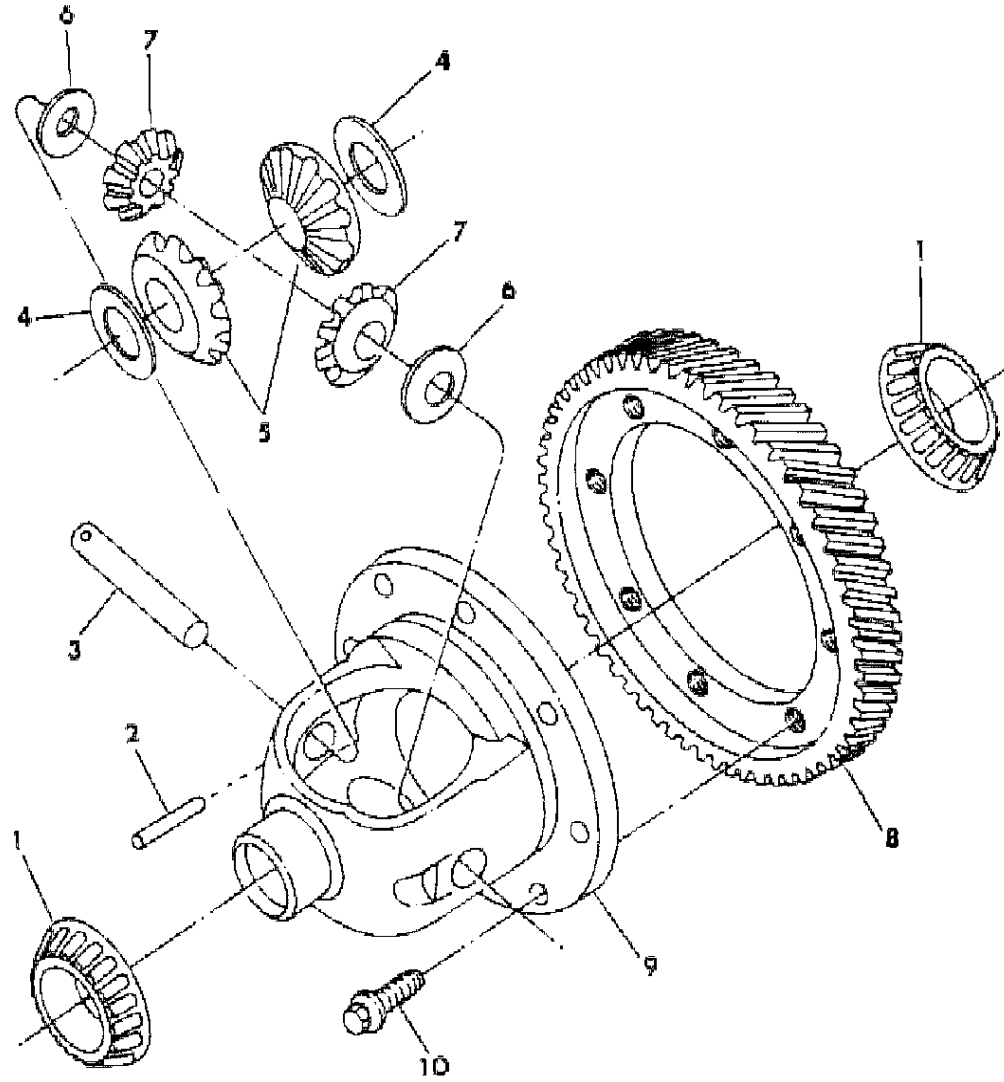
BODY STYLES

21 = 2-DOOR SEDAN	41 = 4-DOOR SEDAN
22 = 2-DOOR SPECIAL COUPE	45 = 4-DOOR STATION WAGON
24 = 2-DOOR HATCHBACK	44 = 4-DOOR HATCHBACK
27 = 2-DOOR CONVERTIBLE	48 = EXECUTIVE SEDAN
28 = FWD PICKUP	

AR = Use as Required - = Non Illustrated Part P.A.R. = Paint as Required

**CHRYSLER-A465 TRANSAXLE DIFFERENTIAL**  
**Figure 21M-1200**

3121 1200



ITEM	PART NUMBER	QTY	BODY	MODEL	DESCRIPTION
1	5224 301	2			CONE BEARING, Differential
2	6101 284	1			PIN, Differential Roll
3	4207 073	1			SHAFT, Differential
4	5212 212	2			WASHER, Differential Side Gear, Flat
5	4295 415	2			GEAR, Differential Side
6	5212 211	2			WASHER, Pinion, Spherical
7	5212 209	2			PINION, Differential
8					GEAR, Final Drive
	5222 772	1			w/4269224 Trans., 7-1/2" Dia.
	5222 774	1			w/4269226 Trans., 7-3/4" Dia.
	4295 523	1			w/4295502 Trans.
9	5222 775	1			CASE, Differential
10	6500 353	8			BOLT, Drive Gear to Case

**MODEL CODES**

B = GRAN FURY	G = DIPLOMAT	V = 400
C = LEBARON/TOWN & COUNTRY	M = HORIZON/TURISMO/SCAMP	X = MIRADA
D = ARIES	P = RELIANT	Y = IMPERIAL
E = 600	S = CORDOBA	Z = OMNI/CHARGER/RAMPAGE
F = FIFTH AVENUE	T = E CLASS/NEWYORKER	

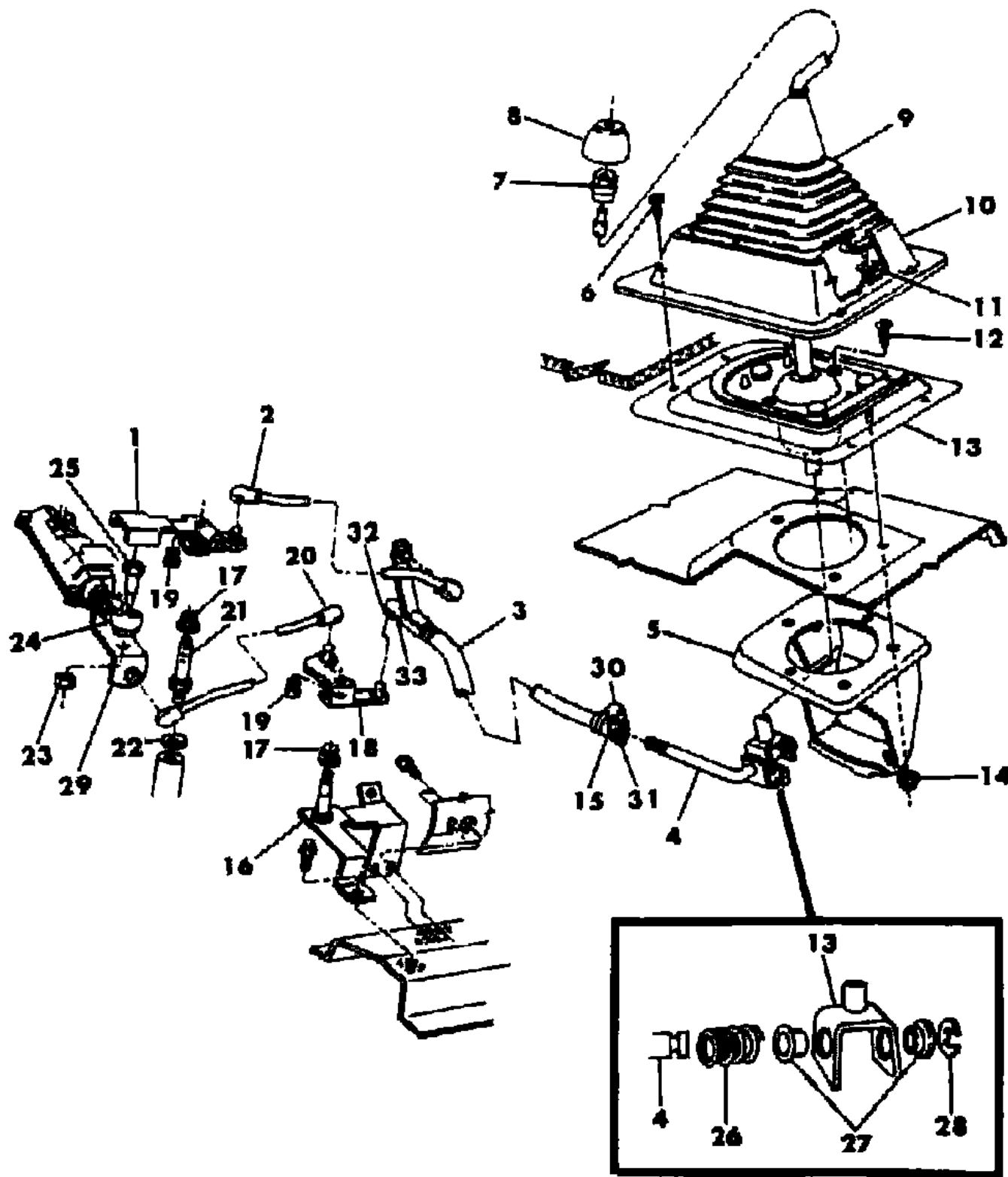
**BODY STYLES**

21 = 2-DOOR SEDAN	41 = 4-DOOR SEDAN
22 = 2-DOOR SPECIAL COUPE	45 = 4-DOOR STATION WAGON
24 = 2-DOOR HATCHBACK	44 = 4-DOOR HATCHBACK
27 = 2-DOOR CONVERTIBLE	48 = EXECUTIVE SEDAN
28 = FWD PICKUP	

AR = Use as Required - = Non Illustrated Part P.A.R. = Paint as Required

**GEARSHIFT CONTROLS-A460 TRANSAXLE BENCH SEAT-P,D**  
**Figure 21M-1300**

3121 1300B



ITEM	PART NUMBER	QTY	BODY	MODEL	DESCRIPTION
1	4269 867	1			LEVER, Trans. Crossover
2	4269 862	1			ROD, Crossover
3	4269 870	1			TUBE, Selector
4	4269 434	1			CONNECTOR
5	4188 356	1			BRACKET, Reverse Lock-Out
6		4			SCREW (Not Serviced)
7	5206 167	1			NUT, G/Shift Lever Knob
8	5206 166	1			KNOB, G/Shift Lever
9	4188 418	1			BOOT
10	F236 VB2	1			BASE
11	6100 839	4			NUT, Push On
12	0153 638	1			SCREW
13	4269 480	1			MECHANISM, Gearshift
	0455 277	1			PIN, Selector Mechanism Lever
14	6100 050	3			NUT w/WA.
15		1			NUT (Not Serviced)
16	4188 375	1			BRACKET, Linkage Pivot
17	5206 161	2			BEARING
18	4269 868	1			CLEVIS, Crossmember Lever
19	5211 845	2			GROMMET
20	4295 367	1			ROD, Control Selector
21	4019 933	1			STUD
22	6100 132	1			WASHER
23	6100 499	1			NUT
24	4188 456	1			BALL
25	6500 562	1			SCREW, Shouldered
26	4269 885	1			SPRING
27	4269 405	2			BUSHING
28	6030 913	1			RING
29	4295 293	1			LEVER w/BALL STUD, G/Shift Operating
30	6500 247	1			BOLT, Tube Connector Clamp
31	6500 246	1			NUT, Tube Connector Clamp Bolt
32	4269 864	1			BALL JOINT, Tube Clevis
33	6100 525	1			NUT, Ball Joint Clevis
	6500 879	3			SCREW w/WA., Pivot Brkt. (Not Shown)
	4340 107	5			SILENCER, Tube or Rod To Ball Joint (Not Shown)

**MODEL CODES**

B = GRAN FURY	G = DIPLOMAT	V = 400
C = LEBARON/TOWN & COUNTRY	M = HORIZON/TURISMO/SCAMP	X = MIRADA
D = ARIES	P = RELIANT	Y = IMPERIAL
E = 600	S = CORDOBA	Z = OMNI/CHARGER/RAMPAGE
F = FIFTH AVENUE	T = E CLASS/NEWYORKER	

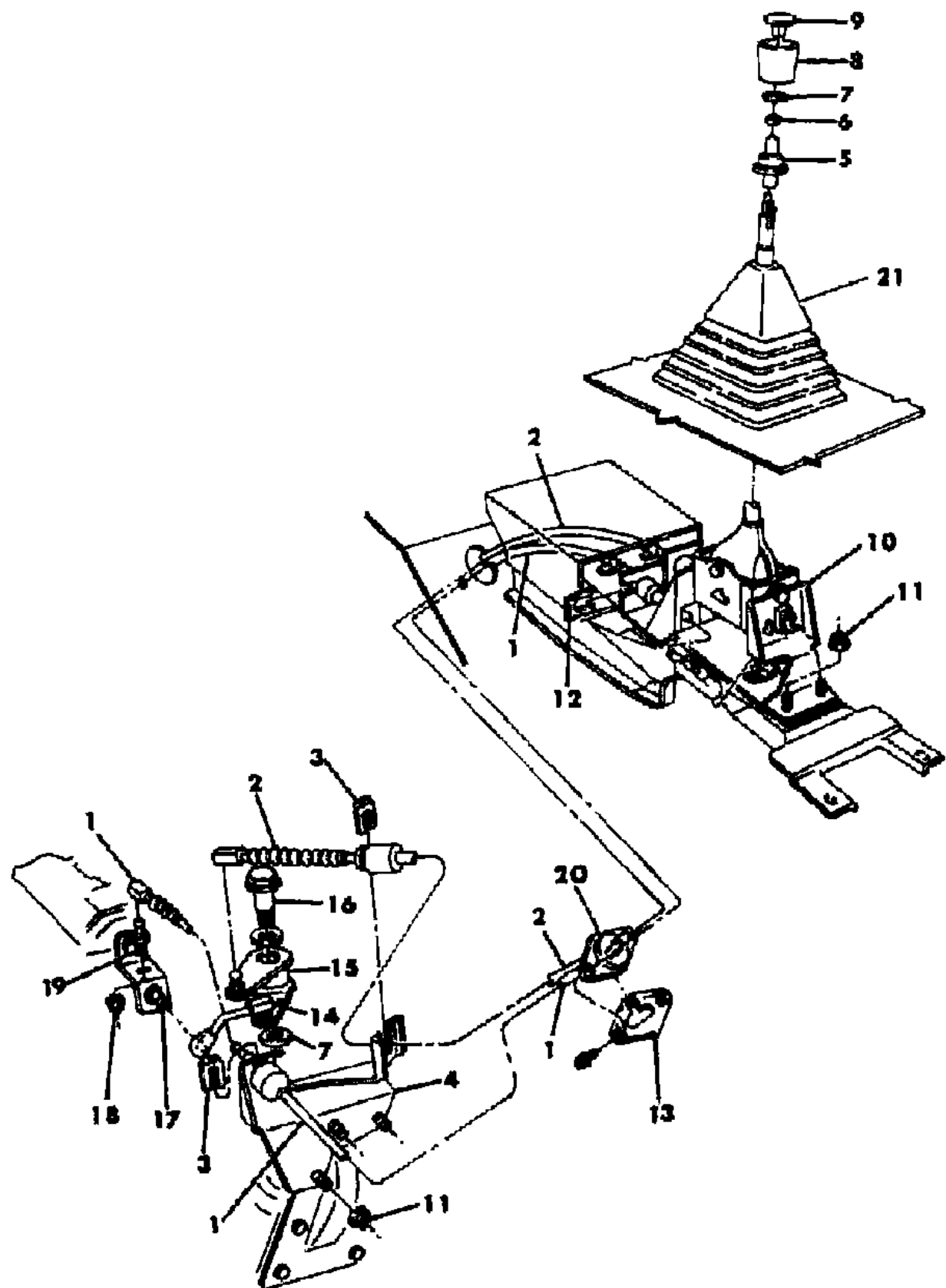
**BODY STYLES**

21 = 2-DOOR SEDAN	41 = 4-DOOR SEDAN
22 = 2-DOOR SPECIAL COUPE	45 = 4-DOOR STATION WAGON
24 = 2-DOOR HATCHBACK	44 = 4-DOOR HATCHBACK
27 = 2-DOOR CONVERTIBLE	48 = EXECUTIVE SEDAN
28 = FWD PICKUP	

AR = Use as Required - = Non Illustrated Part P.A.R. = Paint as Required

**GEARSHIFT CONTROLS-A465 TRANSAXLE BUCKET SEATS-P,D,C,V,E**  
**Figure 21M-1400**

3121 14005



ITEM	PART NUMBER	QTY	BODY	MODEL	DESCRIPTION
1	4269 853	1			CABLE, Crossover 47.56" Lg.
2	4269 852	1			CABLE, Selector 42.13" Lg.
3	4269 830	2			CLIP, Front
4	4269 835	1			BRACKET
5	4269 859	1			RING, Pull-Up
6	6100 215	1			NUT
7	6500 814	1			WASHER
8	4329 068	1			KNOB, Gearshift Lever
9	4269 817	1			RETAINER and DECAL, Shift Knob
10	4188 471	1			MECHANISM, Gearshift
11	6100 050	7			NUT
12	4269 831	2			CLIP, Rear
13	4269 886	1			PLATE, Grommet
14	4269 844	1			ROD, Selector Lever
15	4269 834	1			LEVER
16	6500 668	1			SCREW
17	4295 293	1			LEVER w/BALL STUD, G/Shift Operating
18	6100 499	1			LOCK NUT
19	4269 461	1			STUD, Selector Lever
20	4269 883	1			GROMMET
21	4269 408	1			BOOT, G/Shift Lever

**MODEL CODES**

B = GRAN FURY	G = DIPLOMAT	V = 400
C = LEBARON/TOWN & COUNTRY	M = HORIZON/TURISMO/SCAMP	X = MIRADA
D = ARIES	P = RELIANT	Y = IMPERIAL
E = 600	S = CORDOBA	Z = OMNI/CHARGER/RAMPAGE
F = FIFTH AVENUE	T = E CLASS/NEWYORKER	

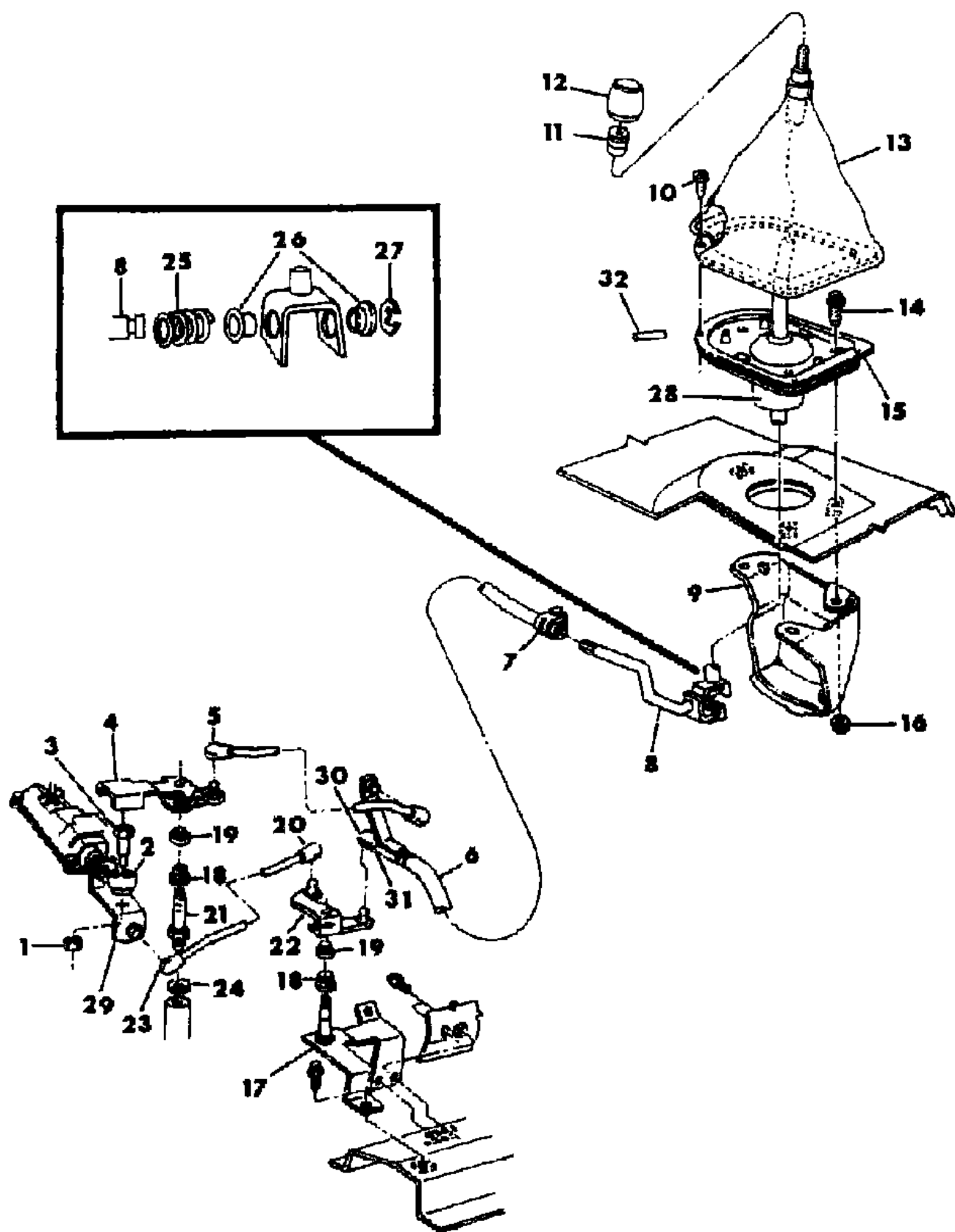
**BODY STYLES**

21 = 2-DOOR SEDAN	41 = 4-DOOR SEDAN
22 = 2-DOOR SPECIAL COUPE	45 = 4-DOOR STATION WAGON
24 = 2-DOOR HATCHBACK	44 = 4-DOOR HATCHBACK
27 = 2-DOOR CONVERTIBLE	48 = EXECUTIVE SEDAN
28 = FWD PICKUP	

AR = Use as Required - = Non Illustrated Part P.A.R. = Paint as Required

**GEARSHIFT CONTROLS-A460,A465 M,Z**  
**Figure 21M-1500**

3121 1500B



ITEM	PART NUMBER	QTY	BODY	MODEL	DESCRIPTION
1	6100 499	1			NUT
2	4188 456	1			BALL, Selector Lever
3	6500 562	1			BOLT, Shoulder
4	4269 867	1			LEVER, Crossover w/1.6,2.2 Liter Eng.
	4019 934	1			w/1.7 Liter Eng.
5	4269 872	1			ROD, Crossover, w/1.6,2.2 Liter Eng.
	4188 462	1			w/1.7 Liter Eng.
6	4269 873	1			TUBE, Control Selector, w/1.6,2.2 Liter Eng.
	4269 827	1			w/1.7 Liter Eng.
	3467 791	1			GROMMET, Control Selector Tube, w/1.7 Liter Eng.
	6026 334	1			PUSHNUT, Control Selector Tube, w/1.7 Liter Eng.
7	6500 246	1			NUT, Tube Connector Clamp Bolt
	6500 247	1			BOLT, Tube Connector Clamp
8	4269 435	1			CONNECTOR, w/1.6,2.2 Liter Eng.
	4188 366	1			w/1.7 Liter Eng.
9	5211 922	1			BRACKET, Reverse Lock-Out
10		4			SCREW (Not Serviced)
11	5206 167	1			NUT, G/Shift Lever Knob, UP TO APPROX. 5-16-83
	4295 374	1			w/1.6,2.2 Liter Eng., AFTER APPROX. 5-16-83 (Not Shown)
12					KNOB, Gearshift Lever
	5206 166	1			w/A460 Trans., UP TO APPROX. 5-16-83
	4295 375	1			w/1.6,2.2 Liter Eng., AFTER APPROX. 5-16-83 (Not Shown)
	4269 488	1			w/A465 Trans., UP TO APPROX. 5-16-83
	4295 380	1			w/1.6,2.2 Liter Eng., AFTER APPROX. 5-16-83 (Not Shown)
13	5206 142	1			BOOT, G/Shift Mechanism, Upper, w/o Console, w/1.7Liter Eng.
	4295 315	1			w/Console, Bi-fold, w/1.7 Liter Eng.
	5206 142	1			w/1.6,2.2 Liter Eng., UP TO APPROX. 5-16-83
	4295 392	1			w/1.6,2.2 Liter Eng., Bi-fold, AFTER APPROX. 5-16-83 (Not Shown)
	4295 381	1			BEZEL, Lvr. Boot Base, w/1.6,2.2 Liter Eng., AFTER APPROX. 5-16-83 (Not Shown)
	4295 382	1			PLATE, Lvr. Boot Base, w/1.6,2.2 Liter Eng., AFTER APPROX. 5-16-83 (Not Shown)
14	6100 577	3			SCREW, w/WASHER
15	4269 483	1			MECHANISM, Gearshift, UP TO APPROX. 5-16-83 (Not Shown)
	4293 189	1			w/1.6,2.2 Liter Eng., AFTER APPROX. 5-16-83 (Not Shown)
16	6100 050	3			NUT w/WA.

**MODEL CODES**

B = GRAN FURY	G = DIPLOMAT	V = 400
C = LEBARON/TOWN & COUNTRY	M = HORIZON/TURISMO/SCAMP	X = MIRADA
D = ARIES	P = RELIANT	Y = IMPERIAL
E = 600	S = CORDOBA	Z = OMNI/CHARGER/RAMPAGE
F = FIFTH AVENUE	T = E CLASS/NEWYORKER	

**BODY STYLES**

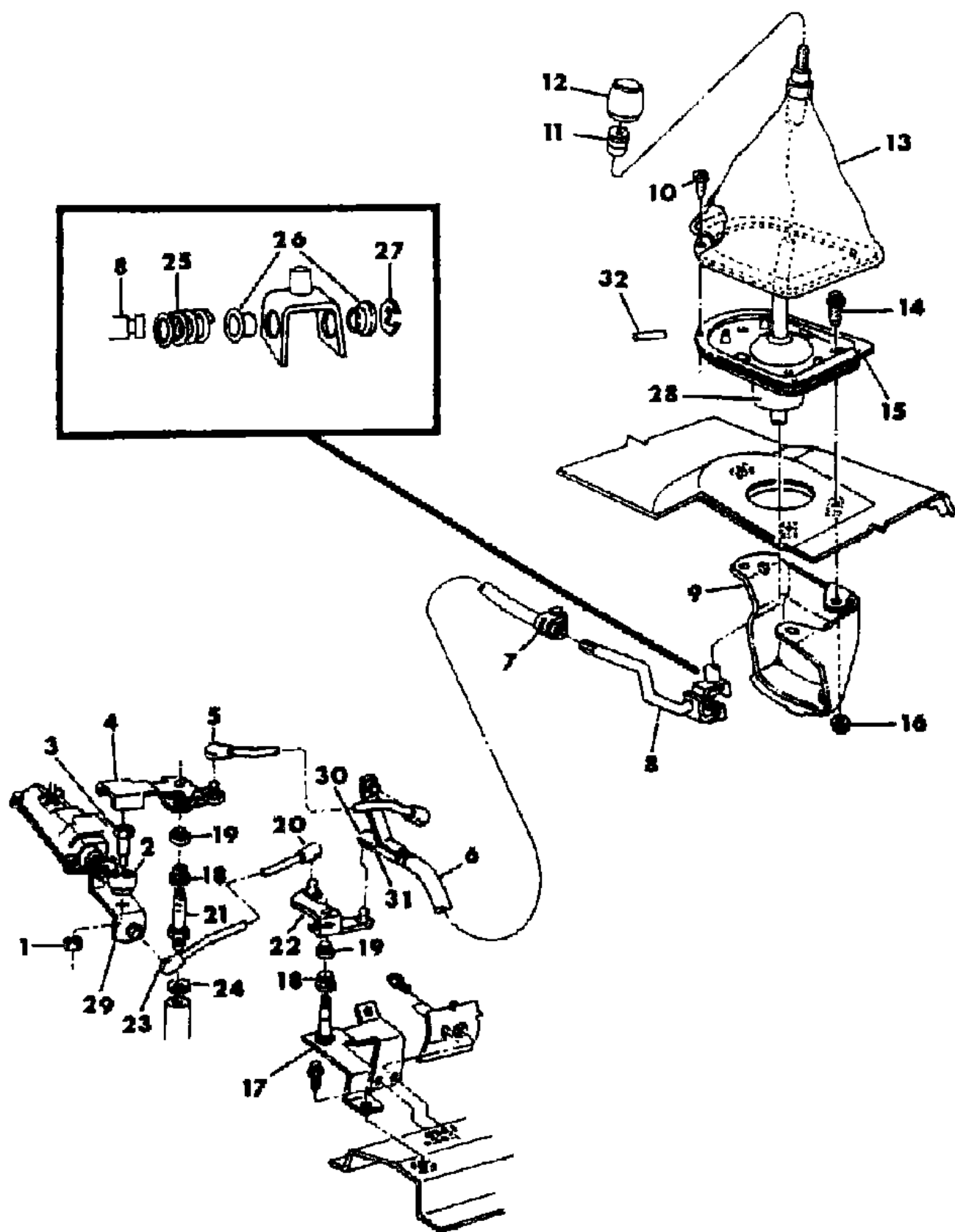
21 = 2-DOOR SEDAN	41 = 4-DOOR SEDAN
22 = 2-DOOR SPECIAL COUPE	45 = 4-DOOR STATION WAGON
24 = 2-DOOR HATCHBACK	44 = 4-DOOR HATCHBACK
27 = 2-DOOR CONVERTIBLE	48 = EXECUTIVE SEDAN
28 = FWD PICKUP	

AR = Use as Required - = Non Illustrated Part P.A.R. = Paint as Required



**GEARSHIFT CONTROLS-A460,A465 M,Z**  
**Figure 21M-1500**

3121 1500B



ITEM	PART NUMBER	QTY	BODY	MODEL	DESCRIPTION
17	4188 375	1			BRACKET, Link Pivot, w/1.6,2.2 Liter Eng.
	4188 381	1			w/1.7 Liter Eng.
18	5206 161	2			BEARING
19	5211 845	2			GROMMET, w/1.6,2.2 Liter Eng.
	5211 845	6			w/1.7 Liter Eng.
20	4295 368	1			ROD, Control Selector, w/1.6,2.2 Liter Eng.
	4188 462	1			w/1.7 Liter Eng.
21	4019 933	1			STUD, Up To 6-20-83
	4329 067	1			After 6-20-83
22	4269 868	1			CLEVIS, G/Shift Control Lever, w/1.6,2.2 Liter Eng.
	4188 417	1			w/1.7 Liter Eng.
23		3			SCREW w/WA. (Not Serviced)
24	6100 132	1			WASHER, Pivot Stud
25	4269 885	1			SPRING
26	4269 405	2			BUSHING
27	6030 913	1			RING
28	5206 154	1			BOOT, G/Shift Mech., Lower w/A460 Trans.
29	4295 293	1			LEVER w/BALL STUD, G/Shift Oper., w/1.6,2.2 Liter Eng.
	4267 342	1			LEVER PKG., G/Shift Oper., w/1.7 Liter Eng.
30	4269 864	1			BALL JOINT, Tube Clevis, w/1.6,2.2 Liter Eng.
31	6100 525	1			NUT, Ball Joint Clevis, w/1.6,2.2 Liter Eng.
32	0455 277	1			PIN, Selector Mech. Lever
	4340 107	5			SILENCER, Tube or Rod To Ball Joint (Not Shown)

**MODEL CODES**

B = GRAN FURY	G = DIPLOMAT	V = 400
C = LEBARON/TOWN & COUNTRY	M = HORIZON/TURISMO/SCAMP	X = MIRADA
D = ARIES	P = RELIANT	Y = IMPERIAL
E = 600	S = CORDOBA	Z = OMNI/CHARGER/RAMPAGE
F = FIFTH AVENUE	T = E CLASS/NEWYORKER	

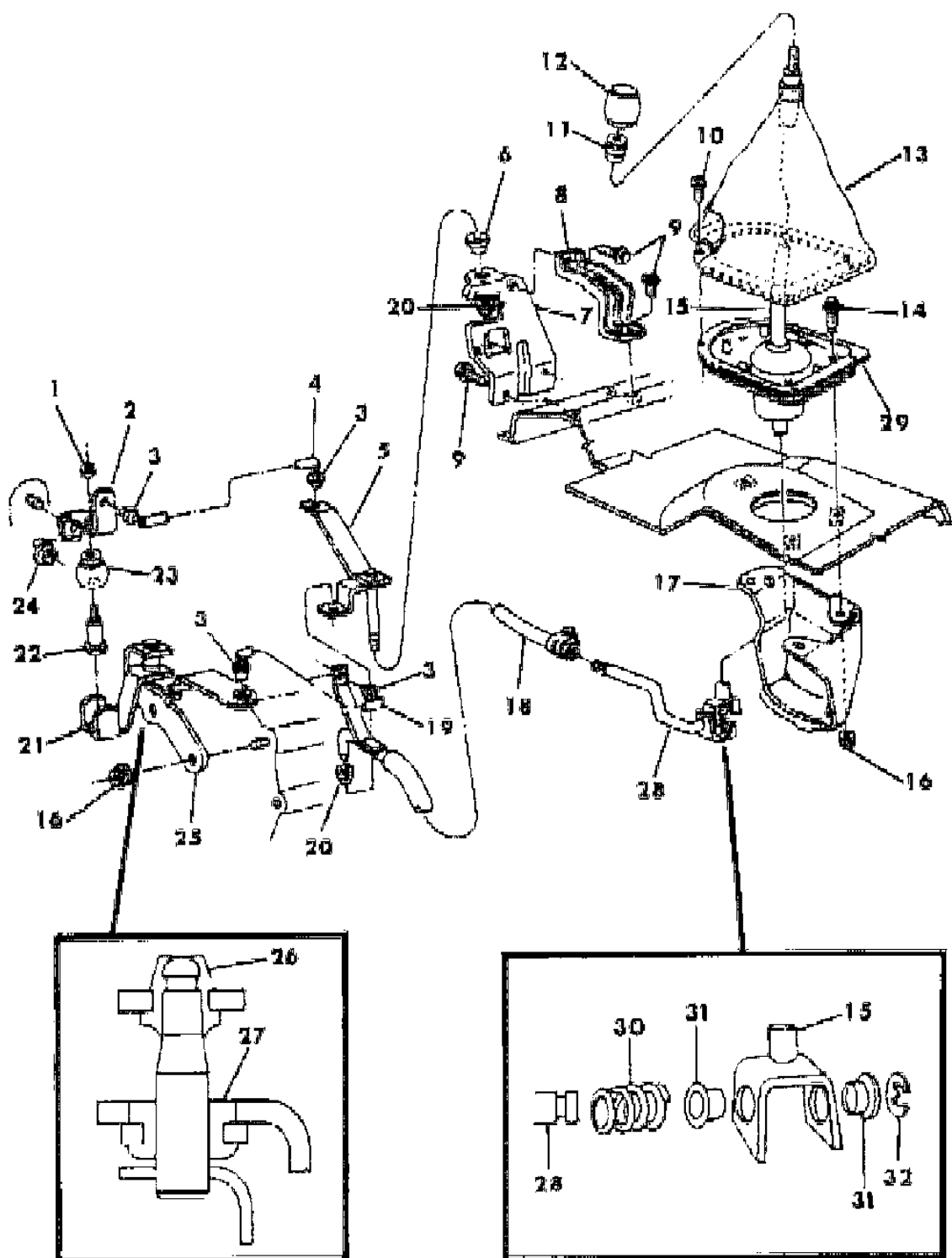
**BODY STYLES**

21 = 2-DOOR SEDAN	41 = 4-DOOR SEDAN
22 = 2-DOOR SPECIAL COUPE	45 = 4-DOOR STATION WAGON
24 = 2-DOOR HATCHBACK	44 = 4-DOOR HATCHBACK
27 = 2-DOOR CONVERTIBLE	48 = EXECUTIVE SEDAN
28 = FWD PICKUP	

AR = Use as Required - = Non Illustrated Part P.A.R. = Paint as Required

**GEARSHIFT CONTROLS - M,Z W/ A412 TRANSAXLE**  
**Figure 21M-1600**

3121 1-000



ITEM	PART NUMBER	QTY	BODY	MODEL	DESCRIPTION
1	6100 499	1			NUT, Ball Pivot
2	5206 163	1			LEVER, Gearshift Control
3	5211 845	4			GROMMET
4	5206 148	1			ROD, Gearshift Gear Selector
5	5206 128	1			LEVER, Gearshift Linkage
6	5206 161	1			BUSHING
7	4186 829	1			BRACKET, Linkage Pivot
8	5211 893	1			BRACKET, Pivot Support
9	6101 264	4			SCREW w/WA.
10		4			SCREW (Not Serviced)
11	5206 167	1			NUT, G/Shift Lever Knob
12	5206 166	1			KNOB, Gearshift Lever
	4229 380	1			w/ DETOMASO PKG.
13	5206 142	1			BOOT, G/Shift Mech. Upper, w/o Console, w/1.7 Liter Eng.
	4295 315	1			w/Console, w/1.7 LiteEng.
14	6100 577	3			SCREW w/WA.
15	4269 404	1			MECHANISM, Gearshift Control
16	6100 050	5			NUT w/WA.
17	5211 922	1			BRACKET, Reverse Lock-Out
18	4188 455	1			TUBE, Gearshift Selector
	5206 097	1			CLAMP, Tube to Connector
19	5211 864	1			ROD, Gearshift Crossover
20	5211 845	2			GROMMET
21	5211 862	1			LEVER
22	6500 067	1			SCREW, Ball Pivot Shoulder
23	5206 162	1			PIVOT, Ball
24	6100 052	1			NUT w/WA.
25	5206 156	1			LEVER w/STUD
26	5211 845	1			GROMMET
27	5206 161	1			BUSHING
28	4269 435	1			CONNECTOR, Gearshift Control Tube Mechanism
29	5206 154	1			BOOT, Gearshift Mechanism Lower
30	4269 885	1			SPRING
31	4269 405	2			BUSHING
32	6030 913	1			RING

**MODEL CODES**

B = GRAN FURY	G = DIPLOMAT	V = 400
C = LEBARON/TOWN & COUNTRY	M = HORIZON/TURISMO/SCAMP	X = MIRADA
D = ARIES	P = RELIANT	Y = IMPERIAL
E = 600	S = CORDOBA	Z = OMNI/CHARGER/RAMPAGE
F = FIFTH AVENUE	T = E CLASS/NEWYORKER	

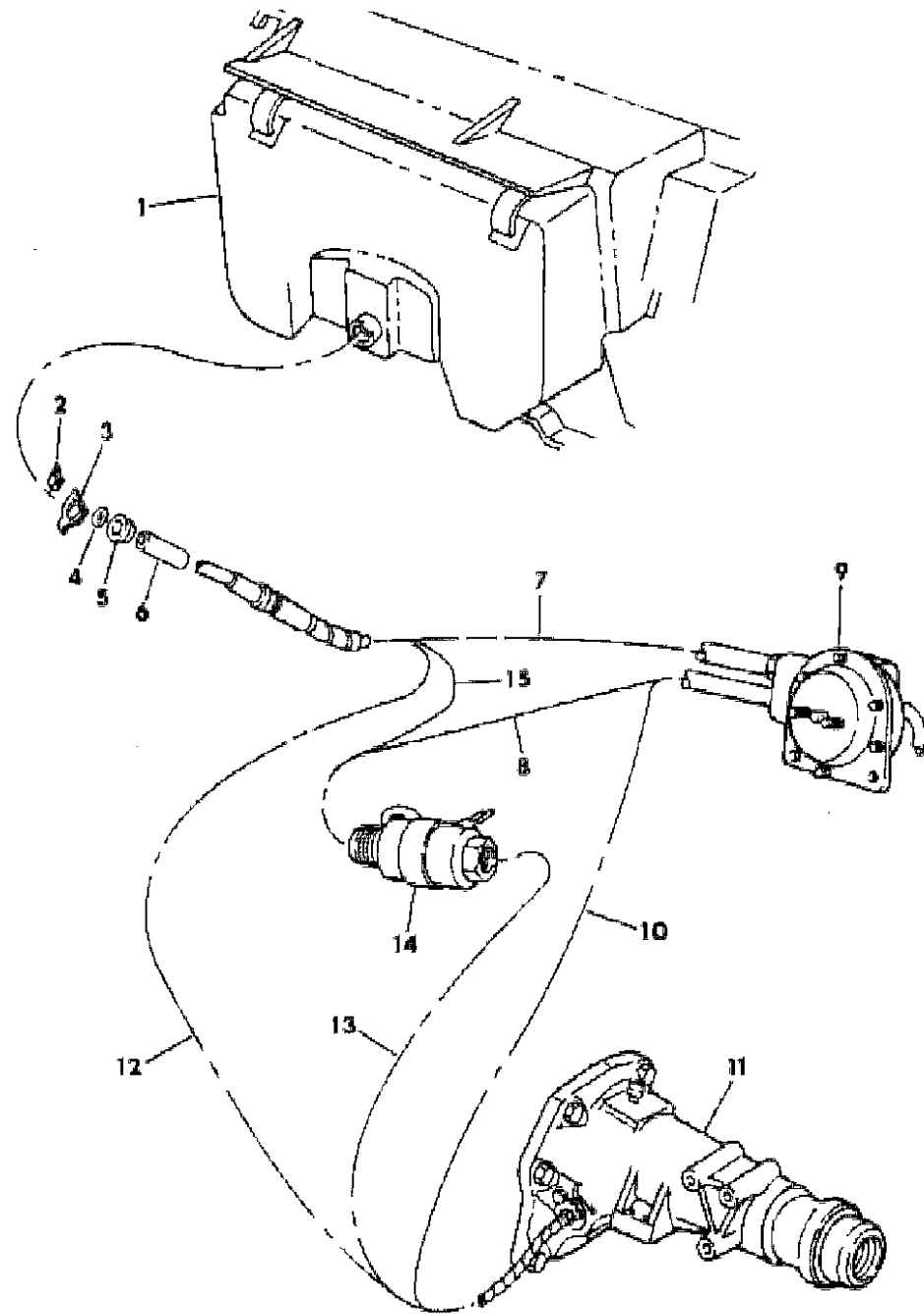
**BODY STYLES**

21 = 2-DOOR SEDAN	41 = 4-DOOR SEDAN
22 = 2-DOOR SPECIAL COUPE	45 = 4-DOOR STATION WAGON
24 = 2-DOOR HATCHBACK	44 = 4-DOOR HATCHBACK
27 = 2-DOOR CONVERTIBLE	48 = EXECUTIVE SEDAN
28 = FWD PICKUP	

AR = Use as Required - = Non Illustrated Part P.A.R. = Paint as Required

**SPEEDOMETER CABLES**  
Figure 21M-1700

3121 1700



ITEM	PART NUMBER	QTY	BODY	MODEL	DESCRIPTION
1					SPEEDOMETER (Ref.)
2	0152 490	1			"U" NUT, Cable Retainer
3	3593 310	1			RETAINER, Speedo Cable to Speedo
4	6030 656	1			"O" RING, Speedo Cable Shaft, Lower
5	3593 460	1			GROMMET, Speedo Cable Dash
6	4057 046	1			RETAINERS, SEALS, and RINGS PACKAGE, Speedo Pinion
7					CABLE, Speedometer to Speed Control
	4220 741	1		M,Z	40" Long, w/1.7,2.2 Liter Eng.
	4220 745	1		P,D,C,V	44" Long
8					CABLE, SPEED CONTROL TO SPEED SENSOR SWITCH
	4220 751	1		P,D,C,V	14" Long
9					CONTROL, Speed (Ref.)
10					CABLE, SPEED CONTROL TO TRANSMISSION
	4220 893	1		M,Z	19" Long, w/1.7 Liter Eng.
	4220 743	1		M,Z	31" Long, w/2.2 Liter Eng.
	4220 746	1		P,D,C,V	33" Long, w/2.2 Liter Eng., w/A465 Trans.
	4220 747	1		P,D,C,V	37" Long
11					TRANSMISSION (Ref.)
12					CABLE, SPEEDOMETER TO TRANSMISSION
	4220 740	1		M,Z	37" Long, w/1.6 Liter Eng.
	4220 740	1		M,Z	37" Long, w/1.7 Liter Eng., w/A412 Trans.
	4220 892	1		M,Z	41" Long, w/1.7 Liter Eng., w/A460 Trans.
	4220 744	1		P,D,C,V	51" Long, w/2.2 Liter Eng., w/A465 Trans.
	4220 741	1		M,Z	40" Long, Upper, w/2.2 Liter Eng.
	4220 742	1		M,Z	25" Long, Lower, w/2.2 Liter Eng.
	4220 748	1		P,D	41" Long, Upper, w/2.2 Liter Eng.
	4220 742	1		P,D	25" Long, Lower, w/2.2 Liter Eng.
	4220 748	1		C,V,E	41" Long, Upper, w/2.2 Liter Eng.
	4220 742	1		C,V,E	25" Long, Lower, w/2.2 Liter Eng.
13					CABLE, SPEED SENSOR SWITCH TO TRANSMISSION
	4220 750	1		P,D,C,V	23" Long, w/2.2 Liter Eng.
14	4222 714	1			SWITCH, Speed Sensor
15					CABLE, SPEEDOMETER TO SPEED SENSOR SWITCH
	4220 745	1		P,D,C,V	44" Long
					SHAFT, CABLE DRIVE, UNIVERSAL DRIVE TYPE (Not Shown)
	2448 294	1			80" Long

**MODEL CODES**

B = GRAN FURY	G = DIPLOMAT	V = 400
C = LEBARON/TOWN & COUNTRY	M = HORIZON/TURISMO/SCAMP	X = MIRADA
D = ARIES	P = RELIANT	Y = IMPERIAL
E = 600	S = CORDOBA	Z = OMNI/CHARGER/RAMPAGE
F = FIFTH AVENUE	T = E CLASS/NEWYORKER	

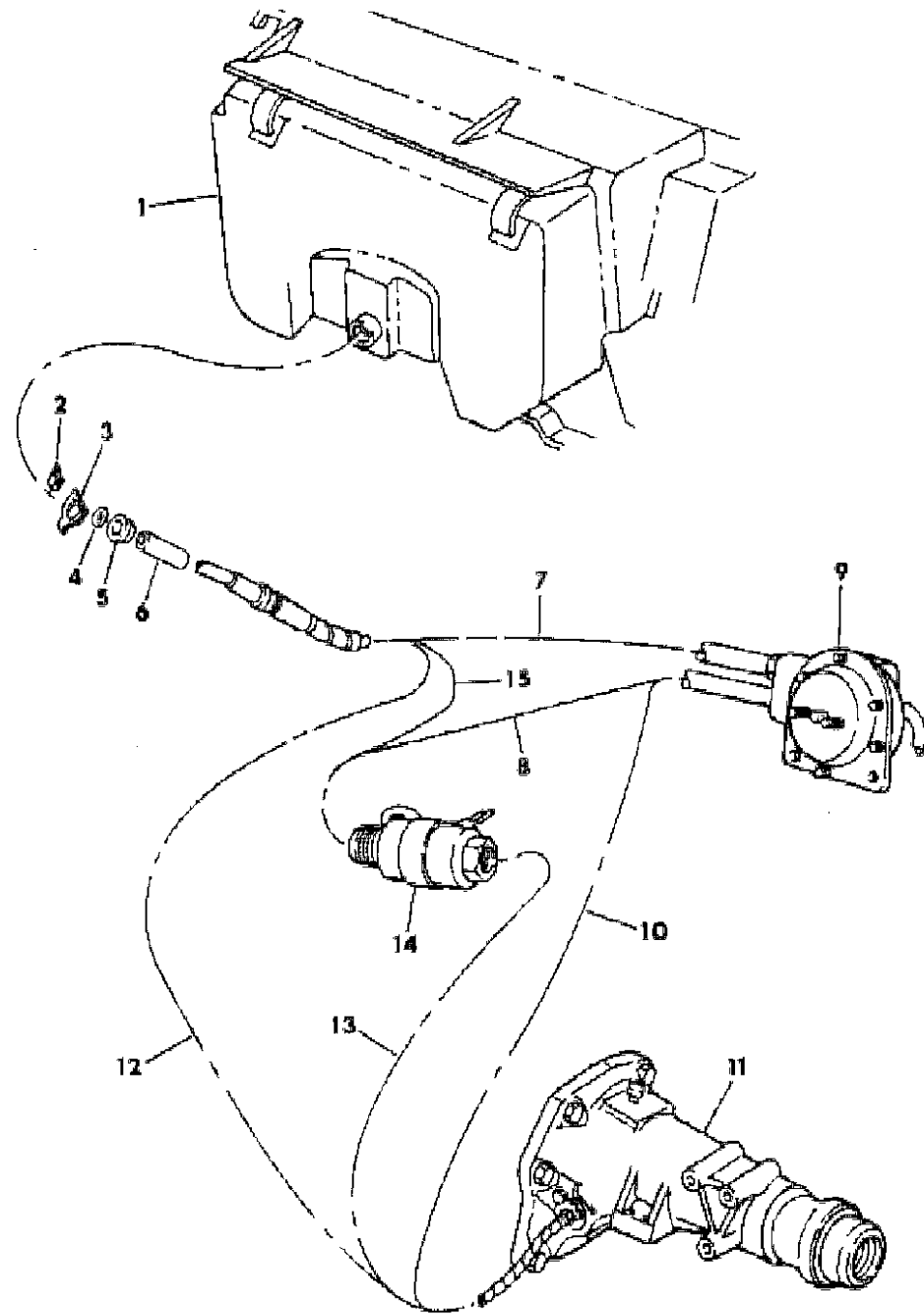
**BODY STYLES**

21 = 2-DOOR SEDAN	41 = 4-DOOR SEDAN
22 = 2-DOOR SPECIAL COUPE	45 = 4-DOOR STATION WAGON
24 = 2-DOOR HATCHBACK	44 = 4-DOOR HATCHBACK
27 = 2-DOOR CONVERTIBLE	48 = EXECUTIVE SEDAN
28 = FWD PICKUP	

AR = Use as Required - = Non Illustrated Part P.A.R. = Paint as Required

**SPEEDOMETER CABLES**  
**Figure 21M-1700**

3121 1700



ITEM	PART NUMBER	QTY	BODY	MODEL	DESCRIPTION
	2448 295	1			113" Long

**MODEL CODES**  
 B = GRAN FURY                    G = DIPLOMAT                    V = 400  
 C = LEBARON/TOWN & COUNTRY    M = HORIZON/TURISMO/SCAMP    X = MIRADA  
 D = ARIES                        P = RELIANT                      Y = IMPERIAL  
 E = 600                             S = CORDOBA                      Z = OMNI/CHARGER/RAMPAGE  
 F = FIFTH AVENUE                T = E CLASS/NEWYORKER

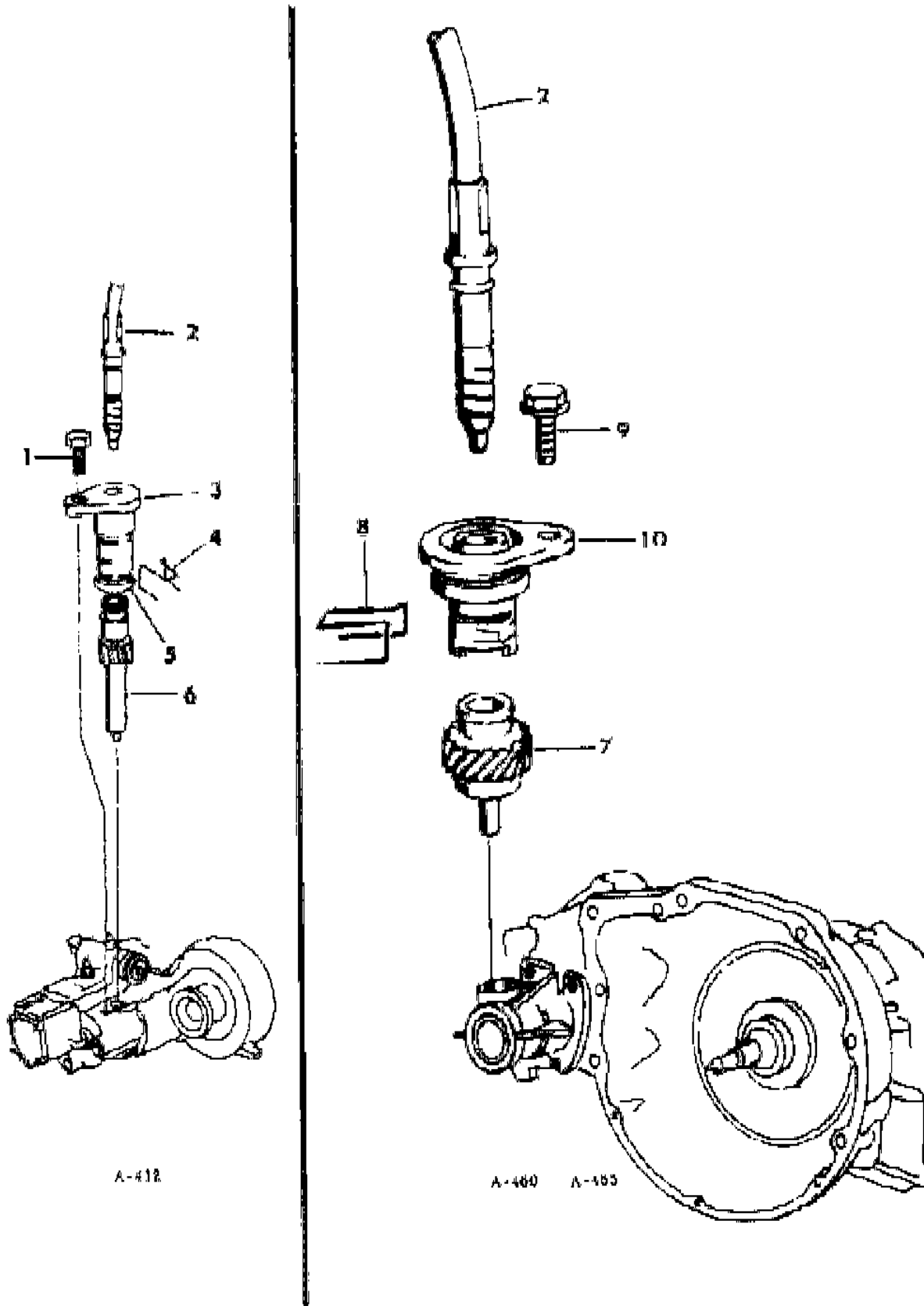
**BODY STYLES**  
 21 = 2-DOOR SEDAN                41 = 4-DOOR SEDAN  
 22 = 2-DOOR SPECIAL COUPE    45 = 4-DOOR STATION WAGON  
 24 = 2-DOOR HATCHBACK        44 = 4-DOOR HATCHBACK  
 27 = 2-DOOR CONVERTIBLE       48 = EXECUTIVE SEDAN  
 28 = FWD PICKUP

AR = Use as Required   - = Non Illustrated Part   P.A.R. = Paint as Required

# SPEEDOMETER CABLE AND DRIVE PINION

## Figure 21M-1800

3121 1800



ITEM	PART NUMBER	QTY	BODY	MODEL	DESCRIPTION
1	6500 065	1		M,Z	BOLT, Speedo Pinion Adapter
2					CABLE, w/HOUSING, see Speedometer Cable Illustration
3	5240 143	1		M,Z	ADAPTER,Speedo Drive Pinion
4	5240 145	1		M,Z	CLIP, Retainer
5	5240 166	1		M,Z	SEAL, Pinion Adapter
6	5240 206	1		M,Z	PINION, Speedo Drive, 16 Teeth
7					PINION, Speedo Drive
	4269 950	1			19 Teeth, w/P185/75 R14 P/S WSW Michelin Tire
	5222 390	1			20 Teeth, w/13" & 14" Tire
	5222 388	1			21 Teeth, w/15" Tire
8	5222 006	1			RETAINER, Speedo Cable
9	6500 137	1			SCREW w/WA., Pinion Adapter
10	5222 005	1			ADAPTER, Speedo Drive Pinion
	5212 152	1			"O" RING, Pinion Adapter

**MODEL CODES**

B = GRAN FURY	G = DIPLOMAT	V = 400
C = LEBARON/TOWN & COUNTRY	M = HORIZON/TURISMO/SCAMP	X = MIRADA
D = ARIES	P = RELIANT	Y = IMPERIAL
E = 600	S = CORDOBA	Z = OMNI/CHARGER/RAMPAGE
F = FIFTH AVENUE	T = E CLASS/NEWYORKER	

**BODY STYLES**

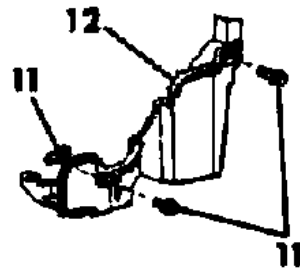
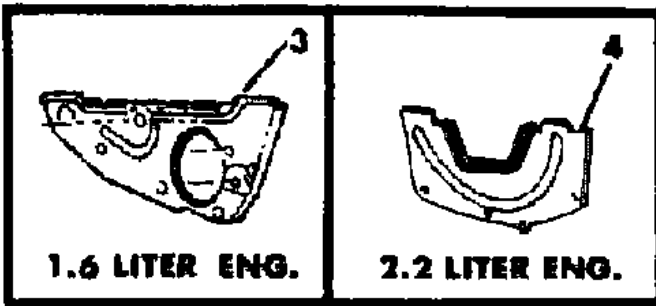
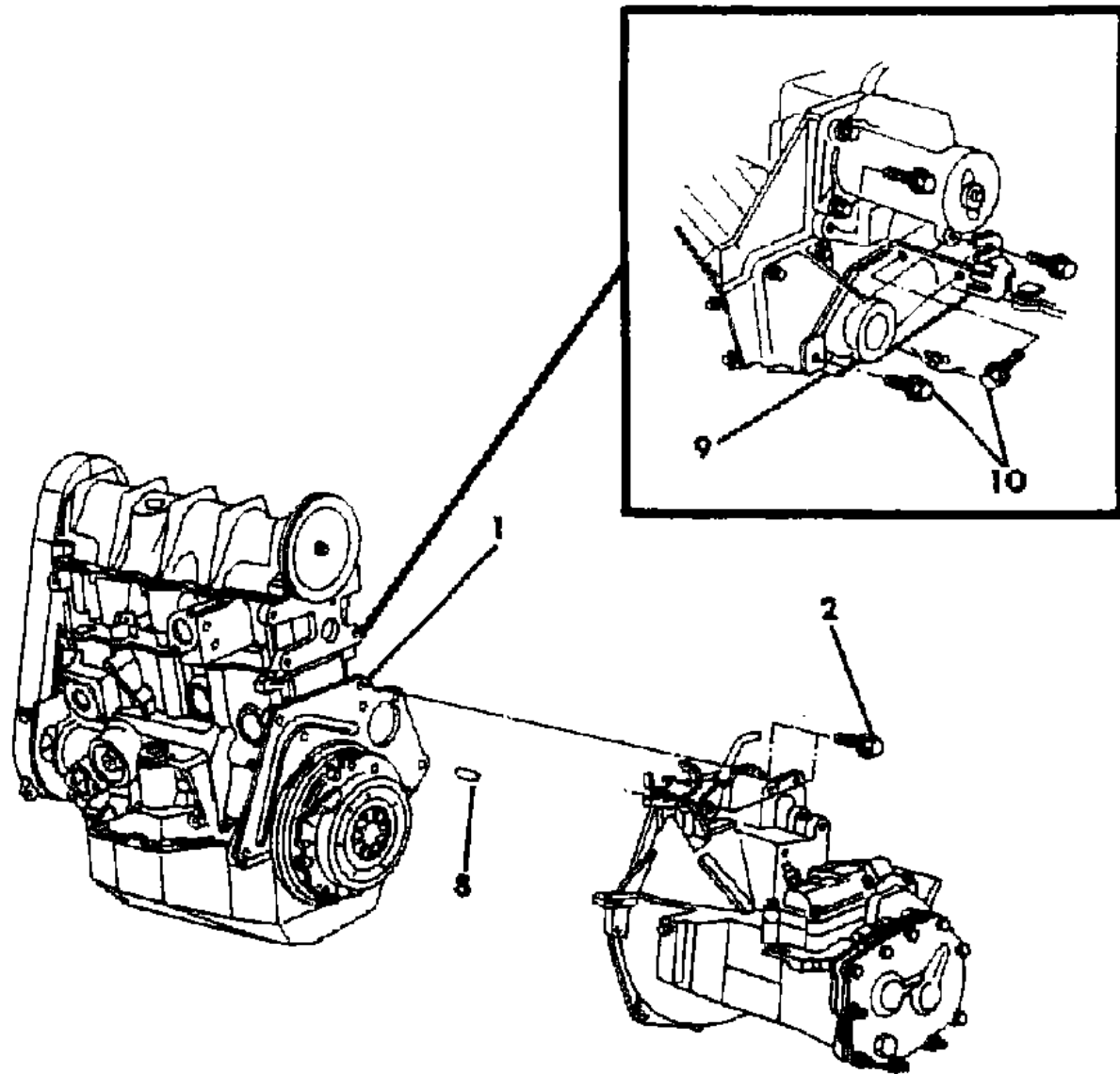
21 = 2-DOOR SEDAN	41 = 4-DOOR SEDAN
22 = 2-DOOR SPECIAL COUPE	45 = 4-DOOR STATION WAGON
24 = 2-DOOR HATCHBACK	44 = 4-DOOR HATCHBACK
27 = 2-DOOR CONVERTIBLE	48 = EXECUTIVE SEDAN
28 = FWD PICKUP	

AR = Use as Required - = Non Illustrated Part P.A.R. = Paint as Required

TRANSAXLE MOUNTING CHRYSLER - A460,A465

Figure 21M-1900

3121 1900A



ITEM	PART NUMBER	QTY	BODY	MODEL	DESCRIPTION	
1	4202 931	1		M,Z	COVER, Case Upper, w/1.6 Liter Eng.	
	5224 086	1		M,Z	w/1.7 Liter Eng.	
	5222 454	1			w/2.2 Liter Eng.	
	2	6500 817	AR			SCREW, Trans to Cyl Block, M10x1.25x45
		6500 768	AR			M10x1.25x55
		6500 527	AR			M10x1.25x60
6100 346		AR			M12x1.75x50	
3	6100 989	AR			M12x1.75x60	
	4202 932	1		M,Z	COVER, Case Lower, w/1.6 Liter Eng.	
	5212 143	1		M,Z	w/1.7 Liter Eng.	
4	5222 453	1			COVER, Case Lower, w/2.2 Liter Eng.	
	6100 149	AR			SCREW, Case Cover, M6x1x10	
	6500 136	AR			M6x1x14	
	6500 137	AR			M6x1x16	
8	5240 849	2			DOWEL, Cyl. Block To Cluch Hsg.	
9	5224 214	1			STRUT, Trans to Cyl. Block	
10	6500 486	AR			SCREW w/WA., Strut To Case, M12x1.75x30	
11					SCREW w/WA. (Not Serviced)	
12					SHIELD, Trans Appearance	
	4191 565	1		P,D,C,V		
	5202 625	1		M,Z		

ontrol or High Altitude Emission Control. an offsetting order for part no. 3747881  
cars sold in the State of California. an offsetting order for part no. 3747881  
alytic Exhaust System. Unleaded Fuel is required. an offsetting order for part no. 3747881

MODEL CODES

B = GRAN FURY	G = DIPLOMAT	V = 400
C = LEBARON/TOWN & COUNTRY	M = HORIZON/TURISMO/SCAMP	X = MIRADA
D = ARIES	P = RELIANT	Y = IMPERIAL
E = 600	S = CORDOBA	Z = OMNI/CHARGER/RAMPAGE
F = FIFTH AVENUE	T = E CLASS/NEWYORKER	

BODY STYLES

21 = 2-DOOR SEDAN	41 = 4-DOOR SEDAN
22 = 2-DOOR SPECIAL COUPE	45 = 4-DOOR STATION WAGON
24 = 2-DOOR HATCHBACK	44 = 4-DOOR HATCHBACK
27 = 2-DOOR CONVERTIBLE	48 = EXECUTIVE SEDAN
28 = FWD PICKUP	

AR = Use as Required - = Non Illustrated Part P.A.R. = Paint as Required

---

**GROUP 21A - TRANSMISSION, AUTO.**

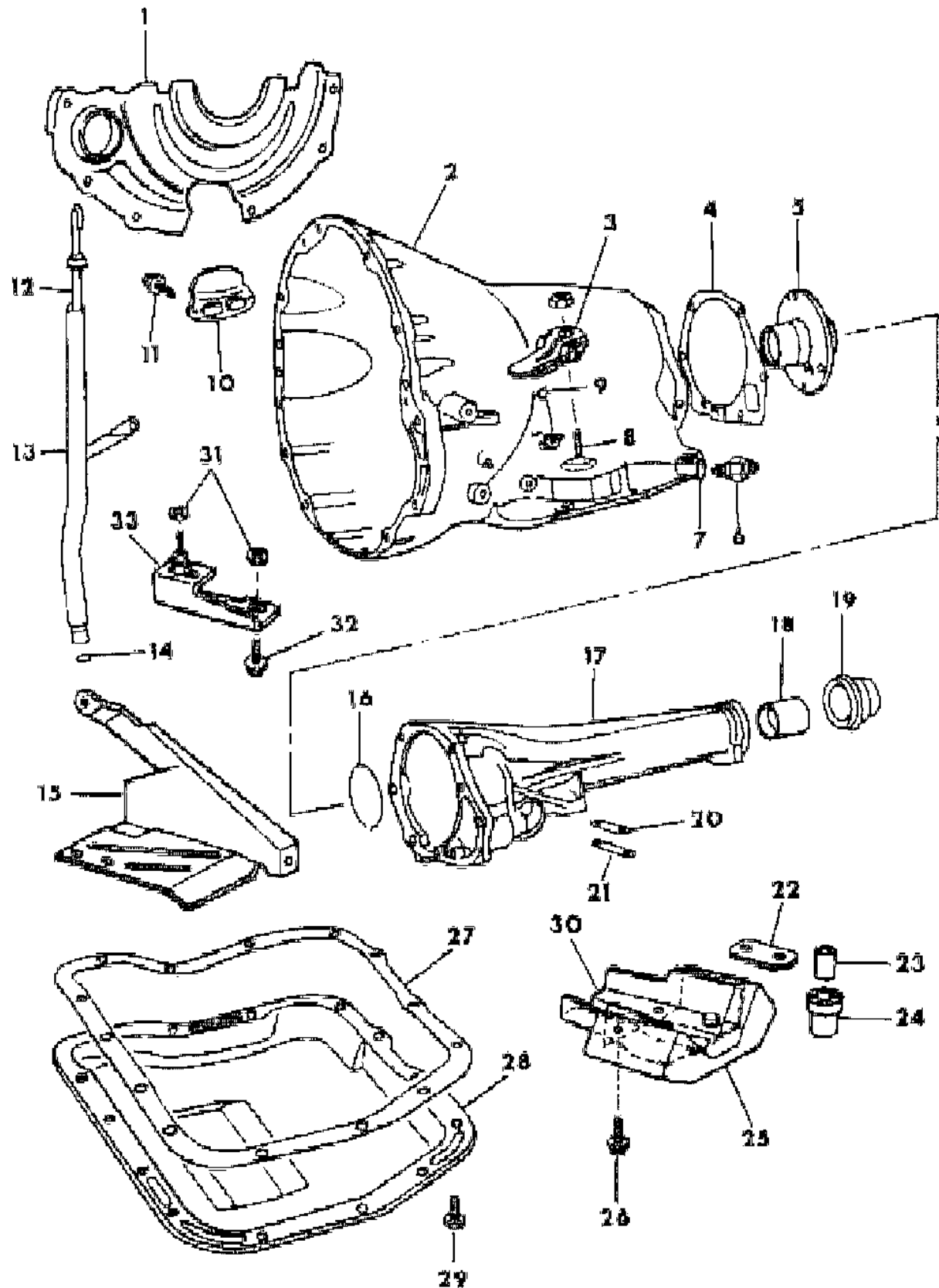
<b>ILLUSTRATION TITLE</b>	<b>GROUP-FIG. NO.</b>
AUTOMATIC TRANSMISSION-A727 AND A904 CASE AND EXTENSION .....	Fig. 21A-100
AUTOMATIC TRANSMISSION-A727 AND A904 GOVERNOR AND PARKING LOCK .....	Fig. 21A-200
AUTOMATIC TRANSMISSION-A727 AND A904 SERVOS, ACCUMULATOR PISTON AND SPRING .....	Fig. 21A-300
AUTOMATIC TRANSMISSION-A727 AND A904 REVERSE AND KICKDOWN BAND AND LINKAGE .....	Fig. 21A-400
AUTOMATIC TRANSMISSION-A727 AND A904 VALVE BODY .....	Fig. 21A-500
AUTOMATIC TRANSMISSION-A727 CLUTCH-FRONT AND REAR GEAR TRAIN .....	Fig. 21A-600
AUTOMATIC TRANSMISSION-A904 CLUTCH - FRONT AND REAR GEAR TRAIN .....	Fig. 21A-700
AUTOMATIC TRANSMISSION-A727 SUN GEAR,ANNULUS GEAR,PLANET PINION AND OUTPUT SHAFT ..	Fig. 21A-800
AUTOMATIC TRANSMISSION-A904 SUN GEAR,ANNULUS GEAR,PLANET PINION AND OUTPUT SHAFT ..	Fig. 21A-900
AUTOMATIC TRANSMISSION-A727 AND A904 OIL PUMP AND REACTION SHAFT SUPPORT .....	Fig. 21A-1000
GEARSHIFT CONTROL AUTOMATIC TRANSMISSION COLUMN SHIFT F,G,X,S,Y,B .....	Fig. 21A-1100
GEARSHIFT CONTROL - AUTOMATIC TRANSMISSION FLOOR SHIFT F,G,X,S,B .....	Fig. 21A-1200
SHIFT LEVER AND INDICATOR .....	Fig. 21A-1300
AUTOMATIC TRANSAXLE .....	Fig. 21A-1400
AUTOMATIC TRANSAXLE CASE, EXTENSION AND RETAINER .....	Fig. 21A-1500
AUTOMATIC TRANSAXLE OIL PUMP AND REACTION SHAFT .....	Fig. 21A-1600
AUTOMATIC TRANSAXLE VALVE BODY .....	Fig. 21A-1700
AUTOMATIC TRANSAXLE SERVOS,ACCUMULATOR PISTON AND SPRING .....	Fig. 21A-1800
AUTOMATIC TRANSAXLE GOVERNOR .....	Fig. 21A-1900
AUTOMATIC TRANSAXLE PARKING SPRAG, KICKDOWN BAND AND REVERSE BAND .....	Fig. 21A-2000
AUTOMATIC TRANSAXLE TRANSFER SHAFT .....	Fig. 21A-2100
AUTOMATIC TRANSAXLE FRONT CLUTCH .....	Fig. 21A-2200
AUTOMATIC TRANSAXLE REAR CLUTCH AND INPUT SHAFT .....	Fig. 21A-2300
AUTOMATIC TRANSAXLE FRONT ANNULUS AND SUN GEAR .....	Fig. 21A-2400
AUTOMATIC TRANSAXLE OUTPUT SHAFT, REAR CARRIER, REVERSE DRUM AND OVERRUNNING CLUTCH .....	Fig. 21A-2500
AUTOMATIC TRANSAXLE DIFFERENTIAL .....	Fig. 21A-2600
GEARSHIFT CONTROLS-AUTOMATIC TRANSMISSION FLOOR SHIFT, M,Z .....	Fig. 21A-2700
GEARSHIFT CONTROLS - AUTOMATIC TRANSMISSION FLOOR SHIFT - P,D,C,V,E,T .....	Fig. 21A-2800
GEARSHIFT CONTROLS - AUTOMATIC TRANSMISSION COLUMN SHIFT - P,D,C,V,E,T .....	Fig. 21A-2900
SPEEDOMETER CABLES AUTOMATIC TRANSMISSION .....	Fig. 21A-3000
SPEEDOMETER CABLE AND DRIVE PINION AUTOMATIC TRANSAXLE .....	Fig. 21A-3100
SPEEDOMETER DRIVE PINION AND RELATED PARTS F,G,X,S,Y,B .....	Fig. 21A-3200

**ILLUSTRATION NOT AVAILABLE AT TIME OF PUBLICATION**

---

**AUTOMATIC TRANSMISSION-A727 AND A904 CASE AND EXTENSION**  
**Figure 21A-100**

3151 105



ITEM	PART NUMBER	QTY	BODY	MODEL	DESCRIPTION
------	-------------	-----	------	-------	-------------

NOTE: The seven digit Transmission Assembly Part Number is stamped on the left side of the Transmisson Oil Pan Rail. an offsetting order for part no. 3747881

**TRANSMISSION CROSS REFERENCE CHART**  
**PROD. SERV.**  
**ASSY. ASSY.**

The following are for Model A904:

4202662 4202662  
 4202663 4202663  
 4202664 4202664

4202675 4202675  
 4058383 4058383  
 4058398 4058398  
 4202729 4202729

4295887 4295887

The following are for Model A727:

4202571 4202571

	4186 862	1	All		SEAL and GASKET PACKAGE, Complete Trans., A904
	4186 864	1	ALL		SEAL and GASKET PACKAGE, Complete Trans., A727
	4202 662	1	F,G,B		THE FOLLOWING TRANSMISSIONS LISTED ARE A904
	4202 662	1	X,S		w/225 Eng. (E24)
	4202 663	1	F,G,X,S		w/225 Eng., w/(SC E24 & E26), CANADA
	4202 664	1	F,G,B		w/225 Eng., w/(SC E25)
	4058 383	1	F,G		w/225 Eng., w/(SC E26 & E27), CANADA
	4202 675	1	F,G,B		w/318 Eng., w/(SC E44 & E46)
	4295 887	1	F,G,B		w/318 Eng., w/(SC E44 & E46)
	4202 675	1	X,S		w/318 Eng., w/(SC E44 & E46)
	4295 887	1	X,S		w/318 Eng., w/(SC E44 & E46)
	4058 398	1	F,G,X,S		w/318 Eng., w/(SC E44 & E46),
	4202 729	1	Y		w/318 Eng., w/(SC E43 & E46)
	4202 571	1	F,G,B		THE FOLLOWING TRANSMISSION LISTED ARE A727
	4130 503	1	All		w/318 Eng., (SC E48)
1	1949 767	1	All		SHIELD, Case Torque Converter, w/318 Eng., A727
	4130 502	1	All		w/225 Eng., A904
	4295 849	1	All		w/318 and 360 Eng., A904 - Up To 1-17-1983
2	4130 379	1	All		After 1-17-1983
					CASE,Trans., A727

**MODEL CODES**

B = GRAN FURY

C = LEBARON/TOWN & COUNTRY

D = ARIES

E = 600

F = FIFTH AVENUE

G = DIPLOMAT

M = HORIZON/TURISMO/SCAMP

P = RELIANT

S = CORDOBA

T = E CLASS/NEWYORKER

V = 400

X = MIRADA

Y = IMPERIAL

Z = OMNI/CHARGER/RAMPAGE

**BODY STYLES**

21 = 2-DOOR SEDAN

22 = 2-DOOR SPECIAL COUPE

24 = 2-DOOR HATCHBACK

27 = 2-DOOR CONVERTIBLE

28 = FWD PICKUP

41 = 4-DOOR SEDAN

45 = 4-DOOR STATION WAGON

44 = 4-DOOR HATCHBACK

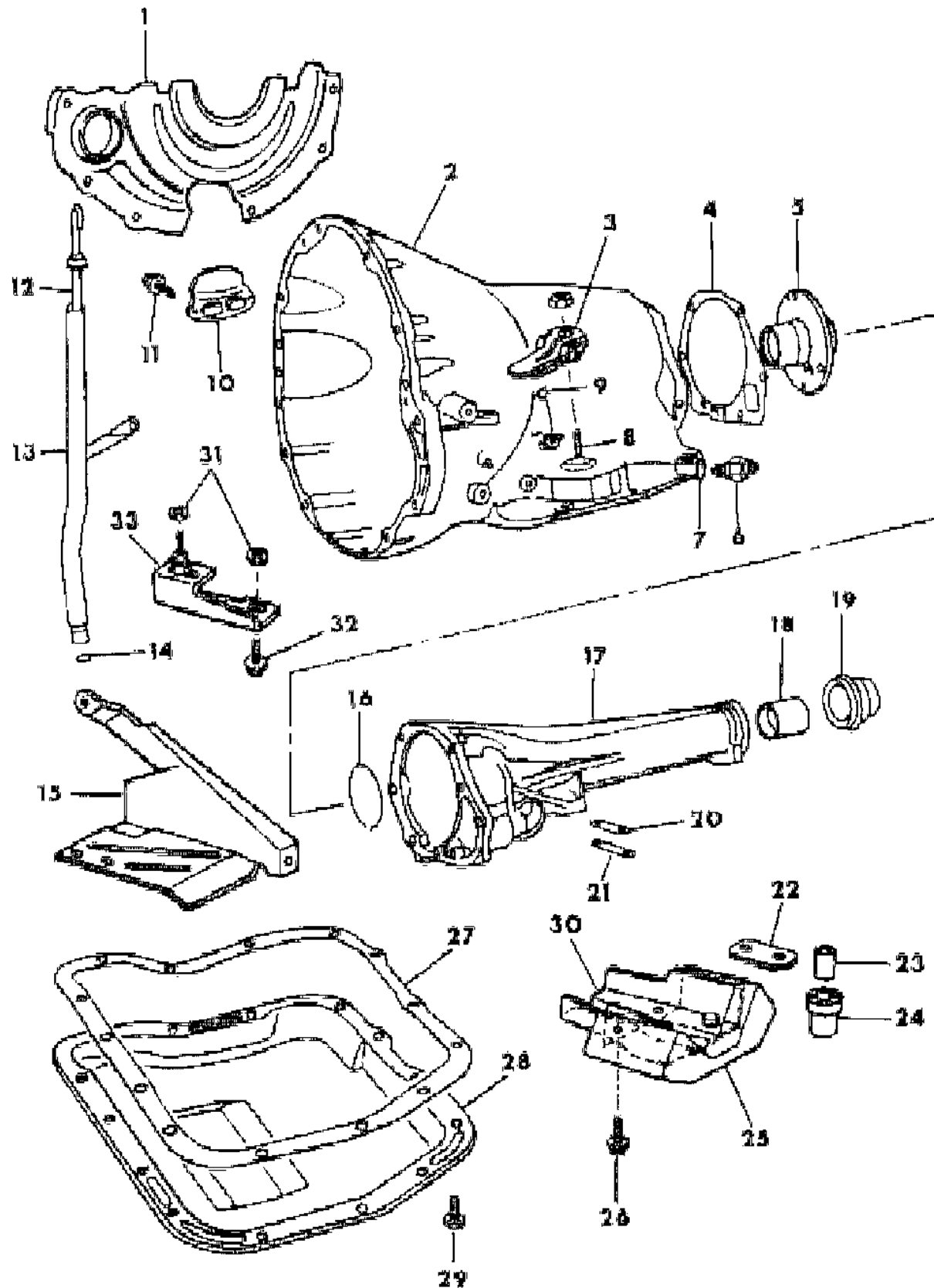
48 = EXECUTIVE SEDAN

AR = Use as Required - = Non Illustrated Part P.A.R. = Paint as Required



**AUTOMATIC TRANSMISSION-A727 AND A904 CASE AND EXTENSION  
Figure 21A-100**

31&1 100



ITEM	PART NUMBER	QTY	BODY	MODEL	DESCRIPTION
	4202 777	1		All	w/4202662,663,664 Trans., A904
	4130 977	1		All	w/4202675,729,4058398, 4295887 Trans., A904
	4202 047	1		All	w/4058383 Trans., A904
	3681 601	1		All	MAGNET, Case Chip Collector
	6024 863	AR		All	SCREW, Cyl. Block to Trans. Case,7/16"-14 x 2-1/8"
	6024 473	AR		All	7/16"-14 X 1-7/8"
	6024 864	AR		All	3/8"-16 X 1-7/8"
	6027 865	AR		All	Case to Cyl. Block,3/8"-16 x 1-3/8
	6027 252	3		All	3/8"-16 x 2-5/8"ck,3/8"-16 x 1-3/8
3	2899 370	1		X,S	LEVER, Throttle Control, w/o Bolt and Nut,w/3 Holes, Straight Type, 2.61" Lgh. Center to Center of Large Holes, A727
	4095 310	1		F,G,B	A727
	3751 551	1		All	Throttle Control,w/3 Holes,Straight Type,2.40" Lgh. Center to Center of Large Holes, Blue
	4071 980	1		Y	
	4071 947	1		X,S	Throttle Control,w/3 Holes,Straight Type,2.40" Lgh. Center to Center of Large Holes, Red, A727
	2801 828	1		X,S	Manual Control, w/Console, A727
	3743 891	1		All	Manual Control, w/o Console, A727
	2538 064	1		X,S	Manual Control, w/Console, w/1/4" Hole at Rod End, A904
	4028 727	1		All	Manual Control, w/15/32" Hole at Rod End, A904
4	2466 954	1		All	GASKET, Trans. Extension
5	2466 882	1		All	SUPPORT, Output Shaft, A727
	2466 881	1		All	A904
6	4057 750	1		All	SWITCH, Trans. Neutral Starter and Back-Up Light, w/3 Prongs
	4266 085	1		All	SHIELD, Neutral Starter Safety Switch Heat, w/225 Eng.
7	2408 143	1		All	WASHER, Switch Mounting
8	3878 447	1		All	SEAL, Manual Valve Shaft
9	2400 389	1		All	SCREW, Kickdown Band Adjusting, A727
	1942 477	1		All	A904
		1		All	NUT, Lock,1/2"-20 (Not Serviced)
10	2204 728	1		All	COVER, Torque Converter Drain, w/318 Eng., A727
	2464 551	1		All	w/318 Eng., A904
11	6023 092	3		All	SCREW w/WA.
12	4202 953	1			INDICATOR, Oil Level
13	4028 308	1		All	TUBE, Oil Pan Oil Filler, w/318 Eng., A727
	4028 182	1		All	w/225 Eng.

**MODEL CODES**

B = GRAN FURY	G = DIPLOMAT	V = 400
C = LEBARON/TOWN & COUNTRY	M = HORIZON/TURISMO/SCAMP	X = MIRADA
D = ARIES	P = RELIANT	Y = IMPERIAL
E = 600	S = CORDOBA	Z = OMNI/CHARGER/RAMPAGE
F = FIFTH AVENUE	T = E CLASS/NEWYORKER	

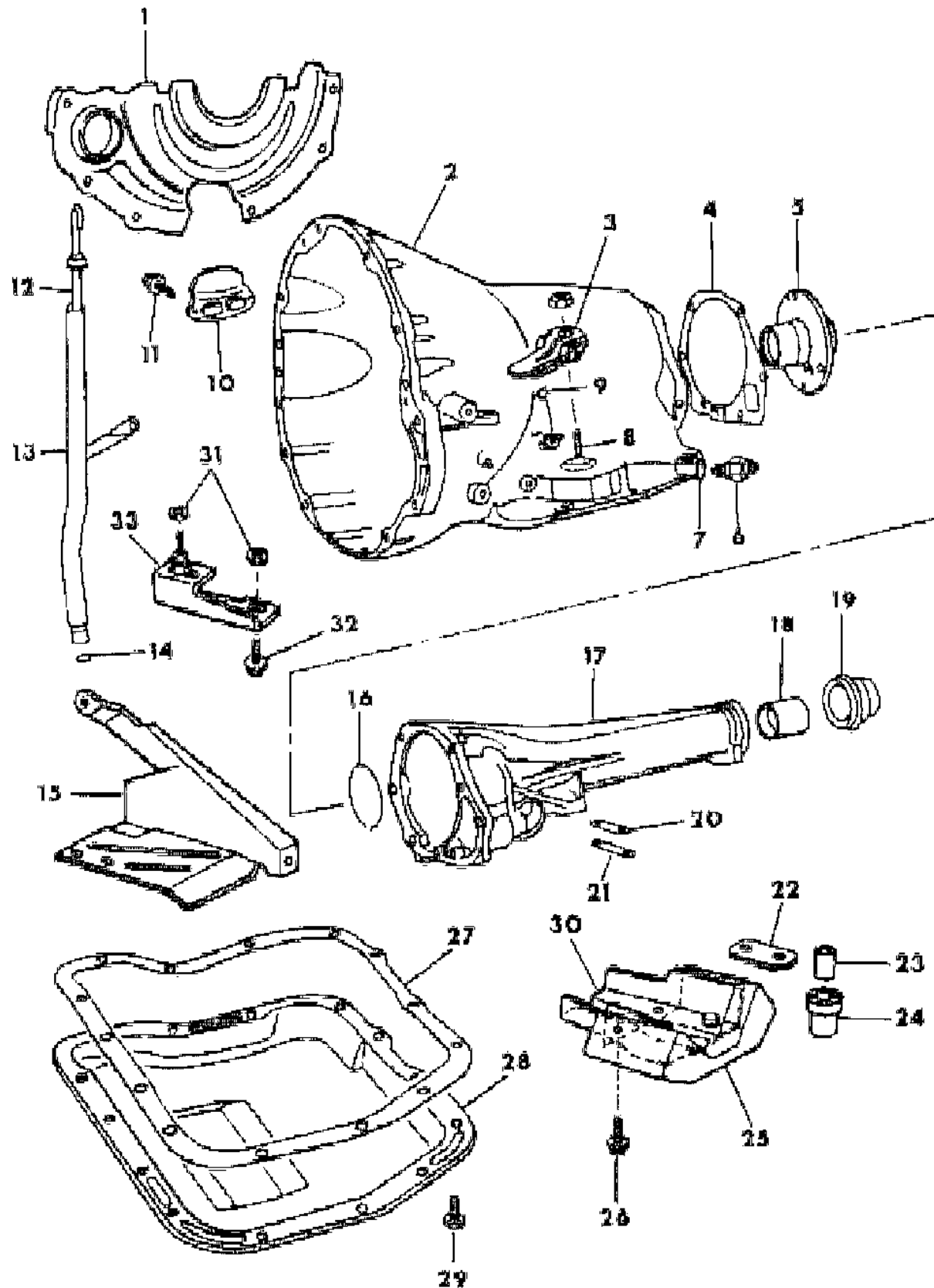
**BODY STYLES**

21 = 2-DOOR SEDAN	41 = 4-DOOR SEDAN
22 = 2-DOOR SPECIAL COUPE	45 = 4-DOOR STATION WAGON
24 = 2-DOOR HATCHBACK	44 = 4-DOOR HATCHBACK
27 = 2-DOOR CONVERTIBLE	48 = EXECUTIVE SEDAN
28 = FWD PICKUP	

AR = Use as Required - = Non Illustrated Part P.A.R. = Paint as Required

**AUTOMATIC TRANSMISSION-A727 AND A904 CASE AND EXTENSION**  
**Figure 21A-100**

31&1 105



ITEM	PART NUMBER	QTY	BODY	MODEL	DESCRIPTION
	4028 181	1	All		w/318 Eng., A904
14	1316 815	1	All		SEAL, Oil Filler Tube
15	1949 701	1	All		STRUT, Trans. to Cyl. Block, w/225 Eng., Lt.
	4071 089	1	All		Trans. to Cyl. Block, w/318 Eng., Lt.
	4058 479	1	All		Trans. to Cyl. Block, w/Heat Shield,w/318 Eng., 4 Bbl., Lt.
	4130 693	1	All		Trans. to Cyl. Block, w/318 Eng., Rt.
	4058 478	1	All		Trans. to Cyl. Block,w/Heat Shield,w/318 Eng.,Lt., A94-1
	6023 143	2	All		SCREW, Strut to Cyl. Block, 7/16"-14 x 1-1/8"
	0181 112	2	All		Strut to Cyl. Block, 3/8-16 x 1"
	6024 473	1	All		Strut to Case, Lt., 7/16"-14 x 2"
	6023 143	AR	All		Strut to Case, 7/16"-14 x 1-1/8"
16	2400 320	1	All		SNAP RING, Output Shaft Brg., Outer, A727
	2400 185	1	All		A904
17	4028 190	1	All		EXTENSION w/BUSHING, Trans. Extension, A727
	3780 230	1	All		EXTENSION, Case, A904
	6027 150	4	All		SCREW, 1-1/8" Lgh.
	6031 229	2	All		STUD
18	2801 724	1	All		BUSHING, Trans. Extension, A727
	2801 726	1	All		A904
19	3515 383	1	All		SEAL, Yoke, 2-1/2" O.D., A727
	4058 047	1	All		A904
20	2801 398	1	All		GASKET, Output Shaft Brg., Inspection Cover
21	2466 957	1	All		COVER, Output Shaft Brg., Inspection
	6028 022	2	All		SCREW
22	3681 614	1	F,G,B		PLATE, Damper Weight, A904
23	3681 189	2	All		SPACER, Damper Weight
24	3681 513	2	X,S		INSULATOR, Damper Weight, Orange, A727
	4058 014	2	E,T		A727 Police
	3681 514	2	F,G,B		Yellow, A904
	3681 512	2	X,S		Red, A904
25	3681 464	1	X,S		WEIGHT, Trans. Extension Damper, A727
	3681 564	1	X,S		w/225,318 Eng., w/o Hi-Perf., A904
	4028 383	1	F,G,B		WEIGHT w/SPACERS and INSULATORS, A904
	3743 669	1	X,S		WEIGHT w/SUPPORT, INSULATORS, SPACERS, BOLTS, NUTS, and WASHERS, A904
26	6032 047	2	X,S		BOLT, Damper Weight, 5/16-18 x 1-1/2"
	6032 046	2	X,S		WASHER, Damper Weight

**MODEL CODES**

B = GRAN FURY	G = DIPLOMAT	V = 400
C = LEBARON/TOWN & COUNTRY	M = HORIZON/TURISMO/SCAMP	X = MIRADA
D = ARIES	P = RELIANT	Y = IMPERIAL
E = 600	S = CORDOBA	Z = OMNI/CHARGER/RAMPAGE
F = FIFTH AVENUE	T = E CLASS/NEWYORKER	

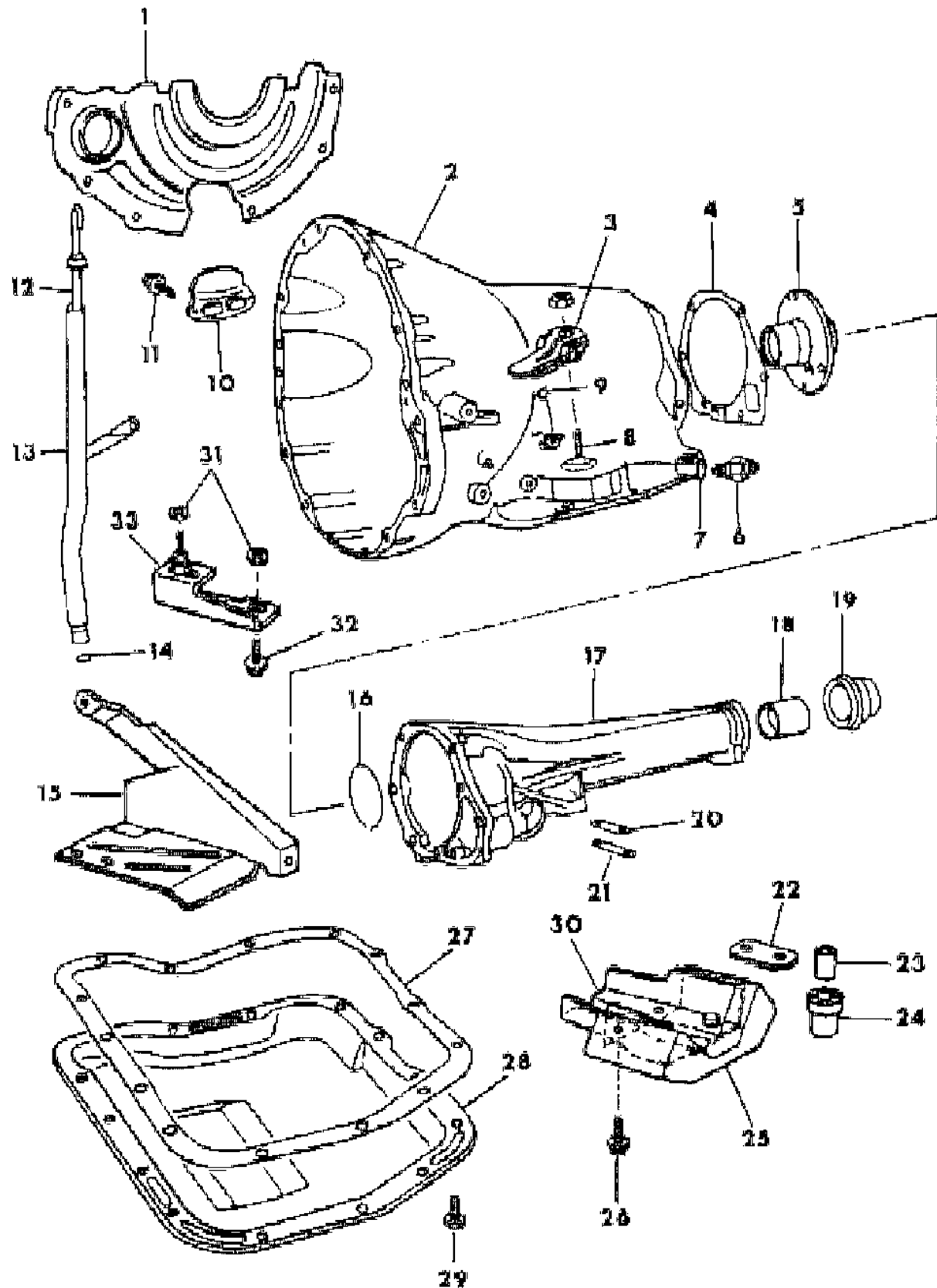
**BODY STYLES**

21 = 2-DOOR SEDAN	41 = 4-DOOR SEDAN
22 = 2-DOOR SPECIAL COUPE	45 = 4-DOOR STATION WAGON
24 = 2-DOOR HATCHBACK	44 = 4-DOOR HATCHBACK
27 = 2-DOOR CONVERTIBLE	48 = EXECUTIVE SEDAN
28 = FWD PICKUP	

AR = Use as Required - = Non Illustrated Part P.A.R. = Paint as Required

**AUTOMATIC TRANSMISSION-A727 AND A904 CASE AND EXTENSION**  
**Figure 21A-100**

31&1 100



ITEM	PART NUMBER	QTY	BODY	MODEL	DESCRIPTION
27	2464 324	1	All		GASKET, Trans. Oil Pan, A727
	2205 299	1	All		A904
28	4058 997	1	All		PAN w/PLUG, Trans. Oil, A727
	4202 005	1	All		A904
29	6023 355	14	All		SCREW, 5/16"-18 x 5/8"
30	3743 246	1	X,S		SUPPORT, Damper Weight, A904
31	3681 189	2	All		SPACER
32	0181 088	2	All		SCREW w/WA.
33	4028 635	1			BRACKET, Trans. Manual Low Blockout

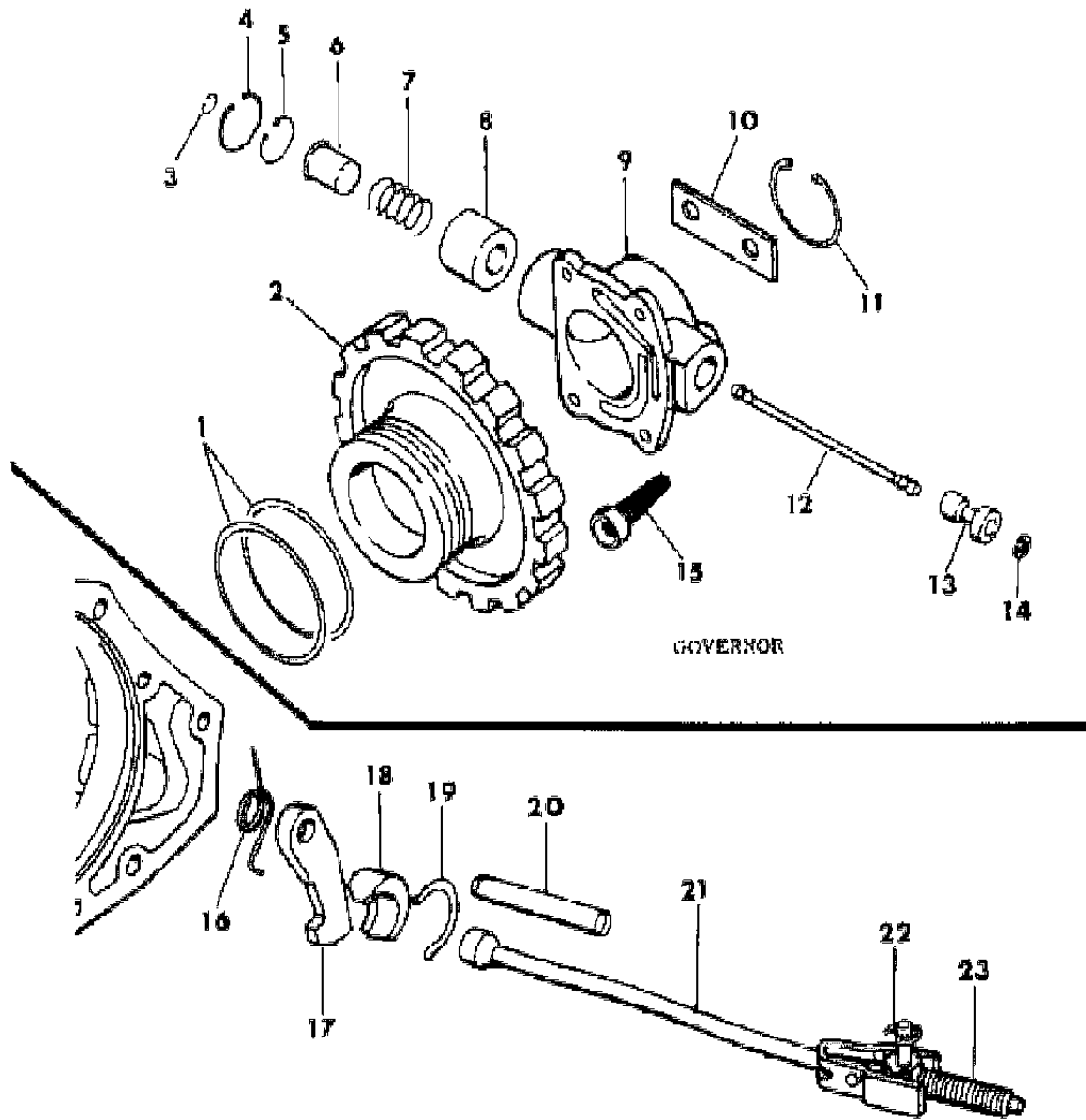
MODEL CODES  
 B = GRAN FURY  
 C = LEBARON/TOWN & COUNTRY  
 D = ARIES  
 E = 600  
 F = FIFTH AVENUE  
 G = DIPLOMAT  
 M = HORIZON/TURISMO/SCAMP  
 P = RELIANT  
 S = CORDOBA  
 T = E CLASS/NEWYORKER  
 V = 400  
 X = MIRADA  
 Y = IMPERIAL  
 Z = OMNI/CHARGER/RAMPAGE

BODY STYLES  
 21 = 2-DOOR SEDAN  
 22 = 2-DOOR SPECIAL COUPE  
 24 = 2-DOOR HATCHBACK  
 27 = 2-DOOR CONVERTIBLE  
 28 = FWD PICKUP  
 41 = 4-DOOR SEDAN  
 45 = 4-DOOR STATION WAGON  
 44 = 4-DOOR HATCHBACK  
 48 = EXECUTIVE SEDAN

AR = Use as Required - = Non Illustrated Part P.A.R. = Paint as Required

**AUTOMATIC TRANSMISSION-A727 AND A904 GOVERNOR AND PARKING LOCK**  
**Figure 21A-200**

3151 200



GOVERNOR

PARKING LOCK

ITEM	PART NUMBER	QTY	BODY	MODEL	DESCRIPTION
NOTE: The Seven Digit Transmission Assembly Part Number is Stamped on the Left Side of the Transmission Oil Pan. an offsetting order for part no. 3747881					
	4106 557	1			SEALS, GASKET and FILTER PACKAGE, A727 Consists of: 1 - ----- Speedo. Pinion Small Parts Pkg. 1 - ----- Filter, Gov. 1 - ----- Seal, Yoke (Large) 1 - ----- Gasket, Extension 1 - ----- Gasket, Output Shaft Brg. Cover
	4106 556	1			1 - ----- Seal, Oil Filter Tube 2 - ----- Ring Seal, Governor Support SEALS, GASKET and FILTER PACKAGE, Governor, A904 Consists of: 1 - ----- Speedo. Pinion Small Parts Pkg. 1 - ----- Filter, Governor 1 - ----- Seal, Yoke(Small) 1 - ----- Gasket, Extension 1 - ----- Gasket, Output Shaft Brg. Cover 1 - ----- Seal, Oil Filter Tube 2 - ----- RING SEAL, Governor Support
	4202 658	1			WEIGHT PACKAGE, Governor Consists of: 1- ----- WEIGHT, Inner 1- ----- WEIGHT, Outer 1- ----- SPRING
	4130 892	1			WEIGHT PACKAGE, Governor Consists of: 1- ----- WEIGHT, Inner 1- ----- WEIGHT, Outer 1- ----- SPRING
1	1942 109	2	All		RING, Gov. Support Seal, Frt. and Rr.
2	3743 517	1	All		SUPPORT, Gov., A727 .
	3743 518	1	All		A904 .
3	1638 461	2	All		SNAP RING, Gov. Valve Shaft
4	6025 031	1	All		SNAP RING, Gov. Weight, Outer
5	1636 464	1	All		SNAP RING, Gov. Weight, Inner
6					WEIGHT, Gov., Inner

MODEL CODES

B = GRAN FURY	G = DIPLOMAT	V = 400
C = LEBARON/TOWN & COUNTRY	M = HORIZON/TURISMO/SCAMP	X = MIRADA
D = ARIES	P = RELIANT	Y = IMPERIAL
E = 600	S = CORDOBA	Z = OMNI/CHARGER/RAMPAGE
F = FIFTH AVENUE	T = E CLASS/NEWYORKER	

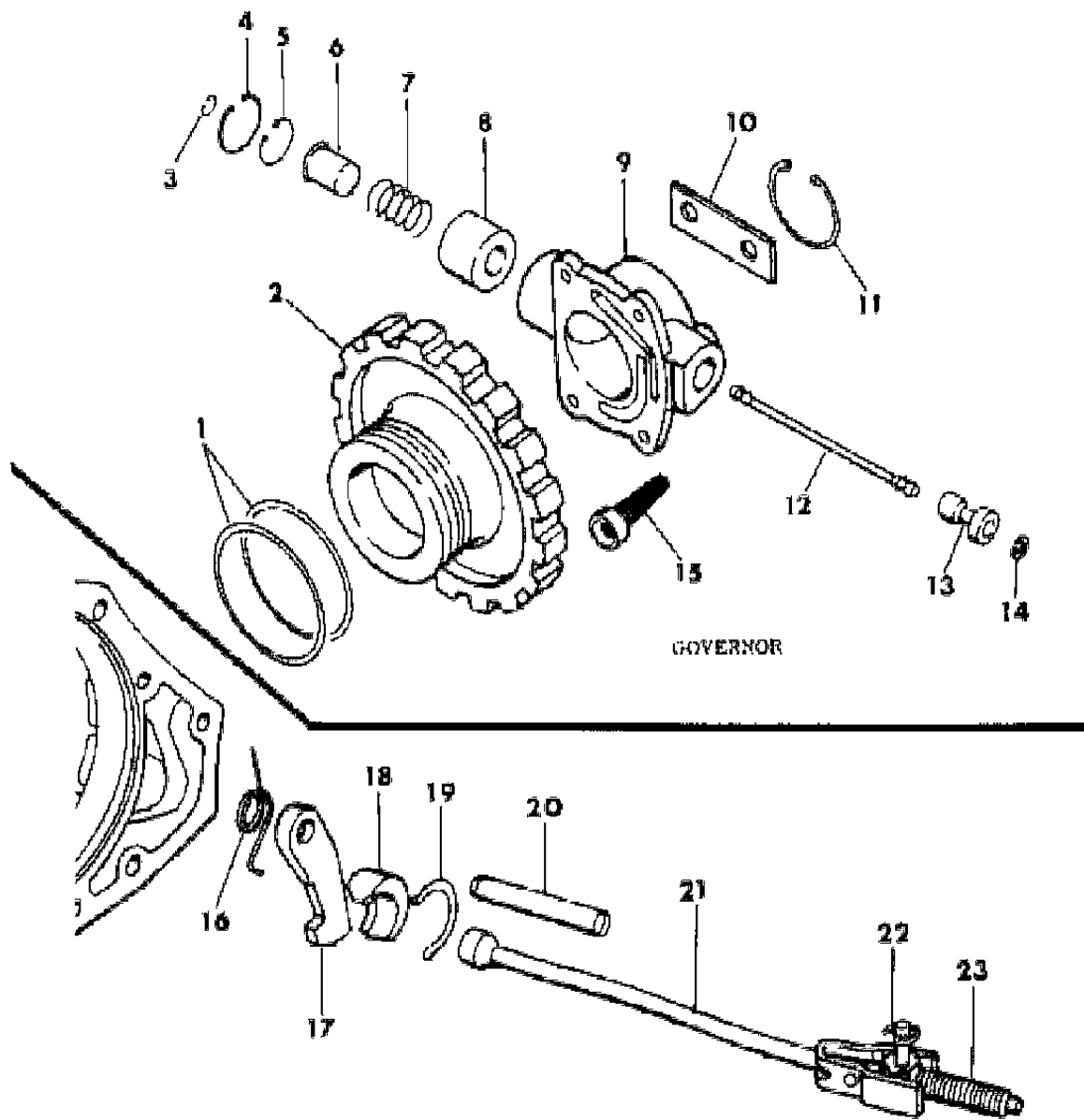
BODY STYLES

21 = 2-DOOR SEDAN	41 = 4-DOOR SEDAN
22 = 2-DOOR SPECIAL COUPE	45 = 4-DOOR STATION WAGON
24 = 2-DOOR HATCHBACK	44 = 4-DOOR HATCHBACK
27 = 2-DOOR CONVERTIBLE	48 = EXECUTIVE SEDAN
28 = FWD PICKUP	

AR = Use as Required - = Non Illustrated Part P.A.R. = Paint as Required

**AUTOMATIC TRANSMISSION-A727 AND A904 GOVERNOR AND PARKING LOCK**  
**Figure 21A-200**

3151 200



ITEM	PART NUMBER	QTY	BODY	MODEL	DESCRIPTION
		1		ALL	A727 Trans., (Serviced in Weight Package 4130892)
		1		ALL	A904 Trans., (Serviced in Weight Package 4202658)
7					SPRING, Gov. Weight
		1		ALL	A727 Trans., (Serviced in Weight Package 4130892)
		1		ALL	A904 Trans., (Serviced in Weight Package 4202658)
8					WEIGHT, Trans. Governor, Outer
		1		All	A727 Trans., (Serviced in Weight Package 4130892)
		1		All	A904 Trans., (Serviced in Weight Package 4202658)
9					BODY, Governor
	4186 875	1		All	A727 Trans.
	4186 874	1		All	A904 Trans.
	6031 613	4		All	BOLT, Trans. Governor Body
10	3743 520	2		All	LOCK, Gov. Body Bolt, Off-Set Type
11	6022 817	1		All	SNAP RING, Gov. Body, A727
	6027 271	1		All	A904
12	1556 082	1		All	SHAFT, Gov. Valve
13	3515 479	1		All	VALVE, Gov.
14	1638 461	2		All	SNAP RING, Gov. Valve Shaft
15	3743 519	1		All	FILTER, Trans. Governor
16	2466 909	1		All	SPRING, Trans. Parking Sprag
17	2801 157	1		All	SPRAG, Trans. Parking
18	2538 042	1		All	PLUG, Parking, Sprag Reaction
	9417 504	1		All	PIN, Parking Sprag Reaction Plug
19	2538 034	1		All	SNAP RING, Parking Sprag Reaction Plug
20	2466 892	1		All	SHAFT, Trans. Parking Sprag
21	2466 894	1		All	ROD ASSEMBLY, Parking Sprag, A727
	2466 906	1		All	A904
22	1626 749	1		All	E-RING, Rod Stud,
23		1		All	SPRING, Parking Rod(Serviced in Parking Sprag Rod Assy.)

MODEL CODES

B = GRAN FURY	G = DIPLOMAT	V = 400
C = LEBARON/TOWN & COUNTRY	M = HORIZON/TURISMO/SCAMP	X = MIRADA
D = ARIES	P = RELIANT	Y = IMPERIAL
E = 600	S = CORDOBA	Z = OMNI/CHARGER/RAMPAGE
F = FIFTH AVENUE	T = E CLASS/NEWYORKER	

BODY STYLES

21 = 2-DOOR SEDAN	41 = 4-DOOR SEDAN
22 = 2-DOOR SPECIAL COUPE	45 = 4-DOOR STATION WAGON
24 = 2-DOOR HATCHBACK	44 = 4-DOOR HATCHBACK
27 = 2-DOOR CONVERTIBLE	48 = EXECUTIVE SEDAN
28 = FWD PICKUP	

AR = Use as Required - = Non Illustrated Part P.A.R. = Paint as Required

**AUTOMATIC TRANSMISSION-A727 AND A904 SERVOS, ACCUMULATOR PISTON AND SPRING**  
**Figure 21A-300**

3151 300

ITEM	PART NUMBER	QTY	BODY	MODEL	DESCRIPTION
------	-------------	-----	------	-------	-------------

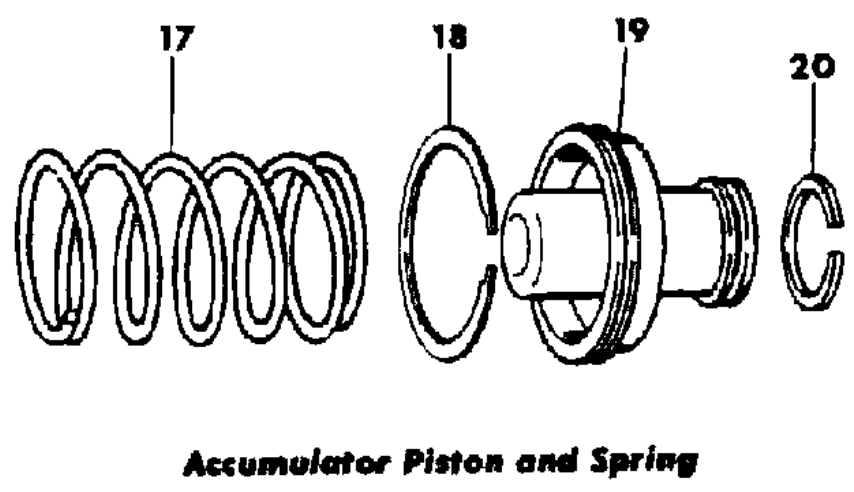
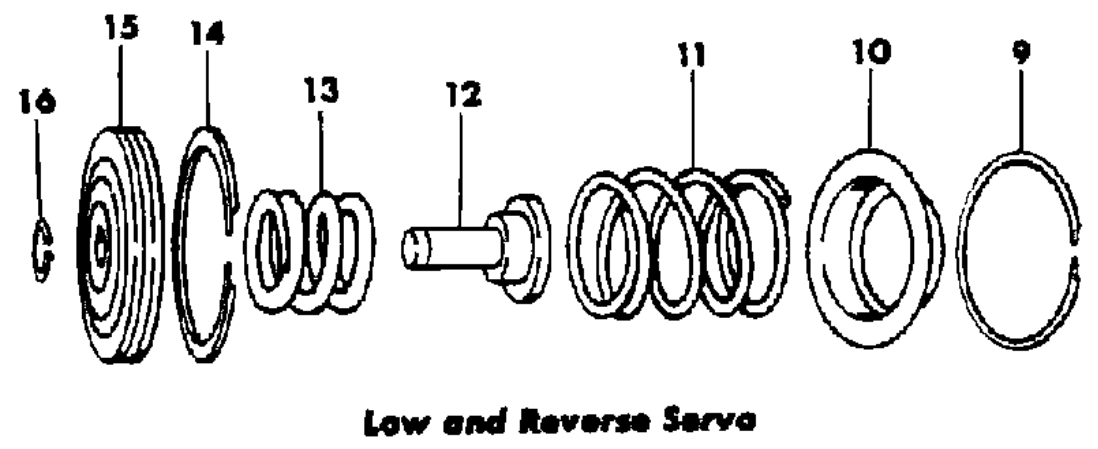
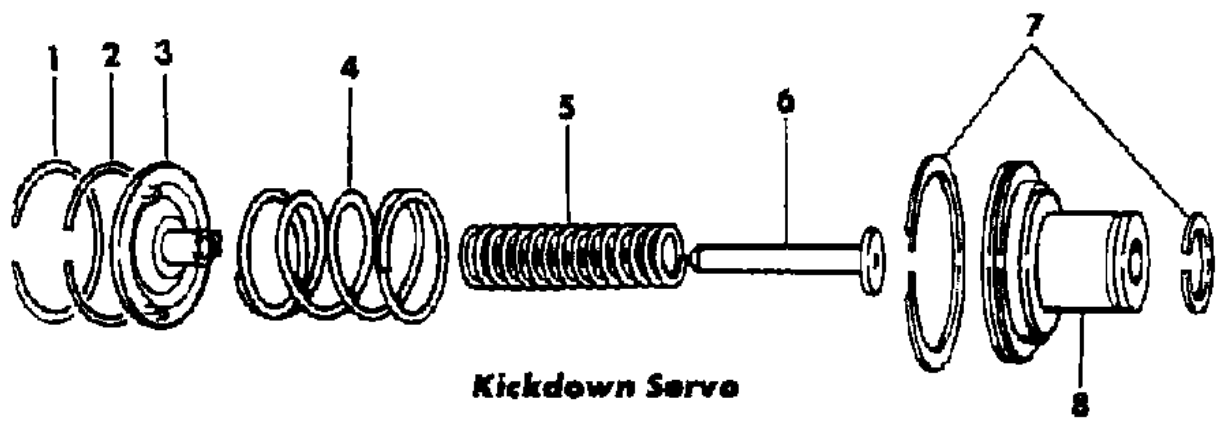
NOTE: The seven digit Transmission Assembly part number is stamped on the left side of the Transmissin Oil Pan Rail. an offsetting order for part no. 3747881

1	1942 130	1		All	SNAP RING, Kickdown Servo Guide, A727
	1942 486	1		All	2-1/4" I.D., A904
	6028 863	1		All	2-3/8" I.D., A904
2	1942 123	1		All	RING, Kickdown Servo Guide Seal, A727
	1636 470	1		All	2-1/8" O.D., A904
	3410 372	1		All	2-3/8" O.D., A904
	3410 441	1		All	GUIDE, Kickdown Servo, A727
3	1942 485	1		All	w/4202662,663,664 Trans. A904
	3410 332	1		All	w/4202675,729,4058398,383,4295887 Trans., A904
	3410 518	1		All	SPRING, Kickdown Servo Piston, Outer,5 Coils,1-19/64" Lgh., A727
	4058 885	1		All	4.5 Coils, 1-3/4" O.D., w/4202675,729,4058398,4295887 Trans., A904
4	4058 945	1		All	4.6 Coils, 1-5/8" O.D., w/4202662,663,664 Trans. A904
	4202 653	1		All	w/4058383 Trans. A904
	3410 444	1		All	SPRING, Kickdown Servo Piston, Inner, 6 Coils, A727
5	3410 444	1		All	SPRING, Kickdown Servo Piston, Inner, 6 Coils, A727
	6	1		All	ROD, Kickdown Servo Piston,(Serviced in 3410445 Piston Assy.), A727
	4058 780	1		All	w/4202675,729,4058398,383,4295887 Trans., A904
	4058 943	1		All	w/4202662,663,664 Trans. A904
	2124 851	1		All	RING, Kickdown Servo Piston Seal, Small, A727
	1942 123	1		All	Large, A727
	1824 541	1		All	Small, 1-1/4" O.D., A904
6	3410 374	1		All	Small, 1" O.D., A904
	1636 470	1		All	Large, 2-1/8" O.D., A904
	3410 372	1		All	Large, 2-3/8" OD., A904
	3410 440	1		All	PISTON, Trans. Kicdown Servo, A727
	3410 445	1		All	Inner,w/Rod and Seal, A727
	4058 942	1		All	w/4202662,663,664 Trans. A904
	4058 777	1		All	w/4202675,729,4058398,383,4295887 Trans., A904
3410 437	1		All	RETAINER, Kickdown Piston, Inner, A727	
7	6028 864	1		All	SEAL, Inner, 15/16" x 1-1/8" x 3/32", A727
	6028 864	1		All	15/16"-1 x 3/32", A904
	6031 410	1		All	13/16"-1" x 3/32", A904
	6024 336	1		All	SNAP RING, Inner, 1-1/8" I.D., A727

MODEL CODES  
 B = GRAN FURY  
 C = LEBARON/TOWN & COUNTRY  
 D = ARIES  
 E = 600  
 F = FIFTH AVENUE  
 G = DIPLOMAT  
 M = HORIZON/TURISMO/SCAMP  
 P = RELIANT  
 S = CORDOBA  
 T = E CLASS/NEWYORKER  
 V = 400  
 X = MIRADA  
 Y = IMPERIAL  
 Z = OMNI/CHARGER/RAMPAGE

BODY STYLES  
 21 = 2-DOOR SEDAN  
 22 = 2-DOOR SPECIAL COUPE  
 24 = 2-DOOR HATCHBACK  
 27 = 2-DOOR CONVERTIBLE  
 28 = FWD PICKUP  
 41 = 4-DOOR SEDAN  
 45 = 4-DOOR STATION WAGON  
 44 = 4-DOOR HATCHBACK  
 48 = EXECUTIVE SEDAN

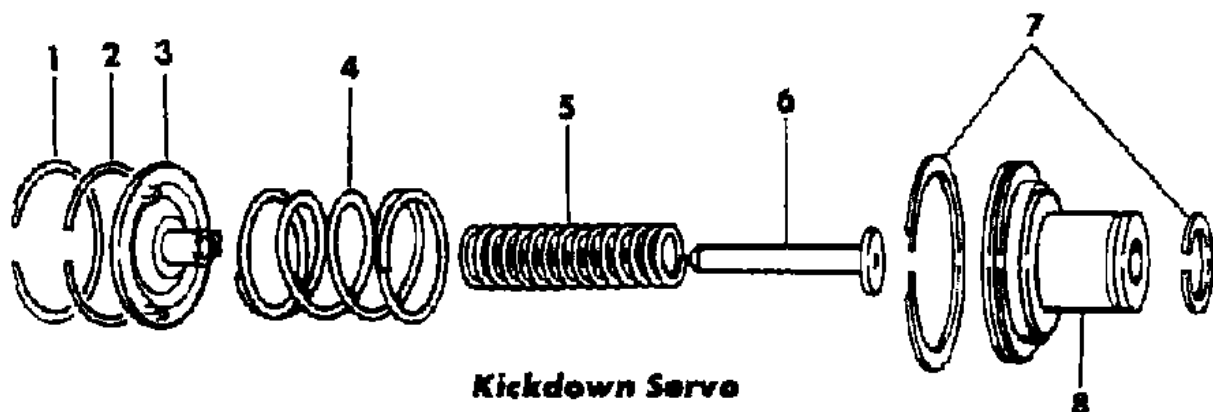
AR = Use as Required - = Non Illustrated Part P.A.R. = Paint as Required



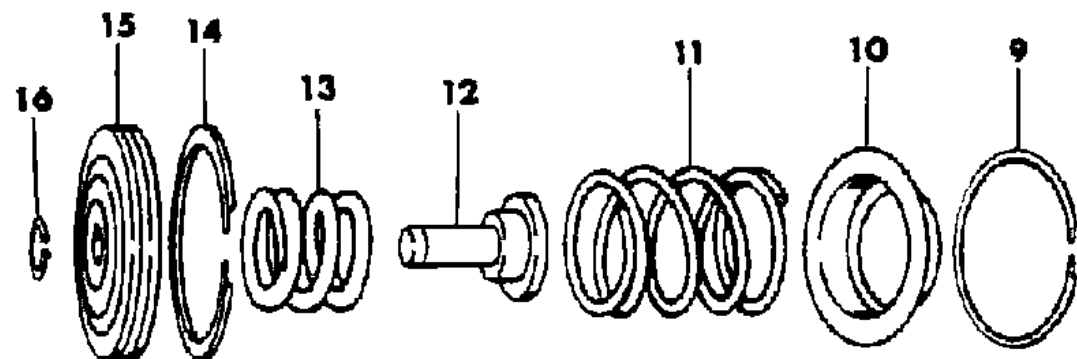
**AUTOMATIC TRANSMISSION-A727 AND A904 SERVOS, ACCUMULATOR PISTON AND SPRING**  
**Figure 21A-300**

3151 300

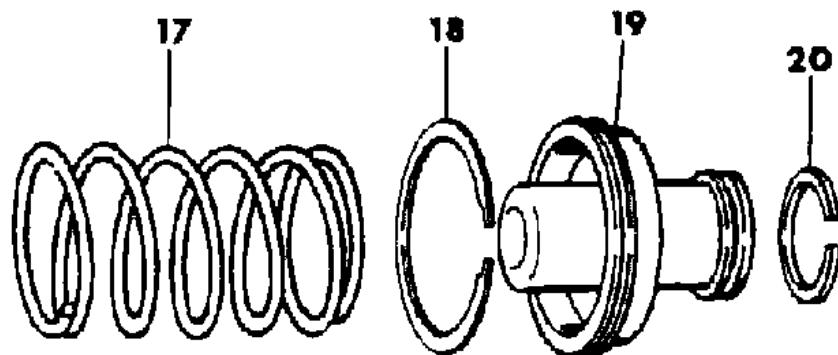
ITEM	PART NUMBER	QTY	BODY	MODEL	DESCRIPTION
	6024 336	1		All	w/4202675,729,4058398,383,4295887 Trans., A904
	6025 031	1		All	w/4202662,663,664 Trans., A904
9	1942 130	1		All	SNAP RING, Reverse Servo Piston Spring Retainer, A727
	2464 464	1		All	A904
10	1942 150	1		All	RETAINER, Reverse Servo Piston, A727
	2464 463	1		All	A904
11	2801 241	1		All	SPRING, Reverse Servo Piston, A727
	2801 274	1		All	A904
12	3743 353	1		All	PLUG, Reverse Servo Piston, A727
	3780 281	1		All	w/4202662,663,664 Trans. A904
	3743 353	1		All	w/4202675,729,4058398,383,4295887 Trans., A904
13	3743 580	1		All	SPRING, Reverse Servo Cushion, A727
	3743 580	1		All	w/4202662,663,664 Trans., A904
	4130 824	1		All	w/4202675,729,4058398,383,4295887 Trans., A904
14	4058 741	1		All	SEAL, Reverse Servo Piston, A727
	4202 864	1		All	A904
15	2801 281	1		All	Piston, Reverse Servo, A727
	2801 271	1		All	A904
16	6027 153	1		All	RING, Reverse Servo Piston Plug, 7/16" I.D., A727
	6027 153	1		All	A904
17	3515 079	1		All	SPRING, Accumulator, Lower, A727
	3515 079	1		All	7 Coils, 1-3/64", A904
18	1315 158	1		All	RING, Accumulator Piston Seal, Large
19	3410 908	1		All	PISTON, Trans. Accumulator
20	4269 592	1		All	RING, Accumulator Piston Seal, Small



**Kickdown Servo**



**Low and Reverse Servo**



**Accumulator Piston and Spring**

**MODEL CODES**

B = GRAN FURY	G = DIPLOMAT	V = 400
C = LEBARON/TOWN & COUNTRY	M = HORIZON/TURISMO/SCAMP	X = MIRADA
D = ARIES	P = RELIANT	Y = IMPERIAL
E = 600	S = CORDOBA	Z = OMNI/CHARGER/RAMPAGE
F = FIFTH AVENUE	T = E CLASS/NEWYORKER	

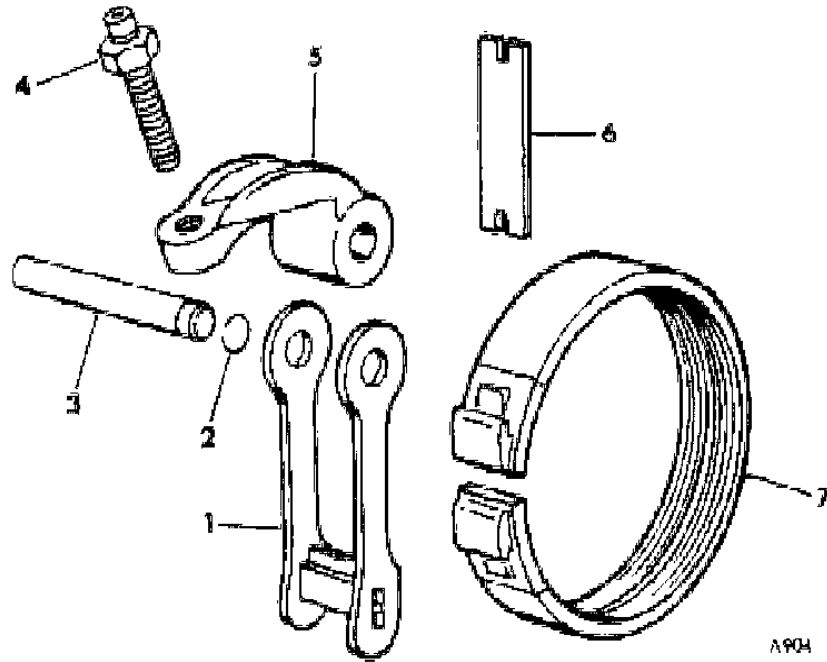
**BODY STYLES**

21 = 2-DOOR SEDAN	41 = 4-DOOR SEDAN
22 = 2-DOOR SPECIAL COUPE	45 = 4-DOOR STATION WAGON
24 = 2-DOOR HATCHBACK	44 = 4-DOOR HATCHBACK
27 = 2-DOOR CONVERTIBLE	48 = EXECUTIVE SEDAN
28 = FWD PICKUP	

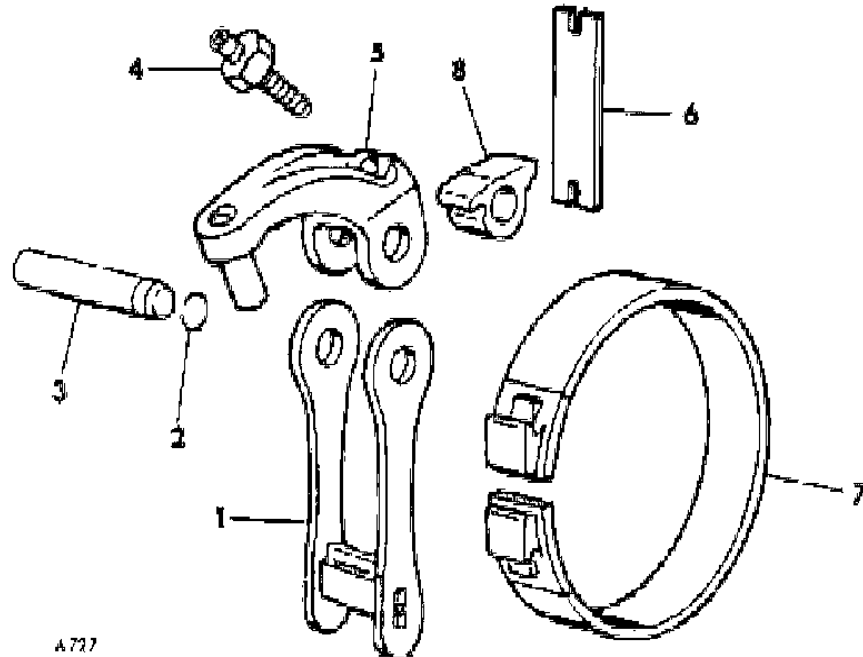
AR = Use as Required - = Non Illustrated Part P.A.R. = Paint as Required

**AUTOMATIC TRANSMISSION-A727 AND A904 REVERSE AND KICKDOWN BAND AND LINKAGE**  
**Figure 21A-400**

3151 400



A904



A727

ITEM	PART NUMBER	QTY	BODY	MODEL	DESCRIPTION
NOTE: The seven digit Transmission Assembly part number is stamped on the left side of the Transmission Oil Pan Rail. an offsetting order for part no. 3747881					
1	2464 439	1		All	LINK w/ANCHOR, Reverse Band,w/4202662,663,664 Trans., A904
	2204 820	1		All	A727
2	3879 919	1		All	SEAL PKG., Reverse Band Shaft, A904
	6030 657	1		All	SEAL, Reverse Band Shaft, A904
	6030 657	1		All	Reverse Band Reaction Shaft, A904
	6030 910	1		All	"O" RING, Reverse Band Shaft, A727
3	3410 102	1		All	SHAFT, Reverse Band Lever, A904
	3410 102	1		All	Reverse Band Reaction,w/4202675,729,4058398,383,4295887 Trans., A904
	2124 857	1		All	Reverse Band, A727
	1942 132	1		All	Kickdown
4	6030 704	1		All	SCREW, Reverse Band Adj., 7/16"-20 x 2" Lgh.,A904
	2538 472	1		All	3/8"-24, A904
	1942 141	1		All	A727
	1942 477	1		All	Kickdown Band Adj., A904
	2400 389	1		All	A727
	0272 235	1		All	NUT, Reverse Band Adj. Screw Lock, 7/16"-20
	0114 942	1		All	3/8"-24, A904
5	3681 139	1		All	LEVER,Reverse Band,w/4202662,663,664 Trans., A904
	2801 815	1		All	w/STEM,w/4202675,729,4058398,383,4295887 Trans., A904
	1942 137	1		All	A727
6	3515 084	1		All	STRUT, Kickdown Band, A904
	2124 848	1		All	A727
	3515 589	1		All	Reverse Band,w/4202662,663,664 Trans., A904
	2204 823	1		All	A727
7	4058 863	1		All	BAND, Trans. Kickdown, A904
	3621 491	1		All	A727
	4130 981	1		All	Reverse, w/4202675,729,4058398,383,4295887 Trans., A904
	4202 040	1		All	w/4202662,663,664 Trans., A904
	1942 133	1		All	A727
8	2204 952	1		All	LEVER, Kickdown Band, 2.9 Ratio stamped on part, A904 and A727
	2124 666	1		All	3.2 Ratio stamped on part, w/4202675,729,4295887 Trans., A904

MODEL CODES

B = GRAN FURY	G = DIPLOMAT	V = 400
C = LEBARON/TOWN & COUNTRY	M = HORIZON/TURISMO/SCAMP	X = MIRADA
D = ARIES	P = RELIANT	Y = IMPERIAL
E = 600	S = CORDOBA	Z = OMNI/CHARGER/RAMPAGE
F = FIFTH AVENUE	T = E CLASS/NEWYORKER	

BODY STYLES

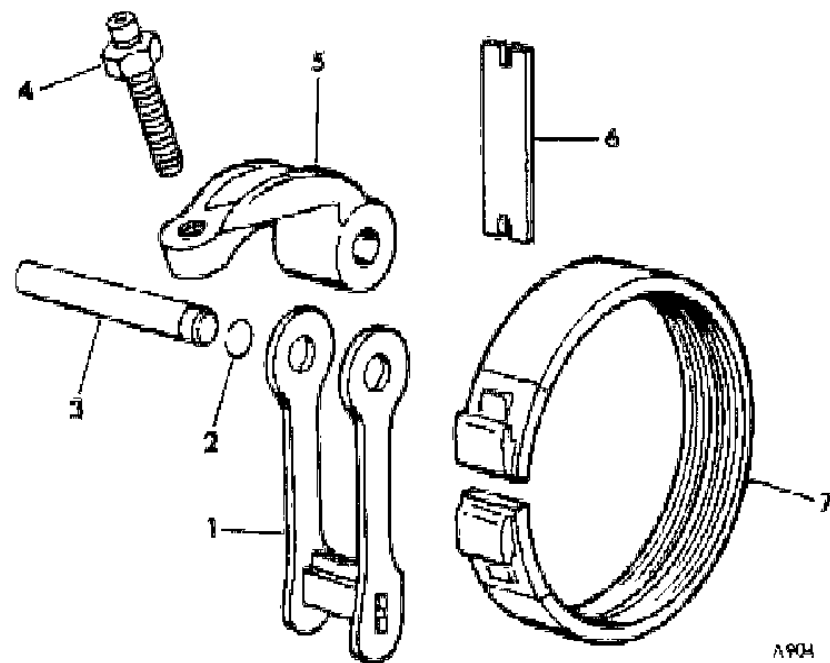
21 = 2-DOOR SEDAN	41 = 4-DOOR SEDAN
22 = 2-DOOR SPECIAL COUPE	45 = 4-DOOR STATION WAGON
24 = 2-DOOR HATCHBACK	44 = 4-DOOR HATCHBACK
27 = 2-DOOR CONVERTIBLE	48 = EXECUTIVE SEDAN
28 = FWD PICKUP	

AR = Use as Required - = Non Illustrated Part P.A.R. = Paint as Required

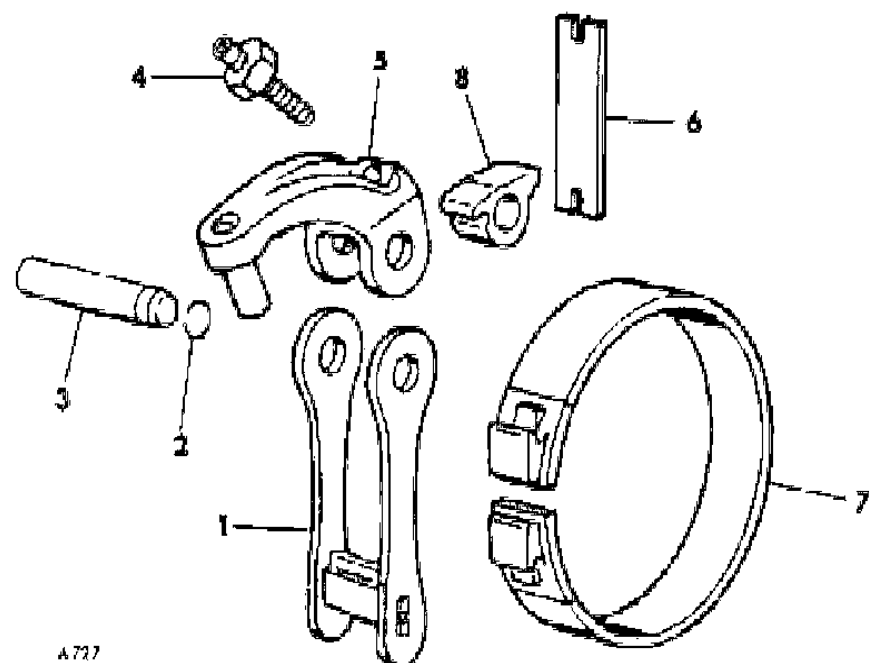


**AUTOMATIC TRANSMISSION-A727 AND A904 REVERSE AND KICKDOWN BAND AND LINKAGE**  
**Figure 21A-400**

3151 400



ITEM	PART NUMBER	QTY	BODY	MODEL	DESCRIPTION
	2125 067	1		All	3.8 Ratio stamped on part, w/4202662,663,4058398 Trans., A904
	2124 579	1		All	4.2 Ratio stamped on part, w/4202664 Trans., A904
	3515 116	1		All	w/4058383 Trans., A904
	3515 347	1		All	Reverse Band, Short, A727
	3743 338	1		All	ANCHOR, Kickdown Band, A727 (not illustrated)



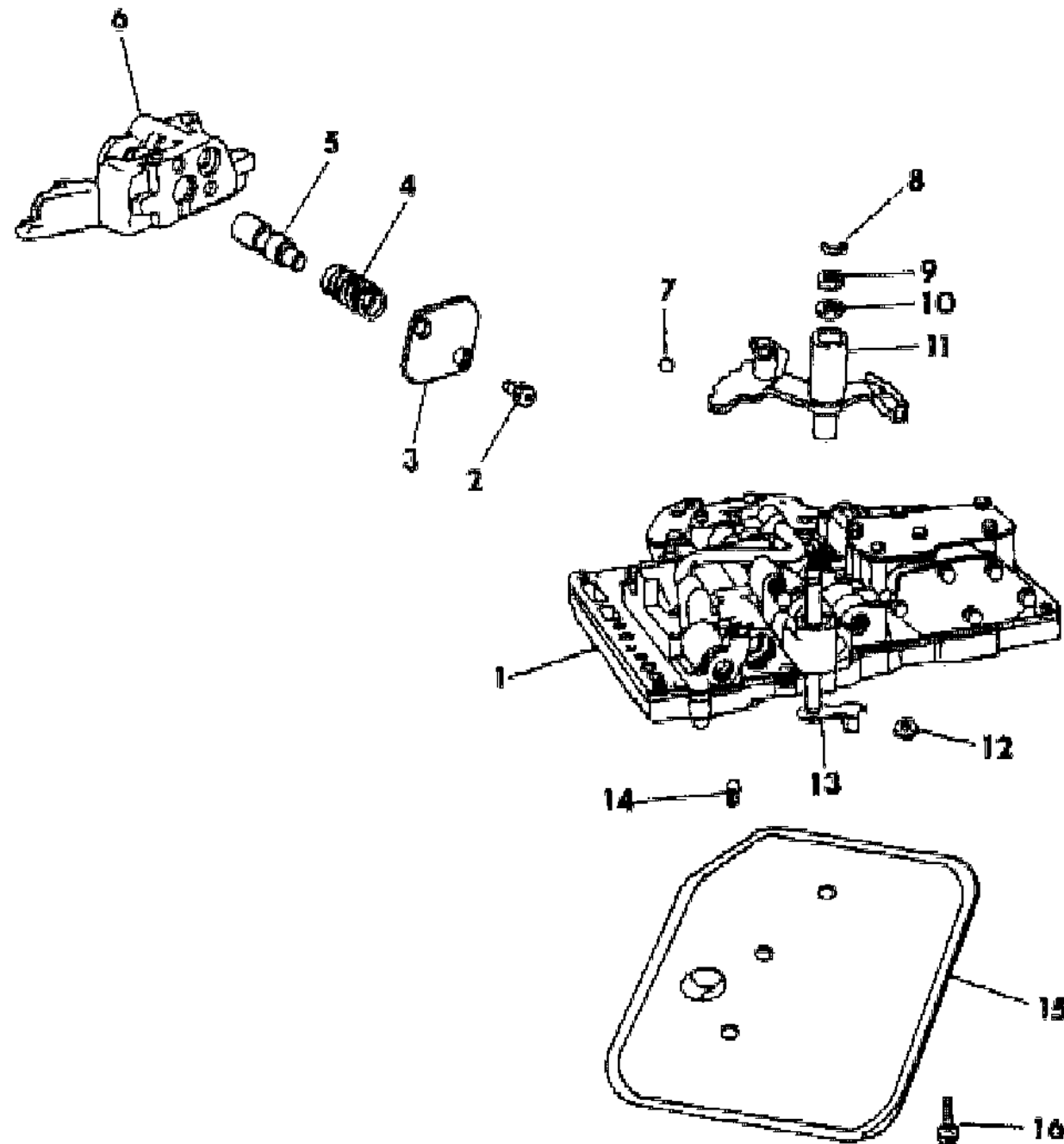
MODEL CODES  
 B = GRAN FURY  
 C = LEBARON/TOWN & COUNTRY  
 D = ARIES  
 E = 600  
 F = FIFTH AVENUE  
 G = DIPLOMAT  
 M = HORIZON/TURISMO/SCAMP  
 P = RELIANT  
 S = CORDOBA  
 T = E CLASS/NEWYORKER  
 V = 400  
 X = MIRADA  
 Y = IMPERIAL  
 Z = OMNI/CHARGER/RAMPAGE

BODY STYLES  
 21 = 2-DOOR SEDAN  
 22 = 2-DOOR SPECIAL COUPE  
 24 = 2-DOOR HATCHBACK  
 27 = 2-DOOR CONVERTIBLE  
 28 = FWD PICKUP  
 41 = 4-DOOR SEDAN  
 45 = 4-DOOR STATION WAGON  
 44 = 4-DOOR HATCHBACK  
 48 = EXECUTIVE SEDAN

AR = Use as Required - = Non Illustrated Part P.A.R. = Paint as Required

**AUTOMATIC TRANSMISSION-A727 AND A904 VALVE BODY**  
**Figure 21A-500**

3151 500



ITEM	PART NUMBER	QTY	BODY	MODEL	DESCRIPTION
NOTE: The seven digit Transmission Assembly Part Number is stamped on the left side of the Transmission Oil Pan Rail. an offsetting order for part no. 3747881					
	4057 013	1			SEALS and GASKET PACKAGE, Valve Body and Servo, A727 Consists of: 1 - ----- Screen, Reg. Valve 1 - ----- Seal, Manual Valve Shaft 1 - ----- Seal, Kickdown Inner Piston 1 - ----- Seal, Reverse Band Lever Shaft 1 - ----- Seal, Reverse Servo Piston 1 - ----- Seal, Throttle Lever Shaft 1 - ----- Gasket, Oil Pan 1 - ----- Ring Seal, Kickdown Servo Piston, Small 2 - ----- Ring Seal, Kickdown Servo Piston and Guide 1 - ----- Ring Seal, Accumulator Piston, Small 1 - ----- Ring Seal, Accumulator Piston, Large 1 - ----- Filter, Oil
	4205 872	1			SEALS and GASKET PACKAGE, Valve Body and Servo, A904 Consists of: 1 - ----- Screen, Reg. Valve 1 - ----- Seal, Manual Valve Shaft 1 - ----- Seal, Reverse Band Lever Shaft 1 - ----- Seal, Reverse Servo Piston 1 - ----- Seal, Throttle Lever Shaft 1 - ----- Gasket, Oil Pan 1 - ----- Ring Seal, Kickdown Servo Piston, Small 1 - ----- Ring Seal, Kickdown Servo Piston, Small 2 - ----- Ring Seal, Kickdown Servo Piston, Large 2 - ----- Ring Seal, Kickdown Servo Piston, Large 1 - ----- Ring Seal, Accumulator, Small 1 - ----- Ring Seal, Accumulator, Large 1 - ----- Filter, Oil
1	4202 578	1	All		VALVE BODY, w/TRANSFER PLATE w/A727 Trans.
	4202 635	1	All		w/4202675,729 Trans., A904
	4202 634	1	All		w/4058398 Trans., A904
	4202 637	1	All		w/4202662,664, Trans., A904
	4202 781	1	All		w/4202663 Trans., A904

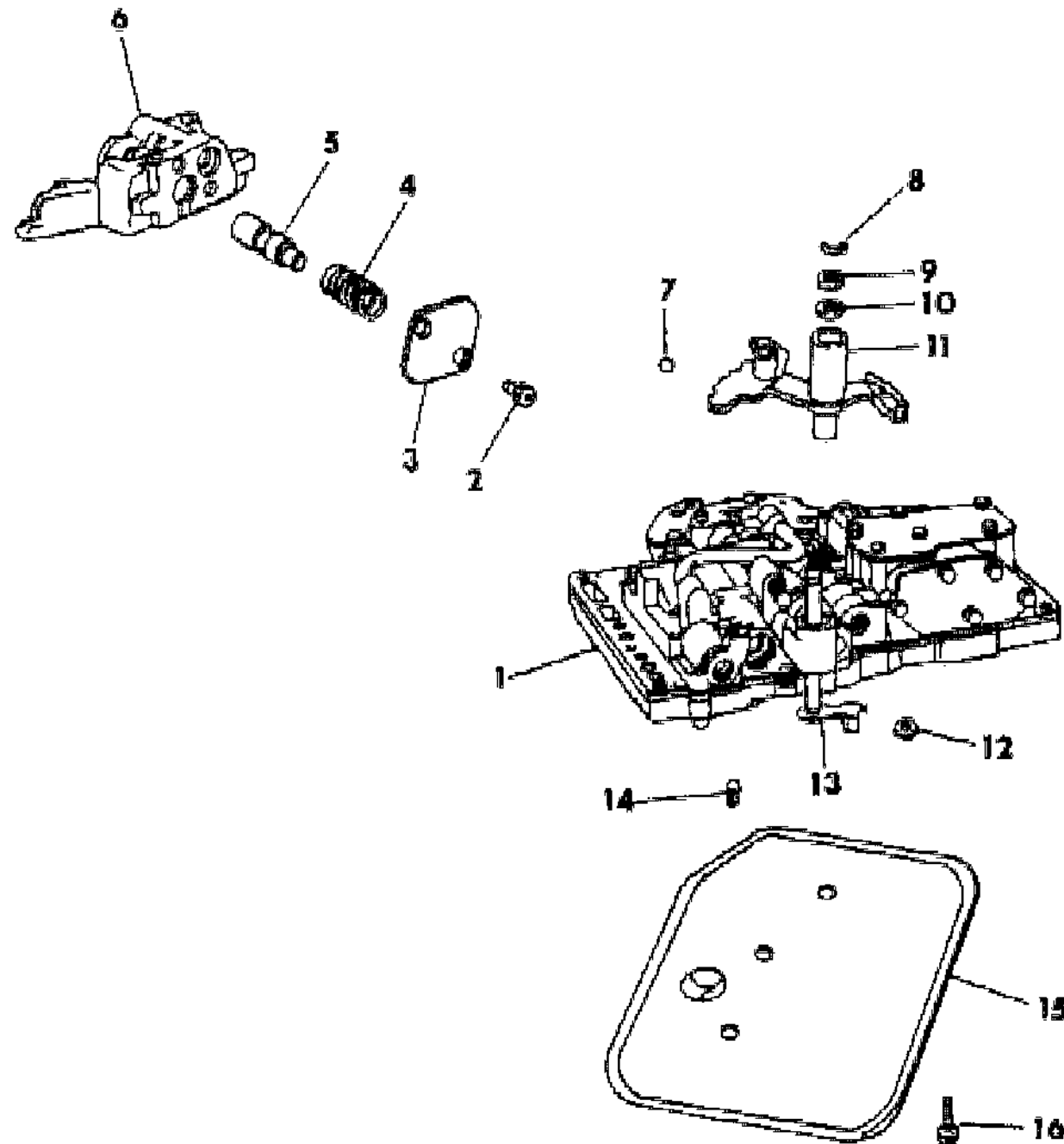
MODEL CODES  
 B = GRAN FURY  
 C = LEBARON/TOWN & COUNTRY  
 D = ARIES  
 E = 600  
 F = FIFTH AVENUE  
 G = DIPLOMAT  
 M = HORIZON/TURISMO/SCAMP  
 P = RELIANT  
 S = CORDOBA  
 T = E CLASS/NEWYORKER  
 V = 400  
 X = MIRADA  
 Y = IMPERIAL  
 Z = OMNI/CHARGER/RAMPAGE

BODY STYLES  
 21 = 2-DOOR SEDAN  
 22 = 2-DOOR SPECIAL COUPE  
 24 = 2-DOOR HATCHBACK  
 27 = 2-DOOR CONVERTIBLE  
 28 = FWD PICKUP  
 41 = 4-DOOR SEDAN  
 45 = 4-DOOR STATION WAGON  
 44 = 4-DOOR HATCHBACK  
 48 = EXECUTIVE SEDAN

AR = Use as Required - = Non Illustrated Part P.A.R. = Paint as Required

**AUTOMATIC TRANSMISSION-A727 AND A904 VALVE BODY**  
**Figure 21A-500**

3151 500



ITEM	PART NUMBER	QTY	BODY	MODEL	DESCRIPTION
	4202 636	1		All	w/4058383 Trans., A904
	4295 888	1		All	w/4295887 Trans., A904
2	6030 888	2		All	SCREW, Lock Up Valve Body Cover
3				All	COVER (Serviced in Valve Body)
4	4202 672	1		All	SPRING, Trans. Lock Up Valve A904
5	4202 474	1		All	VALVE, Trans. Switch
6					BODY, (Serviced in Valve Body)
7	0147 488	1			BALL, Manual Valve Lvr. Detent
8	6025 857	1		All	"E" RING, Throttle Valve Lever Shaft
9	2538 062	1		All	WASHER, Throttle Valve Lever Shaft
10	2466 548	1		All	SEAL, Throttle Valve Lever Shaft
11	3410 484	1		All	LEVER w/INSULATOR, Manual Valve
12	3878 447	1		All	SEAL, Manual Valve Shaft
13	3681 227	1		All	LEVER, Throttle Valve
14	3878 313	1		All	SCREEN, Regulator Valve
15	3515 996	1		All	FILTER or STRAINER, Trans. Oil
16	6030 895	AR		All	SCREW, Oil Filter

**MODEL CODES**

B = GRAN FURY	G = DIPLOMAT	V = 400
C = LEBARON/TOWN & COUNTRY	M = HORIZON/TURISMO/SCAMP	X = MIRADA
D = ARIES	P = RELIANT	Y = IMPERIAL
E = 600	S = CORDOBA	Z = OMNI/CHARGER/RAMPAGE
F = FIFTH AVENUE	T = E CLASS/NEWYORKER	

**BODY STYLES**

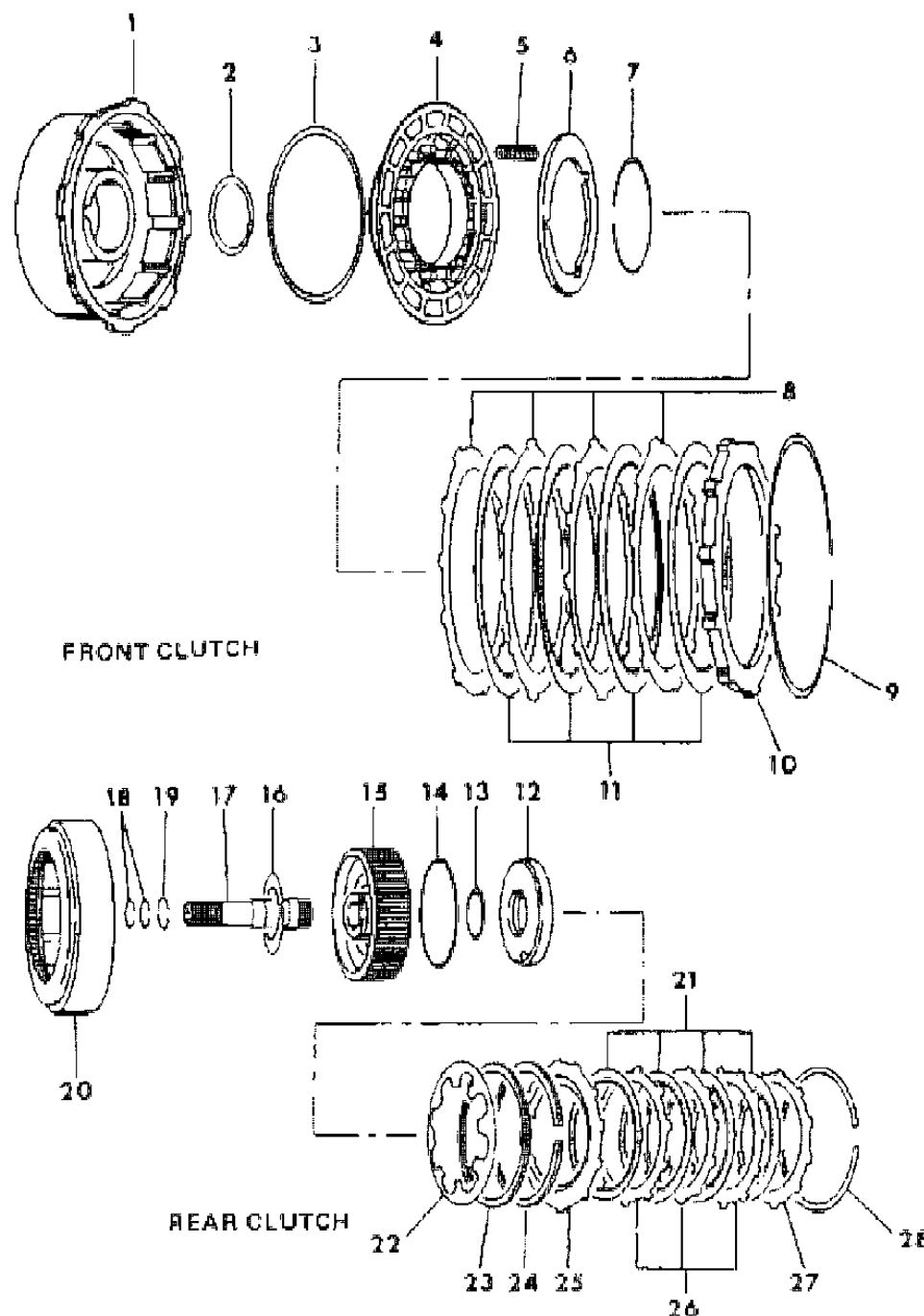
21 = 2-DOOR SEDAN	41 = 4-DOOR SEDAN
22 = 2-DOOR SPECIAL COUPE	45 = 4-DOOR STATION WAGON
24 = 2-DOOR HATCHBACK	44 = 4-DOOR HATCHBACK
27 = 2-DOOR CONVERTIBLE	48 = EXECUTIVE SEDAN
28 = FWD PICKUP	

AR = Use as Required - = Non Illustrated Part P.A.R. = Paint as Required

# AUTOMATIC TRANSMISSION-A727 CLUTCH-FRONT AND REAR GEAR TRAIN

## Figure 21A-600

3151 600



ITEM	PART NUMBER	QTY	BODY	MODEL	DESCRIPTION
NOTE: The seven digit Transmission Assembly Part Number is stamped on the left side of the Transmission Oil Pan Rail. an offsetting order for part no. 3747881					
1	4106 590	1			SEALS and WASHER PACKAGE, Frt. and Rr. Clutch
	4058 648	1	All		RETAINER w/BUSHING, Frt. Clutch
	4058 647	1	All		BUSHING, Frt. Clutch Retainer
2	3410 226	1	All		SEAL, Frt. Clutch Piston, Inner
3	4058 484	1	All		SEAL, Frt. Clutch Piston, Outer
4	2464 651	1	All		PISTON, Frt. Clutch
	0147 483	1	All		BALL, 3/16"
5	2801 243	AR	All		SPRING, Frt. Clutch Piston
6	2801 949	1	All		RETAINER, Frt. Clutch Piston Spring .
	0147 483	1	All		BALL, 3/16"
7	2124 824	1	All		SNAP RING, Frt. Clutch, Inner, .060" Thk., 3" I.D..
8	2124 826	3	All		PLATE, Frt. Clutch
9	3410 570	1	All		SNAP RING, Frt. Clutch, .050" Thk., 7-8/64" O.D.
10	2801 961	1	All		PLATE, Trans. Frt. Clutch Pressure
11	2801 167	AR	All		DISC, Trans. Frt. Clutch
12	3743 624	1	All		PISTON, Rear Clutch
	0147 483	1	All		BALL, 3/16"
13	1942 054	1	All		SEAL, Rr. Clutch Piston, Inner
14	2124 835	1	All		SEAL, Rr. Clutch Piston, Outer
15	4028 299	1	All		RETAINER, Rr. Clutch Piston
	4058 443	1	All		SEAL, Ring
16	2204 622	1	All		WASHER, Frt. Clutch Thrust, Rr.
17	4058 035	1	All		SHAFT, Trans. Input
	3681 709	1	All		BUSHING
	0147 488	1	All		BALL, 11/32"
18	2801 054	2	All		SEAL, Input Shaft
19	2124 872	1	All		SNAP RING, Rr. Clutch Piston Retainer, 1-31/64" O.D., .060" Thk.
20	3743 622	1	All		RETAINER, Rear Clutch
21	2801 992	4	All		DISC, Rear Clutch
22	3743 621	1	All		SPRING, Rear Clutch Piston
23	3515 077	1	All		SPACER, Rr. Clutch Piston Spring, Plastic, 6-13/16" O.D.
24	2466 806	1	All		SPRING, Rear Clutch Wave
25	2466 803	1	All		PLATE, Rear Clutch Pressure, Frt.
26	2124 826	3	All		PLATE, Rear Clutch

**MODEL CODES**

B = GRAN FURY	G = DIPLOMAT	V = 400
C = LEBARON/TOWN & COUNTRY	M = HORIZON/TURISMO/SCAMP	X = MIRADA
D = ARIES	P = RELIANT	Y = IMPERIAL
E = 600	S = CORDOBA	Z = OMNI/CHARGER/RAMPAGE
F = FIFTH AVENUE	T = E CLASS/NEWYORKER	

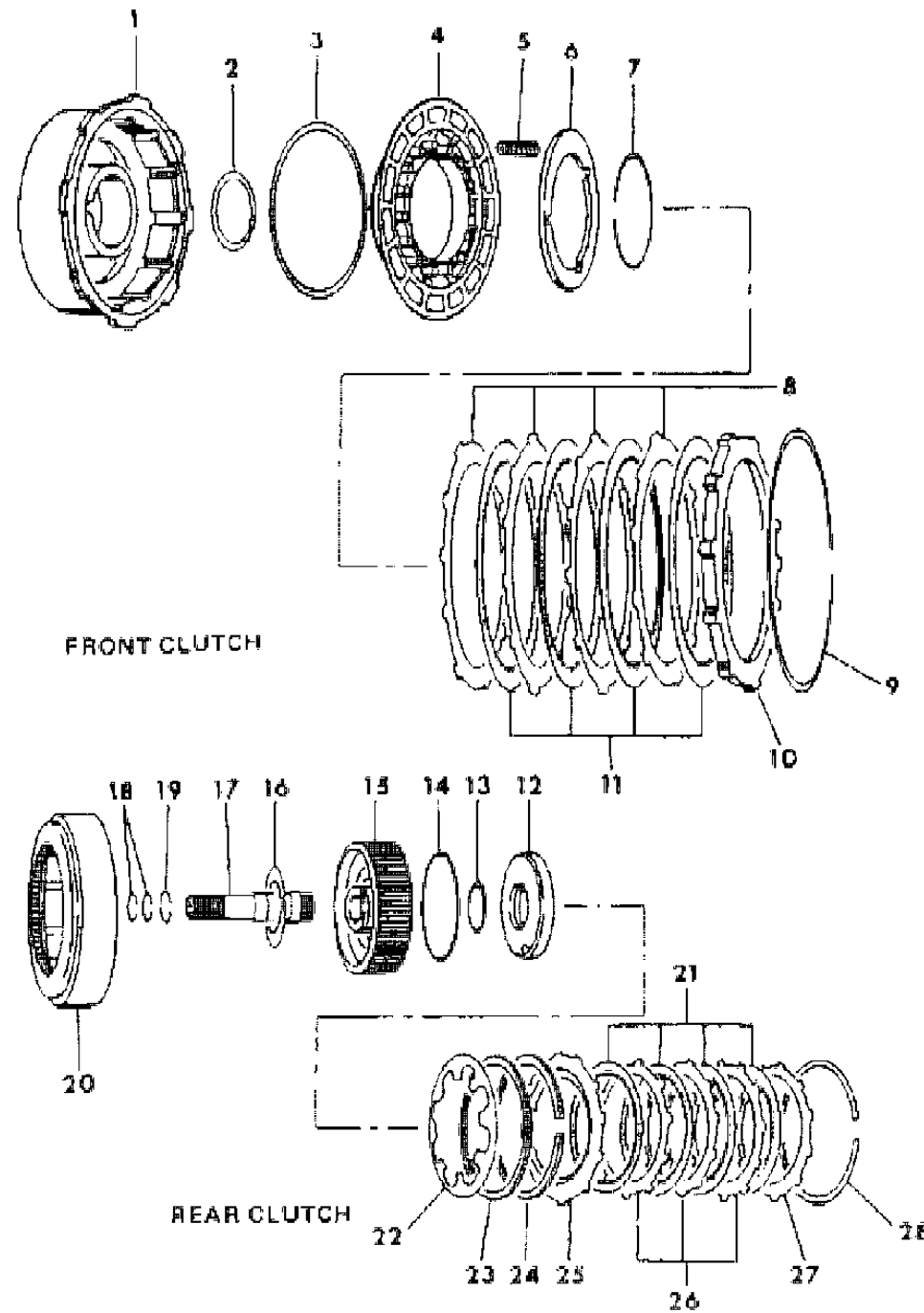
**BODY STYLES**

21 = 2-DOOR SEDAN	41 = 4-DOOR SEDAN
22 = 2-DOOR SPECIAL COUPE	45 = 4-DOOR STATION WAGON
24 = 2-DOOR HATCHBACK	44 = 4-DOOR HATCHBACK
27 = 2-DOOR CONVERTIBLE	48 = EXECUTIVE SEDAN
28 = FWD PICKUP	

AR = Use as Required - = Non Illustrated Part P.A.R. = Paint as Required

**AUTOMATIC TRANSMISSION-A727 CLUTCH-FRONT AND REAR GEAR TRAIN**  
**Figure 21A-600**

3151 600



ITEM	PART NUMBER	QTY	BODY	MODEL	DESCRIPTION
27	2801 961	1		All	PLATE, Rear Clutch Pressure, Rr.
28	1942 063	AR		All	SNAP RING, Rr. Clutch Retainer, 7" O.D., .060" Thk.
	1942 064	AR		All	.074" Thk.
	1942 065	AR		All	.088" Thk.
	2466 811	AR		All	.106" Thk.

MODEL CODES  
 B = GRAN FURY  
 C = LEBARON/TOWN & COUNTRY  
 D = ARIES  
 E = 600  
 F = FIFTH AVENUE  
 G = DIPLOMAT  
 M = HORIZON/TURISMO/SCAMP  
 P = RELIANT  
 S = CORDOBA  
 T = E CLASS/NEWYORKER  
 V = 400  
 X = MIRADA  
 Y = IMPERIAL  
 Z = OMNI/CHARGER/RAMPAGE

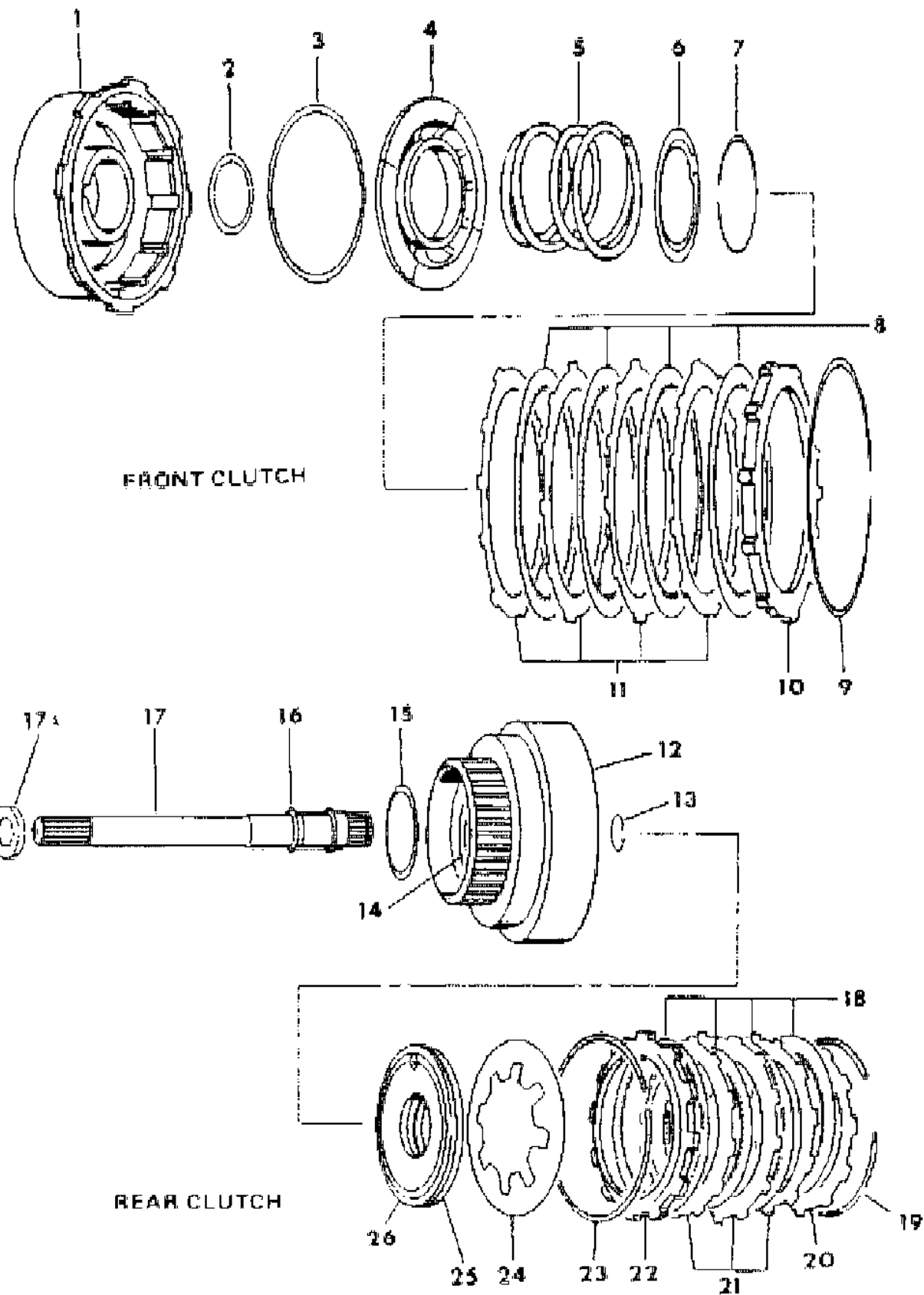
BODY STYLES  
 21 = 2-DOOR SEDAN  
 22 = 2-DOOR SPECIAL COUPE  
 24 = 2-DOOR HATCHBACK  
 27 = 2-DOOR CONVERTIBLE  
 28 = FWD PICKUP  
 41 = 4-DOOR SEDAN  
 45 = 4-DOOR STATION WAGON  
 44 = 4-DOOR HATCHBACK  
 48 = EXECUTIVE SEDAN

AR = Use as Required - = Non Illustrated Part P.A.R. = Paint as Required

**AUTOMATIC TRANSMISSION-A904 CLUTCH - FRONT AND REAR GEAR TRAIN**

**Figure 21A-700**

3151 700



ITEM	PART NUMBER	QTY	BODY	MODEL	DESCRIPTION
NOTE: The seven digit Transmission Assembly part number is stamped on the left side of the Transmission Oil Pan Rail. an offsetting order for part no. 3747881					
	4186 058				SEALS and WASHERS PACKAGE, Frt. and Rr. Clutch Consists of: 1 - ----- Seal, Frt. Clutch Piston, Inner 1 - ----- Seal, Frt. Clutch Piston, Outer 1 - ----- Seal, Rear Clutch Piston, Inner 1 - ----- Seal, Rear Clutch Piston, Outer AR- ----- Washer, Output Shaft Thrust AR- ----- Washer, Output Shaft Thrust Flat and Notched
1	3743 382	1		All	RETAINER w/BUSHING, Frt. Clutch,w/4202675,729,4058398, 4295887 Trans.
	3621 476	1		All	w/4202662,663,664,4058383 Trans.
	2801 727	1		All	BUSHING, Frt. Clutch Retainer
2	3515 176	1		All	SEAL, Frt. Clutch Piston, Rubber, Inner
3	4058 487	1		All	SEAL, Frt. Clutch Piston, Outer
4	3743 090	1		All	PISTON, Frt. Clutch, w/4202662,663,664,4058383 Trans.
	3743 384	1		All	w/4202675,729,4058398,4295887 Trans.
	0147 483	1		All	BALL,3/16"
5	3515 054	1		All	SPRING, Frt. Clutch Piston, 3.25 Coils, 3.38" O.D., 273" Wire, Yellow
	2801 844	1		All	3.8 Coils,3.36" O.D.,.263" Wire,Orange
6	1942 399	1		All	RETAINER, Frt, Clutch Piston Spring
	0147 483	1		All	BALL, Check Valve, 3/16"
7	1942 400	1		All	SNAP RING, Frt. Cl., 2-7/16" O.D.,.060" Thk., Inner
8					DISC, Frt. Clutch
	2205 203	4		All	w/4202662,663,664,4058383 Trans.
	2205 203	5		All	w/4202675,729,4058398,4295887 Trans.
9	3410 571	1		All	SNAP RING, Frt. Clutch, Outer
10	2801 969	1		All	PLATE, Clutch Pressure
11					PLATE, Frt. Clutch
	1942 403	4		All	w/4202662,663,664,4058383 Trans.
	1942 403	5		All	w/4202675,729,4058398,4295887 Trans.
12	4186 879	1		All	RETAINER, Rr. Clutch
	0147 483	1		All	BALL, Check Valve, 3/16"
13	6022 859	1		All	SNAP RING, Input Shaft, 57/64, .059" Thk.
14	2538 695	1		All	SEAL, Rr. Clutch Piston, Rubber, Outer.

**MODEL CODES**

B = GRAN FURY	G = DIPLOMAT	V = 400
C = LEBARON/TOWN & COUNTRY	M = HORIZON/TURISMO/SCAMP	X = MIRADA
D = ARIES	P = RELIANT	Y = IMPERIAL
E = 600	S = CORDOBA	Z = OMNI/CHARGER/RAMPAGE
F = FIFTH AVENUE	T = E CLASS/NEWYORKER	

**BODY STYLES**

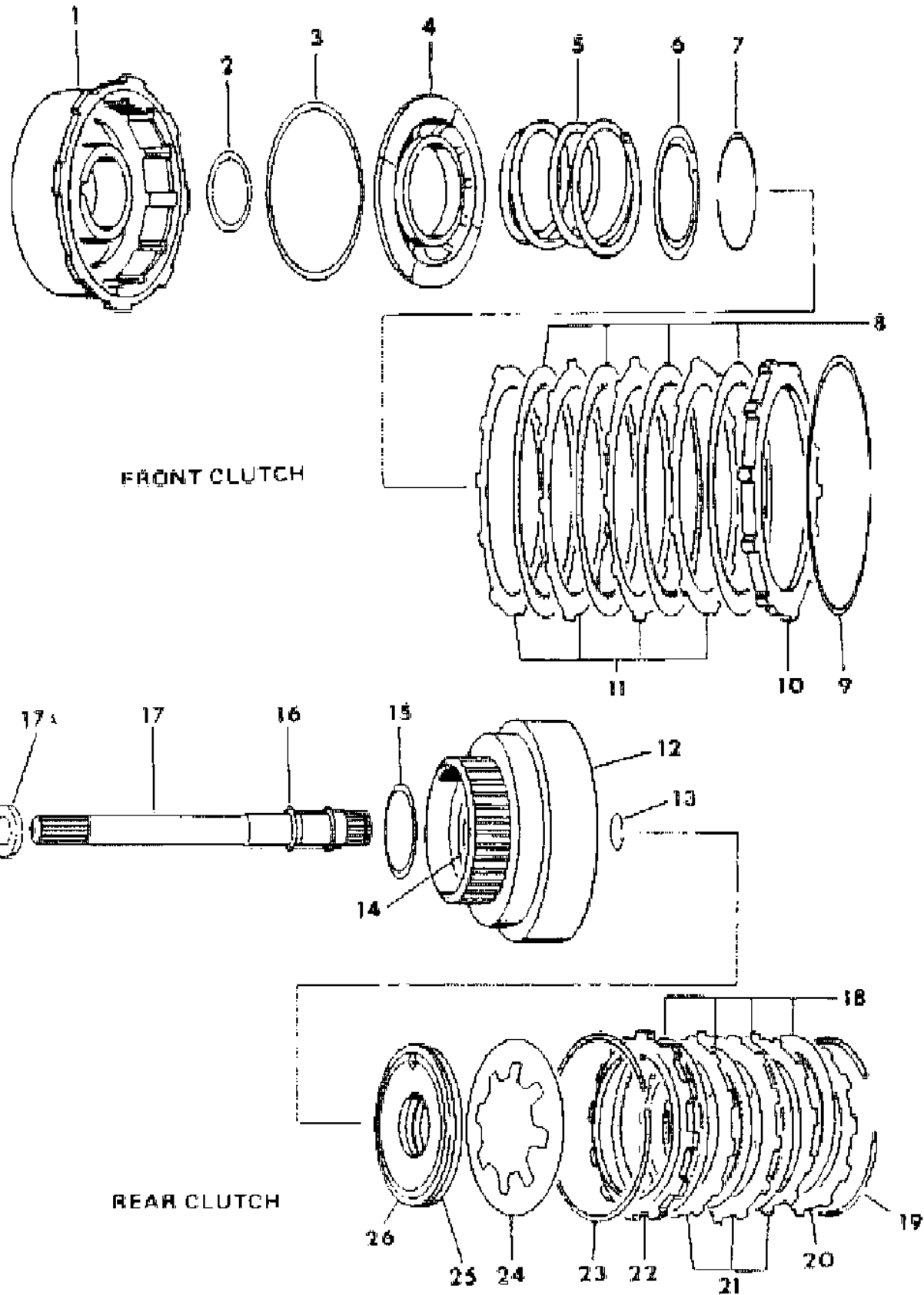
21 = 2-DOOR SEDAN	41 = 4-DOOR SEDAN
22 = 2-DOOR SPECIAL COUPE	45 = 4-DOOR STATION WAGON
24 = 2-DOOR HATCHBACK	44 = 4-DOOR HATCHBACK
27 = 2-DOOR CONVERTIBLE	48 = EXECUTIVE SEDAN
28 = FWD PICKUP	

AR = Use as Required - = Non Illustrated Part P.A.R. = Paint as Required

**AUTOMATIC TRANSMISSION-A904 CLUTCH - FRONT AND REAR GEAR TRAIN**

**Figure 21A-700**

3151 700



ITEM	PART NUMBER	QTY	BODY	MODEL	DESCRIPTION
	4028 333	1		All	Rr. Clutch Retainer Ring, 1-1/2" O.D., .09" Thk.
15	3410 572	2		All	WASHER, Frt. Clutch Thrust, 5-7/8".O.D.
16	4269 592	2		All	RING or SEAL, Input Shaft, Rr.
17	4130 194	1		All	SHAFT, Input, Except 4202662,664 Trans.
	4130 399	1		All	w/4202662 and 664 Trans.
	4269 592	1		All	SEAL, Input Shaft Ring, Frt.
17A	4058 982	1		All	PLATE, Input Shaft Thrust, 1" O.D.
18	3780 285	4		All	DISC, Rr. Clutch
19	4130 761	AR		All	SNAP RING, Rr. Clutch Retainer, 5-11/32" O.D., .060" Thk.
	4130 762	AR		All	.076" Thk.
	4130 763	AR		All	.098" Thk.
20	2801 969	1		All	PLATE, Rr. Clutch Pressure, Rear
21	1942 403	3		All	PLATE, Rr. Clutch
22	2466 281	1		All	PLATE, Rr. Clutch Pressure, Frt.
23	2466 283	1		All	SPRING, Rr. Clutch Wave
24	1942 414	1		All	SPRING, Rr. Clutch Piston
25	2538 510	1		All	SEAL, Rr. Clutch Piston, Rubber, Inner
26	3515 716	1		All	PISTON, Rr. Clutch
	0147 483	1		All	BALL, Check Valve, 3/16"

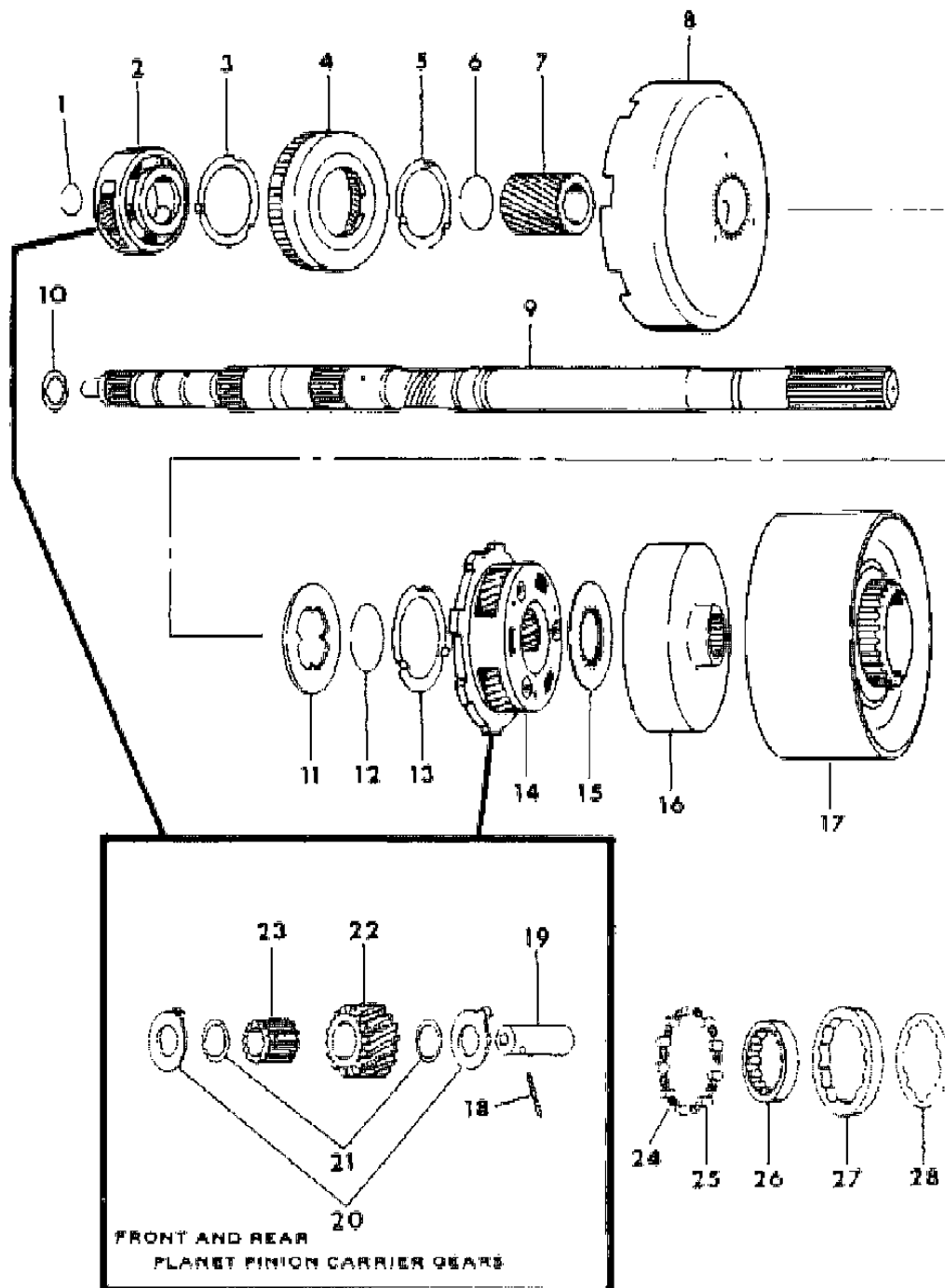
MODEL CODES  
 B = GRAN FURY  
 C = LEBARON/TOWN & COUNTRY  
 D = ARIES  
 E = 600  
 F = FIFTH AVENUE  
 G = DIPLOMAT  
 M = HORIZON/TURISMO/SCAMP  
 P = RELIANT  
 S = CORDOBA  
 T = E CLASS/NEWYORKER  
 V = 400  
 X = MIRADA  
 Y = IMPERIAL  
 Z = OMNI/CHARGER/RAMPAGE

BODY STYLES  
 21 = 2-DOOR SEDAN  
 22 = 2-DOOR SPECIAL COUPE  
 24 = 2-DOOR HATCHBACK  
 27 = 2-DOOR CONVERTIBLE  
 28 = FWD PICKUP  
 41 = 4-DOOR SEDAN  
 45 = 4-DOOR STATION WAGON  
 44 = 4-DOOR HATCHBACK  
 48 = EXECUTIVE SEDAN

AR = Use as Required - = Non Illustrated Part P.A.R. = Paint as Required

**AUTOMATIC TRANSMISSION-A727 SUN GEAR,ANNULUS GEAR,PLANET PINION AND OUTPUT SHAFT**  
**Figure 21A-800**

3151 800



ITEM	PART NUMBER	QTY	BODY	MODEL	DESCRIPTION
NOTE: The seven digit Transmission Assembly part number is stamped on the left side of the Trans. Oil Pan Rail. an offsetting order for part no. 3747881					
	2808 673	1			ROLLER and SPRING PACKAGE, "O" Running Clutch Consists of: 12 - ----- Roller
	3420 100	1			12 - 1942187 Spring RACE, ROLLER and SPRING PACKAGE Consists of: 1 - ----- Race,"O" Running Clutch 12 - ----- Roller, "O" Running Clutch 12 - 1942187 Spring, "O" Running Clutch
1	6025 570	2		All	SNAP RING, Output Shaft Brg., 1-1/4" I.D.
2	4028 120	1		All	CARRIER w/PINION AND WASHER, Trans. Frt. Planet Pinion
3	2801 060	1		All	WASHER, Frt. Carrier Thrust
4	2892 656	1		All	GEAR w/SUPPORT, Frt. Annulus, 2-1/2" I.D. Center Hole
5	1942 081	1		All	WASHER, Sun Gear Driving Shell Thrust,w/3 Outside Tabs
6	1736 521	1		All	RING, Sun Gear Driving Shell Lock
7	2801 311	1		All	GEAR w/BUSHING, Sun
8	2400 662	1		All	SHELL, Sun Gear Driving
9	4106 594	1		All	SHAFT, Trans. Output
	2466 882	1		All	SUPPORT, Output Shaft(Not Shown)(See Fig. 21A-100)
	2466 224	1		All	BEARING, Trans. Output Shaft
	2400 320	1		All	SNAP RING, Brg., Outer
	4058 946	1		All	PLATE, Thrust
	6030 982	AR		All	SNAP RING, Output Shaft, .048" Thk.
	6024 311	AR		All	SNAP RING, .055" Thk.
	6024 312	AR		All	SNAP RING, .062" Thk.
10	3681 688	1		All	WASHER, Output Shaft Thrust, 1-5/64" O.D., .062" Thk.
11	1942 080	1		All	PLATE, Sun Gear Driving Shell Thrust, w/4 Inside Tabs
12	1736 521	1		All	RING, Sun Gear Driving Shell Lock
13	1942 081	1		All	WASHER, Rear Carrier Thrust
14	2466 539	1		All	CARRIER w/PINIONS,ROLLERS,RINGS,SHAFT,PIN and WASHERS, Rr. Planet Pinion
15	2400 580	1		All	PLATE, Rr. Annulus Gear Thrust, w/31 Inside Teeth, 3-23/64" O.D.
16	2538 185	1		All	GEAR w/SUPPORT, Rr. Annulus, 3-1/2" I.D. Center Hole
17	3515 451	1		All	DRUM, Trans. Reverse,(Also specify 1 of 3420100 Race Pkg.)

**MODEL CODES**

B = GRAN FURY	G = DIPLOMAT	V = 400
C = LEBARON/TOWN & COUNTRY	M = HORIZON/TURISMO/SCAMP	X = MIRADA
D = ARIES	P = RELIANT	Y = IMPERIAL
E = 600	S = CORDOBA	Z = OMNI/CHARGER/RAMPAGE
F = FIFTH AVENUE	T = E CLASS/NEWYORKER	

**BODY STYLES**

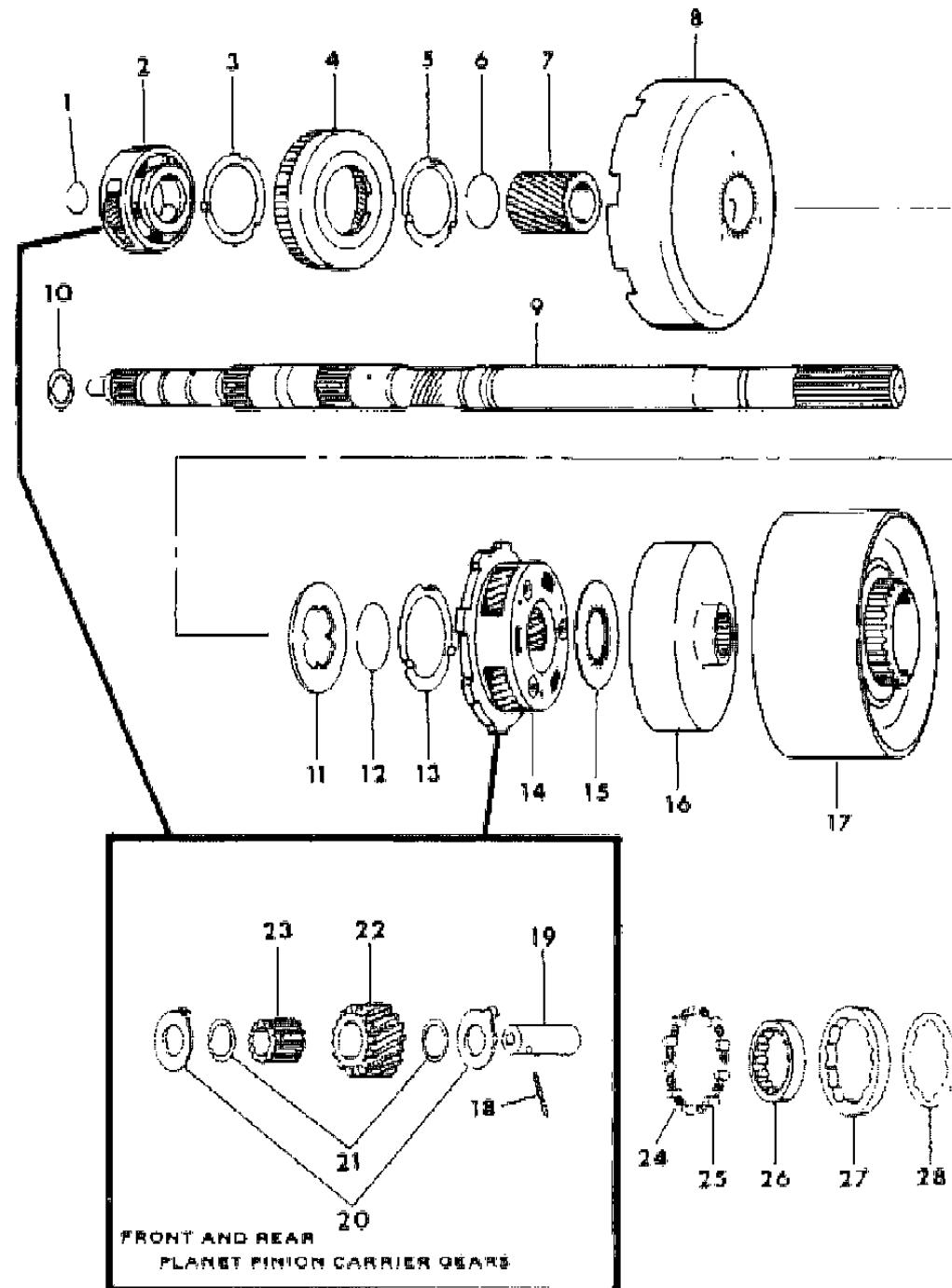
21 = 2-DOOR SEDAN	41 = 4-DOOR SEDAN
22 = 2-DOOR SPECIAL COUPE	45 = 4-DOOR STATION WAGON
24 = 2-DOOR HATCHBACK	44 = 4-DOOR HATCHBACK
27 = 2-DOOR CONVERTIBLE	48 = EXECUTIVE SEDAN
28 = FWD PICKUP	

AR = Use as Required - = Non Illustrated Part P.A.R. = Paint as Required



**AUTOMATIC TRANSMISSION-A727 SUN GEAR, ANNULUS GEAR, PLANET PINION AND OUTPUT SHAFT**  
**Figure 21A-800**

3151 800



ITEM	PART NUMBER	QTY	BODY	MODEL	DESCRIPTION
18	6024 666	AR		All	PIN, Frt. and Rr. Planet Pinion Shaft
19	2464 178	4		All	SHAFT, Frt. Planet Pinion
	2464 178	3		All	Rr.
20	2801 315	8		All	WASHER, Frt. Planet Pinion
	2801 315	6		All	Rr.
21	2204 649	8		All	RING, Frt. Pinion Roller Thrust
	2204 649	6		All	Rr.
22	2400 667	4		All	PINION, Frt. Planet
	2400 667	3		All	Rr.
23	2204 647	92		All	ROLLER, Frt. Pinion
	2204 647	69		All	Rr.
24	2808 673	1		All	SPRING PACKAGE, "O" Running Clutch Roller
25	2808 673	1		All	ROLLER and SPRING PACKAGE, "O" Running Clutch
26	3420 100	1		All	RACE, ROLLER and SPRING PACKAGE, "O" Running Clutch, 26T.
27	1942 095	1		All	CAM, "O" Running Clutch
28	2801 426	1		All	RETAINER, "O" Running Clutch Spring

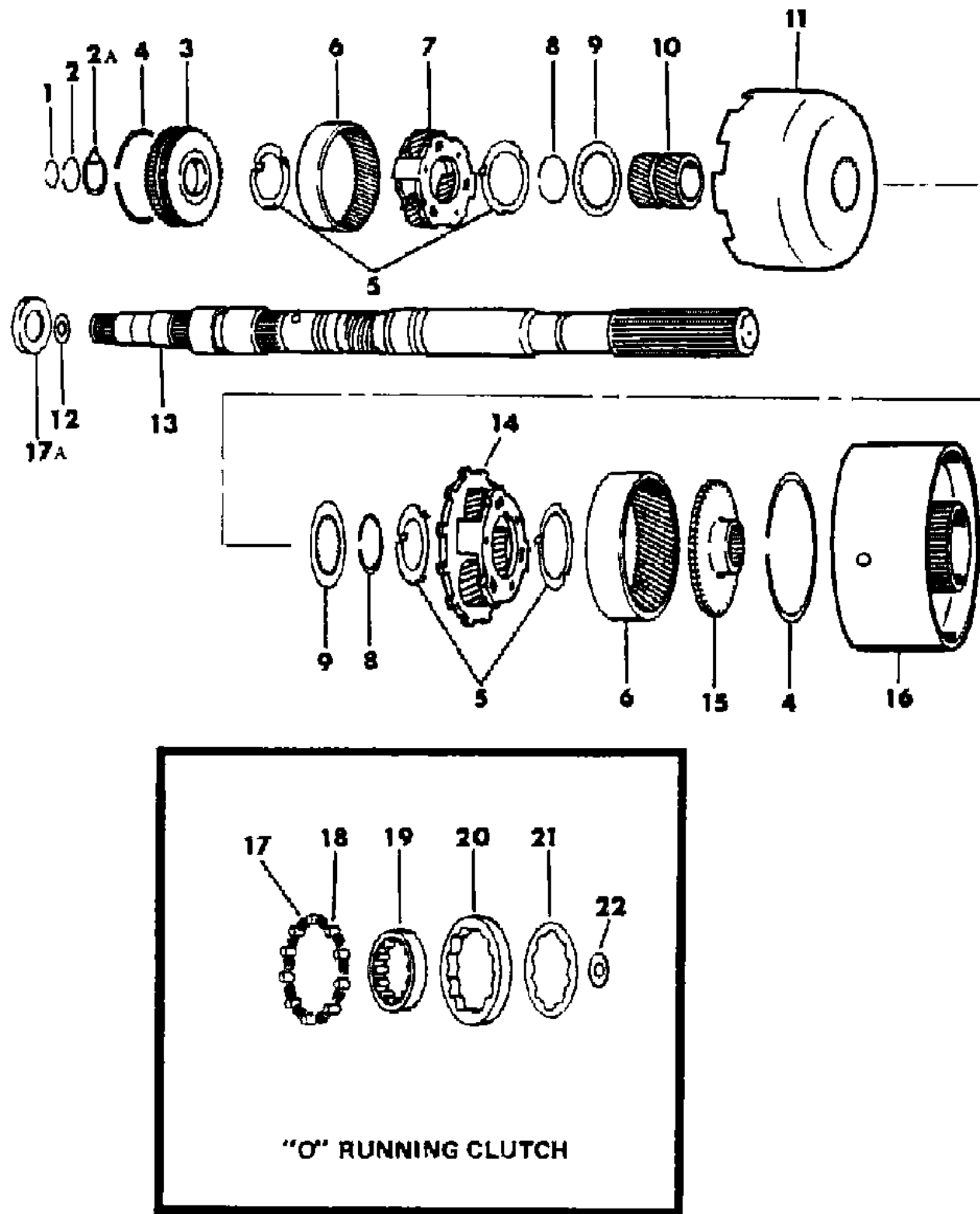
MODEL CODES  
 B = GRAN FURY  
 C = LEBARON/TOWN & COUNTRY  
 D = ARIES  
 E = 600  
 F = FIFTH AVENUE  
 G = DIPLOMAT  
 M = HORIZON/TURISMO/SCAMP  
 P = RELIANT  
 S = CORDOBA  
 T = E CLASS/NEWYORKER  
 V = 400  
 X = MIRADA  
 Y = IMPERIAL  
 Z = OMNI/CHARGER/RAMPAGE

BODY STYLES  
 21 = 2-DOOR SEDAN  
 22 = 2-DOOR SPECIAL COUPE  
 24 = 2-DOOR HATCHBACK  
 27 = 2-DOOR CONVERTIBLE  
 28 = FWD PICKUP  
 41 = 4-DOOR SEDAN  
 45 = 4-DOOR STATION WAGON  
 44 = 4-DOOR HATCHBACK  
 48 = EXECUTIVE SEDAN

AR = Use as Required - = Non Illustrated Part P.A.R. = Paint as Required

**AUTOMATIC TRANSMISSION-A904 SUN GEAR,ANNULUS GEAR,PLANET PINION AND OUTPUT SHAFT**  
**Figure 21A-900**

3151 900



ITEM	PART NUMBER	QTY	BODY	MODEL	DESCRIPTION
NOTE: The seven digit Transmission Assembly part number is stamped on the left side of the Transmission Oil Pan Rail. an offsetting order for part no. 3747881					
	3420 023	1			RACE, ROLLER and SPRING PACKAGE, "O" Running Clutch Consists of: 1 - ----- Race 10 - ----- Roller 10 - ----- Spring
	3780 221	1			CAM, RETAINER, SCREW and WASHER PACKAGE, "O" Running Clutch Consists of: 1 - ----- Retainer, Trans. "O" Running Clutch Spring 1 - ----- Cam, "O" Running Clutch 7 - ----- Screw, Trans. "O" Running Clutch Cam 7 - ----- Washer, Trans. "O" Running Clutch Screw
1	6026 289	AR		All	SNAP RING, Output Shaft, .946" I.D., .040" Thk.
	6030 938	AR		All	.910" I.D., .062" Thk., Green
	6030 404	AR		All	.906" I.D., .084" Thk., White
2	6030 576	1		All	SNAP RING, Frt. Annulus Gear Support
2A	3681 969	1		All	WASHER, Frt. Annulus Gear Support Thrust, w/Lip, Steel Backed Bronze, 2-1/8" O.D.
3	4130 510	1		All	SUPPORT w/BUSHING, Frt. Annulus Gear
4	4130 513	1		ALL	Front
	1942 444	1		ALL	Rear
5					WASHER, Frt. and Rr. Planet Pinion Carrier Thrust
	4130 518	2		ALL	Front
	3681 935	2		ALL	Rear, w/4202664,675,729,4058398,383,4295887 Trans.
	3743 027	2		ALL	w/4202662,663 Trans.
	3681 949	8			RING, Plant Pinion Roller Thrust, Front
	3681 949	6		ALL	Rear, w/4202662,663 Trans.
	3681 949	8		ALL	Rear, w/4202664,675,729,4058398,383,4295887 Trans.
6					GEAR, Annulus
	4130 512	1		ALL	Front
	3743 184	1		ALL	Rear
7	4130 514	1		All	CARRIER w/PINIONS,SHAFTS,ROLLERS,RINGS,PINS and WASHERS, Frt. Planet Pinion
8	1942 439	AR		All	RING, Sun Driving Shell Lock, Steel, 1-41/64" O.D.

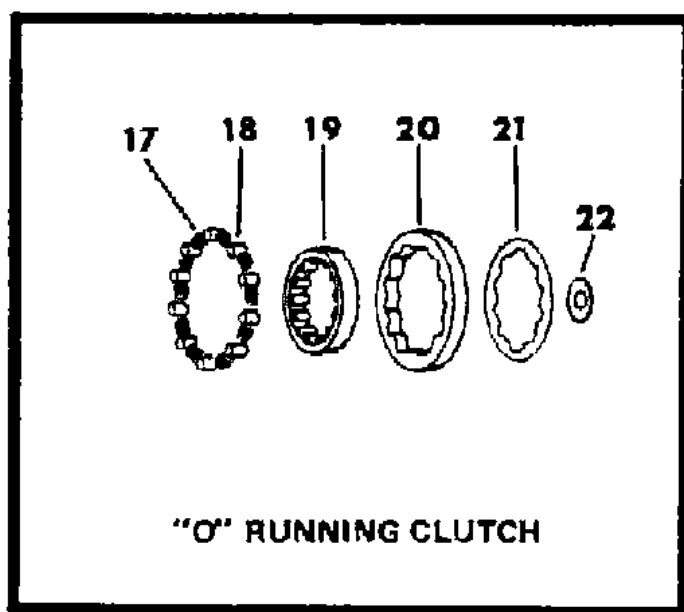
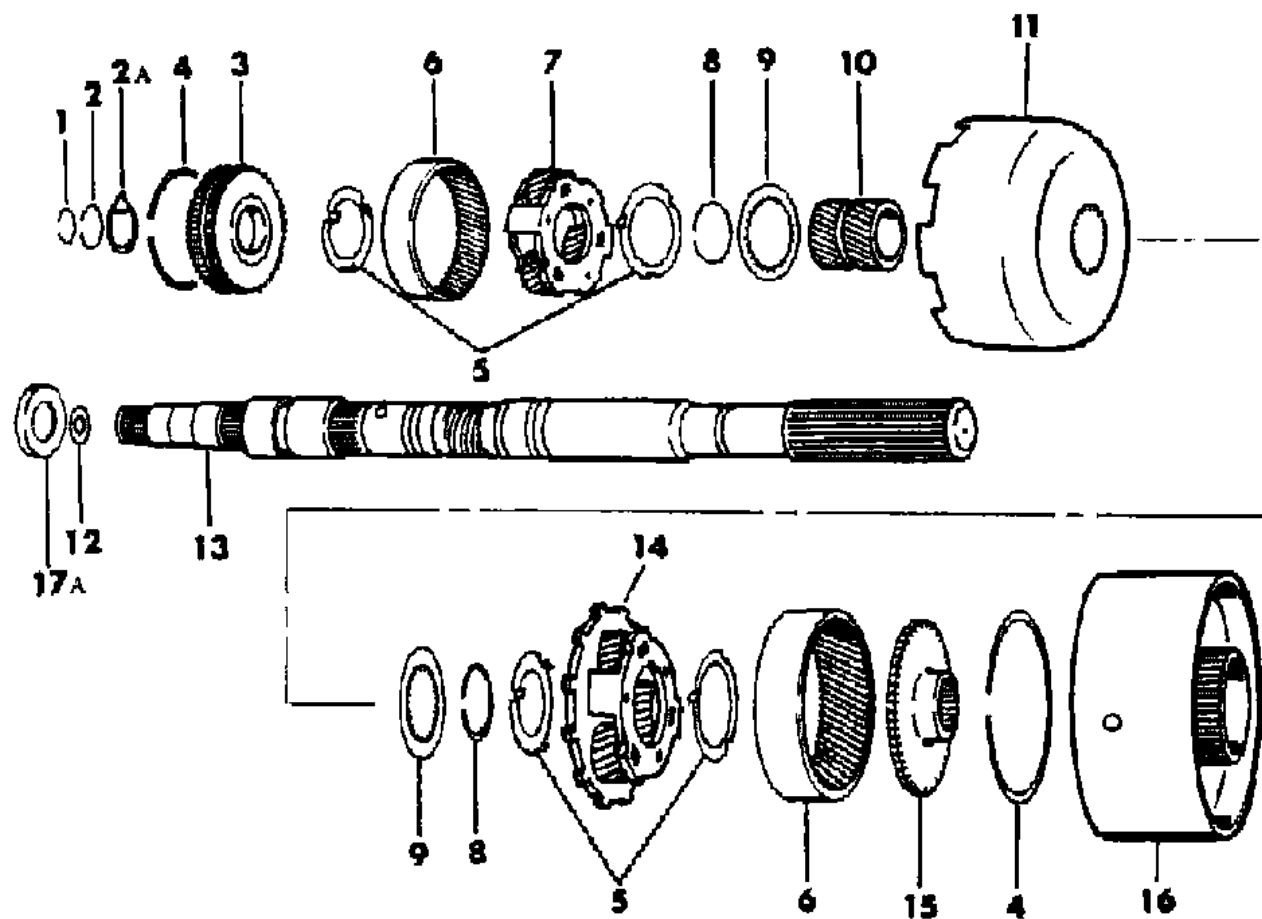
MODEL CODES  
 B = GRAN FURY  
 C = LEBARON/TOWN & COUNTRY  
 D = ARIES  
 E = 600  
 F = FIFTH AVENUE  
 G = DIPLOMAT  
 M = HORIZON/TURISMO/SCAMP  
 P = RELIANT  
 S = CORDOBA  
 T = E CLASS/NEWYORKER  
 V = 400  
 X = MIRADA  
 Y = IMPERIAL  
 Z = OMNI/CHARGER/RAMPAGE

BODY STYLES  
 21 = 2-DOOR SEDAN  
 22 = 2-DOOR SPECIAL COUPE  
 24 = 2-DOOR HATCHBACK  
 27 = 2-DOOR CONVERTIBLE  
 28 = FWD PICKUP  
 41 = 4-DOOR SEDAN  
 45 = 4-DOOR STATION WAGON  
 44 = 4-DOOR HATCHBACK  
 48 = EXECUTIVE SEDAN

AR = Use as Required - = Non Illustrated Part P.A.R. = Paint as Required

**AUTOMATIC TRANSMISSION-A904 SUN GEAR,ANNULUS GEAR,PLANET PINION AND OUTPUT SHAFT**  
**Figure 21A-900**

3151 900



ITEM	PART NUMBER	QTY	BODY	MODEL	DESCRIPTION
9	4130 600	2		ALL	PLATE, Sun Gear Driving Shell
10	4130 685	1		ALL	GEAR w/BUSHING, Trans. Sun
	4130 736	1		All	SPACER, Sun Gear
11	4130 509	1			SHELL, Sun Gear Driving
12	4269 196	AR		All	WASHER, Output Shaft Thrust,7/8" O.D.,.052" Thk.,Steel Backed Bronze
	4269 197	AR		All	.068" Thk.
	4269 198	AR		All	.083" Thk.
13	4186 093	1		All	SHAFT w/PLUG, Output
	2466 881	1		All	SUPPORT. Output Shaft(Not Shown)(See Fig. 21A-100)
	3410 465	1		All	BEARING
	6029 675	1		All	SNAP RING, Brg., 1-37/64" O.D.
	2400 185	1		All	Bearing, Outer
14	3743 022	1		All	CARRIER w/PINIONS, SHAFTS, ROLLERS and WASHERS, Rr. Planet Pinion,w/4202662,663 Trans.
	3681 988	1		All	w/4202664,675,729,4058398,383,4295887 Trans.
15	3515 501	1		All	SUPPORT, Rr. Annulus Gear, 62T., 28T., 4" O.D.
16	4130 867	1		All	DRUM, Reverse
17	2464 446	10		All	SPRING, "O" Running Clutch Roller
17A	4058 982	1		All	PLATE, Input Shaft Thrust
18	2464 888	10		All	ROLLER, "O" Running Clutch
19	3420 023	1		All	RACE, ROLLER and SPRING PACKAGE, "O" Running Clutch, 24T.
20	3780 221	1		All	CAM, RETAINER, SCREW and WASHER PACKAGE, "O" Running Clutch
21	2808 637	1		All	RETAINER
22	1559 489	7		All	WASHER, "O" Running Clutch Cam Screw, 7/16" O.D.

**MODEL CODES**

B = GRAN FURY	G = DIPLOMAT	V = 400
C = LEBARON/TOWN & COUNTRY	M = HORIZON/TURISMO/SCAMP	X = MIRADA
D = ARIES	P = RELIANT	Y = IMPERIAL
E = 600	S = CORDOBA	Z = OMNI/CHARGER/RAMPAGE
F = FIFTH AVENUE	T = E CLASS/NEWYORKER	

**BODY STYLES**

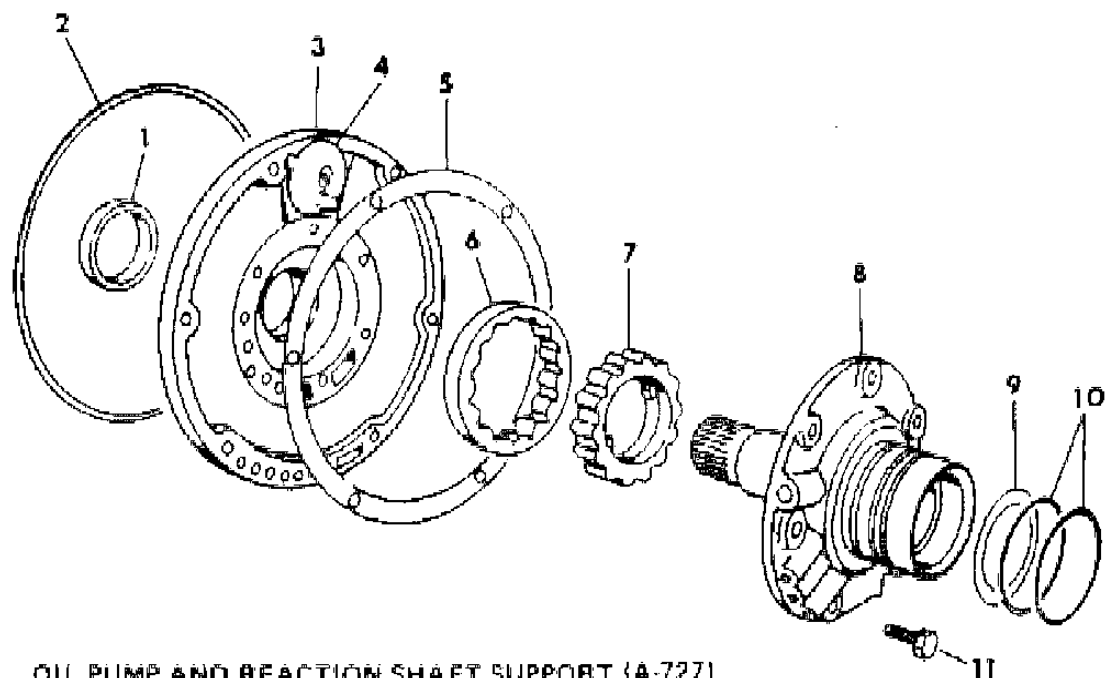
21 = 2-DOOR SEDAN	41 = 4-DOOR SEDAN
22 = 2-DOOR SPECIAL COUPE	45 = 4-DOOR STATION WAGON
24 = 2-DOOR HATCHBACK	44 = 4-DOOR HATCHBACK
27 = 2-DOOR CONVERTIBLE	48 = EXECUTIVE SEDAN
28 = FWD PICKUP	

AR = Use as Required - = Non Illustrated Part P.A.R. = Paint as Required

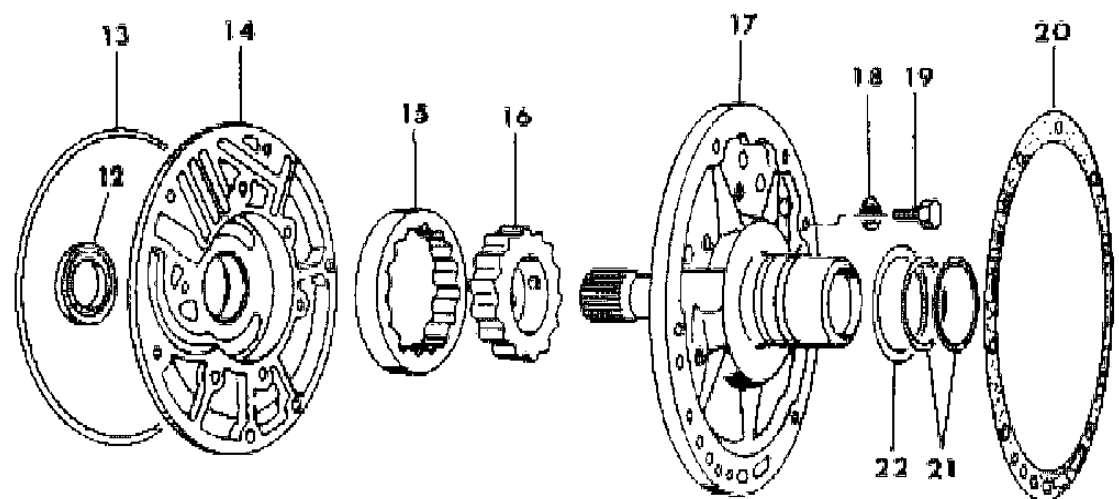
**AUTOMATIC TRANSMISSION-A727 AND A904 OIL PUMP AND REACTION SHAFT SUPPORT**

**Figure 21A-1000**

3151 1000



**OIL PUMP AND REACTION SHAFT SUPPORT (A-727)**



**OIL PUMP AND REACTON SHAFT SUPPORT DISASSEMBLED(A-904)**

ITEM	PART NUMBER	QTY	BODY	MODEL	DESCRIPTION
NOTE: The seven digit Transmission Assembly Part Number is stamped on the left side of the Transmission Oil Pan Rail. an offsetting order for part no. 3747881					
	3780 239	1			ROTOR PACKAGE, Frt. Oil Pump, A727 Consists of: 1 - ----- Rotor; Frt. Oil Pump, Inner 1 - ----- Rotor; Frt. Oil Pump, Outer
	4057 014	1			SEAL and GASKET PACKAGE, Frt. Pump, A727 Consists of: 1 - ----- Seal, T/C Impeller Hub 1 - ----- Seal, Oil Pump Hsg. 1 - ----- Gasket, Oil Pump Hsg. 2 - ----- Ring Seal, Input Shaft 2 - ----- Ring Seal, Reaction Shaft Support
	4131 042	1			2 - ----- Ring Seal, Reaction Shaft Support 1 - Sheet, Instruction SEAL and GASKET PACKAGE, Frt. Pump, A904 Consists of: 1 - ----- Seal, T/C Impeller Hub 1 - ----- Seal, Oil Pump 1 - ----- Gasket, T/C Reaction Shaft Support 2 - ----- Ring Seal, Reaction Shaft Support 1 - ----- Ring Seal, Input Shaft,Frnt. 1 - ----- Ring Seal, Rr. Clutch Retainer 1 - ----- Ring Seal, Rr. Clutch Retainer 1 - ----- Sheet, Instruction
1	2466 324	1	ALL		BUSHING, Frt. Pump Housing, A727
2	1942 021	1	ALL		SEAL, Frt. Pump Housing, A727
3	4130 193	1	ALL		HOUSING w/BUSHING,ROTORS,BAFFLE and PLUG, Frt. Pump, A727
4	3420 087	1	ALL		BAFFLE w/NAIL, Frt. Pump Housing Vent, A727
	0179 815	6	ALL		BOLT, Oil Pump Housing, A727
5	4028 377	1	ALL		GASKET, Trans. Frt. Pump Housing,.019"-.023" Thk., A727
6		1	ALL		ROTOR, Frt. Oil Pump(Serviced in Rotor Package No. 3780239), A727
7		1	ALL		ROTOR, Frt. Oil Pump(Serviced in Rotor Package No. 3780239), A727
8	4028 273	1	ALL		SHAFT w/SUPPORT, Trans. Reaction, A727 Trans.

**MODEL CODES**

B = GRAN FURY	G = DIPLOMAT	V = 400
C = LEBARON/TOWN & COUNTRY	M = HORIZON/TURISMO/SCAMP	X = MIRADA
D = ARIES	P = RELIANT	Y = IMPERIAL
E = 600	S = CORDOBA	Z = OMNI/CHARGER/RAMPAGE
F = FIFTH AVENUE	T = E CLASS/NEWYORKER	

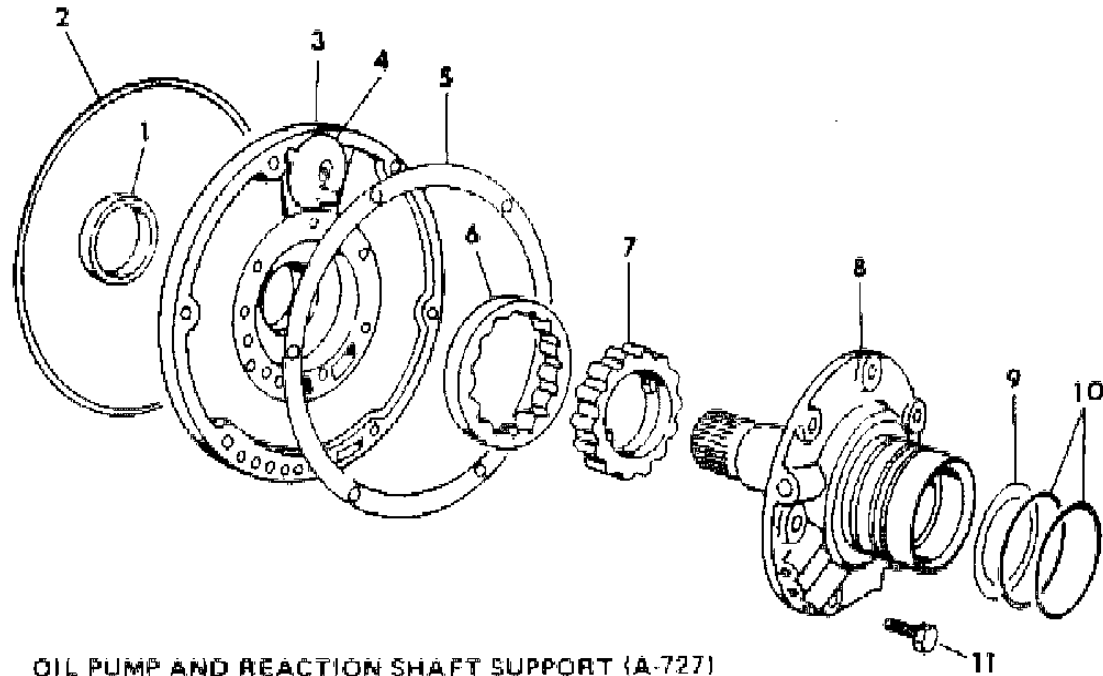
**BODY STYLES**

21 = 2-DOOR SEDAN	41 = 4-DOOR SEDAN
22 = 2-DOOR SPECIAL COUPE	45 = 4-DOOR STATION WAGON
24 = 2-DOOR HATCHBACK	44 = 4-DOOR HATCHBACK
27 = 2-DOOR CONVERTIBLE	48 = EXECUTIVE SEDAN
28 = FWD PICKUP	

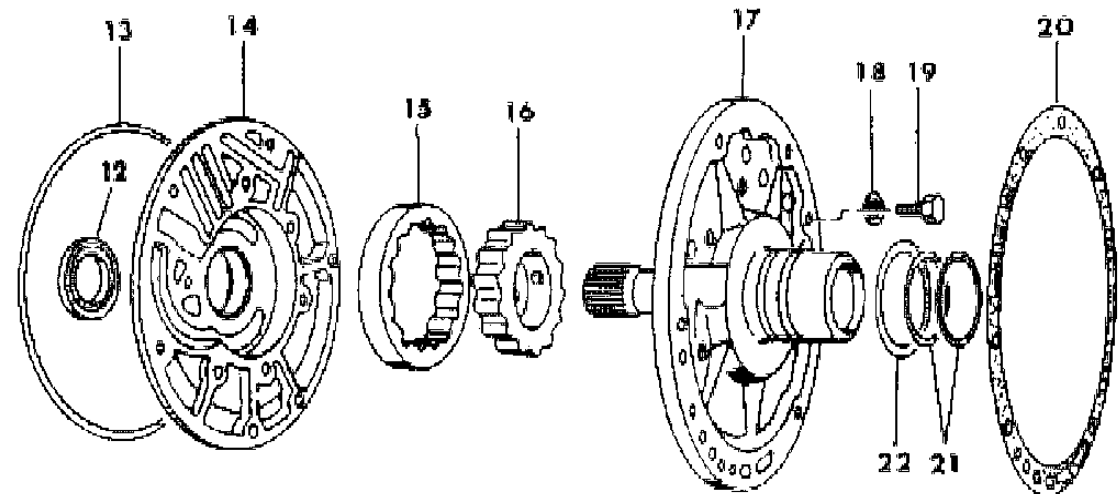
AR = Use as Required - = Non Illustrated Part P.A.R. = Paint as Required

**AUTOMATIC TRANSMISSION-A727 AND A904 OIL PUMP AND REACTION SHAFT SUPPORT**  
**Figure 21A-1000**

3151 1000



**OIL PUMP AND REACTION SHAFT SUPPORT (A-727)**



**OIL PUMP AND REACTION SHAFT SUPPORT DISASSEMBLED (A-904)**

ITEM	PART NUMBER	QTY	BODY	MODEL	DESCRIPTION
	2801 348	1		ALL	BUSHING, Reaction Shaft, A727
		AR		ALL	BALL, Support, A727 (Not Serviced)
9	2204 622	AR	ALL	ALL	WASHER, Frt. Clutch Thrust, Frt., Green, 3-21/64" O.D., .061" Thk., A727
	2204 623	AR	ALL	ALL	Red, .084" Thk., A727
	2400 284	AR	ALL	ALL	Yellow, .102" Thk., A727
10	3743 689	2	ALL	ALL	RING, Reaction Shaft Support Seal, A727
11	6023 943	7	ALL	ALL	SCREW, Housing, 5/16"-18 x 1-3/8", A727
12	2466 796	1	All	ALL	BUSHING, Frt. Pump Housing, A904
13	2204 709	1	All	ALL	SEAL, Frt. Pump Housing, 8-17/64" O.D., A904
14	4130 192	1	All	ALL	HOUSING w/BUSHING, ROTORS and SEAL, Frt. Pump, A904
	4202 089	1	ALL	ALL	HOUSING w/SUPPORT & Reaction SHAFT
	4202 298	1	All	ALL	w/ 4202662,664 Trans.
	6023 943	6	All	ALL	SCREW w/WA., Oil Pump Housing
15		1	All	ALL	ROTOR(Serviced in Housing Assy.)
16		1	All	ALL	ROTOR(Serviced in Housing Assy.)
17			ALL	ALL	SHAFT w/SUPPORT, Reaction
	4058 413	1	ALL	ALL	w/4202663,675,729,4058398,383,4295887 Trans.
	4058 941	1	All	ALL	w/4202662,664 Trans.
	4058 635	1	All	ALL	BUSHING, Reaction Shaft, A904
	0104 918	AR	All	ALL	BALL, A904
18		AR	All	ALL	LOCKWASHER (Not Serviced) A904
19	0179 815	6	All	ALL	SCREW w/WA., A904
20	4028 364	1	All	ALL	GASKET, Reaction Shaft Support, A904
21	1942 389	2	All	ALL	RING, Reaction Shaft Support Seal, 2-1/16" I.D., A904
22	3410 572	1	All	ALL	WASHER, Clutch Thrust, 2.60 " O.D., A904

**MODEL CODES**

B = GRAN FURY	G = DIPLOMAT	V = 400
C = LEBARON/TOWN & COUNTRY	M = HORIZON/TURISMO/SCAMP	X = MIRADA
D = ARIES	P = RELIANT	Y = IMPERIAL
E = 600	S = CORDOBA	Z = OMNI/CHARGER/RAMPAGE
F = FIFTH AVENUE	T = E CLASS/NEWYORKER	

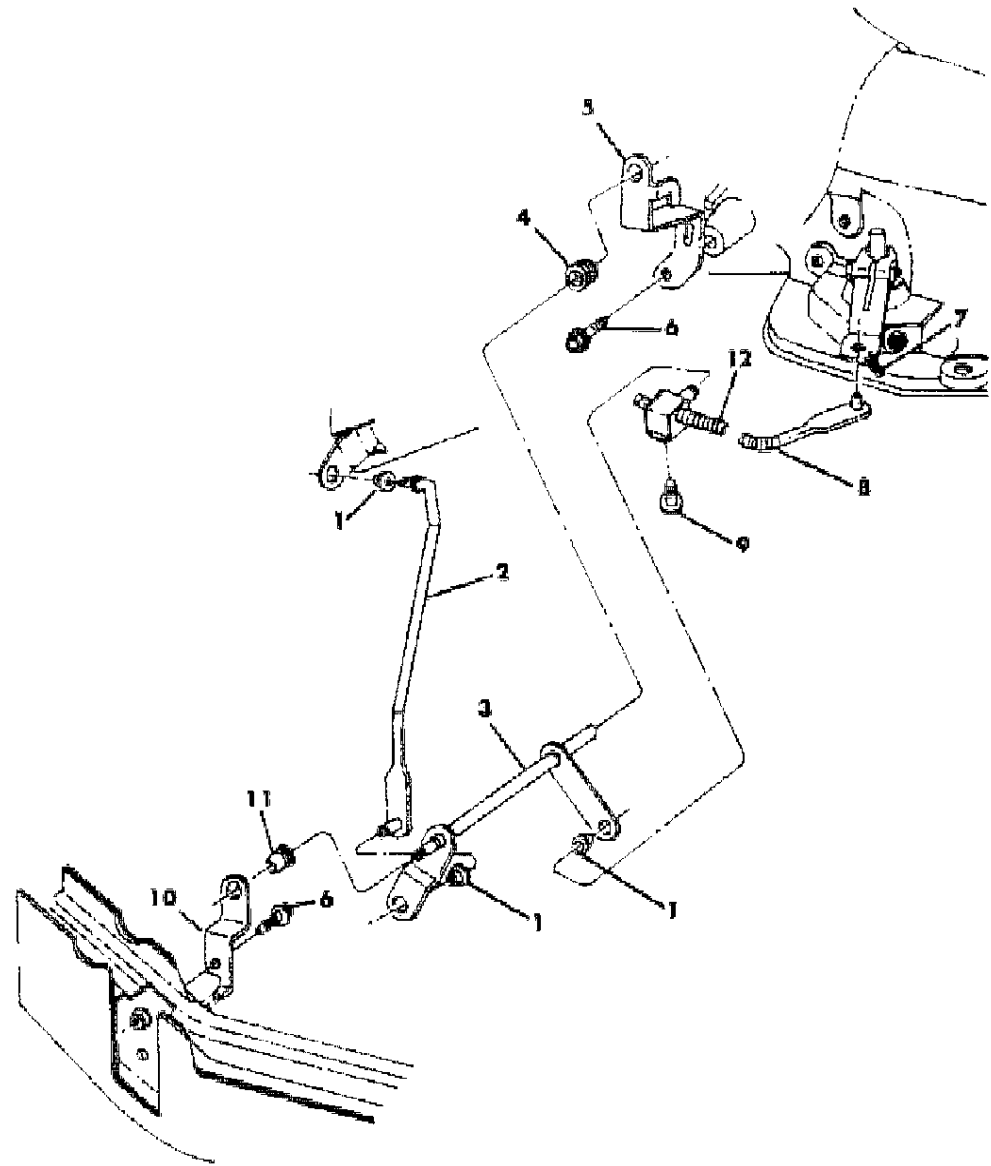
**BODY STYLES**

21 = 2-DOOR SEDAN	41 = 4-DOOR SEDAN
22 = 2-DOOR SPECIAL COUPE	45 = 4-DOOR STATION WAGON
24 = 2-DOOR HATCHBACK	44 = 4-DOOR HATCHBACK
27 = 2-DOOR CONVERTIBLE	48 = EXECUTIVE SEDAN
28 = FWD PICKUP	

AR = Use as Required - = Non Illustrated Part P.A.R. = Paint as Required

**GEARSHIFT CONTROL AUTOMATIC TRANSMISSION COLUMN SHIFT F,G,X,S,Y,B**  
**Figure 21A-1100**

3151 1100



ITEM	PART NUMBER	QTY	BODY	MODEL	DESCRIPTION
1	3575 333	3			GROMMET
2	4188 469	1		F,G,X,S	ROD, Gear Shift Control Front
3	4019 228	1		Y	SHAFT, Torque
	4019 962	1		Y	
4	4188 446	1		F,G,X,S	BUSHING, Torque Shaft Bracket
	3575 434	1			
5	4019 234	1			BRACKET, Torque Shaft w/A904 Trans.
	4019 237	1			
6	0181 088	2			SCREW w/WA.
7	6500 596	AR			S-CLIP, Rod Frt. and Rear
8	4019 960	1		Y	ROD, Gear Shift, Rear
	4188 429	1		F,G,X,S	
	4188 437	1		F,G,X,S	
	3575 334	1		Y	
9	0181 082	1			SCREW
10	4019 233	1			BRACKET, Torque Shaft Frame
11	5211 845	1			GROMMET, Torque Shaft Frame Bracket
12	3575 354	1		Y,F,G,B	SPRING, Control Rod Adjusting

**MODEL CODES**

B = GRAN FURY	G = DIPLOMAT	V = 400
C = LEBARON/TOWN & COUNTRY	M = HORIZON/TURISMO/SCAMP	X = MIRADA
D = ARIES	P = RELIANT	Y = IMPERIAL
E = 600	S = CORDOBA	Z = OMNI/CHARGER/RAMPAGE
F = FIFTH AVENUE	T = E CLASS/NEWYORKER	

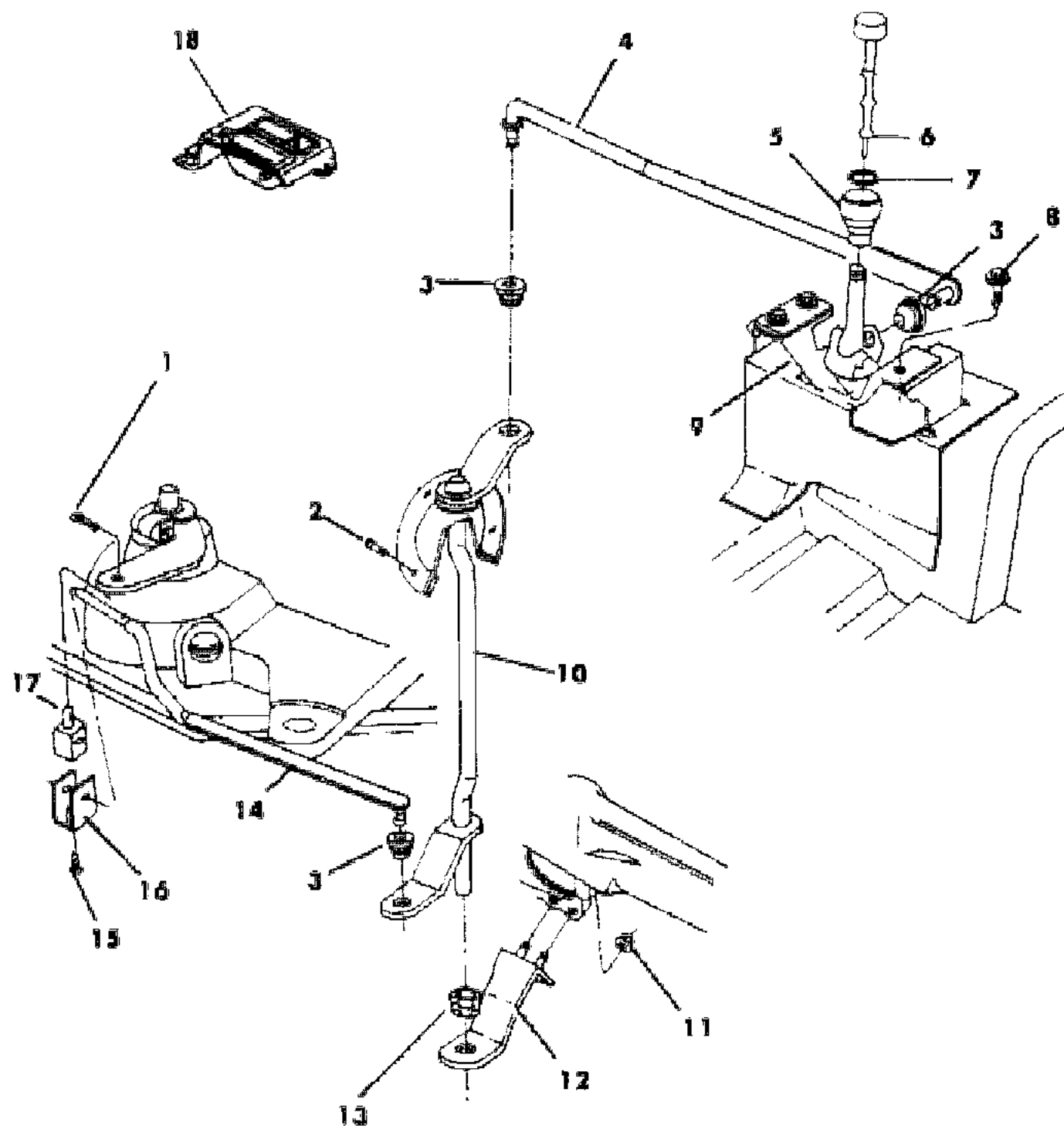
**BODY STYLES**

21 = 2-DOOR SEDAN	41 = 4-DOOR SEDAN
22 = 2-DOOR SPECIAL COUPE	45 = 4-DOOR STATION WAGON
24 = 2-DOOR HATCHBACK	44 = 4-DOOR HATCHBACK
27 = 2-DOOR CONVERTIBLE	48 = EXECUTIVE SEDAN
28 = FWD PICKUP	

AR = Use as Required - = Non Illustrated Part P.A.R. = Paint as Required

**GEARSHIFT CONTROL - AUTOMATIC TRANSMISSION FLOOR SHIFT F,G,X,S,B**  
**Figure 21A-1200**

3151 1200



ITEM	PART NUMBER	QTY	BODY	MODEL	DESCRIPTION
1	6027 983	1			CLIP
2		3			SCREW, (Not Serviced)
3	3575 333	3			GROMMET
4	4019 249	1			ROD, Upper
5	5206 117	1			KNOB
6	4019 991	1			BUTTON
7	5211 832	1			CLIP
8	6024 067	3			SCREW w/WA.
9	4019 245	1			ACTUATOR, Gearshift
	4271 371	1			ACTUATOR & BUTTON PKG., Gearshift
10	4188 420	1			SHAFT, Torque
11	0118 614	2			NUT w/WA.
12	4019 123	1			BRACKET
13	3575 434	1			BUSHING
14	4188 419	1			ROD, Lower
15	0181 082	1			SCREW
16	2204 274	1			CLAMP
17	3467 665	1			SWIVEL
18	3747 943	1	X,S		LAMP, w/ POINTER, Gear Shift Selector

**MODEL CODES**

B = GRAN FURY	G = DIPLOMAT	V = 400
C = LEBARON/TOWN & COUNTRY	M = HORIZON/TURISMO/SCAMP	X = MIRADA
D = ARIES	P = RELIANT	Y = IMPERIAL
E = 600	S = CORDOBA	Z = OMNI/CHARGER/RAMPAGE
F = FIFTH AVENUE	T = E CLASS/NEWYORKER	

**BODY STYLES**

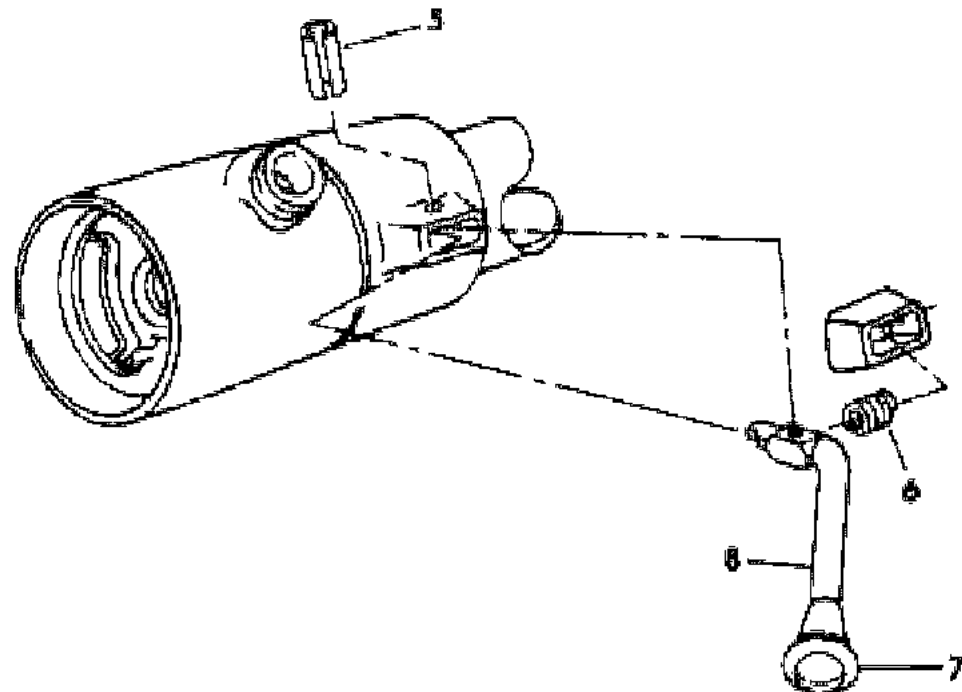
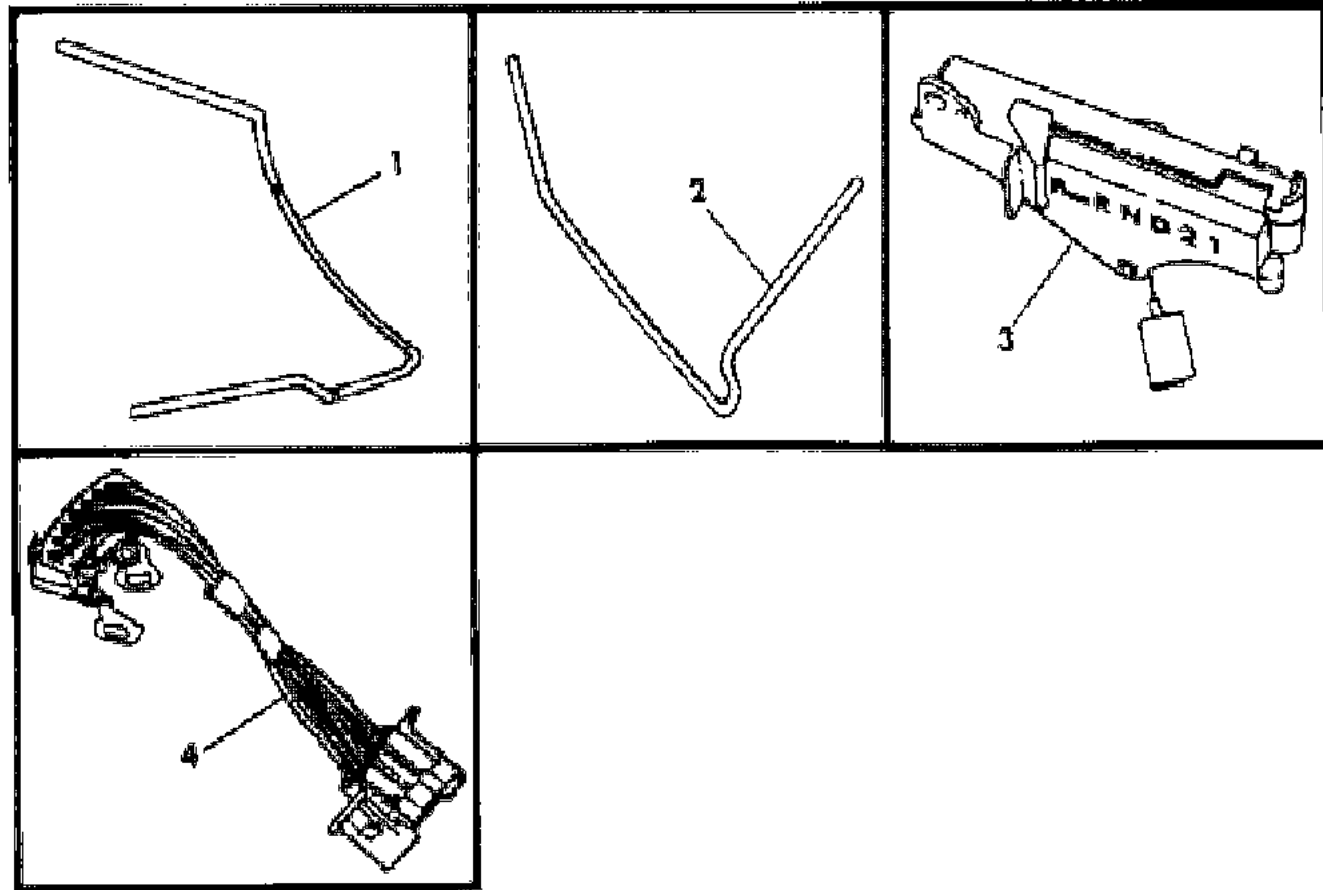
21 = 2-DOOR SEDAN	41 = 4-DOOR SEDAN
22 = 2-DOOR SPECIAL COUPE	45 = 4-DOOR STATION WAGON
24 = 2-DOOR HATCHBACK	44 = 4-DOOR HATCHBACK
27 = 2-DOOR CONVERTIBLE	48 = EXECUTIVE SEDAN
28 = FWD PICKUP	

AR = Use as Required - = Non Illustrated Part P.A.R. = Paint as Required

# SHIFT LEVER AND INDICATOR

## Figure 21A-1300

3151 1300



ITEM	PART NUMBER	QTY	BODY	MODEL	DESCRIPTION
1					POINTER, Gearshift Indicator
	4047 964	1		P,D,C,V	w/o Tilt
	4047 965	1		P,D,C,V	w/Tilt
2					POINTER, Gearshit Indicator
	3591 595	1		B,F,G	w/o Tilt
	4047 722	1		B,F,G	w/Tilt
3					INDICATOR, Gearshift Selector (Refer to 23 B 700)
	4047 563	1		X,S	w/o Console
4	3747 834	1		Y	INDICATOR, Gearshift
5					PIN, Spring
	9412 281	1			w/o Tilt
	0152 233	1			w/Tilt
6					SPRING
	2996 786	1			w/o Tilt
	2880 284	1			w/Tilt
7	2883 402	1			KNOB, Gearshift Lever, w/Tilt, Black
8					LEVER w/KNOB, Column Gearshift
	4188 570	1			w/o Tilt
	4188 197	1			w/Tilt, Black Knob
	4188 304	1		F,Y	w/Tilt, Bright Finish Knob

**MODEL CODES**

B = GRAN FURY	G = DIPLOMAT	V = 400
C = LEBARON/TOWN & COUNTRY	M = HORIZON/TURISMO/SCAMP	X = MIRADA
D = ARIES	P = RELIANT	Y = IMPERIAL
E = 600	S = CORDOBA	Z = OMNI/CHARGER/RAMPAGE
F = FIFTH AVENUE	T = E CLASS/NEWYORKER	

**BODY STYLES**

21 = 2-DOOR SEDAN	41 = 4-DOOR SEDAN
22 = 2-DOOR SPECIAL COUPE	45 = 4-DOOR STATION WAGON
24 = 2-DOOR HATCHBACK	44 = 4-DOOR HATCHBACK
27 = 2-DOOR CONVERTIBLE	48 = EXECUTIVE SEDAN
28 = FWD PICKUP	

AR = Use as Required - = Non Illustrated Part P.A.R. = Paint as Required



# AUTOMATIC TRANSAXLE

## Figure 21A-1400

3151 1400B

ITEM	PART NUMBER	QTY	BODY	MODEL	DESCRIPTION
	4293 083	1			GASKETS,SEALS,BUSHING and SCREEN, LESS FILTERS REPAIR PACKAGE, Transaxle TRANSMISSION CROSS REFERENCE CHART PROD. SERV. REMAN. ASSY. ASSY. ASSY.
	4269683	4269683			
	4269684	4269684			
	4269686	4268686			
	4269791	4269791			
	4295838	4295838			
	4295921	4295921			
NOTE: The Transaxle Assembly Part Number is stamped on the Oil Pan Rail. an offsetting order for part no. 3747881 TRANSAXLE ASSEMBLY					
	4269 683	1			w/2.2 Liter Eng., w/2.78 Overall Ratio, Except J,E,T
	4269 684	1			w/2.2 Liter Eng., w/3.02 Overall Ratio
	4269 686	1			w/2.6 Liter Eng., w/2.78 Overall Ratio, Except J,E,T
	4269 791	1			w/2.6 Liter Eng., w/3.02 Overall Ratio, w/o Police Pkg.
	4295 838	1			w/2.6 Liter Eng., w/3.02 Overall Ratio, w/Police Pkg.
	4295 921	1			w/2.6 Liter Eng., w/3.22 Overall Ratio (LIMO.)
1	5222 454	1			COVER, Case Upper, w/2.2 Liter Eng.
2	5224 266	1			LEVER, Manual Control
	5240 826				Throttle control
	6100 279	1			BOLT w/NUT
	5212 384	1			NUT
3	4269 530	1			BRACKET, Low Gear Blockout
4	6500 672	1			BOLT, Brkt. Adjusting
5	6100 218	1			NUT, Brkt. Adjusting Bolt
6					SCREW w/WA., Case To Block, (Refer To Item No. 7)
7	6500 527	AR			SCREW w/WA., Case To Block, M10 x 1.25 x 60
	6101 238	AR			M10 x 1.50 x 35
	6100 346	AR			M12 x 1.75 x 50
	6100 989	AR			M12 x 1.75 x 65
8					SCREW, (Refer To Item No. 7)
9	6500 486	2			SCREW, Strut To Cyl. Block, M12 x 1.75 x 30
10	5224 214	1			STRUT, Trans. Hsg. To Cyl. Block RR.
11	4296 107	1		P,D,C,V	SHIELD, Trans Apperance, Left
	4296 142	1		M,Z	

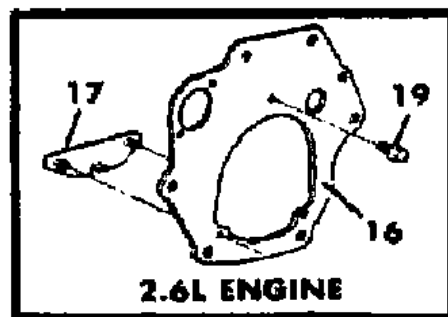
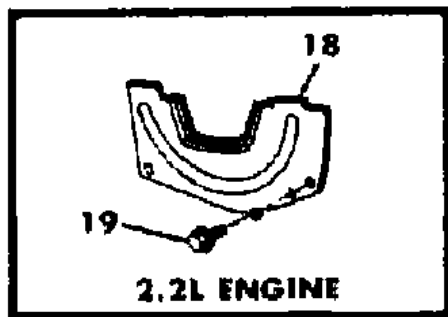
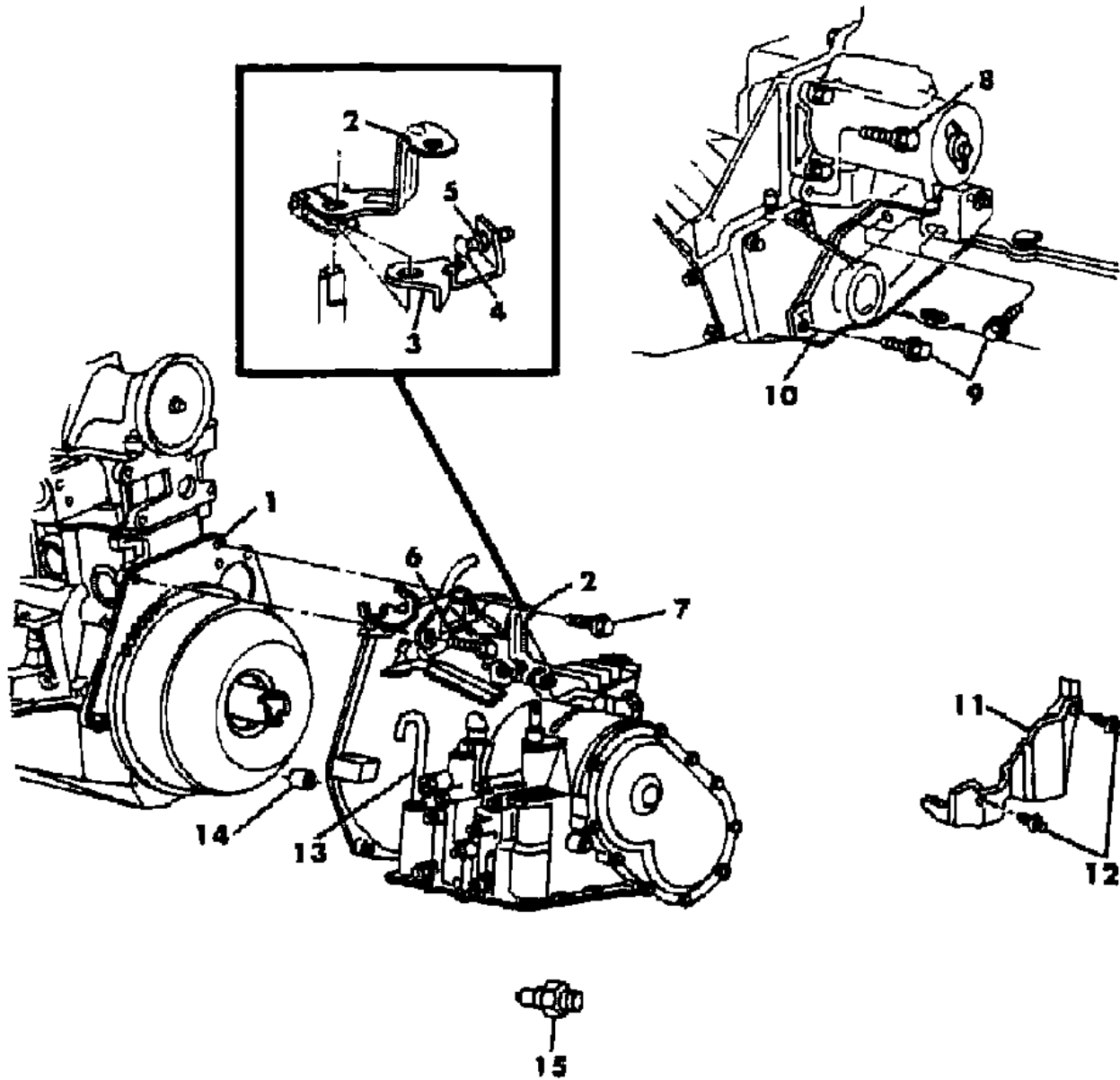
**MODEL CODES**

B = GRAN FURY	G = DIPLOMAT	V = 400
C = LEBARON/TOWN & COUNTRY	M = HORIZON/TURISMO/SCAMP	X = MIRADA
D = ARIES	P = RELIANT	Y = IMPERIAL
E = 600	S = CORDOBA	Z = OMNI/CHARGER/RAMPAGE
F = FIFTH AVENUE	T = E CLASS/NEWYORKER	

**BODY STYLES**

21 = 2-DOOR SEDAN	41 = 4-DOOR SEDAN
22 = 2-DOOR SPECIAL COUPE	45 = 4-DOOR STATION WAGON
24 = 2-DOOR HATCHBACK	44 = 4-DOOR HATCHBACK
27 = 2-DOOR CONVERTIBLE	48 = EXECUTIVE SEDAN
28 = FWD PICKUP	

AR = Use as Required - = Non Illustrated Part P.A.R. = Paint as Required

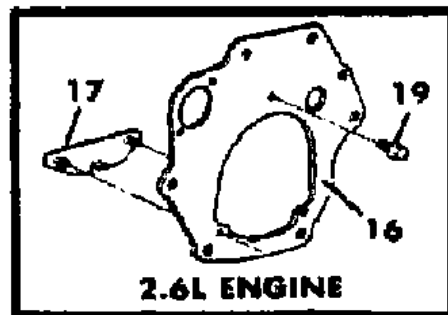
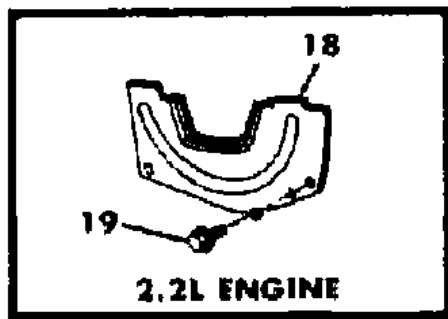
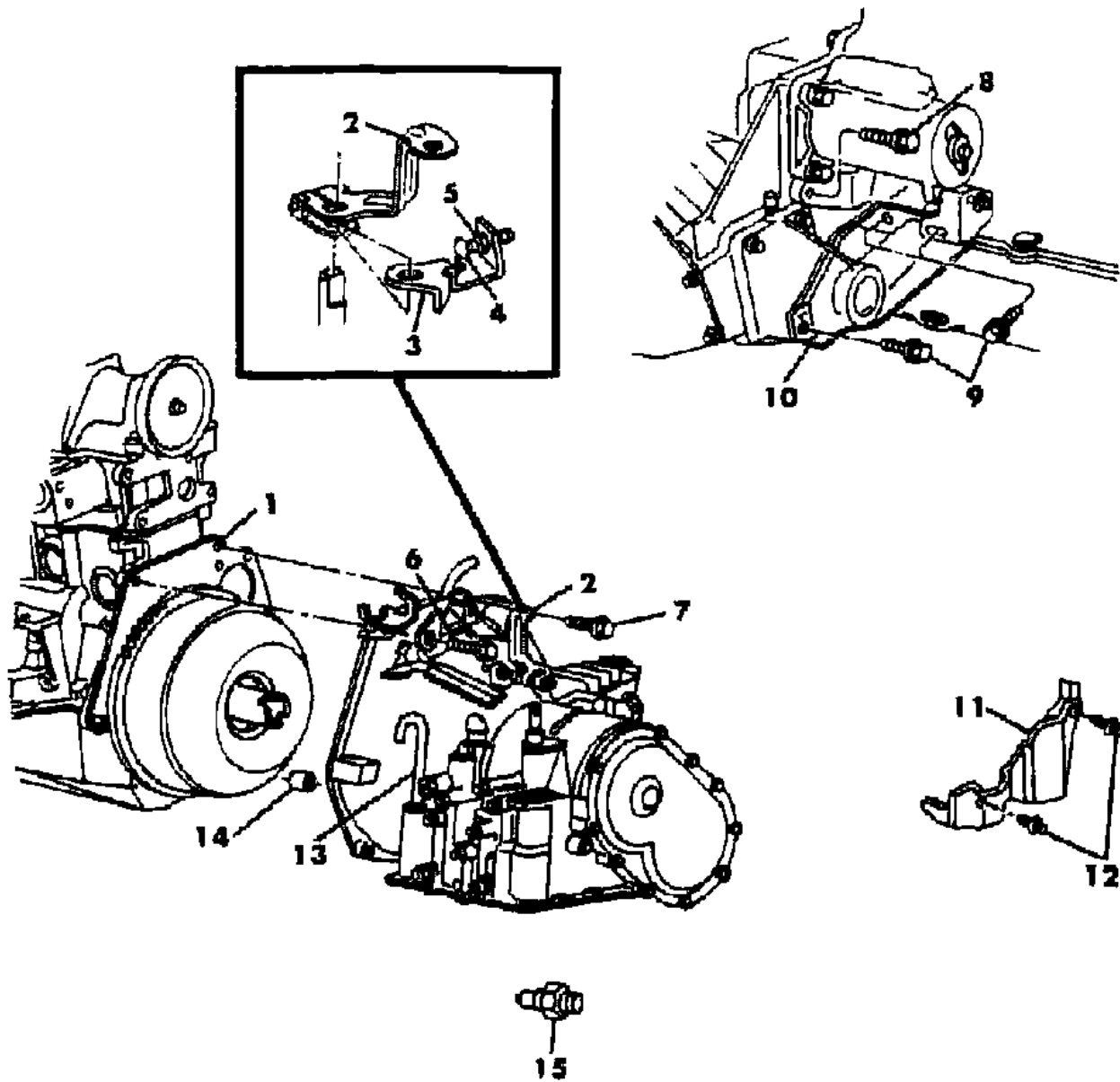


# AUTOMATIC TRANSAXLE

## Figure 21A-1400

3151 1400B

ITEM	PART NUMBER	QTY	BODY	MODEL	DESCRIPTION
12					SCREW w/WA. (Not Serviced)
13	4295 947	1			INDICATOR, Trans. Fluid
14	5240 849	2			DOWEL, Trans. To Eng. Alignment
15	4057 750	1			SWITCH, Neutral Starter and Back-Up Light, A404
	2408 143	1			WASHER, Neutral Starter and Back-Up Light Switch, A404
16	5224 388	1			SPACER, Trans. Plate, w/2.6 Liter Eng.
17	5224 393	1			COVER, Plate Case Access, w/2.6 Liter Eng.
18	5222 453	1			COVER, Case Cover, Lower, w/2.2 Liter Eng.
19	6500 136	1			SCREW, Case Cover, Lower, M6 x 1 x 14
	6100 265	AR			M6 x 1 x 16



**MODEL CODES**

B = GRAN FURY	G = DIPLOMAT	V = 400
C = LEBARON/TOWN & COUNTRY	M = HORIZON/TURISMO/SCAMP	X = MIRADA
D = ARIES	P = RELIANT	Y = IMPERIAL
E = 600	S = CORDOBA	Z = OMNI/CHARGER/RAMPAGE
F = FIFTH AVENUE	T = E CLASS/NEWYORKER	

**BODY STYLES**

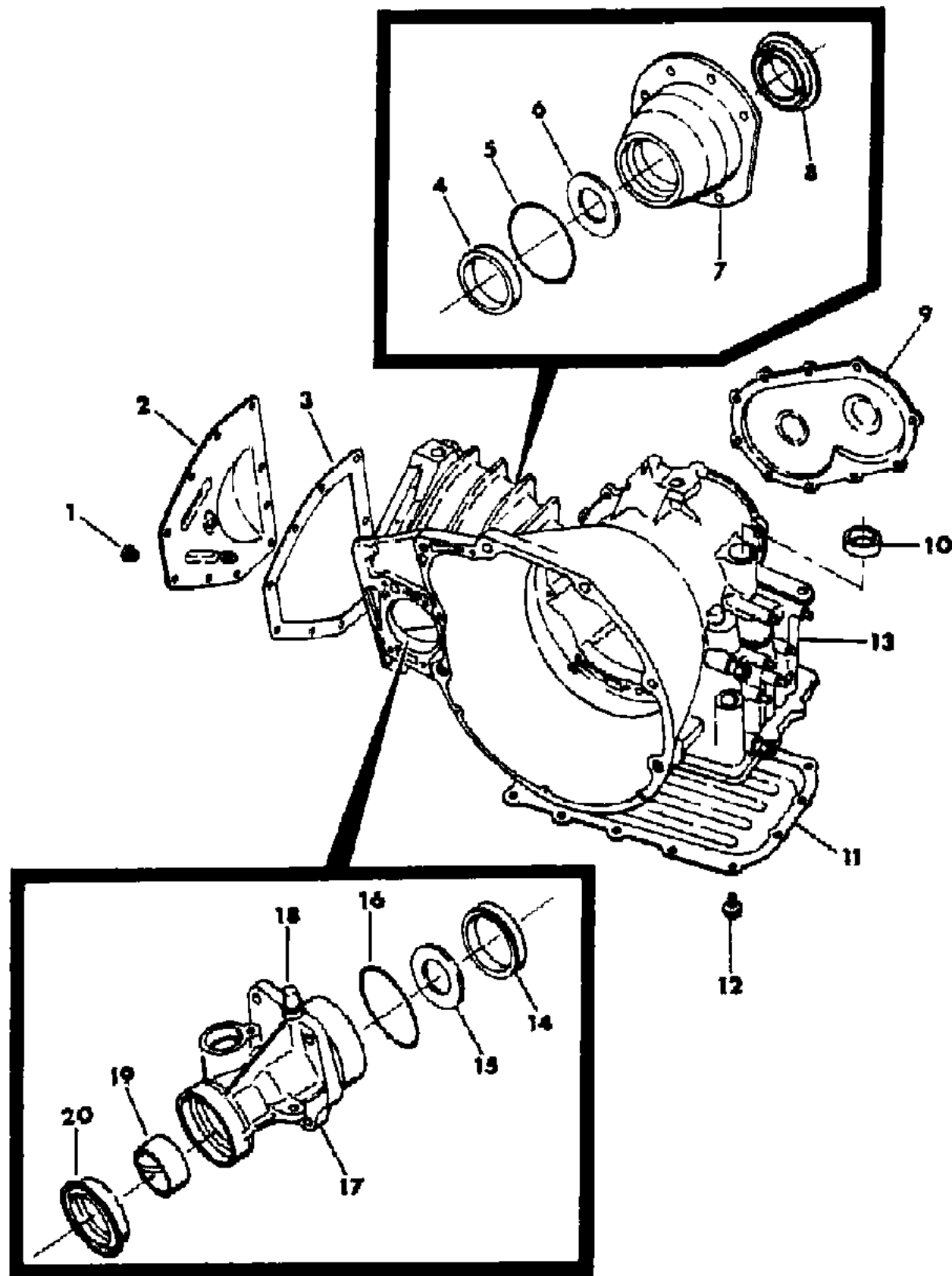
21 = 2-DOOR SEDAN	41 = 4-DOOR SEDAN
22 = 2-DOOR SPECIAL COUPE	45 = 4-DOOR STATION WAGON
24 = 2-DOOR HATCHBACK	44 = 4-DOOR HATCHBACK
27 = 2-DOOR CONVERTIBLE	48 = EXECUTIVE SEDAN
28 = FWD PICKUP	

AR = Use as Required - = Non Illustrated Part P.A.R. = Paint as Required

# AUTOMATIC TRANSAXLE CASE, EXTENSION AND RETAINER

## Figure 21A-1500

3151 1500



ITEM	PART NUMBER	QTY	BODY	MODEL	DESCRIPTION
NOTE: The Transaxle Assembly Part Number is stamped on the Oil Pan Rail. an offsetting order for part no. 3747881					
1	6100 294	10			SCREW w/WA., Diff. Oil Pan to Case
2	4269 657	1			PAN, Transaxle Diff. Oil
3		1			GASKET, Trans. Diff. Oil Pan (Use Silicone Adhesive)
4	5222 259	1			CUP, Differential
5					SPACER, Trans. Final Drive
	4207 134	AR			0.50mm(.020")
	4207 135	AR			0.55mm(.022")
	4207 136	AR			0.60mm(.024")
	4207 137	AR			0.65mm(.026")
	4207 138	AR			0.70mm(.027")
	4207 139	AR			0.75mm(.029")
	4207 140	AR			0.80mm(.031")
	4207 141	AR			0.85mm(.033")
	4207 142	AR			0.90mm(.035")
	4207 143	AR			0.95mm(.037")
	4207 144	AR			1.00mm(.039")
	4207 145	AR			1.05mm(.041")
6	4269 787	1			RETAINER, Trans. Diff. Oil
7	4205 855	1			RETAINER, Trans. Diff. Bearing
	6500 210	1			SCREW, M8 x 1.25 x 28
8	4295 904	1			SEAL, Trans. Diff. Brg. Retainer, Rubber and Metal
9	5224 153	1			COVER, Trans. End, Rr.
					Gasket, (Use Silicone Adhesive)
	6100 294	10			SCREW w/WA., End Cover
10	3878 447	1			SEAL, Manual Valve Lever Shaft
11	4269 672	1			PAN, Transaxle Oil
	3681 601	1			MAGNET, Case Chip Collector
					GASKET, (Use Silicone Adhesive)
12	6100 294	13			SCREW w/WA., Trans. Oil Pan to Case
	6500 739	1			
13					CASE ASSEMBLY, Transaxle
	4269 720	1			w/4269683,684 Trans.
	4269 721	1			w/4269686,791,4295838,921 Trans.
	6100 994	1			PIN, Dowel
	6030 035	AR			PLUG
14	5222 259	1			CUP, Extension

**MODEL CODES**

B = GRAN FURY	G = DIPLOMAT	V = 400
C = LEBARON/TOWN & COUNTRY	M = HORIZON/TURISMO/SCAMP	X = MIRADA
D = ARIES	P = RELIANT	Y = IMPERIAL
E = 600	S = CORDOBA	Z = OMNI/CHARGER/RAMPAGE
F = FIFTH AVENUE	T = E CLASS/NEWYORKER	

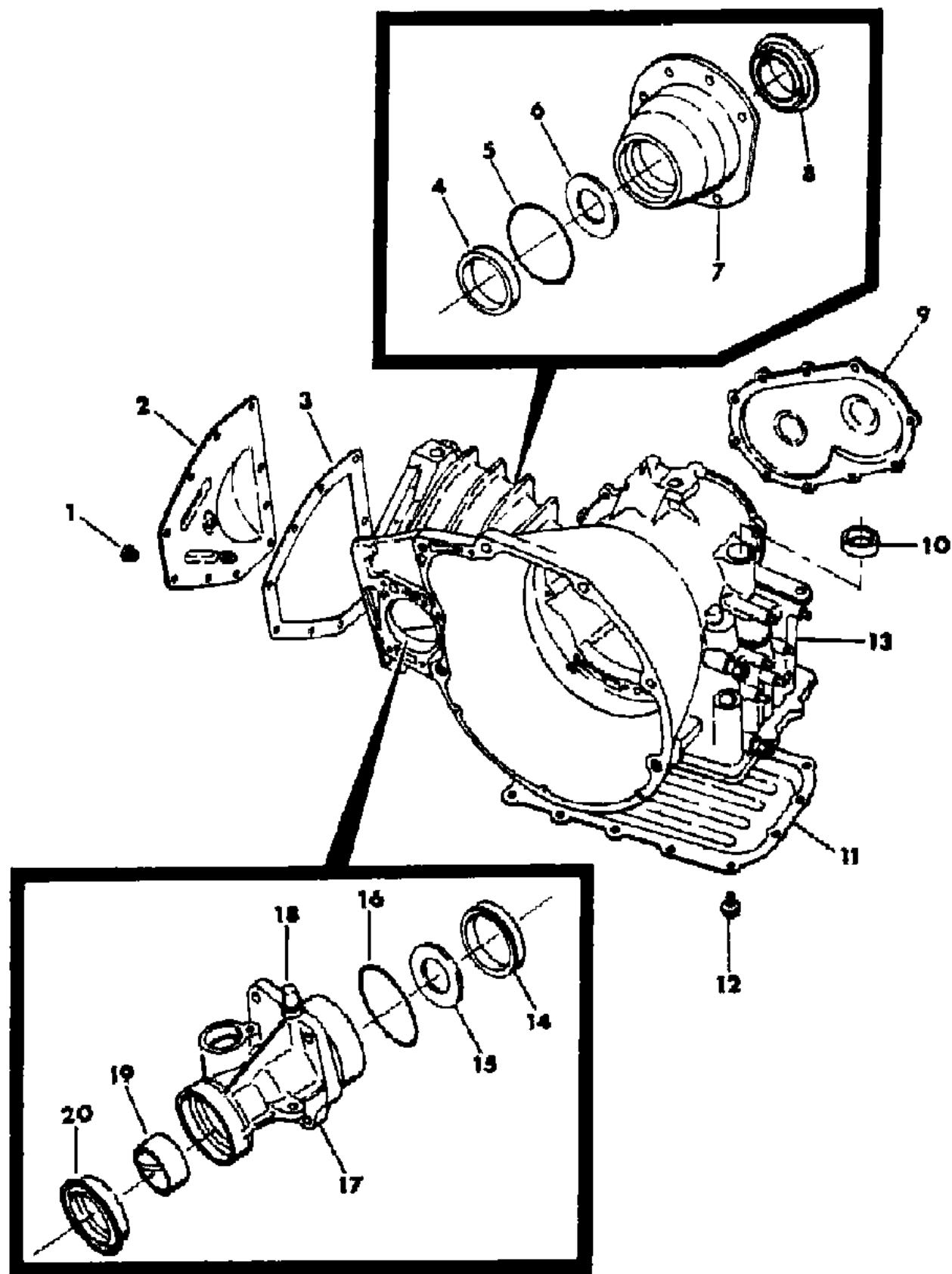
**BODY STYLES**

21 = 2-DOOR SEDAN	41 = 4-DOOR SEDAN
22 = 2-DOOR SPECIAL COUPE	45 = 4-DOOR STATION WAGON
24 = 2-DOOR HATCHBACK	44 = 4-DOOR HATCHBACK
27 = 2-DOOR CONVERTIBLE	48 = EXECUTIVE SEDAN
28 = FWD PICKUP	

AR = Use as Required - = Non Illustrated Part P.A.R. = Paint as Required

**AUTOMATIC TRANSAXLE CASE, EXTENSION AND RETAINER**  
**Figure 21A-1500**

3151 1500



ITEM	PART NUMBER	QTY	BODY	MODEL	DESCRIPTION
15	5222 255	1			RETAINER, Trans. Extension Oil
16	6500 111	1			"O" RING, Trans. Extension
17	4269 961	1			EXTENSION w/BUSHING, Transaxle
	6500 511	4			SCREW, Ext. to Case
18	2124 715	1			VENT, Trans. Extension
19		1			BUSHING, Trans. Extension (Serviced In Extension)
20	4295 904	1			SEAL, Trans. Extension, Rubber and Metal

MODEL CODES

B = GRAN FURY	G = DIPLOMAT	V = 400
C = LEBARON/TOWN & COUNTRY	M = HORIZON/TURISMO/SCAMP	X = MIRADA
D = ARIES	P = RELIANT	Y = IMPERIAL
E = 600	S = CORDOBA	Z = OMNI/CHARGER/RAMPAGE
F = FIFTH AVENUE	T = E CLASS/NEWYORKER	

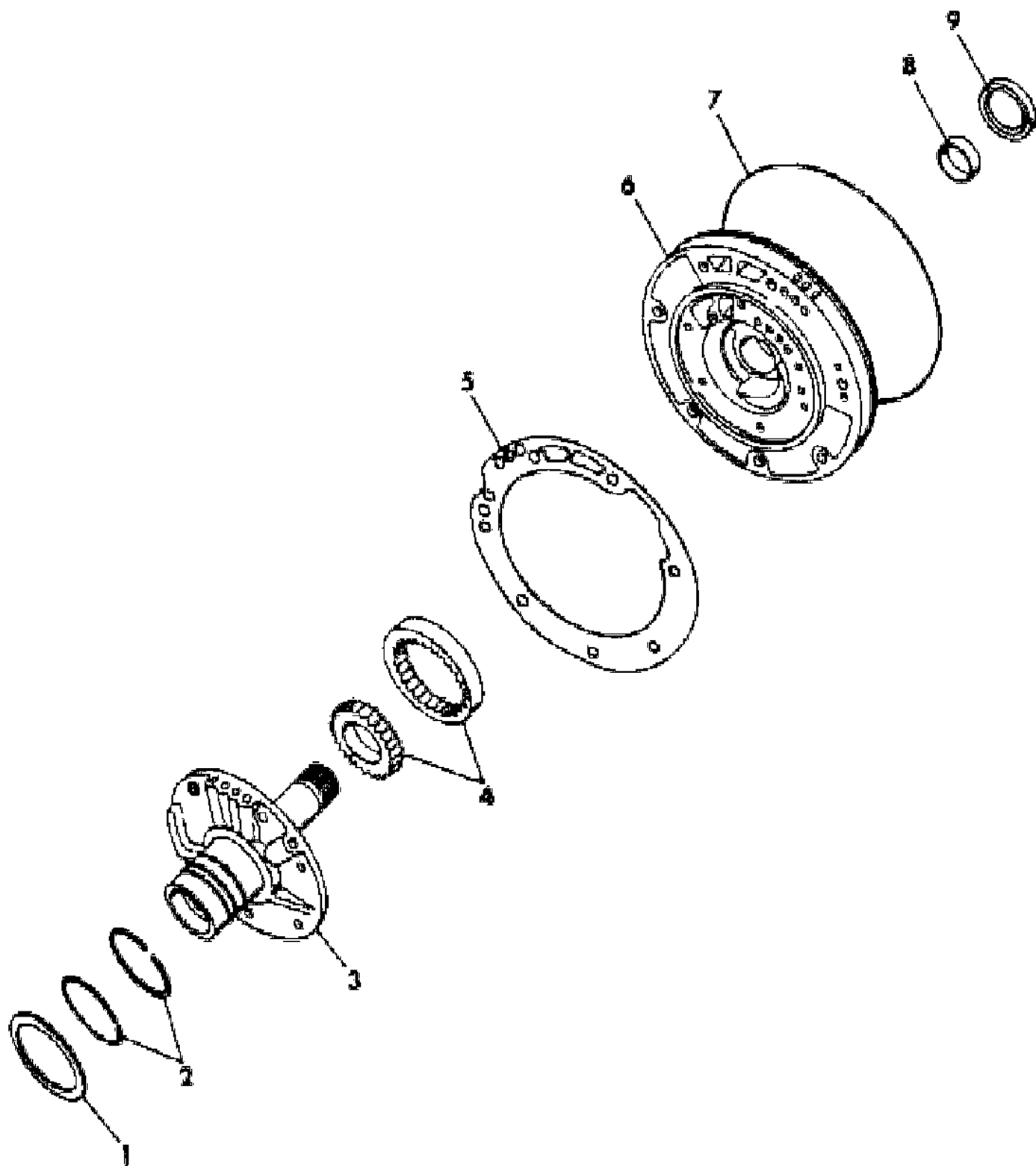
BODY STYLES

21 = 2-DOOR SEDAN	41 = 4-DOOR SEDAN
22 = 2-DOOR SPECIAL COUPE	45 = 4-DOOR STATION WAGON
24 = 2-DOOR HATCHBACK	44 = 4-DOOR HATCHBACK
27 = 2-DOOR CONVERTIBLE	48 = EXECUTIVE SEDAN
28 = FWD PICKUP	

AR = Use as Required - = Non Illustrated Part P.A.R. = Paint as Required

**AUTOMATIC TRANSAXLE OIL PUMP AND REACTION SHAFT**  
**Figure 21A-1600**

3151 1600



ITEM	PART NUMBER	QTY	BODY	MODEL	DESCRIPTION
------	-------------	-----	------	-------	-------------

NOTE: There is no SEAL and GASKET PACKAGE for the FRONT PUMP in 1983. Order individual Parts. an offsetting order for part no. 3747881

1	5205 679	1			WASHER, Frt. Clutch Thrust, Frt., Plastic, 71.5 O.D.
2	5212 305	2			SEAL, Trans. Reaction Shaft Support Ring
3	5222 412	1			SHAFT w/SUPPORT, Trans. Reaction
	6500 211	6			BOLT
	0104 919	6			BALL
	0104 918	2			BALL
4		1			ROTOR or GEAR, Oil Pump (Serviced In Hsg.)
5	4269 661	1			GASKET, Transaxle Oil Pump Housing
6	4207 217	1			HOUSING w/BUSHING and ROTORS, Trans. Oil Pump
	5212 263	7			SCREW w/WA., Oil Pump To Case
7	5205 660	1			SEAL, Trans. Oil Pump Housing, Rubber
8		1			BUSHING, Trans. Oil Pump Housing (Serviced In Hsg.)
9	4269 057	1			SEAL, Torque Converter Impeller Hub, Rubber and Steel

**MODEL CODES**

B = GRAN FURY	G = DIPLOMAT	V = 400
C = LEBARON/TOWN & COUNTRY	M = HORIZON/TURISMO/SCAMP	X = MIRADA
D = ARIES	P = RELIANT	Y = IMPERIAL
E = 600	S = CORDOBA	Z = OMNI/CHARGER/RAMPAGE
F = FIFTH AVENUE	T = E CLASS/NEWYORKER	

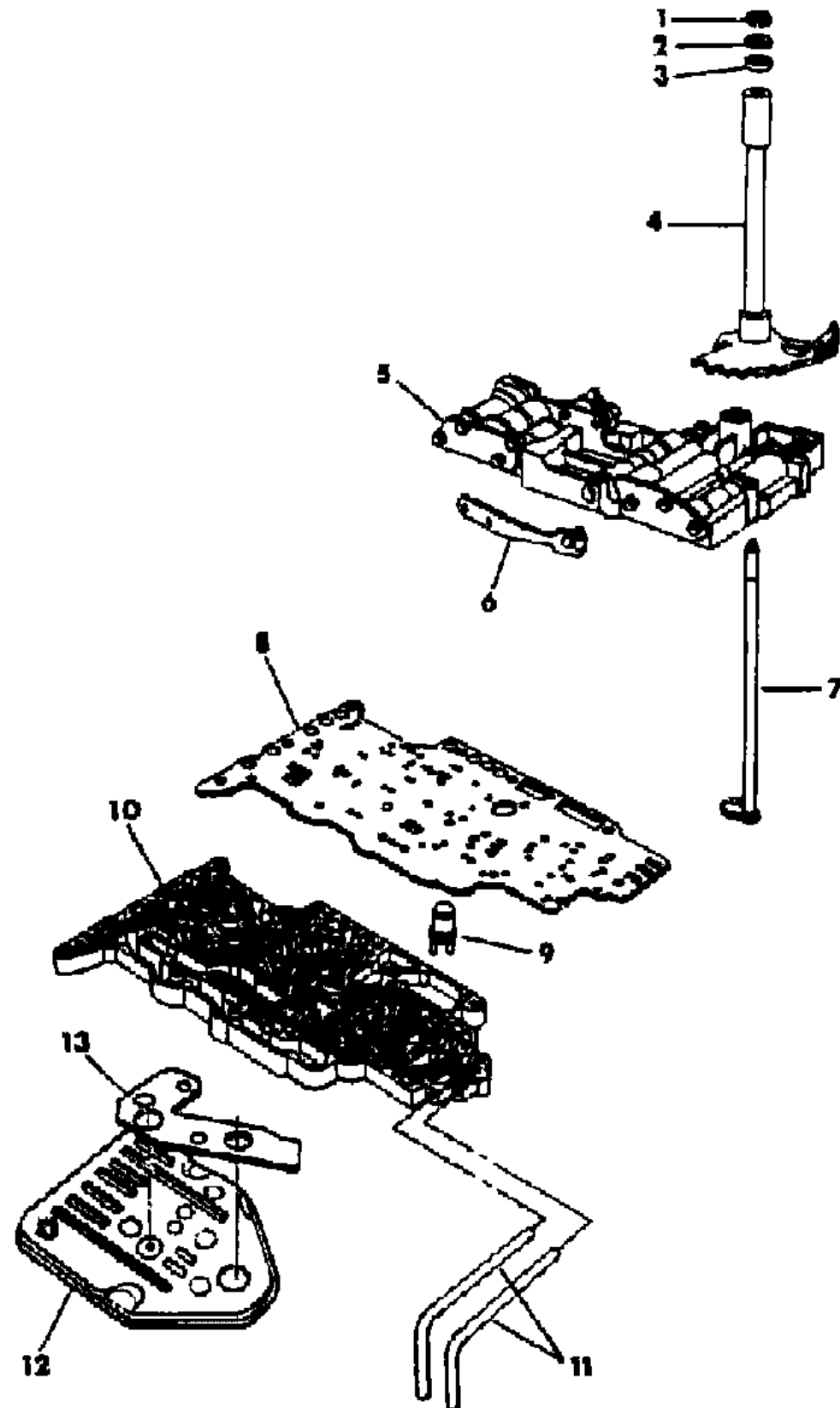
**BODY STYLES**

21 = 2-DOOR SEDAN	41 = 4-DOOR SEDAN
22 = 2-DOOR SPECIAL COUPE	45 = 4-DOOR STATION WAGON
24 = 2-DOOR HATCHBACK	44 = 4-DOOR HATCHBACK
27 = 2-DOOR CONVERTIBLE	48 = EXECUTIVE SEDAN
28 = FWD PICKUP	

AR = Use as Required - = Non Illustrated Part P.A.R. = Paint as Required

**AUTOMATIC TRANSAXLE VALVE BODY**  
Figure 21A-1700

3151 1700



ITEM	PART NUMBER	QTY	BODY	MODEL	DESCRIPTION
1	6025 857	1			SNAP RING, Throttle Valve Lever Shaft
2	2538 062	1			WASHER, Throttle Valve Lever Shaft
3	2466 548	1			SEAL, Throttle Shaft
4	4207 093	1			LEVER w/INSULATOR, Manual Valve
5	4269 716	1			VALVE BODY w/TRANSFER PLATE, Transaxle
	6100 994	1			PIN, Valve Body to Case Dowel
6	4269 584	1			DETENT ASSEMBLY, Manual Valve Lever
7	5212 244	1			SHAFT ASSEMBLY, Throttle Valve Lever
8	4207 230	1			VALVE, Valve Body Throttle (Not Shown)
	6500 215	15			PLATE, Valve Body (Serviced In Valve Body)
9	3878 313	1			SCREW w/WA., Valve Body to Transfer Plate
10	6100 155	1			SCREEN, Regulator Valve
	6100 155	7			PLATE, Transfer (Serviced In Valve Body)
	5222 020	2			SCREW, Transfer Plate to Case
11	5222 020	2			TUBE, Governor Oil
12	4269 649	1			FILTER, Transaxle Oil
	6500 216	3			SCREW w/WA., Oil Filter to Valve Body M5 x 0.8 x 30
13	4269 671	1			GASKET, Oil Filter

MODEL CODES

B = GRAN FURY	G = DIPLOMAT	V = 400
C = LEBARON/TOWN & COUNTRY	M = HORIZON/TURISMO/SCAMP	X = MIRADA
D = ARIES	P = RELIANT	Y = IMPERIAL
E = 600	S = CORDOBA	Z = OMNI/CHARGER/RAMPAGE
F = FIFTH AVENUE	T = E CLASS/NEWYORKER	

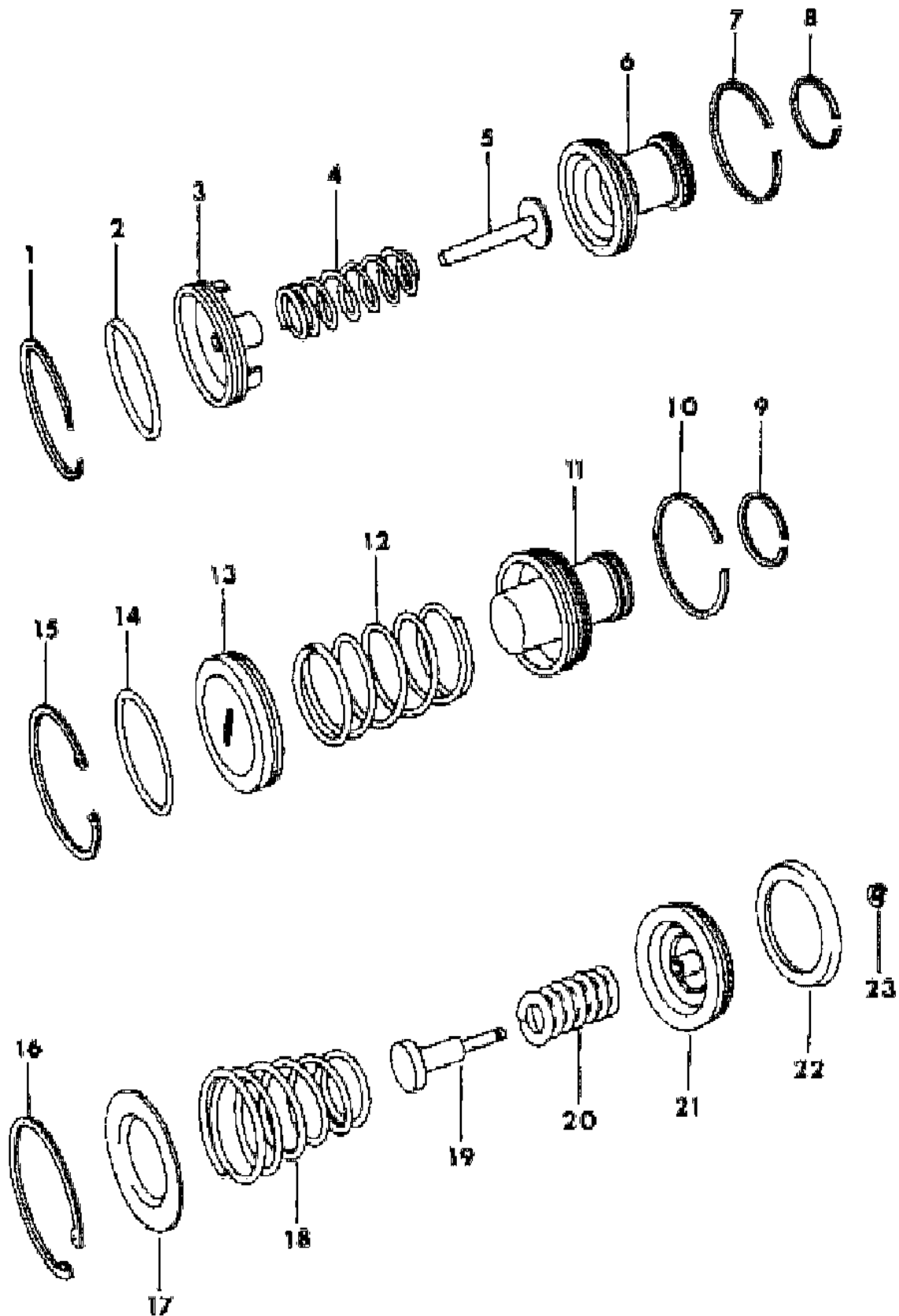
BODY STYLES

21 = 2-DOOR SEDAN	41 = 4-DOOR SEDAN
22 = 2-DOOR SPECIAL COUPE	45 = 4-DOOR STATION WAGON
24 = 2-DOOR HATCHBACK	44 = 4-DOOR HATCHBACK
27 = 2-DOOR CONVERTIBLE	48 = EXECUTIVE SEDAN
28 = FWD PICKUP	

AR = Use as Required - = Non Illustrated Part P.A.R. = Paint as Required

**AUTOMATIC TRANSAXLE SERVOS, ACCUMULATOR PISTON AND SPRING**  
**Figure 21A-1800**

3151 1800



ITEM	PART NUMBER	QTY	BODY	MODEL	DESCRIPTION
1	6031 765	1			SNAP RING, Kickdown Servo
2	6031 545	1			RING, Kickdown Servo Guide
3	5224 344	1			GUIDE, Kickdown Servo
4	4207 229	1			SPRING, Kickdown Servo Piston
5	4058 943	1			ROD, Kickdown Servo Piston
6	4269 524	1			Piston, Transaxle Kickdown Servo
	6025 031	1			SNAP RING, Inner
	6031 410	1			SEAL, Kickdown Servo Inner Piston
7	1636 470	1			RING, Kickdown Servo Piston, Large
8	3410 374	1			RING, Kickdown Servo Piston, Seal, Small
9	3743 010	1			SEAL, Accumulator Piston Ring, Small
10	1315 158	1			SEAL, Accumulator Piston Ring, Large
11	3410 908	1			PISTON, Accumulator
12	4207 211	1			SPRING, Accumulator
13	4205 857	1			PLATE, Accumulator
14	6031 545	1			SEAL, Accumulator Plate Ring
15	5212 252	1			SNAP RING, Accumulator
	4205 854	1			REVERSE SERVO PKG., (Consists of Items 16,17,18,19,20,22, 23)
16	6031 909	1			SNAP RING, Reverse Servo Piston Spring Retainer
17		1			RETAINER, Rev. Servo Piston Spring (Serv. In Pkg.)
18	3681 434	1			SPRING, Reverse Servo Piston
19	4269 707	1			PLUG, Reverse Servo Piston
20		1			SPRING, Reverse Servo Cushion (Serv. In Pkg.)
21	3743 898	1			PISTON, Reverse Servo
22	4269 736	1			SEAL, Reverse Servo Piston, Rubber
23	1638 461	1			RING, Reverse Servo Plug

**MODEL CODES**

B = GRAN FURY	G = DIPLOMAT	V = 400
C = LEBARON/TOWN & COUNTRY	M = HORIZON/TURISMO/SCAMP	X = MIRADA
D = ARIES	P = RELIANT	Y = IMPERIAL
E = 600	S = CORDOBA	Z = OMNI/CHARGER/RAMPAGE
F = FIFTH AVENUE	T = E CLASS/NEWYORKER	

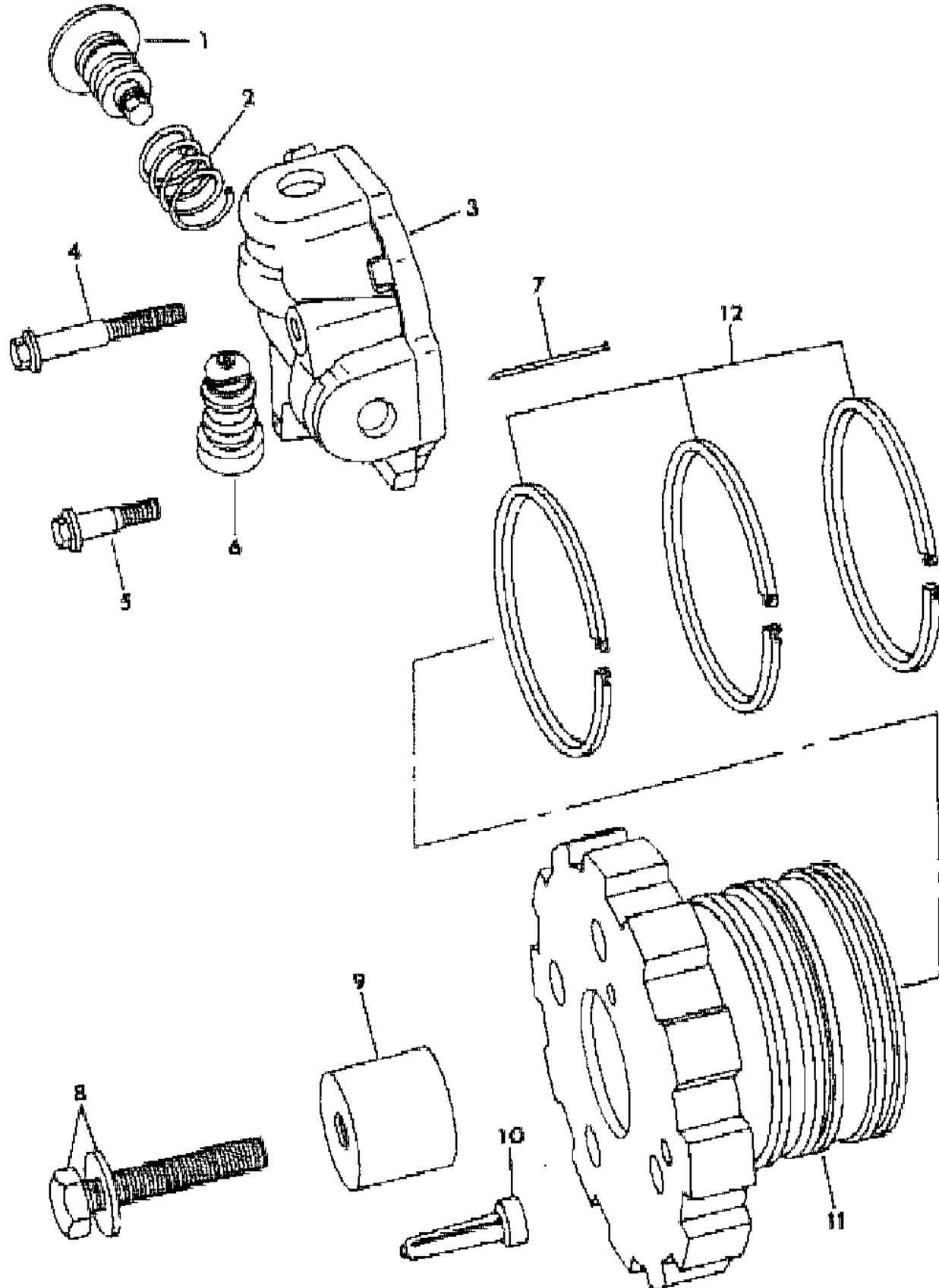
**BODY STYLES**

21 = 2-DOOR SEDAN	41 = 4-DOOR SEDAN
22 = 2-DOOR SPECIAL COUPE	45 = 4-DOOR STATION WAGON
24 = 2-DOOR HATCHBACK	44 = 4-DOOR HATCHBACK
27 = 2-DOOR CONVERTIBLE	48 = EXECUTIVE SEDAN
28 = FWD PICKUP	

AR = Use as Required - = Non Illustrated Part P.A.R. = Paint as Required

**AUTOMATIC TRANSAXLE GOVERNOR**  
Figure 21A-1900

3151 1900



ITEM	PART NUMBER	QTY	BODY	MODEL	DESCRIPTION
1					VALVE, Gov. Secondary
	4207 185	1			w/4269683,686 Trans.
	4207 183	1			w/4269684,791,4295838,921 Trans.
2					SPRING, Gov. Valve
	4207 194	1			w/4269684,791,4295838,921 Trans.
	4207 193	1			w/4269683,686, Trans.
3	4207 055	1			BODY, Governor
4	6500 209	1			SCREW, Gov. Body,(M5x 0.8x 37)
5	6500 208	1			SCREW, Gov. Body,(M5x 0.8x 20)
6					Valve, Gov. Primary
	4207 186	1			w/4269683,686, Trans.
	4269 641	1			w/4295921 Trans.
	4269 568	1			w/4269684,791,4295838 Trans.
7		1			PIN, Gov. Weight Retaining (Not Serviced)
8	6100 306	1			SCREW w/WA., Counterweight to Gov. Support
9	5212 265	1			COUNTERWEIGHT, Gov.
10	5205 839	1			FILTER, Transaxle Governor
11	5212 249	1			SUPPORT, Gov.
12	5212 092	3			RING, Gov. Support Seal

**MODEL CODES**

B = GRAN FURY	G = DIPLOMAT	V = 400
C = LEBARON/TOWN & COUNTRY	M = HORIZON/TURISMO/SCAMP	X = MIRADA
D = ARIES	P = RELIANT	Y = IMPERIAL
E = 600	S = CORDOBA	Z = OMNI/CHARGER/RAMPAGE
F = FIFTH AVENUE	T = E CLASS/NEWYORKER	

**BODY STYLES**

21 = 2-DOOR SEDAN	41 = 4-DOOR SEDAN
22 = 2-DOOR SPECIAL COUPE	45 = 4-DOOR STATION WAGON
24 = 2-DOOR HATCHBACK	44 = 4-DOOR HATCHBACK
27 = 2-DOOR CONVERTIBLE	48 = EXECUTIVE SEDAN
28 = FWD PICKUP	

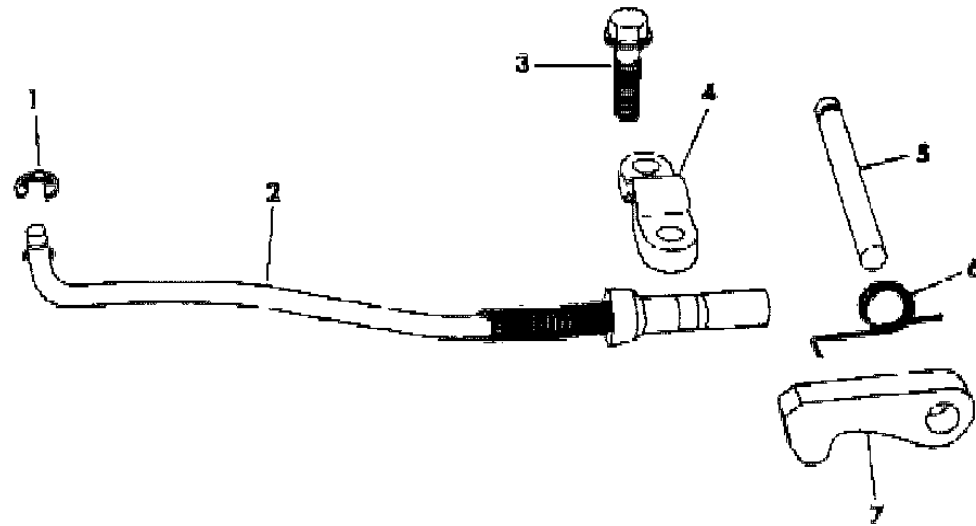
AR = Use as Required - = Non Illustrated Part P.A.R. = Paint as Required



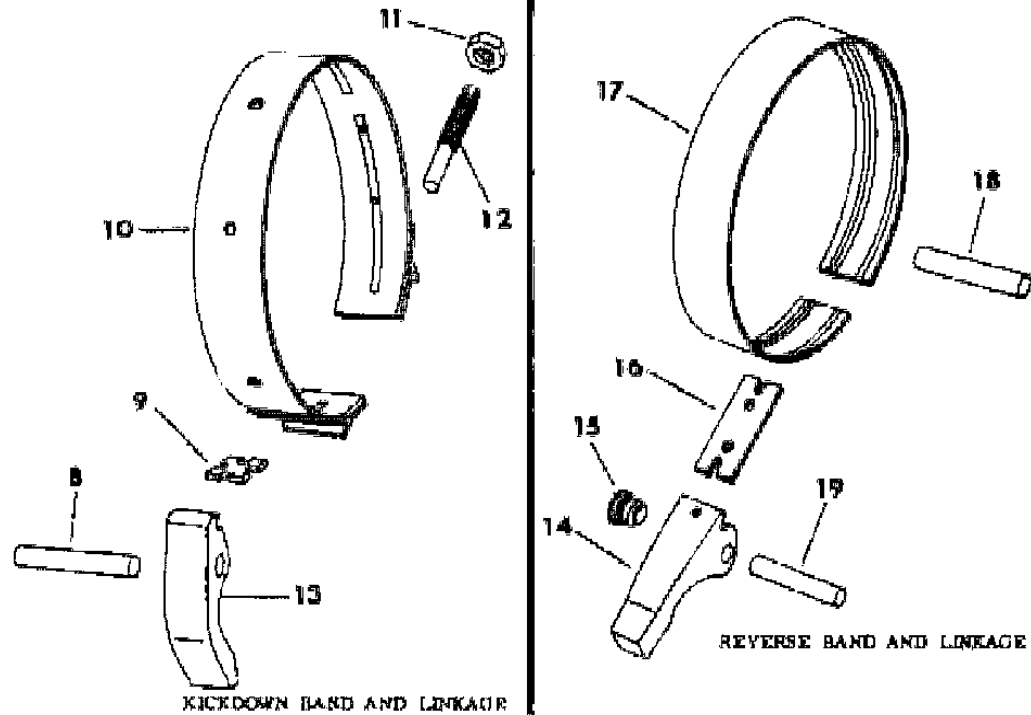
# AUTOMATIC TRANSAXLE PARKING SPRAG, KICKDOWN BAND AND REVERSE BAND

## Figure 21A-2000

3151 2000



PARKING SPRAG



KICKDOWN BAND AND LINKAGE

REVERSE BAND AND LINKAGE

ITEM	PART NUMBER	QTY	BODY	MODEL	DESCRIPTION
1	1626 749	1			E-RING, Parking Sprag Rod Retainer
2	4207 130	1			ROD w/SPRING,SLEEVE and END, Parking Sprag
3	6500 368	2			BOLT, Parking Sprag Support Attaching
4	5212 296	1			SUPPORT, Parking Sprag Rod
5	5212 010	1			SHAFT, Parking Sprag
6	5222 244	1			SPRING, Parking Sprag Pawl
7	4205 851	1			PAWL, Parking Sprag
8	5212 047	1			SHAFT, Kickdown Band Lever
9	5212 343	1			STRUT, Kickdown Band
10	4269 663	1			BAND, Transaxle Kickdown
11	5212 206	1			NUT, Kickdown Band Adj. Screw Lock
12	5212 255	1			SCREW, Kickdown Band Adjusting
13	4207 009	1			LEVER w/PIN, Kickdown Band
14	5222 075	1			LEVER w/PIN and STEM, Reverse Band .
	5224 203	1			SHORT
	4207 182	1			INTERGAL
15		1			PLUG, Trans. Pipe 1/4"-18 (Not Serviced)
16	5224 264	1			STRUT, Reverse Band
17	5205 765	1			BAND, Transaxle Reverse
	5224 140	1			SCREW, Reverse Band Adjusting
18	5212 344	1			ANCHOR, Reverse Band
19	5222 090	1			SHAFT, Reverse Band Lever

**MODEL CODES**

B = GRAN FURY	G = DIPLOMAT	V = 400
C = LEBARON/TOWN & COUNTRY	M = HORIZON/TURISMO/SCAMP	X = MIRADA
D = ARIES	P = RELIANT	Y = IMPERIAL
E = 600	S = CORDOBA	Z = OMNI/CHARGER/RAMPAGE
F = FIFTH AVENUE	T = E CLASS/NEWYORKER	

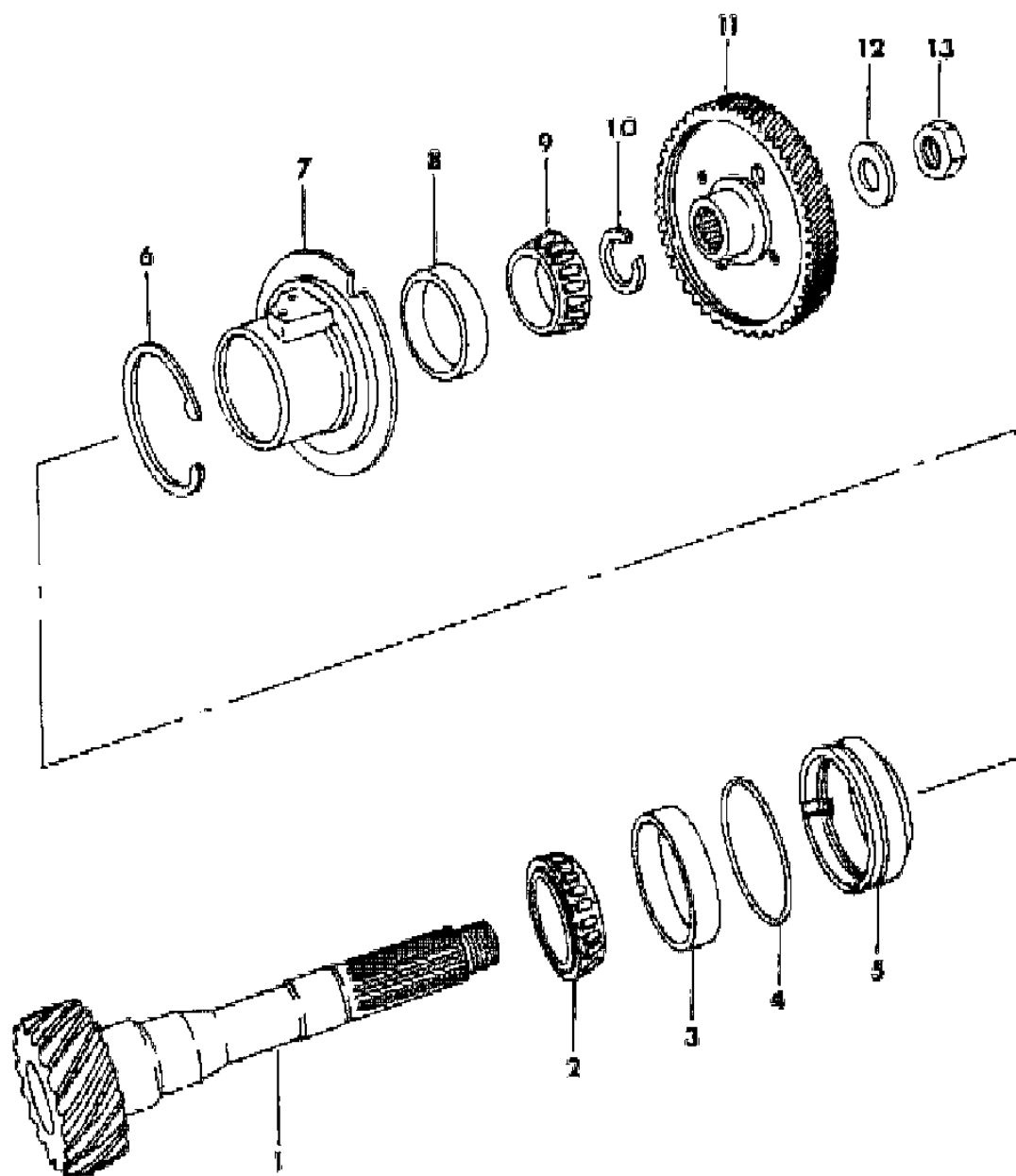
**BODY STYLES**

21 = 2-DOOR SEDAN	41 = 4-DOOR SEDAN
22 = 2-DOOR SPECIAL COUPE	45 = 4-DOOR STATION WAGON
24 = 2-DOOR HATCHBACK	44 = 4-DOOR HATCHBACK
27 = 2-DOOR CONVERTIBLE	48 = EXECUTIVE SEDAN
28 = FWD PICKUP	

AR = Use as Required - = Non Illustrated Part P.A.R. = Paint as Required

**AUTOMATIC TRANSAXLE TRANSFER SHAFT**  
**Figure 21A-2100**

3151 2100



ITEM	PART NUMBER	QTY	BODY	MODEL	DESCRIPTION
1					TRANSFER SHAFT, Transaxle
	5224 209	1			w/4269684,791 Trans., 21T
	4186 873	1			w/4269683,686 Trans., 20T
	4295 842	1			w/4295838 Trans., 21T
	4269 172	1			w/4295921 Trans., 20T
2	5224 301	1			CONE, Transfer Shaft
3	5222 259	1			CUP, Transfer Shaft
4	6500 169	2			"O" RING, Transfer Shaft Brg. Retainer
5	4269 688	1			RETAINER PACKAGE, Transfer Shaft Bearing
6	5212 353	1			SNAP RING, Transfer Shaft Brg. Retainer
7	5212 371	1			RETAINER, Trans. Governor Support
8	5222 259	1			CUP, Transfer Shaft Gear
9	5224 301	1			CONE, Transfer Shaft Gear
10					SPACER, Transfer Shaft Brg.
	4207 166	AR			0.94mm(.037")
	4207 167	AR			0.99mm(.039")
	4207 168	AR			1.04mm(.041")
	4207 169	AR			1.09mm(.043")
	4207 170	AR			1.14mm(.045")
	4207 171	AR			1.19mm(.047")
	4207 172	AR			1.20mm(.051")
	4207 173	AR			1.29mm
	4207 174	AR			1.35mm(.053")
	4207 175	AR			1.39mm(.055")
	4207 176	AR			1.84mm(.072")
	4207 177	AR			2.29mm(.090")
11					GEAR SET, Transfer Shaft and Output Shaft
	4205 871	1			w/4269684,791,4295838,921 Trans., 56T-53T
	4186 871	1			w/4269683,686 Trans., 52T-57T
12	5222 010	1			WASHER, Transfer Shaft Nut
13	5222 009	1			NUT, Transfer Shaft Gear, M20 x 1.5

**MODEL CODES**

B = GRAN FURY	G = DIPLOMAT	V = 400
C = LEBARON/TOWN & COUNTRY	M = HORIZON/TURISMO/SCAMP	X = MIRADA
D = ARIES	P = RELIANT	Y = IMPERIAL
E = 600	S = CORDOBA	Z = OMNI/CHARGER/RAMPAGE
F = FIFTH AVENUE	T = E CLASS/NEWYORKER	

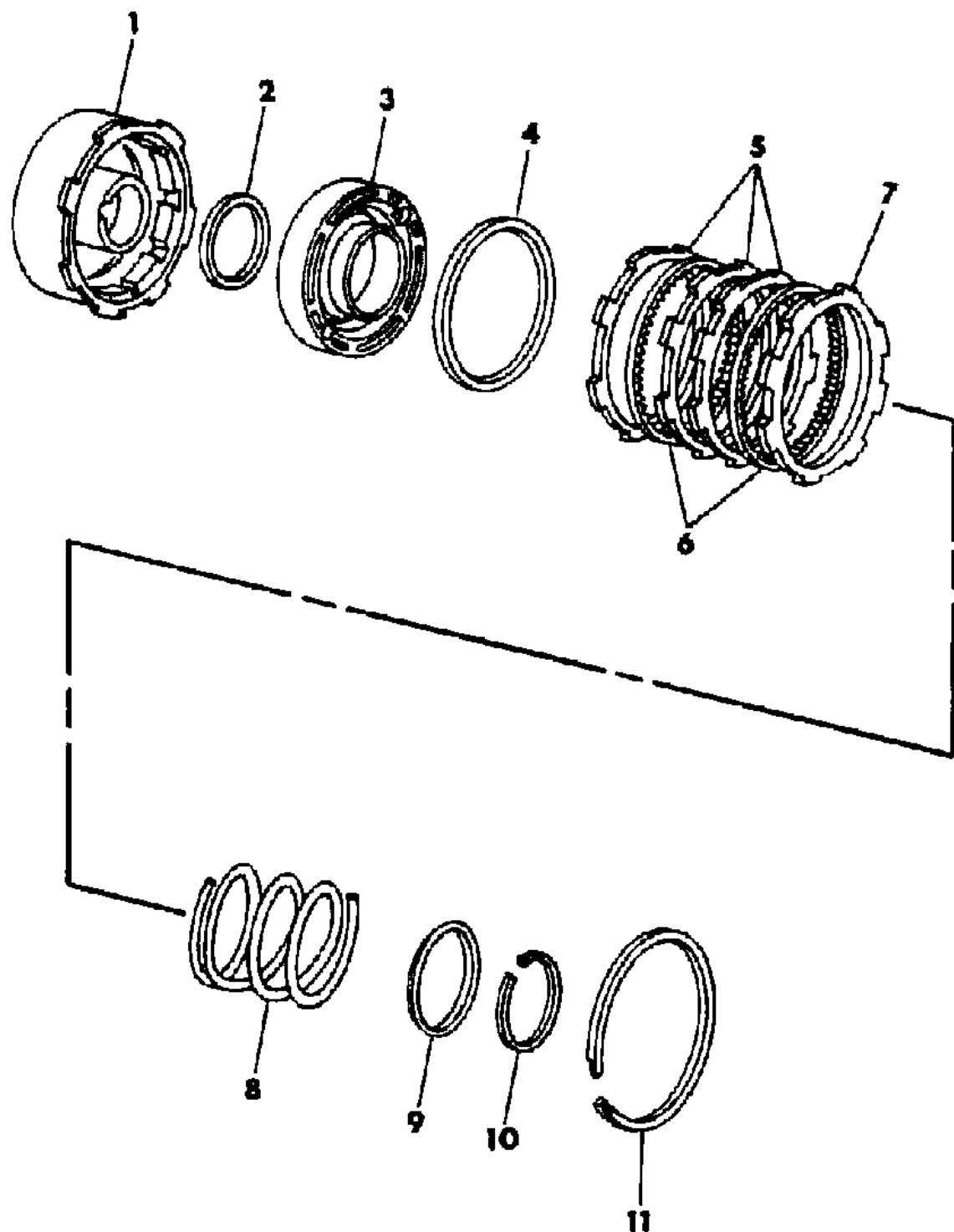
**BODY STYLES**

21 = 2-DOOR SEDAN	41 = 4-DOOR SEDAN
22 = 2-DOOR SPECIAL COUPE	45 = 4-DOOR STATION WAGON
24 = 2-DOOR HATCHBACK	44 = 4-DOOR HATCHBACK
27 = 2-DOOR CONVERTIBLE	48 = EXECUTIVE SEDAN
28 = FWD PICKUP	

AR = Use as Required - = Non Illustrated Part P.A.R. = Paint as Required

**AUTOMATIC TRANSAXLE FRONT CLUTCH**  
Figure 21A-2200

3151 2200



ITEM	PART NUMBER	QTY	BODY	MODEL	DESCRIPTION
1	5224 316	1			RETAINER w/BUSHINGS, Front Clutch
2	5205 670	1			SEAL, Frt. Clutch Piston, Inner
3	5224 171	1			PISTON, Frt. Clutch
4	4058 487	1			SEAL, Frt. Clutch Piston, Outer
5	4207 208	3			PLATE, Frt. Clutch
6	5205 675	3			DISC, Transaxle Frt. Clutch
7	4207 209	1			PLATE, Frt. Clutch Reaction
8	5224 144	1			SPRING, Frt. Clutch Piston
9	5205 673	1			RETAINER, Frt. Clutch Spring
10	5205 674	1			SNAP RING, Frt. Clutch, Inner
11	5212 096	1			SNAP RING, Frt. Clutch, Outer

MODEL CODES

B = GRAN FURY	G = DIPLOMAT	V = 400
C = LEBARON/TOWN & COUNTRY	M = HORIZON/TURISMO/SCAMP	X = MIRADA
D = ARIES	P = RELIANT	Y = IMPERIAL
E = 600	S = CORDOBA	Z = OMNI/CHARGER/RAMPAGE
F = FIFTH AVENUE	T = E CLASS/NEWYORKER	

BODY STYLES

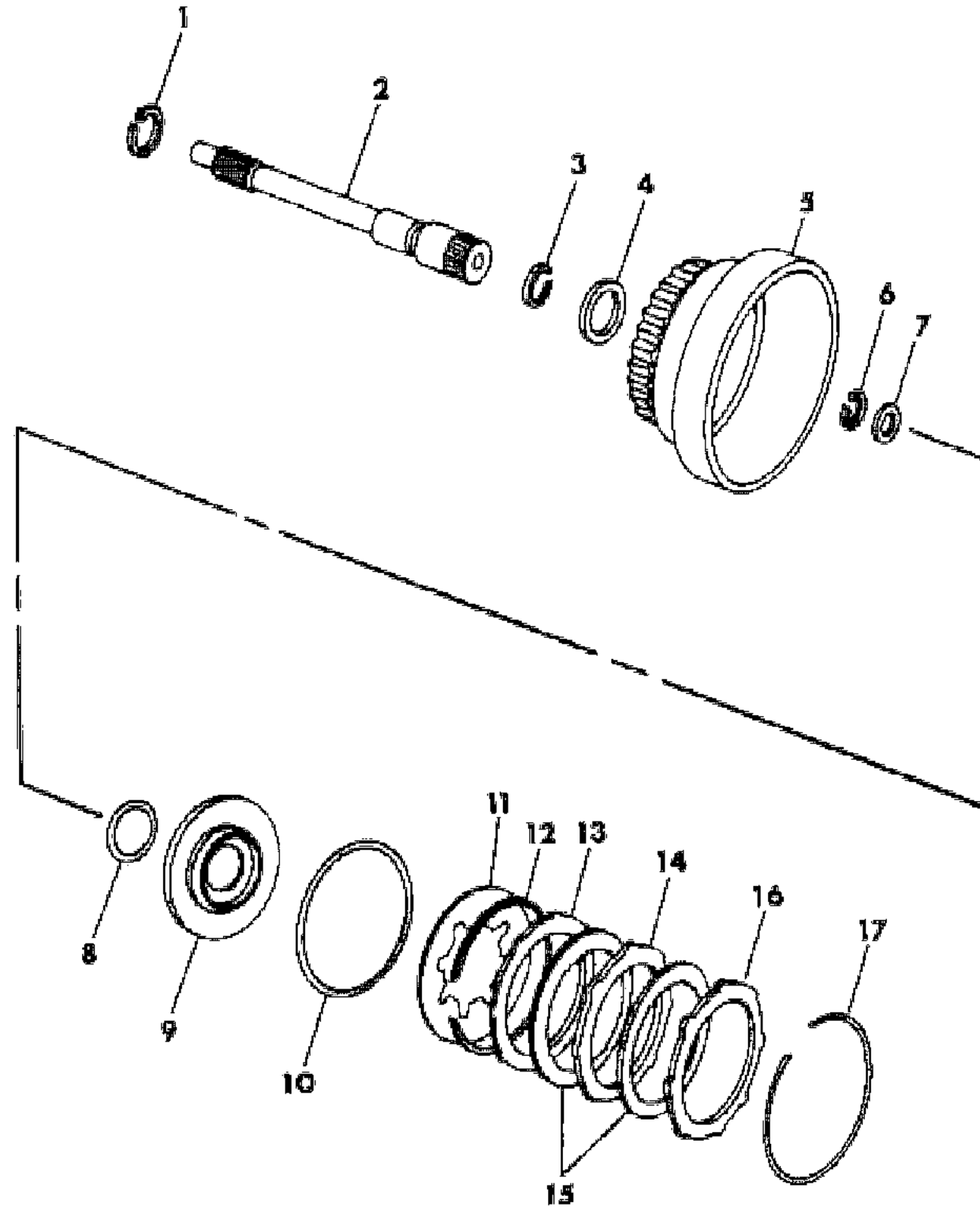
21 = 2-DOOR SEDAN	41 = 4-DOOR SEDAN
22 = 2-DOOR SPECIAL COUPE	45 = 4-DOOR STATION WAGON
24 = 2-DOOR HATCHBACK	44 = 4-DOOR HATCHBACK
27 = 2-DOOR CONVERTIBLE	48 = EXECUTIVE SEDAN
28 = FWD PICKUP	

AR = Use as Required - = Non Illustrated Part P.A.R. = Paint as Required

# AUTOMATIC TRANSAXLE REAR CLUTCH AND INPUT SHAFT

## Figure 21A-2300

3181 2300



ITEM	PART NUMBER	QTY	BODY	MODEL	DESCRIPTION
1	4269 592	1			RING, Input Shaft Seal
2	5222 400	1			SHAFT, Input
3	5205 697	1			RING, Rr. Clutch Retainer Seal
4	5205 680	1			WASHER, Frt. Clutch Thrust Rr. Plastic 63.5 O.D.
5	5222 435	1			RETAINER, Rear Clutch, Except 4295921 Trans.
	4269 616	1			w/4295921 Trans.
6	5205 691	1			SNAP RING, Input Shaft
7	5224 039	1			WASHER, Output Shaft Thrust 1.98 - 2.03
	5224 040	1			2.16 - 2.21
	5224 041	1			2.34 - 2.39
8	5212 373	1			SEAL, Rr. Clutch Piston, Inner Rubber
9	4207 202	1			PISTON, Rr. Clutch
10	5205 701	1			SEAL, Rr. Clutch Piston, Outer Rubber
11	4207 246	1			SPRING, Rr. Clutch Piston, Except 4295921 Trans.
	4269 623	1			w/4295921 Trans.
12	4207 265	1			SPRING, Rr. Clutch Wave
13	5224 072	1			PLATE, Rr. Clutch Reaction, Except 4295921 Trans.
	4269 619	1			w/4295921 Trans.
14	5224 073	2			PLATE, Rr. Clutch Plate
15	5224 084	3			DISC, Rr. Clutch
16	4207 181	1			PLATE, Rr. Clutch Pressure, Except 4295921 Trans.
	4269 618	1			w/4295921 Trans.
17					SNAP RING, Rr. Clutch Retainer
	1942 421	AR			.060 - .062" Thk.
	1942 423	AR			.076 - .078" Thk.
	5224 439	AR			.093 - .095" Thk.
	4269 670	AR			w/4295921 Trans..
	4130 775	AR			w/4295921 Trans..

**MODEL CODES**

B = GRAN FURY	G = DIPLOMAT	V = 400
C = LEBARON/TOWN & COUNTRY	M = HORIZON/TURISMO/SCAMP	X = MIRADA
D = ARIES	P = RELIANT	Y = IMPERIAL
E = 600	S = CORDOBA	Z = OMNI/CHARGER/RAMPAGE
F = FIFTH AVENUE	T = E CLASS/NEWYORKER	

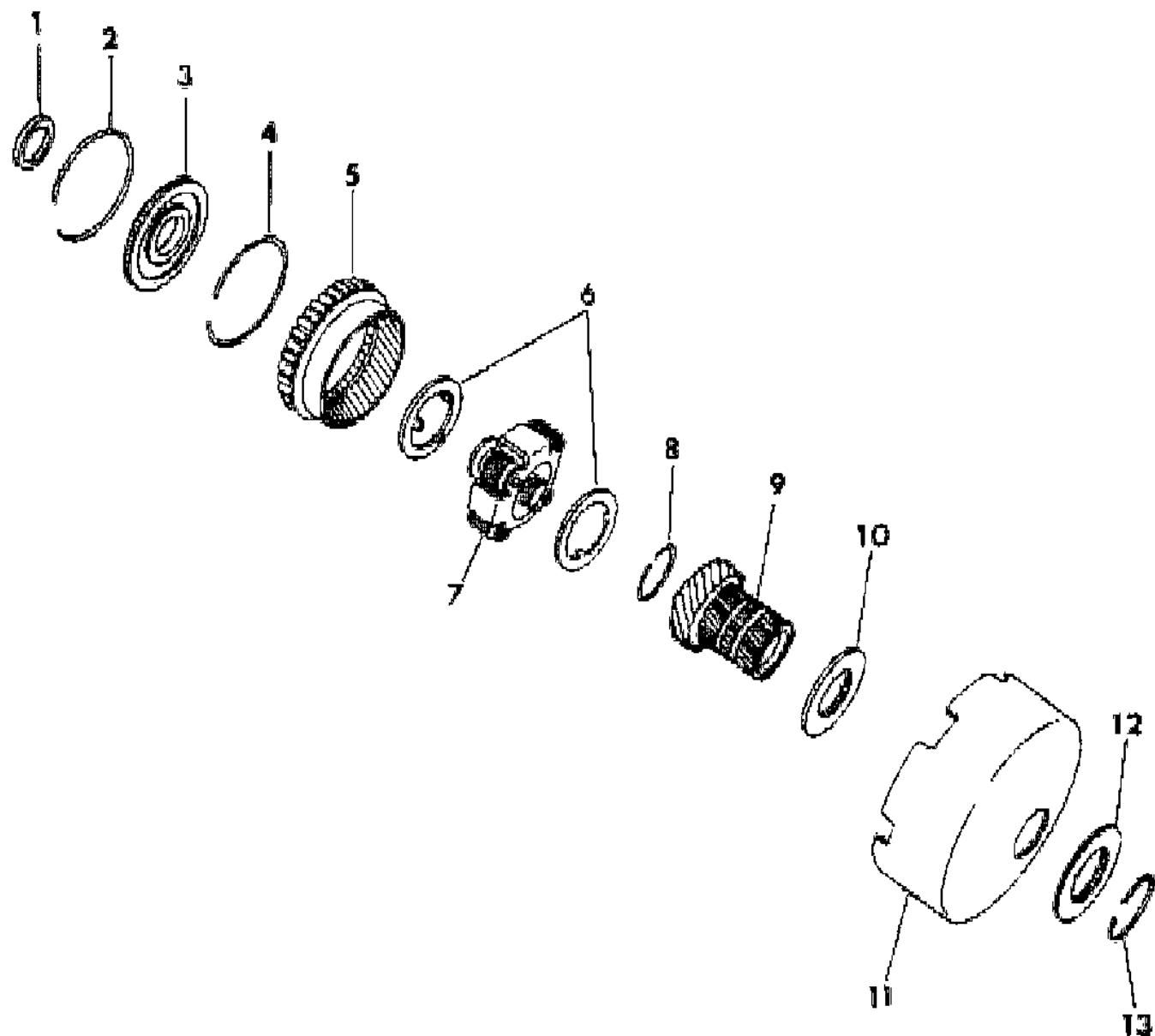
**BODY STYLES**

21 = 2-DOOR SEDAN	41 = 4-DOOR SEDAN
22 = 2-DOOR SPECIAL COUPE	45 = 4-DOOR STATION WAGON
24 = 2-DOOR HATCHBACK	44 = 4-DOOR HATCHBACK
27 = 2-DOOR CONVERTIBLE	48 = EXECUTIVE SEDAN
28 = FWD PICKUP	

AR = Use as Required - = Non Illustrated Part P.A.R. = Paint as Required

**AUTOMATIC TRANSAXLE FRONT ANNULUS AND SUN GEAR**  
**Figure 21A-2400**

1151 2400



ITEM	PART NUMBER	QTY	BODY	MODEL	DESCRIPTION
1	5222 493	1			WASHER, Frt. Annulus Gear Thrust
2	5224 079	2			SNAP RING, Frt. Annulus, Outer
3	5224 070	1			SUPPORT w/BUSHING, Frt. Annulus Gear
4	5222 022	1			SNAP RING, Frt. Annulus, Inner
5	5224 310	1			GEAR, Transaxle Frt. Annulus, Except 4295921 Trans.
	4269 620	1			w/4295921 Trans .
6	5224 066	2			WASHER, Frt. Planet Pinion Carrier Thrust
7	5224 081	1			CARRIER w/HUB,CUP,PLATE,PINION,SHAFT,ROLLERS and WASHERS, Transaxle Frt. Planet Pinion, Except 4295921 Trans.
	4269 941	1			w/4295921 Trans.
8	5205 739	1			RING, Sun Gear Driving Shell Lock
9	5224 192	1			GEAR w/BUSHING, Transaxle Sun
10	5224 236	1			SPACER, Sun Gear Plate
11	4207 195	1			SHELL, Sun Gear Driving
12	5205 737	1			PLATE, Sun Gear Driving Shell Thrust
13	5205 739	1			RING, Sun Gear Driving Shell Lock

MODEL CODES  
 B = GRAN FURY  
 C = LEBARON/TOWN & COUNTRY  
 D = ARIES  
 E = 600  
 F = FIFTH AVENUE  
 G = DIPLOMAT  
 M = HORIZON/TURISMO/SCAMP  
 P = RELIANT  
 S = CORDOBA  
 T = E CLASS/NEWYORKER  
 V = 400  
 X = MIRADA  
 Y = IMPERIAL  
 Z = OMNI/CHARGER/RAMPAGE

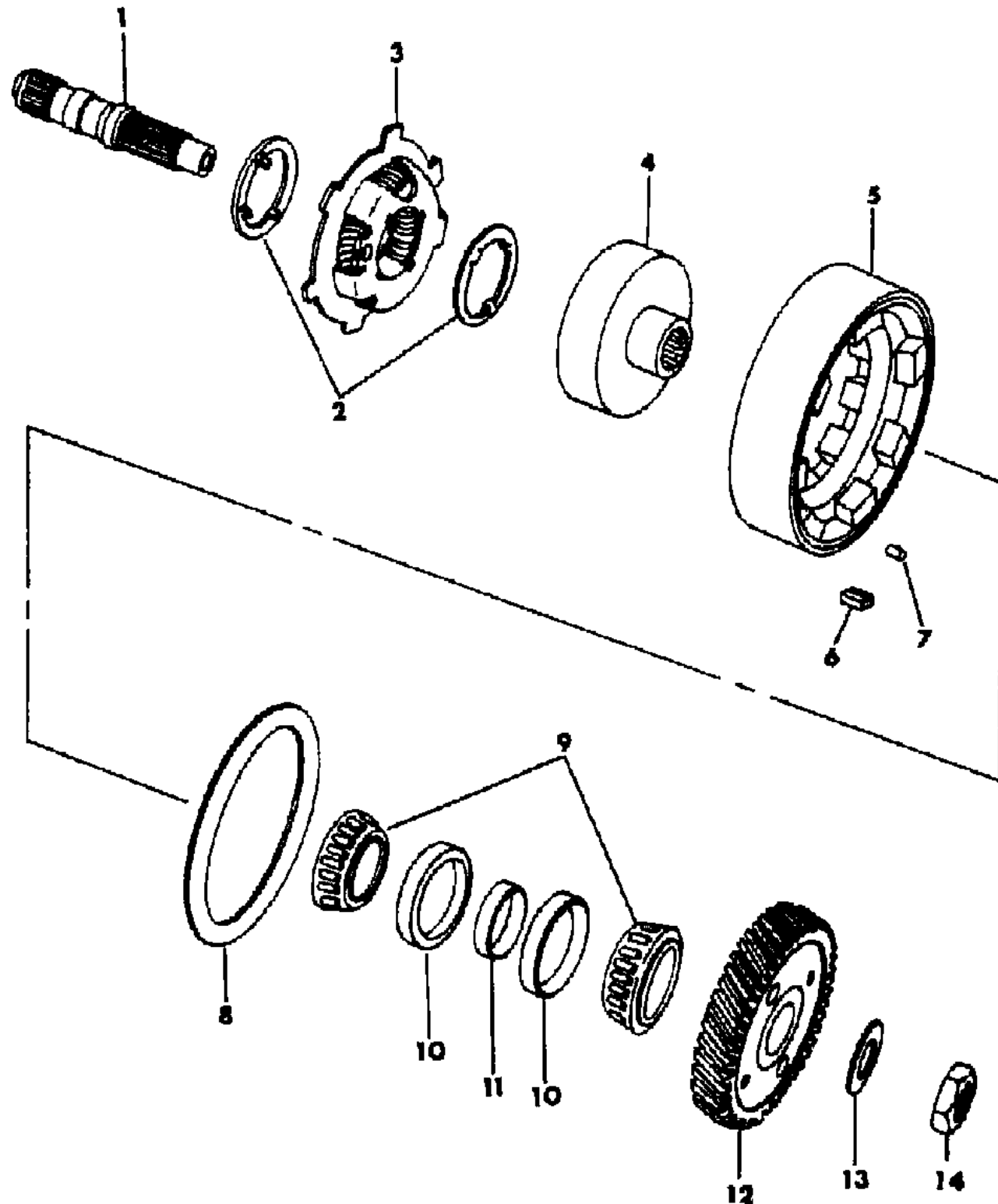
BODY STYLES  
 21 = 2-DOOR SEDAN  
 22 = 2-DOOR SPECIAL COUPE  
 24 = 2-DOOR HATCHBACK  
 27 = 2-DOOR CONVERTIBLE  
 28 = FWD PICKUP  
 41 = 4-DOOR SEDAN  
 45 = 4-DOOR STATION WAGON  
 44 = 4-DOOR HATCHBACK  
 48 = EXECUTIVE SEDAN

AR = Use as Required - = Non Illustrated Part P.A.R. = Paint as Required

# AUTOMATIC TRANSAXLE OUTPUT SHAFT, REAR CARRIER, REVERSE DRUM AND OVERRUNNING CLUTCH

## Figure 21A-2500

3151 2500



ITEM	PART NUMBER	QTY	BODY	MODEL	DESCRIPTION
1	4269 599	1			SHAFT, Transaxle Output
	5205 691	1			SNAP RING, Output Shaft
2	5205 724	2			WASHER, Rr. Planet Pinion Carrier
3	5205 740	1			CARRIER w/PINION, PLATE, SHAFT, ROLLERS and WASHERS, Rear Planet Pinion, Except 4295921 Trans.
	4269 942	1			w/4295921 Trans.
4	5222 047	1			GEAR, Rr. Annulus
5	4207 117	1			DRUM w/CAM, Low and Reverse
	5222 137	1			BUSHING, Low and Reverse Drum
6	4186 886	1			SPRING and ROLLER PACKAGE, "O" Running Clutch
	5212 355	8			SPRING, "O" Running Clutch Roller
7					ROLLER, "O" Running Clutch (Serviced In Spring And Roller Pkg.)
8	5205 772	1			WASHER, "O" Running Clutch Cam Thrust
9	5224 300	2			CONE, Transaxle Output Shaft
10	5224 299	2			CUP PACKAGE
11					SPACER, Output Shaft Brg.
	4207 162	1			12.65
	4207 163	1			13.15
	4207 164	1			13.65
	5224 152	1			14.99, w/4269683 Trans.
12					GEAR SET, Output Shaft and Transfer Shaft
	4186 871	1			w/4269683,686 Trans.
	4205 871	1			w/4269684,791,4295838,921 Trans.
13	5222 010	1			WASHER, Output Shaft Gear Nut
14	5222 009	1			NUT, Output Shaft Gear, M20 x 1.5

**MODEL CODES**

B = GRAN FURY	G = DIPLOMAT	V = 400
C = LEBARON/TOWN & COUNTRY	M = HORIZON/TURISMO/SCAMP	X = MIRADA
D = ARIES	P = RELIANT	Y = IMPERIAL
E = 600	S = CORDOBA	Z = OMNI/CHARGER/RAMPAGE
F = FIFTH AVENUE	T = E CLASS/NEWYORKER	

**BODY STYLES**

21 = 2-DOOR SEDAN	41 = 4-DOOR SEDAN
22 = 2-DOOR SPECIAL COUPE	45 = 4-DOOR STATION WAGON
24 = 2-DOOR HATCHBACK	44 = 4-DOOR HATCHBACK
27 = 2-DOOR CONVERTIBLE	48 = EXECUTIVE SEDAN
28 = FWD PICKUP	

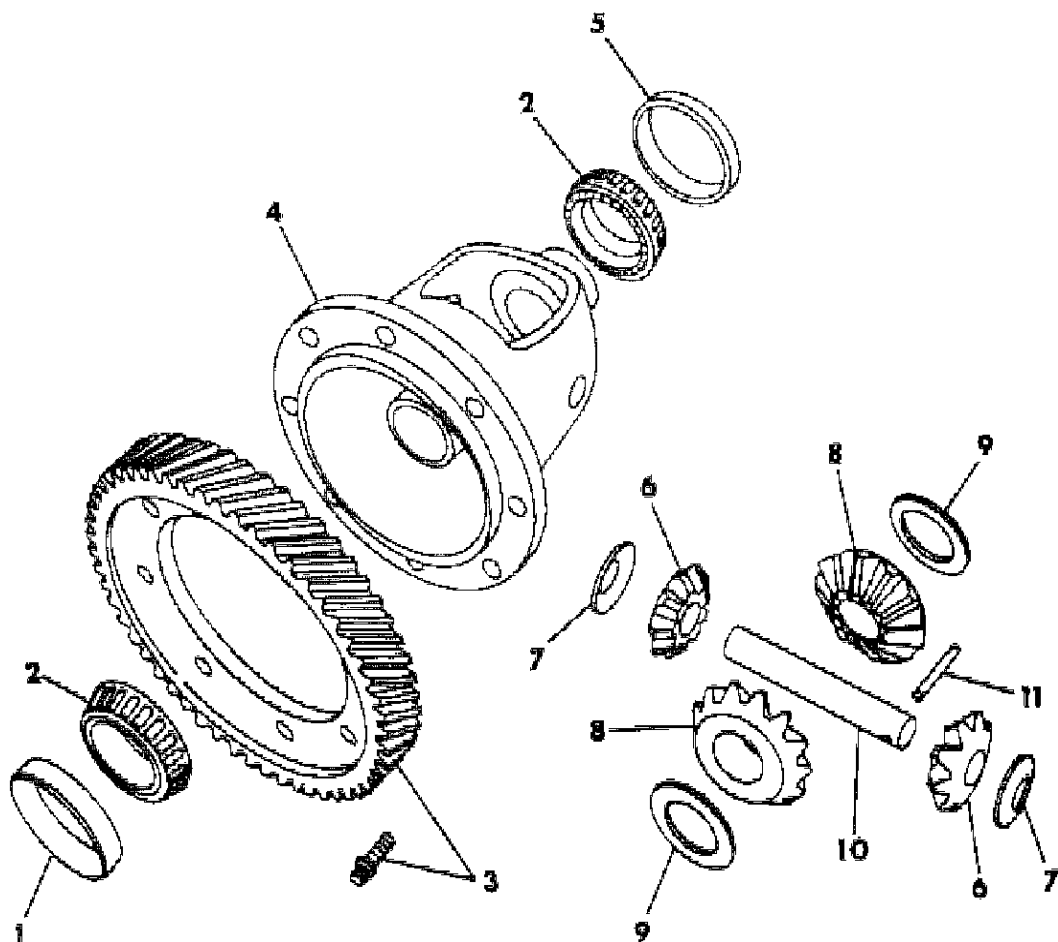
AR = Use as Required - = Non Illustrated Part P.A.R. = Paint as Required

# AUTOMATIC TRANSAXLE DIFFERENTIAL

## Figure 21A-2600

1151 2600

ITEM	PART NUMBER	QTY	BODY	MODEL	DESCRIPTION
1	5222 259	1			CUP, Transaxle Extension
2	5224 301	2			CONE, Transaxle Differential
3					GEAR, Final Drive
	5224 210	1			w/4269684,791 Trans., 60T
	4186 873	1			w/4269683,686 Trans., 61T
	4269 171	1			w/4295921 Trans., 61T
	4295 841	1			w/4295838 Trans., 60T
	6500 353	8			SCREW, Diff. Ring Gear to Diff., M10x1.5x25
4	4269 768	1			CASE, Transaxle Differential
5	5222 259	1			CUP, Differential
6	4295 416	2			PINION, Differential
7	4269 755	2			WASHER, Diff. Pinion Thrust, Spherical w/Tab
8	4295 415	2			GEAR, Diff. Side
9	4269 754	2			WASHER, Diff. Side Gear Thrust, Flat w/Tab
10	4207 073	1			SHAFT
11	6500 638	1			PIN, Diff. Roll



**MODEL CODES**

B = GRAN FURY	G = DIPLOMAT	V = 400
C = LEBARON/TOWN & COUNTRY	M = HORIZON/TURISMO/SCAMP	X = MIRADA
D = ARIES	P = RELIANT	Y = IMPERIAL
E = 600	S = CORDOBA	Z = OMNI/CHARGER/RAMPAGE
F = FIFTH AVENUE	T = E CLASS/NEWYORKER	

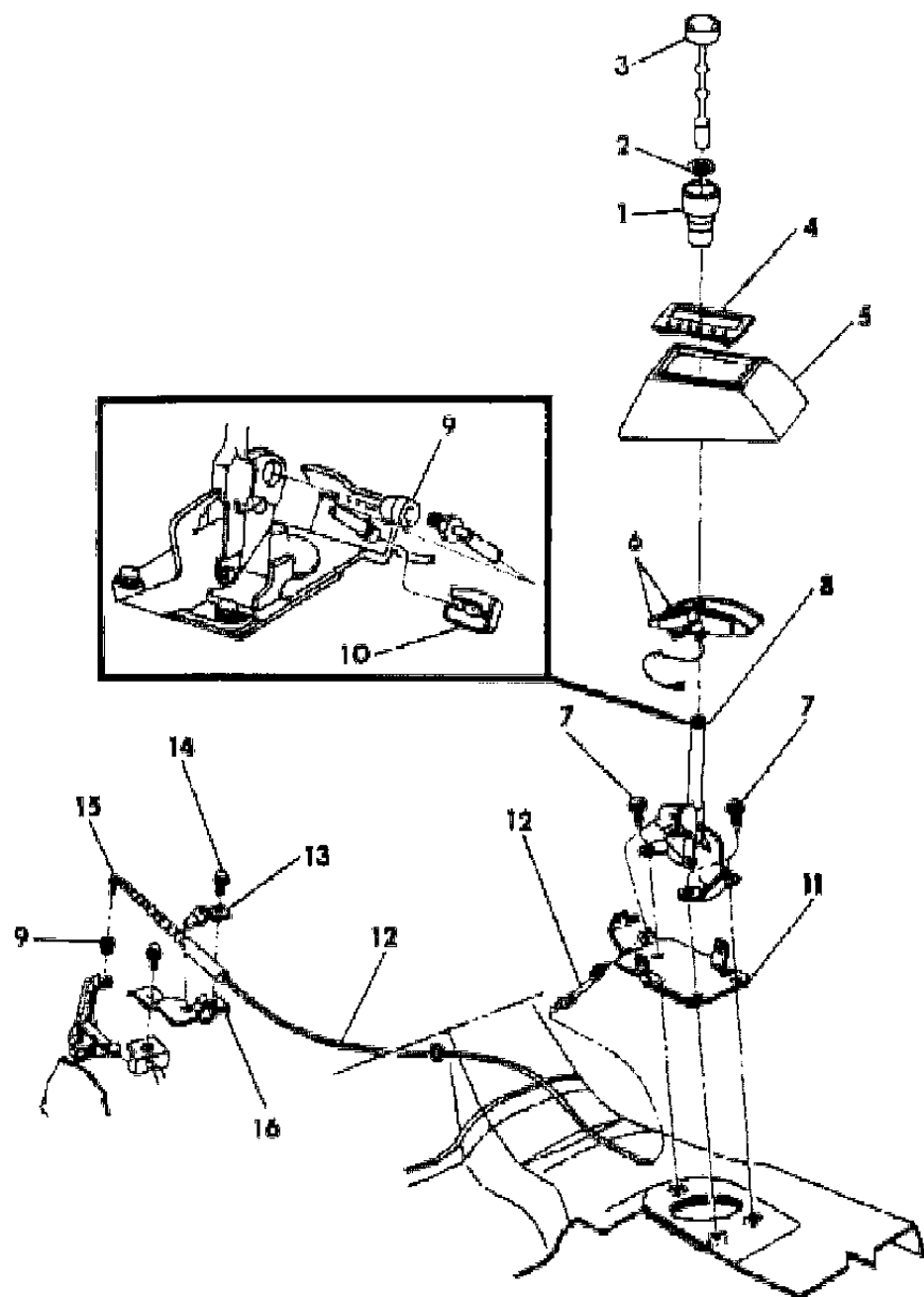
**BODY STYLES**

21 = 2-DOOR SEDAN	41 = 4-DOOR SEDAN
22 = 2-DOOR SPECIAL COUPE	45 = 4-DOOR STATION WAGON
24 = 2-DOOR HATCHBACK	44 = 4-DOOR HATCHBACK
27 = 2-DOOR CONVERTIBLE	48 = EXECUTIVE SEDAN
28 = FWD PICKUP	

AR = Use as Required - = Non Illustrated Part P.A.R. = Paint as Required

**GEARSHIFT CONTROLS-AUTOMATIC TRANSMISSION FLOOR SHIFT, M,Z**  
**Figure 21A-2700**

3151 1700



ITEM	PART NUMBER	QTY	BODY	MODEL	DESCRIPTION
1	5206 117	1			KNOB, Gearshift
2	5211 832	1			CLIP, Gearshift Knob
3	4019 991	1			BUTTON, Gearshift Knob
4	5209 966	1			LENS, Console Gear Selector Indicator
5					CONSOLE, Mini (Refer to Group 23T)
6	5209 967	1			BRACKET w/SLIDE, LAMP and CLIP, Console Gear Shift Selector Indicator
7	6100 577	3			SCREW w/WA.
8	5211 920	1			ACTUATOR, Gearshift Control
9	3575 333	2			GROMMET
10	4295 369	1			CLIP, Gearshift Control Cable
11	5211 875	1			BRACKET, Gearshift Control Mounting
12	4269 880	1			CABLE, Gearshift Control, 52.26" Lg.
13	5211 887	1			CLAMP, Gearshift Control
14	6100 560	1			BOLT, Cable Mounting Front
15	6100 315	1			SCREW w/WA., Bracket Mounting Front
16	5211 885	1			BRACKET, Gearshift Control Cable Mounting Front

**MODEL CODES**

B = GRAN FURY	G = DIPLOMAT	V = 400
C = LEBARON/TOWN & COUNTRY	M = HORIZON/TURISMO/SCAMP	X = MIRADA
D = ARIES	P = RELIANT	Y = IMPERIAL
E = 600	S = CORDOBA	Z = OMNI/CHARGER/RAMPAGE
F = FIFTH AVENUE	T = E CLASS/NEWYORKER	

**BODY STYLES**

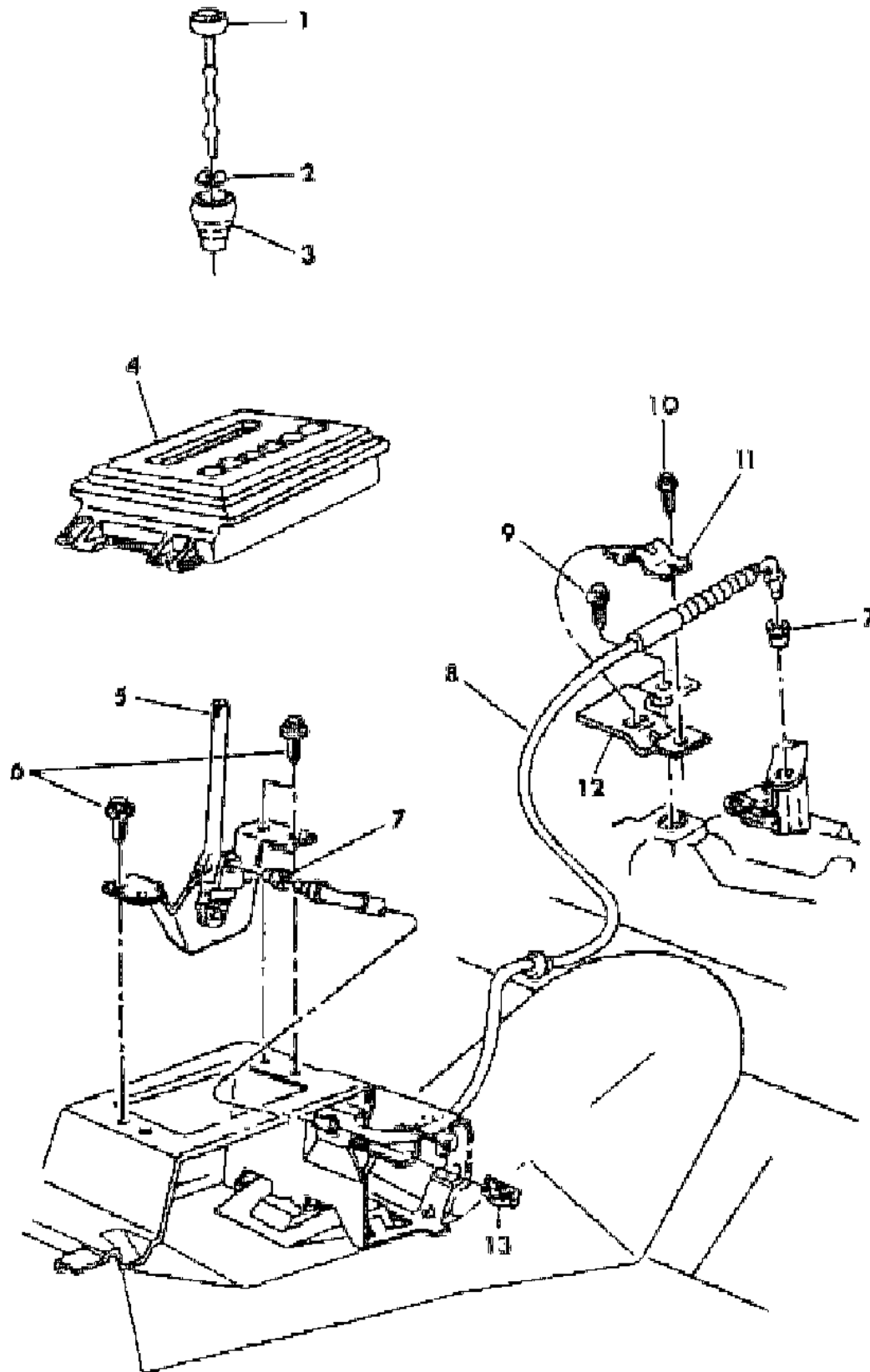
21 = 2-DOOR SEDAN	41 = 4-DOOR SEDAN
22 = 2-DOOR SPECIAL COUPE	45 = 4-DOOR STATION WAGON
24 = 2-DOOR HATCHBACK	44 = 4-DOOR HATCHBACK
27 = 2-DOOR CONVERTIBLE	48 = EXECUTIVE SEDAN
28 = FWD PICKUP	

AR = Use as Required - = Non Illustrated Part P.A.R. = Paint as Required



**GEARSHIFT CONTROLS - AUTOMATIC TRANSMISSION FLOOR SHIFT - P,D,C,V,E,T**  
**Figure 21A-2800**

3131 2800



ITEM	PART NUMBER	QTY	BODY	MODEL	DESCRIPTION
1	4019 991	1			BUTTON, Gearshift Control Knob
2	5211 832	1			CLIP, Gearshift Knob
3	5206 117	1			KNOB, Gearshift
4	3747 856	1			INDICATOR, Gearshift Selector
5	4269 893	1			ACTUATOR, Gearshift
6	6100 539	3			SCREW w/WA., Gearshift Actuator
7	3575 333	2			GROMMET
8	4269 880	1			CABLE, Gerashift, UP TO 10-4-82, 52.26" Lg.
	4295 326	1			AFTER 10-4-82, 52.26" Lg.
	4295 314	1			GROMMET, Gearshift Control Cable
	4269 881	1			SLEEVE, G/Shift Control Cable Noise Reduction
9	6100 315	1			SCREW w/WA.
10	6100 560	1			BOLT
11	5211 887	1			CLAMP
12	5211 885	1			BRACKET, Gearshift Cable
13	4295 369	1			CLIP, Cable Mounting
	9415 969	1			BULB, Console Lamp (Not Shown)
		1			SOCKET, Bulb (Serviced in Body Wiring Harness)

MODEL CODES  
 B = GRAN FURY  
 C = LEBARON/TOWN & COUNTRY  
 D = ARIES  
 E = 600  
 F = FIFTH AVENUE  
 G = DIPLOMAT  
 M = HORIZON/TURISMO/SCAMP  
 P = RELIANT  
 S = CORDOBA  
 T = E CLASS/NEWYORKER  
 V = 400  
 X = MIRADA  
 Y = IMPERIAL  
 Z = OMNI/CHARGER/RAMPAGE

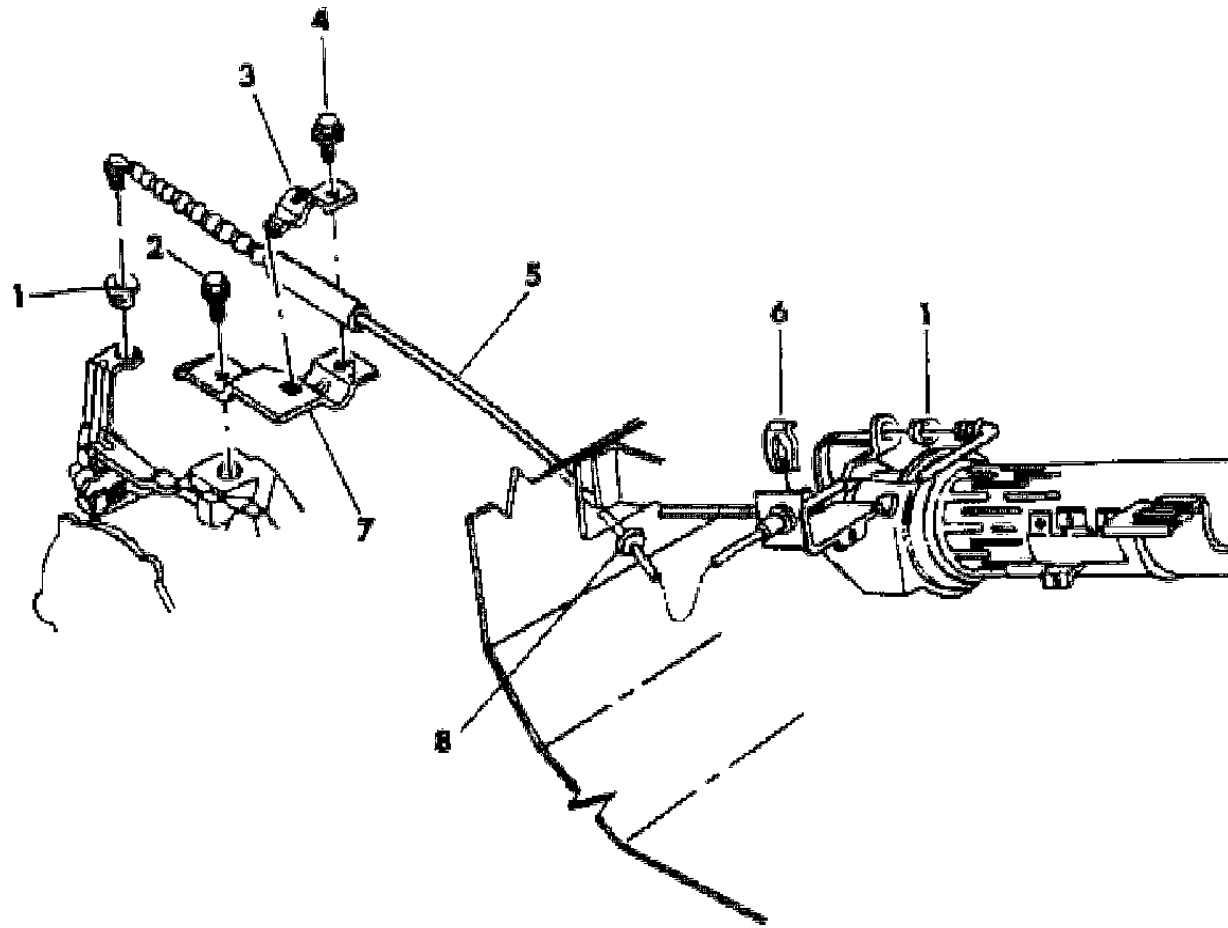
BODY STYLES  
 21 = 2-DOOR SEDAN  
 22 = 2-DOOR SPECIAL COUPE  
 24 = 2-DOOR HATCHBACK  
 27 = 2-DOOR CONVERTIBLE  
 28 = FWD PICKUP  
 41 = 4-DOOR SEDAN  
 45 = 4-DOOR STATION WAGON  
 44 = 4-DOOR HATCHBACK  
 48 = EXECUTIVE SEDAN

AR = Use as Required - = Non Illustrated Part P.A.R. = Paint as Required

**GEARSHIFT CONTROLS - AUTOMATIC TRANSMISSION COLUMN SHIFT - P,D,C,V,E,T**  
**Figure 21A-2900**

3151 2900A

ITEM	PART NUMBER	QTY	BODY	MODEL	DESCRIPTION
1	3575 333	2			GROMMET
2	6100 315	1			SCREW w/WA., Bracket Mounting Front
3	5211 887	1			CLAMP, Control Cable Mounting Front
4	6100 560	1			BOLT, Cable Mounting Clamp
5	4269 896	1			CABLE, Gearshift Control, 42.13" Lg.
	4269 881	1			SLEEVE, G/Shift Control Cable Noise Reduction
6	4295 369	1			CLIP, G/Shift Control Cable
7	4269 802	1			BRACKET, Cable Mounting Front
8	3593 446	1			GROMMET, G/Shift Cable To Dash Panel



MODEL CODES  
 B = GRAN FURY  
 C = LEBARON/TOWN & COUNTRY  
 D = ARIES  
 E = 600  
 F = FIFTH AVENUE  
 G = DIPLOMAT  
 M = HORIZON/TURISMO/SCAMP  
 P = RELIANT  
 S = CORDOBA  
 T = E CLASS/NEWYORKER  
 V = 400  
 X = MIRADA  
 Y = IMPERIAL  
 Z = OMNI/CHARGER/RAMPAGE

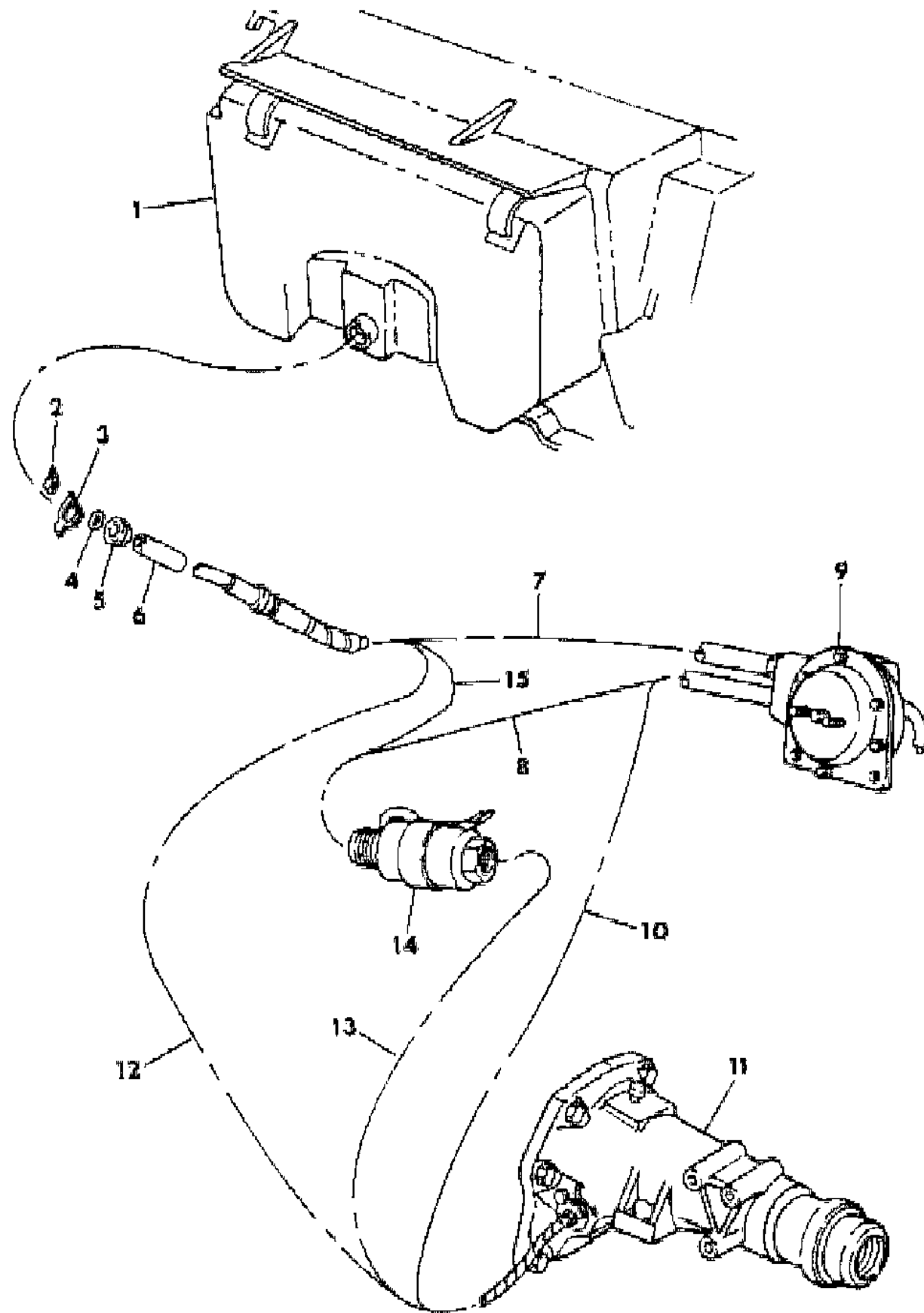
BODY STYLES  
 21 = 2-DOOR SEDAN  
 22 = 2-DOOR SPECIAL COUPE  
 24 = 2-DOOR HATCHBACK  
 27 = 2-DOOR CONVERTIBLE  
 28 = FWD PICKUP  
 41 = 4-DOOR SEDAN  
 45 = 4-DOOR STATION WAGON  
 44 = 4-DOOR HATCHBACK  
 48 = EXECUTIVE SEDAN

AR = Use as Required - = Non Illustrated Part P.A.R. = Paint as Required

# SPEEDOMETER CABLES AUTOMATIC TRANSMISSION

Figure 21A-3000

3151 3000



ITEM	PART NUMBER	QTY	BODY	MODEL	DESCRIPTION
1					SPEEDOMETER (Ref.)
2	0152 490	1			"U" NUT, Cable Retainer
3	3593 310	1			RETAINER, Speedo Cable to Speedo
4	1536 268	1			"O" RING, Speedo Cable Shaft Lower
5	3593 460	1			GROMMET, Speedo Cable Dash
6	4057 046	1			RETAINER, SEALS and RINGS PACKAGE, Speedometer Pinion
7					CABLE, SPEEDOMETER TO SPEED CONTROL
	4220 741	1		M,Z	Long
	4220 745	1		P,D,C,V	44" Long
	3591 907	1		F,G,B	35" Long
	4047 773	1		X,S	34" Long
8					CABLE, SPEED CONTROL TO SPEED SENSOR SWITCH
	4220 751	1		P,D,C,V	14" Long
	4220 753	1		X,S,Y	4" Long
9					CONTROL, Speed (Ref.)
10					CABLE, SPEED CONTROL TO TRANSMISSION
	4220 743	1		M,Z	Long
	4220 746	1		P,D,C,V	33" Long
	3591 615	1		F,G,B	52" Long
	3591 615	1		X,S	52" Long
11					TRANSMISSION (Ref.)
12					CABLE, SPEEDOMETER TO TRANSMISSION
	4220 740	1		M,Z	37" Long
	4220 744	1		P,D,C,V	51" Long
	4196 607	1		P,D	Three Piece (FLEET CARS)
	3591 624	1		F,G,B	59" Long, Push-On
	4196 235	1		G,B	Two Piece w/5/8" Female & Push On, 10" Long, Upper (FLEET CARS)
	4196 137	1		G,B	47" Long, Lower (FLEET CARS)
	3591 614	1		X,S	w/ 225 Engine, 59" Long
	3591 189	1		X,S	w/ 318 Engine, 59" Long, Clip-On
13					CABLE, SPEED SENSOR SWITCH TO TRANSMISSION
	4220 750	1		C,V,E,T	23" Long
	4220 752	1		X,S,Y	46" Long
14	4222 714	1			SWITCH, Speed Sensor
15					CABLE, SPEEDOMETER TO SPEED SENSOR SWITCH
	4220 745	1		P,D,C,V	44" Long

**MODEL CODES**

B = GRAN FURY	G = DIPLOMAT	V = 400
C = LEBARON/TOWN & COUNTRY	M = HORIZON/TURISMO/SCAMP	X = MIRADA
D = ARIES	P = RELIANT	Y = IMPERIAL
E = 600	S = CORDOBA	Z = OMNI/CHARGER/RAMPAGE
F = FIFTH AVENUE	T = E CLASS/NEWYORKER	

**BODY STYLES**

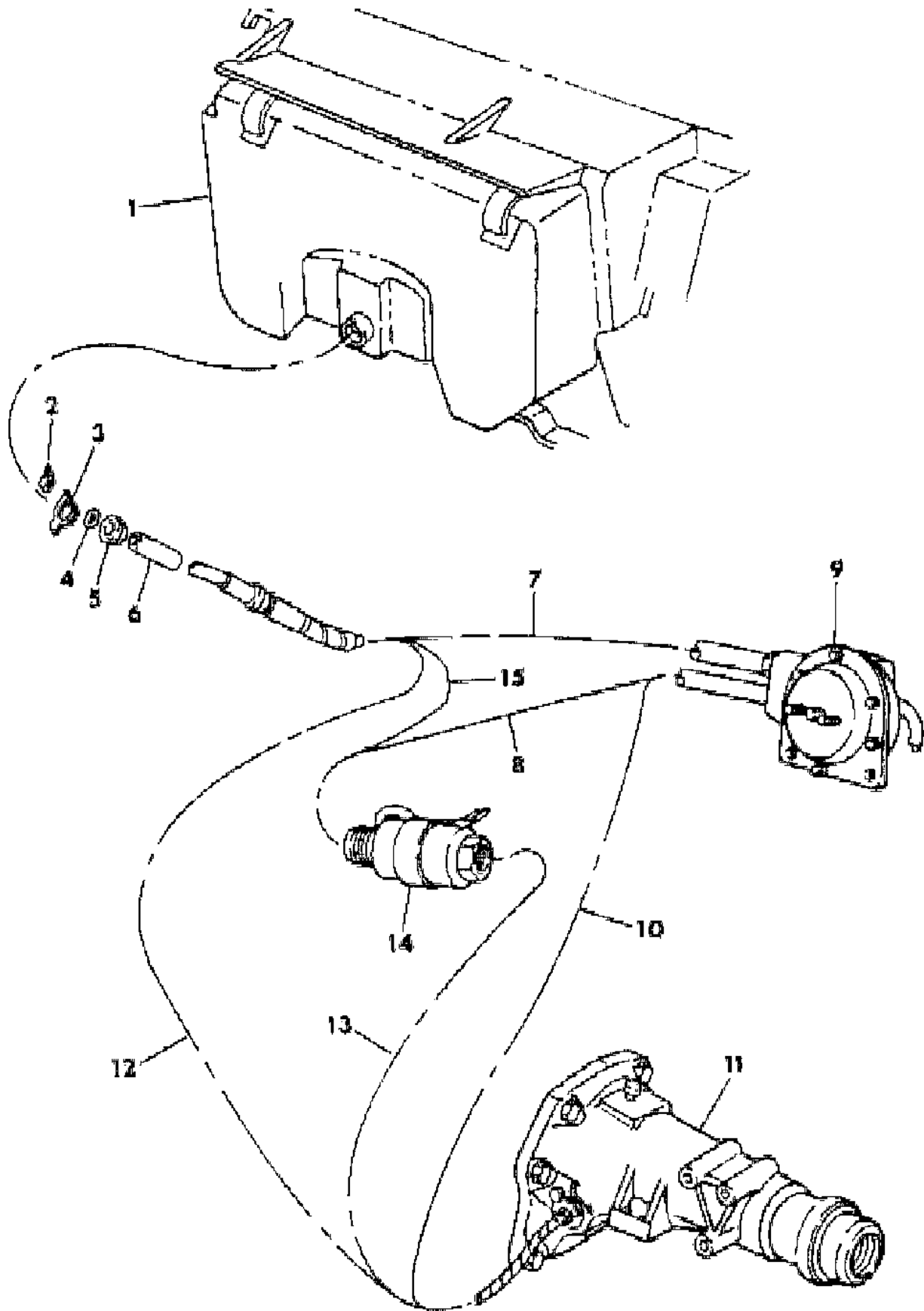
21 = 2-DOOR SEDAN	41 = 4-DOOR SEDAN
22 = 2-DOOR SPECIAL COUPE	45 = 4-DOOR STATION WAGON
24 = 2-DOOR HATCHBACK	44 = 4-DOOR HATCHBACK
27 = 2-DOOR CONVERTIBLE	48 = EXECUTIVE SEDAN
28 = FWD PICKUP	

AR = Use as Required - = Non Illustrated Part P.A.R. = Paint as Required

**SPEEDOMETER CABLES AUTOMATIC TRANSMISSION**  
**Figure 21A-3000**

3151 3000

ITEM	PART NUMBER	QTY	BODY	MODEL	DESCRIPTION
------	-------------	-----	------	-------	-------------



					SHAFT, Cable Drive, Universal Drive Type (Not Shown)
	2448 294	1			80" Long
	2448 295	1			113" Long

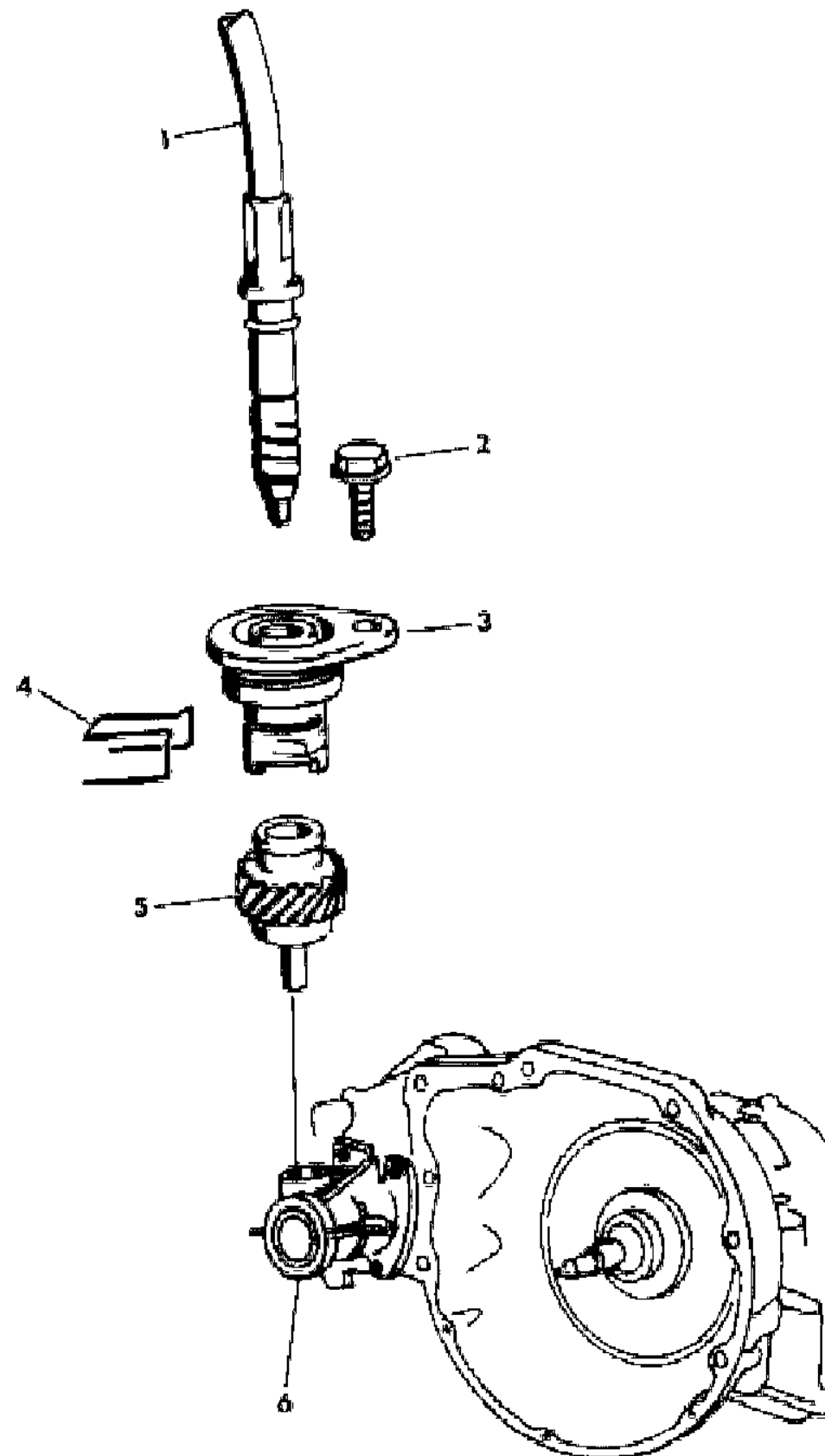
MODEL CODES  
 B = GRAN FURY  
 C = LEBARON/TOWN & COUNTRY  
 D = ARIES  
 E = 600  
 F = FIFTH AVENUE  
 G = DIPLOMAT  
 M = HORIZON/TURISMO/SCAMP  
 P = RELIANT  
 S = CORDOBA  
 T = E CLASS/NEWYORKER  
 V = 400  
 X = MIRADA  
 Y = IMPERIAL  
 Z = OMNI/CHARGER/RAMPAGE

BODY STYLES  
 21 = 2-DOOR SEDAN  
 22 = 2-DOOR SPECIAL COUPE  
 24 = 2-DOOR HATCHBACK  
 27 = 2-DOOR CONVERTIBLE  
 28 = FWD PICKUP  
 41 = 4-DOOR SEDAN  
 45 = 4-DOOR STATION WAGON  
 44 = 4-DOOR HATCHBACK  
 48 = EXECUTIVE SEDAN

AR = Use as Required - = Non Illustrated Part P.A.R. = Paint as Required

**SPEEDOMETER CABLE AND DRIVE PINION AUTOMATIC TRANSAXLE**  
**Figure 21A-3100**

3151 3100



ITEM	PART NUMBER	QTY	BODY	MODEL	DESCRIPTION
1					CABLE,w/HOUSING, see Speedometer Cable Illustration
2	6500 137	1			SCREW w/WASHER, Speedo. Pinion Adapter
3	5222 005	1			ADAPTER, Speedo. Drive Pinion
	5212 152	1			"O" RING, Adapter,Rubber,26.49-26.80" I.D.
4	5222 006	1			RETAINER, Speedo.
5					PINION, Trans. Speedo. Drive
	4269 950	1			19 Teeth, w/P185/75 R14 P/S WSW Michelin Tire
	5222 390	1			20 Teeth, w/13" & 14" Tire
	5222 388	1			21 Teeth, 15" Tire
	4186 884	1			SEAL PACKAGE, Pinion Adapter,Steel,29/64" O.D.
6		1			EXTENSION, Trans.(See Fig. 2100)

**MODEL CODES**

B = GRAN FURY	G = DIPLOMAT	V = 400
C = LEBARON/TOWN & COUNTRY	M = HORIZON/TURISMO/SCAMP	X = MIRADA
D = ARIES	P = RELIANT	Y = IMPERIAL
E = 600	S = CORDOBA	Z = OMNI/CHARGER/RAMPAGE
F = FIFTH AVENUE	T = E CLASS/NEWYORKER	

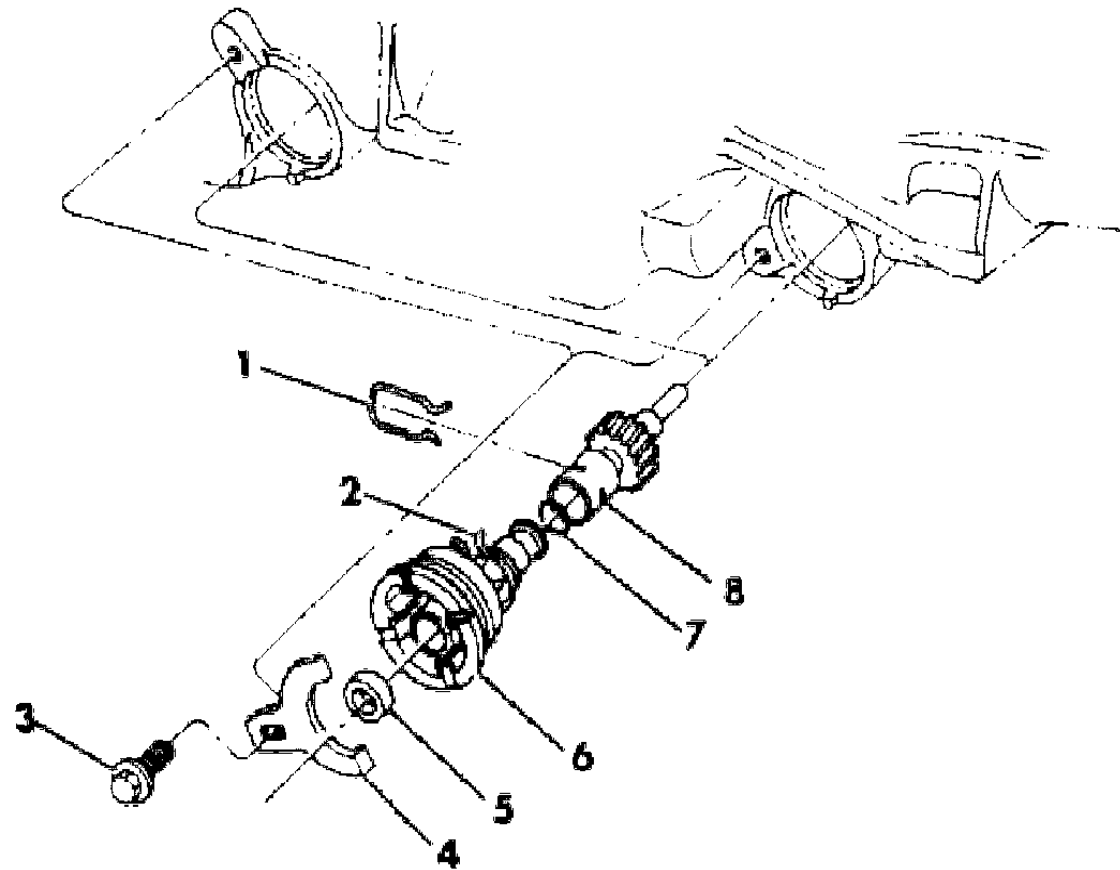
**BODY STYLES**

21 = 2-DOOR SEDAN	41 = 4-DOOR SEDAN
22 = 2-DOOR SPECIAL COUPE	45 = 4-DOOR STATION WAGON
24 = 2-DOOR HATCHBACK	44 = 4-DOOR HATCHBACK
27 = 2-DOOR CONVERTIBLE	48 = EXECUTIVE SEDAN
28 = FWD PICKUP	

AR = Use as Required - = Non Illustrated Part P.A.R. = Paint as Required

**SPEEDOMETER DRIVE PINION AND RELATED PARTS F,G,X,S,Y,B**  
**Figure 21A-3200**

3151 3700



ITEM	PART NUMBER	QTY	BODY	MODEL	DESCRIPTION
------	-------------	-----	------	-------	-------------

NOTE: Items 1 thru 7 are common to all Rear Axles an offsetting order for part no. 3747881  
 COLOR OF PINIONS: G = Green; R = Red; W = White; B = Blue; Y = Yellow; BL = Black; O = Orange an offsetting order for part no. 3747881

NOTE: PG = Glass, PS = Steel, PA = Aramid, PR = Rayon an offsetting order for part no. 3747881

1					RETAINER, Speedo Drive Pinion (Prod. only-Not required for service) N N N N
2					RETAINER, Speedo Cable N4058156 N N N
3					SCREW, Clamp N180077 N N N
4					CLAMP N2892399 N N N
5					RETAINER, SEALS and RINGS PACKAGE, Speedometer Pinion N4057046 N N N
6					ADAPTER, Speedo Drive Pinion N N N N
	4202 923				22-25 Tooth Pinion Y4202923 N N N
	4202 924				26-33 Tooth Pinion Y4202924 N N N
7					"O" RING, Adapter N4130829 N N N
8					PINION, Drive N N N N
					P195/75xR15-PG N4058123/23R N4058123/23R N4058125/25B N
					P205/75xR15-PS N4058122/22G N4058122/22G N4058124/24W N
					P215/70xR15-PR N4058122/22G N4058123/23R N4058124/24W N
					P215/70xR15-PS N4058122/22G N4058123/23R N4058125/25B N
					P195/75xR15-PG N4058128/28B N4058130/30Y N N
					P205/75xR15-PS N4058127/27W N4058129/29BLN N
					P215/75xR15-PR N4058127/27W N4058129/29BLN N
					P215/75xR15-PS N4058128/28B N4058129/29BLN N

MODEL CODES

B = GRAN FURY	G = DIPLOMAT	V = 400
C = LEBARON/TOWN & COUNTRY	M = HORIZON/TURISMO/SCAMP	X = MIRADA
D = ARIES	P = RELIANT	Y = IMPERIAL
E = 600	S = CORDOBA	Z = OMNI/CHARGER/RAMPAGE
F = FIFTH AVENUE	T = E CLASS/NEWYORKER	

BODY STYLES

21 = 2-DOOR SEDAN	41 = 4-DOOR SEDAN
22 = 2-DOOR SPECIAL COUPE	45 = 4-DOOR STATION WAGON
24 = 2-DOOR HATCHBACK	44 = 4-DOOR HATCHBACK
27 = 2-DOOR CONVERTIBLE	48 = EXECUTIVE SEDAN
28 = FWD PICKUP	

AR = Use as Required - = Non Illustrated Part P.A.R. = Paint as Required

---

**GROUP 22 - WHEELS**

<b>ILLUSTRATION TITLE</b>	<b>GROUP-FIG. NO.</b>
TIRE CHART .....	Fig. 22-50
WHEEL COVER CHART .....	Fig. 22-200
WHEEL COVER CHART .....	Fig. 22-225
WHEEL COVER CHART .....	Fig. 22-240
WHEEL COVER, WIRE P,D,C,V,E,T .....	Fig. 22-300
WHEEL COVER, WIRE F,G,B,X,S,Y .....	Fig. 22-425
WHEEL CHART M,Z .....	Fig. 22-500
ALUMINUM WHEEL TEN SPOKE B,F,G,X,S .....	Fig. 22-600
WHEEL CHART .....	Fig. 22-670
WHEEL, WEIGHTS, STEMS, AND EXTENSIONS .....	Fig. 22-700
REAR WHEEL BRAKE DRUM - M,Z,P,D,C,V,E,T .....	Fig. 22-800
REAR WHEEL BRAKE DRUM F,G,B,X,S,Y .....	Fig. 22-900
FRONT WHEEL BEARING M,Z,P,D,C,V,E,T .....	Fig. 22-1000
CONE AND ROLLERS (WITH DISC BRAKES) F,G,B,X,S,Y .....	Fig. 22-1100
SPARE TIRE AND JACK STOWAGE M,Z .....	Fig. 22-1200
SPARE TIRE AND JACK STOWAGE M,Z, 28 .....	Fig. 22-1225
SPARE TIRE AND JACK STOWAGE P,D,C,V,E,T, EXCEPT 45 .....	Fig. 22-1250
SPARE TIRE AND JACK STOWAGE P,D,C, WAGON 45 .....	Fig. 22-1275
SPARE TIRE AND JACK STOWAGE F, G, B, .....	Fig. 22-1300
SPARE TIRE AND JACK STOWAGE X,S,Y .....	Fig. 22-1500

**ILLUSTRATION NOT AVAILABLE AT TIME OF PUBLICATION**

**TIRE CHART**  
**Figure 22-50**

ITEM	PART NUMBER	QTY	BODY	MODEL	DESCRIPTION
					TIRE WHEEL
				M,Z	P165/75D13 13x5.0 P175/75R13 13x5.0 P195/60R14 14x5.5
				P,D	P175/75R13 13x5.0 P185/70R13 13x5.0 P185/70R14 14x5.5 P185/70R14 14x6.0 T105/80D13 13x4.0
				F,G,B	P195/70R13 13x5.0 P195/75R15 15x5.5 T125/70D15 15x4.0 P205/75R15 15x7.0
				C,V	P215/70R15 15x7.0 P185/70R14 14x6.0
				C,V	P195/60R15 15x6.0 P185/70R14 14x5.5 T115/70D14 14x4.0
				E.T.	P185/70R14 14x4.5 T115/70D14 14x4.0
				X,S	P195/75R15 15x5.5 P195/75R15 15x7.0 P205/75R15 15x7.0 P215/70R15 15x7.0 T115/70D15 15x4.0
				Y	P205/75R15 15x7.0
				Y	T125/70D15 15x7.0

ILLUSTRATION NOT AVAILABLE AT TIME OF PUBLICATION

**MODEL CODES**

B = GRAN FURY	G = DIPLOMAT	V = 400
C = LEBARON/TOWN & COUNTRY	M = HORIZON/TURISMO/SCAMP	X = MIRADA
D = ARIES	P = RELIANT	Y = IMPERIAL
E = 600	S = CORDOBA	Z = OMNI/CHARGER/RAMPAGE
F = FIFTH AVENUE	T = E CLASS/NEWYORKER	

**BODY STYLES**

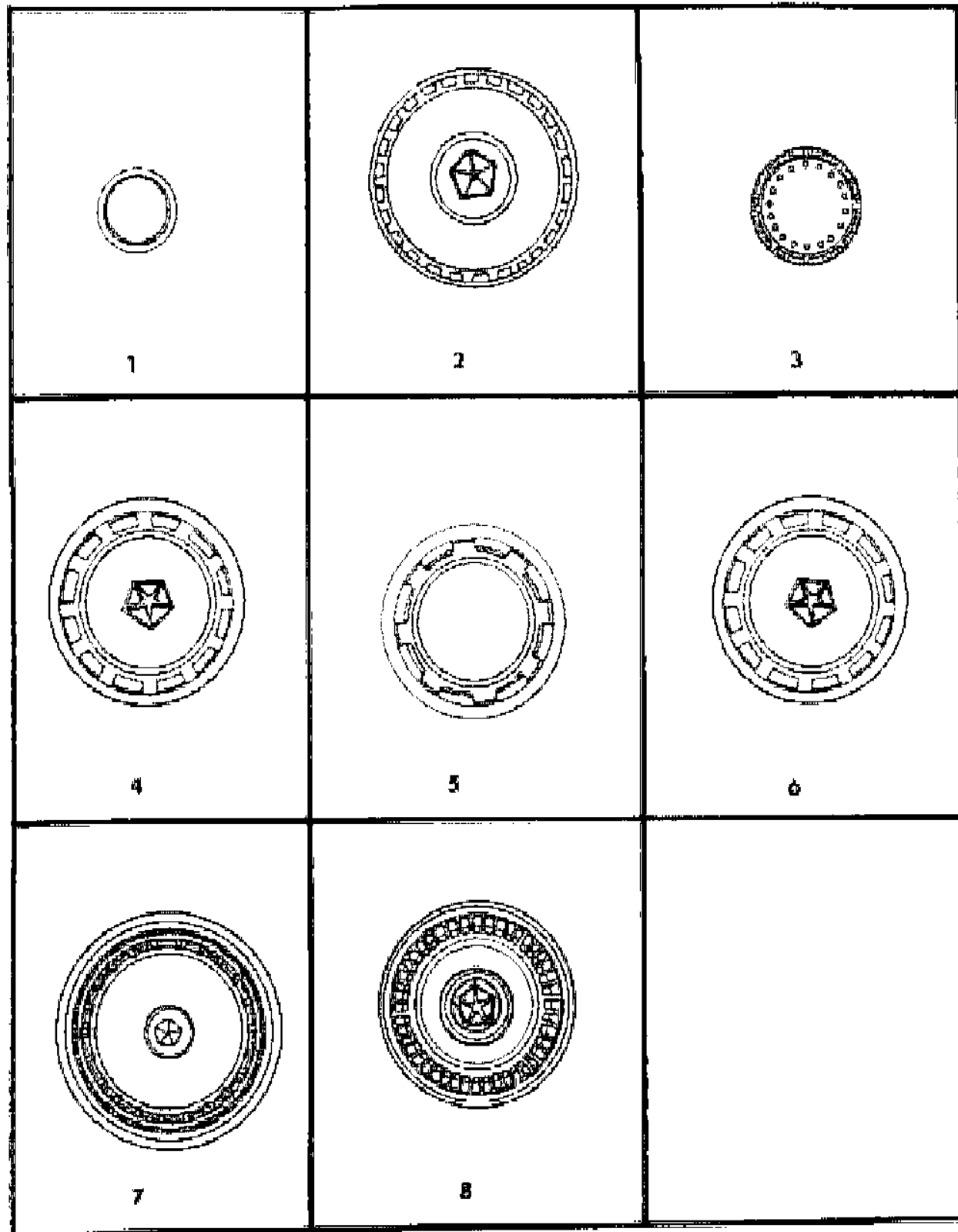
21 = 2-DOOR SEDAN	41 = 4-DOOR SEDAN
22 = 2-DOOR SPECIAL COUPE	45 = 4-DOOR STATION WAGON
24 = 2-DOOR HATCHBACK	44 = 4-DOOR HATCHBACK
27 = 2-DOOR CONVERTIBLE	48 = EXECUTIVE SEDAN
28 = FWD PICKUP	

AR = Use as Required - = Non Illustrated Part P.A.R. = Paint as Required



**WHEEL COVER CHART**  
Figure 22-200

3122 700



ITEM	PART NUMBER	QTY	BODY	MODEL	DESCRIPTION
1	4126 766	4		P,D,C,V	COVER
2	4284 095	4		P,D	COVER
3	3699 152	4		F,G,B	COVER
4	#4284 064	4		P,D,C,V	COVER w/Decal (Chrome)
	4238 524	4		P,D,C,V	DECAL
5	4126 751	4		P,D,C,V	COVER, 13"
6	X318 BA2	4		E,T	COVER
	X318 AA9	4		E,T	DARK SILVER
	X318 AC9	4		E,T	DARK BLUE
	X318 BC4	4		E,T	GLACIER BLUE
	X318 BL4	4		E,T	BEIGE MET.
	X318 BT8	4		E,T	SABLE TAN
	X318 AW3	4		E,T	WHITE
	X318 BM5	4		E,T	RED
	X318 AX9	4		E,T	BLACK
	4238 524	4		E,T	DECAL, for all X318 Covers
7	4284 025	4		P,D	COVER w/Decal
	4126 946	4		P,D	DECAL
8	4126 751	4		M,Z	COVER (Penastar Center)

MODEL CODES

B = GRAN FURY	G = DIPLOMAT	V = 400
C = LEBARON/TOWN & COUNTRY	M = HORIZON/TURISMO/SCAMP	X = MIRADA
D = ARIES	P = RELIANT	Y = IMPERIAL
E = 600	S = CORDOBA	Z = OMNI/CHARGER/RAMPAGE
F = FIFTH AVENUE	T = E CLASS/NEWYORKER	

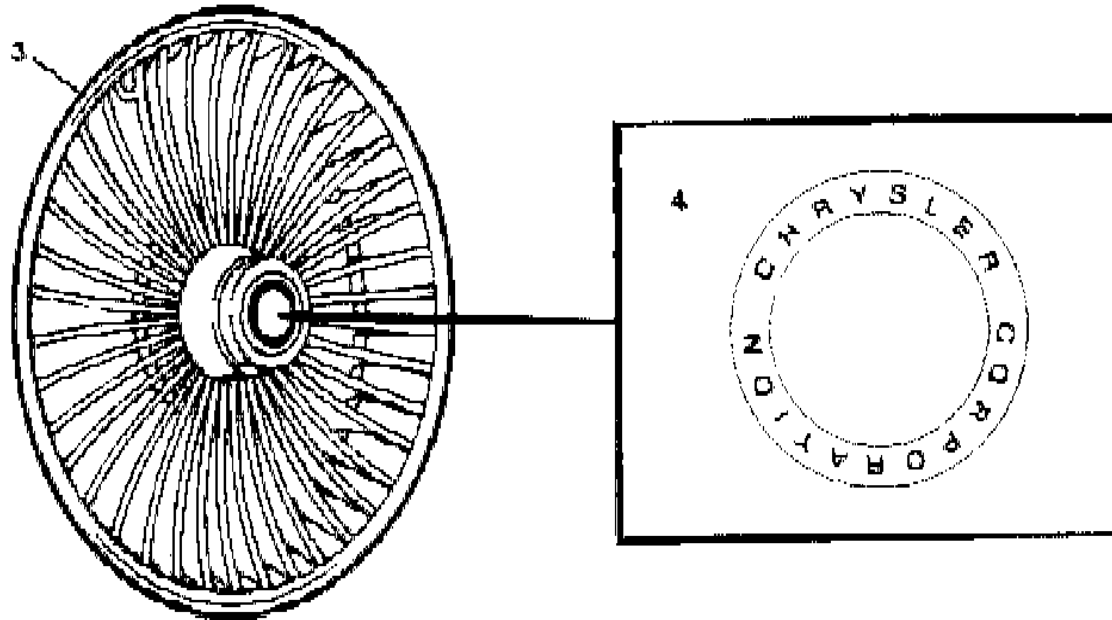
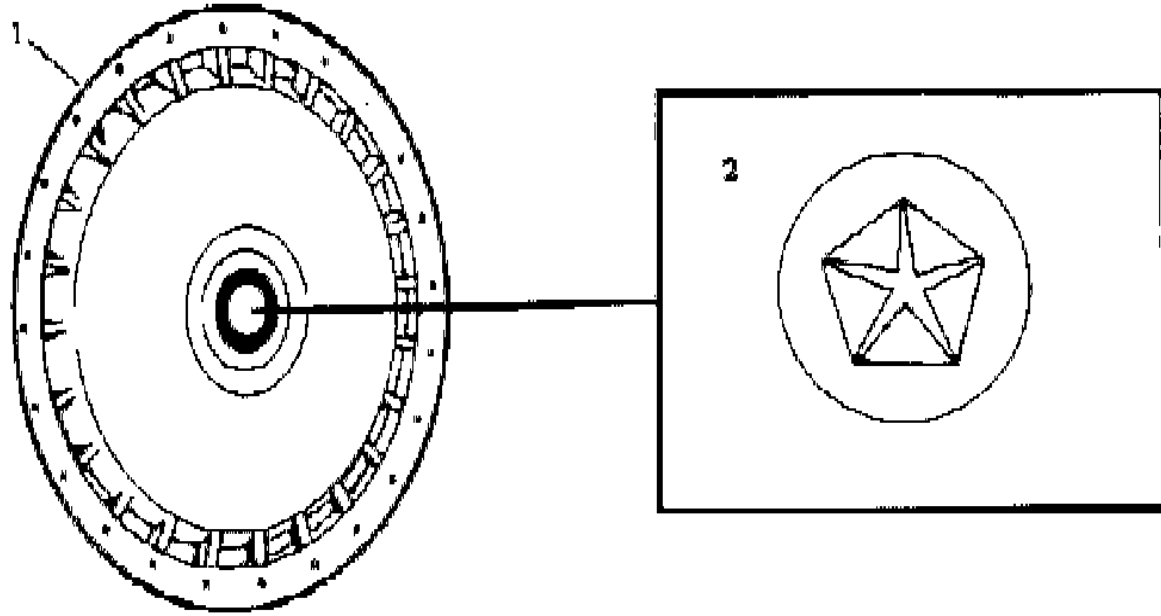
BODY STYLES

21 = 2-DOOR SEDAN	41 = 4-DOOR SEDAN
22 = 2-DOOR SPECIAL COUPE	45 = 4-DOOR STATION WAGON
24 = 2-DOOR HATCHBACK	44 = 4-DOOR HATCHBACK
27 = 2-DOOR CONVERTIBLE	48 = EXECUTIVE SEDAN
28 = FWD PICKUP	

AR = Use as Required - = Non Illustrated Part P.A.R. = Paint as Required

**WHEEL COVER CHART**  
Figure 22-200

3122 225



ITEM	PART NUMBER	QTY	BODY	MODEL	DESCRIPTION
1	4126 626	4		X,S,Y	COVER w/o Decal
2	4126 946			X,S,Y	DECAL
3	4126 697	4		F,G,B,X	COVER, w/o Decal
4	4126 519	4		F,G,B,X	DECAL
	4284 029	4			WHEEL, 13x5.0 u/w 4284025

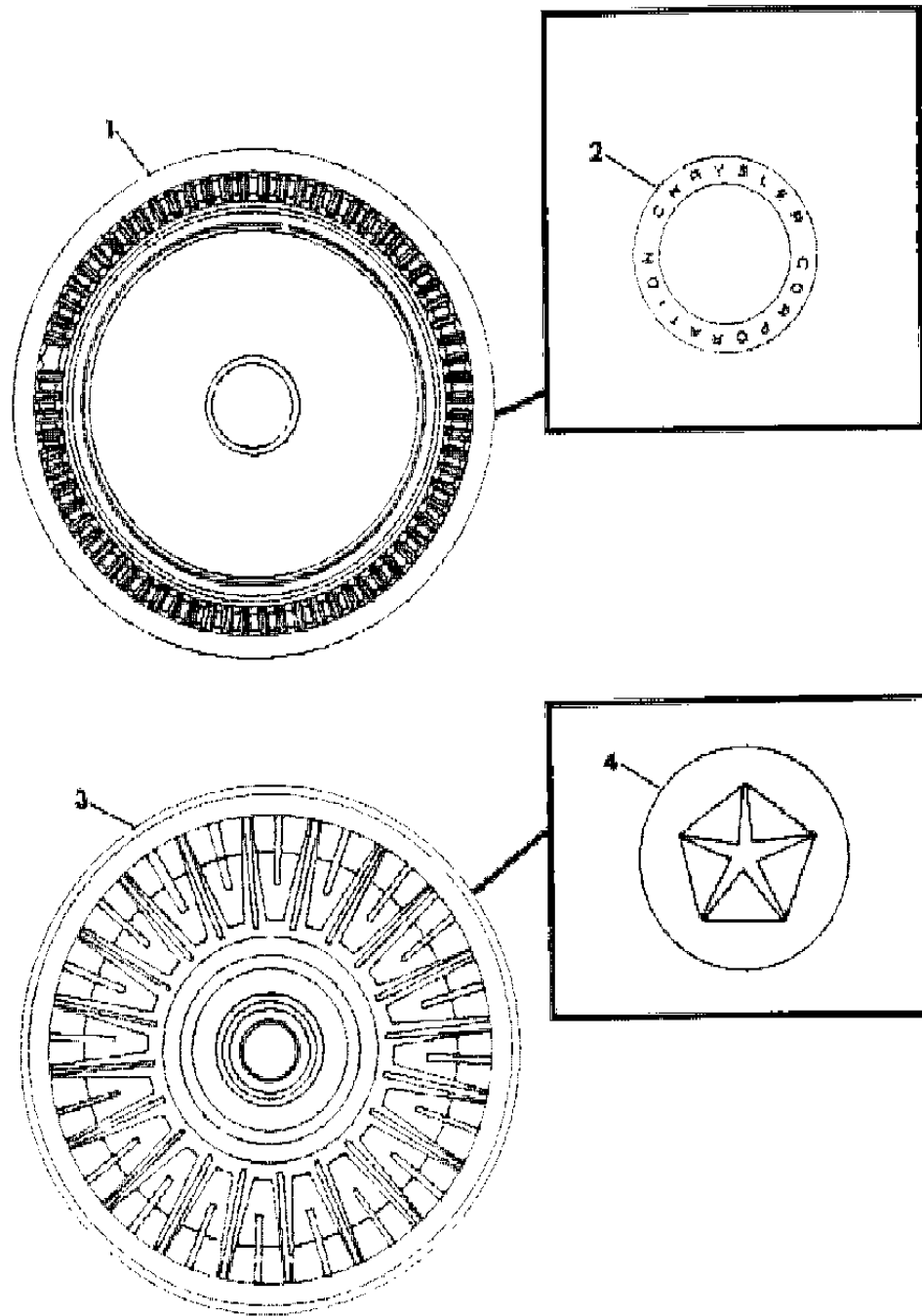
MODEL CODES  
 B = GRAN FURY  
 C = LEBARON/TOWN & COUNTRY  
 D = ARIES  
 E = 600  
 F = FIFTH AVENUE  
 G = DIPLOMAT  
 M = HORIZON/TURISMO/SCAMP  
 P = RELIANT  
 S = CORDOBA  
 T = E CLASS/NEWYORKER  
 V = 400  
 X = MIRADA  
 Y = IMPERIAL  
 Z = OMNI/CHARGER/RAMPAGE

BODY STYLES  
 21 = 2-DOOR SEDAN  
 22 = 2-DOOR SPECIAL COUPE  
 24 = 2-DOOR HATCHBACK  
 27 = 2-DOOR CONVERTIBLE  
 28 = FWD PICKUP  
 41 = 4-DOOR SEDAN  
 45 = 4-DOOR STATION WAGON  
 44 = 4-DOOR HATCHBACK  
 48 = EXECUTIVE SEDAN

AR = Use as Required - = Non Illustrated Part P.A.R. = Paint as Required

**WHEEL COVER CHART**  
Figure 22-200

1122 340



ITEM	PART NUMBER	QTY	BODY	MODEL	DESCRIPTION
1	3880 966	4		F,G,B	COVER, w/o Decal
2	4126 519	4		F,G,B	DECAL
3	4284 067	4		V	COVER w/Decal, 14"
4	4126 946	4		V	DECAL

MODEL CODES  
 B = GRAN FURY  
 C = LEBARON/TOWN & COUNTRY  
 D = ARIES  
 E = 600  
 F = FIFTH AVENUE  
 G = DIPLOMAT  
 M = HORIZON/TURISMO/SCAMP  
 P = RELIANT  
 S = CORDOBA  
 T = E CLASS/NEWYORKER  
 V = 400  
 X = MIRADA  
 Y = IMPERIAL  
 Z = OMNI/CHARGER/RAMPAGE

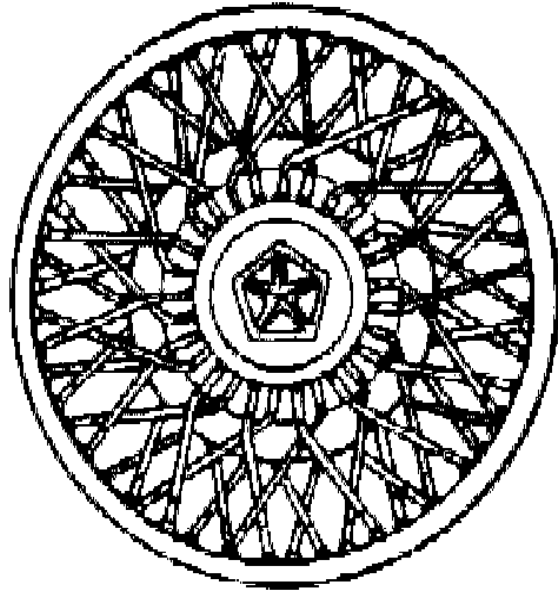
BODY STYLES  
 21 = 2-DOOR SEDAN  
 22 = 2-DOOR SPECIAL COUPE  
 24 = 2-DOOR HATCHBACK  
 27 = 2-DOOR CONVERTIBLE  
 28 = FWD PICKUP  
 41 = 4-DOOR SEDAN  
 45 = 4-DOOR STATION WAGON  
 44 = 4-DOOR HATCHBACK  
 48 = EXECUTIVE SEDAN

AR = Use as Required - = Non Illustrated Part P.A.R. = Paint as Required

**WHEEL COVER, WIRE P,D,C,V,E,T**  
**Figure 22-300**

ITEM	PART NUMBER	QTY	BODY	MODEL	DESCRIPTION
	4126 964	4			COVER, Wire Parital 14"
	4126 954	4			CAP
	4126 539	4			BOLT, Cover Lock
	4284 038	4			RETAINER
	6029 190	16			SCREW, Hex Flange
	4126 556	1			KEY, Wrench
	4126 869	4			WHEEL, 14x5.5
	6500 526	16			NUT, Wheel Mtg. Std.
	4284 026	4			SPOKE

1122 300



**MODEL CODES**

B = GRAN FURY	G = DIPLOMAT	V = 400
C = LEBARON/TOWN & COUNTRY	M = HORIZON/TURISMO/SCAMP	X = MIRADA
D = ARIES	P = RELIANT	Y = IMPERIAL
E = 600	S = CORDOBA	Z = OMNI/CHARGER/RAMPAGE
F = FIFTH AVENUE	T = E CLASS/NEWYORKER	

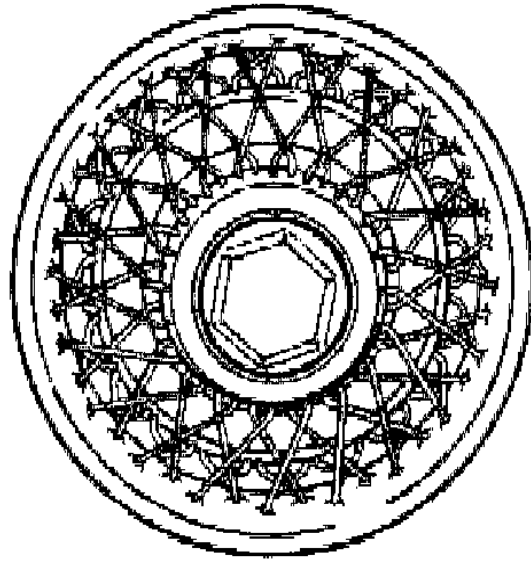
**BODY STYLES**

21 = 2-DOOR SEDAN	41 = 4-DOOR SEDAN
22 = 2-DOOR SPECIAL COUPE	45 = 4-DOOR STATION WAGON
24 = 2-DOOR HATCHBACK	44 = 4-DOOR HATCHBACK
27 = 2-DOOR CONVERTIBLE	48 = EXECUTIVE SEDAN
28 = FWD PICKUP	

AR = Use as Required - = Non Illustrated Part P.A.R. = Paint as Required

**WHEEL COVER, WIRE F,G,B,X,S,Y**  
**Figure 22-425**

3112 425



ITEM	PART NUMBER	QTY	BODY	MODEL	DESCRIPTION
	4126 537	4		All	COVER, Partial
	4126 536	4		F,G,B,X	CAP, (Hex Center)
	4126 539	4		All	LOCK, Bolt
	4126 541	4		All	RETAINER
	4126 556	1		All	WRENCH, Key
	6031 712	12		All	SCREW
	4126 747	5		All	WHEEL, 15-5.5
	4126 692	4		All	ADAPTER, Lock Bolt
	4238 508	4		Y	CAP, w/o Medallion (Not Hex Center)
	4238 506	4		Y	MEDALLION Imperial (Not Shown)
	4238 500	12		F,G,B,X	CLIP, Cover Cap (Not Shown)
	4238 501	12		Y	CLIP, Cover Cap (Not Shown)
	4284 027	4		All	SPOKE

**MODEL CODES**

B = GRAN FURY	G = DIPLOMAT	V = 400
C = LEBARON/TOWN & COUNTRY	M = HORIZON/TURISMO/SCAMP	X = MIRADA
D = ARIES	P = RELIANT	Y = IMPERIAL
E = 600	S = CORDOBA	Z = OMNI/CHARGER/RAMPAGE
F = FIFTH AVENUE	T = E CLASS/NEWYORKER	

**BODY STYLES**

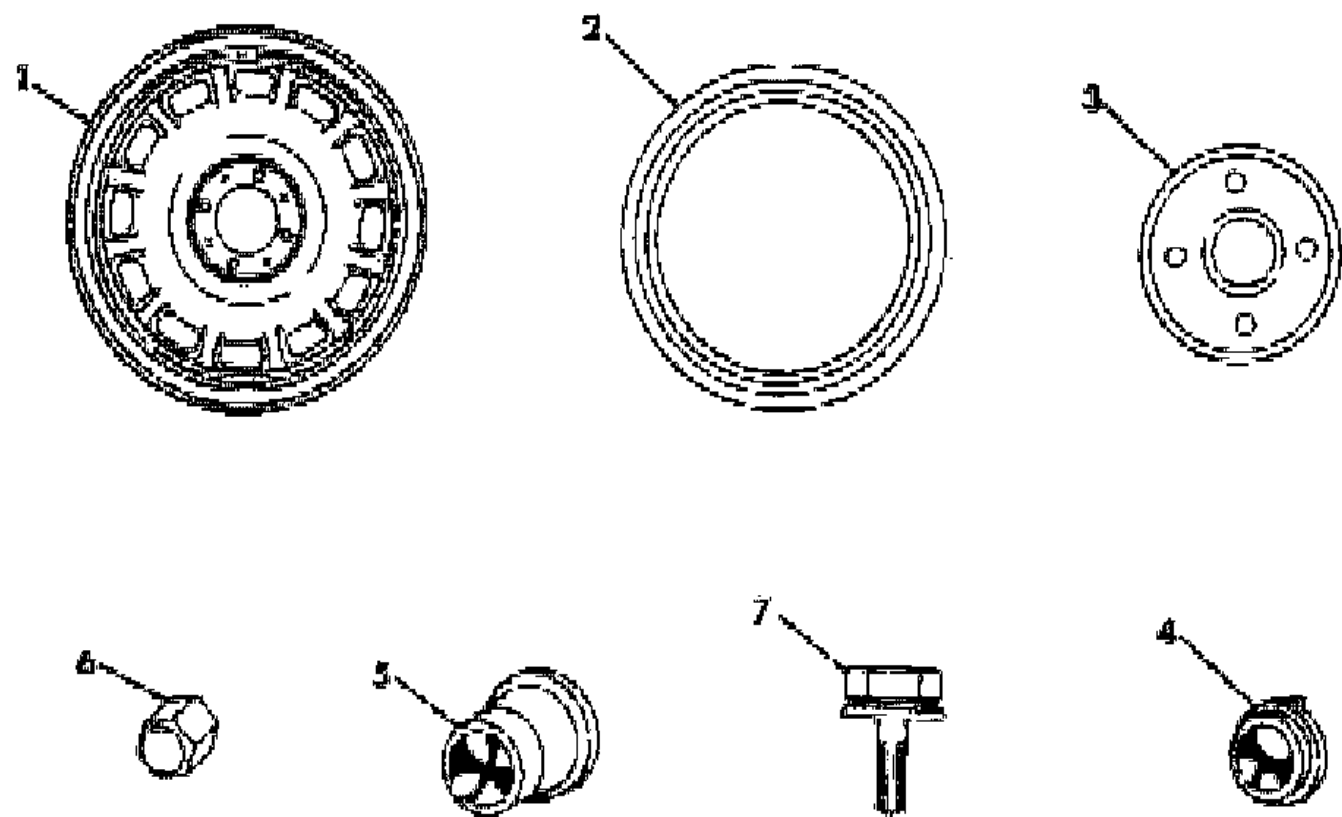
21 = 2-DOOR SEDAN	41 = 4-DOOR SEDAN
22 = 2-DOOR SPECIAL COUPE	45 = 4-DOOR STATION WAGON
24 = 2-DOOR HATCHBACK	44 = 4-DOOR HATCHBACK
27 = 2-DOOR CONVERTIBLE	48 = EXECUTIVE SEDAN
28 = FWD PICKUP	

AR = Use as Required - = Non Illustrated Part P.A.R. = Paint as Required

**WHEEL CHART M,Z**  
**Figure 22-500**

ITEM	PART NUMBER	QTY	BODY	MODEL	DESCRIPTION
1	4284 055	4			WHEEL, 13-5.0 (Argent)
	4284 056	4			WHEEL, 13-5.0 (Black)
2	#4126 981	4			RING, Trim
3	5204 012	4			DOME
4	5204 013	4			CAP, Dome
5	5204 447	4			CAP, w/Applique
6	6500 294	16			NUT, Cap Style
7	6029 190	16			SCREW Hex Flange

3122 500



**MODEL CODES**

B = GRAN FURY	G = DIPLOMAT	V = 400
C = LEBARON/TOWN & COUNTRY	M = HORIZON/TURISMO/SCAMP	X = MIRADA
D = ARIES	P = RELIANT	Y = IMPERIAL
E = 600	S = CORDOBA	Z = OMNI/CHARGER/RAMPAGE
F = FIFTH AVENUE	T = E CLASS/NEWYORKER	

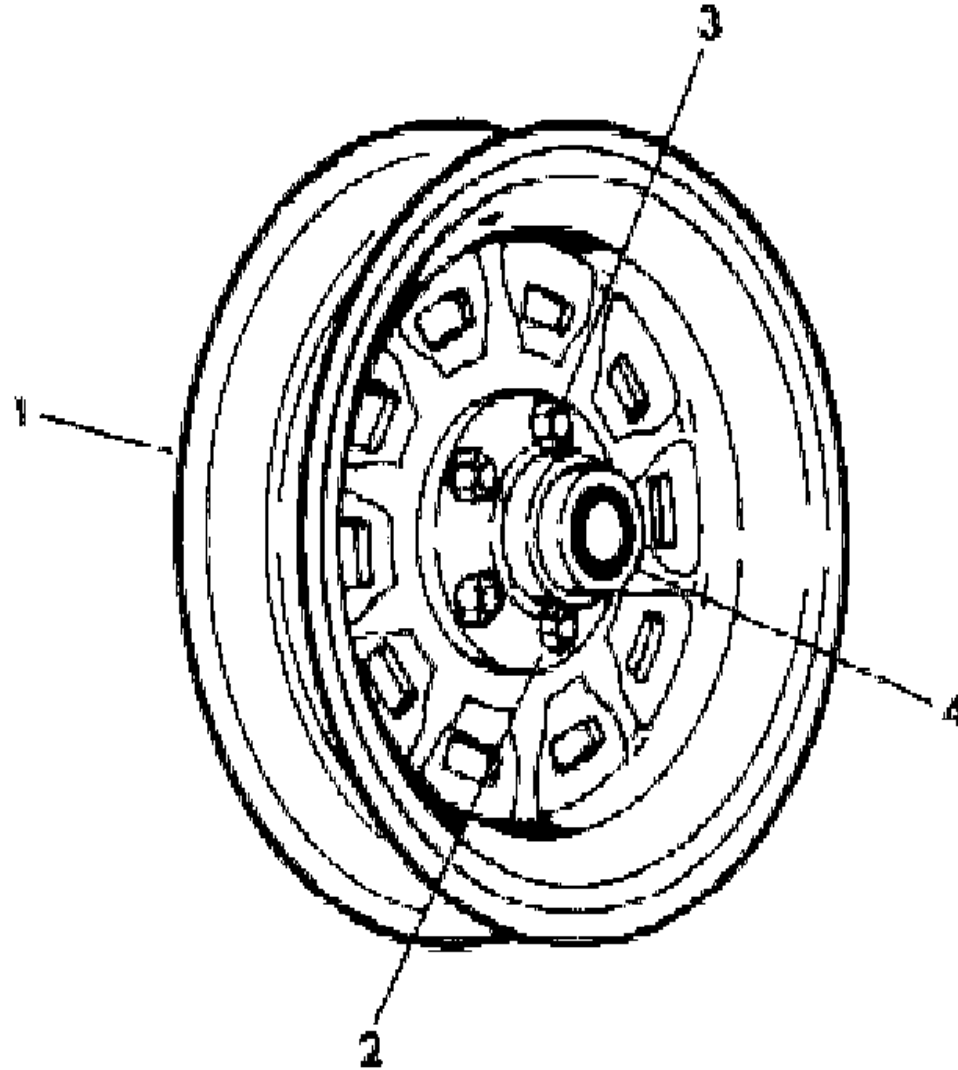
**BODY STYLES**

21 = 2-DOOR SEDAN	41 = 4-DOOR SEDAN
22 = 2-DOOR SPECIAL COUPE	45 = 4-DOOR STATION WAGON
24 = 2-DOOR HATCHBACK	44 = 4-DOOR HATCHBACK
27 = 2-DOOR CONVERTIBLE	48 = EXECUTIVE SEDAN
28 = FWD PICKUP	

AR = Use as Required - = Non Illustrated Part P.A.R. = Paint as Required

ALUMINUM WHEEL TEN SPOKE B,F,G,X,S  
Figure 22-600

3122 600



ITEM	PART NUMBER	QTY	BODY	MODEL	DESCRIPTION
1	X181 VA4	4			WHEEL 15-7.0, (Cast) Sliver
2	6031 535	20			NUT 1/2" Thd., Cap Style
3	3699 011	4			DOMES
4	4126 620	4			CAP
	4213 416	4			DECAL (Chrysler Corp.)
	0181 064	16			SCREW, Dome to Wheel (Not Shown)

MODEL CODES  
 B = GRAN FURY  
 C = LEBARON/TOWN & COUNTRY  
 D = ARIES  
 E = 600  
 F = FIFTH AVENUE  
 G = DIPLOMAT  
 M = HORIZON/TURISMO/SCAMP  
 P = RELIANT  
 S = CORDOBA  
 T = E CLASS/NEWYORKER  
 V = 400  
 X = MIRADA  
 Y = IMPERIAL  
 Z = OMNI/CHARGER/RAMPAGE

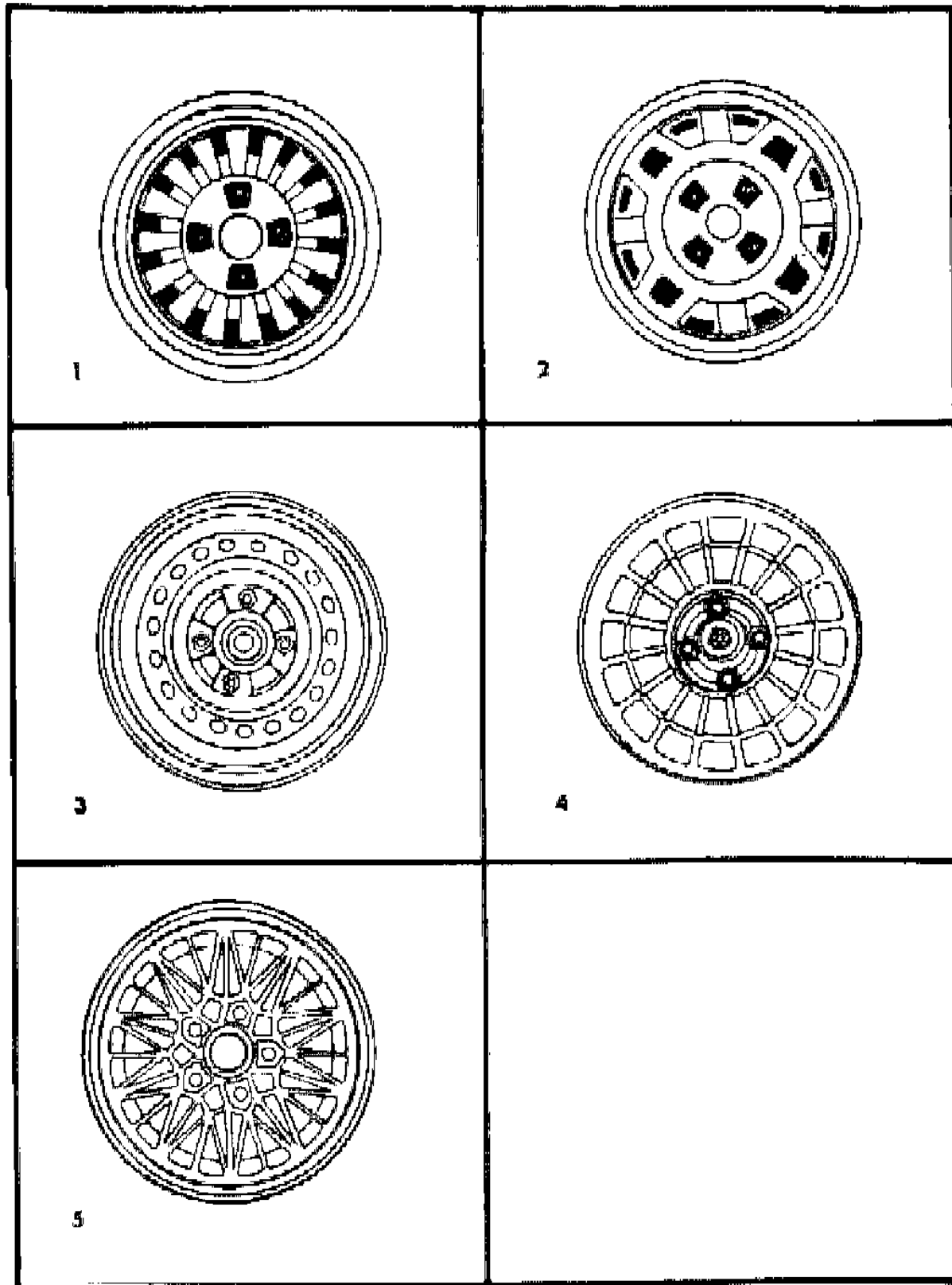
BODY STYLES  
 21 = 2-DOOR SEDAN  
 22 = 2-DOOR SPECIAL COUPE  
 24 = 2-DOOR HATCHBACK  
 27 = 2-DOOR CONVERTIBLE  
 28 = FWD PICKUP  
 41 = 4-DOOR SEDAN  
 45 = 4-DOOR STATION WAGON  
 44 = 4-DOOR HATCHBACK  
 48 = EXECUTIVE SEDAN

AR = Use as Required - = Non Illustrated Part P.A.R. = Paint as Required

# WHEEL CHART

## Figure 22-670

3122 670A



ITEM	PART NUMBER	QTY	BODY	MODEL	DESCRIPTION
1	4126 685	4		P,D,C,V	WHEEL 13-5.0 (Argent)
	4284 029	4		P,D,C,V	WHEEL 13-5.0 (Black)
	4126 792	4			CONSISTS of: DOME
	4126 981	4			TRIM RING
	6029 190	AR			SCREW Hex Flange
2	4284 057	4		M,Z	WHEEL 14-5.5 (Argent)
	4284 058	4		M,Z	WHEEL 14-5.5 (Black)
					CONSISTS OF:
	4126 767	4			TRIM RING
	4126 792	4			DOME
	4205 863	16			DECAL
3	#4238 510	4		P,D	WHEEL 14-6.0 Heavy Duty
					CONSISTS of:
	5204 447	4			CAP, w/Applique
	6500 294	16			NUT, Cap
4	#4284 017	4		M,Z,P,D	WHEEL, 14-5.5 Cast Aluminun
	4284 017	4		V,E,T	WHEEL, 14-5.5 Cast Aluminun
					CONSISTS of
	4126 988	4			DOME w/Medallion
	6029 190	4			SCREW
	6500 294	4			NUT, Cap
5	4126 694	4		Y	WHEEL 15-7.0 Cast Aluminum
					CONSISTS of:
	X259 VDD	4			CAP, Clear
	6031 535	20			NUT, Cap
	X258 VDD	4			MEDALLION, Clear
6	4284 111	4		Y	WHEEL 15-6.0 Cast Aluminum (Shelby Charger)
	4284 004	4		Y	CAP

**MODEL CODES**

B = GRAN FURY	G = DIPLOMAT	V = 400
C = LEBARON/TOWN & COUNTRY	M = HORIZON/TURISMO/SCAMP	X = MIRADA
D = ARIES	P = RELIANT	Y = IMPERIAL
E = 600	S = CORDOBA	Z = OMNI/CHARGER/RAMPAGE
F = FIFTH AVENUE	T = E CLASS/NEWYORKER	

**BODY STYLES**

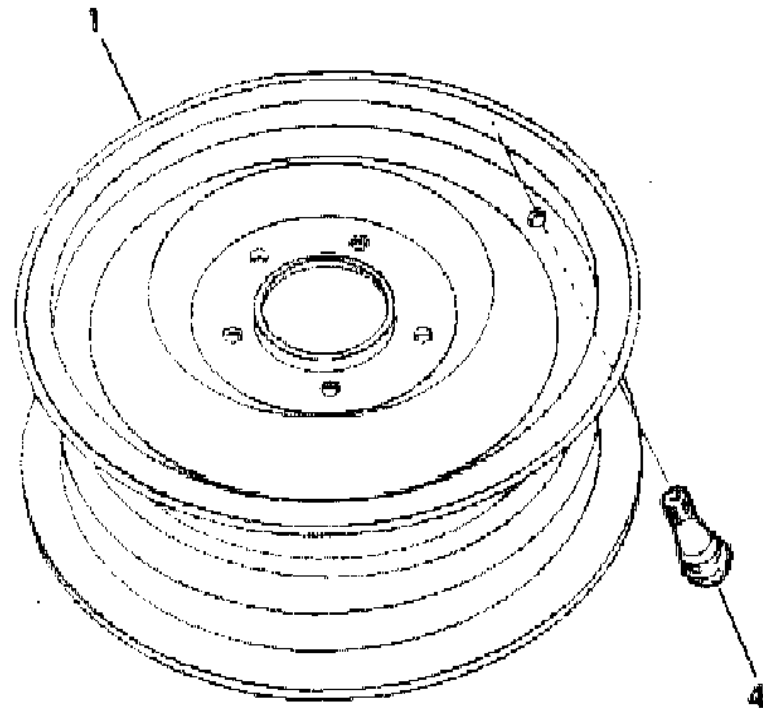
21 = 2-DOOR SEDAN	41 = 4-DOOR SEDAN
22 = 2-DOOR SPECIAL COUPE	45 = 4-DOOR STATION WAGON
24 = 2-DOOR HATCHBACK	44 = 4-DOOR HATCHBACK
27 = 2-DOOR CONVERTIBLE	48 = EXECUTIVE SEDAN
28 = FWD PICKUP	

AR = Use as Required - = Non Illustrated Part P.A.R. = Paint as Required

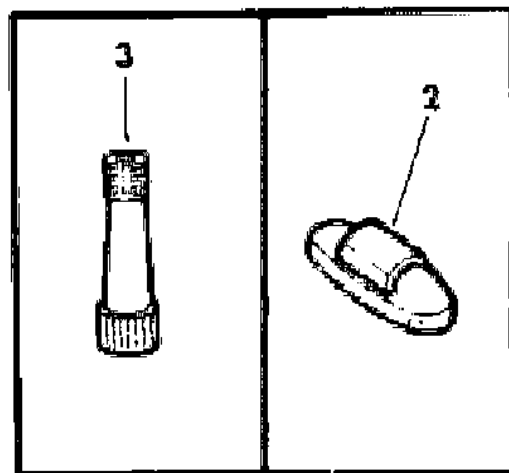


**WHEEL, WEIGHTS, STEMS, AND EXTENSIONS**  
**Figure 22-700**

3122 700



ITEM	PART NUMBER	QTY	BODY	MODEL	DESCRIPTION
1	#4284 063	1		P,D	13-4.00 Spare, w/Decal Hi Pressure
	4126 685	4		P,D,C,V	13-5.00 Semi-Styled
	4284 066	1		P,D,C,V	14-4.00 Spare, w/Decal Hi Pressure
	4284 057	4		M,Z,P,D	14-5.50 Semi-Styled, (Argent)
	4284 058	4		P,D,C,V	14-5.50 Semi-Styled, (Black)
	4126 869	4		P,D,V,C	14-5.50 for 14" Wire Wheel Cvr.
	4238 510	4		P,D,V,C	14-6.00 Semi Styled Heavy Duty
	3880 940	1		F,G,B,X	15-4.00 Spare w/Decal Hi Pressure use w/14" Wheels
	4126 747	5		F,G,B,Y	15-5.50 Painted
				X,S	
	3766 077	5		F,G,B,X	15-7.00 Painted, Heavy Duty, also Police
	4126 675	5		F,G,B,X	15-7.00 Painted
2	1615 349	AR		All	WEIGHT, 1/2 oz.
	1615 350	AR		All	1 oz.
	1615 351	AR		All	1-1/2 oz.
	1615 352	AR		All	2 oz.
	1615 353	AR		All	2-1/2 oz.
	1615 354	AR		All	3 oz.
3	2660 315	1		All	EXTENSION PKG., Valve Stem, 1/2" lgh.
	2401 840	1		All	3/4" lgh.
	3461 079	1		All	1" lgh.
4	2073 355	5		All	VALVE STEM, 1-1/4" lgh.



**MODEL CODES**

B = GRAN FURY	G = DIPLOMAT	V = 400
C = LEBARON/TOWN & COUNTRY	M = HORIZON/TURISMO/SCAMP	X = MIRADA
D = ARIES	P = RELIANT	Y = IMPERIAL
E = 600	S = CORDOBA	Z = OMNI/CHARGER/RAMPAGE
F = FIFTH AVENUE	T = E CLASS/NEWYORKER	

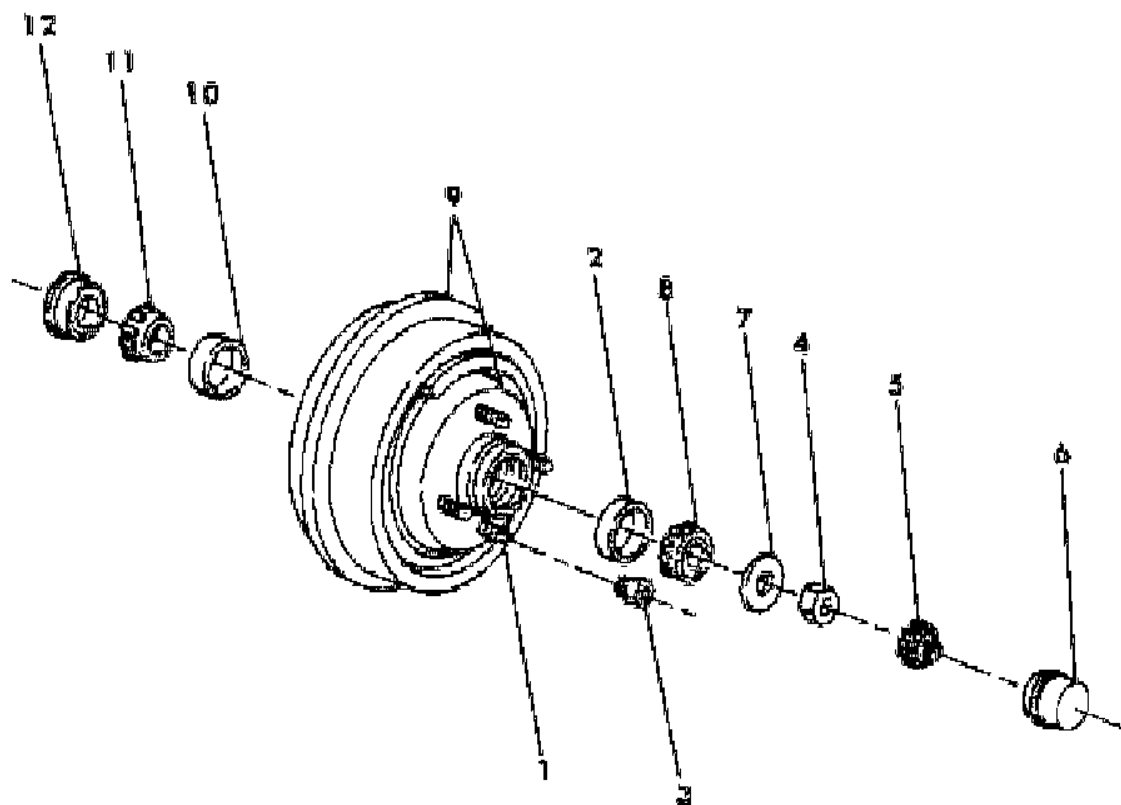
**BODY STYLES**

21 = 2-DOOR SEDAN	41 = 4-DOOR SEDAN
22 = 2-DOOR SPECIAL COUPE	45 = 4-DOOR STATION WAGON
24 = 2-DOOR HATCHBACK	44 = 4-DOOR HATCHBACK
27 = 2-DOOR CONVERTIBLE	48 = EXECUTIVE SEDAN
28 = FWD PICKUP	

AR = Use as Required - = Non Illustrated Part P.A.R. = Paint as Required

**REAR WHEEL BRAKE DRUM - M,Z,P,D,C,V,E,T**  
**Figure 22-800**

3133 800



ITEM	PART NUMBER	QTY	BODY	MODEL	DESCRIPTION
1	5204 272	8			STUD, Wheel
2	#3683 974	2			CUP OUTER (Pkg.)
3	6500 526	8			NUT, Std.
4	6029 692	2			NUT
5	1673 324	2			LOCK, Cap
6	3580 894	2			CAP
7	0600 194	2			WASHER
8	#3580 888	2			CONE and Roller, Outer
9	#4238 531	2		M,Z	HUB and Drum
	4238 531	2		P,D	w/Std. Brakes
	4238 531	2		C	2 Door, 4 Door
	4238 531	2		V	All
	4238 538	2		P,D	H/Duty
	4238 538	2		C	45
	4238 538	2		E.T	All
10	#4238 567	2			CUP, Inner
11	#4238 567	2			CONE and ROLLER, Inner
12	#4238 570	2			SEAL, Dust

**MODEL CODES**

B = GRAN FURY	G = DIPLOMAT	V = 400
C = LEBARON/TOWN & COUNTRY	M = HORIZON/TURISMO/SCAMP	X = MIRADA
D = ARIES	P = RELIANT	Y = IMPERIAL
E = 600	S = CORDOBA	Z = OMNI/CHARGER/RAMPAGE
F = FIFTH AVENUE	T = E CLASS/NEWYORKER	

**BODY STYLES**

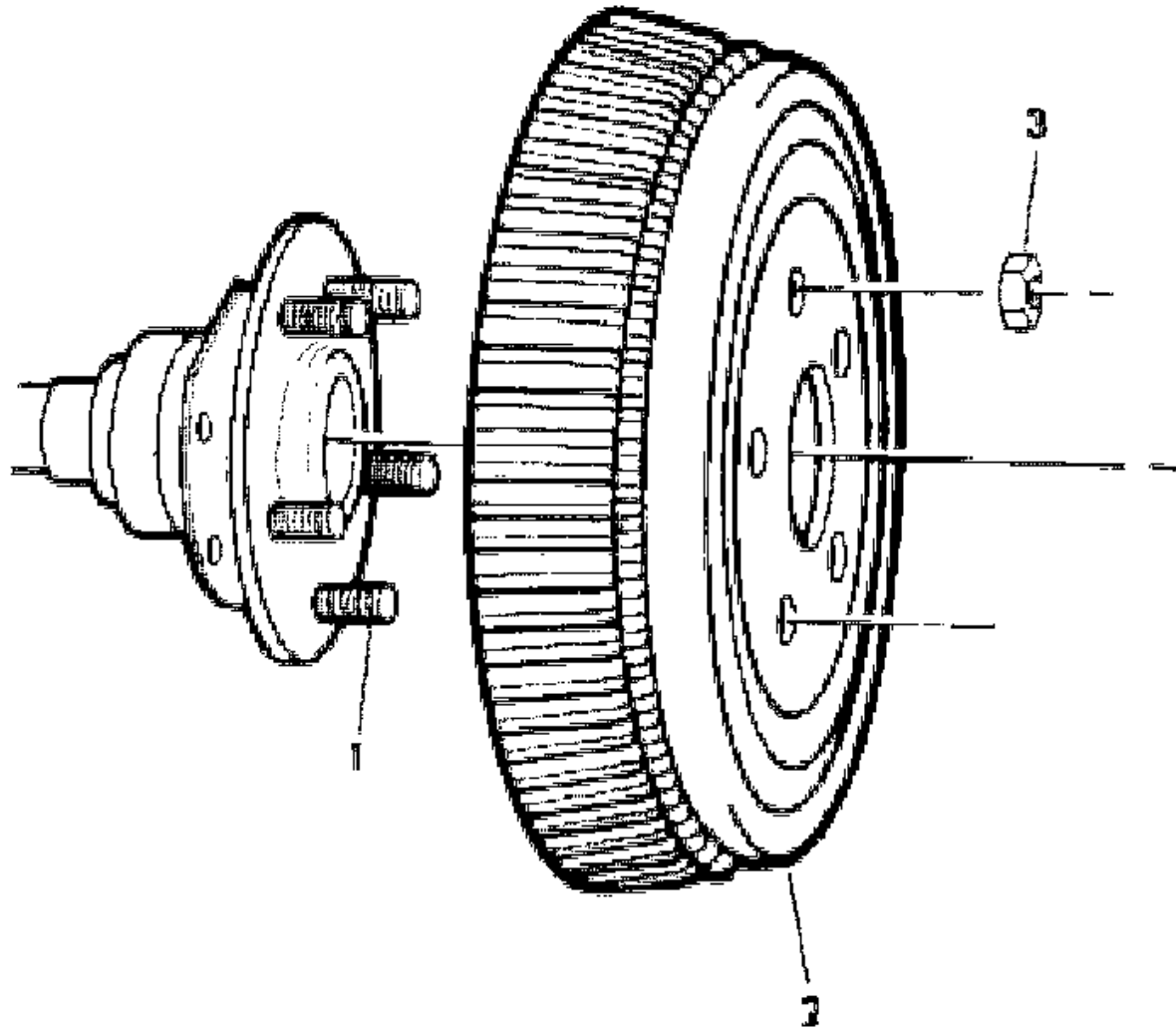
21 = 2-DOOR SEDAN	41 = 4-DOOR SEDAN
22 = 2-DOOR SPECIAL COUPE	45 = 4-DOOR STATION WAGON
24 = 2-DOOR HATCHBACK	44 = 4-DOOR HATCHBACK
27 = 2-DOOR CONVERTIBLE	48 = EXECUTIVE SEDAN
28 = FWD PICKUP	

AR = Use as Required - = Non Illustrated Part P.A.R. = Paint as Required

**REAR WHEEL BRAKE DRUM F,G,B,X,S,Y**  
**Figure 22-900**

ITEM	PART NUMBER	QTY	BODY	MODEL	DESCRIPTION
1	3432 698	10		All	STUD
2	4049 661	2		All	DRUM, w/10" Brakes
	3780 537	2		F,G,B	W/11" Brakes, w/Taxi Lining
3	2409 826	AR		All	NUT, 1/2" Thd. Std.

3172 BDO



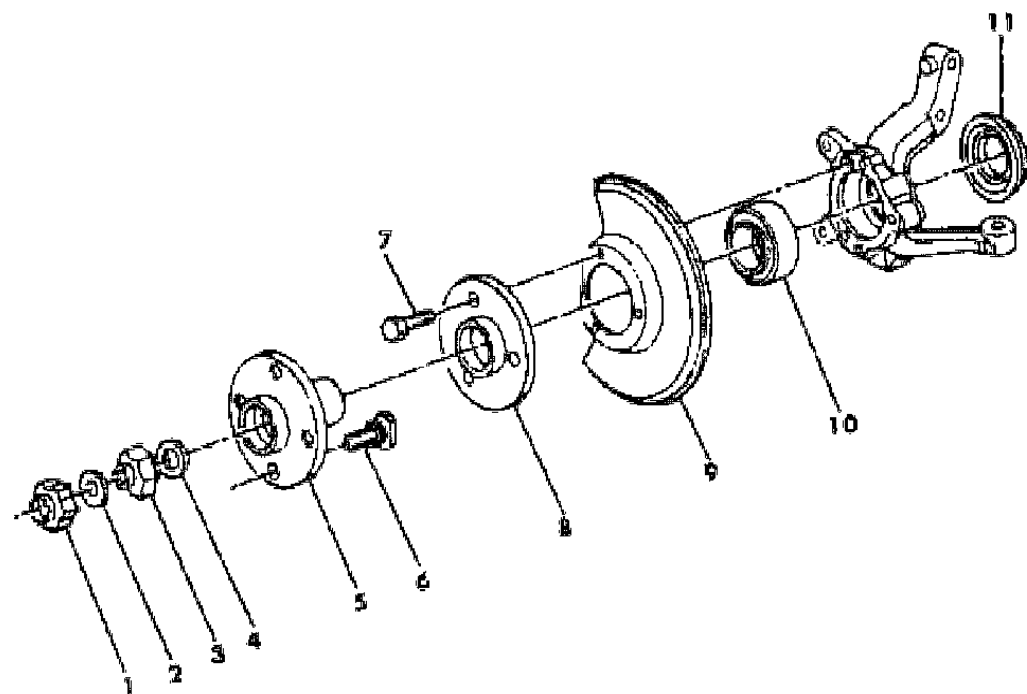
MODEL CODES  
 B = GRAN FURY  
 C = LEBARON/TOWN & COUNTRY  
 D = ARIES  
 E = 600  
 F = FIFTH AVENUE  
 G = DIPLOMAT  
 M = HORIZON/TURISMO/SCAMP  
 P = RELIANT  
 S = CORDOBA  
 T = E CLASS/NEWYORKER  
 V = 400  
 X = MIRADA  
 Y = IMPERIAL  
 Z = OMNI/CHARGER/RAMPAGE

BODY STYLES  
 21 = 2-DOOR SEDAN  
 22 = 2-DOOR SPECIAL COUPE  
 24 = 2-DOOR HATCHBACK  
 27 = 2-DOOR CONVERTIBLE  
 28 = FWD PICKUP  
 41 = 4-DOOR SEDAN  
 45 = 4-DOOR STATION WAGON  
 44 = 4-DOOR HATCHBACK  
 48 = EXECUTIVE SEDAN

AR = Use as Required - = Non Illustrated Part P.A.R. = Paint as Required

**FRONT WHEEL BEARING M,Z,P,D,C,V,E,T**  
**Figure 22-1000**

22-1000



ITEM	PART NUMBER	QTY	BODY	MODEL	DESCRIPTION
1	#4293 167	2			LOCK, Hub Nut
2	#5212 684	2			WASHER, Hub Wave
3	6500 298	2			NUT, Hub
4	6500 299	2			WASHER
5	5212 521	2			HUB
	5212 545	2		C-48	HUB
6	6500 352	8			BOLT, Wheel
7	6500 544	6			BOLT, Wheel Brg. Retainer
8	5212 548	2		M,Z	RETAINER, Wheel Brg.
	5212 547	2		P,D,C,V	RETAINER, Bearing
10	4271 389	2			BEARING
11	#5212 535	2			SEAL
	5212 550	2			GASKET, Brg. Ret. (not shown)

**MODEL CODES**

B = GRAN FURY	G = DIPLOMAT	V = 400
C = LEBARON/TOWN & COUNTRY	M = HORIZON/TURISMO/SCAMP	X = MIRADA
D = ARIES	P = RELIANT	Y = IMPERIAL
E = 600	S = CORDOBA	Z = OMNI/CHARGER/RAMPAGE
F = FIFTH AVENUE	T = E CLASS/NEWYORKER	

**BODY STYLES**

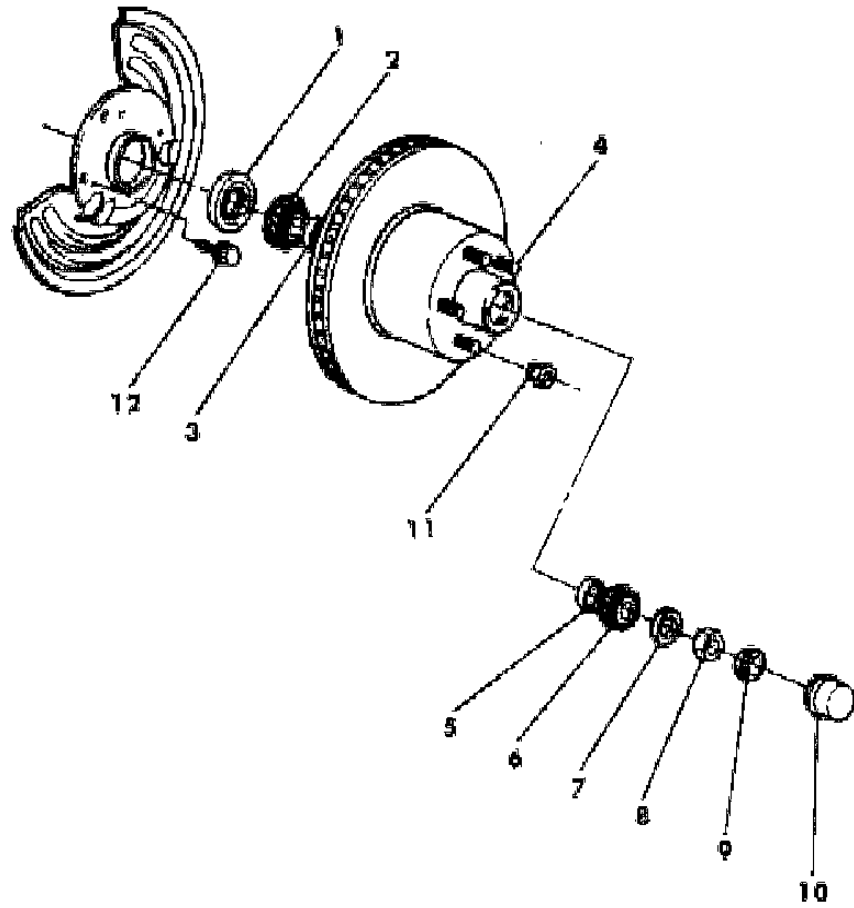
21 = 2-DOOR SEDAN	41 = 4-DOOR SEDAN
22 = 2-DOOR SPECIAL COUPE	45 = 4-DOOR STATION WAGON
24 = 2-DOOR HATCHBACK	44 = 4-DOOR HATCHBACK
27 = 2-DOOR CONVERTIBLE	48 = EXECUTIVE SEDAN
28 = FWD PICKUP	

AR = Use as Required - = Non Illustrated Part P.A.R. = Paint as Required

**CONE AND ROLLERS (WITH DISC BRAKES) F,G,B,X,S,Y**  
**Figure 22-1100**

1122 1100

ITEM	PART NUMBER	QTY	BODY	MODEL	DESCRIPTION
	1671 465	2		All	BEARING PACKAGE, Frt. Whl., Outer, w/Disc Brakes Consists of: 1- --- --- Cone, Frt. Whl. Outer Brg. 1- --- --- Cup, Frt. Whl. Outer Brg.
1	3580 723	2		All	SEAL, Dust
2	3683 975	2		All	CONE and Roller, Inner
3	3683 975	2		All	CUP, Inner
4	3580 728	10		All	STUD, w/Motor Wheel, 1/2"-20 w/Kelsey Hayes, 1/2"-20
5	1671 465	2		All	CUP, Outer (Pkg.)
6	1671 465	2		All	CONE and Roller, Outer (Pkg.)
7	0600 194	2		All	WASHER
8	6029 692	2		All	NUT
9	1673 324	2		All	LOCK CAP
10	3580 894	2		All	CAP
11	2409 826	20		All	NUT, 1/2" thd., Std.
12	0181 084	2		All	SCREW



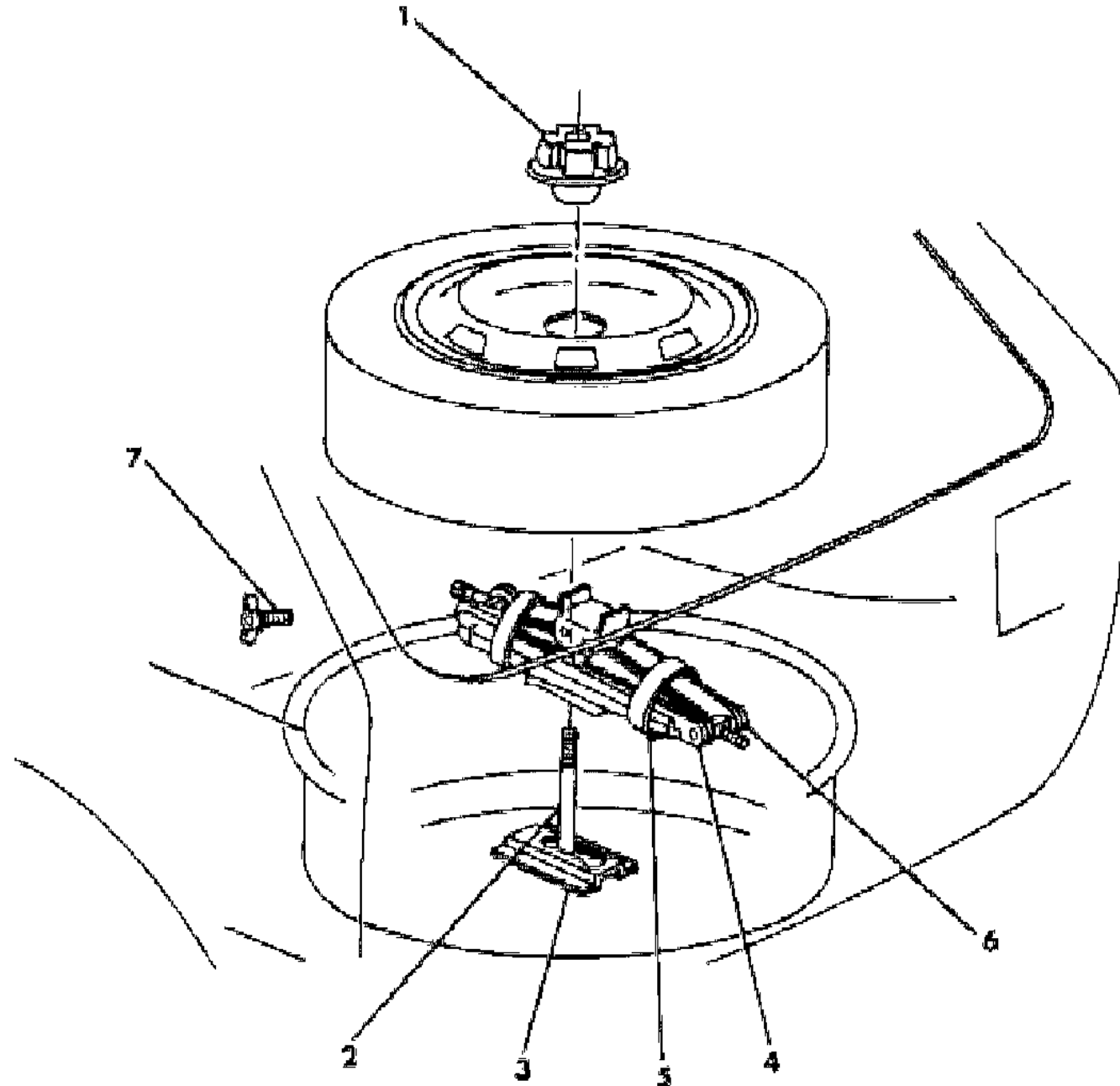
MODEL CODES  
 B = GRAN FURY  
 C = LEBARON/TOWN & COUNTRY  
 D = ARIES  
 E = 600  
 F = FIFTH AVENUE  
 G = DIPLOMAT  
 M = HORIZON/TURISMO/SCAMP  
 P = RELIANT  
 S = CORDOBA  
 T = E CLASS/NEWYORKER  
 V = 400  
 X = MIRADA  
 Y = IMPERIAL  
 Z = OMNI/CHARGER/RAMPAGE

BODY STYLES  
 21 = 2-DOOR SEDAN  
 22 = 2-DOOR SPECIAL COUPE  
 24 = 2-DOOR HATCHBACK  
 27 = 2-DOOR CONVERTIBLE  
 28 = FWD PICKUP  
 41 = 4-DOOR SEDAN  
 45 = 4-DOOR STATION WAGON  
 44 = 4-DOOR HATCHBACK  
 48 = EXECUTIVE SEDAN

AR = Use as Required - = Non Illustrated Part P.A.R. = Paint as Required

**SPARE TIRE AND JACK STOWAGE M,Z**  
**Figure 22-1200**

3122 1200



ITEM	PART NUMBER	QTY	BODY	MODEL	DESCRIPTION
1	#4278 272	1			NUT, Tire Anchor
2	6032 172	1			BOLT
3	3791 040	1			BRACKET
4	5216 018	1			HANDLE, Jack (Lug Wrench)
	4270 372	1			HANDLE, Jack (Lug Wrench)(Shelby Charger)
5		2			BANDS, Rubber (Not Serviced)
6	5216 020	1			JACK, Scissors
	4270 383	1			JACK, Scissors (Shelby Charger)
7	6031 833	1			WING Screw
	4206 747	1			RETAINER, Jack (not shown)
	5230 433	1			LABEL, Jack and Stowage (not shown)

**MODEL CODES**

B = GRAN FURY	G = DIPLOMAT	V = 400
C = LEBARON/TOWN & COUNTRY	M = HORIZON/TURISMO/SCAMP	X = MIRADA
D = ARIES	P = RELIANT	Y = IMPERIAL
E = 600	S = CORDOBA	Z = OMNI/CHARGER/RAMPAGE
F = FIFTH AVENUE	T = E CLASS/NEWYORKER	

**BODY STYLES**

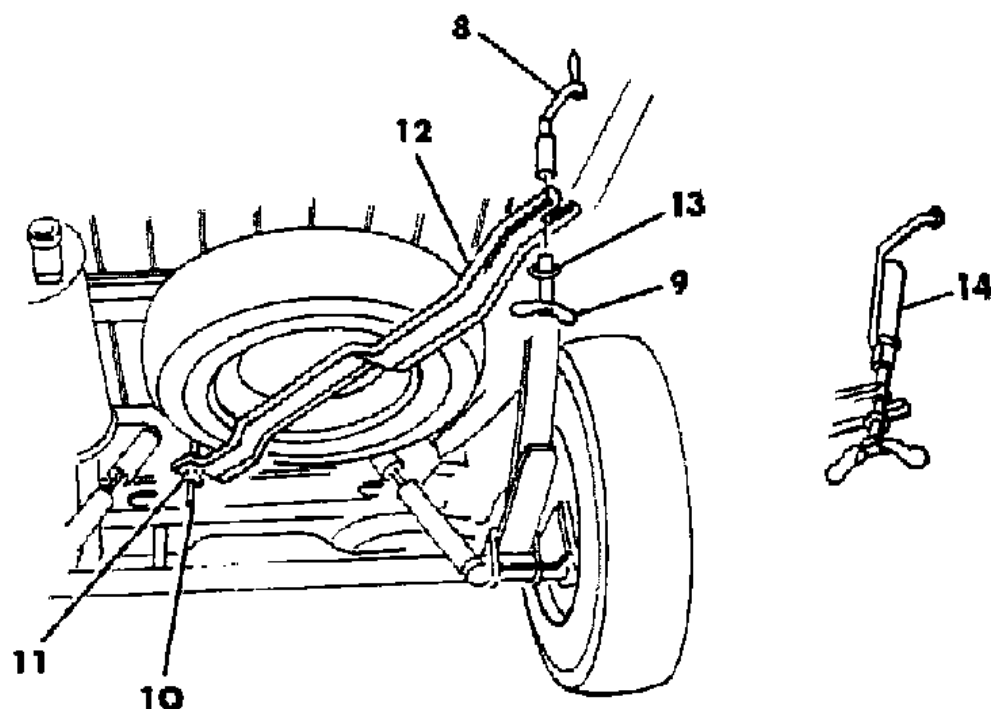
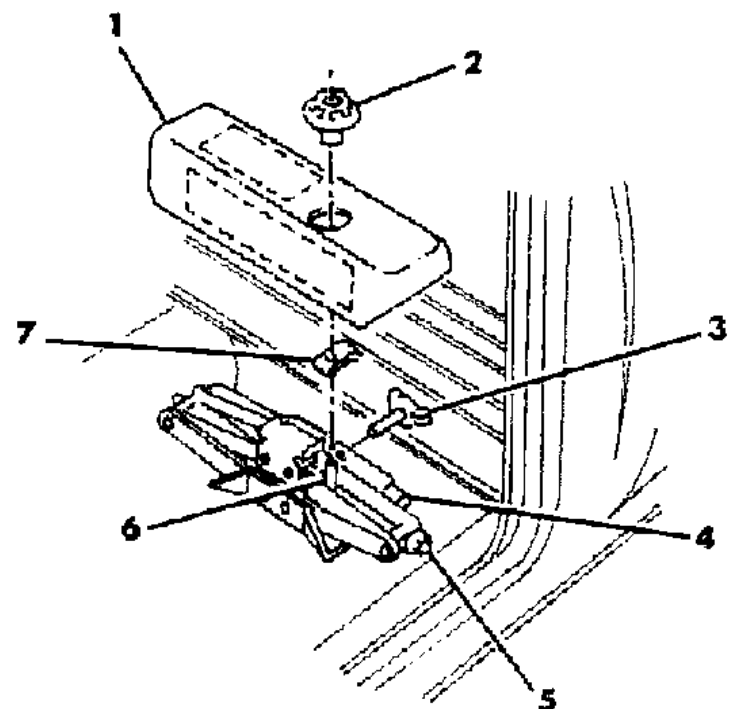
21 = 2-DOOR SEDAN	41 = 4-DOOR SEDAN
22 = 2-DOOR SPECIAL COUPE	45 = 4-DOOR STATION WAGON
24 = 2-DOOR HATCHBACK	44 = 4-DOOR HATCHBACK
27 = 2-DOOR CONVERTIBLE	48 = EXECUTIVE SEDAN
28 = FWD PICKUP	

AR = Use as Required - = Non Illustrated Part P.A.R. = Paint as Required

**SPARE TIRE AND JACK STOWAGE M,Z, 28**  
**Figure 22-1225**

3122 1225

ITEM	PART NUMBER	QTY	BODY	MODEL	DESCRIPTION
1	W818 AM6	1			COVER, Jack Stowage Red
	W818 BT9	1			TAN
	W818 AX9	1			BLACK
2	4206 200	1			NUT
3	6031 833	1			WING, Screw
4	5216 018	1			HANDLE, Jack
5	5216 020	1			JACK, Sissors
6	#6032 267	1			BOLT
7	4206 747	1			RETAINER
8	6032 132	1			SLEEVE w/Hook
9	#6032 298	1			WING w/Bolt
10	4206 785	1			BOLT, J
11	6025 011	1			NUT /Washer
12	4206 782	1			HANGER
13	6032 199	1			WASHER
14	#6032 373	1			HOOK, Tire Hanger Complete
					Consists of:
					1-6032375 Hook w/Sleeve
					1-6032371 Wing w/Bolt
					1- --- --- Thread Protector
					1- --- --- Washer
					1- --- --- Clamp
	4296 088	1			LABEL, Jack (not shown)
	4296 089	1			LABEL, Jack and Tire Stowage (not shown)



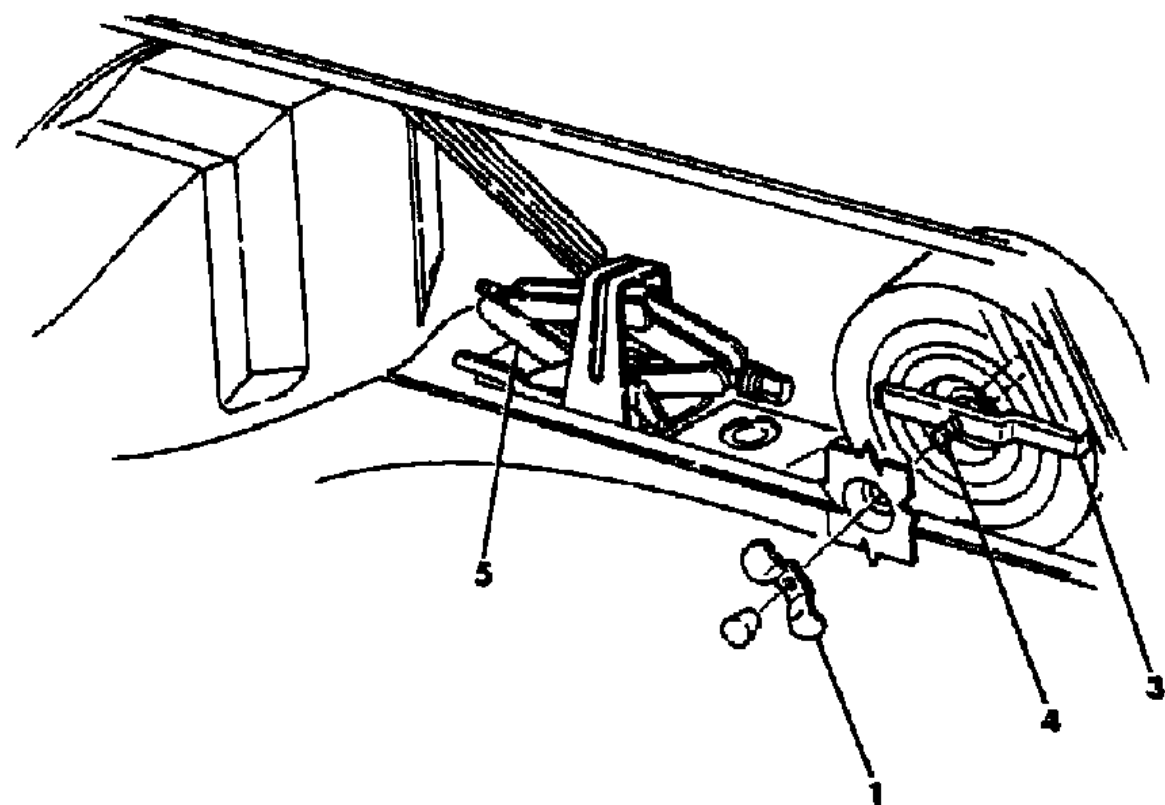
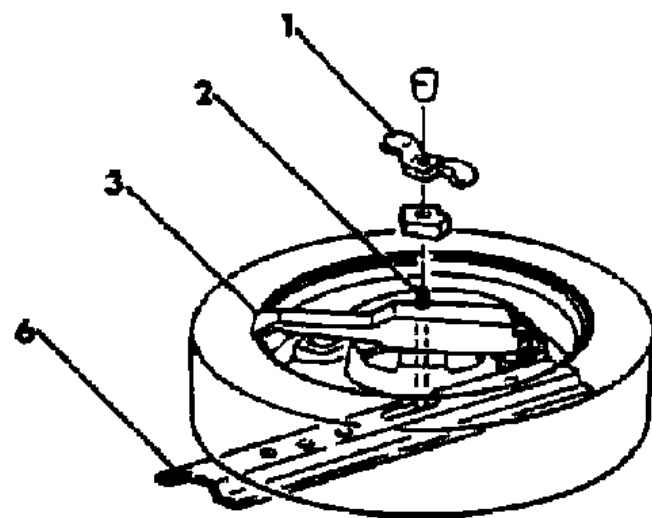
MODEL CODES  
 B = GRAN FURY  
 C = LEBARON/TOWN & COUNTRY  
 D = ARIES  
 E = 600  
 F = FIFTH AVENUE  
 G = DIPLOMAT  
 M = HORIZON/TURISMO/SCAMP  
 P = RELIANT  
 S = CORDOBA  
 T = E CLASS/NEWYORKER  
 V = 400  
 X = MIRADA  
 Y = IMPERIAL  
 Z = OMNI/CHARGER/RAMPAGE

BODY STYLES  
 21 = 2-DOOR SEDAN  
 22 = 2-DOOR SPECIAL COUPE  
 24 = 2-DOOR HATCHBACK  
 27 = 2-DOOR CONVERTIBLE  
 28 = FWD PICKUP  
 41 = 4-DOOR SEDAN  
 45 = 4-DOOR STATION WAGON  
 44 = 4-DOOR HATCHBACK  
 48 = EXECUTIVE SEDAN

AR = Use as Required - = Non Illustrated Part P.A.R. = Paint as Required

**SPARE TIRE AND JACK STOWAGE P,D,C,V,E,T, EXCEPT 45**  
**Figure 22-1250**

3122 1250



ITEM	PART NUMBER	QTY	BODY	MODEL	DESCRIPTION
1	6032 004	1			WING NUT
2	6031 994	1			BOLT
3	5216 018	1			HANDLE Jack
	4314 184	1			Retainer
4					BOLT (Not Serviced)
5	4194 172	1			JACK, Scissors
6	4206 247	1			BRACKET, Tire Stowage
	4200 811	1			BRACKET, Reinf. Tire Storage (not shown)
	4206 628	1			BRACKET, Jack Mtg. (not shown)
	4223 730	1			COVER, Conventional Spare (not shown)
	4296 078	1			LABEL, Jack, Tire w/Trunk Dress up (not shown) up to 10-21-82
	4304 152	1			After 10-21-82
	4296 076	1			w/o Trunk Dress up (not shown)
	4206 628	1			BRACKET, Jack Mtg.
	4247 900	1		E	COVER, Jack Stowage

**MODEL CODES**

B = GRAN FURY	G = DIPLOMAT	V = 400
C = LEBARON/TOWN & COUNTRY	M = HORIZON/TURISMO/SCAMP	X = MIRADA
D = ARIES	P = RELIANT	Y = IMPERIAL
E = 600	S = CORDOBA	Z = OMNI/CHARGER/RAMPAGE
F = FIFTH AVENUE	T = E CLASS/NEWYORKER	

**BODY STYLES**

21 = 2-DOOR SEDAN	41 = 4-DOOR SEDAN
22 = 2-DOOR SPECIAL COUPE	45 = 4-DOOR STATION WAGON
24 = 2-DOOR HATCHBACK	44 = 4-DOOR HATCHBACK
27 = 2-DOOR CONVERTIBLE	48 = EXECUTIVE SEDAN
28 = FWD PICKUP	

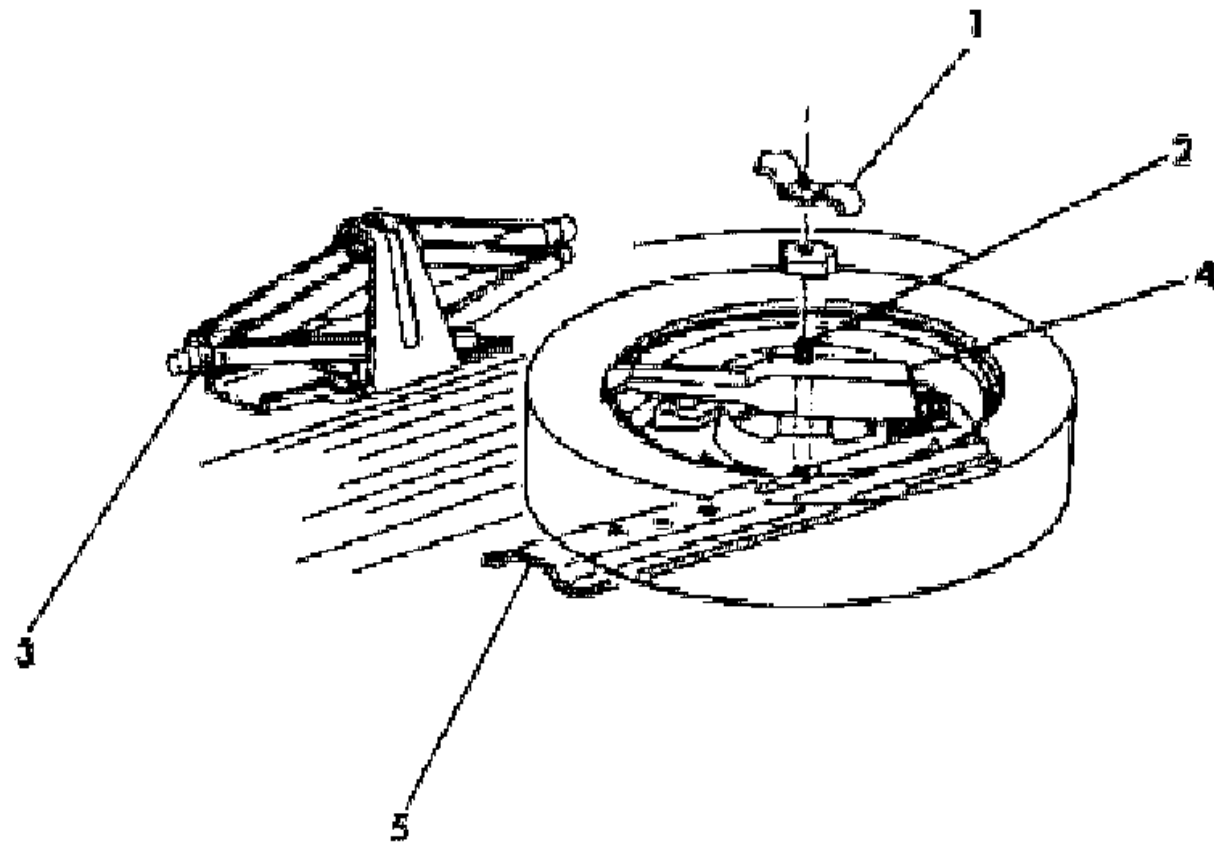
AR = Use as Required - = Non Illustrated Part P.A.R. = Paint as Required



**SPARE TIRE AND JACK STOWAGE P,D,C, WAGON 45**  
**Figure 22-1275**

3123 1775

ITEM	PART NUMBER	QTY	BODY	MODEL	DESCRIPTION
1	6032 004	1			WING NUT
2	6031 994	1			BOLT
3	4194 172	1			JACK, Scissors
4	5216 018	1			HANDLE, Jack
5	4206 247	1			BRACKET, Tire Stowage
	4296 076	1			LABEL, Jack, Tire (not shown)
	4206 629	1			BRACKET, Jack Mtg.(not shown)



MODEL CODES  
 B = GRAN FURY  
 C = LEBARON/TOWN & COUNTRY  
 D = ARIES  
 E = 600  
 F = FIFTH AVENUE  
 G = DIPLOMAT  
 M = HORIZON/TURISMO/SCAMP  
 P = RELIANT  
 S = CORDOBA  
 T = E CLASS/NEWYORKER  
 V = 400  
 X = MIRADA  
 Y = IMPERIAL  
 Z = OMNI/CHARGER/RAMPAGE

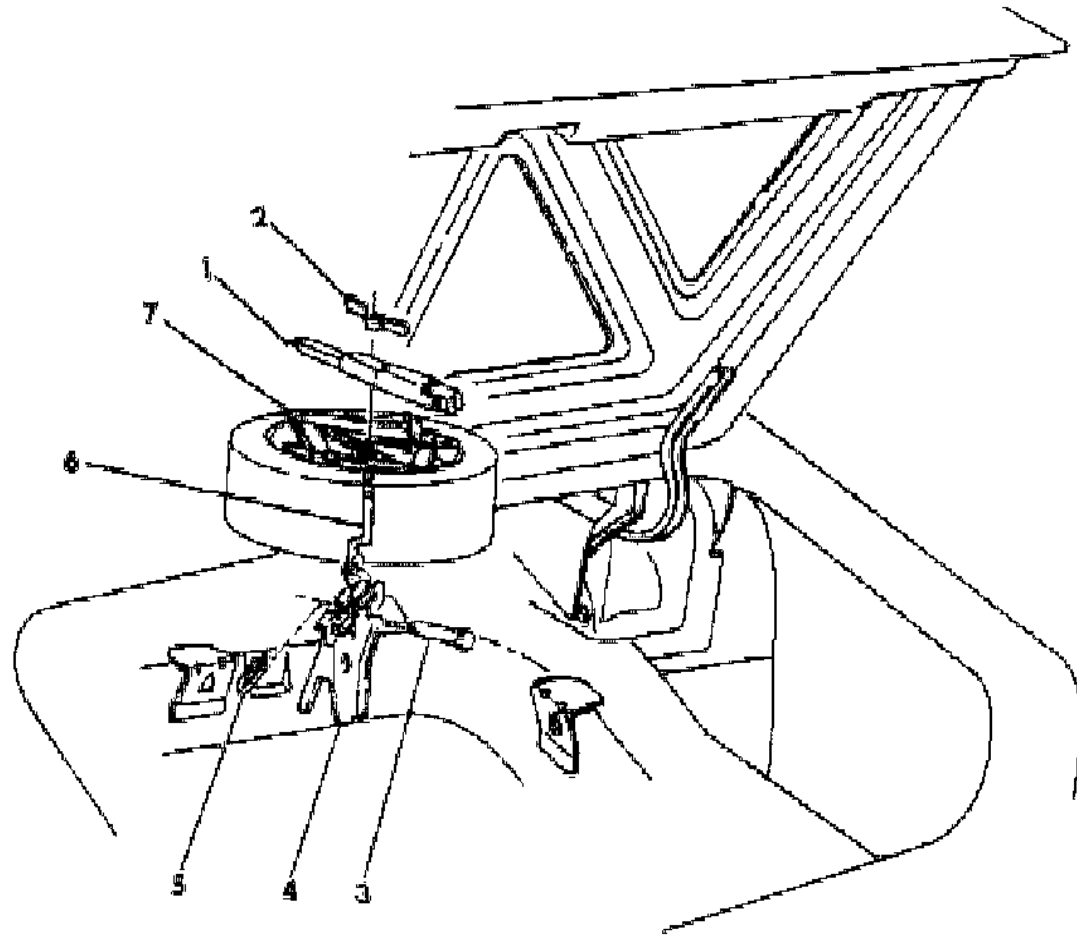
BODY STYLES  
 21 = 2-DOOR SEDAN  
 22 = 2-DOOR SPECIAL COUPE  
 24 = 2-DOOR HATCHBACK  
 27 = 2-DOOR CONVERTIBLE  
 28 = FWD PICKUP  
 41 = 4-DOOR SEDAN  
 45 = 4-DOOR STATION WAGON  
 44 = 4-DOOR HATCHBACK  
 48 = EXECUTIVE SEDAN

AR = Use as Required - = Non Illustrated Part P.A.R. = Paint as Required

**SPARE TIRE AND JACK STOWAGE F, G, B,  
Figure 22-1300**

ITEM	PART NUMBER	QTY	BODY	MODEL	DESCRIPTION
1	5216 018	1		All	HANDLE
2	6032 004	1		All	WING Nut
3					PIN (not serviced)
4	4134 408	1		All	BRACKET Anchor Bolt
5	6027 983	1		All	CLIP
6	4134 409	1		All	ROD
7	4110 232	1		All	JACK
	4304 012	1		All	LABEL, Jack, Tire (not shown)

3127 1300



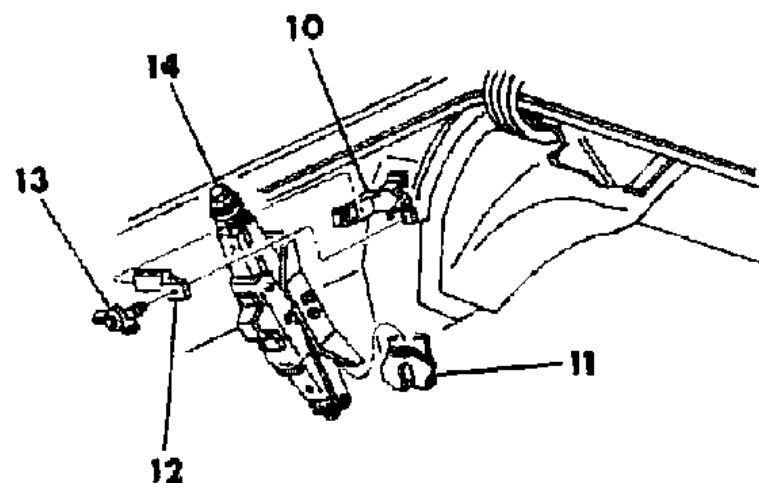
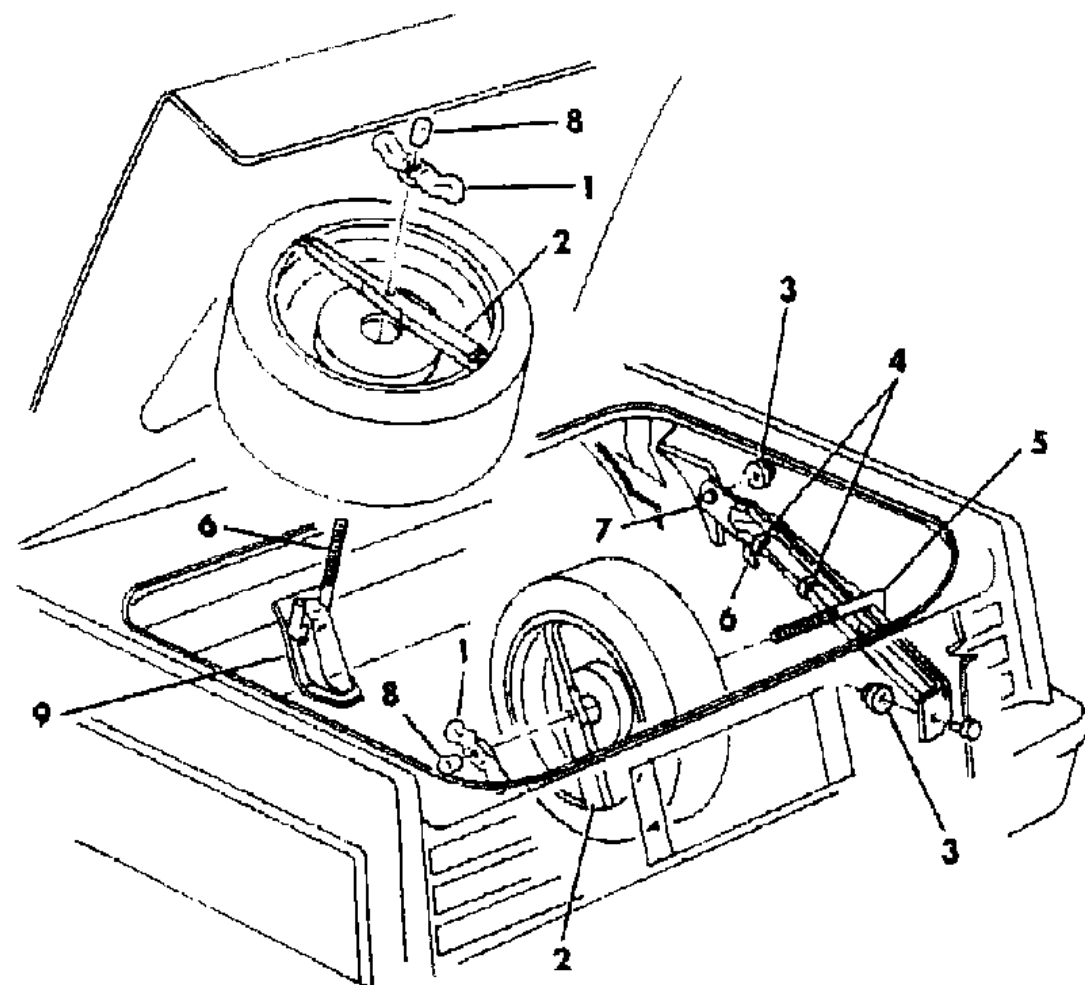
MODEL CODES  
 B = GRAN FURY  
 C = LEBARON/TOWN & COUNTRY  
 D = ARIES  
 E = 600  
 F = FIFTH AVENUE  
 G = DIPLOMAT  
 M = HORIZON/TURISMO/SCAMP  
 P = RELIANT  
 S = CORDOBA  
 T = E CLASS/NEWYORKER  
 V = 400  
 X = MIRADA  
 Y = IMPERIAL  
 Z = OMNI/CHARGER/RAMPAGE

BODY STYLES  
 21 = 2-DOOR SEDAN  
 22 = 2-DOOR SPECIAL COUPE  
 24 = 2-DOOR HATCHBACK  
 27 = 2-DOOR CONVERTIBLE  
 28 = FWD PICKUP  
 41 = 4-DOOR SEDAN  
 45 = 4-DOOR STATION WAGON  
 44 = 4-DOOR HATCHBACK  
 48 = EXECUTIVE SEDAN

AR = Use as Required - = Non Illustrated Part P.A.R. = Paint as Required

**SPARE TIRE AND JACK STORAGE X,S,Y**  
**Figure 22-1500**

3122 1500



ITEM	PART NUMBER	QTY	BODY	MODEL	DESCRIPTION
1	6032 004	1		All	WING Nut
2	5216 018	1		All	HANDLE Jack
3	0219 462	2		All	NUT w/Washer
4		2		All	CLIP (not serviced)
5	4206 058	1		All	ROD Wheel Anchor
6	4206 058	1		All	ROD Wheel Anchor
7	4134 903	1		X,S	BRACE Tie Down w/Compact Spare
	4206 177	1		Y	
8					TIP (not serviced)
9	4134 909	1		All	BRACKET, Tire Hold Down
10	4134 584	1		All	BRACKET, Jack Upper
11	4134 583	1		All	BRACKET
12	4134 926	1		All	CLAMP
13	6031 833	1		All	WING Screw
14	4110 071	1		All	JACK
	4206 344	1		Y	ROD, Whl. Anch. w/Compact Spare (Not Shown)
	4304 020	1		X,S	LABEL, Jack, Tire (not shown)
	4206 684	1		Y	LABEL, Jack, Tire (not shown)

**MODEL CODES**

B = GRAN FURY	G = DIPLOMAT	V = 400
C = LEBARON/TOWN & COUNTRY	M = HORIZON/TURISMO/SCAMP	X = MIRADA
D = ARIES	P = RELIANT	Y = IMPERIAL
E = 600	S = CORDOBA	Z = OMNI/CHARGER/RAMPAGE
F = FIFTH AVENUE	T = E CLASS/NEWYORKER	

**BODY STYLES**

21 = 2-DOOR SEDAN	41 = 4-DOOR SEDAN
22 = 2-DOOR SPECIAL COUPE	45 = 4-DOOR STATION WAGON
24 = 2-DOOR HATCHBACK	44 = 4-DOOR HATCHBACK
27 = 2-DOOR CONVERTIBLE	48 = EXECUTIVE SEDAN
28 = FWD PICKUP	

AR = Use as Required - = Non Illustrated Part P.A.R. = Paint as Required

**GROUP 23 - BODY - EXTERIOR ORNAMENTATION**

ILLUSTRATION TITLE	GROUP-FIG. NO.
MOULDINGS,WINDSHIELD OUTSIDE M,Z .....	Fig. 23-100
EXTERIOR VIEW PLYMOUTH HORIZON TC3 - 2 DOOR HATCHBACK .....	Fig. 23-200
EXTERIOR VIEW PLYMOUTH SCAMP - M-28 .....	Fig. 23-300
EXTERIOR VIEW PLYMOUTH HORIZON - 4 DOOR HATCHBACK .....	Fig. 23-400
EXTERIOR VIEW - TAPE STRIPES PLYMOUTH HORIZON - 2 DOOR .....	Fig. 23-500
EXTERIOR VIEW TAPE STRIPES - PLYMOUTH SCAMP - M-28 .....	Fig. 23-600
EXTERIOR VIEW DODGE OMNI 024 - 2 DOOR HATCHBACK .....	Fig. 23-700
EXTERIOR VIEW DODGE OMNI 024 (CHARGER 2.2) .....	Fig. 23-800
EXTERIOR VIEW DODGE SHELBY CHARGER 2.2 .....	Fig. 23-825
EXTERIOR VIEW DODGE RAMPAGE - Z-28 .....	Fig. 23-900
EXTERIOR VIEW DODGE OMNI - 4 DOOR HATCHBACK .....	Fig. 23-1000
EXTERIOR VIEW - TAPE STRIPES DODGE OMNI - 2 DOOR .....	Fig. 23-1100
EXTERIOR VIEW TAPE STRIPES - DODGE RAMPAGE - Z-28 .....	Fig. 23-1200
MOULDINGS,WINDSHIELD AND REAR WINDOW OUTSIDE P,D,V,C .....	Fig. 23-1300
EXTERIOR VIEW PLYMOUTH RELIANT 2 DOOR .....	Fig. 23-1400
EXTERIOR VIEW PLYMOUTH RELIANT 4 DOOR .....	Fig. 23-1500
EXTERIOR VIEW PLYMOUTH RELIANT SUBURBAN .....	Fig. 23-1600
EXTERIOR VIEW - TAPE STRIPES PLYMOUTH RELIANT 2 DOOR - 4 DOOR - SUBURBAN .....	Fig. 23-1700
EXTERIOR VIEW DODGE ARIES - 2 DOOR .....	Fig. 23-1800
EXTERIOR VIEW DODGE ARIES - 4 DOOR .....	Fig. 23-1900
EXTERIOR VIEW DODGE ARIES - SUBURBAN .....	Fig. 23-2000
EXTERIOR VIEW - TAPE STRIPES DODGE ARIES - 2 DOOR - 4 DOOR - SUBURBAN .....	Fig. 23-2100
EXTERIOR VIEW DODGE 400 - 22,27 .....	Fig. 23-2200
EXTERIOR VIEW DODGE 400 - 4 DOOR .....	Fig. 23-2300
EXTERIOR VIEW - TAPE STRIPES DODGE 400 .....	Fig. 23-2400
EXTERIOR VIEW CHRYSLER LEBARON - 22,27 .....	Fig. 23-2500
EXTERIOR VIEW CHRYSLER LEBARON 4 DOOR .....	Fig. 23-2600
EXTERIOR VIEW CHRYSLER TOWN AND COUNTRY .....	Fig. 23-2700
EXTERIOR VIEW CHRYSLER EXECUTIVE SEDAN - C-P,48 .....	Fig. 23-2725
EXTERIOR VIEW CHRYSLER EXECUTIVE SEDAN - C-P,48 .....	Fig. 23-2750
EXTERIOR VIEW CHRYSLER LIMOUSINE (A89 SALES CODE) .....	Fig. 23-2760
EXTERIOR VIEW CHRYSLER LIMOUSINE (A89 SALES CODE) .....	Fig. 23-2770
EXTERIOR VIEW - TAPE STRIPES CHRYSLER LEBARON .....	Fig. 23-2800
EXTERIOR VIEW - TAPE STRIPES CHRYSLER EXECUTIVE SEDAN - LIMOUSINE .....	Fig. 23-2825
MOULDINGS,WINDSHIELD AND REAR WDO. OUTSIDE E,T .....	Fig. 23-2900
EXTERIOR VIEW DODGE 600,600ES .....	Fig. 23-3000
EXTERIOR VIEW - TAPE STRIPES DODGE 600,600ES .....	Fig. 23-3100
EXTERIOR VIEW CHRYSLER E CLASS,NEW YORKER .....	Fig. 23-3200

**ILLUSTRATION NOT AVAILABLE AT TIME OF PUBLICATION**

---

**GROUP 23 - BODY - EXTERIOR ORNAMENTATION**

**ILLUSTRATION TITLE**

**GROUP-FIG. NO.**

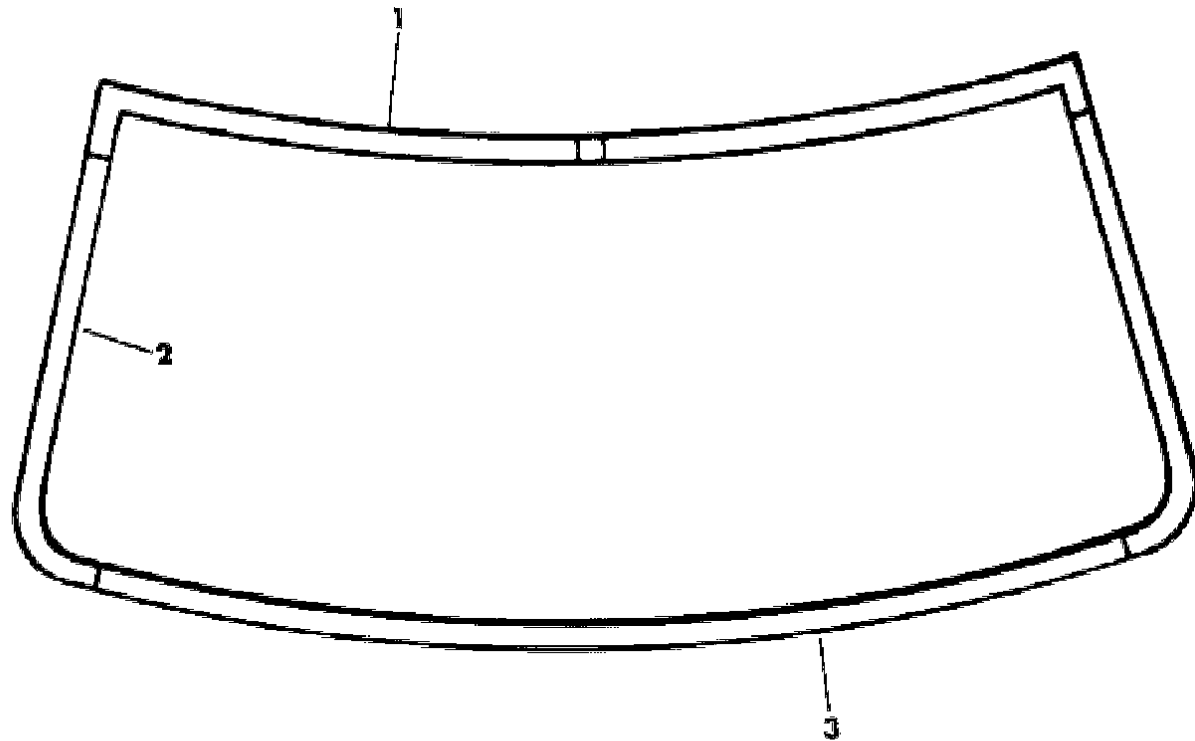
**INSULATOR CHARTS (Continued)**

EXTERIOR VIEW CHRYSLER E CLASS,NEW YORKER .....	Fig. 23-3200
EXTERIOR VIEW CHRYSLER NEW YORKER - V60 PADDED LANDAU ROOF - T-P .....	Fig. 23-3225
EXTERIOR VIEW - TAPE STRIPES CHRYSLER E CLASS,NEW YORKER .....	Fig. 23-3300
MOULDINGS,WINDSHIELD AND REAR WDO. OUTSIDE B,F,G .....	Fig. 23-3400
EXTERIOR VIEW CHRYSLER NEW YORKER .....	Fig. 23-3500
EXTERIOR VIEW - TAPE STRIPES CHRYSLER NEW YORKER .....	Fig. 23-3600
EXTERIOR VIEW DODGE DIPLOMAT .....	Fig. 23-3700
EXTERIOR VIEW - TAPE STRIPES DODGE DIPLOMAT .....	Fig. 23-3800
EXTERIOR VIEW PLYMOUTH GRAN FURY .....	Fig. 23-3900
EXTERIOR VIEW - TAPE STRIPES PLYMOUTH GRAN FURY .....	Fig. 23-4000
MOULDINGS,WINDSHIELD AND REAR WDO. OUTSIDE X,S .....	Fig. 23-4100
EXTERIOR VIEW DODGE MIRADA .....	Fig. 23-4200
EXTERIOR VIEW - TAPE STRIPES DODGE MIRADA .....	Fig. 23-4300
EXTERIOR VIEW CHRYSLER CORDOBA .....	Fig. 23-4400
EXTERIOR VIEW - TAPE STRIPES CHRYSLER CORDOBA .....	Fig. 23-4500
MOULDINGS,WINDSHIELD AND REAR WINDOW OUTSIDE Y .....	Fig. 23-4600
EXTERIOR VIEW CHRYSLER IMPERIAL .....	Fig. 23-4700
EXTERIOR VIEW - TAPE STRIPES CHRYSLER IMPERIAL .....	Fig. 23-4800

**MOULDINGS,WINDSHIELD OUTSIDE M,Z**  
**Figure 23-100**

3188 100

ITEM	PART NUMBER	QTY	BODY	MODEL	DESCRIPTION
1	5230 628-9	1		24,28	MOULDING,W/Shield,Upr.,Black,Use Up to 11-24-82
	5230 882-3	1		24,28	MOULDING,W/Shield,Upr.,Black,Use From 11-24-82,to 5-26-83
	5230 832-3	1		24,28	MOULDING,W/Shield,Upr.,Black,Use After 5-26-83
	6003 409	AR		24,28	RETAINER
	5209 212-3	1		44	MOULDING,W/Shield,Upr.,Black
2	6003 409	AR		44	RETAINER
	5230 630-1	1		24,28	MOULDING,W/Shield,Side,Black,Use Up to 5-26-83
	5230 836-7	1		24,28	MOULDING,W/Shield,Side,Black,Use After 5-26-83
	6003 409	AR		24,28	RETAINER
	5209 216-7	1		44	MOULDING,W/Shield,Side,Black
3	6003 409	AR		44	RETAINER
	5230 632	1		24,28	MOULDING,W/Shield,Lwr.,Black,Use Up to 5-26-83
	5230 840	1		24,28	MOULDING,W/Shield,Lwr.,Black,Use After 5-26-83
	6003 409	AR		24,28	RETAINER
	5209 220	1		44	MOULDING,W/Shield,Lwr.,Black
	6003 409	AR		44	RETAINER



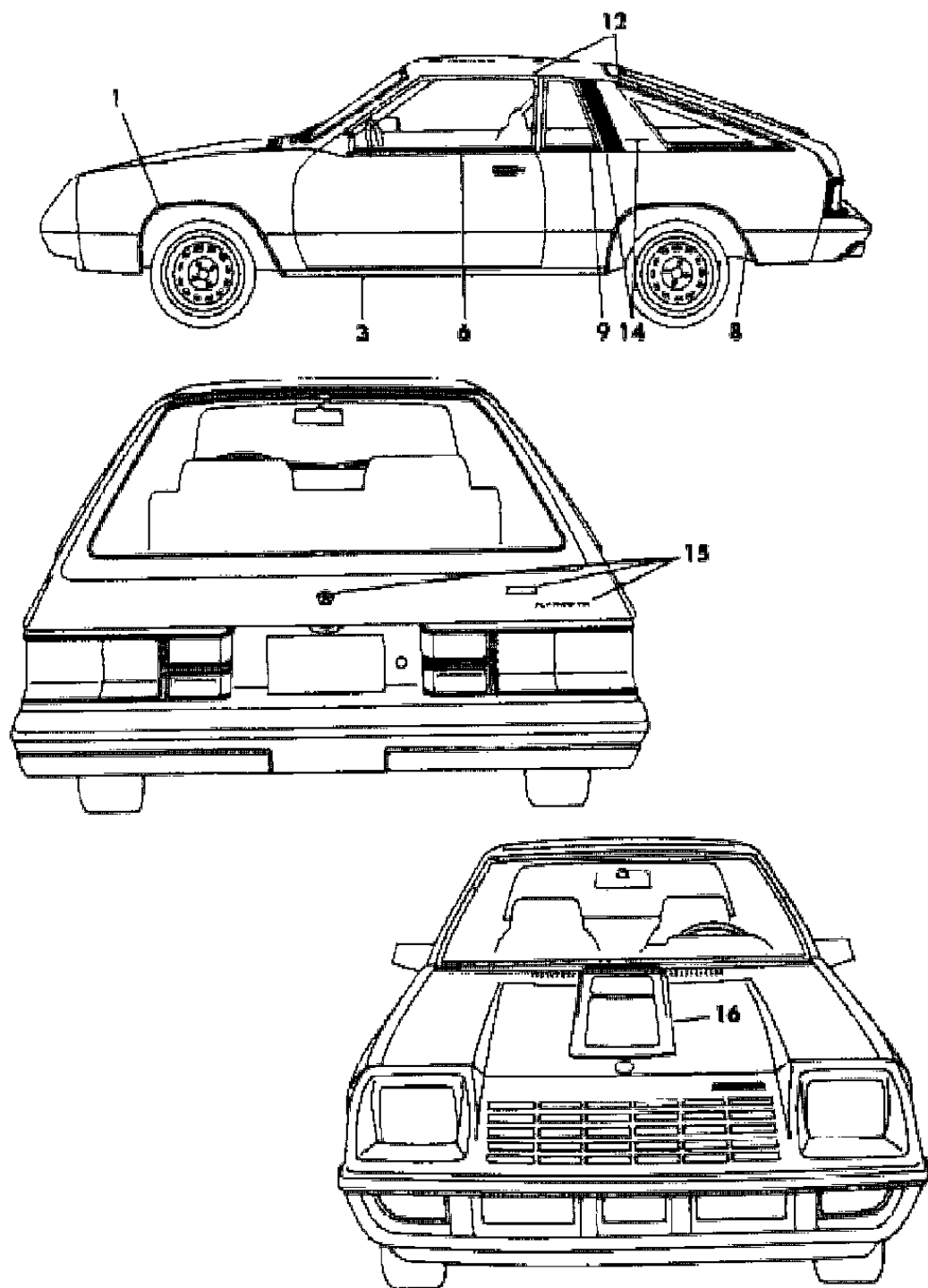
MODEL CODES  
 B = GRAN FURY  
 C = LEBARON/TOWN & COUNTRY  
 D = ARIES  
 E = 600  
 F = FIFTH AVENUE  
 G = DIPLOMAT  
 M = HORIZON/TURISMO/SCAMP  
 P = RELIANT  
 S = CORDOBA  
 T = E CLASS/NEWYORKER  
 V = 400  
 X = MIRADA  
 Y = IMPERIAL  
 Z = OMNI/CHARGER/RAMPAGE

BODY STYLES  
 21 = 2-DOOR SEDAN  
 22 = 2-DOOR SPECIAL COUPE  
 24 = 2-DOOR HATCHBACK  
 27 = 2-DOOR CONVERTIBLE  
 28 = FWD PICKUP  
 41 = 4-DOOR SEDAN  
 45 = 4-DOOR STATION WAGON  
 44 = 4-DOOR HATCHBACK  
 48 = EXECUTIVE SEDAN

AR = Use as Required - = Non Illustrated Part P.A.R. = Paint as Required

EXTERIOR VIEW PLYMOUTH HORIZON TC3 - 2 DOOR HATCHBACK  
Figure 23-200

3168 200 B



ITEM	PART NUMBER	QTY	BODY	MODEL	DESCRIPTION
1	5230 510-1	1			MOULDING, Fndr. W/Opng.
	6028 674	7			SCREW
3	5230 514-5	1			MOULDING, Body Side Sill
	6003 634	6			RETAINER
6	5230 785	1			MOULDING,Door Belt,Lt.,Black,Use Up to 5-1-83
	5230 851	1			MOULDING,Door Belt,Lt.,Black,Use After 5-1-83
	5230 764-5	1			MOULDING,Door Belt,Black,Use w/Mirror,Use Up to 5-1-83
	5230 846-7	1			MOULDING,Door Belt,Black,Use w/Mirror,Use After 5-1-83
	5230 708	1			MOULDING,Door Belt,Rt.,Black,Use w/o Mirror,Use Up to 5-1-83
	5230 850	1			MOULDING,Door Belt,Rt.,Black,Use w/o Mirror,Use After 5-1-83
8	5230 512-3	1			MOULDING, Qtr. W/Opng.
	6028 674	6			SCREW
9	5230 766-7	1		M-P	MOULDING,Qtr. Wdo. Belt,Black,Use w/o Qtr. Plug,Use Up to 5-1-83
	5230 848-9	1		M-P	MOULDING,Qtr. Wdo. Belt,Black,Use w/o Qtr. Plug,Use After 5-1-83
	5230 592-3	1		M-P	MOULDING,Qtr. Belt Frt.,Black,Use w/Qtr. Plug,Use Up to 5-1-83
	5230 844-5	1		M-P	MOULDING,Qtr. Belt Frt.,Black,Use w/Qtr. Plug,Use After 5-1-83
	9420 486	2			SCREW
12	5230 654-5	1			MOULDING, Roof Drain Trough,Black
14					FRAME,Qtr. Wdo.,Frt.
	X050-1 BA2	1			Silver Met.,Use Up to 4-18-83
	X050-1 BA1	1			Radiant Silver,Use After 4-18-83
	X050-1 BC4	1			Glacier Blue
	X050-1 BC9	1			Night Watch Blue
	X050-1 BL4	1			Beige Met.
	X050-1 AW3	1			Pearl White
	X050-1 BT8	1			Sable Tan
	X050-1 BM5	1			Crimson Red
	X050-1 AR4	1			Graphic Red
	X050-1 AX9	1			Black
	X050-1 AA9	1			Dark Silver
	5230 661	2			RETAINER, Qtr. Wdo. Frame or Louver

MODEL CODES

B = GRAN FURY	G = DIPLOMAT	V = 400
C = LEBARON/TOWN & COUNTRY	M = HORIZON/TURISMO/SCAMP	X = MIRADA
D = ARIES	P = RELIANT	Y = IMPERIAL
E = 600	S = CORDOBA	Z = OMNI/CHARGER/RAMPAGE
F = FIFTH AVENUE	T = E CLASS/NEWYORKER	

BODY STYLES

21 = 2-DOOR SEDAN	41 = 4-DOOR SEDAN
22 = 2-DOOR SPECIAL COUPE	45 = 4-DOOR STATION WAGON
24 = 2-DOOR HATCHBACK	44 = 4-DOOR HATCHBACK
27 = 2-DOOR CONVERTIBLE	48 = EXECUTIVE SEDAN
28 = FWD PICKUP	

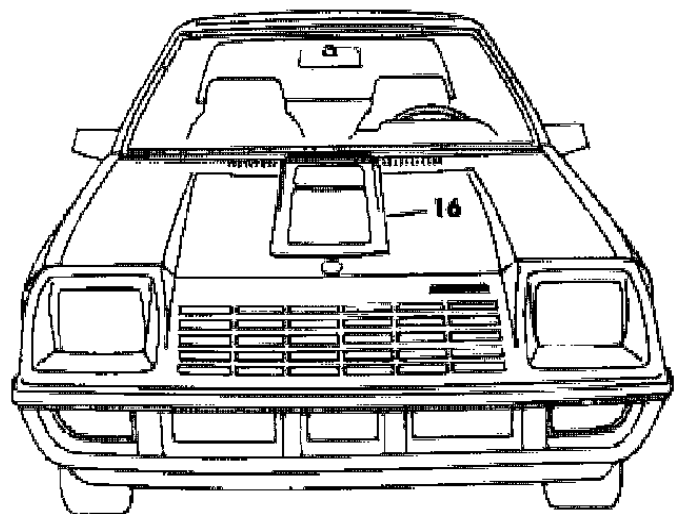
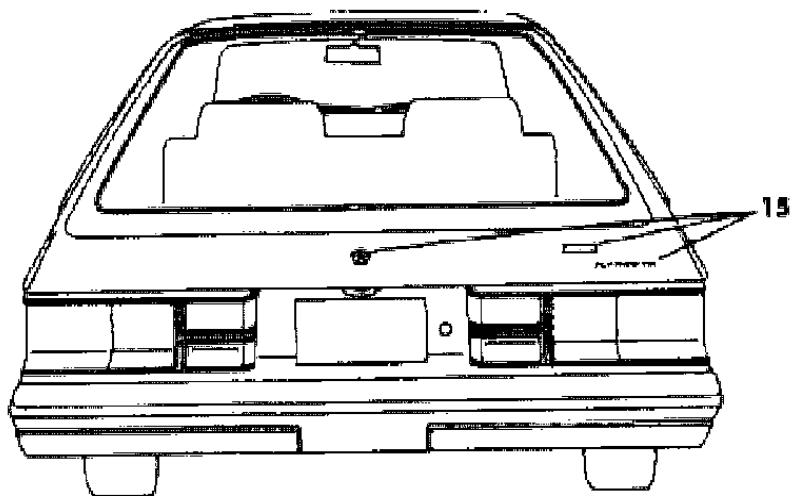
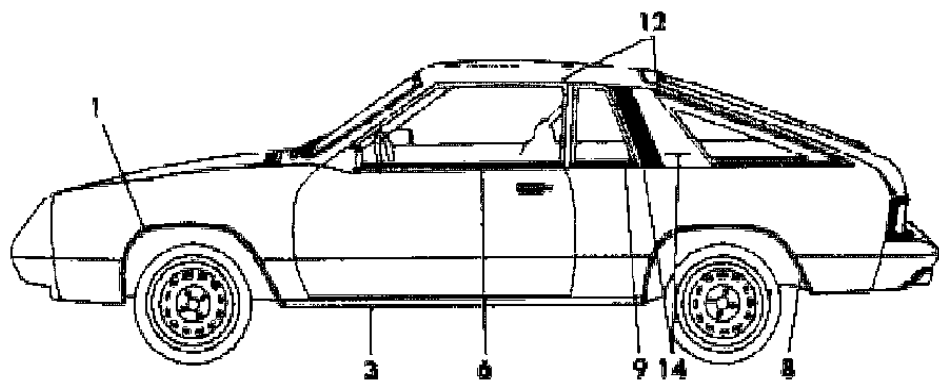
AR = Use as Required - = Non Illustrated Part P.A.R. = Paint as Required

EXTERIOR VIEW PLYMOUTH HORIZON TC3 - 2 DOOR HATCHBACK

Figure 23-200

3168 200 B

ITEM	PART NUMBER	QTY	BODY	MODEL	DESCRIPTION
	6028 674	1			SCREW
	9420 867	3			NUT
	0153 365	2			SCREW
	5230 796	2			NAMEPLATE,Qtr. Wdo. Frt. Frame,"Turismo"
15	4276 401	1			NAME PLATE, L/Gate,"PLYMOUTH"
	4276 401	1			w/Rear Air Spoiler, "Plymouth"
	4319 496	1			MEDALLION,L/Gate Pentastar
	5230 796	1			NAMEPLATE,L/Gate and L/Gate Spoiler,"Turismo"
16	X593 VW3	1			PACKAGE,Hood Scoop (Paint as Req.)
	4276 129	3			SPACER,Hood Scoop
	6025 004	AR			NUT



MODEL CODES

- |                            |                           |                          |
|----------------------------|---------------------------|--------------------------|
| B = GRAN FURY              | G = DIPLOMAT              | V = 400                  |
| C = LEBARON/TOWN & COUNTRY | M = HORIZON/TURISMO/SCAMP | X = MIRADA               |
| D = ARIES                  | P = RELIANT               | Y = IMPERIAL             |
| E = 600                    | S = CORDOBA               | Z = OMNI/CHARGER/RAMPAGE |
| F = FIFTH AVENUE           | T = E CLASS/NEWYORKER     |                          |

BODY STYLES

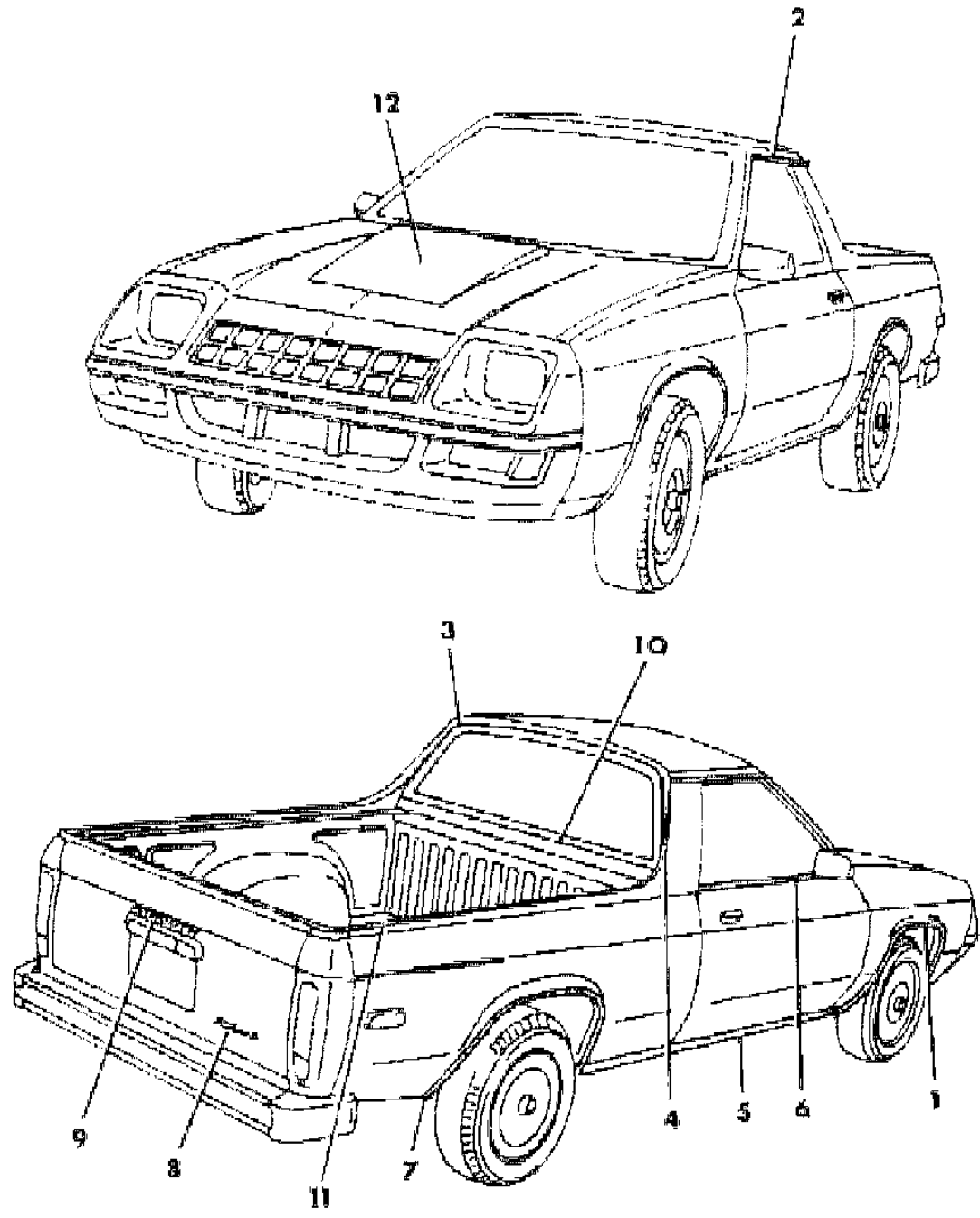
- |                           |                           |
|---------------------------|---------------------------|
| 21 = 2-DOOR SEDAN         | 41 = 4-DOOR SEDAN         |
| 22 = 2-DOOR SPECIAL COUPE | 45 = 4-DOOR STATION WAGON |
| 24 = 2-DOOR HATCHBACK     | 44 = 4-DOOR HATCHBACK     |
| 27 = 2-DOOR CONVERTIBLE   | 48 = EXECUTIVE SEDAN      |
| 28 = FWD PICKUP           |                           |

AR = Use as Required - = Non Illustrated Part P.A.R. = Paint as Required



**EXTERIOR VIEW PLYMOUTH SCAMP - M-28**  
**Figure 23-300**

3168 300A



ITEM	PART NUMBER	QTY	BODY	MODEL	DESCRIPTION
1	5230 510-1	1			MOULDING,Fndr. Wheel Opng. SCREW (Not Serv.)
2	5230 654-5	1			MOULDING,Roof Side Drain Trough,Black
	5230 738-9	1			MOULDING,Roof Side Drain Trough,Repair
3	X800 AT3	1			MOULDING,Roof Rear (Paint as Req.)
	4267 919	AR			RETAINER PKG. WELD STUD (Not Serv.)
4	X802-3 AT3	1			MOULDING,Body Side Aper. Pnl. Upr. Frt. (Paint as Req.)
	4057 555	AR			RETAINER PKG.
	4267 915	AR			RETAINER PKG.,Red
	4267 916	AR			RETAINER PKG.,Black
	4267 917	AR			RETAINER PKG.,Grey
	4267 918	AR			RETAINER PKG.,Green
	9420 294	AR			NUT SEAL (Not Serv.)
5	5230 682-3	1			MOULDING,Body Side Sill,Bright
	6003 634	AR			RETAINER
	6028 674	AR			SCREW
6	5230 764-5	1			MOULDING,Door Belt,Black,Use w/Mirror,Use Up to 5-1-83
	5230 846-7	1			MOULDING,Door Belt,Black,Use w/Mirror,Use After 5-1-83
	5230 708	1			MOULDING,Door Belt,Rt.,Black,Use w/o Mirror,Use Up to 5-1-83
	5230 850	1			MOULDING,Door Belt,Rt.,Black,Use w/o Mirror,Use After 5-1-83
7	5230 680-1	1			MOULDING,Qtr. Wheel Opng. SCREW (Not Serv.)
8	5230 778	1			NAMEPLATE,T/Gate,"SCAMP"
9	5230 779	1			NAMEPLATE,T/Gate,"PLYMOUTH"
10	5230 758	1			MOULDING,Back Pnl. Glass,Lwr.
	6003 818	7			RETAINER,Back Pnl. Glass,Lwr. Mldg. WELD STUD (Not Serv.)
11	X808-9 BA2	1			MOULDING,Cargo Box Trim
	4057 555	AR			RETAINER PKG.
12	X593 VW3	1			PACKAGE,Hood Scoop (Paint as Req.)
	4276 129	3			SPACER,Hood Scoop
	6025 004	AR			NUT

MODEL CODES  
 B = GRAN FURY  
 C = LEBARON/TOWN & COUNTRY  
 D = ARIES  
 E = 600  
 F = FIFTH AVENUE  
 G = DIPLOMAT  
 M = HORIZON/TURISMO/SCAMP  
 P = RELIANT  
 S = CORDOBA  
 T = E CLASS/NEWYORKER  
 V = 400  
 X = MIRADA  
 Y = IMPERIAL  
 Z = OMNI/CHARGER/RAMPAGE

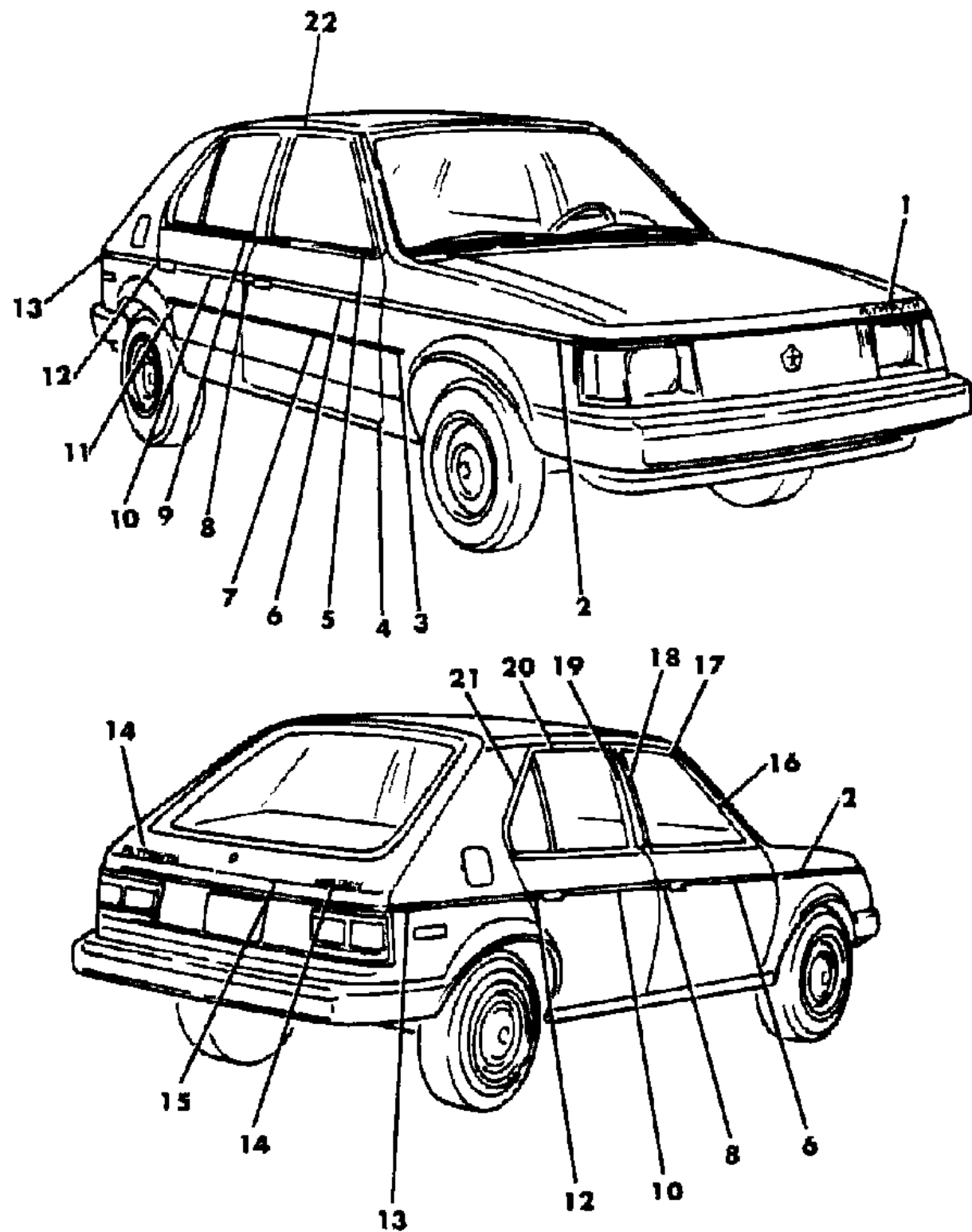
BODY STYLES  
 21 = 2-DOOR SEDAN  
 22 = 2-DOOR SPECIAL COUPE  
 24 = 2-DOOR HATCHBACK  
 27 = 2-DOOR CONVERTIBLE  
 28 = FWD PICKUP  
 41 = 4-DOOR SEDAN  
 45 = 4-DOOR STATION WAGON  
 44 = 4-DOOR HATCHBACK  
 48 = EXECUTIVE SEDAN

AR = Use as Required - = Non Illustrated Part P.A.R. = Paint as Required

EXTERIOR VIEW PLYMOUTH HORIZON - 4 DOOR HATCHBACK

Figure 23-400

3168 400A



ITEM	PART NUMBER	QTY	BODY	MODEL	DESCRIPTION
1	3444 927	1			NAMEPLATE,Hood,"PLYMOUTH"
2	5209 280-1	1			MOULDING,Fndr.,Black Vinyl,Use Up to 10-18-82
	4106 314-5	1		M-H	MOULDING PKG.,Fndr.,Bright and Black,Use After 10-18-82
	3780 450	AR			RETAINER PKG.
	4057 555	AR			RETAINER PKG.
3	E590 LX9	2		M-H	MOULDING,Fndr.,w/Black Insert
4	5209 228	2			MOULDING,Body Side Sill
	6003 841				RETAINER w/STUD
	6003 627				RETAINER,Push on Type
5	5209 232-3	1			MOULDING,Frt. Door Belt
	5216 728-9	1			MOULDING w/WEATHERSTRIP,Frt. Door Belt,Outer,Black
	5216 594-5	1			WEATHERSTRIP w/o MLDG.,Frt. Door Belt,Outer
6	5209 284-5	1			MOULDING,Frt. Door Frt.,Black Vinyl,Use Up to 10-18-82
	4176 620-1	1		M-H	MOULDING PKG.,Frt. Door Frt.,Bright and Black,Use After 10-18-82
	3780 450	AR			RETAINER PKG.
	4057 555	AR			RETAINER PKG.
7	E590 LX9	2		M-H	MOULDING,Frt. Door,w/Black Insert
8	5209 288	2			MOULDING,Frt. Door Rear,Black Vinyl,Use Up to 10-18-82
	5209 150	2		M-H	MOULDING,Frt. Door Rear,Bright and Black,Use After 10-18-82
	3780 450	AR			RETAINER PKG.
	6026 523	AR			NUT
9	5209 234-5	1			MOULDING,Rear Door Belt
	5216 732-3	1			MOULDING w/WEATHERSTRIP,Rear Door Belt,Outer,Black
	5208 642-3	1			WEATHERSTRIP,w/o MLDG.,Rear Door Belt,Outer
10	5209 292	2			MOULDING,Rear Door Frt.,Black Vinyl,Use Up to 10-18-82
	4176 622-3	1		M-H	MOULDING PKG.,Rear Door Frt.,Bright and Black,Use After 10-18-82
	3780 450	AR			RETAINER PKG.
	4057 555	AR			RETAINER PKG.
11	E590 LX9	2		M-H	MOULDING,Rear Door,w/Black Insert
	5209 296-7	1			MOULDING,Rear Door Rear,Black Vinyl,Use Up to 10-18-82
12	5209 156-7	1		M-H	MOULDING,Rear Door Rear,Bright and Black,Use After 10-18-82
	3780 453	AR			RETAINER PKG.
	5209 300-1	1			MOULDING,Qtr.,Black Vinyl,Use Up to 10-18-82
	4106 320-1	1		M-H	MOULDING PKG.,Qtr.,Bright and Black,Use After 10-18-82

MODEL CODES

B = GRAN FURY  
 C = LEBARON/TOWN & COUNTRY  
 D = ARIES  
 E = 600  
 F = FIFTH AVENUE  
 G = DIPLOMAT  
 M = HORIZON/TURISMO/SCAMP  
 P = RELIANT  
 S = CORDOBA  
 T = E CLASS/NEWYORKER  
 V = 400  
 X = MIRADA  
 Y = IMPERIAL  
 Z = OMNI/CHARGER/RAMPAGE

BODY STYLES

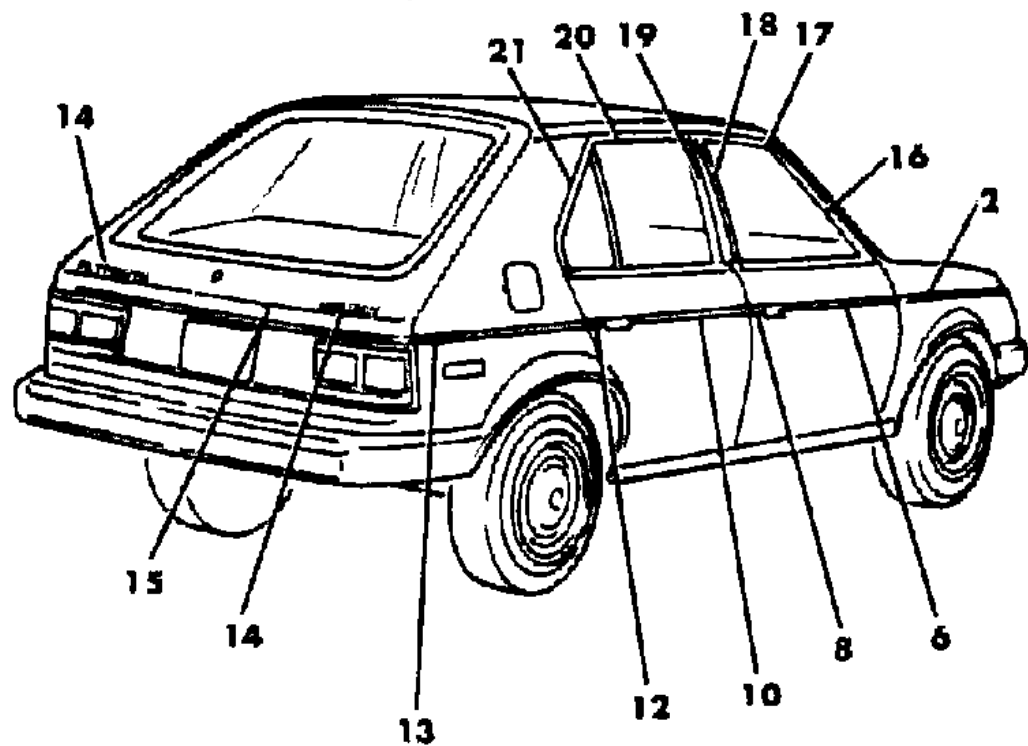
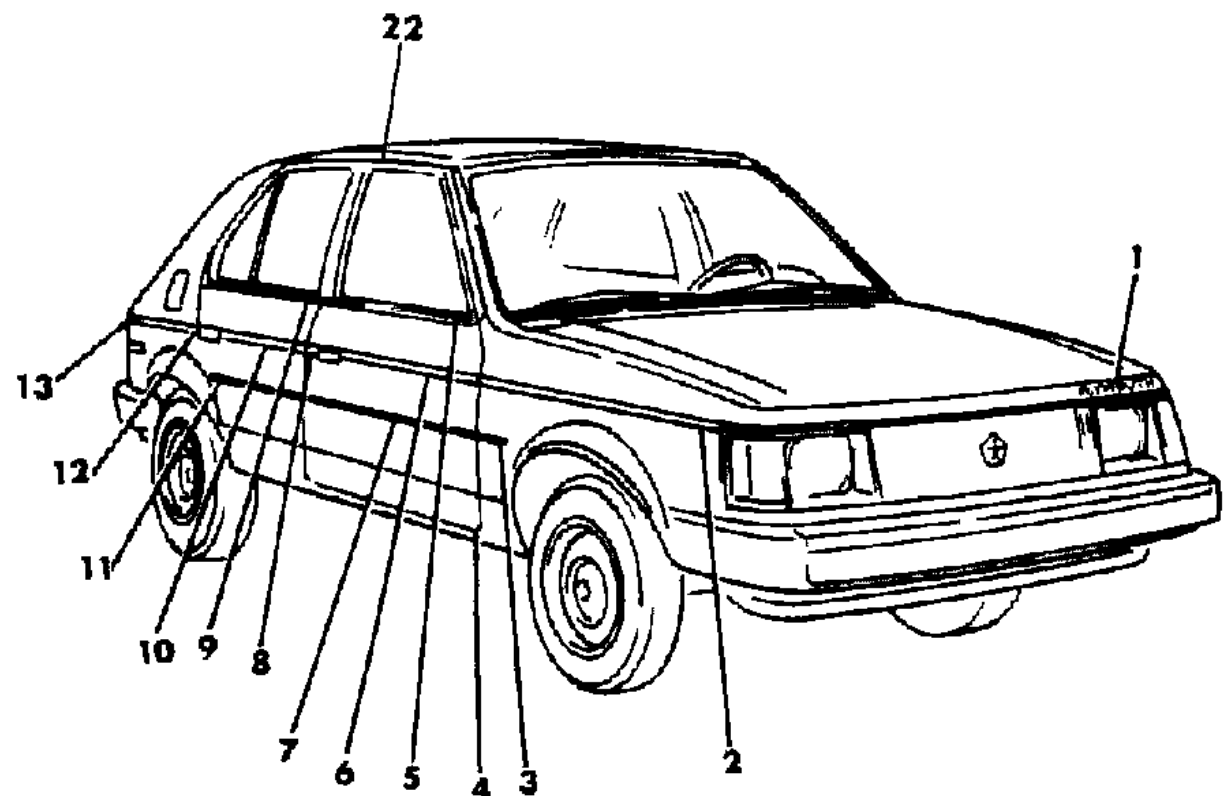
21 = 2-DOOR SEDAN  
 22 = 2-DOOR SPECIAL COUPE  
 24 = 2-DOOR HATCHBACK  
 27 = 2-DOOR CONVERTIBLE  
 28 = FWD PICKUP  
 41 = 4-DOOR SEDAN  
 45 = 4-DOOR STATION WAGON  
 44 = 4-DOOR HATCHBACK  
 48 = EXECUTIVE SEDAN

AR = Use as Required - = Non Illustrated Part P.A.R. = Paint as Required

EXTERIOR VIEW PLYMOUTH HORIZON - 4 DOOR HATCHBACK

Figure 23-400

3168 400A



ITEM	PART NUMBER	QTY	BODY	MODEL	DESCRIPTION
	3780 450	AR			RETAINER PKG.
	6026 523	AR			NUT
14	4276 458	1			NAMEPLATE,L/Gate,"HORIZON"
	4276 401	1			NAMEPLATE,L/Gate,"PLYMOUTH"
15	5209 303	1			MOULDING,L/Gate,Black Vinyl,Use Up to 10-18-82
	4106 311	1		M-H	MOULDING PKG.,L/Gate,Bright and Black,Use After 10-18-82
	3780 450	AR			RETAINER PKG.
	6026 523	AR			NUT
16	5209 240-1	1		M-H	MOULDING,Frt Door Wdo. Opng. Frame,Frt.
17	5209 242-3	1		M-H	MOULDING,Frt Door Wdo. Opng. Frame,Upr.
18	5209 244-5	1		M-H	MOULDING,Frt Door Wdo. Opng. Frame,Rear
19	5209 246-7	1		M-H	MOULDING,Rear Door Wdo. Opng. Frame,Frt.
20	5209 248-9	1		M-H	MOULDING,Rear Door Wdo. Opng. Frame,Upr.
21	5209 250-1	1		M-H	MOULDING,Rear Door Wdo. Opng. Frame,Rear
22	5209 036	2		M-H	MOULDING,Roof Side Drain Trough,Repair,Bright
	5209 222	2		M-H	MOULDING,Roof Side Drain Trough,Repair,Black

MODEL CODES

B = GRAN FURY	G = DIPLOMAT	V = 400
C = LEBARON/TOWN & COUNTRY	M = HORIZON/TURISMO/SCAMP	X = MIRADA
D = ARIES	P = RELIANT	Y = IMPERIAL
E = 600	S = CORDOBA	Z = OMNI/CHARGER/RAMPAGE
F = FIFTH AVENUE	T = E CLASS/NEWYORKER	

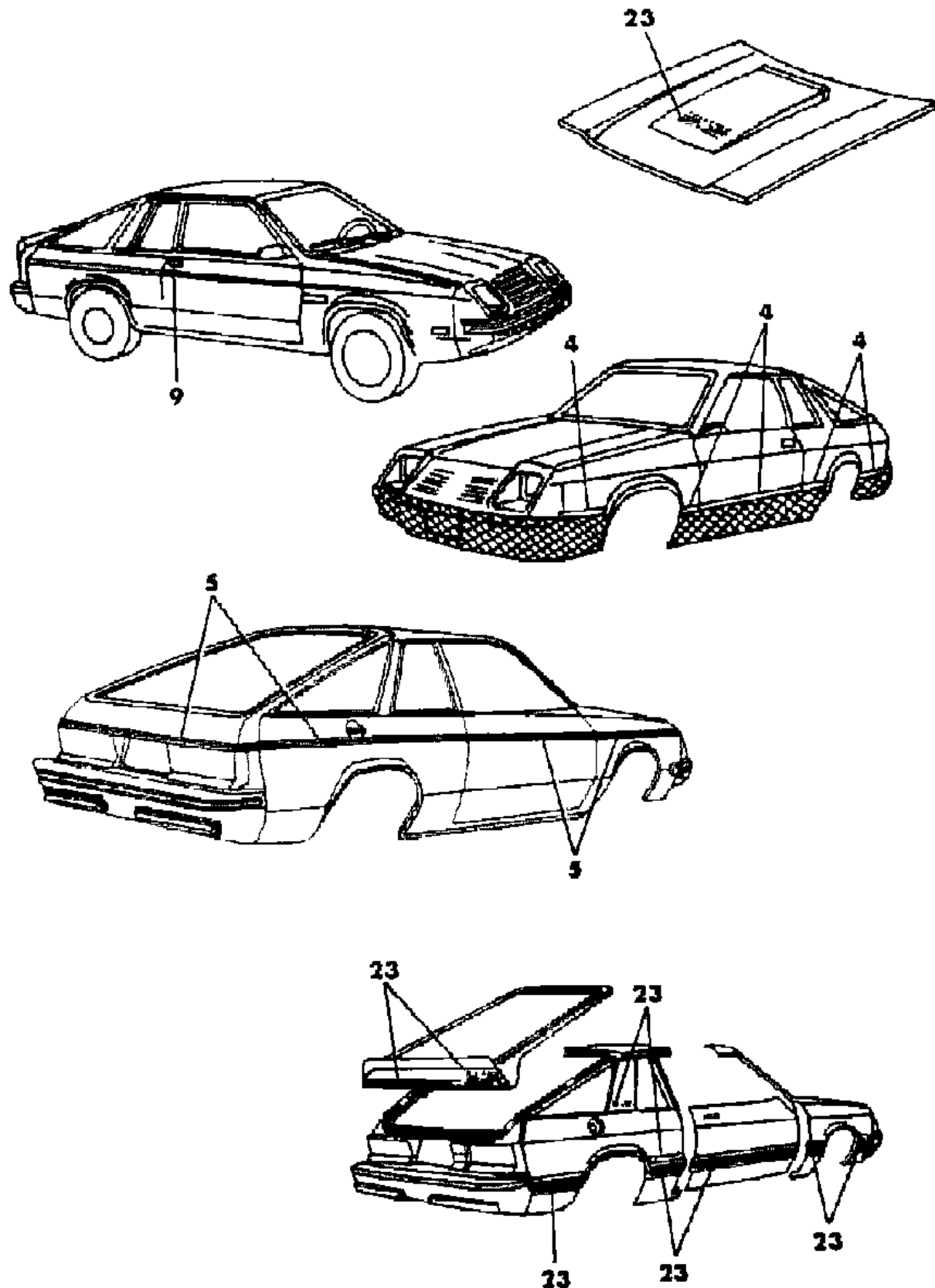
BODY STYLES

21 = 2-DOOR SEDAN	41 = 4-DOOR SEDAN
22 = 2-DOOR SPECIAL COUPE	45 = 4-DOOR STATION WAGON
24 = 2-DOOR HATCHBACK	44 = 4-DOOR HATCHBACK
27 = 2-DOOR CONVERTIBLE	48 = EXECUTIVE SEDAN
28 = FWD PICKUP	

AR = Use as Required - = Non Illustrated Part P.A.R. = Paint as Required

**EXTERIOR VIEW - TAPE STRIPES PLYMOUTH HORIZON - 2 DOOR**  
**Figure 23-500**

3168 500A



ITEM	PART NUMBER	QTY	BODY	MODEL	DESCRIPTION
4					TAPE SET,Fndr.,Door,Qtr.,Use on Two Tone Paint Pkg.
	4293 508-9	1	24		Dark Blue and Light Blue Met. (K1C)
	4293 510-1	1	24		Beige and Dark Brown (K1L)
	4293 512-3	1	24		Black and Silver (K1S)
	4240 642	AR	24		TAPE,Rear Fascia,Dark Silver (Serv. in 7' Roll)
	4271 782	AR	24		Blue
	4271 783	AR	24		Beige
	4240 641	AR	24		White
5					TAPE SET,Fndr.,Door,Qtr.,Red (K3R)
	4293 340-1	1	24		Gold (K3Y)
	4271 548-9	1	24		Silver (K3A)
	4293 338-9	1	24		Tan (K3K)
	4240 564	1	24		TAPE,L/Gate,w/o Spoiler (K3R)
	4293 343	1	24		Gold (K3Y)
	4271 501	1	24		Silver (K3A)
	4293 342	1	24		Tan (K3K)
	4240 565	1	24		TAPE,L/Gate,w/Spoiler (K3R)
	4293 345	1	24		Gold (K3Y)
	4267 700	1	24		Silver (K3A)
	4293 344	1	24		Tan (K3K)
9					TAPE,Door Handle
23					TAPE SET,Fndr.,Door,Qtr.,Orange and Red (K8E)
	4271 670-1	1	M-P		Light Gray and Charcoal (K8S)
	4271 672-3	1	M-P		Silver and Black (K8D)
	4271 674-5	1	M-P		Light and Dark Gold (K8K)
	4293 324-5	1	M-P		Light and Dark Gold (K8K)
	T040 AA2	1	M-P		DECAL,Hood Scoop "Turismo 2.2" (K8D)
	T040 AA5	1	M-P		Light Gray (K8S)
	T040 AV3	1	M-P		Orange (K8E)
	T040 BU3	1	M-P		Tan (K8K)
	T040 AA2	1	M-P		DECAL,Rear Spoiler "Turismo 2.2",Silver (K8D)
	T040 AA5	1	M-P		Light Gray (K8S)
	T040 AV3	1	M-P		Orange (K8E)
	T040 BU3	1	M-P		Tan (K8K)
	T041 AA2	2	M-P		DECAL,Qtr. Wdo. Applique "2.2",Silver (K8D)
	T041 AA5	2	M-P		Light Gray (K8S)
	T041 AV3	2	M-P		Orange (K8E)
	T041 BU3	2	M-P		Tan (K8K)

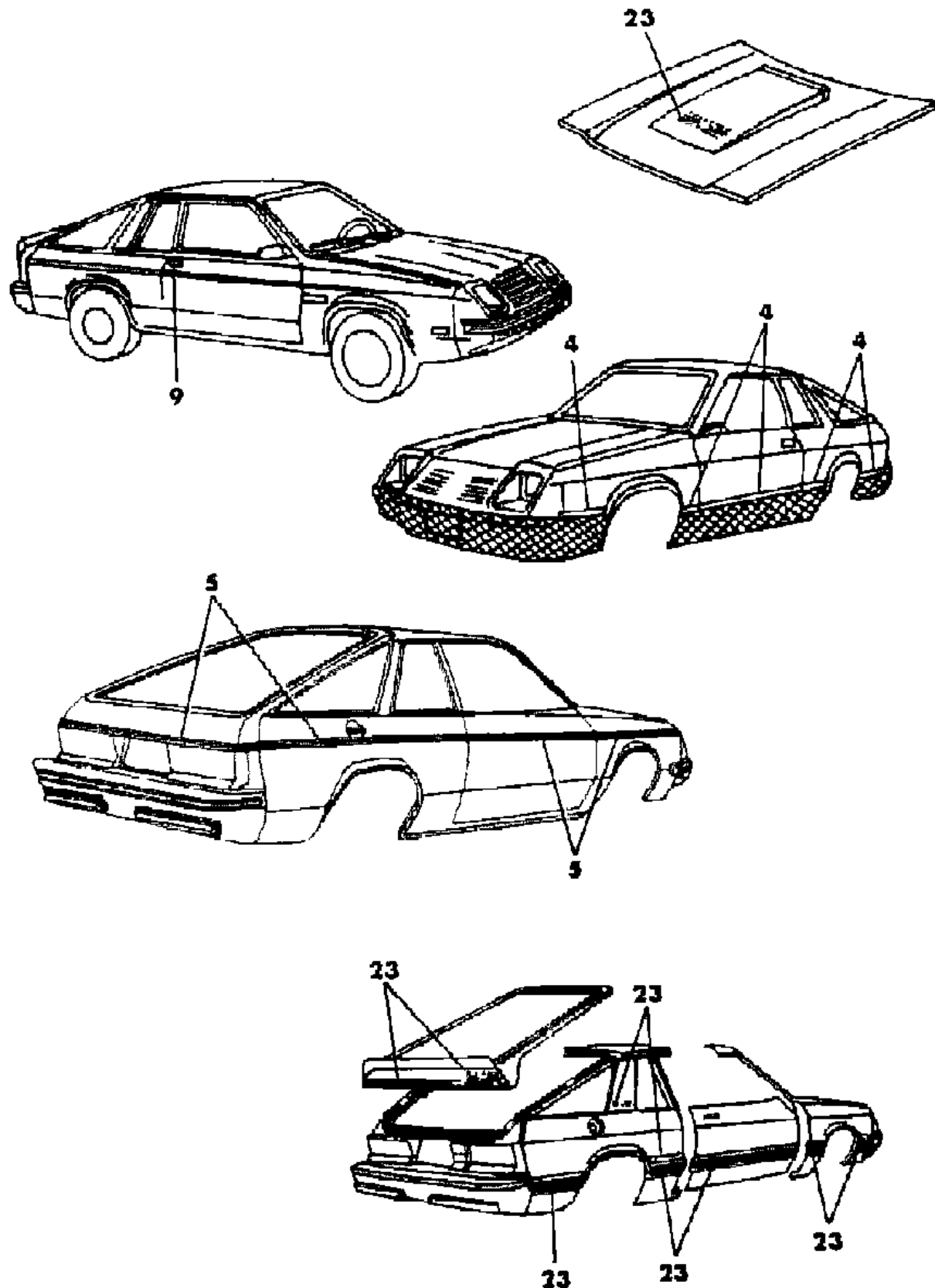
MODEL CODES  
 B = GRAN FURY  
 C = LEBARON/TOWN & COUNTRY  
 D = ARIES  
 E = 600  
 F = FIFTH AVENUE  
 G = DIPLOMAT  
 M = HORIZON/TURISMO/SCAMP  
 P = RELIANT  
 S = CORDOBA  
 T = E CLASS/NEWYORKER  
 V = 400  
 X = MIRADA  
 Y = IMPERIAL  
 Z = OMNI/CHARGER/RAMPAGE

BODY STYLES  
 21 = 2-DOOR SEDAN  
 22 = 2-DOOR SPECIAL COUPE  
 24 = 2-DOOR HATCHBACK  
 27 = 2-DOOR CONVERTIBLE  
 28 = FWD PICKUP  
 41 = 4-DOOR SEDAN  
 45 = 4-DOOR STATION WAGON  
 44 = 4-DOOR HATCHBACK  
 48 = EXECUTIVE SEDAN

AR = Use as Required - = Non Illustrated Part P.A.R. = Paint as Required

EXTERIOR VIEW - TAPE STRIPES PLYMOUTH HORIZON - 2 DOOR  
Figure 23-500

3168 500A



ITEM	PART NUMBER	QTY	BODY	MODEL	DESCRIPTION
	T042 AA2	2		M-P	DECAL,Qtr. Frt."Turismo",Silver K8D)
	T042 AA5	2		M-P	Light Gray (K8S)
	T042 AV3	2		M-P	Orange (K8E)
	T042 BU3	2		M-P	Tan (K8K)
	T574 ABA	1		M-P	TAPE,Rear Spoiler,Orange and Red (K8E)
	T574 ABB	1		M-P	Light Gray and Charcoal (K8S)
	T574 ABC	1		M-P	Silver and Black (K8D)
	T574 BBD	1		M-P	Light and Dark Gold (K8K)

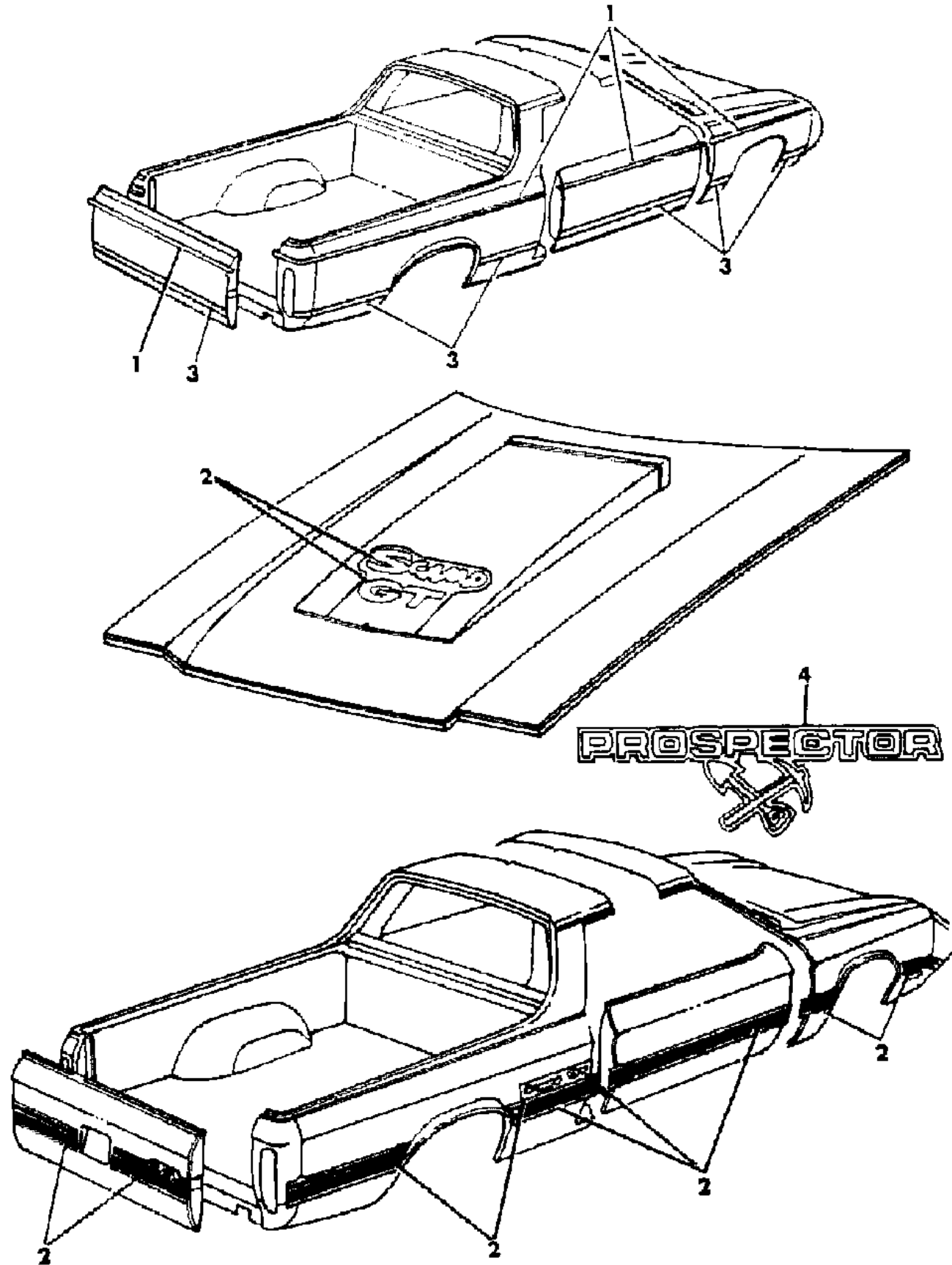
MODEL CODES  
 B = GRAN FURY  
 C = LEBARON/TOWN & COUNTRY  
 D = ARIES  
 E = 600  
 F = FIFTH AVENUE  
 G = DIPLOMAT  
 M = HORIZON/TURISMO/SCAMP  
 P = RELIANT  
 S = CORDOBA  
 T = E CLASS/NEWYORKER  
 V = 400  
 X = MIRADA  
 Y = IMPERIAL  
 Z = OMNI/CHARGER/RAMPAGE

BODY STYLES  
 21 = 2-DOOR SEDAN  
 22 = 2-DOOR SPECIAL COUPE  
 24 = 2-DOOR HATCHBACK  
 27 = 2-DOOR CONVERTIBLE  
 28 = FWD PICKUP  
 41 = 4-DOOR SEDAN  
 45 = 4-DOOR STATION WAGON  
 44 = 4-DOOR HATCHBACK  
 48 = EXECUTIVE SEDAN

AR = Use as Required - = Non Illustrated Part P.A.R. = Paint as Required

EXTERIOR VIEW TAPE STRIPES - PLYMOUTH SCAMP - M-28  
Figure 23-600

3107 600



ITEM	PART NUMBER	QTY	BODY	MODEL	DESCRIPTION
1	4271 718-9	1		28	TAPE SET,Fndr.,Door,Qtr.,Red (K3R)
	4293 336-7	1		28	Gold (K3Y)
	4293 334-5	1		28	Tan (K3K)
	T441 AE5	1		28	TAPE,Tailgate,Red (K3R)
	T441 BY3	1		28	Gold (K3Y)
2	T441 BK6	1		28	Tan (K3K)
	T319 BV3	1		28	DECAL,Hood Scoop,"Scamp GT",Orange (K4E)
	4271 670-1	1		28	TAPE SET,Fndr.,Door,Orange and Red (K4E)
	4271 684-5	1		28	TAPE SET,Qtr.,Orange and Red (K4E)
3	4271 686	1		28	TAPE SET,T/Gate,Orange and Red (K4E)
	T318 BV3	2		28	TAPE,Qtr. Pnl.,"Scamp GT",Orange, (K4E)
	4271 680-1	1		28	TAPE SET,Fndr.,Door,Qtr.,Lwr.,Silver and Black (K1S)
	4271 682-3	1		28	Flat Black and Silver (K1X)
	T343 BBE	1		28	TAPE,T/Gate,Lwr.,Silver and Black (K1S)
4	T343 BAX	1		28	Flat Black and Silver (K1X)
	5230 878	2		28	DECAL,Qtr. "Prospector",Black and Gold,Sprg. Spec. Pkg. A69

MODEL CODES

B = GRAN FURY	G = DIPLOMAT	V = 400
C = LEBARON/TOWN & COUNTRY	M = HORIZON/TURISMO/SCAMP	X = MIRADA
D = ARIES	P = RELIANT	Y = IMPERIAL
E = 600	S = CORDOBA	Z = OMNI/CHARGER/RAMPAGE
F = FIFTH AVENUE	T = E CLASS/NEWYORKER	

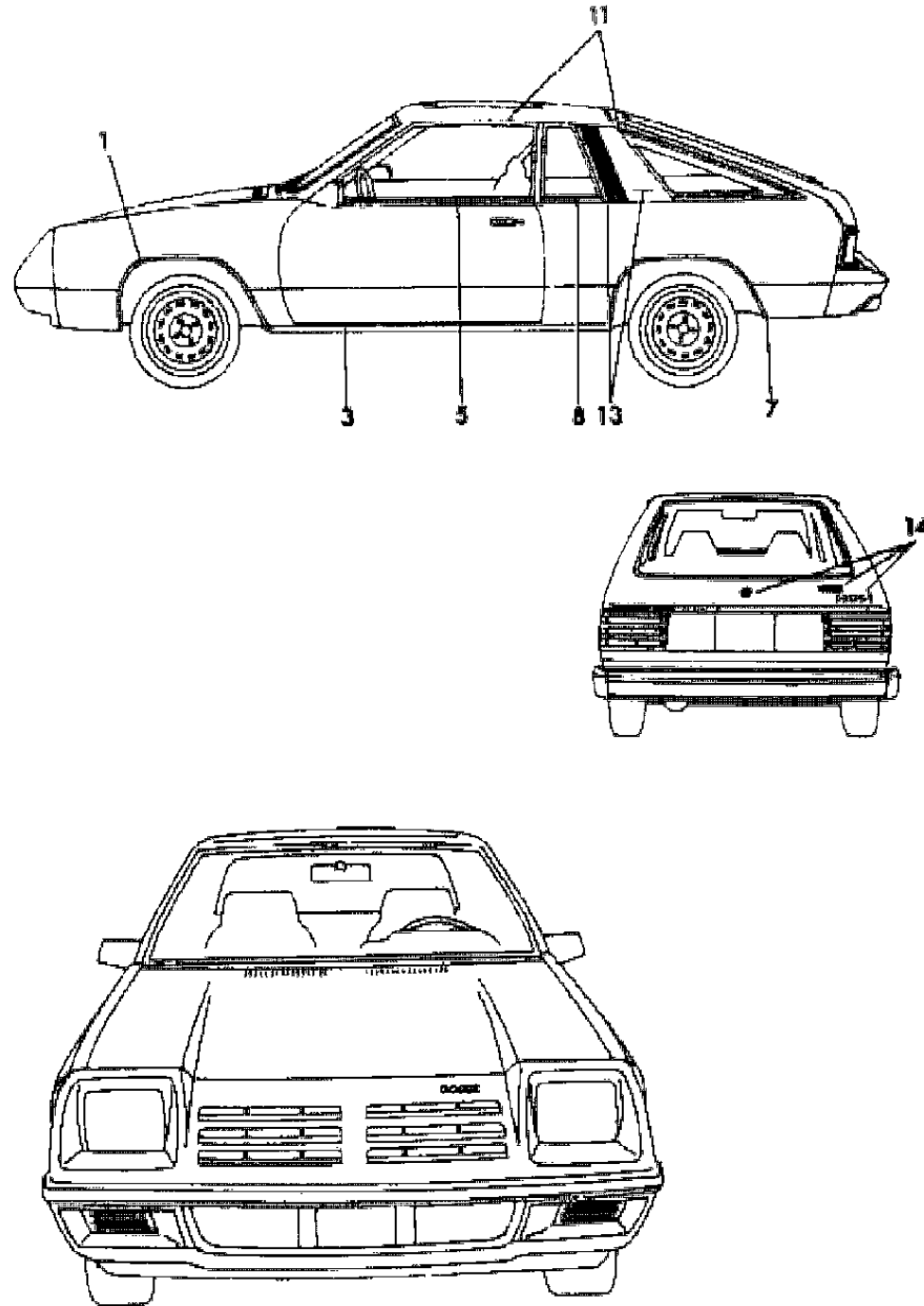
BODY STYLES

21 = 2-DOOR SEDAN	41 = 4-DOOR SEDAN
22 = 2-DOOR SPECIAL COUPE	45 = 4-DOOR STATION WAGON
24 = 2-DOOR HATCHBACK	44 = 4-DOOR HATCHBACK
27 = 2-DOOR CONVERTIBLE	48 = EXECUTIVE SEDAN
28 = FWD PICKUP	

AR = Use as Required - = Non Illustrated Part P.A.R. = Paint as Required

EXTERIOR VIEW DODGE OMNI 024 - 2 DOOR HATCHBACK  
Figure 23-700

3188 700 A



ITEM	PART NUMBER	QTY	BODY	MODEL	DESCRIPTION
1	5230 510-1	1			MOULDING, Fndr. W/Opng.
	6028 674	7			SCREW
3	5230 514-5	1			MOULDING, Body Side Sill
	6003 634	6			RETAINER
5	5230 785	1			MOULDING,Door Belt,Lt.,Black,Use Up to 5-1-83
	5230 851	1			MOULDING,Door Belt,Lt.,Black,Use After 5-1-83
	5230 708	1			MOULDING,Door Belt,Rt.,Black,Use w/o Mirror,Use Up to 5-1-83
	5230 850	1			MOULDING,Door Belt,Rt.,Black,Use w/o Mirror,Use After 5-1-83
	5230 540-1	1		Z-P	MOULDING,Door Belt,Black,Use Up to 5-1-83
	5230 842-3	1		Z-P	MOULDING,Door Belt,Black,Use After 5-1-83
	5230 764-5	1		Z-H	MOULDING,Door Belt,Black,Use w/Mirror,Use Up to 5-1-83
	5230 846-7	1		Z-H	MOULDING,Door Belt,Black,Use w/Mirror,Use After 5-1-83
7	5230 512-3	1			MOULDING, Qtr. W/Opng.
	6028 674	6			SCREW
8	5230 766-7	1			MOULDING,Qtr. Wdo. Belt,Black,Use w/o Qtr. Wdo. Plug,Use Up to 5-1-83
	5230 848-9	1			MOULDING,Qtr. Wdo. Belt,Black,Use w/o Qtr. Wdo. Plug,Use After 5-1-83
	5230 592-3	1		Z-P	MOULDING,Qtr. Belt Frt.,Black,Use w/Qtr. Wdo. Plug,Use Up to 5-1-83
	5230 844-5	1		Z-P	MOULDING,Qtr. Belt Frt.,Black,Use w/Qtr. Wdo. Plug,Use After 5-1-83
	9420 486	2			SCREW
11	5230 654-5	1			MOULDING, Roof Side Drain Trough,Black
13					FRAME,Qtr. Wdo.,Frt.
	X050-1 BA2	1			Silver Met.,Use Up to 4-18-83
	X050-1 BA1	1			Radiant Silver,Use After 4-18-83
	X050-1 BC4	1			Glacier Blue
	X050-1 BC9	1			Night Watch Blue
	X050-1 AW3	1			Pearl White
	X050-1 AX9	1			Black
	X050-1 BT8	1			Sable Tan
	X050-1 BM5	1			Crimson Red
	X050-1 AR4	1			Graphic Red
	X050-1 AA9	1			Dark Silver

MODEL CODES

B = GRAN FURY	G = DIPLOMAT	V = 400
C = LEBARON/TOWN & COUNTRY	M = HORIZON/TURISMO/SCAMP	X = MIRADA
D = ARIES	P = RELIANT	Y = IMPERIAL
E = 600	S = CORDOBA	Z = OMNI/CHARGER/RAMPAGE
F = FIFTH AVENUE	T = E CLASS/NEWYORKER	

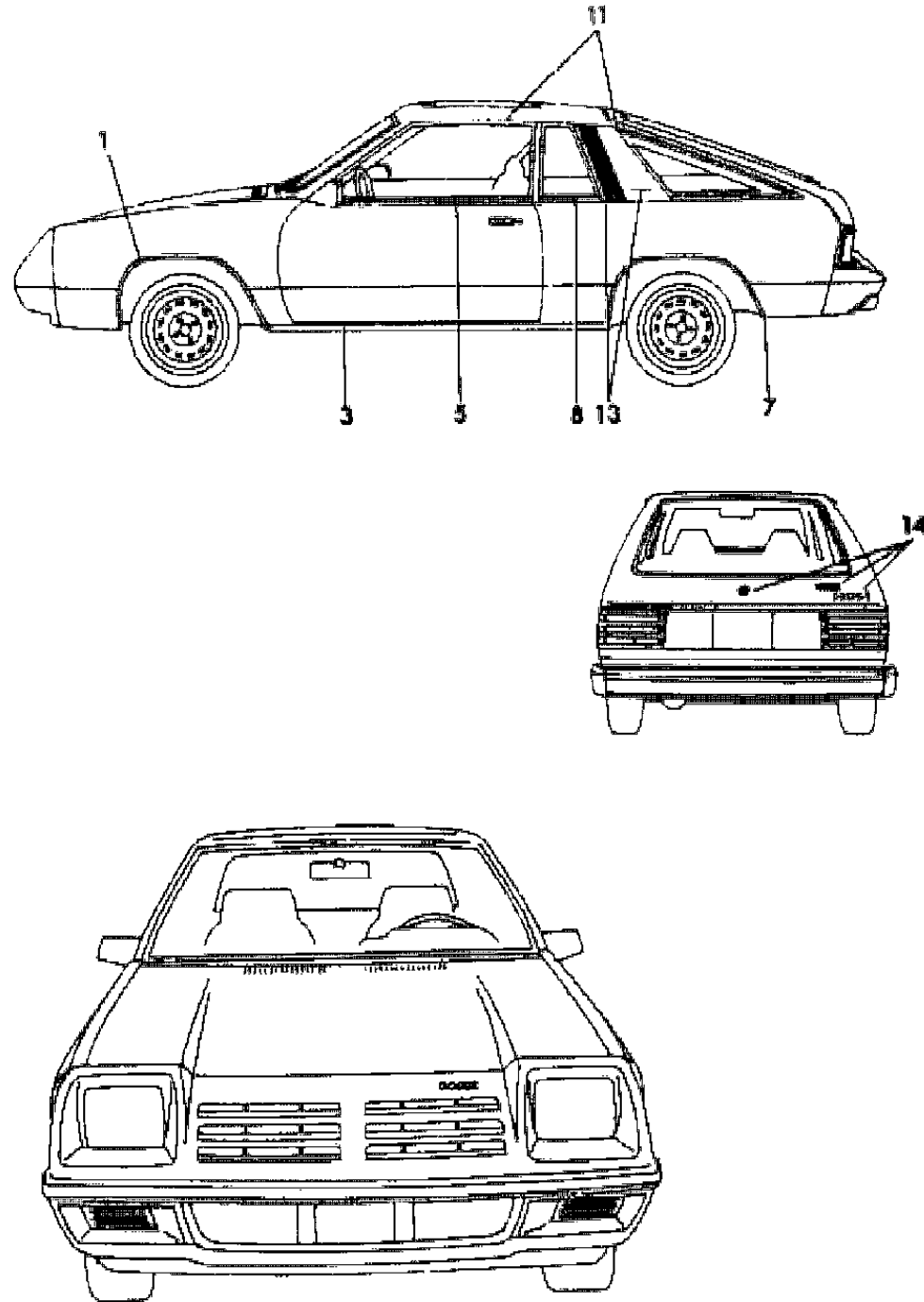
BODY STYLES

21 = 2-DOOR SEDAN	41 = 4-DOOR SEDAN
22 = 2-DOOR SPECIAL COUPE	45 = 4-DOOR STATION WAGON
24 = 2-DOOR HATCHBACK	44 = 4-DOOR HATCHBACK
27 = 2-DOOR CONVERTIBLE	48 = EXECUTIVE SEDAN
28 = FWD PICKUP	

AR = Use as Required - = Non Illustrated Part P.A.R. = Paint as Required

EXTERIOR VIEW DODGE OMNI 024 - 2 DOOR HATCHBACK  
Figure 23-700

3188 700 A



ITEM	PART NUMBER	QTY	BODY	MODEL	DESCRIPTION
	X050-1 BL4	1			Beige Met.
	5230 661	2			RETAINER, Qtr. Wdo. Frame or Louver
	6028 674	1			SCREW
	9420 867	3			NUT
					SCREW
	5230 795	2			NAMEPLATE, Qtr. Wdo. Frt. Frame, "Charger"
14	4229 779	1		Z-H,Z-S	NAME PLATE, L/Gate and L/Gate Spoiler, "Dodge"
	5230 795	1		Z-H,Z-S	"Charger"
	4319 496	1		Z-H,Z-S	MEDALLION, L/Gate Pentastar

MODEL CODES  
 B = GRAN FURY  
 C = LEBARON/TOWN & COUNTRY  
 D = ARIES  
 E = 600  
 F = FIFTH AVENUE  
 G = DIPLOMAT  
 M = HORIZON/TURISMO/SCAMP  
 P = RELIANT  
 S = CORDOBA  
 T = E CLASS/NEWYORKER  
 V = 400  
 X = MIRADA  
 Y = IMPERIAL  
 Z = OMNI/CHARGER/RAMPAGE

BODY STYLES  
 21 = 2-DOOR SEDAN  
 22 = 2-DOOR SPECIAL COUPE  
 24 = 2-DOOR HATCHBACK  
 27 = 2-DOOR CONVERTIBLE  
 28 = FWD PICKUP  
 41 = 4-DOOR SEDAN  
 45 = 4-DOOR STATION WAGON  
 44 = 4-DOOR HATCHBACK  
 48 = EXECUTIVE SEDAN

AR = Use as Required - = Non Illustrated Part P.A.R. = Paint as Required



**EXTERIOR VIEW DODGE OMNI 024 (CHARGER 2.2)**  
**Figure 23-800**

ITEM	PART NUMBER	QTY	BODY	MODEL	DESCRIPTION
1	X593 VW3	1			PACKAGE,Hood Scoop (Paint as Req.)
	4276 129	3			SPACER,Hood Scoop
	6025 004	AR			NUT
2	T410 VE5	1			TAPE,Hood Scoop,Red (K4R)
	T410 AX1	1			Black (K4X)
	T410 BY3	1			Gold (K4Y)
3	X588-9 VW3	1			PACKAGE,Fndr. Exhauster (Paint as Req.)
4	X596-7 VW3	1			APPLIQUE,Qtr. Wdo. (Paint as Req.)
	5230 661	AR			RETAINER PKG.
	4057 555	AR			RETAINER PKG.
	9420 867	AR			NUT SCREW (Not Serv.)
5	4271 538-9	1			TAPE SET,Body Side,Red (K4R)
	4271 550-1	1			Black (K4X)
	4293 330-1	1			Gold (K4Y)
6	4271 544	1			TAPE SET,L/Gate Spoiler,Red (K4R)
	4271 547	1			Black (K4X)
	4293 332	1			Gold (K4Y)
7	5230 428-9	1			TAPE,Frt. Qtr. Wdo. Black Out
	5230 430-1	1			TAPE,Rear Qtr. Wdo. Black Out

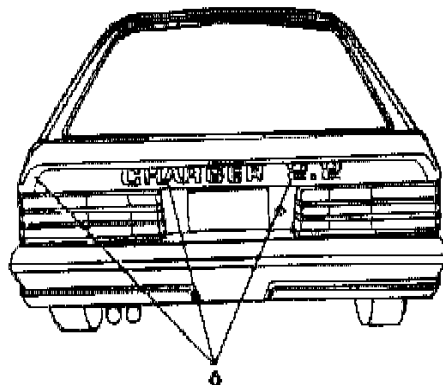
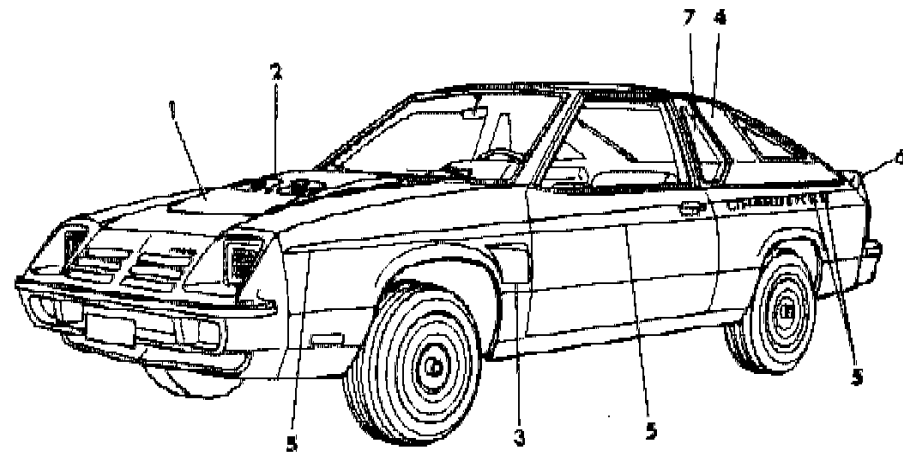
NOTE: See Illus. 1100 for Additional Tape Stripes an offsetting order for part no. 3747881

MODEL CODES  
 B = GRAN FURY  
 C = LEBARON/TOWN & COUNTRY  
 D = ARIES  
 E = 600  
 F = FIFTH AVENUE  
 G = DIPLOMAT  
 M = HORIZON/TURISMO/SCAMP  
 P = RELIANT  
 S = CORDOBA  
 T = E CLASS/NEWYORKER  
 V = 400  
 X = MIRADA  
 Y = IMPERIAL  
 Z = OMNI/CHARGER/RAMPAGE

BODY STYLES  
 21 = 2-DOOR SEDAN  
 22 = 2-DOOR SPECIAL COUPE  
 24 = 2-DOOR HATCHBACK  
 27 = 2-DOOR CONVERTIBLE  
 28 = FWD PICKUP  
 41 = 4-DOOR SEDAN  
 45 = 4-DOOR STATION WAGON  
 44 = 4-DOOR HATCHBACK  
 48 = EXECUTIVE SEDAN

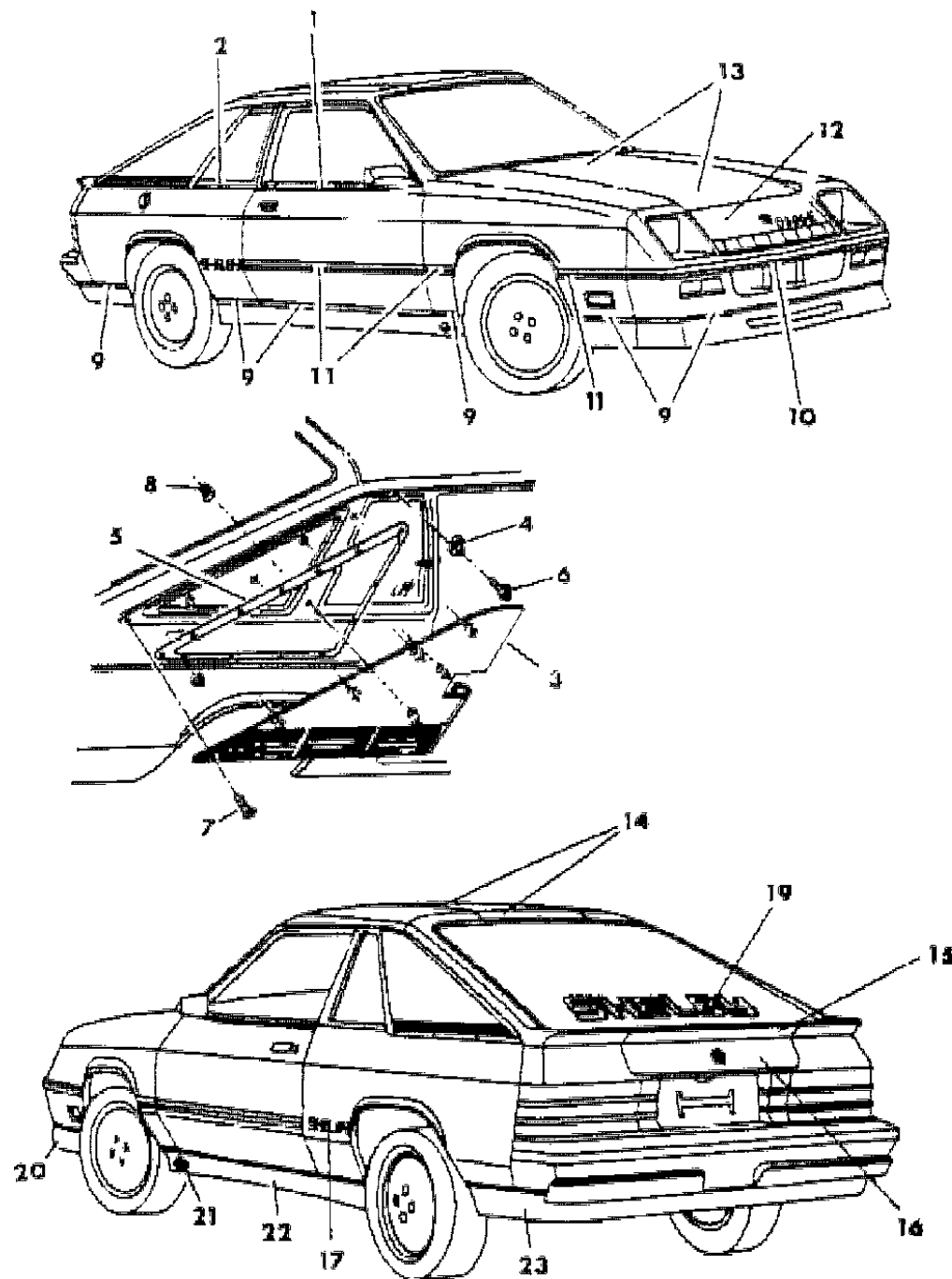
AR = Use as Required - = Non Illustrated Part P.A.R. = Paint as Required

3168 800



**EXTERIOR VIEW DODGE SHELBY CHARGER 2.2**  
**Figure 23-825**

J168 825 B



ITEM	PART NUMBER	QTY	BODY	MODEL	DESCRIPTION
1	5230 846	1			MOULDING,Door Belt,Black,Use w/Mirror,Rt.
	5230 847	1			MOULDING,Door Belt,Black,Lt.
	5230 850	1			MOULDING,Door Belt,Black,Use w/o Mirror,Rt.
	5230 851	1			MOULDING,Door Belt,Black,Lt.
2	5230 726-7	1			MOULDING,Qtr. Wdo. Belt,Black
3	X604-5 BA1	1			APPLIQUE,Qtr. Wdo.,Silver
	X604-5 BB6	1			Blue
4	5230 661	2			RETAINER,Qtr. Wdo. Applique
5	4296 478-9	1			FILLER,Qtr. Wdo. Rear
6		AR			SCREW (Not Serviced)
7		AR			SCREW (Not Serviced)
8	9420 867	AR			NUT and CONE WA.
9	4293 604	1			TAPE,Body Side,Silver,25' Roll (K2J)
	4293 605	1			Blue (K2K)
10	T870 BA1	1			TAPE,Frt. Fascia Nerf.,Silver (K2J)
	T870 BB6	1			Blue (K2K)
11	4293 600-1	1			TAPE SET,Body Side Upr.,Silver (K2J)
	4293 602-3	1			Blue (K2K)
	T390 BBJ	1			TAPE,Fascia Upr.,Blue and Silver (K2J)
12	T390 BBK	1			Silver and Blue (K2K)
	T354 BBL	1			TAPE,Fascia Upr. Frt.,Blue,Silver,Blue,Silver (K2J)
	T354 BBM	1			Silver,Blue,Silver,Blue (K2K)
	NOTE: Use After 6-20-83,Approx. 33" Wide an offsetting order for part no. 3747881				
13	T392 BBJ	2			TAPE,Hood and Cowl,Blue and Silver (K2J)
	T392 BBK	2			Silver and Blue (K2K)
	T355 BBP	1			TAPE,Hood,Silver (K2J)
	T355 BBR	1			Blue (K2K)
	T356 BBP	1			TAPE,Cowl,Silver (K2J)
	T356 BBR	1			Blue (K2K)
NOTE: Use After 6-20-83,Approx. 33" Wide an offsetting order for part no. 3747881					
14	T394 BBJ	2			TAPE,Roof and L/Gate Upr.,Blue and Silver (K2J)
	T394 BBK	2			Silver and Blue (K2K)
	T357 BBP	1			TAPE,Roof,Silver (K2J)
	T357 BBR	1			Blue (K2K)
	T358 BBP	1			TAPE,L/Gate Upr.,Silver (K2J)
	T358 BBR	1			Blue (K2K)
NOTE: Use After 6-20-83,Approx. 33" Wide an offsetting order for part no. 3747881					
15	T396 BBJ	2			TAPE,L/Gate Air Spoiler,Blue and Silver (K2J)

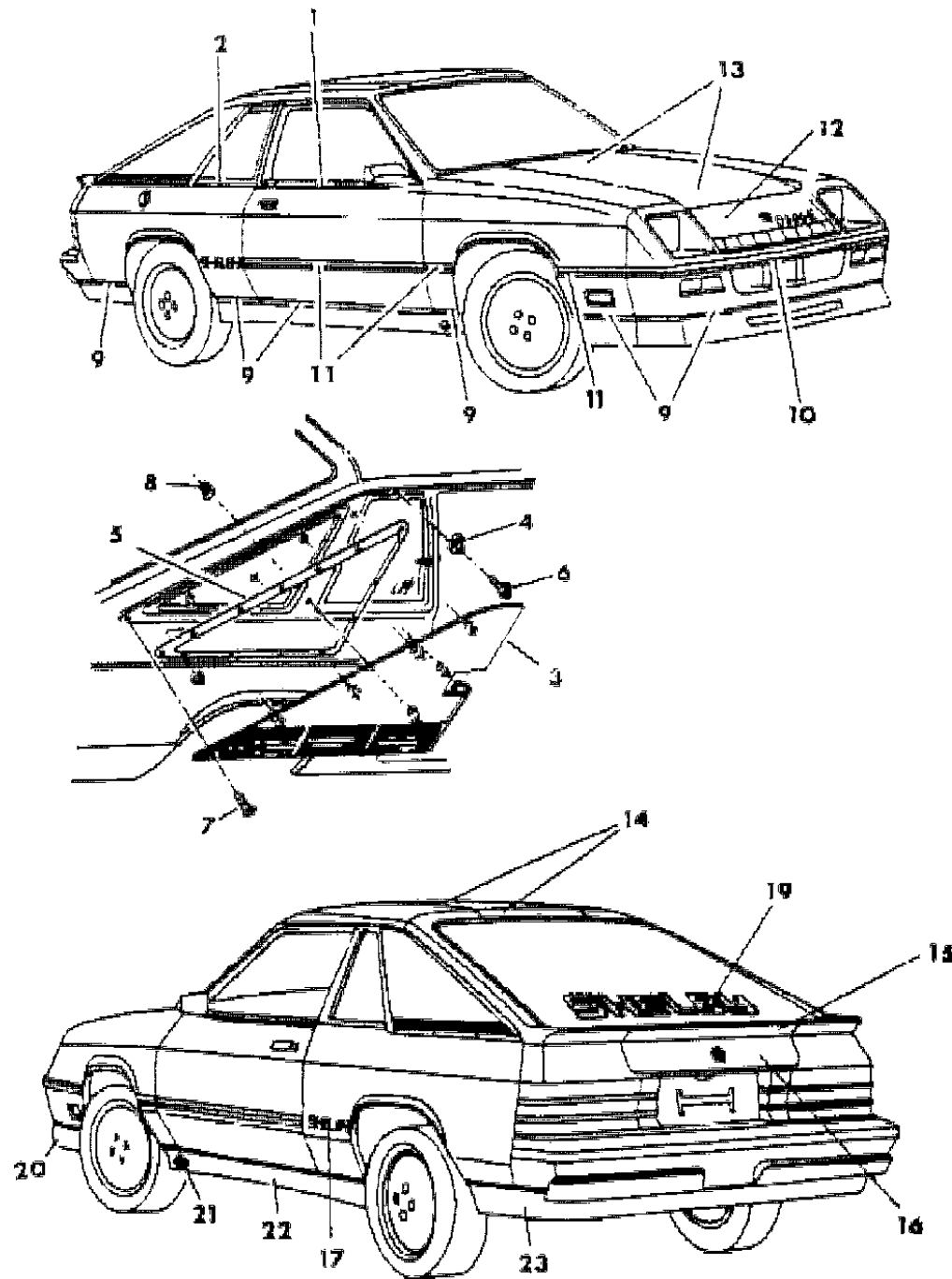
MODEL CODES  
 B = GRAN FURY  
 C = LEBARON/TOWN & COUNTRY  
 D = ARIES  
 E = 600  
 F = FIFTH AVENUE  
 G = DIPLOMAT  
 M = HORIZON/TURISMO/SCAMP  
 P = RELIANT  
 S = CORDOBA  
 T = E CLASS/NEWYORKER  
 V = 400  
 X = MIRADA  
 Y = IMPERIAL  
 Z = OMNI/CHARGER/RAMPAGE

BODY STYLES  
 21 = 2-DOOR SEDAN  
 22 = 2-DOOR SPECIAL COUPE  
 24 = 2-DOOR HATCHBACK  
 27 = 2-DOOR CONVERTIBLE  
 28 = FWD PICKUP  
 41 = 4-DOOR SEDAN  
 45 = 4-DOOR STATION WAGON  
 44 = 4-DOOR HATCHBACK  
 48 = EXECUTIVE SEDAN

AR = Use as Required - = Non Illustrated Part P.A.R. = Paint as Required

EXTERIOR VIEW DODGE SHELBY CHARGER 2.2  
Figure 23-825

J168 825 B



ITEM	PART NUMBER	QTY	BODY	MODEL	DESCRIPTION
	T396 BBK	2			Silver and Blue (K2K)
	T359 BBP	1			TAPE,L/Gate Air Spoiler Upr.,Silver (K2J)
	T359 BBR	1			Blue (K2K)
	T447 BBP	1			TAPE,L/Gate Spoiler Lwr.,Silver (K2J)
	T447 BBR	1			Blue (K2K)
NOTE: Use After 6-20-83,Approx. 33" Wide an offsetting order for part no. 3747881					
16	T391 BBJ	1			TAPE,L/Gate Lwr.,Blue and Silver (K2J)
	T391 BBK	1			Silver and Blue (K2K)
	T448 BBP	1			TAPE,L/Gate Lwr.,Silver (K2J)
	T448 BBR	1			Blue (K2K)
NOTE: Use After 6-20-83,Approx. 33" Wide an offsetting order for part no. 3747881					
17	T445 BA1	1			DECAL,Qtr. Pnl., "SHELBY",Silver (K2J)
	T445 BB6	1			Blue (K2K)
18	4319 496	1			MEDALLION,L/Gate Pentastar
19	T446 BB6	1			DECAL,L/Gate Glass, "SHELBY",Blue
20					SKIRT,Frt. Fndr. (See Illus. in 23A)
21	4270 395	2			DECAL,Pentastar Cover Body Sill
22					COVER,Sill Spoiler (See Illus. in 23A)
23					SPOILER,Lwr. Rear (See Illus. in 23A)

MODEL CODES  
 B = GRAN FURY  
 C = LEBARON/TOWN & COUNTRY  
 D = ARIES  
 E = 600  
 F = FIFTH AVENUE  
 G = DIPLOMAT  
 M = HORIZON/TURISMO/SCAMP  
 P = RELIANT  
 S = CORDOBA  
 T = E CLASS/NEWYORKER  
 V = 400  
 X = MIRADA  
 Y = IMPERIAL  
 Z = OMNI/CHARGER/RAMPAGE

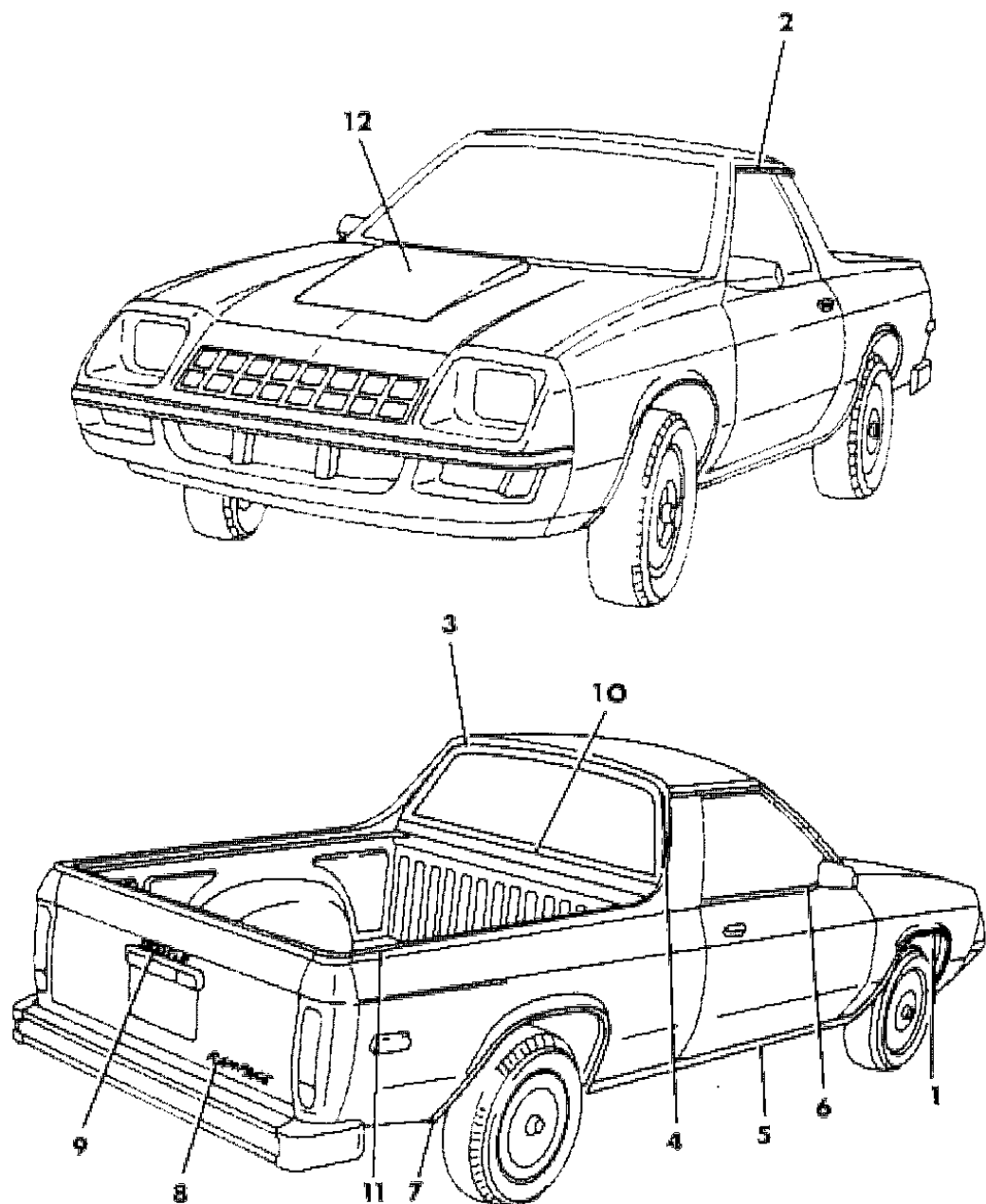
BODY STYLES  
 21 = 2-DOOR SEDAN  
 22 = 2-DOOR SPECIAL COUPE  
 24 = 2-DOOR HATCHBACK  
 27 = 2-DOOR CONVERTIBLE  
 28 = FWD PICKUP  
 41 = 4-DOOR SEDAN  
 45 = 4-DOOR STATION WAGON  
 44 = 4-DOOR HATCHBACK  
 48 = EXECUTIVE SEDAN

AR = Use as Required - = Non Illustrated Part P.A.R. = Paint as Required

EXTERIOR VIEW DODGE RAMPAGE - Z-28

Figure 23-900

316H 906A



ITEM	PART NUMBER	QTY	BODY	MODEL	DESCRIPTION
1	5230 510-1	1			MOULDING,Fndr. Wheel Opng. SCREW (Not Serv.)
2	5230 654-5	1			MOULDING,Roof Side Drain Trough,Black
	5230 738-9	1			MOULDING,Roof Side Drain Trough,Repair
3	X800 AT3	1			MOULDING,Roof Rear (Paint as Req.)
	4267 919	AR			RETAINER PKG. WELD STUD (Not Serv.)
4	X802-3 AT3	1			MOULDING,Body Side Aper. Pnl. Upr. Frt. (Paint as Req.)
	4057 555	AR			RETAINER PKG.
	4267 915	AR			RETAINER PKG.,Red
	4267 916	AR			RETAINER PKG.,Black
	4267 917	AR			RETAINER PKG.,Grey
	4267 918	AR			RETAINER PKG.,Green
	9420 294	AR			NUT SEAL (Not Serv.)
5	5230 682-3	1			MOULDING,Body Side Sill,Bright
	6003 634	AR			RETAINER
	6028 674	AR			SCREW
6	5230 764-5	1			MOULDING,Door Belt,Black,Use w/Mirror,Use Up to 5-1-83
	5230 846-7	1			MOULDING,Door Belt,Black,Use w/Mirror,Use After 5-1-83
	5230 708	1			MOULDING,Door Belt,Rt.,Black,Use w/o Mirror,Use Up to 5-1-83
	5230 850	1			MOULDING,Door Belt,Rt.,Black,Use w/o Mirror,Use After 5-1-83
7	5230 680-1	1			MOULDING,Qtr. Wheel Opng. SCREW (Not Serv.)
8	5230 777	1			NAMEPLATE,T/Gate,"RAMPAGE"
9	5230 780	1			NAMEPLATE,T/Gate,"DODGE"
10	5230 758	1			MOULDING,Back Pnl. Glass,Lwr.
	6003 818	7			RETAINER,Back Pnl. Glass,Lwr. Mldg. WELD STUD (Not Serv.)
11	X808-9 BA2	1			MOULDING,Cargo Box Trim
	4057 555	AR			RETAINER PKG.
12	X593 VW3	1			PACKAGE,Hood Scoop (Paint as Req.)
	4276 129	3			SPACER,Hood Scoop
	6025 004	AR			NUT

MODEL CODES

B = GRAN FURY	G = DIPLOMAT	V = 400
C = LEBARON/TOWN & COUNTRY	M = HORIZON/TURISMO/SCAMP	X = MIRADA
D = ARIES	P = RELIANT	Y = IMPERIAL
E = 600	S = CORDOBA	Z = OMNI/CHARGER/RAMPAGE
F = FIFTH AVENUE	T = E CLASS/NEWYORKER	

BODY STYLES

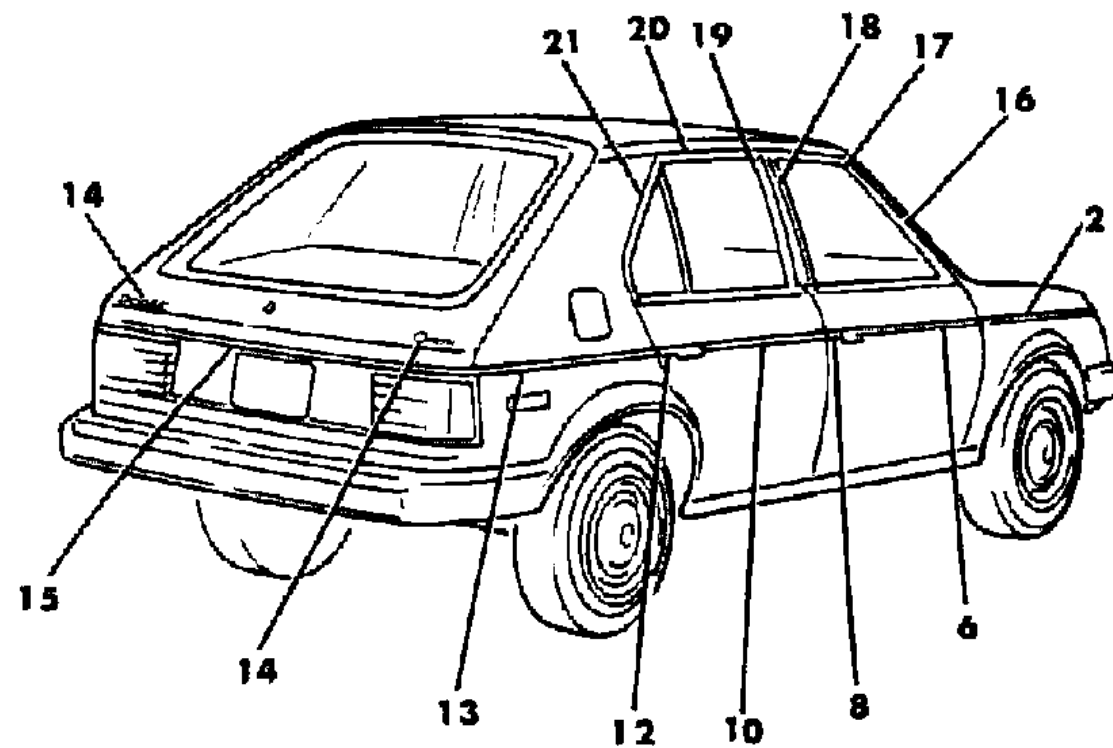
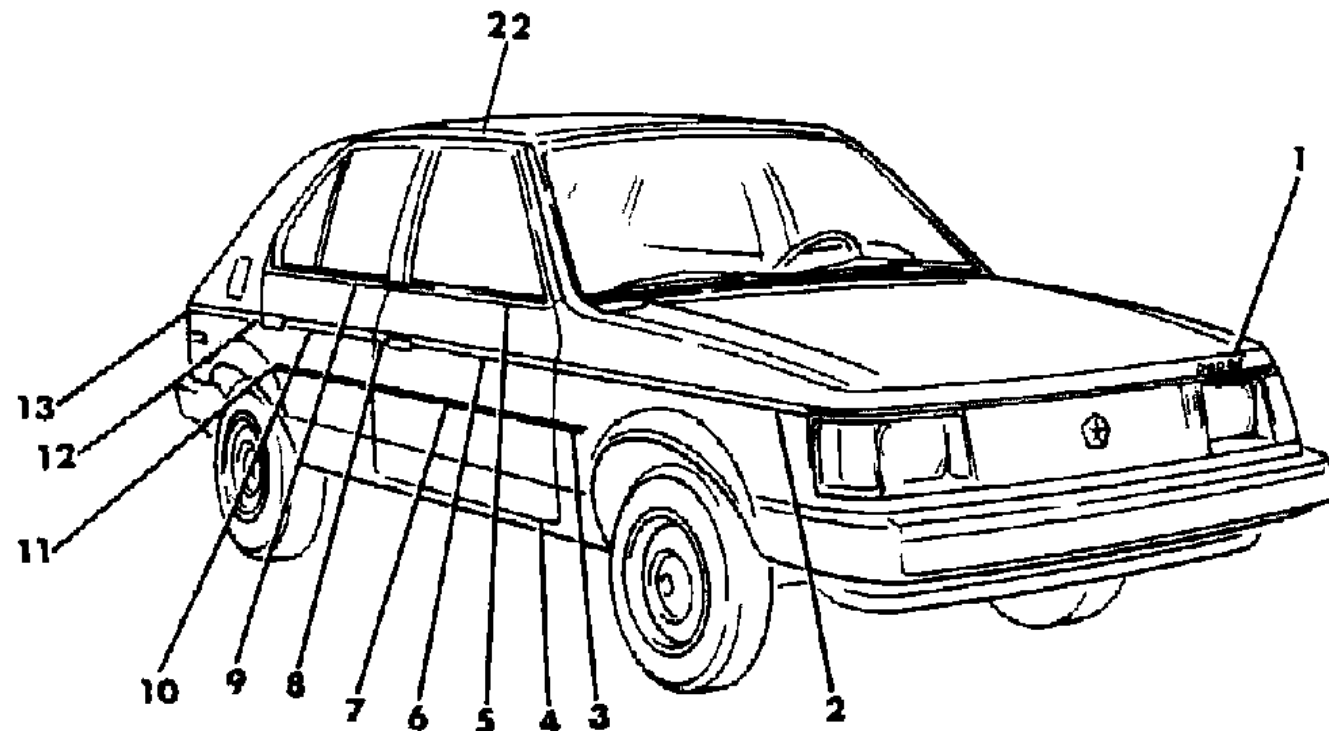
21 = 2-DOOR SEDAN	41 = 4-DOOR SEDAN
22 = 2-DOOR SPECIAL COUPE	45 = 4-DOOR STATION WAGON
24 = 2-DOOR HATCHBACK	44 = 4-DOOR HATCHBACK
27 = 2-DOOR CONVERTIBLE	48 = EXECUTIVE SEDAN
28 = FWD PICKUP	

AR = Use as Required - = Non Illustrated Part P.A.R. = Paint as Required

EXTERIOR VIEW DODGE OMNI - 4 DOOR HATCHBACK

Figure 23-1000

3168 1000A



ITEM	PART NUMBER	QTY	BODY	MODEL	DESCRIPTION
1	5209 238	1			NAMEPLATE,Hood,"Dodge"
2	5209 280-1	1			MOULDING,Fndr.,Black Vinyl,Use Up to 10-18-82
	4106 314-5	1		Z-H	MOULDING PKG.,Fndr.,Bright and Black,Use After 10-18-82
	3780 450	AR			RETAINER PKG.
	4057 555	AR			RETAINER PKG.
3	E590 LX9	2		Z-H	MOULDING,Fndr.,w/Black Insert
4	5209 228	2			MOULDING,Body Side Sill
	6003 841				RETAINER w/STUD
	6003 627				RETAINER,Push on Type
5	5209 232-3	1			MOULDING,Frt. Door Belt
	5216 728-9	1			MOULDING w/WEATHERSTRIP,Frt. Door Belt,Outer,Black
	5216 594-5	1			WEATHERSTRIP w/o Mldg.,Frt. Door Belt,Outer
6	5209 284-5	1			MOULDING,Frt. Door Frt.,Black Vinyl,Use Up to 10-18-82
	4176 620-1	1		Z-H	MOULDING PKG.,Frt. Door Frt.,Bright and Black,Use After 10-18-82
	3780 450	AR			RETAINER PKG.
	4057 555	AR			RETAINER PKG.
7	E590 LX9	2		Z-H	MOULDING,Frt. Door,w/Black Insert
8	5209 288	2			MOULDING,Frt. Door Rear,Black Vinyl,Use Up to 10-18-82
	5209 150	2		Z-H	MOULDING,Frt. Door Rear,Bright and Black,Use After 10-18-82
	3780 450	AR			RETAINER PKG.
	6026 523	AR			NUT
9	5209 234-5	1			MOULDING,Rear Door Belt
	5216 732-3	1			MOULDING w/WEATHERSTRIP,Rear Door Belt,Outer,Black
	5208 642-3	1			WEATHERSTRIP w/o Mldg.,Rear Door Belt,Outer
10	5209 292	2			MOULDING,Rear Door Frt.,Black Vinyl,Use Up to 10-18-82
	4176 622-3	1		Z-H	MOULDING PKG.,Rear Door Frt.,Bright and Black,Use After 10-18-82
	3780 450	AR			RETAINER PKG.
	4057 555	AR			RETAINER PKG.
11	E590 LX9	2		Z-H	MOULDING,Rear Door,w/Black Insert
12	5209 296-7	1			MOULDING,Rear Door Rear,Black Vinyl,Use Up to 10-18-82
	5209 156-7	1		Z-H	MOULDING,Rear Door Rear,Bright and Black,Use After 10-18-82
13	3780 453	AR			RETAINER PKG.
	5209 300-1	1			MOULDING,Qtr.,Black Vinyl,Use Up to 10-18-82
	4106 320-1	1		Z-H	MOULDING PKG.,Qtr.,Bright and Black,Use After 10-18-82

MODEL CODES

B = GRAN FURY	G = DIPLOMAT	V = 400
C = LEBARON/TOWN & COUNTRY	M = HORIZON/TURISMO/SCAMP	X = MIRADA
D = ARIES	P = RELIANT	Y = IMPERIAL
E = 600	S = CORDOBA	Z = OMNI/CHARGER/RAMPAGE
F = FIFTH AVENUE	T = E CLASS/NEWYORKER	

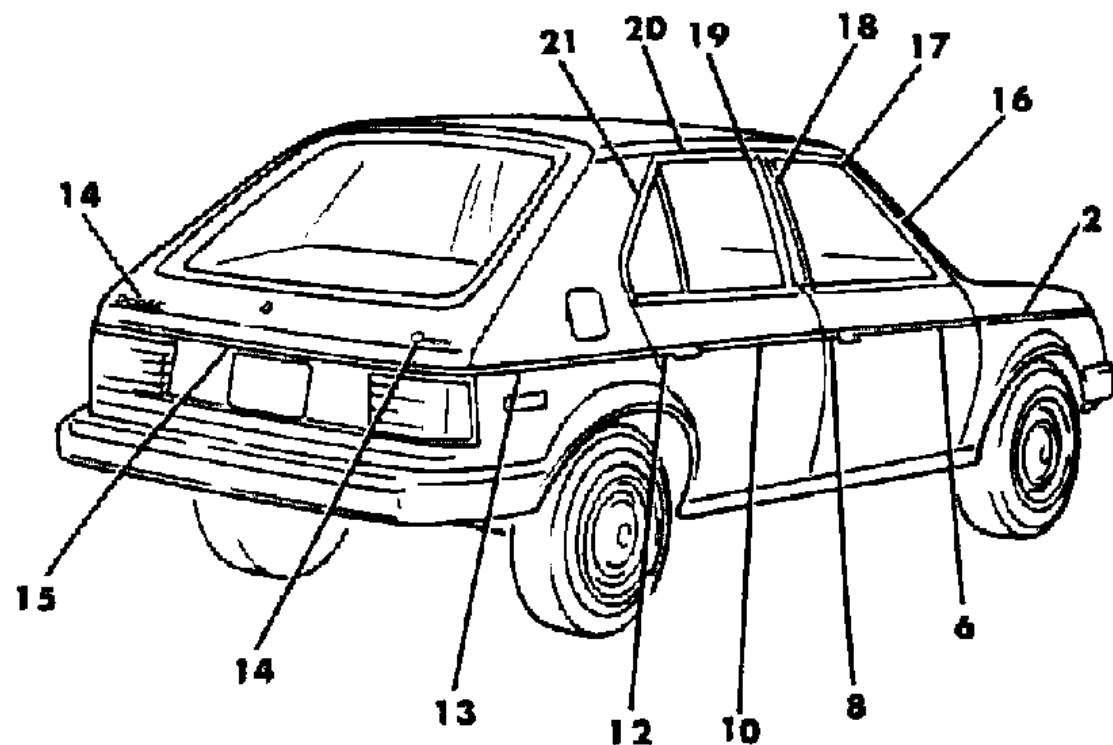
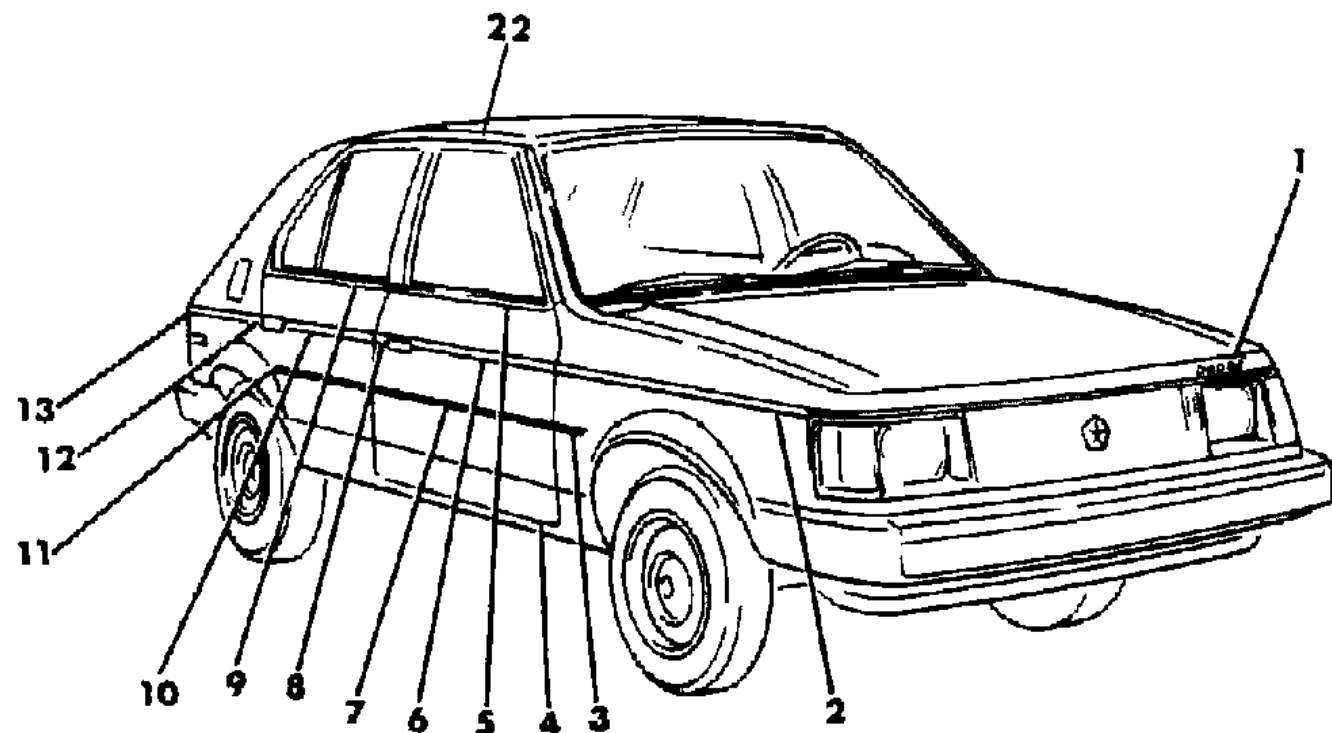
BODY STYLES

21 = 2-DOOR SEDAN	41 = 4-DOOR SEDAN
22 = 2-DOOR SPECIAL COUPE	45 = 4-DOOR STATION WAGON
24 = 2-DOOR HATCHBACK	44 = 4-DOOR HATCHBACK
27 = 2-DOOR CONVERTIBLE	48 = EXECUTIVE SEDAN
28 = FWD PICKUP	

AR = Use as Required - = Non Illustrated Part P.A.R. = Paint as Required

EXTERIOR VIEW DODGE OMNI - 4 DOOR HATCHBACK  
Figure 23-1000

3168 1000A



ITEM	PART NUMBER	QTY	BODY	MODEL	DESCRIPTION
	3780 450	AR			RETAINER PKG.
	6026 523	AR			NUT
14	4229 779	1			NAMEPLATE,L/Gate,"Dodge"
	5209 099	1			NAMEPLATE,L/Gate,"Omni"
15	5209 303	1			MOULDING,L/Gate,Black Vinyl,Use Up to 10-18-82
	4106 311	1		Z-H	MOULDING PKG.,L/Gate,Bright and Black,Use After 10-18-82
	3780 450	AR			RETAINER PKG.
	6026 523	AR			NUT
16	5209 240-1	1		Z-H	MOULDING,Frt. Door Wdo. Opng. Frame,Frt.
17	5209 242-3	1		Z-H	MOULDING,Frt. Door Wdo. Opng. Frame,Upr.
18	5209 244-5	1		Z-H	MOULDING,Frt. Door Wdo. Opng. Frame,Rear
19	5209 246-7	1		Z-H	MOULDING,Rear Door Wdo. Opng. Frame,Frt.
20	5209 248-9	1		Z-H	MOULDING,Rear Door Wdo. Opng. Frame,Upr.
21	5209 250-1	1		Z-H	MOULDING,Rear Door Wdo. Opng. Frame,Rear
22	5209 036	2		Z-H	MOULDING,Roof Side Drain Trough,Repair,Bright
	5209 222	2		Z-H	MOULDING,Roof Side Drain Trough,Repair,Black

MODEL CODES

B = GRAN FURY	G = DIPLOMAT	V = 400
C = LEBARON/TOWN & COUNTRY	M = HORIZON/TURISMO/SCAMP	X = MIRADA
D = ARIES	P = RELIANT	Y = IMPERIAL
E = 600	S = CORDOBA	Z = OMNI/CHARGER/RAMPAGE
F = FIFTH AVENUE	T = E CLASS/NEWYORKER	

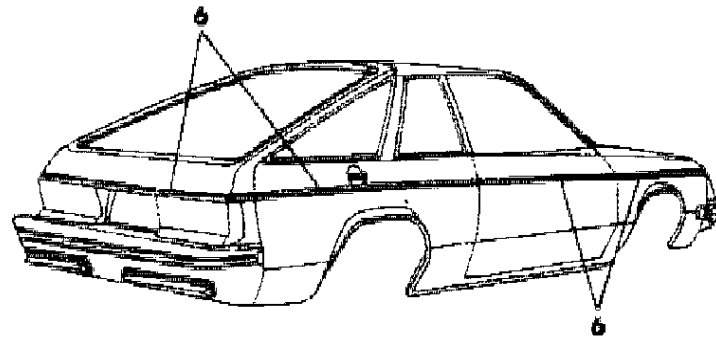
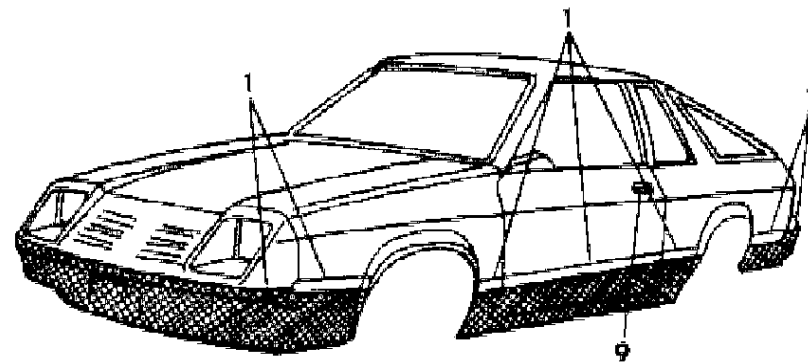
BODY STYLES

21 = 2-DOOR SEDAN	41 = 4-DOOR SEDAN
22 = 2-DOOR SPECIAL COUPE	45 = 4-DOOR STATION WAGON
24 = 2-DOOR HATCHBACK	44 = 4-DOOR HATCHBACK
27 = 2-DOOR CONVERTIBLE	48 = EXECUTIVE SEDAN
28 = FWD PICKUP	

AR = Use as Required - = Non Illustrated Part P.A.R. = Paint as Required

**EXTERIOR VIEW - TAPE STRIPES DODGE OMNI - 2 DOOR**  
**Figure 23-1100**

3168 1100



ITEM	PART NUMBER	QTY	BODY	MODEL	DESCRIPTION
1	4271 628-9	1		24	TAPE SET,Fndr.,Door,Qtr.,Silver and Flat Black,(K7X),Use on Appearance Group A77 Pkg.
	4293 508-9	1		24	TAPE SET,Fndr. Door,Qtr.,Use on Two Tone Paint Pkg.,Dark Blue and Light Blue Met. (K1C)
	4293 510-1	1		24	Beige and Dark Brown (K1L)
	4293 512-3	1		24	Black and Silver (K1S)
	4240 642	AR		24	TAPE,Frt and Rear Fascia,Black (Serv. in 7' Roll)
	4271 783	AR		24	Beige
	4271 782	AR		24	Blue
6	4240 562-3	1		24	TAPE SET,Fndr.,Door,Qtr.Pnl.,Red (K3R)
	4293 340-1	1		24	Gold (K3Y)
	4271 548-9	1		24	Silver (K3A)
	4293 338-9	1		24	Tan (K3K)
	4240 564	1		24	TAPE,L/Gate,Use w/o Spoiler,Red (K3R)
	4293 343	1		24	Gold (K3Y)
	4271 501	1		24	Silver (K3A)
	4293 342	1		24	Tan (K3K)
	4240 565	1		24	TAPE,L/Gate,Use w/Spoiler,Red (K3R)
	4293 345	1		24	Gold (K3Y)
4267 700	1		24	Silver (K3A)	
4293 344	1		24	Tan (K3K)	
9	5209 223	2		24	TAPE,Door Handle

MODEL CODES  
 B = GRAN FURY  
 C = LEBARON/TOWN & COUNTRY  
 D = ARIES  
 E = 600  
 F = FIFTH AVENUE  
 G = DIPLOMAT  
 M = HORIZON/TURISMO/SCAMP  
 P = RELIANT  
 S = CORDOBA  
 T = E CLASS/NEWYORKER  
 V = 400  
 X = MIRADA  
 Y = IMPERIAL  
 Z = OMNI/CHARGER/RAMPAGE

BODY STYLES  
 21 = 2-DOOR SEDAN  
 22 = 2-DOOR SPECIAL COUPE  
 24 = 2-DOOR HATCHBACK  
 27 = 2-DOOR CONVERTIBLE  
 28 = FWD PICKUP  
 41 = 4-DOOR SEDAN  
 45 = 4-DOOR STATION WAGON  
 44 = 4-DOOR HATCHBACK  
 48 = EXECUTIVE SEDAN

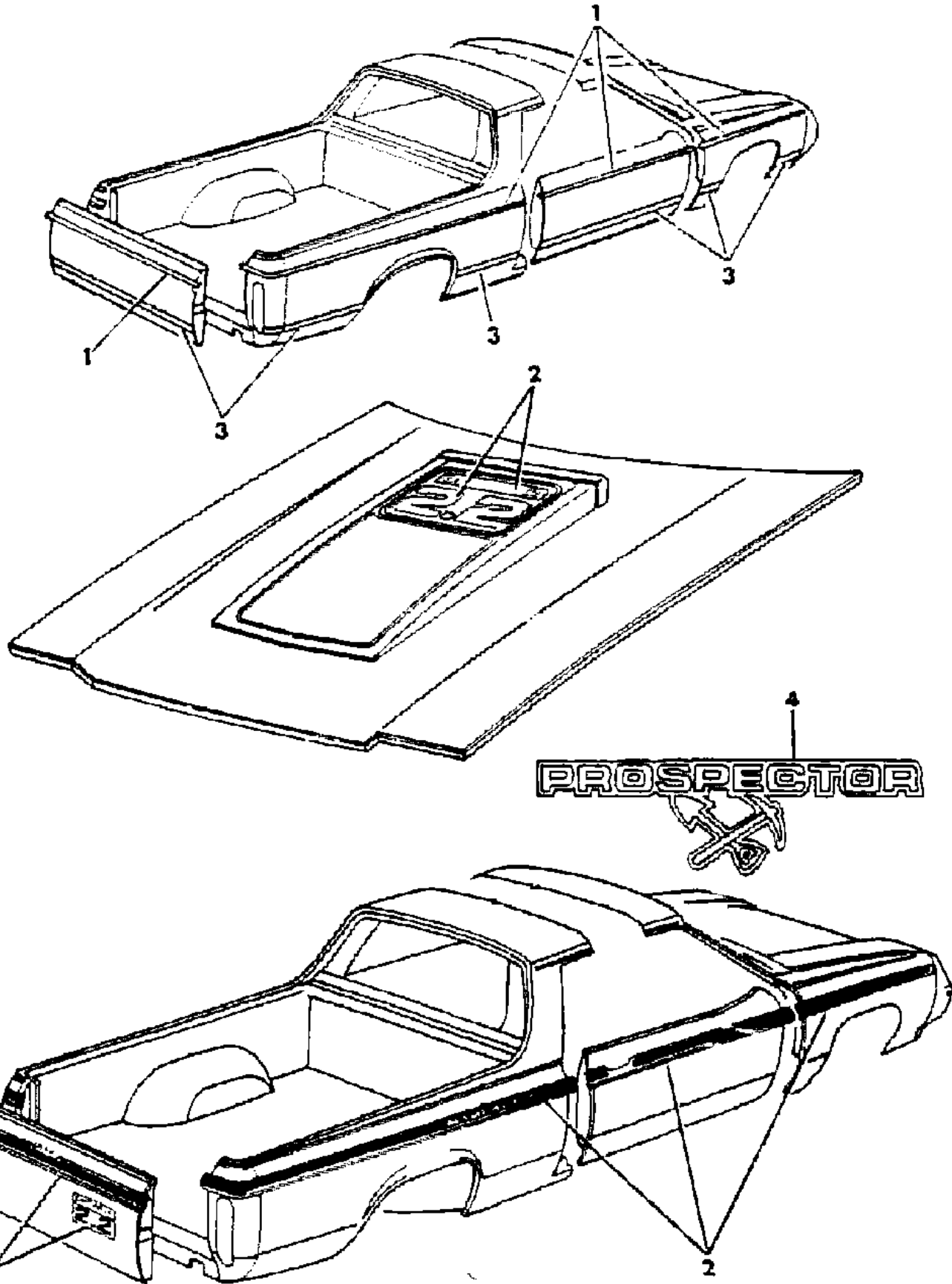
AR = Use as Required - = Non Illustrated Part P.A.R. = Paint as Required

EXTERIOR VIEW TAPE STRIPES - DODGE RAMPAGE - Z-28

Figure 23-1200

11/85 1,000

ITEM	PART NUMBER	QTY	BODY	MODEL	DESCRIPTION
1	4271 718-9	1		28	TAPE SET,Fndr.,Door,Qtr.,Red (K3R)
	4293 336-7	1		28	Gold (K3Y)
	4293 334-5	1		28	Tan (K3K)
	T441 AE5	1		28	TAPE,Tailgate,Red (K3R)
	T441 BY3	1		28	Gold (K3Y)
2	T441 BK6	1		28	Tan (K3K)
	4271 688-9	1		28	TAPE SET,Fndr.,Door,Qtr.,Silver (K2A)
	4271 690-1	1		28	Black (K2X)
	T340 BA2	1		28	TAPE,T/Gate,Silver (K2A)
	T340 BX1	1		28	Black (K2X)
	T341 BA2	1		28	DECAL,Hood Scoop,"Rampage 2.2",Silver (K2A)
	T341 BX1	1		28	Black (K2X)
3	T342 BA2	1		28	DECAL,T/Gate,"2.2",Silver (K2A)
	T342 BX1	1		28	Black (K2X)
	4271 680-1	1		28	TAPE SET,Fndr.,Door,Qtr.,Lwr.,Silver and Black (K1S)
	4271 682-3	1		28	Flat Black and Silver (K1X)
	T343 BBE	1		28	TAPE,T/Gate,Lwr.,Silver and Black (K1S)
4	T343 BAX	1		28	Flat Black and Silver (K1X)
	5230 878	2		28	DECAL,Qtr. "Prospector",Black and Gold,Sprg. Spec. Pkg. A69



MODEL CODES  
 B = GRAN FURY  
 C = LEBARON/TOWN & COUNTRY  
 D = ARIES  
 E = 600  
 F = FIFTH AVENUE  
 G = DIPLOMAT  
 M = HORIZON/TURISMO/SCAMP  
 P = RELIANT  
 S = CORDOBA  
 T = E CLASS/NEWYORKER  
 V = 400  
 X = MIRADA  
 Y = IMPERIAL  
 Z = OMNI/CHARGER/RAMPAGE

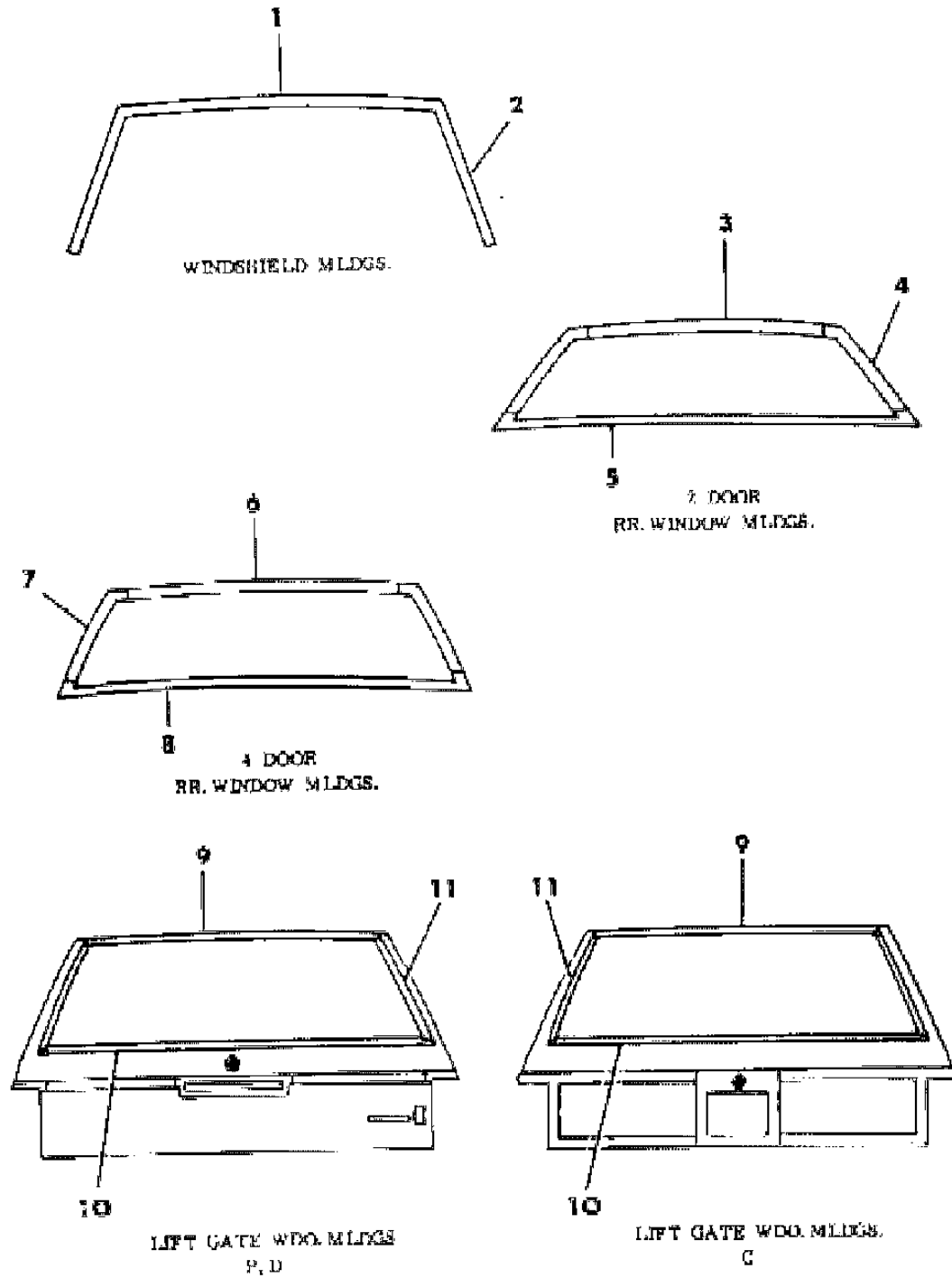
BODY STYLES  
 21 = 2-DOOR SEDAN  
 22 = 2-DOOR SPECIAL COUPE  
 24 = 2-DOOR HATCHBACK  
 27 = 2-DOOR CONVERTIBLE  
 28 = FWD PICKUP  
 41 = 4-DOOR SEDAN  
 45 = 4-DOOR STATION WAGON  
 44 = 4-DOOR HATCHBACK  
 48 = EXECUTIVE SEDAN

AR = Use as Required - = Non Illustrated Part P.A.R. = Paint as Required



**MOULDINGS,WINDSHIELD AND REAR WINDOW OUTSIDE P,D,V,C**  
**Figure 23-1300**

3168 1300



ITEM	PART NUMBER	QTY	BODY	MODEL	DESCRIPTION
1	4229 769	1		Except	MOULDING,W/Shield,Upr.
	4305 100	1		27	MOULDING,W/Shield,Upr.
	4097 522-3	1		27	MOULDING,W/Shield,Upr.Corner
	4305 123	AR		27	WELT,W/Shield Outside Mldg.,Rubber,8' Length
	6003 409	AR		Except	RETAINER,W/Shield,Upr. Mldg.
2	4229 772-3	1		Except	MOULDING,W/Shield,Side
	4097 772-3	1		27	MOULDING,W/Shield,Side
	6003 409	AR		Except	RETAINER,W/Shield,Side Mldg.
	6003 830	AR		Except	RETAINER,W/Shield,Side Mldg.
3	4175 188	1		P,D,21	MOULDING,Rear Wdo.,Upr.
4	4276 634-5	1		P,D,21	MOULDING,Rear Wdo.,Side
	4276 636	2		P,D,21	SPACER,Rear Wdo.,Side Mldg.
	6003 830	AR		P,D,21	RETAINER,Rear Wdo.,Side
	5	4175 192-3	1		P,D,21
6	4175 566	1		41	MOULDING,Rear Wdo.,Upr.
7	4276 632-3	1		41	MOULDING,Rear Wdo.,w/Spacer,Side
	4276 631	2		41	SPACER,Rear Wdo.,Side
	6003 830	AR		41	RETAINER,Rear Wdo.,Side
	8	4175 570-1	1		41
9	4175 930	1		P,D,C	MOULDING,L/Gate,Upr.
10	4175 931	1		P,D,C	MOULDING,L/Gate,Lwr.
11	4175 932-3	1		P,D,C	MOULDING,L/Gate,Side

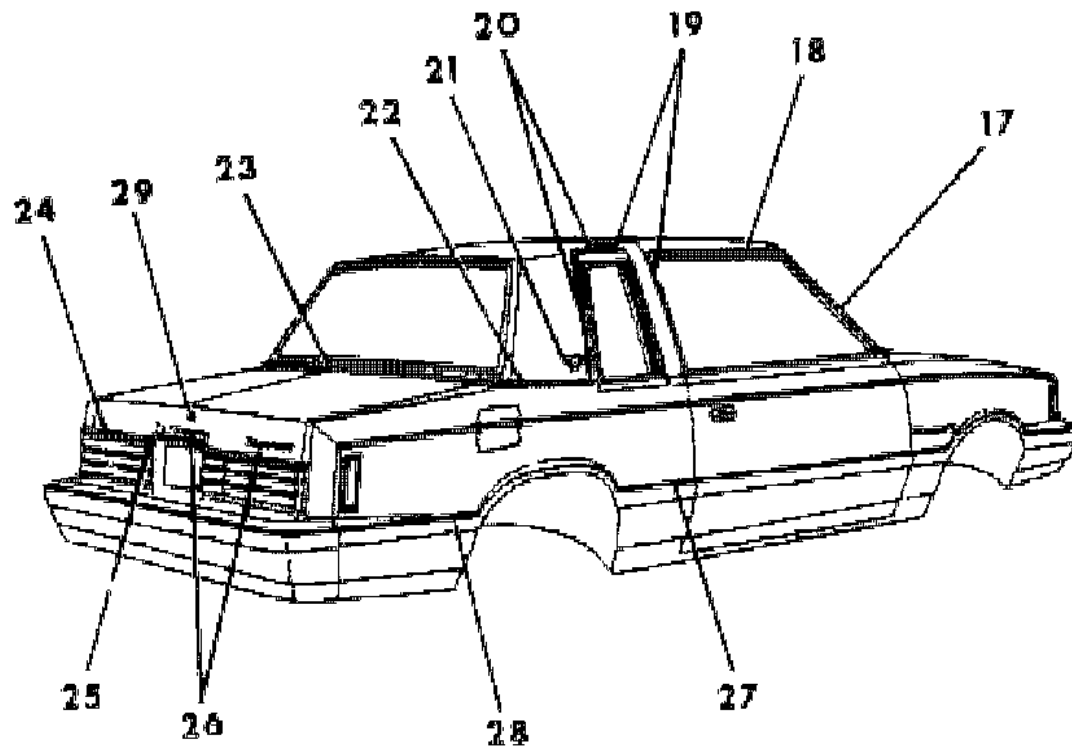
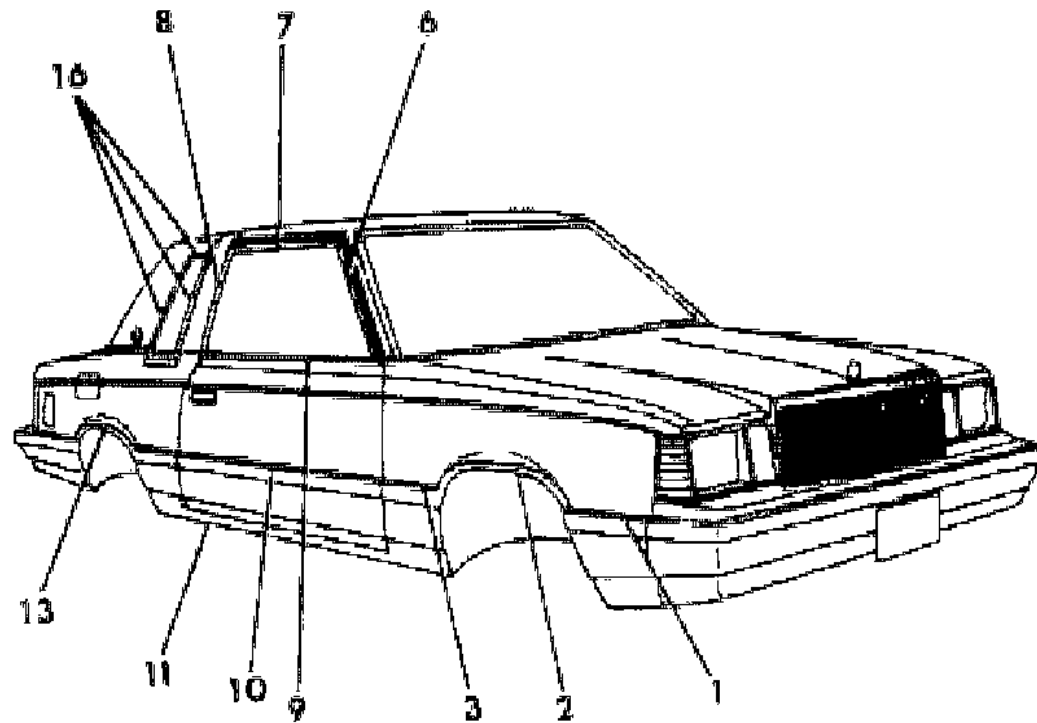
MODEL CODES  
 B = GRAN FURY  
 C = LEBARON/TOWN & COUNTRY  
 D = ARIES  
 E = 600  
 F = FIFTH AVENUE  
 G = DIPLOMAT  
 M = HORIZON/TURISMO/SCAMP  
 P = RELIANT  
 S = CORDOBA  
 T = E CLASS/NEWYORKER  
 V = 400  
 X = MIRADA  
 Y = IMPERIAL  
 Z = OMNI/CHARGER/RAMPAGE

BODY STYLES  
 21 = 2-DOOR SEDAN  
 22 = 2-DOOR SPECIAL COUPE  
 24 = 2-DOOR HATCHBACK  
 27 = 2-DOOR CONVERTIBLE  
 28 = FWD PICKUP  
 41 = 4-DOOR SEDAN  
 45 = 4-DOOR STATION WAGON  
 44 = 4-DOOR HATCHBACK  
 48 = EXECUTIVE SEDAN

AR = Use as Required - = Non Illustrated Part P.A.R. = Paint as Required

EXTERIOR VIEW PLYMOUTH RELIANT 2 DOOR  
Figure 23-1400

3188 1400



ITEM	PART NUMBER	QTY	BODY	MODEL	DESCRIPTION
1	4293 446-7	1			MOULDING PACKAGE,Fndr. Frt.,Silver
	4293 448-9	1			Blue
	4293 452-3	1			Red
	4293 450-1	1			Beige Met.
	4240 896-7	1			Pearl White
	4240 898-9	1			Black
	4293 454-5	1			Sable Tan
	4057 569				RETAINER PKG.
	6027 625				NUT
					SCREW (Not Serviced)
2	4175 756-7	1			MOULDING,Fndr. Wheel Opng. SCREW (Not Serviced)
3	4293 456-7	1			MOULDING PACKAGE,Fndr. Rear,Silver
	4267 746-7	1			Blue
	4293 460-1	1			Red
	4293 458-9	1			Beige Met.
	4240 962-3	1			Pearl White
	4240 964-5	1			Black
	4293 462-3	1			Sable Tan
	4205 636				RET. PKG. STUD (Not Serviced)
					SCREW (Not Serviced)
	6	4276 063	1		
4276 158		1			MOULDING,Door Wdo. Opng. Frame Frt.,Rt.,Use w/o Mirror
4276 062		1			MOULDING,Door Wdo. Opng. Frame Frt.,Rt.,Use w/Mirror
7	4276 484-5	1			MOULDING,Door Wdo. Opng. Frame Up.
8	4276 234-5	1			MOULDING,Door Wdo. Opng. Frame Rear
9	4205 646-7	1			MOULDING,Door Belt,w/Mirror
	4205 651	1			MOULDING,Door Belt Rt.,w/o Mirror
	6003 781				RET.
	6003 627				RET.
	4205 634				RET. PKG.
10	4293 412-3	1			MOULDING PACKAGE,Door,Silver
	4267 710-1	1			Blue
	4293 416-7	1			Red
	4293 414-5	1			Beige Met.
	4240 814-5	1			Pearl White

MODEL CODES

B = GRAN FURY	G = DIPLOMAT	V = 400
C = LEBARON/TOWN & COUNTRY	M = HORIZON/TURISMO/SCAMP	X = MIRADA
D = ARIES	P = RELIANT	Y = IMPERIAL
E = 600	S = CORDOBA	Z = OMNI/CHARGER/RAMPAGE
F = FIFTH AVENUE	T = E CLASS/NEWYORKER	

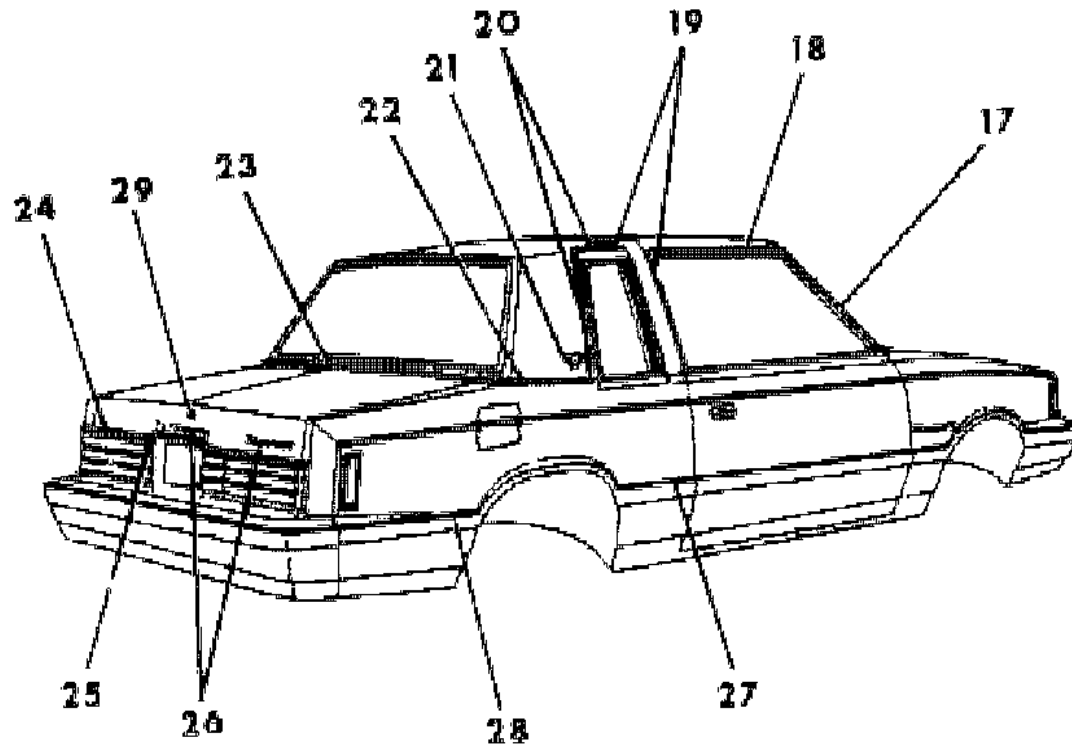
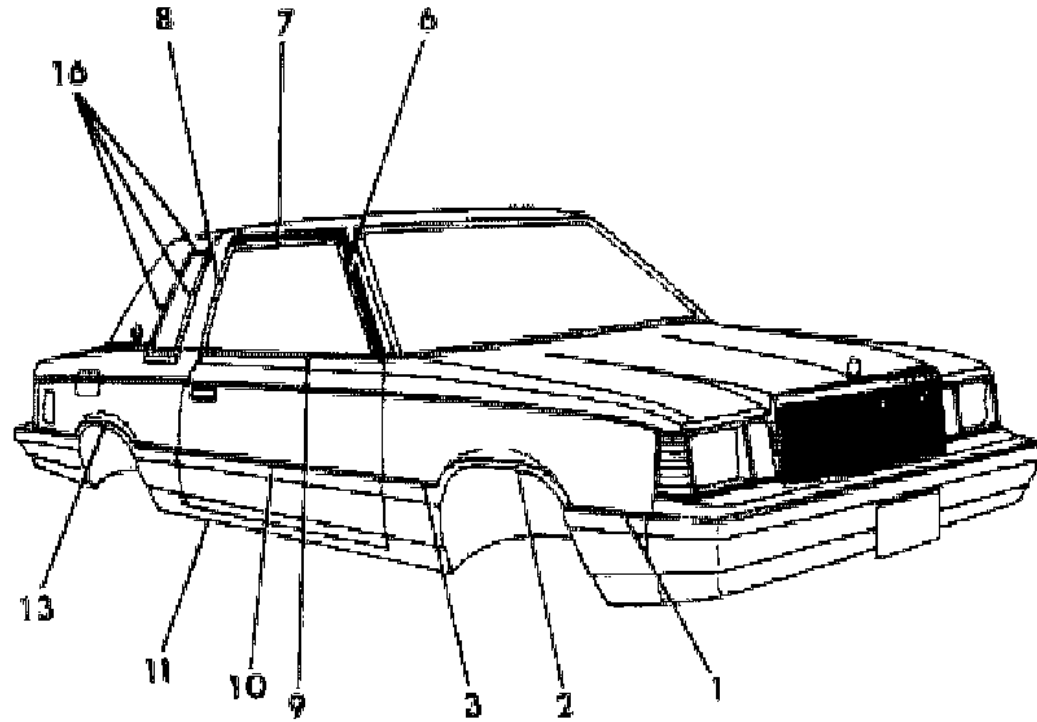
BODY STYLES

21 = 2-DOOR SEDAN	41 = 4-DOOR SEDAN
22 = 2-DOOR SPECIAL COUPE	45 = 4-DOOR STATION WAGON
24 = 2-DOOR HATCHBACK	44 = 4-DOOR HATCHBACK
27 = 2-DOOR CONVERTIBLE	48 = EXECUTIVE SEDAN
28 = FWD PICKUP	

AR = Use as Required - = Non Illustrated Part P.A.R. = Paint as Required

EXTERIOR VIEW PLYMOUTH RELIANT 2 DOOR  
Figure 23-1400

3188 1400



ITEM	PART NUMBER	QTY	BODY	MODEL	DESCRIPTION
	4240 816-7	1			Black
	4293 418-9	1			Sable Tan
	4205 636				RET. PKG. STUD (Not Serviced)
	4057 555				RET. PKG.
11	4205 652-3 6003 777	1			MOULDING PACKAGE,Body Side Sill RET. STUD (Not Serviced) SCREW (Not Serviced)
13	4175 770-1	1			MOULDING,Qtr. Wheel Opng. SCREW (Not Serviced)
16	X238-9 BA2 X238-9 AA9 X238-9 AC9 X238-9 BC4 X238-9 VW3 X238-9 BL4 X238-9 BT8 X238-9 AX9 X238-9 BM5 4175 604-5	1 1 1 1 1 1 1 1 1 1		P-H	MOULDING,Qtr. Opera Wdo.,Louvered,Silver Met. Dark Silver Night Watch Blue Glacier Blue Pearl White Beige Met. Sable Tan Black Red MOULDING,Qtr. Wdo.,Black
	4175 604-5 6003 770 6003 627	1		P-L P-H	MOULDING,Qtr. Wdo.,Black,Use w/Padded Landau Roof RET. RET. NUT (Not Serviced)
17	4175 580-1 4229 762-3 4276 416-7 4229 766-7 4229 764-5	1 1 1 1 1			MOULDING,Body Frt. Pillar Drain Trough,Use w/o Spec. Sound Insul.,C15 Pkg. MOULDING and SEAL,Body Frt. Pillar Drain Trough,Use w/o Spec. Sound Insul.Pkg. MOULDING,Body Frt. Pillar Drain Trough,Use w/Spec. Sound Insul.,C15 Pkg. MOULDING and Seal,Body Frt. Pillar Drain Trough,Use w/ Spec. Sound Insul.,C15 Pkg. SEAL,Body Frt. Pillar Drain Trough Mldg.,Inner,Use w/Spec. Sound Insul.,C15 Pkg. SCREW (Not Serviced)
18	4229 684-5	1			MOULDING,Roof Side Drain Trough,w/Padded Landau Roof

MODEL CODES

B = GRAN FURY	G = DIPLOMAT	V = 400
C = LEBARON/TOWN & COUNTRY	M = HORIZON/TURISMO/SCAMP	X = MIRADA
D = ARIES	P = RELIANT	Y = IMPERIAL
E = 600	S = CORDOBA	Z = OMNI/CHARGER/RAMPAGE
F = FIFTH AVENUE	T = E CLASS/NEWYORKER	

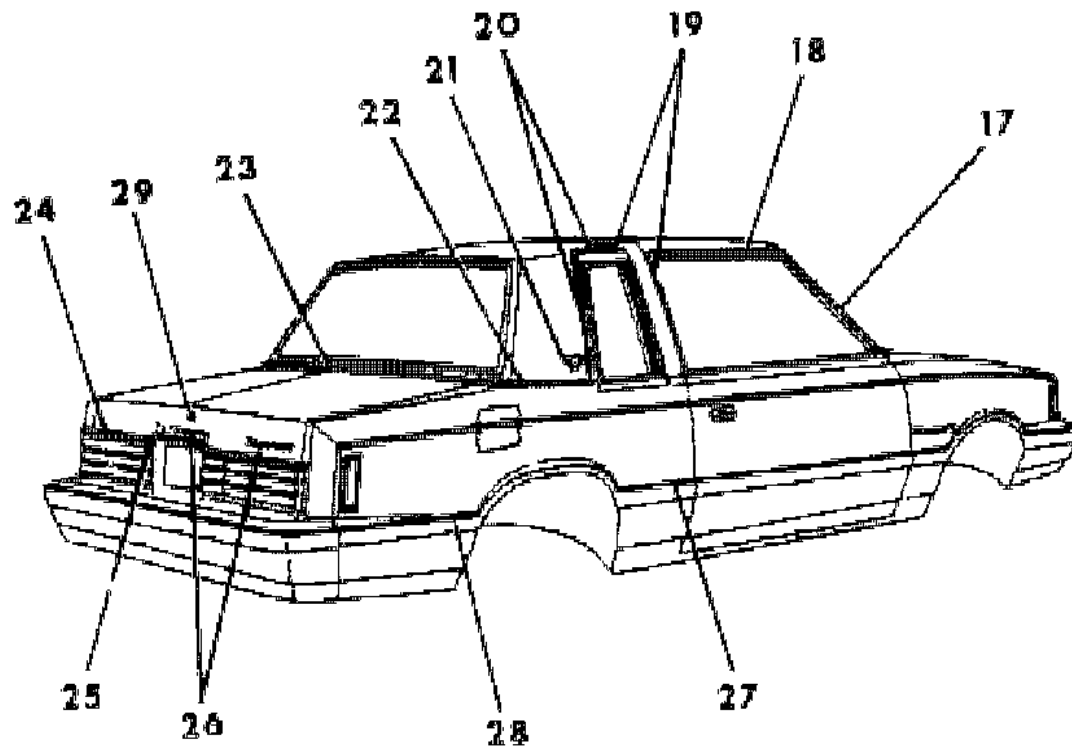
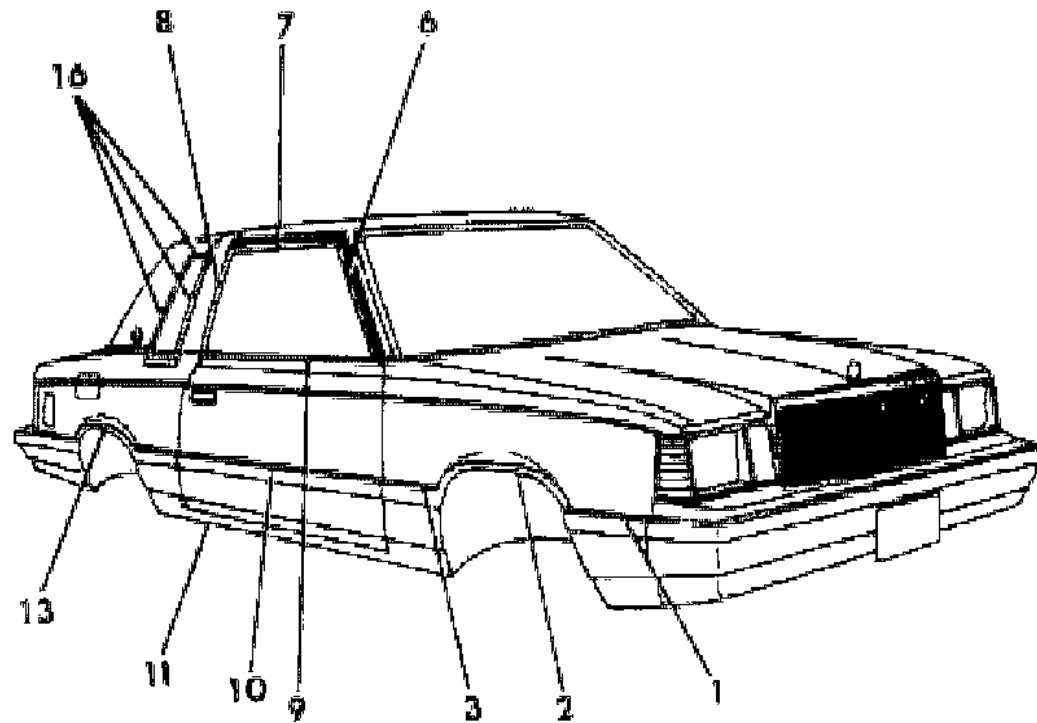
BODY STYLES

21 = 2-DOOR SEDAN	41 = 4-DOOR SEDAN
22 = 2-DOOR SPECIAL COUPE	45 = 4-DOOR STATION WAGON
24 = 2-DOOR HATCHBACK	44 = 4-DOOR HATCHBACK
27 = 2-DOOR CONVERTIBLE	48 = EXECUTIVE SEDAN
28 = FWD PICKUP	

AR = Use as Required - = Non Illustrated Part P.A.R. = Paint as Required

**EXTERIOR VIEW PLYMOUTH RELIANT 2 DOOR**  
**Figure 23-1400**

3188 1400



ITEM	PART NUMBER	QTY	BODY	MODEL	DESCRIPTION
	4229 688-9	1			w/o Padded Landau Roof
19	X210-1 BC9	1			MOULDING, Roof Transverse, w/Padded Landau Roof, Blue
	X210-1 BM5	1			Red
	X210-1 BL4	1			Beige Met.
	X210-1 VW3	1			Pearl White
	X210-1 BA2	1			Silver
	X210-1 VX9	1			Black
	6002 013				RET. NUT (Not Serviced)
20	4175 678-9	1		P-H	MOULDING, Qtr. Wdo Opng., w/Padded Landau Roof
	6003 770				RET.
	6003 627				RET.
21	4229 783	2		P-H	MEDALLION, Qtr. Pnl., "SE"
	6003 627				RET.
22	4205 656-7	1			MOULDING PACKAGE, Qtr. Belt, w/Padded Landau Roof
	3744 671				RET. PKG.
	6003 627				RET.
23	4205 654-5	1			MOULDING PACKAGE, Deck Opng. Upr. Pnl., Use on Two Tone
					Paint, Full Unpadded or Padded Landau Roof
	6003 607				RET. SCREW (Not Serviced)
24	4175 894-5	1			MOULDING, Deck Lid Lwr. Side
	6028 674				SCREW
25	4175 694	1			MOULDING, Deck Lid Lwr. Center
	6028 674				SCREW
26	4276 305	1			NAME PLATE, Deck Lid, "Reliant"
	4276 304	1			"Aries", Export
	4276 401	1			"Plymouth"
	4293 464-5	1			MOULDING PACKAGE, Qtr. Frt., Silver
27	4267 734-5	1			Blue
	4293 468-9	1			Red
	4293 466-7	1			Beige Met.
	4240 978-9	1			Pearl White
	4240 980-1	1			Black
	4293 470-1	1			Sable Tan
	4205 636				RET. PKG.
28	4293 436-7	1			MOULDING PACKAGE, Qtr. Rear, Silver

**MODEL CODES**

B = GRAN FURY	G = DIPLOMAT	V = 400
C = LEBARON/TOWN & COUNTRY	M = HORIZON/TURISMO/SCAMP	X = MIRADA
D = ARIES	P = RELIANT	Y = IMPERIAL
E = 600	S = CORDOBA	Z = OMNI/CHARGER/RAMPAGE
F = FIFTH AVENUE	T = E CLASS/NEWYORKER	

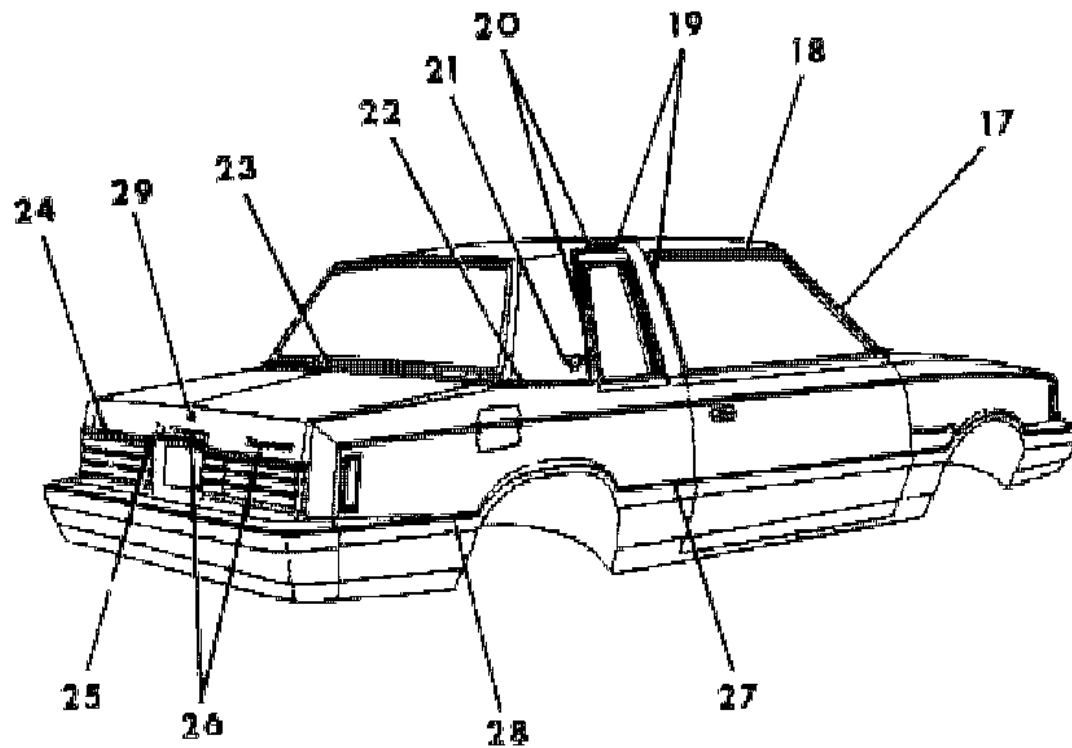
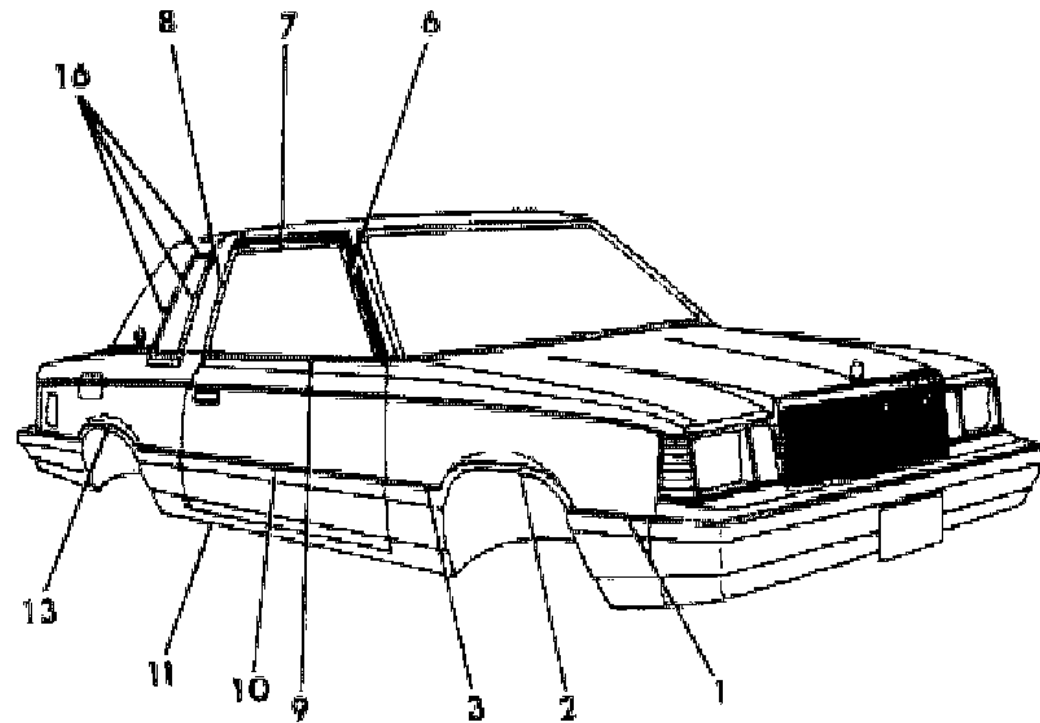
**BODY STYLES**

21 = 2-DOOR SEDAN	41 = 4-DOOR SEDAN
22 = 2-DOOR SPECIAL COUPE	45 = 4-DOOR STATION WAGON
24 = 2-DOOR HATCHBACK	44 = 4-DOOR HATCHBACK
27 = 2-DOOR CONVERTIBLE	48 = EXECUTIVE SEDAN
28 = FWD PICKUP	

AR = Use as Required - = Non Illustrated Part P.A.R. = Paint as Required

**EXTERIOR VIEW PLYMOUTH RELIANT 2 DOOR**  
**Figure 23-1400**

3188 1400



ITEM	PART NUMBER	QTY	BODY	MODEL	DESCRIPTION
	4293 444-5	1			Blue
	4293 440-1	1			Red
	4293 438-9	1			Beige Met.
	4240 880-1	1			Pearl White
	4240 882-3	1			Black
	4293 442-3	1			Sable Tan
	4205 636				RET. PKG.
29	X601 BA2	1			MEDALLION,Deck Lid Lock Cyl.,Silver Met.
	X601 BA9	1			Dark Silver
	X601 BC4	1			Blue
	X601 BM5	1			Red
	X601 BL4	1			Beige Met.
	X601 BT8	1			Sable Tan
	X601 BW3	1			White
	X601 BX9	1			Black

NOTE: The Colored Medallion Used is Determined by the Exterior Paint of Car an offsetting order for part no. 3747881

**MODEL CODES**

B = GRAN FURY	G = DIPLOMAT	V = 400
C = LEBARON/TOWN & COUNTRY	M = HORIZON/TURISMO/SCAMP	X = MIRADA
D = ARIES	P = RELIANT	Y = IMPERIAL
E = 600	S = CORDOBA	Z = OMNI/CHARGER/RAMPAGE
F = FIFTH AVENUE	T = E CLASS/NEWYORKER	

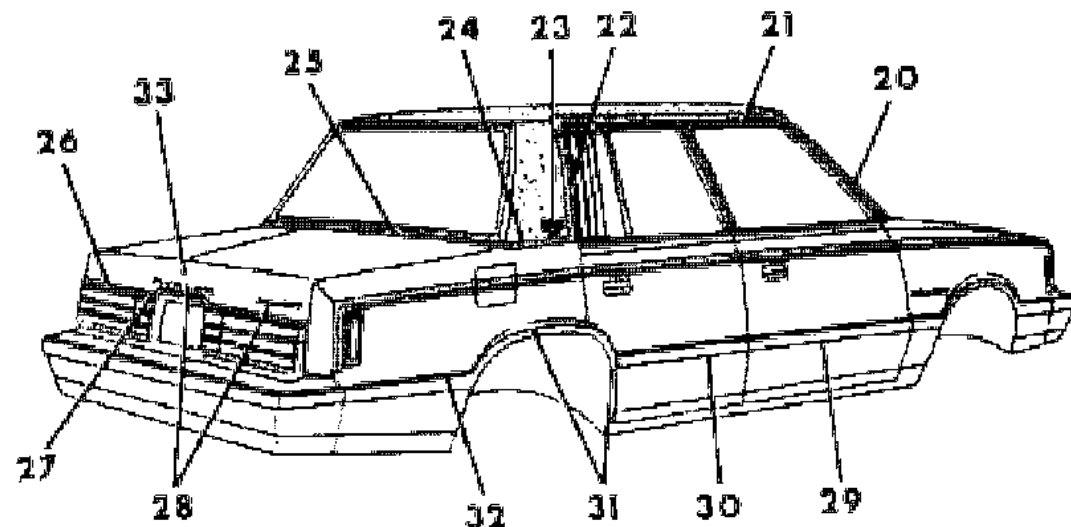
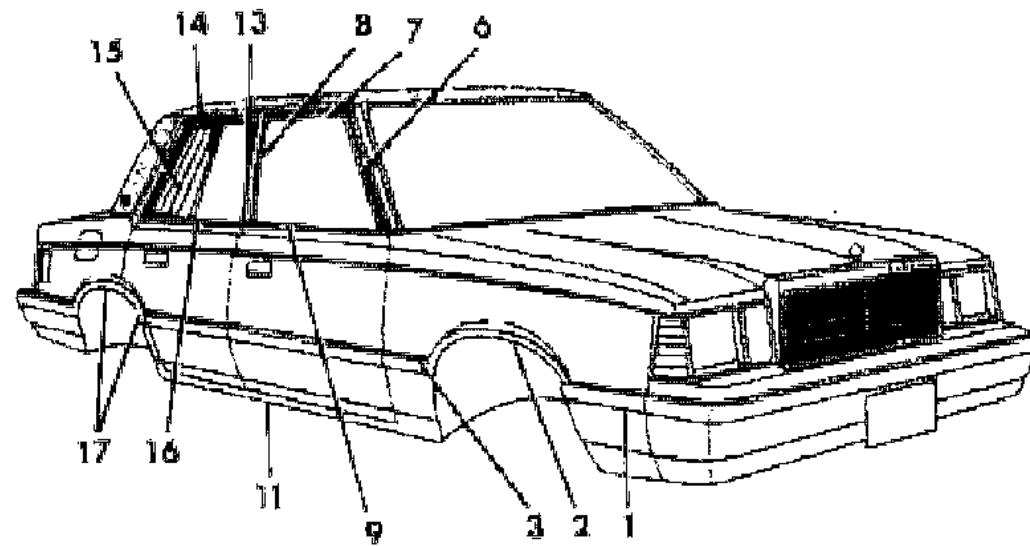
**BODY STYLES**

21 = 2-DOOR SEDAN	41 = 4-DOOR SEDAN
22 = 2-DOOR SPECIAL COUPE	45 = 4-DOOR STATION WAGON
24 = 2-DOOR HATCHBACK	44 = 4-DOOR HATCHBACK
27 = 2-DOOR CONVERTIBLE	48 = EXECUTIVE SEDAN
28 = FWD PICKUP	

AR = Use as Required - = Non Illustrated Part P.A.R. = Paint as Required

EXTERIOR VIEW PLYMOUTH RELIANT 4 DOOR  
Figure 23-1500

3168 1500



ITEM	PART NUMBER	QTY	BODY	MODEL	DESCRIPTION
1	4293 446-7	1			MOULDING PACKAGE,Fndr. Frt.,Silver
	4293 448-9	1			Blue
	4293 452-3	1			Red
	4293 450-1	1			Beige Met.
	4240 896-7	1			Pearl White
	4240 898-9	1			Black
	4293 454-5	1			Sable Tan
	4057 569				RET. PKG.
	6027 625				NUT
2	4175 756-7	1			SCREW (Not Serviced) MOULDING,Fndr. Wheel Opng. SCREW (Not Serviced)
3	4293 456-7	1			MOULDING PACKAGE,Fndr. Rear,Silver
	4267 746-7	1			Blue
	4293 460-1	1			Red
	4293 458-9	1			Beige Met.
	4240 962-3	1			Pearl White
	4240 964-5	1			Black
	4293 462-3	1			Sable Tan
	4205 636				RET. PKG. STUD (Not Serviced)
6	4276 063	1			SCREW (Not Serviced) MOULDING,Door Wdo. Opng. Frame Frt.,Lt,Use w/Mirror
	4276 158	1			MOULDING,Door Wdo. Opng. Frame Frt.,Rt.Use w/o Mirror
	4276 062	1			MOULDING,Door Wdo. Opng. Frame Frt.,Rt.,Use w/Mirror
7	4276 482-3	1			MOULDING,Door Wdo. Opng. Frame Up.
8	4276 066-7	1			MOULDING,Door Wdo. Opng. Frame Rear
9	4205 644-5	1			MOULDING PACKAGE,Frt Door Belt,w/Mirror
	4205 650	1			MOULDING PACKAGE,Frt Door Belt,Rt.,w/o Mirror
	4205 634				RET. PKG.
	6003 627				RET.
	6003 781				RET.
11	4205 652-3	1			MOULDING PACKAGE,Body Side Sill
	6003 777				RET. STUD (Not Serviced) SCREW (Not Serviced)
13	4276 068-9	1			MOULDING,Rear Door Wdo Opng Frame,Frt.

MODEL CODES

B = GRAN FURY

C = LEBARON/TOWN & COUNTRY

D = ARIES

E = 600

F = FIFTH AVENUE

G = DIPLOMAT

M = HORIZON/TURISMO/SCAMP

P = RELIANT

S = CORDOBA

T = E CLASS/NEWYORKER

V = 400

X = MIRADA

Y = IMPERIAL

Z = OMNI/CHARGER/RAMPAGE

BODY STYLES

21 = 2-DOOR SEDAN

22 = 2-DOOR SPECIAL COUPE

24 = 2-DOOR HATCHBACK

27 = 2-DOOR CONVERTIBLE

28 = FWD PICKUP

41 = 4-DOOR SEDAN

45 = 4-DOOR STATION WAGON

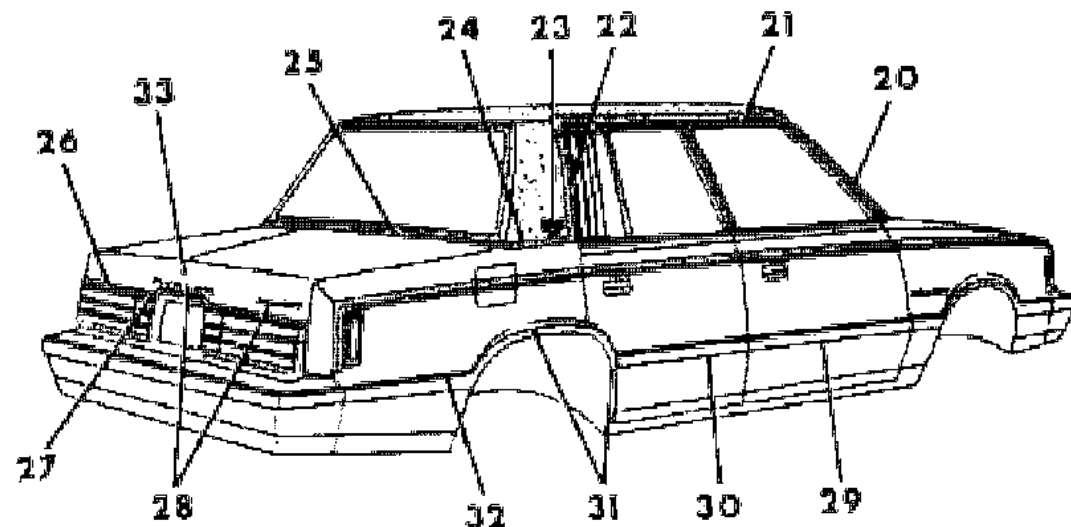
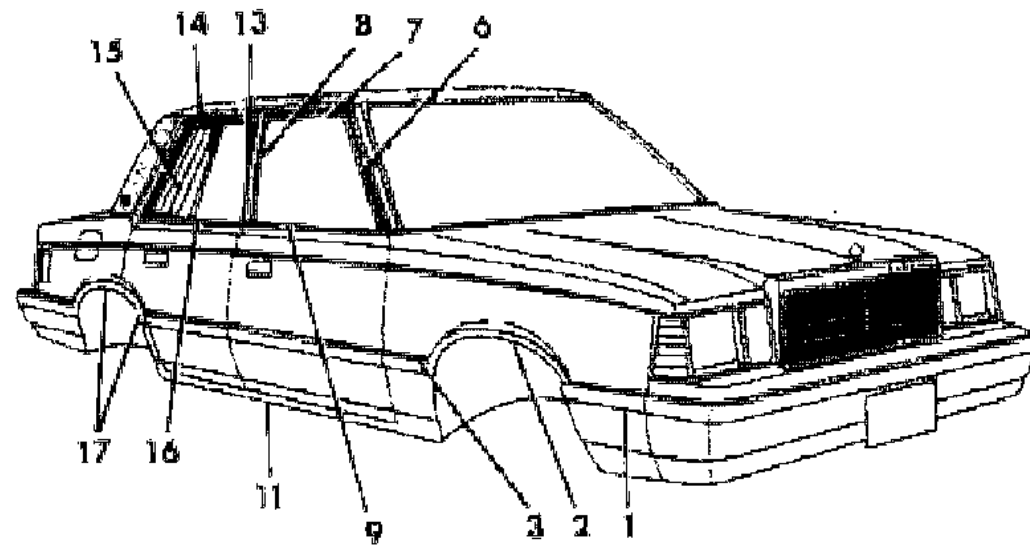
44 = 4-DOOR HATCHBACK

48 = EXECUTIVE SEDAN

AR = Use as Required - = Non Illustrated Part P.A.R. = Paint as Required

EXTERIOR VIEW PLYMOUTH RELIANT 4 DOOR  
Figure 23-1500

3168 1500



ITEM	PART NUMBER	QTY	BODY	MODEL	DESCRIPTION
14	4276 480-1	1			MOULDING,Rear Door Wdo Opng Frame,Upr.,Use w/Qtr. Wdo. Frame and Louver
15	X340-1 BXX 6003 828	1			FRAME & LOUVER,Rear Door Wdo.,Black RETAINER SCREW (Not Serv.)
16	4293 402-3  4205 634 6003 627	1			MOULDING PACKAGE,Rear Door Belt,Use w/Qtr.Wdo. Frame & Louver RET. PKG. RET.
17	4175 770-1	1			MOULDING,Qtr.Wheel Opng.,Bright Finish SCREW (Not Serviced)
20	4175 580-1	1			MOULDING,Body Frt. Pillar Drain Trough,Use w/o Spec. Sound Insul.,C15 Pkg.
	4229 762-3	1			MOULDING and SEAL,Body Frt. Pillar Drain Trough,Use w/o Spec. Sound Insul C15 Pkg.
	4276 416-7	1			MOULDING,Body Frt. Pillar Drain Trough,Use w/Spec. Sound Insul.,C15 Pkg.
	4229 766-7	1			MOULDING and SEAL,Body Frt. Pillar Drain Trough,Use w/ Spec. Sound Insul C15 Pkg.
	4229 764-5	1			SEAL,Body Frt. Pillar Drain Trough Mldg.,Inner,Use w/Spec. Sound Insul.,C15 Pkg.
21	4229 680-1 4229 682-3	1 1			MOULDING,Roof Side Drain Trough,Frt.,w/o Vinyl Roof w/ Vinyl Roof
22	4175 592-3	1			MOULDING,Roof Drain Trough,Rear,w/Vinyl Roof
23	4229 783 6003 627	2		P-H	MEDALLION,Qtr. Pnl., "SE" RET.
24	4205 658-9 3744 671	1			MOULDING,Qtr. Belt,w/Vinyl Roof RET. PKG.
25	4205 654-5	1			MOULDING PACKAGE,Deck Opng. Upr. Pnl.,Use on Two Tone Paint,Full Unpadded or Padded Landau Roof SCREW (Not Serviced) RET.
26	4175 894-5 6028 674	1			MOULDING,Deck Lid Lwr. Side SCREW
27	4175 694 6028 674	1			MOULDING,Deck Lid Lwr. Center SCREW
28	4276 305	1			NAME PLATE,Deck Lid,"Reliant"

MODEL CODES

B = GRAN FURY	G = DIPLOMAT	V = 400
C = LEBARON/TOWN & COUNTRY	M = HORIZON/TURISMO/SCAMP	X = MIRADA
D = ARIES	P = RELIANT	Y = IMPERIAL
E = 600	S = CORDOBA	Z = OMNI/CHARGER/RAMPAGE
F = FIFTH AVENUE	T = E CLASS/NEWYORKER	

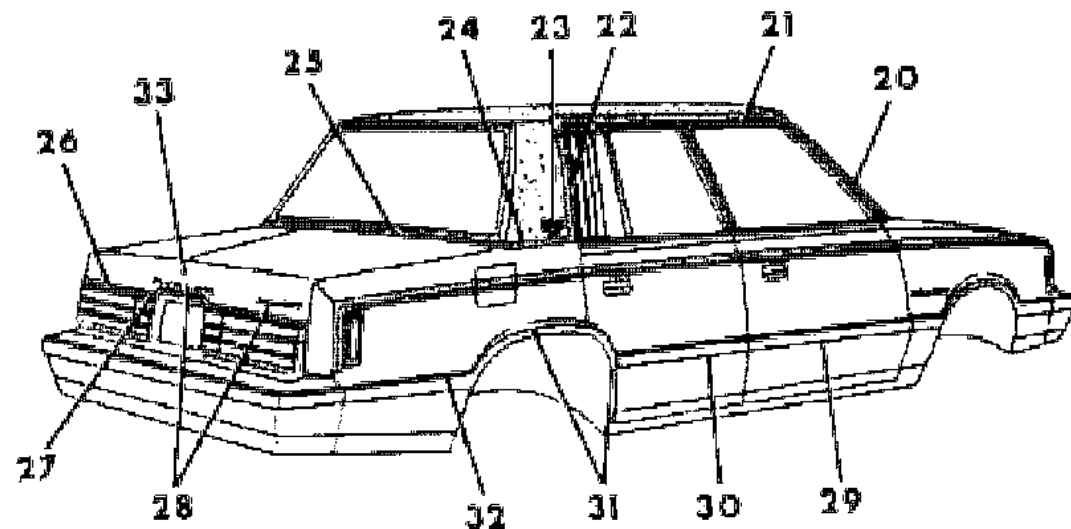
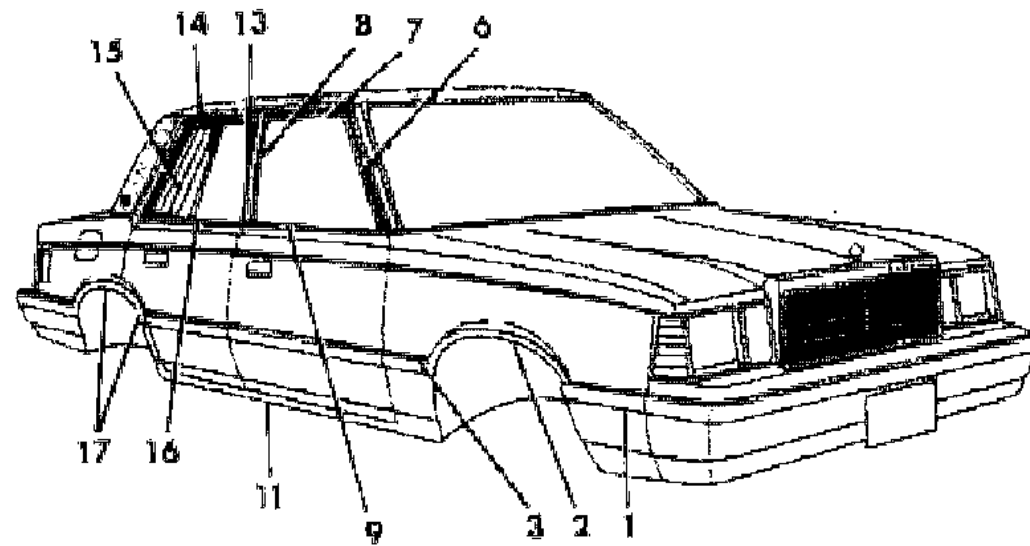
BODY STYLES

21 = 2-DOOR SEDAN	41 = 4-DOOR SEDAN
22 = 2-DOOR SPECIAL COUPE	45 = 4-DOOR STATION WAGON
24 = 2-DOOR HATCHBACK	44 = 4-DOOR HATCHBACK
27 = 2-DOOR CONVERTIBLE	48 = EXECUTIVE SEDAN
28 = FWD PICKUP	

AR = Use as Required - = Non Illustrated Part P.A.R. = Paint as Required

EXTERIOR VIEW PLYMOUTH RELIANT 4 DOOR  
Figure 23-1500

3168 1500



ITEM	PART NUMBER	QTY	BODY	MODEL	DESCRIPTION
	4276 304	1			"Aries",Export
	4276 401	1			"Plymouth"
29	4293 420-1	1			MOULDING PACKAGE,Frt. Door,Silver
	4267 722-3	1			Blue
	4293 424-5	1			Red
	4293 422-3	1			Beige Met.
	4240 830-1	1			Pearl White
	4240 832-3	1			Black
	4293 426-7	1			Sable Tan
	4057 555				RET. PKG.
	4205 636				RET. PKG. STUD (Not Serviced)
30	4293 428-9	1			MOULDING PACKAGE,Rear Door,Silver
	4271 654-5	1			Blue
	4293 432-3	1			Red
	4293 430-1	1			Beige Met.
	4240 846-7	1			Pearl White
	4240 848-9	1			Black
	4293 434-5	1			Sable Tan
	4057 555				RET. PKG.
	4205 636				RET. PKG. STUD (Not Serviced)
31	X224-5 BA2	1			MOULDING,Qtr.Frt. and Wheel Opng.,Silver
	X224-5 AC9	1			Blue
	X224-5 BM5	1			Red
	X224-5 BL4	1			Beige Met.
	X224-5 VW3	1			Pearl White
	X224-5 VX9	1			Black
	X224-5 BT8	1			Sable Tan
					SCREW (Not Serviced)
32	4293 436-7	1			MOULDING PACKAGE,Qtr. Rear,Silver
	4293 444-5	1			Blue
	4293 440-1	1			Red
	4293 438-9	1			Beige Met.
	4240 880-1	1			Pearl White
	4240 882-3	1			Black
	4293 442-3	1			Sable Tan

MODEL CODES

B = GRAN FURY	G = DIPLOMAT	V = 400
C = LEBARON/TOWN & COUNTRY	M = HORIZON/TURISMO/SCAMP	X = MIRADA
D = ARIES	P = RELIANT	Y = IMPERIAL
E = 600	S = CORDOBA	Z = OMNI/CHARGER/RAMPAGE
F = FIFTH AVENUE	T = E CLASS/NEWYORKER	

BODY STYLES

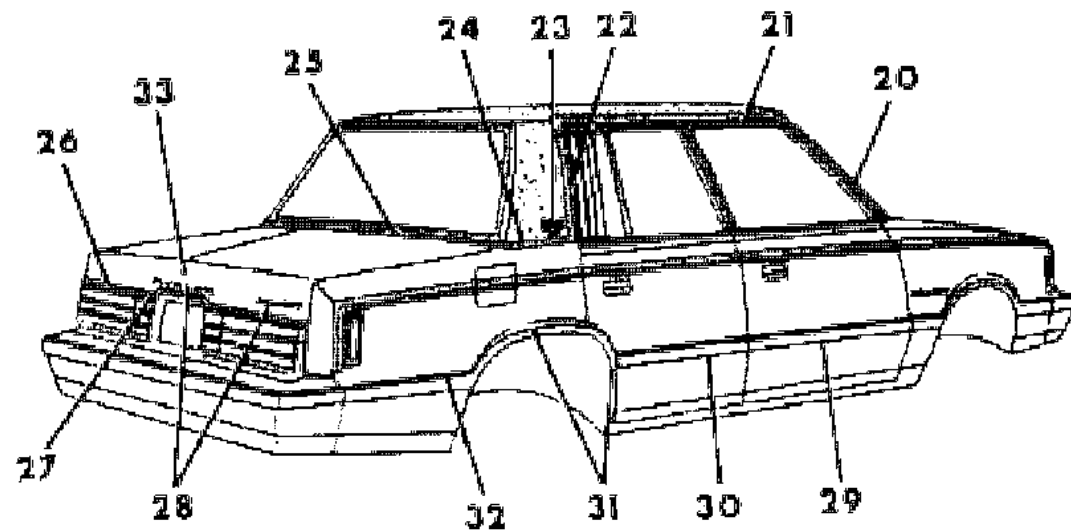
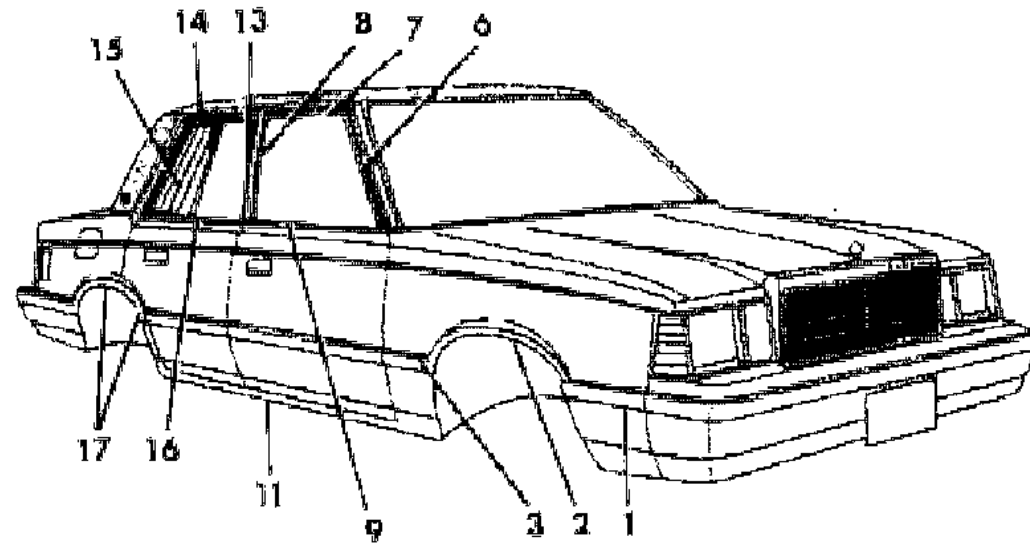
21 = 2-DOOR SEDAN	41 = 4-DOOR SEDAN
22 = 2-DOOR SPECIAL COUPE	45 = 4-DOOR STATION WAGON
24 = 2-DOOR HATCHBACK	44 = 4-DOOR HATCHBACK
27 = 2-DOOR CONVERTIBLE	48 = EXECUTIVE SEDAN
28 = FWD PICKUP	

AR = Use as Required - = Non Illustrated Part P.A.R. = Paint as Required



EXTERIOR VIEW PLYMOUTH RELIANT 4 DOOR  
Figure 23-1500

3168 1500



ITEM	PART NUMBER	QTY	BODY	MODEL	DESCRIPTION
	4205 636				RET. PKG.
					STUD (Not Serviced)
					SCREW (Not Serviced)
33	X601 BA2	1			MEDALLION,Deck Lid Lock Cyl.,Silver Met.
	X601 BA9	1			Dark Silver
	X601 BC4	1			Blue
	X601 BM5	1			Red
	X601 BL4	1			Beige Met.
	X601 BT8	1			Sable Tan
	X601 BW3	1			White
	X601 BX9	1			Black

NOTE: The Colored Medallion Used is Determined by the Exterior Paint of Car an offsetting order for part no. 3747881

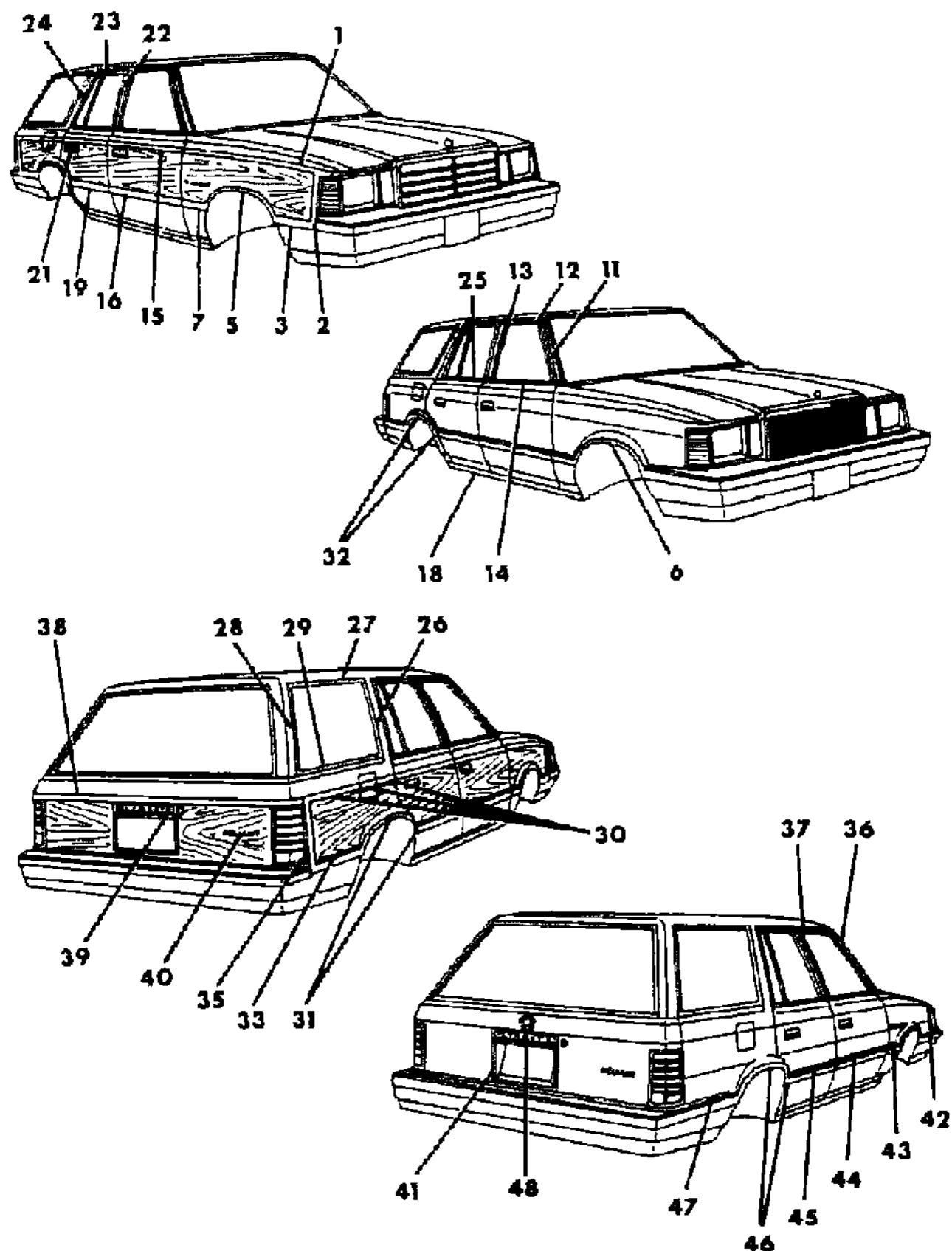
MODEL CODES  
 B = GRAN FURY  
 C = LEBARON/TOWN & COUNTRY  
 D = ARIES  
 E = 600  
 F = FIFTH AVENUE  
 G = DIPLOMAT  
 M = HORIZON/TURISMO/SCAMP  
 P = RELIANT  
 S = CORDOBA  
 T = E CLASS/NEWYORKER  
 V = 400  
 X = MIRADA  
 Y = IMPERIAL  
 Z = OMNI/CHARGER/RAMPAGE

BODY STYLES  
 21 = 2-DOOR SEDAN  
 22 = 2-DOOR SPECIAL COUPE  
 24 = 2-DOOR HATCHBACK  
 27 = 2-DOOR CONVERTIBLE  
 28 = FWD PICKUP  
 41 = 4-DOOR SEDAN  
 45 = 4-DOOR STATION WAGON  
 44 = 4-DOOR HATCHBACK  
 48 = EXECUTIVE SEDAN

AR = Use as Required - = Non Illustrated Part P.A.R. = Paint as Required

EXTERIOR VIEW PLYMOUTH RELIANT SUBURBAN  
Figure 23-1600

3168 1600



ITEM	PART NUMBER	QTY	BODY	MODEL	DESCRIPTION
1	4205 700-1	1			MOULDING PACKAGE,Fndr. Upr.,Woodgrain
	4205 640				RET. PKG.
	4057 555				RET. PKG.
	4205 641				RET. PKG.
2	4205 698-9	1			MOULDING PACKAGE,Fndr. Frt.,Woodgrain
	4205 638				RET. PKG.
	4057 555				RET. PKG.
	4205 639				RET. PKG.
3	4267 862-3	1			MOULDING,Fndr. Lwr. Frt.,Woodgrain
	4057 569				RET. PKG.
	6027 625				NUT SCREW (Not Serviced)
	4175 722-3	1			MOULDING,Fndr. Wheel Opng.,Woodgrain
5					SCREW (Not Serviced)
	4175 756-7	1			MOULDING,Fndr. Wheel Opng.,Bright Finish
6					SCREW (Not Serviced)
	4205 668-9	1			MOULDING PACKAGE,Fndr. Lwr. Rear,Woodgrain
7	4205 636				RET. PKG.
					STUD (Not Serviced)
					SCREW (Not Serviced)
	4276 063	1			MOULDING,Door Wdo Opng. Frame Frt.,Lt.,Use w/Mirror
11	4276 158	1			MOULDING,Door Wdo Opng. Frame Frt.,Rt.,Use w/o Mirror
	4276 062	1			MOULDING,Door Wdo Opng. Frame Frt.,Rt.,Use w/Mirror
	4276 482-3	1			MOULDING,Door Wdo Opng. Frame Upr.
12	4276 066-7	1			MOULDING,Door Wdo Opng. Frame Rear
13	4205 644-5	1			MOULDING PACKAGE,Frt. Door Belt,w/Mirror
	4205 650	1			MOULDING PACKAGE,Frt. Door Belt Rt.,w/o Mirror
	6003 781				RET. PKG.
	6003 627				RET.
14	4205 634				RET. PKG.
	4205 672-3	1			MOULDING PACKAGE,Frt. Door Upr.,Woodgrain
	4205 637				RET. PKG.
15	4240 984-5	1			MOULDING,Frt. Door Lwr.,Woodgrain
	4205 636				RET. PKG.
	4057 555				RET. PKG.
16	4205 652-3	1			MOULDING PACKAGE,Body Side Sill
	6003 777				RET. PKG.

MODEL CODES

B = GRAN FURY	G = DIPLOMAT	V = 400
C = LEBARON/TOWN & COUNTRY	M = HORIZON/TURISMO/SCAMP	X = MIRADA
D = ARIES	P = RELIANT	Y = IMPERIAL
E = 600	S = CORDOBA	Z = OMNI/CHARGER/RAMPAGE
F = FIFTH AVENUE	T = E CLASS/NEWYORKER	

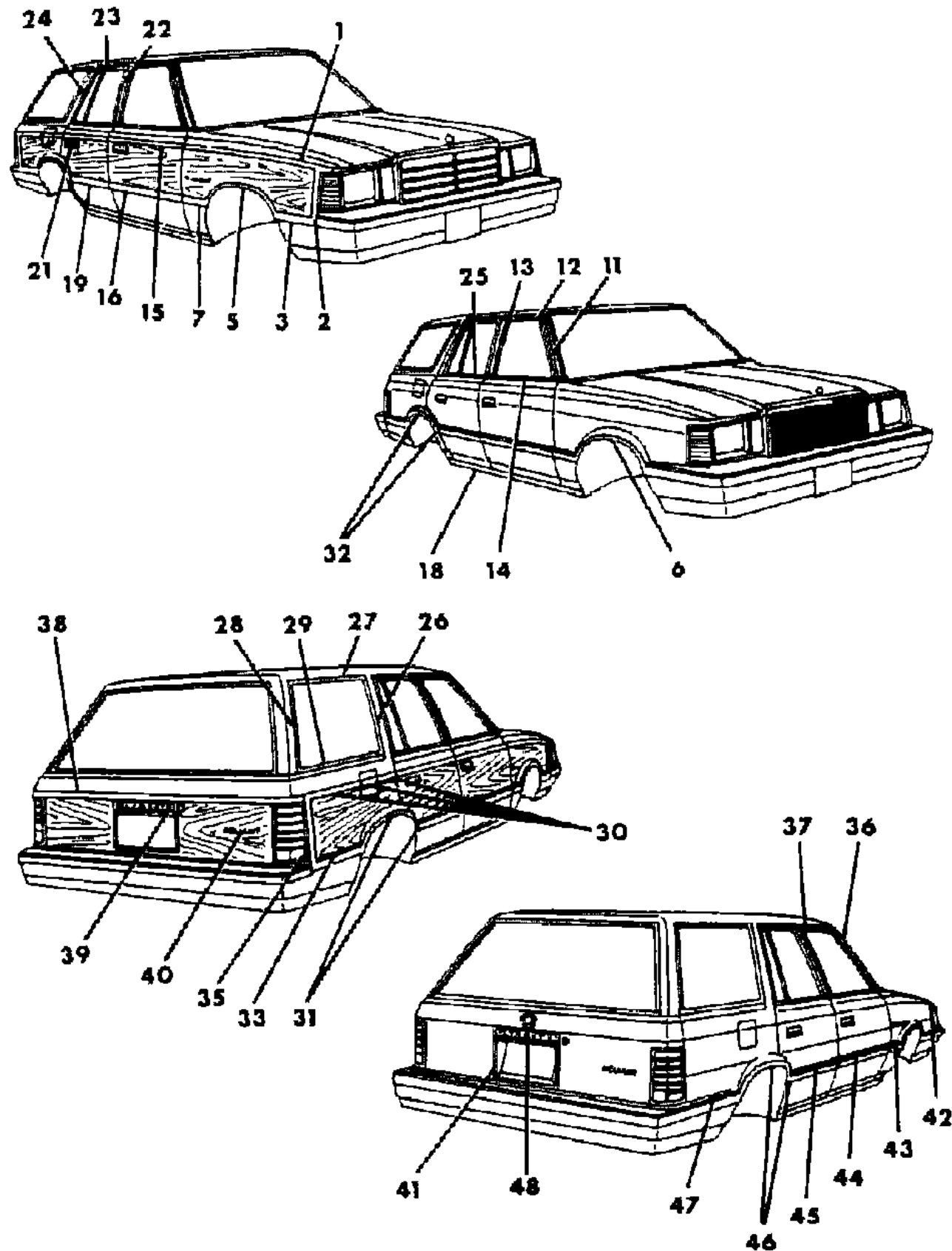
BODY STYLES

21 = 2-DOOR SEDAN	41 = 4-DOOR SEDAN
22 = 2-DOOR SPECIAL COUPE	45 = 4-DOOR STATION WAGON
24 = 2-DOOR HATCHBACK	44 = 4-DOOR HATCHBACK
27 = 2-DOOR CONVERTIBLE	48 = EXECUTIVE SEDAN
28 = FWD PICKUP	

AR = Use as Required - = Non Illustrated Part P.A.R. = Paint as Required

EXTERIOR VIEW PLYMOUTH RELIANT SUBURBAN  
Figure 23-1600

3168 1600



ITEM	PART NUMBER	QTY	BODY	MODEL	DESCRIPTION
19	4240 986-7	1			MOULDING,Rear Door Lwr.,Woodgrain
	4205 636				RET. PKG.
	4057 555				RET. PKG.
21	4205 674-5	1			MOULDING PACKAGE,Rear Door Upr.,Woodgrain
	4205 637				RET. PKG.
22	4276 068-9	1			MOULDING,Rear Door Wdo. Opng. Frame,Frnt.
23	4276 476-7	1			MOULDING,Rear Door Wdo. Opng. Frame,Upr.
24	4276 226-7	1			MOULDING,Rear Door Wdo. Opng. Frame,Rear
25	4205 648-9	1			MOULDING PACKAGE,Rear Door Belt
	4205 634				RET. PKG.
	6003 627				RET.
26	4175 936-7	1			MOULDING,Qtr. Wdo. Frnt.
	6003 753				RET.
27	4276 204	2			MOULDING,Qtr. Wdo. Upr.
	6003 753				RET.
28	4276 206-7	1			MOULDING,Qtr. Wdo. Rear
29	4276 208-9	1			MOULDING,Qtr. Wdo. Lwr.
	6003 753				RET.
30	4205 676	1			MOULDING PACKAGE,Qtr. Upr. Frnt.,Rt.,Woodgrain
	4205 677	1			MOULDING PACKAGE,Qtr. Upr.,Lt.,Woodgrain
	4205 678	1			MOULDING PACKAGE,Qtr. Upr.,Rear,Rt.,Woodgrain
	4205 679	1			MOULDING PACKAGE,Qtr. Fuel Filler Door,Woodgrain
	4205 637				RET. PKG.
31	4175 730-1	1			MOULDING,Qtr. Lwr. Frnt. and Wheel Opng.,Woodgrain
					SCREW (Not Serviced)
32	4175 770-1	1			MOULDING,Qtr. Wheel Opng.,Bright
					SCREW (Not Serviced)
33	4267 864-5	1			MOULDING PACKAGE,Qtr. Lwr.,Rear,Woodgrain
	4205 636				RET. PKG.
					STUD (Not Serviced)
					SCREW (Not Serviced)
35	4205 696-7	1			MOULDING PACKAGE,Qtr. Rear,Woodgrain
	4205 638				RET. PKG.
	4057 555				RET. PKG.
	6003 779				RET.
36	4175 580-1	1			MOULDING,Body Frnt. Pillar Drain Trough,Use w/o Spec. Sound Insul.,C15 Pkg.

MODEL CODES

B = GRAN FURY	G = DIPLOMAT	V = 400
C = LEBARON/TOWN & COUNTRY	M = HORIZON/TURISMO/SCAMP	X = MIRADA
D = ARIES	P = RELIANT	Y = IMPERIAL
E = 600	S = CORDOBA	Z = OMNI/CHARGER/RAMPAGE
F = FIFTH AVENUE	T = E CLASS/NEWYORKER	

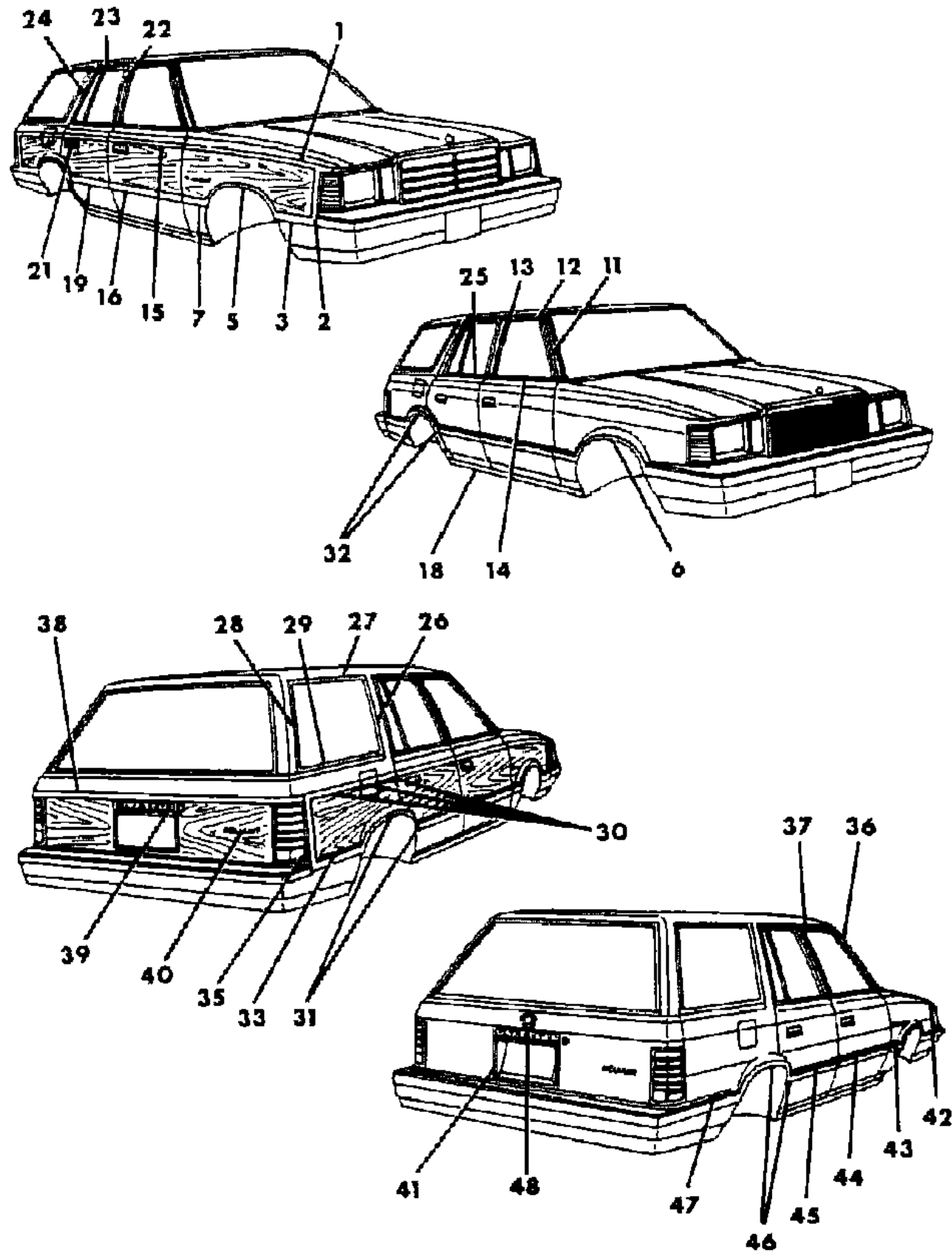
BODY STYLES

21 = 2-DOOR SEDAN	41 = 4-DOOR SEDAN
22 = 2-DOOR SPECIAL COUPE	45 = 4-DOOR STATION WAGON
24 = 2-DOOR HATCHBACK	44 = 4-DOOR HATCHBACK
27 = 2-DOOR CONVERTIBLE	48 = EXECUTIVE SEDAN
28 = FWD PICKUP	

AR = Use as Required - = Non Illustrated Part P.A.R. = Paint as Required

EXTERIOR VIEW PLYMOUTH RELIANT SUBURBAN  
Figure 23-1600

3168 1600



ITEM	PART NUMBER	QTY	BODY	MODEL	DESCRIPTION
	4229 762-3	1			MOULDING and SEAL,Body Frt. Pillar Drain Trough,Use w/o Spec. Sound Insul.,C15 Pkg.
	4276 416-7	1			MOULDING,Body Frt. Pillar Drain Trough,Use w/Spec. Sound Insul.,C15 Pkg.
	4229 766-7	1			MOULDING and SEAL,Body Frt. Pillar Drain Trough,Use w/Spec. Sound Insul.,C15 Pkg.
	4229 764-5	1			SEAL,Body Frt. Pillar Drain Trough Mldg.,Inner,Use w/Spec. Sound Insul.,C15 Pkg.
37	4229 972-3	1			MOULDING,Roof Side Drain Trough,Frt.,w/o Vinyl Roof
38	4205 670-1	1			MOULDING PACKAGE,L/Gate,Woodgrain RET. PKG.
39	4175 744	1			HANDLE and MOULDING,L/Gate,Woodgrain NUT w/Wa.
	4229 118	1			HANDLE and GASKET,L/Gate
40	4276 305	1			NAME PLATE,L/Gate,"Reliant"
	4276 304	1			"Aries",Export
41	4175 749	1			MOULDING,L/Gate Lic. Plate Periphery
42	4293 446-7	1			MOULDING PACKAGE,Fndr. Frt.,Silver
	4293 448-9	1			Blue
	4293 452-3	1			Red
	4293 450-1	1			Beige Met.
	4240 896-7	1			Pearl White
	4240 898-9	1			Black
	4293 454-5	1			Sable Tan
	4057 569				RET. PKG.
	6027 625				NUT SCREW (Not Serviced)
43	4293 456-7	1			MOULDING PACKAGE,Fndr. Rear,Silver
	4267 746-7	1			Blue
	4293 460-1	1			Red
	4293 458-9	1			Beige Met.
	4240 962-3	1			Pearl White
	4240 964-5	1			Black
	4293 462-3	1			Sable Tan
	4205 636				RET. PKG. STUD (Not Serviced) SCREW (Not Serviced)

MODEL CODES

B = GRAN FURY	G = DIPLOMAT	V = 400
C = LEBARON/TOWN & COUNTRY	M = HORIZON/TURISMO/SCAMP	X = MIRADA
D = ARIES	P = RELIANT	Y = IMPERIAL
E = 600	S = CORDOBA	Z = OMNI/CHARGER/RAMPAGE
F = FIFTH AVENUE	T = E CLASS/NEWYORKER	

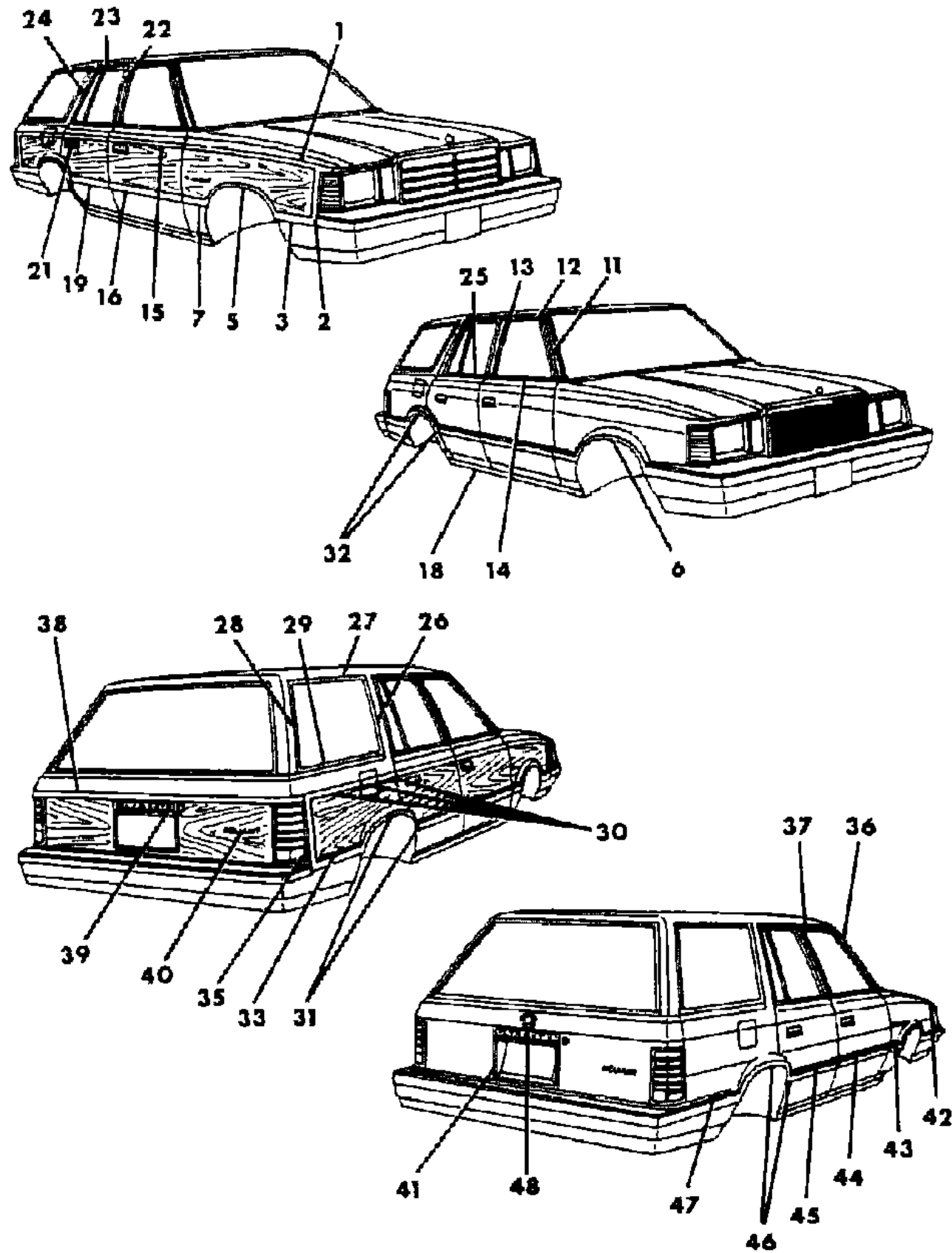
BODY STYLES

21 = 2-DOOR SEDAN	41 = 4-DOOR SEDAN
22 = 2-DOOR SPECIAL COUPE	45 = 4-DOOR STATION WAGON
24 = 2-DOOR HATCHBACK	44 = 4-DOOR HATCHBACK
27 = 2-DOOR CONVERTIBLE	48 = EXECUTIVE SEDAN
28 = FWD PICKUP	

AR = Use as Required - = Non Illustrated Part P.A.R. = Paint as Required

EXTERIOR VIEW PLYMOUTH RELIANT SUBURBAN  
Figure 23-1600

3168 1600



ITEM	PART NUMBER	QTY	BODY	MODEL	DESCRIPTION
44	4293 420-1	1			MOULDING PACKAGE,Frt. Door,Silver
					Blue
					Red
					Beige Met.
					Pearl White
					Black
					Sable Tan
					RET. PKG.
					RET. PKG.
	45	4293 428-9	1		
					Blue
					Red
					Beige Met.
					Pearl White
					Black
					Sable Tan
					RET. PKG.
					RET. PKG.
46		X224-5 BA2	1		
					Blue
					Red
					Beige Met.
					Pearl White
					Black
					Sable Tan
					RET. PKG.
47	4293 404-5	1			SCREW (Not Serviced)
					MOULDING and EXT.PACKAGE,Qtr.Rear,Silver
					Blue
					Red
					Beige Met.
					Pearl White
					Black
					Sable Tan
					RET. PKG.
					STUD (Not Serviced)
48	X263 BA2	1			SCREW (Not Serviced)
					MEDALLION,L/Gate,Silver Met.

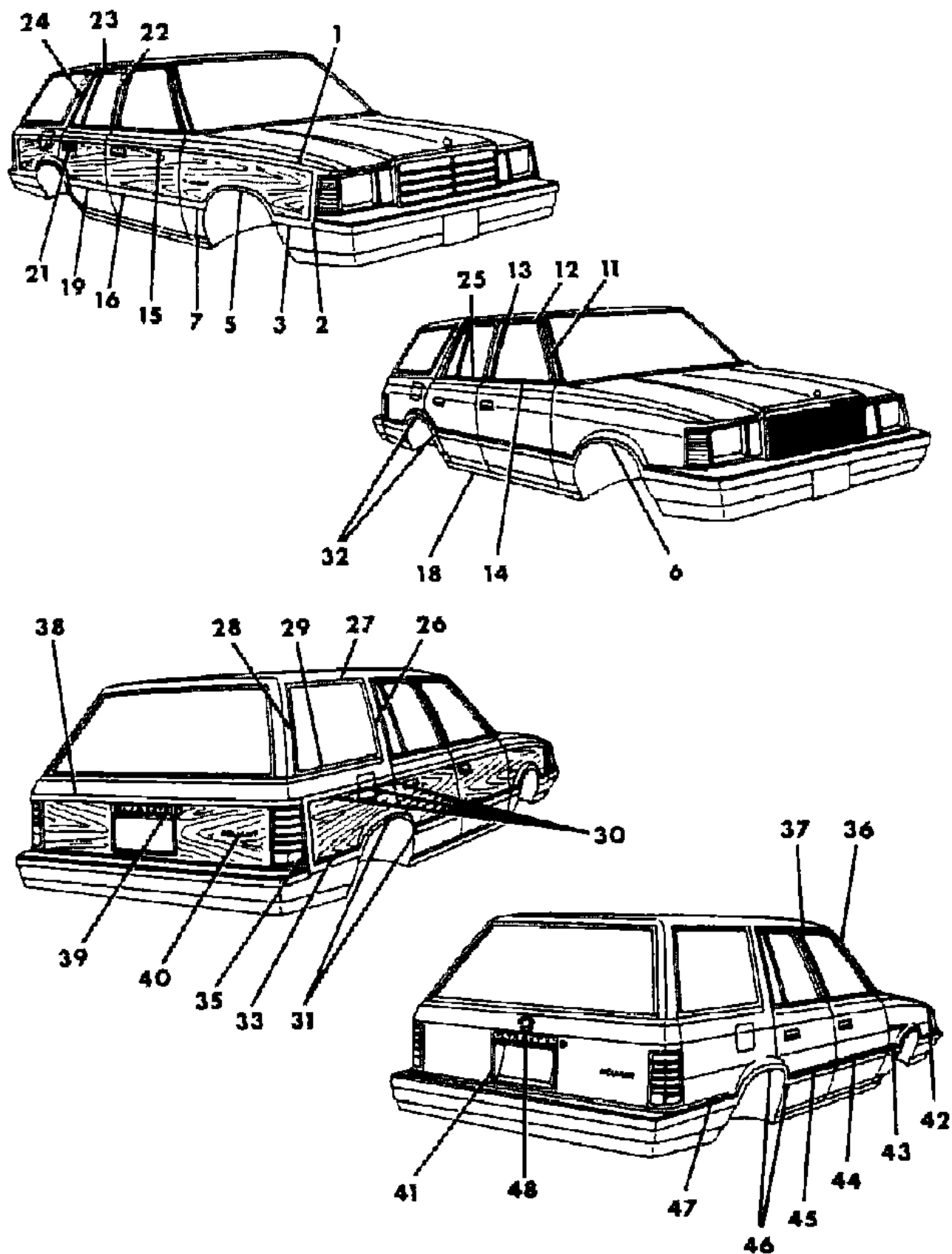
MODEL CODES  
 B = GRAN FURY  
 C = LEBARON/TOWN & COUNTRY  
 D = ARIES  
 E = 600  
 F = FIFTH AVENUE  
 G = DIPLOMAT  
 M = HORIZON/TURISMO/SCAMP  
 P = RELIANT  
 S = CORDOBA  
 T = E CLASS/NEWYORKER  
 V = 400  
 X = MIRADA  
 Y = IMPERIAL  
 Z = OMNI/CHARGER/RAMPAGE

BODY STYLES  
 21 = 2-DOOR SEDAN  
 22 = 2-DOOR SPECIAL COUPE  
 24 = 2-DOOR HATCHBACK  
 27 = 2-DOOR CONVERTIBLE  
 28 = FWD PICKUP  
 41 = 4-DOOR SEDAN  
 45 = 4-DOOR STATION WAGON  
 44 = 4-DOOR HATCHBACK  
 48 = EXECUTIVE SEDAN

AR = Use as Required - = Non Illustrated Part P.A.R. = Paint as Required

EXTERIOR VIEW PLYMOUTH RELIANT SUBURBAN  
Figure 23-1600

3168 1600



ITEM	PART NUMBER	QTY	BODY	MODEL	DESCRIPTION
	X263 AA9	1			Dark Silver
	X263 BC4	1			Blue
	X263 BM5	1			Red
	X263 BL4	1			Beige Met.
	X263 BT8	1			Sable Tan
	X263 AW3	1			White
	X263 AX9	1			Black

NOTE: The Colored Medallion Used is Determined by the Exterior Paint of CAR an offsetting order for part no. 3747881

MODEL CODES  
 B = GRAN FURY  
 C = LEBARON/TOWN & COUNTRY  
 D = ARIES  
 E = 600  
 F = FIFTH AVENUE  
 G = DIPLOMAT  
 M = HORIZON/TURISMO/SCAMP  
 P = RELIANT  
 S = CORDOBA  
 T = E CLASS/NEWYORKER  
 V = 400  
 X = MIRADA  
 Y = IMPERIAL  
 Z = OMNI/CHARGER/RAMPAGE

BODY STYLES  
 21 = 2-DOOR SEDAN  
 22 = 2-DOOR SPECIAL COUPE  
 24 = 2-DOOR HATCHBACK  
 27 = 2-DOOR CONVERTIBLE  
 28 = FWD PICKUP  
 41 = 4-DOOR SEDAN  
 45 = 4-DOOR STATION WAGON  
 44 = 4-DOOR HATCHBACK  
 48 = EXECUTIVE SEDAN

AR = Use as Required - = Non Illustrated Part P.A.R. = Paint as Required

**EXTERIOR VIEW - TAPE STRIPES PLYMOUTH RELIANT 2 DOOR - 4 DOOR - SUBURBAN**  
**Figure 23-1700**

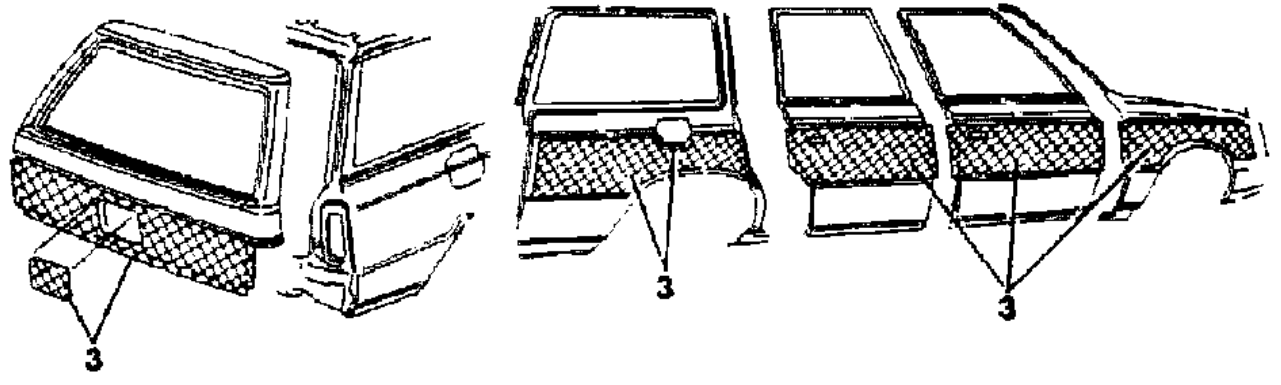
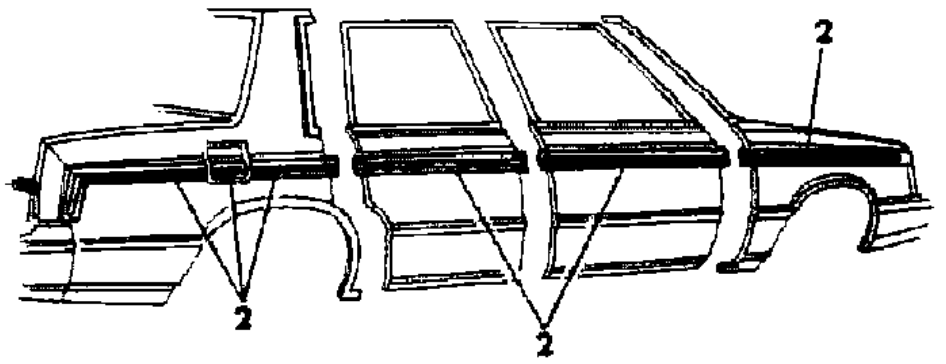
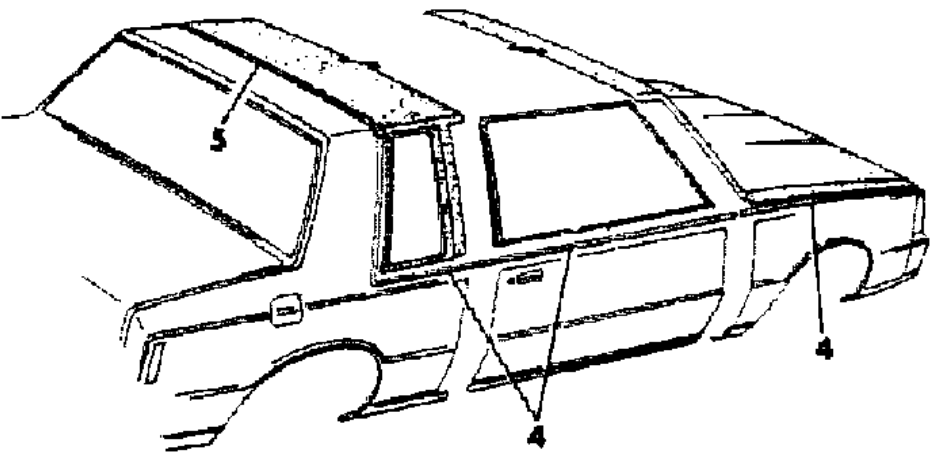
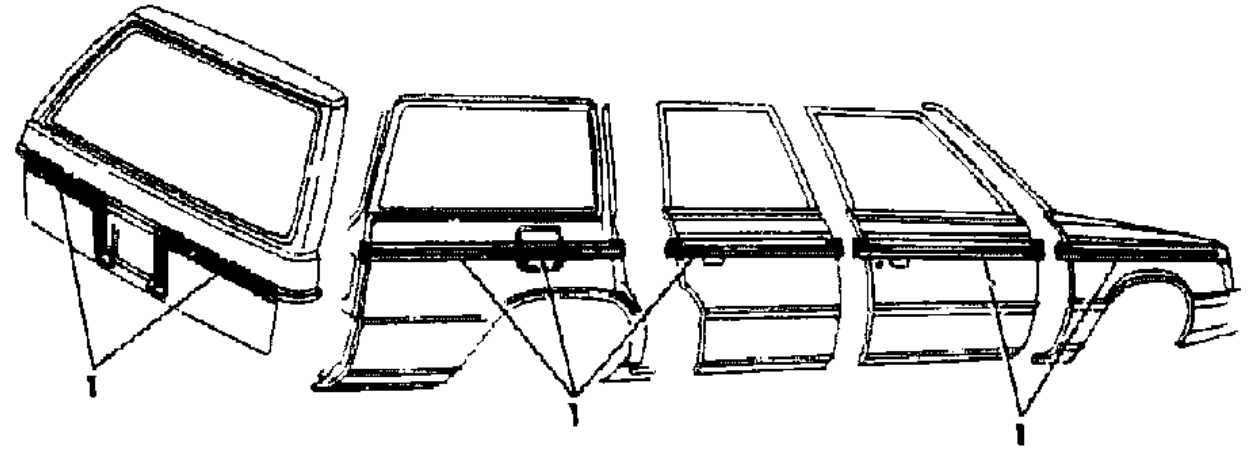
3168 1700

ITEM	PART NUMBER	QTY	BODY	MODEL	DESCRIPTION
1	4293 284-5	1	45		TAPE SET,Fndr.,Door,Qtr.,Blue (K3C)
	4267 654-5	1	45		Red (K3R)
	4293 290-1	1	45		Gold (K3Y)
	4293 286-7	1	45		Tan (K3K)
	4267 692-3	1	45		Silver (K3A)
	4267 662-3	1	45		White (K3W)
	4293 292	1	45		TAPE SET,Lift Gate,Blue (K3C)
	4267 665	1	45		Red (K3R)
	4293 295	1	45		Gold (K3Y)
	4293 293	1	45		Tan (K3K)
2	4267 694	1	45		Silver (K3A)
	4267 669	1	45		White (K3W)
	4240 742-3	1	21		TAPE SET,Fndr.,Door,Qtr.,Red (K3R)
	4293 302-3	1	21		Gold (K3Y)
	4293 298-9	1	21		Tan (K3K)
	4293 296-7	1	21		Blue (K3C)
	4267 698-9	1	21		Silver (K3A)
	4240 752-3	1	21		White (K3W)
	4240 754-5	1	41		Red (K3R)
	4293 316-7	1	41		Gold (K3Y)
3	4293 312-3	1	41		Tan (K3K)
	4293 310-1	1	41		Blue (K3C)
	4267 682-3	1	41		Silver (K3A)
	4240 764-5	1	41		White (K3W)
	4229 013	1	45		OVERLAY,Fndr. Door,Qtr.,Filler Door,L/Gate,L/Gate Lic. Plate Depr.
	4271 748-9	1	21		TAPE SET,Fndr.,Door,Qtr.Wdo.,Red and Silver (K1E)
	T540 ABF	1	21		TAPE,Roof Transverse,Red and Silver (K1E)

MODEL CODES  
 B = GRAN FURY  
 C = LEBARON/TOWN & COUNTRY  
 D = ARIES  
 E = 600  
 F = FIFTH AVENUE  
 G = DIPLOMAT  
 M = HORIZON/TURISMO/SCAMP  
 P = RELIANT  
 S = CORDOBA  
 T = E CLASS/NEWYORKER  
 V = 400  
 X = MIRADA  
 Y = IMPERIAL  
 Z = OMNI/CHARGER/RAMPAGE

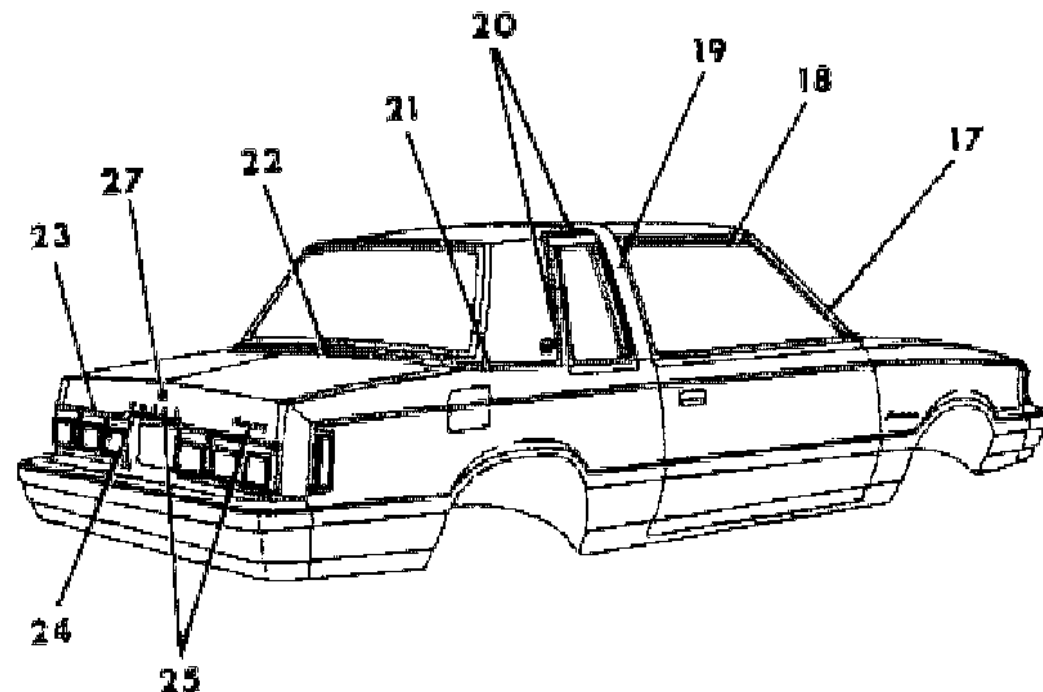
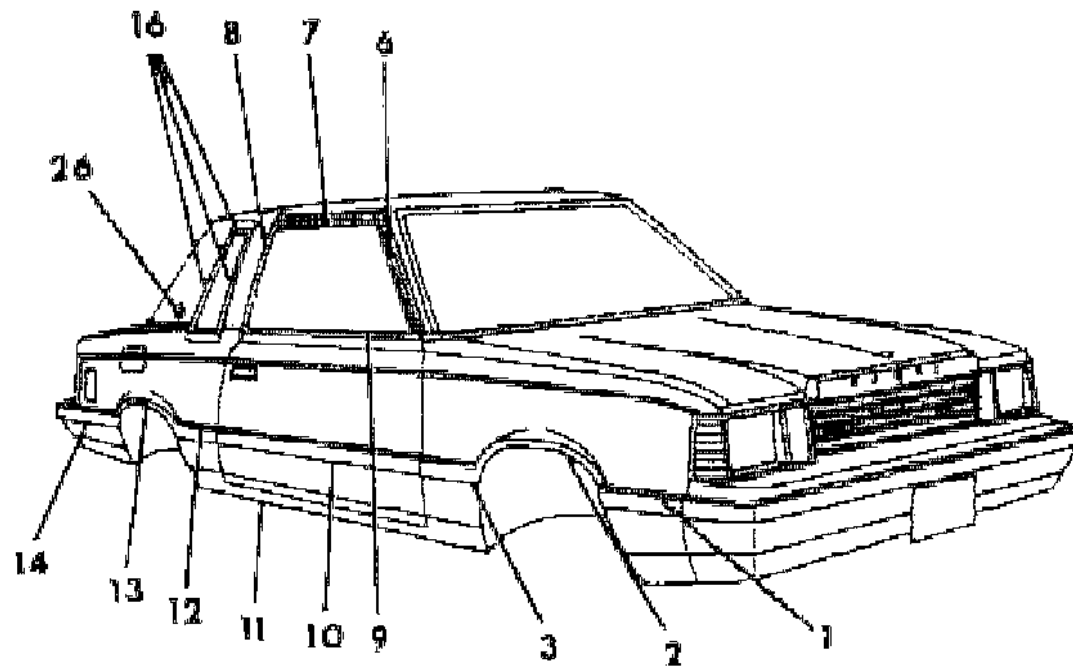
BODY STYLES  
 21 = 2-DOOR SEDAN  
 22 = 2-DOOR SPECIAL COUPE  
 24 = 2-DOOR HATCHBACK  
 27 = 2-DOOR CONVERTIBLE  
 28 = FWD PICKUP  
 41 = 4-DOOR SEDAN  
 45 = 4-DOOR STATION WAGON  
 44 = 4-DOOR HATCHBACK  
 48 = EXECUTIVE SEDAN

AR = Use as Required - = Non Illustrated Part P.A.R. = Paint as Required



EXTERIOR VIEW DODGE ARIES - 2 DOOR  
Figure 23-1800

23-1800



ITEM	PART NUMBER	QTY	BODY	MODEL	DESCRIPTION
1	4293 446-7	1			MOULDING PACKAGE,Fndr.,Frt.,Silver
	4293 448-9	1			Blue
	4293 452-3	1			Red
	4293 450-1	1			Beige Met.
	4240 896-7	1			Pearl White
	4240 898-9	1			Black
	4293 454-5	1			Sable Tan
	4057 569				RET. PKG.
	6027 625				NUT
	2				
4175 756-7		1			MOULDING,Fndr. Wheel Opng. SCREW (Not Serviced)
3	4293 456-7	1			MOULDING PACKAGE,Fndr. Rear,Silver
	4267 746-7	1			Blue
	4293 460-1	1			Red
	4293 458-9	1			Beige Met.
	4240 962-3	1			Pearl White
	4240 964-5	1			Black
	4293 462-3	1			Sable Tan
	4205 636				RET. PKG. STUD (Not Serviced)
					SCREW (Not Serviced)
	6	4276 063	1		
4276 158		1			MOULDING,Door Wdo Opng. Frame Frt.,Rt.,w/o Mirror
4276 062		1			MOULDING,Door Wdo Opng. Frame Frt.,Rt.,w/Mirror
7	4276 484-5	1			MOULDING,Door Wdo Opng. Frame Up.
8	4276 234-5	1			MOULDING,Door Wdo Opng. Frame Rear
9	4205 646-7	1			MOULDING PACKAGE,Door Belt,w/Mirror
	4205 651	1			MOULDING PACKAGE,Door Belt,Rt.,w/o Mirror
	6003 781				RET.
	6003 627				RET.
	4205 634				RET. PKG.
10	4293 412-3	1			MOULDING PACKAGE,Door,Silver
	4267 710-1	1			Blue
	4293 416-7	1			Red
	4293 414-5	1			Beige Met.
	4240 814-5	1			Pearl White

MODEL CODES

B = GRAN FURY	G = DIPLOMAT	V = 400
C = LEBARON/TOWN & COUNTRY	M = HORIZON/TURISMO/SCAMP	X = MIRADA
D = ARIES	P = RELIANT	Y = IMPERIAL
E = 600	S = CORDOBA	Z = OMNI/CHARGER/RAMPAGE
F = FIFTH AVENUE	T = E CLASS/NEWYORKER	

BODY STYLES

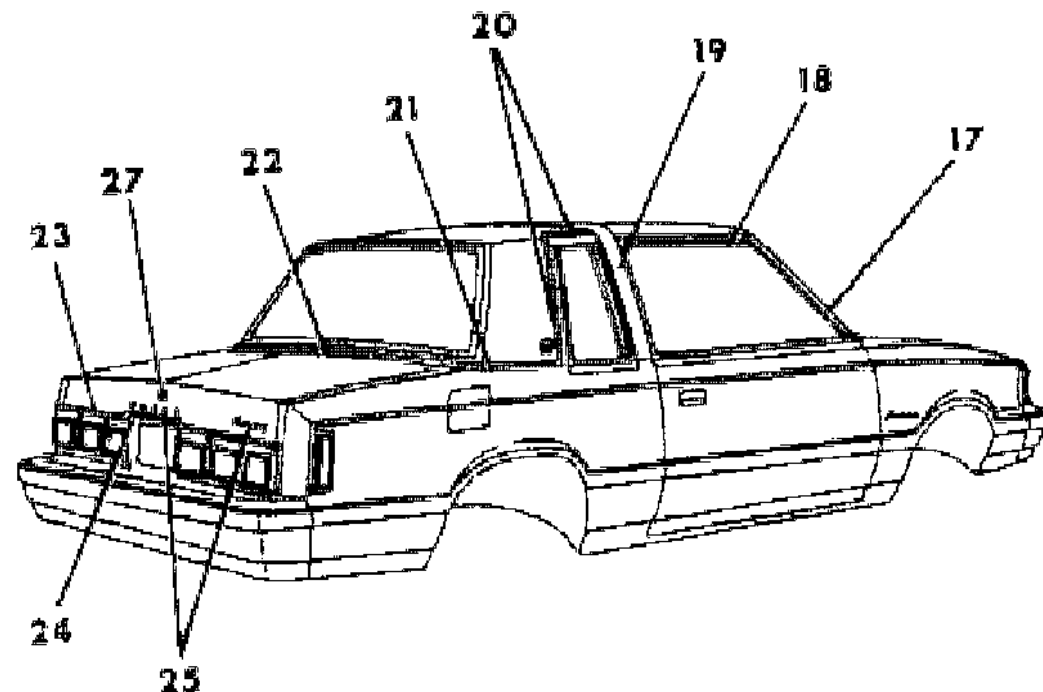
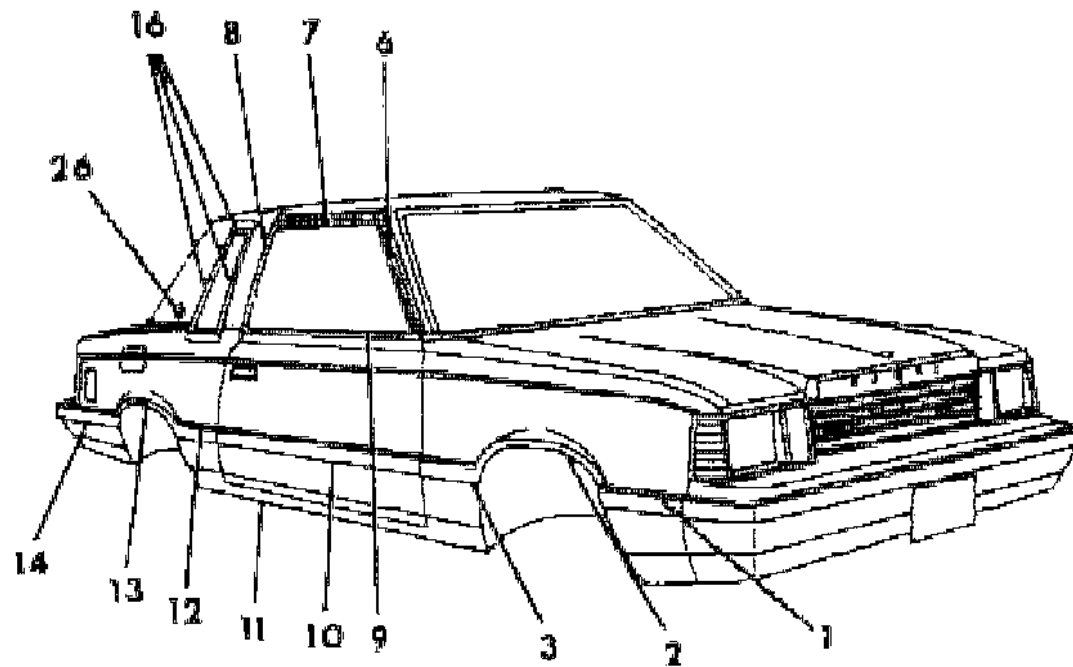
21 = 2-DOOR SEDAN	41 = 4-DOOR SEDAN
22 = 2-DOOR SPECIAL COUPE	45 = 4-DOOR STATION WAGON
24 = 2-DOOR HATCHBACK	44 = 4-DOOR HATCHBACK
27 = 2-DOOR CONVERTIBLE	48 = EXECUTIVE SEDAN
28 = FWD PICKUP	

AR = Use as Required - = Non Illustrated Part P.A.R. = Paint as Required



EXTERIOR VIEW DODGE ARIES - 2 DOOR  
Figure 23-1800

3188 1800



ITEM	PART NUMBER	QTY	BODY	MODEL	DESCRIPTION
	4240 816-7	1			Black
	4293 418-9	1			Sable Tan
	4205 636				RET. PKG. STUD (Not Serviced)
	4057 555				RET. PKG.
11	4205 652-3 6003 777	1			MOULDING PACKAGE,Body Side Sill RET. STUD (Not Serviced) SCREW (Not Serviced)
12	4293 464-5 4267 734-5 4293 468-9 4293 466-7	1 1 1 1			MOULDING PACKAGE,Qtr. Frt.,Silver Blue Red Beige Met.
	4240 978-9 4240 980-1 4293 470-1 4205 636	1 1 1 1			Pearl White Black Sable Tan RET. PKG. STUD (Not Serviced) SCREW (Not Serviced)
13	4175 770-1	1			MOULDING,Qtr. Wheel Opng. SCREW (Not Serviced)
14	4293 436-7 4293 444-5 4293 440-1 4293 438-9	1 1 1 1			MOULDING PACKAGE,Qtr. Rear,Silver Blue Red Beige Met.
	4240 880-1 4240 882-3 4293 442-3 4205 636	1 1 1 1			Pearl White Black Sable Tan RET. PKG. STUD (Not Serviced) SCREW (Not Serviced)
16	X238-9 BA2 X238-9 AA9 X238-9 BC4 X238-9 AC9 X238-9 VW3 X238-9 AX9	1 1 1 1 1 1		D-H	MOULDING,Qtr. Opera Wdo.,Louvered,Silver Met. Dark Silver Glacier Blue Night Watch Blue Pearl White Black

MODEL CODES

B = GRAN FURY	G = DIPLOMAT	V = 400
C = LEBARON/TOWN & COUNTRY	M = HORIZON/TURISMO/SCAMP	X = MIRADA
D = ARIES	P = RELIANT	Y = IMPERIAL
E = 600	S = CORDOBA	Z = OMNI/CHARGER/RAMPAGE
F = FIFTH AVENUE	T = E CLASS/NEWYORKER	

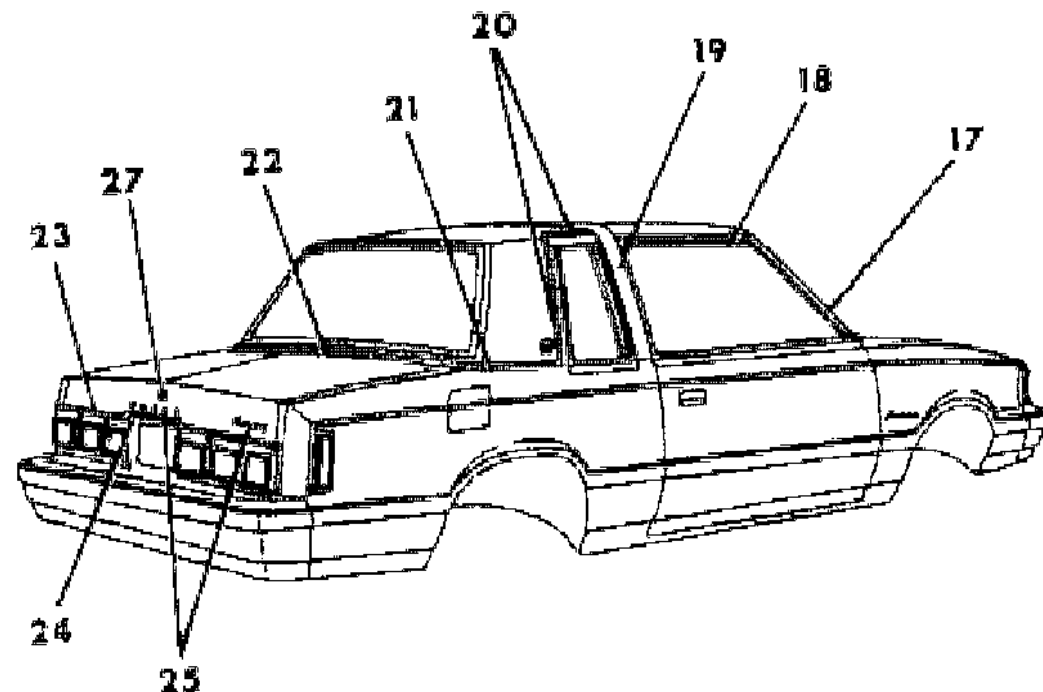
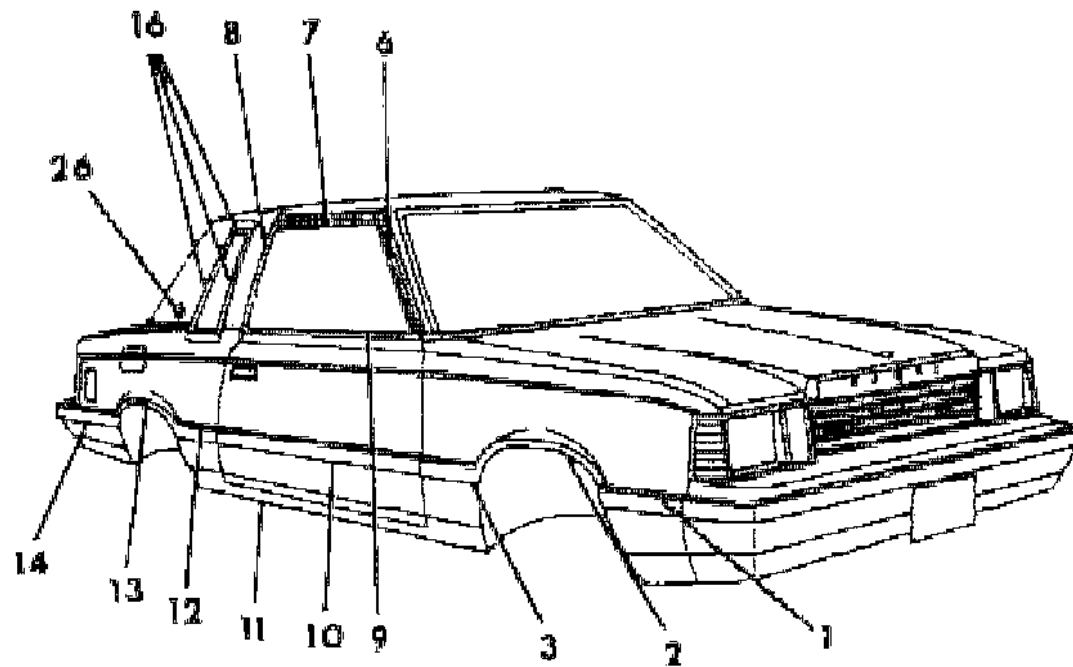
BODY STYLES

21 = 2-DOOR SEDAN	41 = 4-DOOR SEDAN
22 = 2-DOOR SPECIAL COUPE	45 = 4-DOOR STATION WAGON
24 = 2-DOOR HATCHBACK	44 = 4-DOOR HATCHBACK
27 = 2-DOOR CONVERTIBLE	48 = EXECUTIVE SEDAN
28 = FWD PICKUP	

AR = Use as Required - = Non Illustrated Part P.A.R. = Paint as Required

EXTERIOR VIEW DODGE ARIES - 2 DOOR  
Figure 23-1800

3188 1800



ITEM	PART NUMBER	QTY	BODY	MODEL	DESCRIPTION
	X238-9 BL4	1			Beige Met.
	X238-9 BT8	1			Sable Tan
	X238-9 BM5	1			Red
	4175 604-5	1		D-L	MOULDING,Qtr. Wdo.,Black
	4175 604-5	1		D-H	MOULDING,Qtr. Wdo.,Black,Use w/Padded Landau Roof
	6003 770				RET.
	6003 627				RET.
					NUT (Not Serviced)
17	4175 580-1	1			MOULDING,Body Frt. Pillar Drain Trough,Use w/o Spec. Sound Insul.,C15 Pkg.
	4229 762-3	1			MOULDING and SEAL,Body Frt. Pillar Drain Trough,Use w/o Spec. Sound Insul.,C15 Pkg.
	4276 416-7	1			MOULDING,Body Frt. Pillar Drain Trough,Use w/Spec. Sound Insul.,C15 Pkg.
	4229 766-7	1			MOULDING and SEAL,Body Frt. Pillar Drain Trough,Use w/Spec. Sound Insul.,C15 Pkg.
	4229 764-5	1			SEAL,Body Frt. Pillar Drain Trough Mldg.,Inner,Use w/Spec. Sound Insul.,C15 Pkg.
					SCREW (Not Serviced)
18	4229 684-5	1			MOULDING,Roof Side Drain Trough,w/Padded Landau Roof
	4229 688-9	1			w/o Padded Landau Roof
19	X210-1 BC9	1			MOULDING,Roof Transverse,w/Padded Landau Roof,Blue
	X210-1 BM5	1			Red
	X210-1 BL4	1			Beige Met.
	X210-1 VW3	1			Pearl White
	X210-1 BA2	1			Silver
	X210-1 VX9	1			Black
	6001 617				RET.
	6002 013				RET.
					NUT (Not Serviced)
20	4175 678-9	1		D-H	MOULDING,Qtr. Wdo. Opng.,w/Padded Landau Roof
	6003 770				RET.
	6003 627				RET.
21	4205 656-7	1			MOULDING PACKAGE,Qtr. Belt,w/Padded Landau Roof
	3744 671				RET. PKG.
	6003 627				RET.

MODEL CODES

B = GRAN FURY	G = DIPLOMAT	V = 400
C = LEBARON/TOWN & COUNTRY	M = HORIZON/TURISMO/SCAMP	X = MIRADA
D = ARIES	P = RELIANT	Y = IMPERIAL
E = 600	S = CORDOBA	Z = OMNI/CHARGER/RAMPAGE
F = FIFTH AVENUE	T = E CLASS/NEWYORKER	

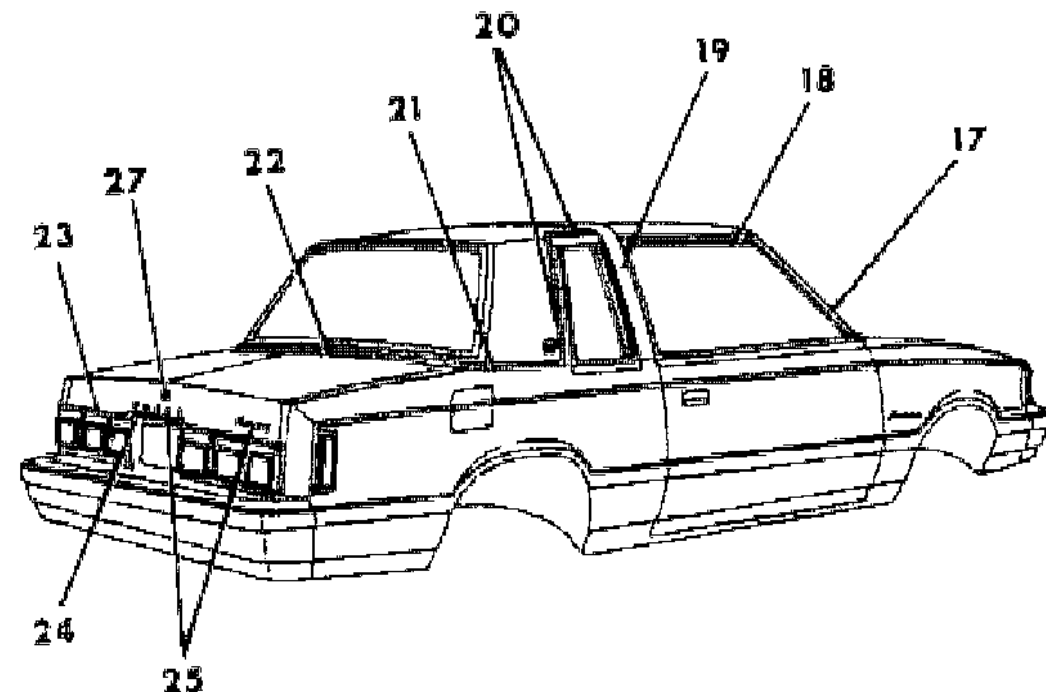
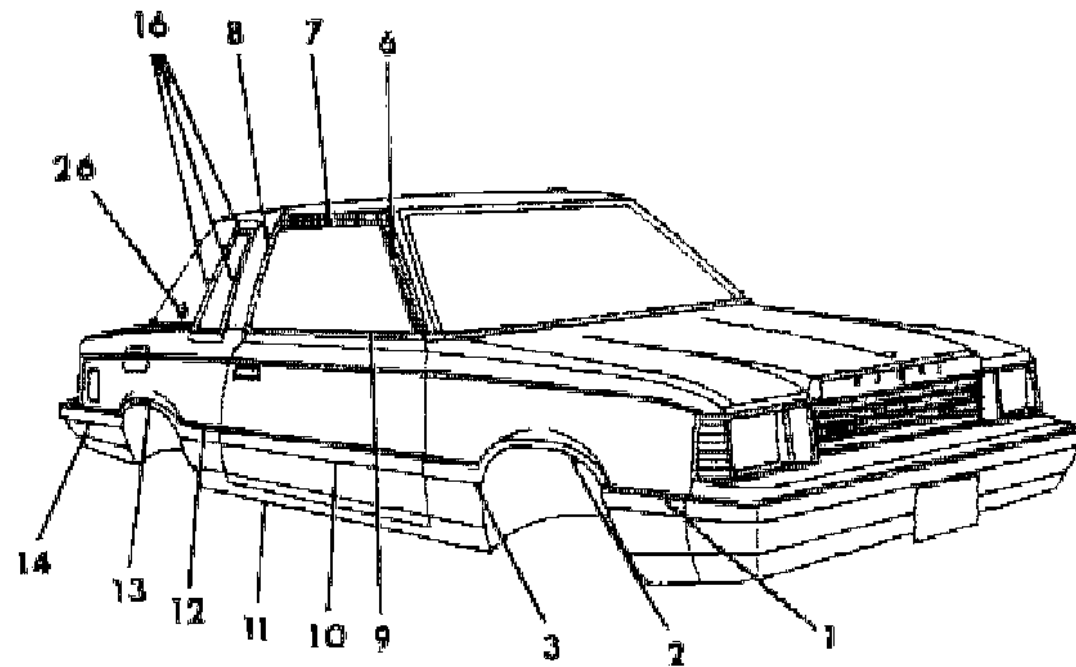
BODY STYLES

21 = 2-DOOR SEDAN	41 = 4-DOOR SEDAN
22 = 2-DOOR SPECIAL COUPE	45 = 4-DOOR STATION WAGON
24 = 2-DOOR HATCHBACK	44 = 4-DOOR HATCHBACK
27 = 2-DOOR CONVERTIBLE	48 = EXECUTIVE SEDAN
28 = FWD PICKUP	

AR = Use as Required - = Non Illustrated Part P.A.R. = Paint as Required

EXTERIOR VIEW DODGE ARIES - 2 DOOR  
Figure 23-1800

3188 1800



ITEM	PART NUMBER	QTY	BODY	MODEL	DESCRIPTION
22	4205 654-5	1			MOULDING PACKAGE,Deck Opng. Upr. Pnl.,Use on Two Tone Paint,Full Unpadded or Padded Landau Roof
	6003 607				RET. SCREW (Not Serviced)
23	4175 894-5	1			MOULDING,Deck Lid Lwr. Side
	6028 674				SCREW
24	4175 694	1			MOULDING,Deck Lid Lwr. Center
	6028 674				SCREW
25	4276 304	1			NAME PLATE,Deck Lid,"Aries"
	4229 779	2			NAMEPLATE,Deck Lid,"DODGE"
26	4229 783	2		D-H	MEDALLION,Qtr. Pnl.,"SE"
	6003 627				RETAINER
27	X601 BA2	1			MEDALLION,Deck Lid Lock Cyl.,Silver Met.
	X601 BA9	1			Dark Silver
	X601 BC4	1			Blue
	X601 BM5	1			Red
	X601 BL4	1			Beige Met.
	X601 BT8	1			Sable Tan
	X601 BW3	1			White
	X601 BX9	1			Black

NOTE: The Colored Medallion Used is Determined by the Exterior Paint of Car an offsetting order for part no. 3747881

MODEL CODES

B = GRAN FURY	G = DIPLOMAT	V = 400
C = LEBARON/TOWN & COUNTRY	M = HORIZON/TURISMO/SCAMP	X = MIRADA
D = ARIES	P = RELIANT	Y = IMPERIAL
E = 600	S = CORDOBA	Z = OMNI/CHARGER/RAMPAGE
F = FIFTH AVENUE	T = E CLASS/NEWYORKER	

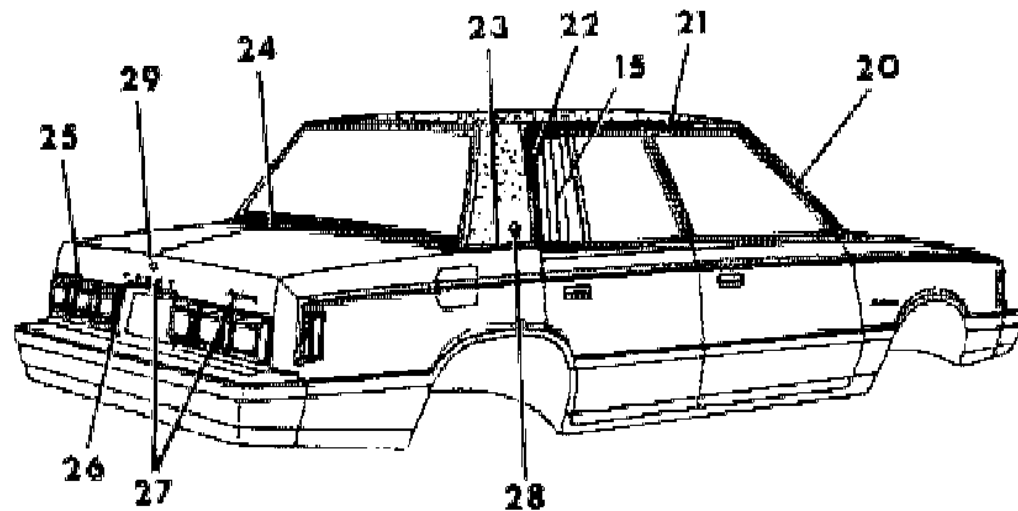
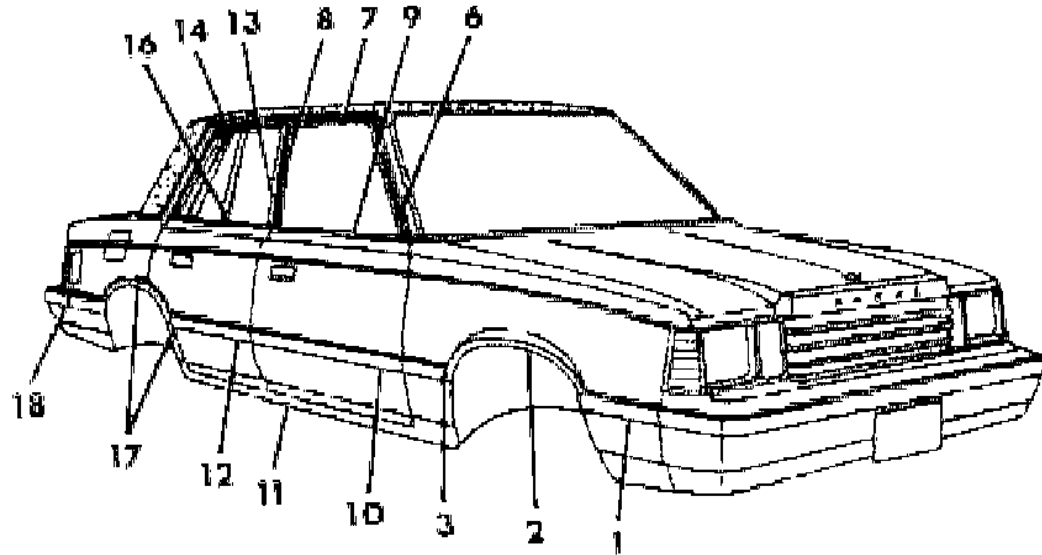
BODY STYLES

21 = 2-DOOR SEDAN	41 = 4-DOOR SEDAN
22 = 2-DOOR SPECIAL COUPE	45 = 4-DOOR STATION WAGON
24 = 2-DOOR HATCHBACK	44 = 4-DOOR HATCHBACK
27 = 2-DOOR CONVERTIBLE	48 = EXECUTIVE SEDAN
28 = FWD PICKUP	

AR = Use as Required - = Non Illustrated Part P.A.R. = Paint as Required

EXTERIOR VIEW DODGE ARIES - 4 DOOR  
Figure 23-1900

3168 1900



ITEM	PART NUMBER	QTY	BODY	MODEL	DESCRIPTION	
1	4293 446-7	1			MOULDING PACKAGE,Fndr.,Frt.,Silver	
	4293 448-9	1			Blue	
	4293 452-3	1			Red	
	4293 450-1	1			Beige Met.	
	4240 896-7	1			Pearl White	
	4240 898-9	1			Black	
	4293 454-5	1			Sable Tan	
	4057 569				RET. PKG.	
	6027 625				NUT	
	2					SCREW (Not Serviced)
4175 756-7		1			MOULDING,Fndr. Wheel Opng. SCREW (Not Serviced)	
3	4293 456-7	1			MOULDING PACKAGE,Fndr. Rear,Silver	
	4267 746-7	1			Blue	
	4293 460-1	1			Red	
	4293 458-9	1			Beige Met.	
	4240 962-3	1			Pearl White	
	4240 964-5	1			Black	
	4293 462-3	1			Sable Tan	
	4205 636				RET. PKG. STUD (Not Serviced)	
					SCREW (Not Serviced)	
	6	4276 063	1			MOULDING,Door Wdo. Opng. Frame Frt.,Lt.,Use w/Mirror
4276 158		1			MOULDING,Door Wdo. Opng. Frame Frt.,Rt.,Use w/o Mirror	
4276 062		1			MOULDING,Door Wdo. Opng. Frame Frt.,Rt.,Use w/Mirror	
7	4276 482-3	1			MOULDING,Door Wdo. Opng. Frame Up.	
8	4276 066-7	1			MOULDING,Door Wdo. Opng. Frame Rear	
9	4205 644-5	1			MOULDING PACKAGE,Frt. Door Belt,w/Mirror	
	4205 650	1			MOULDING PACKAGE,Frt. Door Belt,Rt.,w/o Mirror	
	4205 634				RET. PKG.	
	6003 627				RET.	
	6003 781				RET.	
	10	4293 420-1	1			MOULDING PACKAGE,Frt. Door,Silver
		4267 722-3	1			Blue
4293 424-5		1			Red	
4293 422-3		1			Beige Met.	
4240 830-1		1			Pearl White	

MODEL CODES

B = GRAN FURY	G = DIPLOMAT	V = 400
C = LEBARON/TOWN & COUNTRY	M = HORIZON/TURISMO/SCAMP	X = MIRADA
D = ARIES	P = RELIANT	Y = IMPERIAL
E = 600	S = CORDOBA	Z = OMNI/CHARGER/RAMPAGE
F = FIFTH AVENUE	T = E CLASS/NEWYORKER	

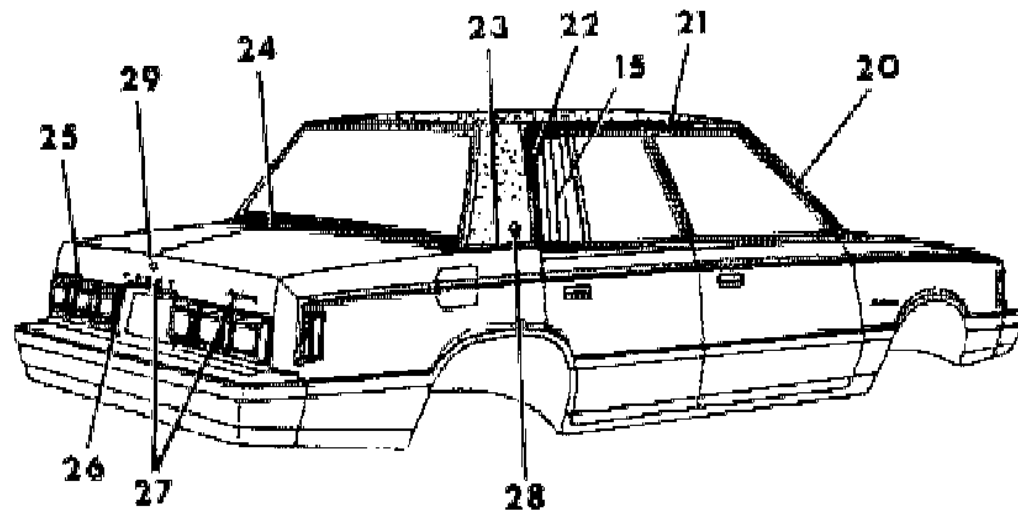
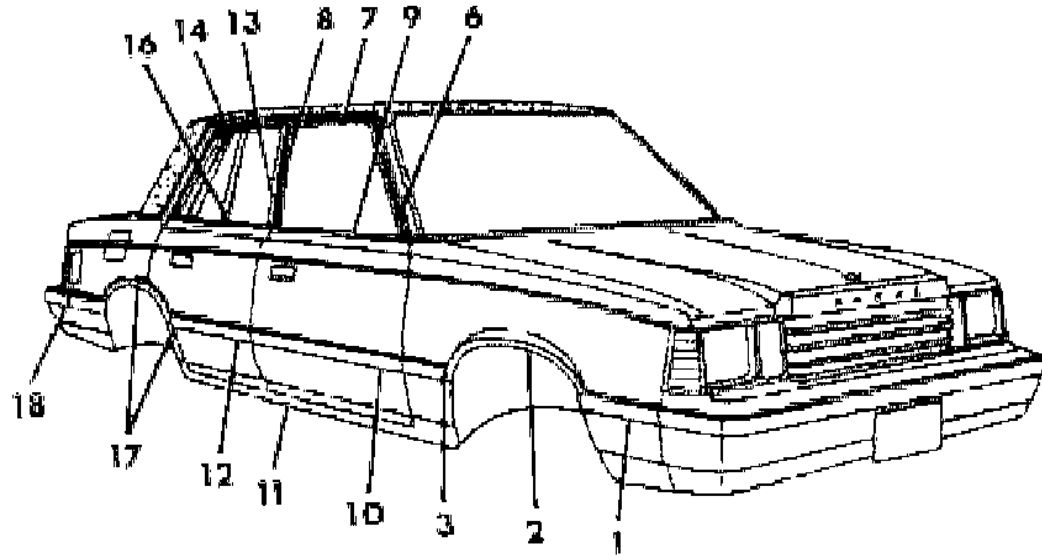
BODY STYLES

21 = 2-DOOR SEDAN	41 = 4-DOOR SEDAN
22 = 2-DOOR SPECIAL COUPE	45 = 4-DOOR STATION WAGON
24 = 2-DOOR HATCHBACK	44 = 4-DOOR HATCHBACK
27 = 2-DOOR CONVERTIBLE	48 = EXECUTIVE SEDAN
28 = FWD PICKUP	

AR = Use as Required - = Non Illustrated Part P.A.R. = Paint as Required

EXTERIOR VIEW DODGE ARIES - 4 DOOR  
Figure 23-1900

3168 1900



ITEM	PART NUMBER	QTY	BODY	MODEL	DESCRIPTION
	4240 832-3	1			Black
	4293 426-7	1			Sable Tan
	4057 555				RET. PKG.
	4205 636				RET. PKG.
					STUD (Not Serviced)
11	4205 652-3 6003 777	1			MOULDING PACKAGE,Body Side Sill RET. STUD (Not Serviced)
12	4293 428-9	1			MOULDING PACKAGE,Rear Door,Silver
	4271 654-5	1			Blue
	4293 432-3	1			Red
	4293 430-1	1			Beige Met.
	4240 846-7	1			Pearl White
	4240 848-9	1			Black
	4293 434-5	1			Sable Tan
	4057 555				RET. PKG.
	4205 636				RET. PKG.
					STUD (Not Serviced)
13	4276 068-9	1			MOULDING,Rear Door Wdo. Opng. Frame,Frt.
14	4276 480-1	1			MOULDING,Rear Door Wdo. Opng. Frame,Upr.,Use w/Qtr. Wdo. Frame & Louver
15	X340-1 BXX 6003 828	1			FRAME & LOUVER,Rear Door Wdo.,Black RETAINER NUT (Not Serv.)
16	4293 402-3	1			MOULDING PACKAGE,Rear Door Belt,Use w/Qtr.Wdo.Frame & Louver
	4205 634 6003 627				RET. PKG. RET.
17	4175 770-1	1			MOULDING,Qtr. Wheel Opng.,Bright Finish
	X224-5 BA2	1			MOULDING,Qtr. Frt. and Wheel Opng.,Silver
	X224-5 AC9	1			Blue
	X224-5 BM5	1			Red
	X224-5 BL4	1			Beige Met.
	X224-5 VW3	1			Pearl White
	X224-5 VX9	1			Black
	X224-5 BT8	1			Sable Tan
					SCREW (Not Serviced)

MODEL CODES

B = GRAN FURY	G = DIPLOMAT	V = 400
C = LEBARON/TOWN & COUNTRY	M = HORIZON/TURISMO/SCAMP	X = MIRADA
D = ARIES	P = RELIANT	Y = IMPERIAL
E = 600	S = CORDOBA	Z = OMNI/CHARGER/RAMPAGE
F = FIFTH AVENUE	T = E CLASS/NEWYORKER	

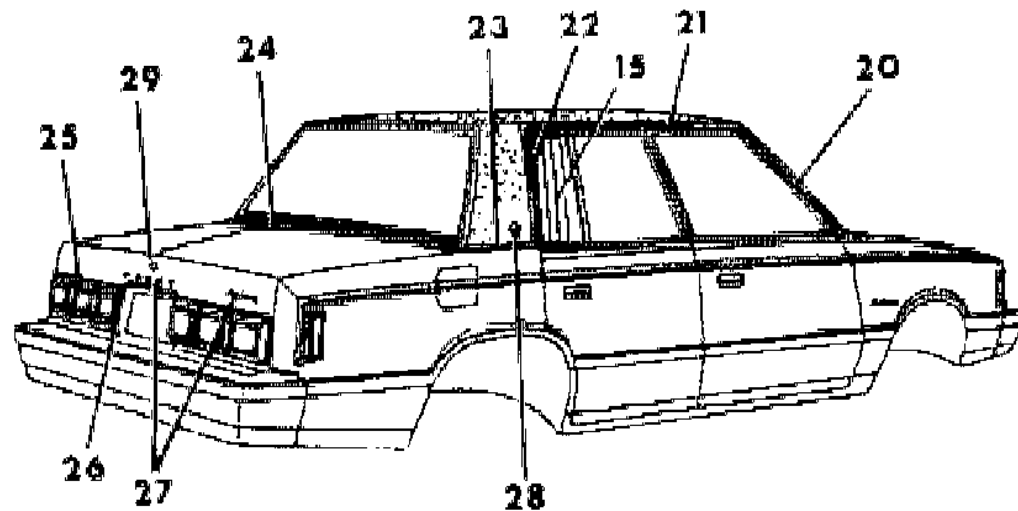
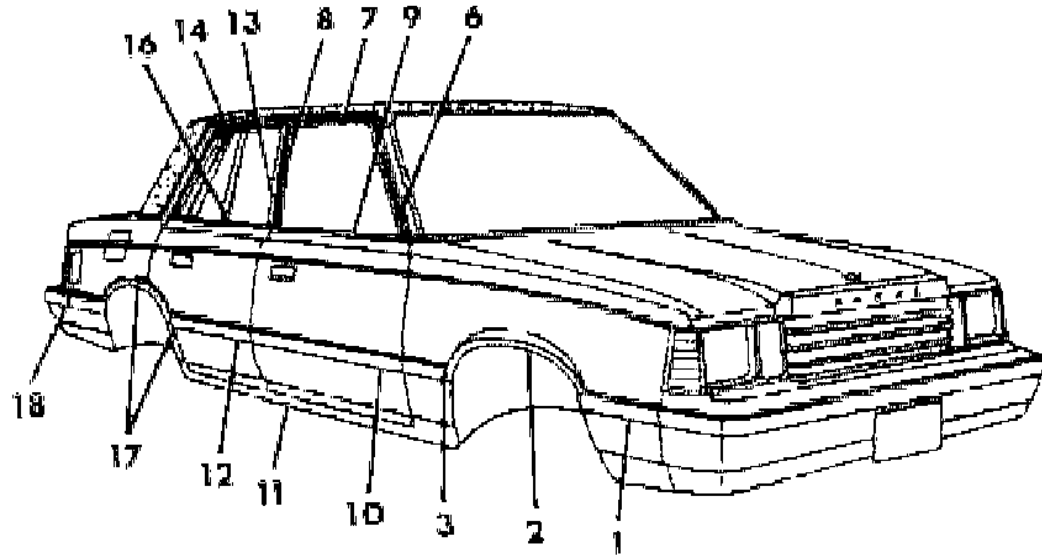
BODY STYLES

21 = 2-DOOR SEDAN	41 = 4-DOOR SEDAN
22 = 2-DOOR SPECIAL COUPE	45 = 4-DOOR STATION WAGON
24 = 2-DOOR HATCHBACK	44 = 4-DOOR HATCHBACK
27 = 2-DOOR CONVERTIBLE	48 = EXECUTIVE SEDAN
28 = FWD PICKUP	

AR = Use as Required - = Non Illustrated Part P.A.R. = Paint as Required

EXTERIOR VIEW DODGE ARIES - 4 DOOR  
Figure 23-1900

3168 1900



ITEM	PART NUMBER	QTY	BODY	MODEL	DESCRIPTION
18	4293 436-7	1			MOULDING PACKAGE,Qtr. Rear,Silver
	4293 444-5	1			Blue
	4293 440-1	1			Red
	4293 438-9	1			Beige Met.
	4240 880-1	1			Pearl White
	4240 882-3	1			Black
	4293 442-3	1			Sable Tan
	4205 636				RET. PKG. STUD (Not Serviced)
					SCREW (Not Serviced)
20	4175 580-1	1			MOULDING,Body Frt. Pillar Drain Trough,Use w/o Spec. Sound Insul.,C15 Pkg.
	4229 762-3	1			MOULDING and SEAL,Body Frt. Pillar Drain Trough,Use w/o Spec. Sound Insul.,C15 Pkg.
	4276 416-7	1			MOULDING,Body Frt. Pillar Drain Trough,Use w/Spec. Sound Insul.,C15 Pkg.
	4229 766-7	1			MOULDING and SEAL,Body Frt. Pillar Drain Trough,Use w/Spec. Sound Insul.,C15 Pkg.
	4229 764-5	1			SEAL,Body Frt. Pillar Drain Trough Mldg.,Inner,Use w/Spec. Sound Insul.,C15 Pkg.
21	4229 680-1	1			MOULDING,Roof Side Drain Trough,Frnt.,w/o Vinyl Roof
	4229 682-3	1			w/ Vinyl Roof
22	4175 592-3	1			MOULDING,Roof Drain Trough Rear,w/Vinyl Roof
23	4205 658-9	1			MOULDING,Qtr. Belt,w/Vinyl Roof
	3744 671				RET. PKG.
	6003 627				RET.
24	4205 654-5	1			MOULDING PACKAGE,Deck Opng. Upr. Pnl.,Use on Two Tone Paint,Full Unpadded or Padded Landau Roof
	6003 607				RET.
					SCREW (Not Serviced)
25	4175 894-5	1			MOULDING,Deck Lid Lwr. Side
	6028 674				SCREW
26	4175 694	1			MOULDING,Deck Lid Lwr. Center
	6028 674				SCREW
27	4276 304	1			NAME PLATE,Deck Lid,"Aries"
	4229 779	1			NAMEPLATE,Deck Lid,"DODGE"
28	4229 783	2		D-H	MEDALLION,Qtr. Pnl.,"SE"

MODEL CODES

B = GRAN FURY	G = DIPLOMAT	V = 400
C = LEBARON/TOWN & COUNTRY	M = HORIZON/TURISMO/SCAMP	X = MIRADA
D = ARIES	P = RELIANT	Y = IMPERIAL
E = 600	S = CORDOBA	Z = OMNI/CHARGER/RAMPAGE
F = FIFTH AVENUE	T = E CLASS/NEWYORKER	

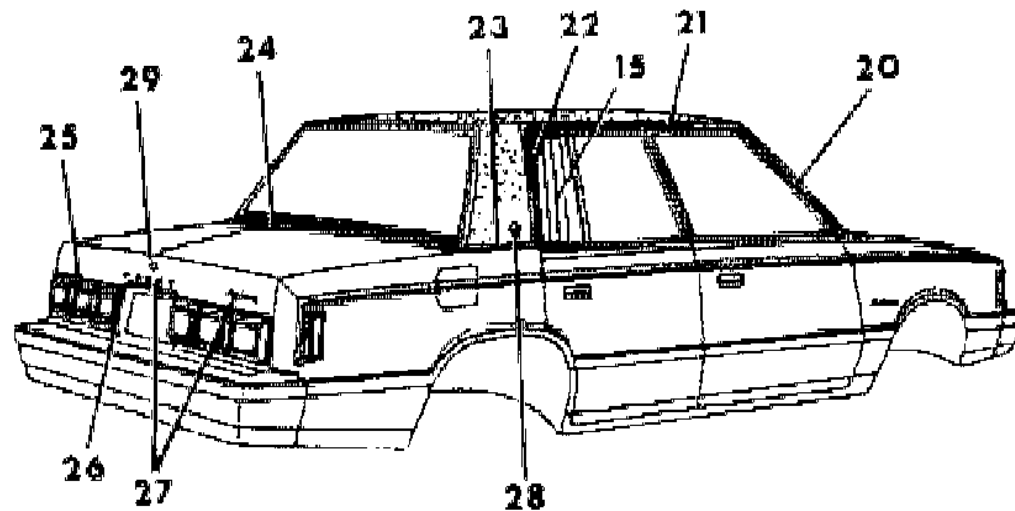
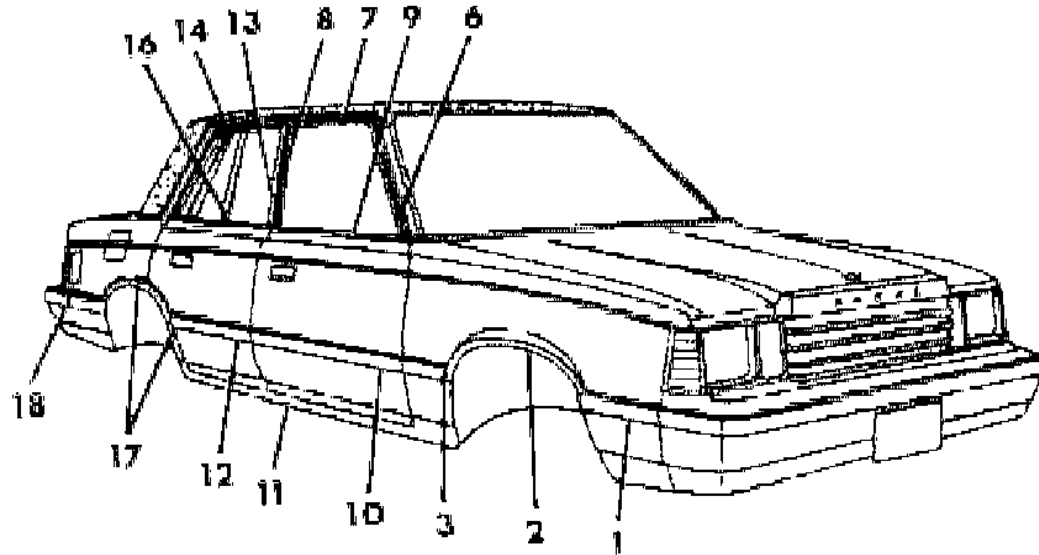
BODY STYLES

21 = 2-DOOR SEDAN	41 = 4-DOOR SEDAN
22 = 2-DOOR SPECIAL COUPE	45 = 4-DOOR STATION WAGON
24 = 2-DOOR HATCHBACK	44 = 4-DOOR HATCHBACK
27 = 2-DOOR CONVERTIBLE	48 = EXECUTIVE SEDAN
28 = FWD PICKUP	

AR = Use as Required - = Non Illustrated Part P.A.R. = Paint as Required

EXTERIOR VIEW DODGE ARIES - 4 DOOR  
Figure 23-1900

3168 1900



ITEM	PART NUMBER	QTY	BODY	MODEL	DESCRIPTION
	6003 627				RETAINER
29	X601 BA2	1			MEDALLION,Deck Lid Lock Cyl.,Silver Met.
	X601 BA9	1			Dark Silver
	X601 BC4	1			Blue
	X601 BM5	1			Red
	X601 BL4	1			Beige Met.
	X601 BT8	1			Sable Tan
	X601 BW3	1			White
	X590 BX9	1			Black

NOTE: The Colored Medallion Used is Determined by the Exterior Paint of Car an offsetting order for part no. 3747881

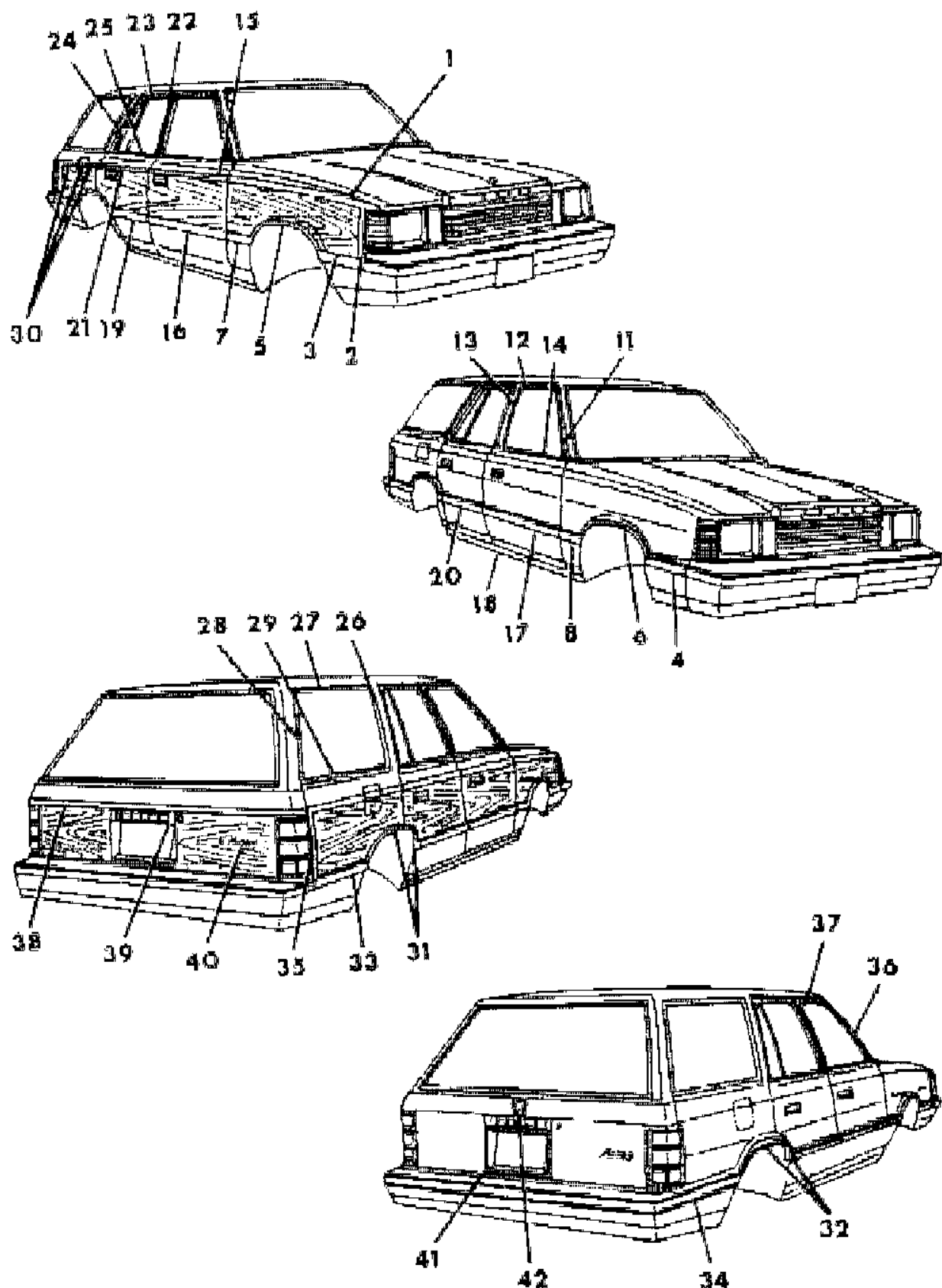
MODEL CODES  
 B = GRAN FURY  
 C = LEBARON/TOWN & COUNTRY  
 D = ARIES  
 E = 600  
 F = FIFTH AVENUE  
 G = DIPLOMAT  
 M = HORIZON/TURISMO/SCAMP  
 P = RELIANT  
 S = CORDOBA  
 T = E CLASS/NEWYORKER  
 V = 400  
 X = MIRADA  
 Y = IMPERIAL  
 Z = OMNI/CHARGER/RAMPAGE

BODY STYLES  
 21 = 2-DOOR SEDAN  
 22 = 2-DOOR SPECIAL COUPE  
 24 = 2-DOOR HATCHBACK  
 27 = 2-DOOR CONVERTIBLE  
 28 = FWD PICKUP  
 41 = 4-DOOR SEDAN  
 45 = 4-DOOR STATION WAGON  
 44 = 4-DOOR HATCHBACK  
 48 = EXECUTIVE SEDAN

AR = Use as Required - = Non Illustrated Part P.A.R. = Paint as Required

EXTERIOR VIEW DODGE ARIES - SUBURBAN  
Figure 23-2000

1168 2000



ITEM	PART NUMBER	QTY	BODY	MODEL	DESCRIPTION
1	4205 700-1	1			MOULDING PACKAGE,Fndr. Upr.,Woodgrain
	4205 640				RET. PKG.
	4057 555				RET. PKG.
	4205 641				RET. PKG.
	4205 698-9	1			MOULDING PACKAGE,Fndr. Frt.,Woodgrain
2	4205 638				RET. PKG.
	4057 555				RET. PKG.
	4205 639				RET. PKG.
	4267 862-3	1			MOULDING,Fndr. Lwr. Frt.,Woodgrain
3	4057 569				RET. PKG.
	6027 625				NUT
					SCREW (Not Serviced)
4	4293 446-7	1			MOULDING PACKAGE,Fndr. Frt.,Silver
	4293 448-9	1			Blue
	4293 452-3	1			Red
	4293 450-1	1			Beige Met.
	4240 896-7	1			Pearl White
	4240 898-9	1			Black
	4293 454-5	1			Sable Tan
	4057 569				RET. PKG.
	6027 625				NUT
					SCREW (Not Serviced)
5	4175 722-3	1			MOULDING,Fndr. Wheel Opng.,Woodgrain
					SCREW (Not Serviced)
6	4175 756-7	1			MOULDING,Fndr. Wheel Opng.,Bright Finish
					SCREW (Not Serviced)
7	4205 668-9	1			MOULDING PACKAGE,Fndr. Lwr. Rear,Woodgrain
	4205 636				RET. PKG.
					STUD (Not Serviced)
					SCREW (Not Serviced)
8	4293 456-7	1			MOULDING PACKAGE,Fndr. Rear,Silver
	4267 746-7	1			Blue
	4293 460-1	1			Red
	4293 458-9	1			Beige Met.
	4240 962-3	1			Pearl White
	4240 964-5	1			Black
	4293 462-3	1			Sable Tan

MODEL CODES

B = GRAN FURY	G = DIPLOMAT	V = 400
C = LEBARON/TOWN & COUNTRY	M = HORIZON/TURISMO/SCAMP	X = MIRADA
D = ARIES	P = RELIANT	Y = IMPERIAL
E = 600	S = CORDOBA	Z = OMNI/CHARGER/RAMPAGE
F = FIFTH AVENUE	T = E CLASS/NEWYORKER	

BODY STYLES

21 = 2-DOOR SEDAN	41 = 4-DOOR SEDAN
22 = 2-DOOR SPECIAL COUPE	45 = 4-DOOR STATION WAGON
24 = 2-DOOR HATCHBACK	44 = 4-DOOR HATCHBACK
27 = 2-DOOR CONVERTIBLE	48 = EXECUTIVE SEDAN
28 = FWD PICKUP	

AR = Use as Required - = Non Illustrated Part P.A.R. = Paint as Required



EXTERIOR VIEW DODGE ARIES - SUBURBAN  
Figure 23-2000

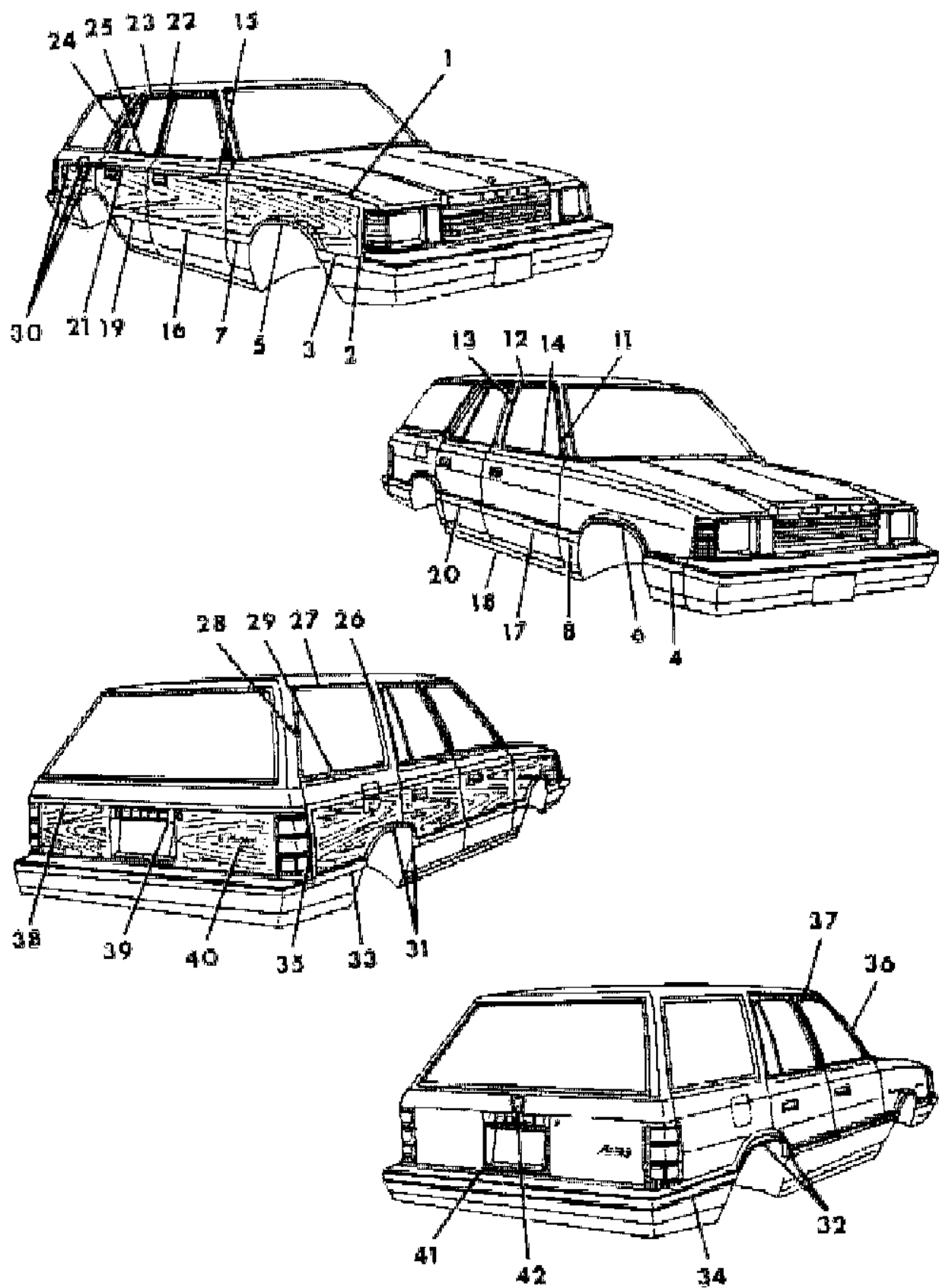
1148 2000

ITEM	PART NUMBER	QTY	BODY	MODEL	DESCRIPTION
	4205 636				RET. PKG. STUD (Not Serviced) SCREW (Not Serviced)
11	4276 063	1			MOULDING,Frnt. Door Wdo. Opng. Frame Frt. Lt.,Use w/Mirror
	4276 158	1			MOULDING,Frnt. Door Wdo. Opng. Frame Frt. Rt.,Use w/o Mirror
	4276 062	1			MOULDING,Frnt. Door Wdo. Opng. Frame Frt. Rt.,Use w/Mirror
12	4276 482-3	1			MOULDING,Frnt. Door Wdo. Opng. Frame Upr.
13	4276 066-7	1			MOULDING,Frnt. Door Wdo. Opng. Frame Rear
14	4205 644-5	1			MOULDING PACKAGE,Frnt. Door Belt,w/Mirror
	4205 650	1			MOULDING PACKAGE,Frnt. Door Belt,Rt.,w/o Mirror
	6003 781				RET.
	6003 627				RET.
	4205 634				RET. PKG.
15	4205 672-3	1			MOULDING PACKAGE,Frnt. Door Upr.,Woodgrain
	4205 637				RET. PKG.
16	4240 984-5	1			MOULDING,Frnt. Door Lwr.,Woodgrain
	4205 636				RET. PKG.
	4057 555				RET. PKG.
17	4293 420-1	1			MOULDING PACKAGE,Frnt.Door,Silver
	4267 722-3	1			Blue
	4293 424-5	1			Red
	4293 422-3	1			Beige Met.
	4240 830-1	1			Pearl White
	4240 832-3	1			Black
	4293 426-7	1			Sable Tan
	4205 636				RET. PKG.
	4057 555				RET. PKG.
18	4205 652-3	1			MOULDING PACKAGE,Body Side Sill
	6003 777				RET.
19	4240 986-7	1			MOULDING,Rear Door Lwr.,Woodgrain
	3744 671				RET. PKG.
	4057 555				RET. PKG.
20	4293 428-9	1			MOULDING PACKAGE,Rear Door,Silver
	4271 654-5	1			Blue
	4293 432-3	1			Red
	4293 430-1	1			Beige Met.

MODEL CODES  
 B = GRAN FURY  
 C = LEBARON/TOWN & COUNTRY  
 D = ARIES  
 E = 600  
 F = FIFTH AVENUE  
 G = DIPLOMAT  
 M = HORIZON/TURISMO/SCAMP  
 P = RELIANT  
 S = CORDOBA  
 T = E CLASS/NEWYORKER  
 V = 400  
 X = MIRADA  
 Y = IMPERIAL  
 Z = OMNI/CHARGER/RAMPAGE

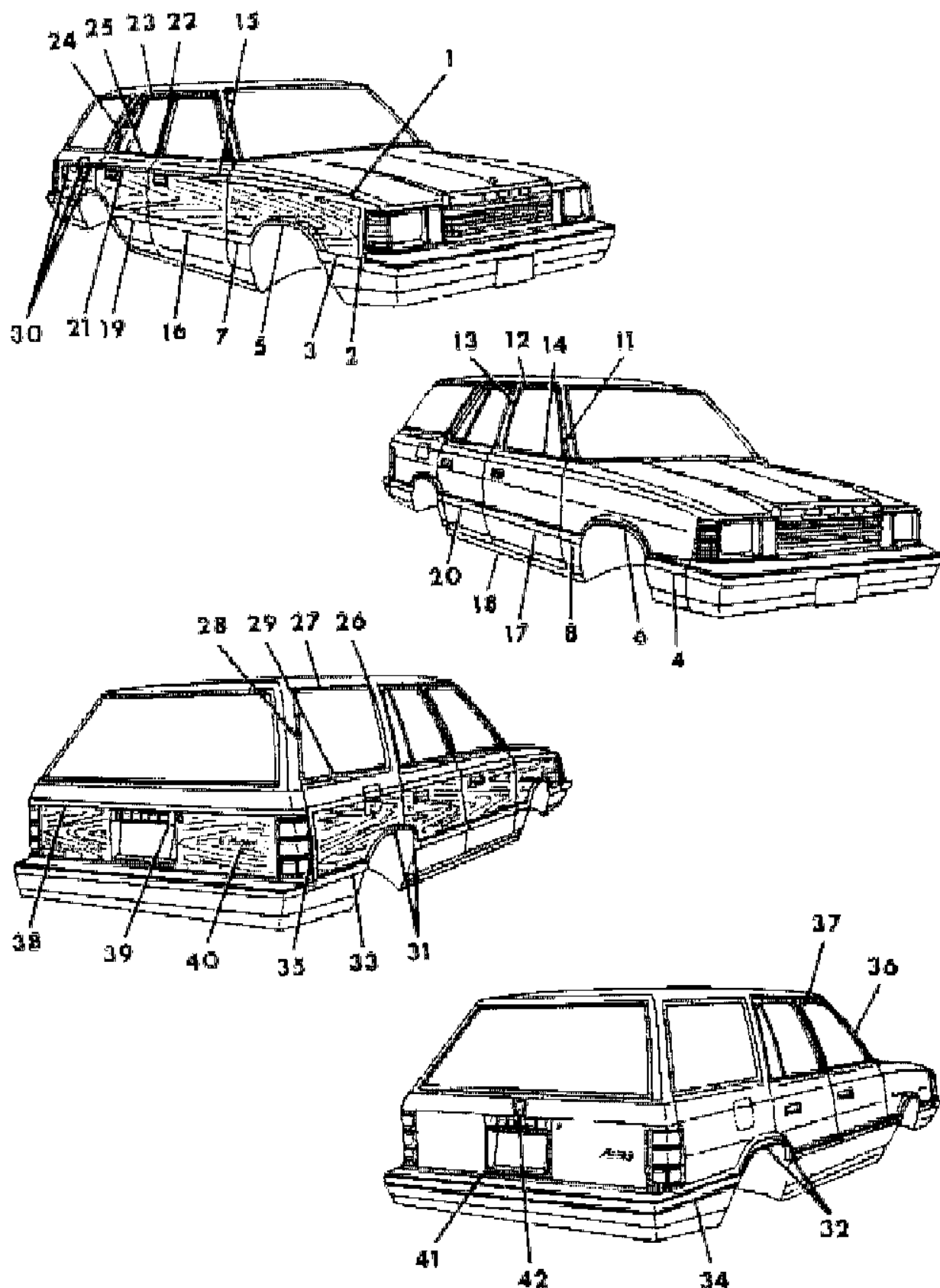
BODY STYLES  
 21 = 2-DOOR SEDAN  
 22 = 2-DOOR SPECIAL COUPE  
 24 = 2-DOOR HATCHBACK  
 27 = 2-DOOR CONVERTIBLE  
 28 = FWD PICKUP  
 41 = 4-DOOR SEDAN  
 45 = 4-DOOR STATION WAGON  
 44 = 4-DOOR HATCHBACK  
 48 = EXECUTIVE SEDAN

AR = Use as Required - = Non Illustrated Part P.A.R. = Paint as Required



EXTERIOR VIEW DODGE ARIES - SUBURBAN  
Figure 23-2000

1168 2000



ITEM	PART NUMBER	QTY	BODY	MODEL	DESCRIPTION
	4240 846-7	1			Pearl White
	4240 848-9	1			Black
	4293 434-5	1			Sable Tan
	4205 636				RET. PKG.
	4057 555				RET. PKG.
21	4205 674-5	1			MOULDING PACKAGE,Rear Door Upr.,Woodgrain
	4205 637				RET. PKG.
22	4276 068-9	1			MOULDING,Rear Door Wdo. Opng. Frame,Frnt.
23	4276 476-7	1			MOULDING,Rear Door Wdo. Opng. Frame,Upr.
24	4276 226-7	1			MOULDING,Rear Door Wdo. Opng. Frame,Rear
25	4205 648-9	1			MOULDING PACKAGE,Rear Door Belt
	4205 634				RET. PKG.
	6003 627				RET.
26	4175 936-7	1			MOULDING,Qtr. Wdo. Frnt.
	6003 753				RET.
27	4276 204	2			MOULDING,Qtr. Wdo. Upr.
	6003 753				RET.
28	4276 206-7	1			MOULDING,Qtr. Wdo. Rear
29	4276 208-9	1			MOULDING,Qtr. Wdo. Lwr.
	6003 753				RET.
30	4205 676	1			MOULDING PACKAGE,Qtr. Upr. Frnt.,Rt.,Woodgrain
	4205 677	1			MOULDING PACKAGE,Qtr. Upr.,Lt.,Woodgrain
	4205 678	1			MOULDING PACKAGE,Qtr. Upr. Rear,Rt.,Woodgrain
	4205 679	1			MOULDING PACKAGE,Qtr. Fuel Filler Door,Woodgrain
	4205 637				RET. PKG.
31	4175 730-1	1			MOULDING,Qtr. Lwr. Frnt. and Wheel Opng.,Woodgrain
					SCREW (Not Serviced)
32	4175 770-1	1			MOULDING,Qtr. Wheel Opng.,Bright Finish
	X224-5 BA2	1			MOULDING PACKAGE,Qtr. Frnt. and Wheel Opng.,Silver
	X224-5 AC9	1			Blue
	X224-5 BM5	1			Red
	X224-5 BL4	1			Beige Met.
	X224-5 VW3	1			Pearl White
	X224-5 VX9	1			Black
	X224-5 BT8	1			Sable Tan
					SCREW (Not Serviced)
33	4267 864-5	1			MOULDING,Qtr. Lwr. Rear,Woodgrain

MODEL CODES

B = GRAN FURY	G = DIPLOMAT	V = 400
C = LEBARON/TOWN & COUNTRY	M = HORIZON/TURISMO/SCAMP	X = MIRADA
D = ARIES	P = RELIANT	Y = IMPERIAL
E = 600	S = CORDOBA	Z = OMNI/CHARGER/RAMPAGE
F = FIFTH AVENUE	T = E CLASS/NEWYORKER	

BODY STYLES

21 = 2-DOOR SEDAN	41 = 4-DOOR SEDAN
22 = 2-DOOR SPECIAL COUPE	45 = 4-DOOR STATION WAGON
24 = 2-DOOR HATCHBACK	44 = 4-DOOR HATCHBACK
27 = 2-DOOR CONVERTIBLE	48 = EXECUTIVE SEDAN
28 = FWD PICKUP	

AR = Use as Required - = Non Illustrated Part P.A.R. = Paint as Required

EXTERIOR VIEW DODGE ARIES - SUBURBAN  
Figure 23-2000

1148 2000

ITEM	PART NUMBER	QTY	BODY	MODEL	DESCRIPTION
	4205 636				RET. PKG. STUD (Not Serviced) SCREW (Not Serviced)
34	4293 404-5	1			MOULDING and EXT. PACKAGE,Qtr. Rear,Silver
	4271 662-3	1			Blue
	4293 408-9	1			Red
	4293 406-7	1			Beige Met.
	4205 690-1	1			Pearl White
	4205 692-3	1			Black
	4293 410-1	1			Sable Tan
	4205 636				RET. PKG. STUD (Not Serviced) SCREW (Not Serviced)
35	4205 696-7	1			MOULDING PACKAGE,Qtr. Rear,Woodgrain
	4205 638				RET. PKG.
	4057 555				RET. PKG.
	6003 779				RET.
36	4175 580-1	1			MOULDING,Body Frt. Pillar Drain Trough,Use w/o Spec. Sound Insul.,C15 Pkg.
	4229 762-3	1			MOULDING and SEAL,Body Frt. Pillar Drain Trough,Use w/o Spec. Sound Insul.,C15 Pkg.
	4276 416-7	1			MOULDING,Body Frt. Pillar Drain Trough,Use w/Spec. Sound Insul.,C15 Pkg.
	4229 766-7	1			MOULDING and SEAL,Body Frt. Pillar Drain Trough,Use w/ Spec. Sound Insul.,C15 Pkg.
	4229 764-5	1			SEAL,Body Frt. Pillar Drain Trough Mldg.,Inner,Use w/Spec. Sound Insul.,C15 Pkg.
37	4229 972-3	1			MOULDING,Roof Drain Trough
38	4205 670-1	1			MOULDING PACKAGE,L/Gate,Woodgrain
	4205 637				RET. PKG.
39	4175 746	1			HANDLE and MOULDING,L/Gate,Woodgrain
	0152 284				NUT w/WA.
	4229 119	1			HANDLE and GASKET,L/Gate
40	4276 304	1			NAME PLATE,L/Gate,"Aries"
41	4175 749	1			MOULDING,L/Gate Lic. Plate Periphery
42	X263 BA2	1			MEDALLION,L/Gate,Silver Met.
	X263 AA9	1			Dark Silver

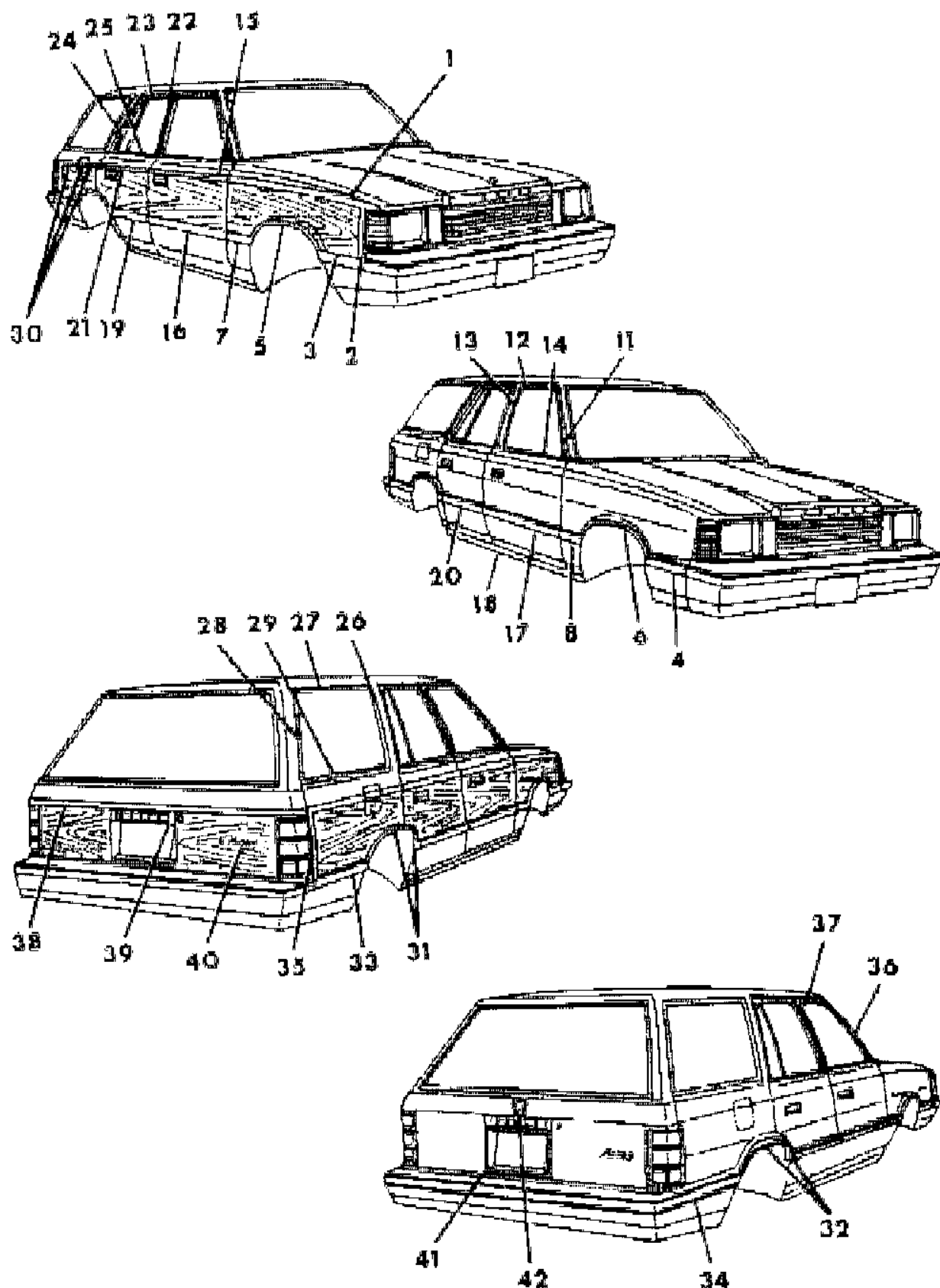
MODEL CODES

B = GRAN FURY	G = DIPLOMAT	V = 400
C = LEBARON/TOWN & COUNTRY	M = HORIZON/TURISMO/SCAMP	X = MIRADA
D = ARIES	P = RELIANT	Y = IMPERIAL
E = 600	S = CORDOBA	Z = OMNI/CHARGER/RAMPAGE
F = FIFTH AVENUE	T = E CLASS/NEWYORKER	

BODY STYLES

21 = 2-DOOR SEDAN	41 = 4-DOOR SEDAN
22 = 2-DOOR SPECIAL COUPE	45 = 4-DOOR STATION WAGON
24 = 2-DOOR HATCHBACK	44 = 4-DOOR HATCHBACK
27 = 2-DOOR CONVERTIBLE	48 = EXECUTIVE SEDAN
28 = FWD PICKUP	

AR = Use as Required - = Non Illustrated Part P.A.R. = Paint as Required

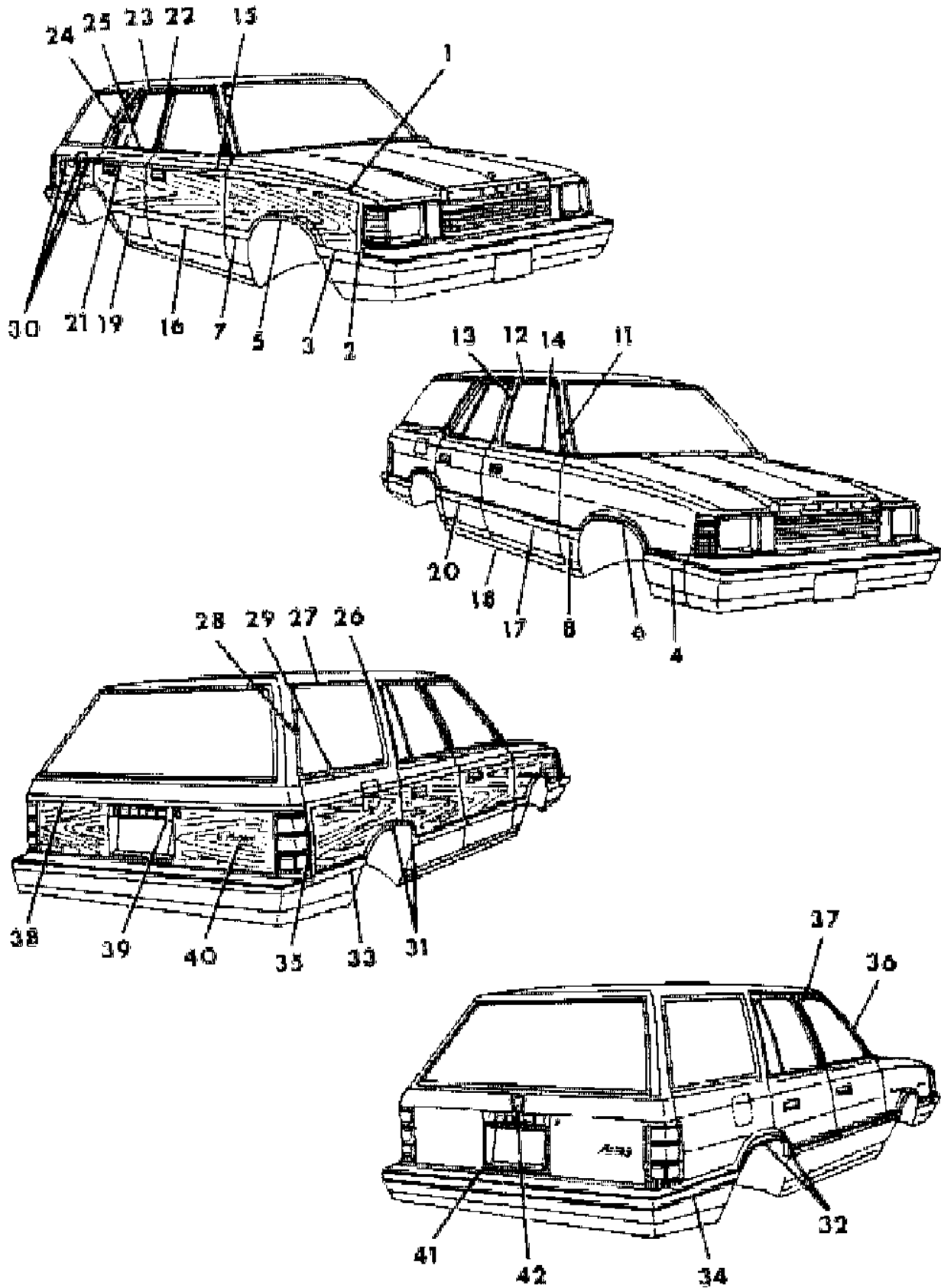


EXTERIOR VIEW DODGE ARIES - SUBURBAN  
Figure 23-2000

1168 2000

ITEM	PART NUMBER	QTY	BODY	MODEL	DESCRIPTION
	X263 BC4	1			Blue
	X263 BM5	1			Red
	X263 BL4	1			Beige Met.
	X263 BT8	1			Sable Tan
	X263 AW3	1			White
	X263 AX9	1			Black

NOTE: The Colored Medallion Used is Determined by the Exterior Paint of Car an offsetting order for part no. 3747881



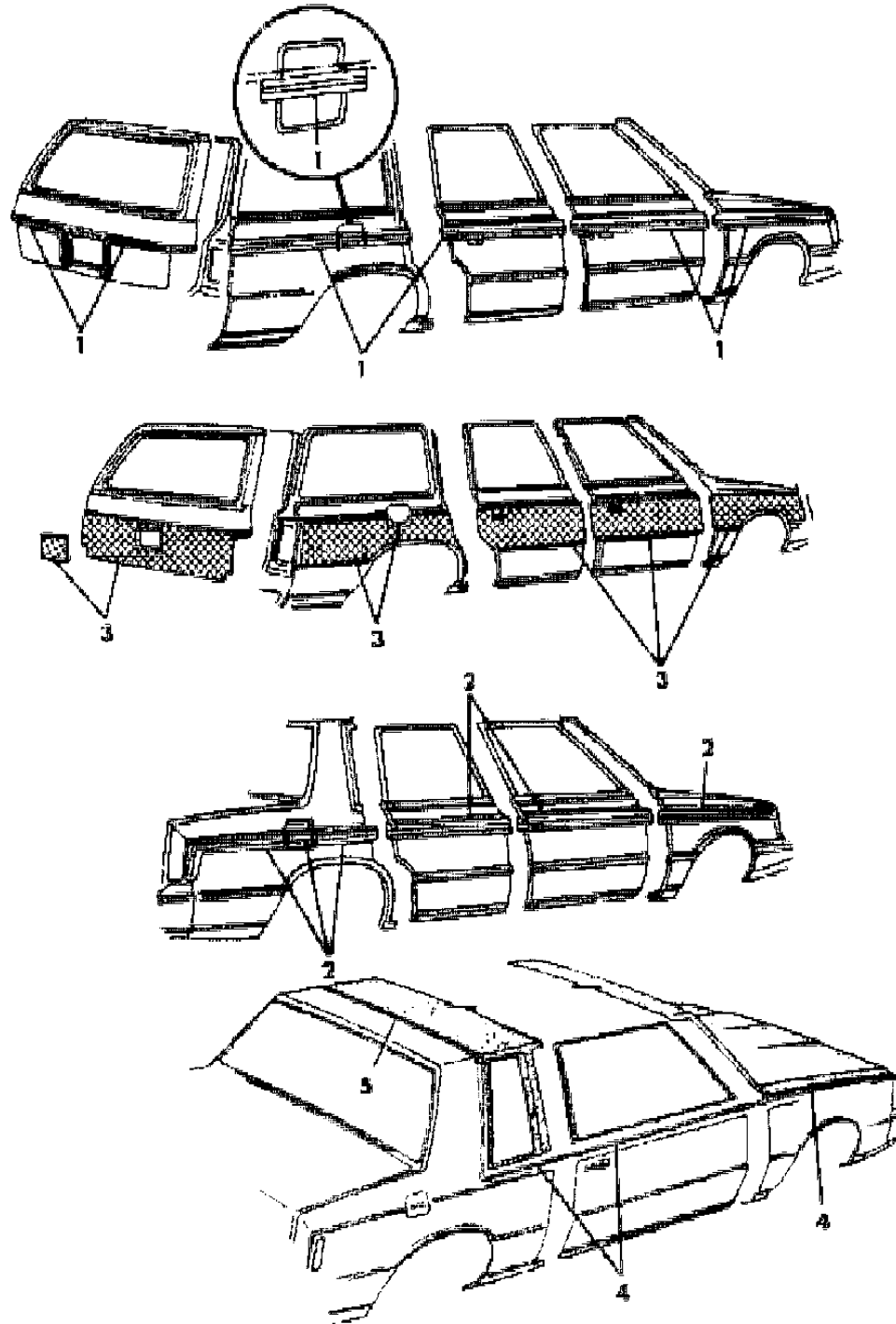
MODEL CODES  
 B = GRAN FURY  
 C = LEBARON/TOWN & COUNTRY  
 D = ARIES  
 E = 600  
 F = FIFTH AVENUE  
 G = DIPLOMAT  
 M = HORIZON/TURISMO/SCAMP  
 P = RELIANT  
 S = CORDOBA  
 T = E CLASS/NEWYORKER  
 V = 400  
 X = MIRADA  
 Y = IMPERIAL  
 Z = OMNI/CHARGER/RAMPAGE

BODY STYLES  
 21 = 2-DOOR SEDAN  
 22 = 2-DOOR SPECIAL COUPE  
 24 = 2-DOOR HATCHBACK  
 27 = 2-DOOR CONVERTIBLE  
 28 = FWD PICKUP  
 41 = 4-DOOR SEDAN  
 45 = 4-DOOR STATION WAGON  
 44 = 4-DOOR HATCHBACK  
 48 = EXECUTIVE SEDAN

AR = Use as Required - = Non Illustrated Part P.A.R. = Paint as Required

**EXTERIOR VIEW - TAPE STRIPES DODGE ARIES - 2 DOOR - 4 DOOR - SUBURBAN**  
**Figure 23-2100**

3184 2100



ITEM	PART NUMBER	QTY	BODY	MODEL	DESCRIPTION
1	4293 284-5	1		45	TAPE SET,Fndr.,Door,Qtr.,Blue (K3C)
	4267 654-5	1		45	Red (K3R)
	4293 290-1	1		45	Gold (K3Y)
	4293 286-7	1		45	Tan (K3K)
	4267 692-3	1		45	Silver (K3A)
	4267 662-3	1		45	White (K3W)
	4293 292	1		45	TAPE SET,Lift Gate,Blue (K3C)
	4267 665	1		45	Red (K3R)
	4293 295	1		45	Gold (K3Y)
	4293 293	1		45	Tan (K3K)
	4267 694	1		45	Silver (K3A)
4267 669	1		45	White (K3W)	
2	4240 742-3	1		21	TAPE SET,Fndr.,Door,Qtr.,Red (K3R)
	4293 302-3	1		21	Gold (K3Y)
	4293 298-9	1		21	Tan (K3K)
	4293 296-7	1		21	Blue (K3C)
	4267 698-9	1		21	Silver (K3A)
	4240 752-3	1		21	White (K3W)
	4240 754-5	1		41	Red (K3R)
	4293 316-7	1		41	Gold (K3Y)
	4293 312-3	1		41	Tan (K3K)
	4293 310-1	1		41	Blue (K3C)
4267 682-3	1		41	Silver (K3A)	
4240 764-5	1		41	White (K3W)	
3	4229 013	1		45	OVERLAY,Fndr.,Door,Qtr.,Filler Door,L/Gate,L/Gate Lic. Plate Depr.
4	4271 748-9	1		21	TAPE SET,Fndr.,Door,Qtr. Wdo.,Red and Silver (K1E)
5	T540 ABF	1		21	TAPE,Roof Transverse,Red and Silver (K1E)

**MODEL CODES**

B = GRAN FURY	G = DIPLOMAT	V = 400
C = LEBARON/TOWN & COUNTRY	M = HORIZON/TURISMO/SCAMP	X = MIRADA
D = ARIES	P = RELIANT	Y = IMPERIAL
E = 600	S = CORDOBA	Z = OMNI/CHARGER/RAMPAGE
F = FIFTH AVENUE	T = E CLASS/NEWYORKER	

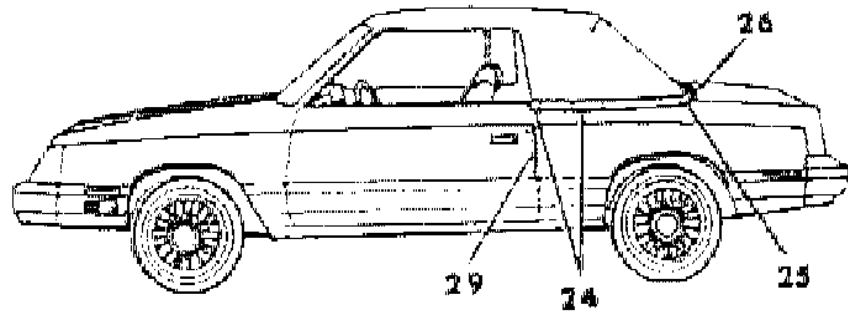
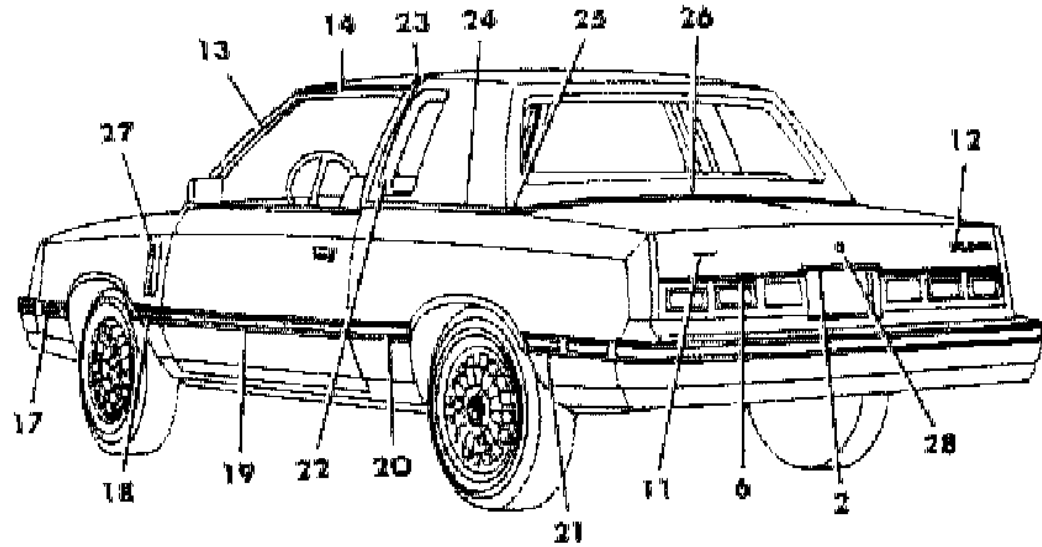
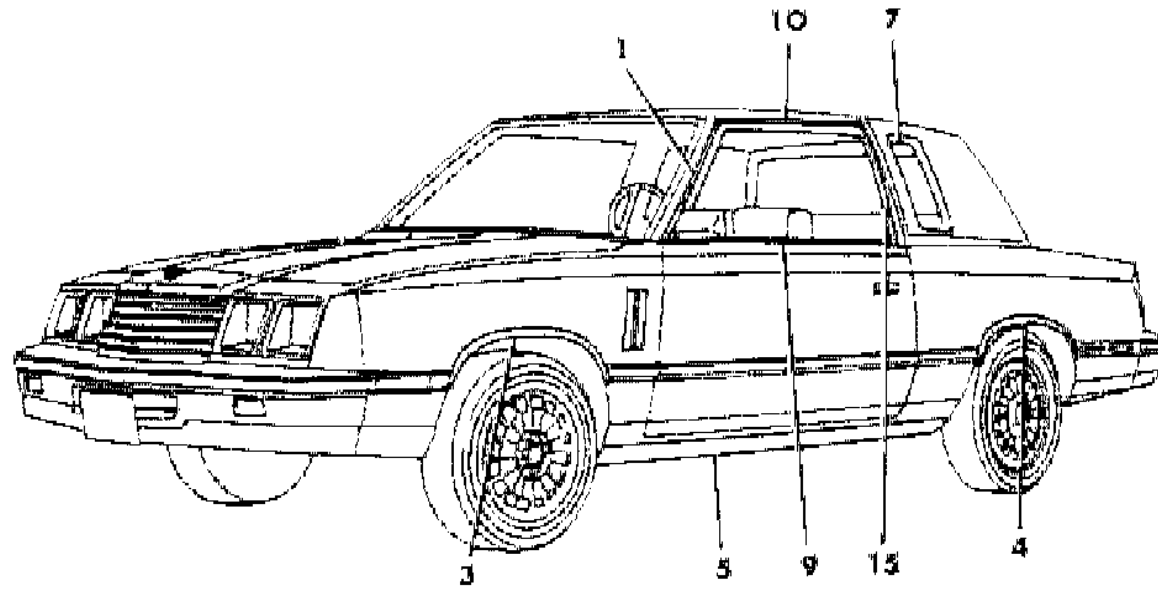
**BODY STYLES**

21 = 2-DOOR SEDAN	41 = 4-DOOR SEDAN
22 = 2-DOOR SPECIAL COUPE	45 = 4-DOOR STATION WAGON
24 = 2-DOOR HATCHBACK	44 = 4-DOOR HATCHBACK
27 = 2-DOOR CONVERTIBLE	48 = EXECUTIVE SEDAN
28 = FWD PICKUP	

AR = Use as Required - = Non Illustrated Part P.A.R. = Paint as Required

EXTERIOR VIEW DODGE 400 - 22,27  
Figure 23-2200

3188 2200



ITEM	PART NUMBER	QTY	BODY	MODEL	DESCRIPTION
1	4175 580-1	1		22,27	MOULDING,Body Frt. Pillar Drain Trough,Use w/o Spec. Sound Insul.,C15 Pkg.
	4229 762-3	1		22,27	MOULDING and SEAL,Body Frt. Pillar Drain Trough,Use w/o Spec. Sound Insul.,C15 Pkg.
	4276 416-7	1		22,27	MOULDING,Body Frt. Pillar Drain Trough,Use w/Spec. Sound Insul.,C15 Pkg.
	4229 766-7	1		22,27	MOULDING and SEAL,Body Frt. Pillar Drain Trough,Use w/Spec. Sound Insul., C15 Pkg.
	4229 764-5	1		22,27	SEAL,Body Frt.Pillar Drain Trough Mldg.,Inner,Use w/Spec. Sound Insul.,C15 Pkg.
2	4175 694	1		22,27	MOULDING,Deck Lid Lwr. Center
	6028 674	AR			SCREW
3	4175 756-7	1		22,27	MOULDING,Fndr. Wheel Opng. SCREW (Not Serv.)
4	4175 770-1	1		22,27	MOULDING,Qtr. Wheel Opng. SCREW (Not Serv.)
5	4205 652-3	1		22,27	MOULDING,Body Side Sill
	6003 777	AR			RETAINER SCREW (Not Serv.)
6	4175 894-5	1		22,27	MOULDING,Deck Lid Lwr. Side
	6028 674	AR			SCREW
7	X298-9 AA3	1		22	MOULDING,Qtr. Wdo.,Use w/Padded Landau,Silver (Paint as Req.)
9	4205 646	1		22,27	MOULDING,Door Belt,Rt.,Use w/Mirror
	4205 651	1		22,27	Rt.,Use w/o Mirror
	4205 647	1		22,27	Lt.
	4205 634	AR		22,27	RETAINER PKG.
	6003 627	AR		22,27	RETAINER
10	4229 684-5	1		22	MOULDING,Roof Side Drain Trough,Use w/Padded Landau
	4229 688-9	1		22	Use w/o Padded Landau
					ADHESIVE (Not Serv.)
11	4229 779	1		22,27	NAMEPLATE,Deck Lid,"DODGE"
12	4229 780	1		22,27	NAMEPLATE,Deck Lid,"400"
	4328 154	1		27	NAMEPLATE,Deck Lid,"400 LS",Spec. Pkg. A63
13	4276 062-3	1		22	MOULDING,Frnt. Door Wdo. Opng. Frame,Frnt.
14	4276 484-5	1		22	MOULDING,Frnt. Door Wdo. Opng. Frame,Upr.

MODEL CODES

B = GRAN FURY  
C = LEBARON/TOWN & COUNTRY  
D = ARIES  
E = 600  
F = FIFTH AVENUE

G = DIPLOMAT

M = HORIZON/TURISMO/SCAMP

P = RELIANT

S = CORDOBA

T = E CLASS/NEWYORKER

V = 400

X = MIRADA

Y = IMPERIAL

Z = OMNI/CHARGER/RAMPAGE

BODY STYLES

21 = 2-DOOR SEDAN

22 = 2-DOOR SPECIAL COUPE

24 = 2-DOOR HATCHBACK

27 = 2-DOOR CONVERTIBLE

28 = FWD PICKUP

41 = 4-DOOR SEDAN

45 = 4-DOOR STATION WAGON

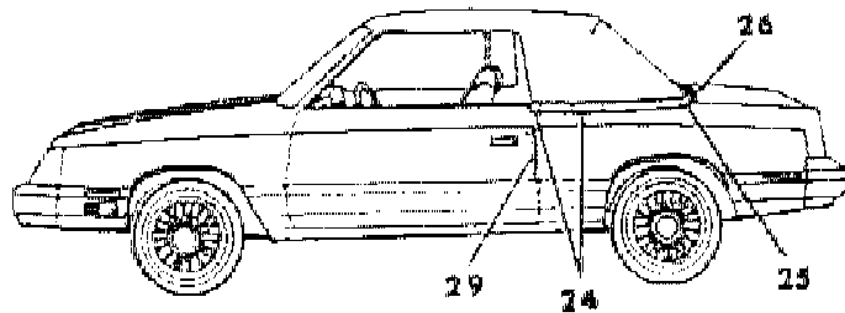
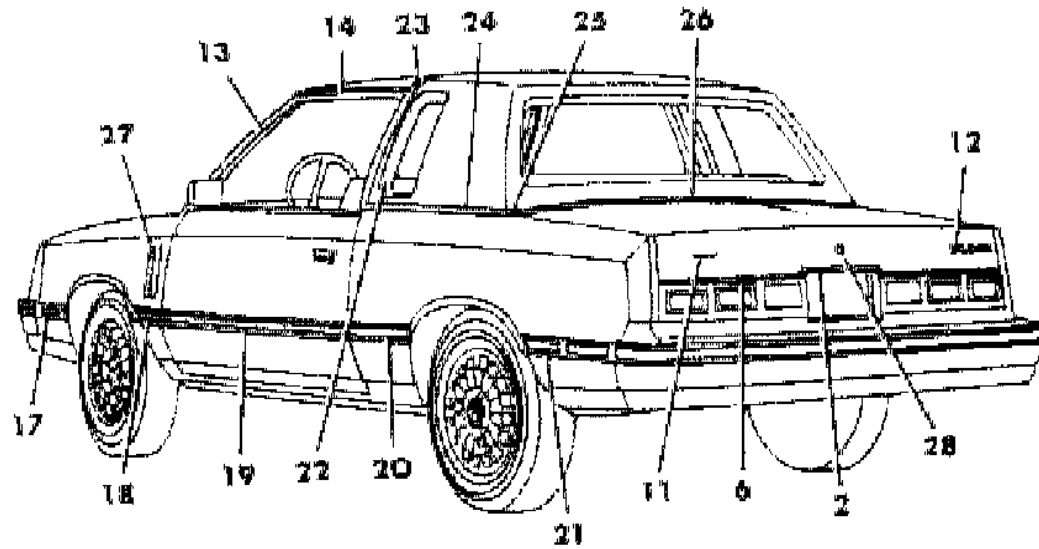
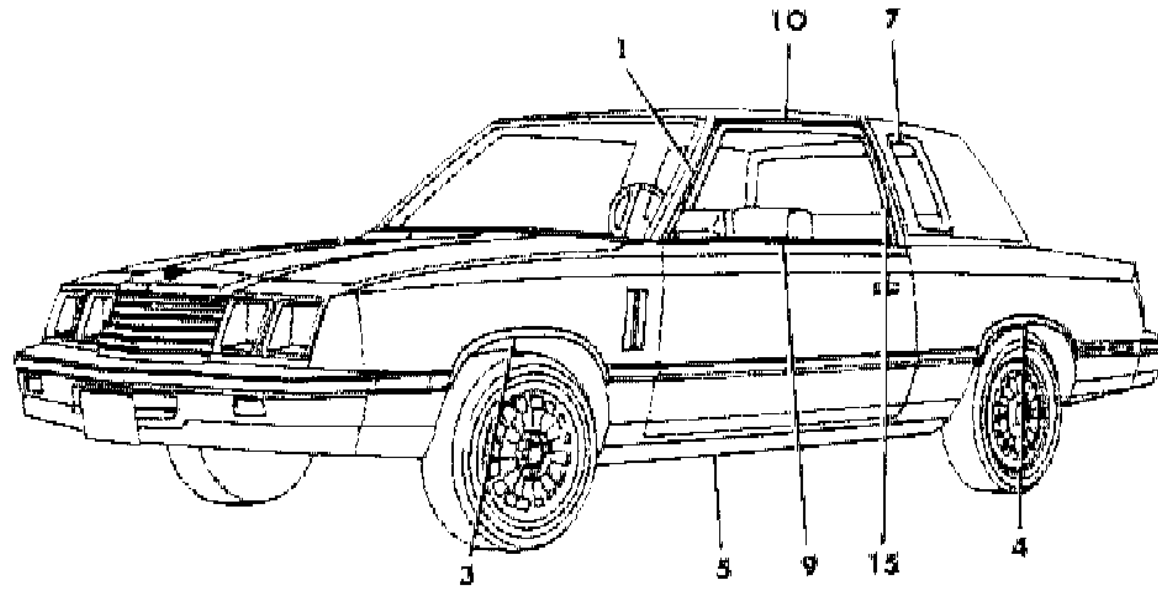
44 = 4-DOOR HATCHBACK

48 = EXECUTIVE SEDAN

AR = Use as Required - = Non Illustrated Part P.A.R. = Paint as Required

EXTERIOR VIEW DODGE 400 - 22,27  
Figure 23-2200

3188 2200



ITEM	PART NUMBER	QTY	BODY	MODEL	DESCRIPTION
15	4276 234-5	1		22	MOULDING,Frnt. Door Wdo. Opng. Frame,Rear
17	4293 472-3	1		22,27	MOULDING,Fndr. Frnt.,Silver
	4267 830-1	1		22,27	Night Watch Blue
	4293 478-9	1		22,27	Sable Tan
	4293 476-7	1		22,27	Red
	4293 474-5	1		22,27	Beige Met.
	4267 842-3	1		22,27	White
	4267 844-5	1		22,27	Black
	4057 569	AR			RETAINER PKG.
					NUT (Not Serv.)
					SCREW (Not Serv.)
18	4293 456-7	1		22,27	MOULDING,Fndr. Rear,Silver
	4293 458-9	1		22,27	Beige Met.
	4240 962-3	1		22,27	White
	4240 964-5	1		22,27	Black
	4267 746-7	1		22,27	Night Watch Blue
	4293 462-3	1		22,27	Sable Tan
	4293 460-1	1		22,27	Red
	4205 636	AR			RETAINER PKG.
					SCREW (Not Serv.)
19	4293 412-3	1		22,27	MOULDING and RET.,Door,Silver
	4293 414-5	1		22,27	Beige Met.
	4240 814-5	1		22,27	White
	4240 816-7	1		22,27	Black
	4267 710-1	1		22,27	Night Watch Blue
	4293 418-9	1		22,27	Sable Tan
	4293 416-7	1		22,27	Red
	4205 636	AR			RETAINER PKG.
	4057 555	AR			RETAINER PKG.
20	4293 464-5	1		22,27	MOULDING,Qtr. Frnt.,Silver
	4293 466-7	1		22,27	Beige Met.
	4240 978-9	1		22,27	White
	4240 980-1	1		22,27	Black
	4267 734-5	1		22,27	Night Watch Blue
	4293 470-1	1		22,27	Sable Tan
	4293 468-9	1		22,27	Red
	4205 636	AR			RETAINER PKG.

MODEL CODES

B = GRAN FURY

C = LEBARON/TOWN & COUNTRY

D = ARIES

E = 600

F = FIFTH AVENUE

G = DIPLOMAT

M = HORIZON/TURISMO/SCAMP

P = RELIANT

S = CORDOBA

T = E CLASS/NEWYORKER

V = 400

X = MIRADA

Y = IMPERIAL

Z = OMNI/CHARGER/RAMPAGE

BODY STYLES

21 = 2-DOOR SEDAN

22 = 2-DOOR SPECIAL COUPE

24 = 2-DOOR HATCHBACK

27 = 2-DOOR CONVERTIBLE

28 = FWD PICKUP

41 = 4-DOOR SEDAN

45 = 4-DOOR STATION WAGON

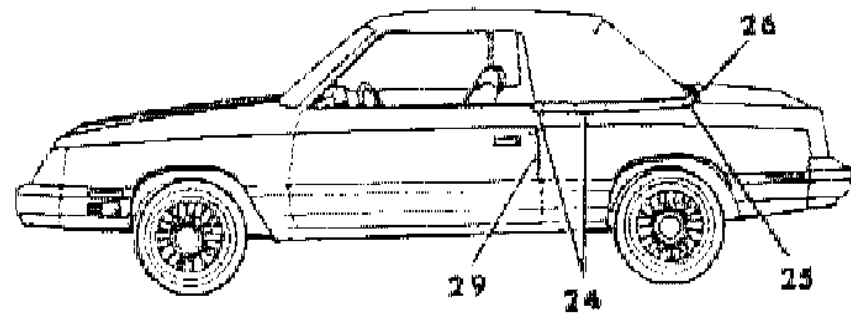
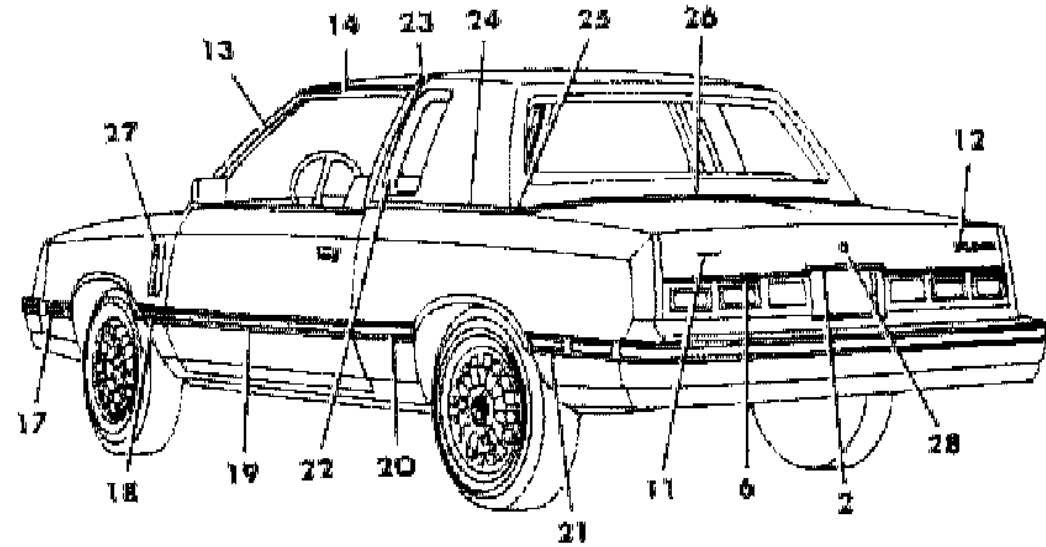
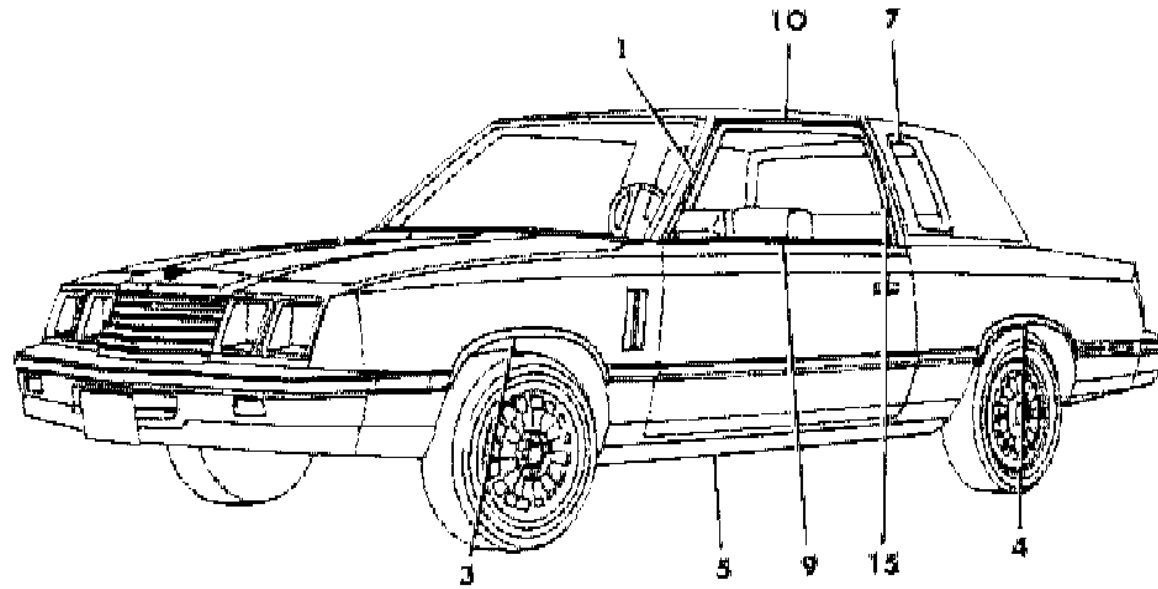
44 = 4-DOOR HATCHBACK

48 = EXECUTIVE SEDAN

AR = Use as Required - = Non Illustrated Part P.A.R. = Paint as Required

EXTERIOR VIEW DODGE 400 - 22,27  
Figure 23-2200

3188 2200



ITEM	PART NUMBER	QTY	BODY	MODEL	DESCRIPTION
					SCREW (Not Serv.)
21	4293 480-1	1		22,27	MOULDING,Qtr. Rear,Silver
	4267 808-9	1		22,27	Night Watch Blue
	4293 486-7	1		22,27	Sable Tan
	4293 484-5	1		22,27	Red
	4293 482-3	1		22,27	Beige Met.
	4267 820-1	1		22,27	White
	4267 822-3	1		22,27	Black
					SCREW (Not Serv.)
22	X298-9 AA3	1		22	MOULDING,Qtr. Wdo.,Use w/Padded Landau,Bright Silver (Paint as Req.)
23	X330-1 BA2	1		22	MOULDING,Roof Transverse,Use w/Padded Landau,Silver
	X330-1 AC9	1		22	Blue
	X330-1 BL4	1		22	Beige Met.
	X330-1 BM5	1		22	Red
	X330-1 BT8	1		22	Sable Tan
	X330-1 AW3	1		22	White
	X330-1 AX9	1		22	Black
	6003 818	AR			RETAINER
	6003 627	AR			RETAINER
	6003 821	AR			RETAINER
					WELD STUD (Not Serv.)
24	4293 356-7	1		22	MOULDING,Qtr. Belt,Use w/Padded Landau,Silver
	4267 954-5	1		22	Night Watch Blue
	4293 362-3	1		22	Sable Tan
	4293 360-1	1		22	Red
	4293 358-9	1		22	Beige Met.
	4267 966-7	1		22	White
	4267 968-9	1		22	Black
	4097 514-5	1		27	MOULDING,Qtr. Belt Reveal
	4305 101	AR		27	SNAP PKG.
	4097 776-7	1		27	MOULDING,"B" Pillar End Cap
	6003 819	AR			RETAINER
	3744 671	AR			RETAINER PKG.
					WELD STUD (Not Serv.)
25	X338-9 BA2	1		22	MOULDING,Qtr. Belt Rear Corner,Silver
	X338-9 AC9	1		22	Night Watch Blue

MODEL CODES

B = GRAN FURY

C = LEBARON/TOWN & COUNTRY

D = ARIES

E = 600

F = FIFTH AVENUE

G = DIPLOMAT

M = HORIZON/TURISMO/SCAMP

P = RELIANT

S = CORDOBA

T = E CLASS/NEWYORKER

V = 400

X = MIRADA

Y = IMPERIAL

Z = OMNI/CHARGER/RAMPAGE

BODY STYLES

21 = 2-DOOR SEDAN

22 = 2-DOOR SPECIAL COUPE

24 = 2-DOOR HATCHBACK

27 = 2-DOOR CONVERTIBLE

28 = FWD PICKUP

41 = 4-DOOR SEDAN

45 = 4-DOOR STATION WAGON

44 = 4-DOOR HATCHBACK

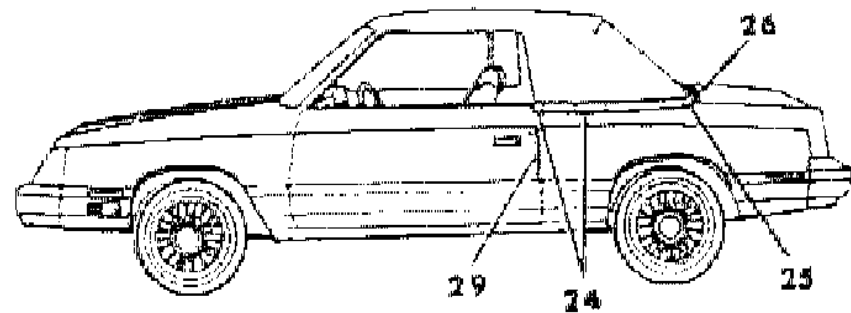
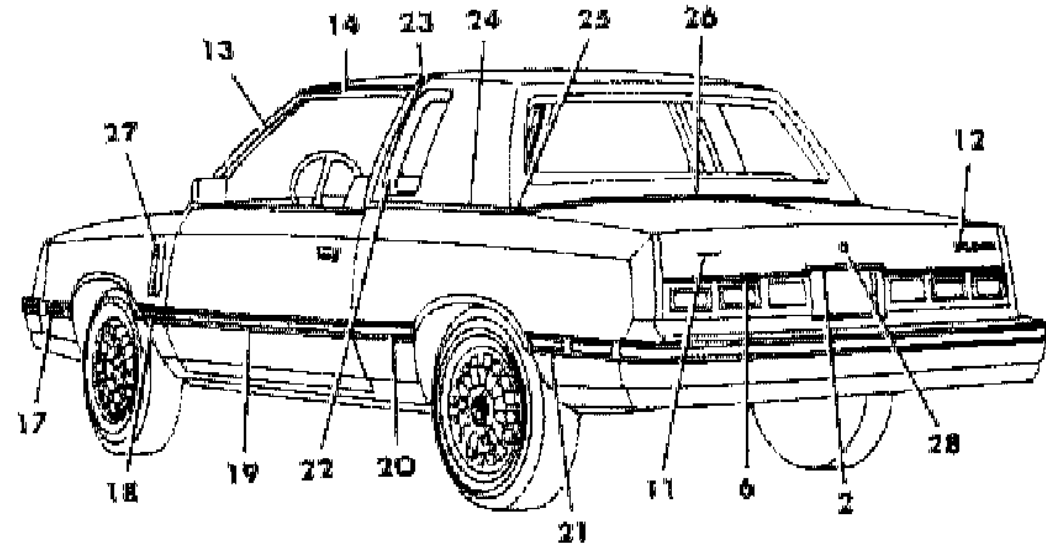
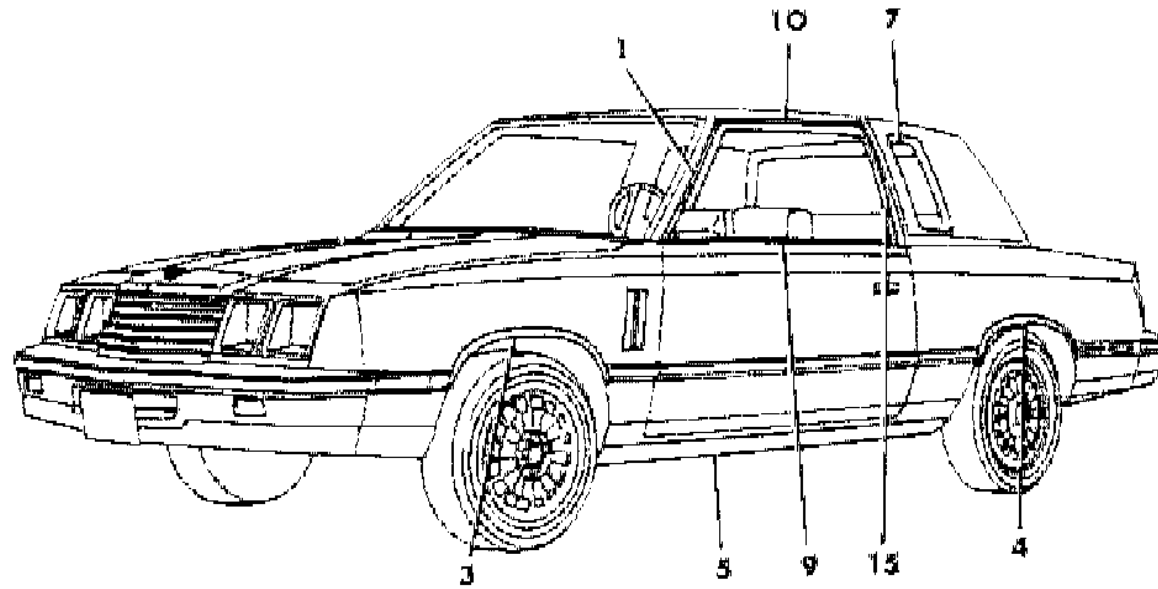
48 = EXECUTIVE SEDAN

AR = Use as Required - = Non Illustrated Part P.A.R. = Paint as Required



EXTERIOR VIEW DODGE 400 - 22,27  
Figure 23-2200

3188 2200



ITEM	PART NUMBER	QTY	BODY	MODEL	DESCRIPTION
	X338-9 BT8	1		22	Sable Tan
	X338-9 BM5	1		22	Red
	X338-9 BL4	1		22	Beige Met.
	X338-9 AW3	1		22	White
	X338-9 AX9	1		22	Black
	4097 516-7	1		27	MOULDING,Qtr. Belt Corner Reveal
	4305 101	AR		27	SNAP PKG.
26	4293 496-7	1		22	MOULDING,Deck Opng. Upr. Pnl.,Use w/Padded Landau,Silver
	4267 792-3	1		22	Night Watch Blue
	4293 354-5	1		22	Sable Tan
	4293 352-3	1		22	Red
	4293 498-9	1		22	Beige Met.
	4267 972-3	1		22	White
	4267 974-5	1		22	Black
	3744 671	AR			RETAINER PKG. SCREW (Not Serv.)
	4097 519	1		27	MOULDING,Deck Opng. Upr. Pnl. Rear Reveal
	4305 101	AR		27	SNAP PKG.
27	X282-3 BA2	1		22,27	LOUVER,Fndr.,Silver Met.
	X282-3 AA9	1		22,27	Dark Silver
	X282-3 ABB	1		22,27	Night Watch Blue
	X282-3 BC4	1		22,27	Glacier Blue
	X282-3 BM5	1		22,27	Red
	X282-3 BL4	1		22,27	Beige Met.
	X282-3 BT8	1		22,27	Sable Tan
	X282-3 AW3	1		22,27	White
	X282-3 AXX	1		22,27	Black SCREW
28	X601 BA2	1		22,27	MEDALLION,Deck Lid Lock Cyl.,Silver Met.
	X601 BA9	1		22,27	Dark Silver
	X601 BC4	1		22,27	Blue
	X601 BM5	1		22,27	Red
	X601 BL4	1		22,27	Beige Met.
	X601 BT8	1		22,27	Sable Tan
	X601 BW3	1		22,27	White
	X601 BX9	1		22,27	Black

NOTE: The Colored Medallion Used is Determined by the Exterior Paint of Car an offsetting order for part no. 3747881  
RIVET (Not Serv.)

MODEL CODES

B = GRAN FURY  
C = LEBARON/TOWN & COUNTRY  
D = ARIES  
E = 600  
F = FIFTH AVENUE

G = DIPLOMAT

M = HORIZON/TURISMO/SCAMP

P = RELIANT

S = CORDOBA

T = E CLASS/NEWYORKER

V = 400

X = MIRADA

Y = IMPERIAL

Z = OMNI/CHARGER/RAMPAGE

BODY STYLES

21 = 2-DOOR SEDAN

22 = 2-DOOR SPECIAL COUPE

24 = 2-DOOR HATCHBACK

27 = 2-DOOR CONVERTIBLE

28 = FWD PICKUP

41 = 4-DOOR SEDAN

45 = 4-DOOR STATION WAGON

44 = 4-DOOR HATCHBACK

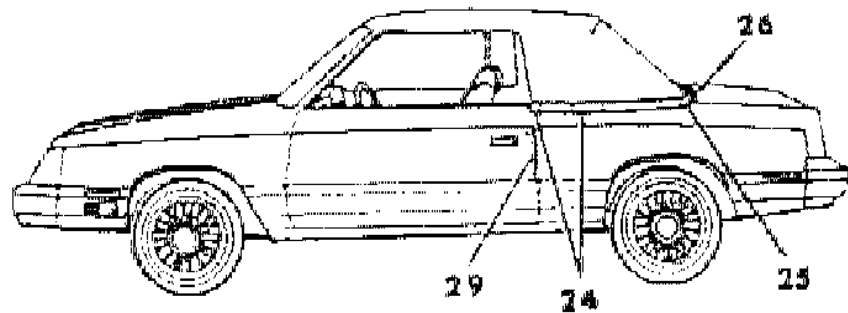
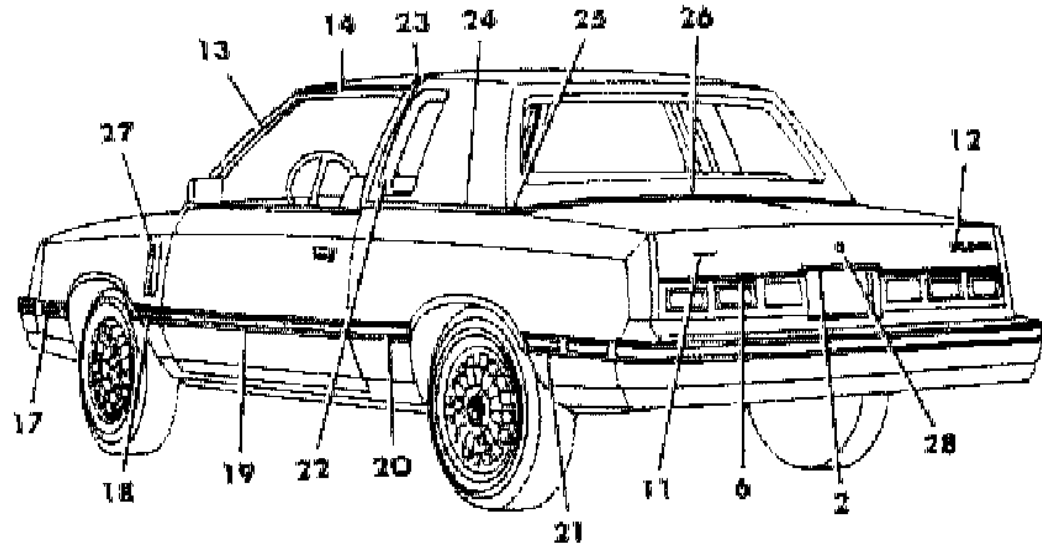
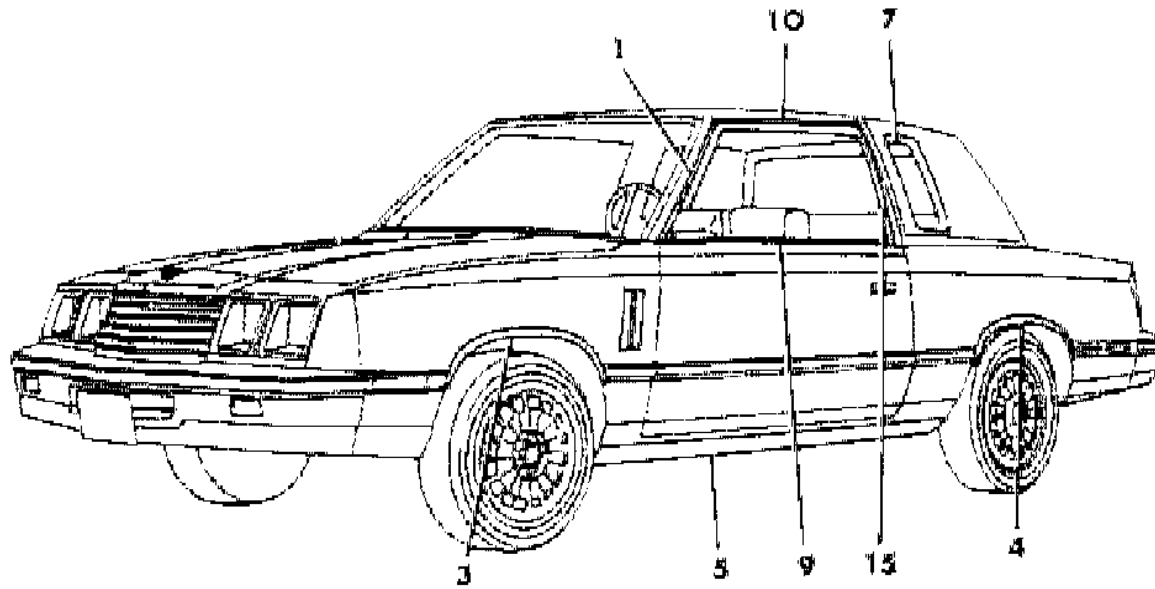
48 = EXECUTIVE SEDAN

AR = Use as Required - = Non Illustrated Part P.A.R. = Paint as Required

EXTERIOR VIEW DODGE 400 - 22,27  
Figure 23-2200

3188 2200

ITEM	PART NUMBER	QTY	BODY	MODEL	DESCRIPTION
29	4097 774	2		27	MOULDING,Door Edge



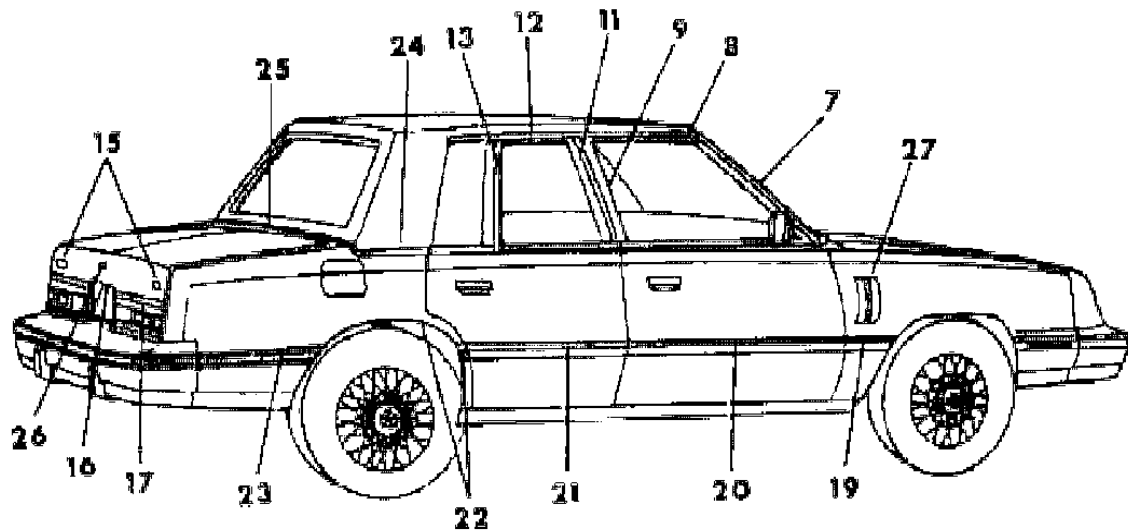
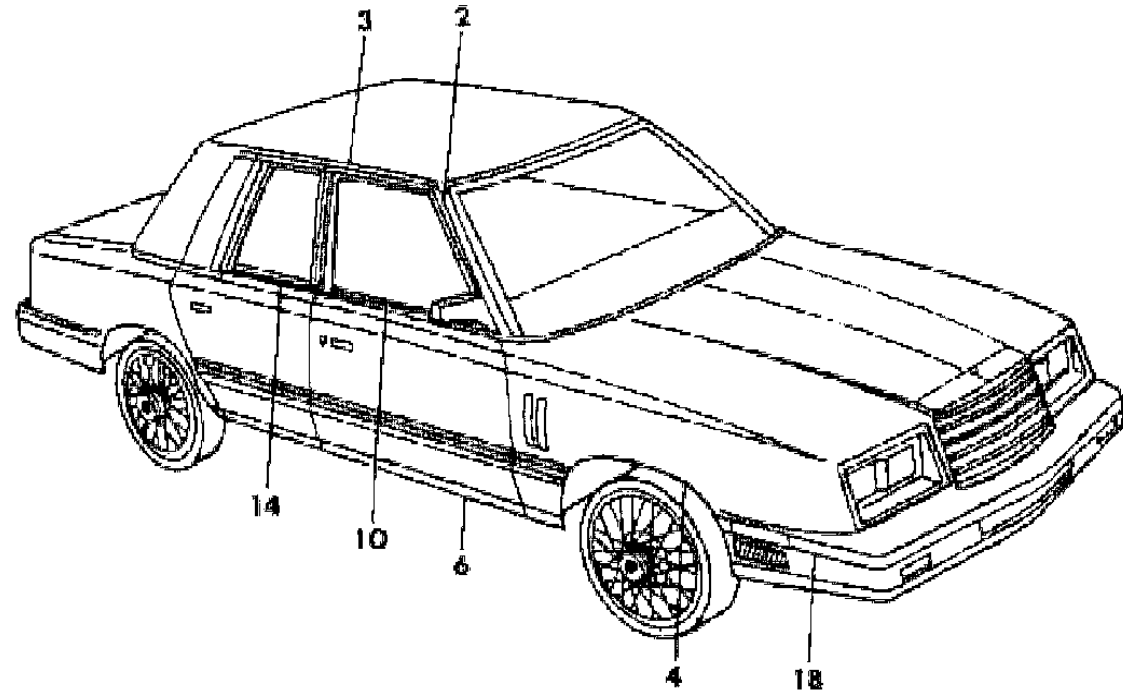
MODEL CODES  
 B = GRAN FURY  
 C = LEBARON/TOWN & COUNTRY  
 D = ARIES  
 E = 600  
 F = FIFTH AVENUE  
 G = DIPLOMAT  
 M = HORIZON/TURISMO/SCAMP  
 P = RELIANT  
 S = CORDOBA  
 T = E CLASS/NEWYORKER  
 V = 400  
 X = MIRADA  
 Y = IMPERIAL  
 Z = OMNI/CHARGER/RAMPAGE

BODY STYLES  
 21 = 2-DOOR SEDAN  
 22 = 2-DOOR SPECIAL COUPE  
 24 = 2-DOOR HATCHBACK  
 27 = 2-DOOR CONVERTIBLE  
 28 = FWD PICKUP  
 41 = 4-DOOR SEDAN  
 45 = 4-DOOR STATION WAGON  
 44 = 4-DOOR HATCHBACK  
 48 = EXECUTIVE SEDAN

AR = Use as Required - = Non Illustrated Part P.A.R. = Paint as Required

EXTERIOR VIEW DODGE 400 - 4 DOOR  
Figure 23-2300

3168 2300



ITEM	PART NUMBER	QTY	BODY	MODEL	DESCRIPTION
2	4175 580-1	1			MOULDING,Body Frt. Pillar Drain Trough,Use w/o Spec. Sound Insul.,C15 Pkg.
	4229 762-3	1			MOULDING and SEAL,Body Frt. Pillar Drain Trough,Use w/o Spec. Sound Insul.,C15 Pkg.
	4276 416-7	1			MOULDING,Body Frt. Pillar Drain Trough,Use w/Spec. Sound Insul.,C15 Pkg.
	4229 766-7	1			MOULDING and SEAL,Body Frt. Pillar Drain Trough,Use w/ Spec. Sound Insul.,C15 Pkg.
	4229 764-5	1			SEAL,Body Frt. Pillar Drain Trough Mldg.,Inner,Use w/Spec. Sound Insul.,C15 Pkg.
3	4229 680-1	1			SCREW (Not Serv.) MOULDING,Roof Side Drain Trough Frt.,Use w/o Padded Full Vinyl Roof
	X322-3 AW3	1			MOULDING,Roof Side Drain Trough,Use w/Padded Full Vinyl Roof (Paint as Req.) ADHESIVE (Not Serv.)
4	4175 756-7	1			MOULDING,Fndr. Wheel Opng. SCREW (Not Serv.)
6	4205 652-3	1			MOULDING,Body Side Sill SCREW (Not Serv.)
7	4276 062-3	1			MOULDING,Frnt. Door Wdo. Opng. Frame,Frnt.
8	4276 482-3	1			MOULDING,Frnt. Door Wdo. Opng. Frame,Upr.
9	4276 066-7	1			MOULDING,Frnt. Door Wdo. Opng. Frame,Rear
10	4205 644	1			MOULDING,Frnt. Door Belt,Rt.,Use w/Mirror
	4205 645	1			MOULDING,Frnt. Door Belt,Lt.
	6003 627	AR			RETAINER
11	4276 068-9	1			MOULDING,Rear Door Wdo. Opng. Frame,Frnt.
12	4276 474-5	1			MOULDING,Rear Door Wdo. Opng. Frame,Upr.,Use w/Padded Full Vinyl Roof
	4276 486-7	1			MOULDING,Rear Door Wdo. Opng. Frame,Upr.,Use w/o Padded Full Vinyl Roof
13	4276 224-5	1			MOULDING,Rear Door Wdo. Opng. Frame,Rear,Use w/o Padded Full Vinyl Roof
14	4267 980-1	1			MOULDING,Rear Door Belt,Use w/Padded Full Vinyl Roof
	4205 648-9	1			MOULDING,Rear Door Belt,Use w/o Padded Full Vinyl Roof
	6003 627	AR			RETAINER
15	4229 779	1			NAMEPLATE,Deck Lid,"DODGE"

MODEL CODES

B = GRAN FURY	G = DIPLOMAT	V = 400
C = LEBARON/TOWN & COUNTRY	M = HORIZON/TURISMO/SCAMP	X = MIRADA
D = ARIES	P = RELIANT	Y = IMPERIAL
E = 600	S = CORDOBA	Z = OMNI/CHARGER/RAMPAGE
F = FIFTH AVENUE	T = E CLASS/NEWYORKER	

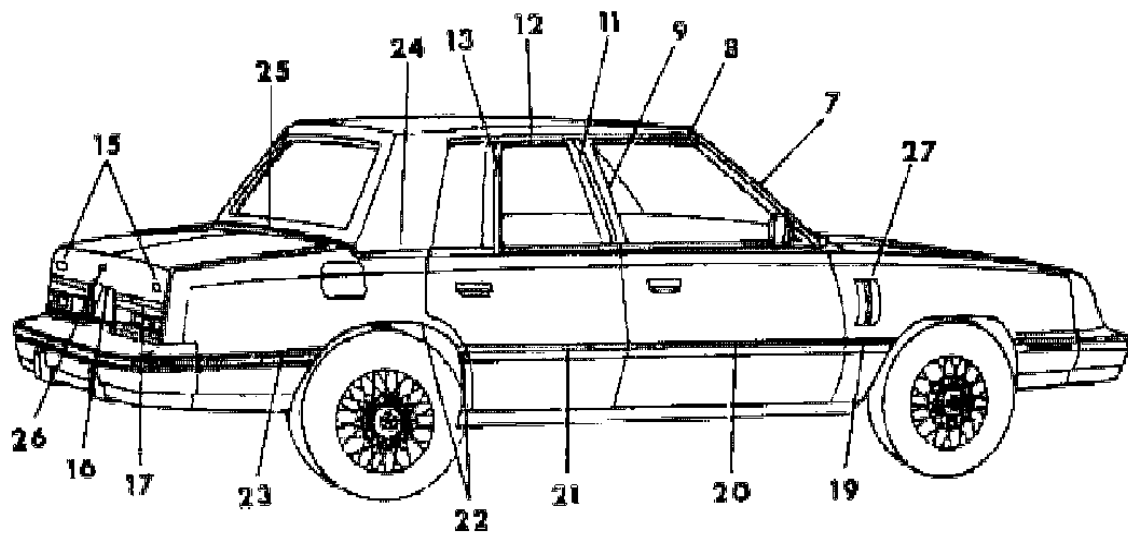
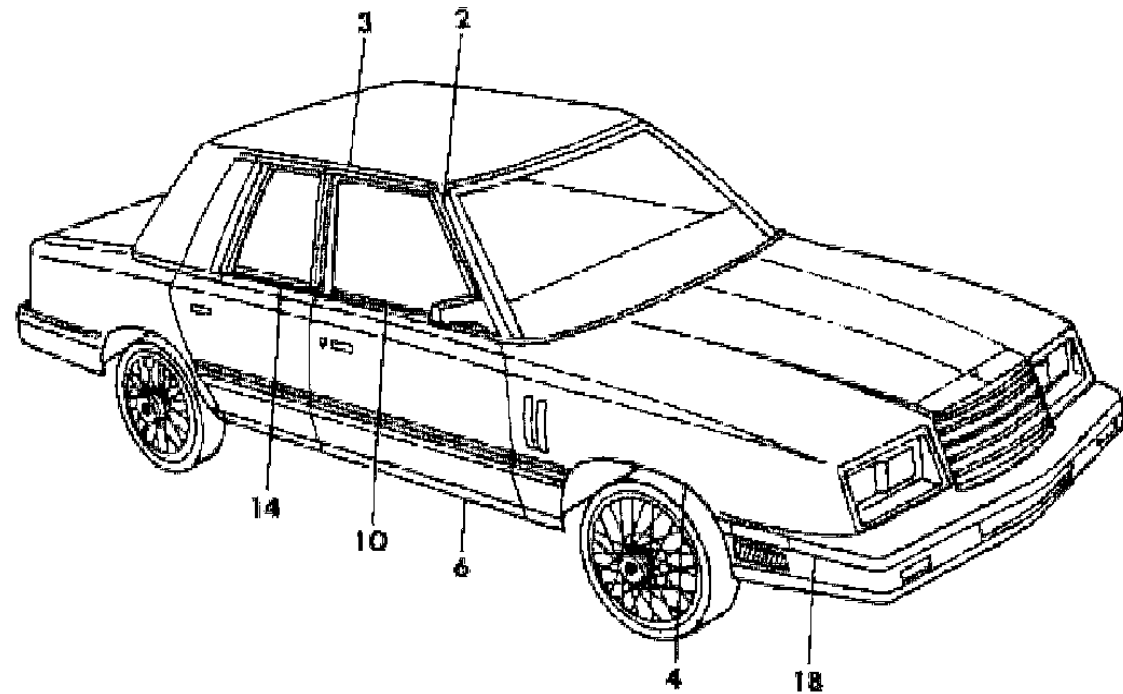
BODY STYLES

21 = 2-DOOR SEDAN	41 = 4-DOOR SEDAN
22 = 2-DOOR SPECIAL COUPE	45 = 4-DOOR STATION WAGON
24 = 2-DOOR HATCHBACK	44 = 4-DOOR HATCHBACK
27 = 2-DOOR CONVERTIBLE	48 = EXECUTIVE SEDAN
28 = FWD PICKUP	

AR = Use as Required - = Non Illustrated Part P.A.R. = Paint as Required

EXTERIOR VIEW DODGE 400 - 4 DOOR  
Figure 23-2300

3168 2300



ITEM	PART NUMBER	QTY	BODY	MODEL	DESCRIPTION
	4229 780	1			NAMEPLATE,Deck Lid,"400"
16	4175 694	1			MOULDING,Deck Lid Lwr. Center
	6028 674	AR			SCREW
17	4175 894-5	1			MOULDING,Deck Lid Lwr. Side
	6028 674	AR			SCREW
18	4293 472-3	1			MOULDING,Fndr. Frt.,Silver
	4267 830-1	1			Night Watch Blue
	4293 478-9	1			Sable Tan
	4293 476-7	1			Red
	4293 474-5	1			Beige Met.
	4267 842-3	1			White
	4267 844-5	1			Black
	4057 569	AR			RETAINER PKG.
	4057 555	AR			RETAINER PKG. NUT (Not Serv.)
19	4293 456-7	1			MOULDING,Fndr. Rear,Silver
	4293 458-9	1			Beige Met.
	4240 962-3	1			White
	4240 964-5	1			Black
	4267 746-7	1			Night Watch Blue
	4293 462-3	1			Sable Tan
	4293 460-1	1			Red
	4205 636	AR			RETAINER PKG. SCREW (Not Serv.)
20	4293 420-1	1			MOULDING,Frnt. Door,Silver
	4293 422-3	1			Beige Met.
	4240 830-1	1			White
	4240 832-3	1			Black
	4267 722-3	1			Night Watch Blue
	4293 426-7	1			Sable Tan
	4293 424-5	1			Red
	4205 636	AR			RETAINER PKG.
	4057 555	AR			RETAINER PKG.
21	4293 428-9	1			MOULDING and RET.,Rear Door,Silver
	4293 430-1	1			Beige Met.
	4240 846-7	1			White
	4240 848-9	1			Black

MODEL CODES

B = GRAN FURY	G = DIPLOMAT	V = 400
C = LEBARON/TOWN & COUNTRY	M = HORIZON/TURISMO/SCAMP	X = MIRADA
D = ARIES	P = RELIANT	Y = IMPERIAL
E = 600	S = CORDOBA	Z = OMNI/CHARGER/RAMPAGE
F = FIFTH AVENUE	T = E CLASS/NEWYORKER	

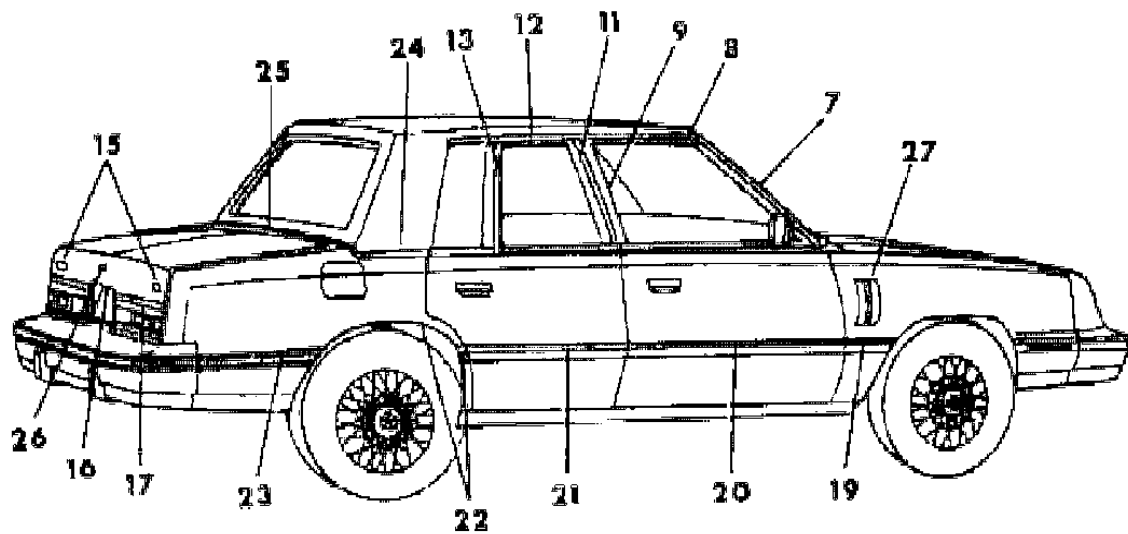
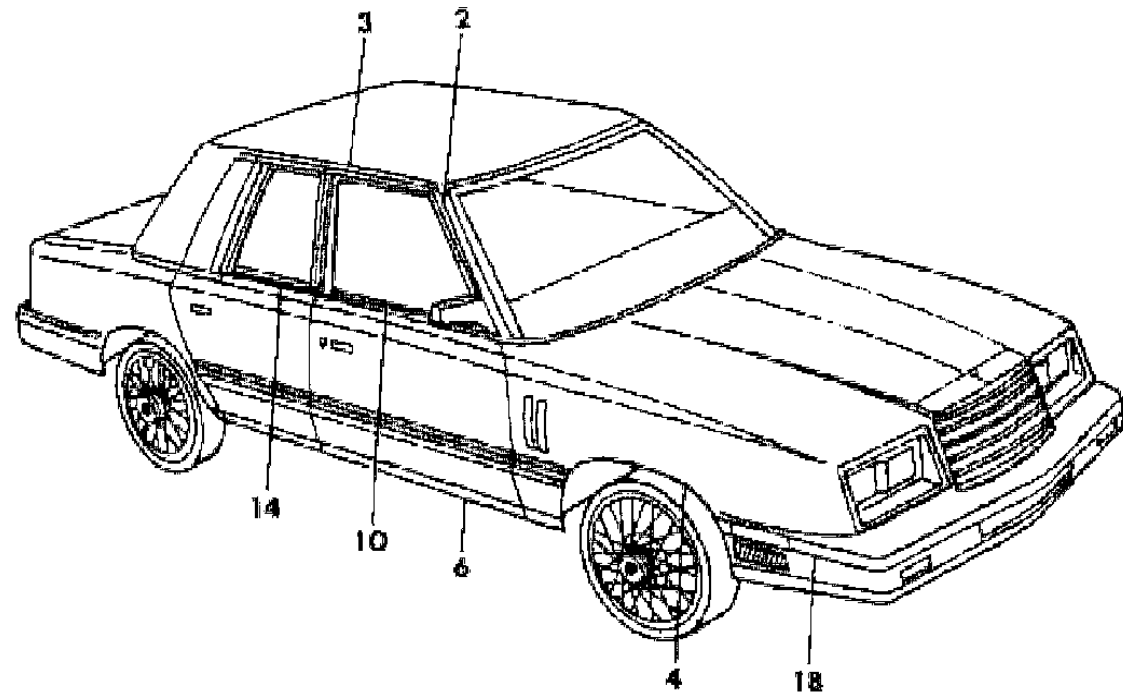
BODY STYLES

21 = 2-DOOR SEDAN	41 = 4-DOOR SEDAN
22 = 2-DOOR SPECIAL COUPE	45 = 4-DOOR STATION WAGON
24 = 2-DOOR HATCHBACK	44 = 4-DOOR HATCHBACK
27 = 2-DOOR CONVERTIBLE	48 = EXECUTIVE SEDAN
28 = FWD PICKUP	

AR = Use as Required - = Non Illustrated Part P.A.R. = Paint as Required

EXTERIOR VIEW DODGE 400 - 4 DOOR  
Figure 23-2300

3168 2300



ITEM	PART NUMBER	QTY	BODY	MODEL	DESCRIPTION
	4271 654-5	1			Night Watch Blue
	4293 434-5	1			Sable Tan
	4293 432-3	1			Red
	4205 636	AR			RETAINER PKG.
	4057 555	AR			RETAINER PKG.
22	X224-5 BA2	1			MOULDING,Qtr. Frt. and W/Opng.,Silver
	X224-5 BL4	1			Beige Met.
	X224-5 VW3	1			White
	X224-5 VX9	1			Black
	X224-5 AC9	1			Night Watch Blue
	X224-5 BT8	1			Sable Tan
	X224-5 BM5	1			Red
	4205 636	AR			RETAINER PKG.
					SCREW (Not Serv.)
23	4293 480-1	1			MOULDING,Qtr. Rear,Silver
	4267 808-9	1			Night Watch Blue
	4293 486-7	1			Sable Tan
	4293 484-5	1			Red
	4293 482-3	1			Beige Met.
	4267 820-1	1			White
	4267 822-3	1			Black
	4057 569	AR			RETAINER PKG.
					NUT (Not Serv.)
					SCREW (Not Serv.)
24	4293 488-9	1			MOULDING,Qtr. Belt,Use on Padded Full Vinyl Roof,Silver
	4267 986-7	1			Night Watch Blue
	4293 494-5	1			Sable Tan
	4293 492-3	1			Red
	4293 490-1	1			Beige Met.
	4267 998-9	1			White
	4267 912-3	1			Black
					WELD STUD (Not Serv.)
					RETAINER (Not Serv.)
25	4267 978-9	1			MOULDING,Deck Opng. Upr. Pnl.,Use on Padded Full Vinyl Roof (Paint as Req.)
	3744 671	1			RETAINER PKG.
					SCREW (Not Serv.)

MODEL CODES

B = GRAN FURY	G = DIPLOMAT	V = 400
C = LEBARON/TOWN & COUNTRY	M = HORIZON/TURISMO/SCAMP	X = MIRADA
D = ARIES	P = RELIANT	Y = IMPERIAL
E = 600	S = CORDOBA	Z = OMNI/CHARGER/RAMPAGE
F = FIFTH AVENUE	T = E CLASS/NEWYORKER	

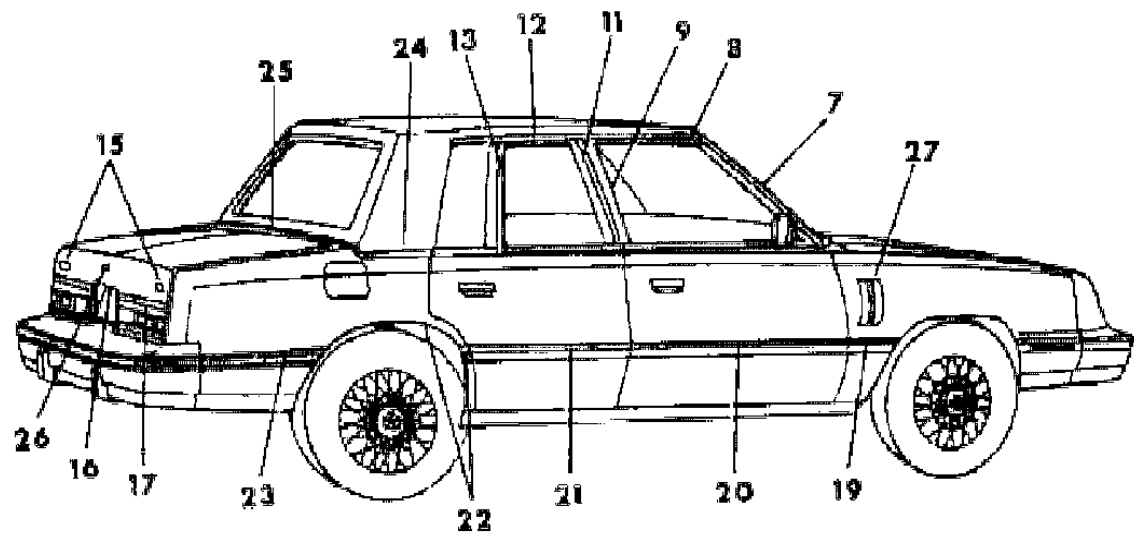
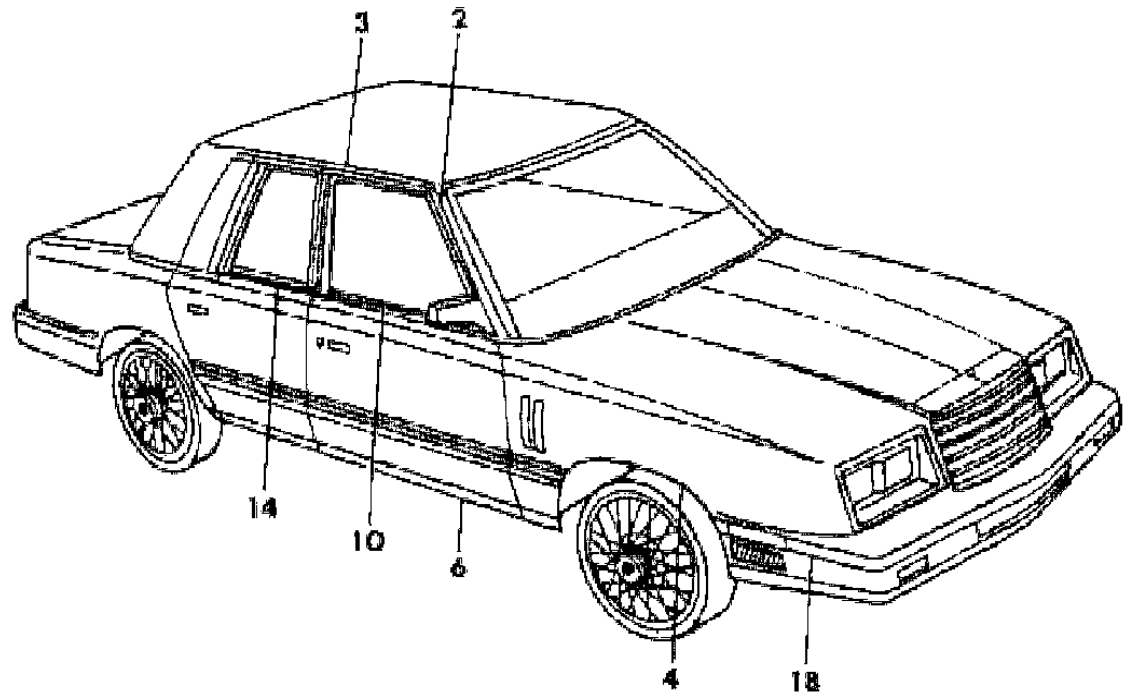
BODY STYLES

21 = 2-DOOR SEDAN	41 = 4-DOOR SEDAN
22 = 2-DOOR SPECIAL COUPE	45 = 4-DOOR STATION WAGON
24 = 2-DOOR HATCHBACK	44 = 4-DOOR HATCHBACK
27 = 2-DOOR CONVERTIBLE	48 = EXECUTIVE SEDAN
28 = FWD PICKUP	

AR = Use as Required - = Non Illustrated Part P.A.R. = Paint as Required

**EXTERIOR VIEW DODGE 400 - 4 DOOR**  
**Figure 23-2300**

3168 2300



ITEM	PART NUMBER	QTY	BODY	MODEL	DESCRIPTION	
26	X601 BA2	1			MEDALLION,Deck Lid Lock Cyl.,Silver Met.	
	X601 BA9	1			Dark Silver	
	X601 BC4	1			Blue	
	X601 BM5	1			Red	
	X601 BL4	1			Beige Met.	
	X601 BT8	1			Sable Tan	
	X601 BW3	1			White	
	X601 BX9	1			Black	
	NOTE: The Colored Medallion Used is Determined by the Exterior Paint of Car an offsetting order for part no. 3747881					RIVET (Not Serv.)
27	X282-3 BA2	1			LOUVER,Fndr.,Silver Met.	
	X282-3 AA9	1			Dark Silver	
	X282-3 ABB	1			Night Watch Blue	
	X282-3 BC4	1			Glacier Blue	
	X282-3 BT8	1			Sable Tan	
	X282-3 BM5	1			Red	
	X282-3 BL4	1			Beige Met.	
	X282-3 AW3	1			White	
	X282-3 AXX	1			Black	
						SCREW

MODEL CODES		
B = GRAN FURY	G = DIPLOMAT	V = 400
C = LEBARON/TOWN & COUNTRY	M = HORIZON/TURISMO/SCAMP	X = MIRADA
D = ARIES	P = RELIANT	Y = IMPERIAL
E = 600	S = CORDOBA	Z = OMNI/CHARGER/RAMPAGE
F = FIFTH AVENUE	T = E CLASS/NEWYORKER	

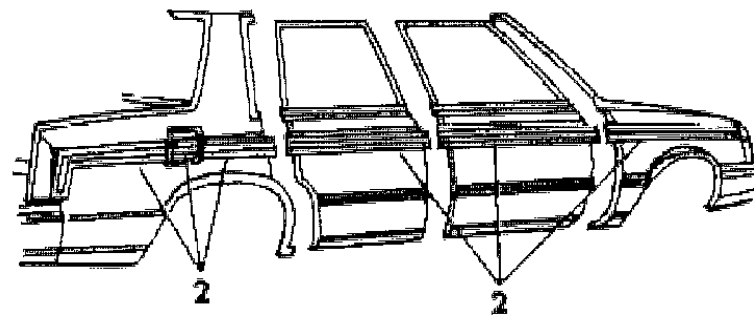
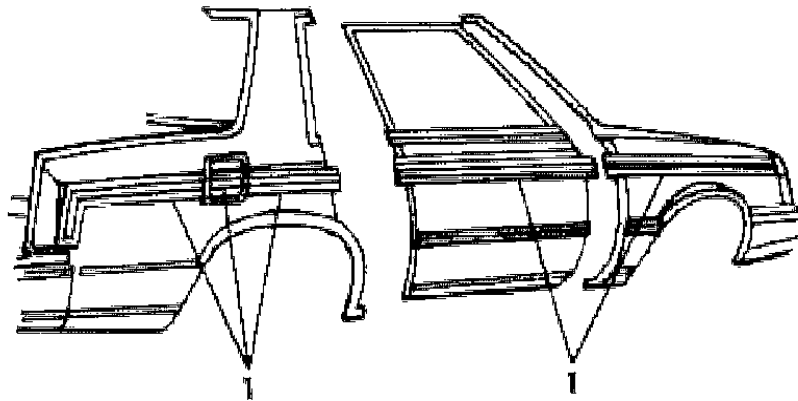
BODY STYLES	
21 = 2-DOOR SEDAN	41 = 4-DOOR SEDAN
22 = 2-DOOR SPECIAL COUPE	45 = 4-DOOR STATION WAGON
24 = 2-DOOR HATCHBACK	44 = 4-DOOR HATCHBACK
27 = 2-DOOR CONVERTIBLE	48 = EXECUTIVE SEDAN
28 = FWD PICKUP	

AR = Use as Required - = Non Illustrated Part P.A.R. = Paint as Required

**EXTERIOR VIEW - TAPE STRIPES DODGE 400**  
**Figure 23-2400**

3168 2400

ITEM	PART NUMBER	QTY	BODY	MODEL	DESCRIPTION
1	4271 602-3	1		22,27	TAPE SET,Fndr.,Door,Qtr.,Silver (K3A)
	4271 604-5	1		22,27	Blue (K3B)
	4293 514-5	1		22,27	Red (K3R)
	4293 304-5	1		22,27	Tan (K3K)
	4271 614-5	1		22,27	White (K3W)
2	4293 308-9	1		22,27	Gold (K3Y)
	4271 586-7	1	41		TAPE SET,Fndr.,Door,Qtr.,Silver (K3A)
	4271 588-9	1	41		Blue (K3B)
	4293 516-7	1	41		Red (K3R)
	4293 318-9	1	41		Tan (K3K)
	4271 598-9	1	41		White (K3W)
	4293 322-3	1	41		Gold (K3Y)



**MODEL CODES**

B = GRAN FURY	G = DIPLOMAT	V = 400
C = LEBARON/TOWN & COUNTRY	M = HORIZON/TURISMO/SCAMP	X = MIRADA
D = ARIES	P = RELIANT	Y = IMPERIAL
E = 600	S = CORDOBA	Z = OMNI/CHARGER/RAMPAGE
F = FIFTH AVENUE	T = E CLASS/NEWYORKER	

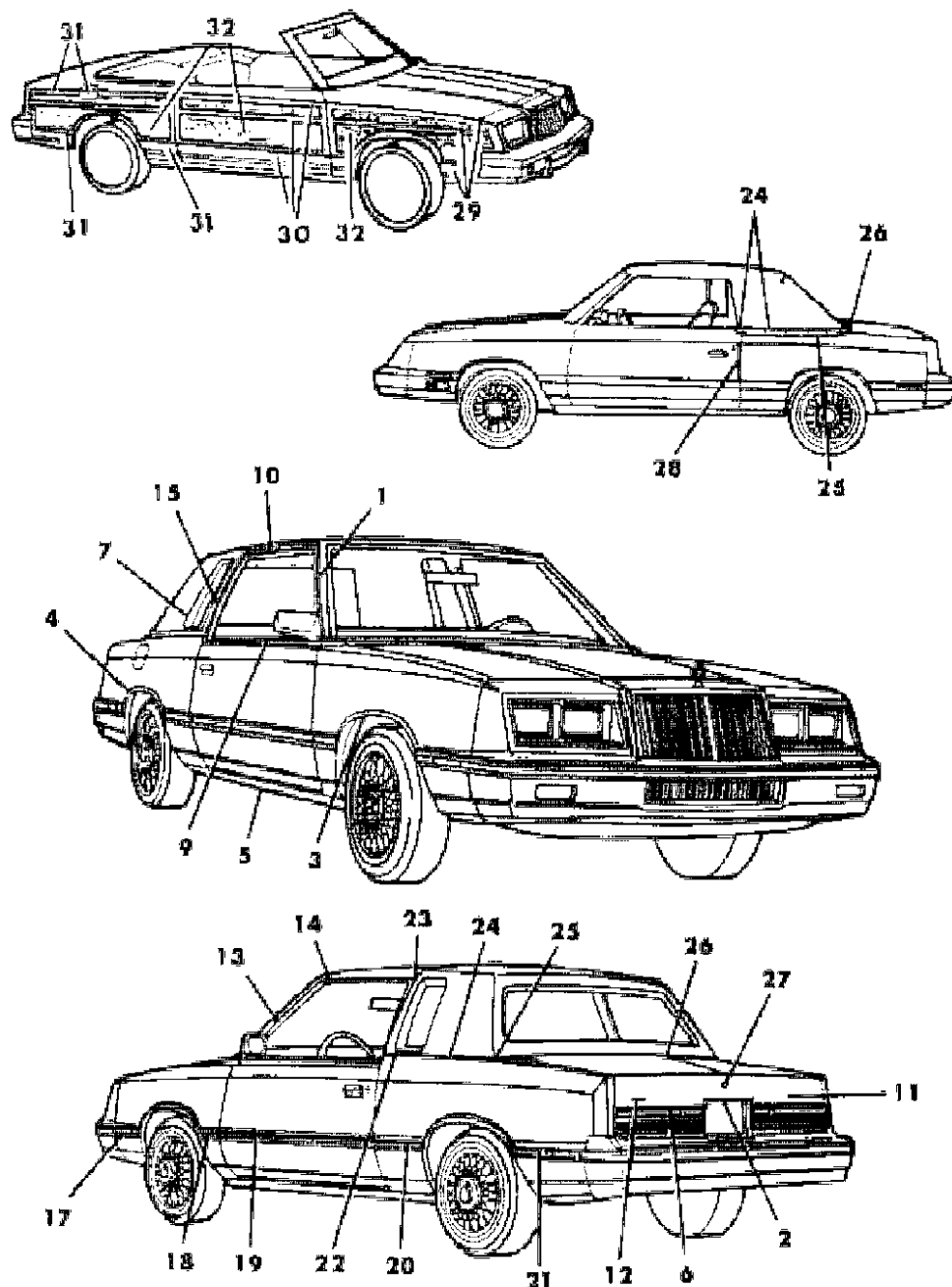
**BODY STYLES**

21 = 2-DOOR SEDAN	41 = 4-DOOR SEDAN
22 = 2-DOOR SPECIAL COUPE	45 = 4-DOOR STATION WAGON
24 = 2-DOOR HATCHBACK	44 = 4-DOOR HATCHBACK
27 = 2-DOOR CONVERTIBLE	48 = EXECUTIVE SEDAN
28 = FWD PICKUP	

AR = Use as Required - = Non Illustrated Part P.A.R. = Paint as Required

EXTERIOR VIEW CHRYSLER LEBARON - 22,27  
Figure 23-2500

1188 2500



ITEM	PART NUMBER	QTY	BODY	MODEL	DESCRIPTION
1	4175 580-1	1		22,27	MOULDING,Body Frt. Pillar Drain Trough,Use w/o Spec. Sound Insul.,C15 Pkg.
	4229 762-3	1		22,27	MOULDING and SEAL,Body Frt. Pillar Drain Trough,Use w/o Spec. Sound Insul.,C15 Pkg.
	4276 416-7	1		22,27	MOULDING,Body Frt. Pillar Drain Trough,Use w/Spec. Sound Insul.,C15 Pkg.
	4229 766-7	1		22,27	MOULDING and SEAL,Body Frt. Pillar Drain Trough,Use w/ Spec. Sound Insul.,C15 Pkg.
	4229 764-5	1		22,27	SEAL,Body Frt. Pillar Drain Trough Mldg.,Inner,Use w/Spec. Sound Insul.,C15 Pkg.
2	4175 694	1		22,27	MOULDING,Deck Lid Center
	6028 674	AR			SCREW
3	4175 756-7	1		22,27	MOULDING,Fndr. Wheel Opng. SCREW (Not Serv.)
4	4175 770-1	1		22,27	MOULDING,Qtr. Wheel Opng. SCREW (Not Serv.)
5	4205 652-3	1		22,27	MOULDING,Body Side Sill
	6003 777	AR			RETAINER SCREW (Not Serv.)
6	4175 894-5	1		22,27	MOULDING,Deck Lid Lwr. Side
	6028 674	AR			SCREW
7	X298-9 AA3	1		22	MOULDING,Qtr. Wdo.,Use w/Padded Landau,Silver (Paint as Req.)
9	4205 646	1		22,27	MOULDING,Door Belt,Rt.,Use w/Mirror
	4205 651	1		22,27	Rt.,Use w/o Mirror
	4205 647	1		22,27	Lt.
	4205 634	AR		22,27	RETAINER PKG.
	6003 627	AR		22,27	RETAINER
10	4229 684-5	1		22	MOULDING,Roof Side Drain Trough,Use w/Padded Landau
	4229 688-9	1		22	Use w/o Padded Landau
					ADHESIVE (Not Serv.)
11	4229 781	1		22,27	NAMEPLATE,Deck Lid,"LEBARON"
12	4229 782	1		22,27	NAMEPLATE,Deck Lid,"CHRYSLER"
13	4276 062-3	1		22	MOULDING,Frnt. Door Wdo. Opng. Frame,Frnt.
14	4276 484-5	1		22	MOULDING,Frnt. Door Wdo. Opng. Frame,Upr.
15	4276 234-5	1		22	MOULDING,Frnt. Door Wdo. Opng. Frame,Rear

MODEL CODES

B = GRAN FURY	G = DIPLOMAT	V = 400
C = LEBARON/TOWN & COUNTRY	M = HORIZON/TURISMO/SCAMP	X = MIRADA
D = ARIES	P = RELIANT	Y = IMPERIAL
E = 600	S = CORDOBA	Z = OMNI/CHARGER/RAMPAGE
F = FIFTH AVENUE	T = E CLASS/NEWYORKER	

BODY STYLES

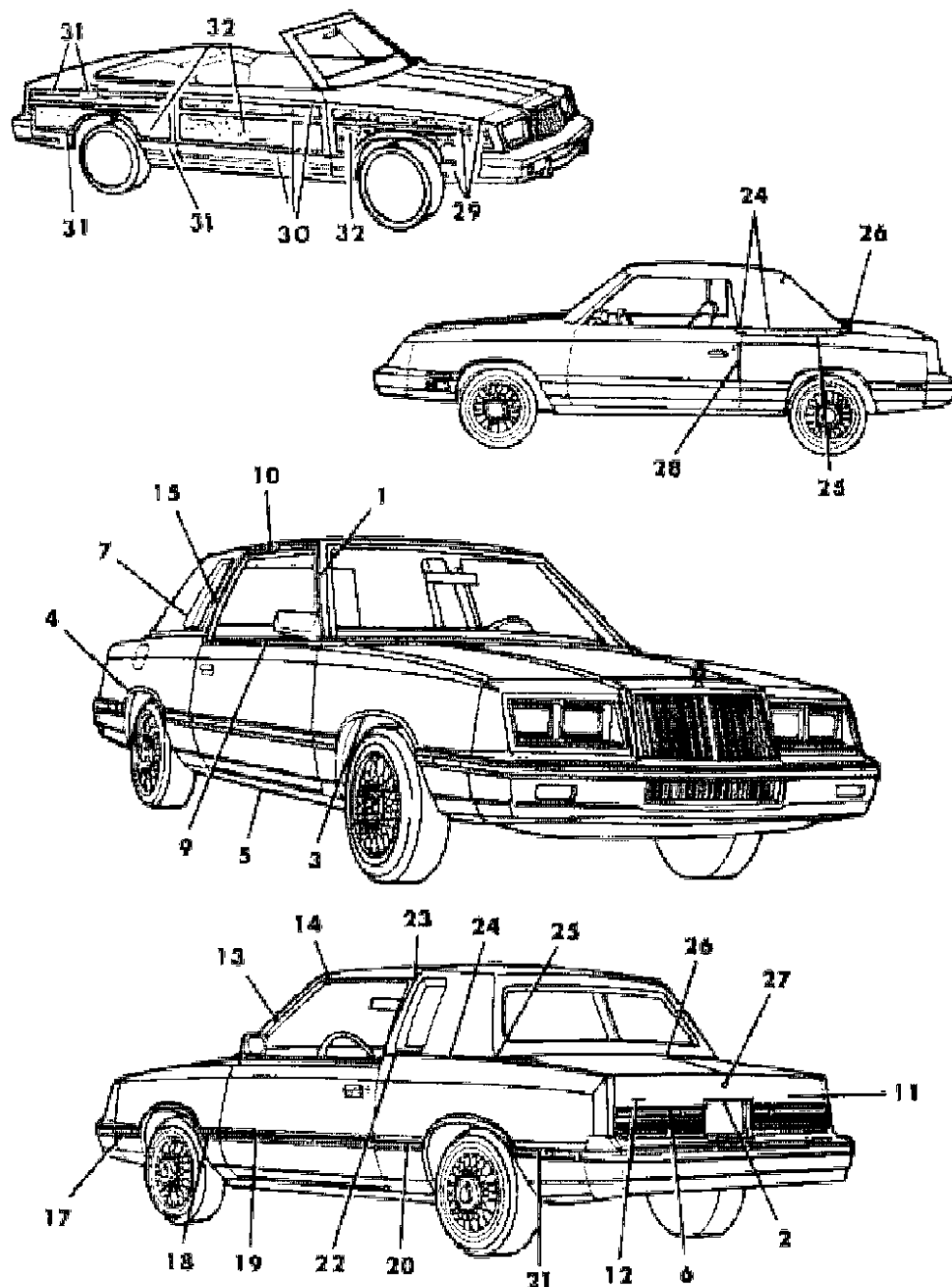
21 = 2-DOOR SEDAN	41 = 4-DOOR SEDAN
22 = 2-DOOR SPECIAL COUPE	45 = 4-DOOR STATION WAGON
24 = 2-DOOR HATCHBACK	44 = 4-DOOR HATCHBACK
27 = 2-DOOR CONVERTIBLE	48 = EXECUTIVE SEDAN
28 = FWD PICKUP	

AR = Use as Required - = Non Illustrated Part P.A.R. = Paint as Required



EXTERIOR VIEW CHRYSLER LEBARON - 22,27  
Figure 23-2500

1188 2500



ITEM	PART NUMBER	QTY	BODY	MODEL	DESCRIPTION
17	4293 472-3	1		22,27	MOULDING,Fndr. Frt.,Silver
	4267 830-1	1		22,27	Night Watch Blue
	4293 478-9	1		22,27	Sable Tan
	4293 476-7	1		22,27	Red
	4293 474-5	1		22,27	Beige Met.
	4267 842-3	1		22,27	White
	4267 844-5	1		22,27	Black
	4057 569	AR			RETAINER PKG. NUT (Not Serv.) SCREW (Not Serv.)
	18	4293 456-7	1		22,27
4293 458-9		1		22,27	Beige Met.
4240 962-3		1		22,27	White
4240 964-5		1		22,27	Black
4267 746-7		1		22,27	Night Watch Blue
4293 462-3		1		22,27	Sable Tan
4293 460-1		1		22,27	Red
4205 636		AR			RETAINER PKG. SCREW (Not Serv.)
19	4293 412-3	1		22,27	MOULDING and RET.,Door,Silver
	4293 414-5	1		22,27	Beige Met.
	4240 814-5	1		22,27	White
	4240 816-7	1		22,27	Black
	4267 710-1	1		22,27	Night Watch Blue
	4293 418-9	1		22,27	Sable Tan
	4293 416-7	1		22,27	Red
	4205 636	AR			RETAINER PKG. RETAINER PKG.
20	4293 464-5	1		22,27	MOULDING,Qtr. Frt.,Silver
	4393 466-7	1		22,27	Beige Met.
	4240 978-9	1		22,27	White
	4240 980-1	1		22,27	Black
	4267 734-5	1		22,27	Night Watch Blue
	4293 470-1	1		22,27	Sable Tan
	4293 468-9	1		22,27	Red
	4205 636	AR			RETAINER PKG. SCREW (Not Serv.)

MODEL CODES

B = GRAN FURY	G = DIPLOMAT	V = 400
C = LEBARON/TOWN & COUNTRY	M = HORIZON/TURISMO/SCAMP	X = MIRADA
D = ARIES	P = RELIANT	Y = IMPERIAL
E = 600	S = CORDOBA	Z = OMNI/CHARGER/RAMPAGE
F = FIFTH AVENUE	T = E CLASS/NEWYORKER	

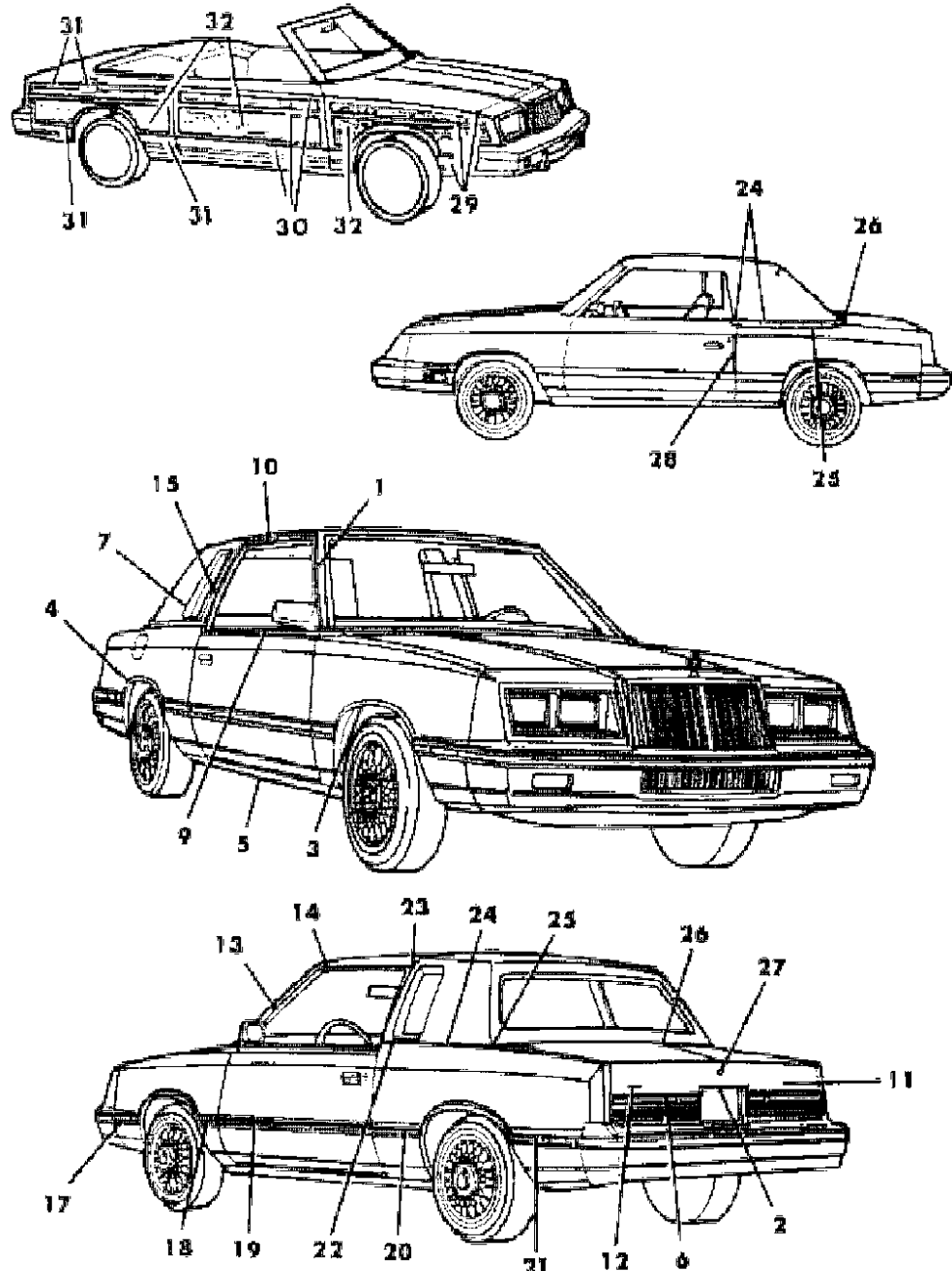
BODY STYLES

21 = 2-DOOR SEDAN	41 = 4-DOOR SEDAN
22 = 2-DOOR SPECIAL COUPE	45 = 4-DOOR STATION WAGON
24 = 2-DOOR HATCHBACK	44 = 4-DOOR HATCHBACK
27 = 2-DOOR CONVERTIBLE	48 = EXECUTIVE SEDAN
28 = FWD PICKUP	

AR = Use as Required - = Non Illustrated Part P.A.R. = Paint as Required

**EXTERIOR VIEW CHRYSLER LEBARON - 22,27**  
**Figure 23-2500**

1188 2500



ITEM	PART NUMBER	QTY	BODY	MODEL	DESCRIPTION	
21	4293 480-1	1		22,27	MOULDING,Qtr. Rear,Silver	
	4267 808-9	1		22,27	Night Watch Blue	
	4293 486-7	1		22,27	Sable Tan	
	4293 484-5	1		22,27	Red	
	4293 482-3	1		22,27	Beige Met.	
	4267 820-1	1		22,27	White	
	4267 822-3	1		22,27	Black	
22	X298-9 AA3	1		22	SCREW (Not Serv.) MOULDING,Qtr. Wdo.,Use w/Padded Landau,Bright Silver (Paint as Req.)	
	23	X330-1 BA2	1		22	MOULDING,Roof Transverse,Use w/Padded Landau,Silver
		X330-1 AC9	1		22	Blue
X330-1 BL4		1		22	Beige Met.	
X330-1 BM5		1		22	Red	
X330-1 BT8		1		22	Sable Tan	
X330-1 AW3		1		22	White	
X330-1 AX9		1		22	Black	
6003 819	AR				RETAINER	
6003 627	AR				RETAINER	
6003 821	AR				RETAINER	
24	4293 356-7	1		22	MOULDING,Qtr. Belt,Use w/Padded Landau,Silver	
	4267 954-5	1		22	Night Watch Blue	
	4293 362-3	1		22	Sable Tan	
	4293 360-1	1		22	Red	
	4293 358-9	1		22	Beige Met.	
	4267 966-7	1		22	White	
	4267 968-9	1		22	Black	
	4097 514-5	1		27	MOULDING,Qtr. Belt Reveal	
	4305 101	AR		27	SNAP PKG.	
	4097 776-7	1		27	MOULDING,"B" Pillar End Cap	
	6003 819	AR			RETAINER	
	3744 671	AR			RETAINER PKG.	
	25					WELD STUD (Not Serv.)
X338-9 BA2		1		22	MOULDING,Qtr. Belt Rear Corner,Silver	
X338-9 AC9		1		22	Night Watch Blue	
X338-9 BT8		1		22	Sable Tan	

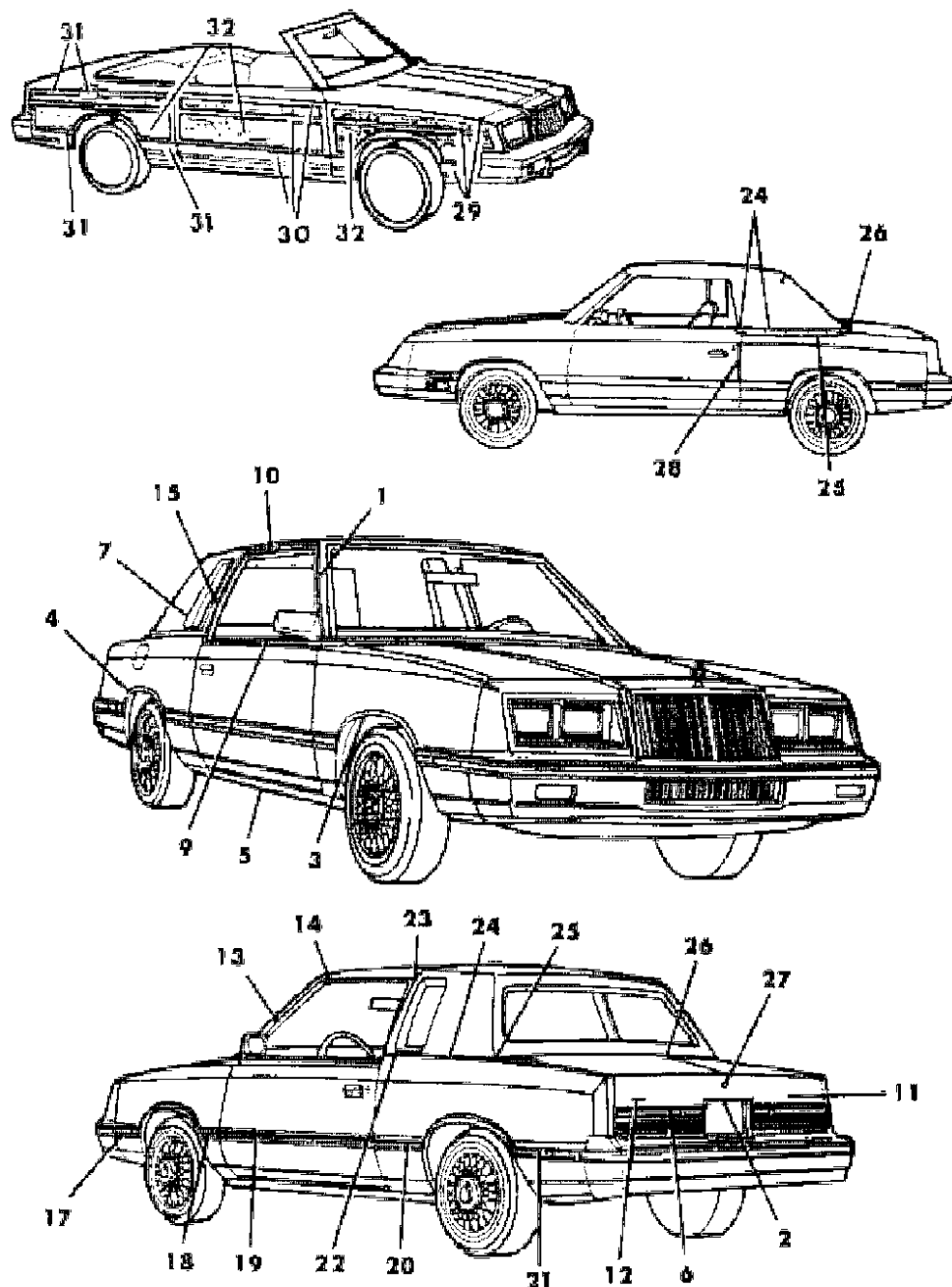
MODEL CODES  
 B = GRAN FURY  
 C = LEBARON/TOWN & COUNTRY  
 D = ARIES  
 E = 600  
 F = FIFTH AVENUE  
 G = DIPLOMAT  
 M = HORIZON/TURISMO/SCAMP  
 P = RELIANT  
 S = CORDOBA  
 T = E CLASS/NEWYORKER  
 V = 400  
 X = MIRADA  
 Y = IMPERIAL  
 Z = OMNI/CHARGER/RAMPAGE

BODY STYLES  
 21 = 2-DOOR SEDAN  
 22 = 2-DOOR SPECIAL COUPE  
 24 = 2-DOOR HATCHBACK  
 27 = 2-DOOR CONVERTIBLE  
 28 = FWD PICKUP  
 41 = 4-DOOR SEDAN  
 45 = 4-DOOR STATION WAGON  
 44 = 4-DOOR HATCHBACK  
 48 = EXECUTIVE SEDAN

AR = Use as Required - = Non Illustrated Part P.A.R. = Paint as Required

EXTERIOR VIEW CHRYSLER LEBARON - 22,27  
Figure 23-2500

1188 2500



ITEM	PART NUMBER	QTY	BODY	MODEL	DESCRIPTION
	X338-9 BM5	1		22	Red
	X338-9 BL4	1		22	Beige Met.
	X338-9 AW3	1		22	White
	X338-9 AX9	1		22	Black
	4097 516-7	1		27	MOULDING,Qtr. Belt Corner Reveal
	4305 101	AR		27	SNAP PKG.
26	4293 496-7	1		22	MOULDING,Deck Opng. Upr. Pnl.,Use w/Padded Landau,Silver
	4267 792-3	1		22	Night Watch Blue
	4293 354-5	1		22	Sable Tan
	4293 352-3	1		22	Red
	4293 498-9	1		22	Beige Met.
	4267 972-3	1		22	White
	4267 974-5	1		22	Black
	3744 671	AR			RETAINER PKG. SCREW (Not Serv.)
	4097 519	1		27	MOULDING,Deck Opng. Upr. Pnl. Rear Reveal
	4305 101	AR		27	SNAP PKG.
27	X601 BA2	1		22,27	MEDALLION,Deck Lid Lock Cyl.,Silver Met.
	X601 BA9	1		22,27	Dark Silver
	X601 BC4	1		22,27	Blue
	X601 BM5	1		22,27	Red
	X601 BL4	1		22,27	Beige Met.
	X601 BT8	1		22,27	Sable Tan
	X601 BW3	1		22,27	White
	X601 BX9	1		22,27	Black
NOTE: The Colored Medallion Used is Determined by the Exterior Paint of Car an offsetting order for part no. 3747881					
					RIVET (Not Serv.)
28	4097 774	2		27	MOULDING,Door Edge
29	4276 012-3	1		27	MOULDING,Fndr. (Woody)
	4017 657	AR			COVER
	4022 878	AR			COVER
					SCREW (Not Serv.)
30	4328 120-1	1		27	MOULDING PACKAGE,Door (Woody)
	4017 657	AR			COVER
	4022 878	AR			COVER
					SCREW (Not Serv.)
31	4328 122-3	1		27	MOULDING PACKAGE,Qtr. Pnl.,(Woody)

MODEL CODES

B = GRAN FURY	G = DIPLOMAT	V = 400
C = LEBARON/TOWN & COUNTRY	M = HORIZON/TURISMO/SCAMP	X = MIRADA
D = ARIES	P = RELIANT	Y = IMPERIAL
E = 600	S = CORDOBA	Z = OMNI/CHARGER/RAMPAGE
F = FIFTH AVENUE	T = E CLASS/NEWYORKER	

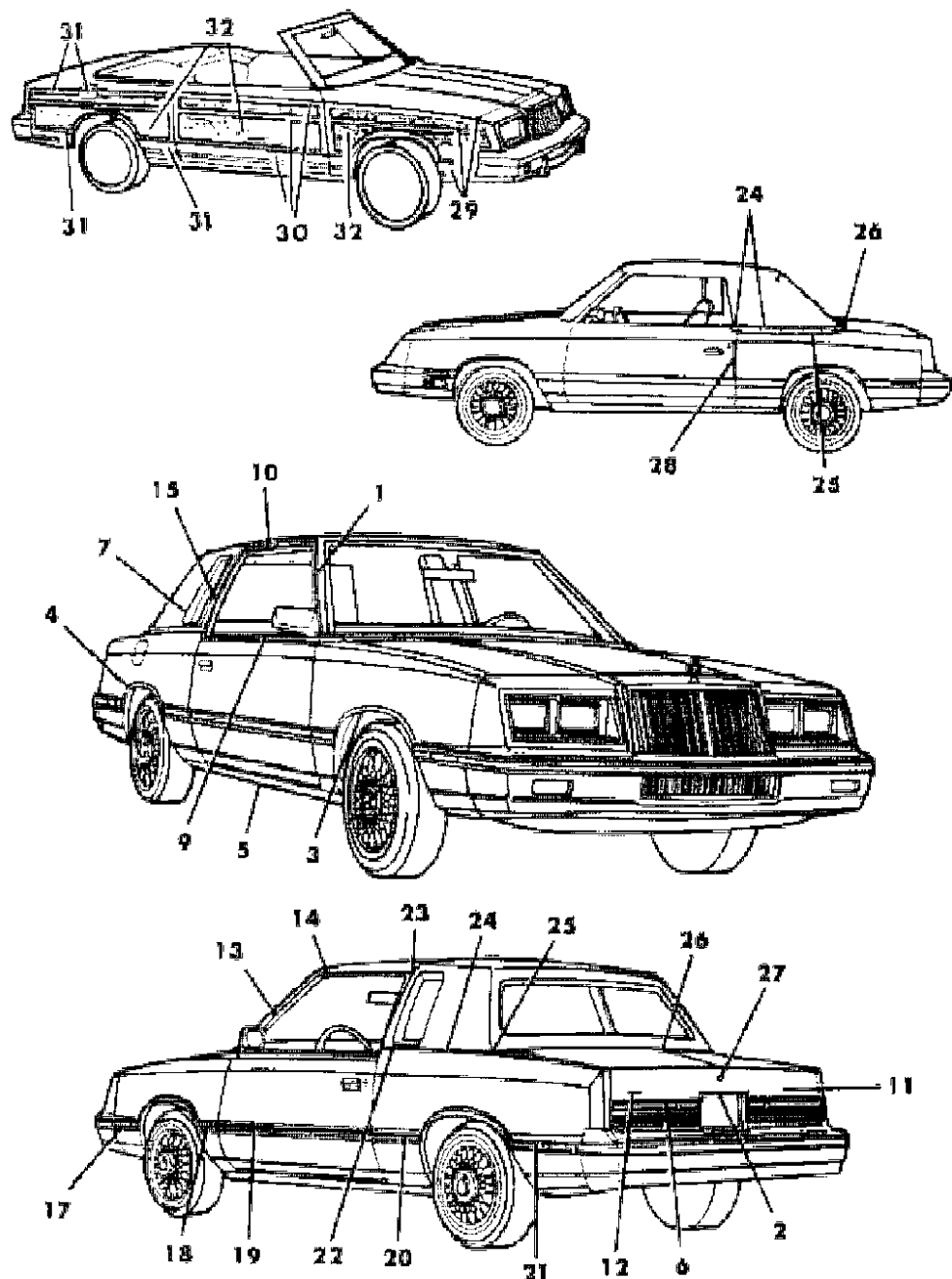
BODY STYLES

21 = 2-DOOR SEDAN	41 = 4-DOOR SEDAN
22 = 2-DOOR SPECIAL COUPE	45 = 4-DOOR STATION WAGON
24 = 2-DOOR HATCHBACK	44 = 4-DOOR HATCHBACK
27 = 2-DOOR CONVERTIBLE	48 = EXECUTIVE SEDAN
28 = FWD PICKUP	

AR = Use as Required - = Non Illustrated Part P.A.R. = Paint as Required

EXTERIOR VIEW CHRYSLER LEBARON - 22,27  
Figure 23-2500

1188 2500



ITEM	PART NUMBER	QTY	BODY	MODEL	DESCRIPTION
	4017 657	AR			COVER
	4022 878	AR			COVER
					SCREW (Not Serv.)
	4276 028	1		27	MOULDING,Qtr. Pnl. Fuel Filler Door,Rt. (Woody)
32	4319 887	AR		27	OVERLAY,Body Side (Woody)

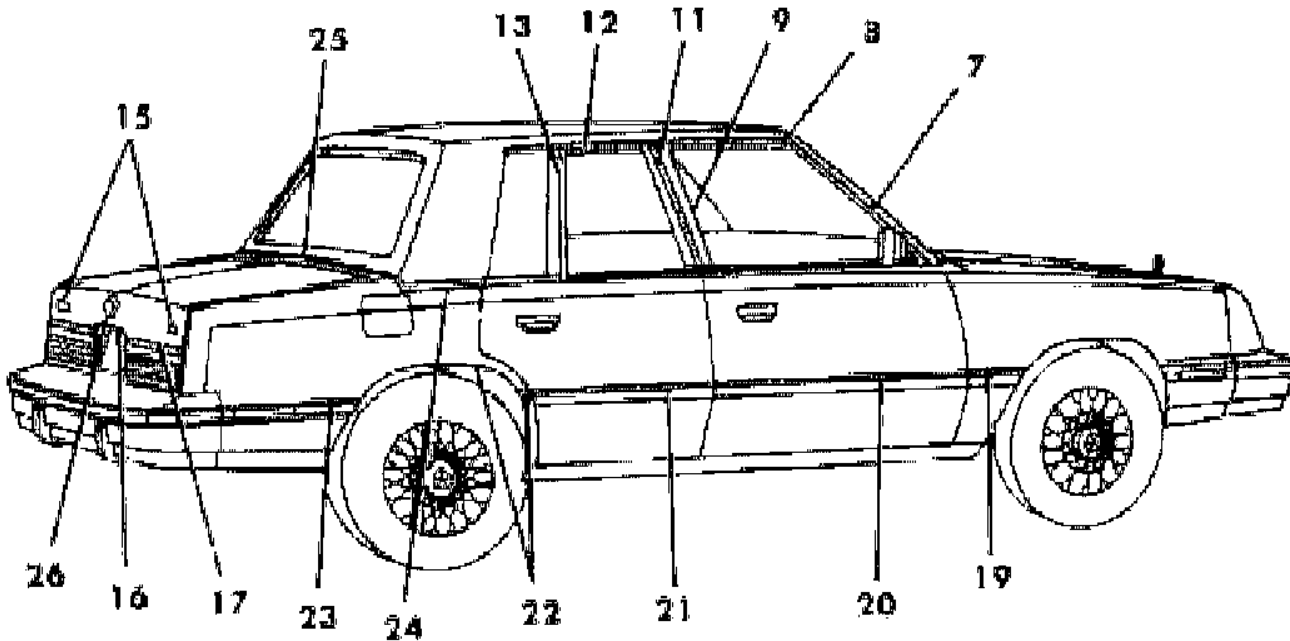
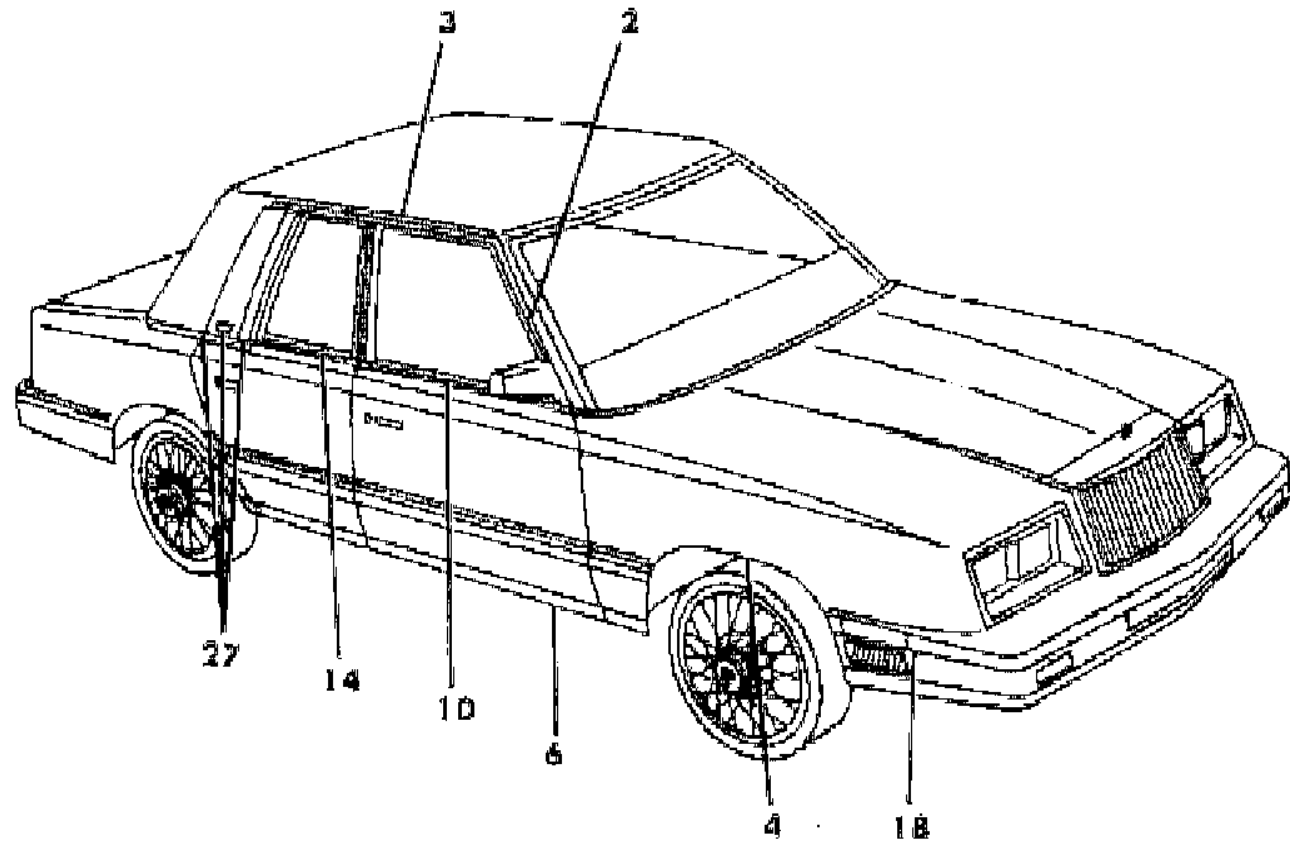
MODEL CODES  
 B = GRAN FURY  
 C = LEBARON/TOWN & COUNTRY  
 D = ARIES  
 E = 600  
 F = FIFTH AVENUE  
 G = DIPLOMAT  
 M = HORIZON/TURISMO/SCAMP  
 P = RELIANT  
 S = CORDOBA  
 T = E CLASS/NEWYORKER  
 V = 400  
 X = MIRADA  
 Y = IMPERIAL  
 Z = OMNI/CHARGER/RAMPAGE

BODY STYLES  
 21 = 2-DOOR SEDAN  
 22 = 2-DOOR SPECIAL COUPE  
 24 = 2-DOOR HATCHBACK  
 27 = 2-DOOR CONVERTIBLE  
 28 = FWD PICKUP  
 41 = 4-DOOR SEDAN  
 45 = 4-DOOR STATION WAGON  
 44 = 4-DOOR HATCHBACK  
 48 = EXECUTIVE SEDAN

AR = Use as Required - = Non Illustrated Part P.A.R. = Paint as Required

EXTERIOR VIEW CHRYSLER LEBARON 4 DOOR  
Figure 23-2600

3168 2600



ITEM	PART NUMBER	QTY	BODY	MODEL	DESCRIPTION
2	4175 580-1	1			MOULDING,Body Frt. Pillar Drain Trough,Use w/o Spec. Sound Insul.,C15 Pkg.
	4229 762-3	1			MOULDING and SEAL,Body Frt. Pillar Drain Trough,Use w/o Spec. Sound Insul.,C15 Pkg.
	4276 416-7	1			MOULDING,Body Frt. Pillar Drain Trough,Use w/Spec. Sound Insul.,C15 Pkg.
	4229 766-7	1			MOULDING and SEAL,Body Frt. Pillar Drain Trough,Use w/Spec. Sound Insul.,C15 Pkg.
	4229 764-5	1			SEAL,Body Frt. Pillar Drain Trough Mldg.,Inner,Use w/Spec. Sound Insul.,C15 Pkg.
3	4229 680-1	1			SCREW (Not Serv.) MOULDING,Roof Side Drain Trough Frt.,Use w/o Padded Full Vinyl Roof
	X322-3 AW3	1			MOULDING,Roof Side Drain Trough,Use w/Padded Full Vinyl Roof (Paint as Req.) ADHESIVE (Not Serv.)
4	4175 756-7	1			MOULDING,Fndr. Wheel Opng. SCREW (Not Serv.)
6	4205 652-3	1			MOULDING,Body Side Sill SCREW (Not Serv.)
7	4276 062-3	1			MOULDING,Frnt. Door Wdo. Opng. Frame,Frnt.
8	4276 482-3	1			MOULDING,Frnt. Door Wdo. Opng. Frame,Upr.
9	4276 066-7	1			MOULDING,Frnt. Door Wdo. Opng. Frame,Rear
10	4205 644	1			MOULDING,Frnt. Door Belt,Rt.,Use w/Mirror
	4205 645	1			MOULDING,Frnt. Door Belt,Lt.
	6003 627	AR			RETAINER
	4205 634	AR			RETAINER PKG.
	6003 781	AR			RETAINER
11	4276 068-9	1			MOULDING,Rear Door Wdo. Opng. Frame,Frnt.
12	4276 474-5	1			MOULDING,Rear Door Wdo. Opng. Frame,Upr.,Use w/Padded Full Vinyl Roof
	4276 486-7	1			MOULDING,Rear Door Wdo. Opng. Frame,Upr.,Use w/o Padded Full Vinyl Roof
13	4276 224-5	1			MOULDING,Rear Door Wdo. Opng. Frame,Rear,Use w/o Padded Full Vinyl Roof
14	4267 980-1	1			MOULDING,Rear Door Belt,Use w/Padded Full Vinyl Roof
	4205 648-9	1			MOULDING,Rear Door Belt,Use w/o Padded Full Vinyl Roof

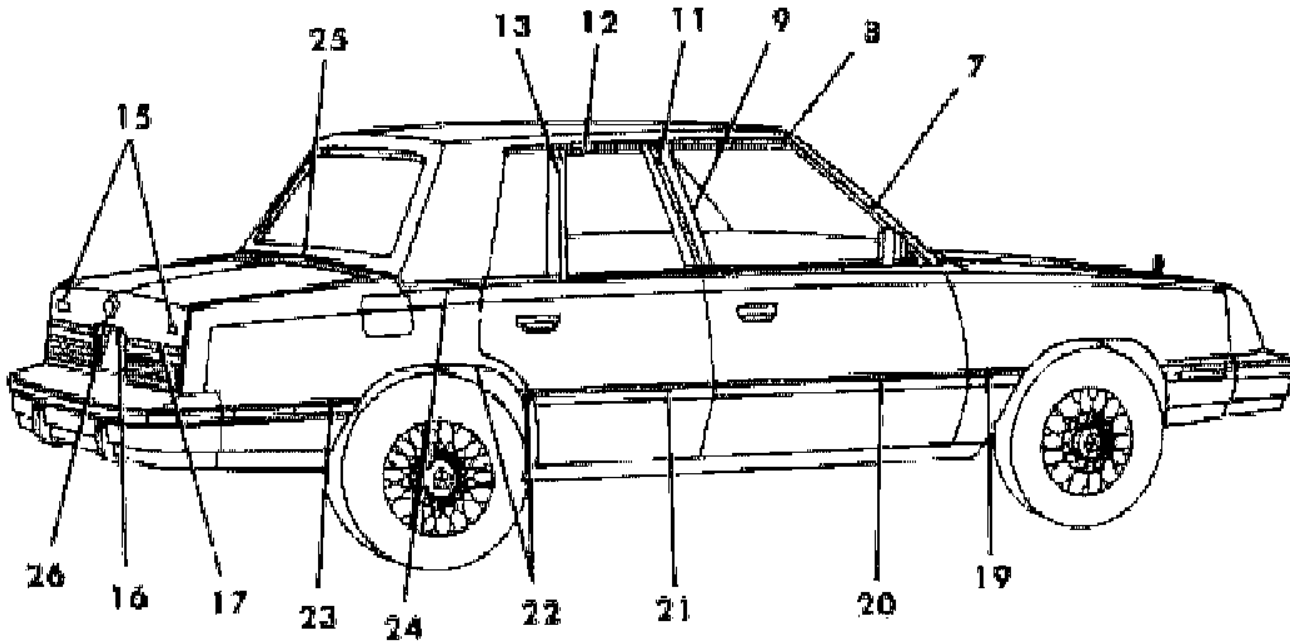
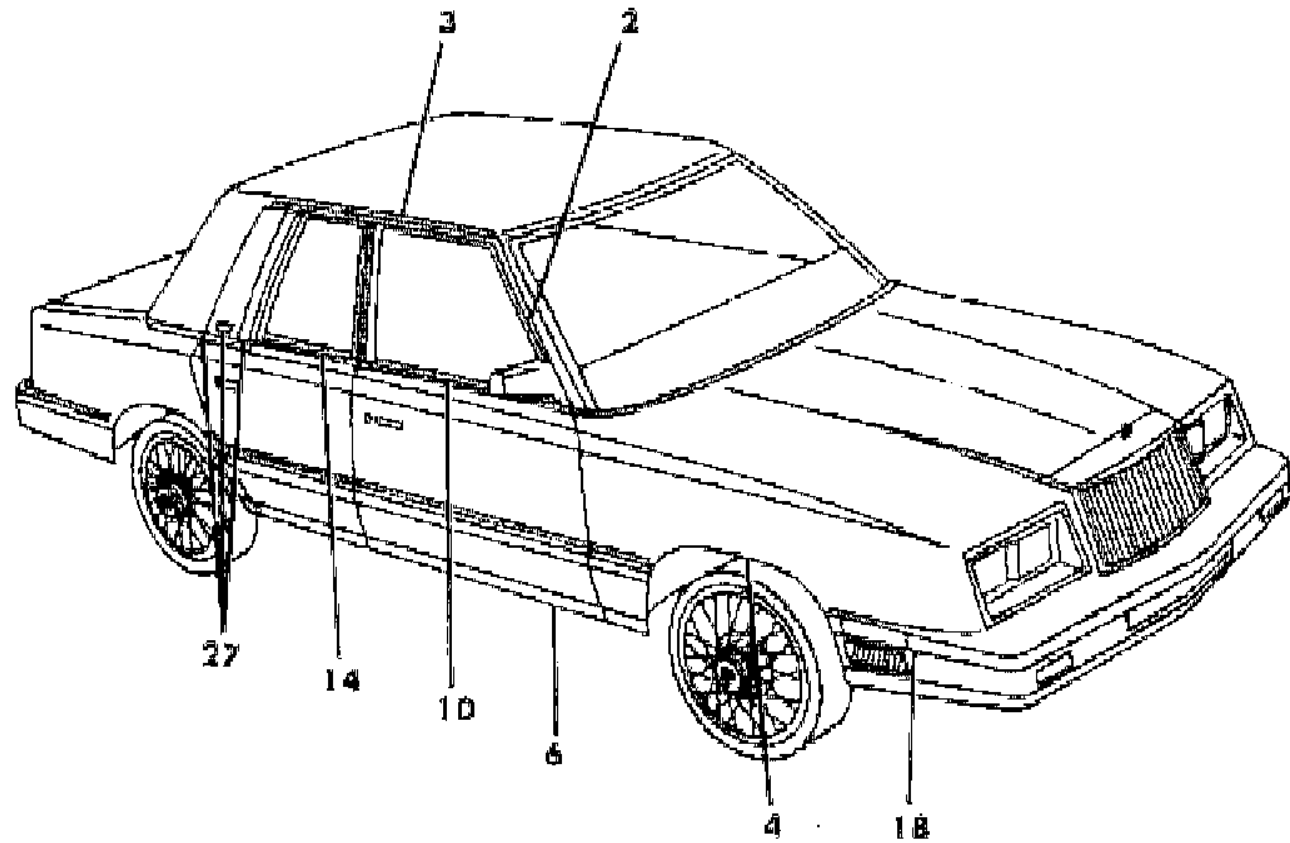
MODEL CODES  
 B = GRAN FURY  
 C = LEBARON/TOWN & COUNTRY  
 D = ARIES  
 E = 600  
 F = FIFTH AVENUE  
 G = DIPLOMAT  
 M = HORIZON/TURISMO/SCAMP  
 P = RELIANT  
 S = CORDOBA  
 T = E CLASS/NEWYORKER  
 V = 400  
 X = MIRADA  
 Y = IMPERIAL  
 Z = OMNI/CHARGER/RAMPAGE

BODY STYLES  
 21 = 2-DOOR SEDAN  
 22 = 2-DOOR SPECIAL COUPE  
 24 = 2-DOOR HATCHBACK  
 27 = 2-DOOR CONVERTIBLE  
 28 = FWD PICKUP  
 41 = 4-DOOR SEDAN  
 45 = 4-DOOR STATION WAGON  
 44 = 4-DOOR HATCHBACK  
 48 = EXECUTIVE SEDAN

AR = Use as Required - = Non Illustrated Part P.A.R. = Paint as Required

**EXTERIOR VIEW CHRYSLER LEBARON 4 DOOR**  
**Figure 23-2600**

3168 2600



ITEM	PART NUMBER	QTY	BODY	MODEL	DESCRIPTION
	6003 627	AR			RETAINER
15	4229 781	1			NAMEPLATE,Deck Lid,"LEBARON"
	4229 782	1			NAMEPLATE,Deck Lid,"CHRYSLER"
16	4175 694	1			MOULDING,Deck Lid Lwr. Center
	6028 674	AR			SCREW
17	4175 894-5	1			MOULDING,Deck Lid Lwr.,Side
	6028 674	AR			SCREW
18	4293 472-3	1			MOULDING,Fndr. Frt.,Silver
	4267 830-1	1			Night Watch Blue
	4293 478-9	1			Sable Tan
	4293 476-7	1			Red
	4293 474-5	1			Beige Met.
	4267 842-3	1			White
	4267 844-5	1			Black
	4057 569	AR			RETAINER PKG.
	4057 555	AR			RETAINER PKG.
					NUT (Not Serv.)
19	4293 456-7	1			MOULDING,Fndr. Rear,Silver
	4293 458-9	1			Beige Met.
	4240 962-3	1			White
	4240 964-5	1			Black
	4267 746-7	1			Night Watch Blue
	4293 462-3	1			Sable Tan
	4293 460-1	1			Red
	4205 636	AR			RETAINER PKG.
					SCREW (Not Serv.)
20	4293 420-1	1			MOULDING,Frt. Door,Silver
	4293 422-3	1			Beige Met.
	4240 830-1	1			White
	4240 832-3	1			Black
	4267 722-3	1			Night Watch Blue
	4293 426-7	1			Sable Tan
	4293 424-5	1			Red
	4205 636	AR			RETAINER PKG.
	4057 555	AR			RETAINER PKG.
21	4293 428-9	1			MOULDING and RET.,Rear Door,Silver
	4293 430-1	1			Beige Met.

**MODEL CODES**

B = GRAN FURY	G = DIPLOMAT	V = 400
C = LEBARON/TOWN & COUNTRY	M = HORIZON/TURISMO/SCAMP	X = MIRADA
D = ARIES	P = RELIANT	Y = IMPERIAL
E = 600	S = CORDOBA	Z = OMNI/CHARGER/RAMPAGE
F = FIFTH AVENUE	T = E CLASS/NEWYORKER	

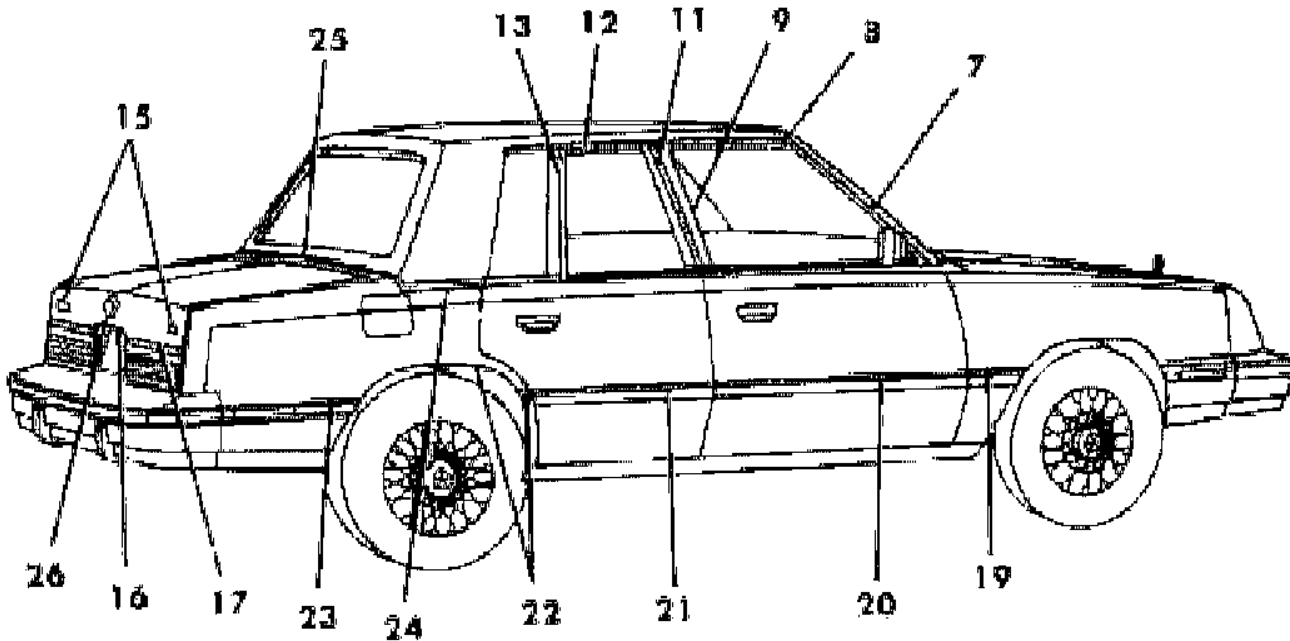
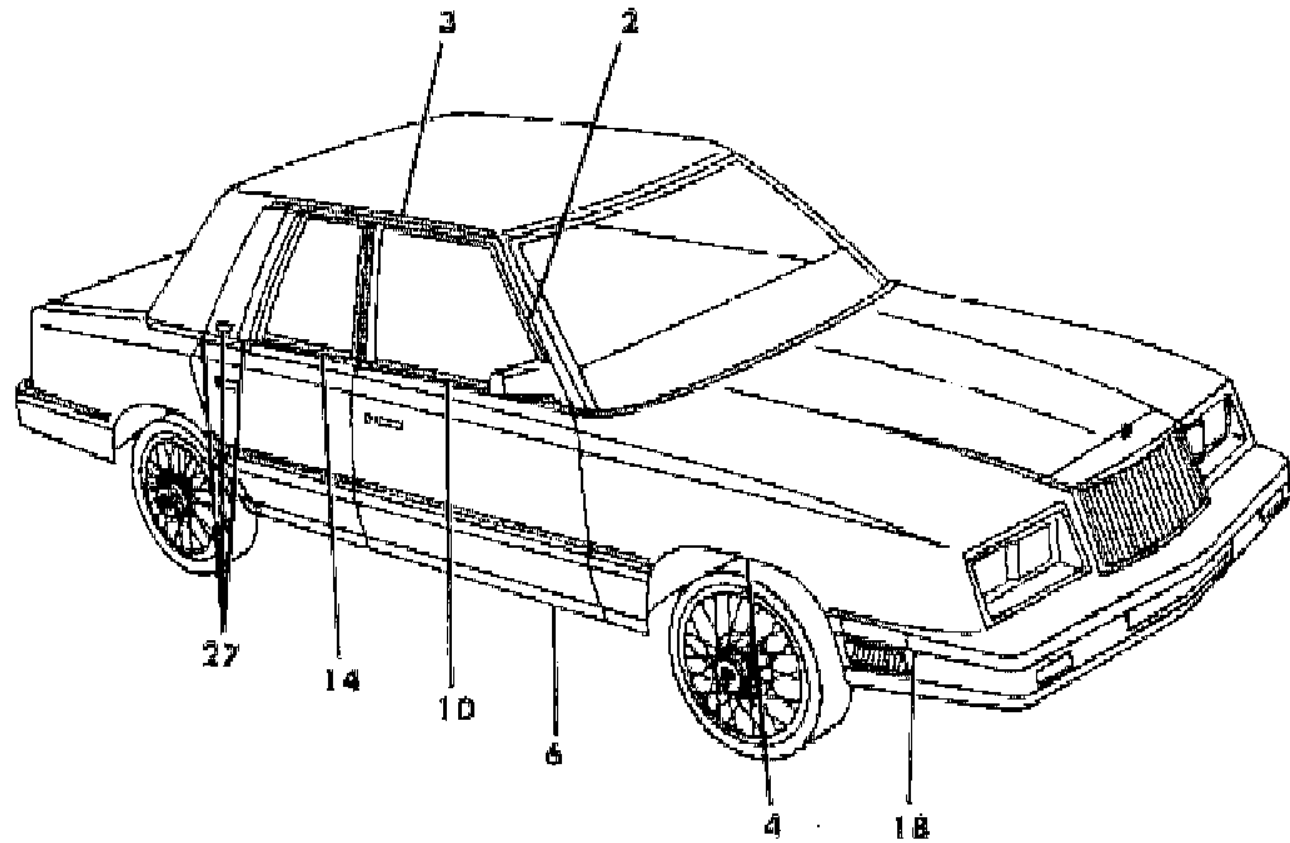
**BODY STYLES**

21 = 2-DOOR SEDAN	41 = 4-DOOR SEDAN
22 = 2-DOOR SPECIAL COUPE	45 = 4-DOOR STATION WAGON
24 = 2-DOOR HATCHBACK	44 = 4-DOOR HATCHBACK
27 = 2-DOOR CONVERTIBLE	48 = EXECUTIVE SEDAN
28 = FWD PICKUP	

AR = Use as Required - = Non Illustrated Part P.A.R. = Paint as Required

EXTERIOR VIEW CHRYSLER LEBARON 4 DOOR  
Figure 23-2600

3168 2600



ITEM	PART NUMBER	QTY	BODY	MODEL	DESCRIPTION
	4240 846-7	1			White
	4240 848-9	1			Black
	4271 654-5	1			Night Watch Blue
	4293 434-5	1			Sable Tan
	4293 432-3	1			Red
	4205 636	AR			RETAINER PKG.
	4057 555	AR			RETAINER PKG.
22	X224-5 BA2	1			MOULDING,Qtr. Frt. and W/Opng.,Silver
	X224-5 BL4	1			Beige Met.
	X224-5 VW3	1			White
	X224-5 VX9	1			Black
	X224-5 AC9	1			Night Watch Blue
	X224-5 BT8	1			Sable Tan
	X224-5 BM5	1			Red
	4205 636	AR			RETAINER PKG.
					SCREW (Not Serv.)
23	4293 480-1	1			MOULDING,Qtr.,Rear,Silver
	4267 808-9	1			Night Watch Blue
	4293 486-7	1			Sable Tan
	4293 484-5	1			Red
	4293 482-3	1			Beige Met.
	4267 820-1	1			White
	4267 822-3	1			Black
	4057 569	AR			RETAINER PKG.
					NUT (Not Serv.)
					SCREW (Not Serv.)
24	4293 488-9	1			MOULDING,Qtr. Belt,Use on Padded Full Vinyl Roof,Silver
	4267 986-7	1			Night Watch Blue
	4293 494-5	1			Sable Tan
	4293 492-3	1			Red
	4293 490-1	1			Beige Met.
	4267 998-9	1			White
	4267 912-3	1			Black
					WELD STUD (Not Serv.)
					RETAINER (Not Serv.)
25	4267 978-9	1			MOULDING,Deck Opng. Up. Pnl.,Use on Padded Full Vinyl Roof (Paint as Req.)

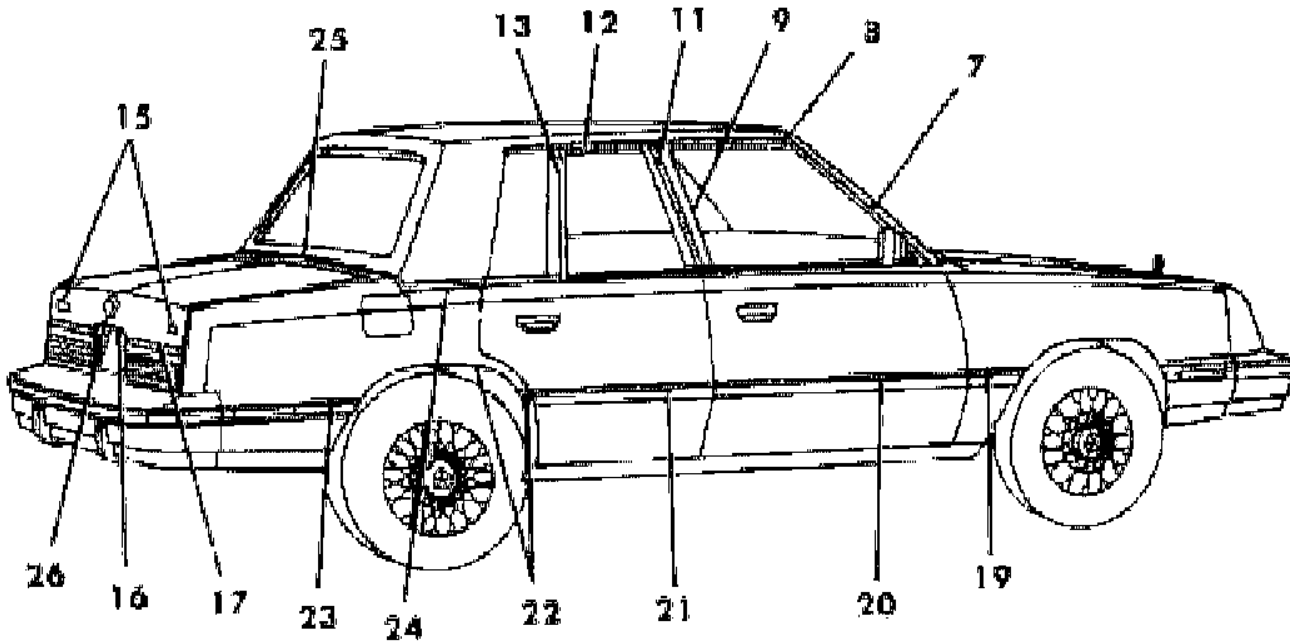
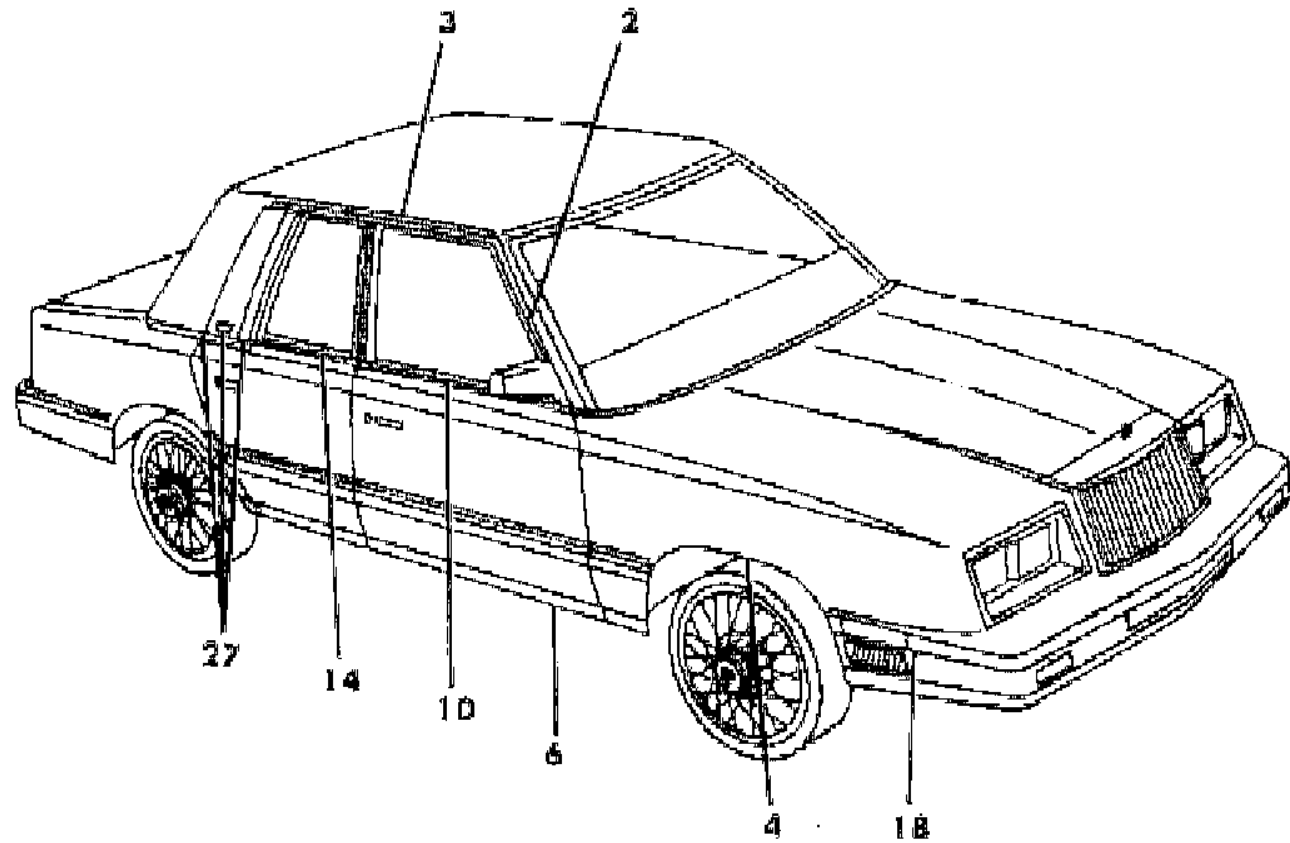
MODEL CODES  
 B = GRAN FURY  
 C = LEBARON/TOWN & COUNTRY  
 D = ARIES  
 E = 600  
 F = FIFTH AVENUE  
 G = DIPLOMAT  
 M = HORIZON/TURISMO/SCAMP  
 P = RELIANT  
 S = CORDOBA  
 T = E CLASS/NEWYORKER  
 V = 400  
 X = MIRADA  
 Y = IMPERIAL  
 Z = OMNI/CHARGER/RAMPAGE

BODY STYLES  
 21 = 2-DOOR SEDAN  
 22 = 2-DOOR SPECIAL COUPE  
 24 = 2-DOOR HATCHBACK  
 27 = 2-DOOR CONVERTIBLE  
 28 = FWD PICKUP  
 41 = 4-DOOR SEDAN  
 45 = 4-DOOR STATION WAGON  
 44 = 4-DOOR HATCHBACK  
 48 = EXECUTIVE SEDAN

AR = Use as Required - = Non Illustrated Part P.A.R. = Paint as Required

EXTERIOR VIEW CHRYSLER LEBARON 4 DOOR  
Figure 23-2600

3168 2600



ITEM	PART NUMBER	QTY	BODY	MODEL	DESCRIPTION
	3744 671	1			RETAINER PKG. SCREW (Not Serv.)
26	X601 BA2	1			MEDALLION,Deck Lid Lock Cyl.,Silver Met.
	X601 BA9	1			Dark Silver
	X601 BC4	1			Blue
	X601 BM5	1			Red
	X601 BL4	1			Beige Met.
	X601 BT8	1			Sable Tan
	X601 BW3	1			White
	X601 BX9	1			Black
					NOTE: The Colored Medallion Used is Determined by the Exterior Paint of Car an offsetting order for part no. 3747881
27					RIVET (Not Serv.) See Interior Trim Illustration

MODEL CODES  
 B = GRAN FURY  
 C = LEBARON/TOWN & COUNTRY  
 D = ARIES  
 E = 600  
 F = FIFTH AVENUE  
 G = DIPLOMAT  
 M = HORIZON/TURISMO/SCAMP  
 P = RELIANT  
 S = CORDOBA  
 T = E CLASS/NEWYORKER  
 V = 400  
 X = MIRADA  
 Y = IMPERIAL  
 Z = OMNI/CHARGER/RAMPAGE

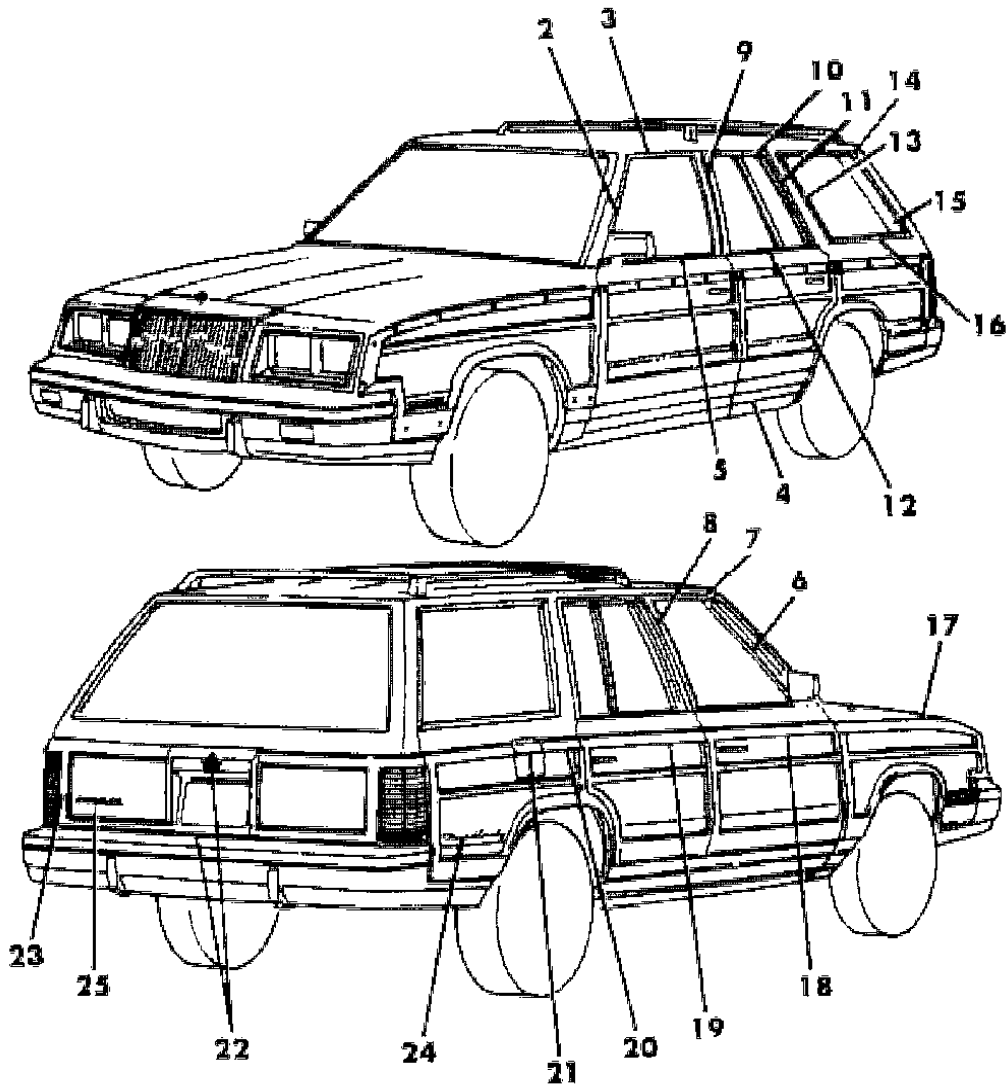
BODY STYLES  
 21 = 2-DOOR SEDAN  
 22 = 2-DOOR SPECIAL COUPE  
 24 = 2-DOOR HATCHBACK  
 27 = 2-DOOR CONVERTIBLE  
 28 = FWD PICKUP  
 41 = 4-DOOR SEDAN  
 45 = 4-DOOR STATION WAGON  
 44 = 4-DOOR HATCHBACK  
 48 = EXECUTIVE SEDAN

AR = Use as Required - = Non Illustrated Part P.A.R. = Paint as Required



**EXTERIOR VIEW CHRYSLER TOWN AND COUNTRY**  
**Figure 23-2700**

3165 2700



ITEM	PART NUMBER	QTY	BODY	MODEL	DESCRIPTION
2	4175 580-1	1			MOULDING,Body Frt. Pillar Drain Trough,Use w/o Spec. Sound Insul.,C15 Pkg.
	4229 762-3	1			MOULDING and SEAL,Body Frt. Pillar Drain Trough,Us w/o Spec. Sound Insul.,C15 Pkg.
	4276 416-7	1			MOULDING,Body Frt. Pillar Drain Trough,Use w/Spec. Sound Insul.,C15 Pkg.
	4229 766-7	1			MOULDING and SEAL,Body Frt. Pillar Drain Trough,Us w/ Spec. Sound Insul.,C15 Pkg.
	4229 764-5	1			SEAL,Body Frt. Pillar Drain Trough Mldg.,Inner,Use w/Spec. Sound Insul.,C15 Pkg.
3	4229 972-3	1			SCREW (Not Serv.)
4	4205 652-3	1			MOULDING,Roof Side Drain Trough
	6003 777	AR			MOULDING,Body Side Sill
5	4205 644	1			RETAINER
	4205 645	1			SCREW (Not Serv.)
	6003 627	AR			WELD STUD (Not Serv.)
6	4205 644	1			MOULDING,Frnt. Door Belt,Rt.,w/Mirror
	4205 645	1			MOULDING,Frnt. Door Belt,Lt.
7	6003 627	AR			RETAINER
	4276 062-3	1			MOULDING,Frnt. Door Wdo. Opng Frame,Frnt.
8	4276 482-3	1			MOULDING,Frnt. Door Wdo. Opng Frame,Upr.
	4276 066-7	1			MOULDING,Frnt. Door Wdo. Opng Frame,Rear
9	4276 068-9	1			MOULDING,Rear Door Wdo. Opng Frame,Frnt.
	4276 476-7	1			MOULDING,Rear Door Wdo Opng. Frame,Upr.
10	4276 226-7	1			MOULDING,Rear Door Wdo Opng. Frame,Rear
	4205 648-9	1			MOULDING,Rear Door Belt
11	6003 627	AR			RETAINER
	4175 936-7	1			MOULDING,Qtr. Wdo.,Frnt.
	6003 731	AR			RETAINER
12	4276 204	2			MOULDING,Qtr. Wdo.,Upr.
	6003 409	AR			RETAINER
13	4276 206-7	1			MOULDING,Qtr. Wdo.,Rear
	4276 208-9	1			SCREW (Not Serv.)
14	4276 208-9	1			MOULDING,Qtr. Wdo.,Lwr.
	6003 409	AR			RETAINER
15	4276 012-3	1			MOULDING,Fndr. Side,Woodgrain
	4017 657	AR			COVER,Fndr. Side Mldg.,Attach.

**MODEL CODES**

B = GRAN FURY	G = DIPLOMAT	V = 400
C = LEBARON/TOWN & COUNTRY	M = HORIZON/TURISMO/SCAMP	X = MIRADA
D = ARIES	P = RELIANT	Y = IMPERIAL
E = 600	S = CORDOBA	Z = OMNI/CHARGER/RAMPAGE
F = FIFTH AVENUE	T = E CLASS/NEWYORKER	

**BODY STYLES**

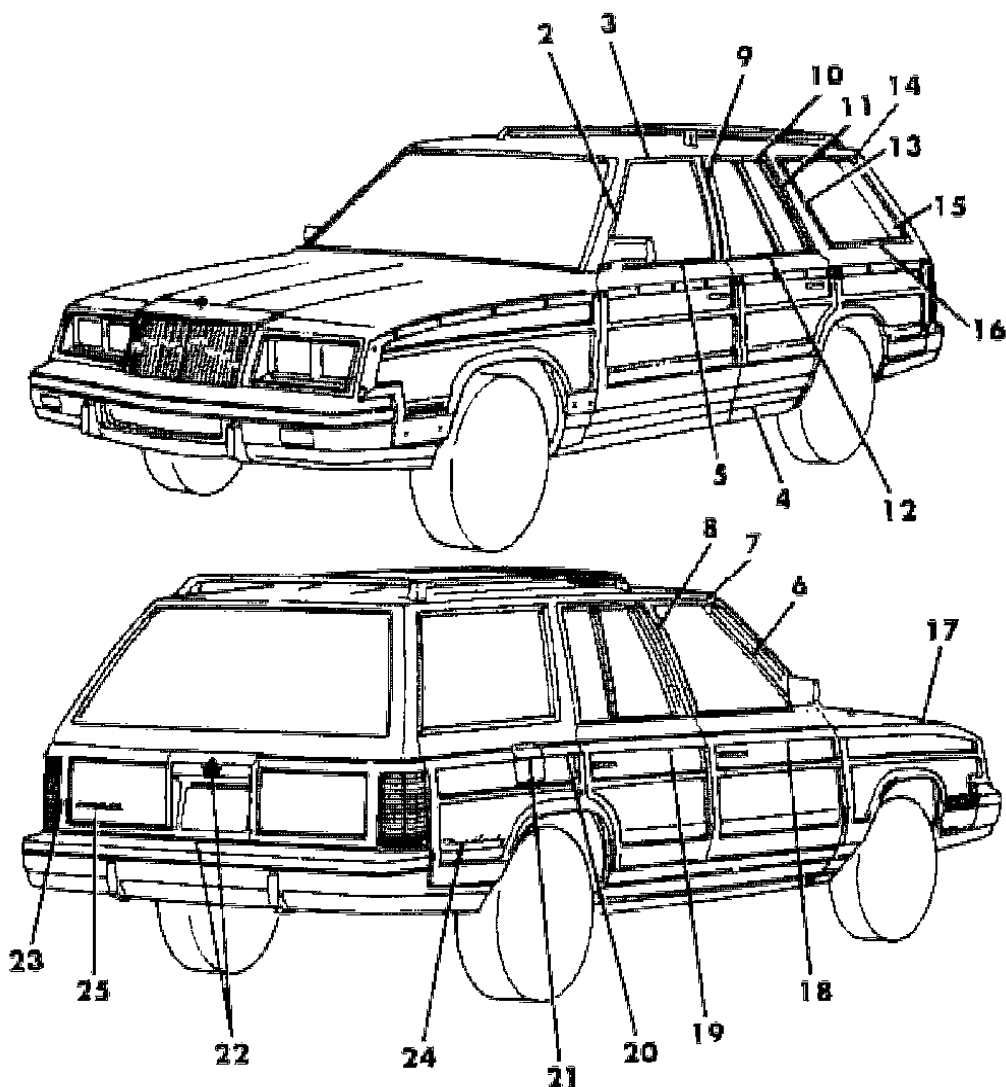
21 = 2-DOOR SEDAN	41 = 4-DOOR SEDAN
22 = 2-DOOR SPECIAL COUPE	45 = 4-DOOR STATION WAGON
24 = 2-DOOR HATCHBACK	44 = 4-DOOR HATCHBACK
27 = 2-DOOR CONVERTIBLE	48 = EXECUTIVE SEDAN
28 = FWD PICKUP	

AR = Use as Required - = Non Illustrated Part P.A.R. = Paint as Required

EXTERIOR VIEW CHRYSLER TOWN AND COUNTRY  
Figure 23-2700

3165 2700

ITEM	PART NUMBER	QTY	BODY	MODEL	DESCRIPTION
	4022 878	AR			COVER,Fndr. Side Mldg.,Attach.
18	4276 016-7	1			MOULDING,Frt. Door,Woodgrain
	4017 657	AR			COVER,Frt. Door Mldg. Attach.
	4022 878	AR			COVER,Frt. Door Mldg. Attach.
19	4276 020-1	1			MOULDING,Rear Door,Woodgrain
	4017 657	AR			COVER,Rear Door Mldg.,Attach.
	4022 878	AR			COVER,Rear Door Mldg.,Attach.
20	4276 024-5	1			MOULDING,Qtr.,Woodgrain
	4017 657	AR			COVER,Qtr. Mldg.,Attach.
	4022 878	AR			COVER,Qtr. Mldg.,Attach.
21	4276 028	1			MOULDING,Qtr. Fuel Filler Door,Woodgrain
	4017 657	AR			COVER,Qtr. Fuel Filler Door Mldg.
					WELD STUD (Not Serv.)
22	4276 002	1			MOULDING,L/Gate Center,Woodgrain
	4229 796	1			MEDALLION,L/Gate Ctr. Mldg.,Pentastar
	4017 657	AR			COVER,L/Gate Center Mldg.,Attach.
	4022 878	AR			COVER,L/Gate Center Mldg.,Attach.
23	4276 004-5	1			MOULDING,L/Gate Side,Woodgrain
	4017 657	AR			COVER,L/Gate Side Mldg.,Attach.
24	4276 328	2			NAMEPLATE,Qtr.,"Town and Country"
25	4229 782	1			NAMEPLATE,L/Gate,"Chrysler"



MODEL CODES

B = GRAN FURY	G = DIPLOMAT	V = 400
C = LEBARON/TOWN & COUNTRY	M = HORIZON/TURISMO/SCAMP	X = MIRADA
D = ARIES	P = RELIANT	Y = IMPERIAL
E = 600	S = CORDOBA	Z = OMNI/CHARGER/RAMPAGE
F = FIFTH AVENUE	T = E CLASS/NEWYORKER	

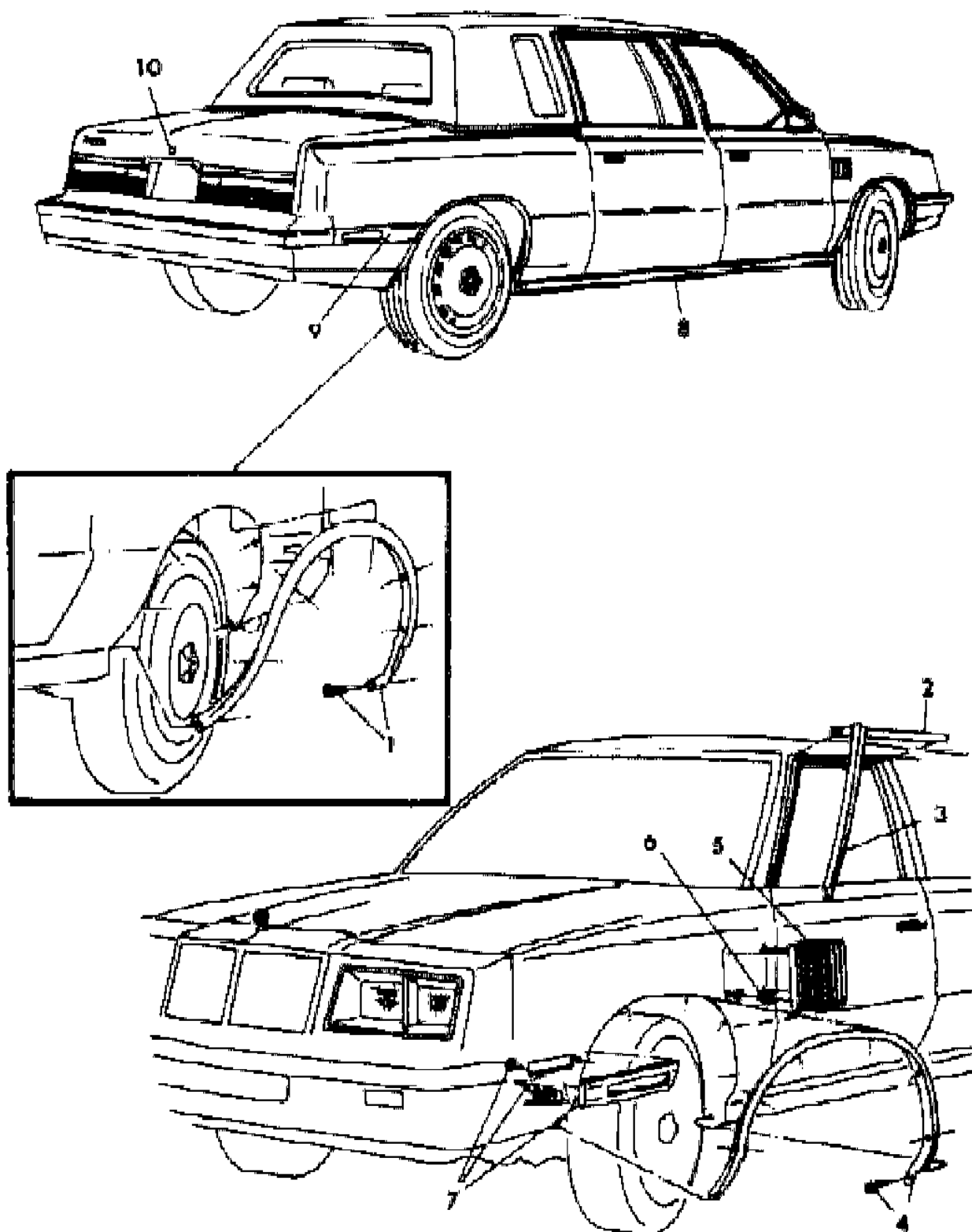
BODY STYLES

21 = 2-DOOR SEDAN	41 = 4-DOOR SEDAN
22 = 2-DOOR SPECIAL COUPE	45 = 4-DOOR STATION WAGON
24 = 2-DOOR HATCHBACK	44 = 4-DOOR HATCHBACK
27 = 2-DOOR CONVERTIBLE	48 = EXECUTIVE SEDAN
28 = FWD PICKUP	

AR = Use as Required - = Non Illustrated Part P.A.R. = Paint as Required

EXTERIOR VIEW CHRYSLER EXECUTIVE SEDAN - C-P,48  
Figure 23-2725

3168 2725



ITEM	PART NUMBER	QTY	BODY	MODEL	DESCRIPTION
1	4339 722-3	1			MOULDING,Qtr. W/Opng.
		AR			SCREW (Not Serv.)
2	4339 724-5	1			MOULDING,Drip Rail
3	4229 762-3	1			MOULDING,"A" Pillar
4	4339 720-1	1			MOULDING,Fndr. W/Opng.
		AR			SCREW (Not Serv.)
5	X544 BA2	2			LOUVER,Fndr. Side,Silver
	X544 AA9	2			Charcoal
	X544 TBB	2			Dark Blue
	X544 BC4	2			Glacier Blue
	X560 CL4	2			Beige
	X560 CM5	2			Red
	X544 BT8	2			Sable Brown
	X560 CW3	2			White
	X544 TXX	2			Black
6	4057 555	AR			RETAINER PKG.
7	4293 534-5	1			MOULDING PACKAGE,Body Side
	4057 569	AR			CLIP
		AR			NUT
8	4339 638-9	1			MOULDING,Body Side Sill
	4339 640-1	1			END CAP ASSY.,Body Side Sill
	4339 784	AR			CLIP
9	4339 736-7	1			MOULDING PACKAGE,Qtr.,Rear
	6003 790	AR			RETAINER
10	4339 820	1			MEDALLION,Deck Lid,Blue
	4339 821	1			Charcoal

MODEL CODES  
 B = GRAN FURY  
 C = LEBARON/TOWN & COUNTRY  
 D = ARIES  
 E = 600  
 F = FIFTH AVENUE  
 G = DIPLOMAT  
 M = HORIZON/TURISMO/SCAMP  
 P = RELIANT  
 S = CORDOBA  
 T = E CLASS/NEWYORKER  
 V = 400  
 X = MIRADA  
 Y = IMPERIAL  
 Z = OMNI/CHARGER/RAMPAGE

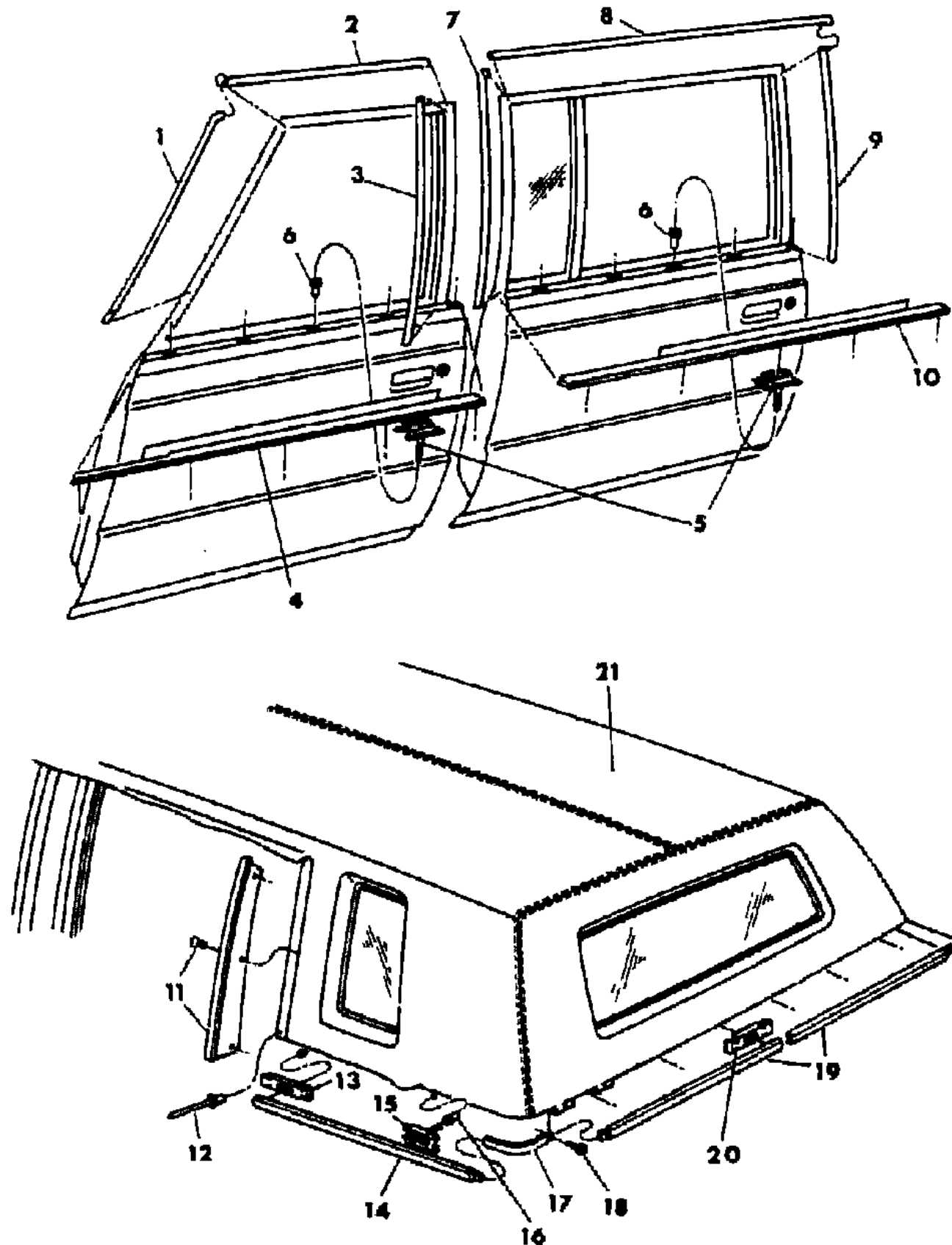
BODY STYLES  
 21 = 2-DOOR SEDAN  
 22 = 2-DOOR SPECIAL COUPE  
 24 = 2-DOOR HATCHBACK  
 27 = 2-DOOR CONVERTIBLE  
 28 = FWD PICKUP  
 41 = 4-DOOR SEDAN  
 45 = 4-DOOR STATION WAGON  
 44 = 4-DOOR HATCHBACK  
 48 = EXECUTIVE SEDAN

AR = Use as Required - = Non Illustrated Part P.A.R. = Paint as Required

EXTERIOR VIEW CHRYSLER EXECUTIVE SEDAN - C-P,48

Figure 23-2725

3168 2750



ITEM	PART NUMBER	QTY	BODY	MODEL	DESCRIPTION
1	4319 216-7	1			MOULDING,Frnt. Door Wdo. Opng. Frame,Frnt.
2	4319 222-3	1			MOULDING,Frnt. Door Wdo. Opng. Frame,Upr.
3	4328 304-5	1			MOULDING,Frnt. Door Wdo. Opng. Frame,Rear
4	4293 628-9	1			MOULDING,Frnt. Door Belt
5	4205 634	AR			CLIP PACKAGE
6	6003 627	AR			BARREL NUT
7	4328 308-9	1			MOULDING,Rear Door Wdo. Opng. Frame,Frnt.
8	4339 728-9	1			MOULDING,Rear Door Wdo. Opng. Frame,Upr.
9	4319 230-1	1			MOULDING,Rear Door Wdo. Opng. Frame,Rear
10	4339 738-9	1			MOULDING,Rear Door Belt
	4205 634	AR			RETAINER
	6003 627	AR			NUT
11	4339 726-7	1			MOULDING,Center Pillar,Frnt.
	4339 811	AR			CLIP
		AR			SCREW (Not Serv.)
12		AR			RIVET
13	3744 671	AR			RETAINER PKG.
14	4339 764-5	1			MOULDING PACKAGE,Qtr. Roof,Silver
	4339 766-7	1			Blue
	4339 768-9	1			Charcoal
	4339 770-1	1			Black
15	4293 617	AR			RETAINER
16		AR			NUT
17	4339 772-3	1			MOULDING PACKAGE,Qtr. Roof Corner,Silver
	4339 774-5	1			Blue
	4339 776-7	1			Charcoal
	4339 778-9	1			Black
18		AR			SCREW (Not Serv.)
19	4267 978-9	1			MOULDING PACKAGE,Roof Rear (Paint as Req.)
20	6003 801	AR			RETAINER
21	4339 661	1			CAP ASSY.,Roof Top
	4339 667	1			KIT COVER and PAD ASSY.,Roof,Silver
	4339 668	1			Blue
	4339 669	1			Black

MODEL CODES

B = GRAN FURY	G = DIPLOMAT	V = 400
C = LEBARON/TOWN & COUNTRY	M = HORIZON/TURISMO/SCAMP	X = MIRADA
D = ARIES	P = RELIANT	Y = IMPERIAL
E = 600	S = CORDOBA	Z = OMNI/CHARGER/RAMPAGE
F = FIFTH AVENUE	T = E CLASS/NEWYORKER	

BODY STYLES

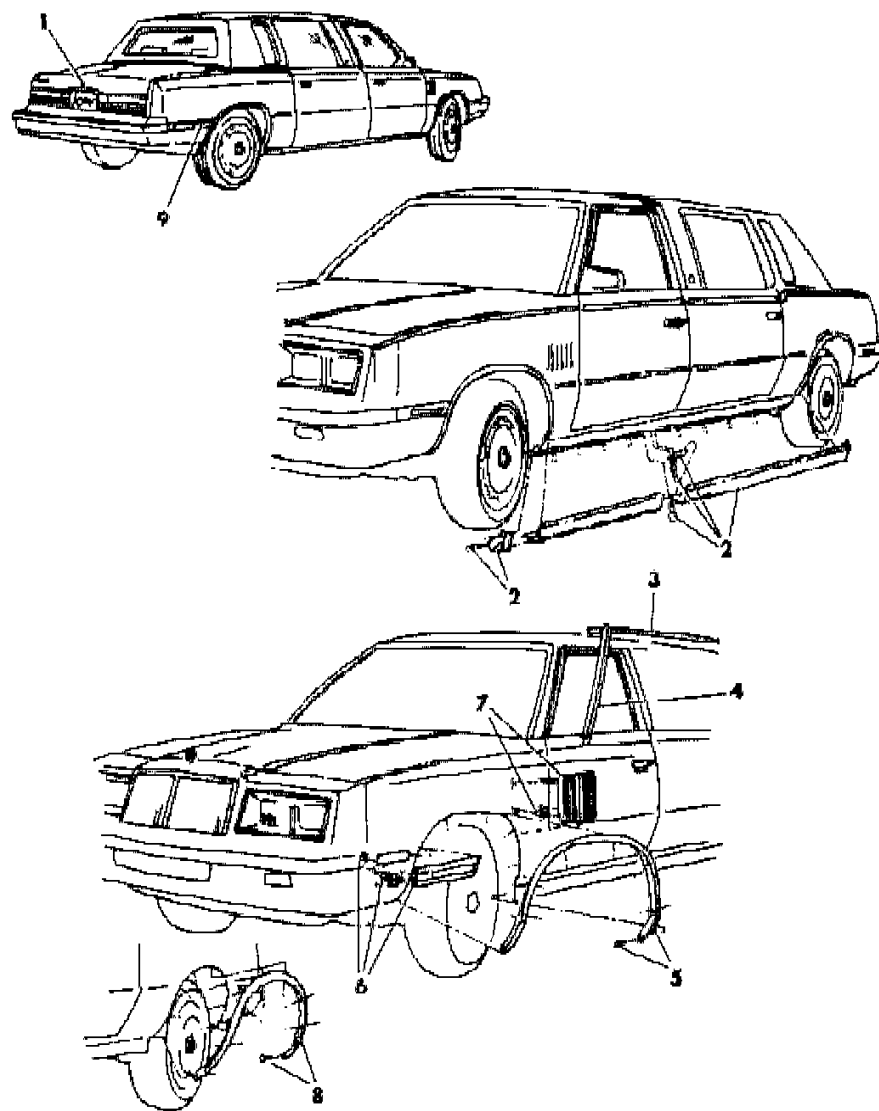
21 = 2-DOOR SEDAN	41 = 4-DOOR SEDAN
22 = 2-DOOR SPECIAL COUPE	45 = 4-DOOR STATION WAGON
24 = 2-DOOR HATCHBACK	44 = 4-DOOR HATCHBACK
27 = 2-DOOR CONVERTIBLE	48 = EXECUTIVE SEDAN
28 = FWD PICKUP	

AR = Use as Required - = Non Illustrated Part P.A.R. = Paint as Required

EXTERIOR VIEW CHRYSLER LIMOUSINE (A89 SALES CODE)

Figure 23-2760

3165 2760



ITEM	PART NUMBER	QTY	BODY	MODEL	DESCRIPTION
1	4339 820	1			MEDALLION,Deck Lid,Blue
	4339 821	1			Charcoal
2	4339 966-7	1			MOULDING,Body Side Sill
	4339 640-1	1			CAP ASSY.,Body Side Sill Mldg.,End
	4339 784	AR			CLIP
		AR			RIVET (1/8 x 42)
		AR			SCREW w/Wax Sealer (4.2x1.41x9.6)
		AR			SCREW (8-18x.60)(Not Serv.)
3	4339 968-9	1			MOULDING,Drip Rail,Frnt.
4	4229 762-3	1			MOULDING,"A" Pillar
5	4339 720-1	1			MOULDING,Fndr. W/Opng.
		AR			SCREW (Not Serv.)
6	4293 534-5	1			MOULDING PACKAGE,Body Side
	4057 569	AR			CLIP
		AR			NUT
7	X544 BA2	2			LOUVER,Fndr. Side,Silver
	X544 AA9	2			Charcoal
	X544 TBB	2			Dark Blue
	X544 BC4	2			Glacier Blue
	X560 CL4	2			Beige
	X560 CM5	2			Red
	X544 BT8	2			Saddle Brown
	X560 CW3	2			White
	X544 TXX	2			Black
	4057 555	AR			RETAINER PACKAGE
8	4339 722-3	1			MOULDING,Qtr. W/Opng.
		AR			SCREW (Not Serv.)
9	4339 736-7	1			MOULDING PACKAGE,Qtr. Rear
	6003 790	AR			RETAINER

MODEL CODES

B = GRAN FURY	G = DIPLOMAT	V = 400
C = LEBARON/TOWN & COUNTRY	M = HORIZON/TURISMO/SCAMP	X = MIRADA
D = ARIES	P = RELIANT	Y = IMPERIAL
E = 600	S = CORDOBA	Z = OMNI/CHARGER/RAMPAGE
F = FIFTH AVENUE	T = E CLASS/NEWYORKER	

BODY STYLES

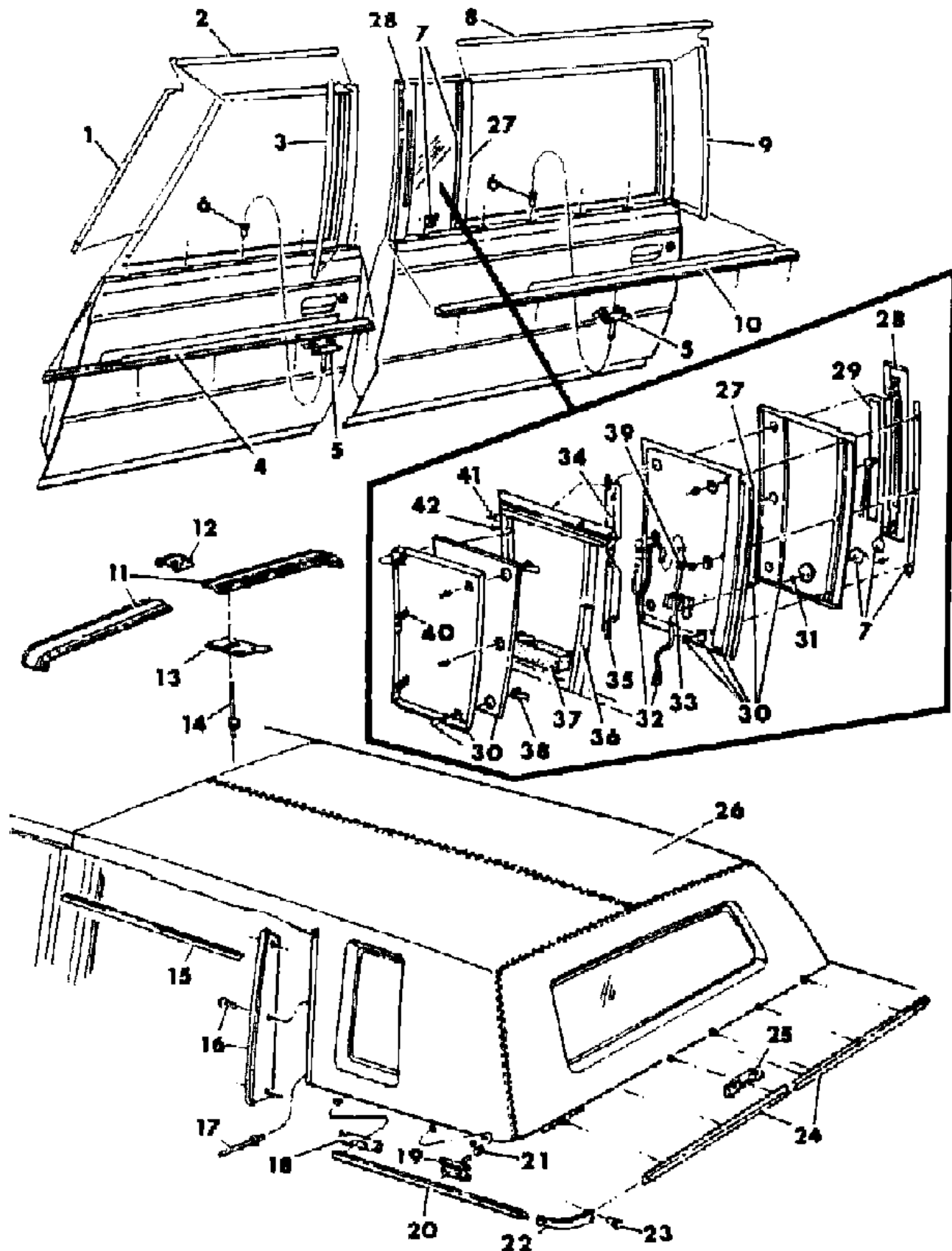
21 = 2-DOOR SEDAN	41 = 4-DOOR SEDAN
22 = 2-DOOR SPECIAL COUPE	45 = 4-DOOR STATION WAGON
24 = 2-DOOR HATCHBACK	44 = 4-DOOR HATCHBACK
27 = 2-DOOR CONVERTIBLE	48 = EXECUTIVE SEDAN
28 = FWD PICKUP	

AR = Use as Required - = Non Illustrated Part P.A.R. = Paint as Required

EXTERIOR VIEW CHRYSLER LIMOUSINE (A89 SALES CODE)

Figure 23-2760

3168 2770



ITEM	PART NUMBER	QTY	BODY	MODEL	DESCRIPTION
1	4319 216-7	1			MOULDING,Frnt. Door Wdo. Opng. Frame,Frnt.
2	4319 222-3	1			MOULDING,Frnt. Door Wdo. Opng. Frame,Upr.
3	4328 304-5	1			MOULDING,Frnt. Door Wdo. Opng. Frame,Rear
4	4293 628-9	1			MOULDING,Frnt. Door Belt
5	4205 634	AR			CLIP PACKAGE
6	6003 627	AR			BARREL NUT
7	4342 056-7	1			MOULDING ASSY.,Rear Door,Frnt.
8	4342 015	2			ORNAMENT,Rear Door Frnt.,"PENASTAR"
8	4339 974	2			MOULDING,Rear Door Frame,Upr.
9	4319 230-1	1			MOULDING,Rear Door Frame,Rear
10	4342 002-3	1			MOULDING PACKAGE,Rear Door Belt
	4205 634	AR			CLIP PACKAGE
	6003 627	AR			BARREL NUT
11	4339 980-1	1			MOULDING PACKAGE,Top Band
	4339 982	1			WELT ASSY.,Top Band Mldg.,Silver
	4339 983	1			Blue
	4339 984	1			Black
12	4276 296	1			CLIP,Center Top Band Insert
13		AR			RETAINER
14		AR			PIN,Retainer
15	4339 970-1	1			MOULDING,Drip Rail,Rear
16	4339 726-7	1			MOULDING,Center Pillar,Frnt.
	4339 811	AR			CLIP,Center Pillar Mldg.
		AR			SCREW (Not Serv.)
17		AR			RIVET
18	3744 671	AR			RETAINER PACKAGE
19	4293 589	AR			RETAINER PACKAGE
20	4339 764-5	1			MOULDING PACKAGE,Qtr. Roof,Silver
	4339 766-7	1			Blue
	4339 768-9	1			Charcoal
	4339 770-1	1			Black
21		AR			BARREL NUT
22	4339 772-3	1			MOULDING PACKAGE,Qtr. Roof Corner,Silver
	4339 774-5	1			Blue
	4339 776-7	1			Charcoal
	4339 778-9	1			Black
23		AR			SCREW (Not Serv.)

MODEL CODES

B = GRAN FURY	G = DIPLOMAT	V = 400
C = LEBARON/TOWN & COUNTRY	M = HORIZON/TURISMO/SCAMP	X = MIRADA
D = ARIES	P = RELIANT	Y = IMPERIAL
E = 600	S = CORDOBA	Z = OMNI/CHARGER/RAMPAGE
F = FIFTH AVENUE	T = E CLASS/NEWYORKER	

BODY STYLES

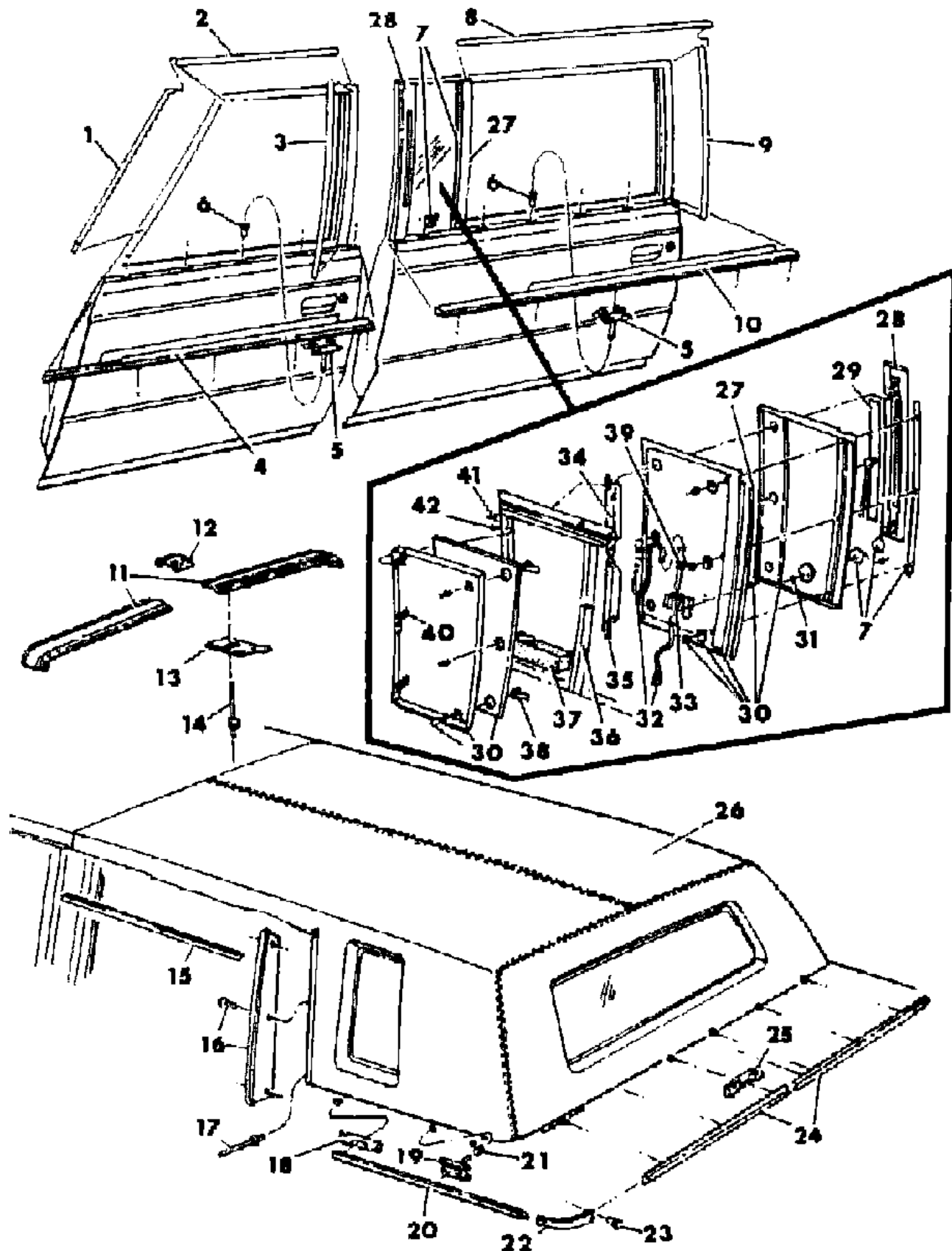
21 = 2-DOOR SEDAN	41 = 4-DOOR SEDAN
22 = 2-DOOR SPECIAL COUPE	45 = 4-DOOR STATION WAGON
24 = 2-DOOR HATCHBACK	44 = 4-DOOR HATCHBACK
27 = 2-DOOR CONVERTIBLE	48 = EXECUTIVE SEDAN
28 = FWD PICKUP	

AR = Use as Required - = Non Illustrated Part P.A.R. = Paint as Required

EXTERIOR VIEW CHRYSLER LIMOUSINE (A89 SALES CODE)

Figure 23-2760

3168 2770



ITEM	PART NUMBER	QTY	BODY	MODEL	DESCRIPTION
24	4267 978-9	1			MOULDING PACKAGE,Roof Rear (Paint as Req.)
25	6003 801	AR			RETAINER
26	4339 976	1			CAP ASSY.,Roof Top
	4339 977	1			COVER and PAD PACKAGE,Roof,Silver
	4339 978	1			Blue
	4339 979	1			Black
27	4328 308-9	1			MOULDING,Rear Door Frame,Frt.
28	4342 064-5	1			MOULDING ASSY.,Rear Door Side Band Ext.
29		1			LENS ASSY. (Refer to Group 8)
30					PANEL APPLIQUE,Outer
	4342 058-9	1			Silver
	4342 060-1	1			Blue
	4342 062-3	1			Black
31		AR			WASHER (Not Serv.)
32		1			WIRE (Refer to Group 8)
33	4229 291	1			RETAINER,Inverter Assy
34	4342 001	1			REINFORCEMENT,Window Frame
35		2			SCREW and WASHER (Not Serv.)
36		2			DIVISION BAR,Rear Door (Refer to Group 23C)
37		2			SEAL (Not Serv.)
38	4342 007	AR			CLIP,Inner Panel to Div. Bar
39	4229 162	2			INVERTER LENS
40	4342 008	AR			RETAINER
41		AR			RIVET,1/8"x42 Prot. Head (Not Serv.)
42		AR			SCREW (Not Serv.)

MODEL CODES

B = GRAN FURY	G = DIPLOMAT	V = 400
C = LEBARON/TOWN & COUNTRY	M = HORIZON/TURISMO/SCAMP	X = MIRADA
D = ARIES	P = RELIANT	Y = IMPERIAL
E = 600	S = CORDOBA	Z = OMNI/CHARGER/RAMPAGE
F = FIFTH AVENUE	T = E CLASS/NEWYORKER	

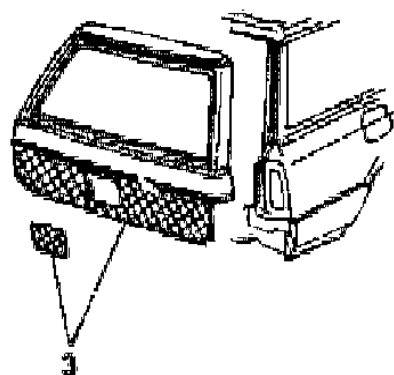
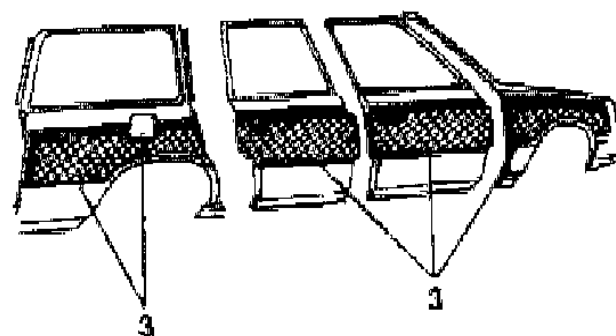
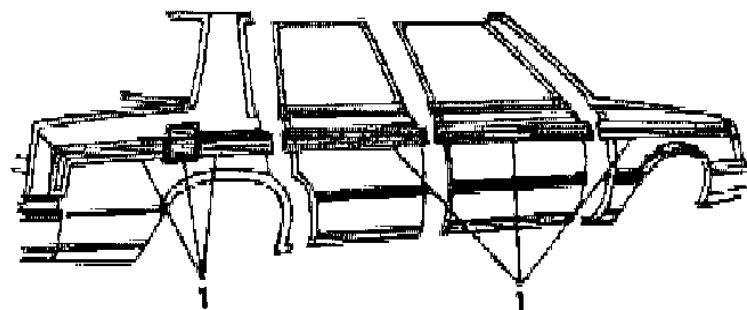
BODY STYLES

21 = 2-DOOR SEDAN	41 = 4-DOOR SEDAN
22 = 2-DOOR SPECIAL COUPE	45 = 4-DOOR STATION WAGON
24 = 2-DOOR HATCHBACK	44 = 4-DOOR HATCHBACK
27 = 2-DOOR CONVERTIBLE	48 = EXECUTIVE SEDAN
28 = FWD PICKUP	

AR = Use as Required - = Non Illustrated Part P.A.R. = Paint as Required

**EXTERIOR VIEW - TAPE STRIPES CHRYSLER LEBARON  
Figure 23-2800**

3188 2800



ITEM	PART NUMBER	QTY	BODY	MODEL	DESCRIPTION
1	4271 602-3	1		22,27	TAPE SET,Fndr.,Door,Qtr.,Silver (K3A)
	4271 604-5	1		22,27	Blue (K3B)
	4293 514-5	1		22,27	Red (K3R)
	4293 304-5	1		22,27	Tan (K3K)
	4271 614-5	1		22,27	White (K3W)
	4293 308-9	1		22,27	Gold (K3Y)
	4293 322-3	1		41	TAPE SET,Fndr.,Door,Qtr.,Gold (K3Y)
	4293 318-9	1		41	Tan (K3K)
	4271 588-9	1		41	Blue (K3B)
	4271 598-9	1		41	White (K3W)
4271 586-7	1		41	Silver (K3A)	
4293 516-7	1		41	Red (K3R)	
3	4276 103	1		45	OVERLAY,Fndr.,Door,Qtr.,Filler Door,L/Gate,L/Gate Lic. Plate Depr.

**MODEL CODES**

B = GRAN FURY	G = DIPLOMAT	V = 400
C = LEBARON/TOWN & COUNTRY	M = HORIZON/TURISMO/SCAMP	X = MIRADA
D = ARIES	P = RELIANT	Y = IMPERIAL
E = 600	S = CORDOBA	Z = OMNI/CHARGER/RAMPAGE
F = FIFTH AVENUE	T = E CLASS/NEWYORKER	

**BODY STYLES**

21 = 2-DOOR SEDAN	41 = 4-DOOR SEDAN
22 = 2-DOOR SPECIAL COUPE	45 = 4-DOOR STATION WAGON
24 = 2-DOOR HATCHBACK	44 = 4-DOOR HATCHBACK
27 = 2-DOOR CONVERTIBLE	48 = EXECUTIVE SEDAN
28 = FWD PICKUP	

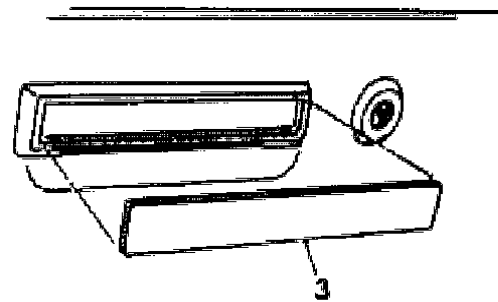
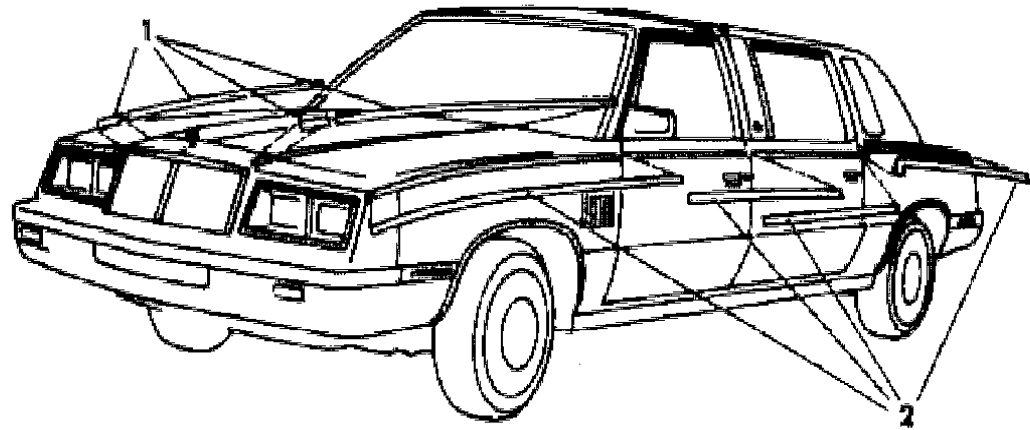
AR = Use as Required - = Non Illustrated Part P.A.R. = Paint as Required



EXTERIOR VIEW - TAPE STRIPES CHRYSLER EXECUTIVE SEDAN - LIMOUSINE  
Figure 23-2825

3186 2825

ITEM	PART NUMBER	QTY	BODY	MODEL	DESCRIPTION
1	4339 678	1			TAPE STRIPES KIT,Hood and Closure Pnl.,Silver
	4342 078	1			Gold
	4342 079	1			Charcoal
2	4339 674-5	1			TAPE STRIPE KIT,Body Side,Silver
	4342 074-5	1			Gold
	4342 076-7	1			Charcoal
3					DECAL,Door Handle



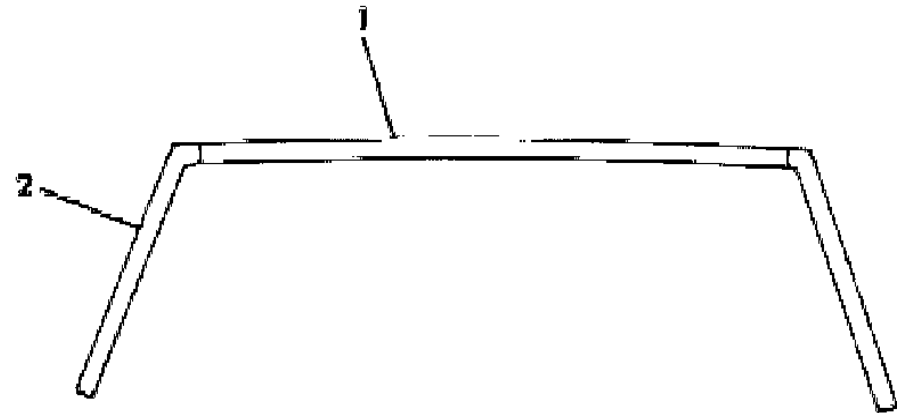
MODEL CODES  
 B = GRAN FURY  
 C = LEBARON/TOWN & COUNTRY  
 D = ARIES  
 E = 600  
 F = FIFTH AVENUE  
 G = DIPLOMAT  
 M = HORIZON/TURISMO/SCAMP  
 P = RELIANT  
 S = CORDOBA  
 T = E CLASS/NEWYORKER  
 V = 400  
 X = MIRADA  
 Y = IMPERIAL  
 Z = OMNI/CHARGER/RAMPAGE

BODY STYLES  
 21 = 2-DOOR SEDAN  
 22 = 2-DOOR SPECIAL COUPE  
 24 = 2-DOOR HATCHBACK  
 27 = 2-DOOR CONVERTIBLE  
 28 = FWD PICKUP  
 41 = 4-DOOR SEDAN  
 45 = 4-DOOR STATION WAGON  
 44 = 4-DOOR HATCHBACK  
 48 = EXECUTIVE SEDAN

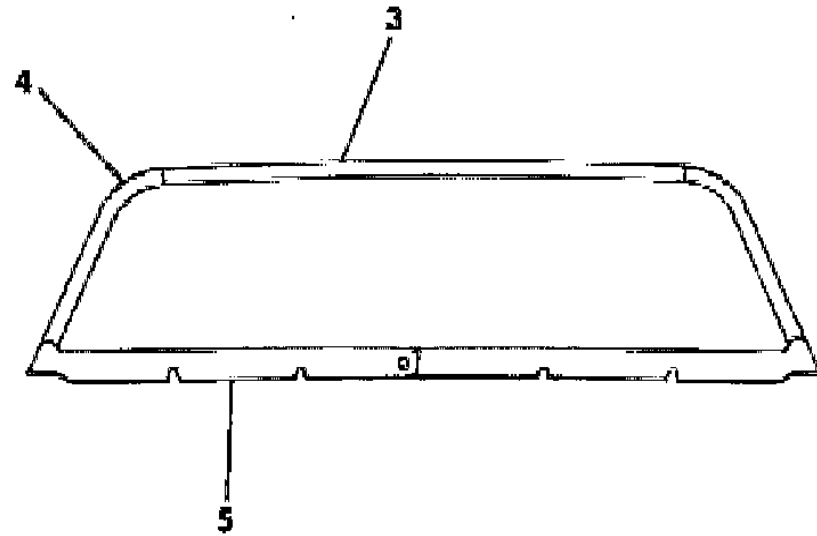
AR = Use as Required - = Non Illustrated Part P.A.R. = Paint as Required

**MOULDINGS,WINDSHIELD AND REAR WDO. OUTSIDE E,T**  
**Figure 23-2900**

3168 2900



**W/SHLD MLDGs**



**RR WDO MLDGs**

ITEM	PART NUMBER	QTY	BODY	MODEL	DESCRIPTION
1	4229 769	1		E-H,T-H	MOULDING,W/Shield Upr.,Bright
	4276 638	1		E-S	MOULDING,W/Shield Upr.,Black
	6003 409				RETAINER
	6003 304				RETAINER
2	4229 772-3	1		E-H,T-H	MOULDING,W/Shield Side,Bright
	4276 640-1	1		E-S	MOULDING,W/Shield Side,Black
	6003 409				RETAINER
	6003 304				RETAINER
3	4276 057	1		E-H,T-H	MOULDING,Rear Wdo. Upr.,Bright
	4276 644	1		E-S	MOULDING,Rear Wdo. Upr.,Black SCREW SCREW
4	4276 058-9	1		E-H,T-H	MOULDING,Rear Wdo. Side,Bright,Use Up to 3-10-83
	4328 206-7	1		E-H,T-H	MOULDING,Rear Wdo. Side,Bright,Use After 3-10-83
	4276 646-7	1		E-S	MOULDING,Rear Wdo. Side,Black,Use Up to 2-28-83
	4328 208-9	1		E-S	MOULDING,Rear Wdo. Side,Black,Use After 2-28-83 SCREW SCREW
5	4276 060-1	1		E-H,T-H	MOULDING,Rear Wdo. Lwr.,Bright
	4276 648-9	1		E-S	MOULDING,Rear Wdo. Lwr.,Black SCREW SCREW

MODEL CODES  
 B = GRAN FURY  
 C = LEBARON/TOWN & COUNTRY  
 D = ARIES  
 E = 600  
 F = FIFTH AVENUE  
 G = DIPLOMAT  
 M = HORIZON/TURISMO/SCAMP  
 P = RELIANT  
 S = CORDOBA  
 T = E CLASS/NEWYORKER  
 V = 400  
 X = MIRADA  
 Y = IMPERIAL  
 Z = OMNI/CHARGER/RAMPAGE

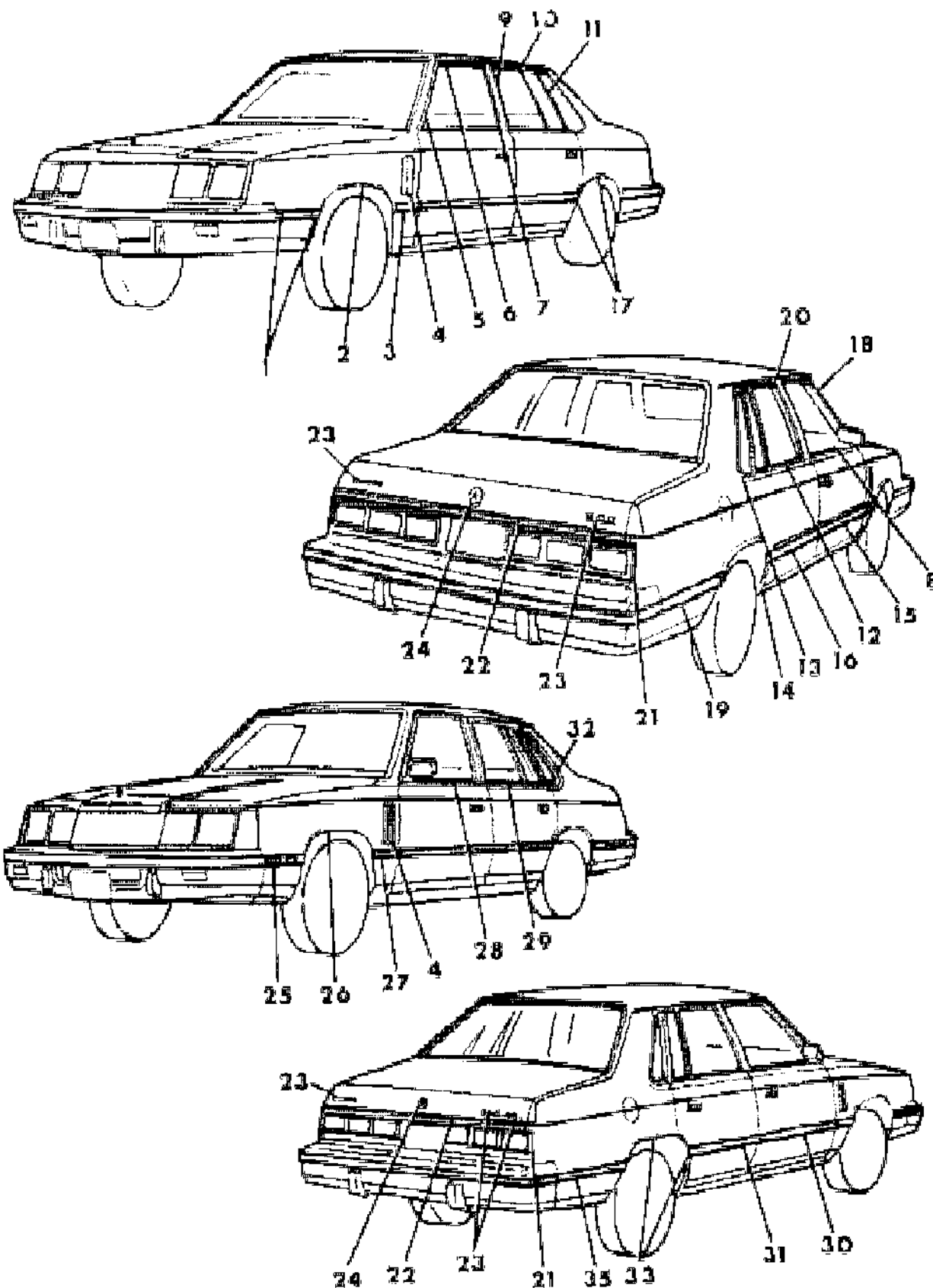
BODY STYLES  
 21 = 2-DOOR SEDAN  
 22 = 2-DOOR SPECIAL COUPE  
 24 = 2-DOOR HATCHBACK  
 27 = 2-DOOR CONVERTIBLE  
 28 = FWD PICKUP  
 41 = 4-DOOR SEDAN  
 45 = 4-DOOR STATION WAGON  
 44 = 4-DOOR HATCHBACK  
 48 = EXECUTIVE SEDAN

AR = Use as Required - = Non Illustrated Part P.A.R. = Paint as Required

EXTERIOR VIEW DODGE 600,600ES

Figure 23-3000

3188 3000C



ITEM	PART NUMBER	QTY	BODY	MODEL	DESCRIPTION
1	4267 830-1	1		E-H	MOULDING,Fndr.,Frt.,Blue
	4267 842-3	1		E-H	White
	4267 844-5	1		E-H	Black
	4293 472-3	1		E-H	Silver
	4293 474-5	1		E-H	Beige Met.
	4293 476-7	1		E-H	Red
	4293 478-9	1		E-H	Sable Tan
	4057 569				SCREW (Not Serv.) RETAINER PKG.
					NUT (Not Serv.)
2	4175 756-7	1		E-H	MOULDING,Fndr. W/Opng. SCREW (Not Serv.)
3	4240 962-3	1		E-H	MOULDING,Fndr.,Rear,White
	4240 964-5	1		E-H	Black
	4267 746-7	1		E-H	Blue
	4293 456-7	1		E-H	Silver
	4293 458-9	1		E-H	Beige Met.
	4293 460-1	1		E-H	Red
	4293 462-3	1		E-H	Sable Tan
	4205 636				RETAINER PKG.
	6028 674			SCREW (Repair)	
					SCREW (Not Serv.) WELD STUD (Not Serv.)
4	X282-3 BA2	1			LOUVER,Fndr. Side,Silver Met.
	X282-3 AA9	1			Dark Silver
	X282-3 BC4	1			Glacier Blue
	X282-3 ABB	1			Night Watch Blue
	X282-3 BL4	1			Beige Met.
	X282-3 BT8	1			Sable Tan
	X282-3 AW3	1			White
	X282-3 AXX	1			Black
					NUT (Not Serv.) SCREW (Not Serv.)
5	4276 062-3	1		E-H E-S	MOULDING,Frt. Door Wdo. Opng. Frame,Frt. No Mouldings Used (Area Painted Black
6	4276 482-3	1		E-H	MOULDING,Frt. Door Wdo. Opng. Frame,Upr.
				E-S	No Mouldings Used (Area Painted Black

MODEL CODES

B = GRAN FURY	G = DIPLOMAT	V = 400
C = LEBARON/TOWN & COUNTRY	M = HORIZON/TURISMO/SCAMP	X = MIRADA
D = ARIES	P = RELIANT	Y = IMPERIAL
E = 600	S = CORDOBA	Z = OMNI/CHARGER/RAMPAGE
F = FIFTH AVENUE	T = E CLASS/NEWYORKER	

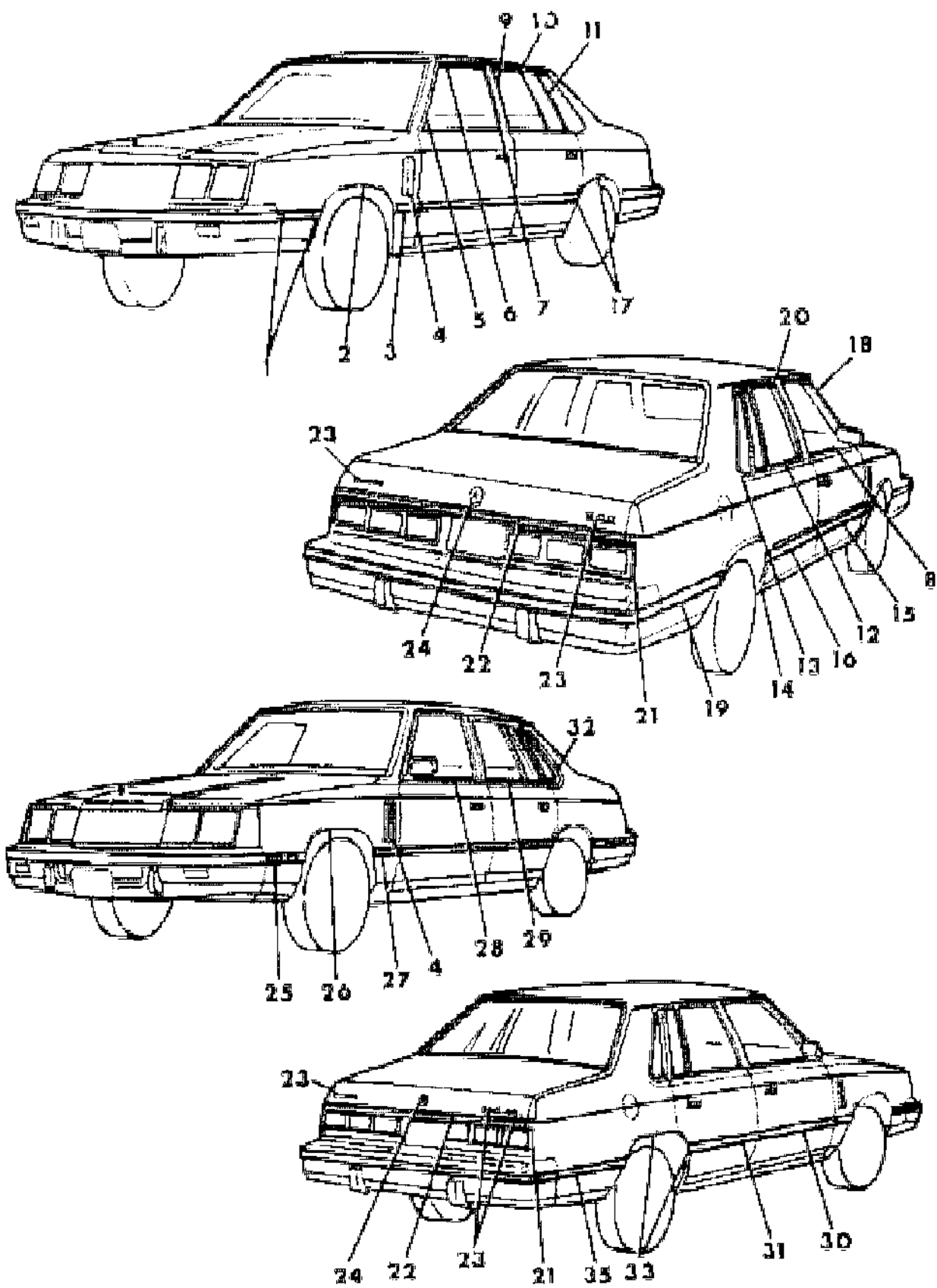
BODY STYLES

21 = 2-DOOR SEDAN	41 = 4-DOOR SEDAN
22 = 2-DOOR SPECIAL COUPE	45 = 4-DOOR STATION WAGON
24 = 2-DOOR HATCHBACK	44 = 4-DOOR HATCHBACK
27 = 2-DOOR CONVERTIBLE	48 = EXECUTIVE SEDAN
28 = FWD PICKUP	

AR = Use as Required - = Non Illustrated Part P.A.R. = Paint as Required

EXTERIOR VIEW DODGE 600,600ES  
Figure 23-3000

3188 3000C



ITEM	PART NUMBER	QTY	BODY	MODEL	DESCRIPTION
7	4276 066-7	1		E-H	MOULDING,Frnt. Door Wdo. Opng. Frame,Rear
				E-S	No Mouldings Used (Area Painted Black)
8	4205 644-5 4205 634 6003 627 6003 781	1		E-H	MOULDING PKG.,Frnt. Door Belt,Use w/Mirror RETAINER PKG. RETAINER RETAINER
9	4276 068-9	1		E-H E-S	MOULDING,Rear Door Wdo. Opng.Frame,Frnt. No Mouldings Used (Area Painted Black)
10	4276 478-9	1		E-H E-S	MOULDING,Rear Door Wdo. Opng.Frame,Upr. No Mouldings Used (Area Painted Black)
11	4276 072-3	1		E-H E-S	MOULDING,Rear Door Wdo. Opng.Frame,Rear No Mouldings Used (Area Painted Black)
12	4293 378-9 4205 634	1		E-H	MOULDING,Rear Door Belt RETAINER PKG.
13	4276 082-3 4276 990-1	1 1		E-H E-H	MOULDING,Qtr. Wdo.,Use Up to 5-5-83 MOULDING,Qtr. Wdo.,Use After 5-5-83
14	4276 074-5	1		E-H	MOULDING,Body Side Sill
18	4319 610	1		K-P	MOULDING,Qtr.Lwr. Frnt. and W/Opng.,Rt.,Woodgrain WELD STUD (Not Serv.) SCREW (Not Serv.)
15	4240 830-1 4240 832-3 4267 722-3 4293 420-1 4293 422-3 4293 424-5 4293 426-7 6028 674 4205 636 4057 555	1 1 1 1 1 1 1 1 1		E-H E-H E-H E-H E-H E-H	MOULDING and RET. PKG.,Frnt. Door,White Black Blue Silver Beige Met. Red Sable Tan SCREW RETAINER PKG. RETAINER PKG.
16	4293 364-5 4293 366-7 4293 368-9 4293 370-1 4293 372-3 4293 374-5 4293 376-7	1 1 1 1 1 1 1		E-H E-H E-H E-H E-H E-H	MOULDING and RET. PKG.,Rear Door,Silver Blue Beige Met. Red Sable Tan Black White

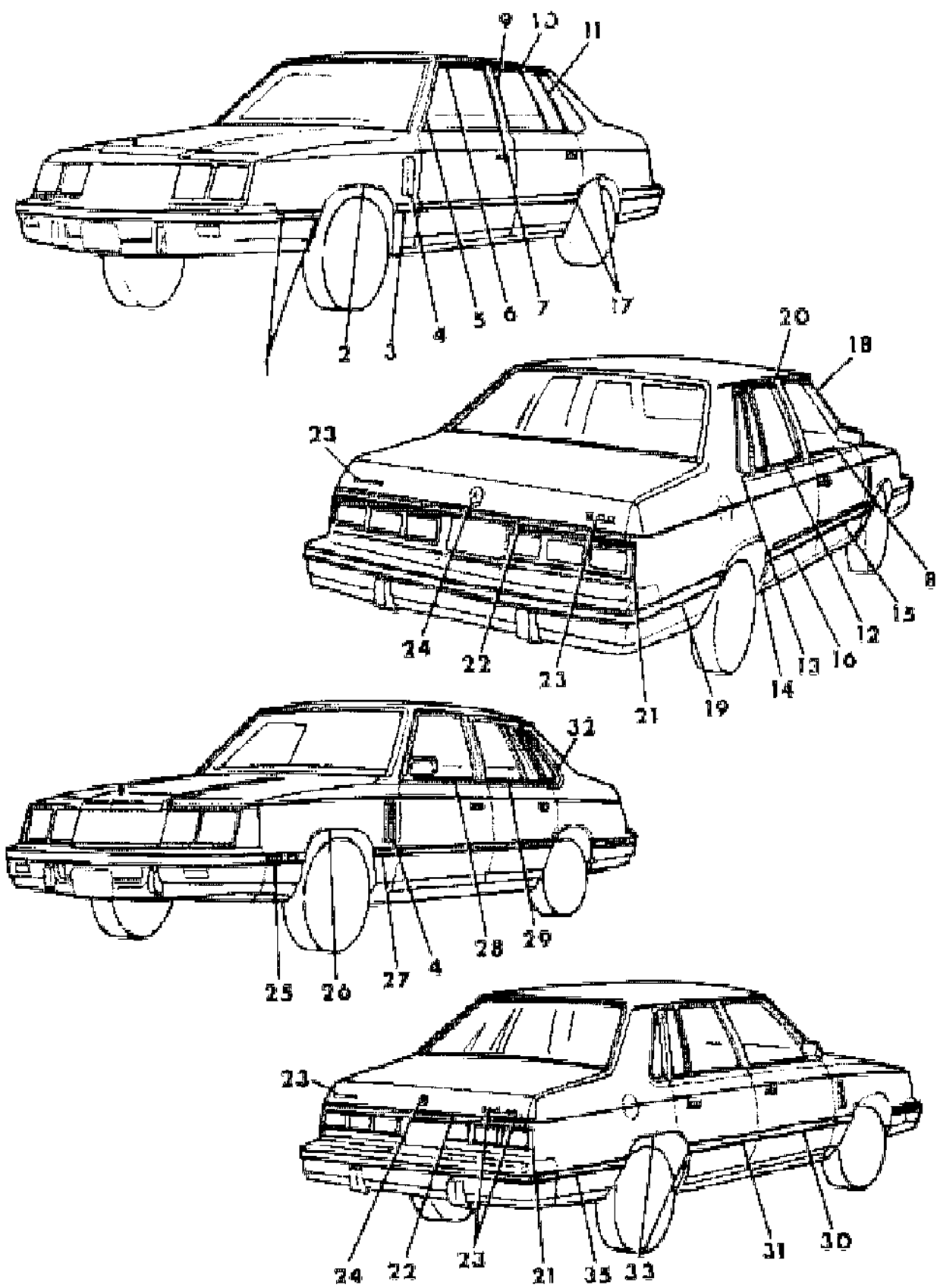
MODEL CODES  
 B = GRAN FURY  
 C = LEBARON/TOWN & COUNTRY  
 D = ARIES  
 E = 600  
 F = FIFTH AVENUE  
 G = DIPLOMAT  
 M = HORIZON/TURISMO/SCAMP  
 P = RELIANT  
 S = CORDOBA  
 T = E CLASS/NEWYORKER  
 V = 400  
 X = MIRADA  
 Y = IMPERIAL  
 Z = OMNI/CHARGER/RAMPAGE

BODY STYLES  
 21 = 2-DOOR SEDAN  
 22 = 2-DOOR SPECIAL COUPE  
 24 = 2-DOOR HATCHBACK  
 27 = 2-DOOR CONVERTIBLE  
 28 = FWD PICKUP  
 41 = 4-DOOR SEDAN  
 45 = 4-DOOR STATION WAGON  
 44 = 4-DOOR HATCHBACK  
 48 = EXECUTIVE SEDAN

AR = Use as Required - = Non Illustrated Part P.A.R. = Paint as Required

EXTERIOR VIEW DODGE 600,600ES  
Figure 23-3000

3188 3000C



ITEM	PART NUMBER	QTY	BODY	MODEL	DESCRIPTION
	6028 674				SCREW
	4205 636				RETAINER PKG.
	4057 555				RETAINER PKG.
17	4175 770-1	1		E-H	MOULDING,Qtr. W/Opng.,Bright
	X224-5 AC9	1		E-H	MOULDING,Qtr. Frt. and W/Opng.,Blue
	X224-5 BA2	1		E-H	Silver
	X224-5 BL4	1		E-H	Beige Met.
	X224-5 BM5	1		E-H	Red
	X224-5 BT8	1		E-H	Sable Tan
	X224-5 VW3	1		E-H	White
	X224-5 VX9	1		E-H	Black
18	4276 416-7	1		E	MOULDING,Body Frt. Pillar Drain Trough,Use w/Spec.Sound Insul.,C15 Pkg.
	4229 766-7	1		E	MOULDING and SEAL,Body Frt. Pillar Drain Trough,Use w/Spec. Sound Insul.,C15 Pkg.
	4229 764-5	1		E	SEAL,Body Frt. Pillar Drain Trough Mldg.,Inner,Use w/C15 Pkg.
19	4293 518-9	1		E-H	MOULDING and SEAL PKG.,Qtr. Rear,Silver
	4293 520-1	1		E-H	Blue
	4293 522-3	1		E-H	Beige Met.
	4293 524-5	1		E-H	Red
	4293 526-7	1		E-H	Sable Tan
	4293 528-9	1		E-H	Black
	4293 530-1	1		E-H	White
	4057 569				RETAINER PKG. NUT (Not Serv.)
20	4276 088-9	1		E	MOULDING,Roof Side Drain Trough,Use Up to 11-17-82
	4276 890-1	1		E	MOULDING,Roof Side Drain Trough,Use After 11-17-82
21	4276 086-7	1		E	MOULDING,Qtr. End
	6003 822	AR			RETAINER
	6003 627	AR			RETAINER
	6028 674				SCREW
22	4276 329	1		E	MOULDING,Deck Lid Lwr.
	6028 674				SCREW
23	4229 779	1		E	NAMEPLATE,Deck Lid,"Dodge"
	4276 399	1		E	NAMEPLATE,Deck Lid,"600"

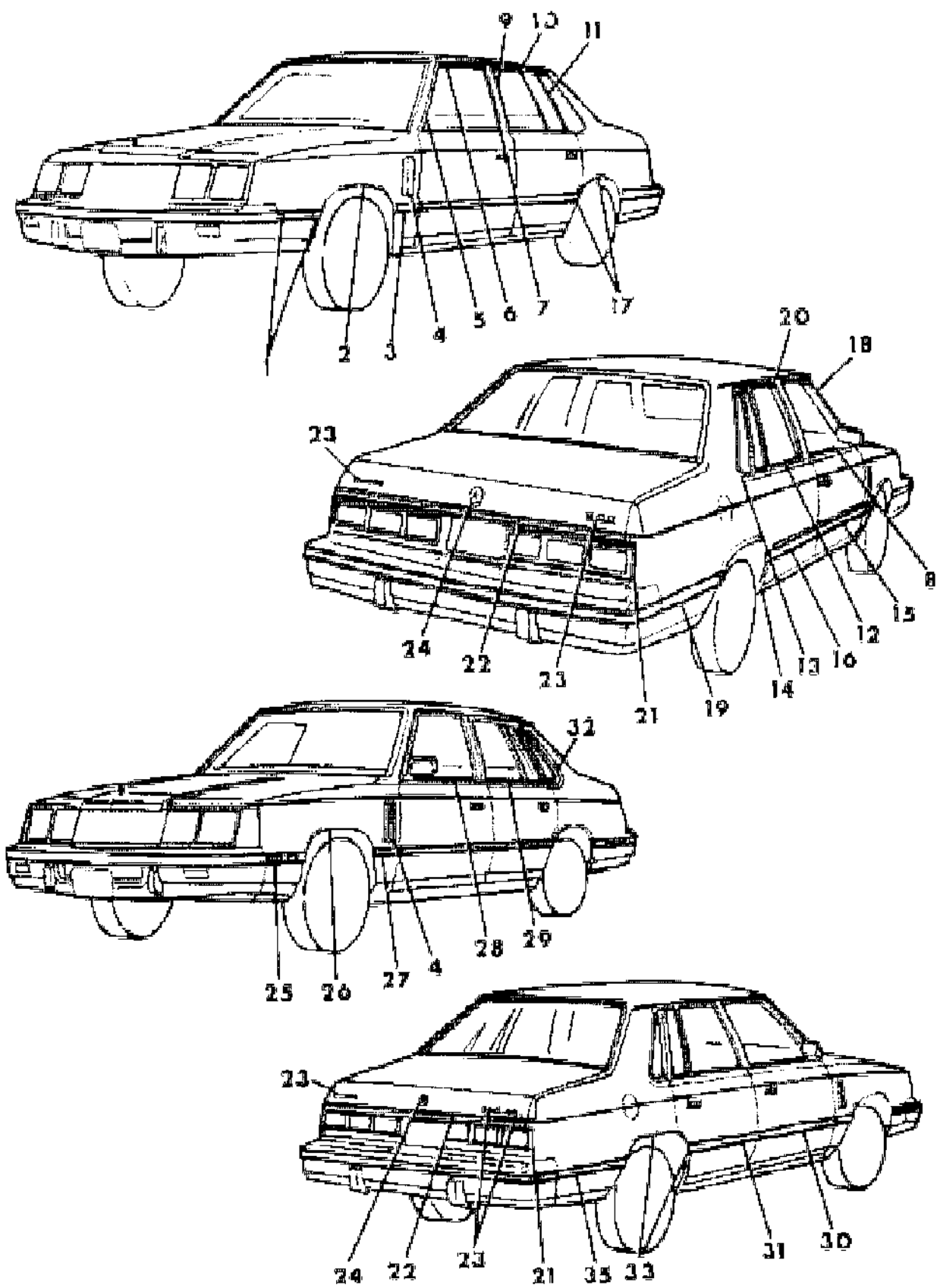
MODEL CODES  
 B = GRAN FURY  
 C = LEBARON/TOWN & COUNTRY  
 D = ARIES  
 E = 600  
 F = FIFTH AVENUE  
 G = DIPLOMAT  
 M = HORIZON/TURISMO/SCAMP  
 P = RELIANT  
 S = CORDOBA  
 T = E CLASS/NEWYORKER  
 V = 400  
 X = MIRADA  
 Y = IMPERIAL  
 Z = OMNI/CHARGER/RAMPAGE

BODY STYLES  
 21 = 2-DOOR SEDAN  
 22 = 2-DOOR SPECIAL COUPE  
 24 = 2-DOOR HATCHBACK  
 27 = 2-DOOR CONVERTIBLE  
 28 = FWD PICKUP  
 41 = 4-DOOR SEDAN  
 45 = 4-DOOR STATION WAGON  
 44 = 4-DOOR HATCHBACK  
 48 = EXECUTIVE SEDAN

AR = Use as Required - = Non Illustrated Part P.A.R. = Paint as Required

EXTERIOR VIEW DODGE 600,600ES  
Figure 23-3000

3188 3000C



ITEM	PART NUMBER	QTY	BODY	MODEL	DESCRIPTION
	4276 488	1		E-S	NAMEPLATE,Deck Lid,"600ES"
24	X601 BA2	1		E	MEDALLION,Deck Lid Lock Cyl.,Silver Met.
	X601 BA9	1		E	Dark Silver
	X601 BM5	1		E	Red
	X601 BW3	1		E	White
	X601 BX9	1		E	Black
	X601 BL4	1		E	Beige Met.
	X601 BT8	1		E	Sable Tan
	X601 BC4	1		E	Blue
NOTE: The Colored Medallion Used is Determined by the Exterior Paint of Car an offsetting order for part no. 3747881					
					RIVET (Not Serv.)
25	4293 394-5	1		E-S	MOULDING,Fndr.Frt.,Black
26	4276 666-7	1		E-S	MOULDING,Fndr. W/Opng.,Black
27	4293 390-1	1		E-S	MOULDING,Fndr.,Rear,Black
28	4293 382-3	1		E-S	MOULDING,Frt. Door Belt,Black
	4205 634	AR			RETAINER PKG.
	6003 627	AR			RETAINER
	6003 781	AR			RETAINER
29	4293 384-5	1		E-S	MOULDING,Rear Door Belt,Black
	4205 634	AR			RETAINER PKG.
30	4293 386-7	1		E-S	MOULDING and RET. PKG.,Frt. Door,Black
31	4293 388-9	1		E-S	MOULDING and RET. PKG.,Rear Door,Black
32	4276 658-9	1		E-S	MOULDING,Qtr. Wdo.,Black,Use Up to 6-1-83
	4276 992-3	1		E-S	MOULDING,Qtr. Wdo.,Black,Use After 6-1-83
33	4276 680-1	1		E-S	MOULDING,Qtr. Frt. and W/Opng.,Black
35	4293 392-3	1		E-S	MOULDING and Seal,Qtr. Rear,Black

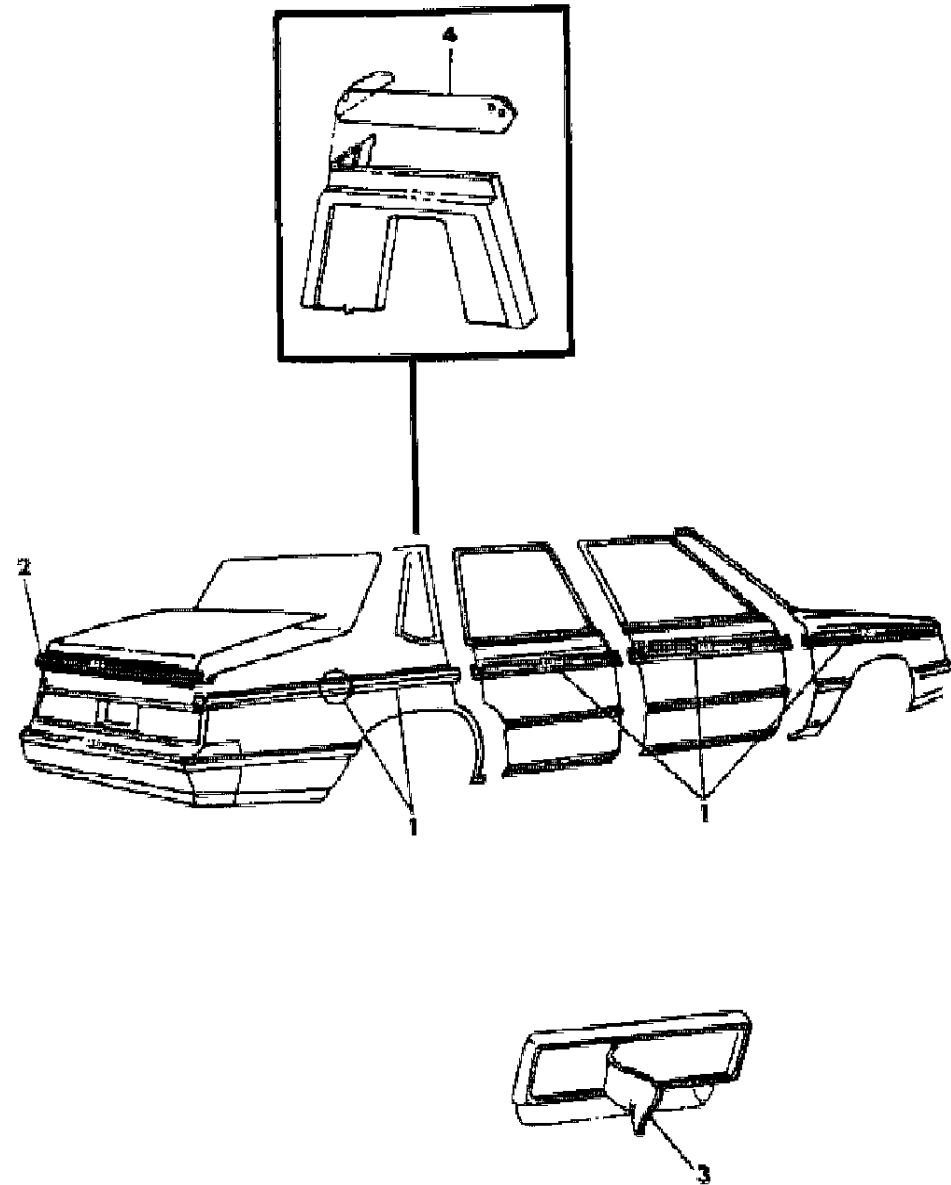
MODEL CODES  
 B = GRAN FURY  
 C = LEBARON/TOWN & COUNTRY  
 D = ARIES  
 E = 600  
 F = FIFTH AVENUE  
 G = DIPLOMAT  
 M = HORIZON/TURISMO/SCAMP  
 P = RELIANT  
 S = CORDOBA  
 T = E CLASS/NEWYORKER  
 V = 400  
 X = MIRADA  
 Y = IMPERIAL  
 Z = OMNI/CHARGER/RAMPAGE

BODY STYLES  
 21 = 2-DOOR SEDAN  
 22 = 2-DOOR SPECIAL COUPE  
 24 = 2-DOOR HATCHBACK  
 27 = 2-DOOR CONVERTIBLE  
 28 = FWD PICKUP  
 41 = 4-DOOR SEDAN  
 45 = 4-DOOR STATION WAGON  
 44 = 4-DOOR HATCHBACK  
 48 = EXECUTIVE SEDAN

AR = Use as Required - = Non Illustrated Part P.A.R. = Paint as Required

EXTERIOR VIEW - TAPE STRIPES DODGE 600,600ES  
Figure 23-3100

3168 3100A



ITEM	PART NUMBER	QTY	BODY	MODEL	DESCRIPTION
1	4271 770-1	1		E-H	TAPE SET,Fndr.,Door,Qtr.,Silver (K3A)
	4271 772-3	1		E-H	Blue (K3B)
	4271 774-5	1		E-H	Tan (K3K)
	4293 326-7	1		E-H	Red (K3R)
	4271 778-9	1		E-H	Gold (K3Y)
	4293 594-5	1		E-S	Black,Gloss (K3Z)
	4293 328-9	1		E-S	Black (K3X)
	T525 BA2	1		E-H	TAPE,Qtr. Pnl. Fuel Filler Door,Repair,Silver (K3A)
	T525 BC6	1		E-H	Blue (K3B)
	T525 BE5	1		E-H	Red (K3R)
	T525 BK6	1		E-H	Tan (K3K)
	T525 BY3	1		E-H	Gold (K3Y)
	T525 BX1	1		E-S	Black (K3X)
2	T525 BX9	1		E-S	Black,Gloss (K3Z)
	T514 BA2	1		E-H	TAPE,Deck Lid,Silver (K3A)
	T514 BC6	1		E-H	Blue (K3B)
	T514 BE5	1		E-H	Red (K3R)
	T514 BK6	1		E-H	Tan (K3K)
	T514 BY3	1		E-H	Gold (K3Y)
	T514 BX1	1		E-S	Black (K3X)
T514 BX9	1		E-S	Black,Gloss (K3Z)	
3	T752 BX9	1		E-S	TAPE,Frnt. and Rear Door Handle,Black
4	T024-5 BA2	1		E-H	TAPE,Qtr. Wdo. Mldg.,Use w/Qtr. Wdo. Louvers/Ornament,Silver Met.
	T024-5 BA9	1		E-H	Dark Silver
	T024-5 BC4	1		E-H	Glacier Blue
	T024-5 BC9	1		E-H	Night Watch Blue
	T024-5 BL4	1		E-H	Beige Met.
	T024-5 BM5	1		E-H	Red
	T024-5 BT8	1		E-H	Sable Tan
	T024-5 BW3	1		E-H	White
	T024-5 BX9	1		E-S	Black

MODEL CODES

B = GRAN FURY	G = DIPLOMAT	V = 400
C = LEBARON/TOWN & COUNTRY	M = HORIZON/TURISMO/SCAMP	X = MIRADA
D = ARIES	P = RELIANT	Y = IMPERIAL
E = 600	S = CORDOBA	Z = OMNI/CHARGER/RAMPAGE
F = FIFTH AVENUE	T = E CLASS/NEWYORKER	

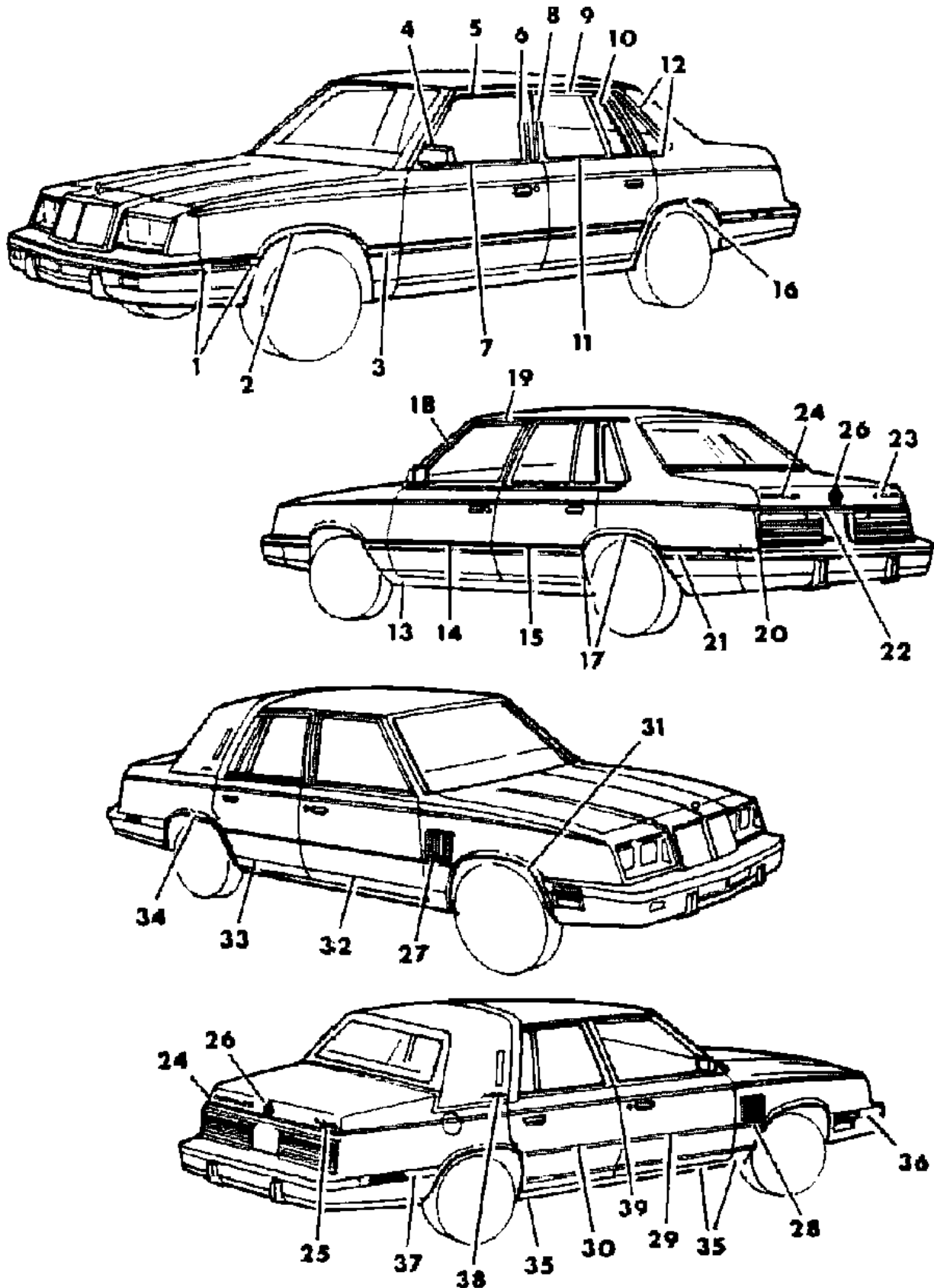
BODY STYLES

21 = 2-DOOR SEDAN	41 = 4-DOOR SEDAN
22 = 2-DOOR SPECIAL COUPE	45 = 4-DOOR STATION WAGON
24 = 2-DOOR HATCHBACK	44 = 4-DOOR HATCHBACK
27 = 2-DOOR CONVERTIBLE	48 = EXECUTIVE SEDAN
28 = FWD PICKUP	

AR = Use as Required - = Non Illustrated Part P.A.R. = Paint as Required

EXTERIOR VIEW CHRYSLER E CLASS,NEW YORKER  
Figure 23-3200

3168 J200B



ITEM	PART NUMBER	QTY	BODY	MODEL	DESCRIPTION	
1	4267 830-1	1		T-H	MOULDING,Fndr. Frt.,Blue	
	4267 842-3	1		T-H	White	
	4267 844-5	1		T-H	Black	
	4293 472-3	1		T-H	Silver	
	4293 474-5	1		T-H	Beige Met.	
	4293 476-7	1		T-H	Red	
	4293 478-9	1		T-H	Sable Tan	
2					SCREW (Not Serv.)	
					NUT (Not Serv.)	
					RETAINER PKG.	
	4057 569				RETAINER PKG.	
	4175 756-7	1		T-H	MOULDING,Fndr. W/Opng.	
					SCREW (Not Serv.)	
	3	4240 962-3	1		T-H	MOULDING,Fndr. Rear,White
		4240 964-5	1		T-H	Black
		4267 746-7	1		T-H	Blue
		4293 456-7	1		T-H	Silver
4293 458-9		1		T-H	Beige Met.	
4293 460-1		1		T-H	Red	
4293 462-3		1		T-H	Sable Tan	
4205 636					RETAINER PKG.	
6028 674					SCREW	
					SCREW (Not Serv.)	
				WELD STUD (Not Serv.)		
4	4276 062-3	1		T	MOULDING,Frt. Door Wdo. Opng. Frame,Frt.	
	4276 482-3	1		T	MOULDING,Frt. Door Wdo. Opng. Frame,Upr.	
5	4276 066-7	1		T	MOULDING,Frt. Door Wdo. Opng. Frame,Rear	
	4205 644-5	1		T	MOULDING PKG.,Frt. Door Belt,Use w/Mirror	
6	4205 634				RETAINER PKG.	
	6003 627				RETAINER	
	4276 068-9	1		T	MOULDING,Rear Door Wdo. Opng. Frame,Frt.	
8	4276 478-9	1		T	MOULDING,Rear Door Wdo. Opng. Frame,Upr.	
	4276 072-3	1		T-H	MOULDING,Rear Door Wdo. Opng. Frame,Rear	
9	4319 172-3	1		T-P	MOULDING,Rear Door Wdo. Opng. Frame,Rear	
	4293 378-9	1		T-H	MOULDING,Rear Door Belt	
10	4205 634				RETAINER PKG.	
	4205 648-9	1		T-P	MOULDING,Rear Door Belt	
	4276 082-3	1		T-H	MOULDING,Qtr. Wdo.,Use Up to 5-5-83	

MODEL CODES

B = GRAN FURY	G = DIPLOMAT	V = 400
C = LEBARON/TOWN & COUNTRY	M = HORIZON/TURISMO/SCAMP	X = MIRADA
D = ARIES	P = RELIANT	Y = IMPERIAL
E = 600	S = CORDOBA	Z = OMNI/CHARGER/RAMPAGE
F = FIFTH AVENUE	T = E CLASS/NEWYORKER	

BODY STYLES

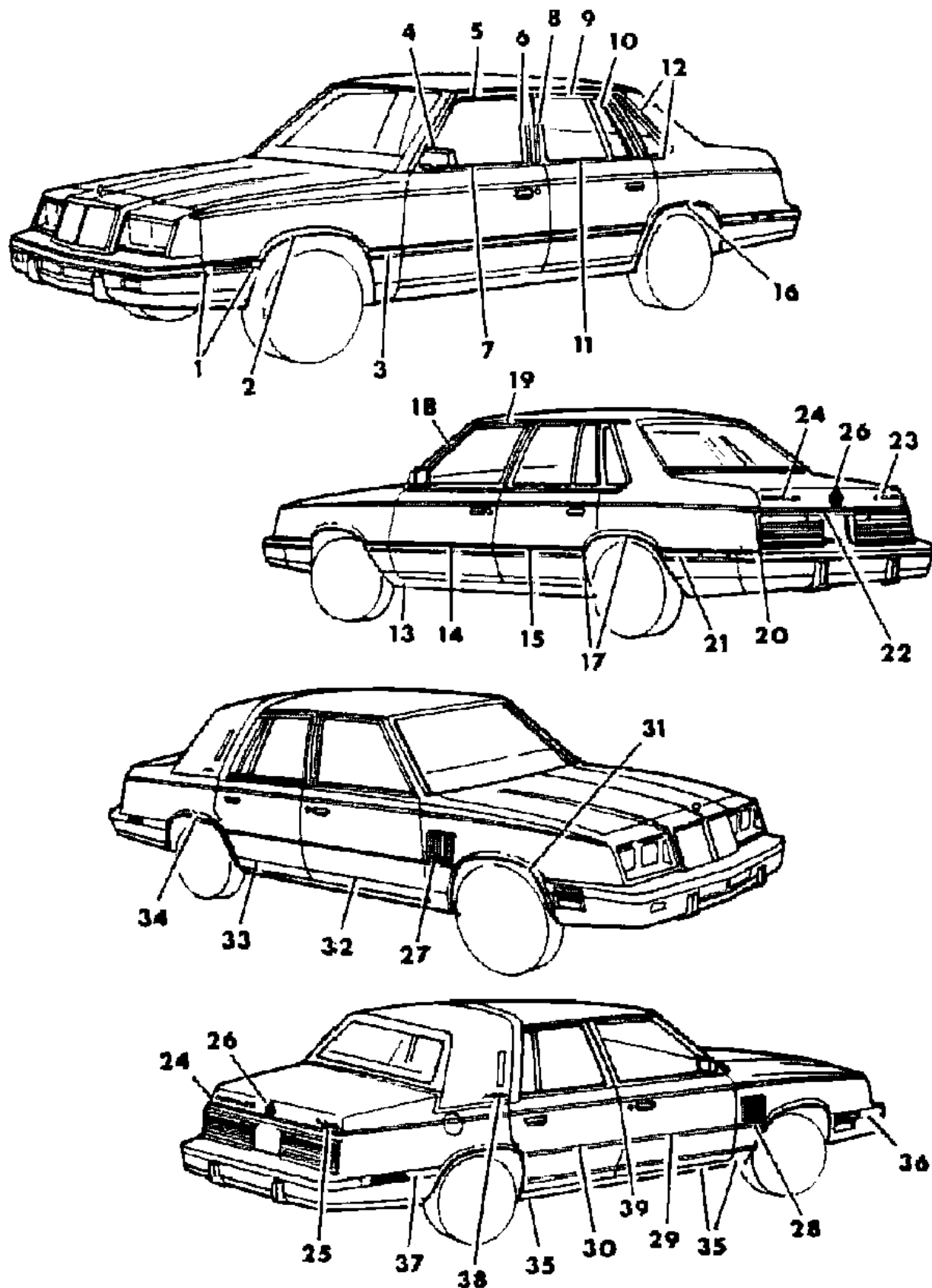
21 = 2-DOOR SEDAN	41 = 4-DOOR SEDAN
22 = 2-DOOR SPECIAL COUPE	45 = 4-DOOR STATION WAGON
24 = 2-DOOR HATCHBACK	44 = 4-DOOR HATCHBACK
27 = 2-DOOR CONVERTIBLE	48 = EXECUTIVE SEDAN
28 = FWD PICKUP	

AR = Use as Required - = Non Illustrated Part P.A.R. = Paint as Required



EXTERIOR VIEW CHRYSLER E CLASS,NEW YORKER  
Figure 23-3200

3168 J2008



ITEM	PART NUMBER	QTY	BODY	MODEL	DESCRIPTION
	4276 990-1	1		T-H	MOULDING,Qtr. Wdo.,Use After 5-5-83
13	4276 074-5	1		T-H	MOULDING,Body Side Sill
	6003 777				RETAINER CLIP WELD STUD (Not Serv.) SCREW (Not Serv.)
14	4240 830-1	1		T-H	MOULDING and RET. PKG.,Frnt. Door,White
	4240 832-3	1		T-H	Black
	4267 722-3	1		T-H	Blue
	4293 420-1	1		T-H	Silver
	4293 422-3	1		T-H	Beige Met.
	4293 424-5	1		T-H	Red
	4293 426-7	1		T-H	Sable Tan
	6028 674				SCREW
	4205 636				RETAINER PKG.
	4057 555				RETAINER PKG.
15	4293 364-5	1		T-H	MOULDING and RET. PKG.,Rear Door,Silver
	4293 366-7	1		T-H	Blue
	4293 368-9	1		T-H	Beige Met.
	4293 370-1	1		T-H	Red
	4293 372-3	1		T-H	Sable Tan
	4293 374-5	1		T-H	Black
	4293 376-7	1		T-H	White
	6028 674				SCREW
	4205 636				RETAINER PKG.
	4057 555				RETAINER PKG.
16	4175 770-1	1		T-H	MOULDING,Qtr. W/Opng.,Bright
17	X224-5 AC9	1		T-H	MOULDING,Qtr. Frnt. and W/Opng.,Blue
	X224-5 BA2	1		T-H	Silver
	X224-5 BL4	1		T-H	Beige Met.
	X224-5 BM5	1		T-H	Red
	X224-5 BT8	1		T-H	Sable Tan
	X224-5 VW3	1		T-H	White
	X224-5 VX9	1		T-H	Black
					SCREW (Not Serv.)
18	4276 416-7	1		T	MOULDING,Body Frnt. Pillar Drain Trough,Use w/Spec. Sound Insul.,C15 Pkg.

MODEL CODES

B = GRAN FURY	G = DIPLOMAT	V = 400
C = LEBARON/TOWN & COUNTRY	M = HORIZON/TURISMO/SCAMP	X = MIRADA
D = ARIES	P = RELIANT	Y = IMPERIAL
E = 600	S = CORDOBA	Z = OMNI/CHARGER/RAMPAGE
F = FIFTH AVENUE	T = E CLASS/NEWYORKER	

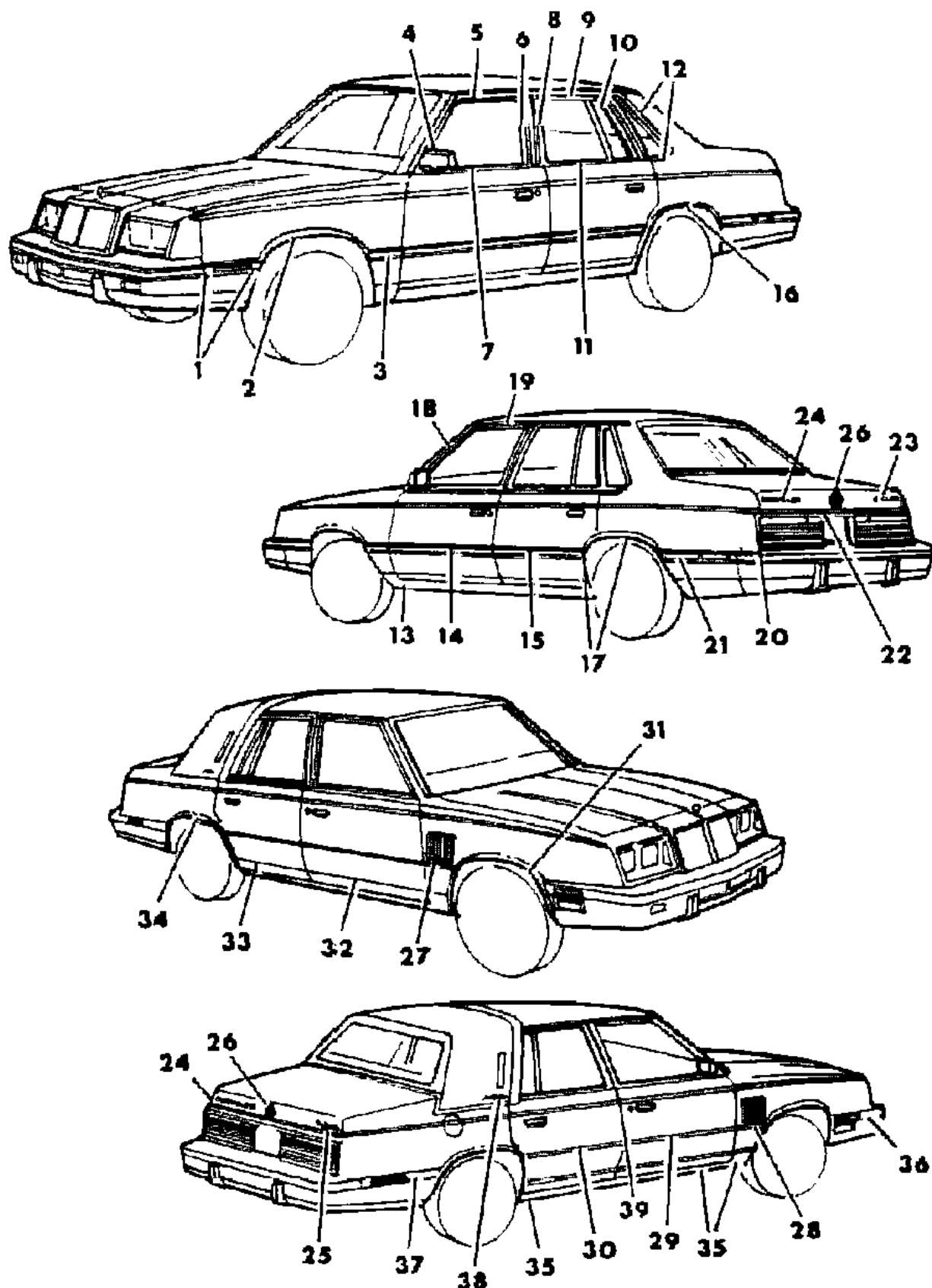
BODY STYLES

21 = 2-DOOR SEDAN	41 = 4-DOOR SEDAN
22 = 2-DOOR SPECIAL COUPE	45 = 4-DOOR STATION WAGON
24 = 2-DOOR HATCHBACK	44 = 4-DOOR HATCHBACK
27 = 2-DOOR CONVERTIBLE	48 = EXECUTIVE SEDAN
28 = FWD PICKUP	

AR = Use as Required - = Non Illustrated Part P.A.R. = Paint as Required

EXTERIOR VIEW CHRYSLER E CLASS,NEW YORKER  
Figure 23-3200

3168 J200B



ITEM	PART NUMBER	QTY	BODY	MODEL	DESCRIPTION
	4229 766-7	1		T	MOULDING and SEAL,Body Frt. Pillar Drain Trough,Use w/ Spec. Sound Insul.,C15 Pkg.
	4229 764-5	1		T	SEAL,Body Frt. Pillar Drain Trough Mldg.,Inner,Use w/C15 Pkg. SCREW (Not Serv.)
19	4276 088-9	1		T-H	MOULDING,Roof Side Drain Trough,Use w/o Padded Landau Roof,Use Up to 11-17-82
	4276 890-1	1		T-H	MOULDING,Roof Side Drain Trough,Use w/o Padded Landau Roof,Use After 11-17-82
	4319 204-5	1		T-P	MOULDING,Roof Side Drain Trough,Use w/Padded Landau Roof
20	4276 086-7	1		T	MOULDING,Qtr. End
	6003 822	AR			RETAINER
	6003 627	AR			RETAINER
	6028 674				SCREW
21	4293 518-9	1		T-H	MOULDING and SEAL PKG.,Qtr. Rear,Silver
	4293 520-1	1		T-H	Blue
	4293 522-3	1		T-H	Beige Met.
	4293 524-5	1		T-H	Red
	4293 526-7	1		T-H	Sable Tan
	4293 528-9	1		T-H	Black
	4293 530-1	1		T-H	White
	4057 569				RETAINER PKG. NUT (Not Serv.)
22	4276 329	1		T	MOULDING,Deck Lid Lwr.
	6028 674				SCREW
23	4319 620	1		T-H	NAMEPLATE,Deck Lid,"E Class",Use Up to 11-22-82
	4319 667	1		T-H	NAMEPLATE,Deck Lid,"E Class",Use After 11-22-82
24	4229 782	1		T-H,T-P	NAMEPLATE,Deck Lid,"Chrysler"
25	4276 398	1		T-P	NAMEPLATE,Deck Lid,"New Yorker"
26	X601 BA2	1		T	MEDALLION,Deck Lid Lock Cyl.,Silver Met.
	X601 BA9	1		T	Dark Silver
	X601 BM5	1		T	Red
	X601 BW3	1		T	White
	X601 BX9	1		T	Black
	X601 BL4	1		T	Beige Met.
	X601 BT8	1		T	Sable Tan
	X601 BC4	1		T	Blue

MODEL CODES

B = GRAN FURY	G = DIPLOMAT	V = 400
C = LEBARON/TOWN & COUNTRY	M = HORIZON/TURISMO/SCAMP	X = MIRADA
D = ARIES	P = RELIANT	Y = IMPERIAL
E = 600	S = CORDOBA	Z = OMNI/CHARGER/RAMPAGE
F = FIFTH AVENUE	T = E CLASS/NEWYORKER	

BODY STYLES

21 = 2-DOOR SEDAN	41 = 4-DOOR SEDAN
22 = 2-DOOR SPECIAL COUPE	45 = 4-DOOR STATION WAGON
24 = 2-DOOR HATCHBACK	44 = 4-DOOR HATCHBACK
27 = 2-DOOR CONVERTIBLE	48 = EXECUTIVE SEDAN
28 = FWD PICKUP	

AR = Use as Required - = Non Illustrated Part P.A.R. = Paint as Required

**EXTERIOR VIEW CHRYSLER E CLASS,NEW YORKER**  
**Figure 23-3200**

3168 J200B

ITEM	PART NUMBER	QTY	BODY	MODEL	DESCRIPTION
NOTE: The Colored Medallion Used is Determined by the Exterior Paint of Car an offsetting order for part no. 3747881					
27	X544 AA9	2		T-P	Rivet (Not Serv.) LOUVER,Fndr. Side,Dark Silver
	X544 BA2	2		T-P	Silver Met.
	X544 BC4	2		T-P	Glacier Blue
	X544 BL4	2		T-P	Beige Met.
	X544 BM5	2		T-P	Red
	X544 BT8	2		T-P	Sable Tan
	X544 TBB	2		T-P	Dark Blue
	X544 TXX	2		T-P	Black
	X544 VW3	2		T-P	White NUT (Not Serv.) SCREW (Not Serv.)
28	X234-5 BA2	1		T-P	MOULDING,Fndr.,Silver
	X234-5 BC9	1		T-P	Blue
	X234-5 BL4	1		T-P	Beige Met.
	X234-5 BM5	1		T-P	Red
	X234-5 BT8	1		T-P	Sable Tan
	X234-5 BW3	1		T-P	White
	X234-5 BX9	1		T-P	Black
	X236 BA2	2		T-P	MOULDING,Frt. Door,Silver
29	X236 BC9	2		T-P	Blue
	X236 BL4	2		T-P	Beige Met.
	X236 BM5	2		T-P	Red
	X236 BT8	2		T-P	Sable Tan
	X236 BW3	2		T-P	White
	X236 BX9	2		T-P	Black
30	X232-3 BA2	1		T-P	MOULDING,Rear Door,Silver
	X232-3 BC9	1		T-P	Blue
	X232-3 BL4	1		T-P	Beige Met.
	X232-3 BM5	1		T-P	Red
	X232-3 BT8	1		T-P	Sable Tan
31	X232-3 BW3	1		T-P	White
	X232-3 BX9	1		T-P	Black
	4276 896-7	1		T-P	MOULDING,Fndr. W/Opng.
32	4276 798-9	1		T-P	MOULDING,Frt. Door
33	4276 800-1	1		T-P	MOULDING,Rear Door

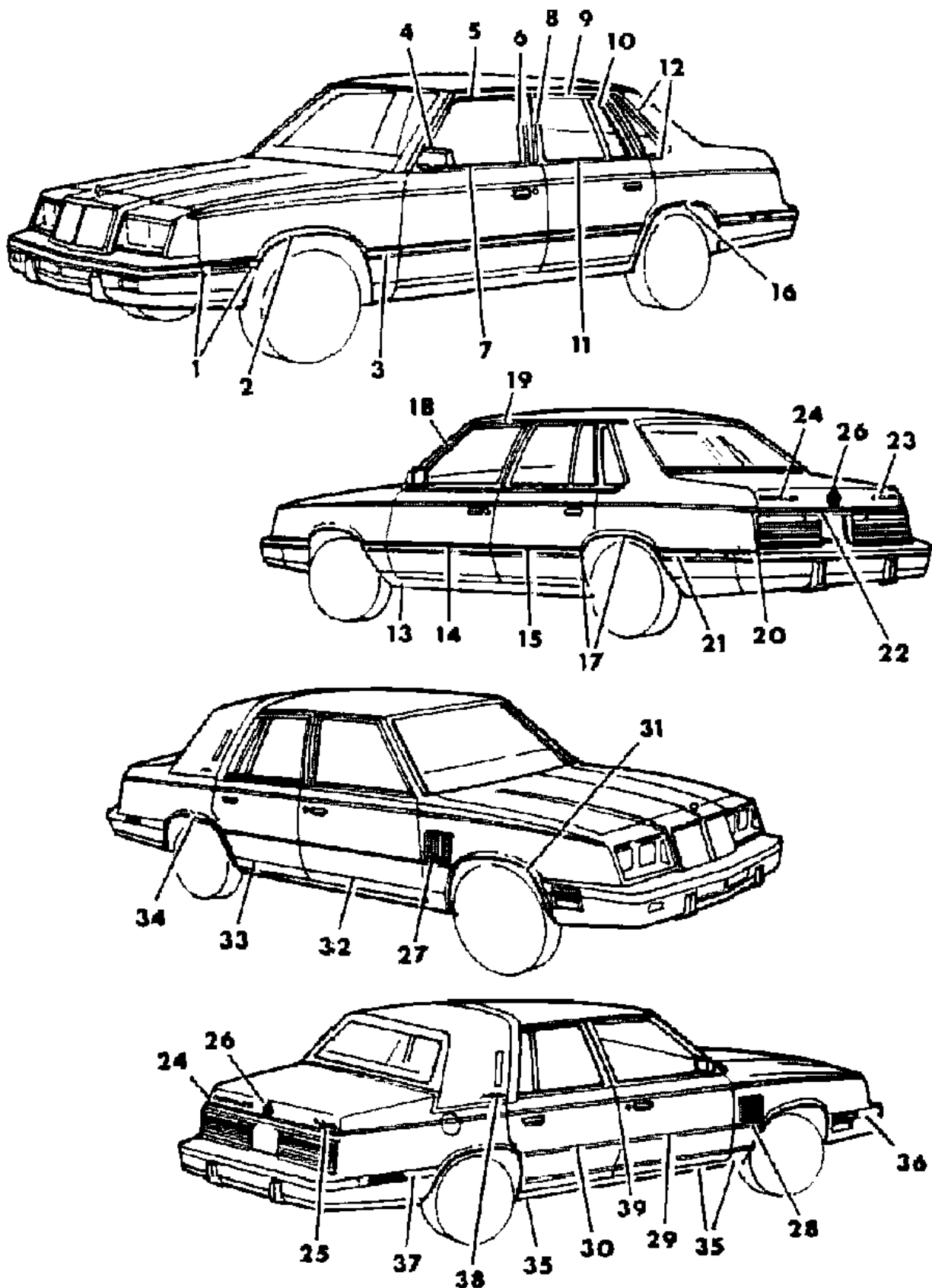
**MODEL CODES**

B = GRAN FURY	G = DIPLOMAT	V = 400
C = LEBARON/TOWN & COUNTRY	M = HORIZON/TURISMO/SCAMP	X = MIRADA
D = ARIES	P = RELIANT	Y = IMPERIAL
E = 600	S = CORDOBA	Z = OMNI/CHARGER/RAMPAGE
F = FIFTH AVENUE	T = E CLASS/NEWYORKER	

**BODY STYLES**

21 = 2-DOOR SEDAN	41 = 4-DOOR SEDAN
22 = 2-DOOR SPECIAL COUPE	45 = 4-DOOR STATION WAGON
24 = 2-DOOR HATCHBACK	44 = 4-DOOR HATCHBACK
27 = 2-DOOR CONVERTIBLE	48 = EXECUTIVE SEDAN
28 = FWD PICKUP	

AR = Use as Required - = Non Illustrated Part P.A.R. = Paint as Required

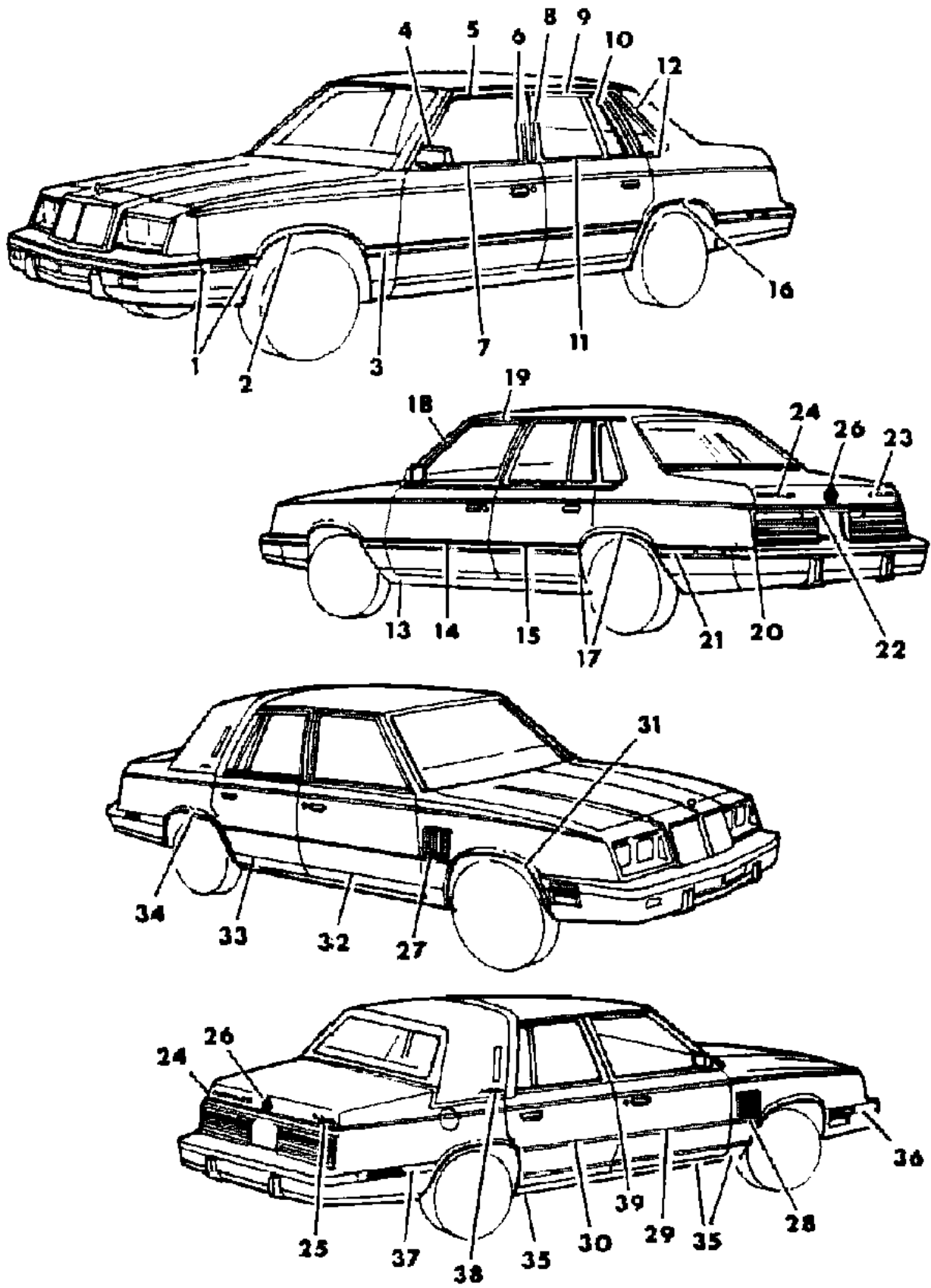


EXTERIOR VIEW CHRYSLER E CLASS,NEW YORKER  
Figure 23-3200

3168 J200B

ITEM	PART NUMBER	QTY	BODY	MODEL	DESCRIPTION
34	4276 898-9	1		T-P	MOULDING,Qtr. W/Opng.
35	4293 532-3	1		T-P	MOULDING PACKAGE,Body Side Sill
36	4293 534-5	1		T-P	MOULDING PACKAGE,Fndr.Side
37	4293 536-7	1		T-P	MOULDING PACKAGE,Qtr. Pnl.
38	3569 954	2		T-P	NAMEPLATE,Roof Cap
	4057 555	4		T-P	RETAINER,,Roof Cap Nameplate
	4319 666	2		T-P	REINFORCEMENT,Roof Cap Nameplate
39	4328 173	1		T-P	PACKAGE,Door Edge Protector Strips

NOTE: See Illus. 3225 for New Yorker,V60,Padded Landau Roof,T-P an offsetting order for part no. 3747881



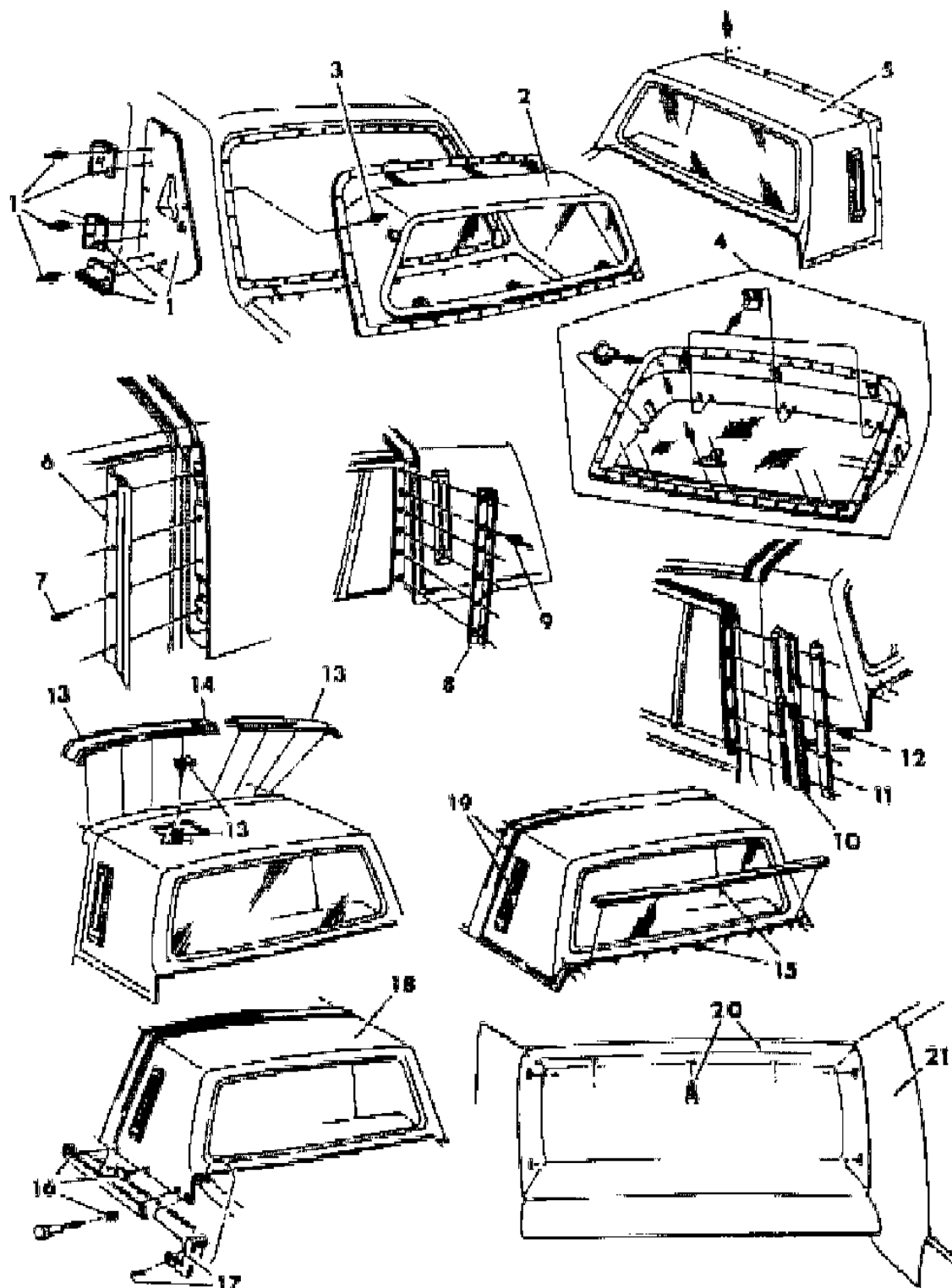
MODEL CODES  
 B = GRAN FURY  
 C = LEBARON/TOWN & COUNTRY  
 D = ARIES  
 E = 600  
 F = FIFTH AVENUE  
 G = DIPLOMAT  
 M = HORIZON/TURISMO/SCAMP  
 P = RELIANT  
 S = CORDOBA  
 T = E CLASS/NEWYORKER  
 V = 400  
 X = MIRADA  
 Y = IMPERIAL  
 Z = OMNI/CHARGER/RAMPAGE

BODY STYLES  
 21 = 2-DOOR SEDAN  
 22 = 2-DOOR SPECIAL COUPE  
 24 = 2-DOOR HATCHBACK  
 27 = 2-DOOR CONVERTIBLE  
 28 = FWD PICKUP  
 41 = 4-DOOR SEDAN  
 45 = 4-DOOR STATION WAGON  
 44 = 4-DOOR HATCHBACK  
 48 = EXECUTIVE SEDAN

AR = Use as Required - = Non Illustrated Part P.A.R. = Paint as Required

EXTERIOR VIEW CHRYSLER NEW YORKER - V60 PADDED LANDAU ROOF - T-P  
Figure 23-3225

3168 1225



ITEM	PART NUMBER	QTY	BODY	MODEL	DESCRIPTION
1	4318 206-7	1			PACKAGE,Qtr. Wdo. Filler Consist of: 1-4296380-1 Closure Pnl. 2-4276995 Bracket,Center 2-4276994 Bracket,Upper 2-4276996 Bracket,Lower
2	4296 379	1			FRAME,Rear Wdo. Opng.
3		AR			RIVET (Not Serv.)
4	4318 201	1			RETAINER PKG.,Rear Wdo. Frame Attach. Consist of: 2-4296382 Retainer,Side 3-4296384 Retainer,Upr. 3-4296383 Retainer,Lwr.,Use Up to 3-4296492 Retainer,Lwr.,Use After
5	4318 204	1			CAP PKG.,Roof Consist of: 1-4319161 Cap 2-4319166 Bracket 2-4319164 Retainer 2-4319666 Plate 4276 855 1 4276 996 2 RETAINER,Roof Cap Rear Lwr.
6	4328 052-3	1			BRACKET,Roof Cap Attach. Lwr. COVER,Rear Door Opng.,"C" Pillar,Black
7		AR			SCREW (Not Serv.)
8	4319 180-1	1			BRACKET,Rear Door Frame
9		AR			RIVET (Not Serv.)
10	4319 172-3	1			MOULDING EXTENSION ASSY.,Roof Transverse,Use Up to 5-16-83 4328 198-9 1 MOULDING EXTENSION ASSY.,Roof Transverse,Use After 5-16-83
11	4319 178-9	1			COVER,Rear Door Wdo. Frame Rear Mldg.,Black
12		AR			SCREW (Not Serv.)
13	4318 226-7	1			MOULDING PKG.,Roof Transverse 6003 881 AR RETAINER NUT (Not Serv.)
14	4319 199	1			CAP,Roof Transverse Mldg.
15	4318 258	1			MOULDING PKG.,Deck Lid Upr.,Silver

MODEL CODES

B = GRAN FURY	G = DIPLOMAT	V = 400
C = LEBARON/TOWN & COUNTRY	M = HORIZON/TURISMO/SCAMP	X = MIRADA
D = ARIES	P = RELIANT	Y = IMPERIAL
E = 600	S = CORDOBA	Z = OMNI/CHARGER/RAMPAGE
F = FIFTH AVENUE	T = E CLASS/NEWYORKER	

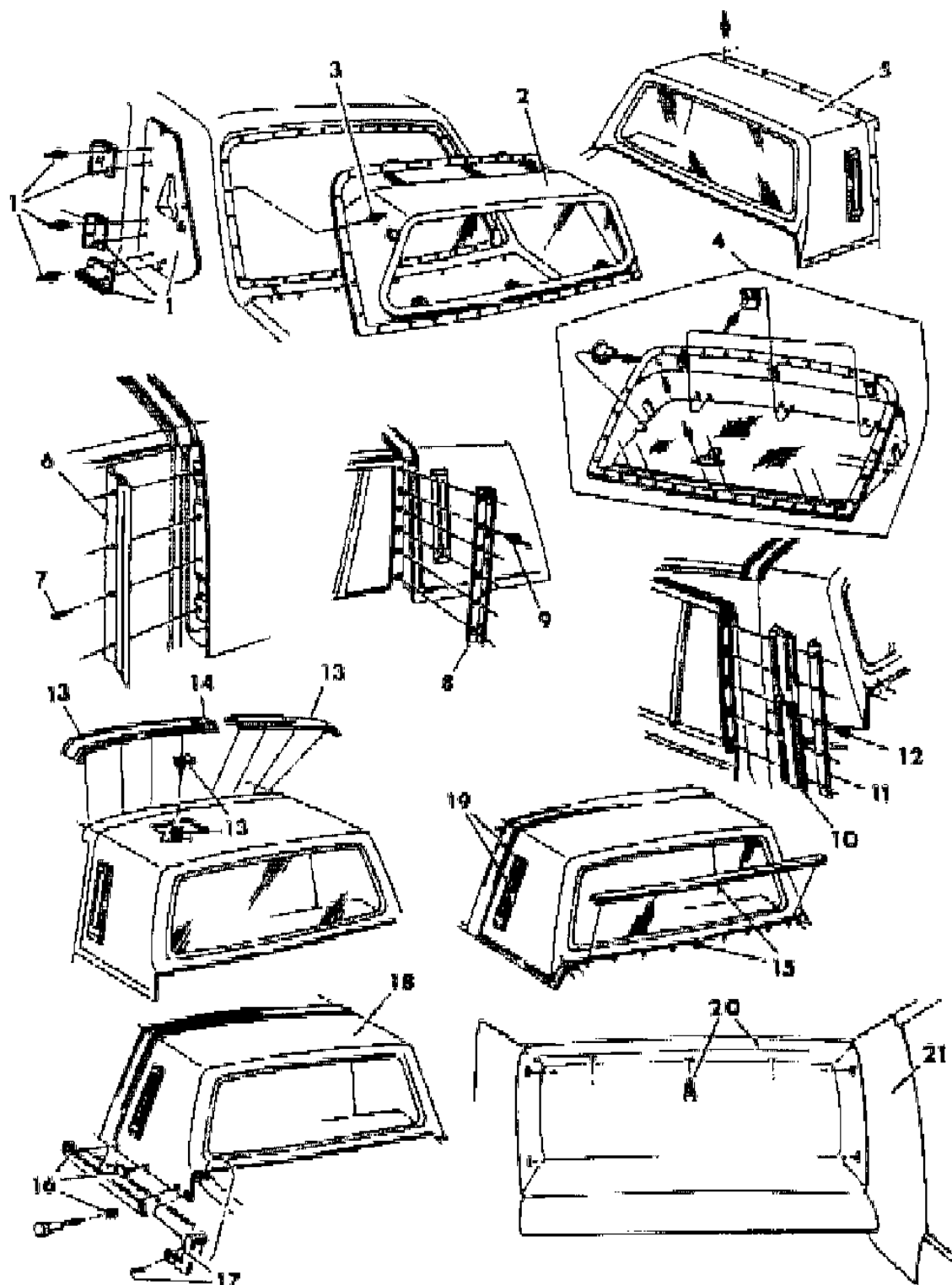
BODY STYLES

21 = 2-DOOR SEDAN	41 = 4-DOOR SEDAN
22 = 2-DOOR SPECIAL COUPE	45 = 4-DOOR STATION WAGON
24 = 2-DOOR HATCHBACK	44 = 4-DOOR HATCHBACK
27 = 2-DOOR CONVERTIBLE	48 = EXECUTIVE SEDAN
28 = FWD PICKUP	

AR = Use as Required - = Non Illustrated Part P.A.R. = Paint as Required

EXTERIOR VIEW CHRYSLER NEW YORKER - V60 PADDED LANDAU ROOF - T-P  
Figure 23-3225

3168 1225



ITEM	PART NUMBER	QTY	BODY	MODEL	DESCRIPTION
	4318 259	1			Blue
	4318 260	1			Beige
	4318 261	1			Red
	4318 262	1			Dark Sable
	4318 263	1			White
	4318 264	1			Black
16	4318 228-9	1			MOULDING PKG.,Qtr. Belt Frt.,Silver
	4318 230-1	1			Blue
	4318 232-3	1			Beige
	4318 234-5	1			Red
	4318 236-7	1			Dark Sable
	4318 238-9	1			White
	4318 240-1	1			Black
		AR			RETAINER (Serv. in Assy.)
	4057 555	AR			BARREL NUT PKG.
17	4318 244-5	1			MOULDING PKG.,Qtr. Belt Rear,Silver
	4318 246-7	1			Blue
	4318 248-9	1			Beige
	4318 250-1	1			Red
	4318 252-3	1			Dark Sable
	4318 254-5	1			White
	4318 256-7	1			Black
		AR			RETAINER (Serv. in Assy.)
	4057 555	AR			BARREL NUT PKG.
18	4318 208	1			COVER and PAD PKG.,Roof,Silver
	4318 209	1			Blue
	4318 210	1			Beige
	4318 211	1			Red
	4318 212	1			Dark Sable
	4318 213	1			White
	4318 214	1			Black
19					LENS ASSY. (See Illus. in Group 8) BEZEL,Opera Lamp (See Illus. in Group 8)
20	F237 BA3	1			PANEL,Rear Wdo. Trim,Silver
	F237 BC7	1			Blue
	F237 BL3	1			Beige
	F237 BM6	1			Red

MODEL CODES

B = GRAN FURY	G = DIPLOMAT	V = 400
C = LEBARON/TOWN & COUNTRY	M = HORIZON/TURISMO/SCAMP	X = MIRADA
D = ARIES	P = RELIANT	Y = IMPERIAL
E = 600	S = CORDOBA	Z = OMNI/CHARGER/RAMPAGE
F = FIFTH AVENUE	T = E CLASS/NEWYORKER	

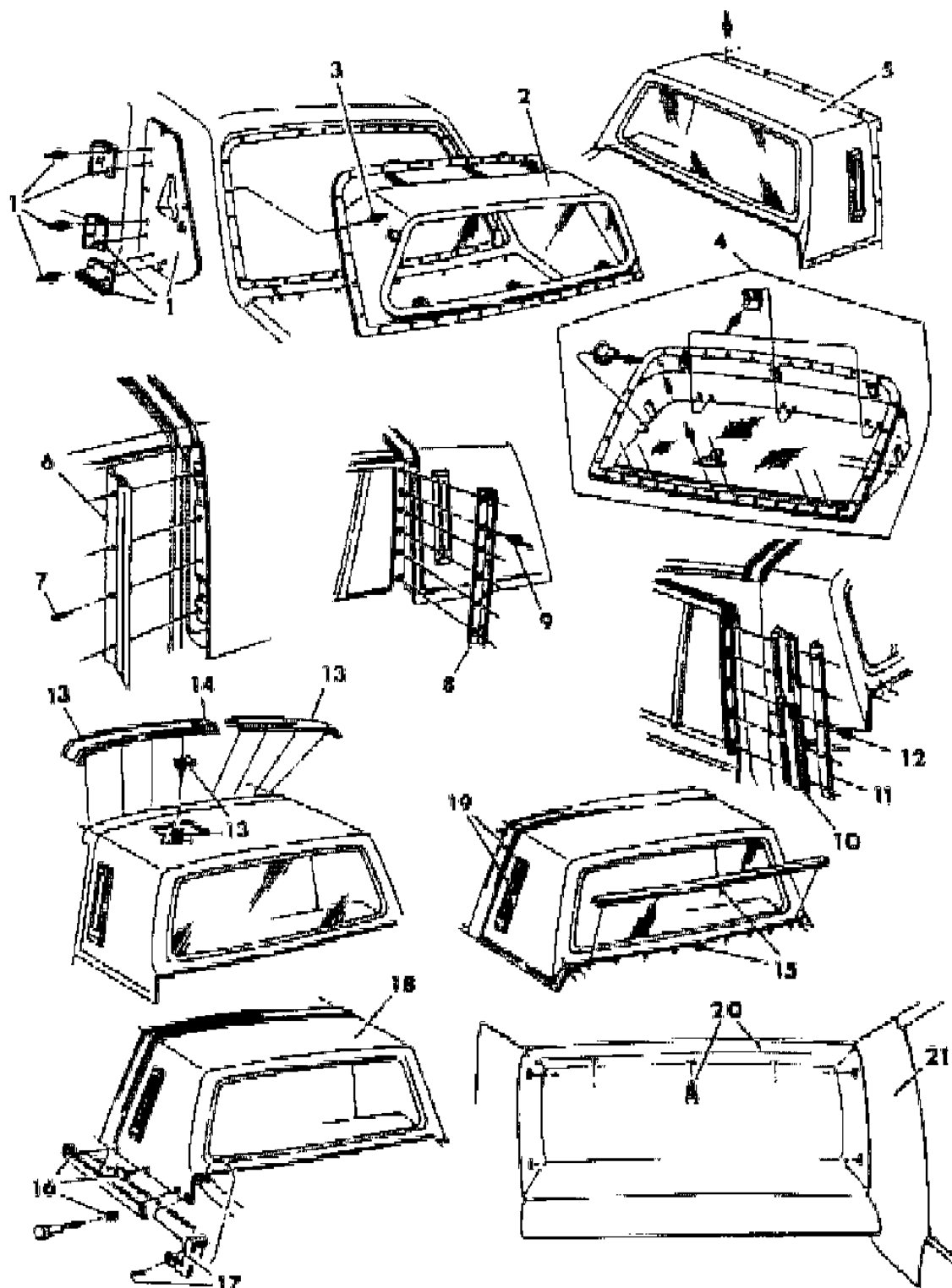
BODY STYLES

21 = 2-DOOR SEDAN	41 = 4-DOOR SEDAN
22 = 2-DOOR SPECIAL COUPE	45 = 4-DOOR STATION WAGON
24 = 2-DOOR HATCHBACK	44 = 4-DOOR HATCHBACK
27 = 2-DOOR CONVERTIBLE	48 = EXECUTIVE SEDAN
28 = FWD PICKUP	

AR = Use as Required - = Non Illustrated Part P.A.R. = Paint as Required

EXTERIOR VIEW CHRYSLER NEW YORKER - V60 PADDED LANDAU ROOF - T-P  
Figure 23-3225

3168 1225



ITEM	PART NUMBER	QTY	BODY	MODEL	DESCRIPTION
	F237 BT8	1			Dark Sable
		AR			SCREW (Not Serv.)
21	H200-1 BA3	1			PANEL,Qtr. Trim Upr.,Silver
	H200-1 BC7	1			Blue
	H200-1 BL3	1			Beige
	H200-1 BM6	1			Red
	H200-1 BT8	1			Dark Sable
	4114 785	AR			FASTENER
	4247 931	2			BRACKET,Qtr. Trim Pnl.,Upr.

MODEL CODES

B = GRAN FURY	G = DIPLOMAT	V = 400
C = LEBARON/TOWN & COUNTRY	M = HORIZON/TURISMO/SCAMP	X = MIRADA
D = ARIES	P = RELIANT	Y = IMPERIAL
E = 600	S = CORDOBA	Z = OMNI/CHARGER/RAMPAGE
F = FIFTH AVENUE	T = E CLASS/NEWYORKER	

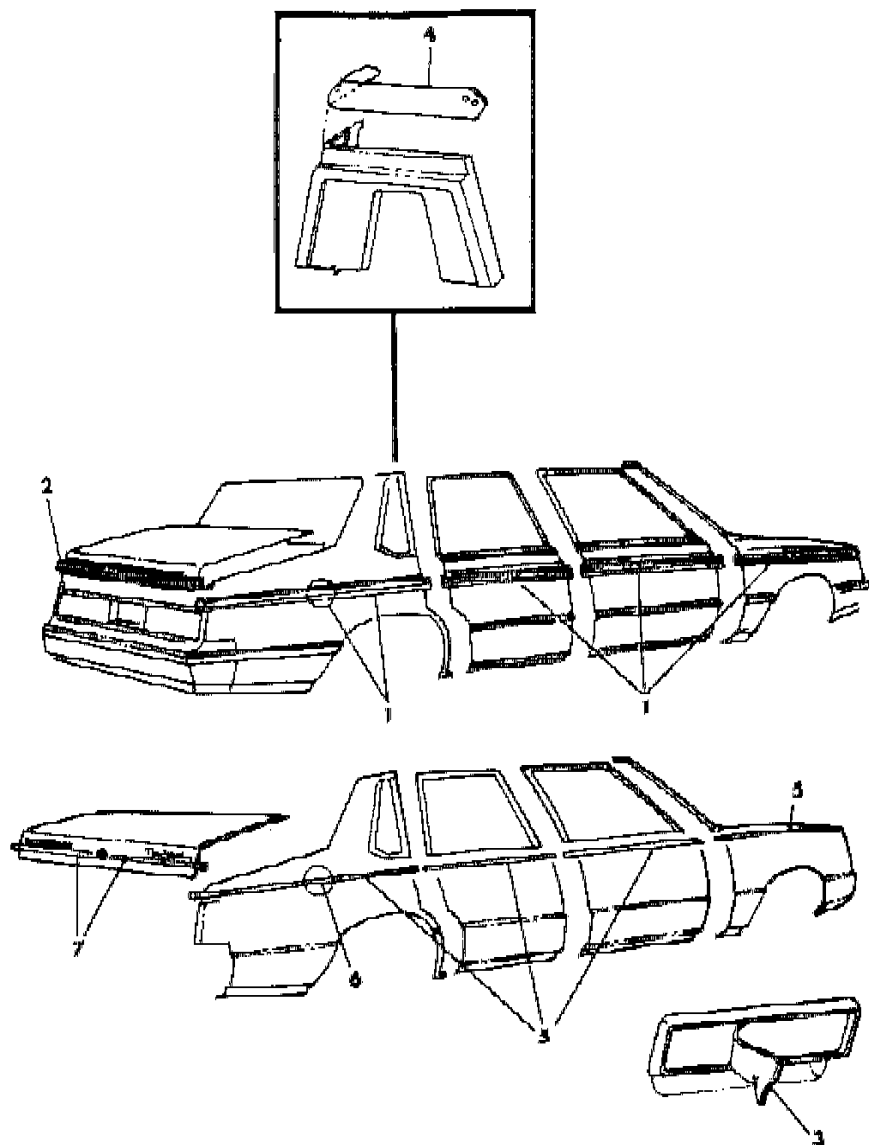
BODY STYLES

21 = 2-DOOR SEDAN	41 = 4-DOOR SEDAN
22 = 2-DOOR SPECIAL COUPE	45 = 4-DOOR STATION WAGON
24 = 2-DOOR HATCHBACK	44 = 4-DOOR HATCHBACK
27 = 2-DOOR CONVERTIBLE	48 = EXECUTIVE SEDAN
28 = FWD PICKUP	

AR = Use as Required - = Non Illustrated Part P.A.R. = Paint as Required

**EXTERIOR VIEW - TAPE STRIPES CHRYSLER E CLASS,NEW YORKER**  
**Figure 23-3300**

3108 139021



ITEM	PART NUMBER	QTY	BODY	MODEL	DESCRIPTION
1	4271 770-1	1		T-H	TAPE SET,Fndr.,Door,Qtr.,Silver (K3A)
	4271 772-3	1		T-H	Blue (K3B)
	4271 774-5	1		T-H	Tan (K3K)
	4293 326-7	1		T-H	Red (K3R)
	4271 778-9	1		T-H	Gold (K3Y)
	T525 BA2	1		T-H	TAPE,Qtr. Pnl. Fuel Filler Door,Repair,Silver (K3A)
	T525 BC6	1		T-H	Blue (K3B)
	T525 BE5	1		T-H	Red (K3R)
	T525 BK6	1		T-H	Tan (K3K)
	T525 BY3	1		T-H	Gold (K3Y)
2	T514 BA2	1		T-H	TAPE,Deck Lid,Silver (K3A)
	T514 BC6	1		T-H	Blue (K3B)
	T514 BE5	1		T-H	Red (K3R)
	T514 BK6	1		T-H	Tan (K3K)
	T514 BY3	1		T-H	Gold (K3Y)
3	T752 BA2	2			TAPE,Frt. and Rear Door Handle,Silver Met.
	T752 BA9	2			Dark Silver
	T752 BC4	2			Glacier Blue
	T752 BC9	2			Night Watch Blue
	T752 BL4	2			Beige Met.
	T752 BM5	2			Red
	T752 BT8	2			Sable Tan
	T752 BW3	2			White
	T752 BX9	2			Black
4	T024-5 BA2	1		T-H	TAPE,Qtr. Wdo. Mldg.,Use w/Qtr. Wdo.Louvers/Ornament,Silver Met.
	T024-5 BA9	1		T-H	Dark Silver
	T024-5 BC4	1		T-H	Glacier Blue
	T024-5 BC9	1		T-H	Night Watch Blue
	T024-5 BL4	1		T-H	Beige Met.
	T024-5 BM5	1		T-H	Red
	T024-5 BT8	1		T-H	Sable Tan
	T024-5 BW3	1		T-H	White
	T024-5 BX9	1		T-H	Black
5	4318 216-7	1		T-P	TAPE PKG.,Fndr.,Doors,Qtr.,Silver (K4A)
	4318 218-9	1		T-P	Blue (K4B)
	4318 220-1	1		T-P	Red (K4R)

**MODEL CODES**

B = GRAN FURY	G = DIPLOMAT	V = 400
C = LEBARON/TOWN & COUNTRY	M = HORIZON/TURISMO/SCAMP	X = MIRADA
D = ARIES	P = RELIANT	Y = IMPERIAL
E = 600	S = CORDOBA	Z = OMNI/CHARGER/RAMPAGE
F = FIFTH AVENUE	T = E CLASS/NEWYORKER	

**BODY STYLES**

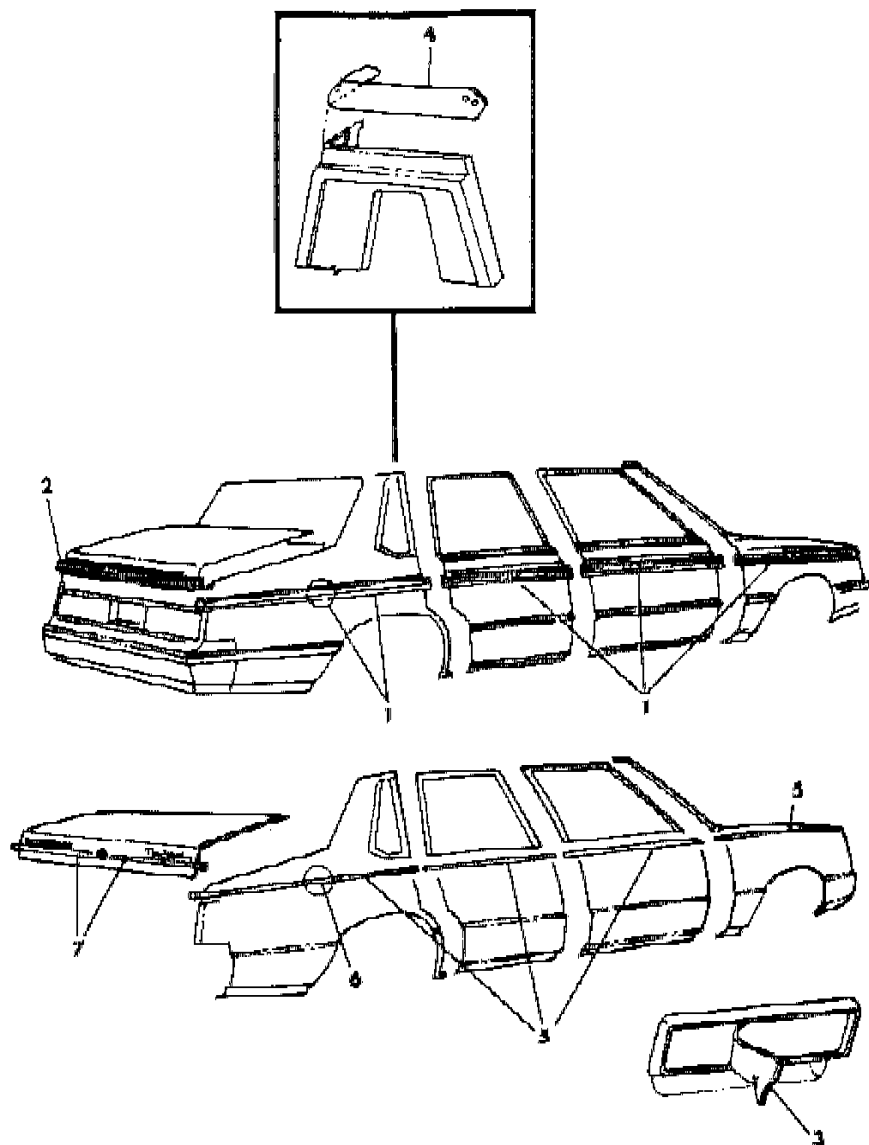
21 = 2-DOOR SEDAN	41 = 4-DOOR SEDAN
22 = 2-DOOR SPECIAL COUPE	45 = 4-DOOR STATION WAGON
24 = 2-DOOR HATCHBACK	44 = 4-DOOR HATCHBACK
27 = 2-DOOR CONVERTIBLE	48 = EXECUTIVE SEDAN
28 = FWD PICKUP	

AR = Use as Required - = Non Illustrated Part P.A.R. = Paint as Required



**EXTERIOR VIEW - TAPE STRIPES CHRYSLER E CLASS,NEW YORKER**  
**Figure 23-3300**

3108 139021



ITEM	PART NUMBER	QTY	BODY	MODEL	DESCRIPTION
	4318 222-3	1		T-P	Tan (K4K)
	4318 224-5	1		T-P	Gold (K4Y)
6	T389 BA2	1		T-P	TAPE,Qtr. Pnl.Fuel Door,Repair,Silver (K4A)
	T389 BC6	1		T-P	Blue (K4B)
	T389 BE5	1		T-P	Red (K4R)
	T389 BK6	1		T-P	Tan (K4K)
7	T389 BY3	1		T-P	Gold (K4Y)
	T388 BA2	1		T-P	TAPE,Deck Lid,Silver (K4A)
	T388 BC6	1		T-P	Blue (K4B)
	T388 BE5	1		T-P	Red (K4R)
	T388 BK6	1		T-P	Tan (K4K)
	T388 BY3	1		T-P	Gold (K4Y)

**MODEL CODES**

B = GRAN FURY	G = DIPLOMAT	V = 400
C = LEBARON/TOWN & COUNTRY	M = HORIZON/TURISMO/SCAMP	X = MIRADA
D = ARIES	P = RELIANT	Y = IMPERIAL
E = 600	S = CORDOBA	Z = OMNI/CHARGER/RAMPAGE
F = FIFTH AVENUE	T = E CLASS/NEWYORKER	

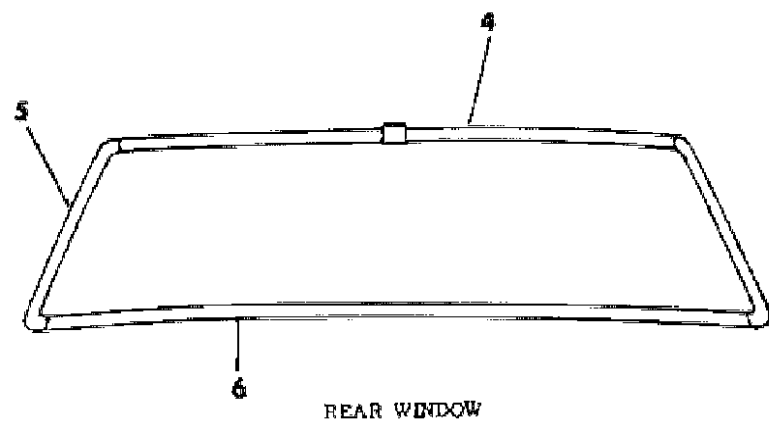
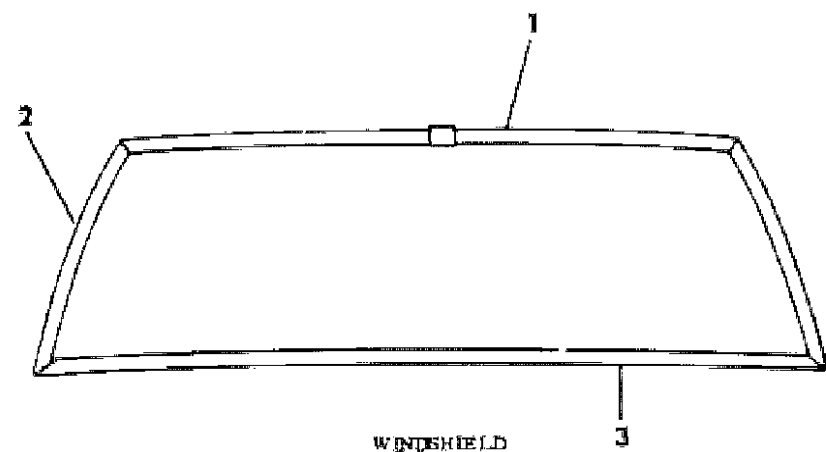
**BODY STYLES**

21 = 2-DOOR SEDAN	41 = 4-DOOR SEDAN
22 = 2-DOOR SPECIAL COUPE	45 = 4-DOOR STATION WAGON
24 = 2-DOOR HATCHBACK	44 = 4-DOOR HATCHBACK
27 = 2-DOOR CONVERTIBLE	48 = EXECUTIVE SEDAN
28 = FWD PICKUP	

AR = Use as Required - = Non Illustrated Part P.A.R. = Paint as Required

**MOULDINGS,WINDSHIELD AND REAR WDO. OUTSIDE B,F,G**  
**Figure 23-3400**

3188 3400



ITEM	PART NUMBER	QTY	BODY	MODEL	DESCRIPTION
1	4022 712-3	1			MOULDING,W/Shield,Upr.
	6003 409	AR			RETAINER,Upr.
	6003 756	AR			RETAINER and SCREW,Upr.
	6003 753	AR			RETAINER,Upr.
					WELD NUT (Not Serv.)
2	4022 714-5	1			MOULDING,W/Shield,Side
	6003 409	AR			RETAINER,Side
	6003 756	AR			RETAINER and SCREW
	6003 753	AR			RETAINER
					WELD STUD (Not Serv.)
3	4022 707	1			MOULDING,W/Shield,Lwr.
	4022 706	AR			SPACER,Lwr.
	6003 753	AR			RETAINER
4	4175 054-5	1		B,G	MOULDING,Rear Wdo.,Upr.,Bright
	6003 753	AR			RETAINER
	6003 756	AR			RETAINER and SCREW
	6003 409	AR			RETAINER
5	4175 052-3	1		B,G	MOULDING,Rear Wdo.,Side,Bright
	6003 753	AR			RETAINER
	6003 756	AR			RETAINER and SCREW
	6003 409	AR			RETAINER
6	4175 050	1		B,G	MOULDING,Rear Wdo.,Lwr.,Bright
	6003 753	AR			RETAINER
	6003 756	AR			RETAINER and SCREW
	6003 409	AR			RETAINER

**MODEL CODES**

B = GRAN FURY	G = DIPLOMAT	V = 400
C = LEBARON/TOWN & COUNTRY	M = HORIZON/TURISMO/SCAMP	X = MIRADA
D = ARIES	P = RELIANT	Y = IMPERIAL
E = 600	S = CORDOBA	Z = OMNI/CHARGER/RAMPAGE
F = FIFTH AVENUE	T = E CLASS/NEWYORKER	

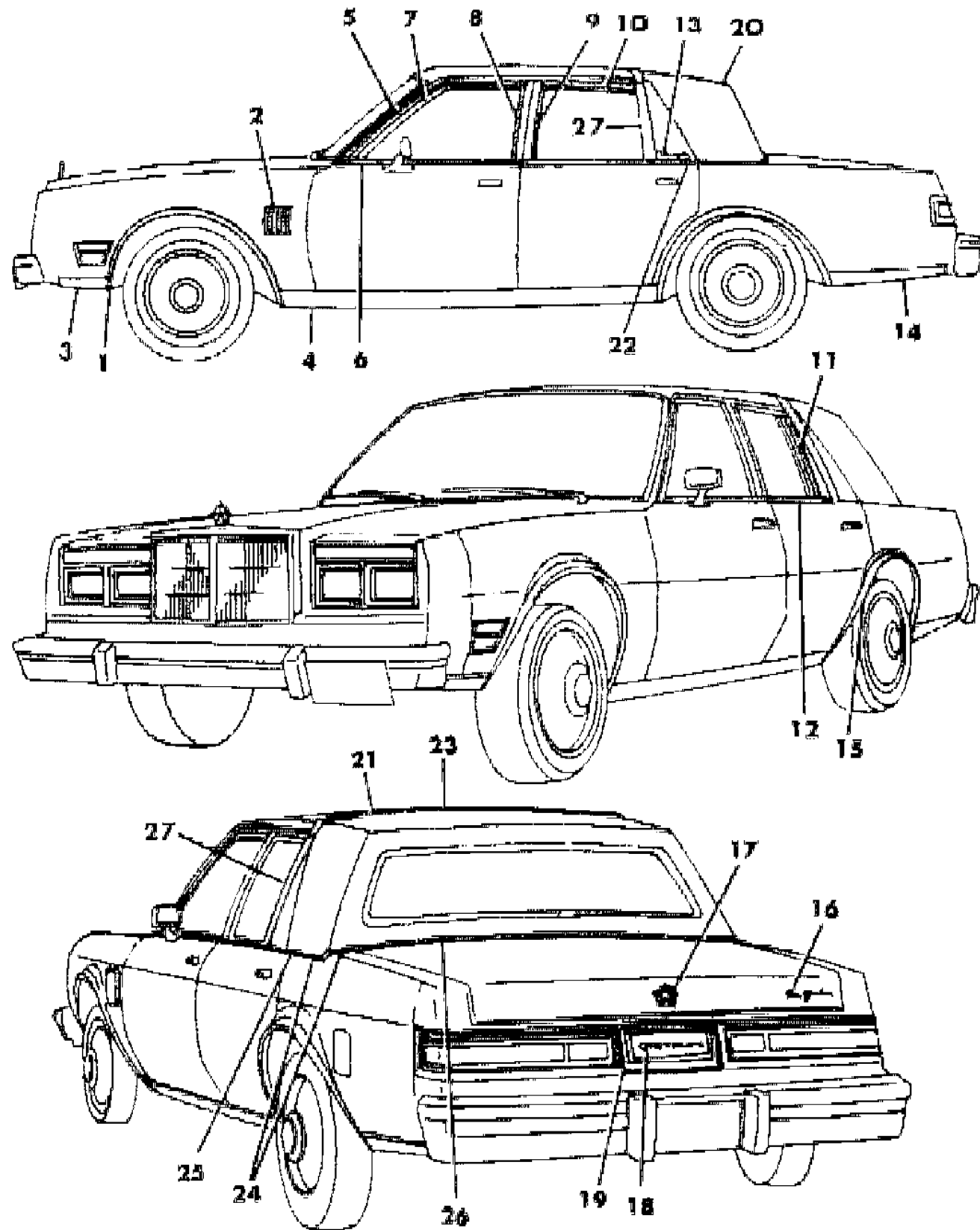
**BODY STYLES**

21 = 2-DOOR SEDAN	41 = 4-DOOR SEDAN
22 = 2-DOOR SPECIAL COUPE	45 = 4-DOOR STATION WAGON
24 = 2-DOOR HATCHBACK	44 = 4-DOOR HATCHBACK
27 = 2-DOOR CONVERTIBLE	48 = EXECUTIVE SEDAN
28 = FWD PICKUP	

AR = Use as Required - = Non Illustrated Part P.A.R. = Paint as Required

EXTERIOR VIEW CHRYSLER NEW YORKER  
Figure 23-3500

316H 3500A



ITEM	PART NUMBER	QTY	BODY	MODEL	DESCRIPTION
1	4175 286-7	1			MOULDING,Fndr. Wheel Opng. SCREW (Not Serv.)
2	X544 BA2	2			LOUVER,Fndr. Side,Silver Met.
	X544 AA9	2			Dark Silver
	X544 BM5	2			Red
	X544 BT8	2			Sable Tan
	X544 BL4	2			Beige Met.
	X544 TBB	2			Blue
	X544 TXX	2			Black
	X544 VW3	2			White
3	4175 314-5	1			NUT (Not Serv.) MOULDING,Fndr. Side
	6003 673	AR			RETAINER and STUD
	6003 726	AR			RETAINER
	9420 867	AR			NUT
	4175 451	2			PLATE,Fndr. Side Mldg. Attach.
4	4175 312-3	1			MOULDING,Body Side Sill
	6003 718	AR			RETAINER
	6028 674	AR			SCREW STUD (Not Serv.)
5	4175 082-3	1			MOULDING,Roof Side Drain Trough,Frt.,w/o Spec.Sound Insul.
	4276 154-5	1			MOULDING,Roof Side Drain Trough,Frt.,w/Spec. Sound Insul. SCREW (Not Serv.)
	4175 086-7	1			MOULDING,Roof Side Drain Trough,Rear,w/o Padded Landau w/Qtr.Plug
					SCREW (Not Serv.)
	4017 830-1	1			SEAL,Roof Side Drain Trough Mldg.,Use w/Spec. Sound Insul.
6	4175 318-9	1			MOULDING,Frt. Door Belt
	4229 468-9	1			INSERT,Frt. Door Belt Mldg.
7	4022 052-3	1			MOULDING,Frt. Door Wdo. Opng. Frame,Frt.
8	4022 056-7	1			MOULDING,Frt. Door Wdo. Opng. Frame,Rear
9	4022 056	1			MOULDING,Rear Door Wdo. Opng. Frame,Frt.,Lt.
	4022 057	1			MOULDING,Rear Door Wdo. Opng. Frame,Frt.,Rt.
10	4175 100-1	1			MOULDING,Rear Door Wdo. Opng. Frame,Upr.
11	4175 102-3	1			MOULDING,Rear Door Wdo. Opng. Frame,Rear
12	4229 758-9	1			MOULDING,Rear Door Belt
	4229 470-1	1			INSERT,Rear Door Belt Mldg.

MODEL CODES

B = GRAN FURY

C = LEBARON/TOWN & COUNTRY

D = ARIES

E = 600

F = FIFTH AVENUE

G = DIPLOMAT

M = HORIZON/TURISMO/SCAMP

P = RELIANT

S = CORDOBA

T = E CLASS/NEWYORKER

V = 400

X = MIRADA

Y = IMPERIAL

Z = OMNI/CHARGER/RAMPAGE

BODY STYLES

21 = 2-DOOR SEDAN

22 = 2-DOOR SPECIAL COUPE

24 = 2-DOOR HATCHBACK

27 = 2-DOOR CONVERTIBLE

28 = FWD PICKUP

41 = 4-DOOR SEDAN

45 = 4-DOOR STATION WAGON

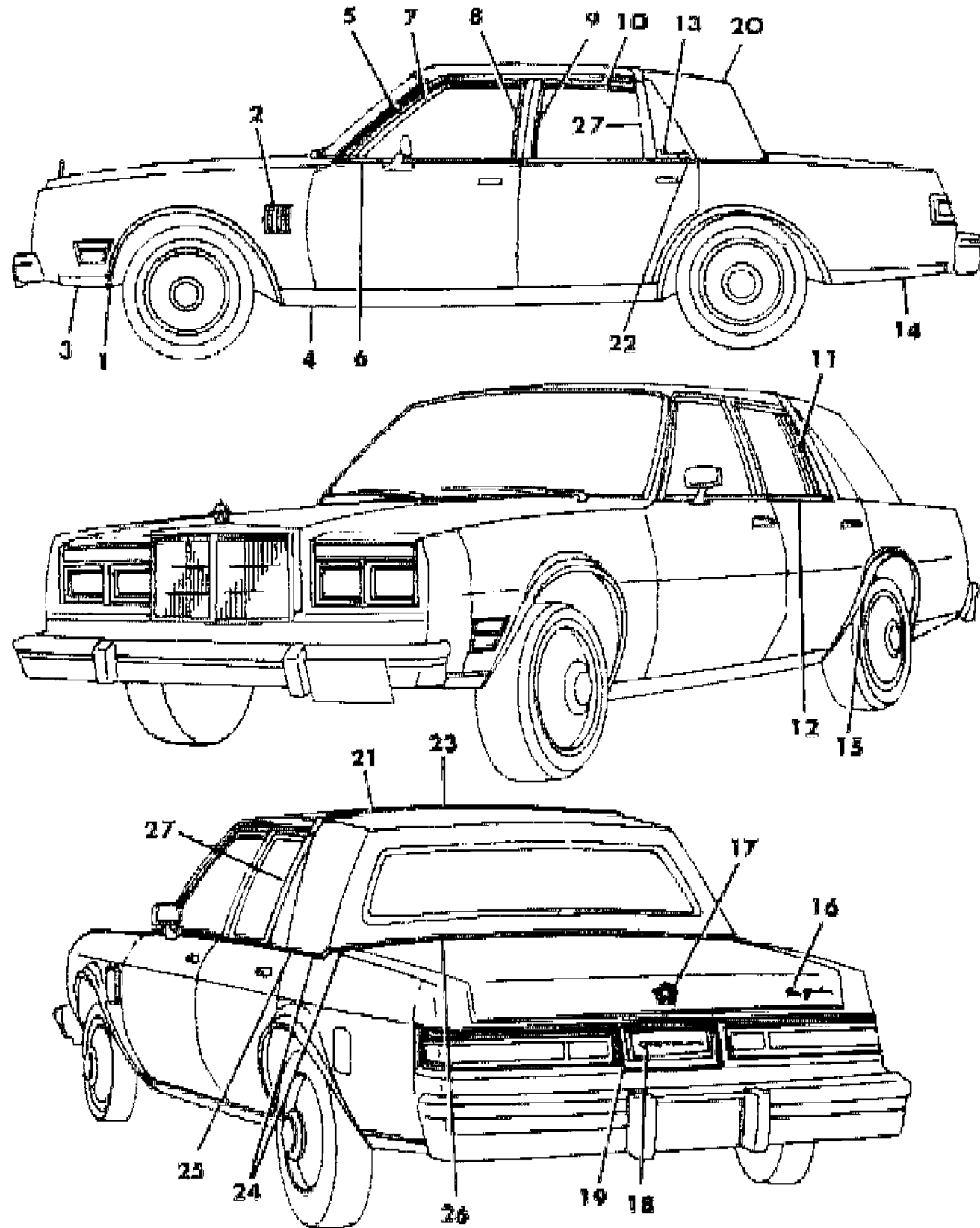
44 = 4-DOOR HATCHBACK

48 = EXECUTIVE SEDAN

AR = Use as Required - = Non Illustrated Part P.A.R. = Paint as Required

EXTERIOR VIEW CHRYSLER NEW YORKER  
Figure 23-3500

316H 3500A



ITEM	PART NUMBER	QTY	BODY	MODEL	DESCRIPTION
13					NAMEPLATE,Rear Door Qtr. Wdo. Frame (See Interior Trim Illus.)
14	4175 316-7	1			MOULDING,Qtr. Pnl.
	6003 725	AR			RETAINER
	6003 719	AR			RETAINER
	6003 720	AR			RETAINER
	4175 450	2			PLATE,Qtr. Pnl. Mldg. Attach.
	9420 867	AR			NUT
	6001 927	AR			RETAINER and SEAL
15	4175 290-1	1			WELD STUD (Not Serv.) MOULDING,Qtr. Wheel Opng. SCREW (Not Serv.)
16	4229 472	1			NAMEPLATE,Deck Lid,"New Yorker"
17	X592 BA2	1			MEDALLION,Deck Lid Lock Cyl.,Silver Met.
	X592 AA9	1			Dark Silver
	X592 BC4	1			Blue
	X592 BM5	1			Red
	X592 BL4	1			Beige Met.
	X592 BT8	1			Sable Tan
	X592 AW3	1			White
	X592 AX9	1			Black
NOTE: The Colored Medallion Used is Determined by the Exterior Paint of Car an offsetting order for part no. 3747881					
18	4229 654	1			RIVET (Not Serv.) INSERT,Deck Opng. Lwr. Pnl. Applique
19	4229 653	1			APPLIQUE,Deck Opng. Lwr. Pnl.
	4229 652	1			SUPPORT,Deck Opng. Lwr. Pnl. Applique
	6012 064	8			NUT
20					CAP,Roof Bonnet (See Interior Trim Illus.)
21	4229 996-7	1			MOULDING,Roof Transverse
	4276 814-5	1			MOULDING PKG.,Roof Transverse,Complete w/CAP and Attaching Parts
	4276 816	6			RETAINER and STUD
	4229 755	2			RETAINER and STUD
	4276 119	2			SPACER,Roof Transverse Mldg.
22	4276 316	2			MOULDING PKG.,Rear Door Belt,Rear
23	4276 296	1			CAP ASSY.,Roof Transverse Mldg.(Also Serv. in Mldg. Pkg. 4276814-5)

MODEL CODES

B = GRAN FURY	G = DIPLOMAT	V = 400
C = LEBARON/TOWN & COUNTRY	M = HORIZON/TURISMO/SCAMP	X = MIRADA
D = ARIES	P = RELIANT	Y = IMPERIAL
E = 600	S = CORDOBA	Z = OMNI/CHARGER/RAMPAGE
F = FIFTH AVENUE	T = E CLASS/NEWYORKER	

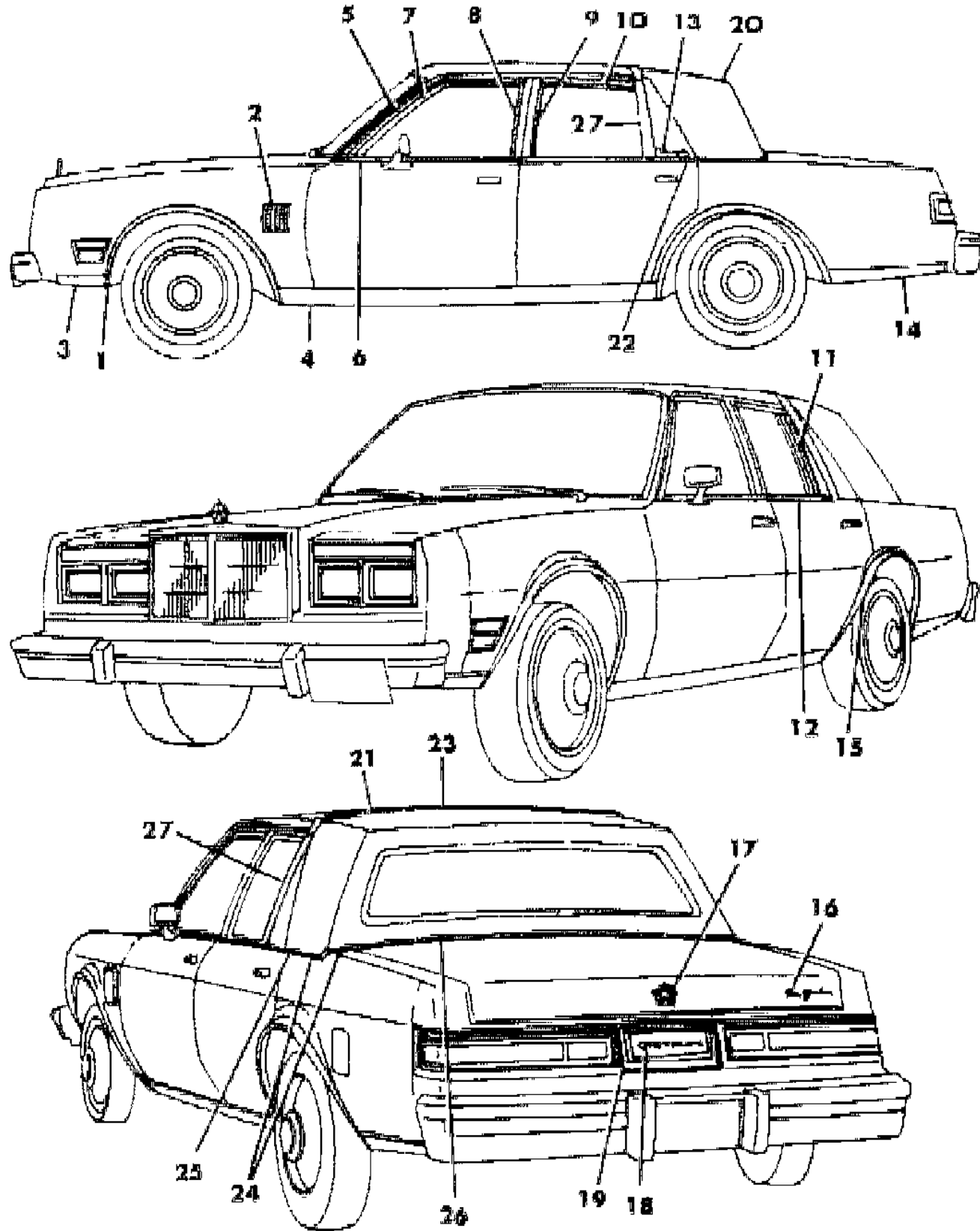
BODY STYLES

21 = 2-DOOR SEDAN	41 = 4-DOOR SEDAN
22 = 2-DOOR SPECIAL COUPE	45 = 4-DOOR STATION WAGON
24 = 2-DOOR HATCHBACK	44 = 4-DOOR HATCHBACK
27 = 2-DOOR CONVERTIBLE	48 = EXECUTIVE SEDAN
28 = FWD PICKUP	

AR = Use as Required - = Non Illustrated Part P.A.R. = Paint as Required

EXTERIOR VIEW CHRYSLER NEW YORKER  
Figure 23-3500

316H 3500A



ITEM	PART NUMBER	QTY	BODY	MODEL	DESCRIPTION
24	4229 816	2			MOULDING,Qtr, Belt
	4229 818-9	1			MOULDING,Qtr, Belt,Corner
	4276 308-9	1			MOULDING PKG. ASSY.,Qtr. Belt and Corner
25	4229 814-5	1			CAP,Qtr Belt,Frt.
26	4276 310-1	1			MOULDING PKG. ASSY.,Deck Opng. Upr. Pnl.(NOTE: A Cap comes with the Rt. Side Mldg. Pkg. only)
27	4276 462-3	1			MOULDING ASSY.,Rear Door Qtr. Wdo. Frame
	4276 306	AR			RETAINER NUT (Not Serviced)
-	3792 367	AR			TAPE,Backlite Plug Ext. to Glass

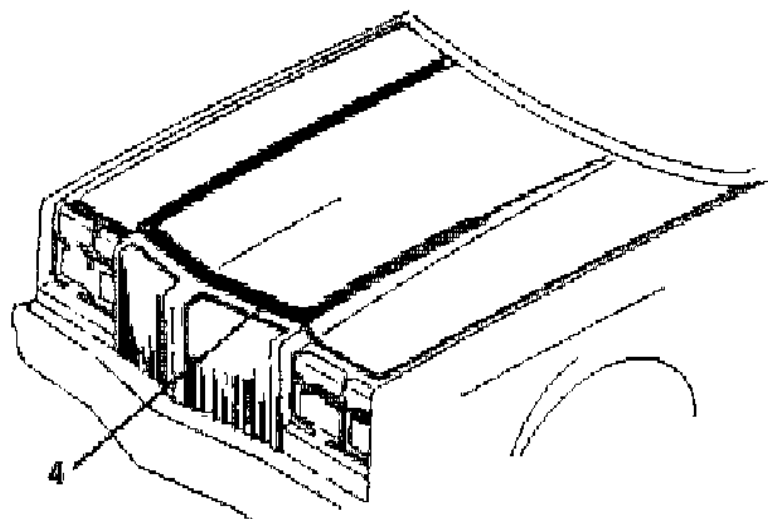
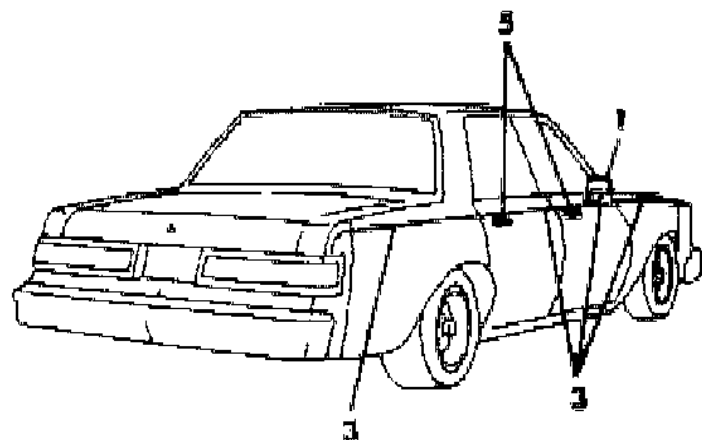
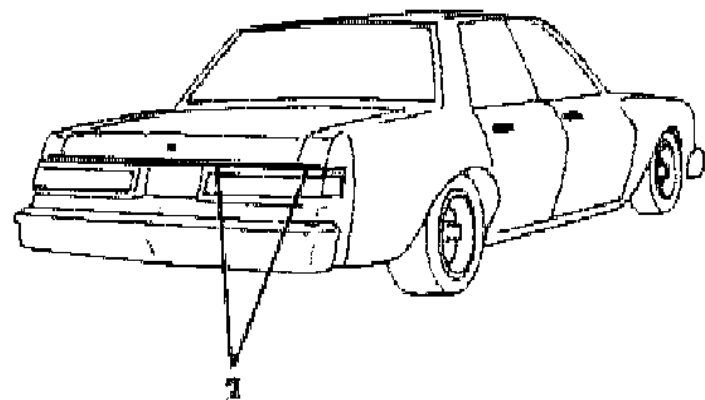
MODEL CODES  
 B = GRAN FURY  
 C = LEBARON/TOWN & COUNTRY  
 D = ARIES  
 E = 600  
 F = FIFTH AVENUE  
 G = DIPLOMAT  
 M = HORIZON/TURISMO/SCAMP  
 P = RELIANT  
 S = CORDOBA  
 T = E CLASS/NEWYORKER  
 V = 400  
 X = MIRADA  
 Y = IMPERIAL  
 Z = OMNI/CHARGER/RAMPAGE

BODY STYLES  
 21 = 2-DOOR SEDAN  
 22 = 2-DOOR SPECIAL COUPE  
 24 = 2-DOOR HATCHBACK  
 27 = 2-DOOR CONVERTIBLE  
 28 = FWD PICKUP  
 41 = 4-DOOR SEDAN  
 45 = 4-DOOR STATION WAGON  
 44 = 4-DOOR HATCHBACK  
 48 = EXECUTIVE SEDAN

AR = Use as Required - = Non Illustrated Part P.A.R. = Paint as Required

**EXTERIOR VIEW - TAPE STRIPES CHRYSLER NEW YORKER**  
**Figure 23-3600**

3188 3600



ITEM	PART NUMBER	QTY	BODY	MODEL	DESCRIPTION
1	E324-5 BA2	1			TAPE,Door Mirror,Silver Met.
	E324-5 AA9	1			Dark Silver
	E324-5 BM5	1			Red
	E324-5 BT8	1			Sable Tan
	E324-5 AC9	1			Blue
	E324-5 BL4	1			Beige Met.
	E324-5 AX9	1			Black
	E324-5 AW3	1			White
2	T086 BE5	1			TAPE SET,Deck Lid and Qtr. End Ext.,Red (K9R)
	T086 BK6	1			Tan (K9K)
	T086 BY3	1			Gold (K9Y)
	T086 BC6	1			Blue (K9B)
	T086 AA2	1			Silver (K9A)
3	4271 564-5	1			TAPE SET,Fndr.,Doors,Qtr.,Dark Silver (K7A)
	4293 282-3	1			Gold (K7Y)
	4271 678-9	1			Red (K7R)
	4293 278-9	1			Tan (K7K)
	4271 584-5	1			Blue (K7B)
4	T088 BY3	1			TAPE SET,Hood,Gold (K2Y)
	T088 BE5	1			Red (K2R)
	T088 BC6	1			Blue K2B)
5	T088 BK6	1			Tan (K2K)
	T088 AA2	1			Silver (K2A)
	T360 BA2	AR			TAPE,Door Handle,Silver Met.
	T360 AA9	AR			Charcoal Gray
	T360 AC9	AR			Blue
	T360 BL4	AR			Beige Met.
	T360 BM5	AR			Red
	T360 BT8	AR			Sable Tan
T360 AX9	AR			Black	
T360 AW3	AR			White	

**MODEL CODES**

B = GRAN FURY	G = DIPLOMAT	V = 400
C = LEBARON/TOWN & COUNTRY	M = HORIZON/TURISMO/SCAMP	X = MIRADA
D = ARIES	P = RELIANT	Y = IMPERIAL
E = 600	S = CORDOBA	Z = OMNI/CHARGER/RAMPAGE
F = FIFTH AVENUE	T = E CLASS/NEWYORKER	

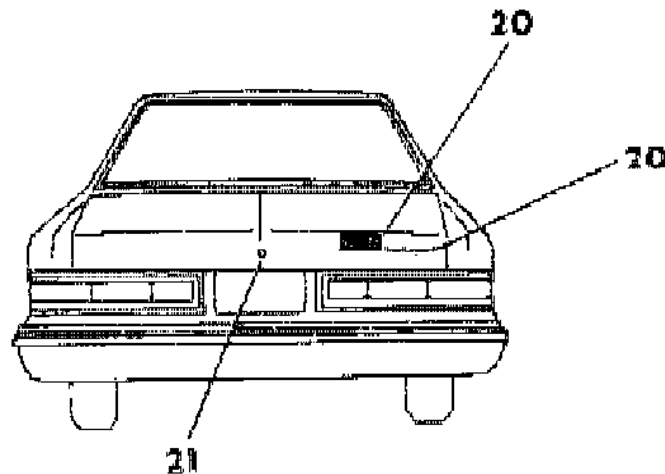
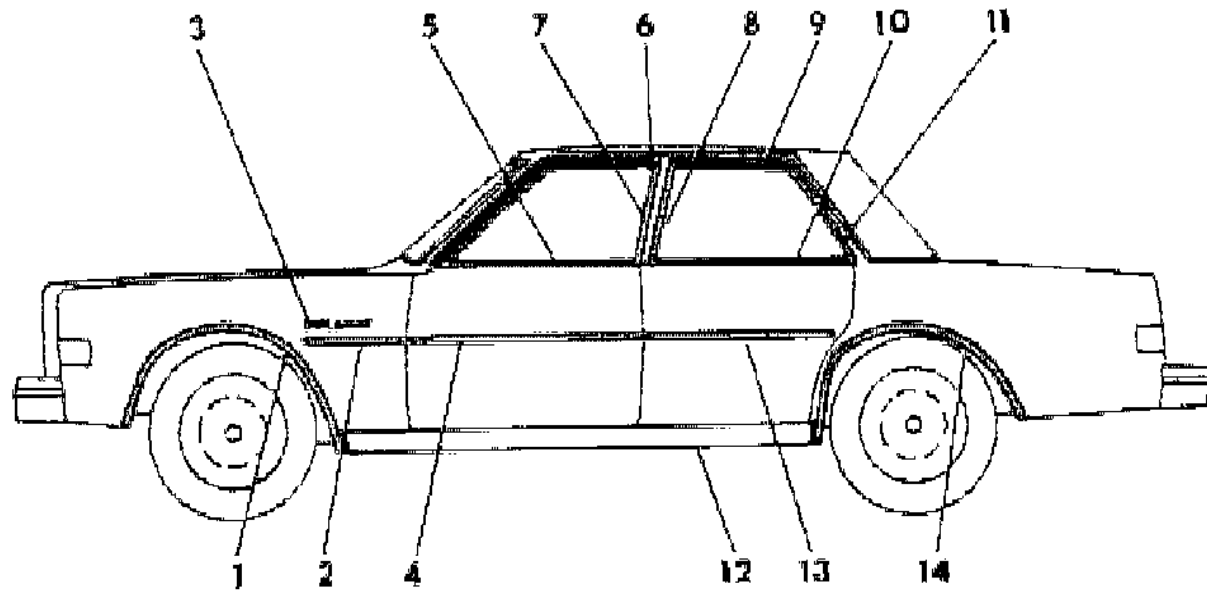
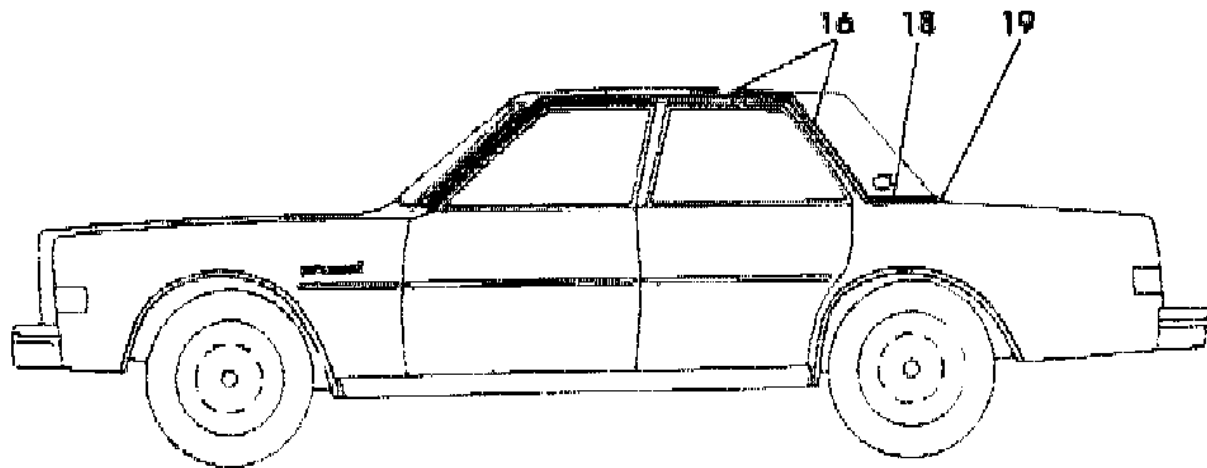
**BODY STYLES**

21 = 2-DOOR SEDAN	41 = 4-DOOR SEDAN
22 = 2-DOOR SPECIAL COUPE	45 = 4-DOOR STATION WAGON
24 = 2-DOOR HATCHBACK	44 = 4-DOOR HATCHBACK
27 = 2-DOOR CONVERTIBLE	48 = EXECUTIVE SEDAN
28 = FWD PICKUP	

AR = Use as Required - = Non Illustrated Part P.A.R. = Paint as Required

EXTERIOR VIEW DODGE DIPLOMAT  
Figure 23-3700

318# 3700



ITEM	PART NUMBER	QTY	BODY	MODEL	DESCRIPTION
1	4175 286-7	1			MOULDING,Fndr.Wheel Opening SCREW (Not Serv.)
2	X122 TC9	2			MOULDING,Fndr.Side,Night Watch Blue
	X122 TX9	2			Black
	X122 BM5	2			Red
	X122 VW3	2			Pearl White
3	X122 BL4	2			Beige Met.
	4276 373	2			NAMEPLATE,Fndr.Side,"Diplomat"
	4229 781	2			"Le Baron" (Export)
4	X123 TC9	2			MOULDING,Frt.Door,Night Watch Blue
	X123 TX9	2			Black
	X124 BM5	2			Red
	X124 BL4	2			Beige Met.
5	X123 VW3	2			Pearl White
	3811 794-5	1			MOULDING,Frt. Door Belt
	3780 434				RETAINER w/SEAL PKG.
	3780 999	AR			RETAINER w/SEAL PKG.
6	4022 052-3	1			MOULDING,Frt.Door Wdo.Opng.Frame,Frt.
7	4022 056-7	1			MOULDING,Frt.Door Wdo.Opng.Frame,Rear
8	4022 056	1			MOULDING,Rear Door Wdo Opng.Frame,Frt.,Lt.
	4022 057	1			Rt.
9	4175 100-1	1			MOULDING,Rear Door Wdo.Opng.Frame,Upr.
10	3811 796-7	1			MOULDING,Rear Door Belt
	3780 999	AR			RETAINER w/SEAL PKG.
	3780 434	AR			RETAINER w/SEAL PKG.
11	4175 102-3	1			MOULDING,Rear Door Wdo.Opng.Frame,Rear
12	4175 312-3	1			MOULDING,Body Side Sill
	6003 718	AR			RETAINER
	6028 674	AR			SCREW
13	X125 TC9	2			MOULDING,Rear Door,Night Watch Blue
	X125 TX9	2			Black
	X125 BM5	2			Red
	X125 VW3	2			Pearl White
14	X125 BL4	2			Beige Met.
	4175 290-1	1			MOULDING,Qtr.Pnl.Wheel Opening SCREW (Not Serv.)
16	4175 082-3	1			MOULDING,Roof Side Drain Trough Frt.,w/o Spec. Sound Insul.

MODEL CODES

B = GRAN FURY  
C = LEBARON/TOWN & COUNTRY  
D = ARIES  
E = 600  
F = FIFTH AVENUE

G = DIPLOMAT

M = HORIZON/TURISMO/SCAMP  
P = RELIANT  
S = CORDOBA  
T = E CLASS/NEWYORKER

V = 400

X = MIRADA  
Y = IMPERIAL  
Z = OMNI/CHARGER/RAMPAGE

BODY STYLES

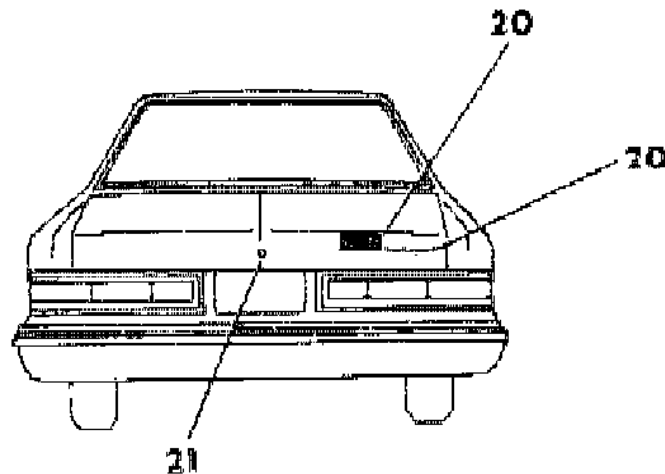
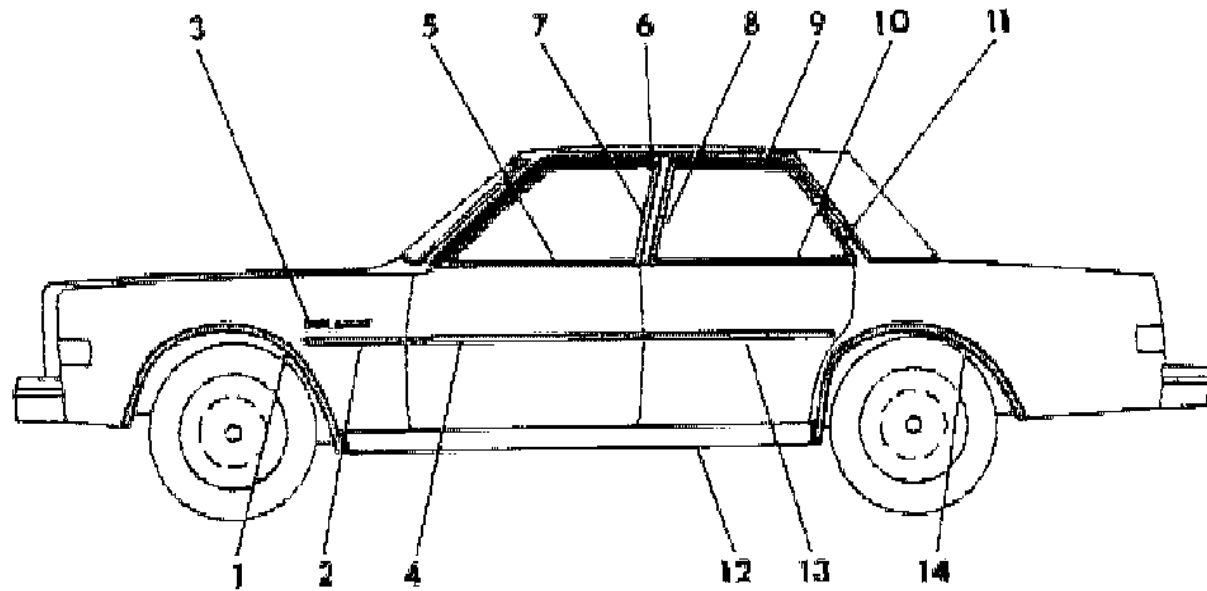
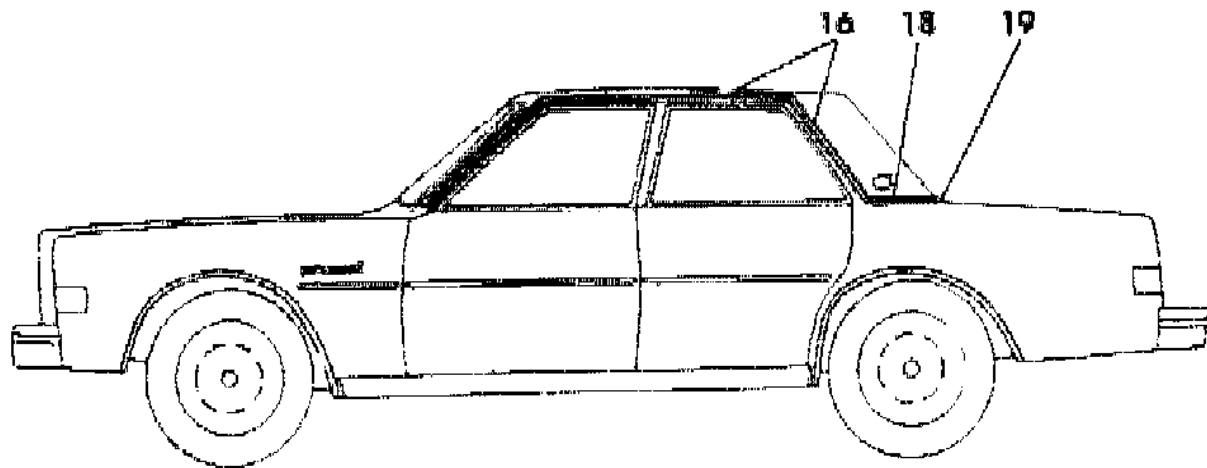
21 = 2-DOOR SEDAN  
22 = 2-DOOR SPECIAL COUPE  
24 = 2-DOOR HATCHBACK  
27 = 2-DOOR CONVERTIBLE  
28 = FWD PICKUP

41 = 4-DOOR SEDAN  
45 = 4-DOOR STATION WAGON  
44 = 4-DOOR HATCHBACK  
48 = EXECUTIVE SEDAN

AR = Use as Required - = Non Illustrated Part P.A.R. = Paint as Required

EXTERIOR VIEW DODGE DIPLOMAT  
Figure 23-3700

318# 3700



ITEM	PART NUMBER	QTY	BODY	MODEL	DESCRIPTION
	4229 984-5	1			MOULDING, Roof Side Drain Trough Frt., w/Spec. Sound Insul. SCREW (Not Serv.)
	4175 086-7	1			MOULDING, Roof Side Drain Trough, Rear
	4017 830-1	1			SEAL, Roof Side Drain Trough Mldg., Use w/ Spec. Sound Insul.
18	4240 996-7	1			MOULDING, Qtr Belt, Use w/Unpadded Full Vinyl Roof
	3744 367	AR			RETAINER PKG.
	4057 555	AR			RETAINER PKG.
	3744 671	AR			RETAINER PKG.
19	4186 533	1			MOULDING, Deck Opng. Upr. Pnl., Use w/Unpadded Full Vinyl Roof
	3744 671	AR			RETAINER PKG.
20	4229 779	1			NAMEPLATE, Deck Lid, "Dodge"
	4276 373	1			"Diplomat"
	4229 781	1			"LeBaron" (Export)
21	X592 BA2	1			MEDALLION, Deck Lid Lock Cyl., Silver Met.
	X592 AA9	1			Dark Silver
	X592 BC4	1			Blue
	X592 BM5	1			Red
	X592 BL4	1			Beige Met.
	X592 BT8	1			Sable Tan
	X592 AW3	1			White
	X592 AX9	1			Black

NOTE: The Colored Medallion Used is Determined by the Exterior Paint of Car an offsetting order for part no. 3747881

MODEL CODES

B = GRAN FURY	G = DIPLOMAT	V = 400
C = LEBARON/TOWN & COUNTRY	M = HORIZON/TURISMO/SCAMP	X = MIRADA
D = ARIES	P = RELIANT	Y = IMPERIAL
E = 600	S = CORDOBA	Z = OMNI/CHARGER/RAMPAGE
F = FIFTH AVENUE	T = E CLASS/NEWYORKER	

BODY STYLES

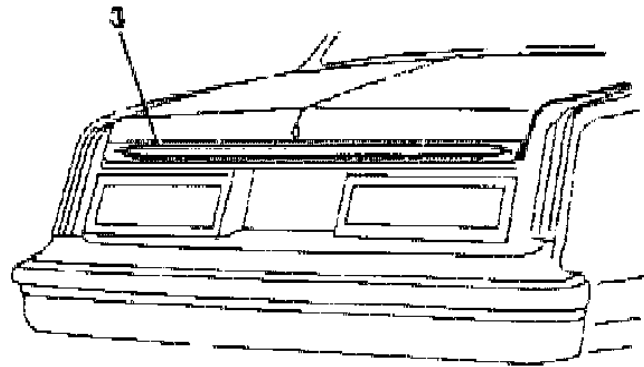
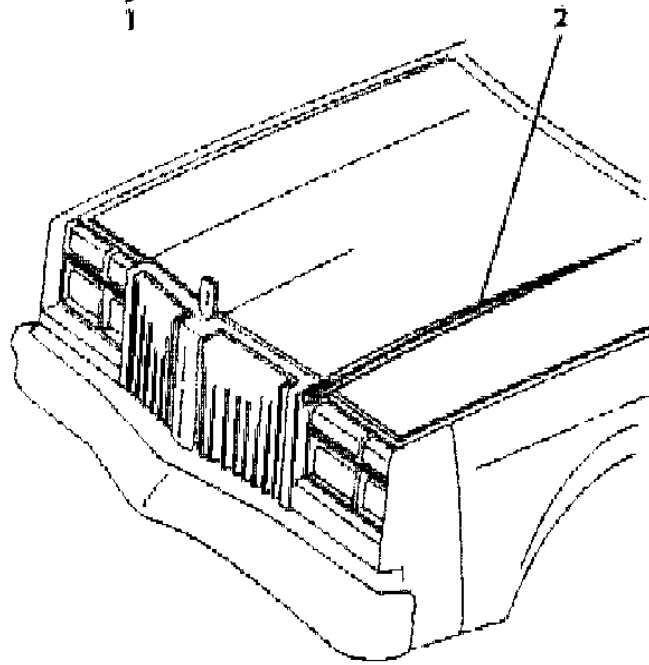
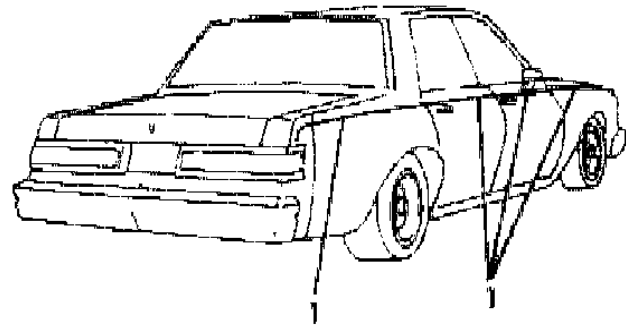
21 = 2-DOOR SEDAN	41 = 4-DOOR SEDAN
22 = 2-DOOR SPECIAL COUPE	45 = 4-DOOR STATION WAGON
24 = 2-DOOR HATCHBACK	44 = 4-DOOR HATCHBACK
27 = 2-DOOR CONVERTIBLE	48 = EXECUTIVE SEDAN
28 = FWD PICKUP	

AR = Use as Required - = Non Illustrated Part P.A.R. = Paint as Required



EXTERIOR VIEW - TAPE STRIPES DODGE DIPLOMAT  
Figure 23-3800

1168 J800



ITEM	PART NUMBER	QTY	BODY	MODEL	DESCRIPTION
1	4271 564-5	1			TAPE SET,Fndr.,Doors,Qtr.,Sterling Silver (K7A)
	4293 282-3	1			Gold (K7Y)
	4271 678-9	1			Red (K7R)
	4293 278-9	1			Tan (K7K)
	4271 584-5	1			Blue (K7B)
2	T039 TC6	1			TAPE SET,Hood,Blue (K3B)
	T039 TE5	1			Red (K3R)
	T039 BY3	1			Gold (K3Y)
	T039 AA2	1			Silver (K3A)
3	T039 BK6	1			Tan (K3K)
	T591 TC6	1			TAPE,Deck Lid,Blue (K8B)
	T591 TE5	1			Red
	T591 BY3	1			Gold (K8Y)
	T591 AA2	1			Silver (K8A)
	T591 BK6	1			Tan (K8K)

MODEL CODES

B = GRAN FURY	G = DIPLOMAT	V = 400
C = LEBARON/TOWN & COUNTRY	M = HORIZON/TURISMO/SCAMP	X = MIRADA
D = ARIES	P = RELIANT	Y = IMPERIAL
E = 600	S = CORDOBA	Z = OMNI/CHARGER/RAMPAGE
F = FIFTH AVENUE	T = E CLASS/NEWYORKER	

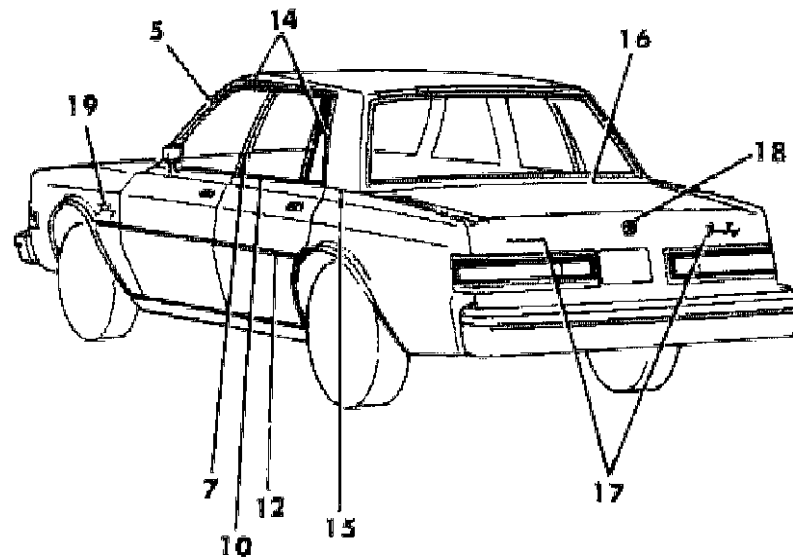
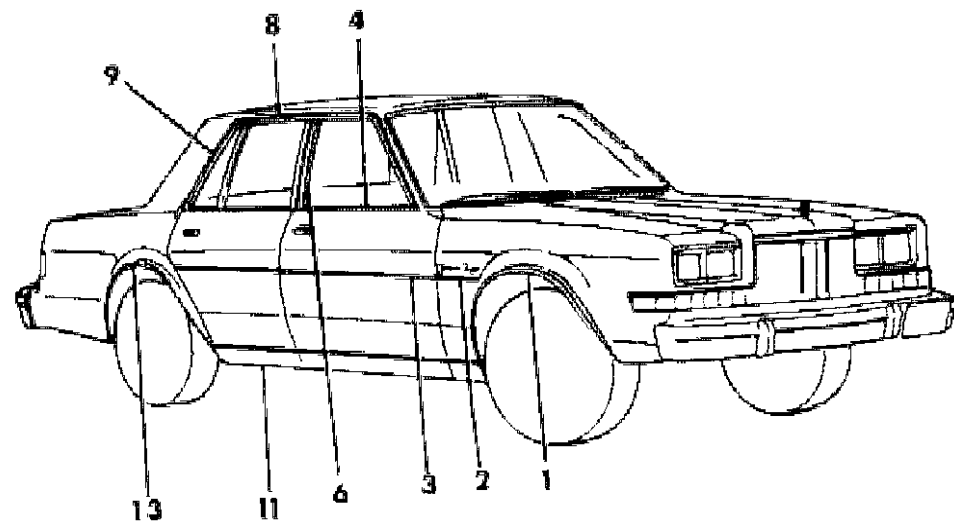
BODY STYLES

21 = 2-DOOR SEDAN	41 = 4-DOOR SEDAN
22 = 2-DOOR SPECIAL COUPE	45 = 4-DOOR STATION WAGON
24 = 2-DOOR HATCHBACK	44 = 4-DOOR HATCHBACK
27 = 2-DOOR CONVERTIBLE	48 = EXECUTIVE SEDAN
28 = FWD PICKUP	

AR = Use as Required - = Non Illustrated Part P.A.R. = Paint as Required

**EXTERIOR VIEW PLYMOUTH GRAN FURY**  
Figure 23-3900

3168 3800



ITEM	PART NUMBER	QTY	BODY	MODEL	DESCRIPTION
1	4175 286-7	1			MOULDING,Fndr. Wheel Opng. SCREW (Not Serv.)
2	X122 TC9	2			MOULDING,Fndr. Side,Night Watch Blue
	X122 TX9	2			Black
	X122 BM5	2			Red
	X122 VW3	2			White
	X122 BL4	2			Beige Met.
3	X123 TC9	2			MOULDING,Frt. Door,Night Watch Blue
	X123 TX9	2			Black
	X123 VW3	2			White
	X124 BM5	2			Red
	X124 BL4	2			Beige Met.
4	3811 794-5	1			MOULDING,Frt. Door Belt
	3780 404	AR			RETAINER and SEAL PKG.
	3780 909	AR			RETAINER and SEAL PKG.
5	4022 052-3	1			MOULDING,Frt. Door Wdo.Opng. Frame,Frt.
6	4022 056-7	1			MOULDING,Frt. Door Wdo.Opng. Frame,Rear
7	4022 056	1			MOULDING,Rear Door Wdo.Opng. Frame,Frt.,Lt.
	4022 057	1			MOULDING,Rear Door Wdo.Opng. Frame,Frt.,Rt.
8	4175 100-1	1			MOULDING,Rear Door Wdo.Opng. Frame,Upr.
9	4175 102-3	1			MOULDING,Rear Door Wdo.Opng. Frame,Rear
10	3811 796-7	1			MOULDING,Rear Door Belt
	3780 999	AR			RETAINER and SEAL PKG.
	3780 434	AR			RETAINER and SEAL PKG.
11	4175 312-3	1			MOULDING,Body Side Sill
	6003 718	AR			RETAINER
	6028 674	AR			SCREW
12					MOULDING,Rear Door
	X125 BM5	2			Red
	X125 BL4	2			Beige Met.
	X125 TC9	2			Night Watch Blue
	X125 VW3	2			White
13	4175 290-1	1			MOULDING,Qtr. Wheel Opng. SCREW (Not Serv.)
14	4175 082-3	1			MOULDING,Roof Side Drain Trough,Frt.,w/o Spec. Sound Insul.
	4229 984-5	1			MOULDING,Roof Side Drain Trough,Frt.,w/Spec. Sound Insul.

MODEL CODES

B = GRAN FURY	G = DIPLOMAT	V = 400
C = LEBARON/TOWN & COUNTRY	M = HORIZON/TURISMO/SCAMP	X = MIRADA
D = ARIES	P = RELIANT	Y = IMPERIAL
E = 600	S = CORDOBA	Z = OMNI/CHARGER/RAMPAGE
F = FIFTH AVENUE	T = E CLASS/NEWYORKER	

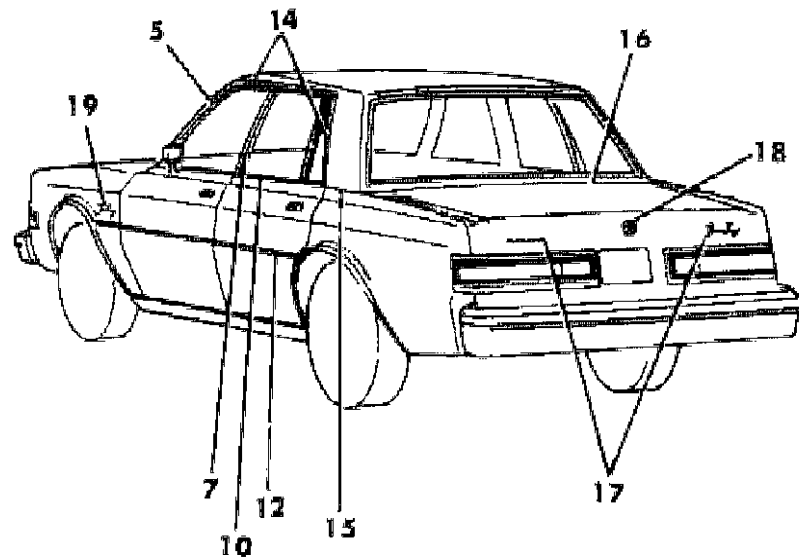
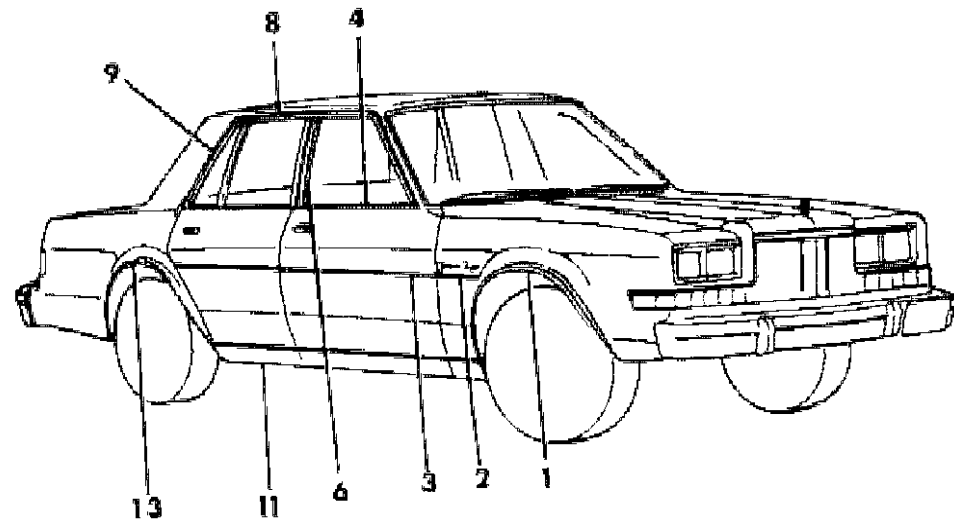
BODY STYLES

21 = 2-DOOR SEDAN	41 = 4-DOOR SEDAN
22 = 2-DOOR SPECIAL COUPE	45 = 4-DOOR STATION WAGON
24 = 2-DOOR HATCHBACK	44 = 4-DOOR HATCHBACK
27 = 2-DOOR CONVERTIBLE	48 = EXECUTIVE SEDAN
28 = FWD PICKUP	

AR = Use as Required - = Non Illustrated Part P.A.R. = Paint as Required

**EXTERIOR VIEW PLYMOUTH GRAN FURY**  
**Figure 23-3900**

3168 J800



ITEM	PART NUMBER	QTY	BODY	MODEL	DESCRIPTION
	4175 086-7	1			MOULDING,Roof Side Drain Trough,Rear
					SCREW (Not Serv.)
	4175 830-1	1			SEAL,Roof Side Drain Trough Mldg.,Use w/Spec. Sound Insul.
15	4240 996-7	1			MOULDING,Qtr. Belt,Use w/Unpadded Full Vinyl Roof
	3744 367	AR			RETAINER PKG.
	4057 555	AR			RETAINER PKG.
	3744 671	AR			RETAINER PKG.
16	4186 533	1			MOULDING,Deck Opng. Upr. Pnl.,Use w/Unpadded Full Vinyl Roof
	3744 671	AR			RETAINER PKG.
17	4276 401	1			NAMEPLATE,Deck Lid,"PLYMOUTH"
	4175 397	1			NAMEPLATE,Deck Lid,"Gran Fury"
18	X592 BA2	1			MEDALLION,Deck Lid Lock Cyl.,Silver Met.
	X592 AA9	1			Dark Silver
	X592 BC4	1			Blue
	X592 BM5	1			Red
	X592 BL4	1			Beige Met.
	X592 BT8	1			Sable Tan
	X592 AW3	1			White
	X592 AX9	1			Black
NOTE: The Colored Medallion Used is Determined by the Exterior Paint of Car an offsetting order for part no. 3747881					
19	4175 397	2			NAMEPLATE,Fndr. Side,"Gran Fury"

MODEL CODES

B = GRAN FURY	G = DIPLOMAT	V = 400
C = LEBARON/TOWN & COUNTRY	M = HORIZON/TURISMO/SCAMP	X = MIRADA
D = ARIES	P = RELIANT	Y = IMPERIAL
E = 600	S = CORDOBA	Z = OMNI/CHARGER/RAMPAGE
F = FIFTH AVENUE	T = E CLASS/NEWYORKER	

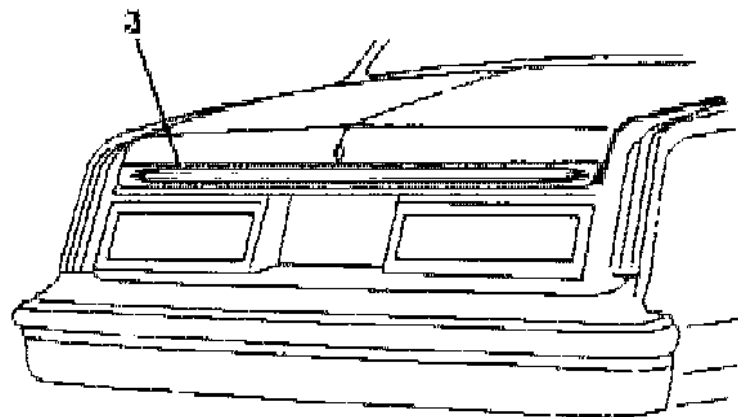
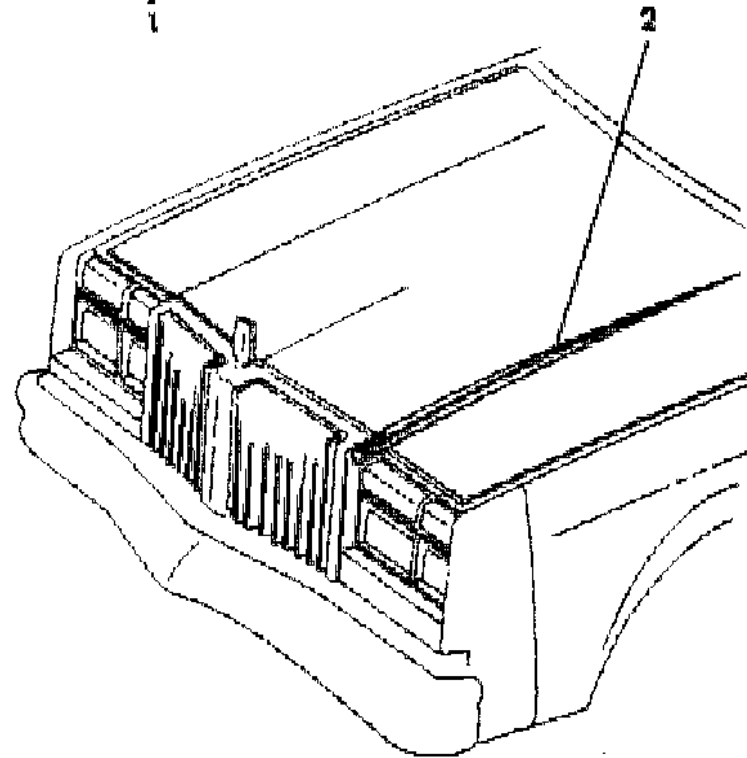
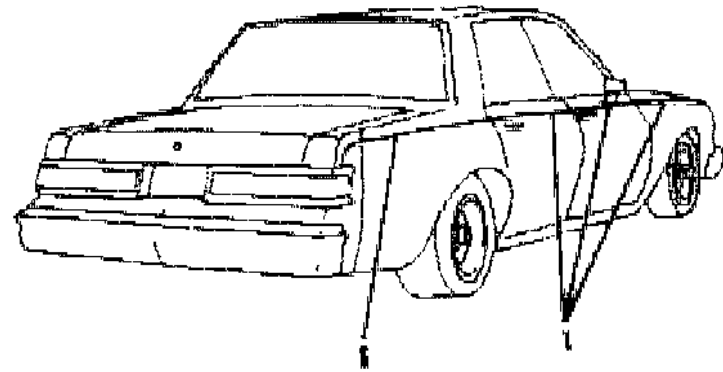
BODY STYLES

21 = 2-DOOR SEDAN	41 = 4-DOOR SEDAN
22 = 2-DOOR SPECIAL COUPE	45 = 4-DOOR STATION WAGON
24 = 2-DOOR HATCHBACK	44 = 4-DOOR HATCHBACK
27 = 2-DOOR CONVERTIBLE	48 = EXECUTIVE SEDAN
28 = FWD PICKUP	

AR = Use as Required - = Non Illustrated Part P.A.R. = Paint as Required

**EXTERIOR VIEW - TAPE STRIPES PLYMOUTH GRAN FURY**  
**Figure 23-4000**

1188 4000



ITEM	PART NUMBER	QTY	BODY	MODEL	DESCRIPTION
1	4271 564-5	1			TAPE SET,Fndr.,Doors,Qtr.,Silver (K7A)
	4293 282-3	1			Gold (K7Y)
	4271 678-9	1			Red (K7R)
	4293 278-9	1			Tan (K7K)
	4271 584-5	1			Blue (K7B)
2	T039 TC6	1			TAPE SET,Hood,Blue (K3B)
	T039 TE5	1			Red (K3R)
	T039 BY3	1			Gold (K3Y)
	T039 AA2	1			Silver (K3A)
3	T039 BK6	1			Tan (K3K)
	T591 TC6	1			TAPE,Deck Lid,Blue (K8B)
	T591 TE5	1			Red (K8R)
	T591 BY3	1			Gold (K8Y)
	T591 AA2	1			Silver (K8A)
	T591 BK6	1			Tan (K8K)

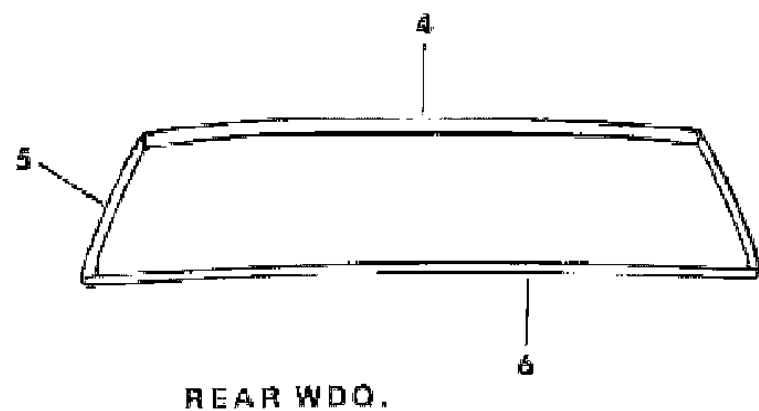
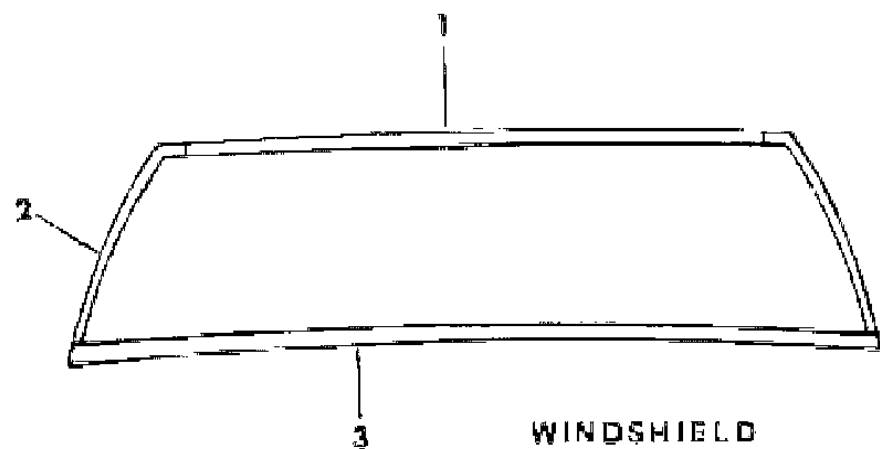
MODEL CODES  
 B = GRAN FURY  
 C = LEBARON/TOWN & COUNTRY  
 D = ARIES  
 E = 600  
 F = FIFTH AVENUE  
 G = DIPLOMAT  
 M = HORIZON/TURISMO/SCAMP  
 P = RELIANT  
 S = CORDOBA  
 T = E CLASS/NEWYORKER  
 V = 400  
 X = MIRADA  
 Y = IMPERIAL  
 Z = OMNI/CHARGER/RAMPAGE

BODY STYLES  
 21 = 2-DOOR SEDAN  
 22 = 2-DOOR SPECIAL COUPE  
 24 = 2-DOOR HATCHBACK  
 27 = 2-DOOR CONVERTIBLE  
 28 = FWD PICKUP  
 41 = 4-DOOR SEDAN  
 45 = 4-DOOR STATION WAGON  
 44 = 4-DOOR HATCHBACK  
 48 = EXECUTIVE SEDAN

AR = Use as Required - = Non Illustrated Part P.A.R. = Paint as Required

**MOULDINGS,WINDSHIELD AND REAR WDO. OUTSIDE X,S**  
**Figure 23-4100**

3188 4100



ITEM	PART NUMBER	QTY	BODY	MODEL	DESCRIPTION
1	4175 346	1			MOULDING,W/Shield,Upr.
	6003 409	AR			RETAINER WELD STUD (Not Serv.)
2	4175 344-5	1			MOULDING,W/Shield,Side
	6003 409	AR			RETAINER WELD STUD (Not Serv.)
3	4022 947	1			MOULDING,W/Shield,Lwr. SCREW (Not Serv.)
4	4175 008-9	1			MOULDING,Rear Wdo. Upr.,w/o Padded Landau Roof or Simulated Conv. Roof
	6003 409	AR			RETAINER WELD STUD (Not Serv.)
5	4175 006-7	1			MOULDING,Rear Wdo. Side,w/o Padded Landau Roof or Simulated Conv. Roof
	6003 409	AR			RETAINER WELD STUD (Not Serv.)
6	4022 956	1			MOULDING,Rear Wdo. Lwr.,w/o Padded Landau Roof or Simulated Conv. Roof
	6003 409	AR			RETAINER WELD STUD (Not Serv.)

MODEL CODES  
 B = GRAN FURY  
 C = LEBARON/TOWN & COUNTRY  
 D = ARIES  
 E = 600  
 F = FIFTH AVENUE  
 G = DIPLOMAT  
 M = HORIZON/TURISMO/SCAMP  
 P = RELIANT  
 S = CORDOBA  
 T = E CLASS/NEWYORKER  
 V = 400  
 X = MIRADA  
 Y = IMPERIAL  
 Z = OMNI/CHARGER/RAMPAGE

BODY STYLES  
 21 = 2-DOOR SEDAN  
 22 = 2-DOOR SPECIAL COUPE  
 24 = 2-DOOR HATCHBACK  
 27 = 2-DOOR CONVERTIBLE  
 28 = FWD PICKUP  
 41 = 4-DOOR SEDAN  
 45 = 4-DOOR STATION WAGON  
 44 = 4-DOOR HATCHBACK  
 48 = EXECUTIVE SEDAN

AR = Use as Required - = Non Illustrated Part P.A.R. = Paint as Required

EXTERIOR VIEW DODGE MIRADA  
Figure 23-4200

3168 4200

ITEM	PART NUMBER	QTY	BODY	MODEL	DESCRIPTION
1	4175 306-7	1			MOULDING,Body Frt.Pillar Drain Trough
2	4175 030-1	1			MOULDING,Roof Side Drain Trough,Use on Simulated Conv. Roof
	6003 591	AR			RETAINER
	4175 172-3	1			MOULDING,Roof Side Drain Trough,Not Used on Simulated Conv. Roof
3	X160-1 VX9	1			MOULDING,Roof Transverse,Black
	9420 867				NUT (Not Serv.) NUT
9	4175 424-5	1			BRACKET,Roof Transverse Mldg.Attaching
					NUT (Not Serv.) SCREW
11	4175 130-1	1			MOULDING,Fndr.Wheel Opening
					SCREW
12	X092-3 TXX	1			LOUVER,Fndr.Side,Black
	4103 488	2			PLATE,Fndr.Side Pnl.Louver Mtg. NUT
13	4175 470-1	1			MOULDING,Fndr.,Rear Edge Belt
					SCREW
14	4175 549	2			NAMEPLATE,Fndr.Side."Mirada"
	4175 415	2			"CMX"
15					MOULDING,Fndr.Side
	X134-5 BA2	1			Silver Met.
	X134-5 BL4	1			Beige Met.
	X134-5 VW3	1			Pearl White
	X134-5 TC9	1			Night Watch Blue
	X134-5 BM5	1			Red
	X134-5 BT8	1			Sable Tan
	X134-5 TX9	1			Black
16	X128 BL4	2			MOULDING,Door,Beige Met.
	X128 TC9	2			Night Watch Blue
	X128 VW3	2			Pearl White
	X128 BM5	2			Red
	X128 BA2	2			Silver Met.
	X128 BT8	2			Sable Tan
	X128 TX9	2			Black
17	4175 380-1	1			MOULDING,Door Belt,w/Mirror

MODEL CODES

B = GRAN FURY

C = LEBARON/TOWN & COUNTRY

D = ARIES

E = 600

F = FIFTH AVENUE

G = DIPLOMAT

M = HORIZON/TURISMO/SCAMP

P = RELIANT

S = CORDOBA

T = E CLASS/NEWYORKER

V = 400

X = MIRADA

Y = IMPERIAL

Z = OMNI/CHARGER/RAMPAGE

BODY STYLES

21 = 2-DOOR SEDAN

22 = 2-DOOR SPECIAL COUPE

24 = 2-DOOR HATCHBACK

27 = 2-DOOR CONVERTIBLE

28 = FWD PICKUP

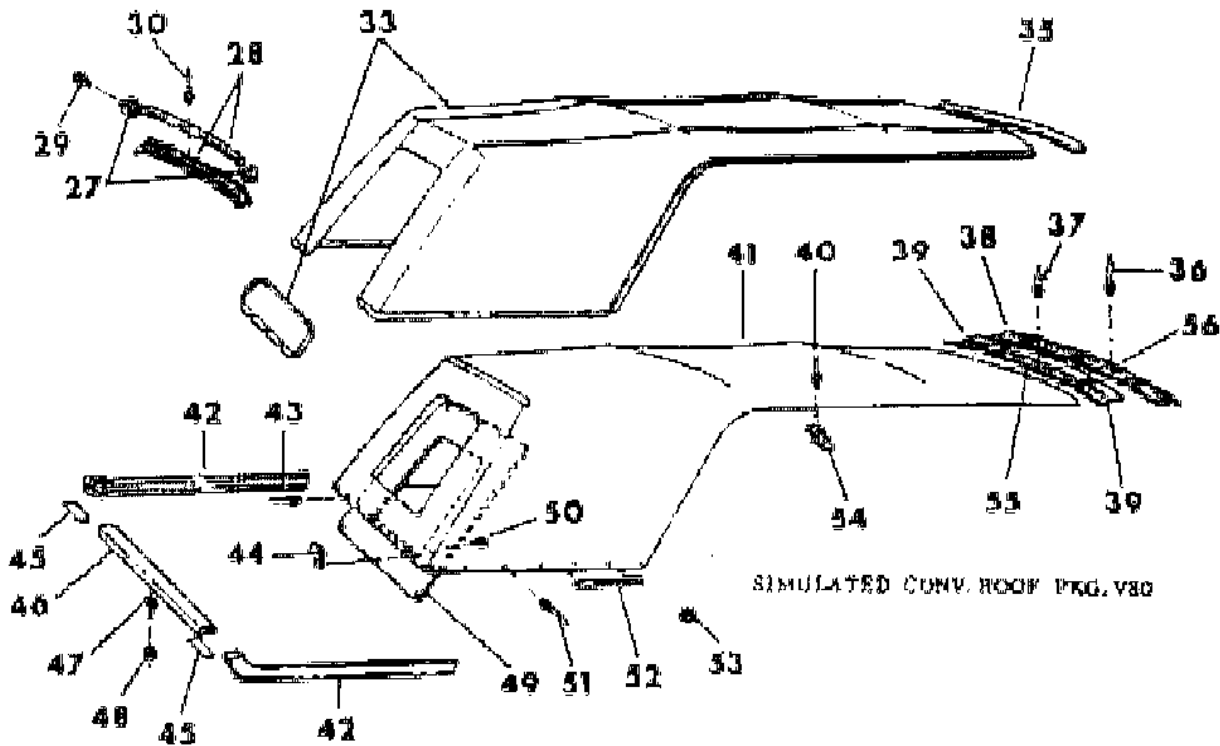
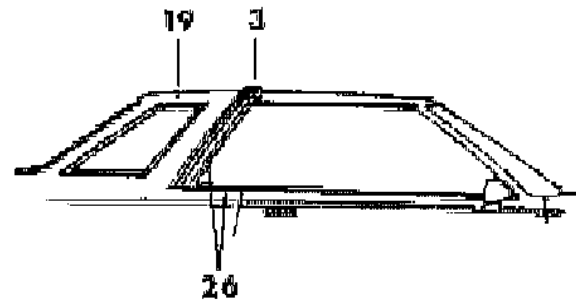
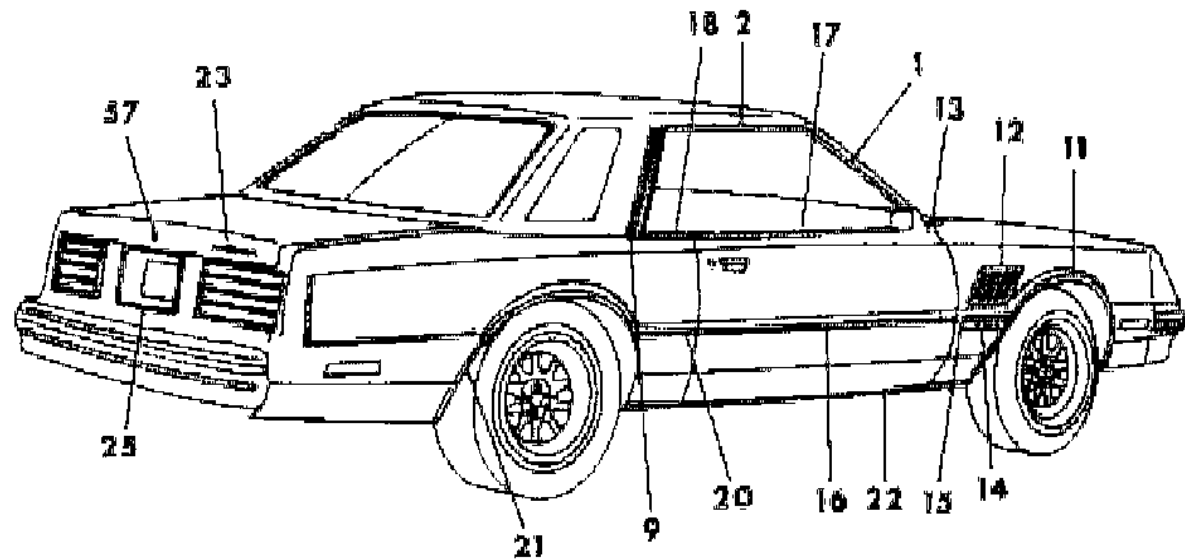
41 = 4-DOOR SEDAN

45 = 4-DOOR STATION WAGON

44 = 4-DOOR HATCHBACK

48 = EXECUTIVE SEDAN

AR = Use as Required - = Non Illustrated Part P.A.R. = Paint as Required



EXTERIOR VIEW DODGE MIRADA  
Figure 23-4200

3168 4200

ITEM	PART NUMBER	QTY	BODY	MODEL	DESCRIPTION
					SCREW
18	4175 176-7	1			MOULDING,Qtr.Wdo.Belt,Use w/o Simulated Conv. Roof
					SCREW
19	4175 150-1	1			MOULDING,Qtr.Opera Wdo.,Use w/o Simulated Conv. Roof
20					MOULDING,Qtr.,Rt.
	X135 BA2	1			Silver Met.
	X135 TC9	1			Night Watch Blue
	X135 BL4	1			Beige Met.
	X135 BT8	1			Sable Tan
	X135 BM5	1			Red
	X135 VW3	1			Pearl White
	X135 TX9	1			Black
					MOULDING,Qtr.,Lt.
	X134 BA2	1			Silver Met.
	X134 TC9	1			Night Watch Blue
	X134 BL4	1			Beige Met.
	X134 BT8	1			Sable Tan
	X134 BM5	1			Red
	X134 VW3	1			Pearl White
	X134 TX9	1			Black
21	4175 132-3	1			MOULDING,Qtr.Wheel Opening
					SCREW
22	4175 128-9	1			MOULDING,Body Side Sill
	6028 674				SCREW
	6003 715				RETAINER
23	4175 549	1			NAMEPLATE,Deck Lid,"Mirada"
	4229 779	1			NAMEPLATE,Deck Lid,"DODGE"
25	X515 TA3	1			MOULDING and PNL.,Deck Opng.Lwr.Lic.Plate Mtg.,Burnish Silver,Use on Monotone Paint Cars
26					MOULDING,Qtr. Drain Trough and Belt
	4175 018-9	1			Use w/Simulated Conv. Roof
27	4078 616	2			CAP,End
28	4276 361	1			BOW,F/Strip Assy.,Black
	4078 614	1			Cashmere
	4276 358	1			Blue
	4223 362	1			White
	4276 364	1			Red

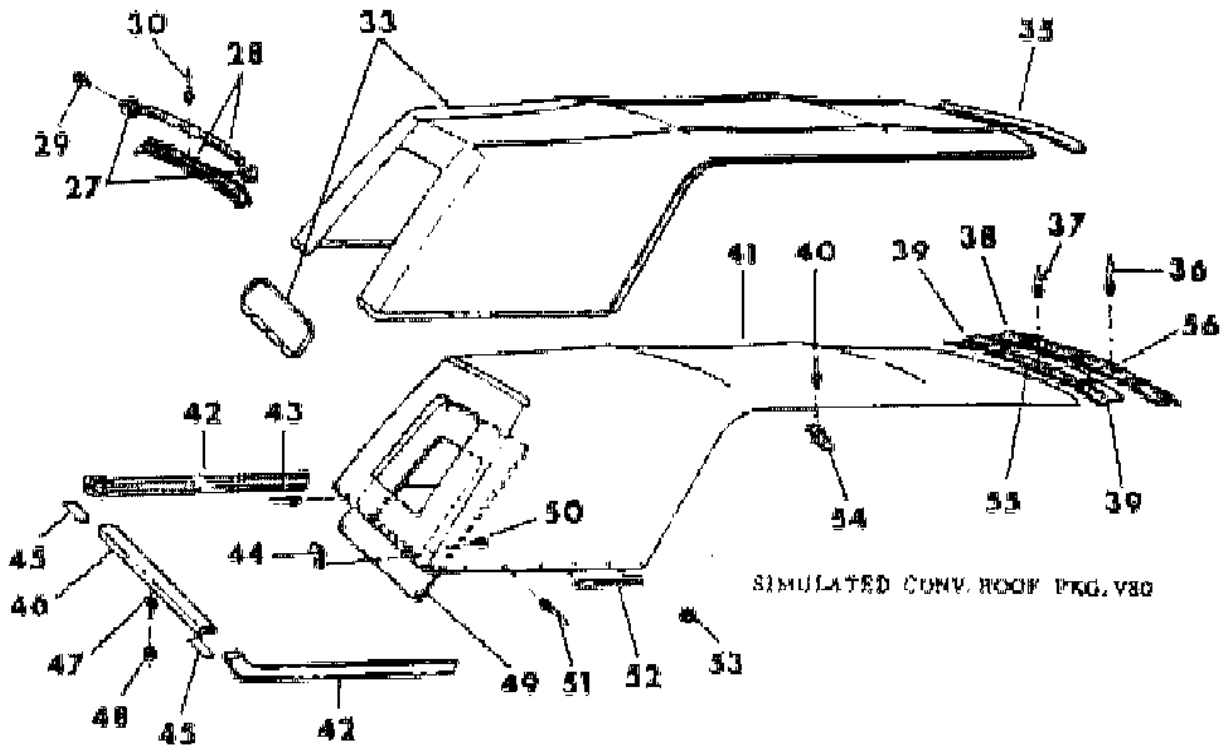
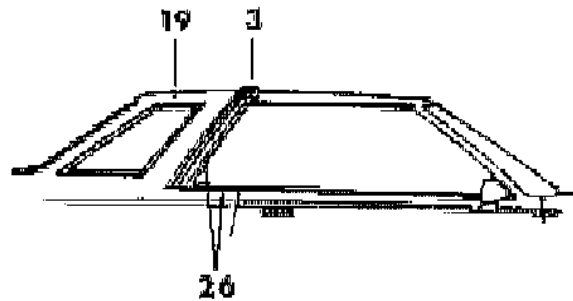
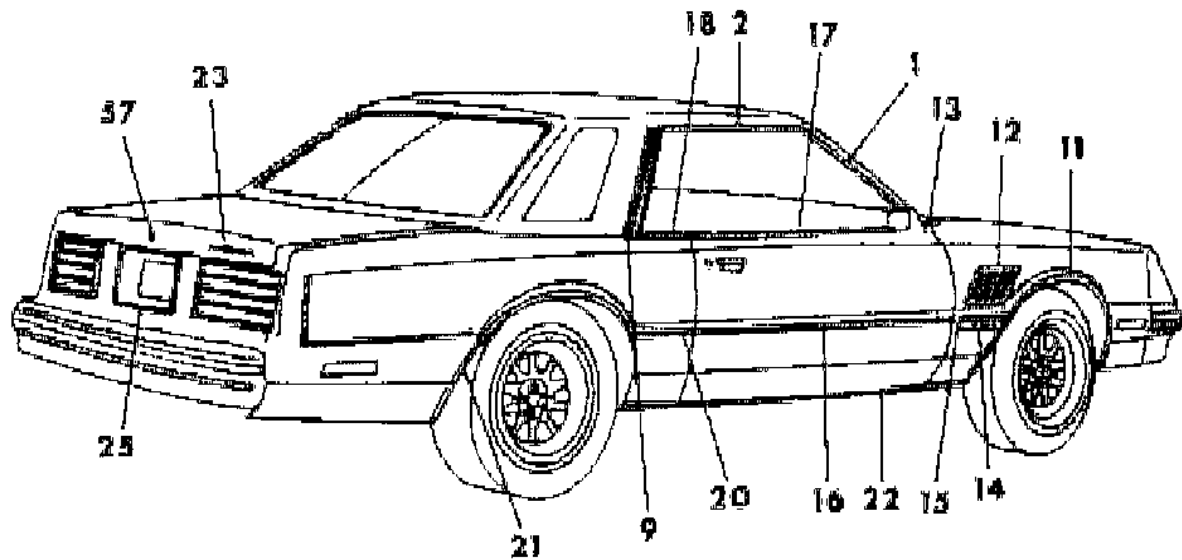
MODEL CODES

B = GRAN FURY	G = DIPLOMAT	V = 400
C = LEBARON/TOWN & COUNTRY	M = HORIZON/TURISMO/SCAMP	X = MIRADA
D = ARIES	P = RELIANT	Y = IMPERIAL
E = 600	S = CORDOBA	Z = OMNI/CHARGER/RAMPAGE
F = FIFTH AVENUE	T = E CLASS/NEWYORKER	

BODY STYLES

21 = 2-DOOR SEDAN	41 = 4-DOOR SEDAN
22 = 2-DOOR SPECIAL COUPE	45 = 4-DOOR STATION WAGON
24 = 2-DOOR HATCHBACK	44 = 4-DOOR HATCHBACK
27 = 2-DOOR CONVERTIBLE	48 = EXECUTIVE SEDAN
28 = FWD PICKUP	

AR = Use as Required - = Non Illustrated Part P.A.R. = Paint as Required



EXTERIOR VIEW DODGE MIRADA  
Figure 23-4200

3168 4200

ITEM	PART NUMBER	QTY	BODY	MODEL	DESCRIPTION
					Beige
29	4319 696	1			Screw (8-18x75)
30		AR			Rivet (1/8 x 46 Hd.)
33	4276 359	1			KIT COVER ASSY. and Back Lite Lwr.,Black
	4276 352	1			Cashmere
	4276 351	1			White
	4276 356	1			Blue
	4276 362	1			Red
	4319 694	1			Beige
35	4276 360	1			WELT ASSY.,W/Shield Header,Black
	4078 634	1			Cashmere
	4223 360	1			White
	4276 357	1			Blue
	4276 363	1			Red
	4319 695	1			Beige
36		AR			RIVET (1/8 x .328 Fl. Hd.)
37		AR			RIVET (1/8 x 42 s/s)
38					RETAINER,Cap Up. Frt. Outer (Serv. in Cap Assy)
39	4078 611	2			RETAINER,Frnt. Cap Outer
40		AR			RIVET (1/8 x .328 Fl. Hd.)
41	4078 612	1			CAP ASSY,Fiber Glass,Complete
42	4078 620-1	1			MOULDING,Qtr. Pnl. Belt
43		AR			RIVET (1/8 x 46 Fl. Hd.)
44	4078 618	AR			SUPPORT,Back Lite Trim Pnl.
45	4078 619	2			INSERT,Belt Mldg.
46	4078 622	1			MOULDING,Back Belt
47	4094 619	AR			RETAINER
48	4057 555	AR			NUT
49	4078 617	1			MOULDING,Back Lite Int. Raw
50		AR			SCREW
51		AR			RIVET (1/8 x 43 Fl. Hd.)
52		AR			TAPE (1/32 x 5/8)
53	4078 623	1			ORNAMENT, Rt. Side
54					BRACKET,Cap Ret. Side (Serv. in Cap Assy)
55	4078 610	1			RETAINER,Frnt. Cap Center
56		AR			RETAINER,Cap Up. Frt. Center
57	X592 BA2	1			MEDALLION,Deck Lid Lock Cyl.,Silver Met.

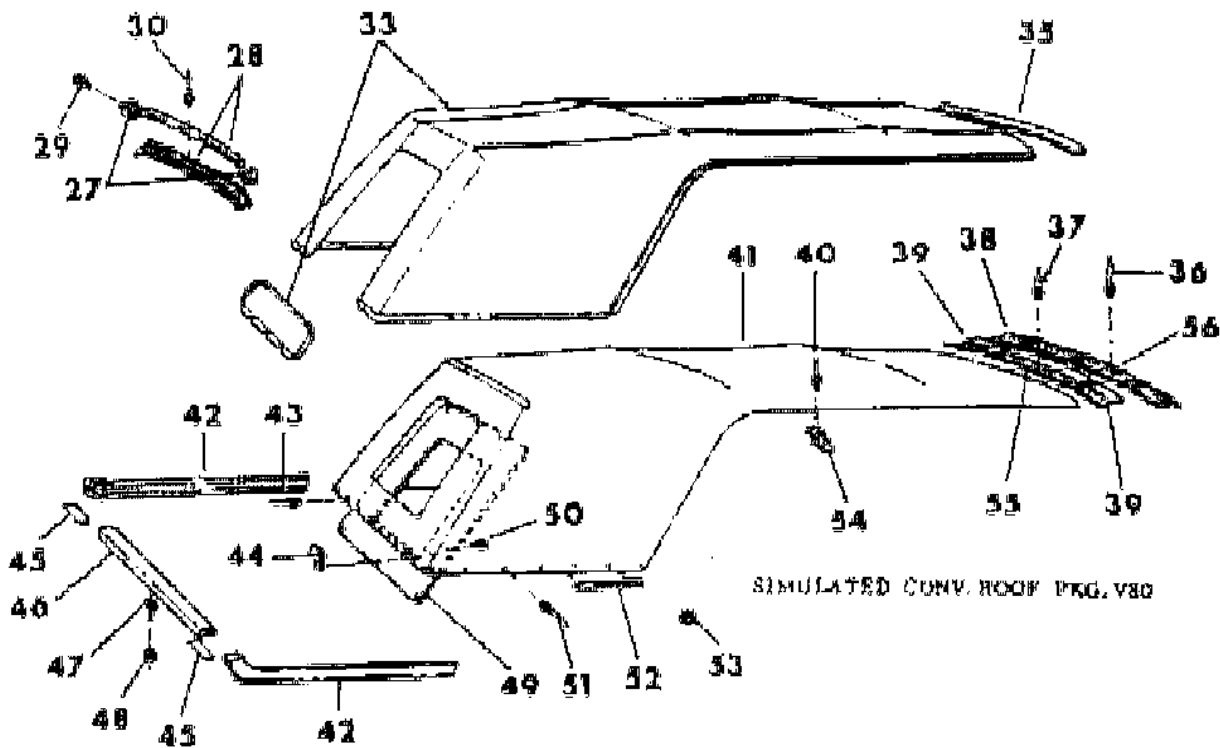
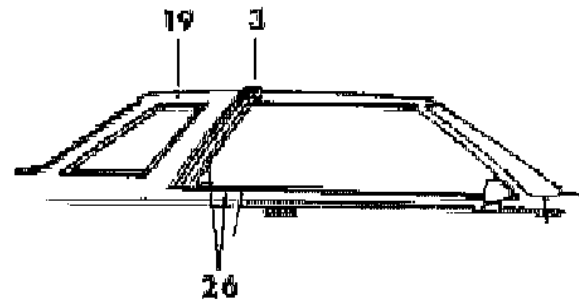
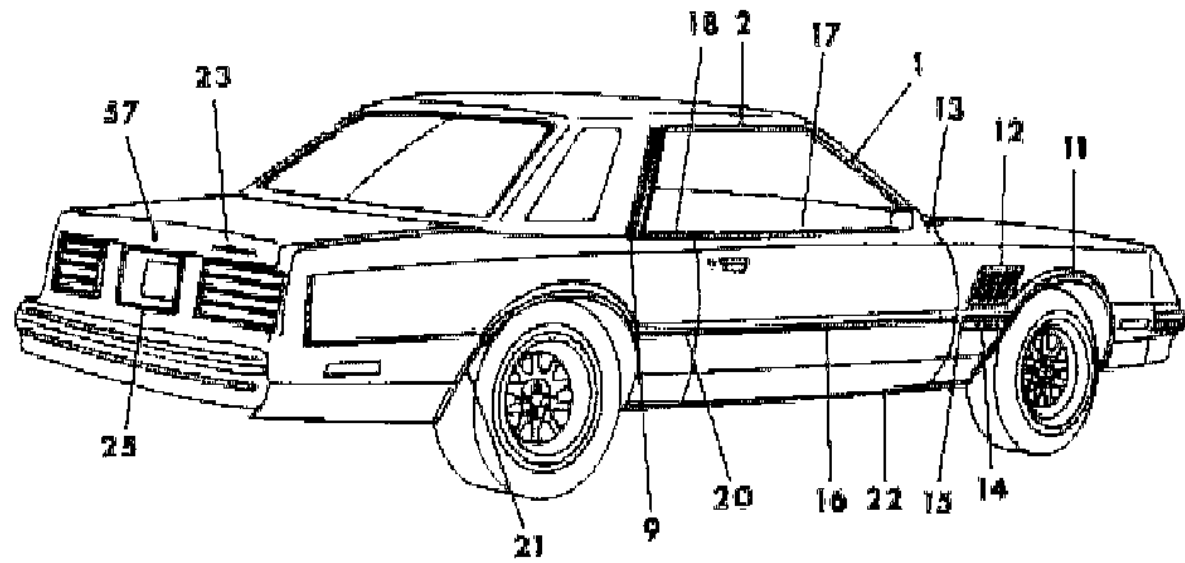
MODEL CODES

B = GRAN FURY	G = DIPLOMAT	V = 400
C = LEBARON/TOWN & COUNTRY	M = HORIZON/TURISMO/SCAMP	X = MIRADA
D = ARIES	P = RELIANT	Y = IMPERIAL
E = 600	S = CORDOBA	Z = OMNI/CHARGER/RAMPAGE
F = FIFTH AVENUE	T = E CLASS/NEWYORKER	

BODY STYLES

21 = 2-DOOR SEDAN	41 = 4-DOOR SEDAN
22 = 2-DOOR SPECIAL COUPE	45 = 4-DOOR STATION WAGON
24 = 2-DOOR HATCHBACK	44 = 4-DOOR HATCHBACK
27 = 2-DOOR CONVERTIBLE	48 = EXECUTIVE SEDAN
28 = FWD PICKUP	

AR = Use as Required - = Non Illustrated Part P.A.R. = Paint as Required



SIMULATED CONV. HOOF PKG. V80



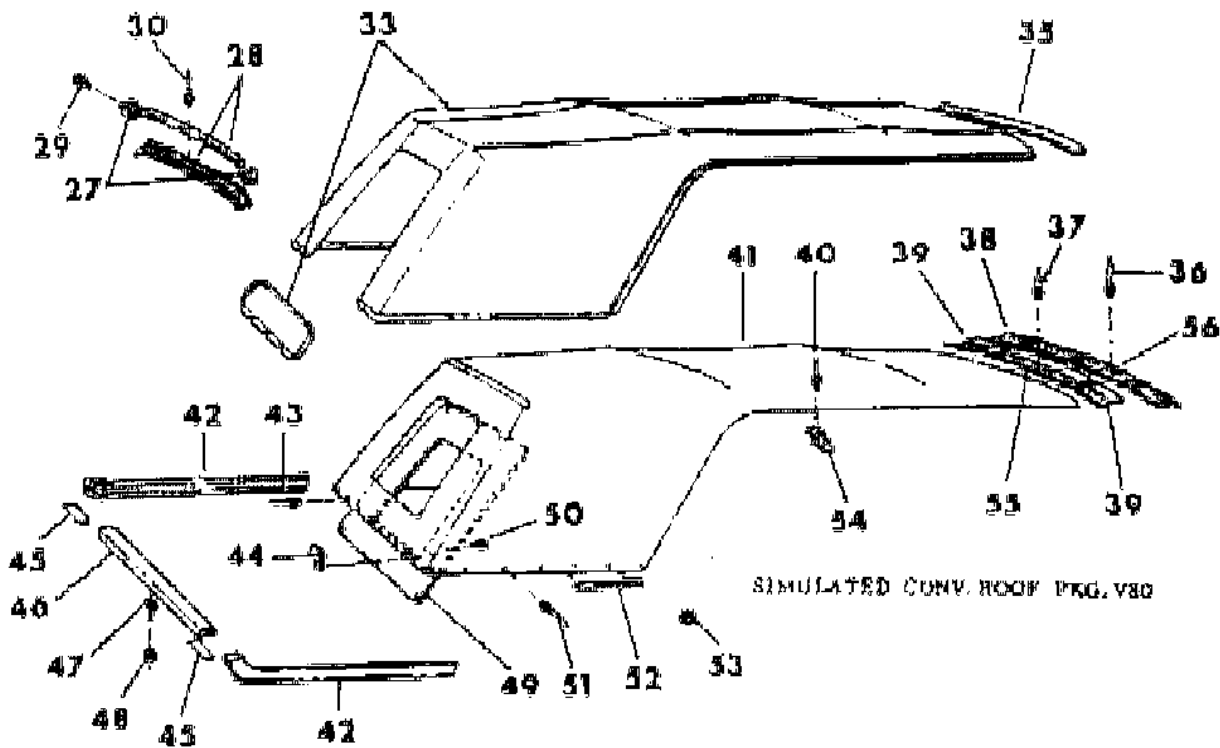
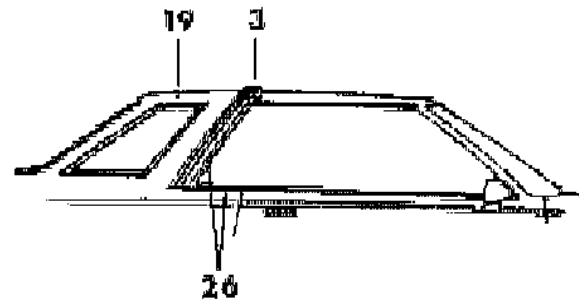
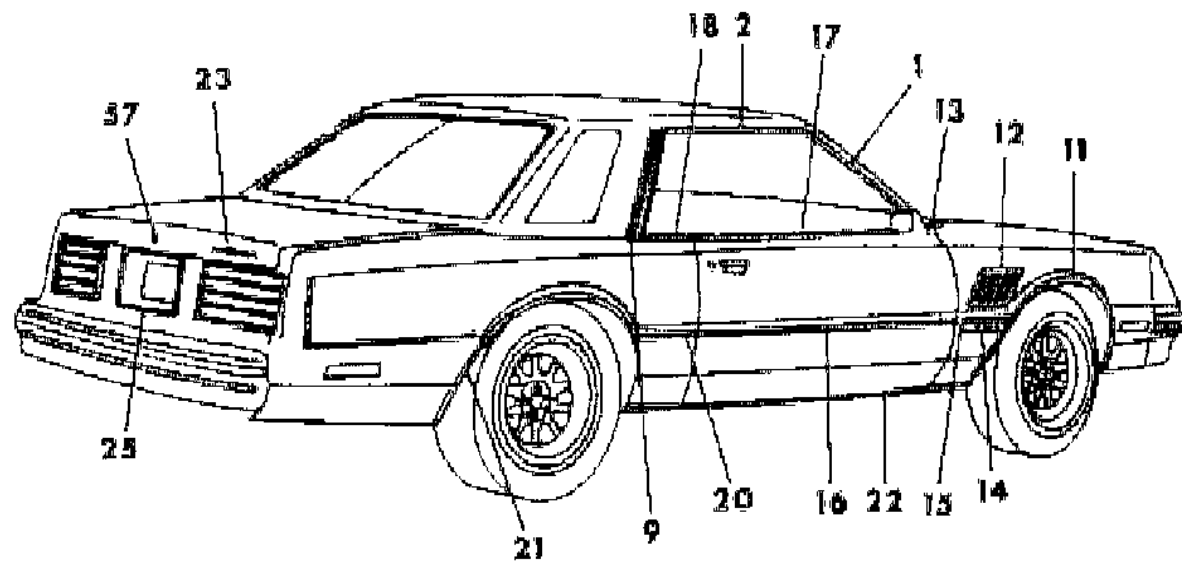
EXTERIOR VIEW DODGE MIRADA  
Figure 23-4200

3168 4200

ITEM	PART NUMBER	QTY	BODY	MODEL	DESCRIPTION
------	-------------	-----	------	-------	-------------

	X592 AA9	1			Dark Silver
	X592 BC4	1			Blue
	X592 BM5	1			Red
	X592 BL4	1			Beige Met.
	X592 BT8	1			Sable Tan
	X592 AW3	1			White
	X592 AX9	1			Black

NOTE: The Colored Medallion Used is Determined by the Exterior Paint of Car an offsetting order for part no. 3747881



MODEL CODES

B = GRAN FURY	G = DIPLOMAT	V = 400
C = LEBARON/TOWN & COUNTRY	M = HORIZON/TURISMO/SCAMP	X = MIRADA
D = ARIES	P = RELIANT	Y = IMPERIAL
E = 600	S = CORDOBA	Z = OMNI/CHARGER/RAMPAGE
F = FIFTH AVENUE	T = E CLASS/NEWYORKER	

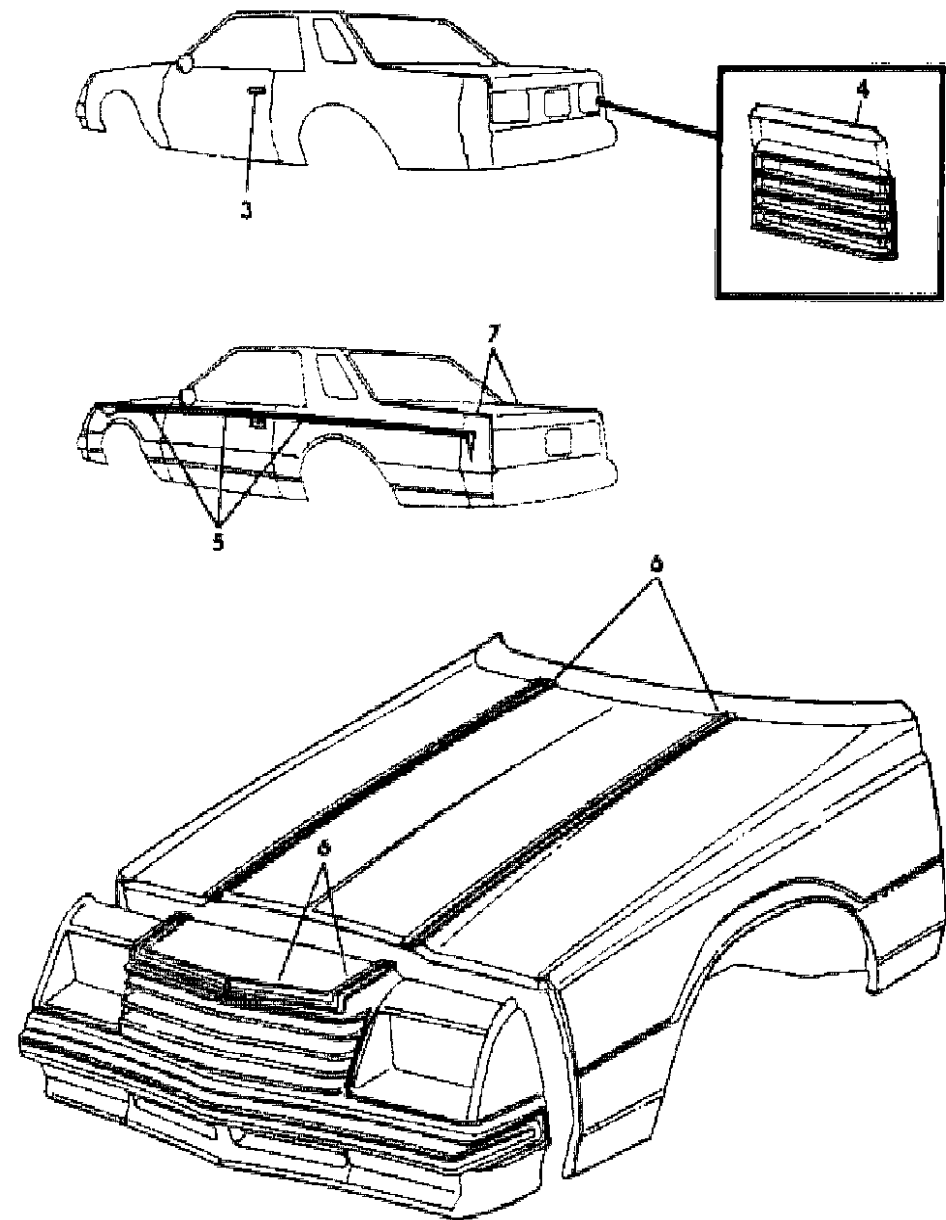
BODY STYLES

21 = 2-DOOR SEDAN	41 = 4-DOOR SEDAN
22 = 2-DOOR SPECIAL COUPE	45 = 4-DOOR STATION WAGON
24 = 2-DOOR HATCHBACK	44 = 4-DOOR HATCHBACK
27 = 2-DOOR CONVERTIBLE	48 = EXECUTIVE SEDAN
28 = FWD PICKUP	

AR = Use as Required - = Non Illustrated Part P.A.R. = Paint as Required

EXTERIOR VIEW - TAPE STRIPES DODGE MIRADA  
Figure 23-4300

3158 4300



ITEM	PART NUMBER	QTY	BODY	MODEL	DESCRIPTION
3	T752 BA2	2			TAPE,Door Handle,Silver Met.
	T752 BA9	2			Dark Silver
	T752 BC4	2			Glacier Blue
	T752 BC9	2			Night Watch Blue
	T752 BL4	2			Beige Met.
	T752 BM5	2			Red
	T752 BT8	2			Sable Tan
	T752 BW3	2			White
	T752 BX9	2			Black
4	T530-1 BA2	1			TAPE,Lwr.Deck Opng.Pnl.T/Sig.and B/up Lamps,Silver Met.
	T530-1 AA9	1			Dark Silver
	T530-1 BC4	1			Glacier Blue
	T530-1 TC9	1			Night Watch Blue
	T530-1 BT8	1			Sable Tan
	T530-1 BM5	1			Red
	T530-1 BL4	1			Beige Met.
	T530-1 VW3	1			Pearl White
	T530-1 TX9	1			Black
5	4205 608-9	1			TAPE SET,Fndr.,Door,Qtr.,Blue (K7B)
	4271 516-7	1			Silver (K7A)
	4205 614-5	1			Red (K7R)
	4240 596-7	1			Pearl White (K7W)
	4293 276-7	1			Gold (K7Y)
	4293 272-3	1			Tan (K7K)
6	4240 766	1			TAPE SET,Hood Outer Pnl.,Blue (K9B)
	4271 510	1			Sterling Silver (K9A)
	4240 768	1			Red (K9R)
	4293 262	1			Gold (K9Y)
	4240 772	1			White (K9W)
	4293 260	1			Tan (K9K)
	4240 774	1			TAPE SET,Fascia,Blue (K9B)
	4267 695	1			Sterling Silver (K9A)
	4240 776	1			Red (K9R)
	4293 264	1			Gold (K9Y)
4240 780	1			White (K9W)	
4293 263	1			Tan (K9K)	
7	T032 AC6	1			TAPE SET,Deck Lid,Blue (K9B)

MODEL CODES

B = GRAN FURY	G = DIPLOMAT	V = 400
C = LEBARON/TOWN & COUNTRY	M = HORIZON/TURISMO/SCAMP	X = MIRADA
D = ARIES	P = RELIANT	Y = IMPERIAL
E = 600	S = CORDOBA	Z = OMNI/CHARGER/RAMPAGE
F = FIFTH AVENUE	T = E CLASS/NEWYORKER	

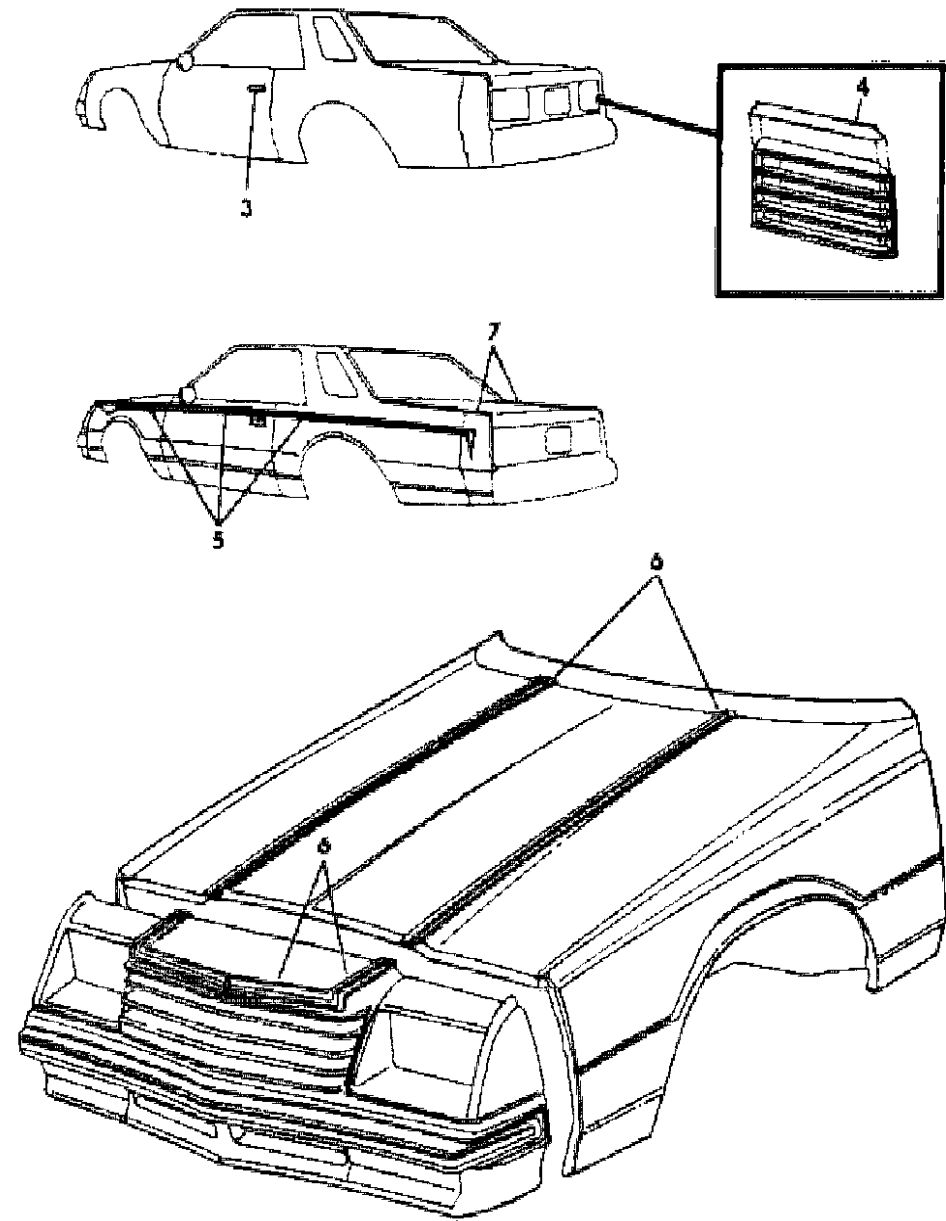
BODY STYLES

21 = 2-DOOR SEDAN	41 = 4-DOOR SEDAN
22 = 2-DOOR SPECIAL COUPE	45 = 4-DOOR STATION WAGON
24 = 2-DOOR HATCHBACK	44 = 4-DOOR HATCHBACK
27 = 2-DOOR CONVERTIBLE	48 = EXECUTIVE SEDAN
28 = FWD PICKUP	

AR = Use as Required - = Non Illustrated Part P.A.R. = Paint as Required

EXTERIOR VIEW - TAPE STRIPES DODGE MIRADA  
Figure 23-4300

3158 4300



ITEM	PART NUMBER	QTY	BODY	MODEL	DESCRIPTION
	T032 AA2	1			Sterling Silver (K9A)
	T032 BE5	1			Red (K9R)
	T032 BY3	1			Gold (K9Y)
	T032 AW3	1			White (K9W)
	T032 BK6	1			Tan (K9K)

MODEL CODES

B = GRAN FURY	G = DIPLOMAT	V = 400
C = LEBARON/TOWN & COUNTRY	M = HORIZON/TURISMO/SCAMP	X = MIRADA
D = ARIES	P = RELIANT	Y = IMPERIAL
E = 600	S = CORDOBA	Z = OMNI/CHARGER/RAMPAGE
F = FIFTH AVENUE	T = E CLASS/NEWYORKER	

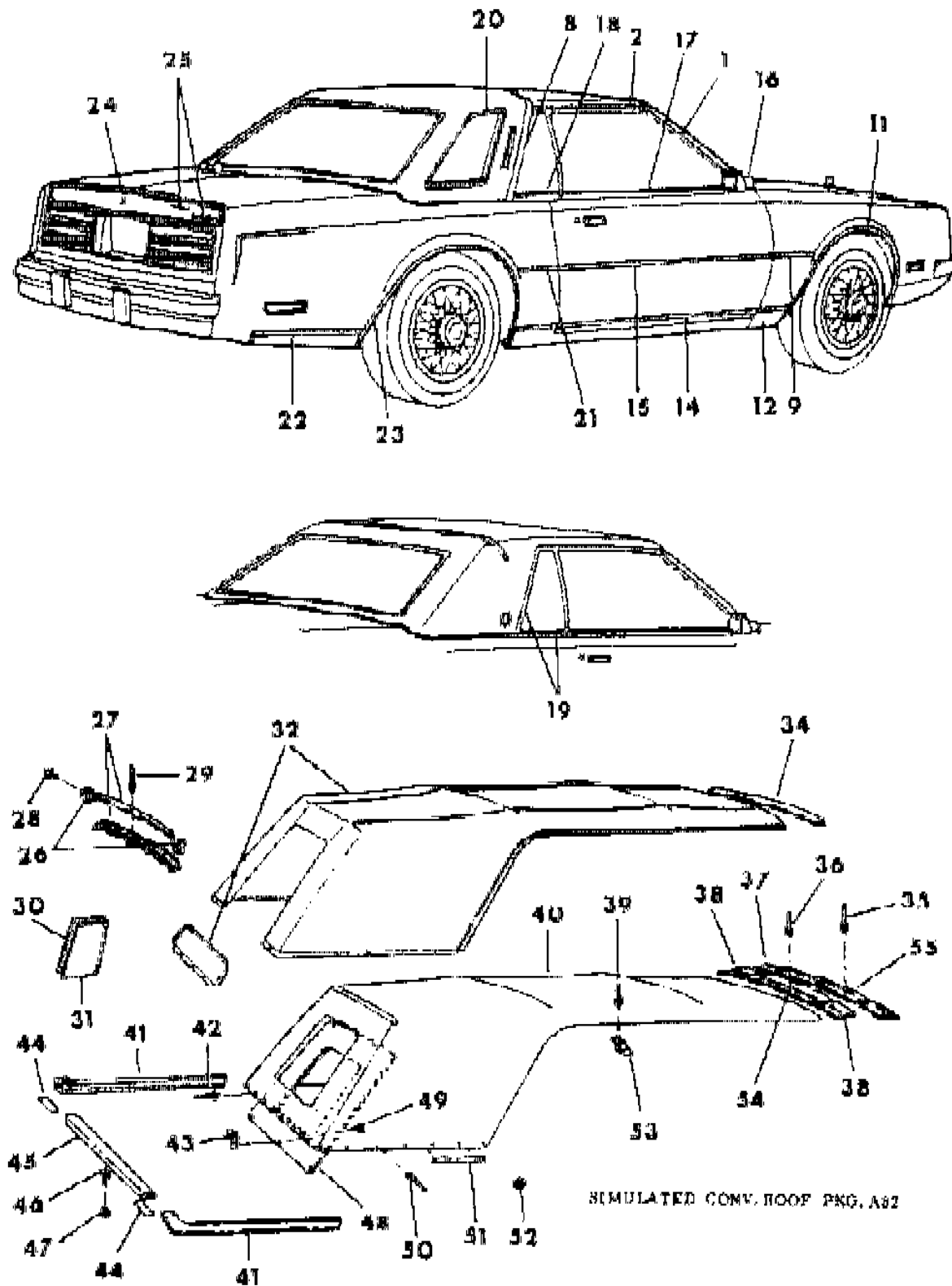
BODY STYLES

21 = 2-DOOR SEDAN	41 = 4-DOOR SEDAN
22 = 2-DOOR SPECIAL COUPE	45 = 4-DOOR STATION WAGON
24 = 2-DOOR HATCHBACK	44 = 4-DOOR HATCHBACK
27 = 2-DOOR CONVERTIBLE	48 = EXECUTIVE SEDAN
28 = FWD PICKUP	

AR = Use as Required - = Non Illustrated Part P.A.R. = Paint as Required

EXTERIOR VIEW CHRYSLER CORDOBA  
Figure 23-4400

3187 4400



ITEM	PART NUMBER	QTY	BODY	MODEL	DESCRIPTION
1	4175 306-7	1			MOULDING,Body Frt.Pillar Drain Trough
	6003 591	AR			RETAINER
2	4175 030-1	1			MOULDING,Roof Side Drain Trough,w/o Padded Landau Roof
	4175 418-9	1			w/Padded Landau Roof w/Qtr. Plug
8	4175 170-1	1			MOULDING,Roof Transverse,Use on Padded Landau Roof w/Qtr.
					Plug
	6003 642				RETAINER
	9420 867				NUT SCREW
9	X134-5 BL4	1			MOULDING,Fndr.Side,Beige Met.
	X134-5 BA2	1			Silver Met.
	X134-5 TC9	1			Night Watch Blue
	X134-5 BM5	1			Red
	X134-5 BT8	1			Sable Tan
	X134-5 VW3	1			Pearl White
11	X134-5 TX9	1			Black
	4175 130-1	1			MOULDING,Fndr.Wheel Opening
					SCREW
12	4175 196-7	1			MOULDING,Body Side Sill
	3780 999				RETAINER PKG.
	6003 763				RETAINER
	6028 674				SCREW
14	4175 146	2			MOULDING,Door
	6028 674				SCREW
	6026 523				NUT
	6001 927				RETAINER
15	X128 BL4	2			MOULDING,Door,Beige Met.
	X128 TC9	2			Night Watch Blue
	X128 VW3	2			Pearl White
	X128 BM5	2			Red
	X128 BA2	2			Silver Met.
	X128 BT8	2			Sable Tan
16	X128 TX9	2			Black
	4175 470-1	1			MOULDING,Fndr.,Rear Edge Belt
					SCREW
17	4175 380-1	1			MOULDING,Door Belt,w/Mirror

MODEL CODES

B = GRAN FURY	G = DIPLOMAT	V = 400
C = LEBARON/TOWN & COUNTRY	M = HORIZON/TURISMO/SCAMP	X = MIRADA
D = ARIES	P = RELIANT	Y = IMPERIAL
E = 600	S = CORDOBA	Z = OMNI/CHARGER/RAMPAGE
F = FIFTH AVENUE	T = E CLASS/NEWYORKER	

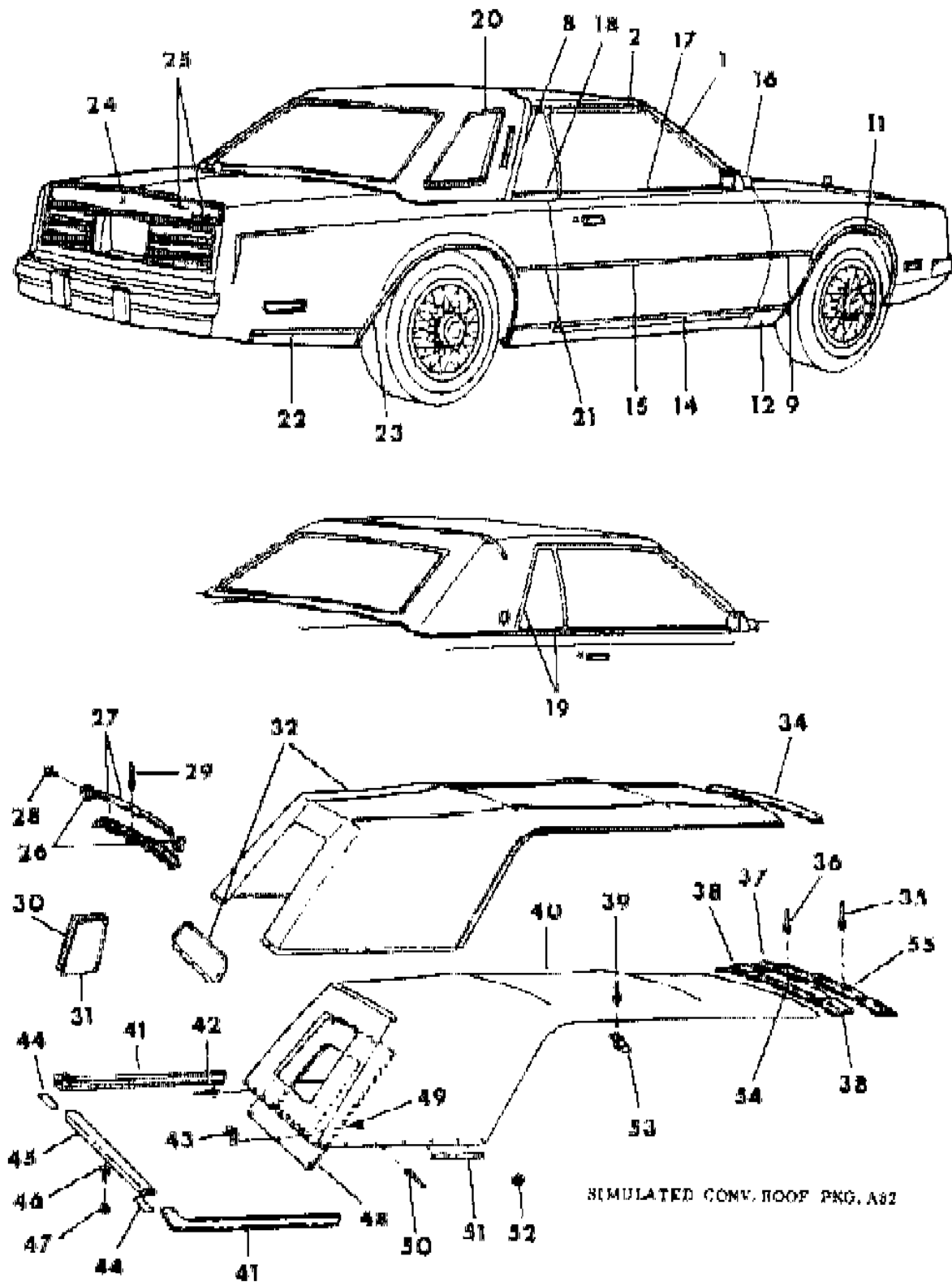
BODY STYLES

21 = 2-DOOR SEDAN	41 = 4-DOOR SEDAN
22 = 2-DOOR SPECIAL COUPE	45 = 4-DOOR STATION WAGON
24 = 2-DOOR HATCHBACK	44 = 4-DOOR HATCHBACK
27 = 2-DOOR CONVERTIBLE	48 = EXECUTIVE SEDAN
28 = FWD PICKUP	

AR = Use as Required - = Non Illustrated Part P.A.R. = Paint as Required

EXTERIOR VIEW CHRYSLER CORDOBA  
Figure 23-4400

3187 4400



ITEM	PART NUMBER	QTY	BODY	MODEL	DESCRIPTION
18	4175 420-1	1			MOULDING,Qtr.Wdo.Belt,Use on Padded Landau Roof w/Qtr. Plug
19	4175 018-9	1			MOULDING,Qtr.Drain Trough and Belt,Use w/o Padded Landau Roof,w/o Qtr. Plug
20	4175 150-1	1			MOULDING,Qtr.Opera Wdo.,Use w/o Padded Landau Roof,w/o Qtr. Plug
21	X135 BL4	1			MOULDING,Qtr.,Rt.,Beige Met.
	X135 TC9	1			Night Watch Blue
	X135 BM5	1			Red
	X135 BT8	1			Sable Tan
	X135 VW3	1			Pearl White
	X135 TX9	1			Black
	X135 BA2	1			Silver Met.
	X134 BL4	1			Lt.,Beige Met.
	X134 TC9	1			Night Watch Blue
	X134 BM5	1			Red
	X134 BT8	1			Sable Tan
	X134 VW3	1			Pearl White
	X134 TX9	1			Black
	X134 BA2	1			Silver Met.
22	4205 532-3	1			MOULDING,Qtr.Pnl.
	6003 739				RETAINER
	6028 674				SCREW
	6003 333				RETAINER
	6002 794				RETAINER
					NUT
23	4175 132-3	1			MOULDING,Qtr.Wheel Opening SCREW
24		1			MEDALLION,Deck Lid Lock Cyl.
	X592 BA2	1			Silver Met.
	X592 AA9	1			Dark Silver
	X592 BC4	1			Blue
	X592 BM5	1			Red
	X592 BL4	1			Beige Met.
	X592 BT8	1			Sable Tan
	X592 AW3	1			White
	X592 AX9	1			Black

MODEL CODES

B = GRAN FURY	G = DIPLOMAT	V = 400
C = LEBARON/TOWN & COUNTRY	M = HORIZON/TURISMO/SCAMP	X = MIRADA
D = ARIES	P = RELIANT	Y = IMPERIAL
E = 600	S = CORDOBA	Z = OMNI/CHARGER/RAMPAGE
F = FIFTH AVENUE	T = E CLASS/NEWYORKER	

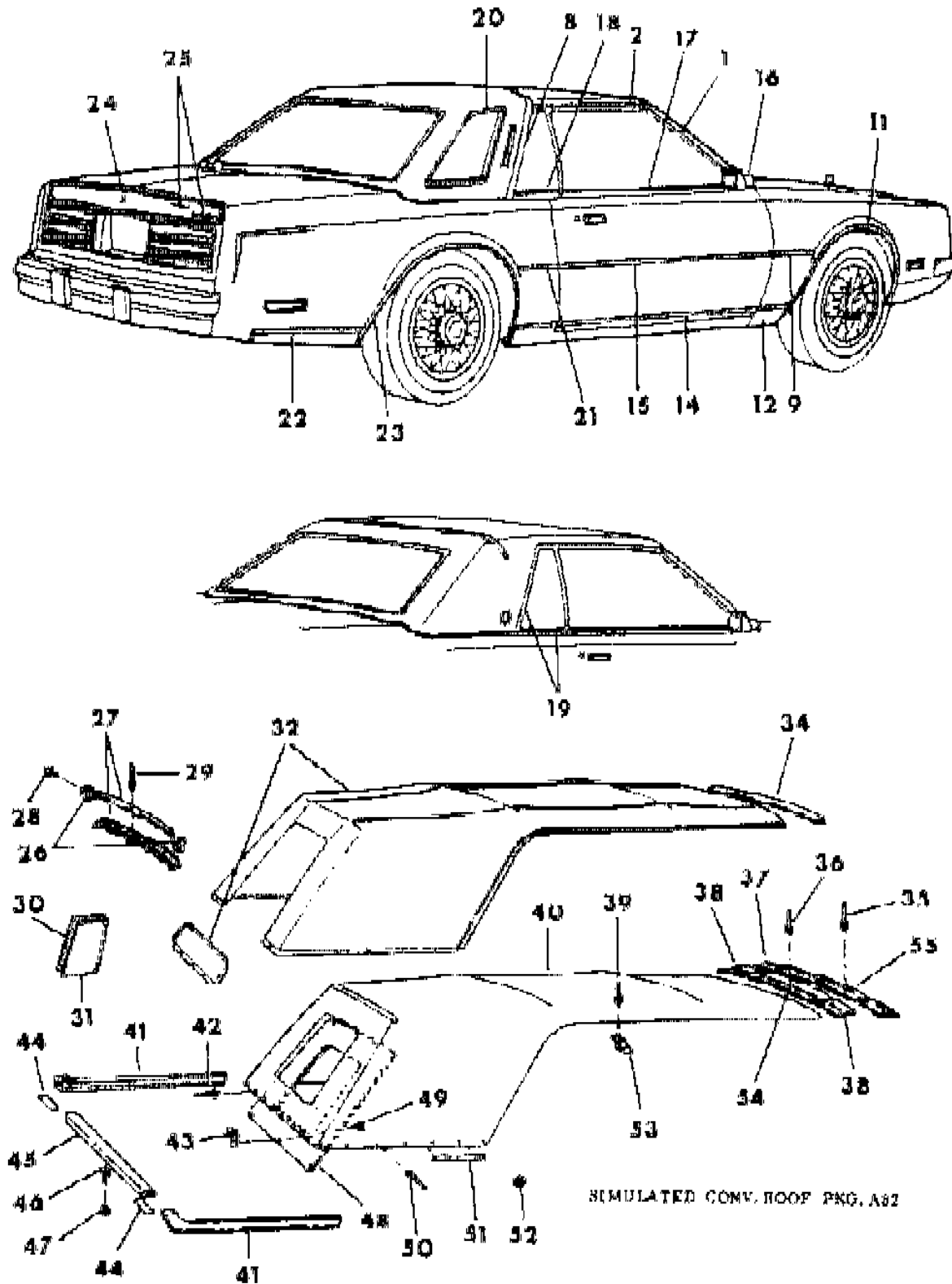
BODY STYLES

21 = 2-DOOR SEDAN	41 = 4-DOOR SEDAN
22 = 2-DOOR SPECIAL COUPE	45 = 4-DOOR STATION WAGON
24 = 2-DOOR HATCHBACK	44 = 4-DOOR HATCHBACK
27 = 2-DOOR CONVERTIBLE	48 = EXECUTIVE SEDAN
28 = FWD PICKUP	

AR = Use as Required - = Non Illustrated Part P.A.R. = Paint as Required

EXTERIOR VIEW CHRYSLER CORDOBA  
Figure 23-4400

3187 4400



ITEM	PART NUMBER	QTY	BODY	MODEL	DESCRIPTION
NOTE: The Colored Medallion Used is Determined by the Exterior Paint of Car an offsetting order for part no. 3747881					
25	4175 495	1			NAMEPLATE,Deck Lid,"Cordoba"
	4229 782	1			"Chrysler"
26	4078 616	2			CAP,End
27	4276 361	1			BOW,F/Strip Assy.,Black
	4078 614	1			Cashmere
	4276 358	1			Blue
	4223 362	1			White
	4276 364	1			Red
	4319 696	1			Beige
28		AR			SCREW (8-18 x .75)
29		AR			RIVET (1/8 x 46 Fl. Hd.)
30					TAPE,Foam
31	4078 626-7	1			APPLIQUE,Qtr. Upr.
32	4276 359	1			KIT COVER ASSY. and Back Lite Lwr.,Black
	4276 352	1			Cashmere
	4276 351	1			White
	4276 356	1			Blue
	4276 362	1			Red
	4319 694	1			Beige
34	4276 360	1			WELT ASSY.,W/Shield Header,Black
	4078 634	1			Cashmere
	4223 360	1			White
	4276 357	1			Blue
	4276 363	1			Red
	4319 695	1			Beige
35		AR			RIVET (1/8 x .328 Fl. Hd.)
36		AR			RIVET (1/8 x 42 s/s)
37					RETAINER,Cap Upr. Frt. Outer (Serv. in Cap Assy)
38	4078 611	2			RETAINER,Frnt. Cap Outer
39		AR			RIVET (1/8 x .328 Fl. Hd.)
40	4078 612	1			CAP ASSY,Fiber Glass,Complete
41	4078 620-1	1			MOULDING,Qtr. Pnl Belt
42		AR			RIVET (1/8 x 46 Fl. Hd.)
43	4078 618	AR			SUPPORT,Back Lite Trim Pnl.
44	4078 619	2			INSERT,Belt Mldg.
45	4078 622	1			MOULDING,Back Lite

MODEL CODES

B = GRAN FURY	G = DIPLOMAT	V = 400
C = LEBARON/TOWN & COUNTRY	M = HORIZON/TURISMO/SCAMP	X = MIRADA
D = ARIES	P = RELIANT	Y = IMPERIAL
E = 600	S = CORDOBA	Z = OMNI/CHARGER/RAMPAGE
F = FIFTH AVENUE	T = E CLASS/NEWYORKER	

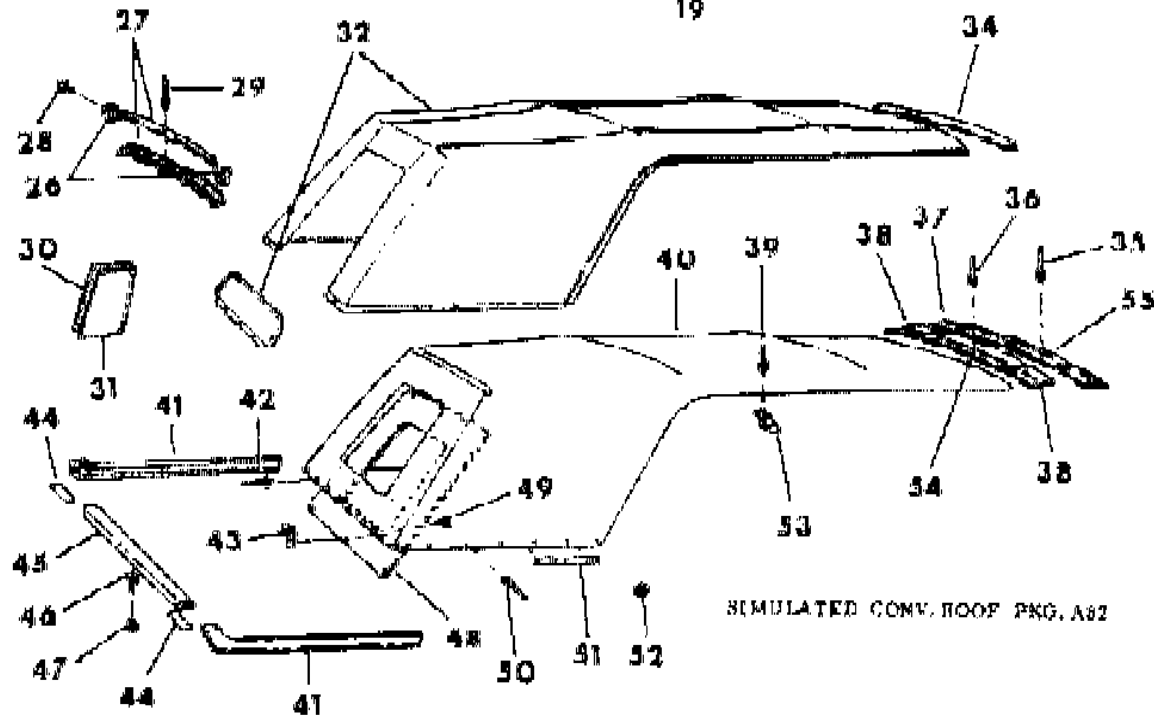
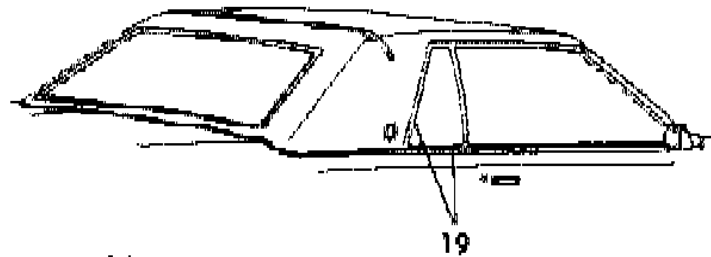
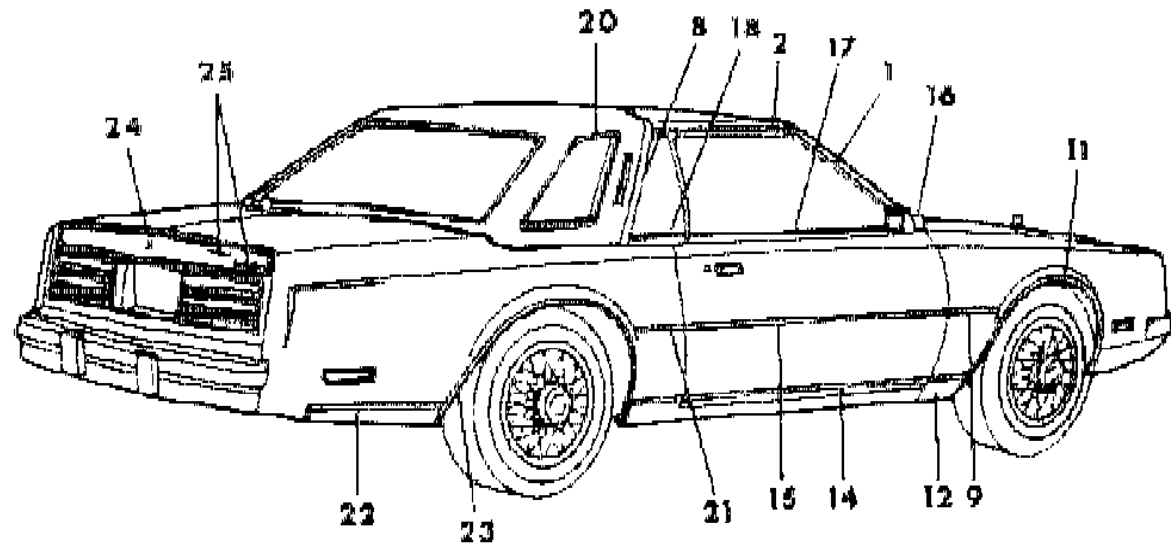
BODY STYLES

21 = 2-DOOR SEDAN	41 = 4-DOOR SEDAN
22 = 2-DOOR SPECIAL COUPE	45 = 4-DOOR STATION WAGON
24 = 2-DOOR HATCHBACK	44 = 4-DOOR HATCHBACK
27 = 2-DOOR CONVERTIBLE	48 = EXECUTIVE SEDAN
28 = FWD PICKUP	

AR = Use as Required - = Non Illustrated Part P.A.R. = Paint as Required

EXTERIOR VIEW CHRYSLER CORDOBA  
Figure 23-4400

3187 4400



ITEM	PART NUMBER	QTY	BODY	MODEL	DESCRIPTION
46	4094 619	AR			RETAINER
47	4057 555	AR			NUT
48	4078 617	AR			MOULDING,Back Lite Int. Raw
49		AR			SCREW
50		AR			RIVET (1/8 x 43 Fl. Hd.)
51		AR			TAPE (1/32 x 5/8)
52	4078 623	1			ORNAMENT,Rt. Side
53					BRACKET,Cap Retainer Side (Serv. in Cap Assy)
54	4078 610	1			RETAINER,Frnt. Cap Center
55		AR			RETAINER,Cap Upr. Frnt. Center

MODEL CODES  
 B = GRAN FURY  
 C = LEBARON/TOWN & COUNTRY  
 D = ARIES  
 E = 600  
 F = FIFTH AVENUE  
 G = DIPLOMAT  
 M = HORIZON/TURISMO/SCAMP  
 P = RELIANT  
 S = CORDOBA  
 T = E CLASS/NEWYORKER  
 V = 400  
 X = MIRADA  
 Y = IMPERIAL  
 Z = OMNI/CHARGER/RAMPAGE

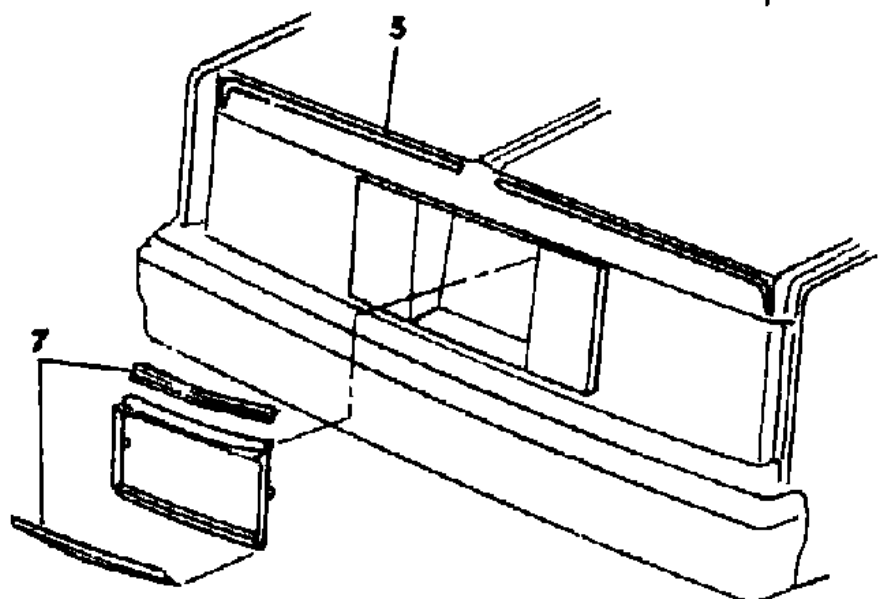
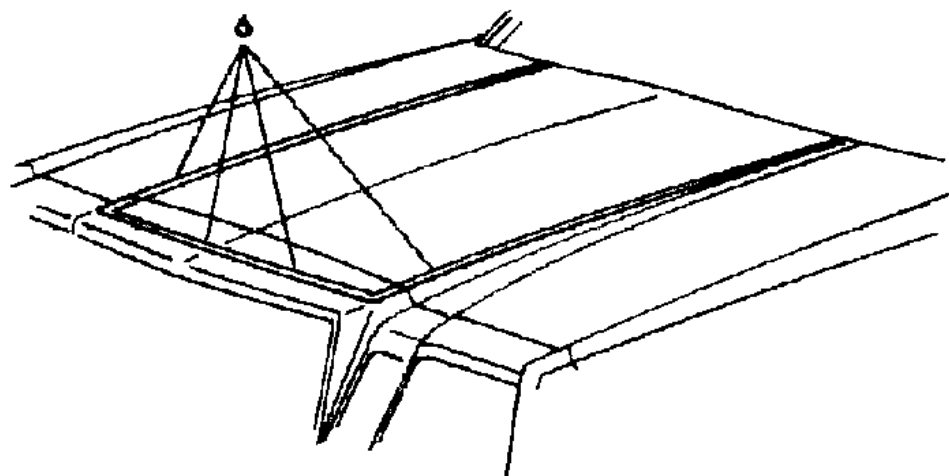
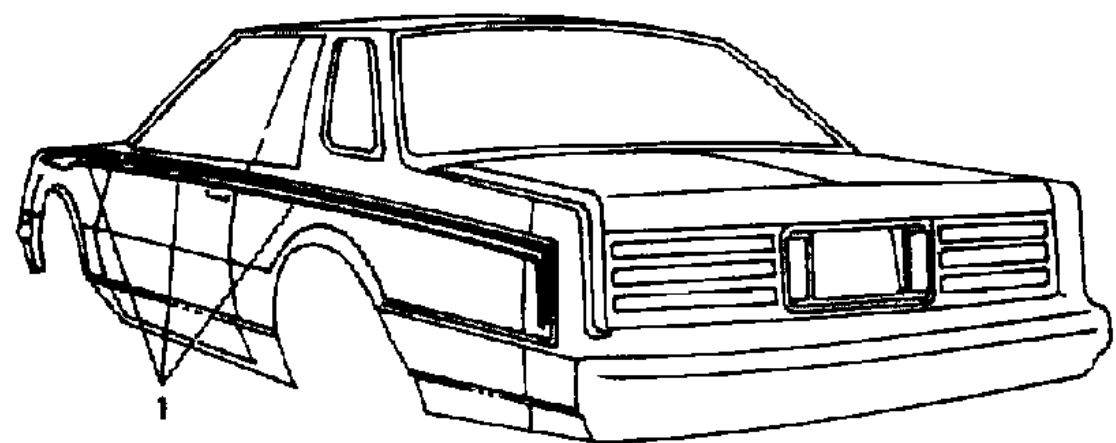
BODY STYLES  
 21 = 2-DOOR SEDAN  
 22 = 2-DOOR SPECIAL COUPE  
 24 = 2-DOOR HATCHBACK  
 27 = 2-DOOR CONVERTIBLE  
 28 = FWD PICKUP  
 41 = 4-DOOR SEDAN  
 45 = 4-DOOR STATION WAGON  
 44 = 4-DOOR HATCHBACK  
 48 = EXECUTIVE SEDAN

AR = Use as Required - = Non Illustrated Part P.A.R. = Paint as Required

EXTERIOR VIEW - TAPE STRIPES CHRYSLER CORDOBA  
Figure 23-4500

3168 4500

ITEM	PART NUMBER	QTY	BODY	MODEL	DESCRIPTION
1	4186 684-5	1			TAPE SET,Fndr.,Door,Qtr.,Blue (K3B)
	4271 512-3	1			Sterling Silver (K3A)
	4186 690-1	1			Red (K3R)
	4240 592-3	1			Pearl White (K3W)
	4293 270-1	1			Gold (K3Y)
5	4293 266-7	1			Tan (K3K)
	T052 TC6	1			TAPE SET,Deck Lid,Blue
	T052 BY3	1			Gold
	T052 AA2	1			Sterling Silver
	T052 TE5	1			Red
6	T052 VW3	1			Pearl White
	T052 BK6	1			Tan
	4205 570	1			TAPE SET,Hood,Otr.Pnl.,Blue (K2B)
	4271 520	1			Sterling Silver (K2A)
	4293 251	1			Tan (K2K)
7	4205 573	1			Red (K2R)
	4240 584	1			White (K2W)
	4293 253	1			Gold (K2Y)
	T744 TC6	1			TAPE,Rad. Grille H/Lamp Mtg.,Blue (K2B)
	T744 AA2	1			Sterling Silver (K2A)
	T744 TE5	1			Red (K2R)
	T744 VW3	1			Pearl White (K2W)
	T744 BY3	1			Gold (K2Y)
	T744 BK6	1			Tan (K2K)
	4293 903	1			TAPE SET,Upr. and Lwr. Deck Opng. Pnl. B/Up Lamp,Silver Met.
4267 292	1			Glacier Blue	
4205 934	1			Night Watch Blue	
4267 291	1			Dark Silver	
4293 904	1			Beige Met.	
4293 905	1			Red	
4293 906	1			Sable Tan	
4267 013	1			Pearl White	
4205 947	1			Black	



MODEL CODES

B = GRAN FURY	G = DIPLOMAT	V = 400
C = LEBARON/TOWN & COUNTRY	M = HORIZON/TURISMO/SCAMP	X = MIRADA
D = ARIES	P = RELIANT	Y = IMPERIAL
E = 600	S = CORDOBA	Z = OMNI/CHARGER/RAMPAGE
F = FIFTH AVENUE	T = E CLASS/NEWYORKER	

BODY STYLES

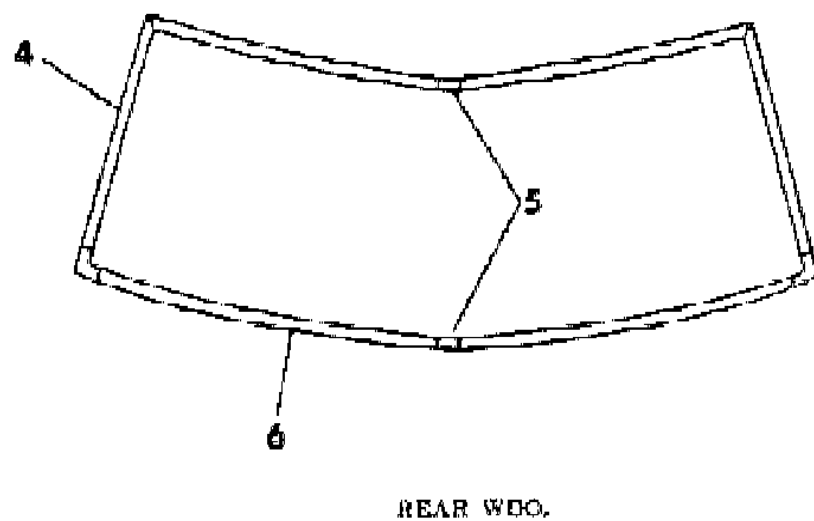
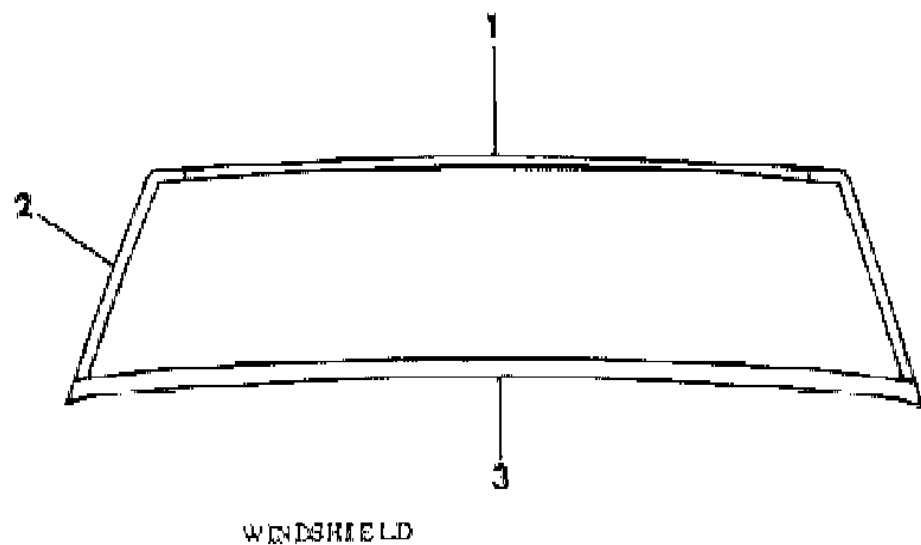
21 = 2-DOOR SEDAN	41 = 4-DOOR SEDAN
22 = 2-DOOR SPECIAL COUPE	45 = 4-DOOR STATION WAGON
24 = 2-DOOR HATCHBACK	44 = 4-DOOR HATCHBACK
27 = 2-DOOR CONVERTIBLE	48 = EXECUTIVE SEDAN
28 = FWD PICKUP	

AR = Use as Required - = Non Illustrated Part P.A.R. = Paint as Required



**MOULDINGS,WINDSHIELD AND REAR WINDOW OUTSIDE Y**  
**Figure 23-4600**

3160 4000



ITEM	PART NUMBER	QTY	BODY	MODEL	DESCRIPTION
1	4229 140	1			MOULDING,W/Shield,Upr.
	6003 409	AR			RETAINER
2	4229 142-3	1			MOULDING,W/Shield,Side
	6003 409	AR			RETAINER
3	4022 947	1			MOULDING,W/Shield,Lwr.
4	4229 250-1	1			MOULDING,Rear Wdo.,Upr. and Side
	3780 963	AR			RETAINER PACKAGE
	6003 783	AR			RETAINER,Rear Wdo. Mldg.,Repair
5	4229 258	1			MOULDING,Rear Wdo.,Upr. Ctr.
	4229 259	1			MOULDING,Rear Wdo.,Lwr. Ctr.
6	4229 260-1	1			MOULDING,Rear Wdo.,Lwr.
	6003 426	AR			RETAINER

**MODEL CODES**

B = GRAN FURY	G = DIPLOMAT	V = 400
C = LEBARON/TOWN & COUNTRY	M = HORIZON/TURISMO/SCAMP	X = MIRADA
D = ARIES	P = RELIANT	Y = IMPERIAL
E = 600	S = CORDOBA	Z = OMNI/CHARGER/RAMPAGE
F = FIFTH AVENUE	T = E CLASS/NEWYORKER	

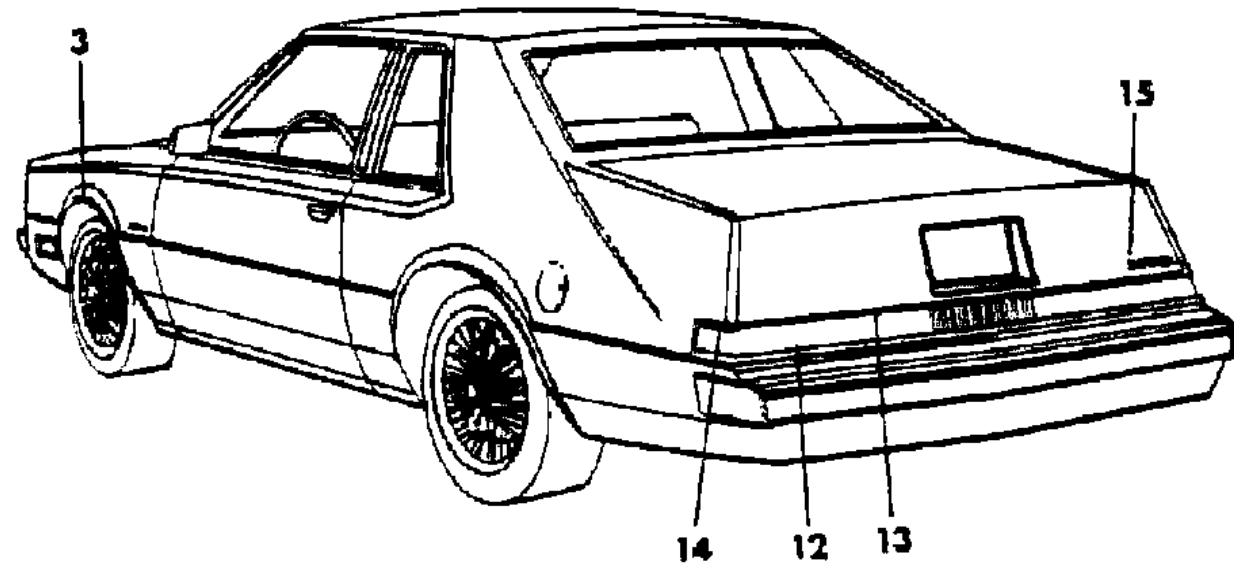
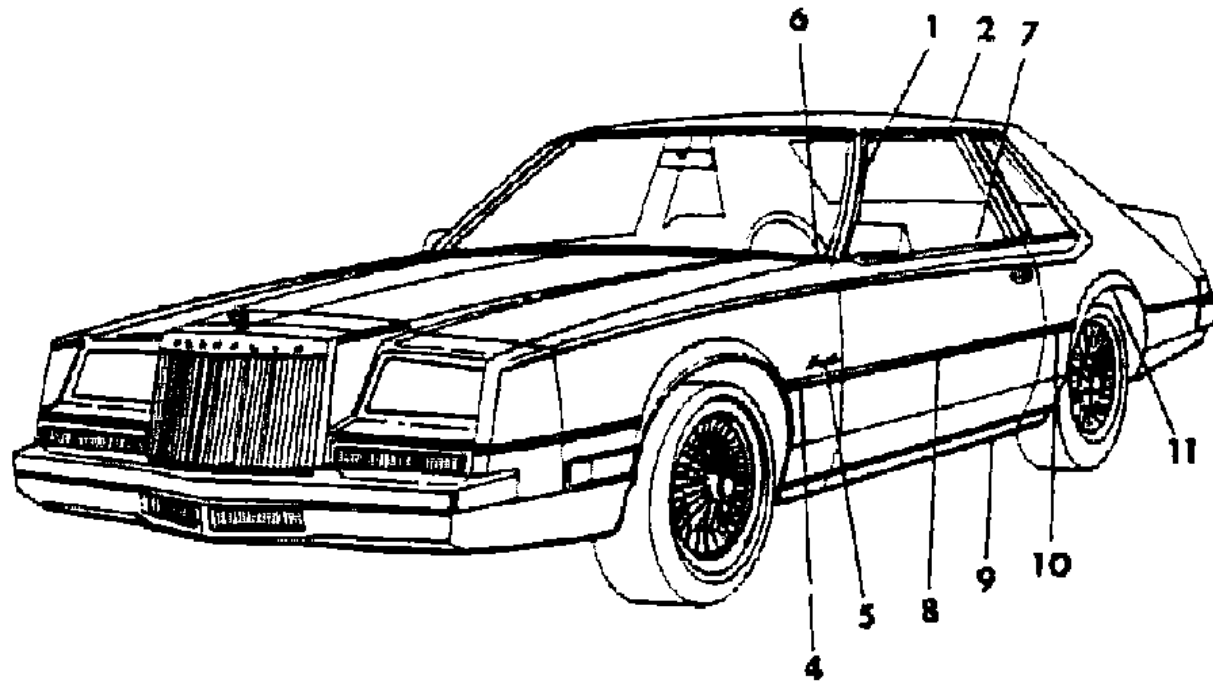
**BODY STYLES**

21 = 2-DOOR SEDAN	41 = 4-DOOR SEDAN
22 = 2-DOOR SPECIAL COUPE	45 = 4-DOOR STATION WAGON
24 = 2-DOOR HATCHBACK	44 = 4-DOOR HATCHBACK
27 = 2-DOOR CONVERTIBLE	48 = EXECUTIVE SEDAN
28 = FWD PICKUP	

AR = Use as Required - = Non Illustrated Part P.A.R. = Paint as Required

EXTERIOR VIEW CHRYSLER IMPERIAL  
Figure 23-4700

3168 4700



ITEM	PART NUMBER	QTY	BODY	MODEL	DESCRIPTION
1	4229 144-5	1			MOULDING,Body Frt. Pillar Drain Trough
					SCREW (Not Serv.)
2	4175 646-7	1			MOULDING,Roof Side Drain Trough
3	4175 130-1	1			MOULDING,Fndr. Wheel Opng.
					SCREW (Not Serv.)
4	X138-9 BA2	1			MOULDING,Fndr.,Silver Met.
	X138-9 AA9	1			Dark Silver
	X138-9 VC4	1			Glacier Blue
	X138-9 VC9	1			Night Watch Blue
	X138-9 BL4	1			Beige Met.
	X138-9 BM5	1			Red
	X138-9 BT8	1			Sable Tan
	X138-9 VW3	1			Pearl White
	X138-9 VX9	1			Black
5	4229 060	2			NAMEPLATE,Fndr. Side,"Imperial"
6	4175 470-1	1			MOULDING,Fndr. Rear Edge Belt
7	4229 674-5	1			MOULDING,Door Belt
					SCREW (Not Serv.)
8	X142 BA2	2			MOULDING,Door,Silver Met.
	X142 AA9	2			Dark Silver
	X142 VC4	2			Glacier Blue
	X142 VC9	2			Night Watch Blue
	X142 BL4	2			Beige Met.
	X142 BM5	2			Red
	X142 BT8	2			Sable Tan
	X142 VW3	2			Pearl White
	X142 VX9	2			Black
9	4175 128-9	1			MOULDING,Body Side Sill
	6003 715	AR			RETAINER
					WELD STUD (Not Serv.)
					SCREW (Not Serv.)
10	X139 BA2	1			MOULDING,Qtr.,Rt.,Silver Met.
	X139 AA9	1			Dark Silver
	X139 VC4	1			Glacier Blue
	X139 VC9	1			Night Watch Blue
	X139 BL4	1			Beige Met.
	X139 BM5	1			Red

MODEL CODES

B = GRAN FURY

C = LEBARON/TOWN & COUNTRY

D = ARIES

E = 600

F = FIFTH AVENUE

G = DIPLOMAT

M = HORIZON/TURISMO/SCAMP

P = RELIANT

S = CORDOBA

T = E CLASS/NEWYORKER

V = 400

X = MIRADA

Y = IMPERIAL

Z = OMNI/CHARGER/RAMPAGE

BODY STYLES

21 = 2-DOOR SEDAN

22 = 2-DOOR SPECIAL COUPE

24 = 2-DOOR HATCHBACK

27 = 2-DOOR CONVERTIBLE

28 = FWD PICKUP

41 = 4-DOOR SEDAN

45 = 4-DOOR STATION WAGON

44 = 4-DOOR HATCHBACK

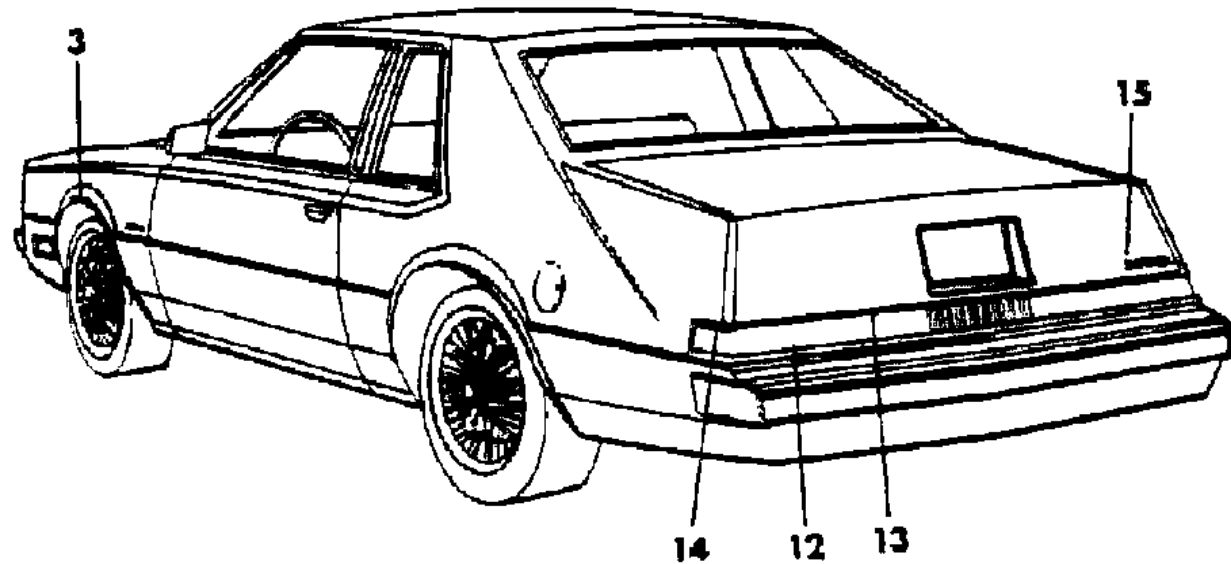
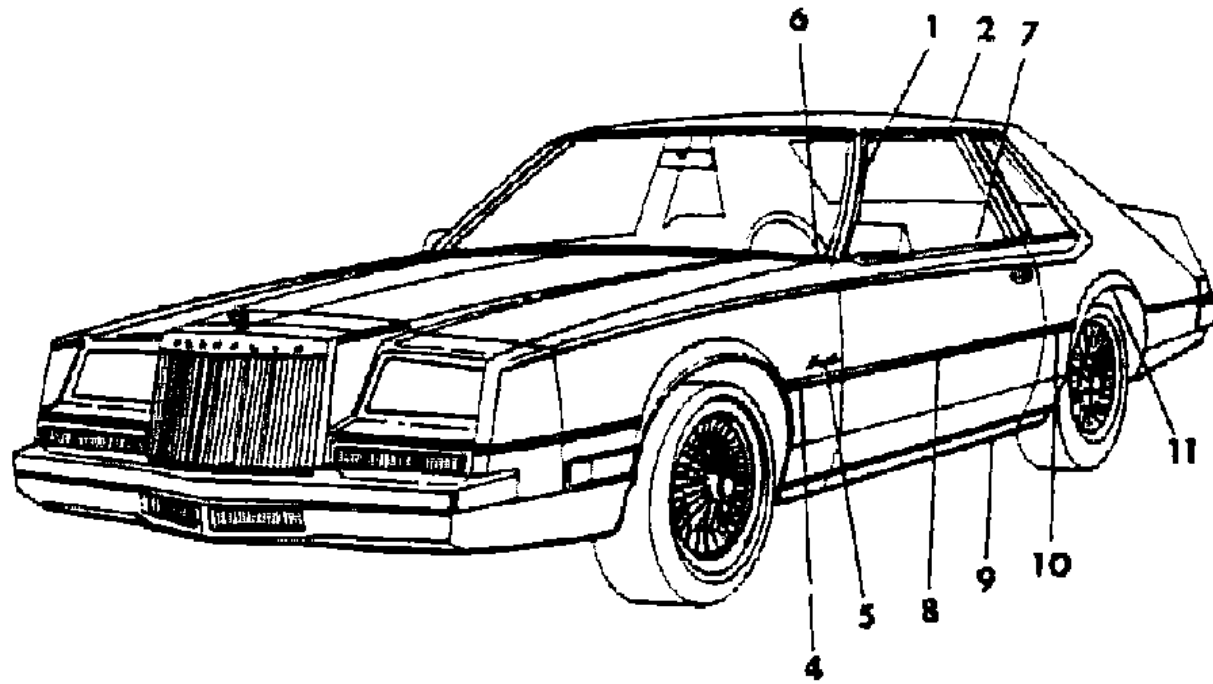
48 = EXECUTIVE SEDAN

AR = Use as Required - = Non Illustrated Part P.A.R. = Paint as Required

EXTERIOR VIEW CHRYSLER IMPERIAL  
Figure 23-4700

3168 4700

ITEM	PART NUMBER	QTY	BODY	MODEL	DESCRIPTION
	X139 BT8	1			Sable Tan
	X139 VW3	1			Pearl White
	X139 VX9	1			Black
	X138 BA2	1			MOULDING,Qtr.,Lt.,Silver Met.
	X138 AA9	1			Dark Silver
	X138 VC4	1			Glacier Blue
	X138 VC9	1			Night Watch Blue
	X138 BL4	1			Beige Met.
	X138 BM5	1			Red
	X138 BT8	1			Sable Tan
	X138 VW3	1			Pearl White
	X138 VX9	1			Black
11	4175 366-7	1			MOULDING,Qtr. Wheel Opng.
					SCREW (Not Serv.)
12	4229 315	1			MOULDING,Deck Lid Opng. T/Lamp Cover
					SCREW (Not Serv.)
	4229 316	1			INSERT,Deck Lid Opng. T/Lamp Cover Mldg.
13	4229 691	1			MOULDING,Deck Lid Lwr.
	6028 674	AR			SCREW
14	4229 134-5	1			MOULDING,Qtr. End
	6028 674	AR			SCREW
	9420 867	AR			NUT
15	4229 061	1			NAMEPLATE,Deck Lid,"Imperial"



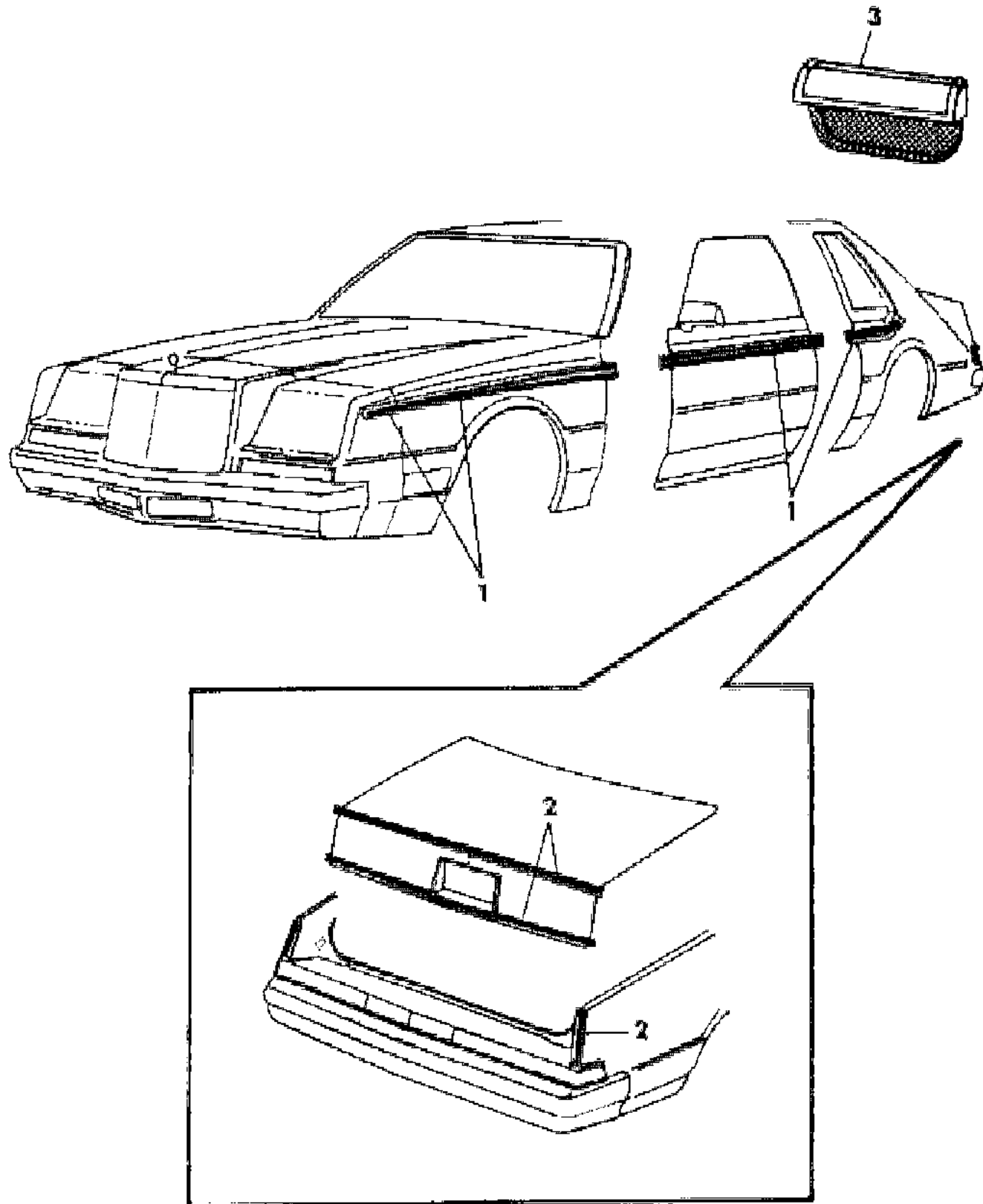
MODEL CODES  
 B = GRAN FURY  
 C = LEBARON/TOWN & COUNTRY  
 D = ARIES  
 E = 600  
 F = FIFTH AVENUE  
 G = DIPLOMAT  
 M = HORIZON/TURISMO/SCAMP  
 P = RELIANT  
 S = CORDOBA  
 T = E CLASS/NEWYORKER  
 V = 400  
 X = MIRADA  
 Y = IMPERIAL  
 Z = OMNI/CHARGER/RAMPAGE

BODY STYLES  
 21 = 2-DOOR SEDAN  
 22 = 2-DOOR SPECIAL COUPE  
 24 = 2-DOOR HATCHBACK  
 27 = 2-DOOR CONVERTIBLE  
 28 = FWD PICKUP  
 41 = 4-DOOR SEDAN  
 45 = 4-DOOR STATION WAGON  
 44 = 4-DOOR HATCHBACK  
 48 = EXECUTIVE SEDAN

AR = Use as Required - = Non Illustrated Part P.A.R. = Paint as Required

EXTERIOR VIEW - TAPE STRIPES CHRYSLER IMPERIAL  
Figure 23-4800

3168 4800



ITEM	PART NUMBER	QTY	BODY	MODEL	DESCRIPTION
1	4240 728-9	1			TAPE SET,Fndr.,Door,Qtr.,Blue (K3B)
	4293 256-7	1			Red (K3R)
	4293 258-9	1			Gold (K3Y)
	4271 556-7	1			Silver (K3A)
	4293 254-5	1			Tan (K3K)
2	T073 VC6	1			TAPE SET,Deck Lid,Qtr.,Blue (K8B)
	T073 BE5	1			Red (K8R)
	T073 AA2	1			Silver (K8A)
	T073 BY3	1			Gold (K8Y)
3	T073 BK6	1			Tan (K8K)
	T752 BA2	2			TAPE,Door Handle,Silver Met.
	T752 BA9	2			Dark Silver
	T752 BC4	2			Glacier Blue
	T752 BC9	2			Night Watch Blue
	T752 BL4	2			Beige Met.
	T752 BM5	2			Red
	T752 BT8	2			Sable Tan
	T752 BW3	2			White
	T752 BX9	2			Black

MODEL CODES  
 B = GRAN FURY  
 C = LEBARON/TOWN & COUNTRY  
 D = ARIES  
 E = 600  
 F = FIFTH AVENUE  
 G = DIPLOMAT  
 M = HORIZON/TURISMO/SCAMP  
 P = RELIANT  
 S = CORDOBA  
 T = E CLASS/NEWYORKER  
 V = 400  
 X = MIRADA  
 Y = IMPERIAL  
 Z = OMNI/CHARGER/RAMPAGE

BODY STYLES  
 21 = 2-DOOR SEDAN  
 22 = 2-DOOR SPECIAL COUPE  
 24 = 2-DOOR HATCHBACK  
 27 = 2-DOOR CONVERTIBLE  
 28 = FWD PICKUP  
 41 = 4-DOOR SEDAN  
 45 = 4-DOOR STATION WAGON  
 44 = 4-DOOR HATCHBACK  
 48 = EXECUTIVE SEDAN

AR = Use as Required - = Non Illustrated Part P.A.R. = Paint as Required

**GROUP 23A - BODY - SHEET METAL EXCEPT DOORS**

ILLUSTRATION TITLE	GROUP-FIG. NO.
FLOOR PAN, FRONT - M,Z	Fig. 23A-100
FLOOR PAN, REAR - M,Z 24,44	Fig. 23A-200
FLOOR PAN, REAR - M,Z 28	Fig. 23A-300
GROUND EFFECTS PACKAGE "SHELBY" - Z-S 24	Fig. 23A-350
FENDER - M,Z	Fig. 23A-400
HOOD - M,Z	Fig. 23A-500
COWL & DASH PANEL - M,Z	Fig. 23A-600
GLASS, WINDSHIELD - M,Z	Fig. 23A-700
WASHER SYSTEM, WINDSHIELD - M,Z	Fig. 23A-800
WIPER SYSTEM, WINDSHIELD - M,Z	Fig. 23A-900
BODY, FRONT PILLAR - M,Z	Fig. 23A-1000
BODY, REAR QUARTER - M,Z 24	Fig. 23A-1100
BODY, REAR QUARTER - M,Z 28	Fig. 23A-1200
BODY, REAR QUARTER - M,Z 44	Fig. 23A-1300
LIFTGATE OPENING - M,Z 24	Fig. 23A-1400
TAILGATE OPENING & CARGO BOX - M,Z 28	Fig. 23A-1600
LIFTGATE OPENING - M,Z 44	Fig. 23A-1700
GLASS, QUARTER WINDOW - M,Z 24	Fig. 23A-1900
ROOF PANEL - M,Z	Fig. 23A-2000
SUN ROOF - M,Z 24	Fig. 23A-2100
ROOF LUGGAGE RACK - M,Z	Fig. 23A-2200
GLASS, REAR WINDOW - M,Z 28	Fig. 23A-2300
LIFT GATE - M,Z 24	Fig. 23A-2500
LIFT GATE - M,Z 44	Fig. 23A-2600
GLASS, LIFT GATE - M,Z	Fig. 23A-2700
WASHER & WIPER SYSTEM, LIFTGATE - M,Z 44	Fig. 23A-2800
TAILGATE - M,Z 28	Fig. 23A-2900
FLOOR PAN - P,D,V,C,E,T	Fig. 23A-3000
CONVERTIBLE, FLOOR PAN & DECK OPENING PANEL - V,C 27	Fig. 23A-3100
PLUGS, FLOOR PAN - P,D,V,C,E,T	Fig. 23A-3200
FENDER - P,D,V,C,E,T	Fig. 23A-3300
BUMPERS & PLUGS, FENDER & HOOD - P,D,V,C,E,T	Fig. 23A-3400
HOOD - P,D,V,C,E,T	Fig. 23A-3500
HOOD RELEASE, REMOTE CONTROL - P,D,V,C,E,T	Fig. 23A-3600
COWL & DASH PANEL - P,D,V,C,E,T	Fig. 23A-3700
PLUGS, COWL & DASH - P,D,V,C,E,T	Fig. 23A-3800
GLASS, WINDSHIELD - P,D,V,C,E,T	Fig. 23A-3900
WASHER SYSTEM, WINDSHIELD - P,D,V,C,E,T	Fig. 23A-4000

**ILLUSTRATION NOT AVAILABLE AT TIME OF PUBLICATION**

Figure 23-4800

GROUP 23A - BODY - SHEET METAL EXCEPT DOORS

GROUP 23A - BODY - SHEET METAL EXCEPT DOORS

ILLUSTRATION TITLE	GROUP-FIG. NO.	ILLUSTRATION TITLE	GROUP-FIG. NO.
<b>INSULATOR CHARTS (Continued)</b>		<b>INSULATOR CHARTS (Continued)</b>	
WASHER SYSTEM, WINDSHIELD - P,D,V,C,E,T	Fig. 23A-4000	WASHER & WIPER SYSTEM, LIFT GATE - P,D,C 45	Fig. 23A-6700
WIPER SYSTEM, WINDSHIELD - P,D,V,C,E,T	Fig. 23A-4100	FLOOR PAN - B,F,G	Fig. 23A-9200
PILLAR, BODY FRONT HINGE - P,D,V,C,E,T	Fig. 23A-4200	PLUGS, FLOOR PAN - B,F,G	Fig. 23A-9300
APERTURE PANELS - P,D,V,C,E,T	Fig. 23A-4300	FENDER - B,F,G	Fig. 23A-9400
PLUGS, BODY SIDE - P,D,V,C,E,T	Fig. 23A-4400	BUMPERS, FENDER & HOOD - B,F,G	Fig. 23A-9500
BODY SIDE - P,D,V,C 21,22,27	Fig. 23A-4500	HOOD - B,F,G	Fig. 23A-9600
BODY SIDE - P,D,V,C 41	Fig. 23A-4600	HOOD RELEASE, REMOTE CONTROL - B,F,G	Fig. 23A-9700
BODY SIDE - E,T	Fig. 23A-4650	COWL & DASH PANEL - B,F,G	Fig. 23A-9800
BODY SIDE - P,D,C 45	Fig. 23A-4700	PLUGS, COWL & DASH - B,F,G	Fig. 23A-9900
BODY EXTENSIONS & REINFORCEMENTS - C 48	Fig. 23A-4750	GLASS, WINDSHIELD - B,F,G	Fig. 23A-10000
SIDE SILL & CENTER PILLAR - P,D,V,C,E,T	Fig. 23A-4800	WASHER SYSTEM, WINDSHIELD - B,F,G	Fig. 23A-10100
QUARTER INSIDE & WHEELHOUSE OUTER PANELS - P,D,V,C 21,22,27	Fig. 23A-4900	WIPER SYSTEM, WINDSHIELD - B,F,G	Fig. 23A-10200
QUARTER INSIDE & WHEELHOUSE OUTER PANELS - P,D,V,C 41	Fig. 23A-5000	SIDE SILL & CENTER PILLAR - B,F,G	Fig. 23A-10300
QUARTER INSIDE & WHEELHOUSE OUTER PANELS - E,T	Fig. 23A-5050	PLUGS, BODY SIDE - B,F,G	Fig. 23A-10400
QUARTER INSIDE & WHEELHOUSE OUTER PANEL - P,D,C 45	Fig. 23A-5100	QUARTER PANEL - B,F,G	Fig. 23A-10500
GLASS, QUARTER WINDOW - P,D,V,C 21,22	Fig. 23A-5200	ROOF PANEL - B,F,G	Fig. 23A-10600
GLASS, QUARTER WINDOW - E,T	Fig. 23A-5250	SUN ROOF - B,F,G	Fig. 23A-10700
GLASS, QUARTER WINDOW - P,D,C 45	Fig. 23A-5300	SUN ROOF - B,F,G	Fig. 23A-10800
ROOF PANEL - P,D,V,C,E,T	Fig. 23A-5400	GLASS, REAR WINDOW - B,F,G	Fig. 23A-10900
CONVERTIBLE, FOLDING TOP - V,C 27	Fig. 23A-5500	DECK OPENING PANELS - B,F,G	Fig. 23A-11000
CONVERTIBLE, WINDSHIELD HEADER - V,C 27	Fig. 23A-5600	DECK LID - B,F,G	Fig. 23A-11100
ROOF LUGGAGE RACK - P,D 21,41	Fig. 23A-5700	BUMPERS & PLUGS, DECK LID - B,F,G	Fig. 23A-11200
ROOF LUGGAGE RACK - P,D,C 45	Fig. 23A-5800	DECK LID, ELECTRIC - B,F,G	Fig. 23A-11300
GLASS, REAR WINDOW - P,D,V,C 21,22,41	Fig. 23A-5900	FLOOR PAN - X,S,Y	Fig. 23A-11400
GLASS, REAR WINDOW - E,T	Fig. 23A-5950	PLUGS, FLOOR PAN - X,S,Y	Fig. 23A-11500
DECK OPENING PANELS - P,D,V,C	Fig. 23A-6000	FENDER - X,S,Y	Fig. 23A-11600
DECK OPENING PANELS - E,T	Fig. 23A-6050	BUMPERS, FENDER & HOOD - X,S,Y	Fig. 23A-11700
LIFT GATE OPENING PANELS - P,D,C 45	Fig. 23A-6100	HOOD - X,S,Y	Fig. 23A-11800
DECK LID - P,D,V,C	Fig. 23A-6200	HOOD RELEASE, REMOTE CONTROL - X,S,Y	Fig. 23A-11900
DECK LID - E,T	Fig. 23A-6250	COWL & DASH PANEL - X,S,Y	Fig. 23A-12000
BUMPERS & PLUGS, DECK LID - P,D,V,C,E,T	Fig. 23A-6300	PLUGS, COWL & DASH - X,S,Y	Fig. 23A-12100
DECK LID, ELECTRIC - P,D,V,C,E,T	Fig. 23A-6400	GLASS, WINDSHIELD - X,S,Y	Fig. 23A-12200
LIFT GATE - P,D,C 45	Fig. 23A-6500	WASHER SYSTEM, WINDSHIELD - X,S,Y	Fig. 23A-12300
PLUGS, LIFT GATE - P,D,C 45	Fig. 23A-6600	WIPER SYSTEM, WINDSHIELD - X,S,Y	Fig. 23A-12400
WASHER & WIPER SYSTEM, LIFT GATE - P,D,C 45	Fig. 23A-6700	SIDE SILL - X,S,Y	Fig. 23A-12500



---

**GROUP 23A - BODY - SHEET METAL EXCEPT DOORS**

**ILLUSTRATION TITLE**

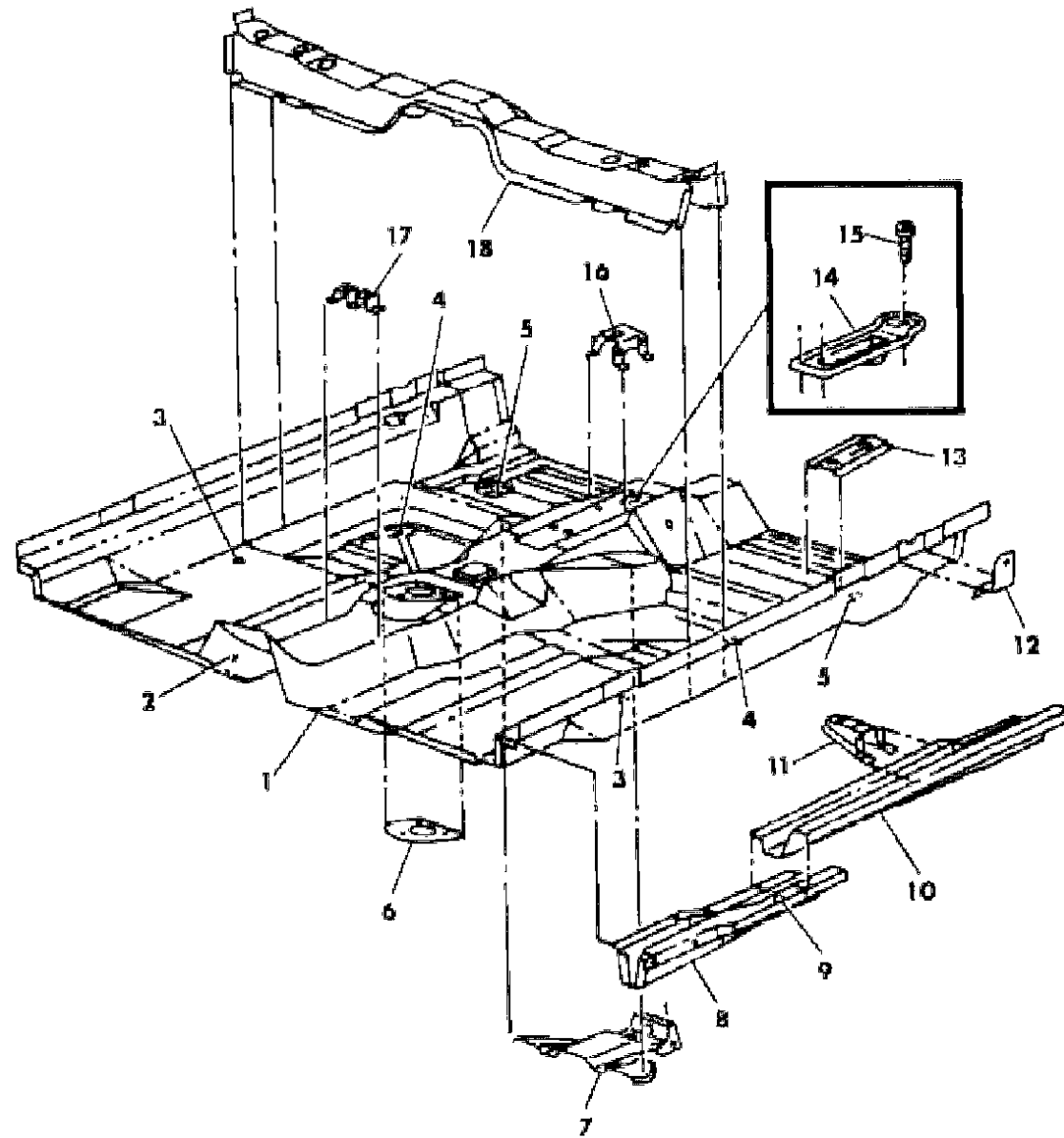
**GROUP-FIG. NO.**

**INSULATOR CHARTS (Continued)**

SIDE SILL - X,S,Y .....	Fig. 23A-12500
QUARTER PANEL - X,S .....	Fig. 23A-12600
QUARTER PANEL - Y .....	Fig. 23A-12700
GLASS, QUARTER WINDOW - X,S .....	Fig. 23A-12800
GLASS, QUARTER WINDOW - Y .....	Fig. 23A-12900
ROOF PANEL - X,S,Y .....	Fig. 23A-13000
ROOF SIDE WEATHERSTRIPS - X,S .....	Fig. 23A-13100
ROOF SIDE WEATHERSTRIPS - Y .....	Fig. 23A-13200
GLASS, REAR WINDOW - X,S,Y .....	Fig. 23A-13300
DECK OPENING PANELS - X,S .....	Fig. 23A-13400
DECK OPENING PANELS - Y .....	Fig. 23A-13500
DECK LID - X,S .....	Fig. 23A-13600
DECK LID - Y .....	Fig. 23A-13700
BUMPERS & PLUGS, DECK LID - X,S,Y .....	Fig. 23A-13800
DECK LID, ELECTRIC - X,S,Y .....	Fig. 23A-13900

FLOOR PAN, FRONT - M,Z  
Figure 23A-100

3166 100B



ITEM	PART NUMBER	QTY	BODY	MODEL	DESCRIPTION
1	5230 415	1		24	PAN, Front Floor
	5230 417	1		28,44	
2	2424 864	1		24,28,4	PLUG, 1.75" Dia./44.5 mm
3	2480 957	2		24,28,4	PLUG, 1.00" Dia./25.4 mm
4	4073 485	2		24,28,4	PLUG, 1.50" Dia./38 mm
5	5200 456	2		24,28,4	PLUG, 2.75" Dia./70 mm
6	5200 207	1		24,28,4	REINFORCEMENT & P/NUT, Gearshift Mounting
7	5230 421	1		24,28,4	REINFORCEMENT & NUTS, Handbrake & Front Seat Inner Track Rear, Mounting
8	5200 004-5	1		24,28,4	EXTENSION, Lower Side Sill, Front
9	1774 076	2		24,44	PLUG, .630" Dia./16 mm
10	5230 076-7	1		24	PANEL, Lower Sill
	5200 006-7	1		28,44	
	4050 466-7	1		28,44	PANEL & REINFORCEMENT, Lower Sill (Includes Item #11)
11	5200 176	2		24,28,4	REINFORCEMENT, Front Seat Outer Track Rear, Mounting
12	5230 006	2		24	REINFORCEMENT & W/NUT, Front Seat Belt Outer, Mounting
	5200 205	2		28,44	
13	3791 040	1		28	BRACKET, Jack Stowage
14	5200 384	1		24,28,4	SEAL, Handbrake Cable
15		3		24,28,4	SCREW, #10-16 x .375" (Not Serviced)
16	4314 178	1		24,28,4	BRACKET, Console Rear
17	4314 177	1		24,28,4	BRACKET, Console Front
18	5230 314	1		24,28,4	CROSSMEMBER, Front Seat Track Front, Mounting

MODEL CODES

B = GRAN FURY	G = DIPLOMAT	V = 400
C = LEBARON/TOWN & COUNTRY	M = HORIZON/TURISMO/SCAMP	X = MIRADA
D = ARIES	P = RELIANT	Y = IMPERIAL
E = 600	S = CORDOBA	Z = OMNI/CHARGER/RAMPAGE
F = FIFTH AVENUE	T = E CLASS/NEWYORKER	

BODY STYLES

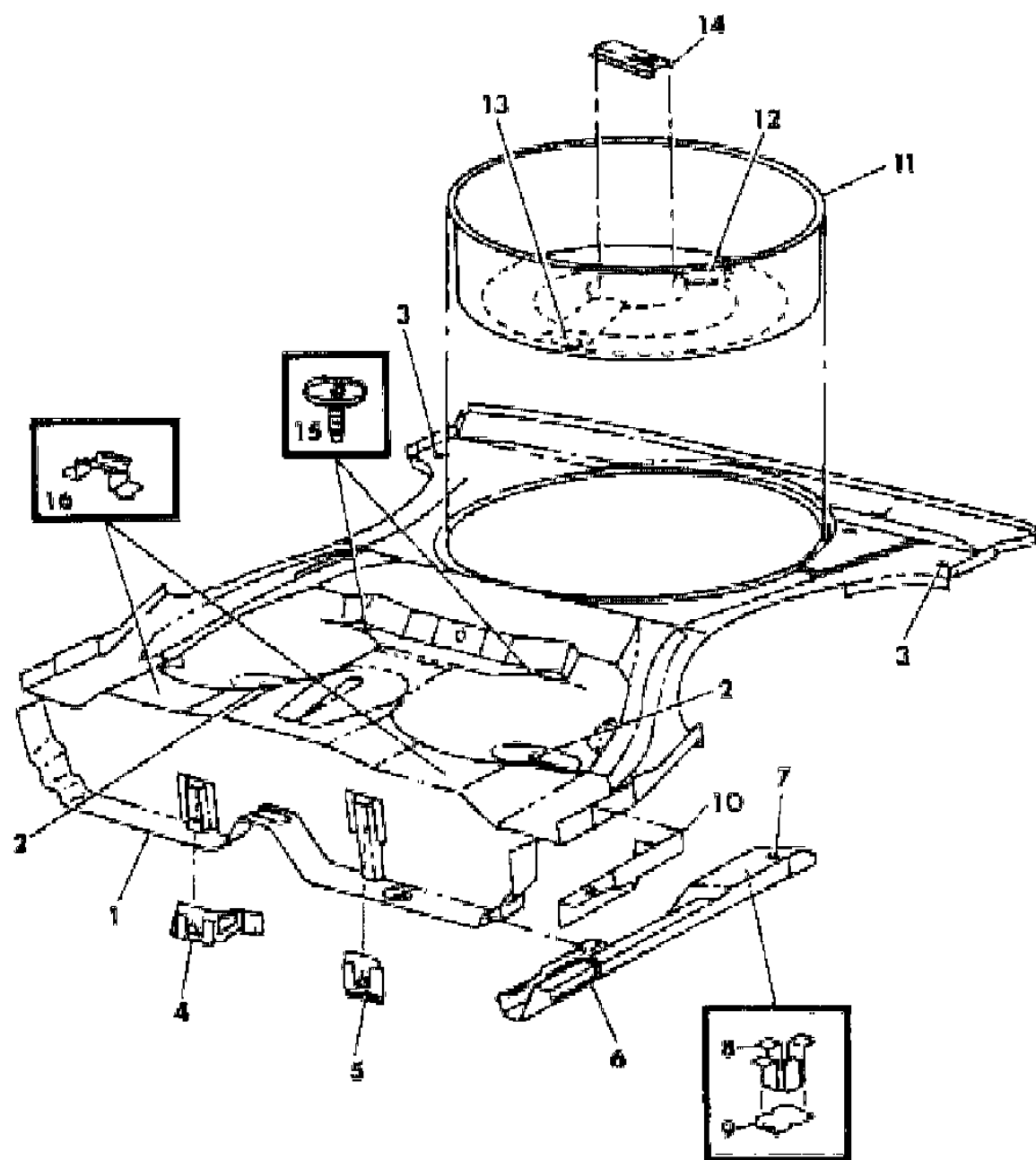
21 = 2-DOOR SEDAN	41 = 4-DOOR SEDAN
22 = 2-DOOR SPECIAL COUPE	45 = 4-DOOR STATION WAGON
24 = 2-DOOR HATCHBACK	44 = 4-DOOR HATCHBACK
27 = 2-DOOR CONVERTIBLE	48 = EXECUTIVE SEDAN
28 = FWD PICKUP	

AR = Use as Required - = Non Illustrated Part P.A.R. = Paint as Required



FLOOR PAN, REAR - M,Z 24,44  
Figure 23A-200

3160 2000



ITEM	PART NUMBER	QTY	BODY	MODEL	DESCRIPTION
1	5230 383	1		24	PAN, Rear Floor
	5230 387	1		44	
2	5200 474	2		24,44	PLUG, .838" Dia./21.3 mm
3	2480 957	2		24,44	PLUG, 1.00" Dia./25.4 mm
4	5218 306	1		24,44	PLATE & U/NUT, Fuel Tank Strap & Exhaust Hanger
5	5200 266	1		24,44	PLATE, Fuel Tank Strap Hanger
6	5200 162-3	1		24,44	EXTENSION, Lower Side Sill, Rear
7	1774 076	2		24,44	PLUG, .630" Dia./16 mm
8	5200 312	2		24,44	BRACKET, Jacking, Rear
9		2		24,44	PLATE, Jacking Bracket (Not Serviced)
10	5200 034-5	1		24,44	PANEL, Inner Sill, Rear
11	5200 334	1		24,44	PANEL, Tire Stowage
12	2424 864	1		24,44	PLUG, 1.75" Dia./44.5 mm
13	5200 371	1		24,44	PLUG, 2.75" Dia./70 mm
14	3791 040	1		24,44	BRACKET, Tire Stowage
15	5200 276	2		24,44	REINFORCEMENT & BOLT, Fuel Tank Strap Rear, Mounting
16	5200 388	2		24,44	RETAINER, Rear Seat Cushion

MODEL CODES

B = GRAN FURY	G = DIPLOMAT	V = 400
C = LEBARON/TOWN & COUNTRY	M = HORIZON/TURISMO/SCAMP	X = MIRADA
D = ARIES	P = RELIANT	Y = IMPERIAL
E = 600	S = CORDOBA	Z = OMNI/CHARGER/RAMPAGE
F = FIFTH AVENUE	T = E CLASS/NEWYORKER	

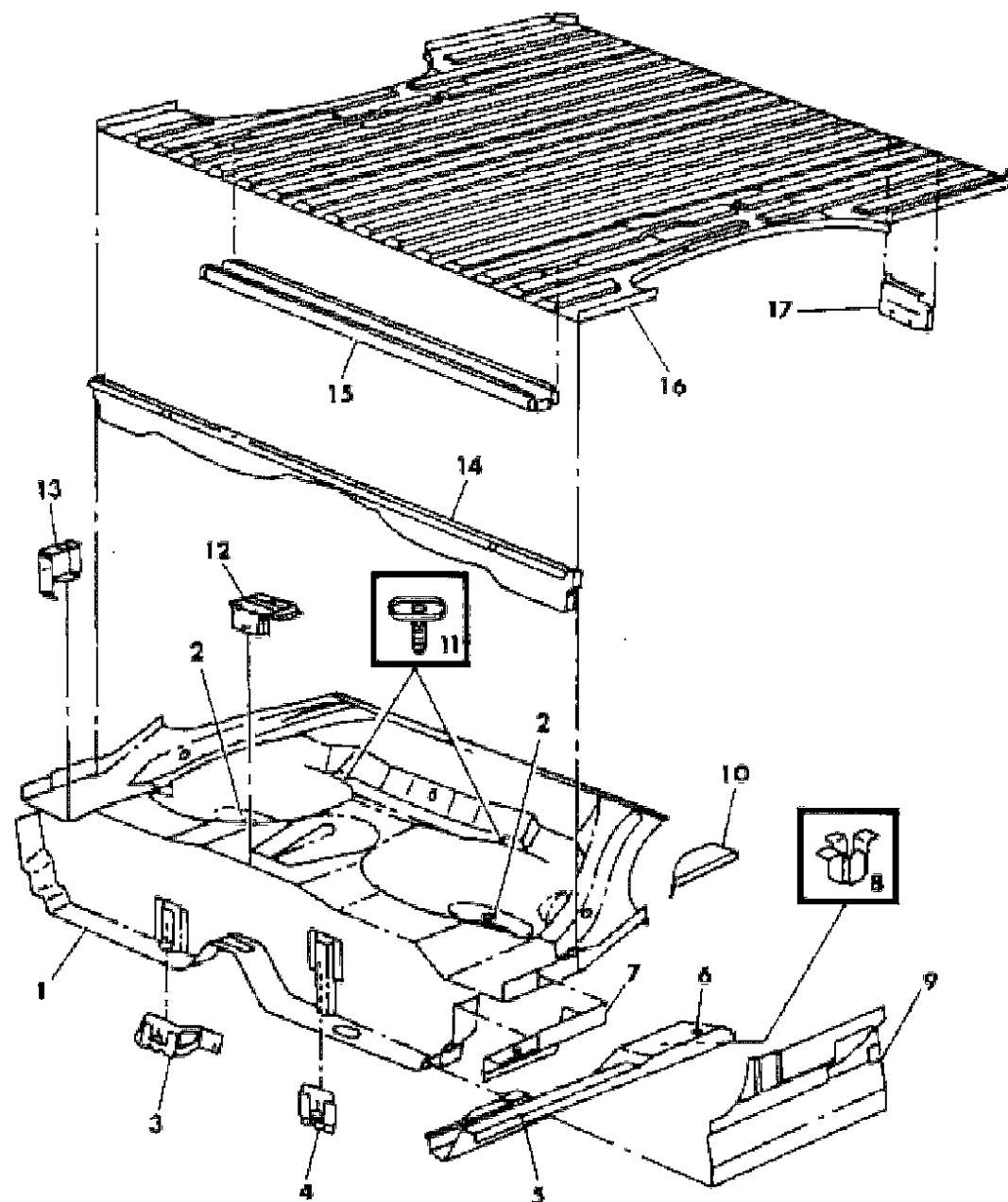
BODY STYLES

21 = 2-DOOR SEDAN	41 = 4-DOOR SEDAN
22 = 2-DOOR SPECIAL COUPE	45 = 4-DOOR STATION WAGON
24 = 2-DOOR HATCHBACK	44 = 4-DOOR HATCHBACK
27 = 2-DOOR CONVERTIBLE	48 = EXECUTIVE SEDAN
28 = FWD PICKUP	

AR = Use as Required - = Non Illustrated Part P.A.R. = Paint as Required

FLOOR PAN, REAR - M,Z 28  
Figure 23A-300

3109 300A



ITEM	PART NUMBER	QTY	BODY	MODEL	DESCRIPTION
1	4206 576	1		28	PAN, Rear Floor
2	5200 474	2		28	PLUG, .838" Dia./21.3 mm
3	5218 306	1		28	PLATE & U/NUT, Fuel Tank Strap & Exhaust Hanger
4	5200 266	1		28	PLATE, Fuel Tank Strap Hanger
5	5200 162-3	1		28	EXTENSION, Lower Side Sill, Rear
6	1774 076	2		28	PLUG, .630" Dia./16 mm
7	5200 034-5	1		28	PANEL, Inner Sill, Rear
8	5200 312	2		28	BRACKET, Jacking Rear
9	4206 678-9	1		28	EXTENSION, Cargo Floor Front, Side
10		1		28	PANEL, Wheelhouse Closure (Serviced in Rear Side Rail Assembly - See Group 13 Illustrations)
11	5200 276	2		28	REINFORCEMENT & BOLT, Fuel Tank Strap Rear, Mounting
12	4206 774	1		28	SUPPORT, Stowage Tray, Center
13	4206 772-3	1		28	SUPPORT, Stowage Tray, Outer
14	4206 590	1		28	SUPPORT, Cab Back Panel
15	4278 709	1		28	CROSSMEMBER, Cargo Floor Front
16	4206 579	1		28	PANEL, Cargo Floor
17	4206 732	1		28	BRACKET, Muffler Hanger

MODEL CODES

B = GRAN FURY	G = DIPLOMAT	V = 400
C = LEBARON/TOWN & COUNTRY	M = HORIZON/TURISMO/SCAMP	X = MIRADA
D = ARIES	P = RELIANT	Y = IMPERIAL
E = 600	S = CORDOBA	Z = OMNI/CHARGER/RAMPAGE
F = FIFTH AVENUE	T = E CLASS/NEWYORKER	

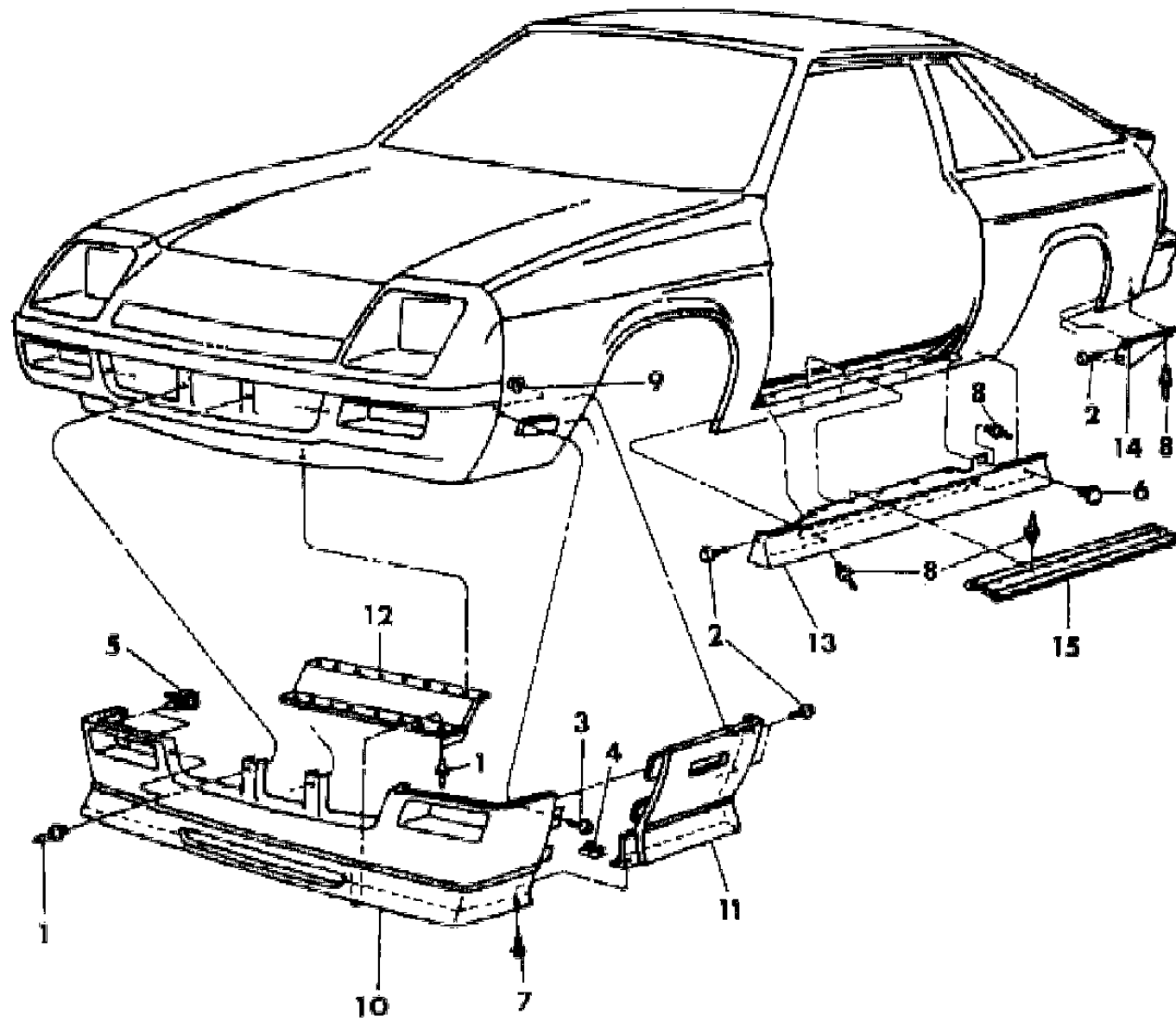
BODY STYLES

21 = 2-DOOR SEDAN	41 = 4-DOOR SEDAN
22 = 2-DOOR SPECIAL COUPE	45 = 4-DOOR STATION WAGON
24 = 2-DOOR HATCHBACK	44 = 4-DOOR HATCHBACK
27 = 2-DOOR CONVERTIBLE	48 = EXECUTIVE SEDAN
28 = FWD PICKUP	

AR = Use as Required - = Non Illustrated Part P.A.R. = Paint as Required

**GROUND EFFECTS PACKAGE "SHELBY" - Z-S 24**  
**Figure 23A-350**

3169 350



ITEM	PART NUMBER	QTY	BODY	MODEL	DESCRIPTION
1	6500 898	AR		24	RIVET
2	6031 694	AR		24	SCREW & WASHER
3	6023 531	AR		24	BOLT & WASHER
4	6100 048	AR		24	NUT & WASHER
5	6500 897	4		24	C/CLIP
6	X910 BA1	2		24	FASTENER, Push-Pin, Silver
	X910 BB6	2		24	Blue
7	6100 286	AR		24	SCREW & WASHER
8		AR		24	RIVET, 3/16" Dia. x 3/8" Grip Range (Not Serviced)
9	6025 010	2		24	NUT & WASHER
10	X901 BAB	1		24	AIR DAM, Front Fascia (w/Silver Tape)
	X901 BBA	1		24	(w/Blue Tape)
11	X904-5 BAB	1		24	SKIRT, Front Fender (w/Silver Tape)
	X904-5 BBA	1		24	(w/Blue Tape)
12		1		24	PANEL, Air Dam Mounting (Serviced in Item #10)
13	X906-7 BA1	1		24	COVER, Body Sill, Silver
	X906-7 BB6	1		24	Blue
14	X908-9 BA1	1		24	SKIRT, Rear Aperture, Silver
	X908-9 BB6	1		24	Blue
15	4319 998-9	1		24	PLATE, Sill Cover
NOTE: The Following Parts Are Not Shown On Illustration. an offsetting order for part no. 3747881					
	4270 472	2		24	STRAP, Air Dam to Fender Skirt
	4270 473	2		24	BRACKET, Aperture Panel to Sill Cover
	6026 430	4		24	PUSH NUT, Fender Skirt to Fender

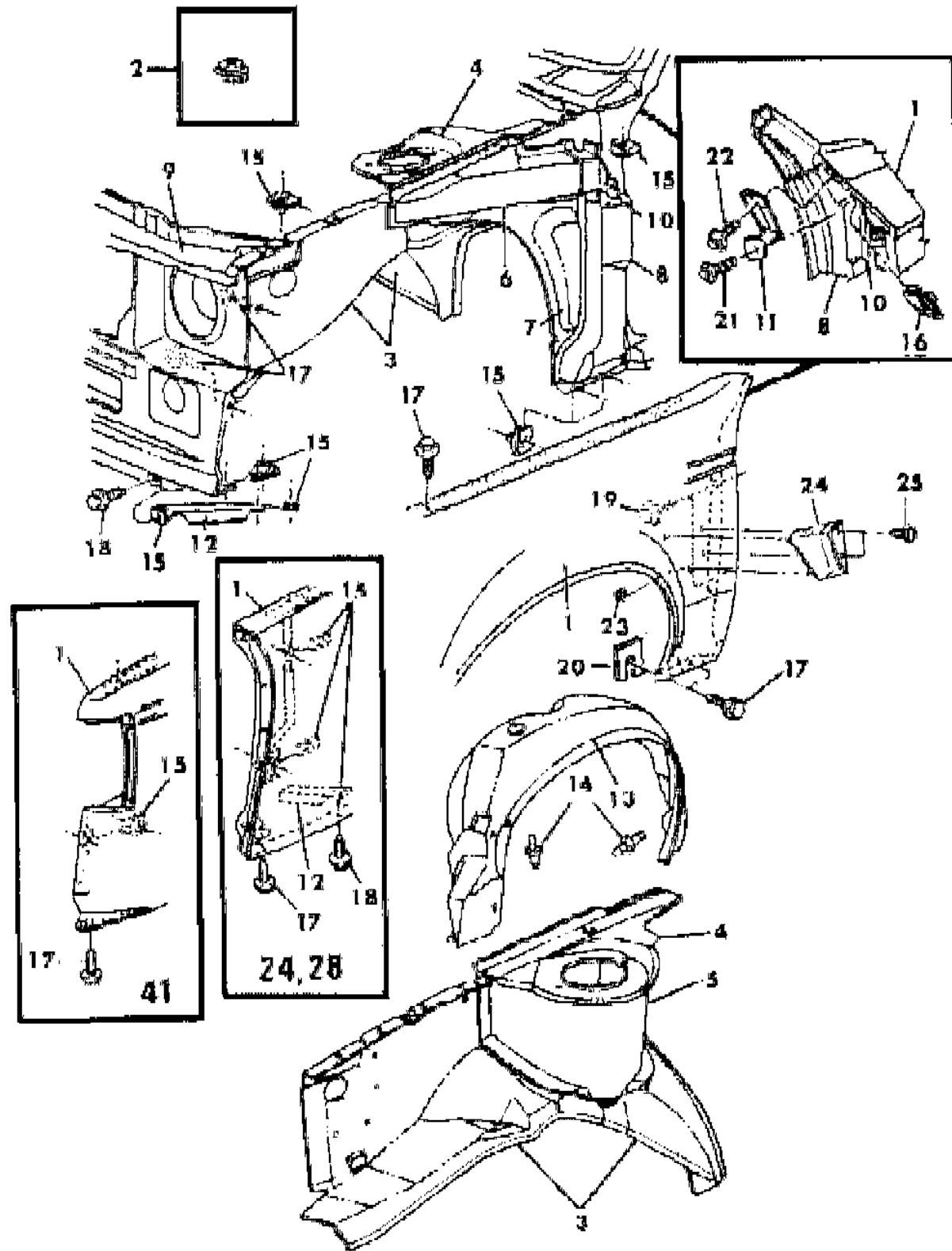
MODEL CODES  
 B = GRAN FURY  
 C = LEBARON/TOWN & COUNTRY  
 D = ARIES  
 E = 600  
 F = FIFTH AVENUE  
 G = DIPLOMAT  
 M = HORIZON/TURISMO/SCAMP  
 P = RELIANT  
 S = CORDOBA  
 T = E CLASS/NEWYORKER  
 V = 400  
 X = MIRADA  
 Y = IMPERIAL  
 Z = OMNI/CHARGER/RAMPAGE

BODY STYLES  
 21 = 2-DOOR SEDAN  
 22 = 2-DOOR SPECIAL COUPE  
 24 = 2-DOOR HATCHBACK  
 27 = 2-DOOR CONVERTIBLE  
 28 = FWD PICKUP  
 41 = 4-DOOR SEDAN  
 45 = 4-DOOR STATION WAGON  
 44 = 4-DOOR HATCHBACK  
 48 = EXECUTIVE SEDAN

AR = Use as Required - = Non Illustrated Part P.A.R. = Paint as Required

FENDER - M,Z  
Figure 23A-400

D169 400 C



ITEM	PART NUMBER	QTY	BODY	MODEL	DESCRIPTION
1	4106 616-7	1		24,28	PANEL, Fender, Use Up To 1/25/83
	4318 308-9	1		24,28	Use After 1/25/83
	4103 668-9	1		44	Use Up To 1/19/83
	4296 720-1	1		44	Use After 1/19/83
2	5211 168	1		24,28,4	PLUG, Fender Antenna Hole
3	4296 092-3	1		24,28,4	PANEL, Fender Shield
4	4296 094-5	1		24,28,4	REINFORCEMENT, Front Suspension Iso-Strut, Mounting Tower
5	4296 080-1	1		24,28,4	TOWER, Front Suspension Iso-Strut, Mounting
6	5200 804-5	1		24,28,4	SUPPORT, Cowl Side Panel to Iso-Strut Mounting Tower
7				24,28,4	PANEL, Cowl Side (See Cowl & Dash Panel Illustration)
8				24,28,4	PILLAR, Front Hinge (See "Body, Front Pillar" Illustration)
9				24,28,4	PANEL, Fender Closure & Headlamp Mounting (See Group 7 Illustration)
10	5231 324-5	1		24,28	BRACKET & P/NUT, Front Hinge Pillar to Iso-Strut Tower Support
	5231 084-5	1		44	
11	4103 438-9	1		24,28	BRACKET, Fender Rear to Windshield Opening Frame
12	4103 230-1	1		24,28	BRACE, Fender Closure & Headlamp Mounting Panel
13	5201 336-7	1		24,28	SHIELD, Fender Splash
	4296 130-1	1		44	
14	6031 390	AR		24,28,4	RETAINER, Drive Pin Type
15	6100 041	AR		24,28,4	U-NUT
16	6100 040	AR		24,28	U-NUT
17	6100 568	AR		24,28,4	SCREW & WASHER
18	6100 566	AR		24,28	SCREW & WASHER
19	6100 302	AR		24,28,4	SCREW & WASHER
20	6010 031	AR		24,28,4	SHIM
21		2		24,28	SCREW, #10-16 x .75" (Not Serviced)
22	6100 534	2		24,28	SCREW & WASHER
23	9420 294	4		24,28	NUT
24	X588-9 VW3	1		24,28	EXHAUSTER, Fender
25		4		24,28	SCREW, #8-18 x .75" (Not Serviced)

MODEL CODES

B = GRAN FURY	G = DIPLOMAT	V = 400
C = LEBARON/TOWN & COUNTRY	M = HORIZON/TURISMO/SCAMP	X = MIRADA
D = ARIES	P = RELIANT	Y = IMPERIAL
E = 600	S = CORDOBA	Z = OMNI/CHARGER/RAMPAGE
F = FIFTH AVENUE	T = E CLASS/NEWYORKER	

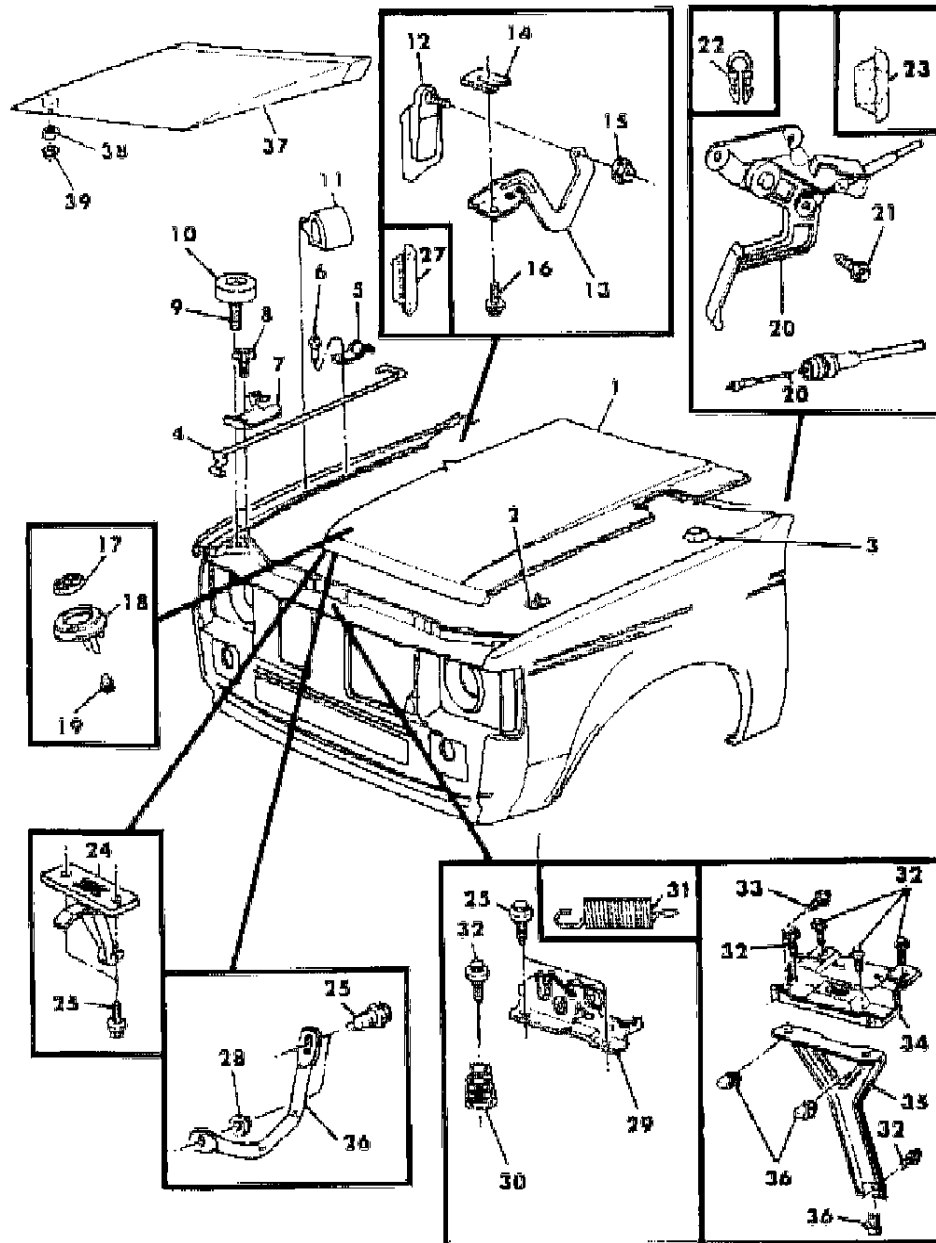
BODY STYLES

21 = 2-DOOR SEDAN	41 = 4-DOOR SEDAN
22 = 2-DOOR SPECIAL COUPE	45 = 4-DOOR STATION WAGON
24 = 2-DOOR HATCHBACK	44 = 4-DOOR HATCHBACK
27 = 2-DOOR CONVERTIBLE	48 = EXECUTIVE SEDAN
28 = FWD PICKUP	

AR = Use as Required - = Non Illustrated Part P.A.R. = Paint as Required

## HOOD - M,Z Figure 23A-500

3168 5008



ITEM	PART NUMBER	QTY	BODY	MODEL	DESCRIPTION
1	5218 361	1		24,28	PANEL, Hood, Use Up To 4/8/83 (Except Z-S 24)
	4297 162	1		24,28	Use After 4/8/83 (Except Z-S 24)
	5218 423	1		24	(Z-S 24)
	5218 358	1		44	Use Up To 4/1/83
	4297 164	1		44	Use After 4/1/83
2	6003 351	AR		24,28,4	FASTENER, Hood Panel Silencer
	4049 601	AR		24,28,4	SILENCER MATERIAL, Hood Panel, Cut to Fit, 36" x 72"
3	5201 342	2		24,28	SEAL, Hood Panel to Fender Ledge
	5201 146	2		44	
4	5201 270	1		24,28,4	ROD, Hood Panel Prop
5	5201 370	1		24,28,4	BRACKET, Hood Panel Prop Rod, Anchor
6	6031 115	1		24,28,4	RIVET
7	5201 356	1		24,28,4	CLIP, Hood Panel Prop Rod, Stowage
8	6100 568	1		24,28,4	SCREW & WASHER
9	6023 531	2		24,28,4	SCREW, Hood Panel Front Bumper, Mounting
10	3788 362	2		24,28,4	BUMPER, Hood Panel, Front
	5201 343	2		24,28	BUMPER, Hood Panel to Fender Ledge
12	5231 228-9	1		24,28,4	HINGE & SCREW, Hood Panel, Body Half
	5201 084-5	1		24,28,4	HINGE, Hood Panel, Hood Half
14	6010 031	AR		24,28,4	SHIM
15	6500 201	2		24,28,4	NUT & WASHER
16	6100 567	4		24,28,4	SCREW & WASHER
17		1		24,28	INSERT, Hood Ornament (Serviced in Item #18)
18	#4229 722	1		24,28	BASE & INSERT, Hood Ornament (Includes Item #17)
19	6029 471	2		24,28	NUT
20	5207 049	1		24,28,4	RELEASE ASSEMBLY, Inside Hood Latch
	6022 149	1		24,28,4	SPRING NUT
21	9421 073	3		24,28,4	SCREW
22		2		24,28,4	CLIP (Not Serviced)
23	5207 294	1		24,28,4	GROMMET, Inside Hood Latch, Release Cable
24	5207 417	1		24,28,4	CATCH, Hood Safety
25	6101 339	AR		24,28,4	SCREW & WASHER
26	5207 038	1		24,28,4	STRIKER, Hood Latch
27	2860 332	AR		44	PLUG, Hood Hinge Hole Repair
28	6100 047	1		24,28,4	NUT & WASHER
29	5232 057	1		24,28	LATCH, Hood Inside Release

**MODEL CODES**

B = GRAN FURY	G = DIPLOMAT	V = 400
C = LEBARON/TOWN & COUNTRY	M = HORIZON/TURISMO/SCAMP	X = MIRADA
D = ARIES	P = RELIANT	Y = IMPERIAL
E = 600	S = CORDOBA	Z = OMNI/CHARGER/RAMPAGE
F = FIFTH AVENUE	T = E CLASS/NEWYORKER	

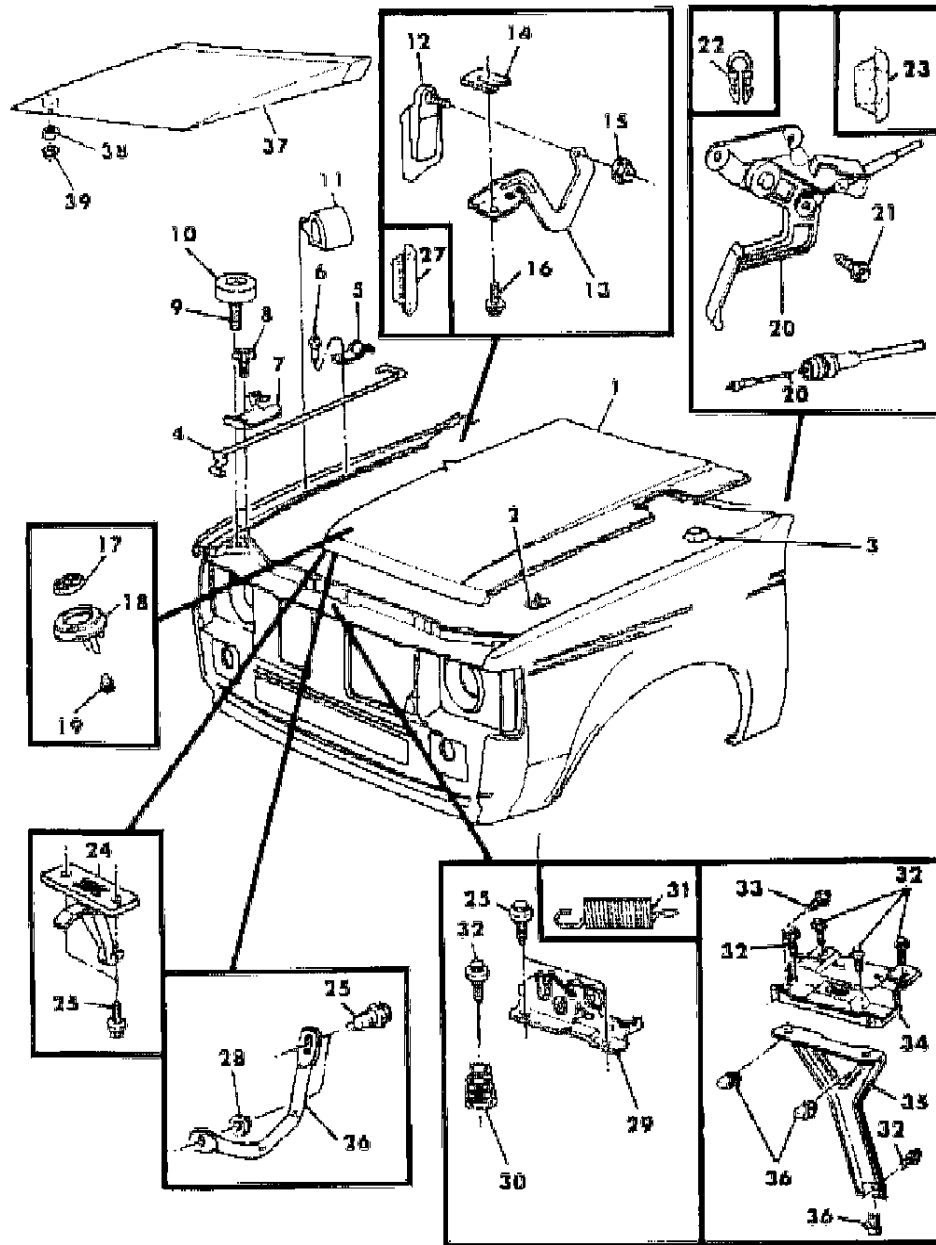
**BODY STYLES**

21 = 2-DOOR SEDAN	41 = 4-DOOR SEDAN
22 = 2-DOOR SPECIAL COUPE	45 = 4-DOOR STATION WAGON
24 = 2-DOOR HATCHBACK	44 = 4-DOOR HATCHBACK
27 = 2-DOOR CONVERTIBLE	48 = EXECUTIVE SEDAN
28 = FWD PICKUP	

AR = Use as Required - = Non Illustrated Part P.A.R. = Paint as Required

HOOD - M,Z  
Figure 23A-500

3168 5008



ITEM	PART NUMBER	QTY	BODY	MODEL	DESCRIPTION
	5207 088	1		44	
30	4240 535	1		24,28	SPRING, Hood Panel Pop-Up
	4240 536	1		44	
31	5207 447	1		24,28,4	SPRING, Hood Panel Latch Lever
32	6100 566	AR		24,28,4	SCREW & WASHER
33		AR		24,28	SCREW & WASHER, #10-16 x .75" (Not Serviced)
34	5201 326	1		24,28	PLATE, Hood Lock Support
35	4103 221	1		24,28	SUPPORT, Hood Vertical Lock
36	6100 041	3		24,28	U-NUT
37	X593 VW3	1		24,28	SCOOP, Hood
38	4276 129	3		24,28	SPACER, Hood Scoop
39	6025 004	13		24,28	NUT & WASHER

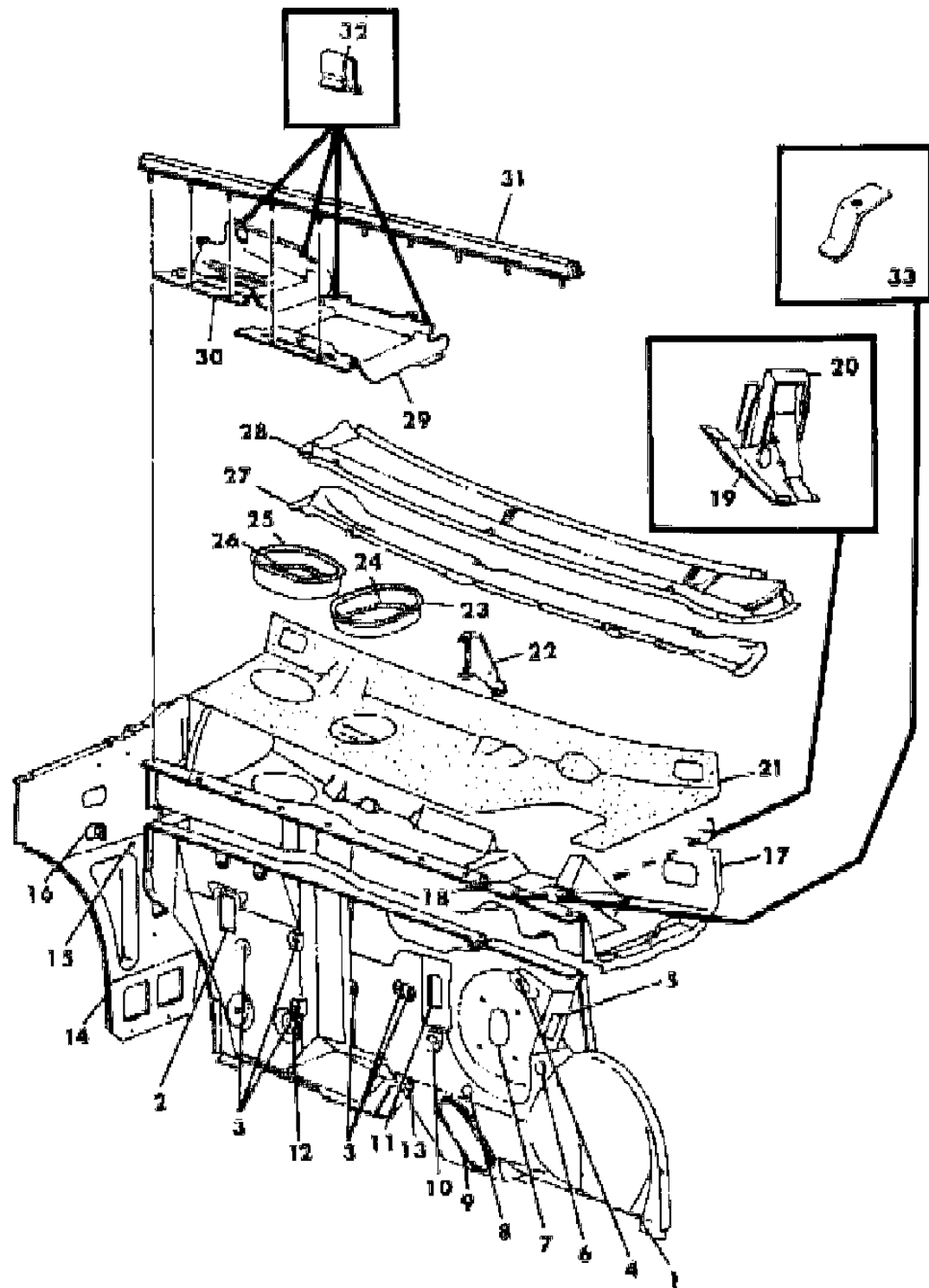
MODEL CODES  
 B = GRAN FURY  
 C = LEBARON/TOWN & COUNTRY  
 D = ARIES  
 E = 600  
 F = FIFTH AVENUE  
 G = DIPLOMAT  
 M = HORIZON/TURISMO/SCAMP  
 P = RELIANT  
 S = CORDOBA  
 T = E CLASS/NEWYORKER  
 V = 400  
 X = MIRADA  
 Y = IMPERIAL  
 Z = OMNI/CHARGER/RAMPAGE

BODY STYLES  
 21 = 2-DOOR SEDAN  
 22 = 2-DOOR SPECIAL COUPE  
 24 = 2-DOOR HATCHBACK  
 27 = 2-DOOR CONVERTIBLE  
 28 = FWD PICKUP  
 41 = 4-DOOR SEDAN  
 45 = 4-DOOR STATION WAGON  
 44 = 4-DOOR HATCHBACK  
 48 = EXECUTIVE SEDAN

AR = Use as Required - = Non Illustrated Part P.A.R. = Paint as Required

**COWL & DASH PANEL - M,Z**  
**Figure 23A-600**

3169 6000



ITEM	PART NUMBER	QTY	BODY	MODEL	DESCRIPTION
1	4278 946	1		24,28,4	PANEL & P/NUT ASSEMBLY, Dash w/A/C, Use Up To 10/7/82
	4314 224	1		24,28,4	Use After 10/7/82
	4278 947	1		24,28,4	w/o A/C, Use Up To 11/1/82
	4314 226	1		24,28,4	Use After 11/1/82
2	5210 228	1		24,28,4	SEAL, A/C Unit Coil to Dash
3		AR		24,28,4	SEAL, Heater or A/C Unit Mounting Stud (Not Serviced)
4	3593 446	1		24,28,4	GROMMET, Clutch Cable
5		1		24,28,4	SEAL, Bulkhead Connector (Not Serviced)
6	5207 294	1		24,28,4	GROMMET, Inside Hood Latch, Release Cable
7	5204 061	1		24,28,4	SEAL, Power Brake Booster
8	3593 446	1		24,28,4	GROMMET, Speedometer Cable
9	5206 041	1		24,28,4	SEAL & COVER ASSEMBLY, Dash
10		1		24,28,4	GROMMET, Throttle Cable (See Group 14 Illustration-Serviced In Throttle Cable Assembly)
11	5210 109	1		24,28,4	SEAL, Heater Core to Dash
12		1		24,28,4	SEAL, A/C Unit Drain (Not Serviced)
13	3445 939	1		24,28,4	PLUG, Dash Panel
14	5200 920	1		24,28,4	PANEL & P/NUT, Cowl Side, Right
	5231 777	1		24,28,4	Left
15	2860 332	1		24,28,4	PLUG, Cowl Side, Antenna Hole
16	5200 979	1		24,28,4	BRACKET, Cowl Side, Fuse & Relay Block, Mounting (Left Side Only)
17	4278 813	1		24,28,4	PANEL, Cowl Plenum, w/o A/C
	4278 812	1		24,28,4	w/A/C
18		1		24,28,4	GROMMET, Windshield Wiper Wiring (Not Serviced)
19	4278 124	1		24,28,4	SUPPORT, Cowl Plenum, Steering Column Bracket
		2		24,28,4	U-NUT (Not Serviced)
20	5231 746	1		24,28,4	BRACKET, Steering Column Support to Cowl Plenum
21	3837 683	AR		24,28,4	SILENCER MATERIAL, Cowl Plenum, Cut to Fit, 24" x 48"
22	5200 969	1		24,28,4	SUPPORT & P/NUT, Cowl Plenum to Cowl Top Panel
23		1		24,28,4	DEFLECTOR, Cowl Plenum Water, w/o A/C (Serviced in Item #17)
24	5210 147	1		24,28,4	SEAL, Heater Unit to Plenum
25		1		24,28,4	DEFLECTOR, Cowl Plenum Water, w/A/C (Serviced in Item #17)
26	5210 065	1		24,28,4	SEAL, A/C Unit to Plenum
27		1		24,28,4	REINFORCEMENT, Cowl Plenum to Cowl Top Panel (Serviced in Item #28)

**MODEL CODES**

B = GRAN FURY	G = DIPLOMAT	V = 400
C = LEBARON/TOWN & COUNTRY	M = HORIZON/TURISMO/SCAMP	X = MIRADA
D = ARIES	P = RELIANT	Y = IMPERIAL
E = 600	S = CORDOBA	Z = OMNI/CHARGER/RAMPAGE
F = FIFTH AVENUE	T = E CLASS/NEWYORKER	

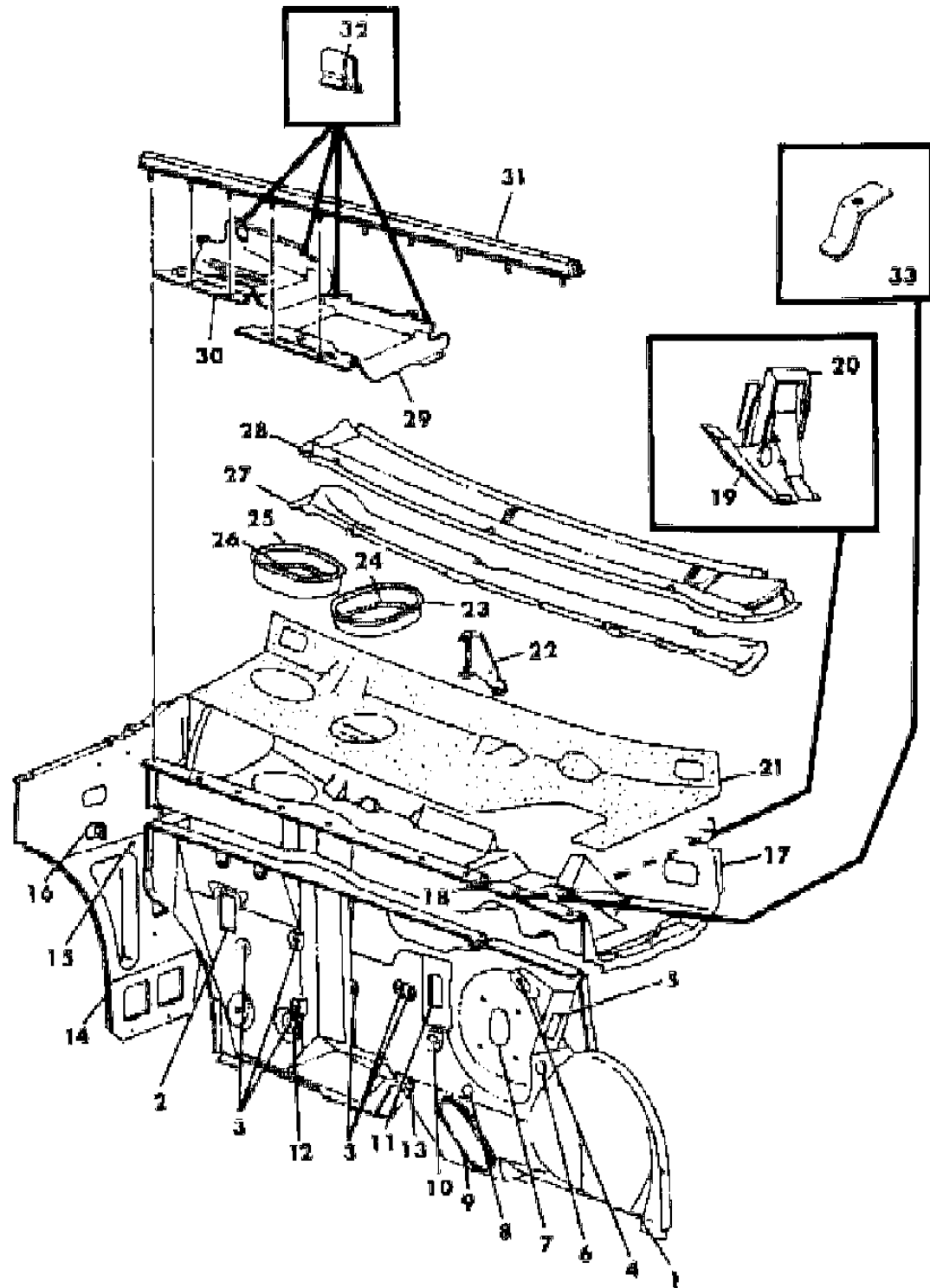
**BODY STYLES**

21 = 2-DOOR SEDAN	41 = 4-DOOR SEDAN
22 = 2-DOOR SPECIAL COUPE	45 = 4-DOOR STATION WAGON
24 = 2-DOOR HATCHBACK	44 = 4-DOOR HATCHBACK
27 = 2-DOOR CONVERTIBLE	48 = EXECUTIVE SEDAN
28 = FWD PICKUP	

AR = Use as Required - = Non Illustrated Part P.A.R. = Paint as Required

**COWL & DASH PANEL - M,Z**  
**Figure 23A-600**

3169 6000



ITEM	PART NUMBER	QTY	BODY	MODEL	DESCRIPTION
28	4129 072	1		24,28	PANEL, Cowl Top Complete, Use Up To 1/25/83
	5218 400	1		24,28	Use After 1/25/83
	4050 342	1		44	Use Up To 1/19/83
	5218 399	1		44	Use After 1/19/83
29	5231 168	1		24,28,4	COVER, Cowl Plenum Water Deflector, w/o A/C
30	5200 988	1		24,28,4	COVER, Cowl Plenum Water Deflector, w/A/C
31	5230 419	1		24,28,4	SEAL & RETAINERS, Cowl Plenum to Hood
	3759 944	10		24,28,4	RETAINER, Cowl Plenum to Hood Seal
32	5231 620	2		24,28,4	RETAINER, Cowl Plenum Water Deflector Cover
33	4278 814	1		24,28,4	BRACKET, Cowl Plenum Panel Windshield Washer Reservoir

MODEL CODES  
 B = GRAN FURY  
 C = LEBARON/TOWN & COUNTRY  
 D = ARIES  
 E = 600  
 F = FIFTH AVENUE  
 G = DIPLOMAT  
 M = HORIZON/TURISMO/SCAMP  
 P = RELIANT  
 S = CORDOBA  
 T = E CLASS/NEWYORKER  
 V = 400  
 X = MIRADA  
 Y = IMPERIAL  
 Z = OMNI/CHARGER/RAMPAGE

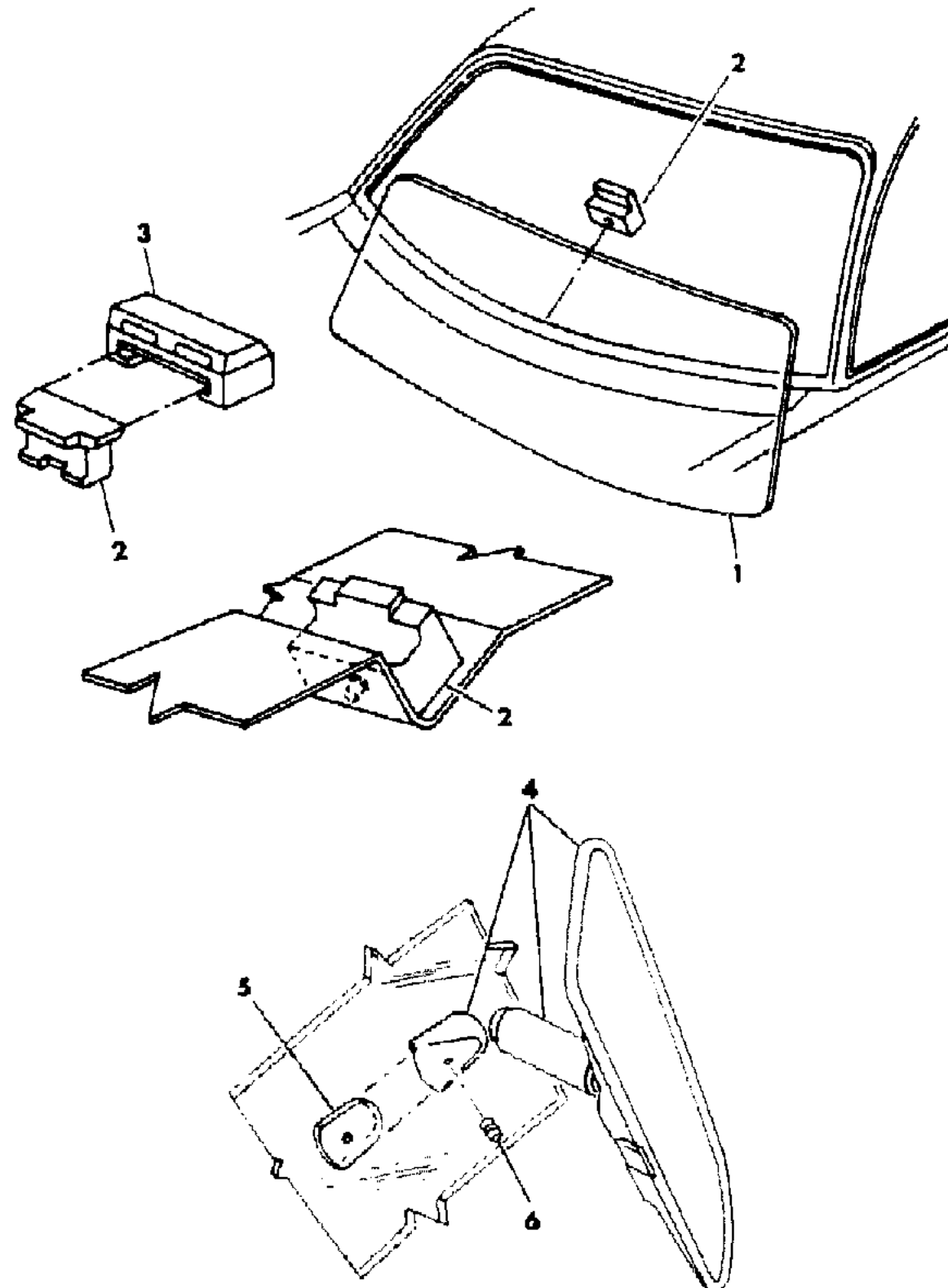
BODY STYLES  
 21 = 2-DOOR SEDAN  
 22 = 2-DOOR SPECIAL COUPE  
 24 = 2-DOOR HATCHBACK  
 27 = 2-DOOR CONVERTIBLE  
 28 = FWD PICKUP  
 41 = 4-DOOR SEDAN  
 45 = 4-DOOR STATION WAGON  
 44 = 4-DOOR HATCHBACK  
 48 = EXECUTIVE SEDAN

AR = Use as Required - = Non Illustrated Part P.A.R. = Paint as Required



GLASS, WINDSHIELD - M,Z  
Figure 23A-700

3169 700B



ITEM	PART NUMBER	QTY	BODY	MODEL	DESCRIPTION
------	-------------	-----	------	-------	-------------

NOTE: ORDER GLASS FROM YOUR LOCAL "MOPAR" GLASS DISTRIBUTOR an offsetting order for part no. 3747881

1	5231 243	1		24,28	GLASS, Windshield, Tinted
	5231 158	1		44	Clear
	5231 159	1		44	Tinted
2	3794 035	AR		24,28,4	SPACER, Windshield Glass, Lower (.39")
	4314 777	AR		24,28,4	(.31")
3	3767 767	AR		24,28,4	SHIM, Windshield Glass Spacer (.07")
4	5207 117	1		24,28,4	MIRROR, Inside Rear View
5	4054 066	1		24,28,4	BUTTON, Inside Rear View Mirror Mounting
	4054 099	1		24,28,4	BUTTON PACKAGE, Rear View Mirror Mounting (Includes Button, Adhesive, & Instructions)
6	6031 094	1		24,28,4	SCREW

NOTE: The Following Items Are Not Shown On Illustration. an offsetting order for part no. 3747881

4057 957	1		24,28,4	FIXED GLASS REPAIR PACKAGE, Windshield (Butyl)
CONSISTS OF:				
1- ----- Tape,Butyl (171")				
1- ----- Primer,Glass (1 oz.)				
1- ----- Primer,Fence (2 oz.)				
2- 3674698 Spacer,Rubber (.2")				
2- 3793290 Spacer,Rubber (.3")				
2- 3767767 Shim (.07")				
2- ----- Sponges,Disposable				

MODEL CODES

B = GRAN FURY	G = DIPLOMAT	V = 400
C = LEBARON/TOWN & COUNTRY	M = HORIZON/TURISMO/SCAMP	X = MIRADA
D = ARIES	P = RELIANT	Y = IMPERIAL
E = 600	S = CORDOBA	Z = OMNI/CHARGER/RAMPAGE
F = FIFTH AVENUE	T = E CLASS/NEWYORKER	

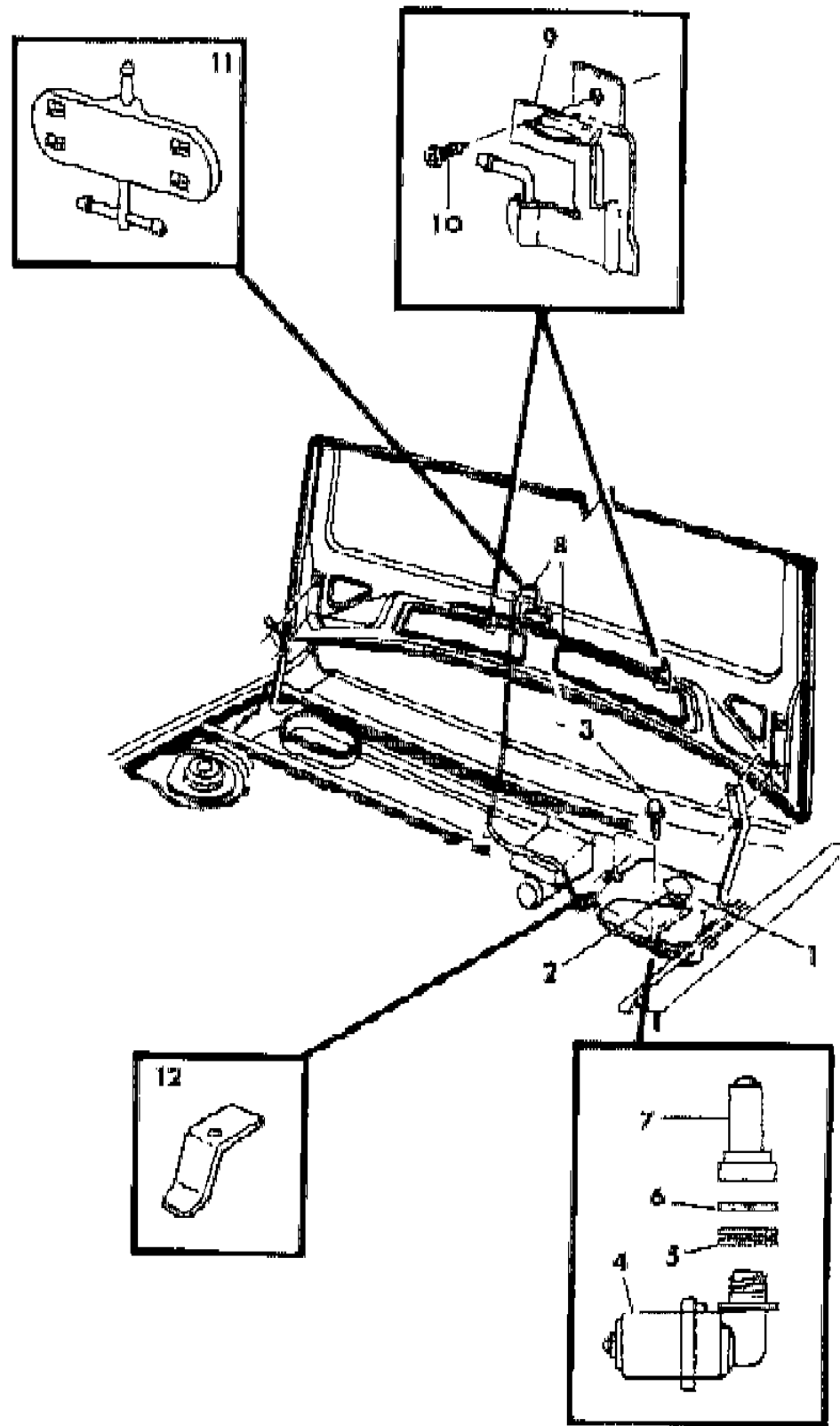
BODY STYLES

21 = 2-DOOR SEDAN	41 = 4-DOOR SEDAN
22 = 2-DOOR SPECIAL COUPE	45 = 4-DOOR STATION WAGON
24 = 2-DOOR HATCHBACK	44 = 4-DOOR HATCHBACK
27 = 2-DOOR CONVERTIBLE	48 = EXECUTIVE SEDAN
28 = FWD PICKUP	

AR = Use as Required - = Non Illustrated Part P.A.R. = Paint as Required

**WASHER SYSTEM, WINDSHIELD - M,Z**  
**Figure 23A-800**

3169 RD7A



ITEM	PART NUMBER	QTY	BODY	MODEL	DESCRIPTION
1	3799 791	1		24,28,4	RESERVOIR & CAP, Windshield Washer
2	3799 789	1		24,28,4	CAP, Windshield Washer Reservoir
3	6031 951	2		24,28,4	SCREW
4	3799 090	1		24,28,4	PUMP & SEAL PACKAGE, Windshield Washer
5		1		24,28,4	SEAL, Windshield Washer Pump to Reservoir (Serviced in Items #1 & #4)
6		1		24,28,4	WASHER (Not Serviced)
7	3799 324	1		24,28,4	FILTER & NUT, Windshield Washer Pump
8	3837 036	AR		24,28,4	HOSE, Windshield Washer, 1/8" I.D. X 50' Roll
	3780 798	AR		24,28,4	5/32" I.D. X 50' Roll
	4026 129	AR		24,28,4	1/4" I.D. X 50' Roll
9	4176 769	2		24,28,4	NOZZLE, BRACKET, & SCREW PACKAGE, Windshield Washer
10		2		24,28,4	SCREW, #10-16 x .75" (Not Serviced)
11	3799 790	1		24,28,4	TEE, Windshield Washer Hose Connector
12	4278 814	1		24,28,4	BRACKET, Cowl Plenum, Washer Reservoir Mounting
NOTE: The Following Items Are Not Shown On Illustration. an offsetting order for part no. 3747881					
				24,28,4	SWITCH, Windshield Washer (See Group 8-Turn Signal & Hazard Warning Switch Illustration)

**MODEL CODES**

B = GRAN FURY	G = DIPLOMAT	V = 400
C = LEBARON/TOWN & COUNTRY	M = HORIZON/TURISMO/SCAMP	X = MIRADA
D = ARIES	P = RELIANT	Y = IMPERIAL
E = 600	S = CORDOBA	Z = OMNI/CHARGER/RAMPAGE
F = FIFTH AVENUE	T = E CLASS/NEWYORKER	

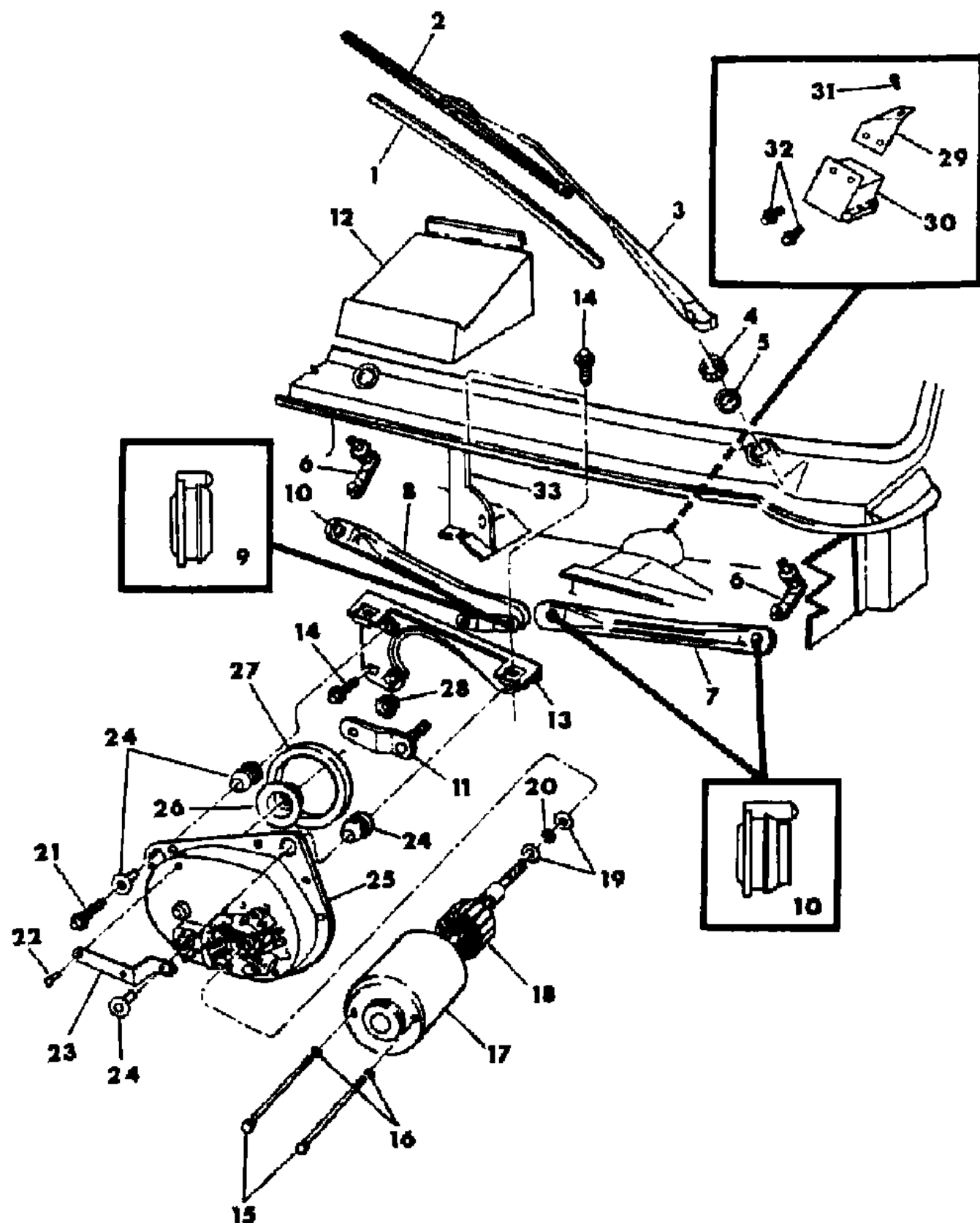
**BODY STYLES**

21 = 2-DOOR SEDAN	41 = 4-DOOR SEDAN
22 = 2-DOOR SPECIAL COUPE	45 = 4-DOOR STATION WAGON
24 = 2-DOOR HATCHBACK	44 = 4-DOOR HATCHBACK
27 = 2-DOOR CONVERTIBLE	48 = EXECUTIVE SEDAN
28 = FWD PICKUP	

AR = Use as Required - = Non Illustrated Part P.A.R. = Paint as Required

WIPER SYSTEM, WINDSHIELD - M,Z  
Figure 23A-900

3169 90uA



ITEM	PART NUMBER	QTY	BODY	MODEL	DESCRIPTION
1	5211 078	2	24,28,4		REFILL, Wiper Blade, Anco (Use w/5211096 Blade)
	2889 857	2	24,28,4		Trico (Use w/5211097 Blade)
	5211 129	2	24,28,4		Anco (Use w/5211128 Blade)
	5211 132	2	24,28,4		Trico (Use w/5211127 Blade)
	5211 096	2	24,28,4		BLADE & REFILL, Windshield Wiper, Anco
2		2	24,28,4		Trico (Part #5211097-Not Serviced)
	5211 128	2	24,28,4		Anco, Black (Plastic)
	5211 127	2	24,28,4		Trico, Black (Plastic)
3	5211 095	2	24,28,4		ARM, Windshield Wiper (w/o Blade), Use Up To 3/18/83
	3799 848	2	24,28,4		Use After 3/18/83
4	5211 098	2	24,28,4		NUT, Wiper Pivot Mounting
5	5211 099	2	24,28,4		WASHER, Wiper Pivot Mounting
6	5211 008-9	1	24,28,4		PIVOT, Windshield Wiper
7	5211 003	1	24,28,4		LINK, Wiper Drive, Left (w/Bushings)
8	5211 004	1	24,28,4		LINK & CRANK, Wiper Drive, Right (w/Bushings)
9	5211 015	1	24,28,4		BUSHING, Wiper Drive Link, Crank
10	3799 089	3	24,28,4		BUSHING, Wiper Drive Link
11		1	24,28,4		CRANK, Wiper Drive (Serviced In Item #8)
12	5211 062	1	24,28,4		COVER, Wiper Motor
13	5200 923	1	24,28,4		BRACKET & W/NUTS, Wiper Motor Mounting
14	6500 254	3	24,28,4		SCREW & WASHER
15		2	24,28,4		BOLT (Not Serviced)
16		2	24,28,4		WASHER, #10 Internal Tooth Lock (Not Serviced)
17	3799 275	1	24,28,4		HOUSING PACKAGE, Wiper Motor (Includes Items #19 & 20)
18	3799 087	1	24,28,4		ARMATURE PACKAGE, Wiper Motor (Includes Items #19 & 20)
19		2	24,28,4		WASHER, Flat (Serviced In Items #17 & 18)
20		1	24,28,4		WASHER, Spring (Serviced In Items #17 & 18)
21	6101 270	3	24,28,4		SCREW & WASHER
22		1	24,28,4		SCREW, #10-24 x .375" (Not Serviced)
23		1	24,28,4		STRAP, Ground (Serviced In Item #25)
24	2932 708	1	24,28,4		GROMMET & SPACER PACKAGE, Motor Mounting (Includes 3 each)
25	4205 954	1	24,28,4		GEARBOX & BRUSH HOLDER PACKAGE, Wiper Motor (Includes Items #23,24,26,27,28)
26	3431 974	1	24,28,4		SEAL, Wiper Motor, Output Shaft
27	2926 168	1	24,28,4		SEAL, Wiper Motor Housing to Dash (Not Used On M,Z Models)
28	6031 096	1	24,28,4		NUT & WASHER, Crank Mounting

MODEL CODES

B = GRAN FURY	G = DIPLOMAT	V = 400
C = LEBARON/TOWN & COUNTRY	M = HORIZON/TURISMO/SCAMP	X = MIRADA
D = ARIES	P = RELIANT	Y = IMPERIAL
E = 600	S = CORDOBA	Z = OMNI/CHARGER/RAMPAGE
F = FIFTH AVENUE	T = E CLASS/NEWYORKER	

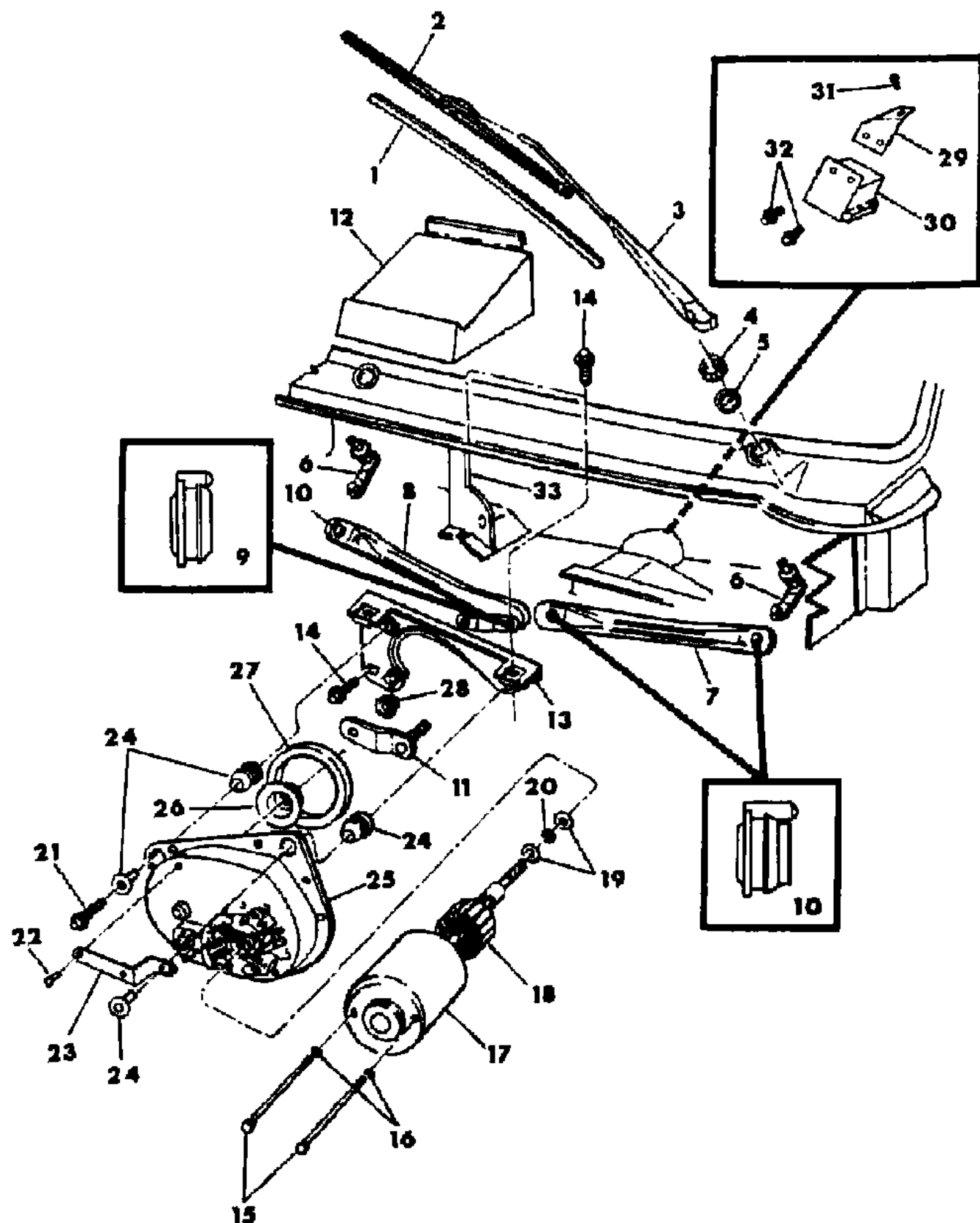
BODY STYLES

21 = 2-DOOR SEDAN	41 = 4-DOOR SEDAN
22 = 2-DOOR SPECIAL COUPE	45 = 4-DOOR STATION WAGON
24 = 2-DOOR HATCHBACK	44 = 4-DOOR HATCHBACK
27 = 2-DOOR CONVERTIBLE	48 = EXECUTIVE SEDAN
28 = FWD PICKUP	

AR = Use as Required - = Non Illustrated Part P.A.R. = Paint as Required

WIPER SYSTEM, WINDSHIELD - M,Z  
Figure 23A-900

3169 90uA



ITEM	PART NUMBER	QTY	BODY	MODEL	DESCRIPTION
29	4222 794	1		24,28,4	BRACKET, Intermittent Wipe Control
30	4222 060	1		24,28,4	CONTROL, Intermittent Wipe
31		1		24,28,4	SCREW, #8-18 x .50" (Not Serviced)
32		2		24,28,4	SCREW, #8-32 x .375" (Not Serviced)
33	5200 969	1		24,28,4	SUPPORT & P/NUT, Cowl Plenum to Cowl Top Panel
NOTE: The Following Items Are Not Shown On Illustration. an offsetting order for part no. 3747881					
	4205 951	1		24,28,4	MOTOR ASSEMBLY PACKAGE, Windshield Wiper (Includes Items #15-20 & 22-28)
				24,28,4	SWITCH, Windshield Wiper (See Group 8-Turn Signal & Hazard Warning Switch Illustration)

MODEL CODES

B = GRAN FURY	G = DIPLOMAT	V = 400
C = LEBARON/TOWN & COUNTRY	M = HORIZON/TURISMO/SCAMP	X = MIRADA
D = ARIES	P = RELIANT	Y = IMPERIAL
E = 600	S = CORDOBA	Z = OMNI/CHARGER/RAMPAGE
F = FIFTH AVENUE	T = E CLASS/NEWYORKER	

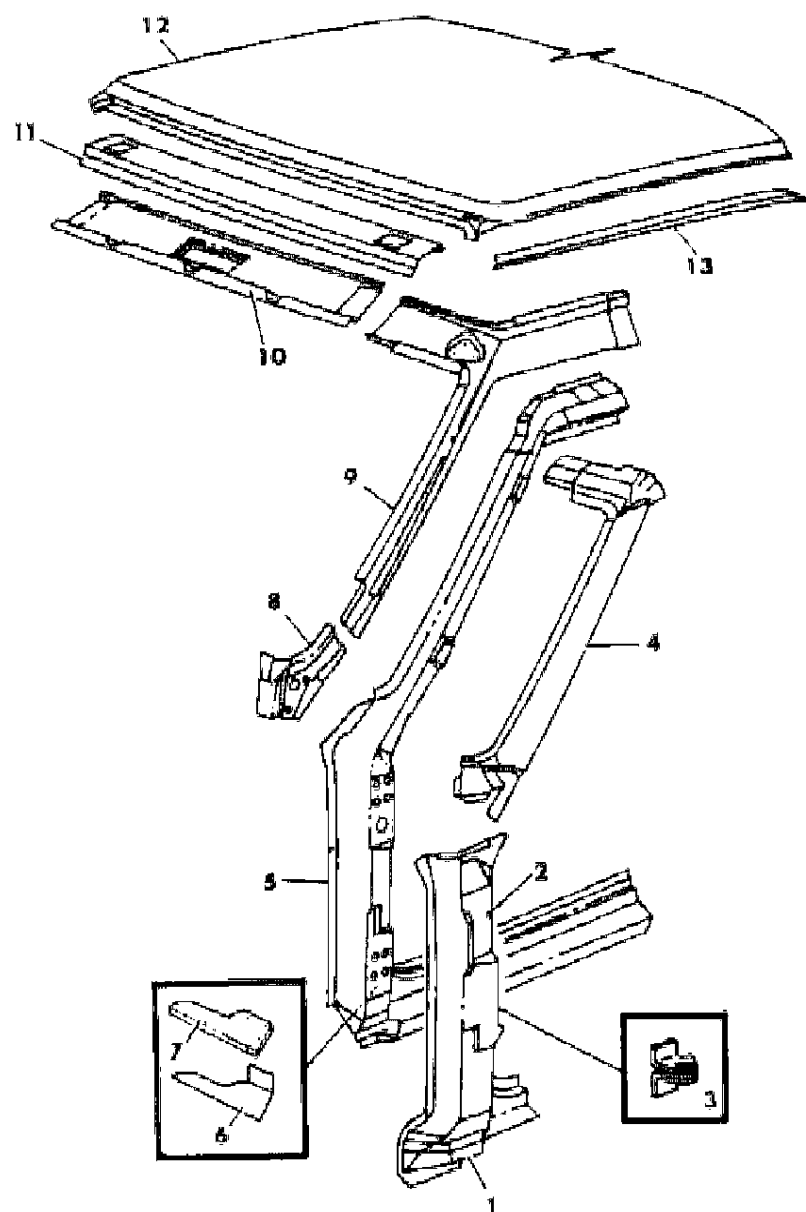
BODY STYLES

21 = 2-DOOR SEDAN	41 = 4-DOOR SEDAN
22 = 2-DOOR SPECIAL COUPE	45 = 4-DOOR STATION WAGON
24 = 2-DOOR HATCHBACK	44 = 4-DOOR HATCHBACK
27 = 2-DOOR CONVERTIBLE	48 = EXECUTIVE SEDAN
28 = FWD PICKUP	

AR = Use as Required - = Non Illustrated Part P.A.R. = Paint as Required

**BODY, FRONT PILLAR - M,Z**  
**Figure 23A-1000**

3169 1000A



ITEM	PART NUMBER	QTY	BODY	MODEL	DESCRIPTION
1	5218 310-1	1		24,28	PILLAR & PIVOT, Body Front Hinge (Includes Item #3)
	5218 312-3	1		44	
2	2860 332	2		24,28,4	PLUG, .500" Dia./13 mm
3	5231 576	2		24,28,4	PIVOT, Front Door Check Strap
4	5231 008-9	1		24,28	FRAME, Windshield Opening Side, Outer, Use Up To 1/25/83
	4314 782-3	1		24,28	Use After 1/25/83
	5200 904-5	1		44	Use Up To 1/19/83
	4314 780-1	1		44	Use After 1/19/83
5	5230 368-9	1		24	PANEL, Body Side Aperture, Front, Use Up To 3/14/83
	4337 158-9	1		24	Use After 3/14/83
	4278 874-5	1		28	
	5231 864-5	1		44	
6	4278 740-1	1		28	SUPPORT, Aperture to Cowl Side Seal
7		2		28	SEAL, Aperture to Cowl Side (Service Kit #4187122)
8	5231 006-7	1		24,28	EXTENSION, Windshield Opening Side Inner Frame, Lower
	5200 902-3	1		44	
9	5231 004-5	1		24	FRAME, Windshield Opening Side, Inner
	4206 630-1	1		28	
	5200 900-1	1		44	
10	4050 977	1		24,28	FRAME & REINFORCEMENT, Windshield Opening, Upper (Includes Item #11)
	4050 529	1		44	
11		1		24,28,4	REINFORCEMENT, Windshield Opening, Upper (Serviced in Item #10)
12	5231 524	1		24	PANEL & TROUGH, Roof w/Sunroof
	5231 026	1		24	PANEL, Roof w/o Sunroof
	4206 586	1		28	
	5200 922	1		44	
13	5230 454-5	1		24	TROUGH, Roof Side Drain
	4206 600-1	1		28	
	5200 798-9	1		44	
NOTE: The Following Items Are Not Shown On Illustration. an offsetting order for part no. 3747881					
	4187 122	AR		28	SEALER REPAIR KIT (Urethane), Aperture to Cowl Side

MODEL CODES

B = GRAN FURY	G = DIPLOMAT	V = 400
C = LEBARON/TOWN & COUNTRY	M = HORIZON/TURISMO/SCAMP	X = MIRADA
D = ARIES	P = RELIANT	Y = IMPERIAL
E = 600	S = CORDOBA	Z = OMNI/CHARGER/RAMPAGE
F = FIFTH AVENUE	T = E CLASS/NEWYORKER	

BODY STYLES

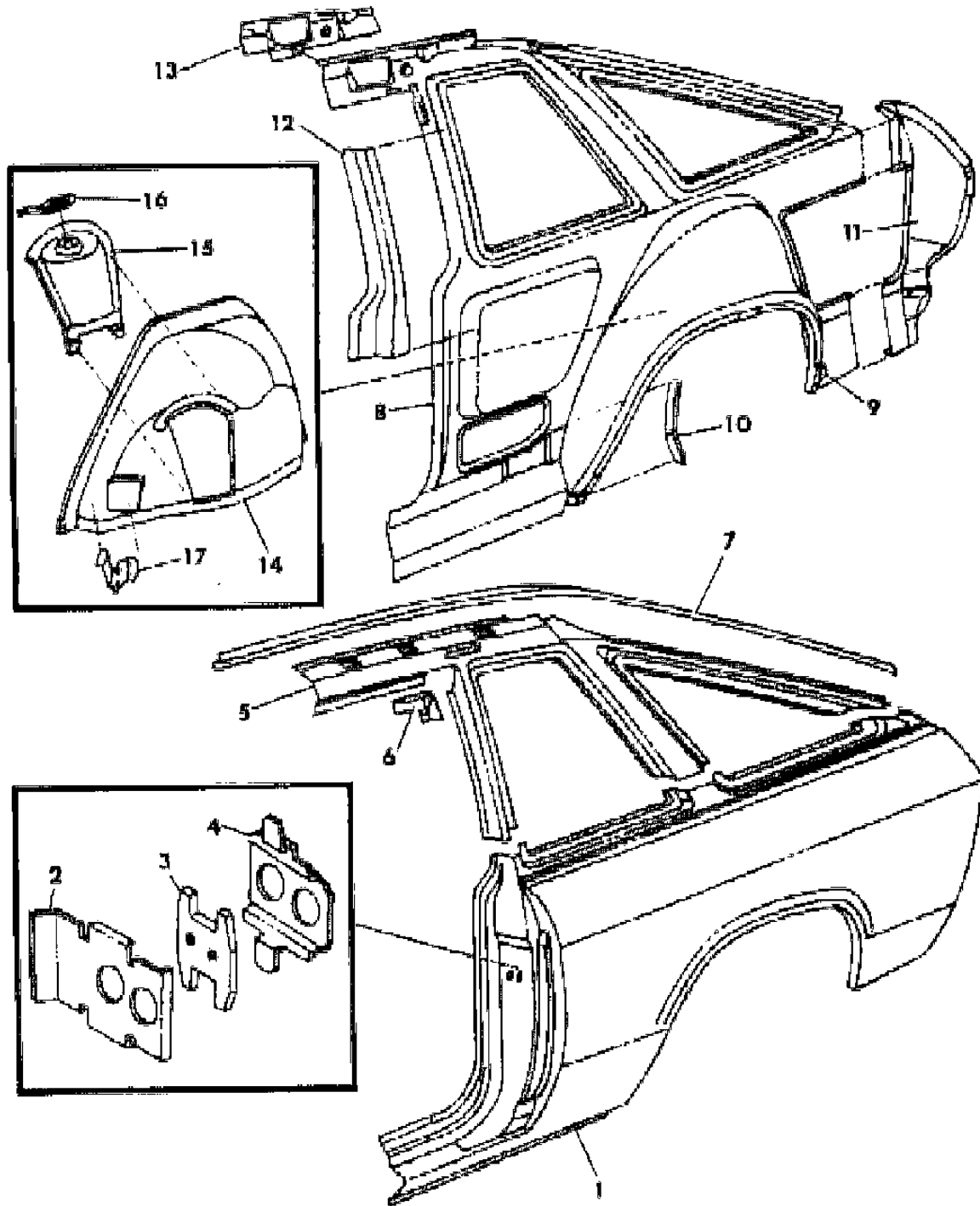
21 = 2-DOOR SEDAN	41 = 4-DOOR SEDAN
22 = 2-DOOR SPECIAL COUPE	45 = 4-DOOR STATION WAGON
24 = 2-DOOR HATCHBACK	44 = 4-DOOR HATCHBACK
27 = 2-DOOR CONVERTIBLE	48 = EXECUTIVE SEDAN
28 = FWD PICKUP	

AR = Use as Required - = Non Illustrated Part P.A.R. = Paint as Required

**BODY, REAR QUARTER - M,Z 24**  
**Figure 23A-1100**

ITEM	PART NUMBER	QTY	BODY	MODEL	DESCRIPTION
1	5230 372-3	1		24	PANEL, Body Side Aperture, Rear Lower, Use Up To 3/14/83
	4314 996-7	1		24	Use After 3/14/83
2	5230 018	2		24	REINFORCEMENT, Door Latch Striker
3	5200 368	2		24	T/PLATE, Door Latch Striker
4	5200 366	2		24	RETAINER, Door Latch Striker T/Plate
5	5230 370-1	1		24	PANEL, Body Side Aperture, Rear Upper
6	5230 134-5	1		24	FILLER, Door Opening, Rear Upper
7	5230 454-5	1		24	TROUGH, Roof Side Drain
8	5230 136-7	1		24	PANEL, Quarter Inner & Wheelhouse Outer
9	4073 485	2		24	PLUG, 1.50" Dia./38 mm
10	5230 128-9	1		24	CAP, Quarter Inner to Sill Lower Rear
11	5230 130-1	1		24	EXTENSION, Quarter Inner Panel, Rear
12	5230 270-1	1		24	REINFORCEMENT, Quarter Inner Panel, Belt
13	5231 614-5	1		24	EXTENSION, Windshield Opening Side Inner Frame, Upper
14	5230 180-1	1		24	PANEL, Wheelhouse Inner
15	5200 058-9	1		24	REINFORCEMENT, Shock Absorber Mounting
16	5218 032-3	1		24	BRACKET & REINFORCEMENT, Shock Absorber Mounting (Includes Item #15)
17	5230 344-5	1		24	BRACKET, Rear Seat Back Hinge Pivot

3189 1100A



**MODEL CODES**

B = GRAN FURY	G = DIPLOMAT	V = 400
C = LEBARON/TOWN & COUNTRY	M = HORIZON/TURISMO/SCAMP	X = MIRADA
D = ARIES	P = RELIANT	Y = IMPERIAL
E = 600	S = CORDOBA	Z = OMNI/CHARGER/RAMPAGE
F = FIFTH AVENUE	T = E CLASS/NEWYORKER	

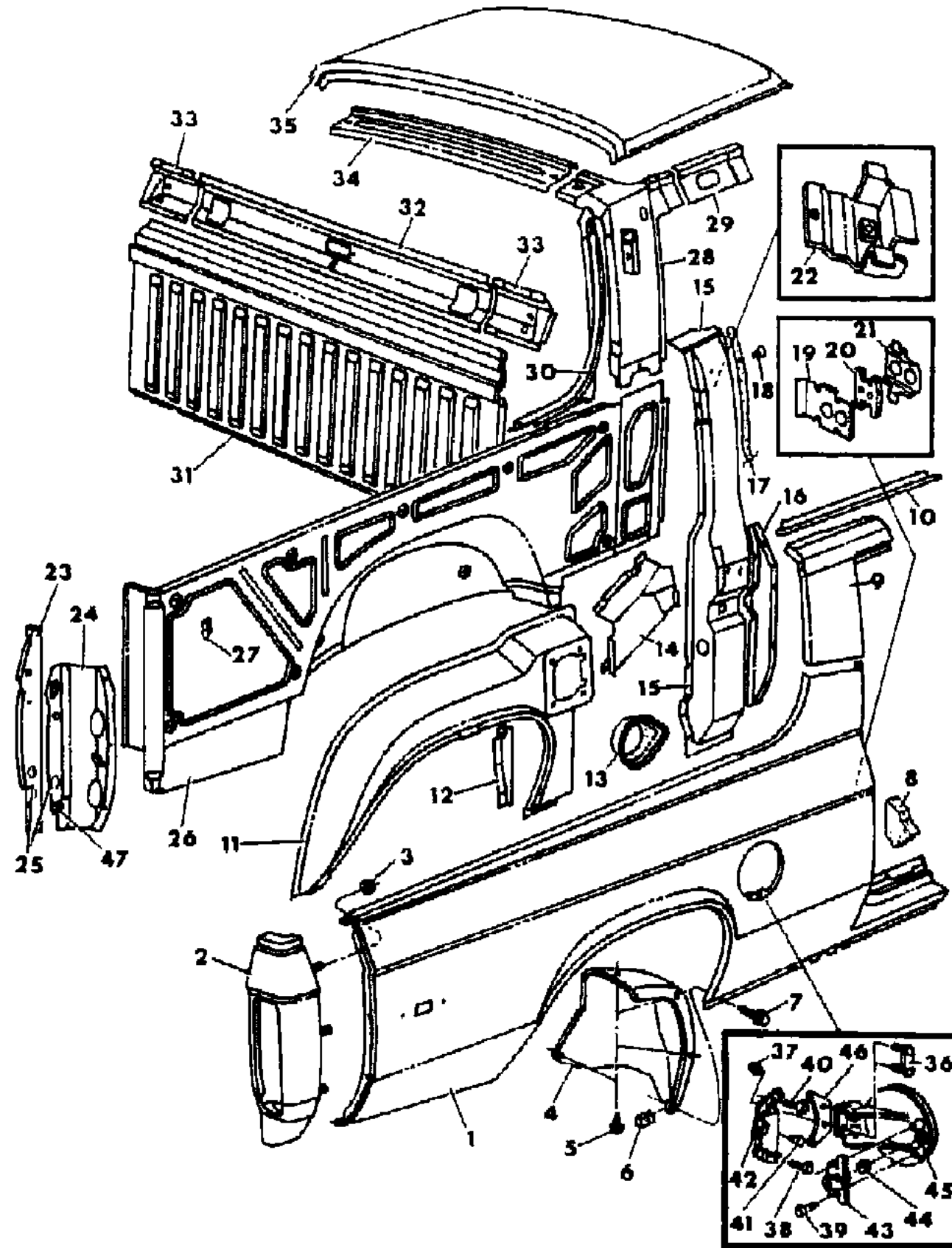
**BODY STYLES**

21 = 2-DOOR SEDAN	41 = 4-DOOR SEDAN
22 = 2-DOOR SPECIAL COUPE	45 = 4-DOOR STATION WAGON
24 = 2-DOOR HATCHBACK	44 = 4-DOOR HATCHBACK
27 = 2-DOOR CONVERTIBLE	48 = EXECUTIVE SEDAN
28 = FWD PICKUP	

AR = Use as Required - = Non Illustrated Part P.A.R. = Paint as Required

**BODY, REAR QUARTER - M,Z 28**  
Figure 23A-1200

3169 1200A



ITEM	PART NUMBER	QTY	BODY	MODEL	DESCRIPTION
1	4278 870-1	1	28		PANEL, Body Side Aperture, Rear Lower
2	4278 848-9	1	28		PANEL & STUDS, Rear Corner
3	6027 422	6	28		NUT
4	4278 134-5	1	28		SHIELD, Quarter & Wheelhouse Inner Panel
5	6030 538	8	28		RETAINER
6		2	28		U/NUT, #10-16 (Not Serviced)
7		2	28		SCREW, #10-16 x .625" (Not Serviced)
8		2	28		SEAL, Aperture to Cargo Floor Side Extension (Service Kit #4187122)
9	4278 872-3	1	28		PANEL, Body Side Aperture, Rear Upper
10	4206 600-1	1	28		TROUGH, Roof Side Drain
11	4206 594-5	1	28		PANEL, Wheelhouse Outer
12	4206 636-7	1	28		EXTENSION, Wheelhouse Outer to Sill Lower Rear
13	4278 601	1	28		CUP, Quarter Outer to Quarter Inner Fuel Filler
14	4206 606-7	1	28		REINFORCEMENT, Quarter Inner Pillar to Wheelhouse Outer
15	4200 712-3	1	28		PILLAR & REINFORCEMENT, Quarter Inner to Body Side
16	4206 616-7	1	28		FILLER, Quarter Inner Pillar to Body Side
17	4206 851	2	28		SEAL, Quarter Inner Pillar to Body Side
18	3759 944	10	28		RETAINER
19	5230 018	2	28		REINFORCEMENT, Door Latch Striker
20	5200 368	2	28		T/PLATE, Door Latch Striker
21	5200 366	2	28		RETAINER, Door Latch Striker T/Plate
22		2	28		REINFORCEMENT & W/NUT, Shoulder Belt (Serviced in Item #15)
23	4278 654-5	1	28		EXTENSION, Quarter Inner Panel Rear Corner
24	4297 062-3	1	28		REINFORCEMENT & RETAINER, Quarter Inner Panel Rear Latch Striker
25	2480 957	2	28		PLUG, 1.00" Dia./25.4 mm
26	4278 656-7	1	28		PANEL, Quarter Inner & Wheelhouse Inner
27	4278 719	2	28		BRACKET, Quarter Inner to Quarter Inner Rear Reinforcement
28	4206 604-5	1	28		PANEL, Quarter Inner, Upper
29	4206 602-3	1	28		RAIL, Roof Side Inner
30	4206 598-9	1	28		FILLER, Body Side Aperture
31	4206 588	1	28		PANEL, Cab Back
32	4206 587	1	28		REINFORCEMENT, Back Panel, Belt
33	4206 686-7	1	28		EXTENSION, Back Panel Belt Reinforcement
34	4206 618	1	28		HEADER, Roof Rear

MODEL CODES

B = GRAN FURY	G = DIPLOMAT	V = 400
C = LEBARON/TOWN & COUNTRY	M = HORIZON/TURISMO/SCAMP	X = MIRADA
D = ARIES	P = RELIANT	Y = IMPERIAL
E = 600	S = CORDOBA	Z = OMNI/CHARGER/RAMPAGE
F = FIFTH AVENUE	T = E CLASS/NEWYORKER	

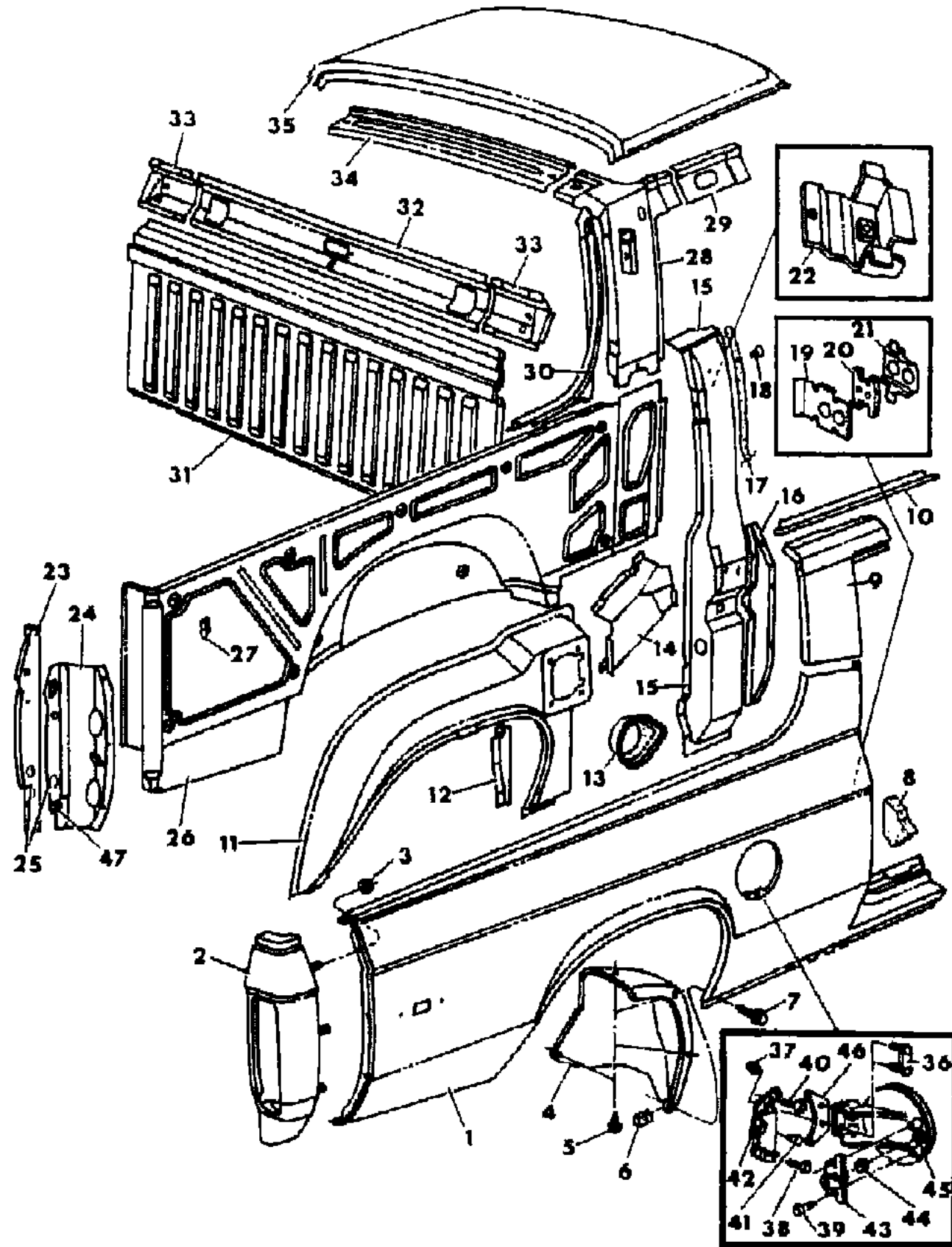
BODY STYLES

21 = 2-DOOR SEDAN	41 = 4-DOOR SEDAN
22 = 2-DOOR SPECIAL COUPE	45 = 4-DOOR STATION WAGON
24 = 2-DOOR HATCHBACK	44 = 4-DOOR HATCHBACK
27 = 2-DOOR CONVERTIBLE	48 = EXECUTIVE SEDAN
28 = FWD PICKUP	

AR = Use as Required - = Non Illustrated Part P.A.R. = Paint as Required

BODY, REAR QUARTER - M,Z 28  
Figure 23A-1200

3169 1200A



ITEM	PART NUMBER	QTY	BODY	MODEL	DESCRIPTION
35	4206 586	1	28	28	PANEL, Roof
36	4206 750	1	28	28	PLATE & SCREW
37	6025 002	2	28	28	NUT & WASHER
38		1	28	28	SCREW, #10-16 x .75" (Not Serviced)
39		2	28	28	SCREW, #8-32 x .625" (Not Serviced)
40		1	28	28	SCREW, #10-16 x .50" (Not Serviced)
41	2811 139	2	28	28	BUMPER, Fuel Filler Door
42	4172 464	1	28	28	STRIKER, Fuel Filler Door Latch
43	4246 463	1	28	28	LATCH & LOCK, Fuel Filler Door
44	4172 763	1	28	28	GASKET, Fuel Filler Door Latch
45	4278 163	1	28	28	DOOR & HINGE, Fuel Filler
46		AR	28	28	SHIM, Fuel Filler Door (Not Serviced)
47	4206 597	2	28	28	PIVOT, Tailgate, Body Half

NOTE: The Following Items Are Not Shown On Illustration. an offsetting order for part no. 3747881  
4187 122 AR 28 SEALER REPAIR KIT (Urethane), Aperture to Cargo Floor Side Extension

MODEL CODES  
 B = GRAN FURY  
 C = LEBARON/TOWN & COUNTRY  
 D = ARIES  
 E = 600  
 F = FIFTH AVENUE  
 G = DIPLOMAT  
 M = HORIZON/TURISMO/SCAMP  
 P = RELIANT  
 S = CORDOBA  
 T = E CLASS/NEWYORKER  
 V = 400  
 X = MIRADA  
 Y = IMPERIAL  
 Z = OMNI/CHARGER/RAMPAGE

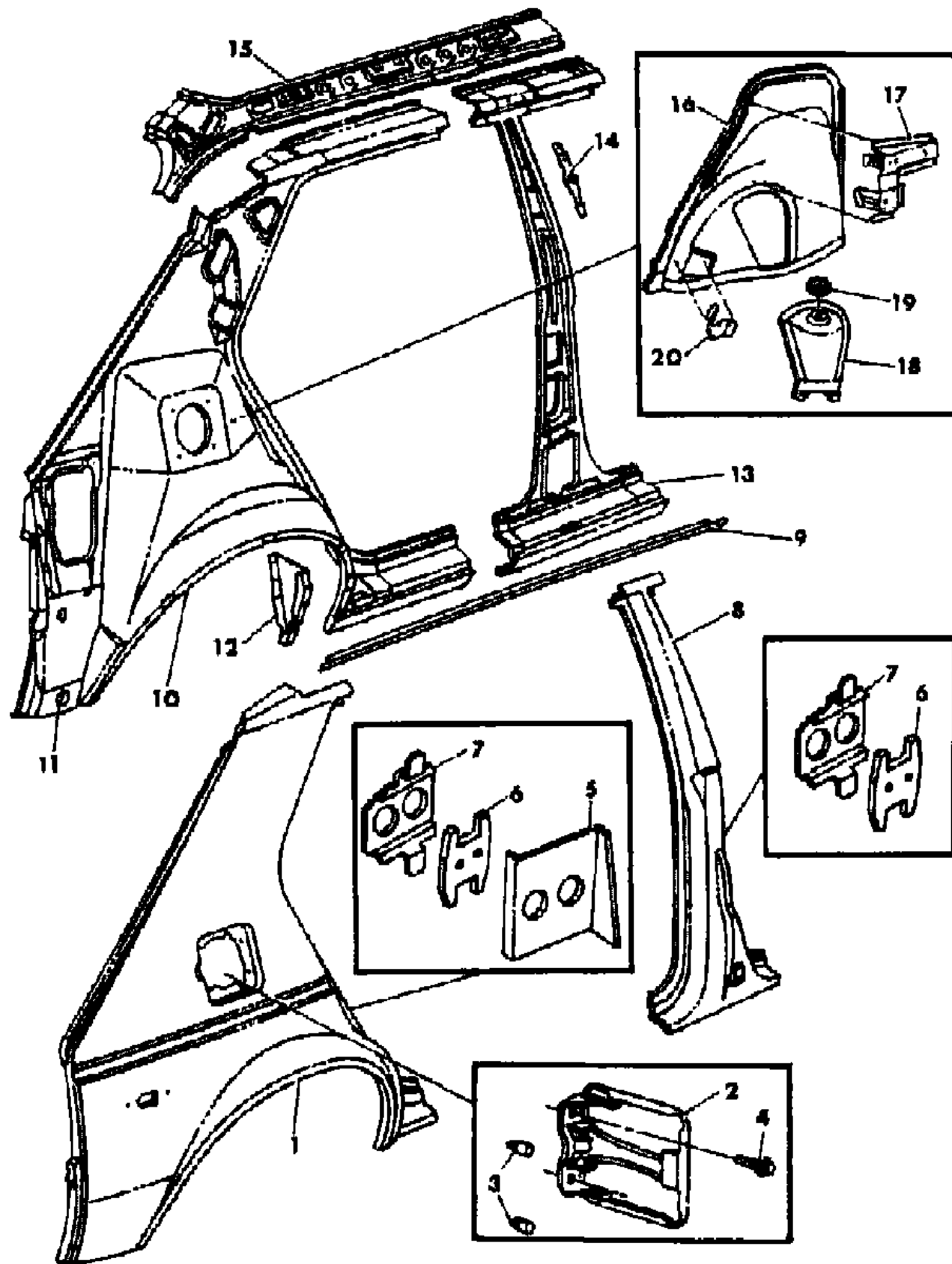
BODY STYLES  
 21 = 2-DOOR SEDAN  
 22 = 2-DOOR SPECIAL COUPE  
 24 = 2-DOOR HATCHBACK  
 27 = 2-DOOR CONVERTIBLE  
 28 = FWD PICKUP  
 41 = 4-DOOR SEDAN  
 45 = 4-DOOR STATION WAGON  
 44 = 4-DOOR HATCHBACK  
 48 = EXECUTIVE SEDAN

AR = Use as Required - = Non Illustrated Part P.A.R. = Paint as Required



BODY, REAR QUARTER - M,Z 44  
Figure 23A-1300

3109 1300B



ITEM	PART NUMBER	QTY	BODY	MODEL	DESCRIPTION
1	5230 452-3	1	44		PANEL, Quarter Outside
2	5215 891	1	44		DOOR & HINGE, Fuel Filler
3	5220 250	2	44		BUMPER, Fuel Filler Door
4		2	44		SCREW, #10-16 x .50" (Not Serviced)
5	5215 294-5	1	44		REINFORCEMENT, Rear Door Latch Striker
6	5200 368	4	44		T/PLATE, Door Latch Striker
7	5200 366	4	44		RETAINER, Door Latch Striker T/Plate
8	5218 316-7	1	44		PILLAR, Center Use Up To 3/21/83
	5218 444-5	1	44		Use After 3/21/83
9	5200 798-9	1	44		TROUGH, Roof Side Drain
10	5231 868-9	1	44		PANEL, Body Side Aperture, Rear
11	4073 485	2	44		PLUG, 1.50" Dia./38 mm
12	5200 838-9	1	44		CAP, Body Side to Lower Sill Rear Extension
13	5231 866-7	1	44		PANEL, Body Side Aperture, Center
14	5231 102	2	44		REINFORCEMENT & W/NUT, Seat Belt Anchor
15	5231 086-7	1	44		RAIL & P/NUT, Roof Side Inner
16	5200 056-7	1	44		PANEL, Wheelhouse Inner
17	5200 298-9	1	44		SUPPORT & P/NUT, Quarter Trim & Seat Back Latch
18	5200 058-9	1	44		REINFORCEMENT, Shock Absorber Mounting
19	4050 648-9	1	44		CUP & REINFORCEMENT, Shock Absorber Mounting (Includes Item #18)
20	5230 344-5	1	44		BRACKET, Wheelhouse Rear Seat Back Hinge Pivot

MODEL CODES

B = GRAN FURY	G = DIPLOMAT	V = 400
C = LEBARON/TOWN & COUNTRY	M = HORIZON/TURISMO/SCAMP	X = MIRADA
D = ARIES	P = RELIANT	Y = IMPERIAL
E = 600	S = CORDOBA	Z = OMNI/CHARGER/RAMPAGE
F = FIFTH AVENUE	T = E CLASS/NEWYORKER	

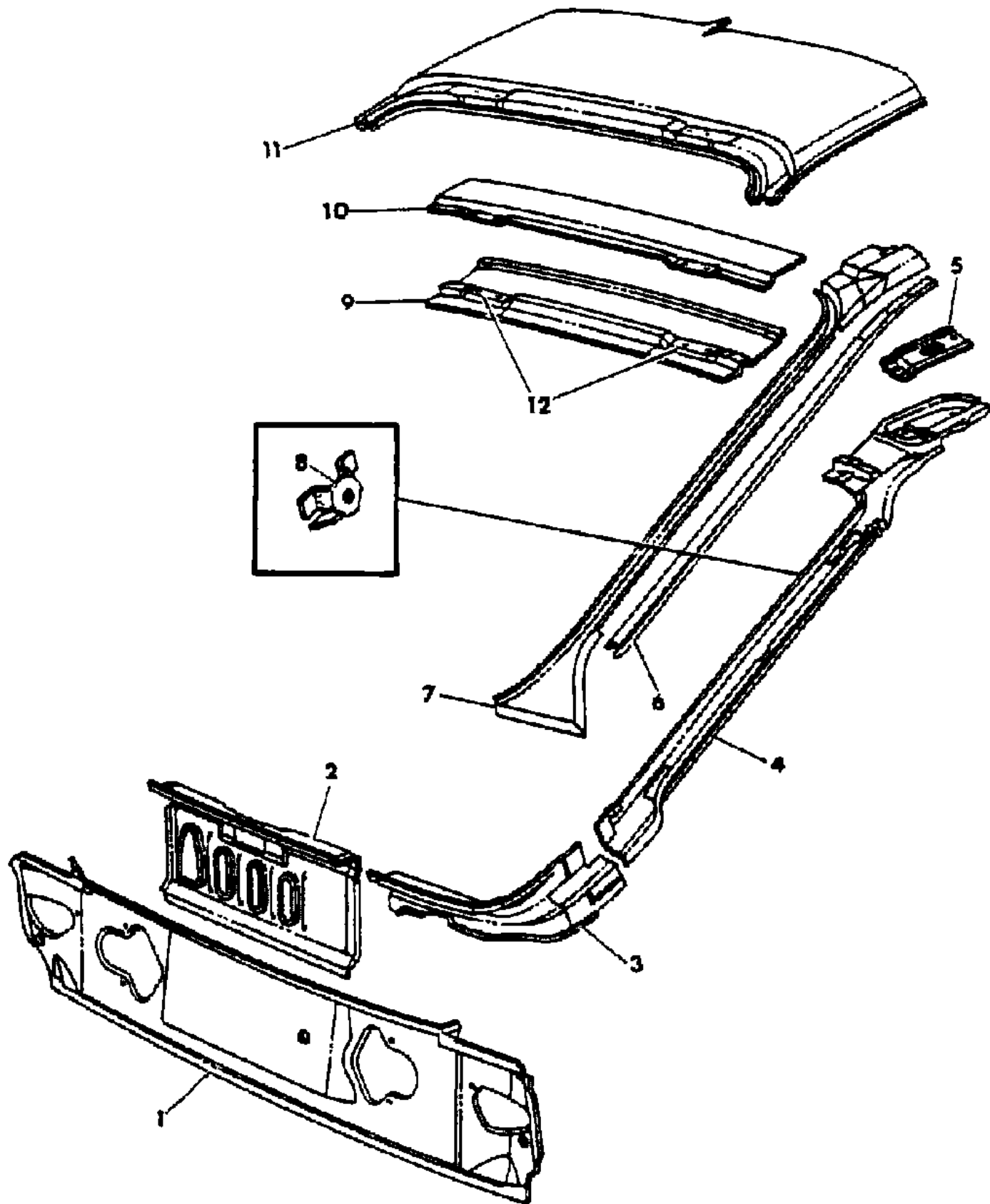
BODY STYLES

21 = 2-DOOR SEDAN	41 = 4-DOOR SEDAN
22 = 2-DOOR SPECIAL COUPE	45 = 4-DOOR STATION WAGON
24 = 2-DOOR HATCHBACK	44 = 4-DOOR HATCHBACK
27 = 2-DOOR CONVERTIBLE	48 = EXECUTIVE SEDAN
28 = FWD PICKUP	

AR = Use as Required - = Non Illustrated Part P.A.R. = Paint as Required

LIFTGATE OPENING - M,Z 24  
Figure 23A-1400

3169 1400A



ITEM	PART NUMBER	QTY	BODY	MODEL	DESCRIPTION
1	5230 021	1	24		PANEL, Liftgate Opening Lower
2	5230 424	1	24		REINFORCEMENT & P/NUT, Liftgate Opening Lower Panel
3	5230 026-7	1	24		EXTENSION, Quarter Inner to Liftgate Opening Lower Panel Reinforcement
4	5230 070-1	1	24		REINFORCEMENT, Quarter Inner Panel Liftgate Opening Pillar
5		2	24		PLATE & W/SCREWS, Shoulder Belt Retractor Mounting (Not Serviced)
6	5230 454-5	1	24		TROUGH, Roof Side Drain
7	5230 078-9	1	24		TROUGH, Quarter Liftgate Side Drain
8	5230 164	2	24		BRACKET & W/NUT, Liftgate Prop Mounting
9	5218 009	1	24		FRAME & REINFORCEMENT, Roof Liftgate Opening
10		1	24		REINFORCEMENT, Roof Liftgate Opening (Serviced in Item #9)
11	5231 026	1	24		PANEL, Roof Outer, w/o Sunroof
	5231 524	1	24		PANEL & TROUGH, Roof Outer, w/Sunroof
12		2	24		REINFORCEMENT, Liftgate Opening Hinge Mounting (Serviced in Item #9)

MODEL CODES

B = GRAN FURY	G = DIPLOMAT	V = 400
C = LEBARON/TOWN & COUNTRY	M = HORIZON/TURISMO/SCAMP	X = MIRADA
D = ARIES	P = RELIANT	Y = IMPERIAL
E = 600	S = CORDOBA	Z = OMNI/CHARGER/RAMPAGE
F = FIFTH AVENUE	T = E CLASS/NEWYORKER	

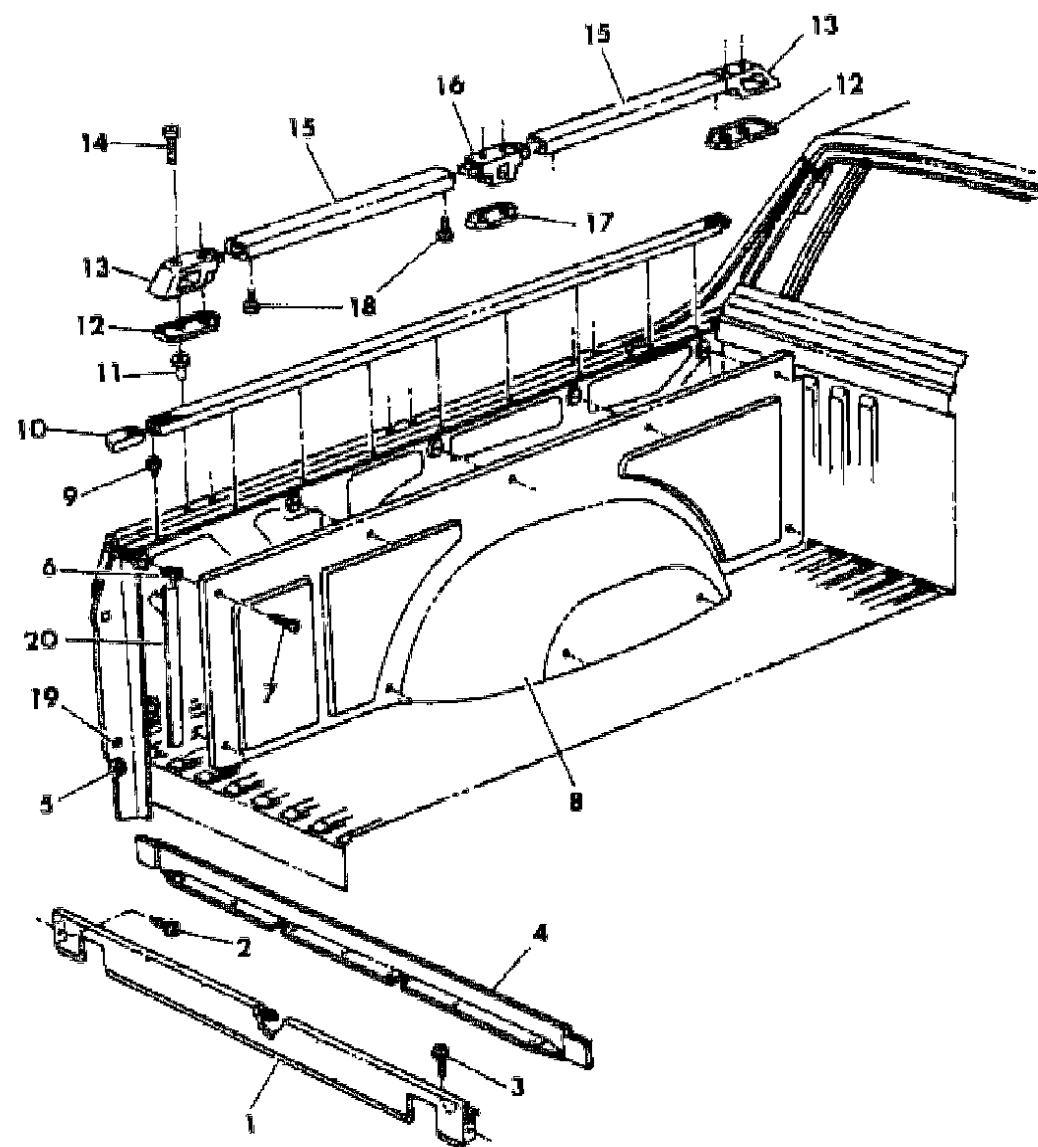
BODY STYLES

21 = 2-DOOR SEDAN	41 = 4-DOOR SEDAN
22 = 2-DOOR SPECIAL COUPE	45 = 4-DOOR STATION WAGON
24 = 2-DOOR HATCHBACK	44 = 4-DOOR HATCHBACK
27 = 2-DOOR CONVERTIBLE	48 = EXECUTIVE SEDAN
28 = FWD PICKUP	

AR = Use as Required - = Non Illustrated Part P.A.R. = Paint as Required

**TAILGATE OPENING & CARGO BOX - M,Z 28**  
**Figure 23A-1600**

3169 1600A



ITEM	PART NUMBER	QTY	BODY	MODEL	DESCRIPTION
1	4206 677	1		28	PANEL, Tailgate Opening, Lower
2		2		28	SCREW, #10-16 x .625" (Not Serviced)
3		7		28	SCREW, #10-16 x .50" (Not Serviced)
4	4278 103	1		28	BRACKET, Cargo Floor to Tailgate Opening Lower Panel
5	4206 597	2		28	PIVOT, Tailgate, Body Half
6	6032 058	20		28	GROMMET, Cargo Box Side Inner Panel Mounting
7		20		28	SCREW, #10-16 x .75" (Not Serviced)
8	4206 718-9	1		28	PANEL, Cargo Box Side, Inner
9	4057 555	3		28	RETAINER PACKAGE, Quarter Inner Flange Cover (Each Package Contains 6 Retainers)
10	X808-9 BA2	1		28	COVER & FASTENERS, Quarter Inner Flange
	6500 733	18		28	FASTENER, Flange Cover
11	2094 869	12		28	NUT, Side Rail Mounting
12		4		28	PAD, End Support (Serviced in Item #13)
13	5230 710	4		28	SUPPORT & PAD, Side Rail End
14		12		28	SCREW, 1/4-20 x 2" (Not Serviced)
15	5230 742	4		28	RAIL, Cargo Side, Use Up To 10/1/82
	4319 118	4		28	Use After 10/1/82
16	5230 711	2		28	SUPPORT & PAD, Side Rail Center
17		2		28	PAD, Center Support (Serviced in Item #16)
18		8		28	SCREW, #10-16 x .625" (Not Serviced)
19	2480 957	2		28	PLUG, 1.00" Dia./25.4 mm
20	4206 849	16		28	SPACER, Cargo Box Side Inner Panel
NOTE: The Following Items Are Not Shown On Illustration. an offsetting order for part no. 3747881					
	5230 740	1		28	RAIL PACKAGE, Cargo Box Side (Includes Items #11-18) Use Up To 10/1/82
	4319 120	1		28	Use After 10/1/82

**MODEL CODES**

B = GRAN FURY	G = DIPLOMAT	V = 400
C = LEBARON/TOWN & COUNTRY	M = HORIZON/TURISMO/SCAMP	X = MIRADA
D = ARIES	P = RELIANT	Y = IMPERIAL
E = 600	S = CORDOBA	Z = OMNI/CHARGER/RAMPAGE
F = FIFTH AVENUE	T = E CLASS/NEWYORKER	

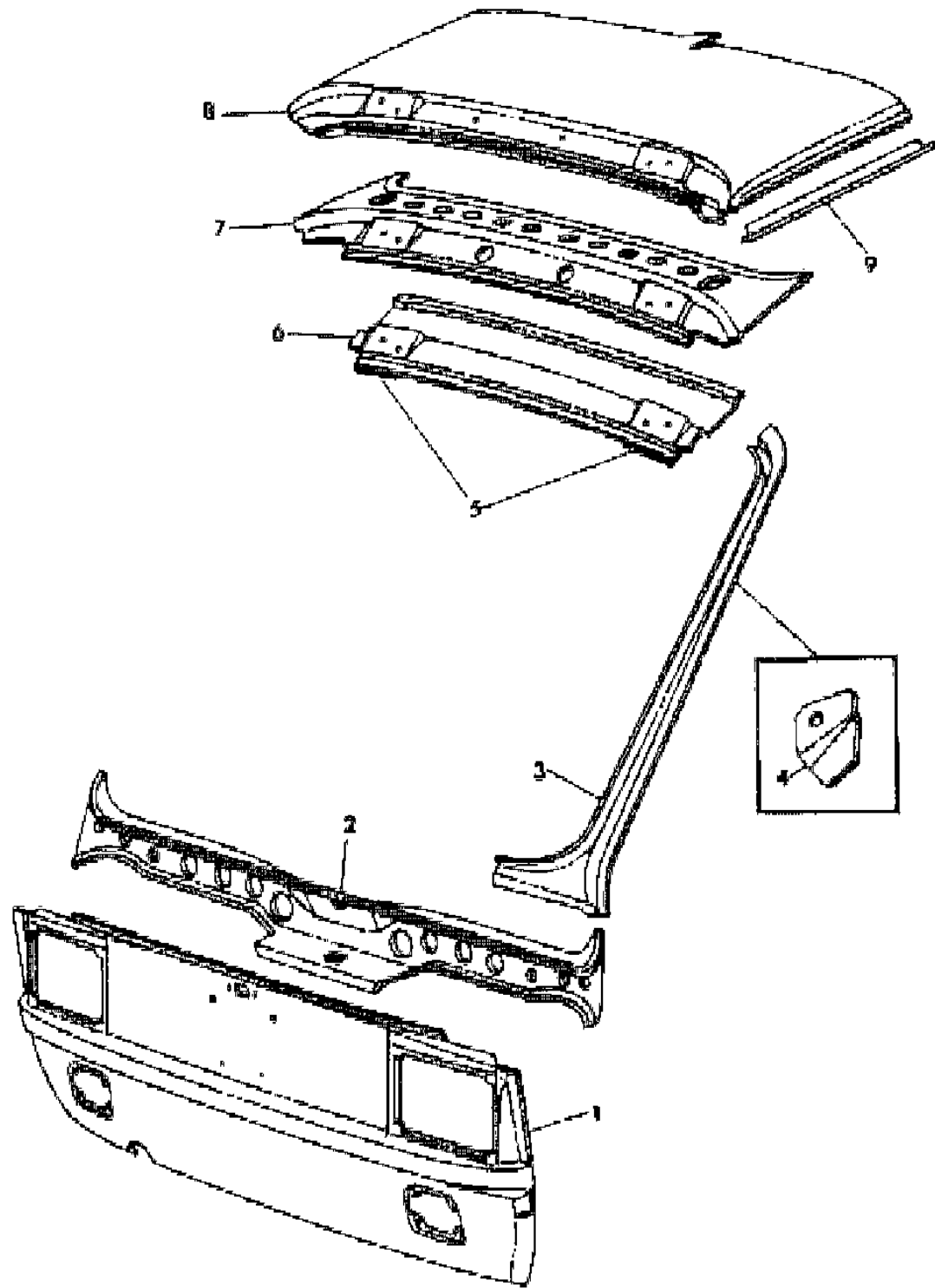
**BODY STYLES**

21 = 2-DOOR SEDAN	41 = 4-DOOR SEDAN
22 = 2-DOOR SPECIAL COUPE	45 = 4-DOOR STATION WAGON
24 = 2-DOOR HATCHBACK	44 = 4-DOOR HATCHBACK
27 = 2-DOOR CONVERTIBLE	48 = EXECUTIVE SEDAN
28 = FWD PICKUP	

AR = Use as Required - = Non Illustrated Part P.A.R. = Paint as Required

LIFTGATE OPENING - M,Z 44  
Figure 23A-1700

J169 1700A



ITEM	PART NUMBER	QTY	BODY	MODEL	DESCRIPTION
1	5200 470	1		44	PANEL, Liftgate Opening Lower
2	5230 450	1		44	REINFORCEMENT & P/NUT, Liftgate Opening Lower Panel
3	5220 194	1		44	TROUGH, Quarter Liftgate Side Drain, Right
	5200 463	1		44	Left
4	5200 380-1	1		44	REINFORCEMENT & P/NUT, Liftgate Prop to Trough Mounting
5		2		44	SUPPORT, Liftgate Hinge Mounting (Serviced in Item #6)
6	4050 586	1		44	FRAME & REINFORCEMENT, Liftgate Opening Upper
7		1		44	REINFORCEMENT, Liftgate Opening Frame (Serviced in Item #6)
8	5200 922	1		44	PANEL, Roof Outer
9	5200 798-9	1		44	TROUGH, Roof Side Drain

MODEL CODES

B = GRAN FURY	G = DIPLOMAT	V = 400
C = LEBARON/TOWN & COUNTRY	M = HORIZON/TURISMO/SCAMP	X = MIRADA
D = ARIES	P = RELIANT	Y = IMPERIAL
E = 600	S = CORDOBA	Z = OMNI/CHARGER/RAMPAGE
F = FIFTH AVENUE	T = E CLASS/NEWYORKER	

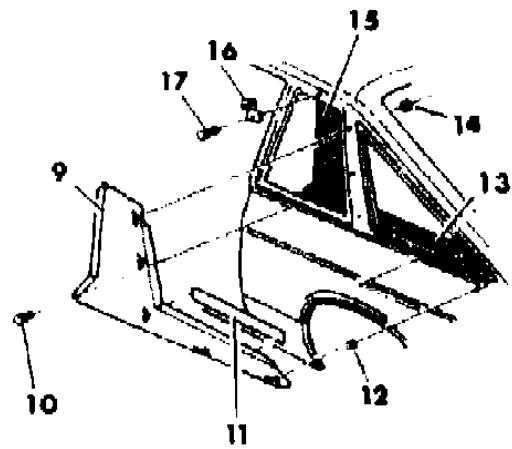
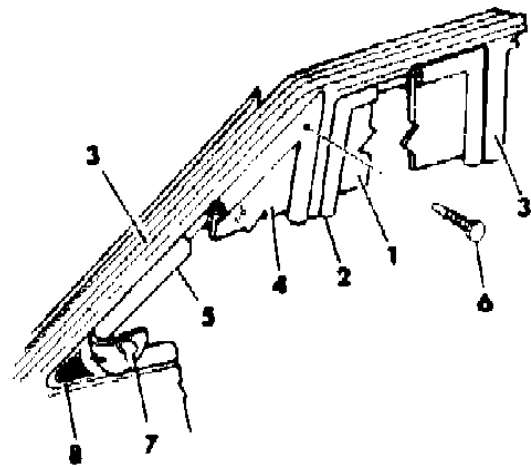
BODY STYLES

21 = 2-DOOR SEDAN	41 = 4-DOOR SEDAN
22 = 2-DOOR SPECIAL COUPE	45 = 4-DOOR STATION WAGON
24 = 2-DOOR HATCHBACK	44 = 4-DOOR HATCHBACK
27 = 2-DOOR CONVERTIBLE	48 = EXECUTIVE SEDAN
28 = FWD PICKUP	

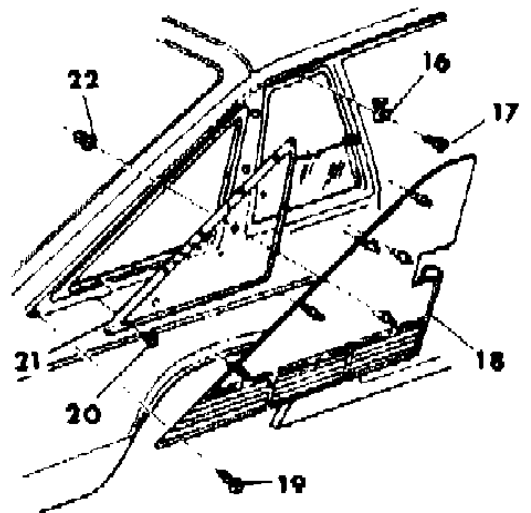
AR = Use as Required - = Non Illustrated Part P.A.R. = Paint as Required

**GLASS, QUARTER WINDOW - M,Z 24**  
Figure 23A-1900

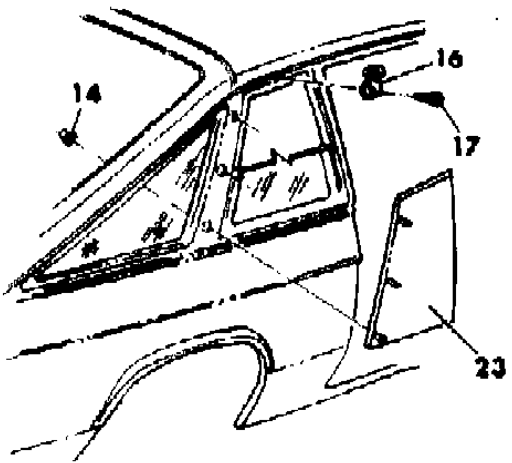
3109 1900P



Z-P 24



Z-S 24



Z-H, M-H, M-P 24

ITEM	PART NUMBER	QTY	BODY	MODEL	DESCRIPTION
1	5230 446-7	1		M-H,Z-H	GLASS, Quarter Window, Front
	5230 404-5	1		M-P,Z-P	
	4314 758-9	1		Z-S 24	
2	5230 150-1	1		24	WEATHERSTRIP, Quarter Window, Front
3				24	PANEL, Body Side (Reference Only)
4	5230 106-7	1		24 exc.	GLASS, Quarter Window, Rear
5	5230 410-1	1		24 exc.	WEATHERSTRIP, Quarter Window, Rear
6	6031 913	AR		24 exc.	RETAINER, Rear Quarter Window Weatherstrip
7		AR		24	TAPE, Butyl (Serviced in Package #4057957)
8		AR		24	PRIMER, Fence (Serviced in Package #4057957)
9	X596-7 VW3	1		Z-P 24	APPLIQUE, Quarter Window (Paint As Required)
10		2		Z-P 24	SCREW, #8-18 x .60" (Not Serviced)
11		2		Z-P 24	TAPE, Butyl (Serviced in Package #4057957)
12	4057 555	1		Z-P 24	RETAINER PACKAGE, Applique (Each Package Contains 6 Retainers)
13	5230 430-1	1		Z-P 24	TAPE, Blackout, Rear Quarter Window
14	9420 867	6		24	NUT & SEAL
15	5230 428-9	1		Z-P 24	TAPE, Blackout, Front Quarter Window
16	5230 661	2		24	RETAINER, Quarter Window Frame or Applique
17		2		24	SCREW, #8-18 x .50" (Not Serviced)
18	X604-5 BA1	1		Z-S 24	APPLIQUE, Rear Quarter Window, Silver
	X604-5 BB6	1		Z-S 24	Blue
19		2		Z-S 24	SCREW, #8-18 x .75" (Not Serviced)
20		28		Z-S 24	SCREW, #8-18 x .50" (Not Serviced)
21	4296 478-9	1		Z-S 24	FILLER, Rear Quarter Window
22	9420 867	12		Z-S 24	NUT & SEAL
23	X050-1 BA1	1		M-H,M-P	FRAME, Front Quarter Window, Silver
	X050-1 AA9	1		M-H,M-P	Charcoal Gray
	X050-1 BC4	1		M-H,M-P	Glacier Blue
	X050-1 BC9	1		M-H,M-P	Nightwatch Blue
	X050-1 BL4	1		M-H,M-P	Beige
	X050-1 BM5	1		M-H,M-P	Crimson Red
	X050-1 AR4	1		M-H,M-P	Graphic Red
	X050-1 BT8	1		M-H,M-P	Sable Tan
	X050-1 AW3	1		M-H,M-P	White
	X050-1 AX9	1		M-H,M-P	Black
NOTE: The Following Items Are Not Shown On Illustration. an offsetting order for part no. 3747881					
	4057 957	1		24	FIXED GLASS REPAIR PACKAGE (Butyl)

MODEL CODES

B = GRAN FURY	G = DIPLOMAT	V = 400
C = LEBARON/TOWN & COUNTRY	M = HORIZON/TURISMO/SCAMP	X = MIRADA
D = ARIES	P = RELIANT	Y = IMPERIAL
E = 600	S = CORDOBA	Z = OMNI/CHARGER/RAMPAGE
F = FIFTH AVENUE	T = E CLASS/NEWYORKER	

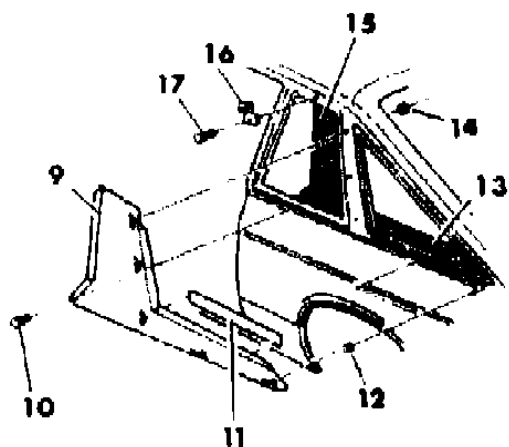
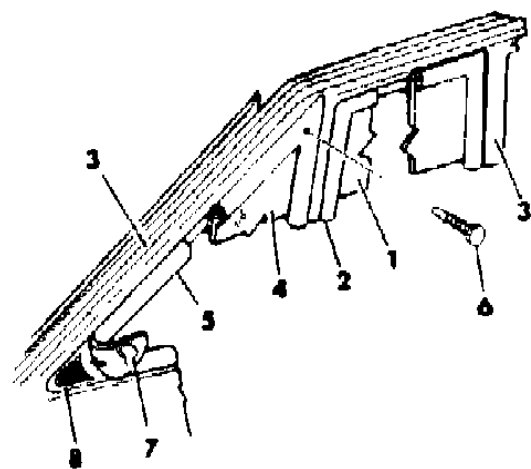
BODY STYLES

21 = 2-DOOR SEDAN	41 = 4-DOOR SEDAN
22 = 2-DOOR SPECIAL COUPE	45 = 4-DOOR STATION WAGON
24 = 2-DOOR HATCHBACK	44 = 4-DOOR HATCHBACK
27 = 2-DOOR CONVERTIBLE	48 = EXECUTIVE SEDAN
28 = FWD PICKUP	

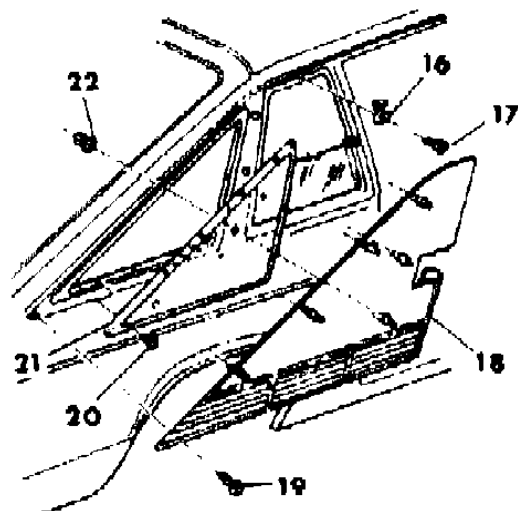
AR = Use as Required - = Non Illustrated Part P.A.R. = Paint as Required

GLASS, QUARTER WINDOW - M,Z 24  
Figure 23A-1900

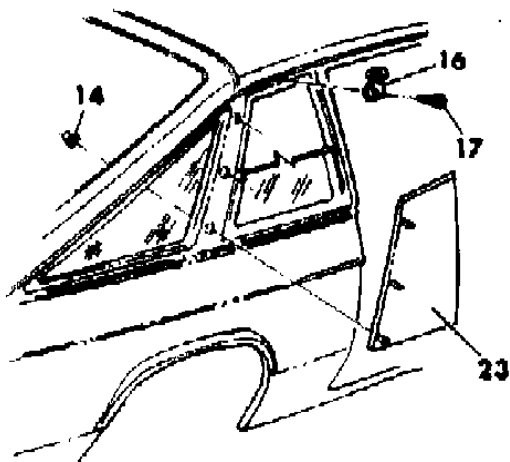
3109 1900P



Z-P 24



Z-S 24



Z-H, M-H, M-P 24

ITEM	PART NUMBER	QTY	BODY	MODEL	DESCRIPTION
------	-------------	-----	------	-------	-------------

CONSISTS OF:

- 1- ----- Tape, Butyl (171")
- 1- ----- Primer,Glass (1 oz.)
- 1- ----- Primer,Fence (2 oz.)
- 2- 3674698 Spacer,Rubber (.2")
- 2- 3793290 Spacer,Rubber (.3")
- 2- 3767767 Shim (.07")
- 2- ----- Sponges,Disposable

MODEL CODES

- |                            |                           |                          |
|----------------------------|---------------------------|--------------------------|
| B = GRAN FURY              | G = DIPLOMAT              | V = 400                  |
| C = LEBARON/TOWN & COUNTRY | M = HORIZON/TURISMO/SCAMP | X = MIRADA               |
| D = ARIES                  | P = RELIANT               | Y = IMPERIAL             |
| E = 600                    | S = CORDOBA               | Z = OMNI/CHARGER/RAMPAGE |
| F = FIFTH AVENUE           | T = E CLASS/NEWYORKER     |                          |

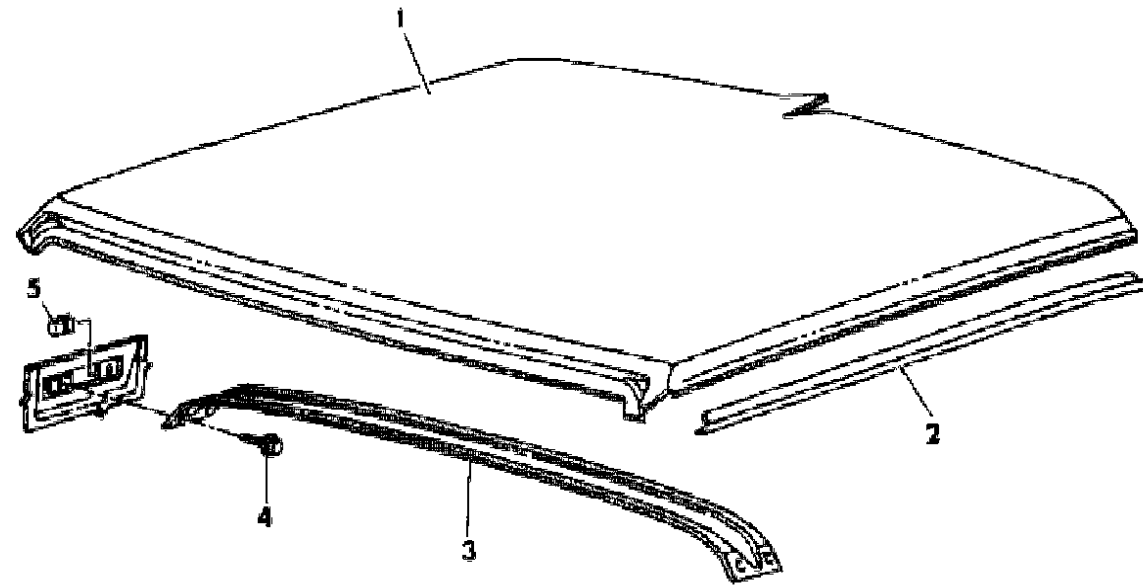
BODY STYLES

- |                           |                           |
|---------------------------|---------------------------|
| 21 = 2-DOOR SEDAN         | 41 = 4-DOOR SEDAN         |
| 22 = 2-DOOR SPECIAL COUPE | 45 = 4-DOOR STATION WAGON |
| 24 = 2-DOOR HATCHBACK     | 44 = 4-DOOR HATCHBACK     |
| 27 = 2-DOOR CONVERTIBLE   | 48 = EXECUTIVE SEDAN      |
| 28 = FWD PICKUP           |                           |

AR = Use as Required - = Non Illustrated Part P.A.R. = Paint as Required

ROOF PANEL - M,Z  
Figure 23A-2000

3189 2000A



ITEM	PART NUMBER	QTY	BODY	MODEL	DESCRIPTION
1	5231 026	1		24	PANEL, Roof Outer, w/o Sunroof
	4206 586	1		28	
	5200 922	1		44	
2	5231 524	1		24	PANEL & TROUGH, Roof Outer, w/Sunroof
	5230 454-5	1		24	TROUGH, Roof Side Drain
	4206 600-1	1		28	
3	5200 798-9	1		44	
	5231 029	1		24	BOW, Roof
	5200 521	AR		44	
4	6100 565	AR		24,44	SCREW & WASHER
5	6100 041	AR		44	U-NUT

MODEL CODES

B = GRAN FURY	G = DIPLOMAT	V = 400
C = LEBARON/TOWN & COUNTRY	M = HORIZON/TURISMO/SCAMP	X = MIRADA
D = ARIES	P = RELIANT	Y = IMPERIAL
E = 600	S = CORDOBA	Z = OMNI/CHARGER/RAMPAGE
F = FIFTH AVENUE	T = E CLASS/NEWYORKER	

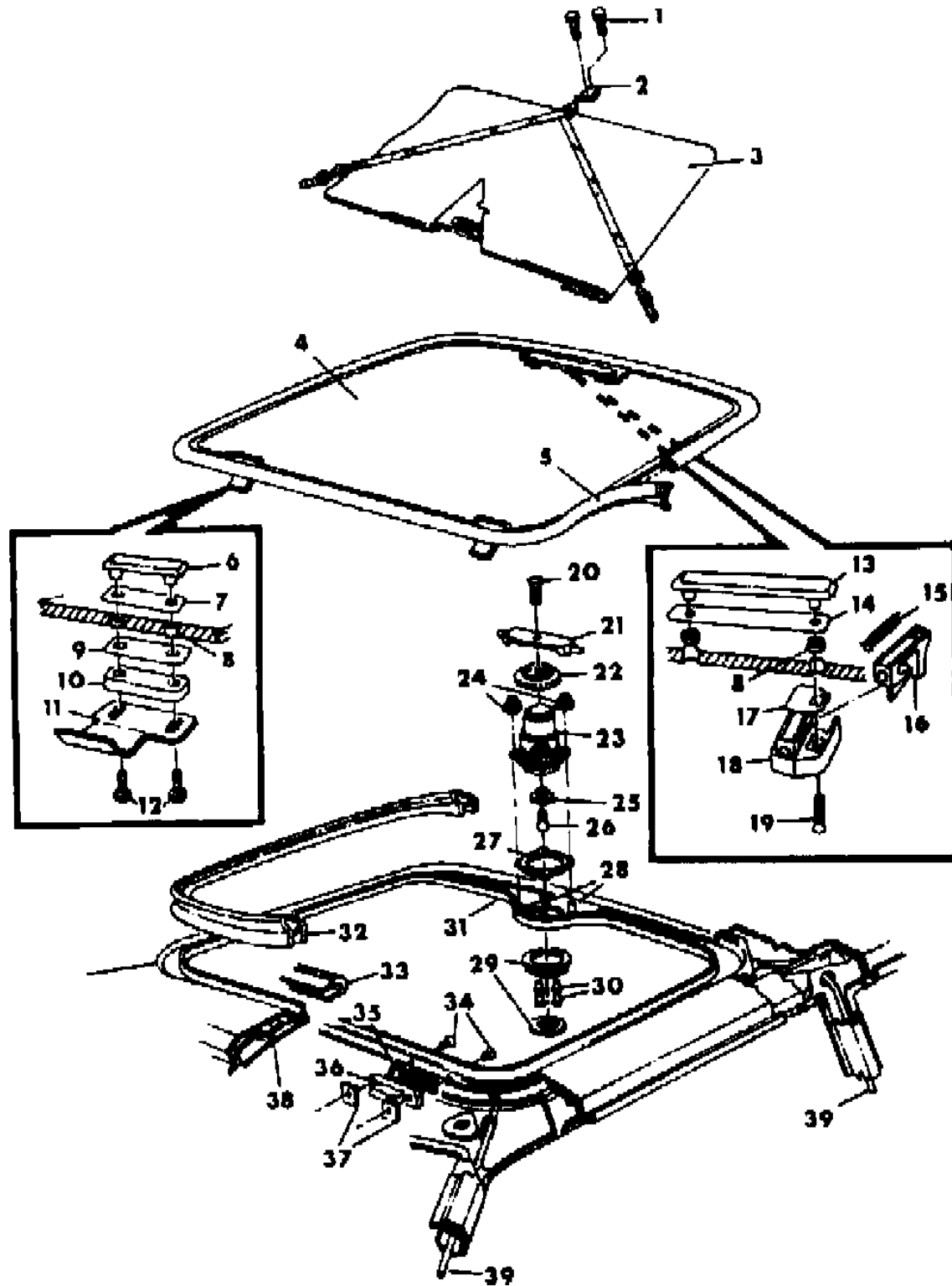
BODY STYLES

21 = 2-DOOR SEDAN	41 = 4-DOOR SEDAN
22 = 2-DOOR SPECIAL COUPE	45 = 4-DOOR STATION WAGON
24 = 2-DOOR HATCHBACK	44 = 4-DOOR HATCHBACK
27 = 2-DOOR CONVERTIBLE	48 = EXECUTIVE SEDAN
28 = FWD PICKUP	

AR = Use as Required - = Non Illustrated Part P.A.R. = Paint as Required

SUN ROOF - M,Z 24  
Figure 23A-2100

1109 2100A



ITEM	PART NUMBER	QTY	BODY	MODEL	DESCRIPTION
1	9436 676	6		24	SCREW
2	5216 587	3		24	BRACKET, Stowage Bag D-Ring Retainer
3	E858 VX9	1		24	BAG, Stowage (Black)
4	5232 068	1		24	PANEL, Glass w/Frame (Bonded)
	5207 474	2		24	PIN, Glass Frame Connecting
5	5232 046	1		24	SEAL, Sun Roof (Secondary)
6		2		24	T/PLATE (Serviced in Package #4106874)
7		2		24	GASKET (Serviced in Package #4106874)
8		6		24	GROMMET (Serviced in Package #4106874)
9		2		24	GASKET (Serviced in Package #4106874)
10		2		24	SPACER (Serviced in Package #4106874)
11		2		24	HINGE (Serviced in Package #4106874)
12		4		24	SCREW (Serviced in Package #4106874)
13	5207 322	1		24	T/PLATE, Latch
14	5207 368	1		24	GASKET, Latch T/Plate
15		2		24	SPRING (Serviced in Package #4106872-3)
16		2		24	LATCH (Serviced in Package #4106872-3)
17		2		24	GASKET (Serviced in Package #4106872-3)
18		2		24	HOUSING (Serviced in Package #4106872-3)
19		2		24	SCREW (Serviced in Package #4106872-3)
20		1		24	SCREW (Not Serviced) #10-16 x .75"
21	5207 327	1		24	STRIKER, Latch
22	5232 106	1		24	GASKET & RETAINER, Adjuster
23	5207 329	1		24	ADJUSTER, Latch (Includes Items #20-23 & 25,26)
24	6100 515	4		24	NUT
25	5232 094	1		24	WASHER, Latch Striker Stop
26		1		24	SCREW (Not Serviced) #8-18 x .75"
27	5232 052	1		24	GASKET, Latch Adjuster to Trough
28		4		24	SCREW, Weld (Serviced in Item #28) M5 x 15mm
29	H808 BX9	1		24	HANDLE, Latch Adjuster (Complete)
30	6031 171	4		24	SCREW
31	5231 524	1		24	PANEL & TROUGH, Roof (Includes Item #28)
32	5207 319	1		24	SEAL, Sun Roof (Primary)
33	H611 BA2	1		24	WELT, Headliner Opening, Silver
	H611 BB5	1		24	Blue
	H611 BL3	1		24	Tan
	H611 BM6	1		24	Red

MODEL CODES

B = GRAN FURY	G = DIPLOMAT	V = 400
C = LEBARON/TOWN & COUNTRY	M = HORIZON/TURISMO/SCAMP	X = MIRADA
D = ARIES	P = RELIANT	Y = IMPERIAL
E = 600	S = CORDOBA	Z = OMNI/CHARGER/RAMPAGE
F = FIFTH AVENUE	T = E CLASS/NEWYORKER	

BODY STYLES

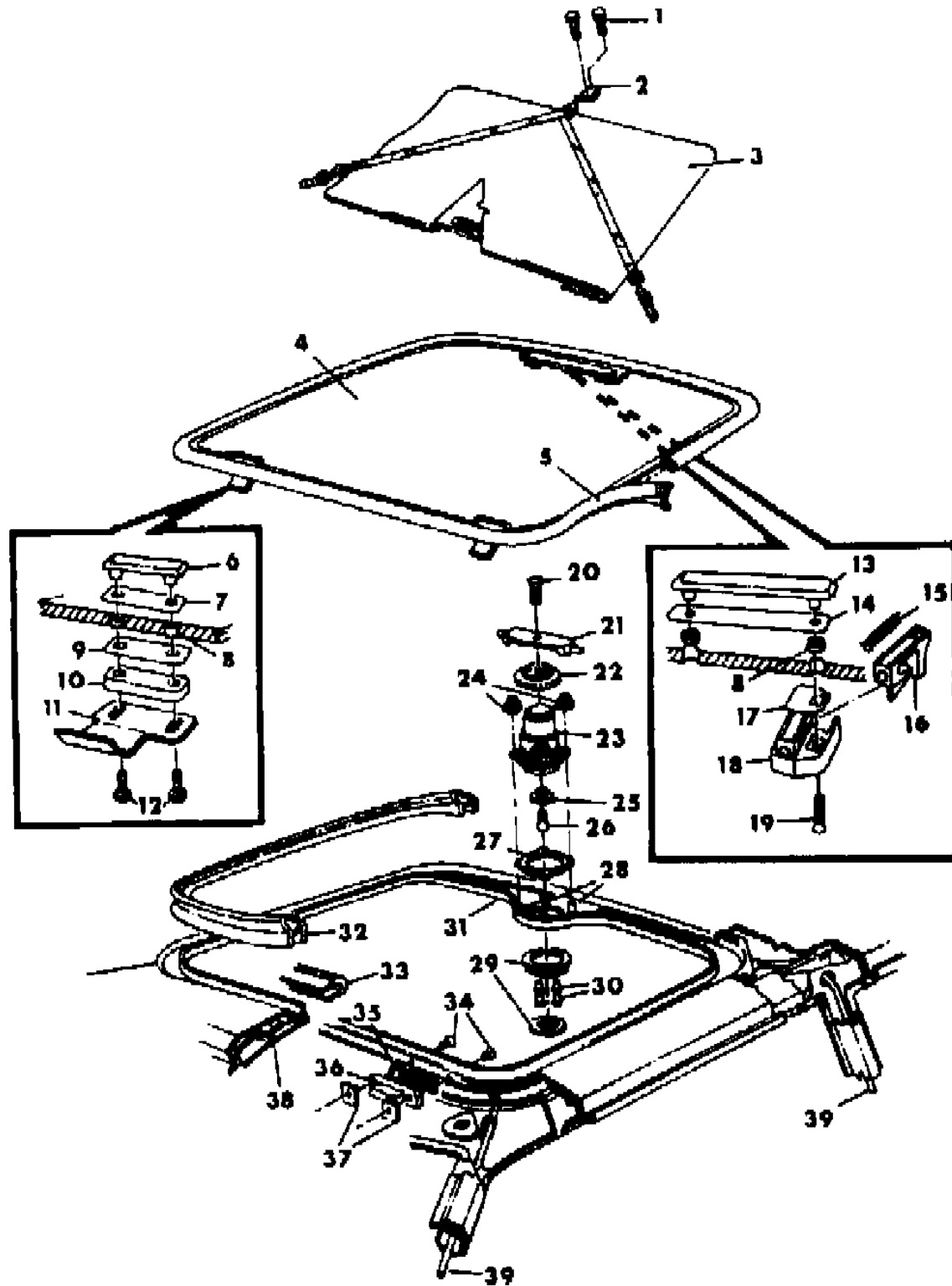
21 = 2-DOOR SEDAN	41 = 4-DOOR SEDAN
22 = 2-DOOR SPECIAL COUPE	45 = 4-DOOR STATION WAGON
24 = 2-DOOR HATCHBACK	44 = 4-DOOR HATCHBACK
27 = 2-DOOR CONVERTIBLE	48 = EXECUTIVE SEDAN
28 = FWD PICKUP	

AR = Use as Required - = Non Illustrated Part P.A.R. = Paint as Required



SUN ROOF - M,Z 24  
Figure 23A-2100

1109 2100A



ITEM	PART NUMBER	QTY	BODY	MODEL	DESCRIPTION
	H611 SX9	1		24	Black
34	6101 127	4		24	SCREW
35	5232 050-1	1		24	GASKET, Hinge Receiver
36	5207 374-5	1		24	RECEIVER, Hinge (Includes Items #35 & 37)
37	5207 378	4		24	NUT PLATE, Hinge Receiver
38		1		24	HEADLINING (See Group 23-Interior Trim Illustrations)
39	4026 151	AR		24	HOSE, Drain (3/8 I.D. x 50' Roll Stock)
NOTE: The Following Items Are Not Shown On Illustration. an offsetting order for part no. 3747881					
	4106 872-3	1		24	HOUSING & LATCH PACKAGE (Includes Items #15-19)
	4106 874	2		24	HINGE & T/PLATE PACKAGE (Includes Items #6-12)

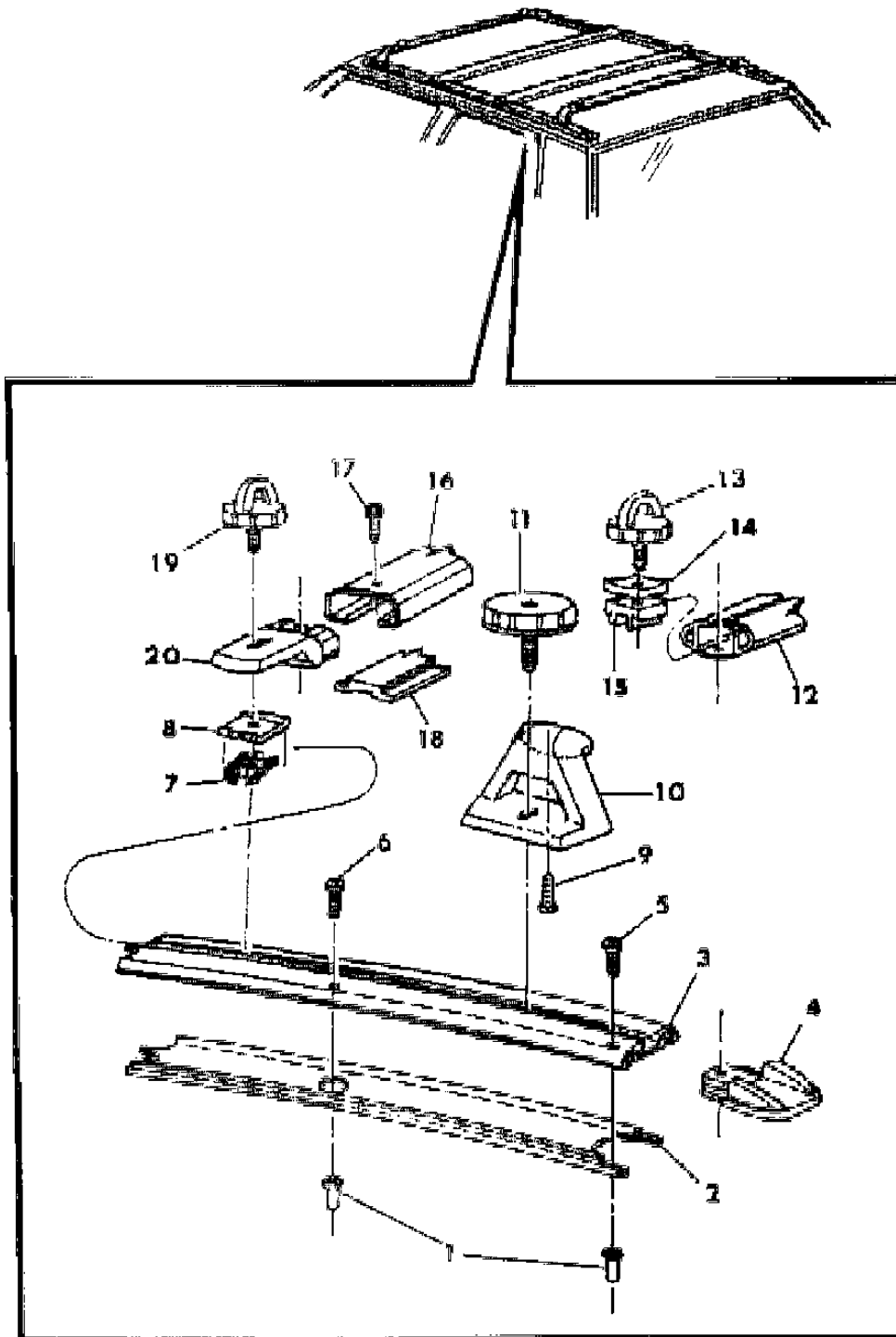
MODEL CODES  
 B = GRAN FURY  
 C = LEBARON/TOWN & COUNTRY  
 D = ARIES  
 E = 600  
 F = FIFTH AVENUE  
 G = DIPLOMAT  
 M = HORIZON/TURISMO/SCAMP  
 P = RELIANT  
 S = CORDOBA  
 T = E CLASS/NEWYORKER  
 V = 400  
 X = MIRADA  
 Y = IMPERIAL  
 Z = OMNI/CHARGER/RAMPAGE

BODY STYLES  
 21 = 2-DOOR SEDAN  
 22 = 2-DOOR SPECIAL COUPE  
 24 = 2-DOOR HATCHBACK  
 27 = 2-DOOR CONVERTIBLE  
 28 = FWD PICKUP  
 41 = 4-DOOR SEDAN  
 45 = 4-DOOR STATION WAGON  
 44 = 4-DOOR HATCHBACK  
 48 = EXECUTIVE SEDAN

AR = Use as Required - = Non Illustrated Part P.A.R. = Paint as Required

## ROOF LUGGAGE RACK - M,Z Figure 23A-2200

3188 2200A



ITEM	PART NUMBER	QTY	BODY	MODEL	DESCRIPTION
1	2094 869	8	44		NUT, Blind
2	5209 079	2	44		PAD, Skid Strip
3	5209 074	2	44		STRIP, Skid w/Pad (Includes Item #2)
4	4229 317	4	44		CAP, Skid Strip End
5		4	44		SCREW (Not Serviced) 1/4-20 x .625"
6	6031 567	4	44		SCREW, Low Head
7	4229 335	8	44		RETAINER, Skid Strip T/Plate
8	5209 080	8	44		T/PLATE, Skid Strip
9	6032 069	4	44		SCREW, Cross Bar to Support
10	4229 318	4	44		SUPPORT, Cross Bar
11	4229 320	4	44		KNOB, Cross Bar
12		2	44		BAR, Cross (Serviced in Assembly #5230750)
13	4229 334	4	44		LOOP, Cross Bar
14	4229 321	4	44		T/PLATE, Cross Bar Loop
15	4229 322	4	44		RETAINER, Cross Bar Loop T/Plate
16		2	44		STRIP, Cross (Serviced in Assembly #5230755)
17	6032 070	4	44		SCREW, Cross Strip to End Cap
18		2	44		PAD, Cross Strip (Serviced in Assembly #5230755)
19	4229 334	4	44		LOOP, Cross Strip
20	4229 325	4	44		CAP, Cross Strip End

NOTE: The Following Items Are Not Shown On Illustration. an offsetting order for part no. 3747881

	5209 231	2	44		STRIP ASSEMBLY, Skid (Includes Items #2,3,4,7,& 8)
	5230 750	2	44		BAR ASSEMBLY, Cross (Includes Items #9-15)
	5230 755	2	44		STRIP ASSEMBLY, Cross (Includes Items #16-20)
	4240 275	1	44		PACKAGE, Roof Luggage Rack (Field Installed)
	4205 324	1	24		PACKAGE, Roof Luggage Rack (Field Installed)
					ABOVE PACKAGES CONSIST OF:
2	2424 864	3	44		PLUG, 1.75" Dia./44.5 mm
					2 - 5209074 Skid Strip w/Pad (M,Z-44 Only)
					2 - 5209079 Pad, Skid Strip (M,Z-44 Only)
					2 - 5230568 Strip, Skid w/Pad (M,Z-24 Only)
					4 - 5209082 Cap, Skid Strip End
					4 - 5209076 Support, Cross Bar
					2 - 4240951 Bar, Cross
					4 - 5209078 Bracket, Tie Down
					22- 5209080 T/Plate
					4 - 5209083 Cap, Cross Bar End

### MODEL CODES

B = GRAN FURY	G = DIPLOMAT	V = 400
C = LEBARON/TOWN & COUNTRY	M = HORIZON/TURISMO/SCAMP	X = MIRADA
D = ARIES	P = RELIANT	Y = IMPERIAL
E = 600	S = CORDOBA	Z = OMNI/CHARGER/RAMPAGE
F = FIFTH AVENUE	T = E CLASS/NEWYORKER	

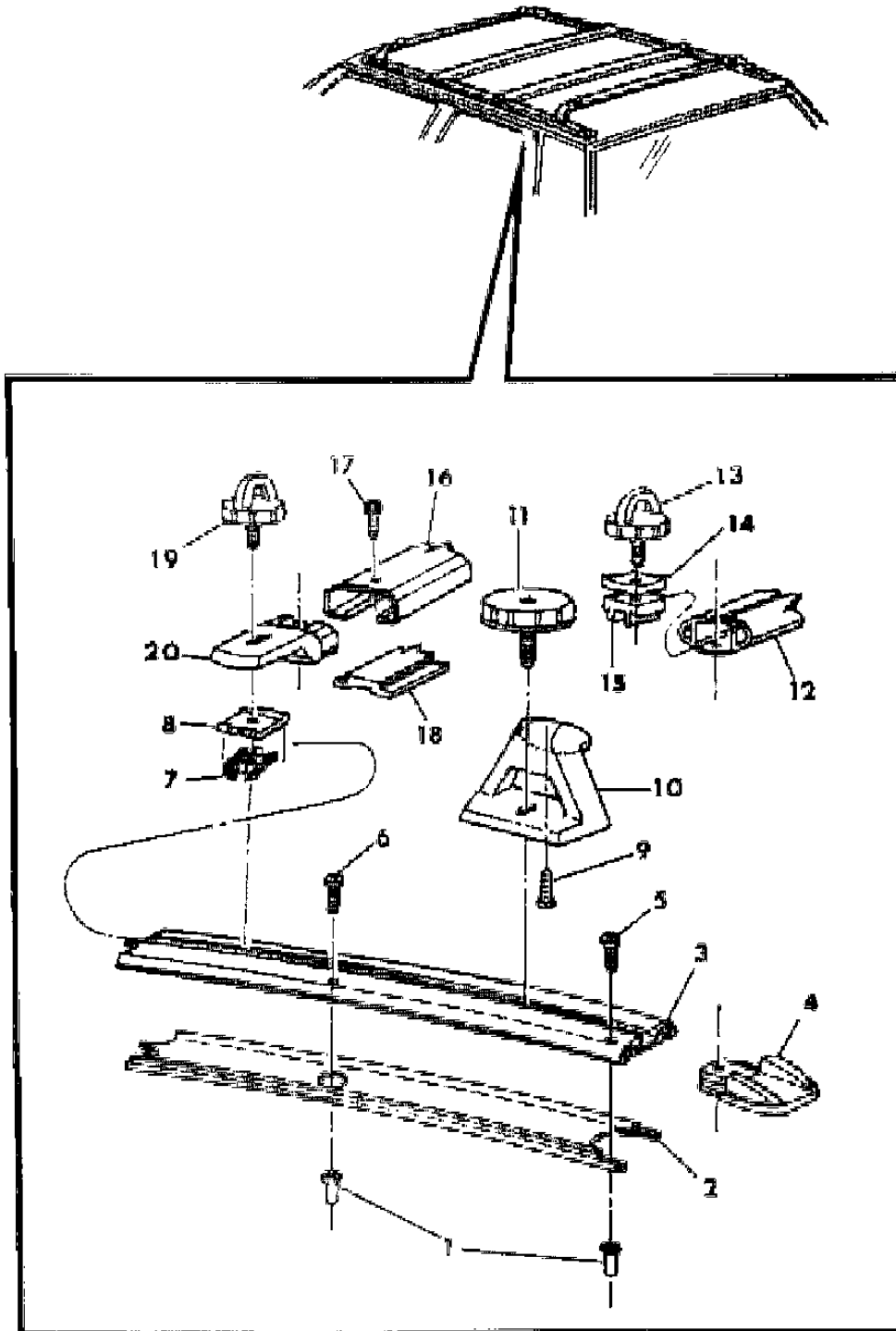
### BODY STYLES

21 = 2-DOOR SEDAN	41 = 4-DOOR SEDAN
22 = 2-DOOR SPECIAL COUPE	45 = 4-DOOR STATION WAGON
24 = 2-DOOR HATCHBACK	44 = 4-DOOR HATCHBACK
27 = 2-DOOR CONVERTIBLE	48 = EXECUTIVE SEDAN
28 = FWD PICKUP	

AR = Use as Required - = Non Illustrated Part P.A.R. = Paint as Required

ROOF LUGGAGE RACK - M,Z  
Figure 23A-2200

3188 2200A



ITEM	PART NUMBER	QTY	BODY	MODEL	DESCRIPTION
					4 - ----- Screw (Not Serviced) #10-24 x .625"
					20- 6500189 Screw
					3 - 4241000 Strip, Cross
					3 - 4240950 Pad, Cross Strip
					6 - 4186521 Plug, Cross Strip End
					6 - 4267851 Screw 1/4-14 x .50"
					6 - 4186525 Adjuster, Tie Down
					4 - ----- Screw, High Head (Not Serviced) 1/4-20 x .625"
					4 - 6031567 Screw, Low Head
					8 - 2094869 Nut, Blind
					14- 4186524 Retainer, T/Plate

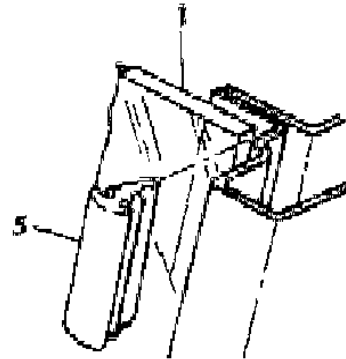
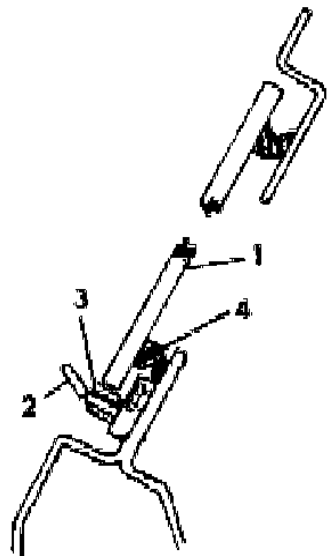
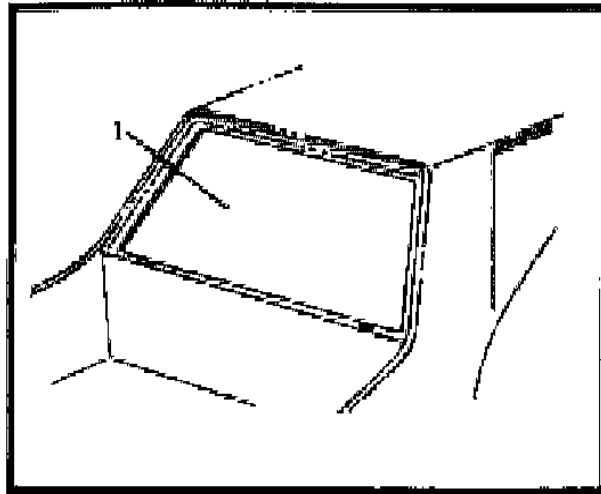
MODEL CODES  
 B = GRAN FURY  
 C = LEBARON/TOWN & COUNTRY  
 D = ARIES  
 E = 600  
 F = FIFTH AVENUE  
 G = DIPLOMAT  
 M = HORIZON/TURISMO/SCAMP  
 P = RELIANT  
 S = CORDOBA  
 T = E CLASS/NEWYORKER  
 V = 400  
 X = MIRADA  
 Y = IMPERIAL  
 Z = OMNI/CHARGER/RAMPAGE

BODY STYLES  
 21 = 2-DOOR SEDAN  
 22 = 2-DOOR SPECIAL COUPE  
 24 = 2-DOOR HATCHBACK  
 27 = 2-DOOR CONVERTIBLE  
 28 = FWD PICKUP  
 41 = 4-DOOR SEDAN  
 45 = 4-DOOR STATION WAGON  
 44 = 4-DOOR HATCHBACK  
 48 = EXECUTIVE SEDAN

AR = Use as Required - = Non Illustrated Part P.A.R. = Paint as Required

**GLASS, REAR WINDOW - M,Z 28**  
**Figure 23A-2300**

3180 2300A



ITEM	PART NUMBER	QTY	BODY	MODEL	DESCRIPTION
------	-------------	-----	------	-------	-------------

NOTE: GLASS, REAR WINDOW - ORDER FROM YOUR LOCAL MOPAR GLASS DISTRIBUTOR. an offsetting order for part no. 3747881

1	4206 591	1		28	GLASS, Rear Window (Tinted)
2	4207 000	2		28	SPACER, Glass Lower
3	4278 076	AR		28	SHIM, Lower Spacer (.1625")
	4278 077	AR		28	(.2187")
	4278 511	AR		28	(.2875")
4	4206 848	1		28	DAM, Glass Adhesive (119")
5	4278 003	1		28	RETAINER, Glass Upper & Side (69")
	4278 642	AR		28	(Repair)

NOTE: The Following Items Are Not Shown On Illustration. an offsetting order for part no. 3747881

4267 906	1		28	FIXED GLASS REPAIR PACKAGE (Polyurethane)	
CONSISTS OF:					
	1-	-----		Polyurethane, 11.5 oz.	
	1-	-----		Fence Primer, 1 oz.	
	1-	-----		Glass Wipe-Off Primer, 1 oz.	
	1-	-----		Glass Black-Out Primer, 1 oz.	
	3-	-----		Dabbers	
	1-	-----		Nozzle	

**MODEL CODES**

B = GRAN FURY	G = DIPLOMAT	V = 400
C = LEBARON/TOWN & COUNTRY	M = HORIZON/TURISMO/SCAMP	X = MIRADA
D = ARIES	P = RELIANT	Y = IMPERIAL
E = 600	S = CORDOBA	Z = OMNI/CHARGER/RAMPAGE
F = FIFTH AVENUE	T = E CLASS/NEWYORKER	

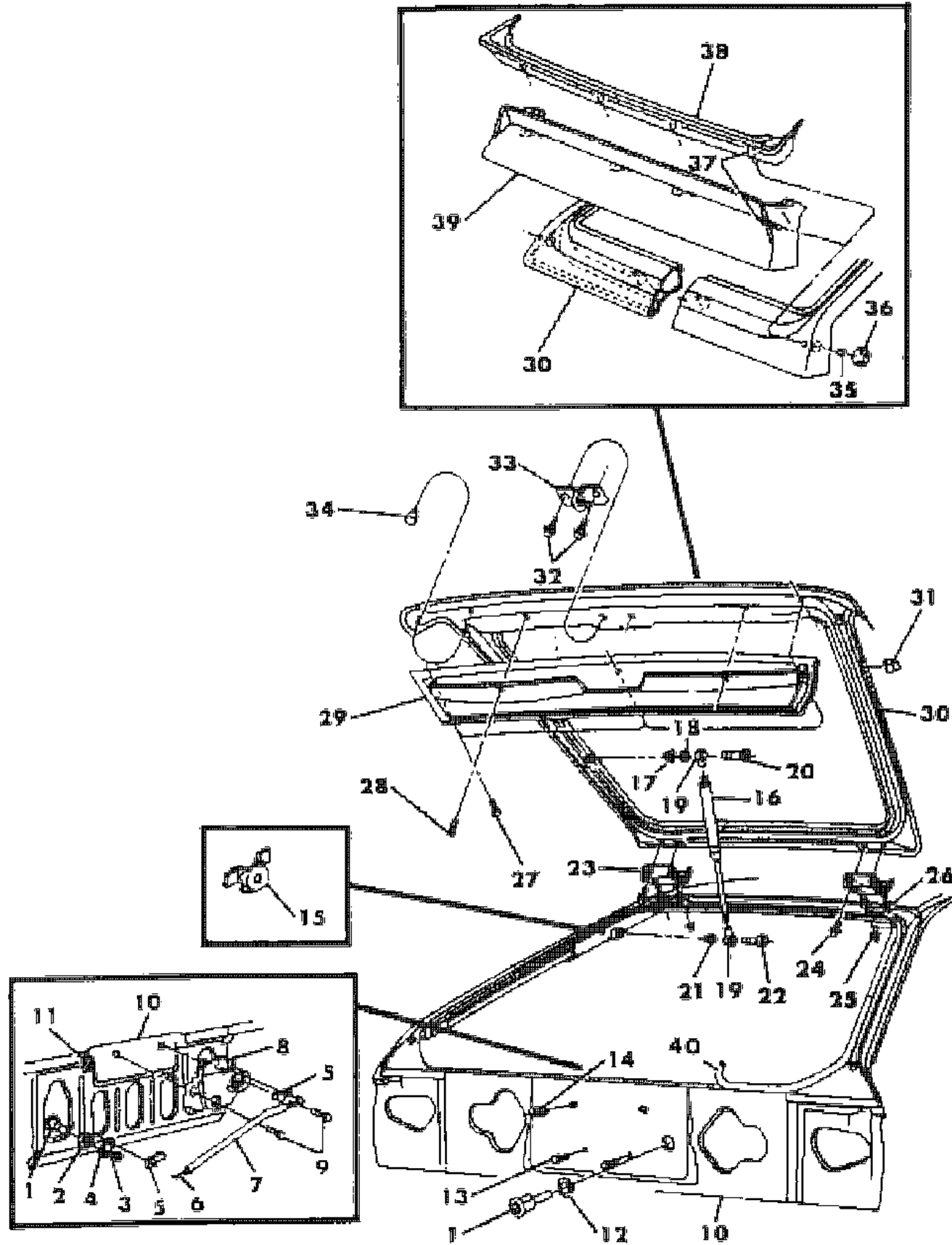
**BODY STYLES**

21 = 2-DOOR SEDAN	41 = 4-DOOR SEDAN
22 = 2-DOOR SPECIAL COUPE	45 = 4-DOOR STATION WAGON
24 = 2-DOOR HATCHBACK	44 = 4-DOOR HATCHBACK
27 = 2-DOOR CONVERTIBLE	48 = EXECUTIVE SEDAN
28 = FWD PICKUP	

AR = Use as Required - = Non Illustrated Part P.A.R. = Paint as Required

LIFT GATE - M,Z 24  
Figure 23A-2500

3169 2500B



ITEM	PART NUMBER	QTY	BODY	MODEL	DESCRIPTION
1		1		24	CYLINDER, Lock (See Group 23D Illustrations)
2	4054 202	1		24	NUT, Lock Cylinder
3	6026 125	1		24	RETAINER, Lock Cylinder Lever
4		1		24	LEVER, Lock Cylinder (Serviced in Item #6)
5	3454 221	2		24	CLIP, Link Attaching
6	5207 450	1		24	LINK, Latch Release (Includes Items #4 & 5) Use Up To 5/1/83
	4246 648	1		24	(Includes Items #4-7) Use After 5/1/83
7		1		24	SLEEVE, Link (Serviced in Item #6)
8	5207 345	1		24	LATCH, Manual
	5207 346	1		24	Electric, Use Up To 4/18/83
	4246 675	1		24	Electric, Use After 4/18/83
	6032 107	1		24	RETAINER, Latch Lever
	6028 976	2		24	PUSH-NUT, Latch Spring (Electric)
9	6101 255	2		24	SCREW & WASHER
10				24	PANEL, Lift Gate Opening (Reference Only)
11		1		24	BUMPER, Latch Link (Not Serviced) 2" Foam Tape
12	3695 321	1		24	GASKET, Lock Cylinder
13	5200 365	2		24	BUMPER, License Plate
14	6500 229	2		24	NUT, License Plate
15	5230 164	2		24	BRACKET & W/NUT, Prop to Pillar
16		2		24	PROP, Lift Gate w/o Spoiler (Serviced in Package #4240301)
		2		24	w/Spoiler (Serviced in Package #4240302)
17		2		24	NUT & WASHER, Tube End (Serviced in Item #19)
18		2		24	WASHER, Tube End (Serviced in Item #19)
19	4172 829	2		24	CLEVIS, Prop, Rod End (Includes Items #21 & 22)
	4172 830	2		24	Tube End (Includes Items #17,18 & 20)
20	6500 457	2		24	SCREW, Tube End
21	6500 159	2		24	NUT & WASHER, Rod End
22	6500 183	2		24	SCREW, Rod End
23	5232 101	2		24	HINGE, Lift Gate
24	6100 275	4		24	SCREW & WASHER
25	6100 048	4		24	NUT & WASHER
26	5231 207	4		24	WASHER, Sealing
27		3		24	SCREW, #8-18 x 1.25" (Not Serviced)
28		2		24	SCREW, #8-18 x 1.75" (Not Serviced)
29	H429 AA3	1		24	COVER, Lift Gate, Silver
	H429 BB5	1		24	Blue

MODEL CODES

B = GRAN FURY	G = DIPLOMAT	V = 400
C = LEBARON/TOWN & COUNTRY	M = HORIZON/TURISMO/SCAMP	X = MIRADA
D = ARIES	P = RELIANT	Y = IMPERIAL
E = 600	S = CORDOBA	Z = OMNI/CHARGER/RAMPAGE
F = FIFTH AVENUE	T = E CLASS/NEWYORKER	

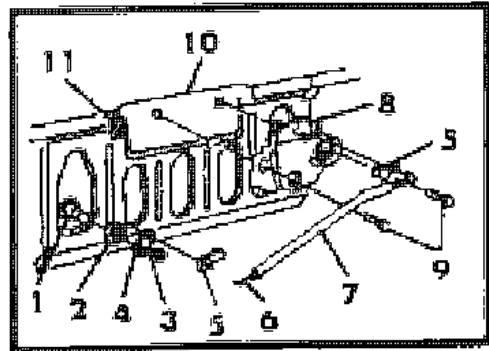
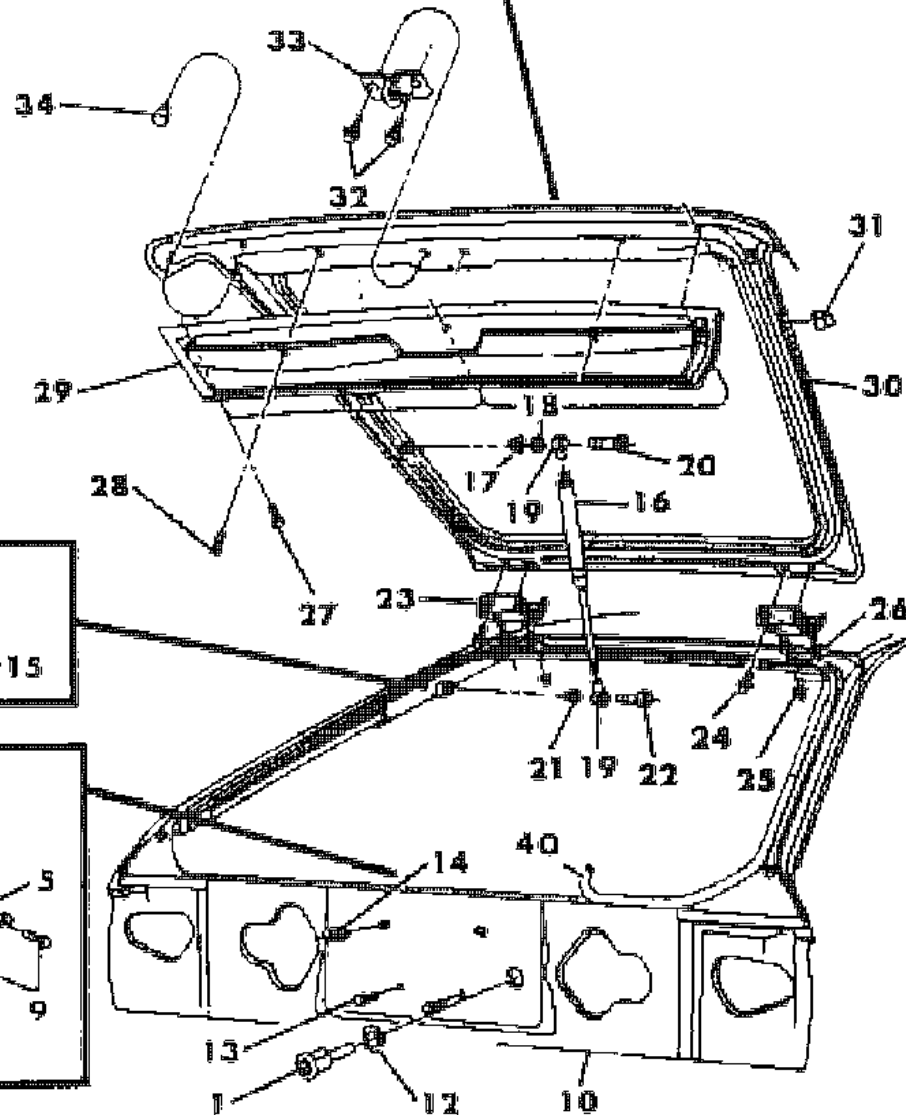
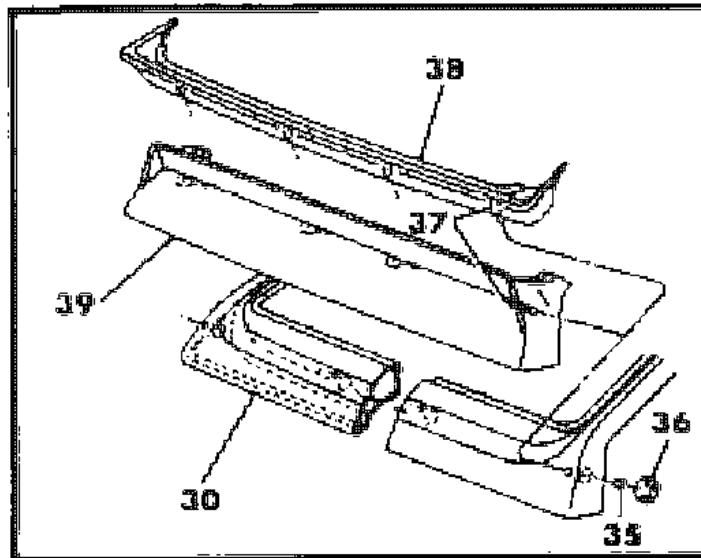
BODY STYLES

21 = 2-DOOR SEDAN	41 = 4-DOOR SEDAN
22 = 2-DOOR SPECIAL COUPE	45 = 4-DOOR STATION WAGON
24 = 2-DOOR HATCHBACK	44 = 4-DOOR HATCHBACK
27 = 2-DOOR CONVERTIBLE	48 = EXECUTIVE SEDAN
28 = FWD PICKUP	

AR = Use as Required - = Non Illustrated Part P.A.R. = Paint as Required

LIFT GATE - M,Z 24  
Figure 23A-2500

3169 2500B



ITEM	PART NUMBER	QTY	BODY	MODEL	DESCRIPTION
	H429 BL3	1		24	Beige
	H429 TM6	1		24	Red
	H429 SX9	1		24	Black
30	5218 146	1		24	LIFT GATE, Primed
31	5207 475	2		24	BUMPER, Anti-Shuffle
32	6101 255	2		24	SCREW & WASHER
33	5207 389	1		24	STRIKER, Latch
34	5230 376	2		24	BUMPER, Inner Panel
35	6027 422	6		Z-S 24	NUT & SEAL
		4		24 exc.	NUT & SEAL (Not Serviced)
36	2480 957	4		24	PLUG, Spoiler Access Hole, 1" Diameter
37	6031 107	4		24 exc.	STUD
		4		Z-S 24	(Serviced in Item #38)
38	4280 546	1		Z-S 24	SPOILER, Lift Gate
39	5230 382	1		24 exc.	SPOILER, Lift Gate
40	5231 926	1		24	WEATHERSTRIP, Lift Gate Opening

NOTE: The Following Items Are Not Shown On Illustration. an offsetting order for part no. 3747881

4240 301	2		24	PROP PACKAGE, w/o Spoiler (Includes Items #16-22)
4240 302	2		24	PROP PACKAGE, w/Spoiler (Includes Items #16-22)
PACKAGES CONSIST OF:				
1- ----- Prop, Complete				
1- 4124957 Wiring, Heated Glass				
1- 3513544 Terminal				
1- 3588781 Insulator				
1- ----- Instruction Sheet				

MODEL CODES

B = GRAN FURY	G = DIPLOMAT	V = 400
C = LEBARON/TOWN & COUNTRY	M = HORIZON/TURISMO/SCAMP	X = MIRADA
D = ARIES	P = RELIANT	Y = IMPERIAL
E = 600	S = CORDOBA	Z = OMNI/CHARGER/RAMPAGE
F = FIFTH AVENUE	T = E CLASS/NEWYORKER	

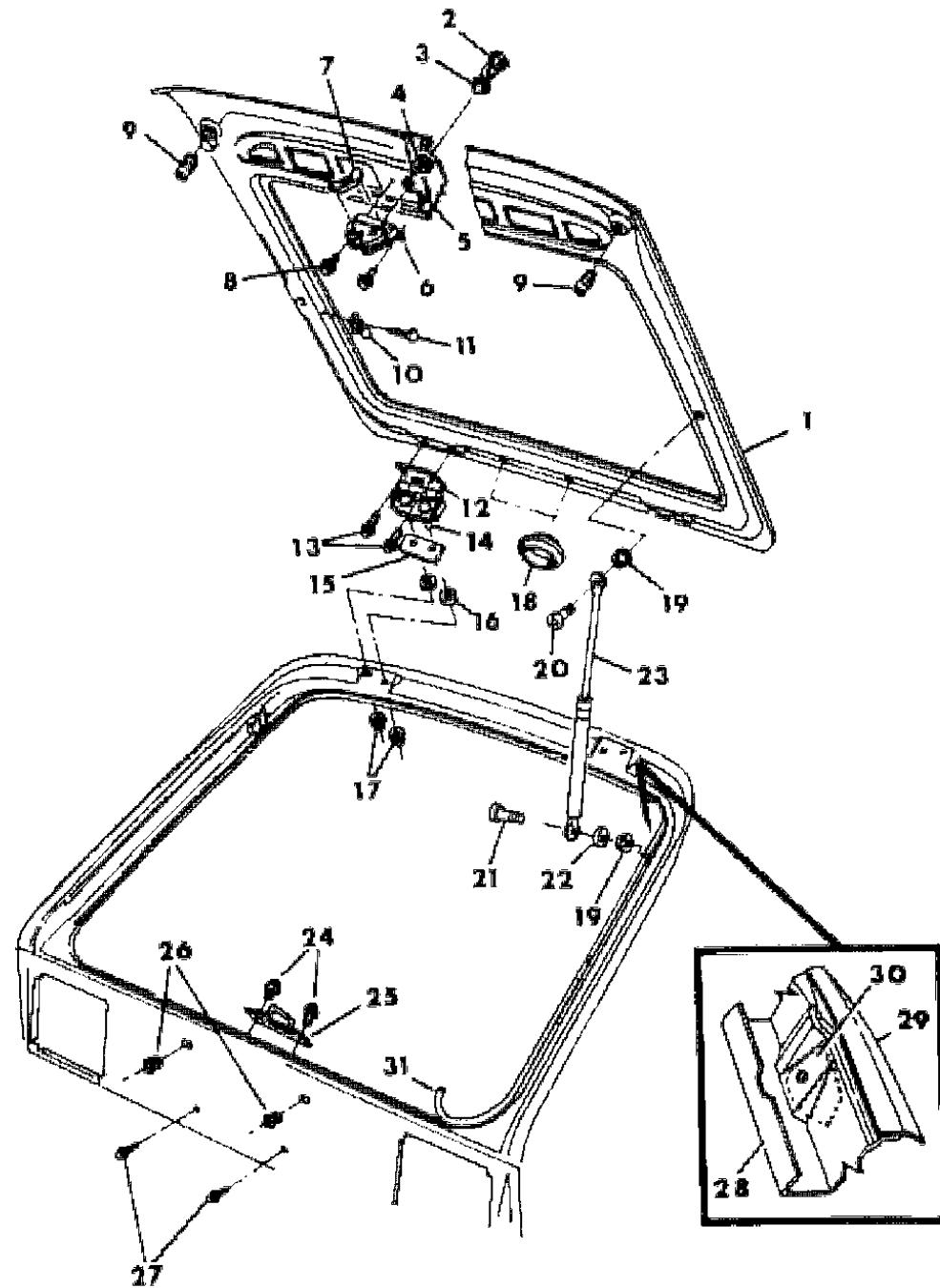
BODY STYLES

21 = 2-DOOR SEDAN	41 = 4-DOOR SEDAN
22 = 2-DOOR SPECIAL COUPE	45 = 4-DOOR STATION WAGON
24 = 2-DOOR HATCHBACK	44 = 4-DOOR HATCHBACK
27 = 2-DOOR CONVERTIBLE	48 = EXECUTIVE SEDAN
28 = FWD PICKUP	

AR = Use as Required - = Non Illustrated Part P.A.R. = Paint as Required

LIFT GATE - M,Z 44  
Figure 23A-2600

3160 2600A



ITEM	PART NUMBER	QTY	BODY	MODEL	DESCRIPTION
1	5218 342	1		44	LIFT GATE, Primed
2		1		44	CYLINDER, Lock (See Group 23D Illustrations)
3	3695 321	1		44	GASKET, Lock Cylinder
4	4054 202	1		44	NUT, Lock Cylinder
5	5207 246	1		44	SHIELD, Water
6	5207 383	1		44	LATCH, Lift Gate
	6030 592	1		44	SPRING NUT, Latch Cam Retaining
7	5207 244	1		44	BUMPER, Latch
8	6101 255	2		44	SCREW & WASHER
9	5230 376	2		44	BUMPER, Lift Gate
10	5200 311	2		44	BRACKET, Shelf Strap
11		2		44	RIVET, Pop, 3/16" Dia. x 1/8-1/4" Grip Range (Not Serviced)
12	5207 340-1	1		44	HINGE, Lift Gate (Includes Item #14)
13	6100 275	4		44	SCREW & WASHER, Gate Half
14	6500 257	4		44	BOLT, Body Half
15		AR		44	SHIM (Not Serviced)
16	5231 207	4		44	WASHER, Sealing
17	6100 049	4		44	NUT & WASHER
18	2574 792	2		44	PLUG, .75" Diameter
19	6500 159	4		44	NUT & WASHER
20	6500 142	2		44	SCREW, Rod End
21	6500 183	2		44	SCREW, Tube End
22		2		44	WASHER, Tube End (Serviced in Item #23)
23	5207 121	2		44	PROP, Lift Gate (Includes Items #19-22)
24	6101 255	2		44	SCREW & WASHER
25	5207 184	1		44	STRIKER, Latch
26	6500 229	2		44	NUT, License Plate
27	5200 365	2		44	BUMPER, License Plate
28		1		44	TROUGH, Lift Gate Opening (Reference Only)
29		1		44	PANEL, Quarter (Reference Only)
30	5200 380-1	1		44	REINFORCEMENT & P/NUT, Prop Mounting
31	5231 926	1		44	WEATHERSTRIP, Lift Gate Opening

MODEL CODES

B = GRAN FURY	G = DIPLOMAT	V = 400
C = LEBARON/TOWN & COUNTRY	M = HORIZON/TURISMO/SCAMP	X = MIRADA
D = ARIES	P = RELIANT	Y = IMPERIAL
E = 600	S = CORDOBA	Z = OMNI/CHARGER/RAMPAGE
F = FIFTH AVENUE	T = E CLASS/NEWYORKER	

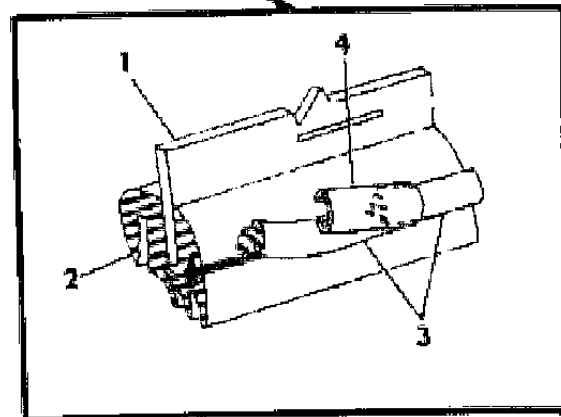
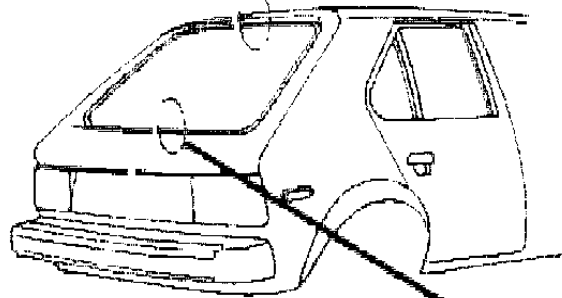
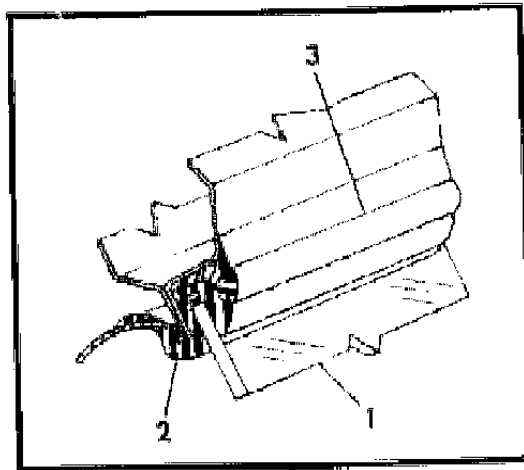
BODY STYLES

21 = 2-DOOR SEDAN	41 = 4-DOOR SEDAN
22 = 2-DOOR SPECIAL COUPE	45 = 4-DOOR STATION WAGON
24 = 2-DOOR HATCHBACK	44 = 4-DOOR HATCHBACK
27 = 2-DOOR CONVERTIBLE	48 = EXECUTIVE SEDAN
28 = FWD PICKUP	

AR = Use as Required - = Non Illustrated Part P.A.R. = Paint as Required

GLASS, LIFT GATE - M,Z  
Figure 23A-2700

1109 2700A



ITEM	PART NUMBER	QTY	BODY	MODEL	DESCRIPTION
1	5230 047	1	24		GLASS, Lift Gate, Tinted
	4198 980	1	24		Tinted, Electric Heated
	5231 924	1	44		Tinted
	4198 982	1	44		Tinted, Electric Heated
2	5230 226	1	24		WEATHERSTRIP, Lift Gate Glass
	5208 558	1	44		
3	5230 302	1	24		LOCK STRIP, Lift Gate Glass Weatherstrip, Black
	5231 774	1	44		Black
	5208 602	1	44		Bright
4	5230 305	1	24		CAP, Lock Strip, Black
	5231 778	1	44		Black
	5208 603	1	44		Bright
NOTE: The Following Items Are Not Shown On Illustration. an offsetting order for part no. 3747881					
	4267 922	1	24,44		ELECTRIC GRID & PIGTAIL REPAIR PACKAGE CONSISTS OF: 1- ----- Cement, Cho-Bond, 1/2 oz. 1- ----- Instruction Sheet

MODEL CODES

B = GRAN FURY	G = DIPLOMAT	V = 400
C = LEBARON/TOWN & COUNTRY	M = HORIZON/TURISMO/SCAMP	X = MIRADA
D = ARIES	P = RELIANT	Y = IMPERIAL
E = 600	S = CORDOBA	Z = OMNI/CHARGER/RAMPAGE
F = FIFTH AVENUE	T = E CLASS/NEWYORKER	

BODY STYLES

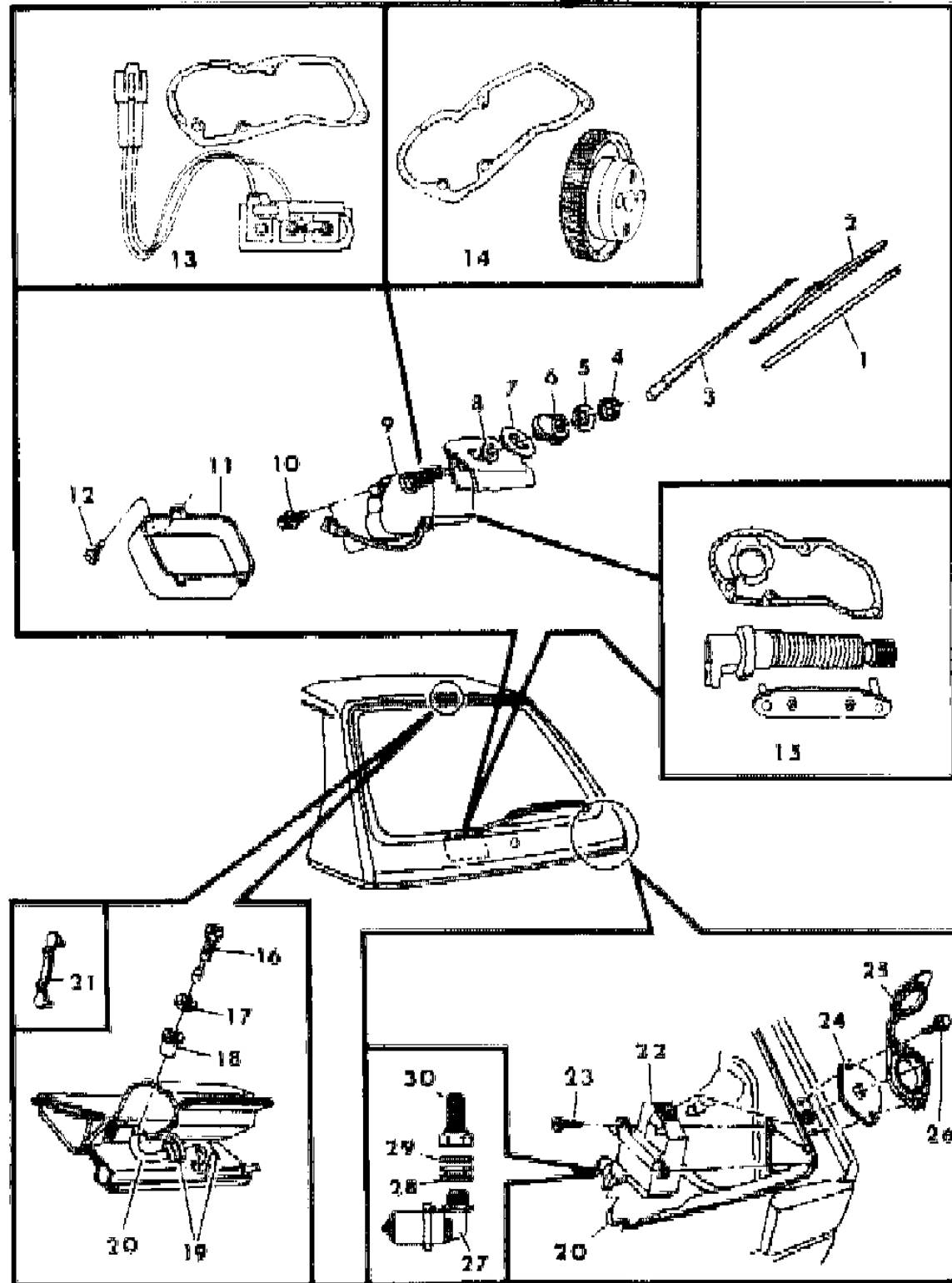
21 = 2-DOOR SEDAN	41 = 4-DOOR SEDAN
22 = 2-DOOR SPECIAL COUPE	45 = 4-DOOR STATION WAGON
24 = 2-DOOR HATCHBACK	44 = 4-DOOR HATCHBACK
27 = 2-DOOR CONVERTIBLE	48 = EXECUTIVE SEDAN
28 = FWD PICKUP	

AR = Use as Required - = Non Illustrated Part P.A.R. = Paint as Required



**WASHER & WIPER SYSTEM, LIFTGATE - M,Z 44**  
**Figure 23A-2800**

3189 2800A



ITEM	PART NUMBER	QTY	BODY	MODEL	DESCRIPTION
1	3799 654	1	44		REFILL, Liftgate Wiper Blade, Anco
	3799 685	1	44		Trico
2	4169 537	1	44		BLADE & REFILL, Liftgate Wiper, Anco
	4169 536	1	44		Trico
3	3799 736	1	44		ARM, Liftgate Wiper, Use Up To 3/30/83
	3799 849	1	44		Use After 3/30/83
4	5211 098	1	44		NUT, Pivot Mounting
5	5211 099	1	44		WASHER, Pivot Mounting
6	3799 739	1	44		ESCUTCHEON, Wiper Pivot
7	3799 757	1	44		SEAL & ESCUTCHEON, Wiper Pivot (Includes Item #6)
8	6031 538	1	44		WASHER, Driveshaft Sealing
9	4240 492	1	44		MOTOR, Liftgate Wiper
10		2	44		SCREW, #10-24 x 1.50" (Not Serviced)
11	5208 536	1	44		COVER, Liftgate Wiper Motor
12		1	44		SCREW, #8-18 x .75" (Not Serviced)
13	4240 491	1	44		SWITCH PLATE PACKAGE, Wiper Motor (Includes Switch Plate & Gasket)
14	4131 386	1	44		GEAR & DRIVE PLATE PACKAGE, Wiper Motor (Includes Gear & Drive Plate, Gasket, & Grease Packet)
15	4131 387	1	44		DRIVESHAFT & LINK PACKAGE, Wiper Motor (Includes Driveshaft, Link & Arm, Shaft Nut, & Grease Packet)
16	3799 740	1	44		NOZZLE, Liftgate Washer (Includes Items #17 & 18)
17	6032 097	1	44		WASHER, Liftgate Nozzle
18	6028 008	1	44		WELL NUT, Liftgate Nozzle
19	5211 041	2	44		GROMMET, Liftgate Washer Hose
20	4026 137	AR	44		HOSE, 5/32" I.D. x 50' Roll
21	6015 544	1	44		STRAP, Liftgate Washer Hose to Header
22	5211 087	1	44		RESERVOIR PACKAGE, Liftgate Washer (Includes Items #24,25, & 28)
23	6031 951	2	44		SCREW & WASHER
24		1	44		GASKET, Washer Reservoir Cap (Serviced in Item #25)
25	5211 105	1	44		CAP, Washer Reservoir (Includes Item #24)
26		2	44		SCREW, #10-16 x .75" (Not Serviced)
27	3799 462	1	44		PUMP & SEAL PACKAGE, Liftgate Washer (Includes Item #28)
28		1	44		SEAL, Washer Pump to Reservoir (Serviced in Items #22 & 27)
29		1	44		WASHER, Pump (Not Serviced)
30	3799 324	1	44		FILTER & NUT, Liftgate Washer Pump

**MODEL CODES**

B = GRAN FURY	G = DIPLOMAT	V = 400
C = LEBARON/TOWN & COUNTRY	M = HORIZON/TURISMO/SCAMP	X = MIRADA
D = ARIES	P = RELIANT	Y = IMPERIAL
E = 600	S = CORDOBA	Z = OMNI/CHARGER/RAMPAGE
F = FIFTH AVENUE	T = E CLASS/NEWYORKER	

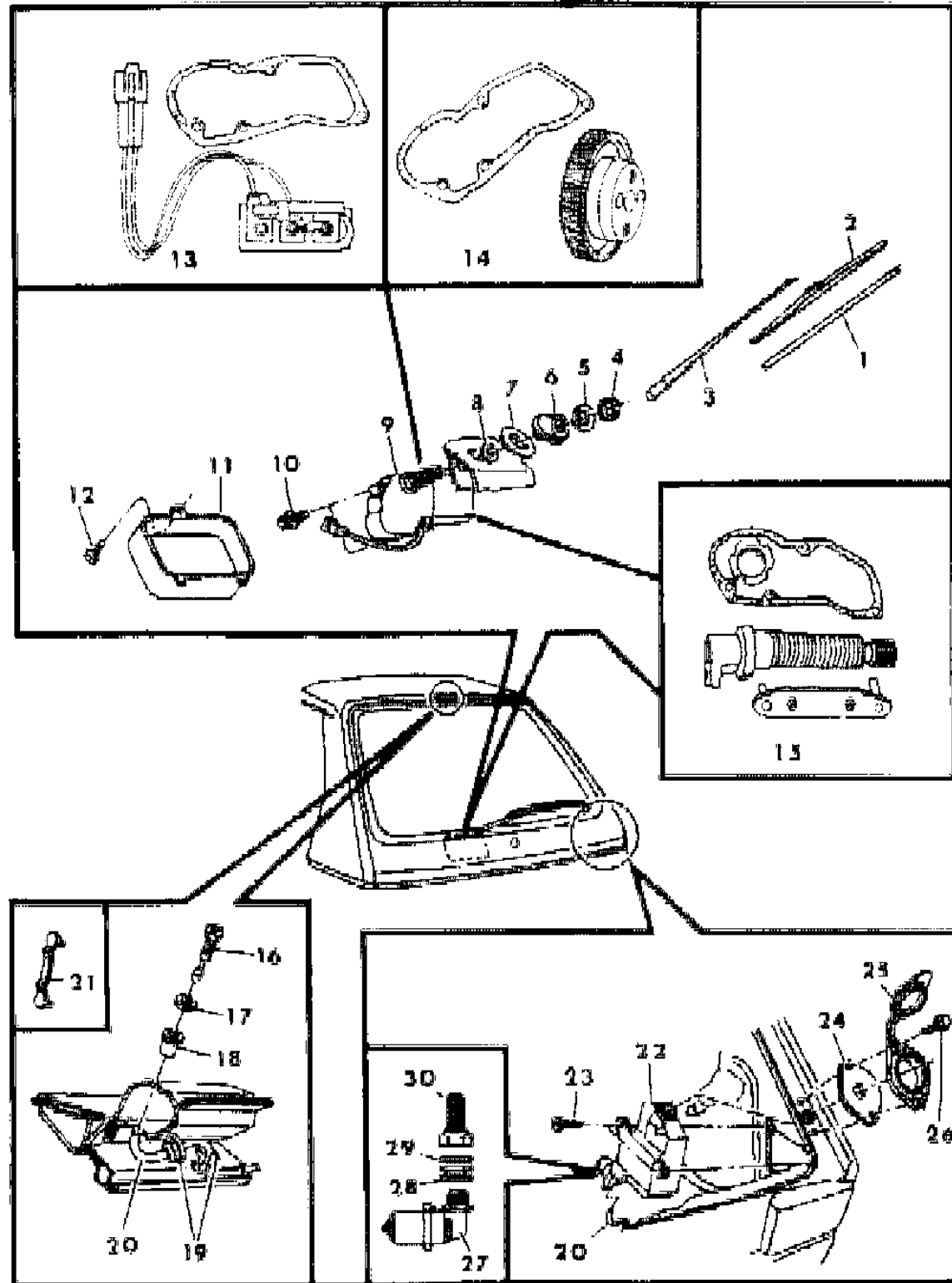
**BODY STYLES**

21 = 2-DOOR SEDAN	41 = 4-DOOR SEDAN
22 = 2-DOOR SPECIAL COUPE	45 = 4-DOOR STATION WAGON
24 = 2-DOOR HATCHBACK	44 = 4-DOOR HATCHBACK
27 = 2-DOOR CONVERTIBLE	48 = EXECUTIVE SEDAN
28 = FWD PICKUP	

AR = Use as Required - = Non Illustrated Part P.A.R. = Paint as Required

WASHER & WIPER SYSTEM, LIFTGATE - M,Z 44  
Figure 23A-2800

3189 2H60A



ITEM	PART NUMBER	QTY	BODY	MODEL	DESCRIPTION
------	-------------	-----	------	-------	-------------

NOTE: The Following Items Are Not Shown On Illustration. an offsetting order for part no. 3747881  
44 SWITCH, Liftgate Wiper & Washer (See Group 23B - Instrument Panel Illustrations)

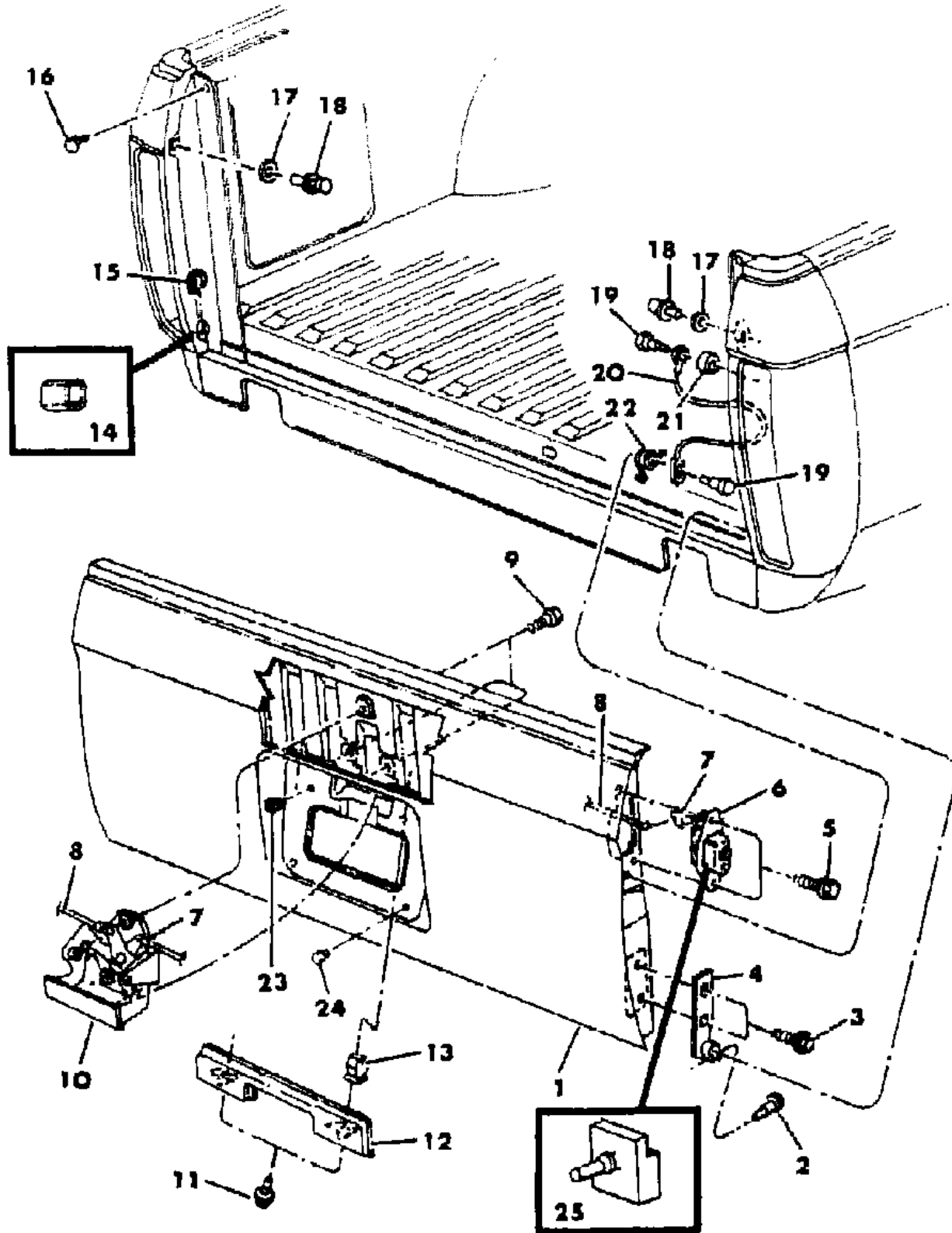
MODEL CODES  
 B = GRAN FURY  
 C = LEBARON/TOWN & COUNTRY  
 D = ARIES  
 E = 600  
 F = FIFTH AVENUE  
 G = DIPLOMAT  
 M = HORIZON/TURISMO/SCAMP  
 P = RELIANT  
 S = CORDOBA  
 T = E CLASS/NEWYORKER  
 V = 400  
 X = MIRADA  
 Y = IMPERIAL  
 Z = OMNI/CHARGER/RAMPAGE

BODY STYLES  
 21 = 2-DOOR SEDAN  
 22 = 2-DOOR SPECIAL COUPE  
 24 = 2-DOOR HATCHBACK  
 27 = 2-DOOR CONVERTIBLE  
 28 = FWD PICKUP  
 41 = 4-DOOR SEDAN  
 45 = 4-DOOR STATION WAGON  
 44 = 4-DOOR HATCHBACK  
 48 = EXECUTIVE SEDAN

AR = Use as Required - = Non Illustrated Part P.A.R. = Paint as Required

TAILGATE - M,Z 28  
Figure 23A-2900

3168 2905A



ITEM	PART NUMBER	QTY	BODY	MODEL	DESCRIPTION
1	4200 698	1		28	TAILGATE
2		1		28	SCREW, #10-16 x .75" (Not Serviced)
3	6500 715	4		28	SCREW & WASHER
4	4280 168-9	1		28	BRACKET, Tailgate Pivot
5	6500 715	4		28	SCREW & WASHER
6	4168 176-7	1		28	LATCH, Tailgate Caliper
7	2945 108-9	2		28	CLIP, Tailgate Rod Retaining
8	4184 334	2		28	ROD, Tailgate Latch Release
9	6032 244	3		28	SCREW
10	4184 332	1		28	HANDLE, Tailgate Latch Remote Control
11	6032 244	3		28	SCREW, Tailgate Handle Attaching
12	4198 762	1		28	BEZEL & GASKET, Tailgate Handle
	4280 158	1		28	SPACER, Tailgate Handle Bezel
13	6031 883	2		28	NUT
14	4206 597	2		28	PIVOT, Tailgate, Body Half
15	4280 079	AR		28	SPACER, Tailgate Pivot, Body Half
16	5200 365	2		28	BUMPER
17	6026 361	2		28	WASHER
18	6031 954	2		28	STRIKER, Tailgate Latch
19	6500 711	4		28	BOLT, Tailgate Cable Attaching
20	4198 502	2		28	CABLE, Tailgate Down Position Support
21	6500 647	2		28	SPACER, Tailgate Cable
22	4280 088-9	1		28	SPRING, Tailgate Support Cable Return
23	6500 524	2		28	NUT, Tailgate License Plate Mounting
24	4015 873	2		28	BUMPER, Tailgate License Plate
25	4212 877	2		28	STOP, Tailgate Caliper Latch

MODEL CODES

B = GRAN FURY	G = DIPLOMAT	V = 400
C = LEBARON/TOWN & COUNTRY	M = HORIZON/TURISMO/SCAMP	X = MIRADA
D = ARIES	P = RELIANT	Y = IMPERIAL
E = 600	S = CORDOBA	Z = OMNI/CHARGER/RAMPAGE
F = FIFTH AVENUE	T = E CLASS/NEWYORKER	

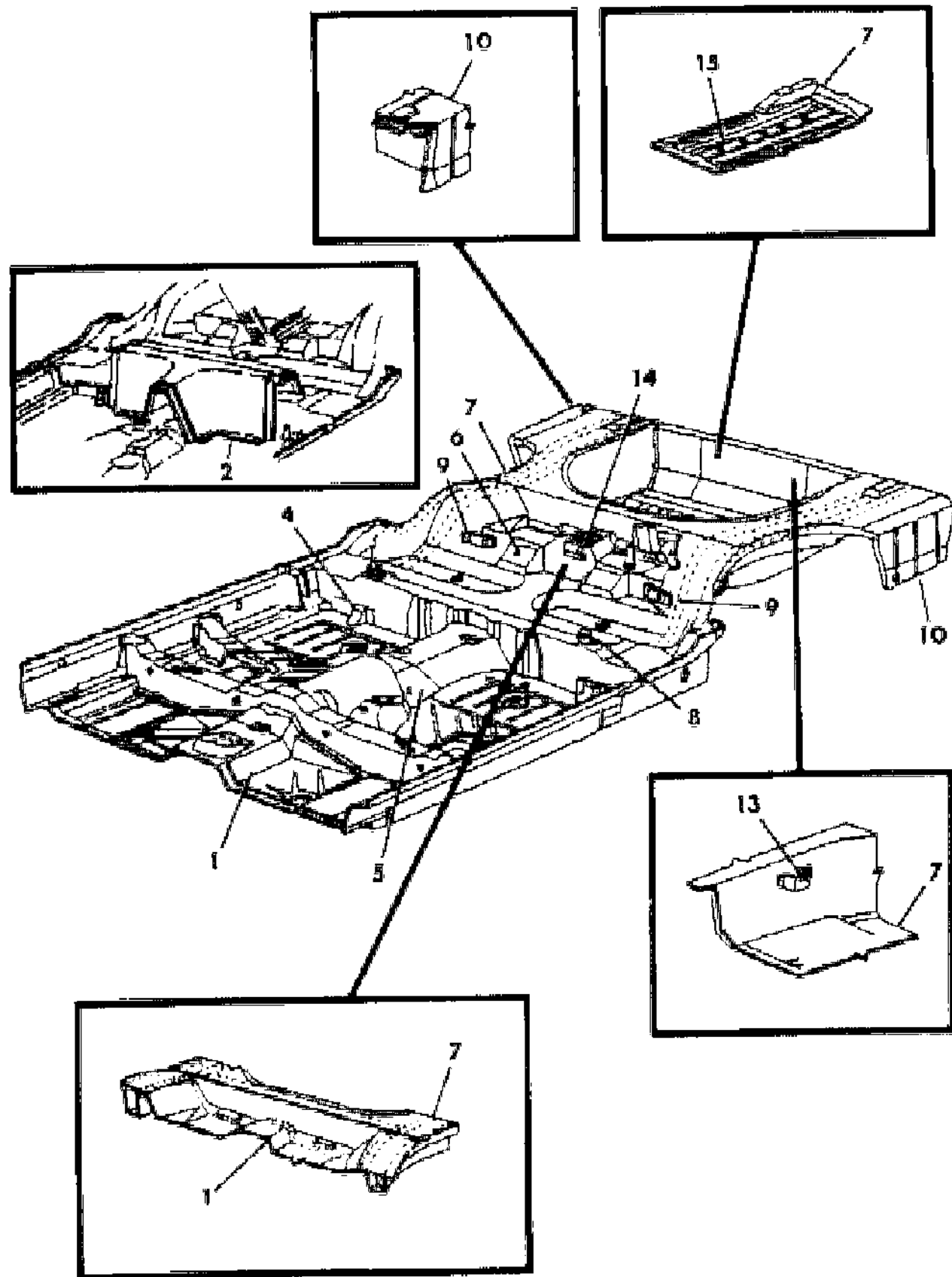
BODY STYLES

21 = 2-DOOR SEDAN	41 = 4-DOOR SEDAN
22 = 2-DOOR SPECIAL COUPE	45 = 4-DOOR STATION WAGON
24 = 2-DOOR HATCHBACK	44 = 4-DOOR HATCHBACK
27 = 2-DOOR CONVERTIBLE	48 = EXECUTIVE SEDAN
28 = FWD PICKUP	

AR = Use as Required - = Non Illustrated Part P.A.R. = Paint as Required

FLOOR PAN - P,D,V,C,E,T  
Figure 23A-3000

3189 3000



ITEM	PART NUMBER	QTY	BODY	MODEL	DESCRIPTION
1	4278 510	1		P,D,V,C	PAN, Front Floor
	4206 812	1		E,T	
4	#4278 826-7	1			BRACKET, Front Floor Pan, Lift Hoisting
5	4206 764	2			REINFORCEMENT, Front Floor Pan Front Seat Belt Inner
6	4206 954	2			REINFORCEMENT, Front Floor Pan Rear Seat Belt Inner
7	4278 962	1		P,D,V,C	PAN, Rear Floor
	4206 813	1		E,T	
8	4134 647	2		P,D,V,C	RETAINER, Front Floor Pan Rear Seat Cushion
	4206 904	2		E,T	
9	4134 938-9	1		21,22,4	BRACKET, Front Floor Pan Rear Seat Back Mtg.
10	4134 674-5	1		P,D,V,C	EXTENSION, Rear Floor Pan Side
	4206 988-9	1		E,T	
12	4206 628	1		21,22,2	BRACKET, Front Floor Pan Jack Stowage
14	4206 216	1		45	SUPPORT, Front Floor Pan Seat Back Center
15	4206 247	1			Bracket, Spare Wheel Anchor Bolt
NOTE: The Following Items Are Not Shown On Illustration. an offsetting order for part no. 3747881					
	4200 830	1			CROSSMEMBER, Floor Pan Seat Track Mounting
	3767 433	2			REINFORCEMENT, Front Seat Belt Outer Anchor
	5200 276	2			REINFORCEMENT w/BOLT, Front Floor Pan Fuel Tank Strap Mounting Rear
	6500 235	2			BOLT
	4106 550	1			PLATE and U/NUT PACKAGE, Front Floor Pan Fuel Tank Strap
	4278 520	2			TAPPING PLATE, Rear Floor Side Rail Suspension
	4206 049	1			BRACKET, Rear Floor Pan Side Rail Exhaust Mounting Front, Lt.
	4206 629	1		45	BRACKET, Rear Floor Pan Jack Stowage
	4206 840-1	1			REINFORCEMENT, Front Floor Pan Front Seat Rear Outer Attaching
	4206 768-9	1			REINFORCEMENT, Front Floor Pan Front Seat Rear Inner Attaching, w/Bucket or 50/50 Bench Seats
	4206 072-3	1			REINFORCEMENT, Front Floor Pan Rear Seat Belt Anchor Outer
	4278 574	2			PLATE, Front Floor Pan Front Seat Rear Outer Attaching Reinforcement (w/Heavy Service Pkg.)
	4278 575	2			REINFORCEMENT, Front Floor Pan Seat Track Mounting Crossmember (w/Heavy Service Pkg.)

MODEL CODES

B = GRAN FURY	G = DIPLOMAT	V = 400
C = LEBARON/TOWN & COUNTRY	M = HORIZON/TURISMO/SCAMP	X = MIRADA
D = ARIES	P = RELIANT	Y = IMPERIAL
E = 600	S = CORDOBA	Z = OMNI/CHARGER/RAMPAGE
F = FIFTH AVENUE	T = E CLASS/NEWYORKER	

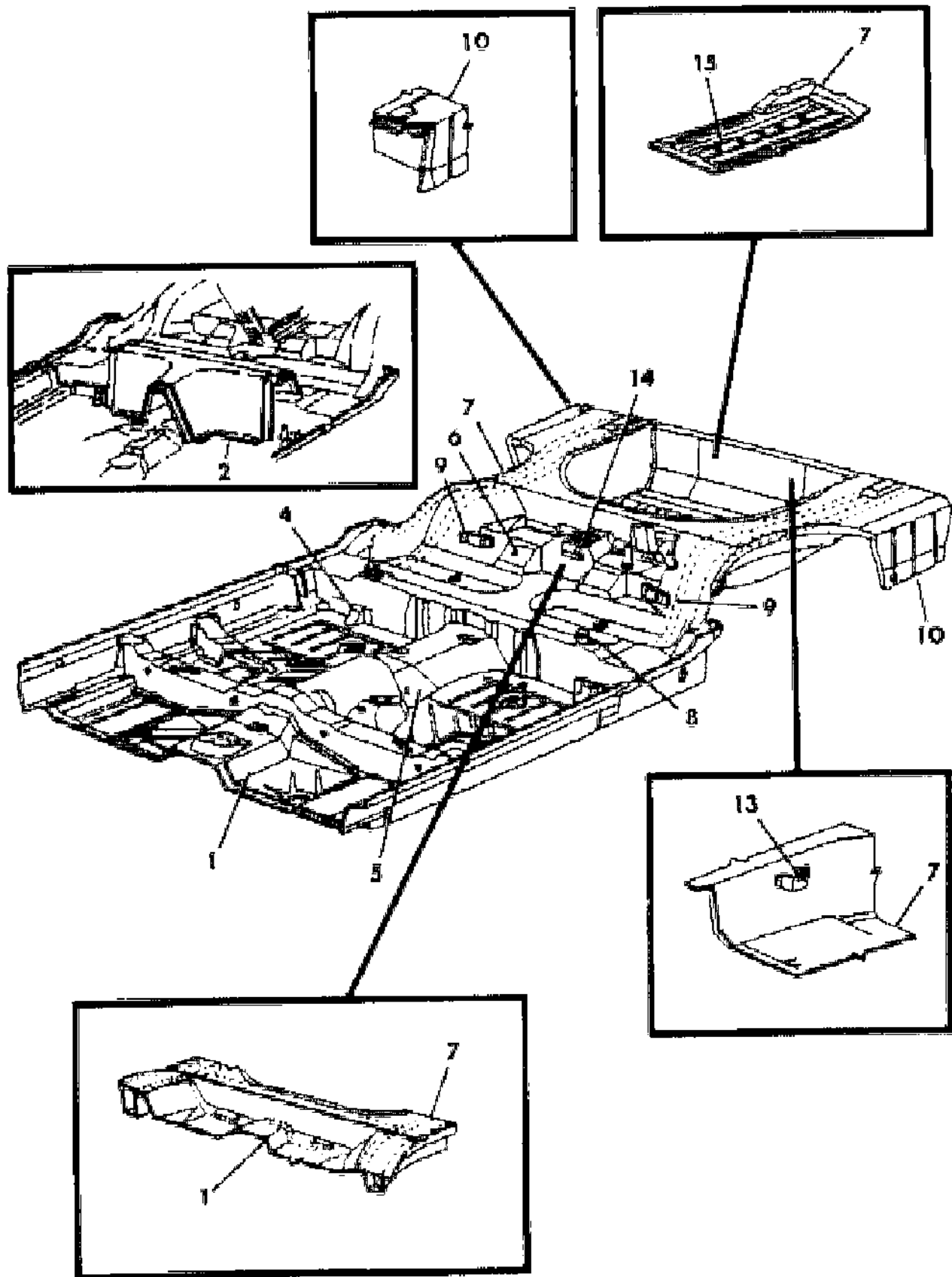
BODY STYLES

21 = 2-DOOR SEDAN	41 = 4-DOOR SEDAN
22 = 2-DOOR SPECIAL COUPE	45 = 4-DOOR STATION WAGON
24 = 2-DOOR HATCHBACK	44 = 4-DOOR HATCHBACK
27 = 2-DOOR CONVERTIBLE	48 = EXECUTIVE SEDAN
28 = FWD PICKUP	

AR = Use as Required - = Non Illustrated Part P.A.R. = Paint as Required

FLOOR PAN - P,D,V,C,E,T  
Figure 23A-3000

3189 3000



ITEM	PART NUMBER	QTY	BODY	MODEL	DESCRIPTION
	4278 538-9	1			REINFORCEMENT, Rear Floor Pan Side Rail Suspension Mounting Lower (w/Heavy Service Pkg.)
	4278 606	1			REINFORCEMENT, Rear Floor Pan Rear Suspension Crossmember Track Bar Mounting (w/Heavy Service Pkg.)
	4314 754	1			REINFORCEMENT, Rear Floor Pan Tire Well (w/Heavy Service Package) Use After 6/1/83

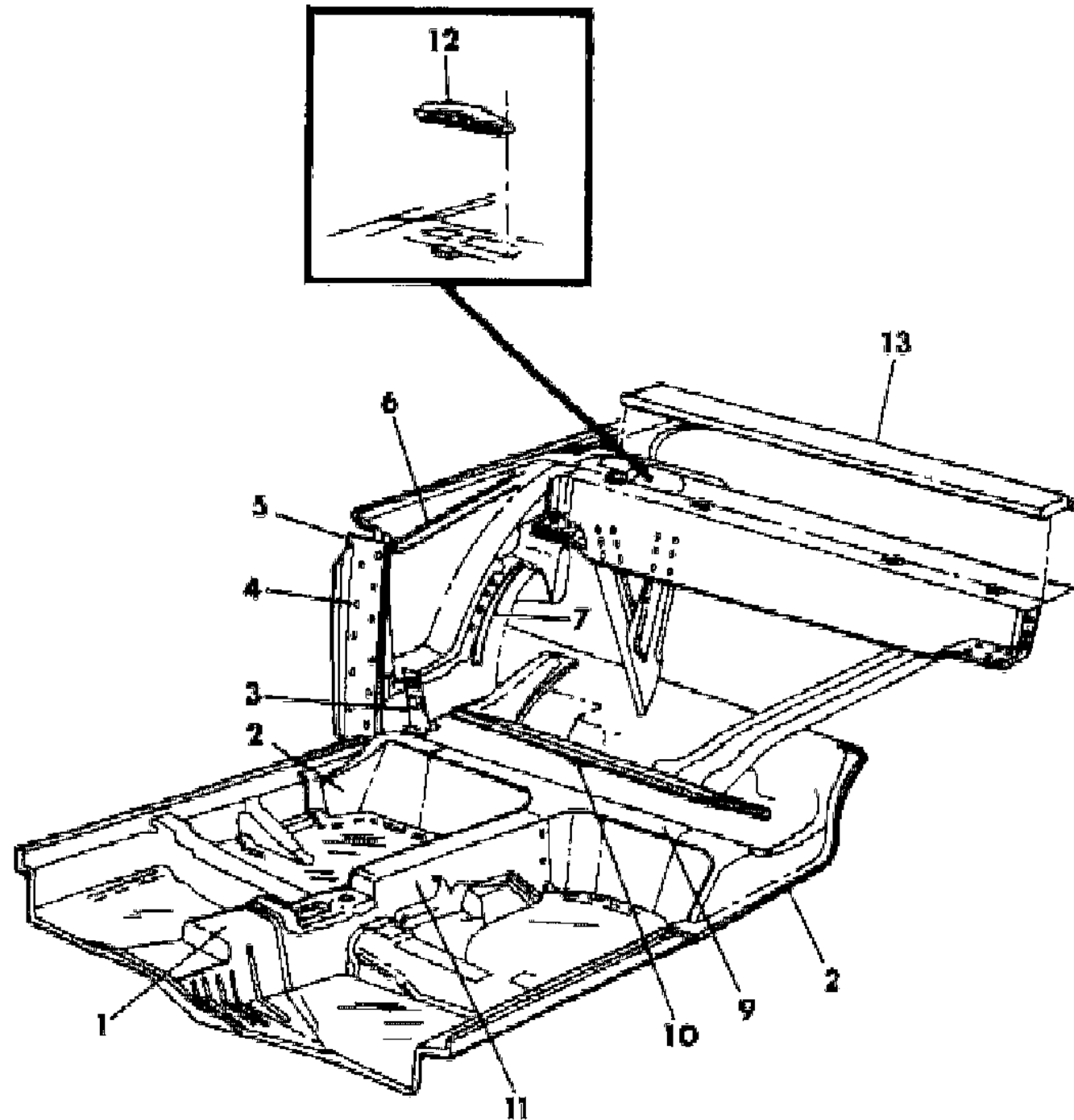
MODEL CODES  
 B = GRAN FURY  
 C = LEBARON/TOWN & COUNTRY  
 D = ARIES  
 E = 600  
 F = FIFTH AVENUE  
 G = DIPLOMAT  
 M = HORIZON/TURISMO/SCAMP  
 P = RELIANT  
 S = CORDOBA  
 T = E CLASS/NEWYORKER  
 V = 400  
 X = MIRADA  
 Y = IMPERIAL  
 Z = OMNI/CHARGER/RAMPAGE

BODY STYLES  
 21 = 2-DOOR SEDAN  
 22 = 2-DOOR SPECIAL COUPE  
 24 = 2-DOOR HATCHBACK  
 27 = 2-DOOR CONVERTIBLE  
 28 = FWD PICKUP  
 41 = 4-DOOR SEDAN  
 45 = 4-DOOR STATION WAGON  
 44 = 4-DOOR HATCHBACK  
 48 = EXECUTIVE SEDAN

AR = Use as Required - = Non Illustrated Part P.A.R. = Paint as Required

**CONVERTIBLE, FLOOR PAN & DECK OPENING PANEL - V,C 27**  
**Figure 23A-3100**

5100 3100



ITEM	PART NUMBER	QTY	BODY	MODEL	DESCRIPTION
1	#4305 040	1			TUNNEL, Front Toe Board
2	#4305 026-7	1			EXTENSION, Tunnel Rear
3	4097 682-3	1			REINFORCEMENT, Top Support Bracket
4	#4305 032-3	1			REINFORCEMENT, Qtr. Panel to Top Well
5	4097 609	1			WEDGE PACKAGE, Front Door Pillar
6	#4097 526-7	1			PANEL, Qtr. Inner
	4305 004-5	1			SHIELD, Water Qtr. Inner
7	#4305 122	AR			WELT, Top Well Sling Mounting (Black Plastic)
9	4278 646	1			REINFORCEMENT, Front Floor Pan Tunnel Rear T
11	#4305 071	1			TUNNEL, Console
12	#4305 028-9	1			PLATE, Drain Trough Deck Upper Panel Inner
13	4097 518	1			PANEL, Deck Opening Upper
NOTE: The Following Items Are Not Shown On Illustration. an offsetting order for part no. 3747881					
	4305 034	1			PANEL, Rear Shelf Close
	4305 038	2			BRACKET, Rear Shelf Panel

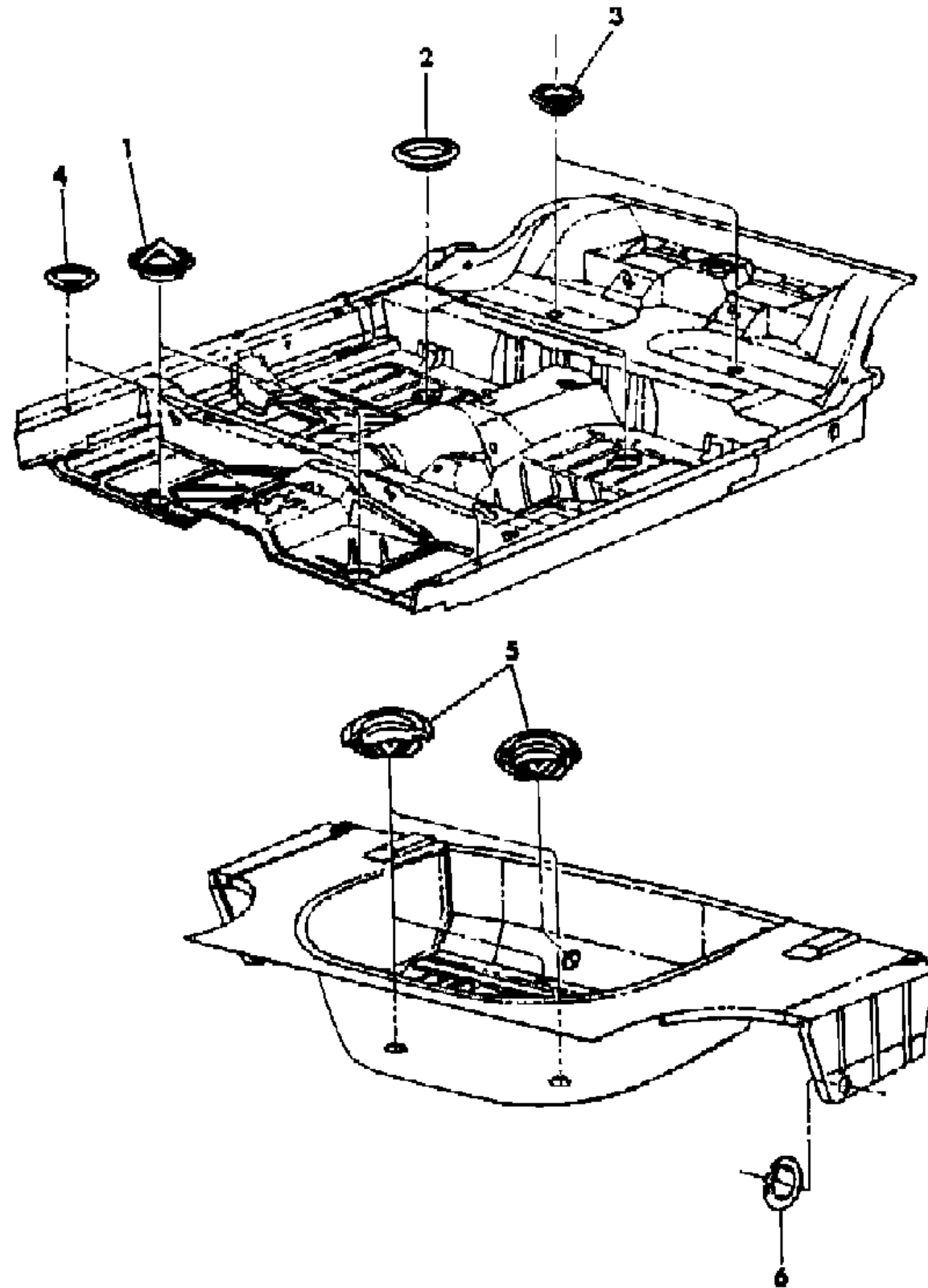
MODEL CODES  
 B = GRAN FURY  
 C = LEBARON/TOWN & COUNTRY  
 D = ARIES  
 E = 600  
 F = FIFTH AVENUE  
 G = DIPLOMAT  
 M = HORIZON/TURISMO/SCAMP  
 P = RELIANT  
 S = CORDOBA  
 T = E CLASS/NEWYORKER  
 V = 400  
 X = MIRADA  
 Y = IMPERIAL  
 Z = OMNI/CHARGER/RAMPAGE

BODY STYLES  
 21 = 2-DOOR SEDAN  
 22 = 2-DOOR SPECIAL COUPE  
 24 = 2-DOOR HATCHBACK  
 27 = 2-DOOR CONVERTIBLE  
 28 = FWD PICKUP  
 41 = 4-DOOR SEDAN  
 45 = 4-DOOR STATION WAGON  
 44 = 4-DOOR HATCHBACK  
 48 = EXECUTIVE SEDAN

AR = Use as Required - = Non Illustrated Part P.A.R. = Paint as Required

PLUGS, FLOOR PAN - P,D,V,C,E,T  
Figure 23A-3200

3169 3200



ITEM	PART NUMBER	QTY	BODY	MODEL	DESCRIPTION
1	5200 456	2			PLUG
2	2424 864	2			PLUG
3	4073 475	2			PLUG
4	2574 792	2			PLUG
5	6030 773	4			PLUG
6	4073 485	2			PLUG
NOTE: The Following Items Are Not Shown On Illustration an offsetting order for part no. 3747881					
	2480 957	1			PLUG (1.00" Dia.)
	5200 384	1			SEAL, Front Floor Pan, Park Brake Cable
	9414 722	3			SCREW, Park Brake Cable Seal

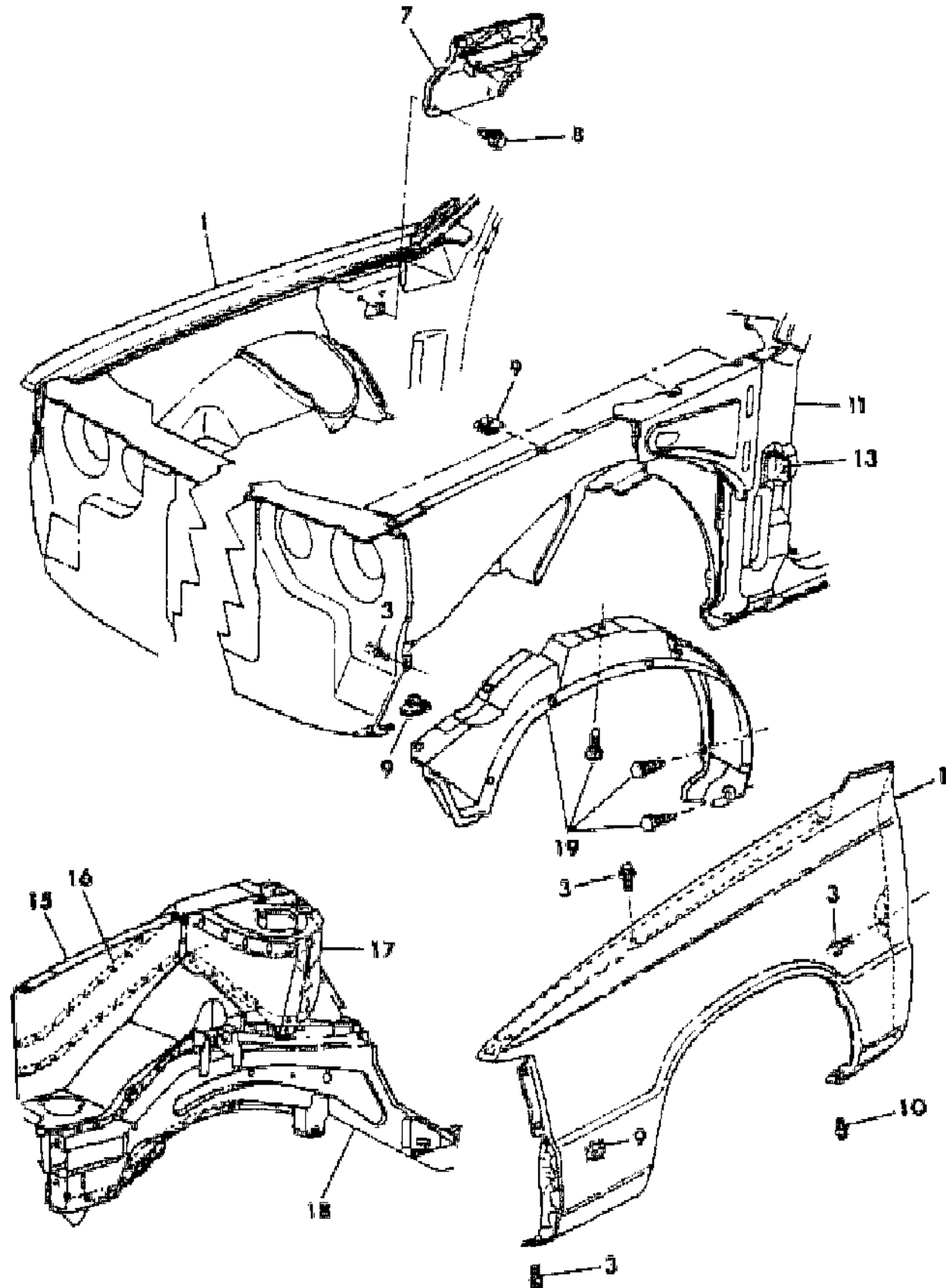
MODEL CODES  
 B = GRAN FURY  
 C = LEBARON/TOWN & COUNTRY  
 D = ARIES  
 E = 600  
 F = FIFTH AVENUE  
 G = DIPLOMAT  
 M = HORIZON/TURISMO/SCAMP  
 P = RELIANT  
 S = CORDOBA  
 T = E CLASS/NEWYORKER  
 V = 400  
 X = MIRADA  
 Y = IMPERIAL  
 Z = OMNI/CHARGER/RAMPAGE

BODY STYLES  
 21 = 2-DOOR SEDAN  
 22 = 2-DOOR SPECIAL COUPE  
 24 = 2-DOOR HATCHBACK  
 27 = 2-DOOR CONVERTIBLE  
 28 = FWD PICKUP  
 41 = 4-DOOR SEDAN  
 45 = 4-DOOR STATION WAGON  
 44 = 4-DOOR HATCHBACK  
 48 = EXECUTIVE SEDAN

AR = Use as Required - = Non Illustrated Part P.A.R. = Paint as Required

FENDER - P,D,V,C,E,T  
Figure 23A-3300

3189 1100



ITEM	PART NUMBER	QTY	BODY	MODEL	DESCRIPTION
1	4271 416-7	1		P,D	FENDER
	4240 546-7	1		V,E	FENDER,w/Side Marker and Louver,w/o Cornering Lamp
	4240 548-9	1		V,E	FENDER,w/Side Marker and Cornering Lamp
	4240 542-3	1		C,T	FENDER,w/Side Marker,w/o Cornering Lamp
	4240 544-5	1		C,T	FENDER,w/Side Marker,w/Cornering Lamp
	6100 568	AR			SCREW & WASHER
7					HINGE,Hood (See Hood Illustration)
8		AR			Screw and Wa. (Not Serviced)
9	6100 041	AR			U-NUT
10					Screw and Wa.(Not Serviced)
11	4278 669	1			EXTENSION,Strut Tower to Body Frt. Hge. Pillar,Lt.
	4297 024	1			EXTENSION and Reinf.,Strut Tower to Body Frt. Hge. Pillar,Rt.
13	4206 553	2			SUPPORT w/NUT,Body Frt. Hge. Pillar to Fndr.
15					PANEL,Fndr. Shield
	4296 020	1			Rt.
	4296 019	1			Lt.
16	4191 516-7	1			BEAM,Fndr. Shield Up. Load Path Frt.
17	4296 448-9	1			TOWER w/REINFORCEMENT,Front Iso-Strut Mounting, Use Up To 1/10/83
	4296 568-9	1			Use After 1/10/83
18					RAIL,Frnt. Side (See Illus. in Group 13 Frame)
19	4103 308-9	1		P,D	SHIELD,Fndr. Wheel House Splash
	4103 782-3	1		V,C,E,T	Use Up To 11/8/82
	4296 276-7	1		V,C,E,T	Use After 11/8/82
	6030 441	AR			RETAINER, Fender Splash Shield to Front Side Shield Panel
NOTE: The Following Items Are Not Shown On Illustration. an offsetting order for part no. 3747881					
	4103 947	2			STABILIZER, Fender to Hood, Use Up To 1/17/83
	4296 538	2			Use After 1/17/83
	4270 121	2			PLATE,Iso-Strut Tower Inner Reinforcement (Fleet,Heavy Duty Package)
	4270 122	1			REINFORCEMENT,Fender Side Shield Panel Battery Tray (Fleet, Heavy Duty Package)
	3756 357	1			BUMPER, Front Suspension Iso Strut Mounting Tower -Rt.- Wiring Attaching Hole
	6100 568	4			SCREW w/WASHER,Fender to Front Fender Side Shield
	6100 568	4			SCREW w/WASHER,Fender to Cowl Side Panel

MODEL CODES

B = GRAN FURY	G = DIPLOMAT	V = 400
C = LEBARON/TOWN & COUNTRY	M = HORIZON/TURISMO/SCAMP	X = MIRADA
D = ARIES	P = RELIANT	Y = IMPERIAL
E = 600	S = CORDOBA	Z = OMNI/CHARGER/RAMPAGE
F = FIFTH AVENUE	T = E CLASS/NEWYORKER	

BODY STYLES

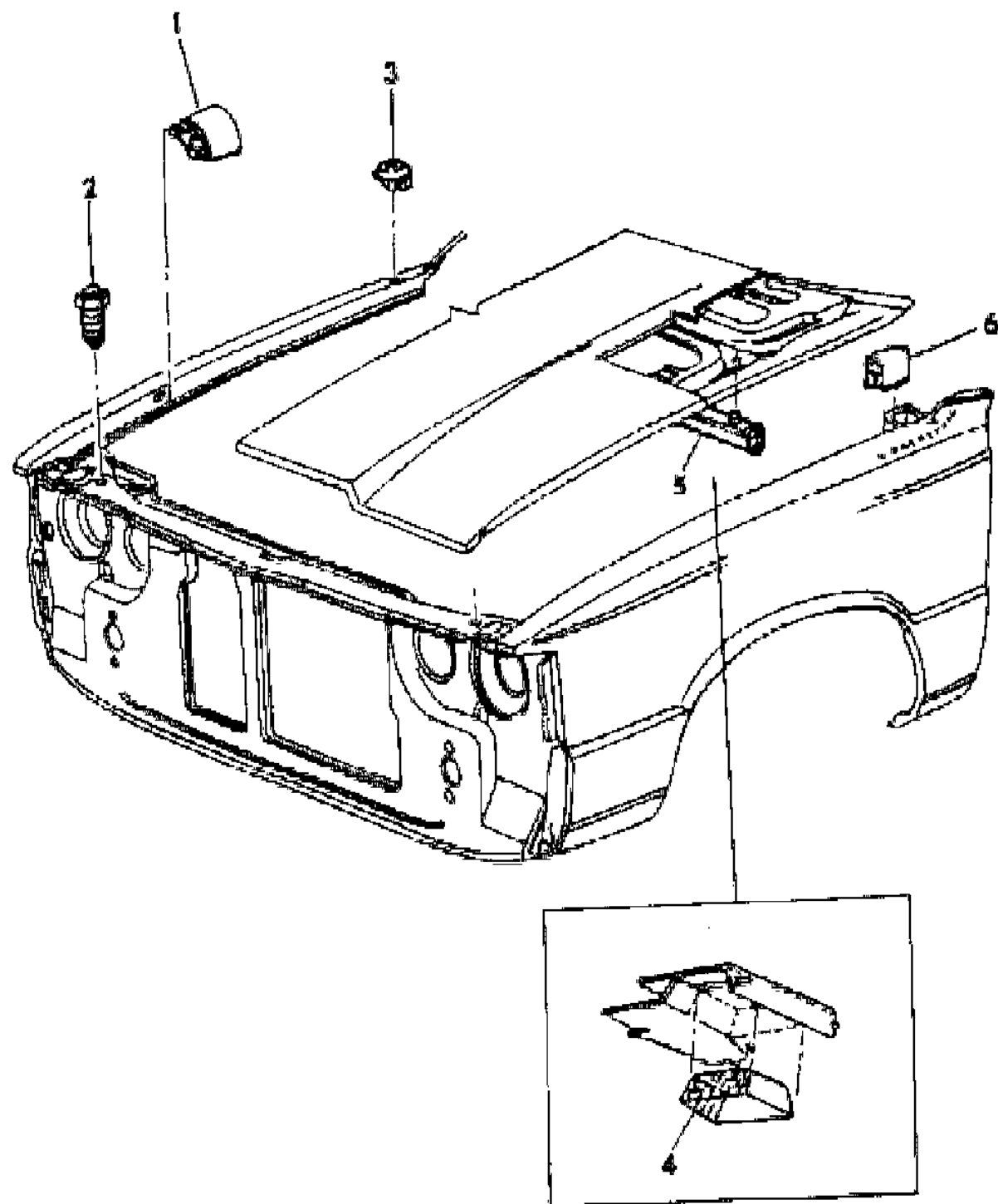
21 = 2-DOOR SEDAN	41 = 4-DOOR SEDAN
22 = 2-DOOR SPECIAL COUPE	45 = 4-DOOR STATION WAGON
24 = 2-DOOR HATCHBACK	44 = 4-DOOR HATCHBACK
27 = 2-DOOR CONVERTIBLE	48 = EXECUTIVE SEDAN
28 = FWD PICKUP	

AR = Use as Required - = Non Illustrated Part P.A.R. = Paint as Required



**BUMPERS & PLUGS, FENDER & HOOD - P,D,V,C,E,T**  
**Figure 23A-3400**

3168 3400



ITEM	PART NUMBER	QTY	BODY	MODEL	DESCRIPTION
1	5201 343	2			BUMPER, Fender, Hood Side
2	4103 165	2			BUMPER, Crossmember to Hood
3	5211 168	1			PLUG, w/o Antenna
4	4103 134	2			SEAL, Hood to Cowl
5	#4314 070	1			SEAL, Dash Panel to Hood
6		2			BUMPER (Not Serviced)

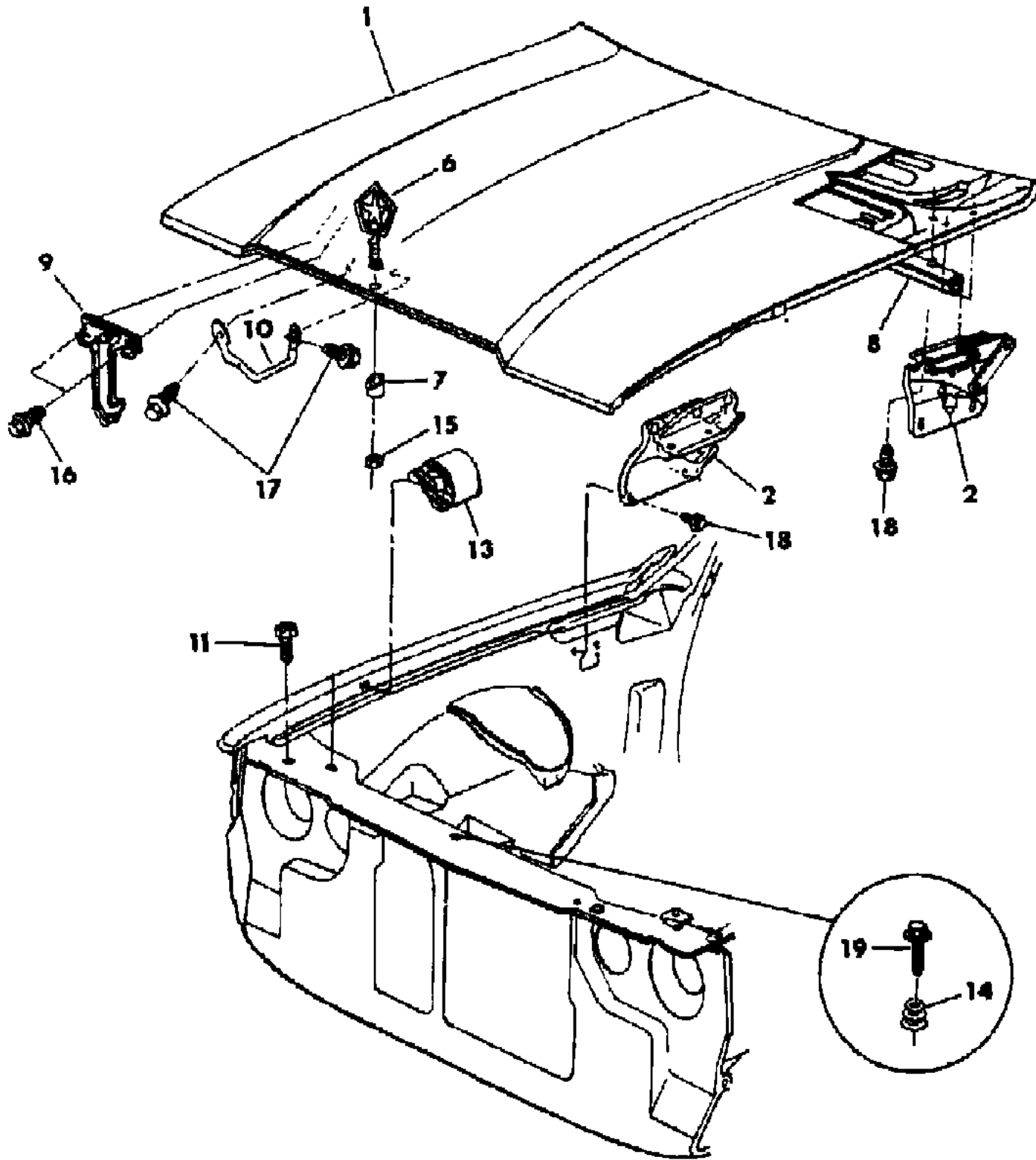
MODEL CODES  
 B = GRAN FURY  
 C = LEBARON/TOWN & COUNTRY  
 D = ARIES  
 E = 600  
 F = FIFTH AVENUE  
 G = DIPLOMAT  
 M = HORIZON/TURISMO/SCAMP  
 P = RELIANT  
 S = CORDOBA  
 T = E CLASS/NEWYORKER  
 V = 400  
 X = MIRADA  
 Y = IMPERIAL  
 Z = OMNI/CHARGER/RAMPAGE

BODY STYLES  
 21 = 2-DOOR SEDAN  
 22 = 2-DOOR SPECIAL COUPE  
 24 = 2-DOOR HATCHBACK  
 27 = 2-DOOR CONVERTIBLE  
 28 = FWD PICKUP  
 41 = 4-DOOR SEDAN  
 45 = 4-DOOR STATION WAGON  
 44 = 4-DOOR HATCHBACK  
 48 = EXECUTIVE SEDAN

AR = Use as Required - = Non Illustrated Part P.A.R. = Paint as Required

HOOD - P,D,V,C,E,T  
Figure 23A-3500

3169 3500



ITEM	PART NUMBER	QTY	BODY	MODEL	DESCRIPTION
1	4200 885	1		P,D	PANEL, Hood, Use Up To 1/24/83
	4297 152	1		P,D	Use After 1/24/83
	4200 706	1		V,C,E,T	Use Up To 1/19/83
	4297 154	1		V,C,E,T	Use After 1/19/83
2	4103 760-1	1			HINGE,Hood
	4270 152	2			SPRING,Hood Hinge
6	4229 725	1		P,D	ORNAMENT,Hood "Pentastar" (Complete)
	4103 466	1		P,D	ORNAMENT,Hood "Pentastar"
	6030 435	1		P,D	NUT,Hood Ornament Base
	3672 672	1		P,D	SPRING,Hood Ornament
	3672 780	1		P,D	RETAINER,Hood Ornament Spring
	4103 189	1		P,D	SPACER,Hood Ornament
8	#4314 070	1			SEAL,Dash Panel to Hood
9	4103 194	1			CATCH,Hood Safety
10	4296 046	1			STRIKER,Hood Latch
11	4103 165	2			BUMPER,C/Member to Hood Adj.
13	5201 343	2			BUMPER,Fndr. Hood Side
14	4103 288	1			SPRING,Hood Pop-Up
15	6030 435	1		P,D	NUT
16	6100 566	AR			Screw and Wa.
17	6101 339	AR			Screw and Wa.
18	6500 515	AR			Screw and Wa.
19	6500 191	AR			Screw and Wa.
NOTE: The Following Items are not Shown on Illus. an offsetting order for part no. 3747881					
	2860 332	1			PLUG,Dash Pnl. Hood Release Cable
	4103 122	2			REINFORCEMENT,Cowl Side to Hood Hge.
	4103 122	2			REINFORCEMENT,Hood Hge.,Hood Side .
	4103 134	2			SEAL,Hood to Fndr. Ledge
	3759 944	10			FASTENER, Hood Inner Pnl. to Cowl Plenum Seal
	4198 305	2			SEAL,Cowl Side Pnl. to Cowl Plenum Pnl.
	4049 601	1			SILENCER,Hood Inner Pnl.
	6003 351	AR			FASTENER,Hood Inner Pnl. Silencer
	0180 020	AR			SCREW, Hood Latch Striker (Repair)

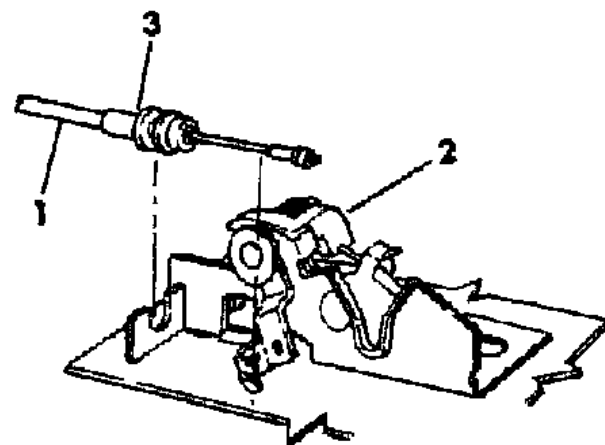
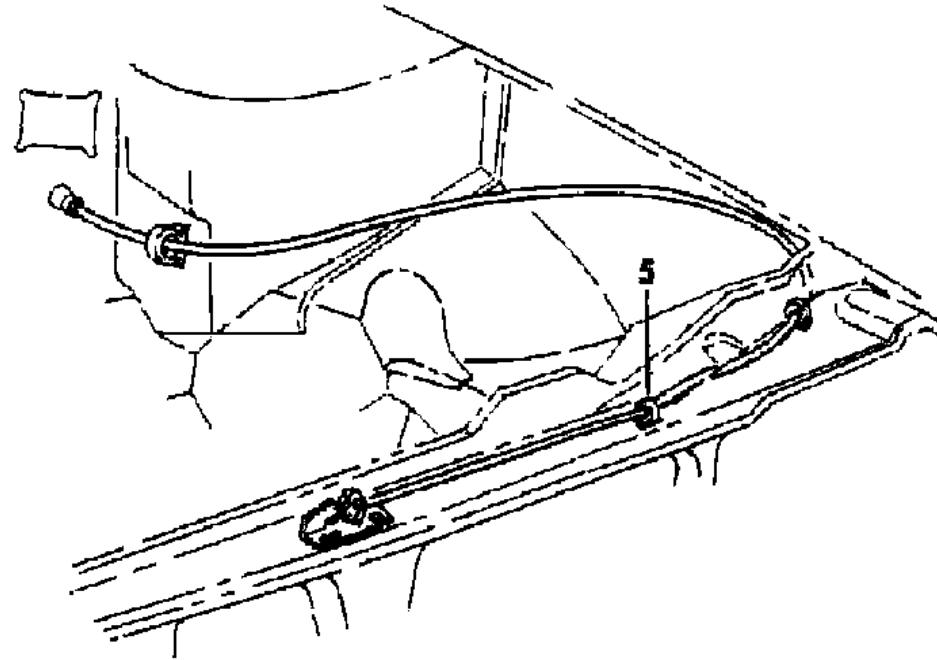
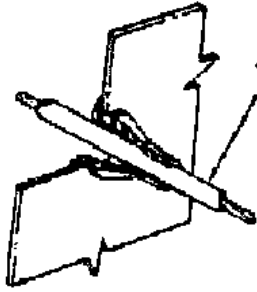
MODEL CODES  
 B = GRAN FURY  
 C = LEBARON/TOWN & COUNTRY  
 D = ARIES  
 E = 600  
 F = FIFTH AVENUE  
 G = DIPLOMAT  
 M = HORIZON/TURISMO/SCAMP  
 P = RELIANT  
 S = CORDOBA  
 T = E CLASS/NEWYORKER  
 V = 400  
 X = MIRADA  
 Y = IMPERIAL  
 Z = OMNI/CHARGER/RAMPAGE

BODY STYLES  
 21 = 2-DOOR SEDAN  
 22 = 2-DOOR SPECIAL COUPE  
 24 = 2-DOOR HATCHBACK  
 27 = 2-DOOR CONVERTIBLE  
 28 = FWD PICKUP  
 41 = 4-DOOR SEDAN  
 45 = 4-DOOR STATION WAGON  
 44 = 4-DOOR HATCHBACK  
 48 = EXECUTIVE SEDAN

AR = Use as Required - = Non Illustrated Part P.A.R. = Paint as Required

HOOD RELEASE, REMOTE CONTROL - P,D,V,C,E,T  
Figure 23A-3600

3169 3600



ITEM	PART NUMBER	QTY	BODY	MODEL	DESCRIPTION
1	4172 527	1			RELEASE,Inside Hood Latch
2	5232 057	1			LATCH,Hood Inside Release
	5207 447	1			SPRING,Hood Latch Inside Release Lever
3	5207 294	1			GROMMET,Inst. Pnl. Hood Latch Release Handle Cable
4					SCREW (Not Serviced)
5	6015 756	2			CLIP

MODEL CODES

B = GRAN FURY	G = DIPLOMAT	V = 400
C = LEBARON/TOWN & COUNTRY	M = HORIZON/TURISMO/SCAMP	X = MIRADA
D = ARIES	P = RELIANT	Y = IMPERIAL
E = 600	S = CORDOBA	Z = OMNI/CHARGER/RAMPAGE
F = FIFTH AVENUE	T = E CLASS/NEWYORKER	

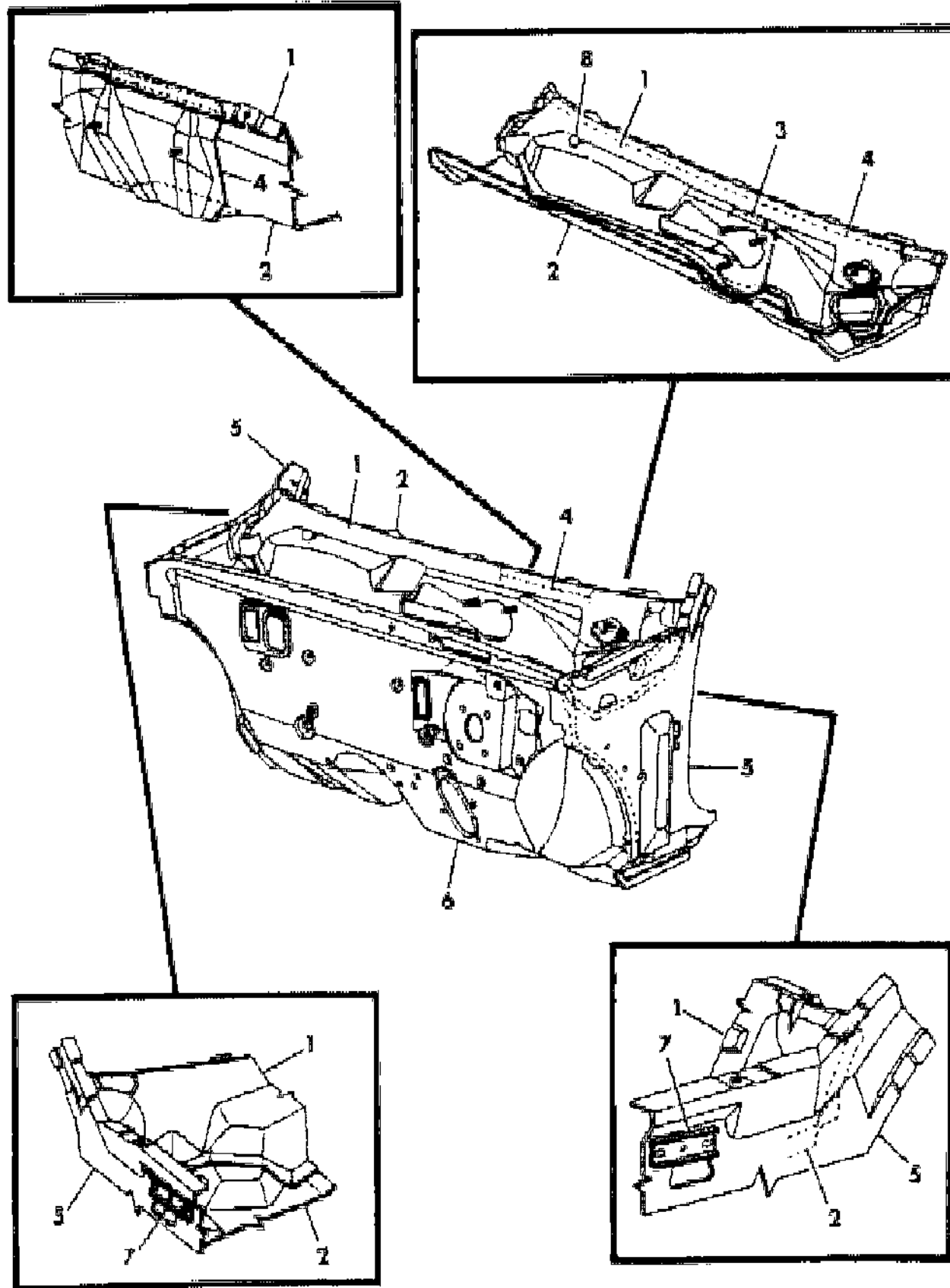
BODY STYLES

21 = 2-DOOR SEDAN	41 = 4-DOOR SEDAN
22 = 2-DOOR SPECIAL COUPE	45 = 4-DOOR STATION WAGON
24 = 2-DOOR HATCHBACK	44 = 4-DOOR HATCHBACK
27 = 2-DOOR CONVERTIBLE	48 = EXECUTIVE SEDAN
28 = FWD PICKUP	

AR = Use as Required - = Non Illustrated Part P.A.R. = Paint as Required

**COWL & DASH PANEL - P,D,V,C,E,T**  
**Figure 23A-3700**

3169 3700



ITEM	PART NUMBER	QTY	BODY	MODEL	DESCRIPTION
1	4314 067	1			PANEL, Cowl Top
2	4314 075	1			PANEL, Cowl Plenum, Use Up To 1/19/83
	4314 232	1			Use After 1/19/83
3	4278 639	1			REINFORCEMENT w/STUD, Cowl Top Windshield Wiper Motor Mounting
4	4206 797	1			SUPPORT w/NUT, Cowl Plenum Panel Steering Column Bracket
5	#4278 516-7	1			PANEL, Cowl Side
6	#4314 179	1			PANEL, Dash w/A/C
	4314 180	1			w/o A/C
7		2			REINFORCEMENT, Hood Hinge (see Hood Illustration)
8	4198 380	1			STOP, Windshield Wiper Arm, Right
NOTE: The Following Items Are Not Shown On Illustration. an offsetting order for part no. 3747881					
	4206 551	1			BRACE, Dash Panel to Plenum Panel, Lt.
	4198 378	1			SCREEN, Cowl Plenum
	3759 944	4			RETAINER, Cowl Plenum Screen
	3445 939	1			GROMMET, Dash Panel
	4278 626	1			PLATE, Dash Panel Accelerator Reinforcement (w/Heavy Service Pkg.)
	4314 618	1			SCREEN, Cowl Top, Right, Use After 5/1/83

**MODEL CODES**

B = GRAN FURY	G = DIPLOMAT	V = 400
C = LEBARON/TOWN & COUNTRY	M = HORIZON/TURISMO/SCAMP	X = MIRADA
D = ARIES	P = RELIANT	Y = IMPERIAL
E = 600	S = CORDOBA	Z = OMNI/CHARGER/RAMPAGE
F = FIFTH AVENUE	T = E CLASS/NEWYORKER	

**BODY STYLES**

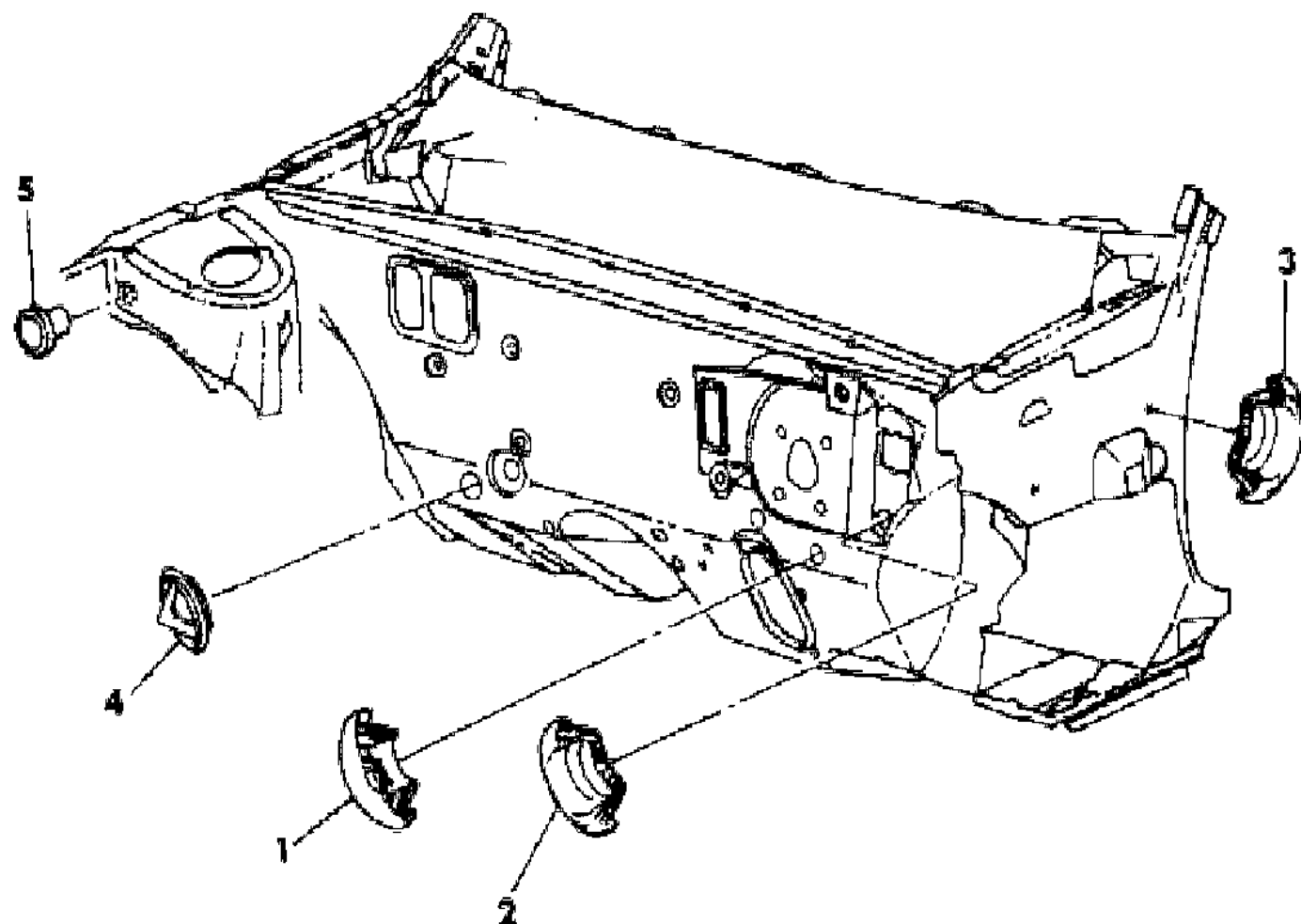
21 = 2-DOOR SEDAN	41 = 4-DOOR SEDAN
22 = 2-DOOR SPECIAL COUPE	45 = 4-DOOR STATION WAGON
24 = 2-DOOR HATCHBACK	44 = 4-DOOR HATCHBACK
27 = 2-DOOR CONVERTIBLE	48 = EXECUTIVE SEDAN
28 = FWD PICKUP	

AR = Use as Required - = Non Illustrated Part P.A.R. = Paint as Required

**PLUGS, COWL & DASH - P,D,V,C,E,T**  
**Figure 23A-3800**

3169 3800

ITEM	PART NUMBER	QTY	BODY	MODEL	DESCRIPTION
1	3445 939	1			PLUG, Shift Cable Hole
2	2860 332	1			PLUG, Hood Release Cable
3	2860 332	1			PLUG, Antenna Hole
4	5200 456	1			PLUG, Drain Hole
5	2423 737	1			PLUG, Strut Mounting Tower, Left
NOTE: The Following Items Are Not Shown On Illustration. an offsetting order for part no. 3747881					
	4073 475	1			PLUG, Dash Panel Transmission Cable Hole



**MODEL CODES**

B = GRAN FURY	G = DIPLOMAT	V = 400
C = LEBARON/TOWN & COUNTRY	M = HORIZON/TURISMO/SCAMP	X = MIRADA
D = ARIES	P = RELIANT	Y = IMPERIAL
E = 600	S = CORDOBA	Z = OMNI/CHARGER/RAMPAGE
F = FIFTH AVENUE	T = E CLASS/NEWYORKER	

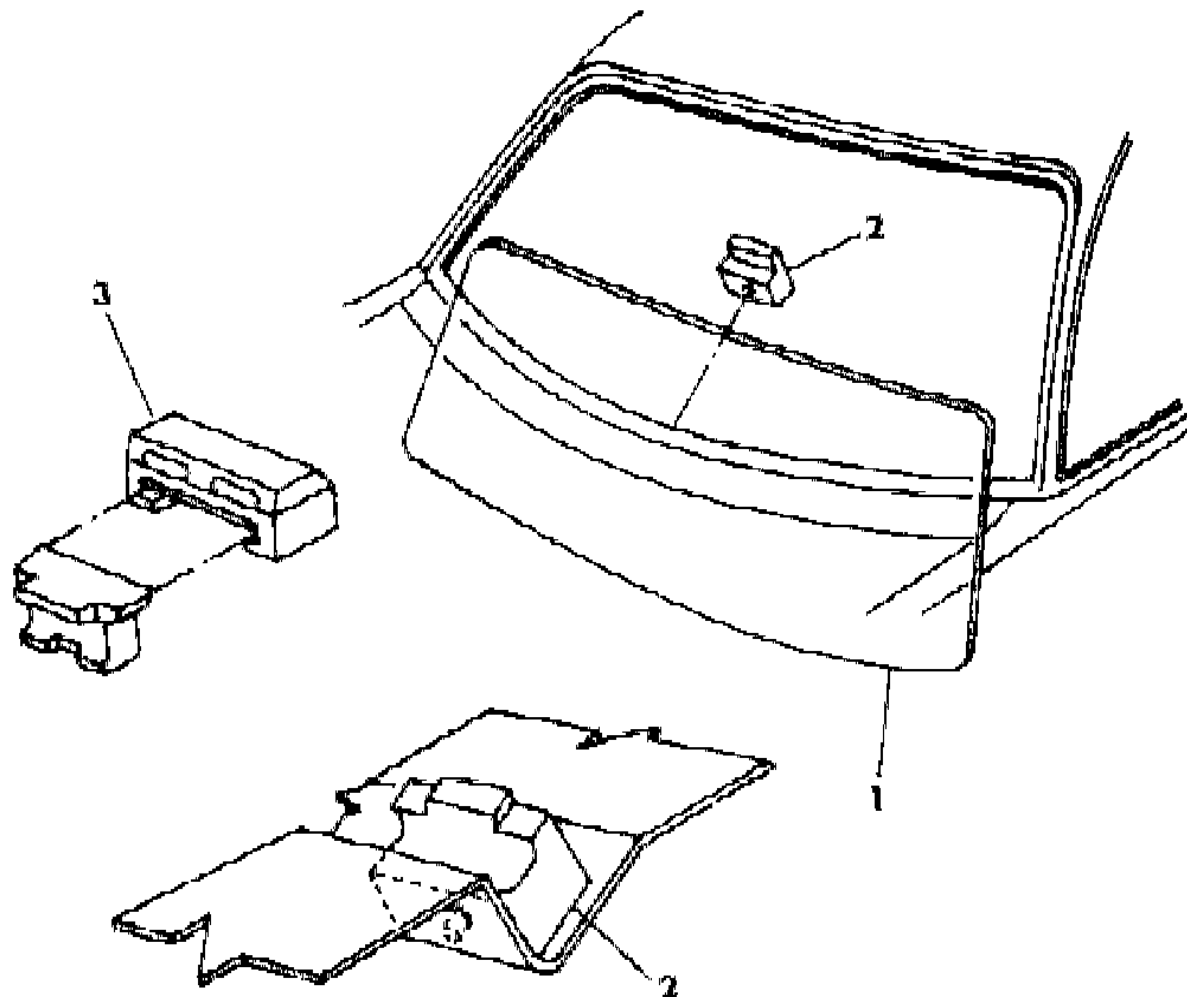
**BODY STYLES**

21 = 2-DOOR SEDAN	41 = 4-DOOR SEDAN
22 = 2-DOOR SPECIAL COUPE	45 = 4-DOOR STATION WAGON
24 = 2-DOOR HATCHBACK	44 = 4-DOOR HATCHBACK
27 = 2-DOOR CONVERTIBLE	48 = EXECUTIVE SEDAN
28 = FWD PICKUP	

AR = Use as Required - = Non Illustrated Part P.A.R. = Paint as Required

**GLASS, WINDSHIELD - P,D,V,C,E,T**  
**Figure 23A-3900**

3169 3900



ITEM	PART NUMBER	QTY	BODY	MODEL	DESCRIPTION
------	-------------	-----	------	-------	-------------

NOTE: GLASS, WINDSHIELD - ORDER FROM YOUR LOCAL MOPAR GLASS DISTRIBUTOR. an offsetting order for part no.

	3747881				
1					GLASS, Windshield
	4206 858	1		21,22,4	Clear
	4136 897	1		21,22,4	Tinted
	4097 507	1		27	Tinted
2	4206 543	2			SPACER, W/Shield Glass Lower
3	3767 767	AR			SHIM, W/Shield Glass Spacer, Lower (Approximately .218" Thick)
	3767 196	AR			(Apprximately .106" Thick)
	4267 906	1			REPAIR PACKAGE, W/Shield Glass (Not Shown)
					CONSISTS OF:
					1- ----- Polyurethane, 11.5 Oz.
					1- ----- Primer, Fence, 1 Oz.
					1- ----- Primer, Wipe Off, 1 Oz.
					1- ----- Primer, Blackout 1 Oz.
					3- ----- Dabbers
					1- ----- Nozzle
					1- ----- Instruction Sheet
	4057 957	1			FIXED GLASS REPAIR PACKAGE, W/Shield Glass (Not Shown)
					CONSISTS OF:
					1- ----- Tape, Butyl, 171.00"
					1- ----- Primer, Glass
					1- ----- Primer, Fence
					2- 3674698 Spacer 0.2"
					2- 3793290 Spacer 0.3"
					2- 3667767 Shim 0.07"
					2- ----- Sponges Disposable
					1- ----- Instruction Sheet

MODEL CODES

B = GRAN FURY	G = DIPLOMAT	V = 400
C = LEBARON/TOWN & COUNTRY	M = HORIZON/TURISMO/SCAMP	X = MIRADA
D = ARIES	P = RELIANT	Y = IMPERIAL
E = 600	S = CORDOBA	Z = OMNI/CHARGER/RAMPAGE
F = FIFTH AVENUE	T = E CLASS/NEWYORKER	

BODY STYLES

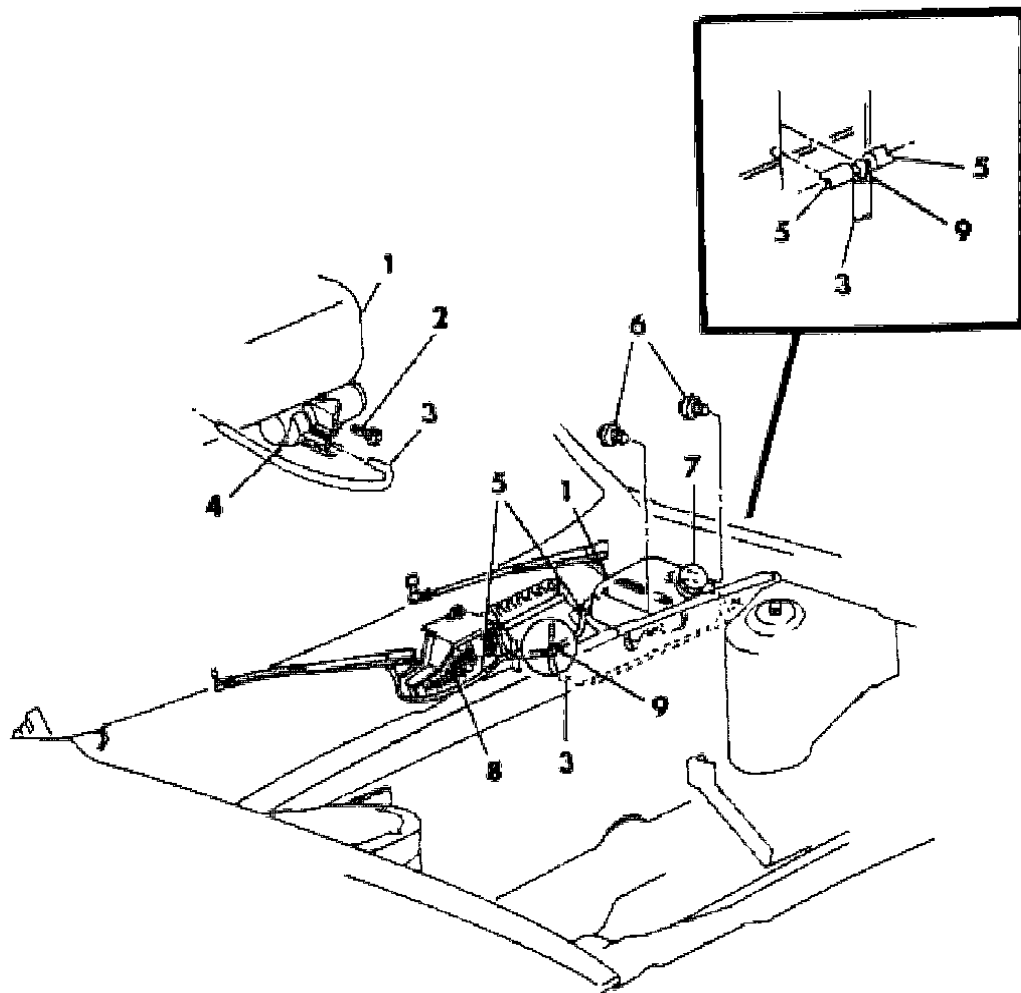
21 = 2-DOOR SEDAN	41 = 4-DOOR SEDAN
22 = 2-DOOR SPECIAL COUPE	45 = 4-DOOR STATION WAGON
24 = 2-DOOR HATCHBACK	44 = 4-DOOR HATCHBACK
27 = 2-DOOR CONVERTIBLE	48 = EXECUTIVE SEDAN
28 = FWD PICKUP	

AR = Use as Required - = Non Illustrated Part P.A.R. = Paint as Required

**WASHER SYSTEM, WINDSHIELD - P,D,V,C,E,T**  
**Figure 23A-4000**

3169 4000

ITEM	PART NUMBER	QTY	BODY	MODEL	DESCRIPTION
1	3799 713	1			RESERVOIR & CAP, Windshield Washer (Cut To Fit For Models With Low Washer Fluid Level Sensor Option)
2	3799 324	1			FILTER, W/Shield Washer Pump
3	3780 798	AR			HOSE, W/Shield Washer, 5/32" I.D., 50' Roll
4	3799 090	1			PUMP and SEAL PACKAGE, W/Shield Washer
5	4026 130	AR			HOSE, Wiper Arm Nozzle, 3/32" I.D., 50' Roll
6	6031 951	2			SCREW
7	3799 174	1			CAP, Reservoir
8	4198 378	1			SCREEN, Cowl Plenum
9	3799 719	1			CONNECTOR, W/Shield Washer Hose Tee
	3799 814	1			NOTE: The Following Items Are Not Shown On Illustration. an offsetting order for part no. 3747881 SENSOR, W/Shield Washer Fluid Level



**MODEL CODES**

B = GRAN FURY	G = DIPLOMAT	V = 400
C = LEBARON/TOWN & COUNTRY	M = HORIZON/TURISMO/SCAMP	X = MIRADA
D = ARIES	P = RELIANT	Y = IMPERIAL
E = 600	S = CORDOBA	Z = OMNI/CHARGER/RAMPAGE
F = FIFTH AVENUE	T = E CLASS/NEWYORKER	

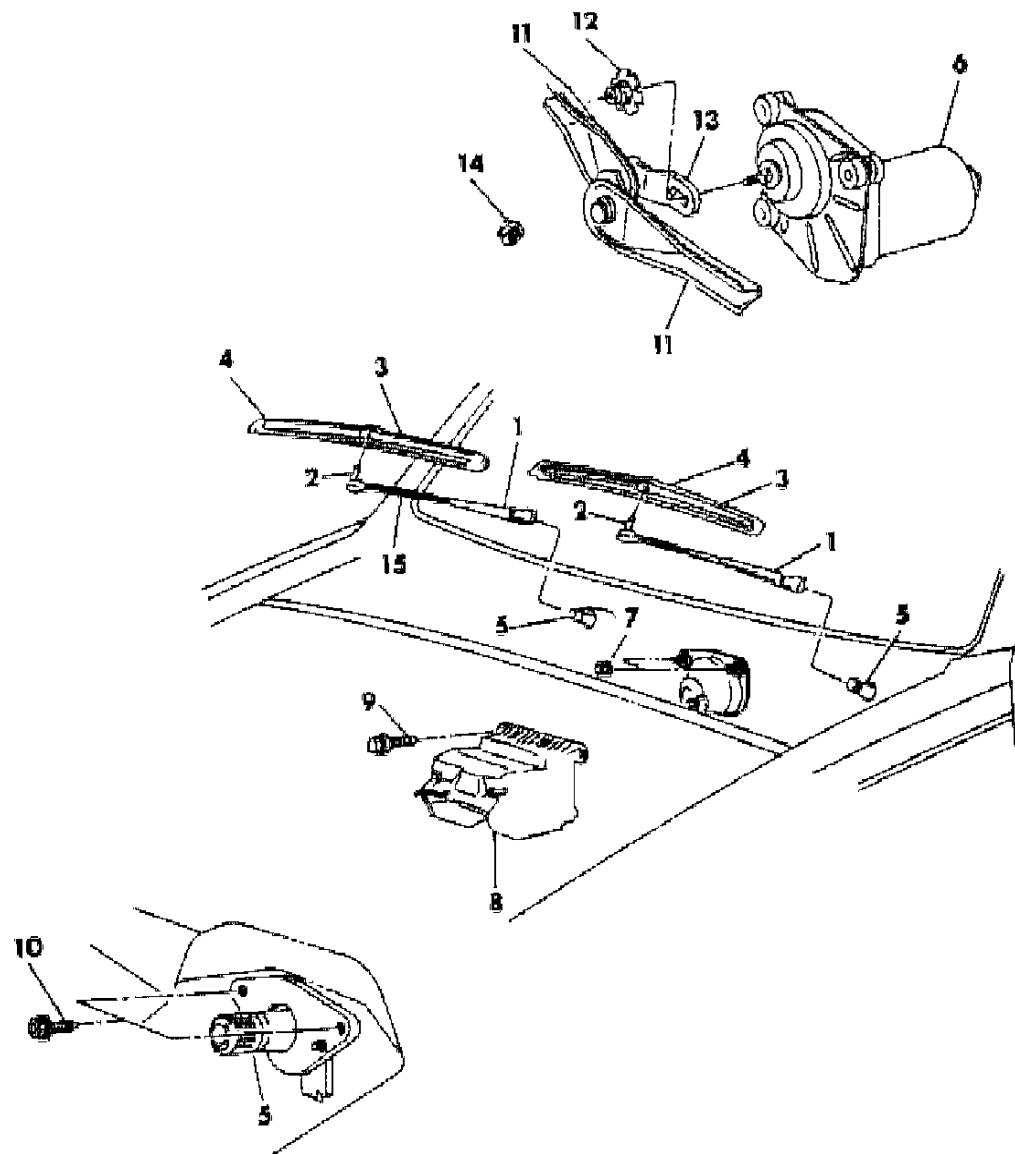
**BODY STYLES**

21 = 2-DOOR SEDAN	41 = 4-DOOR SEDAN
22 = 2-DOOR SPECIAL COUPE	45 = 4-DOOR STATION WAGON
24 = 2-DOOR HATCHBACK	44 = 4-DOOR HATCHBACK
27 = 2-DOOR CONVERTIBLE	48 = EXECUTIVE SEDAN
28 = FWD PICKUP	

AR = Use as Required - = Non Illustrated Part P.A.R. = Paint as Required

**WIPER SYSTEM, WINDSHIELD - P,D,V,C,E,T**  
**Figure 23A-4100**

3188 4100



ITEM	PART NUMBER	QTY	BODY	MODEL	DESCRIPTION
1	3799 694	2			ARM, w/o Blade
2	3799 695	2			NOZZLE, Wiper Arm
3	3799 653	2			BLADE w/REFILL, Anco
	3799 687	2			Trico
4	5211 129	2			REFILL, Anco, Use With 3799653 Blade
	5211 132	2			Trico, Use With 3799687 Blade
5					PIVOT
	4240 511	1			Rt.
	4240 512	1			Lt.
6	4205 951	1			MOTOR, 2 Speed
7	6500 502	3			NUT, Motor Mtg.
8	3799 715	1			COVER w/Seal, Wiper Motor
9	6031 951	2			SCREW, Cover Mtg.
10	6031 754	4			SCREW, Pivot Mtg.
11	3799 595	1			LINK w/BUSHING, Rt.
	3799 600	1			Lt.
12	6031 096	1			NUT, Crank Mtg.
13	3799 597	1			CRANK w/PIN, Wiper Drive
14	3799 089	1			BUSHING, Wiper Linkage, Rt.
	5211 015	1			Rt.
	3799 089	2			Lt.
15	3799 697	2			HOSE GUARD, Wiper Arm and Hose
NOTE: THE FOLLOWING ITEMS ARE NOT SHOWN ON ILLUSTRATION. an offsetting order for part no. 3747881					
	2932 708	1			GROMMET and SPACER PKG., Motor Mtg.
CONSISTS OF:					
					3- ----- Spacer
					3- ----- Grommet
	3431 974	1			SEAL, Wiper Motor Output Shaft
	3799 087	1			ARMATURE PACKAGE, Wiper Motor
	3799 275	1			HOUSING PACKAGE, Wiper Motor, 2 Speed
	4205 954	1			GEAR, HOUSING and COVER, Wiper Motor, 2 Speed
	4222 060	1			CONTROL, 2 Speed w/Intermittent Wipe
	4048 952	1			BRACKET, 2 Speed w/Intermittent Wipe
	4198 380	1			STOP, W/Shield Wiper Arm, Rt.

**MODEL CODES**

B = GRAN FURY	G = DIPLOMAT	V = 400
C = LEBARON/TOWN & COUNTRY	M = HORIZON/TURISMO/SCAMP	X = MIRADA
D = ARIES	P = RELIANT	Y = IMPERIAL
E = 600	S = CORDOBA	Z = OMNI/CHARGER/RAMPAGE
F = FIFTH AVENUE	T = E CLASS/NEWYORKER	

**BODY STYLES**

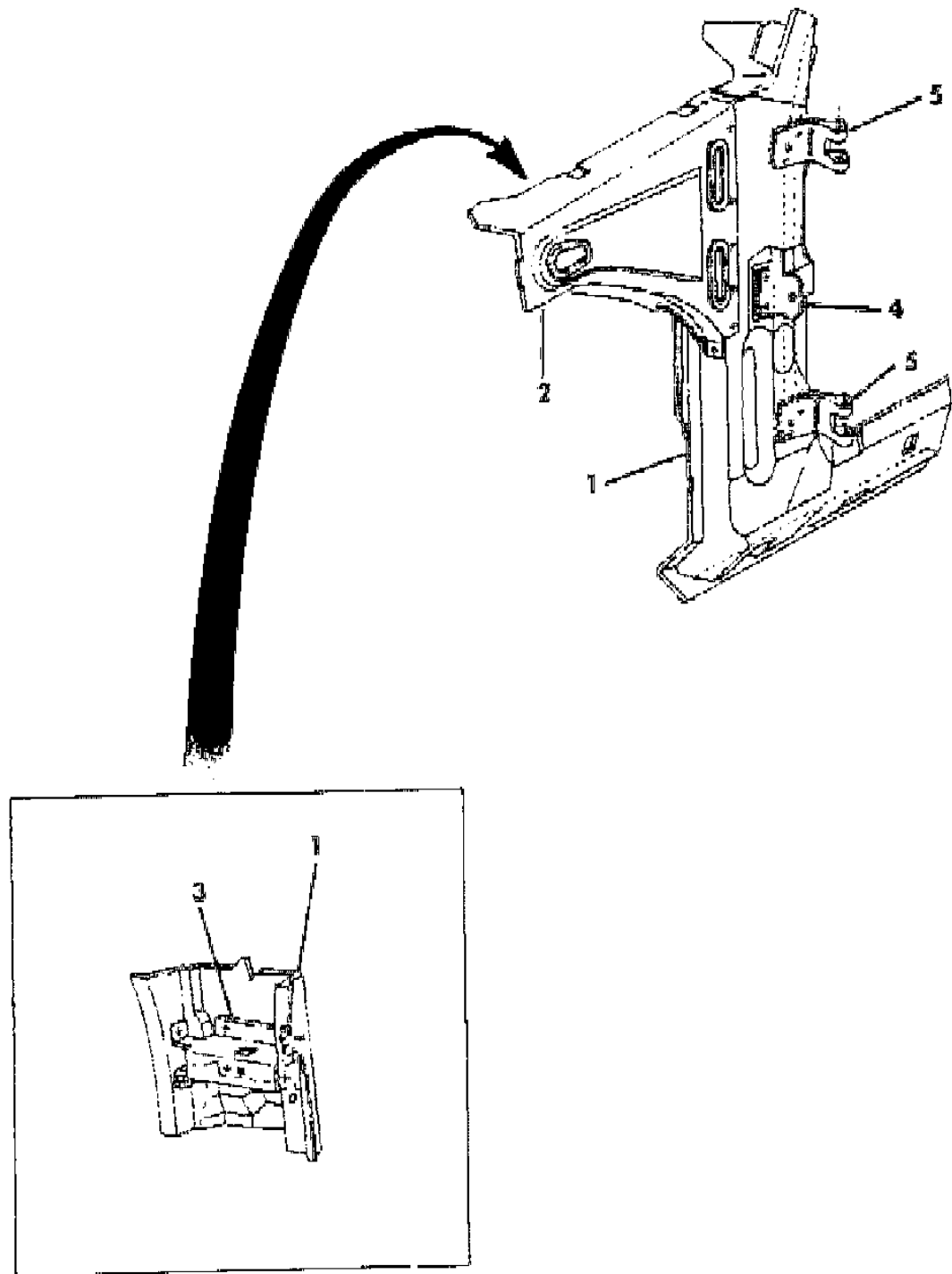
21 = 2-DOOR SEDAN	41 = 4-DOOR SEDAN
22 = 2-DOOR SPECIAL COUPE	45 = 4-DOOR STATION WAGON
24 = 2-DOOR HATCHBACK	44 = 4-DOOR HATCHBACK
27 = 2-DOOR CONVERTIBLE	48 = EXECUTIVE SEDAN
28 = FWD PICKUP	

AR = Use as Required - = Non Illustrated Part P.A.R. = Paint as Required



PILLAR, BODY FRONT HINGE - P,D,V,C,E,T  
Figure 23A-4200

3169 4200



ITEM	PART NUMBER	QTY	BODY	MODEL	DESCRIPTION
1	4278 880-1	1			PILLAR, Body Front Hinge
2	4297 024	1			EXTENSION, Strut Tower to Body Front Hinge Pillar Right
	4278 669	1			Left
3	4198 175	1			REINFORCEMENT, Pillar to Cowl Side Parking Brake Bracket, Lt.
4	4206 553	2			SUPPORT w/NUT, Body Front Hinge Pillar to Fender
5		2			HINGE (see Door Illustration)
NOTE: The Following Items Are Not Shown On Illustration. an offsetting order for part no. 3747881					
	4206 410-1	1			REINFORCEMENT, Body Front Pillar Spotlight (w/Police Package)

MODEL CODES

B = GRAN FURY	G = DIPLOMAT	V = 400
C = LEBARON/TOWN & COUNTRY	M = HORIZON/TURISMO/SCAMP	X = MIRADA
D = ARIES	P = RELIANT	Y = IMPERIAL
E = 600	S = CORDOBA	Z = OMNI/CHARGER/RAMPAGE
F = FIFTH AVENUE	T = E CLASS/NEWYORKER	

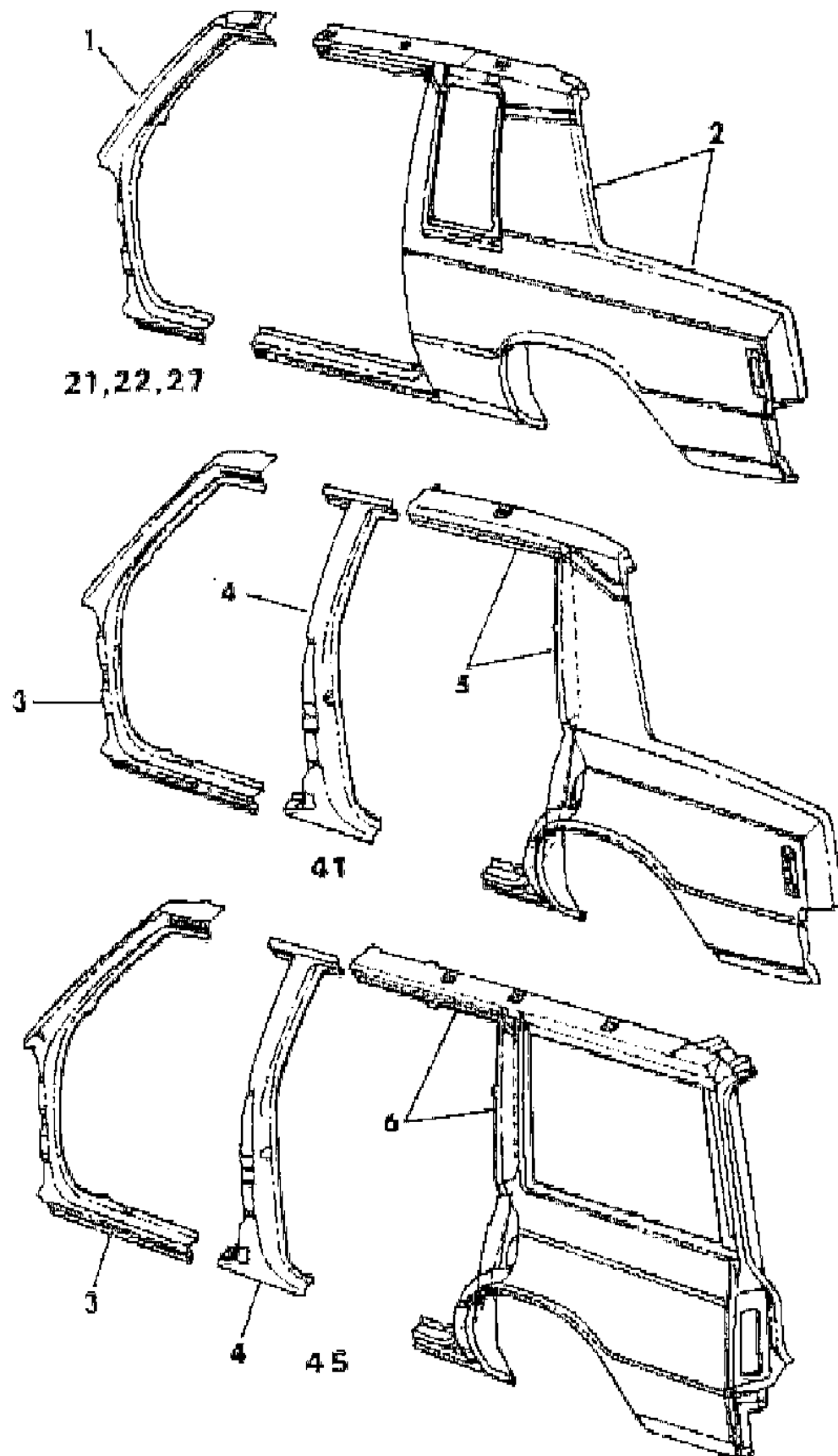
BODY STYLES

21 = 2-DOOR SEDAN	41 = 4-DOOR SEDAN
22 = 2-DOOR SPECIAL COUPE	45 = 4-DOOR STATION WAGON
24 = 2-DOOR HATCHBACK	44 = 4-DOOR HATCHBACK
27 = 2-DOOR CONVERTIBLE	48 = EXECUTIVE SEDAN
28 = FWD PICKUP	

AR = Use as Required - = Non Illustrated Part P.A.R. = Paint as Required

APERTURE PANELS - P,D,V,C,E,T  
Figure 23A-4300

3165 4300



ITEM	PART NUMBER	QTY	BODY	MODEL	DESCRIPTION
1					PANEL, Body Outside
	4206 470-1	1		21,22,2	Front
2	4278 306-7	1		21	Rear
	4278 318-9	1		22,27	Rear
3	4206 460-1	1		41,45	Front
4	4206 462-3	1		P,D,V,C	Center
	4278 918-9	1		E,T	Center
5	4278 262-3	1		P,D,41	Rear
	4206 980-1	1		V,C,41	Rear
	4278 912-3	1		E,T	Rear
6	4206 992-3	1		45	Rear

NOTE: For Related Components, See Figure 23A-4500, 23A-4600, 23A-4650, & 23A-4700. an offsetting order for part no. 3747881

MODEL CODES

B = GRAN FURY	G = DIPLOMAT	V = 400
C = LEBARON/TOWN & COUNTRY	M = HORIZON/TURISMO/SCAMP	X = MIRADA
D = ARIES	P = RELIANT	Y = IMPERIAL
E = 600	S = CORDOBA	Z = OMNI/CHARGER/RAMPAGE
F = FIFTH AVENUE	T = E CLASS/NEWYORKER	

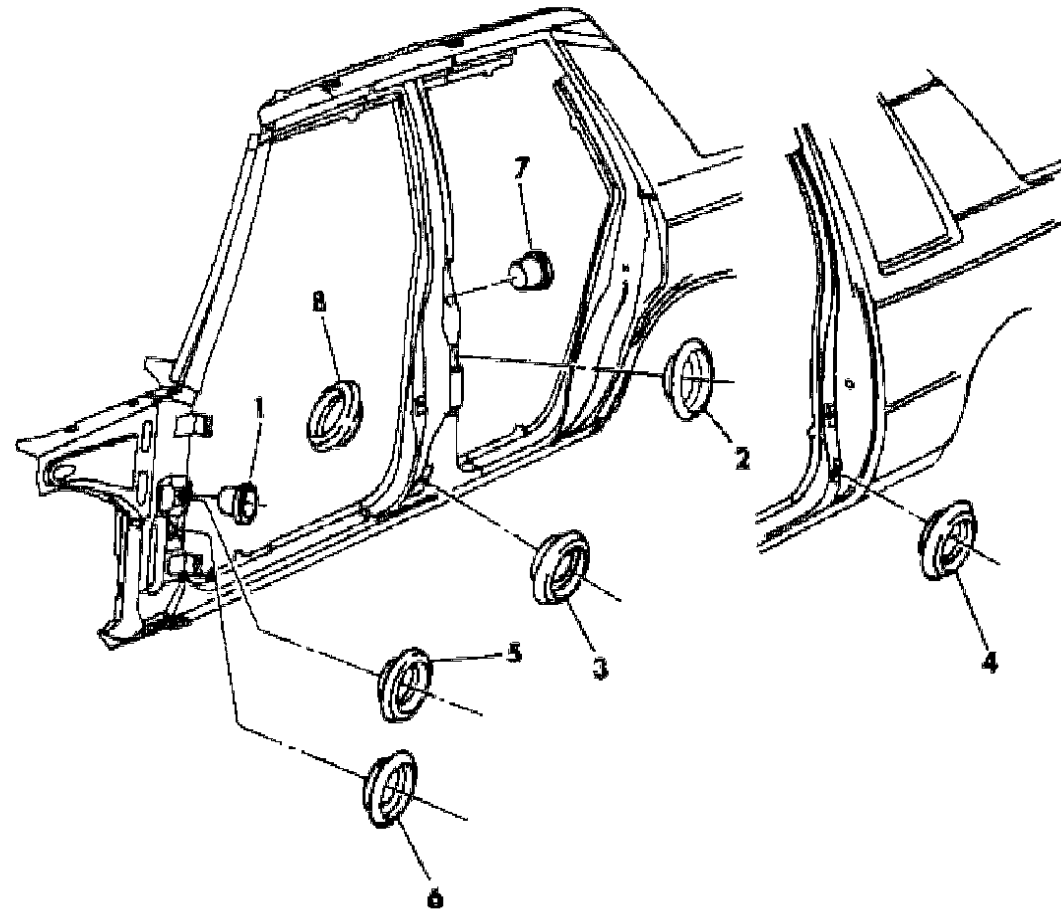
BODY STYLES

21 = 2-DOOR SEDAN	41 = 4-DOOR SEDAN
22 = 2-DOOR SPECIAL COUPE	45 = 4-DOOR STATION WAGON
24 = 2-DOOR HATCHBACK	44 = 4-DOOR HATCHBACK
27 = 2-DOOR CONVERTIBLE	48 = EXECUTIVE SEDAN
28 = FWD PICKUP	

AR = Use as Required - = Non Illustrated Part P.A.R. = Paint as Required

**PLUGS, BODY SIDE - P,D,V,C,E,T**  
**Figure 23A-4400**

3169 4400



ITEM	PART NUMBER	QTY	BODY	MODEL	DESCRIPTION
1	6025 871	1			PLUG
2	2480 957	2			PLUG
3	4172 862	2			PLUG
4	4172 862	2			PLUG
5	2860 332	1			PLUG
6		2			PLUG (Not Serviced)
7	6025 871	2			PLUG
8	2574 792	2			PLUG
NOTE: The Following Items Are Not Shown On Illustration. an offsetting order for part no. 3747881					
	6031 488	2			PLUG, Front or Rear Door Hinge Pillar Wiring Hole

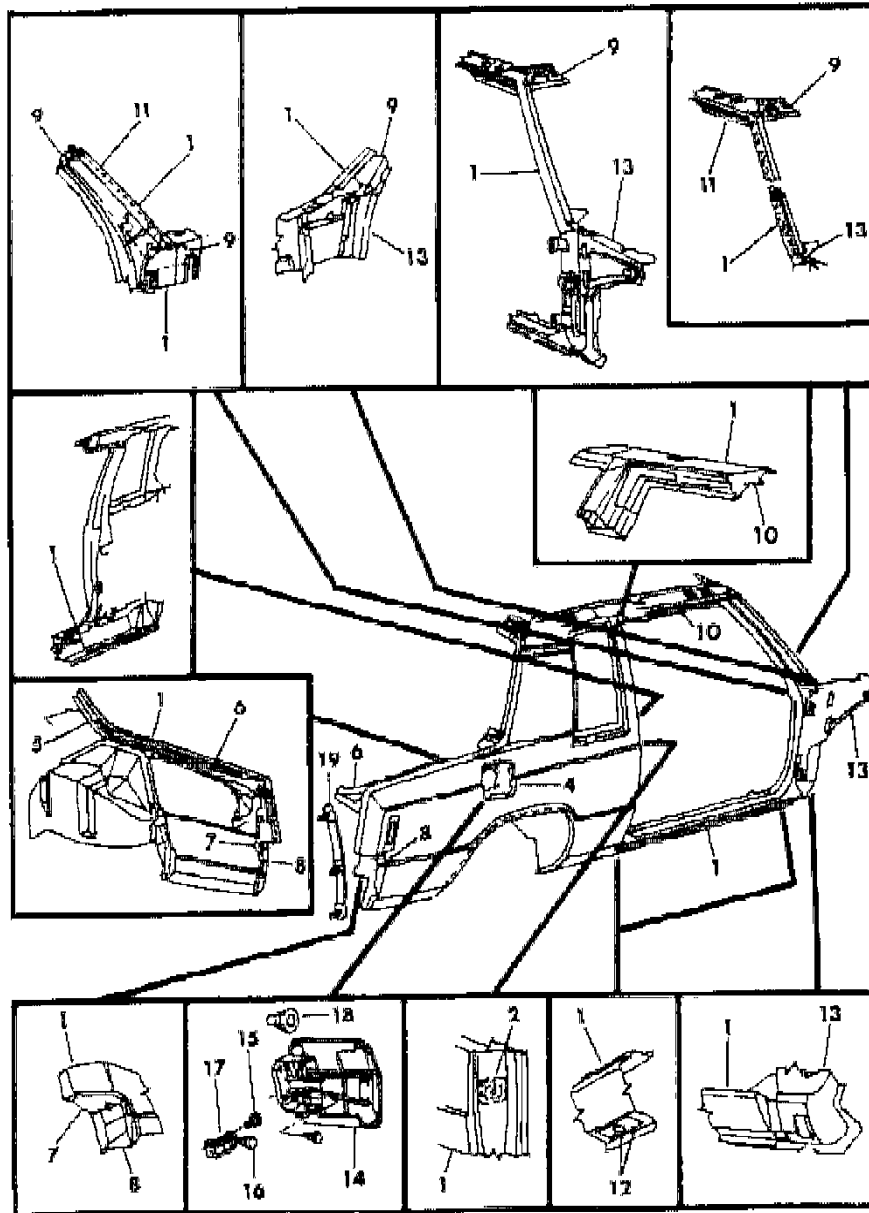
**MODEL CODES**  
 B = GRAN FURY  
 C = LEBARON/TOWN & COUNTRY  
 D = ARIES  
 E = 600  
 F = FIFTH AVENUE  
 G = DIPLOMAT  
 M = HORIZON/TURISMO/SCAMP  
 P = RELIANT  
 S = CORDOBA  
 T = E CLASS/NEWYORKER  
 V = 400  
 X = MIRADA  
 Y = IMPERIAL  
 Z = OMNI/CHARGER/RAMPAGE

**BODY STYLES**  
 21 = 2-DOOR SEDAN  
 22 = 2-DOOR SPECIAL COUPE  
 24 = 2-DOOR HATCHBACK  
 27 = 2-DOOR CONVERTIBLE  
 28 = FWD PICKUP  
 41 = 4-DOOR SEDAN  
 45 = 4-DOOR STATION WAGON  
 44 = 4-DOOR HATCHBACK  
 48 = EXECUTIVE SEDAN

AR = Use as Required - = Non Illustrated Part P.A.R. = Paint as Required

**BODY SIDE - P,D,V,C 21,22,27**  
**Figure 23A-4500**

316B 4900



ITEM	PART NUMBER	QTY	BODY	MODEL	DESCRIPTION
1					PANEL, Body Side Aperture
	4206 470-1	1			Front
	4278 306-7	1		P,D,21	Rear
	4278 318-9	1		V,C,22,	Rear
NOTE: For Body Side Service Replacement Panels, See Figure 23A-4300 an offsetting order for part no. 3747881					
2	4200 774-5	1			REINFORCEMENT w/RETAINER, Body Side Aperture Panel Door Latch Striker Nut
	4134 972	2			RETAINER, Body Side Aperture Panel Door Latch Striker Nut
	6500 483	2			NUT, Striker
4	4278 963	1			REINFORCEMENT, Body Side Aperture Fuel Filler Door Opening
5	4134 852-3	1			REINFORCEMENT, Aperture Panel Lower Corner Back Lite Opening to Quarter Inside Panel
6	#4278 820-1	1			TROUGH, Body Side Aperture Side Drain
7	4278 822-3	1			EXTENSION, Deck Opening Lower Panel Side Drain Trough, Upper, Use Up To 12/10/82
	4296 548-9	1			Use After 12/10/82
8	4206 230-1	1			EXTENSION, Deck Opening Lower Panel Side Drain Trough, Lower
9	4278 116-7	1			FRAME, Windshield Opening Side Inner
10	4136 944-5	1			TROUGH, Roof Panel Aperture Side Drain
11	4136 952-3	1			REINFORCEMENT, Windshield Opening Side Inner Frame Lower
12	4278 494	4			PLATE, Body Side Aperture Jack Locator
13					PILLAR (See Body Front Hinge Pillar Illustration)
14	4134 948	1			DOOR w/HINGE and SPRING, Body Side Aperture Fuel Filler
	4206 746	1			BAND, Fuel Filler Door Hinge Spring Pin Noise Dampener
15		4			SCREW (not serviced)
16	5200 365	2			BUTTON, Body Side Aperture Fuel Filler Door Stop Bumper
17	4206 744	1			BRACKET, Body Side Aperture Fuel Filler Door Stop
18		2			NUT, Body Side Aperture Fuel Filler Door Attaching (Not Serviced)
19	4206 955	2			RETAINER w/STUDS, Quarter Outside Panel Rear Bumper Fascia
NOTE: The following Items are not shown on illustration. an offsetting order for part no. 3747881					
	4206 958	1			SEAL, Body Side Aperture Fuel Filler Door Reinforcement
	4206 237	2			SEAL, Quarter Outside Aperture Panel to Back Lite Lower Corner Reinforcement
	4206 486	2			SEAL, Body Side Aperture to Lower Front Pillar

**MODEL CODES**

B = GRAN FURY	G = DIPLOMAT	V = 400
C = LEBARON/TOWN & COUNTRY	M = HORIZON/TURISMO/SCAMP	X = MIRADA
D = ARIES	P = RELIANT	Y = IMPERIAL
E = 600	S = CORDOBA	Z = OMNI/CHARGER/RAMPAGE
F = FIFTH AVENUE	T = E CLASS/NEWYORKER	

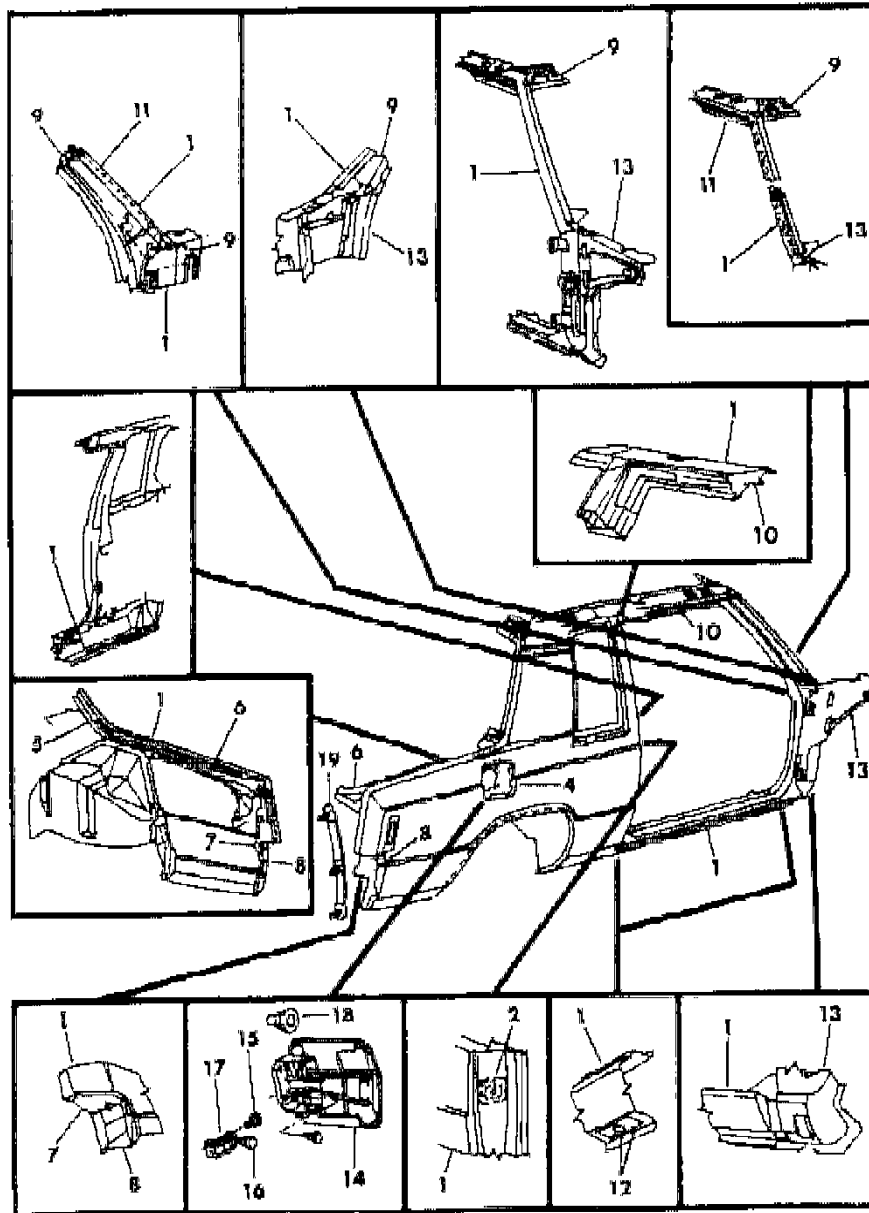
**BODY STYLES**

21 = 2-DOOR SEDAN	41 = 4-DOOR SEDAN
22 = 2-DOOR SPECIAL COUPE	45 = 4-DOOR STATION WAGON
24 = 2-DOOR HATCHBACK	44 = 4-DOOR HATCHBACK
27 = 2-DOOR CONVERTIBLE	48 = EXECUTIVE SEDAN
28 = FWD PICKUP	

AR = Use as Required - = Non Illustrated Part P.A.R. = Paint as Required

BODY SIDE - P,D,V,C 21,22,27  
Figure 23A-4500

316B 4900



ITEM	PART NUMBER	QTY	BODY	MODEL	DESCRIPTION
	4206 984	1			GASKET, Body Side Aperture Fuel Filler Opening
	4172 763	1			GASKET, Qtr. Panel Fuel Filler Door Latch
	4278 228	2		P,D,21	SHIM, Aperture Panel to Roof Panel
	4206 690-1	1		V,C,22,	REINFORCEMENT, Body Side Aperture Panel
	5200 365	1			BUTTON, Fuel Filler Door Hinge Bumper
	6032 294	3			FASTENER, Fuel Filler Opening Reinforcement Gasket Adhesive
	4314 299	1		C-27	BEZEL, Fuel Filler Opening (Town & Country)

MODEL CODES

B = GRAN FURY	G = DIPLOMAT	V = 400
C = LEBARON/TOWN & COUNTRY	M = HORIZON/TURISMO/SCAMP	X = MIRADA
D = ARIES	P = RELIANT	Y = IMPERIAL
E = 600	S = CORDOBA	Z = OMNI/CHARGER/RAMPAGE
F = FIFTH AVENUE	T = E CLASS/NEWYORKER	

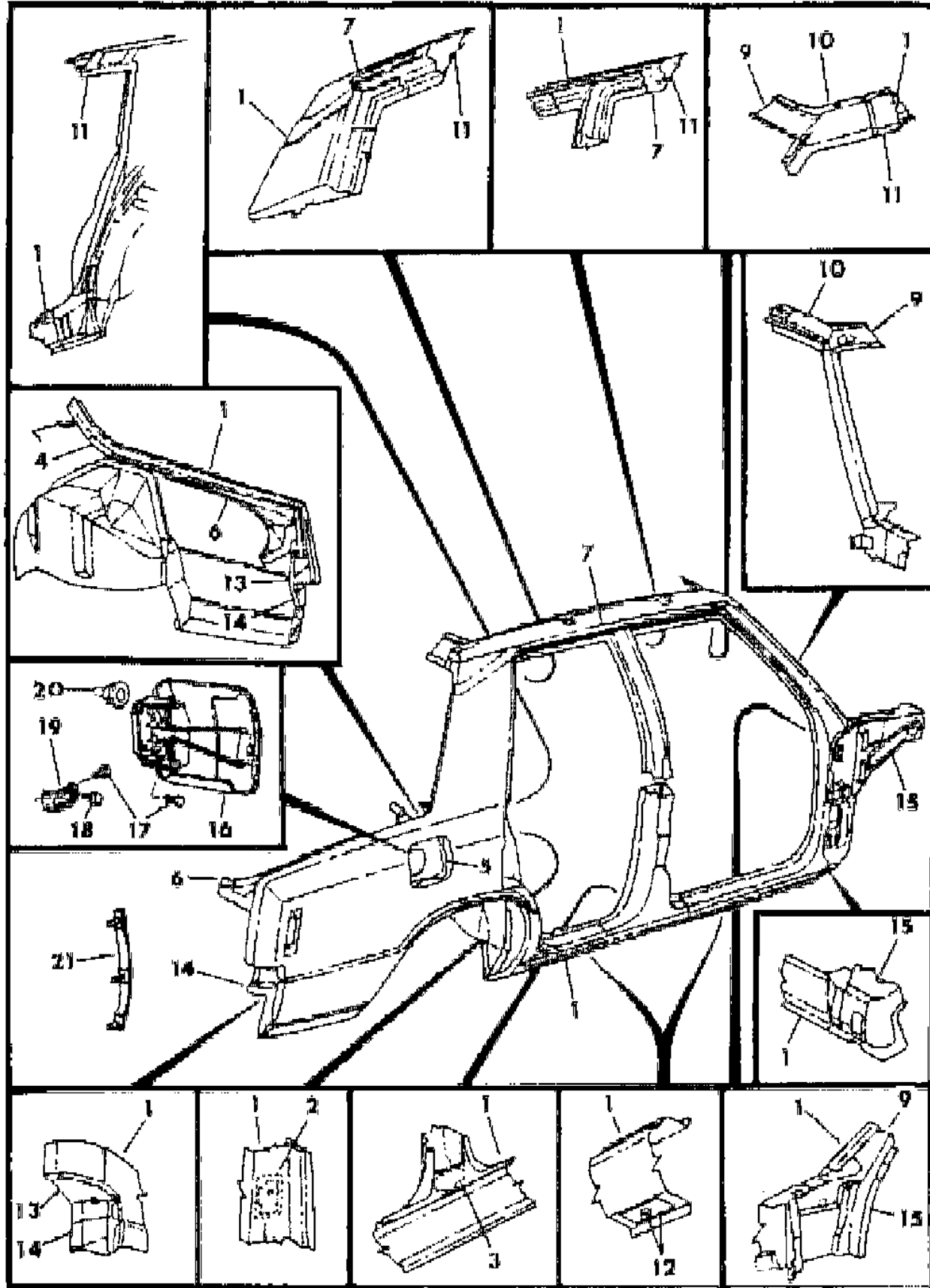
BODY STYLES

21 = 2-DOOR SEDAN	41 = 4-DOOR SEDAN
22 = 2-DOOR SPECIAL COUPE	45 = 4-DOOR STATION WAGON
24 = 2-DOOR HATCHBACK	44 = 4-DOOR HATCHBACK
27 = 2-DOOR CONVERTIBLE	48 = EXECUTIVE SEDAN
28 = FWD PICKUP	

AR = Use as Required - = Non Illustrated Part P.A.R. = Paint as Required

**BODY SIDE - P,D,V,C 41**  
**Figure 23A-4600**

3188 4000



ITEM	PART NUMBER	QTY	BODY	MODEL	DESCRIPTION
1					PANEL, Body Side Aperture
	4206 460-1	1			Front
	4206 462-3	1			Center
	4278 262-3	1		P,D	Rear
	4206 980-1	1		V,C	Rear
NOTE: For Body Side Service Replacement Panels, See Figure 23A-4300 an offsetting order for part no. 3747881					
2	4200 838	2			REINFORCEMENT w/RETAINER, Body Side Aperture Panel Door Latch Striker Nut, Use Up To 2/8/83
	4297 188-9	1			Use After 2/8/83
	4134 972	2			RETAINER, Body Side Aperture Panel Door Latch Striker Nut, Striker
3	6500 483	2			NUT, Striker
	4206 197	2			REINFORCEMENT, Body Side Aperture Panel Seat Belt Anchor, Lower
	4206 198-9	1			Upper
4	4134 830-1	1			REINFORCEMENT, Aperture Panel Lower Corner Back Lite to Quarter Inside Panel
5	4278 963	1			REINFORCEMENT, Body Side Aperture Fuel Filler Door Opening
	4206 410-1	1			REINFORCEMENT, Body Front Pillar (Spot Light) w/Police Pkg.
6	#4278 820-1	1			TROUGH, Body Side Aperture Side Drain
7	4136 946-7	1			TROUGH, Aperture Panel Roof Side Drain
9	4278 110-1	1			FRAME, Windshield Opening Side Inner
10	4136 902-3	1			REINFORCEMENT, Windshield Opening Side Aperture Upper
11	4278 118-9	1			RAIL, Roof Side Inner
12	4278 494	4			PLATE, Body Side Aperture Jack Locator
13	4278 822-3	1			EXTENSION, Deck Opening Lower Panel Side Drain Trough, Upper, Use Up To 12/10/82
	4296 548-9	1			Use After 12/10/82
14	4206 230-1	1			EXTENSION, Deck Opening Lower Panel Side Drain Trough, Lower
15					PILLAR (see Body Front Hinge Pillar Illustration)
16	4134 949	1			DOOR w/HINGE and SPRING, Body Side Aperture Fuel Filler
	4206 746	1			BAND, Fuel Filler Door Hinge Spring Pin Noise Dampener
17		4			SCREW (not serviced)
18	5200 365	2			BUTTON, Body Side Aperture Fuel Filler Door Stop Bumper
19	4206 744	1			BRACKET, Body Side Aperture Fuel Filler Door Stop

**MODEL CODES**

B = GRAN FURY	G = DIPLOMAT	V = 400
C = LEBARON/TOWN & COUNTRY	M = HORIZON/TURISMO/SCAMP	X = MIRADA
D = ARIES	P = RELIANT	Y = IMPERIAL
E = 600	S = CORDOBA	Z = OMNI/CHARGER/RAMPAGE
F = FIFTH AVENUE	T = E CLASS/NEWYORKER	

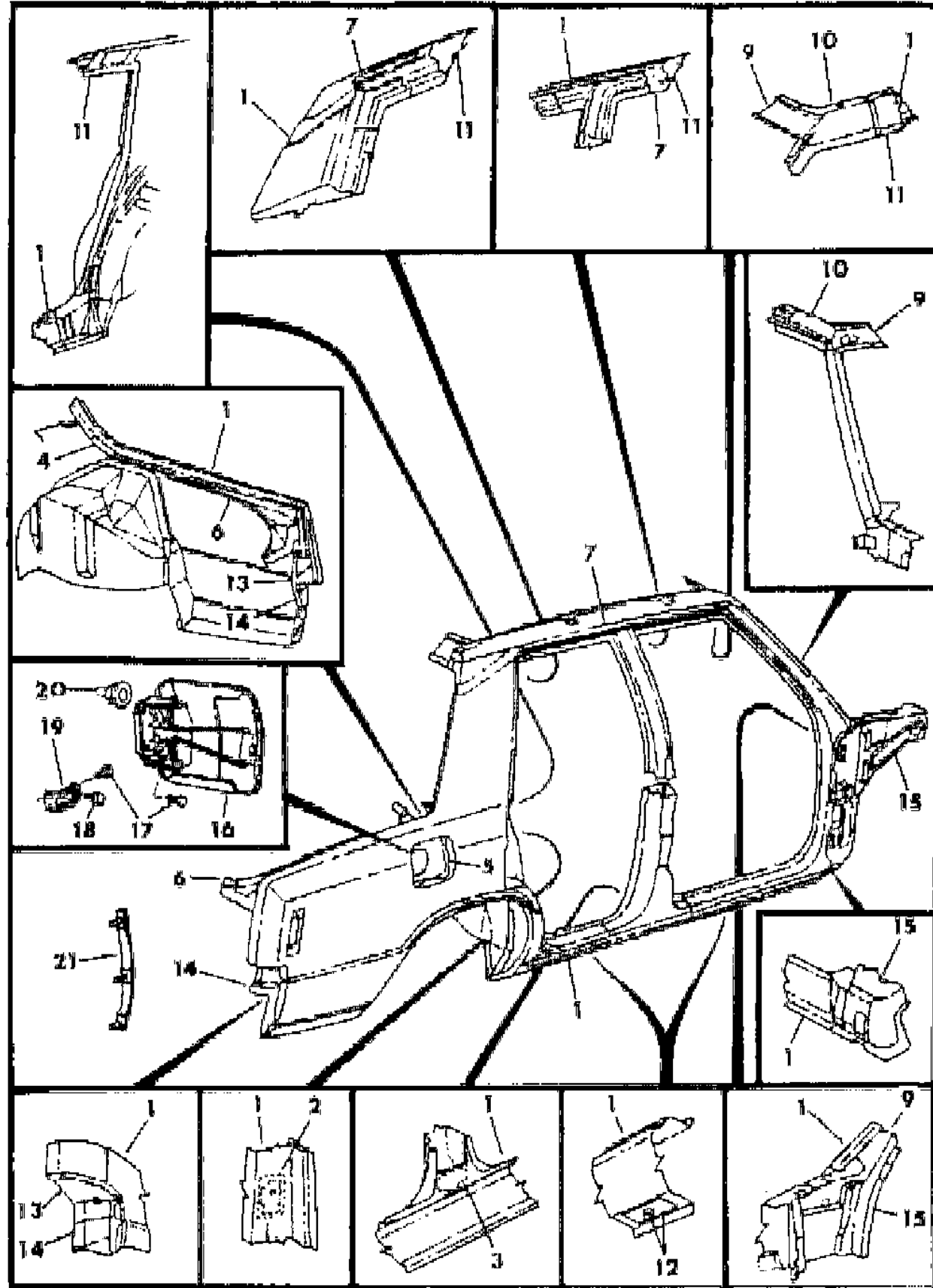
**BODY STYLES**

21 = 2-DOOR SEDAN	41 = 4-DOOR SEDAN
22 = 2-DOOR SPECIAL COUPE	45 = 4-DOOR STATION WAGON
24 = 2-DOOR HATCHBACK	44 = 4-DOOR HATCHBACK
27 = 2-DOOR CONVERTIBLE	48 = EXECUTIVE SEDAN
28 = FWD PICKUP	

AR = Use as Required - = Non Illustrated Part P.A.R. = Paint as Required

**BODY SIDE - P,D,V,C 41**  
**Figure 23A-4600**

3188 4000



ITEM	PART NUMBER	QTY	BODY	MODEL	DESCRIPTION
20		2			NUT, Body Side Aperture Fuel Filler Door Attaching (Not Serviced)
21	4206 955	2			RETAINER w/STUDS, Quarter Outside Panel Rear Bumper Fascia
NOTE: The following Items are not shown on illustration. an offsetting order for part no. 3747881					
	4206 958	1			SEAL, Body Side Aperture Fuel Filler Door Reinforcement
	4206 237	2			SEAL, Quarter Outside Aperture panel to Back Lite Lower Corner Reinforcement
	4206 984	1			GASKET, Body Side Aperture Fuel Filler Opening
	4172 763	1			GASKET, Qtr. Panel Fuel Filler Door Latch
	4206 486	2			SEAL, Body Side Aperture to Lower Front Pillar
	4206 487	2			SEAL, Center Pillar to Drain Trough
	4278 536-7	1			REINFORCEMENT, Body Side Aperture Panel Door Latch Striker (w/Heavy Service Pkg.)
	5200 365	1			BUTTON, Fuel Filler Door Hinge Bumper
	6032 294	3			FASTENER, Fuel Filler Opening Reinforcement Gasket Adhesive

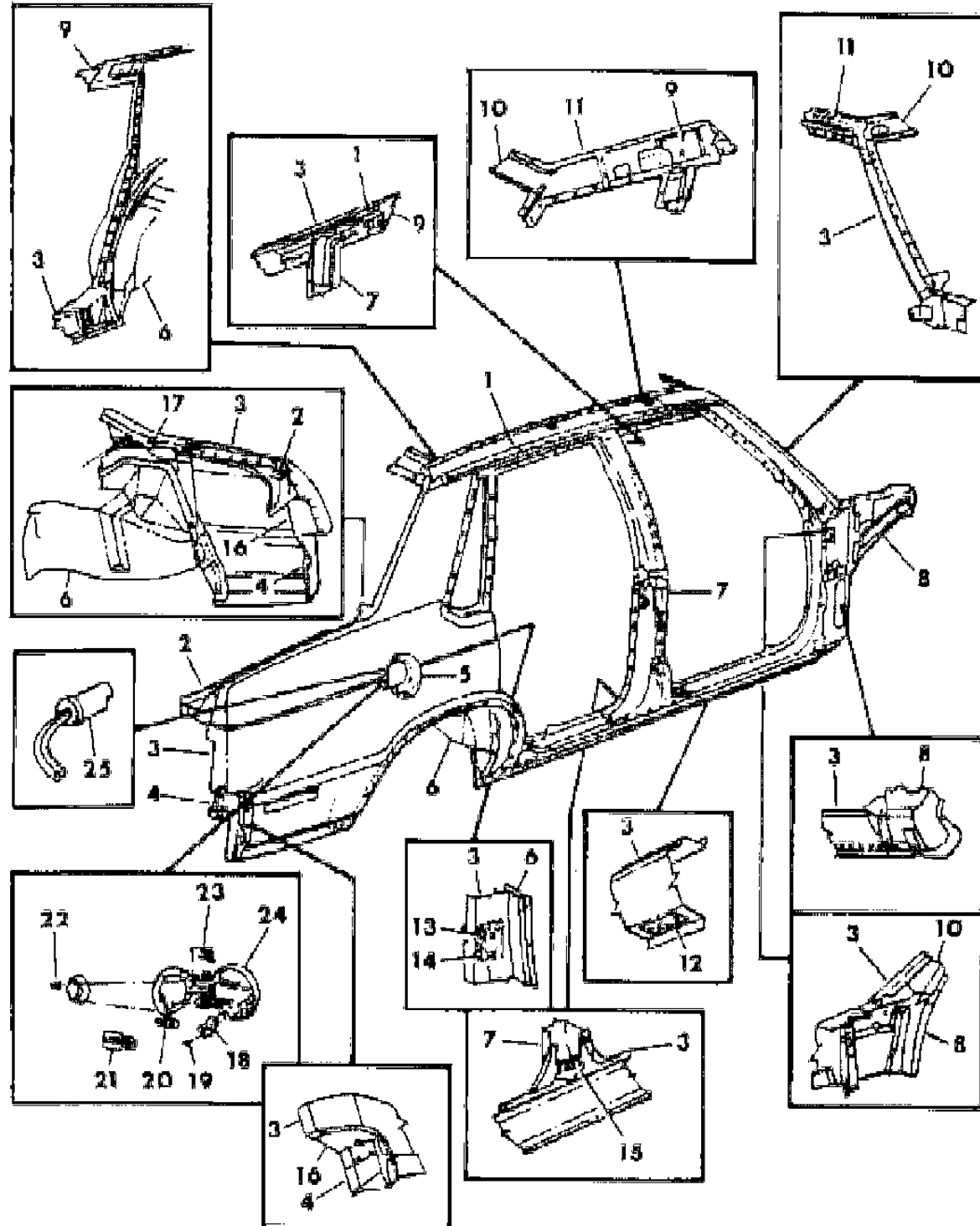
MODEL CODES  
 B = GRAN FURY  
 C = LEBARON/TOWN & COUNTRY  
 D = ARIES  
 E = 600  
 F = FIFTH AVENUE  
 G = DIPLOMAT  
 M = HORIZON/TURISMO/SCAMP  
 P = RELIANT  
 S = CORDOBA  
 T = E CLASS/NEWYORKER  
 V = 400  
 X = MIRADA  
 Y = IMPERIAL  
 Z = OMNI/CHARGER/RAMPAGE

BODY STYLES  
 21 = 2-DOOR SEDAN  
 22 = 2-DOOR SPECIAL COUPE  
 24 = 2-DOOR HATCHBACK  
 27 = 2-DOOR CONVERTIBLE  
 28 = FWD PICKUP  
 41 = 4-DOOR SEDAN  
 45 = 4-DOOR STATION WAGON  
 44 = 4-DOOR HATCHBACK  
 48 = EXECUTIVE SEDAN

AR = Use as Required - = Non Illustrated Part P.A.R. = Paint as Required

**BODY SIDE - E,T**  
**Figure 23A-4650**

3169 4650



ITEM	PART NUMBER	QTY	BODY	MODEL	DESCRIPTION
1	#4206 810-1	1			TROUGH, Roof Side Drain
2	#4206 934-5	1			TROUGH, Body Side Aperture Drain
3					Panel, Body Side Aperture
	4206 460-1	1			Front
	4278 918-9	1			Center
	4278 912-3	1			Rear
NOTE: For Body Side Service Replacement Panels, See Figure 23A-4300 an offsetting order for part no. 3747881					
4	#4278 822-3	1			EXTENSION, Deck Opening Lower Panel Side Drain Trough, Upper
5	#4278 324	1			REINFORCEMENT, Body Side Aperture Fuel Filler Door Opening
6					PANEL (See Qtr. Inside and Wheelhouse Outer Illustration)
7					PILLAR (See Side Sill and Center Pillar Illustration)
8					PILLAR (See Body Front Hinge Pillar Illustration)
9	4278 276-7	1			RAIL w/P/NUT, Roof Side Inner, Use Up To 11/4/82
	4296 480-1	1			Use After 11/4/82
10	4278 110-1	1			FRAME, Windshield Opening Side Inner
11	4136 902-3	1			REINFORCEMENT, Windshield Opening Side Aperture, Upper
12	4278 494	4			PLATE, Body Side Aperture Jack Locator
13	4134 972	2			RETAINER, Body Side Aperture Panel Door Lock Striker Nut
14	4200 838	2			REINFORCEMENT w/RETAINER, Body Side Aperture Panel Door Latch Striker Nut, Use Up To 2/1/83
	4297 188-9	1			Use After 2/1/83
15	4206 197	2			REINFORCEMENT, Body Side Aperture Seat Belt Anchor, Lower
	4206 198-9	1			Upper
16	4206 936-7	1			EXTENSION, Deck Opening Lower Panel Side Drain Trough, Upper
	4206 230-1	1			Lower
17	4206 942-3	1			REINFORCEMENT, Body Side Aperture Lower Corner Back Lite
18		1			LATCH, (See Cylinder and Key Illustration)
19		2			SCREW (Not Serviced)
20		AR			SCREW (Not Serviced)
21	4015 682	2			BUMPER, Body Side Aperture Fuel Filler Door
22	0116 000	2			NUT w/WASHER, Qtr. Panel Fuel Filler Door and Hinge Attaching
23	4206 750	1			PLATE w/SCREW, Qtr. Panel Fuel Filler Door and Hinge Attaching
24	#4278 302	1			DOOR, Body Side Aperture Fuel Filler, Complete
25	#4246 575	1			SOLENOID, Fuel Filler Door

**MODEL CODES**

B = GRAN FURY	G = DIPLOMAT	V = 400
C = LEBARON/TOWN & COUNTRY	M = HORIZON/TURISMO/SCAMP	X = MIRADA
D = ARIES	P = RELIANT	Y = IMPERIAL
E = 600	S = CORDOBA	Z = OMNI/CHARGER/RAMPAGE
F = FIFTH AVENUE	T = E CLASS/NEWYORKER	

**BODY STYLES**

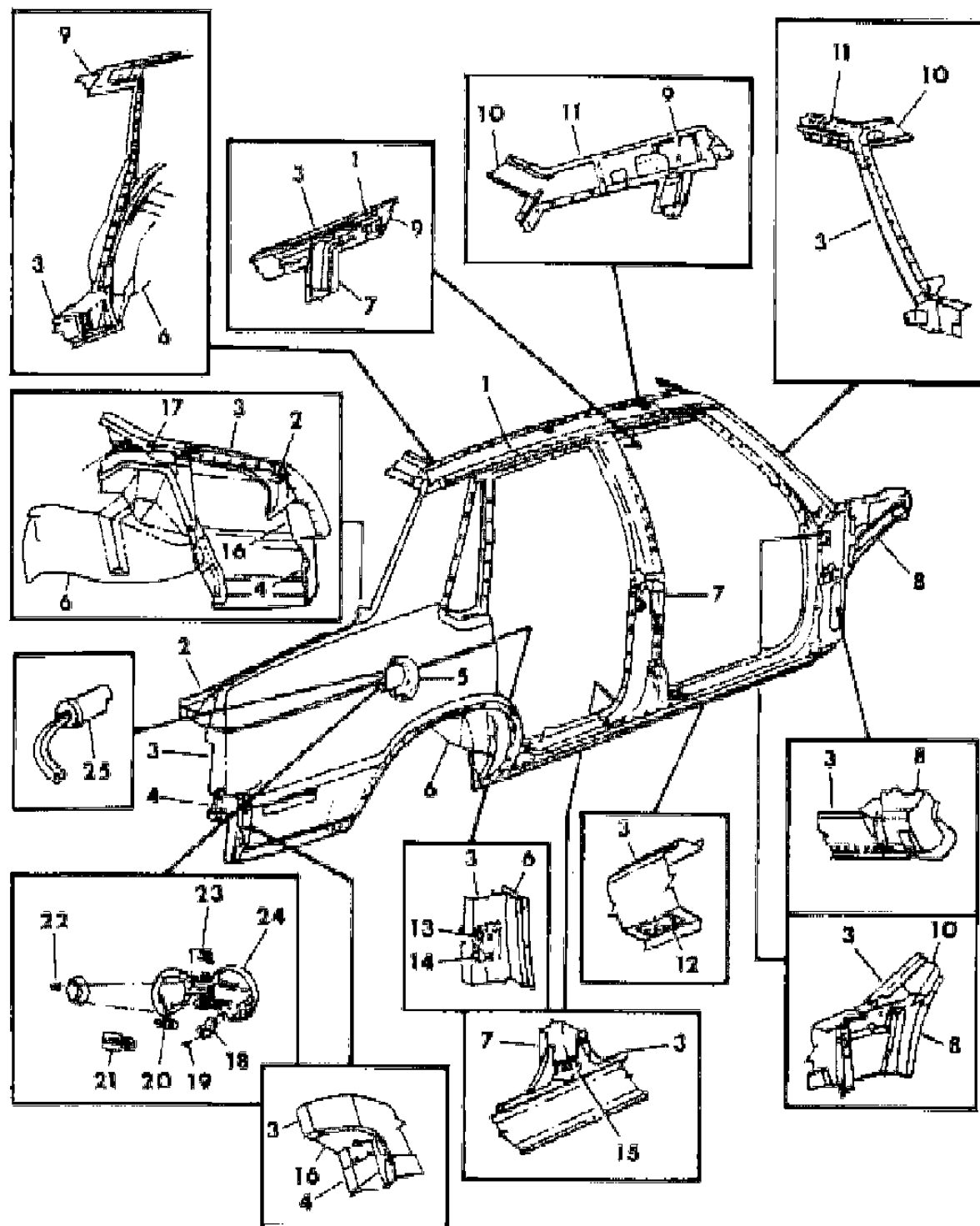
21 = 2-DOOR SEDAN	41 = 4-DOOR SEDAN
22 = 2-DOOR SPECIAL COUPE	45 = 4-DOOR STATION WAGON
24 = 2-DOOR HATCHBACK	44 = 4-DOOR HATCHBACK
27 = 2-DOOR CONVERTIBLE	48 = EXECUTIVE SEDAN
28 = FWD PICKUP	

AR = Use as Required - = Non Illustrated Part P.A.R. = Paint as Required



**BODY SIDE - E,T**  
**Figure 23A-4650**

3169 4650



ITEM	PART NUMBER	QTY	BODY	MODEL	DESCRIPTION
------	-------------	-----	------	-------	-------------

NOTE: The Following Items Are Not Shown On Illustration. an offsetting order for part no. 3747881

	4206 970	1			TROUGH, Deck Opening Upper Drain
	4172 763	1			GASKET, Qtr. Panel Fuel Filler Door Latch
	4206 958	1			SEAL, Body Side Aperture Fuel Filler Door Reinforcement
	4206 486	2			SEAL, Body Side Aperture to Lower Front Pillar
	4206 487	2			SEAL, Center Pillar to Drain Trough
	6032 294	3			FASTENER, Fuel Filler Opening Reinforcement Gasket Adhesive
	4206 955	2			RETAINER w/STUDS, Qtr. Pnl. Rr. Bumper Fascia
	6500 483	2			NUT, Door Latch Striker

MODEL CODES

B = GRAN FURY	G = DIPLOMAT	V = 400
C = LEBARON/TOWN & COUNTRY	M = HORIZON/TURISMO/SCAMP	X = MIRADA
D = ARIES	P = RELIANT	Y = IMPERIAL
E = 600	S = CORDOBA	Z = OMNI/CHARGER/RAMPAGE
F = FIFTH AVENUE	T = E CLASS/NEWYORKER	

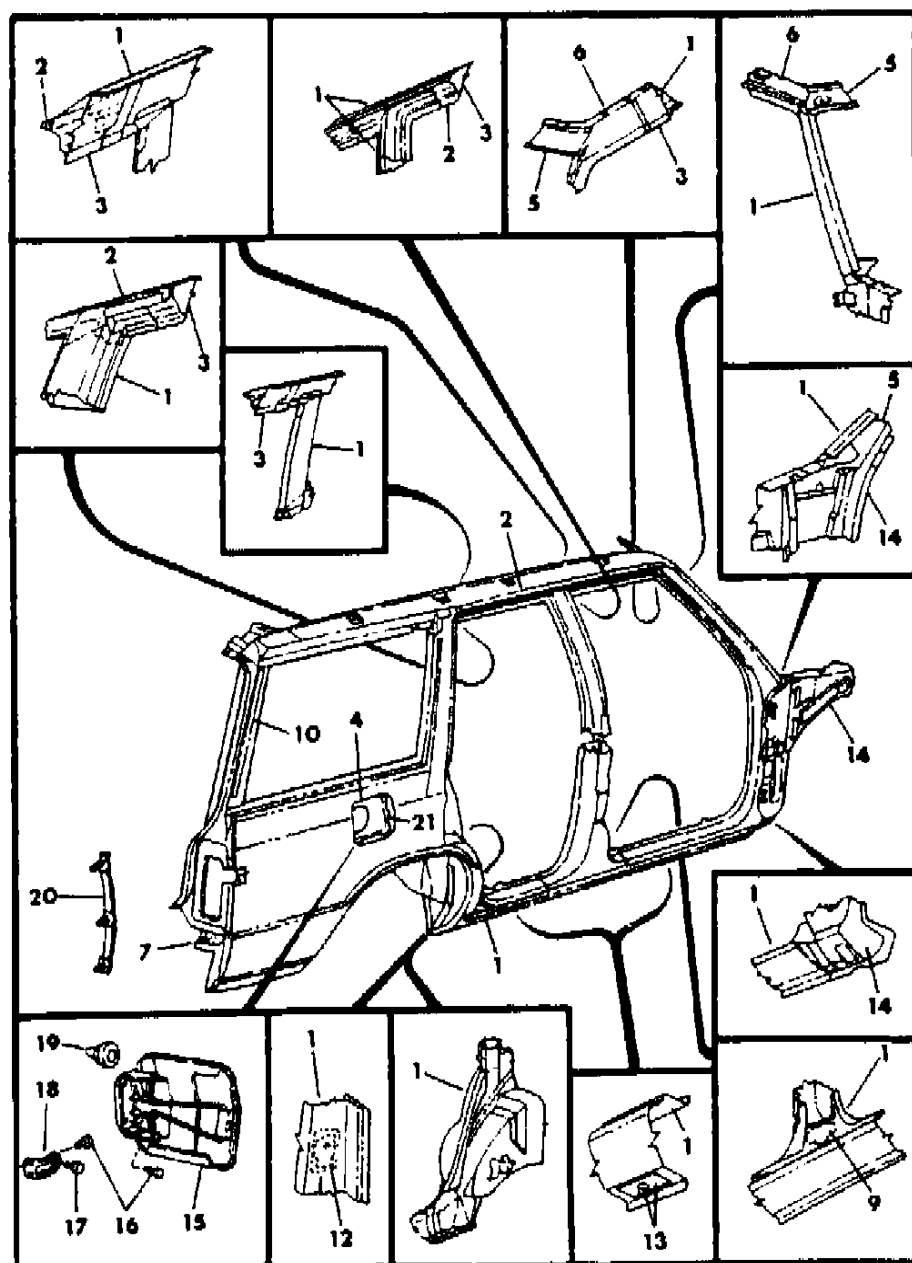
BODY STYLES

21 = 2-DOOR SEDAN	41 = 4-DOOR SEDAN
22 = 2-DOOR SPECIAL COUPE	45 = 4-DOOR STATION WAGON
24 = 2-DOOR HATCHBACK	44 = 4-DOOR HATCHBACK
27 = 2-DOOR CONVERTIBLE	48 = EXECUTIVE SEDAN
28 = FWD PICKUP	

AR = Use as Required - = Non Illustrated Part P.A.R. = Paint as Required

BODY SIDE - P,D,C 45  
Figure 23A-4700

3169 4700



ITEM	PART NUMBER	QTY	BODY	MODEL	DESCRIPTION
1					PANEL, Body Side Aperture
	4206 460-1	1			Front
	4206 462-3	1			Center
	4206 992-3	1			Rear
NOTE: For Body Side Service Replacement Panels, See Figure 23A-4300 an offsetting order for part no. 3747881					
2	4206 952-3	1			TROUGH, Aperture Panel Roof Side Drain
3	4278 122-3	1			RAIL, Roof Side Inner, Front
4	4278 963	1			REINFORCEMENT, Body Side Aperture Fuel Filler Door Opening
5	4278 110-1	1			FRAME, Windshield Opening Side Inner
6	4136 902-3	1			REINFORCEMENT, Windshield Opening Side Aperture, Upper
7	4206 130-1	1			EXTENSION, Body Side Aperture Panel Lower Rear
9	4206 197	2			REINFORCEMENT, Body Side Aperture Panel Seat Belt Anchor, Lower
	4206 198-9	1			Upper
10	4278 643	2			SUPPORT, Aperture Panel Quarter Window Rear Moulding
12	4200 838	2			REINFORCEMENT w/RETAINER, Body Side Aperture Panel Door Latch Striker Nut, Use Up To 2/8/83
	4297 188-9	1			Use After 2/8/83
	4134 972	2			RETAINER, Body Side Aperture Panel Door Latch Striker Nut
	6500 483	2			NUT, Striker
13	4278 494	4			PLATE, Body Side Aperture Jack Locator
14					PILLAR (see Body Front Hinge Pillar Illustration)
15	4206 062	1			DOOR w/HINGE and SPRING, Body Side Aperture Fuel Filler
	4206 746	1			BAND, Fuel Filler Door Hinge Spring Pin Noise Dampener
16		4			SCREW (not serviced)
17	5200 365	2			BUTTON, Body Side Aperture Fuel Filler Door Stop Bumper
18	4206 744	1			BRACKET, Body Side Aperture Fuel Filler Door Stop
19		2			NUT, Body Side Aperture Fuel Filler Door Attaching (Not Serviced)
20	4206 956	2			RETAINER w/STUDS, Quarter Outside Panel Rear Bumper Fascia
21	4206 421	1			BEZEL, Fuel Filler Door Opening
NOTE: The following Items are not shown on illustration. an offsetting order for part no. 3747881					
	4206 958	1			SEAL, Body Side Aperture Fuel Filler Door Reinforcement
	4206 984	1			GASKET, Body Side Aperture Fuel Filler Opening
	4172 763	1			GASKET, Qtr. Panel Fuel Filler Door Latch
	4206 486	2			SEAL, Body Side Aperture to Lower Front Pillar

MODEL CODES

B = GRAN FURY	G = DIPLOMAT	V = 400
C = LEBARON/TOWN & COUNTRY	M = HORIZON/TURISMO/SCAMP	X = MIRADA
D = ARIES	P = RELIANT	Y = IMPERIAL
E = 600	S = CORDOBA	Z = OMNI/CHARGER/RAMPAGE
F = FIFTH AVENUE	T = E CLASS/NEWYORKER	

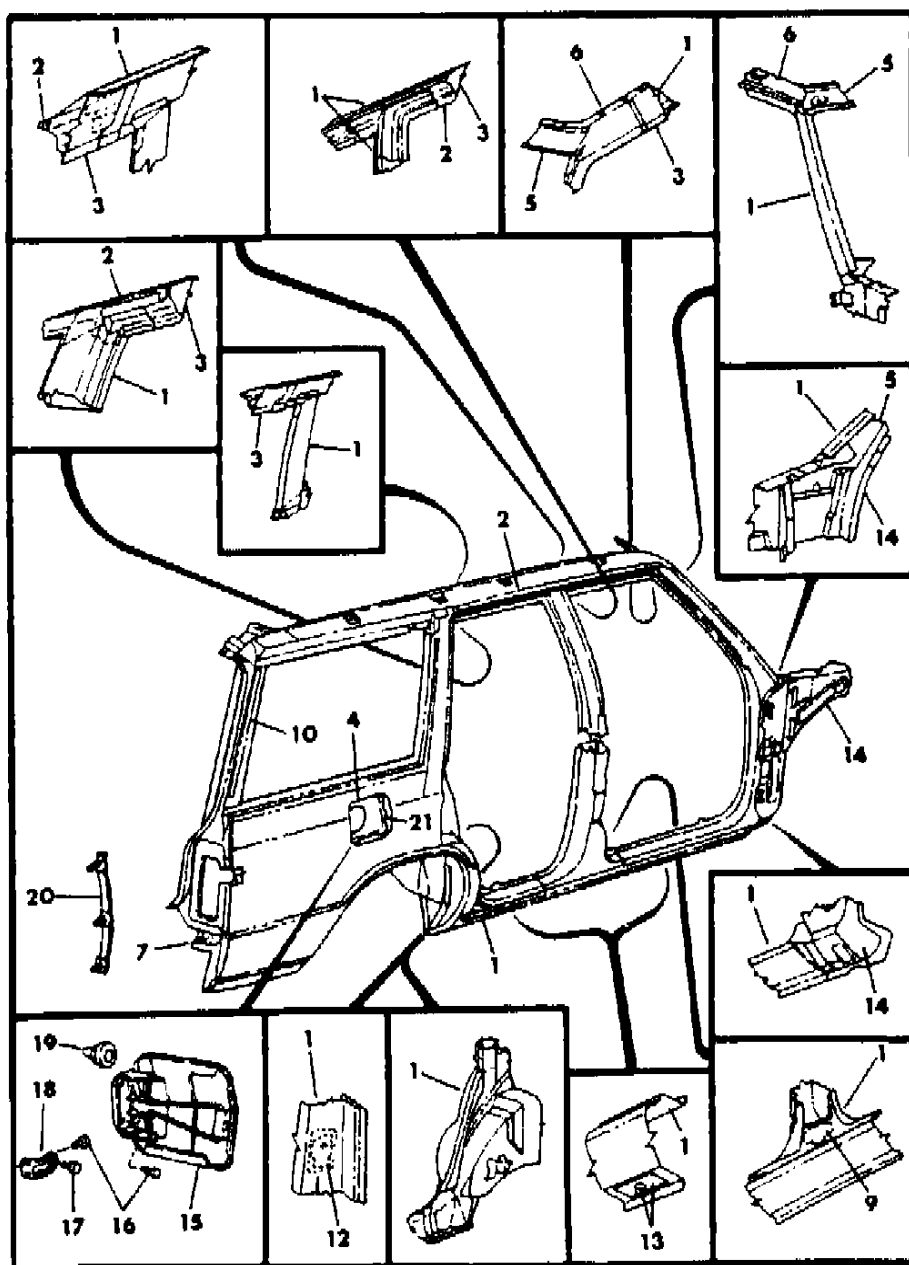
BODY STYLES

21 = 2-DOOR SEDAN	41 = 4-DOOR SEDAN
22 = 2-DOOR SPECIAL COUPE	45 = 4-DOOR STATION WAGON
24 = 2-DOOR HATCHBACK	44 = 4-DOOR HATCHBACK
27 = 2-DOOR CONVERTIBLE	48 = EXECUTIVE SEDAN
28 = FWD PICKUP	

AR = Use as Required - = Non Illustrated Part P.A.R. = Paint as Required

BODY SIDE - P,D,C 45  
Figure 23A-4700

3169 4700



ITEM	PART NUMBER	QTY	BODY	MODEL	DESCRIPTION
	4206 487	2			SEAL, Center Pillar to Drain Trough
	5200 365	1			BUTTON, Fuel Filler Door Hinge Bumper
	6032 294	3			FASTENER, Fuel Filler Opening Reinforcement Gasket Adhesive

MODEL CODES  
 B = GRAN FURY  
 C = LEBARON/TOWN & COUNTRY  
 D = ARIES  
 E = 600  
 F = FIFTH AVENUE  
 G = DIPLOMAT  
 M = HORIZON/TURISMO/SCAMP  
 P = RELIANT  
 S = CORDOBA  
 T = E CLASS/NEWYORKER  
 V = 400  
 X = MIRADA  
 Y = IMPERIAL  
 Z = OMNI/CHARGER/RAMPAGE

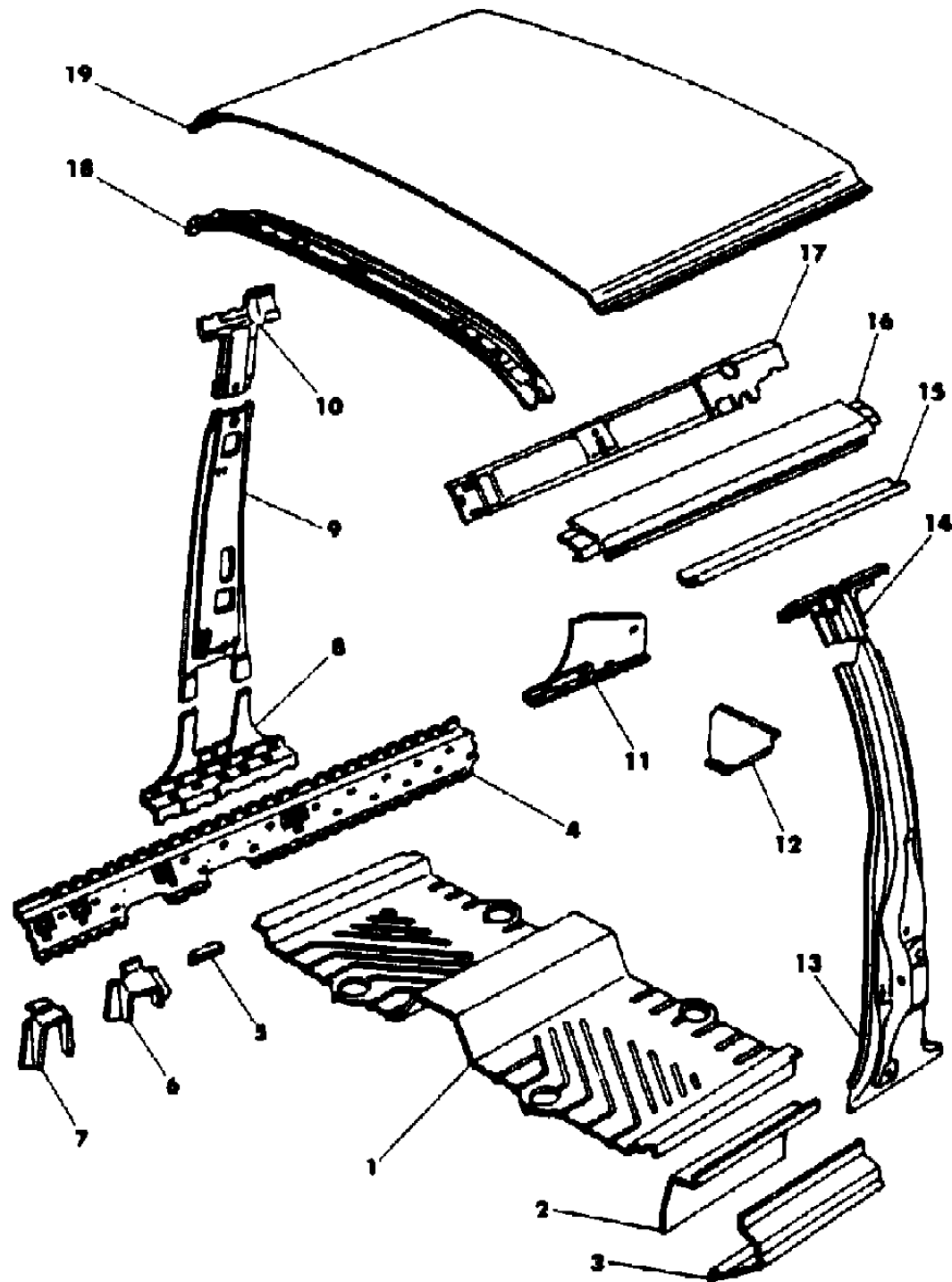
BODY STYLES  
 21 = 2-DOOR SEDAN  
 22 = 2-DOOR SPECIAL COUPE  
 24 = 2-DOOR HATCHBACK  
 27 = 2-DOOR CONVERTIBLE  
 28 = FWD PICKUP  
 41 = 4-DOOR SEDAN  
 45 = 4-DOOR STATION WAGON  
 44 = 4-DOOR HATCHBACK  
 48 = EXECUTIVE SEDAN

AR = Use as Required - = Non Illustrated Part P.A.R. = Paint as Required

BODY EXTENSIONS & REINFORCEMENTS - C 48

Figure 23A-4750

3169 4750



ITEM	PART NUMBER	QTY	BODY	MODEL	DESCRIPTION
------	-------------	-----	------	-------	-------------

NOTE: This illustration covers peculiar sheet metal for the 124.3" W.B. Executive Sedan (C 48 Model) & 131.3" W.B Limousine (C 48 Model w/A89 Sales Code). Both models are derived from the 100.1" W.B. LeBaron (C 22 Model). Sheet metal parts for the C 48 are not found on this illustration should be specified for the C 22 models, as found elsewhere in this group. de). Both models are derived from the 100.1" W.B. LeBaron (C 22 Model). Sheet metal parts for the C 48 not found on this illustration should be specified for the C 22 models, as found elsewhere in this group. de).

1	#4339 501	1	48		EXTENSION, Floor Pan, w/o A89 Sales Code
	4339 851	1	48		w/A89 Sales Code
2	#4339 508	2	48		EXTENSION, Body Sill, Inner, w/o A89 Sales Code
	4339 856	2	48		w/A89 Sales Code
	4341 399	2	21,22,4		BOW, Roof Panel
	4339 852-3	1	48		w/A89 Sales Code
4	#4339 510-1	1	48		REINFORCEMENT, Sill Inner, w/o A89 Sales Code
	4339 854-5	1	48		w/A89 Sales Code
5	#4339 751	4	48		BRACKET, Angle, Floor Pan Stabilizer
6	#4339 504-5	1	48		GUSSET, Front Seat, Rear Outer, Attaching Reinforcement
7	#4339 502-3	1	48		GUSSET, Front Seat Track Crossmember
8	#4339 520-1	1	48		PILLAR, Center, Lower Inner
9	#4339 516-7	1	48		PILLAR, Center, Inner
10	#4339 518-9	1	48		PILLAR, Center, Upper Inner
11	#4339 512-3	1	48		REINFORCEMENT, Sill Inner, Rear
12	#4339 509	1	48		REINFORCEMENT, Tunnel, Rear
13	#4339 514-5	1	48		PILLAR, Center, Outer (Includes Item #14)
14		1	48		PILLAR, Center, Upper Outer (Serviced in Item #13)
15	#4339 534-5	1	48		EXTENSION, Drain Trough, w/o A89 Sales Code
	4339 866-7	1	48		w/A89 Sales Code
16	#4339 530-1	1	48		EXTENSION, Side Rail, Outer, w/o A89 Sales Code
	4339 864-5	1	48		w/A89 Sales Code
17	#4339 532-3	1	48		REINFORCEMENT, Side Rail, Inner, w/o A89 Sales Code
	4339 868-9	1	48		w/A89 Sales Code
18	4136 853	1	48		BOW, Roof Extension
19	#4339 525	1	48		EXTENSION, Roof Panel, w/o A89 Sales Code
	4339 857	1	48		w/A89 Sales Code

MODEL CODES

B = GRAN FURY	G = DIPLOMAT	V = 400
C = LEBARON/TOWN & COUNTRY	M = HORIZON/TURISMO/SCAMP	X = MIRADA
D = ARIES	P = RELIANT	Y = IMPERIAL
E = 600	S = CORDOBA	Z = OMNI/CHARGER/RAMPAGE
F = FIFTH AVENUE	T = E CLASS/NEWYORKER	

BODY STYLES

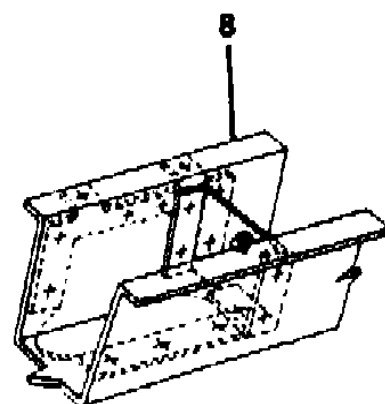
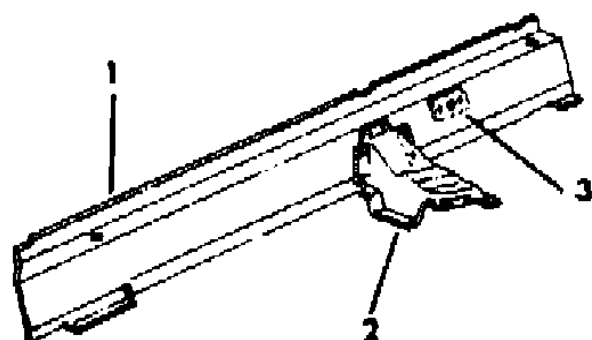
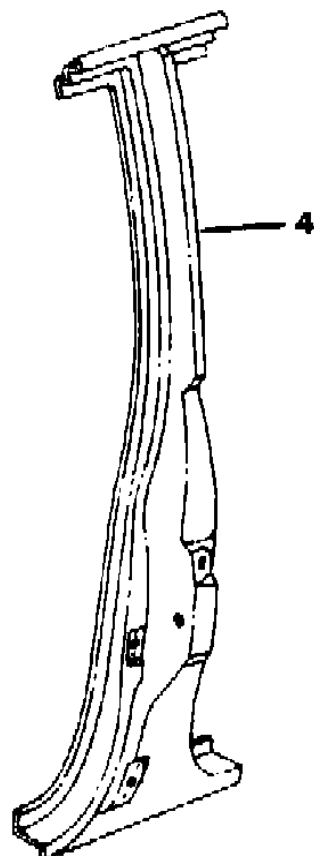
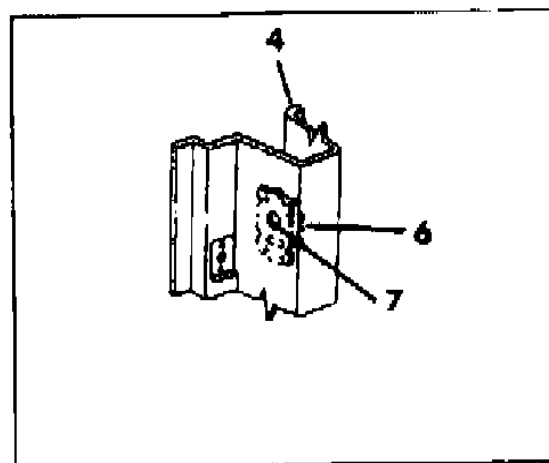
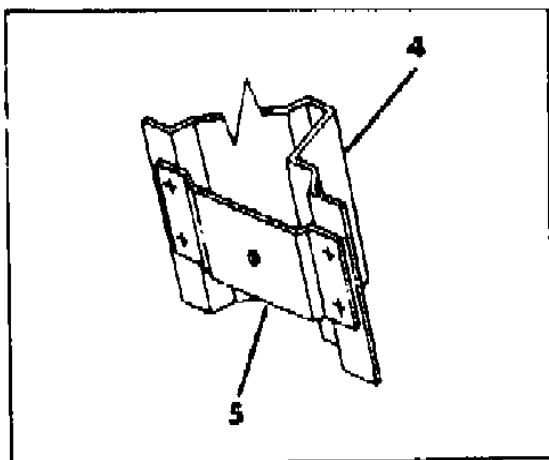
21 = 2-DOOR SEDAN	41 = 4-DOOR SEDAN
22 = 2-DOOR SPECIAL COUPE	45 = 4-DOOR STATION WAGON
24 = 2-DOOR HATCHBACK	44 = 4-DOOR HATCHBACK
27 = 2-DOOR CONVERTIBLE	48 = EXECUTIVE SEDAN
28 = FWD PICKUP	

AR = Use as Required - = Non Illustrated Part P.A.R. = Paint as Required

**SIDE SILL & CENTER PILLAR - P,D,V,C,E,T**  
**Figure 23A-4800**

3169 4800

ITEM	PART NUMBER	QTY	BODY	MODEL	DESCRIPTION
1	#4278 836-7	1		P,D,V,C	PANEL, Body Side Sill Inner
	4206 864-5	1		E,T	
2	4206 840-1	1			REINFORCEMENT w/NUT, Front Floor Pan Front Seat Rear Outer Attaching
3	3767 433	2			REINFORCEMENT w/NUT, Floor Pan Side Sill Inner, Front Seat Belt
4	4280 278-9	1		41,45	PILLAR, Body Center Outer
5	4206 198-9	1		41,45	REINFORCEMENT w/NUT, Body Side Aperture Seat Belt Anchor Upper
6	4134 972	2			RETAINER, Body Side Aperture Panel Door Lock Striker Nut
	4200 838	2		41,45	REINFORCEMENT, Body Side Aperture Panel Door Latch Striker Nut
7	6500 483	2			NUT, Body Side Aperture Panel Door Lock Striker
8	#4278 942-3	1			EXTENSION, Sill Inner Rear



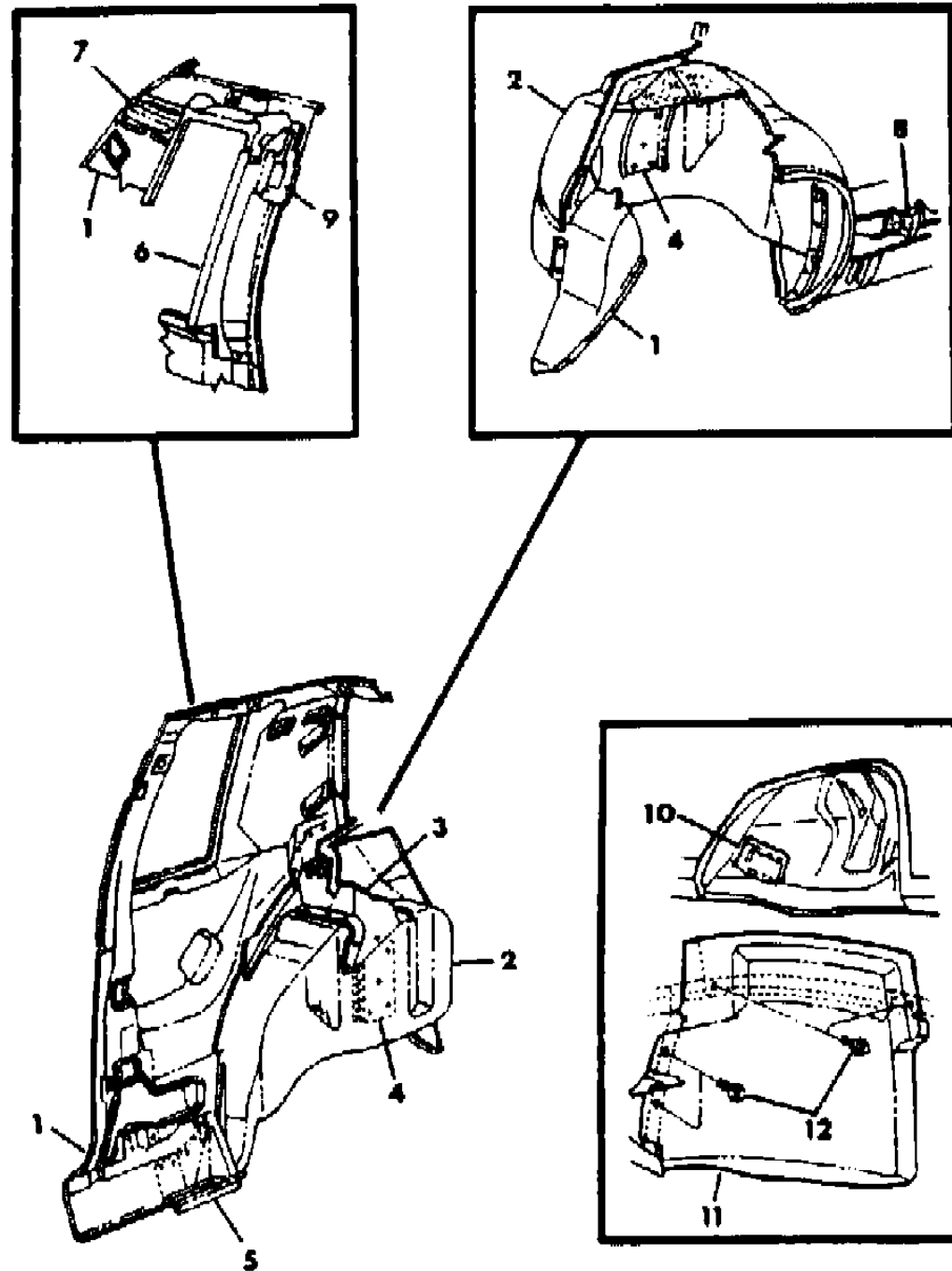
MODEL CODES  
 B = GRAN FURY  
 C = LEBARON/TOWN & COUNTRY  
 D = ARIES  
 E = 600  
 F = FIFTH AVENUE  
 G = DIPLOMAT  
 M = HORIZON/TURISMO/SCAMP  
 P = RELIANT  
 S = CORDOBA  
 T = E CLASS/NEWYORKER  
 V = 400  
 X = MIRADA  
 Y = IMPERIAL  
 Z = OMNI/CHARGER/RAMPAGE

BODY STYLES  
 21 = 2-DOOR SEDAN  
 22 = 2-DOOR SPECIAL COUPE  
 24 = 2-DOOR HATCHBACK  
 27 = 2-DOOR CONVERTIBLE  
 28 = FWD PICKUP  
 41 = 4-DOOR SEDAN  
 45 = 4-DOOR STATION WAGON  
 44 = 4-DOOR HATCHBACK  
 48 = EXECUTIVE SEDAN

AR = Use as Required - = Non Illustrated Part P.A.R. = Paint as Required

QUARTER INSIDE & WHEELHOUSE OUTER PANELS - P,D,V,C 21,22,27  
Figure 23A-4900

3169 4900



ITEM	PART NUMBER	QTY	BODY	MODEL	DESCRIPTION
1	#4278 486-7	1		21	PANEL, Quarter Inside and Wheelhouse Outer
	4278 488-9	1		22,27	
2	4278 436-7	1			PANEL, Rear Wheelhouse Inner
3		1			EXTENSION, Shelf Panel (not serviced)
4	4134 686-7	1			REINFORCEMENT, W/House Inner Panel Shock Absorber Mounting
5	4206 156-7	1			REINFORCEMENT, Quarter Inner Panel Sill Jacking
6	4129 644-5	1			REINFORCEMENT, Quarter Inside Panel to Body Side Aperture Panel, Front
7	4134 894-5	1			SUPPORT, Quarter Inside and Wheelhouse Outer to Side Aperture Panel
8	4206 014	2			REINFORCEMENT, Quarter Inside and Wheelhouse Outer Panel Seat Belt Retractor
9	3767 433	2			REINFORCEMENT, Quarter Inside Panel Upper Shoulder Belt Anchor
10	4206 734	1		P,D	SHIELD, W/House Inner Panel Fuel Filler Tube, Rt.
11	4278 370-1	1		V,C	SHIELD, Rear W/House Inner Panel Appearance
12		AR			SCREW (Not Serviced)
NOTE: The following items are not shown on illustration. de). Both models are derived from the 100.1" W.B. LeBaron (C 22 Model). Sheet metal parts for the C 48 not found on this illustration should be specif					
	4206 218	2			SEAL, Quarter Outside Panel to Deck Lower Panel Extension
	4278 463	1			PIN, W/House Inner to Deck Lid Hinge Restrainer Cable, Rt. Attaching
	4073 281	1			CAPLUG, W/House Inner to Deck Lid Hinge Restrainer Cable, Rt. Attaching Screw

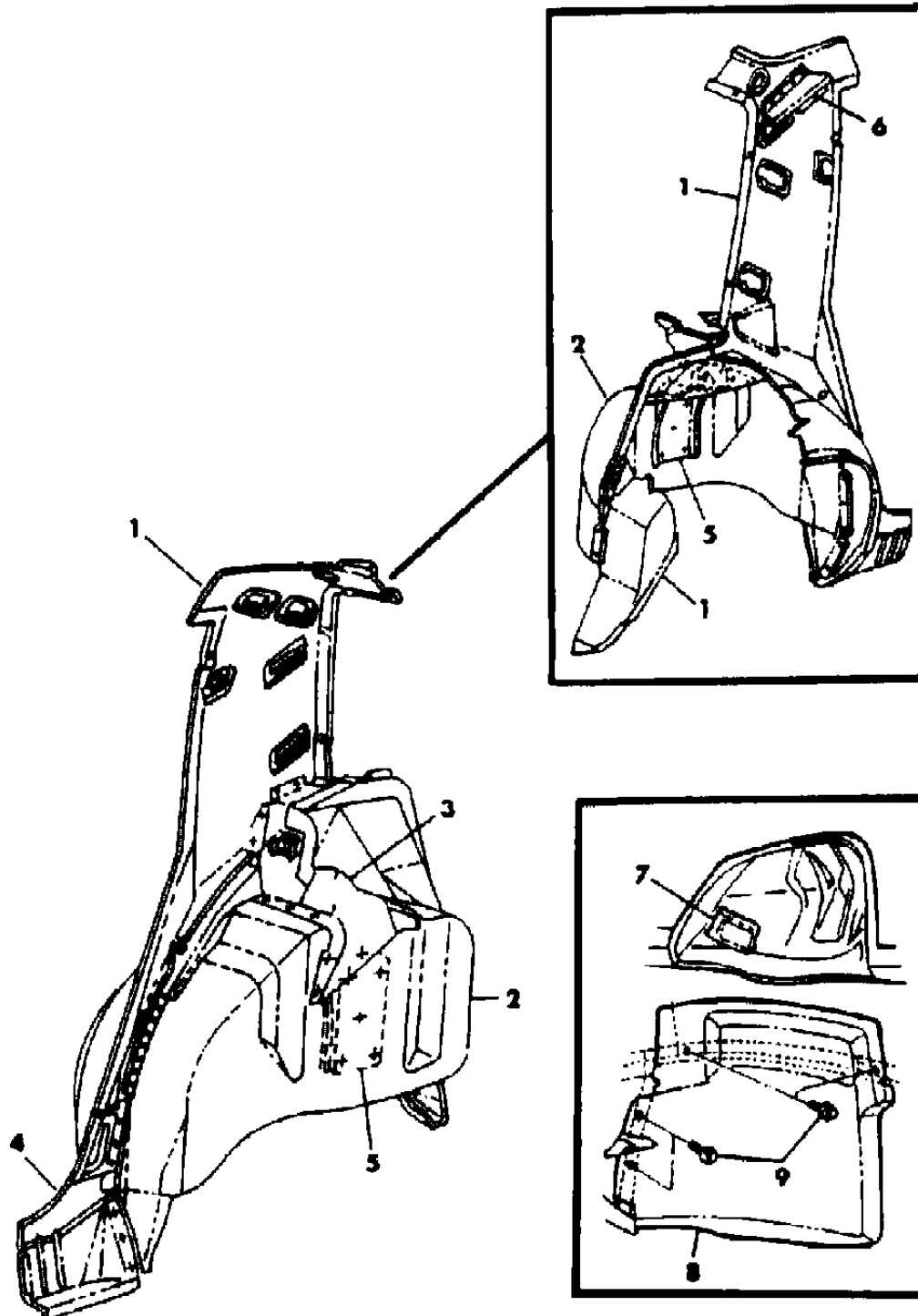
MODEL CODES  
 B = GRAN FURY  
 C = LEBARON/TOWN & COUNTRY  
 D = ARIES  
 E = 600  
 F = FIFTH AVENUE  
 G = DIPLOMAT  
 M = HORIZON/TURISMO/SCAMP  
 P = RELIANT  
 S = CORDOBA  
 T = E CLASS/NEWYORKER  
 V = 400  
 X = MIRADA  
 Y = IMPERIAL  
 Z = OMNI/CHARGER/RAMPAGE

BODY STYLES  
 21 = 2-DOOR SEDAN  
 22 = 2-DOOR SPECIAL COUPE  
 24 = 2-DOOR HATCHBACK  
 27 = 2-DOOR CONVERTIBLE  
 28 = FWD PICKUP  
 41 = 4-DOOR SEDAN  
 45 = 4-DOOR STATION WAGON  
 44 = 4-DOOR HATCHBACK  
 48 = EXECUTIVE SEDAN

AR = Use as Required - = Non Illustrated Part P.A.R. = Paint as Required

QUARTER INSIDE & WHEELHOUSE OUTER PANELS - P,D,V,C 41  
Figure 23A-5000

3169 5000



ITEM	PART NUMBER	QTY	BODY	MODEL	DESCRIPTION
1	4278 342	1			PANEL, Quarter Inside and Wheelhouse Outer, Right, Use Up To 9/20/82
	4314 124	1			Use After 9/20/82
	4278 343	1			Left, Use Up To 11/9/82
	4314 125	1			Use After 11/9/82
2	4278 436-7	1			PANEL, Rear Wheelhouse Inner
3		1			EXTENSION, Shelf Panel (not serviced)
4	4206 074-5	1			REINFORCEMENT, Quarter Inner Panel Sill Jacking
5	4134 686-7	1			REINFORCEMENT, W/House Inner Panel Shock Absorber Mounting
6	4134 896-7	1			SUPPORT, Quarter Inside and Wheelhouse Outer to Side Aperture Panel
7	4206 734	1		P,D	SHIELD, W/House Inner Panel Fuel Filler Tube, Rt.
8	4278 370-1	1		V,C	SHIELD, Rear W/House Inner Panel Appearance
9		AR			SCREW (Not Serviced)
NOTE: The following Items are Not shown On Illustration. de). Both models are derived from the 100.1" W.B. LeBaron (C 22 Model)					
Sheet metal parts for the C 48 not found on this illustration should be specif					
	4206 218	2			SEAL, Quarter Outside Panel to Deck Lower Panel Extension
	4278 463	1			PIN, W/House Inner to Deck Lid Hinge Restrainer Cable, Rt. Attaching
	4073 281	1			CAPLUG, W/House Inner to Deck Lid Hinge Restrainer Cable, Rt. Attaching Screw

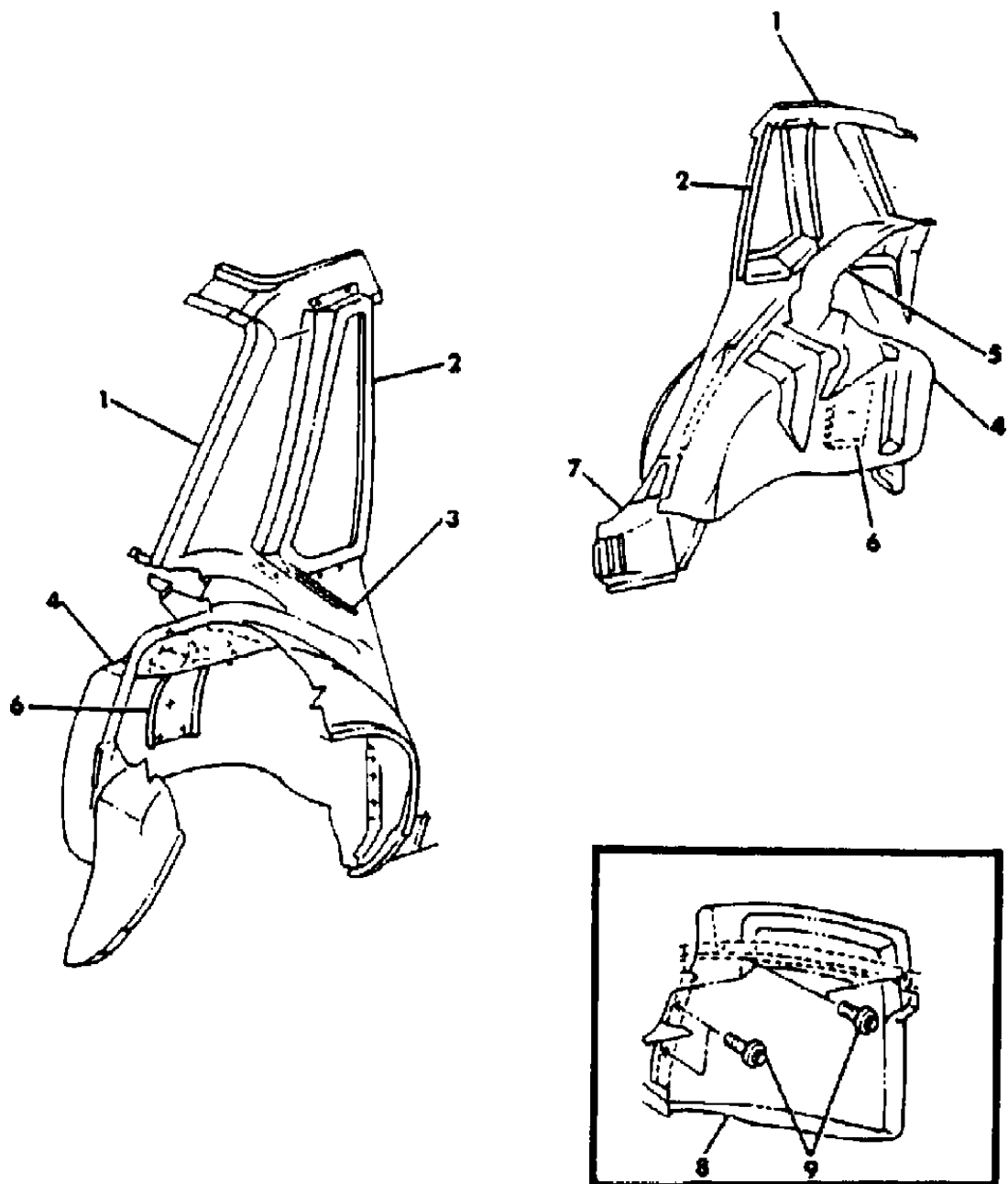
MODEL CODES  
 B = GRAN FURY  
 C = LEBARON/TOWN & COUNTRY  
 D = ARIES  
 E = 600  
 F = FIFTH AVENUE  
 G = DIPLOMAT  
 M = HORIZON/TURISMO/SCAMP  
 P = RELIANT  
 S = CORDOBA  
 T = E CLASS/NEWYORKER  
 V = 400  
 X = MIRADA  
 Y = IMPERIAL  
 Z = OMNI/CHARGER/RAMPAGE

BODY STYLES  
 21 = 2-DOOR SEDAN  
 22 = 2-DOOR SPECIAL COUPE  
 24 = 2-DOOR HATCHBACK  
 27 = 2-DOOR CONVERTIBLE  
 28 = FWD PICKUP  
 41 = 4-DOOR SEDAN  
 45 = 4-DOOR STATION WAGON  
 44 = 4-DOOR HATCHBACK  
 48 = EXECUTIVE SEDAN

AR = Use as Required - = Non Illustrated Part P.A.R. = Paint as Required

QUARTER INSIDE & WHEELHOUSE OUTER PANELS - E,T  
Figure 23A-5050

3169 050



ITEM	PART NUMBER	QTY	BODY	MODEL	DESCRIPTION
1	4206 802-3	1			PANEL, Quarter Inside & Wheelhouse Outer, Use Up To 11/15/82
	4296 392-3	1			Use After 11/15/82
2	4206 940-1	1			REINFORCEMENT, Body Side Aperture to Quarter Inside, Use Up To 9/27/82
	4314 252-3	1			Use After 9/27/82
3	#4296 288-9	1			TROUGH, Quarter Inside Panel Wdo. Reinforcement Drain
4	#4278 436-7	1			PANEL, Rear WheelHouse Inner
5		1			EXTENSION, Shelf Panel (Not Serviced)
6	4134 686-7	1			REINFORCEMENT, Wheelhouse Inner Panel Shock Absorber Mounting
7	4206 074-5	1			REINFORCEMENT, Quarter Inner Panel Sill Jacking
8	4278 370-1	1			SHIELD, Rear Wheelhouse Inner Panel Appearance
9		AR			SCREW, (Not Serviced)

MODEL CODES

B = GRAN FURY	G = DIPLOMAT	V = 400
C = LEBARON/TOWN & COUNTRY	M = HORIZON/TURISMO/SCAMP	X = MIRADA
D = ARIES	P = RELIANT	Y = IMPERIAL
E = 600	S = CORDOBA	Z = OMNI/CHARGER/RAMPAGE
F = FIFTH AVENUE	T = E CLASS/NEWYORKER	

BODY STYLES

21 = 2-DOOR SEDAN	41 = 4-DOOR SEDAN
22 = 2-DOOR SPECIAL COUPE	45 = 4-DOOR STATION WAGON
24 = 2-DOOR HATCHBACK	44 = 4-DOOR HATCHBACK
27 = 2-DOOR CONVERTIBLE	48 = EXECUTIVE SEDAN
28 = FWD PICKUP	

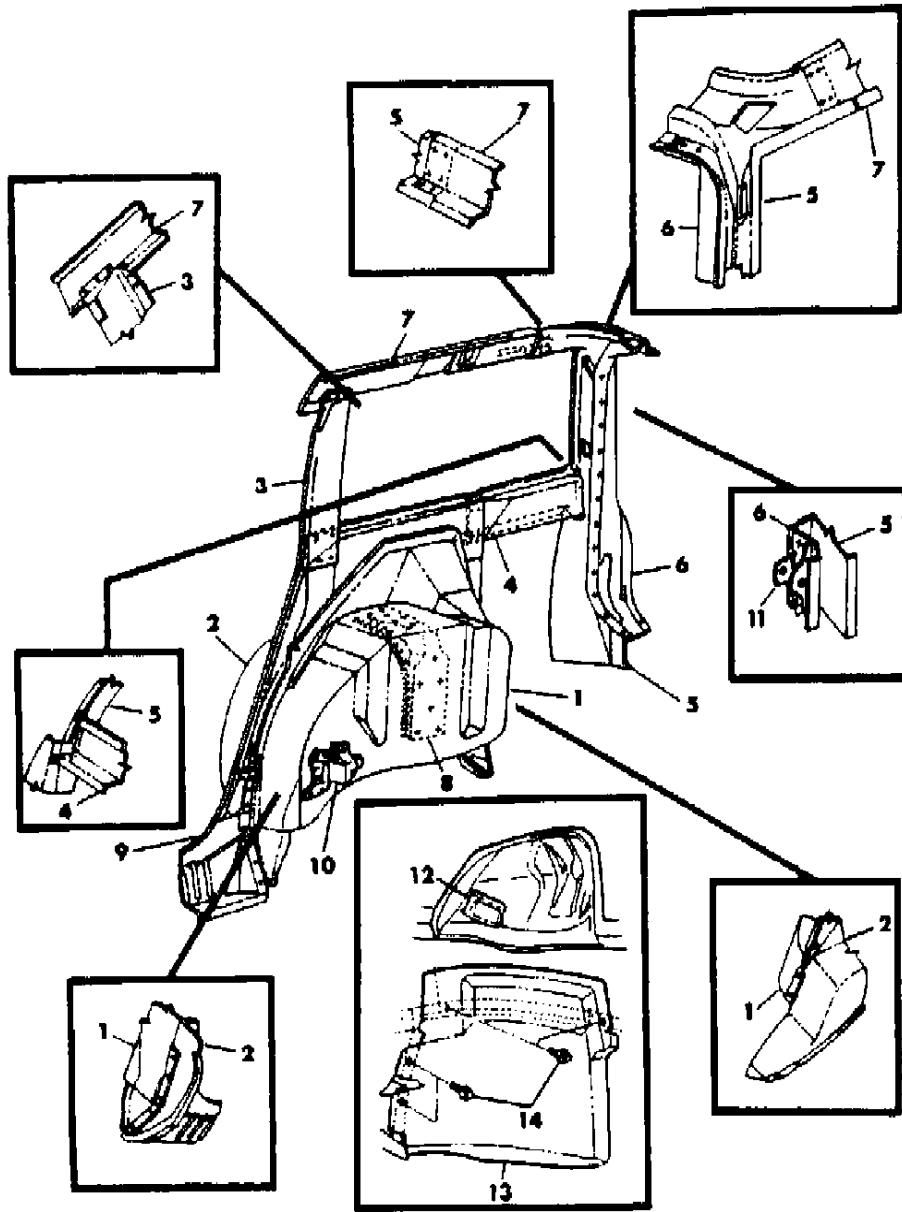
AR = Use as Required - = Non Illustrated Part P.A.R. = Paint as Required



QUARTER INSIDE & WHEELHOUSE OUTER PANEL - P,D,C 45  
Figure 23A-5100

3169 5100

ITEM	PART NUMBER	QTY	BODY	MODEL	DESCRIPTION
1	4278 436-7	1			PANEL, Rear Wheelhouse Inner
2	4278 344	1			PANEL, Quarter Inside and Wheelhouse Outer, Right, Use Up To 10/21/82
	4314 126	1			Use After 10/21/82
	4278 345	1			Left, Use Up To 11/23/82
	4314 127	1			Use After 11/23/82
3	4134 814-5	1			PANEL, Body Rear Lock Pillar Upper, Inner
4	4134 822-3	1			REINFORCEMENT, Quarter Panel Belt
5	4134 824-5	1			PILLAR, Quarter Outside Panel Lift Gate Opening, Front
6	4134 826-7	1			PILLAR, Quarter Outside Panel Lift Gate Opening, Rear
7	4206 150-1	1			RAIL, Roof Side Inner, Rear
8	4134 686-7	1			REINFORCEMENT, W/House Inner Panel Shock Absorber Mounting
9	4206 074-5	1			REINFORCEMENT, Quarter Inner Panel Sill Jacking
10	4206 220-1	1			BRACKET, Wheelhouse Inner Panel Rear, Folding Seat Back Hinge Mounting
11	4206 439	2			BRACKET, Lift Gate Opening Pillar Prop Attaching
12	4206 734	1		P,D	SHIELD, W/House Inner Panel Fuel Filler Tube, Rt.
13	4278 370-1	1		V,C	SHIELD, Rear W/House Inner Panel Appearance
14		AR			SCREW (Not Serviced)



MODEL CODES

B = GRAN FURY	G = DIPLOMAT	V = 400
C = LEBARON/TOWN & COUNTRY	M = HORIZON/TURISMO/SCAMP	X = MIRADA
D = ARIES	P = RELIANT	Y = IMPERIAL
E = 600	S = CORDOBA	Z = OMNI/CHARGER/RAMPAGE
F = FIFTH AVENUE	T = E CLASS/NEWYORKER	

BODY STYLES

21 = 2-DOOR SEDAN	41 = 4-DOOR SEDAN
22 = 2-DOOR SPECIAL COUPE	45 = 4-DOOR STATION WAGON
24 = 2-DOOR HATCHBACK	44 = 4-DOOR HATCHBACK
27 = 2-DOOR CONVERTIBLE	48 = EXECUTIVE SEDAN
28 = FWD PICKUP	

AR = Use as Required - = Non Illustrated Part P.A.R. = Paint as Required

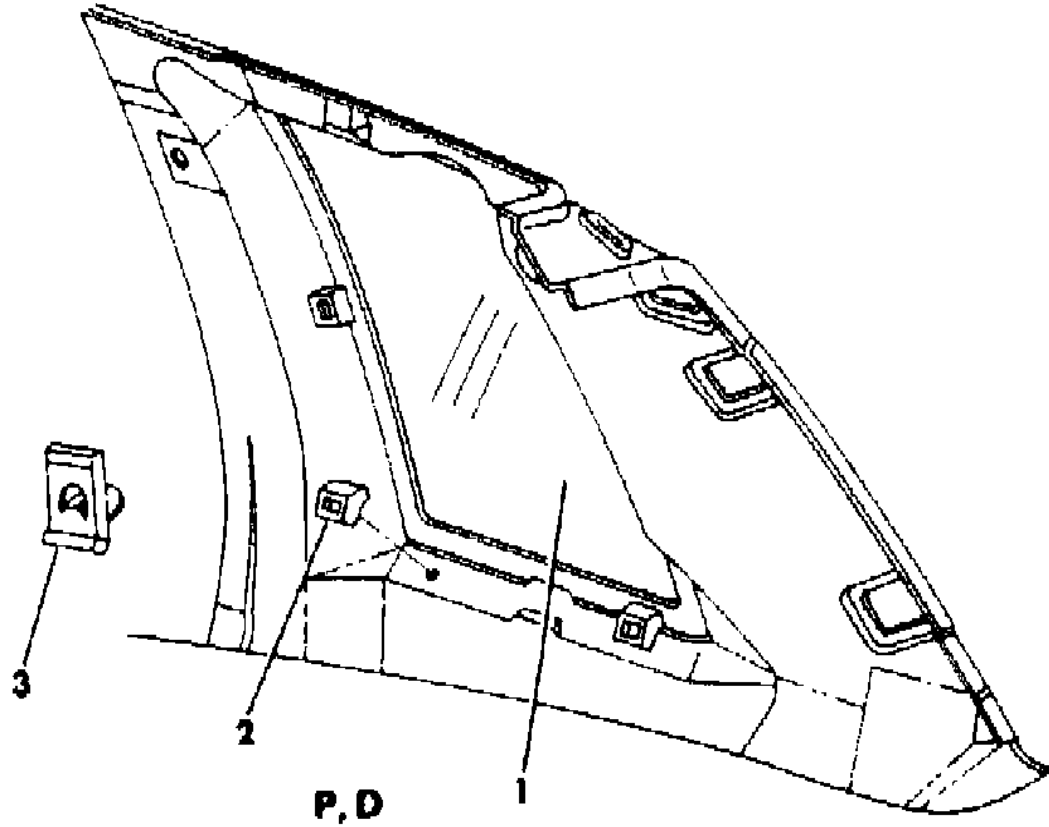
**GLASS, QUARTER WINDOW - P,D,V,C 21,22**  
**Figure 23A-5200**

3149 5200

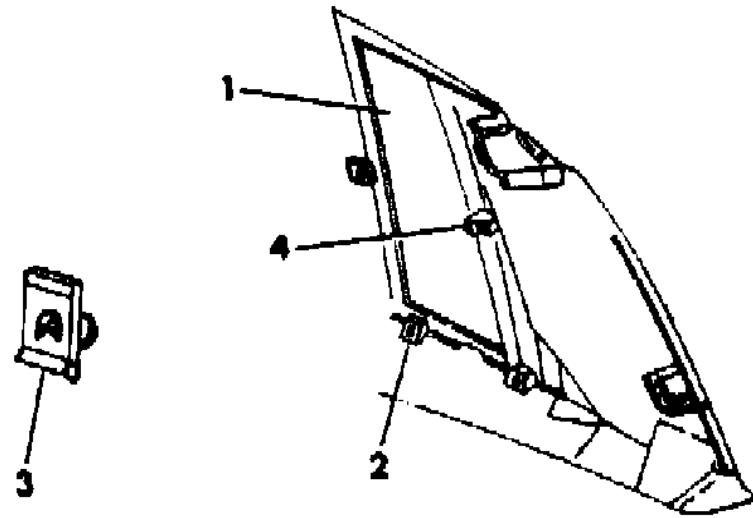
ITEM	PART NUMBER	QTY	BODY	MODEL	DESCRIPTION
1	4134 636-7	1		P,D	GLASS, Qtr. Wdo., Tinted
	4278 672-3	1		V	Tinted (Includes "Dodge 400" Decal)
	4278 670-1	1		C-22	Tinted (Includes Etched "LeBaron" Logo)
	4339 622-3	1		C-48	Tinted (No Logo)
2	4206 362	AR	All		SPACER, Qtr. Wdo. Glass
3	4206 852	2	All		RETAINER, Qtr. Wdo. Glass (Upper)
	4206 852	2	All		(Lower)
4	4278 162	2	V,C		SPACER, Qtr. Wdo. Glass, Rear

NOTE: THE FOLLOWING ITEMS ARE NOT SHOWN ON ILLUSTRATION. de). Both models are derived from the 100.1" W.B.

4057 957	1	All	FIXED GLASS REPAIR PACKAGE, Qtr. Wdo.
CONSISTS OF:			
1- ----- Tape, Butyl, 171.00"			
1- ----- Primer, Glass			
1- ----- PRIMER, Fence			
2- 3674698 Spacer, Rubber, 0.2"			
2- 3793290 Spacer, Rubber, 0.3"			
2- 3767767 Shim, 0.07"			
2- ----- Sponges Disposable			



**P,D**



**V,C**

**MODEL CODES**

B = GRAN FURY	G = DIPLOMAT	V = 400
C = LEBARON/TOWN & COUNTRY	M = HORIZON/TURISMO/SCAMP	X = MIRADA
D = ARIES	P = RELIANT	Y = IMPERIAL
E = 600	S = CORDOBA	Z = OMNI/CHARGER/RAMPAGE
F = FIFTH AVENUE	T = E CLASS/NEWYORKER	

**BODY STYLES**

21 = 2-DOOR SEDAN	41 = 4-DOOR SEDAN
22 = 2-DOOR SPECIAL COUPE	45 = 4-DOOR STATION WAGON
24 = 2-DOOR HATCHBACK	44 = 4-DOOR HATCHBACK
27 = 2-DOOR CONVERTIBLE	48 = EXECUTIVE SEDAN
28 = FWD PICKUP	

AR = Use as Required - = Non Illustrated Part P.A.R. = Paint as Required

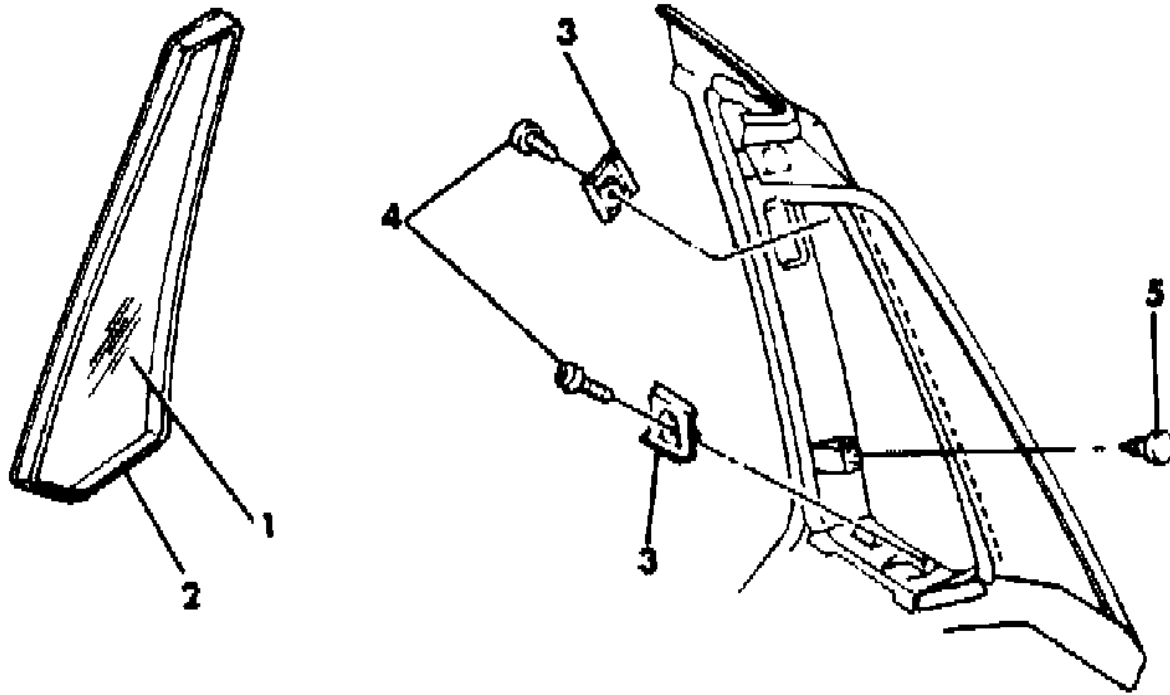
**GLASS, QUARTER WINDOW - E,T**  
**Figure 23A-5250**

3109 5250

ITEM	PART NUMBER	QTY	BODY	MODEL	DESCRIPTION
1	#4206 888-9	1		exc. T-	GLASS, Qtr. Wdo., Clear
	4206 890-1	1		exc. T-	Tinted
2	4206 323	AR			SEAL, Qtr. Wdo. Glass Frame
3	4206 852	2			RETAINER, Qtr. Wdo. Glass, Upper
	4206 852	2			Lower
4		4			SCREW (Not Serviced)
5	4278 856	10			SPACER, Qtr. Wdo. Glass

NOTE: The Following Items Are Not Shown On Illustration. de). Both models are derived from the 100.1" W.B. LeBaron (C 22 Model). Sheet metal parts for the C 48 not found on this illustration should be specif

4057 957	1				FIXED GLASS REPAIR PACKAGE, Qtr. Wdo. CONSISTS OF: 1- ----- Tape, Butyl, 171.00" 1- ----- Primer, Glass 1- ----- Primer, Fence 2- 3674698 Spacer, Rubber, 0.2" 2- 3793290 Spacer, Rubber, 0.3" 2- 3767767 Shim, 0.07" 2- ----- Sponges Disposable
----------	---	--	--	--	---



**MODEL CODES**

B = GRAN FURY	G = DIPLOMAT	V = 400
C = LEBARON/TOWN & COUNTRY	M = HORIZON/TURISMO/SCAMP	X = MIRADA
D = ARIES	P = RELIANT	Y = IMPERIAL
E = 600	S = CORDOBA	Z = OMNI/CHARGER/RAMPAGE
F = FIFTH AVENUE	T = E CLASS/NEWYORKER	

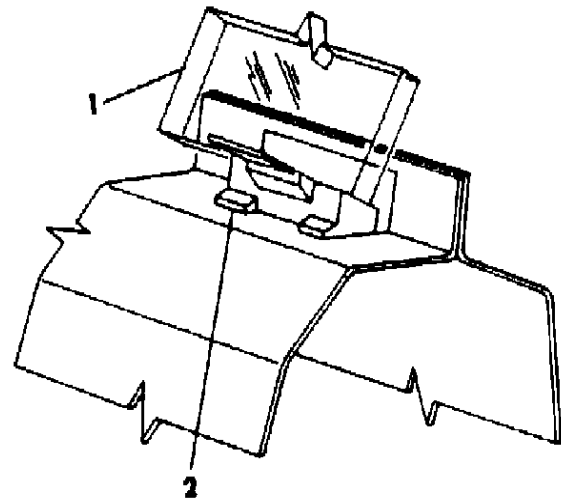
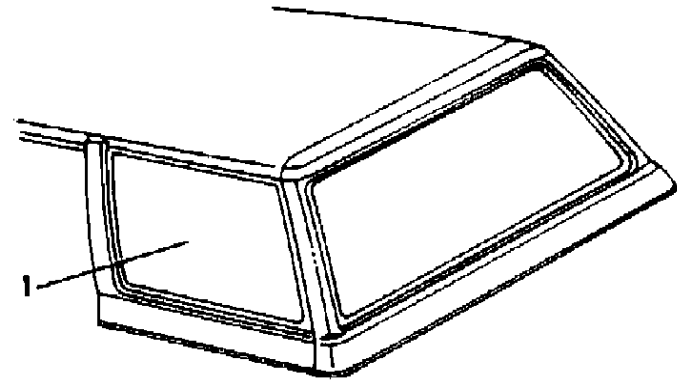
**BODY STYLES**

21 = 2-DOOR SEDAN	41 = 4-DOOR SEDAN
22 = 2-DOOR SPECIAL COUPE	45 = 4-DOOR STATION WAGON
24 = 2-DOOR HATCHBACK	44 = 4-DOOR HATCHBACK
27 = 2-DOOR CONVERTIBLE	48 = EXECUTIVE SEDAN
28 = FWD PICKUP	

AR = Use as Required - = Non Illustrated Part P.A.R. = Paint as Required

**GLASS, QUARTER WINDOW - P,D,C 45**  
**Figure 23A-5300**

3180 5300



ITEM	PART NUMBER	QTY	BODY	MODEL	DESCRIPTION
1	4206 170-1	1			GLASS, Qtr. Wdo., Clear
	4206 172-3	1			Tinted
2					SPACER, Qtr. Wdo. Glass
	4206 693	2			SPACER, Qtr. Wdo. Glass, Rear
	4206 517	4			SPACER, Qtr. Wdo. Glass, Lower (Plastic)

NOTE: THE FOLLOWING ITEMS ARE NOT SHOWN ON ILLUSTRATION. de). Both models are derived from the 100.1" W.B. LeBaron (C 22 Model). Sheet metal parts for the C 48 not found on this illustration should be specif

4057 957	1				FIXED GLASS REPAIR PACKAGE, Qtr. Wdo. CONSISTS OF:
					1- ----- Tape, Butyl, 171.00"
					1- ----- Primer, Glass
					1- ----- PRIMER, Fence
					2- 3674698 Spacer, Rubber, 0.2"
					2- 3793290 Spacer, Rubber, 0.3"
					2- 3767767 Shim, 0.07"
					2- ----- Sponges Disposable

MODEL CODES

B = GRAN FURY	G = DIPLOMAT	V = 400
C = LEBARON/TOWN & COUNTRY	M = HORIZON/TURISMO/SCAMP	X = MIRADA
D = ARIES	P = RELIANT	Y = IMPERIAL
E = 600	S = CORDOBA	Z = OMNI/CHARGER/RAMPAGE
F = FIFTH AVENUE	T = E CLASS/NEWYORKER	

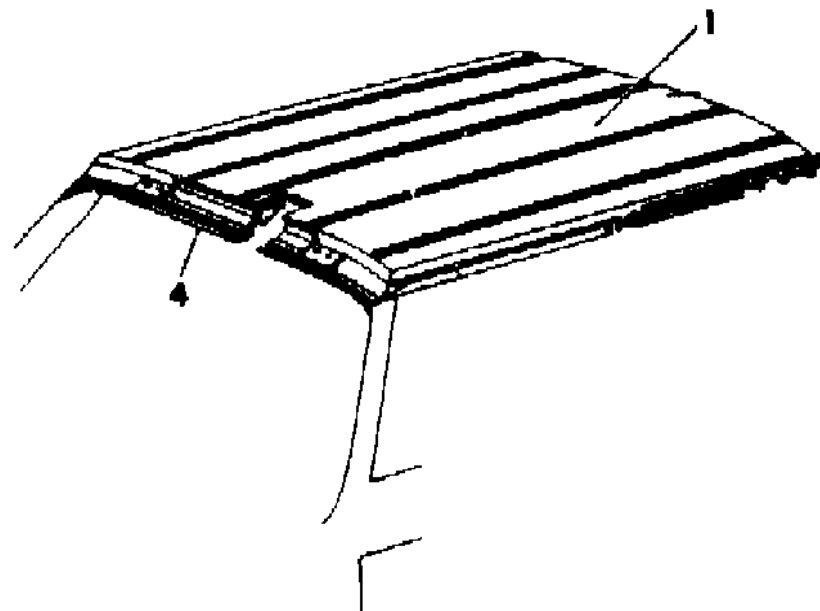
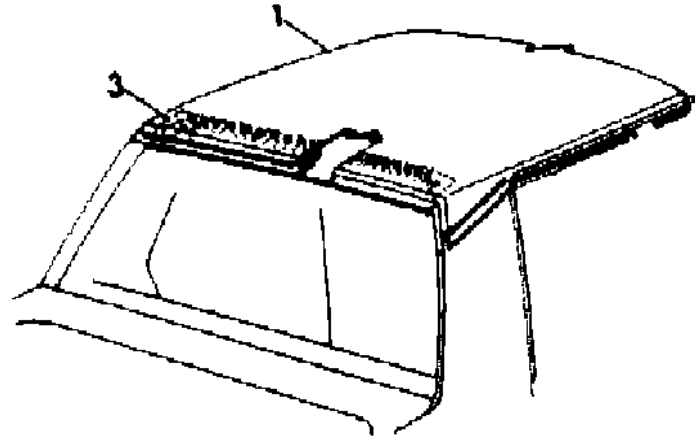
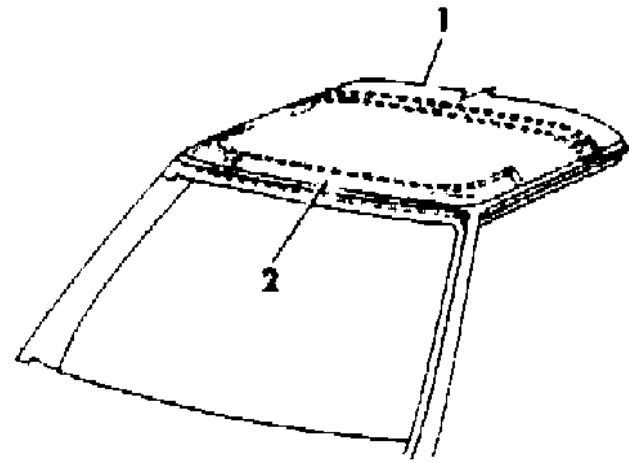
BODY STYLES

21 = 2-DOOR SEDAN	41 = 4-DOOR SEDAN
22 = 2-DOOR SPECIAL COUPE	45 = 4-DOOR STATION WAGON
24 = 2-DOOR HATCHBACK	44 = 4-DOOR HATCHBACK
27 = 2-DOOR CONVERTIBLE	48 = EXECUTIVE SEDAN
28 = FWD PICKUP	

AR = Use as Required - = Non Illustrated Part P.A.R. = Paint as Required

ROOF PANEL - P,D,V,C,E,T  
Figure 23A-5400

3189 5400



ITEM	PART NUMBER	QTY	BODY	MODEL	DESCRIPTION
1	4136 800	1		21,22	PANEL, Roof
	4136 801	1		P,D,V,C	
	4206 806	1		E,T 41	
	4206 950	1		45	
2	4278 137	1		21,22	FRAME, W/Shield Opening Upper
	4278 140	1		41,45	
3	4136 912	1		21,22	FRAME, Rear Wdo. Opening Upper
	4136 950	1		P,D,V,C	
	4206 854	1		E,T 41	
4	#4129 748	1		45	FRAME & REINFORCEMENT, Liftgate Opening Upper

NOTE: The Following Items Are Not Shown On Illustration. de). Both models are derived from the 100.1" W.B. LeBaron (C 22 Model). Sheet metal parts for the C 48 not found on this illustration should be specif

	4278 835	1		41	SUPPORT, Roof Panel Outside Flasher Light or Siren
	6003 423	AR			FASTENER, W/Shield Upper Frame to W/Shield Side Frame
	4278 275	1		21,22,4	BOW, Roof Panel, Front
	4278 484	1		21,22,4	Rear
	4134 834	3		45	
	6100 582	AR			SCREW w/WASHER, Roof Panel Bow Attaching

MODEL CODES

B = GRAN FURY

C = LEBARON/TOWN & COUNTRY

D = ARIES

E = 600

F = FIFTH AVENUE

G = DIPLOMAT

M = HORIZON/TURISMO/SCAMP

P = RELIANT

S = CORDOBA

T = E CLASS/NEWYORKER

V = 400

X = MIRADA

Y = IMPERIAL

Z = OMNI/CHARGER/RAMPAGE

BODY STYLES

21 = 2-DOOR SEDAN

22 = 2-DOOR SPECIAL COUPE

24 = 2-DOOR HATCHBACK

27 = 2-DOOR CONVERTIBLE

28 = FWD PICKUP

41 = 4-DOOR SEDAN

45 = 4-DOOR STATION WAGON

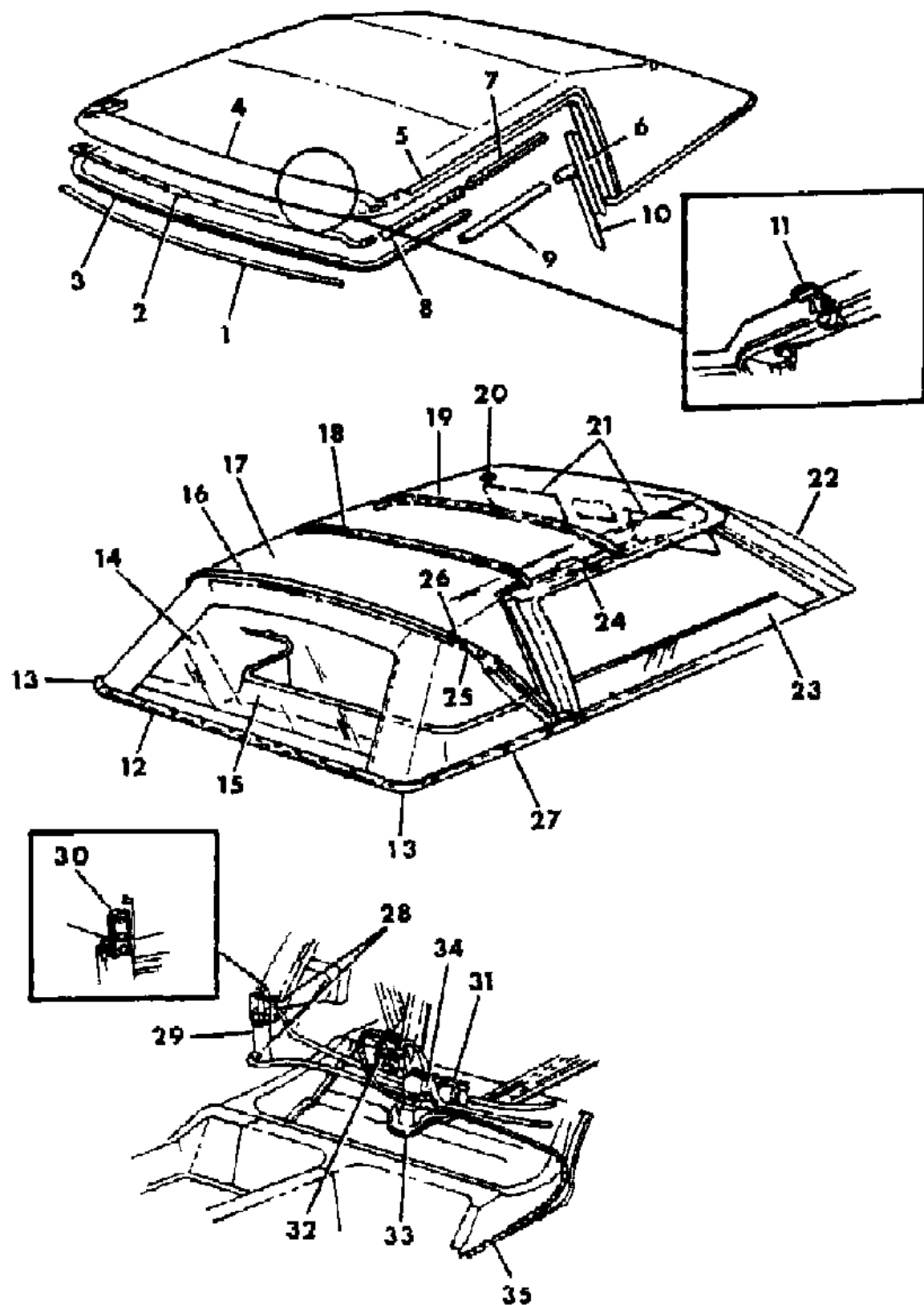
44 = 4-DOOR HATCHBACK

48 = EXECUTIVE SEDAN

AR = Use as Required - = Non Illustrated Part P.A.R. = Paint as Required

**CONVERTIBLE, FOLDING TOP - V,C 27**  
**Figure 23A-5500**

3169 5500



ITEM	PART NUMBER	QTY	BODY	MODEL	DESCRIPTION
1	X368 BL6	1			WELT, Header Beige
	X368 AX9	1			Black
	X368 AW3	1			White
	4305 122	AR			WELT, Header or Top Well Sling, Pinchweld (Cut to Fit - 54" Standard Length)
2	#4097 652	1			RETAINER, Header
3	#4097 608	1			SEAL, Header
4	#4097 525	1			PANEL, Header
5	#4097 658	2			CABLE, Cover
	4305 067	2			GROMMET, Cable
		2			SPRING (Not Serviced)
6					RETAINER, Rear Rail Seal
	4305 066	1			Rt.
	4305 065	1			Lt.
7	#4097 648-9	1			RETAINER, Center Rail Seal RETAINER, Rear Rail Seal Upper
	4305 066	1			Rt.
	4305 065	1			Lt.
8	#4097 646-7	1			RETAINER, Weatherstrip Front Rail
9	#4097 606-7	1			SEAL, Center Rail
10	#4097 604-5	1			SEAL, Rear Rail
11	4097 659	2			LATCH, Header, Use Up To 1/3/83
	4305 124	2			Use After 1/3/83
12					MOULDING (See Exterior Illustration)
13					MOULDING (See Exterior Illustration)
14	#T903 AW3	1			BACKLITE w/ZIPPER, White
	T903 BL6	1			Beige
	T903 AX9	1			Black
15	#4097 569	1			SLING, Top Well, Black
	3759 944	10			FASTENER, Sling
	4097 747	7			RETAINER PACKAGE, Folding Top Well Sling
16					MOULDING, # 3 Bow Feature Strip
	X379 BL6	1			Beige
	X379 BX9	1			Black
	X379 BW3	1			White
17	T902 BL6	1			COVER, Beige, Use Up To 4/1/83

**MODEL CODES**

B = GRAN FURY	G = DIPLOMAT	V = 400
C = LEBARON/TOWN & COUNTRY	M = HORIZON/TURISMO/SCAMP	X = MIRADA
D = ARIES	P = RELIANT	Y = IMPERIAL
E = 600	S = CORDOBA	Z = OMNI/CHARGER/RAMPAGE
F = FIFTH AVENUE	T = E CLASS/NEWYORKER	

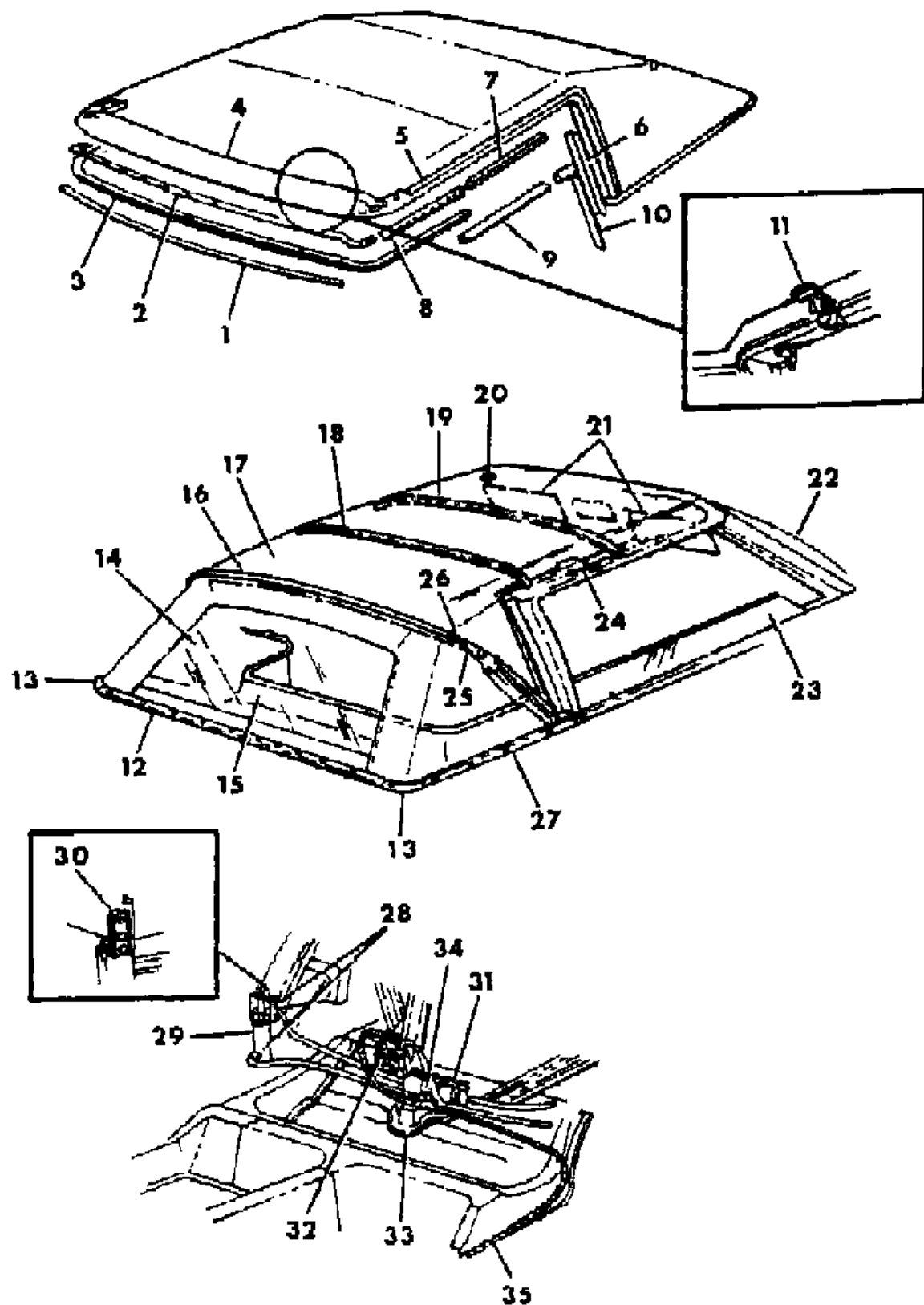
**BODY STYLES**

21 = 2-DOOR SEDAN	41 = 4-DOOR SEDAN
22 = 2-DOOR SPECIAL COUPE	45 = 4-DOOR STATION WAGON
24 = 2-DOOR HATCHBACK	44 = 4-DOOR HATCHBACK
27 = 2-DOOR CONVERTIBLE	48 = EXECUTIVE SEDAN
28 = FWD PICKUP	

AR = Use as Required - = Non Illustrated Part P.A.R. = Paint as Required

CONVERTIBLE, FOLDING TOP - V,C 27  
Figure 23A-5500

3169 5500



ITEM	PART NUMBER	QTY	BODY	MODEL	DESCRIPTION
	T906 BL6	1			Beige, Use After 4/1/83
	T902 AW3	1			White, Use Up To 4/1/83
	T906 BW3	1			White, Use After 4/1/83
	T902 AX9	1			Black, Use Up To 4/1/83
	T906 BX9	1			Black, Use After 4/1/83
18	#4097 503	1			BOW, NO.2
19	#4097 502	1			BOW, NO.1
20	#4305 110-1	1			ARM, Windshield Sun Visor or Blade
21					VISOR or BLADE
	H356 BT8	1			Right, Cashmere
	H357 BT8	1			Left, Cashmere
	H356 BL3	1			Right, Beige
	H357 BL3	1			Left, Beige
	H356 BM6	1			Right, Red
	H357 BM6	1			Left, Red
22	#4097 507	1			GLASS, Windshield, Tinted
23	#4097 512-3	1			GLASS, Front Door, Tinted
24	4097 542-3	1			LINKAGE, Use Up To 4/1/83
	4305 118-9	1			Use After 4/1/83
NOTE: LINKAGE ASSY. 4305118-9 Can Be Identified With A White Paint Mark On Inside of Mounting Bracket In The Lower Front Corner. de). Both models are derived from the 100.1" W.B. LeBaron (C 22 Model). Sheet metal parts for the C 48 not found on					
	4305 094-5	1			PAD, Side Stay
	4305 096-7	1			PAD, Quarter Stay
25	#4097 504	1			BOW, No.3
	4305 022-3	1			CAP, No.3 Bow Control
	4305 020-1	1			PAD, No.3 Bow
26	#4097 591	2			CAP, Bow Feature Strip
27					MOULDING (See Exterior Illustration)
28	#4097 663	1			SEAL, Hydro Cylinder Connector Tube
29	#4097 640	2			CYLINDER, Hydro
30	#4097 613	2			BRACKET, Hydro Cylinder
31	#4097 653	1			MOTOR w/PUMP
					TUBE, Folding Top Hydraulic Motor and Pump
	4097 743	1			Upper
	4097 743	1			Lower
32	#3747 593	1			RELAY, Motor and Pump
	6032 114	1			SCREW, Relay Att.

MODEL CODES

B = GRAN FURY	G = DIPLOMAT	V = 400
C = LEBARON/TOWN & COUNTRY	M = HORIZON/TURISMO/SCAMP	X = MIRADA
D = ARIES	P = RELIANT	Y = IMPERIAL
E = 600	S = CORDOBA	Z = OMNI/CHARGER/RAMPAGE
F = FIFTH AVENUE	T = E CLASS/NEWYORKER	

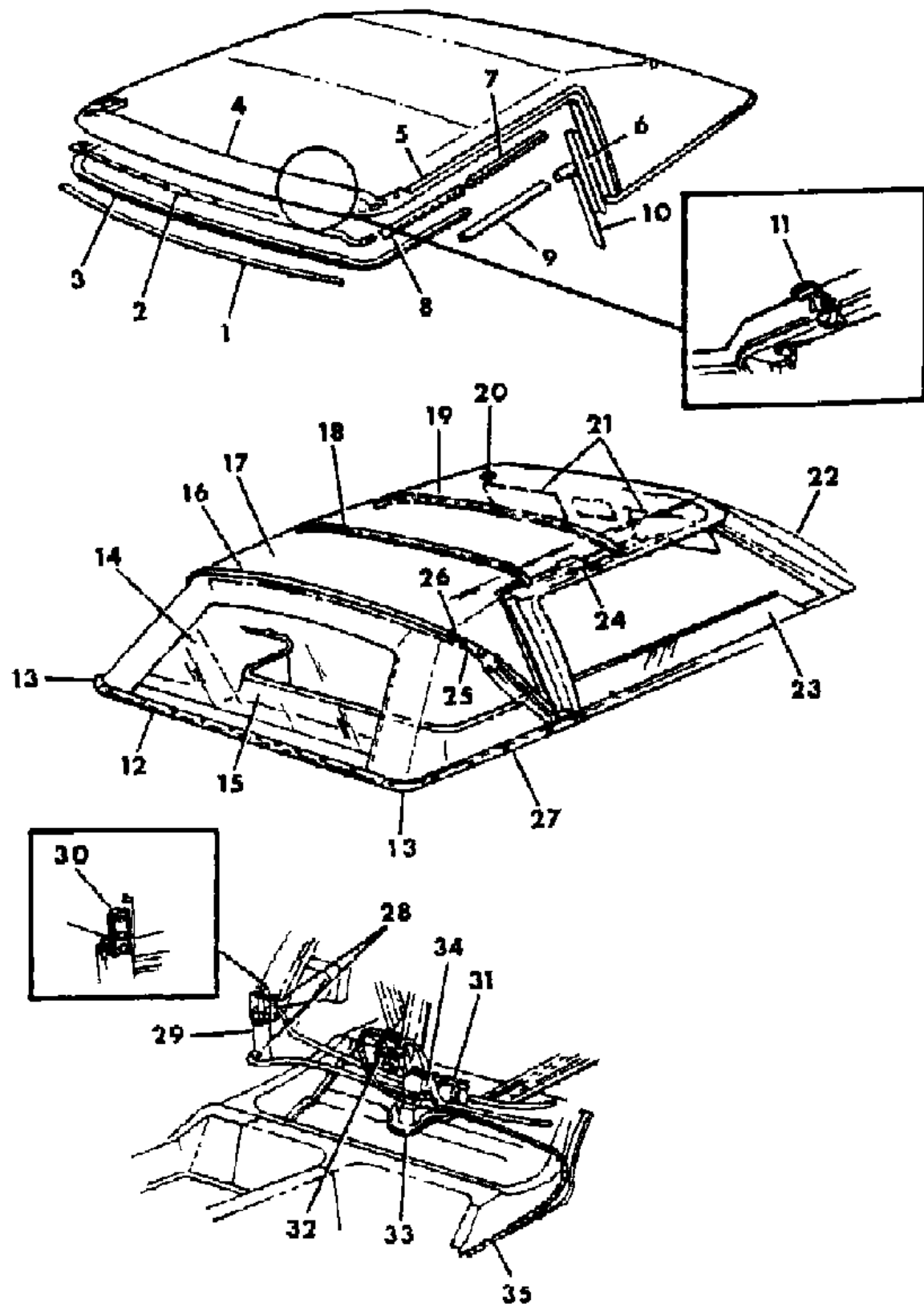
BODY STYLES

21 = 2-DOOR SEDAN	41 = 4-DOOR SEDAN
22 = 2-DOOR SPECIAL COUPE	45 = 4-DOOR STATION WAGON
24 = 2-DOOR HATCHBACK	44 = 4-DOOR HATCHBACK
27 = 2-DOOR CONVERTIBLE	48 = EXECUTIVE SEDAN
28 = FWD PICKUP	

AR = Use as Required - = Non Illustrated Part P.A.R. = Paint as Required

CONVERTIBLE, FOLDING TOP - V,C 27  
Figure 23A-5500

3169 5500



ITEM	PART NUMBER	QTY	BODY	MODEL	DESCRIPTION
33	#4097 614	1			BRACKET, Hydro Cylinder Motor Mounting
	6032 039	2			BOLT, Motor Bracket Mounting
34	#4097 654	1			SEAL, Motor and Pump
35	#4097 612	1			WIRING, Control Switch
NOTE: The Following Items Are Not Illustrated de). Both models are derived from the 100.1" W.B. LeBaron (C 22 Model). Sheet metal parts for the C 48 not found on this illustration should be specif					
	4097 766	1			WIRING ASSEMBLY, Folding Top Well, Rear Speaker Jumper
	4097 794	2			RETAINER, Top Listing
		6			SCREW, Retainer Top Listing (Not Serviced)
	4305 011	2			SPRING, Top Cable
	4097 747	7			RETAINER PACKAGE, Folding Top Well Sling
	4097 790	2			REINFORCEMENT, Conv. Top
	4305 013	1			STRIP, Tacking Belt Rear, Use Up To 1/10/83
	4305 090	1			Use After 1/10/83
	4305 014-5	1			STRIP, Tacking Belt Rear Corner, Use Up To 1/10/83
	4305 084-5	1			Use After 1/10/83
					BOOT, Folding Top Cover
	T905 BL3	1			Beige
	T905 AK9	1			Saddle
	T905 AM6	1			Red
	T905 BW1	1			White
	4097 789	1			PANEL, Folding Top Well Center
	4305 101	1			SNAP PACKAGE, Reveal Moulding (Male)
	4305 102	1			SNAP PACKAGE, Boot to Reveal Moulding (Female)
	4305 105	1			SNAP PACKAGE, Rear Closure Panel (Male)
	4305 080	1			SNAP PACKAGE, Boot to Rear Closure Panel (Female)
	4296 446	2			STRAP, Conv. Top Quarter Stay Pad, Use After 1/3/83

MODEL CODES  
 B = GRAN FURY  
 C = LEBARON/TOWN & COUNTRY  
 D = ARIES  
 E = 600  
 F = FIFTH AVENUE  
 G = DIPLOMAT  
 M = HORIZON/TURISMO/SCAMP  
 P = RELIANT  
 S = CORDOBA  
 T = E CLASS/NEWYORKER  
 V = 400  
 X = MIRADA  
 Y = IMPERIAL  
 Z = OMNI/CHARGER/RAMPAGE

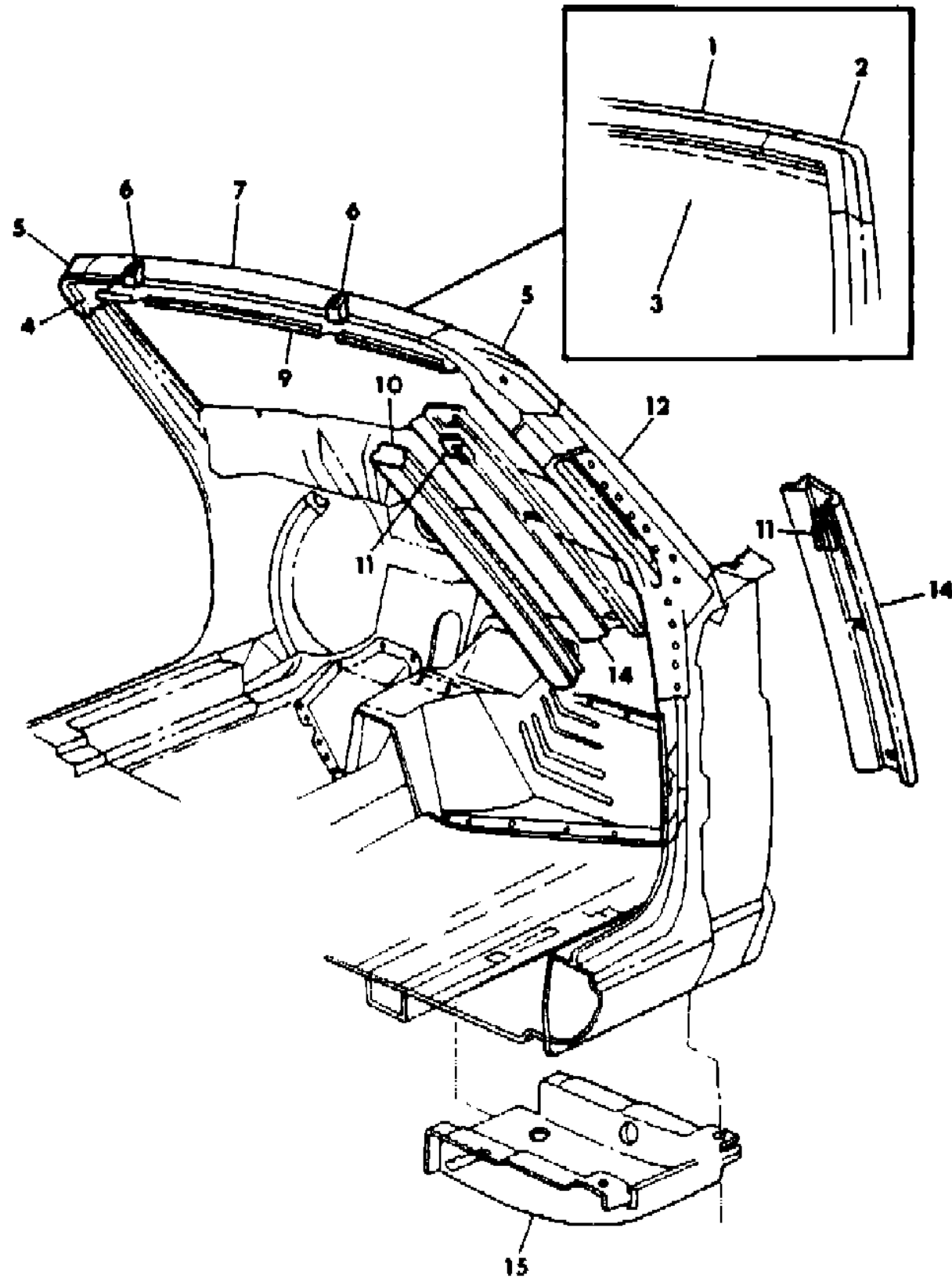
BODY STYLES  
 21 = 2-DOOR SEDAN  
 22 = 2-DOOR SPECIAL COUPE  
 24 = 2-DOOR HATCHBACK  
 27 = 2-DOOR CONVERTIBLE  
 28 = FWD PICKUP  
 41 = 4-DOOR SEDAN  
 45 = 4-DOOR STATION WAGON  
 44 = 4-DOOR HATCHBACK  
 48 = EXECUTIVE SEDAN

AR = Use as Required - = Non Illustrated Part P.A.R. = Paint as Required



**CONVERTIBLE, WINDSHIELD HEADER - V,C 27**  
**Figure 23A-5600**

3169 5600



ITEM	PART NUMBER	QTY	BODY	MODEL	DESCRIPTION
1	#4097 655	1			HEADER, W/Shield
2	#4097 656-7	1			HEADER, W/Shield Outer
3	#4097 507	1			GLASS, W/Shield (Tinted)
4					MOULDING, W/Shield Header Garnish
	F142-3 BT8	1			Cashmere
	F142-3 BL3	1			Beige
	F142-3 AM6	1			Red
5					MOULDING (See Exterior Illustration)
6					STRIKER, W/Shield Header Latch
	4097 505	2			Bright
	4305 079	2			Black
7					MOULDING (See Exterior Illustration)
9	#F164 BT8	1			MOULDING w/VISOR BRACKET, W/Shield Center Garnish,
					Cashmere
	F164 BL3	1			Beige
	F164 AM6	1			Red
10	#4097 602-3	1			SEAL, Body Front Pillar
11	#4305 019	2			CLIP, Front Door Glass Retainer (Blow Off)
12					MOULDING (See Exterior Illustration)
14	#4097 642-3	1			RETAINER, Body Front Pillar Weatherstrip
	3759 944	2			FASTENER, "A" Pillar W/Strip Lower Attaching
15	#4305 036-7	1			TORQUE BOX, Rail to Sill

**MODEL CODES**

B = GRAN FURY	G = DIPLOMAT	V = 400
C = LEBARON/TOWN & COUNTRY	M = HORIZON/TURISMO/SCAMP	X = MIRADA
D = ARIES	P = RELIANT	Y = IMPERIAL
E = 600	S = CORDOBA	Z = OMNI/CHARGER/RAMPAGE
F = FIFTH AVENUE	T = E CLASS/NEWYORKER	

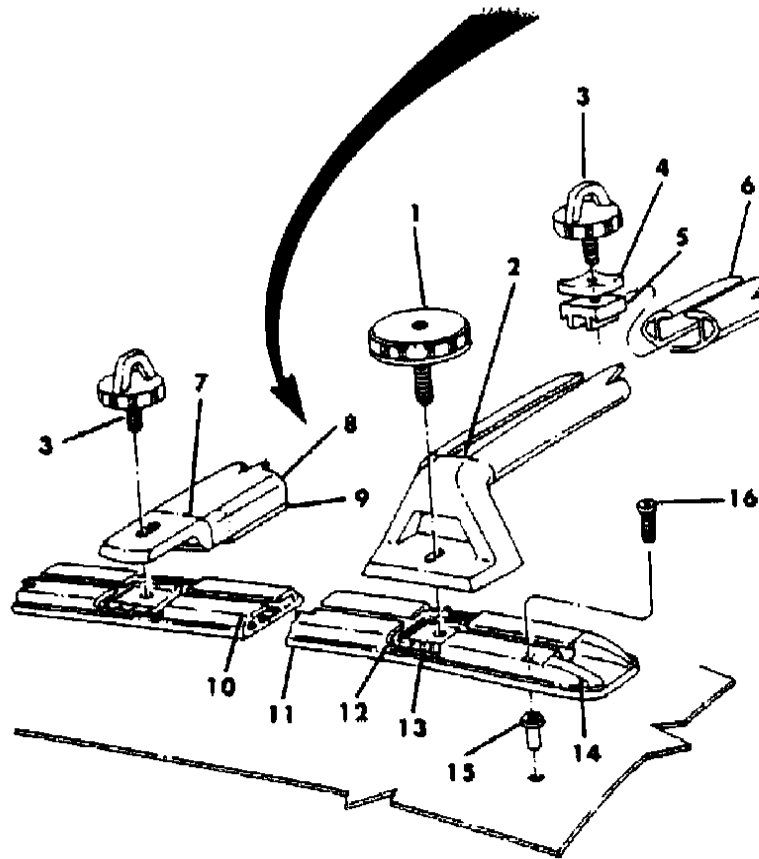
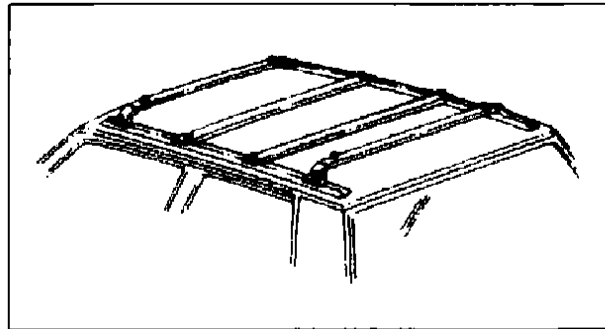
**BODY STYLES**

21 = 2-DOOR SEDAN	41 = 4-DOOR SEDAN
22 = 2-DOOR SPECIAL COUPE	45 = 4-DOOR STATION WAGON
24 = 2-DOOR HATCHBACK	44 = 4-DOOR HATCHBACK
27 = 2-DOOR CONVERTIBLE	48 = EXECUTIVE SEDAN
28 = FWD PICKUP	

AR = Use as Required - = Non Illustrated Part P.A.R. = Paint as Required

ROOF LUGGAGE RACK - P,D 21,41  
Figure 23A-5700

3159 5700



ITEM	PART NUMBER	QTY	BODY	MODEL	DESCRIPTION
	4240 275	1			ROOF LUGGAGE RACK PACKAGE (Field Installed) P,D,21,41 CONSISTS OF:
					2- 5209074 Skid Strip w/Pad
					2- 5209079 Pad Skid Strip
					4- 5209082 End Cap
					4- 5209076 Support
					2- 4240951 Cross Bar
					4- 5209078 Bracket, Tie Down
					22- 5209080 Tapping Plate
					4- 5209083 End Cap
					20- 6500189 Screw
					4- ----- Screw 10X24 (Not Serviced)
					3- 4241000 Cross Slat
					3- 4240950 Pad, Cross Slat
					6- 4186521 End Plug
					6- 4267851 Screw 1/4-14X1/2
					6- 4186525 Tie Down Adjuster
					4- ----- Screw, High Head (Not Serviced)
					4- 6031567 Screw, Low Head
					8- 2094869 Blind Nut
					14- 4186524 Retainer, Tapping Plate
1	4229 320	4			KNOB, Cross Bar
2	4229 318	4			SUPPORT, Cross Bar
3	4229 334	8			LOOP, Cross Bar or Cross Strip
4	4229 321	4			T/PLATE, Cross Bar Loop
5	4229 322	4			RETAINER, Cross Bar Loop T/Plate
6	4229 319	2			CROSS BAR
7	4229 325	4			CAP, Cross Strip End
8	4229 323	2			CROSS STRIP
9	4229 324	2			PAD, Cross Strip
10	4229 326	2			SKID STRIP w/PAD
11					PAD, Skid Strip (Serviced In Item No. 10)
12	4229 335	8			RETAINER, Skid Strip T/Plate
13	5209 080	8			T/PLATE, Skid Strip
14	4229 317	4			CAP, Skid Strip End
15	2094 869	8			NUT, Skid Strip
16	6031 910	8			SCREW, Side Rail to Roof Panel

MODEL CODES

B = GRAN FURY	G = DIPLOMAT	V = 400
C = LEBARON/TOWN & COUNTRY	M = HORIZON/TURISMO/SCAMP	X = MIRADA
D = ARIES	P = RELIANT	Y = IMPERIAL
E = 600	S = CORDOBA	Z = OMNI/CHARGER/RAMPAGE
F = FIFTH AVENUE	T = E CLASS/NEWYORKER	

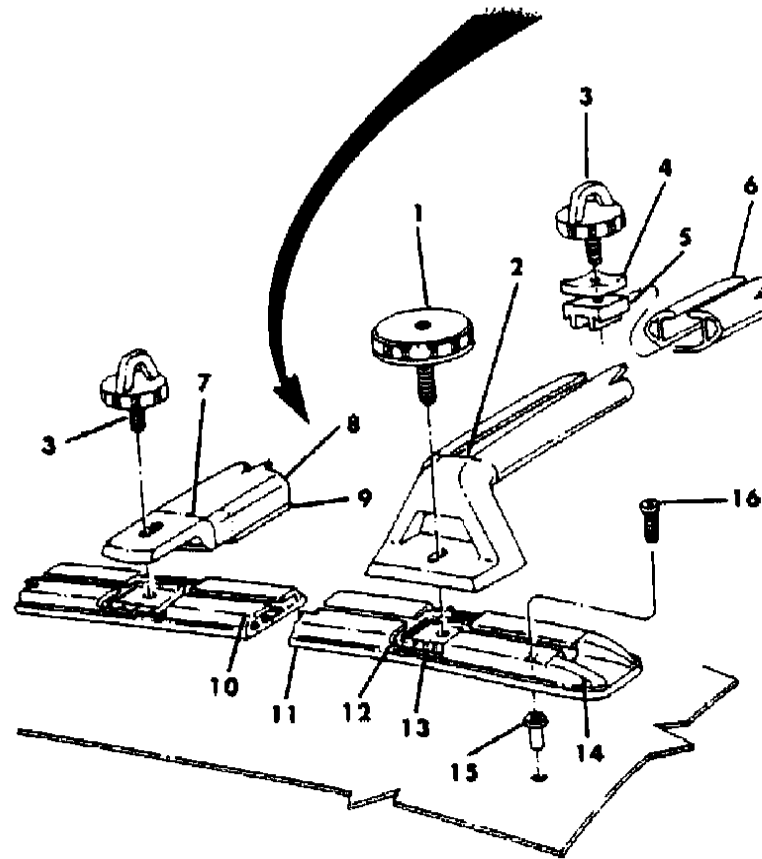
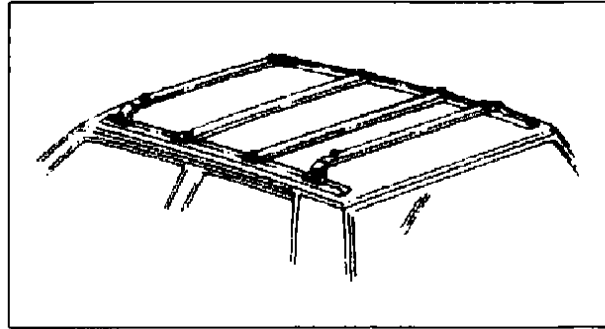
BODY STYLES

21 = 2-DOOR SEDAN	41 = 4-DOOR SEDAN
22 = 2-DOOR SPECIAL COUPE	45 = 4-DOOR STATION WAGON
24 = 2-DOOR HATCHBACK	44 = 4-DOOR HATCHBACK
27 = 2-DOOR CONVERTIBLE	48 = EXECUTIVE SEDAN
28 = FWD PICKUP	

AR = Use as Required - = Non Illustrated Part P.A.R. = Paint as Required

ROOF LUGGAGE RACK - P,D 21,41  
Figure 23A-5700

3159 5700



ITEM	PART NUMBER	QTY	BODY	MODEL	DESCRIPTION
------	-------------	-----	------	-------	-------------

NOTE: The Following Items Are Not Shown On Illustration. de). Both models are derived from the 100.1" W.B. LeBaron (C 22 Model). Sheet metal parts for the C 48 not found on this illustration should be specif

	6032 069	4			SCREW, Cross Bar to Support
	6031 567	4			SCREW, Skid Strip
	6032 070	4			SCREW, Cross Strip End Cap

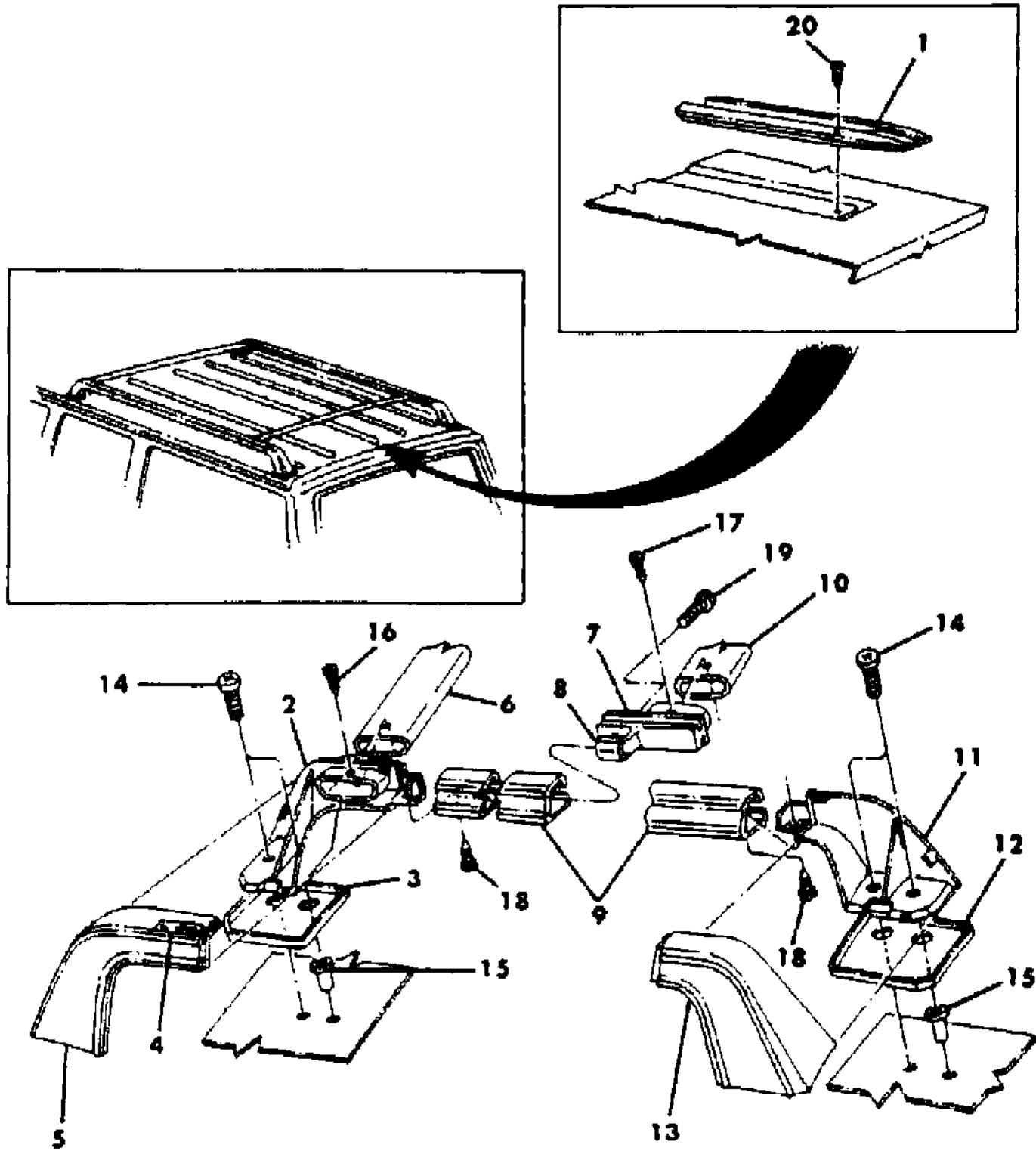
MODEL CODES		
B = GRAN FURY	G = DIPLOMAT	V = 400
C = LEBARON/TOWN & COUNTRY	M = HORIZON/TURISMO/SCAMP	X = MIRADA
D = ARIES	P = RELIANT	Y = IMPERIAL
E = 600	S = CORDOBA	Z = OMNI/CHARGER/RAMPAGE
F = FIFTH AVENUE	T = E CLASS/NEWYORKER	

BODY STYLES	
21 = 2-DOOR SEDAN	41 = 4-DOOR SEDAN
22 = 2-DOOR SPECIAL COUPE	45 = 4-DOOR STATION WAGON
24 = 2-DOOR HATCHBACK	44 = 4-DOOR HATCHBACK
27 = 2-DOOR CONVERTIBLE	48 = EXECUTIVE SEDAN
28 = FWD PICKUP	

AR = Use as Required - = Non Illustrated Part P.A.R. = Paint as Required

ROOF LUGGAGE RACK - P,D,C 45  
Figure 23A-5800

3149 5800



ITEM	PART NUMBER	QTY	BODY	MODEL	DESCRIPTION
	4229 330	1			ROOF LUGGAGE RACK PACKAGE (Field Installed)
					CONSISTS OF:
					2- 4229034 Rail w/Overlay
					1- 4229040-1 Support, Side Rail, Front
					1- 4229042-3 Support, Side Rail, Rear
					1- 4229052 Cross Bar, Front
					1- 4229053 Cross Bar, Rear
					1- 4229036-7 Bracket, Cross Bar
					2- 4229038 Retainer, Side Rail Bracket
					1- 4229048-9 Cover Cap, Side Rail Support, Front
					1- 4229050-1 Cover Cap, Side Rail Support, Rear
					1- 4229044-5 Spacer, Side Rail Support, Front
					1- 4229046-7 Spacer, Side Rail Support, Rear
					2- ----- Screw, Rear Cross Bar (Not Serviced)
					2- 9414722 Screw, Front Cross Bar
					8- 2094869 Blind Nut, Side Rail to Roof Panel
					8- 6031910 Screw, Side Rail to Roof Panel
					4- ----- Screw, Side Rail Support to Cap (Not Serviced)
					5- 4229054 Skid Strip
1	#4229 983	5			SKID STRIP w/PAD
2	4229 040-1	1			SUPPORT, Side Rail, Front
3	4229 044-5	1			SPACER, Side Rail Support, Front
4		2			LABEL (Not Serviced)
5	4229 048-9	1			COVER CAP, Side Rail Support, Front
6	4229 052	1			CROSS BAR, Front
7	4229 036-7	1			BRACKET, Cross Bar
8	4229 038	2			RETAINER, Side Rail Bracket
9	4229 034	2			RAIL w/OVERLAY, Side
10	4229 053	1			CROSS BAR, Rear
11	4229 042-3	1			SUPPORT, Side Rail, Rear
12	4229 046-7	1			SPACER, Side Rail Support, Rear
13	4229 050-1	1			COVER CAP, Side Rail Support, Rear
14	6031 910	8			SCREW
15	2094 869	8			NUT, Side Rail to Roof Panel
16	9414 722	2			SCREW, Cross Bar Front
17		2			SCREW (Not Serviced)
18		4			SCREW (Not Serviced)

MODEL CODES

B = GRAN FURY	G = DIPLOMAT	V = 400
C = LEBARON/TOWN & COUNTRY	M = HORIZON/TURISMO/SCAMP	X = MIRADA
D = ARIES	P = RELIANT	Y = IMPERIAL
E = 600	S = CORDOBA	Z = OMNI/CHARGER/RAMPAGE
F = FIFTH AVENUE	T = E CLASS/NEWYORKER	

BODY STYLES

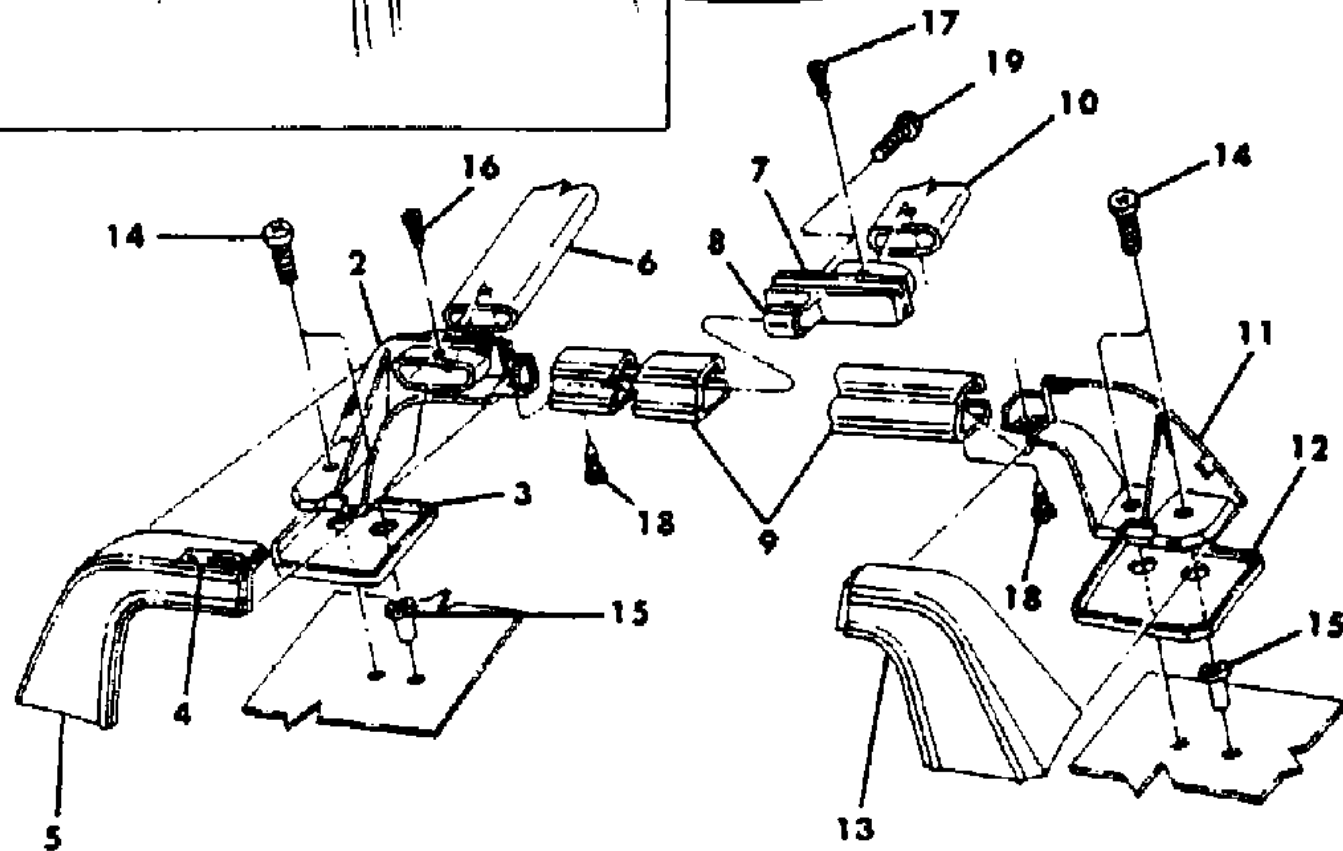
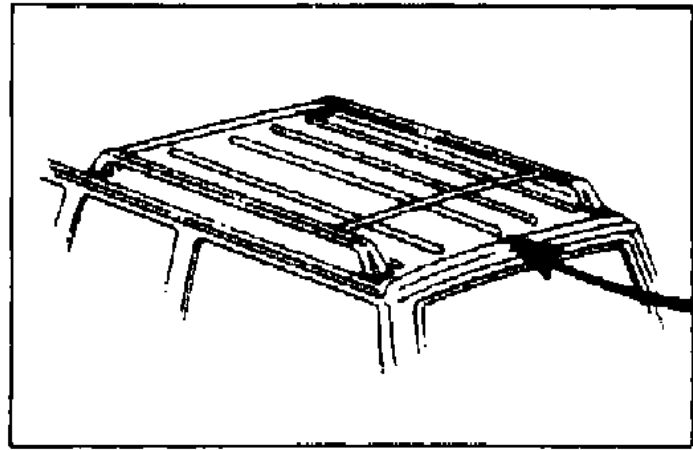
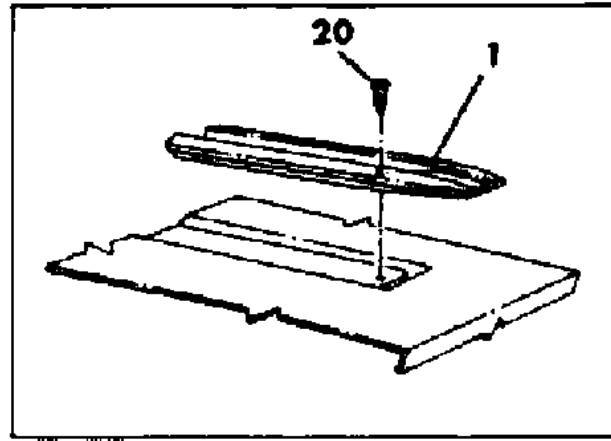
21 = 2-DOOR SEDAN	41 = 4-DOOR SEDAN
22 = 2-DOOR SPECIAL COUPE	45 = 4-DOOR STATION WAGON
24 = 2-DOOR HATCHBACK	44 = 4-DOOR HATCHBACK
27 = 2-DOOR CONVERTIBLE	48 = EXECUTIVE SEDAN
28 = FWD PICKUP	

AR = Use as Required - = Non Illustrated Part P.A.R. = Paint as Required

ROOF LUGGAGE RACK - P,D,C 45  
Figure 23A-5800

3169 5800

ITEM	PART NUMBER	QTY	BODY	MODEL	DESCRIPTION
19	6031 911	2			SCREW
20		15			SCREW, #8-18 x .625" (Not Serviced)
NOTE: The following items are not shown on illustration. de). Both models are derived from the 100.1" W.B. LeBaron (C 22 Model). Sheet metal parts for the C 48 not found on this illustration should be specif					
	4229 032-3	1			RAIL ASSEMBLY, Luggage Rack Side (Includes Items #2,9,11)



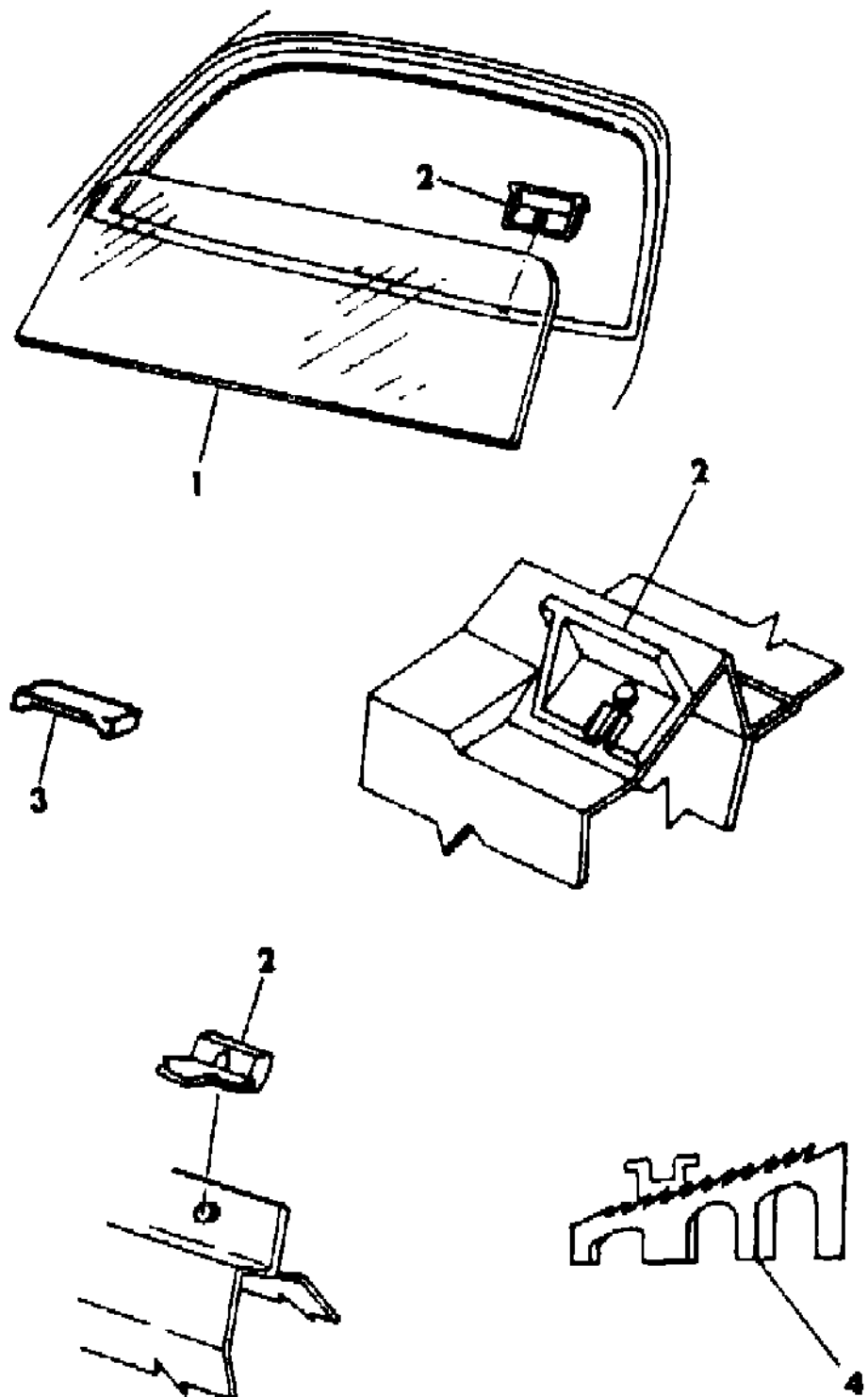
MODEL CODES  
 B = GRAN FURY  
 C = LEBARON/TOWN & COUNTRY  
 D = ARIES  
 E = 600  
 F = FIFTH AVENUE  
 G = DIPLOMAT  
 M = HORIZON/TURISMO/SCAMP  
 P = RELIANT  
 S = CORDOBA  
 T = E CLASS/NEWYORKER  
 V = 400  
 X = MIRADA  
 Y = IMPERIAL  
 Z = OMNI/CHARGER/RAMPAGE

BODY STYLES  
 21 = 2-DOOR SEDAN  
 22 = 2-DOOR SPECIAL COUPE  
 24 = 2-DOOR HATCHBACK  
 27 = 2-DOOR CONVERTIBLE  
 28 = FWD PICKUP  
 41 = 4-DOOR SEDAN  
 45 = 4-DOOR STATION WAGON  
 44 = 4-DOOR HATCHBACK  
 48 = EXECUTIVE SEDAN

AR = Use as Required - = Non Illustrated Part P.A.R. = Paint as Required

**GLASS, REAR WINDOW - P,D,V,C 21,22,41**  
**Figure 23A-5900**

3139 5900



ITEM	PART NUMBER	QTY	BODY	MODEL	DESCRIPTION
------	-------------	-----	------	-------	-------------

NOTE: GLASS, REAR WINDOW - ORDER FROM YOUR LOCAL MOPAR GLASS DISTRIBUTOR. de). Both models are derived from the 100.1" W.B. LeBaron (C 22 Model). Sheet metal parts for the C 48 not found on this illustration should be specif

1					GLASS, Rear Window
	4136 934	1	P,D,21		Clear
	4136 935	1	P,D,21		Tinted
	4278 210	1	P,D,21		Tinted (Electric Heated)
	4136 954	1	P,D,41		Clear
	4136 955	1	P,D,41		Tinted
	4278 216	1	P,D,41		Tinted (Electric Heated)
	4278 211	1	V,C,22		Clear
	4278 212	1	V,C,22		Tinted
	4278 214	1	V,C,22		Tinted (Electric Heated)
	4278 217	1	V,C,41		Clear, Use w/o Sales Code A32
	4278 218	1	V,C,41		Tinted, Use w/o Sales Code A32
	4136 954	1	V,C,41		Clear, Use W/Sales Code A32
	4136 955	1	V,C,41		Tinted, Use w/Sales Code A32
	4278 220	1	V,C,41		Tinted (Electric Heated) Use w/o Sales Code A32
	4278 216	1	V,C,41		Tinted (Electric Heated) Use w/Sales Code A32

NOTE: SALES CODE A32=FLEET NON-VINYL ROOF PACKAGE. de). Both models are derived from the 100.1" W.B. LeBaron (C 22 Model). Sheet metal parts for the C 48 not found on this illustration should be specif

2					SPACER, Rear Wdo. Glass, Lower
	4136 335	2	All		w/o Vinyl Roof
	4206 514	2	All		w/Vinyl Roof
3					SHIM, Rear Wdo. Lower Spacer
	3767 767	AR	All		Approximately .218" Thick
	3767 196	AR	All		Approximately .106" Thick
	4278 511	AR	V,C		Approximately .2875" Thick
	4278 077	AR	V,C		Approximately .2187" Thick
4	4278 755	AR	V,C,22		SPACER, Rear Wdo. Upper or Lower, Adjustable (Use w/Padded Landau Vinyl Roof Pkg.)
	4267 906	1	All		REPAIR PACKAGE, Rear Wdo. Glass (Not Shown)
					CONSISTS OF:
					1- ----- Polyurethane, 11.5 Oz.
					1- ----- Primer, Fence, 1 Oz. .
					1- ----- Primer, Wipe Off, 1 Oz.
					1- ----- Primer, Blackout 1 Oz.
					3- ----- Dabbers

MODEL CODES

B = GRAN FURY	G = DIPLOMAT	V = 400
C = LEBARON/TOWN & COUNTRY	M = HORIZON/TURISMO/SCAMP	X = MIRADA
D = ARIES	P = RELIANT	Y = IMPERIAL
E = 600	S = CORDOBA	Z = OMNI/CHARGER/RAMPAGE
F = FIFTH AVENUE	T = E CLASS/NEWYORKER	

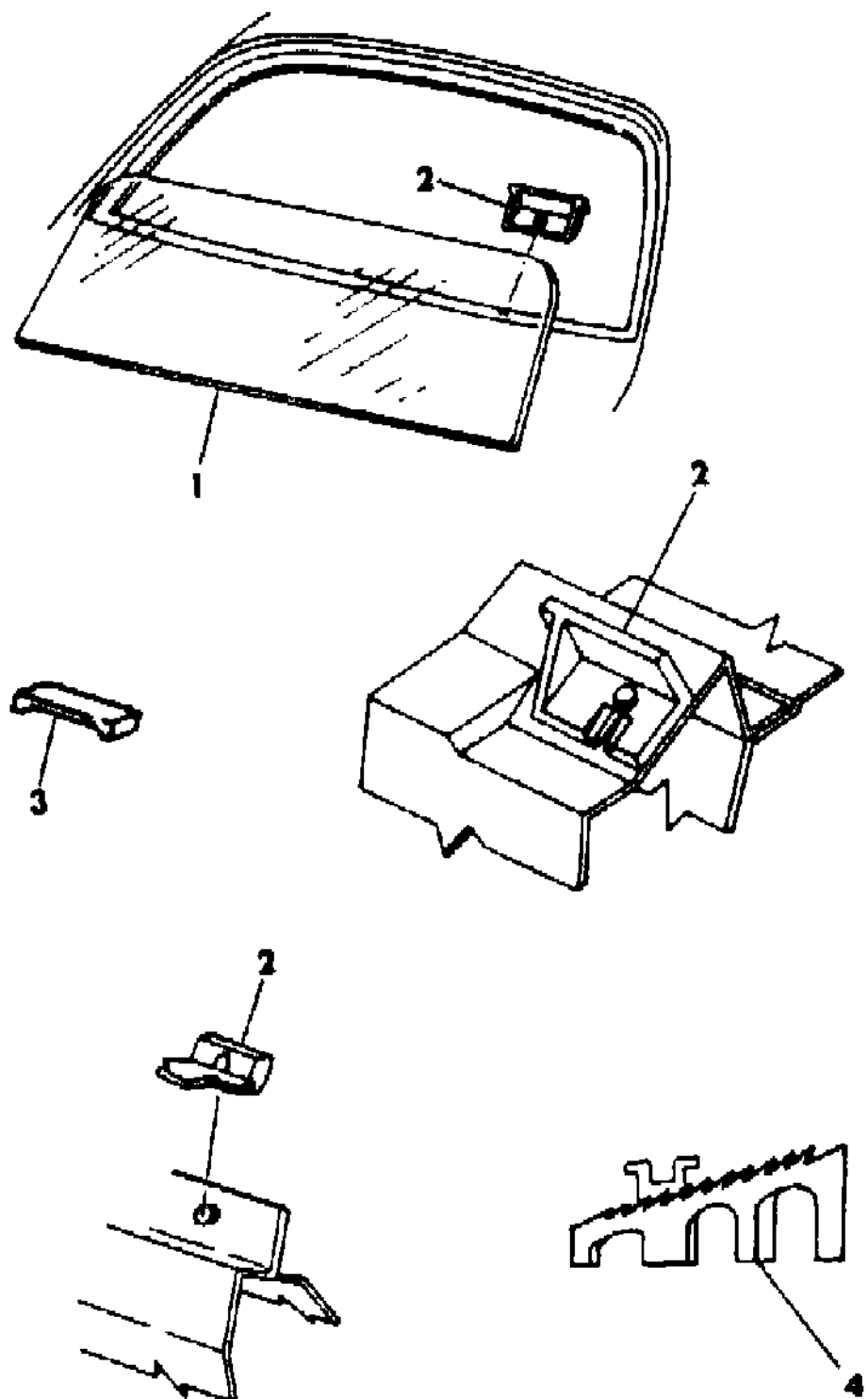
BODY STYLES

21 = 2-DOOR SEDAN	41 = 4-DOOR SEDAN
22 = 2-DOOR SPECIAL COUPE	45 = 4-DOOR STATION WAGON
24 = 2-DOOR HATCHBACK	44 = 4-DOOR HATCHBACK
27 = 2-DOOR CONVERTIBLE	48 = EXECUTIVE SEDAN
28 = FWD PICKUP	

AR = Use as Required - = Non Illustrated Part P.A.R. = Paint as Required

GLASS, REAR WINDOW - P,D,V,C 21,22,41  
Figure 23A-5900

3139 5900



ITEM	PART NUMBER	QTY	BODY	MODEL	DESCRIPTION
					1- ----- Nozzle
					1- ----- Instruction Sheet
	4057 957	1	All		FIXED GLASS REPAIR PACKAGE,Rear Wdo. (Not Shown)
					CONSISTS OF:
					1- ----- Tape, Butyl, 171.00"
					1- ----- Primer, Glass
					1- ----- Primer, Fence
					2- 3674698 Spacer, Rubber, 0.2"
					2- 3793290 Spacer, Rubber, 0.3"
					2- 3767767 Shim, 0.07"
					2- ----- Sponges, Disposable
NOTE: The Following Items Are Not Shown On Illustration. de). Both models are derived from the 100.1" W.B. LeBaron (C 22 Model). Sheet metal parts for the C 48 not found on this illustration should be specif					
	4106 356	1	All		ELECTRIC GRID REPAIR PACKAGE, Rear Wdo.
	4267 922	1	All		ELECTRIC GRID & PIGTAIL REPAIR PACKAGE
	4247 904	1	V,C		SPACER, Rear Wdo. Bracket to Glass

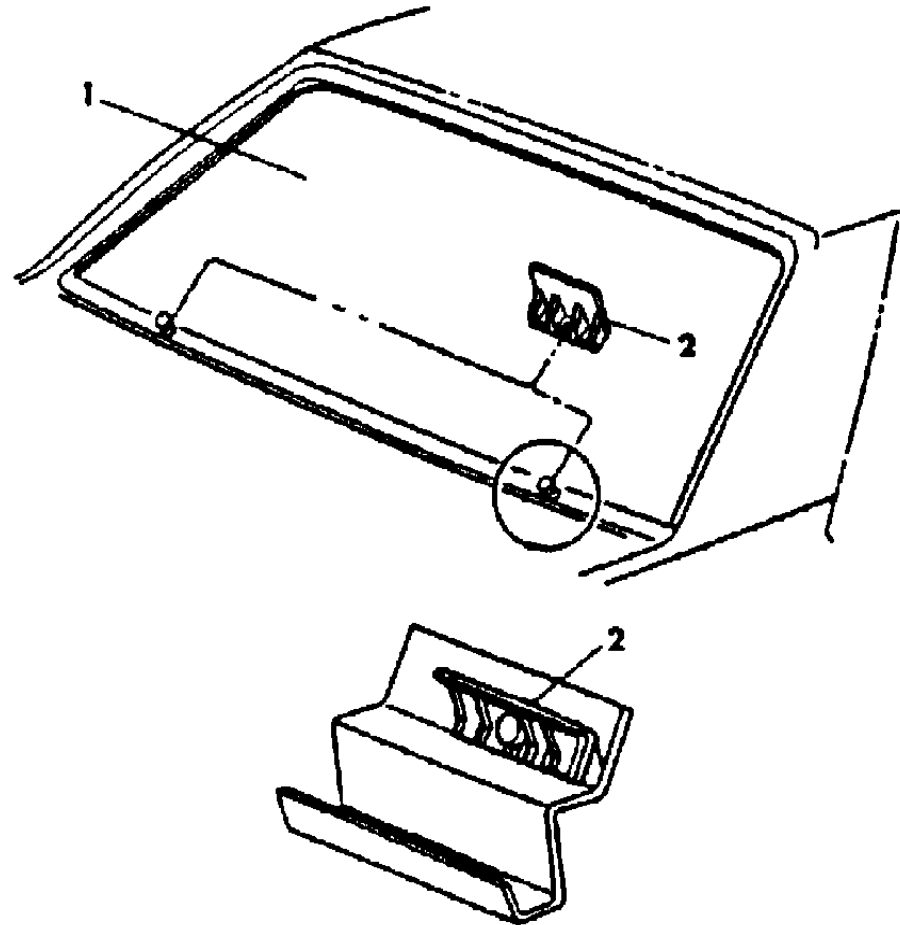
MODEL CODES  
 B = GRAN FURY  
 C = LEBARON/TOWN & COUNTRY  
 D = ARIES  
 E = 600  
 F = FIFTH AVENUE  
 G = DIPLOMAT  
 M = HORIZON/TURISMO/SCAMP  
 P = RELIANT  
 S = CORDOBA  
 T = E CLASS/NEWYORKER  
 V = 400  
 X = MIRADA  
 Y = IMPERIAL  
 Z = OMNI/CHARGER/RAMPAGE

BODY STYLES  
 21 = 2-DOOR SEDAN  
 22 = 2-DOOR SPECIAL COUPE  
 24 = 2-DOOR HATCHBACK  
 27 = 2-DOOR CONVERTIBLE  
 28 = FWD PICKUP  
 41 = 4-DOOR SEDAN  
 45 = 4-DOOR STATION WAGON  
 44 = 4-DOOR HATCHBACK  
 48 = EXECUTIVE SEDAN

AR = Use as Required - = Non Illustrated Part P.A.R. = Paint as Required

**GLASS, REAR WINDOW - E,T**  
**Figure 23A-5950**

3169 5950



ITEM	PART NUMBER	QTY	BODY	MODEL	DESCRIPTION
------	-------------	-----	------	-------	-------------

NOTE: GLASS, REAR WINDOW - ORDER FROM YOUR LOCAL MOPAR GLASS DISTRIBUTOR. de). Both models are derived from the 100.1" W.B. LeBaron (C 22 Model). Sheet metal parts for the C 48 not found on this illustration should be specif

1					GLASS, Rear Window
	4206 892	1		exc. T-	Tinted
	4314 228	1		T-P	Tinted
	4206 893	1		exc. T-	Tinted (Electric Heated)
	4314 235	1		T-P	Tinted (Electric Heated)
2	#4206 543	2			SPACER, Rear Wdo. Glass, Lower

NOTE: The Following Items Are Not Shown On Illustration. de). Both models are derived from the 100.1" W.B. LeBaron (C 22 Model). Sheet metal parts for the C 48 not found on this illustration should be specif

	4267 906	1			REPAIR PACKAGE, Rear Wdo. Glass (Not Shown) CONSISTS OF: 1- ----- Polyurethane, 11.5 Oz. 1- ----- Primer, Fence, 1 Oz. 1- ----- Primer, Wipe Off, 1 Oz. 1- ----- Primer, Blackout 1 Oz. 3- ----- Dabbers 1- ----- Nozzle 1- ----- Instruction Sheet
	4057 957	1			FIXED GLASS REPAIR PACKAGE, Rear Wdo. (Not Shown) COCSISTS OF: 1- ----- Tape, Butyl, 171.00" 1- ----- Primer, Glass 1- ----- Primer, Fence 2- 3674698 Spacer, Rubber, 0.2" 2- 3793290 Spacer, Rubber, 0.3" 2- 3767767 Shim. 0.07" 2- ----- Sponges, Disposable
	4106 356	1			ELECTRIC GRID REPAIR PACKAGE, Rear Wdo.
	4267 922	1			ELECTRIC GRID and PIGTAIL REPAIR PACKAGE

MODEL CODES

B = GRAN FURY	G = DIPLOMAT	V = 400
C = LEBARON/TOWN & COUNTRY	M = HORIZON/TURISMO/SCAMP	X = MIRADA
D = ARIES	P = RELIANT	Y = IMPERIAL
E = 600	S = CORDOBA	Z = OMNI/CHARGER/RAMPAGE
F = FIFTH AVENUE	T = E CLASS/NEWYORKER	

BODY STYLES

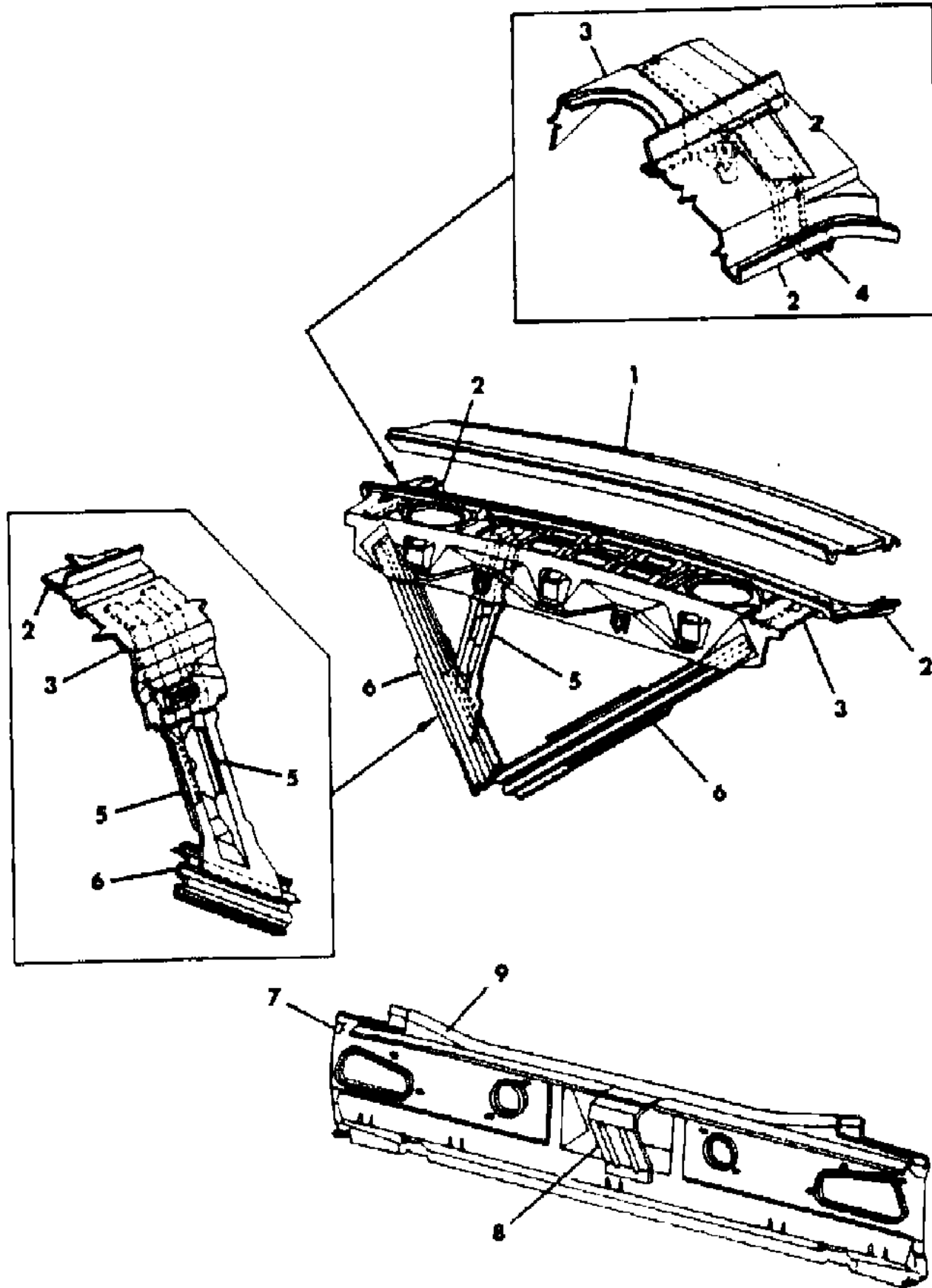
21 = 2-DOOR SEDAN	41 = 4-DOOR SEDAN
22 = 2-DOOR SPECIAL COUPE	45 = 4-DOOR STATION WAGON
24 = 2-DOOR HATCHBACK	44 = 4-DOOR HATCHBACK
27 = 2-DOOR CONVERTIBLE	48 = EXECUTIVE SEDAN
28 = FWD PICKUP	

AR = Use as Required - = Non Illustrated Part P.A.R. = Paint as Required



DECK OPENING PANELS - P,D,V,C  
Figure 23A-6000

3168 6000



ITEM	PART NUMBER	QTY	BODY	MODEL	DESCRIPTION
1	4134 801	1			PANEL, Deck Opening Upper
2	4278 250	1			TROUGH, Deck Opening Upper Drain
3		1			PANEL, Shelf (Not Serviced)
4	4206 326-7	1			SUPPORT, Deck Opening Upper Trough Hinge
5	4200 811	1			BRACKET w/REINFORCEMENT, Shelf Panel Spare Tire
					Stowage, Use Up To 11/1/82
	4297 903	1			Use After 11/1/82
6		2			BRACE, Shelf Panel to Floor Pan Diagonal (Not Serviced)
7	4278 818	1		P,D	PANEL, Deck Opening Lower, Use Up To 2/7/83
	4296 550	1		P,D	Use After 2/7/83
	4278 819	1		V,C	Use Up To 2/28/83
	4296 551	1		V,C	Use After 2/28/83
8	4206 357	1			SUPPORT, Deck Opening Lower Panel Striker
9	4278 570	1			REINFORCEMENT, Deck Opening Lower Panel
NOTE: The Following Items Are Not Shown On Illustration. de). Both models are derived from the 100.1" W.B. LeBaron (C 22 Model). Sheet metal parts for the C 48 not found on this illustration should be specif					
	4278 578	1			REINFORCEMENT, Shelf Panel to Floor Pan Diagonal Brace
					Lower (w/Fleet Service Pkg.)
	4278 852	2			SEAL, Deck Opening Lower Panel to Trough Extension
	5200 365	1			BUTTON, Deck Opening Lower Panel License Plate Mtg. Bumper

MODEL CODES

B = GRAN FURY	G = DIPLOMAT	V = 400
C = LEBARON/TOWN & COUNTRY	M = HORIZON/TURISMO/SCAMP	X = MIRADA
D = ARIES	P = RELIANT	Y = IMPERIAL
E = 600	S = CORDOBA	Z = OMNI/CHARGER/RAMPAGE
F = FIFTH AVENUE	T = E CLASS/NEWYORKER	

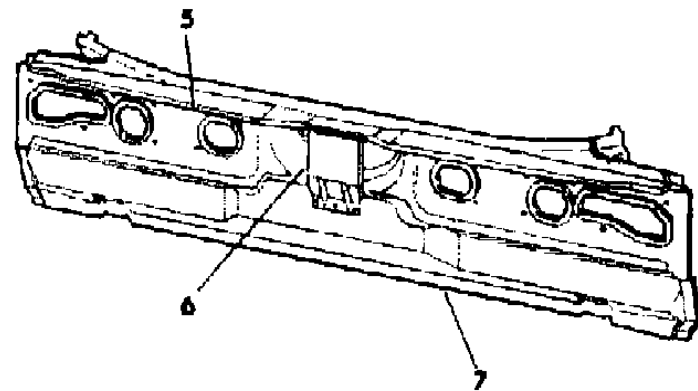
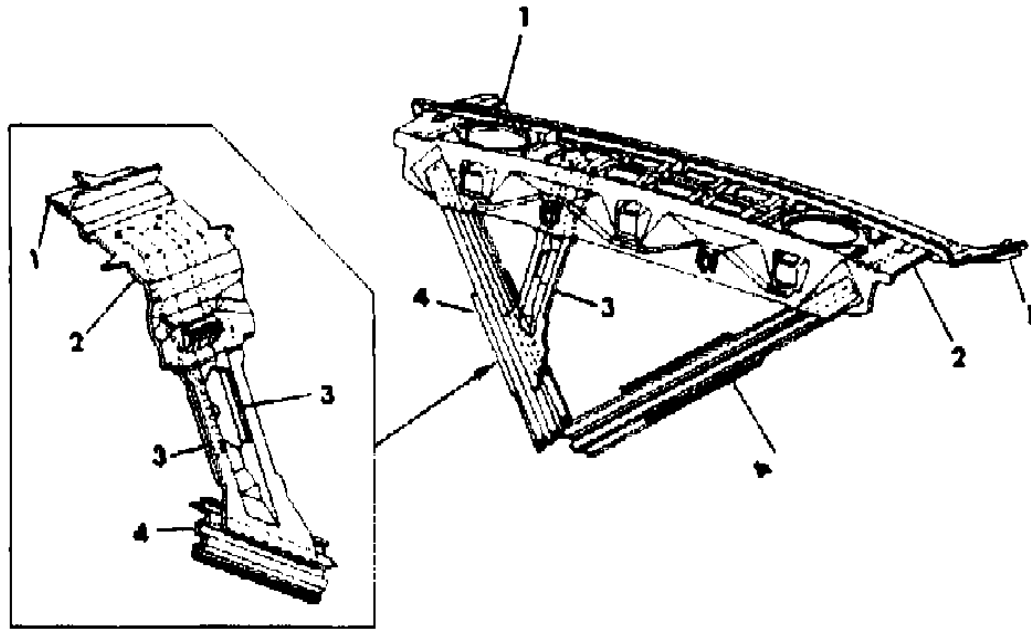
BODY STYLES

21 = 2-DOOR SEDAN	41 = 4-DOOR SEDAN
22 = 2-DOOR SPECIAL COUPE	45 = 4-DOOR STATION WAGON
24 = 2-DOOR HATCHBACK	44 = 4-DOOR HATCHBACK
27 = 2-DOOR CONVERTIBLE	48 = EXECUTIVE SEDAN
28 = FWD PICKUP	

AR = Use as Required - = Non Illustrated Part P.A.R. = Paint as Required

DECK OPENING PANELS - E,T  
Figure 23A-6050

3189 6050



ITEM	PART NUMBER	QTY	BODY	MODEL	DESCRIPTION
1	#4206 970	1			TROUGH, Deck Opening Upper Drain
2		1			PANEL, Shelf (Not Serviced)
3	4200 811	1			BRACKET w/REINFORCEMENT, Shelf Panel Spare Tire Stowage, Use Up To 11/1/82
	4297 903	1			Use After 11/1/82
4		2			BRACE, Shelf Panel to Floor Pan Diagonal (Not Serviced)
5	#4278 570	1			REINFORCEMENT, Deck Opening Lower Panel
6	4206 357	1			SUPPORT, Deck Opening Lower Panel Striker
7	#4206 930	1			PANEL, Deck Opening Lower
NOTE: The Following Items Are Not Shown On Illustration. de). Both models are derived from the 100.1" W.B. LeBaron (C 22 Model). Sheet metal parts for the C 48 not found on this illustration should be specif					
					EXTENSION, Deck Opening Lower Panel Side Drain Trough Upper
	4206 936-7	1			Lower
	4206 230-1	1			SEAL, Deck Opening Lower Drain Trough Extension
	4206 487	AR			SEAL, Deck Opening Lower Panel to Trough Extension
	4278 852	2			BUTTON, Deck Opening Lower Panel License Plate Mounting
	5200 365	1			Bumper

MODEL CODES

B = GRAN FURY	G = DIPLOMAT	V = 400
C = LEBARON/TOWN & COUNTRY	M = HORIZON/TURISMO/SCAMP	X = MIRADA
D = ARIES	P = RELIANT	Y = IMPERIAL
E = 600	S = CORDOBA	Z = OMNI/CHARGER/RAMPAGE
F = FIFTH AVENUE	T = E CLASS/NEWYORKER	

BODY STYLES

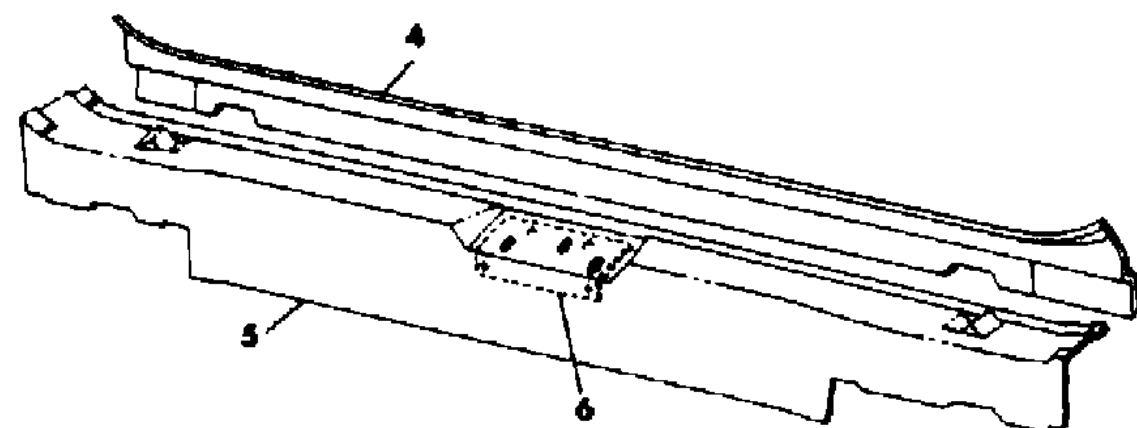
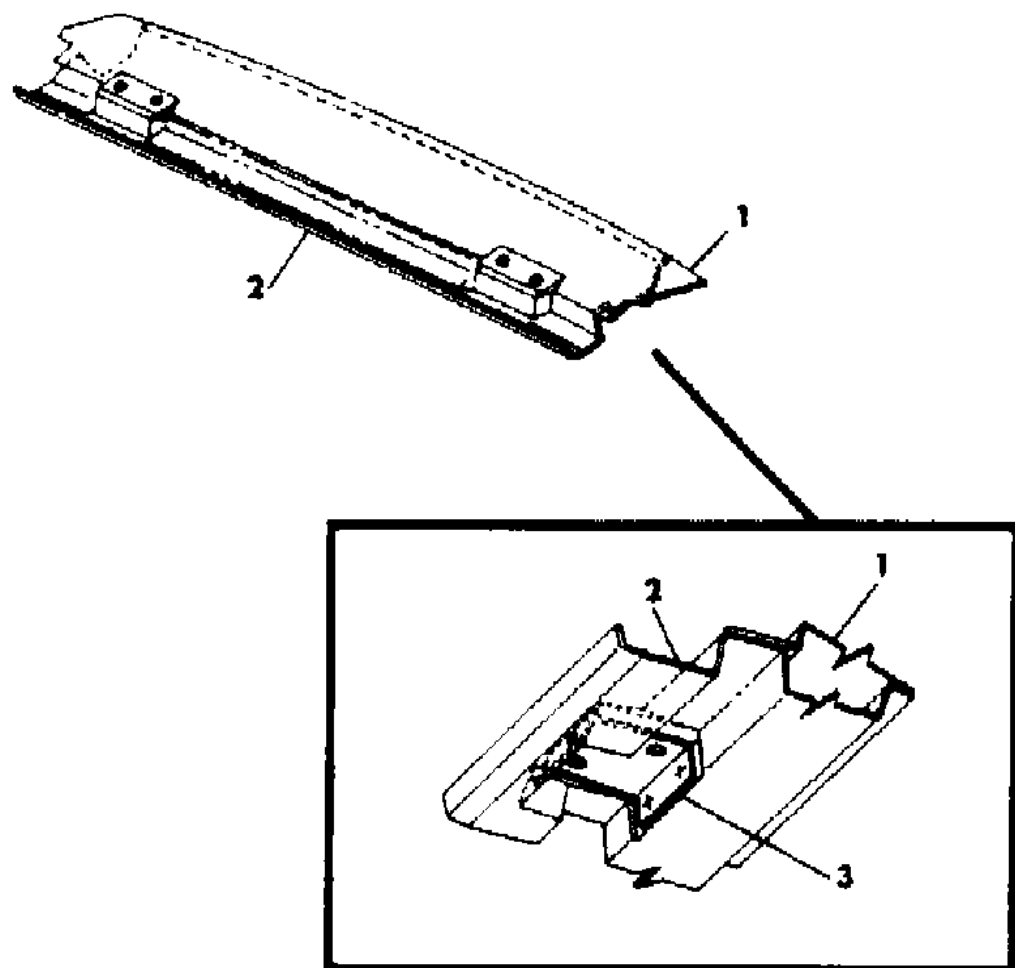
21 = 2-DOOR SEDAN	41 = 4-DOOR SEDAN
22 = 2-DOOR SPECIAL COUPE	45 = 4-DOOR STATION WAGON
24 = 2-DOOR HATCHBACK	44 = 4-DOOR HATCHBACK
27 = 2-DOOR CONVERTIBLE	48 = EXECUTIVE SEDAN
28 = FWD PICKUP	

AR = Use as Required - = Non Illustrated Part P.A.R. = Paint as Required

LIFT GATE OPENING PANELS - P,D,C 45  
Figure 23A-6100

3169 6100

ITEM	PART NUMBER	QTY	BODY	MODEL	DESCRIPTION
1	4134 832	1			REINFORCEMENT, Lift Gate Opening Upper Frame
2	4129 748	1			FRAME w/REINFORCEMENT, Lift Gate Opening Upper Hinge (Body Half)
3					REINFORCEMENT (Served In Item No.2)
4	4134 835	1			PANEL, Lift Gate Opening Lower
5	4206 965	1			REINFORCEMENT, Lift Gate Opening Lower Panel
6	4206 209	1			REINFORCEMENT w/NUT, Lift Gate Latch Striker
NOTE: THE FOLLOWING ITEMS ARE NOT SHOWN ON ILLUSTRATION. de). Both models are derived from the 100.1" W.B. LeBaron (C 22 Model). Sheet metal parts for the C 48 not found on this illustration should be specif					
	5200 365	2			BUTTON, Lift Gate Outer Panel License Plate Mounting Bumper



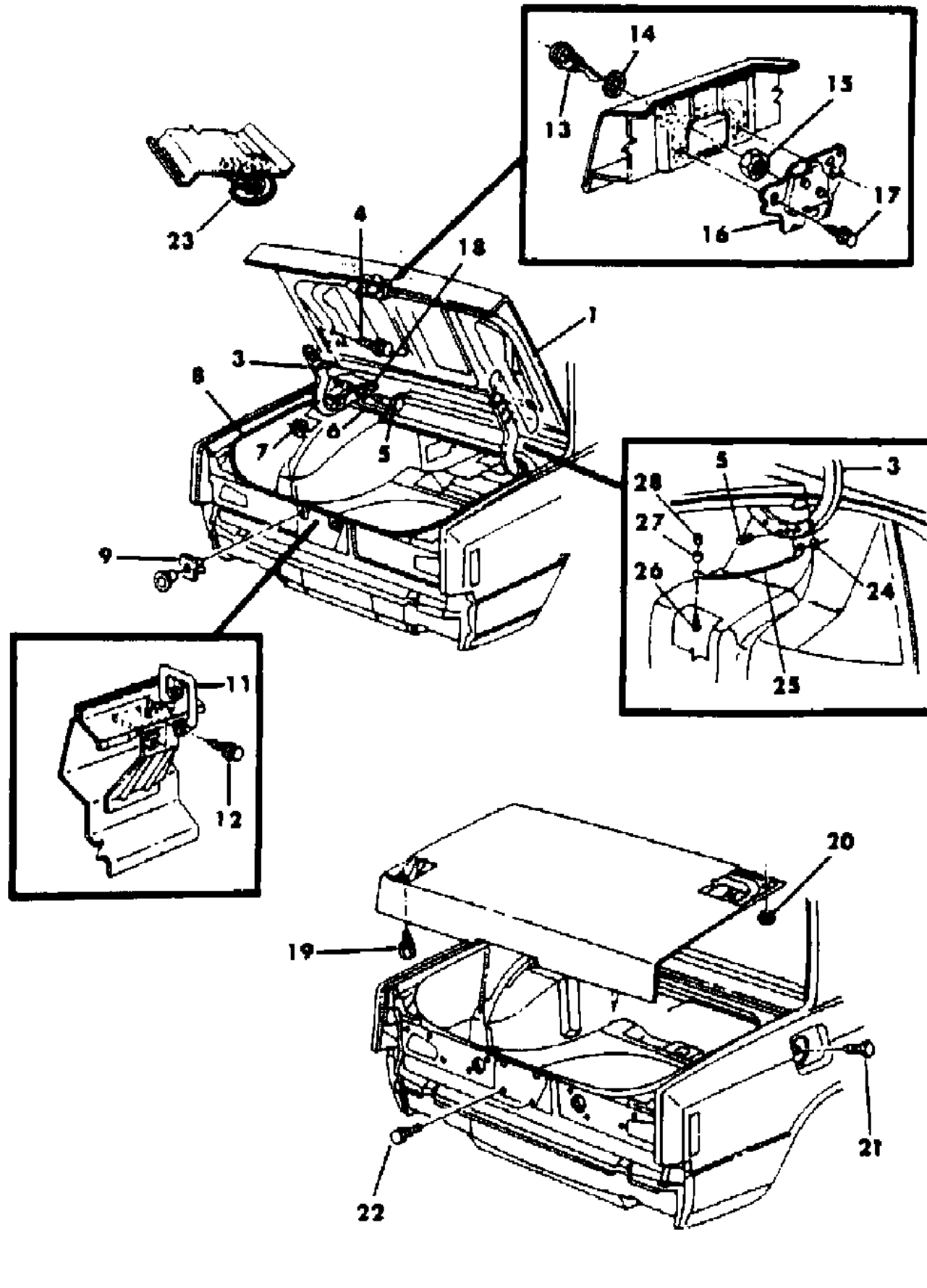
MODEL CODES  
 B = GRAN FURY  
 C = LEBARON/TOWN & COUNTRY  
 D = ARIES  
 E = 600  
 F = FIFTH AVENUE  
 G = DIPLOMAT  
 M = HORIZON/TURISMO/SCAMP  
 P = RELIANT  
 S = CORDOBA  
 T = E CLASS/NEWYORKER  
 V = 400  
 X = MIRADA  
 Y = IMPERIAL  
 Z = OMNI/CHARGER/RAMPAGE

BODY STYLES  
 21 = 2-DOOR SEDAN  
 22 = 2-DOOR SPECIAL COUPE  
 24 = 2-DOOR HATCHBACK  
 27 = 2-DOOR CONVERTIBLE  
 28 = FWD PICKUP  
 41 = 4-DOOR SEDAN  
 45 = 4-DOOR STATION WAGON  
 44 = 4-DOOR HATCHBACK  
 48 = EXECUTIVE SEDAN

AR = Use as Required - = Non Illustrated Part P.A.R. = Paint as Required

DECK LID - P,D,V,C  
Figure 23A-6200

3169 6200



ITEM	PART NUMBER	QTY	BODY	MODEL	DESCRIPTION
1	4129 496	1			LID, Deck
3	#4271 438-9	1			HINGE, Deck Lid
4	6500 515	4			SCREW w/WASHER, Hinge Attaching
5	#4278 463	2			PIN, Hinge Pivot
6	4134 808-9	1			BAR, Deck Lid Hinge Torsion
7	6022 149	2			NUT, Hinge Pivot Pin
8	4278 176	1			WEATHERSTRIP, Deck Lid Opening
9	6500 524	2			NUT
11	4172 986	1			STRIKER, Deck Lid Latch
12	6100 557	2			SCREW w/WASHER
13					CYLINDER, Deck Lid (See Cylinder and Key Illustration)
14					GASKET (See Cylinder and Key Illustration)
15					NUT (See Cylinder and Key Illustration)
16	4054 825	1			LATCH, Deck Lid, Manual
	4054 962	1			Electric
17	6025 346	2			SCREW w/WASHER
18	4206 326-7	1			SUPPORT, Deck Opening Upper Trough Hinge
19	5230 376	2			BUMPER, Deck Lid Inside (Adjustable)
20	6029 939	2			PLUG, Deck Lid Inner Panel Drain Hole
21	1943 547	1			Button
22	5216 050	2			Button
23		1			RETAINER, Deck Lid Hinge Torsion Bar (Not Serviced)
24	6022 149	1			NUT, W/House Inner Deck Lid Hinge Restrainer Cable Attaching
25	4206 751	1			CABLE, W/House Inner to Deck Lid Hinge Restrainer, Rt.
26	6032 214	1			SCREW, Restrainer Cable Attaching
27	6032 057	1			NUT, Restrainer Cable Attaching
28	4073 281	1			CAPLUG, Restrainer Cable Attaching
NOTE: The Following Items Are Not Shown On Illustration. de). Both models are derived from the 100.1" W.B. LeBaron (C 22 Model). Sheet metal parts for the C 48 not found on this illustration should be specif					
	4206 796	2			SLEEVE, Deck Lid Hinge to Torsion Bar
	4276 442	1		C-27	LUGGAGE RACK PACKAGE, Deck Lid (Town & Country)
CONSISTS OF:					
2- 4276434 Skid Strip, Outer					
2- 4276435 Skid Strip, Inner					
4- 4276437 Insert, Skid Strip Inner & Outer					
1- 4276430 Cross Bar					
6- 2094869 Nut, Skid Strip					

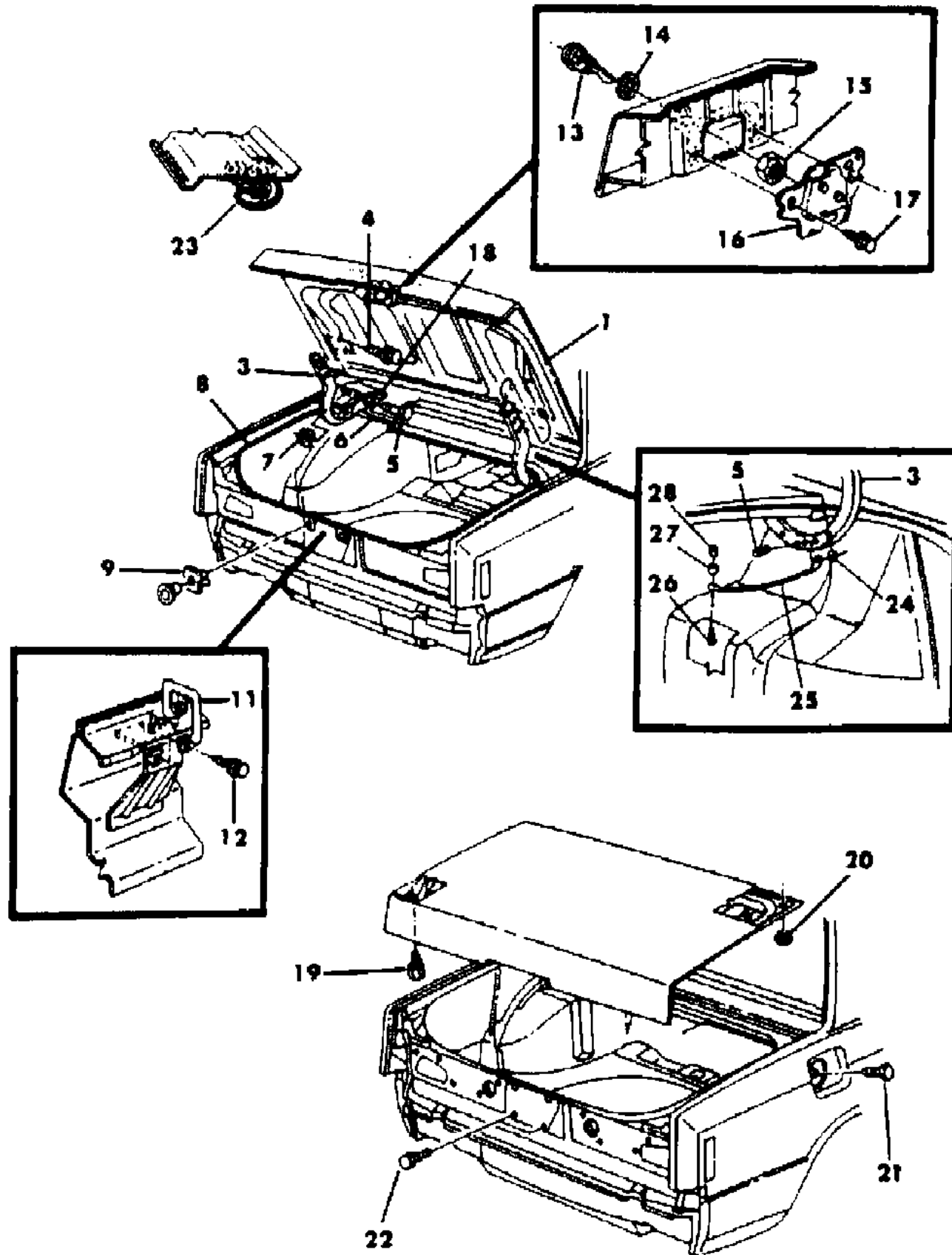
MODEL CODES  
 B = GRAN FURY  
 C = LEBARON/TOWN & COUNTRY  
 D = ARIES  
 E = 600  
 F = FIFTH AVENUE  
 G = DIPLOMAT  
 M = HORIZON/TURISMO/SCAMP  
 P = RELIANT  
 S = CORDOBA  
 T = E CLASS/NEWYORKER  
 V = 400  
 X = MIRADA  
 Y = IMPERIAL  
 Z = OMNI/CHARGER/RAMPAGE

BODY STYLES  
 21 = 2-DOOR SEDAN  
 22 = 2-DOOR SPECIAL COUPE  
 24 = 2-DOOR HATCHBACK  
 27 = 2-DOOR CONVERTIBLE  
 28 = FWD PICKUP  
 41 = 4-DOOR SEDAN  
 45 = 4-DOOR STATION WAGON  
 44 = 4-DOOR HATCHBACK  
 48 = EXECUTIVE SEDAN

AR = Use as Required - = Non Illustrated Part P.A.R. = Paint as Required

DECK LID - P,D,V,C  
Figure 23A-6200

3169 6200



ITEM	PART NUMBER	QTY	BODY	MODEL	DESCRIPTION
------	-------------	-----	------	-------	-------------

6- 6031567 Screw, Skid Strip  
2- ----- Nut, Cross Bar Support (Not Serviced)  
2- 6027941 Screw, Cross Bar Support  
4- 4276629 Cap, Skid Strip Front

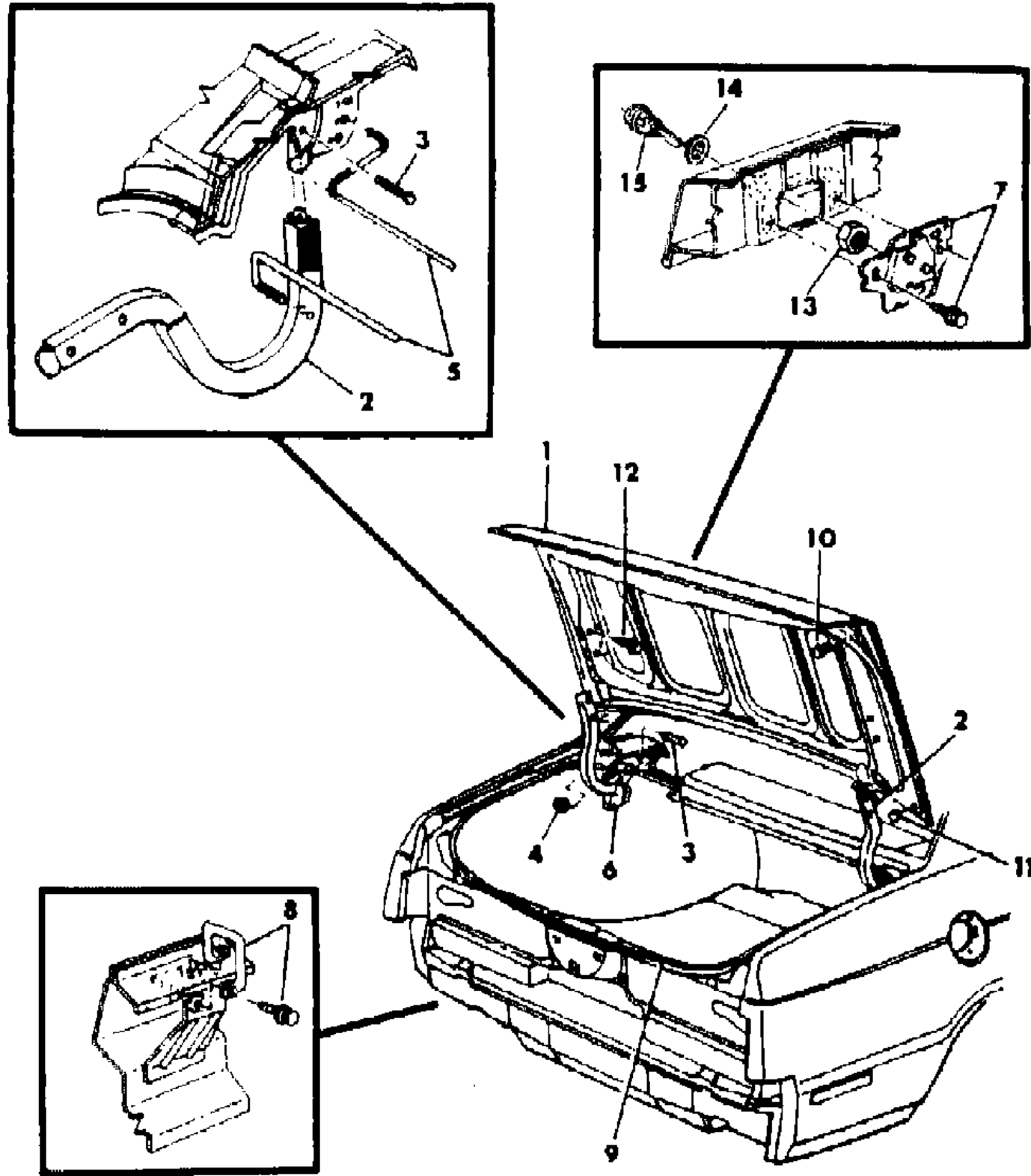
MODEL CODES  
B = GRAN FURY  
C = LEBARON/TOWN & COUNTRY  
D = ARIES  
E = 600  
F = FIFTH AVENUE  
G = DIPLOMAT  
M = HORIZON/TURISMO/SCAMP  
P = RELIANT  
S = CORDOBA  
T = E CLASS/NEWYORKER  
V = 400  
X = MIRADA  
Y = IMPERIAL  
Z = OMNI/CHARGER/RAMPAGE

BODY STYLES  
21 = 2-DOOR SEDAN  
22 = 2-DOOR SPECIAL COUPE  
24 = 2-DOOR HATCHBACK  
27 = 2-DOOR CONVERTIBLE  
28 = FWD PICKUP  
41 = 4-DOOR SEDAN  
45 = 4-DOOR STATION WAGON  
44 = 4-DOOR HATCHBACK  
48 = EXECUTIVE SEDAN

AR = Use as Required - = Non Illustrated Part P.A.R. = Paint as Required

DECK LID - E,T  
Figure 23A-6250

3160 6250



ITEM	PART NUMBER	QTY	BODY	MODEL	DESCRIPTION
1	#4200 808	1			LID, Deck
2	4278 884-5	1			HINGE, Deck Lid, Use Up To 12/1/82
	4314 194-5	1			Use After 12/1/82
3	#4278 463	2			PIN, Deck Lid Hinge Pivot
	4278 463	2			PIN, Deck Lid Hinge to Torsion Bar Link
4	6022 149	2			PUSH NUT, Deck Lid Hinge Pivot
	6022 149	2			PUSH NUT, Deck Lid Hinge Torsion Bar Link Pin
5	4278 100-1	1			BAR, Deck Lid Hinge Torsion, Use Up To 12/1/82
	4314 196-7	1			Use After 12/1/82
6	4278 099	2			LINK, Deck Lid Hinge Torsion Bar, Use Up To 12/1/82
	4314 198	2			Use After 12/1/82
7	4054 825	1			LATCH, Deck Lid (Manual)
	4054 962	1			LATCH, Deck Lid (Electric)
	6025 346	2			SCREW w/WASHER, Deck Lid Latch
8	4172 986	1			STRIKER, Deck Lid Latch
	6101 339	2			SCREW w/WASHER, Deck Lid Latch Striker
9	#4278 776	1			WEATHERSTRIP, Deck Lid Opening (Closed Loop)
10	5230 376	2			BUMPER, Deck Lid Inside (Adjustable)
11	6029 939	2			PLUG, Deck Lid Inner Panel Drain Hole
12	6025 002	2			SCREW w/WASHER
13					NUT (See Cylinder and Key Illustration)
14					GASKET, (See Cylinder and Key Illustration)
15					CYLINDER, (See Cylinder and Key Illustration)

NOTE: The Following Items Are Not Shown On Illustration. de). Both models are derived from the 100.1" W.B. LeBaron (C 22 Model). Sheet metal parts for the C 48 not found on this illustration should be specif

	3756 357	2			BUMPER, Deck Lid Hinge Support Slam, Use Up To 12/1/82
	4314 192	2			BUMPER, Deck Lid Hinge Support Slam, Use After 12/1/82
	4296 282	2			SUPPORT, Deck Lid Hinge to Shelf Panel, Use After 12/1/82

MODEL CODES

B = GRAN FURY

C = LEBARON/TOWN & COUNTRY

D = ARIES

E = 600

F = FIFTH AVENUE

G = DIPLOMAT

M = HORIZON/TURISMO/SCAMP

P = RELIANT

S = CORDOBA

T = E CLASS/NEWYORKER

V = 400

X = MIRADA

Y = IMPERIAL

Z = OMNI/CHARGER/RAMPAGE

BODY STYLES

21 = 2-DOOR SEDAN

22 = 2-DOOR SPECIAL COUPE

24 = 2-DOOR HATCHBACK

27 = 2-DOOR CONVERTIBLE

28 = FWD PICKUP

41 = 4-DOOR SEDAN

45 = 4-DOOR STATION WAGON

44 = 4-DOOR HATCHBACK

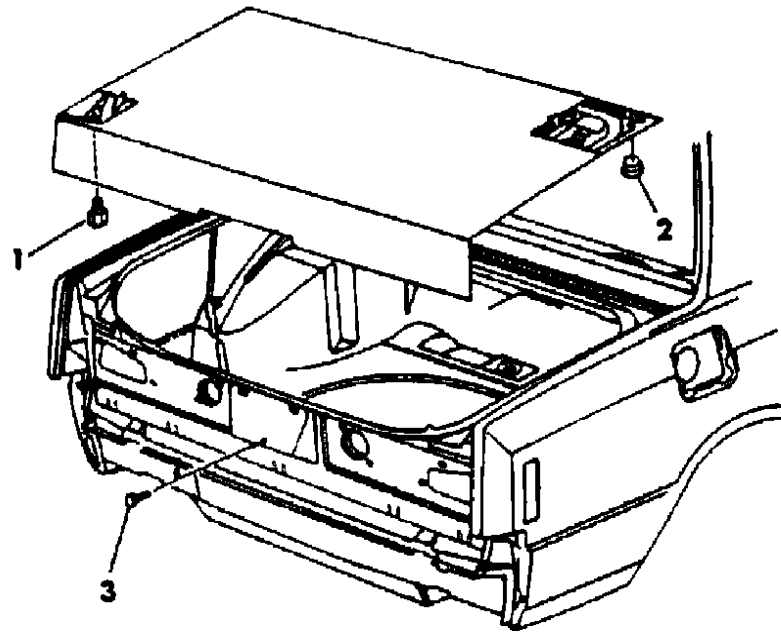
48 = EXECUTIVE SEDAN

AR = Use as Required - = Non Illustrated Part P.A.R. = Paint as Required

**BUMPERS & PLUGS, DECK LID - P,D,V,C,E,T**  
**Figure 23A-6300**

ITEM	PART NUMBER	QTY	BODY	MODEL	DESCRIPTION
1	5230 376	2			BUMPER
2	6029 939	2			PLUG
3	5200 365	1			BUTTON

3160 6300



MODEL CODES  
 B = GRAN FURY  
 C = LEBARON/TOWN & COUNTRY  
 D = ARIES  
 E = 600  
 F = FIFTH AVENUE  
 G = DIPLOMAT  
 M = HORIZON/TURISMO/SCAMP  
 P = RELIANT  
 S = CORDOBA  
 T = E CLASS/NEWYORKER  
 V = 400  
 X = MIRADA  
 Y = IMPERIAL  
 Z = OMNI/CHARGER/RAMPAGE

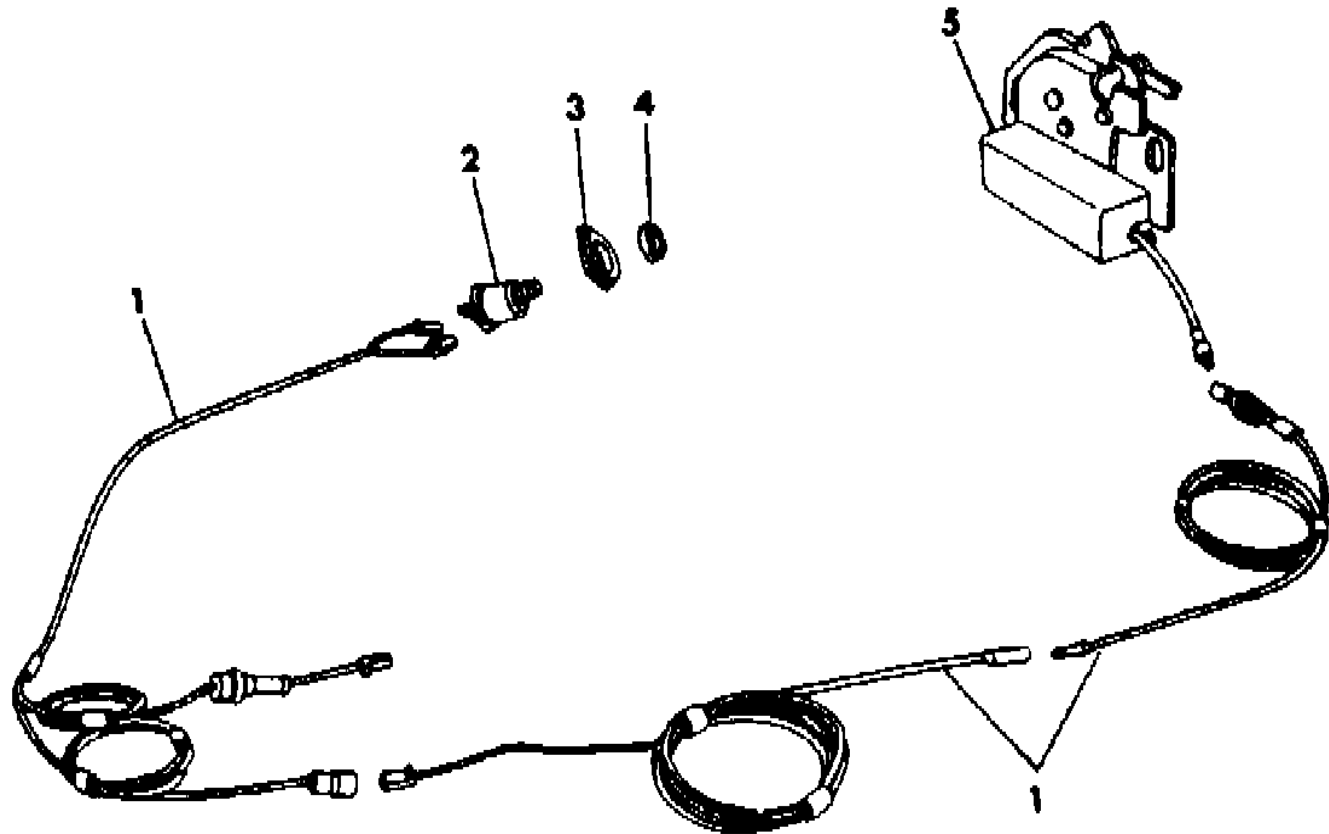
BODY STYLES  
 21 = 2-DOOR SEDAN  
 22 = 2-DOOR SPECIAL COUPE  
 24 = 2-DOOR HATCHBACK  
 27 = 2-DOOR CONVERTIBLE  
 28 = FWD PICKUP  
 41 = 4-DOOR SEDAN  
 45 = 4-DOOR STATION WAGON  
 44 = 4-DOOR HATCHBACK  
 48 = EXECUTIVE SEDAN

AR = Use as Required - = Non Illustrated Part P.A.R. = Paint as Required

DECK LID, ELECTRIC - P,D,V,C,E,T  
Figure 23A-6400

3160 6400

ITEM	PART NUMBER	QTY	BODY	MODEL	DESCRIPTION
1					WIRING (See Group 8 Body Wiring)
2	3747 154	1			SWITCH, Remote Deck Lid Release or Instrument Panel Mtg.
3	3747 875	1			BEZEL, Electric Release Switch
4	6028 824	1			NUT, Electric Release Swich Mtg.
5	4054 962	1			LATCH, Electric Deck Lid
	4131 515	1			LATCH PACKAGE, Electric
NOTE: The following items are not shown on illustration. de). Both models are derived from the 100.1" W.B. LeBaron (C 22 Model)					
					Sheet metal parts for the C 48 not found on this illustration should be specified
	6028 976	1			PUSH NUT, Electric Deck Lid Latch Spring



MODEL CODES

B = GRAN FURY	G = DIPLOMAT	V = 400
C = LEBARON/TOWN & COUNTRY	M = HORIZON/TURISMO/SCAMP	X = MIRADA
D = ARIES	P = RELIANT	Y = IMPERIAL
E = 600	S = CORDOBA	Z = OMNI/CHARGER/RAMPAGE
F = FIFTH AVENUE	T = E CLASS/NEWYORKER	

BODY STYLES

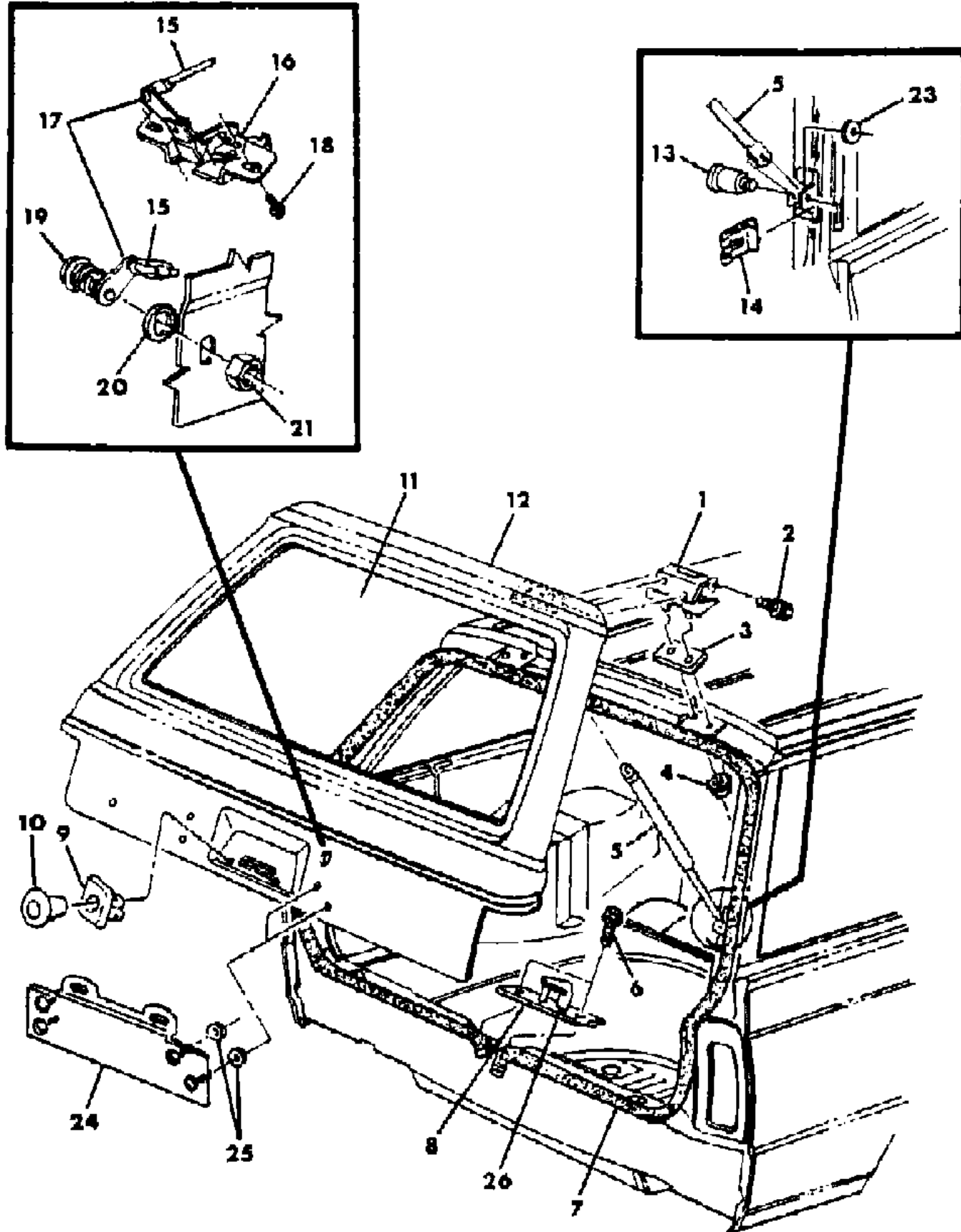
21 = 2-DOOR SEDAN	41 = 4-DOOR SEDAN
22 = 2-DOOR SPECIAL COUPE	45 = 4-DOOR STATION WAGON
24 = 2-DOOR HATCHBACK	44 = 4-DOOR HATCHBACK
27 = 2-DOOR CONVERTIBLE	48 = EXECUTIVE SEDAN
28 = FWD PICKUP	

AR = Use as Required - = Non Illustrated Part P.A.R. = Paint as Required



LIFT GATE - P,D,C 45  
Figure 23A-6500

3109 8500



ITEM	PART NUMBER	QTY	BODY	MODEL	DESCRIPTION
1	4246 360	2			HINGE
2					SCREW w/WASHER (Not Serviced)
3	4246 359	2			SHIM, Lift Gate Hinge (Body Half)
4	6100 049	6			NUT w/WASHER
5	4172 581	2		P,D	PROP w/Clevis, Hold Open
	4246 460	2		C	
6	6025 346	2			SCREW w/WASHER
7	5231 926	1			WEATHERSTRIP
8	4246 310	1			STRIKER, Latch
9	6500 524	2			NUT
11	4198 837	1			GLASS, Clear
	4198 838	1			Tinted
	4198 955	1			Tinted, (Electric Heated)
	4078 959	AR			WELT, Lift Gate Trim
12	4318 306	1			Lift Gate
13	4246 123	4			PIN, Prop End Attaching Bracket
14	6032 029	4			CLIP RETAINER, Prop Pin Attaching
15	4172 595	1			LINK, Latch Release
16	#4246 597	1			LATCH (Includes Cargo Lamp Switch) Manual
	4246 596	1			Electric
17	3454 220	2			CLIP, Latch Release Link Attaching
18	6025 346	2			SCREW w/WASHER
19		1			CYLINDER (See Cylinder and Key Illustration)
20		1			GASKET (See Cylinder and Key Illustration)
21	4054 202	1			NUT
23	4246 243	2			BUMPER or WASHER, Lift Gate Prop Anti-Rattle
24		1			BRACKET, Lift Gate License Plate Mtg. (Not Serviced)
25		4			SEAL, (Not Serviced)
26	4246 321	1			BUMPER, Lift Gate Latch Striker

NOTE: The Following Items Are Not Shown On Illustration. de). Both models are derived from the 100.1" W.B. LeBaron (C 22 Model). Sheet metal parts for the C 48 not found on this illustration should be specif

4106 356	1				ELECTRIC GRID REPAIR PACKAGE, Lift Gate Window
4267 922	1				ELECTRIC GRID & PIGTAIL REPAIR PACKAGE
3747 299	1				RELAY, Lift Gate Release
3747 154	1				SWITCH, Lift Gate Release
3747 875	1				BEZEL, Lift Gate Release Switch
4206 439	2				BRACKET, Lift Gate Opening Pillar Prop Attaching

MODEL CODES

B = GRAN FURY  
C = LEBARON/TOWN & COUNTRY  
D = ARIES  
E = 600  
F = FIFTH AVENUE

G = DIPLOMAT  
M = HORIZON/TURISMO/SCAMP  
P = RELIANT  
S = CORDOBA  
T = E CLASS/NEWYORKER

V = 400  
X = MIRADA  
Y = IMPERIAL  
Z = OMNI/CHARGER/RAMPAGE

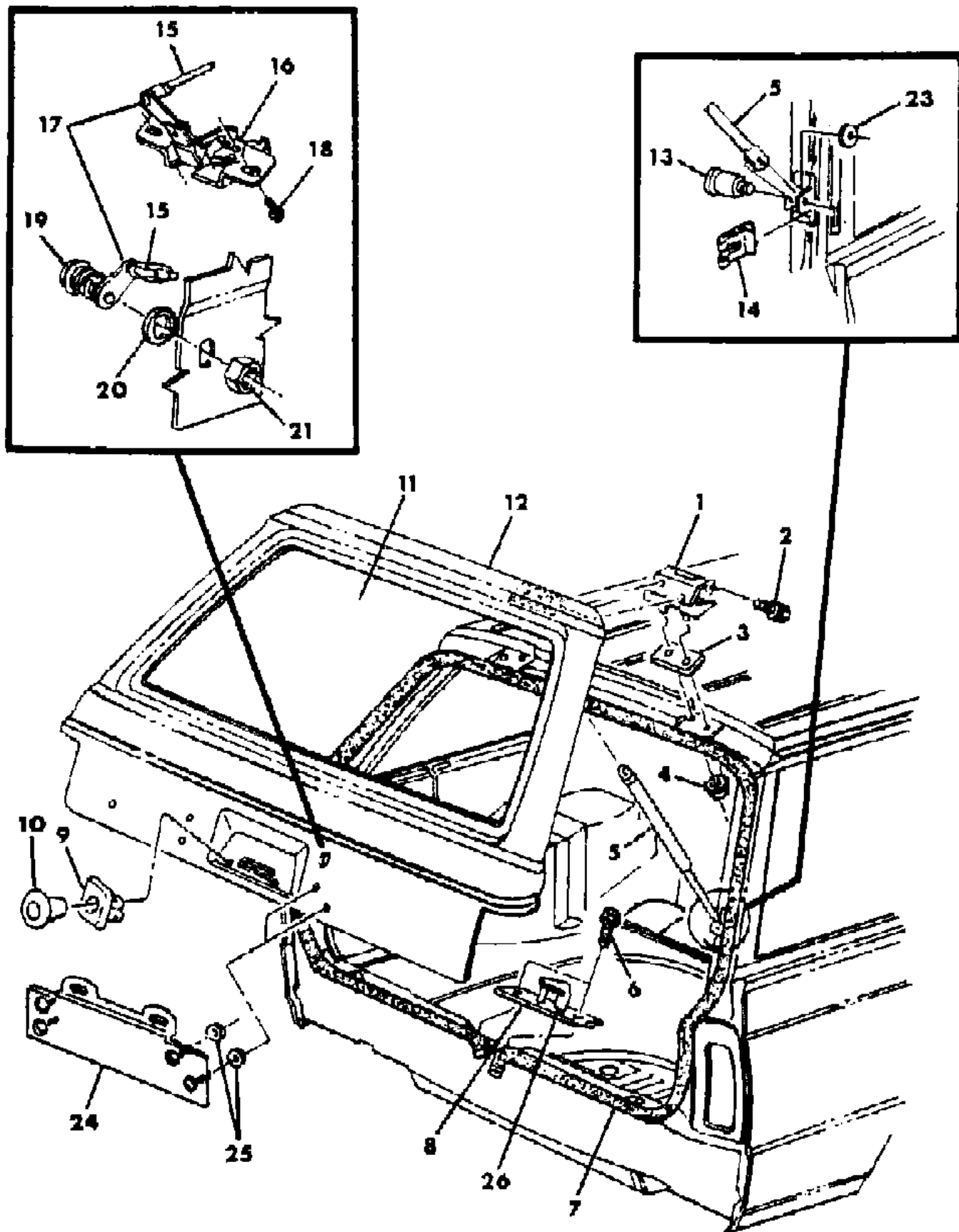
BODY STYLES

21 = 2-DOOR SEDAN  
22 = 2-DOOR SPECIAL COUPE  
24 = 2-DOOR HATCHBACK  
27 = 2-DOOR CONVERTIBLE  
28 = FWD PICKUP  
41 = 4-DOOR SEDAN  
45 = 4-DOOR STATION WAGON  
44 = 4-DOOR HATCHBACK  
48 = EXECUTIVE SEDAN

AR = Use as Required - = Non Illustrated Part P.A.R. = Paint as Required

LIFT GATE - P,D,C 45  
Figure 23A-6500

3109 8500



ITEM	PART NUMBER	QTY	BODY	MODEL	DESCRIPTION
	6028 976	1			PUSH NUT, Lift Gate Latch Spring
	6028 824	1			NUT, Lift Gate Release Switch Mounting
	4198 396	2			SPACER, Lift Gate Glass Lower
	5230 376	2			BUMPER, Lift Gate Inner Panel (Adjustable)
	5200 365	2			BUTTON, Lift Gate Outer Panel License Plate Mtg. Bumper
	1774 076	1			PLUG, Lift Gate Opening Lower Panel
	2860 332	1			PLUG, Lift Gate Inner Washer Hose Hole
	2094 631	1			PLUG, Lift Gate Inner
	5231 207	4			SEALING WASHER, Lift Gate Hinge (Body Half)

MODEL CODES  
 B = GRAN FURY  
 C = LEBARON/TOWN & COUNTRY  
 D = ARIES  
 E = 600  
 F = FIFTH AVENUE  
 G = DIPLOMAT  
 M = HORIZON/TURISMO/SCAMP  
 P = RELIANT  
 S = CORDOBA  
 T = E CLASS/NEWYORKER  
 V = 400  
 X = MIRADA  
 Y = IMPERIAL  
 Z = OMNI/CHARGER/RAMPAGE

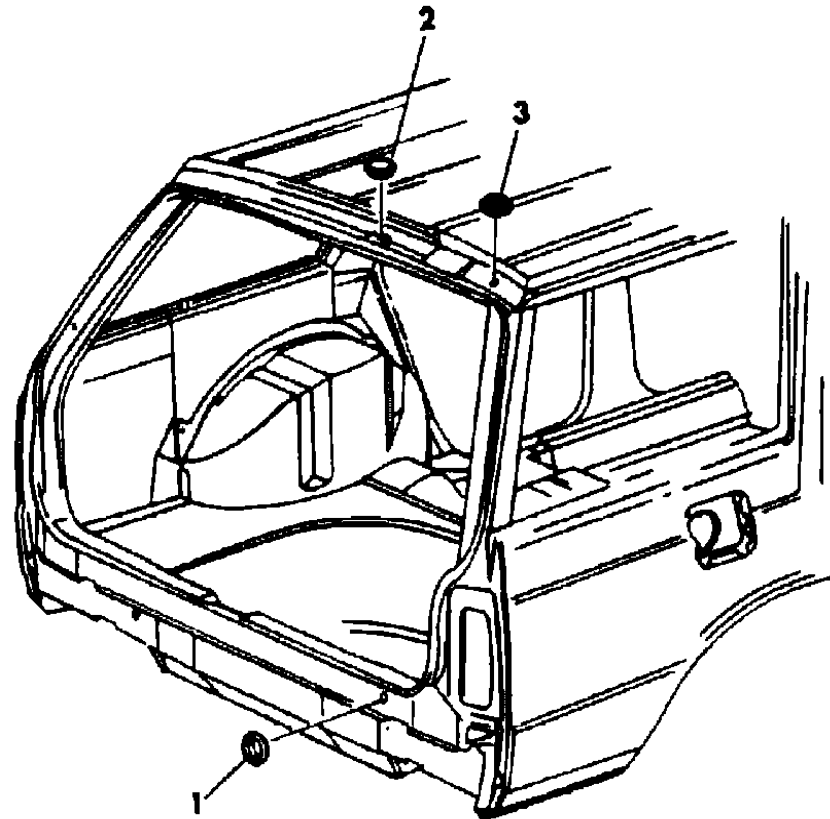
BODY STYLES  
 21 = 2-DOOR SEDAN  
 22 = 2-DOOR SPECIAL COUPE  
 24 = 2-DOOR HATCHBACK  
 27 = 2-DOOR CONVERTIBLE  
 28 = FWD PICKUP  
 41 = 4-DOOR SEDAN  
 45 = 4-DOOR STATION WAGON  
 44 = 4-DOOR HATCHBACK  
 48 = EXECUTIVE SEDAN

AR = Use as Required - = Non Illustrated Part P.A.R. = Paint as Required

PLUGS, LIFT GATE - P,D,C 45  
Figure 23A-6600

3169 6600

ITEM	PART NUMBER	QTY	BODY	MODEL	DESCRIPTION
1	1774 076	1			PLUG
2	1774 076	1			PLUG
3	2574 792	1			PLUG



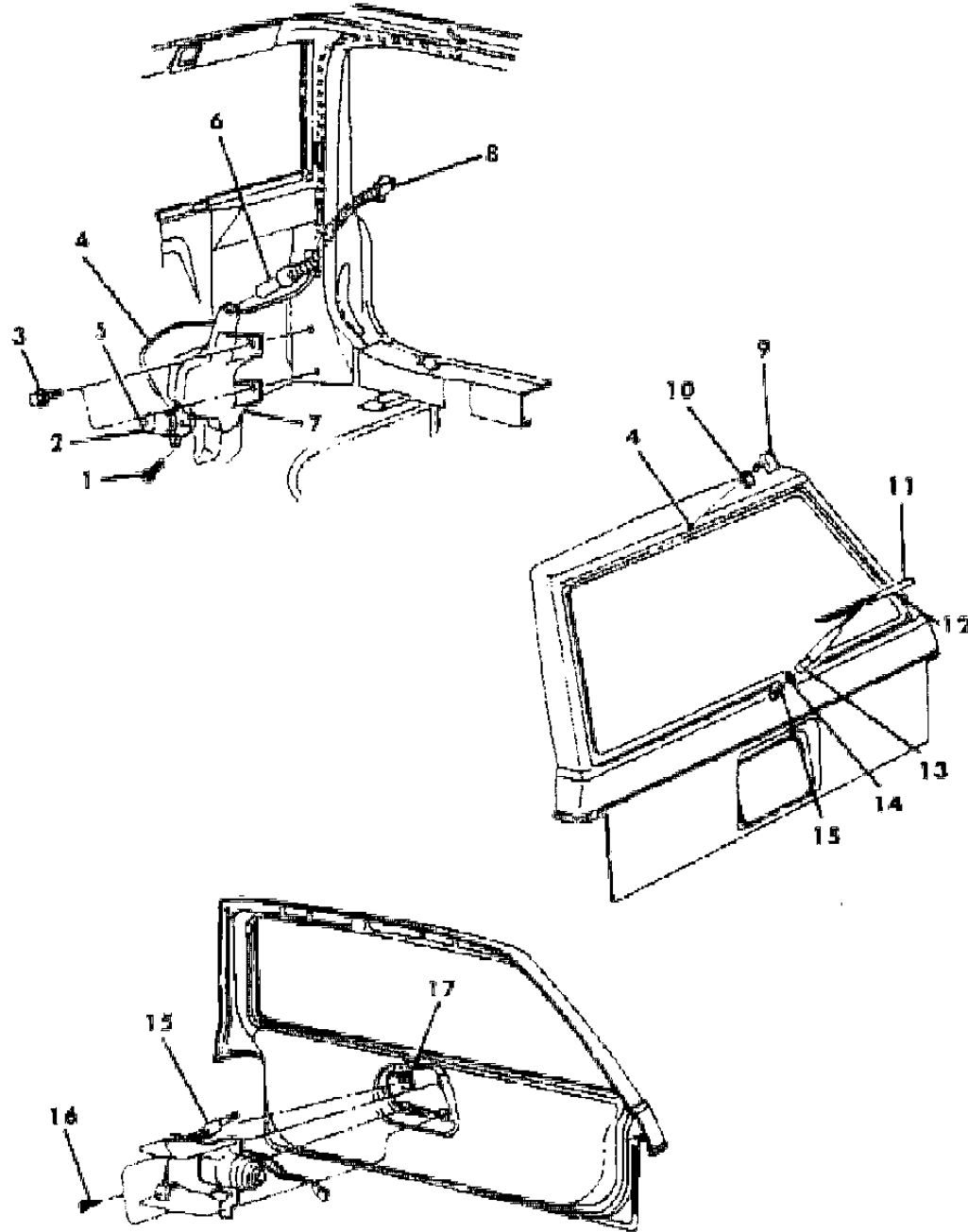
MODEL CODES  
 B = GRAN FURY  
 C = LEBARON/TOWN & COUNTRY  
 D = ARIES  
 E = 600  
 F = FIFTH AVENUE  
 G = DIPLOMAT  
 M = HORIZON/TURISMO/SCAMP  
 P = RELIANT  
 S = CORDOBA  
 T = E CLASS/NEWYORKER  
 V = 400  
 X = MIRADA  
 Y = IMPERIAL  
 Z = OMNI/CHARGER/RAMPAGE

BODY STYLES  
 21 = 2-DOOR SEDAN  
 22 = 2-DOOR SPECIAL COUPE  
 24 = 2-DOOR HATCHBACK  
 27 = 2-DOOR CONVERTIBLE  
 28 = FWD PICKUP  
 41 = 4-DOOR SEDAN  
 45 = 4-DOOR STATION WAGON  
 44 = 4-DOOR HATCHBACK  
 48 = EXECUTIVE SEDAN

AR = Use as Required - = Non Illustrated Part P.A.R. = Paint as Required

**WASHER & WIPER SYSTEM, LIFT GATE - P,D,C 45**  
**Figure 23A-6700**

3180 6700



ITEM	PART NUMBER	QTY	BODY	MODEL	DESCRIPTION
1	3799 324	1			FILTER, Washer Pump
2	3799 090	1			PUMP and SEAL PACKAGE, Washer Reservoir
3	6031 951	2			SCREW
4	3780 798	1			HOSE, Washer Reservoir to Nozzle, 5/32" I.D., 50' Roll
5	5211 041	2			GROMMET, Washer Hose to Nozzle
	3799 520	1			GROMMET, Washer Hose to Reservoir
6	3799 679	1			TUBE, Washer Reservoir Filler
7	3799 684	1			RESERVOIR, Washer
8	3799 726	1			CAP, Washer Reservoir Filler
9	3799 682	1			NOZZLE, Washer Fluidic
10	3799 683	1			GROMMET, Washer Fluidic Nozzle
11	#3799 792	1			BLADE w/REFILL, Black
12	#3799 794	1			REFILL, Wiper Blade
13	3799 670	1			ARM, Wiper, Black
14	3799 675	1			TRIM RING, Wiper Moter Pivot
15	#4240 484	1			MOTOR w/BRACKET
	3799 673	AR			SEAL, Wiper Motor
16		4			SCREW (not serviced)
17		4			U-NUT (not serviced)

MODEL CODES

B = GRAN FURY	G = DIPLOMAT	V = 400
C = LEBARON/TOWN & COUNTRY	M = HORIZON/TURISMO/SCAMP	X = MIRADA
D = ARIES	P = RELIANT	Y = IMPERIAL
E = 600	S = CORDOBA	Z = OMNI/CHARGER/RAMPAGE
F = FIFTH AVENUE	T = E CLASS/NEWYORKER	

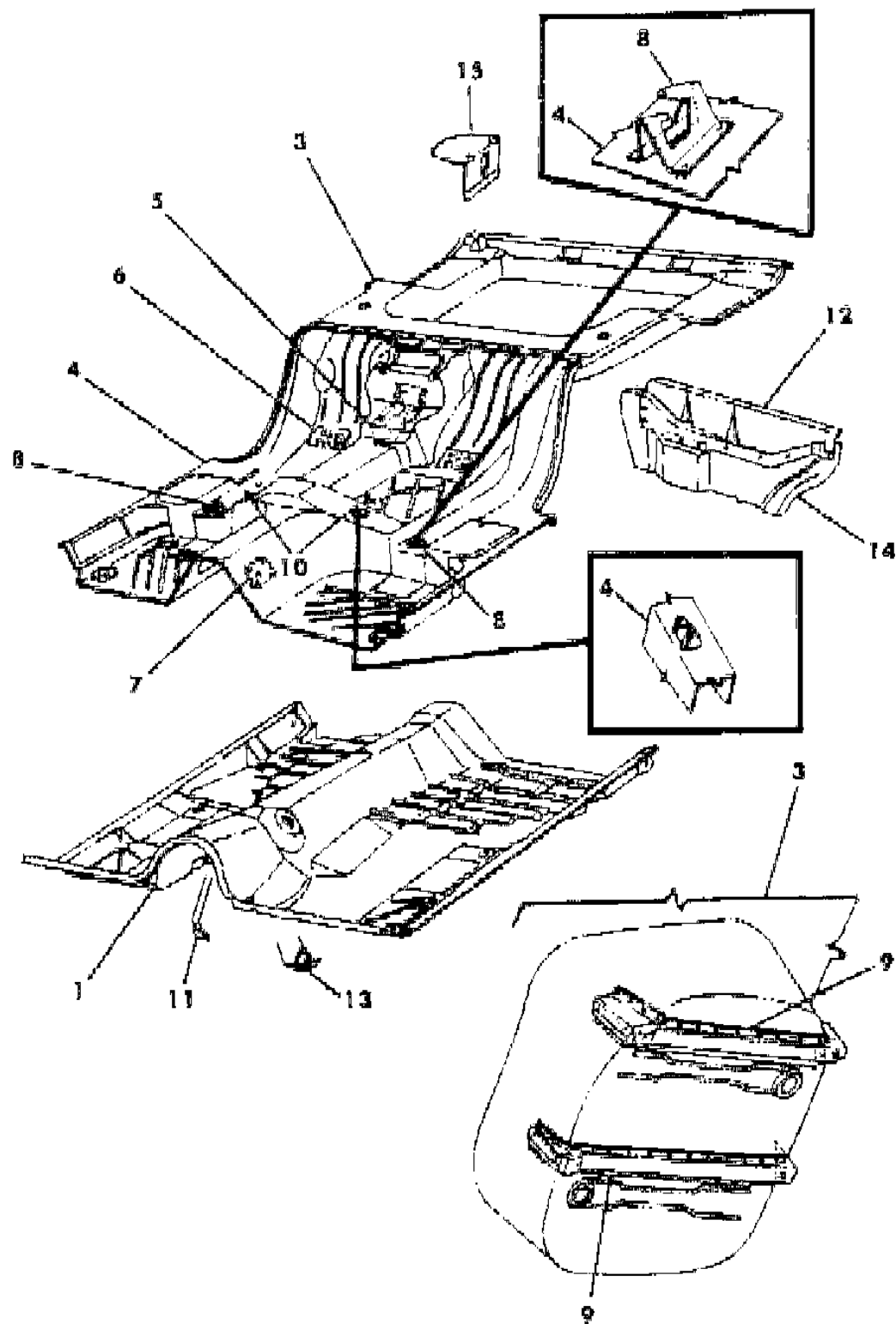
BODY STYLES

21 = 2-DOOR SEDAN	41 = 4-DOOR SEDAN
22 = 2-DOOR SPECIAL COUPE	45 = 4-DOOR STATION WAGON
24 = 2-DOOR HATCHBACK	44 = 4-DOOR HATCHBACK
27 = 2-DOOR CONVERTIBLE	48 = EXECUTIVE SEDAN
28 = FWD PICKUP	

AR = Use as Required - = Non Illustrated Part P.A.R. = Paint as Required

FLOOR PAN - B,F,G  
Figure 23A-9200

1159 9200



ITEM	PART NUMBER	QTY	BODY	MODEL	DESCRIPTION
1	4206 377	1			PAN, Front Floor
3	4134 910	1			PAN, Rear Floor
4	4134 292	1			PAN, Center Floor
5	4134 249	1			REINFORCEMENT w/NUT, Center Floor Pan Pinion Carrier Bumper
6	4206 954	2			REINFORCEMENT, Center Floor Pan Rear Seat Belt Inner
7	4206 764	2			REINFORCEMENT, Center Floor Pan Front Seat Belt Inner
8	3446 302	2			RETAINER, Center Floor Pan Rear Seat Cushion (w/o Heavy Duty Rear Seat Springs)
9	3850 502	1			STRAINER w/REINFORCEMENT, Fuel Tank Front and Rear, Rt.
	3850 501	1			Lt.
11	4206 394-5	1			REINFORCEMENT, Seat Guide Front Outer
13	4206 396-7	1			REINFORCEMENT, Seat Guide Outer Rear
14	4134 906	1			EXTENSION, Rear Floor Pan Side, Rt.
	4015 233	1			Lt.
15	4134 424	1			SUPPORT, Rear Floor Pan Spare Wheel Side

Note: For PLUGS, SEE PLUG ILLUSTRATION. de). Both models are derived from the 100.1" W.B. LeBaron (C 22 Model). Sheet metal parts for the C 48 not found on this illustration should be specif

Note: The Following Items Are Not Shown On Illustration. de). Both models are derived from the 100.1" W.B. LeBaron (C 22 Model). Sheet metal parts for the C 48 not found on this illustration should be specif

4200 001	1				CROSSMEMBER w/REINFORCEMENT, Front Floor Pan Anti-Seat Shake, w/60/40 Split Bench
4015 634	2				REINFORCEMENT, Rear Floor Pan Rear Crossmember (w/S/C F58-Heavy Service Package)
4134 377	2				BRACKET, Center Floor Pan Rear Seat Cushion Mounting (w/ Heavy Duty Rear Seat Springs)

MODEL CODES

B = GRAN FURY	G = DIPLOMAT	V = 400
C = LEBARON/TOWN & COUNTRY	M = HORIZON/TURISMO/SCAMP	X = MIRADA
D = ARIES	P = RELIANT	Y = IMPERIAL
E = 600	S = CORDOBA	Z = OMNI/CHARGER/RAMPAGE
F = FIFTH AVENUE	T = E CLASS/NEWYORKER	

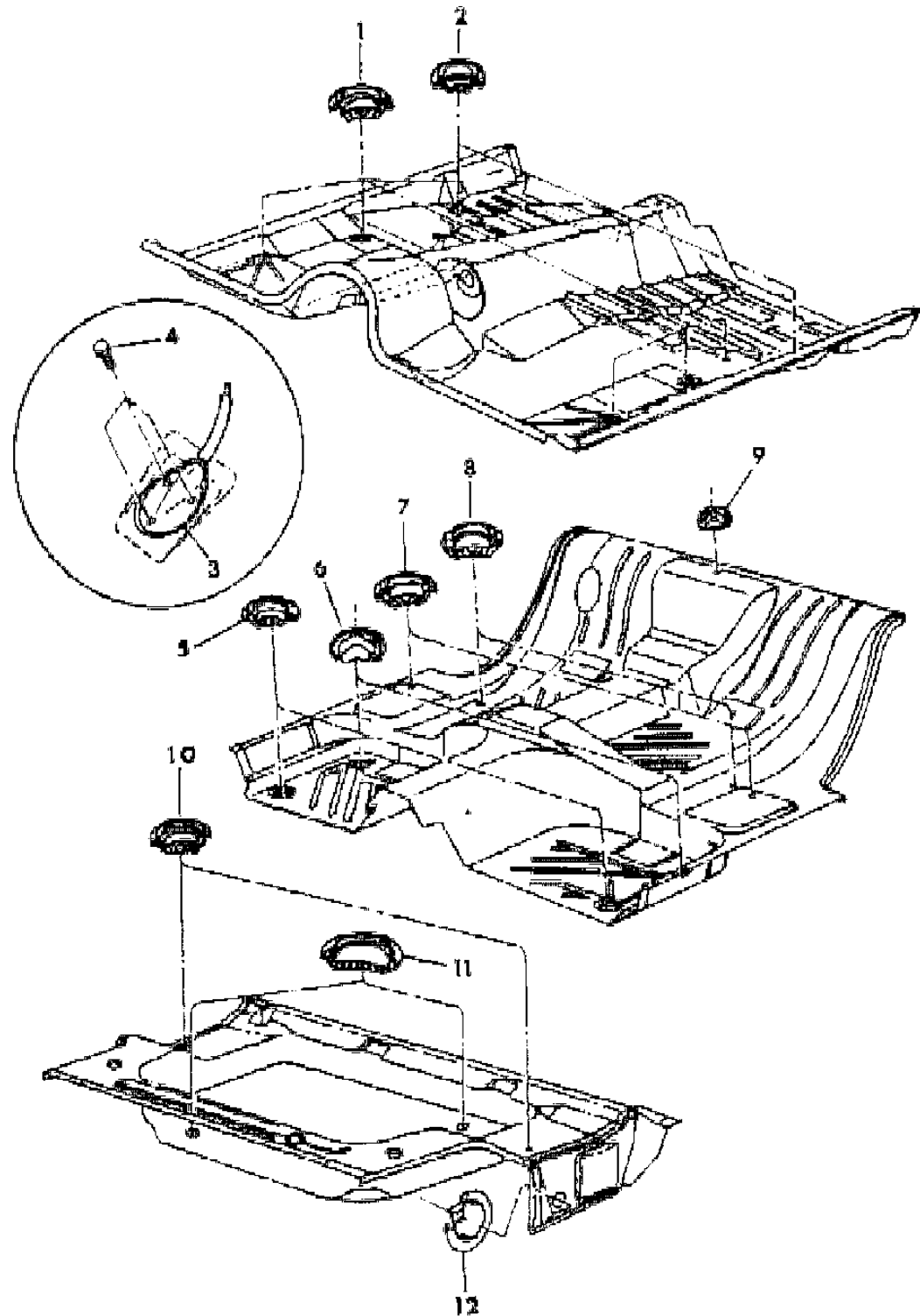
BODY STYLES

21 = 2-DOOR SEDAN	41 = 4-DOOR SEDAN
22 = 2-DOOR SPECIAL COUPE	45 = 4-DOOR STATION WAGON
24 = 2-DOOR HATCHBACK	44 = 4-DOOR HATCHBACK
27 = 2-DOOR CONVERTIBLE	48 = EXECUTIVE SEDAN
28 = FWD PICKUP	

AR = Use as Required - = Non Illustrated Part P.A.R. = Paint as Required

PLUGS, FLOOR PAN - B,F,G  
Figure 23A-9300

J169 9330



ITEM	PART NUMBER	QTY	BODY	MODEL	DESCRIPTION
1	2480 957	6			PLUG
2	1774 076	2			PLUG
3	2259 118	1			SEAL, Parking Brake Cable
4		3			SCREW (Not Serviced)
5	6030 773	2			PLUG
6	4073 475	2			PLUG
7	2480 957	2			PLUG
8	2480 957	2			PLUG
9	4073 474	1			PLUG
10	2480 957	2			PLUG
11	6030 773	2			PLUG
12	4073 485	2			PLUG

MODEL CODES

B = GRAN FURY	G = DIPLOMAT	V = 400
C = LEBARON/TOWN & COUNTRY	M = HORIZON/TURISMO/SCAMP	X = MIRADA
D = ARIES	P = RELIANT	Y = IMPERIAL
E = 600	S = CORDOBA	Z = OMNI/CHARGER/RAMPAGE
F = FIFTH AVENUE	T = E CLASS/NEWYORKER	

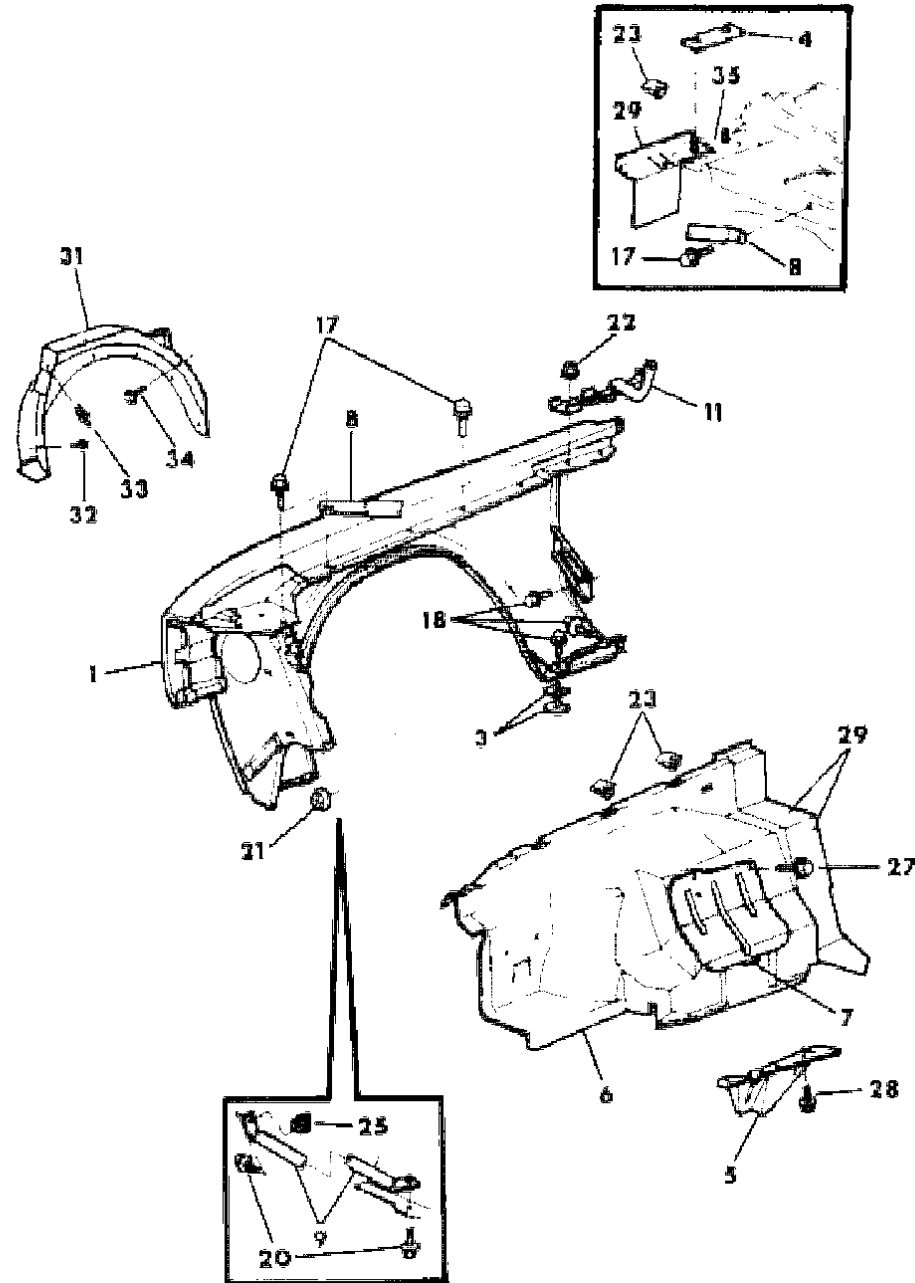
BODY STYLES

21 = 2-DOOR SEDAN	41 = 4-DOOR SEDAN
22 = 2-DOOR SPECIAL COUPE	45 = 4-DOOR STATION WAGON
24 = 2-DOOR HATCHBACK	44 = 4-DOOR HATCHBACK
27 = 2-DOOR CONVERTIBLE	48 = EXECUTIVE SEDAN
28 = FWD PICKUP	

AR = Use as Required - = Non Illustrated Part P.A.R. = Paint as Required

**FENDER - B,F,G**  
**Figure 23A-9400**

1169 9400



ITEM	PART NUMBER	QTY	BODY	MODEL	DESCRIPTION
1	4106 626-7	1		B,F,G	FENDER, w/o Cornering Lamps (See Note "A")
	4106 632-3	1		F	w/Cornering Lamps
NOTE "A": Fenders For "F" Models w/o Cornering Lamps Are Supplied Without Side Marker Lamp Holes. de). Both models are derived from the 100.1" W.B. LeBaron (C 22 Model). Sheet metal parts for the C 48 not found on this illustration should be specif					
3	6010 031	AR			SHIM
4	6010 031	AR			SHIM, Fender to Cowl Side
5	4005 081	1			SHIELD, Frt. Side Rail Lwr. Splash, Lt.
6	4237 012-3	1			PANEL, Fender Shield
7	4005 108	2			COVER, Fndr. Shield Pnl. Upr. Control Arm,Alum.
8	3868 634	1			STRUT, Fndr. Cowl Top,Rt.,Use w/o Heavy Service Pkg. F57
	3868 979	1			STRUT, Fndr. Cowl Top,Lt.,Use w/o Heavy Service Pkg. F57
	4103 066-7	1			Use w/Heavy Service Pkg. F57
9	3868 966-7	1			BRACE, Fndr. Lwr. Flange
11		1			HINGE and PROP, Hood Complete (See Hood Illus.)
17	9425 118	AR			SCREW and Washer
18					SCREW and WASHER (Not Serviced)
20					SCREW and WASHER (Not Serviced)
21	0118 614	AR			NUT and WASHER
22	0118 614	AR			NUT and WASHER
23					NUT (Not Serviced)
25	0152 454	AR			U-NUT
27					SCREW (Not Serviced)
28					SCREW and WASHER (Not Serviced)
29					SUPPORT, Dash Pnl. to Fndr. S/Shield Upr.(See Cowl Illus.)
31	3868 968-9	1			SHIELD,Fndr. W/House Splash
32		AR			Screw and Wa. (Not Serviced)
33	6031 390	AR			Retainer
34					Screw and Wa.(Not Serviced)
35	4136 191	2			REINFORCEMENT w/SCREW,Dash Pnl. Hood Hge.
NOTE: The Following Items Are Not Shown On Illustration. de). Both models are derived from the 100.1" W.B. LeBaron (C 22 Model). Sheet metal parts for the C 48 not found on this illustration should be specif					
	4005 182	1			STRUT, Battery Hold-Down To Fender
	6030 441	AR			RETAINER, Fender Splash Shield to Front Side Shield Panel
	4005 185	1			SLEEVE, Battery Hold-Down To Fender Strut w/Heavy Service Package

**MODEL CODES**

B = GRAN FURY	G = DIPLOMAT	V = 400
C = LEBARON/TOWN & COUNTRY	M = HORIZON/TURISMO/SCAMP	X = MIRADA
D = ARIES	P = RELIANT	Y = IMPERIAL
E = 600	S = CORDOBA	Z = OMNI/CHARGER/RAMPAGE
F = FIFTH AVENUE	T = E CLASS/NEWYORKER	

**BODY STYLES**

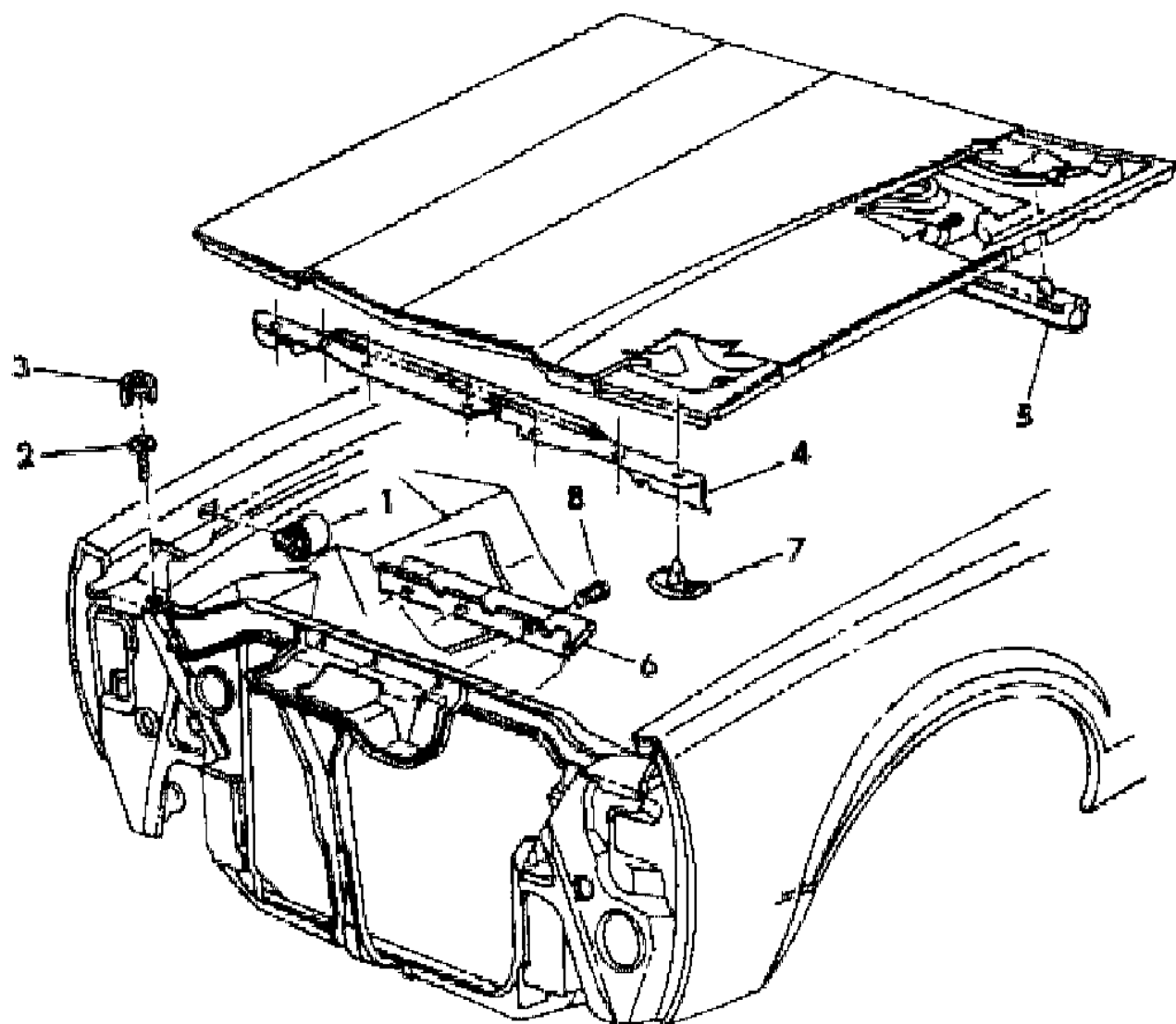
21 = 2-DOOR SEDAN	41 = 4-DOOR SEDAN
22 = 2-DOOR SPECIAL COUPE	45 = 4-DOOR STATION WAGON
24 = 2-DOOR HATCHBACK	44 = 4-DOOR HATCHBACK
27 = 2-DOOR CONVERTIBLE	48 = EXECUTIVE SEDAN
28 = FWD PICKUP	

AR = Use as Required - = Non Illustrated Part P.A.R. = Paint as Required

**BUMPERS, FENDER & HOOD - B,F,G**  
**Figure 23A-9500**

3168 0500

ITEM	PART NUMBER	QTY	BODY	MODEL	DESCRIPTION
1	3443 894	2			BUMPER, Fender, Hood
2	6023 531	2			SCREW
3	3788 362	2			BUMPER, Hood
4	4074 857	1			SEAL, Hood Yoke
5	3868 603	1			SEAL, Hood to Cowl
6	4103 056	1			SEAL, Radiator Yoke
7	6003 351	7			FASTENER
8	6030 538	3			RETAINER



**MODEL CODES**

B = GRAN FURY	G = DIPLOMAT	V = 400
C = LEBARON/TOWN & COUNTRY	M = HORIZON/TURISMO/SCAMP	X = MIRADA
D = ARIES	P = RELIANT	Y = IMPERIAL
E = 600	S = CORDOBA	Z = OMNI/CHARGER/RAMPAGE
F = FIFTH AVENUE	T = E CLASS/NEWYORKER	

**BODY STYLES**

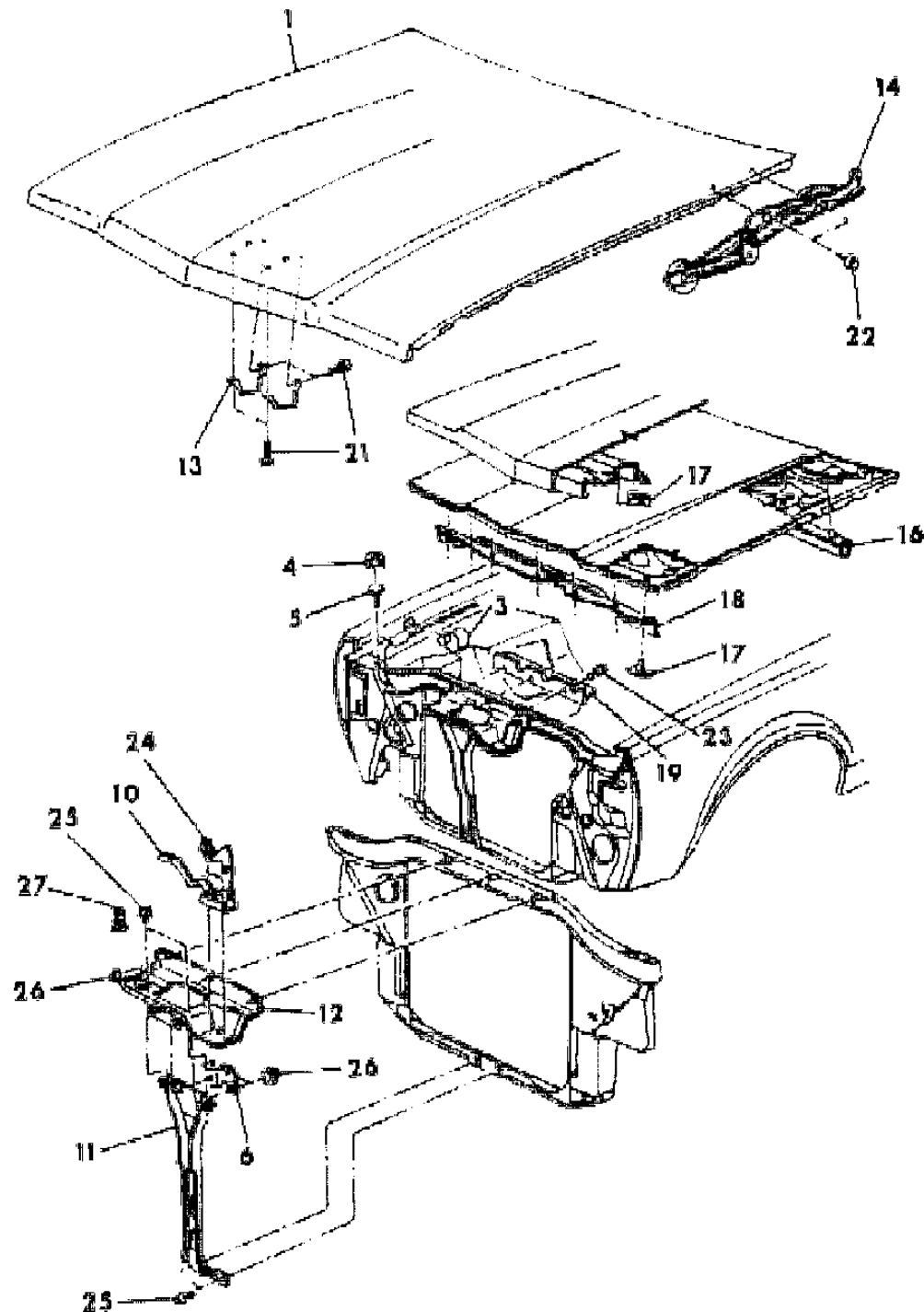
21 = 2-DOOR SEDAN	41 = 4-DOOR SEDAN
22 = 2-DOOR SPECIAL COUPE	45 = 4-DOOR STATION WAGON
24 = 2-DOOR HATCHBACK	44 = 4-DOOR HATCHBACK
27 = 2-DOOR CONVERTIBLE	48 = EXECUTIVE SEDAN
28 = FWD PICKUP	

AR = Use as Required - = Non Illustrated Part P.A.R. = Paint as Required



HOOD - B,F,G  
Figure 23A-9600

3189 9600



ITEM	PART NUMBER	QTY	BODY	MODEL	DESCRIPTION
1	4129 313	1			HOOD
3	3443 894	2			BUMPER, Fndr. Hood Side
4	3788 362	2			BUMPER, Fndr. Yoke Brkt. Hood Adj.
5	6023 531	AR			SCREW,Fndr. Flange Hood Adj. Bumper
6	3861 819	1			LATCH,Hood
10	4172 068	1			CATCH,Hood Safety,Complete
11	4074 810	1			SUPPORT,Hood Lock Vertical
12	4103 490	1			PLATE,Hood Lock
13	4054 003	1			STRIKER,Hood Safety Catch
	4054 003	1			STRIKER,Hood Latch
14	4103 428-9	1			HINGE and PROP,Hood Complete
16	3868 603	1			SEAL,Hood Cowl
17	6003 351	AR			FASTENER,Seal Hood to Yoke Seal
18	4074 857	1			SEAL,Hood Inner Pnl.to Yoke
19	4103 056	1			SEAL,Rad.Yoke C/Mbr. Rad.
21	0181 063	AR			SCREW and Wa.
22		AR			SCREW and Wa. (Not Serviced)
23	6030 538	3			RETAINER
24	0181 063	AR			SCREW and Wa.
25	9425 118	AR			SCREW and Wa.
26	0118 614	AR			NUT and Wa.
27	4240 535	1			SPRING PKG.,Hood Pop-Up,Eyelet Type

Note: The Following Items are not shown on Illustration de). Both models are derived from the 100.1" W.B. LeBaron (C 22 Model).  
Sheet metal parts for the C 48 not found on this illustration should be specif

3875 949	2				SEAL,Cowl Top Pnl. to W/Shield Outer Frame
6003 568	AR				FASTENER,Hood Cowl Seal
4049 601	1				SILENCER,Hood Inner Pnl.
6003 351	AR				FASTENER,Hood Inner Pnl.Silencer

MODEL CODES

B = GRAN FURY	G = DIPLOMAT	V = 400
C = LEBARON/TOWN & COUNTRY	M = HORIZON/TURISMO/SCAMP	X = MIRADA
D = ARIES	P = RELIANT	Y = IMPERIAL
E = 600	S = CORDOBA	Z = OMNI/CHARGER/RAMPAGE
F = FIFTH AVENUE	T = E CLASS/NEWYORKER	

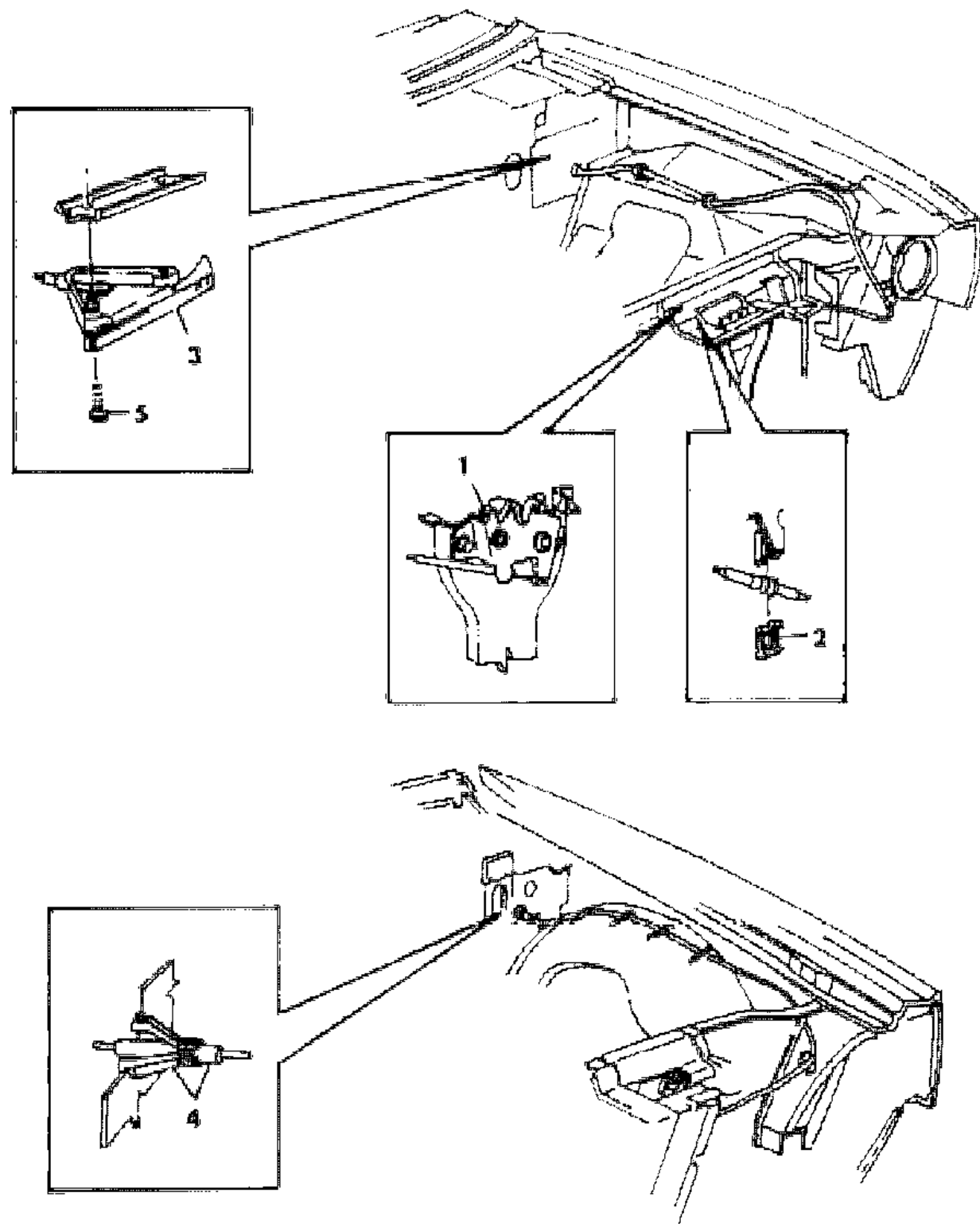
BODY STYLES

21 = 2-DOOR SEDAN	41 = 4-DOOR SEDAN
22 = 2-DOOR SPECIAL COUPE	45 = 4-DOOR STATION WAGON
24 = 2-DOOR HATCHBACK	44 = 4-DOOR HATCHBACK
27 = 2-DOOR CONVERTIBLE	48 = EXECUTIVE SEDAN
28 = FWD PICKUP	

AR = Use as Required - = Non Illustrated Part P.A.R. = Paint as Required

**HOOD RELEASE, REMOTE CONTROL - B,F,G**  
**Figure 23A-9700**

J16B 9700



ITEM	PART NUMBER	QTY	BODY	MODEL	DESCRIPTION
1	3861 819	1			LATCH, Hood
2	3861 231	1			CLIP, Hood Latch Rel. Cable Ret.
3	3882 085	1			RELEASE, Inst. Pnl. Hood Latch
4	3695 100	1			GROMMET, Hood Latch Rel. Handle Cable
5					SCREW (Not Serviced)

NOTE: The following items are not shown on illus. de). Both models are derived from the 100.1" W.B. LeBaron (C 22 Model). Sheet metal parts for the C 48 not found on this illustration should be specif

	6024 203	1			PUSH NUT, Inst. Pnl. Hood Latch Rel. Handle Brkt. to Handle
	6031 147	1			S/NUT, Inst Pnl. Hood Latch Rel. Handle to Cable
	1774 076	1			PLUG, Hood Release Cable

**MODEL CODES**

B = GRAN FURY	G = DIPLOMAT	V = 400
C = LEBARON/TOWN & COUNTRY	M = HORIZON/TURISMO/SCAMP	X = MIRADA
D = ARIES	P = RELIANT	Y = IMPERIAL
E = 600	S = CORDOBA	Z = OMNI/CHARGER/RAMPAGE
F = FIFTH AVENUE	T = E CLASS/NEWYORKER	

**BODY STYLES**

21 = 2-DOOR SEDAN	41 = 4-DOOR SEDAN
22 = 2-DOOR SPECIAL COUPE	45 = 4-DOOR STATION WAGON
24 = 2-DOOR HATCHBACK	44 = 4-DOOR HATCHBACK
27 = 2-DOOR CONVERTIBLE	48 = EXECUTIVE SEDAN
28 = FWD PICKUP	

AR = Use as Required - = Non Illustrated Part P.A.R. = Paint as Required

**COWL & DASH PANEL - B,F,G**  
**Figure 23A-9800**

3189 9800

ITEM	PART NUMBER	QTY	BODY	MODEL	DESCRIPTION
1	4200 680	1			PANEL,Cowl Side,Rt.
	4200 681	1			Lt.
2	4200 030	1			PANEL,Cowl Top and Dash,w/o A/C
	4200 032	1			w/A/C
3	4198 190	1			SUPPORT,Dash Panel to Fender Side Shield,Lower Rt.
4	4198 191	1			SUPPORT,Dash Panel to Fender Side Shield,Lower Lt.
5	4136 542	1			REINFORCEMENT,Dash Panel to Cowl Side Rt,
6	3793 882	1			BRACKET,Cowl Side to Windshield Lower Corner,Rt.
	4040 697	1			GUSSET,Lt.
7	3793 421	1			BRACKET,Dash Panel to Steering Column Reinforcement & Lower Corner Gusset, Left
8	4136 543	1			GUSSET,Windshield Lower Corner Lt.
9	0181 086	4			BOLT
10	3794 032	3			SEAL,Cowl Top Drain Hole
12	2811 825	1			PLUG,Clutch Rod Hole
13	4198 188-9	1			BRACKET,Dash Panel to Fender Side Shield to Rail Support, w/ Heavy Service Package
14	3794 196	1			SCREEN,Cowl To Fresh Air Opening
17	4040 880-1	1			BRACKET,Cowl Top Panel to Fender Strut, w/Heavy Service Package
18	4136 186-7	1			SUPPORT,Dash Panel to Fender Side Shield Upper

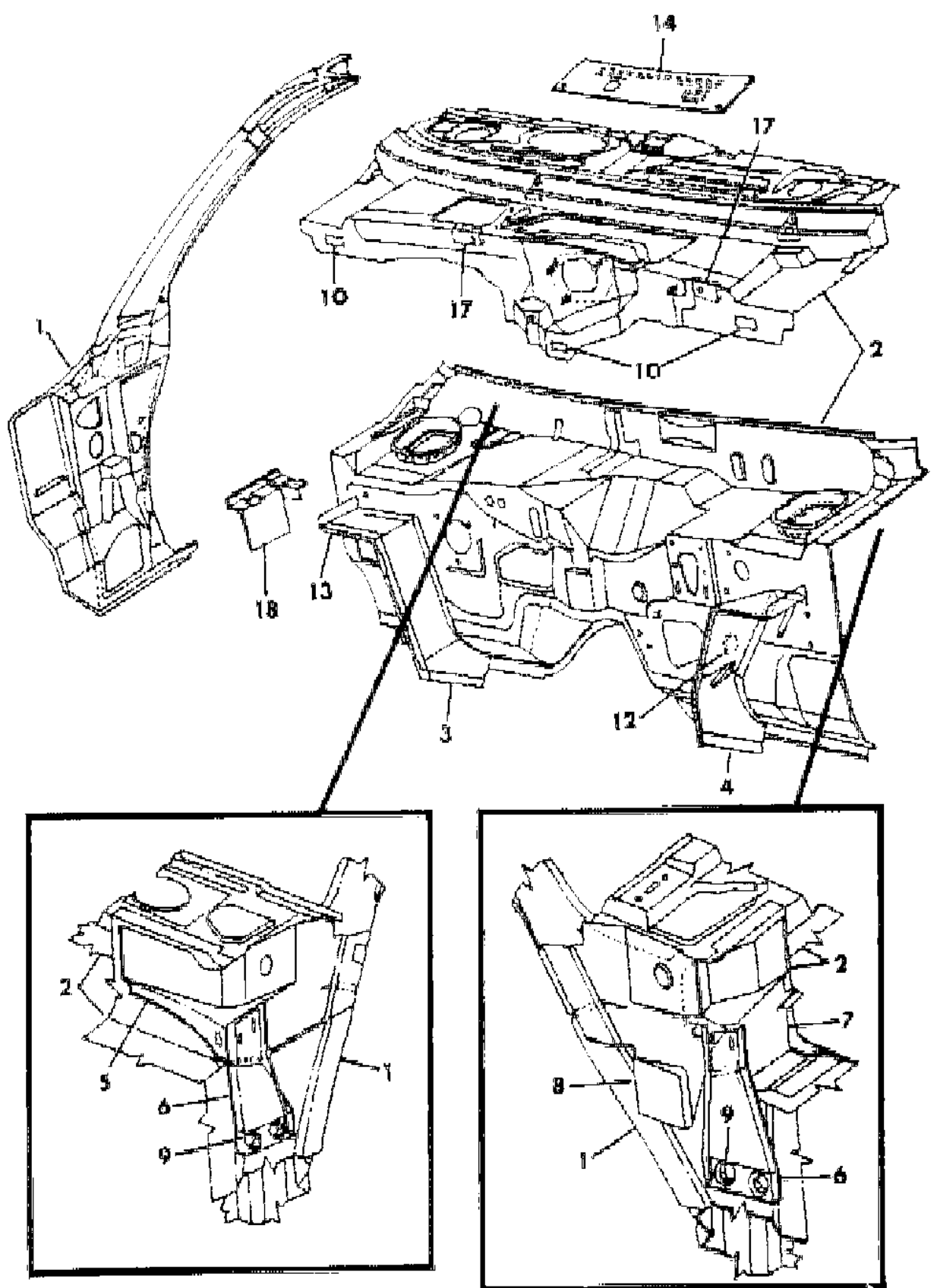
NOTE: The following items are not shown on illustration. de). Both models are derived from the 100.1" W.B. LeBaron (C 22 Model).  
 Sheet metal parts for the C 48 not found on this illustration should be specif

6015 951	4	CLIP,Cowl Side Wiring
4136 041	2	REINFORCEMENT,Dash Panel Accelerator Pedal Mounting, w/ Heavy Service Package
4136 191	2	REINFORCEMENT,Dash Panel Hood Hinge

MODEL CODES  
 B = GRAN FURY  
 C = LEBARON/TOWN & COUNTRY  
 D = ARIES  
 E = 600  
 F = FIFTH AVENUE  
 G = DIPLOMAT  
 M = HORIZON/TURISMO/SCAMP  
 P = RELIANT  
 S = CORDOBA  
 T = E CLASS/NEWYORKER  
 V = 400  
 X = MIRADA  
 Y = IMPERIAL  
 Z = OMNI/CHARGER/RAMPAGE

BODY STYLES  
 21 = 2-DOOR SEDAN  
 22 = 2-DOOR SPECIAL COUPE  
 24 = 2-DOOR HATCHBACK  
 27 = 2-DOOR CONVERTIBLE  
 28 = FWD PICKUP  
 41 = 4-DOOR SEDAN  
 45 = 4-DOOR STATION WAGON  
 44 = 4-DOOR HATCHBACK  
 48 = EXECUTIVE SEDAN

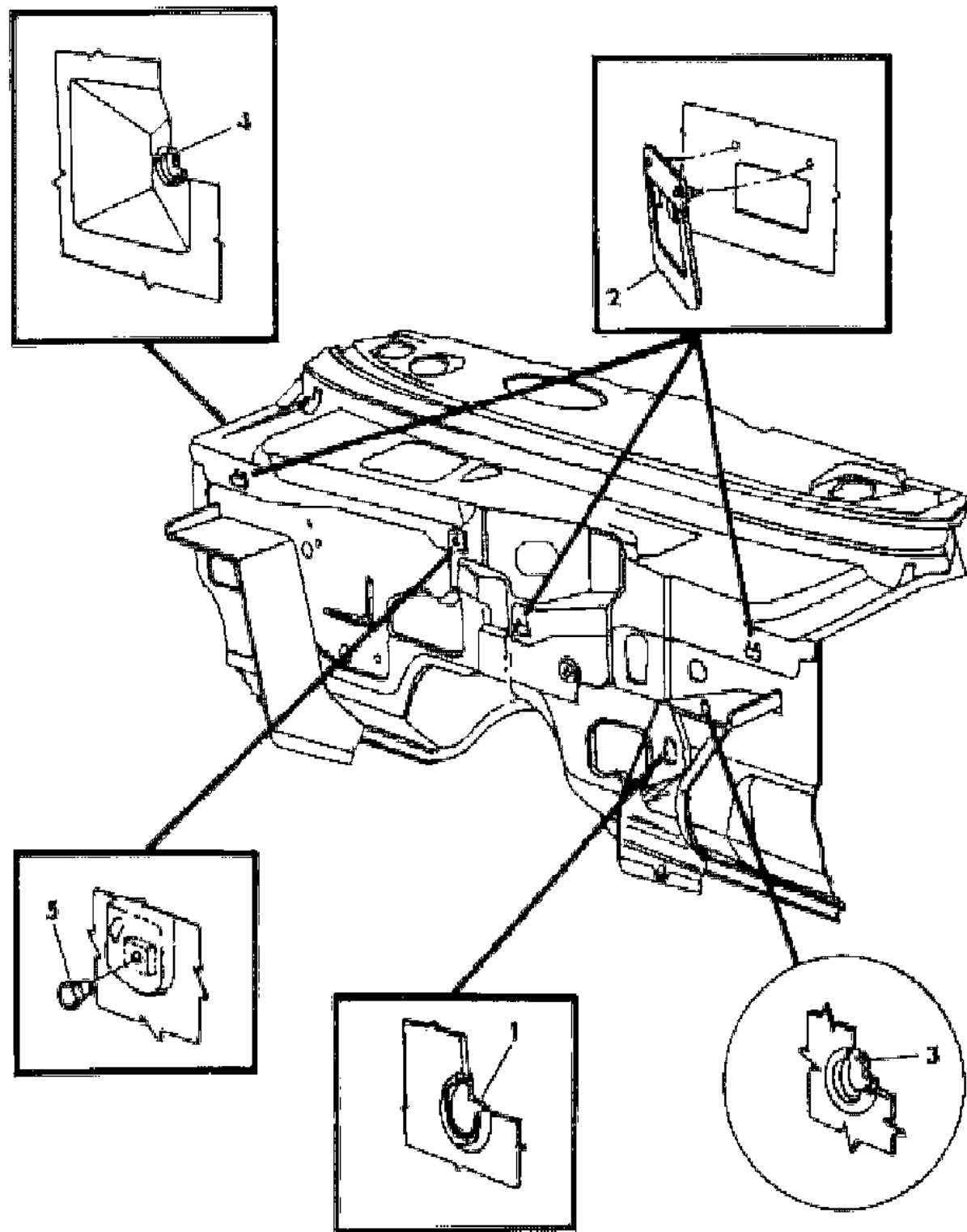
AR = Use as Required - = Non Illustrated Part P.A.R. = Paint as Required



PLUGS, COWL & DASH - B,F,G  
Figure 23A-9900

21 69 9900

ITEM	PART NUMBER	QTY	BODY	MODEL	DESCRIPTION
1		1			PLUG (Not Serviced)
2	3794 032	3			SEAL, Cowl Top
3	1774 076	1			PLUG, Hood Release Cable
4	2860 332	1			PLUG, Antenna Hole
5	2423 737	1			PLUG, Cowl Top



MODEL CODES

B = GRAN FURY	G = DIPLOMAT	V = 400
C = LEBARON/TOWN & COUNTRY	M = HORIZON/TURISMO/SCAMP	X = MIRADA
D = ARIES	P = RELIANT	Y = IMPERIAL
E = 600	S = CORDOBA	Z = OMNI/CHARGER/RAMPAGE
F = FIFTH AVENUE	T = E CLASS/NEWYORKER	

BODY STYLES

21 = 2-DOOR SEDAN	41 = 4-DOOR SEDAN
22 = 2-DOOR SPECIAL COUPE	45 = 4-DOOR STATION WAGON
24 = 2-DOOR HATCHBACK	44 = 4-DOOR HATCHBACK
27 = 2-DOOR CONVERTIBLE	48 = EXECUTIVE SEDAN
28 = FWD PICKUP	

AR = Use as Required - = Non Illustrated Part P.A.R. = Paint as Required

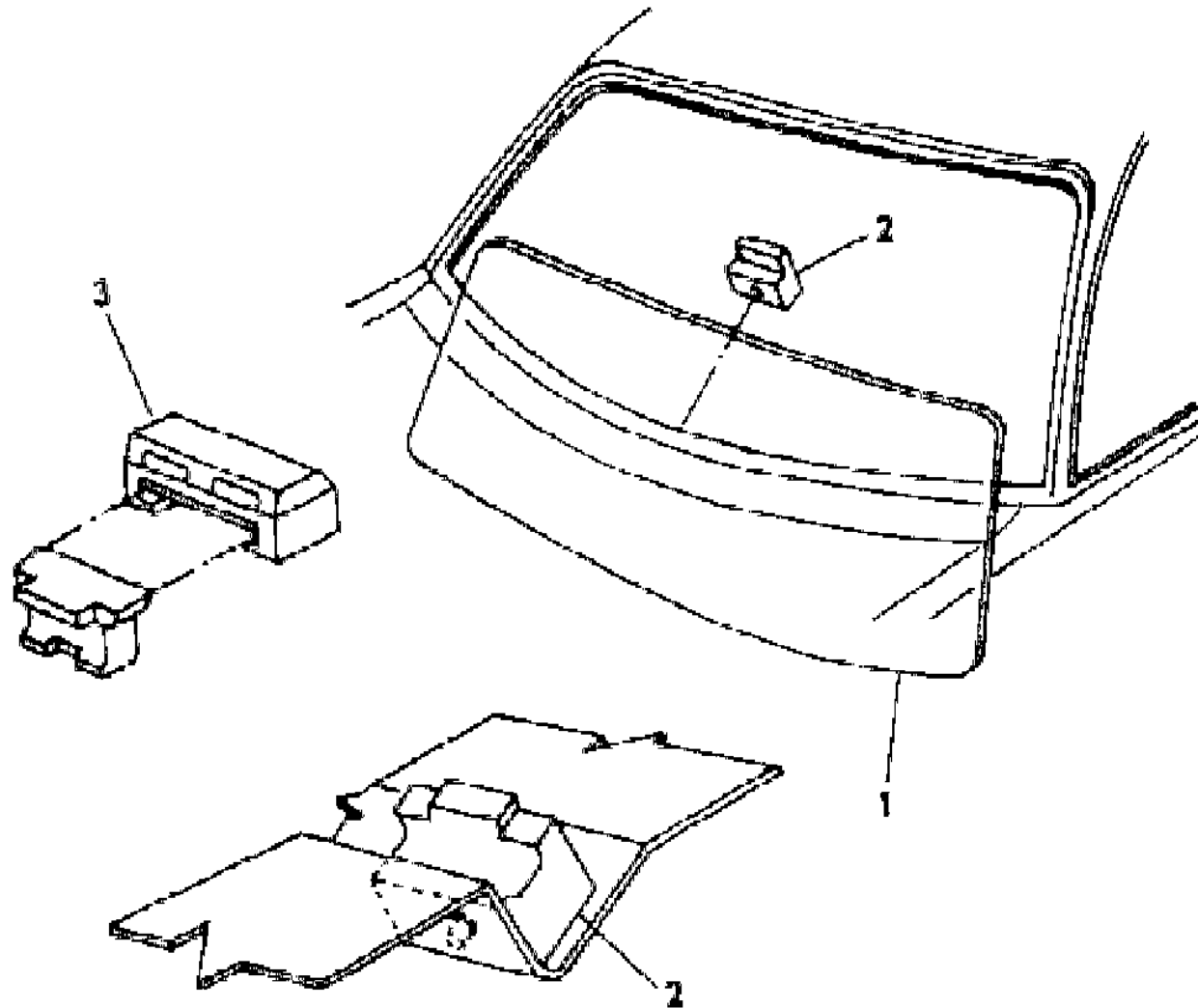
**GLASS, WINDSHIELD - B,F,G**  
**Figure 23A-1000**

316# 10000

ITEM	PART NUMBER	QTY	BODY	MODEL	DESCRIPTION
------	-------------	-----	------	-------	-------------

NOTE: GLASS, WINDSHIELD - ORDER FROM YOUR LOCAL MOPAR GLASS DISTRIBUTOR. de). Both models are derived from the 100.1" W.B. LeBaron (C 22 Model). Sheet metal parts for the C 48 not found on this illustration should be specif

1					GLASS, Windshield Tinted
2	3795 695	1			SPACER, Windshield Glass Lower, Approximately .230" Thick
	3794 035	2			Approximately .150" Thick
3	3767 820	AR			SHIM, Windshield Glass Spacer Lower, Approximately.218" Thick
	3767 767	AR			FIXED GLASS REPAIR PACKAGE, W/Shield (Not Shown)
	4057 957	1			CONSISTS OF:
					1- ----- Tape, Butyl, 171.00"
					1- ----- Primer, Glass
					1- ----- Primer, Fence
					2- 3674698 Spacer, Rubber, 0.2"
					2- 3793290 Spacer, Rubber, 0.3"
					2- 3767767 Shim, 0.07"
					2- ----- Sponges, Disposable



**MODEL CODES**

B = GRAN FURY	G = DIPLOMAT	V = 400
C = LEBARON/TOWN & COUNTRY	M = HORIZON/TURISMO/SCAMP	X = MIRADA
D = ARIES	P = RELIANT	Y = IMPERIAL
E = 600	S = CORDOBA	Z = OMNI/CHARGER/RAMPAGE
F = FIFTH AVENUE	T = E CLASS/NEWYORKER	

**BODY STYLES**

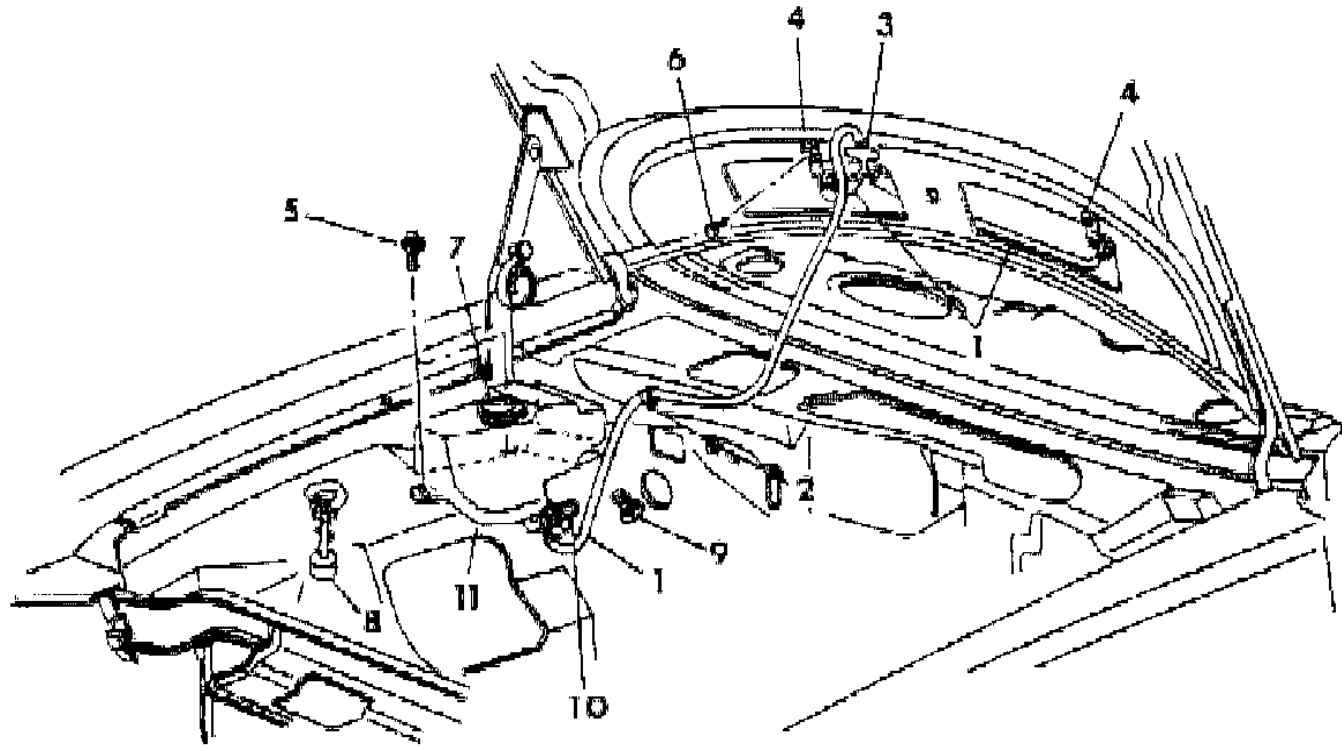
21 = 2-DOOR SEDAN	41 = 4-DOOR SEDAN
22 = 2-DOOR SPECIAL COUPE	45 = 4-DOOR STATION WAGON
24 = 2-DOOR HATCHBACK	44 = 4-DOOR HATCHBACK
27 = 2-DOOR CONVERTIBLE	48 = EXECUTIVE SEDAN
28 = FWD PICKUP	

AR = Use as Required - = Non Illustrated Part P.A.R. = Paint as Required

**WASHER SYSTEM, WINDSHIELD - B,F,G**  
**Figure 23A-1010**

3159 10100

ITEM	PART NUMBER	QTY	BODY	MODEL	DESCRIPTION
1	3780 798	1			HOSE, W/Shield Washer, 5/32" I.D., 50' Roll
	3837 036	1			1/8" I.D., 50'Roll
	4026 129	1			1/4" I.D., 50'Roll
2	6015 776	1			CLIP
3	5211 126	1			CONNECTOR, W/Shield Washer Hose
4	3799 133	2			NOZZLE, W/Shield Washer
5		2			SCREW (Not Serviced)
6		2			SCREW (Not Serviced)
7	2497 500	1			CAP, W/Shield Washer Reservoir
8	3746 813	1			SENSOR, Washer Fluid Level
9	3799 324	1			FILTER, W/Shield Washer
10	3799 462	1			PUMP and SEAL PACKAGE, W/Shield Washer
11	3799 542	1			RESERVOIR PACKAGE, W/Shield Washer
	6031 951	2			SCREW, Reservoir Mounting



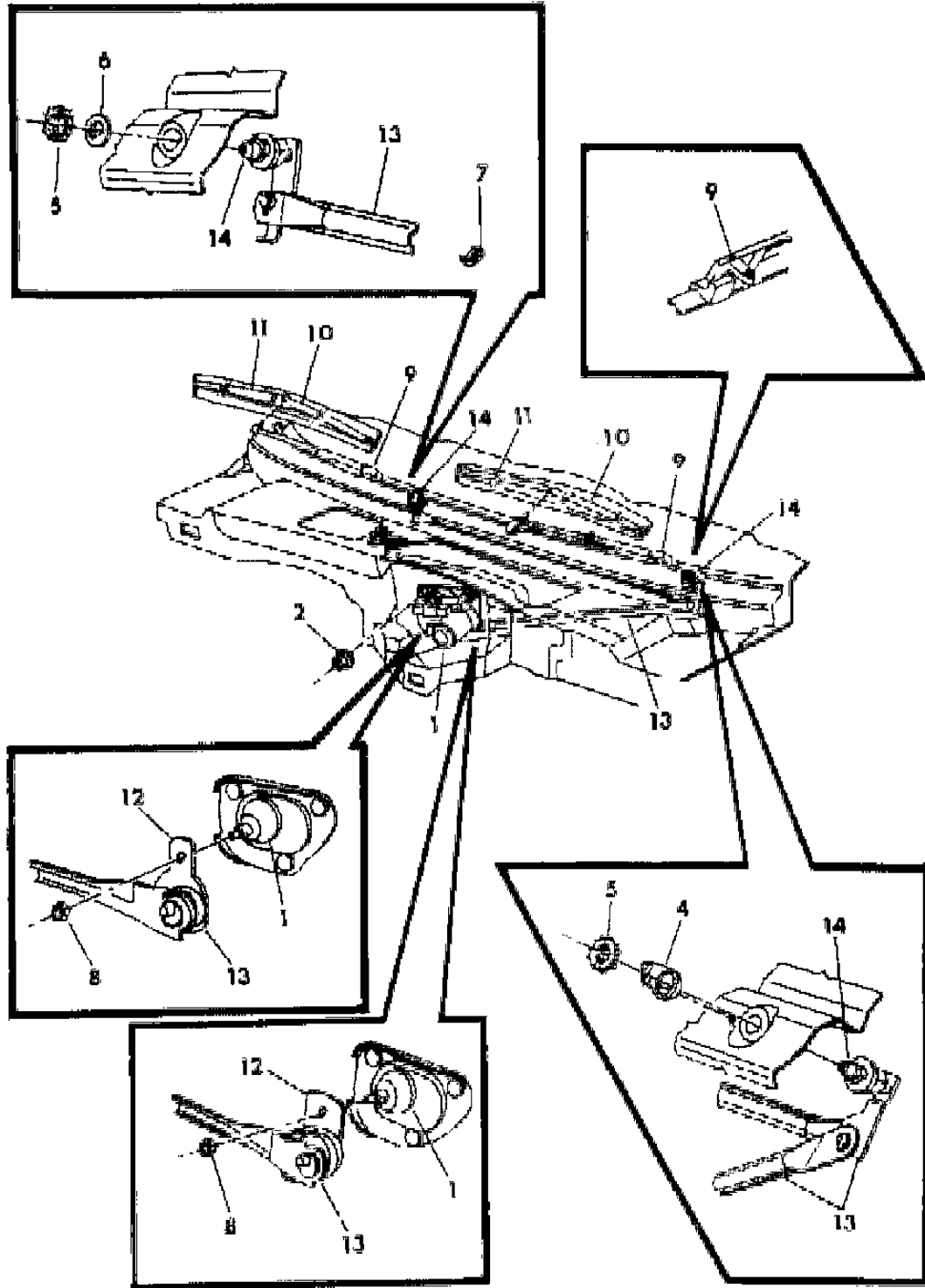
MODEL CODES  
 B = GRAN FURY  
 C = LEBARON/TOWN & COUNTRY  
 D = ARIES  
 E = 600  
 F = FIFTH AVENUE  
 G = DIPLOMAT  
 M = HORIZON/TURISMO/SCAMP  
 P = RELIANT  
 S = CORDOBA  
 T = E CLASS/NEWYORKER  
 V = 400  
 X = MIRADA  
 Y = IMPERIAL  
 Z = OMNI/CHARGER/RAMPAGE

BODY STYLES  
 21 = 2-DOOR SEDAN  
 22 = 2-DOOR SPECIAL COUPE  
 24 = 2-DOOR HATCHBACK  
 27 = 2-DOOR CONVERTIBLE  
 28 = FWD PICKUP  
 41 = 4-DOOR SEDAN  
 45 = 4-DOOR STATION WAGON  
 44 = 4-DOOR HATCHBACK  
 48 = EXECUTIVE SEDAN

AR = Use as Required - = Non Illustrated Part P.A.R. = Paint as Required

**WIPER SYSTEM, WINDSHIELD - B,F,G**  
**Figure 23A-1020**

3108 10200



ITEM	PART NUMBER	QTY	BODY	MODEL	DESCRIPTION
1	4205 951	1			MOTOR, 2 Speed
2	6025 413	3			NUT, Motor Mounting
4	3799 258	1			PLATE, Wiper Pivot Mounting, Left (Argent)
	3799 827	1			(Black)
5	5211 098	2			NUT, W/Shield Wiper Pivot Mtg.
6	5211 099	1			WASHER, W/Shield Wiper Pivot Mtg.
7	3799 089	4			BUSHING, W/Shield Wiper Linkage
8	6031 096	1			NUT, Crank Mtg.
9	3799 254-5	1			ARM, Wiper w/o Blade (Argent)
	3799 825	1			Right (Black)
	3799 826	1			Left (Black)
10					BLADE w/REFILL, Windshield Wiper
	3799 021	2			Trico (Argent)
	3799 828	2			Trico (Black)
11					REFILL, Windshield Wiper Blade
	3799 060	2			Trico (Use With #3799021 Blade)
	3799 685	2			Trico (Use With #3799828 Blade)
12	3799 105	1			CRANK w/Pin, Wiper Drive
13	3799 101	1			LINK w/BUSHING, Wiper Pivot Connecting
	3799 103	1			Wiper Drive
14	4026 046	1			PIVOT, Rt.
	3799 479	1			Lt.
NOTE: THE FOLLOWING ITEMS ARE NOT SHOWN ON ILLUSTRATION. de). Both models are derived from the 100.1" W.B. LeBaron (C 22 Model). Sheet metal parts for the C 48 not found on this illustration should be specif					
	2932 708	1			GROMMET and SPACER PKG., Motor Mtg.
CONSISTS OF:					
					3- ----- Spacer
					3- ----- Grommet
	2926 168	1			SEAL, W/Shield Wiper Motor Mtg.
	3431 974	1			W/Shield Wiper Motor Output Shaft
	3799 087	1			ARMATURE PKG. Wiper Motor, 2 Speed
	4222 060	1			CONTROL, 2 Speed w/Intermittent Wipe
	4048 579	1			BRACKET, 2 Speed w/Intermittent Wipe
	3799 275	1			HOUSING PKG. Wiper Motor, 2 Speed
	4205 954	1			GEAR, HOUSING and COVER, Wiper Motor, 2 Speed

**MODEL CODES**

B = GRAN FURY	G = DIPLOMAT	V = 400
C = LEBARON/TOWN & COUNTRY	M = HORIZON/TURISMO/SCAMP	X = MIRADA
D = ARIES	P = RELIANT	Y = IMPERIAL
E = 600	S = CORDOBA	Z = OMNI/CHARGER/RAMPAGE
F = FIFTH AVENUE	T = E CLASS/NEWYORKER	

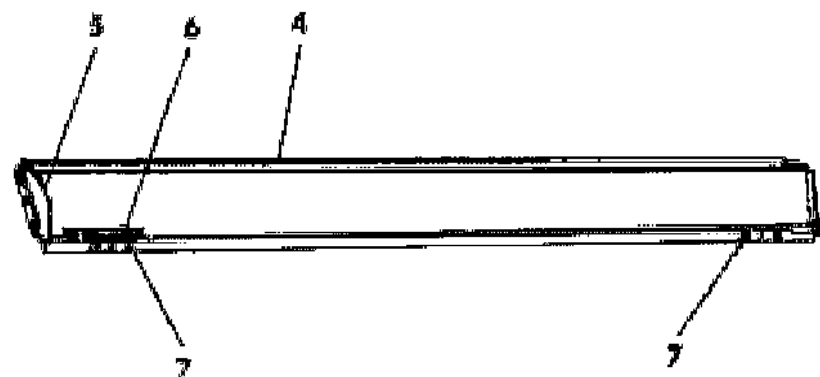
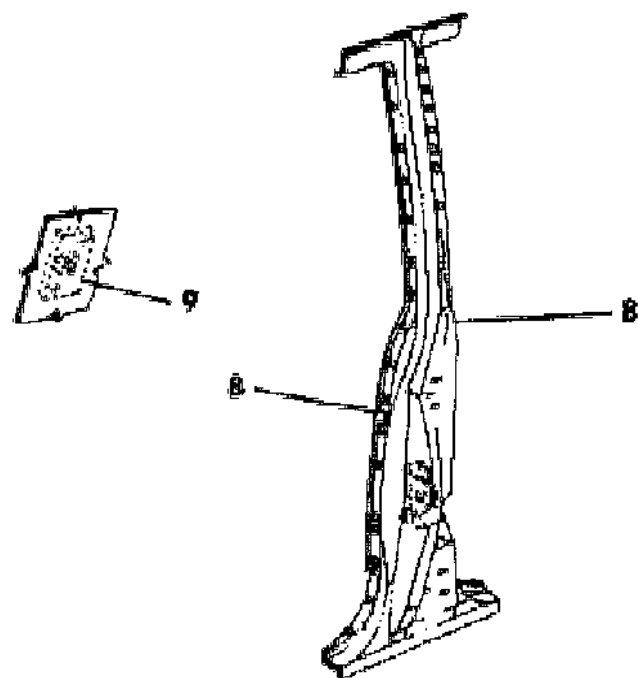
**BODY STYLES**

21 = 2-DOOR SEDAN	41 = 4-DOOR SEDAN
22 = 2-DOOR SPECIAL COUPE	45 = 4-DOOR STATION WAGON
24 = 2-DOOR HATCHBACK	44 = 4-DOOR HATCHBACK
27 = 2-DOOR CONVERTIBLE	48 = EXECUTIVE SEDAN
28 = FWD PICKUP	

AR = Use as Required - = Non Illustrated Part P.A.R. = Paint as Required

**SIDE SILL & CENTER PILLAR - B,F,G**  
**Figure 23A-1030**

3165 10300



ITEM	PART NUMBER	QTY	BODY	MODEL	DESCRIPTION
1	4206 704-5	1			PANEL,Side Sill Inner,Front
2	4206 394-5	1			REINFORCEMENT,Front Floor Pan Seat Guide,Front Outer
3	4206 396-7	1			REINFORCEMENT,Front Floor Pan Seat Guide,Rear Outer
4	4015 558-9	1			PANEL,Side Sill Outer
5	3791 060-1	1			CAP,Side Sill Panel,Front
6	4134 534	2			REINFORCEMENT,Side Sill Outer Jacking,Front
7	4134 416	4			BRACKET,Outer Sill Jack Locator
8	4200 666-7	1			PILLAR,Body Center
9	3767 433	4			REINFORCEMENT,Body Center Pillar Seat Shoulder Belt Hanger
10	3791 018-9	1			PANEL,Side Sill Inner Rear
NOTE: The Following Items Are Not Shown On Illustration. de). Both models are derived from the 100.1" W.B. LeBaron (C 22 Model). Sheet metal parts for the C 48 not found on this illustration should be specif					
	3445 952	2			TAPPING PLATE,Body Lock Pillar Lock Striker
	3752 366	2			REINFORCEMENT w/T/PLate,Body Center Pillar and Retainer

**MODEL CODES**

B = GRAN FURY	G = DIPLOMAT	V = 400
C = LEBARON/TOWN & COUNTRY	M = HORIZON/TURISMO/SCAMP	X = MIRADA
D = ARIES	P = RELIANT	Y = IMPERIAL
E = 600	S = CORDOBA	Z = OMNI/CHARGER/RAMPAGE
F = FIFTH AVENUE	T = E CLASS/NEWYORKER	

**BODY STYLES**

21 = 2-DOOR SEDAN	41 = 4-DOOR SEDAN
22 = 2-DOOR SPECIAL COUPE	45 = 4-DOOR STATION WAGON
24 = 2-DOOR HATCHBACK	44 = 4-DOOR HATCHBACK
27 = 2-DOOR CONVERTIBLE	48 = EXECUTIVE SEDAN
28 = FWD PICKUP	

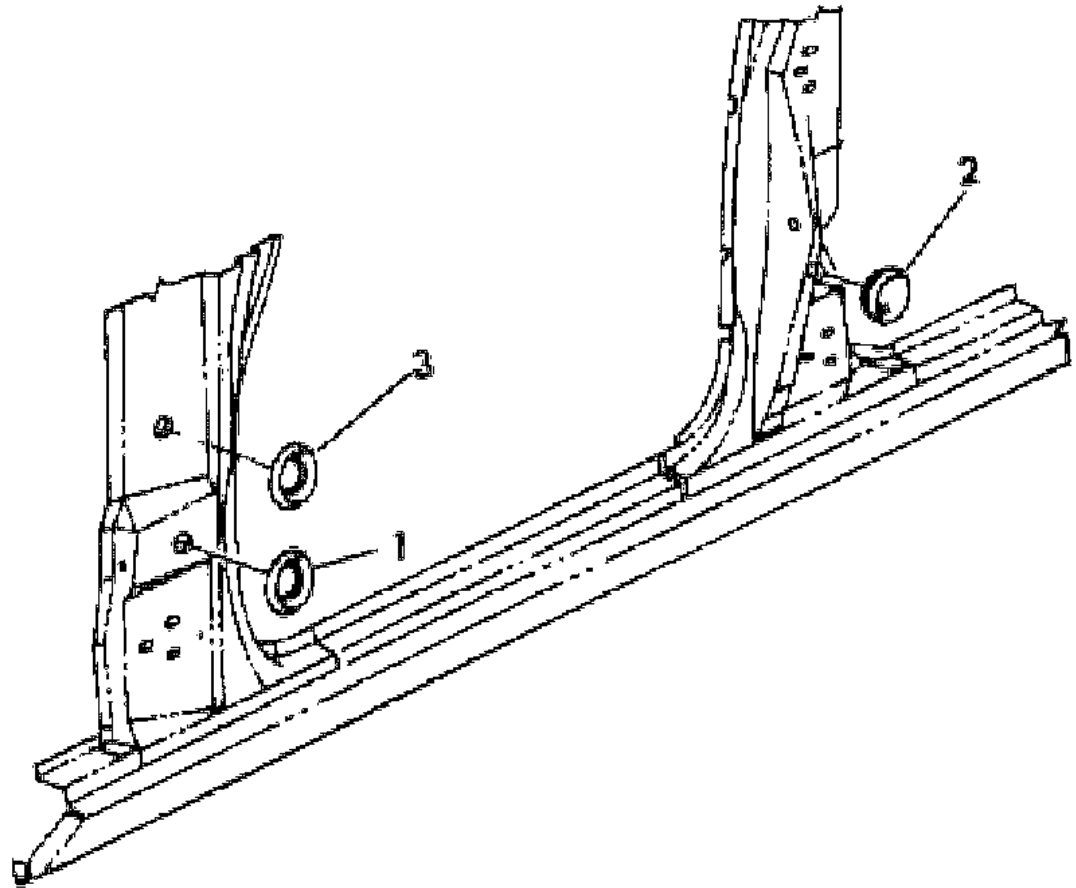
AR = Use as Required - = Non Illustrated Part P.A.R. = Paint as Required



**PLUGS, BODY SIDE - B,F,G**  
**Figure 23A-1040**

3169 10400

ITEM	PART NUMBER	QTY	BODY	MODEL	DESCRIPTION
1	6030 773	2			PLUG
2	2480 957	2			PLUG
3	2860 332	1			PLUG
NOTE: The Following Items Are Not Shown On Illustration. de). Both models are derived from the 100.1" W.B. LeBaron (C 22 Model). Sheet metal parts for the C 48 not found on this illustration should be specif					
	6031 488	2			PLUG, Front Door Hinge Pillar Wiring Hole



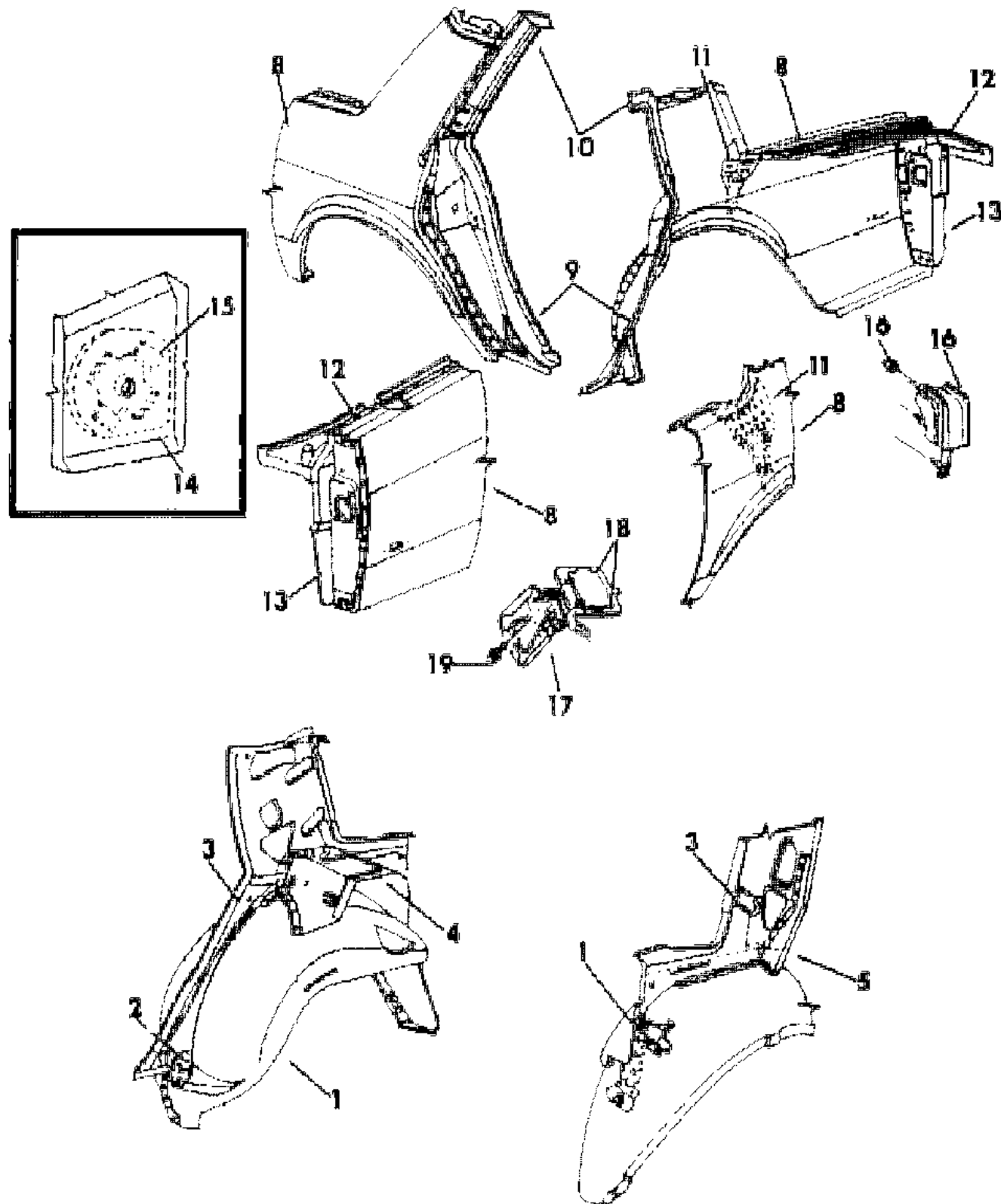
MODEL CODES  
 B = GRAN FURY  
 C = LEBARON/TOWN & COUNTRY  
 D = ARIES  
 E = 600  
 F = FIFTH AVENUE  
 G = DIPLOMAT  
 M = HORIZON/TURISMO/SCAMP  
 P = RELIANT  
 S = CORDOBA  
 T = E CLASS/NEWYORKER  
 V = 400  
 X = MIRADA  
 Y = IMPERIAL  
 Z = OMNI/CHARGER/RAMPAGE

BODY STYLES  
 21 = 2-DOOR SEDAN  
 22 = 2-DOOR SPECIAL COUPE  
 24 = 2-DOOR HATCHBACK  
 27 = 2-DOOR CONVERTIBLE  
 28 = FWD PICKUP  
 41 = 4-DOOR SEDAN  
 45 = 4-DOOR STATION WAGON  
 44 = 4-DOOR HATCHBACK  
 48 = EXECUTIVE SEDAN

AR = Use as Required - = Non Illustrated Part P.A.R. = Paint as Required

QUARTER PANEL - B,F,G  
Figure 23A-1050

J159 105-00



ITEM	PART NUMBER	QTY	BODY	MODEL	DESCRIPTION
1	4134 064-5	1			PANEL, Qtr. W/House Inner
2	4206 262-3	1			REINFORCEMENT, W/House Inner Panel Rear Seat Belt
3	4134 182-3	1			PANEL, Qtr. Inside and W/House Outer
4		1			EXTENSION, Shelf Panel (Not Serviced)
5	4134 420-1	1			SUPPORT, Body Lock Pillar to W/House
8					PANEL, Quarter Outside
	4296 318-9	1			
9	4134 190-1	1			PILLAR, Body Lock
10	4134 290-1	1			PILLAR, Qtr. Panel Body Lock Upper
11	4278 832-3				FILLER, Qtr. Outside Panel Rear Wdo, Lower Corner
12	4134 130-1	1			TROUGH, Qtr. Side Drain
13	4206 540-1	1			REINFORCEMENT, Qtr. Outside Panel End
14	3791 078	2			REINFORCEMENT, Body Lock Pillar Lock Striker
15		2			RETAINER (Not Serviced)
16	4134 260-1	1			EXTENSION, Qtr. Outside Panel End
		8			NUT (Not Serviced)
17	4134 147	1			DOOR, Qtr. Outside Panel Fuel Filler
18	5220 250	2			BUMPER, Qtr. Outside Panel Fuel Filler Door
19		2			SCREW (Not Serviced)
NOTE: THE FOLLOWING ITEMS ARE NOT SHOWN ON ILLUSTRATION. de). Both models are derived from the 100.1" W.B. LeBaron (C 22 Model). Sheet metal parts for the C 48 not found on this illustration should be specif					
	4206 302-3	1			REINFORCEMENT, Qtr. Outside Panel Towing

MODEL CODES  
 B = GRAN FURY  
 C = LEBARON/TOWN & COUNTRY  
 D = ARIES  
 E = 600  
 F = FIFTH AVENUE  
 G = DIPLOMAT  
 M = HORIZON/TURISMO/SCAMP  
 P = RELIANT  
 S = CORDOBA  
 T = E CLASS/NEWYORKER  
 V = 400  
 X = MIRADA  
 Y = IMPERIAL  
 Z = OMNI/CHARGER/RAMPAGE

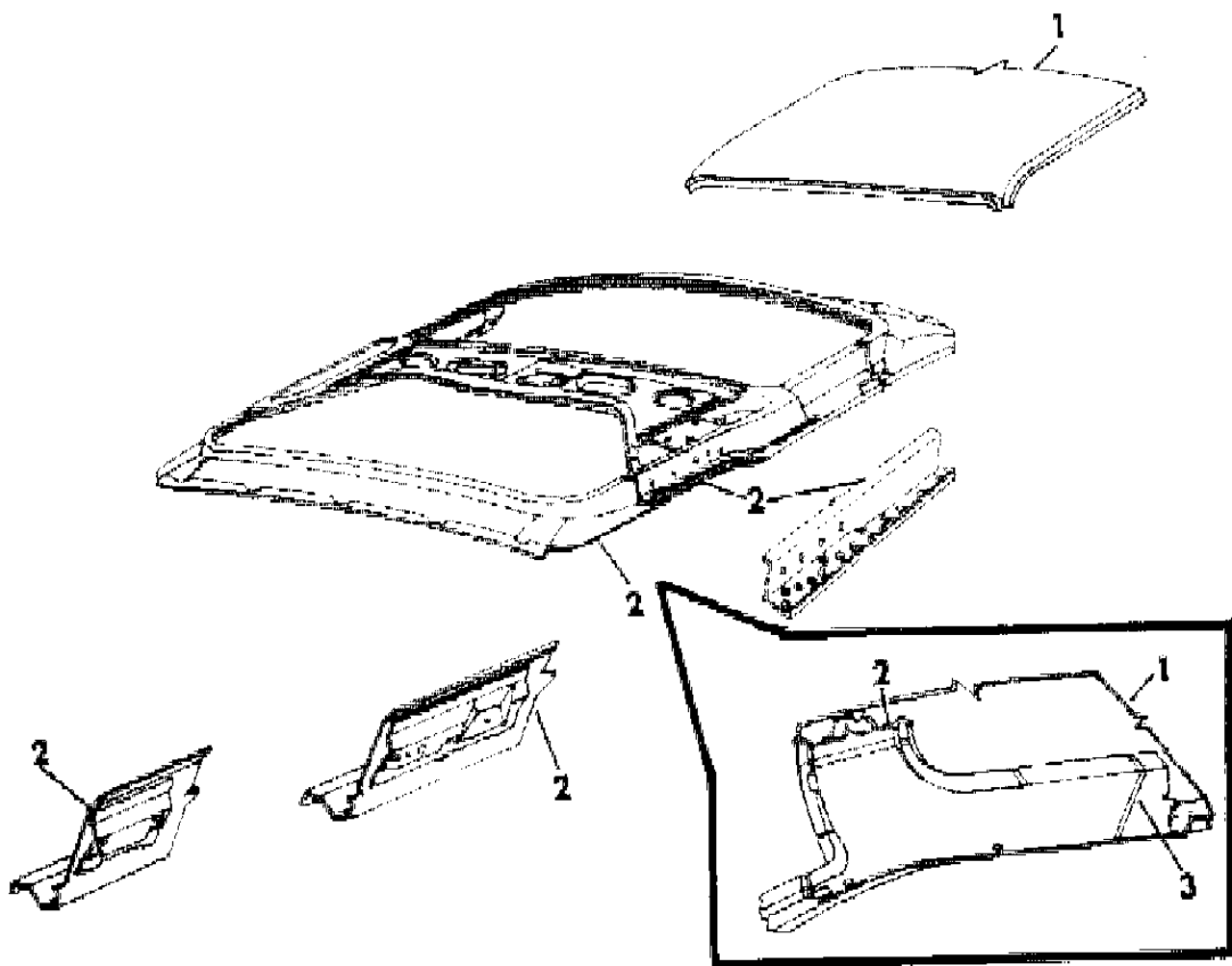
BODY STYLES  
 21 = 2-DOOR SEDAN  
 22 = 2-DOOR SPECIAL COUPE  
 24 = 2-DOOR HATCHBACK  
 27 = 2-DOOR CONVERTIBLE  
 28 = FWD PICKUP  
 41 = 4-DOOR SEDAN  
 45 = 4-DOOR STATION WAGON  
 44 = 4-DOOR HATCHBACK  
 48 = EXECUTIVE SEDAN

AR = Use as Required - = Non Illustrated Part P.A.R. = Paint as Required

ROOF PANEL - B,F,G  
Figure 23A-1060

1169 10600

ITEM	PART NUMBER	QTY	BODY	MODEL	DESCRIPTION
1	4136 087	1			PANEL, Roof Outer
2	4136 082	1			PANEL, Roof Inner
3	3795 832-3	1			EXTENSION, W/Shield Opening Side Frame Upper Corner
NOTE: The Following Items Are Not Shown On Illustration. de). Both models are derived from the 100.1" W.B. LeBaron (C 22 Model). Sheet metal parts for the C 48 not found on this illustration should be specif					
	4040 875	2		F-S	REINFORCEMENT, Roof Inner Panel Assist Strap, Front
	4136 296-7	1		F-S	REINFORCEMENT, Roof Inner Panel Assist Strap, Rear
	6031 160	AR		F-S	U-NUT, Roof Inner Panel Assist Strap Reinforcement Front or Rear
	4206 716	1			SUPPORT, Roof Panel Outside Flasher Light Or Siren



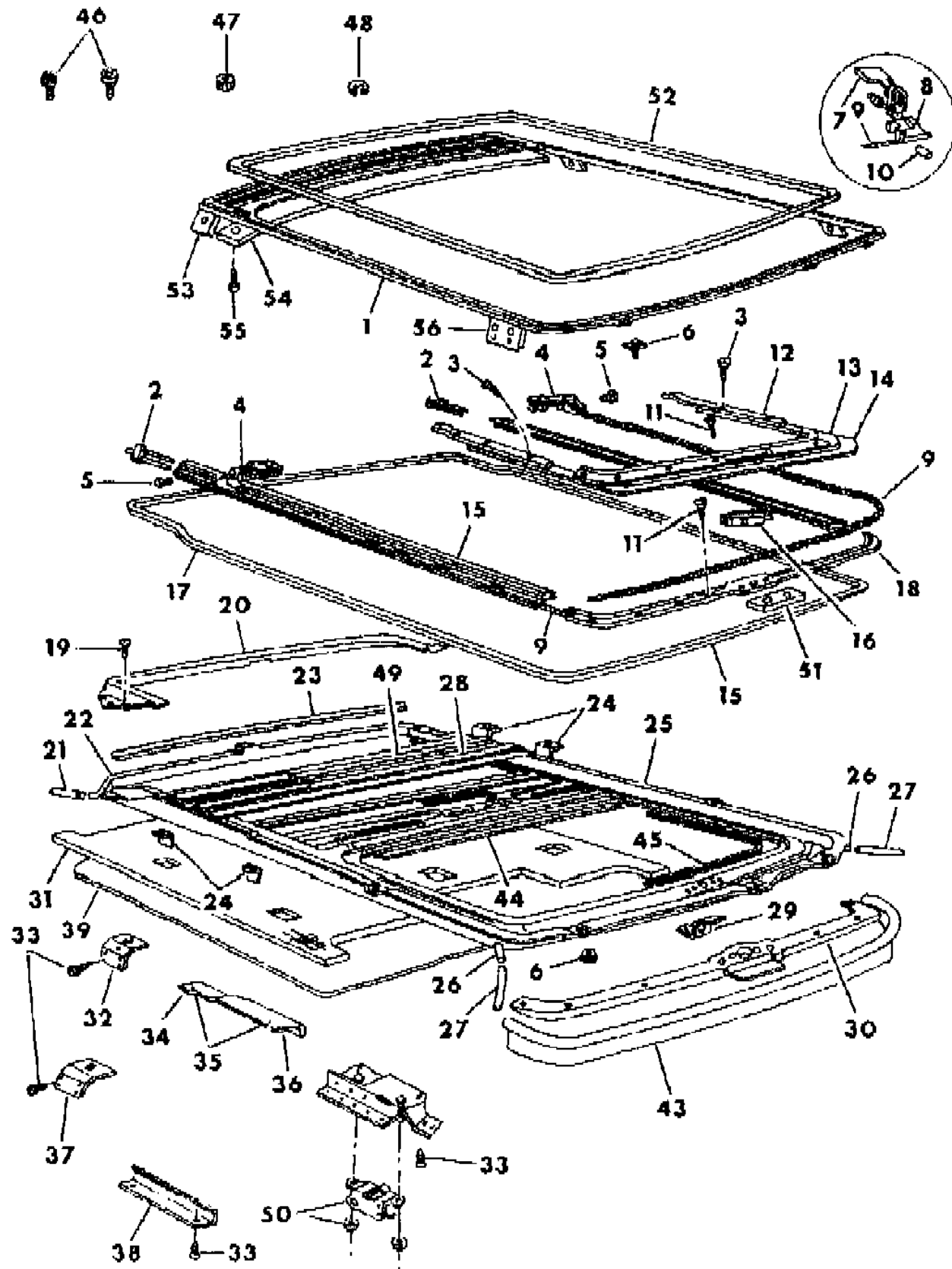
MODEL CODES  
 B = GRAN FURY  
 C = LEBARON/TOWN & COUNTRY  
 D = ARIES  
 E = 600  
 F = FIFTH AVENUE  
 G = DIPLOMAT  
 M = HORIZON/TURISMO/SCAMP  
 P = RELIANT  
 S = CORDOBA  
 T = E CLASS/NEWYORKER  
 V = 400  
 X = MIRADA  
 Y = IMPERIAL  
 Z = OMNI/CHARGER/RAMPAGE

BODY STYLES  
 21 = 2-DOOR SEDAN  
 22 = 2-DOOR SPECIAL COUPE  
 24 = 2-DOOR HATCHBACK  
 27 = 2-DOOR CONVERTIBLE  
 28 = FWD PICKUP  
 41 = 4-DOOR SEDAN  
 45 = 4-DOOR STATION WAGON  
 44 = 4-DOOR HATCHBACK  
 48 = EXECUTIVE SEDAN

AR = Use as Required - = Non Illustrated Part P.A.R. = Paint as Required

SUN ROOF - B,F,G  
Figure 23A-1070

3169 10700B



ITEM	PART NUMBER	QTY	BODY	MODEL	DESCRIPTION
1		1			REINFORCEMENT, Roof Panel Opening (not serviced)
2	4172 893	1			RETAINER, Track
3		AR			SCREW (8-18x.50 oval not serviced)
4	4172 896-7	1			GUIDE ASSY., Rear Rt. and Lt.
5		AR			SCREW(8x18x.31 long not serviced)
6		AR			NUT ASSY.(1/4-20 not serviced)
7		1			ADJUSTER (not serviced)
8		1			HOUSING ASSY., Rear Rt. and Lt.(not serviced)
9		1			CABLE ASSY., Flocked(not serviced)
10		AR			PIN (not serviced)
11		AR			SCREW(8-18x.62 not serviced)
12	4246 023	1			CABLE SIDE COVER (paint as required)
13	4172 899	1			COVER, Front (paint as required)
14		AR			TAPE, Foam (.25x.38 not serviced)
15	4172 894-5	1			TRACK, Rt. and Lt.(paint as required)
16	4246 414	1			RETAINER, Cable Guide Lower
17		AR			TAPE, Foam (.40x.5 not serviced)
18	4246 412-3	1			GUIDE, Cable Front Lower
19		AR			SCREW (8-18x.38 not serviced)
20		AR			SPACER, Roof Sliding Panel Housing (not serviced)
21		AR			HOSE, Drain Rear (50" long not serviced)
22		AR			TUBE, Rear Drain (serviced in item 25)
23		AR			BRACKET, Track Retainer (serviced in item 25)
24		AR			BRACKET, Housing Mounting (serviced in item 25)
25	4246 432	1			HOUSING ASSY., Complete
26		1			TUBE, Front Drain (serviced in item 25)
27		1			HOSE, Drain Front (not serviced)
28	4172 903	1			REINFORCEMENT ASSY., Roof Upper
29		1			BRACKET, Switch Mounting (serviced in item 25)
30	4172 902	1			PAD, Front Safety
31		1			SILENCER, Housing (not serviced)
33		AR			SCREW(10-16x.50 not serviced)
37	4172 905	AR			BRACKET, Housing to Side Rail
38		AR			RETAINER, Headliner Center Pillar Upper (not serviced)
39					HEADLINER
	4246 467	1			Dark Blue
	4246 468	1			Dark Red

MODEL CODES

B = GRAN FURY	G = DIPLOMAT	V = 400
C = LEBARON/TOWN & COUNTRY	M = HORIZON/TURISMO/SCAMP	X = MIRADA
D = ARIES	P = RELIANT	Y = IMPERIAL
E = 600	S = CORDOBA	Z = OMNI/CHARGER/RAMPAGE
F = FIFTH AVENUE	T = E CLASS/NEWYORKER	

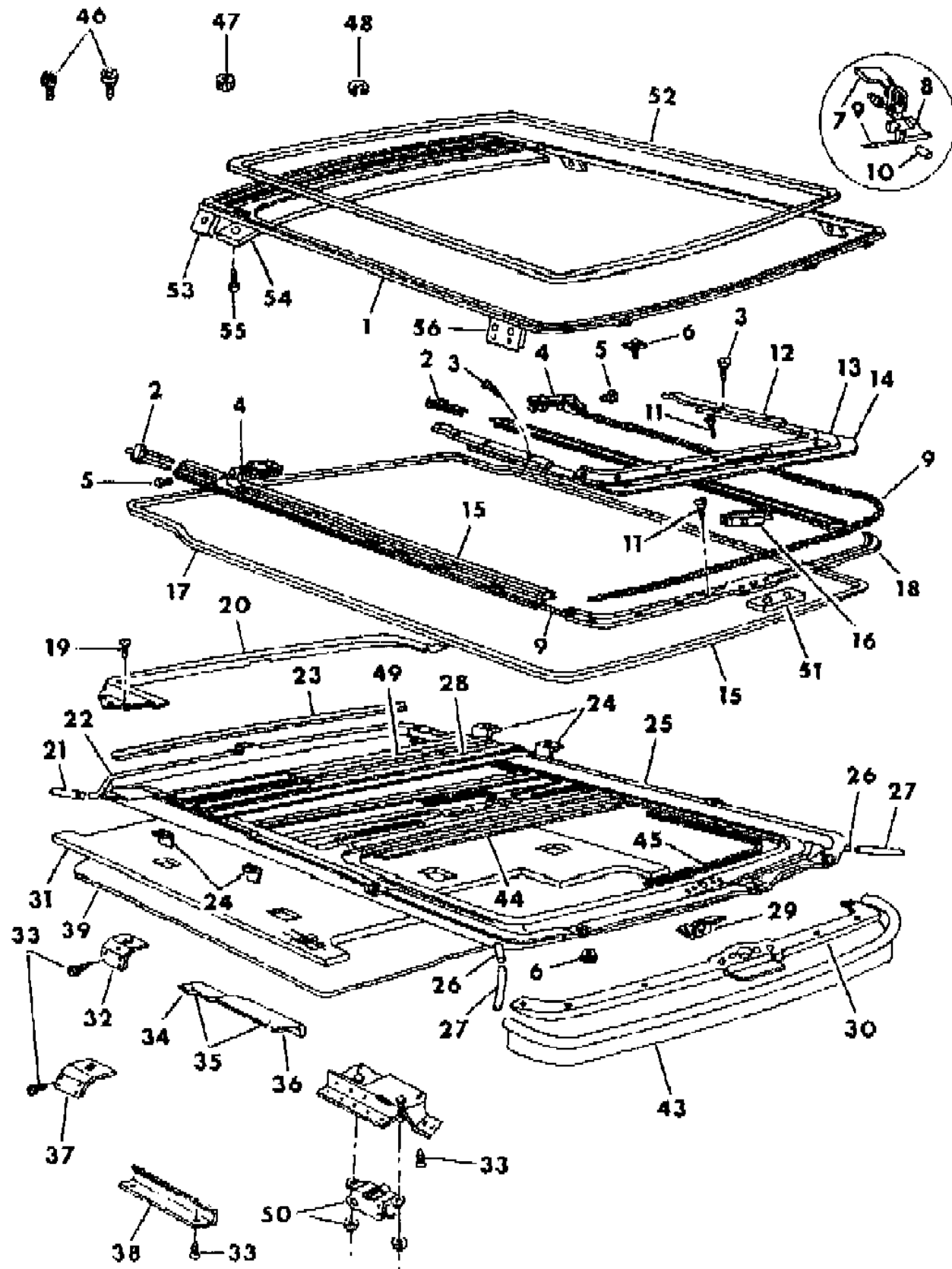
BODY STYLES

21 = 2-DOOR SEDAN	41 = 4-DOOR SEDAN
22 = 2-DOOR SPECIAL COUPE	45 = 4-DOOR STATION WAGON
24 = 2-DOOR HATCHBACK	44 = 4-DOOR HATCHBACK
27 = 2-DOOR CONVERTIBLE	48 = EXECUTIVE SEDAN
28 = FWD PICKUP	

AR = Use as Required - = Non Illustrated Part P.A.R. = Paint as Required

SUN ROOF - B,F,G  
Figure 23A-1070

3169 10700B



ITEM	PART NUMBER	QTY	BODY	MODEL	DESCRIPTION
	4246 469	1			Light Cashmere
	4296 058	1			Silver
	4296 059	1			Mahogany
	4296 496	1			Beige
43					SEAL
	4054 484	AR			SEAL, Roof Glass Sliding Panel (4.5 mm)
	4246 416	AR			SEAL, Roof Glass Sliding Panel, Front 6.8 mm)
	4296 104	AR			SEAL, Panel, Rear (6.8 mm)
44		1			REINFORCEMENT, Housing Opening Lower (serviced in item 25)
45					WELT, Headlining Opening
	4246 424	1			Blue
	4246 423	1			Dark Red
	4246 425	1			Light Cashmere
	4296 063	1			Silver
	4296 064	1			Mahogany
	4296 498	1			Beige
46	4172 801	AR			SCREW, Motor Clutch
47	3788 436	AR			GEAR, Drive Assy. Pinion
48	3788 435	AR			RETAINER, Drive Assy. Pinion
49		AR			TAPE(.25x1.00 not serviced)
50					(See Seat Belt Illust.)
51	4246 415	1			COVER, Lower Cable Guide Retaining
52	4296 100	1			MOULDING, Roof Opening Reveal
53	4296 103	1			BRACKET, Reinforcement to Rail
54	4296 101	1			SHIM, Rear Plate to Ring
55		AR			RIVET (Not Serviced)
56	4296 102	1			BRACKET, Housing to Header Mounting

NOTE: For other parts see Illustration 23A 8600. de). Both models are derived from the 100.1" W.B. LeBaron (C 22 Model). Sheet metal parts for the C 48 not found on this illustration should be specif

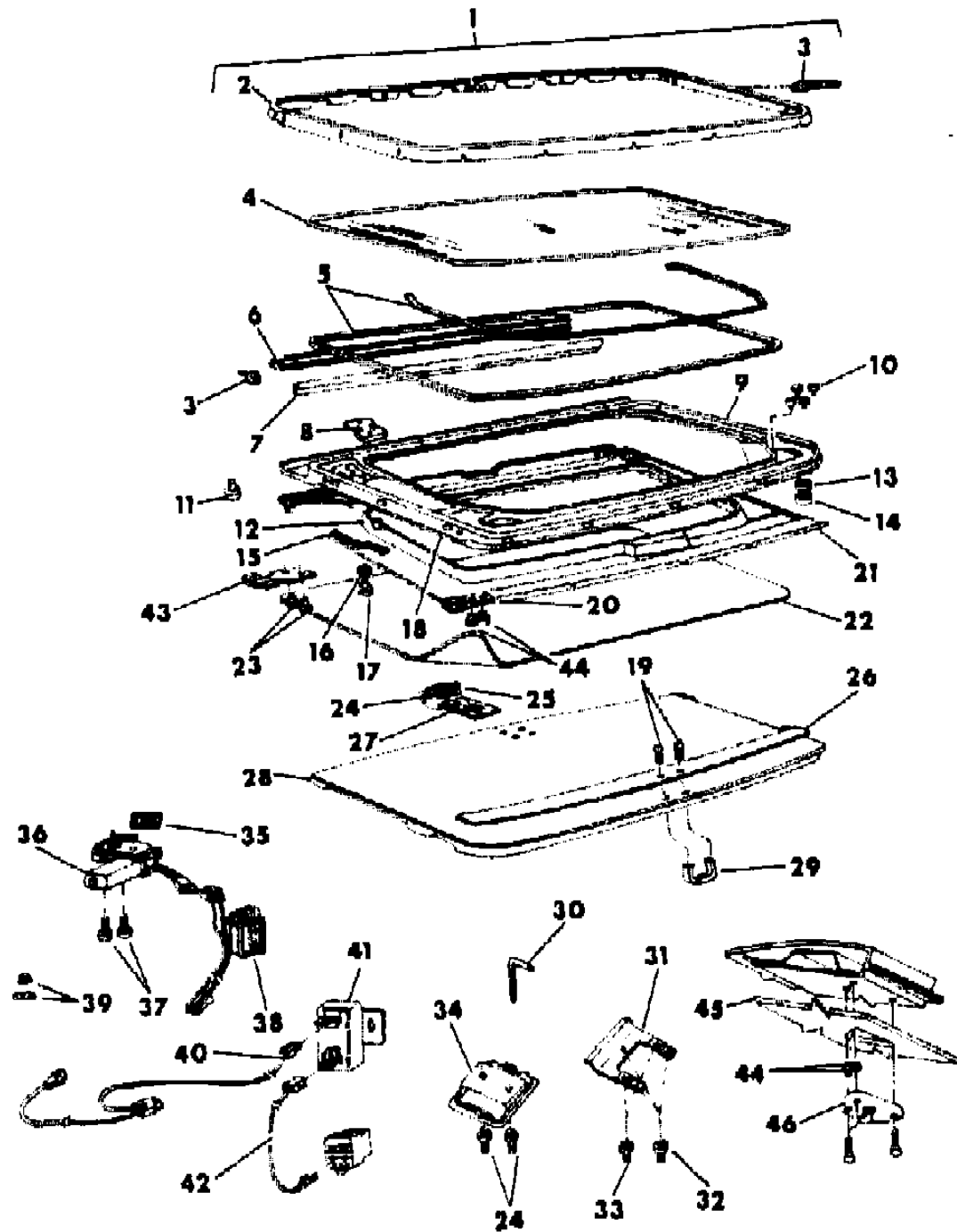
MODEL CODES		
B = GRAN FURY	G = DIPLOMAT	V = 400
C = LEBARON/TOWN & COUNTRY	M = HORIZON/TURISMO/SCAMP	X = MIRADA
D = ARIES	P = RELIANT	Y = IMPERIAL
E = 600	S = CORDOBA	Z = OMNI/CHARGER/RAMPAGE
F = FIFTH AVENUE	T = E CLASS/NEWYORKER	

BODY STYLES	
21 = 2-DOOR SEDAN	41 = 4-DOOR SEDAN
22 = 2-DOOR SPECIAL COUPE	45 = 4-DOOR STATION WAGON
24 = 2-DOOR HATCHBACK	44 = 4-DOOR HATCHBACK
27 = 2-DOOR CONVERTIBLE	48 = EXECUTIVE SEDAN
28 = FWD PICKUP	

AR = Use as Required - = Non Illustrated Part P.A.R. = Paint as Required

SUN ROOF - B,F,G  
Figure 23A-1070

J169 40800



ITEM	PART NUMBER	QTY	BODY	MODEL	DESCRIPTION
1					PANEL, Glass
	4172 907	1			Gray
	4296 494	1			Silver
2		1			MOULDING, Periphery (serviced in item 1)
3		AR			RIVET (1/8x.445 serviced in item 1)
4		1			GLASS, Roof Sliding Panel (serviced in item 1)
5		AR			SEALER, Butyl Tape (serviced in item 1)
6	4054 457	1			WEATHERSTRIP, Rear
7	4054 484	AR			SEAL, Panel Front (4.5 mm)
	4296 104	AR			SEAL, Panel Rear (6.8 mm)
8		1			PLATE, Rear Guide (serviced in item 1)
9		1			ARMATURE (serviced in item 1)
10		AR			RIVET (1/8x3/8 flat head,serviced in item 1)
11	3759 648	1			BUTTON, Slide
12		1			COVER, Opening Side Tab (not serviced)
13		AR			STUD, Front Adjuster (serviced in item 1)
14		AR			NUT, Front Adjuster (serviced in item 1)
15		AR			SPRING, Rear (serviced in item 1)
16		AR			WASHERS (8 flat, serviced in item 1)
17		AR			RIVET (11/64 x5/16 tub, serviced in item 1)
18		1			STIFFENER (not serviced)
19		AR			SCREW (8-32x562, serviced in item 28)
20	3795 595	1			GUIDE ASSY., Front
21	4172 908	1			HALO (paint as required)
22		1			LINING, Sun Screen (serviced in item 28)
23		AR			SCREW w/WASHER (8-32x.38 not serviced)
25	4054 467	1			CATCH, Sun Screen Magnet
26		1			REINFORCEMENT (serviced in item 28)
27	4172 877	1			BRACKET, Sun Screen Catch
28					SUN SCREEN ASSY.
	4246 471	1			Dark Blue
	4246 472	1			Dark Red
	4246 473	1			Light Cashmere
	4296 061	1			Silver
	4296 062	1			Mahogany
	4296 497	1			Beige
29	4172 909	1			HANDLE, Sun Screen

MODEL CODES

B = GRAN FURY	G = DIPLOMAT	V = 400
C = LEBARON/TOWN & COUNTRY	M = HORIZON/TURISMO/SCAMP	X = MIRADA
D = ARIES	P = RELIANT	Y = IMPERIAL
E = 600	S = CORDOBA	Z = OMNI/CHARGER/RAMPAGE
F = FIFTH AVENUE	T = E CLASS/NEWYORKER	

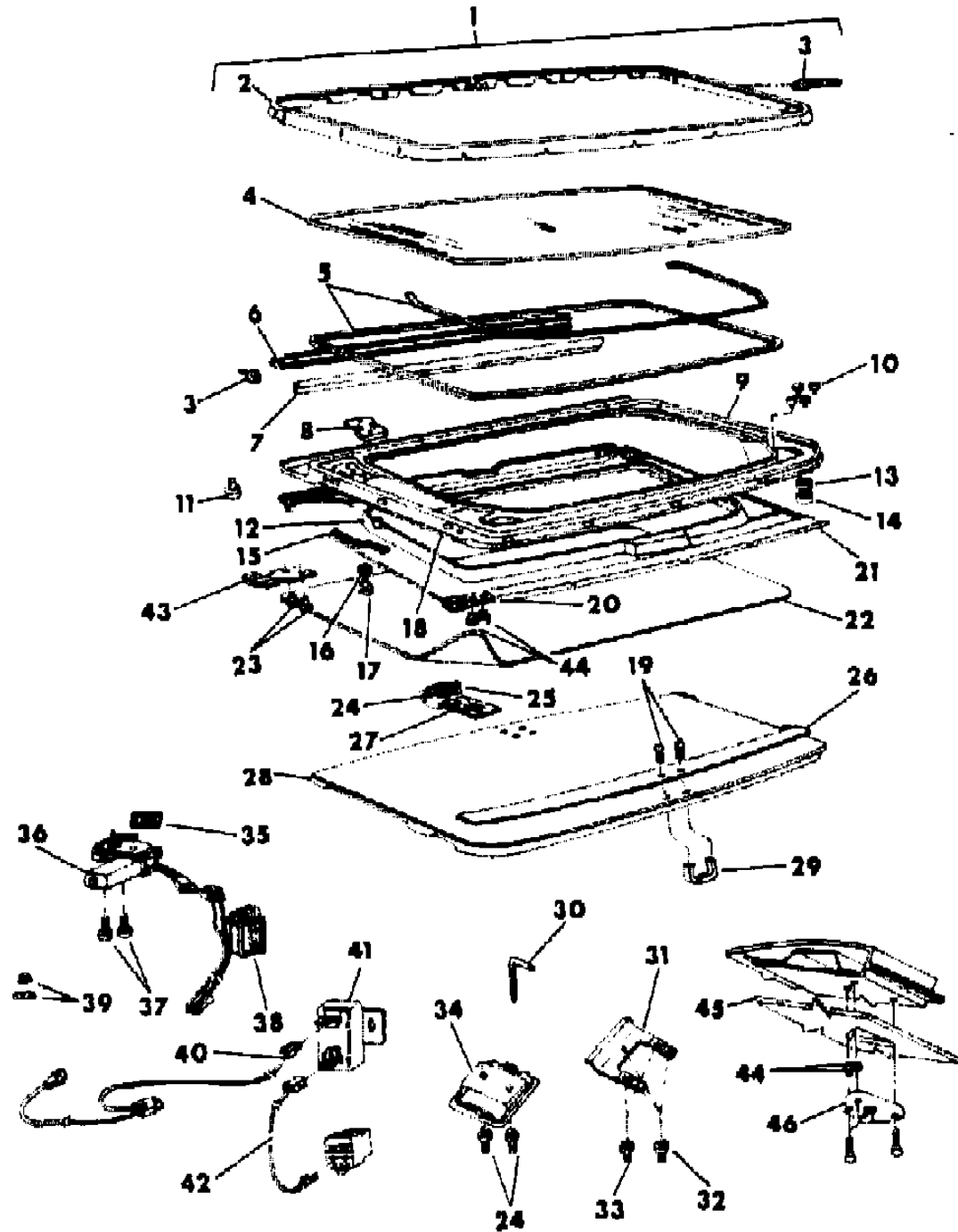
BODY STYLES

21 = 2-DOOR SEDAN	41 = 4-DOOR SEDAN
22 = 2-DOOR SPECIAL COUPE	45 = 4-DOOR STATION WAGON
24 = 2-DOOR HATCHBACK	44 = 4-DOOR HATCHBACK
27 = 2-DOOR CONVERTIBLE	48 = EXECUTIVE SEDAN
28 = FWD PICKUP	

AR = Use as Required - = Non Illustrated Part P.A.R. = Paint as Required

SUN ROOF - B,F,G  
Figure 23A-1070

J169 10800



ITEM	PART NUMBER	QTY	BODY	MODEL	DESCRIPTION
30	3788 431	1			HANDLE
34	4296 493	1			BRACKET ASSY., Dome Lamp Mounting
35	4172 243	1			SPACER, Drive Assy. to Housing
36	3795 592	1			DRIVE ASSY.
37		AR			SCREW w/WASHER (10-24x1.38 not serviced)
38	3795 589	1			SWITCH ASSY.
39	4054 445	1			BUTTON and COVER
40		1			WIRING ASSY.(not serviced)
41	3674 933	1			CIRCUIT BREAKER (15 amp)
42		1			WIRING ASSY. (not serviced)
43		AR			RETAINER, Rear Guide Plate (not serviced)
44		AR			WASHER, Flat (.125 thick not serviced)
45					HEADLINING, Ref.
46					VISOR ARM BRACKET and Screws, Ref.
47		AR			SCREW w/WASHERS (8-32x.62 not serviced)

NOTE: For other parts see Illustration 23A 8500. de). Both models are derived from the 100.1" W.B. LeBaron (C 22 Model). Sheet metal parts for the C 48 not found on this illustration should be specif

MODEL CODES

B = GRAN FURY	G = DIPLOMAT	V = 400
C = LEBARON/TOWN & COUNTRY	M = HORIZON/TURISMO/SCAMP	X = MIRADA
D = ARIES	P = RELIANT	Y = IMPERIAL
E = 600	S = CORDOBA	Z = OMNI/CHARGER/RAMPAGE
F = FIFTH AVENUE	T = E CLASS/NEWYORKER	

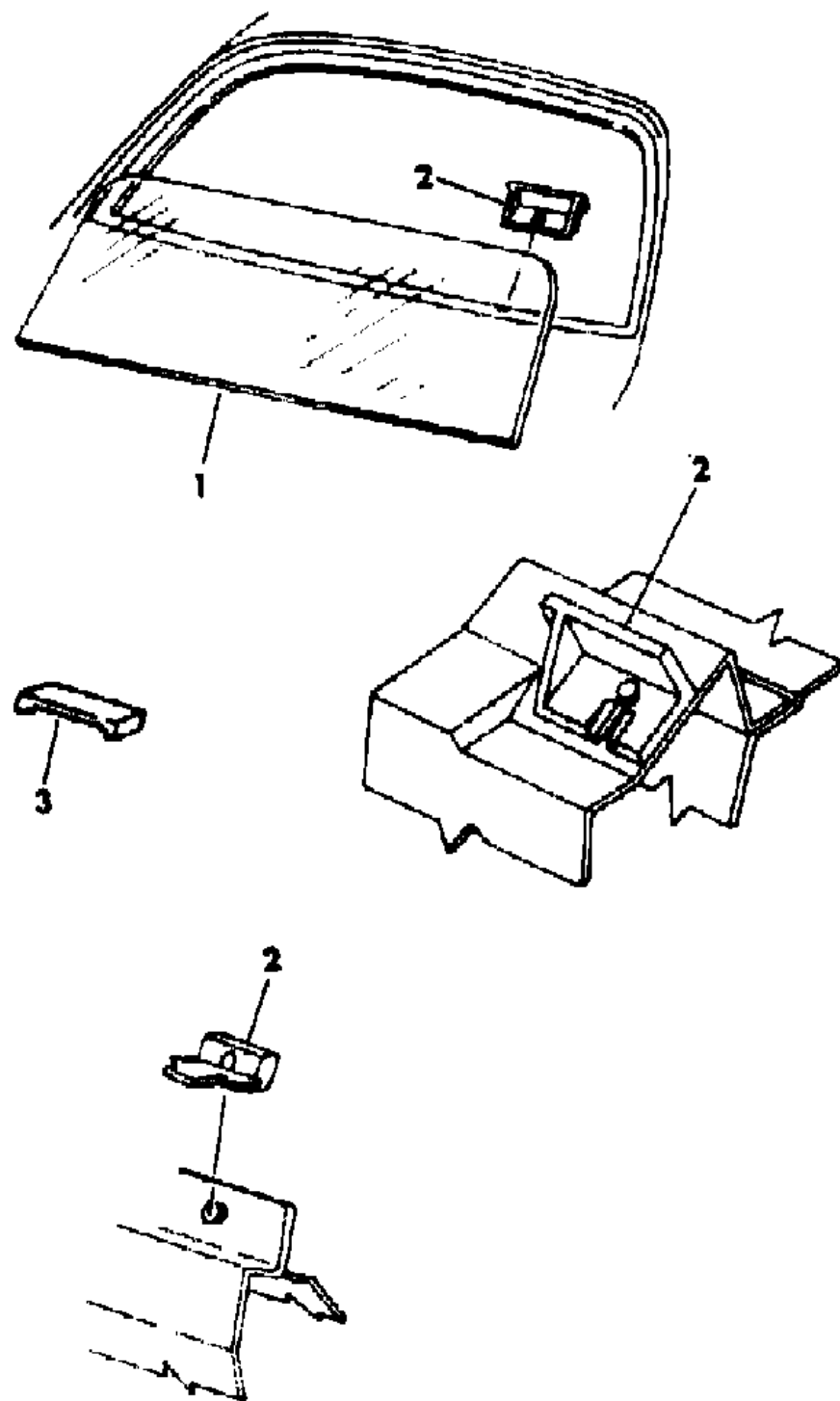
BODY STYLES

21 = 2-DOOR SEDAN	41 = 4-DOOR SEDAN
22 = 2-DOOR SPECIAL COUPE	45 = 4-DOOR STATION WAGON
24 = 2-DOOR HATCHBACK	44 = 4-DOOR HATCHBACK
27 = 2-DOOR CONVERTIBLE	48 = EXECUTIVE SEDAN
28 = FWD PICKUP	

AR = Use as Required - = Non Illustrated Part P.A.R. = Paint as Required

GLASS, REAR WINDOW - B,F,G  
Figure 23A-1090

3189 10900



ITEM	PART NUMBER	QTY	BODY	MODEL	DESCRIPTION
NOTE: GLASS, REAR WINDOW - ORDER FROM YOUR LOCAL MOPAR GLASS DISTRIBUTOR. de). Both models are derived from the 100.1" W.B. LeBaron (C 22 Model). Sheet metal parts for the C 48 not found on this illustration should be specified.					
1					GLASS, REAR WINDOW
	4136 303	1	B,G		Tinted
	4136 304	1	B,G		Tinted (Electric Heated)
	4229 801	1	F		Tinted (Electric Heated) w/Padded Landau Vinyl Roof w/Qtr. Plug
2	4136 335	2	All		SPACER, Rear Wdo, Glass, Lower
3	3767 196	AR	All		SHIM, Rear Wdo Lower Spacer
	4057 957	1	All		FIXED GLASS REPAIR PACKAGE, Rear Wdo. (Not Shown)
					CONSISTS OF:
					1- ----- Tape, Butyl, 171.00"
					1- ----- Primer, Glass
					1- ----- Primer, Fence
					2- 3674698 Spacer, Rubber, 0.2"
					2- 3793290 Spacer, Rubber, 0.3"
					2- 3767767 Shim, 0.07"
					2- ----- Sponges, Disposable
	4106 356	1	All		ELECTRIC GRID REPAIR PACKAGE, Rear Wdo. (Not Shown)
	4267 922	1	All		ELECTRIC GRID & PIGTAIL REPAIR PACKAGE

MODEL CODES

B = GRAN FURY	G = DIPLOMAT	V = 400
C = LEBARON/TOWN & COUNTRY	M = HORIZON/TURISMO/SCAMP	X = MIRADA
D = ARIES	P = RELIANT	Y = IMPERIAL
E = 600	S = CORDOBA	Z = OMNI/CHARGER/RAMPAGE
F = FIFTH AVENUE	T = E CLASS/NEWYORKER	

BODY STYLES

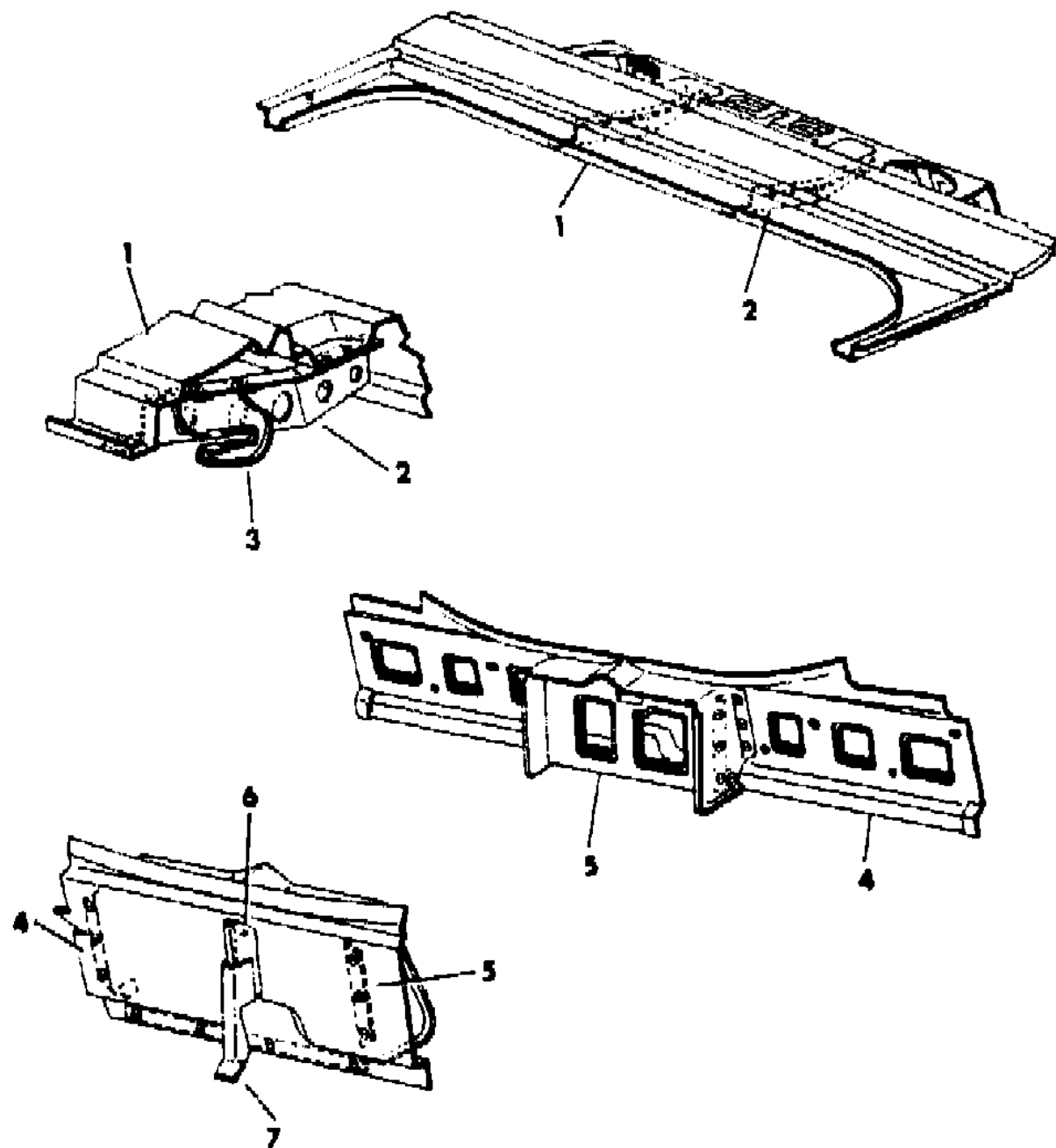
21 = 2-DOOR SEDAN	41 = 4-DOOR SEDAN
22 = 2-DOOR SPECIAL COUPE	45 = 4-DOOR STATION WAGON
24 = 2-DOOR HATCHBACK	44 = 4-DOOR HATCHBACK
27 = 2-DOOR CONVERTIBLE	48 = EXECUTIVE SEDAN
28 = FWD PICKUP	

AR = Use as Required - = Non Illustrated Part P.A.R. = Paint as Required



**DECK OPENING PANELS - B,F,G**  
**Figure 23A-1100**

3160 11000



ITEM	PART NUMBER	QTY	BODY	MODEL	DESCRIPTION
1	4134 463	1			PANEL,Deck Opening Upper,Drain Trough and Shelf
2		2			SUPPORT(not serviced)
3		1			RETAINER(not serviced)
4	4206 020	1			RENINFORCEMENT w/NUT,Deck Opening Lower Panel
5	4206 737	1			PANEL,Deck Opening lower Panel License Plate Mounting
6	4206 119	1			EXTENSION,Deck Lid Latch Striker Support
7	4134 166	1			SUPPORT,Deck Lid Latch Striker
NOTE: The following items are not shown on illustration. de). Both models are derived from the 100.1" W.B. LeBaron (C 22 Model). Sheet metal parts for the C 48 not found on this illustration should be specif					
	3798 253	AR			TAPE,Deck Opening Lower Panel(Butyl)
	0432 396	2		F	PLUG,Deck Opening Lower Panel License Plate Mounting Panel Button

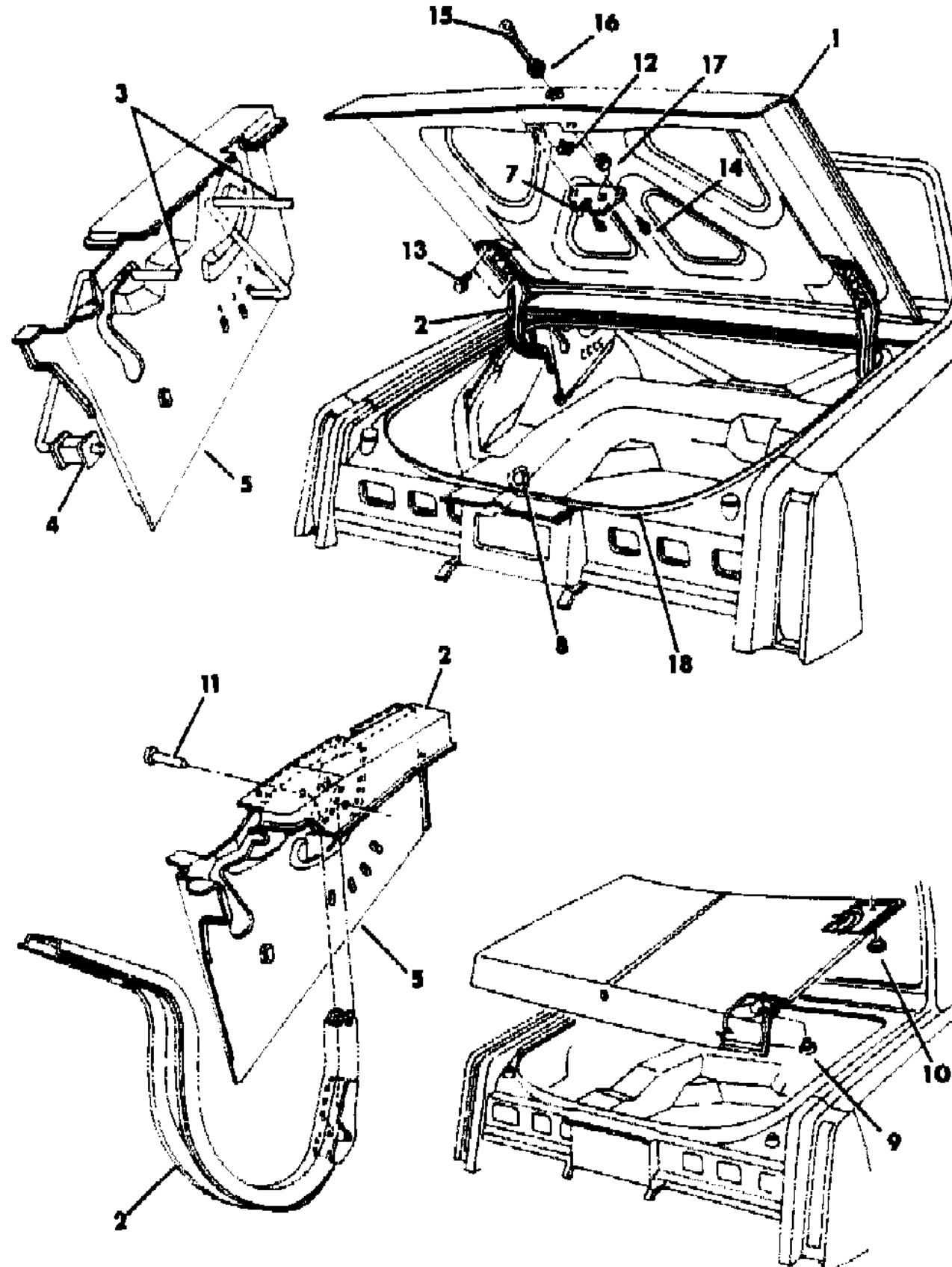
MODEL CODES  
 B = GRAN FURY  
 C = LEBARON/TOWN & COUNTRY  
 D = ARIES  
 E = 600  
 F = FIFTH AVENUE  
 G = DIPLOMAT  
 M = HORIZON/TURISMO/SCAMP  
 P = RELIANT  
 S = CORDOBA  
 T = E CLASS/NEWYORKER  
 V = 400  
 X = MIRADA  
 Y = IMPERIAL  
 Z = OMNI/CHARGER/RAMPAGE

BODY STYLES  
 21 = 2-DOOR SEDAN  
 22 = 2-DOOR SPECIAL COUPE  
 24 = 2-DOOR HATCHBACK  
 27 = 2-DOOR CONVERTIBLE  
 28 = FWD PICKUP  
 41 = 4-DOOR SEDAN  
 45 = 4-DOOR STATION WAGON  
 44 = 4-DOOR HATCHBACK  
 48 = EXECUTIVE SEDAN

AR = Use as Required - = Non Illustrated Part P.A.R. = Paint as Required

DECK LID - B,F,G  
Figure 23A-1110

3169 11100



ITEM	PART NUMBER	QTY	BODY	MODEL	DESCRIPTION
1	4297 073	1			LID,Deck,Complete
2	4134 518-9	1			HINGE,Deck Lid
	4129 804-5	1			HINGE w/CAM and SUPPORT,Deck Lid Upper Pivot Mounting
3	4134 520-1	1			BAR,Deck Lid Hinge Torsion
4	2480 230	2			SLIDE,Deck Lid Hinge Torsion Bar
5	4134 514-5	1			SUPPORT,Deck Lid Hinge,Upper
	4134 516-7	1			Lower
7	4054 825	1			LATCH,Deck Lid,Manual
	4054 962	1			LATCH PACKAGE,Electric Deck Lid,Complete w/Wiring
8	4172 676	1			STRIKER,Deck Lid Latch
9	5230 376	2			BUMPER,Deck Lid Inside Panel
10	6029 939	2			PLUG,Deck Lid Inner Panel Drain Hole
11		AR			RIVET,Deck Lid Hinge Pivot(not serviced)
12		AR			U/NUT(not serviced)
13		AR			SCREW and Washer(not serviced)
14	0181 086	2			SCREW and Washer
15					CYLINDER,Deck Lid(see Cylinder and Key Illustration)
16					GASKET,Deck Lid Cylinder(see Cylinder and Key Illustration)
17					NUT,Lock Cylinder(see Cylinder and Key Illustration)
18	4278 176	1			WEATHERSTRIP,Deck Lid

NOTE:The following items are not shown on illustration. de). Both models are derived from the 100.1" W.B. LeBaron (C 22 Model).

Sheet metal parts for the C 48 not found on this illustration should be specif					
	4134 166	1			SUPPORT,Deck Lid Latch Striker
	4206 119	1			EXTENSION,Deck Lid Latch Support
	4206 399	2			BUMPER, Deck Lid Hinge Noise Dampener

MODEL CODES

B = GRAN FURY	G = DIPLOMAT	V = 400
C = LEBARON/TOWN & COUNTRY	M = HORIZON/TURISMO/SCAMP	X = MIRADA
D = ARIES	P = RELIANT	Y = IMPERIAL
E = 600	S = CORDOBA	Z = OMNI/CHARGER/RAMPAGE
F = FIFTH AVENUE	T = E CLASS/NEWYORKER	

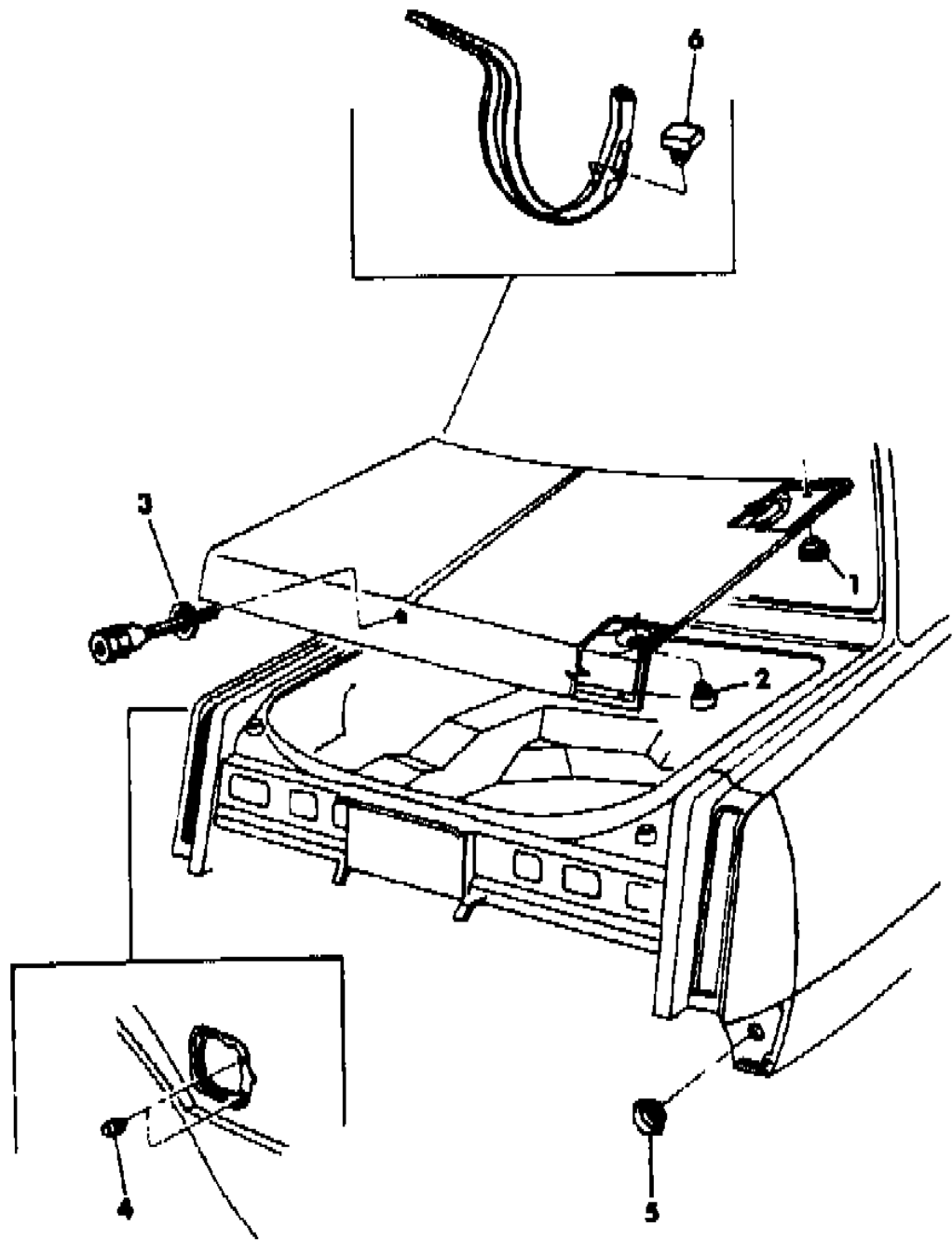
BODY STYLES

21 = 2-DOOR SEDAN	41 = 4-DOOR SEDAN
22 = 2-DOOR SPECIAL COUPE	45 = 4-DOOR STATION WAGON
24 = 2-DOOR HATCHBACK	44 = 4-DOOR HATCHBACK
27 = 2-DOOR CONVERTIBLE	48 = EXECUTIVE SEDAN
28 = FWD PICKUP	

AR = Use as Required - = Non Illustrated Part P.A.R. = Paint as Required

**BUMPERS & PLUGS, DECK LID - B,F,G**  
**Figure 23A-1120**

3169 11200



ITEM	PART NUMBER	QTY	BODY	MODEL	DESCRIPTION
1	6029 939	2			PLUG
2	5230 376	2			BUMPER
3	3695 321	1			GASKET
4	5220 250	2			BUMPER
5	1774 076	2			PLUG
6	4206 399	2			BUMPER

MODEL CODES  
 B = GRAN FURY  
 C = LEBARON/TOWN & COUNTRY  
 D = ARIES  
 E = 600  
 F = FIFTH AVENUE  
 G = DIPLOMAT  
 M = HORIZON/TURISMO/SCAMP  
 P = RELIANT  
 S = CORDOBA  
 T = E CLASS/NEWYORKER  
 V = 400  
 X = MIRADA  
 Y = IMPERIAL  
 Z = OMNI/CHARGER/RAMPAGE

BODY STYLES  
 21 = 2-DOOR SEDAN  
 22 = 2-DOOR SPECIAL COUPE  
 24 = 2-DOOR HATCHBACK  
 27 = 2-DOOR CONVERTIBLE  
 28 = FWD PICKUP  
 41 = 4-DOOR SEDAN  
 45 = 4-DOOR STATION WAGON  
 44 = 4-DOOR HATCHBACK  
 48 = EXECUTIVE SEDAN

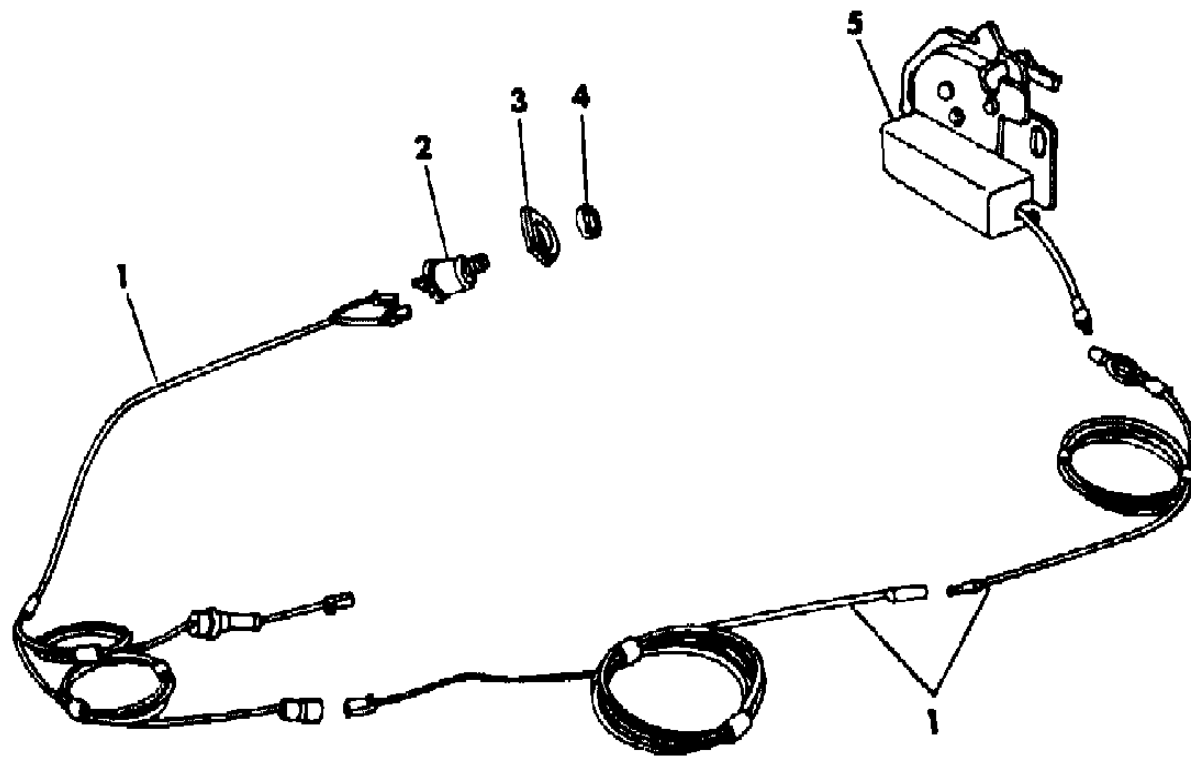
AR = Use as Required - = Non Illustrated Part P.A.R. = Paint as Required

DECK LID, ELECTRIC - B,F,G  
Figure 23A-1130

3169 11300

ITEM	PART NUMBER	QTY	BODY	MODEL	DESCRIPTION
1		1			WIRING (See Group 8 Body Wiring)
2	3747 154	1			SWITCH, Remote Deck Lid Release or Instrument Panel Mounting
3	3747 390	1			BEZEL, Electric Release Switch
4	6028 824	1			NUT, Electric Release Switch Mounting
5	4054 962	1			LATCH, Electric Deck Lid
	4131 515	1			LATCH PACKAGE, Electric
NOTE: The Following Items Are Not Shown On Illustration. de). Both models are derived from the 100.1" W.B. LeBaron (C 22 Model). Sheet metal parts for the C 48 not found on this illustration should be specif					
	6028 976	AR			PUSH NUT, Electric Deck Lid Latch Spring

NOTE: The Following Items Are Not Shown On Illustration. de). Both models are derived from the 100.1" W.B. LeBaron (C 22 Model). Sheet metal parts for the C 48 not found on this illustration should be specif



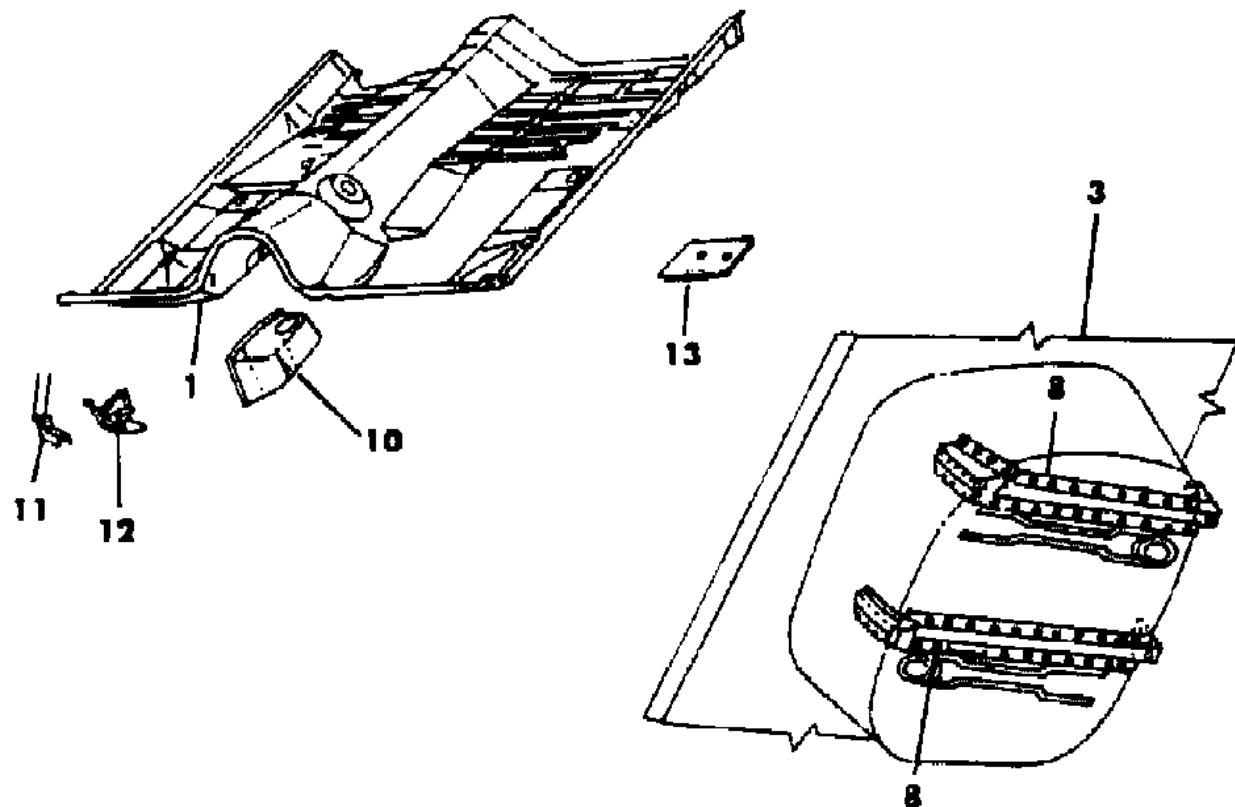
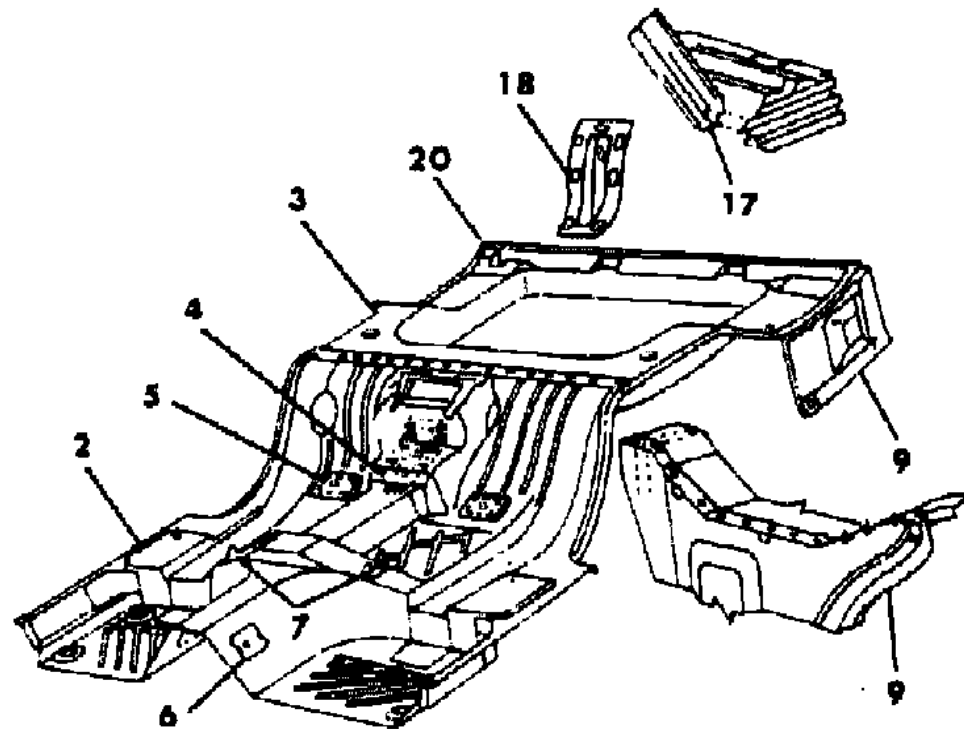
MODEL CODES  
 B = GRAN FURY  
 C = LEBARON/TOWN & COUNTRY  
 D = ARIES  
 E = 600  
 F = FIFTH AVENUE  
 G = DIPLOMAT  
 M = HORIZON/TURISMO/SCAMP  
 P = RELIANT  
 S = CORDOBA  
 T = E CLASS/NEWYORKER  
 V = 400  
 X = MIRADA  
 Y = IMPERIAL  
 Z = OMNI/CHARGER/RAMPAGE

BODY STYLES  
 21 = 2-DOOR SEDAN  
 22 = 2-DOOR SPECIAL COUPE  
 24 = 2-DOOR HATCHBACK  
 27 = 2-DOOR CONVERTIBLE  
 28 = FWD PICKUP  
 41 = 4-DOOR SEDAN  
 45 = 4-DOOR STATION WAGON  
 44 = 4-DOOR HATCHBACK  
 48 = EXECUTIVE SEDAN

AR = Use as Required - = Non Illustrated Part P.A.R. = Paint as Required

FLOOR PAN - X,S,Y  
Figure 23A-1140

31u9 11400



ITEM	PART NUMBER	QTY	BODY	MODEL	DESCRIPTION
1	4206 377	1			PAN, Front Floor
2	4134 292	1			PAN, Center Floor
3	4134 910	1			PAN, Rear Floor
4	4134 249	1			REINFORCEMENT, Center Floor Pan Pinion Carrier Bumper
5	4206 954	2			REINFORCEMENT, Center Floor Pan Rear Seat Belt Inner
6	4206 764	2			REINFORCEMENT, Center Floor Pan Front Seat Belt Inner
7	4134 377	2			BRACKET, Center Floor Pan Rear Seat Cushion Mtg.
8	3850 502	1			STRAINER w/REINFORCEMENT, Fuel Tank Front and Rear,Rt.
	3850 501	1			Lt.
9	4134 966-7	1			EXTENSION, Rear Floor Pan Side
11	4206 394-5	1			REINFORCEMENT, Front Floor Pan Seat Guide Front Outer
12	4206 396-7	1			REINFORCEMENT, Front Floor Pan Seat Guide Outer Rear
13		4			REINFORCEMENT (Not Serviced)
17		2			BRACE (Not Serviced)
18	4134 909	1			BRACKET, Spare Wheel Anchor Rod
20	4134 842	1		Y	PANEL, Rear Floor Pan Deck Opening Sill
Note: For PLUGS, SEE PLUG ILLUSTRATION. de). Both models are derived from the 100.1" W.B. LeBaron (C 22 Model). Sheet metal parts for the C 48 not found on this illustration should be specif					
NOTE: The Following Items Are Not Shown On Illustration. de). Both models are derived from the 100.1" W.B. LeBaron (C 22 Model). Sheet metal parts for the C 48 not found on this illustration should be specif					
	4200 001	1			CROSSMEMBER w/REINFORCEMENT, Front Floor Pan Anti-Seat Shake, w/Bucket or 60/40 Split Bench

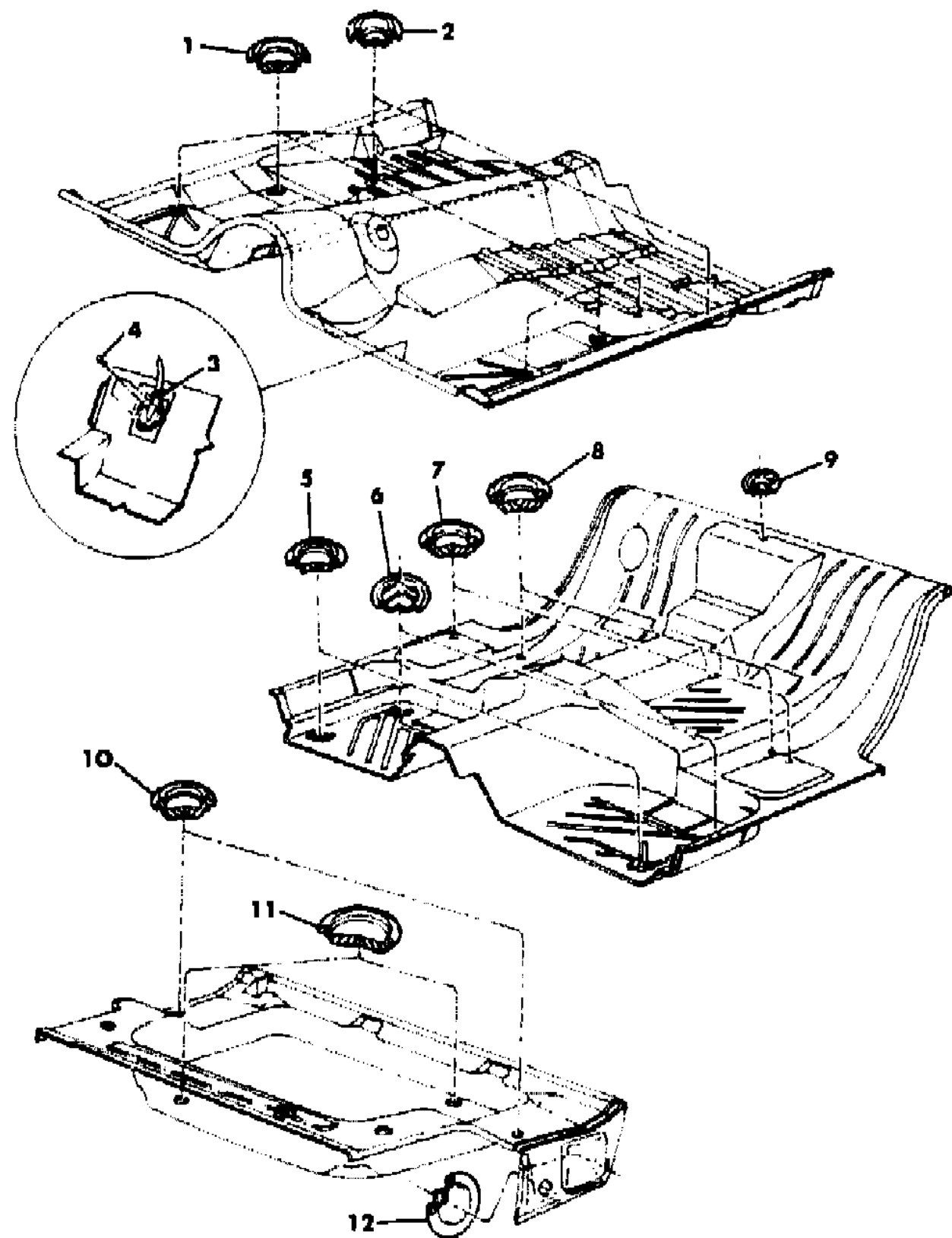
MODEL CODES  
 B = GRAN FURY  
 C = LEBARON/TOWN & COUNTRY  
 D = ARIES  
 E = 600  
 F = FIFTH AVENUE  
 G = DIPLOMAT  
 M = HORIZON/TURISMO/SCAMP  
 P = RELIANT  
 S = CORDOBA  
 T = E CLASS/NEWYORKER  
 V = 400  
 X = MIRADA  
 Y = IMPERIAL  
 Z = OMNI/CHARGER/RAMPAGE

BODY STYLES  
 21 = 2-DOOR SEDAN  
 22 = 2-DOOR SPECIAL COUPE  
 24 = 2-DOOR HATCHBACK  
 27 = 2-DOOR CONVERTIBLE  
 28 = FWD PICKUP  
 41 = 4-DOOR SEDAN  
 45 = 4-DOOR STATION WAGON  
 44 = 4-DOOR HATCHBACK  
 48 = EXECUTIVE SEDAN

AR = Use as Required - = Non Illustrated Part P.A.R. = Paint as Required

PLUGS, FLOOR PAN - X,S,Y  
Figure 23A-1150

1169 11300



ITEM	PART NUMBER	QTY	BODY	MODEL	DESCRIPTION
1	2480 957	6			PLUG
2	1774 076	2			PLUG
3	2259 118	1			SEAL, Park Brake Cable
4		3			SCREW (Not Serviced)
5	6030 773	2			PLUG
6	4073 475	2			PLUG
7	2480 957	2			PLUG
8	2480 957	2			PLUG
9	4073 474	1			PLUG
10	2480 957	2			PLUG
11	6030 773	2			PLUG
12	4073 485	2			PLUG

MODEL CODES

B = GRAN FURY	G = DIPLOMAT	V = 400
C = LEBARON/TOWN & COUNTRY	M = HORIZON/TURISMO/SCAMP	X = MIRADA
D = ARIES	P = RELIANT	Y = IMPERIAL
E = 600	S = CORDOBA	Z = OMNI/CHARGER/RAMPAGE
F = FIFTH AVENUE	T = E CLASS/NEWYORKER	

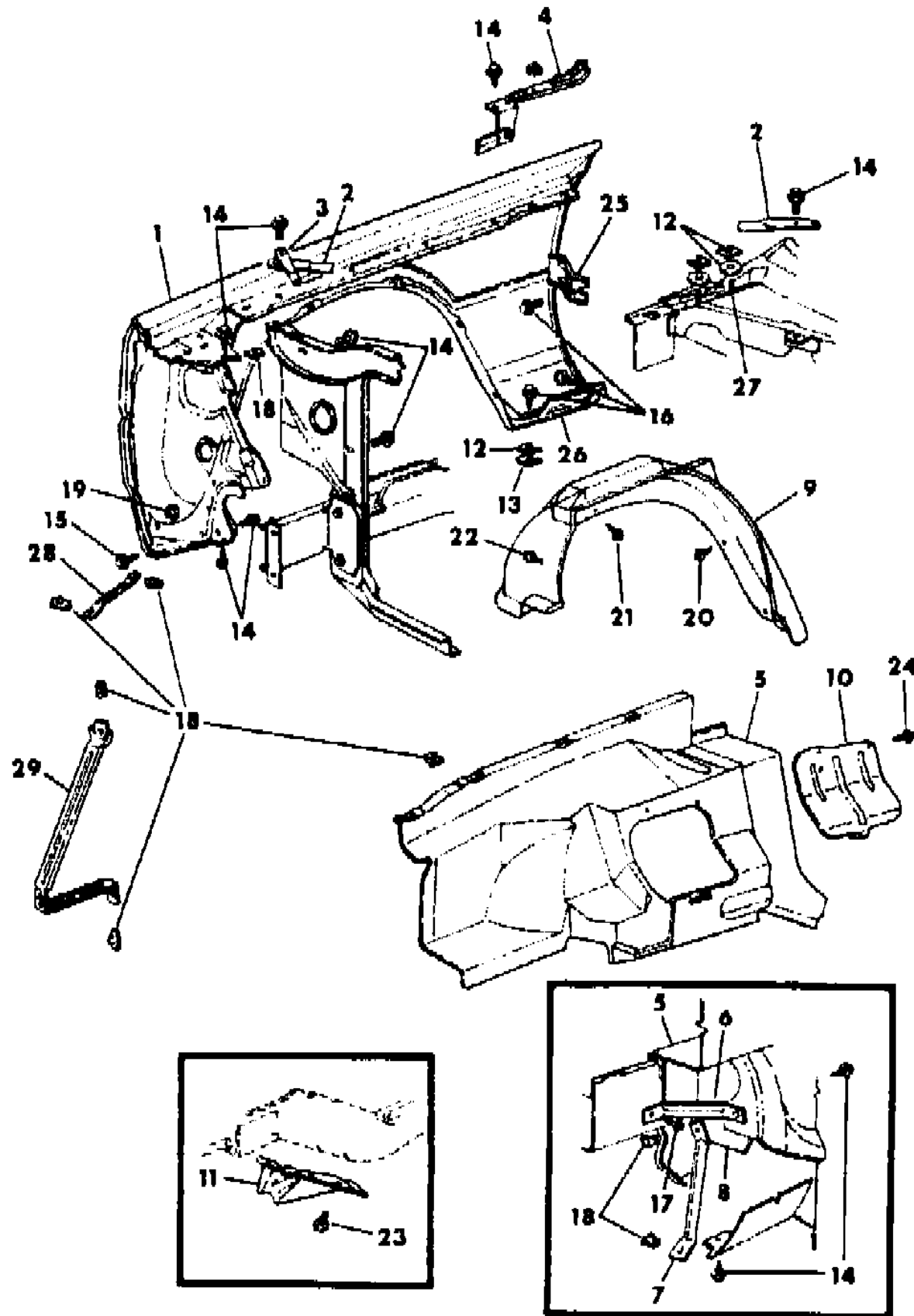
BODY STYLES

21 = 2-DOOR SEDAN	41 = 4-DOOR SEDAN
22 = 2-DOOR SPECIAL COUPE	45 = 4-DOOR STATION WAGON
24 = 2-DOOR HATCHBACK	44 = 4-DOOR HATCHBACK
27 = 2-DOOR CONVERTIBLE	48 = EXECUTIVE SEDAN
28 = FWD PICKUP	

AR = Use as Required - = Non Illustrated Part P.A.R. = Paint as Required

FENDER - X,S,Y  
Figure 23A-1160

3109 1160r



ITEM	PART NUMBER	QTY	BODY	MODEL	DESCRIPTION
1	4106 634-5	1		X	FENDER,Complete,W/Side Marker,W/Louvers
	4106 640-1	1		X	FENDER,Complete,W/Cornering Lamps
	4106 636-7	1		S-H	FENDER,Complete,W/O Cornering Lamps
	4106 638-9	1		S	FENDER,Complete,W/Cornering Lamps
	4106 644-5	1		Y	
2	4074 814-5	1		X,S,Y	STRUT,Fndr. Cowl
3	4005 182	1		X,S	STRUT,Battery Hold Down
	4005 185	1		X,S	SLEEVE,Battery Hold Down to Fndr. Strut
4				X,S,Y	HINGE and PROP,Hood (See Hood Illus.)
5	4237 012-3	1		X,S,Y	PANEL,Frt. Fndr. Shield
6	4074 884	2		X	BRACE,Fndr.Closure Side Rail Frame
7	4074 674-5	1		X,S	BRACE,Fndr.Lwr. Flange
8	4074 824	2		X	BRACKET,Fndr.Yoke Closure
9	4074 684-5	1		X,S,Y	SHIELD,Fndr.W/House Splash
10	4005 108	2		X,S,Y	COVER,Frt.Fndr.Shield Pnl.Upr. Control Arm (Alum.)
11	4005 081	1		X,S,Y	SHIELD,Frt. Side Rail Lwr. Splash,Lt.
12	6010 031	AR		X,S,Y	SHIM
13	6010 031	AR		X,S,Y	SHIM
14	9425 118	AR		X,S,Y	SCREW and Wa.
15	0181 088	AR		X,S,Y	SCREW and Wa.
16				X,S,Y	SCREW and Wa.(Not Serviced)
17				X,S,Y	SCREW (Not Serviced)
18				X,S,Y	U-NUT (Not Serviced)
19	0118 614	AR		X,S,Y	NUT and Wa.
20		AR		X,S,Y	SCREW w/Washer (Not Serviced)
21	6030 441	AR		X,S,Y	RETAINER,Splash Shield
22				X,S,Y	Screw and Wa.(Not Serviced)
23				X,S,Y	Screw and Wa.(Not Serviced)
24				X,S,Y	Screw and Wa.(Not Serviced)
25		2			BRACKET,Fndr. Pillar (Serviced in Assy.)
26		1			BRACKET,Fndr. Sill (Serviced in Assy.)
27	4136 191	2		X,S,Y	REINFORCEMENT w/SCREW,Dash Pnl. Hood Hge.
28	4074 964	2		Y	STRUT,Fndr. Lwr. Flange to Frame Ext.
29					BRACE (See Illustration in Group 13)
NOTE: The Following Items Are Not Shown on Illustration) de). Both models are derived from the 100.1" W.B. LeBaron (C 22 Model). Sheet metal parts for the C 48 not found on this illustration should be specif					
	4005 214	2		Y	PLATE,Fndr. Shield to Side Rail Strut

MODEL CODES

B = GRAN FURY	G = DIPLOMAT	V = 400
C = LEBARON/TOWN & COUNTRY	M = HORIZON/TURISMO/SCAMP	X = MIRADA
D = ARIES	P = RELIANT	Y = IMPERIAL
E = 600	S = CORDOBA	Z = OMNI/CHARGER/RAMPAGE
F = FIFTH AVENUE	T = E CLASS/NEWYORKER	

BODY STYLES

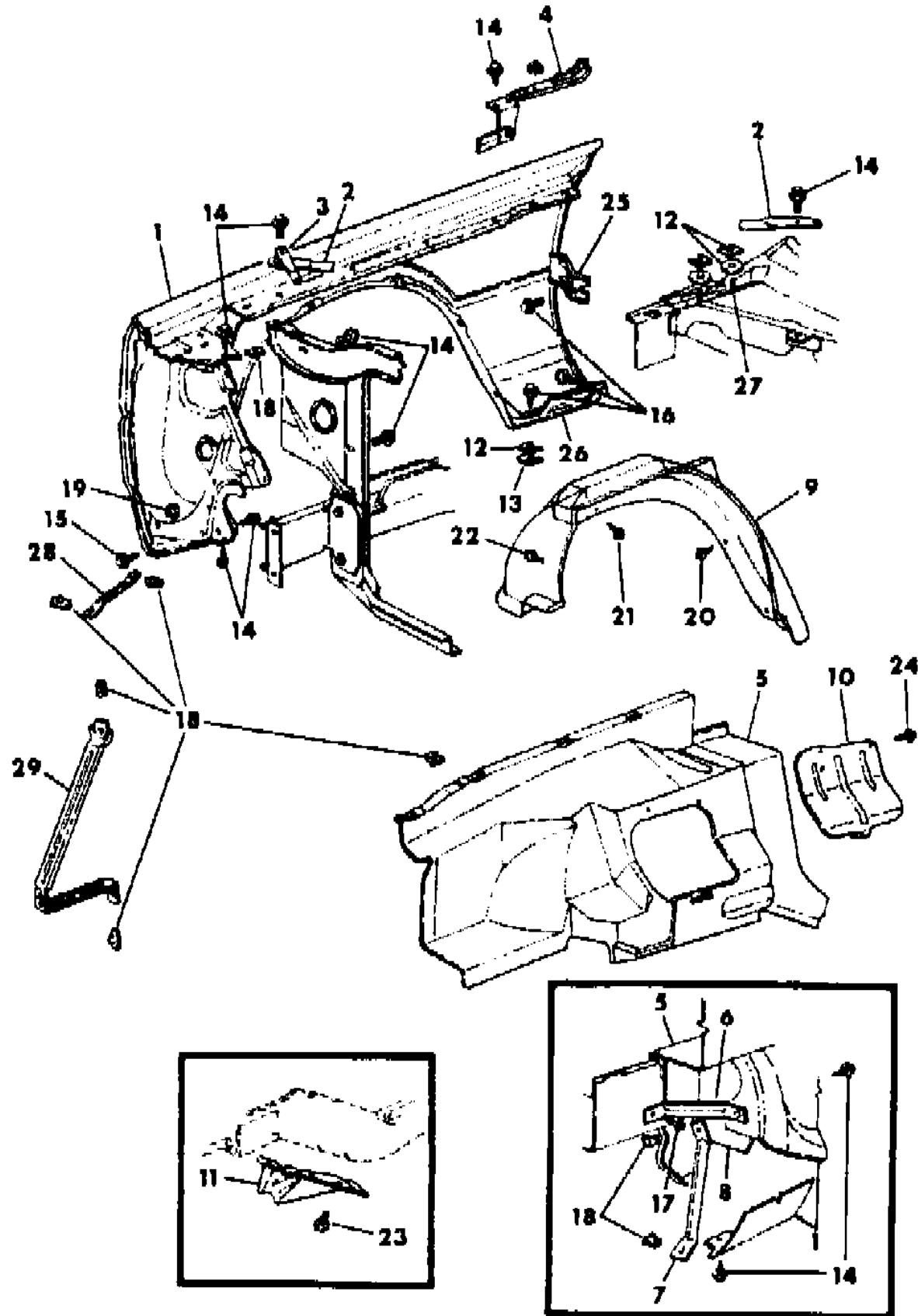
21 = 2-DOOR SEDAN	41 = 4-DOOR SEDAN
22 = 2-DOOR SPECIAL COUPE	45 = 4-DOOR STATION WAGON
24 = 2-DOOR HATCHBACK	44 = 4-DOOR HATCHBACK
27 = 2-DOOR CONVERTIBLE	48 = EXECUTIVE SEDAN
28 = FWD PICKUP	

AR = Use as Required - = Non Illustrated Part P.A.R. = Paint as Required

FENDER - X,S,Y  
Figure 23A-1160

3169 1160r

ITEM	PART NUMBER	QTY	BODY	MODEL	DESCRIPTION
	4005 196-7	1		Y	STRUT,Fndr. Shield to Frt. Side Rail,Rear
	4237 028-9	1		Y	STRUT,Fndr. Shield to Frt. Side Rail,Frnt.



MODEL CODES  
 B = GRAN FURY  
 C = LEBARON/TOWN & COUNTRY  
 D = ARIES  
 E = 600  
 F = FIFTH AVENUE  
 G = DIPLOMAT  
 M = HORIZON/TURISMO/SCAMP  
 P = RELIANT  
 S = CORDOBA  
 T = E CLASS/NEWYORKER  
 V = 400  
 X = MIRADA  
 Y = IMPERIAL  
 Z = OMNI/CHARGER/RAMPAGE

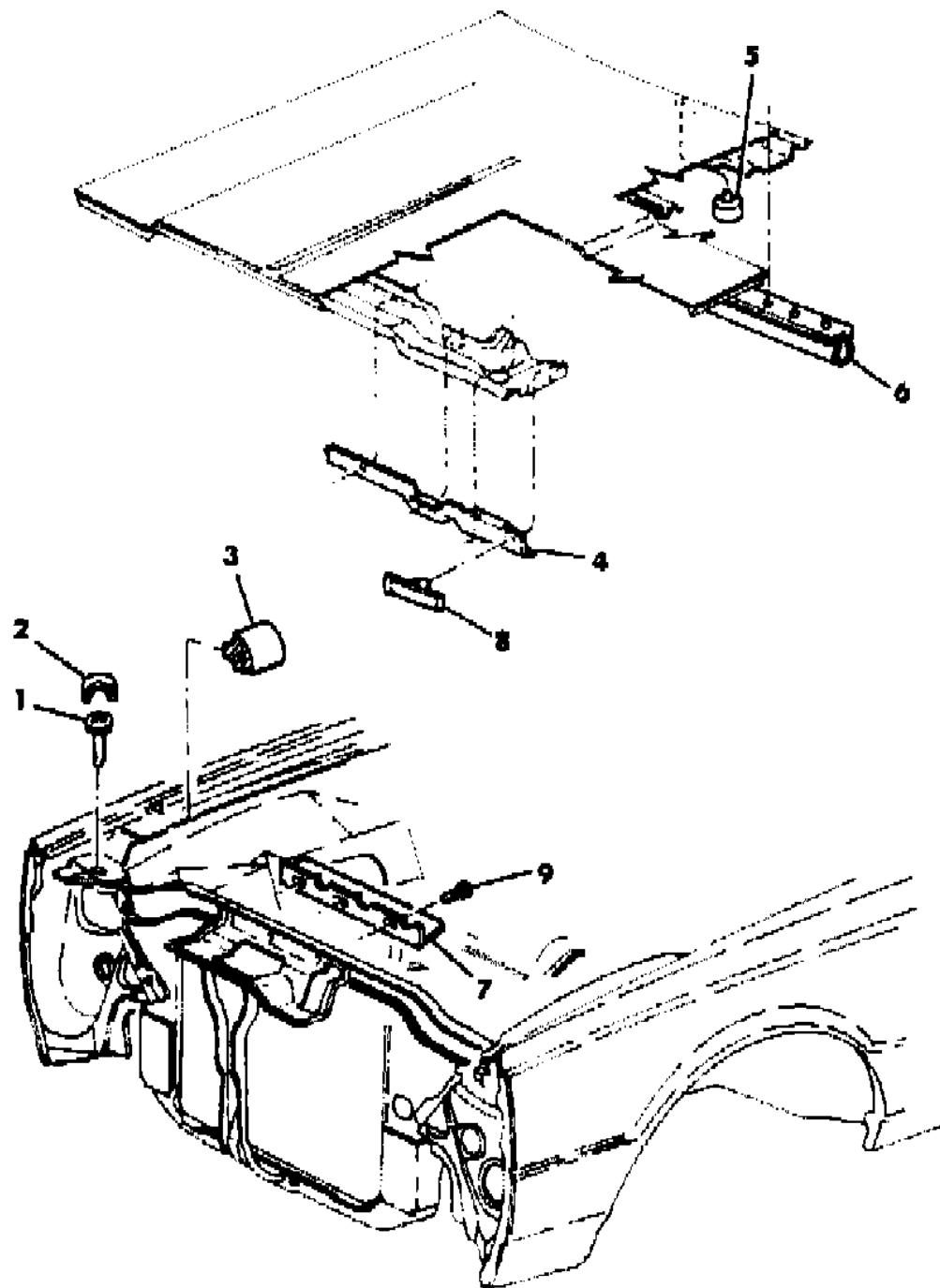
BODY STYLES  
 21 = 2-DOOR SEDAN  
 22 = 2-DOOR SPECIAL COUPE  
 24 = 2-DOOR HATCHBACK  
 27 = 2-DOOR CONVERTIBLE  
 28 = FWD PICKUP  
 41 = 4-DOOR SEDAN  
 45 = 4-DOOR STATION WAGON  
 44 = 4-DOOR HATCHBACK  
 48 = EXECUTIVE SEDAN

AR = Use as Required - = Non Illustrated Part P.A.R. = Paint as Required



**BUMPERS, FENDER & HOOD - X,S,Y**  
**Figure 23A-1170**

3169 11700



ITEM	PART NUMBER	QTY	BODY	MODEL	DESCRIPTION
1	6023 531	2			SCREW
2	3788 362	2			BUMPER
3	4016 214	2			BUMPER
4	4074 666	1			SEAL, Hood Yoke
5	2784 714	1			BUMPER, Hood Leveling
6	4074 789	1			SEAL, Hood Cowl
7	4103 056	1			SEAL, Radiator Yoke
8	6003 351	AR			FASTENER
9	6030 538	3			RETAINER

NOTE: The Following Items Are Not Shown On Illustration. de). Both models are derived from the 100.1" W.B. LeBaron (C 22 Model). Sheet metal parts for the C 48 not found on this illustration should be specif  
 5211 168 1 PLUG, w/o Antenna

**MODEL CODES**

B = GRAN FURY	G = DIPLOMAT	V = 400
C = LEBARON/TOWN & COUNTRY	M = HORIZON/TURISMO/SCAMP	X = MIRADA
D = ARIES	P = RELIANT	Y = IMPERIAL
E = 600	S = CORDOBA	Z = OMNI/CHARGER/RAMPAGE
F = FIFTH AVENUE	T = E CLASS/NEWYORKER	

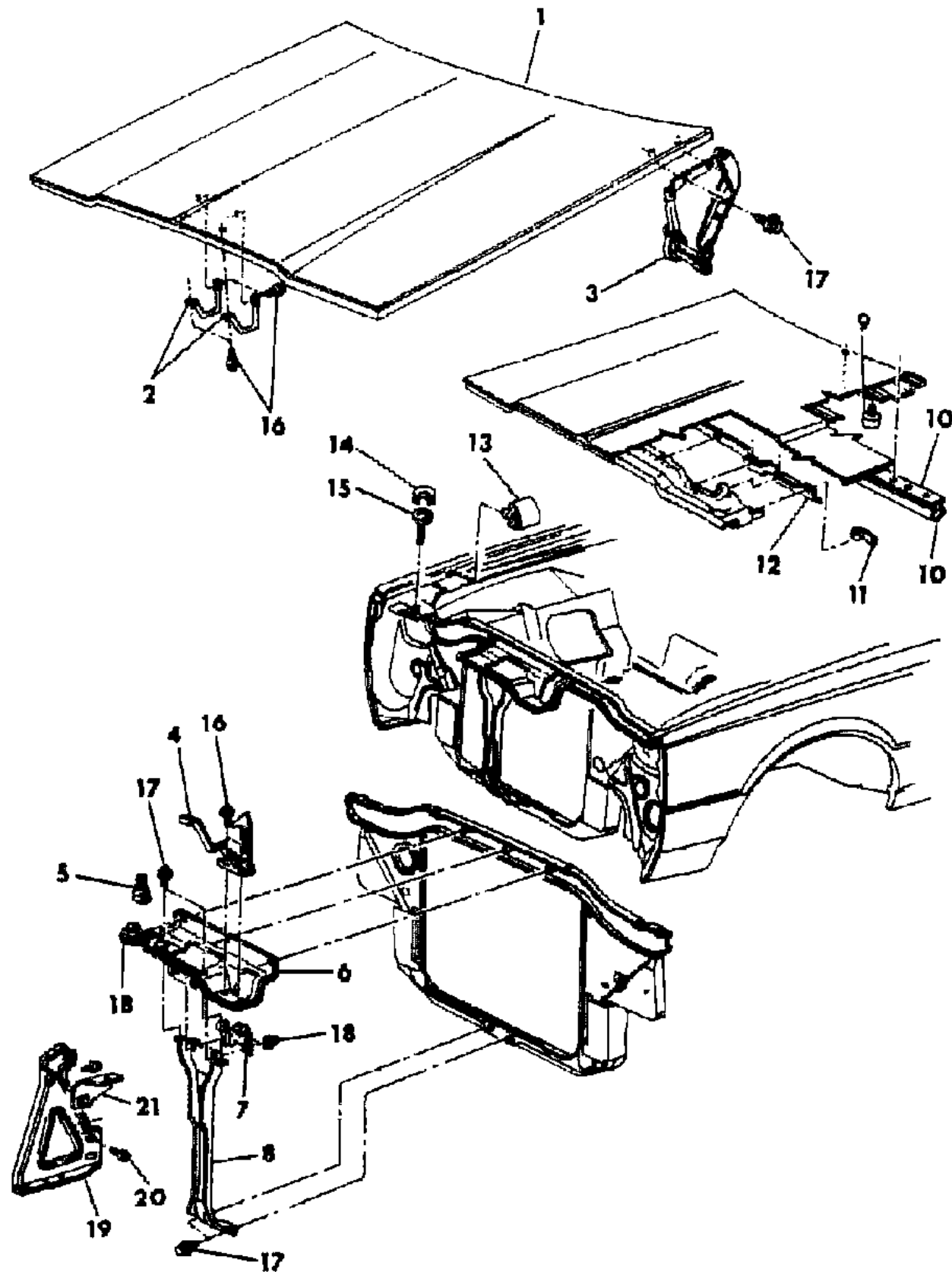
**BODY STYLES**

21 = 2-DOOR SEDAN	41 = 4-DOOR SEDAN
22 = 2-DOOR SPECIAL COUPE	45 = 4-DOOR STATION WAGON
24 = 2-DOOR HATCHBACK	44 = 4-DOOR HATCHBACK
27 = 2-DOOR CONVERTIBLE	48 = EXECUTIVE SEDAN
28 = FWD PICKUP	

AR = Use as Required - = Non Illustrated Part P.A.R. = Paint as Required

HOOD - X,S,Y  
Figure 23A-1180

3169 11800



ITEM	PART NUMBER	QTY	BODY	MODEL	DESCRIPTION
1	4129 151	1		X	HOOD
	4129 154	1		S	HOOD
	4129 408	1		Y	HOOD
2	4054 003	1		X,S,Y	STRIKER,Hood Safety Catch
	4054 003	1		X,S,Y	STRIKER,Hood Latch
3	4103 904-5	1		X,S,Y	HINGE and PROP,Hood
4	4172 068	1		X,S,Y	CATCH,Hood Safety
5	4240 535	1		X,S,Y	SPRING PKG.,Hood Pop-Up,Eyelet Type
6	4103 490	1		X,S,Y	PLATE,Hood Lock
7	3861 819	1		X,S,Y	LATCH,Hood
8	4074 810	1		X,S,Y	SUPPORT,Hood Lock Vertical
9	2784 714	1		X,S,Y	BUMPER,Hood Rear Center
10	4074 789	1		X,S,Y	SEAL,Hood Inner Pnl.Cowl
	6003 568	12		X,S,Y	FASTENER,Hood Inner Pnl.Cowl Seal
11	6003 351	AR		X,S,Y	FASTENER
12	4074 666	1		X,S,Y	SEAL,Hood Inner Pnl.Yoke
13	4016 214	2		X,S,Y	BUMPER,Fndr. Hood Side
14	3788 362	2		X,S,Y	BUMPER,Fndr. Yoke Bracket Hood Adj.
15	6023 531	2		X,S,Y	SCREW,Fndr.Yoke Brkt.Hood Adj.Bumper
16	0181 063	AR		X,S,Y	Screw and Wa.
17	9425 118	AR		X,S,Y	Screw and Wa.
18	0118 614	AR		X,S,Y	Nut and Wa.
19	4074 851	1		S-P	BRACE,Rad. Grille H/Lamp Mtg. Pnl. Vert. Lock Support
20	0181 065	AR		X,S,Y	SCREW and WA.
21	4103 497	1		X,S,Y	BRACKET,Rad. Grille Vert. Lock Brace Plate Hood Lock

NOTE: The Following Items Are Not Shown on Illustration de). Both models are derived from the 100.1" W.B. LeBaron (C 22 Model). Sheet metal parts for the C 48 not found on this illustration should be specif

3875 949	2		X,S,Y	SEAL,Cowl Top Pnl. to W/Shield Outer Frame
4049 601	1		X,S,Y	SILENCER,Hood
4074 293	16		X,S,Y	FASTENER,Hood Inner Pnl. Silencer
4175 135	1		X,S,Y	MOULDING,Hood Rear Edge
4103 056	1		X,S,Y	SEAL,Rad. Yoke C/Mbr. to Rad.

MODEL CODES

B = GRAN FURY	G = DIPLOMAT	V = 400
C = LEBARON/TOWN & COUNTRY	M = HORIZON/TURISMO/SCAMP	X = MIRADA
D = ARIES	P = RELIANT	Y = IMPERIAL
E = 600	S = CORDOBA	Z = OMNI/CHARGER/RAMPAGE
F = FIFTH AVENUE	T = E CLASS/NEWYORKER	

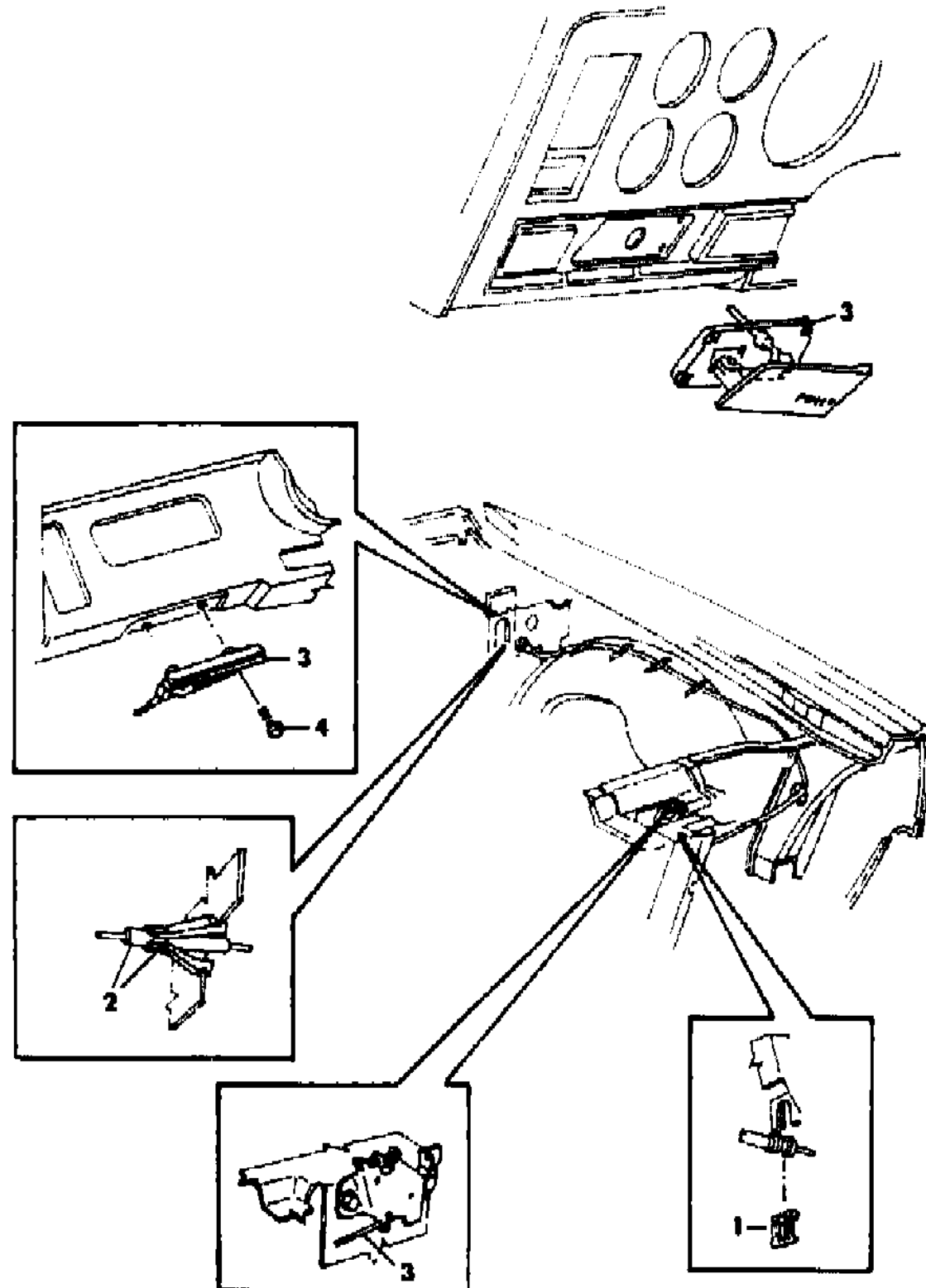
BODY STYLES

21 = 2-DOOR SEDAN	41 = 4-DOOR SEDAN
22 = 2-DOOR SPECIAL COUPE	45 = 4-DOOR STATION WAGON
24 = 2-DOOR HATCHBACK	44 = 4-DOOR HATCHBACK
27 = 2-DOOR CONVERTIBLE	48 = EXECUTIVE SEDAN
28 = FWD PICKUP	

AR = Use as Required - = Non Illustrated Part P.A.R. = Paint as Required

**HOOD RELEASE, REMOTE CONTROL - X,S,Y**  
**Figure 23A-1190**

3169 11900



ITEM	PART NUMBER	QTY	BODY	MODEL	DESCRIPTION
1	3861 231	1			CLIP, Hood Latch Rel. Cable Ret.
2	3695 100	1			GROMMET, Hood Latch Rel. Handle Cable
3	4172 771	1		X.S	RELEASE, Inst. Pnl. Hood Latch
	5211 940	1		Y	RELEASE, Park Brake and Hood Latch Inst. Pnl.
	5211 950	1		Y	CABLE Assy., Hood Latch Release Handle
4					SCREW (Not Serviced)

NOTE: The Following Items Are Not Shown On Illus. de). Both models are derived from the 100.1" W.B. LeBaron (C 22 Model).  
 Sheet metal parts for the C 48 not found on this illustration should be specif

	6031 147	1			S/NUT, Inst. Pnl. Hood Latch Rel. Handle Pivot Pin
	6031 147	1			S/NUT, Inst. Pnl. Hood Latch Rel. Handle to Cable
	4054 965	1			PIN, Hood Latch Release Cable Term.
	1774 076	1			PLUG, Hood Release Cable

**MODEL CODES**

B = GRAN FURY	G = DIPLOMAT	V = 400
C = LEBARON/TOWN & COUNTRY	M = HORIZON/TURISMO/SCAMP	X = MIRADA
D = ARIES	P = RELIANT	Y = IMPERIAL
E = 600	S = CORDOBA	Z = OMNI/CHARGER/RAMPAGE
F = FIFTH AVENUE	T = E CLASS/NEWYORKER	

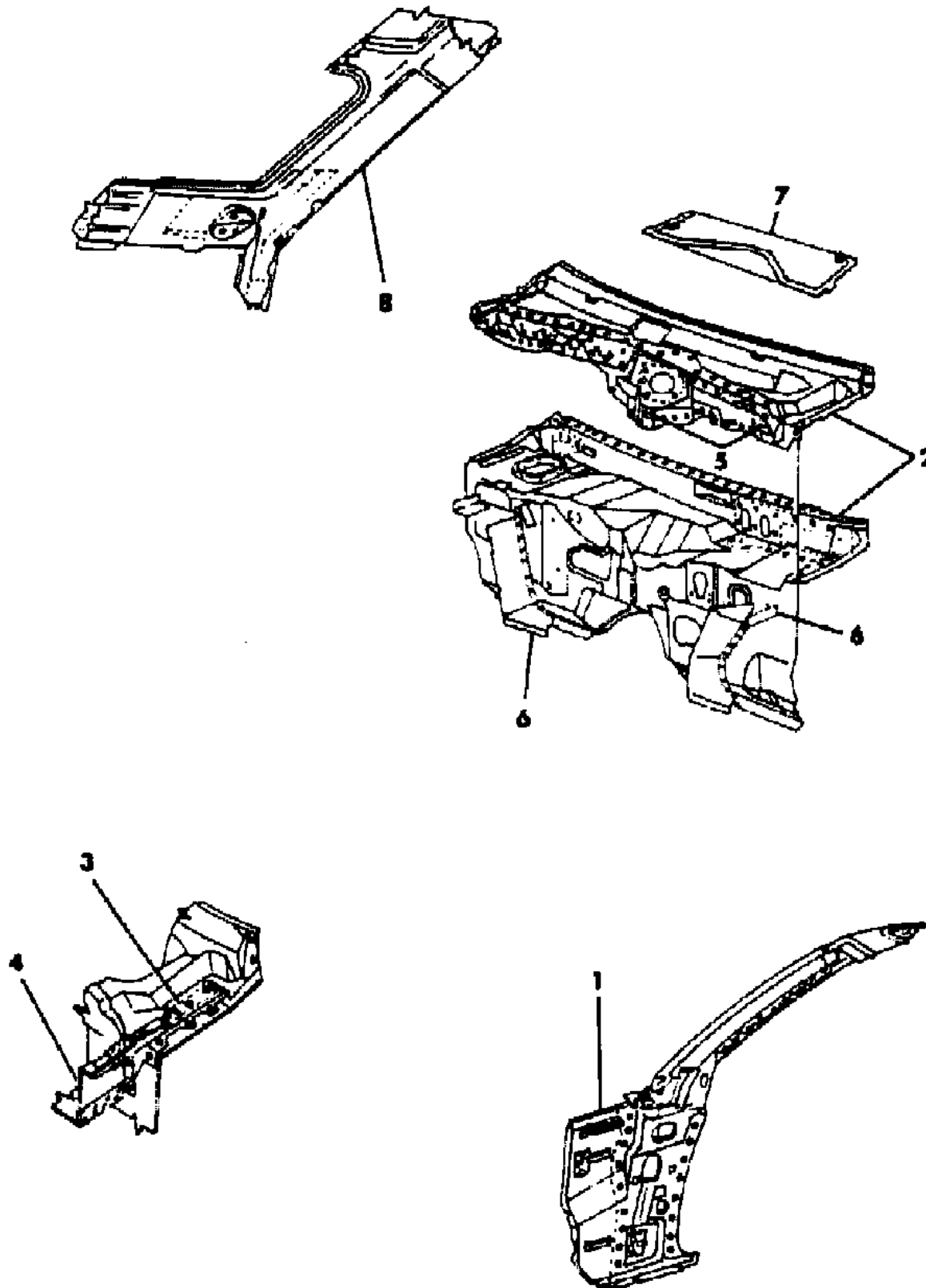
**BODY STYLES**

21 = 2-DOOR SEDAN	41 = 4-DOOR SEDAN
22 = 2-DOOR SPECIAL COUPE	45 = 4-DOOR STATION WAGON
24 = 2-DOOR HATCHBACK	44 = 4-DOOR HATCHBACK
27 = 2-DOOR CONVERTIBLE	48 = EXECUTIVE SEDAN
28 = FWD PICKUP	

AR = Use as Required - = Non Illustrated Part P.A.R. = Paint as Required

**COWL & DASH PANEL - X,S,Y**  
**Figure 23A-1200**

3169 1200c



ITEM	PART NUMBER	QTY	BODY	MODEL	DESCRIPTION
1	4129 200-1	1			PANEL,Cowl Side
2	4200 033	1			PANEL,Cowl Top and Dash Panel
3	4136 191	2			REINFORCEMENT and SCREW,Dash Panel Hood Hinge
4	4136 186-7	1			SUPPORT,Dash Panel to Fender Side Shield Upper
5	3794 032	3			SEAL,Cowl Top Panel Drain Hole
6	4198 190-1	1			SUPPORT,Dash Panel to Fender Side Shield Lower
7	4136 192	1			SCREEN,Cowl Top Fresh Air Opening,Rt.
	4136 151	1			Lt.
8	4136 010-1	1			EXTENSION,Windshield Side Frame Upper Corner

The following items are not shown on illustration. de). Both models are derived from the 100.1" W.B. LeBaron (C 22 Model). Sheet metal parts for the C 48 not found on this illustration should be specif

4206 619	1		X,S		LINER,Dash
4206 619	1		Y		
4206 545	4				RETAINER,Dash Liner Attaching
6032 020	4				STUD,Dash Liner to Dash Panel Attaching Collar
4136 041	1				REINFORCEMENT,Dash Panel Accelerator Pedal Mounting w/ Heavy Service Pkg.
4136 545	2				PAD,Cowl Side Inner

**MODEL CODES**

B = GRAN FURY	G = DIPLOMAT	V = 400
C = LEBARON/TOWN & COUNTRY	M = HORIZON/TURISMO/SCAMP	X = MIRADA
D = ARIES	P = RELIANT	Y = IMPERIAL
E = 600	S = CORDOBA	Z = OMNI/CHARGER/RAMPAGE
F = FIFTH AVENUE	T = E CLASS/NEWYORKER	

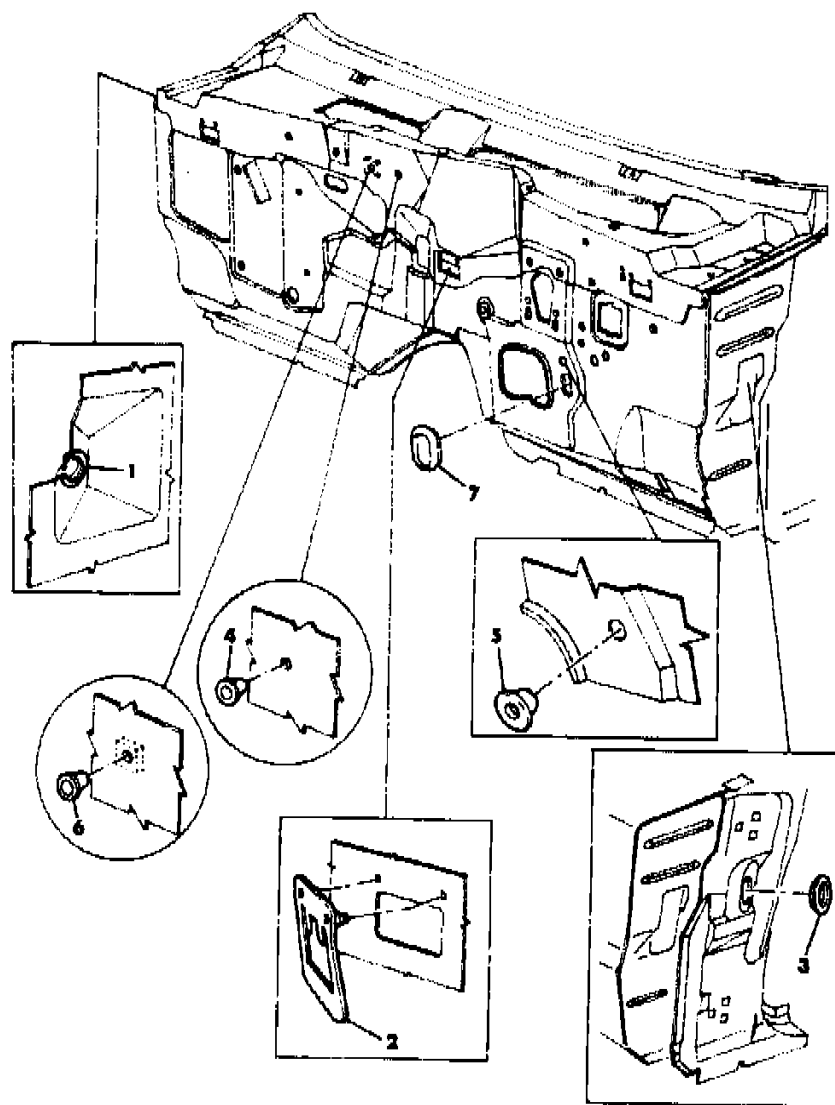
**BODY STYLES**

21 = 2-DOOR SEDAN	41 = 4-DOOR SEDAN
22 = 2-DOOR SPECIAL COUPE	45 = 4-DOOR STATION WAGON
24 = 2-DOOR HATCHBACK	44 = 4-DOOR HATCHBACK
27 = 2-DOOR CONVERTIBLE	48 = EXECUTIVE SEDAN
28 = FWD PICKUP	

AR = Use as Required - = Non Illustrated Part P.A.R. = Paint as Required

PLUGS, COWL & DASH - X,S,Y  
Figure 23A-1210

3169 12100



ITEM	PART NUMBER	QTY	BODY	MODEL	DESCRIPTION
1	2860 332	1			PLUG, Antenna Hole
2	3794 032	3			SEAL, Cowl Top
3	6030 883	2			PLUG
4	2423 737	1			PLUG
5	3445 939	1			PLUG
6	2423 737	1			PLUG
7		1			PLUG (Not Serviced)

MODEL CODES

B = GRAN FURY	G = DIPLOMAT	V = 400
C = LEBARON/TOWN & COUNTRY	M = HORIZON/TURISMO/SCAMP	X = MIRADA
D = ARIES	P = RELIANT	Y = IMPERIAL
E = 600	S = CORDOBA	Z = OMNI/CHARGER/RAMPAGE
F = FIFTH AVENUE	T = E CLASS/NEWYORKER	

BODY STYLES

21 = 2-DOOR SEDAN	41 = 4-DOOR SEDAN
22 = 2-DOOR SPECIAL COUPE	45 = 4-DOOR STATION WAGON
24 = 2-DOOR HATCHBACK	44 = 4-DOOR HATCHBACK
27 = 2-DOOR CONVERTIBLE	48 = EXECUTIVE SEDAN
28 = FWD PICKUP	

AR = Use as Required - = Non Illustrated Part P.A.R. = Paint as Required

GLASS, WINDSHIELD - X,S,Y  
Figure 23A-1220

3169 12200

ITEM	PART NUMBER	QTY	BODY	MODEL	DESCRIPTION
------	-------------	-----	------	-------	-------------

NOTE: GLASS, WINDSHIELD - ORDER FROM YOUR LOCAL MOPAR GLASS DISTRIBUTOR. de). Both models are derived from the 100.1" W.B. LeBaron (C 22 Model). Sheet metal parts for the C 48 not found on this illustration should be specif

1					GLASS, Windshield
	4136 208	1		X,S	Tinted
	4206 795	1		Y	Tinted
2	4206 543	2	All		SPACER, Windshield Glass Lower
3	3767 767	AR	All		SHIM, Windshield Glass Spacer, Lower
4		2	All		RIVET, Windshield Glass Spacer Retaining (Not Serviced)
	4057 957	1	All		FIXED GLASS REPAIR PACKAGE, W/Shield (Not Shown)

CONSISTS OF:

1- ----- Tape, Butyl, 171.00"

1- ----- Primer, Glass

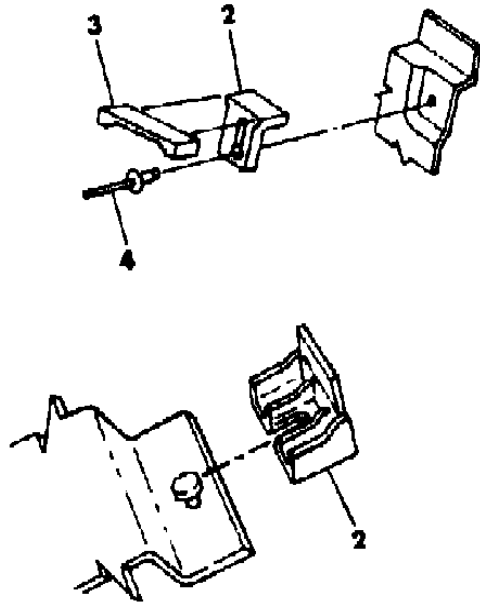
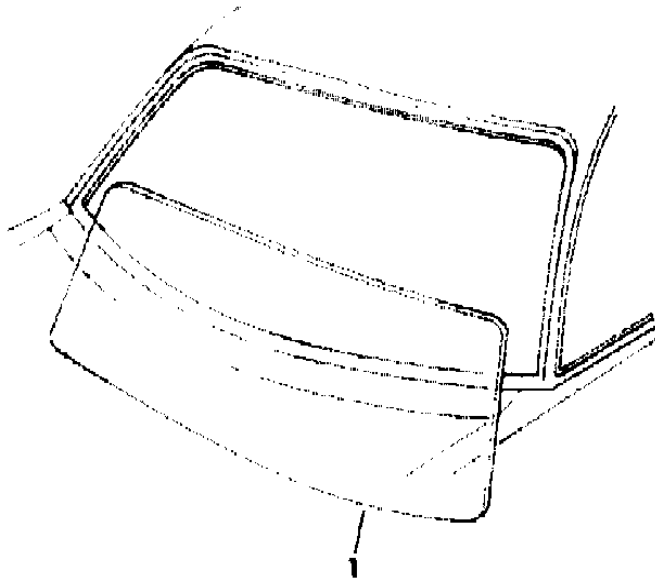
1- ----- Primer, Fence

2- 3674698 Spacer, Rubber, 0.2"

2- 3793290 Spacer, Rubber, 0.3"

2- 3767767 Shim, 0.07"

2- ----- Sponges, Disposable



MODEL CODES

B = GRAN FURY

C = LEBARON/TOWN & COUNTRY

D = ARIES

E = 600

F = FIFTH AVENUE

G = DIPLOMAT

M = HORIZON/TURISMO/SCAMP

P = RELIANT

S = CORDOBA

T = E CLASS/NEWYORKER

V = 400

X = MIRADA

Y = IMPERIAL

Z = OMNI/CHARGER/RAMPAGE

BODY STYLES

21 = 2-DOOR SEDAN

22 = 2-DOOR SPECIAL COUPE

24 = 2-DOOR HATCHBACK

27 = 2-DOOR CONVERTIBLE

28 = FWD PICKUP

41 = 4-DOOR SEDAN

45 = 4-DOOR STATION WAGON

44 = 4-DOOR HATCHBACK

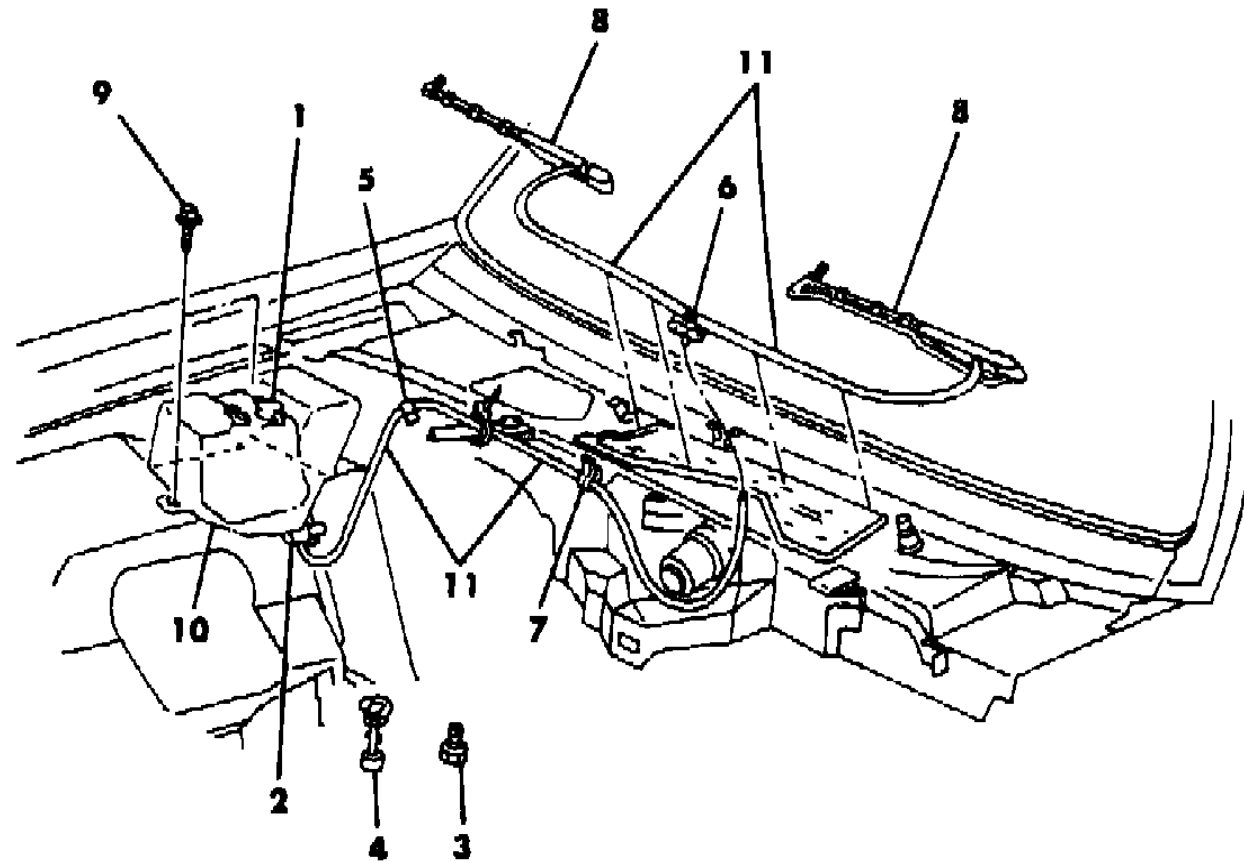
48 = EXECUTIVE SEDAN

AR = Use as Required - = Non Illustrated Part P.A.R. = Paint as Required

**WASHER SYSTEM, WINDSHIELD - X,S,Y**  
**Figure 23A-1230**

3168 12300

ITEM	PART NUMBER	QTY	BODY	MODEL	DESCRIPTION
1	2497 500	1			CAP,Windshield Washer Reservoir
2	3799 462	1			PUMP and SEAL PACKAGE,Windshield Washer
3	3799 324	1			FILTER PACKAGE,Windshield Washer Pump
4	3746 813	1			SENSOR,Washer Fluid Level
5	6015 776	1			CLIP,Washer Hose
6	3799 532	1			CONNECTOR,Windshield Washer Hose Tee
7		1			CLIP(not serviced)
8					ARM,See Windshield Wiper Illustration
9		2			SCREW(not serviced)
10	3799 542	1			RESERVOIR,Windshield Washer
	6031 951	2			SCREW, Reservoir Mounting
11					HOSE,Windshield Washer
	4026 130	1			3/32" I.D.,50'Roll
	3780 798	1			5/32" I.D.,50'Roll
	3837 036	1			1/8" I.D.,50' Roll
	4026 129	1			1/4" I.D.,50' Roll



**MODEL CODES**

B = GRAN FURY	G = DIPLOMAT	V = 400
C = LEBARON/TOWN & COUNTRY	M = HORIZON/TURISMO/SCAMP	X = MIRADA
D = ARIES	P = RELIANT	Y = IMPERIAL
E = 600	S = CORDOBA	Z = OMNI/CHARGER/RAMPAGE
F = FIFTH AVENUE	T = E CLASS/NEWYORKER	

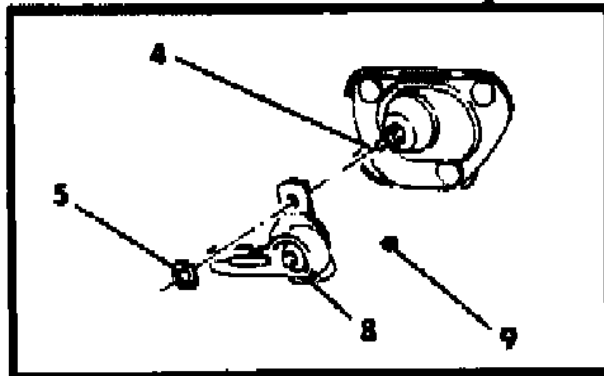
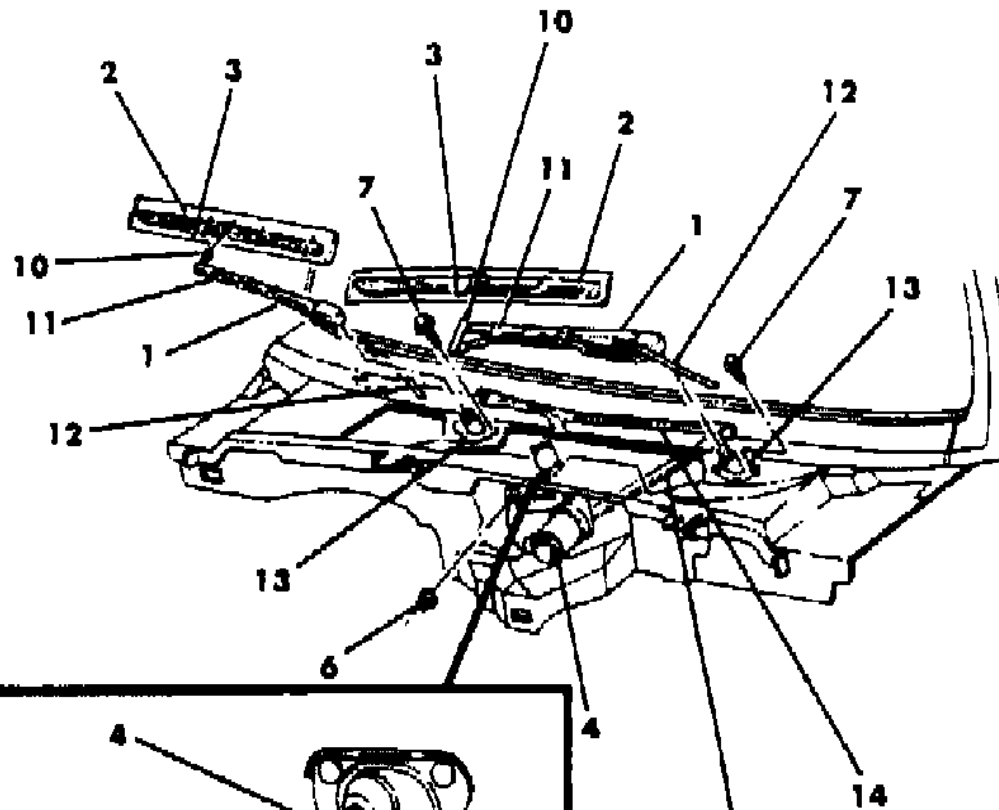
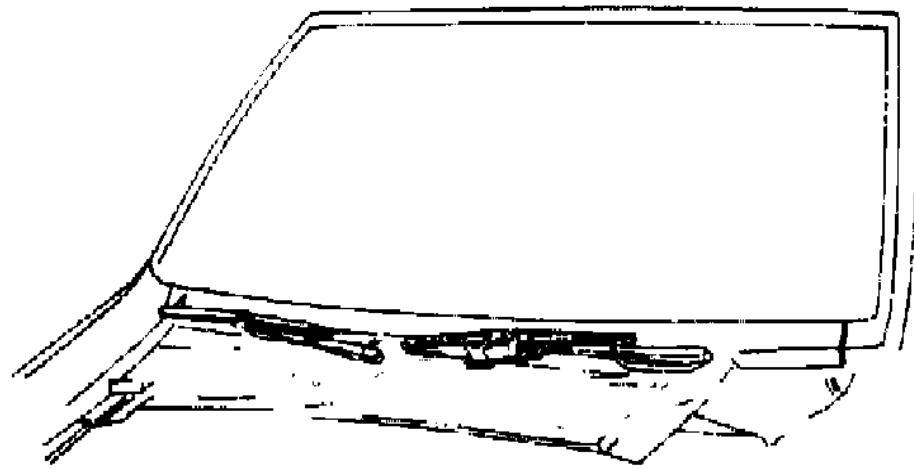
**BODY STYLES**

21 = 2-DOOR SEDAN	41 = 4-DOOR SEDAN
22 = 2-DOOR SPECIAL COUPE	45 = 4-DOOR STATION WAGON
24 = 2-DOOR HATCHBACK	44 = 4-DOOR HATCHBACK
27 = 2-DOOR CONVERTIBLE	48 = EXECUTIVE SEDAN
28 = FWD PICKUP	

AR = Use as Required - = Non Illustrated Part P.A.R. = Paint as Required

**WIPER SYSTEM, WINDSHIELD - X,S,Y**  
**Figure 23A-1240**

3159 12400



ITEM	PART NUMBER	QTY	BODY	MODEL	DESCRIPTION
1	3799 545	1			ARM w/NOZZLE,Windshield Wiper w/o Blade,Rt.
	3799 698	1			Lt.
2	3799 646	2			BLADE w/REFILL,Windshield Wiper
	3799 369	2			Anco (Plastic)
	3799 645	2			Anco (Short Overhang-Black)
		2			Trico (Plastic)
		2			Trico (Black) (Part #3799417-Not Serviced)
3					REFILL,Windshield Wiper Blade
	3799 335	2			Anco (Use With #3799369 Blade)
	3799 654	2			Anco (Use With #3799646 Blade)
	3799 060	2			Trico (Use With #3799417 Blade)
	3799 685	2			Trico (Use With #3799645 Blade)
4	4186 956	1		X,S	MOTOR w/JUMPER PACKAGE
	4240 528	1		Y	
5	6031 096	1			NUT,Crank Mounting
6	6025 413	3			NUT,Motor Mounting
7	6024 067	6			SCREW
8	3799 537	1			LINK ASSY.,Wiper Drive
					CONSISTS OF:
					1- ----- Link w/Bushing
					1- ----- Crank w/Pin
					1- ----- Cam
					1- ----- Spring
					1- ----- Release
					1- ----- Retainer
					1- 453632 Ball
					1- 1922183 Ring
9	3799 089	3			BUSHING,Windshield Wiper Linkage
10					NOZZLE,Wiper Arm
	3431 868	1			Rt.
	3431 865	1			Lt.
11					RETAINER,Windshield Wiper Arm Nozzle and Hose
	3799 058	1			Rt.
	3431 871	1			Lt.
12	4026 130	1			HOSE,Windshield Wiper Arm Nozzle,3/32" I.D.,50' Roll
13					PIVOT
	3799 456	1			Rt.

**MODEL CODES**

B = GRAN FURY	G = DIPLOMAT	V = 400
C = LEBARON/TOWN & COUNTRY	M = HORIZON/TURISMO/SCAMP	X = MIRADA
D = ARIES	P = RELIANT	Y = IMPERIAL
E = 600	S = CORDOBA	Z = OMNI/CHARGER/RAMPAGE
F = FIFTH AVENUE	T = E CLASS/NEWYORKER	

**BODY STYLES**

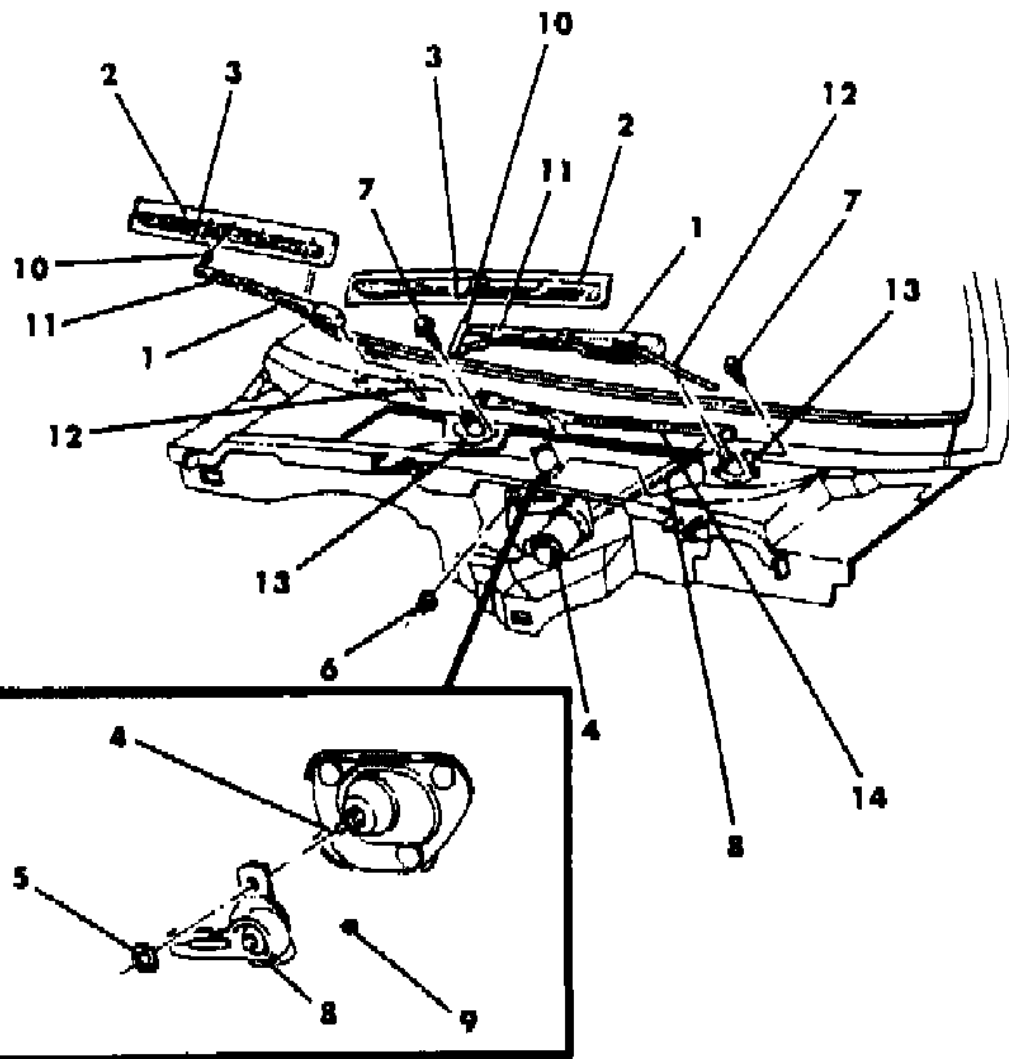
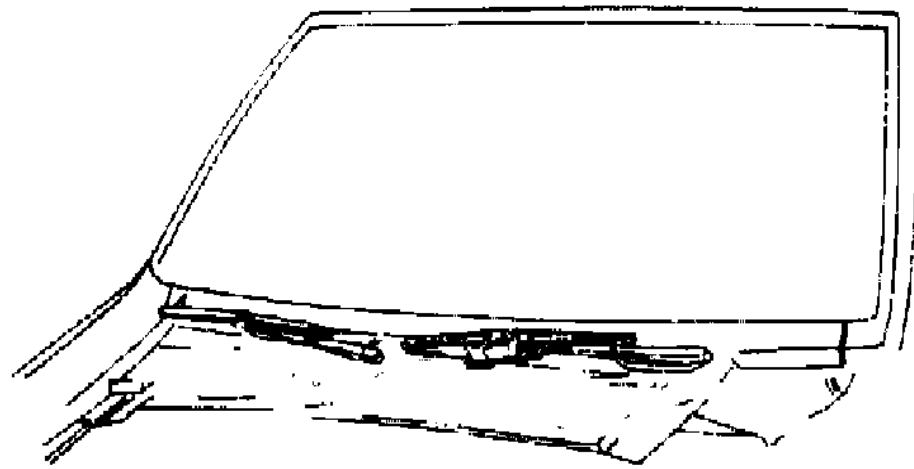
21 = 2-DOOR SEDAN	41 = 4-DOOR SEDAN
22 = 2-DOOR SPECIAL COUPE	45 = 4-DOOR STATION WAGON
24 = 2-DOOR HATCHBACK	44 = 4-DOOR HATCHBACK
27 = 2-DOOR CONVERTIBLE	48 = EXECUTIVE SEDAN
28 = FWD PICKUP	

AR = Use as Required - = Non Illustrated Part P.A.R. = Paint as Required



WIPER SYSTEM, WINDSHIELD - X,S,Y  
Figure 23A-1240

3159 12400



ITEM	PART NUMBER	QTY	BODY	MODEL	DESCRIPTION
	3799 453	1			Lt.
14	3799 612	1			LINK w/BUSHING,Wiper Pivot Connecting
The following items are not shown on illustration. de). Both models are derived from the 100.1" W.B. LeBaron (C 22 Model). Sheet metal parts for the C 48 not found on this illustration should be specif					
	2932 708	1			GROMMET and SPACER PACKAGE, Motor Mounting
CONSISTS OF:					
					3- ----- Spacer
					3- ----- Grommet
	3431 974	1			SEAL, Windshield Wiper Motor Output Shaft
	2926 168	1			SEAL, Wiper Motor Mounting
	3799 275	1			HOUSING PACKAGE, Wiper Motor
	4186 955	1			GEAR, HOUSING and COVER w/JUMPER, Wiper Motor
	4222 060	1			CONTROL, 2 Speed w/Intermittent Wipe
	4048 645	1			BRACKET, 2 Speed w/Intermittent Wipe
	3799 087	1			ARMATURE PACKAGE, Wiper Motor
	3799 618	1			DWELL SWITCH, Wiper Motor w/Intermittent Wipe
	9415 464	2			SCREW, Dwell Switch Mounting
	0453 632	1			BALL, Windshield Wiper 2 Speed w/Intermittent Wipe
	1922 183	1			RING, Windshield Wiper Release Retaining, w/Intermittent Wipe
	3799 722	2	Y		BUMPER, Windshield Wiper Blade Stop

MODEL CODES

B = GRAN FURY	G = DIPLOMAT	V = 400
C = LEBARON/TOWN & COUNTRY	M = HORIZON/TURISMO/SCAMP	X = MIRADA
D = ARIES	P = RELIANT	Y = IMPERIAL
E = 600	S = CORDOBA	Z = OMNI/CHARGER/RAMPAGE
F = FIFTH AVENUE	T = E CLASS/NEWYORKER	

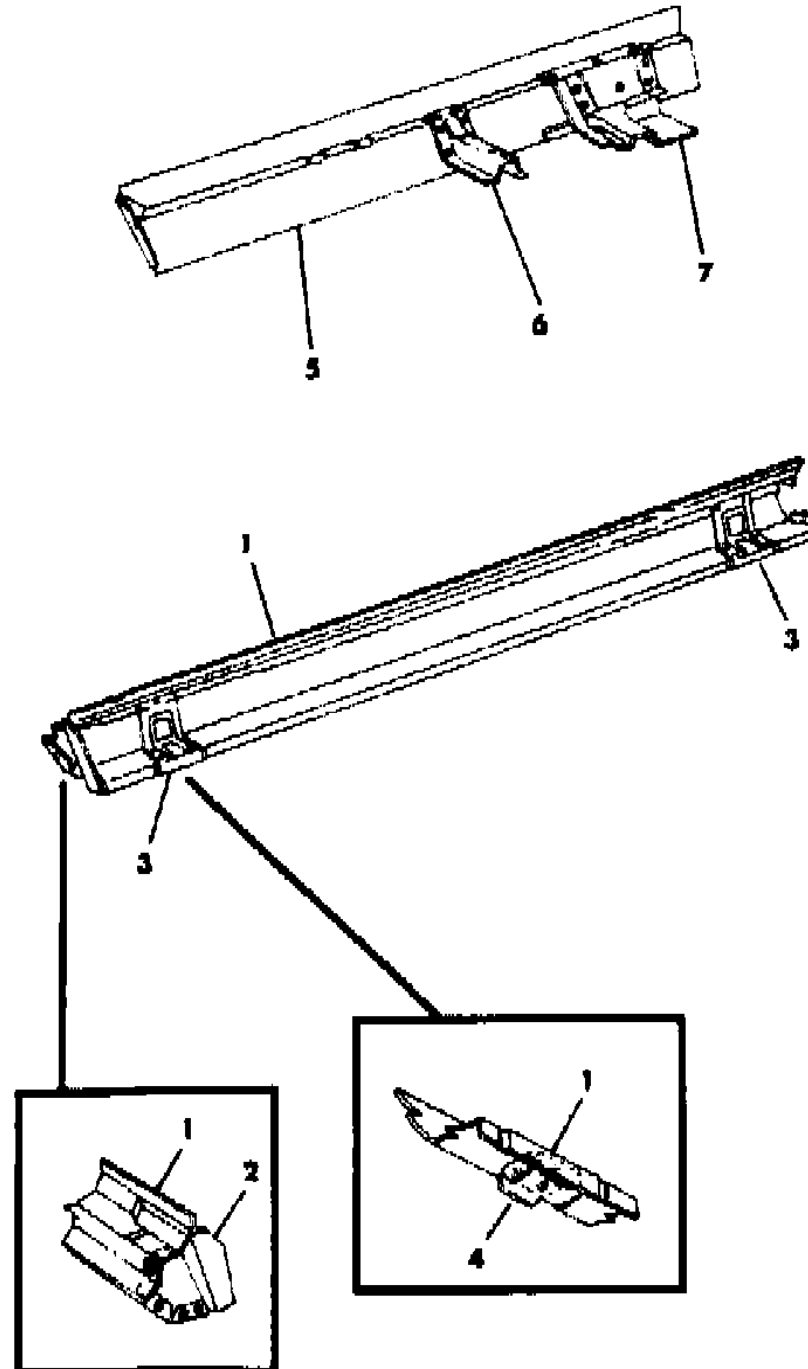
BODY STYLES

21 = 2-DOOR SEDAN	41 = 4-DOOR SEDAN
22 = 2-DOOR SPECIAL COUPE	45 = 4-DOOR STATION WAGON
24 = 2-DOOR HATCHBACK	44 = 4-DOOR HATCHBACK
27 = 2-DOOR CONVERTIBLE	48 = EXECUTIVE SEDAN
28 = FWD PICKUP	

AR = Use as Required - = Non Illustrated Part P.A.R. = Paint as Required

**SIDE SILL - X,S,Y**  
**Figure 23A-1250**

3100 12500



ITEM	PART NUMBER	QTY	BODY	MODEL	DESCRIPTION
1	4134 208-9	1			PANEL,Side Sill Outer
2	4134 020-1	1			CAP,Body Side Sill Panel,Front
3	4134 545	4			REINFORCEMENT,Outer Sill Jacking
4	4073 302	4			BRACKET,Body Sill Outer Jacking
5	4206 704-5	1			PANEL,Side Sill Inner,Front
	3791 018-9	1			PANEL,Side Sill Inner,Rear
6	4206 394-5	1			REINFORCEMENT,Front Floor Pan Seat Guide Front Outer
7	4206 396-7	1			REINFORCEMENT,Front Floor Pan Seat Guide Outer Rear
NOTE: The Following Items Are Not Shown On Illustration. de). Both models are derived from the 100.1" W.B. LeBaron (C 22 Model). Sheet metal parts for the C 48 not found on this illustration should be specif					
	3445 952	2			TAPPING PLATE,Body Lock Pillar Lock Striker

**MODEL CODES**

B = GRAN FURY	G = DIPLOMAT	V = 400
C = LEBARON/TOWN & COUNTRY	M = HORIZON/TURISMO/SCAMP	X = MIRADA
D = ARIES	P = RELIANT	Y = IMPERIAL
E = 600	S = CORDOBA	Z = OMNI/CHARGER/RAMPAGE
F = FIFTH AVENUE	T = E CLASS/NEWYORKER	

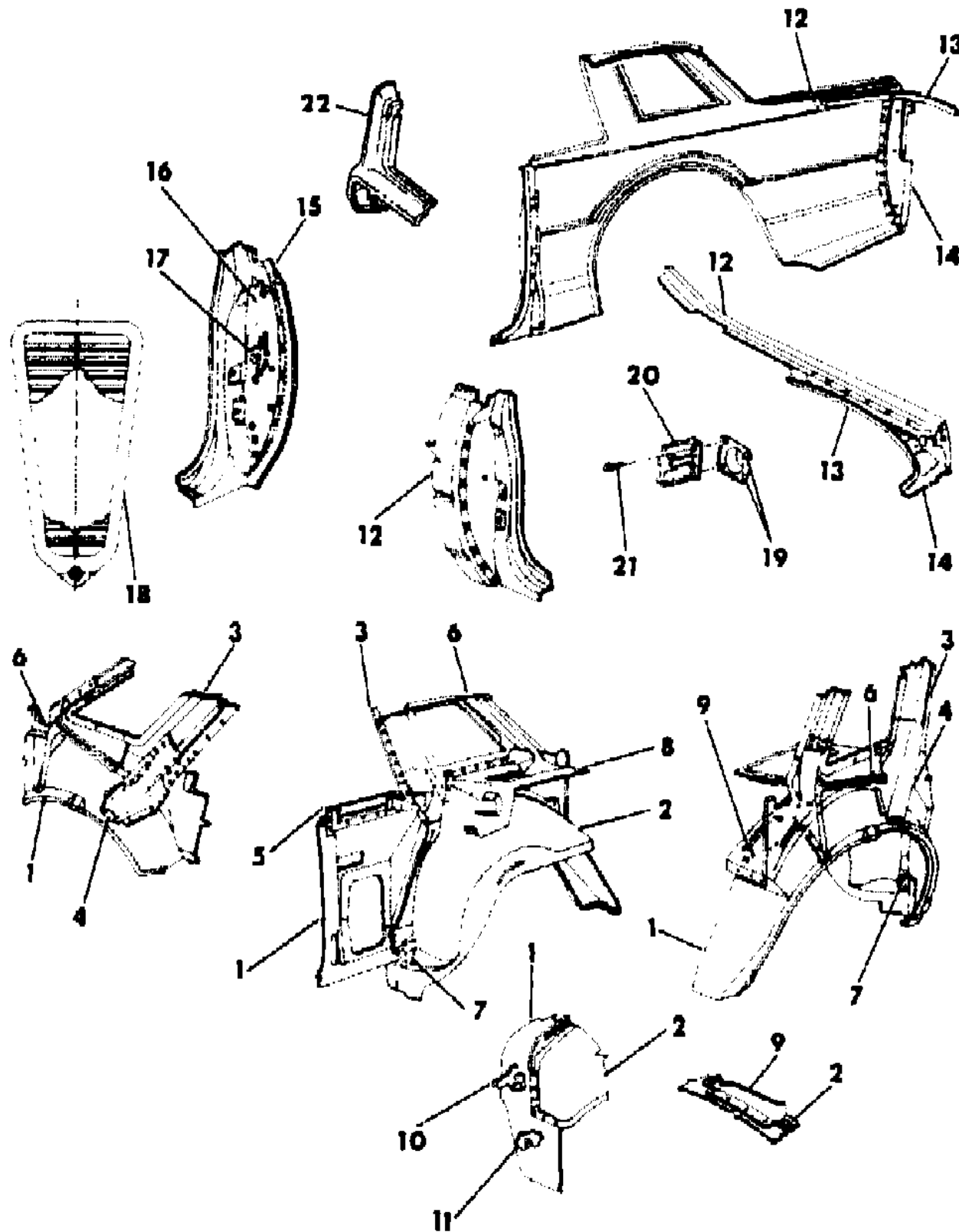
**BODY STYLES**

21 = 2-DOOR SEDAN	41 = 4-DOOR SEDAN
22 = 2-DOOR SPECIAL COUPE	45 = 4-DOOR STATION WAGON
24 = 2-DOOR HATCHBACK	44 = 4-DOOR HATCHBACK
27 = 2-DOOR CONVERTIBLE	48 = EXECUTIVE SEDAN
28 = FWD PICKUP	

AR = Use as Required - = Non Illustrated Part P.A.R. = Paint as Required

QUARTER PANEL - X,S  
Figure 23A-1260

J1b9 12b00



ITEM	PART NUMBER	QTY	BODY	MODEL	DESCRIPTION
1	4134 028-9	1			PANEL, Qtr. Inside and W/House Outer
2	4134 358-9	1			PANEL, Qtr. W/House Inner
3	4134 254-5	1			PILLAR, Qtr. Wdo.
4	4206 564-5	1			SUPPORT, Qtr. Inside to W/House Outer Panel
5	4134 222-3	1			REINFORCEMENT, Qtr. Inside and W/House Outer to Qtr. Panel at Belt
6	4206 562-3	1			BAFFLE w/Reinforcement, Qtr. Inside W/House Outer Panel
7	4206 262-3	1			REINFORCEMENT, W/House Inner Panel Rear Seat Belt
8		1			EXTENSION, Shelf Panel (Not Serviced)
9	4134 532-3	1			SUPPORT, Deck Lid Hinge Lower
10	4134 584	1			BRACKET, Qtr. W/House Jack Stowage, Upper Lt.
11	4134 583	1			BRACKET, Qtr. W/House Jack Stowage, Lower Lt.
12	4134 026-7	1			PANEL, Quarter Outside
13	4134 040-1	1			TROUGH, Qtr. Panel Deck Opening Side Drain
14					REINFORCEMENT, Qtr. Outside Panel End
	4206 504	1			Rt.
	4206 379	1			Lt.
15	4134 022-3	1			PILLAR, Body Lock
16	4134 034-5	1			REINFORCEMENT, Body Lock Pillar
17		2			RETAINER (Not Serviced)
18	4206 129	2			VALVE, Body Lock Pillar Exhauster
		2			SCREW, (Not Serviced)
19	5220 250	2			BUMPER, Qtr. Outside Panel Fuel Filler Door HOUSING (See Group 14)
20	4134 147	1			DOOR, Qtr. Outside Panel Fuel Filler
21		2			SCREW (Not Serviced)
22					EXTENSION, Quarter Panel End (Paint As Required)
	4240 320-1	1		X	
	4240 318-9	1		S	

NOTE: THE FOLLOWING ITEMS ARE NOT SHOWN ON ILLUSTRATION. de). Both models are derived from the 100.1" W.B. LeBaron (C 22 Model). Sheet metal parts for the C 48 not found on this illustration should be specified

4206 120-1	1				REINFORCEMENT, Qtr. Outside Deck Opening Upper
4134 926	1				CLAMP, Qtr. W/House Jack Stowage

MODEL CODES

B = GRAN FURY	G = DIPLOMAT	V = 400
C = LEBARON/TOWN & COUNTRY	M = HORIZON/TURISMO/SCAMP	X = MIRADA
D = ARIES	P = RELIANT	Y = IMPERIAL
E = 600	S = CORDOBA	Z = OMNI/CHARGER/RAMPAGE
F = FIFTH AVENUE	T = E CLASS/NEWYORKER	

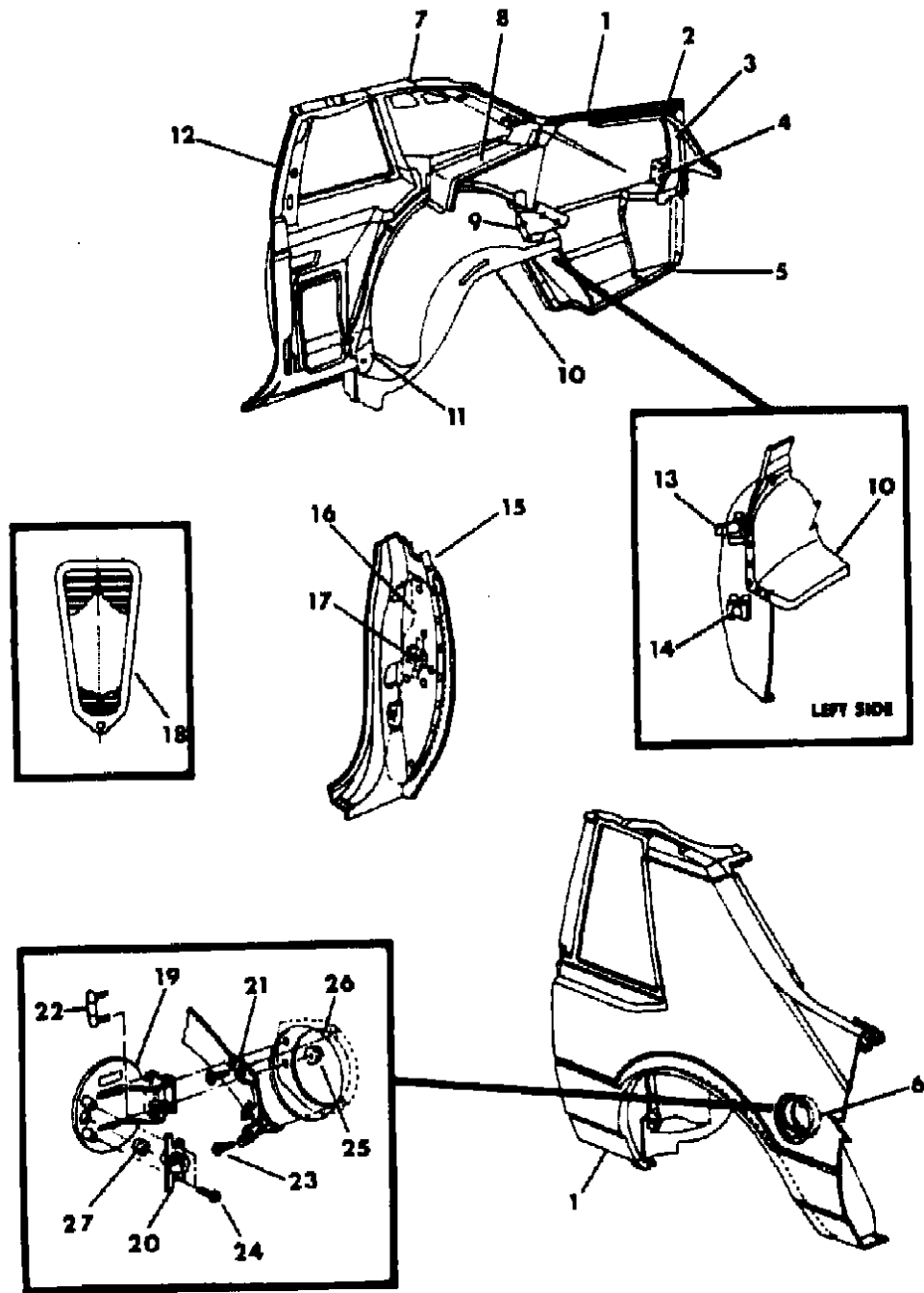
BODY STYLES

21 = 2-DOOR SEDAN	41 = 4-DOOR SEDAN
22 = 2-DOOR SPECIAL COUPE	45 = 4-DOOR STATION WAGON
24 = 2-DOOR HATCHBACK	44 = 4-DOOR HATCHBACK
27 = 2-DOOR CONVERTIBLE	48 = EXECUTIVE SEDAN
28 = FWD PICKUP	

AR = Use as Required - = Non Illustrated Part P.A.R. = Paint as Required

QUARTER PANEL - Y  
Figure 23A-1270

3169 1270CA



ITEM	PART NUMBER	QTY	BODY	MODEL	DESCRIPTION
1	4134 404-5	1			PANEL, Quarter Outside
2	4134 766-7	1			TROUGH, Quarter Panel Deck Opening Side Drain
3	4134 796-7	1			GUSSET, Quarter Outside Panel End Reinforcement
4	4134 340-1	1			REINFORCEMENT, Quarter Outside Panel End Upper
5	4206 132	1			REINFORCEMENT w/SCREW, Quarter Outside Panel End, Lower Right
	4134 795	1			Lower Left
6	4134 444	1			CUP, Quarter Outside to Quarter Inner and Wheelhouse Outer, Fuel Filler
7		1			PANEL, Quarter Inside Lower and Wheelhouse Outer
	4206 544	1			Rt.
	4134 765	1			Lt.
8		1			EXTENSION, Shelf Panel (not serviced)
9	4134 946-7	1			SUPPORT, Deck Lid Hinge Lower
10	4134 358-9	1			PANEL, Wheelhouse Inner
11	4206 262-3	1			REINFORCEMENT w/NUT, Wheelhouse Inner Panel Rear Seat Belt
12	4134 802-3	1			PANEL, Quarter Inside Upper, Front
13	4134 584	1			BRACKET w/NUT, Quarter Wheelhouse Jack Stowage, Upper Left
14	4134 583	1			BRACKET, Quarter Wheelhouse Jack Stowage, Lower Left
15	4134 768-9	1			PILLAR, Body Lock
16	4134 034-5	1			REINFORCEMENT, Body Lock Pillar
17		2			RETAINER (not serviced)
18	4206 129	2			VALVE, Body Lock Pillar Exhauster
19	4134 860	1			DOOR w/HINGE, Quarter Panel Fuel Filler
20	4172 465	1			LATCH, Quarter Panel Filler Door
21	4172 464	1			STRIKER, Quarter Panel Fuel Filler Door Latch
22	4206 750	1			PLATE w/SCREW, Fuel Filler Door And Hinge Attaching
23		2			SCREW (not serviced)
24		1			SCREW (not serviced)
25	6025 002	2			NUT w/WASHER
26		AR			BEZEL, Fuel Filler Door Opening Cup (Not Serviced)
27	4172 763	1			GASKET, Quarter Panel Fuel Filler Door Latch
					NOTE: The Following Items are not shown on illustration. de). Both models are derived from the 100.1" W.B. LeBaron (C 22 Model)
					Sheet metal parts for the C 48 not found on this illustration should be specif
	2811 139	2			BUMPER, Quarter Panel Fuel Filler Door Latch Striker

MODEL CODES

B = GRAN FURY	G = DIPLOMAT	V = 400
C = LEBARON/TOWN & COUNTRY	M = HORIZON/TURISMO/SCAMP	X = MIRADA
D = ARIES	P = RELIANT	Y = IMPERIAL
E = 600	S = CORDOBA	Z = OMNI/CHARGER/RAMPAGE
F = FIFTH AVENUE	T = E CLASS/NEWYORKER	

BODY STYLES

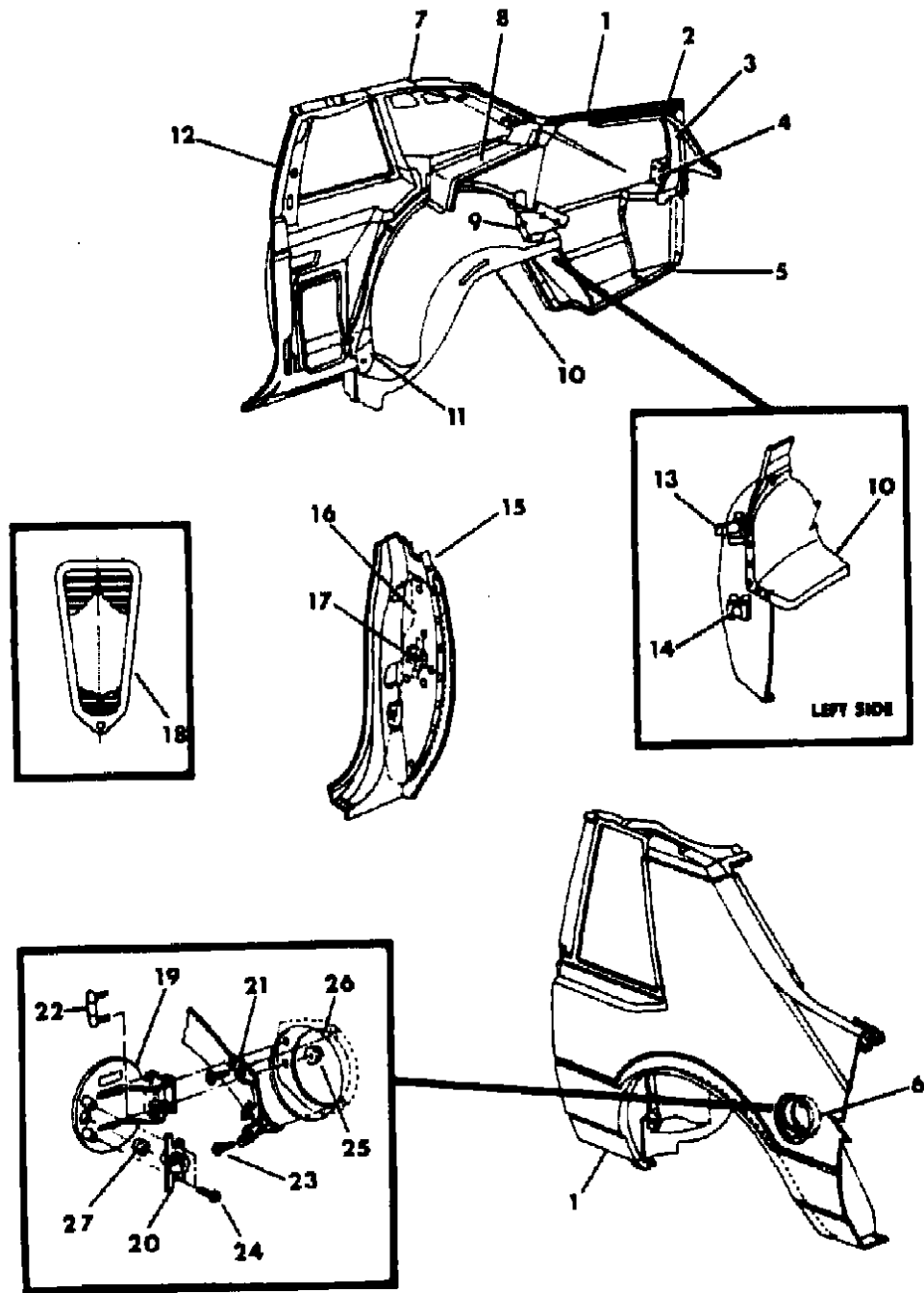
21 = 2-DOOR SEDAN	41 = 4-DOOR SEDAN
22 = 2-DOOR SPECIAL COUPE	45 = 4-DOOR STATION WAGON
24 = 2-DOOR HATCHBACK	44 = 4-DOOR HATCHBACK
27 = 2-DOOR CONVERTIBLE	48 = EXECUTIVE SEDAN
28 = FWD PICKUP	

AR = Use as Required - = Non Illustrated Part P.A.R. = Paint as Required

QUARTER PANEL - Y  
Figure 23A-1270

3168 1270CA

ITEM	PART NUMBER	QTY	BODY	MODEL	DESCRIPTION
	4206 331	1			SEAL, Quarter Outside Panel Fuel Filler Door Cup
	4206 117	2			SEAL, Quarter Outside Panel End Upper Reinforcement, Front
	4206 118	2			Rear
	4134 926	1			CLAMP, Quarter Wheelhouse Jack Stowage
	4206 123	1			GASKET, Quarter Outside Panel Fuel Filler Opening



MODEL CODES  
 B = GRAN FURY  
 C = LEBARON/TOWN & COUNTRY  
 D = ARIES  
 E = 600  
 F = FIFTH AVENUE  
 G = DIPLOMAT  
 M = HORIZON/TURISMO/SCAMP  
 P = RELIANT  
 S = CORDOBA  
 T = E CLASS/NEWYORKER  
 V = 400  
 X = MIRADA  
 Y = IMPERIAL  
 Z = OMNI/CHARGER/RAMPAGE

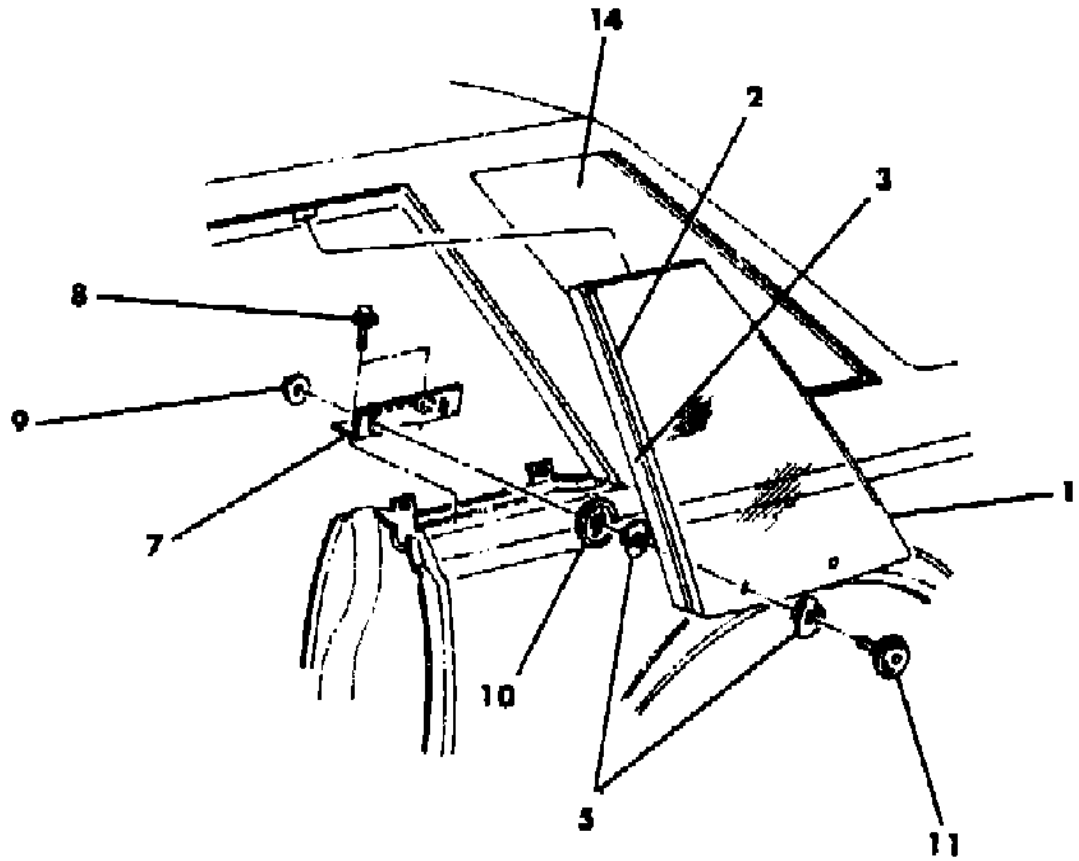
BODY STYLES  
 21 = 2-DOOR SEDAN  
 22 = 2-DOOR SPECIAL COUPE  
 24 = 2-DOOR HATCHBACK  
 27 = 2-DOOR CONVERTIBLE  
 28 = FWD PICKUP  
 41 = 4-DOOR SEDAN  
 45 = 4-DOOR STATION WAGON  
 44 = 4-DOOR HATCHBACK  
 48 = EXECUTIVE SEDAN

AR = Use as Required - = Non Illustrated Part P.A.R. = Paint as Required

GLASS, QUARTER WINDOW - X,S  
Figure 23A-1280

3169 12800

ITEM	PART NUMBER	QTY	BODY	MODEL	DESCRIPTION
1	4134 084-5	1			GLASS, Qtr. Wdo., Tinted
2	4136 196-7	1			RETAINER, Qtr. Wdo. Front Weatherstrip w/o Qtr. Wdo. Mounting Bracket
	4206 476-7	1			w/Qtr. Wdo. Mounting Bracket
3	4136 194-5	1			WEATHERSTRIP, Qtr. Wdo. Front
4	3791 350	10			SPACER, Qtr. Wdo. Glass
5	5231 769	8			GASKET, Qtr. Wdo. Glass Att. Stud
6	4206 852	2			RETAINER, Qtr. Wdo. Glass (Upper)
	4206 852	2			(Lower)
7	4136 152	2			BRACKET, Qtr. Wdo. Glass Att.
8	6030 649	4			SCREW w/WASHER
9		4			NUT (Not Serviced)
10	6028 587	4			TEE-NUT
11	6029 998	4			WASHER w/STUD
12		4			SCREW (Not Serviced)
14	4134 428-9	1		X	Glass, Opera Wdo., Tinted
	4134 428-9	1		S	



NOTE: THE FOLLOWING ITEMS ARE NOT SHOWN ON ILLUSTRATION. de). Both models are derived from the 100.1" W.B.

LeBaron (C 22 Model). Sheet metal parts for the C 48 not found on this illustration should be specif					
	4011 856-7	1			WEATHERSTRIP, Qtr. Wdo. Belt, Inner
	4136 274-5	1			Outer
	4206 323	AR			SEAL, Qtr. Wdo Glass
	4206 126	2			SEAL, Qtr. Inner Panel and Glass
	4057 957	1			FIXED GLASS REPAIR PACKAGE, Qtr. Wdo.

CONSISTS OF:

- 1- ----- Tape, Butyl, 171.00"
- 1- ----- Primer, Glass
- 1- ----- Primer, Fence
- 2- 3674698 Spacer, Rubber, 0.2"
- 2- 3793290 Spacer, Rubber, 0.3"
- 2- 3767767 Shim, 0.07"
- 2- ----- Sponges, Disposable

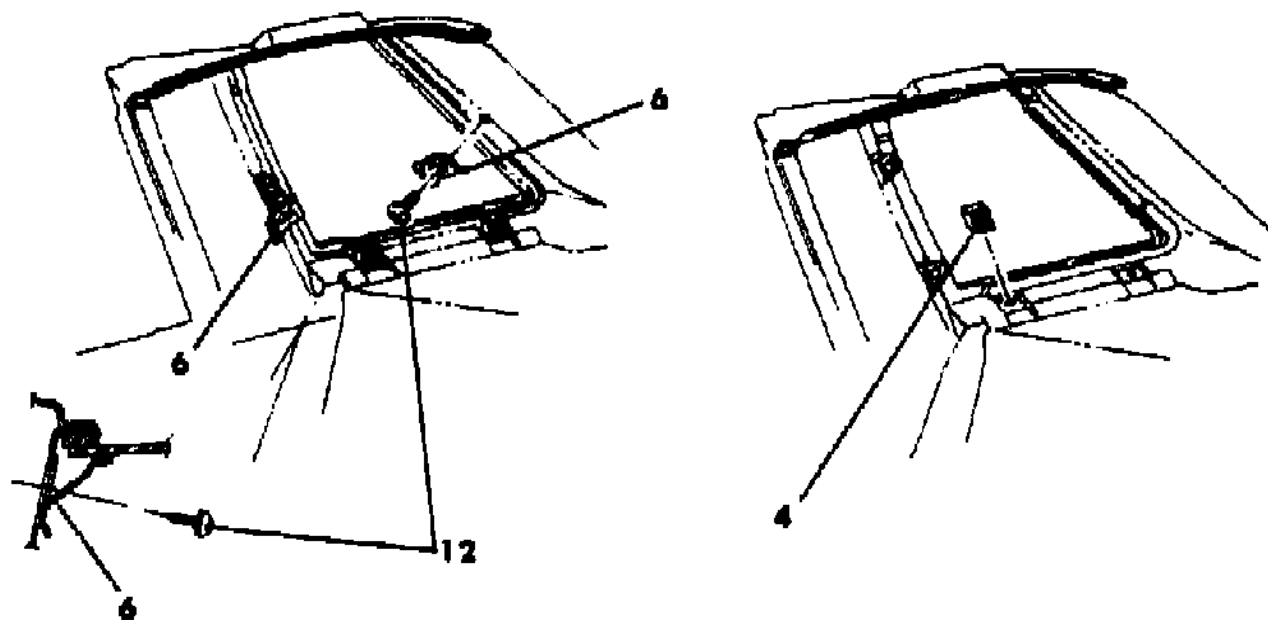
MODEL CODES

B = GRAN FURY	G = DIPLOMAT	V = 400
C = LEBARON/TOWN & COUNTRY	M = HORIZON/TURISMO/SCAMP	X = MIRADA
D = ARIES	P = RELIANT	Y = IMPERIAL
E = 600	S = CORDOBA	Z = OMNI/CHARGER/RAMPAGE
F = FIFTH AVENUE	T = E CLASS/NEWYORKER	

BODY STYLES

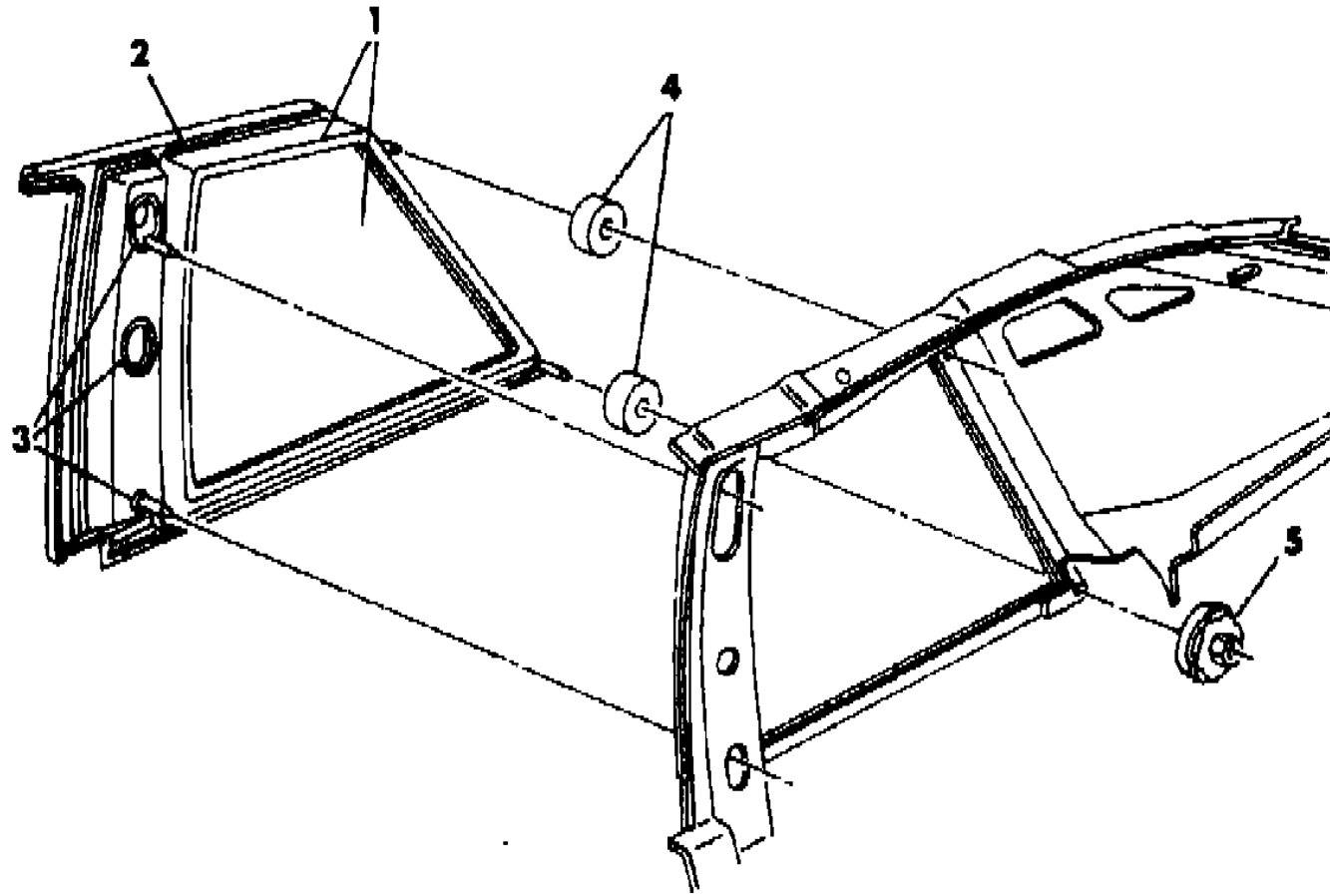
21 = 2-DOOR SEDAN	41 = 4-DOOR SEDAN
22 = 2-DOOR SPECIAL COUPE	45 = 4-DOOR STATION WAGON
24 = 2-DOOR HATCHBACK	44 = 4-DOOR HATCHBACK
27 = 2-DOOR CONVERTIBLE	48 = EXECUTIVE SEDAN
28 = FWD PICKUP	

AR = Use as Required - = Non Illustrated Part P.A.R. = Paint as Required



**GLASS, QUARTER WINDOW - Y**  
**Figure 23A-1290**

3169 12900



ITEM	PART NUMBER	QTY	BODY	MODEL	DESCRIPTION
1	4134 758-9	1			GLASS w/FRAME, Qtr. Wdo., Tinted
2	4206 323	AR			SEAL, Qtr. Wdo. Glass Frame
3		4			Seal (Not Serviced)
4		4			SEALING WASHER (Not Serviced)
5	9420 294	8			NUT
NOTE: THE FOLLOWING ITEMS ARE NOT SHOWN ON ILLUSTRATION. de). Both models are derived from the 100.1" W.B. LeBaron (C 22 Model). Sheet metal parts for the C 48 not found on this illustration should be specif					
	4057 957	1			FIXED GLASS REPAIR PACKAGE, Qtr. Wdo. CONSISTS OF:
					1- ----- Tape, Butyl, 171.00"
					1- ----- Primer, Glass
					1- ----- PRIMER, Fence
					2- 3674698 Spacer, Rubber, 0.2"
					2- 3793290 Spacer, Rubber, 0.3"
					2- 3767767 Shim, 0.07"
					2- ----- Sponges Disposable
	4136 274-5	1			WEATHERSTRIP, Qtr. Wdo. Belt Outer
	3788 004	8			GASKET, Qtr. Wdo. Glass Attaching Stud

MODEL CODES  
 B = GRAN FURY  
 C = LEBARON/TOWN & COUNTRY  
 D = ARIES  
 E = 600  
 F = FIFTH AVENUE  
 G = DIPLOMAT  
 M = HORIZON/TURISMO/SCAMP  
 P = RELIANT  
 S = CORDOBA  
 T = E CLASS/NEWYORKER  
 V = 400  
 X = MIRADA  
 Y = IMPERIAL  
 Z = OMNI/CHARGER/RAMPAGE

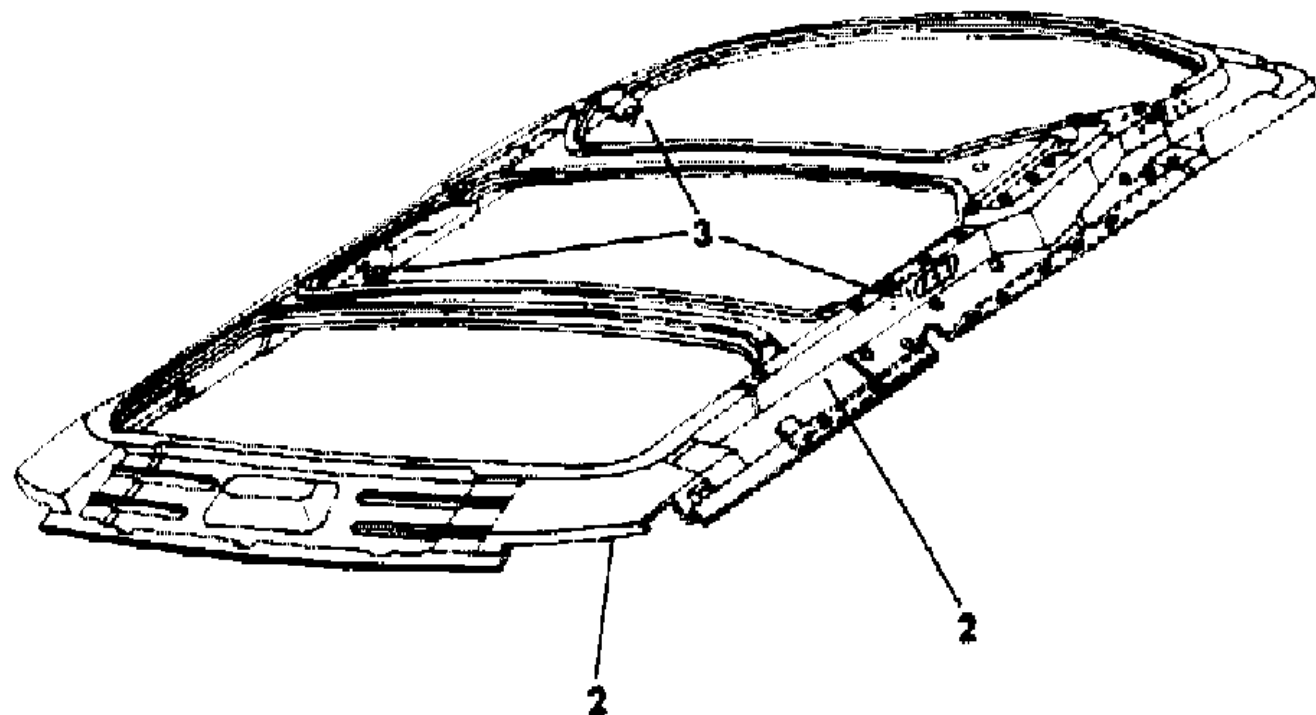
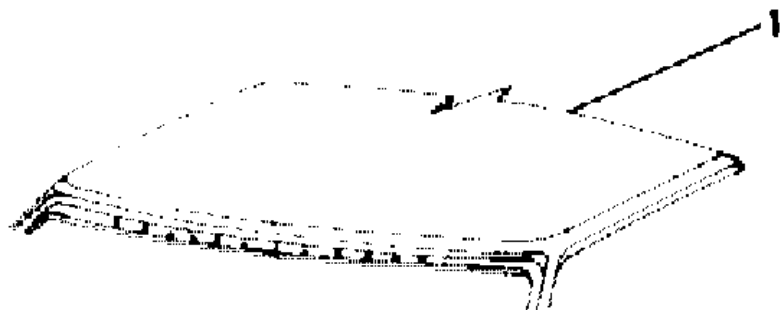
BODY STYLES  
 21 = 2-DOOR SEDAN  
 22 = 2-DOOR SPECIAL COUPE  
 24 = 2-DOOR HATCHBACK  
 27 = 2-DOOR CONVERTIBLE  
 28 = FWD PICKUP  
 41 = 4-DOOR SEDAN  
 45 = 4-DOOR STATION WAGON  
 44 = 4-DOOR HATCHBACK  
 48 = EXECUTIVE SEDAN

AR = Use as Required - = Non Illustrated Part P.A.R. = Paint as Required

ROOF PANEL - X,S,Y  
Figure 23A-1300

1109 1.000

ITEM	PART NUMBER	QTY	BODY	MODEL	DESCRIPTION
1	4136 001	1		X,S	PANEL, Roof Outer
	4136 700	1		Y	
2	4129 367	1		X,S	PANEL, Roof Inner
	4129 522	1		Y	



MODEL CODES  
 B = GRAN FURY  
 C = LEBARON/TOWN & COUNTRY  
 D = ARIES  
 E = 600  
 F = FIFTH AVENUE  
 G = DIPLOMAT  
 M = HORIZON/TURISMO/SCAMP  
 P = RELIANT  
 S = CORDOBA  
 T = E CLASS/NEWYORKER  
 V = 400  
 X = MIRADA  
 Y = IMPERIAL  
 Z = OMNI/CHARGER/RAMPAGE

BODY STYLES  
 21 = 2-DOOR SEDAN  
 22 = 2-DOOR SPECIAL COUPE  
 24 = 2-DOOR HATCHBACK  
 27 = 2-DOOR CONVERTIBLE  
 28 = FWD PICKUP  
 41 = 4-DOOR SEDAN  
 45 = 4-DOOR STATION WAGON  
 44 = 4-DOOR HATCHBACK  
 48 = EXECUTIVE SEDAN

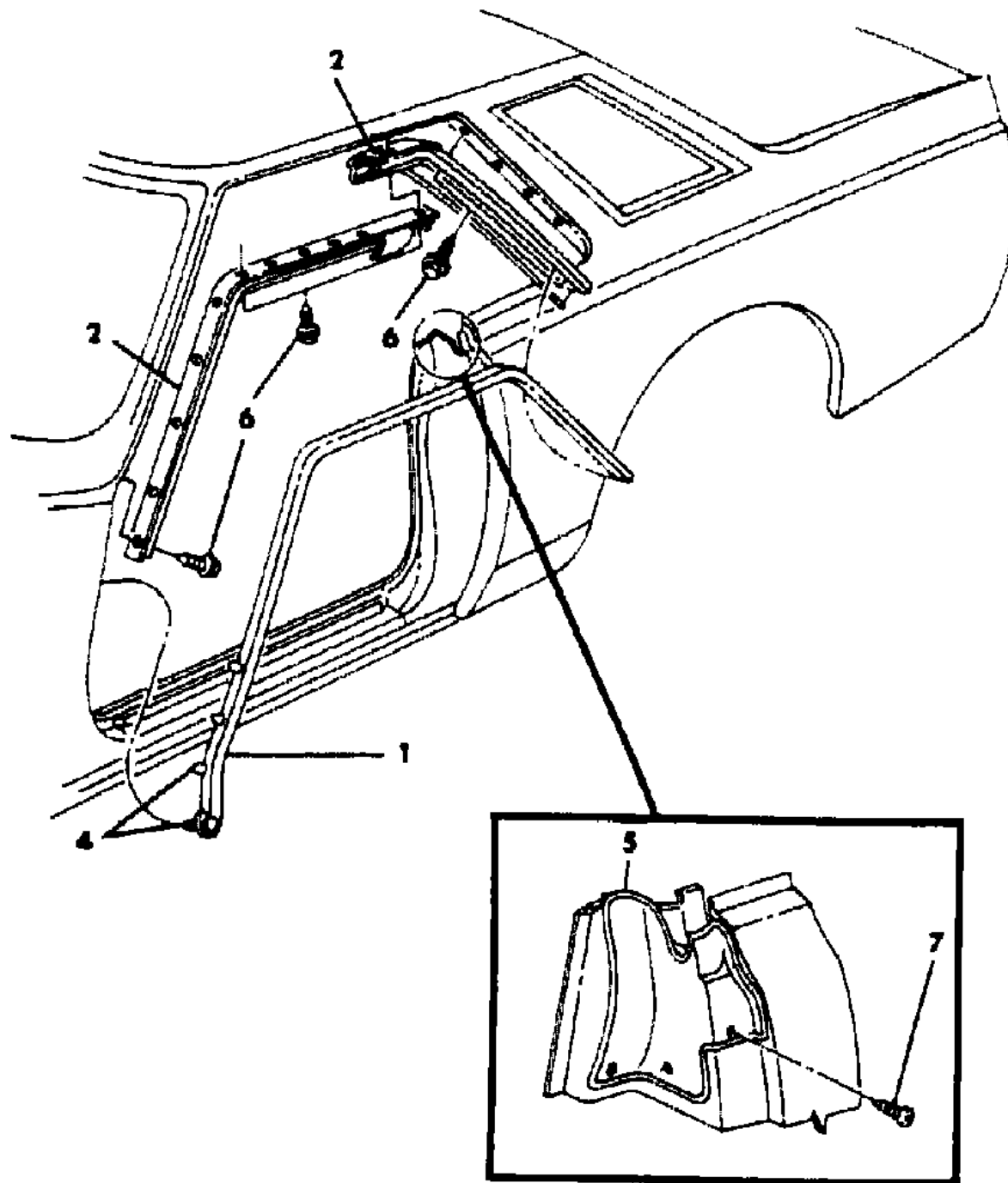
AR = Use as Required - = Non Illustrated Part P.A.R. = Paint as Required



**ROOF SIDE WEATHERSTRIPS - X,S**  
**Figure 23A-1310**

3169 13100

ITEM	PART NUMBER	QTY	BODY	MODEL	DESCRIPTION
1	4136 536-7	1			WEATHERSTRIP,Roof Side Door Glass
2	4198 458-9	1			RETAINER,Roof Side Rail Weatherstrip,Front
	4136 216-7	1			Rear
4	3759 944	8			RETAINER,Roof Side Rail Weatherstrip Attaching
5	4136 282-3	1			SEAL,Quarter Panel Lock Pillar at Belt
6		30			SCREW(not serviced)
7		6			SCREW(not serviced)
NOTE: The following items are not shown on illustration. de). Both models are derived from the 100.1" W.B. LeBaron (C 22 Model). Sheet metal parts for the C 48 not found on this illustration should be specif					
	3581 648	AR			SEAL,Roof Side Door Glass Weatherstrip,Front



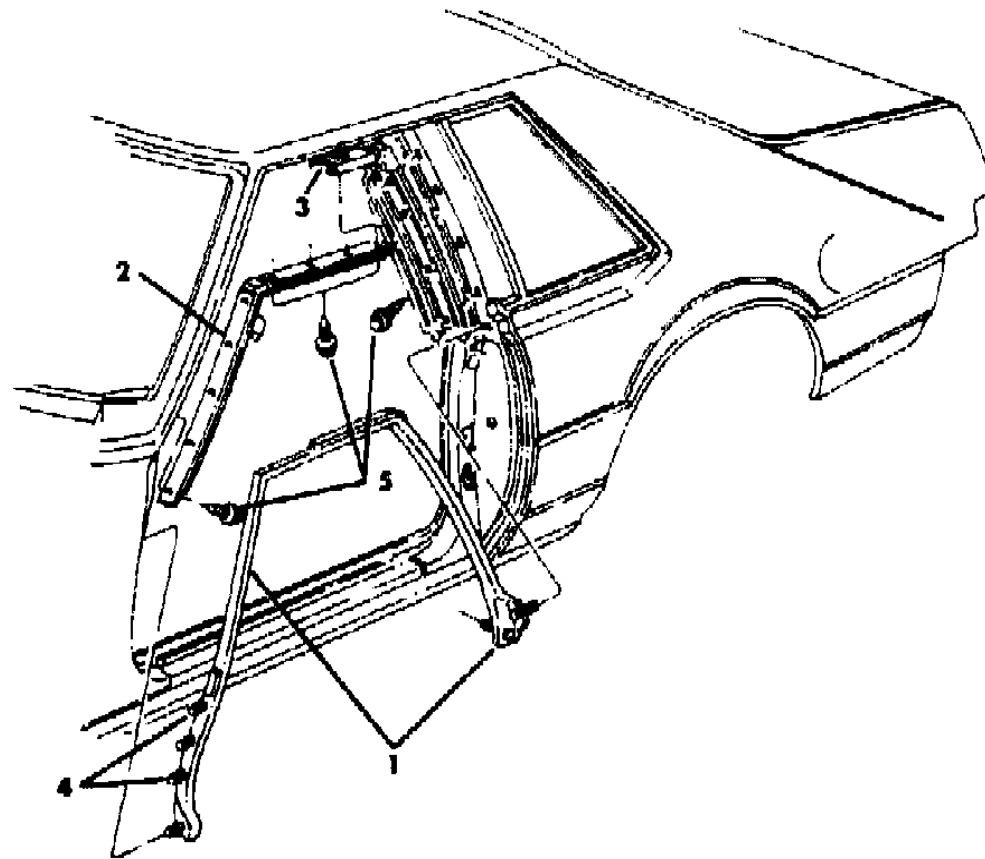
MODEL CODES  
B = GRAN FURY  
C = LEBARON/TOWN & COUNTRY  
D = ARIES  
E = 600  
F = FIFTH AVENUE  
G = DIPLOMAT  
M = HORIZON/TURISMO/SCAMP  
P = RELIANT  
S = CORDOBA  
T = E CLASS/NEWYORKER  
V = 400  
X = MIRADA  
Y = IMPERIAL  
Z = OMNI/CHARGER/RAMPAGE

BODY STYLES  
21 = 2-DOOR SEDAN  
22 = 2-DOOR SPECIAL COUPE  
24 = 2-DOOR HATCHBACK  
27 = 2-DOOR CONVERTIBLE  
28 = FWD PICKUP  
41 = 4-DOOR SEDAN  
45 = 4-DOOR STATION WAGON  
44 = 4-DOOR HATCHBACK  
48 = EXECUTIVE SEDAN

AR = Use as Required - = Non Illustrated Part P.A.R. = Paint as Required

**ROOF SIDE WEATHERSTRIPS - Y**  
**Figure 23A-1320**

1149 13200



ITEM	PART NUMBER	QTY	BODY	MODEL	DESCRIPTION
1	4136 724-5	1			WEATHERSTRIP, Roof Rail Door Glass
2	4136 716-7	1			RETAINER, Roof Rail Weatherstrip, Front
3	4136 720-1	1			RETAINER, Roof Rail Weatherstrip, Rear
4	3759 944	12			RETAINER, Roof Rail Weatherstrip, Attaching
5		AR			SCREW (not serviced)

NOTE: The following Items are not shown on illustration. de). Both models are derived from the 100.1" W.B. LeBaron (C 22 Model).  
 Sheet metal parts for the C 48 not found on this illustration should be specif

3581 648	AR	SEAL, Roof Side Door Glass Weatherstrip, Front
----------	----	--

**MODEL CODES**

B = GRAN FURY	G = DIPLOMAT	V = 400
C = LEBARON/TOWN & COUNTRY	M = HORIZON/TURISMO/SCAMP	X = MIRADA
D = ARIES	P = RELIANT	Y = IMPERIAL
E = 600	S = CORDOBA	Z = OMNI/CHARGER/RAMPAGE
F = FIFTH AVENUE	T = E CLASS/NEWYORKER	

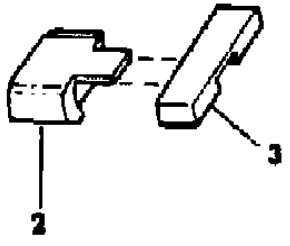
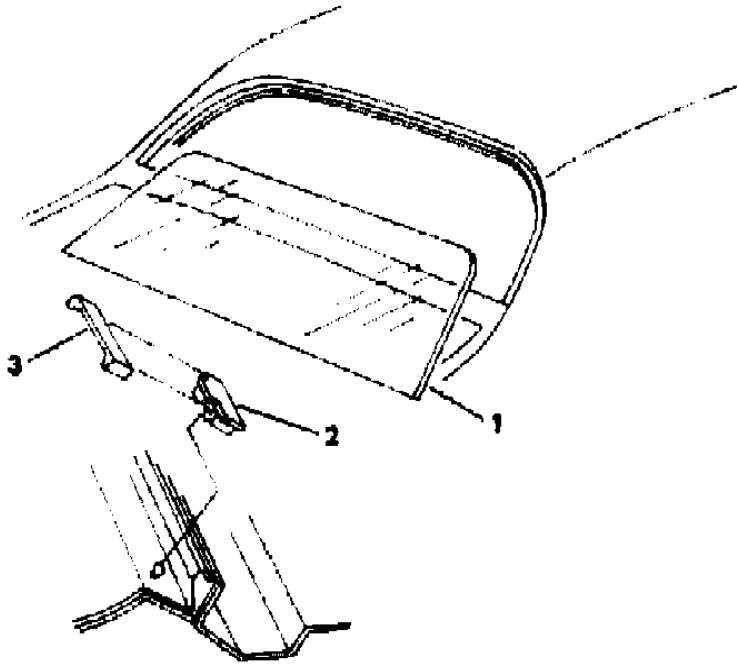
**BODY STYLES**

21 = 2-DOOR SEDAN	41 = 4-DOOR SEDAN
22 = 2-DOOR SPECIAL COUPE	45 = 4-DOOR STATION WAGON
24 = 2-DOOR HATCHBACK	44 = 4-DOOR HATCHBACK
27 = 2-DOOR CONVERTIBLE	48 = EXECUTIVE SEDAN
28 = FWD PICKUP	

AR = Use as Required - = Non Illustrated Part P.A.R. = Paint as Required

**GLASS, REAR WINDOW - X,S,Y**  
**Figure 23A-1330**

3109 13300



ITEM	PART NUMBER	QTY	BODY	MODEL	DESCRIPTION
NOTE: GLASS, REAR WINDOW - ORDER FROM YOUR LOCAL MOPAR GLASS DISTRIBUTOR. de). Both models are derived from the 100.1" W.B. LeBaron (C 22 Model). Sheet metal parts for the C 48 not found on this illustration should be specif					
1	4206 569	1		X,S	GLASS, Rear Window, Tinted
	4206 574	1		X,S	Tinted (Electric Heated)
	4206 575	1		X,S	Tinted (Electric Heated) (Canada Only)
	4136 704	1		Y	Tinted (Electric Heated)
2	4136 335	2		X,S	SPACER, Rear Wdo. Glass, Lower
	4206 966	2		Y	
	4136 743	2		Y	SPACER, Rear Wdo., Side
3	3767 196	AR		All	SHIM, Rear Wdo. Lower Spacer
	4057 957	1		All	FIXED GLASS REPAIR PACKAGE, Rear Wdo. (Not Shown)
					CONSISTS OF:
					1- ----- Tape Butyl, 171.00"
					1- ----- Primer, Glass
					1- ----- Primer, Fence
					2- 3674698 Spacer, Rubber, 0.2"
					2- 3793290 Spacer, Rubber, 0.3"
					2- 3767767 Shim 0.07"
					2- ----- Sponges, Disposable
	4106 356	1		All	ELECTRIC GRID REPAIR PACKAGE, Rear Wdo. (Not Shown)
	4267 922	1		All	ELECTRIC GRID & PIGTAIL REPAIR PACKAGE

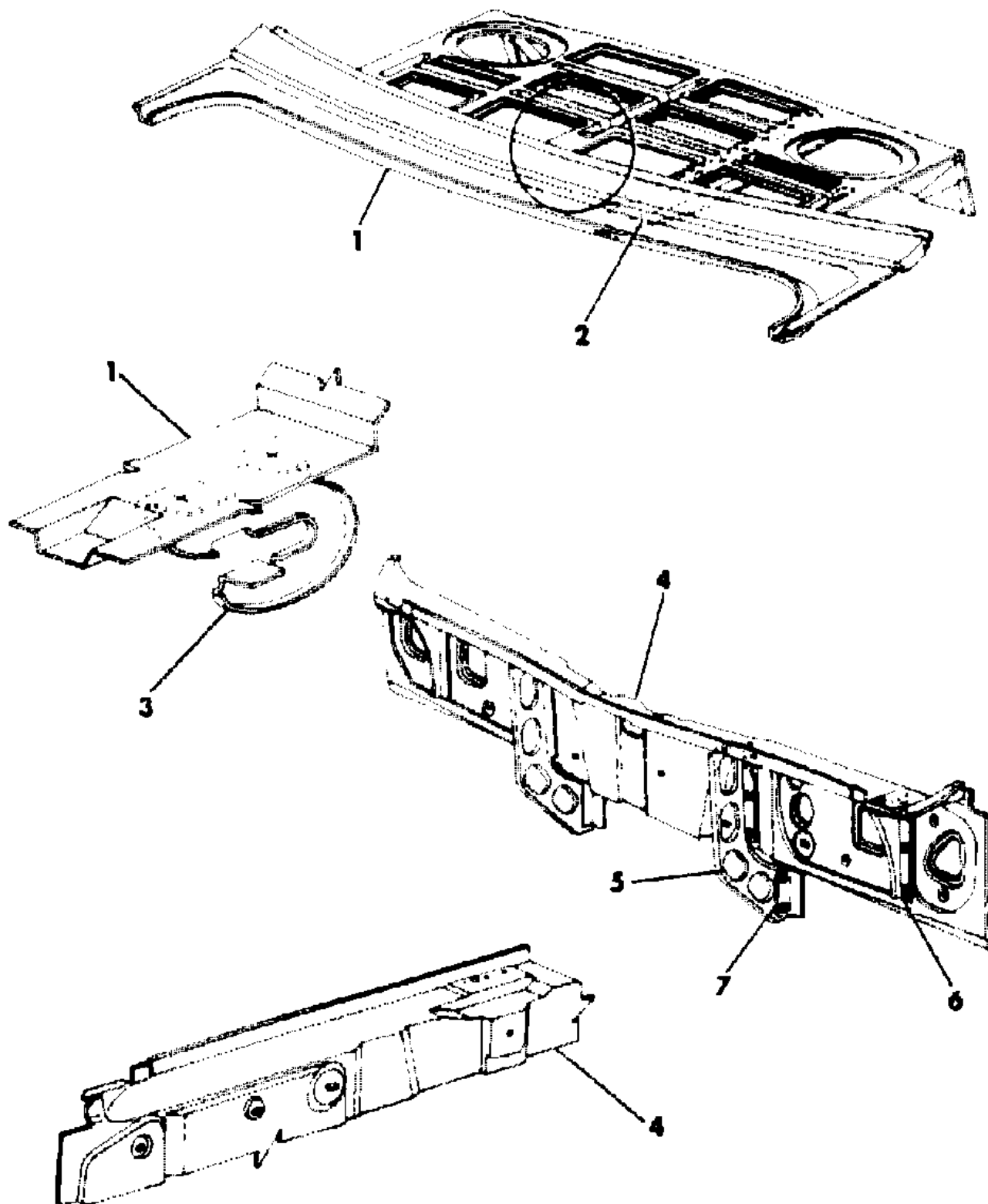
MODEL CODES  
 B = GRAN FURY  
 C = LEBARON/TOWN & COUNTRY  
 D = ARIES  
 E = 600  
 F = FIFTH AVENUE  
 G = DIPLOMAT  
 M = HORIZON/TURISMO/SCAMP  
 P = RELIANT  
 S = CORDOBA  
 T = E CLASS/NEWYORKER  
 V = 400  
 X = MIRADA  
 Y = IMPERIAL  
 Z = OMNI/CHARGER/RAMPAGE

BODY STYLES  
 21 = 2-DOOR SEDAN  
 22 = 2-DOOR SPECIAL COUPE  
 24 = 2-DOOR HATCHBACK  
 27 = 2-DOOR CONVERTIBLE  
 28 = FWD PICKUP  
 41 = 4-DOOR SEDAN  
 45 = 4-DOOR STATION WAGON  
 44 = 4-DOOR HATCHBACK  
 48 = EXECUTIVE SEDAN

AR = Use as Required - = Non Illustrated Part P.A.R. = Paint as Required

DECK OPENING PANELS - X,S  
Figure 23A-1340

3169 13400



ITEM	PART NUMBER	QTY	BODY	MODEL	DESCRIPTION
1	4278 431	1			PANEL,Deck Opening Upper and Drain Trough
2	4134 262	2			SUPPORT,Deck Opening Upper Drain Trough
3		1			RETAINER(not serviced)
4	4134 247	1		X	REINFORCEMENT,Deck Opening Lower Panel
	4134 221	1		S	
5	4134 268	2			SUPPORT,Deck Opening Lower Panel Reinforcement Inner to Rear Crossmember
6	4134 270	2			SUPPORT,Deck Opening Lower Panel Reinforcement Outer
7		2			BRACKET(not serviced)
NOTE: The following items are not shown on illustration. de). Both models are derived from the 100.1" W.B. LeBaron (C 22 Model). Sheet metal parts for the C 48 not found on this illustration should be specif					
	2664 681	2		X	BUMPER,Deck Opening Lower License Plate Mounting Panel
	5216 050	2		S	BUMPER,Lower Deck Opening Panel Back Up Lamp License Plate
	3798 253	AR			TAPE,Deck Opening Lower Panel(Butyl)

MODEL CODES

B = GRAN FURY	G = DIPLOMAT	V = 400
C = LEBARON/TOWN & COUNTRY	M = HORIZON/TURISMO/SCAMP	X = MIRADA
D = ARIES	P = RELIANT	Y = IMPERIAL
E = 600	S = CORDOBA	Z = OMNI/CHARGER/RAMPAGE
F = FIFTH AVENUE	T = E CLASS/NEWYORKER	

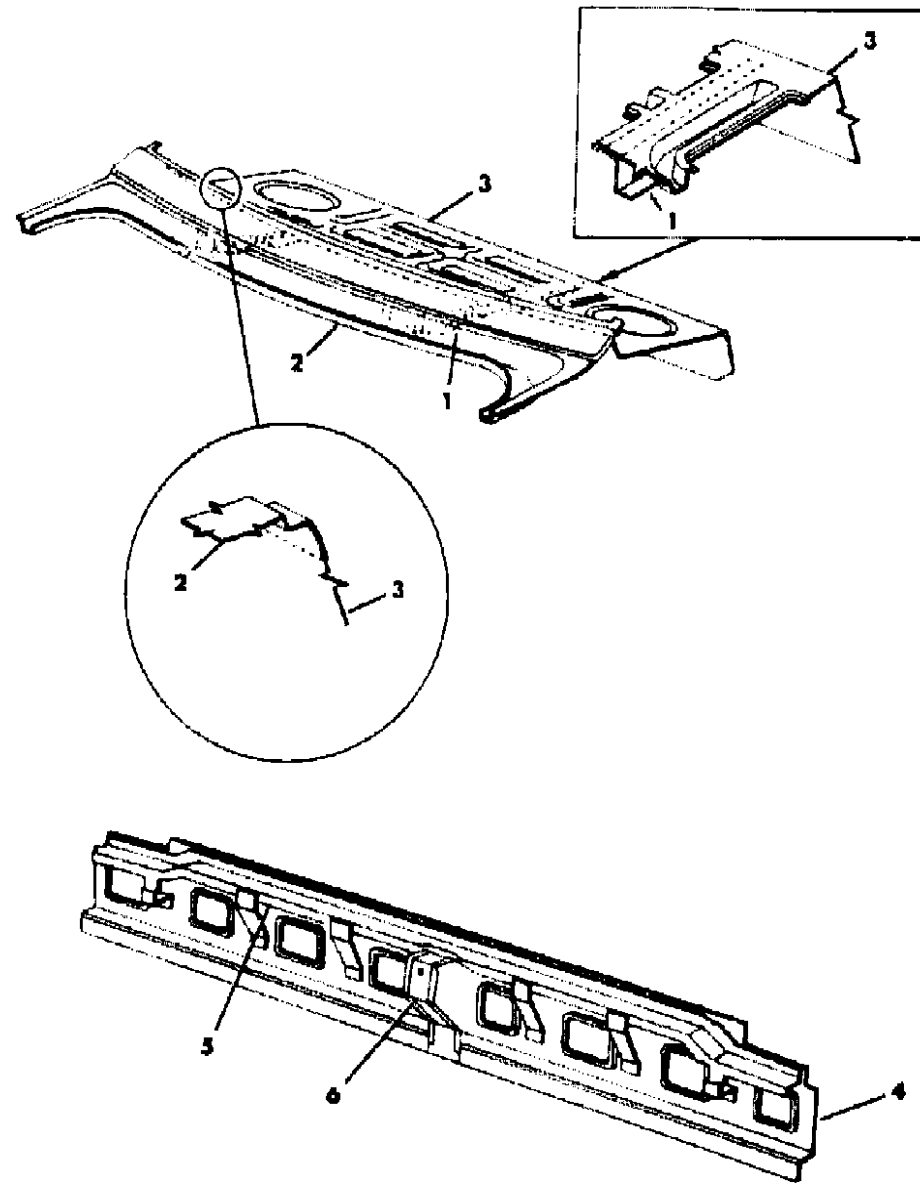
BODY STYLES

21 = 2-DOOR SEDAN	41 = 4-DOOR SEDAN
22 = 2-DOOR SPECIAL COUPE	45 = 4-DOOR STATION WAGON
24 = 2-DOOR HATCHBACK	44 = 4-DOOR HATCHBACK
27 = 2-DOOR CONVERTIBLE	48 = EXECUTIVE SEDAN
28 = FWD PICKUP	

AR = Use as Required - = Non Illustrated Part P.A.R. = Paint as Required

DECK OPENING PANELS - Y  
Figure 23A-1350

J169 1.1500



ITEM	PART NUMBER	QTY	BODY	MODEL	DESCRIPTION
1	4206 350-1	1			SUPPORT, Deck Opening Upper Drain Trough to Shelf Panel
2	4134 328	1			PANEL, Deck Opening Upper and Drain Trough
3		1			PANEL, Shelf (not serviced)
4	4134 772	1			PANEL, Deck Opening Lower
5	4134 335	1			REINFORCEMENT, Deck Opening Lower Panel
6	4134 962	1			SUPPORT w/NUT, Deck Lid Latch Striker

NOTE: The following Items are not shown on illustration. de). Both models are derived from the 100.1" W.B. LeBaron (C 22 Model).

Sheet metal parts for the C 48 not found on this illustration should be specif

	4206 438	1			BRACE, Deck Lid Latch Striker Support to Rear Floor Pan
	5200 365	2			BUTTON, Deck Lid Outside Panel License Plate Mounting Panel Bumper

MODEL CODES

B = GRAN FURY	G = DIPLOMAT	V = 400
C = LEBARON/TOWN & COUNTRY	M = HORIZON/TURISMO/SCAMP	X = MIRADA
D = ARIES	P = RELIANT	Y = IMPERIAL
E = 600	S = CORDOBA	Z = OMNI/CHARGER/RAMPAGE
F = FIFTH AVENUE	T = E CLASS/NEWYORKER	

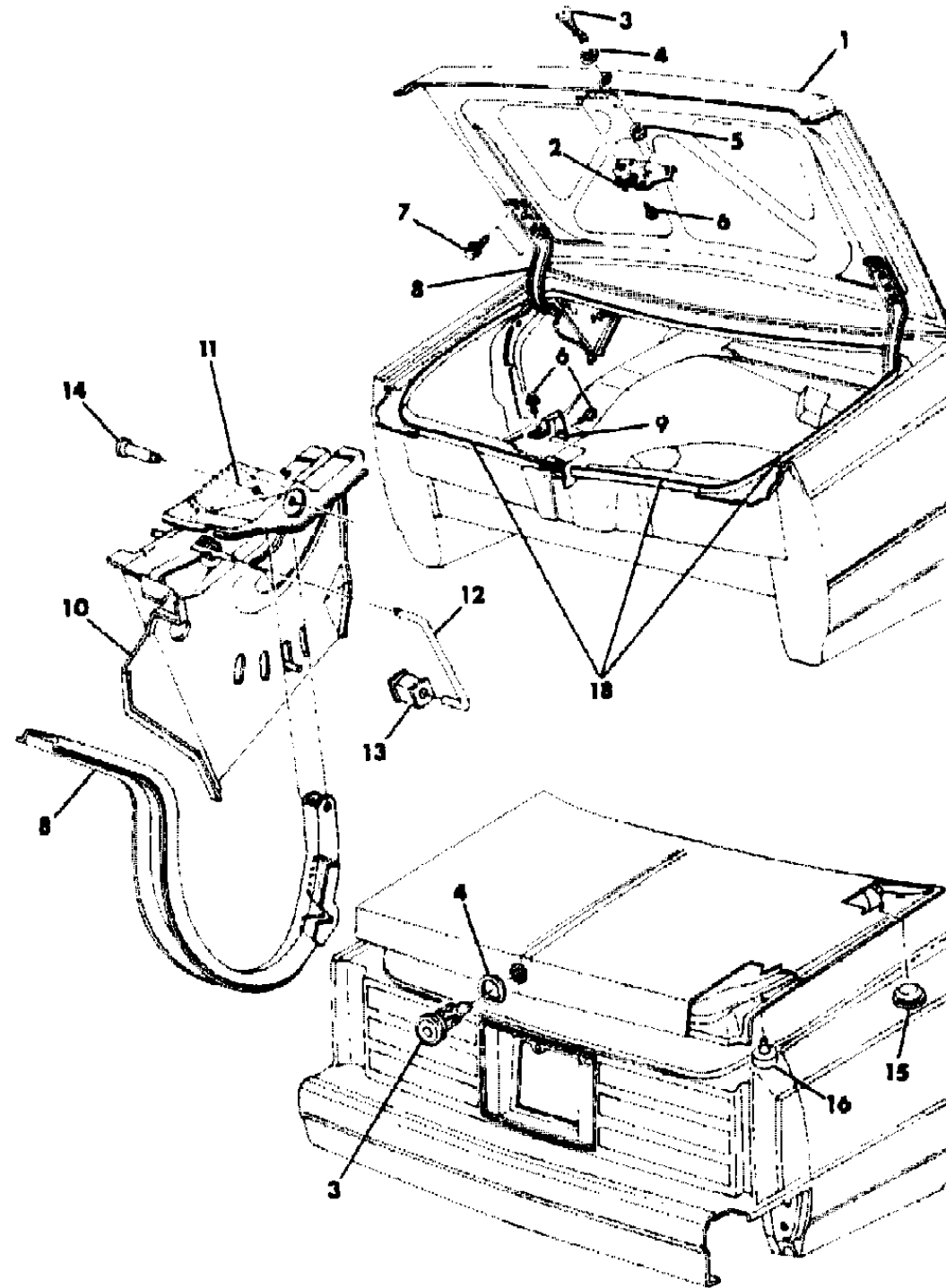
BODY STYLES

21 = 2-DOOR SEDAN	41 = 4-DOOR SEDAN
22 = 2-DOOR SPECIAL COUPE	45 = 4-DOOR STATION WAGON
24 = 2-DOOR HATCHBACK	44 = 4-DOOR HATCHBACK
27 = 2-DOOR CONVERTIBLE	48 = EXECUTIVE SEDAN
28 = FWD PICKUP	

AR = Use as Required - = Non Illustrated Part P.A.R. = Paint as Required

DECK LID - X,S  
Figure 23A-1360

3109 13600



ITEM	PART NUMBER	QTY	BODY	MODEL	DESCRIPTION
1	#4297 135	1			LID,Deck
2	4054 825	1			LATCH,Deck Lid,Manual
	4054 962	1			LATCH PACKAGE,Electric Deck Lid,Complete w/Wiring
3					CYLINDER,Deck Lid(see Cylinder and Key Illustration)
4					GASKET,Deck Lid Cylinder(see Cylinder and Key Illustration)
5					NUT,Deck Lid Cylinder(see Cylinder and Key Illustration)
6	6025 346	AR			SCREW and WASHER
7	0181 088	AR			SCREW and WASHER
8	4134 518-9	1			HINGE,Deck Lid
	4129 808-9	1			HINGE and Cam and SUPPORT,Deck Lid Upper Pivot Mounting
9	4172 515	1			STRIKER,Deck Lid Latch
10	4134 530-1	1			SUPPORT,Deck Lid Hinge,Upper
	4134 532-3	1			Lower
11					SUPPORT,Deck Lid Hinge Pivot Mounting (Serviced In Item No. 8)
12	4134 524-5	1			BAR,Deck Lid Hinge Torsion
13	2480 230	2			SLIDE,Deck Lid Hinge Torsion Bar
14		AR			RIVET,Deck Lid Hinge Pivot(not serviced)
15	6029 939	AR			PLUG,Deck Lid Drain Hole
16	2842 869	2			BUMPER,Deck Lid
18	4278 176	1			WEATHERSTRIP,Deck Lid Opening
NOTE:The Following Items Are Not Shown On Illustration de). Both models are derived from the 100.1" W.B. LeBaron (C 22 Model)					
					Sheet metal parts for the C 48 not found on this illustration should be specif
	4206 399	2			BUMPER, Deck Lid Hinge Noise Dampener

MODEL CODES

B = GRAN FURY	G = DIPLOMAT	V = 400
C = LEBARON/TOWN & COUNTRY	M = HORIZON/TURISMO/SCAMP	X = MIRADA
D = ARIES	P = RELIANT	Y = IMPERIAL
E = 600	S = CORDOBA	Z = OMNI/CHARGER/RAMPAGE
F = FIFTH AVENUE	T = E CLASS/NEWYORKER	

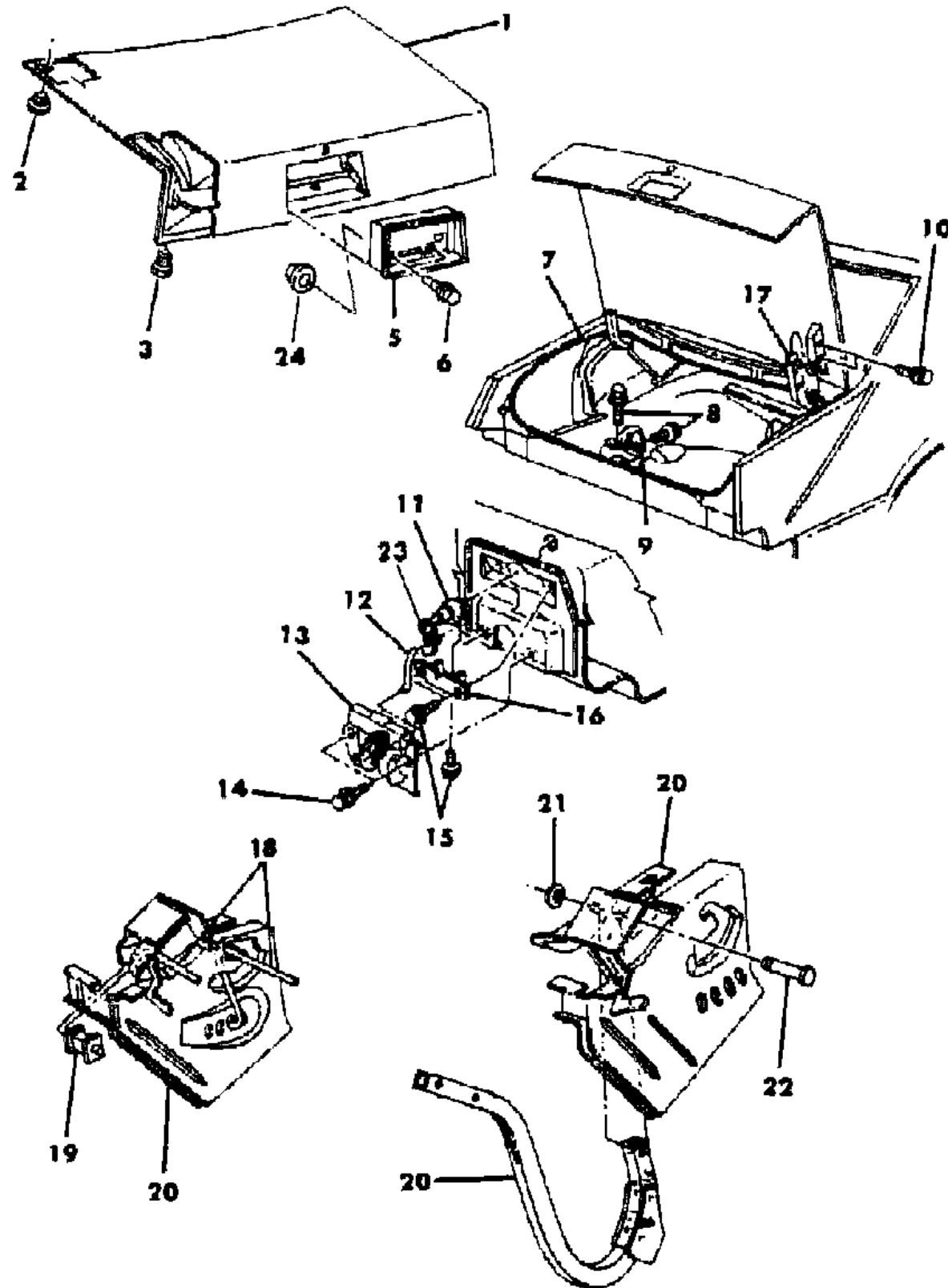
BODY STYLES

21 = 2-DOOR SEDAN	41 = 4-DOOR SEDAN
22 = 2-DOOR SPECIAL COUPE	45 = 4-DOOR STATION WAGON
24 = 2-DOOR HATCHBACK	44 = 4-DOOR HATCHBACK
27 = 2-DOOR CONVERTIBLE	48 = EXECUTIVE SEDAN
28 = FWD PICKUP	

AR = Use as Required - = Non Illustrated Part P.A.R. = Paint as Required

DECK LID - Y  
Figure 23A-1370

3169 13700



ITEM	PART NUMBER	QTY	BODY	MODEL	DESCRIPTION
1	4129 170	1			LID, Deck
2	6029 939	2			PLUG, Deck Lid Inner Panel Drain Hole
3	5230 376	2			BUMPER, Deck Lid (Adjustable)
5	4206 165	1			CUP w/FRAME, Deck Lid Panel License Plate Opening
	9420 262	4			NUT, Cup and Frame Attaching
6	5200 365	2			BUMPER, Deck Lid License Plate Mounting Panel
7	4278 176	1			WEATHERSTRIP, Deck Lid
8	6025 346	2			SCREW w/WASHER
9	4172 515	1			STRIKER, Deck Lid Latch
10	0181 088	4			SCREW w/WASHER
11					CYLINDER, (See Cylinder and Key Illustration)
12	4172 822	1			LINK, Deck Lid Latch
13	4172 826	1			LATCH, Deck Lid, Electric
14	6025 346	2			SCREW w/WASHER
15	6024 067	2			SCREW w/WASHER
16	4206 293	1			BRACE, Deck Lid Lock to Deck Lid Inner Panel Mounting
17	4206 304	2			TAPPING PLATE, Deck Lid Hinge
18	4206 284-5	1			BAR, Deck Lid Hinge Torsion
19	2480 230	2			SLIDE, Deck Lid Hinge Torsion Bar
20	4129 638-9	1			CAM, HINGE and PIVOT, Deck Lid
21	6022 149	2			NUT
22	4206 243	2			PIN, Hinge Pivot
23	3454 220	2			CLIP, Deck Lid Latch Release Link Attaching
24		4			NUT, (Not Serviced)
NOTE: The Following Items Are Not Shown On Illustration. de). Both models are derived from the 100.1" W.B. LeBaron (C 22 Model). Sheet metal parts for the C 48 not found on this illustration should be specif					
	4134 946-7	1			SUPPORT, Deck Lid Hinge Lower
	4134 962	1			SUPPORT w/NUT, Deck Lid Latch Striker
	4206 721	2			BUMPER, Deck Lid Hinge Stop
	4206 996	1			GASKET, Deck Lid Outside Panel License Plate Opening Cup and Frame
	0152 454	2			U-NUT, Deck Lid Hinge Upper Support
	0181 063	2			SCREW w/WASHER, Shelf Panel to Deck Lid Hinge Upper Support

MODEL CODES

B = GRAN FURY	G = DIPLOMAT	V = 400
C = LEBARON/TOWN & COUNTRY	M = HORIZON/TURISMO/SCAMP	X = MIRADA
D = ARIES	P = RELIANT	Y = IMPERIAL
E = 600	S = CORDOBA	Z = OMNI/CHARGER/RAMPAGE
F = FIFTH AVENUE	T = E CLASS/NEWYORKER	

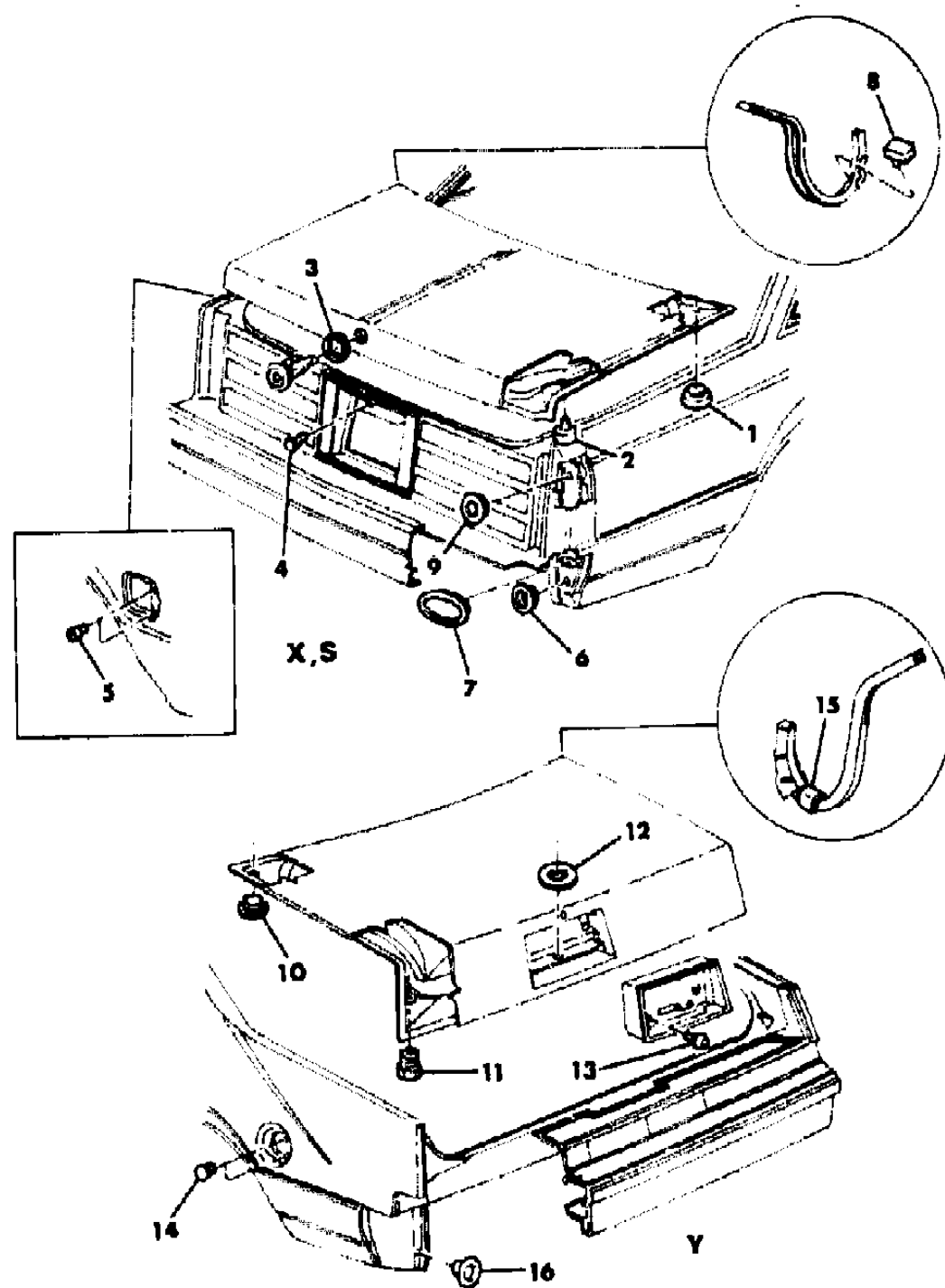
BODY STYLES

21 = 2-DOOR SEDAN	41 = 4-DOOR SEDAN
22 = 2-DOOR SPECIAL COUPE	45 = 4-DOOR STATION WAGON
24 = 2-DOOR HATCHBACK	44 = 4-DOOR HATCHBACK
27 = 2-DOOR CONVERTIBLE	48 = EXECUTIVE SEDAN
28 = FWD PICKUP	

AR = Use as Required - = Non Illustrated Part P.A.R. = Paint as Required

**BUMPERS & PLUGS, DECK LID - X,S,Y**  
Figure 23A-1380

3189 1J800



ITEM	PART NUMBER	QTY	BODY	MODEL	DESCRIPTION
1	6029 939	2			PLUG
2	2842 869	2			BUMPER
3	3695 321	1			GASKET
4	5216 050	2			BUMPER
5	5220 250	2			BUMPER
6	1774 076	2			PLUG
7	4206 720	2			PLUG
8	4206 399	2			BUMPER
9	6029 939	2			PLUG
10	6029 939	2			PLUG
11	5230 376	2			BUMPER
12	4206 238	1			WASHER
13	5200 365	2			BUMPER
14	2811 139	2			BUMPER
15	4206 746	2			BAND
16	4206 515	2			PLUG

MODEL CODES

B = GRAN FURY	G = DIPLOMAT	V = 400
C = LEBARON/TOWN & COUNTRY	M = HORIZON/TURISMO/SCAMP	X = MIRADA
D = ARIES	P = RELIANT	Y = IMPERIAL
E = 600	S = CORDOBA	Z = OMNI/CHARGER/RAMPAGE
F = FIFTH AVENUE	T = E CLASS/NEWYORKER	

BODY STYLES

21 = 2-DOOR SEDAN	41 = 4-DOOR SEDAN
22 = 2-DOOR SPECIAL COUPE	45 = 4-DOOR STATION WAGON
24 = 2-DOOR HATCHBACK	44 = 4-DOOR HATCHBACK
27 = 2-DOOR CONVERTIBLE	48 = EXECUTIVE SEDAN
28 = FWD PICKUP	

AR = Use as Required - = Non Illustrated Part P.A.R. = Paint as Required

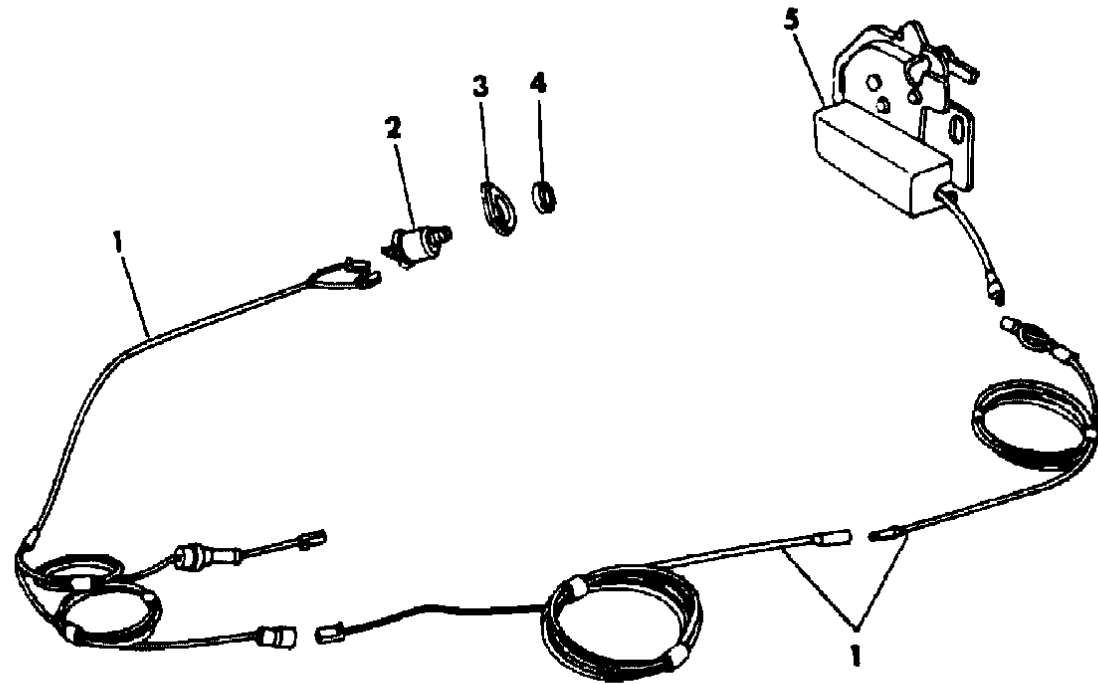


DECK LID, ELECTRIC - X,S,Y  
Figure 23A-1390

3189 13900

ITEM	PART NUMBER	QTY	BODY	MODEL	DESCRIPTION
1		1			WIRING (See Group 8 Body Wiring)
2	3747 608	1			SWITCH, Deck Lid Release
3	3747 704	1		X,S	BEZEL, Deck Lid Release Switch
	3747 825	1		Y	
4	6028 824	1			NUT, Electric Release Switch Mounting
5	4054 962	1		X,S	LATCH, Electric Deck Lid
	4131 515	1			LATCH PACKAGE, Electric
	4172 826	1		Y	
	6026 125	1		Y	RETAINER, Deck Lid Latch Cam

NOTE: The Following Items Are Not Shown On Illustration. de). Both models are derived from the 100.1" W.B. LeBaron (C 22 Model). Sheet metal parts for the C 48 not found on this illustration should be specif  
6028 976 AR PUSH NUT, Electric Deck Lid Latch Spring



MODEL CODES

B = GRAN FURY	G = DIPLOMAT	V = 400
C = LEBARON/TOWN & COUNTRY	M = HORIZON/TURISMO/SCAMP	X = MIRADA
D = ARIES	P = RELIANT	Y = IMPERIAL
E = 600	S = CORDOBA	Z = OMNI/CHARGER/RAMPAGE
F = FIFTH AVENUE	T = E CLASS/NEWYORKER	

BODY STYLES

21 = 2-DOOR SEDAN	41 = 4-DOOR SEDAN
22 = 2-DOOR SPECIAL COUPE	45 = 4-DOOR STATION WAGON
24 = 2-DOOR HATCHBACK	44 = 4-DOOR HATCHBACK
27 = 2-DOOR CONVERTIBLE	48 = EXECUTIVE SEDAN
28 = FWD PICKUP	

AR = Use as Required - = Non Illustrated Part P.A.R. = Paint as Required

---

## GROUP 23B - INSTRUMENT PANEL

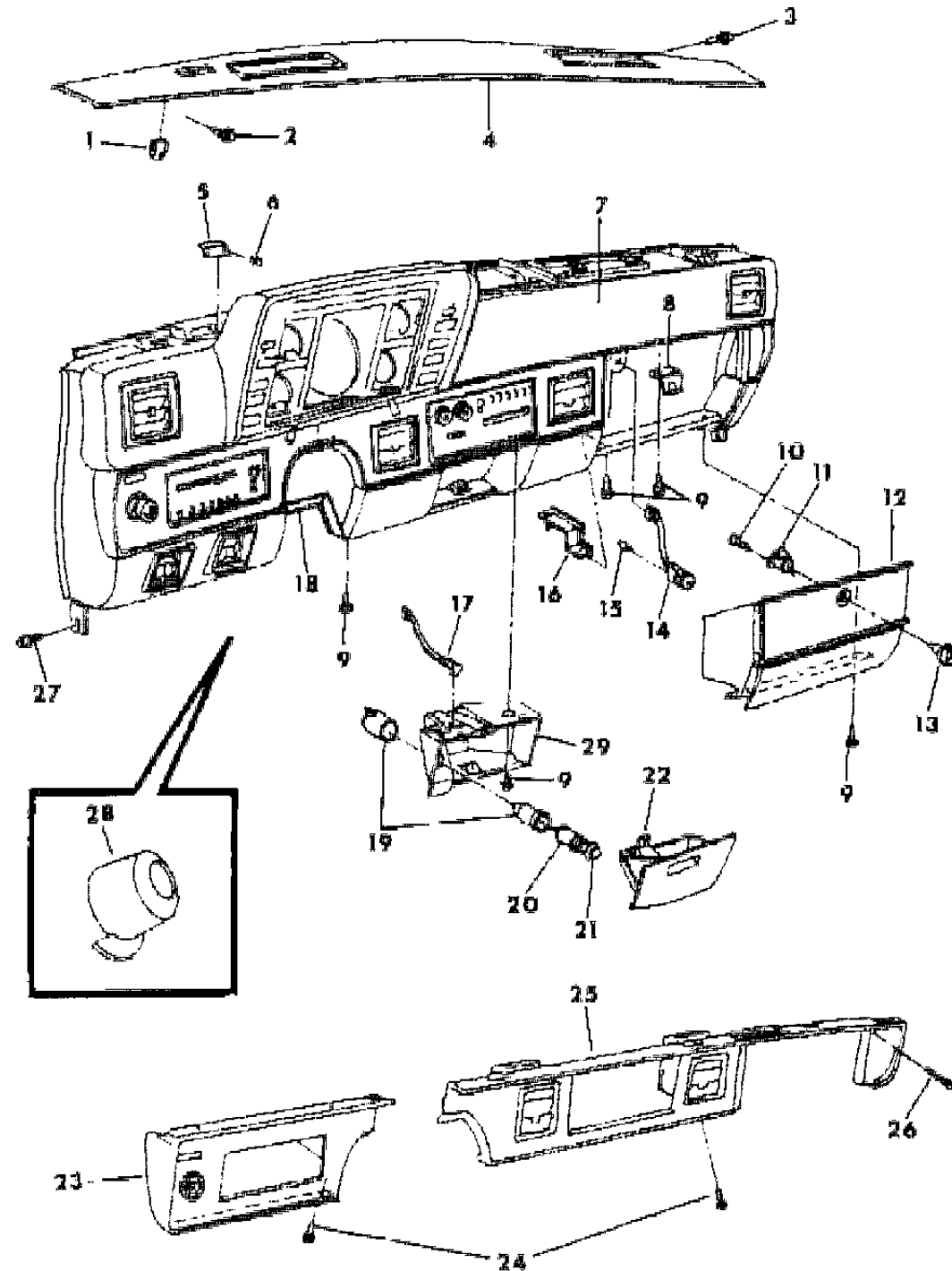
ILLUSTRATION TITLE	GROUP-FIG. NO.
INSTRUMENT PANEL - M,Z	Fig. 23B-100
INSTRUMENT PANEL, CLUSTER AND CONTROLS M,Z	Fig. 23B-200
SPEEDOMETER, GAUGES AND LENS - M-Z	Fig. 23B-300
INSTRUMENT PANEL WITH GLOVE BOX P,D,C,V,E,T	Fig. 23B-400
INSTRUMENT PANEL WITH SWITCH AND CLOCK P,D,C,V,E,T	Fig. 23B-500
INSTRUMENT PANEL WITH SILENCER AND BEZEL P,D,C,V,E,T	Fig. 23B-550
CONSOLE , INSTRUMENT PANEL T-P	Fig. 23B-575
INSTRUMENT PANEL WITH GLOVE BOX - B,F,G	Fig. 23B-600
INSTRUMENT PANEL - B,F,G	Fig. 23B-700
SPEEDOMETER, GAUGES AND LENSES - B,F,G	Fig. 23B-800
INSTRUMENT CLUSTER - B,F,G	Fig. 23B-900
INSTRUMENT PANEL ASH RECEIVER AND MAP LIGHT X-S	Fig. 23B-1000
INSTRUMENT PANEL FACE PLATE AND CLUSTER X-S	Fig. 23B-1100
INSTRUMENT PANEL WITH GLOVE BOX -X,S	Fig. 23B-1200
INSTRUMENT PANEL WITH ASH RECEIVER -Y-IMPERIAL	Fig. 23B-1300
INSTRUMENT PANEL WITH GLOVE BOX - Y	Fig. 23B-1400
SPEEDOMETER, GAUGES AND LENS - X-S	Fig. 23B-1500
RADIOS AND RELATED PARTS	Fig. 23B-1600
RADIO ANTENNA AND RELATED PARTS	Fig. 23B-1700
SPEAKERS AND RELATED PARTS	Fig. 23B-1800

ILLUSTRATION NOT AVAILABLE AT TIME OF PUBLICATION

---

**INSTRUMENT PANEL - M,Z**  
**Figure 23B-100**

3170 100



ITEM	PART NUMBER	QTY	BODY	MODEL	DESCRIPTION
1	3590 389	4			CLIP, Inst. Pnl. Top Cover
2					SCREW (Not Serviced)
3					SCREW (Not Serviced)
4	5209 707	1			COVER, Inst. Pnl. Top
5					PLATE (Not Serviced)
6					RIVET (Not Serviced)
7					PANEL & PAD, Inst. (See Trim Illus.)
8	5209 773	1			CATCH, Glove Box Door Lock
9					SCREW (Not Serviced)
10					SCREW (Not Serviced)
11	3508 886	1			LATCH, Glove Box Lock Cyl.
12	5209 719	1			BOX, Glove
					GLOVE BOX & DOOR, w/o Overlay
	P639 AA7	1			Silver
	P639 BC7	1			Blue
	P639 VM6	1			Red
	P639 BT8	1			Tan
	P639 RX9	1			Black (Paint As Req.)
		1			w/Overlay
	P669 AA7	1			Silver
	P669 BC7	1			Blue
	P669 TM6	1			Red
	P669 TX9	1			Black
	P669 BT8	1			Tan
13					CYLINDER, Glove Box Door (See Cyl. and Key Illus.)
14	4221 237	1			SWITCH, Glove Box
15	0152 244	1			BULB
16	5209 782	1			BRACE, Inst. Pnl. to A/C and Htr. Brkt.
17	4221 236	1			LAMP, Ash Receiver
	3746 516	1			Socket
18	5209 754	1			SUPPORT, Inst. Pnl. to Pedal Brkt.
	6100 558	2			SCREW w/WASHER, Support Brkt. to Pedal Brkt.
19	2808 912	1			SHELL & CLAMP, Cigar Lighter w/Terminal
20	3004 190	1			ELEMENT, Cigar Lighter
21	3747 165	1			KNOB, Cigar Lighter
22	P650 RX9	1			RECEPTACLE w/FACE PLATE, Ash Receiver (Paint as Req.)
23					BEZEL, Inst. Pnl. Trim

**MODEL CODES**

B = GRAN FURY	G = DIPLOMAT	V = 400
C = LEBARON/TOWN & COUNTRY	M = HORIZON/TURISMO/SCAMP	X = MIRADA
D = ARIES	P = RELIANT	Y = IMPERIAL
E = 600	S = CORDOBA	Z = OMNI/CHARGER/RAMPAGE
F = FIFTH AVENUE	T = E CLASS/NEWYORKER	

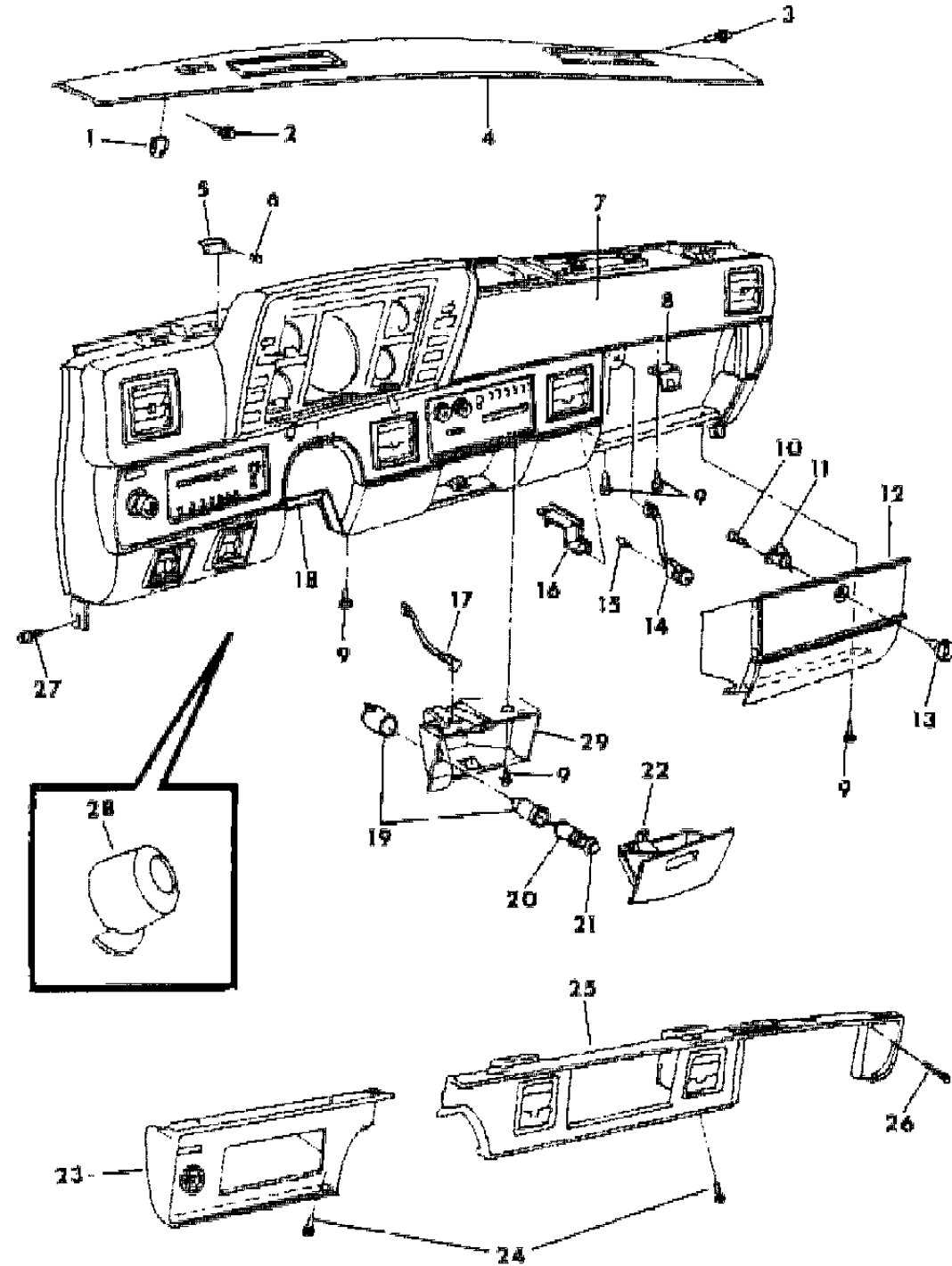
**BODY STYLES**

21 = 2-DOOR SEDAN	41 = 4-DOOR SEDAN
22 = 2-DOOR SPECIAL COUPE	45 = 4-DOOR STATION WAGON
24 = 2-DOOR HATCHBACK	44 = 4-DOOR HATCHBACK
27 = 2-DOOR CONVERTIBLE	48 = EXECUTIVE SEDAN
28 = FWD PICKUP	

AR = Use as Required - = Non Illustrated Part P.A.R. = Paint as Required

**INSTRUMENT PANEL - M,Z**  
**Figure 23B-100**

3170 100



ITEM	PART NUMBER	QTY	BODY	MODEL	DESCRIPTION
	5209 661	1			w/o Rallye, Lt.
	5209 651	1			w/Overlay, Lt.
24					SCREW (Not Serviced)
25					BEZEL, Inst. Pnl. Trim
	4047 847	1			w/Radio, w/o A/Cond., Rt. (Black)
	4047 846	1			w/Radio, w/o A/Cond., Rt. (Woodgrain)
	4047 843	1			w/Radio, w/A/Cond., Rt. (Black)
	4047 845	1			w/Radio, w/A/Cond., Rt. (Woodgrain)
	4220 482	1			PLATE, Inst. Pnl. Radio Opening w/o Radio
26	3590 551	2			BUMPER, Inst. Pnl. to Glove Box Door
27	6100 558	2			BOLT w/WASHER
28	5231 212	1			LINER, Dash Strg. Col. Cover
	5206 041	1			SEAL, Dash Strg. Col. Cover
29	5209 758	1			HOUSING, Ash Receiver
NOTE: THE FOLLOWING ITEMS ARE NOT ILLUSTRATED de). Both models are derived from the 100.1" W.B. LeBaron (C 22 Model). Sheet metal parts for the C 48 not found on this illustration should be specif					
	5209 780	1			Htr. to Inst. Pnl. Supt. Brace
	5209 781	1			A/C to Inst. Pnl. Supt. Brace
	6100 048	1			NUT w/WASHER
	2218 683	1			BUMPER, Inst. Pnl. Glove Box
	2985 816	1			Inst. Pnl. Ash Rec. Stop
	2985 624	1			Inst. Pnl. Ash Rec. Stop
	1839 301	2			Inst. Pnl. Ash Rec. to Hsg.

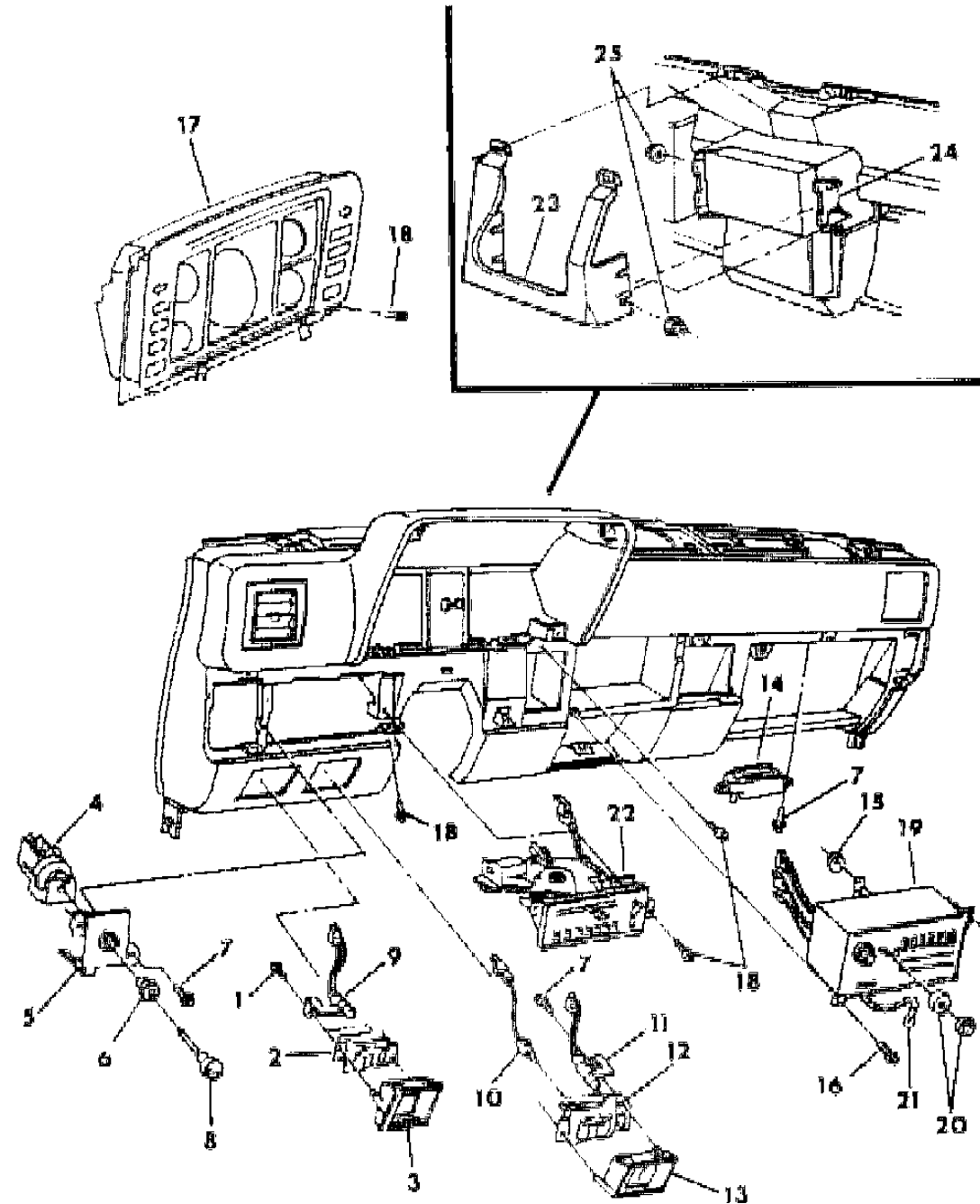
MODEL CODES  
 B = GRAN FURY  
 C = LEBARON/TOWN & COUNTRY  
 D = ARIES  
 E = 600  
 F = FIFTH AVENUE  
 G = DIPLOMAT  
 M = HORIZON/TURISMO/SCAMP  
 P = RELIANT  
 S = CORDOBA  
 T = E CLASS/NEWYORKER  
 V = 400  
 X = MIRADA  
 Y = IMPERIAL  
 Z = OMNI/CHARGER/RAMPAGE

BODY STYLES  
 21 = 2-DOOR SEDAN  
 22 = 2-DOOR SPECIAL COUPE  
 24 = 2-DOOR HATCHBACK  
 27 = 2-DOOR CONVERTIBLE  
 28 = FWD PICKUP  
 41 = 4-DOOR SEDAN  
 45 = 4-DOOR STATION WAGON  
 44 = 4-DOOR HATCHBACK  
 48 = EXECUTIVE SEDAN

AR = Use as Required - = Non Illustrated Part P.A.R. = Paint as Required

**INSTRUMENT PANEL, CLUSTER AND CONTROLS M,Z**  
**Figure 23B-200**

3170 200



ITEM	PART NUMBER	QTY	BODY	MODEL	DESCRIPTION
1		2			SCREW (Not Serviced)
2	5209 875	1			SWITCH, Lift Gate Window Wipe & Wash
3	5209 876	1			BEZEL, Lift Gate Window Wipe & Wash
4	4221 223	1			SWITCH, Head Lamp, Inst. Pnl. Lamp & Dome Lamp
5	4221 229	1			BRACKET, Head Lamp Switch Mtg.
6	4221 064	1			RETAINER, Head Lamp Switch Mtg.
7					SCREW (Not Serviced)
8	5209 991	1			KNOB, Shaft and Insert, Head Lamp Switch
9	4221 103	1			LAMP, Acc. Switch Nomenclature, w/Rr. Wiper & Washer
10					LAMP, Rear Heated Window Ind. (Not Req.)
11	4221 103	1			LAMP, Acc. Switch Nomenclature, w/Rr. Heated Wdo. or Pwr. Deck Lid, L/Gate Release-Elect.
12	5209 985	1			SWITCH, Rear Heated Window
	5209 950	1			SWITCH, Rear Lift Gate
13	5209 983	1			BEZEL, Rear Heated Window
	5209 955	1			BEZEL, Rear Lift Gate
	5209 980	1			Cover, Rear Heated Window
14	5209 545	1			LAMP, Map & Courtesy
	5209 556	1			LENS, Map & Courtesy Lamp
15	6023 205	1			NUT
16					SCREW (NOT Serviced)
17					HOUSING, Speed. & Inst. Cluster
	5211 395	1			w/ or w/o Clock, w/o Rallye
	5209 578	1			w/Rallye
18					SCREW (Not Serviced)
19					RADIO (See Radio Illus.)
20					KNOB (See Radio Illus.)
21					STRAP, Ground (Not Serviced)
22					CONTROL, Htr. (See Heater Illus.)
23	4220 516	1			BRACE, Inst. Pnl. Ctr. Support
24	5209 765	2			CLIP, Inst. Pnl. Ctr. Support Brace Att.
25	6023 205	4			NUT w/WASHER

NOTE: The Following Items are Not Illustrated. de). Both models are derived from the 100.1" W.B. LeBaron (C 22 Model). Sheet metal parts for the C 48 not found on this illustration should be specif

6031 437	2				CLIP, Inst. Pnl. to Cluster Attach.
2427 725	AR				CLIP, Inst. Gauge Terminal
5211 395	1				w/Clock, w/o Rallye

**MODEL CODES**

B = GRAN FURY

C = LEBARON/TOWN & COUNTRY

D = ARIES

E = 600

F = FIFTH AVENUE

G = DIPLOMAT

M = HORIZON/TURISMO/SCAMP

P = RELIANT

S = CORDOBA

T = E CLASS/NEWYORKER

V = 400

X = MIRADA

Y = IMPERIAL

Z = OMNI/CHARGER/RAMPAGE

**BODY STYLES**

21 = 2-DOOR SEDAN

22 = 2-DOOR SPECIAL COUPE

24 = 2-DOOR HATCHBACK

27 = 2-DOOR CONVERTIBLE

28 = FWD PICKUP

41 = 4-DOOR SEDAN

45 = 4-DOOR STATION WAGON

44 = 4-DOOR HATCHBACK

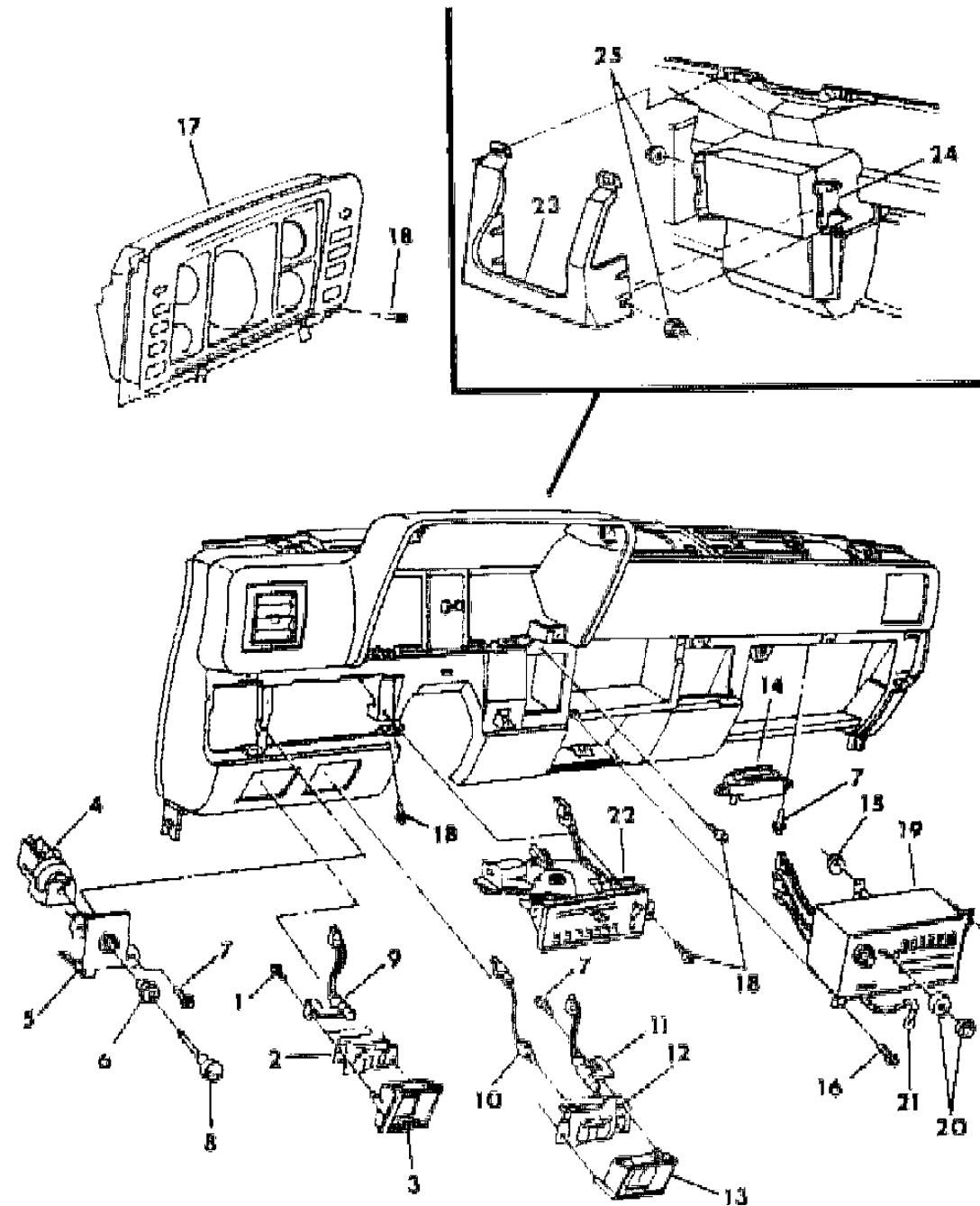
48 = EXECUTIVE SEDAN

AR = Use as Required - = Non Illustrated Part P.A.R. = Paint as Required

**INSTRUMENT PANEL, CLUSTER AND CONTROLS M,Z**  
**Figure 23B-200**

ITEM	PART NUMBER	QTY	BODY	MODEL	DESCRIPTION
	5211 368	1			Inst. Gauge Mtg. w/o Rallye
	4051 315	1			GROMMET, Speedometer to Hsg. w/Rallye
	9421 330	1			BULB, Printed Circuit Board
	2209 215	2			SPACER, Speedometer to Hsg. Mtg. Screw

3170 200



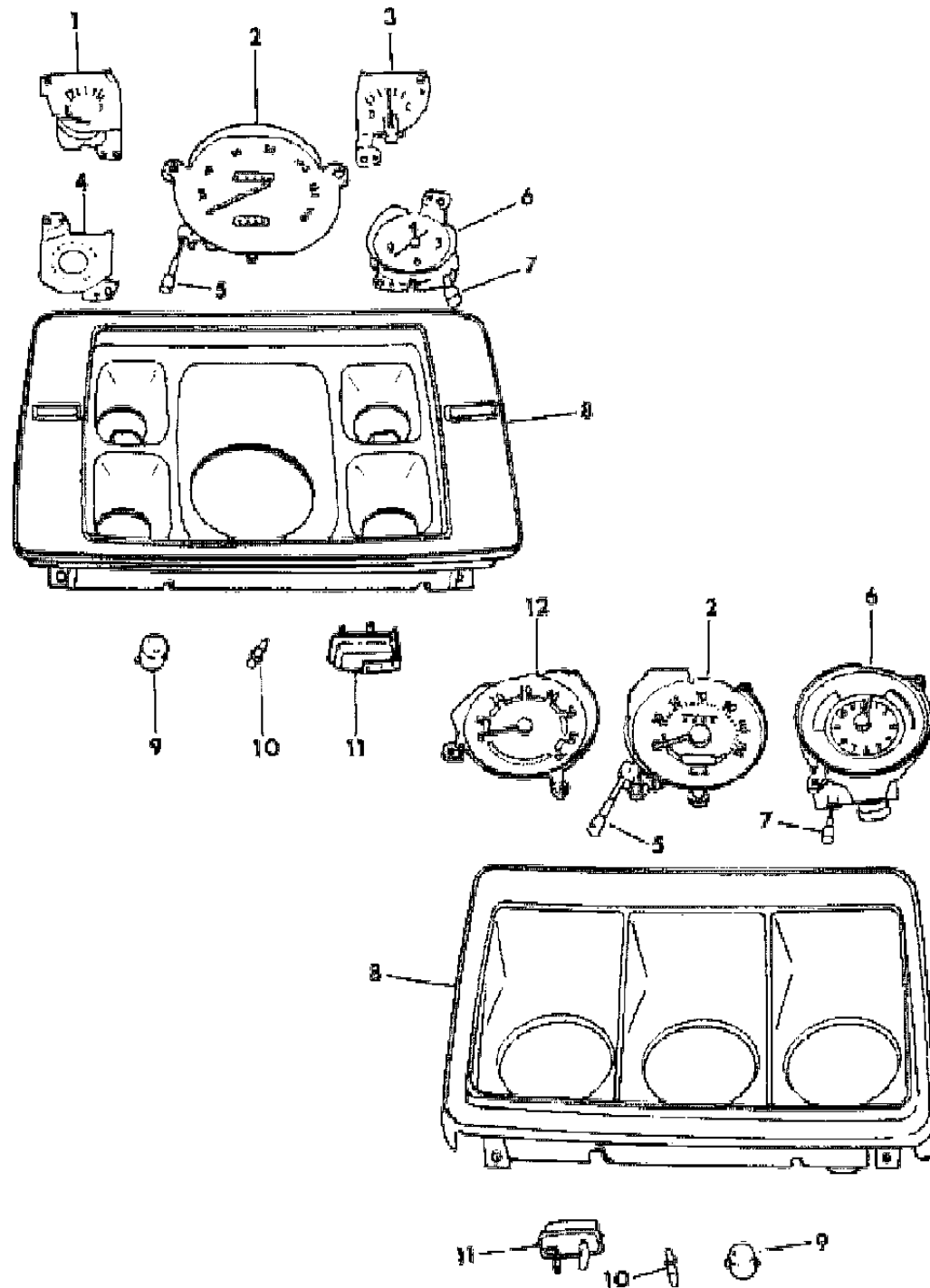
MODEL CODES  
 B = GRAN FURY  
 C = LEBARON/TOWN & COUNTRY  
 D = ARIES  
 E = 600  
 F = FIFTH AVENUE  
 G = DIPLOMAT  
 M = HORIZON/TURISMO/SCAMP  
 P = RELIANT  
 S = CORDOBA  
 T = E CLASS/NEWYORKER  
 V = 400  
 X = MIRADA  
 Y = IMPERIAL  
 Z = OMNI/CHARGER/RAMPAGE

BODY STYLES  
 21 = 2-DOOR SEDAN  
 22 = 2-DOOR SPECIAL COUPE  
 24 = 2-DOOR HATCHBACK  
 27 = 2-DOOR CONVERTIBLE  
 28 = FWD PICKUP  
 41 = 4-DOOR SEDAN  
 45 = 4-DOOR STATION WAGON  
 44 = 4-DOOR HATCHBACK  
 48 = EXECUTIVE SEDAN

AR = Use as Required - = Non Illustrated Part P.A.R. = Paint as Required

**SPEEDOMETER, GAUGES AND LENS - M-Z**  
**Figure 23B-300**

3170 300



ITEM	PART NUMBER	QTY	BODY	MODEL	DESCRIPTION
1					GAUGE, Fuel
	5211 437	1			w/o Rallye
	5209 694	1			w/Rallye
2					SPEEDOMETER
	4051 454	1			85 Mile w/o Rallye
	4220 107	1			85 Mile w/EMR Switch, w/Rallye
	3592 750	1			LABEL, Speedometer
3					AMMETER, Gauge
	5211 438	1			w/o Rallye
	5209 695	1			w/Rallye
4	5211 439	1			DIAL, Engine Light Temp & Oil w/o Rallye
5					KNOB, Odometer
	5211 403	1			w/o Rallye
	5211 365	1			w/Rallye
	5211 448	1			Shaft, Reset
6					CLOCK, Inst. Cluster
	4051 576	1			w/o Rallye
	4220 369	1			w/Rallye
7	5211 366	1			KNOB, Clock Reset
8	5211 444	1			LENS w/MASK, Inst. Cluster
	5209 579	1			w/Rallye
	5211 363	AR			DIFFUSER
9	5211 396	1			CHIMNEY, Engine Light w/o Rallye
	5209 611	1			CHIMNEY, Hi-Beam w/Rallye
10	3591 814	2			PIN, Lens & Mask Retainer, Plastic
11	2258 413	1			REGULATOR or LIMITER, Inst. Voltage
12	5209 682	1			TACHOMETER & WARNING LAMP w/Rallye
	5209 614	1			SEAL, Tach. and Warning Lamps w/Rallye
NOTE: THE FOLLOWING ITEMS ARE NOT ILLUSTRATED de). Both models are derived from the 100.1" W.B. LeBaron (C 22 Model). Sheet metal parts for the C 48 not found on this illustration should be specif					
					BOARD, Printed Circuit
	5211 415	1			w/o Rallye
	5209 616	1			w/Rallye
	3591 814	2			CLIP, Printed Circuit Board Ret.

**MODEL CODES**

B = GRAN FURY	G = DIPLOMAT	V = 400
C = LEBARON/TOWN & COUNTRY	M = HORIZON/TURISMO/SCAMP	X = MIRADA
D = ARIES	P = RELIANT	Y = IMPERIAL
E = 600	S = CORDOBA	Z = OMNI/CHARGER/RAMPAGE
F = FIFTH AVENUE	T = E CLASS/NEWYORKER	

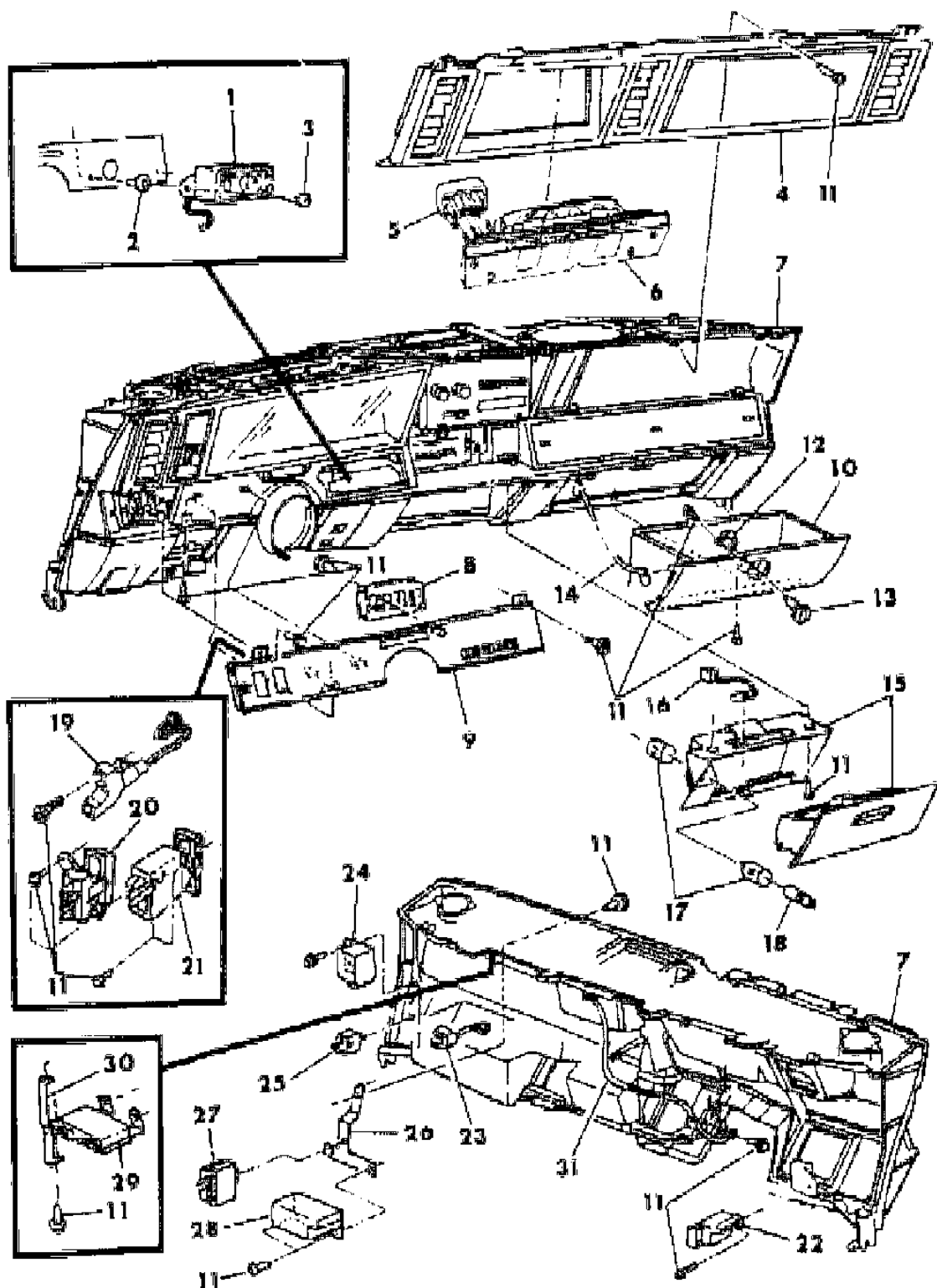
**BODY STYLES**

21 = 2-DOOR SEDAN	41 = 4-DOOR SEDAN
22 = 2-DOOR SPECIAL COUPE	45 = 4-DOOR STATION WAGON
24 = 2-DOOR HATCHBACK	44 = 4-DOOR HATCHBACK
27 = 2-DOOR CONVERTIBLE	48 = EXECUTIVE SEDAN
28 = FWD PICKUP	

AR = Use as Required - = Non Illustrated Part P.A.R. = Paint as Required

**INSTRUMENT PANEL WITH GLOVE BOX P,D,C,V,E,T**  
**Figure 23B-400**

3170 400



ITEM	PART NUMBER	QTY	BODY	MODEL	DESCRIPTION
1	4220 240	1			GAUGE, Oil, Temperature and Amp.
2	6032 122	1			WELLNUT (High Line)
	6032 123	1			WELLNUT (Low Line)
3					SCREW (Not Serviced)
4	4220 222	1		P,D	BEZEL, Ctr. w/ or w/o A/Cond. w/o Warning Lamp, Upto 1-3-83
	4311 054	1		P,D	After 1-3-83
	4220 233	1		C,V,E,T	w/ or w/o A/Cond. w/o Travel Computer, Up to 1-3-83
	4311 060	1		C,V,E,T	After 1-3-83
	4220 235	1		C,V,E,T	w/ or w/o A/Cond. w/Travel Computer, Up to 1-3-83
	4311 064	1		C,V,E,T	After 1-3-83
5	3591 451	1			RELAY, Low Fuel Warning Signal
6	4220 598	1		CVET22,	LAMP MODULE, Warning Signal
	4220 599	1		C (45)	LAMP MODULE, Warning Signal
7					PAD, Inst. Pnl. (See Interior Trim Illus.)
8	4221 040	1		C,V,E,T	SWITCH, Module Electronic
9					BEZEL
	4220 151	1		PH,PP,D	w/Two Switch Opening, Lt. (Woodgrain) Up to 1-3-83
	4311 059	1		PH,PP,D	w/Two Switch Opening, Lt.(Woodgrain) After 1-3-83
	4220 149	1		PH,PP,D	w/One Switch Opening, Lt.(Woodgrain) Up to 1-3-83
	4311 055	1		PH,PP,D	w/One Switch Opening, Lt.(Woodgrain) After 1-3-83
	4220 135			PH,PP,D	w/o Switch Opening, Lt.(Woodgrain) Up to 1-3-83
	4311 051			PH,PP,D	w/o Switch Opening, Lt.(Woodgrain) After 1-3-83
	4220 153			C,V,E,T	w/o Switch Opening, Lt. w/o Travel Computer
	4220 155			C,V,E,T	w/One Switch Opening, Lt. w/o Travel Computer
	4220 373			C,V,E,T	w/Two Switch Opening, Lt. w/o Travel Computer
	P406 AB2			P,D-L	w/Two Switch Opening, Lt. (Paint as Req.)
	P405 BT8			P,D-L	w/One Switch Opening, Lt. (Paint as Req.)
	P402 BT8			P,D-L	w/o Switch Opening, Lt. (Paint as Req.)
	4220 321			C,V,E,T	w/o Switch Opening, Lt. w/Travel Computer
	4220 323	1		C,V,E,T	w/One Switch Opening, Lt. w/Travel Computer
	4220 327	1		C,V,E,T	w/Two Switch Opening, Lt. w/Travel Computer
	6031 940	1			CLIP, Bezel, Lt.
	4047 991	1		All	Gasket, Inst. Pnl. Trim Bezel, Lt.
	6031 940	1		All	Clip, Inst. Pnl. Trim Bezel, Lt.
10					GLOVE BOX & DOOR
	P675 AA7	1			Silver
	P675 AC7	1			Blue

**MODEL CODES**

B = GRAN FURY	G = DIPLOMAT	V = 400
C = LEBARON/TOWN & COUNTRY	M = HORIZON/TURISMO/SCAMP	X = MIRADA
D = ARIES	P = RELIANT	Y = IMPERIAL
E = 600	S = CORDOBA	Z = OMNI/CHARGER/RAMPAGE
F = FIFTH AVENUE	T = E CLASS/NEWYORKER	

**BODY STYLES**

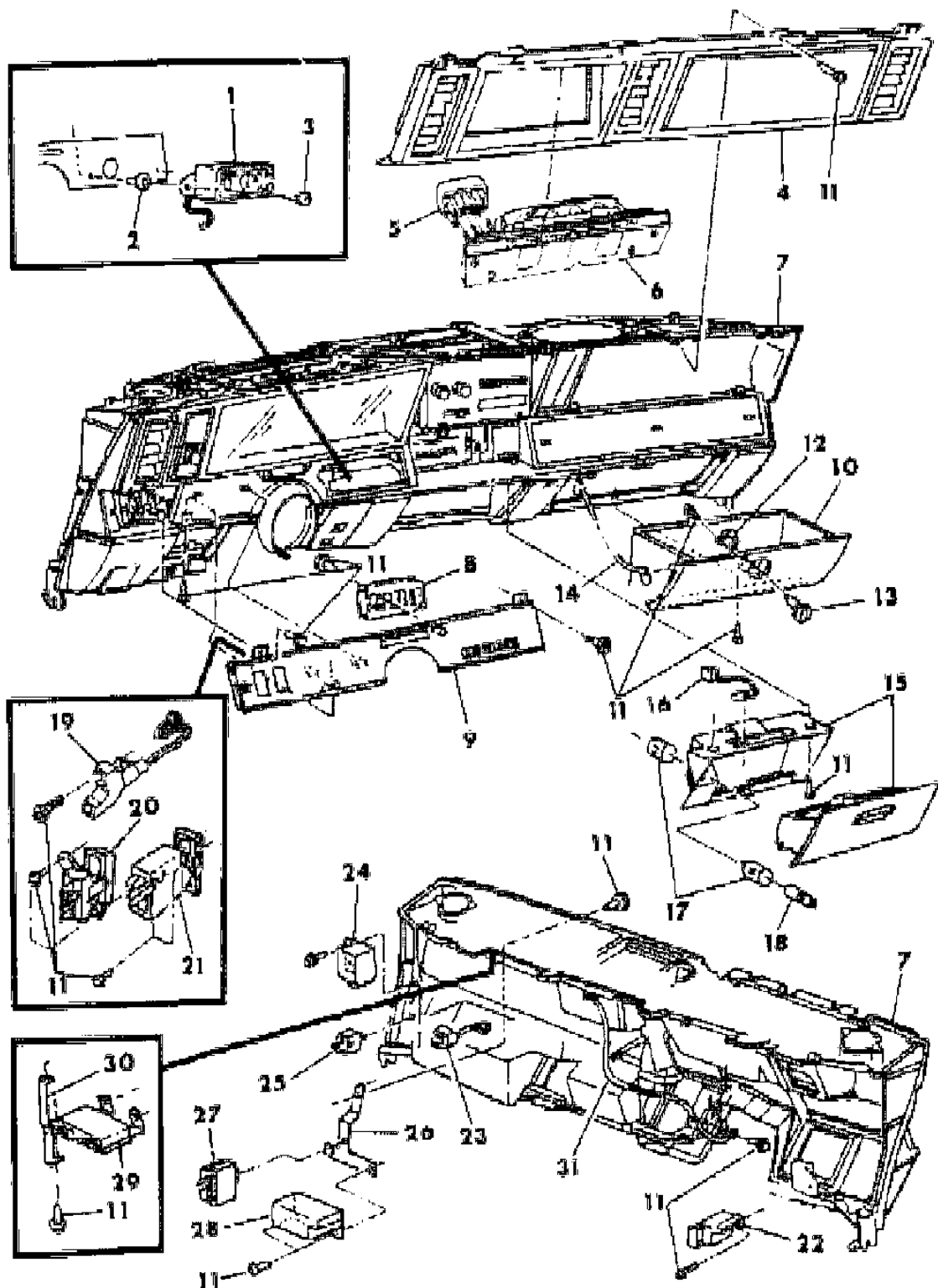
21 = 2-DOOR SEDAN	41 = 4-DOOR SEDAN
22 = 2-DOOR SPECIAL COUPE	45 = 4-DOOR STATION WAGON
24 = 2-DOOR HATCHBACK	44 = 4-DOOR HATCHBACK
27 = 2-DOOR CONVERTIBLE	48 = EXECUTIVE SEDAN
28 = FWD PICKUP	

AR = Use as Required - = Non Illustrated Part P.A.R. = Paint as Required



**INSTRUMENT PANEL WITH GLOVE BOX P,D,C,V,E,T**  
**Figure 23B-400**

3170 400



ITEM	PART NUMBER	QTY	BODY	MODEL	DESCRIPTION
	P675 VM6	1			Red
	P675 BT8	1			Tan
11					SCREW (Not Serviced)
12	3508 886	1			LATCH, Glove Box
	4220 092	1			CATCH, Glove Box
13					CYLINDER, Glove Box (Refer to Cyl. & Key Illus.)
14	4047 424	1			CABLE, Glove Box Door Check
15	4267 268	1			ASH RECEIVER & FACE PLATE (Paint as Req.)
	4047 230	1			Housing, Ash Receiver
	1839 301	1			Bumper Housing
	2985 816	1			Bumper, Ash Receiver
	2661 690	1			Bumper Housing Spring Stop
16	3747 452	1			LAMP, Ash Receiver
	9421 330	1			BULB,Ash Receiver Lamp
17	2808 912	1			SHELL & CLAMP (Opt w/2932727)
18	3747 165	1			KNOB, Cigar Lighter
	3004 190	1			ELEMENT, Cigar Lighter
19	4221 239	1			LAMP ACC., Nomenclature (One Switch)
	4221 240	1			LAMP ACC., Nomenclature (Two Switch)
20	4221 080	1			SWITCH, Rear Wiper & Washer
	4221 373	1			SWITCH, Fuel Filler Door
21	4221 078	1			SWITCH, Electric Back Light
22	4222 060	1			CONTROL, Intermittent Wiper
	4048 952	1			BRACKET, Wiper Control
23	4048 784	1			COIL,AUDIO PWR. AMP.
24					CONTROL, Power Antenna (Not Reqd)
25	3747 299	1			RELAY, Lift Gate Release
26	4222 555	1			BRACKET, Chime & Buzzer Mtg.
27	3747 751	1			BUZZER, Warning
28	4222 086	1			CONTROL, Three Function Warning Chime
29	4222 769	1			CONTROL, Audible Message (English)
30	4220 821	1			SUPPORT, Audible Message Ctr.
	4222 770	1			BRACKET, Audible Message Ctr.
	5213 970	1		E,T	MODULE,T.B.I. Logic
NOTE: The Following Items are Not Illustrated de). Both models are derived from the 100.1" W.B. LeBaron (C 22 Model). Sheet metal parts for the C 48 not found on this illustration should be specif					
	6030 925	AR			CLIP, Cluster Bezel

**MODEL CODES**

B = GRAN FURY	G = DIPLOMAT	V = 400
C = LEBARON/TOWN & COUNTRY	M = HORIZON/TURISMO/SCAMP	X = MIRADA
D = ARIES	P = RELIANT	Y = IMPERIAL
E = 600	S = CORDOBA	Z = OMNI/CHARGER/RAMPAGE
F = FIFTH AVENUE	T = E CLASS/NEWYORKER	

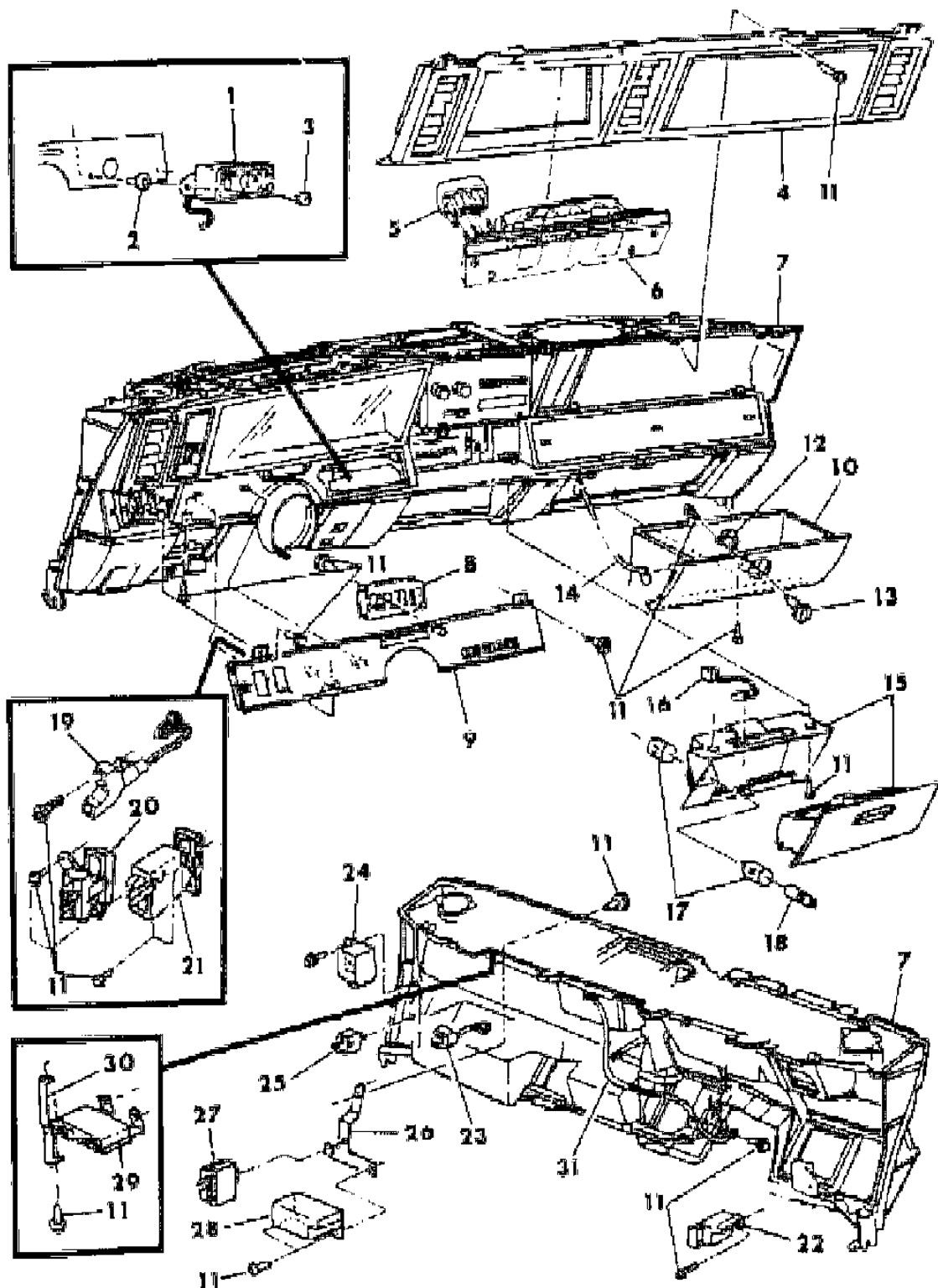
**BODY STYLES**

21 = 2-DOOR SEDAN	41 = 4-DOOR SEDAN
22 = 2-DOOR SPECIAL COUPE	45 = 4-DOOR STATION WAGON
24 = 2-DOOR HATCHBACK	44 = 4-DOOR HATCHBACK
27 = 2-DOOR CONVERTIBLE	48 = EXECUTIVE SEDAN
28 = FWD PICKUP	

AR = Use as Required - = Non Illustrated Part P.A.R. = Paint as Required

INSTRUMENT PANEL WITH GLOVE BOX P,D,C,V,E,T  
Figure 23B-400

3170 400



ITEM	PART NUMBER	QTY	BODY	MODEL	DESCRIPTION
	6030 925	AR			CLIP, Bezel Mtg. To Carrier
	6031 940	AR			CLIP, Inst. Pnl. Trim Bezel, Lt.
	6031 940	AR			CLIP, Inst. Pnl. Bezel, Lwr. Rt.
	6500 442	AR			CLIP, Inst. Pnl. Strg. Col. Cover

MODEL CODES

B = GRAN FURY	G = DIPLOMAT	V = 400
C = LEBARON/TOWN & COUNTRY	M = HORIZON/TURISMO/SCAMP	X = MIRADA
D = ARIES	P = RELIANT	Y = IMPERIAL
E = 600	S = CORDOBA	Z = OMNI/CHARGER/RAMPAGE
F = FIFTH AVENUE	T = E CLASS/NEWYORKER	

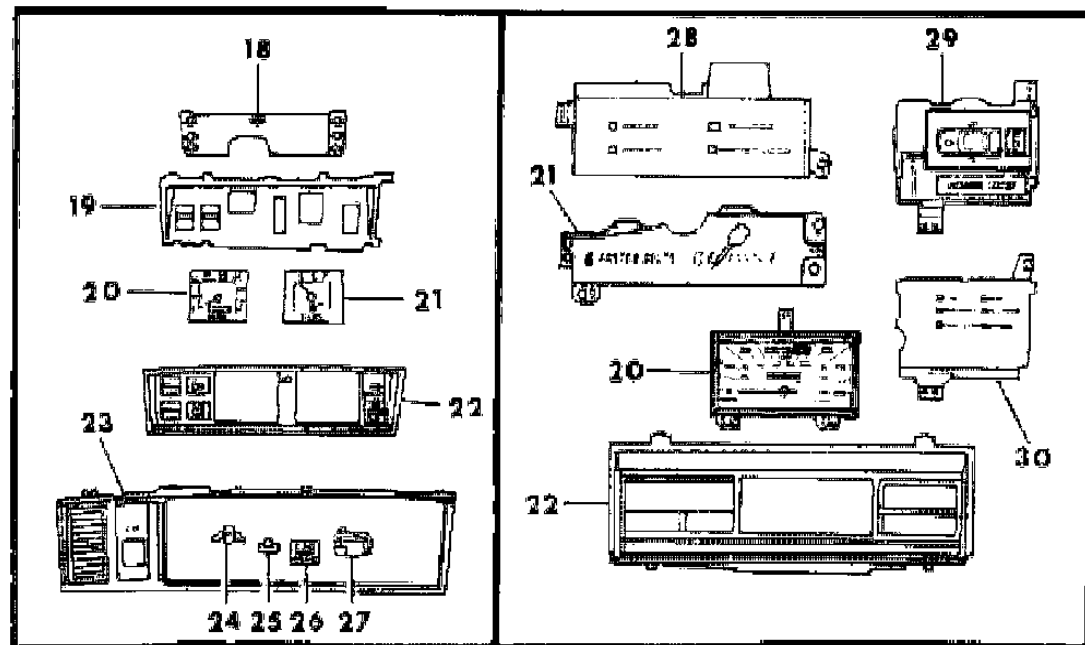
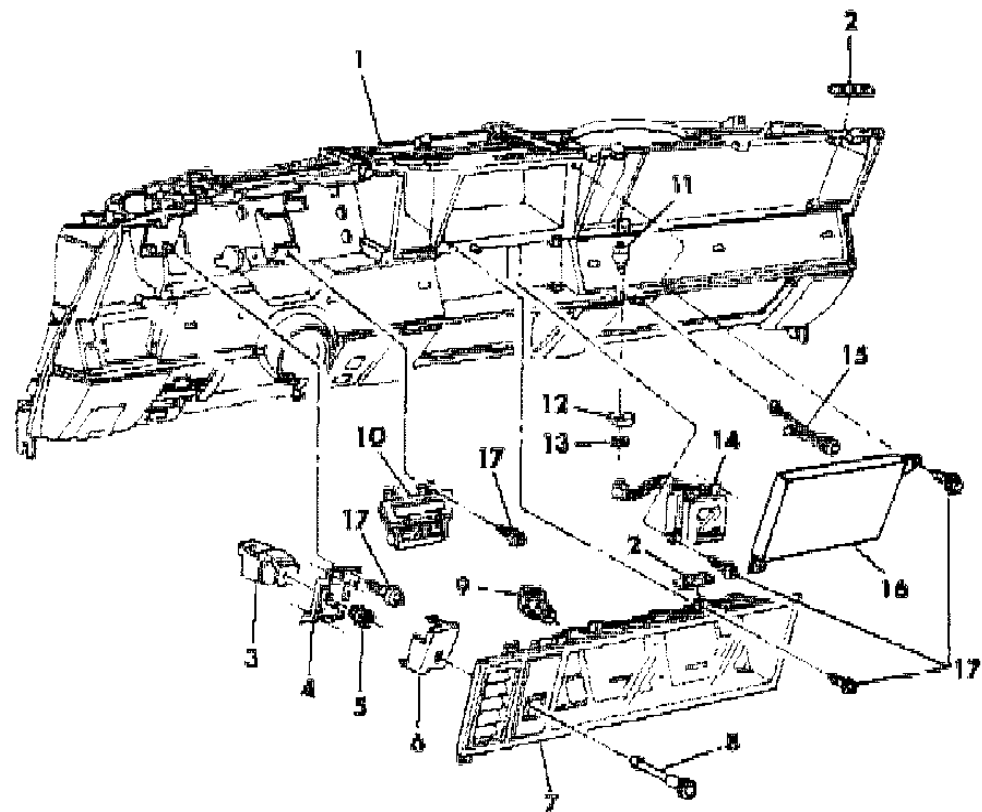
BODY STYLES

21 = 2-DOOR SEDAN	41 = 4-DOOR SEDAN
22 = 2-DOOR SPECIAL COUPE	45 = 4-DOOR STATION WAGON
24 = 2-DOOR HATCHBACK	44 = 4-DOOR HATCHBACK
27 = 2-DOOR CONVERTIBLE	48 = EXECUTIVE SEDAN
28 = FWD PICKUP	

AR = Use as Required - = Non Illustrated Part P.A.R. = Paint as Required

**INSTRUMENT PANEL WITH SWITCH AND CLOCK P,D,C,V,E,T**  
**Figure 23B-500**

3170 500



ITEM	PART NUMBER	QTY	BODY	MODEL	DESCRIPTION
1					PAD, Inst. Pnl. (See Interior Trim Illus.)
2					TAPE (Not Serviced)
3	4221 248	1			SWITCH, Head Lamp & Dome
4	4221 227	1			PLATE, Head Lamp & Dome
5	4221 063	1			RETAINER, Head Lamp Switch
6	3747 863	1			ESCUTCHEON, Head Lamp Switch Mtg.
7					HOUSING & BEZEL (See Item 19 or 23)
8	3747 760	1			KNOB & SHAFT, Head Lamp
9	9415 969	AR			BULB, Printed Circuit Board
10					INDICATOR, Gear Selector
	4220 096	1			w/Auto Trans.
	4220 097	1			w/Manual Trans.
	4047 594	1			DECAL
	4047 947	1			ESCUTCHEON, Gear Selector (Not Shown)
11	3747 154	1			SWITCH, Deck Lid Release
12	3747 875	1			BEZEL, Deck Lid
13	6028 824	1			NUT
14	4047 721	1			CLOCK, Digital
15	4221 170	1			SWITCH, Glove Box
	0152 244	1			BULB, Glove Box
16	4220 482	1			PLATE, Inst. Pnl. Radio Opening w/o Radio
17					SCREW (DNS)
17					SCREW (DNS)
	4051 429	1		C,V,E,T	
19	4051 527	1		P,D	HOUSING & SEAL
	4051 555	1		C,V,E,T	
20					SPEEDOMETER
	4051 479	1		P,D	85 Mile
	4051 480	1		P,D	125 Mile (Cert.)
	4051 640	1		C,V,E,T	85 Mile
	4051 412	1			GROMMET, Speedometer Mtg.
	3592 750	1			LABEL, Speedometer
21					GAUGE, Fuel
	4051 541	1		P,D	w/Unleaded
	4051 565	1		C,V,E,T	
22	4051 679	1		P,D	MASK, Up to 1-3-83
	4051 755	1		P,D	After 1-3-83

**MODEL CODES**

B = GRAN FURY	G = DIPLOMAT	V = 400
C = LEBARON/TOWN & COUNTRY	M = HORIZON/TURISMO/SCAMP	X = MIRADA
D = ARIES	P = RELIANT	Y = IMPERIAL
E = 600	S = CORDOBA	Z = OMNI/CHARGER/RAMPAGE
F = FIFTH AVENUE	T = E CLASS/NEWYORKER	

**BODY STYLES**

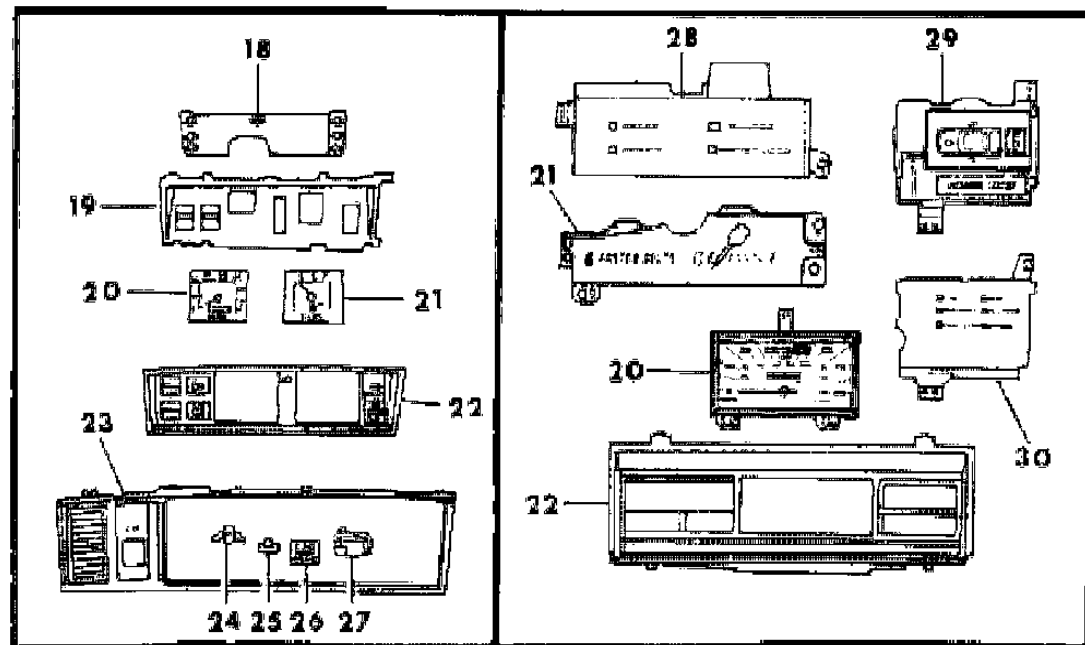
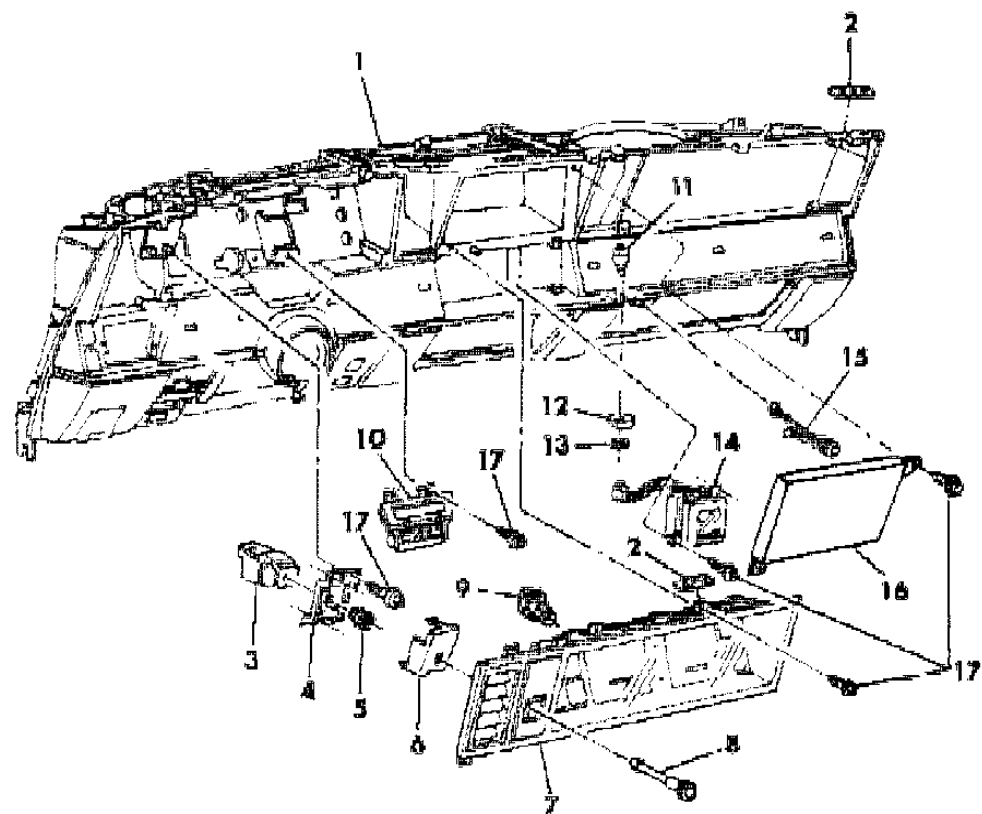
21 = 2-DOOR SEDAN	41 = 4-DOOR SEDAN
22 = 2-DOOR SPECIAL COUPE	45 = 4-DOOR STATION WAGON
24 = 2-DOOR HATCHBACK	44 = 4-DOOR HATCHBACK
27 = 2-DOOR CONVERTIBLE	48 = EXECUTIVE SEDAN
28 = FWD PICKUP	

AR = Use as Required - = Non Illustrated Part P.A.R. = Paint as Required

# INSTRUMENT PANEL WITH SWITCH AND CLOCK P,D,C,V,E,T

## Figure 23B-500

3170 500



ITEM	PART NUMBER	QTY	BODY	MODEL	DESCRIPTION
	4051 628	1		C,V,E,T	w/o Travel Computer (Mile)
	4051 626	1		C,V,E,T	w/Travel Computer (Mile)
23	4051 526	1		P,D	BEZEL,Speedometer w/Lens,Bright Trim (Rosewood)
	4051 758	1		P,D	BEZEL,Speedometer w/Lens,Black Trim(Rosewood)
	4051 483	1		C,V,E,T	BEZEL,Speedometer w/Lens,Bright Trim
	4051 760	1		C,V,E,T	BEZEL,Speedometer w/Lens,Black Trim
24	4085 191	4			DIFFUSER
	4051 529	3			DIFFUSER
25					CLIP (Not Serviced)
26	4051 400	1			MONITOR, Voltage
27	2258 413	1			REGULATOR or LIMITER, Inst. Voltage
28	4051 630	1		C,V,E,T	CHIMNEY, Inst. Pnl. Safety Callout w/o 200 Kilo Speedo.
29	4220 297	1		C,V,E,T	MODULE, Message Center
30	4051 658	1		C,V,E,T	RELAY, Low Fuel Warning
	4222 175	1		C,V,E,T	COMPUTER, Trip Electronic

NOTE: The Following Items are Not Illustrated. de). Both models are derived from the 100.1" W.B. LeBaron (C 22 Model). Sheet metal parts for the C 48 not found on this illustration should be specif

	6032 216	AR			CLIP, Mask
	6032 216	AR			CLIP, Bezel
	2209 215	1			SPACER, Speed
	4220 142	1			BRACKET Lwr. Rt.

### MODEL CODES

B = GRAN FURY	G = DIPLOMAT	V = 400
C = LEBARON/TOWN & COUNTRY	M = HORIZON/TURISMO/SCAMP	X = MIRADA
D = ARIES	P = RELIANT	Y = IMPERIAL
E = 600	S = CORDOBA	Z = OMNI/CHARGER/RAMPAGE
F = FIFTH AVENUE	T = E CLASS/NEWYORKER	

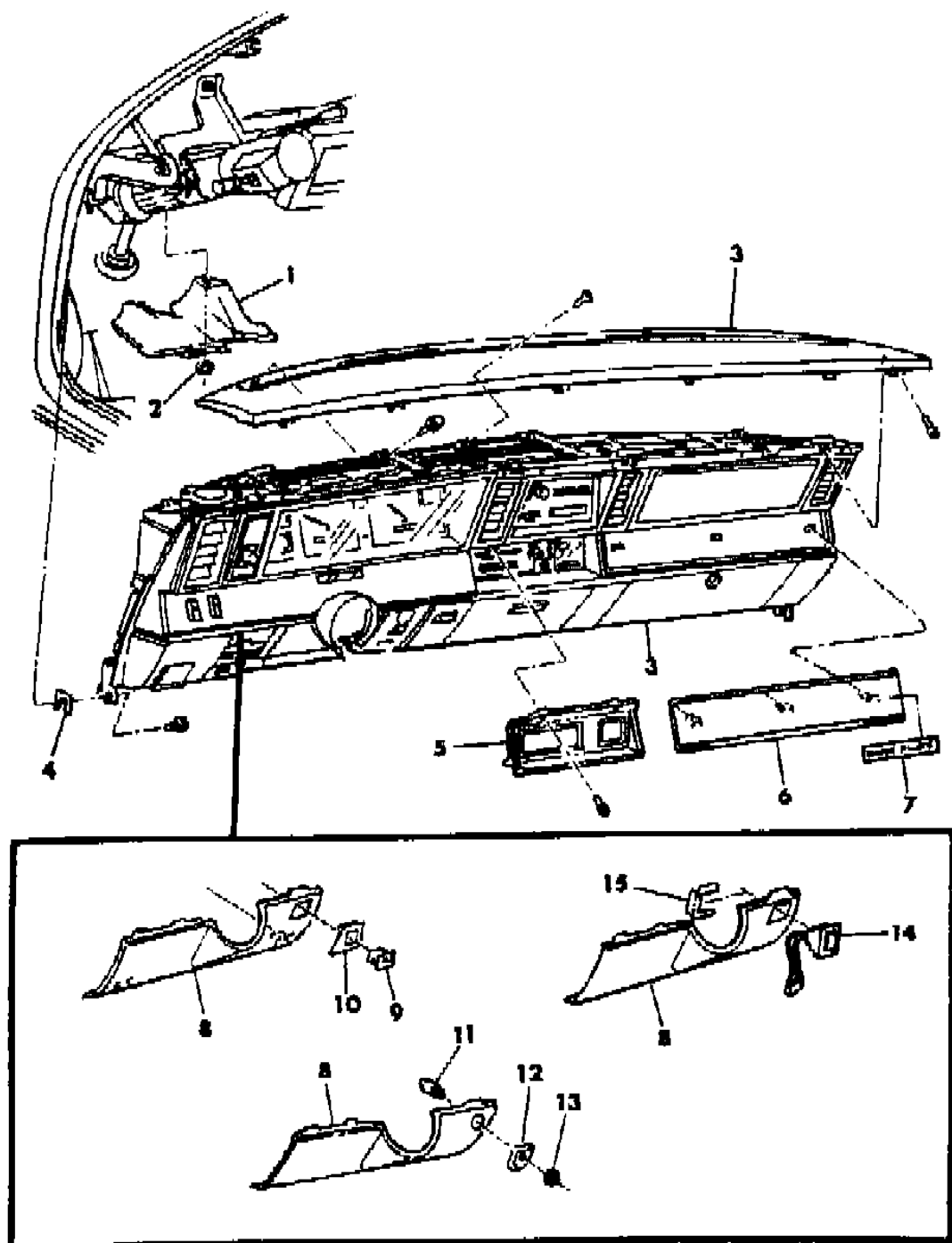
### BODY STYLES

21 = 2-DOOR SEDAN	41 = 4-DOOR SEDAN
22 = 2-DOOR SPECIAL COUPE	45 = 4-DOOR STATION WAGON
24 = 2-DOOR HATCHBACK	44 = 4-DOOR HATCHBACK
27 = 2-DOOR CONVERTIBLE	48 = EXECUTIVE SEDAN
28 = FWD PICKUP	

AR = Use as Required - = Non Illustrated Part P.A.R. = Paint as Required

**INSTRUMENT PANEL WITH SILENCER AND BEZEL P,D,C,V,E,T**  
**Figure 23B-550**

3170 550



ITEM	PART NUMBER	QTY	BODY	MODEL	DESCRIPTION
1	4220 709				SILENCER, Inst. Pnl. w/Auto Trans., Lt. Side
	4220 543	1			w/Manual Trans., Lt. Side
2	4220 344	AR			FASTENER, Silencer
	2521 729	AR			CLIP, Silencer
3					PAD, Inst. Pnl. (See Interior Trim Illus.)
4	6010 031	AR			SHIM
5	4220 217	1	P,D		BEZEL, Inst. Pnl. Trim w/o Clock, Up to 1-3-83
	4311 043	1	P,D		w/o Clock, After 1-3-83
	4220 238	1	C,V,E,T		w/Htr.or AC Opening,w/o Clock,Up to 1-3-83
	4220 886	1	C,V,E,T		w/Htr. or AC. Opening,w/o Clock,After 1-3-83
	4220 882	1	C,V,E,T		w/Travel Computer, Up to 1-3-83
	4220 885	1	C,V,E,T		w/Travel Computer,After 1-3-83
	4220 218	1	P,D,C,V		w/o Travel Comp.,w/Clock,Up to 1-3-83
	4220 884	1	C,V,E,T		w/o Travel Comp.,w/Clock,After 1-3-83
	4311 044	1	P,D		w/o Travel Comp.,w/Clock,After 1-3-83
6					BEZEL, Instrument Panel Trim
	P606 BT8	1	P,D		Lower Rt. (Paint as Req.)
	4220 458	1	P,D		Lower Rt. (Rosewood) Up to 1-3-83
	4220 994	1	P,D		After 1-3-83
	4220 898	1	C,V,E,T		Lower Rt. (Royal Oak)
7	6031 940	AR			CLIP, Inst. Pnl. Trim Lwr. Rt. NAME PLATE, Inst. Pnl.
	4220 511	1	C		Lebaron
	4220 513	1	V		400
	4220 515	1	C (45)		Town & Country
	4220 757	1	E		600
	4311 135	1	T-H		E Class
	4220 759	1	T-P		New Yorker
	4339 781	1	Sedan,L		Chrysler CLIP, Name Plate (Not Serviced)
8	P682 BT8	1			COVER, Inst. Pnl. Strg. (Paint as Req.)
	6500 442	AR			CLIP, Cover
9	4221 054	1			SWITCH, Rear Fog Lamp
10	4221 053	1			Bezel, Rear Fog Lamp Switch
11	3747 154	1			SWITCH, Remote Deck Lid Release
12	3747 875	1			BEZEL, Remote Deck Lid Release

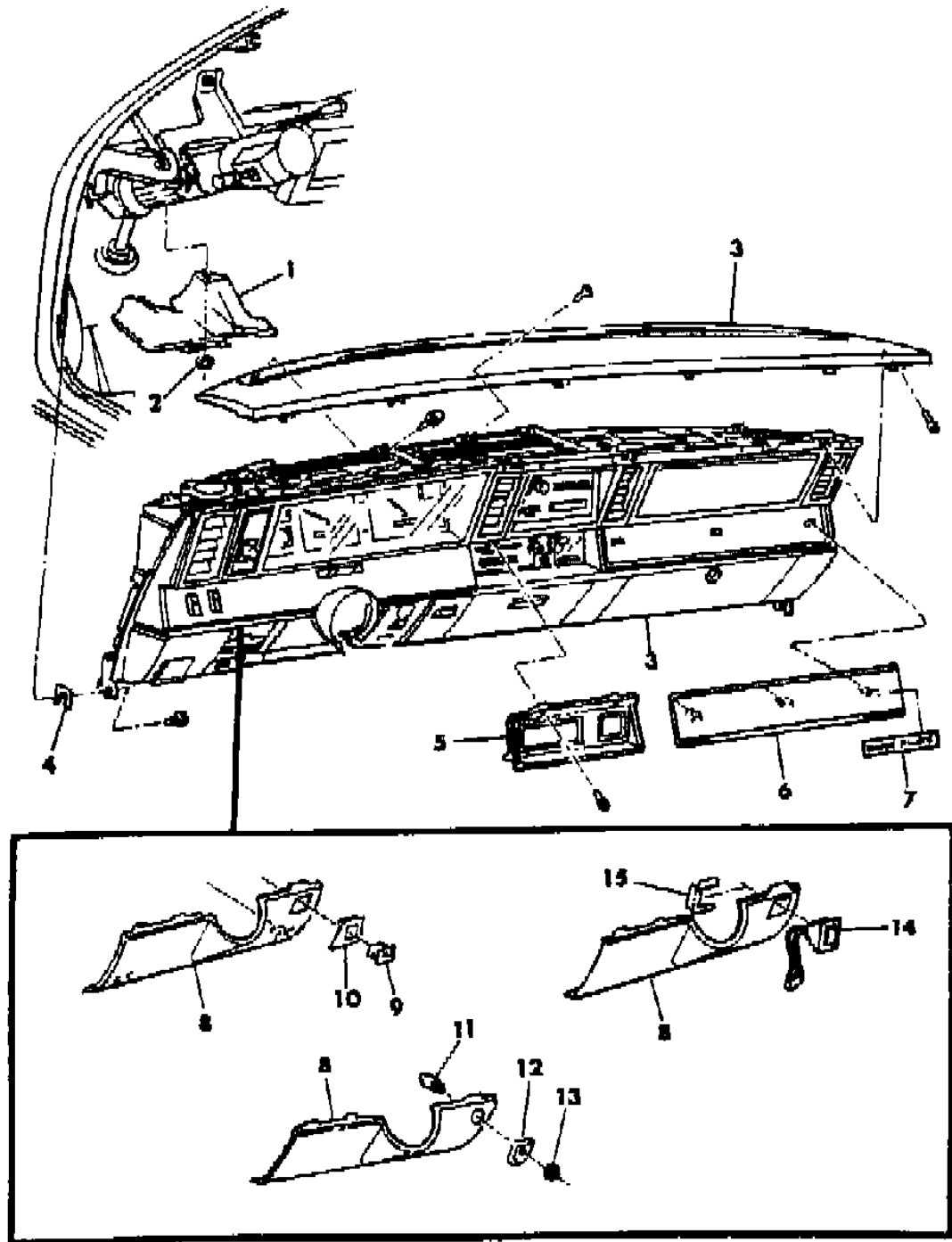
MODEL CODES  
 B = GRAN FURY                      G = DIPLOMAT                      V = 400  
 C = LEBARON/TOWN & COUNTRY    M = HORIZON/TURISMO/SCAMP    X = MIRADA  
 D = ARIES                            P = RELIANT                        Y = IMPERIAL  
 E = 600                                S = CORDOBA                        Z = OMNI/CHARGER/RAMPAGE  
 F = FIFTH AVENUE                    T = E CLASS/NEWYORKER

BODY STYLES  
 21 = 2-DOOR SEDAN                    41 = 4-DOOR SEDAN  
 22 = 2-DOOR SPECIAL COUPE        45 = 4-DOOR STATION WAGON  
 24 = 2-DOOR HATCHBACK            44 = 4-DOOR HATCHBACK  
 27 = 2-DOOR CONVERTIBLE          48 = EXECUTIVE SEDAN  
 28 = FWD PICKUP

AR = Use as Required - = Non Illustrated Part P.A.R. = Paint as Required

**INSTRUMENT PANEL WITH SILENCER AND BEZEL P,D,C,V,E,T**  
**Figure 23B-550**

3170 550



ITEM	PART NUMBER	QTY	BODY	MODEL	DESCRIPTION
13	6028 824	1			NUT, Remote Deck Lid Release
14	4221 203	1		PDCVET	SWITCH, Rear Amplifier
15	3747 750	1			RETAINER, Rear Amplifier Switch

MODEL CODES  
 B = GRAN FURY                      G = DIPLOMAT                      V = 400  
 C = LEBARON/TOWN & COUNTRY    M = HORIZON/TURISMO/SCAMP    X = MIRADA  
 D = ARIES                            P = RELIANT                        Y = IMPERIAL  
 E = 600                                S = CORDOBA                        Z = OMNI/CHARGER/RAMPAGE  
 F = FIFTH AVENUE                    T = E CLASS/NEWYORKER

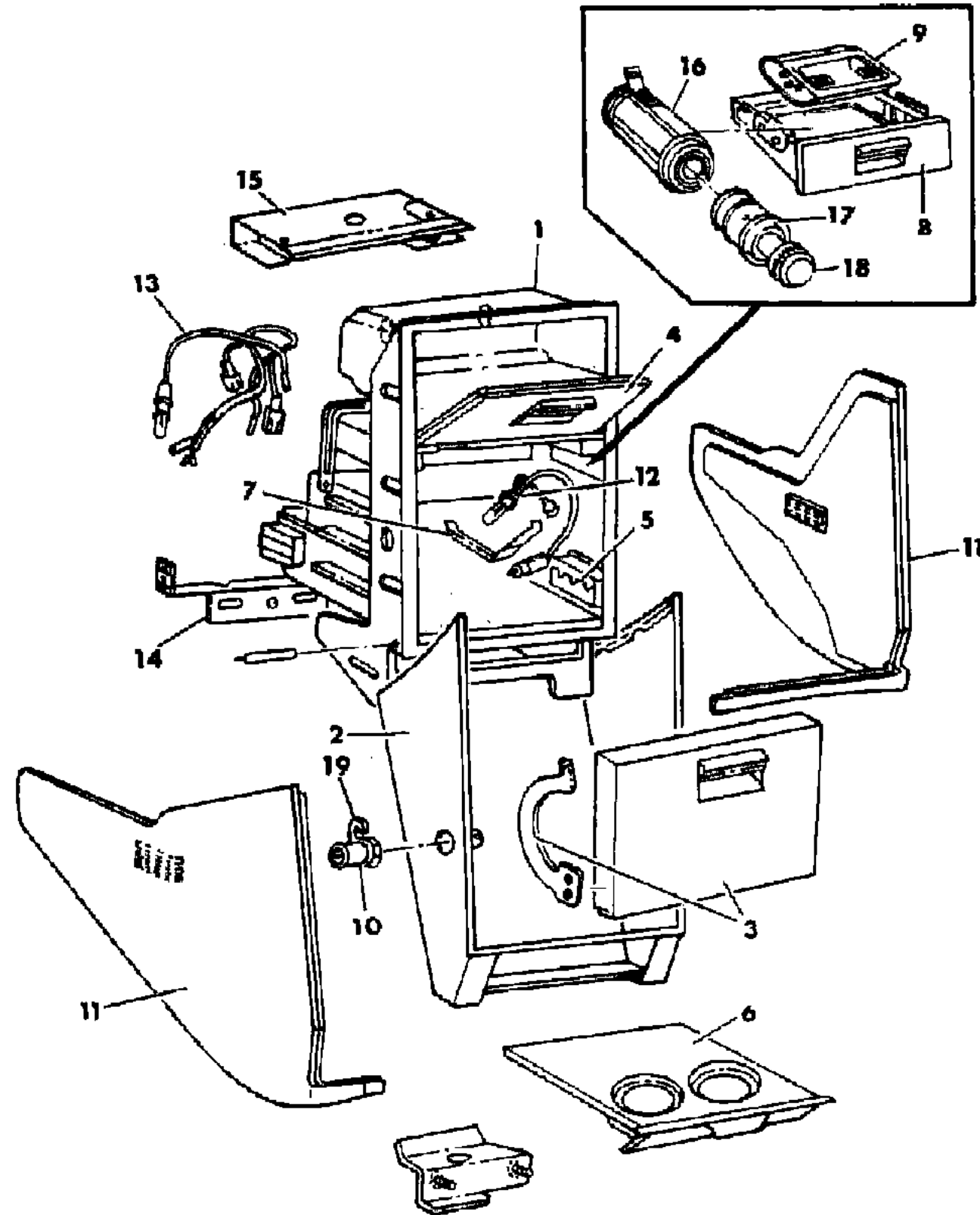
BODY STYLES  
 21 = 2-DOOR SEDAN                    41 = 4-DOOR SEDAN  
 22 = 2-DOOR SPECIAL COUPE        45 = 4-DOOR STATION WAGON  
 24 = 2-DOOR HATCHBACK            44 = 4-DOOR HATCHBACK  
 27 = 2-DOOR CONVERTIBLE          48 = EXECUTIVE SEDAN  
 28 = FWD PICKUP

AR = Use as Required - = Non Illustrated Part P.A.R. = Paint as Required

CONSOLE , INSTRUMENT PANEL T-P  
Figure 23B-575

3170 575A

ITEM	PART NUMBER	QTY	BODY	MODEL	DESCRIPTION
1	4311 380	1			HOUSING ASSY., Console
2	P428 BA7	1			BEZEL, Console (Paint as Req.)
3	4311 384	1			DOOR, Console Glove Box
4	4342 213	1			STRIKER, Glove Box Door Latch
	4311 383	1			DOOR, Console Cubby Box
	4342 212	4			PIN, Cubby and Glove Box Door
	4342 214	1			STRIKER, Cubby Box Door Latch
5	4311 386	1			COIN HOLDER, Console
6	P429 BA7	1			CUP HOLDER, Console (Paint as Req.)
7	4312 222	1			LENS, Storage Box
8	4311 382	1			ASH REC.ASSY., Console
9	4311 391	1			RECEPTACLE,Ash Rec.
10	4311 387	1			CYLINDER and KEY,Console
11	P440-1 BA7	1			CARPET ASSY., Console
	P440-1 BC7	1			Silver
	P440-1 BM6	1			Blue
	P440-1 BT8	1			Red
	P440-1 BT8	1			Brown
12	4304 669	1			WIRING ASSY., Switch and Lamp, Console
13	4304 591	1			WIRING ASSY.,Console
	9421 330	1			BULB #161
	9425 542	1			BULB #168
14	4314 805	1			BRACKET & WELD SCREW, Console
	6100 049	2			NUT & WASHER
15	4311 086	1			BRACKET, Inst. Panel Att.
16	2808 912	1			SHELL and CLAMP,Cigar Lighter
17	3004 190	1			HEAT ELEMENT,Cigar Lighter
18	3747 165	1			KNOB,Cigar Lighter
19	4342 215	1			CAM, Glove Box Lock Cylinder



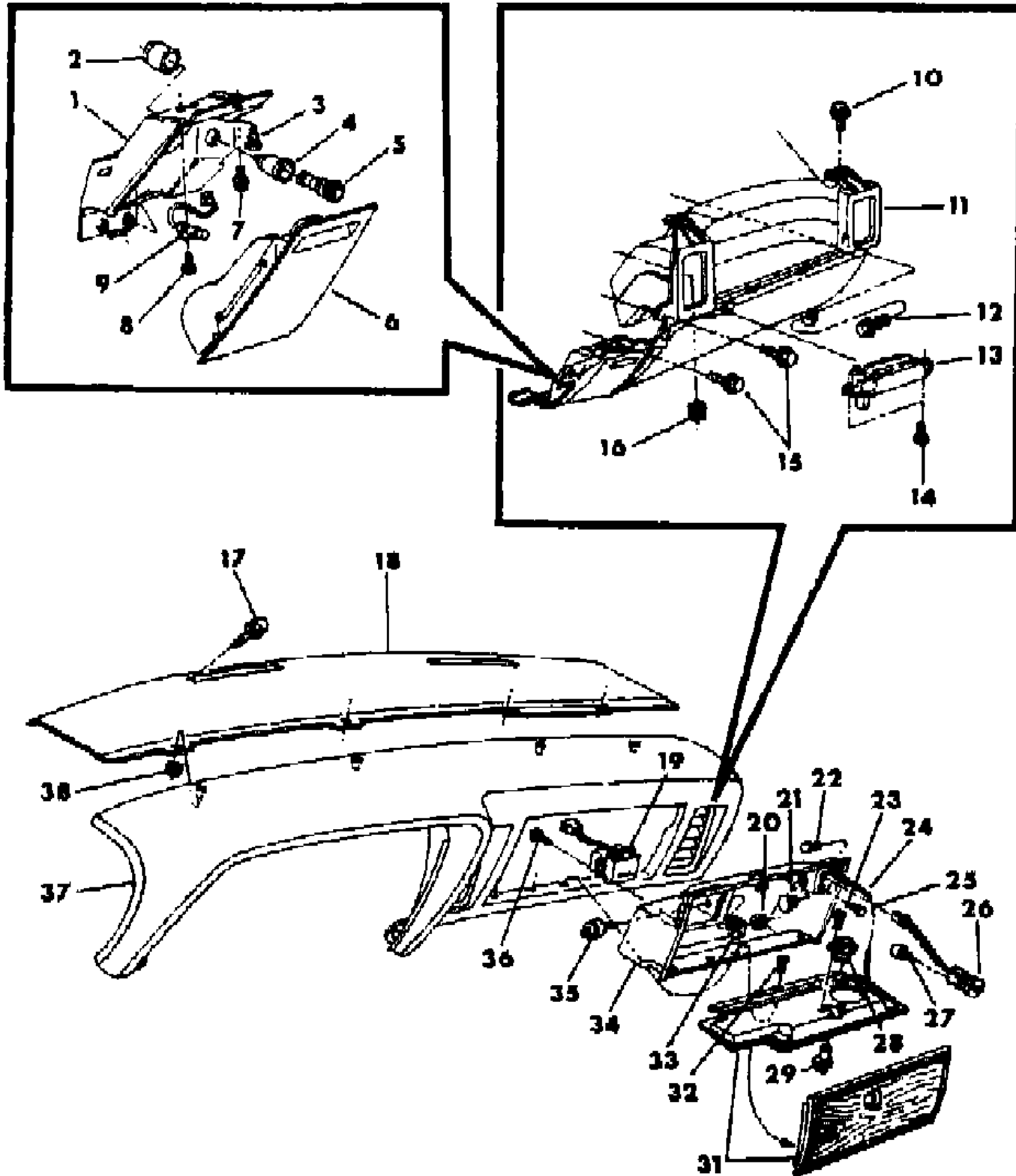
MODEL CODES  
 B = GRAN FURY  
 C = LEBARON/TOWN & COUNTRY  
 D = ARIES  
 E = 600  
 F = FIFTH AVENUE  
 G = DIPLOMAT  
 M = HORIZON/TURISMO/SCAMP  
 P = RELIANT  
 S = CORDOBA  
 T = E CLASS/NEWYORKER  
 V = 400  
 X = MIRADA  
 Y = IMPERIAL  
 Z = OMNI/CHARGER/RAMPAGE

BODY STYLES  
 21 = 2-DOOR SEDAN  
 22 = 2-DOOR SPECIAL COUPE  
 24 = 2-DOOR HATCHBACK  
 27 = 2-DOOR CONVERTIBLE  
 28 = FWD PICKUP  
 41 = 4-DOOR SEDAN  
 45 = 4-DOOR STATION WAGON  
 44 = 4-DOOR HATCHBACK  
 48 = EXECUTIVE SEDAN

AR = Use as Required - = Non Illustrated Part P.A.R. = Paint as Required

**INSTRUMENT PANEL WITH GLOVE BOX - B,F,G**  
**Figure 23B-600**

3170 600A



ITEM	PART NUMBER	QTY	BODY	MODEL	DESCRIPTION
1	3590 763	1			HOUSING, Ash Receiver
2	2932 727	1			SHELL & CLAMP, Cigar Lighter
3	2661 690	1			BUMPER, Inst. Pnl. Ash Receiver Stop
4	2932 727	1			SHELL & CLAMP, Cigar Lighter
	3004 190	1			ELEMENT, Cigar Lighter
	2947 219	1			LIGHTER, Cigar
5	3747 165	1			KNOB, Cigar Lighter
6	P632 BT8	1			RECEPTACLE w/FACE PLATE, Inst. Pnl. Ash Receiver
7					SCREW (Not Serviced)
8					SCREW (Not Serviced)
9	3747 089	1			LAMP, Ash Receiver
10					SCREW (Not Serviced)
11	P667 BT8	1			PANEL, Inst. Lower (Paint as Req.)
	P409 BT8	1			INSERT, ATC Sensor (Paint as Req.)
12					SCREW w/WASHER (Not Serviced)
13					LAMP, Map & Courtesy (Not Used In 1983)
14					SCREW (Not Serviced)
15					SCREW (Not Serviced)
16					NUT (Not Serviced)
17					SCREW (Not Serviced)
18					COVER, Inst. Pnl. Upr.
	3590 736	1			w/Stereo Radio
	3590 734	1			w/o Stereo Radio
19	3593 899	1			CLOCK, Digital
20					NUT, Deck Lid Release Mtg. (See Deck Lid Illus.)
21	2822 583	1			LENS, Glove Box
22	6030 538	1			RETAINER, Glove Box Door Check Strap
23					SCREW (Not Serviced)
24	3591 926	1			CABLE, Glove Box Door
25	2218 683	2			BUMPER, Inst. Pnl. to Glove Box Door
26	4221 237	1			SWITCH, Glove Box
	3747 223	1			LAMP & SWITCH, Glove Box
	2822 583	1			Lens
27	0152 244	1			BULB, Glove Box
28	3508 886	1			LATCH, Glove Box Lock Cyl.
		1			CATCH, Glove Box Lock Cyl.(Serv. in Item #34)
29					CYLINDER, Glove Box Door (See Cyl. and Key Illus.)

**MODEL CODES**

B = GRAN FURY	G = DIPLOMAT	V = 400
C = LEBARON/TOWN & COUNTRY	M = HORIZON/TURISMO/SCAMP	X = MIRADA
D = ARIES	P = RELIANT	Y = IMPERIAL
E = 600	S = CORDOBA	Z = OMNI/CHARGER/RAMPAGE
F = FIFTH AVENUE	T = E CLASS/NEWYORKER	

**BODY STYLES**

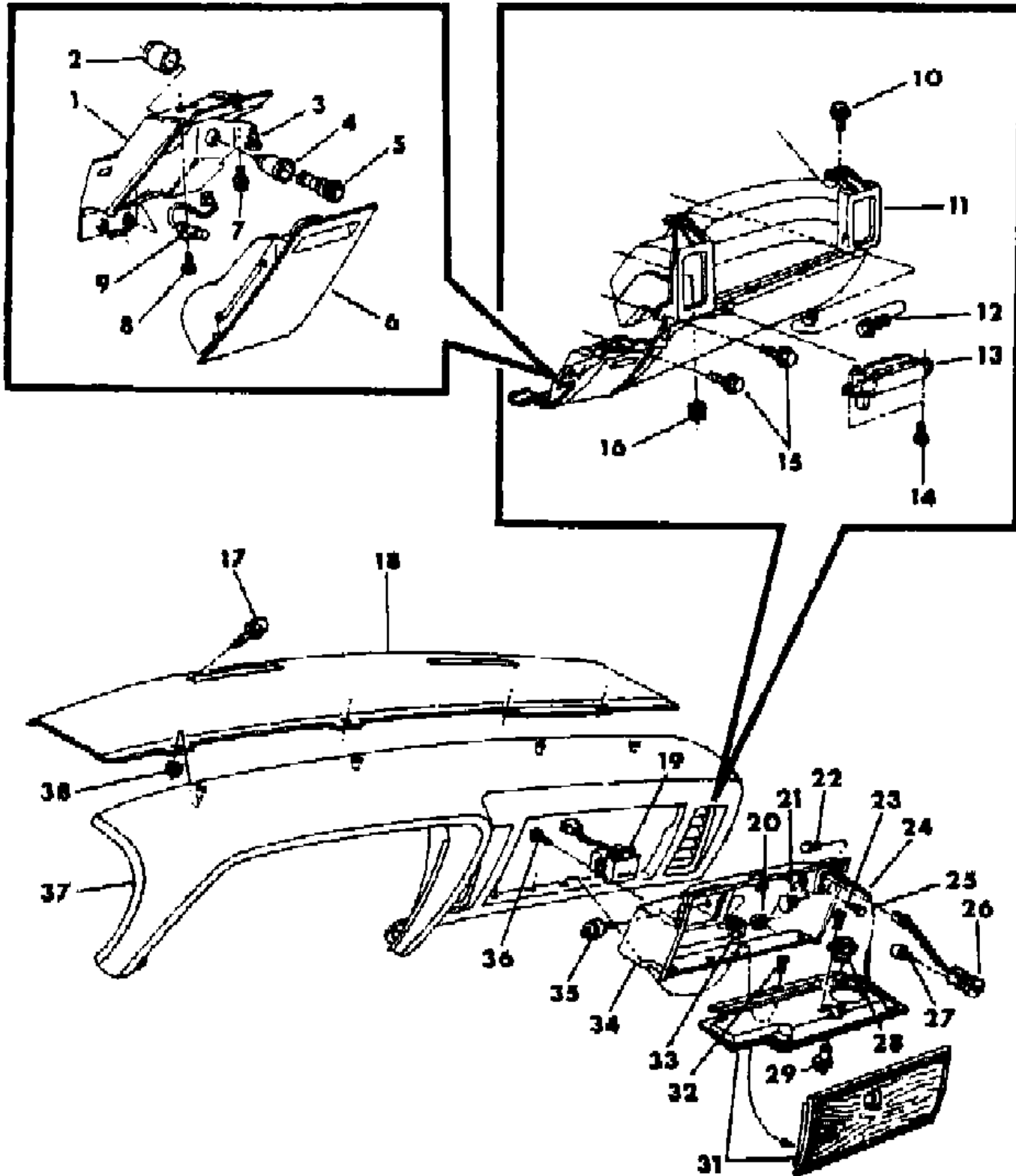
21 = 2-DOOR SEDAN	41 = 4-DOOR SEDAN
22 = 2-DOOR SPECIAL COUPE	45 = 4-DOOR STATION WAGON
24 = 2-DOOR HATCHBACK	44 = 4-DOOR HATCHBACK
27 = 2-DOOR CONVERTIBLE	48 = EXECUTIVE SEDAN
28 = FWD PICKUP	

AR = Use as Required - = Non Illustrated Part P.A.R. = Paint as Required



INSTRUMENT PANEL WITH GLOVE BOX - B,F,G  
Figure 23B-600

3170 600A



ITEM	PART NUMBER	QTY	BODY	MODEL	DESCRIPTION
31					DOOR, Glove Box
	4220 413	1	B,G		w/Digital Clock (Woodgrain)
	4220 410	1	B,G		w/o Clock (Woodgrain)
	4047 970	1	F-S		w/Clock (Woodgrain)
32					SCREW (Not Serviced)
33					BEZEL, Deck Lid Release (See Deck Lid Illus.)
34					BOX, Glove
	3591 940	1			w/o Digital Clock
	3591 939	1			w/Digital Clock
35					SWITCH, Deck Lid Release (See Deck Lid Illus.)
36					SCREW (Not Serviced)
37					PAD, Inst. Pnl. Trim. (See Trim Illus.)
38	6030 301	AR			NUT
	3746 030	1			LAMP, Reverse Gear Indicator M/Trans

MODEL CODES

B = GRAN FURY	G = DIPLOMAT	V = 400
C = LEBARON/TOWN & COUNTRY	M = HORIZON/TURISMO/SCAMP	X = MIRADA
D = ARIES	P = RELIANT	Y = IMPERIAL
E = 600	S = CORDOBA	Z = OMNI/CHARGER/RAMPAGE
F = FIFTH AVENUE	T = E CLASS/NEWYORKER	

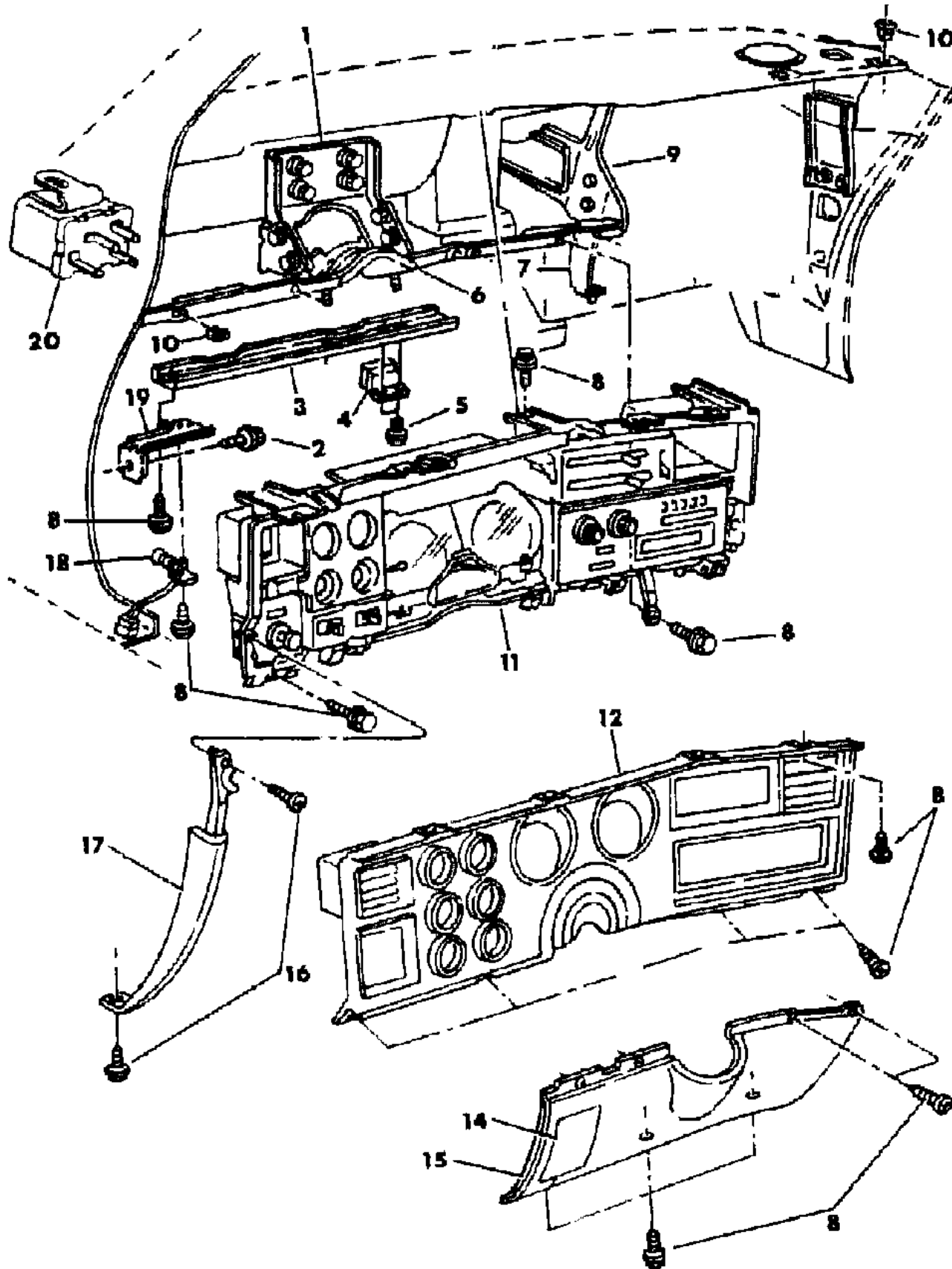
BODY STYLES

21 = 2-DOOR SEDAN	41 = 4-DOOR SEDAN
22 = 2-DOOR SPECIAL COUPE	45 = 4-DOOR STATION WAGON
24 = 2-DOOR HATCHBACK	44 = 4-DOOR HATCHBACK
27 = 2-DOOR CONVERTIBLE	48 = EXECUTIVE SEDAN
28 = FWD PICKUP	

AR = Use as Required - = Non Illustrated Part P.A.R. = Paint as Required

INSTRUMENT PANEL - B,F,G  
Figure 23B-700

3170 700A



ITEM	PART NUMBER	QTY	BODY	MODEL	DESCRIPTION
1	3590 876	1			BRACKET
2		AR			SCREW (Not Serviced)
3	4047 295	1			REINFORCEMENT, Inst. Pnl. Lwr. Lt.
	4047 089	1			REINFORCEMENT, Inst. Pnl. Inter Lt.
4	4222 060	1			CONTROL, w/Intermittent Wipe
5		2			SCREW (Not Serviced)
6	4047 087	1			BRACKET, Strg. Col. Supt.
7	3591 878	1			SUPPORT, Inst. Pnl. Center to Lwr. Reinf.
8					SCREW (Not Serviced)
9	3590 772	1			SUPPORT, Inst. Pnl. Center to Cowl Top
10	6030 301	AR			NUT
11					HOUSING, Speedometer & Inst. Cluster
	4051 072	1			Speedometer, Fuel Gauge
	4051 079	1			Amp., Temp., Washer, Brake/Oil
12					BEZEL, Speedometer
	4220 004	1	F-S		BEZEL, Speedometer & Inst. Cluster
	4047 129	1	B,G		w/A/Cond. w/o Radio
	4047 130	1	B,G		w/o A/Cond. w/Radio
	4047 131	1	B,G		w/A/Cond. w/Radio
14	P634 MX9	1			PLATE, Inst. Pnl. Fuse Block Cover (Paint as Req.)
15	P635 TB2	1			COVER, Inst. Pnl. Strg. Col. Opng. (Paint as Req.)
16					SCREW (Not Serviced)
17	P513 BT8	1			CAP, Inst. Pnl. (Paint as Req.)
18	3591 130	1			LAMP, Courtesy, Under Pnl., (Also See Dome & Courtesy Lamp Illus.)
19	3591 081	1			BRACKET
20	3879 696	1			RELAY w/BRACKET, Elect. Wdo. Lift

NOTE: The Following Items are not Illustrated de). Both models are derived from the 100.1" W.B. LeBaron (C 22 Model). Sheet metal parts for the C 48 not found on this illustration should be specif

4051 315	1				GROMMET, Speedometer to Hsg.
4047 089	1				REINFORCEMENT, Inst. Pnl. Inter. Lt.
					BOARD, Printed Circuit
4051 419	1				Speedometer, Fuel Gauge, w/Led.
4051 180	1				Amp., Temp., Washer, Brake/Oil
	1				RELAY, Rear Heated Window (Serviced in Switch Assy.)
4051 339	1				MASK, w/Minor Gauge
0152 490	2				U-NUT, Inst. Pnl. Lwr. to Att. Strg. Col. Cover

MODEL CODES

B = GRAN FURY

C = LEBARON/TOWN & COUNTRY

D = ARIES

E = 600

F = FIFTH AVENUE

G = DIPLOMAT

M = HORIZON/TURISMO/SCAMP

P = RELIANT

S = CORDOBA

T = E CLASS/NEWYORKER

V = 400

X = MIRADA

Y = IMPERIAL

Z = OMNI/CHARGER/RAMPAGE

BODY STYLES

21 = 2-DOOR SEDAN

22 = 2-DOOR SPECIAL COUPE

24 = 2-DOOR HATCHBACK

27 = 2-DOOR CONVERTIBLE

28 = FWD PICKUP

41 = 4-DOOR SEDAN

45 = 4-DOOR STATION WAGON

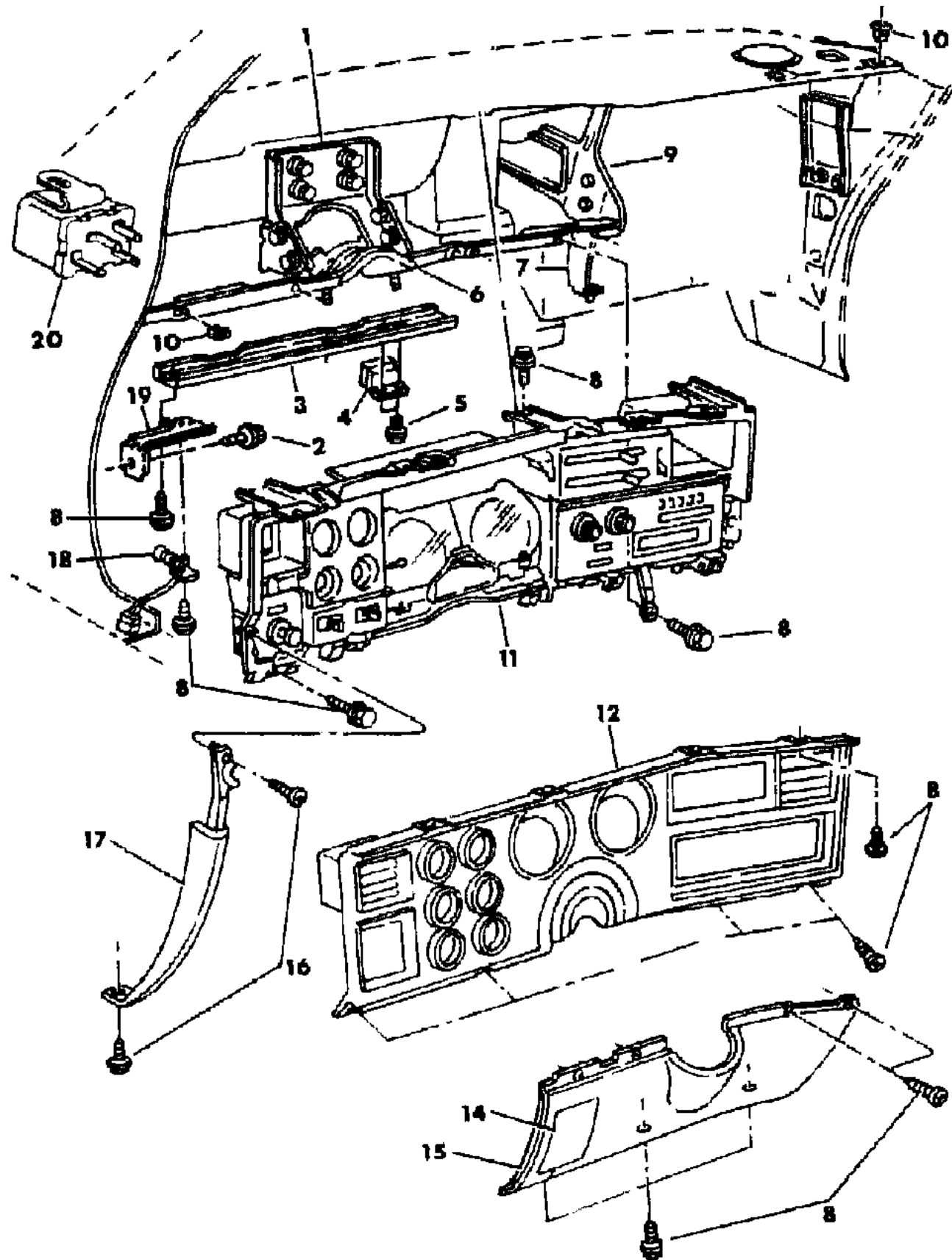
44 = 4-DOOR HATCHBACK

48 = EXECUTIVE SEDAN

AR = Use as Required - = Non Illustrated Part P.A.R. = Paint as Required

INSTRUMENT PANEL - B,F,G  
Figure 23B-700

3170 700A



ITEM	PART NUMBER	QTY	BODY	MODEL	DESCRIPTION
	0152 490	1			U-NUT, Inst. Pnl. Lwr. to Att. Ash Rec. Hsg.
	3747 751	1			BUZZER, Warning, Key & Head Lamp
	3747 874	1			SWITCH, Rear Amplifier
	3747 750	1			Clip, Switch Rear Amplifier
	4220 482	1			PLATE, Inst. Pnl. Radio Opening

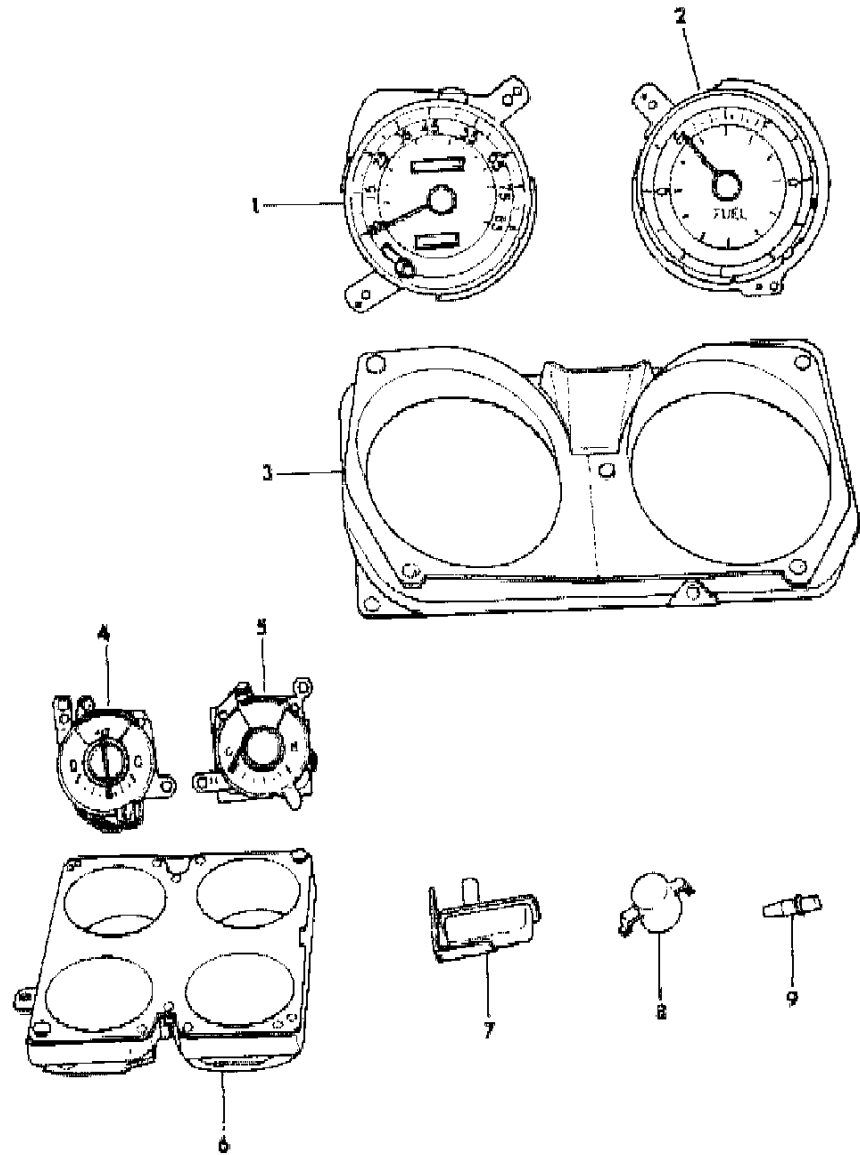
MODEL CODES  
 B = GRAN FURY  
 C = LEBARON/TOWN & COUNTRY  
 D = ARIES  
 E = 600  
 F = FIFTH AVENUE  
 G = DIPLOMAT  
 M = HORIZON/TURISMO/SCAMP  
 P = RELIANT  
 S = CORDOBA  
 T = E CLASS/NEWYORKER  
 V = 400  
 X = MIRADA  
 Y = IMPERIAL  
 Z = OMNI/CHARGER/RAMPAGE

BODY STYLES  
 21 = 2-DOOR SEDAN  
 22 = 2-DOOR SPECIAL COUPE  
 24 = 2-DOOR HATCHBACK  
 27 = 2-DOOR CONVERTIBLE  
 28 = FWD PICKUP  
 41 = 4-DOOR SEDAN  
 45 = 4-DOOR STATION WAGON  
 44 = 4-DOOR HATCHBACK  
 48 = EXECUTIVE SEDAN

AR = Use as Required - = Non Illustrated Part P.A.R. = Paint as Required

**SPEEDOMETER, GAUGES AND LENSES - B,F,G**  
**Figure 23B-800**

3110 000



ITEM	PART NUMBER	QTY	BODY	MODEL	DESCRIPTION
1					SPEEDOMETER
	4051 524	1			85 Mile
	4051 525	1			125 Cert.
	4051 195	1			KNOB, Odometer Reset
	3592 750	1			Lable, Speedometer
2					GAUGE, Fuel
	4051 388	1			w/Unleaded
	4051 389	1			w/Leaded
3	4051 027	1			LENS,w/Mask (Alt.,Temp.,Washer,Brake/Oil)
4	4051 397	1			GAUGE, Ammeter
5	4051 348	1			GAUGE, Temperature
	4196 430	1			GAUGE,Oil Pressure (Incl.Fleet)
6	4051 339	1			LENS w/MASK, (Amp.,Temp.,Washer,Brake/Oil)
7	2258 413	1			REGULATOR or LIMITED, Inst. Voltage
8	4051 529	AR			DIFFUSER, Inst. Lamp
	4048 038	AR			DIFFUSER, w/Oil Gauge
9	3591 814	4			PIN, Lens Mtg. (Plastic)

**MODEL CODES**

B = GRAN FURY	G = DIPLOMAT	V = 400
C = LEBARON/TOWN & COUNTRY	M = HORIZON/TURISMO/SCAMP	X = MIRADA
D = ARIES	P = RELIANT	Y = IMPERIAL
E = 600	S = CORDOBA	Z = OMNI/CHARGER/RAMPAGE
F = FIFTH AVENUE	T = E CLASS/NEWYORKER	

**BODY STYLES**

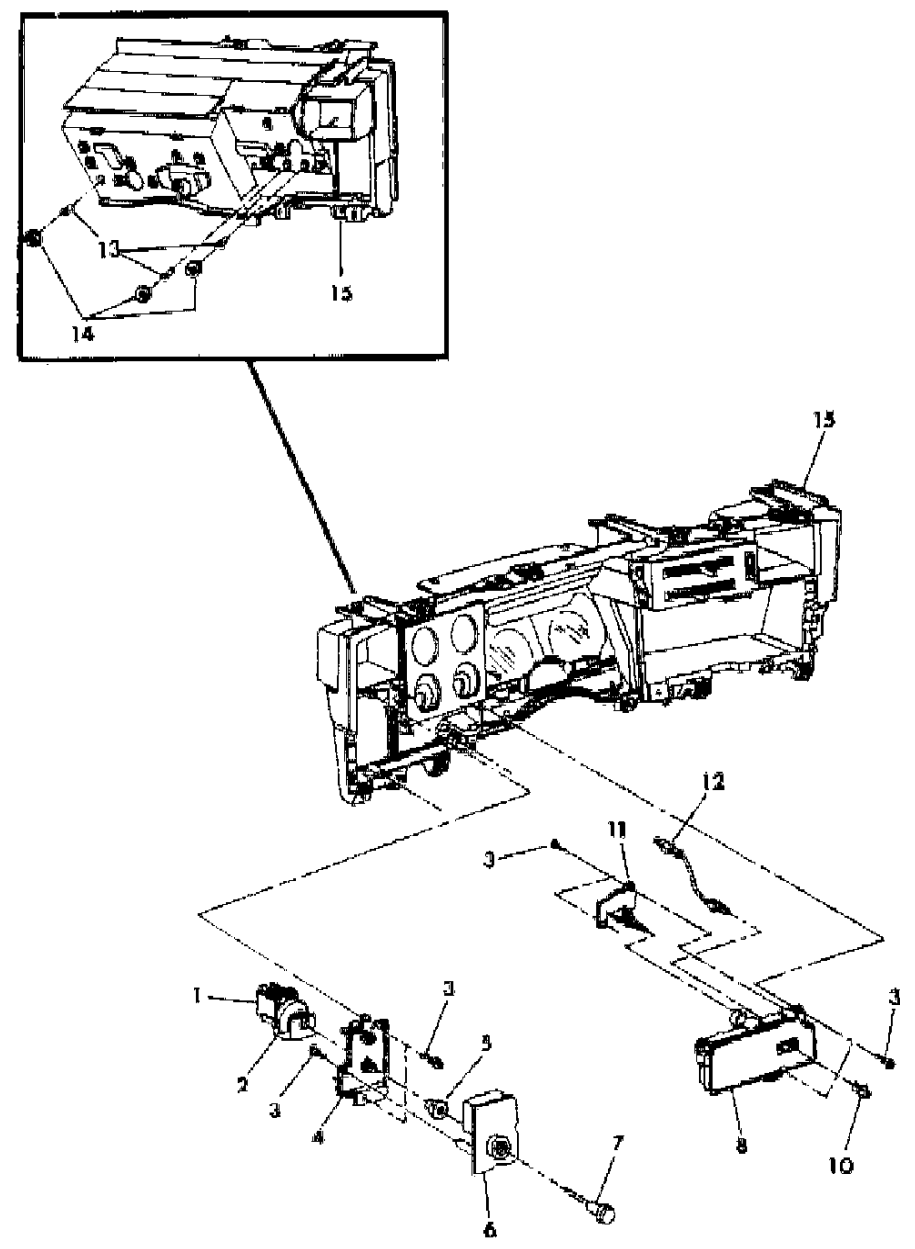
21 = 2-DOOR SEDAN	41 = 4-DOOR SEDAN
22 = 2-DOOR SPECIAL COUPE	45 = 4-DOOR STATION WAGON
24 = 2-DOOR HATCHBACK	44 = 4-DOOR HATCHBACK
27 = 2-DOOR CONVERTIBLE	48 = EXECUTIVE SEDAN
28 = FWD PICKUP	

AR = Use as Required - = Non Illustrated Part P.A.R. = Paint as Required

**INSTRUMENT CLUSTER - B,F,G**  
**Figure 23B-900**

ITEM	PART NUMBER	QTY	BODY	MODEL	DESCRIPTION
1	3747 216	1			SWITCH, Head Lamp, Inst. Lamp & Dome Lamp
2	3747 258	1			RHEOSTAT, Head Lamp Switch
3					SCREW (Not Serviced)
4	3747 225	1			PLATE, Head Lamp Switch Mtg.
5	3747 204	1			RETAINER, Head Lamp Switch Mtg.
6	3747 968	1			BEZEL, Head Lamp Switch
	4221 092	1		F-S	BEZEL, Head Lamp Switch
7	3747 760	1			KNOB w/SHAFT, Head Lamp Switch
8	3747 974	1			BEZEL & PLATE, Rear Heated Window Mtg.
	3747 675	1			PLATE, Rear Heated Window
10	3747 244	1			KNOB, Acc. Switch
11	3747 641	1			SWITCH, Rear Heated Window
12					LAMP, Rear Heated Window Ind.
13	9421 330	AR			BULB
14	3744 750	AR			SOCKET
15	4051 021	1			CARRIER, Speedometer & Inst. Cluster

2370 906



MODEL CODES  
 B = GRAN FURY  
 C = LEBARON/TOWN & COUNTRY  
 D = ARIES  
 E = 600  
 F = FIFTH AVENUE  
 G = DIPLOMAT  
 M = HORIZON/TURISMO/SCAMP  
 P = RELIANT  
 S = CORDOBA  
 T = E CLASS/NEWYORKER  
 V = 400  
 X = MIRADA  
 Y = IMPERIAL  
 Z = OMNI/CHARGER/RAMPAGE

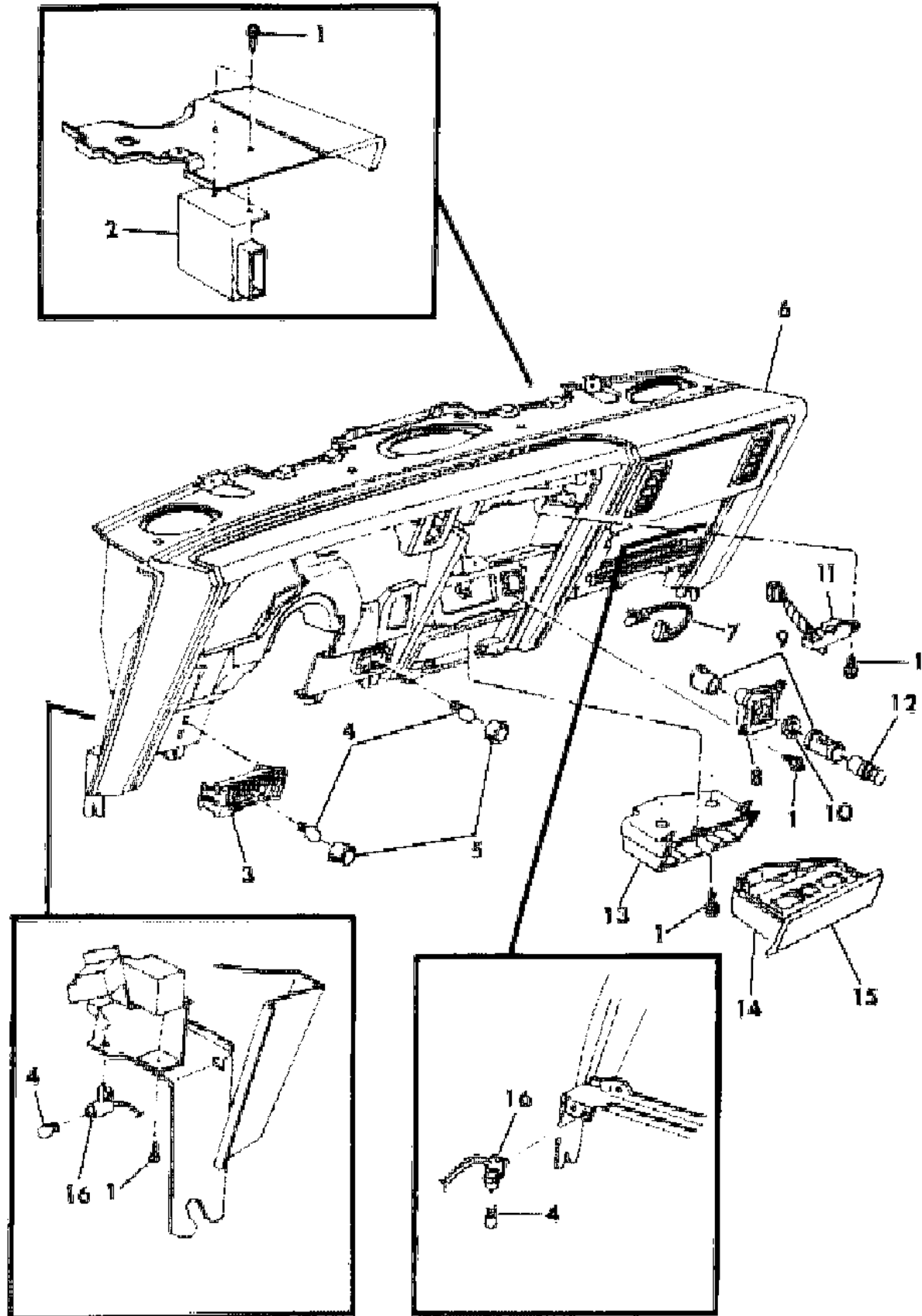
BODY STYLES  
 21 = 2-DOOR SEDAN  
 22 = 2-DOOR SPECIAL COUPE  
 24 = 2-DOOR HATCHBACK  
 27 = 2-DOOR CONVERTIBLE  
 28 = FWD PICKUP  
 41 = 4-DOOR SEDAN  
 45 = 4-DOOR STATION WAGON  
 44 = 4-DOOR HATCHBACK  
 48 = EXECUTIVE SEDAN

AR = Use as Required - = Non Illustrated Part P.A.R. = Paint as Required

# INSTRUMENT PANEL ASH RECEIVER AND MAP LIGHT X-S

## Figure 23B-1000

3170 1000



ITEM	PART NUMBER	QTY	BODY	MODEL	DESCRIPTION
1					SCREW (Not Serviced)
2	4222 086	1			CHIMES
3	3747 528	1			HOUSING, Hood & Brake Rel.
4	9417 561	AR			BULB
5	4051 529	1			DIFFUSER
6					INSTRUMENT PANEL (See Interior Trim)
7	3747 548	1			LAMP, Ash Receiver
	3746 516	1			Socket, Ash Receiver
	3747 452	1			LAMP, Inst Pnl. Cigar
	3746 515	1			Socket
	9415 969	1			Bulb
	3513 350	1			Insulator
	2983 409	1			Terminal
8	3747 451	1			BEZEL, Cigar Lighter
9	3747 633	1			SHELL and CLAMP, Cigar Light
10	3747 629	1			BEZEL, Cigar Lighter
11	4047 647	1			LAMP, Map & Courtesy
	3746 017	1			Lens
12	3004 190	1			ELEMENT, Cigar Lighter
	3747 763	1			KNOB, Cigar Lighter
13	3591 685	1			HOUSING, Ash Receiver
14		1			RECEPTACLE, Inst. Pnl. Ash Rec. (Complete)
	3591 863	1			Featherwood
	3591 864	1			Brushed Aluminum
	3591 692	1			Bumper
	3591 691	1			Spring
15					FACE PLATE (Serviced in # 14)
16					Serviced In Wiring Assy.
NOTE: The Following Items are Not Illustrated. de). Both models are derived from the 100.1" W.B. LeBaron (C 22 Model). Sheet metal parts for the C 48 not found on this illustration should be specif					
	2985 816	1			BUMPER, Inst Pnl. Ash. Stop
	4222 060	1			CONTROL, Intermittent Wiper

**MODEL CODES**

B = GRAN FURY	G = DIPLOMAT	V = 400
C = LEBARON/TOWN & COUNTRY	M = HORIZON/TURISMO/SCAMP	X = MIRADA
D = ARIES	P = RELIANT	Y = IMPERIAL
E = 600	S = CORDOBA	Z = OMNI/CHARGER/RAMPAGE
F = FIFTH AVENUE	T = E CLASS/NEWYORKER	

**BODY STYLES**

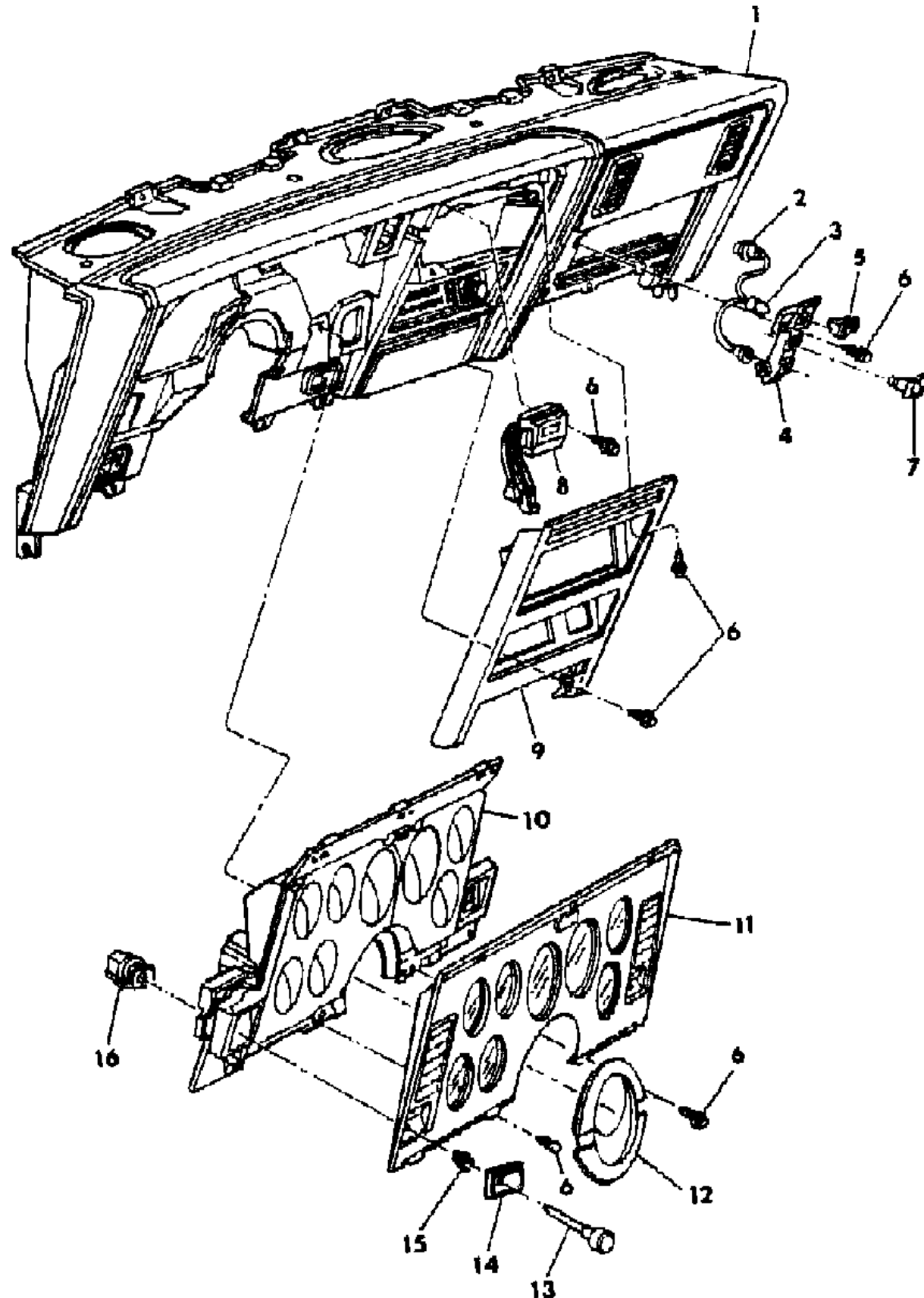
21 = 2-DOOR SEDAN	41 = 4-DOOR SEDAN
22 = 2-DOOR SPECIAL COUPE	45 = 4-DOOR STATION WAGON
24 = 2-DOOR HATCHBACK	44 = 4-DOOR HATCHBACK
27 = 2-DOOR CONVERTIBLE	48 = EXECUTIVE SEDAN
28 = FWD PICKUP	

AR = Use as Required - = Non Illustrated Part P.A.R. = Paint as Required

# INSTRUMENT PANEL FACE PLATE AND CLUSTER X-S

## Figure 23B-1100

3170 1100



ITEM	PART NUMBER	QTY	BODY	MODEL	DESCRIPTION
1					INSTRUMENT PANEL (Serviced in Interior Trim)
2	3747 513	1			SWITCH & LAMP, Glove Box
	3747 649	1			GLOVE BOX, Lamp
3	9421 330	1			BULB
4	3747 704	1			BEZEL, Glove Box Acc. Switch w/Clock
	3747 703	1			Bezel, Glove Box Acc. Switch w/o Clock
	3747 711	1			Cover, Glove Box Acc. Switch
5	3747 501	1			SWITCH, Clock Reset
	3747 711	1			COVER, Glove Box Acc. Switch
6					SCREW (Not Serviced)
7	3747 608	1			SWITCH, Deck Lid Release
8	4220 094	1			CLOCK, Digital
9					BEZEL, Inst. Pnl. Ctr.
	3591 675	1			w/Radio w/Clock (Featherwood)
	3591 743	1			w/Radio w/o Clock (Featherwood)
	3591 747	1			w/o Radio w/o Clock (Featherwood)
	3591 745	1			w/o Radio w/Clock (Featherwood)
	3591 845	1			w/Radio w/Clock (Brushed Aluminum)
	3591 846	1			w/Radio w/o Clock (Brushed Aluminum)
	3591 843	1			w/o Radio w/Clock (Brushed Aluminum)
	3591 844	1			w/o Radio w/o Clock (Brushed Aluminum)
10	3591 995	1			HOUSING
11					BEZEL, Speedometer
	3591 773	1			Featherwood
	3591 779	1			Brushed Aluminum
12					SHIELD, Strg. & Inst. Cluster (Serviced in Bezel Assy.)
13	3747 761	1			KNOB & SHAFT, Head Lamp Switch
14	4221 138	1			BEZEL, Head Lamp Switch
15	4221 063	1			RETAINER, Head Lamp Switch
16	4221 223	1			SWITCH, Head Lamp & Dome Lamp
	3747 453	1			Plate, Head Lamp
	3591 814	1			PIN, Lens Mtg. Plastic
	4051 315	1			GROMMET, Speedometer to Hsg.

NOTE: The Following Items are Not Illustrated. de). Both models are derived from the 100.1" W.B. LeBaron (C 22 Model). Sheet metal parts for the C 48 not found on this illustration should be specif

**MODEL CODES**

B = GRAN FURY	G = DIPLOMAT	V = 400
C = LEBARON/TOWN & COUNTRY	M = HORIZON/TURISMO/SCAMP	X = MIRADA
D = ARIES	P = RELIANT	Y = IMPERIAL
E = 600	S = CORDOBA	Z = OMNI/CHARGER/RAMPAGE
F = FIFTH AVENUE	T = E CLASS/NEWYORKER	

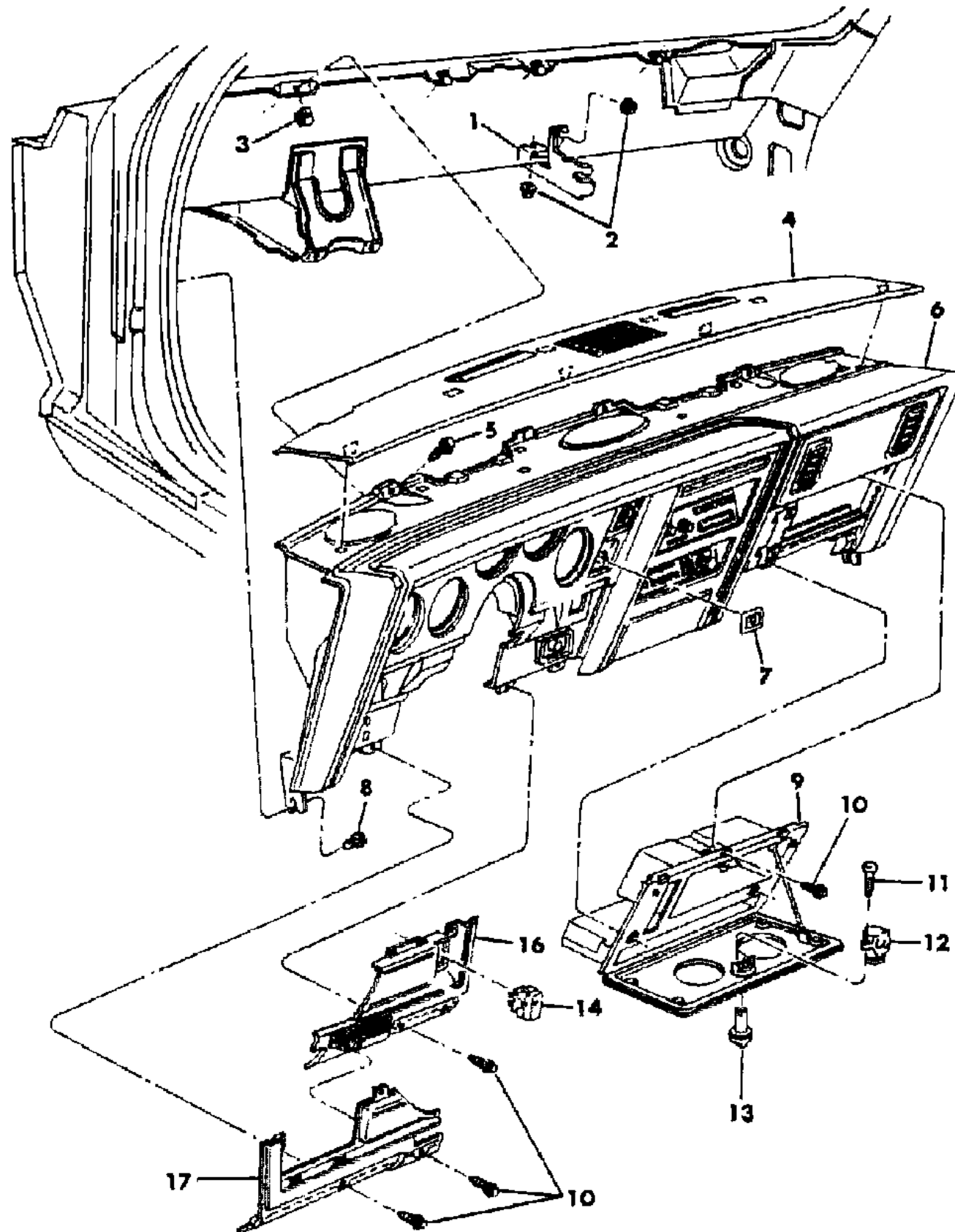
**BODY STYLES**

21 = 2-DOOR SEDAN	41 = 4-DOOR SEDAN
22 = 2-DOOR SPECIAL COUPE	45 = 4-DOOR STATION WAGON
24 = 2-DOOR HATCHBACK	44 = 4-DOOR HATCHBACK
27 = 2-DOOR CONVERTIBLE	48 = EXECUTIVE SEDAN
28 = FWD PICKUP	

AR = Use as Required - = Non Illustrated Part P.A.R. = Paint as Required

**INSTRUMENT PANEL WITH GLOVE BOX -X,S**  
**Figure 23B-1200**

3170 1200A



ITEM	PART NUMBER	QTY	BODY	MODEL	DESCRIPTION
1	3591 792	1			BRACKET, Inst. Pnl. To Dash
2	0219 462	AR			NUT w/WASHER
3	6015 983	AR			U-NUT
4	3590 389	AR			COVER (See Interior Trim) CLIP, Cover Rear
5					SCREW (Not Serviced)
6					INSTRUMENT PANEL (See Interior Trim)
7					BEZEL
	3591 242	1			w/o Remote Mirror
	3591 459	1			w/Remote Mirror
8	6025 355	AR			SCREW and Washer
9					GLOVE BOX & DOOR
	P657 AA7	1			Silver
	P657 TC7	1			Blue
	P657 TM6	1			Red
	P657 BT8	1			Tan
10					SCREW (Not Serviced)
11					SCREW (Not Serviced)
12	3508 886	1			LATCH, Glove Box
	3591 674	1			Catch, Glove Box
	3591 874	1			CABLE, Glove Box
13					CYLINDER & KNOB (See Cyl. and Key Illus)
14	4186 361	1			SWITCH, Electric Heated Rear Window
16					BEZEL, Lower Rt.
					w/o Acc. Switch
	4047 750	1			Featherwood
	4047 754	1			Brushed Aluminum
					w/Acc. Switch
	4047 752	1			Featherwood
	4047 756	1			Brushed Aluminum
17					BEZEL, Lower Lt.
	4047 751	1			Featherwood
	4047 753	1			Brushed Aluminum
	4047 781	1			SILENCER, Inst Pnl., Lt.
	3590 551	1			BUMPER, Glove Box

**MODEL CODES**

B = GRAN FURY	G = DIPLOMAT	V = 400
C = LEBARON/TOWN & COUNTRY	M = HORIZON/TURISMO/SCAMP	X = MIRADA
D = ARIES	P = RELIANT	Y = IMPERIAL
E = 600	S = CORDOBA	Z = OMNI/CHARGER/RAMPAGE
F = FIFTH AVENUE	T = E CLASS/NEWYORKER	

**BODY STYLES**

21 = 2-DOOR SEDAN	41 = 4-DOOR SEDAN
22 = 2-DOOR SPECIAL COUPE	45 = 4-DOOR STATION WAGON
24 = 2-DOOR HATCHBACK	44 = 4-DOOR HATCHBACK
27 = 2-DOOR CONVERTIBLE	48 = EXECUTIVE SEDAN
28 = FWD PICKUP	

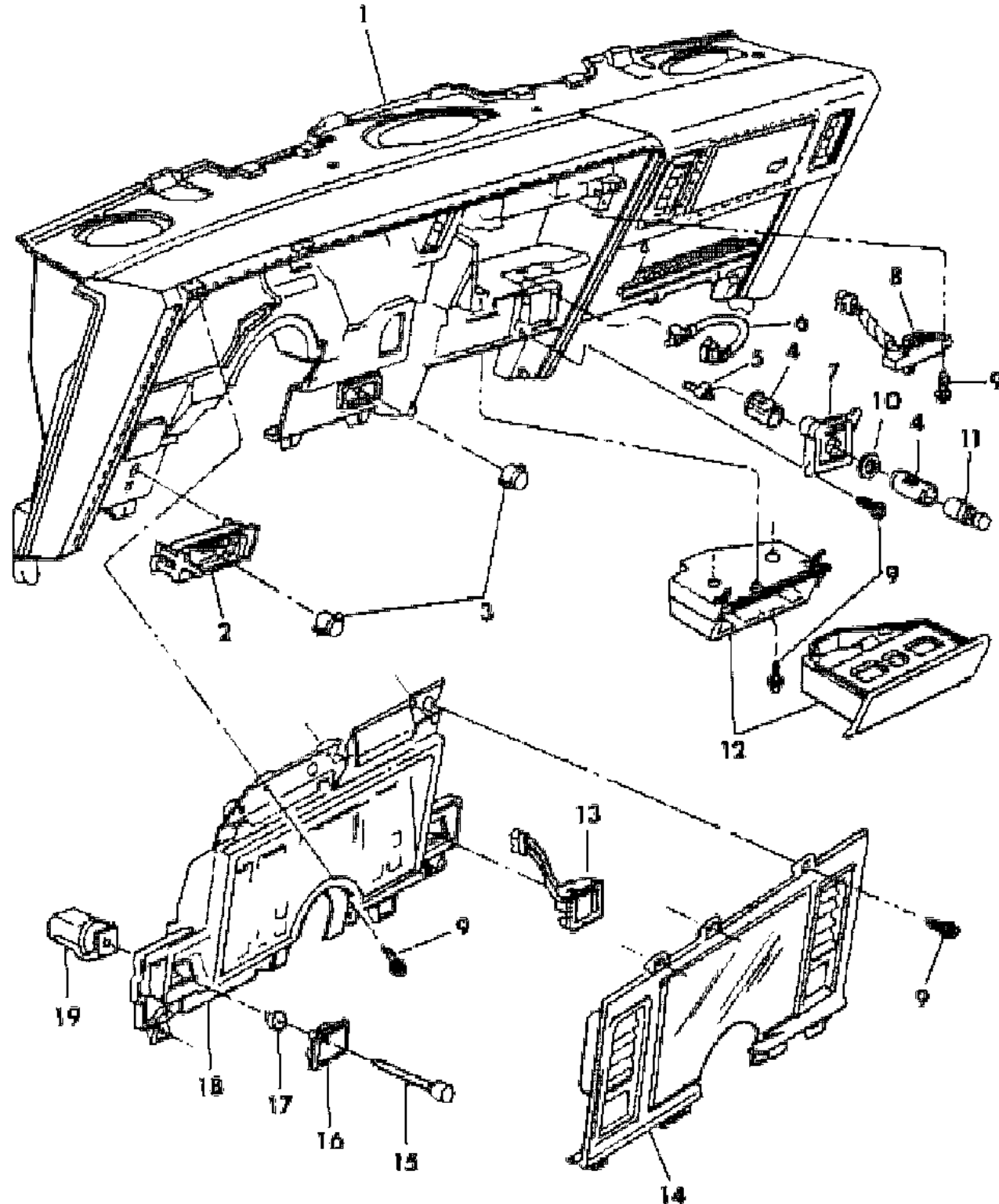
AR = Use as Required - = Non Illustrated Part P.A.R. = Paint as Required



# INSTRUMENT PANEL WITH ASH RECEIVER -Y-IMPERIAL

## Figure 23B-1300

3170 1300



ITEM	PART NUMBER	QTY	BODY	MODEL	DESCRIPTION
1					PANEL (See Trim Illus.)
2	3747 528	1			HOUSING, Hood & Brake
3	4051 529	1			DIFFUSER, Hood & Brake Elec. Rr. Wdo. Switch
4	3747 633	1			SHELL & CLAMP
5	3747 452	1			LAMP, Cigar Lighter
6	3747 548	1			LAMP, Ash Receiver
	3746 516	1			Socket
	9415 969	1			Bulb
	3513 350	1			Insulator
	2983 409	1			Terminal
7	4221 114	1			BEZEL, Cigar Lighter (Chrome)
8	4047 647	1			LAMP, Map & Courtesy
	3746 017	1			Lens
9					SCREW (Not Serviced)
10	3746 629	1			BEZEL, Cigar Lighter
11	3747 763	1			KNOB, Cigar Lighter
	3004 190	1			ELEMENT, Cigar Lighter
12	4220 393	1			RECEIVER, Ash (Complete)
13	4221 060	1			SWITCH, Rear Amplifier
	4221 055	1			RELAY, Power Amplifier
14	4047 425	1			BEZEL
15	3747 761	1			KNOB w/SHAFT, Head Lamp Switch
16	4221 136	1			BEZEL, Head Lamp Switch
17	4221 064	1			RETAINER, Head Lamp Switch
18	4047 404	1			HOUSING
	3591 814	AR			PIN, Lens Mtg. (Plastic)
19	3747 216	1			SWITCH, Head Lamp w/ or w/o Buzzer
	3747 831	1			PLATE, Head Lamp Switch

**MODEL CODES**

B = GRAN FURY	G = DIPLOMAT	V = 400
C = LEBARON/TOWN & COUNTRY	M = HORIZON/TURISMO/SCAMP	X = MIRADA
D = ARIES	P = RELIANT	Y = IMPERIAL
E = 600	S = CORDOBA	Z = OMNI/CHARGER/RAMPAGE
F = FIFTH AVENUE	T = E CLASS/NEWYORKER	

**BODY STYLES**

21 = 2-DOOR SEDAN	41 = 4-DOOR SEDAN
22 = 2-DOOR SPECIAL COUPE	45 = 4-DOOR STATION WAGON
24 = 2-DOOR HATCHBACK	44 = 4-DOOR HATCHBACK
27 = 2-DOOR CONVERTIBLE	48 = EXECUTIVE SEDAN
28 = FWD PICKUP	

AR = Use as Required - = Non Illustrated Part P.A.R. = Paint as Required

**INSTRUMENT PANEL WITH GLOVE BOX - Y**  
**Figure 23B-1400**

3170 1400

ITEM	PART NUMBER	QTY	BODY	MODEL	DESCRIPTION
1					HOUSING (See Interior Trim Illus.)
2	3747 839	1			SWITCH, Electric Module
	4051 529	1			DIFFUSER, Switch Module
3	4047 781	1			SILENCER, Inst. Pnl. Lt. Side
4	3747 825	1			BEZEL, Glove Box Acc. Switch
5	3747 513	1			SWITCH & LAMP, Glove Box
6	9415 969	1			BULB
7	3747 608	1			SWITCH, Deck Lid Release
8					SCREW (Not Serviced)
9					GLOVE BOX
	4047 278	1			w/o Door
					w/Door w/Pad
	P602 AA7	1			Silver
	P602 VC7	1			Blue
	P602 VM6	1			Red
	P602 BT8	1			Tan
					PAD, Glove Box
	P601 AA7	1			Silver
	P601 VC7	1			Blue
	P601 VM6	1			Red
	P601 BT8	1			Tan
	4047 659	1			NAME PLATE, Glove Box (Imperial)
	0445 153	AR			NUT, Glove Box (Imperial)
10	6031 694	AR			SCREW
11					SCREW (Not Serviced)
12	3508 886	1			LATCH, Glove Box
13					CYLINDER & KEY (See Cyl. & Key Illus.)
14					BEZEL
	4220 051	1			w/Unleaded Fuel w/Decal
	4220 052	1			w/o Unleaded Fuel w/o Decal
15	4222 086	1			CONTROL, Chimes
16	3747 750	1			RETAINER
17	4047 429	1			BEZEL, Inst. Pnl. Trim Lower
	6031 940	AR			Clip, Inst. Pnl. Trim Lower
18	3747 970	1			SWITCH, Moon Roof
19	4186 361	1			SWITCH, Electric Heated Rear Window
20	4186 387	1			RELAY, Illuminated Entry

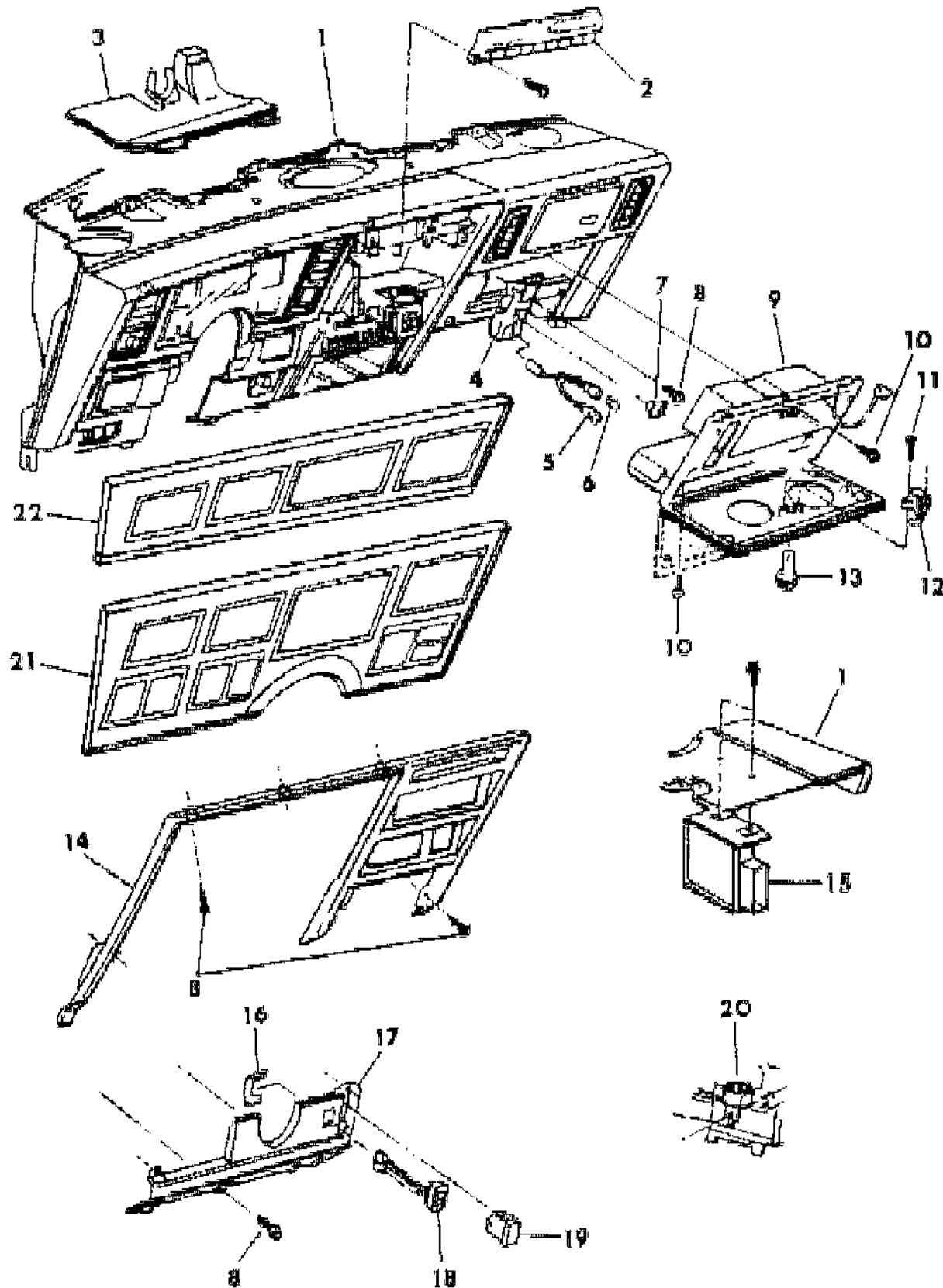
**MODEL CODES**

B = GRAN FURY	G = DIPLOMAT	V = 400
C = LEBARON/TOWN & COUNTRY	M = HORIZON/TURISMO/SCAMP	X = MIRADA
D = ARIES	P = RELIANT	Y = IMPERIAL
E = 600	S = CORDOBA	Z = OMNI/CHARGER/RAMPAGE
F = FIFTH AVENUE	T = E CLASS/NEWYORKER	

**BODY STYLES**

21 = 2-DOOR SEDAN	41 = 4-DOOR SEDAN
22 = 2-DOOR SPECIAL COUPE	45 = 4-DOOR STATION WAGON
24 = 2-DOOR HATCHBACK	44 = 4-DOOR HATCHBACK
27 = 2-DOOR CONVERTIBLE	48 = EXECUTIVE SEDAN
28 = FWD PICKUP	

AR = Use as Required - = Non Illustrated Part P.A.R. = Paint as Required



**INSTRUMENT PANEL WITH GLOVE BOX - Y**  
**Figure 23B-1400**

3170 1400

ITEM	PART NUMBER	QTY	BODY	MODEL	DESCRIPTION
	3591 874	1			CABLE, Glove box
21	4222 446	1			MODULE, Electronic Inst. Cluster w/Efi
	4222 447	1			w/o Efi (US. and Canada)
22	4047 405	1			MASK & LENS
NOTE: THE FOLLOWING ITEMS ARE NOT ILLUSTRATED de). Both models are derived from the 100.1" W.B. LeBaron (C 22 Model). Sheet metal parts for the C 48 not found on this illustration should be specif					
	4047 415	1			BOARD, Printed Circuit
	4091 952	1			GASKET, Circuit Board Air Flow
	9421 330	AR			BULB SOCKET
	3744 750	1			Change Oil
	3744 750	1			Fasten Belts
	3744 750	1			Oxygen Senson
	3744 750	1			Battery
	4047 651	1			DIFFUSER, Lamp (Dual)
	4047 652	1			DIFFUSER, Lamp
	3590 551	1			BUMPER, Glove Box

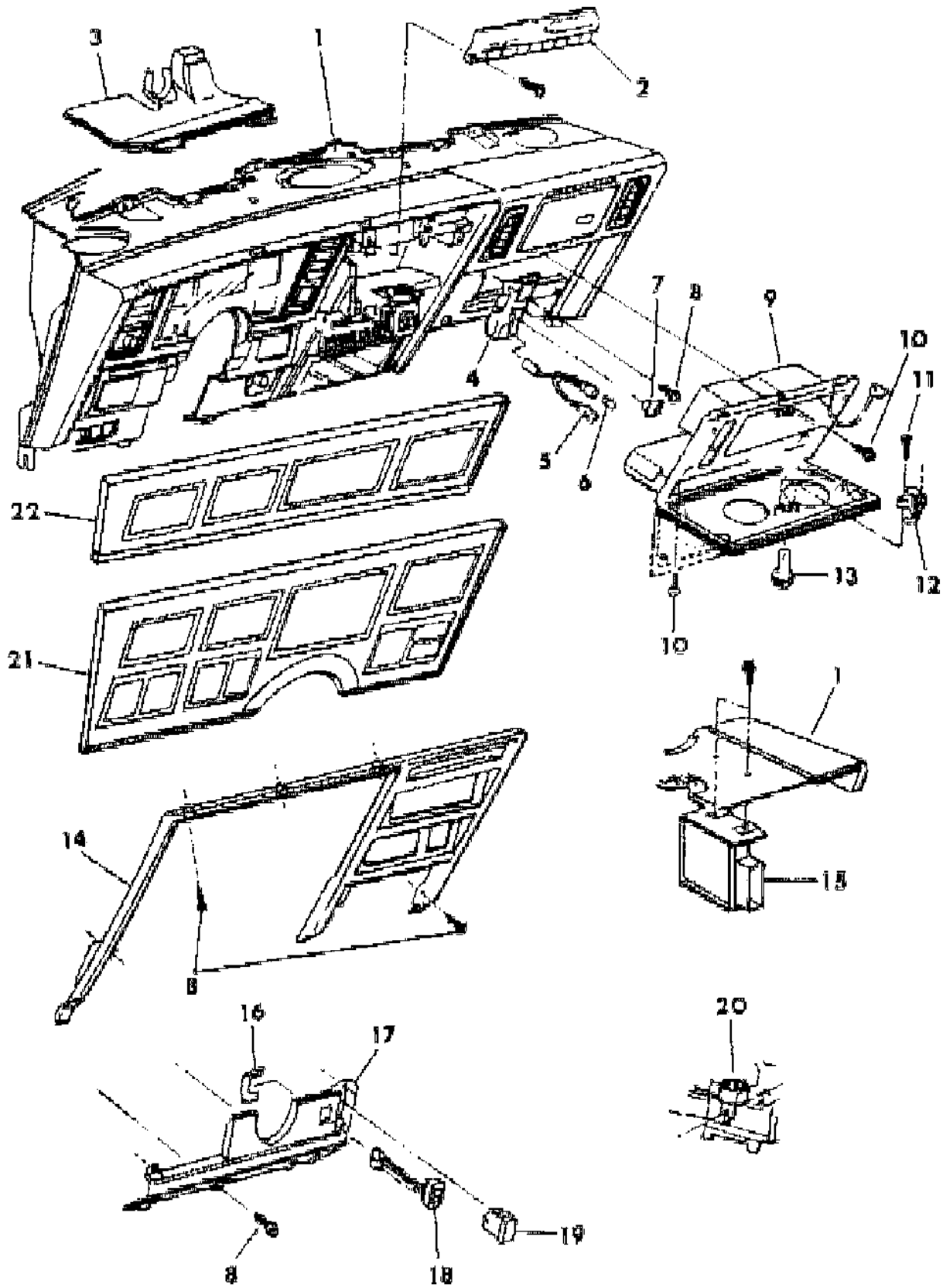
de). Both models are derived from the 100.1" W.B. LeBaron (C 22 Model). Sheet metal parts for the C 48 not found on this illustration should be specif

	4047 415	1			BOARD, Printed Circuit
	4091 952	1			GASKET, Circuit Board Air Flow
	9421 330	AR			BULB SOCKET
	3744 750	1			Change Oil
	3744 750	1			Fasten Belts
	3744 750	1			Oxygen Senson
	3744 750	1			Battery
	4047 651	1			DIFFUSER, Lamp (Dual)
	4047 652	1			DIFFUSER, Lamp
	3590 551	1			BUMPER, Glove Box

MODEL CODES  
 B = GRAN FURY  
 C = LEBARON/TOWN & COUNTRY  
 D = ARIES  
 E = 600  
 F = FIFTH AVENUE  
 G = DIPLOMAT  
 M = HORIZON/TURISMO/SCAMP  
 P = RELIANT  
 S = CORDOBA  
 T = E CLASS/NEWYORKER  
 V = 400  
 X = MIRADA  
 Y = IMPERIAL  
 Z = OMNI/CHARGER/RAMPAGE

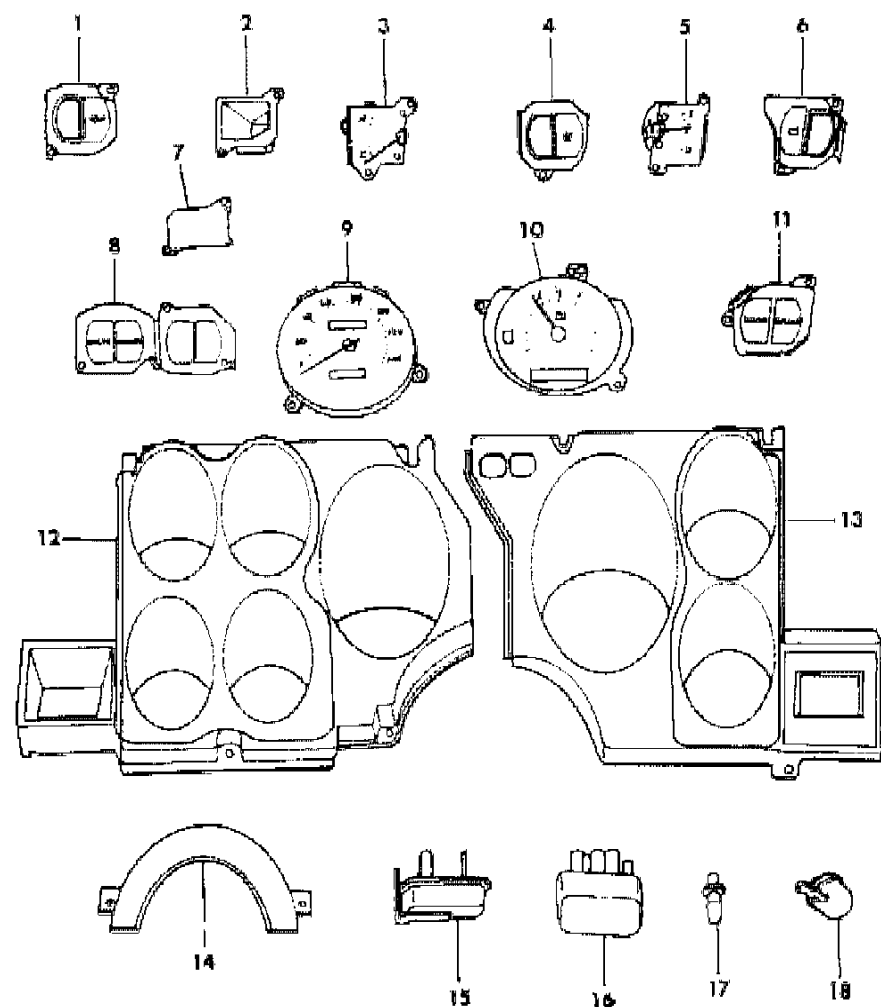
BODY STYLES  
 21 = 2-DOOR SEDAN  
 22 = 2-DOOR SPECIAL COUPE  
 24 = 2-DOOR HATCHBACK  
 27 = 2-DOOR CONVERTIBLE  
 28 = FWD PICKUP  
 41 = 4-DOOR SEDAN  
 45 = 4-DOOR STATION WAGON  
 44 = 4-DOOR HATCHBACK  
 48 = EXECUTIVE SEDAN

AR = Use as Required - = Non Illustrated Part P.A.R. = Paint as Required



**SPEEDOMETER, GAUGES AND LENS - X-S**  
**Figure 23B-1500**

3170 1500



ITEM	PART NUMBER	QTY	BODY	MODEL	DESCRIPTION
1					DIAL, Oil (Not Serviced)
2	3591 982	1			CHIMNEY, Warning Lamp (Serviced In Assy.) CHIMNEY, Warning Lamp Oil Warning Lamp Dual (Serviced In Assy.)
3	4047 511	1			GAUGE, Temperature w/o Led
	4047 512	1			w/Led
4					DIAL, Temp. (Not Serviced)
5	4047 513	1			GAUGE, Ammeter w/o Led
	4047 514	1			w/Led
6					AMMETER, Dail (Not serviced)
7		1			PLATE (Not Serviced)
8	4047 711	1			CHIMNEY Fasten Belts, Washer Fluid, High Beam and Oxygen Sensor
	4047 730	1			Fasten Belts, High Beam and Oxygen Sensor
9		1			SPEEDOMETER 85 Mile
	4220 128	1			KNOB, Speedometer (Serviced In Assy.)
10		1			GAUGE, Fuel w/o Console (Mile or 140 Kilo)
	4047 534	1			w/o Console (200 Kilo)
	4047 535	1			w/Console (200 Kilo)
	4047 536	1			w/Console (Mile or 140 Kilo)
	4047 537	1			
11					CHIMNEY Door Ajar & Brake
	4047 524	1			Brake
	4047 526	1			
12	3591 759	1			MASK & LENS, Lt. Oil, Temp. & Speedometer
13	3591 758	1			MASK & LENS, Rt. Fuel & Ammeter
14					SEAL (Serviced in Bezel Assy.)
15	2258 413	1			REGULATOR or LIMITER, Inst. Voltage
16	3591 451	1			RELAY, Low Fuel Warning Signal
17	3591 814	AR			PIN, Lens Mtg. (Plastic)
18	4051 529	1			DIFFUSER, Inst Pnl. Lamp
	3591 409	1			CHIMNEY, Low Fuel Indicator

NOTE: THE FOLLOWING ITEMS ARE NOT ILLUSTRATED de). Both models are derived from the 100.1" W.B. LeBaron (C 22 Model). Sheet metal parts for the C 48 not found on this illustration should be specif

**MODEL CODES**

B = GRAN FURY	G = DIPLOMAT	V = 400
C = LEBARON/TOWN & COUNTRY	M = HORIZON/TURISMO/SCAMP	X = MIRADA
D = ARIES	P = RELIANT	Y = IMPERIAL
E = 600	S = CORDOBA	Z = OMNI/CHARGER/RAMPAGE
F = FIFTH AVENUE	T = E CLASS/NEWYORKER	

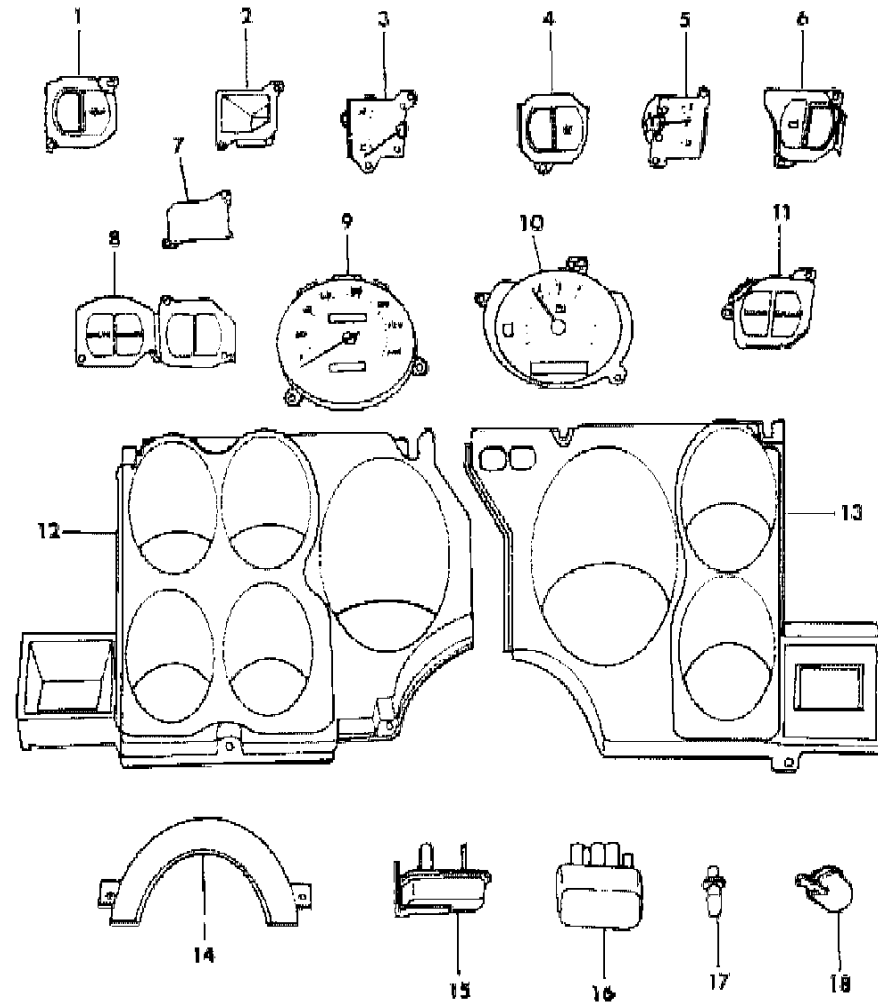
**BODY STYLES**

21 = 2-DOOR SEDAN	41 = 4-DOOR SEDAN
22 = 2-DOOR SPECIAL COUPE	45 = 4-DOOR STATION WAGON
24 = 2-DOOR HATCHBACK	44 = 4-DOOR HATCHBACK
27 = 2-DOOR CONVERTIBLE	48 = EXECUTIVE SEDAN
28 = FWD PICKUP	

AR = Use as Required - = Non Illustrated Part P.A.R. = Paint as Required

**SPEEDOMETER, GAUGES AND LENS - X-S**  
**Figure 23B-1500**

3170 1500



ITEM	PART NUMBER	QTY	BODY	MODEL	DESCRIPTION
	4216 704	1			TABLE, Unleaded Gas
	4047 715	1			BOARD, Printed Circuit
	3591 814	AR			CLIP, Mask To Housing
	2209 215	2			SPACER, Speedo Mounting

MODEL CODES  
 B = GRAN FURY  
 C = LEBARON/TOWN & COUNTRY  
 D = ARIES  
 E = 600  
 F = FIFTH AVENUE  
 G = DIPLOMAT  
 M = HORIZON/TURISMO/SCAMP  
 P = RELIANT  
 S = CORDOBA  
 T = E CLASS/NEWYORKER  
 V = 400  
 X = MIRADA  
 Y = IMPERIAL  
 Z = OMNI/CHARGER/RAMPAGE

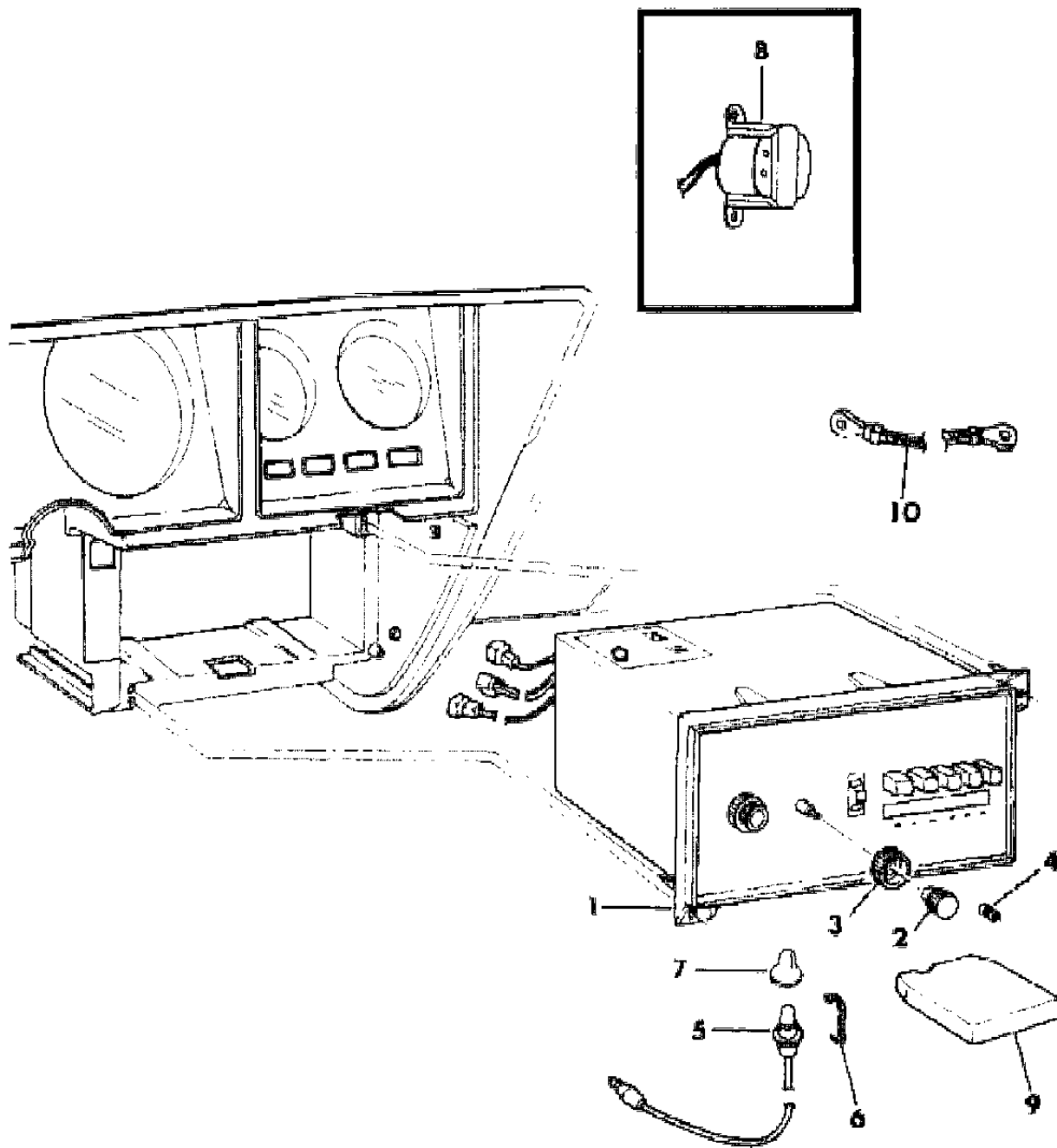
BODY STYLES  
 21 = 2-DOOR SEDAN  
 22 = 2-DOOR SPECIAL COUPE  
 24 = 2-DOOR HATCHBACK  
 27 = 2-DOOR CONVERTIBLE  
 28 = FWD PICKUP  
 41 = 4-DOOR SEDAN  
 45 = 4-DOOR STATION WAGON  
 44 = 4-DOOR HATCHBACK  
 48 = EXECUTIVE SEDAN

AR = Use as Required - = Non Illustrated Part P.A.R. = Paint as Required

# RADIOS AND RELATED PARTS

## Figure 23B-1600

3170 1600A



ITEM	PART NUMBER	QTY	BODY	MODEL	DESCRIPTION
------	-------------	-----	------	-------	-------------

NOTE: The Following Speaker Pkgs. Include all Parts Required to Install a Radio & Speaker System. Dos Not Include the Radio or Antenna Mast or Cable. de). Both models are derived from the 100.1" W.B. LeBaron (C 22 Model). Sheet metal parts for the C 48 (Mtr) Manual Tune Radio de). Both models are derived from the 100.1" W.B. LeBaron (C 22 Model). Sheet metal parts for the C 48 not found on this illustration should be specif

NOTE: (Etr) Electronic Tune Radio de). Both models are derived from the 100.1" W.B. LeBaron (C 22 Model). Sheet metal parts for the C 48 not found on this illustration should be specif

					RADIO, w/Speakers Consists Of Knob, Primary
					Knob, Secondary Capacitor, Ing. Coil Batt. Suppression (If Req.) Capacitor, Blower Motor
					Speaker or Speakers (As Req.) Grille (If Req.) Bracket, Radio and Speakers (If Req.) Seal
					Wiring Nut, Bolt & Screw Control (If Req.) Bezel (If Req.)
					Lamp (If Req.) Installation Instruction Sheet RADIO, w/Speakers All Monoral Radio
	4222 283	1		MZPDCVE	Front
	4222 278	1		B,F,G,X	Front
	4222 274	1		PDCVET-	Rear
	4222 276	1		P,D,C (	Rear
	5211 215	1		M,Z	Rear
	4222 272	1		B,F,G	Rear
	4048 621	1		X,S	Rear
					RADIO, w/Speakers All Stereo Radio (MTR)
	4222 582	1		M,Z, 28	2 - Speakers
	4222 963	1		PDCVET-	4 - Speakers
	4222 580	1		M,Z (24	4 - Speakers
	4222 585	1		PDC (45	4 - Speakers
	4222 587	1		B,F,G	4 - Speakers

### MODEL CODES

B = GRAN FURY	G = DIPLOMAT	V = 400
C = LEBARON/TOWN & COUNTRY	M = HORIZON/TURISMO/SCAMP	X = MIRADA
D = ARIES	P = RELIANT	Y = IMPERIAL
E = 600	S = CORDOBA	Z = OMNI/CHARGER/RAMPAGE
F = FIFTH AVENUE	T = E CLASS/NEWYORKER	

### BODY STYLES

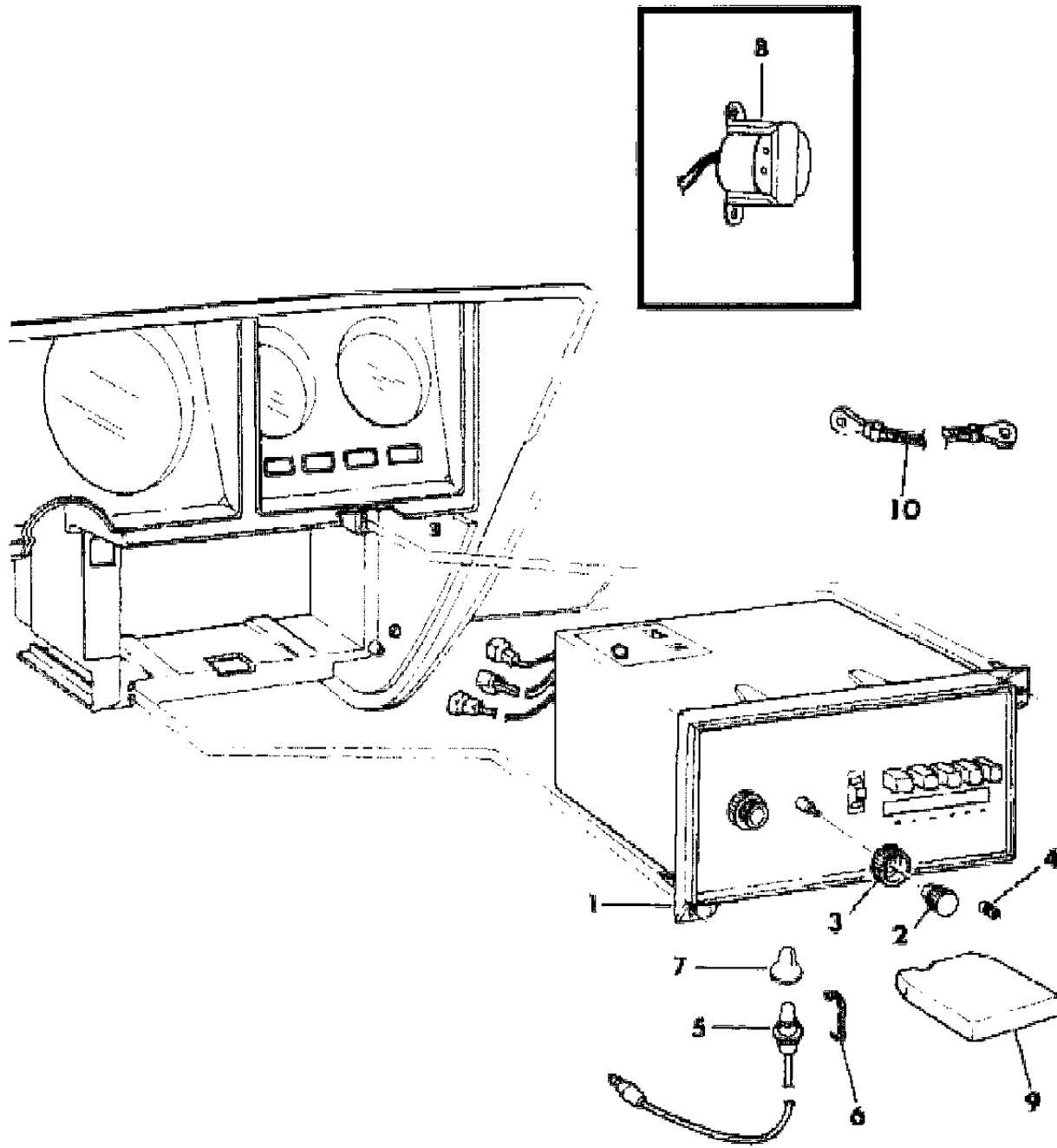
21 = 2-DOOR SEDAN	41 = 4-DOOR SEDAN
22 = 2-DOOR SPECIAL COUPE	45 = 4-DOOR STATION WAGON
24 = 2-DOOR HATCHBACK	44 = 4-DOOR HATCHBACK
27 = 2-DOOR CONVERTIBLE	48 = EXECUTIVE SEDAN
28 = FWD PICKUP	

AR = Use as Required - = Non Illustrated Part P.A.R. = Paint as Required

# RADIOS AND RELATED PARTS

## Figure 23B-1600

3170 1600A



ITEM	PART NUMBER	QTY	BODY	MODEL	DESCRIPTION
	4222 589	1		X,S	4 - Speakers
					RADIO, w/Speakers All Stereo (ETR)
	4222 582	1		M,Z (28	2 - Speakers
	4222 581	1		M,Z (24	4 - Speakers
	4222 964	1		PDCVET-	4 - Speakers
	4222 586	1		PDC (45	4 - Speakers
	4222 588	1		B,F,G	4 - Speakers
	4222 590	1		X,S	4 - Speakers
NOTE: (MTR) Manual Tune Radio de). Both models are derived from the 100.1" W.B. LeBaron (C 22 Model). Sheet metal parts for the C 48 not found on this illustration should be specif					
NOTE: (ETR) Electronic Tune Radio de). Both models are derived from the 100.1" W.B. LeBaron (C 22 Model). Sheet metal parts for the C 48 not found on this illustration should be specif					
1	4048 861	1		MZPDBGX	RADIO, AM w/o Fader (Black Face)
	4048 901	1		CVETF	AM w/o Fader (Bright Face)
	4222 565	1		MZPDBGX	AM/FM Stereo (MTR) (Black Face)
	4048 905	1		CVETF	AM/FM Stero (MTR) (Bright Face)
	4222 475	1		MZPDBGX	AM/FM Stereo (ETR) (Black Face)
	4222 455	1		CVETFY	AM/FM Stereo (ETR) (Bright Face)
	4222 577	1		MZPDBGX	AM/FM 8 Track (MTR) (Black Face)
	4222 479	1		MZPDBGX	AM/FM Cassette (ETR) (Black Face)
	4222 459	1		CVETFY	AM/FM Cassette (ETR) (Bright Face)
	4222 574	1		PDCVETB	AM/FM CB (MTR) (Bright Face)
	4222 570	1		MZ	AM/FM CB (MTR) (Bright Face)
	4222 573	1		BFGXSY	Search Tune (ETR) (Bright Face)
2	4048 537	2		All	KNOB, Primary w/MTR
	4222 632	2		All	KNOB, Primary w/ETR
	4048 531	1		All	Balance Control, AM/FM/MX
	4048 533	1		All	Selector, AM/FM
3	4048 541	2		All	KNOB, Secondary w/MTR
	4222 494	2		All	KNOB, Secondary w/ETR
					KNOB, Rear Compt. Speaker (Serviced In Pkg.)
4	3501 317	2		All	CLIP, Knob Retaining Primary
5	4222 249	1		All	LAMP, Illumination
6	3501 274	4		All	CLIP, Radio Escutcheon Mtg.
7	4222 560	3		All	DIFFUSER, Illumination Bulb (ETR)
8	4048 499	1		B,F,G,X	CHOKE, A-Lead Filter w/100 Amp. Alt.
9	4222 036	1		All	CARTRIDGE, Stereo Tape Demonstration 8 Track

### MODEL CODES

B = GRAN FURY	G = DIPLOMAT	V = 400
C = LEBARON/TOWN & COUNTRY	M = HORIZON/TURISMO/SCAMP	X = MIRADA
D = ARIES	P = RELIANT	Y = IMPERIAL
E = 600	S = CORDOBA	Z = OMNI/CHARGER/RAMPAGE
F = FIFTH AVENUE	T = E CLASS/NEWYORKER	

### BODY STYLES

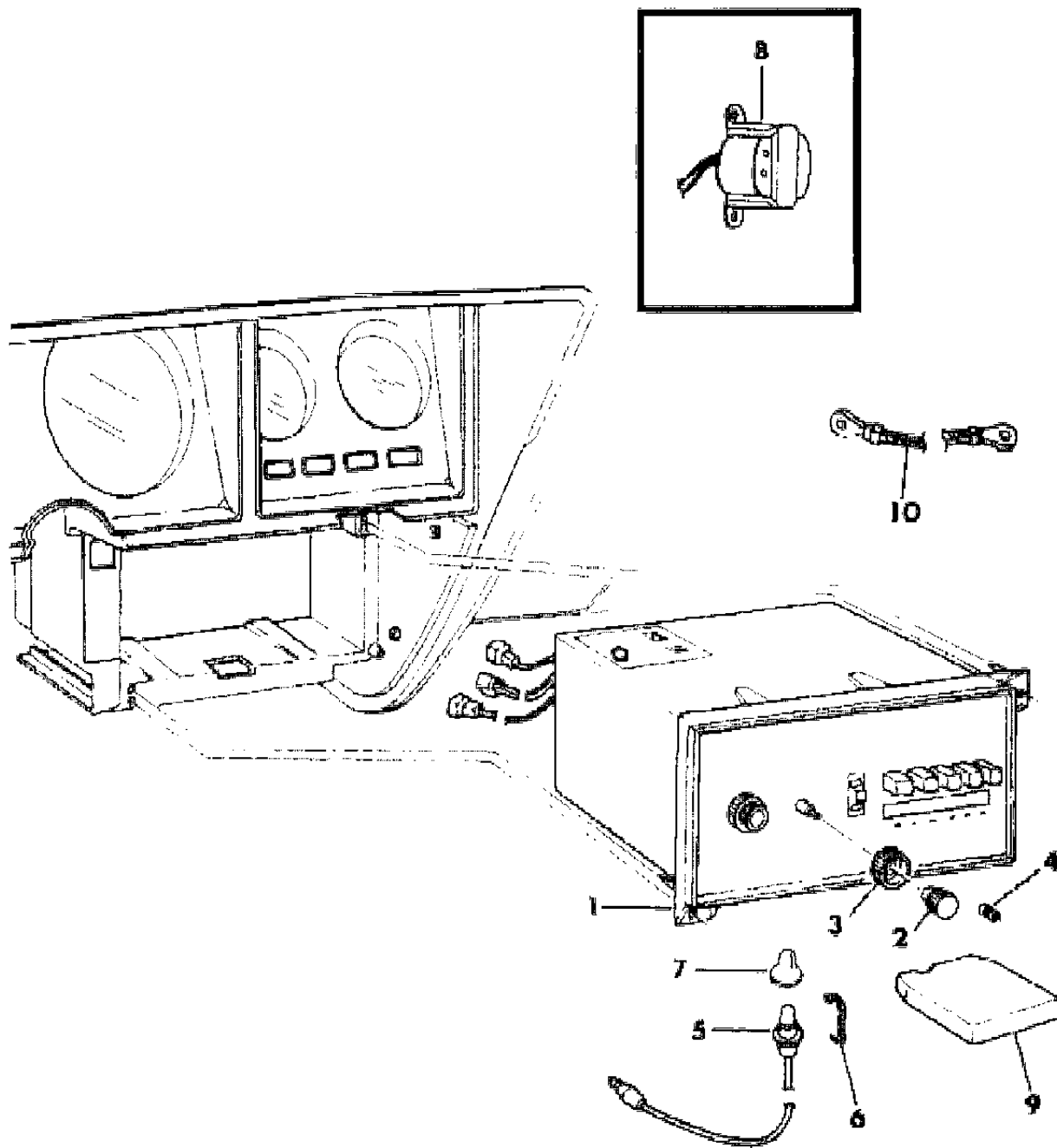
21 = 2-DOOR SEDAN	41 = 4-DOOR SEDAN
22 = 2-DOOR SPECIAL COUPE	45 = 4-DOOR STATION WAGON
24 = 2-DOOR HATCHBACK	44 = 4-DOOR HATCHBACK
27 = 2-DOOR CONVERTIBLE	48 = EXECUTIVE SEDAN
28 = FWD PICKUP	

AR = Use as Required - = Non Illustrated Part P.A.R. = Paint as Required

# RADIOS AND RELATED PARTS

## Figure 23B-1600

3170 1600A



ITEM	PART NUMBER	QTY	BODY	MODEL	DESCRIPTION
10	4222 037	1		All	Cassette
					STRAP, Radio Supp. Grd.
	5211 210	1		MZPDCVE	6" Lgth. (A/C Evap. to Cowl)
	5211 211	1		M,Z	16" Lgth. (Eng. To Cowl)(E12)
	5211 211	2		PDCV BFG	16" Lgth. (Eng. To Cowl)(Police Pkg.)
	5211 212	1		MZPDCVE	6" Lgth. (Eng. Mount)
	5211 212	2		PDCV	6" Lgth. (Eng. Mount)(Police Pkg.)
	4048 929	1		B,F,G,X	13.50" Lgth.
	4048 926	1		B,F,G,X	17.00" Lgth., 225 Eng.
	4048 928	1		B,F,G,X	12.50" Lgth., 318 Eng.
4048 927	AR		B,F,G,X	6.50" Lgth., Frt. Suspension	
3501 362	1		MZPDCVE	STRAP, Radio Noise Supp. Ground	
		1	X,S,Y	STRAP, Radio Ground (DNS)	

NOTE: The Following Items Are Not Illustrated de). Both models are derived from the 100.1" W.B. LeBaron (C 22 Model). Sheet metal parts for the C 48 not found on this illustration should be specif

4222 291	2		Y		CHOKE, Radio Noise Supperssion 318 Eng.
4222 712	1		All		CAPACITOR, Radio Noise Suppression (Blower Motor)
3501 915	1		M,Z		CAPACITOR, Radio Noise Suppression (Ign. Coil)
4048 646	1		B,F,G,X		CAPACITOR, Radio Noise Suppression (Ign. Coil)
6031 665	2		All		SCREW, Radio Mtg.(Tamper Proof)
4222 637	1		All		MICROPHONE, CB Radio
4222 596	1		B,F,G,X		AMPLIFIER w/Wiring, Audio Power (MTR)
4222 592	1		B,F,G,X		AMPLIFIER w/Wiring, Audio Power (ETR)
4222 605	1		PDCVET		AMPLIFIER w/Wiring, Audio Power (MTR)
4222 606	1		PDCVET		AMPLIFIER w/Wiring, Audio Power (ETR)
4048 784	1		All		COIL, Audio Power Amp. A Line
4220 482	1		MZ,PD,C		PLATE, Inst. Pnl. Radio Opening
0131 282	1		All		BULB, Radio Illumination
4222 912	1		All		CAPASITOR, Radio Noise

### MODEL CODES

B = GRAN FURY

C = LEBARON/TOWN & COUNTRY

D = ARIES

E = 600

F = FIFTH AVENUE

G = DIPLOMAT

M = HORIZON/TURISMO/SCAMP

P = RELIANT

S = CORDOBA

T = E CLASS/NEWYORKER

V = 400

X = MIRADA

Y = IMPERIAL

Z = OMNI/CHARGER/RAMPAGE

### BODY STYLES

21 = 2-DOOR SEDAN

22 = 2-DOOR SPECIAL COUPE

24 = 2-DOOR HATCHBACK

27 = 2-DOOR CONVERTIBLE

28 = FWD PICKUP

41 = 4-DOOR SEDAN

45 = 4-DOOR STATION WAGON

44 = 4-DOOR HATCHBACK

48 = EXECUTIVE SEDAN

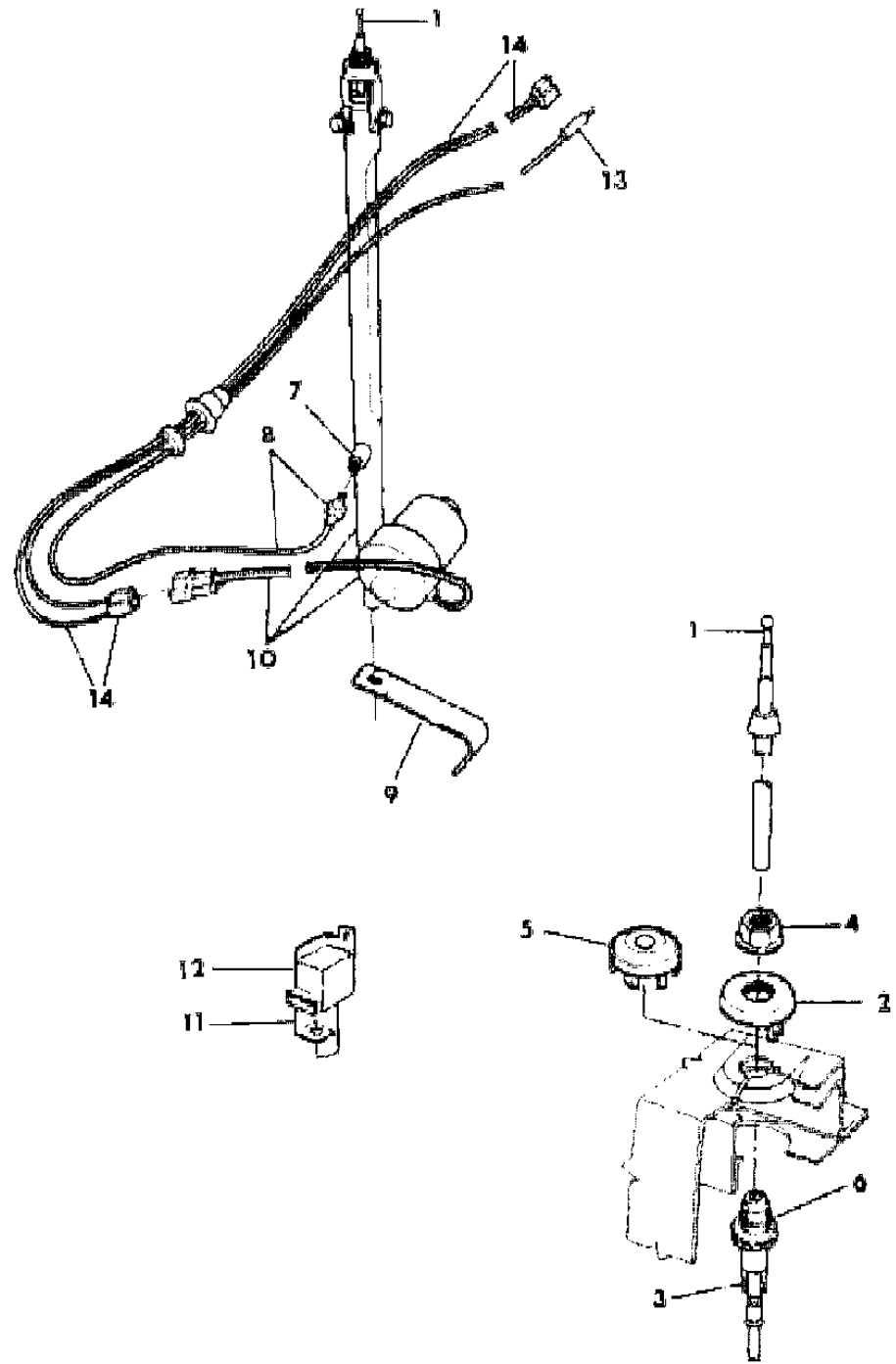
AR = Use as Required - = Non Illustrated Part P.A.R. = Paint as Required



# RADIO ANTENNA AND RELATED PARTS

## Figure 23B-1700

3170 1700A



ITEM	PART NUMBER	QTY	BODY	MODEL	DESCRIPTION
1					MAST, Manual
	2889 934	1	All		76.5"
	4222 797	1	All		31"
	4048 472	1	PD,BFG,		Antenna, Triband (Fixed Length)
2	3501 293	1	B,F,G		ADAPTER & GASKET, Antenna
	5211 170	1		MZPDCVE	
3	3501 294	1	All		BODY & CABLE
	4048 623	1	ALL		Antenna, Triband (Fixed Length)
4	3501 287	1	All		NUT, Cap - Antenna Mtg.
5	3501 331	1	BFG		PLUG, Antenna Hole w/o Radio
	5211 168	1		MZPDCVE	
6	3501 321	1	All		LOCKWASHER, Antenna Mtg.
	3501 321	1	PD,BFG,		Power Antenna Mtg.
7			B,F,G,X		PIN & CONNECTOR (Not Serviced)
8	4222 160	1	B,F,G,X		CABLE, Power Antenna
9	4222 297	1	B,F,G		BRACKET, Power Antenna to Side Cowl
10	4222 260	1	B,F,G,X		ANTENNA, Power
			M,Z,P,D		ANTENNA, Power N/A
11	4048 577	1	B,F,G		BRACKET, Power Antenna Cont. Mtg.
	4048 645	1	X,S,Y		
12	4222 251	1	B,F,G,X		CONTROL, Power Antenna Automatic
13	2580 065	1	X,S,Y		MOLD, Power Antenna
14			ALL		CABLE & LEAD ASSY.(Make Locally,See Grp.8 for Connectors)
NOTE: The Following Parts Are Not Illustrated de). Both models are derived from the 100.1" W.B. LeBaron (C 22 Model). Sheet metal parts for the C 48 not found on this illustration should be specif					
	4209 537	1	B,F,G		WIRING, Automatic Power Antenna
	4209 541	1	X,S		WIRING, Power Booster w/Power Antenna
	4209 598	1	X,S,Y		
	4048 254	1	All		PACKAGE, Body & Cable, Antenna
	4342 013	1	Limo		ANTENNA PKG.,Rear Qtr.,Power
	4342 011	1	Limo		BRACKET,Antenna Mtg.
	4342 012	1	Limo		ADAPTOR,Antenna Mtg.
	4342 049	1	Limo		CABLE,Antenna
	4339 961	1	Limo		SEAL,Power Antenna

**MODEL CODES**

B = GRAN FURY	G = DIPLOMAT	V = 400
C = LEBARON/TOWN & COUNTRY	M = HORIZON/TURISMO/SCAMP	X = MIRADA
D = ARIES	P = RELIANT	Y = IMPERIAL
E = 600	S = CORDOBA	Z = OMNI/CHARGER/RAMPAGE
F = FIFTH AVENUE	T = E CLASS/NEWYORKER	

**BODY STYLES**

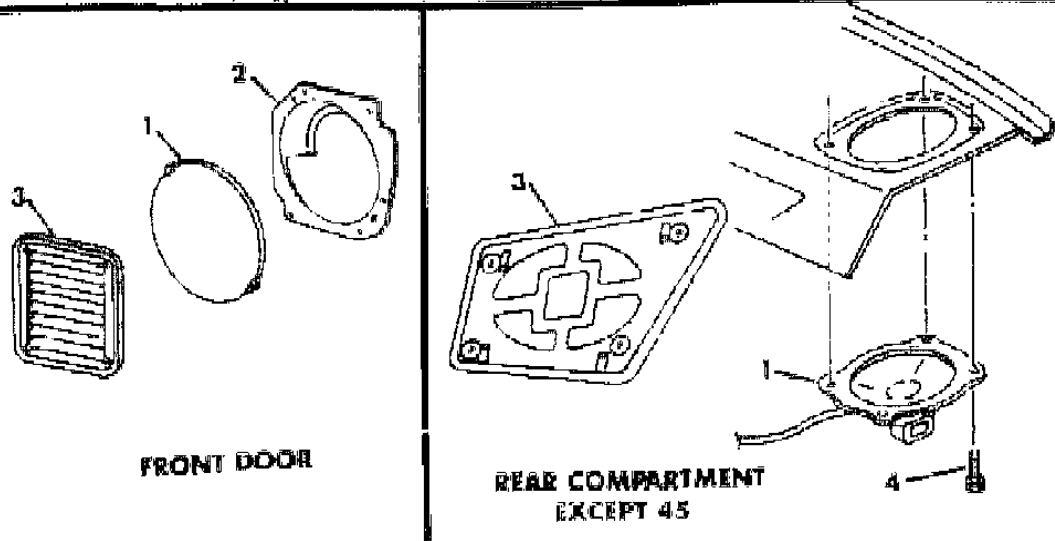
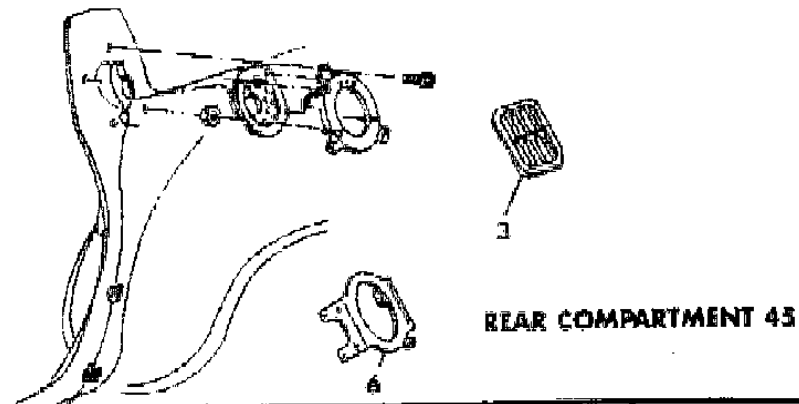
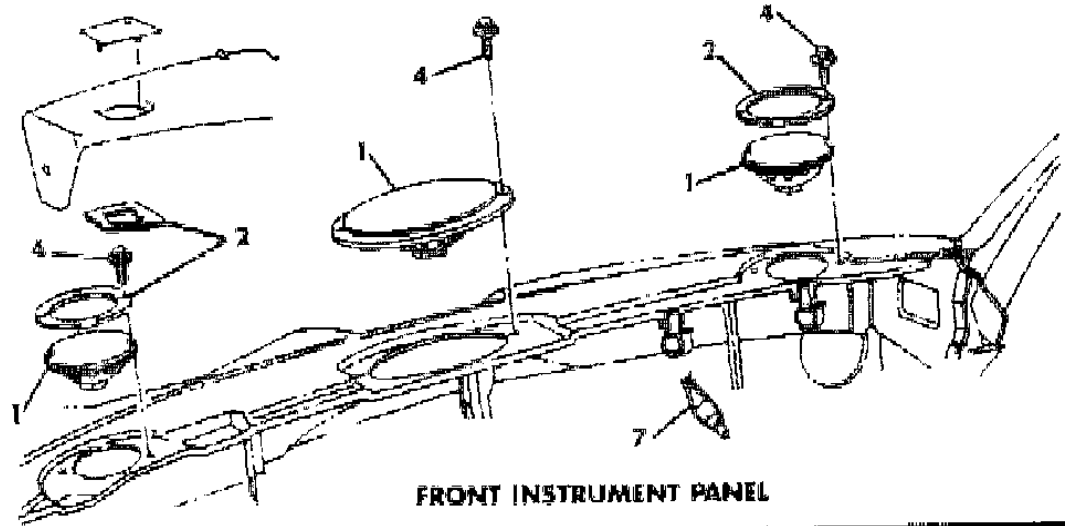
21 = 2-DOOR SEDAN	41 = 4-DOOR SEDAN
22 = 2-DOOR SPECIAL COUPE	45 = 4-DOOR STATION WAGON
24 = 2-DOOR HATCHBACK	44 = 4-DOOR HATCHBACK
27 = 2-DOOR CONVERTIBLE	48 = EXECUTIVE SEDAN
28 = FWD PICKUP	

AR = Use as Required - = Non Illustrated Part P.A.R. = Paint as Required

**SPEAKERS AND RELATED PARTS**

**Figure 23B-1800**

1170 1800



ITEM	PART NUMBER	QTY	BODY	MODEL	DESCRIPTION	
1	3501 277	1		B,F,G,X	SPEAKER, Inst. Pnl. Monaural	
	5211 151	1		MZPDCVE	Monaural	
	4222 532	2		B,F,G	Stereo	
	4222 528	2		PDCVET	Stereo	
	4222 777	2		X,S,Y	Stereo	
	4222 776	2		M,Z	Stereo Front Door SPEAKERS,Rear Compartment	
	4222 153	2		PDCVET	(Monaural Radio)	
	4222 153	2		B,F,G,X	(Monaural Radio)	
	4222 536	AR		MZXS	Stereo (MTR)	
	4222 153	AR		PDCVETB	Stereo (MTR)	
4222 535	AR		M,Z,X,S	Stereo (ETR)		
4222 531	AR		PDCVETB	Stereo (ETR)		
2	4240 202	2		X,S,Y	Use on Premium Spk. Pkg.	
	4240 201	2		PDCVETB	Use on Premium Spk. Pkg.	
	4222 776	2		C,V,27	SPEAKER, Radio	
	5211 165	2		M,Z	ADAPTER, Stereo Speaker Front Door	
	5211 165	2		C,V,27	ADAPTER, Stereo Speaker Rear Compartment	
	3					GRILLE, Rear Compt. Speaker
		D472-3 AA7	1		M,Z (24	Silver
		D472-3 SX9	1		M,Z (24	Black
		D472-3 BT9	1		M,Z (24	Tan
		D472-3 BC7	1		M,Z (24	Blue
D472-3 TM6		1		M,Z (24	Red	
W235 BT8		2		P,D,C (	Tan (Paint As Req)	
D460 BT8		2		M,Z	GRILLE, Front Door Stereo Speaker	
4339 696-7		1		Exc.Sed	Silver	
4339 698-9		1		Exc.Sed	Blue	
2947 484				BEZEL, Rear Compt. Speaker		
4		AR			SCREW (Not Serviced)	
6	4048 970	2		P,D,C (	BRACKET, Rear Compt. Speaker Mtg.	
7	3746 737	1		All	CONTROL, Rear Compt. Speaker	
NOTE: The Following Items Are Not Illustrated de). Both models are derived from the 100.1" W.B. LeBaron (C 22 Model). Sheet metal parts for the C 48 not found on this illustration should be specif						
	4048 984	AR		P,D,C (	CLIP, Rear Compt. Speaker Grille	
	5211 717	2		M,Z	WIRING, Door Speaker - Stereo	
	4209 730	1		M,Z (28	WIRING, Stereo Speaker Inst. Pnl.	

**MODEL CODES**

B = GRAN FURY	G = DIPLOMAT	V = 400
C = LEBARON/TOWN & COUNTRY	M = HORIZON/TURISMO/SCAMP	X = MIRADA
D = ARIES	P = RELIANT	Y = IMPERIAL
E = 600	S = CORDOBA	Z = OMNI/CHARGER/RAMPAGE
F = FIFTH AVENUE	T = E CLASS/NEWYORKER	

**BODY STYLES**

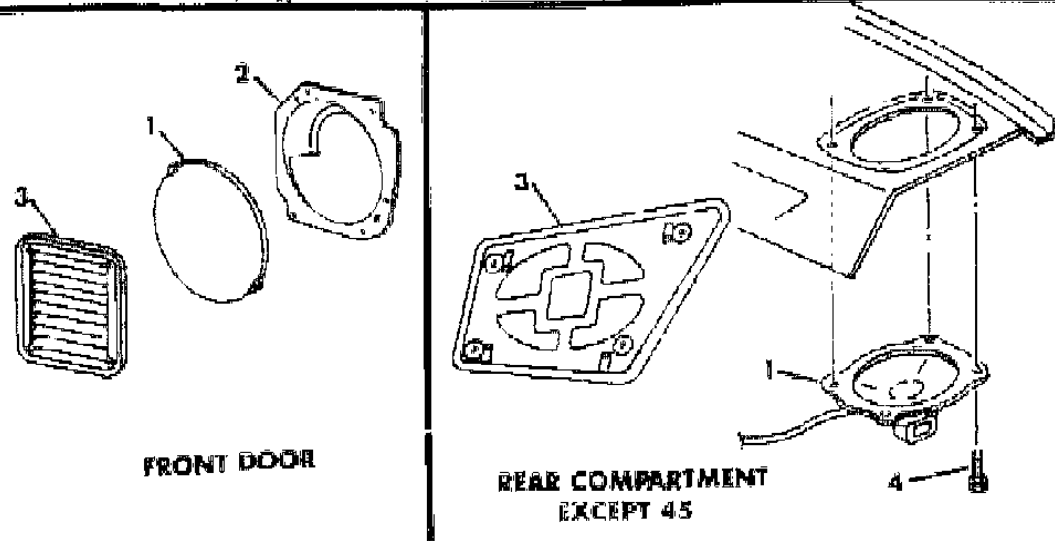
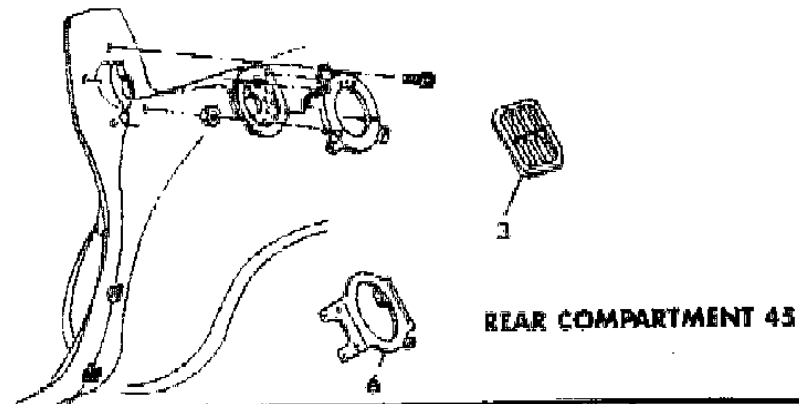
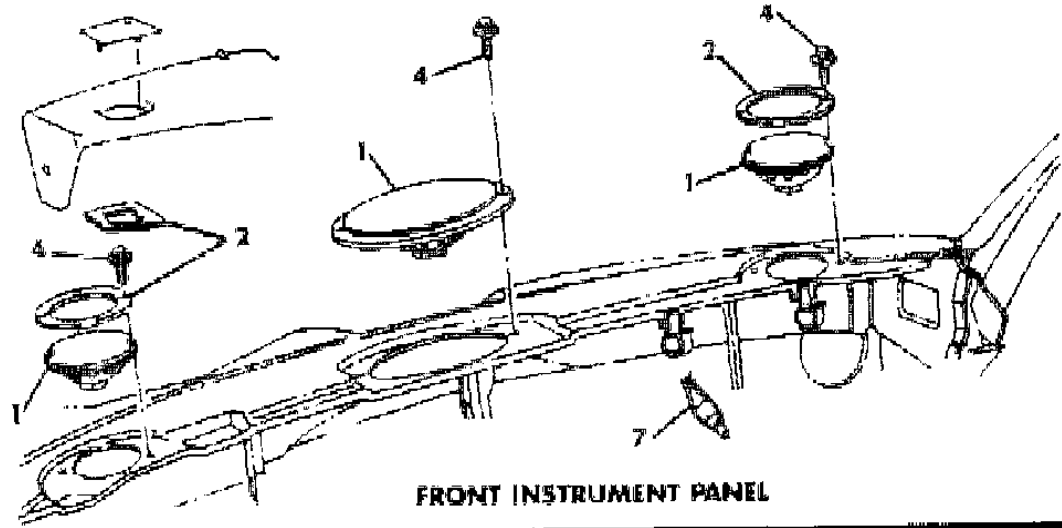
21 = 2-DOOR SEDAN	41 = 4-DOOR SEDAN
22 = 2-DOOR SPECIAL COUPE	45 = 4-DOOR STATION WAGON
24 = 2-DOOR HATCHBACK	44 = 4-DOOR HATCHBACK
27 = 2-DOOR CONVERTIBLE	48 = EXECUTIVE SEDAN
28 = FWD PICKUP	

AR = Use as Required - = Non Illustrated Part P.A.R. = Paint as Required

# SPEAKERS AND RELATED PARTS

## Figure 23B-1800

1170 1800



ITEM	PART NUMBER	QTY	BODY	MODEL	DESCRIPTION
	4209 731	1		M,Z (24	WIRING, Radio to Side Cowl
	4274 961	1		PDCVET	WIRING, Stereo Speaker, Inst. Panel
	4293 927	1		M,Z	WIRING, Radio, w/M.T.R & E.T.R Radios, w/2 or 4 Speakers (Mopar Radios Only, Tagged 4293927)
	4293 926	1		Exc.M,Z	WIRING, Radio, w/M.T.R & E.T.R Radios, w/4 Speakers (Mopar Radios Only, Tagged 4293926)
	4293 928	1		All	WIRING, Radio, w/Mono. Radio, w/1 or 2 Speakers (Mopar Radios Only, Tagged 4293928)
	4274 588	1		Exc.P,D	WIRING, Inst. Pnl., Premium Speaker
	4274 116	1		B,F,G	WIRING, Speaker Premium, Inst. Panel
	4293 929	1		All	WIRING, Rr. Speaker, w/M.T.R & E.T.R Radios (Mopar Radios Only, Tagged 4293929)
	4274 008	1		P,D,C,V	WIRING, Rear Speaker (Dual)
	4339 822	1		Sedan	WIRING, Rear Speaker
	4339 998	1		Limo	WIRING, Rear Speaker
	4274 175	1		ALL	WIRING, Stereo Jumper, Inst. Panel
	4209 010	1		P,D,C,V	WIRING, Side Cowl to Rear Speaker
	4274 014	1		P,D,C (	WIRING, Right Rear Speaker (ETR)
	4274 127	1		P,D,C (	WIRING, Left Rear Speaker (ETR)
	4209 098	1		P,D,C (	WIRING, Left Rear Speaker (MTR) w/o Premium Spkrs
	4274 977	1		P,D (	WIRING, Rear Speaker (MTR) w/o Rr. Wiper or Liftgate Release
	4274 981	1		P,D,C (	WIRING, Rear Speaker Premium
	4274 575	1		C,V,E,T	WIRING, Rear Speaker Premium
	4274 125	1		PD,CV(2	WIRING, Rear Speaker Premium
	4209 885	1		B,F,G	WIRING, Radio Front & Rear Speaker (ETR)
	4274 165	1		B,F,G	WIRING, Rear Stereo
	4274 117	1		X,S	WIRING, Rear Speaker (ETR)
	4274 574	1		P,D,C,V	WIRING, Rear Speaker (ETR)
	4055 192	1		X,S	WIRING, Rear Speaker (MTR) w/o Premium Spkrs
	4209 438	1		X,S	WIRING, Rear Speaker Stereo w/Premium Spkrs
	4209 904	1		Y	WIRING, Rear Speaker Stereo
	3513 347	1		All	Insulator, Radio wiring
	3747 874	1		P,D,B,F	SWITCH, Rear Amplifier
	4221 203	1		CVET	SWITCH, Rear Amplifier
	4221 060	1		Y	SWITCH, Rear Amplifier
	3747 928	1		X,S	SWITCH, Rear Amplifier

**MODEL CODES**

B = GRAN FURY	G = DIPLOMAT	V = 400
C = LEBARON/TOWN & COUNTRY	M = HORIZON/TURISMO/SCAMP	X = MIRADA
D = ARIES	P = RELIANT	Y = IMPERIAL
E = 600	S = CORDOBA	Z = OMNI/CHARGER/RAMPAGE
F = FIFTH AVENUE	T = E CLASS/NEWYORKER	

**BODY STYLES**

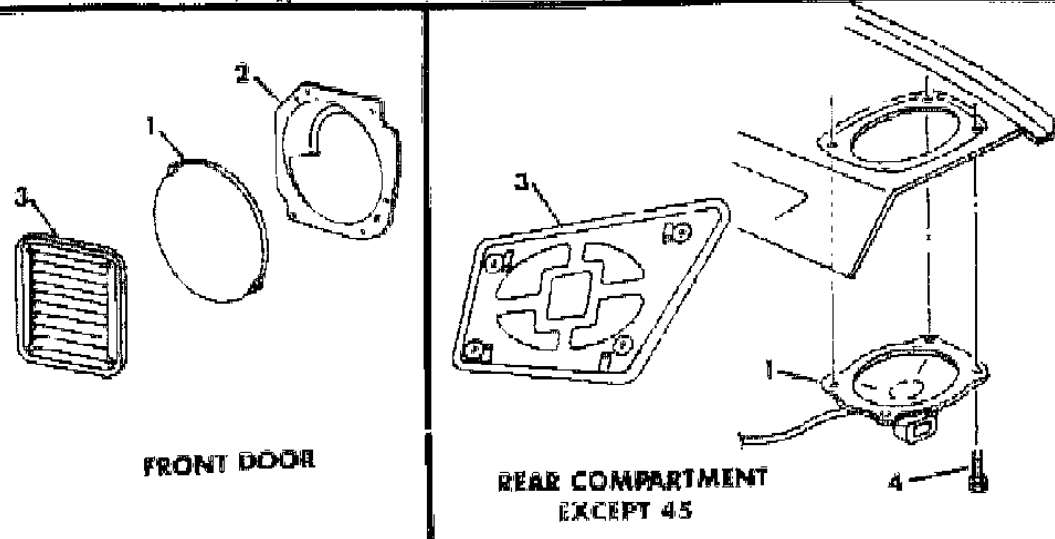
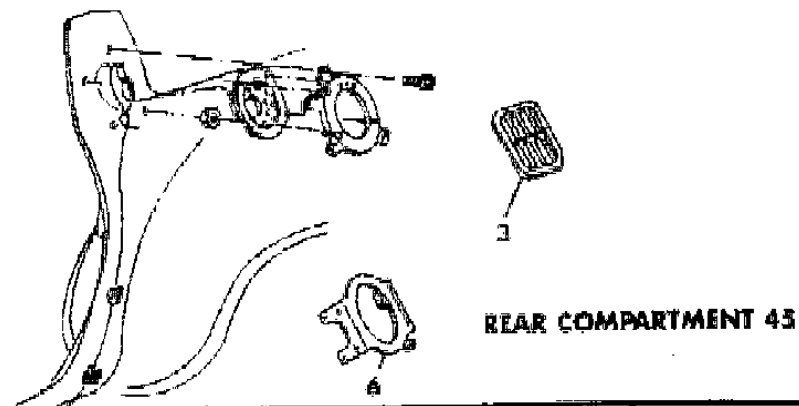
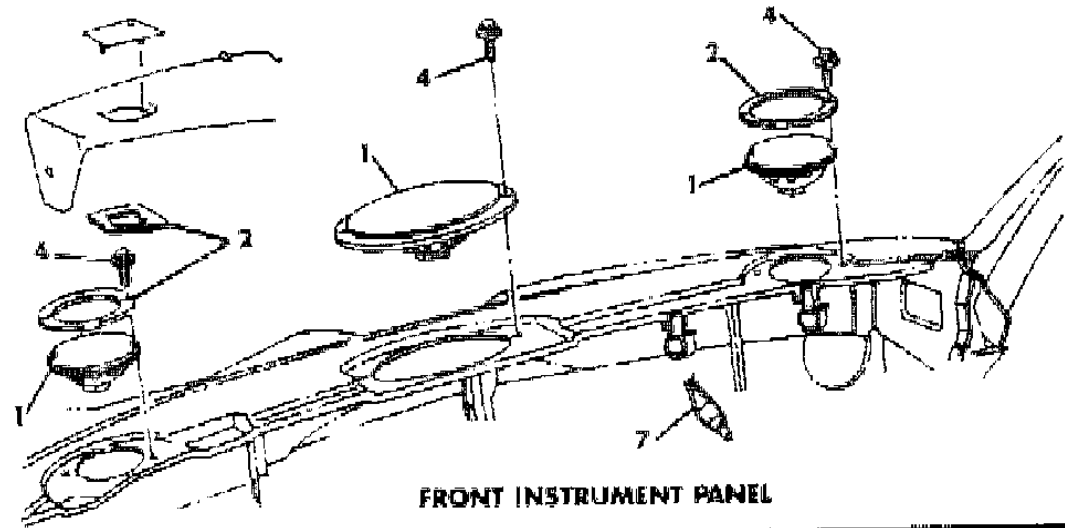
21 = 2-DOOR SEDAN	41 = 4-DOOR SEDAN
22 = 2-DOOR SPECIAL COUPE	45 = 4-DOOR STATION WAGON
24 = 2-DOOR HATCHBACK	44 = 4-DOOR HATCHBACK
27 = 2-DOOR CONVERTIBLE	48 = EXECUTIVE SEDAN
28 = FWD PICKUP	

AR = Use as Required - = Non Illustrated Part P.A.R. = Paint as Required

# SPEAKERS AND RELATED PARTS

## Figure 23B-1800

1170 1800



ITEM	PART NUMBER	QTY	BODY	MODEL	DESCRIPTION
	3747 750	1		All	RETAINER,Rear Amplifier Switch
	4222 133	2		XSY	COVER, Rear Speaker Acoustic
	4097 766	2		CV (27)	WIRING, Rear Speaker Jumper
	4222 061	1		All	CONTROL,Power Amp.,w/Prem.Speaker Pkg.

**MODEL CODES**

B = GRAN FURY	G = DIPLOMAT	V = 400
C = LEBARON/TOWN & COUNTRY	M = HORIZON/TURISMO/SCAMP	X = MIRADA
D = ARIES	P = RELIANT	Y = IMPERIAL
E = 600	S = CORDOBA	Z = OMNI/CHARGER/RAMPAGE
F = FIFTH AVENUE	T = E CLASS/NEWYORKER	

**BODY STYLES**

21 = 2-DOOR SEDAN	41 = 4-DOOR SEDAN
22 = 2-DOOR SPECIAL COUPE	45 = 4-DOOR STATION WAGON
24 = 2-DOOR HATCHBACK	44 = 4-DOOR HATCHBACK
27 = 2-DOOR CONVERTIBLE	48 = EXECUTIVE SEDAN
28 = FWD PICKUP	

AR = Use as Required - = Non Illustrated Part P.A.R. = Paint as Required

**GROUP 23C - BODY - DOORS AND RELATED PARTS**

ILLUSTRATION TITLE	GROUP-FIG. NO.
DOOR, FRONT M,Z - 24,28	Fig. 23C-100
GLASS AND REGULATOR, FRONT DOOR M,Z - 24,28	Fig. 23C-200
WEATHERSTRIP AND RETAINER, DOOR AND SIDE RAIL M,Z - 24,28	Fig. 23C-300
DOOR, FRONT M,Z 44	Fig. 23C-400
GLASS AND REGULATOR, FRONT DOOR M,Z - 44	Fig. 23C-500
DOOR, REAR M,Z - 44	Fig. 23C-600
GLASS AND REGULATOR, REAR DOOR M,Z - 44	Fig. 23C-700
WEATHERSTRIP AND RUN M,Z - 44	Fig. 23C-800
DOOR, FRONT P,D,C,V - 21,22	Fig. 23C-900
DOOR , FRONT C,V 27	Fig. 23C-1000
DOOR, FRONT GLASS AND REGULATORS P,D,C,V - 21,22	Fig. 23C-1100
FRONT DOOR GLASS AND REGULATORS C,V 27	Fig. 23C-1200
BEZELS, SWITCHES AND WIRING, FRONT DOOR P,D,C,V 21,22,27	Fig. 23C-1300
DOOR, FRONT P,D,C,V,E,T - 41,45,48	Fig. 23C-1400
GLASS AND REGULATOR, FRONT DOOR P,D,C,V,E,T - 41,45,48	Fig. 23C-1500
BEZELS, SWITCHES AND WIRING, FRONT DOOR P,D, - 41,45	Fig. 23C-1600
BEZELS, SWITCHES AND WIRING, FRONT DOOR C,V,E,T - 41,45,48	Fig. 23C-1700
DOOR, REAR P,D,C,V,E,T - 41,45,48	Fig. 23C-1800
GLASS AND REGULATOR, REAR DOOR P,D,C,V,E,T - 41,45,48	Fig. 23C-1900
BEZELS, SWITCHES AND WIRING, REAR DOOR P,D - 41,45	Fig. 23C-2000
BEZELS, SWITCHES AND WIRING, REAR DOOR C,V,E,T - 41,45,48	Fig. 23C-2100
RUNS AND WEATHERSTRIPS, FRONT AND REAR DOORS P,D,C,V,E,T.- 21,22,41,45,48	Fig. 23C-2200
WEATHERSTRIP AND RUN C,V - 27	Fig. 23C-2300
DOOR, FRONT B,F,G - 41	Fig. 23C-2400
GLASS AND REGULATOR, FRONT DOOR B,F,G - 41	Fig. 23C-2500
BEZELS, SWITCHES AND WIRING, FRONT DOOR B,F,G - 41	Fig. 23C-2600
DOOR, REAR B,F,G - 41	Fig. 23C-2700
GLASS AND REGULATOR, REAR DOOR B,F,G - 41	Fig. 23C-2800
WEATHERSTRIP AND RUN B,F,G - 41	Fig. 23C-2900
WEATHERSTRIP, FRONT AND REAR DOOR OPENING B,F,G - 41	Fig. 23C-3000
BEZELS, SWITCHES AND WIRING, REAR DOOR B,F,G - 41	Fig. 23C-3100
DOOR, FRONT X,S,Y	Fig. 23C-3200
GLASS AND REGULATOR, FRONT DOOR X,S,Y	Fig. 23C-3300
WEATHERSTRIP, FRONT DOOR X,S,Y	Fig. 23C-3400
BEZELS, SWITCHES AND WIRING, FRONT DOOR X,S	Fig. 23C-3500
BEZELS, SWITCHES AND WIRING, FRONT DOOR Y	Fig. 23C-3600
CLIP CHART	Fig. 23C-3700
MIRROR INSIDE REAR VIEW	Fig. 23C-3800

ILLUSTRATION NOT AVAILABLE AT TIME OF PUBLICATION

---

**GROUP 23C - BODY - DOORS AND RELATED PARTS**

**ILLUSTRATION TITLE**

**GROUP-FIG. NO.**

**INSULATOR CHARTS (Continued)**

MIRROR INSIDE REAR VIEW .....	Fig. 23C-3800
MIRRORS MANUAL AND REMOTE CONTROL M,Z 24,28 .....	Fig. 23C-3900
MIRROR MANUAL AND REMOTE CONTROL M,Z - 44 .....	Fig. 23C-4000
MIRRORS MANUAL AND REMOTE CONTROL P,D,C,V,E,T .....	Fig. 23C-4100
MIRRORS MANUAL AND REMOTE CONTROL B,F,G .....	Fig. 23C-4200
MIRROR REMOTE CONTROL X,S .....	Fig. 23C-4300
MIRROR REMOTE CONTROL, ELECTRIC Y .....	Fig. 23C-4400

DOOR, FRONT M,Z - 24,28  
Figure 23C-100

3171 1UGA

ITEM	PART NUMBER	QTY	BODY	MODEL	DESCRIPTION
1	4184 226	2			HANDLE, Door Outside
2					CYLINDER, Door (See Cyl. & Key Illus.)
3					GASKET, Door Cyl. (See Cyl. & Key Illus.)
4					RETAINER, Door Cyl. (See Cyl. & Key Illus.)
5	6500 274	AR			NUT & WASHER
6	3882 762	AR			CLIP
7	2862 758	AR			CLIP
8	5231 466-7	1			LINK, Door Outside Handle to Latch
9	5213 468-9	1			LINK, Door Lock Key Cylinder to Latch, Up to 5-1-83
	4184 760-1	1			After 5-1-83
10		AR			SCREW and WASHER (not serviced)
11	5231 658	2			ARM, Door Check
12	6500 295	AR			SCREW
13	5200 875	2			STRICKER, Door Latch
14	5231 564	AR			SPACER, Latch Stricker
15	6100 866	AR			SCREW
16	4184 730-1	1			LATCH, Outside, Up to 5-1-83
	4184 776-7	1			After 5-1-83
17					LATCH, Inside
	5231 643	1			Left, Override, Up to 3-1-83
	4184 747	1			Left, Override, After 3-1-83
	5231 640	1			Right, Non-Override, Up to 3-1-83
	4184 748	1			Right, Non-Override, After 3-1-83
18	5231 472-3	1			LINK and Sleeve, Up to 5-1-83
	4184 762-3	1			After 5-1-83
19	5231 474-5	1			LINK and Sleeve, Up to 5-1-83
	4184 764-5	1			After 5-1-83
20	3882 620	4			CLIP, Anti Rattle
21					DOOR
	5218 186-7	1			Shell
	4184 754	2			DEFLECTOR, Inside Drain Hole (Plastic)
	4050 872-3	1			Repair
22	5200 878-9	1			HANDLE, Remote Control
23	5231 354-5	1			KNOB, Locking Control
24	6100 903	AR			SCREW
25					BEZEL, Remote Control Handle
	5231 790	1			w/o Remote Control Mirror (Woodgrain See Note)

MODEL CODES

B = GRAN FURY

C = LEBARON/TOWN & COUNTRY

D = ARIES

E = 600

F = FIFTH AVENUE

G = DIPLOMAT

M = HORIZON/TURISMO/SCAMP

P = RELIANT

S = CORDOBA

T = E CLASS/NEWYORKER

V = 400

X = MIRADA

Y = IMPERIAL

Z = OMNI/CHARGER/RAMPAGE

BODY STYLES

21 = 2-DOOR SEDAN

22 = 2-DOOR SPECIAL COUPE

24 = 2-DOOR HATCHBACK

27 = 2-DOOR CONVERTIBLE

28 = FWD PICKUP

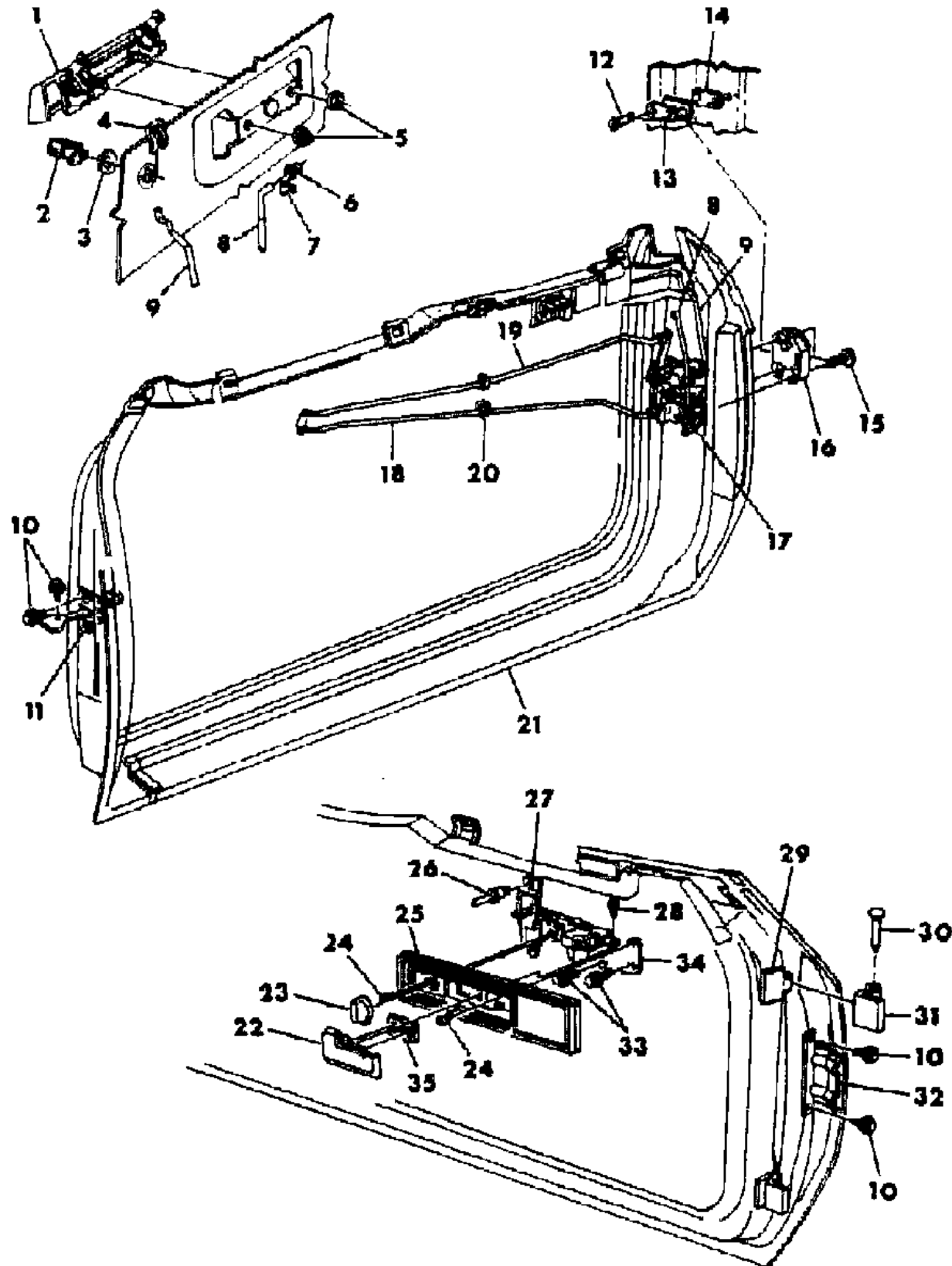
41 = 4-DOOR SEDAN

45 = 4-DOOR STATION WAGON

44 = 4-DOOR HATCHBACK

48 = EXECUTIVE SEDAN

AR = Use as Required - = Non Illustrated Part P.A.R. = Paint as Required



DOOR, FRONT M,Z - 24,28  
Figure 23C-100

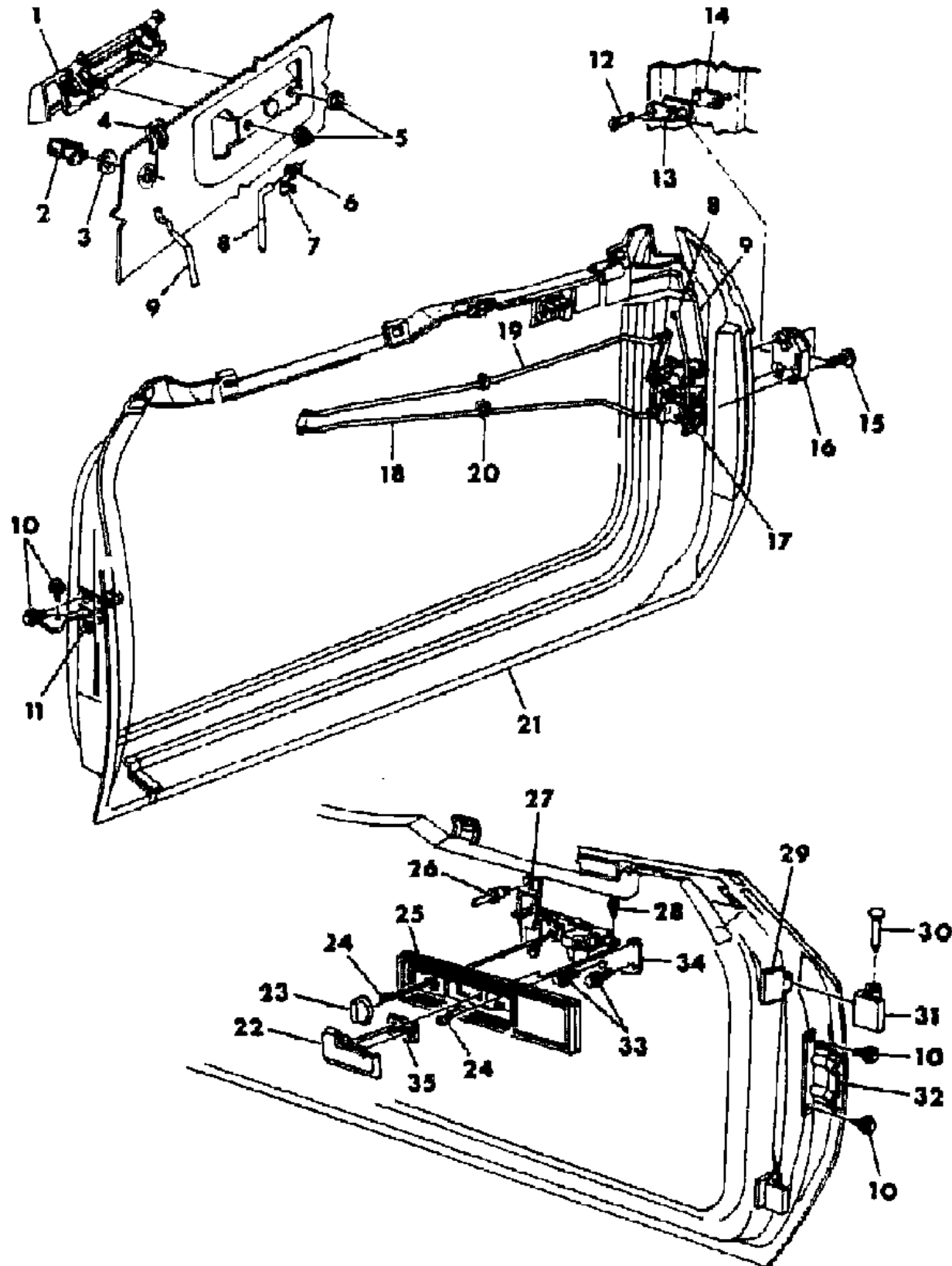
3171 1UGA

ITEM	PART NUMBER	QTY	BODY	MODEL	DESCRIPTION
------	-------------	-----	------	-------	-------------

	5231 918	1			w/Seal, w/Remote Control Mirror (Woodgrain See Note)
	5231 922	1			w/Seal, w/Remote Control Mirror (black)
	5231 925	1			w/o Mirror (black)

Note: Drill Hole for Remote Control Mirror de). Both models are derived from the 100.1" W.B. LeBaron (C 22 Model). Sheet metal parts for the C 48 not found on this illustration should be specif

26	6031 115	AR			RIVET
27	5231 313	2			SUPPORT, Arm Rest
28	6031 318	AR			SCREW
29	5231 595	4			LEAF, Hinge Door Half
30		4			PIN, Door Hinge (DNS)
31	5231 594	4			LEAF, Hinge Body Half
32	5231 368	2			STOP, Door
33	6500 144	AR			SCREW and WASHER
34	5231 314-5	1			CONTROL, Remote Door
35	5231 135	2			GASKET, Inside Handle



MODEL CODES		
B = GRAN FURY	G = DIPLOMAT	V = 400
C = LEBARON/TOWN & COUNTRY	M = HORIZON/TURISMO/SCAMP	X = MIRADA
D = ARIES	P = RELIANT	Y = IMPERIAL
E = 600	S = CORDOBA	Z = OMNI/CHARGER/RAMPAGE
F = FIFTH AVENUE	T = E CLASS/NEWYORKER	

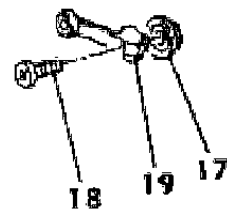
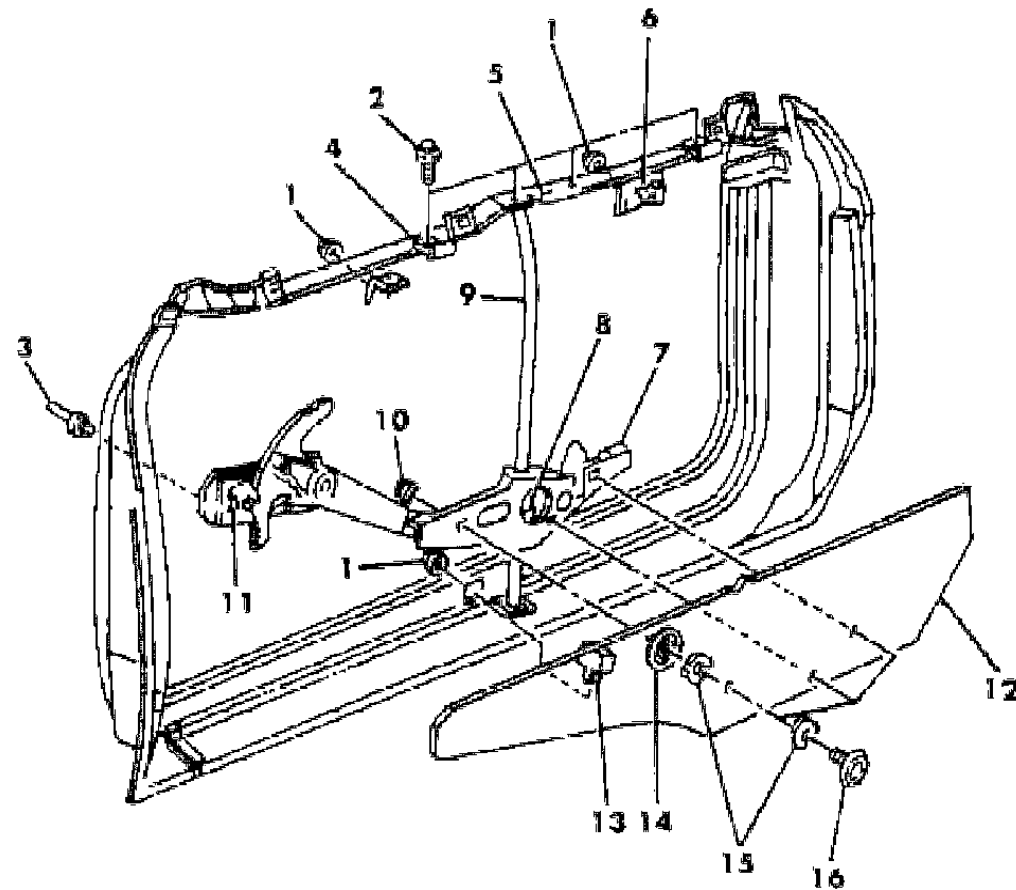
BODY STYLES	
21 = 2-DOOR SEDAN	41 = 4-DOOR SEDAN
22 = 2-DOOR SPECIAL COUPE	45 = 4-DOOR STATION WAGON
24 = 2-DOOR HATCHBACK	44 = 4-DOOR HATCHBACK
27 = 2-DOOR CONVERTIBLE	48 = EXECUTIVE SEDAN
28 = FWD PICKUP	

AR = Use as Required - = Non Illustrated Part P.A.R. = Paint as Required



**GLASS AND REGULATOR, FRONT DOOR M,Z - 24,28**  
**Figure 23C-200**

3171 200



ITEM	PART NUMBER	QTY	BODY	MODEL	DESCRIPTION
1	6100 047	AR			NUT & WASHER
2	6500 144	AR			SCREW & WASHER
3	6031 115	AR			RIVET
4	4040 294	4			STABILIZER, Door Glass
5	5231 424	2			BRACKET & LINER, Door Glass Guide
6	5231 423	4			UP-STOP, Door Glass
7	5231 416-7	1			PLATE & CHANNEL, Glass Lift
	3696 433	4			GUIDE, Glass, Upper
	3788 273	2			Lower
8	3788 080	2			SLEEVE, Glass Track
9	5231 176-7	1			TRACK, Glass Guide
10					NUT (Not Serviced)
11	5231 046-7	1			REGULATOR, Manual
	3882 758	2			SLIDE, Manual Regulator
	3760 506	2			SPRING, Regulator Assist
12	5231 072-3	1		24	GLASS, Tinted
	5231 070-1	1		24	Clear
	4198 482-3	1		28	Tinted
	4198 480-1	1		28	Clear
13	5231 058	2			BUMPER, Glass Down-stop
14	6028 587	AR			TEE-NUT
15	5231 769	AR			GASKET
16	6029 998	AR			WASHER & STUD
17	3882 767	2			SPACER, Window Regulator Handle
18	6031 644	AR			SCREW, Handle Attach
19	3882 764	2			HANDLE, Window Manual Regulator-Chrome

**MODEL CODES**

B = GRAN FURY	G = DIPLOMAT	V = 400
C = LEBARON/TOWN & COUNTRY	M = HORIZON/TURISMO/SCAMP	X = MIRADA
D = ARIES	P = RELIANT	Y = IMPERIAL
E = 600	S = CORDOBA	Z = OMNI/CHARGER/RAMPAGE
F = FIFTH AVENUE	T = E CLASS/NEWYORKER	

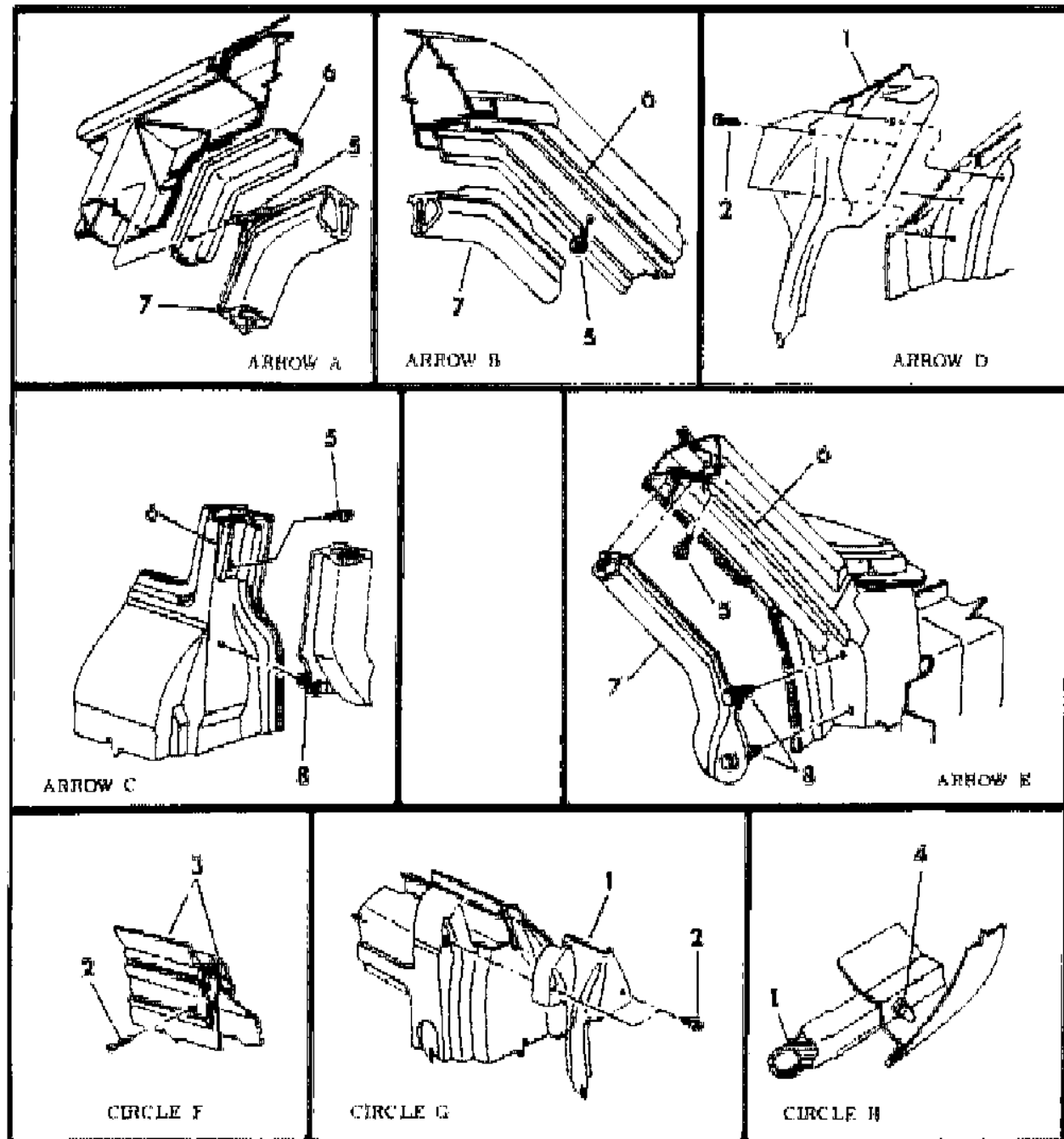
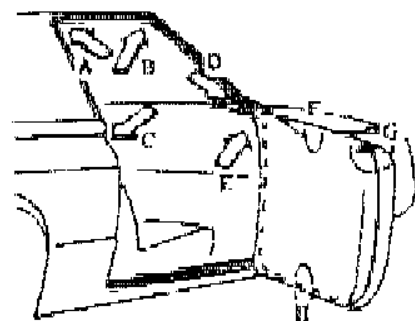
**BODY STYLES**

21 = 2-DOOR SEDAN	41 = 4-DOOR SEDAN
22 = 2-DOOR SPECIAL COUPE	45 = 4-DOOR STATION WAGON
24 = 2-DOOR HATCHBACK	44 = 4-DOOR HATCHBACK
27 = 2-DOOR CONVERTIBLE	48 = EXECUTIVE SEDAN
28 = FWD PICKUP	

AR = Use as Required - = Non Illustrated Part P.A.R. = Paint as Required

**WEATHERSTRIP AND RETAINER, DOOR AND SIDE RAIL M,Z - 24,28**  
**Figure 23C-300**

3171 300



ITEM	PART NUMBER	QTY	BODY	MODEL	DESCRIPTION
1	5231 284-5	1			WEATHERSTRIP, on Front Door
2		AR			SCREW (Not Serviced)
3					WEATHERSTRIP, Wdo. Belt Front Door, Inner
	5208 832-3	1			Outer Rt., w/Remote Control Mirror
	5231 060	1			Outer Rt., w/o Remote Control Mirror
	4198 618	1			Outer Lt.
	4198 579	1			Outer Lt.
4	4040 732	AR			FASTENER, Door Weatherstrip
	4198 966-7	AR	28		Retainer Side Door Weatherstrip (black)
5		AR			SCREW (Not Serviced)
6					RETAINER, Roof Side Rail Weatherstrip, Black
	5231 260-1	1	24		Black
	4198 966-7	1	28		Black
7	5231 274-5	1	24		WEATHERSTRIP, Roof Side Rail
	4198 962-3	1	28		
8	3759 944	6			RETAINER, (Plastic) Roof Side Rail Weatherstrip Att.

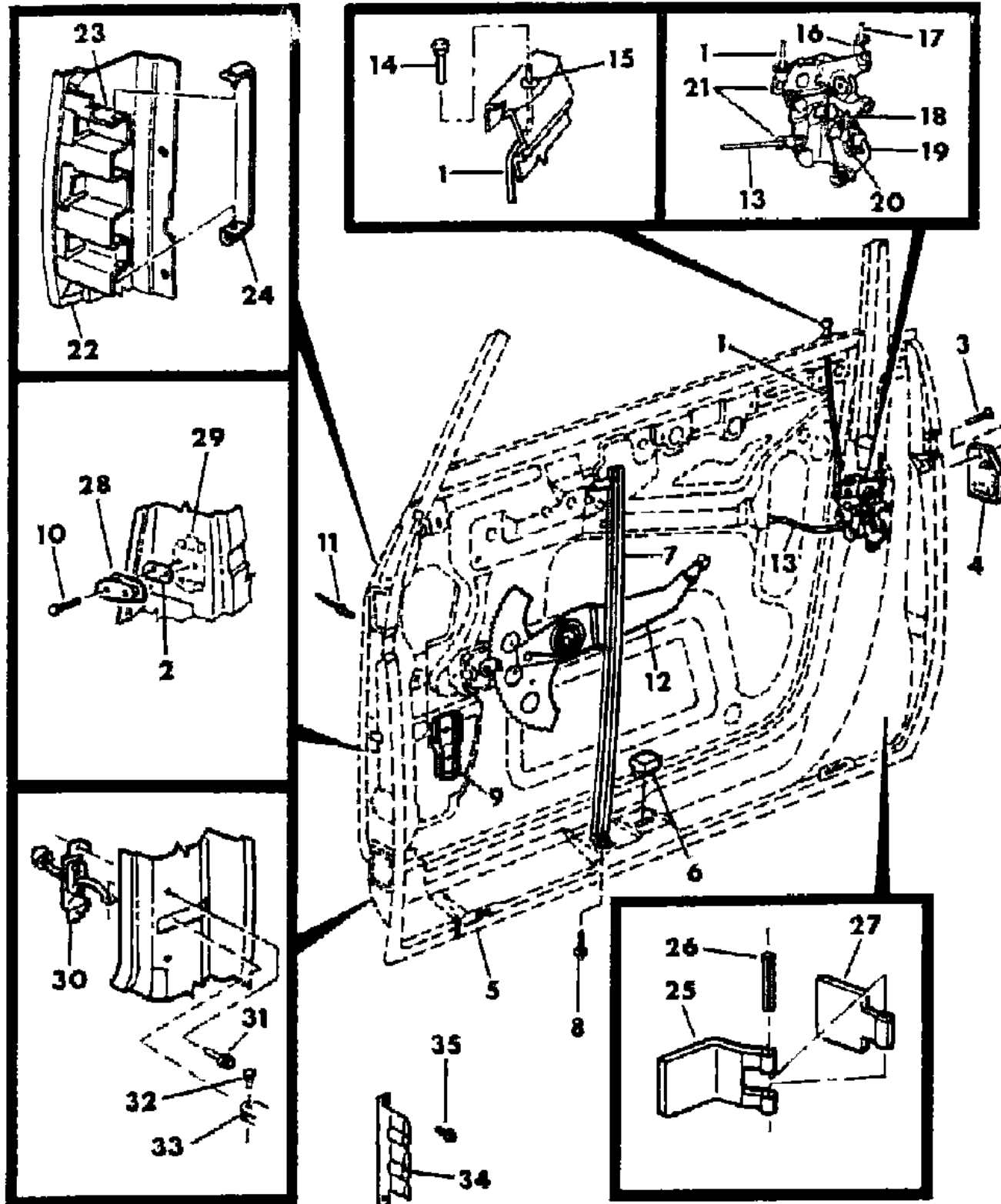
MODEL CODES  
 B = GRAN FURY  
 C = LEBARON/TOWN & COUNTRY  
 D = ARIES  
 E = 600  
 F = FIFTH AVENUE  
 G = DIPLOMAT  
 M = HORIZON/TURISMO/SCAMP  
 P = RELIANT  
 S = CORDOBA  
 T = E CLASS/NEWYORKER  
 V = 400  
 X = MIRADA  
 Y = IMPERIAL  
 Z = OMNI/CHARGER/RAMPAGE

BODY STYLES  
 21 = 2-DOOR SEDAN  
 22 = 2-DOOR SPECIAL COUPE  
 24 = 2-DOOR HATCHBACK  
 27 = 2-DOOR CONVERTIBLE  
 28 = FWD PICKUP  
 41 = 4-DOOR SEDAN  
 45 = 4-DOOR STATION WAGON  
 44 = 4-DOOR HATCHBACK  
 48 = EXECUTIVE SEDAN

AR = Use as Required - = Non Illustrated Part P.A.R. = Paint as Required

DOOR, FRONT M,Z 44  
Figure 23C-400

3171 400



ITEM	PART NUMBER	QTY	BODY	MODEL	DESCRIPTION
1	5200 970	2			ROD, Door Latch Locking Control Push
2	5231 368	2			STOP, Door
3	6100 866	AR			SCREW
4	4184 728-9	1			LATCH,Door Outside,Up to 5-1-83
	4184 776-7	1			After 5-1-83
5	5218 100-1	1			SHELL,Door, Up to 11-23-82
	4297 184-5	1			After 11-23-82
	5231 482-3	1			PANEL,Repair
6	3759 910	2			BUMPER, Glass Down Stop
7	4280 580-1	1			CHANNEL & BRACKET, Door Glass
8	6500 191	AR			SCREW
9					BRACKET, Mirror Control Mtg. (See Mirror Illus.)
10	6500 295	AR			SCREW
11	6031 115	AR			RIVET
12	5231 742-3	1			REGULATOR,Door Manual Window
	3882 758	2			SLIDE, Manual Regulator
	3508 121	2			SPRING, Door Man. Wdo. Reg. Assist
13	5231 220-1	1			LINK w/SLEEVE, Door Latch Remote Control to Latch
14	4049 609	AR			KNOB PKG., Door Latch Locking Control, Chrome, w/o Pwr. Locks
15	3510 447	2			GROMMET, Door Trim Pnl. Lock Knob.
16	3760 130-1	AR			CLIP
17	5231 480-1	1			LINK, Door Lock Key Cyl. to Latch
18	5231 478-9	1			LINK, Door Outside Handle to Latch Actg.
19					LATCH, Door Inside
	5231 646	1			Right,Non-Override, Up to 3-1-83
	4184 750	1			Right, Non-Override, After 3-1-83
	5231 649	1			Left, Override, Up to 3-1-83
	4184 753	1			Left, Override, After 3-1-83
20	2945 108-9	AR			CLIP
21	3454 220-1	AR			CLIP
22					PILLAR (Serviced in Door)
23					REINFORCEMENT (Serviced in Door)
24	5231 294	2			BUMPER & RETAINER, Door Impact Bar
25	5231 594	4			LEAF, Fixed Hinge, Body Half
26	6500 361	4			PIN, Door Hinge
27	5231 595	4			LEAF, Moving Hinge, Door Half

MODEL CODES

B = GRAN FURY	G = DIPLOMAT	V = 400
C = LEBARON/TOWN & COUNTRY	M = HORIZON/TURISMO/SCAMP	X = MIRADA
D = ARIES	P = RELIANT	Y = IMPERIAL
E = 600	S = CORDOBA	Z = OMNI/CHARGER/RAMPAGE
F = FIFTH AVENUE	T = E CLASS/NEWYORKER	

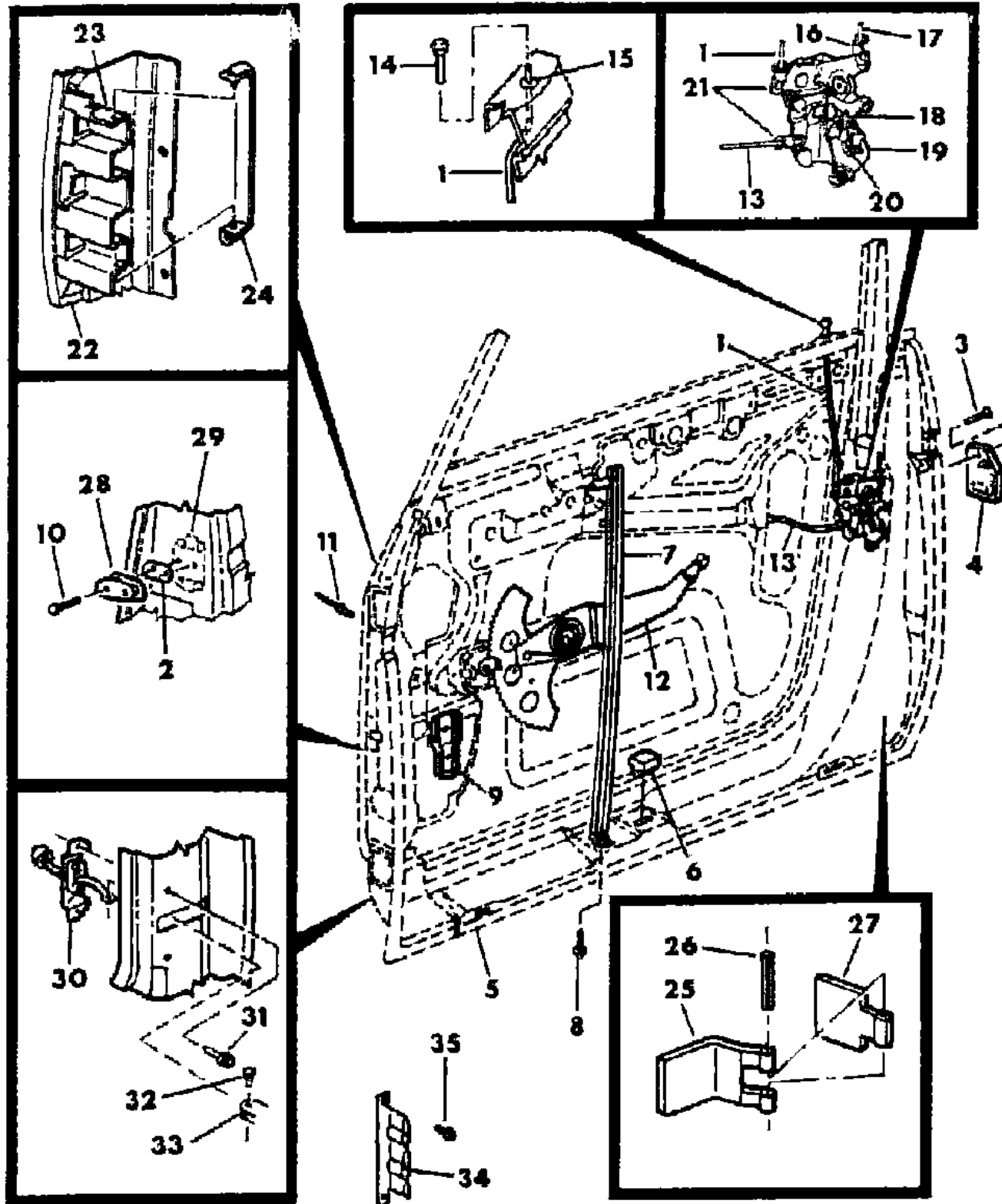
BODY STYLES

21 = 2-DOOR SEDAN	41 = 4-DOOR SEDAN
22 = 2-DOOR SPECIAL COUPE	45 = 4-DOOR STATION WAGON
24 = 2-DOOR HATCHBACK	44 = 4-DOOR HATCHBACK
27 = 2-DOOR CONVERTIBLE	48 = EXECUTIVE SEDAN
28 = FWD PICKUP	

AR = Use as Required - = Non Illustrated Part P.A.R. = Paint as Required

DOOR, FRONT M,Z 44  
Figure 23C-400

3171 400



ITEM	PART NUMBER	QTY	BODY	MODEL	DESCRIPTION
28	5200 875	2			STRIKER, Door Latch
	5231 564	AR			SPACER, Door Latch Striker
29	5200 368	2			T/PLATE, Body Center Pillar Outer Latch Striker
30	4106 711	2			PACKAGE, Door Check Arm, Complete
	4106 712	2			GUIDE, Door Arm Chack
31		AR			SCREW & WASHER (Not Serviced)
32					RIVET (Not Serviced)
33					BRACKET, Check Arm (Serviced in Pillar)
34	5231 368	2			STOP, Front Door
35		4			SCREW (Not Serviced)

NOTE: THE FOLLOWING ITEMS ARE NOT ILLUSTRATED de). Both models are derived from the 100.1" W.B. LeBaron (C 22 Model). Sheet metal parts for the C 48 not found on this illustration should be specif

5231 343	2				BUMPER,Door Latch Striker
4050 350-1	1				REINFORCEMENT, Latch Inside Panel
4040 294	2				STABILIZER, Door Glass

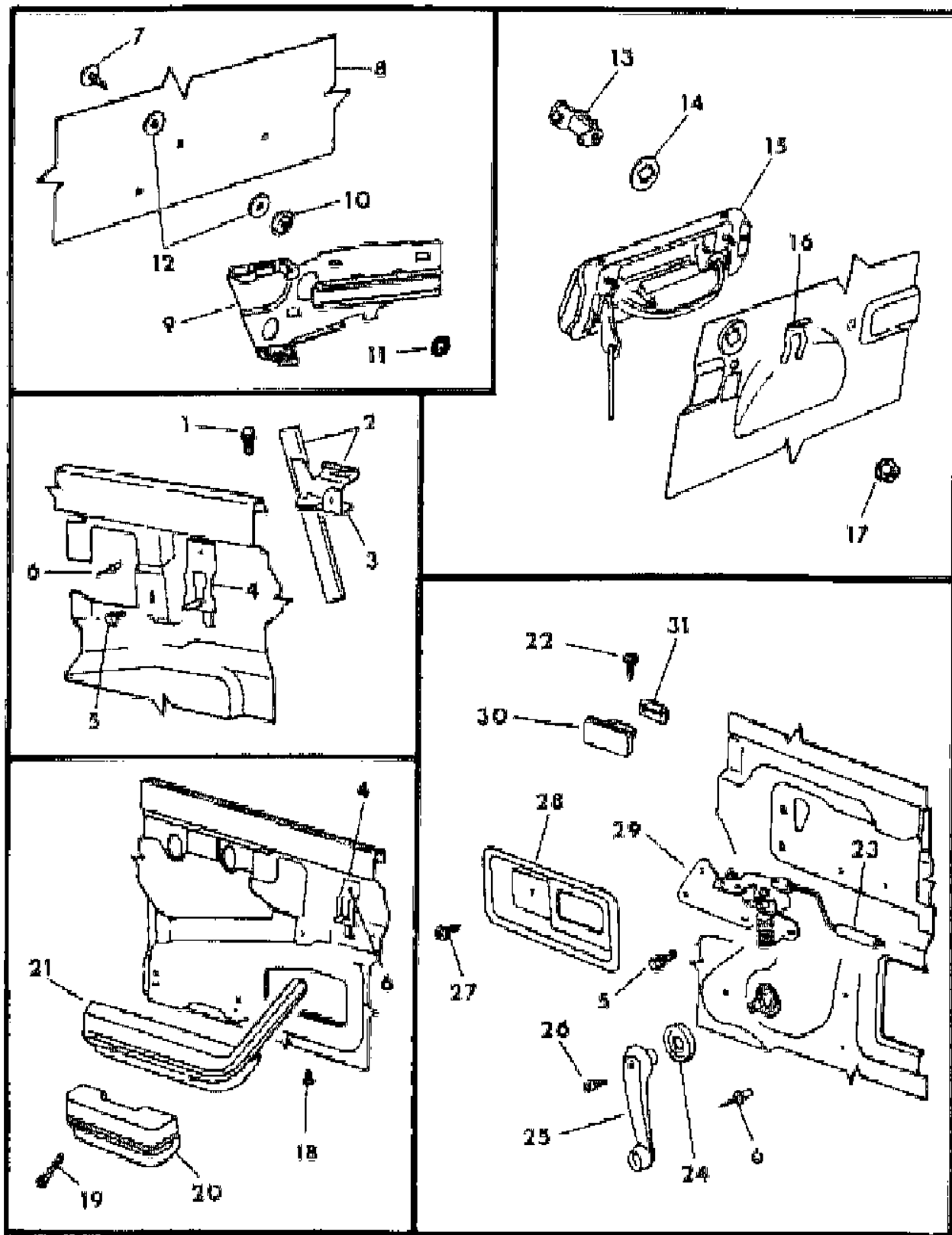
MODEL CODES  
 B = GRAN FURY  
 C = LEBARON/TOWN & COUNTRY  
 D = ARIES  
 E = 600  
 F = FIFTH AVENUE  
 G = DIPLOMAT  
 M = HORIZON/TURISMO/SCAMP  
 P = RELIANT  
 S = CORDOBA  
 T = E CLASS/NEWYORKER  
 V = 400  
 X = MIRADA  
 Y = IMPERIAL  
 Z = OMNI/CHARGER/RAMPAGE

BODY STYLES  
 21 = 2-DOOR SEDAN  
 22 = 2-DOOR SPECIAL COUPE  
 24 = 2-DOOR HATCHBACK  
 27 = 2-DOOR CONVERTIBLE  
 28 = FWD PICKUP  
 41 = 4-DOOR SEDAN  
 45 = 4-DOOR STATION WAGON  
 44 = 4-DOOR HATCHBACK  
 48 = EXECUTIVE SEDAN

AR = Use as Required - = Non Illustrated Part P.A.R. = Paint as Required

**GLASS AND REGULATOR, FRONT DOOR M,Z - 44**  
**Figure 23C-500**

3171 500



ITEM	PART NUMBER	QTY	BODY	MODEL	DESCRIPTION
1	6500 191	AR			SCREW & WASHER
2	4280 580-1	1			CHANNEL & BRACKET, Door Glass
3					BRACKET & P/NUT, Door Glass Track Channel(Ser.in Item 2)
4	5231 114	2			SUPPORT, Door Inside Pnl. Arm Rest
5	6500 144	AR			SCREW & WASHER
6	6031 115	AR			RIVET
7	6029 998	AR			STUD & WASHER
8					GLASS, Door
	5200 778-9	1			Clear,Up to 4-4-83
	4280 990-1	1			After 4-4-83
	5200 780-1	1			Tinted,Up to 4-4-83
	4280 992-3	1			After 4-4-83
9	5231 912-3	1			PLATE & CHANNEL,Door Glass Track,w/Upper and LowerGuide,
					Up to 4-4-83
	4280 986-7	1			After 4-4-83
10		AR			TEE-NUT (not serviced)
11					NUT (Not Serviced)
12	5231 769	12			GASKET, Door Glass
13					CYLINDER (See Cyl. & Key Chart Illus.)
14					GASKET, (See Cyl. & Key Chart Illus.)
15	4184 226	2			HANDLE, Door Outside
16					RETAINER (See Cyl. & Key Chart Illus.)
17	6500 274	AR			NUT & WASHER
18	6500 141	AR			SCREW
19		AR			SCREW (Not Serviced)
20					ARM REST (See Trim Section)
21					ARM REST, Long (See Trim Section)
22	6031 318	AR			SCREW
23	5231 220-1	1			LINK w/SLEEVE, Door Latch Remote Control to Latch
24	3882 768	AR			SPACER, Door Manual Wdo. Reg. Handle
25	3882 764	2			HANDLE, Door Manual Window Regulator, Chrome
26		2			SCREW (DNS)
27	6100 903	2			SCREW
28					BEZEL, Door Latch Remote Control Handle,
	D459 AA3	2			Silver
	D459 BB5	2			Blue
	D459 VM6	2			Red

**MODEL CODES**

B = GRAN FURY	G = DIPLOMAT	V = 400
C = LEBARON/TOWN & COUNTRY	M = HORIZON/TURISMO/SCAMP	X = MIRADA
D = ARIES	P = RELIANT	Y = IMPERIAL
E = 600	S = CORDOBA	Z = OMNI/CHARGER/RAMPAGE
F = FIFTH AVENUE	T = E CLASS/NEWYORKER	

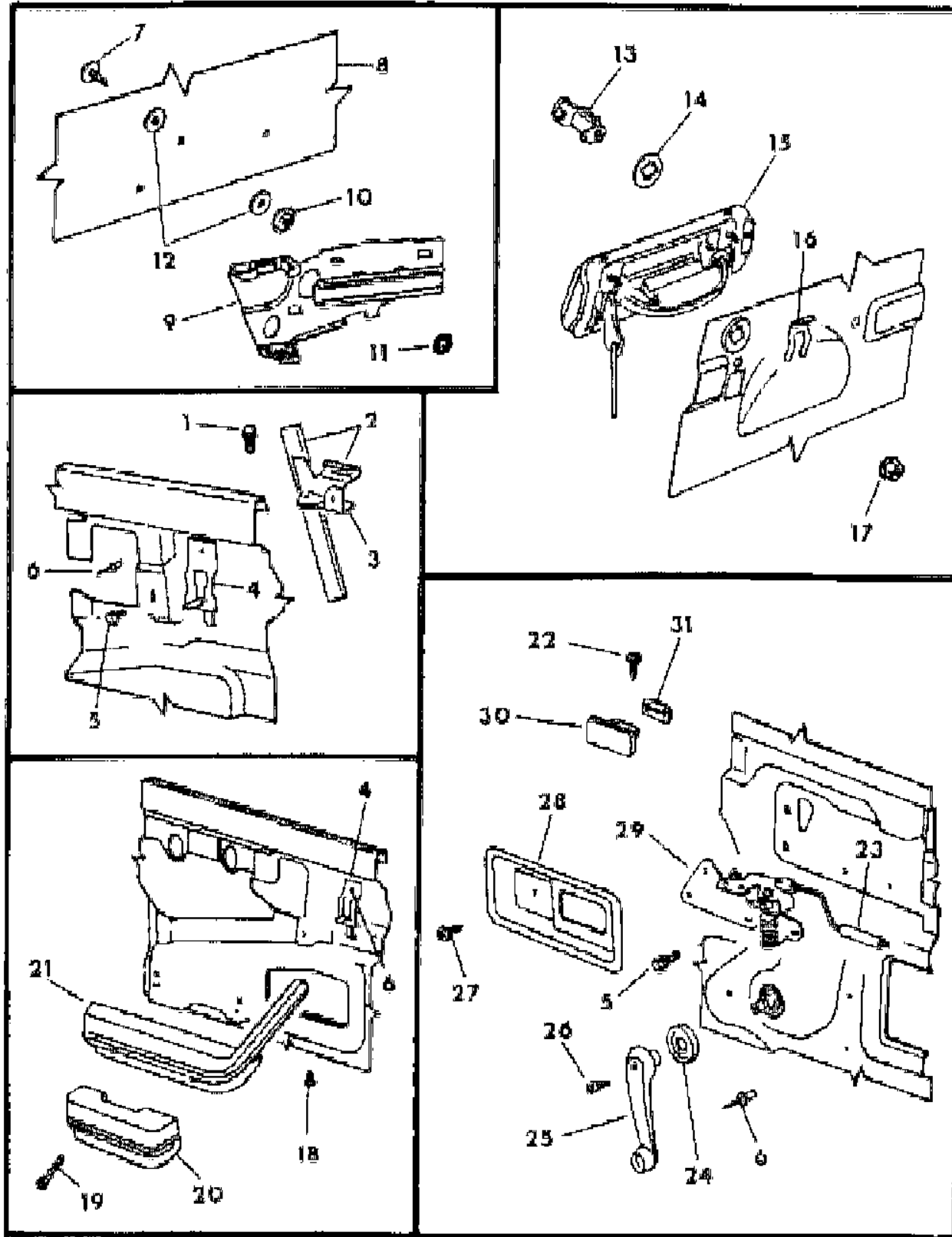
**BODY STYLES**

21 = 2-DOOR SEDAN	41 = 4-DOOR SEDAN
22 = 2-DOOR SPECIAL COUPE	45 = 4-DOOR STATION WAGON
24 = 2-DOOR HATCHBACK	44 = 4-DOOR HATCHBACK
27 = 2-DOOR CONVERTIBLE	48 = EXECUTIVE SEDAN
28 = FWD PICKUP	

AR = Use as Required - = Non Illustrated Part P.A.R. = Paint as Required

GLASS AND REGULATOR, FRONT DOOR M,Z - 44  
Figure 23C-500

3171 500



ITEM	PART NUMBER	QTY	BODY	MODEL	DESCRIPTION
	D459 BL3	2			Tan
	D459 VX9	2			Black
29	5231 930-1	1			REMOTE CONTROL, Door Latch
30	5200 878-9	1			HANDLE, Door Latch Remote Control
31	5231 135	2			SEAL, Door Latch Remote Control Handle

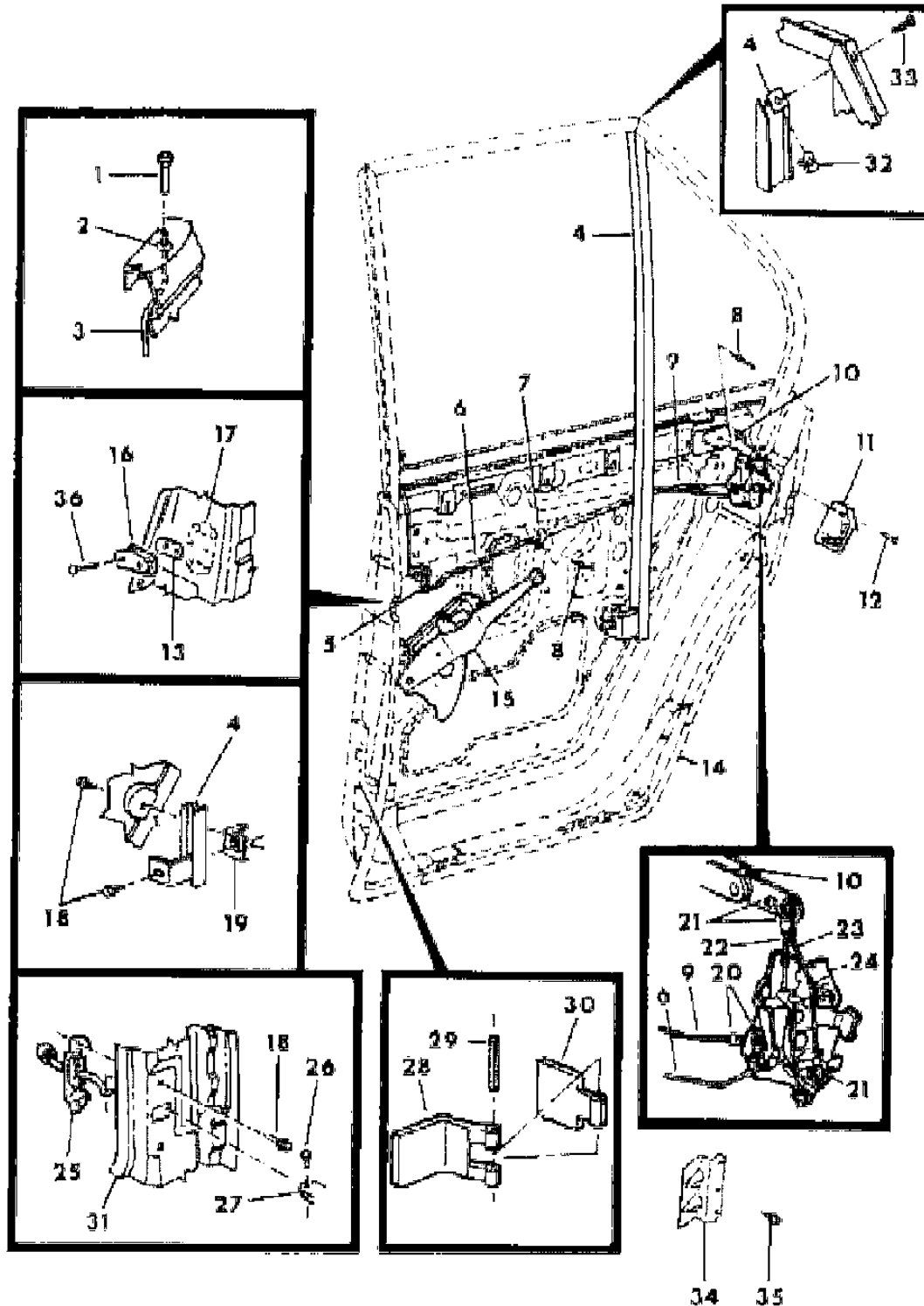
MODEL CODES  
 B = GRAN FURY  
 C = LEBARON/TOWN & COUNTRY  
 D = ARIES  
 E = 600  
 F = FIFTH AVENUE  
 G = DIPLOMAT  
 M = HORIZON/TURISMO/SCAMP  
 P = RELIANT  
 S = CORDOBA  
 T = E CLASS/NEWYORKER  
 V = 400  
 X = MIRADA  
 Y = IMPERIAL  
 Z = OMNI/CHARGER/RAMPAGE

BODY STYLES  
 21 = 2-DOOR SEDAN  
 22 = 2-DOOR SPECIAL COUPE  
 24 = 2-DOOR HATCHBACK  
 27 = 2-DOOR CONVERTIBLE  
 28 = FWD PICKUP  
 41 = 4-DOOR SEDAN  
 45 = 4-DOOR STATION WAGON  
 44 = 4-DOOR HATCHBACK  
 48 = EXECUTIVE SEDAN

AR = Use as Required - = Non Illustrated Part P.A.R. = Paint as Required

DOOR, REAR M,Z - 44  
Figure 23C-600

3171 600



ITEM	PART NUMBER	QTY	BODY	MODEL	DESCRIPTION
1	4049 609	2			KNOB PKG., Door Latch Locking Control, w/o Pwr. Locks
2	3510 447	2			GROMMET, Door Trim Pnl. Lock Knob.
3	5200 909	2			ROD, Latch Locking Control Push
4	5231 734-5	1			CHANNEL w/BRACKET And Run Door Glass
5	3871 044	2			LEVER, Door Latch Locking Control
6	5231 563	2			LINK w/SLEEVE, Door Latch Locking Control to Latch
7	3882 620	AR			CLIP, Anti Rattle
8	6031 115	AR			RIVET
9	5231 222-3	1			LINK w/SLEEVE, Door Latch Remote Control to Latch
10	5231 768	2			BRACKET & LEVER, Door Latch Actg.
11	4184 728-9	1			LATCH,Door Outside,Up to 5-1-83
	4184 776-7	1			After 5-1-83
12	6100 866	AR			SCREW
13	5231 564	AR			SPACER, Door Striker
14	5218 144-5	1			SHELL, Door
	5231 510-1	1			PANEL,Repair
15	5200 722-3	1			REGULATOR, Door Manual Wdo.
	3882 758	2			SLIDE, Manual Regulator
16	5200 875	2			STRIKER, Door Latch
	5231 564	AR			SPACER, Door Latch Striker
17	5200 368	2			T/PLATE, Qtr. Latch Striker
18		AR			SCREW & WASHER (Not Serviced)
19	5231 136	2			BRACKET, Door Fixed Vent Wdo. Div. Channel Attach.
20	3454 220-1	AR			CLIP
21	2945 108-9	AR			CLIP
22	5231 884	2			LINK, Door Outside Handle to Actg. Lever.
23	5231 523	2			LINK, Door Latch to Actg. Lever
24	5231 650-1	1			LATCH, Door Inside
25	4106 712	2			ARM, Door Check, Complete
26					SCREW (Do Not Service)
27					BRACKET, Check Arm (Serviced in Pillar)
28	5231 594	4			LEAF, Door Fixed Hge., Body Half
29	6500 361	4			PIN, Door Hge.
30	5231 595	4			LEAF, Door Moving Hge., Door Half
31					PILLAR (Serviced in Door)
32		2			U-NUT (Not Serviced)
33					SCREW (Not Serviced)

MODEL CODES

B = GRAN FURY	G = DIPLOMAT	V = 400
C = LEBARON/TOWN & COUNTRY	M = HORIZON/TURISMO/SCAMP	X = MIRADA
D = ARIES	P = RELIANT	Y = IMPERIAL
E = 600	S = CORDOBA	Z = OMNI/CHARGER/RAMPAGE
F = FIFTH AVENUE	T = E CLASS/NEWYORKER	

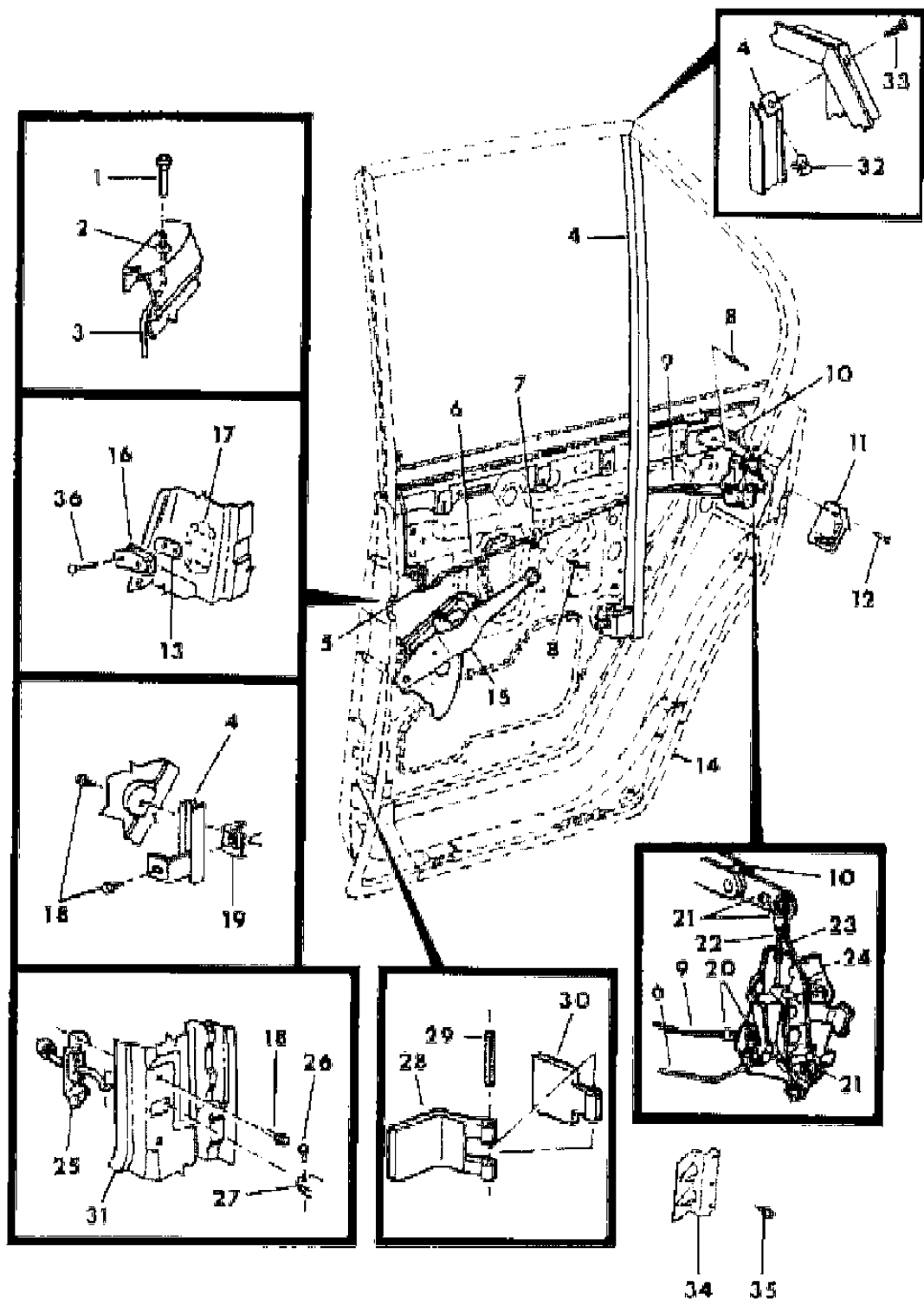
BODY STYLES

21 = 2-DOOR SEDAN	41 = 4-DOOR SEDAN
22 = 2-DOOR SPECIAL COUPE	45 = 4-DOOR STATION WAGON
24 = 2-DOOR HATCHBACK	44 = 4-DOOR HATCHBACK
27 = 2-DOOR CONVERTIBLE	48 = EXECUTIVE SEDAN
28 = FWD PICKUP	

AR = Use as Required - = Non Illustrated Part P.A.R. = Paint as Required

DOOR, REAR M,Z - 44  
Figure 23C-600

3171 600



ITEM	PART NUMBER	QTY	BODY	MODEL	DESCRIPTION
34	5231 369	2			STOP, Rear Door
35		4			SCREW (Not Serviced)
36	6500 295	AR			SCREW
NOTE: THE FOLLOWING ITEMS ARE NOT ILLUSTRATED de). Both models are derived from the 100.1" W.B. LeBaron (C 22 Model). Sheet metal parts for the C 48 not found on this illustration should be specif					
	5231 343	2			BUMPER, Door Latch Striker
	4082 028	2			PLATE, Manual Window Regulator

MODEL CODES

B = GRAN FURY	G = DIPLOMAT	V = 400
C = LEBARON/TOWN & COUNTRY	M = HORIZON/TURISMO/SCAMP	X = MIRADA
D = ARIES	P = RELIANT	Y = IMPERIAL
E = 600	S = CORDOBA	Z = OMNI/CHARGER/RAMPAGE
F = FIFTH AVENUE	T = E CLASS/NEWYORKER	

BODY STYLES

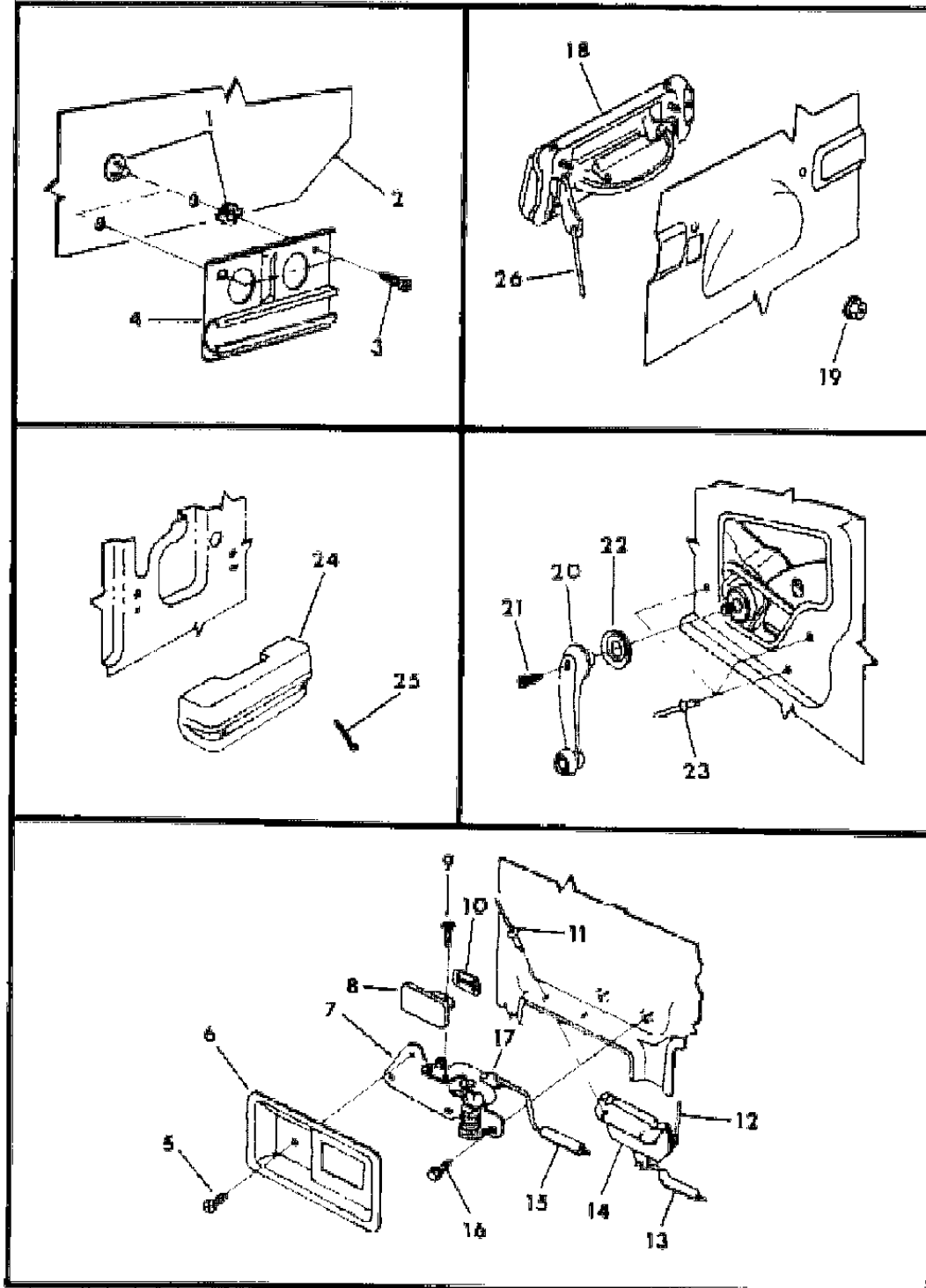
21 = 2-DOOR SEDAN	41 = 4-DOOR SEDAN
22 = 2-DOOR SPECIAL COUPE	45 = 4-DOOR STATION WAGON
24 = 2-DOOR HATCHBACK	44 = 4-DOOR HATCHBACK
27 = 2-DOOR CONVERTIBLE	48 = EXECUTIVE SEDAN
28 = FWD PICKUP	

AR = Use as Required - = Non Illustrated Part P.A.R. = Paint as Required



**GLASS AND REGULATOR, REAR DOOR M,Z - 44**  
**Figure 23C-700**

1171 700



ITEM	PART NUMBER	QTY	BODY	MODEL	DESCRIPTION
1	3744 734	AR			BUSHING & FASTENER PKG., Door Glass Lift
2					GLASS,Door,Movable
	5231 730-1	1			Clear
	5231 732-3	1			Tinted
					Stationary,
	5231 894-5	1			Clear
	5231 896-7	1			Tinted
3	6030 182	AR			SCREW
4	5215 364	2			CHANNEL, Door Glass Track
5	6100 903	AR			SCREW
6					BEZEL, Door Latch Remote Control Handle,
	D459 AA3	2			Silver
	D459 BB5	2			Blue
	D459 VM6	2			Red
	D459 BL3	2			Tan
	D459 VX9	2			Black
7	5231 930-1	1			REMOTE CONTROL, Door Latch
8	5200 878-9	1			HANDLE, Door Latch Remote Control
9	6031 318	AR			SCREW
10	5231 135	2			SEAL, Door Latch Remote Control Handle
11	6031 115	AR			RIVET
12	5200 909	2			ROD, Door Latch Locking Control Push
13	5231 563	2			LINK w/SLEEVE, Door Latch Locking Control to Latch
14	5215 338-9	1			SUPPORT, Door Latch Locking Control Lever
15	5231 222-3	1			LINK w/SLEEVE, Door Latch Remote Control to Latch
16	6500 144	AR			SCREW & WASHER
17	2945 108-9	AR			CLIP
18	4184 226	2			HANDLE, Door Outside
19	6500 274	4			NUT & WASHER
20	3882 764	2			HANDLE, Door Manual Window Regulator, Chrome
21	6031 644	2			SCREW
22	3882 768	2			SPACER, Door Manual Wdo. Reg. Handle
23	6031 115	AR			RIVET
24					ARM REST (See Trim Illus.)
25		AR			SCREW (Not Serviced)
26	5231 523	2			LINK, Door Outside Handle to Actg. Lever

**MODEL CODES**

B = GRAN FURY	G = DIPLOMAT	V = 400
C = LEBARON/TOWN & COUNTRY	M = HORIZON/TURISMO/SCAMP	X = MIRADA
D = ARIES	P = RELIANT	Y = IMPERIAL
E = 600	S = CORDOBA	Z = OMNI/CHARGER/RAMPAGE
F = FIFTH AVENUE	T = E CLASS/NEWYORKER	

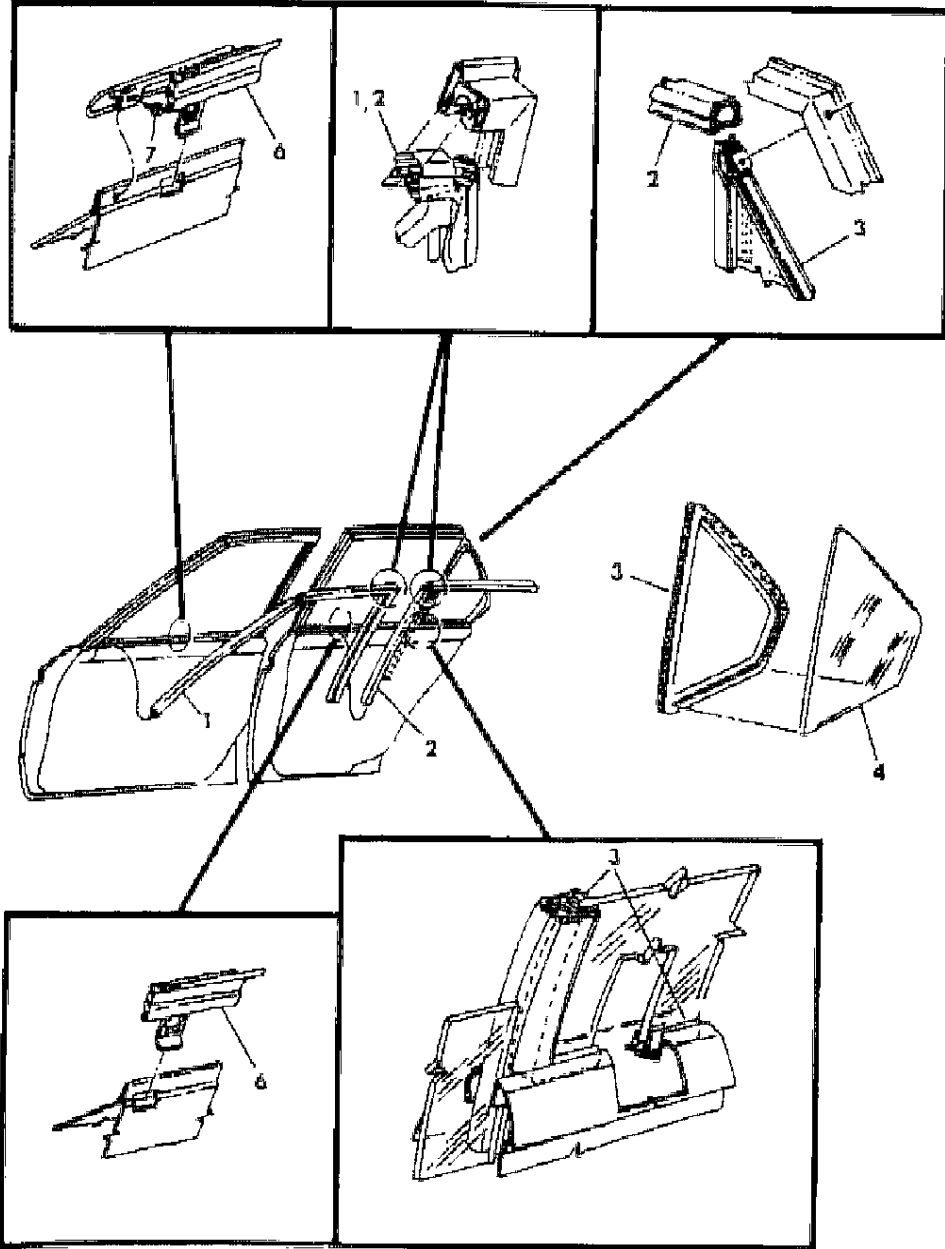
**BODY STYLES**

21 = 2-DOOR SEDAN	41 = 4-DOOR SEDAN
22 = 2-DOOR SPECIAL COUPE	45 = 4-DOOR STATION WAGON
24 = 2-DOOR HATCHBACK	44 = 4-DOOR HATCHBACK
27 = 2-DOOR CONVERTIBLE	48 = EXECUTIVE SEDAN
28 = FWD PICKUP	

AR = Use as Required - = Non Illustrated Part P.A.R. = Paint as Required

**WEATHERSTRIP AND RUN M,Z - 44**  
**Figure 23C-800**

3171 800



ITEM	PART NUMBER	QTY	BODY	MODEL	DESCRIPTION
1	5231 295	2			RUN w/CLIP, Front Door Glass
2	5231 367	2			RUN, Rear Door Glass
3	5200 770	2			WEATHERSTRIP, Rr. Door Fixed Vent Wdo.
4					GLASS, Rear Door Stationary, Clear
	5231 894-5	1			Tinted
	5231 896-7	1			WEATHERSTRIP w/CLIPS, Window Belt
6					Front Door Outer, Belt
	5209 232-3	1			Inner
	5231 886-7	1			Rear Door Outer, Belt
	5209 234-5	1			Inner
	5208 624-5	1			Inner
7		AR			SCREW (Not Serviced)

NOTE: FRONT AND REAR DOOR OPENING WEATHERSTRIP. SEE TRIM SECTION, PINCHWELD W/WEATHERSTRIP BODY MOUNTED. de). Both models are derived from the 100.1" W.B. LeBaron (C 22 Model). Sheet metal parts for the C 48 not found

NOTE:THE FOLLOWING ITEMS ARE NOT ILLUSTRATED de). Both models are derived from the 100.1" W.B. LeBaron (C 22 Model). Sheet metal parts for the C 48 not found on this illustration should be specif

5208 891	2				CLIP,Rear Door Opening w/Strip.
----------	---	--	--	--	---------------------------------

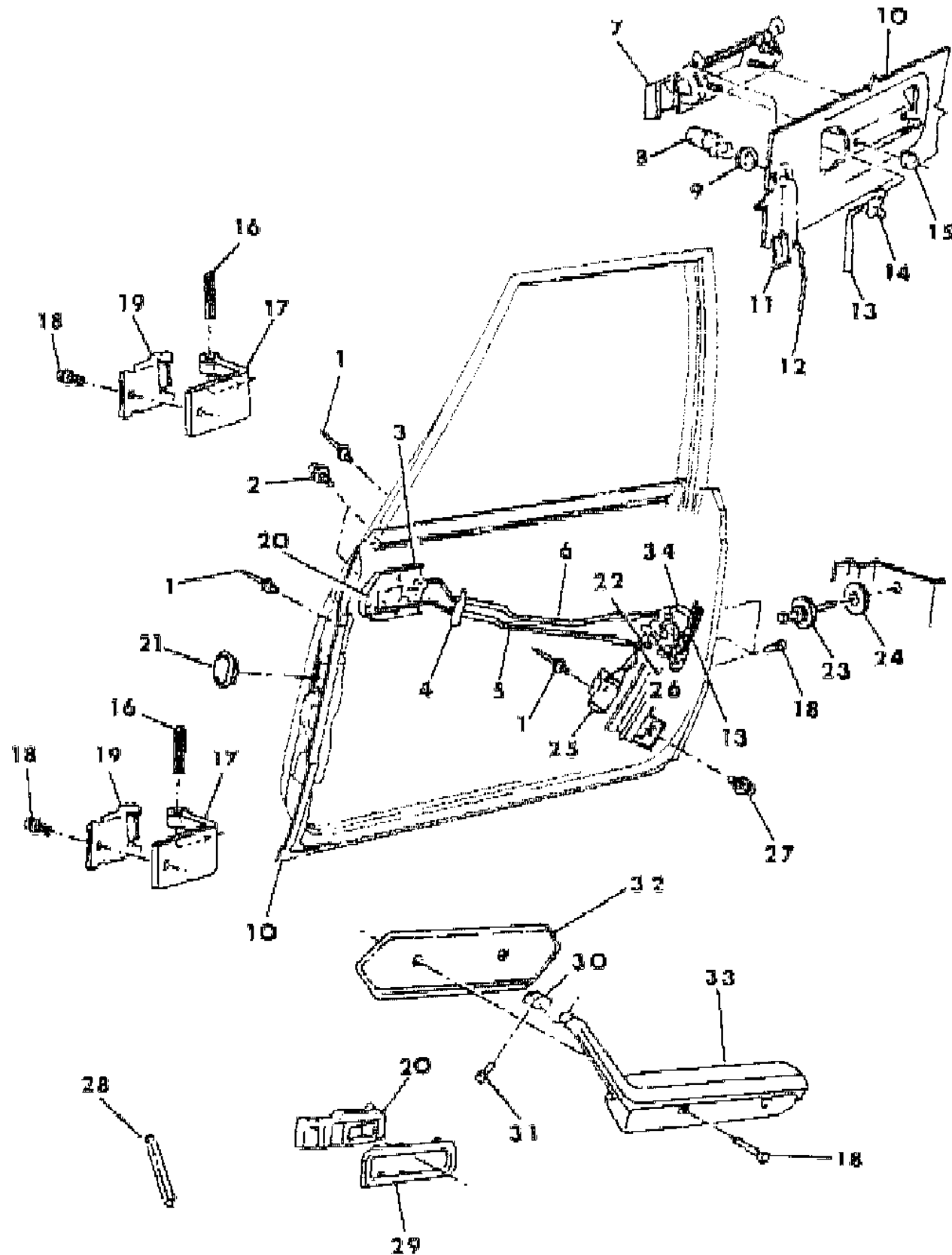
MODEL CODES  
 B = GRAN FURY  
 C = LEBARON/TOWN & COUNTRY  
 D = ARIES  
 E = 600  
 F = FIFTH AVENUE  
 G = DIPLOMAT  
 M = HORIZON/TURISMO/SCAMP  
 P = RELIANT  
 S = CORDOBA  
 T = E CLASS/NEWYORKER  
 V = 400  
 X = MIRADA  
 Y = IMPERIAL  
 Z = OMNI/CHARGER/RAMPAGE

BODY STYLES  
 21 = 2-DOOR SEDAN  
 22 = 2-DOOR SPECIAL COUPE  
 24 = 2-DOOR HATCHBACK  
 27 = 2-DOOR CONVERTIBLE  
 28 = FWD PICKUP  
 41 = 4-DOOR SEDAN  
 45 = 4-DOOR STATION WAGON  
 44 = 4-DOOR HATCHBACK  
 48 = EXECUTIVE SEDAN

AR = Use as Required - = Non Illustrated Part P.A.R. = Paint as Required

DOOR, FRONT P,D,C,V - 21,22  
Figure 23C-900

1171 9001



ITEM	PART NUMBER	QTY	BODY	MODEL	DESCRIPTION
1	6031 115	AR			RIVET
2	6100 274	4			SCREW
3	4184 252	2			PLATE, Door Latch Remote Control
4	4184 281	4			CLIP, Anti Rattle
5	4184 702-3	1			LINK & SLEEVE
6	4184 272-3	1			LINK and SLEEVE
7	4184 228	2			HANDLE, Outside
8					CYLINDER, Lock (refer to 23D)
9					GASKET, Cylinder (refer to 23D)
10	4271 440-1	1			PANEL, Door Shell,Up to 4-1-83
	4293 234-5	1			After 4-1-83
	4198 506-7				PANEL, Repair
	4342 458-9	1	P,D		REINFORCEMENT, Inner Panel, w/Power Windows
11					RETAINER, Cylinder (refer to 23D)
12	4184 016-7	1			LINK, Cylinder to Latch
13	4184 024-5	1			LINK, Outside Handle to Latch
14	2945 108-9	1			CLIP
15	6025 004	4			NUT
16	6500 361	4			PIN, Door Hinge
17	4240 315	4			HINGE, Body Half
18		4			SCREW (not serviced)
19	4184 117	4			CHECK SPRING, Body Half
	4240 316	4			LEAF, Hinge Door Half
20	4184 282-3	1			HANDLE w/DOOR LOCK, Black w/Chrome Handle (Push & Locked)
	4267 948-9	1			(Lock Only)
	D406-7 BB5	1			Blue (Push & Locked)
	4267 944-5	1			(Lock Only)
	D406-7 BL3	1			Beige, Met.(Push & Locked)
	4267 946-7	1			(Lock Only)
	D406-7 AM6	1			Red (Push & Locked)
	4267 940-1	1			(Lock Only)
21	6031 488	2			PLUG
22	4184 244-5	1			CLIP
23	4184 040	2			STRIKER, Door
	6500 483	2			NUT,Striker
24	4184 105	AR			SPACER, Door

MODEL CODES

B = GRAN FURY	G = DIPLOMAT	V = 400
C = LEBARON/TOWN & COUNTRY	M = HORIZON/TURISMO/SCAMP	X = MIRADA
D = ARIES	P = RELIANT	Y = IMPERIAL
E = 600	S = CORDOBA	Z = OMNI/CHARGER/RAMPAGE
F = FIFTH AVENUE	T = E CLASS/NEWYORKER	

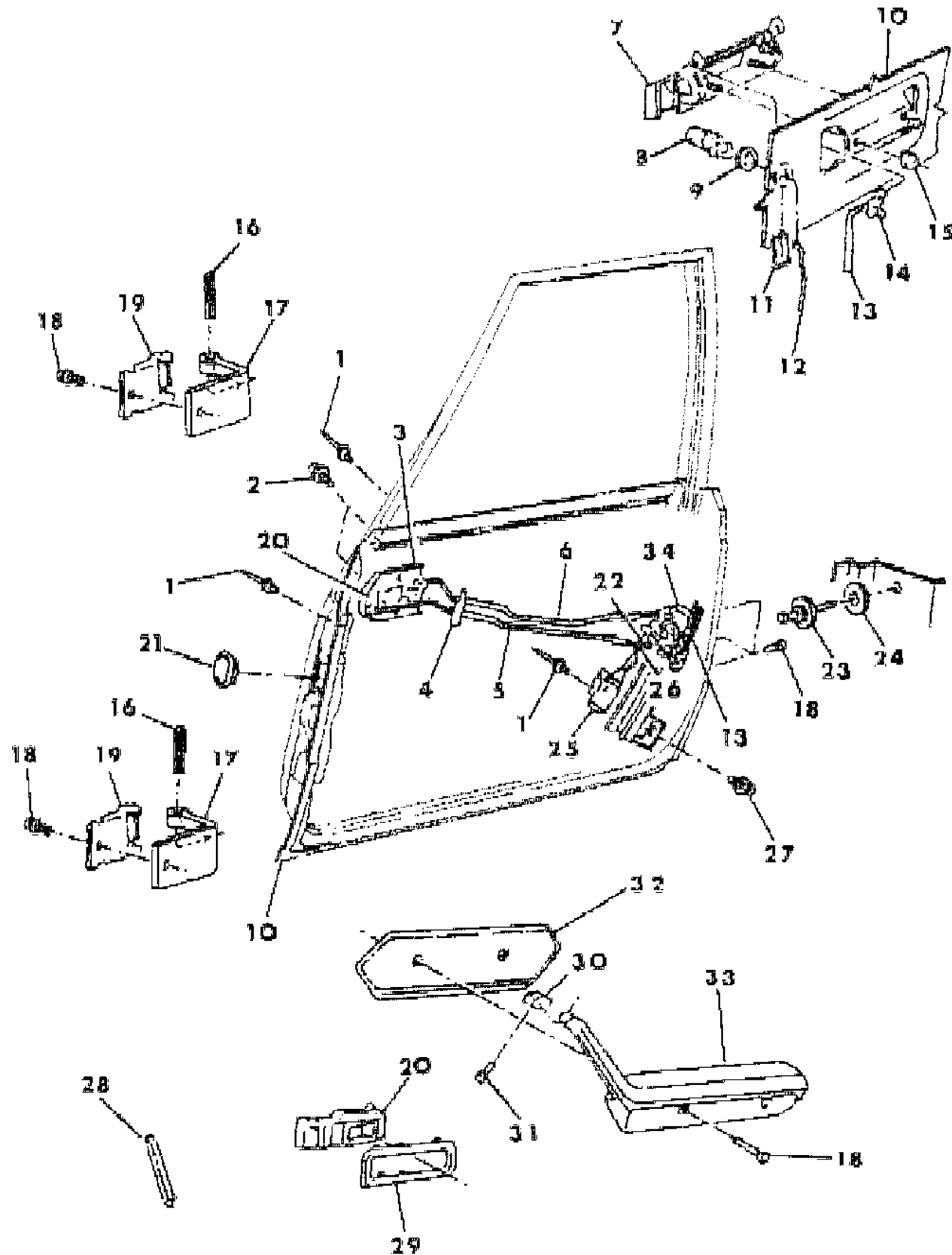
BODY STYLES

21 = 2-DOOR SEDAN	41 = 4-DOOR SEDAN
22 = 2-DOOR SPECIAL COUPE	45 = 4-DOOR STATION WAGON
24 = 2-DOOR HATCHBACK	44 = 4-DOOR HATCHBACK
27 = 2-DOOR CONVERTIBLE	48 = EXECUTIVE SEDAN
28 = FWD PICKUP	

AR = Use as Required - = Non Illustrated Part P.A.R. = Paint as Required

DOOR, FRONT P,D,C,V - 21,22  
Figure 23C-900

1171 9001



ITEM	PART NUMBER	QTY	BODY	MODEL	DESCRIPTION
25	4184 156	2			MOTOR, Electric Lock
26	4184 072	2			LINK, Electric Motor to Latch
27	6100 565	2			SCREW and WASHER
28	4198 460	2			BUMPER and RETAINER
29					BEZEL
	D405 BB5	2		P,D-L	Blue
	D405 BM6	2		P,D-L	Red
	D405 BL3	2		P,D-L	Beige
	4184 723	2		PH,PP,D	
	4184 350-1	1		C,V	Chrome w/Finish Plate, Up to 4-1-83
	4184 780-1	1		C,V	After 4-1-83
	4184 356	1		C,V	APPLIQUE, Remote Control Bezel, Up to 4-1-83
	4184 782	1		C,V	After 4-1-83
30				P,D	BEZEL (See Trim Illus.)
31				P,D	SCREW (See Trim Illus.)
32	4077 894-5	1		P,D	PLATE, Arm Rest Back
33		1			ARM REST (See Trim Illus.)
34	4184 623	1			LATCH, Left (override)
	4184 620	1			Right (non override)

MODEL CODES

B = GRAN FURY	G = DIPLOMAT	V = 400
C = LEBARON/TOWN & COUNTRY	M = HORIZON/TURISMO/SCAMP	X = MIRADA
D = ARIES	P = RELIANT	Y = IMPERIAL
E = 600	S = CORDOBA	Z = OMNI/CHARGER/RAMPAGE
F = FIFTH AVENUE	T = E CLASS/NEWYORKER	

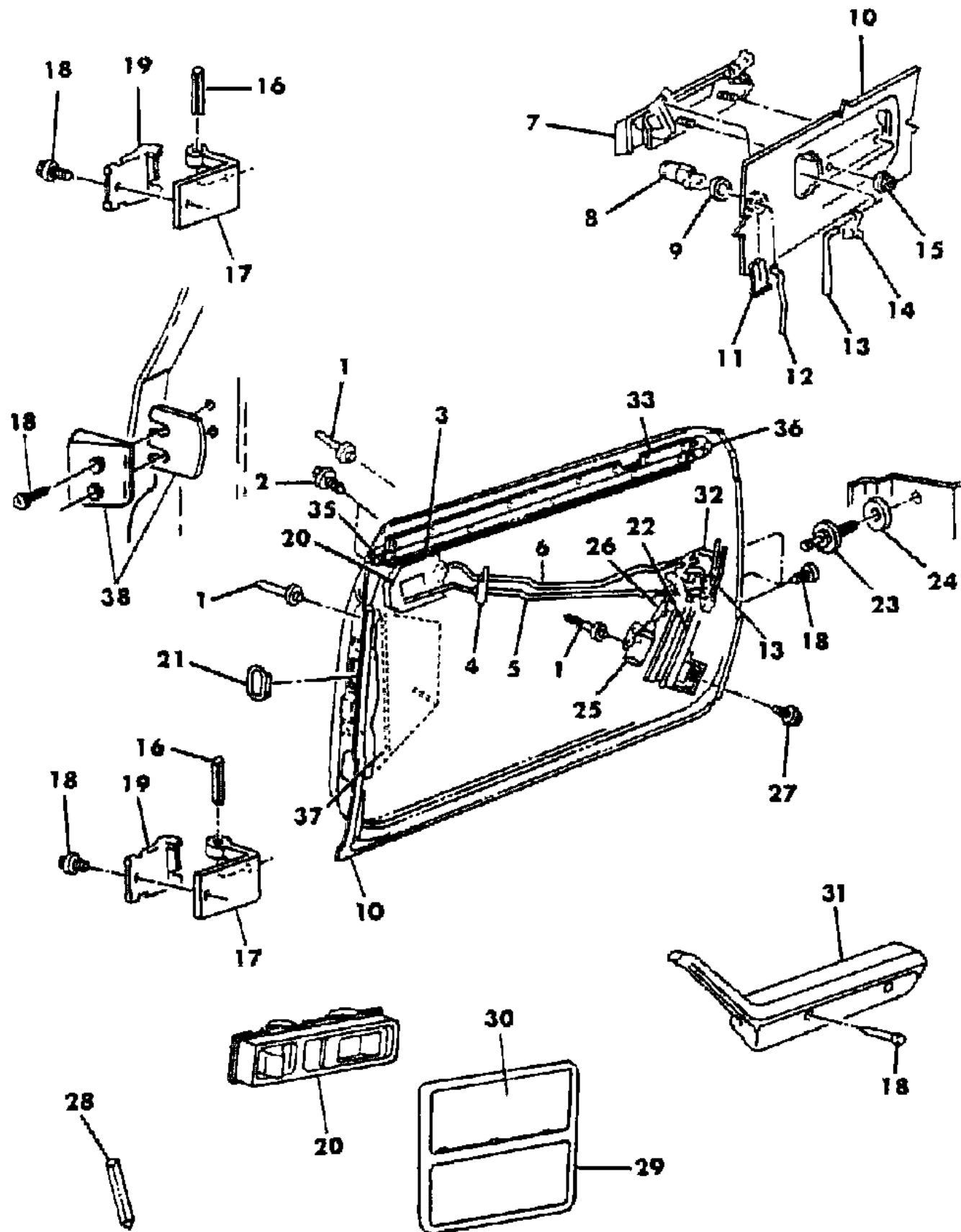
BODY STYLES

21 = 2-DOOR SEDAN	41 = 4-DOOR SEDAN
22 = 2-DOOR SPECIAL COUPE	45 = 4-DOOR STATION WAGON
24 = 2-DOOR HATCHBACK	44 = 4-DOOR HATCHBACK
27 = 2-DOOR CONVERTIBLE	48 = EXECUTIVE SEDAN
28 = FWD PICKUP	

AR = Use as Required - = Non Illustrated Part P.A.R. = Paint as Required

DOOR , FRONT C,V 27  
Figure 23C-1000

3171 1000



ITEM	PART NUMBER	QTY	BODY	MODEL	DESCRIPTION
1	6031 115	AR			RIVET
2	6100 274	4			SCREW
3	4184 252	2			PLATE, Door Latch Remote Control
4	4184 281	4			CLIP, Anti Rattle
5	4184 702-3	1			LINK and SLEEVE
6	4184 272-3	1			LINK and SLEEVE
7	4184 228	2			HANDLE, Outside
8					CYLINDER, Lock (refer to 23D)
9					GASKET, Cylinder (refer to 23D)
10	4318 320-1	1			PANEL,Door Shell
	4198 506-7	1			PANEL, Repair
11					RETAINER, Cylinder (refer to 23D)
12	4184 016-7	1			LINK, Cylinder to Latch
13	4184 024-5	1			LINK, Outside Handle to Latch
14	2945 108-9	1			CLIP
15	6025 004	4			NUT
16	6500 361	4			PIN, Door Hinge
17	4240 315	4			HINGE, Body Half
18		4			SCREW (not serviced)
19	4184 117	4			CHECK SPRING, Body Half
	4240 316	4			LEAF, Hinge Door Half
20	4184 282-3	1			HANDLE w/DOOR LOCK, Chrome
21	6031 488	2			PLUG
22	4184 244-5	1			CLIP
23	4184 040	2			STRICKER, Door
	6500 483	2			NUT,Striker
24	4184 105	AR			SPACER, Door
25	4184 156	2			MOTOR, Electric Lock
26	4184 072	2			LINK, Electric Motor to Latch
27	6100 565	2			SCREW and WASHER
28	4198 460	2			BUMPER and RETAINER
29	4184 350-1	1			BEZEL w/FINISH PLATE, Chrome, Up to 4-1-83
	4184 780-1	1			After 4-1-83
30	4184 356	2			APPLIQUE, Remote Control (Woodgrain) Up to 4-1-83
	4184 782	2			After 4-1-83
31					ARM REST (refer to Trim)
32	4184 623	1			LATCH, Left (override)

MODEL CODES

B = GRAN FURY	G = DIPLOMAT	V = 400
C = LEBARON/TOWN & COUNTRY	M = HORIZON/TURISMO/SCAMP	X = MIRADA
D = ARIES	P = RELIANT	Y = IMPERIAL
E = 600	S = CORDOBA	Z = OMNI/CHARGER/RAMPAGE
F = FIFTH AVENUE	T = E CLASS/NEWYORKER	

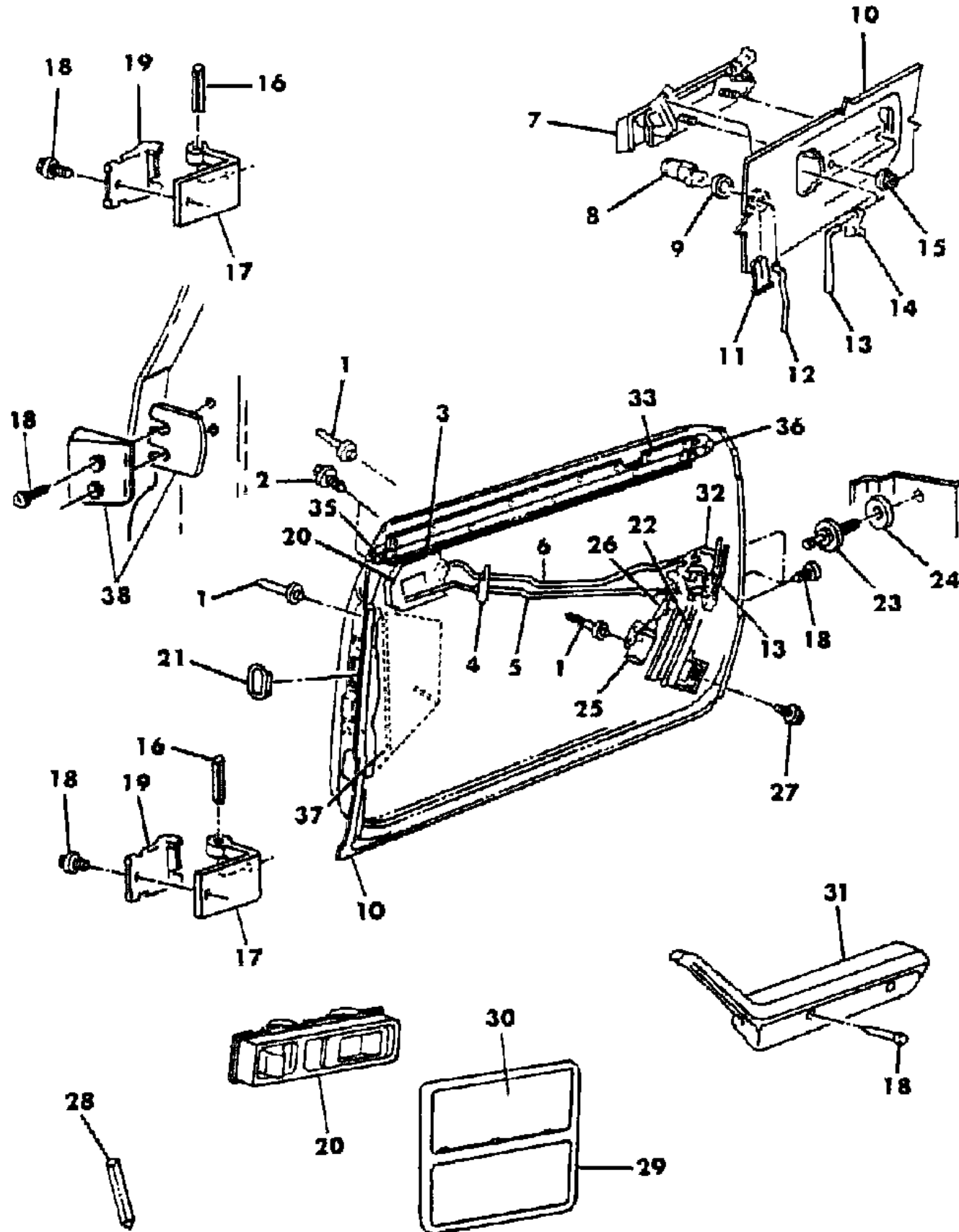
BODY STYLES

21 = 2-DOOR SEDAN	41 = 4-DOOR SEDAN
22 = 2-DOOR SPECIAL COUPE	45 = 4-DOOR STATION WAGON
24 = 2-DOOR HATCHBACK	44 = 4-DOOR HATCHBACK
27 = 2-DOOR CONVERTIBLE	48 = EXECUTIVE SEDAN
28 = FWD PICKUP	

AR = Use as Required - = Non Illustrated Part P.A.R. = Paint as Required

DOOR , FRONT C,V 27  
Figure 23C-1000

3171 1000



ITEM	PART NUMBER	QTY	BODY	MODEL	DESCRIPTION
	4184 620	1			Right (non override)
	4184 372	1			(use after Jefferson 3/2/82; St. Louis 4/1/82; Newark 4/8/82)
33	4305 030-1	1			REINFORCEMENT, Upper
35	4097 598-9	1			SEAL, Window, Front
36	4097 600-1	1			SEAL, Window, Rear
37	4097 702-3	1			REINFORCEMENT, Impact Bar
	4198 460	2			BUMPER and RETAINER, Impact Bar
38	4097 609	2			WEDGE, Door

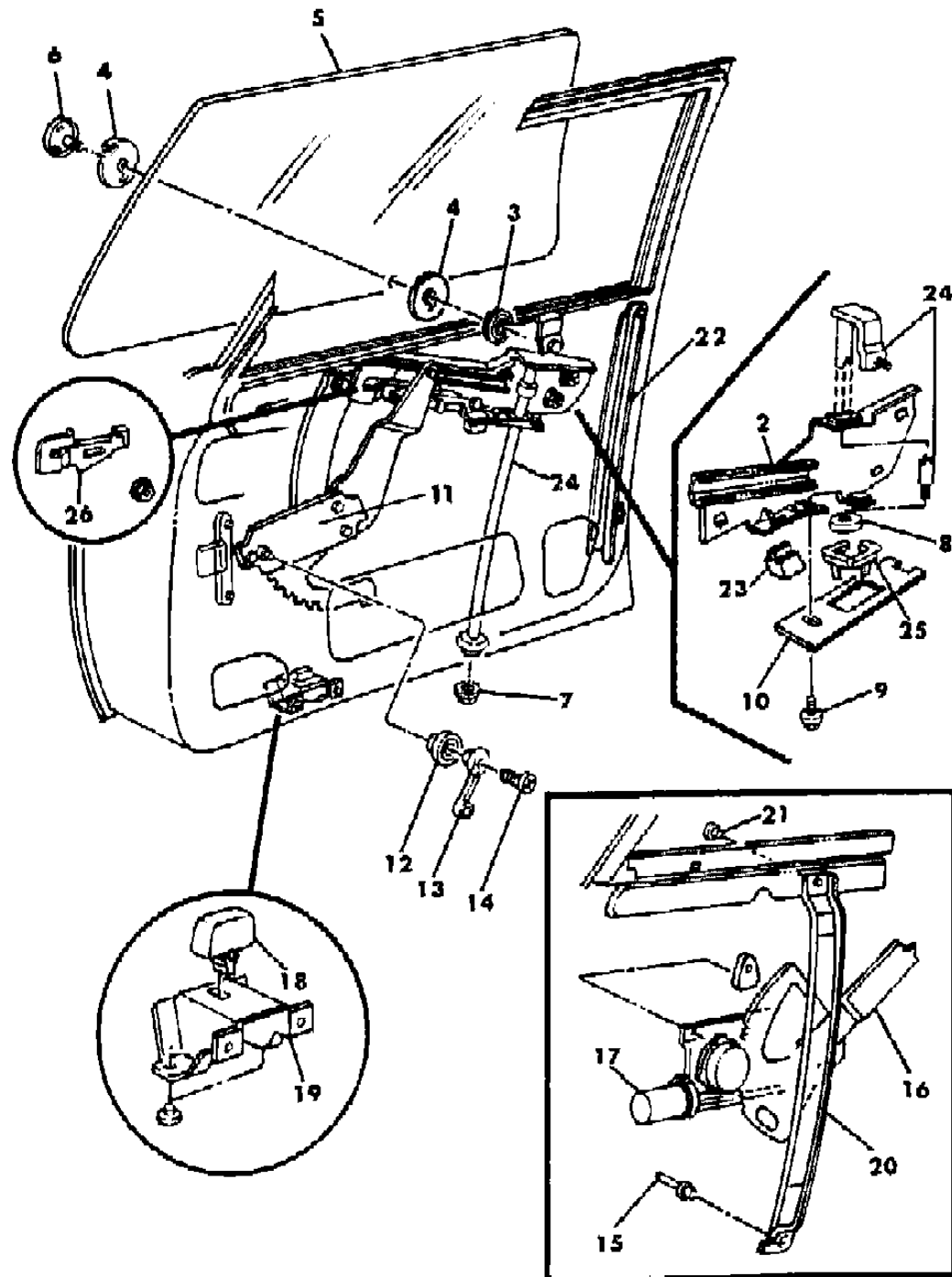
MODEL CODES  
 B = GRAN FURY  
 C = LEBARON/TOWN & COUNTRY  
 D = ARIES  
 E = 600  
 F = FIFTH AVENUE  
 G = DIPLOMAT  
 M = HORIZON/TURISMO/SCAMP  
 P = RELIANT  
 S = CORDOBA  
 T = E CLASS/NEWYORKER  
 V = 400  
 X = MIRADA  
 Y = IMPERIAL  
 Z = OMNI/CHARGER/RAMPAGE

BODY STYLES  
 21 = 2-DOOR SEDAN  
 22 = 2-DOOR SPECIAL COUPE  
 24 = 2-DOOR HATCHBACK  
 27 = 2-DOOR CONVERTIBLE  
 28 = FWD PICKUP  
 41 = 4-DOOR SEDAN  
 45 = 4-DOOR STATION WAGON  
 44 = 4-DOOR HATCHBACK  
 48 = EXECUTIVE SEDAN

AR = Use as Required - = Non Illustrated Part P.A.R. = Paint as Required

**DOOR, FRONT GLASS AND REGULATORS P,D,C,V - 21,22**  
**Figure 23C-1100**

3173 1100



ITEM	PART NUMBER	QTY	BODY	MODEL	DESCRIPTION
1		6			NUT and WASHER (not serviced)
2	4136 926-7	1			PLATE and CHANNEL, Glass Lift
3	6028 587	6			T/NUT
4	5231 769	12			GASKET, Glass Isolator
5					GLASS
	4136 918	1		P,D	Clear Right
	4198 401	1		P,D,C,V	Clear Left
	4136 920	1		P,D	Tinted Right
	4198 403	1		P,D,C,V	Tinted Left
	4198 400	1		P,D,C,V	Clear Right w/Mirror
	4198 402	1		P,D,C,V	Tinted Right w/Mirror
6	6029 998	6			WASHER and STUD
7	6100 049	4			NUT and WASHER
8	3788 079	2			SLEEVE, Glass Track Lower
9	6500 144	4			SCREW and WASHER
10	4198 029	2			RETAINER
11	4184 018-9	1			REGULATOR, Manual
	3760 506	2			SPRING, Manual Regulator Assist
	3882 758	2			SLIDE, Manual Regulator
12	3882 767	AR			SPACER, Regulator Handle
13	3882 764	2			HANDLE, Regulator
14	6027 221	2			SCREW
15		AR			RIVET (DNS)
16	4280 436-7	1			REGULATOR, Electric
	2999 467	2			SPACER, Electric Regulator
	3882 758	2			SLIDE, Electric Regulator Driving Arm
17	4280 640-1	1			MOTOR
	2952 975	2			GEAR and SEAL PACKAGE
18	3875 997	AR			BUMPER, Glass Down Stop Electric
19	4198 846	2			BRACKET, Electric Window Down-stop Bumper
20	4280 423	2			SUPPORT, Door Elec. Reg. Mounting
21	6100 566	AR			SCREW and WASHER
22	4198 048-9	1			CHANNEL and BRACKET, Glass Run Rear
23	3759 566	2			BUMPER, Down Stop
	6100 144	2			SCREW and WASHER
24	4136 924	2			TRACK and BRACKET, Glass
25	4136 914	2			GUIDE, Front Door Glass

**MODEL CODES**

B = GRAN FURY	G = DIPLOMAT	V = 400
C = LEBARON/TOWN & COUNTRY	M = HORIZON/TURISMO/SCAMP	X = MIRADA
D = ARIES	P = RELIANT	Y = IMPERIAL
E = 600	S = CORDOBA	Z = OMNI/CHARGER/RAMPAGE
F = FIFTH AVENUE	T = E CLASS/NEWYORKER	

**BODY STYLES**

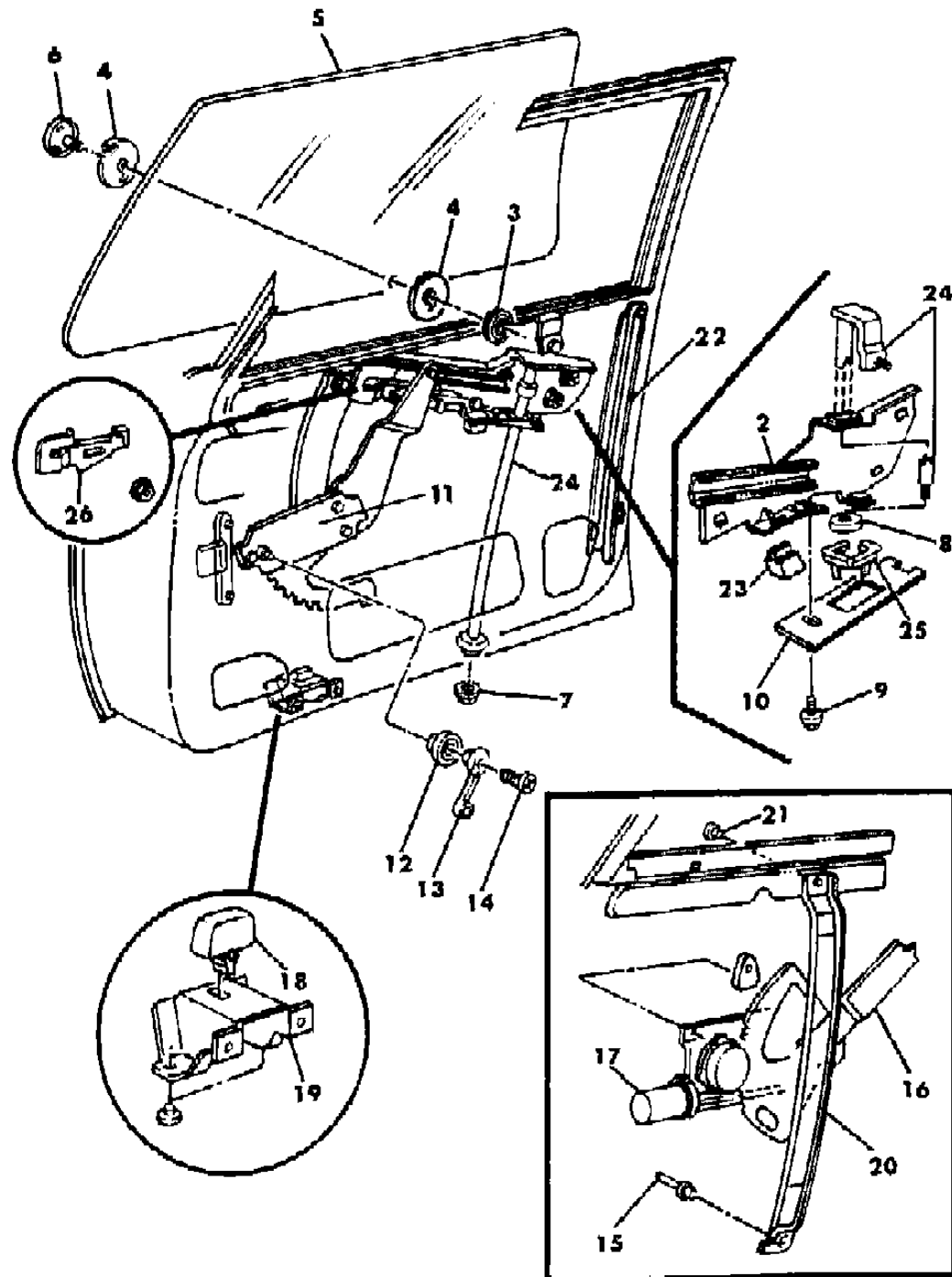
21 = 2-DOOR SEDAN	41 = 4-DOOR SEDAN
22 = 2-DOOR SPECIAL COUPE	45 = 4-DOOR STATION WAGON
24 = 2-DOOR HATCHBACK	44 = 4-DOOR HATCHBACK
27 = 2-DOOR CONVERTIBLE	48 = EXECUTIVE SEDAN
28 = FWD PICKUP	

AR = Use as Required - = Non Illustrated Part P.A.R. = Paint as Required

DOOR, FRONT GLASS AND REGULATORS P,D,C,V - 21,22

Figure 23C-1100

3173 1100



ITEM	PART NUMBER	QTY	BODY	MODEL	DESCRIPTION
26	4280 696-7	1			BRACKET, Elec. Window Up-stop
NOTE: THE FOLLOWING ITEMS ARE NOT ILLUSTRATED de). Both models are derived from the 100.1" W.B. LeBaron (C 22 Model). Sheet metal parts for the C 48 not found on this illustration should be specif					
	0137 204	2			COTTER PIN, Electric Window Up Stop
	1316 863	2			O-RING, Elec. Window Reg. Mech.

MODEL CODES

B = GRAN FURY	G = DIPLOMAT	V = 400
C = LEBARON/TOWN & COUNTRY	M = HORIZON/TURISMO/SCAMP	X = MIRADA
D = ARIES	P = RELIANT	Y = IMPERIAL
E = 600	S = CORDOBA	Z = OMNI/CHARGER/RAMPAGE
F = FIFTH AVENUE	T = E CLASS/NEWYORKER	

BODY STYLES

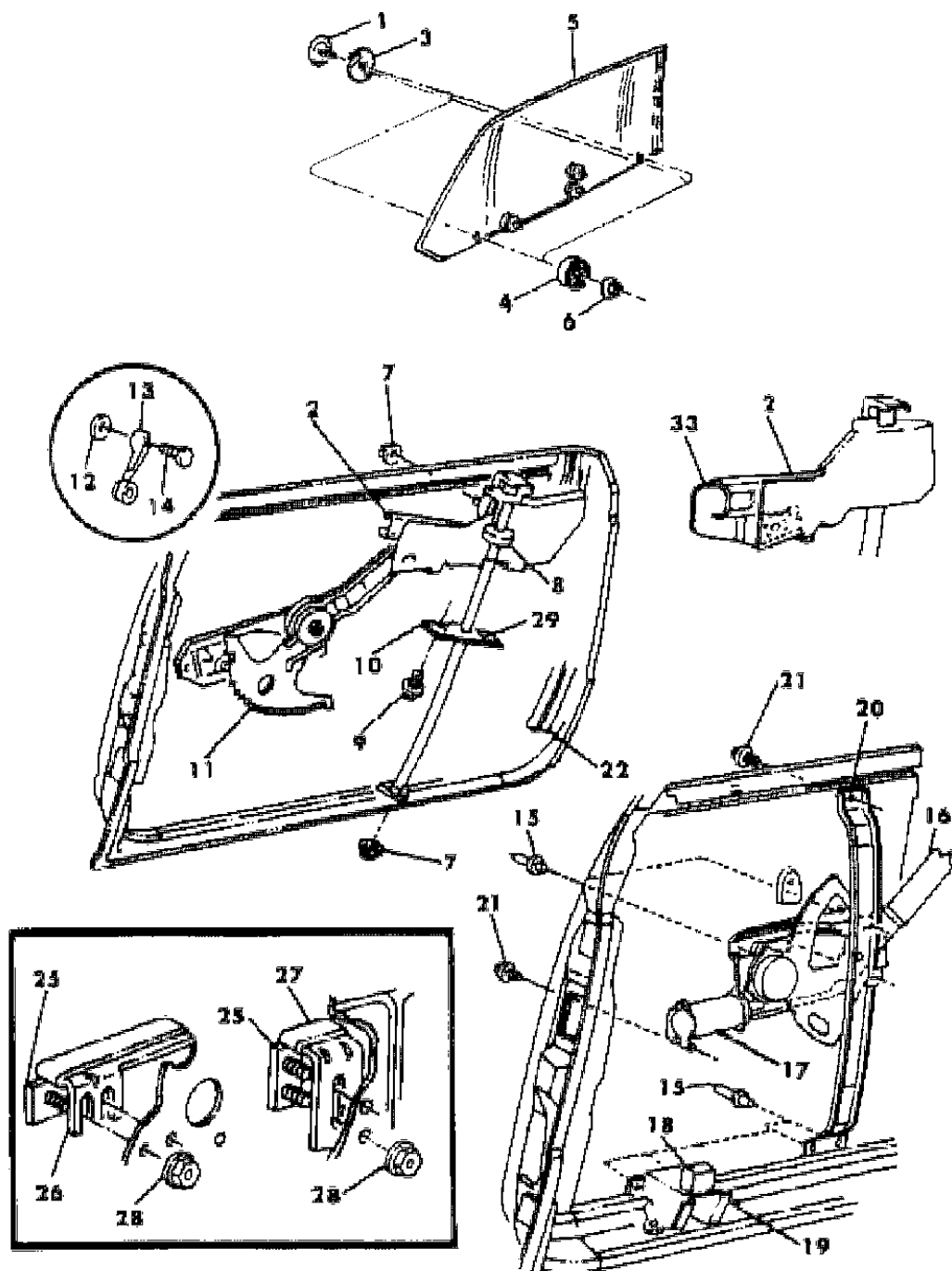
21 = 2-DOOR SEDAN	41 = 4-DOOR SEDAN
22 = 2-DOOR SPECIAL COUPE	45 = 4-DOOR STATION WAGON
24 = 2-DOOR HATCHBACK	44 = 4-DOOR HATCHBACK
27 = 2-DOOR CONVERTIBLE	48 = EXECUTIVE SEDAN
28 = FWD PICKUP	

AR = Use as Required - = Non Illustrated Part P.A.R. = Paint as Required



**FRONT DOOR GLASS AND REGULATORS C,V 27**  
**Figure 23C-1200**

3171 120018



ITEM	PART NUMBER	QTY	BODY	MODEL	DESCRIPTION
1	6022 998	4			STUD & WASHER, Glass Upstop
2	4136 926-7	1			PLATE and CHANNEL, Glass Lift
3	5231 769	4			GASKET, Glass Upstop
4	4305 012	4			STOP, Glass Upper
5	4097 512-3	1			GLASS, Tinted
6	6025 004	4			NUT, Glass Upstop
7	6100 049	4			NUT and WASHER
8	3788 079	2			SLEEVE, Glass Track, Lower
9	6500 144	4			SCREW and WASHER
10	4198 029	2			RETAINER
11	4184 018-9	1			REGULATOR, Manual
	3760 506	2			SPRING, Manual Regulator Assist
	3882 758	2			SLIDE, Manual Regulator
12	3882 768	AR			SPACER, Regulator Handle
13	3882 764	2			HANDLE, Regulator, Chrome
14	6027 221	2			SCREW
15		AR			RIVET (DNS)
16	4280 436-7	1			REGULATOR, Electric
	3548 637	2			SPRING, Electric Regulator Assist
	2999 467	AR			SPACER, Electric Regulator
	3882 758	2			SLIDE, Electric Regulator Driving Arm
17	4280 640-1	1			MOTOR
	2932 973	2			GEAR and SEAL PACKAGE
18	3759 910	AR			BUMPER, Glass Down Stop Electric
19	4305 039	2			BRACKET, Elec. Window Down-stop Bumper
20	4280 423	2			SUPPORT & P/NUT
21	6100 566	2			SCREW and WASHER
22	4198 048-9	1			CHANNEL and BRACKET, Glass Run, Rear
23	3759 566	2			BUMPER, Down Stop
	6100 144	2			SCREW and WASHER
24	4136 924	2			TRACK and BRACKET, Glass
25	4097 641	AR			PLATE, Glass Upstop Stud
26	4097 752	2			BRACKET, Glass Upstop, Front
27	4097 752	2			BRACKET, Glass Upstop, Rear
28	6031 029	AR			NUT and WASHER
	0137 204	2			COTTER PIN, Electric Window Up Stop
29	4136 914	2			GUIDE, Door Glass

**MODEL CODES**

B = GRAN FURY	G = DIPLOMAT	V = 400
C = LEBARON/TOWN & COUNTRY	M = HORIZON/TURISMO/SCAMP	X = MIRADA
D = ARIES	P = RELIANT	Y = IMPERIAL
E = 600	S = CORDOBA	Z = OMNI/CHARGER/RAMPAGE
F = FIFTH AVENUE	T = E CLASS/NEWYORKER	

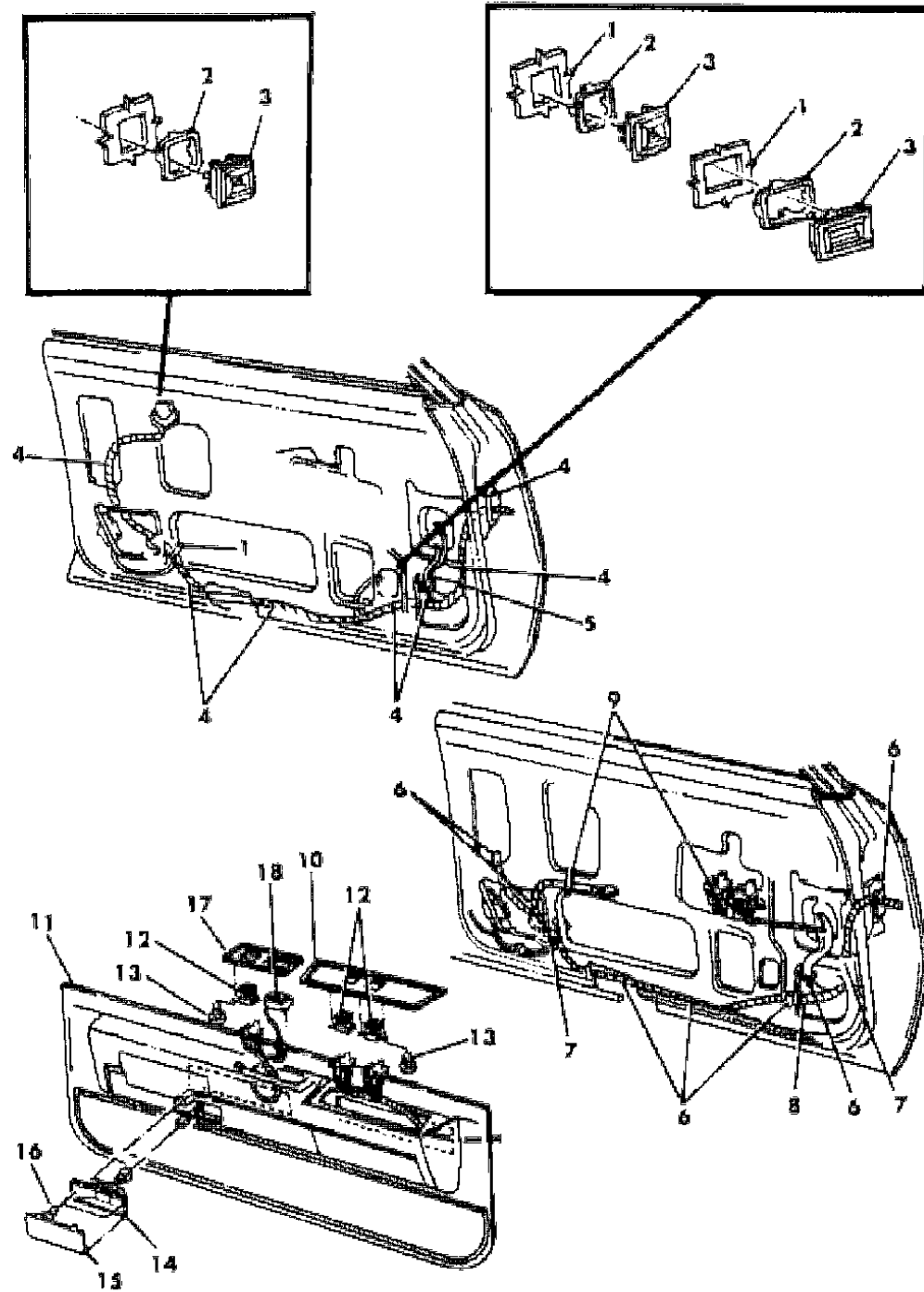
**BODY STYLES**

21 = 2-DOOR SEDAN	41 = 4-DOOR SEDAN
22 = 2-DOOR SPECIAL COUPE	45 = 4-DOOR STATION WAGON
24 = 2-DOOR HATCHBACK	44 = 4-DOOR HATCHBACK
27 = 2-DOOR CONVERTIBLE	48 = EXECUTIVE SEDAN
28 = FWD PICKUP	

AR = Use as Required - = Non Illustrated Part P.A.R. = Paint as Required

**BEZELS, SWITCHES AND WIRING, FRONT DOOR P,D,C,V 21,22,27**  
**Figure 23C-1300**

3171 1300



ITEM	PART NUMBER	QTY	BODY	MODEL	DESCRIPTION
1				P,D	DOOR TRIM PANEL (See Trim Illus.)
2	4221 145	1	P,D	P,D	REINFORCEMENT, Window Lift, Door Lock Switch Single
	4221 146	1	P,D	P,D	Double
3				P,D	SWITCH, Window Lift, Door Lock
	4221 141	1	P,D	P,D	Single
	4221 142	1	P,D	P,D	Double
4				P,D	Parts contained in wiring assy.
5				P,D	WIRING, Door
	4304 087	1	P,D	P,D	w/Window Lift, Lt.
	4304 088	1	P,D	P,D	Rt.
	4274 870-1	1	P,D	P,D	w/Door Lock
	4304 090-1	1	P,D	P,D	w/Window Lift and w/Door Lock
6				C,V	Parts are contained in wiring assy.
7				C,V	CLIP, Snap (not serviced)
8		2		C,V	WIRING, Door w/Courtesy Lamps (DNS)
	4304 250-1	1	C,V	C,V	w/Power Locks w/ or w/o Elec. Mirrors
	4274 702-3	1	C,V	C,V	w/Power Windows w/ or w/o Elec. Mirrors
	4304 252-3	1	C,V	C,V	w/Power Locks & Power Windows
	4304 254-5	1	C,V	C,V	w/Power Locks & Power Windows & Elec. Mirrors
	4274 714	1	C,V	C,V	w/Elec. Mirror, Rt.
9		AR		C,V	TAPE (not serviced)
10	4223 648-9	1		C,V	BEZEL, Power Windows
11				C,V	DOOR TRIM PANEL (See Trim Illus.)
12	3747 935	AR		C,V	SWITCH, Single
13		AR		C,V	SCREW (not serviced)
14-15	4220 594	2		C,V	LAMP ASSY, Courtesy
14				C,V	HOUSING, Courtesy Lamp (Serv. in Assy)
15	4220 595	2		C,V	LENS, Courtesy Lamp
16				C,V	SCREW (Not Serviced)
17	4247 403	1		C,V	BEZEL, Door Armrest w/Power Locks & Elec. Mirrors.Lt.
	4247 409	1		C,V	w/o Power Locks, w/Elec. Mirrors, Lt.
	4247 414	1		C,V	w/Power Locks, Right
	4247 414	1		C,V	w/Power Locks, w/o Electric Mirror, Left
18	4221 395	1		C,V	SWITCH, Dual Remote Control, Elec. Mirror
	4247 510	2		C,V	BRACKET, Elec. Mirror Switch to Armrest Base
	4274 095				1 Gang

**MODEL CODES**

B = GRAN FURY	G = DIPLOMAT	V = 400
C = LEBARON/TOWN & COUNTRY	M = HORIZON/TURISMO/SCAMP	X = MIRADA
D = ARIES	P = RELIANT	Y = IMPERIAL
E = 600	S = CORDOBA	Z = OMNI/CHARGER/RAMPAGE
F = FIFTH AVENUE	T = E CLASS/NEWYORKER	

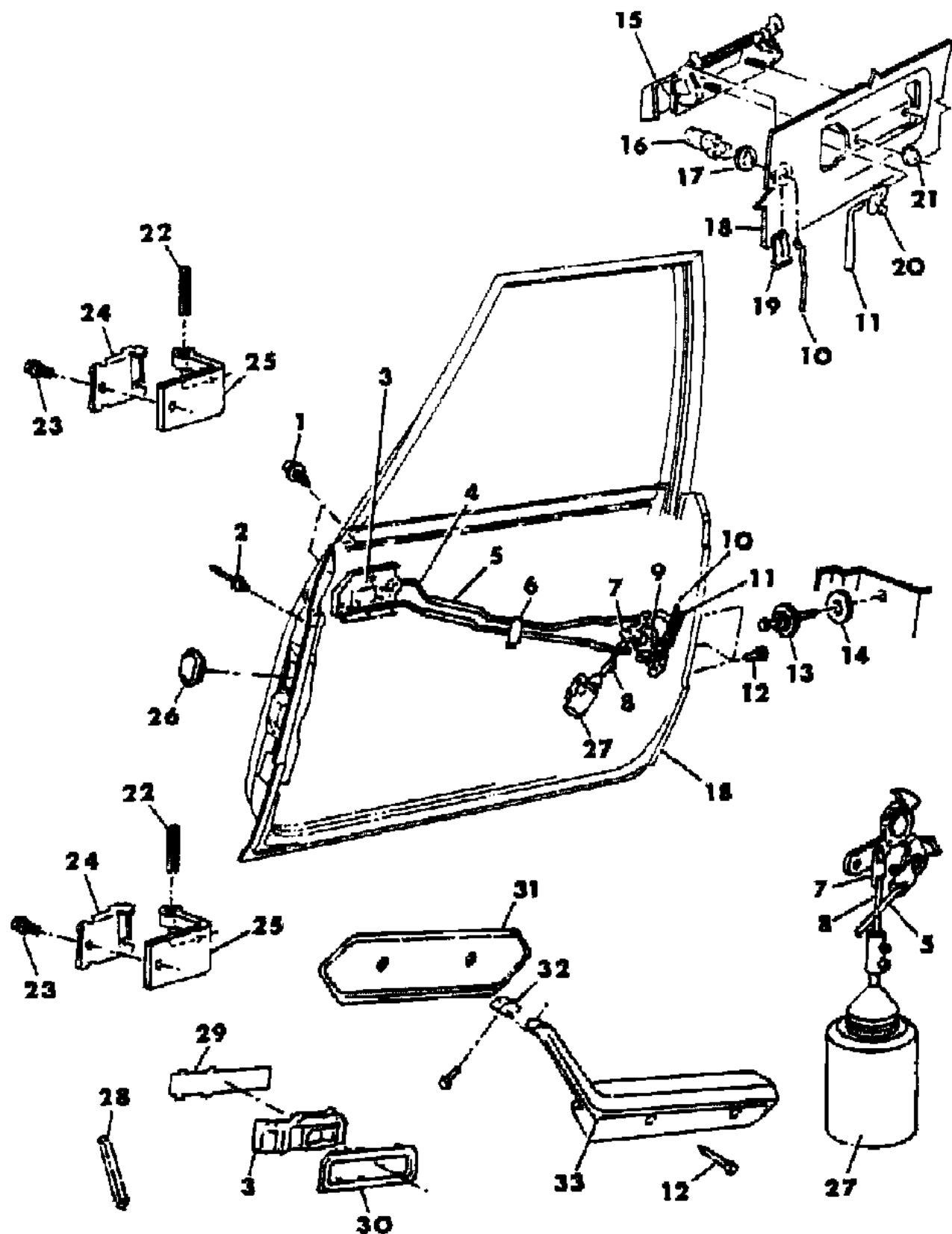
**BODY STYLES**

21 = 2-DOOR SEDAN	41 = 4-DOOR SEDAN
22 = 2-DOOR SPECIAL COUPE	45 = 4-DOOR STATION WAGON
24 = 2-DOOR HATCHBACK	44 = 4-DOOR HATCHBACK
27 = 2-DOOR CONVERTIBLE	48 = EXECUTIVE SEDAN
28 = FWD PICKUP	

AR = Use as Required - = Non Illustrated Part P.A.R. = Paint as Required

DOOR, FRONT P,D,C,V,E,T - 41,45,48  
Figure 23C-1400

3171 1400



ITEM	PART NUMBER	QTY	BODY	MODEL	DESCRIPTION
1		2			SCREW and WASHER (not serviced)
2	6031 115	AR			RIVET
3	4184 282-3	1			HOUSING, Door Latch Remote Black w/Chrome Handle (Push & Locked)
	4267 948-9	1			(Lock Only)
	D406-7 BB5	1			Blue (Push & Locked)
	4267 934-5	1			(Lock Only)
	D406-7 AM6	1			Red (Push & Locked)
	4267 936-7	1			(Lock Only)
	D406-7 BL3	1			Beige (Push & Locked)
	4267 946-7	1			(Lock Only)
4	4184 268-9	1			LINK and ANTI RATTLE
5	4184 274-5	1			LINK and SLEEVE
6	4184 280	AR			CLIP, Anti Rattle
7	4184 244-5	1			CLIP w/Elec. Locks
	3454 220-1	1			w/o Elec. Locks
8	4184 072	1			LINK, Motor to Latch
9					LATCH
	4184 623	1			Left (override)
	4184 620	1			Right (non override)
10	4184 016-7	1			LINK, Cylinder to Latch
11	4184 024-5	1			LINK, Handle
12		AR			SCREW (not serviced)
13	4184 040	2			STRIKER, Door
	6500 483	2			NUT, Striker
	4339 523	2		Sedan,L	STRIKER,Door
14	4184 105	AR			SPACER, Door
15	4184 228	2			HANDLE, Door Outside
16					CYLINDER (refer to 23D)
17					GASKET (refer to 23D)
18	4271 422-3	1			PANEL,Door Shell,Up to 4-1-83
	4293 232-3	1			After 4-1-83
	4318 302-3	1		Limo	Phillips
	4342 070-1	1		Sedan,L	
	4198 508-9	1			PANEL, Repair
	4342 458-9	1		P,D	REINFORCEMENT, Inner Panel, w/Power Windows
19					RETAINER (refer to 23D)

MODEL CODES

B = GRAN FURY	G = DIPLOMAT	V = 400
C = LEBARON/TOWN & COUNTRY	M = HORIZON/TURISMO/SCAMP	X = MIRADA
D = ARIES	P = RELIANT	Y = IMPERIAL
E = 600	S = CORDOBA	Z = OMNI/CHARGER/RAMPAGE
F = FIFTH AVENUE	T = E CLASS/NEWYORKER	

BODY STYLES

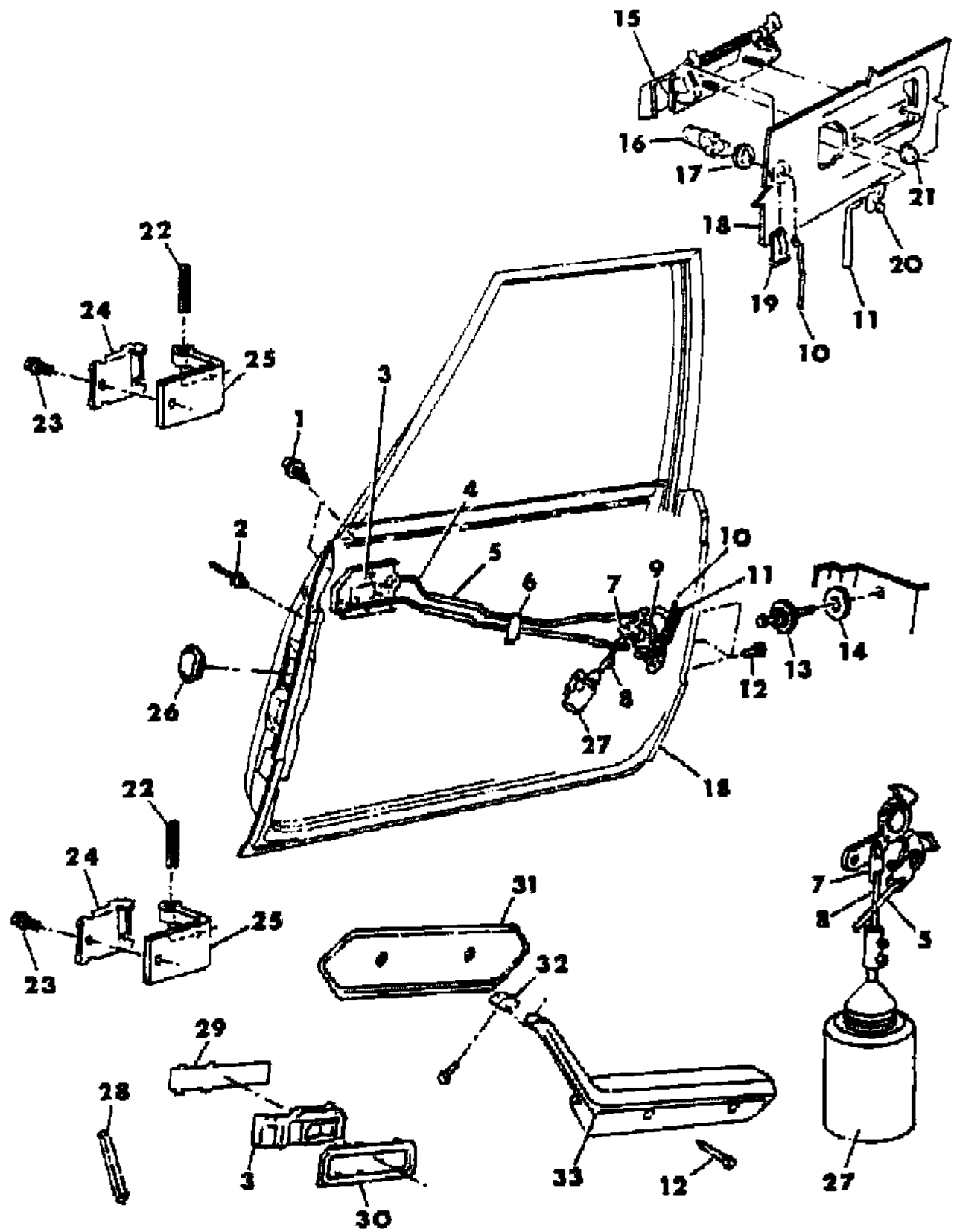
21 = 2-DOOR SEDAN	41 = 4-DOOR SEDAN
22 = 2-DOOR SPECIAL COUPE	45 = 4-DOOR STATION WAGON
24 = 2-DOOR HATCHBACK	44 = 4-DOOR HATCHBACK
27 = 2-DOOR CONVERTIBLE	48 = EXECUTIVE SEDAN
28 = FWD PICKUP	

AR = Use as Required - = Non Illustrated Part P.A.R. = Paint as Required

DOOR, FRONT P,D,C,V,E,T - 41,45,48

Figure 23C-1400

3171 1400



ITEM	PART NUMBER	QTY	BODY	MODEL	DESCRIPTION
20	2945 108-9	1			CLIP
21	6025 004	2			NUT
22	6500 361	4			PIN
23	6100 275	4			SCREW and WASHER
24	4184 117	4			CHECK SPRING, Body Half
	4240 316	4			LEAF HINGE, Door Half
25	4240 315	4			HINGE, Body Half
26	6031 488	2			PLUG
27	4184 156	2			MOTOR, Electric Lock
28	4198 460	2			BUMPER and RETAINER
29	4184 252	2			PLATE, Door Latch
	4280 840	2		E,T	SEAL, Door Latch
30					BEZEL, Door Latch Remote Control
	4184 352-3	1		C,V,E,T	Chrome w/Finish Plate, Up to 4-1-83
	4184 784-5	1		C,V,E,T	After 4-1-83
	4339 684	1		Sedan,L	Right
	4339 685	1		Sedan	Left
	4339 873	1		Limo	Left
	4184 354-5	1		C,V,E,T	APPLIQUE, Remote Control Bezel, Up to 4-1-83
	4184 787	1		C,V,E,T	Right,After 4-1-83
	4184 786	1		C,V,E,T	Left,After 4-1-83
	4184 723	2		PP-DP	
	D405 BB5	2		PL,PH,D	Blue
	D405 BM6	2		PL,PH,D	Red
	D405 BL3	2		PL,PH,D	Beige
31	4077 894-5	1		P,D	PLATE, Arm Rest Back
32					BEZEL (See Trim Illus.)
33					ARM REST (See Trim Illus.)

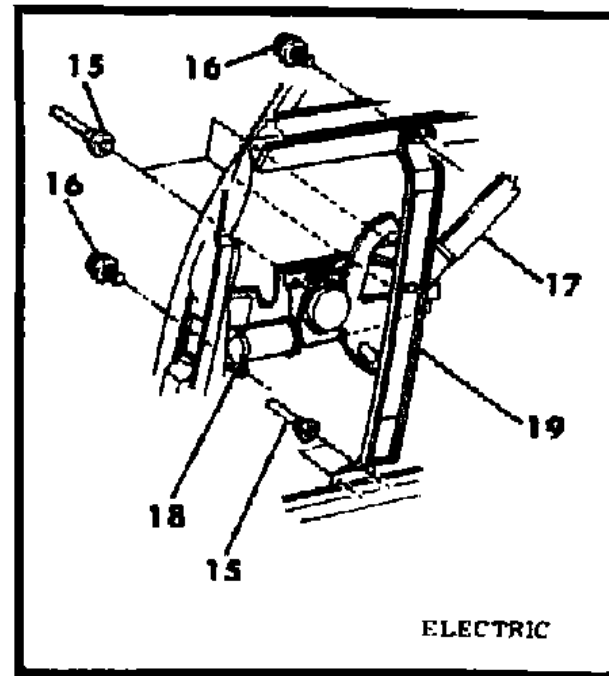
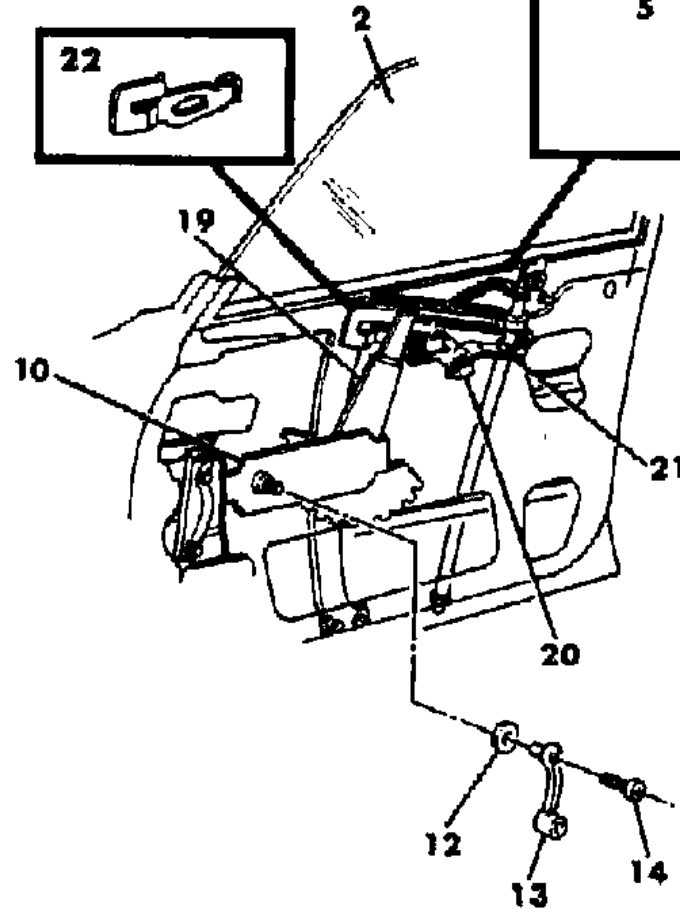
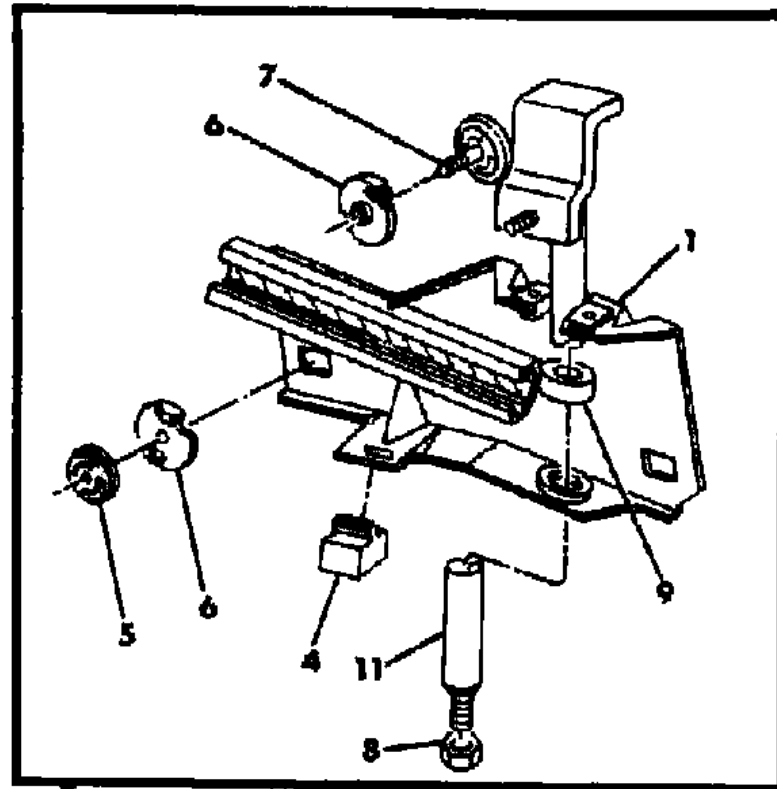
MODEL CODES  
 B = GRAN FURY  
 C = LEBARON/TOWN & COUNTRY  
 D = ARIES  
 E = 600  
 F = FIFTH AVENUE  
 G = DIPLOMAT  
 M = HORIZON/TURISMO/SCAMP  
 P = RELIANT  
 S = CORDOBA  
 T = E CLASS/NEWYORKER  
 V = 400  
 X = MIRADA  
 Y = IMPERIAL  
 Z = OMNI/CHARGER/RAMPAGE

BODY STYLES  
 21 = 2-DOOR SEDAN  
 22 = 2-DOOR SPECIAL COUPE  
 24 = 2-DOOR HATCHBACK  
 27 = 2-DOOR CONVERTIBLE  
 28 = FWD PICKUP  
 41 = 4-DOOR SEDAN  
 45 = 4-DOOR STATION WAGON  
 44 = 4-DOOR HATCHBACK  
 48 = EXECUTIVE SEDAN

AR = Use as Required - = Non Illustrated Part P.A.R. = Paint as Required

GLASS AND REGULATOR, FRONT DOOR P,D,C,V,E,T - 41,45,48  
Figure 23C-1500

3171 1500B



ITEM	PART NUMBER	QTY	BODY	MODEL	DESCRIPTION
1	4280 212-3	1			PLATE and CHANNEL, Glass Lift
2					GLASS
	4280 562	1			Clear Right w/o Mirror
	4280 566	1			Clear Right w/Mirror
	4280 567	1			Clear Left
	4280 564	1			Tinted Right w/o Mirror
	4280 568	1			Tinted Right w/Mirror
	4280 569	1			Tinted Left
4	3759 566	AR			BUMPER, Glass Down Stop
5	6028 587	6			T/NUT
6	5231 769	12			GASKET, Glass Isolator
7	6029 998	6			WASHER and STUD
8	6100 049	4			NUT and WASHER
9	3788 079	2			SLEEVE, Track Lower (felt)
10	4184 060-1	1			REGULATOR, Manual
	4247 884	2			SUPPORT and P/NUT, Electric Regulator Attaching
	3882 758	2			SLIDE, Manual Regulator
11	4198 158	2			TRACK and BRACKET
12	3882 767	AR			SPACER, Regulator Handle
13	3882 764	2			HANDLE, Regulator, Chrome
14	6027 221	2			SCREW
15	6031 115	AR			RIVET
16	6100 566	2			SCREW
17	4280 432-3	1			REGULATOR, Electric
	2999 467	2			SPACER, Electric Regulator
	3882 758	2			SLIDE, Electric Regulator Driving Arm
18	4280 640-1	1			MOTOR
	2932 973	2			GEAR and SEAL PACKAGE
19	4280 423	2			SUPPORT & P/NUT
	0137 204	2			COTTER PIN, Electric Window Up Stop
20	3759 566	2			BUMPER, Glass Down-stop
21	4136 914	2			GUIDE, Door Glass
22	4280 696-7	1			BRACKET, Elec. Window Up-stop
	4040 710	4			PAD, Glass Guide Plate
	1316 863	2			O-RING, Elec. Window Reg. Mtg.

NOTE: THE FOLLOWING ITEMS ARE NOT ILLUSTRATED de). Both models are derived from the 100.1" W.B. LeBaron (C 22 Model). Sheet metal parts for the C 48 not found on this illustration should be specif

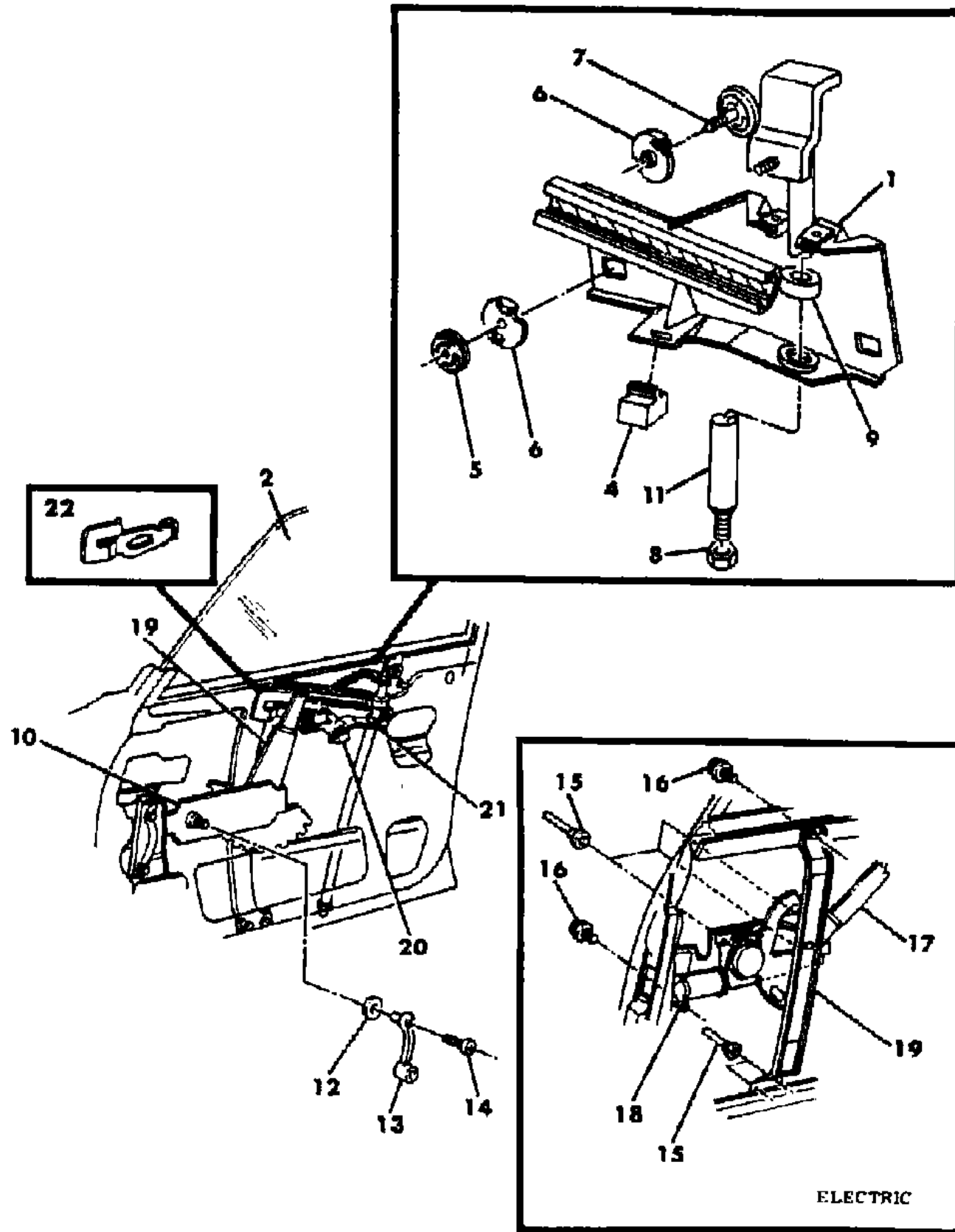
MODEL CODES		
B = GRAN FURY	G = DIPLOMAT	V = 400
C = LEBARON/TOWN & COUNTRY	M = HORIZON/TURISMO/SCAMP	X = MIRADA
D = ARIES	P = RELIANT	Y = IMPERIAL
E = 600	S = CORDOBA	Z = OMNI/CHARGER/RAMPAGE
F = FIFTH AVENUE	T = E CLASS/NEWYORKER	

BODY STYLES	
21 = 2-DOOR SEDAN	41 = 4-DOOR SEDAN
22 = 2-DOOR SPECIAL COUPE	45 = 4-DOOR STATION WAGON
24 = 2-DOOR HATCHBACK	44 = 4-DOOR HATCHBACK
27 = 2-DOOR CONVERTIBLE	48 = EXECUTIVE SEDAN
28 = FWD PICKUP	

AR = Use as Required - = Non Illustrated Part P.A.R. = Paint as Required

GLASS AND REGULATOR, FRONT DOOR P,D,C,V,E,T - 41,45,48  
Figure 23C-1500

3171 1500B



ITEM	PART NUMBER	QTY	BODY	MODEL	DESCRIPTION
------	-------------	-----	------	-------	-------------

	3508 121	2			SPRING, Man. Reg. Assist
--	----------	---	--	--	--------------------------

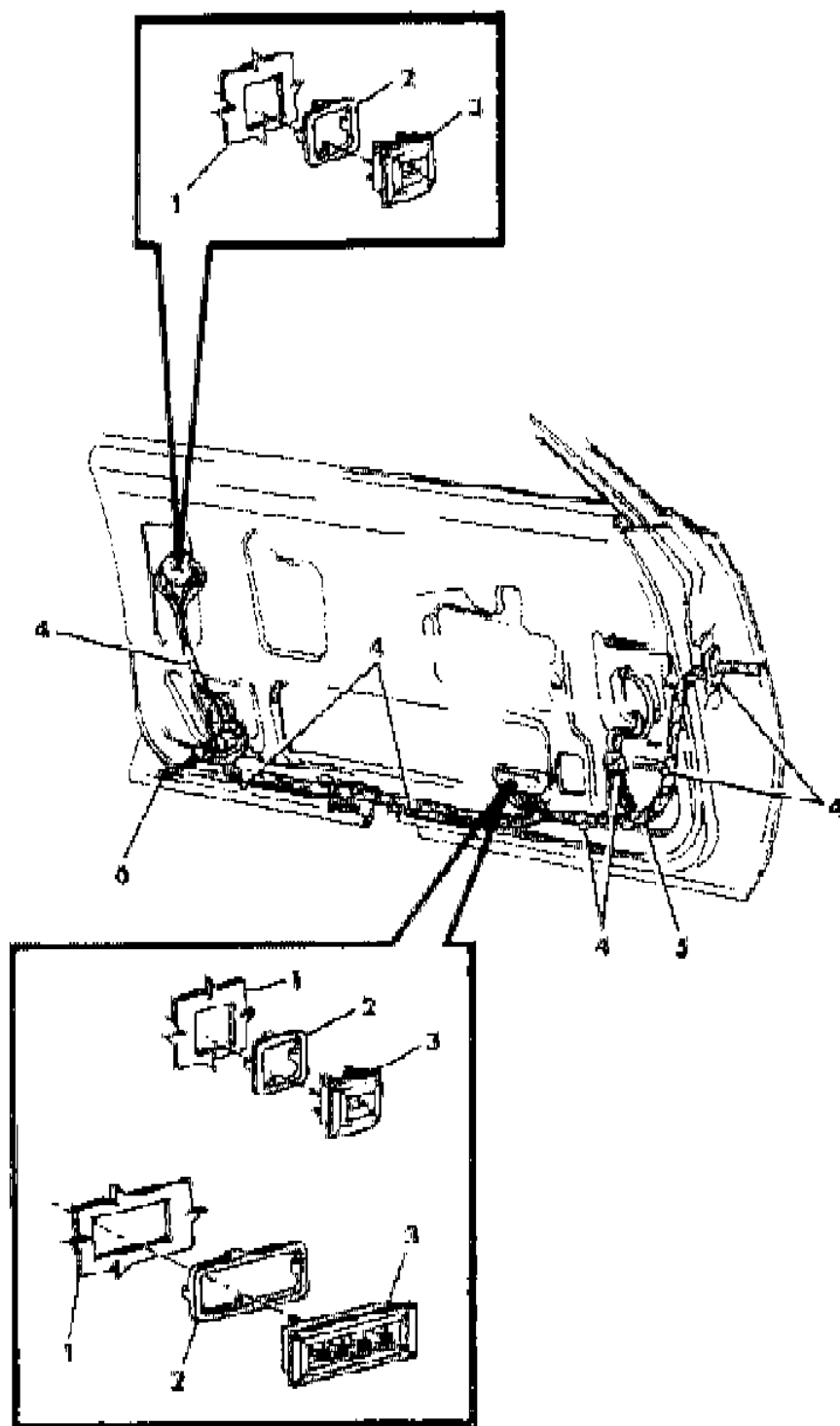
MODEL CODES  
 B = GRAN FURY  
 C = LEBARON/TOWN & COUNTRY  
 D = ARIES  
 E = 600  
 F = FIFTH AVENUE  
 G = DIPLOMAT  
 M = HORIZON/TURISMO/SCAMP  
 P = RELIANT  
 S = CORDOBA  
 T = E CLASS/NEWYORKER  
 V = 400  
 X = MIRADA  
 Y = IMPERIAL  
 Z = OMNI/CHARGER/RAMPAGE

BODY STYLES  
 21 = 2-DOOR SEDAN  
 22 = 2-DOOR SPECIAL COUPE  
 24 = 2-DOOR HATCHBACK  
 27 = 2-DOOR CONVERTIBLE  
 28 = FWD PICKUP  
 41 = 4-DOOR SEDAN  
 45 = 4-DOOR STATION WAGON  
 44 = 4-DOOR HATCHBACK  
 48 = EXECUTIVE SEDAN

AR = Use as Required - = Non Illustrated Part P.A.R. = Paint as Required

**BEZELS, SWITCHES AND WIRING, FRONT DOOR P,D, - 41,45**  
**Figure 23C-1600**

3171 1600



ITEM	PART NUMBER	QTY	BODY	MODEL	DESCRIPTION
1					DOOR TRIM PANEL (Refer to Trim Section)
2	4221 145	1			REINFORCEMENT, Window Lift, Door Lock Switch Single
	4221 147	1			4 Gang
3	4221 141	1			SWITCH, Window Lift, Door Lock Single
	4221 144	1			4 Gang
4					Parts are contained in wiring assy.
5					WIRING, Door
	4274 838-9	1			w/Door Lock and w/o Power Windows
	4304 172-3	1			w/Power Windows and w/o Power Door Locks
	4304 184-5	1			w/Power Windows and w/Power Door Locks
6	2945 704	AR			TIE WRAP

**MODEL CODES**

B = GRAN FURY	G = DIPLOMAT	V = 400
C = LEBARON/TOWN & COUNTRY	M = HORIZON/TURISMO/SCAMP	X = MIRADA
D = ARIES	P = RELIANT	Y = IMPERIAL
E = 600	S = CORDOBA	Z = OMNI/CHARGER/RAMPAGE
F = FIFTH AVENUE	T = E CLASS/NEWYORKER	

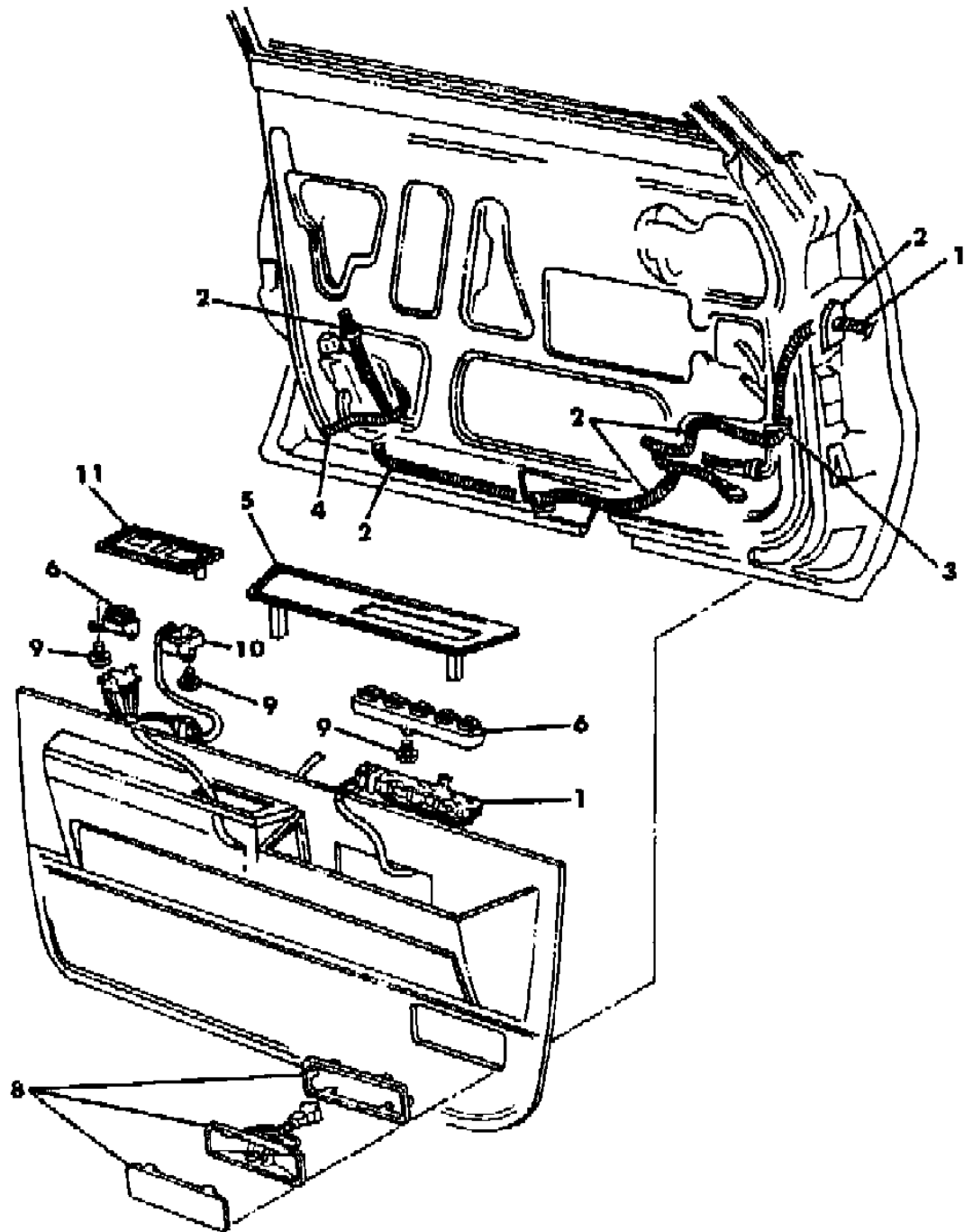
**BODY STYLES**

21 = 2-DOOR SEDAN	41 = 4-DOOR SEDAN
22 = 2-DOOR SPECIAL COUPE	45 = 4-DOOR STATION WAGON
24 = 2-DOOR HATCHBACK	44 = 4-DOOR HATCHBACK
27 = 2-DOOR CONVERTIBLE	48 = EXECUTIVE SEDAN
28 = FWD PICKUP	

AR = Use as Required - = Non Illustrated Part P.A.R. = Paint as Required

**BEZELS, SWITCHES AND WIRING, FRONT DOOR C,V,E,T - 41,45,48**  
**Figure 23C-1700**

3171 1700A



ITEM	PART NUMBER	QTY	BODY	MODEL	DESCRIPTION
1					WIRING, Door
	4304 322-3	1			w/Window Lift
	4304 310-1	1			w/Power Locks
	4304 324-5	1			w/Window Lift & Power Locks
	4304 340-1	1			w/Elec. Mirrors
	4304 331	1			Lt. w/Elec. Mirrors & Power Locks
	4304 343	1			Lt. w/Elec Mirrors, Power Windows, Door Locks, and Courtesy Lamp
	4304 342	1			Rt. w/Elec Mirrors, Power Locks, Power Windows and Courtesy Lamp
	4304 301	2			w/Courtesy Lamp Only
	4339 708-9	1		Sedan	
	4339 992-3	1		Limo	
2					Parts are contained in wiring assy.
3		AR			CLIP, Snap (not serviced)
4	2945 704	AR			TIE WRAP
5					BEZEL and FINISH PLATE
	4223 648	1			w/Power Windows, Right
	4223 927	1			w/Power Windows, Left
	4339 688-9	1		Sedan,L	
	4339 785	1		Sedan,L	w/Power Mirrors
6					SWITCHES
	3747 935	AR			Single
	4221 133	AR			5 Gang
8					COURTESY LAMP (Refer to Gr.8)
9					SCREW (Not Serviced)
10	4221 129	1			SWITCH, Dual Remote Control Mirror
11	4247 403	1			BEZEL, Armrest w/Power Locks & Elec. Mirror
	4247 409	1			w/o Power Locks w/Elec. Mirrors
	4247 414	1			w/Power Locks, Right
	4339 747	1		Sedan	Power Lock,Right
	4247 414	1			w/Power Locks, w/o Electric Mirror, Left
	4247 510	2			BRACKET, Elec. Mirror Switch to Armrest Base

**MODEL CODES**

B = GRAN FURY	G = DIPLOMAT	V = 400
C = LEBARON/TOWN & COUNTRY	M = HORIZON/TURISMO/SCAMP	X = MIRADA
D = ARIES	P = RELIANT	Y = IMPERIAL
E = 600	S = CORDOBA	Z = OMNI/CHARGER/RAMPAGE
F = FIFTH AVENUE	T = E CLASS/NEWYORKER	

**BODY STYLES**

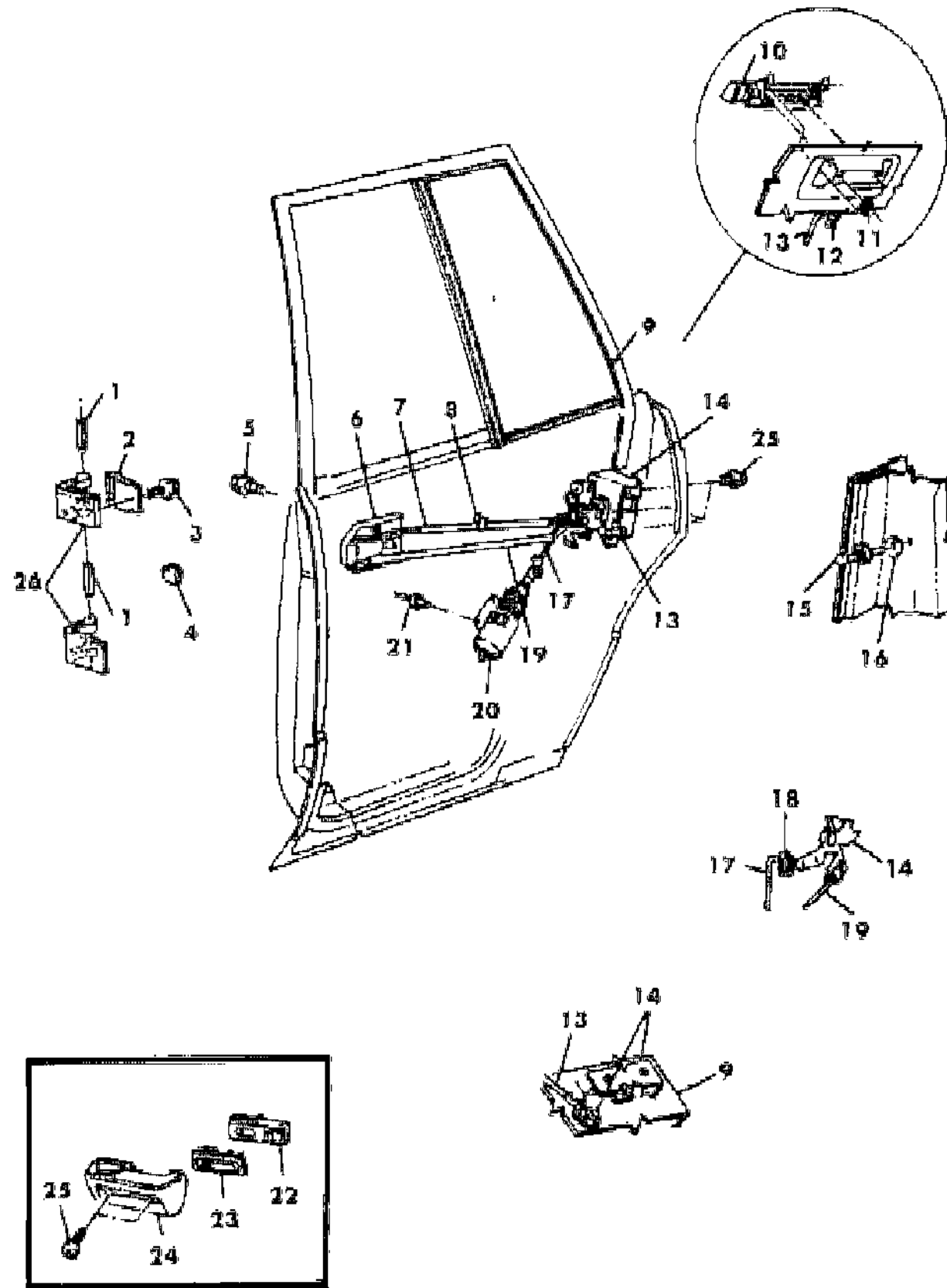
21 = 2-DOOR SEDAN	41 = 4-DOOR SEDAN
22 = 2-DOOR SPECIAL COUPE	45 = 4-DOOR STATION WAGON
24 = 2-DOOR HATCHBACK	44 = 4-DOOR HATCHBACK
27 = 2-DOOR CONVERTIBLE	48 = EXECUTIVE SEDAN
28 = FWD PICKUP	

AR = Use as Required - = Non Illustrated Part P.A.R. = Paint as Required



DOOR, REAR P,D,C,V,E,T - 41,45,48  
Figure 23C-1800

3173 1800



ITEM	PART NUMBER	QTY	BODY	MODEL	DESCRIPTION
1	6500 361	2			PIN, Hinge
2	4184 117	1			CHECK SPRING
3	6100 557	2			SCREW and WASHER
4	4198 524	2			PLUG
5	6100 274	2			SCREW
6	4184 252	2			PLATE and P/NUT, Mounting
7	4184 270-1	1		P,D,C,V	LINK and SLEEVE
	4184 530-1	1		E,T	
8	3882 620	2			CLIP, Anti Rattle
9					PANEL, Door
	4271 442-3	1		P,D,C,V	Shell
	4271 424-5	1		E,T,41	
	4271 444-5	1		P,D,C,V	
	4339 858-9	1		Limo	(American Sun Roof Co.)
	4342 092-3	1		Limo	(Phillips Co.)
	4339 526-7	1		Sedan	(American Sun Roof Co.)
	4342 090-1	1		Sedan	(Phillips Co.)
	4198 616-7	1		PDCV,41	Repair Panel
	4198 592-3	1		E,T,41	
	4339 860-1	1		Limo	
	4339 528-9	1		Sedan	
10	4184 228	2			HANDLE, Outside
11	6025 004	2			NUT
12	3882 762	2			CLIP, Link to Handle
13	4184 118	2		P,D,C,V	LINK, Outside Handle to Latch
	4184 598	2		E,T	
14	4184 624-5	1			LATCH
15	4184 040	2			STRIKER
	6500 483	2			NUT, Striker
16	4184 105	AR			SPACER
17	4184 286	2		P,D,C,V	LINK, Electric Latch to Motor
	4184 692-3	2		E,T	(use up to 10/1/82)
	4184 742-3	2		E,T	(use after 10/1/82)
18	4184 244-5	1			CLIP, Latch to Electric Motor Link
	3454 220-1	1		P,D,C,V	w/o Elec. Locks
19	4184 698-9	1		P,D,C,V	LINK and SLEEVE
	4184 540-1	1		E,T	

MODEL CODES

B = GRAN FURY	G = DIPLOMAT	V = 400
C = LEBARON/TOWN & COUNTRY	M = HORIZON/TURISMO/SCAMP	X = MIRADA
D = ARIES	P = RELIANT	Y = IMPERIAL
E = 600	S = CORDOBA	Z = OMNI/CHARGER/RAMPAGE
F = FIFTH AVENUE	T = E CLASS/NEWYORKER	

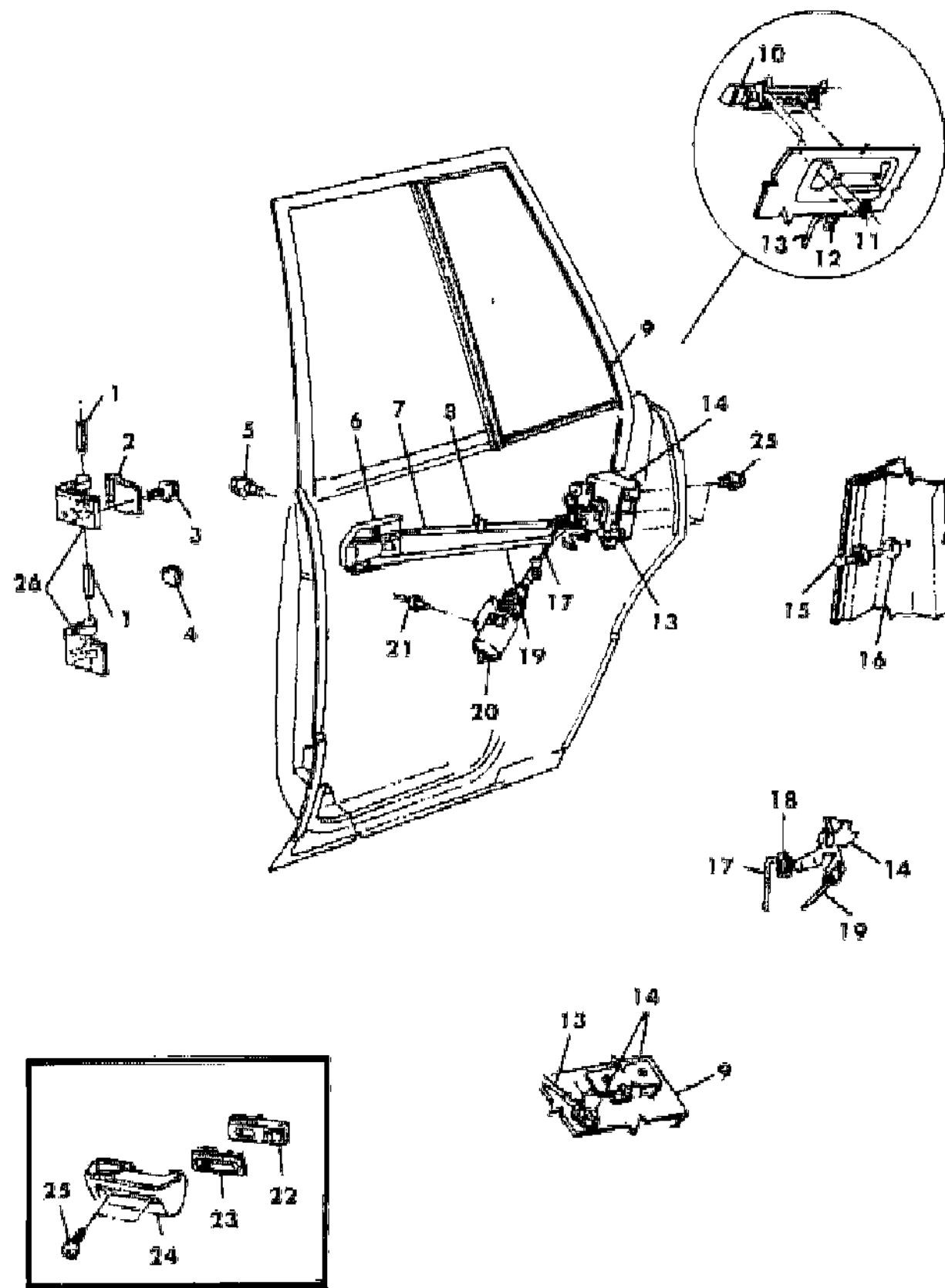
BODY STYLES

21 = 2-DOOR SEDAN	41 = 4-DOOR SEDAN
22 = 2-DOOR SPECIAL COUPE	45 = 4-DOOR STATION WAGON
24 = 2-DOOR HATCHBACK	44 = 4-DOOR HATCHBACK
27 = 2-DOOR CONVERTIBLE	48 = EXECUTIVE SEDAN
28 = FWD PICKUP	

AR = Use as Required - = Non Illustrated Part P.A.R. = Paint as Required

DOOR, REAR P,D,C,V,E,T - 41,45,48  
Figure 23C-1800

3173 1800



ITEM	PART NUMBER	QTY	BODY	MODEL	DESCRIPTION
20	4184 156	2			MOTOR, Electric Door Lock
21	6031 115	AR			Rivet
22	4184 282-3	1			HOUSING, Latch, Black w/Chrome Handle (Push & Locked)
	4267 948-9	1			(Lock Only)
	D406-7 BB5	1			Blue (Push & Locked)
	4267 944-5	1			(Lock Only)
	D406-7 AM6	1			Red (Push & Locked)
	4267 940-1	1			(Lock Only)
	D406-7 BL3	1			Beige (Push & Locked)
	4264 946-7	1			(Lock Only)
23	4280 842	2		E,T	SEAL, Door Latch
					BEZEL
	D405 BB5	2		P,D-L	Blue
	D405 BM6	2		P,D-L	Red
	D405 BL3	2		P,D-L	Beige
	4184 723	2		P,D-H-P	
	4184 350-1	1		C,V,E,T	Chrome,w/Finish Plate, Up to 4-1-83
	4184 780-1	1		C,V,E,T	After 4-1-83
	4339 682-3	1		Sedan	
	4339 924-5	1		Limo	
	4184 356	1		C,V	APPLIQUE, Remote Control Bezel, Up to 4-1-83
	4184 782	1		C,V	After 4-1-83
24					See Interior Trim
25		AR			SCREW (not serviced)
26	4240 315	4			HINGE, Body Half
	4240 316	4			Door Half
	X164-5 VW3	1			COVER,Rear Door Hinge,Upper,Up to 5-1-83
	X144-5 BT8	1			After 5-1-83
	6032 469	2			SCREW,Cover Att.,Up to 5-1-83
	6032 509	2			After 5-1-83
	X146-7 BT8	1		E,T	COVER,Rear Dr. Hinge,Lower,After 5-1-83
THE FOLLOWING ITEMS ARE NOT ILLUSTRATED de). Both models are derived from the 100.1" W.B. LeBaron (C 22 Model). Sheet metal parts for the C 48 not found on this illustration should be specif					
	4077 896	2		P,D,45	PLATE, Armrest Backing
	4339 610-1	1		Sedan,L	LINK,Rear Door Inside Release
	4339 612-3	1		Sedan,L	LINK,Rear Door Inside Lock
	4339 614-5	1		Sedan,L	LINK,Rear Door Outside Lock

MODEL CODES

B = GRAN FURY	G = DIPLOMAT	V = 400
C = LEBARON/TOWN & COUNTRY	M = HORIZON/TURISMO/SCAMP	X = MIRADA
D = ARIES	P = RELIANT	Y = IMPERIAL
E = 600	S = CORDOBA	Z = OMNI/CHARGER/RAMPAGE
F = FIFTH AVENUE	T = E CLASS/NEWYORKER	

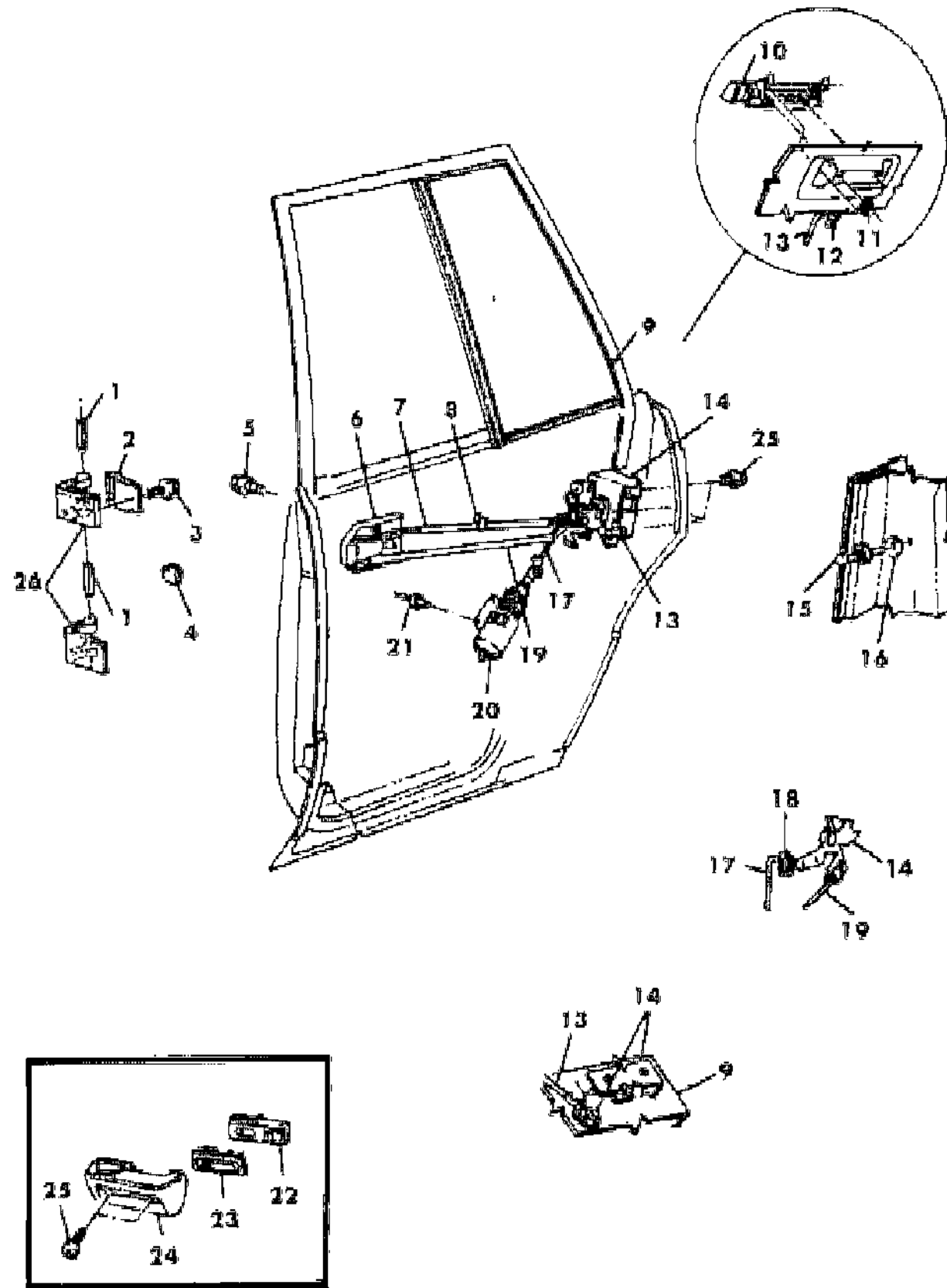
BODY STYLES

21 = 2-DOOR SEDAN	41 = 4-DOOR SEDAN
22 = 2-DOOR SPECIAL COUPE	45 = 4-DOOR STATION WAGON
24 = 2-DOOR HATCHBACK	44 = 4-DOOR HATCHBACK
27 = 2-DOOR CONVERTIBLE	48 = EXECUTIVE SEDAN
28 = FWD PICKUP	

AR = Use as Required - = Non Illustrated Part P.A.R. = Paint as Required

DOOR, REAR P,D,C,V,E,T - 41,45,48  
Figure 23C-1800

3171 1800



ITEM	PART NUMBER	QTY	BODY	MODEL	DESCRIPTION
	4339 616	1	Sedan,L		LINK,Rear Door Latch Bellcrank
	4339 617	1	Sedan,L		LINK,Rear Door Latch w/Power Locks
	4339 607	1	Sedan,L		LINK,Rear Door Inside Latch
	4339 618-9	1	Sedan,L		LOCK,Rear Door Bellcrank
	4339 608-9	1	Sedan,L		BELLCRANK,Rear Door Release
	4339 826-7	1	Sedan,L		HOUSING,C/Lighter
	4339 831	2	Sedan,L		LAMP,C/Lighter
	4339 830	2	Sedan,L		KNOB,C/Lighter
	4339 828	2	Sedan,L		SOCKET and RETAINER,C/Lighter
	4339 829	2	Sedan,L		RECEPTACLE,Ash Receiver

MODEL CODES

B = GRAN FURY	G = DIPLOMAT	V = 400
C = LEBARON/TOWN & COUNTRY	M = HORIZON/TURISMO/SCAMP	X = MIRADA
D = ARIES	P = RELIANT	Y = IMPERIAL
E = 600	S = CORDOBA	Z = OMNI/CHARGER/RAMPAGE
F = FIFTH AVENUE	T = E CLASS/NEWYORKER	

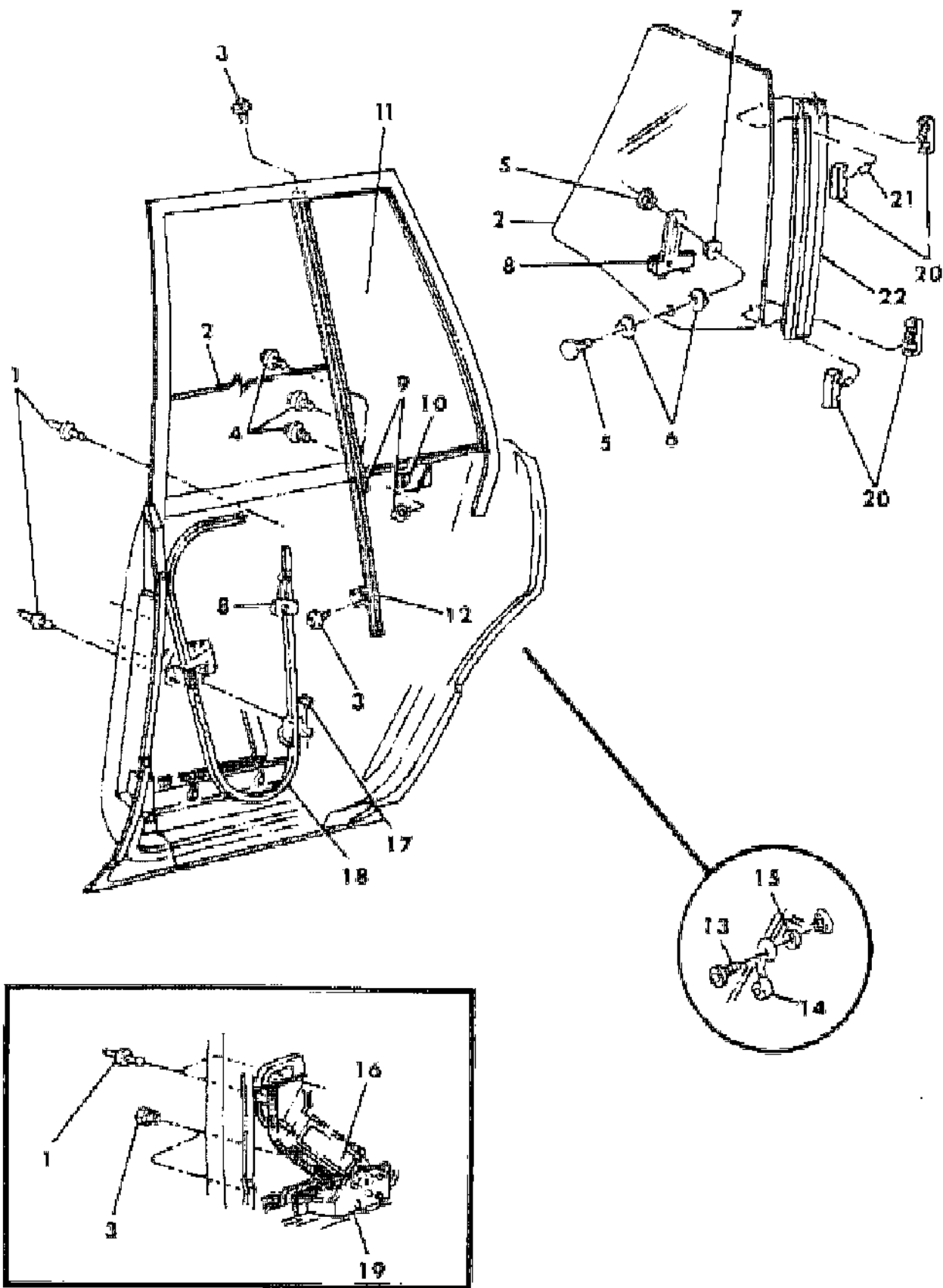
BODY STYLES

21 = 2-DOOR SEDAN	41 = 4-DOOR SEDAN
22 = 2-DOOR SPECIAL COUPE	45 = 4-DOOR STATION WAGON
24 = 2-DOOR HATCHBACK	44 = 4-DOOR HATCHBACK
27 = 2-DOOR CONVERTIBLE	48 = EXECUTIVE SEDAN
28 = FWD PICKUP	

AR = Use as Required - = Non Illustrated Part P.A.R. = Paint as Required

**GLASS AND REGULATOR, REAR DOOR P,D,C,V,E,T - 41,45,48**  
**Figure 23C-1900**

3173 1900A



ITEM	PART NUMBER	QTY	BODY	MODEL	DESCRIPTION
1	6031 115	AR			RIVET
2	4198 756-7	1		P,D,C,V	GLASS Clear
	4198 866-7	1		E,T	Clear
	4198 758-9	1		P,D,C,V	Tinted
	4198 868-9	1		E,T	Tinted
	4339 954-5	1		Limo	Tinted
	4339 624-5	1		Sedan	Tinted
	4339 620-1	1		Sedan	Stationary,Tinted
	4339 706-7	1		Sedan	BRACKET,Rear Door Stationary Glass Support
	4339 632-3	1		Sedan	SEAL,Stationary Glass
3					SCREW (Do Not Service)
4	6100 274	AR			SCREW
5	4267 907	AR			HARDWARE PACKAGE
6	5231 769	4			GASKET
7	6028 587	AR			NUT-TEE
8	4184 610-1	1			ARM and W/NUT, Regulator Drive
9	6100 041	AR			U/NUT
10	4198 639	2			BRACKET, Vent Window Support
11	4198 854-5	1		P,D,C,V	GLASS
	4198 728-9	1		E,T,41	w/o Padded Landau Roof
	4280 870-1	1		T-P 41	w/Padded Landau Roof
	4198 642-3	1		P,D,45	
12	4198 732-3	1		P,D,C,V	CHANNEL, Divisional Glass
	4198 858-9	1		E,T	
13	6027 221	AR			SCREW
14	3882 764	2			HANDLE, Manual Window Regulator
15	3882 767	AR			SPACER
16	4184 548-9	1			MOTOR and MECHANISM, Electric Window
	4339 704-5	1		Sedan	
17	4184 575	AR			BUMPER, Down Stop
18	4184 566-7	1			REGULATOR Manual
	4184 616-7	1			Electric
	4339 626-7	1		Sedan,L	
19	4184 596-7	1			BRACKET, Motor Mounting

**MODEL CODES**

B = GRAN FURY	G = DIPLOMAT	V = 400
C = LEBARON/TOWN & COUNTRY	M = HORIZON/TURISMO/SCAMP	X = MIRADA
D = ARIES	P = RELIANT	Y = IMPERIAL
E = 600	S = CORDOBA	Z = OMNI/CHARGER/RAMPAGE
F = FIFTH AVENUE	T = E CLASS/NEWYORKER	

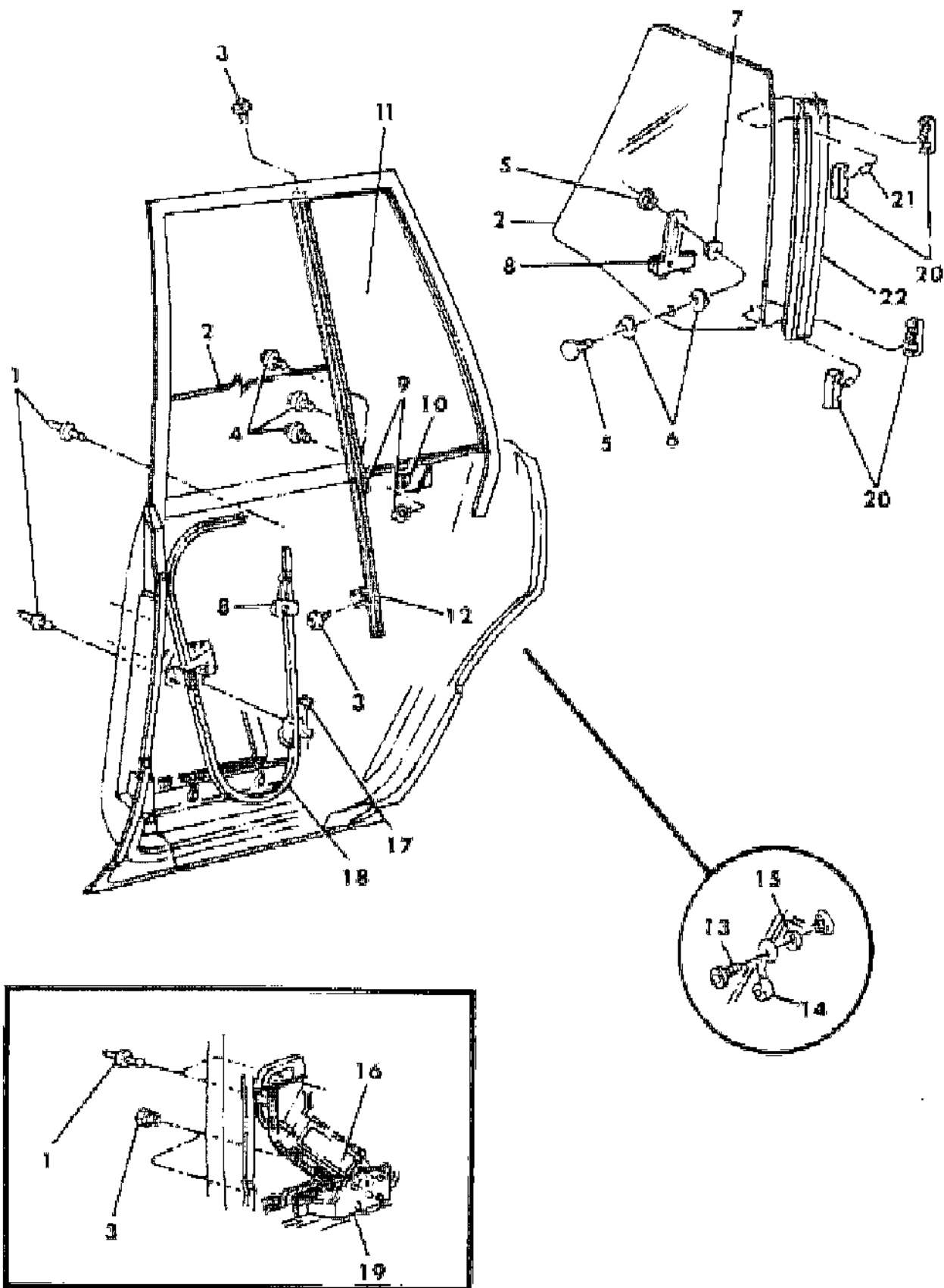
**BODY STYLES**

21 = 2-DOOR SEDAN	41 = 4-DOOR SEDAN
22 = 2-DOOR SPECIAL COUPE	45 = 4-DOOR STATION WAGON
24 = 2-DOOR HATCHBACK	44 = 4-DOOR HATCHBACK
27 = 2-DOOR CONVERTIBLE	48 = EXECUTIVE SEDAN
28 = FWD PICKUP	

AR = Use as Required - = Non Illustrated Part P.A.R. = Paint as Required

**GLASS AND REGULATOR, REAR DOOR P,D,C,V,E,T - 41,45,48**  
**Figure 23C-1900**

3173 1900A



ITEM	PART NUMBER	QTY	BODY	MODEL	DESCRIPTION
20	4198 752	AR			RETAINER, Divisional Glass Weatherstrip
21	2861 744	AR			PIN, Glass Edge Slide
22	4198 750	1			WEATHERSTRIP, Divisional Glass Channel
NOTE: THE FOLLOWING ITEMS ARE NOT ILLUSTRATED de). Both models are derived from the 100.1" W.B. LeBaron (C 22 Model). Sheet metal parts for the C 48 not found on this illustration should be specif					
	4198 748-9	1			BRACKET, Channel to Panel
	4198 744-5	1			BRACKET and W/NUT, Channel Lower
	4339 801	2		Sedan,L	BRACKET,Divisional Bar Mtg.Lower
	4339 863	2		Limo	Upper

MODEL CODES  
 B = GRAN FURY  
 C = LEBARON/TOWN & COUNTRY  
 D = ARIES  
 E = 600  
 F = FIFTH AVENUE  
 G = DIPLOMAT  
 M = HORIZON/TURISMO/SCAMP  
 P = RELIANT  
 S = CORDOBA  
 T = E CLASS/NEWYORKER  
 V = 400  
 X = MIRADA  
 Y = IMPERIAL  
 Z = OMNI/CHARGER/RAMPAGE

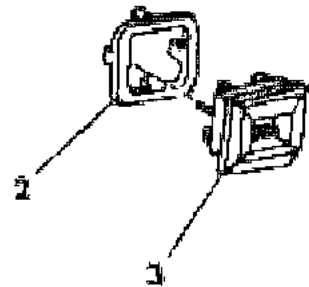
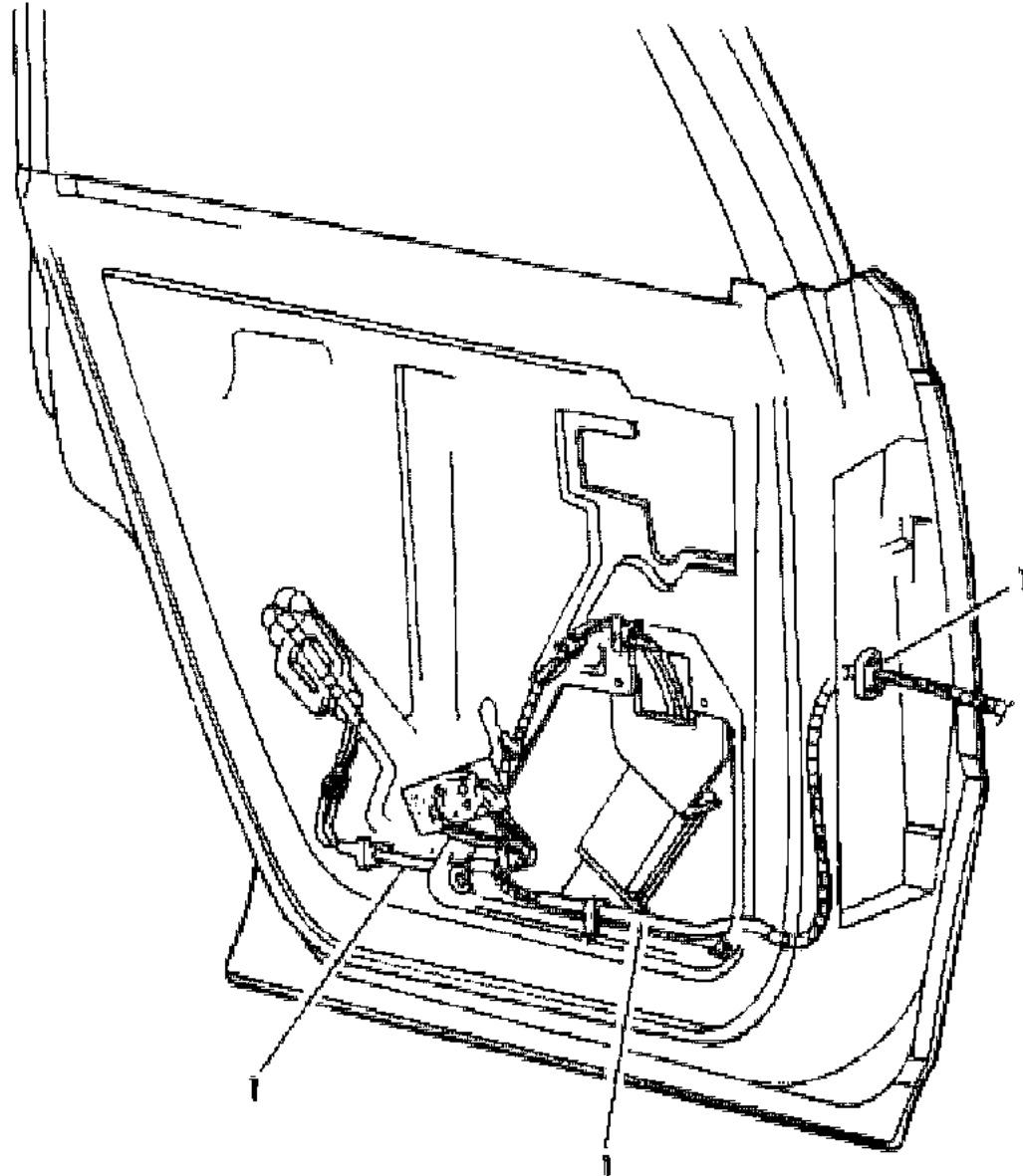
BODY STYLES  
 21 = 2-DOOR SEDAN  
 22 = 2-DOOR SPECIAL COUPE  
 24 = 2-DOOR HATCHBACK  
 27 = 2-DOOR CONVERTIBLE  
 28 = FWD PICKUP  
 41 = 4-DOOR SEDAN  
 45 = 4-DOOR STATION WAGON  
 44 = 4-DOOR HATCHBACK  
 48 = EXECUTIVE SEDAN

AR = Use as Required - = Non Illustrated Part P.A.R. = Paint as Required

**BEZELS, SWITCHES AND WIRING, REAR DOOR P,D - 41,45**  
**Figure 23C-2000**

3171 2000

ITEM	PART NUMBER	QTY	BODY	MODEL	DESCRIPTION
1	4274 132	2			WIRING, Door Lock and Windows
2	4221 145	AR			REINFORCEMENT, Window Lift or Door Lock Switch
3	4221 141	AR			SWITCH, Window Lift Or Door Locks



**MODEL CODES**

B = GRAN FURY	G = DIPLOMAT	V = 400
C = LEBARON/TOWN & COUNTRY	M = HORIZON/TURISMO/SCAMP	X = MIRADA
D = ARIES	P = RELIANT	Y = IMPERIAL
E = 600	S = CORDOBA	Z = OMNI/CHARGER/RAMPAGE
F = FIFTH AVENUE	T = E CLASS/NEWYORKER	

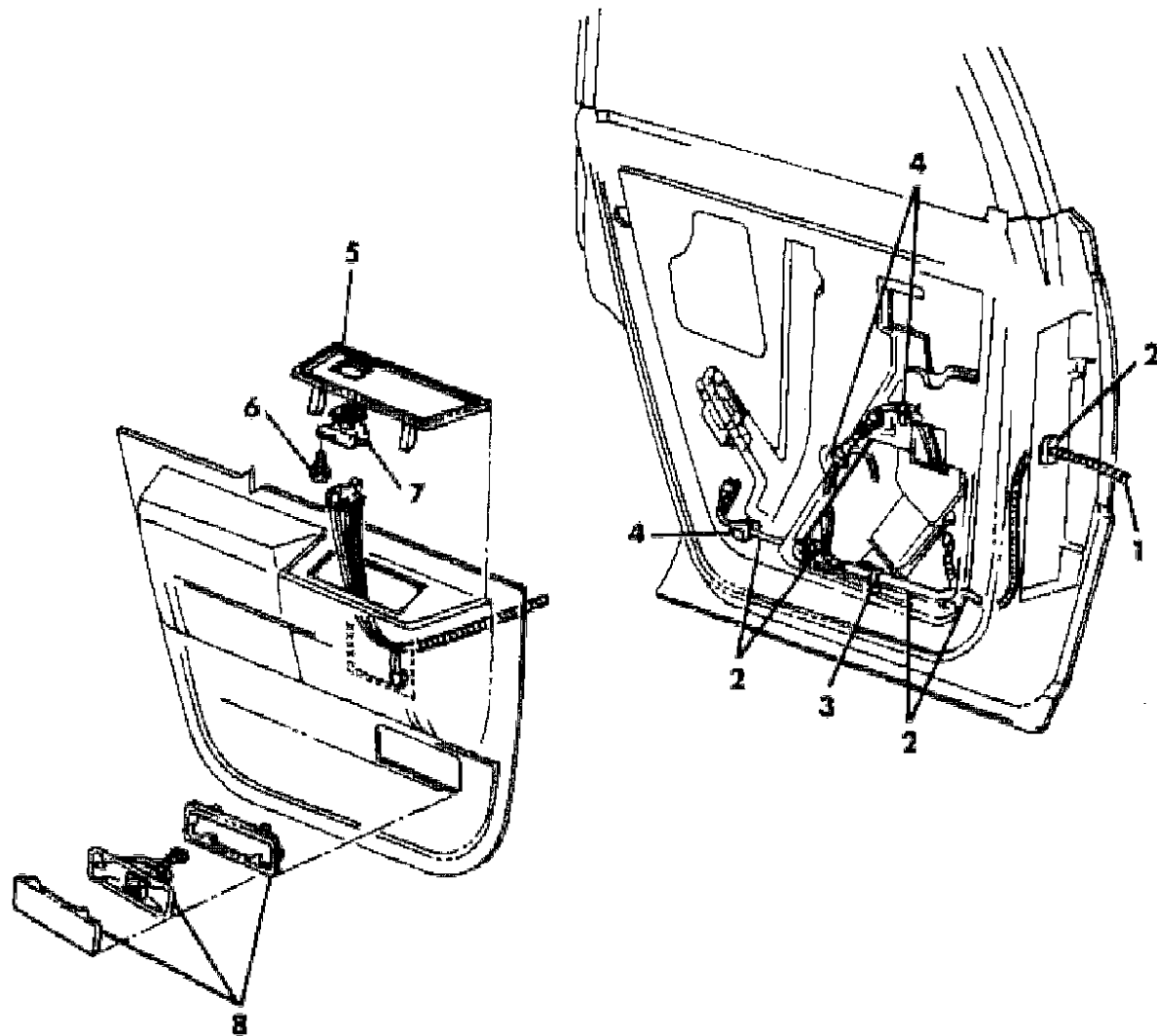
**BODY STYLES**

21 = 2-DOOR SEDAN	41 = 4-DOOR SEDAN
22 = 2-DOOR SPECIAL COUPE	45 = 4-DOOR STATION WAGON
24 = 2-DOOR HATCHBACK	44 = 4-DOOR HATCHBACK
27 = 2-DOOR CONVERTIBLE	48 = EXECUTIVE SEDAN
28 = FWD PICKUP	

AR = Use as Required - = Non Illustrated Part P.A.R. = Paint as Required

**BEZELS, SWITCHES AND WIRING, REAR DOOR C,V,E,T - 41,45,48**  
**Figure 23C-2100**

3171 2100



ITEM	PART NUMBER	QTY	BODY	MODEL	DESCRIPTION
1					WIRING
	4274 724	2			w/Door Lock
	4274 606	2			w/Window Lift
	4274 725	2			w/Courtesy Lamp, Window Lift and Door Lock
	4339 710	2		Sedan	
	4339 990-1	1		Limo	
2					Parts are contained in wiring assy.
3	2945 704	AR			TIE WRAP
4		AR			CLIP, Snap (not serviced)
5	4223 932-3	1			BEZEL and FINISH PLATE
	4339 686-7	1		Sedan	
6		AR			SCREW (not serviced)
7	3747 935	2			SWITCH, Single
8					Refer to Group 8

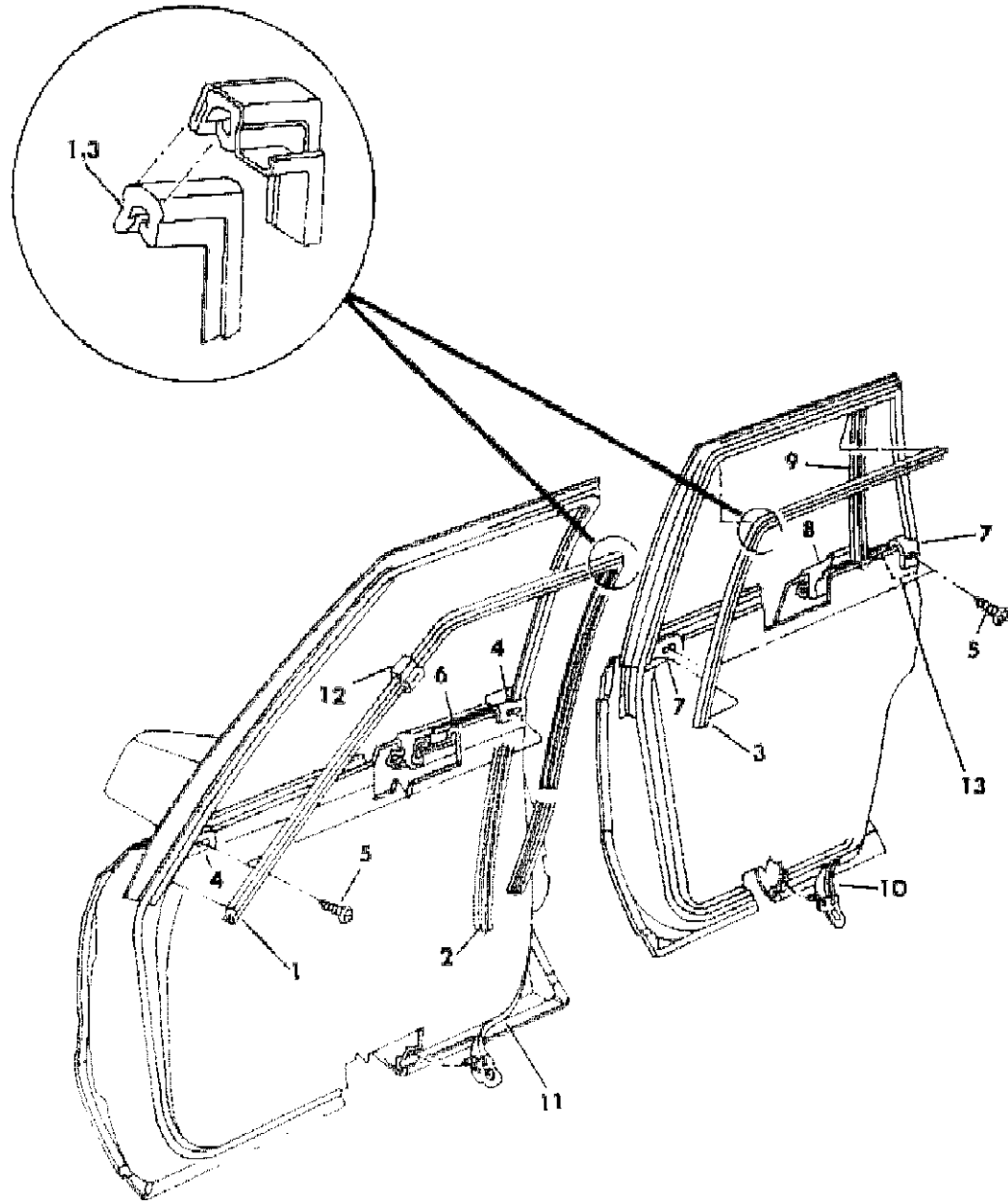
MODEL CODES  
 B = GRAN FURY  
 C = LEBARON/TOWN & COUNTRY  
 D = ARIES  
 E = 600  
 F = FIFTH AVENUE  
 G = DIPLOMAT  
 M = HORIZON/TURISMO/SCAMP  
 P = RELIANT  
 S = CORDOBA  
 T = E CLASS/NEWYORKER  
 V = 400  
 X = MIRADA  
 Y = IMPERIAL  
 Z = OMNI/CHARGER/RAMPAGE

BODY STYLES  
 21 = 2-DOOR SEDAN  
 22 = 2-DOOR SPECIAL COUPE  
 24 = 2-DOOR HATCHBACK  
 27 = 2-DOOR CONVERTIBLE  
 28 = FWD PICKUP  
 41 = 4-DOOR SEDAN  
 45 = 4-DOOR STATION WAGON  
 44 = 4-DOOR HATCHBACK  
 48 = EXECUTIVE SEDAN

AR = Use as Required - = Non Illustrated Part P.A.R. = Paint as Required

**RUNS AND WEATHERSTRIPS, FRONT AND REAR DOORS P,D,C,V,E,T.- 21,22,41,45,48**  
**Figure 23C-2200**

3171 2200 B



ITEM	PART NUMBER	QTY	BODY	MODEL	DESCRIPTION
1	4198 230	1		21,22	RUN, Front Door Glass
	4280 450-1	1		21,22	Right w/o Mirror
	4198 232	1		41,45	w/Mirror
	4280 454-5	1		41,45	Right w/o Mirror
2				21,22	CHANNEL, Front Door (refer to Door Illustration)
				E,T 41	
3	4198 922-3	1		E,T 41	RUN, Rear Door Glass, Up to 1-3-83
	4280 856-7	1		E,T 41	After 1-3-83
	4198 898-9	1		P,D,C,V	Up to 1-3-83
	4280 854-5	1		P,D,C,V	After 1-3-83
4	4339 636-7	1		Sedan	
	4339 964-5	1		Limo	
	4198 382-3	1			SEAL, Front Door Belt, Front
5		1			Rear
		2			SCREW (not serviced)
6	4198 512-3	1		21,22	WEATHERSTRIP, Front Door Belt, Outer
	4198 514-5	1		41,45	
7		1			Inner (Serviced on Door Trim Panel)
	4280 134-5	1		41,45	SEAL, Rear Door Belt, Front
	4198 388-9	1		41,45	Rear
8	4198 754-5	1		E,T.41,	WEATHERSTRIP, Rear Door Belt, Outer
	4198 914-5	1		P,D,C,V	
	4339 634-5	1		Sedan	
	4339 962-3	1		Limo	
9	4198 730-1	1		E,T 41	WEATHERSTRIP, Rear Door Glass, Stationary
	4198 856-7	1		P,D,C,V	
	4198 644-5	1		P,D,C,V	
	4339 632-3	1		Sedan	SEAL,Rear Door Stationary Glass
10	4198 020-1	1		P,D,C,V	WEATHERSTRIP, Rear Door
	4339 628-9	1		Sedan	
	4339 958-9	1		Limo	
	4198 896-7	1		E,T.41	
11	4280 172-3	1		21,22	WEATHERSTRIP, Front Door
	4280 412-3	1		41,45	
12	4198 724	2			CLIP, Glass Run Roll-off
	4280 458-9	1		41,45	SEAL,Rr.Dr.Rr.Stationary Window Sound

**MODEL CODES**

B = GRAN FURY	G = DIPLOMAT	V = 400
C = LEBARON/TOWN & COUNTRY	M = HORIZON/TURISMO/SCAMP	X = MIRADA
D = ARIES	P = RELIANT	Y = IMPERIAL
E = 600	S = CORDOBA	Z = OMNI/CHARGER/RAMPAGE
F = FIFTH AVENUE	T = E CLASS/NEWYORKER	

**BODY STYLES**

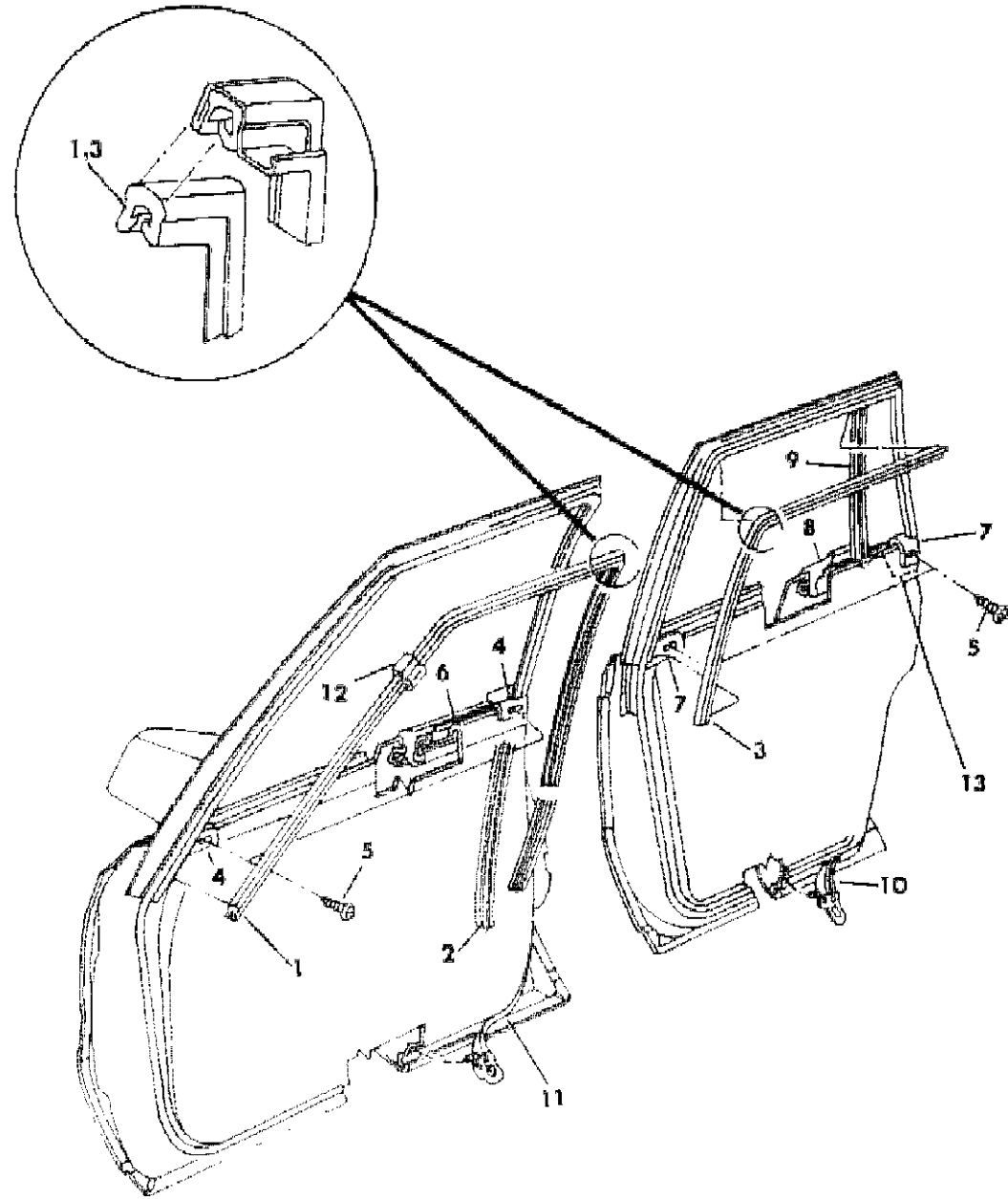
21 = 2-DOOR SEDAN	41 = 4-DOOR SEDAN
22 = 2-DOOR SPECIAL COUPE	45 = 4-DOOR STATION WAGON
24 = 2-DOOR HATCHBACK	44 = 4-DOOR HATCHBACK
27 = 2-DOOR CONVERTIBLE	48 = EXECUTIVE SEDAN
28 = FWD PICKUP	

AR = Use as Required - = Non Illustrated Part P.A.R. = Paint as Required



Figure 23C-2200

3171 2200 B



**RUNS AND WEATHERSTRIPS, FRONT AND REAR DOORS P,D,C,V,E,T.- 21,22,41,45,48**  
**Figure 23C-2200**

ITEM	PART NUMBER	QTY	BODY	MODEL	DESCRIPTION
------	-------------	-----	------	-------	-------------

NOTE: The following items are not illustrated. de). Both models are derived from the 100.1" W.B. LeBaron (C 22 Model). Sheet metal parts for the C 48 not found on this illustration should be specif

	2217 508	AR			CLIP, Outer Weatherstrip Attaching
	4040 732	AR			RETAINER, Door Opening Weatherstrip Attaching
	4280 863	4		C,V,E,T	SEAL, Frt. & Rr. Door Frame, Secondary
	4339 748	2		Sedan	Rear Door Sill,Secondary
	4339 960	2		Limo	
	6032 502	AR		C,V,E,T	RIVET, Seal Repair

**MODEL CODES**

B = GRAN FURY	G = DIPLOMAT	V = 400
C = LEBARON/TOWN & COUNTRY	M = HORIZON/TURISMO/SCAMP	X = MIRADA
D = ARIES	P = RELIANT	Y = IMPERIAL
E = 600	S = CORDOBA	Z = OMNI/CHARGER/RAMPAGE
F = FIFTH AVENUE	T = E CLASS/NEWYORKER	

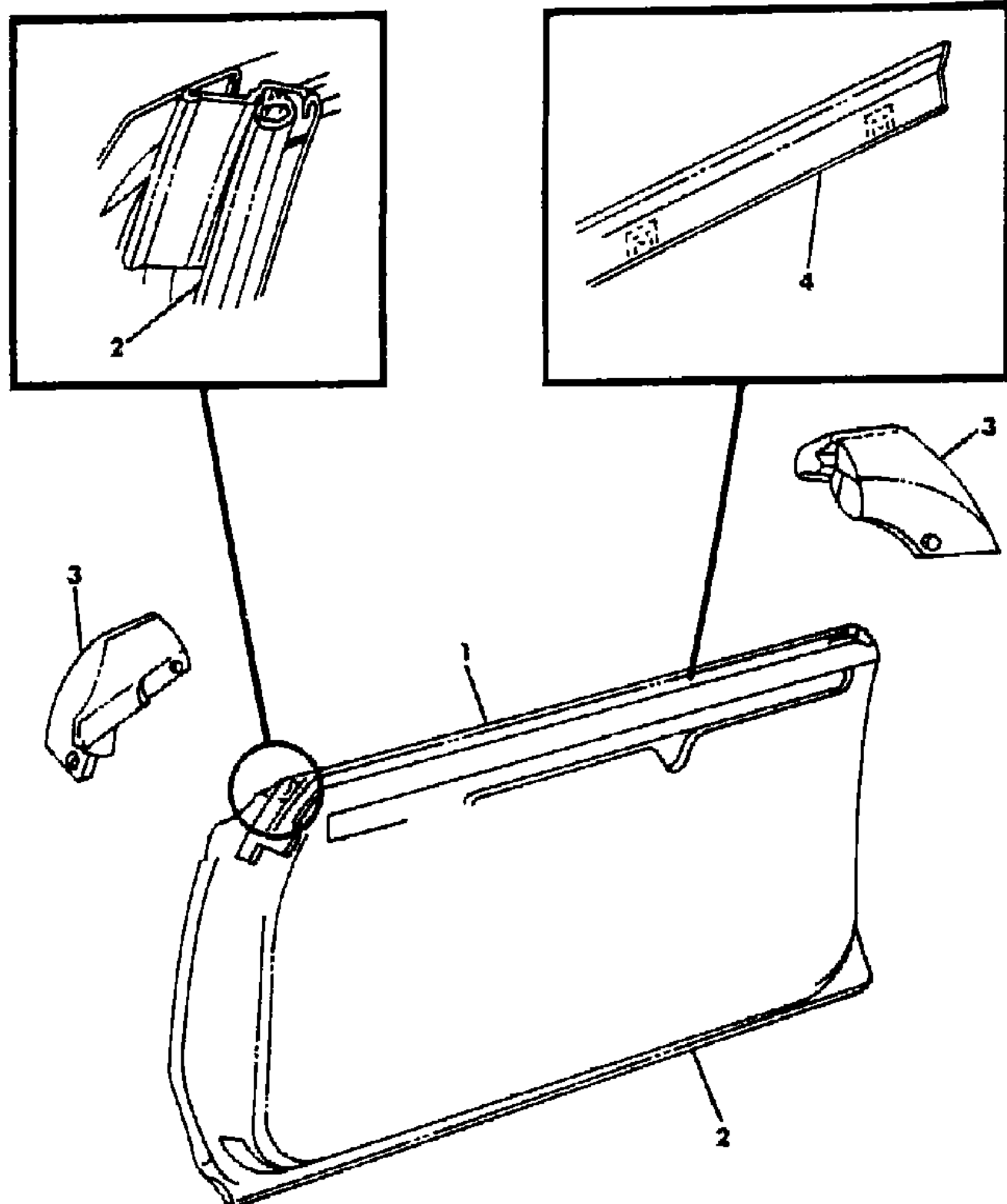
**BODY STYLES**

21 = 2-DOOR SEDAN	41 = 4-DOOR SEDAN
22 = 2-DOOR SPECIAL COUPE	45 = 4-DOOR STATION WAGON
24 = 2-DOOR HATCHBACK	44 = 4-DOOR HATCHBACK
27 = 2-DOOR CONVERTIBLE	48 = EXECUTIVE SEDAN
28 = FWD PICKUP	

AR = Use as Required - = Non Illustrated Part P.A.R. = Paint as Required

WEATHERSTRIP AND RUN C,V - 27  
Figure 23C-2300

3171 2300



ITEM	PART NUMBER	QTY	BODY	MODEL	DESCRIPTION
1-4	4305 002-3	1			SEAL ASSY.,Door
2	4280 172-3	1			WEATHERSTRIP, Front
3	4097 598-9	1			SEAL, Door, Front
	4097 600-1	1			Rear
The following parts are not illustrated. de). Both models are derived from the 100.1" W.B. LeBaron (C 22 Model). Sheet metal parts for the C 48 not found on this illustration should be specif					
	2217 508	AR			CLIP, Outer Weatherstrip Attaching
	4040 732	AR			RETAINER, Door Opening Weatherstrip Attaching

MODEL CODES

B = GRAN FURY	G = DIPLOMAT	V = 400
C = LEBARON/TOWN & COUNTRY	M = HORIZON/TURISMO/SCAMP	X = MIRADA
D = ARIES	P = RELIANT	Y = IMPERIAL
E = 600	S = CORDOBA	Z = OMNI/CHARGER/RAMPAGE
F = FIFTH AVENUE	T = E CLASS/NEWYORKER	

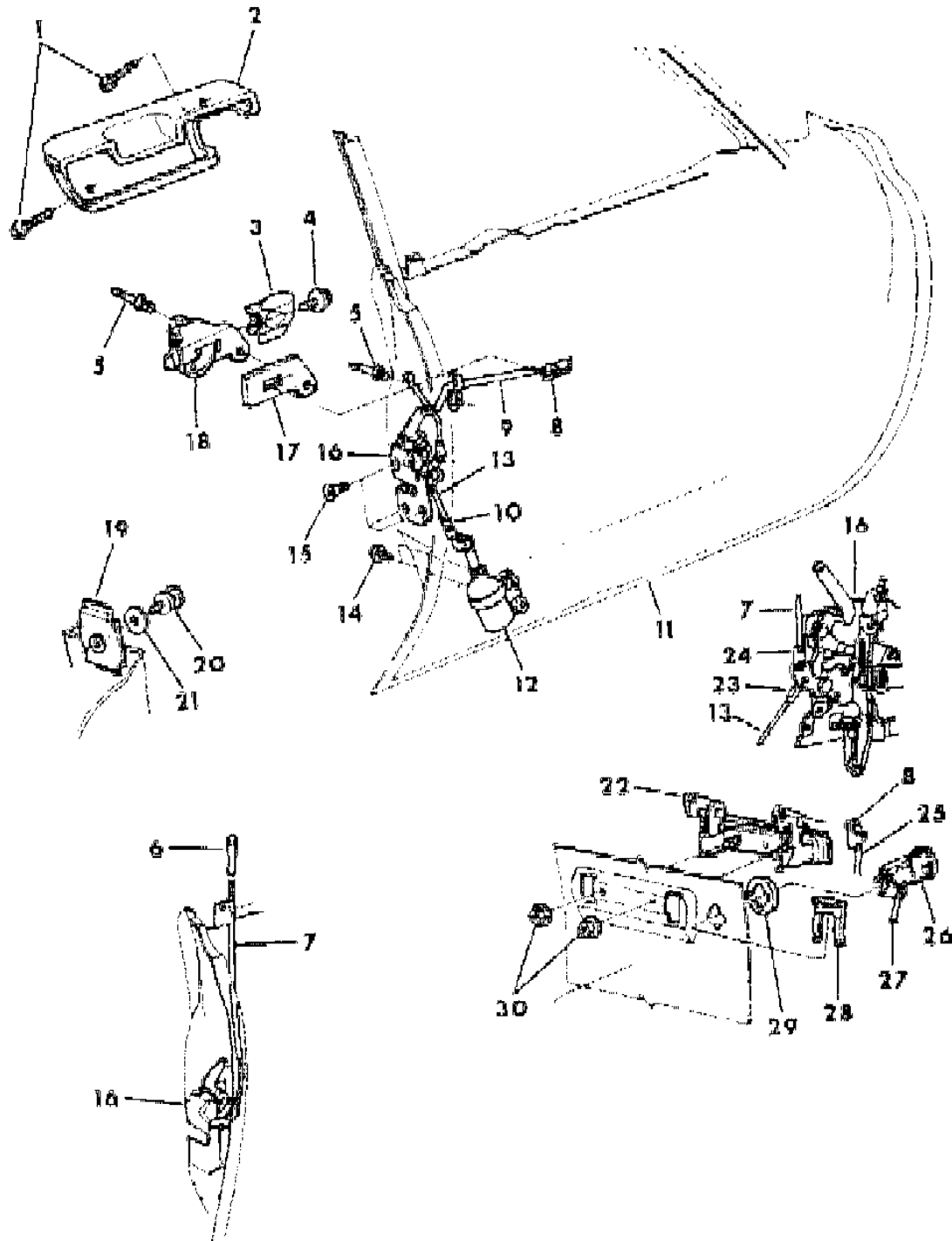
BODY STYLES

21 = 2-DOOR SEDAN	41 = 4-DOOR SEDAN
22 = 2-DOOR SPECIAL COUPE	45 = 4-DOOR STATION WAGON
24 = 2-DOOR HATCHBACK	44 = 4-DOOR HATCHBACK
27 = 2-DOOR CONVERTIBLE	48 = EXECUTIVE SEDAN
28 = FWD PICKUP	

AR = Use as Required - = Non Illustrated Part P.A.R. = Paint as Required

DOOR, FRONT B,F,G - 41  
Figure 23C-2400

3171 2400



ITEM	PART NUMBER	QTY	BODY	MODEL	DESCRIPTION
1		AR			SCREW (Not Serviced)
2					ARM REST (See Soft Trim Section)
3	4184 140-1	1			HANDLE, Door Latch R/Control
4	0181 063	AR			NUT & WASHER
5	6031 115	AR			RIVET
6	4049 609	2			KNOB PKG,Door Latch Locking Control
7	3882 414-5	1			ROD, Door Latch Locking Push
8					CLIP, Door Latch Outside Handle to Latch, Right
	2945 109	AR			Left
	2945 108	AR			Left
9	3871 038-9	1			LINK w/SLEEVE, Door Latch R/Control to Latch
10					CLIP, Door Elect. Latch Solenoid Link, Right
	0629 792	AR			Left
11	4200 868-9	1			SHELL, Door
	3875 010-1	1			PANEL,Repair
12	4184 156-7	1			MOTOR, Power Door Lock, w/Clip
12A	4184 172	2			CLIP
13	4184 161	2			LINK, Door Elect. Latch Solenoid to Latch
14	6030 186	AR			SCREW and WASHER
15	0166 412	AR			SCREW
16					LATCH, Frt. Door, Right (non override) Left (override) SHIELD,Frnt.Dr.Latch
	3882 800	1			Right (non override)
	3882 805	1			Left (override)
	3882 816-7	1			SHIELD,Frnt.Dr.Latch
17	3871 322-3	1			SEAL, Door Latch R/Control Inside Pnl.
18	3871 274-5	1			REMOTE CONTROL, Door Latch
	3871 282-3	1			SPRING, Remote Control Door Latch
19	3752 366	2			REINFORCEMENT w/T/PLATE, Ctr. Plr. Retainer
20	4184 222	2			STRIKER, Door Latch
21	6026 361	AR			WASHER, Door Latch Striker
22	3882 621	2			HANDLE, Door Outside
23	4184 244-5	1			CLIP, Door Elect. Lock Solenoid Link to Latch
24	4184 244-5	1			CLIP, Door Latch Locking Push Rod to Latch
25	3871 140-1	1			LINK, Door Latch to Outside Handle to Latch
26					CYLINDER, Door (See Cyl. Illus.)
27	3871 030-1	1			LINK, Door Lock Key Cyl.

MODEL CODES

B = GRAN FURY	G = DIPLOMAT	V = 400
C = LEBARON/TOWN & COUNTRY	M = HORIZON/TURISMO/SCAMP	X = MIRADA
D = ARIES	P = RELIANT	Y = IMPERIAL
E = 600	S = CORDOBA	Z = OMNI/CHARGER/RAMPAGE
F = FIFTH AVENUE	T = E CLASS/NEWYORKER	

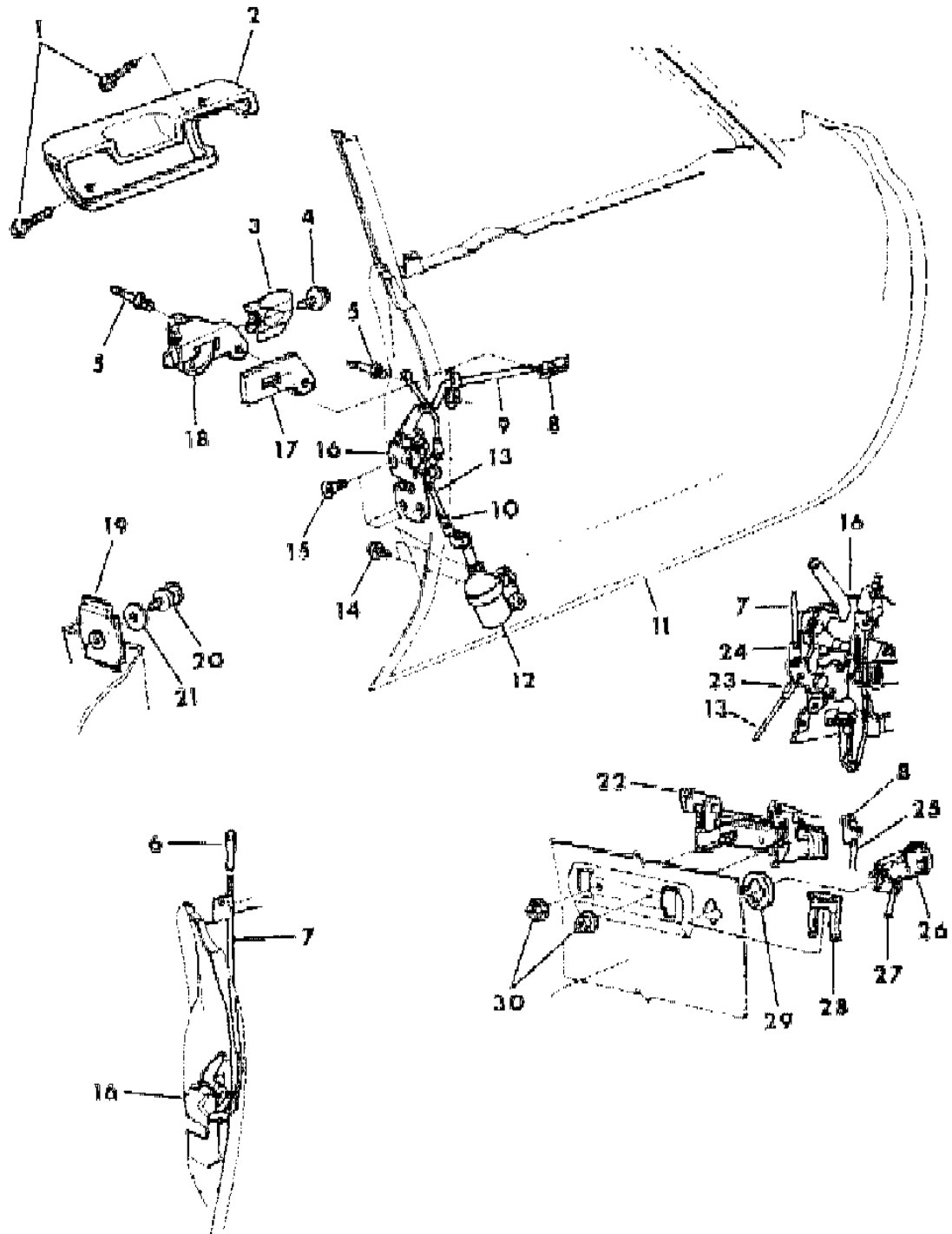
BODY STYLES

21 = 2-DOOR SEDAN	41 = 4-DOOR SEDAN
22 = 2-DOOR SPECIAL COUPE	45 = 4-DOOR STATION WAGON
24 = 2-DOOR HATCHBACK	44 = 4-DOOR HATCHBACK
27 = 2-DOOR CONVERTIBLE	48 = EXECUTIVE SEDAN
28 = FWD PICKUP	

AR = Use as Required - = Non Illustrated Part P.A.R. = Paint as Required

DOOR, FRONT B,F,G - 41  
Figure 23C-2400

3171 2400



ITEM	PART NUMBER	QTY	BODY	MODEL	DESCRIPTION
28					RETAINER, Door Lock Cyl. (See Cyl. Illus.)
29					GASKET, Door Lock Cyl. (See Cyl. Illus.)
30	6025 004	AR			NUT & WASHER
Note: The Following Items Are Not Illustrated de). Both models are derived from the 100.1" W.B. LeBaron (C 22 Model). Sheet metal parts for the C 48 not found on this illustration should be specif					
		2			SCREW,Front Door Electric Window Regulator Mechanism Housing (DNS)
	9416 992	2			LOCK-NUT,Frt.Door Electric Window Regulator Mechanism Set Screw
	4184 172	2			CLIP,Electric Locking Motor
	4184 161	2			LINK,Locking Motor To Latch
	3454 220-1	1			CLIP, Latch Inside Release Lever
	3454 572	4			GASKET, Handle Base Outside
	3510 447	2			GROMMET, Lock Knob

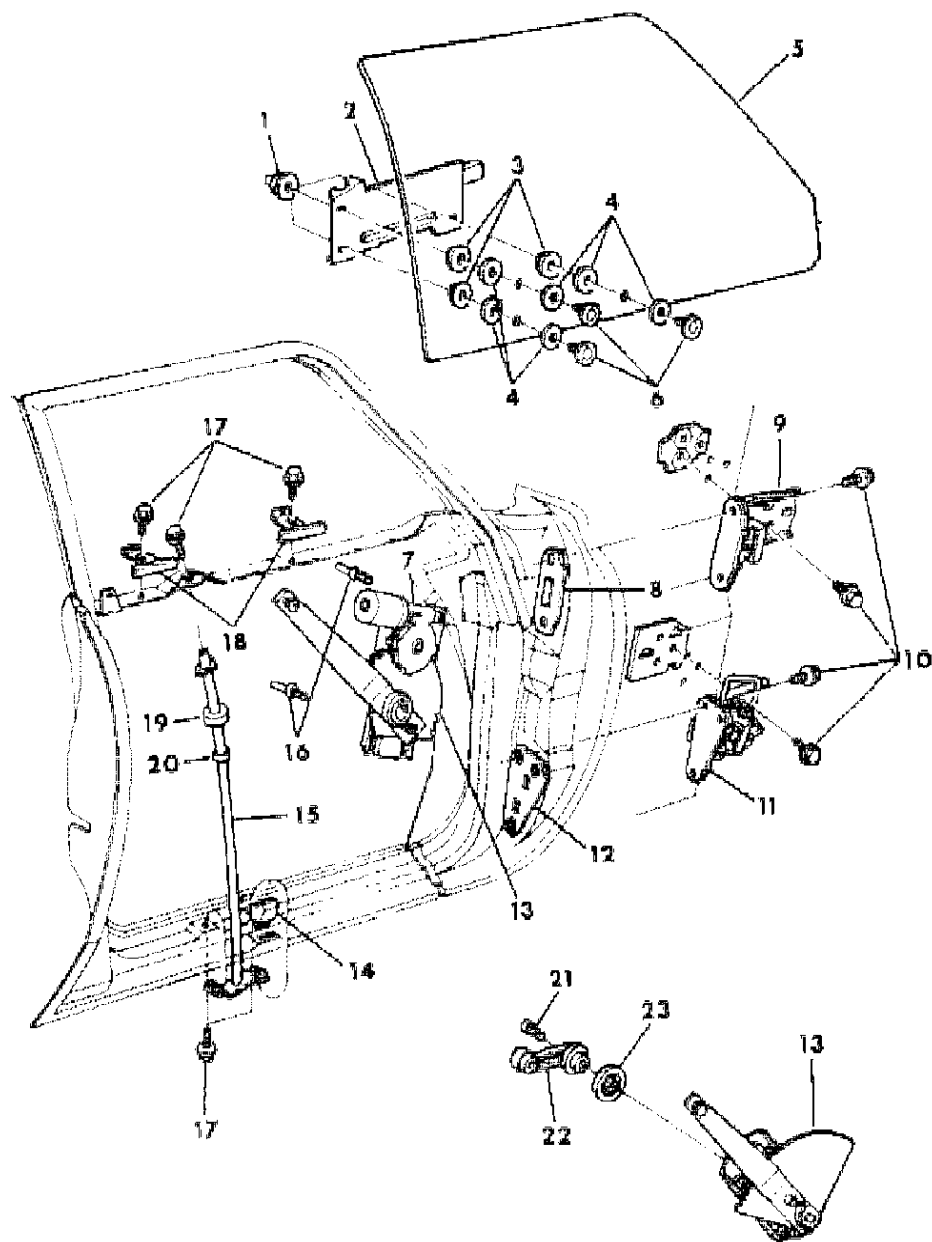
MODEL CODES  
 B = GRAN FURY  
 C = LEBARON/TOWN & COUNTRY  
 D = ARIES  
 E = 600  
 F = FIFTH AVENUE  
 G = DIPLOMAT  
 M = HORIZON/TURISMO/SCAMP  
 P = RELIANT  
 S = CORDOBA  
 T = E CLASS/NEWYORKER  
 V = 400  
 X = MIRADA  
 Y = IMPERIAL  
 Z = OMNI/CHARGER/RAMPAGE

BODY STYLES  
 21 = 2-DOOR SEDAN  
 22 = 2-DOOR SPECIAL COUPE  
 24 = 2-DOOR HATCHBACK  
 27 = 2-DOOR CONVERTIBLE  
 28 = FWD PICKUP  
 41 = 4-DOOR SEDAN  
 45 = 4-DOOR STATION WAGON  
 44 = 4-DOOR HATCHBACK  
 48 = EXECUTIVE SEDAN

AR = Use as Required - = Non Illustrated Part P.A.R. = Paint as Required

**GLASS AND REGULATOR, FRONT DOOR B,F,G - 41**  
**Figure 23C-2500**

3171 2500



ITEM	PART NUMBER	QTY	BODY	MODEL	DESCRIPTION
1	6031 115	AR			RIVET
2	4136 440-1	1			PLATE w/CHANNEL, Door Glass Guide
	4040 710	4			PAD, Door Glass Guide Plate
3	6028 587	AR			TEE NUT
4	5231 769	12			GASKET, Door Glass Guide Brkt. to Glass
5					GLASS,
	4136 434-5	1			Tinted
6	6029 998	AR			WASHER and STUD
7					MOTOR and MECHANISM, Elec. Wdo. Lift,
	4240 519	1			Right
	4240 520	1			Left
	2932 973	AR			GEAR and SEAL PKGE.
8					T/PLATE (Serviced in Door)
9	4040 576-7	1			HINGE, Door Upr.
10	6031 069	AR			SCREW and WASHER
11	4040 578-9	1			HINGE, Door Lwr., w/Integral Check
	3875 350-1	1			BAR, Door Lwr. Hge. Torsion
12					T/PLATE (Serviced in Door)
13					REGULATOR,
	3882 274-5	1			Manual
	3882 350-1	1			Electric
	3875 678	2			SPRING, Manual Regulator Assist
14	3875 974	2			BUMPER, Door Glass Downstop
15	3875 428-9	1			TRACK, Door Glass Guide Tube
16	6031 115	AR			RIVET
17	6030 649	AR			SCREW and WASHER
18	4040 663	4			STABILIZER, Door Glass
19	3788 080	2			SLEEVE, Glass Track Tube
20	3788 273	2			GUIDE, Door Glass Lift Lower
21	6027 221	AR			SCREW
22	3882 764	2			HANDLE, Door Manual Wdo. Regulator
23	3882 768	2			SPACER, Door Manual Wdo. Regulator Handle
NOTE: THE FOLLOWING ITEMS ARE NOT ILLUSTRATED de). Both models are derived from the 100.1" W.B. LeBaron (C 22 Model). Sheet metal parts for the C 48 not found on this illustration should be specif					
	3788 114	AR			BUMPER, Door
	3454 572	2			GASKET, Door Outside Handle Base
	3882 758	2			SLIDE, Regulator

**MODEL CODES**

B = GRAN FURY	G = DIPLOMAT	V = 400
C = LEBARON/TOWN & COUNTRY	M = HORIZON/TURISMO/SCAMP	X = MIRADA
D = ARIES	P = RELIANT	Y = IMPERIAL
E = 600	S = CORDOBA	Z = OMNI/CHARGER/RAMPAGE
F = FIFTH AVENUE	T = E CLASS/NEWYORKER	

**BODY STYLES**

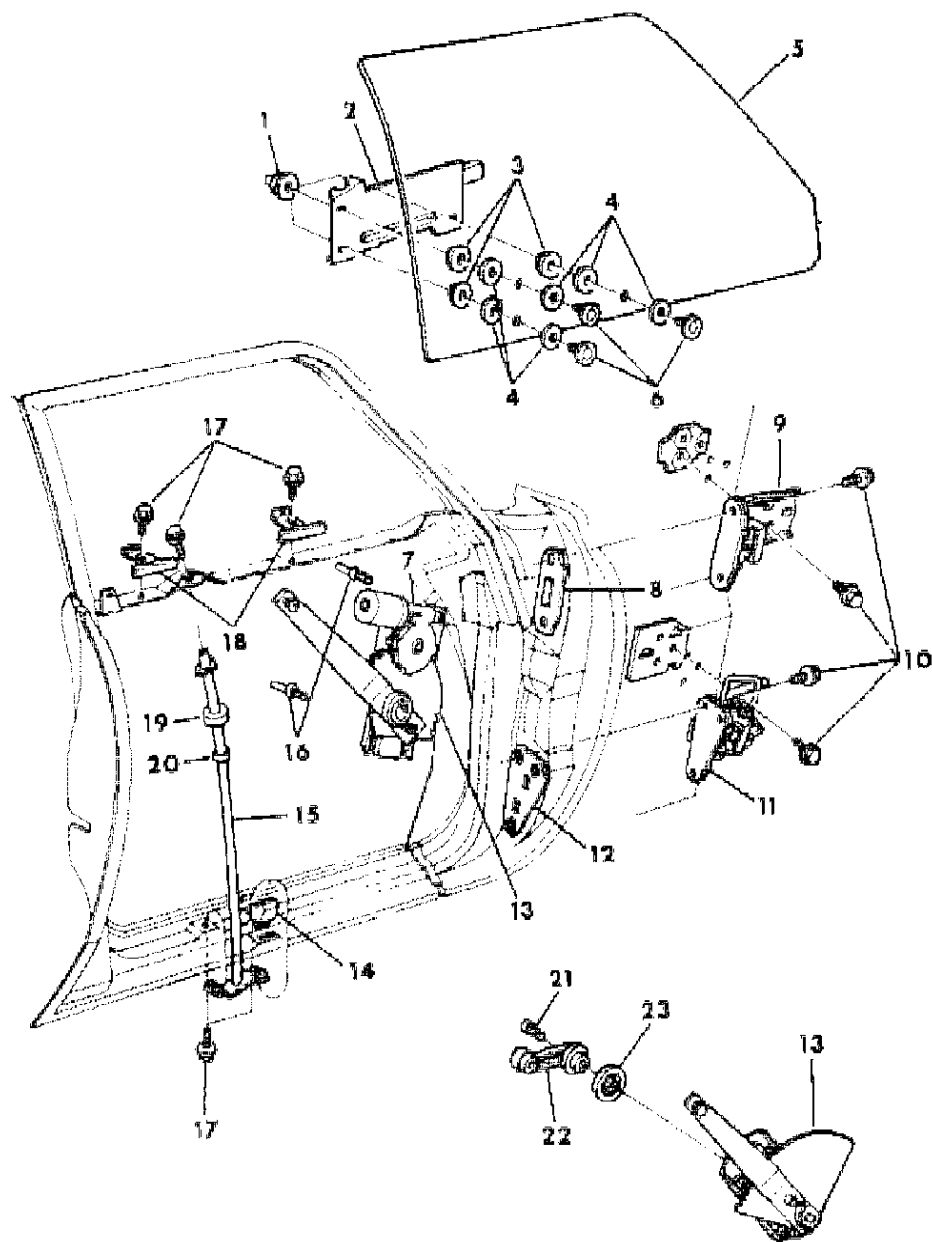
21 = 2-DOOR SEDAN	41 = 4-DOOR SEDAN
22 = 2-DOOR SPECIAL COUPE	45 = 4-DOOR STATION WAGON
24 = 2-DOOR HATCHBACK	44 = 4-DOOR HATCHBACK
27 = 2-DOOR CONVERTIBLE	48 = EXECUTIVE SEDAN
28 = FWD PICKUP	

AR = Use as Required - = Non Illustrated Part P.A.R. = Paint as Required

**GLASS AND REGULATOR, FRONT DOOR B,F,G - 41**  
**Figure 23C-2500**

ITEM	PART NUMBER	QTY	BODY	MODEL	DESCRIPTION
	1316 863	2			O-RING, Electric Wdo. Reg. Mechanism
	2999 467	2			SPACER, Electric Wdo. Regulator Mechanism Locking

3171 2500



**MODEL CODES**

B = GRAN FURY	G = DIPLOMAT	V = 400
C = LEBARON/TOWN & COUNTRY	M = HORIZON/TURISMO/SCAMP	X = MIRADA
D = ARIES	P = RELIANT	Y = IMPERIAL
E = 600	S = CORDOBA	Z = OMNI/CHARGER/RAMPAGE
F = FIFTH AVENUE	T = E CLASS/NEWYORKER	

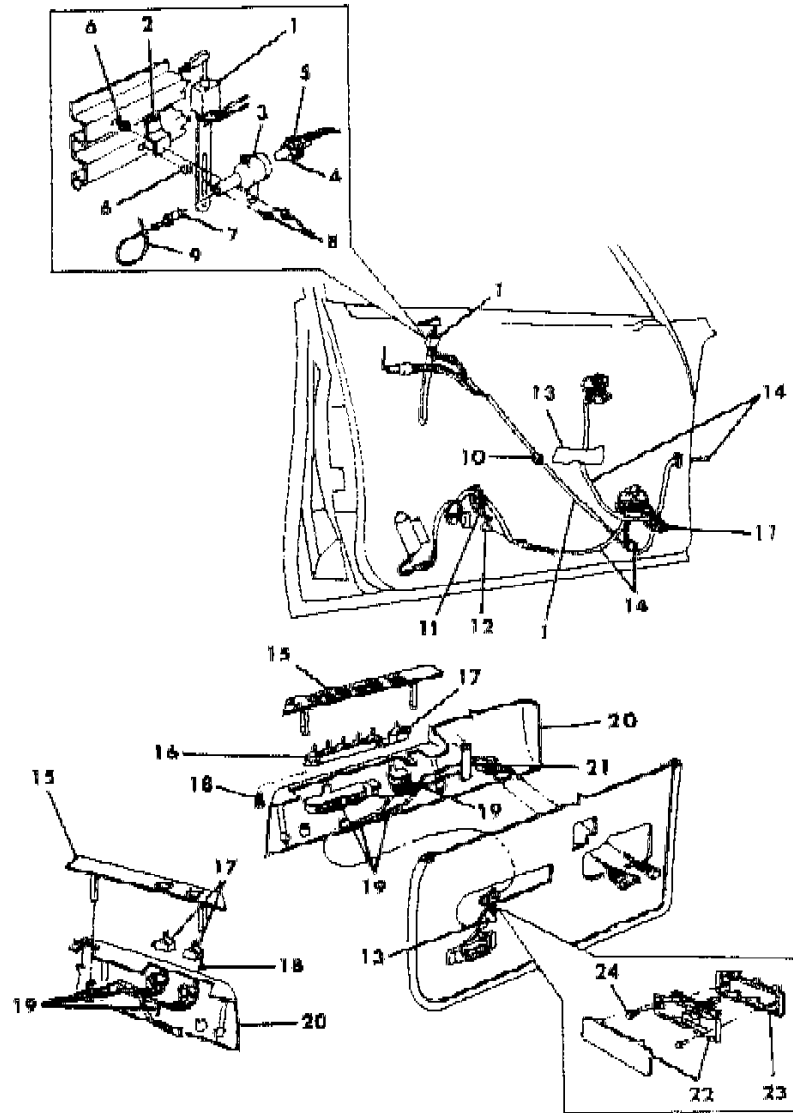
**BODY STYLES**

21 = 2-DOOR SEDAN	41 = 4-DOOR SEDAN
22 = 2-DOOR SPECIAL COUPE	45 = 4-DOOR STATION WAGON
24 = 2-DOOR HATCHBACK	44 = 4-DOOR HATCHBACK
27 = 2-DOOR CONVERTIBLE	48 = EXECUTIVE SEDAN
28 = FWD PICKUP	

AR = Use as Required - = Non Illustrated Part P.A.R. = Paint as Required

**BEZELS, SWITCHES AND WIRING, FRONT DOOR B,F,G - 41**  
**Figure 23C-2600**

1171 2600



ITEM	PART NUMBER	QTY	BODY	MODEL	DESCRIPTION
1	3747 819	2			SWITCH w/WIRING, Illuminated Entry
2	3591 902	2			BRACKET
3	3591 894	2			HOUSING, Lamp
4	9415 969	2			BULB
5	3513 686	2			SOCKET
6	6031 234	AR			NUT, Switch Mounting
7		AR			CLIP (not serviced)
8		AR			SCREW (not serviced)
9	4172 675	AR			CABLE
10		AR			CLIP (not serviced)
11	2945 704	AR			STRAP
12		AR			RETAINER (not serviced)
13		AR			TAPE (not serviced)
14					WIRING, Door
	4274 172	1			w/Illuminated Entry and Courtesy Lamp
	4209 971	1			w/Power Windows, Illuminated Entry, w/ or w/o Power Door Locks
	4274 340	1			w/Door Lock
15					BEZEL and FINISH PLATE, Armrest
	4078 346-7	1			w/o Power Windows and Door Locks
	4078 352-3	1			w/Power Door Lock
	4078 339	1			w/Remote Mirror, Left
	4078 348	1			w/Power Window, w/o Power Door Locks
	4078 350-1	1			w/Power Window and Power Door Locks
	4223 416	1		F-S	w/Power Window and Power Door Locks,Right(Woodgrain)
	4223 417	1		F-S	w/Power Window,Power Door Locks,Remote Mirror, Left(Woodgrain)
	4078 327	1			w/Remote Mirror and Power Door Locks
	4078 329	1			w/Remote Mirror, Power Windows and Door Locks, Left
	4078 325	1			w/Remote Mirror And Power Windows
16	4131 377	1			SWITCH, 5 Gang
17	4131 376	AR			SWITCH, Single
18		AR			SCREW (not serviced)
19	4274 342	1			WIRING, Armrest w/Power Windows and Door Locks Right
	4274 343	1			Left
	4274 344	1			w/Power Window,Right
	4274 341	1			w/Power Windows, w/o Power Door Locks Left

**MODEL CODES**

B = GRAN FURY	G = DIPLOMAT	V = 400
C = LEBARON/TOWN & COUNTRY	M = HORIZON/TURISMO/SCAMP	X = MIRADA
D = ARIES	P = RELIANT	Y = IMPERIAL
E = 600	S = CORDOBA	Z = OMNI/CHARGER/RAMPAGE
F = FIFTH AVENUE	T = E CLASS/NEWYORKER	

**BODY STYLES**

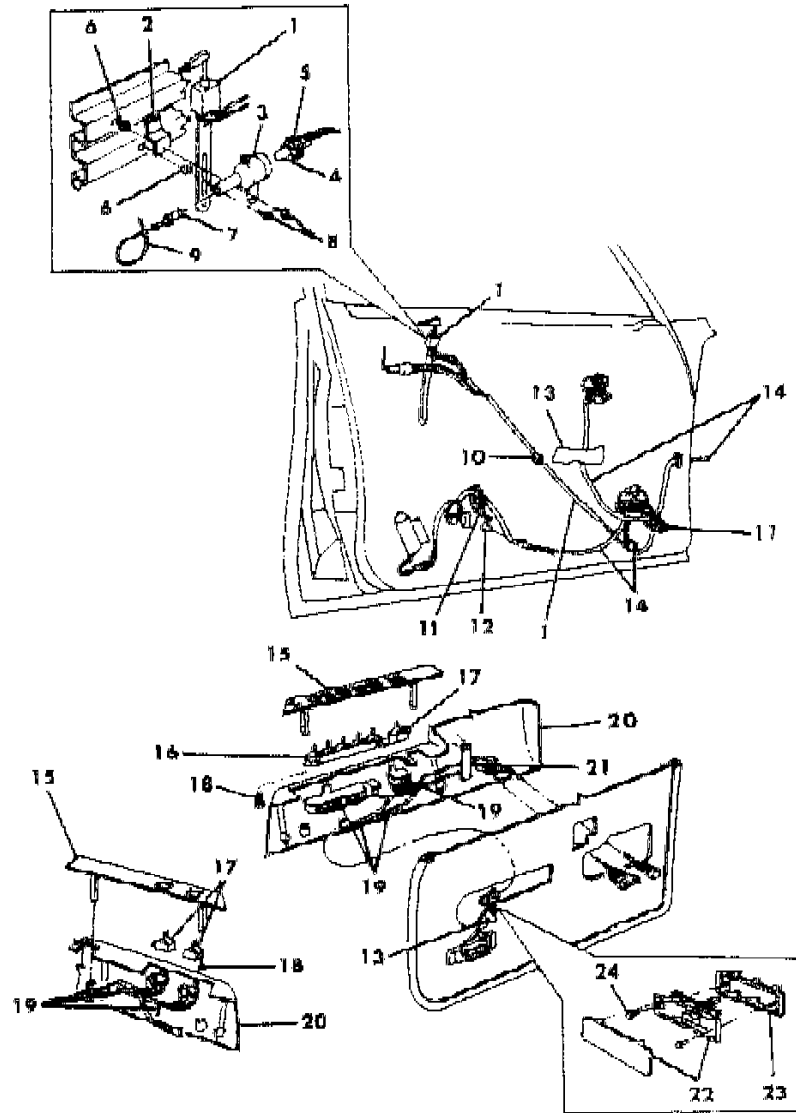
21 = 2-DOOR SEDAN	41 = 4-DOOR SEDAN
22 = 2-DOOR SPECIAL COUPE	45 = 4-DOOR STATION WAGON
24 = 2-DOOR HATCHBACK	44 = 4-DOOR HATCHBACK
27 = 2-DOOR CONVERTIBLE	48 = EXECUTIVE SEDAN
28 = FWD PICKUP	

AR = Use as Required - = Non Illustrated Part P.A.R. = Paint as Required



**BEZELS, SWITCHES AND WIRING, FRONT DOOR B,F,G - 41**  
**Figure 23C-2600**

1171 2600



ITEM	PART NUMBER	QTY	BODY	MODEL	DESCRIPTION
20					ARMREST (See Trim Illus.)
21		AR			CLIP (not serviced)
22	3591 802	2			LAMP, Courtesy
23	3591 126	2			BRACKET, Lamp Mounting
24	9414 712	4			SCREW

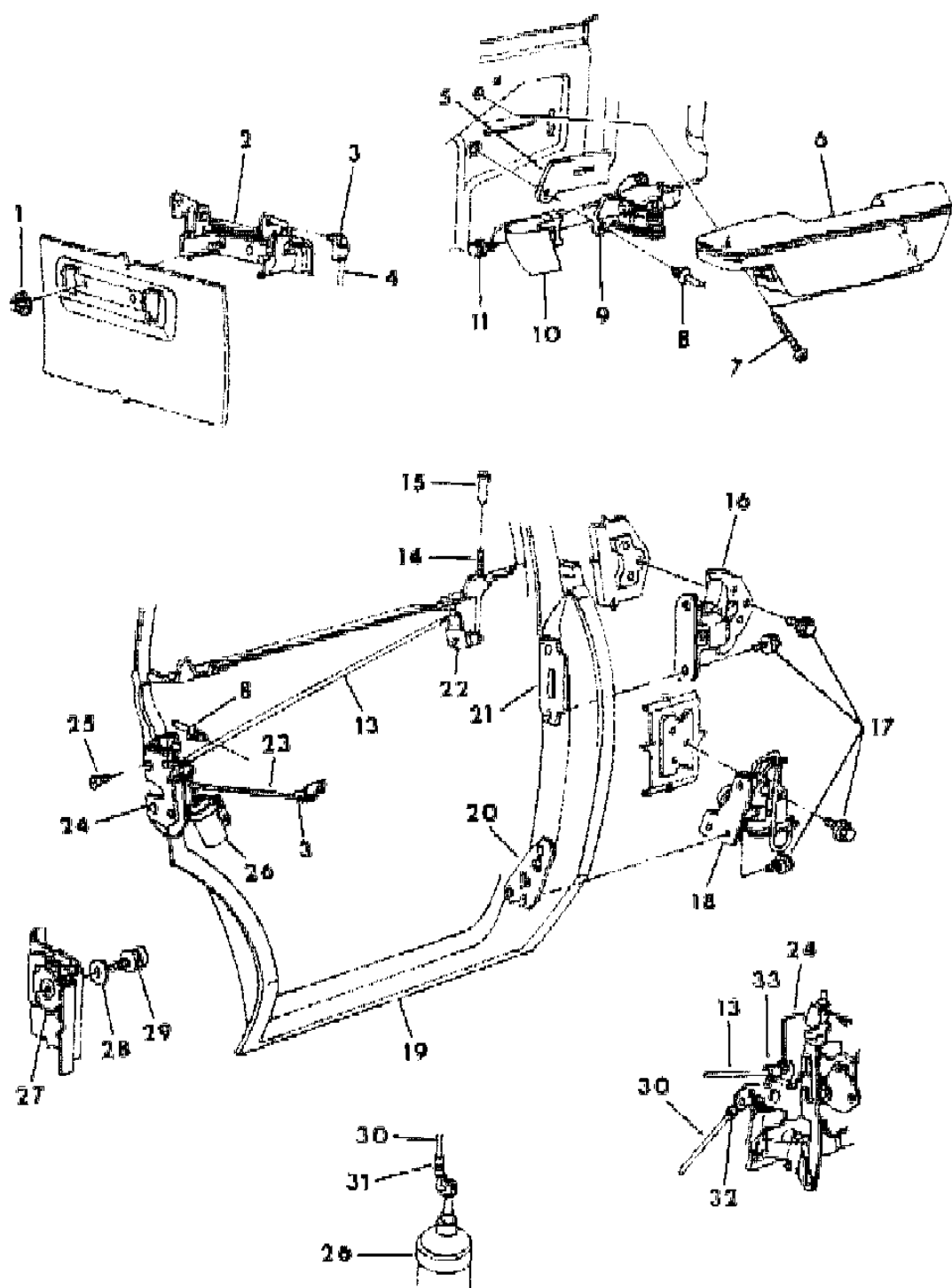
MODEL CODES  
 B = GRAN FURY                      G = DIPLOMAT                      V = 400  
 C = LEBARON/TOWN & COUNTRY    M = HORIZON/TURISMO/SCAMP    X = MIRADA  
 D = ARIES                            P = RELIANT                        Y = IMPERIAL  
 E = 600                                S = CORDOBA                        Z = OMNI/CHARGER/RAMPAGE  
 F = FIFTH AVENUE                    T = E CLASS/NEWYORKER

BODY STYLES  
 21 = 2-DOOR SEDAN                    41 = 4-DOOR SEDAN  
 22 = 2-DOOR SPECIAL COUPE        45 = 4-DOOR STATION WAGON  
 24 = 2-DOOR HATCHBACK            44 = 4-DOOR HATCHBACK  
 27 = 2-DOOR CONVERTIBLE           48 = EXECUTIVE SEDAN  
 28 = FWD PICKUP

AR = Use as Required - = Non Illustrated Part P.A.R. = Paint as Required

DOOR, REAR B,F,G - 41  
Figure 23C-2700

J171 2300



ITEM	PART NUMBER	QTY	BODY	MODEL	DESCRIPTION
1	6025 004	AR			Nut & Washer
2	3882 621	2			HANDLE, Rear Door Outside
3	2945 108-9	AR			CLIP, Door Latch R/Control Lever
4	3882 418-9	1			LINK, Door Latch To Outside Handle
5	3871 322-3	1			SEAL, Door Latch R/Control Inside Pnl.
6					ARM REST (See Soft Trim Section)
7		AR			SCREW (Not Serviced)
8	6031 115	AR			RIVET
9	3871 274-5	1			REMOTE CONTROL, Rr. Dr. Latch
	3871 282-3	1			SPRING, Remote Control Door Latch
10	4184 140-1	1			HANDLE, Rr. Dr. Latch R/Control
11	0181 063	AR			SCREW & WASHER
13	3871 188	2			LINK w/SLEEVE, Door Latch Locking Control
14	3882 301	2			ROD, Door Latch Locking Control Push
15	4049 609	AR			KNOB PKG., Door Latch Locking Control
16	4040 530-1	1			HINGE, Rr. Dr. Upr.
17	6031 069	AR			SCREW & WASHER
18	4040 528-9	1			HINGE, Rr. Dr. Lwr.
	3875 344-5	1			BAR, Door Lwr. Hge. Torsion
19	4200 816-7	1			SHELL, Door
	3875 044-5	1			PANEL,Repair
20					T/Plate (Serviced In Door)
21					T/Plate (Serviced In Door)
22	3871 044	2			LEVER, Door Latch Locking Control
23	3871 060-1	1			LINK w/SLEEVE, Door Latch R/Control
24	3882 808-9	1			LATCH, Rr. Door. (use up to 4/19/82)
	4184 710-1	1			(use after 4/19/82)
25	0166 412	AR			SCREW
26	4184 156-7	1			MOTOR, Power Door Lock, w/Clip
27	3445 952	2			T/PLATE, Body Lock Pillar Lock Striker
28	6026 361	AR			WASHER, Door Latch Striker
29	4184 222	2			STRIKER, Rr. Dr. Latch
30	4184 712	2			LINK, Door Elect. Solenoid To Latch
31	4184 172	2			CLIP, Door Elect. Locking Motor
32	4184 244-5	1			CLIP, Door Elect. Lock Sol. Link To Latch
33	4184 244-5	1			CLIP, Door Latch Locking Link To Latch

MODEL CODES

B = GRAN FURY	G = DIPLOMAT	V = 400
C = LEBARON/TOWN & COUNTRY	M = HORIZON/TURISMO/SCAMP	X = MIRADA
D = ARIES	P = RELIANT	Y = IMPERIAL
E = 600	S = CORDOBA	Z = OMNI/CHARGER/RAMPAGE
F = FIFTH AVENUE	T = E CLASS/NEWYORKER	

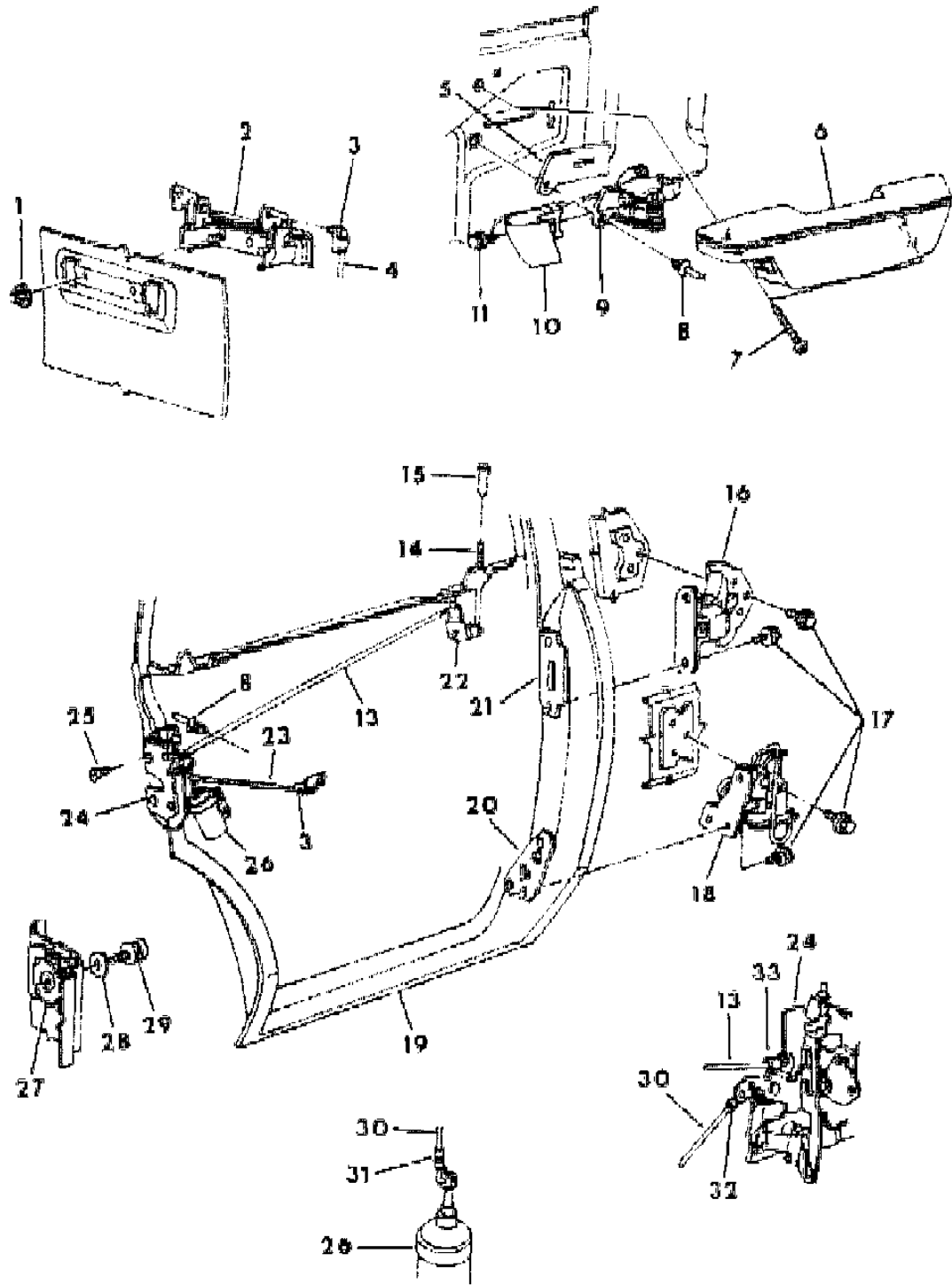
BODY STYLES

21 = 2-DOOR SEDAN	41 = 4-DOOR SEDAN
22 = 2-DOOR SPECIAL COUPE	45 = 4-DOOR STATION WAGON
24 = 2-DOOR HATCHBACK	44 = 4-DOOR HATCHBACK
27 = 2-DOOR CONVERTIBLE	48 = EXECUTIVE SEDAN
28 = FWD PICKUP	

AR = Use as Required - = Non Illustrated Part P.A.R. = Paint as Required

Figure 23C-2700

J171 2300



**DOOR, REAR B,F,G - 41**  
**Figure 23C-2700**

ITEM	PART NUMBER	QTY	BODY	MODEL	DESCRIPTION
------	-------------	-----	------	-------	-------------

NOTE: THE FOLLOWING ITEMS ARE NOT ILLUSTRATED. de). Both models are derived from the 100.1" W.B. LeBaron (C 22 Model). Sheet metal parts for the C 48 not found on this illustration should be specif

	3788 114	AR			BUMPER, Rr. Door
	3871 282-3	2			SPRING, Door Latch R/Control Lever Ret.
	3510 447	2			GROMMET, Door Trim Pnl. Lock Knob
	3454 572	2			GASKET, Rr. Dr. Outside Handle Base
	3454 220-1	1			CLIP, Latch, Inside Release Lever

**MODEL CODES**

B = GRAN FURY	G = DIPLOMAT	V = 400
C = LEBARON/TOWN & COUNTRY	M = HORIZON/TURISMO/SCAMP	X = MIRADA
D = ARIES	P = RELIANT	Y = IMPERIAL
E = 600	S = CORDOBA	Z = OMNI/CHARGER/RAMPAGE
F = FIFTH AVENUE	T = E CLASS/NEWYORKER	

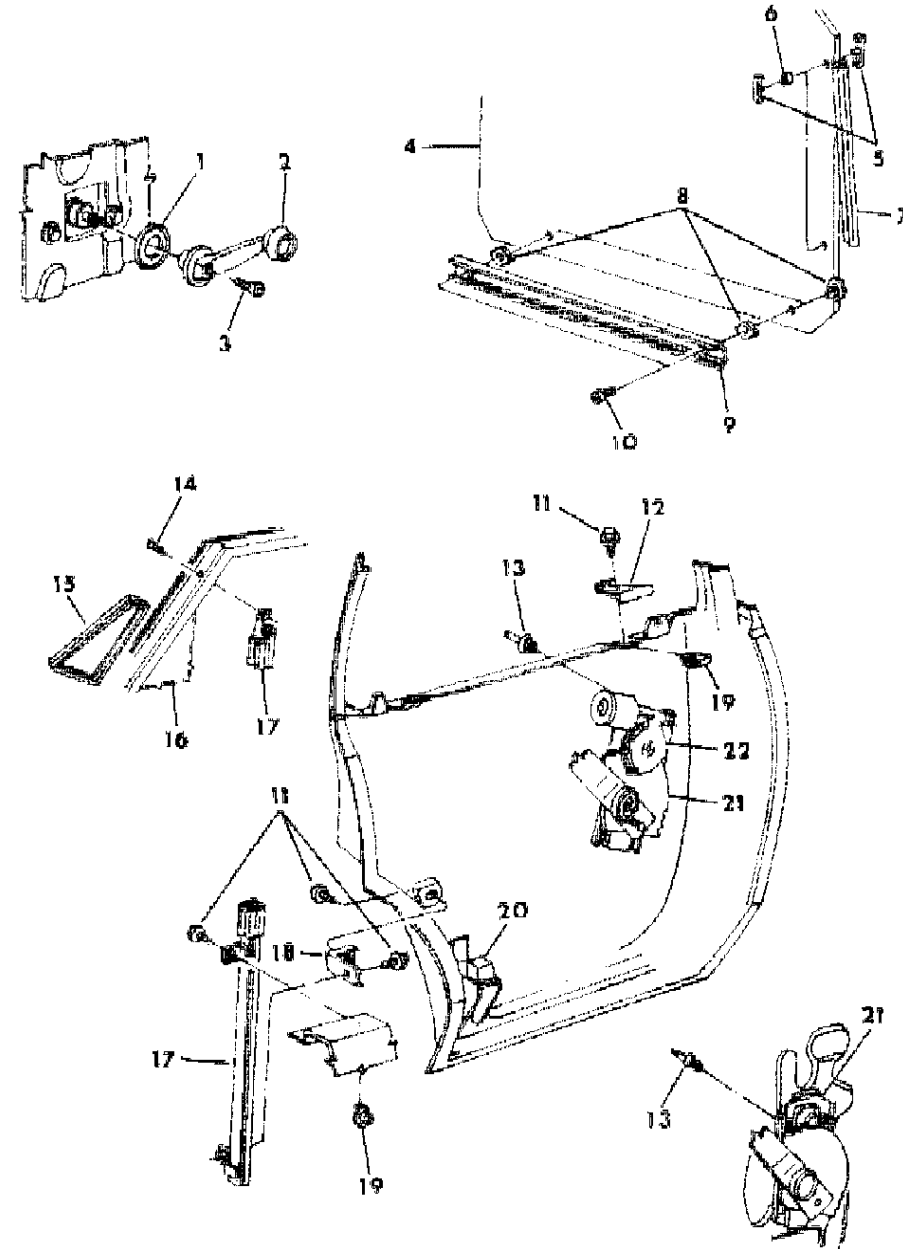
**BODY STYLES**

21 = 2-DOOR SEDAN	41 = 4-DOOR SEDAN
22 = 2-DOOR SPECIAL COUPE	45 = 4-DOOR STATION WAGON
24 = 2-DOOR HATCHBACK	44 = 4-DOOR HATCHBACK
27 = 2-DOOR CONVERTIBLE	48 = EXECUTIVE SEDAN
28 = FWD PICKUP	

AR = Use as Required - = Non Illustrated Part P.A.R. = Paint as Required

**GLASS AND REGULATOR, REAR DOOR B,F,G - 41**  
**Figure 23C-2800**

3171 2800



ITEM	PART NUMBER	QTY	BODY	MODEL	DESCRIPTION
1	3882 768	2			SPACER, Door Manual Wdo. Regulator Handle
2	3882 764	2			HANDLE, Rear Door Window Regulator, Chrome
3	6027 221	AR			SCREW
4	4136 332-3	1			GLASS, Rr. Door Tinted
5	3582 315	8			RETAINER, Door Glass Rear Edge
6	2861 744	4			PIN, Door Glass Rear Edge Slide
7	4136 166	1			WEATHERSTRIP PACKAGE, On Rear Edge Of Glass
8	3744 734	1			BUSHING & FASTENER PACKAGE, Door Glass Lift Consists of: 3696 693 Bushing 3759 193 Fastener
9	3875 083	2			CHANNEL, Door Wdo. Glass Lift
10	6030 182	AR			SCREW
11	6030 649	AR			SCREW & WASHER
12	4040 663	2			STABILIZER, Door Glass
13	6031 115	AR			RIVET
14	0180 020	2			SCREW
15	4136 160-1	1			WEATHERSTRIP, Rear Stationary Glass
16	4136 098-9	1			GLASS, Rr. Dr. Stationary, Clear Tinted
17	4136 180-1	1			CHANNEL, Door Glass Division
	4198 848-9	1		F-S	
18	3875 442	2			BRACKET, Door Inside Pnl. To Div. Channel
19	0152 454	AR			U-NUT
20	3440 270	2			BUMPER, Door Glass Down Stop
21	3882 290-1	1			REGULATOR, Rr. Dr. Window Manual
	3882 350-1	1			Electric
22	4240 519	1			MOTOR & MECHANISM, Elec. Wdo. Lift, Right
	4240 520	1			Left
	2932 973	AR			GEAR & SEAL PACKAGE
NOTE: THE FOLLOWING ITEMS ARE NOT ILLUSTRATED. de). Both models are derived from the 100.1" W.B. LeBaron (C 22 Model). Sheet metal parts for the C 48 not found on this illustration should be specif					
	2999 467	AR			SPACER, Electric Wdo. Regulator Mechanism Locking

**MODEL CODES**

B = GRAN FURY	G = DIPLOMAT	V = 400
C = LEBARON/TOWN & COUNTRY	M = HORIZON/TURISMO/SCAMP	X = MIRADA
D = ARIES	P = RELIANT	Y = IMPERIAL
E = 600	S = CORDOBA	Z = OMNI/CHARGER/RAMPAGE
F = FIFTH AVENUE	T = E CLASS/NEWYORKER	

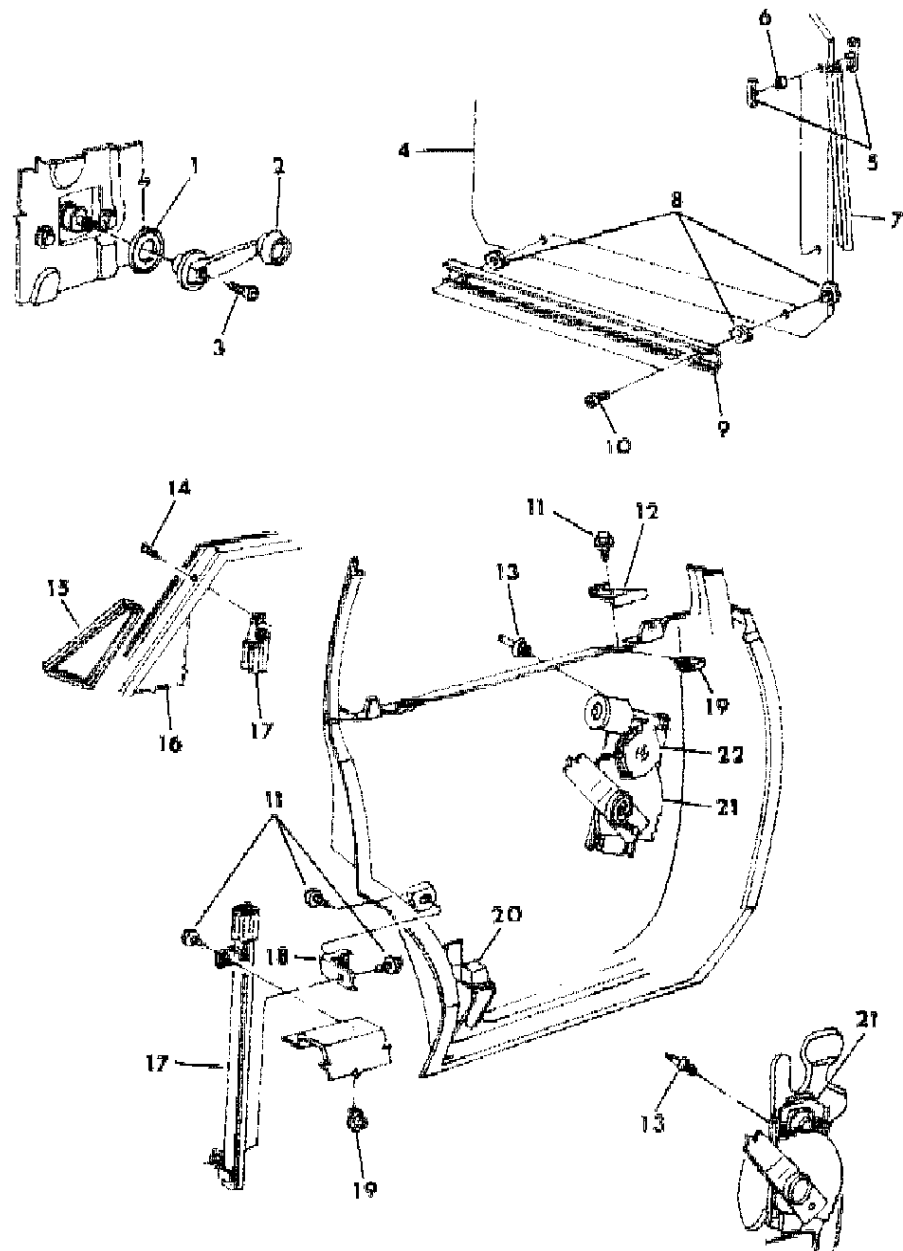
**BODY STYLES**

21 = 2-DOOR SEDAN	41 = 4-DOOR SEDAN
22 = 2-DOOR SPECIAL COUPE	45 = 4-DOOR STATION WAGON
24 = 2-DOOR HATCHBACK	44 = 4-DOOR HATCHBACK
27 = 2-DOOR CONVERTIBLE	48 = EXECUTIVE SEDAN
28 = FWD PICKUP	

AR = Use as Required - = Non Illustrated Part P.A.R. = Paint as Required

**GLASS AND REGULATOR, REAR DOOR B,F,G - 41**  
**Figure 23C-2800**

3173 2800



ITEM	PART NUMBER	QTY	BODY	MODEL	DESCRIPTION
------	-------------	-----	------	-------	-------------

	3882 758	2			SLIDE, Regulator
	1316 863	2			O-RING, Electric Wdo. Reg. Mechanism
	4184 172	2			CLIP, Electric Locking Motor

MODEL CODES

B = GRAN FURY  
 C = LEBARON/TOWN & COUNTRY  
 D = ARIES  
 E = 600  
 F = FIFTH AVENUE

G = DIPLOMAT

M = HORIZON/TURISMO/SCAMP

P = RELIANT

S = CORDOBA

T = E CLASS/NEWYORKER

V = 400

X = MIRADA

Y = IMPERIAL

Z = OMNI/CHARGER/RAMPAGE

BODY STYLES

21 = 2-DOOR SEDAN

22 = 2-DOOR SPECIAL COUPE

24 = 2-DOOR HATCHBACK

27 = 2-DOOR CONVERTIBLE

28 = FWD PICKUP

41 = 4-DOOR SEDAN

45 = 4-DOOR STATION WAGON

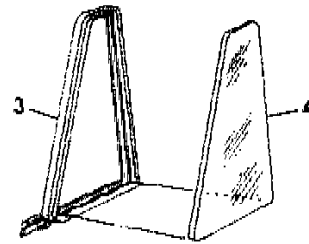
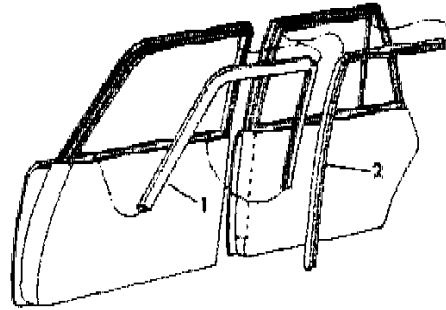
44 = 4-DOOR HATCHBACK

48 = EXECUTIVE SEDAN

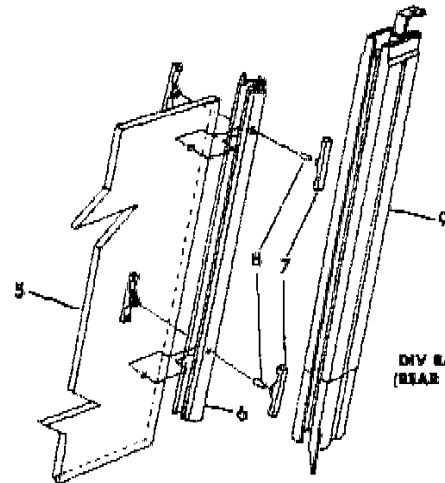
AR = Use as Required - = Non Illustrated Part P.A.R. = Paint as Required

**WEATHERSTRIP AND RUN B,F,G - 41**  
**Figure 23C-2900**

3171 2900



**WEATHERSTRIP & GLASS  
 REAR DOOR (STATIONARY)**



**DIV BAR & GLASS  
 (REAR DOOR WDO)**

ITEM	PART NUMBER	QTY	BODY	MODEL	DESCRIPTION
1	4198 637	1			RUN, Front Glass
2	4198 638	2			RUN, Rear Glass
3	4136 160-1	1			WEATHERSTRIP, Rr. Door Rr. Stationary Glass
4	4136 180-1				GLASS, Rr. Wdo. Stationary
5	4136 332-3				GLASS, Rr. Dr. Window
6-8	4136 166	2			WEATHERSTRIP PACKAGE, Rear Door, On Rear Edge Of Glass
7	3582 315	8			RETAINER, Rear Door Glass Rear Edge
8	2861 744	4			PIN, Rear Door Glass Rear Edge Slide
9					DIVISIONAL CHANNEL (See Rear Door Illustration)

**MODEL CODES**

B = GRAN FURY	G = DIPLOMAT	V = 400
C = LEBARON/TOWN & COUNTRY	M = HORIZON/TURISMO/SCAMP	X = MIRADA
D = ARIES	P = RELIANT	Y = IMPERIAL
E = 600	S = CORDOBA	Z = OMNI/CHARGER/RAMPAGE
F = FIFTH AVENUE	T = E CLASS/NEWYORKER	

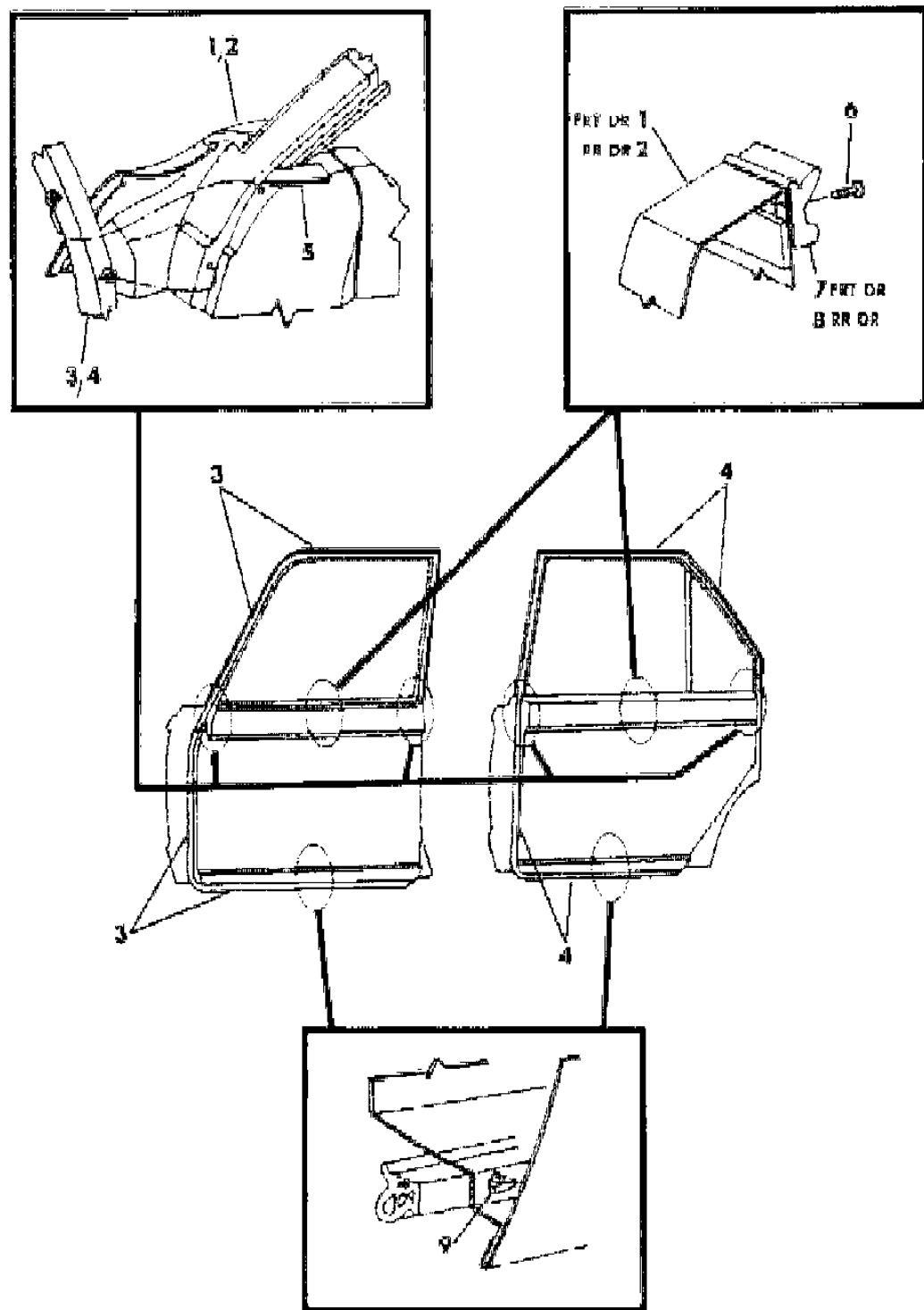
**BODY STYLES**

21 = 2-DOOR SEDAN	41 = 4-DOOR SEDAN
22 = 2-DOOR SPECIAL COUPE	45 = 4-DOOR STATION WAGON
24 = 2-DOOR HATCHBACK	44 = 4-DOOR HATCHBACK
27 = 2-DOOR CONVERTIBLE	48 = EXECUTIVE SEDAN
28 = FWD PICKUP	

AR = Use as Required - = Non Illustrated Part P.A.R. = Paint as Required

**WEATHERSTRIP, FRONT AND REAR DOOR OPENING B,F,G - 41**  
**Figure 23C-3000**

1171 2000



ITEM	PART NUMBER	QTY	BODY	MODEL	DESCRIPTION
1					DOOR SHELL, Front(See Door Illus.)
2					DOOR SHELL, Rear(See Door Illus.)
3	3875 392-3	1			WEATHERSTRIP, On Front Door
4	4136 290-1	1			WEATHERSTRIP, On Rear Door
5					SEAL, Door Wdo. Frame to Inner Panel, Front and Rear (Not Serviced)
6					SCREW (Not Serviced)
7	3875 396-7	1			WEATHERSTRIP, Wdo. Belt Frt. Door, Outer, Up to 7-1-83
	4310 712-3	1			After 7-1-83
	3831 284	2			Inner (Cut to Length)
8	3875 422-3	1			WEATHERSTRIP, Wdo. Belt Rr. Door, Outer
	3831 284	2			Inner (Cut to Length)
9	4040 732	AR			FASTENER, Frt. or Rr. Door to Inside Panel

**MODEL CODES**

B = GRAN FURY	G = DIPLOMAT	V = 400
C = LEBARON/TOWN & COUNTRY	M = HORIZON/TURISMO/SCAMP	X = MIRADA
D = ARIES	P = RELIANT	Y = IMPERIAL
E = 600	S = CORDOBA	Z = OMNI/CHARGER/RAMPAGE
F = FIFTH AVENUE	T = E CLASS/NEWYORKER	

**BODY STYLES**

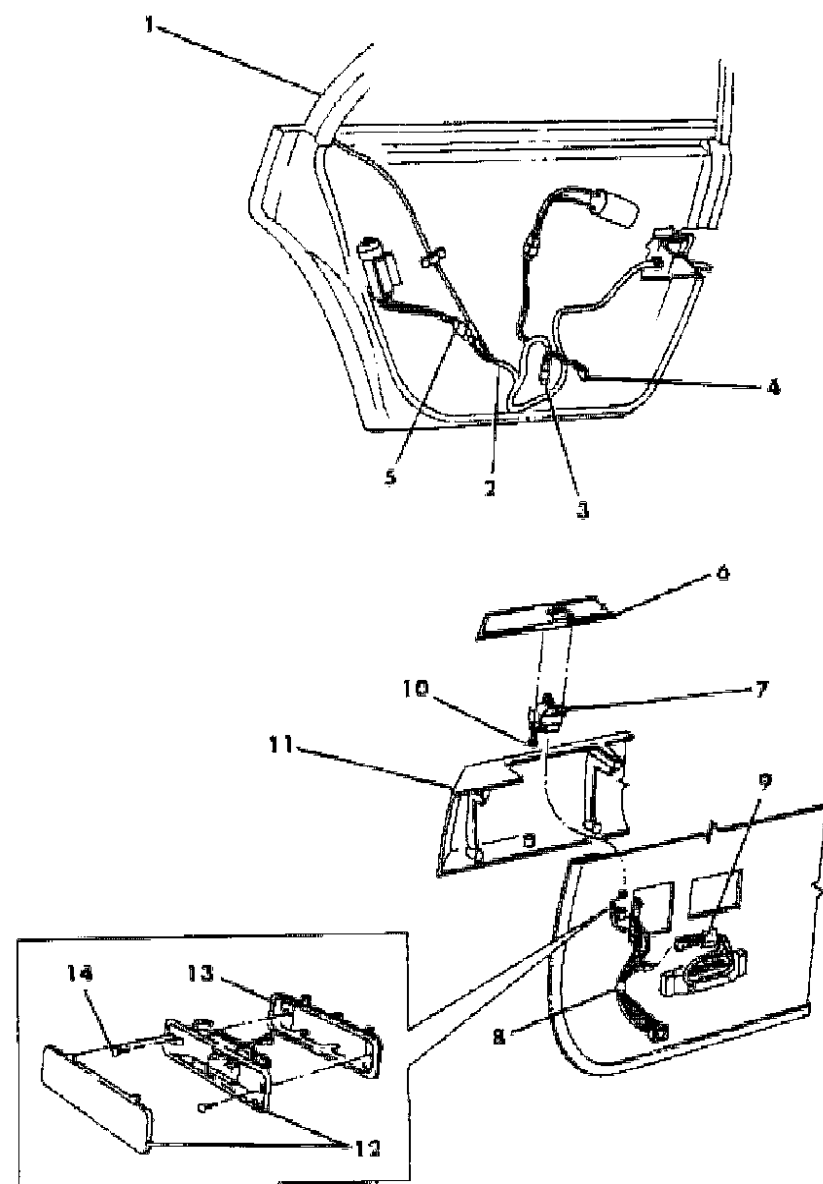
21 = 2-DOOR SEDAN	41 = 4-DOOR SEDAN
22 = 2-DOOR SPECIAL COUPE	45 = 4-DOOR STATION WAGON
24 = 2-DOOR HATCHBACK	44 = 4-DOOR HATCHBACK
27 = 2-DOOR CONVERTIBLE	48 = EXECUTIVE SEDAN
28 = FWD PICKUP	

AR = Use as Required - = Non Illustrated Part P.A.R. = Paint as Required



**BEZELS, SWITCHES AND WIRING, REAR DOOR B,F,G - 41**  
**Figure 23C-3100**

ITEM	PART NUMBER	QTY	BODY	MODEL	DESCRIPTION
1	4209 471	2			WIRING, w/Opera Lamp
2	4209 213	2			WIRING, w/Power Locks and Courtesy Lamp
3	4209 214	2			WIRING, w/Power Windows and Door Locks
4	4209 907	2			WIRING, w/Power Door Locks and Courtesy Lamp
5	2945 704	AR			STRAP
6					BEZEL and FINISH PLATE, Armrest
	4078 382-3	1			w/Ash Receiver, w/o Power windows
	4078 384-5	1			w/Ash Receiver, w/Power Windows
	4223 426-7	1		F-S	w/Ash Receiver, w/Power Windows
7	4131 376	2			SWITCH, Single
8	4274 345	2			WIRING, w/Power Windows
9		AR			TAPE (not serviced)
10		AR			SCREW (not serviced)
11					ARMREST (See Trim Illus.)
12	3591 802	2			LAMP, Courtesy
13	3591 126	2			BRACKET, lamp Mounting
14	9414 712	4			SCREW



**MODEL CODES**

B = GRAN FURY	G = DIPLOMAT	V = 400
C = LEBARON/TOWN & COUNTRY	M = HORIZON/TURISMO/SCAMP	X = MIRADA
D = ARIES	P = RELIANT	Y = IMPERIAL
E = 600	S = CORDOBA	Z = OMNI/CHARGER/RAMPAGE
F = FIFTH AVENUE	T = E CLASS/NEWYORKER	

**BODY STYLES**

21 = 2-DOOR SEDAN	41 = 4-DOOR SEDAN
22 = 2-DOOR SPECIAL COUPE	45 = 4-DOOR STATION WAGON
24 = 2-DOOR HATCHBACK	44 = 4-DOOR HATCHBACK
27 = 2-DOOR CONVERTIBLE	48 = EXECUTIVE SEDAN
28 = FWD PICKUP	

AR = Use as Required - = Non Illustrated Part P.A.R. = Paint as Required

DOOR, FRONT X,S,Y  
Figure 23C-3200

3171 3200

ITEM	PART NUMBER	QTY	BODY	MODEL	DESCRIPTION
1	3882 642-3	1			LINK, Door Latch Key Cylinder To Latch
2	3882 656-7	1			LINK, Door Latch To Outside Handle
3					LATCH, Door
	3882 800	1			Right (non override)
	3882 805	1			Left (override)
	3882 816-7	1			SHIELD,Frnt.Dr.Latch
4	4184 244-5	1			CLIP
5	3882 620	2			CLIP, Anti-Rattle
6	6030 186	AR			SCREW & WASHER
7	3871 044	2		X,S	LEVER, Door Latch Locking Control
8	3882 737	2		X,S	LINK, Door Locking Lever To Latch
9	4184 172	2			CLIP, Door Locking Motor
10	4184 162	2			LINK, Door Electric Latch, Solenoid To Latch
11	4184 156	2			MOTOR, Power Door Lock, w/Clip
12	4136 242	2			BUMPER, Door Glass Down Stop
13	4049 609	1			KNOB, Door Locking
14	3882 646	2		X,S	ROD, Door Latch Locking Control Push
	4184 196-7	1		Y	
15	0166 412	AR			SCREW
16	4184 222	2			STRIKER, Door Latch
17	6026 361	AR			SPACER
18	3445 952	2			T/PLATE, Body Lock Pillar, Lock Striking
19	4184 228	2			HANDLE, Door Outside.
20					RETAINER, Door Cylinder,(see cyl. & key illus.)
21					CYLINDER, Door (see cyl. & key illus.)
22					GASKET, Door Cylinder,(see cyl. & key illus.)
25					CLIP
	2945 109	1			Right
	2945 108	1			Left
26	6025 004	AR			NUT & WASHER
27	6031 069	AR			SCREW & WASHER
28	3875 026-7	1			HINGE, Door Upper
29	4136 308	2			PLUG,Hinge Pillar Wiring Access Hole
	3445 939	1			PLUG,Hinge Pillar Mirror Access Hole
30	3875 028-9	1			HINGE, Door Lower,w/Intregal Check
	3875 350-1	1			BAR, Door Lower Hinge Tension
31	4040 294	4			STABILIZER, Door Glass

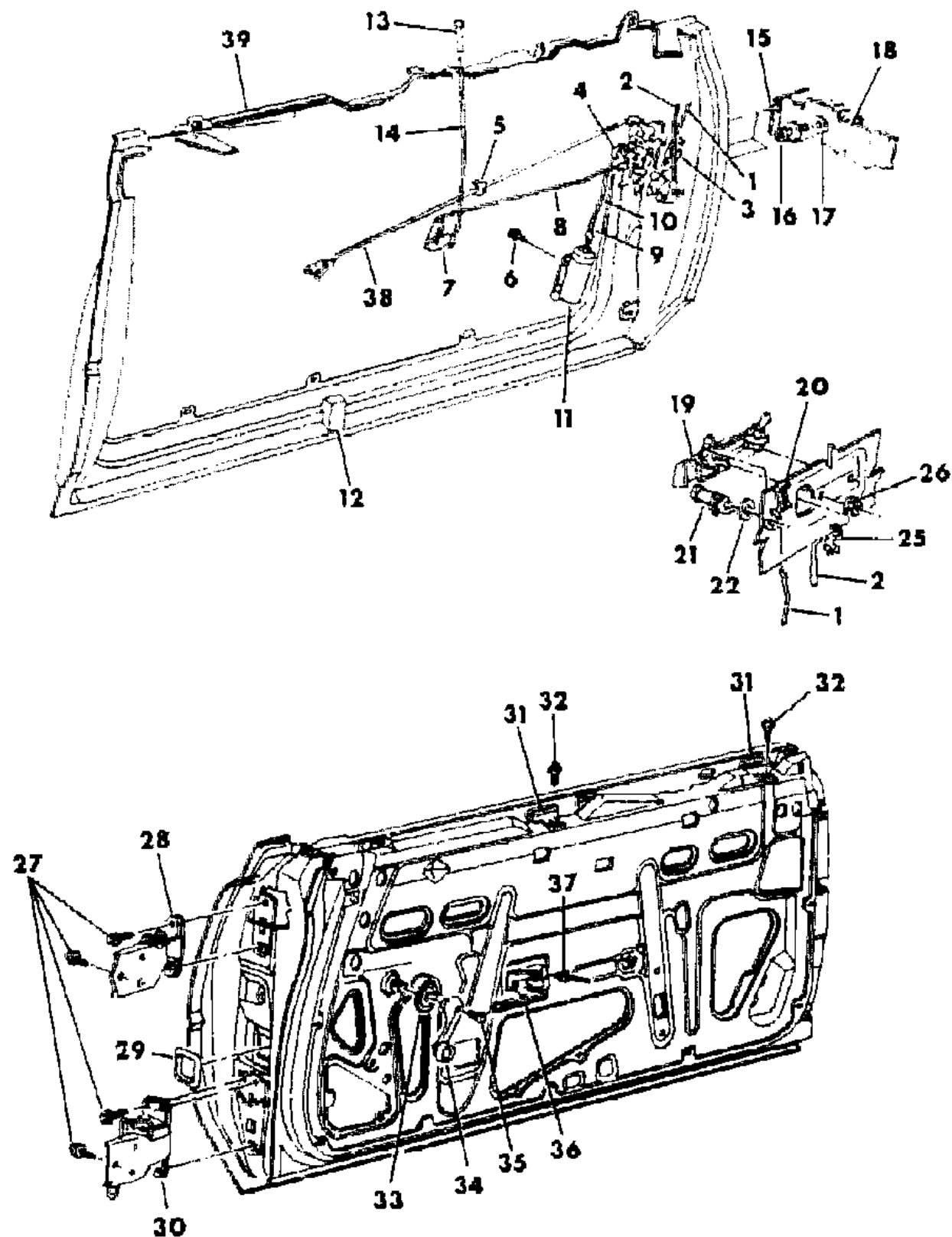
MODEL CODES

B = GRAN FURY	G = DIPLOMAT	V = 400
C = LEBARON/TOWN & COUNTRY	M = HORIZON/TURISMO/SCAMP	X = MIRADA
D = ARIES	P = RELIANT	Y = IMPERIAL
E = 600	S = CORDOBA	Z = OMNI/CHARGER/RAMPAGE
F = FIFTH AVENUE	T = E CLASS/NEWYORKER	

BODY STYLES

21 = 2-DOOR SEDAN	41 = 4-DOOR SEDAN
22 = 2-DOOR SPECIAL COUPE	45 = 4-DOOR STATION WAGON
24 = 2-DOOR HATCHBACK	44 = 4-DOOR HATCHBACK
27 = 2-DOOR CONVERTIBLE	48 = EXECUTIVE SEDAN
28 = FWD PICKUP	

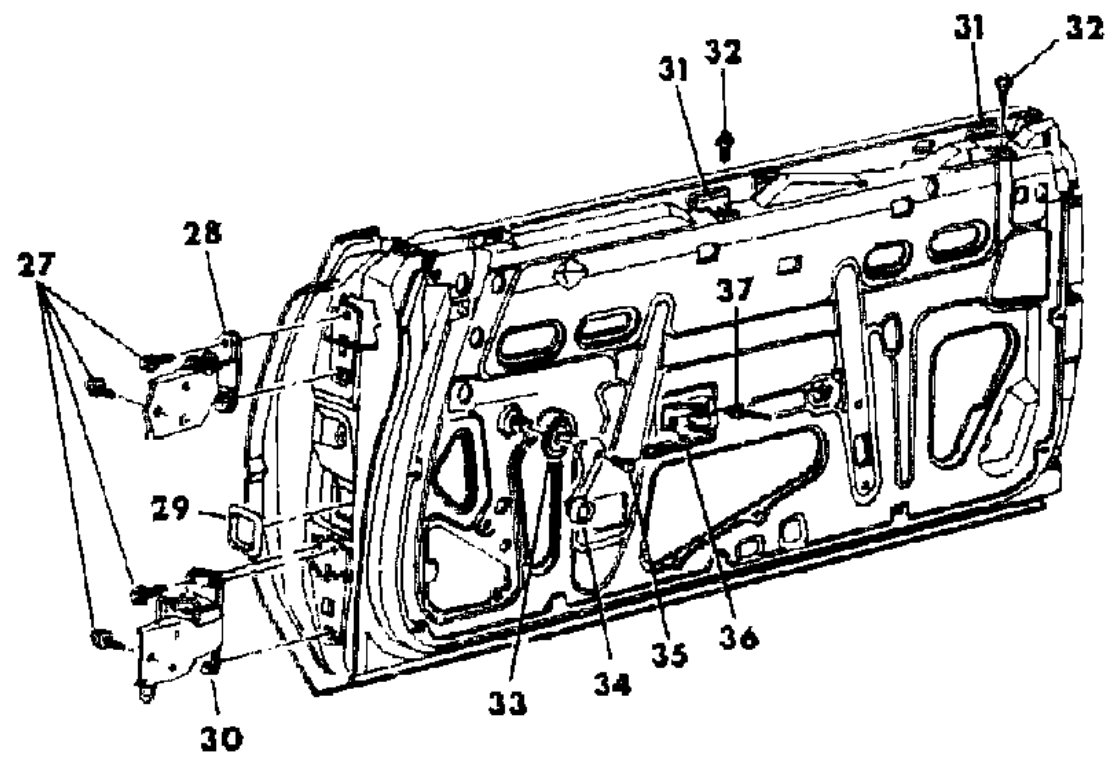
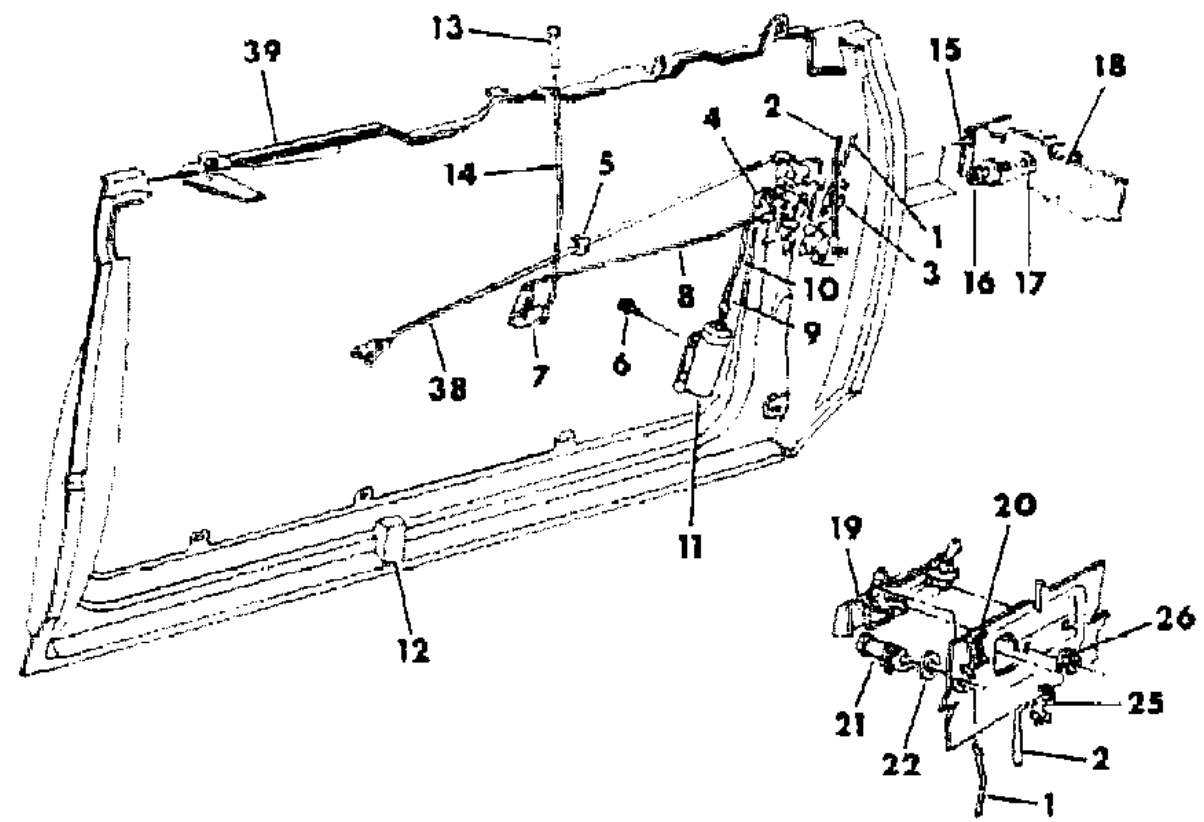
AR = Use as Required - = Non Illustrated Part P.A.R. = Paint as Required



DOOR, FRONT X,S,Y  
Figure 23C-3200

3171 3200

ITEM	PART NUMBER	QTY	BODY	MODEL	DESCRIPTION
32	6030 649	AR			SCREW & WASHER
33	3882 768	2			SPACER, Door Manual Window Regulator Handle
34	3882 764	2		X,S	HANDLE, Door Manual Regulator, Chrome
35	6027 221	AR			SCREW
36	3882 776-7	1			CONTROL, w/Handle, Door Latch Remote
37	6031 115	AR			RIVET
38	3882 726-7	1			LINK & SLEEVE, Door Remote Control To Latch
39	4129 880-1	1		X,S	SHELL,Door
	4129 882-3	1		Y	
	4129 288-9	1		X,S	PANEL,Repair
	4129 734-5	1		Y	
	3454 220-1	1			CLIP, Latch, Inside Release Lever



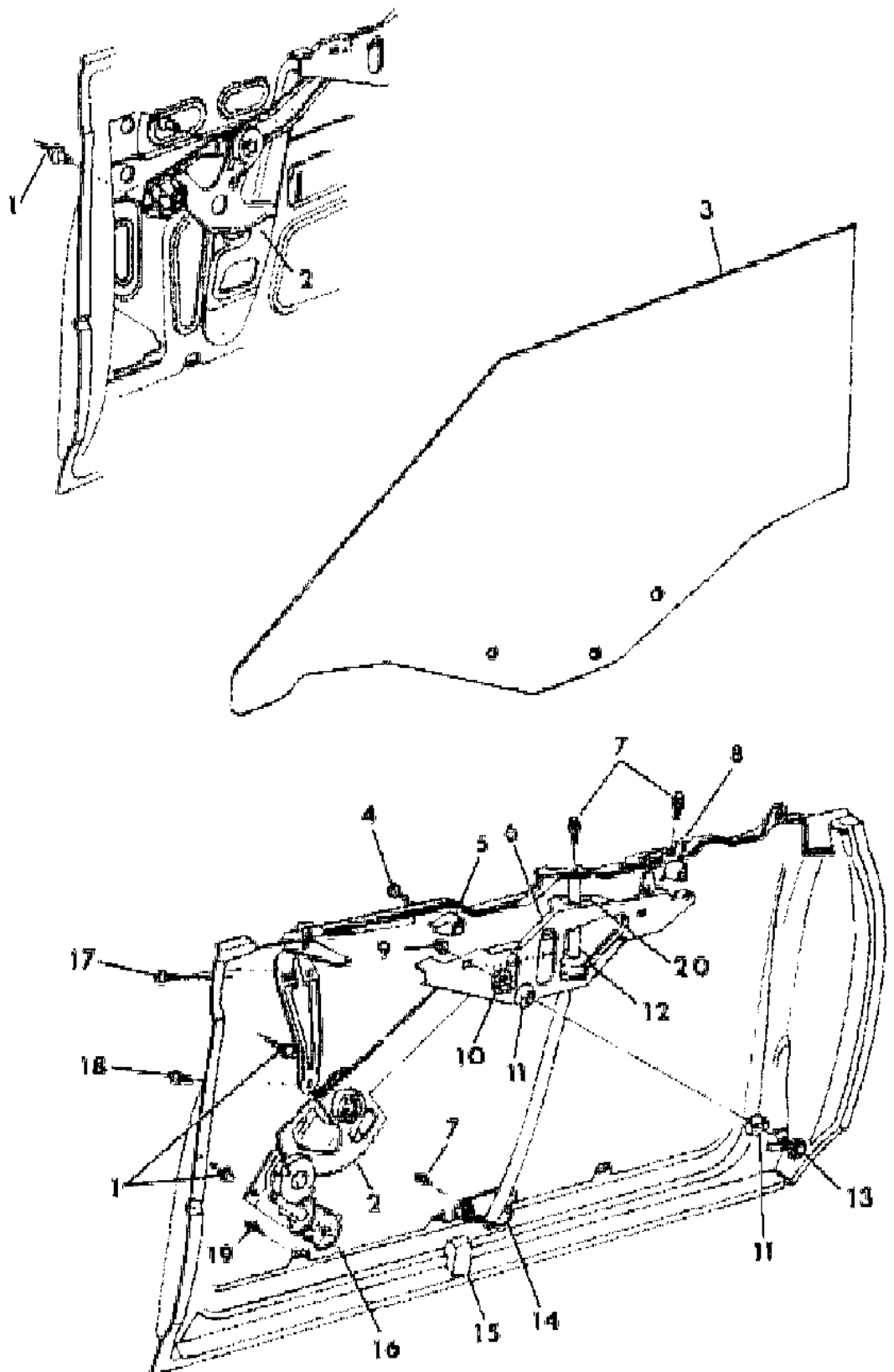
MODEL CODES  
 B = GRAN FURY  
 C = LEBARON/TOWN & COUNTRY  
 D = ARIES  
 E = 600  
 F = FIFTH AVENUE  
 G = DIPLOMAT  
 M = HORIZON/TURISMO/SCAMP  
 P = RELIANT  
 S = CORDOBA  
 T = E CLASS/NEWYORKER  
 V = 400  
 X = MIRADA  
 Y = IMPERIAL  
 Z = OMNI/CHARGER/RAMPAGE

BODY STYLES  
 21 = 2-DOOR SEDAN  
 22 = 2-DOOR SPECIAL COUPE  
 24 = 2-DOOR HATCHBACK  
 27 = 2-DOOR CONVERTIBLE  
 28 = FWD PICKUP  
 41 = 4-DOOR SEDAN  
 45 = 4-DOOR STATION WAGON  
 44 = 4-DOOR HATCHBACK  
 48 = EXECUTIVE SEDAN

AR = Use as Required - = Non Illustrated Part P.A.R. = Paint as Required

**GLASS AND REGULATOR, FRONT DOOR X,S,Y**  
**Figure 23C-3300**

3173 3300



ITEM	PART NUMBER	QTY	BODY	MODEL	DESCRIPTION
1	6031 115	AR			RIVET
2	3882 648-9	1		S,X.	REGULATOR Manual
	3882 742-3	1			Electric
3	4136 734-5	1			GLASS, Door, Tinted
4					SCREW & WASHER (not serviced)
5	4040 734	4			BRACKET & P/NUT, Door Glass Up Stop
6	4136 106-7	1			PLATE & CHANNEL, Door Glass Lift, Complete
7	6030 649	AR			SCREW & WASHER
8	5231 424	2			BRACKET, Door Glass Guide And Hook
9					NUT (not serviced)
10	6028 587	AR			T/NUT
11	5231 769	12			GASKET, Door Glass Lift Plate To Glass Attaching
12	3788 080	2			SLEEVE, Door Glass Track - Lube
13	6029 998	AR			WASHER & STUD
14	4136 130-1	1			TRACK, Door Glass Guide
15	4136 242	2			BUMPER, Door Glass Down Stop
16	4240 516	1			MOTOR & MECHANISM, Electric Window Regulator,Right
	4240 515	1			Left
	2932 973	2			Gear & Seal Package
	1316 863	2			O-Ring, Electric Window Regulator Mechanism & Motor
	2999 467	2			Spacer, Electric Window Regulator Mechanism Locking
17	0181 065	AR			SCREW & WASHER
18					SCREW (not serviced)
19	6030 186	AR			SCREW & WASHER
20					GUIDE, Door Glass Lift Plate Track
	3788 273	2			Lower

Note: The Following Items Are Not Illustrated de). Both models are derived from the 100.1" W.B. LeBaron (C 22 Model). Sheet metal parts for the C 48 not found on this illustration should be specif

	9416 992	2			LOCK-NUT, Front Door Electric Window Regulator Mechanism Set Screw
		2			SCREW, Front Door Electric Window Regulator Mechanism Housing (DNS)
	0219 462	2			NUT, Front Door Electric Window Regulator Mechanism & Motor Mounting Bracket
	4136 575	4			BUMPER & RET.ASSY,Frnt.Dr.Glass Impact Bar.
	2520 556	2			SPRING, Regulator Assist

**MODEL CODES**

B = GRAN FURY	G = DIPLOMAT	V = 400
C = LEBARON/TOWN & COUNTRY	M = HORIZON/TURISMO/SCAMP	X = MIRADA
D = ARIES	P = RELIANT	Y = IMPERIAL
E = 600	S = CORDOBA	Z = OMNI/CHARGER/RAMPAGE
F = FIFTH AVENUE	T = E CLASS/NEWYORKER	

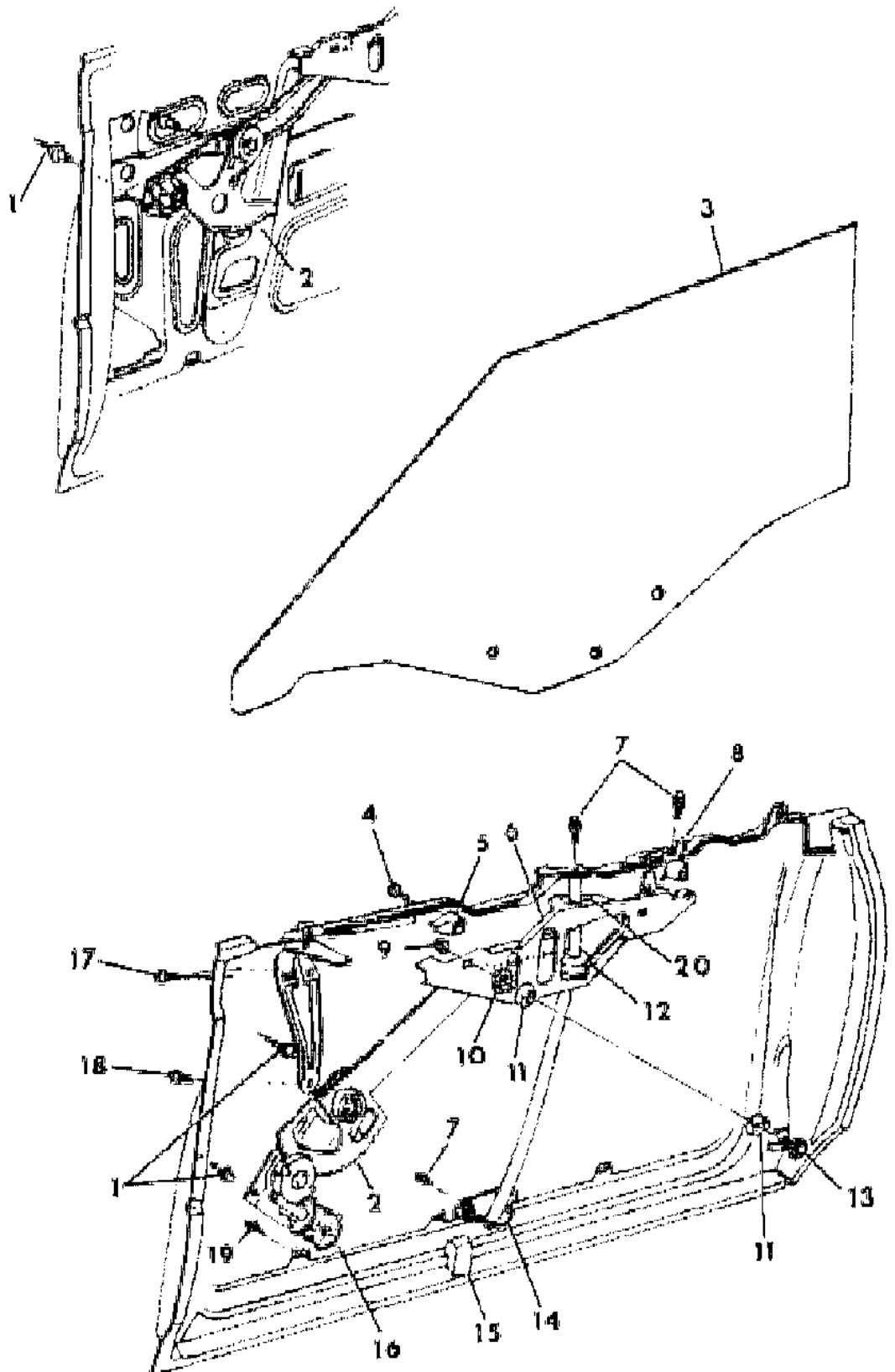
**BODY STYLES**

21 = 2-DOOR SEDAN	41 = 4-DOOR SEDAN
22 = 2-DOOR SPECIAL COUPE	45 = 4-DOOR STATION WAGON
24 = 2-DOOR HATCHBACK	44 = 4-DOOR HATCHBACK
27 = 2-DOOR CONVERTIBLE	48 = EXECUTIVE SEDAN
28 = FWD PICKUP	

AR = Use as Required - = Non Illustrated Part P.A.R. = Paint as Required

**GLASS AND REGULATOR, FRONT DOOR X,S,Y**  
**Figure 23C-3300**

3173 3300



ITEM	PART NUMBER	QTY	BODY	MODEL	DESCRIPTION
	3510 447	2			GROMMET, Frt. Dr. Locking Knob
	3882 758	2			SLIDE, Regulator
	3696 433	4			GUIDE, Lift Plate Track Upper

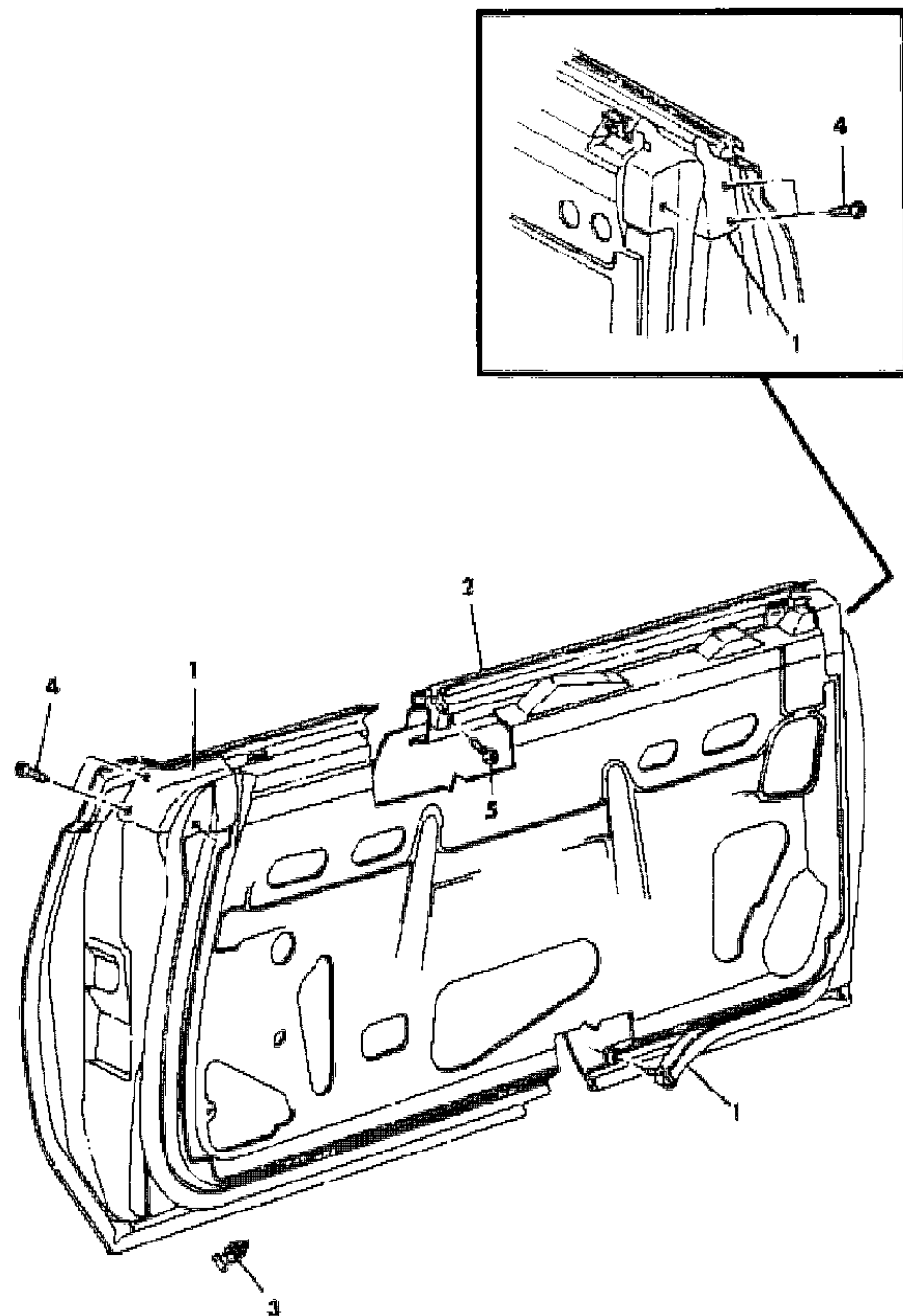
**MODEL CODES**  
 B = GRAN FURY                      G = DIPLOMAT                      V = 400  
 C = LEBARON/TOWN & COUNTRY   M = HORIZON/TURISMO/SCAMP   X = MIRADA  
 D = ARIES                            P = RELIANT                        Y = IMPERIAL  
 E = 600                                S = CORDOBA                       Z = OMNI/CHARGER/RAMPAGE  
 F = FIFTH AVENUE                  T = E CLASS/NEWYORKER

**BODY STYLES**  
 21 = 2-DOOR SEDAN                      41 = 4-DOOR SEDAN  
 22 = 2-DOOR SPECIAL COUPE        45 = 4-DOOR STATION WAGON  
 24 = 2-DOOR HATCHBACK              44 = 4-DOOR HATCHBACK  
 27 = 2-DOOR CONVERTIBLE            48 = EXECUTIVE SEDAN  
 28 = FWD PICKUP

AR = Use as Required - = Non Illustrated Part P.A.R. = Paint as Required

**WEATHERSTRIP, FRONT DOOR X,S,Y**  
**Figure 23C-3400**

3171 3400



ITEM	PART NUMBER	QTY	BODY	MODEL	DESCRIPTION
1	4136 226-7	1			WEATHERSTRIP,Front Door
2	4136 744-5	1		X,S	WEATHERSTRIP,Window Belt Front Door,Outer.
	4136 746-7	1		Y	
	4011 858-9	1		X,S	Inner
	4247 500-1	1		Y	
3	4040 732	AR			FASTENER,Front Door Weatherstrip to Inside Panel
4		12			SCREW (Not Serviced)
5		22			SCREW (Not Serviced)

**MODEL CODES**

B = GRAN FURY	G = DIPLOMAT	V = 400
C = LEBARON/TOWN & COUNTRY	M = HORIZON/TURISMO/SCAMP	X = MIRADA
D = ARIES	P = RELIANT	Y = IMPERIAL
E = 600	S = CORDOBA	Z = OMNI/CHARGER/RAMPAGE
F = FIFTH AVENUE	T = E CLASS/NEWYORKER	

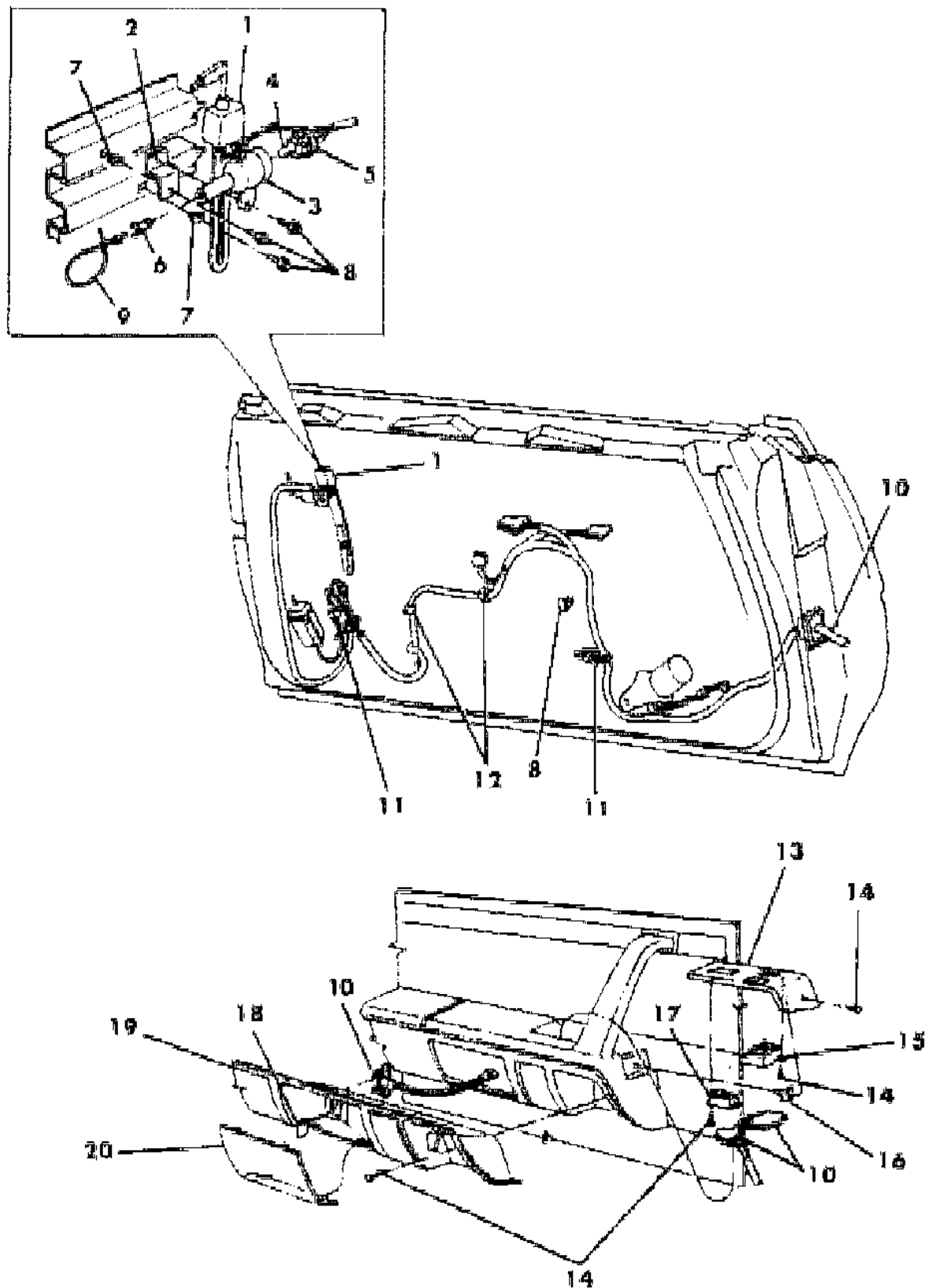
**BODY STYLES**

21 = 2-DOOR SEDAN	41 = 4-DOOR SEDAN
22 = 2-DOOR SPECIAL COUPE	45 = 4-DOOR STATION WAGON
24 = 2-DOOR HATCHBACK	44 = 4-DOOR HATCHBACK
27 = 2-DOOR CONVERTIBLE	48 = EXECUTIVE SEDAN
28 = FWD PICKUP	

AR = Use as Required - = Non Illustrated Part P.A.R. = Paint as Required

**BEZELS, SWITCHES AND WIRING, FRONT DOOR X,S**  
**Figure 23C-3500**

3171 3500



ITEM	PART NUMBER	QTY	BODY	MODEL	DESCRIPTION
1	3747 819	2			SWITCH w/WIRING, Illuminated Entry
2	3591 902	2			BRACKET
3	3591 894	2			HOUSING
4	9415 969	2			BULB
5	3513 686	2			SOCKET
6		AR			CLIP (not serviced)
7	6031 234	AR			NUT
8		AR			SCREW (not serviced)
9	4172 675	AR			CABLE
10	4209 989	1			WIRING, w/Power Windows, Door Locks, Illuminated Entry and Courtesy Lamp, Rt.
	4209 990	1			Lt.
	4209 420-1	1			w/o Power Locks
11	2945 704	AR			STRAP
12		4			CLIP (not serviced)
13					SWITCH PLATE, Armrest
	4011 664-5	1			w/Power Windows & Door Lock
	4077 144-5	1			w/o Power Windows w/Power Door Locks
	4077 142-3	1			w/Power Windows w/o Power Door Locks
14		AR			SCREW (not serviced)
15	3747 935-6	1			SWITCH, Window Lift
16	6031 964	2			NUT
17	3747 935	2			SWITCH, Door Lock
18	9431 808	2			BULB, Lamp
19	4011 674-5	1			BEZEL, Remote Handle
	9416 824	2			SCREW, Bezel
20	3591 818	2			LENS, Courtesy Lamp
	4011 944	2			Reflex Lamp

**MODEL CODES**

B = GRAN FURY	G = DIPLOMAT	V = 400
C = LEBARON/TOWN & COUNTRY	M = HORIZON/TURISMO/SCAMP	X = MIRADA
D = ARIES	P = RELIANT	Y = IMPERIAL
E = 600	S = CORDOBA	Z = OMNI/CHARGER/RAMPAGE
F = FIFTH AVENUE	T = E CLASS/NEWYORKER	

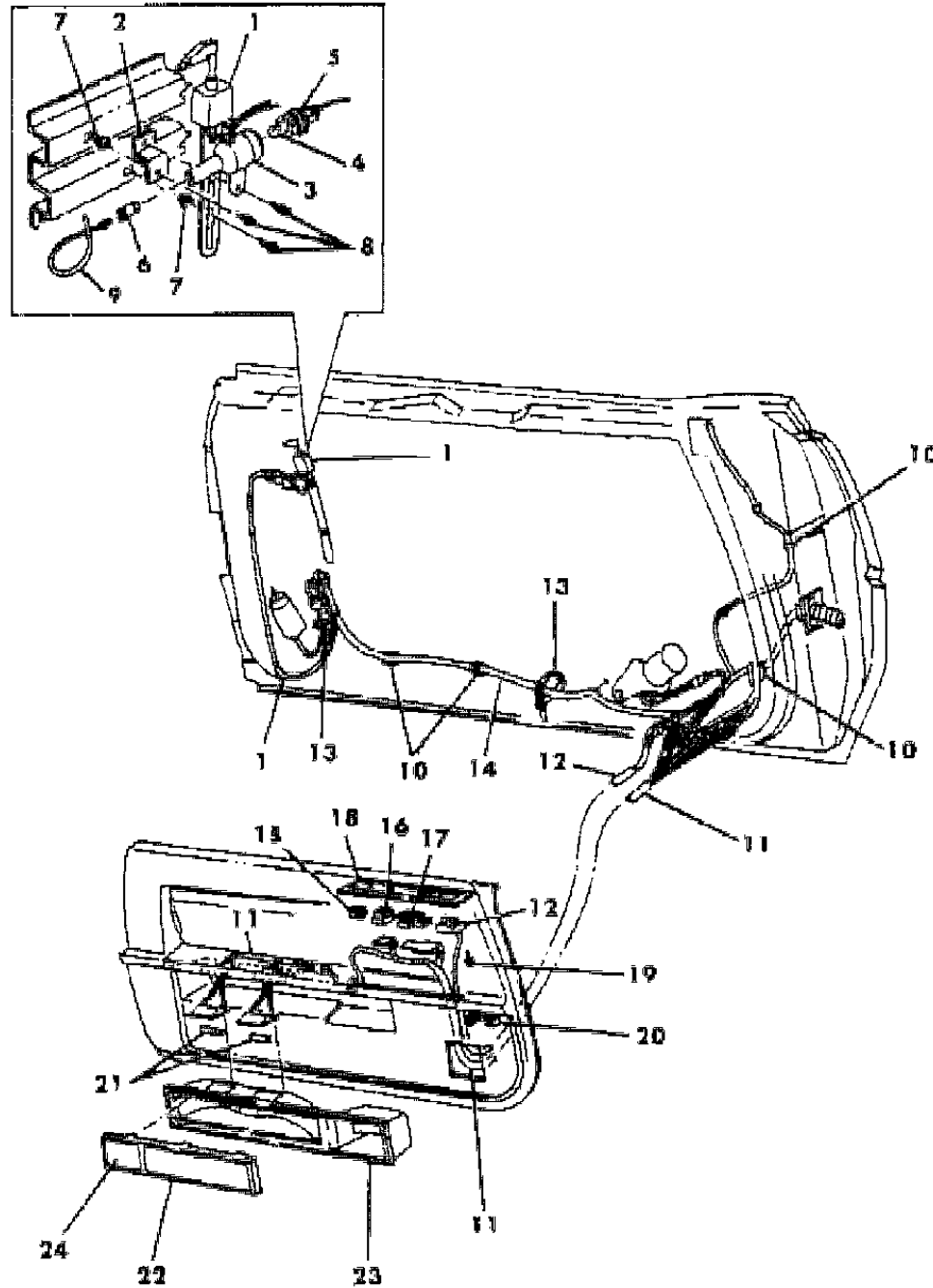
**BODY STYLES**

21 = 2-DOOR SEDAN	41 = 4-DOOR SEDAN
22 = 2-DOOR SPECIAL COUPE	45 = 4-DOOR STATION WAGON
24 = 2-DOOR HATCHBACK	44 = 4-DOOR HATCHBACK
27 = 2-DOOR CONVERTIBLE	48 = EXECUTIVE SEDAN
28 = FWD PICKUP	

AR = Use as Required - = Non Illustrated Part P.A.R. = Paint as Required

**BEZELS, SWITCHES AND WIRING, FRONT DOOR Y**  
**Figure 23C-3600**

3171 18/91



ITEM	PART NUMBER	QTY	BODY	MODEL	DESCRIPTION
1	3747 819	2			SWITCH w/WIRING, Illuminated Entry
2	3591 902	2			BRACKET
3	3591 894	2			HOUSING
4	9415 969	2			BULB
5	3513 686	2			SOCKET
6		AR			CLIP (not serviced)
7	6031 234	AR			NUT
8		AR			SCREW (not serviced)
9	4172 675	AR			CABLE
10					CLIP (not serviced)
11	4209 910-1	2			WIRING, w/Power Windows, Door Locks and Power Seat Jumper
12	3747 813	1			SWITCH, Dual Mirror Control
13	2945 704	AR			STRAP
14	4209 902-3	1			WIRING, Right and Left Door Feed
15	3747 935	2			SWITCH, Door Lock
16	3747 935-6	1			SWITCH, Window Lift
17	3747 814-5	1			SWITCH, Seat Adjuster
18					SWITCH, Plate
	4078 020-1	1			w/Power Windows, Door Locks and Power Seats
19		AR			SCREW (not serviced)
20	6016 041	AR			CLIP, Wiring Door Trim Spanner
21	9431 809	AR			BULB, Lamp
22	4047 294	2			LENS, Lamp
23	4077 492-3	1			BEZEL, Remote Handle
24	4077 472-3	1			TRIM PLATE, Remote Handle

NOTE: The following items are not illustrated. de). Both models are derived from the 100.1" W.B. LeBaron (C 22 Model). Sheet metal parts for the C 48 not found on this illustration should be specif  
 4078 096-7 1 INSERT, Switch Plate Mounting

MODEL CODES  
 B = GRAN FURY  
 C = LEBARON/TOWN & COUNTRY  
 D = ARIES  
 E = 600  
 F = FIFTH AVENUE  
 G = DIPLOMAT  
 M = HORIZON/TURISMO/SCAMP  
 P = RELIANT  
 S = CORDOBA  
 T = E CLASS/NEWYORKER  
 V = 400  
 X = MIRADA  
 Y = IMPERIAL  
 Z = OMNI/CHARGER/RAMPAGE

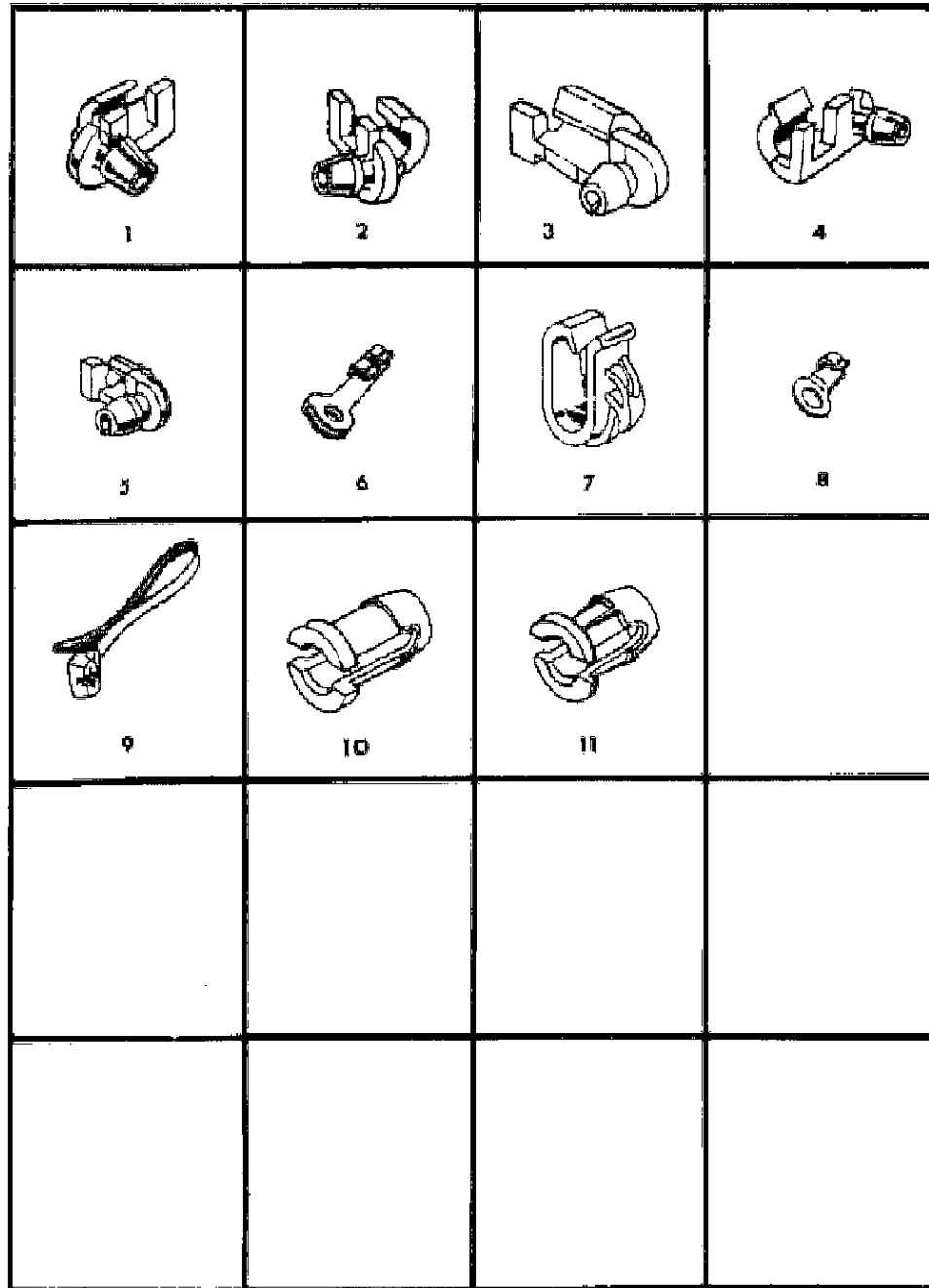
BODY STYLES  
 21 = 2-DOOR SEDAN  
 22 = 2-DOOR SPECIAL COUPE  
 24 = 2-DOOR HATCHBACK  
 27 = 2-DOOR CONVERTIBLE  
 28 = FWD PICKUP  
 41 = 4-DOOR SEDAN  
 45 = 4-DOOR STATION WAGON  
 44 = 4-DOOR HATCHBACK  
 48 = EXECUTIVE SEDAN

AR = Use as Required - = Non Illustrated Part P.A.R. = Paint as Required



**CLIP CHART**  
Figure 23C-3700

3171 3100



ITEM	PART NUMBER	QTY	BODY	MODEL	DESCRIPTION
1	2945 108	AR			CLIP, White
2	3454 220	AR			CLIP, Pink
3	3760 130	AR			CLIP, Light Blue
	3760 131	AR			Yellow
4	2945 109	AR			CLIP, Black
5	3454 221	AR			CLIP, Light Green
6	0629 792	AR			CLIP, Black Metal
7	3882 620	AR			CLIP, White
8	2862 758	AR			CLIP, Black Metal
9	2945 704	AR			STRAP, White
10	3882 762	AR			CLIP, Black
11	2862 585	AR			CLIP, Black

MODEL CODES

B = GRAN FURY	G = DIPLOMAT	V = 400
C = LEBARON/TOWN & COUNTRY	M = HORIZON/TURISMO/SCAMP	X = MIRADA
D = ARIES	P = RELIANT	Y = IMPERIAL
E = 600	S = CORDOBA	Z = OMNI/CHARGER/RAMPAGE
F = FIFTH AVENUE	T = E CLASS/NEWYORKER	

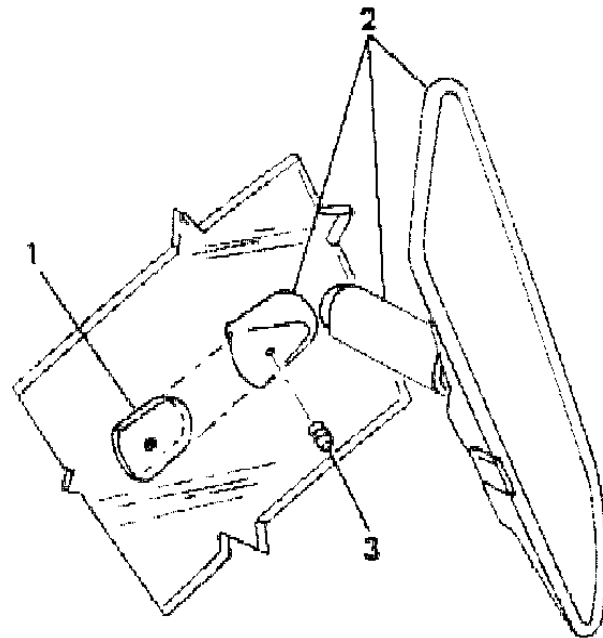
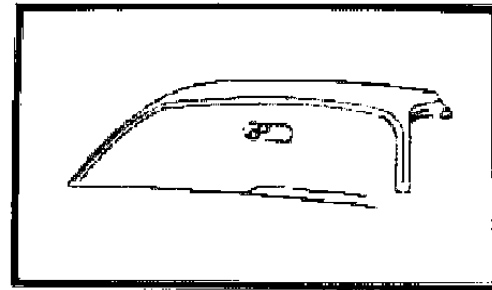
BODY STYLES

21 = 2-DOOR SEDAN	41 = 4-DOOR SEDAN
22 = 2-DOOR SPECIAL COUPE	45 = 4-DOOR STATION WAGON
24 = 2-DOOR HATCHBACK	44 = 4-DOOR HATCHBACK
27 = 2-DOOR CONVERTIBLE	48 = EXECUTIVE SEDAN
28 = FWD PICKUP	

AR = Use as Required - = Non Illustrated Part P.A.R. = Paint as Required

MIRROR INSIDE REAR VIEW  
Figure 23C-3800

3171 3800



ITEM	PART NUMBER	QTY	BODY	MODEL	DESCRIPTION
1	4054 099	1			BUTTON PACKAGE, Inside Rr. View Mirror
	4054 066	1			BUTTON, Inside RR. View Mirror
2	4082 199	1		Exc.M,Z	MIRROR, Inside Rear View, Prismatic, 10 Inch
	5207 117	1		M,Z	w/Prismatic
3	6031 094	1			SCREW

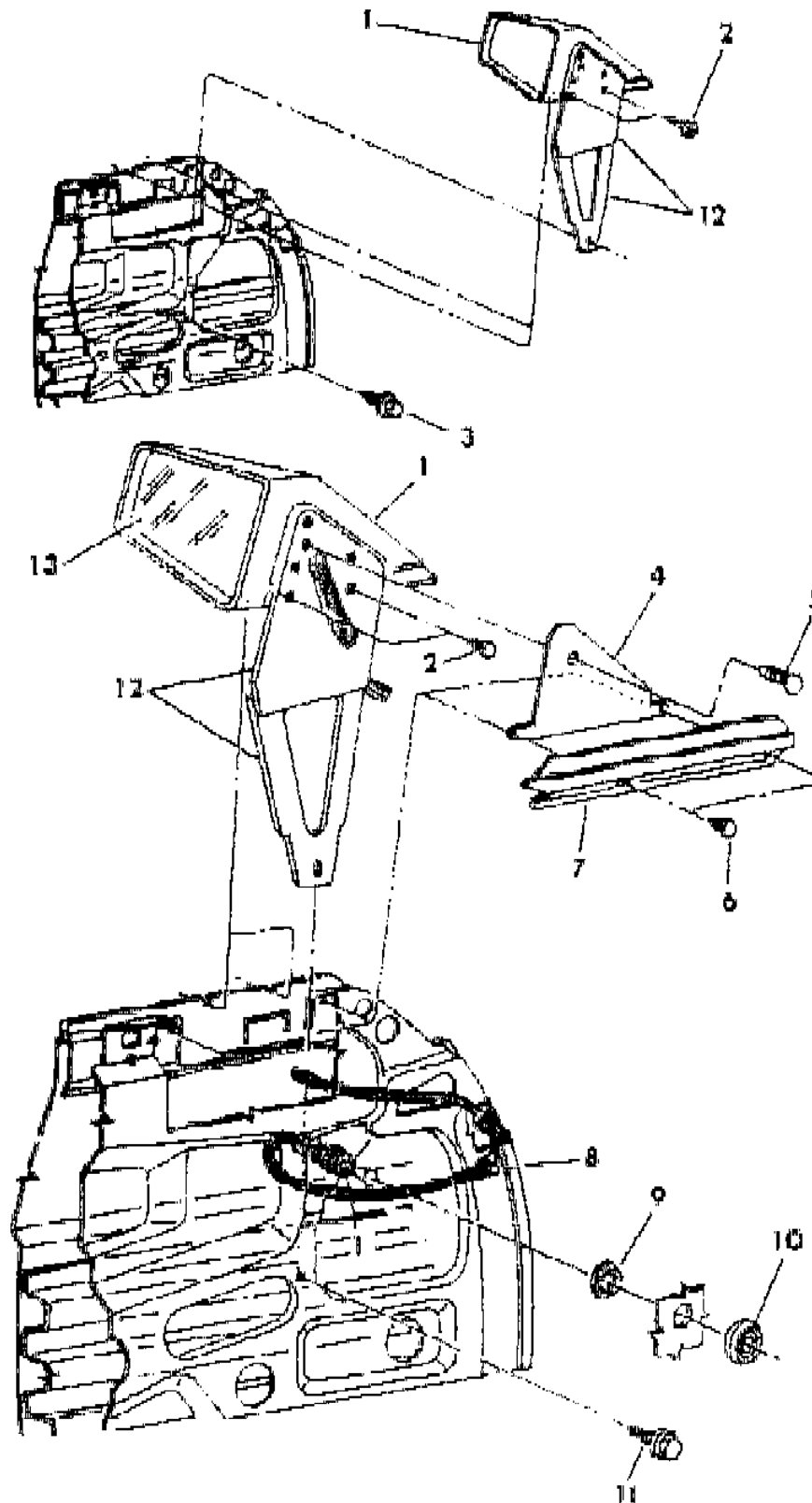
MODEL CODES  
 B = GRAN FURY  
 C = LEBARON/TOWN & COUNTRY  
 D = ARIES  
 E = 600  
 F = FIFTH AVENUE  
 G = DIPLOMAT  
 M = HORIZON/TURISMO/SCAMP  
 P = RELIANT  
 S = CORDOBA  
 T = E CLASS/NEWYORKER  
 V = 400  
 X = MIRADA  
 Y = IMPERIAL  
 Z = OMNI/CHARGER/RAMPAGE

BODY STYLES  
 21 = 2-DOOR SEDAN  
 22 = 2-DOOR SPECIAL COUPE  
 24 = 2-DOOR HATCHBACK  
 27 = 2-DOOR CONVERTIBLE  
 28 = FWD PICKUP  
 41 = 4-DOOR SEDAN  
 45 = 4-DOOR STATION WAGON  
 44 = 4-DOOR HATCHBACK  
 48 = EXECUTIVE SEDAN

AR = Use as Required - = Non Illustrated Part P.A.R. = Paint as Required

MIRRORS MANUAL AND REMOTE CONTROL M,Z 24,28  
Figure 23C-3900

3171 3900



ITEM	PART NUMBER	QTY	BODY	MODEL	DESCRIPTION
1	5232 116	1			MIRROR PKG.Door Remote Control,Racing(Pntd Convex)Rt.
	5232 117	1			MIRROR PKG.Door Remote Control,Racing(Pntd) Lt.
2		AR			SCREW (Not Serviced)
3		AR			SCREW (Not Serviced)
4	5207 356-7	1			COVER, Door Outside Remote Control Mirror Mtg. Brkt.
5	3759 944	2			RETAINER, Plastic
6					SCREW (Not Serviced)
7					WEATHERSTRIP (See Door W/Srip Illus.)
8					CLIP (Not Serviced)
9	6030 356	2			NUT, Control Index
10	5207 280	2			NUT,Door Remote Control Mirror Control Attach.
11					SCREW (Not Serviced)
12					BRACKET w/SUPPORT,
	5207 362	1			Door Remote Control Mirror, Rt.
	5207 363	1			Door Manual or Remote Control Mirror, Lt.
13	4267 868-9	1			MIRROR PACKAGE, Replacement Glass

NOTE: THE FOLLOWING ITEMS ARE NOT ILLUSTRATED de). Both models are derived from the 100.1" W.B. LeBaron (C 22 Model). Sheet metal parts for the C 48 not found on this illustration should be specif  
6031 869 1 GROMMET, Door Reinforcement

MODEL CODES

B = GRAN FURY  
C = LEBARON/TOWN & COUNTRY  
D = ARIES  
E = 600  
F = FIFTH AVENUE  
G = DIPLOMAT  
M = HORIZON/TURISMO/SCAMP  
P = RELIANT  
S = CORDOBA  
T = E CLASS/NEWYORKER  
V = 400  
X = MIRADA  
Y = IMPERIAL  
Z = OMNI/CHARGER/RAMPAGE

BODY STYLES

21 = 2-DOOR SEDAN  
22 = 2-DOOR SPECIAL COUPE  
24 = 2-DOOR HATCHBACK  
27 = 2-DOOR CONVERTIBLE  
28 = FWD PICKUP  
41 = 4-DOOR SEDAN  
45 = 4-DOOR STATION WAGON  
44 = 4-DOOR HATCHBACK  
48 = EXECUTIVE SEDAN

AR = Use as Required - = Non Illustrated Part P.A.R. = Paint as Required

MIRROR MANUAL AND REMOTE CONTROL M,Z - 44  
Figure 23C-4000

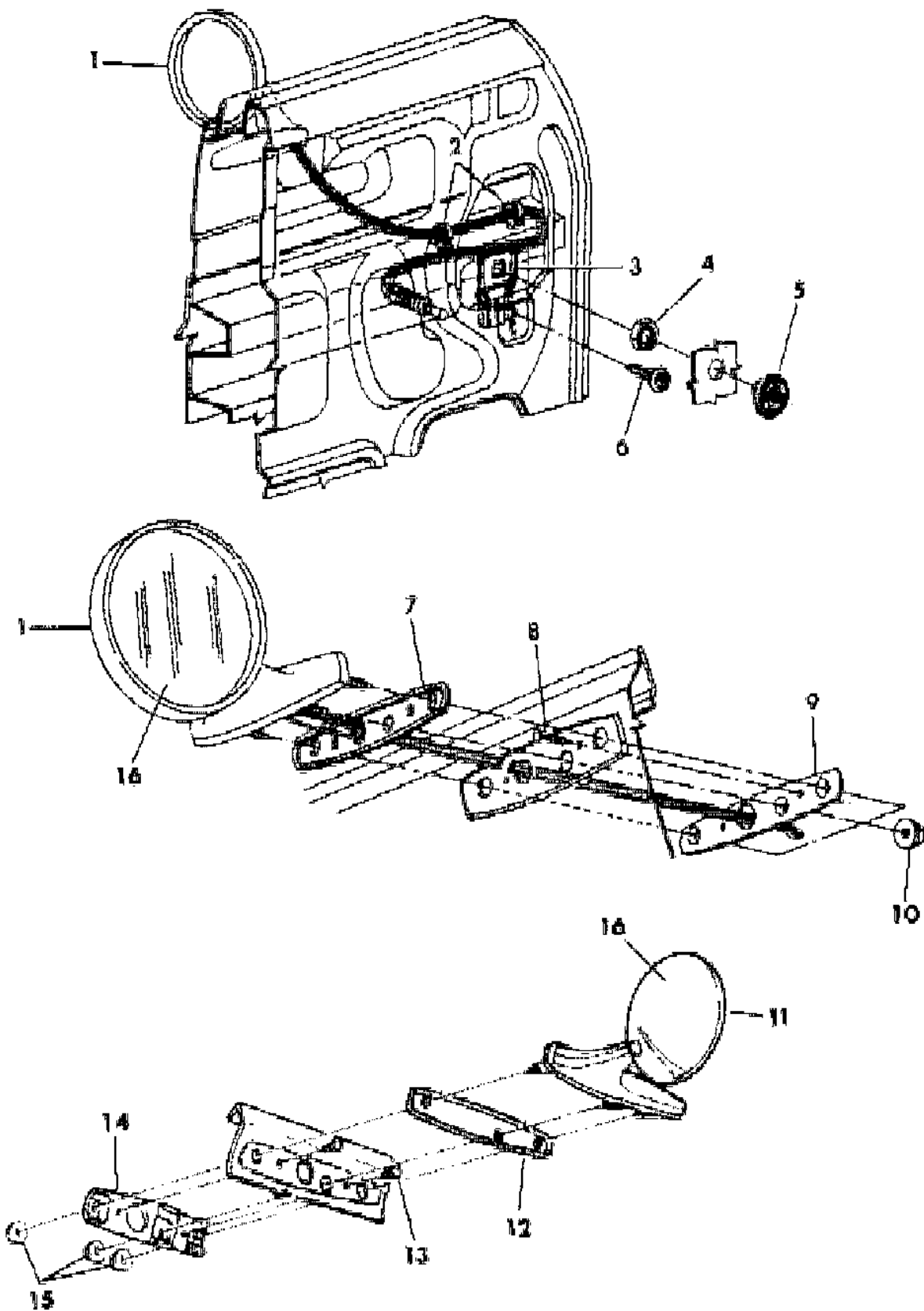
3171 4000

ITEM	PART NUMBER	QTY	BODY	MODEL	DESCRIPTION
1					MIRROR ASSY., Remote Control
	5232 115	1			Right, Chrome Round
	5232 113	1			Left, Chrome Round
	5232 182-3	1			Round Remote Control, Black
	5232 117	1			Racing, Left (paint as required)
2					CLIP (serviced in Mirror Assy.)
3	5207 214	AR			BRACKET, Door Remote Control Mounting, Right and Left
4	6030 356	AR			NUT, Contrl Index
5	2999 001	1			BEZEL, Door Remote Control Mirror Control Attaching
6		AR			SCREW (not serviced)
7	4054 132	1			GASKET, Door Remote Control, Right, w/Chrome Mirror
	3861 321	1			w/Painted Mirror
8		AR			RETAINER (not serviced)
9	3861 804-5	1			REINFORCEMENT, Mirror
	3861 467	1			Right, Black
10	6025 001	AR			NUT
11	3882 071	1			MIRROR PKG., Manual Round Chrome, Left
	4267 927	1			Right
12					GASKET (serviced in Package)
13	3759 944	AR			RETAINER CLIP, Mirror Mounting Reinforcement
14	3861 805	1			REINFORCEMENT, Mirror
15	6025 001	AR			NUT and WASHER
16	4267 870-1	1			MIRROR PACKAGE, Replacement Glass
	4267 884	1			Manual Glass

MODEL CODES  
 B = GRAN FURY  
 C = LEBARON/TOWN & COUNTRY  
 D = ARIES  
 E = 600  
 F = FIFTH AVENUE  
 G = DIPLOMAT  
 M = HORIZON/TURISMO/SCAMP  
 P = RELIANT  
 S = CORDOBA  
 T = E CLASS/NEWYORKER  
 V = 400  
 X = MIRADA  
 Y = IMPERIAL  
 Z = OMNI/CHARGER/RAMPAGE

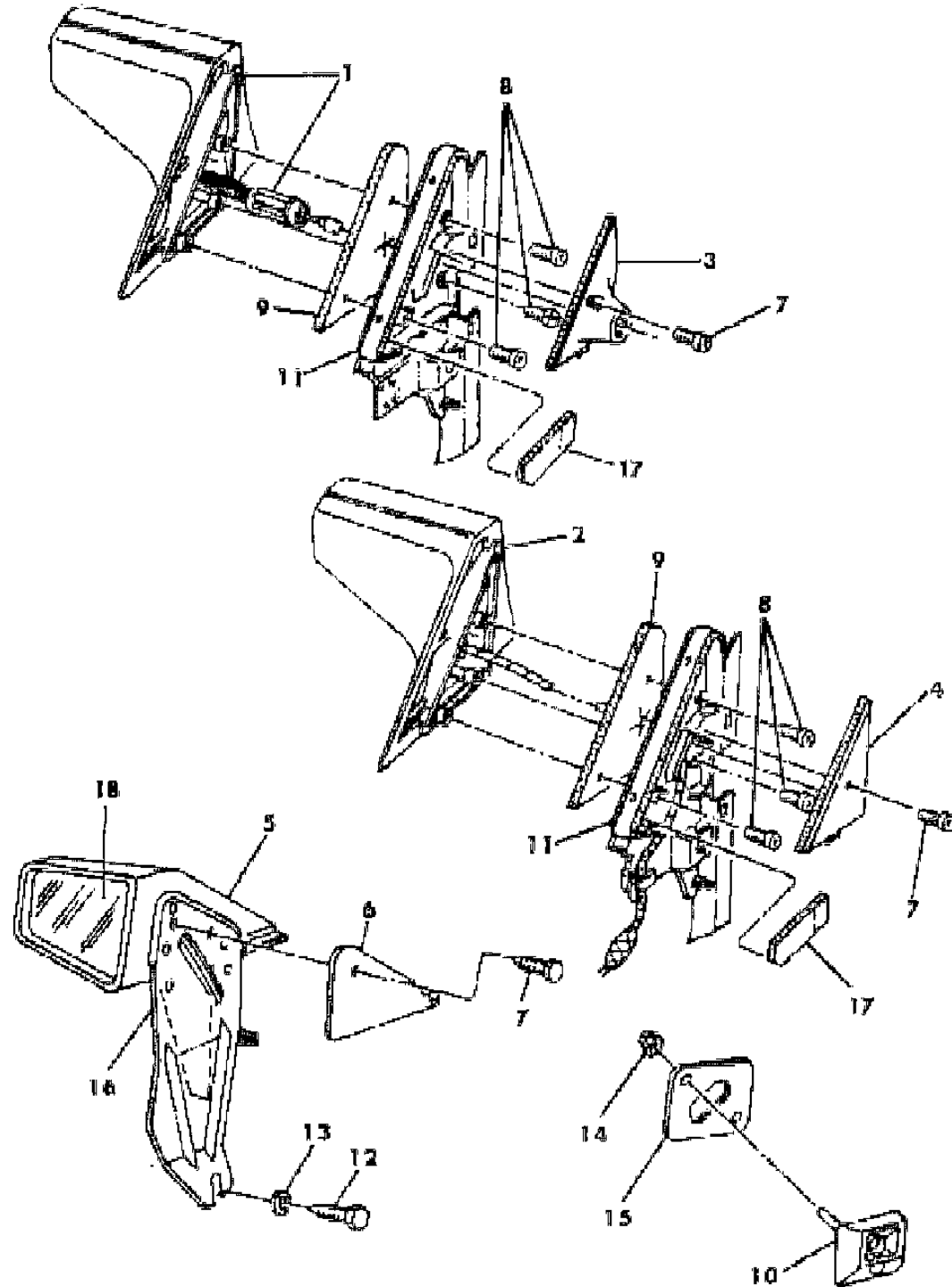
BODY STYLES  
 21 = 2-DOOR SEDAN  
 22 = 2-DOOR SPECIAL COUPE  
 24 = 2-DOOR HATCHBACK  
 27 = 2-DOOR CONVERTIBLE  
 28 = FWD PICKUP  
 41 = 4-DOOR SEDAN  
 45 = 4-DOOR STATION WAGON  
 44 = 4-DOOR HATCHBACK  
 48 = EXECUTIVE SEDAN

AR = Use as Required - = Non Illustrated Part P.A.R. = Paint as Required



MIRRORS MANUAL AND REMOTE CONTROL P,D,C,V,E,T  
Figure 23C-4100

3171 4100A



ITEM	PART NUMBER	QTY	BODY	MODEL	DESCRIPTION
------	-------------	-----	------	-------	-------------

NOTE: RIGHT MIRROR IS FOR REPLACEMENT OF FACTORY INSTALLED ORIGINAL EQUIPMENT ONLY. de). Both models are derived from the 100.1" W.B. LeBaron (C 22 Model). Sheet metal parts for the C 48 not found on this illustration should be specified.

1	4246 178-9	1			MIRROR, Door Retangular Remote Control, Chrome
	4246 176-7	1			Rectangular, Remote Control (paint as required)
2	4246 175	1			MIRROR, Door Manual Left (paint as required)
	4246 396	1			Right, Chrome
	4246 361	1			Left, Chrome
	4246 348-9	1			Electric w/Chrome Finish
	4299 062-3	1			Electric w/Black Finish
3	4299 056-7	1			BEZEL, Remote Control Mirror, Inside
4	4299 054-5	1			BEZEL, w/Manual and Electric Mirror,Inside
5	4097 632-3	1		27	MIRROR,Remote Control,Painted
	4299 052-3	1			SEAL, Bezel to Support
6	5207 356-7	1		27	COVER, Outside Mirror
7	3759 944	AR			SCREW
8	6032 121	AR			SCREW
9	4246 189	2			SEAL, Door, Outer
10	4097 761	1		27	BEZEL, Remote Control Mirror, Lt.
	4097 701	1		27	Rt.
11	4299 068-9	1			SUPPORT, Mirror Attach.
	4299 058	2			SPACER, Mirror Support to Door Lower Attaching
12	0273 229	1		27	SCREW
13	0120 392	1		27	WASHER
14				27	NUT & WASHER (Not Serviced)
15	4097 792	2		27	PLATE, Mirror Control
16	4097 678-9	1		27	BRACKET, Mirror Attach
17					SEAL (Serviced in Item 11)
18	4267 872-3	1			PACKAGE,Door Mirror Glass Replacement

NOTE: The Following Items are Not Illustrated. de). Both models are derived from the 100.1" W.B. LeBaron (C 22 Model). Sheet metal parts for the C 48 not found on this illustration should be specified.

4246 204-5	1	SEAL, Mirror Bracket Inner Bezel
4246 189	1	SEAL, Bracket Outer Channel

MODEL CODES

B = GRAN FURY	G = DIPLOMAT	V = 400
C = LEBARON/TOWN & COUNTRY	M = HORIZON/TURISMO/SCAMP	X = MIRADA
D = ARIES	P = RELIANT	Y = IMPERIAL
E = 600	S = CORDOBA	Z = OMNI/CHARGER/RAMPAGE
F = FIFTH AVENUE	T = E CLASS/NEWYORKER	

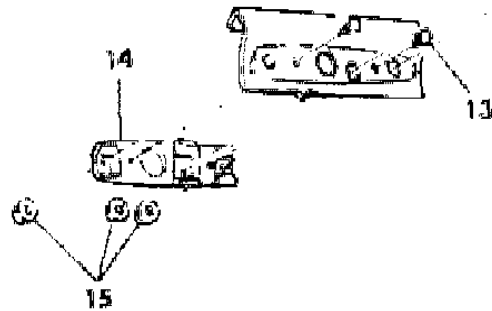
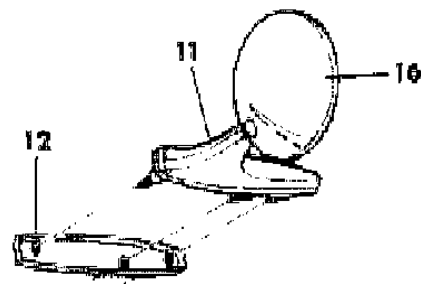
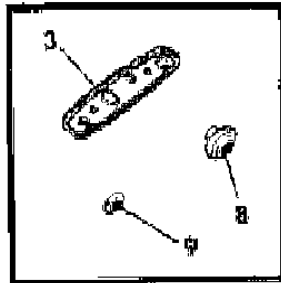
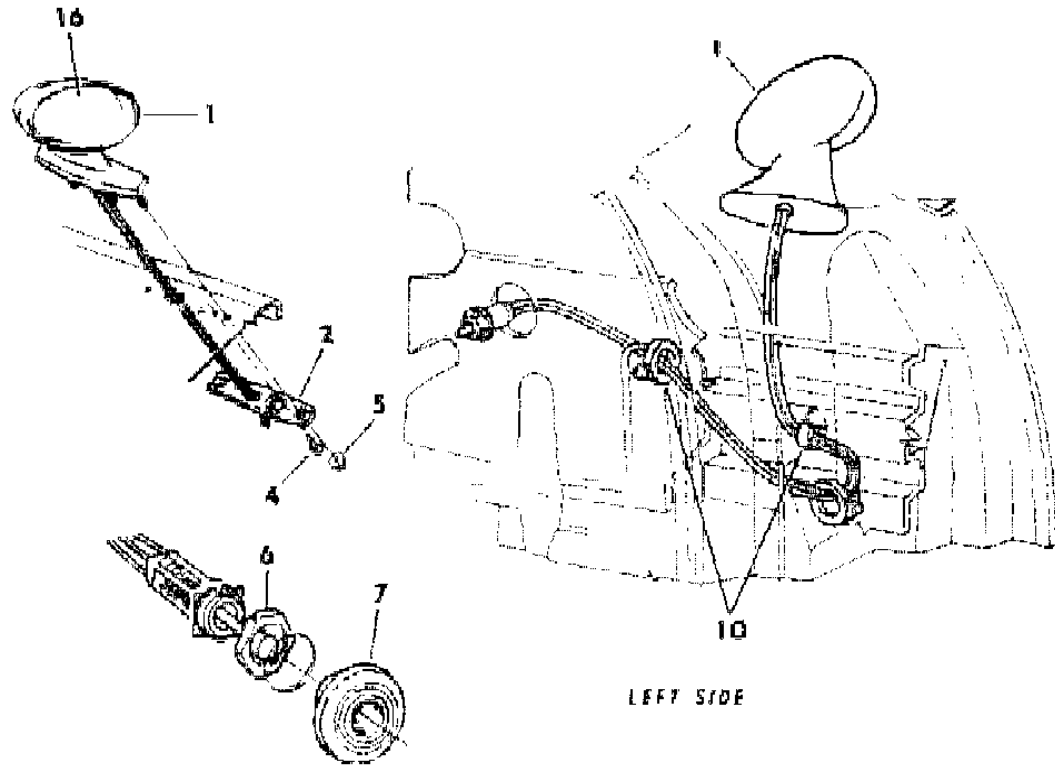
BODY STYLES

21 = 2-DOOR SEDAN	41 = 4-DOOR SEDAN
22 = 2-DOOR SPECIAL COUPE	45 = 4-DOOR STATION WAGON
24 = 2-DOOR HATCHBACK	44 = 4-DOOR HATCHBACK
27 = 2-DOOR CONVERTIBLE	48 = EXECUTIVE SEDAN
28 = FWD PICKUP	

AR = Use as Required - = Non Illustrated Part P.A.R. = Paint as Required

MIRRORS MANUAL AND REMOTE CONTROL B,F,G  
Figure 23C-4200

3171 4200



ITEM	PART NUMBER	QTY	BODY	MODEL	DESCRIPTION
1					MIRROR PKG,Door Remote Control
	4246 180	1			Lt., Rectangular, Chrome
	4246 362	1			Rt., Rectangular, Chrome
2					REINFORCEMENT, Door Rem. Control Mirror, Rt.
	3861 806	1			
	3861 805	1			Lt.
3					GASKET, Door Remote Control Mirror, Rt.
	4054 149	1			Lt. (Serviced in Mirror Pkg.)
4					RETAINER CLIP, Mirror Mtg. Reinf.
5					NUT and WASHER
6					NUT, Door Rem. Control Mirror, Index Lt. or Rt.
7					NUT, Door Rem. Control Mirror, Lt.
8					BEZEL, Door Rem. Control Mirror, Rt.
9					NUT (Not Serviced)
10					CLIP, (Not Serviced,Purch.in Mirror Assy)
11					MIRROR PKG., Manual Retangular Chrome, Left
12					GASKET, Door Rear Veiw Mirror (serviced in Mirror Pkg.)
13					RETAINER CLIP, Mirror Mounting Reinforcement
14					REINFORCEMENT, Mirror
15					NUT and WASHER
16					MIRROR PACKAGE, Replacement Glass
	4267 876-7	1			Remote Racing
	4267 874-5	1			Conventional
	4267 883	1			Manual, Left
NOTE: THE FOLLOWING ITEMS ARE NOT ILLUSTRATED de). Both models are derived from the 100.1" W.B. LeBaron (C 22 Model). Sheet metal parts for the C 48 not found on this illustration should be specif					
	3861 318	1			REINFORCEMENT, Outside Remote Control Right Chrome

MODEL CODES  
 B = GRAN FURY  
 C = LEBARON/TOWN & COUNTRY  
 D = ARIES  
 E = 600  
 F = FIFTH AVENUE  
 G = DIPLOMAT  
 M = HORIZON/TURISMO/SCAMP  
 P = RELIANT  
 S = CORDOBA  
 T = E CLASS/NEWYORKER  
 V = 400  
 X = MIRADA  
 Y = IMPERIAL  
 Z = OMNI/CHARGER/RAMPAGE

BODY STYLES  
 21 = 2-DOOR SEDAN  
 22 = 2-DOOR SPECIAL COUPE  
 24 = 2-DOOR HATCHBACK  
 27 = 2-DOOR CONVERTIBLE  
 28 = FWD PICKUP  
 41 = 4-DOOR SEDAN  
 45 = 4-DOOR STATION WAGON  
 44 = 4-DOOR HATCHBACK  
 48 = EXECUTIVE SEDAN

AR = Use as Required - = Non Illustrated Part P.A.R. = Paint as Required

MIRROR REMOTE CONTROL X,S  
Figure 23C-4300

3171 4300

ITEM	PART NUMBER	QTY	BODY	MODEL	DESCRIPTION
1					MIRROR PACKAGE
	4172 732-3	1			Remote Control, Chrome
2	0181 063	AR			SCREW and WASHER
3		AR			SCREW (not serviced)
4	6030 356	AR			NUT
5	2999 001	1			BEZEL, Remote Control Mirror Control Attaching, Left
NOTE: The following items are not illustrated. de). Both models are derived from the 100.1" W.B. LeBaron (C 22 Model). Sheet metal parts for the C 48 not found on this illustration should be specif					
	3591 242	1			BEZEL, Trim w/o Remote Control Mirror, Right
	3591 459	1			w/Remote Control Mirror, Right
	4054 880	1			NUT, Remote Contrl Mirror Control, Right
	4172 704	1			RETAINER, Remote Control Mirror, Right
	6031 869	1			GROMMET, Mirror Attaching
	4267 878-9	1			MIRROR PACKAGE, Replacement Glass

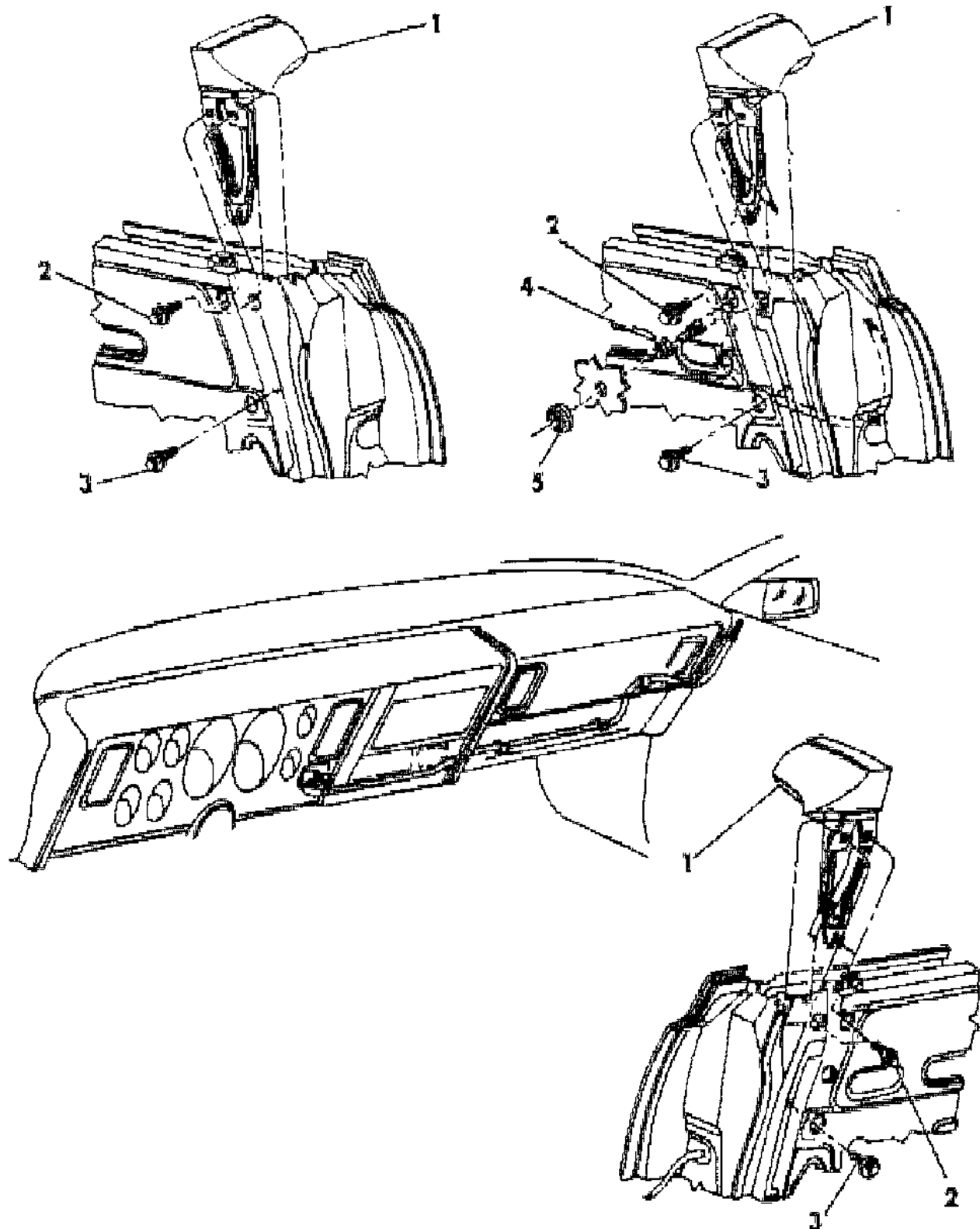
MODEL CODES

B = GRAN FURY	G = DIPLOMAT	V = 400
C = LEBARON/TOWN & COUNTRY	M = HORIZON/TURISMO/SCAMP	X = MIRADA
D = ARIES	P = RELIANT	Y = IMPERIAL
E = 600	S = CORDOBA	Z = OMNI/CHARGER/RAMPAGE
F = FIFTH AVENUE	T = E CLASS/NEWYORKER	

BODY STYLES

21 = 2-DOOR SEDAN	41 = 4-DOOR SEDAN
22 = 2-DOOR SPECIAL COUPE	45 = 4-DOOR STATION WAGON
24 = 2-DOOR HATCHBACK	44 = 4-DOOR HATCHBACK
27 = 2-DOOR CONVERTIBLE	48 = EXECUTIVE SEDAN
28 = FWD PICKUP	

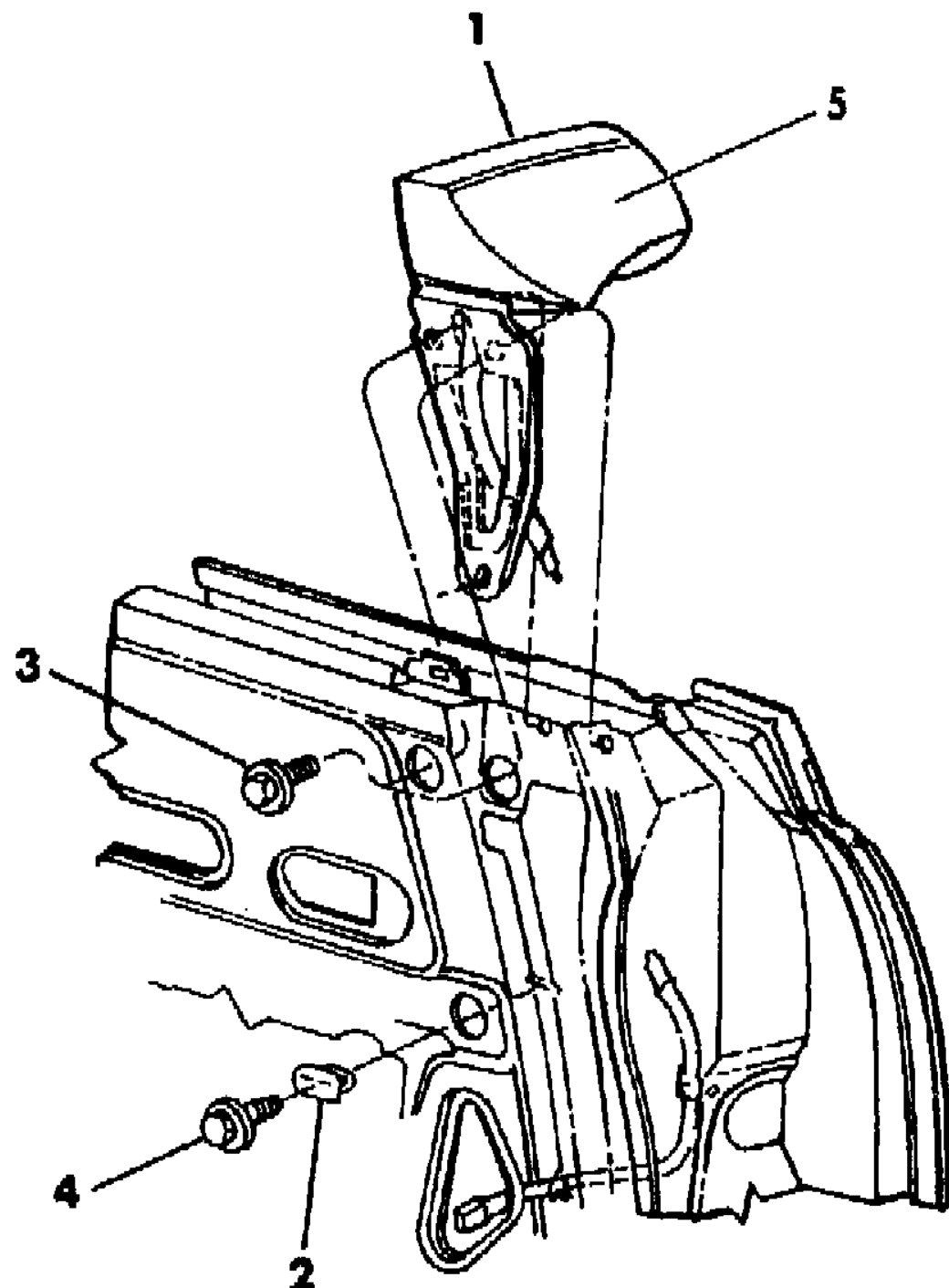
AR = Use as Required - = Non Illustrated Part P.A.R. = Paint as Required



MIRROR REMOTE CONTROL, ELECTRIC Y  
Figure 23C-4400

3171 4400A

ITEM	PART NUMBER	QTY	BODY	MODEL	DESCRIPTION
1	4246 184-5	1			MIRROR PACKAGE, Remote Control
2	6031 869	2			GROMMET, Mirror Attaching
3	0181 063	2			SCREW and WASHER, Mirror Attaching
4		AR			SCREW (not serviced)
5	4267 888-9	1			MIRROR PACKAGE, Replacement Glass



MODEL CODES

B = GRAN FURY	G = DIPLOMAT	V = 400
C = LEBARON/TOWN & COUNTRY	M = HORIZON/TURISMO/SCAMP	X = MIRADA
D = ARIES	P = RELIANT	Y = IMPERIAL
E = 600	S = CORDOBA	Z = OMNI/CHARGER/RAMPAGE
F = FIFTH AVENUE	T = E CLASS/NEWYORKER	

BODY STYLES

21 = 2-DOOR SEDAN	41 = 4-DOOR SEDAN
22 = 2-DOOR SPECIAL COUPE	45 = 4-DOOR STATION WAGON
24 = 2-DOOR HATCHBACK	44 = 4-DOOR HATCHBACK
27 = 2-DOOR CONVERTIBLE	48 = EXECUTIVE SEDAN
28 = FWD PICKUP	

AR = Use as Required - = Non Illustrated Part P.A.R. = Paint as Required



---

**GROUP 23D - WIPER & WASHER AND CYLINDER & KEYS**

**ILLUSTRATION TITLE**

**GROUP-FIG. NO.**

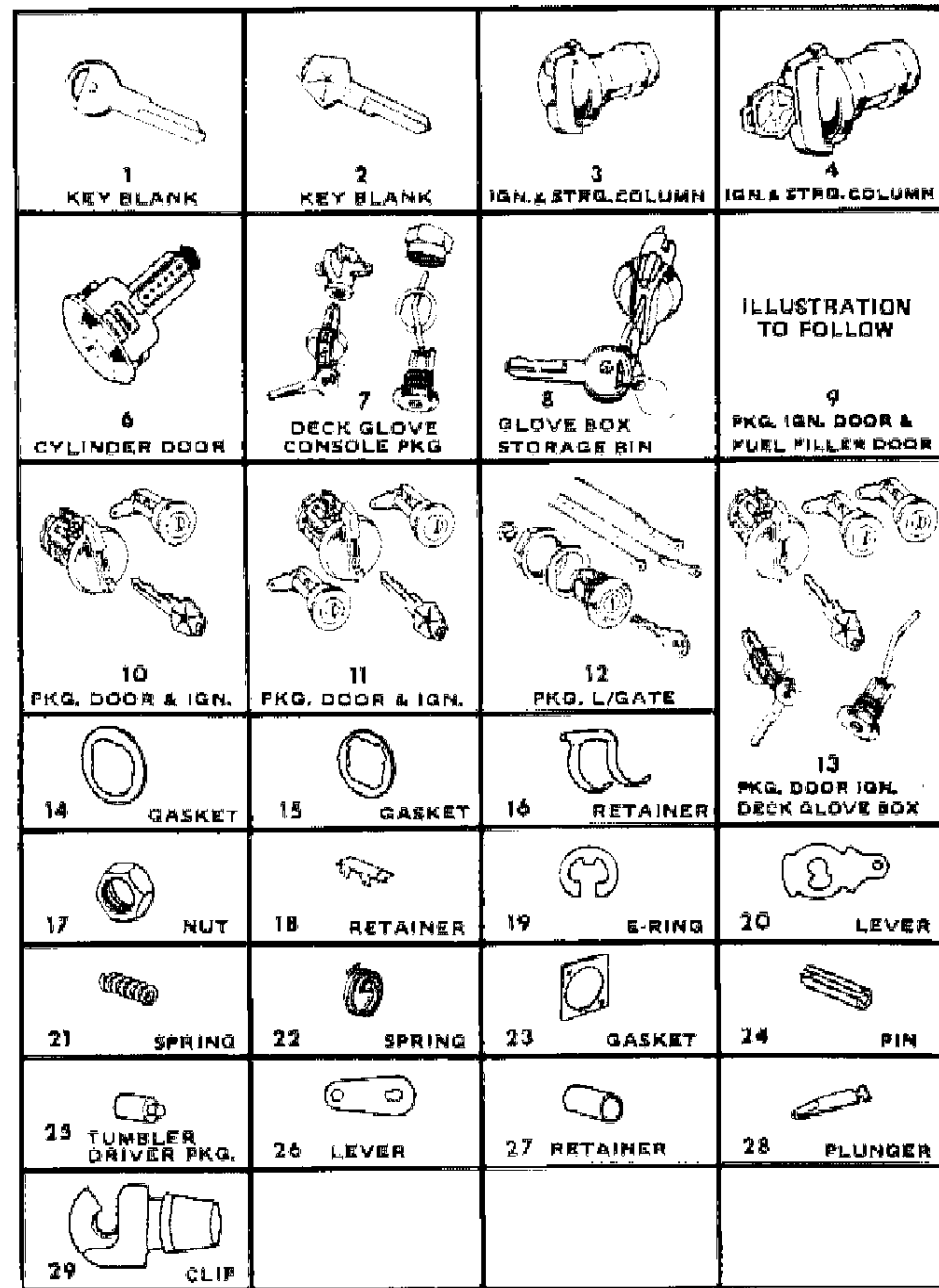
LOCK CYLINDERS,KEYS & PACKAGES ..... Fig. 23D-100

**ILLUSTRATION NOT AVAILABLE AT TIME OF PUBLICATION**



## LOCK CYLINDERS, KEYS & PACKAGES Figure 23D-100

1122-100



ITEM	PART NUMBER	QTY	BODY	MODEL	DESCRIPTION
1	2999 041	2		M,Z,44	KEY, Deck Lid and Glove Box
	2999 041	2		PDVC21,	KEY, Deck Lid and Glove Box
	2999 041	2		E,T	KEY, Deck Lid and Glove Box
	2999 041	2		B,G,F,X	KEY, Deck Lid and Glove Box
	2999 041	2		All	KEY, Glove box and Stowage Bin Lock Cyl.
2	4318 784	1		TP 41	KEY, Instrument Panel Console (Cut)
	3454 493	3		B,G,41	KEY, Door and Ign. Lock Cyl., Single and Univ. Single Key
	3454 493	3		P,D,41,	KEY, Door and Ign. Lock Cyl., Single and Univ. Single Key
	3454 327	2		All	KEY, Door Cyl.
	4271 220	1		Y	CRYSTAL KEY, Door and Ign.
3	5207 206	1		M,Z	PACKAGE, Ign. and Strg. Column Lock Cyl. and Keys
	4054 878	1		PDVCETB	PACKAGE, Ign. and Strg. Column Lock Cyl. and Keys, w/o Tilt Strg.
4	3861 793	1		PDVCETB	PACKAGE, Ign. and Strg. Column Lock Cyl. and Keys, w/ Tilt Strg.
	4172 674	2		BFGXSY	CYLINDER, Door Lock, Illuminated, Uncoded
	4106 738	1		BFGXSY	PACKAGE, Door Lock Cyl. and Key, Illuminated, Coded, Complete
	4106 399	1		All	PACKAGE, Door Lock Cyl.
7	4267 850	1		B,F,G,X	PACKAGE, Deck and Glove Box Lock Cyl. and Keys
	4246 654	1		PDVC21,	PACKAGE, Deck and Glove Box Lock Cyl. and Keys
	4246 299	1		E,T	PACKAGE, Deck and Glove Box Lock Cyl. and Keys
	4172 663	1		Y	PACKAGE, Deck and Glove Box Lock Cyl. and Keys
	4106 353	1		M,Z,44	PACKAGE, L/Gate and Glove Box Lock Cyl.
8	4246 660	1		PL,DL	PACKAGE, Deck Lid Lock Cyl. and Key
	4054 081	1		M,Z	PACKAGE, Glove Box Lock Cyl. and Key
	4054 081	1		P,D,C,4	PACKAGE, Glove Box Lock Cyl. and Key
9	4054 081	1		All	PACKAGE, Glove Box and Storage Bin Lock Cyl. and Keys
	4246 563	1		E,T	PACKAGE, Ign., Door and Fuel Filler Door Lock Cyl. and Keys, w/ Tilt Strg.
	4246 564	1		E,T	PACKAGE, Ign., Door and Fuel Filler Door Lock Cyl. and Keys, w/o Tilt Strg.
10	4246 571	1		E,T	PACKAGE, Fuel Filler Door Lock Cyl. and Keys
	5207 203	1		M,Z,44	PACKAGE, Door and Ign. Cyl. Lock
	4246 630	1		M,Z,24	PACKAGE, Door and Ign. Cyl. Lock
	4246 631	1		M,Z,28	PACKAGE, Door and Ign. Cyl. Lock
11	4054 805	1		PDVC21,	PACKAGE, Door and Ign. Cyl. and Keys, w/o Tilt Strg.
	4054 805	1		PDVC21,	PACKAGE, Door and Ign. Cyl. and Keys, w/o Tilt Strg.
	4054 805	1		H,K	PACKAGE, Door and Ign. Cyl., w/o Tilt Strg.

**MODEL CODES**

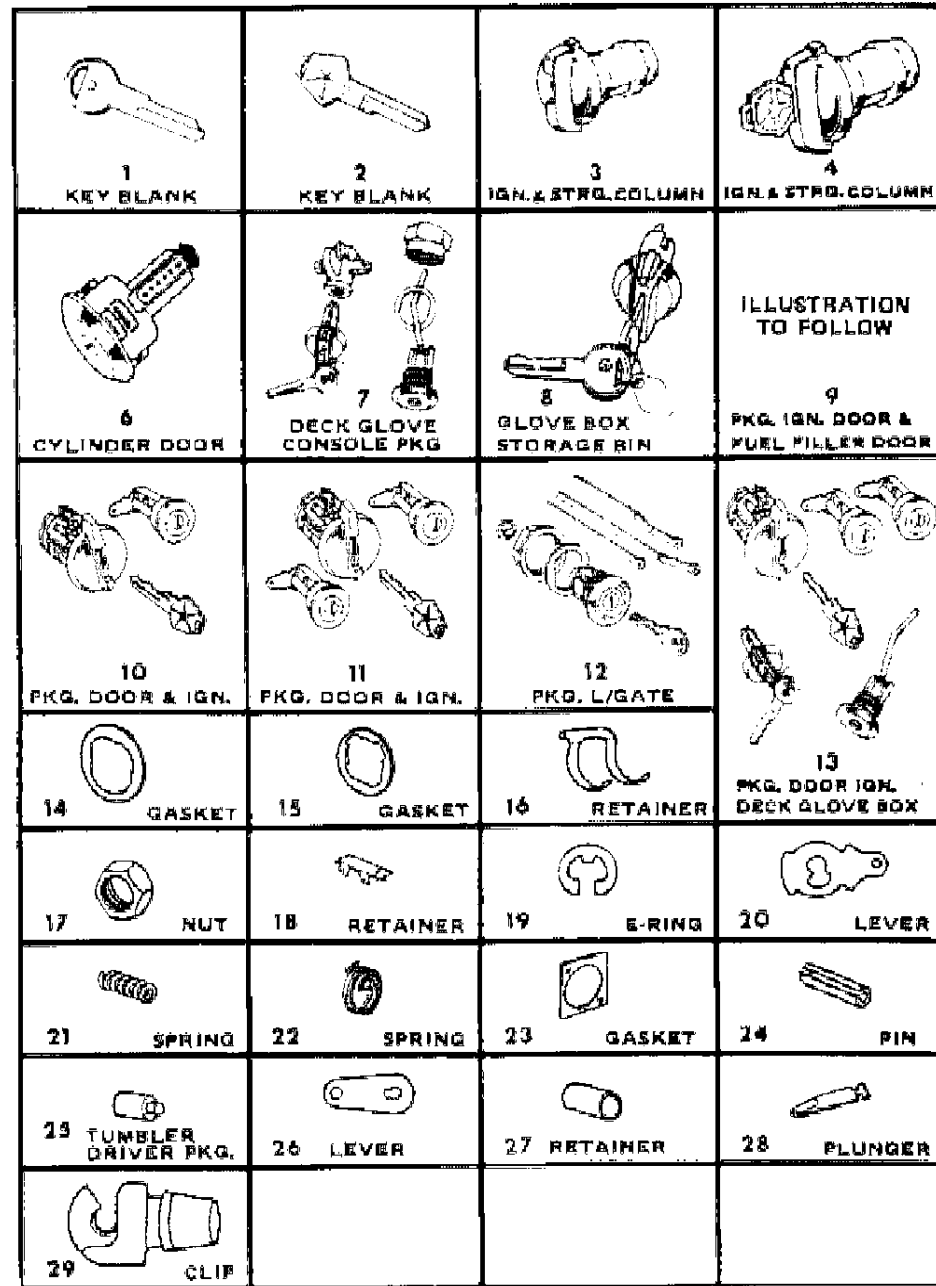
B = GRAN FURY	G = DIPLOMAT	V = 400
C = LEBARON/TOWN & COUNTRY	M = HORIZON/TURISMO/SCAMP	X = MIRADA
D = ARIES	P = RELIANT	Y = IMPERIAL
E = 600	S = CORDOBA	Z = OMNI/CHARGER/RAMPAGE
F = FIFTH AVENUE	T = E CLASS/NEWYORKER	

**BODY STYLES**

21 = 2-DOOR SEDAN	41 = 4-DOOR SEDAN
22 = 2-DOOR SPECIAL COUPE	45 = 4-DOOR STATION WAGON
24 = 2-DOOR HATCHBACK	44 = 4-DOOR HATCHBACK
27 = 2-DOOR CONVERTIBLE	48 = EXECUTIVE SEDAN
28 = FWD PICKUP	

AR = Use as Required - = Non Illustrated Part P.A.R. = Paint as Required

**LOCK CYLINDERS, KEYS & PACKAGES**  
**Figure 23D-100**



ITEM	PART NUMBER	QTY	BODY	MODEL	DESCRIPTION
	3548 955	1		PDVCBFG	PACKAGE,Door and Ign.Cyl. and Keys,w/Tilt Strg.,w/o Illuminated Entry
	4172 348	1	B,F,G,4		PACKAGE,Door and Ign.Cyl. and Keys.w/Illuminated Intry,w/o Tilt Strg.
	4172 305	1	B,F,G,4		PACKAGE,Door and Ign.Cyl. and Keys.w/Illuminated Intry,w/Tilt Strg.
12	5207 386	1	MZ 24,P		PACKAGE,L/Gate Lock Cyl. and Key
13	4172 957	1	B,G,41		PACKAGE,Ign.,Door,Deck,Glove,w/Single Key,w/o Tilt Strg.(Police and Taxi)
	4246 655	1	P,D,21,		PACKAGE,Ign.,Door,Deck,Glove,w/Single Key,w/o Tilt Strg. (Police and Taxi)
	4246 559	1	B,G,41		PACKAGE,Ign.,Door,Deck,Glove,w/Universal Single Key,w/o Tilt Strg.(Police and Taxi)
	4246 656	1	P,D,21,		PACKAGE,Ign.,Door,Deck,Glove,w/Universal Single Key,w/o Tilt Strg.(Police and Taxi)
	4196 394	1	P,D,21,		PACKAGE,Ign.,Door,Deck,Glove Cyl. and Key,w/Single Key,w/ Tilt Strg. (Police and Taxi)
	4196 182	1	B,G		PACKAGE,Ign.,Door,Deck,Glove Cyl. and Key,w/Single Key,w/ Tilt Strg. (Police and Taxi)
14	3695 321	1	PDVCETB		GASKET,Deck Lid Lock Cyl.
	3695 321	1	MZ,PDC,		GASKET,L/Gate Lock Cyl.
15	2583 860	2	All		GASKET,Door Lock Cyl.
16	2583 377	2	Exc.C,V		RETAINER,Door Lock Cyl.
	4184 686-7	1	C,V 24		w/Illum.Entry
	4184 684-5	1	C,V 24		w/o Illum.Entry
17	4054 202	1	PDVCETB		NUT,Deck Lid Lock Cyl.Retainer
	4054 202	1	M,Z,P,D		NUT,L/Gate Lock Cyl Retainer
18	2765 069	2	All		RETAINER,Door Lock Cyl.Tumbler,w/or w/o Tilt Strg.
19	6026 125	2	All		RETAINER,Lock Cyl.Lever,w/ or w/o TiltStrg.
	4280 659	1	H,K		RETAINER,Sliding Door Outside Handle Cyl.
	6026 125	1	M,Z,24		RETAINER,L/Gate Lock Cyl. Lever
	4184 685	1	H,K,C,V		RETAINER,Front Door Outside Handle Cyl.
	6032 107	1	P,D,C,4		CLIP,L/Gate Lock Cyl. Lever Ret.
	6026 125	1	ALL		RETAINER,Frnt.Dr.Lock Cyl. Lever
	6026 125	1	ALL		RETAINER,Reverse Lever Pivot
	6026 125	1	M,Z,24		RETAINER,Elect. L/Gate Latch Cam
	6026 125	1	H,K		RETAINER,Sliding Door Outside Handle Cyl. Lever

**MODEL CODES**

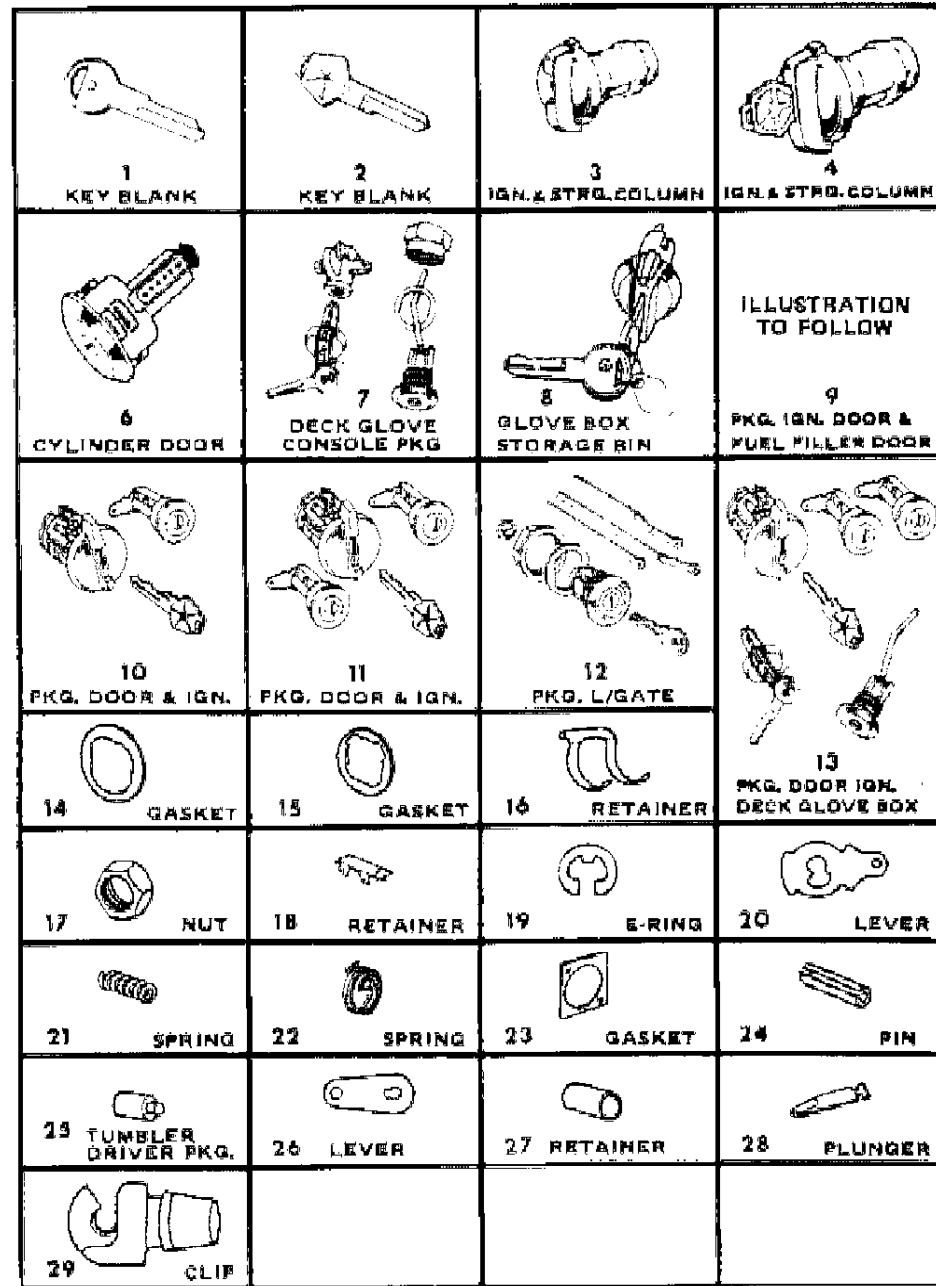
B = GRAN FURY	G = DIPLOMAT	V = 400
C = LEBARON/TOWN & COUNTRY	M = HORIZON/TURISMO/SCAMP	X = MIRADA
D = ARIES	P = RELIANT	Y = IMPERIAL
E = 600	S = CORDOBA	Z = OMNI/CHARGER/RAMPAGE
F = FIFTH AVENUE	T = E CLASS/NEWYORKER	

**BODY STYLES**

21 = 2-DOOR SEDAN	41 = 4-DOOR SEDAN
22 = 2-DOOR SPECIAL COUPE	45 = 4-DOOR STATION WAGON
24 = 2-DOOR HATCHBACK	44 = 4-DOOR HATCHBACK
27 = 2-DOOR CONVERTIBLE	48 = EXECUTIVE SEDAN
28 = FWD PICKUP	

AR = Use as Required - = Non Illustrated Part P.A.R. = Paint as Required

**LOCK CYLINDERS, KEYS & PACKAGES**  
**Figure 23D-100**



ITEM	PART NUMBER	QTY	BODY	MODEL	DESCRIPTION
20	2802 124	2		All	LEVER,Door Lock Cyl.,w/ or w/o Tilt Strg.
	4246 525	1		C,V 24	LEVER,Liftgate Lock Cyl.
	4246 532	1		H,K	LEVER,Liftgate Lock Cyl.
21	2802 124	2		BFG	LEVER,Illuminated Door Lock Cyl.,w/or w/o Tilt Strg.
	2765 073	AR		All	SPRING,Door,Deck,L/Gate Lock Cyl. Tumbler
22	3861 746	1		B,F,G	SPRING,Deck Lid Lock Cyl.Shaft Retaining
23	4229 713	1		BFG	GASKET,Deck Lid Lock Cyl. Medallion
	4276 999	1		PDCVET	GASKET,Deck Lid Lock Cyl. Medallion
24	9431 636	1		All	PIN,Ign. and Strg. Column Lock Cyl. Buzzer Sw. Actuating Arm
	9431 637	1		All	PIN,Ign. and Strg. Column Lock Cyl. to Driver
	4094 448	1		All	TUMBLER DRIVER PKG.,Lock Cyl.,Code 1
	4094 449	1		All	Code 2
	4106 348	1		All	Code 3
	4106 349	1		All	Code 4
25	4106 350	1		All	Code 5
	4106 351	1		All	Code 6
	4246 496	1		P,D,C,4	LEVER,L/Gate Lock Cyl.
	3454 517	1		All	RETAINER,Ign. and Strg.Col. Lock Cyl. Actr. Arm Spring
	4019 548	1		PDVCETB	PLUNGER,Lock Cyl. Ret.,w/o Tilt Strg.
	3760 130-1	1		CVMZ 24	CLIP,Door Lock Cyl. Link Ret.

**MODEL CODES**

B = GRAN FURY	G = DIPLOMAT	V = 400
C = LEBARON/TOWN & COUNTRY	M = HORIZON/TURISMO/SCAMP	X = MIRADA
D = ARIES	P = RELIANT	Y = IMPERIAL
E = 600	S = CORDOBA	Z = OMNI/CHARGER/RAMPAGE
F = FIFTH AVENUE	T = E CLASS/NEWYORKER	

**BODY STYLES**

21 = 2-DOOR SEDAN	41 = 4-DOOR SEDAN
22 = 2-DOOR SPECIAL COUPE	45 = 4-DOOR STATION WAGON
24 = 2-DOOR HATCHBACK	44 = 4-DOOR HATCHBACK
27 = 2-DOOR CONVERTIBLE	48 = EXECUTIVE SEDAN
28 = FWD PICKUP	

AR = Use as Required - = Non Illustrated Part P.A.R. = Paint as Required

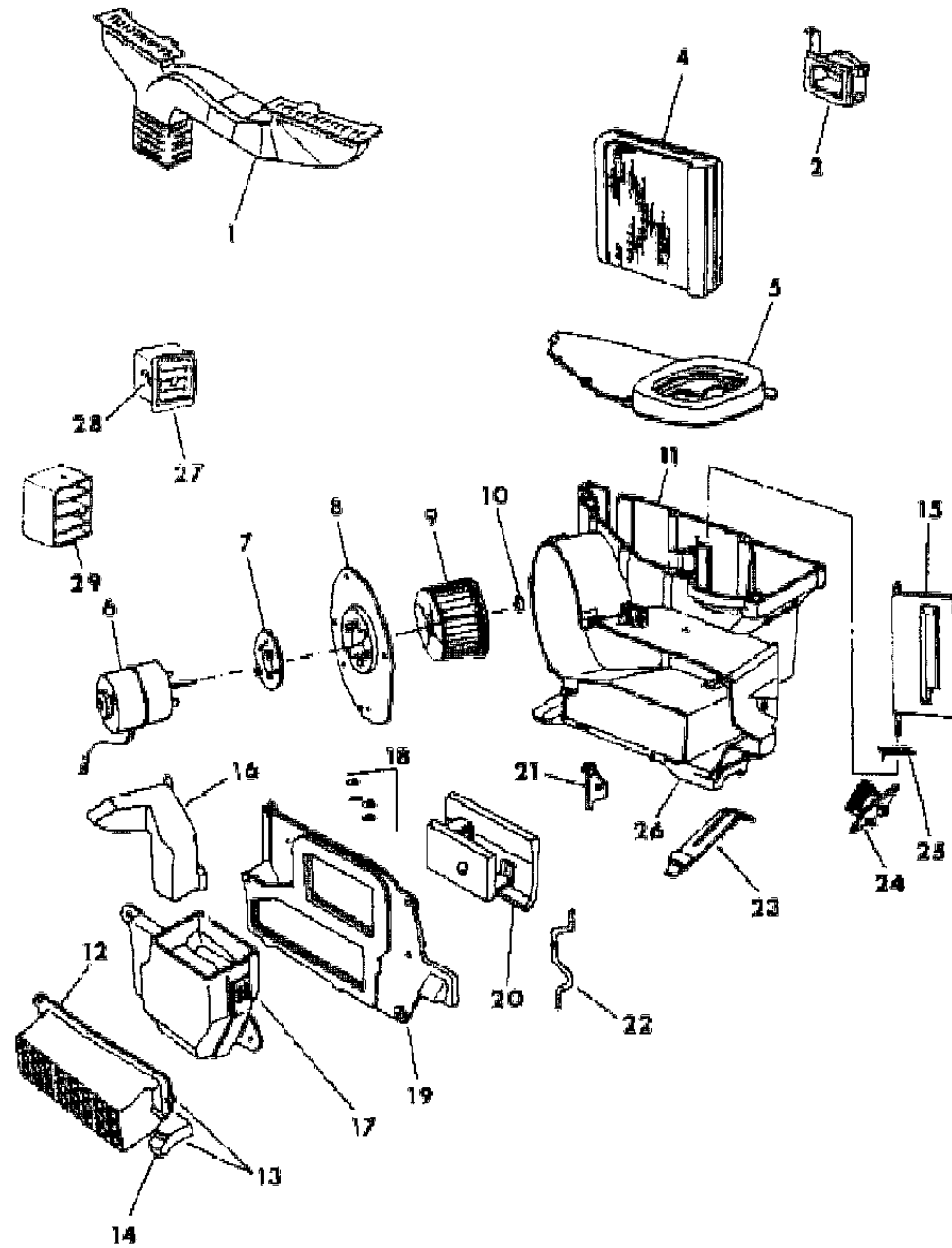
**GROUP 24 - HEATER AND AIR CONDITIONING**

<b>ILLUSTRATION TITLE</b>	<b>GROUP-FIG. NO.</b>
HEATER M,Z .....	Fig. 24-100
HEATER P,D,V,C,E,T .....	Fig. 24-200
HEATER B,G .....	Fig. 24-300
HEATER X,S .....	Fig. 24-400
HEATER CONTROLS M,Z,P,D,V,C,E,T,B,G,X,S .....	Fig. 24-500
HEATER PLUMBING M,Z .....	Fig. 24-600
HEATER PLUMBING P,D,V,C,E,T .....	Fig. 24-700
HEATER PLUMBING B,G,X,S .....	Fig. 24-800
DEFOGGER PACKAGE BASIC REAR WINDOW B,F,G .....	Fig. 24-900
AIR CONDITIONING SYSTEM M,Z .....	Fig. 24-1000
AIR CONDITIONING SYSTEM P,D,V,C,E,T .....	Fig. 24-1100
AIR CONDITIONING SYSTEM B,F,G .....	Fig. 24-1200
AIR CONDITIONING SYSTEM X,S,Y .....	Fig. 24-1300
AIR CONDITIONING AIR DUCT M,Z .....	Fig. 24-1400
AIR CONDITIONER, AIR OUTLETS M,Z,B,F,G .....	Fig. 24-1500
OUTLETS,INST. PANEL AIR CONDITIONING AIR X,S,Y .....	Fig. 24-1600
AIR CONDITIONING CUT OFF M,Z,P,D,V,C,E,T .....	Fig. 24-1700
AIR CONDITIONING COMPRESSOR (C-171) ALL MODELS .....	Fig. 24-1800
AIR CONDITIONING COMPRESSOR MOUNTING M,Z,P,D,V,C,E,T .....	Fig. 24-1900
AIR CONDITIONING COMPRESSOR AND SUPPORTS TO ENGINE(225 ENGINE) .....	Fig. 24-2000
AIR CONDITIONING COMPRESSOR AND SUPPORTS TO ENGINE(318 ENGINE) .....	Fig. 24-2100
AIR CONDITIONER CONTROL M,Z,P,D,V,C,E,T,B,F,G .....	Fig. 24-2200
AIR CONDITIONING CONTROL X,S,Y .....	Fig. 24-2300
AIR CONDITIONING AND HEATER PLUMBING M,Z,P,D,V,C,E,T .....	Fig. 24-2400
AIR CONDITIONING AND HEATER PLUMBING B,F,G,X,S,Y .....	Fig. 24-2500

**ILLUSTRATION NOT AVAILABLE AT TIME OF PUBLICATION**

HEATER M,Z  
Figure 24-100

3124 1/00



ITEM	PART NUMBER	QTY	BODY	MODEL	DESCRIPTION
1	3848 831	1		All	DUCT,Htr. Defr.
2	5210 182-3	1		All	ADAPTER,Vent
4	4205 843	1		All	CORE,Htr.
	4240 448	1		All	CORE and SEAL PKG.,Htr.
5	5210 147	1		All	COVER,Htr.Top
6	4057 933	1		All	MOTOR,Htr.Blower
	4274 936	1		All	INSULATOR,Htr. Mtr.
7	2485 429	1		All	GASKET,Htr.Blower Mtr.Mtg.
8	5210 152	1		All	BACK PLATE,Htr.Motor
9	5210 001	1		All	WHEEL,Htr.Blower Motor
10	2837 680	1		All	CLAMP,Htr.Blower Mtr.Wheel
11	5210 136	1		All	HOUSING,Htr.
12	5210 169	1		All	DUCT,Htr.Air Handling
13	5210 168	1		All	DUCT,Knob & Door,Htr.Air Handling
14	5210 188	1		All	KNOB,Htr.Dr.Vent Cont.
15	5210 140	1		All	DOOR & SEAL,Htr.Temp..
16	5210 251	1		All	DUCT,Htr.Outlet Lt.
17	5210 040	1		All	ADAPTER,Htr.Defr.Duct.
18	6006 065	4		All	WASHER,Htr.Blower Mtr.Mtg.
19	5210 190	1		All	COVER,Htr.Rr.
20	5210 215	1		All	DOOR & SEAL,Htr.Mode
21	5210 316	1		All	CLAMP,Htr.Mode Door
22		1		All	SHAFT,Htr.Mode Door (Not Serviced)
23	5210 135	1		All	STRAP,Htr. Support
24	5210 365	1		All	RESISTOR,Htr.Blower Motor
25	5210 176	1		All	CRANK,Htr.Temp.Door
26	5210 193	1		All	DUCT,Htr.Distribution
27	5210 002-3	1		All	OUTLET,Htr. Vent w/Door
28	5210 018	4		All	CLIP,Htr. Vent Hsg. Mtg.
29	3502 905	2		All	LOUVER ASSY.,Vent Outlet

MODEL CODES

B = GRAN FURY	G = DIPLOMAT	V = 400
C = LEBARON/TOWN & COUNTRY	M = HORIZON/TURISMO/SCAMP	X = MIRADA
D = ARIES	P = RELIANT	Y = IMPERIAL
E = 600	S = CORDOBA	Z = OMNI/CHARGER/RAMPAGE
F = FIFTH AVENUE	T = E CLASS/NEWYORKER	

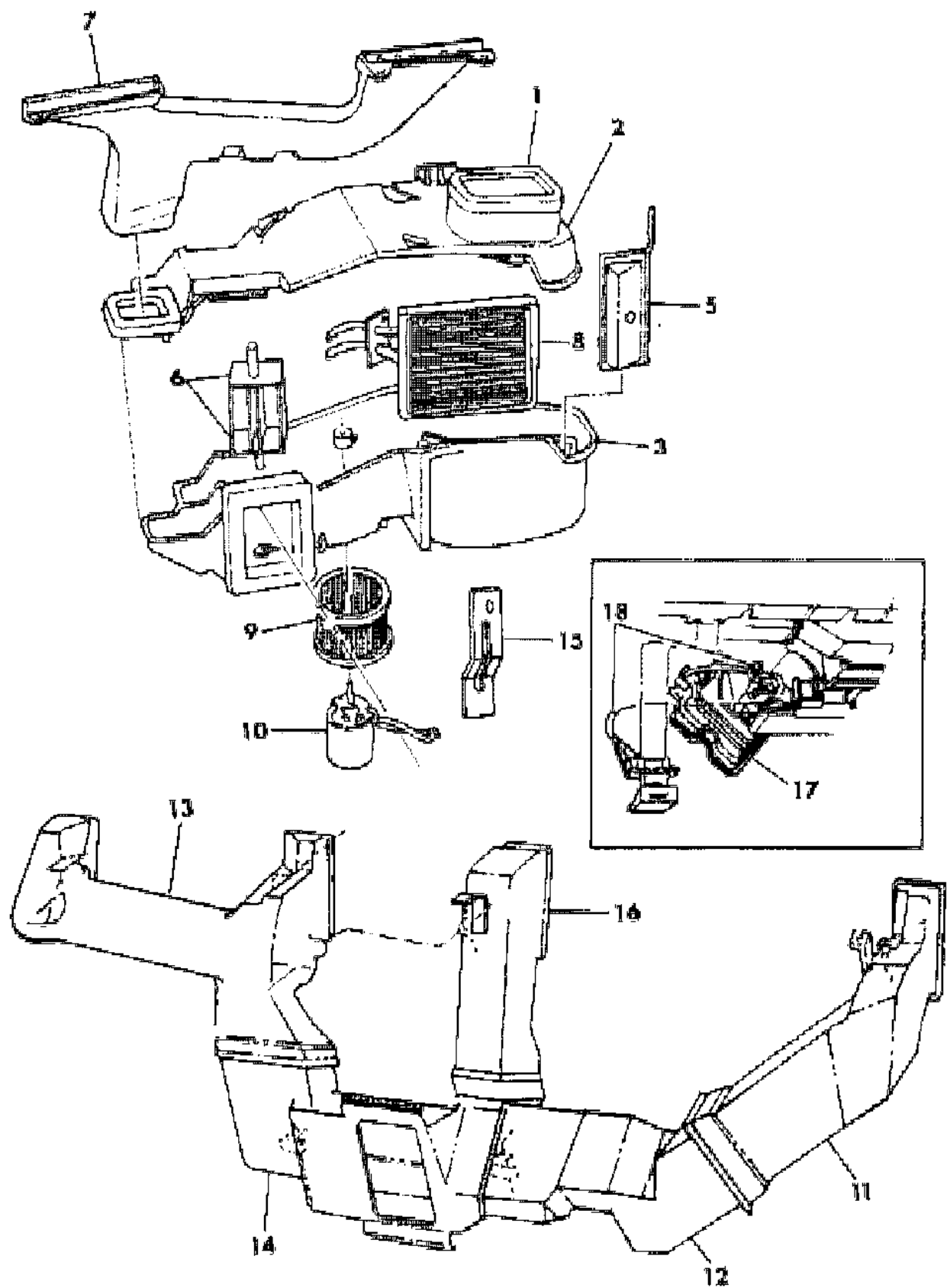
BODY STYLES

21 = 2-DOOR SEDAN	41 = 4-DOOR SEDAN
22 = 2-DOOR SPECIAL COUPE	45 = 4-DOOR STATION WAGON
24 = 2-DOOR HATCHBACK	44 = 4-DOOR HATCHBACK
27 = 2-DOOR CONVERTIBLE	48 = EXECUTIVE SEDAN
28 = FWD PICKUP	

AR = Use as Required - = Non Illustrated Part P.A.R. = Paint as Required

HEATER P,D,V,C,E,T  
Figure 24-200

3124 200



ITEM	PART NUMBER	QTY	BODY	MODEL	DESCRIPTION
1	3847 549	1			SEAL,Heater Cover to Plenum
2	3848 209	1			COVER,Heater Hsg.
3	3848 065	1			HOUSING,Heater
5	3847 633	1			DOOR,Heater Temp.,Complete
6	3848 242	1			DOOR,Heater Mode
7	3848 009	1			DUCT,Htr. Defroster,w/Upr. Level Vent.
8	4205 838	1			CORE and SEAL,Htr.
	3848 093	1			SEAL,Htr. Core
	3847 681	1			SEAL,Htr. Core End
9	3847 687	1			WHEEL,Htr. Blower
10	4240 472	1			MOTOR,Htr. Blower,w/Upr. Level Vent
11	3847 569	1			DUCT,Htr Vent,w/Upr. Level Vent.,Lt.
12	3847 574	1			DUCT,Htr Vent over Strg. Column,w/Upr. Level Vent.
13	3847 562	1			DUCT,Htr Vent Rt.
14	3847 744	1			DUCT,Htr Vent Dist.
15	3848 008	1			BRACE,Htr. Support,w/Upr. Level Vent.
16	3847 563	1			DUCT,Htr. Vent Lt. Ctr.
17	3848 054	1			HOUSING,Lt. Vent,Complete
18	3848 239	1			CABLE and CLIP,Htr. Vent,Lt.
NOTE: The Following Items Are Not Shown on Illustration de). Both models are derived from the 100.1" W.B. LeBaron (C 22 Model). Sheet metal parts for the C 48 not found on this illustration should be specif					
	3847 989	1			PAD,Defroster Duct
	3848 130	1			DUCT,Htr. Distribution
	3848 014	1			SEAL,Htr. Mode Door to Cover
	3847 548	1			SEAL,Htr. Core Tube to Dash
	2837 680	1			CLAMP,Htr. Blower Mtg. Wheel
	3847 575	2	P,D		LOUVER,Htr.Vent Outlet,w/Upr. Level Vent,(U.S. Only)
	3847 950	3	V,C,E,T		LOUVER,Htr.Vent Outlet,w/Upr. Level Vent,(U.S. Only)
	3848 216	1			COVER,Htr. Blower
	3847 679	1			SEAL,Htr. Hsg. to Cover Rear
	3848 837	1			RESISTOR,Htr. Blower Mtr.
	3847 301	1			LEVER w/PIN,Htr. Temp. Door
	2485 429	1			GASKET,Htr. Blower Mtr. Mtg.
	3848 061	1			DUCT, Htr. Vent Rt. (Ram)
	4339 810	1		C	BAFFLE, Htr Duct Frt Console Rr Exc Sedan, Limo.

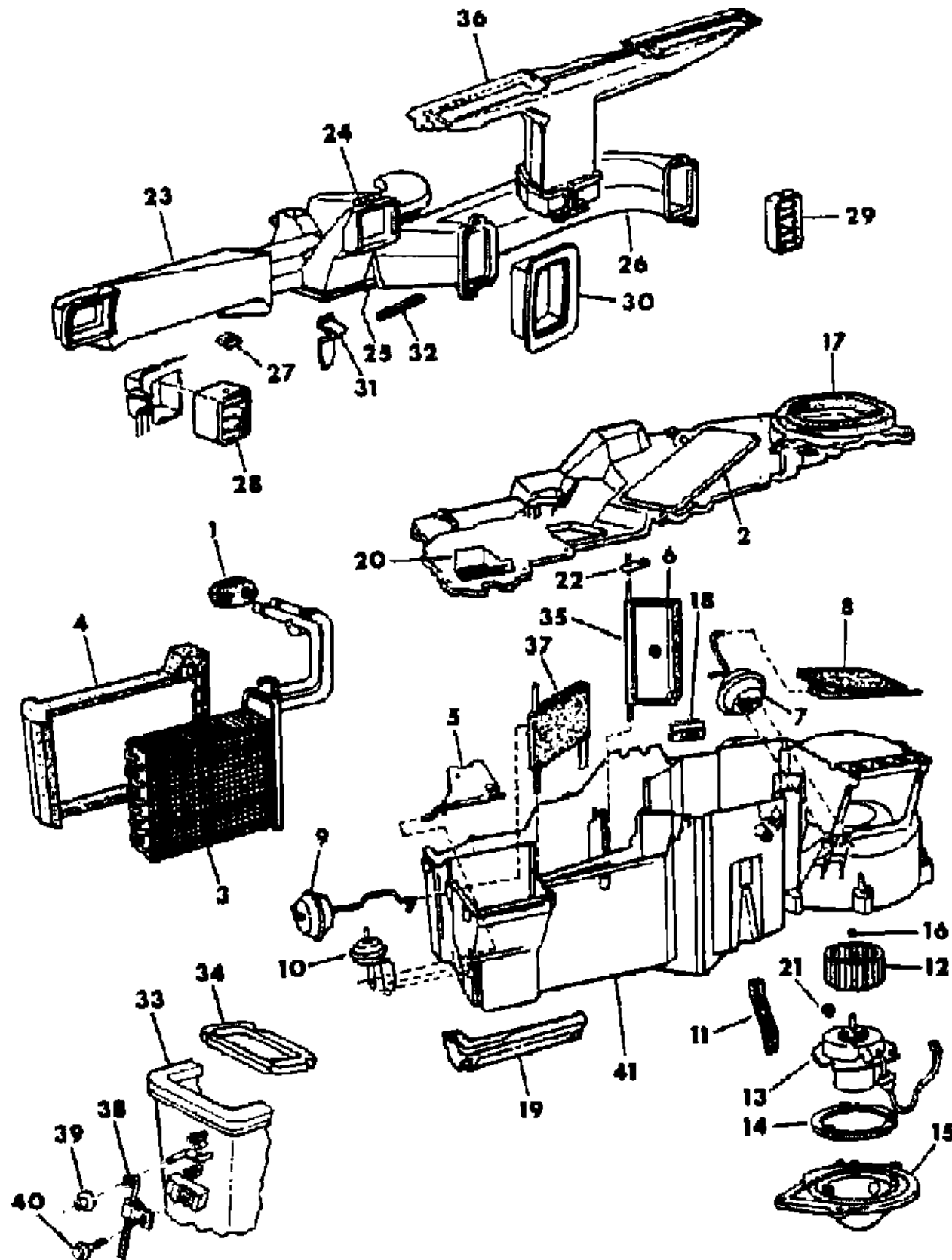
MODEL CODES  
 B = GRAN FURY  
 C = LEBARON/TOWN & COUNTRY  
 D = ARIES  
 E = 600  
 F = FIFTH AVENUE  
 G = DIPLOMAT  
 M = HORIZON/TURISMO/SCAMP  
 P = RELIANT  
 S = CORDOBA  
 T = E CLASS/NEWYORKER  
 V = 400  
 X = MIRADA  
 Y = IMPERIAL  
 Z = OMNI/CHARGER/RAMPAGE

BODY STYLES  
 21 = 2-DOOR SEDAN  
 22 = 2-DOOR SPECIAL COUPE  
 24 = 2-DOOR HATCHBACK  
 27 = 2-DOOR CONVERTIBLE  
 28 = FWD PICKUP  
 41 = 4-DOOR SEDAN  
 45 = 4-DOOR STATION WAGON  
 44 = 4-DOOR HATCHBACK  
 48 = EXECUTIVE SEDAN

AR = Use as Required - = Non Illustrated Part P.A.R. = Paint as Required

# HEATER B,G Figure 24-300

3124 300



ITEM	PART NUMBER	QTY	BODY	MODEL	DESCRIPTION
1	3846 740	1			SEAL,Htr. to Dash (At Htr. Core Tubes)
2	3847 282	1			COVER,Htr. Hsg.
3	3847 600	1			CORE and Seal,Htr.
4	3846 773	1			SEAL,Htr. Core to Hsg.
5	3847 478	1			DOOR,Htr. Defr. Door, Complete
6	3847 945	1			DOOR,Htr. Temp., Complete
7	3847 216	1			ACTUATOR,Htr. Shut Off Door
8	3847 217	1			DOOR,Htr. Shut Off, Complete
9	3847 230	1			ACTUATOR,Htr. Mode Door, Upr.
10	3847 211	1			ACTUATOR,Htr. Defr.
11	3847 202	1			BRACE,Htr. Mtg., Lt. (to Plenum)
12	3503 037	1			WHEEL,Htr. Blower Mtr. Mtg.
13	4049 797	1			MOTOR,Htr. Blower
14	3847 476	1			SEAL,Htr. Blower Mtr. (to Scroll)
15	3847 207	1			COVER,Htr. Blower Scroll
16	2837 680	1			CLAMP,Htr. Blower Mtr. Wheel
17	3847 243	1			SEAL,Htr. Unit to Plenum
18	3847 910	1			RESISTOR,Htr. Blower Mtr.
19	3847 297	1			DUCT,Htr. Dist.
20	3503 999	1			SEAL,Htr. Cover to Defr. Duct
21	6031 694	AR			SCREW and WASHER,Htr. Blower Mtr. Mtg.
22	3847 301	1			LEVER w/PIN,Htr. Temp. Control
23	3846 421	1			DUCT,Htr. Air Outlet Lt., Spot Cooler Mtg.
24	3847 401	1			DUCT,Htr. Bi-Level Air Outlet, Lt., Center
25	3847 404	1			DUCT,Htr. Air Outlet, Rt., Center
26	3846 418	1			DUCT,Htr. Air Outlet, Rt., Spot Cooler
27	0152 490	2			U-NUT
28	3502 905	2			LOUVER,Htr. Air Outlet
29	3502 934	2			LOUVER,Htr. Air Outlet
30	3846 422	2			BEZEL,Htr. Air Outlet
31	3846 412	4			CLIP,Htr. U.L.V. Air Outlet Bezel Ret.
32	3593 396	2			SEAL
33	3846 462	1			HOUSING,Vent. Lt., Complete
34	3846 465	1			SEAL,Vent Hsg., Mtg., Lt.
35	3847 225	1			DEFLECTOR,Htr. Temp Door
36	3503 863	1			DUCT,Htr. Defr.
37	3847 420	1			DOOR,Htr. Mode, Complete

**MODEL CODES**

B = GRAN FURY	G = DIPLOMAT	V = 400
C = LEBARON/TOWN & COUNTRY	M = HORIZON/TURISMO/SCAMP	X = MIRADA
D = ARIES	P = RELIANT	Y = IMPERIAL
E = 600	S = CORDOBA	Z = OMNI/CHARGER/RAMPAGE
F = FIFTH AVENUE	T = E CLASS/NEWYORKER	

**BODY STYLES**

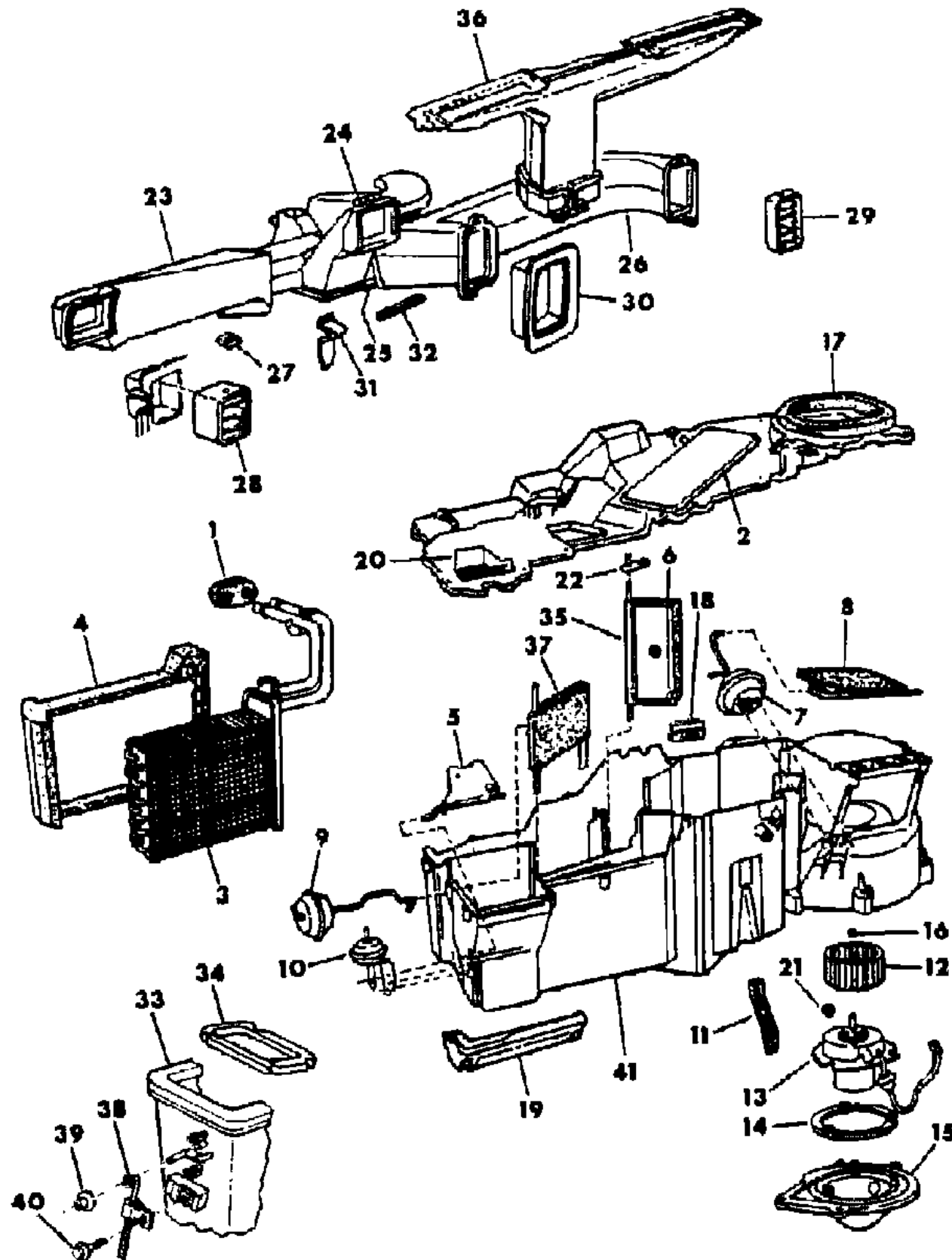
21 = 2-DOOR SEDAN	41 = 4-DOOR SEDAN
22 = 2-DOOR SPECIAL COUPE	45 = 4-DOOR STATION WAGON
24 = 2-DOOR HATCHBACK	44 = 4-DOOR HATCHBACK
27 = 2-DOOR CONVERTIBLE	48 = EXECUTIVE SEDAN
28 = FWD PICKUP	

AR = Use as Required - = Non Illustrated Part P.A.R. = Paint as Required



HEATER B,G  
Figure 24-300

3124 300



ITEM	PART NUMBER	QTY	BODY	MODEL	DESCRIPTION
38	3846 071	1			CABLE,Lt. Vent Control to Htr.
39	2076 405	1			RETAINER, Vent Hsg. Door,Lt.
40					SCREW (Not Serv.)
41	3847 519	1			HOUSING and STUD,Htr.
NOTE: The Following Items Are Not Shown On Illustration. de). Both models are derived from the 100.1" W.B. LeBaron (C 22 Model). Sheet metal parts for the C 48 not found on this illustration should be specif					
	6015 778	1			CLIP,Htr. Vac. Harness Mtg.
	3846 771	1			TANK,Htr. Core
	3847 205	1			SEAL,Htr. Cover to Scroll
	3773 192	1			SEAL,Htr. Blower Scroll Cover to Hsg.
	1279 332	1			BUMPER,Htr. Defr. Door

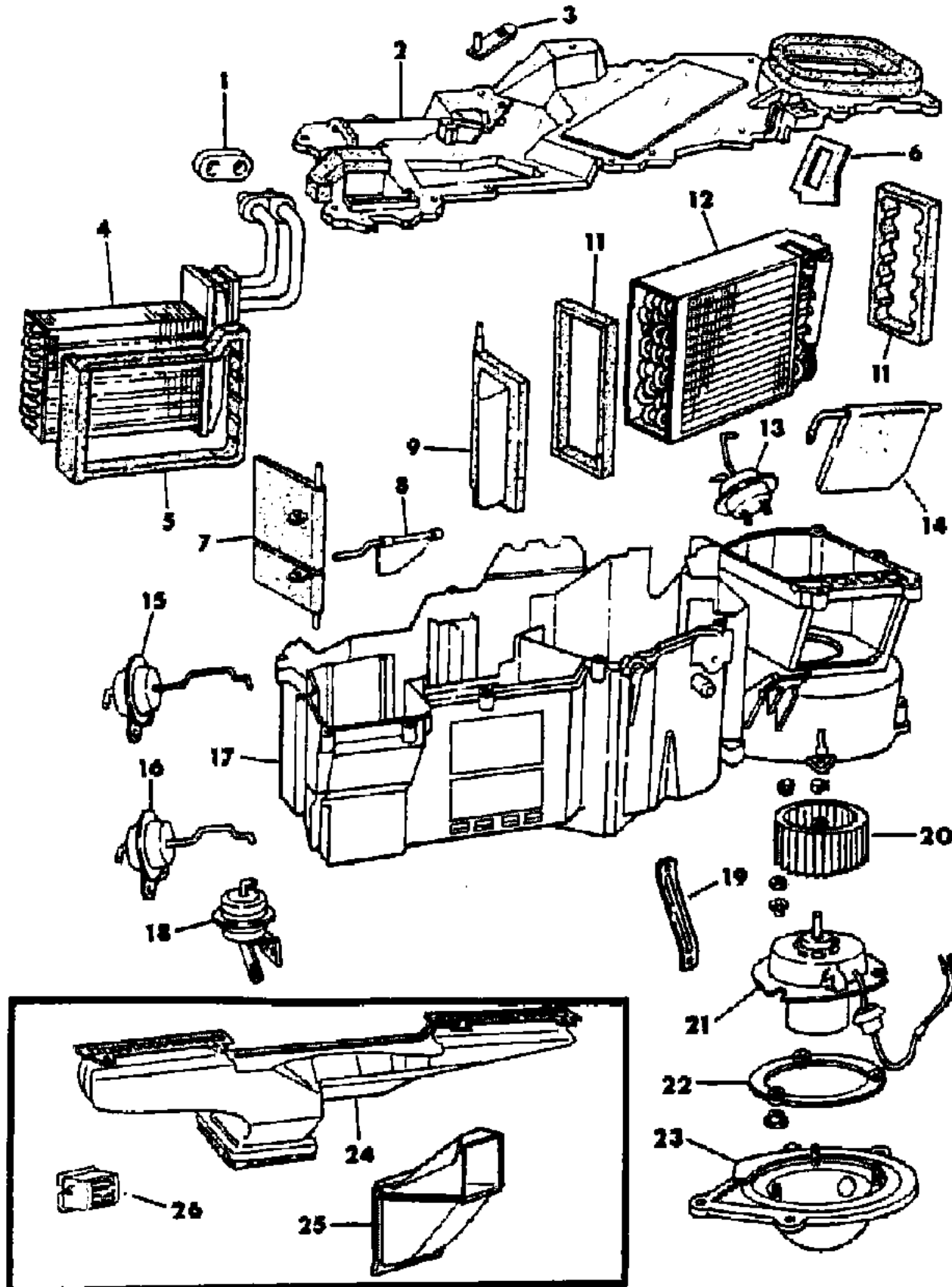
MODEL CODES  
 B = GRAN FURY  
 C = LEBARON/TOWN & COUNTRY  
 D = ARIES  
 E = 600  
 F = FIFTH AVENUE  
 G = DIPLOMAT  
 M = HORIZON/TURISMO/SCAMP  
 P = RELIANT  
 S = CORDOBA  
 T = E CLASS/NEWYORKER  
 V = 400  
 X = MIRADA  
 Y = IMPERIAL  
 Z = OMNI/CHARGER/RAMPAGE

BODY STYLES  
 21 = 2-DOOR SEDAN  
 22 = 2-DOOR SPECIAL COUPE  
 24 = 2-DOOR HATCHBACK  
 27 = 2-DOOR CONVERTIBLE  
 28 = FWD PICKUP  
 41 = 4-DOOR SEDAN  
 45 = 4-DOOR STATION WAGON  
 44 = 4-DOOR HATCHBACK  
 48 = EXECUTIVE SEDAN

AR = Use as Required - = Non Illustrated Part P.A.R. = Paint as Required

# HEATER X,S Figure 24-400

3124 400



ITEM	PART NUMBER	QTY	BODY	MODEL	DESCRIPTION
1	3846 740	1			SEAL,Htr. to Dash
2	3847 241	1			COVER,Htr. Evap. and RecirculatingHsg. w/o Air Cond.
3	3847 301	1			LEVER w/PIN,Htr. Temp. Door
4	3847 600	1			COREand SEAL,Htr.,w/Upr. Level Vent.
5	3846 773	1			SEAL,Htr. Core to Hsg..w/Upr. Level Vent.
6					SEAL (See Air Cond. System Illustration)
7					DOOR and SEAL (See Air Cond. System Illustration)
8	3847 478	1			DOOR,Htr. Defroster,Complete,w/Upr. Level Vent.
9	3847 945	1			DOOR,Htr. Temp.,Complete,w/Upr. Level Vent.
11					SEAL (See Air Cond. System Illustration)
12					COIL and SEAL (See Air Cond. System Illustration)
13	3847 216	1			ACTUATOR,Htr. Shutoff Door,w/Upr. Level Vent.
14	3847 217	1			DOOR and SEAL,Htr. Shutoff,Complete,w/Upr. Level Vent.
15	3847 230	1			ACTUATOR,Htr. Mode Door Upr.,w/Upr Level Vent.
16					ACTUATOR (See Air Cond. System Illustration)
17					HOUSING and STUD (See Air Cond. System Illustration)
18	3847 211	1			ACTUATOR,Htr. Defroster,w/o Air Cond.
19	3847 202	1			BRACE,Htr. Mtg.,Lt.,to Plenum,w/Upr. Level Vent.
20	3503 037	1			WHEEL,Htr. Blower Mtr. Mtg.,w/Upr Level Vent.
21	4240 425	1			MOTOR,Htr. Blower,w/o Air Cond.
22	3847 476	1			SEAL,Htr. Blower Motor to Scroll,w/Upr. Level Vent.
23	3847 207	1			COVER,Htr. Blower Scroll.w/Upr. Level Vent.
24	3848 138	1			DUCT,Htr. Defroster (Hi/Lo),w/o Air Cond.
25	3847 414	1			DUCT,Htr. Center,w/Upr. Level Vent.
26	P661 AA7	2			OUTLET,Htr. Air,w/Upr. Level Vent.,Silver (Paint as Req.)

NOTE: The Following Items Are Not Shown on Illustration de). Both models are derived from the 100.1" W.B. LeBaron (C 22 Model). Sheet metal parts for the C 48 not found on this illustration should be specif

3847 910	1				RESISTOR,Htr. Blower Motor
3847 243	1				SEAL,Htr. Unit to plenum,w/Upr. Level Vent.
3846 771	1				TANK,Htr. Core,w/Upr. Level Vent
3773 192	1				SEAL,Htr. Blower Scroll Cover to Hsg.,w/Upr. Level Vent.
3847 420	1				DOOR,Htr. Mode,Complete,w/Upr. Level Vent.
3847 424	1				HOUSING and STUD,Htr.,w/Upr. Level Vent.
3847 297	1				DUCT,Htr. Dist.,w/Upr. Level Vent.
3847 205	1				SEAL,Htr. Cover to Scroll,w/Upr. Level Vent.
2837 680	1				CLAMP,Htr. Blower Motor Wheel Mtg.
6031 147	2				NUT,Htr. Defroster Actr. Rod Ret.

### MODEL CODES

B = GRAN FURY

C = LEBARON/TOWN & COUNTRY

D = ARIES

E = 600

F = FIFTH AVENUE

G = DIPLOMAT

M = HORIZON/TURISMO/SCAMP

P = RELIANT

S = CORDOBA

T = E CLASS/NEWYORKER

V = 400

X = MIRADA

Y = IMPERIAL

Z = OMNI/CHARGER/RAMPAGE

### BODY STYLES

21 = 2-DOOR SEDAN

22 = 2-DOOR SPECIAL COUPE

24 = 2-DOOR HATCHBACK

27 = 2-DOOR CONVERTIBLE

28 = FWD PICKUP

41 = 4-DOOR SEDAN

45 = 4-DOOR STATION WAGON

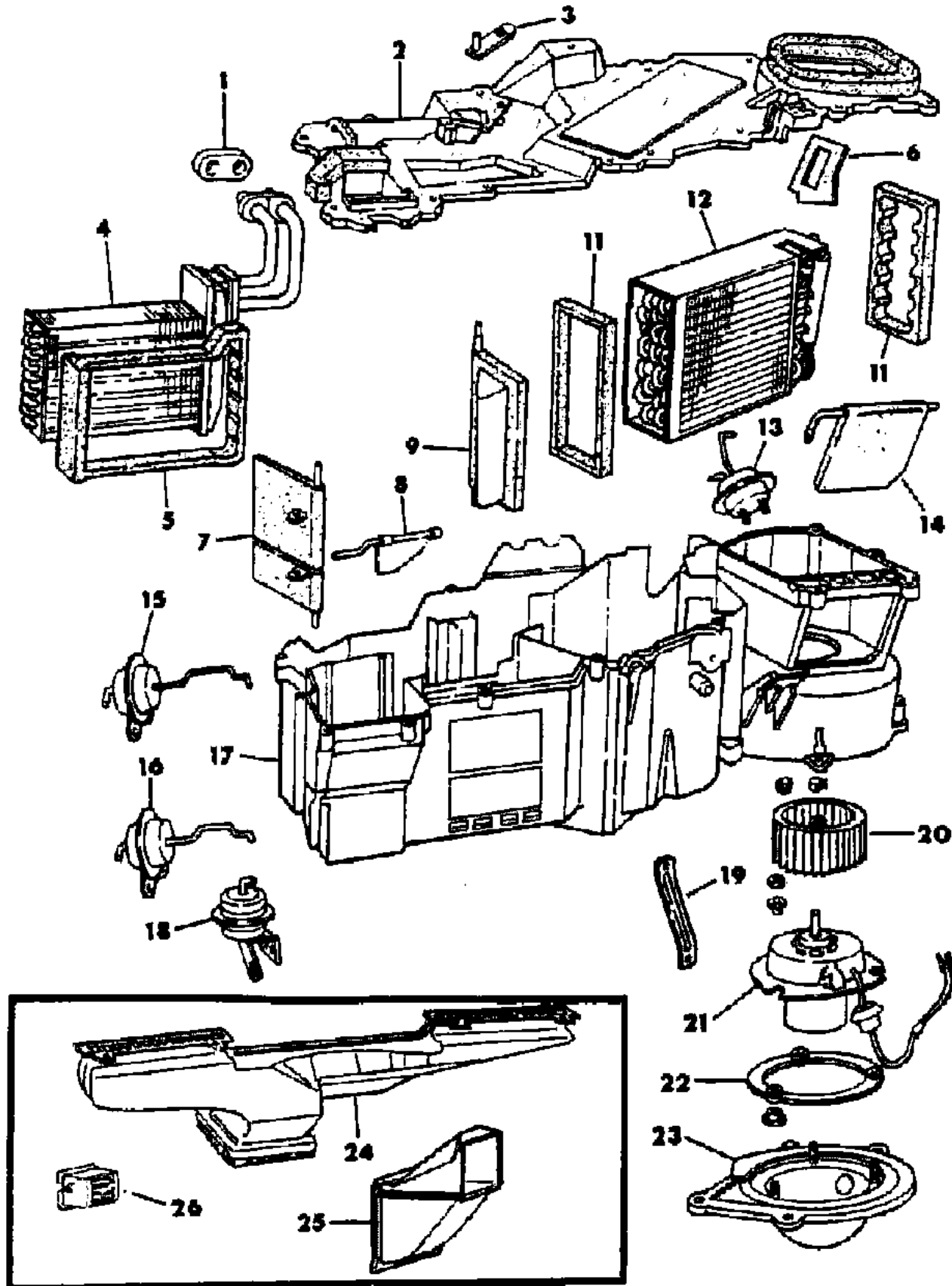
44 = 4-DOOR HATCHBACK

48 = EXECUTIVE SEDAN

AR = Use as Required - = Non Illustrated Part P.A.R. = Paint as Required

HEATER X,S  
Figure 24-400

3124 400



ITEM	PART NUMBER	QTY	BODY	MODEL	DESCRIPTION
------	-------------	-----	------	-------	-------------

	1279 332	1			BUMPER,Htr. Defroster Door
	6031 694	3			SCREW and Wa.,Blower Motor Mtg.

MODEL CODES		
B = GRAN FURY	G = DIPLOMAT	V = 400
C = LEBARON/TOWN & COUNTRY	M = HORIZON/TURISMO/SCAMP	X = MIRADA
D = ARIES	P = RELIANT	Y = IMPERIAL
E = 600	S = CORDOBA	Z = OMNI/CHARGER/RAMPAGE
F = FIFTH AVENUE	T = E CLASS/NEWYORKER	

BODY STYLES	
21 = 2-DOOR SEDAN	41 = 4-DOOR SEDAN
22 = 2-DOOR SPECIAL COUPE	45 = 4-DOOR STATION WAGON
24 = 2-DOOR HATCHBACK	44 = 4-DOOR HATCHBACK
27 = 2-DOOR CONVERTIBLE	48 = EXECUTIVE SEDAN
28 = FWD PICKUP	

AR = Use as Required - = Non Illustrated Part P.A.R. = Paint as Required

# HEATER CONTROLS M,Z,P,D,V,C,E,T,B,G,X,S

## Figure 24-500

3124 500

ITEM	PART NUMBER	QTY	BODY	MODEL	DESCRIPTION
1	3848 001	1		MZPDVCE	CONTROL ASSY.,Htr.
2	5210 362	1		M,Z	CABLE,Htr. Control Mode
	3847 699	1		P,D,V,C	CABLE,Htr. Control Mode,w/Up. Level Vent.
	3847 703	1		P,D,V,C	CABLE,Htr. Control Temp.,w/Up. Level Vent
	5210 360	1		M,Z	CABLE,Htr. Control Temp.,w/o Up. Level Vent.
3	3847 447	2		All	KNOB,Htr. Temp. Control and Mode
4	#3847 940	1		All	SWITCH,Htr. Control Blower
5	6031 132	1		All	CLIP,Htr. Control Cable
6	6029 889	2		All	NUT
7	4131 388	1		All	SOCKET,Htr. Control Lamp Cable
8	3503 326	1		MZPDVCE	PIN,Htr. Control Lever Pivot
	3503 317	1		B,G,X,S	PIN,Htr. Control Lever Pivot
9	3848 232	1		MZPDVCE	LEVER,Htr. Control Temp.
	3847 014	1		B,G	LEVER,Htr. Control Temp.
	3848 233	1		MZPDVCE	LEVER,Htr. Control Mode
	2820 453	1		All	CLIP,Htr. Lever Ret.
13	3848 002	1		B,G,X,S	CONTROL BASE Assy,Htr. Bi-Level (Use 3847658 Decal)
14	3847 430	1		X,S	CABLE,Htr.Cont.Temp. (Hi/Lo),w/Up. Level Vent.
	3847 432	1		B,G	CABLE,Htr.Cont.Temp.
15	3847 419	1		X,S	HOSE,& Conn.Htr.Vac.Harness,w/Up. Level Vent.
16	3441 609	1		BGXS	CHECK VALVE,Htr.Vac.Hose,w/Up. Level Vent
	3441 609	1		BGXS	CHECK VALVE,Htr. Control Vac. Hose,w/Up. Level Vent.
17	4131 388	1		All	SOCKET & BULB PKG.,Htr.Cont.Lamp
18	6031 132	1		All	CLIP,Htr.Cont.Temp.Adj.
19	3847 447	1		All	KNOB,Htr. Control Temp. and Mode
20	3846 895	1		BGXS	SWITCH,Htr.Cont.,Vac.,w/Up. Level Vent
21	6029 889	1		All	NUT, Htr. Cont. Temp. Cbl. Ret.
22	3847 629	1		B,G,X,S	HOSE,Htr.Cont.Vac.Ext.
23	3847 510	1		B,G,X,S	SWITCH,Htr. Control 4 Push Button (Hi/Lo), w/Up. level vent
24				PDVCBGX	CLIP,Htr. Cont. Hi/Lo Vac. Hose Conn. Ret. (Not Serviced)
25	2820 453	1		All	Lever Ret.
	4114 417	1		X,S	LEVER,Htr. Cont. Temp.,w/Up. Level Vent.

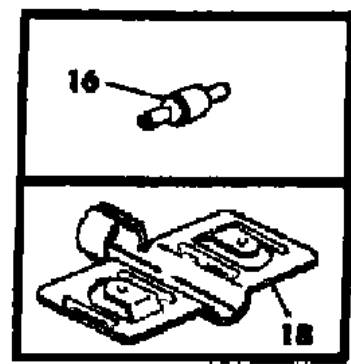
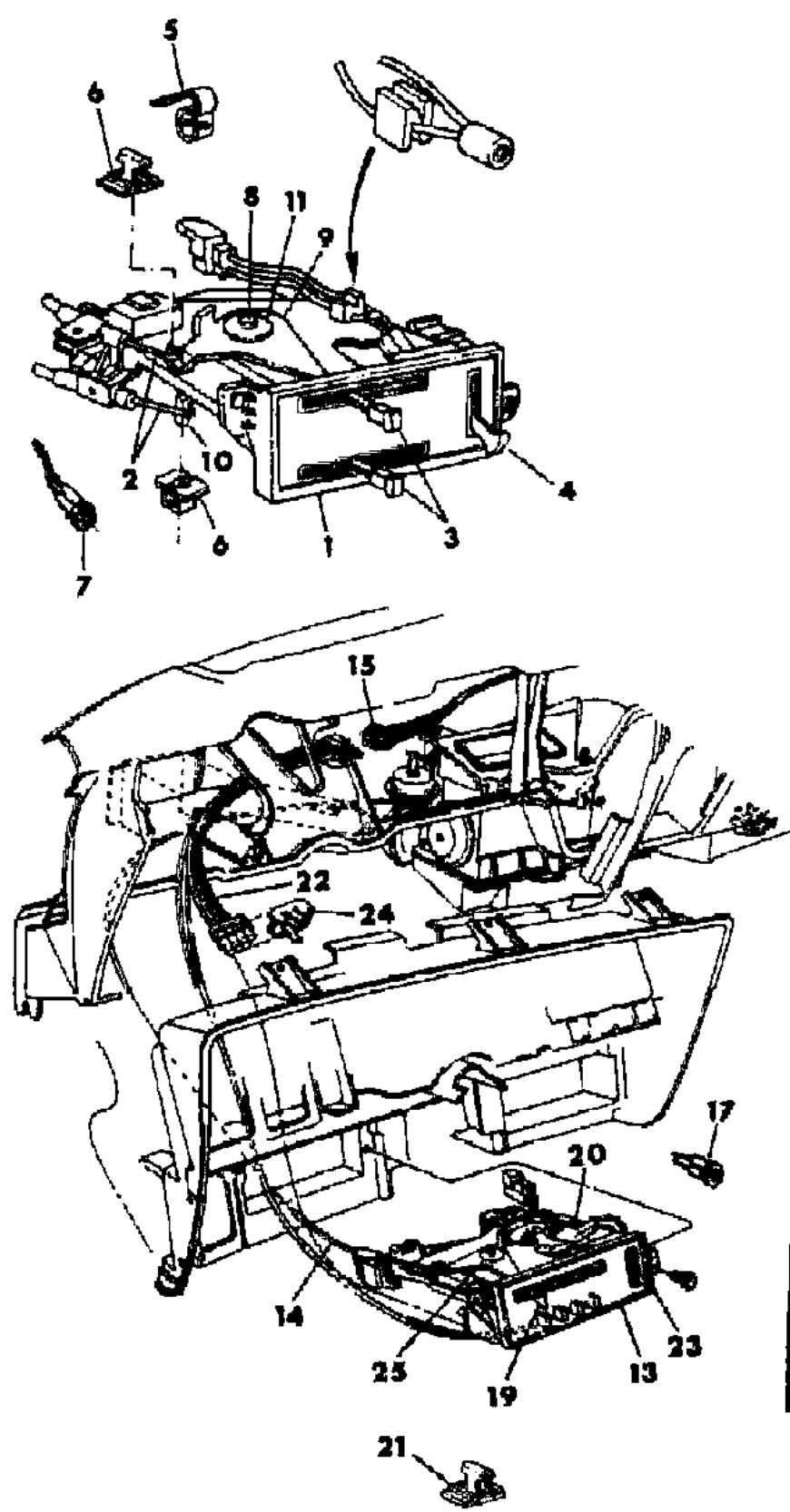
NOTE: The Following Items Are Not Shown on Illustration de). Both models are derived from the 100.1" W.B. LeBaron (C 22 Model). Sheet metal parts for the C 48 not found on this illustration should be specif

3780 794	AR	XS	HOSE,Htr. Cont. Vac. Roll Stock
3847 655	1	M,Z	DECAL,Htr. Control Lens (Hi/Off)
3848 175	1	P,D	DECAL,Htr. Control Lens,Up. Level Vent (Black)

MODEL CODES  
 B = GRAN FURY  
 C = LEBARON/TOWN & COUNTRY  
 D = ARIES  
 E = 600  
 F = FIFTH AVENUE  
 G = DIPLOMAT  
 M = HORIZON/TURISMO/SCAMP  
 P = RELIANT  
 S = CORDOBA  
 T = E CLASS/NEWYORKER  
 V = 400  
 X = MIRADA  
 Y = IMPERIAL  
 Z = OMNI/CHARGER/RAMPAGE

BODY STYLES  
 21 = 2-DOOR SEDAN  
 22 = 2-DOOR SPECIAL COUPE  
 24 = 2-DOOR HATCHBACK  
 27 = 2-DOOR CONVERTIBLE  
 28 = FWD PICKUP  
 41 = 4-DOOR SEDAN  
 45 = 4-DOOR STATION WAGON  
 44 = 4-DOOR HATCHBACK  
 48 = EXECUTIVE SEDAN

AR = Use as Required - = Non Illustrated Part P.A.R. = Paint as Required

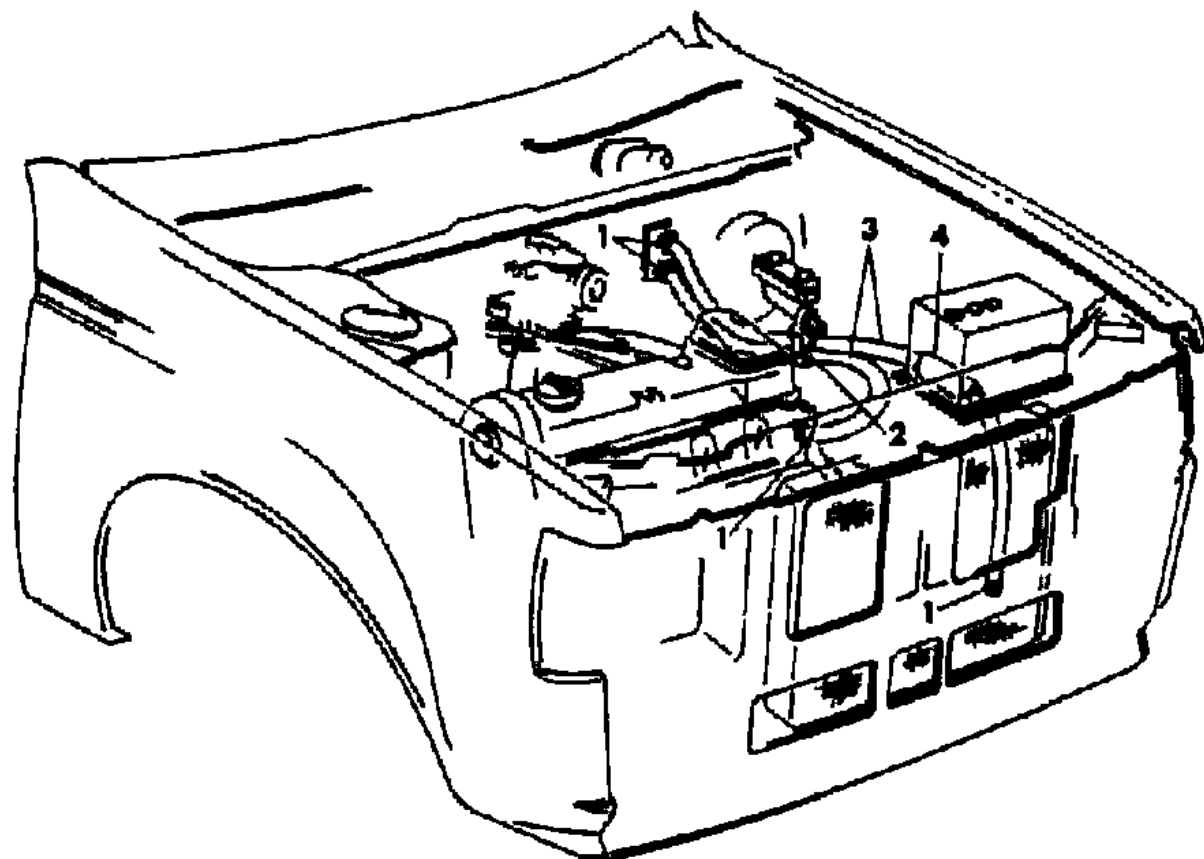




# HEATER PLUMBING M,Z

## Figure 24-600

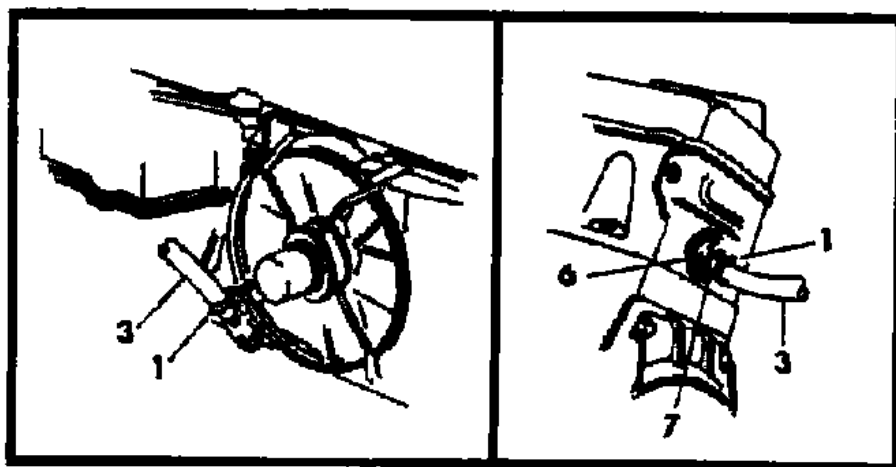
3124 600



ITEM	PART NUMBER	QTY	BODY	MODEL	DESCRIPTION
1	2448 770	AR		All	CLAMP,Htr.Hose
	0153 640	AR		All	use w/1.6 Eng.
2		1		All	STRAP,(Not Serviced)
3	1315 466	AR		All	HOSE,Htr. Core to Radiator,5/8" I.D.
	3848 187	1		M,Z	HOSE,Htr. Tube to Core, up to 5-31-83
	4273 488	1		M,Z	use w/1.6 Eng.
	3847 998	1		M,Z	Use on 2.2 L Eng.
4	5210 322	1		All	SLEEVE,Htr.Hose
6	5240 363	1		All	GASKET,Water Outlet,Use on 1.6,1.7 L Eng.
7	5240 364	1		All	ELBOW,Water Outlet,Use on 1.6,1.7 L Eng.

NOTE: The Following Parts Are Not Shown on Illustration de). Both models are derived from the 100.1" W.B. LeBaron (C 22 Model). Sheet metal parts for the C 48 not found on this illustration should be specif

	3848 004	1		All	RESTRICTOR,Htr. Hose,Use on 2.2 L. Eng.
	4273 488	1		M,Z	HOSE, Htr. Eng. to Core w/1.6 Engine
	4273 487	1		All	BRACKET, Water By-Pass
	3848 526	1		All	TUBE, w/Hose Htr. Engine to Core w/1.6 Engine



**MODEL CODES**

B = GRAN FURY	G = DIPLOMAT	V = 400
C = LEBARON/TOWN & COUNTRY	M = HORIZON/TURISMO/SCAMP	X = MIRADA
D = ARIES	P = RELIANT	Y = IMPERIAL
E = 600	S = CORDOBA	Z = OMNI/CHARGER/RAMPAGE
F = FIFTH AVENUE	T = E CLASS/NEWYORKER	

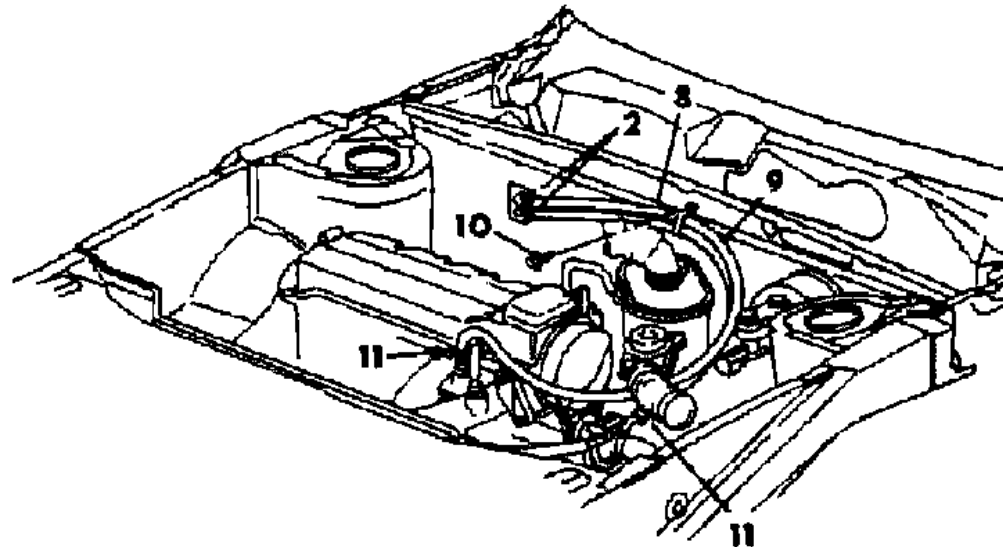
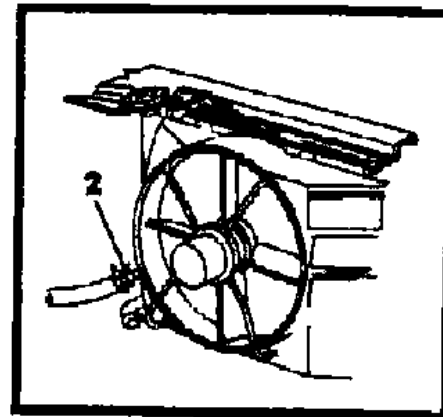
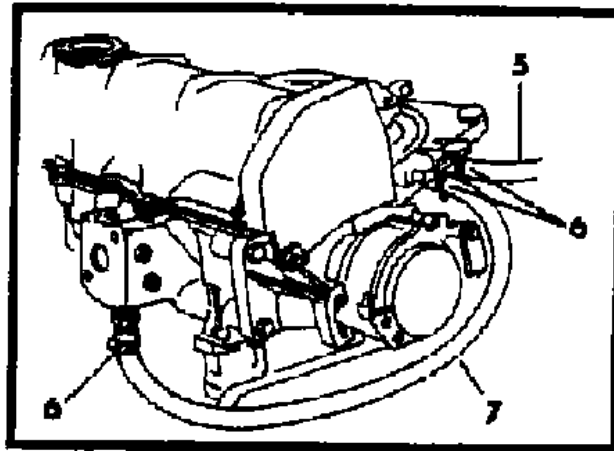
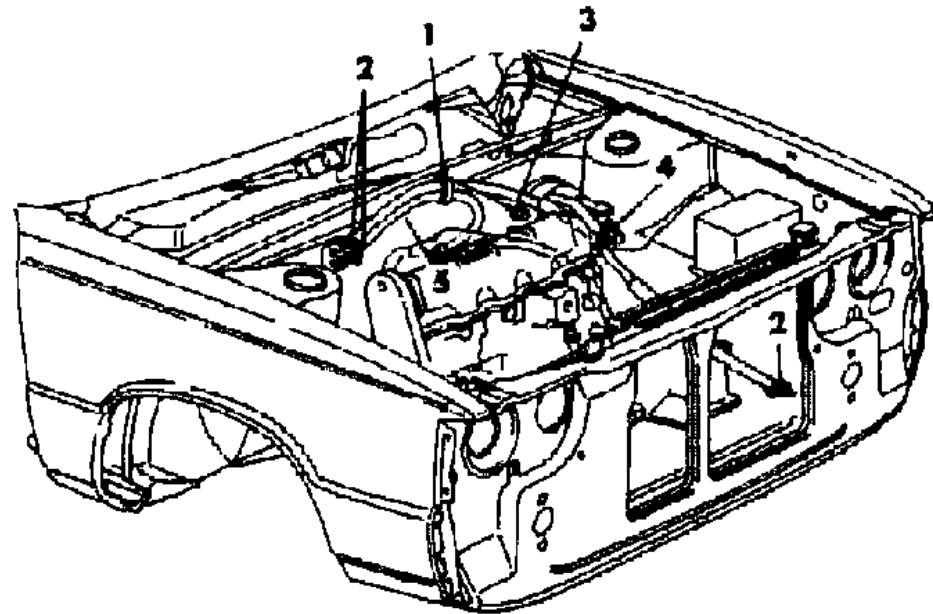
**BODY STYLES**

21 = 2-DOOR SEDAN	41 = 4-DOOR SEDAN
22 = 2-DOOR SPECIAL COUPE	45 = 4-DOOR STATION WAGON
24 = 2-DOOR HATCHBACK	44 = 4-DOOR HATCHBACK
27 = 2-DOOR CONVERTIBLE	48 = EXECUTIVE SEDAN
28 = FWD PICKUP	

AR = Use as Required - = Non Illustrated Part P.A.R. = Paint as Required

HEATER PLUMBING P,D,V,C,E,T  
Figure 24-700

3124 700



ITEM	PART NUMBER	QTY	BODY	MODEL	DESCRIPTION
1					CLIP,Htr. Hose Mtg. (Not Serviced)
2	2448 770	3			CLAMP,Htr. Hose
3					SCREW (Not Serviced)
4					STRAP,Htr. Hose to Master Cyl. (Not Serviced)
5	3847 828	1			HOSE,Htr. Eng. to Core (2.2 L Eng.)
6	2448 770	3			CLAMP,Htr. Hose
7	4273 486	1			HOSE,Thermostat By-Pass
8	3847 836	1			HOSE,Htr. Eng. to Core (2.6 L Eng.)
9	3847 831	1			HOSE,Htr. Core to Pump (2.6 L Eng.)
	1315 466	1			HOSE,Htr. Core to Radiator,2.2 L Eng.
10					SCREW,Htr. Hose Clip Mtg. (Not Serviced)
11	0153 640	2			CLAMP,Htr. Hose
NOTE: The Following Parts Are Not Shown on Illustration. de). Both models are derived from the 100.1" W.B. LeBaron (C 22 Model). Sheet metal parts for the C 48 not found on this illustration should be specif					
					SLEEVE,Htr. Hose (2.2 L Eng.) (Not Serv.)
	3848 438	1		E,T	HOSE and TUBE,Htr.,w/2.2 L Eng. and Throttle Body Injection
	3848 468	1		E,T	HOSE and SLEEVE,Htr. Tube to Rad.,w/2.2 L Eng.,and Throttle Body Injection
	3848 405	1		All	CLIP, Htr Hose Mtg Brake Booster
	3848 004	1			RESTRICTOR,Htr. Hose,Use on 2.2 and 2.6 L. Eng.
	4222 799	1			CAP,Htr. Hose Clip Mtg. Screw

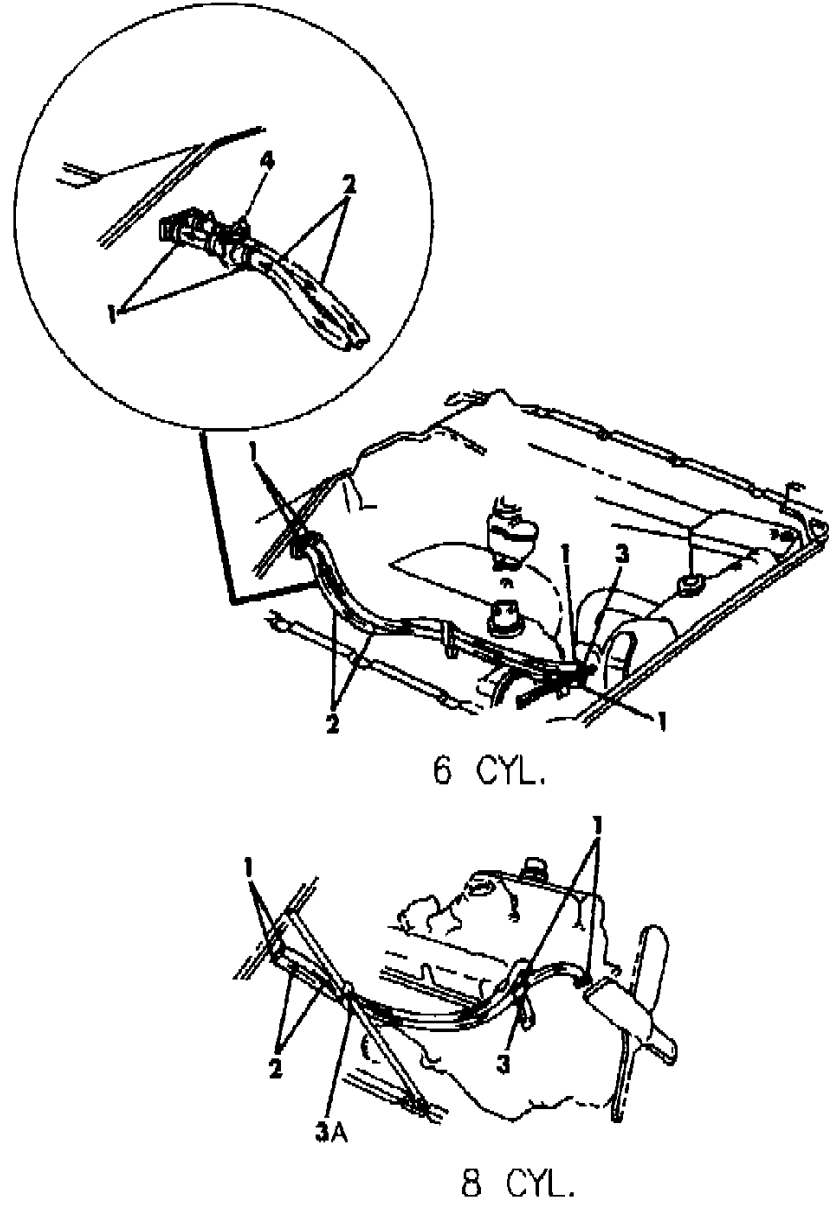
MODEL CODES  
 B = GRAN FURY  
 C = LEBARON/TOWN & COUNTRY  
 D = ARIES  
 E = 600  
 F = FIFTH AVENUE  
 G = DIPLOMAT  
 M = HORIZON/TURISMO/SCAMP  
 P = RELIANT  
 S = CORDOBA  
 T = E CLASS/NEWYORKER  
 V = 400  
 X = MIRADA  
 Y = IMPERIAL  
 Z = OMNI/CHARGER/RAMPAGE

BODY STYLES  
 21 = 2-DOOR SEDAN  
 22 = 2-DOOR SPECIAL COUPE  
 24 = 2-DOOR HATCHBACK  
 27 = 2-DOOR CONVERTIBLE  
 28 = FWD PICKUP  
 41 = 4-DOOR SEDAN  
 45 = 4-DOOR STATION WAGON  
 44 = 4-DOOR HATCHBACK  
 48 = EXECUTIVE SEDAN

AR = Use as Required - = Non Illustrated Part P.A.R. = Paint as Required

HEATER PLUMBING B,G,X,S  
Figure 24-800

3124 800A



ITEM	PART NUMBER	QTY	BODY	MODEL	DESCRIPTION
1	2448 770	AR	All		CLAMP,Htr.Hose 15/16" I.D.
	4041 604	AR	B,G,X,S		s/Steel Screw Type
2	1315 466	AR	X,S		HOSE,Htr.,5/8" I.D. 50 Ft. Roll
3	1779 258	1	B,G,X,S		NIPPLE, Htr., Hose to Eng.,2" Lgh. 3/8 Thd.
3A	6015 756	1	B,G		STRAP,Htr. Vac. Hose Support
4	3847 475	1	B,G,X,S		VALVE,Htr. Water,w/Upr. Level Vent.

MODEL CODES  
 B = GRAN FURY  
 C = LEBARON/TOWN & COUNTRY  
 D = ARIES  
 E = 600  
 F = FIFTH AVENUE  
 G = DIPLOMAT  
 M = HORIZON/TURISMO/SCAMP  
 P = RELIANT  
 S = CORDOBA  
 T = E CLASS/NEWYORKER  
 V = 400  
 X = MIRADA  
 Y = IMPERIAL  
 Z = OMNI/CHARGER/RAMPAGE

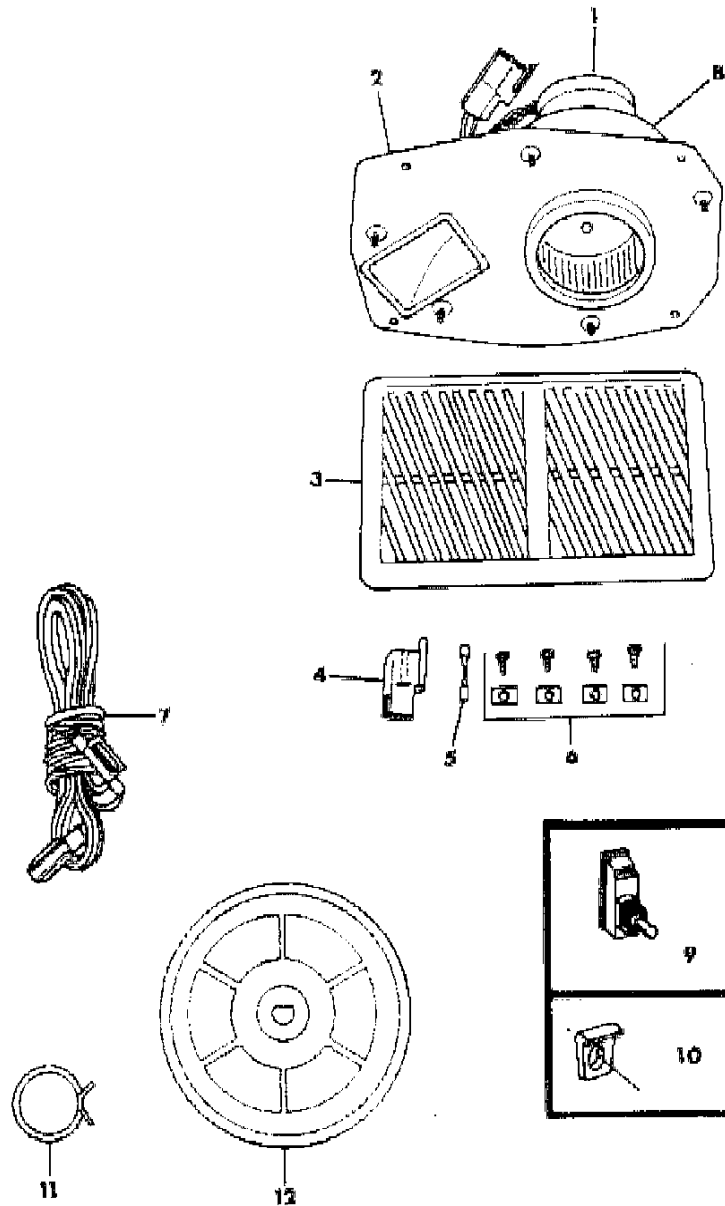
BODY STYLES  
 21 = 2-DOOR SEDAN  
 22 = 2-DOOR SPECIAL COUPE  
 24 = 2-DOOR HATCHBACK  
 27 = 2-DOOR CONVERTIBLE  
 28 = FWD PICKUP  
 41 = 4-DOOR SEDAN  
 45 = 4-DOOR STATION WAGON  
 44 = 4-DOOR HATCHBACK  
 48 = EXECUTIVE SEDAN

AR = Use as Required - = Non Illustrated Part P.A.R. = Paint as Required



**DEFOGGER PACKAGE BASIC REAR WINDOW B,F,G**  
**Figure 24-900**

3124 900



ITEM	PART NUMBER	QTY	BODY	MODEL	DESCRIPTION
	3846 278	1		41	DEFOGGER PACKAGE,BASIC
					Consist Of:
					1-H167RX9 Grille
					4-0445170 Nut
					1-----Defogger Assy
					4-----Screw
					1-----Wiring
					1-0106653 Fuse
					1-3764943 Insulator
1	4049 726	1		41	MOTOR,Defogger Blower
2	3503 664	1		41	PLATE,Defogger Blower Mtg.
3	H167 RX9	1		41	GRILLE,Defogger
4	3764 943	1		41	INSULATOR
5	0106 653	1		41	FUSE
6				41	SCREW (Not Serviced)
7				41	WIRING (Serviced in Pkg.)
8	3846 314	1		41	HOUSING,Defogger Blower
7				41	WIRING (Serviced in Pkg.)
10	3488 815	1		41	BEZEL,Rear Window Defogger Switch
11	3502 734	1		41	CLAMP,Rear Window Defogger Blower Wheel Mtg.
12	3780 829	1		41	WHEEL PKG.,Rear Window Defogger Blower

**MODEL CODES**

B = GRAN FURY	G = DIPLOMAT	V = 400
C = LEBARON/TOWN & COUNTRY	M = HORIZON/TURISMO/SCAMP	X = MIRADA
D = ARIES	P = RELIANT	Y = IMPERIAL
E = 600	S = CORDOBA	Z = OMNI/CHARGER/RAMPAGE
F = FIFTH AVENUE	T = E CLASS/NEWYORKER	

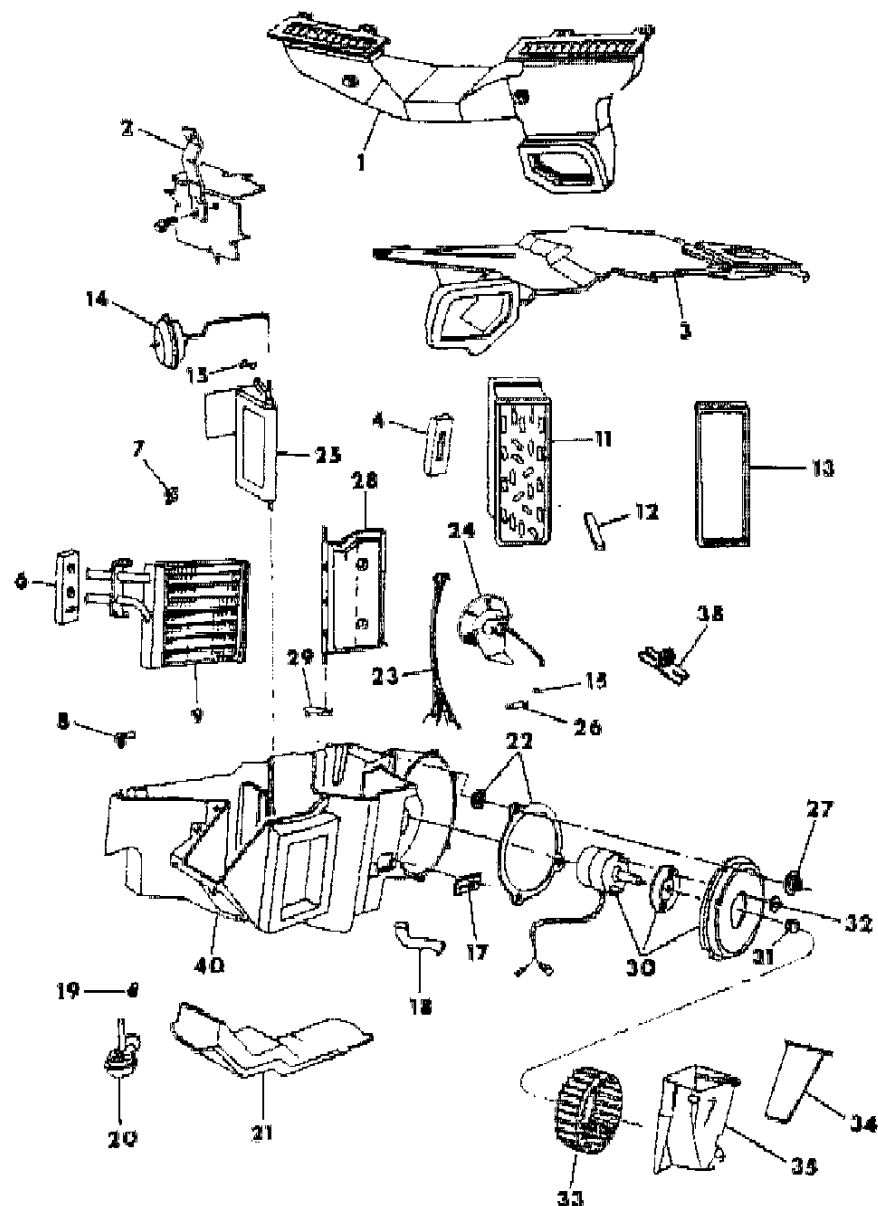
**BODY STYLES**

21 = 2-DOOR SEDAN	41 = 4-DOOR SEDAN
22 = 2-DOOR SPECIAL COUPE	45 = 4-DOOR STATION WAGON
24 = 2-DOOR HATCHBACK	44 = 4-DOOR HATCHBACK
27 = 2-DOOR CONVERTIBLE	48 = EXECUTIVE SEDAN
28 = FWD PICKUP	

AR = Use as Required - = Non Illustrated Part P.A.R. = Paint as Required

**AIR CONDITIONING SYSTEM M,Z**  
**Figure 24-1000**

3124 1000



ITEM	PART NUMBER	QTY	BODY	MODEL	DESCRIPTION
1	3848 303	1	All		DUCT & ADAPTER, A/C Defroster
2	5210 051	1	All		BRACE, A/C Unit Mtg. To Plenum
3	5210 428	1	All		COVER, A/C Evap. & Recirc. Hsg.
4	5210 228	1	All		SEAL, A/C Unit To Dash At Coil Header
6	5210 109	1	All		SEAL, A/C Unit To Dash At Core Tubes
7	2521 336	2	All		CLIP, A/C Evap. Hsg. Cover Mtg.
8	3503 133	1	All		TUBE, A/C Unit Drain
9	3847 943	1	All		CORE, A/C Heater
	3848 093	1	All		SEAL, A/C Heater Core To Housing
11	5210 072	1	All		COIL, A/C Evaporator, Complete
12	5210 073	1	All		SEAL, A/C Evap. Coil To Hsg. Bottom
13	3847 116	1	All		SEAL, A/C Evap. Coil Header End
14	5210 111	1	All		ACTUATOR, A/C Recirc. & Fresh Air Door
15	6008 145	1	All		CLIP, A/C Act. Shaft Ret. Fresh Air Door
17	3848 807	1	All		RESISTOR, A/C Blower Motor, up to 6-13-83
	3848 837	1	All		after 6-13-83
18	5210 066	1	All		TUBE, A/C Blower Mtr. Cooling
19	6031 147	1	All		RETAINER, A/C Defr. Dr. Vac. Actuator
20	5210 068	1	All		ACTUATOR, A/C Htr. Defr.
21	5210 055	1	All		DUCT, A/C Htr. Distr.
22	3847 476	1	All		SEAL, A/C Blower Mtr. to Scroll
23	#3848 311	1	All		HOSE & CONN., A/C Vacuum
	3780 508	1	All		HOSE, A/C Vacuum (Serv. In Roll)
24	5210 110	1	All		ACTUATOR, A/C Mode Door
25	5210 099	1	All		DOOR & SEAL, A/C Mode
26	5210 112	1	All		LEVER, A/C Mode Door
27	6006 065	6	All		WASHER, A/C Mtr. Mtg.
28	5210 395	1	All		DOOR, A/C Blend Air
29	5210 113	1	All		LEVER, A/C Blend Air Door
30	4240 426	1	All		MOTOR, A/C Blower
31	2837 680	1	All		CLAMP, A/C Blower Wheel Mtr. Mtg.
32	6500 376	1	All		NUT, A/C Blwr. Motor U-Type
33	5210 234	1	All		WHEEL, A/C Blower Motor
34	5210 056	1	All		DOOR & SEAL, A/C Recirc & Fresh Air
35	5210 070	1	All		HOUSING, A/C Recirc.
38	6015 778	2	All		CLIP, A/C Vac. Hose Retaining
40	3847 607	1	All		HOUSING w/STUD, A/C Evap. and Scroll

**MODEL CODES**

B = GRAN FURY	G = DIPLOMAT	V = 400
C = LEBARON/TOWN & COUNTRY	M = HORIZON/TURISMO/SCAMP	X = MIRADA
D = ARIES	P = RELIANT	Y = IMPERIAL
E = 600	S = CORDOBA	Z = OMNI/CHARGER/RAMPAGE
F = FIFTH AVENUE	T = E CLASS/NEWYORKER	

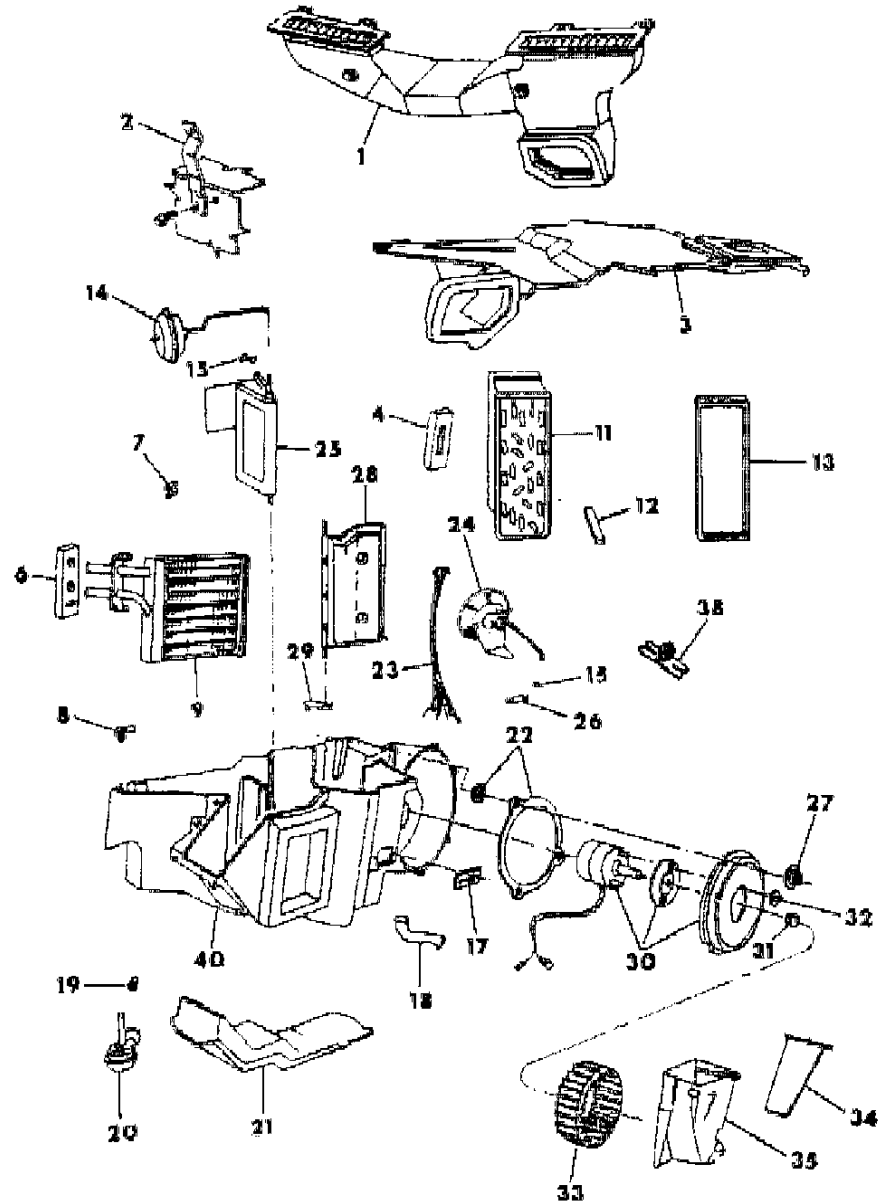
**BODY STYLES**

21 = 2-DOOR SEDAN	41 = 4-DOOR SEDAN
22 = 2-DOOR SPECIAL COUPE	45 = 4-DOOR STATION WAGON
24 = 2-DOOR HATCHBACK	44 = 4-DOOR HATCHBACK
27 = 2-DOOR CONVERTIBLE	48 = EXECUTIVE SEDAN
28 = FWD PICKUP	

AR = Use as Required - = Non Illustrated Part P.A.R. = Paint as Required

**AIR CONDITIONING SYSTEM M,Z**  
**Figure 24-1000**

3124 1000



ITEM	PART NUMBER	QTY	BODY	MODEL	DESCRIPTION
	4240 482	1		All	HOUSING w/STUD PKG.,A/C Evap. and Scroll
NOTE: The Following Items Are Not Shown on Illustration de). Both models are derived from the 100.1" W.B. LeBaron (C 22 Model). Sheet metal parts for the C 48 not found on this illustration should be specif					
	5210 065	1		All	SEAL, A/C Unit To Plenum F/Air Inlet
	6031 694	3		All	SCREW & WA., A/C Blwr. Motor Mtg.
	3847 681	1		All	SEAL,A/C Htr. Core End
	4221 549	1		All	RELAY, A/C Control (Shelby Charger)
	5210 093	1		All	DOOR & Shaft, A/C., Htr., Defr.

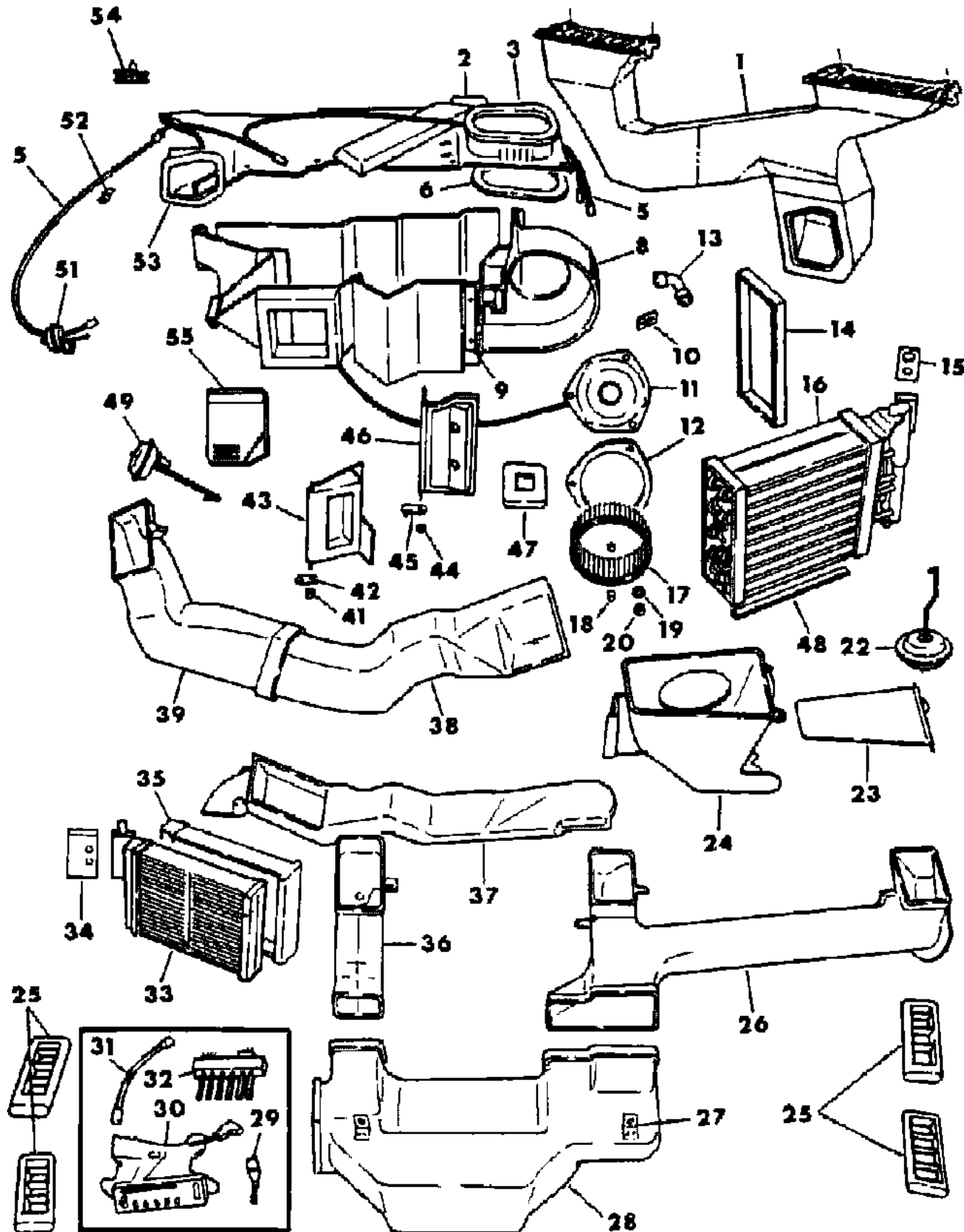
MODEL CODES  
 B = GRAN FURY  
 C = LEBARON/TOWN & COUNTRY  
 D = ARIES  
 E = 600  
 F = FIFTH AVENUE  
 G = DIPLOMAT  
 M = HORIZON/TURISMO/SCAMP  
 P = RELIANT  
 S = CORDOBA  
 T = E CLASS/NEWYORKER  
 V = 400  
 X = MIRADA  
 Y = IMPERIAL  
 Z = OMNI/CHARGER/RAMPAGE

BODY STYLES  
 21 = 2-DOOR SEDAN  
 22 = 2-DOOR SPECIAL COUPE  
 24 = 2-DOOR HATCHBACK  
 27 = 2-DOOR CONVERTIBLE  
 28 = FWD PICKUP  
 41 = 4-DOOR SEDAN  
 45 = 4-DOOR STATION WAGON  
 44 = 4-DOOR HATCHBACK  
 48 = EXECUTIVE SEDAN

AR = Use as Required - = Non Illustrated Part P.A.R. = Paint as Required

**AIR CONDITIONING SYSTEM P,D,V,C,E,T**  
**Figure 24-1100**

3124 1100A



ITEM	PART NUMBER	QTY	BODY	MODEL	DESCRIPTION
1	3848 011	1	All		DUCT & ADAPTER, A/C Defroster
2	#3848 420	1	All		COVER, A/C Evap. & Recirc. Hsg.
3	3847 605	1	All		SEAL, A/C Unit To Plenum
5	3847 847	1	All		HOSE & CONN., A/C Vacuum
6	3847 722	1	All		SEAL, A/C Recirc. Hsg., Cover To Hsg
	3847 720	1	All		SEAL, A/C Evap. Hsg., Cover To Hsg
8	#3848 418	1	All		HOUSING w/STUDS, A/C Evap. & Scroll
	4240 482	1	All		HOUSING w/STUD PKG.,A/C Evap. Scroll
9	3848 238	1	All		BRACE, A/C Unit Mtg., To Plenum Support
10	#3848 807	1	All		RESISTOR, A/C Blower Motor, up to 6-13-83
	3848 837	1	All		after 6-13-83
11	4240 426	1	All		MOTOR, A/C Blower
12	3847 476	1	All		SEAL, A/C Blower Motor Mtg. to Scroll
13	5210 066	1	All		TUBE, A/C Blower Motor Cooling
14	3847 116	1	All		SEAL, A/C Evap. Coil Header End
	3848 200	1	All		SEAL, A/C Evap. Coil Header Tubes to Hsg.
15	3846 836	1	All		GASKET, A/C Evap. Valve Mtg.
16	3848 195	1	All		COIL, A/C Evaporator Complete , up to 1-10-83
	4192 284	1	All		after 1-10-83
17	5210 234	1	All		WHEEL, A/C Blower Motor
18	2837 680	1	All		CLAMP, A/C Blower Wheel Mtr. Mtg.
19	6500 376	1	All		NUT, A/C Blower Mtr. U-Type
20	6031 694	3	All		SCREW w/WA., A/C Blower Mtr. Mtg.
22	5210 111	1	All		ACTUATOR, A/C Recirc. & Fresh Air Door
23	5210 056	1	All		DOOR w/SEAL, A/C Recirc. & Fresh Air
24	5210 070	1	All		HOUSING, A/C Recirc. Blower Wheel
25	3847 575	AR	P,D		LOUVER, A/C Air Outlet
	3847 950	AR	V,C,E,T		LOUVER, A/C Air Outlet
26	3847 562	1	All		DUCT, A/C Air Outlet, Rt.
27	0152 490	2	All		CLIP, Ctr. Air Distr. Duct To Inst. Panel
28	3847 554	1	All		DUCT, A/C Air Outlet Distribution
29	3847 940	1	All		SWITCH, A/C Blower Control
30		1	All		CONTROL, A/C & Htr. Temp. (Refer To 24-2200)
31	3847 622	1	All		HOSE & CONN., A/C Vacuum, Extension
32					SWITCH, A/C Control Vacuum 6 P/Button (Refer to 24-2200)
33	3847 943	1	All		CORE, A/C Heater
34	5210 109	1	All		SEAL, A/C Unit To Dash At Core Tubes

**MODEL CODES**

B = GRAN FURY	G = DIPLOMAT	V = 400
C = LEBARON/TOWN & COUNTRY	M = HORIZON/TURISMO/SCAMP	X = MIRADA
D = ARIES	P = RELIANT	Y = IMPERIAL
E = 600	S = CORDOBA	Z = OMNI/CHARGER/RAMPAGE
F = FIFTH AVENUE	T = E CLASS/NEWYORKER	

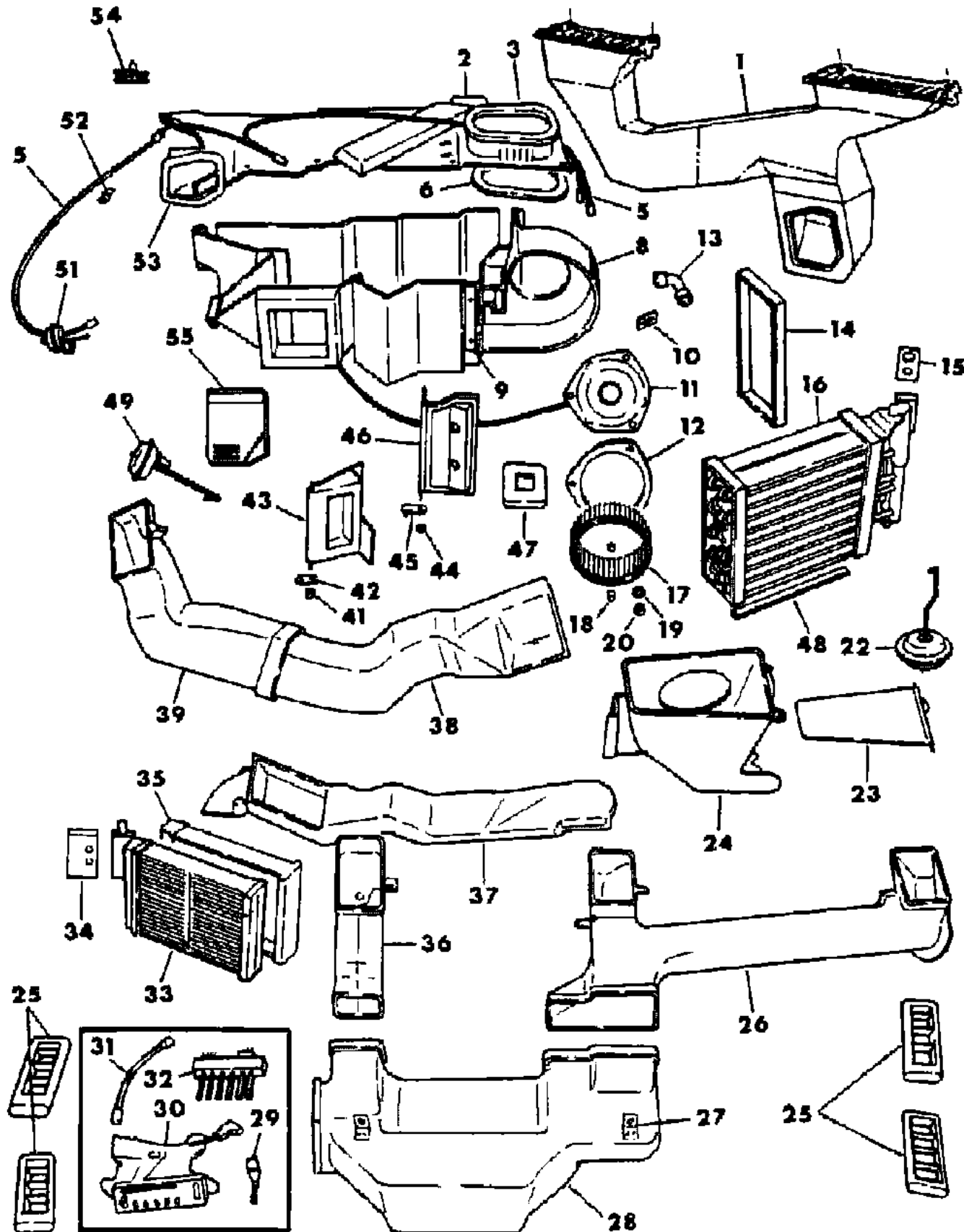
**BODY STYLES**

21 = 2-DOOR SEDAN	41 = 4-DOOR SEDAN
22 = 2-DOOR SPECIAL COUPE	45 = 4-DOOR STATION WAGON
24 = 2-DOOR HATCHBACK	44 = 4-DOOR HATCHBACK
27 = 2-DOOR CONVERTIBLE	48 = EXECUTIVE SEDAN
28 = FWD PICKUP	

AR = Use as Required - = Non Illustrated Part P.A.R. = Paint as Required

**AIR CONDITIONING SYSTEM P,D,V,C,E,T**  
**Figure 24-1100**

3124 1100A



ITEM	PART NUMBER	QTY	BODY	MODEL	DESCRIPTION
35	3848 093	1	All		SEAL, A/C Htr. Core To Hsg.
36	3847 563	1	All		DUCT, A/C Air Outlet, Left Ctr.
37	5210 055	1	All		DUCT, A/C Htr. Distribution
38	3847 574	1	All		DUCT, A/C Air Outlet Over Strg. Column
39	3847 569	1	All		DUCT, A/C Air Outlet, Left
	6031 132	1	All		CLIP, A/C Temp. Control Cable Adj.
41	0120 375	1	All		NUT, Door Shaft Lever
42	3847 858	1	All		LEVER, Mode Door Shaft (Clip)
43	3847 848	1	All		DOOR w/SEAL, A/C Mode
44	0120 375	1	All		NUT, Door Shaft Lever
45	5210 113	1	All		LEVER, A/C Blend Air Door
46	5210 395	1	All		DOOR, A/C Blend Air
47	3847 602	1	All		SEAL, A/C Unit To Dash, At Coil Header
48	5210 073	1	All		SEAL, A/C Evap. Coil, To Hsg. Bottom
49	3847 849	1	All		ACTUATOR, A/C Mode Door
51	5210 068	1	All		ACTUATOR, A/C Htr. & Defroster Door
52	2521 336	2	All		CLIP, A/C EVAP. Hsg. Cover Mtg.
53	3847 606	1	All		SEAL, A/C Unit To Defr. Duct
54	6015 778	2	All		CLIP, A/C Vac. Hose Retaining
55					ADAPTER, A/C Defr. Duct (Serv. in Item 1)

NOTE: The Following Items Are Not Shown on Illustration de). Both models are derived from the 100.1" W.B. LeBaron (C 22

Model). Sheet metal parts for the C 48 not found on this illustration should be specif

3503 133	1	All		TUBE, A/C Unit Drain
3847 853	1	All		SPRING, A/C Mode Door
6028 944	1	All		RETAINER, A/C Drain Tube
4192 019	1	All		BUMPER, A/C Defroster Door
3847 681	1	All		SEAL, A/C Htr. Core End
4221 394	1	All		BRACKET, Anti-Diesel Relay Mtg
3747 939	1	All		RELAY, Anti-Diesel
4342 047	1	C		ACTUATOR, Rr. A/C. Divertor Dr. Limo.
4342 046	1	C		DIVERTER, Rr. A/C. Comp. Limo. mo.
3848 151	1	All		SEAL, A/C. Evap. Coil to Hsg Hair Pin End
5210 093	1	All		DOOR & Shaft, A/C., Htr., Defr.

**MODEL CODES**

B = GRAN FURY

C = LEBARON/TOWN & COUNTRY

D = ARIES

E = 600

F = FIFTH AVENUE

G = DIPLOMAT

M = HORIZON/TURISMO/SCAMP

P = RELIANT

S = CORDOBA

T = E CLASS/NEWYORKER

V = 400

X = MIRADA

Y = IMPERIAL

Z = OMNI/CHARGER/RAMPAGE

**BODY STYLES**

21 = 2-DOOR SEDAN

22 = 2-DOOR SPECIAL COUPE

24 = 2-DOOR HATCHBACK

27 = 2-DOOR CONVERTIBLE

28 = FWD PICKUP

41 = 4-DOOR SEDAN

45 = 4-DOOR STATION WAGON

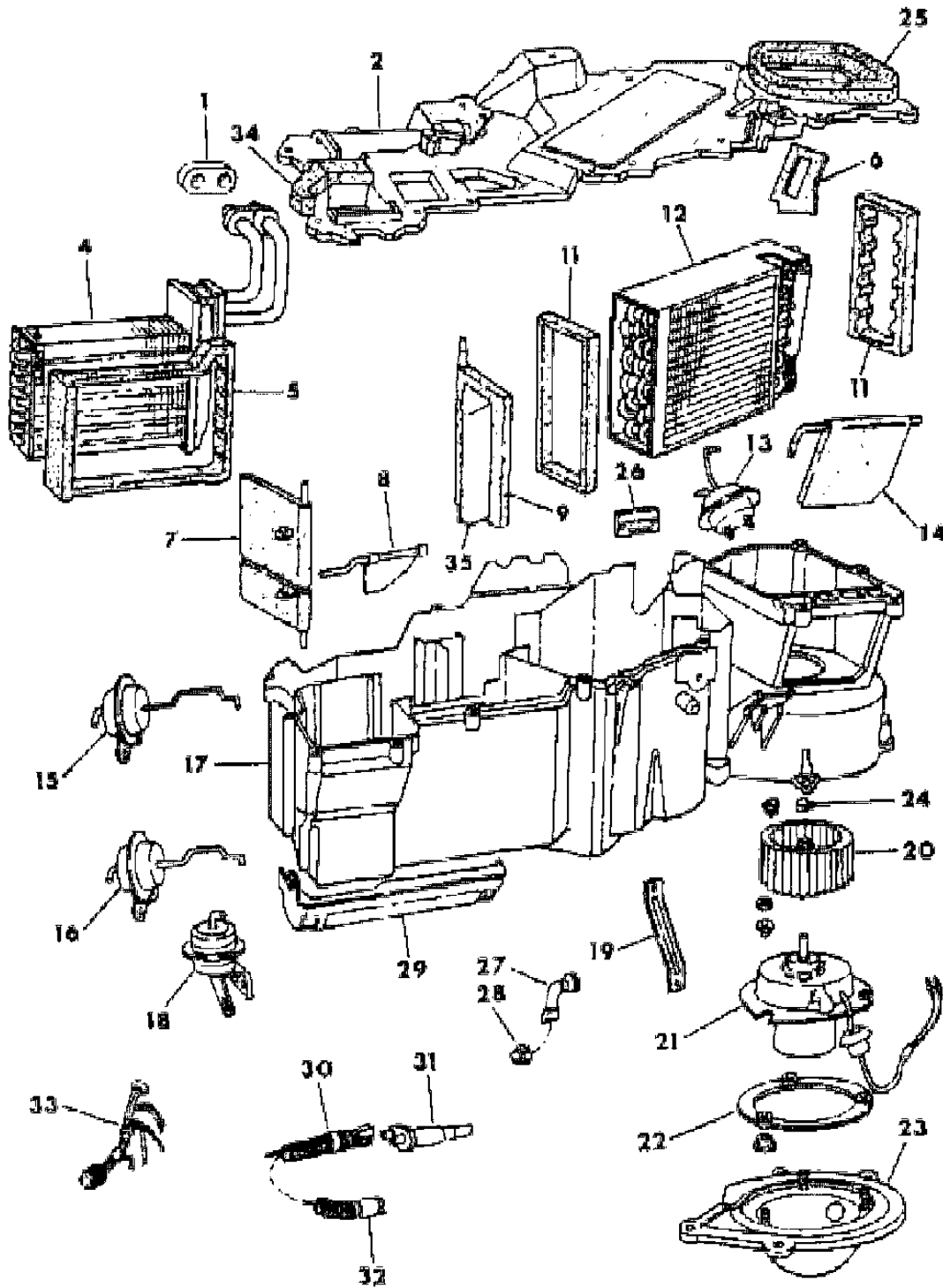
44 = 4-DOOR HATCHBACK

48 = EXECUTIVE SEDAN

AR = Use as Required - = Non Illustrated Part P.A.R. = Paint as Required

**AIR CONDITIONING SYSTEM B,F,G**  
**Figure 24-1200**

3124 1200



ITEM	PART NUMBER	QTY	BODY	MODEL	DESCRIPTION
1	3846 740	1		All	SEAL, A/C Htr. Tubes To Dash
2	3847 282	1		All	COVER ASSY, A/C Hsg.
4	3847 600	1		All	CORE & SEAL ASSY., A/C Heater
5	3846 773	1		All	SEAL, A/C Core To Hsg. Mtg.
6	3847 304	1		All	SEAL, A/C Unit To Dash At Coil
7	3847 231	1		All	DOOR & SEAL, A/C Mode, Completed
8	3847 478	1		All	DOOR, A/C Defr. Comp.
9	3847 945	1		All	DOOR & SEAL, A/C Blend Air, Completed
11	3847 116	1		All	SEAL, A/C Evap. Coil Heater End
	3848 200	1		All	SEAL, A/C. Evaporator Coil Header Tubes To Housing
13	3847 216	1		All	ACTUATOR, A/C Fresh Air Door
14	3847 217	1		All	DOOR & SEAL, A/C Fresh Air
15	3847 230	1		All	ACTUATOR, A/C Mode Door, Upper
16	3847 229	1		All	ACTUATOR, A/C Mode Door, Lower
17	3847 278	1		All	HOUSING & STUD, A/C Evap., Manual,w/A.T.C
18	3847 211	1		All	ACTUATOR, A/C Defr. Door
19	3847 202	1		All	BRACE, A/C Unit To Plenum Mtg.
20	3503 037	1		All	WHEEL, A/C Blower Motor
21	4240 425	1		All	MOTOR, A/C Blower
22	3847 476	1		All	SEAL, A/C Blower Mtr.Mtg. Scroll
23	3847 207	1		All	COVER & STUD, A/C Blower Scroll
24	2837 680	1		All	CLAMP, A/C Blower Mtr. Wheel Mtr. Mtg.
25	3847 243	1		All	SEAL, A/C Unit To Plenum
26	3847 910	1		All	RESISTOR, A/C Blower Mtr.
27	3503 133	1		All	TUBE, A/C Drain
28	6031 886	1		All	RETAINER, A/C Drain Tube
29	3847 297	1		All	DUCT, A/C Heat Dist.
30	3847 294	1		All	HOSE, A/C Sensor To Aspirator w/A.T.C.
31	3847 766	1		All	ASPIRATOR ASSY., A/C w/A.T.C.
32	3847 291	1		All	SENSOR ASSY, w/A.T.C.
33	3847 627	1		All	HOSE & CONNECTOR, A/C Vacuum
34	3503 999	1		All	SEAL, A/C Cover To Defr. Duct
35	3847 225	1		All	DEFLECTOR,A/C Blend Air Door

NOTE: The Following Items Are Not Shown on Illustration de). Both models are derived from the 100.1" W.B. LeBaron (C 22 Model). Sheet metal parts for the C 48 not found on this illustration should be specif

6015 778	1		All	CLIP, A/C Vac Hose Retaining
3846 771	1		All	TANK,A/C Htr. Core

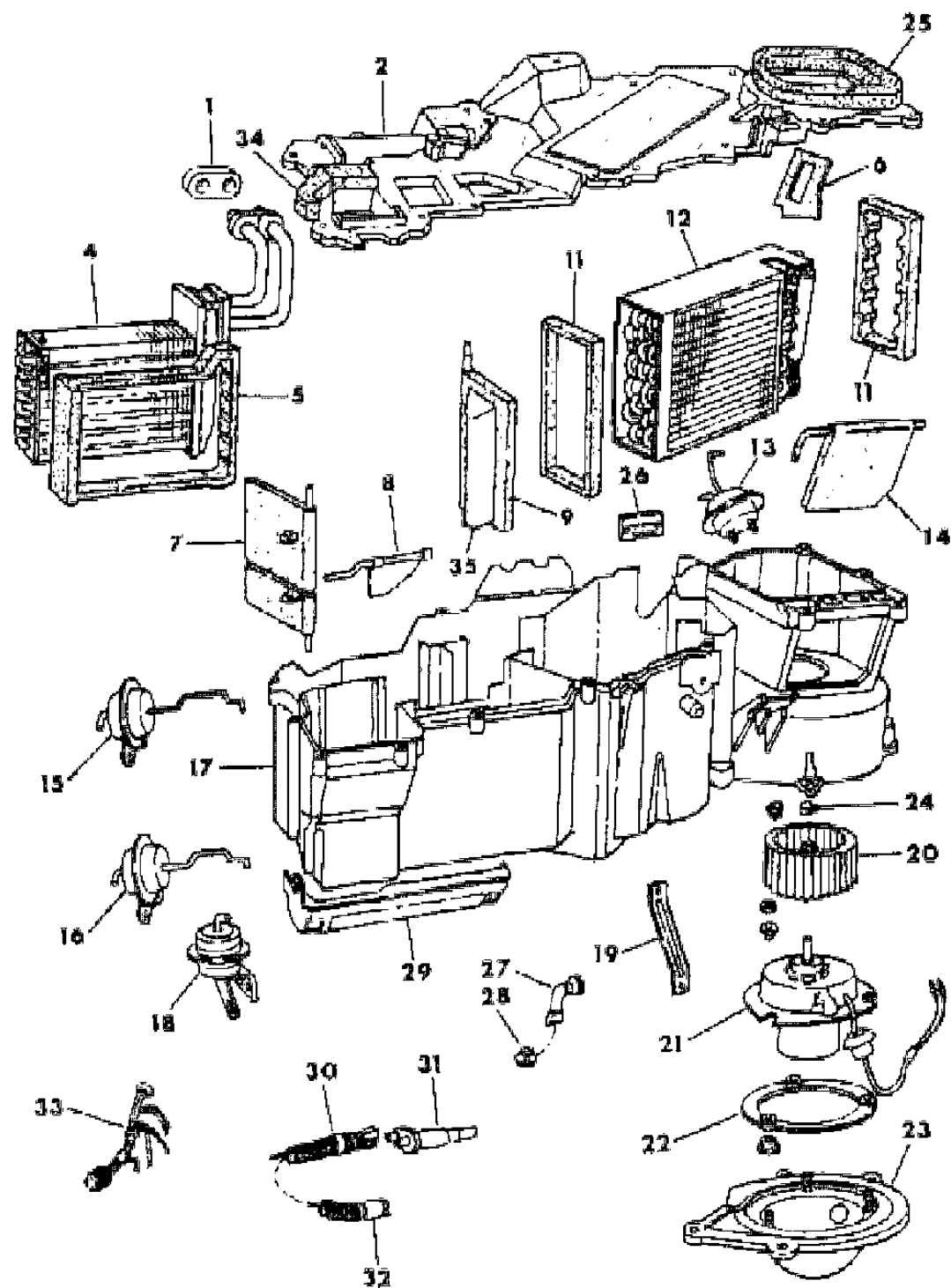
MODEL CODES  
 B = GRAN FURY  
 C = LEBARON/TOWN & COUNTRY  
 D = ARIES  
 E = 600  
 F = FIFTH AVENUE  
 G = DIPLOMAT  
 M = HORIZON/TURISMO/SCAMP  
 P = RELIANT  
 S = CORDOBA  
 T = E CLASS/NEWYORKER  
 V = 400  
 X = MIRADA  
 Y = IMPERIAL  
 Z = OMNI/CHARGER/RAMPAGE

BODY STYLES  
 21 = 2-DOOR SEDAN  
 22 = 2-DOOR SPECIAL COUPE  
 24 = 2-DOOR HATCHBACK  
 27 = 2-DOOR CONVERTIBLE  
 28 = FWD PICKUP  
 41 = 4-DOOR SEDAN  
 45 = 4-DOOR STATION WAGON  
 44 = 4-DOOR HATCHBACK  
 48 = EXECUTIVE SEDAN

AR = Use as Required - = Non Illustrated Part P.A.R. = Paint as Required

**AIR CONDITIONING SYSTEM B,F,G**  
**Figure 24-1200**

3124 1200



ITEM	PART NUMBER	QTY	BODY	MODEL	DESCRIPTION
	4005 185	1		All	HOSE, A/C Aspirator To Evap. Hsg. w/A.T.C.
	3847 589	1		All	SENSOR, Ambient w/A.T.C.
	3847 296	1		All	SERVO, A/C Blend Air Door w/A.T.C.
	3847 913	1		All	PAD,A/C Blend Air Door Servo Silencer,w/A.T.C
	3847 205	1		All	SEAL, A/C Cover To Scroll
	3773 192	1		All	SEAL, A/C Blower Scroll Cover To Hsg.
	3847 790	1		All	SEAL, A/C Evap. Coil Bottom 11.14" Lg.
	1279 382	1		All	BUMPER,A/C or ATC Defroster Door
	3848 151	1		All	SEAL, A/C. Evap. Coil to Hsg. Hair Pin End

**MODEL CODES**

B = GRAN FURY	G = DIPLOMAT	V = 400
C = LEBARON/TOWN & COUNTRY	M = HORIZON/TURISMO/SCAMP	X = MIRADA
D = ARIES	P = RELIANT	Y = IMPERIAL
E = 600	S = CORDOBA	Z = OMNI/CHARGER/RAMPAGE
F = FIFTH AVENUE	T = E CLASS/NEWYORKER	

**BODY STYLES**

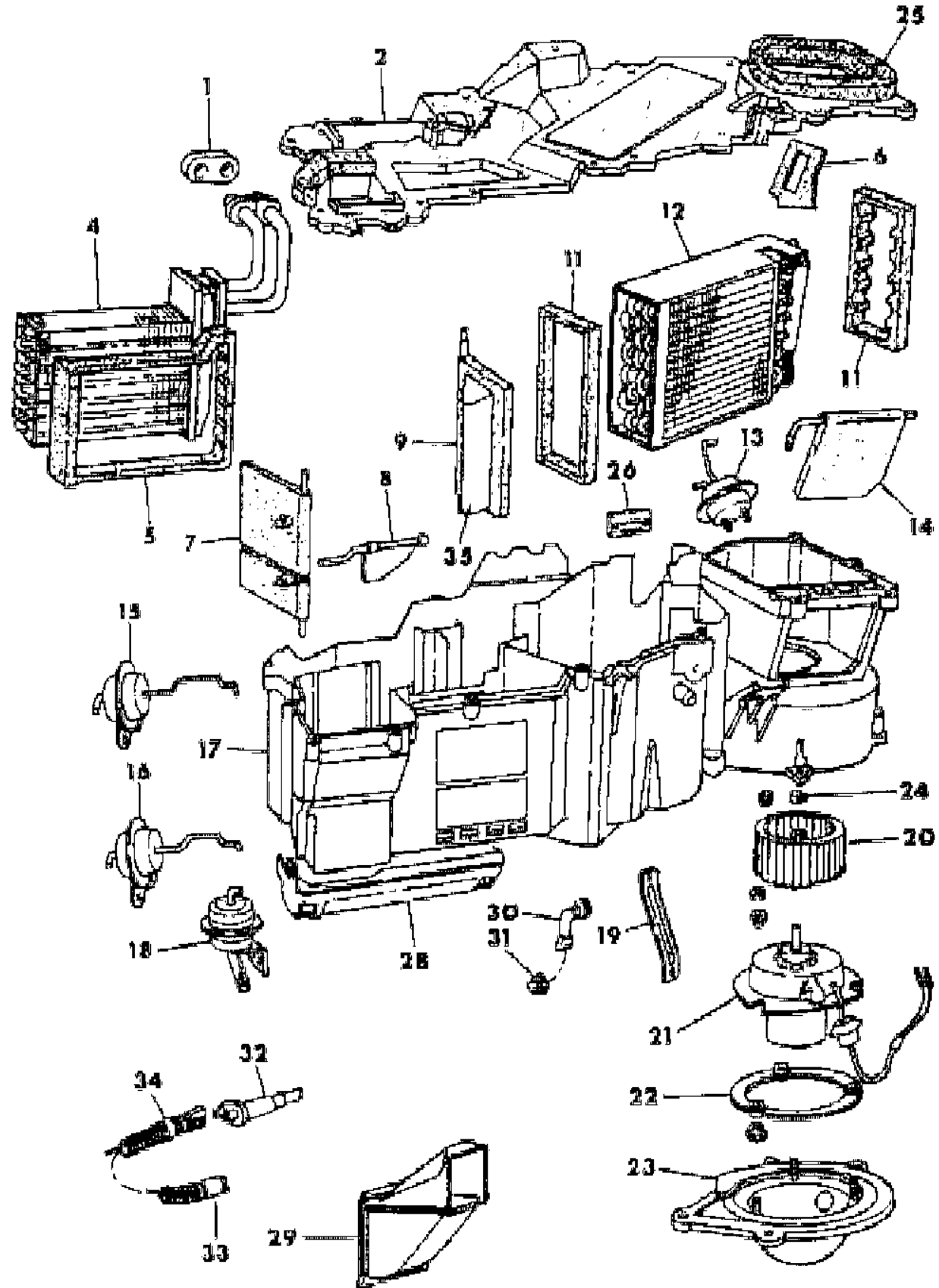
21 = 2-DOOR SEDAN	41 = 4-DOOR SEDAN
22 = 2-DOOR SPECIAL COUPE	45 = 4-DOOR STATION WAGON
24 = 2-DOOR HATCHBACK	44 = 4-DOOR HATCHBACK
27 = 2-DOOR CONVERTIBLE	48 = EXECUTIVE SEDAN
28 = FWD PICKUP	

AR = Use as Required - = Non Illustrated Part P.A.R. = Paint as Required

AIR CONDITIONING SYSTEM X,S,Y

Figure 24-1300

334 1300



ITEM	PART NUMBER	QTY	BODY	MODEL	DESCRIPTION
1	3846 740	1	All		SEAL, A/C Htr. Tubes To Dash
2	3847 241	1	All		COVER ASSY, A/C Housing
4	3847 600	1	All		CORE & SEAL ASSY., A/C Heater
5	3846 773	1	All		SEAL, A/C Htr. Core To Hsg. Mtg.
6	3847 304	1	All		SEAL, A/C Unit To Dash At Coil
7	3847 231	1	All		DOOR & SEAL, A/C Mode, Completed
8	3847 478	1	All		DOOR, A/C Defr. Comp.
9	3847 945	1	All		DOOR & SEAL, A/C Blend Air, Completed
11	3847 116	1	All		SEAL, A/C Evap. Coil Header End
12	3847 256	1	All		COIL & SEAL, A/C Evap. Complete
13	3847 216	1	All		ACTUATOR, A/C Fresh Air Door
14	3847 217	1	All		DOOR & SEAL, A/C Fresh Air
15	3847 230	1	All		ACTUATOR, A/C Mode Door, Upper
16	3847 229	1	All		ACTUATOR, A/C Mode Door, Lower
17	3847 280	1	All		HOUSING & STUD, A/C Evap., Manual,w/A.T.C
18	3847 211	1	All		ACTUATOR, A/C Defr. Door
19	3847 202	1	All		BRACE, A/C Unit To Plenum Mtg.
20	3503 037	1	All		WHEEL, A/C Blower Motor
21	4240 425	1	X,S		MOTOR, A/C Blower
	3847 997	1	Y		MOTOR, A/C Blower
22	3847 476	1	All		SEAL, A/C Blower Mtr. Mtg. To Unit
23	3847 207	1	All		COVER & STUD, A/C Blower Scroll
24	2837 680	1	All		CLAMP, A/C Blower Mtr. Wheel Mtg.
25	3847 243	1	All		SEAL, A/C Unit To Plenum
26	3847 910	1	All		RESISTOR, A/C Blower Motor
28	3847 297	1	All		DUCT, A/C Heat Distr.
29	3847 414	1	All		DUCT, A/C or A.T.C. Air Outlet, Center
30	3503 133	1	All		Tube, A/C Drain
31	6028 944	1	All		RETAINER, A/C Drain Tube
32	3847 766	1	All		ASPIRATOR ASSY, A/C w/A.T.C.
33	3847 590	1	All		SENSOR ASSY, w/A.T.C.
34	3847 293	1	All		HOSE, A/C Sensor To Aspirator w/A.T.C.
35	3847 225	1	All		DEFLECTOR, A/C Blend Air Door

NOTE: The Following Items Are Not Shown on Illustration de). Both models are derived from the 100.1" W.B. LeBaron (C 22 Model). Sheet metal parts for the C 48 not found on this illustration should be specif

6015 778	1	All		CLIP, A/C Vac. Hose Ret.
3848 138	1	All		DUCT, A/C Defroster

MODEL CODES

B = GRAN FURY

C = LEBARON/TOWN & COUNTRY

D = ARIES

E = 600

F = FIFTH AVENUE

G = DIPLOMAT

M = HORIZON/TURISMO/SCAMP

P = RELIANT

S = CORDOBA

T = E CLASS/NEWYORKER

V = 400

X = MIRADA

Y = IMPERIAL

Z = OMNI/CHARGER/RAMPAGE

BODY STYLES

21 = 2-DOOR SEDAN

22 = 2-DOOR SPECIAL COUPE

24 = 2-DOOR HATCHBACK

27 = 2-DOOR CONVERTIBLE

28 = FWD PICKUP

41 = 4-DOOR SEDAN

45 = 4-DOOR STATION WAGON

44 = 4-DOOR HATCHBACK

48 = EXECUTIVE SEDAN

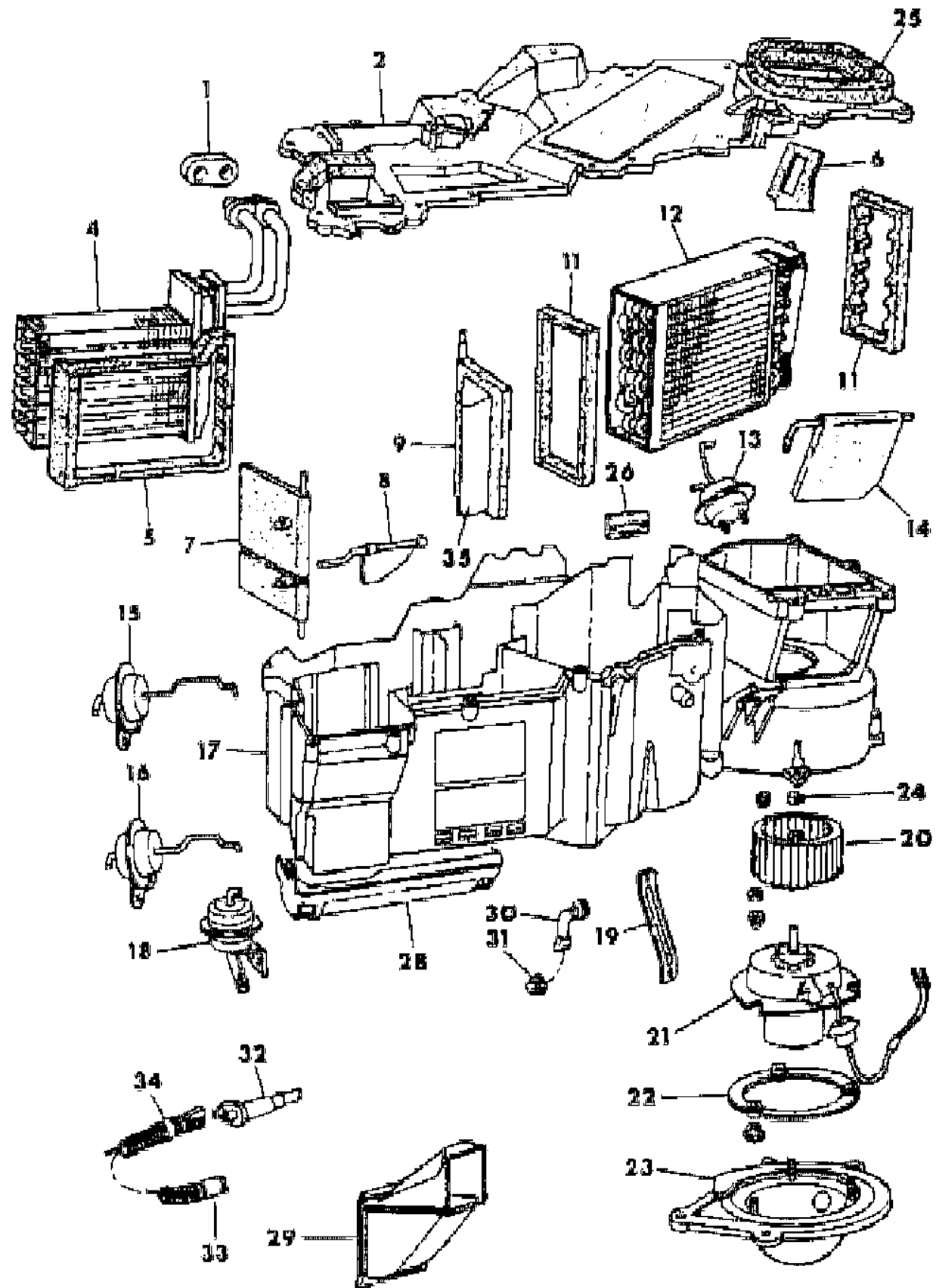
AR = Use as Required - = Non Illustrated Part P.A.R. = Paint as Required



# AIR CONDITIONING SYSTEM X,S,Y

## Figure 24-1300

334 1300



ITEM	PART NUMBER	QTY	BODY	MODEL	DESCRIPTION
	4005 185	1	All		HOSE, A/C Aspirator To Evap. Hsg. w/A.T.C.
	3847 589	1	All		SENSOR, Ambient w/A.T.C.
	3846 771	1	All		TANK,A/C Htr. Core
	3847 296	1	All		SERVO, A/C Blend Air Door w/A.T.C.
	3847 205	1	All		SEAL, A/C Cover To Scroll
	3773 192	1	All		SEAL, A/C Blower Scroll Cover To Hsg.
	3847 790	1	All		SEAL, A/C Evap. Coil Bottom, 11.14 Lgh.
	1279 332	1	All		BUMPER,A/C or ATC Defroster Door
	3847 913	1	All		PAD,A/C Blend Air Door Servo Silencer,w/A.T.C
	3848 151	1	All		SEAL, A/C. Evap. Coil to Hsg. Hair Pin End

**MODEL CODES**

B = GRAN FURY	G = DIPLOMAT	V = 400
C = LEBARON/TOWN & COUNTRY	M = HORIZON/TURISMO/SCAMP	X = MIRADA
D = ARIES	P = RELIANT	Y = IMPERIAL
E = 600	S = CORDOBA	Z = OMNI/CHARGER/RAMPAGE
F = FIFTH AVENUE	T = E CLASS/NEWYORKER	

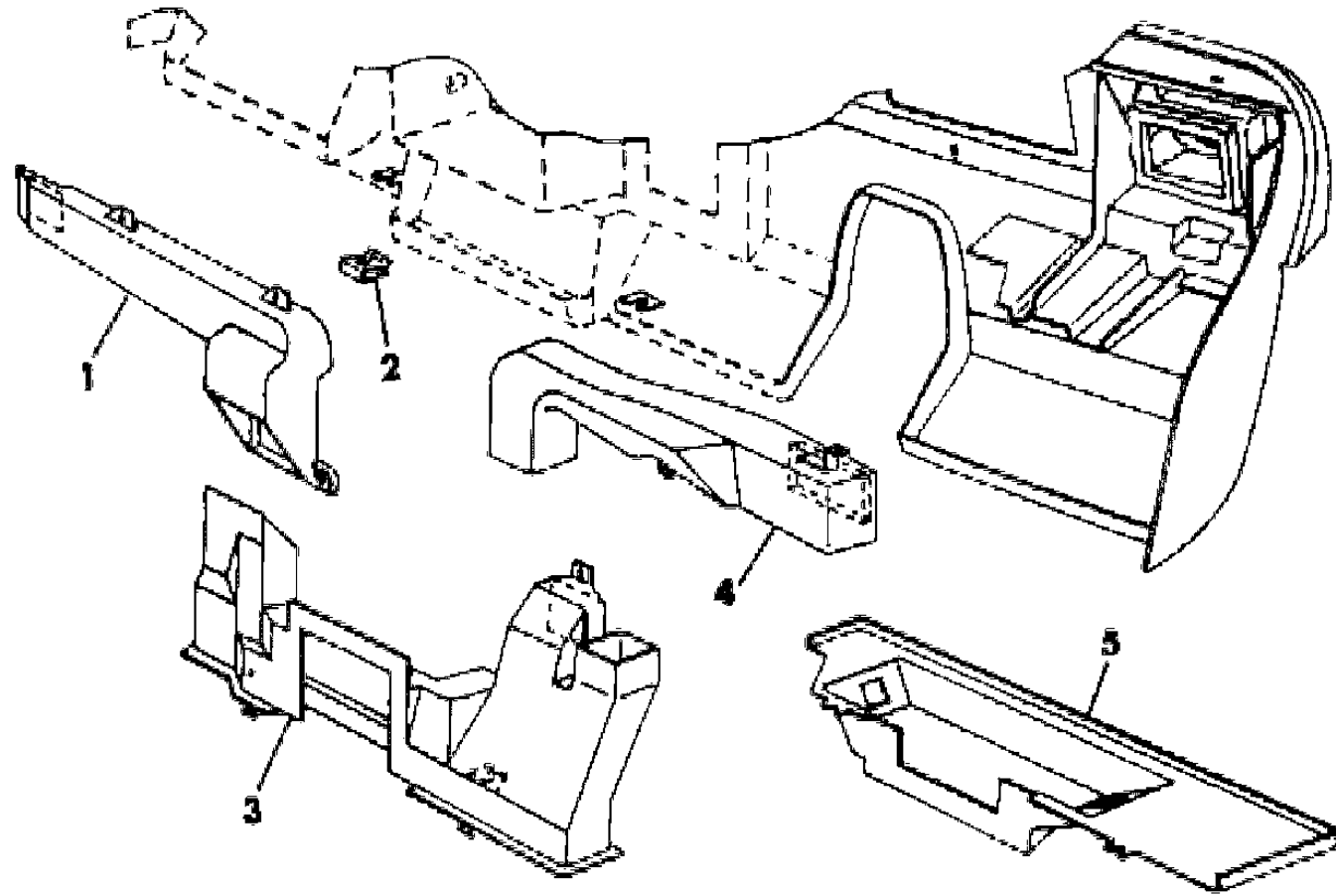
**BODY STYLES**

21 = 2-DOOR SEDAN	41 = 4-DOOR SEDAN
22 = 2-DOOR SPECIAL COUPE	45 = 4-DOOR STATION WAGON
24 = 2-DOOR HATCHBACK	44 = 4-DOOR HATCHBACK
27 = 2-DOOR CONVERTIBLE	48 = EXECUTIVE SEDAN
28 = FWD PICKUP	

AR = Use as Required - = Non Illustrated Part P.A.R. = Paint as Required

**AIR CONDITIONING AIR DUCT M,Z**  
**Figure 24-1400**

3124 1400



ITEM	PART NUMBER	QTY	BODY	MODEL	DESCRIPTION
1	5210 028	1		All	DUCT, A/C Rt. Spot Cooler Duct
2	0152 490	2		All	U-NUT
3	5210 366	1		All	DUCT, A/C Ctr. Air Distr.
4	5210 029	1		All	DUCT, A/C Lt. Spot Cooler
5	5210 367	1		All	COVER, A/C Ctr. Duct Ctr. Air Distr. w/Doors

**MODEL CODES**

B = GRAN FURY	G = DIPLOMAT	V = 400
C = LEBARON/TOWN & COUNTRY	M = HORIZON/TURISMO/SCAMP	X = MIRADA
D = ARIES	P = RELIANT	Y = IMPERIAL
E = 600	S = CORDOBA	Z = OMNI/CHARGER/RAMPAGE
F = FIFTH AVENUE	T = E CLASS/NEWYORKER	

**BODY STYLES**

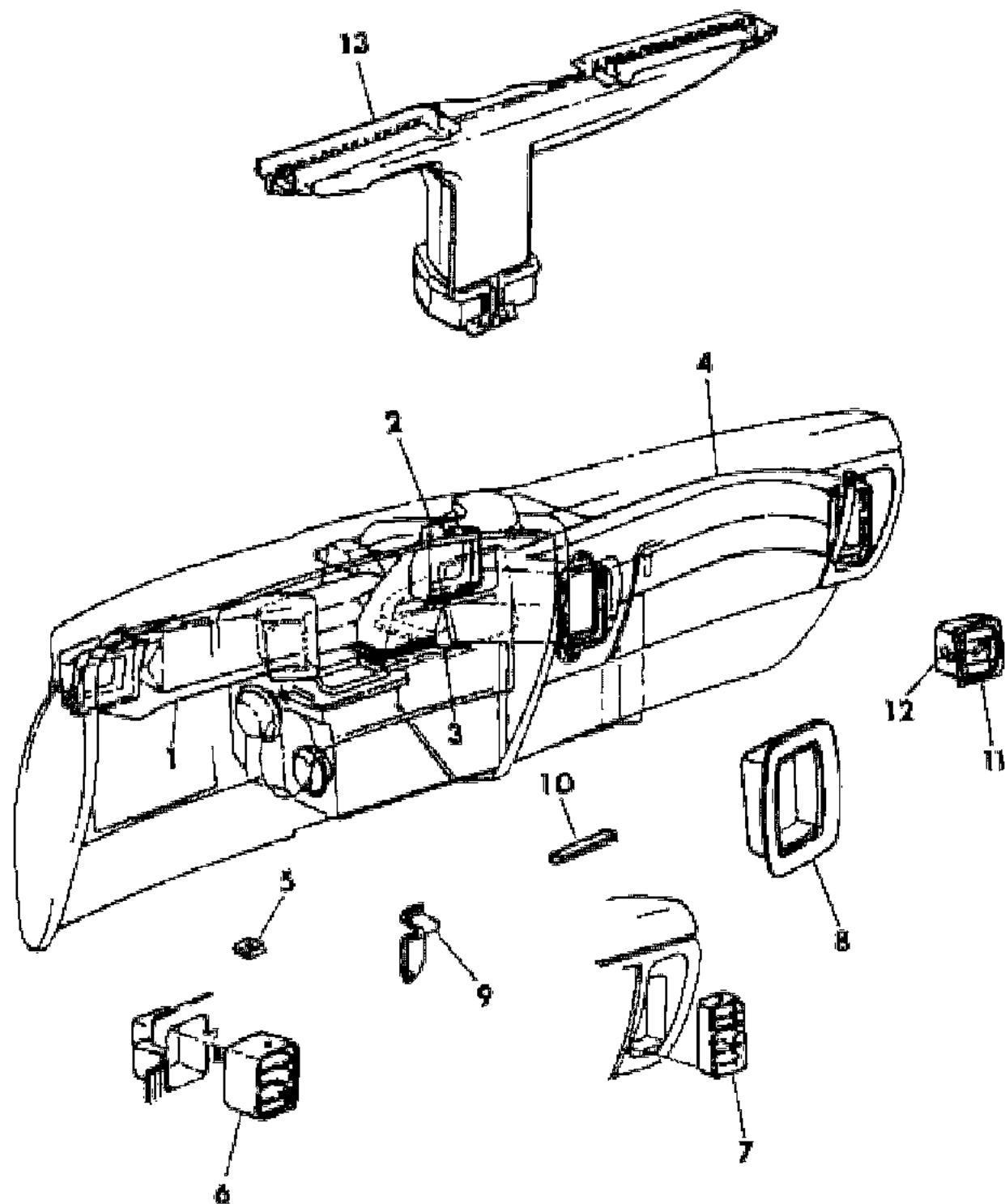
21 = 2-DOOR SEDAN	41 = 4-DOOR SEDAN
22 = 2-DOOR SPECIAL COUPE	45 = 4-DOOR STATION WAGON
24 = 2-DOOR HATCHBACK	44 = 4-DOOR HATCHBACK
27 = 2-DOOR CONVERTIBLE	48 = EXECUTIVE SEDAN
28 = FWD PICKUP	

AR = Use as Required - = Non Illustrated Part P.A.R. = Paint as Required

**AIR CONDITIONER, AIR OUTLETS M,Z,B,F,G**  
**Figure 24-1500**

3124 1500

ITEM	PART NUMBER	QTY	BODY	MODEL	DESCRIPTION
1	3846 421	1		B,F,G	DUCT, A/C Spot Cooler Left
2	3847 401	1		B,F,G	DUCT, A/C Left Center
3	3847 404	1		B,F,G	DUCT, A/C Right Center
4	3846 418	1		B,F,G	DUCT, A/C Spot Cooler Right
5	0152 490	2		B,F,G	U-NUT
6	3502 905	2		All	LOUVER, A/C Inst. Cluster Air Outlet
7	3502 934	2		B,F,G	LOUVER, A/C Inst. Panel Air Outlet
8	3846 422	2		B,F,G	BEZEL, A/C Inst. Panel Air Outlet
9	3846 412	4		B,F,G	CLIP, A/C Inst. Panel Air Outlet Bezel Ret.
10	3593 396	2		All	SEAL, A/C Outlet 10.30" Lg.
11	5210 196-7	1		M,Z	OUTLET, A/C Air Spot Cooler
12	5210 018	4		M,Z	CLIP, A/C Air Spot Cooler Outlet Ret.
13	3503 863	1		B,F,G	DUCT,A/C Defroster



MODEL CODES  
 B = GRAN FURY  
 C = LEBARON/TOWN & COUNTRY  
 D = ARIES  
 E = 600  
 F = FIFTH AVENUE  
 G = DIPLOMAT  
 M = HORIZON/TURISMO/SCAMP  
 P = RELIANT  
 S = CORDOBA  
 T = E CLASS/NEWYORKER  
 V = 400  
 X = MIRADA  
 Y = IMPERIAL  
 Z = OMNI/CHARGER/RAMPAGE

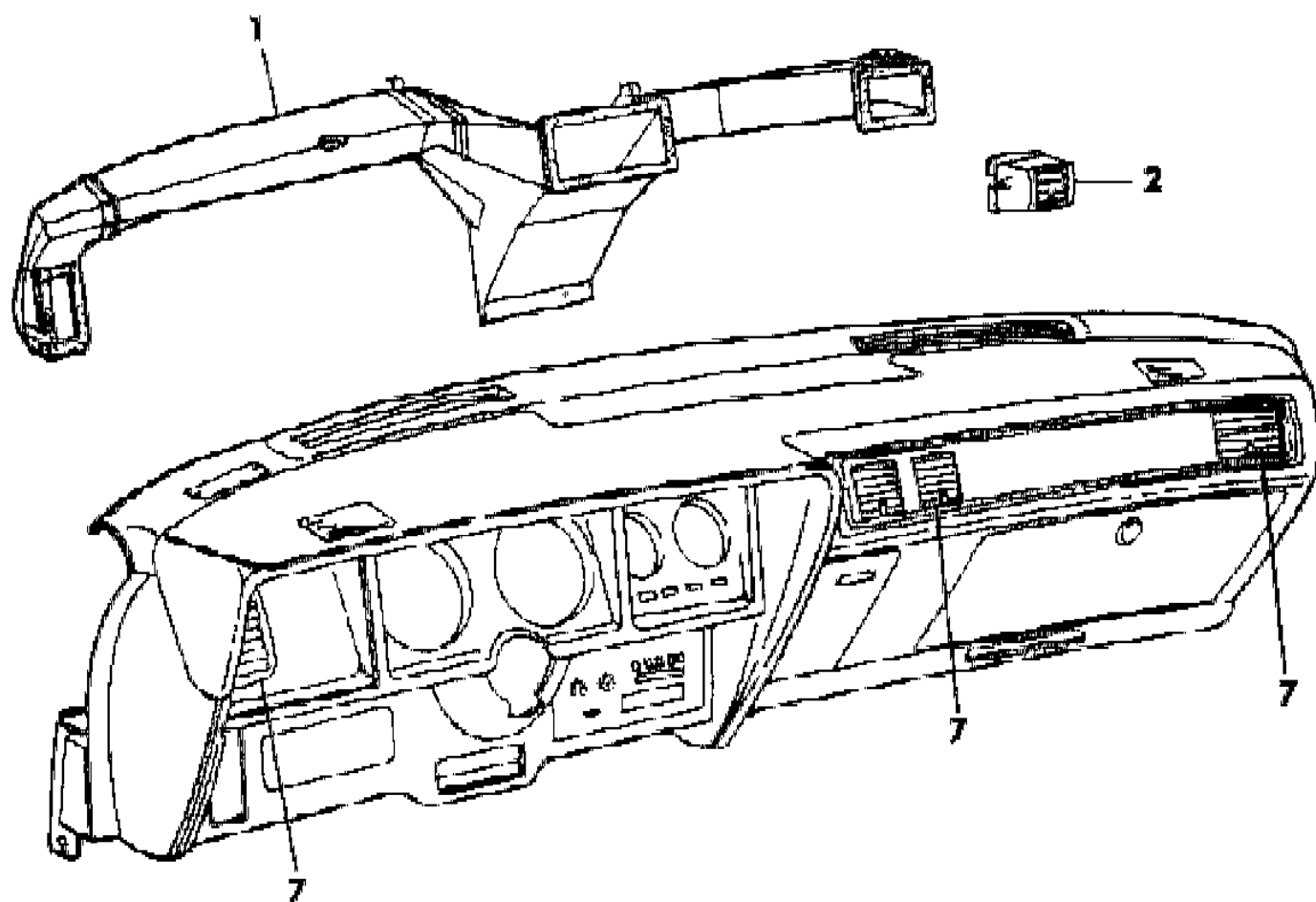
BODY STYLES  
 21 = 2-DOOR SEDAN  
 22 = 2-DOOR SPECIAL COUPE  
 24 = 2-DOOR HATCHBACK  
 27 = 2-DOOR CONVERTIBLE  
 28 = FWD PICKUP  
 41 = 4-DOOR SEDAN  
 45 = 4-DOOR STATION WAGON  
 44 = 4-DOOR HATCHBACK  
 48 = EXECUTIVE SEDAN

AR = Use as Required - = Non Illustrated Part P.A.R. = Paint as Required

**OUTLETS,INST. PANEL AIR CONDITIONING AIR X,S,Y**  
**Figure 24-1600**

3124 1600

ITEM	PART NUMBER	QTY	BODY	MODEL	DESCRIPTION
1	3847 414	1		X,S,Y	DUCT, Center A/C Air Outlet
2	P661 AA7	2		X,S	OUTLET ASSY., A/C Air,Silver (Paint as Req.)
	3847 978	2		Y	OUTLET ASSY., A/C or A.T.C., Rt.
7	3847 917	AR		X,S,Y	LOUVER, A/C Air Outlet



**MODEL CODES**

B = GRAN FURY	G = DIPLOMAT	V = 400
C = LEBARON/TOWN & COUNTRY	M = HORIZON/TURISMO/SCAMP	X = MIRADA
D = ARIES	P = RELIANT	Y = IMPERIAL
E = 600	S = CORDOBA	Z = OMNI/CHARGER/RAMPAGE
F = FIFTH AVENUE	T = E CLASS/NEWYORKER	

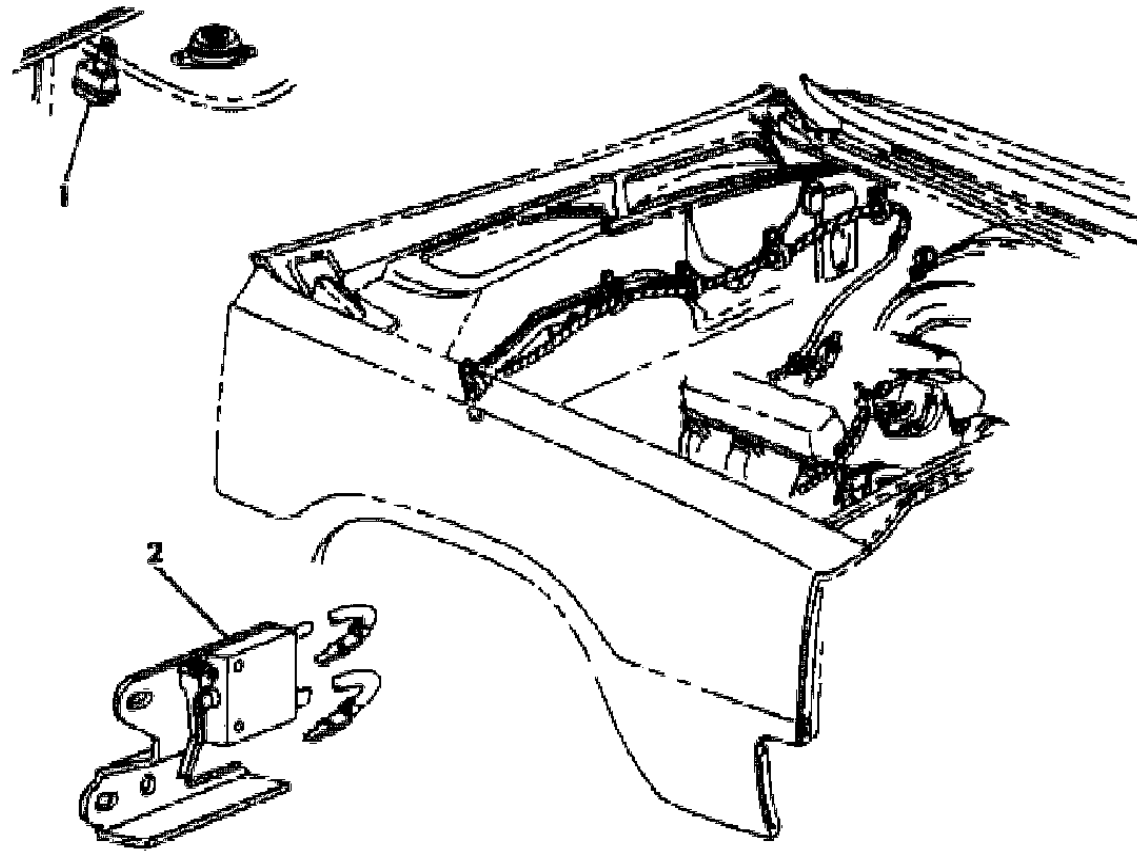
**BODY STYLES**

21 = 2-DOOR SEDAN	41 = 4-DOOR SEDAN
22 = 2-DOOR SPECIAL COUPE	45 = 4-DOOR STATION WAGON
24 = 2-DOOR HATCHBACK	44 = 4-DOOR HATCHBACK
27 = 2-DOOR CONVERTIBLE	48 = EXECUTIVE SEDAN
28 = FWD PICKUP	

AR = Use as Required - = Non Illustrated Part P.A.R. = Paint as Required

**AIR CONDITIONING CUT OFF M,Z,P,D,V,C,E,T**  
**Figure 24-1700**

3124 1700



ITEM	PART NUMBER	QTY	BODY	MODEL	DESCRIPTION
1	5209 995	1		M,Z	SWITCH & BRACKET, A/C Cutout,1.7,2.2 L Eng.
	5209 995	1		P,D,V,C	w/2.2L Eng.

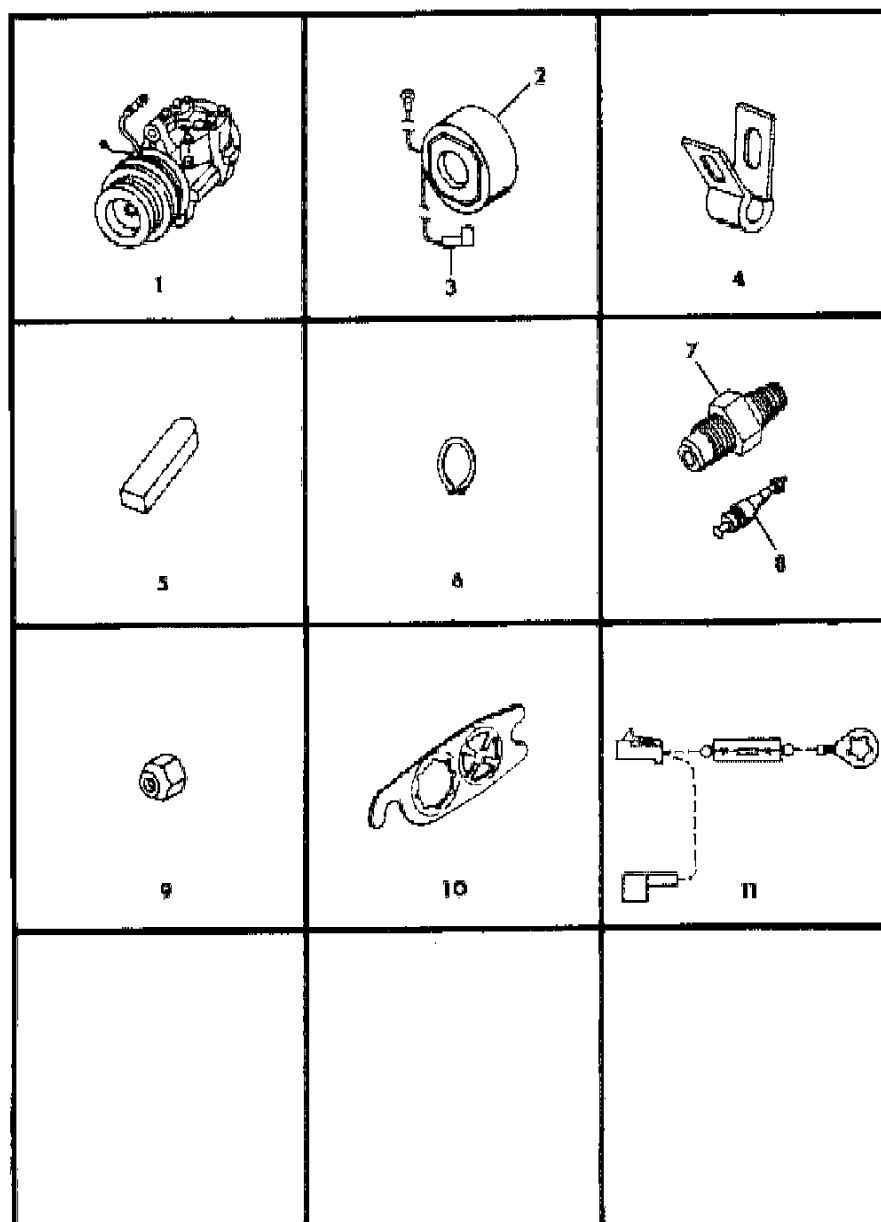
MODEL CODES  
 B = GRAN FURY  
 C = LEBARON/TOWN & COUNTRY  
 D = ARIES  
 E = 600  
 F = FIFTH AVENUE  
 G = DIPLOMAT  
 M = HORIZON/TURISMO/SCAMP  
 P = RELIANT  
 S = CORDOBA  
 T = E CLASS/NEWYORKER  
 V = 400  
 X = MIRADA  
 Y = IMPERIAL  
 Z = OMNI/CHARGER/RAMPAGE

BODY STYLES  
 21 = 2-DOOR SEDAN  
 22 = 2-DOOR SPECIAL COUPE  
 24 = 2-DOOR HATCHBACK  
 27 = 2-DOOR CONVERTIBLE  
 28 = FWD PICKUP  
 41 = 4-DOOR SEDAN  
 45 = 4-DOOR STATION WAGON  
 44 = 4-DOOR HATCHBACK  
 48 = EXECUTIVE SEDAN

AR = Use as Required - = Non Illustrated Part P.A.R. = Paint as Required

**AIR CONDITIONING COMPRESSOR (C-171) ALL MODELS**  
**Figure 24-1800**

3124 1800



ITEM	PART NUMBER	QTY	BODY	MODEL	DESCRIPTION
	3847 915	1		All	GASKET PACKAGE, A/C Compr., Basic
	3847 180	1		All	SHIM PACKAGE, A/C Compr. Drive Clutch Consists Of: 5 ----- Shims
	3847 178	1	B,F,G,X		PULLEY & ARMATURE PKG., A/C Compr. Drive Clutch 225 Eng. Consists Of: 1 ----- Pulley & Bearing 1 ----- Armature
	3847 179	1	B,F,G,X		PULLEY & ARMATURE PKG., A/C Compr. Drive Clutch 318 Eng. Consists Of: 1 ----- Pulley & Bearing 1 ----- Armature
	5210 384	1	M,Z		PULLEY & ARMATURE PKG., A/C Compr. Drive Clutch
	5210 384	1	P,D,V,C		PULLEY & ARMATURE PKG., A/C Compr. Drive Clutch 2.2L Eng. Consists Of: 1 ----- Pulley & Bearing Assy 1 ----- Armature Assy
	3847 764	1	P,D,V,C		PULLEY & ARMATURE PKG., A/C Compr. Drive Clutch 2.6L Eng.
1	4176 059	1	All		COMPRESSOR, A/C Less (Clutch, Coil, & Pulley) (Remanufactured)
2	3846 845	1	All		COIL, A/C Compr. Drive Clutch Field
3	3843 386	1	All		TERMINAL, A/C Field Coil Lead
	3843 753	1	All		INSULATOR, A/C Field Coil Lead Term.,Up to Condition
	4274 267	1	All		INSULATOR, A/C Field Coil Lead Term.,After Condition
4	6015 968	1	All		CLIP, A/C Compr. Clutch Field Coil Mtg.
5	3846 680	1	All		KEY, A/C Compr. Drive Shaft
6	6500 411	1	All		RING, A/C Compr. Drive Clutch Coil Ext.
	6031 416	1	All		A/C Compr.,Drive Clutch Pulley Ext.
7	3846 722	1	All		FITTING, A/C Compr. Check Valve
8	3847 576	1	All		VALVE, A/C or A.T.C. Disch. Line Check
9	3848 021	1	All		CAP, A/C Compr. Check Valve
10	3847 081	1	All		GASKET, A/C Suction Flange To Compr., Rubber Coated
	3847 081	1	All		A/C Disch. Line Flange To Compr.

**MODEL CODES**

B = GRAN FURY	G = DIPLOMAT	V = 400
C = LEBARON/TOWN & COUNTRY	M = HORIZON/TURISMO/SCAMP	X = MIRADA
D = ARIES	P = RELIANT	Y = IMPERIAL
E = 600	S = CORDOBA	Z = OMNI/CHARGER/RAMPAGE
F = FIFTH AVENUE	T = E CLASS/NEWYORKER	

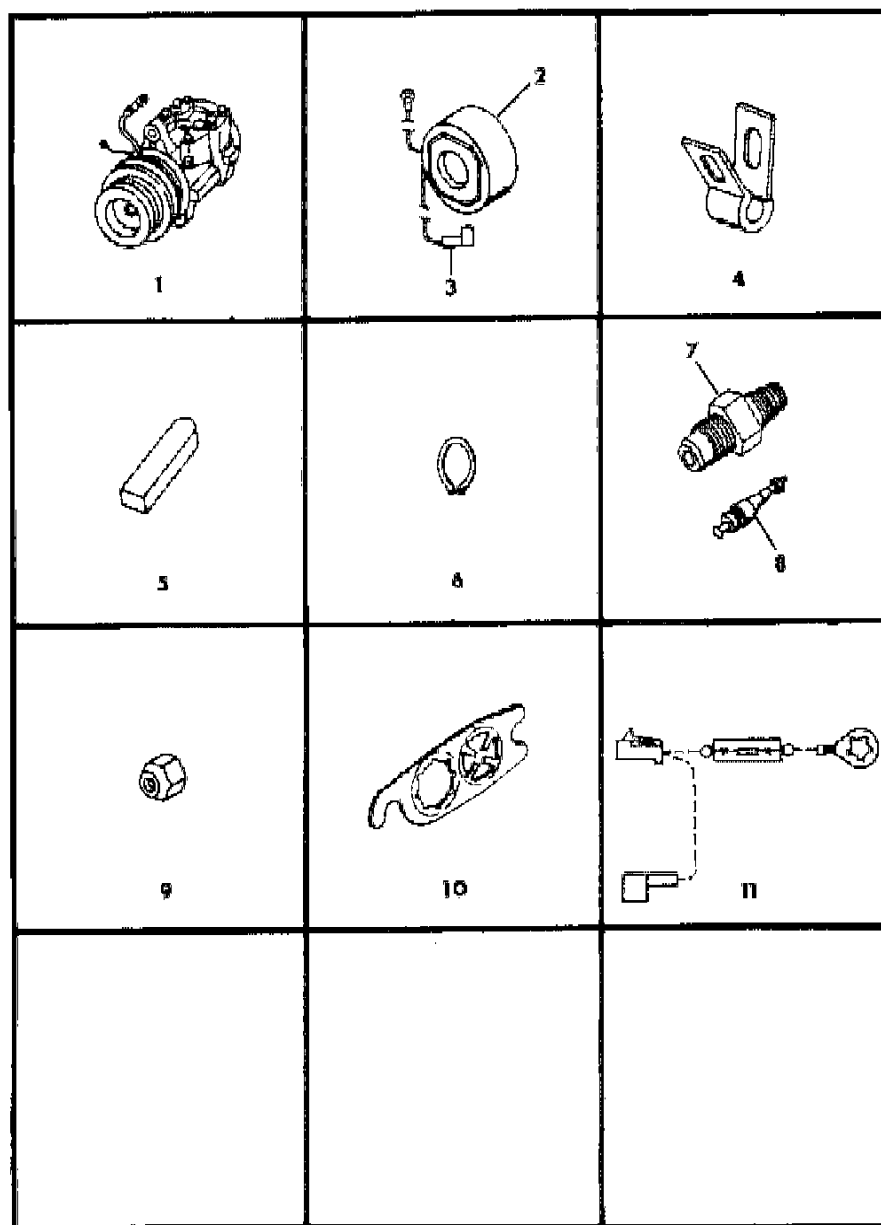
**BODY STYLES**

21 = 2-DOOR SEDAN	41 = 4-DOOR SEDAN
22 = 2-DOOR SPECIAL COUPE	45 = 4-DOOR STATION WAGON
24 = 2-DOOR HATCHBACK	44 = 4-DOOR HATCHBACK
27 = 2-DOOR CONVERTIBLE	48 = EXECUTIVE SEDAN
28 = FWD PICKUP	

AR = Use as Required - = Non Illustrated Part P.A.R. = Paint as Required

**AIR CONDITIONING COMPRESSOR (C-171) ALL MODELS**  
**Figure 24-1800**

3124 1800



ITEM	PART NUMBER	QTY	BODY	MODEL	DESCRIPTION
11	4222 597	1		All	WIRING ASSY.,A/C Clutch Noise Suppression Diode Jumper
NOTE: The Following Items Are Not Shown on Illustration de). Both models are derived from the 100.1" W.B. LeBaron (C 22 Model). Sheet metal parts for the C 48 not found on this illustration should be specif					
	3847 920	1		All	PIN,A/C Compressor Clutch Coil Locating
	9419 644	1		All	SCREW, A/C Compr. Clutch Field Coil Ground
	6100 218	1		All	NUT, A/C Compr. Drive Clutch Mtg.
	6100 141	1		All	LOCK WA., A/C Compr. Drive Clutch Mtg.
	3846 654	1		All	PLATE ASSY., A/C Compr. Disch. Valve, Front .
	3846 655	1		All	Rear
	3847 986	1		All	COVER and PIN,A/C Compressor,Frnt.
	3846 678	1		All	HOUSING,A/C Compressor,Rear
	3846 666	2		All	REED, A/C Compr. Suction Valve
	3847 916	1		All	SEAL, Compressor Shaft

**MODEL CODES**

B = GRAN FURY	G = DIPLOMAT	V = 400
C = LEBARON/TOWN & COUNTRY	M = HORIZON/TURISMO/SCAMP	X = MIRADA
D = ARIES	P = RELIANT	Y = IMPERIAL
E = 600	S = CORDOBA	Z = OMNI/CHARGER/RAMPAGE
F = FIFTH AVENUE	T = E CLASS/NEWYORKER	

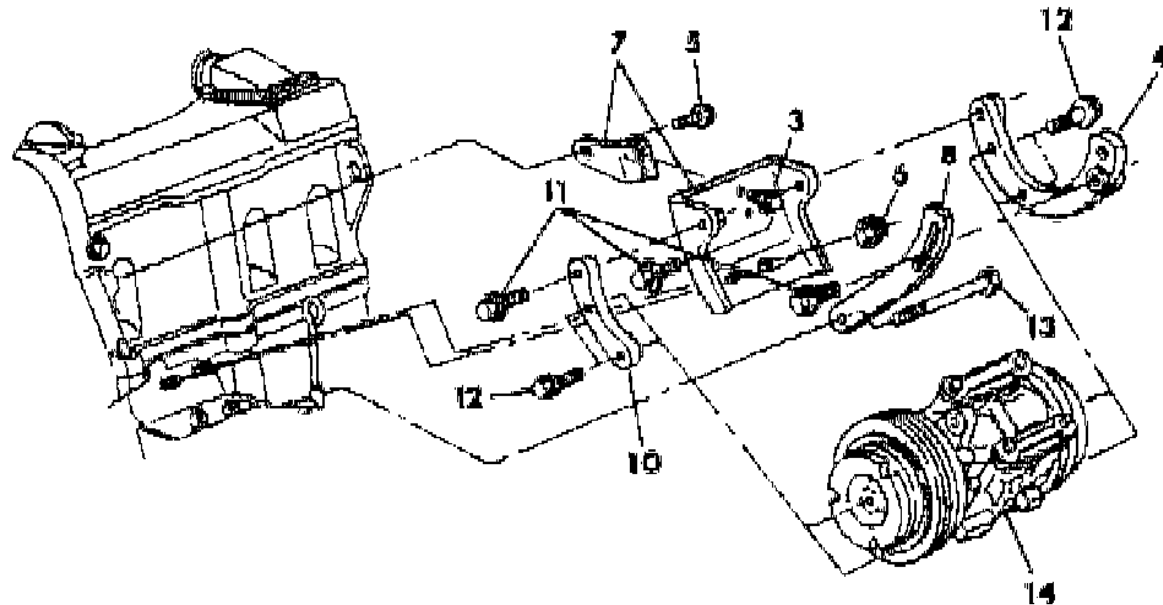
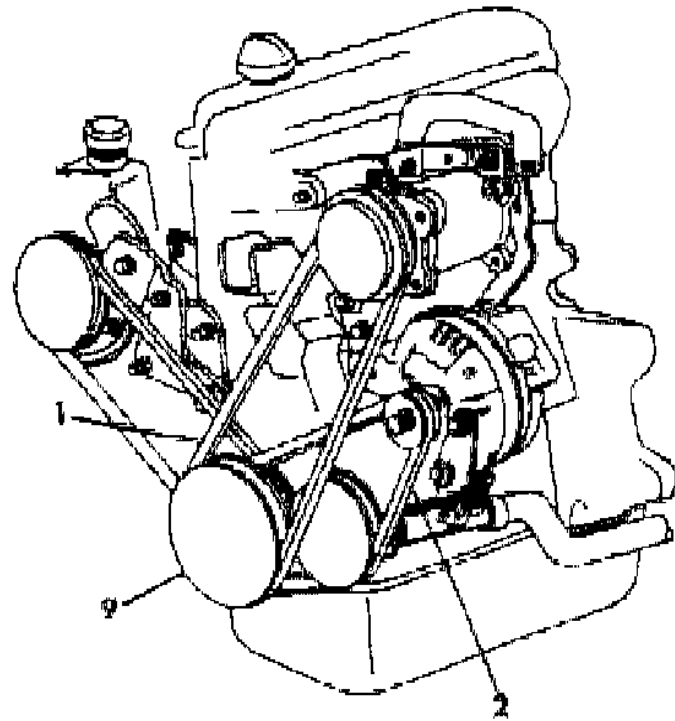
**BODY STYLES**

21 = 2-DOOR SEDAN	41 = 4-DOOR SEDAN
22 = 2-DOOR SPECIAL COUPE	45 = 4-DOOR STATION WAGON
24 = 2-DOOR HATCHBACK	44 = 4-DOOR HATCHBACK
27 = 2-DOOR CONVERTIBLE	48 = EXECUTIVE SEDAN
28 = FWD PICKUP	

AR = Use as Required - = Non Illustrated Part P.A.R. = Paint as Required

**AIR CONDITIONING COMPRESSOR MOUNTING M,Z,P,D,V,C,E,T**  
**Figure 24-1900**

3124 1900



ITEM	PART NUMBER	QTY	BODY	MODEL	DESCRIPTION
1	4241 130	1		M,Z	BELT, A/C Compr. Drive, w/1.7L Eng.
	4267 343	1		P,D,V,C	BELT, A/C Compr. Drive,3/8 V,42.875,w/2.6L Eng.
	4273 020	1		All	BELT, A/C Compr. Drive,w/2.2L Eng.
2	5214 136	1		M,Z	BELT, A/C Alt. & W/Pump Drive 37.26 Lg.,w/1.7 L Eng.
3	6500 374	1		M,Z	SCREW & WASHER
4	4241 068	1		M,Z	ADAPTER, A/C Compr. Rr., w/1.7L Eng.
5	6500 253	1		M,Z	SCREW & WASHER
6	6100 517	2		M,Z	NUT, Lock
7	5214 509	1		M,Z	BRACKET and SUPPORT,A/C Compressor Mtg.,w/1.7L Eng.
	5203 638	1		All	w/2.2L Eng.
8	4273 120	1		E,T	w/2.2L Eng.,w/TBI
	5214 465	1		M,Z	STRAP, A/C Compr. Adj., w/1.7L Eng.
9	4241 150	1		M,Z	PULLEY, A/C Drive 4 Groove, w/1.7L Eng.
10	4241 067	1		M,Z	ADAPTER, A/C Compr. Frt., w/1.7L Eng.
11	6500 375	AR			SCREW & WASHER
12	6500 485	AR		All	BOLT
13		1		All	BOLT, Alt. Mtg. (Not Serviced)
14		1		All	COMPRESSOR, A/C (See Compressor Illustration)
NOTE: The Following Items Are Not Shown on Illustration de). Both models are derived from the 100.1" W.B. LeBaron (C 22 Model). Sheet metal parts for the C 48 not found on this illustration should be specif					
	4173 479	1		P,D,V,C	BRACKET, A/C Compr. Rr. Mtg. Suppt., w/2.6L Eng.
	3830 196	1		MZPDVCE	PULLEY,A/C Idler,w/2.2 L Eng.
	5203 649	1		All	BRACKET, A/C Compr. Idler Mtg., w/2.2L Eng.
	4273 208	1		E,T	BRACKET, A/C Compr. Idler Mtg., w/2.2L Eng.,w/TBI
	4273 050	1		P,D,V,C	BRACKET, Alt. Adj. & A/C Compr Mtg., w/2.6L Eng.

MODEL CODES  
 B = GRAN FURY  
 C = LEBARON/TOWN & COUNTRY  
 D = ARIES  
 E = 600  
 F = FIFTH AVENUE  
 G = DIPLOMAT  
 M = HORIZON/TURISMO/SCAMP  
 P = RELIANT  
 S = CORDOBA  
 T = E CLASS/NEWYORKER  
 V = 400  
 X = MIRADA  
 Y = IMPERIAL  
 Z = OMNI/CHARGER/RAMPAGE

BODY STYLES  
 21 = 2-DOOR SEDAN  
 22 = 2-DOOR SPECIAL COUPE  
 24 = 2-DOOR HATCHBACK  
 27 = 2-DOOR CONVERTIBLE  
 28 = FWD PICKUP  
 41 = 4-DOOR SEDAN  
 45 = 4-DOOR STATION WAGON  
 44 = 4-DOOR HATCHBACK  
 48 = EXECUTIVE SEDAN

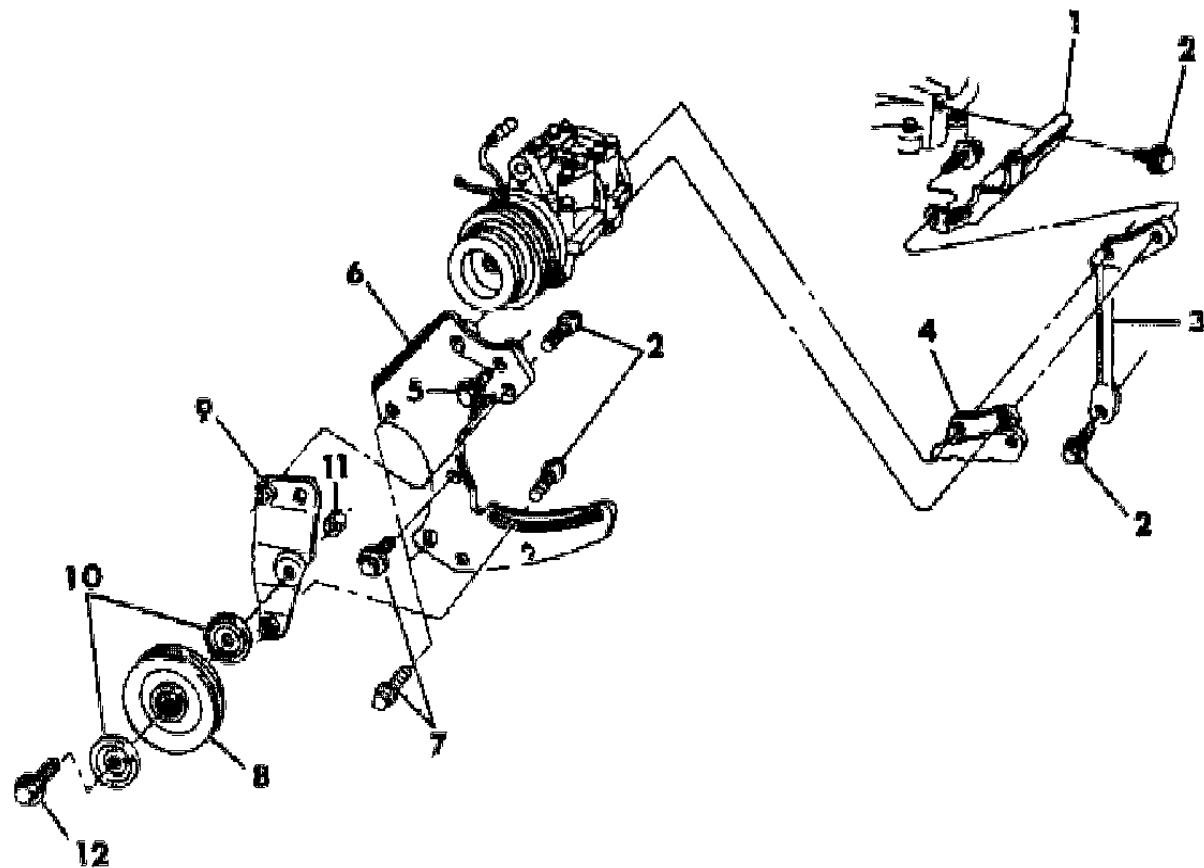
AR = Use as Required - = Non Illustrated Part P.A.R. = Paint as Required



AIR CONDITIONING COMPRESSOR AND SUPPORTS TO ENGINE(225 ENGINE)

Figure 24-2000

3124 2000



ITEM	PART NUMBER	QTY	BODY	MODEL	DESCRIPTION
1	4179 433	1		All	BRACKET, A/C Compr. Rr. Mtg. To Int. Manifold
2				All	(not serviced)
3	4100 744	1		All	SUPPORT, A/C Compr. Rr. Mtg. To Eng. Mtg.
4	4179 785	1		All	BRACKET, A/C Compr. Rr. Mtg.
5	6500 460	AR		All	BOLT, A/C Compr. Mtg., Frt.
6	4179 792	1		All	BRACKET, A/C A/P & P/Strg. Mtg.
7	6022 266	AR		All	SCREW & WASHER
8	3830 196	1		All	PULLEY, A/C Compr. Idler
9	4100 783	1		All	BRACKET, A/C Compr. Idler Adjusting
10	5214 065	2		All	SHIELD, A/C Compr. Idler Pulley Brg.
11	0271 502	1		All	NUT
12				All	(not serviced)

MODEL CODES

B = GRAN FURY	G = DIPLOMAT	V = 400
C = LEBARON/TOWN & COUNTRY	M = HORIZON/TURISMO/SCAMP	X = MIRADA
D = ARIES	P = RELIANT	Y = IMPERIAL
E = 600	S = CORDOBA	Z = OMNI/CHARGER/RAMPAGE
F = FIFTH AVENUE	T = E CLASS/NEWYORKER	

BODY STYLES

21 = 2-DOOR SEDAN	41 = 4-DOOR SEDAN
22 = 2-DOOR SPECIAL COUPE	45 = 4-DOOR STATION WAGON
24 = 2-DOOR HATCHBACK	44 = 4-DOOR HATCHBACK
27 = 2-DOOR CONVERTIBLE	48 = EXECUTIVE SEDAN
28 = FWD PICKUP	

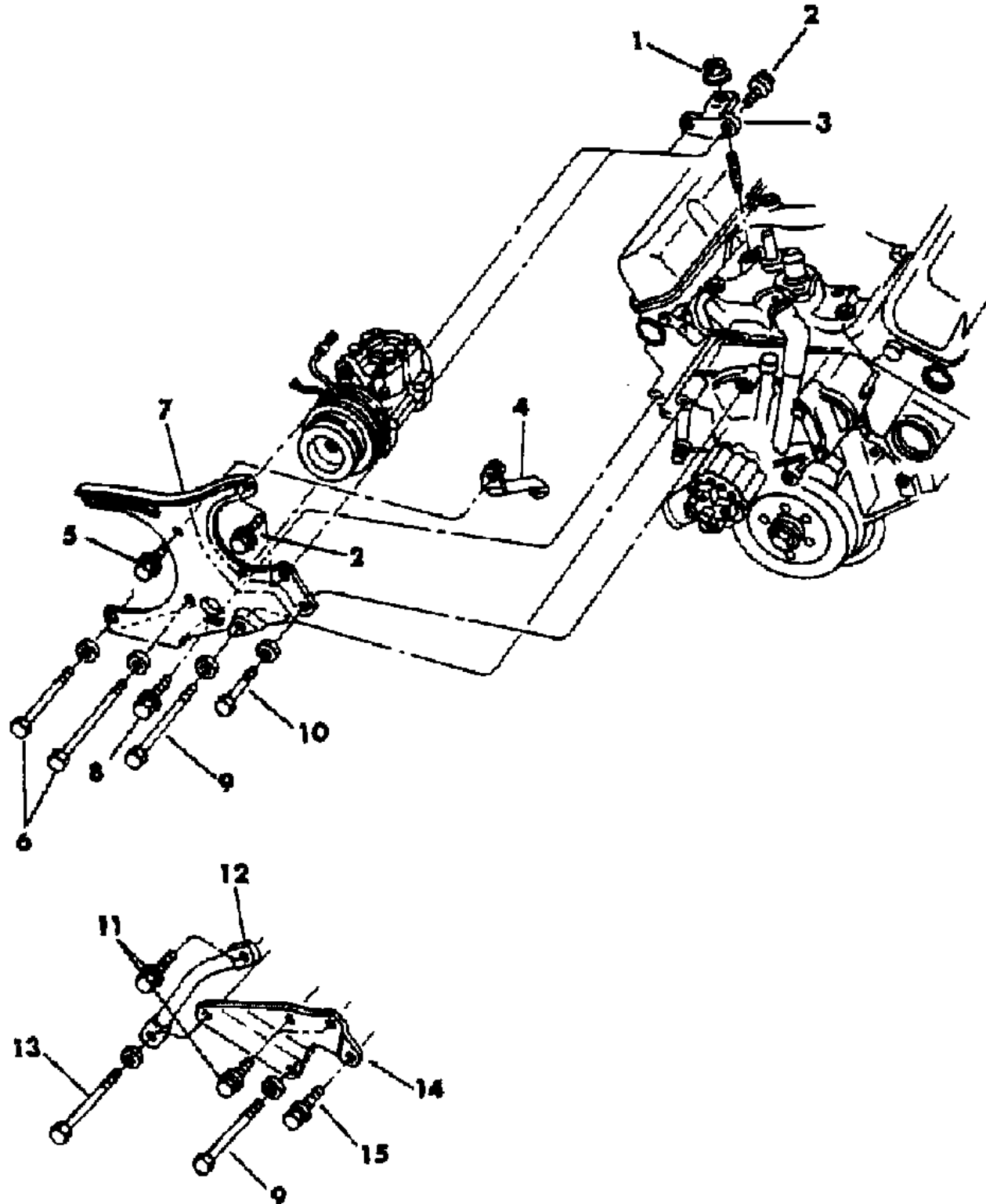
AR = Use as Required - = Non Illustrated Part P.A.R. = Paint as Required

# AIR CONDITIONING COMPRESSOR AND SUPPORTS TO ENGINE(318 ENGINE)

## Figure 24-2100

3124 2100

ITEM	PART NUMBER	QTY	BODY	MODEL	DESCRIPTION
1	6025 011	AR		All	NUT & WASHER
2	6500 379	AR		All	BOLT
3	4100 487	1		All	BRACKET, A/C Compr Rr. Mtg. up to 2-21-83
	4298 124	1		All	after 2-21-83
4	4100 604	1		All	SUPPORT, Alt. & Compr. Mtg. Brkt. To Alt. Mtg. w/100 Amp. Alt.
5	6022 250	1		All	SCREW & WASHER
6		AR		All	BOLT, (Not Serviced)
7	4100 603	1		All	BRACKET, A/C Alt. & Compr. Mtg. w/100 Amp. Alt.
8	6029 799	1		All	SCREW
9	6028 166	AR		All	BOLT
10	9419 882	1		All	BOLT
11	6500 365	AR		All	SCREW & WASHER, A/C Compr. Mtg. Frt. Suppt.
12	4116 856	1		All	STRAP, A/C Compr. To Alt. Mtg. Brkt. Frt.
13	9428 427	1		All	BOLT
14	4273 059	1		All	BRACKET, A/C Compr. & Alt. Front Mtg.
15	0153 359	1		All	SCREW & WASHER



**MODEL CODES**

B = GRAN FURY	G = DIPLOMAT	V = 400
C = LEBARON/TOWN & COUNTRY	M = HORIZON/TURISMO/SCAMP	X = MIRADA
D = ARIES	P = RELIANT	Y = IMPERIAL
E = 600	S = CORDOBA	Z = OMNI/CHARGER/RAMPAGE
F = FIFTH AVENUE	T = E CLASS/NEWYORKER	

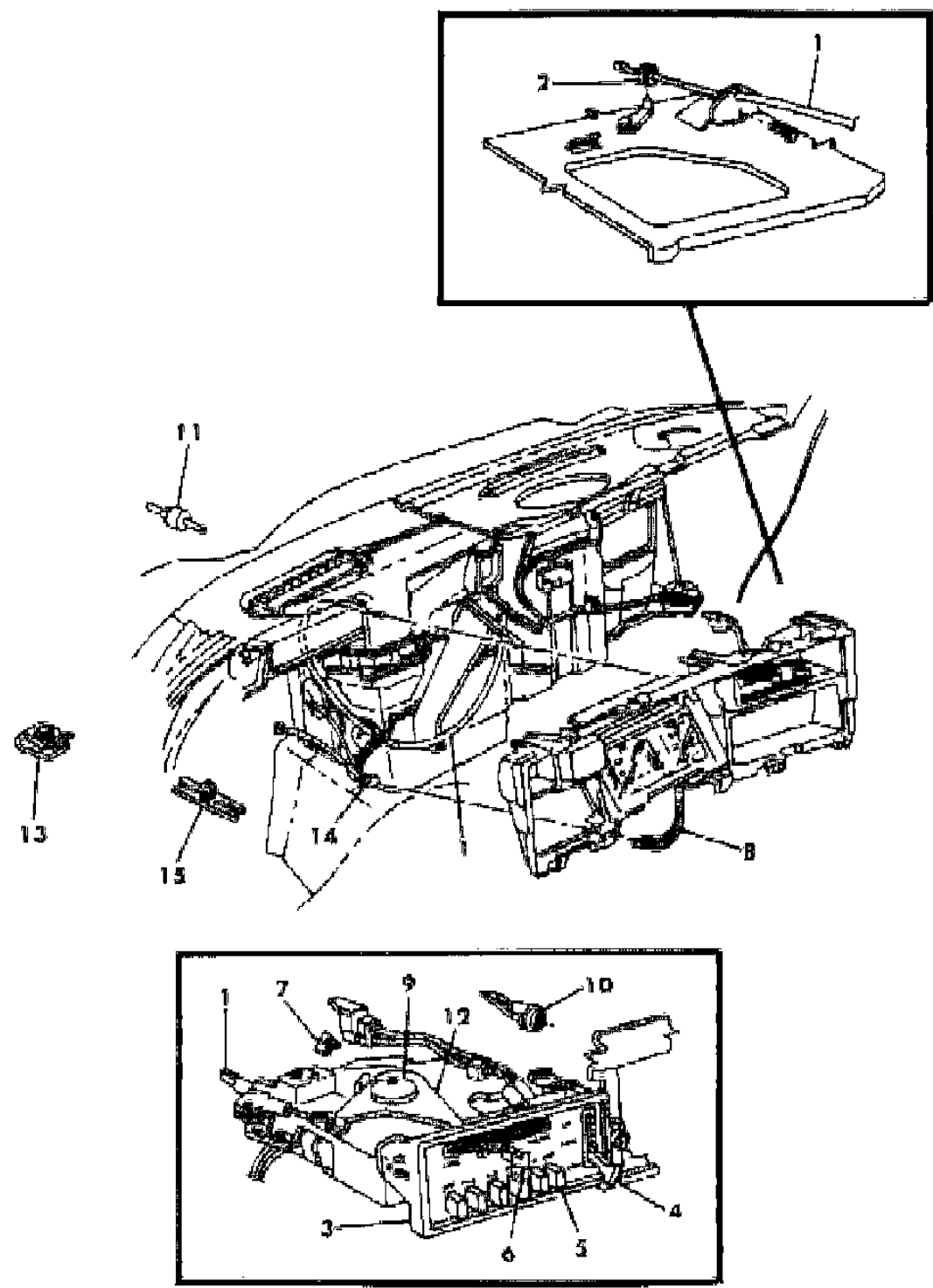
**BODY STYLES**

21 = 2-DOOR SEDAN	41 = 4-DOOR SEDAN
22 = 2-DOOR SPECIAL COUPE	45 = 4-DOOR STATION WAGON
24 = 2-DOOR HATCHBACK	44 = 4-DOOR HATCHBACK
27 = 2-DOOR CONVERTIBLE	48 = EXECUTIVE SEDAN
28 = FWD PICKUP	

AR = Use as Required - = Non Illustrated Part P.A.R. = Paint as Required

**AIR CONDITIONER CONTROL M,Z,P,D,V,C,E,T,B,F,G**  
**Figure 24-2200**

3124 1200



ITEM	PART NUMBER	QTY	BODY	MODEL	DESCRIPTION
1	5210 360	1		M,Z	CABLE, A/C Temp. Control
	3847 703	1		P,D,V,C	
2	6031 132	1	All		CLIP, A/C Temp. Cont. Cable Adjusting
3	3848 002	1	M,Z,P,D		BASE, A/C Temp. Control
	3848 002	1	V,C,E,T		BASE,A/C Temp. Control
	3847 659	1	M,Z		DECAL,A/C Control
	3847 661	1	P,D		DECAL,A/C Control (Black)
	3848 161	1	P,D,V,C		DECAL,A/C Control (Aluim.)
	3848 002	1	B,F,G		BASE, A/C Temp. Control, Bi-Level
	3848 002	1	B,F,G		w/A.T.C
	3847 662	1	B,G		DECAL,A/C Control
	3847 882	1	F		DECAL,ATC Control
4	3847 940	1	All		SWITCH, A/C Blower Control
5	3847 512	1	M,Z		SWITCH, A/C Cont. Vacuum 6 P/Button
	3847 742	1	PDVCETB		
6	3847 447	1	All		KNOB, A/C Temp. Control Lever,Chrome
7	6029 889	1	All		NUT, A/C Cont. Cable Retaining
8	3847 622	1	All		HOSE, A/C Vacuum, Extension
9	2820 453	1	All		CLIP, A/C Temp. Lever Retaining
10	4131 388	1	All		SOCKET & BULB PKG., A/C Htr. Cont. Lamp
11	3441 609	1	All		VALVE, Two Port Check, Vac. Hose
12	3848 232	1	MZPDVCE		LEVER, A/C Temp. Control
	3847 434	1	B,F,G		w/A.T.C.
13	6025 147	1	B,F,G		NUT, A/C Cont. Cable Mtg.
14	#3848 311	1	M,Z		HOSE & CONN., A/C Vacuum
	3847 847	1	P,D,V,C		HOSE & CONN., A/C Vacuum
	3847 627	1	B,F,G		
15	6015 778	AR	All		CLIP, A/C Vac. Hose Retaining

NOTE: The Following Items Are Not Shown on Illustration de). Both models are derived from the 100.1" W.B. LeBaron (C 22 Model). Sheet metal parts for the C 48 not found on this illustration should be specif

	3847 435	1	B,F,G		RHEOSTAT ASSY., A.T.C. (HI-LO) Sliding Diode
	3780 794	AR	All		HOSE, A/C Cont. Vac. .073/.081 I.D.50 Ft. Roll
	4124 747	1	B,F,G		WIRING ASSY., A.T.C. Unit
	5213 348	1	P,D,V,C		VALVE, Vac. Sol. A/C Idle Speed-Up w/2.6L Eng.
	3503 317	1	All		PIN, A/C Control Lever Pivot

**MODEL CODES**

B = GRAN FURY	G = DIPLOMAT	V = 400
C = LEBARON/TOWN & COUNTRY	M = HORIZON/TURISMO/SCAMP	X = MIRADA
D = ARIES	P = RELIANT	Y = IMPERIAL
E = 600	S = CORDOBA	Z = OMNI/CHARGER/RAMPAGE
F = FIFTH AVENUE	T = E CLASS/NEWYORKER	

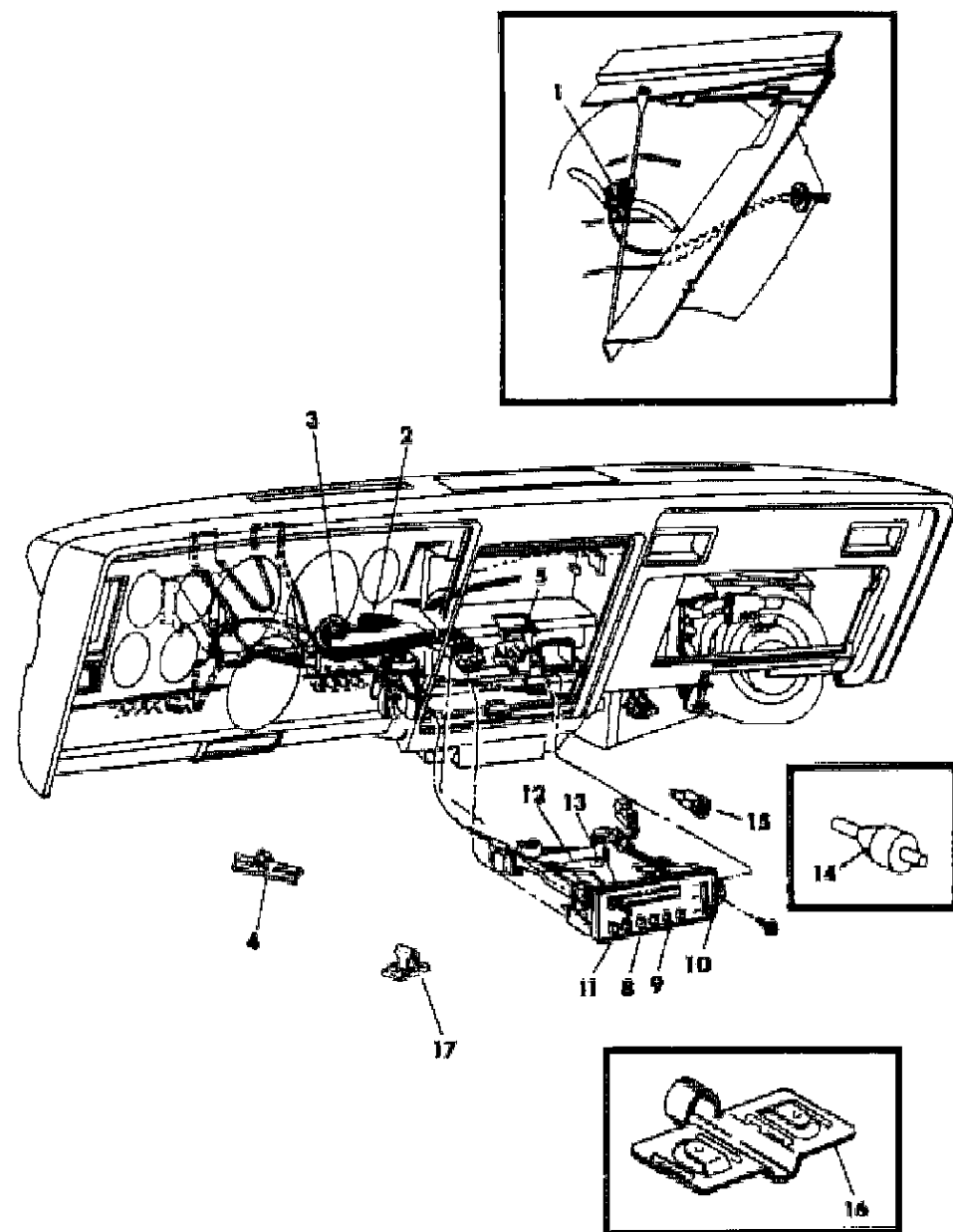
**BODY STYLES**

21 = 2-DOOR SEDAN	41 = 4-DOOR SEDAN
22 = 2-DOOR SPECIAL COUPE	45 = 4-DOOR STATION WAGON
24 = 2-DOOR HATCHBACK	44 = 4-DOOR HATCHBACK
27 = 2-DOOR CONVERTIBLE	48 = EXECUTIVE SEDAN
28 = FWD PICKUP	

AR = Use as Required - = Non Illustrated Part P.A.R. = Paint as Required

**AIR CONDITIONING CONTROL X,S,Y**  
**Figure 24-2300**

3124 23100



ITEM	PART NUMBER	QTY	BODY	MODEL	DESCRIPTION
1	3847 475	1		X,S,Y	VALVE, A/C Water
2	3847 204	1		X,S,Y	HOSE & CONN., A/C Vac. Harness, Manual
3	3847 622	1		All	HOSE, A/C Vacuum Extension
4	6015 778	AR		All	CLIP, A/C Vac. Hose Retaining
5		1		All	CLIP, A/C Vac. Hose Conn. Ret. (Not Serviced)
8	3848 002	1		All	BASE, Control A/C Bi-level
	3848 002	1		All	w/A.T.C.
	3847 662	1		X,S	DECAL,A/C and ATC Control
	3847 882	1		Y	DECAL,A/C and ATC Control
9	3847 742	1		All	SWITCH, A/C Cont. (HI-LO) 6P/Button
10	3847 940	1		All	SWITCH, A/C Blower Control
11	3847 447	1		All	KNOB, A/C Temp. Control Lever,Chrome
12	3847 434	1		X,S,Y	LEVER,Temp. w/ATC
13	2820 453	1		All	CLIP, A/C Cont. Temp. Lever
14	3441 609	1		All	VALVE, A/C Two Port Check Vac. Hose
15	4131 388	1		All	SOCKET & BULB PKG., A/C Cont. Lamp
16	6031 132	1		All	CLIP, A/C Cont. Temp. Cable, Adj.
17	6029 889	1		All	NUT, A/C Cont. Temp. Cable Ret.
NOTE: The Following Items Are Not Shown on Illustration de). Both models are derived from the 100.1" W.B. LeBaron (C 22 Model). Sheet metal parts for the C 48 not found on this illustration should be specif					
	3847 435	1		All	RHEOSTAT ASSY., A.T.C. (HI-LO) Sliding Diode
	3780 794	AR		All	HOSE, Cont. Vac. .073/.081 I.D., 50Ft. Roll
	4124 747	1		X,S,Y	WIRING ASSY., A.T.C Unit
	3503 317	1		All	PIN, A/C Control Lever Pivot

**MODEL CODES**

B = GRAN FURY	G = DIPLOMAT	V = 400
C = LEBARON/TOWN & COUNTRY	M = HORIZON/TURISMO/SCAMP	X = MIRADA
D = ARIES	P = RELIANT	Y = IMPERIAL
E = 600	S = CORDOBA	Z = OMNI/CHARGER/RAMPAGE
F = FIFTH AVENUE	T = E CLASS/NEWYORKER	

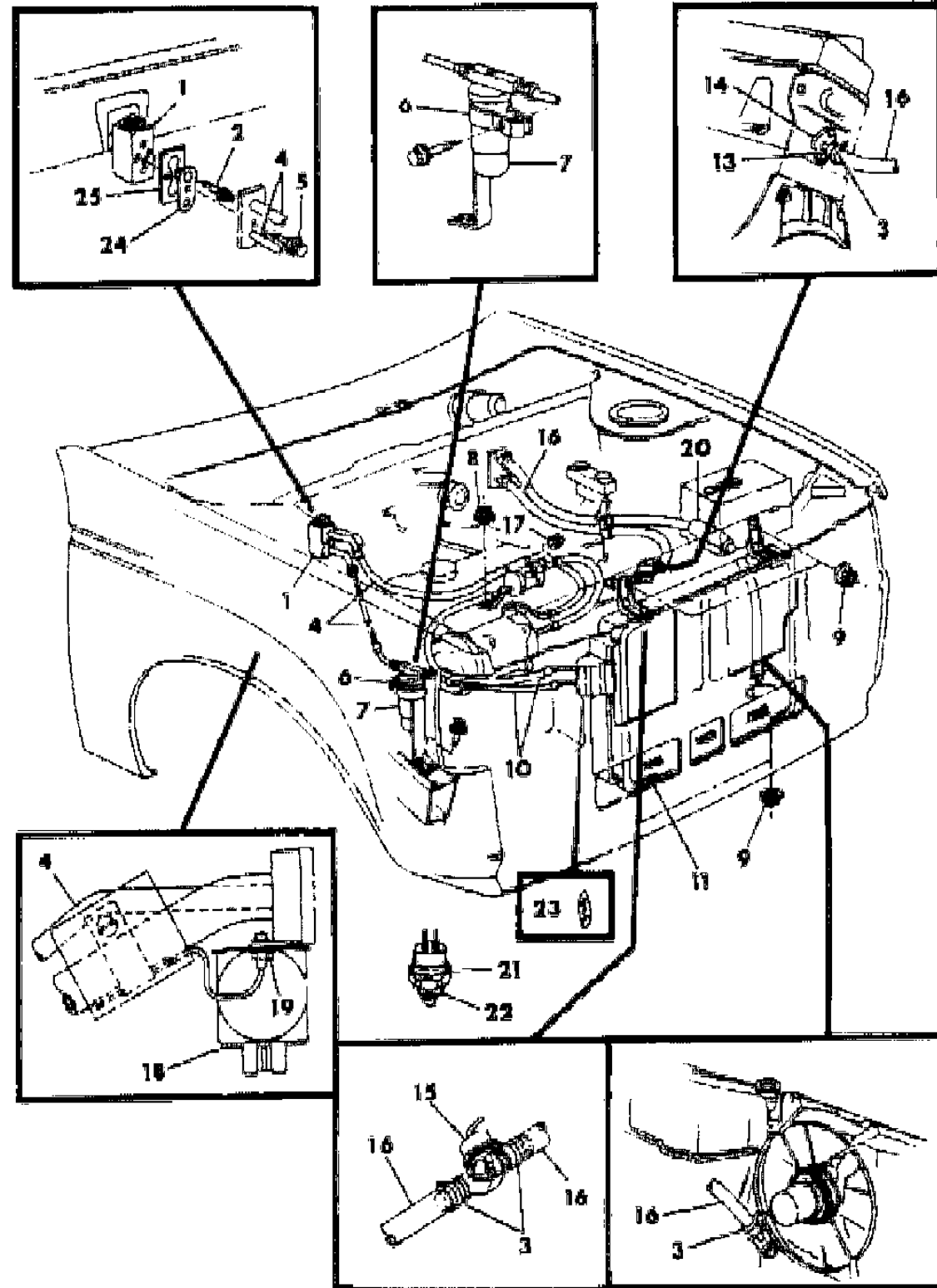
**BODY STYLES**

21 = 2-DOOR SEDAN	41 = 4-DOOR SEDAN
22 = 2-DOOR SPECIAL COUPE	45 = 4-DOOR STATION WAGON
24 = 2-DOOR HATCHBACK	44 = 4-DOOR HATCHBACK
27 = 2-DOOR CONVERTIBLE	48 = EXECUTIVE SEDAN
28 = FWD PICKUP	

AR = Use as Required - = Non Illustrated Part P.A.R. = Paint as Required

**AIR CONDITIONING AND HEATER PLUMBING M,Z,P,D,V,C,E,T**  
**Figure 24-2400**

2124 2400



ITEM	PART NUMBER	QTY	BODY	MODEL	DESCRIPTION
1	4176 999	1	All		VALVE, A/C Expansion (H-Type)
2	6030 267	2	All		SCREW, A/C Exp. Valve Mtg.
3	2448 770	6	All		CLAMP, A/C Hose
4	5210 441	1	M,Z		LINE, A/C Suction & Liquid w/1.7L Eng.
	5210 433	1	M,Z		w/2.2L Eng.
	3848 220	1	P,D,V,C		w/2.2L Eng.
	3848 223	1	P,D,V,C		w/2.6L Eng.
5	6100 314	1	All		SCREW, A/C Suction & Liquid Line Mtg.
	6100 314	1	All		A/C Disch & Liquid Line Mtg.To Cond.
6	5210 409	1	M,Z		BRACKET, A/C Filter Drier Mtg.
7	5210 438	1	M,Z		FILTER DRIER, A/C
	3848 217	1	P,D,V,C		FILTER DRIER, w/Brkt. A/C
8	6100 047	1	All		NUT & WASHER
9	6100 048	4	All		NUT & WASHER
10	5210 439	1	M,Z		LINE, A/C Discharge & Liquid, w/1.7L Eng.
	3848 103	1	M,Z		w/2.2L Eng.
	3848 221	1	P,D,V,C		w/2.2L Eng.
	3848 224	1	P,D,V,C		w/2.6L Eng.
11	5210 420	1	M,Z		CONDENSER, A/C
	3848 015	1	P,D,V,C		
13	5240 364	1	M,Z		ELBOW, A/C Water Outlet, w/1.7L Eng.
14	5240 363	1	M,Z		GASKET, A/C Water Outlet, w/1.7L Eng.
15	4240 422	1	M,Z		VALVE, A/C Water, w/1.7L Eng.
	4240 422	1	P,D,V,C		w/2.6L Eng.
	3848 136	1	M,Z		VALVE, A/C Water (4 Port) w/2.2L Eng.
	3848 307	1	P,D,V,C		VALVE, A/C Htr. Water (4 Port)w/2.2 L Eng.
16	1315 466	AR	All		HOSE, A/C Htr. 5/8" I.D. 50Ft. Roll
17	3848 021	1	All		CAP, A/C Disch. & Liquid Line Check Valve
	3848 021	1	P,D,V,C		CAP, A/C Suction Liquid Line Check Valve
18	4205 830	1	Exc. M,		SWITCH and LUBE Pkg.,A/C Suct. Line Temp. Sensing or Cycling
	4176 095	1	M,Z		SWITCH and LUBE Pkg.,A/C Suct. Line Temp. Sensing or Cycling
19		2	All		SCREW, (Not Serviced)
20	5210 322	1	All		SLEEVE,A/C Htr. Hose,w/1.7 & 2.2L Eng.
21	5210 377	1	All		SWITCH, A/C Low Pressure Cut Off
22	3441 105	1	All		SEAL, A/C Rec. Drier Low Pressure Cut Off

**MODEL CODES**

B = GRAN FURY	G = DIPLOMAT	V = 400
C = LEBARON/TOWN & COUNTRY	M = HORIZON/TURISMO/SCAMP	X = MIRADA
D = ARIES	P = RELIANT	Y = IMPERIAL
E = 600	S = CORDOBA	Z = OMNI/CHARGER/RAMPAGE
F = FIFTH AVENUE	T = E CLASS/NEWYORKER	

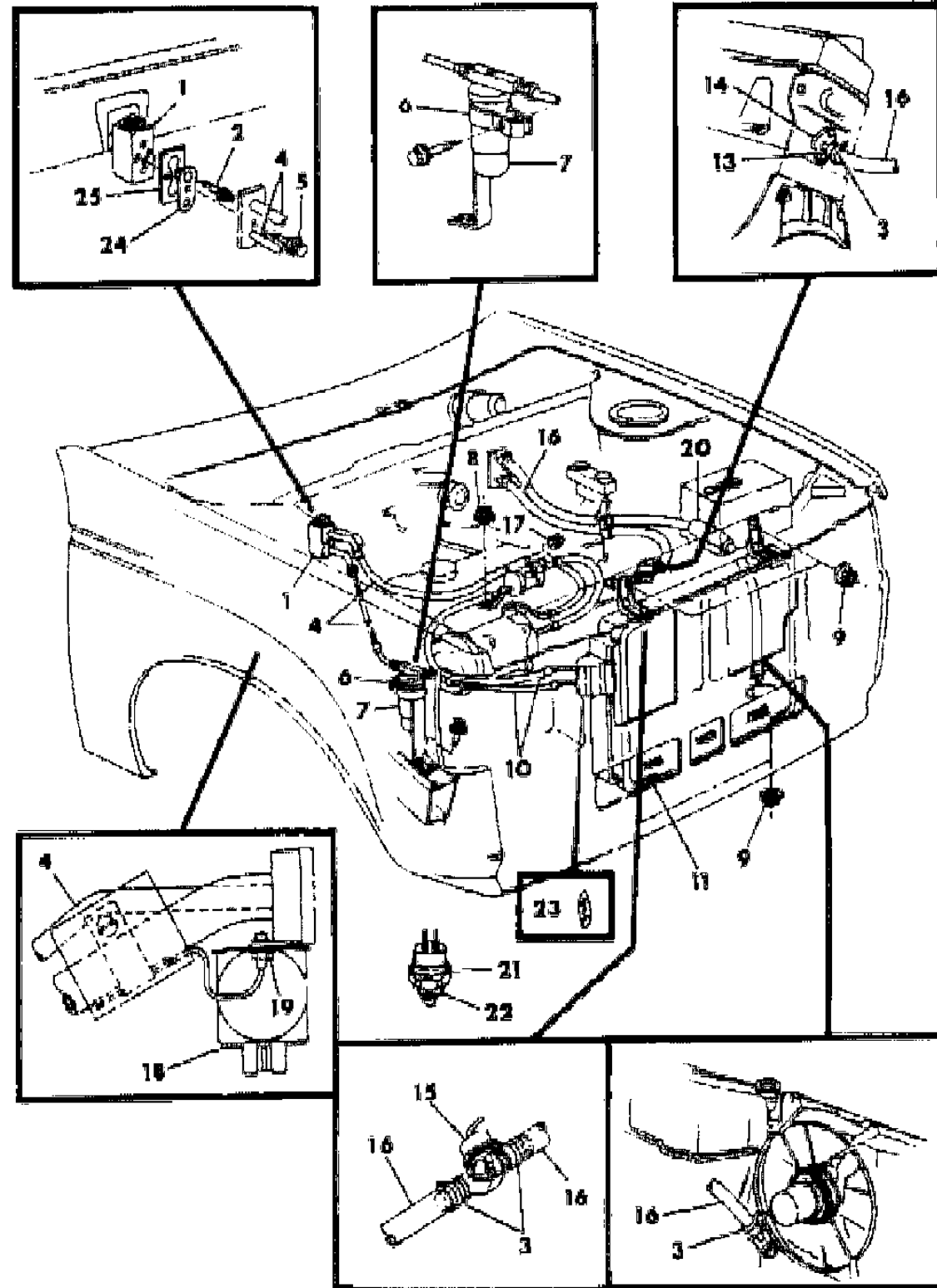
**BODY STYLES**

21 = 2-DOOR SEDAN	41 = 4-DOOR SEDAN
22 = 2-DOOR SPECIAL COUPE	45 = 4-DOOR STATION WAGON
24 = 2-DOOR HATCHBACK	44 = 4-DOOR HATCHBACK
27 = 2-DOOR CONVERTIBLE	48 = EXECUTIVE SEDAN
28 = FWD PICKUP	

AR = Use as Required - = Non Illustrated Part P.A.R. = Paint as Required

**AIR CONDITIONING AND HEATER PLUMBING M,Z,P,D,V,C,E,T**  
**Figure 24-2400**

2124 2400



ITEM	PART NUMBER	QTY	BODY	MODEL	DESCRIPTION
23	3846 835	1	All		GASKET, A/C Disch. & Liq. Line Plate to Cond.
24	3846 834	1	All		GASKET, A/C Suct. & Liq. Line to H-Valve
25	3846 836	1	All		GASKET, A/C Evap. Valve Mtg. (Alumn.)
NOTE: The Following Items Are Not Shown on Illustration de). Both models are derived from the 100.1" W.B. LeBaron (C 22 Model). Sheet metal parts for the C 48 not found on this illustration should be specif					
	3847 083	1	All		GASKET, A/C Suction Liquid Line Mtg. to Drier
	3846 898	1	P,D		SWITCH,A/C or A/T/C High Pressure Cutoff
	3847 083	1	All		GASKET, A/C Disch. & Liq. Line Mtg. to Drier
	3847 147	1	All		PILOT, A/C Suction Line Mtg. (Plastic)
	3847 147	1	All		Discharge Line Mtg. (Plastic)
	3847 825	1	P,D,V,C		HOSE, A/C Htr. Core to Pump
	3848 356	1	P,D		HOSE, A/C Htr. Core to Pump (Silicon H.D) 2.6L Eng.
	3848 137	1	M,Z		HOSE, A/C Htr. Eng. to Valve, w/2.2L Eng. up to 12-1-82
	3848 467	1	M,Z		after 12-1-82
	3848 333	1	P,D,V,C		HOSE, A/C Htr. Eng. to Valve, w/2.2L Eng.
	3848 355	1	P,D		HOSE, A/C Htr. Valve to Core,w/2.6L Eng.(Silicone H.D.)
	3848 405	1	E,T		CLIP,A/C Htr. Hose Mtg.,w/2.2L Eng.,w/Throttle Body Injection
	0680 734	1	M,Z		HOSE, A/C Htr. Valve to Core,w/1.7L Eng.
	3847 924	1	P,D,V,C		HOSE, A/C Htr. Eng. to Valve, w/2.6L Eng.
	3848 357	1	P,D		HOSE, A/C Htr. Eng. to Valve, w/2.6L Eng. (Silicone H.D.)
	4221 260	1	E,T		RELAY, A/C. Clutch Cut-Out

**MODEL CODES**

B = GRAN FURY	G = DIPLOMAT	V = 400
C = LEBARON/TOWN & COUNTRY	M = HORIZON/TURISMO/SCAMP	X = MIRADA
D = ARIES	P = RELIANT	Y = IMPERIAL
E = 600	S = CORDOBA	Z = OMNI/CHARGER/RAMPAGE
F = FIFTH AVENUE	T = E CLASS/NEWYORKER	

**BODY STYLES**

21 = 2-DOOR SEDAN	41 = 4-DOOR SEDAN
22 = 2-DOOR SPECIAL COUPE	45 = 4-DOOR STATION WAGON
24 = 2-DOOR HATCHBACK	44 = 4-DOOR HATCHBACK
27 = 2-DOOR CONVERTIBLE	48 = EXECUTIVE SEDAN
28 = FWD PICKUP	

AR = Use as Required - = Non Illustrated Part P.A.R. = Paint as Required

**AIR CONDITIONING AND HEATER PLUMBING B,F,G,X,S,Y**  
**Figure 24-2500**

3124 1300

ITEM	PART NUMBER	QTY	BODY	MODEL	DESCRIPTION
1	6030 267	2	All		SCREW, A/C Exp. Valve Mtg.
2	6100 314	1	All		SCREW, A/C Suct. & Liquid Line Mtg.
3	3846 836	1	All		GASKET, A/C Evap. Valve Mtg. (Alumn.)
4	3846 834	1	All		GASKET, A/C Suct. & Liquid Line to H-Valve
5	3847 166	1	All		LINE, A/C Suction & Liquid Line w/225 Eng.
	3847 169	1	All		318 Eng.
6	4176 999	1	All		VALVE, A/C Expansion, H-Type
7	3847 475	1	All		VALVE, A/C or Htr. Water
8	1315 466	AR	All		HOSE, A/C Htr. 5/8" I.D., 50Ft Roll
9	4176 059	1	All		COMPRESSOR, A/C w/225,318 Eng.
10	3847 987	1	All		LINE, A/C Discharge & Liquid w/225 Eng.
	3847 168	1	All		318 Eng.
11	3846 835	1	All		GASKET, A/C Disch. & Liq. Line Plate to Cond.
12	3502 915	2	All		GROMMET & SPACER, A/C Cond. Mtg.
13	3847 789	1	All		CONDENSER, Complete A/C
14	3847 830	1	All		FILTER DRIER, w/Brkt. A/C
15	0120 375	2	All		NUT w/CONED WA., Cond. Mtg.
16	4041 604	AR	All		CLAMP, A/C Htr. Hose to Pump
17	2448 770	AR	All		CLAMP, A/C Htr. Hose
18	3848 021	1	All		CAP, A/C Discharge Liquid Line Check Valve
19	1779 258	1	All		NIPPLE, A/C Htr. Hose Eng. 1.70" Lg., 3/8" Thd.
20	3847 081	1	All		GASKET, A/C Discharge Line Flange Mtg.
21	3846 898	1	B,F,G		SWITCH, A/C High Pressure Cut Off
22	3441 105	1	All		SEAL, A/C Rec. Drier Low Pressure Cut Off
23	5210 377	1	All		SWITCH, A/C Low Pressure Cut Off
24	3846 509	1	All		CLIP, A/C Disch. & Liquid Line Mtg.
25		1	All		SCREW (Not Serviced)
26	1315 466	1	All		HOSE, A/C Htr. 5/8" I.D. x 50Ft Roll
27	1315 466	1	All		HOSE, A/C Htr. Valve To Core (Preformed) 29" Lg.
	1315 466	1	B,F,G		Htr. Eng. To Valve (Preformed) 1/2" I.D.
	4079 303		B,F,G		HOSE, 5/8" I.D. x 50Ft. Roll (Silicone)
	4079 303	1	B,F,G		A/C Htr. Eng. To Valve (Roll Stock)
	4079 303	1	B,F,G		A/C Htr. Core To Pump (Roll Stock)
28	3846 304	2	All		MOUNT, A/C Condenser Mtg.
29	4205 830	1	All		SWITCH and LUBE Pkg., A/C Suct. Line Temp. Sensing or Cycling
30	3847 083	1	All		GASKET, A/C Suction & Liq. Line Mtg. To Drier

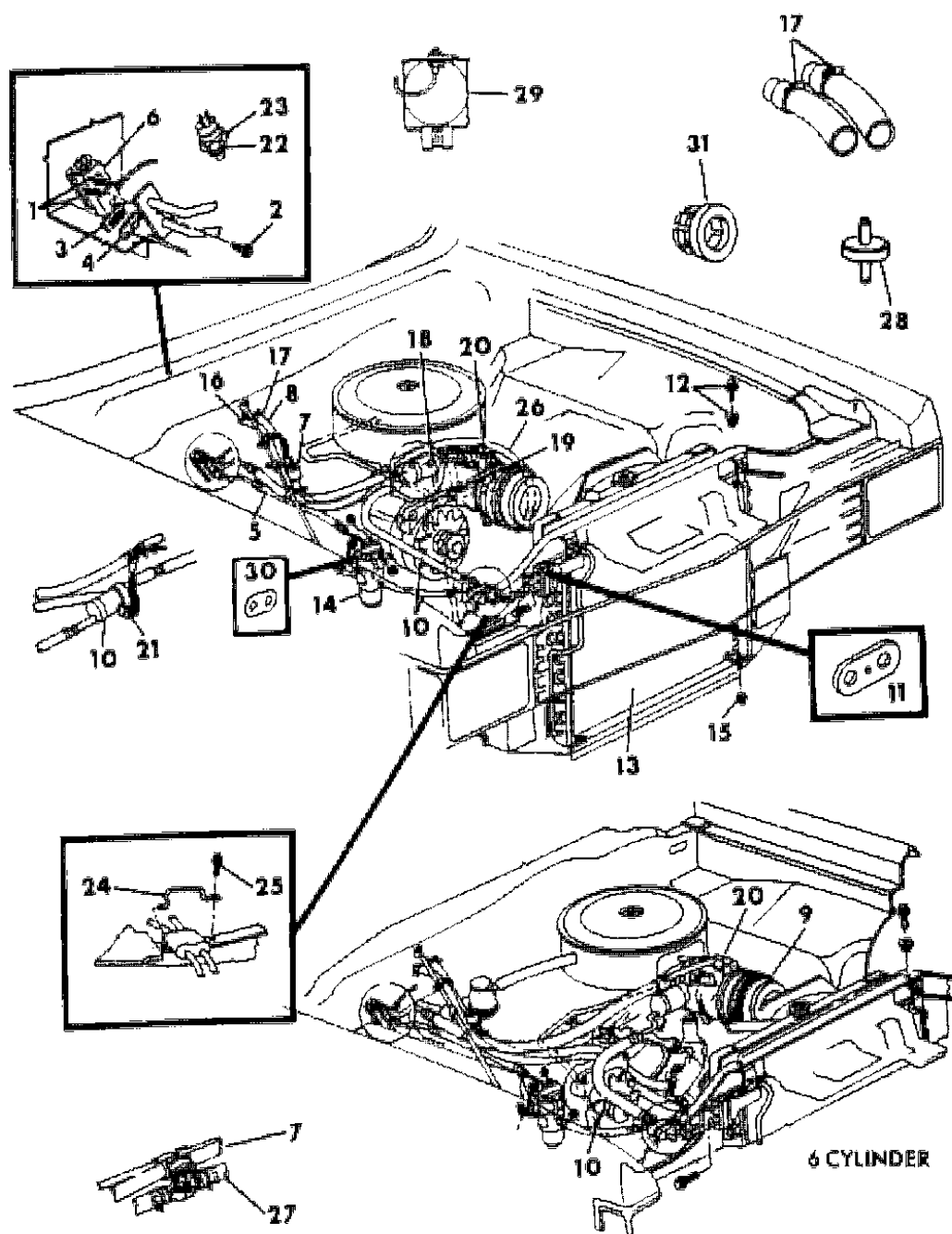
**MODEL CODES**

B = GRAN FURY	G = DIPLOMAT	V = 400
C = LEBARON/TOWN & COUNTRY	M = HORIZON/TURISMO/SCAMP	X = MIRADA
D = ARIES	P = RELIANT	Y = IMPERIAL
E = 600	S = CORDOBA	Z = OMNI/CHARGER/RAMPAGE
F = FIFTH AVENUE	T = E CLASS/NEWYORKER	

**BODY STYLES**

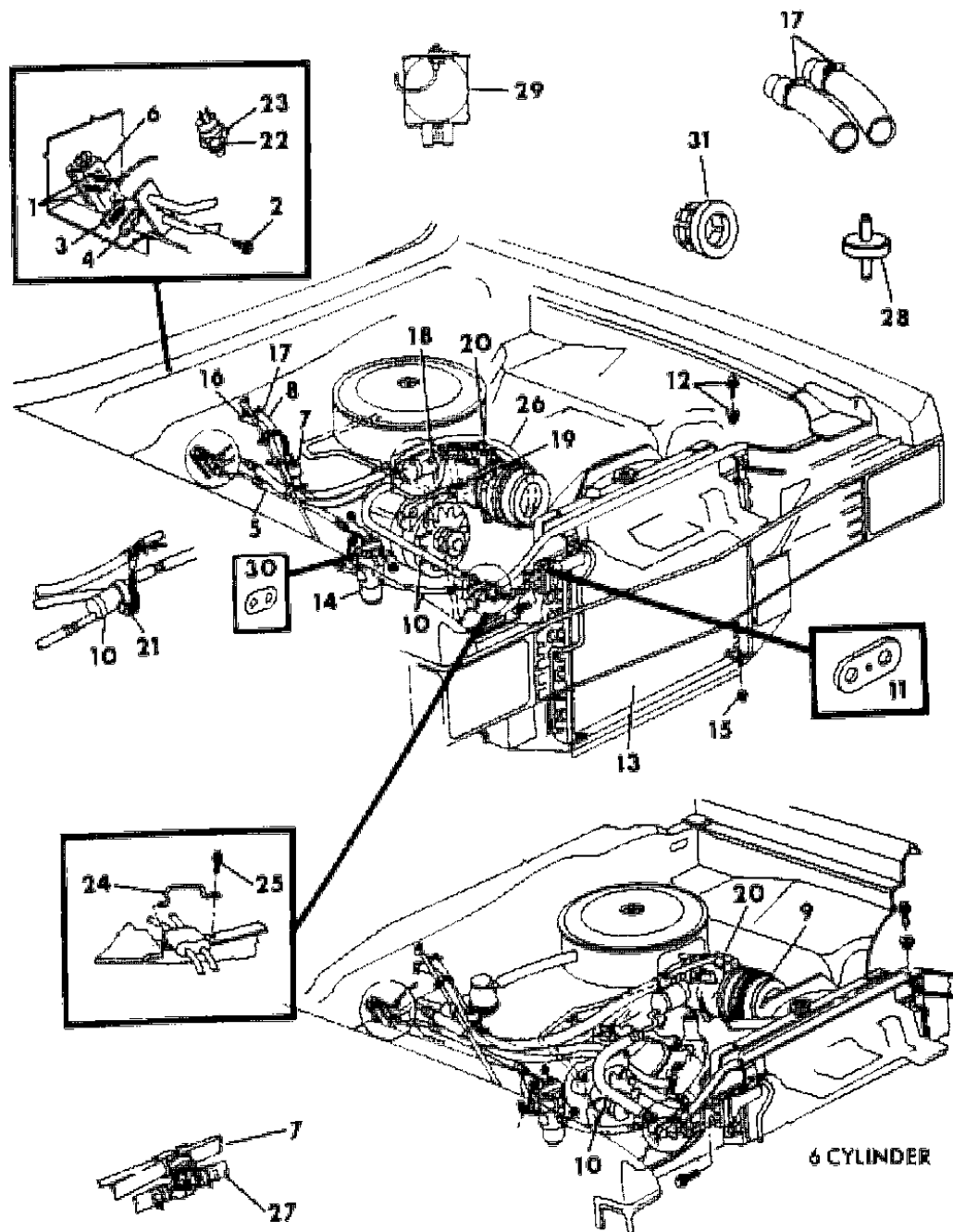
21 = 2-DOOR SEDAN	41 = 4-DOOR SEDAN
22 = 2-DOOR SPECIAL COUPE	45 = 4-DOOR STATION WAGON
24 = 2-DOOR HATCHBACK	44 = 4-DOOR HATCHBACK
27 = 2-DOOR CONVERTIBLE	48 = EXECUTIVE SEDAN
28 = FWD PICKUP	

AR = Use as Required - = Non Illustrated Part P.A.R. = Paint as Required



## AIR CONDITIONING AND HEATER PLUMBING B,F,G,X,S,Y Figure 24-2500

3124 1300



ITEM	PART NUMBER	QTY	BODY	MODEL	DESCRIPTION
	3847 083	1	All		A/C Discharge & Liq. Line Mtg. To Drier
31	3847 147	1	All		PILOT, A/C Suction Line Mtg. (Plastic)
	3847 147	1	All		Discharge Line Mtg. (Plastic)
NOTE: The Following Items Are Not Shown On Illustration de). Both models are derived from the 100.1" W.B. LeBaron (C 22 Model). Sheet metal parts for the C 48 not found on this illustration should be specif					
	6015 756	1	B,G		STRAP,A/C or A.T.C Vac. Hose Support
9	3847 950	2	P,D,V,C		LOUVER, A/C Heater Air Outlet, Bright, Right
	3847 575	2	P,D		LOUVER, A/C Heater Air Outlet, Black, Left
	3847 950	3	J,E,T		LOUVER, A/C Heater Air Outlet
10	3848 061	1			DUCT, w/KNOB, Vent Ram Air, Right
11	5210 055	1			DUCT, A/C Heater Distribution
12	3848 732	1			DUCT, Heater Defroster, w/Upper Level Vent
13	3848 734	1			DUCT, w/ADAPTER, A/C Defroster

ontrol or High Altitude Emission Control. de). Both models are derived from the 100.1" W.B. LeBaron (C 22 Model). Sheet metal parts for the C 48 not found on this illustration should be specif  
cars sold in the State of California. de). Both models are derived from the 100.1" W.B. LeBaron (C 22 Model). Sheet metal parts for the C 48 not found on this illustration should be specif  
alytic Exhaust System. Unleaded Fuel is required. de). Both models are derived from the 100.1" W.B. LeBaron (C 22 Model). Sheet metal parts for the C 48 not found on this illustration should be specif

MODEL CODES		
B = GRAN FURY	G = DIPLOMAT	V = 400
C = LEBARON/TOWN & COUNTRY	M = HORIZON/TURISMO/SCAMP	X = MIRADA
D = ARIES	P = RELIANT	Y = IMPERIAL
E = 600	S = CORDOBA	Z = OMNI/CHARGER/RAMPAGE
F = FIFTH AVENUE	T = E CLASS/NEWYORKER	

BODY STYLES	
21 = 2-DOOR SEDAN	41 = 4-DOOR SEDAN
22 = 2-DOOR SPECIAL COUPE	45 = 4-DOOR STATION WAGON
24 = 2-DOOR HATCHBACK	44 = 4-DOOR HATCHBACK
27 = 2-DOOR CONVERTIBLE	48 = EXECUTIVE SEDAN
28 = FWD PICKUP	

AR = Use as Required - = Non Illustrated Part P.A.R. = Paint as Required



---

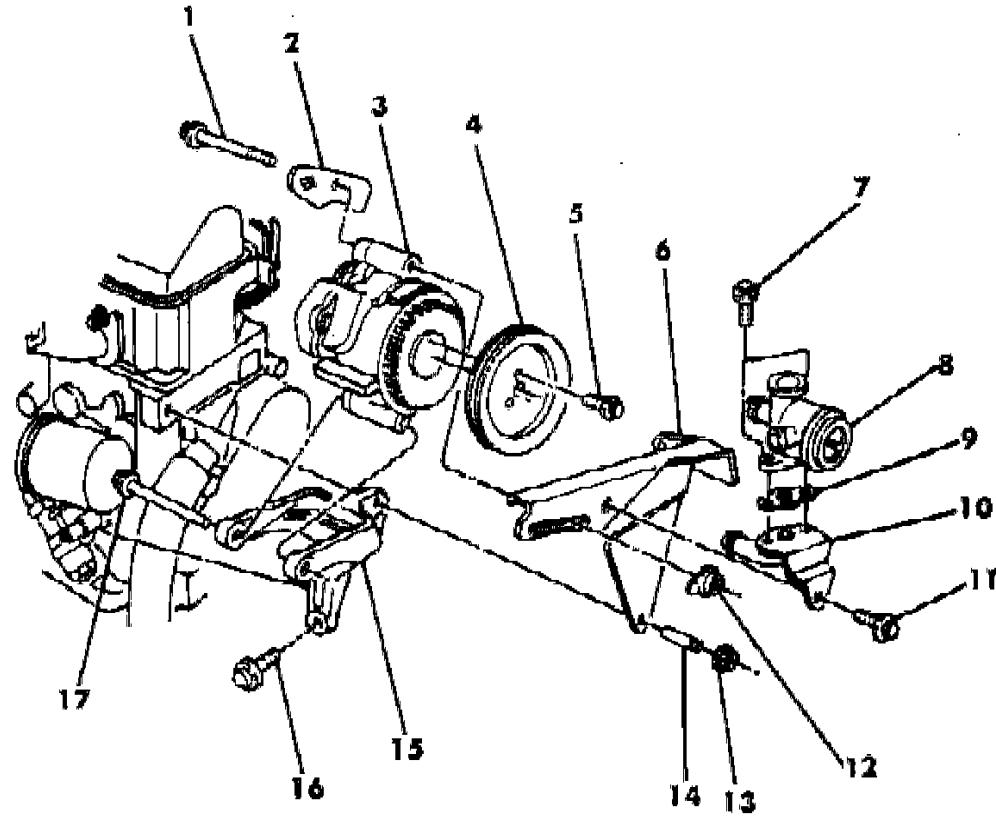
**GROUP 25 - EMISSION SYSTEMS**

<b>ILLUSTRATION TITLE</b>	<b>GROUP-FIG. NO.</b>
PUMP, AIR 1.6L .....	Fig. 25-100
TUBING, AIR PUMP 1.6L .....	Fig. 25-200
PUMP, AIR 1.7L .....	Fig. 25-300
TUBING, AIR PUMP 1.7L .....	Fig. 25-400
PUMP, AIR 2.2L .....	Fig. 25-500
TUBING, AIR PUMP 2.2L .....	Fig. 25-600
AIR SUPPLY, SECONDARY 2.6L .....	Fig. 25-700
PUMP, AIR 225 ENGINE .....	Fig. 25-800
TUBING, AIR PUMP 225 ENGINE .....	Fig. 25-900
PUMP, AIR 318 ENGINE .....	Fig. 25-1000
TUBING, AIR PUMP 318 ENGINE .....	Fig. 25-1100
ASPIRATOR 1.6L - 2.2L ENGINE .....	Fig. 25-1175
ASPIRATOR .....	Fig. 25-1200
CANISTER, VAPOR .....	Fig. 25-1300
ORIFFICE SPARK ADVANCE 225 ENGINE .....	Fig. 25-1400
EXHAUST GAS RECIRCULATION SYSTEM (EGR) 1.6L .....	Fig. 25-1500
EXHAUST GAS RECIRCULATION SYSTEM (EGR) 1.7L .....	Fig. 25-1600
EXHAUST GAS RECIRCULATION SYSTEM (EGR) 2.2L .....	Fig. 25-1700
EXHAUST GAS RECIRCULATION SYSTEM (EGR) 2.6L .....	Fig. 25-1800
EXHAUST GAS RECIRCULATION SYSTEM (EGR) 225 ENGINE .....	Fig. 25-1900
EXHAUST GAS RECIRCULATION SYSTEM (EGR) 318 ENGINE w/EFM .....	Fig. 25-2000
EXHAUST GAS RECIRCULATION SYSTEM (EGR) 318 ENGINE w/o EFM .....	Fig. 25-2100
EMISSION CONTROLS AND SWITCHES .....	Fig. 25-2200
VACUUM SOLENOID CHART .....	Fig. 25-2225
TEES, CONNECTORS, ELBOWS AND DELAY VALVES .....	Fig. 25-2300

**ILLUSTRATION NOT AVAILABLE AT TIME OF PUBLICATION**

**PUMP, AIR 1.6L**  
**Figure 25-100**

3125 100



ITEM	PART NUMBER	QTY	BODY	MODEL	DESCRIPTION
1	6100 332	1			SCREW w/WASHER
2	4273 150	1			BRACKET, Air Pump Adj. - Rear
3	4267 228	1			PUMP, Air
4	4268 416	1			PULLEY, Air Pump
5	6500 136	3			SCREW w/WASHER
6	4273 078	1			BRACKET, Air Pump Adj. - Front
7	6500 423	2			SCREW w/WASHER
8	4275 053	1			VALVE, Air Switch & Relief
9	4179 700	1			GASKET, Air Switch & Relief Valve
10	4268 786	1			BRACKET, Air Switch & Relief Valve
11	6100 294	1			SCREW w/WASHER
12	6500 421	1			NUT, Stamped
13	6100 519	1			NUT, Locking
14	6500 736	1			STUD
15	4273 165	1			BRACKET, Air Pump Mtg.
16	6500 584	1			SCREW w/WASHER
17	6500 531	1			SCREW w/WASHER

**MODEL CODES**

B = GRAN FURY	G = DIPLOMAT	V = 400
C = LEBARON/TOWN & COUNTRY	M = HORIZON/TURISMO/SCAMP	X = MIRADA
D = ARIES	P = RELIANT	Y = IMPERIAL
E = 600	S = CORDOBA	Z = OMNI/CHARGER/RAMPAGE
F = FIFTH AVENUE	T = E CLASS/NEWYORKER	

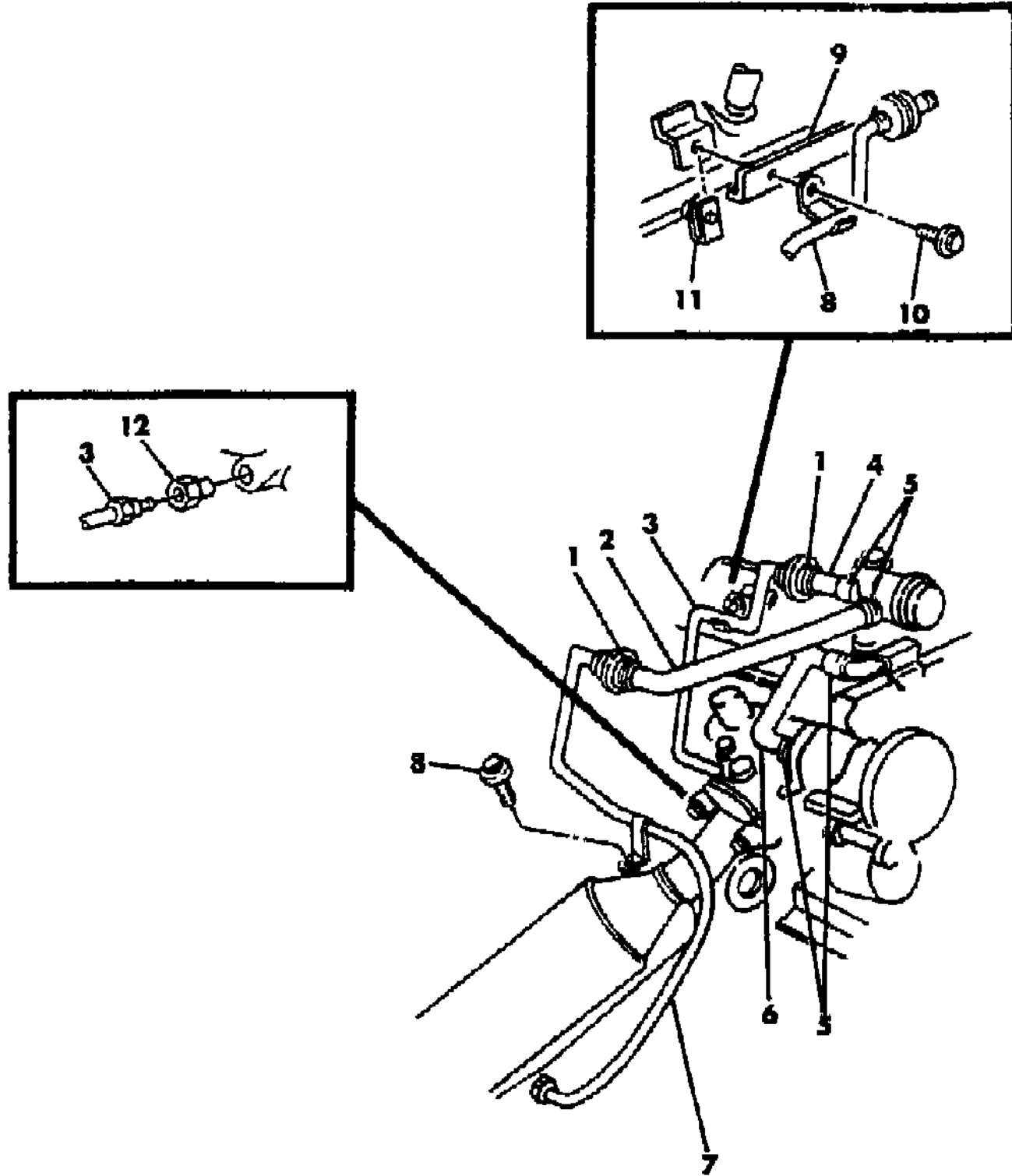
**BODY STYLES**

21 = 2-DOOR SEDAN	41 = 4-DOOR SEDAN
22 = 2-DOOR SPECIAL COUPE	45 = 4-DOOR STATION WAGON
24 = 2-DOOR HATCHBACK	44 = 4-DOOR HATCHBACK
27 = 2-DOOR CONVERTIBLE	48 = EXECUTIVE SEDAN
28 = FWD PICKUP	

AR = Use as Required - = Non Illustrated Part P.A.R. = Paint as Required

TUBING, AIR PUMP 1.6L  
Figure 25-200

3125 200



ITEM	PART NUMBER	QTY	BODY	MODEL	DESCRIPTION
1	2448 762	2			CLAMP
2	4268 783	1			HOSE, Air Switch & Relief Valve to Catalyst Tube
3	4268 787	1			TUBE, Air Switch & Relief Valve to Exh. Man.
4	4268 784	1			HOSE, Air Switch & Relief Valve to Exh. Man. Tube
5	2448 761	4			CLAMP
6	4268 782	1			HOSE, Air Pump to Air Switch & Relief Valve
7	4275 818	1			TUBE, Air Switch & Relief Valve to Catalyst
8	6100 276	1			SCREW w/WASHER
9	4274 949	1			BRACKET, Clip Locator
10	6100 263	1			SCREW w/WASHER
11	6100 041	1			U/NUT
12	6032 290	1			ADAPTER

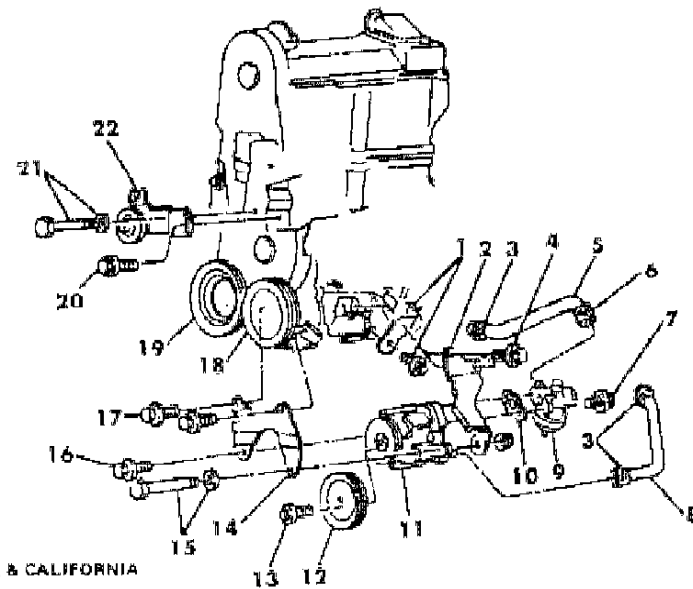
MODEL CODES  
 B = GRAN FURY  
 C = LEBARON/TOWN & COUNTRY  
 D = ARIES  
 E = 600  
 F = FIFTH AVENUE  
 G = DIPLOMAT  
 M = HORIZON/TURISMO/SCAMP  
 P = RELIANT  
 S = CORDOBA  
 T = E CLASS/NEWYORKER  
 V = 400  
 X = MIRADA  
 Y = IMPERIAL  
 Z = OMNI/CHARGER/RAMPAGE

BODY STYLES  
 21 = 2-DOOR SEDAN  
 22 = 2-DOOR SPECIAL COUPE  
 24 = 2-DOOR HATCHBACK  
 27 = 2-DOOR CONVERTIBLE  
 28 = FWD PICKUP  
 41 = 4-DOOR SEDAN  
 45 = 4-DOOR STATION WAGON  
 44 = 4-DOOR HATCHBACK  
 48 = EXECUTIVE SEDAN

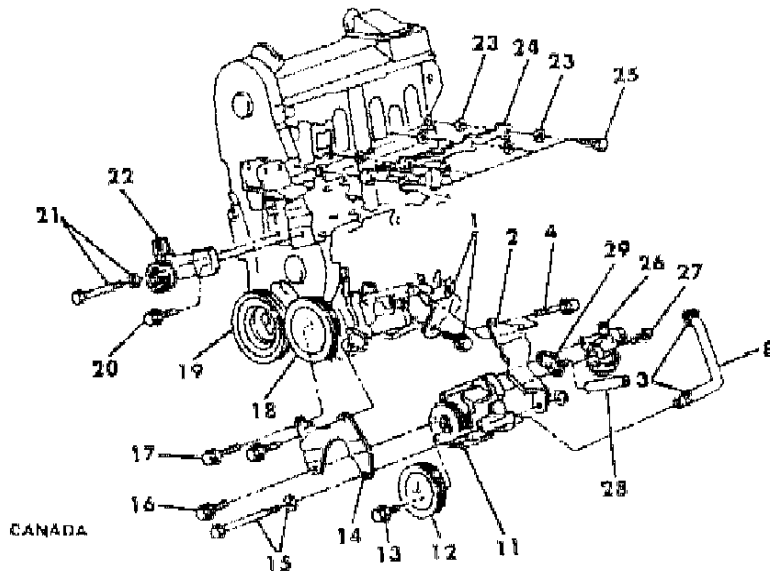
AR = Use as Required - = Non Illustrated Part P.A.R. = Paint as Required

PUMP, AIR 1.7L  
Figure 25-300

2125 300



FEDERAL & CALIFORNIA



CANADA

ITEM	PART NUMBER	QTY	BODY	MODEL	DESCRIPTION
1	5214 095	1			BRACKET, Air Pump Tube & Oil Level Indicator Tube Mtg.
	6100 320	2			SCREW w/WASHER
2	5214 446	1			BRACKET, Air Pump Mtg. - Rear
3	2448 761	AR			CLAMP
4	6500 071	2			SCREW w/WASHER
5	4275 058	1			HOSE, Comb. Valve to Catalyst Tube
6	2448 762	AR			CLAMP
7	6500 423	2			SCREW w/WASHER
8	4268 446	1			HOSE, Air Pump to Air Cleaner Tube
9	4275 059	1			VALVE, Air Switch & Relief
10	4179 700	1			GASKET, Air Switch & Relief Valve
11	4268 924	1			PUMP, Air
12	5240 629	1			PULLEY, Air Pump
	6500 136	1			SCREW w/WASHER
14	4268 414	1			BRACKET, Air Pump Mtg.
15	6100 193	1			SCREW
	6100 129	1			WASHER
16	6500 374	1			SCREW w/WASHER
17	6500 192	1			SCREW w/WASHER
18	5214 504	1			PULLEY, Air Pump
19					PULLEY, Air Pump Drive
	4241 150	1			w/Air Cond.
	5214 486	1			w/o Air Cond.
20	6500 253	1			SCREW w/WASHER
21	6500 218	1			SCREW
	6500 233	1			WASHER
22	5214 179	1			PULLEY, Air Pump Idler
23	5240 789	1			GASKET, Air Inj. Tube to Cyl. Head
24	4179 696	1			TUBE, Cyl. Head Air Inj. & Check Valve
25	5240 790	1			BOLT, Air Inj. Tube to Cyl. Head
26	4179 719	1			VALVE, Diverter
27	6500 499	2			BOLT
28	3780 507	1			HOSE, Air Pump Spacer Ext.
29	4241 252	1			ADAPTER

MODEL CODES

B = GRAN FURY	G = DIPLOMAT	V = 400
C = LEBARON/TOWN & COUNTRY	M = HORIZON/TURISMO/SCAMP	X = MIRADA
D = ARIES	P = RELIANT	Y = IMPERIAL
E = 600	S = CORDOBA	Z = OMNI/CHARGER/RAMPAGE
F = FIFTH AVENUE	T = E CLASS/NEWYORKER	

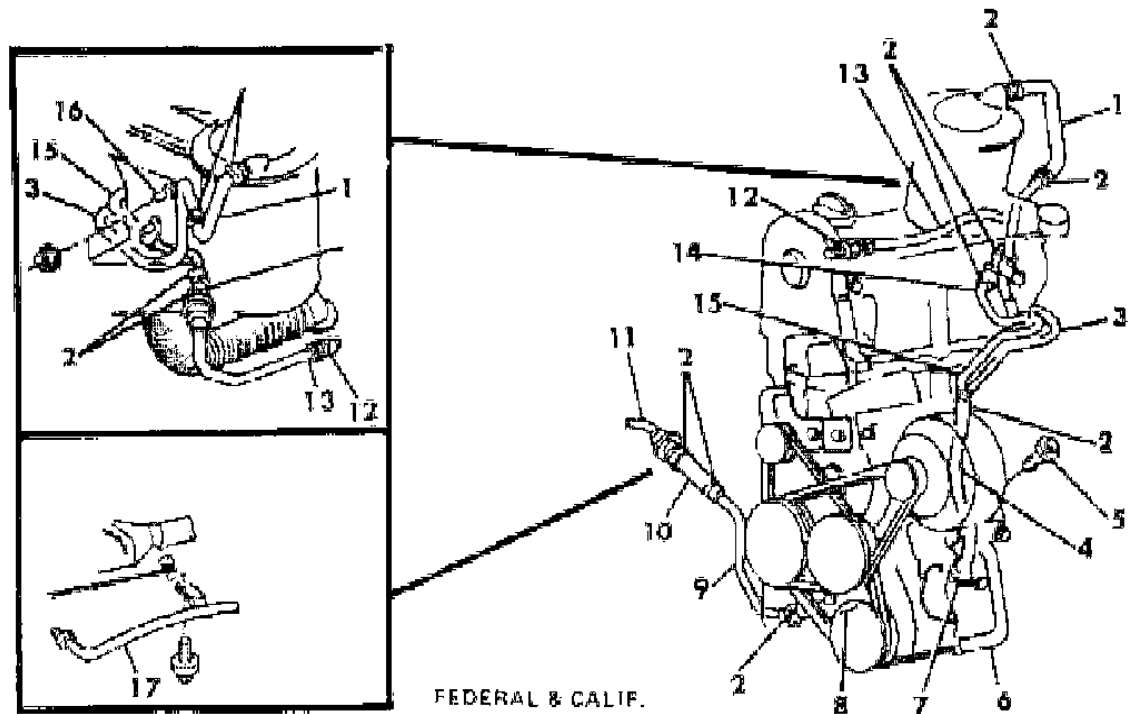
BODY STYLES

21 = 2-DOOR SEDAN	41 = 4-DOOR SEDAN
22 = 2-DOOR SPECIAL COUPE	45 = 4-DOOR STATION WAGON
24 = 2-DOOR HATCHBACK	44 = 4-DOOR HATCHBACK
27 = 2-DOOR CONVERTIBLE	48 = EXECUTIVE SEDAN
28 = FWD PICKUP	

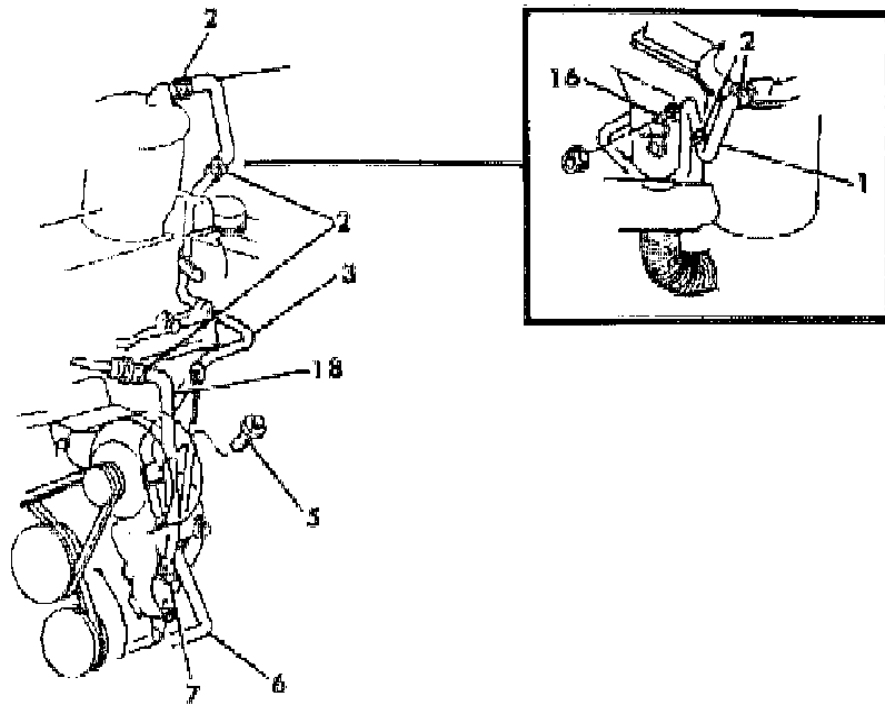
AR = Use as Required - = Non Illustrated Part P.A.R. = Paint as Required

TUBING, AIR PUMP 1.7L  
Figure 25-400

3125 400



FEDERAL & CALIF.



CANADA

ITEM	PART NUMBER	QTY	BODY	MODEL	DESCRIPTION
1	4268 447	1			HOSE, Tube to Air Cleaner
2	2448 761	AR			CLAMP
3	4179 410	1			TUBE, Air Pump to Air Cleaner
4	4275 056	1			HOSE, Comb. Valve to Exh. Man. Tube
5	6100 295	1			SCREW w/WASHER
6	4268 446	1			HOSE, Air Pump to Air Cleaner Tube
7	2448 762	AR			CLAMP
8	4275 085	1			HOSE, Comb. Valve to Catalyst Tube
9	4179 888	1			TUBE, Comb. Valve to Catalyst Tube
10	4275 054	1			HOSE, Comb. Valve to Catalyst Tube
11	4275 072	1			TUBE, Comb. Valve to 3 Way Catalyst - Front
12	6031 789	1			CONNECTOR
13	4179 878	1			TUBE, Check Valve to Exh. Man.
14	4275 055	1			HOSE, Check Valve to Exh. Man. Tube
15	4179 421	1			TUBE, Air Switch Valve to Exh. Check Valve
16	6500 324	2			STUD
17	4275 073	1			TUBE, Comb. Valve to 3 Way Catalyst - Rear
18	4268 440	1			HOSE, Diverter Valve to Cyl. Head Air Inj. Tube

MODEL CODES

B = GRAN FURY	G = DIPLOMAT	V = 400
C = LEBARON/TOWN & COUNTRY	M = HORIZON/TURISMO/SCAMP	X = MIRADA
D = ARIES	P = RELIANT	Y = IMPERIAL
E = 600	S = CORDOBA	Z = OMNI/CHARGER/RAMPAGE
F = FIFTH AVENUE	T = E CLASS/NEWYORKER	

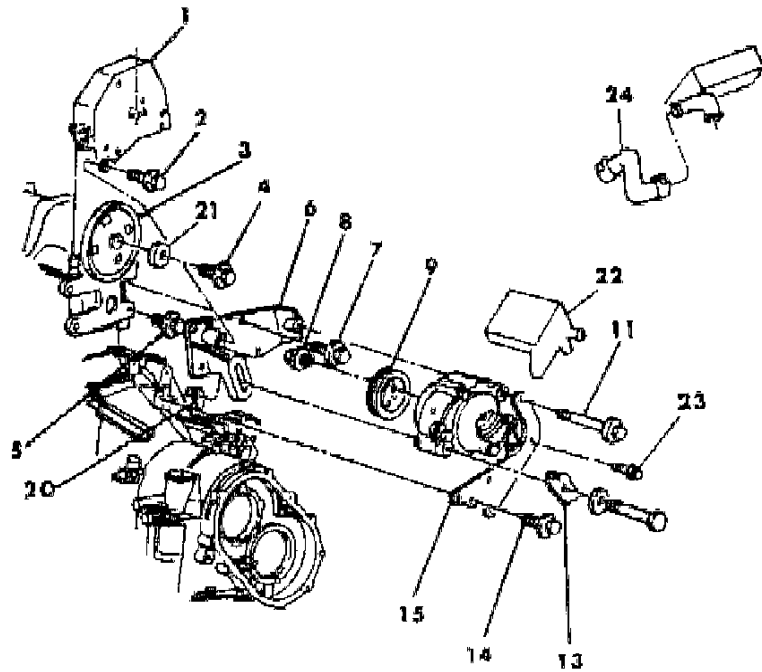
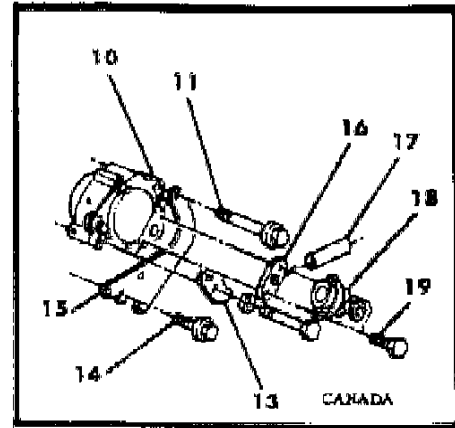
BODY STYLES

21 = 2-DOOR SEDAN	41 = 4-DOOR SEDAN
22 = 2-DOOR SPECIAL COUPE	45 = 4-DOOR STATION WAGON
24 = 2-DOOR HATCHBACK	44 = 4-DOOR HATCHBACK
27 = 2-DOOR CONVERTIBLE	48 = EXECUTIVE SEDAN
28 = FWD PICKUP	

AR = Use as Required - = Non Illustrated Part P.A.R. = Paint as Required

**PUMP, AIR 2.2L**  
**Figure 25-500**

3125 500 C



ITEM	PART NUMBER	QTY	BODY	MODEL	DESCRIPTION
1	4105 496	1			SHIELD, Air Pump Drive Pulley
2	6500 217	1			SCREW w/WASHER
3	5214 518	1			PULLEY, Air Pump Drive
4	6500 134	1			SCREW w/WASHER
5	6500 264	4			SCREW w/WASHER
6	4240 163	1			BRACKET, Air Pump Adj. & Mtg. up to 5-15-83
	4298 106	1			after 5-15-83
7	6500 374	4			SCREW w/WASHER w/Air Pump
8	6500 136	3			SCREW w/WASHER
9	5203 585	1			PULLEY, Air Pump
10	4267 227	1			PUMP, Air
11	6500 531	1			SCREW w/WASHER
12	4275 053	1			VALVE, Air Switch & Relief
	4179 719	1		M,Z,28	VALVE, Diverter w/o Calif.
13	4273 150	1			BRACKET, Air Pump Adj.
14	6500 158	2			SCREW w/WASHER
15	5203 348	1			BRACKET, Air Pump Mtg. - Rear
16	4241 252	1			ADAPTER
17	3780 507	2			HOSE, Air Pump Spacer Ext.
18	4179 719	1			VALVE, Diverter
19	6500 499	2			BOLT
20	6500 421	1			NUT
21	5203 350	1			WASHER, Air Pump Pulley
22	4275 398	1			SILENCER, Air Pump
23	6100 250	1			SCREW
24	4105 172	1			HOSE, Relief Valve to Silencer
	4105 174	1		M,Z	HOSE, Eng. Tube to Silencer

**MODEL CODES**

B = GRAN FURY	G = DIPLOMAT	V = 400
C = LEBARON/TOWN & COUNTRY	M = HORIZON/TURISMO/SCAMP	X = MIRADA
D = ARIES	P = RELIANT	Y = IMPERIAL
E = 600	S = CORDOBA	Z = OMNI/CHARGER/RAMPAGE
F = FIFTH AVENUE	T = E CLASS/NEWYORKER	

**BODY STYLES**

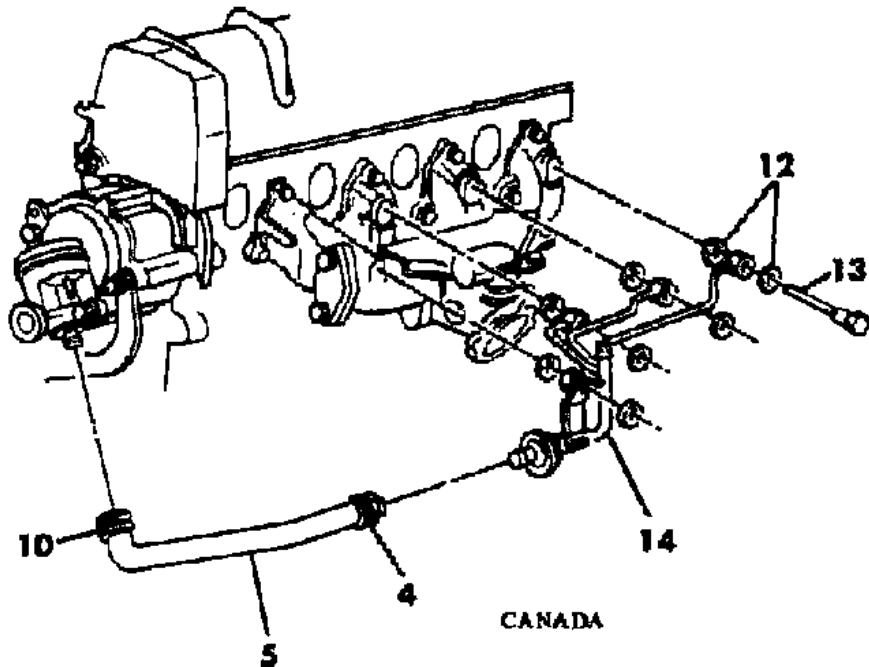
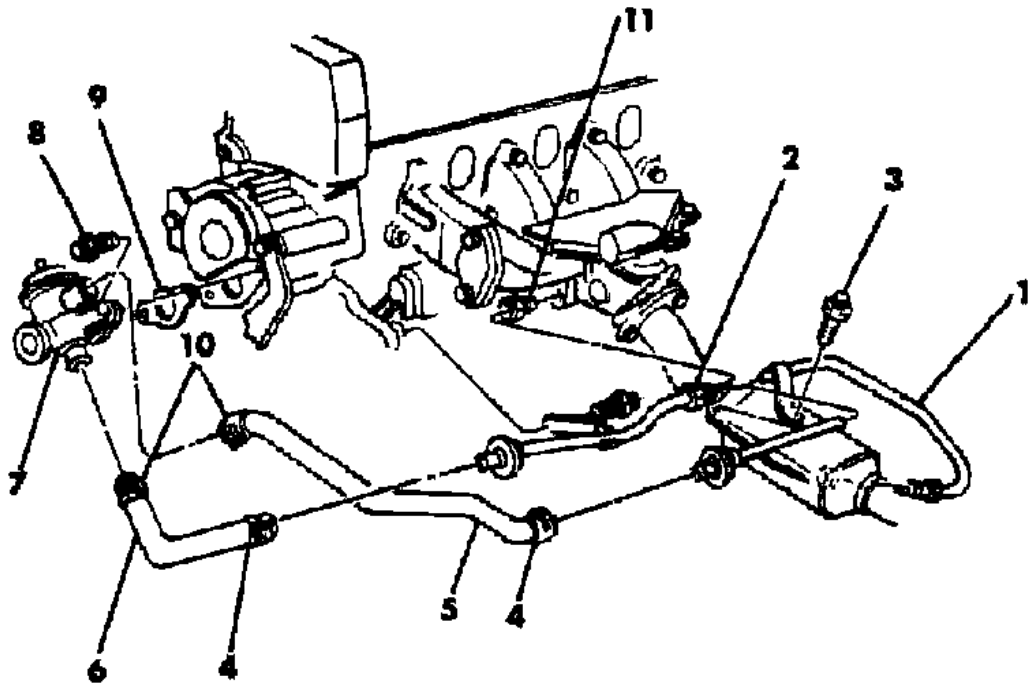
21 = 2-DOOR SEDAN	41 = 4-DOOR SEDAN
22 = 2-DOOR SPECIAL COUPE	45 = 4-DOOR STATION WAGON
24 = 2-DOOR HATCHBACK	44 = 4-DOOR HATCHBACK
27 = 2-DOOR CONVERTIBLE	48 = EXECUTIVE SEDAN
28 = FWD PICKUP	

AR = Use as Required - = Non Illustrated Part P.A.R. = Paint as Required

TUBING, AIR PUMP 2.2L  
Figure 25-600

3125 600

ITEM	PART NUMBER	QTY	BODY	MODEL	DESCRIPTION
1	4275 812	1		P,D,C,V	TUBE, Comb. Valve to Catalyst
	4227 167	1		M,Z	
2	4227 863	1			TUBE, Comb. Valve to Exh. Man. up to 1-3-83
	4241 556	1			After 1-3-83
3	6100 276	1			SCREW w/WASHER
4	2448 761	AR			CLAMP
5	4275 815	1		P,D,C,V	HOSE, Comb. Valve to Catalyst Tube
	4227 168	1		M,Z	
6	4241 670	1			HOSE, Comb. Valve to Exh. Man. Tube
7	4275 053	1			VALVE, Air Switch & Relief
8	6500 423	2		P,D,C,V	BOLT
	6500 423	2		M,Z,24,	
	6500 423	2		M,Z,28	w/Calif.
	6500 499	1		M,Z,28	w/o Calif.
9	4179 700	1			GASKET, Air Switch & Relief Valve
10	2448 762	AR			CLAMP
11	6032 290	1			ADAPTER
12	4227 764	8			GASKET, Air Inj. Tube to Exh. Man.
13	4227 763	4			TUBE, Bolt & Air Inj.
14	4227 762	1			TUBE, Diverter Valve to Exh. Man.
15	4268 483	1			TUBE, Diverter Valve to Exh. Man. Tube



MODEL CODES

B = GRAN FURY	G = DIPLOMAT	V = 400
C = LEBARON/TOWN & COUNTRY	M = HORIZON/TURISMO/SCAMP	X = MIRADA
D = ARIES	P = RELIANT	Y = IMPERIAL
E = 600	S = CORDOBA	Z = OMNI/CHARGER/RAMPAGE
F = FIFTH AVENUE	T = E CLASS/NEWYORKER	

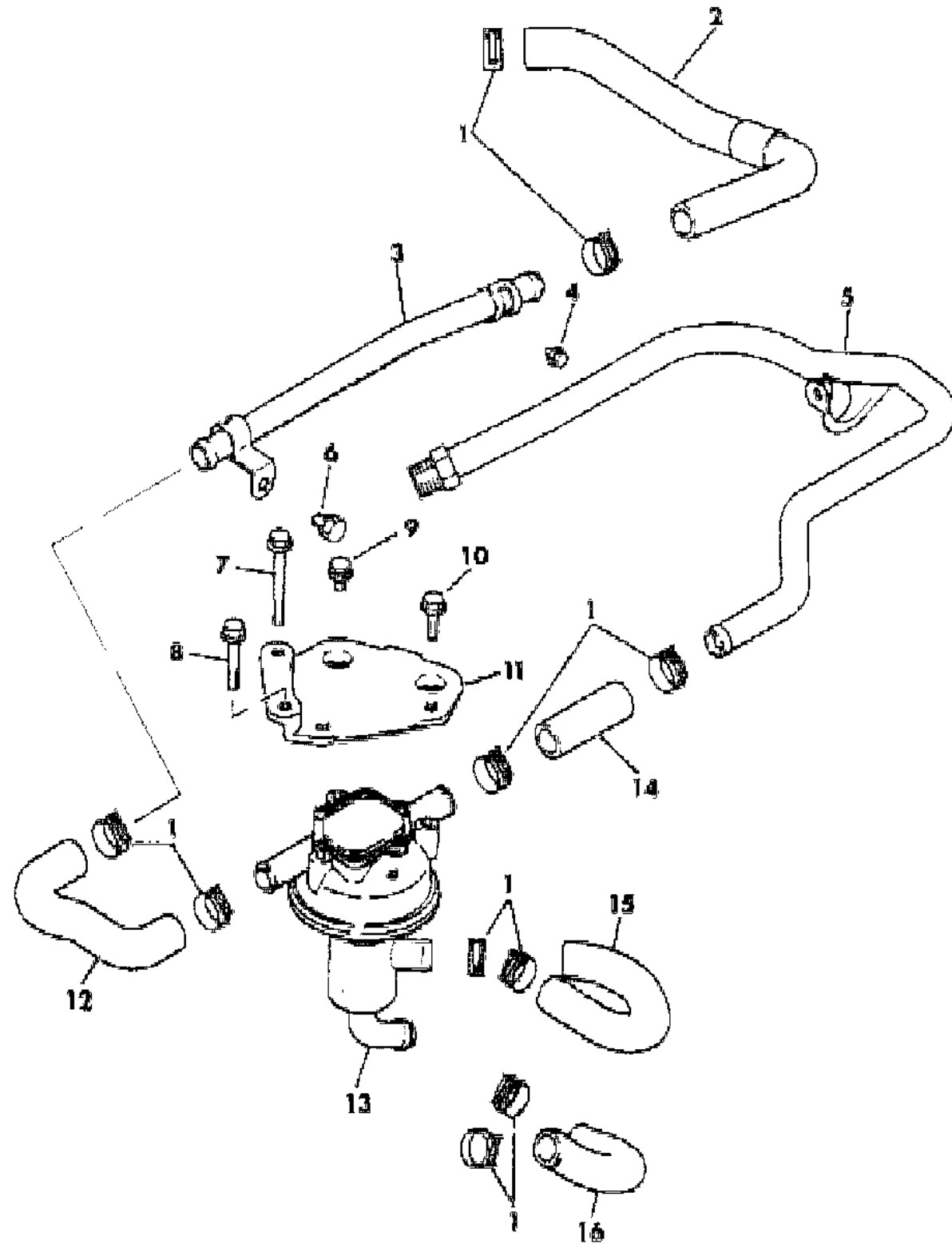
BODY STYLES

21 = 2-DOOR SEDAN	41 = 4-DOOR SEDAN
22 = 2-DOOR SPECIAL COUPE	45 = 4-DOOR STATION WAGON
24 = 2-DOOR HATCHBACK	44 = 4-DOOR HATCHBACK
27 = 2-DOOR CONVERTIBLE	48 = EXECUTIVE SEDAN
28 = FWD PICKUP	

AR = Use as Required - = Non Illustrated Part P.A.R. = Paint as Required

**AIR SUPPLY, SECONDARY 2.6L**  
**Figure 25-700**

1135 700



ITEM	PART NUMBER	QTY	BODY	MODEL	DESCRIPTION
1	MS66 0170	6			CLIP, Hose (26)
2	MD02 5123	1			HOSE, Air
3	MD02 5122	1			PIPE, Air
4	MF24 4822	1			BOLT, Washer Assembled (6x12)
5	MD02 7227	1			PIPE, Air
6	MF24 0078	1			BOLT, Washer Assembled (10x16)
7	MF14 0040	1			BOLT, Flange (8x75)
8	MF14 0035	1			BOLT, Flange (8x50)
9	MF14 0021	3			BOLT, Flange (8x12)
10	MF14 0029	1			BOLT, Flange (8x30)
11	MD02 5585	1			BRACKET
12	MD02 4774	1			HOSE, Air
13	MD02 5587	1			PULSE AIR FEEDER
14	MD02 5566	1			HOSE, Air
15	MD02 5686	1			HOSE, Pulse
16	MD02 5687	1			HOSE, Pulse

**MODEL CODES**

B = GRAN FURY	G = DIPLOMAT	V = 400
C = LEBARON/TOWN & COUNTRY	M = HORIZON/TURISMO/SCAMP	X = MIRADA
D = ARIES	P = RELIANT	Y = IMPERIAL
E = 600	S = CORDOBA	Z = OMNI/CHARGER/RAMPAGE
F = FIFTH AVENUE	T = E CLASS/NEWYORKER	

**BODY STYLES**

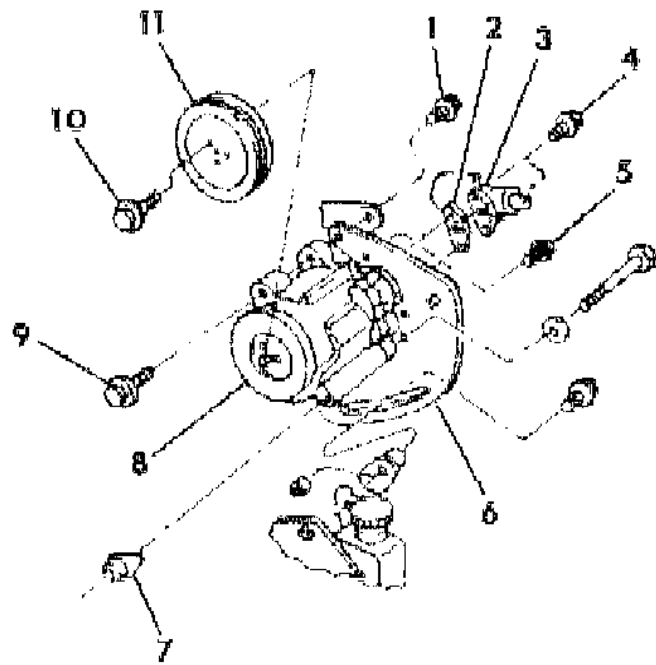
21 = 2-DOOR SEDAN	41 = 4-DOOR SEDAN
22 = 2-DOOR SPECIAL COUPE	45 = 4-DOOR STATION WAGON
24 = 2-DOOR HATCHBACK	44 = 4-DOOR HATCHBACK
27 = 2-DOOR CONVERTIBLE	48 = EXECUTIVE SEDAN
28 = FWD PICKUP	

AR = Use as Required - = Non Illustrated Part P.A.R. = Paint as Required

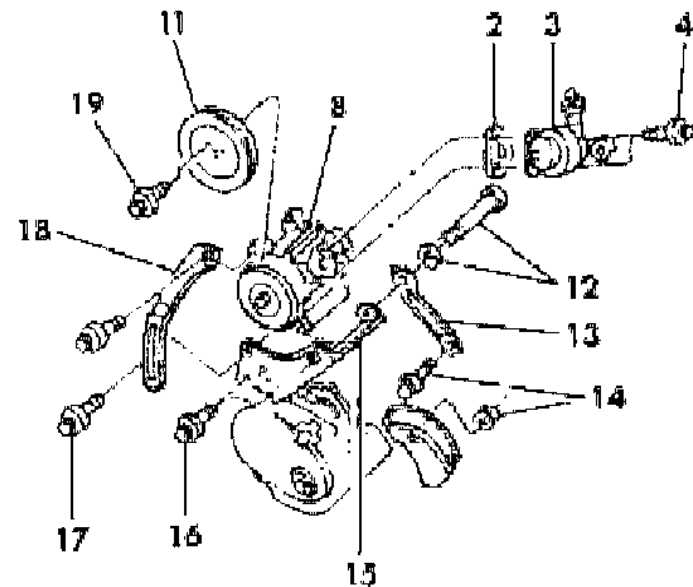


PUMP, AIR 225 ENGINE  
Figure 25-800

3125 903



W/AIR CONDITIONING



W/O AIR CONDITIONING

ITEM	PART NUMBER	QTY	BODY	MODEL	DESCRIPTION
1	6500 365	1			BOLT
2	4179 700	1			GASKET, Air Switch & Relief Valve
3	4227 670	1			VALVE, Air Switch & Relief
4	6500 423	2			SCREW w/WASHER
5	6027 846	2			SCREW w/WASHER
6	4179 790	1			BRACKET, Air Pump Mtg. - Rear
7	0152 344	1			NUT, Stamped
8					PUMP, Air
	4268 961	1			w/Air Cond.
	4268 963	1			w/o Air Cond.
9	6500 460	1			BOLT
10	6100 265	3			SCREW w/WASHER
11	4241 645	1			PULLEY, Air Pump
12	6101 252	1			BOLT
	6100 129	1			WASHER
13	4179 862	1			SUPPORT, Air Pump to Eng. Mtg.
14	6022 258	1			SCREW w/WASHER
	0118 615	1			NUT
15	4179 780	1			BRACKET, Air Pump Mtg.
16	6024 487	2			SCREW w/WASHER
17	6101 051	AR			SCREW w/WASHER
18	4179 791	1			STRAP, Air Pump Adj.
19	6100 265	3			SCREW w/WASHER

MODEL CODES

B = GRAN FURY	G = DIPLOMAT	V = 400
C = LEBARON/TOWN & COUNTRY	M = HORIZON/TURISMO/SCAMP	X = MIRADA
D = ARIES	P = RELIANT	Y = IMPERIAL
E = 600	S = CORDOBA	Z = OMNI/CHARGER/RAMPAGE
F = FIFTH AVENUE	T = E CLASS/NEWYORKER	

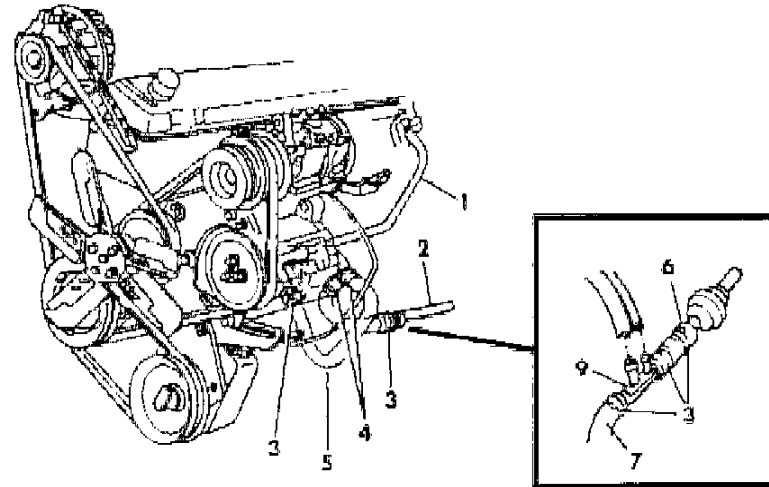
BODY STYLES

21 = 2-DOOR SEDAN	41 = 4-DOOR SEDAN
22 = 2-DOOR SPECIAL COUPE	45 = 4-DOOR STATION WAGON
24 = 2-DOOR HATCHBACK	44 = 4-DOOR HATCHBACK
27 = 2-DOOR CONVERTIBLE	48 = EXECUTIVE SEDAN
28 = FWD PICKUP	

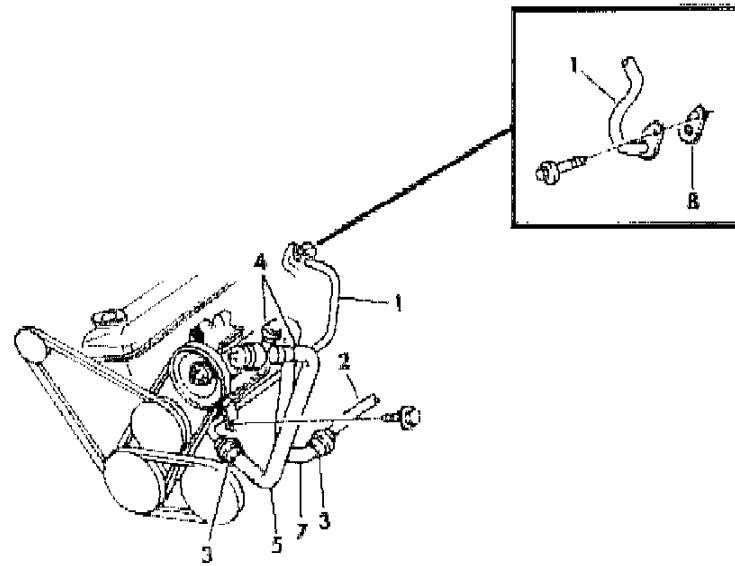
AR = Use as Required - = Non Illustrated Part P.A.R. = Paint as Required

**TUBING, AIR PUMP 225 ENGINE**  
**Figure 25-900**

3125 900A



W/AIR CONDITIONING



W/O AIR CONDITIONING

ITEM	PART NUMBER	QTY	BODY	MODEL	DESCRIPTION
1	4179 999	1			TUBE, Cyl. Head Air Inj.
2	4227 847	1			TUBE, Vac. to Exh. Pipe Downstream
3	2448 761	AR			CLAMP
4	3870 465	2			CLAMP
5					HOSE, Comb. Valve to Air Inj. Tube
	4173 491	1			w/Air Cond.
	4179 986	1			w/o Air Cond.
6	4227 942	1			HOSE, Pressure Purge Nipple to Exh. Pipe Tube
7					HOSE, Air Switch Valve to Pressure Purge Nipple
	4227 943	1			w/Air Cond.
	4201 156	1			w/o Air Cond.
8	3671 142	1			GASKET, Air Inj. Tube
	3751 249	1			COVER, Exh. Man. Air Inj.
9	4227 772	1			NIPPLE, Canister Pressure

MODEL CODES

B = GRAN FURY	G = DIPLOMAT	V = 400
C = LEBARON/TOWN & COUNTRY	M = HORIZON/TURISMO/SCAMP	X = MIRADA
D = ARIES	P = RELIANT	Y = IMPERIAL
E = 600	S = CORDOBA	Z = OMNI/CHARGER/RAMPAGE
F = FIFTH AVENUE	T = E CLASS/NEWYORKER	

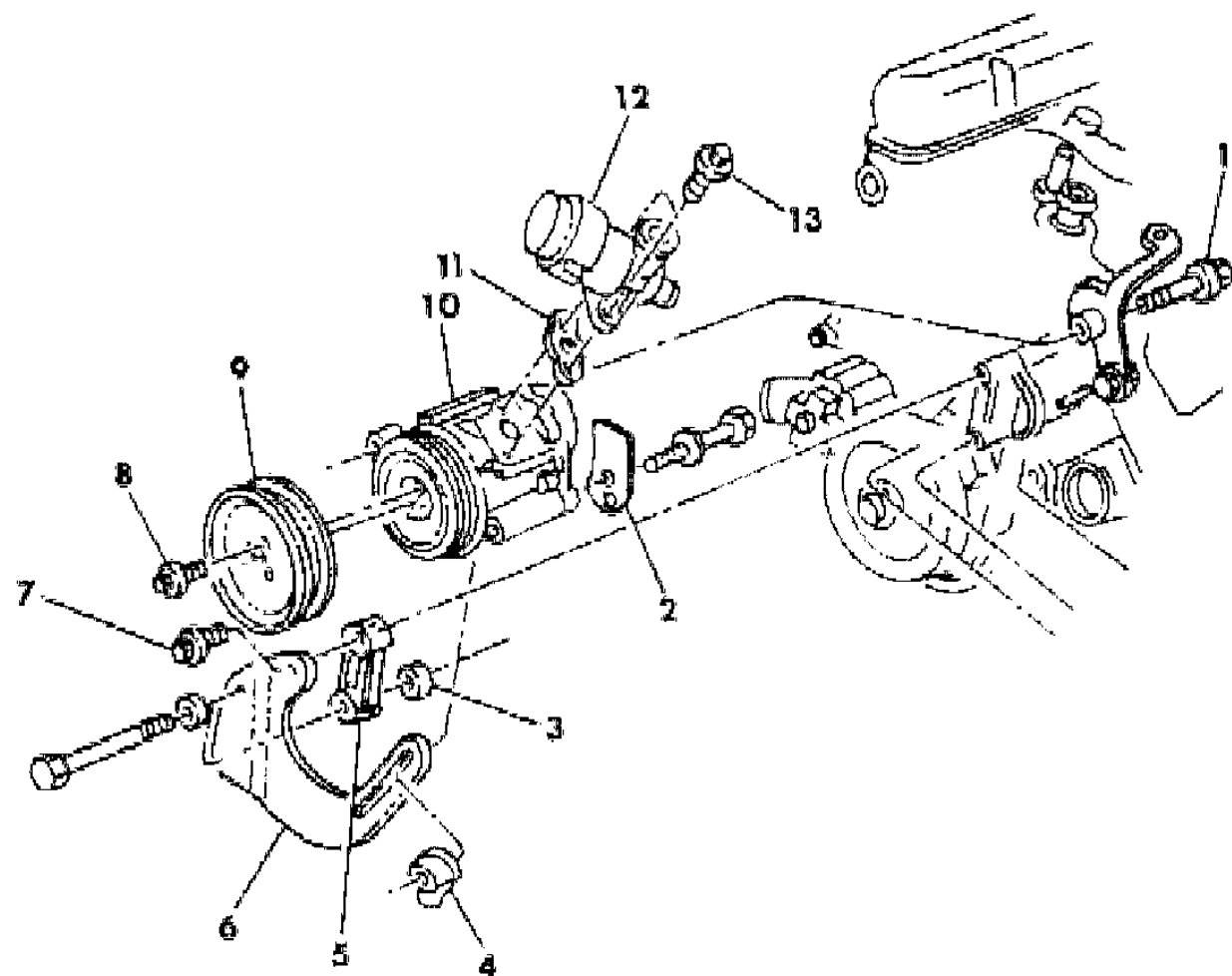
BODY STYLES

21 = 2-DOOR SEDAN	41 = 4-DOOR SEDAN
22 = 2-DOOR SPECIAL COUPE	45 = 4-DOOR STATION WAGON
24 = 2-DOOR HATCHBACK	44 = 4-DOOR HATCHBACK
27 = 2-DOOR CONVERTIBLE	48 = EXECUTIVE SEDAN
28 = FWD PICKUP	

AR = Use as Required - = Non Illustrated Part P.A.R. = Paint as Required

**PUMP, AIR 318 ENGINE**  
**Figure 25-1000**

3125 1000



ITEM	PART NUMBER	QTY	BODY	MODEL	DESCRIPTION
1	6101 056	1			SCREW w/WASHER up to 5-18-83
	6101 375	1			after 5-18-83
2	4273 150	1			BRACKET, Air Pump Adj.
3	2129 856	1			SPACER
4	0152 344	1			NUT, Stamped
5	4179 440	1			SPACER
6	4179 910	1			BRACKET, Air Pump Mtg. - Front
7	6101 051	1			SCREW w/WASHER
8	6100 265	3			SCREW w/WASHER
9	3870 088	1			PULLEY, Air Pump
10	4268 963	1			PUMP, Air
11	4179 700	1			GASKET, Air Sw. & Relief Valve or Diverter Valve
12	4179 719	1			VALVE, Diverter
	4227 670	1			VALVE, Air Switch & Relief
13					BRACKET, Air Pump Mtg. - Rear
	4201 473	1			2 Bbl.
	4201 474	1			4 Bbl.

**MODEL CODES**

B = GRAN FURY	G = DIPLOMAT	V = 400
C = LEBARON/TOWN & COUNTRY	M = HORIZON/TURISMO/SCAMP	X = MIRADA
D = ARIES	P = RELIANT	Y = IMPERIAL
E = 600	S = CORDOBA	Z = OMNI/CHARGER/RAMPAGE
F = FIFTH AVENUE	T = E CLASS/NEWYORKER	

**BODY STYLES**

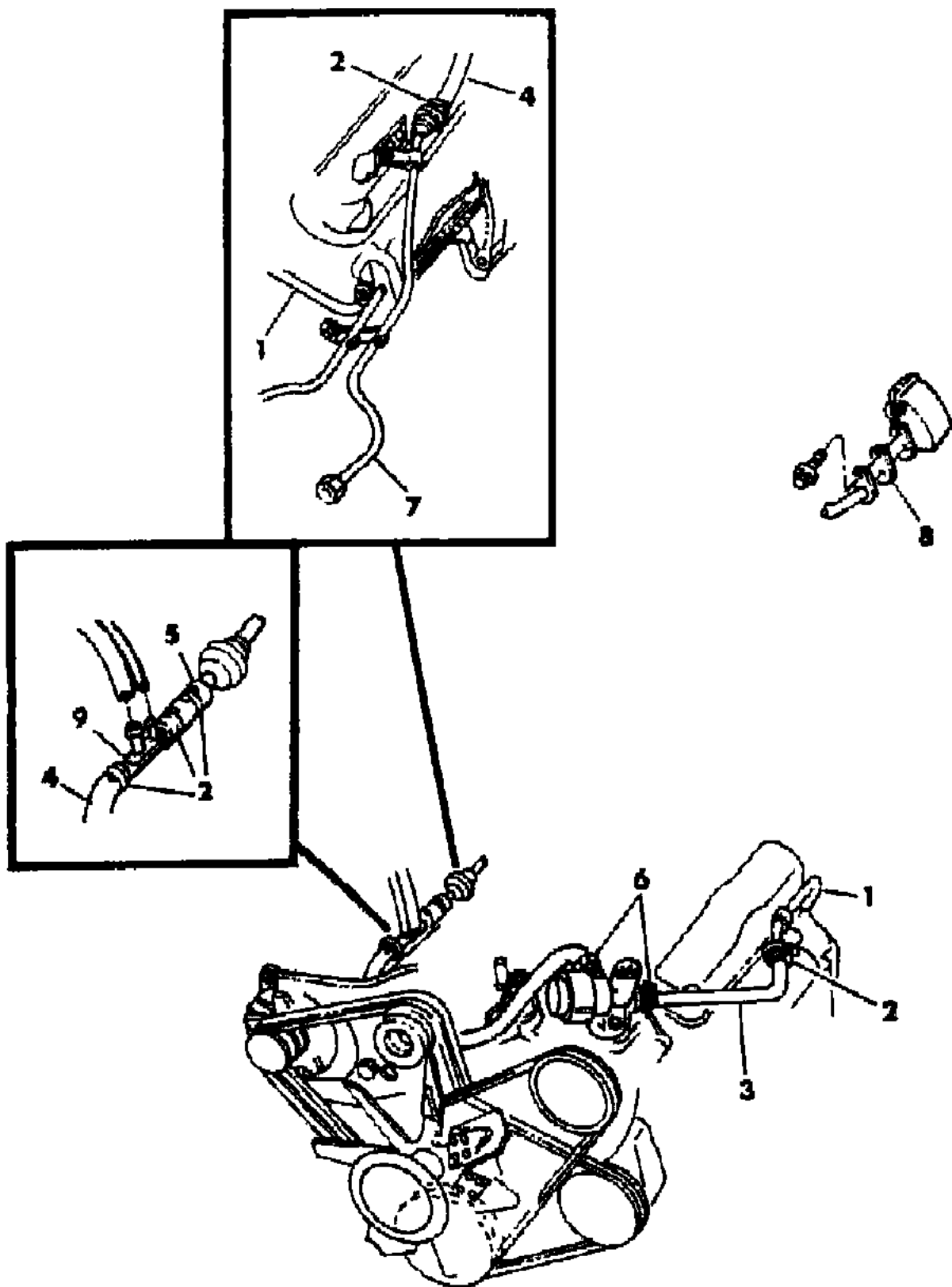
21 = 2-DOOR SEDAN	41 = 4-DOOR SEDAN
22 = 2-DOOR SPECIAL COUPE	45 = 4-DOOR STATION WAGON
24 = 2-DOOR HATCHBACK	44 = 4-DOOR HATCHBACK
27 = 2-DOOR CONVERTIBLE	48 = EXECUTIVE SEDAN
28 = FWD PICKUP	

AR = Use as Required - = Non Illustrated Part P.A.R. = Paint as Required

TUBING, AIR PUMP 318 ENGINE  
Figure 25-1100

3125 1100A

ITEM	PART NUMBER	QTY	BODY	MODEL	DESCRIPTION
1	4179 893	1			VALVE, Crossover Air Inj. & Exh. Check
2	2448 761	AR			CLAMP
	2448 763	1			CLAMP
3	4179 884	1			HOSE, Div. or Comb. Valve to Air Inj. Tube or Crossover
4	4179 885	1			HOSE, Air Switch Valve to Cat. Tube w/EFI
	4227 945	1			HOSE, Air Sw. Valve to Press. Purge Nipple w/o EFI
5	4227 946	1			HOSE, Press. Purge Nipple to Cat. Conv. Tube
6	3870 465	AR			CLAMP
7	4104 161	1			TUBE, Air Sw. Valve to Catalyst Downstream
8	3671 142	2			GASKET, Air Inj. Tube
	3751 249	2			COVER, Exh. Man. Air Inj.
9	4227 772	1			NIPPLE, Canister Pressure



MODEL CODES

B = GRAN FURY	G = DIPLOMAT	V = 400
C = LEBARON/TOWN & COUNTRY	M = HORIZON/TURISMO/SCAMP	X = MIRADA
D = ARIES	P = RELIANT	Y = IMPERIAL
E = 600	S = CORDOBA	Z = OMNI/CHARGER/RAMPAGE
F = FIFTH AVENUE	T = E CLASS/NEWYORKER	

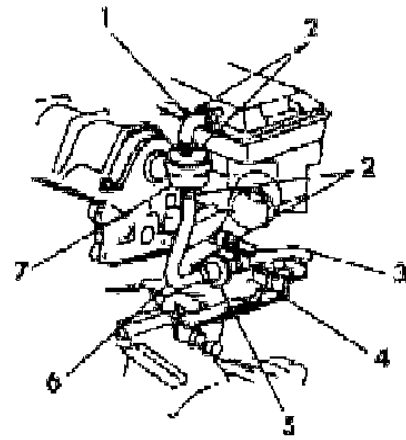
BODY STYLES

21 = 2-DOOR SEDAN	41 = 4-DOOR SEDAN
22 = 2-DOOR SPECIAL COUPE	45 = 4-DOOR STATION WAGON
24 = 2-DOOR HATCHBACK	44 = 4-DOOR HATCHBACK
27 = 2-DOOR CONVERTIBLE	48 = EXECUTIVE SEDAN
28 = FWD PICKUP	

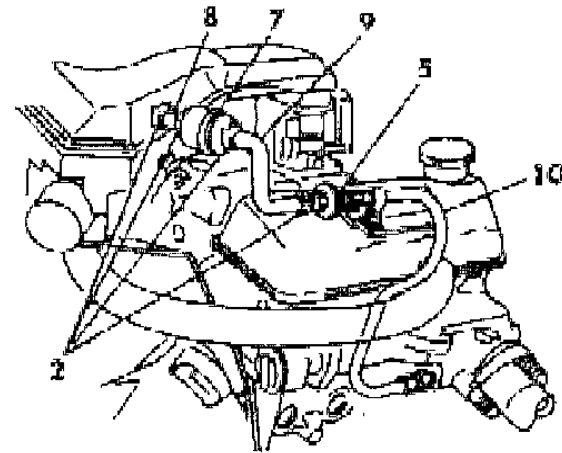
AR = Use as Required - = Non Illustrated Part P.A.R. = Paint as Required

**ASPIRATOR 1.6L - 2.2L ENGINE**  
**Figure 25-1175**

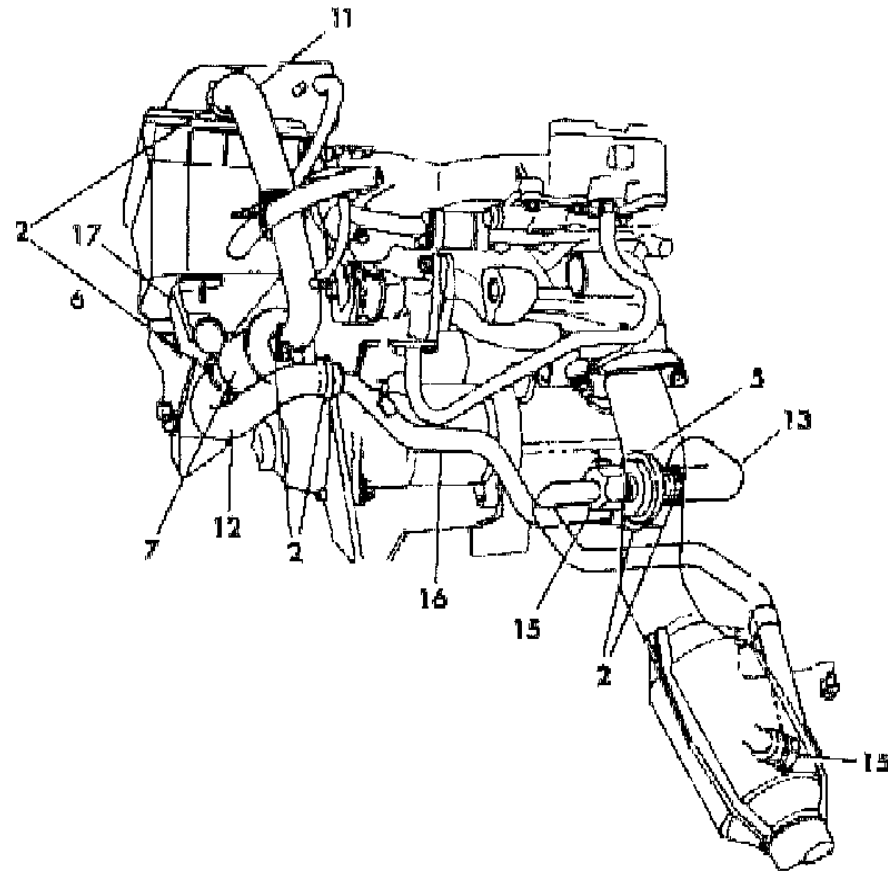
3125 1175 A



2.2 ENGINE (FEDERAL)



1.6 ENGINE (CANADA)



2.2 ENGINE W/T.B.I.

ITEM	PART NUMBER	QTY	BODY	MODEL	DESCRIPTION
1	4275 370	1			HOSE, Air Cleaner to Silencer
2	2448 761	AR			CLAMP
3	4275 807	1			TUBE, Exh. Man. to Aspirator
4	4275 804	1			BRACKET, Trans. to Aspirator
5	4041 966	1			VALVE, Aspirator
6	4275 389	1			HOSE, Aspirator to Silencer
7	4275 371	1			SILENCER
8	4275 369	1			HOSE, Air Cleaner to Silencer
9	4275 386	1			HOSE, Silencer to Aspirator
10	4275 813	1			TUBE, Exh. Man. to Aspirator
11	4287 706	1			HOSE, Air Cleaner to Silencer
12	4287 707	1			HOSE, Silencer to Tube
13	4275 373	1			HOSE, Aspirator to Tube
14	6100 276	1			SCREW
15	4275 378	1			TUBE, Downstream Aspirator
16	4275 545	1			TUBE, Aspirator Hose to Silencer Hose
17	6101 756	1			STRAP

MODEL CODES

B = GRAN FURY	G = DIPLOMAT	V = 400
C = LEBARON/TOWN & COUNTRY	M = HORIZON/TURISMO/SCAMP	X = MIRADA
D = ARIES	P = RELIANT	Y = IMPERIAL
E = 600	S = CORDOBA	Z = OMNI/CHARGER/RAMPAGE
F = FIFTH AVENUE	T = E CLASS/NEWYORKER	

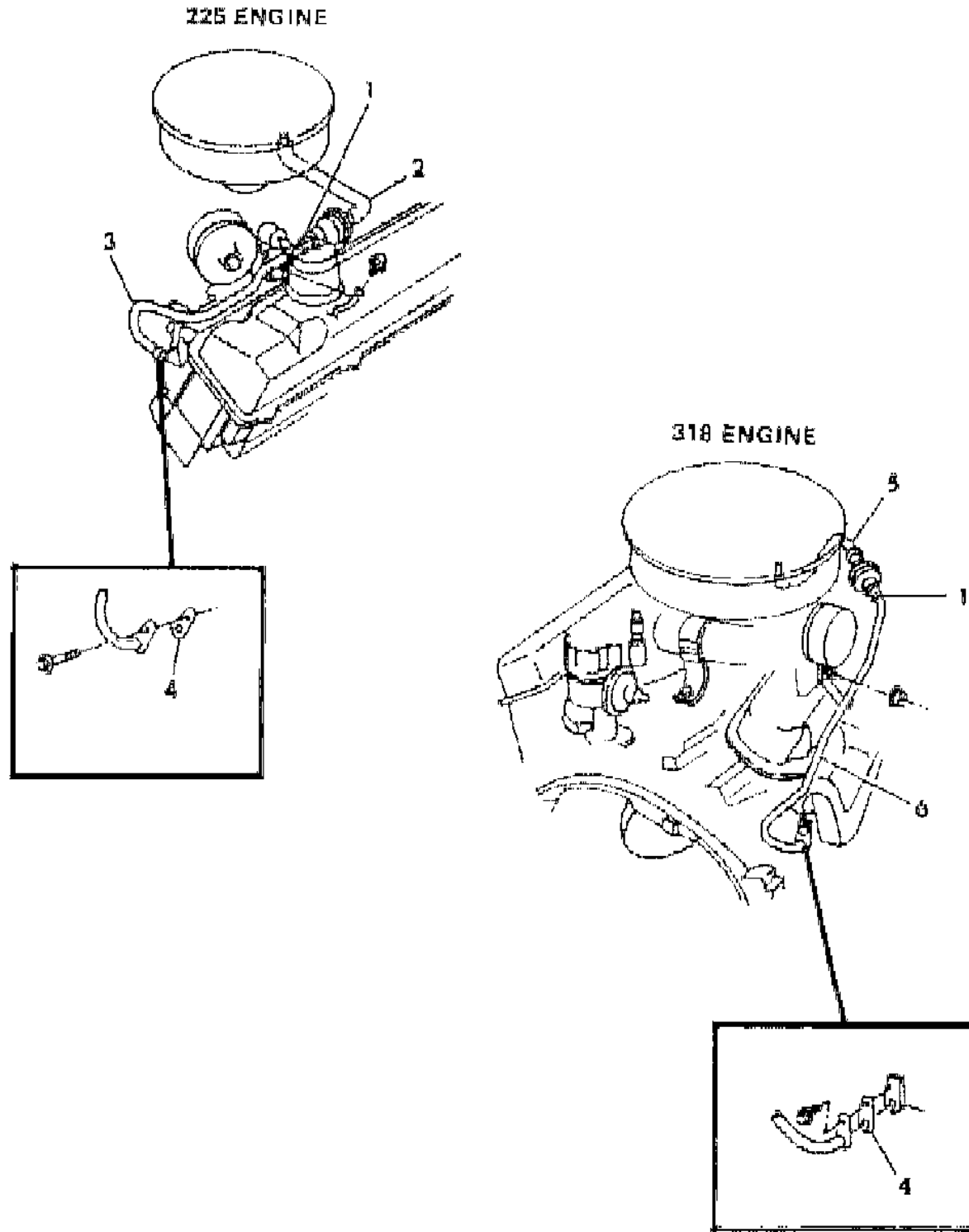
BODY STYLES

21 = 2-DOOR SEDAN	41 = 4-DOOR SEDAN
22 = 2-DOOR SPECIAL COUPE	45 = 4-DOOR STATION WAGON
24 = 2-DOOR HATCHBACK	44 = 4-DOOR HATCHBACK
27 = 2-DOOR CONVERTIBLE	48 = EXECUTIVE SEDAN
28 = FWD PICKUP	

AR = Use as Required - = Non Illustrated Part P.A.R. = Paint as Required

# ASPIRATOR Figure 25-1200

3125 1200A



ITEM	PART NUMBER	QTY	BODY	MODEL	DESCRIPTION
1	4041 966	1			VALVE, Aspirator
2	4201 049	1			HOSE, Aspirator to Air Cleaner
3	4104 430	1			TUBE, Aspirator
4	3671 142	AR			GASKET, Aspirator Tube
5	4112 666	1			HOSE, Aspirator to Air Cleaner
6	4115 360	1			TUBE, Aspirator

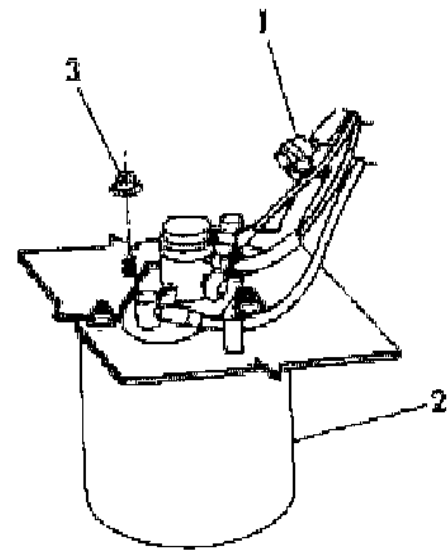
MODEL CODES  
 B = GRAN FURY                      G = DIPLOMAT                      V = 400  
 C = LEBARON/TOWN & COUNTRY    M = HORIZON/TURISMO/SCAMP    X = MIRADA  
 D = ARIES                            P = RELIANT                        Y = IMPERIAL  
 E = 600                                S = CORDOBA                        Z = OMNI/CHARGER/RAMPAGE  
 F = FIFTH AVENUE                    T = E CLASS/NEWYORKER

BODY STYLES  
 21 = 2-DOOR SEDAN                    41 = 4-DOOR SEDAN  
 22 = 2-DOOR SPECIAL COUPE        45 = 4-DOOR STATION WAGON  
 24 = 2-DOOR HATCHBACK            44 = 4-DOOR HATCHBACK  
 27 = 2-DOOR CONVERTIBLE          48 = EXECUTIVE SEDAN  
 28 = FWD PICKUP

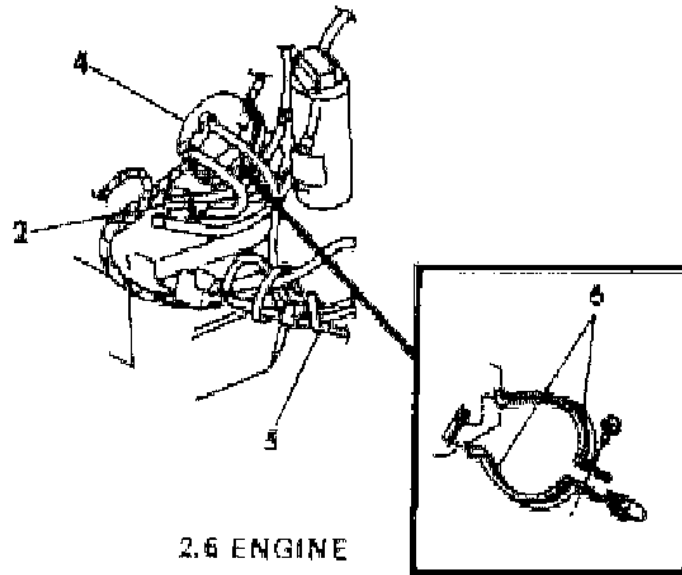
AR = Use as Required - = Non Illustrated Part P.A.R. = Paint as Required

**CANISTER, VAPOR**  
**Figure 25-1300**

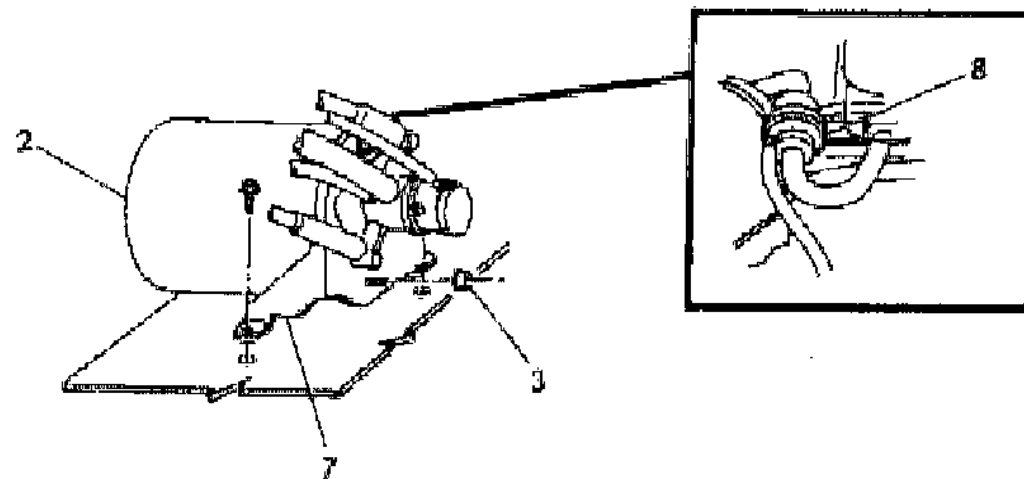
1125 1300



1.6-1.7-2.2 ENGINE



2.6 ENGINE



225 - 318 ENGINE

ITEM	PART NUMBER	QTY	BODY	MODEL	DESCRIPTION
1	5214 336	1			VALVE, Bowl Vent
2	4271 982	1			CANISTER, Vapor
	4241 838	1			3 Port
	4241 840	1			4 Port
	4241 842	1			5 Port - 225 Eng.
	4241 842	1			5 Port - 318 Eng.
3	0219 462	3			NUT w/WASHER
4	4241 837	1			CANISTER, Vapor Damper 2.6L Eng.
5	2936 405	1			STRAP, Hose Harness
6	4167 722	2			STRAP, Vapor Canister Damper Mtg.
7	4241 251	1			BRACKET, Canister Mtg.
8	4185 414	1			VALVE, Tank Vent By-Pass

MODEL CODES

B = GRAN FURY	G = DIPLOMAT	V = 400
C = LEBARON/TOWN & COUNTRY	M = HORIZON/TURISMO/SCAMP	X = MIRADA
D = ARIES	P = RELIANT	Y = IMPERIAL
E = 600	S = CORDOBA	Z = OMNI/CHARGER/RAMPAGE
F = FIFTH AVENUE	T = E CLASS/NEWYORKER	

BODY STYLES

21 = 2-DOOR SEDAN	41 = 4-DOOR SEDAN
22 = 2-DOOR SPECIAL COUPE	45 = 4-DOOR STATION WAGON
24 = 2-DOOR HATCHBACK	44 = 4-DOOR HATCHBACK
27 = 2-DOOR CONVERTIBLE	48 = EXECUTIVE SEDAN
28 = FWD PICKUP	

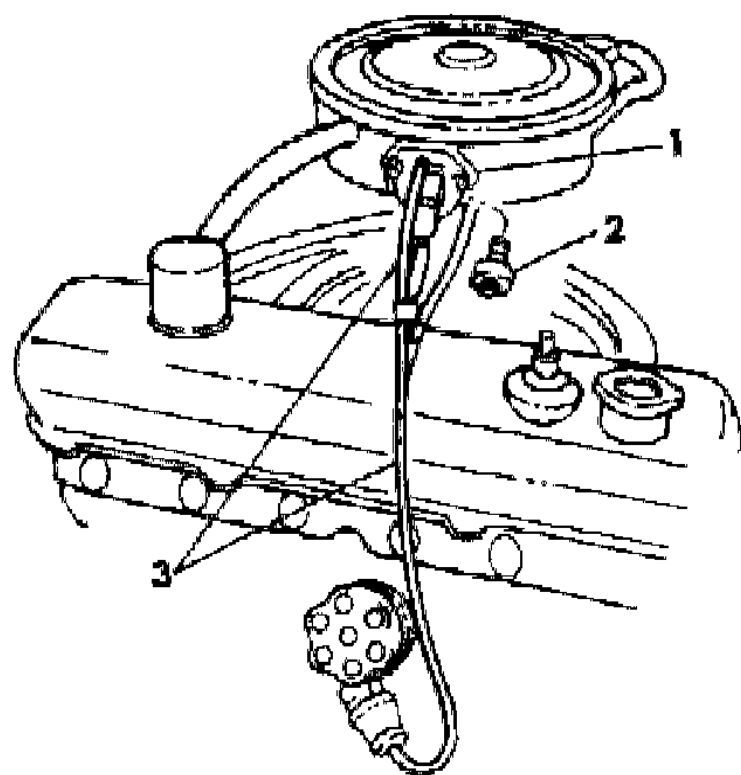
AR = Use as Required - = Non Illustrated Part P.A.R. = Paint as Required

**ORIFFICE SPARK ADVANCE 225 ENGINE**  
**Figure 25-1400**

3125 1400

ITEM	PART NUMBER	QTY	BODY	MODEL	DESCRIPTION
------	-------------	-----	------	-------	-------------

1	4091 994	1			VALVE, NOX Delay
2	6022 834	2			SCREW
3		AR			HARNESSES, Hose (not serviced)



**MODEL CODES**

B = GRAN FURY	G = DIPLOMAT	V = 400
C = LEBARON/TOWN & COUNTRY	M = HORIZON/TURISMO/SCAMP	X = MIRADA
D = ARIES	P = RELIANT	Y = IMPERIAL
E = 600	S = CORDOBA	Z = OMNI/CHARGER/RAMPAGE
F = FIFTH AVENUE	T = E CLASS/NEWYORKER	

**BODY STYLES**

21 = 2-DOOR SEDAN	41 = 4-DOOR SEDAN
22 = 2-DOOR SPECIAL COUPE	45 = 4-DOOR STATION WAGON
24 = 2-DOOR HATCHBACK	44 = 4-DOOR HATCHBACK
27 = 2-DOOR CONVERTIBLE	48 = EXECUTIVE SEDAN
28 = FWD PICKUP	

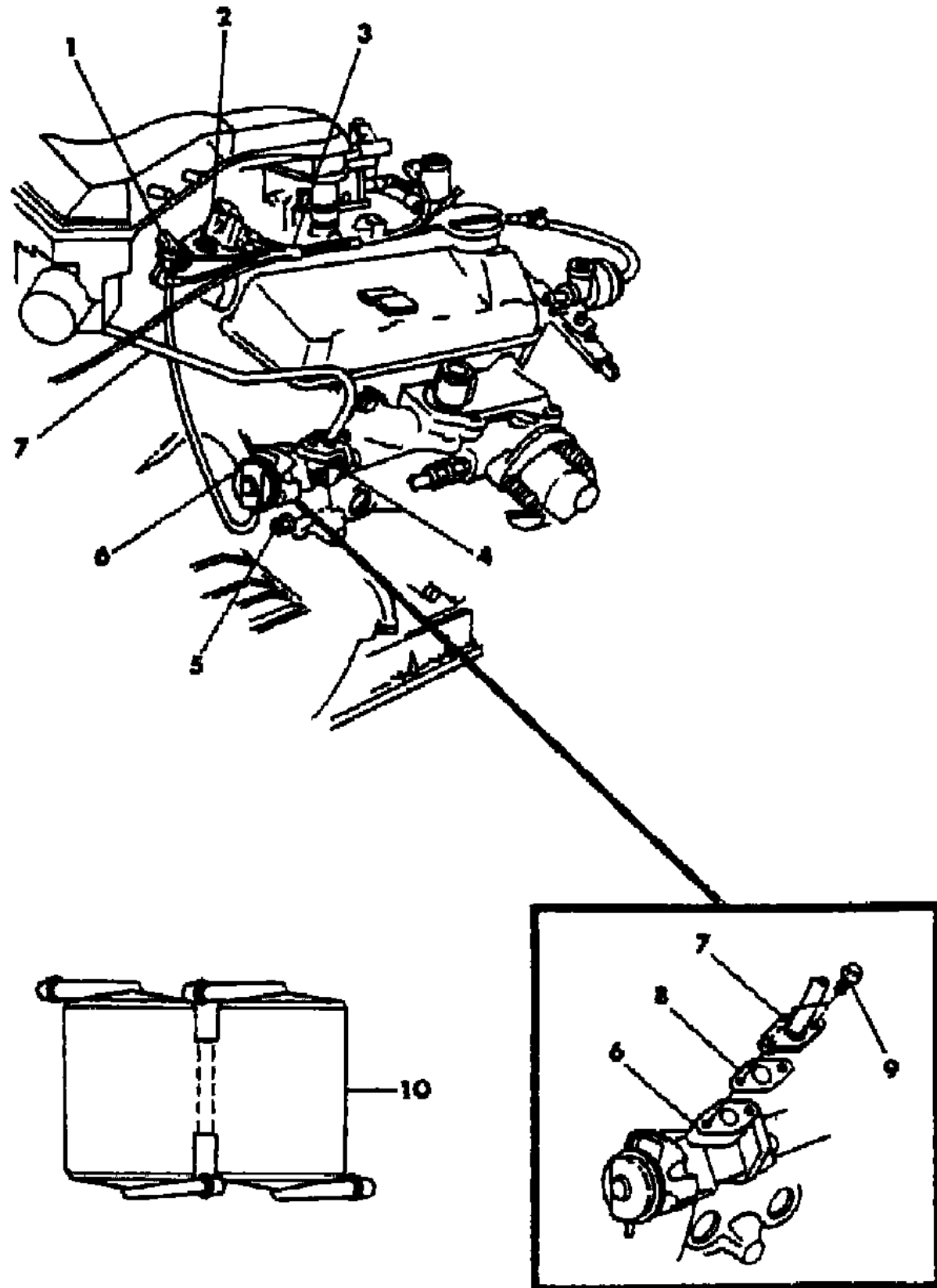
AR = Use as Required - = Non Illustrated Part P.A.R. = Paint as Required



# EXHAUST GAS RECIRCULATION SYSTEM (EGR) 1.6L

Figure 25-1500

3125 3500A



ITEM	PART NUMBER	QTY	BODY	MODEL	DESCRIPTION
1	3879 736	1			SWITCH, CCEGR - stamped 549 - Black
2	4049 208	1			SWITCH, CCEV - Orange
3		AR			HARNASS, Hose (not serviced)
4	4201 313	1			GASKET, EGR Valve to Exh. Man.
5	6500 182	2			NUT
6					VALVE, EGR
	4271 966	1			stamped 4287412, 4300412
	4267 246	1			stamped 4287402, 4300402
	4271 856	1			stamped 4287401, 4300401
	4293 754	1			stamped 4287424, 4300424
7	4268 059	1			TUBE, EGR Valve to Intake Man. Crossover
8	4201 384	1			GASKET, EGR Valve to Tube Flange
9	6500 464	2			SCREW
10					RESERVOIR, Vacuum
	4104 176	1			Right
	4104 177	1			Left (white paint on tab)

MODEL CODES

B = GRAN FURY	G = DIPLOMAT	V = 400
C = LEBARON/TOWN & COUNTRY	M = HORIZON/TURISMO/SCAMP	X = MIRADA
D = ARIES	P = RELIANT	Y = IMPERIAL
E = 600	S = CORDOBA	Z = OMNI/CHARGER/RAMPAGE
F = FIFTH AVENUE	T = E CLASS/NEWYORKER	

BODY STYLES

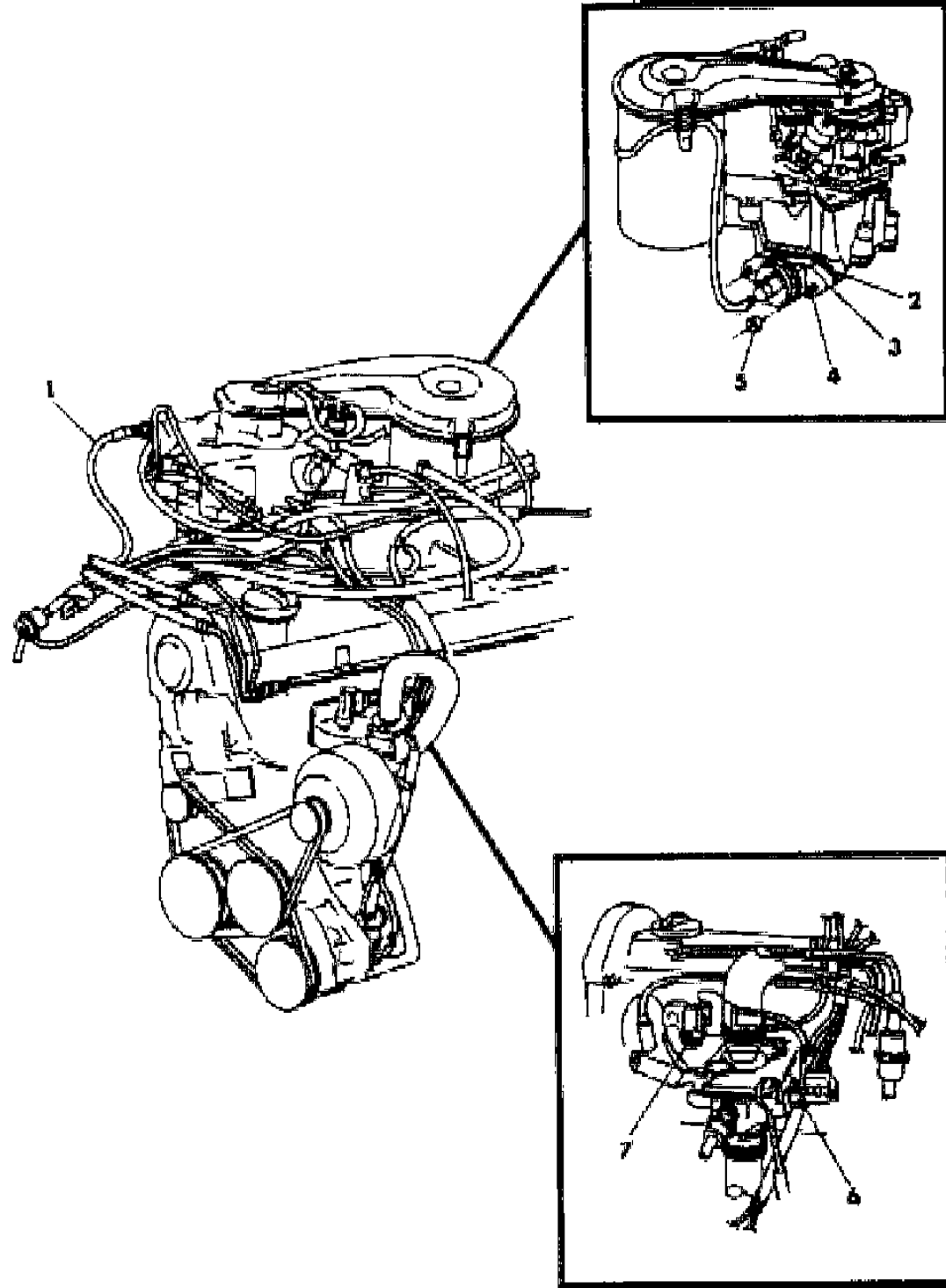
21 = 2-DOOR SEDAN	41 = 4-DOOR SEDAN
22 = 2-DOOR SPECIAL COUPE	45 = 4-DOOR STATION WAGON
24 = 2-DOOR HATCHBACK	44 = 4-DOOR HATCHBACK
27 = 2-DOOR CONVERTIBLE	48 = EXECUTIVE SEDAN
28 = FWD PICKUP	

AR = Use as Required - = Non Illustrated Part P.A.R. = Paint as Required

# EXHAUST GAS RECIRCULATION SYSTEM (EGR) 1.7L

Figure 25-1600

3128 1800



ITEM	PART NUMBER	QTY	BODY	MODEL	DESCRIPTION
1		AR			HARNES, Hose (not serviced)
2	4173 167	1			GASKET, EGR Valve Flange
3					VALVE, EGR
	4287 356	1			stamped 4287356
	4287 351	1			stamped 4287351
	4287 354	1			stamped 4287354
4	6100 732	2			STUD
5	6500 182	1			NUT
6	3879 736	1			SWITCH, CCEGR - stamped 549 - Black
7	4049 208	1			SWITCH, CCEV - Orange

MODEL CODES

B = GRAN FURY	G = DIPLOMAT	V = 400
C = LEBARON/TOWN & COUNTRY	M = HORIZON/TURISMO/SCAMP	X = MIRADA
D = ARIES	P = RELIANT	Y = IMPERIAL
E = 600	S = CORDOBA	Z = OMNI/CHARGER/RAMPAGE
F = FIFTH AVENUE	T = E CLASS/NEWYORKER	

BODY STYLES

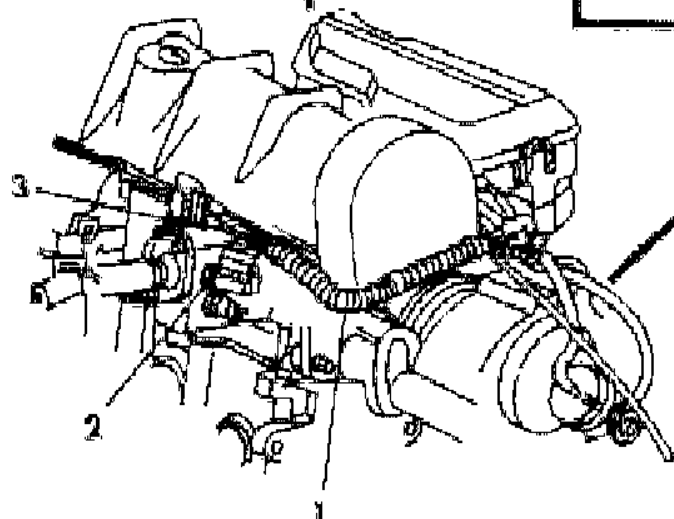
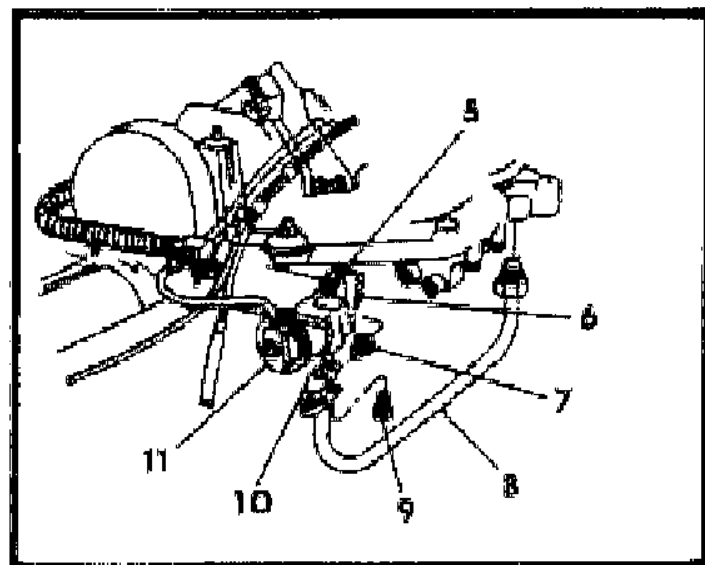
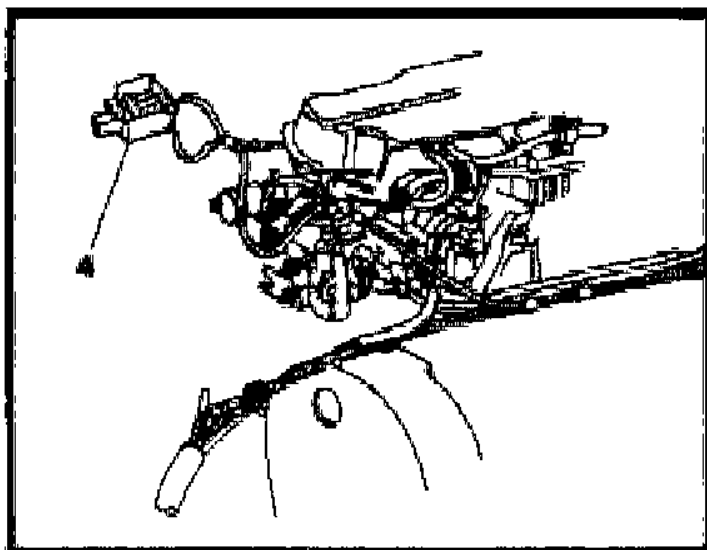
21 = 2-DOOR SEDAN	41 = 4-DOOR SEDAN
22 = 2-DOOR SPECIAL COUPE	45 = 4-DOOR STATION WAGON
24 = 2-DOOR HATCHBACK	44 = 4-DOOR HATCHBACK
27 = 2-DOOR CONVERTIBLE	48 = EXECUTIVE SEDAN
28 = FWD PICKUP	

AR = Use as Required - = Non Illustrated Part P.A.R. = Paint as Required

# EXHAUST GAS RECIRCULATION SYSTEM (EGR) 2.2L

Figure 25-1700

3125 1700



ITEM	PART NUMBER	QTY	BODY	MODEL	DESCRIPTION
1		AR			HARNASS, Hose (not serviced)
2					SWITCH, CCEGR
	4049 277	1			stamped 351 - Black
	3879 736	1			stamped 549 - Black
3					SWITCH, CCEV
	3879 707	1			stamped 3870654 - Natural
	4049 276	1			stamped 3870528 - Green
4					SOLENOID, Vac. Valve A/C
	4240 417	1			SOLENOID, Dual Vacuum w/TBI
	5213 698	1			SOLENOID, Dual Vacuum w/TBI
	4104 168	1			HOSE, Vac. Sol. Valve A/C Speed Up
5					STUD
	6500 498	2			STUD
6					GASKET, EGR Valve to Exh. Man.
	4201 313	1			GASKET, EGR Valve to Exh. Man.
	4201 383	1			COVER, Exh. Man. EGR Valve Flange
7					NUT
	6500 182	2			NUT
8					TUBE, EGR Valve to Intake Man. Crossover
	4268 797	1			TUBE, EGR Valve to Intake Man. Crossover
9					SCREW
	6500 464	2			SCREW
10					GASKET, EGR Valve to Tube Flange
	4201 384	1			GASKET, EGR Valve to Tube Flange
11					VALVE, EGR
	4287 407	1			stamped 4287407
	4300 407	1			stamped 4300407
	4287 408	1			stamped 4287408
	4300 408	1			stamped 4300408
	4287 401	1			stamped 4287401
	4300 401	1			stamped 4300401
	4271 898	1			stamped 4287409, 4300409
	4287 402	1			stamped 4287402
	4300 402	1			stamped 4300402
	4287 404	1			stamped 4287404
	4300 404	1			stamped 4300404
	4293 741	1			stamped 4287419, 4300419
	4293 742	1			stamped 4287420, 4300420
	4287 403	1			stamped 4287403
	4300 403	1			stamped 4300403
	4287 426	1			stamped 4287426
	4300 426	1			stamped 4300426
	4287 421	1			stamped 4287421
	4300 421	1			stamped 4300421

MODEL CODES

B = GRAN FURY	G = DIPLOMAT	V = 400
C = LEBARON/TOWN & COUNTRY	M = HORIZON/TURISMO/SCAMP	X = MIRADA
D = ARIES	P = RELIANT	Y = IMPERIAL
E = 600	S = CORDOBA	Z = OMNI/CHARGER/RAMPAGE
F = FIFTH AVENUE	T = E CLASS/NEWYORKER	

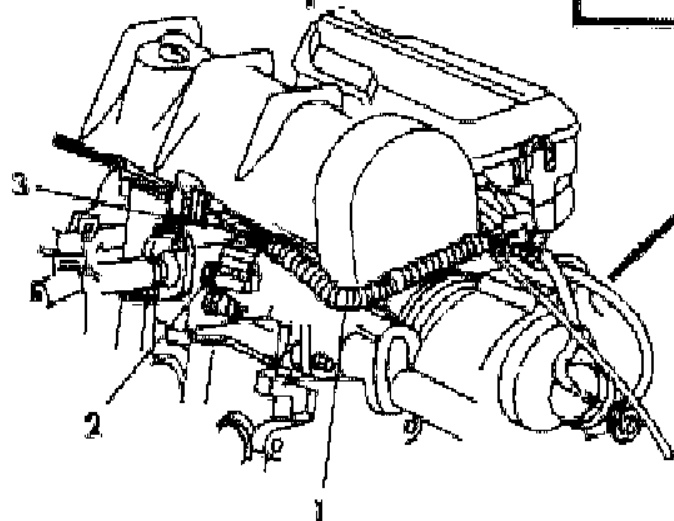
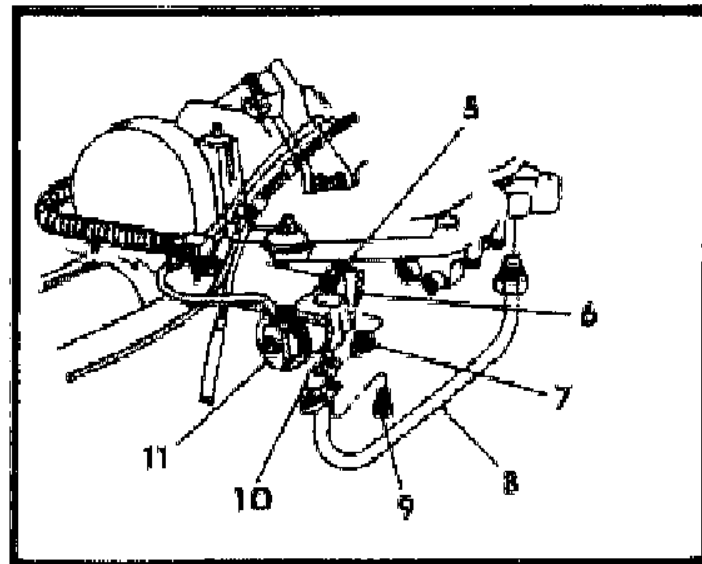
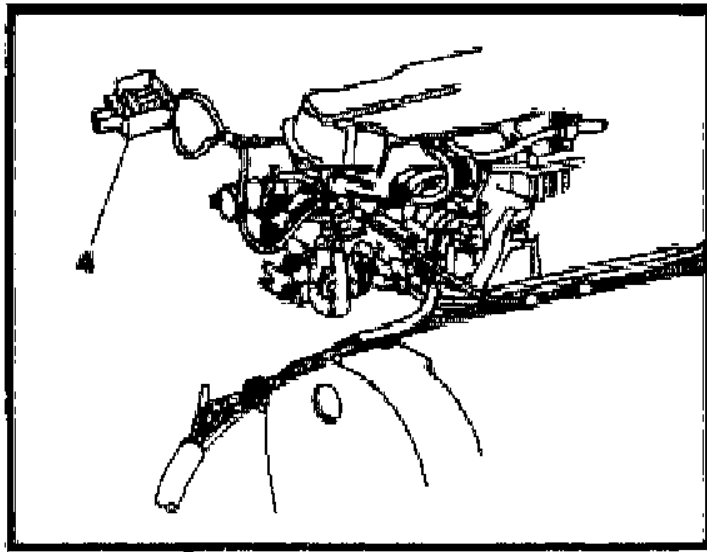
BODY STYLES

21 = 2-DOOR SEDAN	41 = 4-DOOR SEDAN
22 = 2-DOOR SPECIAL COUPE	45 = 4-DOOR STATION WAGON
24 = 2-DOOR HATCHBACK	44 = 4-DOOR HATCHBACK
27 = 2-DOOR CONVERTIBLE	48 = EXECUTIVE SEDAN
28 = FWD PICKUP	

AR = Use as Required - = Non Illustrated Part P.A.R. = Paint as Required

**EXHAUST GAS RECIRCULATION SYSTEM (EGR) 2.2L**  
**Figure 25-1700**

3125 1700



ITEM	PART NUMBER	QTY	BODY	MODEL	DESCRIPTION
	4293 738	1			stamped 4287422, 4300422
	4267 249	1			stamped 4287405, 4300405
	4287 423	1			stamped 4287423
	4300 423	1			stamped 4300423
	4287 427	1			stamped 4287424
	4300 427	1			stamped 4300424
	4287 801	1			stamped 4287801
	4287 802	1			stamped 4287802

MODEL CODES  
 B = GRAN FURY  
 C = LEBARON/TOWN & COUNTRY  
 D = ARIES  
 E = 600  
 F = FIFTH AVENUE  
 G = DIPLOMAT  
 M = HORIZON/TURISMO/SCAMP  
 P = RELIANT  
 S = CORDOBA  
 T = E CLASS/NEWYORKER  
 V = 400  
 X = MIRADA  
 Y = IMPERIAL  
 Z = OMNI/CHARGER/RAMPAGE

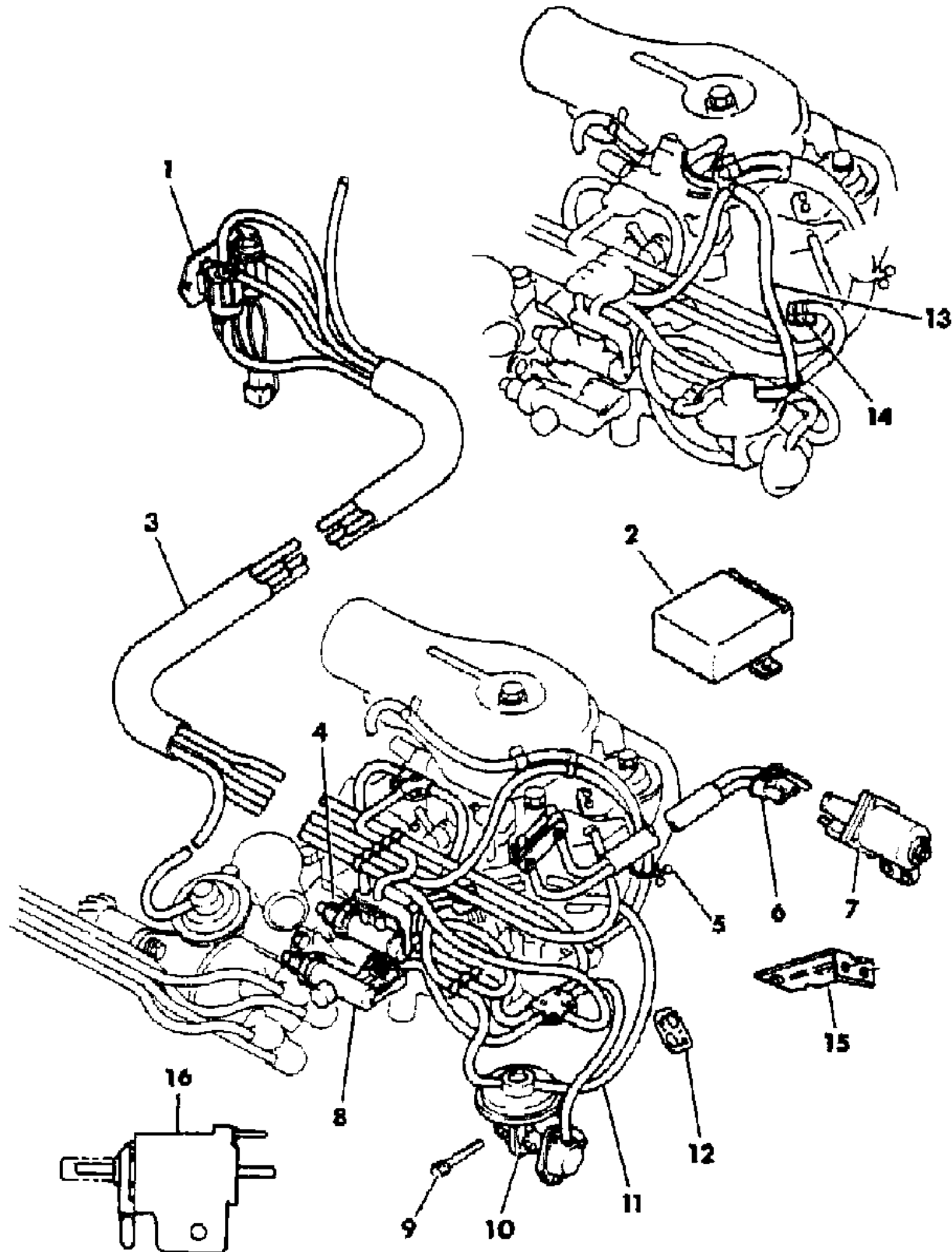
BODY STYLES  
 21 = 2-DOOR SEDAN  
 22 = 2-DOOR SPECIAL COUPE  
 24 = 2-DOOR HATCHBACK  
 27 = 2-DOOR CONVERTIBLE  
 28 = FWD PICKUP  
 41 = 4-DOOR SEDAN  
 45 = 4-DOOR STATION WAGON  
 44 = 4-DOOR HATCHBACK  
 48 = EXECUTIVE SEDAN

AR = Use as Required - = Non Illustrated Part P.A.R. = Paint as Required

# EXHAUST GAS RECIRCULATION SYSTEM (EGR) 2.6L

Figure 25-1800

3125 1800A



ITEM	PART NUMBER	QTY	BODY	MODEL	DESCRIPTION
1	MD02 5274	1			VALVE, Solenoid
2	MD02 5273	1			SENSOR, Engine Speed
3	MD02 5337	1			HOSE, Vacuum
	MD02 7500	1			HOSE, Vacuum
4	MD02 5263	1			VALVE, Thermo
5	MD00 6478	1			CLIP, Snap
6	MD02 5243	1			HOSE, Vacuum
7	MD02 6708	1			COMPENSATOR, High Altitude
8	MD02 5264	1			VALVE, Thermo
9	MF24 1236	2			BOLT, Washer Assembled (6x45)
10	MD02 6561	1			VALVE, EGR
11	MD03 1470	1			HOSE (Green 120)
12	MD02 6567	1			GASKET, EGR Valve
13	MD02 3646	1			HOSE, Vacuum
14	MD00 1843	1			CLAMP, Emission Hose
15	5214 335	1			BRACKET, Compensator
16	5213 348	1			VALVE, Vac. Sol. A/C Speed Up

MODEL CODES

B = GRAN FURY	G = DIPLOMAT	V = 400
C = LEBARON/TOWN & COUNTRY	M = HORIZON/TURISMO/SCAMP	X = MIRADA
D = ARIES	P = RELIANT	Y = IMPERIAL
E = 600	S = CORDOBA	Z = OMNI/CHARGER/RAMPAGE
F = FIFTH AVENUE	T = E CLASS/NEWYORKER	

BODY STYLES

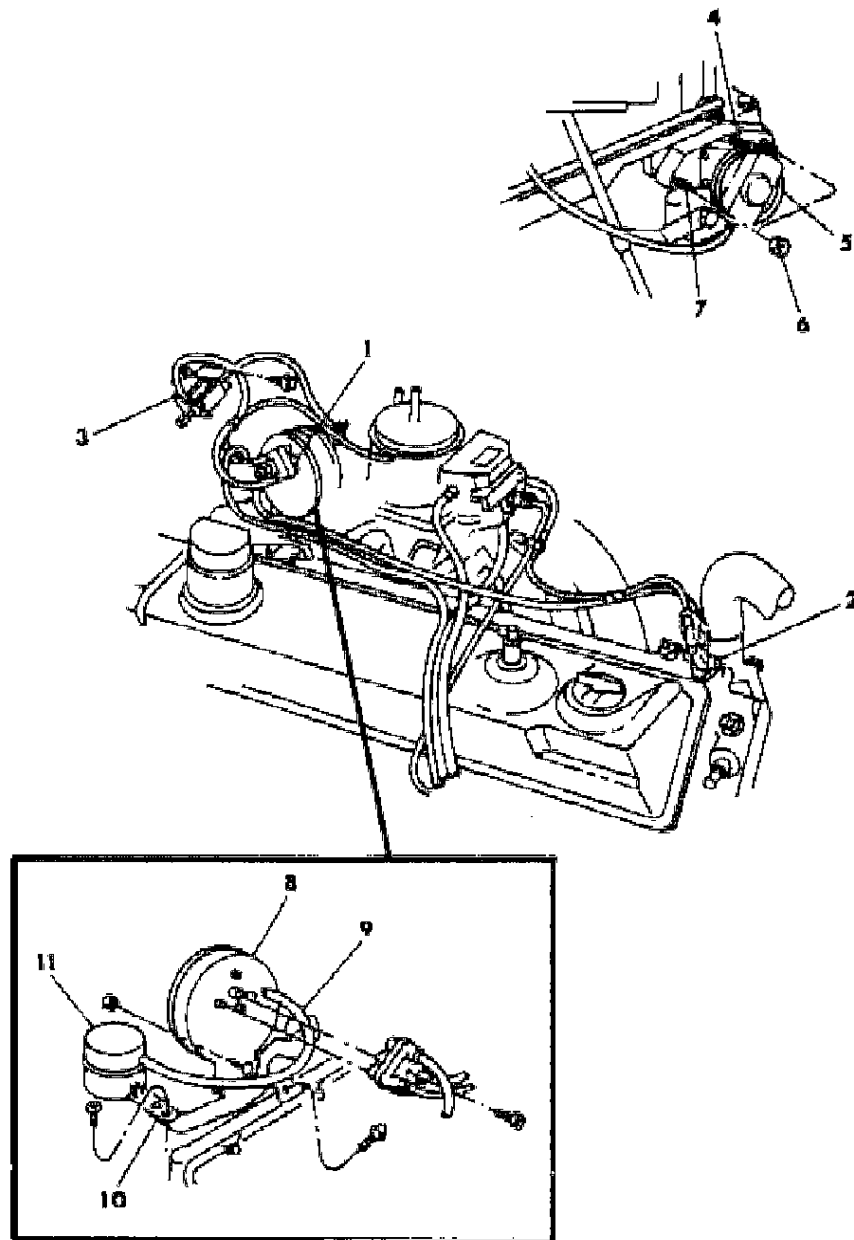
21 = 2-DOOR SEDAN	41 = 4-DOOR SEDAN
22 = 2-DOOR SPECIAL COUPE	45 = 4-DOOR STATION WAGON
24 = 2-DOOR HATCHBACK	44 = 4-DOOR HATCHBACK
27 = 2-DOOR CONVERTIBLE	48 = EXECUTIVE SEDAN
28 = FWD PICKUP	

AR = Use as Required - = Non Illustrated Part P.A.R. = Paint as Required

# EXHAUST GAS RECIRCULATION SYSTEM (EGR) 225 ENGINE

## Figure 25-1900

3125 1900



ITEM	PART NUMBER	QTY	BODY	MODEL	DESCRIPTION
1		AR			HARNES, Hose (not serviced)
2	4186 998	1			SWITCH, CCEGR - Yellow
	3879 736	1			stamped 549 - Black
3	4240 415	1			VALVE, EGR Vacuum Solenoid
	4145 815	1			SOLENOID, Dual Vacuum
4	4173 167	1			GASKET, EGR Valve Flange
	3671 447	1			COVER, Intake Man. EGR Valve Flange
5					VALVE, EGR
	4287 552	1			stamped 4287552
	4287 554	1			stamped 4287554
	4287 558	1			stamped 4287558
	4287 559	1			stamped 4287559
6	0115 729	2			NUT
7	6031 942	2			STUD
8					AMPLIFIER, Vacuum
	4041 733	1			stamped 4041733
	4241 995	1			stamped 4241995
9	3780 508	1			TUBE, Amplifier to Reservoir
10	4041 889	1			BRACKET, Vacuum Amplifier Mtg.
11	4006 692	1			RESERVOIR, Vacuum

**MODEL CODES**

B = GRAN FURY	G = DIPLOMAT	V = 400
C = LEBARON/TOWN & COUNTRY	M = HORIZON/TURISMO/SCAMP	X = MIRADA
D = ARIES	P = RELIANT	Y = IMPERIAL
E = 600	S = CORDOBA	Z = OMNI/CHARGER/RAMPAGE
F = FIFTH AVENUE	T = E CLASS/NEWYORKER	

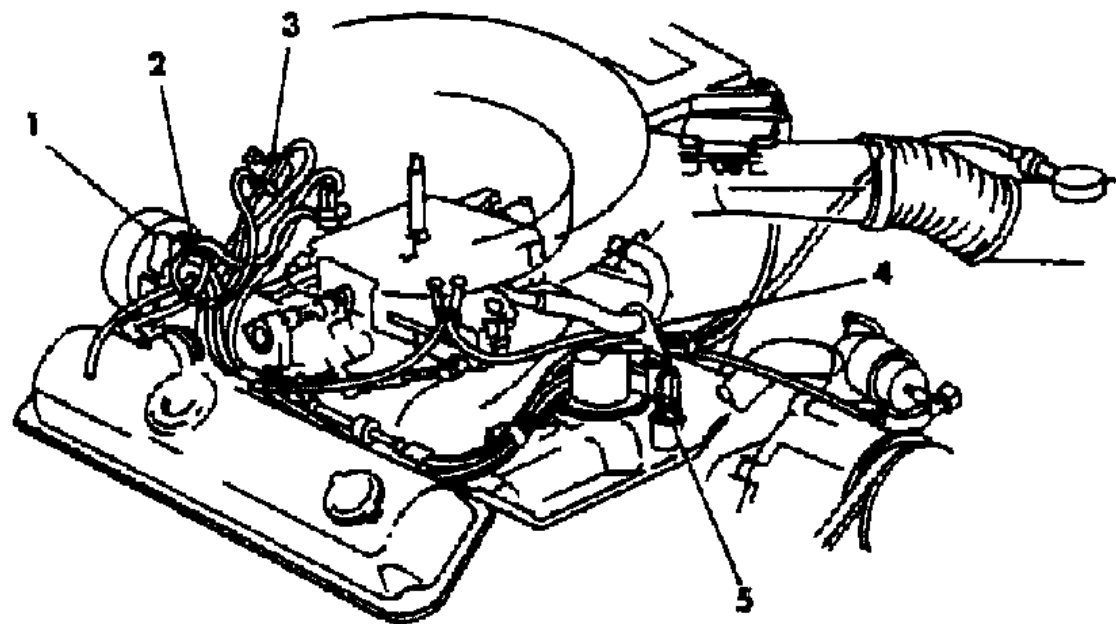
**BODY STYLES**

21 = 2-DOOR SEDAN	41 = 4-DOOR SEDAN
22 = 2-DOOR SPECIAL COUPE	45 = 4-DOOR STATION WAGON
24 = 2-DOOR HATCHBACK	44 = 4-DOOR HATCHBACK
27 = 2-DOOR CONVERTIBLE	48 = EXECUTIVE SEDAN
28 = FWD PICKUP	

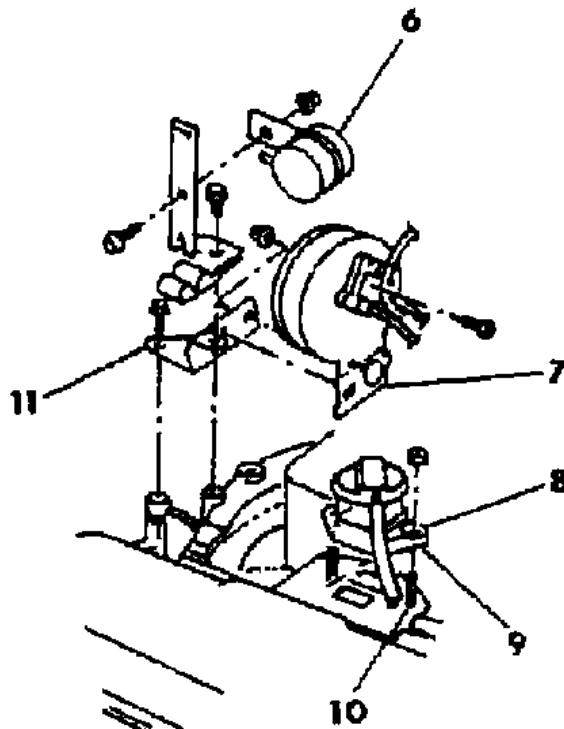
AR = Use as Required - = Non Illustrated Part P.A.R. = Paint as Required

**EXHAUST GAS RECIRCULATION SYSTEM (EGR) 318 ENGINE w/EFM**  
**Figure 25-2000**

3125 2000



ITEM	PART NUMBER	QTY	BODY	MODEL	DESCRIPTION
1		AR			HARNESS, Hose (not serviced)
2	3780 508	1			TUBE, Amplifier to Reservoir
3	4240 416	1			VALVE, Time Delay Solenoid
4	4179 924	1			BRACKET, Crankcase Vent Hose Routing
5	3837 622	1			SWITCH, CCEGR - Blue
6	4006 692	1			RESERVOIR, Vacuum
7					AMPLIFIER, Vacuum
	4041 733	1			stamped 4041733
	4241 995	1			stamped 4241995
8					VALVE, EGR
	4287 672	1			stamped 4287672
	4287 673	1			stamped 4287673
	4287 659	1			stamped 4287659
9	3751 714	1			GASKET, EGR Valve
	3671 448	1			COVER, Intake Man. EGR Valve Flange
10	6031 943	2			STUD
11	4241 191	1			BRACKET, Amplifier Mtg.



MODEL CODES  
 B = GRAN FURY  
 C = LEBARON/TOWN & COUNTRY  
 D = ARIES  
 E = 600  
 F = FIFTH AVENUE  
 G = DIPLOMAT  
 M = HORIZON/TURISMO/SCAMP  
 P = RELIANT  
 S = CORDOBA  
 T = E CLASS/NEWYORKER  
 V = 400  
 X = MIRADA  
 Y = IMPERIAL  
 Z = OMNI/CHARGER/RAMPAGE

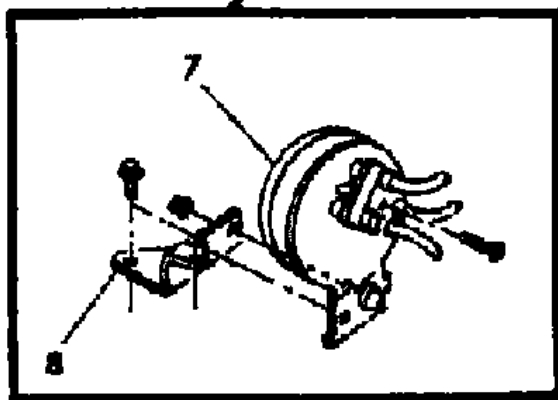
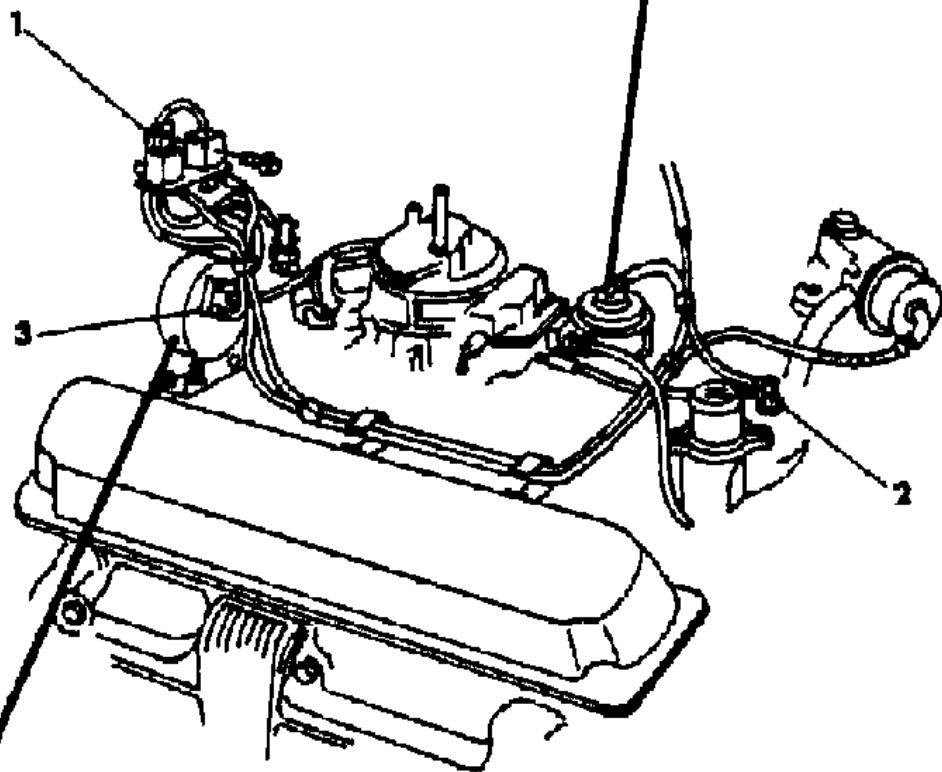
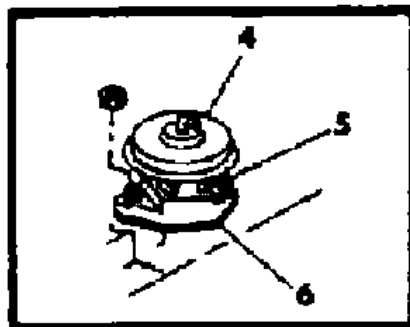
BODY STYLES  
 21 = 2-DOOR SEDAN  
 22 = 2-DOOR SPECIAL COUPE  
 24 = 2-DOOR HATCHBACK  
 27 = 2-DOOR CONVERTIBLE  
 28 = FWD PICKUP  
 41 = 4-DOOR SEDAN  
 45 = 4-DOOR STATION WAGON  
 44 = 4-DOOR HATCHBACK  
 48 = EXECUTIVE SEDAN

AR = Use as Required - = Non Illustrated Part P.A.R. = Paint as Required

**EXHAUST GAS RECIRCULATION SYSTEM (EGR) 318 ENGINE w/o EFM**  
**Figure 25-2100**

3125 2100

ITEM	PART NUMBER	QTY	BODY	MODEL	DESCRIPTION
1	4145 815	1			SOLENOID, Dual Vacuum
	4240 415	1			VALVE, EGR Vac. Solenoid
2	3837 622	1			SWITCH, CCEGR - Blue
3		AR			HARNESSES, Hose (not serviced)
4					VALVE, EGR
	4287 658	1			stamped 4287658
	4287 669	1			stamped 4287669
	4287 672	1			stamped 4287672
	4287 677	1			stamped 4287677
5	6031 943	2			STUD
6	3751 714	1			GASKET, EGR Valve to Man.
	3671 448	1			COVER, Intake Man. EGR Valve Flange
7	4041 733	1			AMPLIFIER, Vacuum - Stamped 4041733
8	4241 191	1			BRACKET, Amplifier Mtg.



**MODEL CODES**

B = GRAN FURY	G = DIPLOMAT	V = 400
C = LEBARON/TOWN & COUNTRY	M = HORIZON/TURISMO/SCAMP	X = MIRADA
D = ARIES	P = RELIANT	Y = IMPERIAL
E = 600	S = CORDOBA	Z = OMNI/CHARGER/RAMPAGE
F = FIFTH AVENUE	T = E CLASS/NEWYORKER	

**BODY STYLES**

21 = 2-DOOR SEDAN	41 = 4-DOOR SEDAN
22 = 2-DOOR SPECIAL COUPE	45 = 4-DOOR STATION WAGON
24 = 2-DOOR HATCHBACK	44 = 4-DOOR HATCHBACK
27 = 2-DOOR CONVERTIBLE	48 = EXECUTIVE SEDAN
28 = FWD PICKUP	

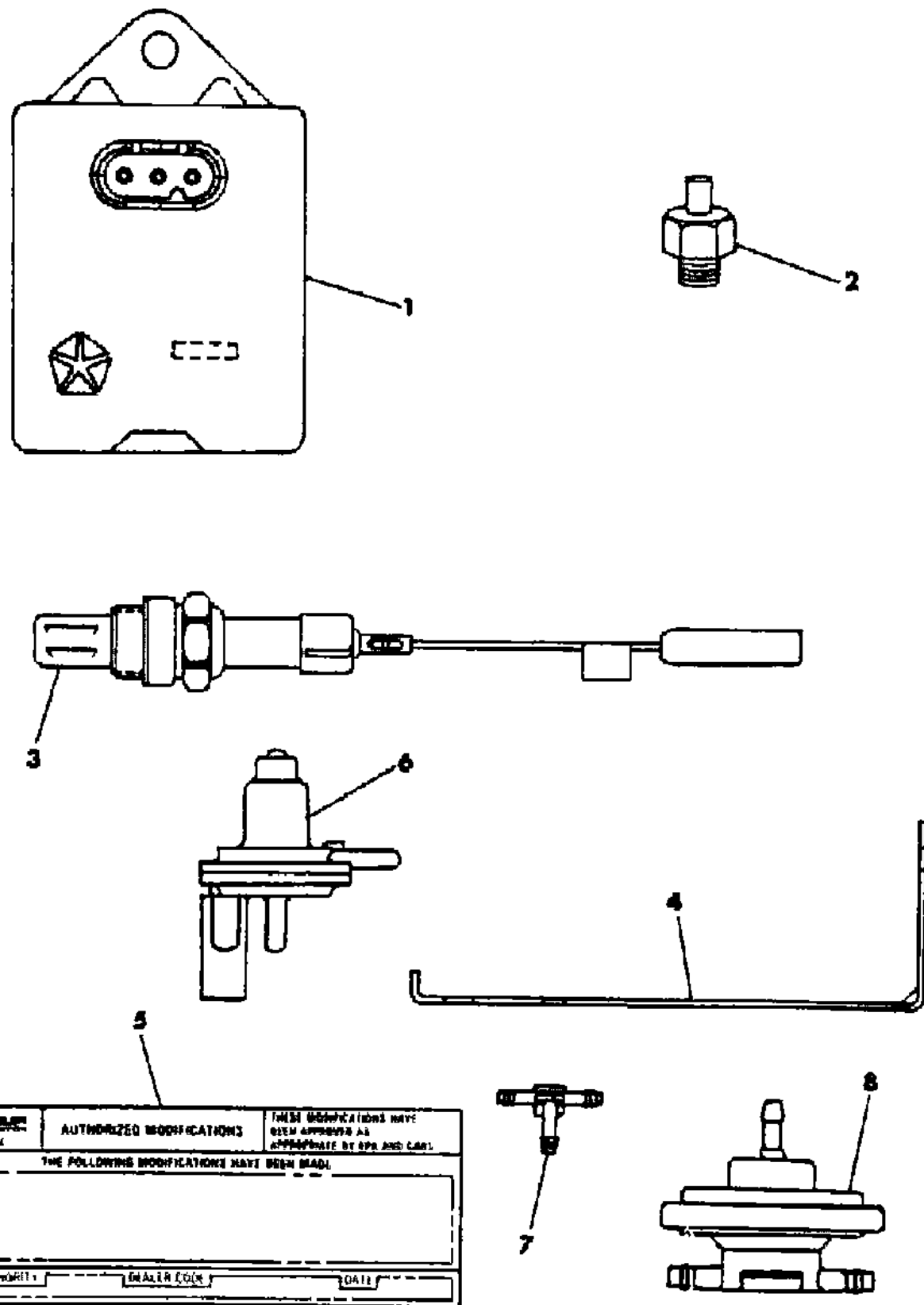
AR = Use as Required - = Non Illustrated Part P.A.R. = Paint as Required



# EMISSION CONTROLS AND SWITCHES

## Figure 25-2200

3125 1200 A



ITEM	PART NUMBER	QTY	BODY	MODEL	DESCRIPTION
1					CONTROL, EGR Time Delay
	4145 202	1			Blue
	4111 481	1			Red
2	4111 482	1			SWITCH, Charge Temperature
3	4004 675	1			SENSOR, Oxygen
4	4268 494	1			BRACKET, Oxygen Sensor Wire
5	4275 086	1			LABEL, Authorization Modification
6	4275 685	1			SWITCH, Vacuum Operated 2.2L Eng. - Man. Trans.
7	4287 325	1			TEE w/RESTRICTOR 3/16 x 3/16 2.2L Eng. - Man. Trans.
8	4104 184	1			REDUCER, Vacuum 2.2L Eng. w/High Alt.

	<b>AUTHORIZED MODIFICATIONS</b>	<b>THESE MODIFICATIONS HAVE BEEN APPROVED AS APPROPRIATE BY EPA AND CARB.</b>
<b>THE FOLLOWING MODIFICATIONS HAVE BEEN MADE:</b>		
CHRYSLER AUTHORITY	DEALER CODE	DATE

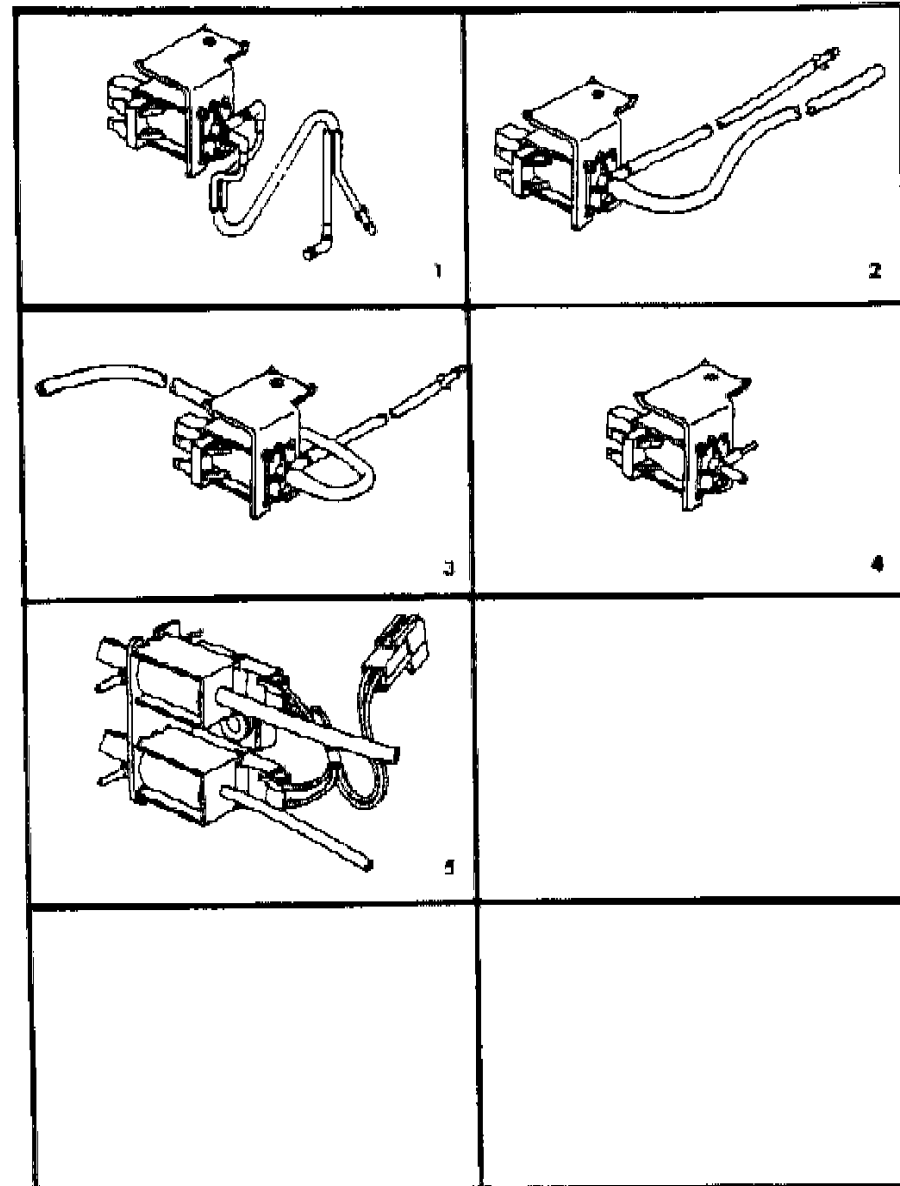
- MODEL CODES**
- |                            |                           |                          |
|----------------------------|---------------------------|--------------------------|
| B = GRAN FURY              | G = DIPLOMAT              | V = 400                  |
| C = LEBARON/TOWN & COUNTRY | M = HORIZON/TURISMO/SCAMP | X = MIRADA               |
| D = ARIES                  | P = RELIANT               | Y = IMPERIAL             |
| E = 600                    | S = CORDOBA               | Z = OMNI/CHARGER/RAMPAGE |
| F = FIFTH AVENUE           | T = E CLASS/NEWYORKER     |                          |

- BODY STYLES**
- |                           |                           |
|---------------------------|---------------------------|
| 21 = 2-DOOR SEDAN         | 41 = 4-DOOR SEDAN         |
| 22 = 2-DOOR SPECIAL COUPE | 45 = 4-DOOR STATION WAGON |
| 24 = 2-DOOR HATCHBACK     | 44 = 4-DOOR HATCHBACK     |
| 27 = 2-DOOR CONVERTIBLE   | 48 = EXECUTIVE SEDAN      |
| 28 = FWD PICKUP           |                           |

AR = Use as Required - = Non Illustrated Part P.A.R. = Paint as Required

VACUUM SOLENOID CHART  
Figure 25-2225

3125 2225



ITEM	PART NUMBER	QTY	BODY	MODEL	DESCRIPTION
1	5213 816	1		M,Z	VALVE, Vacuum Solenoid Idle Control 1.6L Eng. w/o Calif.
2	5213 751	1		M,Z	VALVE, Vacuum Solenoid A/C Idle Speed Up Cont. #1 2.2L Eng. after 11-18-82
3	5213 749	1		M,Z	VALVE, Vacuum Solenoid A/C Idle Speed Up Cont. #1 2.2L Eng. w/o Calif. after 11-18-82
	4104 168	1		M,Z	HOSE, Vacuum Solenoid A/C Idle Speed Up Cont. #1 2.2L Eng. w/o Calif. after 11-18-82
4	4240 417	1			VALVE, Vacuum Solenoid A/C Idle Speed Up Cont. #1 2.2L Eng.
5	5213 957	1		E,T	SOLENOID, Dual Vacuum 2.2L Eng. TBI

MODEL CODES

B = GRAN FURY	G = DIPLOMAT	V = 400
C = LEBARON/TOWN & COUNTRY	M = HORIZON/TURISMO/SCAMP	X = MIRADA
D = ARIES	P = RELIANT	Y = IMPERIAL
E = 600	S = CORDOBA	Z = OMNI/CHARGER/RAMPAGE
F = FIFTH AVENUE	T = E CLASS/NEWYORKER	

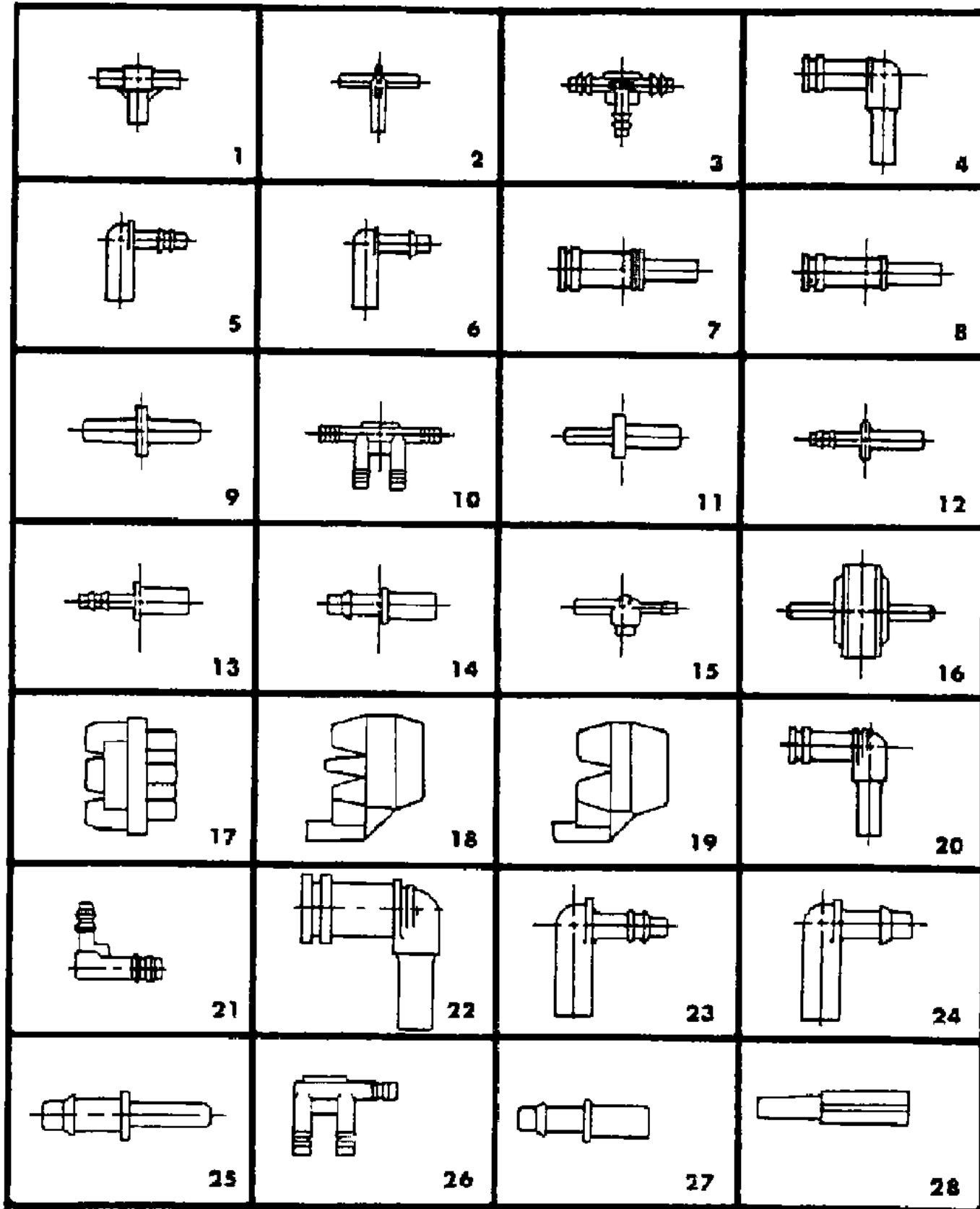
BODY STYLES

21 = 2-DOOR SEDAN	41 = 4-DOOR SEDAN
22 = 2-DOOR SPECIAL COUPE	45 = 4-DOOR STATION WAGON
24 = 2-DOOR HATCHBACK	44 = 4-DOOR HATCHBACK
27 = 2-DOOR CONVERTIBLE	48 = EXECUTIVE SEDAN
28 = FWD PICKUP	

AR = Use as Required - = Non Illustrated Part P.A.R. = Paint as Required

**TEES, CONNECTORS, ELBOWS AND DELAY VALVES**  
**Figure 25-2300**

3125 2300B



ITEM	PART NUMBER	QTY	BODY	MODEL	DESCRIPTION
1	4179 191	AR			TEE, .15 x .15 x .15
2	4006 584	AR			TEE, 1/8 x 3/16 x 1/8
3	4104 172	AR			TEE, 3/16 x 3/16 x 3/16
4	4213 766	AR			ELBOW, 1/8
5	4213 789	AR			ELBOW, 1/8
6	4213 797	AR			ELBOW, 3/16
7	4179 391	AR			CONNECTOR, 3/16
8	4179 196	AR			CONNECTOR, 1/8
9	4095 598	AR			CONNECTOR, 3/16 x 3/16
10	4095 988	AR			CONNECTOR, 4 Way
11	3870 264	AR			CONNECTOR, 1/8 x 3/16
12	4268 662	AR			CONNECTOR, 1/8
13	4268 681	AR			CONNECTOR, 1/8
14	4268 687	AR			CONNECTOR, 3/16
15	3870 649	AR			CONNECTOR, Filtered Air Bleed 1/8 x 3/16
16					DELAY, Vacuum
	4173 433	1			Orange
	4167 046	1			Black
	4173 448	1			Brown
	4041 233	1			Blue
	4268 404	1			Green
17	4095 973	AR			CONNECTOR, EGR Amplifier
18	4095 974	AR			CONNECTOR, CCEVS
19	4179 093	AR			CONNECTOR, CCEGR
20	4213 774	AR			ELBOW, .15-F-3/16
21	4104 998	AR			ELBOW, 1/8 x 3/16
22	4213 780	AR			ELBOW, 1/4
23	4213 790	AR			ELBOW, 1/8
24	4213 798	AR			ELBOW, 3/16
25	4268 668	AR			CONNECTOR, 3/16
26	4095 987	AR			CONNECTOR, 3 Way
27	4268 688	AR			CONNECTOR, 3/16
28	4179 793	AR			CONNECTOR, .15 x .15 x .15

g is controlled by the FIGURE Number. de). Both models are derived from the 100.1" W.B. LeBaron (C 22 Model). Sheet metal parts for the C 48 not found on this illustration should be specif

**MODEL CODES**  
 B = GRAN FURY  
 C = LEBARON/TOWN & COUNTRY  
 D = ARIES  
 E = 600  
 F = FIFTH AVENUE  
 G = DIPLOMAT  
 M = HORIZON/TURISMO/SCAMP  
 P = RELIANT  
 S = CORDOBA  
 T = E CLASS/NEWYORKER  
 V = 400  
 X = MIRADA  
 Y = IMPERIAL  
 Z = OMNI/CHARGER/RAMPAGE

**BODY STYLES**  
 21 = 2-DOOR SEDAN  
 22 = 2-DOOR SPECIAL COUPE  
 24 = 2-DOOR HATCHBACK  
 27 = 2-DOOR CONVERTIBLE  
 28 = FWD PICKUP  
 41 = 4-DOOR SEDAN  
 45 = 4-DOOR STATION WAGON  
 44 = 4-DOOR HATCHBACK  
 48 = EXECUTIVE SEDAN

AR = Use as Required - = Non Illustrated Part P.A.R. = Paint as Required

GROUP IT - INTERIOR TRIM

ILLUSTRATION TITLE	GROUP-FIG. NO.
INDEX-INTERIOR SOFT TRIM .....	Fig. IT-10
TRIM CODE DEFINED .....	Fig. IT-20
TRIM INFORMATION .....	Fig. IT-30
INSTRUMENT PANEL AND COWL M,Z .....	Fig. IT-101100
HEADLINER AND VISOR M,Z .....	Fig. IT-103100
TONNEAU COVER M,Z 24 .....	Fig. IT-103200
TONNEAU COVER M,Z 28 .....	Fig. IT-103300
GARNISH MOULDING M,Z 24,28,44 .....	Fig. IT-103400
B PILLAR TRIM M,Z 44 .....	Fig. IT-105100
QUARTER PANEL M,Z 24 .....	Fig. IT-106100
LIFT GATE M,Z 24 .....	Fig. IT-106200
QUARTER PANEL M,Z 44 .....	Fig. IT-106300
QUARTER AND CAB BACK PANEL M,Z 28 .....	Fig. IT-106400
CARPET M,Z 24,28,44 .....	Fig. IT-108100
CONSOLE M,Z 24,28,44 .....	Fig. IT-108200
MATS, SILENCERS AND INSULATORS M,Z, 24,28,44 .....	Fig. IT-108300
SCUFF PLATES BODY SIDE SILL AND DOOR M,Z 24,28,44 .....	Fig. IT-108400
DOOR TRIM PANEL M,Z 24,28 TRIM CODES C7,C8,F5,F6,G5,S5 .....	Fig. IT-110100
DOOR TRIM PANEL M,Z 44 TRIM CODES C7,C8 .....	Fig. IT-110200
DOOR TRIM PANEL M,Z 44 TRIM CODES F5,F6 .....	Fig. IT-110300
SEAT FRONT M,Z TRIM CODE F5,G5 .....	Fig. IT-122100
SEAT FRONT M,Z TRIM CODE F6 .....	Fig. IT-122200
SEAT FRONT M,Z TRIM CODE C8,C7 .....	Fig. IT-122300
SEAT FRONT Z TRIN CODE S5 .....	Fig. IT-122400
FRONT SEAT BACK RELEASE M,Z 24,28 .....	Fig. IT-124100
RECLINING FRONT SEAT W/LOW BACK - M,Z .....	Fig. IT-125100
RECLINING FRONT SEAT W/HIGH BACK M,Z .....	Fig. IT-125200
SEAT ADJUSTER MANUAL M,Z .....	Fig. IT-126100
BELT FRONT SEAT M,Z 24,28,44 .....	Fig. IT-128100
SEAT REAR M,Z TRIM CODE F5,F6 .....	Fig. IT-130100
SEAT REAR M,Z TRIM CODE C8,C7 .....	Fig. IT-130200
SEAT REAR Z TRIM CODE S5 .....	Fig. IT-130300
FOLD DOWN REAR SEAT M,Z 24 .....	Fig. IT-132100
FOLD DOWN REAR SEAT M,Z 44 .....	Fig. IT-132200
BELT REAR SEAT LAP M,Z .....	Fig. IT-137100
INSTRUMENT PANEL AND COWL P,D,C,V .....	Fig. IT-301100
ROOF COVER P,D,C,V EXC. SEDAN & LIMO. ....	Fig. IT-302100
ROOF COVER C,V - 41 .....	Fig. IT-302200

ILLUSTRATION NOT AVAILABLE AT TIME OF PUBLICATION

Figure 25-2300

GROUP IT - INTERIOR TRIM

GROUP IT - INTERIOR TRIM

ILLUSTRATION TITLE

GROUP-FIG. NO.

ILLUSTRATION TITLE

GROUP-FIG. NO.

INSULATOR CHARTS (Continued)

ROOF COVER C,V - 41 .....
HEADLINING, VISOR AND SHELF PANEL P,D,C,V EXCEPT EXECUTIVE SEDAN & LIMO. ....
HEADLINING & SUNVISOR EXEC. SEDAN & LIMO. ....
SECURITY COVER . P,D,C 45 .....
GARNISH MOULDING P,D,C,V EXC. SEDAN & LIMO. ....
COVERTIBLE GARNISH MOULDING C,V 27 .....
MOULDING, GARNISH & BACKLITE INSERT SEDAN & LIMO. ....
B PILLAR TRIM P,D,C,V - 41,45,SEDAN,LIMO. ....
QUARTER PANEL P,D 21 .....
QUARTER PANEL C,V 22 .....
CONVERTIBLE TOP WELL CLOSURE (QUARTER PANEL) C,V - 27 .....
QUARTER PANEL P,D,C,V - 41 .....
QUARTER PANEL P,D,C 45 .....
LIFT GATE TRIM PANEL P,D,C 45 .....
PANEL, QUARTER TRIM SEDAN & LIMO. ....
DIVIDER, CENTER PRIVACY LIMO. ....
TRIM PANELS, CENTER DIVIDER LIMO. ....
CARPET P,D,C,V .....
CONVERTIBLE CARPET C,V 27 .....
MATS FRONT AND REAR P,D .....
SILENCERS REAR COMPARTMENT P,D,C,V - 21,22,41 .....
CARPET CARGO AREA P,D,C 45 .....
SCUFF PLATES BODY SIDE SILL AND DOOR P,D,C,V .....
CONSOLE AND ARM REST P,D,C,V (EXCEPT SEDAN & LIMO.) .....
CONVERTIBLE CONSOLE AND ARM REST C,V 27 .....
CONSOLE, FRONT SEDAN & LIMO. ....
CONSOLE, REAR LIMO. ....
DOOR TRIM PANEL P,D 21 .....
DOOR TRIM PANEL C,V 22,27 .....
DOOR TRIM PANEL P,D 41,45 .....
DOOR TRIM PANEL C,V - 41,45 .....
PANEL, FRONT DOOR TRIM SEDAN & LIMO. ....
PANEL, REAR DOOR TRIM SEDAN AND LIMO. ....
SEAT FRONT P,D 21 TRIM CODES C1,C2 .....
SEAT FRONT P,D 41,45 TRIM CODES C1,C2,K2 .....

Fig. IT-302200 SEAT FRONT P,D 41,45 TRIM CODES C1,C2,K2 .....
Fig. IT-303100 SEAT FRONT P,D 21,41,45 TRIM CODE G4 .....
Fig. IT-303150 SEAT FRONT P,D 21,41,45 TRIM CODE P3 .....
Fig. IT-303200 SEAT FRONT C,V TRIM CODE J3 .....
Fig. IT-303300 SEAT FRONT P,D TRIM CODES P7 .....
Fig. IT-303400 SEAT FRONT C,V TRIM CODES V8 .....
Fig. IT-303500 SEAT FRONT C,V TRIM CODE J5 .....
Fig. IT-305100 SEAT FRONT C TRIM CODE RLTK .....
Fig. IT-306100 SEAT FRONT P,D TRIM CODE K8 .....
Fig. IT-306200 SEAT, FRONT SEDAN & LIMO. ....
Fig. IT-306300 SEAT FRONT C TRIM CODE SP .....
Fig. IT-306400 FRONT SEAT BACK RELEASE P,D,C,V .....
Fig. IT-306500 RECLINING BUCKET SEAT P,D,C,V .....
Fig. IT-306600 RECLINING 50/50 SEAT C .....
Fig. IT-306700 SEAT ADJUSTER MANUAL P,D,C,V 0 .....
Fig. IT-306800 SEAT ADJUSTER ELECTRIC - P,D,C,V .....
Fig. IT-306900 BELT FRONT SEAT LAP AND SHOULDER P,D,C,V 0 .....
Fig. IT-308100 BELT FRONT SEAT INBOARD P,D,C,V 0 .....
Fig. IT-308200 CONVERTIBLE SEAT BELT C,V 27 .....
Fig. IT-308300 FLEET POLICE AND OTHERS FRONT SEAT P,D .....
Fig. IT-308400 SEAT REAR P,D TRIM CODES C1,C2,G4 .....
Fig. IT-308500 SEAT REAR P,D TRIM CODES P3,P7 .....
Fig. IT-308600 SEAT REAR C,V TRIM CODES J3,J5,V8 .....
Fig. IT-308700 SEAT REAR C TRIM CODE SP .....
Fig. IT-308800 SEAT REAR P,D TRIM CODES K2,K8 .....
Fig. IT-308900 CONVERTIBLE REAR SEAT C,V 27 .....
Fig. IT-308950 FLEET POLICE AND OTHERS REAR SEAT P,D .....
Fig. IT-310100 SEAT, REAR SEDAN & LIMO. ....
Fig. IT-310200 JUMP SEAT LIMO. ....
Fig. IT-310300 FOLD DOWN REAR SEAT P,D,C 45 0 .....
Fig. IT-310400 PANEL, CARGO P,D,C 0 .....
Fig. IT-310500 BELT REAR SEAT LAP P,D,C,V 0 .....
Fig. IT-310600 INSTRUMENT PANEL AND COWL E,T .....
Fig. IT-320100 HEADLINING, VISOR AND SHELF PANEL E,T .....
Fig. IT-320200 GARNISH MOULDING E,T .....
Fig. IT-320200 SEAT FRONT P,D 41,45 TRIM CODES C1,C2,K2 .....
Fig. IT-320300 SEAT FRONT P,D 21,41,45 TRIM CODE G4 .....
Fig. IT-320400 SEAT FRONT P,D 21,41,45 TRIM CODE P3 .....
Fig. IT-320500 SEAT FRONT C,V TRIM CODE J3 .....
Fig. IT-322100 SEAT FRONT P,D TRIM CODES P7 .....
Fig. IT-322200 SEAT FRONT C,V TRIM CODES V8 .....
Fig. IT-322300 SEAT FRONT C,V TRIM CODE J5 .....
Fig. IT-322400 SEAT FRONT C TRIM CODE RLTK .....
Fig. IT-322500 SEAT FRONT P,D TRIM CODE K8 .....
Fig. IT-322600 SEAT, FRONT SEDAN & LIMO. ....
Fig. IT-323100 SEAT FRONT C TRIM CODE SP .....
Fig. IT-324100 FRONT SEAT BACK RELEASE P,D,C,V .....
Fig. IT-325100 RECLINING BUCKET SEAT P,D,C,V .....
Fig. IT-325200 RECLINING 50/50 SEAT C .....
Fig. IT-326100 SEAT ADJUSTER MANUAL P,D,C,V 0 .....
Fig. IT-327100 SEAT ADJUSTER ELECTRIC - P,D,C,V .....
Fig. IT-328100 BELT FRONT SEAT LAP AND SHOULDER P,D,C,V 0 .....
Fig. IT-328200 BELT FRONT SEAT INBOARD P,D,C,V 0 .....
Fig. IT-328300 CONVERTIBLE SEAT BELT C,V 27 .....
Fig. IT-329100 FLEET POLICE AND OTHERS FRONT SEAT P,D .....
Fig. IT-330100 SEAT REAR P,D TRIM CODES C1,C2,G4 .....
Fig. IT-330200 SEAT REAR P,D TRIM CODES P3,P7 .....
Fig. IT-330300 SEAT REAR C,V TRIM CODES J3,J5,V8 .....
Fig. IT-330400 SEAT REAR C TRIM CODE SP .....
Fig. IT-330500 SEAT REAR P,D TRIM CODES K2,K8 .....
Fig. IT-330600 CONVERTIBLE REAR SEAT C,V 27 .....
Fig. IT-330700 FLEET POLICE AND OTHERS REAR SEAT P,D .....
Fig. IT-330800 SEAT, REAR SEDAN & LIMO. ....
Fig. IT-330900 JUMP SEAT LIMO. ....
Fig. IT-332100 FOLD DOWN REAR SEAT P,D,C 45 0 .....
Fig. IT-332200 PANEL, CARGO P,D,C 0 .....
Fig. IT-337100 BELT REAR SEAT LAP P,D,C,V 0 .....
Fig. IT-401100 INSTRUMENT PANEL AND COWL E,T .....
Fig. IT-403100 HEADLINING, VISOR AND SHELF PANEL E,T .....
Fig. IT-403200 GARNISH MOULDING E,T .....



Figure 25-2300

GROUP IT - INTERIOR TRIM

GROUP IT - INTERIOR TRIM

ILLUSTRATION TITLE

GROUP-FIG. NO.

ILLUSTRATION TITLE

GROUP-FIG. NO.

INSULATOR CHARTS (Continued)

GARNISH MOULDING E,T .....  
 B PILLAR TRIM E,T .....  
 QUARTER PANEL E,T .....  
 CARPET E,T .....  
 SCUFF PLATES BODY SILL AND DOORS E,T .....  
 SILENCERS REAR COMPARTMENT E,T .....  
 CONSOLE AND ARM REST E,T .....  
 DOOR TRIM PANEL, FRONT E,T .....  
 DOOR TRIM PANEL, REAR E,T .....  
 SEAT FRONT E,T TRIM CODE F3 .....  
 SEAT FRONT E,T TRIM CODE C4 .....  
 SEAT FRONT E,T TRIM CODE E5 .....  
 SEAT FRONT E,T TRIM CODE GF,PF .....  
 SEAT FRONT E,T TRIM CODE SP .....  
 RECLINING BUCKET SEAT E,T .....  
 RECLINING 50/50 SEAT E,T .....  
 SEAT ADJUSTER MANUAL E,T .....  
 SEAT ADJUSTER ELECTRIC - E,T .....  
 BELT FRONT SEAT E,T .....  
 BELT FRONT SEAT INBOARD E,T .....  
 SEAT REAR E,T TRIM CODES C4,E5,F3 .....  
 SEAT REAR E,T TRIM CODES GF,PF,SP .....  
 BELT REAR SEAT E,T .....  
 INSTRUMENT PANEL AND COWL B,F,G .....  
 ROOF COVER B,G .....  
 ROOF COVER F-S .....  
 HEADLINING VISOR AND SHELF PANEL B,F,G .....  
 GARNISH MOULDING B,G .....  
 GARNISH MOULDING F-S .....  
 B PILLAR TRIM B,G 41 .....  
 CARPET B,F,G .....  
 TRUNK B,F,G 41 .....  
 MATS- FRONT AND REAR FLOOR LUGGAGE COMPARTMENT FLOOR, REAR FLOOR WELL B,F,G .....  
 SCUFF PLATES BODY SIDE SILL AND DOOR B,F,G 41 .....  
 DOOR TRIM PANEL B,F,G TRIM CODES A3,F4,K2,KX,H9 .....

Fig. IT-403200 .....  
 Fig. IT-405100 .....  
 Fig. IT-406100 .....  
 Fig. IT-408100 .....  
 Fig. IT-408200 .....  
 Fig. IT-408300 .....  
 Fig. IT-408400 .....  
 Fig. IT-410100 .....  
 Fig. IT-410200 .....  
 Fig. IT-420100 .....  
 Fig. IT-420200 .....  
 Fig. IT-422100 .....  
 Fig. IT-423100 .....  
 Fig. IT-423200 .....  
 Fig. IT-425100 .....  
 Fig. IT-425200 .....  
 Fig. IT-426100 .....  
 Fig. IT-427100 .....  
 Fig. IT-428100 .....  
 Fig. IT-428200 .....  
 Fig. IT-430100 .....  
 Fig. IT-430200 .....  
 Fig. IT-437100 .....  
 Fig. IT-501100 .....  
 Fig. IT-502100 .....  
 Fig. IT-502200 .....  
 Fig. IT-503100 .....  
 Fig. IT-503200 .....  
 Fig. IT-503300 .....  
 Fig. IT-505100 .....  
 Fig. IT-508100 .....  
 Fig. IT-508200 .....  
 Fig. IT-508300 .....  
 Fig. IT-508400 .....  
 Fig. IT-510100 .....

INSULATOR CHARTS (Continued)

DOOR TRIM PANEL B,F,G TRIM CODES A3,F4,K2,KX,H9 .....  
 DOOR TRIM PANEL B,F,G TRIM CODE C9,DY .....  
 DOOR TRIM PANEL F-S TRIM CODES SY,S9 .....  
 FLEET POLICE AND OTHERS PANEL, DOOR .....  
 SEAT FRONT B,G TRIM CODE A3,F4 .....  
 SEAT FRONT B,G TRIM CODE K2 .....  
 SEAT FRONT B,G TRIM CODE C9,H9 .....  
 SEAT FRONT B,G TRIM CODE KX .....  
 SEAT FRONT F TRIM CODE SY .....  
 SEAT FRONT F TRIM CODE S9 .....  
 RECLINING FRONT SEAT AND SEAT BACK RELEASE B,F,G .....  
 SEAT ADJUSTER MANUAL B,F,G .....  
 ADJUSTER, ELECTRIC BENCH SEAT B,F,G .....  
 ADJUSTER FRONT SEAT ELECTRIC 60/40 SPLIT B,F,G .....  
 BELT FRONT SEAT LAP AND SHOULDER OUTER B,F,G .....  
 BELT FRONT SEAT LAP AND SHOULDER INNER B,F,G .....  
 FLEET POLICE AND OTHERS FRONT SEAT B,F,G .....  
 FLEET POLICE AND OTHERS FRONT SEAT B,F,G .....  
 SEAT REAR B,G TRIM CODES A3,F4 .....  
 SEAT REAR B,F,G TRIM CODES C9,H9,S9,SY .....  
 SEAT REAR B,G TRIM CODES K2,KX .....  
 FLEET POLICE AND OTHERS REAR SEAT B,F,G .....  
 BELT REAR SEAT LAP B,F,G .....  
 INSTRUMENT PANEL AND COWL S,X,Y .....  
 DASH LINER AND SILENCERS S,X,Y .....  
 ROOF COVER S,X .....  
 HEADLINING, VISOR AND SHELF PANEL S,X,Y .....  
 GARNISH MOULDING X,S,Y .....  
 QUARTER PANEL S,X .....  
 QUARTER PANEL Y .....  
 CARPET S,X .....  
 CARPET Y .....  
 TRUNK X,S .....  
 SCUFF PLATES BODY SIDE SILL AND DOORS X,S,Y .....  
 CONSOLE S,X .....

Fig. IT-510100 .....  
 Fig. IT-510200 .....  
 Fig. IT-510300 .....  
 Fig. IT-510400 .....  
 Fig. IT-520100 .....  
 Fig. IT-520200 .....  
 Fig. IT-521100 .....  
 Fig. IT-521200 .....  
 Fig. IT-521300 .....  
 Fig. IT-521400 .....  
 Fig. IT-525100 .....  
 Fig. IT-526100 .....  
 Fig. IT-527100 .....  
 Fig. IT-527200 .....  
 Fig. IT-528100 .....  
 Fig. IT-528200 .....  
 Fig. IT-529100 .....  
 Fig. IT-529200 .....  
 Fig. IT-530100 .....  
 Fig. IT-530200 .....  
 Fig. IT-530300 .....  
 Fig. IT-530400 .....  
 Fig. IT-537100 .....  
 Fig. IT-701100 .....  
 Fig. IT-701200 .....  
 Fig. IT-702100 .....  
 Fig. IT-703100 .....  
 Fig. IT-703200 .....  
 Fig. IT-706100 .....  
 Fig. IT-706200 .....  
 Fig. IT-708100 .....  
 Fig. IT-708200 .....  
 Fig. IT-708300 .....  
 Fig. IT-708400 .....  
 Fig. IT-708500 .....



---

**GROUP IT - INTERIOR TRIM**

**ILLUSTRATION TITLE**

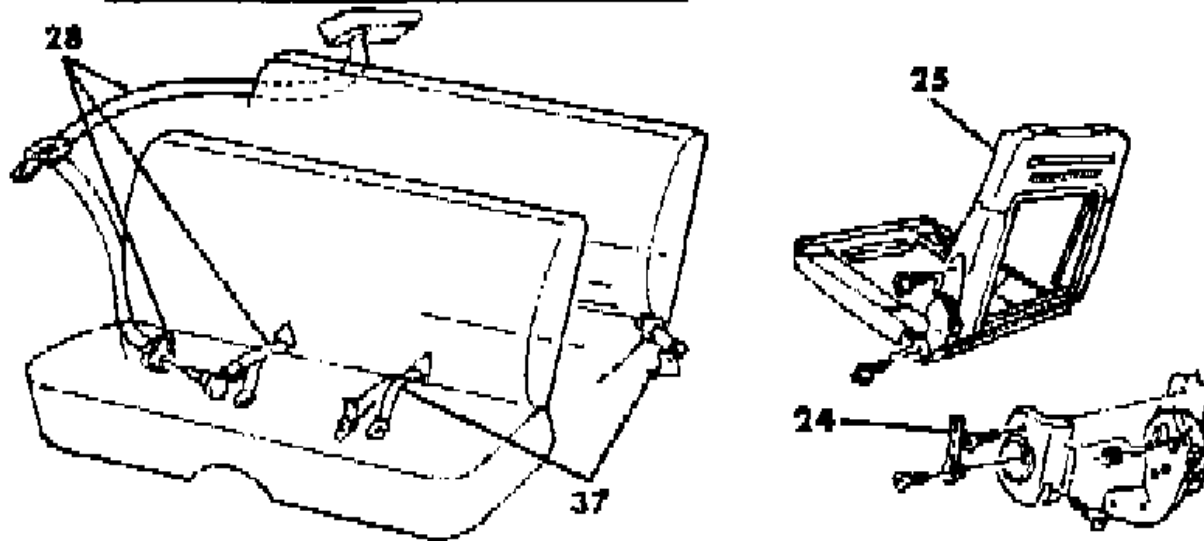
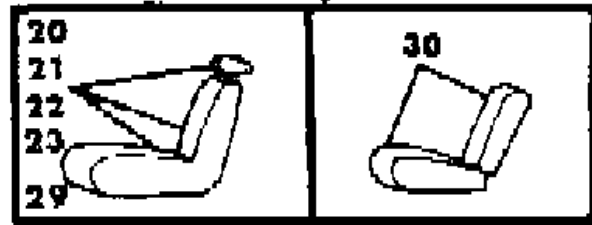
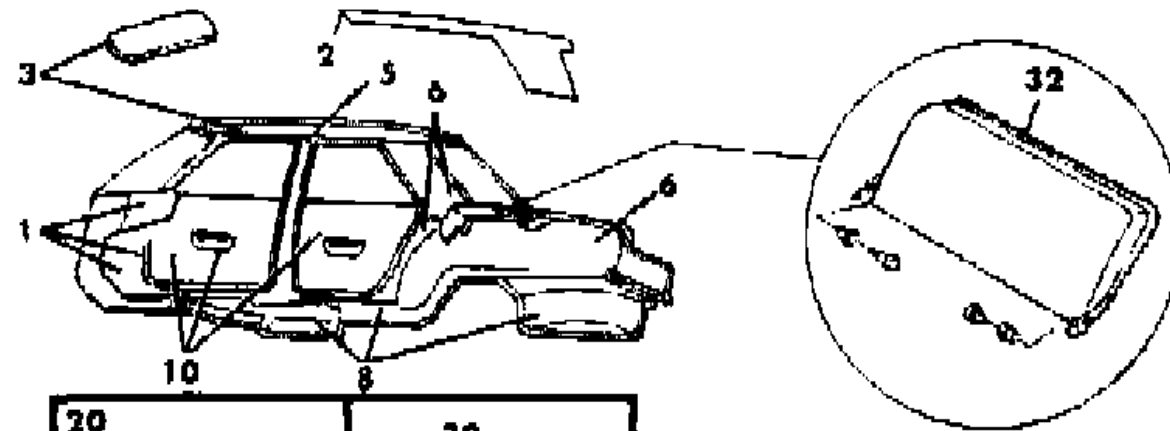
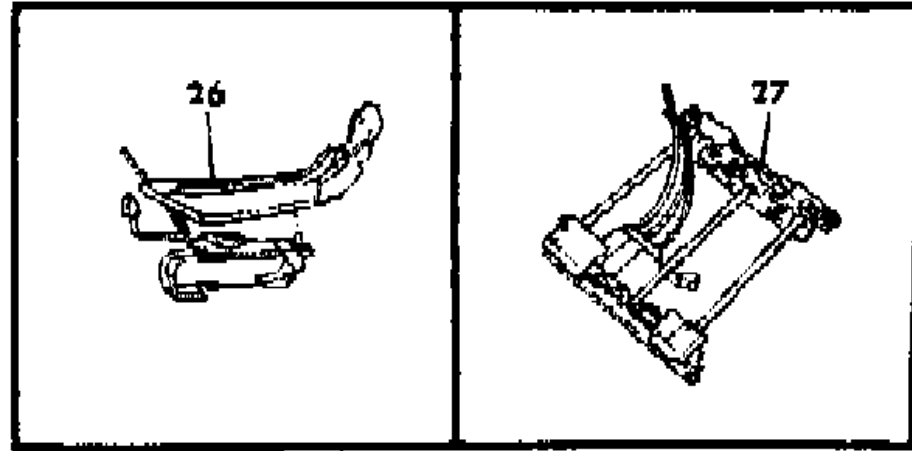
**GROUP-FIG. NO.**

**INSULATOR CHARTS (Continued)**

CONSOLE S,X .....	Fig. IT-708500
DOOR TRIM PANEL S .....	Fig. IT-710100
DOOR TRIM PANEL X .....	Fig. IT-710200
DOOR TRIM PANEL Y .....	Fig. IT-710300
SEAT FRONT S,X TRIM CODE C9 .....	Fig. IT-721100
SEAT FRONT Y TRIM CODE A9 .....	Fig. IT-721200
SEAT FRONT Y TRIM CODES AY .....	Fig. IT-721300
SEAT FRONT S,X TRIM CODE N5 .....	Fig. IT-722100
SEAT FRONT S,X TRIM CODE DL .....	Fig. IT-722200
FRONT SEAT BACK RELEASE LATCH S,X,Y .....	Fig. IT-724100
RECLINING FRONT SEAT AND SEAT BACK RELEASE LATCH, W/60/40 S,X,Y 0 .....	Fig. IT-725100
RECLINING FRONT SEAT AND SEAT BACK RELEASE LATCH W/BUCKETS S,X 0 .....	Fig. IT-725200
SEAT ADJUSTER, MANUAL S,X,Y 0 .....	Fig. IT-726100
ADJUSTER ELECTRIC BUCKET AND 60/40 - X,S,Y .....	Fig. IT-727100
BELT FRONT SEAT LAP AND SHOULDER X,S,Y 0 .....	Fig. IT-728100
BELT FRONT SEAT INBOARD X,S,Y 0 .....	Fig. IT-728200
SEAT REAR S,X TRIM CODES C9,DL .....	Fig. IT-730100
SEAT REAR S,X TRIM CODES N5 .....	Fig. IT-730200
SEAT REAR Y TRIM CODES A9,AY .....	Fig. IT-730300
BELT REAR SEAT LAP S,X,Y .....	Fig. IT-737100

INDEX-INTERIOR SOFT TRIM  
Figure IT-10

3253-10



ITEM	PART NUMBER	QTY	BODY	MODEL	DESCRIPTION
------	-------------	-----	------	-------	-------------

This INTERIOR TRIM section has been produced in an Illustration to Legend format. de). Both models are derived from the 100.1"

W.B. LeBaron (C 22 Model). Sheet metal parts for the C 48 not found on this illustration should be specif

The FIGURE number is used to divide the section into Car-Lines (models) and into consistent groupings of items within Car-lines in

the following manner:

- The Figure number consists of six(6) characters r:

EXAMPLE: r:

..... 1..... 03 ..... 100 r:

(Model) M&Z. . . . Headlining,Visor & Shelf. . . . Illustration Sequence Numbers r:

\*\* The first(1st) number identifies the Car Line;e.g.: r:

... 1= M & Z (Horizon, Omni, & Shelby) r:

... 3= P,D,C & V (Reliant, Aries, Lebaron, 400 & Town & Country) r:

... 4= E,T (600, 600ES, New Yorker, E Series) r:

... 5= F,G & B (New Yorker Fifth Avenue Edition, Diplomat, and Gran Fury) r:

... 7= X,S & Y (Mirada, Cordoba & Imperial) r:

\*\* The second and third (2&3) numbers identifies the type of parts and/or area of the vehicle (Zone) covered in that grouping; e.g.: r:

... 01= Instrument Panel & Cowl r:

... 02= Outside Vinyl Roof r:

... 03= Headlining,Sun Visor & Rear Shelf Trim r:

... 05= B Pillar r:

... 06= Rear 1/4 including C Pillar,Trunk liner,Cargo area,etc. r:

... 08= Carpet including passenger compartment,Trunk & Cargo area r:

... 10= Door Trim including Arm Rest r:

... 20= Seat-Front Bench r:

... 21= Seat-Front 60/40 split r:

... 22= Seat-Front Bucket r:

... 23= Seat-Front 50/50 w/Dual Arm Rest r:

... 24= Seat Back Release r:

... 25= Reclining Front Seat r:

... 26= Seat Adjuster Manual r:

... 27= Seat Adjuster Electric r:

... 28= Seat Belts Front r:

... 29= Seat-Front Fleet(Police and Others) r:

... 30= Seat-Rear r:

... 32= Fold Down Rear Seat r:

... 37= Seat Belts Rear r:

\*\* The fourth through sixth (4,5 & 6) numbers are the illustration sequence numbers within the Car-Line and Zone groupings. r:

MODEL CODES

B = GRAN FURY

C = LEBARON/TOWN & COUNTRY

D = ARIES

E = 600

F = FIFTH AVENUE

G = DIPLOMAT

M = HORIZON/TURISMO/SCAMP

P = RELIANT

S = CORDOBA

T = E CLASS/NEWYORKER

V = 400

X = MIRADA

Y = IMPERIAL

Z = OMNI/CHARGER/RAMPAGE

BODY STYLES

21 = 2-DOOR SEDAN

22 = 2-DOOR SPECIAL COUPE

24 = 2-DOOR HATCHBACK

27 = 2-DOOR CONVERTIBLE

28 = FWD PICKUP

41 = 4-DOOR SEDAN

45 = 4-DOOR STATION WAGON

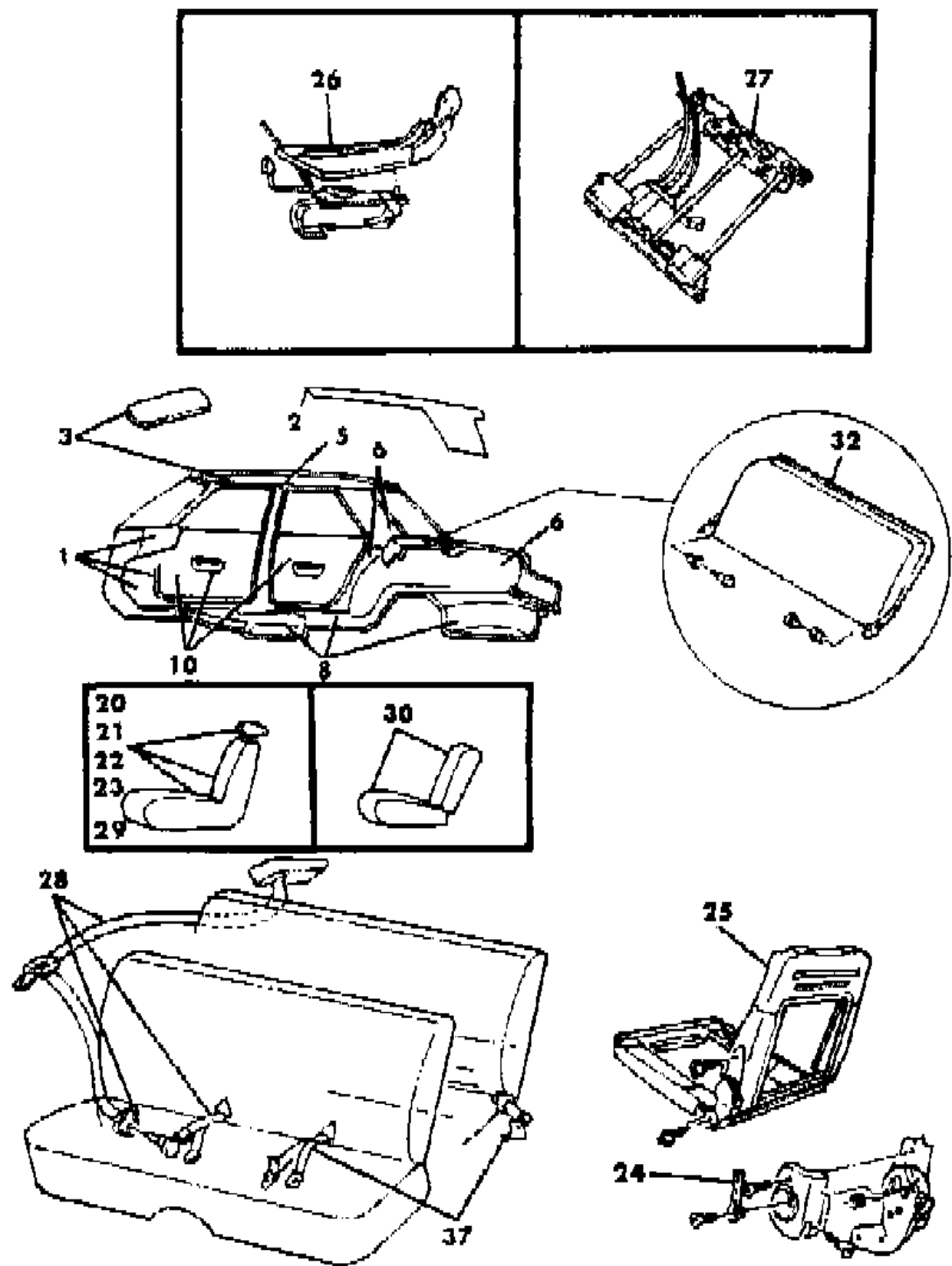
44 = 4-DOOR HATCHBACK

48 = EXECUTIVE SEDAN

AR = Use as Required - = Non Illustrated Part P.A.R. = Paint as Required



3253-10



**INDEX-INTERIOR SOFT TRIM**  
**Figure IT-10**

---

<b>ITEM</b>	<b>PART NUMBER</b>	<b>QTY</b>	<b>BODY</b>	<b>MODEL</b>	<b>DESCRIPTION</b>
-------------	--------------------	------------	-------------	--------------	--------------------

---

With the afore-described Figure number configuration, Headlining will always be found on an Illustration numbered x03xxx, Bucket Seats on an Illustration numbered x22xxx, etc..

---

---

---

---

---

---

---

---

---

---

---

---

---

---

---

---

---

---

---

---

---

---

---

---

**MODEL CODES**

B = GRAN FURY	G = DIPLOMAT	V = 400
C = LEBARON/TOWN & COUNTRY	M = HORIZON/TURISMO/SCAMP	X = MIRADA
D = ARIES	P = RELIANT	Y = IMPERIAL
E = 600	S = CORDOBA	Z = OMNI/CHARGER/RAMPAGE
F = FIFTH AVENUE	T = E CLASS/NEWYORKER	

**BODY STYLES**

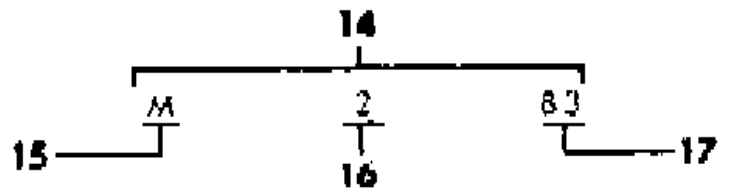
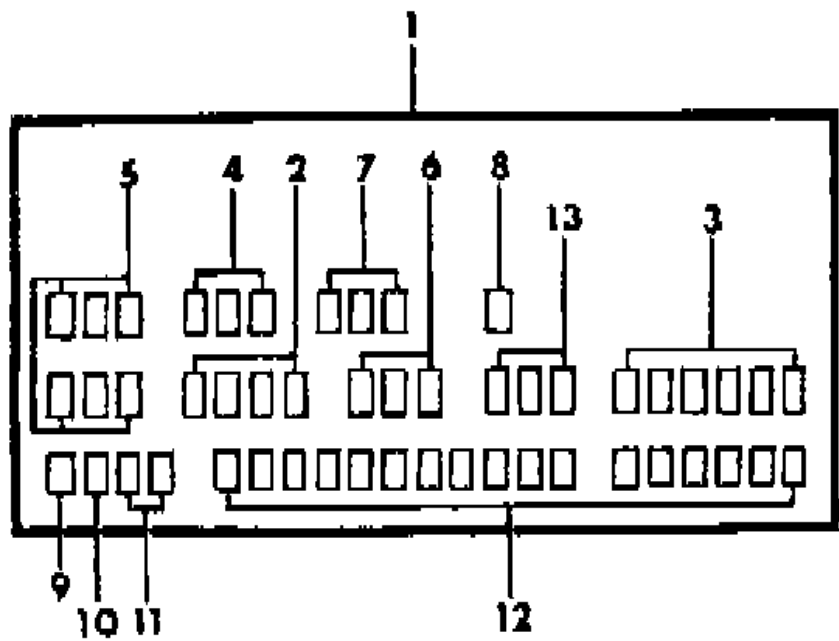
21 = 2-DOOR SEDAN	41 = 4-DOOR SEDAN
22 = 2-DOOR SPECIAL COUPE	45 = 4-DOOR STATION WAGON
24 = 2-DOOR HATCHBACK	44 = 4-DOOR HATCHBACK
27 = 2-DOOR CONVERTIBLE	48 = EXECUTIVE SEDAN
28 = FWD PICKUP	

AR = Use as Required - = Non Illustrated Part P.A.R. = Paint as Required

TRIM CODE DEFINED

Figure IT-20

3253-20



SALES CODE		C 52	C 54	C 55	C 56	C 57	C 58
CLOTH		1	3	7	5	9	F
VINYL		2	4	8	6	A	V
LEATHER		N	G	L	J	Y	P

ITEM	PART NUMBER	QTY	BODY	MODEL	DESCRIPTION
-1-					BODY CODE PLATE ion numbered x22xxx, etc.. The Body Code plate includes the Trim Code, Paint Codes, Vinyl Roof code, Build Date, etc.. The plate is located under the hood on the left front fender side shield or wheel housing or the radiator support. NOTE: For additional detailed information not listed below, see illustrated text inf. section front fender side shield or wheel housing or the radiator support.
-2-					Trim Code front fender side shield or wheel housing or the radiator support.
-3-					Vehicle Order Number front fender side shield or the radiator support.
-4-					Vinyl Roof Code front fender side shield or the radiator support.
-5-					Body Paint front fender side shield or the radiator support.
-6-					Engine code front fender side shield or the radiator support.
-7-					Transmission code front fender side shield or the radiator support.
-8-					Order: U = U.S.; C = Canada; I = International front fender side shield or the radiator support.
-9-					Car Line front fender side shield or the radiator support.
-10-					Price Class front fender side shield or the radiator support.
-11-					Body Type front fender side shield or the radiator support.
-12-					Vin (Vehicle Identification Number) front fender side shield or the radiator support.
-13-					Projected Build Date: The actual build date is on the Vehicle Certification Label located on the drivers door or left "B" pillar. ***** front fender side shield or wheel housing or the radiator support.
-14-					TRIM CODE (typical) defined front fender side shield or wheel housing or the radiator support.
-15-					Series (1st element) front fender side shield or wheel housing or the radiator support.
-16-					Type & Material (see Chart #16 for application) front fender side shield or wheel housing or the radiator support.
-17-					Color & Shade (see Figure IT-30 for definition) front fender side shield or wheel housing or the radiator support. ***** front fender side shield or wheel housing or the radiator support.
-18-					Type & Material defined (2nd character of Trim Code) front fender side shield or wheel housing or the radiator support.
-19-					Seat Sales codes front fender side shield or wheel housing or the radiator support. C52 = Straight Bench, Front w/solid fixed back front fender side shield or wheel housing or the radiator support. C54 = Straight Bench, Front w/split hinged back front fender side shield or wheel housing or the radiator support. C55 = Bucket, Front - w/recliner front fender side shield or wheel housing or the radiator support. C56 = Bucket, Front - w/recliner front fender side shield or wheel housing or the radiator support. C57 = 60/40 Split Bench, Front - w/passenger side recliner front fender side shield or wheel housing or the radiator support. C58 = 50/50 Split w/Dual Arm Rest front fender side shield or wheel housing or the radiator support.
-20-					Cloth material codes front fender side shield or wheel housing or the radiator support.
-21-					All Vinyl material codes front fender side shield or wheel housing or the radiator support.
-22-					Leather material codes front fender side shield or wheel housing or the radiator support.

MODEL CODES

B = GRAN FURY	G = DIPLOMAT	V = 400
C = LEBARON/TOWN & COUNTRY	M = HORIZON/TURISMO/SCAMP	X = MIRADA
D = ARIES	P = RELIANT	Y = IMPERIAL
E = 600	S = CORDOBA	Z = OMNI/CHARGER/RAMPAGE
F = FIFTH AVENUE	T = E CLASS/NEWYORKER	

BODY STYLES

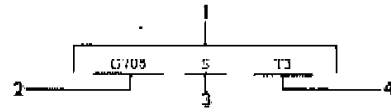
21 = 2-DOOR SEDAN	41 = 4-DOOR SEDAN
22 = 2-DOOR SPECIAL COUPE	45 = 4-DOOR STATION WAGON
24 = 2-DOOR HATCHBACK	44 = 4-DOOR HATCHBACK
27 = 2-DOOR CONVERTIBLE	48 = EXECUTIVE SEDAN
28 = FWD PICKUP	

AR = Use as Required - = Non Illustrated Part P.A.R. = Paint as Required

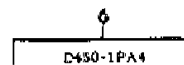
# TRIM INFORMATION

## Figure IT-30

3253-30A



	M/Z	P/D C/V	J E/T	B P/C	S X/Y
A3 Silver		X	X	X	X
AC Silver and Blue	X				
CA Dark Blue		X	X	X	X
CB Dark Blue and Medium Blue	X	X			
LA Beige		X	X	X	X
MB Red	X	X	X	X	X
TD Dark Brown		X	X		
TL Dark Brown and Beige	X	X			
TK Dark Brown and Saddle		X	X		
X3 Black	X	X			
XA Black and Silver		X			



ITEM	PART NUMBER	QTY	BODY	MODEL	DESCRIPTION
------	-------------	-----	------	-------	-------------

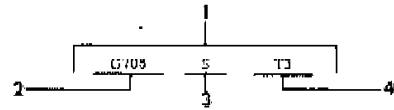
- 1- = COLOR CODED PART NUMBER defined: front fender side shield or wheel housing or the radiator support.
- 2- = First element: Basic part number (1 alpha + 3 numerics) front fender side shield or wheel housing or the radiator support.
- 3- = Second element: Series/1st model year color mastered (1 alpha) front fender side shield or wheel housing or the radiator support.
- 4- = Third element: Color & shade suffix (usually 1 alpha + 1 numeric) front fender side shield or wheel housing or the radiator support.
- - ALPHA: front fender side shield or wheel housing or the radiator support.
  - . . . . . A = Silver front fender side shield or wheel housing or the radiator support.
  - . . . . . AC = Silver and Blue front fender side shield or wheel housing or the radiator support.
  - . . . . . C = Blue, Dark front fender side shield or wheel housing or the radiator support.
  - . . . . . CB = Dark Blue and Medium Blue front fender side shield or wheel housing or the radiator support.
  - . . . . . L = Beige front fender side shield or wheel housing or the radiator support.
  - . . . . . M = Red front fender side shield or wheel housing or the radiator support.
  - . . . . . TL = Dark Brown and Beige front fender side shield or wheel housing or the radiator support.
  - . . . . . T = Dark Brown front fender side shield or wheel housing or the radiator support.
  - . . . . . TK = Dark Brown and Saddle front fender side shield or wheel housing or the radiator support.
  - . . . . . X = Black front fender side shield or wheel housing or the radiator support.
- - NUMERIC (on a scale from 1-9: 1= lightest shade; 9= darkest shade) front fender side shield or wheel housing or the radiator support.
  - . . . . . 1 = very Light front fender side shield or wheel housing or the radiator support.
  - . . . . . 2 = Light front fender side shield or wheel housing or the radiator support.
  - . . . . . 3 = front fender side shield or wheel housing or the radiator support.
  - . . . . . 4 = front fender side shield or wheel housing or the radiator support.
  - . . . . . 5 = Medium front fender side shield or wheel housing or the radiator support.
  - . . . . . 6 = Medium dark front fender side shield or wheel housing or the radiator support.
  - . . . . . 7 = front fender side shield or wheel housing or the radiator support.
  - . . . . . 8 = Dark front fender side shield or wheel housing or the radiator support.
  - . . . . . 9 = very Dark front fender side shield or wheel housing or the radiator support.
- 5- = COLOR APPLICATION CHART (identifies vehicle usage) front fender side shield or wheel housing or the radiator support.
- 6- = COMBINED Part Number defined front fender side shield or wheel housing or the radiator support.
  - . . . . . Right & Left part numbers are frequently combined on 1 line and are interpreted as: front fender side shield or wheel housing or the radiator support.
  - . . . . . D450PA4 = Right side application; D451PA4 = Left side application. front fender side shield or wheel housing or the radiator support.
  - . . . . . Right & Left sides are always determined by their relationship to the driver when normally seated and looking forward. front fender side shield or wheel housing or the radiator support.
- \* \* \* \* \* HOW TO ORDER ROLL GOODS front fender side shield or wheel housing or the radiator support.

MODEL CODES		
B = GRAN FURY	G = DIPLOMAT	V = 400
C = LEBARON/TOWN & COUNTRY	M = HORIZON/TURISMO/SCAMP	X = MIRADA
D = ARIES	P = RELIANT	Y = IMPERIAL
E = 600	S = CORDOBA	Z = OMNI/CHARGER/RAMPAGE
F = FIFTH AVENUE	T = E CLASS/NEWYORKER	

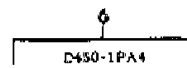
BODY STYLES	
21 = 2-DOOR SEDAN	41 = 4-DOOR SEDAN
22 = 2-DOOR SPECIAL COUPE	45 = 4-DOOR STATION WAGON
24 = 2-DOOR HATCHBACK	44 = 4-DOOR HATCHBACK
27 = 2-DOOR CONVERTIBLE	48 = EXECUTIVE SEDAN
28 = FWD PICKUP	

AR = Use as Required - = Non Illustrated Part P.A.R. = Paint as Required

3253-30A



	M/Z	P/D C/V	J E/T	B P/G	S X/Y
A3 Silver		X	X	X	X
AC Silver and Blue	X				
CA Dark Blue		X	X	X	X
CB Dark Blue and Medium Blue	X	X			
L3 Beige		X	X	X	X
M5 Red	X	X	X	X	X
I8 Dark Brown		X	X		
TL Dark Brown and Beige	X	X			
TK Dark Brown and Saddle		X	X		
X9 Black	X	X			
XA Black and Silver		X			



**TRIM INFORMATION**  
**Figure IT-30**

ITEM	PART NUMBER	QTY	BODY	MODEL	DESCRIPTION
<p>VINYL &amp; CLOTH: Requirements must be ordered in the number of linear inches desired; e.g.: when 10 running inches of a particular part number is req'd., the order should specify a quantity of 10.</p> <p>HIDE or LEATHER: Requirements must be ordered in the number of square feet desired; e.g.: when 2 square feet of a particular part number is req'd., the order should specify a quantity of 2.</p> <p>* * * * * CAUTION - SEAT COVERS vs ASSEMBLIES e order should specify a quantity of 2.</p> <p>Extreme care must be exercised when ordering Seat Covers to insure it is ONLY the Cover and NOT a complete Cushion or Back. Complete Cushions and Backs ARE NOT RETURNABLE.</p>					

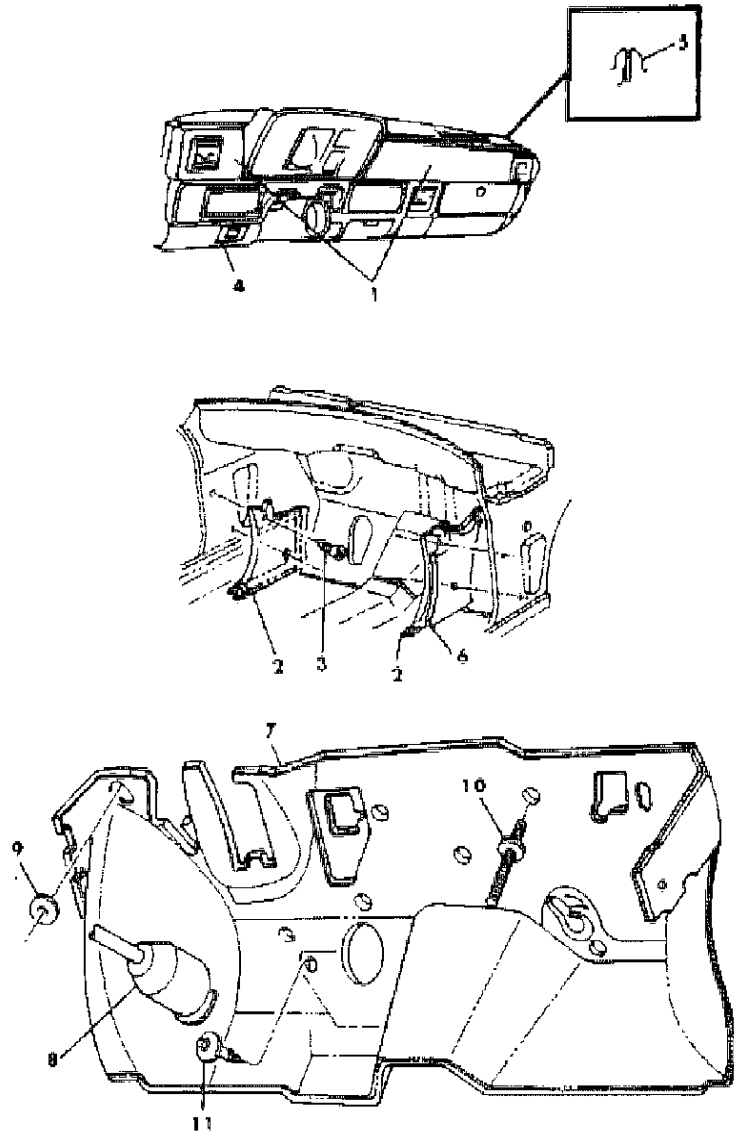
MODEL CODES  
 B = GRAN FURY                            G = DIPLOMAT                            V = 400  
 C = LEBARON/TOWN & COUNTRY       M = HORIZON/TURISMO/SCAMP       X = MIRADA  
 D = ARIES                                    P = RELIANT                               Y = IMPERIAL  
 E = 600                                        S = CORDOBA                              Z = OMNI/CHARGER/RAMPAGE  
 F = FIFTH AVENUE                        T = E CLASS/NEWYORKER

BODY STYLES  
 21 = 2-DOOR SEDAN                       41 = 4-DOOR SEDAN  
 22 = 2-DOOR SPECIAL COUPE         45 = 4-DOOR STATION WAGON  
 24 = 2-DOOR HATCHBACK              44 = 4-DOOR HATCHBACK  
 27 = 2-DOOR CONVERTIBLE            48 = EXECUTIVE SEDAN  
 28 = FWD PICKUP

AR = Use as Required - = Non Illustrated Part P.A.R. = Paint as Required

**INSTRUMENT PANEL AND COWL M,Z**  
**Figure IT-1011**

3253.101 100



ITEM	PART NUMBER	QTY	BODY	MODEL	DESCRIPTION
1					PANEL and PAD,Instrument Panel N N N N w/Rallye N N N N Brown, Dark (paint as required) N N24,28,44 N YP685BT8 w/o Rallye N N N N
	P685 BT8	1			
	P447 BT8	1			Brown (paint as required) N N44 N YP447BT8
2					PANEL,Cowl Side Trim N N N N
	F216-7 BA7	1			Silver N N24,28 N YF216BA7
	F216-7 BC7	1			Blue N N24,28 N YF216BC7
	F216-7 TM6	1			Red N N24,28 N YF216TM6
	F216-7 BT8	1			Brown N N24,28 N YF216BT8
	F216-7 SX9	1			Black N N24,28 N YF216SX9
	F266-7 RX9	1			Black,Paint as Required N N44 N YF266RX9
3		AR			SCREW,(not serviced) N N N N
4	5209 980	1			COVER,Electric Heated Rear Window N N N Y5209980
5	3590 389	2			CLIP N N N Y3590389
6	3837 683	1			SILENCER, Cowl Panel w/ or w/o Air Conditioning N N N Y3837683
7	4278 949	1			LINER, Dash w/ or w/o Air Conditioning N N N Y4278949
8	5231 212	1			LINER, Steering Column Cover N N N Y5231212
9	4206 545	AR			RETAINER, Dash and Cowl N N N Y4206545
10	6031 630	AR			STUD, Special N N N Y6031630
11		AR			SCREW and WASHER (not serviced) N N N N

**MODEL CODES**

B = GRAN FURY	G = DIPLOMAT	V = 400
C = LEBARON/TOWN & COUNTRY	M = HORIZON/TURISMO/SCAMP	X = MIRADA
D = ARIES	P = RELIANT	Y = IMPERIAL
E = 600	S = CORDOBA	Z = OMNI/CHARGER/RAMPAGE
F = FIFTH AVENUE	T = E CLASS/NEWYORKER	

**BODY STYLES**

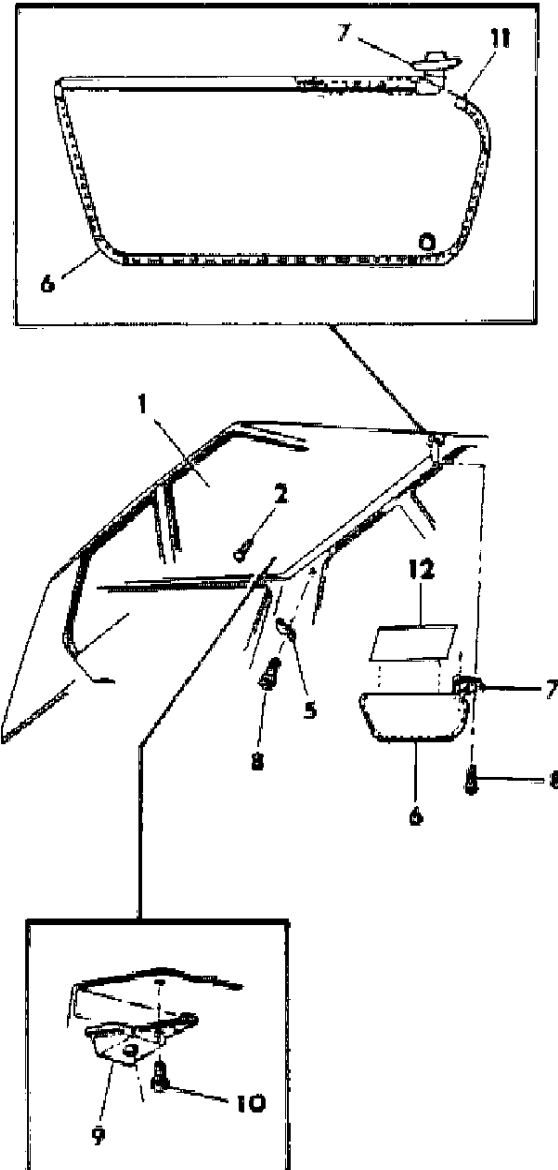
21 = 2-DOOR SEDAN	41 = 4-DOOR SEDAN
22 = 2-DOOR SPECIAL COUPE	45 = 4-DOOR STATION WAGON
24 = 2-DOOR HATCHBACK	44 = 4-DOOR HATCHBACK
27 = 2-DOOR CONVERTIBLE	48 = EXECUTIVE SEDAN
28 = FWD PICKUP	

AR = Use as Required - = Non Illustrated Part P.A.R. = Paint as Required

# HEADLINER AND VISOR M,Z

## Figure IT-1031

3253-103100



ITEM	PART NUMBER	QTY	BODY	MODEL	DESCRIPTION
1					HEADLINING PANEL N N N N
	H819 AA3	1			Cloth N N N N
	H819 BB5	1			Silver N N24 N YH819AA3
	H819 TM6	1			Blue N N24 N YH819BB5
	H819 BL3	1			Red N N24 N YH819TM6
	H819 SX9	1			Tan N N24 N YH819BL3
	H828 AA3	1			Black N N24 N YH819SX9
	H828 BB5	1			Cloth N N N N
	H828 TM6	1			Silver N N44 N YH828AA3
	H828 BL3	1			Blue N N44 N YH828BB5
	W814 AM6	1			Red N N44 N YH828TM6
	W814 BL3	1			Tan N N44 N YH828BL3
	W814 AX9	1			Red N N28 N YW814AM6
	H820 BA3	1			Tan N N28 N YW814BL3
	H820 BB5	1			Black N N28 N YW814AX9
	H820 BM6	1			w/Sun Roof N N N N
	H820 BL3	1			Silver N N24 N YH820BA3
	H820 SX9	1			Blue, Medium N N24 N YH820BB5
-	4049 603	AR			Red N N24 N YH820BM6
-	3762 861	AR			Tan N N24 N YH820BL3
2					Black N N24 N YH820SX9
	H452 AA3	1			SILENCER, Roof Panel (36"x72"x1 1/2"thick slab) N N N
	H452 BB5	1			Y4049603
	H452 TM6	1			SILENCER, Roof Panel (60"x72" material ) N N N Y3762861
	H452 BL3	1			FASTENER,Headlining Panel N N N N
	H452 SX9	1			Center N N N N
	H446 RX9	1			Silver N N N YH452AA3
	4114 785	4			Blue N N N YH452BB5
	H612 AA2	2			Red N N N YH452TM6
	H612 BB5	2			Tan N N N YH452BL3
3	3685 992	2			Black N N N YH452SX9
4					Rear N N24,44 N YH446RX9
	H612 AA2	2			N N28 N Y4114785
	H612 BB5	2			HOOK,Coat N N N Y3685992
					VISOR, w/Arm and Bracket N N N N
					Silver N N N YH612AA2
					Blue N N N YH612BB5

**MODEL CODES**

B = GRAN FURY	G = DIPLOMAT	V = 400
C = LEBARON/TOWN & COUNTRY	M = HORIZON/TURISMO/SCAMP	X = MIRADA
D = ARIES	P = RELIANT	Y = IMPERIAL
E = 600	S = CORDOBA	Z = OMNI/CHARGER/RAMPAGE
F = FIFTH AVENUE	T = E CLASS/NEWYORKER	

**BODY STYLES**

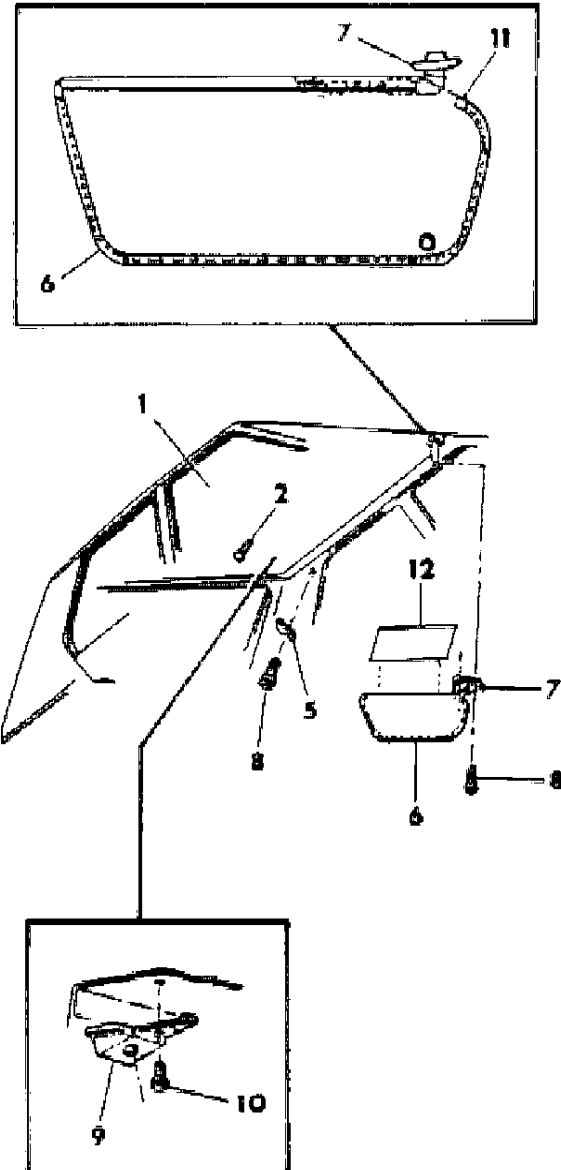
21 = 2-DOOR SEDAN	41 = 4-DOOR SEDAN
22 = 2-DOOR SPECIAL COUPE	45 = 4-DOOR STATION WAGON
24 = 2-DOOR HATCHBACK	44 = 4-DOOR HATCHBACK
27 = 2-DOOR CONVERTIBLE	48 = EXECUTIVE SEDAN
28 = FWD PICKUP	

AR = Use as Required - = Non Illustrated Part P.A.R. = Paint as Required



HEADLINER AND VISOR M,Z  
Figure IT-1031

3253-103100



ITEM	PART NUMBER	QTY	BODY	MODEL	DESCRIPTION
	H612 VM6	2			Red N N N YH612VM6
	H612 BL3	2			Tan N N N YH612BL3
	H612 BX7	2			Black N N N YH612BX7
	H597 AA2	2			PANEL, Sun Visor N N N N Silver N N N YH597AA2
	H597 BB5	2			Blue N N N YH597BB5
	H597 VM6	2			Red N N N YH597VM6
	H597 BL3	2			Tan N N N YH597BL3
	H597 BX7	2			Black N N N YH597BX7
5	5208 539	2			ARM and Bracket, Sun Visor Panel N N N Y5208539
6		AR			SCREW (not serviced) N N N N
7	4223 643	2			BRACKET, Coat Hook Attaching N N28 N Y4223643
8	9414 712	AR			SCREW, Bracket Attaching N N28 N Y9414712
9	1490 983	2			CLIP, Visor Panel End N N N Y1490983
10		1			MIRROR, Visor Vanity, Right N N N N
	4271 015	1			Silver N N N Y4271015
	4271 040	1			Blue N N N Y4271040
	4271 012	1			Red N N N Y4271012
	4271 041	1			Tan N N N Y4271041
	4186 809	1			Black N N N Y4186809

MODEL CODES

B = GRAN FURY	G = DIPLOMAT	V = 400
C = LEBARON/TOWN & COUNTRY	M = HORIZON/TURISMO/SCAMP	X = MIRADA
D = ARIES	P = RELIANT	Y = IMPERIAL
E = 600	S = CORDOBA	Z = OMNI/CHARGER/RAMPAGE
F = FIFTH AVENUE	T = E CLASS/NEWYORKER	

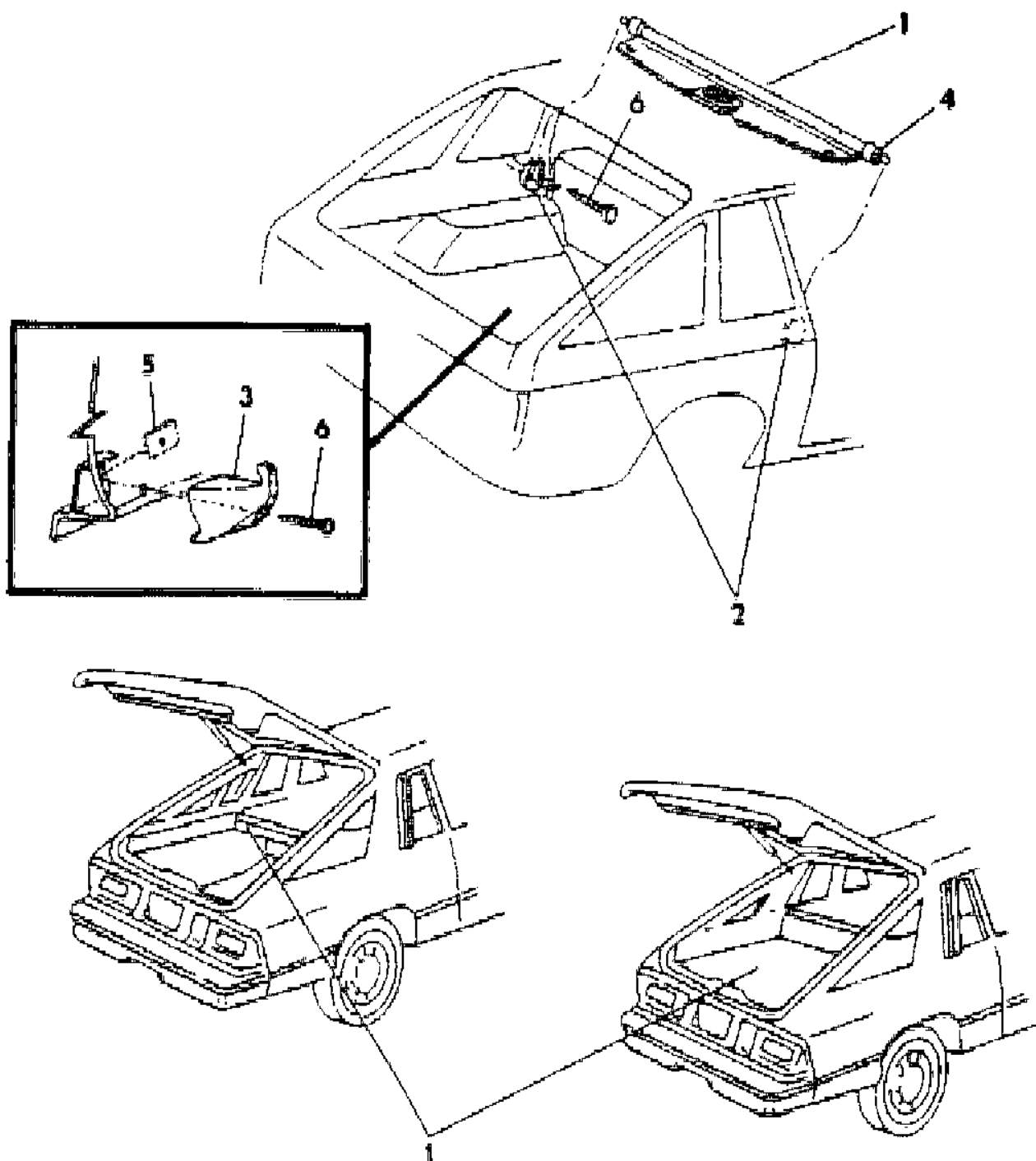
BODY STYLES

21 = 2-DOOR SEDAN	41 = 4-DOOR SEDAN
22 = 2-DOOR SPECIAL COUPE	45 = 4-DOOR STATION WAGON
24 = 2-DOOR HATCHBACK	44 = 4-DOOR HATCHBACK
27 = 2-DOOR CONVERTIBLE	48 = EXECUTIVE SEDAN
28 = FWD PICKUP	

AR = Use as Required - = Non Illustrated Part P.A.R. = Paint as Required

TONNEAU COVER M,Z 24  
Figure IT-1032

3253-103200



ITEM	PART NUMBER	QTY	BODY	MODEL	DESCRIPTION
1		1			TONNEAU COVER,Rear Compt. N N N N
	4271 014	1			Silver (use up to 1/3/83) N N N Y4271014
	4271 042	1			Silver (use after 1/3/83) N N N Y4271042
	4271 035	1			Blue (use up to 1/3/83) N N N Y4271035
	4271 043	1			Blue (use after 1/3/83) N N N Y4271043
	4240 269	1			Red (use up to 1/3/83) N N N Y4240269
	4271 044	1			Red (use after 1/3/83) N N N Y4271044
	4271 036	1			Brown (use up to 1/3/83) N N N Y4271036
	4271 045	1			Brown (use after 1/3/83) N N N Y4271045
	4271 046	1			Black N N N Y4271046
2					SUPPORT,Rear Compt. Tonneau Cover Front N N N N
	H493 AA3	2			Silver N N N YH493AA3
	H493 BB5	2			Blue N N N YH493BB5
	H493 TM6	2			Red N N N YH493TM6
	H493 BL3	2			Tan N N N YH493BL3
	H493 SX9	2			Black N N N YH493SX9
3					HOOK,Rear Compt. Tonneau Cover Rear N N N N
	H494-5 AA3	1			Silver N N N YH494AA3
	H494-5 BB5	1			Blue N N N YH494BB5
	H494-5 TM6	1			Red N N N YH494TM6
	H494-5 BL3	1			Tan N N N YH494BL3
	H494-5 SX9	1			Black N N N YH494SX9
4	4271 047	1			END CAP PACKAGE N N N Y4271047
5	0152 490	2			U/NUT, Quarter Rear Compartment Cover Hook Attaching N N N Y152490
6		AR			SCREW (not serviced) N N N N

MODEL CODES

B = GRAN FURY	G = DIPLOMAT	V = 400
C = LEBARON/TOWN & COUNTRY	M = HORIZON/TURISMO/SCAMP	X = MIRADA
D = ARIES	P = RELIANT	Y = IMPERIAL
E = 600	S = CORDOBA	Z = OMNI/CHARGER/RAMPAGE
F = FIFTH AVENUE	T = E CLASS/NEWYORKER	

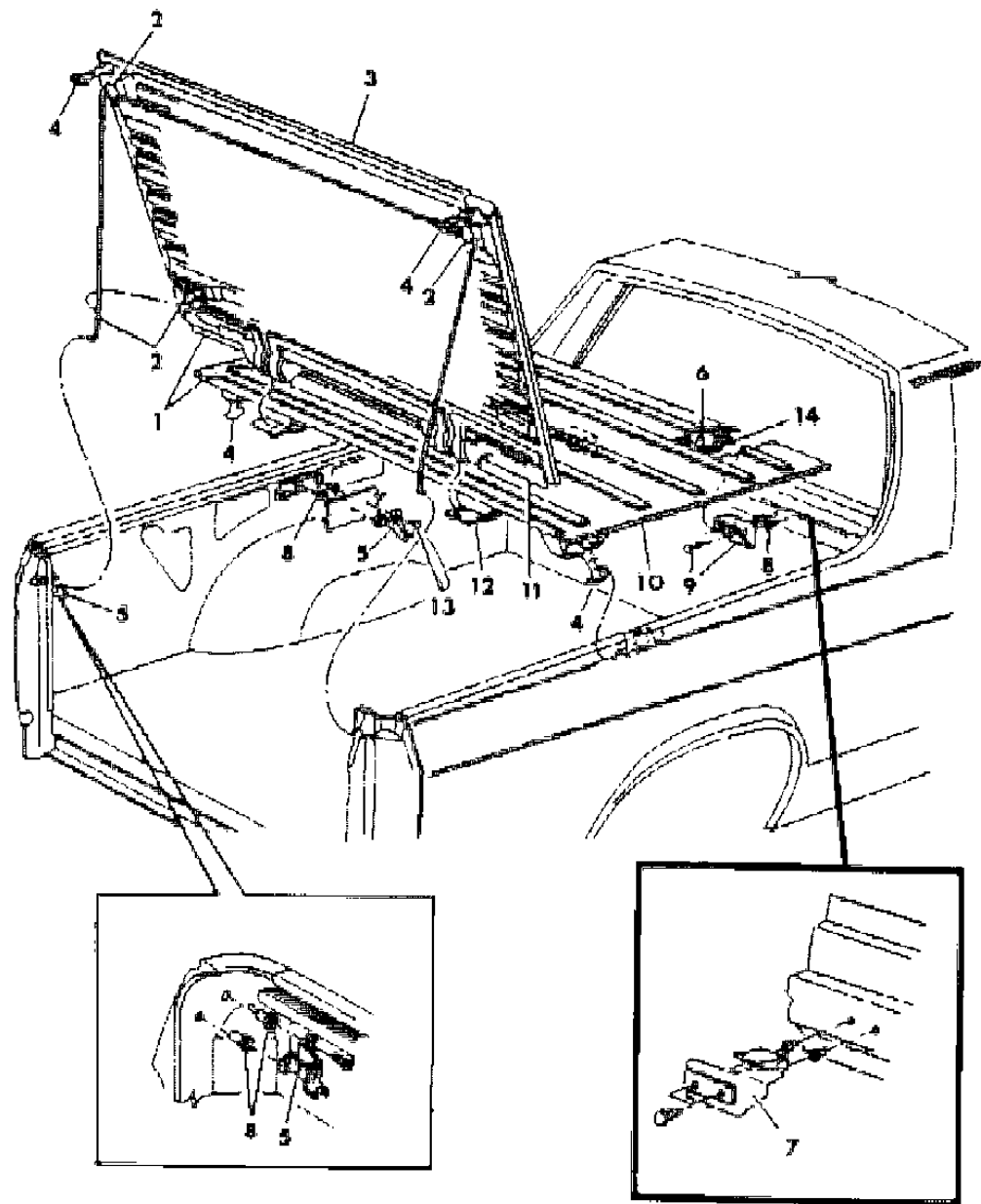
BODY STYLES

21 = 2-DOOR SEDAN	41 = 4-DOOR SEDAN
22 = 2-DOOR SPECIAL COUPE	45 = 4-DOOR STATION WAGON
24 = 2-DOOR HATCHBACK	44 = 4-DOOR HATCHBACK
27 = 2-DOOR CONVERTIBLE	48 = EXECUTIVE SEDAN
28 = FWD PICKUP	

AR = Use as Required - = Non Illustrated Part P.A.R. = Paint as Required

**TONNEAU COVER M,Z 28**  
**Figure IT-1033**

3253.103300A



ITEM	PART NUMBER	QTY	BODY	MODEL	DESCRIPTION
1	4278 564	1			COVER PACKAGE, Tonneau Complete N N N Y4278564
2	4278 568	1			ROD PACKAGE, Prop N N N Y4278568 Consists of: N N N N 2- Prop Rods N N N N 2- Clips N N N N 2- Hinges N N N N
3	4278 141	1			COVER, Tonneau Front N N N Y4278141
4	4278 435	4			LATCH ASSY. N N N Y4278435
5	4278 448-9	2			BRACKET, Keeper N N N Y4278448
6	6031 893	23			NUT, Plus N N N Y6031893
7	4278 438	1			BUMPER, Front N N N Y4278438
	4278 446-7	1			Rear N N N Y4278446
8	2094 869	12			NUT, Rivet N N N Y2094869
9	4278 565	1			BRACKET PACKAGE, Cover Guide N N N Y4278565 Consists Of: N N N N NUT, Rivet N N N Y2094869 2 - Bracket Guides N N N N 4 - Screws N N N N
	2094 869	4			
10	4278 441	1			COVER, Tonneau Rear N N N Y4278441
11	4278 868	1			SEAL PACKAGE, Tonneau Cover N N N Y4278868 Consists Of: N N N N FASTENER, Seal N N N N NUT N N N Y152443 1 - Seal N N N N
	0152 443	11			
12	4278 440	2			HINGE, Bracket N N N Y4278440
13	0136 028	AR			Rivet N N N Y136028
14	4278 439	2			RETAINER, Spring N N N Y4278439
	4314 468	1			CLIP PACKAGE, Cover Hold Down N N N Y4314468

The following part is not illustrated. s ARE NOT RETURNABLE.

**MODEL CODES**

B = GRAN FURY	G = DIPLOMAT	V = 400
C = LEBARON/TOWN & COUNTRY	M = HORIZON/TURISMO/SCAMP	X = MIRADA
D = ARIES	P = RELIANT	Y = IMPERIAL
E = 600	S = CORDOBA	Z = OMNI/CHARGER/RAMPAGE
F = FIFTH AVENUE	T = E CLASS/NEWYORKER	

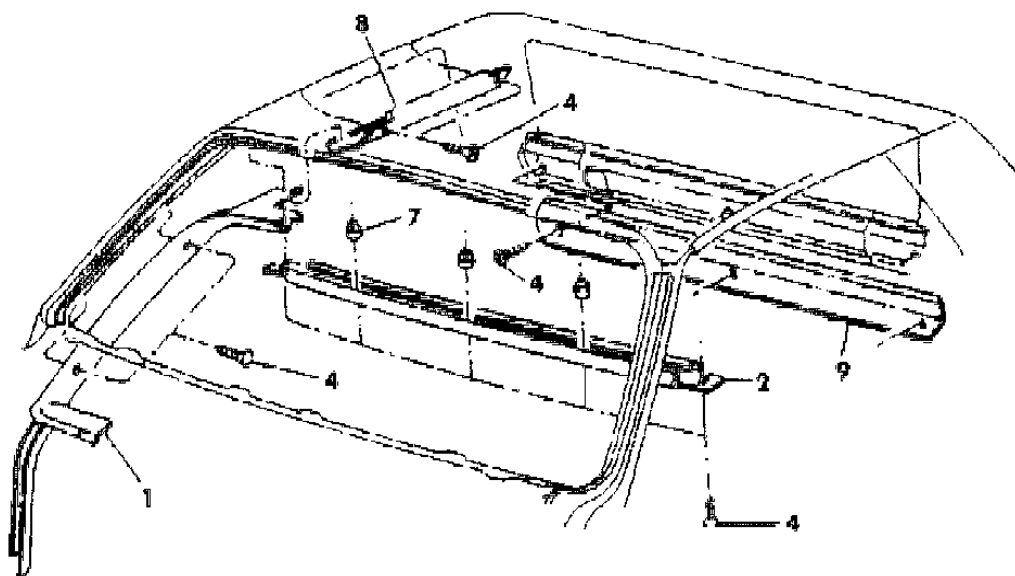
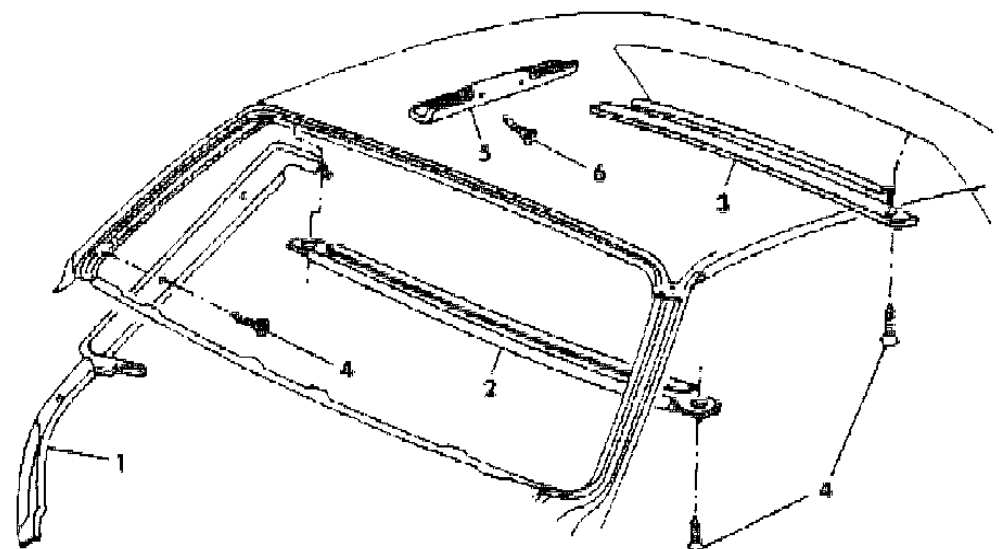
**BODY STYLES**

21 = 2-DOOR SEDAN	41 = 4-DOOR SEDAN
22 = 2-DOOR SPECIAL COUPE	45 = 4-DOOR STATION WAGON
24 = 2-DOOR HATCHBACK	44 = 4-DOOR HATCHBACK
27 = 2-DOOR CONVERTIBLE	48 = EXECUTIVE SEDAN
28 = FWD PICKUP	

AR = Use as Required - = Non Illustrated Part P.A.R. = Paint as Required

**GARNISH MOULDING M,Z 24,28,44**  
**Figure IT-1034**

3253.103400



ITEM	PART NUMBER	QTY	BODY	MODEL	DESCRIPTION
1					MOULDING, Windshield Side, Black (paint as required) N N N N
	F260-1 AA3	1			N N44 N YF260AA3
	F262-3 AA3	1			N N24,28 N YF262AA3
2					MOULDING, Windshield Upper (paint as required) N N N N
	5208 508	1			N N44 N Y5208508
	5231 298	1			N N24,28 N Y5231298
3					MOULDING, Roof Lift Gate Upper (paint as required) N N44 N
	5208 522	1			Y5208522
	5231 786	1			MOULDING w/SPACER, Roof Lift Gate Upper (paint as required) N N24 N Y5231786
4		AR			SCREW (not serviced) N N24,28,44 N N
5	5231 300	2			MOULDING, Roof Side (paint as required) N N24 N Y5231300
6	9420 486	AR			SCREW N N24 N Y9420486
7	0152 861	AR			NUT, Spacer N N24,28,44 N Y152861
8	4247 318	2			MOULDING, Roof Side (paint as required) N N28 N Y4247318
9	W800 AX9	1			MOULDING, Rear Window Lower (paint as required) N N28 N YW800AX9

**MODEL CODES**

B = GRAN FURY	G = DIPLOMAT	V = 400
C = LEBARON/TOWN & COUNTRY	M = HORIZON/TURISMO/SCAMP	X = MIRADA
D = ARIES	P = RELIANT	Y = IMPERIAL
E = 600	S = CORDOBA	Z = OMNI/CHARGER/RAMPAGE
F = FIFTH AVENUE	T = E CLASS/NEWYORKER	

**BODY STYLES**

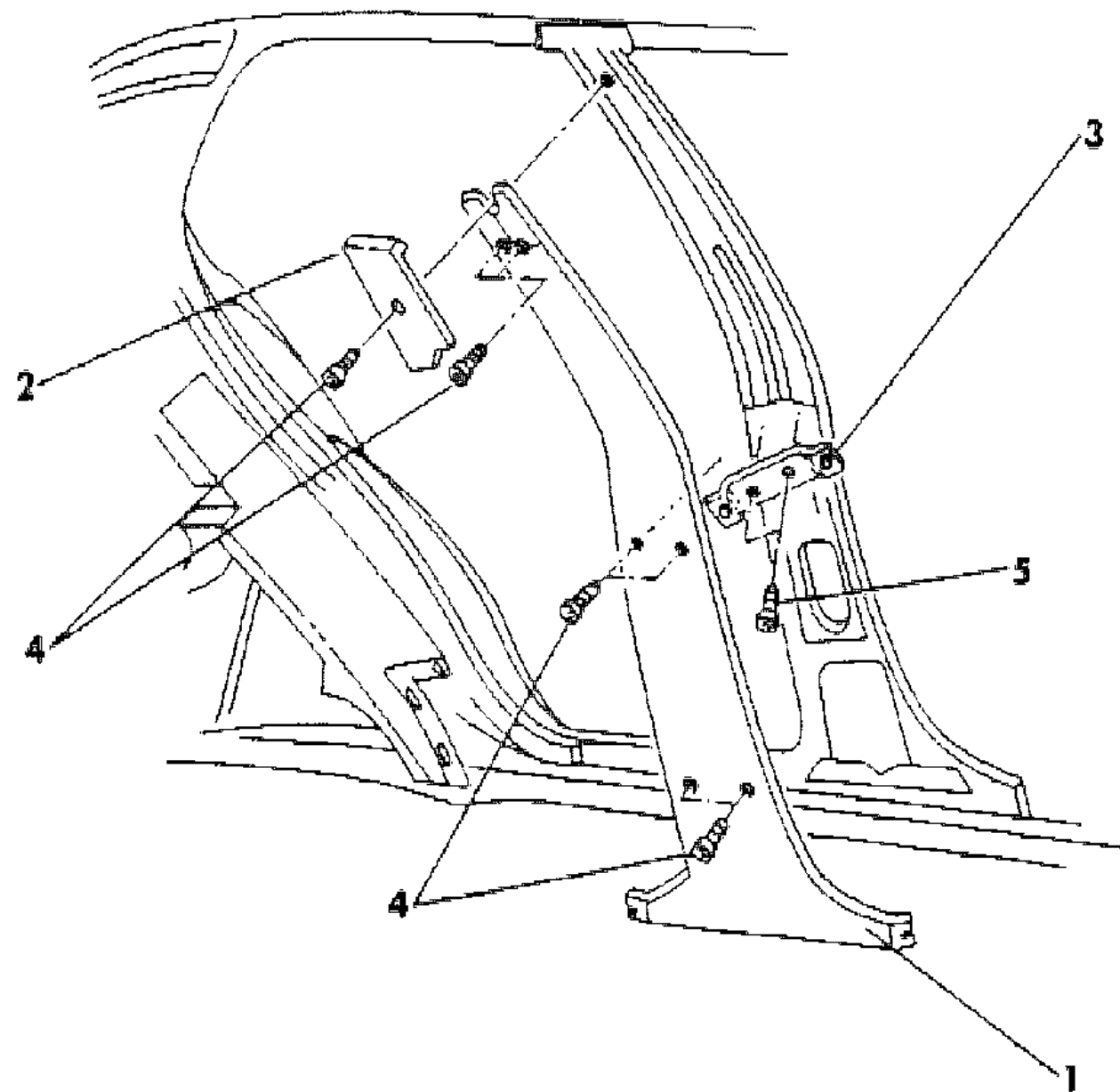
21 = 2-DOOR SEDAN	41 = 4-DOOR SEDAN
22 = 2-DOOR SPECIAL COUPE	45 = 4-DOOR STATION WAGON
24 = 2-DOOR HATCHBACK	44 = 4-DOOR HATCHBACK
27 = 2-DOOR CONVERTIBLE	48 = EXECUTIVE SEDAN
28 = FWD PICKUP	

AR = Use as Required - = Non Illustrated Part P.A.R. = Paint as Required

**B PILLAR TRIM M,Z 44**  
**Figure IT-1051**

3253-105100

ITEM	PART NUMBER	QTY	BODY	MODEL	DESCRIPTION
1					COVER,Center Pillar Trim "B" Lower N N N N
	F202-3 TX9	1			Black,Paint as Required N N N YF202TX9
2					COVER,Center Pillar "B" Trim Upper N N N N
	F172-3 SX9	1			Black,Paint as Required N N N YF172SX9
3	5208 733	2			BRACKET,Center Pillar Trim Cover Attaching N N N Y5208733
4		AR			SCREW(not serviced) N N N N
5	9414 712	4			SCREW N N N Y9414712



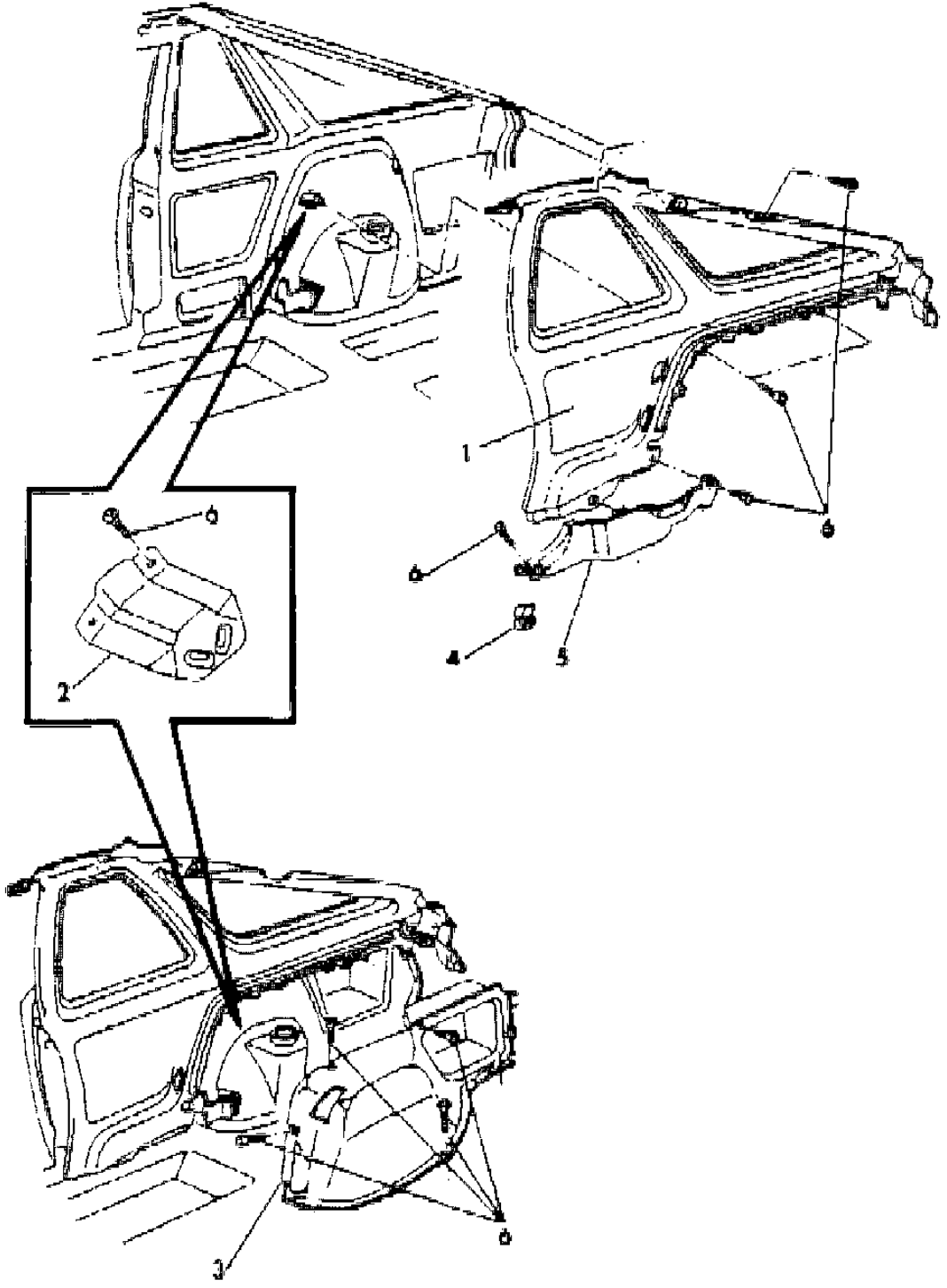
MODEL CODES  
 B = GRAN FURY  
 C = LEBARON/TOWN & COUNTRY  
 D = ARIES  
 E = 600  
 F = FIFTH AVENUE  
 G = DIPLOMAT  
 M = HORIZON/TURISMO/SCAMP  
 P = RELIANT  
 S = CORDOBA  
 T = E CLASS/NEWYORKER  
 V = 400  
 X = MIRADA  
 Y = IMPERIAL  
 Z = OMNI/CHARGER/RAMPAGE

BODY STYLES  
 21 = 2-DOOR SEDAN  
 22 = 2-DOOR SPECIAL COUPE  
 24 = 2-DOOR HATCHBACK  
 27 = 2-DOOR CONVERTIBLE  
 28 = FWD PICKUP  
 41 = 4-DOOR SEDAN  
 45 = 4-DOOR STATION WAGON  
 44 = 4-DOOR HATCHBACK  
 48 = EXECUTIVE SEDAN

AR = Use as Required - = Non Illustrated Part P.A.R. = Paint as Required

QUARTER PANEL M,Z 24  
Figure IT-1061

3253.106100



ITEM	PART NUMBER	QTY	BODY	MODEL	DESCRIPTION
1					PANEL,Quarter Trim N N N N
	H466-7 SX9	1			Black,Paint as Required N N N YH466SX9
	H510-1 BA3	1			Bolster N N NS5AC YH510BA3
2	5208 984	4			BRACKET,Quarter Trim Panel Wheelhouse Attaching N N N Y5208984
3					PANEL,Wheelhouse Trim N N N N
	H474-5 SX9	1			Black, Paint as Required (use up to 4/4/83) N N N YH474SX9
	H440-1 BL3	1			Beige, Paint as Required (use after 4/4/83) N N N YH440BL3
4	0152 490	2			U/Nut Qtr. Lower Trim Cover Attaching N N N Y152490
5					PANEL,Quarter Trim Lower w/o Arm Rest N N N N
	F184-5 AA3	1			Silver N N N YF184AA3
	F184-5 BB5	1			Blue N N N YF184BB5
	F184-5 TM6	1			Red N N N YF184TM6
	F184-5 BL3	1			Tan N N N YF184BL3
	F184-5 SX9	1			Black N N N YF184SX9
6		AR			SCREW(not serviced) N N N N

NOTE: For carpet on quarter panel see Group 23B rear speaker grille. s ARE NOT RETURNABLE.

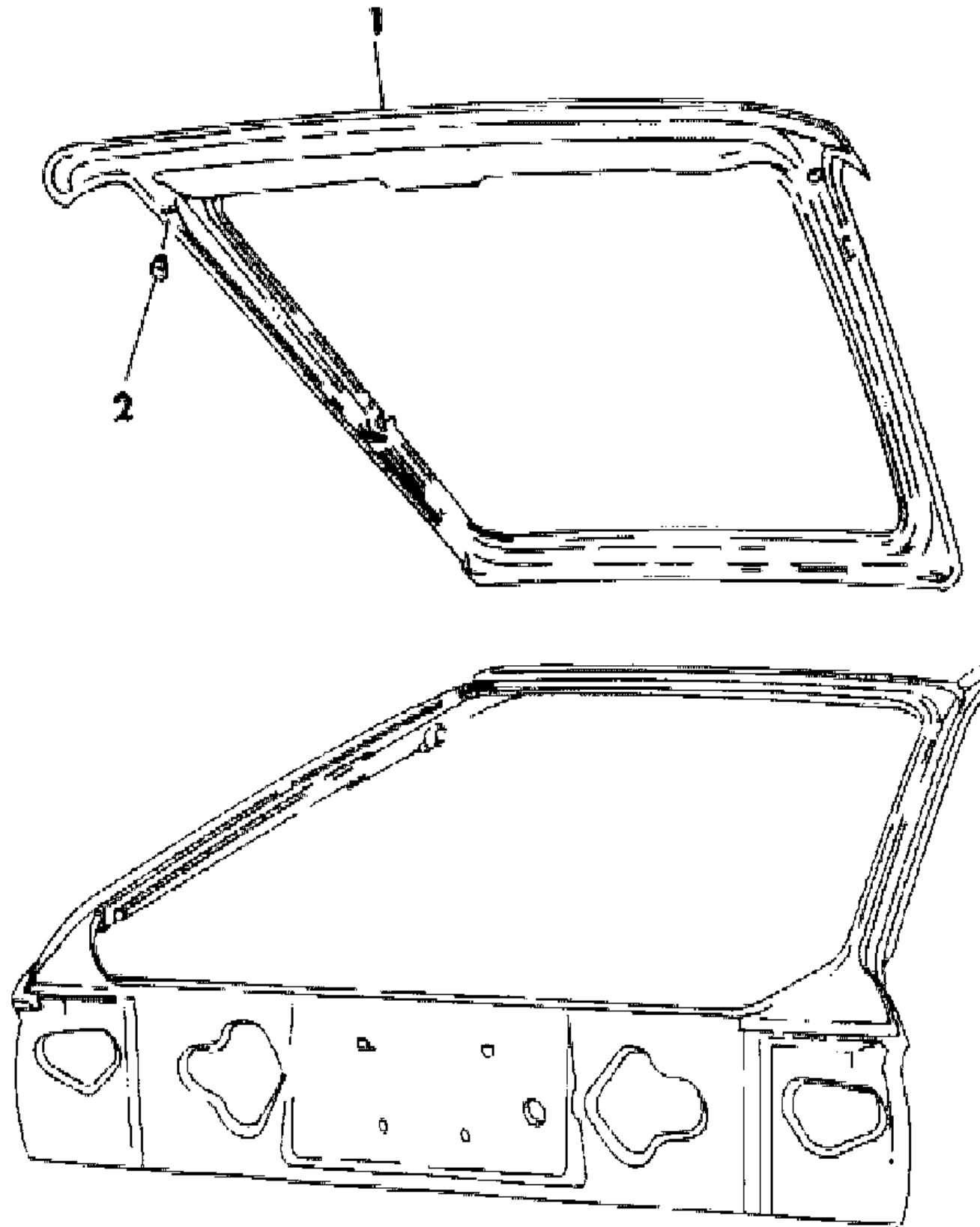
MODEL CODES		
B = GRAN FURY	G = DIPLOMAT	V = 400
C = LEBARON/TOWN & COUNTRY	M = HORIZON/TURISMO/SCAMP	X = MIRADA
D = ARIES	P = RELIANT	Y = IMPERIAL
E = 600	S = CORDOBA	Z = OMNI/CHARGER/RAMPAGE
F = FIFTH AVENUE	T = E CLASS/NEWYORKER	

BODY STYLES	
21 = 2-DOOR SEDAN	41 = 4-DOOR SEDAN
22 = 2-DOOR SPECIAL COUPE	45 = 4-DOOR STATION WAGON
24 = 2-DOOR HATCHBACK	44 = 4-DOOR HATCHBACK
27 = 2-DOOR CONVERTIBLE	48 = EXECUTIVE SEDAN
28 = FWD PICKUP	

AR = Use as Required - = Non Illustrated Part P.A.R. = Paint as Required

LIFT GATE M,Z 24  
Figure IT-1062

3253-1 06 200 A



ITEM	PART NUMBER	QTY	BODY	MODEL	DESCRIPTION
1					COVER, Lift Gate N N N N
	H429 AA3	1			Silver N N N YH429AA3
	H429 BB5	1			Blue N N N YH429BB5
	H429 TM6	1			Red N N N YH429TM6
	H429 BL3	1			Tan N N N YH429BL3
	H429 SX9	1			Black N N N YH429SX9
2	6031 507	2			FASTENER N N N Y6031507

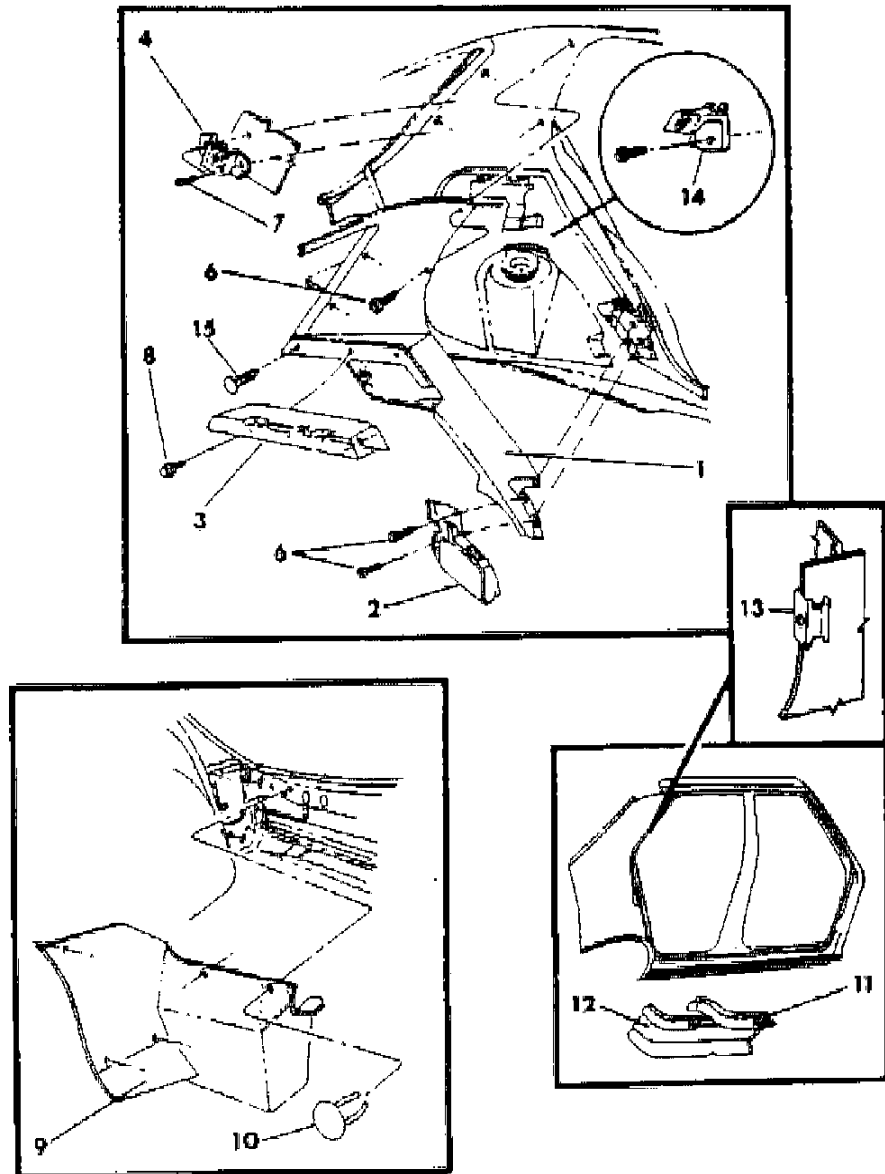
MODEL CODES  
 B = GRAN FURY  
 C = LEBARON/TOWN & COUNTRY  
 D = ARIES  
 E = 600  
 F = FIFTH AVENUE  
 G = DIPLOMAT  
 M = HORIZON/TURISMO/SCAMP  
 P = RELIANT  
 S = CORDOBA  
 T = E CLASS/NEWYORKER  
 V = 400  
 X = MIRADA  
 Y = IMPERIAL  
 Z = OMNI/CHARGER/RAMPAGE

BODY STYLES  
 21 = 2-DOOR SEDAN  
 22 = 2-DOOR SPECIAL COUPE  
 24 = 2-DOOR HATCHBACK  
 27 = 2-DOOR CONVERTIBLE  
 28 = FWD PICKUP  
 41 = 4-DOOR SEDAN  
 45 = 4-DOOR STATION WAGON  
 44 = 4-DOOR HATCHBACK  
 48 = EXECUTIVE SEDAN

AR = Use as Required - = Non Illustrated Part P.A.R. = Paint as Required

QUARTER PANEL M,Z 44  
Figure IT-1063

3253-106300



ITEM	PART NUMBER	QTY	BODY	MODEL	DESCRIPTION
1					PANEL,Upper Quarter Wheelhouse Trim N N N N
	H444-5 BL3	1			Black, (paint as required) N N N YH444BL3
2					COVER,Quarter Trim Panel Lower N N N N
	F192-3 RX9	1			Black,Paint as Required N N N YF192RX9
3					EXTENSION,Shelf Panel w/o Speaker N N N N
	H208-9 TX9	1			Black,Paint as Required N N N YH208TX9
4					BRACKET,Aperture Quarter Trim Panel Attaching N N N
	5208 863	2			Y5208863
6		AR			SCREW(not Serviced) N N N N
7					SCREW N N N Y9414712
	9414 712	4			
8					SCREW N N N Y6100567
	6100 567	AR			
9					PANEL,Cargo Side N N N Y5208846
	5208 846-7	1			
10					FASTENER,Cargo Side Panel N N N Y6003683
	6003 683	4			
11					PINCHWELD,w/Weather Strip Front Door N N N N
	F026-7 AA3	1			Silver N N N YF026AA3
	F026-7 BB5	1			Blue N N N YF026BB5
	F026-7 AM6	1			Red N N N YF026AM6
	F026-7 BL3	1			Tan N N N YF026BL3
12					PINCHWELD w/Weather Strip Rear Door N N N N
	F024-5 AA3	1			Silver N N N YF024AA3
	F024-5 BB5	1			Blue N N N YF024BB5
	F024-5 TM6	1			Red N N N YF024TM6
	F024-5 BL3	1			Tan N N N YF024BL3
13					CLIP,Rear Door Wheather Strip N N N Y5208891
	5208 891	2			
14					BRACKET,Quarter Upper Trim Panel Attaching N N N Y5216518
	5216 518-9	1			
15					PLUG N N N YH446RX9
	H446 RX9	AR			

MODEL CODES

B = GRAN FURY	G = DIPLOMAT	V = 400
C = LEBARON/TOWN & COUNTRY	M = HORIZON/TURISMO/SCAMP	X = MIRADA
D = ARIES	P = RELIANT	Y = IMPERIAL
E = 600	S = CORDOBA	Z = OMNI/CHARGER/RAMPAGE
F = FIFTH AVENUE	T = E CLASS/NEWYORKER	

BODY STYLES

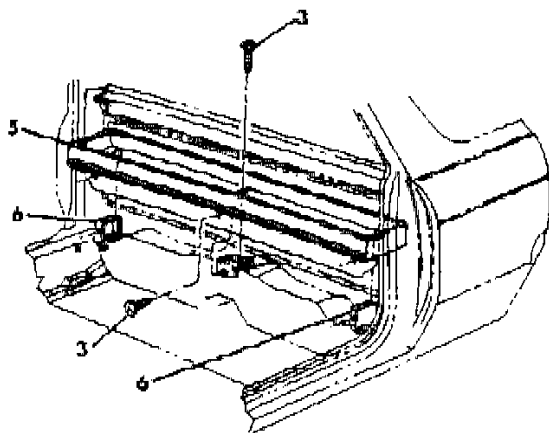
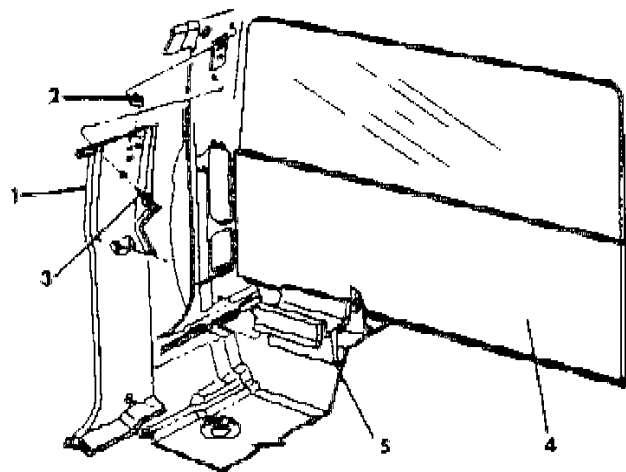
21 = 2-DOOR SEDAN	41 = 4-DOOR SEDAN
22 = 2-DOOR SPECIAL COUPE	45 = 4-DOOR STATION WAGON
24 = 2-DOOR HATCHBACK	44 = 4-DOOR HATCHBACK
27 = 2-DOOR CONVERTIBLE	48 = EXECUTIVE SEDAN
28 = FWD PICKUP	

AR = Use as Required - = Non Illustrated Part P.A.R. = Paint as Required



QUARTER AND CAB BACK PANEL M,Z 28  
Figure IT-1064

3253 106400



ITEM	PART NUMBER	QTY	BODY	MODEL	DESCRIPTION
1	W810-1 AX9	1			PANEL, Quarter Trim (paint as required) N N N YW810AX9
2	4114 785	4			FASTENER N N N Y4114785
3		AR			SCREW (not serviced) N N N N0
4					CARPET, Cab Back Panel N N N N
	W806 AM6	1			Red N N N YW806AM6
	W806 BT9	1			Brown N N N YW806BT9
	W806 AX9	1			Black N N N YW806AX9
5					TRAY, Rear Floor Stowage N N N N
	W808 AM6	1			Red N N N YW808AM6
	W808 BT8	1			Brown N N N YW808BT8
	W808 AX9	1			Black N N N YW808AX9
6					SUPPORT, Floor Pan Stowage (refer to 23 A) N N N N

MODEL CODES

B = GRAN FURY	G = DIPLOMAT	V = 400
C = LEBARON/TOWN & COUNTRY	M = HORIZON/TURISMO/SCAMP	X = MIRADA
D = ARIES	P = RELIANT	Y = IMPERIAL
E = 600	S = CORDOBA	Z = OMNI/CHARGER/RAMPAGE
F = FIFTH AVENUE	T = E CLASS/NEWYORKER	

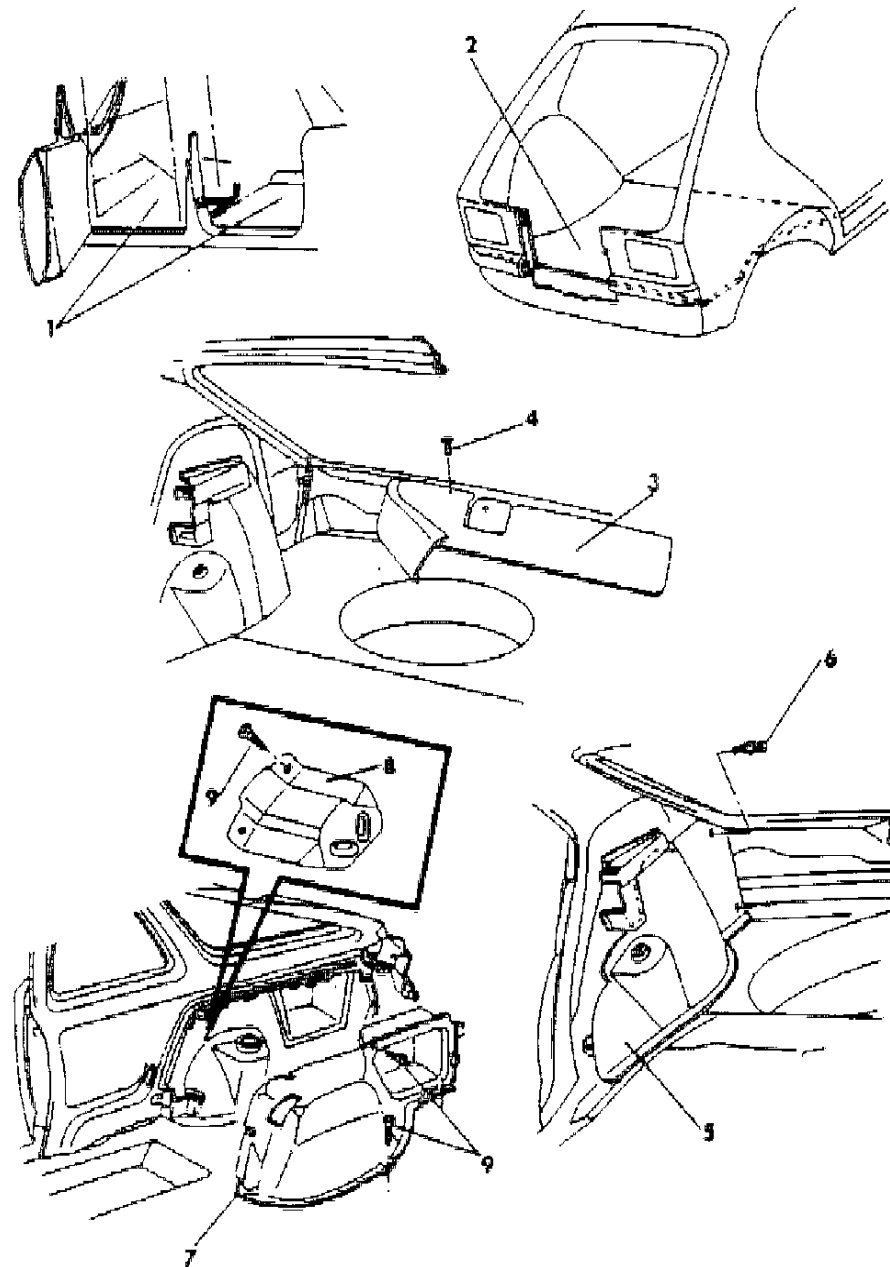
BODY STYLES

21 = 2-DOOR SEDAN	41 = 4-DOOR SEDAN
22 = 2-DOOR SPECIAL COUPE	45 = 4-DOOR STATION WAGON
24 = 2-DOOR HATCHBACK	44 = 4-DOOR HATCHBACK
27 = 2-DOOR CONVERTIBLE	48 = EXECUTIVE SEDAN
28 = FWD PICKUP	

AR = Use as Required - = Non Illustrated Part P.A.R. = Paint as Required

**CARPET M,Z 24,28,44**  
**Figure IT-1081**

3253.108100



ITEM	PART NUMBER	QTY	BODY	MODEL	DESCRIPTION
1					CARPET,Floor One Piece Front & Rear N N N N
	M732 BA7	1			Silver N N24 N YM732BA7
	M732 BC7	1			Blue N N24 N YM732BC7
	M732 BM6	1			Red N N24 N YM732BM6
	M732 BT9	1			Brown N N24 N YM732BT9
	M732 BX9	1			Black N N24 N YM732BX9
	M733 BA7	1			Gray, Dark N N44 N YM733BA7
	M733 BC7	1			Blue N N44 N YM733BC7
	M733 BM6	1			Red N N44 N YM733BM6
	M733 BT9	1			Brown N N44 N YM733BT9
	W809 BM6	1			Red N N28 N YW809BM6
	W809 BT9	1			Brown N N28 N YW809BT9
	W809 BX9	1			Black N N28 N YW809BX9
2					CARPET,Luggage Compt. Floor w/o Sound Insulation N N N N
	F182 AA7	1			Silver N N24 N YF182AA7
	F182 BC7	1			Blue N N24 N YF182BC7
	F182 TM6	1			Red N N24 N YF182TM6
	F182 BT9	1			Brown N N24 N YF182BT9
	F182 SX9	1			Black N N24 N YF182SX9
		1			w/Sound Insulation N N N N
	F183 AA7	1			Silver N N24 N YF183AA7
	F183 BC7	1			Blue N N24 N YF183BC7
	F183 TM6	1			Red N N24 N YF183TM6
	F183 BT9	1			Brown N N24 N YF183BT9
	F183 SX9	1			Black N N24 N YF183SX9
	5216 653	1			Black N N44 N Y5216653
3					CARPET,Liftgate Opening Lower Panel w/Silencer N N N N
	H454 AA7	1			Silver N N24 N YH454AA7
	H454 BC7	1			Blue N N24 N YH454BC7
	H454 TM6	1			Red N N24 N YH454TM6
	H454 BT9	1			Brown N N24 N YH454BT9
	H454 TX9	1			Black N N24 N YH454TX9
	5208 917	1			Black N N44 N Y5208917
4		AR			NAIL(not serviced) N N N N
5	5208 622-3	1			COVER,Wheelhouse Luggage Compt. (carpet) N N44 N Y5208622
6	6003 683	AR			CLIP,Wheelhouse Cover Attaching N N44 N Y6003683

**MODEL CODES**

B = GRAN FURY	G = DIPLOMAT	V = 400
C = LEBARON/TOWN & COUNTRY	M = HORIZON/TURISMO/SCAMP	X = MIRADA
D = ARIES	P = RELIANT	Y = IMPERIAL
E = 600	S = CORDOBA	Z = OMNI/CHARGER/RAMPAGE
F = FIFTH AVENUE	T = E CLASS/NEWYORKER	

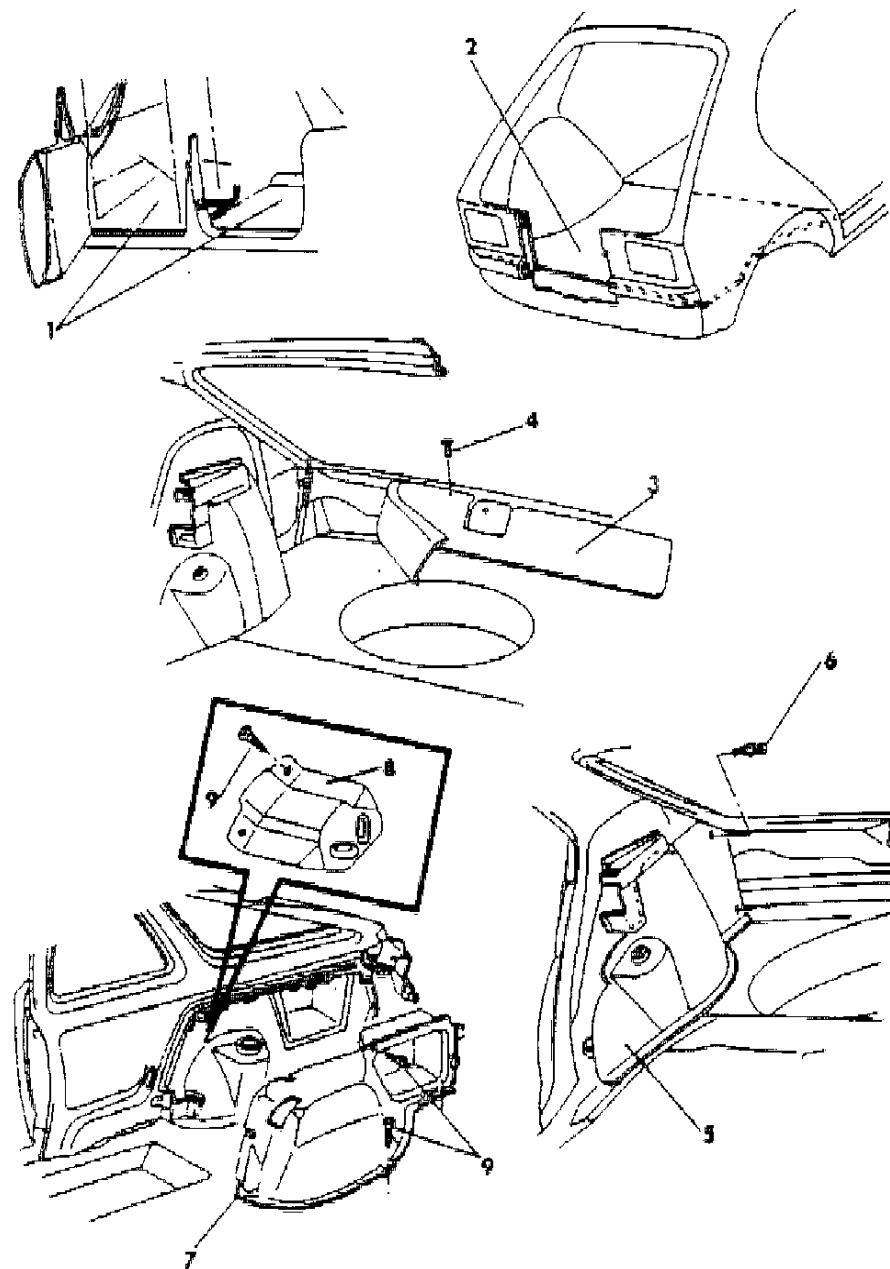
**BODY STYLES**

21 = 2-DOOR SEDAN	41 = 4-DOOR SEDAN
22 = 2-DOOR SPECIAL COUPE	45 = 4-DOOR STATION WAGON
24 = 2-DOOR HATCHBACK	44 = 4-DOOR HATCHBACK
27 = 2-DOOR CONVERTIBLE	48 = EXECUTIVE SEDAN
28 = FWD PICKUP	

AR = Use as Required - = Non Illustrated Part P.A.R. = Paint as Required

**CARPET M,Z 24,28,44**  
**Figure IT-1081**

3253.108100



ITEM	PART NUMBER	QTY	BODY	MODEL	DESCRIPTION
7					COVER,Wheelhouse Luggage Compt. (Carpet) N N N N (use up to 4/4/83) N N N N Silver N N24 N YH470AA3 Blue N N24 N YH470BB5 Red N N24 N YH470TM6 H470-1 AA3 1 H470-1 BB5 1 H470-1 TM6 1 H470-1 BL3 1 H470-1 SX9 1 (use after 4/4/83) N N N N Silver N N24 N YH438BA3 Blue N N24 N YH438BB5 Red N N24 N YH438BM6 Tan N N24 N YH438BL3 Black N N24 N YH438BX9 H438 BA3 1 H438 BB5 1 H438 BM6 1 H438 BL3 1 H438 BX9 1
8	5208 984	2			BRACKET,Quarter Wheelhouse Attaching N N24 N Y5208984
9		AR			SCREW(not serviced) N N24 N N
The following parts are not illustrated. s ARE NOT RETURNABLE.					
					CARPET, Folding Rear Seat Back (serviced in Rear Seat Back Cover) N N24 N N
	3837 683	2			SILENCER, Wheelhouse Cover Luggage Compartment (24"x48"x1/4" Material) N N N Y3837683
	4186 901	2			SILENCER, Front Floor Pan Center (36"x72" material cut to fit) N N N Y4186901
	3762 862	AR			SILENCER,Cargo Floor & Under Second Seat (36"x72" material cut to fit) N N N Y3762862
FLOOR MAT PACKAGE (Carpeted Set of 2) N N N N					
					FRONT N N N N
	M022 AA7	1			Silver N N N YM022AA7
	M022 AC7	1			Blue N N N YM022AC7
	M022 VM6	1			Red N N N YM022VM6
	M022 BT9	1			Brown N N N YM022BT9
	M022 VX7	1			Black N N N YM022VX7
					Rear N N N N
	M023 AA7	1			Silver N N N YM023AA7
	M023 BC7	1			Blue N N N YM023BC7
	M023 VM6	1			Red N N N YM023VM6
	M023 BT9	1			Brown N N N YM023BT9
	M023 VX9	1			Black N N N YM023VX9

**MODEL CODES**

B = GRAN FURY	G = DIPLOMAT	V = 400
C = LEBARON/TOWN & COUNTRY	M = HORIZON/TURISMO/SCAMP	X = MIRADA
D = ARIES	P = RELIANT	Y = IMPERIAL
E = 600	S = CORDOBA	Z = OMNI/CHARGER/RAMPAGE
F = FIFTH AVENUE	T = E CLASS/NEWYORKER	

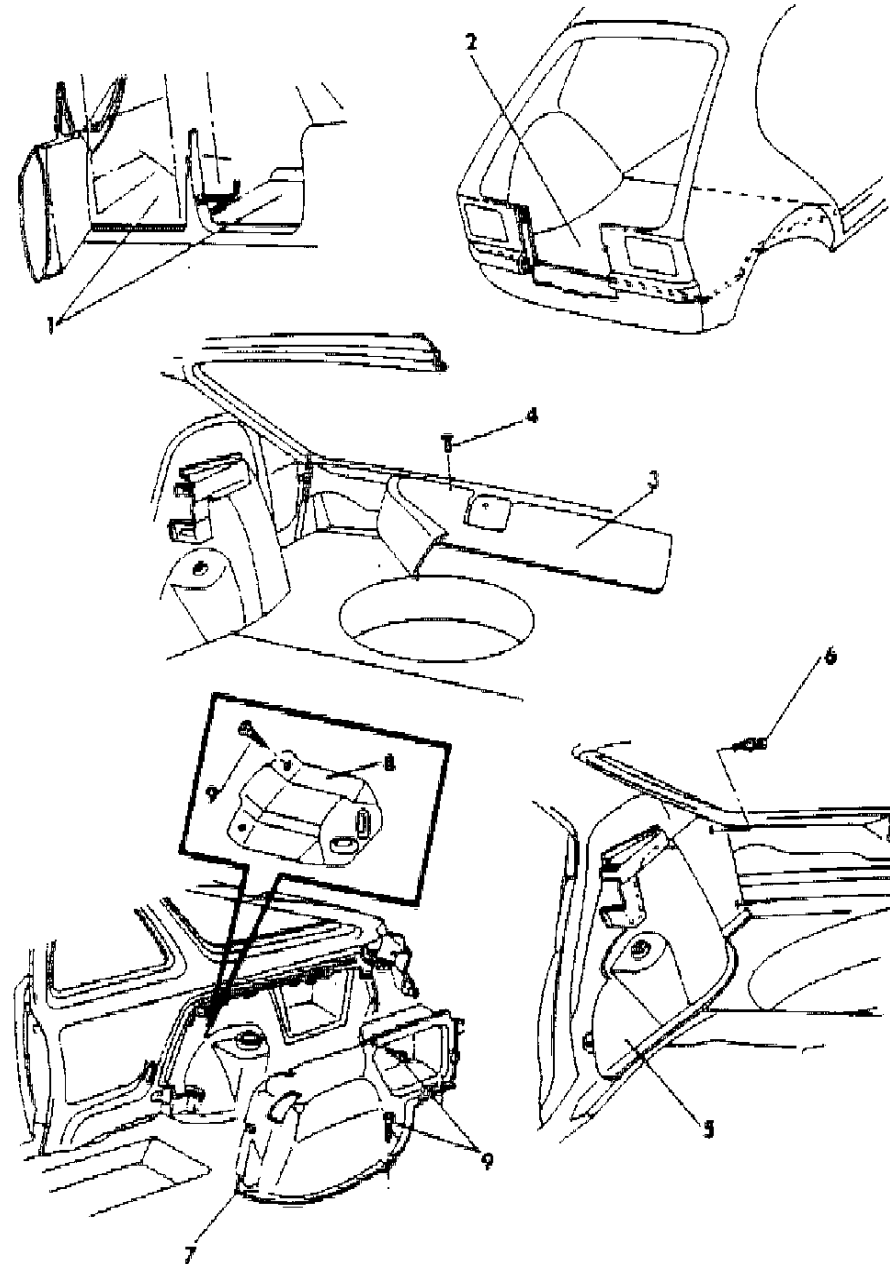
**BODY STYLES**

21 = 2-DOOR SEDAN	41 = 4-DOOR SEDAN
22 = 2-DOOR SPECIAL COUPE	45 = 4-DOOR STATION WAGON
24 = 2-DOOR HATCHBACK	44 = 4-DOOR HATCHBACK
27 = 2-DOOR CONVERTIBLE	48 = EXECUTIVE SEDAN
28 = FWD PICKUP	

AR = Use as Required - = Non Illustrated Part P.A.R. = Paint as Required

**CARPET M,Z 24,28,44**  
**Figure IT-1081**

3253.108100



ITEM	PART NUMBER	QTY	BODY	MODEL	DESCRIPTION
					CARPET,Needled Velour Ozite 54" Wide Order By The Inch N N N
	R112 AA7	AR			Silver N N N YR112AA7
	R112 SC7	AR			Blue N N N YR112SC7
	R112 TM6	AR			Red N N N YR112TM6
	R112 BL3	AR			Tan N N N YR112BL3
	R112 BT9	AR			Brown N N N YR112BT9
	R112 RX9	AR			Black N N N YR112RX9
					CARPET,Needled Short Ozite 54" Wide Order By The Inch N N N
	R113 AA7	AR			Silver N N N YR113AA7
	R113 SC7	AR			Blue N N N YR113SC7
	R113 TM6	AR			Red N N N YR113TM6
	R113 BL3	AR			Tan N N N YR113BL3
	R113 BT9	AR			Brown N N N YR113BT9
	R113 RX9	AR			Black N N N YR113RX9

NOTE: For carpet on quarter panel See Group 23B Rear Speaker Grille. s ARE NOT RETURNABLE.

**MODEL CODES**

B = GRAN FURY	G = DIPLOMAT	V = 400
C = LEBARON/TOWN & COUNTRY	M = HORIZON/TURISMO/SCAMP	X = MIRADA
D = ARIES	P = RELIANT	Y = IMPERIAL
E = 600	S = CORDOBA	Z = OMNI/CHARGER/RAMPAGE
F = FIFTH AVENUE	T = E CLASS/NEWYORKER	

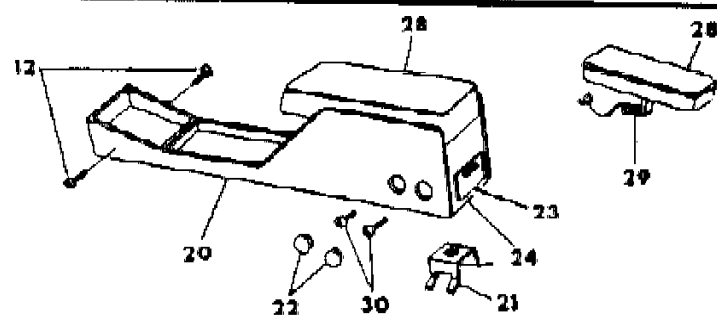
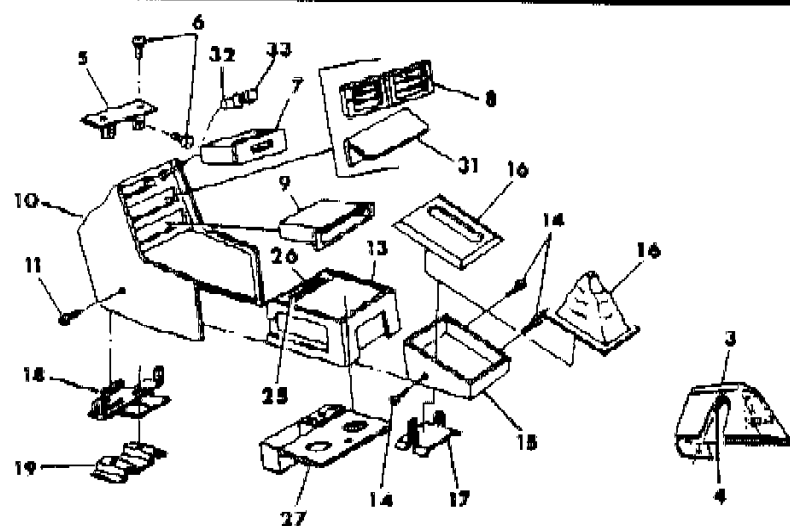
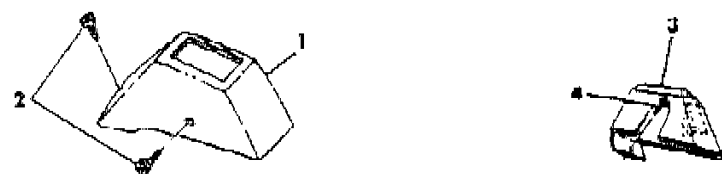
**BODY STYLES**

21 = 2-DOOR SEDAN	41 = 4-DOOR SEDAN
22 = 2-DOOR SPECIAL COUPE	45 = 4-DOOR STATION WAGON
24 = 2-DOOR HATCHBACK	44 = 4-DOOR HATCHBACK
27 = 2-DOOR CONVERTIBLE	48 = EXECUTIVE SEDAN
28 = FWD PICKUP	

AR = Use as Required - = Non Illustrated Part P.A.R. = Paint as Required

CONSOLE M,Z 24,28,44  
Figure IT-1082

3253-108 200 A



ITEM	PART NUMBER	QTY	BODY	MODEL	DESCRIPTION
1	F280 BT8	1			CONSOLE,Floor (Mini) Auto. Gear Selector (paint as required) N N N YF280BT8
2	0167 541	2			SCREW N N N Y167541
3	F278 SX9	1			COVER, Park Brake w/o Console, Black N N N YF278SX9
4	0155 118	AR			SCREW, Cover Attaching N N N Y155118
5	4248 437	1			BRACKET, Front Console Upper N N N Y4248437
6		AR			SCREW (not serviced) N N N N
7	4248 439	1			ASH RECEIVER N N N Y4248439
8	4248 644	1			HEATER OUTLET N N N Y4248644
9		1			CUBBY BOX (serviced in item 10) N N N N
10					CONSOLE, Forward w/A/C N N N N
	F440 BA7	1			Silver N N N YF440BA7
	F440 BC7	1			Blue N N N YF440BC7
	F440 BM6	1			Red N N N YF440BM6
	F440 BT8	1			Brown N N N YF440BT8
	F440 BX9	1			Black N N N YF440BX9
					w/o A/C N N N N
	F441 BA7	1			Silver N N N YF441BA7
	F441 BC7	1			Blue N N N YF441BC7
	F441 BM6	1			Red N N N YF441BM6
	F441 BT8	1			Brown N N N YF441BT8
	F441 BX9	1			Black N N N YF441BX9
11		AR			SCREW (not serviced) N N N N
12		AR			SCREW (not serviced) N N N N
13					STORAGE BIN N N N N
	F442 BA7	1			Silver N N N YF442BA7
	F442 BC7	1			Blue N N N YF442BC7
	F442 BM6	1			Red N N N YF442BM6
	F442 BT8	1			Brown N N N YF442BT8
	F442 BX9	1			Black N N N YF442BX9
14		AR			SCREW (not serviced) N N N N
15					HOUSING, Shift N N N N
	F443 BA7	1			(paint as required) N N N YF443BA7
16	F444 BA7	1			BEZEL, Auto. Shift Housing (paint as required) N N N YF444BA7
	4248 333	1			BEZEL w/BOOT, Manual Shift N N N Y4248333
17					BRACKET, Shift Housing N N N N
	4248 335	1			Auto. N N N Y4248335

MODEL CODES

B = GRAN FURY	G = DIPLOMAT	V = 400
C = LEBARON/TOWN & COUNTRY	M = HORIZON/TURISMO/SCAMP	X = MIRADA
D = ARIES	P = RELIANT	Y = IMPERIAL
E = 600	S = CORDOBA	Z = OMNI/CHARGER/RAMPAGE
F = FIFTH AVENUE	T = E CLASS/NEWYORKER	

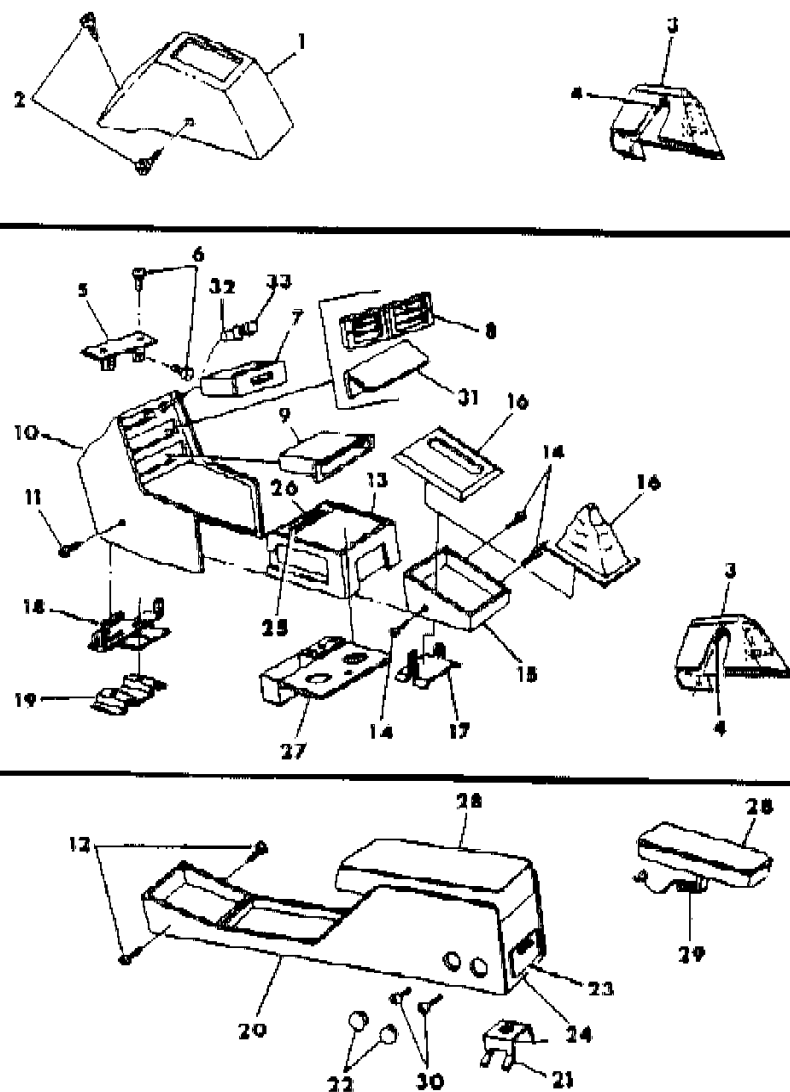
BODY STYLES

21 = 2-DOOR SEDAN	41 = 4-DOOR SEDAN
22 = 2-DOOR SPECIAL COUPE	45 = 4-DOOR STATION WAGON
24 = 2-DOOR HATCHBACK	44 = 4-DOOR HATCHBACK
27 = 2-DOOR CONVERTIBLE	48 = EXECUTIVE SEDAN
28 = FWD PICKUP	

AR = Use as Required - = Non Illustrated Part P.A.R. = Paint as Required

CONSOLE M,Z 24,28,44  
Figure IT-1082

3253-108 200 A



ITEM	PART NUMBER	QTY	BODY	MODEL	DESCRIPTION
	4248 486	1			Manual N N N Y4248486
18	4248 328	1			BRACKET, Front Console Lower N N N Y4248328
19	4314 177	1			BRACKET, Front Console Floor Pan N N N Y4314177
20					CONSOLE and ARM REST, Rear N N N N
	F445 BA3	1			Silver N N N YF445BA3
	F445 BB5	1			Blue N N N YF445BB5
	F445 BM6	1			Red N N N YF445BM6
	F445 BL3	1			Tan N N N YF445BL3
	F445 BX9	1			Black N N N YF445BX9
21	4314 178	1			BRACKET, Rear Console N N N Y4314178
-	6100 557	4			SCREW N N N Y6100557
22	F332 BT8	4			PLUG, Rear Bolt Hole (paint as required) N N N YF332BT8
23	3832 200	1			RECEPTACLE w/FINISH PLATE, Ash Receiver N N N Y3832200
24	3510 868	1			BEZEL and RETAINER, Ash Receiver N N N Y3510868
25	4248 646	1			LID, Storage Box N N N Y4248646
26		1			HANDLE (serviced in item 25) N N N N
27	4248 647	1			CUP HOLDER and COIN HOLDER N N N Y4248647
28					ARM REST N N N N
	F446 BA3	1			Silver N N N YF446BA3
	F446 BB5	1			Blue N N N YF446BB5
	F446 BM6	1			Red N N N YF446BM6
	F446 BL3	1			Beige N N N YF446BL3
	F446 BX9	1			Black N N N YF446BX9
	4282 596	1			SPACER KIT, Arm Rest N N N Y4282596
29	4248 649	1			SPRING RELEASE, Arm Rest N N N Y4248649
30	6100 557	AR			SCREW N N N Y6100557
31	4248 645	1			CONVENIENCE LIGHT w/A/C N N N Y4248645
32	3004 190	1			ELEMENT N N N Y3004190
	2808 912	1			SHELL and CLAMP, Cigar Lighter w/Terminal N N N Y2808912
33	3747 763	1			KNOB N N N Y3747763

The following parts are not illustrated. s ARE NOT RETURNABLE.

	4304 455	1			WIRING, Console w/o A/C N N N Y4304455
	4304 456	1			WIRING, Console w/A/C N N N Y4304456
	9427 943	AR			BULB N N N Y9427943

NOTE: For other related parts refer to Group 21. s ARE NOT RETURNABLE.

MODEL CODES

B = GRAN FURY	G = DIPLOMAT	V = 400
C = LEBARON/TOWN & COUNTRY	M = HORIZON/TURISMO/SCAMP	X = MIRADA
D = ARIES	P = RELIANT	Y = IMPERIAL
E = 600	S = CORDOBA	Z = OMNI/CHARGER/RAMPAGE
F = FIFTH AVENUE	T = E CLASS/NEWYORKER	

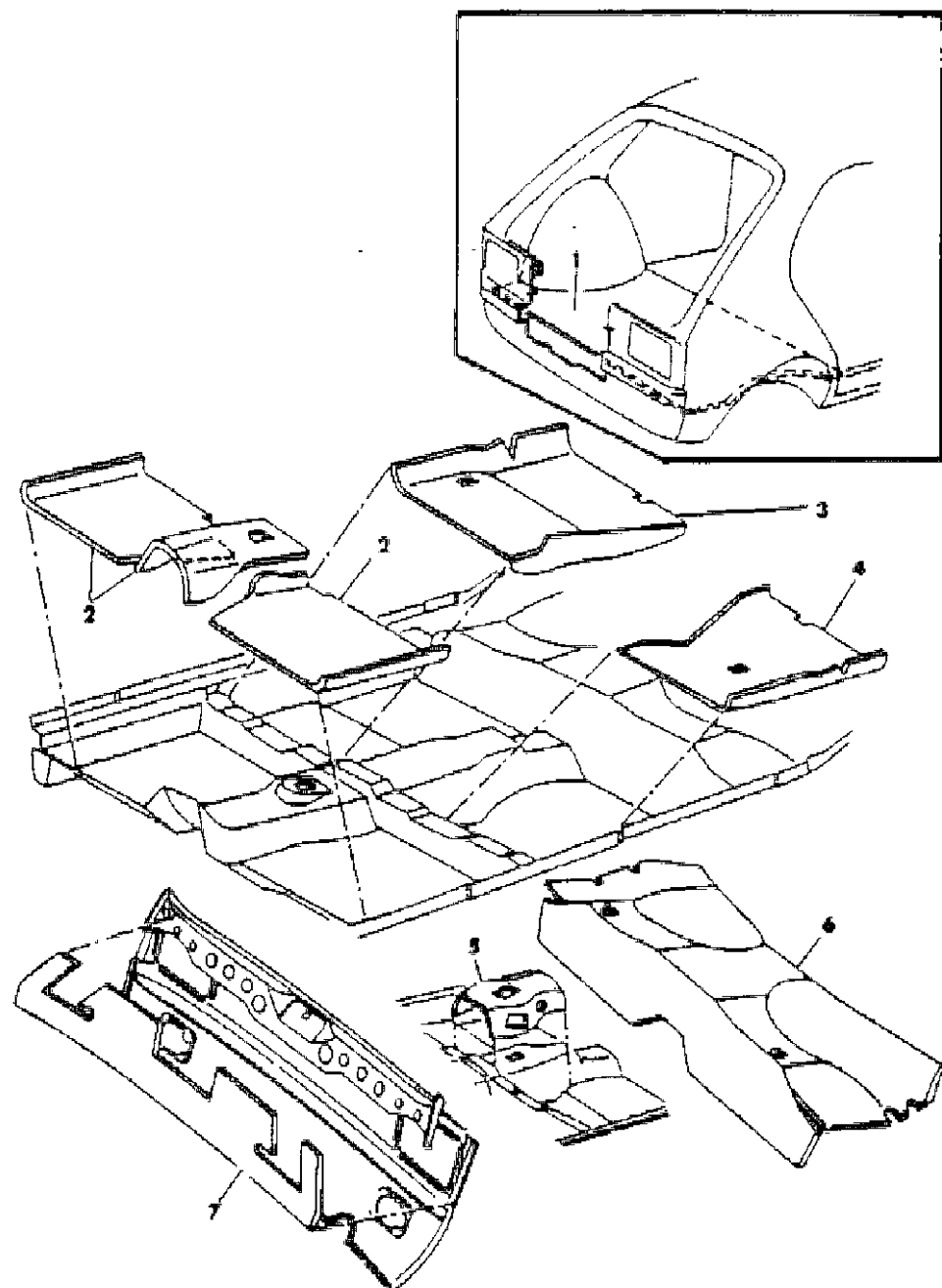
BODY STYLES

21 = 2-DOOR SEDAN	41 = 4-DOOR SEDAN
22 = 2-DOOR SPECIAL COUPE	45 = 4-DOOR STATION WAGON
24 = 2-DOOR HATCHBACK	44 = 4-DOOR HATCHBACK
27 = 2-DOOR CONVERTIBLE	48 = EXECUTIVE SEDAN
28 = FWD PICKUP	

AR = Use as Required - = Non Illustrated Part P.A.R. = Paint as Required

MATS, SILENCERS AND INSULATORS M,Z, 24,28,44  
Figure IT-1083

3253 108300



ITEM	PART NUMBER	QTY	BODY	MODEL	DESCRIPTION
1	5208 595	1			MAT, Luggage Compartment, Rubber N N24,44 N Y5208595
2	4186 901	1			SILENCER, Floor (36"x72" Material cut to fit) N N N Y4186901
3	4223 754	1			SILENCER, Rear Right (formed) N N N Y4223754
4	4223 755	1			SILENCER, Rear Left (formed) N N N Y4223755
5	3762 861	1			INSULATOR, Rear Floor, Center (36"x72" material cut to fit) N N24,44 N Y3762861
6	3762 862	1			SILENCER, Under Second Seat (36"x72" material cut to fit) N N24,44 N Y3762862
7	3837 683	1			SILENCER, Lower Hatch Panel (24"x48"x1/2" material) N N44 N Y3837683

MODEL CODES

B = GRAN FURY	G = DIPLOMAT	V = 400
C = LEBARON/TOWN & COUNTRY	M = HORIZON/TURISMO/SCAMP	X = MIRADA
D = ARIES	P = RELIANT	Y = IMPERIAL
E = 600	S = CORDOBA	Z = OMNI/CHARGER/RAMPAGE
F = FIFTH AVENUE	T = E CLASS/NEWYORKER	

BODY STYLES

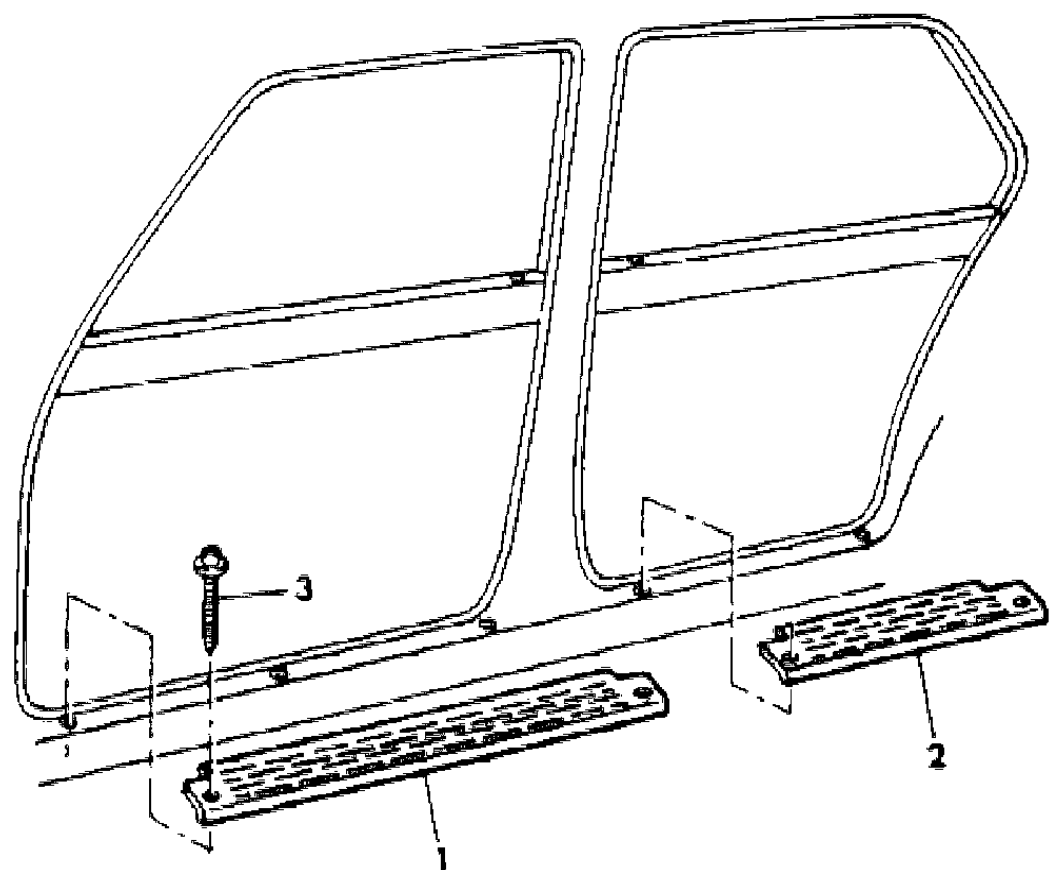
21 = 2-DOOR SEDAN	41 = 4-DOOR SEDAN
22 = 2-DOOR SPECIAL COUPE	45 = 4-DOOR STATION WAGON
24 = 2-DOOR HATCHBACK	44 = 4-DOOR HATCHBACK
27 = 2-DOOR CONVERTIBLE	48 = EXECUTIVE SEDAN
28 = FWD PICKUP	

AR = Use as Required - = Non Illustrated Part P.A.R. = Paint as Required

**SCUFF PLATES BODY SIDE SILL AND DOOR M,Z 24,28,44**  
**Figure IT-1084**

3253-108400

ITEM	PART NUMBER	QTY	BODY	MODEL	DESCRIPTION
1	5208 814	2			MOULDING, Sill Garnish N N24,28 N Y5208814
	X906-7 BA1	1			SHELBY, Silver N N24 N YX906BA1
	X906-7 BB6	1			Blue N N24 N YX906BB6
	5208 526	2			Front N N44 N Y5208526
2	5208 527	2			Rear N N44 N Y5208527
3		AR			SCREW (not serviced) N N24,28,44 N N
	X910 BA1	AR			FASTENER, Shelby, Silver N N24 N YX910BA1
	X910 BB6	AR			Blue N N24 N YX910BB6



**MODEL CODES**

B = GRAN FURY	G = DIPLOMAT	V = 400
C = LEBARON/TOWN & COUNTRY	M = HORIZON/TURISMO/SCAMP	X = MIRADA
D = ARIES	P = RELIANT	Y = IMPERIAL
E = 600	S = CORDOBA	Z = OMNI/CHARGER/RAMPAGE
F = FIFTH AVENUE	T = E CLASS/NEWYORKER	

**BODY STYLES**

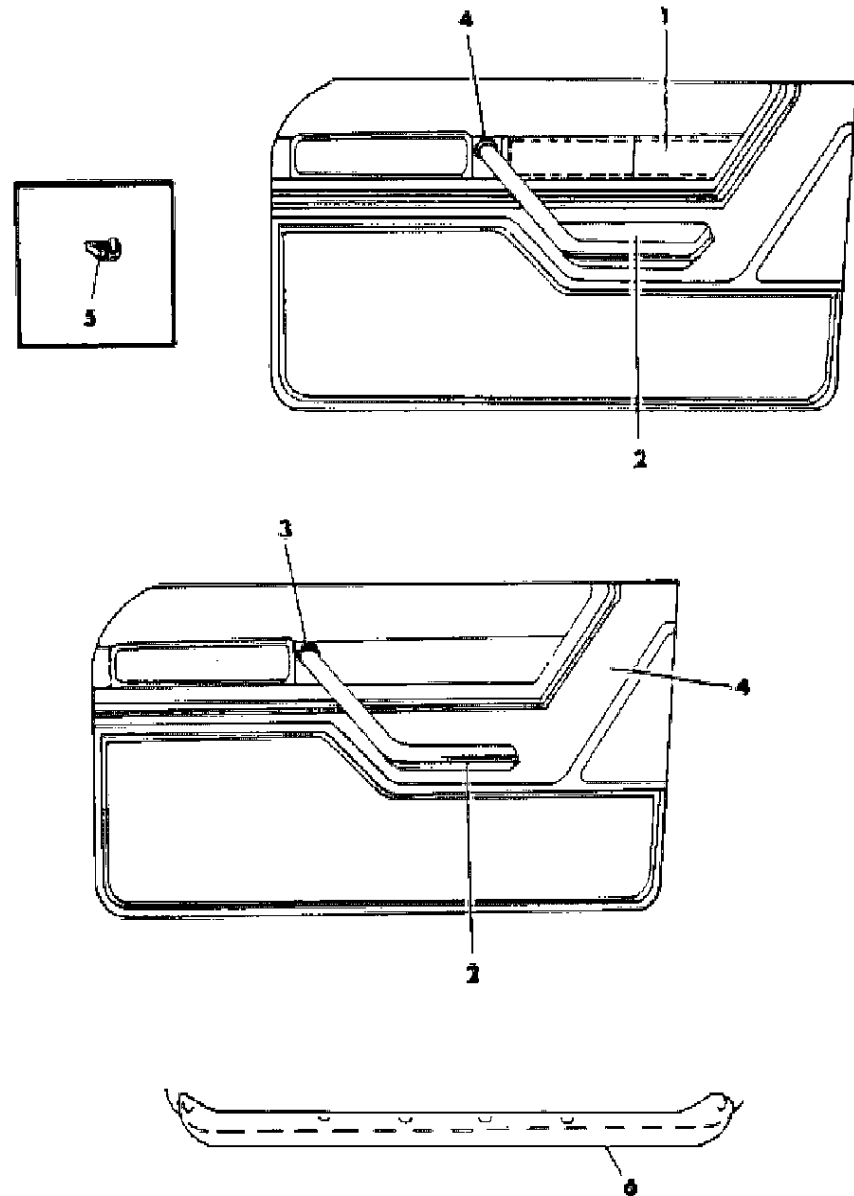
21 = 2-DOOR SEDAN	41 = 4-DOOR SEDAN
22 = 2-DOOR SPECIAL COUPE	45 = 4-DOOR STATION WAGON
24 = 2-DOOR HATCHBACK	44 = 4-DOOR HATCHBACK
27 = 2-DOOR CONVERTIBLE	48 = EXECUTIVE SEDAN
28 = FWD PICKUP	

AR = Use as Required - = Non Illustrated Part P.A.R. = Paint as Required



**DOOR TRIM PANEL M,Z 24,28 TRIM CODES C7,C8,F5,F6,G5,S5  
Figure IT-1101**

3253.1 10100 B



ITEM	PART NUMBER	QTY	BODY	MODEL	DESCRIPTION
1					PANEL w/CARPET, Front Door Trim N N N N
	J058-9 BA2	1			N N NF6A YJ058BA2
	J058-9 BB5	1			N N NF6CB YJ058BB5
	J058-9 BM6	1			N N NF6M,C7M,C8M YJ058BM6
	J058-9 BL3	1			N N NF6TL,C7TL YJ058BL3
	J058-9 BL3	1			N N NC8TL YJ058BL3
	J058-9 BX7	1			N N NF6X,C8X YJ058BX7
2					ARM REST, w/Pull Handle N N N N
	D474-5 BA2	1			Silver N N N YD474BA2
	D474-5 BB5	1			Blue N N N YD474BB5
	D474-5 TM6	1			Red N N N YD474TM6
	D474-5 BL3	1			Tan N N N YD474BL3
	D474-5 SX9	1			Black N N N YD474SX9
3	5208 702	2			BEZEL, Arm Rest N N N Y5208702
	6031 171	AR			SCREW N N N Y6031171
4					PANEL w/CARPET, Door Trim Panel N N N N
	J060-1 AXA	1			N N24 NF5A YJ060AXA
	J060-1 BBC	1			(use up to 7/7/83) N N24 NF5CB YJ060BBC
	J050-1 CB5	1			(use after 7/7/83) (solid color) N N24 NF5CB YJ050CB5
	J060-1 AMM	1			(use up to 7/5/83) N N24 NF5M YJ060AMM
	J050-1 CMM	1			(use after 7/5/83) (solid color) N N24 NF5M YJ050CMM
	J060-1 BTL	1			(use up to 7/5/83) N N24 NF5TL YJ060BTL
	J050-1 CLL	1			(use after 7/5/83) (solid color) N N24 NF5TL YJ050CLL
	J060-1 BXX	1			N N24 NF5X YJ060BXX
	J068-9 BAC	1			N N24 NS5AC YJ068BAC
	J064-5 BX7	1			N N28 NG5X YJ064BX7
5	4114 785	AR			FASTENER, Door Trim Panel N N N Y4114785
6	4248 514	1			SEAL, Secondary N N N Y4248514
	4049 602	AR			SILENCER, Trim Panel (36"x36"x1/2" material) N N N Y4049602

The following part is not illustrated. s ARE NOT RETURNABLE.

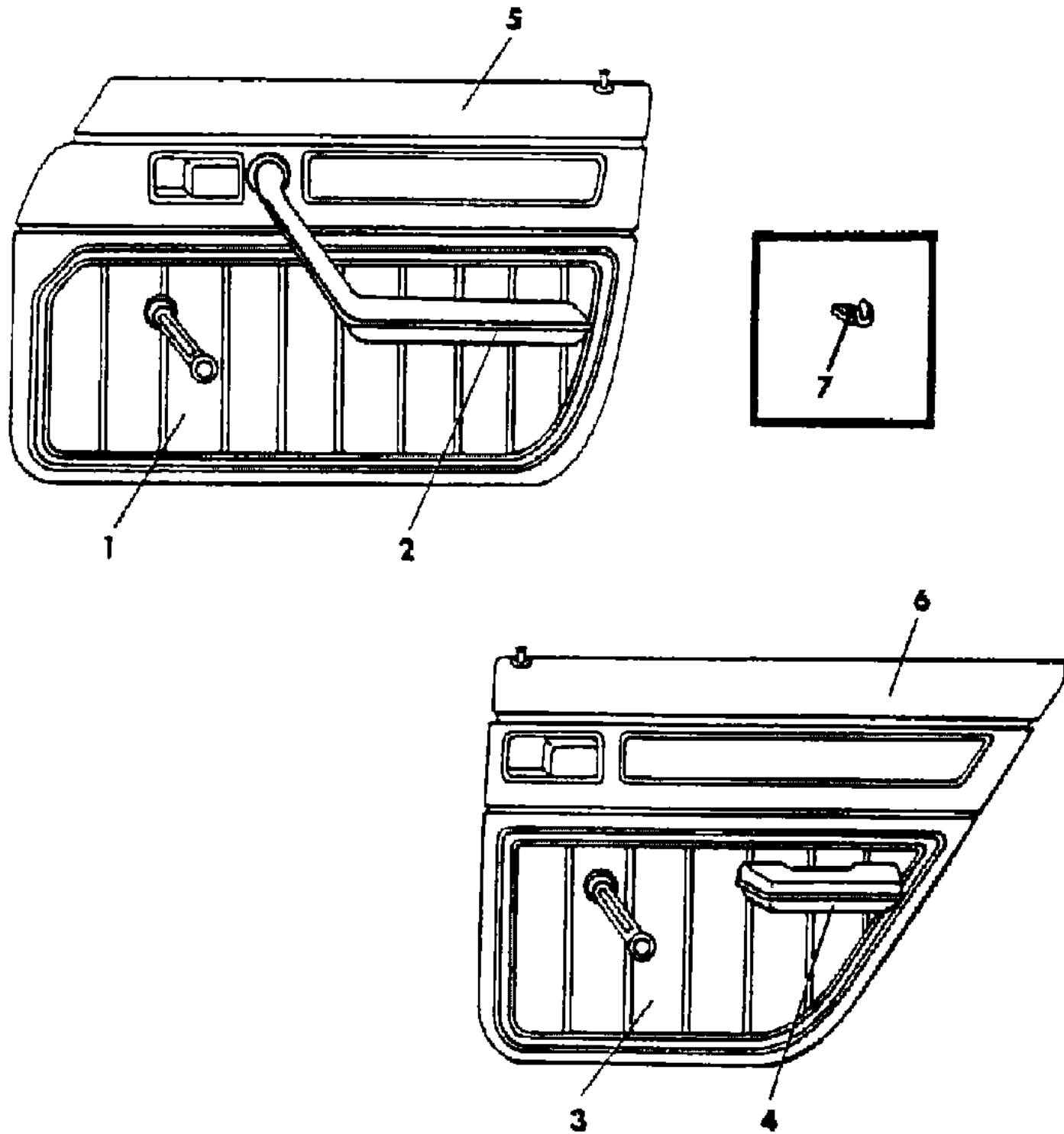
<b>MODEL CODES</b>		
B = GRAN FURY	G = DIPLOMAT	V = 400
C = LEBARON/TOWN & COUNTRY	M = HORIZON/TURISMO/SCAMP	X = MIRADA
D = ARIES	P = RELIANT	Y = IMPERIAL
E = 600	S = CORDOBA	Z = OMNI/CHARGER/RAMPAGE
F = FIFTH AVENUE	T = E CLASS/NEWYORKER	

<b>BODY STYLES</b>	
21 = 2-DOOR SEDAN	41 = 4-DOOR SEDAN
22 = 2-DOOR SPECIAL COUPE	45 = 4-DOOR STATION WAGON
24 = 2-DOOR HATCHBACK	44 = 4-DOOR HATCHBACK
27 = 2-DOOR CONVERTIBLE	48 = EXECUTIVE SEDAN
28 = FWD PICKUP	

AR = Use as Required - = Non Illustrated Part P.A.R. = Paint as Required

DOOR TRIM PANEL M,Z 44 TRIM CODES C7,C8  
Figure IT-1102

3253-1 10 200



ITEM	PART NUMBER	QTY	BODY	MODEL	DESCRIPTION
1					PANEL w/WEATHERSTRIP, Front Door Trim (full panel) N N N N
	J056-7 BA2	1			N N NC7A,C8A YJ056BA2
	J056-7 BB5	1			N N NC7CB YJ056BB5
	J056-7 BM6	1			N N NC7M,C8M YJ056BM6
	J056-7 BL3	1			N N NC7TL,C8TL YJ056BL3
2					PAD & PLATE,Front Door Arm Rest N N N N
	D474-5 BA2	1			N N NC7A,C8A YD474BA2
	D474-5 BB5	1			N N NC7CB YD474BB5
	D474-5 TM6	1			N N NC7M,C8M YD474TM6
	D474-5 BL3	1			N N NC7TL,C8TL YD474BL3
	9414 712	AR			SCREW, Arm Rest Attaching N N N Y9414712
3					PANEL,Rear Door Trim(full panel) N N N N
	J452-3 BA2	1			N N NC7A,C8A YJ452BA2
	J452-3 BB5	1			N N NC7CB YJ452BB5
	J452-3 VM6	1			N N NC7M,C8M YJ452VM6
	J452-3 BL3	1			N N NC7TL,C8TL YJ452BL3
4					PAD & PLATE,Rear Door Arm Rest N N N N
	D447 AA3	2			N N NC7A,C8A YD447AA3
	D447 BB5	2			N N NC7CB YD447BB5
	D447 TM6	2			N N NC7M,C8M YD447TM6
	D447 BL3	2			N N NC7TL,C8TL YD447BL3
	9414 712	AR			SCREW, Arm Rest Attaching N N N Y9414712
5					GARNISH MOULDING w/GROMMET, Front N N N N
	D914-5 BA3	1			Silver N N N YD914BA3
	D914-5 BB5	1			Blue N N N YD914BB5
	D914-5 AM6	1			Red N N N YD914AM6
	D914-5 BL3	1			Tan N N N YD914BL3
	3510 447	AR			GROMMET, Garnish Moulding N N N Y3510447
6					GARNISH MOULDING w/GROMMET, Rear N N N N
	D916-7 BA3	1			Silver N N N YD916BA3
	D916-7 BB5	1			Blue N N N YD916BB5
	D916-7 AM6	1			Red N N N YD916AM6
	D916-7 BL3	1			Tan N N N YD916BL3
	3510 447	AR			GROMMET, Garnish Moulding N N N Y3510447
7	4114 785	AR			FASTENER,Front Door Trim Panel N N N Y4114785
8	5208 702	2			BEZEL, Arm Rest N N N Y5208702
	4049 602	1			SILENCER, Door (36"x36"x1/2" material) N N N Y4049602

The following parts are not illustrated. s ARE NOT RETURNABLE.

MODEL CODES  
 B = GRAN FURY  
 C = LEBARON/TOWN & COUNTRY  
 D = ARIES  
 E = 600  
 F = FIFTH AVENUE  
 G = DIPLOMAT  
 M = HORIZON/TURISMO/SCAMP  
 P = RELIANT  
 S = CORDOBA  
 T = E CLASS/NEWYORKER  
 V = 400  
 X = MIRADA  
 Y = IMPERIAL  
 Z = OMNI/CHARGER/RAMPAGE

BODY STYLES  
 21 = 2-DOOR SEDAN  
 22 = 2-DOOR SPECIAL COUPE  
 24 = 2-DOOR HATCHBACK  
 27 = 2-DOOR CONVERTIBLE  
 28 = FWD PICKUP  
 41 = 4-DOOR SEDAN  
 45 = 4-DOOR STATION WAGON  
 44 = 4-DOOR HATCHBACK  
 48 = EXECUTIVE SEDAN

AR = Use as Required - = Non Illustrated Part P.A.R. = Paint as Required

**DOOR TRIM PANEL M,Z 44 TRIM CODES F5,F6**  
**Figure IT-1103**

3253-1 **10** 300 A

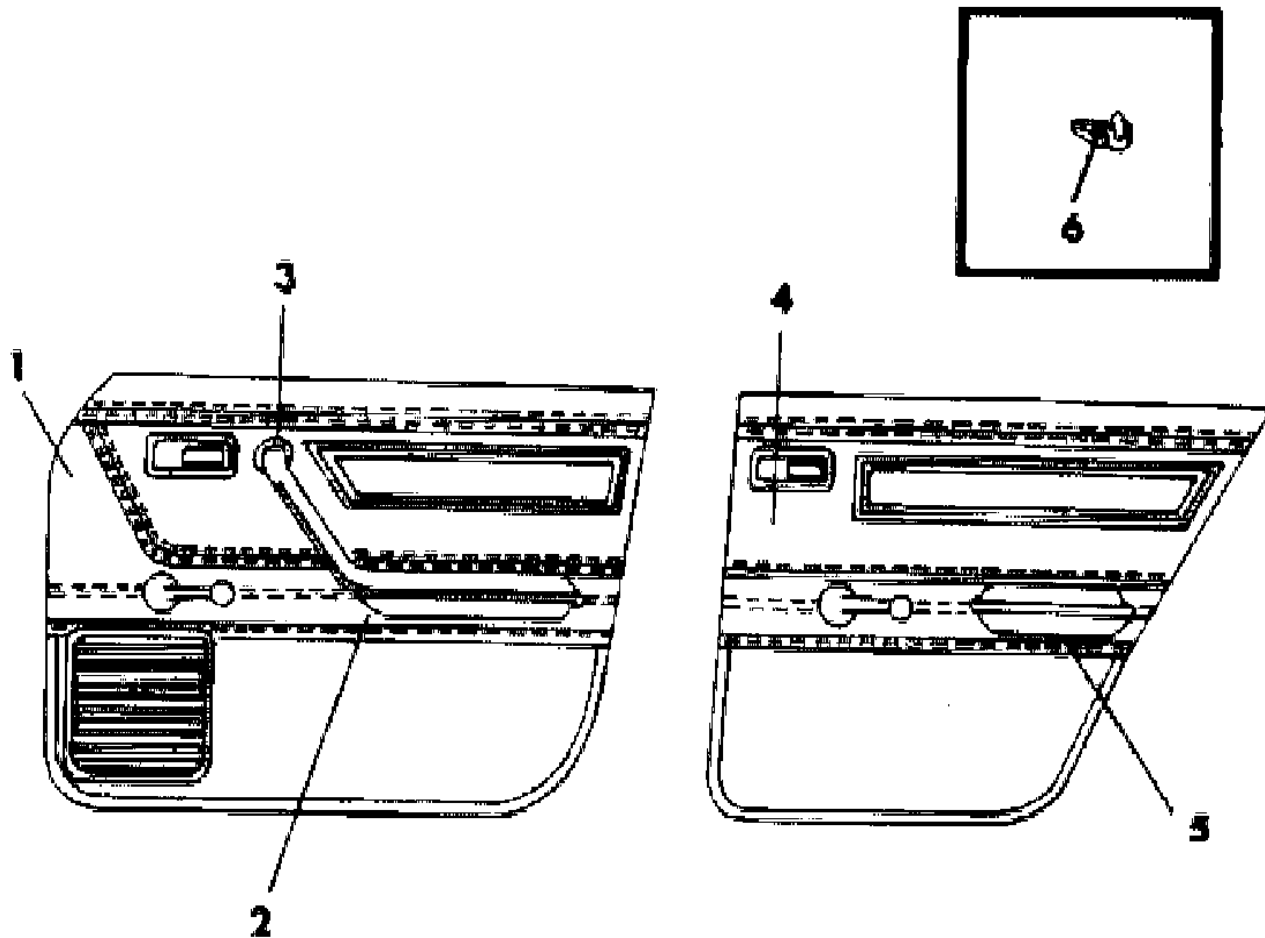
ITEM	PART NUMBER	QTY	BODY	MODEL	DESCRIPTION
1	J054-5 AA2	1			PANEL w/CARPET, Door Trim Panel N N N N
	J054-5 BB5	1			N N NF5A,F6A YJ054AA2
	J054-5 VM6	1			N N NF5CB,F6CB YJ054BB5
	J054-5 BL3	1			N N NF5M,F6M YJ054VM6
2	D474-5 BA2	1			PANEL w/CARPET, Rear Door Trim Panel N N N N
	D474-5 BB5	1			N N NF5A,F6A YD474BA2
	D474-5 TM6	1			N N NF5CB,F6CB YD474BB5
	D474-5 BL3	1			N N NF5M,F6M YD474TM6
	D474-5 SX9	1			N N NF5TL,F6TL YD474BL3
3	5208 702	2			BEZEL,Front Door Arm Rest N N N Y5208702
	6031 171	8			SCREW,Arm Rest Bezel Attaching N N N Y6031171
4	J424-5 AA2	1			PANEL w/CARPET, Rear Door Trim Panel N N N N
	J424-5 BB5	1			N N NF5A,F6A YJ424AA2
	J424-5 VM6	1			N N NF5CB,F6CB YJ424BB5
	J424-5 BL3	1			N N NF5M,F6M YJ424VM6
5	D447 AA3	2			PAD and PLATE, Rear Door Arm Rest N N N N
	D447 BB5	2			N N NF5A,F6A YD447AA3
	D447 TM6	2			N N NF5CB,F6CB YD447BB5
	D447 BL3	2			N N NF5M,F6M YD447TM6
	D447 RX9	2			N N NF5TL,F6TL YD447BL3
6	4114 785	AR			FASTENER, Door Trim Panel Attaching N N N Y4114785
	4049 602	1			SILENCER, Door (36"x36"x1/2" material) N N N Y4049602

The following parts are not illustrated. s ARE NOT RETURNABLE.

MODEL CODES  
 B = GRAN FURY  
 C = LEBARON/TOWN & COUNTRY  
 D = ARIES  
 E = 600  
 F = FIFTH AVENUE  
 G = DIPLOMAT  
 M = HORIZON/TURISMO/SCAMP  
 P = RELIANT  
 S = CORDOBA  
 T = E CLASS/NEWYORKER  
 V = 400  
 X = MIRADA  
 Y = IMPERIAL  
 Z = OMNI/CHARGER/RAMPAGE

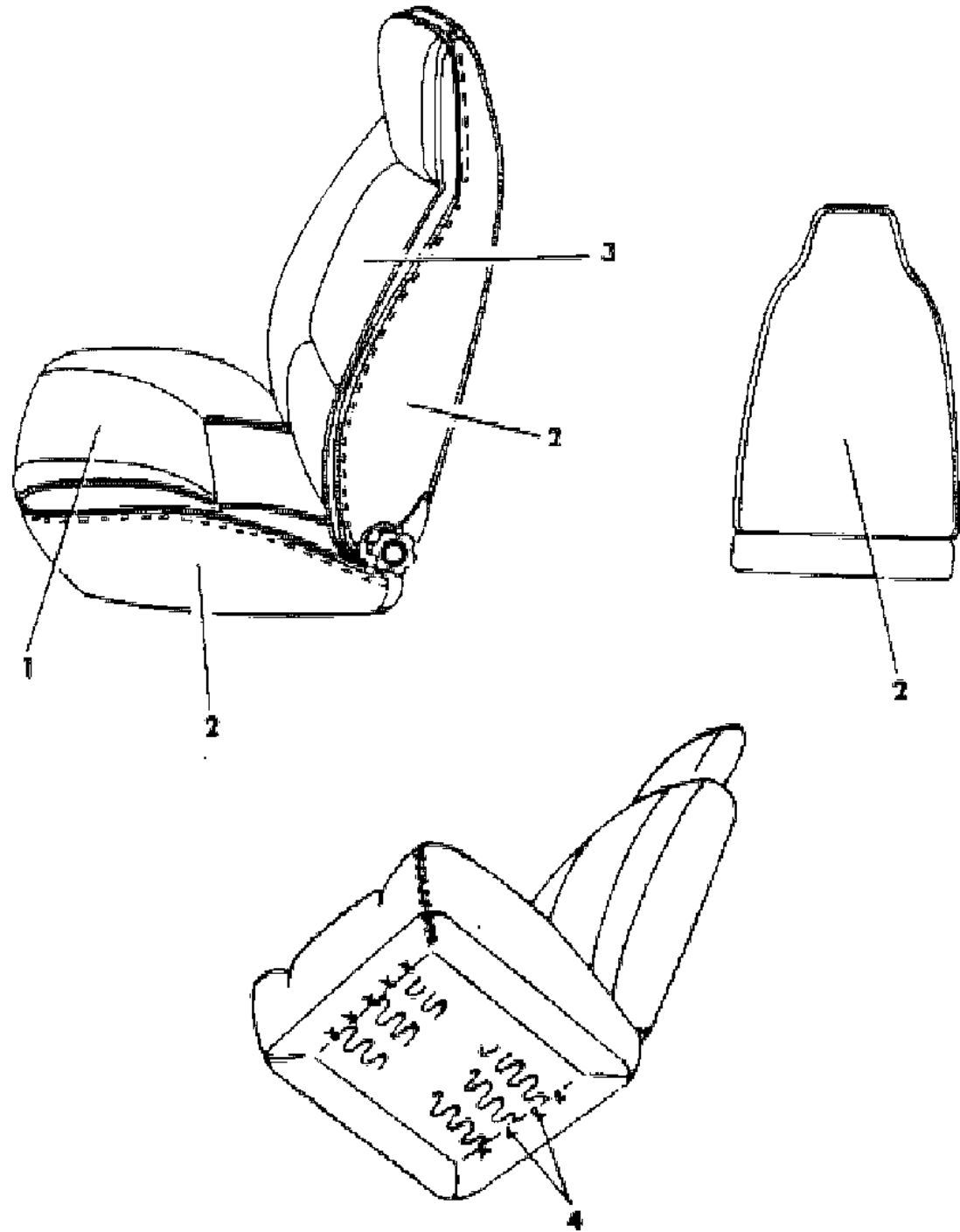
BODY STYLES  
 21 = 2-DOOR SEDAN  
 22 = 2-DOOR SPECIAL COUPE  
 24 = 2-DOOR HATCHBACK  
 27 = 2-DOOR CONVERTIBLE  
 28 = FWD PICKUP  
 41 = 4-DOOR SEDAN  
 45 = 4-DOOR STATION WAGON  
 44 = 4-DOOR HATCHBACK  
 48 = EXECUTIVE SEDAN

AR = Use as Required - = Non Illustrated Part P.A.R. = Paint as Required



SEAT FRONT M,Z TRIM CODE F5,G5  
Figure IT-1221

3253-122100



ITEM	PART NUMBER	QTY	BODY	MODEL	DESCRIPTION
1-3					CUSHION, w/Spring/Frame, Pad and Cover N N N N
	N754-5 B5A	1			N N NF5A YN754B5A
	N754-5 B5C	1			(use up to 7/7/83) N N NF5CB YN754B5C
	N680-1 C5B	1			(use after 7/7/83) N N NF5CB YN680C5B
	N754-5 B5M	1			(use up to 7/6/83) N N NF5M YN754B5M
	N680-1 C5M	1			(use after 7/6/83) N N NF5M YN680C5M
	N754-5 B5T	1			N N NF5TL YN754B5T
	N754-5 B5X	1			N N NF5X YN754B5X
	N832-3 B5X	1			N N28 NG5X YN832B5X
1					COVER, Cushion N N N N
	N534 B5A	2			N N24,44 NF5A YN534B5A
	N534 B5C	2			(use up to 7/7/83) N N24,44 NF5CB YN534B5C
	N404 C5B	2			(use after 7/7/83) N N24,44 NF5CB YN404C5B
	N534 B5M	2			(use up to 7/6/83) N N24,44 NF5M YN534B5M
	N404 C5M	2			(use after 7/6/83) N N24,44 NF5M YN404C5M
	N534 B5T	2			N N24,44 NF5TL YN534B5T
	N534 B5X	2			N N24,44 NF5X YN534B5X
	N524 B5X	2			N N28 NG5X YN524B5X
2					ROLL STOCK,Vinyl Order By The Inch N N N N
	R616 AA2	AR			Silver 64" Wide N N N YR616AA2
	R616 BB5	AR			Blue 64" Wide N N N YR616BB5
	R616 VM6	AR			Red 64" Wide N N N YR616VM6
	R616 BL3	AR			Tan 64" Wide N N N YR616BL3
	R600 BX7	AR			Black 54" Wide N N N YR600BX7
3 &					BACK, w/Spring/Frame, Pad and Cover N N N N
					(use up to 4/5/83) N N N N
	N756-7 B5A	1			N N24 NF5A YN756B5A
	N756-7 B5C	1			N N24 NF5CB YN756B5C
	N756-7 B5M	1			N N24 NF5M YN756B5M
	N756-7 B5T	1			N N24 NF5TL YN756B5T
	N756-7 B5X	1			N N24 NF5X YN756B5X
	N758-9 B5A	1			N N44 NF5A YN758B5A
	N758-9 B5C	1			N N44 NF5CB YN758B5C
	N758-9 B5M	1			N N44 NF5M YN758B5M
	N758-9 B5T	1			N N44 NF5TL YN758B5T
					(use after 4/5/83) N N N N
	N636-7 B5A	1			N N24 NF5A YN636B5A

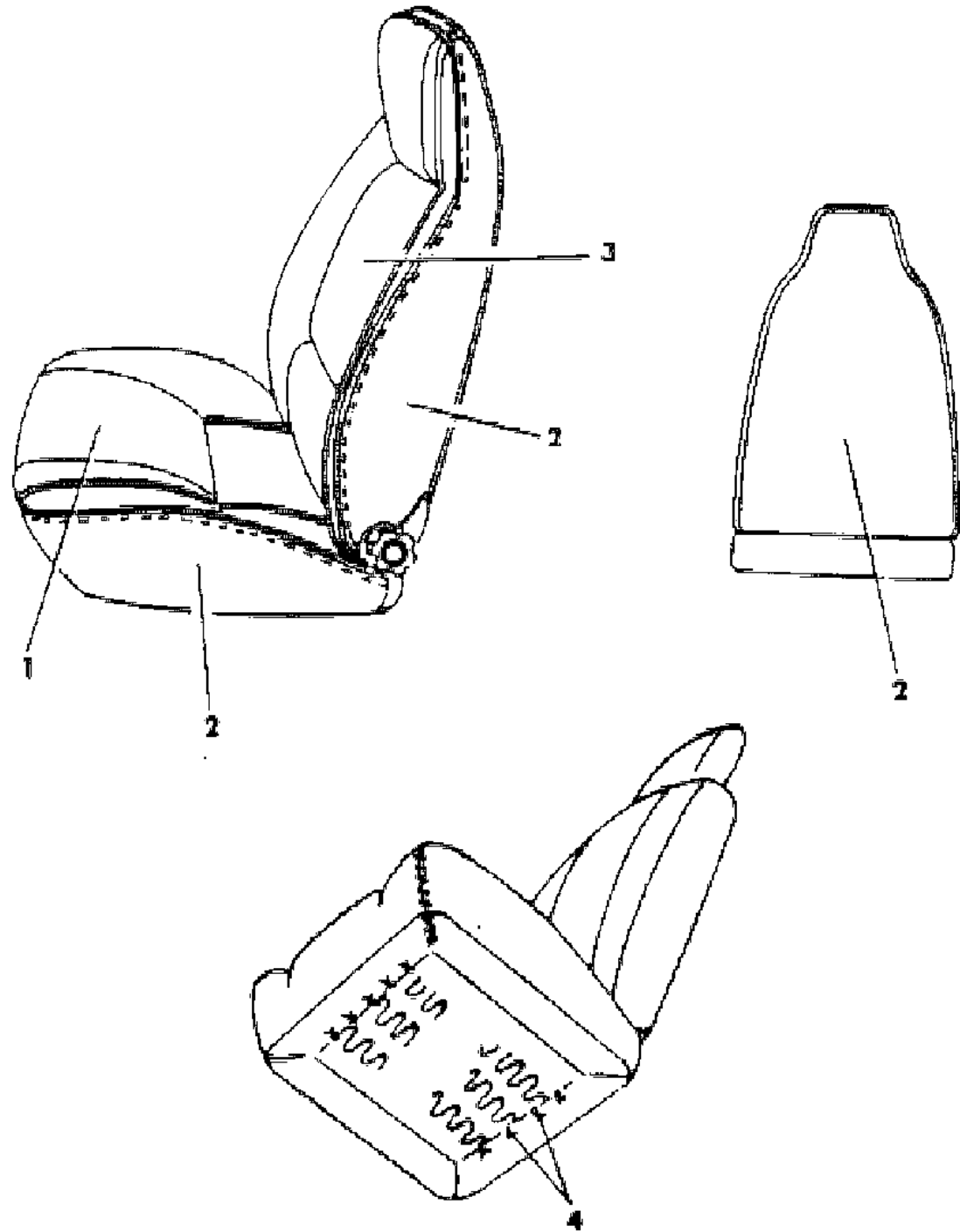
MODEL CODES  
 B = GRAN FURY  
 C = LEBARON/TOWN & COUNTRY  
 D = ARIES  
 E = 600  
 F = FIFTH AVENUE  
 G = DIPLOMAT  
 M = HORIZON/TURISMO/SCAMP  
 P = RELIANT  
 S = CORDOBA  
 T = E CLASS/NEWYORKER  
 V = 400  
 X = MIRADA  
 Y = IMPERIAL  
 Z = OMNI/CHARGER/RAMPAGE

BODY STYLES  
 21 = 2-DOOR SEDAN  
 22 = 2-DOOR SPECIAL COUPE  
 24 = 2-DOOR HATCHBACK  
 27 = 2-DOOR CONVERTIBLE  
 28 = FWD PICKUP  
 41 = 4-DOOR SEDAN  
 45 = 4-DOOR STATION WAGON  
 44 = 4-DOOR HATCHBACK  
 48 = EXECUTIVE SEDAN

AR = Use as Required - = Non Illustrated Part P.A.R. = Paint as Required

SEAT FRONT M,Z TRIM CODE F5,G5  
Figure IT-1221

3253-122100



ITEM	PART NUMBER	QTY	BODY	MODEL	DESCRIPTION
	N636-7 B5C	1			(use up to 7/6/83) N N24 NF5CB YN636B5C
	N688-9 C5B	1			(use after 7/6/83) N N24 NF5CB YN688C5B
	N636-7 B5M	1			(use up to 7/6/83) N N24 NF5M YN636B5M
	N688-9 C5M	1			(use after 7/6/83) N N24 NF5M YN688C5M (use after 4/5/83) N N N N
	N636-7 B5T	1			N N24 NF5TL YN636B5T
	N636-7 B5X	1			N N24 NF5X YN636B5X
	N638-9 B5A	1			N N44 NF5A YN638B5A
	N638-9 B5C	1			(use from 4/5/83 to 7/7/83) N N44 NF5CB YN638B5C
	N690-1 C5B	1			(use after 7/7/83) N N44 NF5CB YN690C5B
	N638-9 B5M	1			(use up to 7/6/83) N N44 NF5M YN638B5M
	N690-1 C5M	1			(use after 7/6/83) N N44 NF5M YN690C5M (use after 4/5/83) N N N N
	N638-9 B5T	1			N N44 NF5TL YN638B5T
	N762-3 B5X	1			(use up to 4/7/83) N N28 NG5X YN762B5X
	N640-1 B5X	1			(use after 4/7/83) N N28 NG5X YN640B5X
3					COVER, Back N N N N (use up to 4/5/83) N N N N
	N384 B5A	2			N N24,44 NF5A YN384B5A
	N384 B5C	2			N N24,44 NF5CB YN384B5C
	N384 B5M	2			N N24,44 NF5M YN384B5M
	N384 B5T	2			N N24,44 NF5TL YN384B5T
	N384 B5X	2			N N24 NF5X YN384B5X (use after 4/5/83) N N N N
	N390-1 B5A	1			N N24,44 NF5A YN390B5A
	N390-1 B5C	1			(use from 4/5/83 to 7/7/83) N N24,44 NF5CB YN390B5C
	N406-7 C5B	1			(use after 7/7/83) N N24,44 NF5CB YN406C5B
	N390-1 B5M	1			(use up to 7/6/83) N N24,44 NF5M YN390B5M
	N406-7 C5M	1			(use after 7/6/83) N N24,44 NF5M YN406C5M (use after 4/5/83) N N N N
	N390-1 B5T	1			N N24,44 NF5TL YN390B5T
	N390-1 B5X	1			N N24 NF5X YN390B5X
	N385 B5X	2			(use up to 4/7/83) N N28 NG5X YN385B5X
	N392 B5X	2			(use after 4/7/83) N N28 NG5X YN392B5X
4	6008 076	AR			CLIP,Trim Hog Ring N N N Y6008076

MODEL CODES

B = GRAN FURY	G = DIPLOMAT	V = 400
C = LEBARON/TOWN & COUNTRY	M = HORIZON/TURISMO/SCAMP	X = MIRADA
D = ARIES	P = RELIANT	Y = IMPERIAL
E = 600	S = CORDOBA	Z = OMNI/CHARGER/RAMPAGE
F = FIFTH AVENUE	T = E CLASS/NEWYORKER	

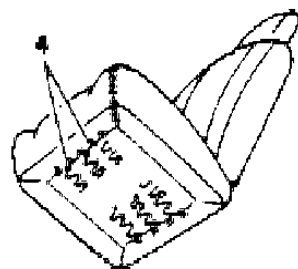
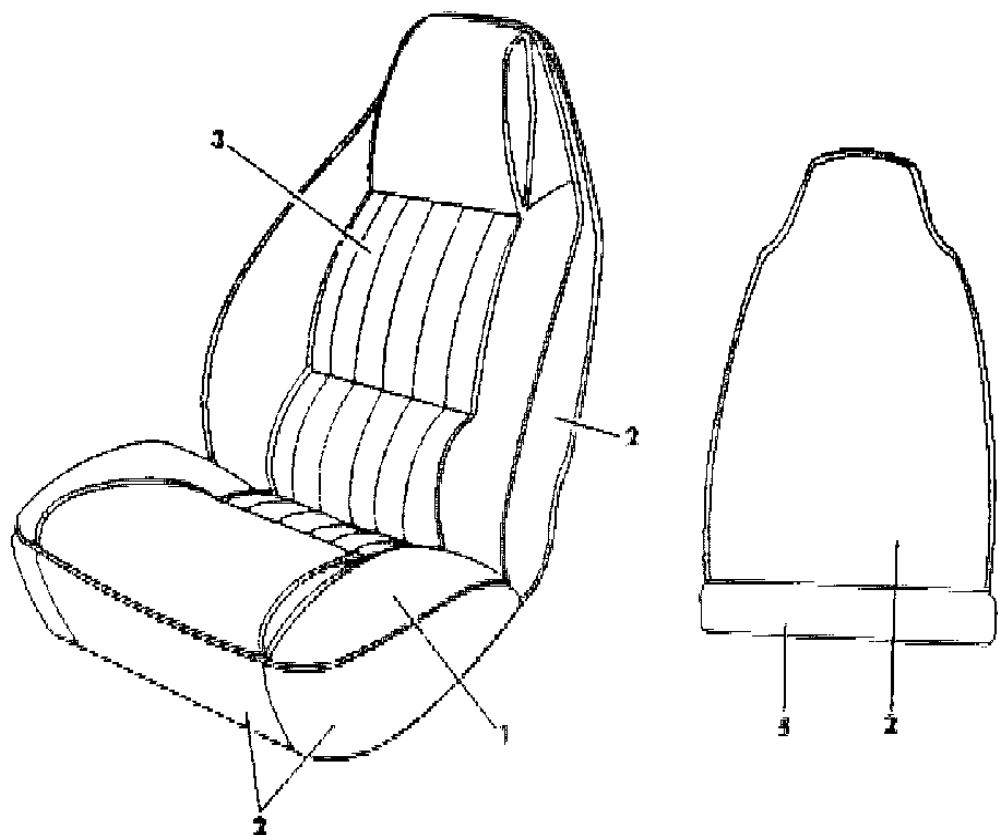
BODY STYLES

21 = 2-DOOR SEDAN	41 = 4-DOOR SEDAN
22 = 2-DOOR SPECIAL COUPE	45 = 4-DOOR STATION WAGON
24 = 2-DOOR HATCHBACK	44 = 4-DOOR HATCHBACK
27 = 2-DOOR CONVERTIBLE	48 = EXECUTIVE SEDAN
28 = FWD PICKUP	

AR = Use as Required - = Non Illustrated Part P.A.R. = Paint as Required

SEAT FRONT M,Z TRIM CODE F6  
Figure IT-1222

3253 1 22 200



ITEM	PART NUMBER	QTY	BODY	MODEL	DESCRIPTION
1-2					CUSHION, w/Spring/Frame, Pad and Cover N N N N
	N828-9 B6A	1			N N24 NF6A YN828B6A
	N828-9 B6C	1			N N24 NF6CB YN828B6C
	N828-9 B6M	1			N N24 NF6M YN828B6M
	N828-9 B6T	1			N N24 NF6TL YN828B6T
	N828-9 B6X	1			N N24 NF6X YN828B6X
	N830-1 B6A	1			N N44 NF6A YN830B6A
	N830-1 B6C	1			N N44 NF6CB YN830B6C
	N830-1 B6M	1			N N44 NF6M YN830B6M
	N830-1 B6T	1			N N44 NF6TL YN830B6T
1					COVER, Cushion N N N N
	N352 B6A	2			N N NF6A YN352B6A
	N352 B6C	2			N N NF6CB YN352B6C
	N352 B6M	2			N N NF6M YN352B6M
	N352 B6T	2			N N NF6TL YN352B6T
	N352 B6X	2			N N NF6X YN352B6X
2					ROLL STOCK, Vinyl 64" Wide Order by the Inch N N N N
	R616 AA2	AR			Silver N N N YR616AA2
	R616 BB5	AR			Blue N N N YR616BB5
	R616 VM6	AR			Red N N N YR616VM6
	R616 BL3	AR			Tan N N N YR616BL3
2-3					BACK, w/Spring/Frame, Pad and Cover N N N N (use up to 4/7/83) N N N N
	N824-5 B6A	1			N N24,28 NF6A YN824B6A
	N824-5 B6C	1			N N24,28 NF6CB YN824B6C
	N824-5 B6M	1			N N24,28 NF6M YN824B6M
	N824-5 B6T	1			N N24,28 NF6TL YN824B6T
	N824-5 B6X	1			N N24,28 NF6X YN824B6X
	N826-7 B6A	1			N N44 NF6A YN826B6A
	N826-7 B6C	1			N N44 NF6CB YN826B6C
	N826-7 B6M	1			N N44 NF6M YN826B6M
	N826-7 B6T	1			N N44 NF6TL YN826B6T
					(use after 4/7/83) N N N N
	N652-3 B6A	1			N N24,28 NF6A YN652B6A
	N652-3 B6C	1			N N24,28 NF6CB YN652B6C
	N652-3 B6M	1			N N24,28 NF6M YN652B6M
	N652-3 B6T	1			N N24,28 NF6TL YN652B6T

MODEL CODES

B = GRAN FURY	G = DIPLOMAT	V = 400
C = LEBARON/TOWN & COUNTRY	M = HORIZON/TURISMO/SCAMP	X = MIRADA
D = ARIES	P = RELIANT	Y = IMPERIAL
E = 600	S = CORDOBA	Z = OMNI/CHARGER/RAMPAGE
F = FIFTH AVENUE	T = E CLASS/NEWYORKER	

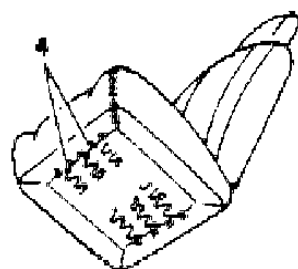
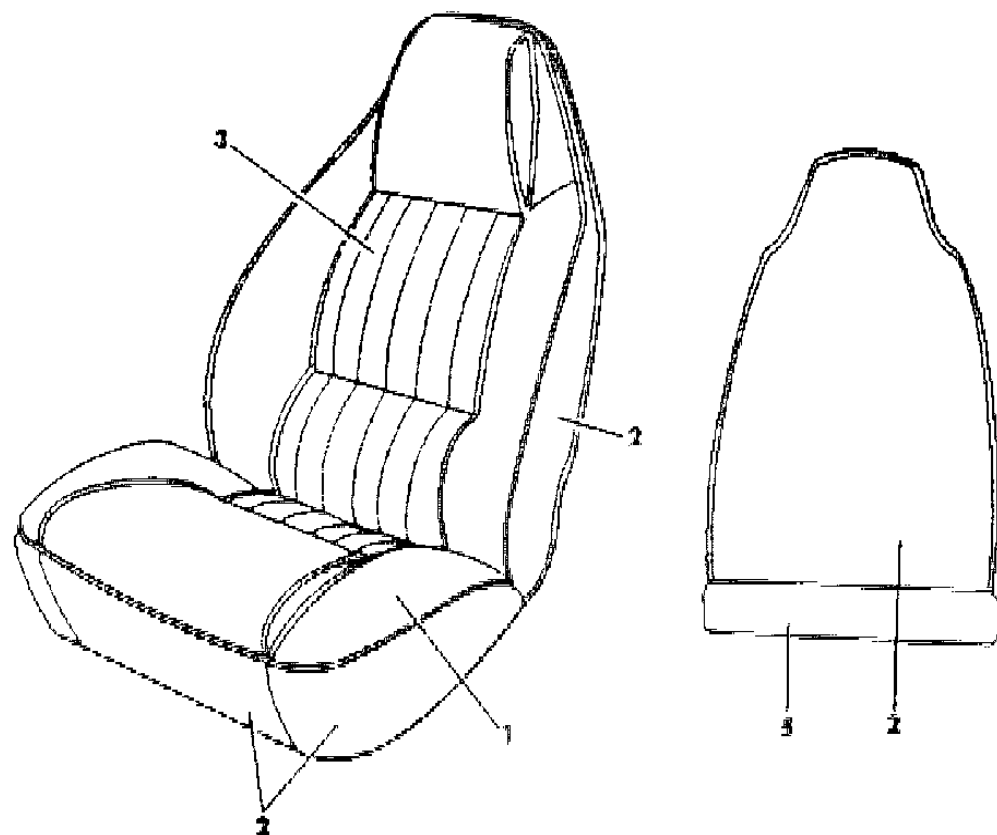
BODY STYLES

21 = 2-DOOR SEDAN	41 = 4-DOOR SEDAN
22 = 2-DOOR SPECIAL COUPE	45 = 4-DOOR STATION WAGON
24 = 2-DOOR HATCHBACK	44 = 4-DOOR HATCHBACK
27 = 2-DOOR CONVERTIBLE	48 = EXECUTIVE SEDAN
28 = FWD PICKUP	

AR = Use as Required - = Non Illustrated Part P.A.R. = Paint as Required

SEAT FRONT M,Z TRIM CODE F6  
Figure IT-1222

3253 1 22 200



ITEM	PART NUMBER	QTY	BODY	MODEL	DESCRIPTION
	N652-3 B6X	1			N N24,28 NF6X YN652B6X
	N658-9 B6A	1			N N44 NF6A YN658B6A
	N658-9 B6C	1			N N44 NF6CB YN658B6C
	N658-9 B6M	1			N N44 NF6M YN658B6M
	N658-9 B6T	1			N N44 NF6TL YN658B6T
3					COVER, Back N N N N (use up to 4/7/83) N N N N
	N353 B6A	2			N N NF6A YN353B6A
	N353 B6C	2			N N NF6CB YN353B6C
	N353 B6M	2			N N NF6M YN353B6M
	N353 B6T	2			N N NF6TL YN353B6T
	N353 B6X	2			N N NF6X YN353B6X (use after 4/7/83) N N N N
	N394-5 B6A	2			N N NF6A YN394B6A
	N394-5 B6C	2			N N NF6CB YN394B6C
	N394-5 B6M	2			N N NF6M YN394B6M
	N394-5 B6T	2			N N NF6TL YN394B6T
	N394-5 B6X	2			N N NF6X YN394B6X
4	6008 076	AR			HOG RING N N N Y6008076
5					CARPET, Roll Stock 54" Wide Order by the Inch N N N N
	R112 AA7	AR			Silver N N NF6A YR112AA7
	R112 SC7	AR			Blue N N NF6CB YR112SC7
	R112 TM6	AR			Red N N NF6M YR112TM6
	R112 BT8	AR			Brown N N NF6TL YR112BT8
	R112 BX9	AR			Black N N NF6X YR112BX9

MODEL CODES

B = GRAN FURY	G = DIPLOMAT	V = 400
C = LEBARON/TOWN & COUNTRY	M = HORIZON/TURISMO/SCAMP	X = MIRADA
D = ARIES	P = RELIANT	Y = IMPERIAL
E = 600	S = CORDOBA	Z = OMNI/CHARGER/RAMPAGE
F = FIFTH AVENUE	T = E CLASS/NEWYORKER	

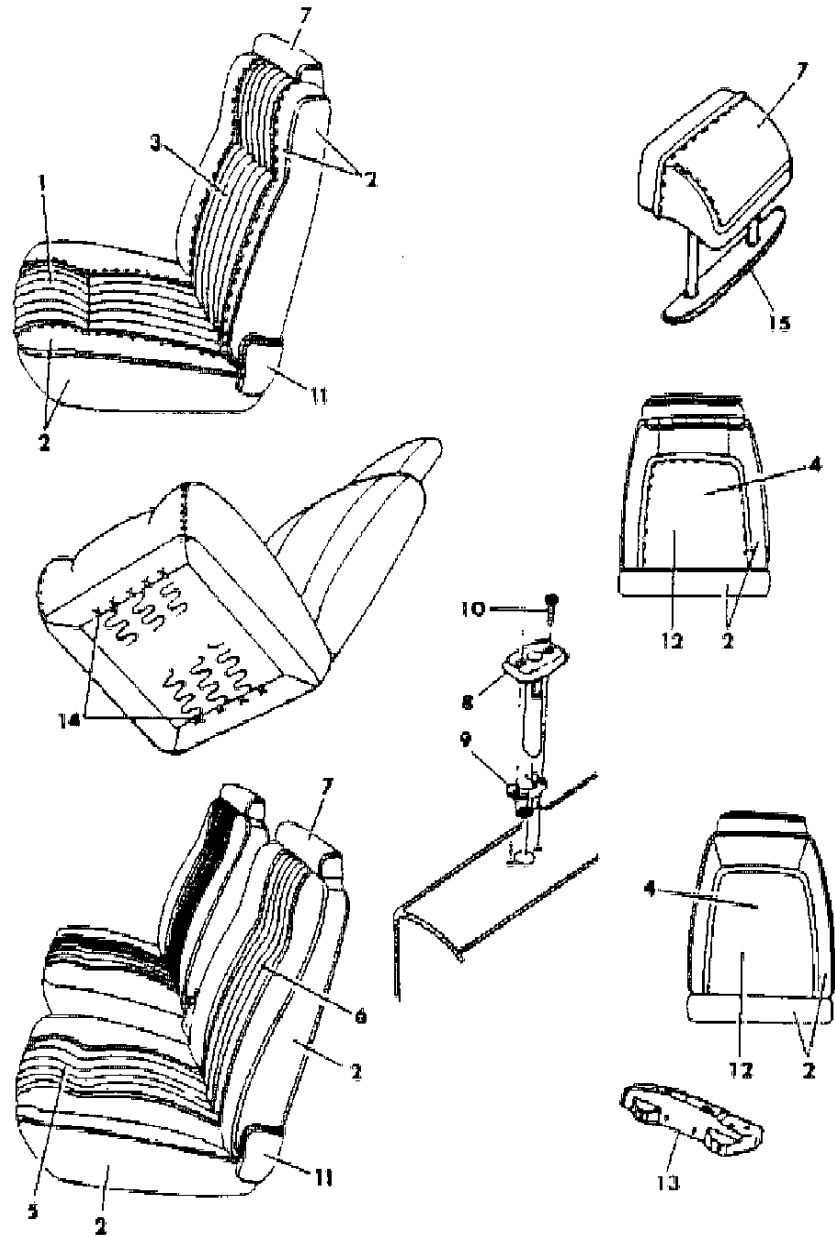
BODY STYLES

21 = 2-DOOR SEDAN	41 = 4-DOOR SEDAN
22 = 2-DOOR SPECIAL COUPE	45 = 4-DOOR STATION WAGON
24 = 2-DOOR HATCHBACK	44 = 4-DOOR HATCHBACK
27 = 2-DOOR CONVERTIBLE	48 = EXECUTIVE SEDAN
28 = FWD PICKUP	

AR = Use as Required - = Non Illustrated Part P.A.R. = Paint as Required

**SEAT FRONT M,Z TRIM CODE C8,C7**  
**Figure IT-1223**

3253.12300



ITEM	PART NUMBER	QTY	BODY	MODEL	DESCRIPTION
1-2					CUSHION, w/Spring/Frame, Pad and Cover N N N N
	N818-9 B8A	1			N N NC8A YN818B8A
	N818-9 B8M	1			N N NC8M YN818B8M
	N818-9 B8T	1			N N NC8TL YN818B8T
	N818-9 B8X	1			N N NC8X YN818B8X
1					COVER, Cushion N N N N
	N326 B8A	2			N N NC8A YN326B8A
	N326 B8M	2			N N NC8M YN326B8M
	N326 B8T	2			N N NC8TL YN326B8T
	N326 B8X	2			N N NC8X YN326B8X
2					ROLL STOCK,Vinyl Order by the Inch N N N N
	R616 AA2	AR			64" Wide, Silver N N N YR616AA2
	R616 BB5	AR			64" Wide, Blue N N N YR616BB5
	R616 VM6	AR			64" Wide, Red N N N YR616VM6
	R616 BL3	AR			64" Wide,Tan N N N YR616BL3
	R600 BX7	AR			54" Wide, Black N N N YR600BX7
2-3					BACK, w/Spring/Frame, Pad and Cover N N N N
	N932-3 B8A	1			N N NC8A YN932B8A
	N932-3 B8M	1			N N NC8M YN932B8M
	N932-3 B8T	1			N N NC8TL YN932B8T
	N932-3 B8X	1			N N NC8X YN932B8X
3					COVER, Back N N N N
	N309 A8A	2			N N NC8A YN309A8A
	N309 V8M	2			N N NC8M YN309V8M
	N309 B8T	2			N N NC8TL YN309B8T
	N309 B8X	2			N N NC8X YN309B8X
4					ROLL STOCK, Vinyl 58" Wide Order by the Inch N N N N
	R603 AA2	AR			Silver N N N YR603AA2
	R603 BB5	AR			Blue N N N YR603BB5
	R603 VM6	AR			Red N N N YR603VM6
	R603 BL3	AR			Tan N N N YR603BL3
	R603 BX9	AR			Black N N N YR603BX9
5&2					CUSHION, w/Spring/Frame, Pad and Cover N N N N
	N806-7 B7A	1			N N NC7A YN806B7A
	N806-7 B7C	1			N N NC7CB YN806B7C
	N806-7 B7M	1			N N NC7M YN806B7M
	N806-7 B7T	1			N N NC7TL YN806B7T

MODEL CODES  
 B = GRAN FURY  
 C = LEBARON/TOWN & COUNTRY  
 D = ARIES  
 E = 600  
 F = FIFTH AVENUE  
 G = DIPLOMAT  
 M = HORIZON/TURISMO/SCAMP  
 P = RELIANT  
 S = CORDOBA  
 T = E CLASS/NEWYORKER  
 V = 400  
 X = MIRADA  
 Y = IMPERIAL  
 Z = OMNI/CHARGER/RAMPAGE

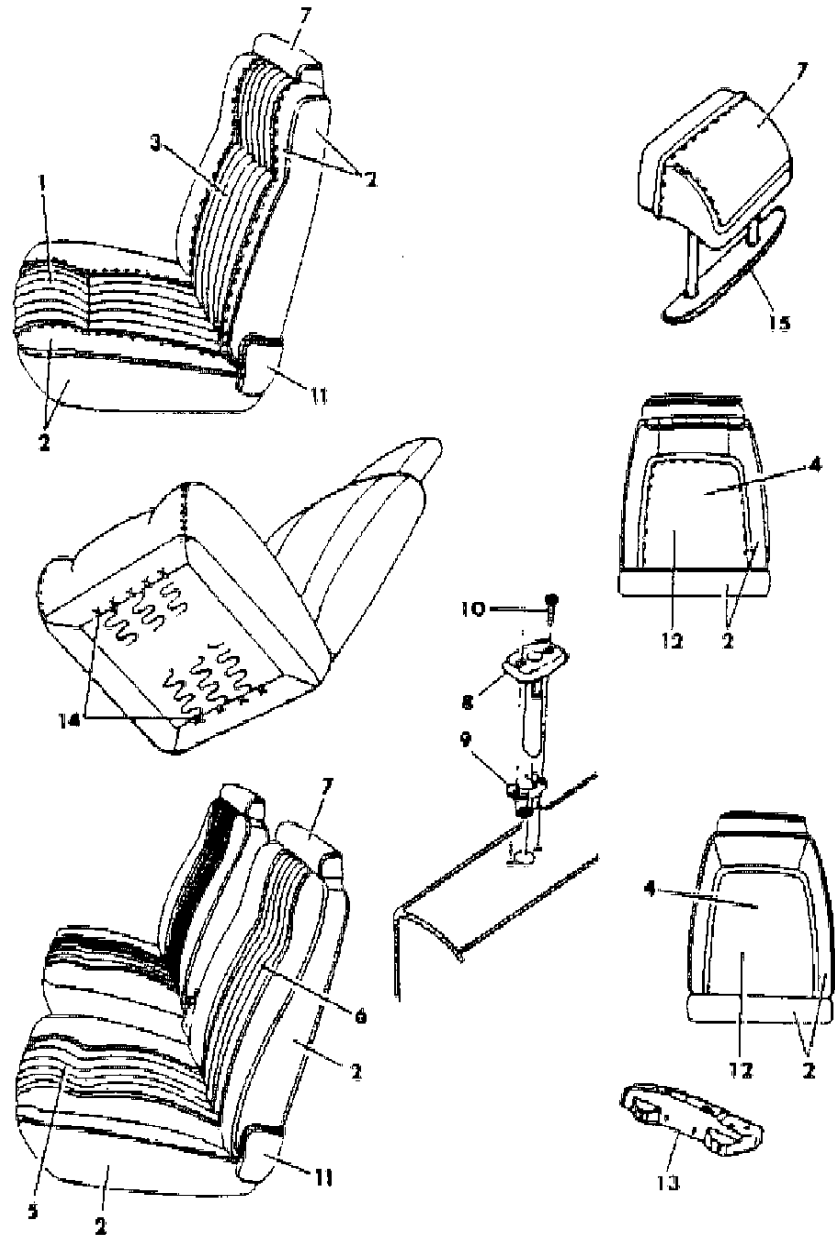
BODY STYLES  
 21 = 2-DOOR SEDAN  
 22 = 2-DOOR SPECIAL COUPE  
 24 = 2-DOOR HATCHBACK  
 27 = 2-DOOR CONVERTIBLE  
 28 = FWD PICKUP  
 41 = 4-DOOR SEDAN  
 45 = 4-DOOR STATION WAGON  
 44 = 4-DOOR HATCHBACK  
 48 = EXECUTIVE SEDAN

AR = Use as Required - = Non Illustrated Part P.A.R. = Paint as Required



SEAT FRONT M,Z TRIM CODE C8,C7  
Figure IT-1223

3253.12300



ITEM	PART NUMBER	QTY	BODY	MODEL	DESCRIPTION
5					COVER, Cushion N N N N
	N325 B7A	2			N N NC7A YN325B7A
	N325 B7C	2			N N NC7CB YN325B7C
	N325 B7M	2			N N NC7M YN325B7M
	N325 B7T	2			N N NC7TL YN325B7T
6&2					BACK, w/Spring/Frame, Pad and Cover N N N N
	N810-1 B7A	1			N N NC7A YN810B7A
	N810-1 B7C	1			N N NC7CB YN810B7C
	N810-1 B7M	1			N N NC7M YN810B7M
	N810-1 B7T	1			N N NC7TL YN810B7T
6					COVER, Back N N N N
	N517 B7A	2			N N NC7A YN517B7A
	N517 B7C	2			N N NC7B YN517B7C
	N517 B7M	2			N N NC7M YN517B7M
	N517 B7T	2			N N NC7TL YN517B7T
7					HEAD REST N N N N
	S702 AA2	2			N N NC8A YS702AA2
	S702 TM6	2			N N NC8M YS702TM6
	S702 BL3	2			N N NC8TL YS702BL3
	S702 RX9	2			N N NC8X YS702RX9
					(use up to 10/1/82) N N N N
	S702 AA2	2			N N NC7A YS702AA2
	S702 BB5	2			N N NC7CB YS702BB5
	S702 TM6	2			N N NC7M YS702TM6
	S702 BL3	2			N N NC7TL YS702BL3
					(use after 10/1/82) N N N N
	N566 BA3	2			N N NC7A YN566BA3
	N566 BB5	2			N N NC7CB YN566BB5
	N566 BM6	2			N N NC7M YN566BM6
	N566 BL3	2			N N NC7TL YN566BL3
					COVER, Head Rest N N N N
	N346 BA3	2			N N NC7A YN346BA3
	N346 BB5	2			N N NC7CB YN346BB5
	N346 BM6	2			N N NC7M YN346BM6
	N346 BL3	2			N N NC7TL YN346BL3
8					SLEEVE,Head Rest N N N N
	S690 AA3	4			Silver N N N YS690AA3

MODEL CODES

B = GRAN FURY	G = DIPLOMAT	V = 400
C = LEBARON/TOWN & COUNTRY	M = HORIZON/TURISMO/SCAMP	X = MIRADA
D = ARIES	P = RELIANT	Y = IMPERIAL
E = 600	S = CORDOBA	Z = OMNI/CHARGER/RAMPAGE
F = FIFTH AVENUE	T = E CLASS/NEWYORKER	

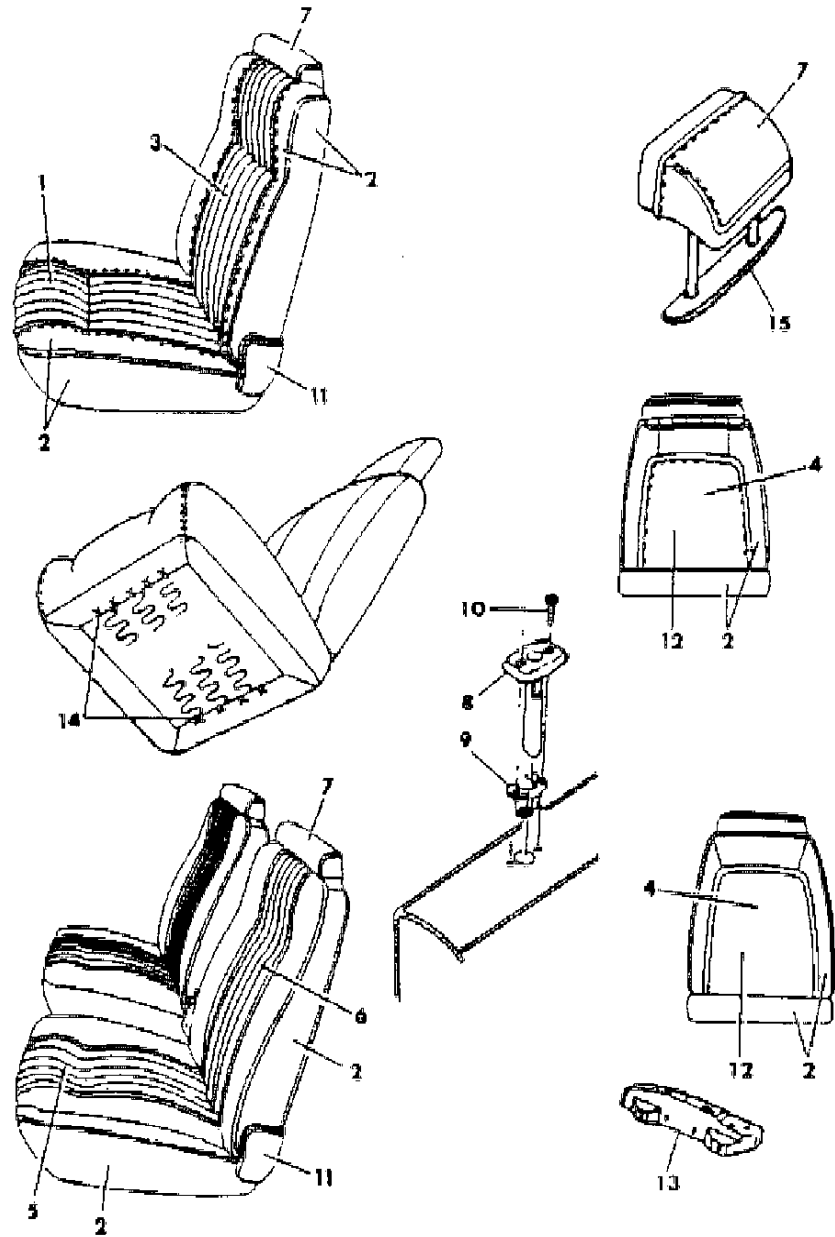
BODY STYLES

21 = 2-DOOR SEDAN	41 = 4-DOOR SEDAN
22 = 2-DOOR SPECIAL COUPE	45 = 4-DOOR STATION WAGON
24 = 2-DOOR HATCHBACK	44 = 4-DOOR HATCHBACK
27 = 2-DOOR CONVERTIBLE	48 = EXECUTIVE SEDAN
28 = FWD PICKUP	

AR = Use as Required - = Non Illustrated Part P.A.R. = Paint as Required

SEAT FRONT M,Z TRIM CODE C8,C7  
Figure IT-1223

3253.12300



ITEM	PART NUMBER	QTY	BODY	MODEL	DESCRIPTION
	S690 SC7	4			Blue N N N YS690SC7
	S690 TM6	4			Red N N N YS690TM6
	S690 BL3	4			Tan N N N YS690BL3
	S690 RX9	4			Black N N N YS690RX9
9	4098 965	4			CATCH,Head Rest Post N N N Y4098965
10					SCREW(not serviced) N N N N
11					COVER,Hinge Arm Outer N N N N
	S810-1 RX9	1			Black (paint as required) N N N YS810RX9
	S876-7 SX9	1			Inner, Black (paint as required) N N N YS876SX9
12					PANEL,Back of Front Seat Back N N N N
	S731 AA2	2			N N NC8A,C7A YS731AA2
	S731 BB5	2			N N NC7CB YS731BB5
	S731 VM6	2			N N NC7M,C8M YS731VM6
	S731 BL3	2			N N NC8TL,C7TL YS731BL3
	S731 BX7	2			N N NC8X YS731BX7
13		2			SIDE MEMBER and P/NUT,Front Seat Cushion Bracket (not serviced) N N N N
14	6008 076	AR			CLIP, Hog Ring N N N Y6008076
15	4018 808	2			COVER, Head Rest Finish N N N Y4018808

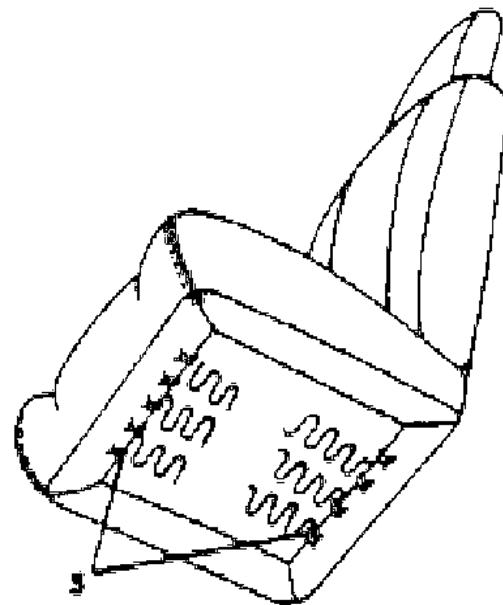
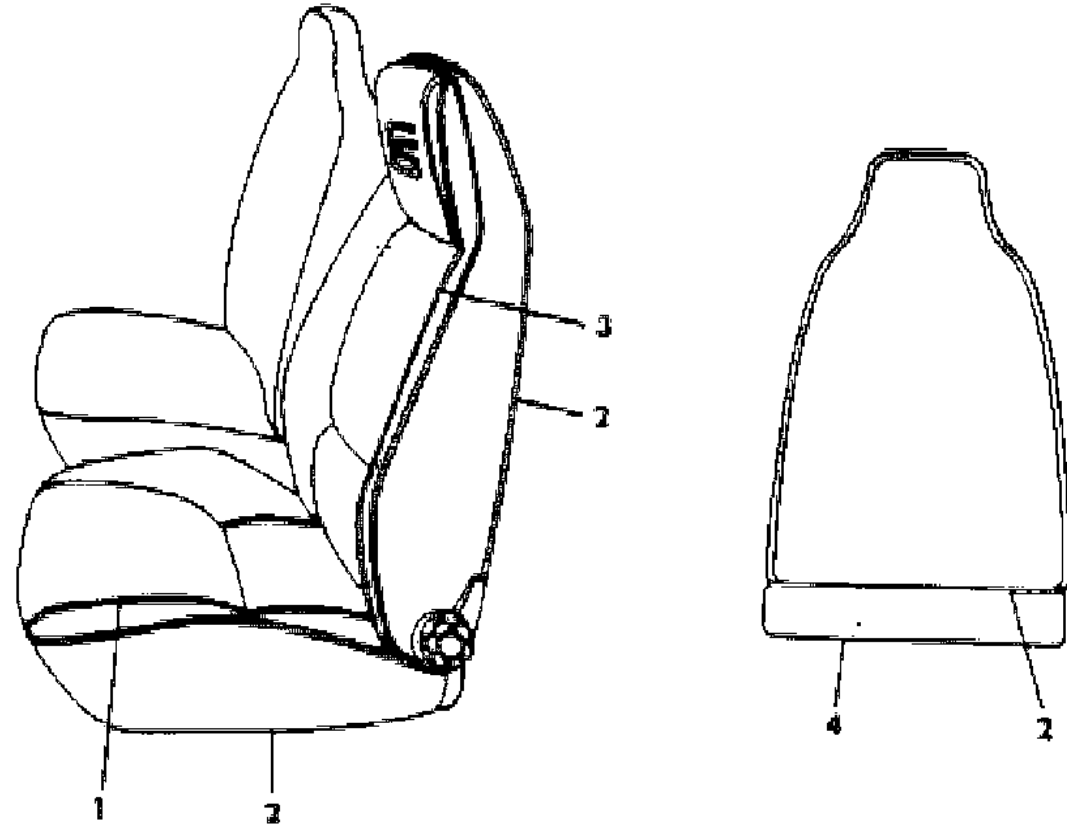
MODEL CODES  
 B = GRAN FURY  
 C = LEBARON/TOWN & COUNTRY  
 D = ARIES  
 E = 600  
 F = FIFTH AVENUE  
 G = DIPLOMAT  
 M = HORIZON/TURISMO/SCAMP  
 P = RELIANT  
 S = CORDOBA  
 T = E CLASS/NEWYORKER  
 V = 400  
 X = MIRADA  
 Y = IMPERIAL  
 Z = OMNI/CHARGER/RAMPAGE

BODY STYLES  
 21 = 2-DOOR SEDAN  
 22 = 2-DOOR SPECIAL COUPE  
 24 = 2-DOOR HATCHBACK  
 27 = 2-DOOR CONVERTIBLE  
 28 = FWD PICKUP  
 41 = 4-DOOR SEDAN  
 45 = 4-DOOR STATION WAGON  
 44 = 4-DOOR HATCHBACK  
 48 = EXECUTIVE SEDAN

AR = Use as Required - = Non Illustrated Part P.A.R. = Paint as Required

SEAT FRONT Z TRIN CODE S5  
Figure IT-1224

3253.122400



ITEM	PART NUMBER	QTY	BODY	MODEL	DESCRIPTION
1-2	N772-3 B5A	1			CUSHION, w/Spring/Frame, Pad and Cover N N NS5AC YN772B5A
1	N410 B5A	2			COVER, Cushion N N NS5AC YN410B5A
2	R616 AA2	AR			ROLL STOCK, Vinyl 64" Wide Order by the Inch N N NS5AC YR616AA2
2-3	N774-5 B5A	1			BACK, w/Spring/Frame, Pad and Cover N N NS5AC YN774B5A
3	N412-3 B5A	1			COVER, Back N N NS5AC YN412B5A
4	R112 AA7	AR			CARPET, Roll Stock 54" Wide Order by the Inch N N NS5AC YR112AA7
5	6008 076	AR			HOG RING N N N Y6008076

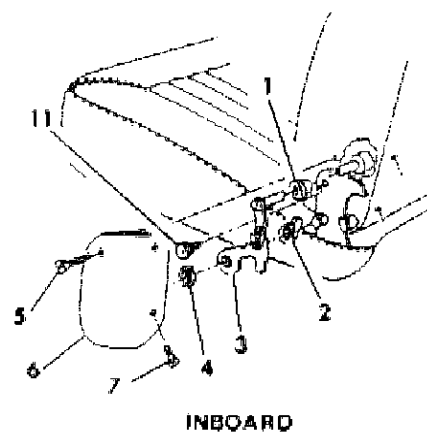
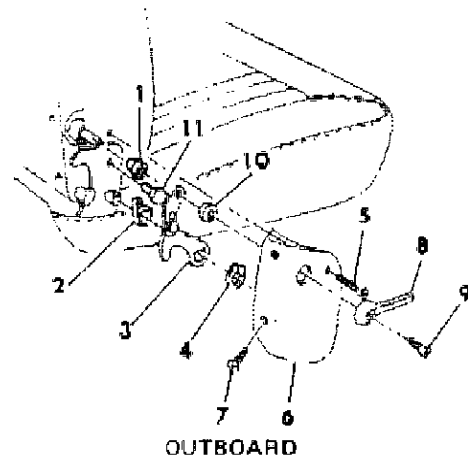
MODEL CODES  
 B = GRAN FURY  
 C = LEBARON/TOWN & COUNTRY  
 D = ARIES  
 E = 600  
 F = FIFTH AVENUE  
 G = DIPLOMAT  
 M = HORIZON/TURISMO/SCAMP  
 P = RELIANT  
 S = CORDOBA  
 T = E CLASS/NEWYORKER  
 V = 400  
 X = MIRADA  
 Y = IMPERIAL  
 Z = OMNI/CHARGER/RAMPAGE

BODY STYLES  
 21 = 2-DOOR SEDAN  
 22 = 2-DOOR SPECIAL COUPE  
 24 = 2-DOOR HATCHBACK  
 27 = 2-DOOR CONVERTIBLE  
 28 = FWD PICKUP  
 41 = 4-DOOR SEDAN  
 45 = 4-DOOR STATION WAGON  
 44 = 4-DOOR HATCHBACK  
 48 = EXECUTIVE SEDAN

AR = Use as Required - = Non Illustrated Part P.A.R. = Paint as Required

**FRONT SEAT BACK RELEASE M,Z 24,28**  
**Figure IT-1241**

3253.124 100



ITEM	PART NUMBER	QTY	BODY	MODEL	DESCRIPTION
1	4029 846	2			BUSHING, Shaft Pivot N N N Y4029846
2	4018 866-7	1			SPRING, Latch Return N N N Y4018866
3	4190 054-5	1			LATCH, Front Seat Back to Cushion, Inboard N N N Y4190054
	4098 066-7	1			Outboard N N N Y4098066
4	6024 440	AR			RETAINING RING, Lock Assy. Back to Cushion N N N Y6024440
5		AR			SCREW (not serviced) N N N N
6					COVER (see Seat Illustration Interior Trim) N N N N
7		AR			SCREW (not serviced) N N N N
8	4138 298	1			HANDLE, Latch Release N N N Y4138298
9		AR			SCREW (not serviced) N N N N
10	6024 203	AR			PUSHNUT, Lever Retainer N N N Y6024203
11	6031 518	4			SCREW, Pivot Shoulder N N N Y6031518

**MODEL CODES**

B = GRAN FURY	G = DIPLOMAT	V = 400
C = LEBARON/TOWN & COUNTRY	M = HORIZON/TURISMO/SCAMP	X = MIRADA
D = ARIES	P = RELIANT	Y = IMPERIAL
E = 600	S = CORDOBA	Z = OMNI/CHARGER/RAMPAGE
F = FIFTH AVENUE	T = E CLASS/NEWYORKER	

**BODY STYLES**

21 = 2-DOOR SEDAN	41 = 4-DOOR SEDAN
22 = 2-DOOR SPECIAL COUPE	45 = 4-DOOR STATION WAGON
24 = 2-DOOR HATCHBACK	44 = 4-DOOR HATCHBACK
27 = 2-DOOR CONVERTIBLE	48 = EXECUTIVE SEDAN
28 = FWD PICKUP	

AR = Use as Required - = Non Illustrated Part P.A.R. = Paint as Required

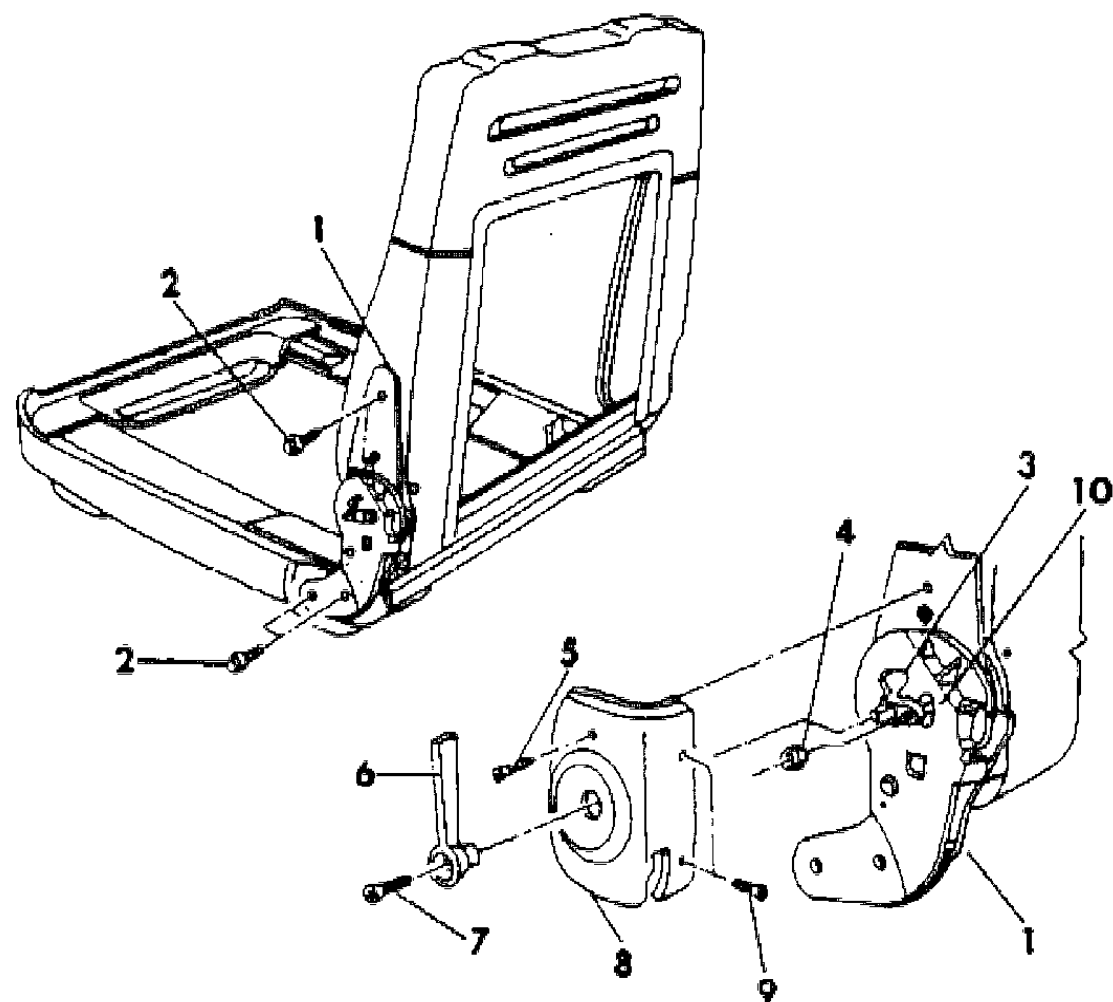
**RECLINING FRONT SEAT W/LOW BACK - M,Z**  
**Figure IT-1251**

3253-1 **25** 100

ITEM	PART NUMBER	QTY	BODY	MODEL	DESCRIPTION
1	4190 968-9	1			RECLINER, Front SEAT N N N Y4190968
2	9422 041	8			SCREW and WASHER, w/Low Back Buckets N N N Y9422041
3	4029 871	1			ADAPTER, Actuator Handle N N N Y4029871
4	0120 622	1			NUT, Lock N N N Y120622
5		AR			SCREW (not serviced) N N N N
6	4138 298	1			HANDLE, Seat Recliner, Single N N N Y4138298
	4018 911	1			HANDLE N N N Y4018911
	4018 911	2			Dual N N N Y4018911
7		AR			SCREW (not serviced) N N N N
8					COVER (see Seat Illustration Interior Trim) N N N N
9		AR			SCREW (not serviced) N N N N
10	4190 248-9	1			SPRING, Front Seat Back Reclining Release Cam N N N Y4190248

The following parts are not illustrated. s ARE NOT RETURNABLE.

1	SHIM, Front Seat Recliner Locking Arm (serviced in recliner) N N N
---	--



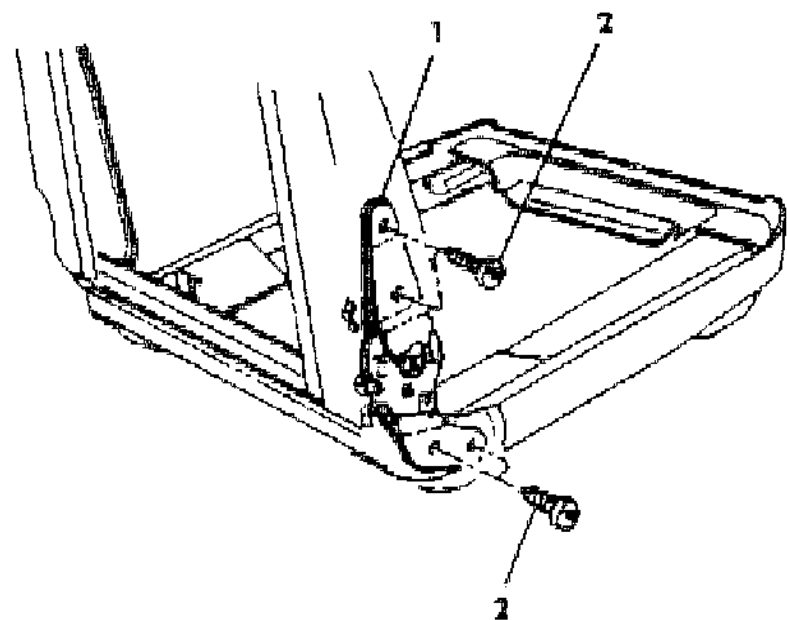
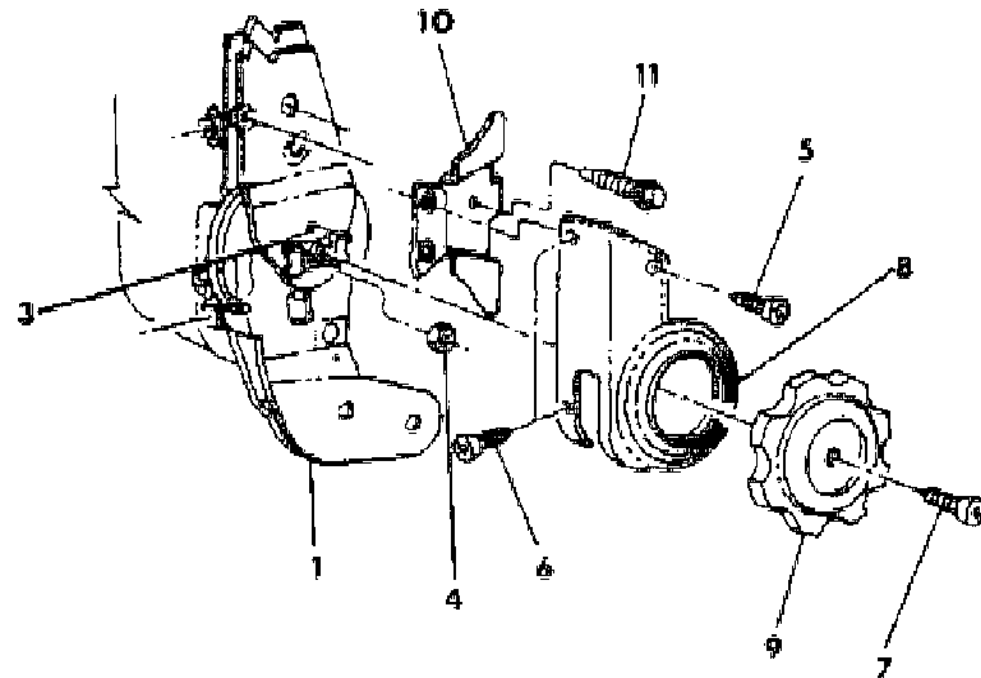
MODEL CODES  
 B = GRAN FURY  
 C = LEBARON/TOWN & COUNTRY  
 D = ARIES  
 E = 600  
 F = FIFTH AVENUE  
 G = DIPLOMAT  
 M = HORIZON/TURISMO/SCAMP  
 P = RELIANT  
 S = CORDOBA  
 T = E CLASS/NEWYORKER  
 V = 400  
 X = MIRADA  
 Y = IMPERIAL  
 Z = OMNI/CHARGER/RAMPAGE

BODY STYLES  
 21 = 2-DOOR SEDAN  
 22 = 2-DOOR SPECIAL COUPE  
 24 = 2-DOOR HATCHBACK  
 27 = 2-DOOR CONVERTIBLE  
 28 = FWD PICKUP  
 41 = 4-DOOR SEDAN  
 45 = 4-DOOR STATION WAGON  
 44 = 4-DOOR HATCHBACK  
 48 = EXECUTIVE SEDAN

AR = Use as Required - = Non Illustrated Part P.A.R. = Paint as Required

RECLINING FRONT SEAT W/HIGH BACK M,Z  
Figure IT-1252

3253 125200



ITEM	PART NUMBER	QTY	BODY	MODEL	DESCRIPTION
1	4239 640-1	1			RECLINER, Inertia N N N Y4239640
2	6025 361	8			SCREW N N N Y6025361
3	4239 671	1			ACTUATOR, Release N N24,28 N Y4239671
	4277 946	1			N N44 N Y4277946
4	0120 622	2			NUT N N N Y120622
5		AR			SCREW (not serviced) N N N N
6	6032 072	AR			SCREW N N N Y6032072
7	0153 635	2			SCREW N N N Y153635
8	4239 542-3	1			SHIELD, Outer Chrome N N N Y4239542
	4239 570-1	1			Inner, Chrome N N N Y4239570
9	4239 546	2			KNOB, Recliner Release N N N Y4239546
	9414 712	AR			SCREW, Knob Attaching N N N Y9414712
10	4290 711	2			BRACKET, Side Shield Mounting N N N Y4290711
11	6031 518	1			SCREW N N24,28 N Y6031518
	9422 041	1			N N44 N Y9422041

MODEL CODES

B = GRAN FURY	G = DIPLOMAT	V = 400
C = LEBARON/TOWN & COUNTRY	M = HORIZON/TURISMO/SCAMP	X = MIRADA
D = ARIES	P = RELIANT	Y = IMPERIAL
E = 600	S = CORDOBA	Z = OMNI/CHARGER/RAMPAGE
F = FIFTH AVENUE	T = E CLASS/NEWYORKER	

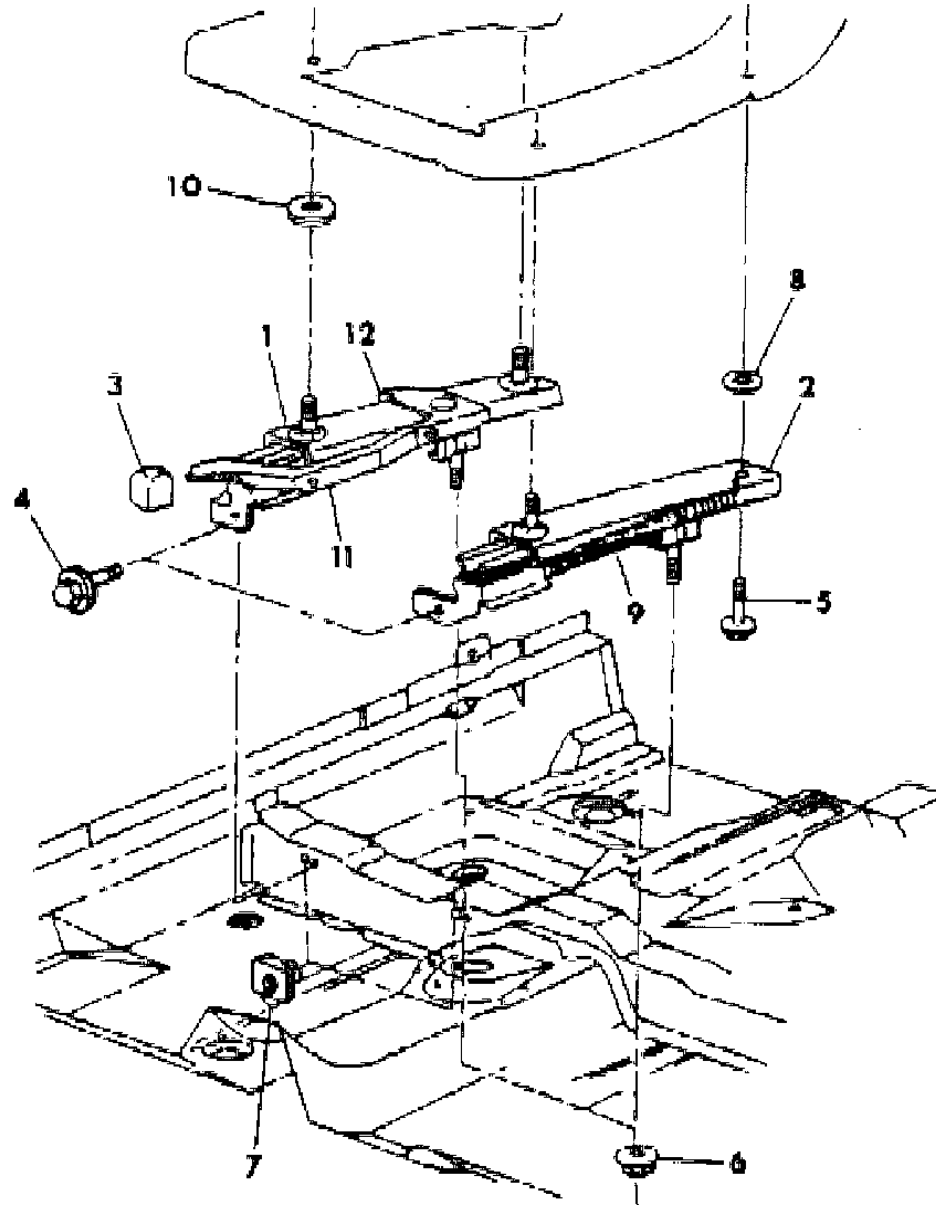
BODY STYLES

21 = 2-DOOR SEDAN	41 = 4-DOOR SEDAN
22 = 2-DOOR SPECIAL COUPE	45 = 4-DOOR STATION WAGON
24 = 2-DOOR HATCHBACK	44 = 4-DOOR HATCHBACK
27 = 2-DOOR CONVERTIBLE	48 = EXECUTIVE SEDAN
28 = FWD PICKUP	

AR = Use as Required - = Non Illustrated Part P.A.R. = Paint as Required

SEAT ADJUSTER MANUAL M,Z  
Figure IT-1261

3253 1 26 100



ITEM	PART NUMBER	QTY	BODY	MODEL	DESCRIPTION
1					ADJUSTER, Outer N N N N
	4277 472	1			Right, w/o EZ Entry N N24,28 N Y4277472
	5232 148	1			Right, w/EZ Entry N N24 N Y5232148
	4277 473	1			N N24,28 N Y4277473
	4277 474-5	1			N N44 N Y4277474
2					ADJUSTER, Inner N N N N
	5232 142-3	1			N N24,28 N Y5232142
	5232 146-7	1			N N44 N Y5232146
3	5207 235	AR			KNOB, Adjuster Release N N N Y5207235
4	6100 592	4			SCREW and WASHER N N N Y6100592
5		8			SCREW and WASHER (not serviced) N N N N
6	6100 051	4			NUT and WASHER N N N Y6100051
7	6101 283	4			U-NUT N N N Y6101283
8	6028 040	8			RETAINER N N N Y6028040
9	5207 182	1			SPRING, Manual Adjust Assist, Left N N N Y5207182
	5232 067	1			SPRING, Manual Adjuster Assist Outer Right w/EZ Entry N N N Y5232067
10	4219 590	4			SPACER N N N Y4219590
11	5232 064	1			SPRING, Lever Return w/EZ Entry N N N Y5232064
	4277 504	AR			SPRING, Manual Adjuster Release Lever Return N N N Y4277504
		1			LEVER, Seat Release w/EZ Entry (serviced in Recliner) N N N N
12	0104 918	AR			BALL, Front Seat Manual Adjuster N N N Y104918

MODEL CODES

B = GRAN FURY	G = DIPLOMAT	V = 400
C = LEBARON/TOWN & COUNTRY	M = HORIZON/TURISMO/SCAMP	X = MIRADA
D = ARIES	P = RELIANT	Y = IMPERIAL
E = 600	S = CORDOBA	Z = OMNI/CHARGER/RAMPAGE
F = FIFTH AVENUE	T = E CLASS/NEWYORKER	

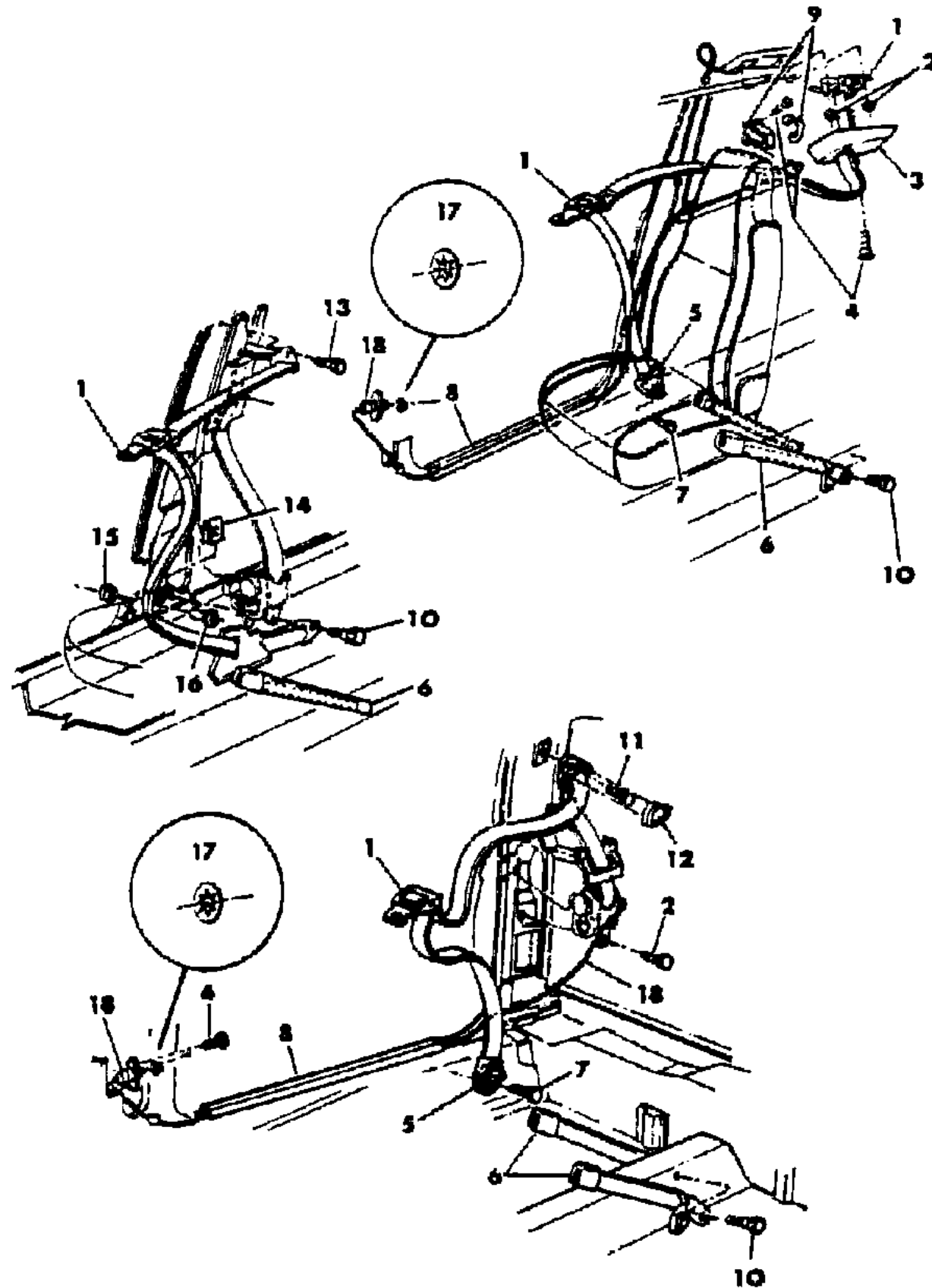
BODY STYLES

21 = 2-DOOR SEDAN	41 = 4-DOOR SEDAN
22 = 2-DOOR SPECIAL COUPE	45 = 4-DOOR STATION WAGON
24 = 2-DOOR HATCHBACK	44 = 4-DOOR HATCHBACK
27 = 2-DOOR CONVERTIBLE	48 = EXECUTIVE SEDAN
28 = FWD PICKUP	

AR = Use as Required - = Non Illustrated Part P.A.R. = Paint as Required

**BELT FRONT SEAT M,Z 24,28,44**  
Figure IT-1281

3253 128100



ITEM	PART NUMBER	QTY	BODY	MODEL	DESCRIPTION
1					BELT, Lap and Shoulder, Outer Label No. 4290448-9 N N N N
	F642-3 BA3	1			Silver N N24 N YF642BA3
	F642-3 BB5	1			Blue N N24 N YF642BB5
	F642-3 BM6	1			Red N N24 N YF642BM6
	F642-3 BL3	1			Tan N N24 N YF642BL3
	F642-3 BX9	1			Black N N24 N YF642BX9
					Label No. 4290452-3 N N N N
	F646-7 BM6	1			Red N N28 N YF646BM6
	F646-7 BL3	1			Tan N N28 N YF646BL3
	F646-7 BX9	1			Black N N28 N YF646BX9
					(use up to 4/4/83) N N N N
					Label No. 4290454-5 N N N N
	F648-9 BA3	1			Silver N N44 N YF648BA3
	F648-9 BB5	1			Blue N N44 N YF648BB5
	F648-9 BM6	1			Red N N44 N YF648BM6
	F648-9 BL3	1			Tan N N44 N YF648BL3
	F648-9 BX9	1			Black N N44 N YF648BX9
					(use after 4/4/83) N N N N
					Label No. 4327098-9 N N N N
	F742-3 BA3	1			Silver N N44 N YF742BA3
	F742-3 BB5	1			Blue N N44 N YF742BB5
	F742-3 BM6	1			Red N N44 N YF742BM6
	F742-3 BL3	1			Beige N N44 N YF742BL3
	4172 857	2			ROD, Tension Reliever Release Actuating N N44 N Y4172857
2	6100 517	2			NUT N N N Y6100517
3	H496-7 SX9	1			COVER, Headlining Shoulder Belt Retractor N N24 N YH496SX9
4		AR			SCREW (not serviced) N N N N
5	F814 JX9	2			COVER, Swivel Plate N N24 N YF814JX9
6					BELT, Lap Buckle Half Inner Label No. 4290994 - 5 N N N N
	F610-1 BA3	1			Silver N N24,28,44 N YF610BA3
	F610-1 BB5	1			Blue N N24,28,44 N YF610BB5
	F610-1 BM6	1			Red N N24,28,44 N YF610BM6
	F610-1 BL3	1			Tan N N24,28,44 N YF610BL3
	F610-1 BX9	1			Black N N24,28,44 N YF610BX9
					Label No. 4316116-7 N N N N
	F674-5 BA3	1			Silver N N24,28,44 N YF674BA3
	F674-5 BB5	1			Blue, Medium N N24,28,44 N YF674BB5

**MODEL CODES**

B = GRAN FURY	G = DIPLOMAT	V = 400
C = LEBARON/TOWN & COUNTRY	M = HORIZON/TURISMO/SCAMP	X = MIRADA
D = ARIES	P = RELIANT	Y = IMPERIAL
E = 600	S = CORDOBA	Z = OMNI/CHARGER/RAMPAGE
F = FIFTH AVENUE	T = E CLASS/NEWYORKER	

**BODY STYLES**

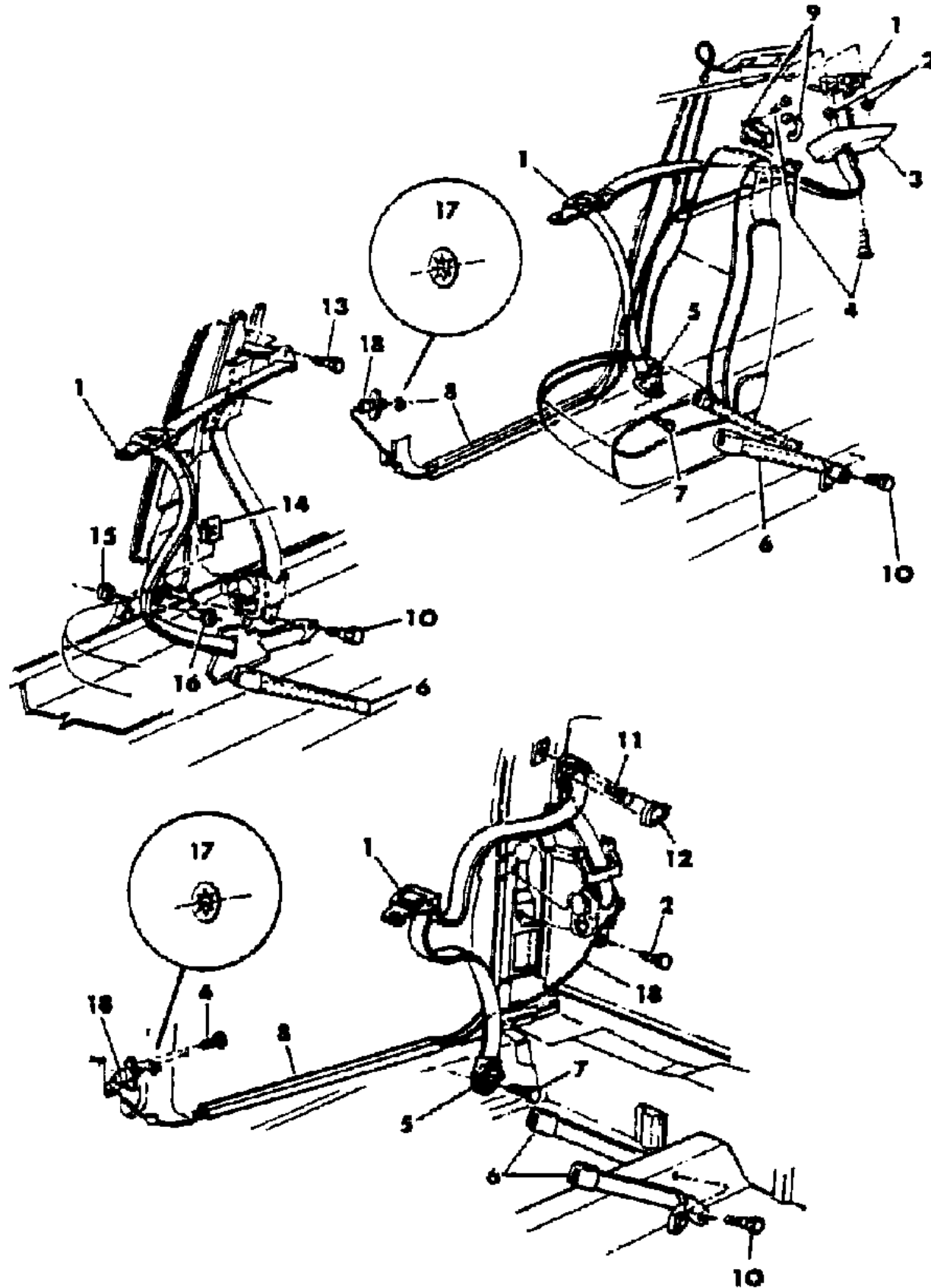
21 = 2-DOOR SEDAN	41 = 4-DOOR SEDAN
22 = 2-DOOR SPECIAL COUPE	45 = 4-DOOR STATION WAGON
24 = 2-DOOR HATCHBACK	44 = 4-DOOR HATCHBACK
27 = 2-DOOR CONVERTIBLE	48 = EXECUTIVE SEDAN
28 = FWD PICKUP	

AR = Use as Required - = Non Illustrated Part P.A.R. = Paint as Required



**BELT FRONT SEAT M,Z 24,28,44**  
**Figure IT-1281**

3253 128100



ITEM	PART NUMBER	QTY	BODY	MODEL	DESCRIPTION
	F674-5 BM6	1			Red N N24,28,44 N YF674BM6
	F674-5 BL3	1			Tan N N24,28,44 N YF674BL3
	F674-5 BX9	1			Black N N24,28,44 N YF674BX9
-	4209 934	AR			WEDGE, Front Lap Belt N N24,28,44 N Y4209934
7	6031 298	AR			BOLT N N N Y6031298
8	5232 137	2			CASING, Tension Reliever Cable N N N Y5232137
9	S863 AA3	2			GUIDE, w/High Back Bucket N N N YS863AA3
	S761 AA3	2			w/Low Back Bucket w/Applied Headrest Silver N N N YS761AA3
	S761 TB2	2			Blue N N N YS761TB2
	S761 TM6	2			Red N N N YS761TM6
	S761 ST4	2			Tan N N N YS761ST4
	S761 RX9	2			Black N N N YS761RX9
10		AR			BOLT (not serviced) N N N N
11	6030 458	2			BOLT N N28 N Y6030458
12	F828 TM6	2			COVER, Turning Loop Red N N N YF828TM6
	F828 BT8	2			Brown N N N YF828BT8
	F828 AX9	2			Black N N N YF828AX9
13	6031 216	2			BOLT N N44 N Y6031216
14	6031 448	2			BOLT, Retractor N N44 N Y6031448
15	4172 859	2			CYLINDER, Tension Release Button (use up to 11/1/82) N N44 N Y4172859
	4290 789	2			w/Bumper (use up to 11/1/82) N N44 N Y4290789
16	4290 337	2			RETAINER, Tension Release Button (use up to 6/15/83) N N44 N Y4290337
	4327 076	2			(use up to 6/15/83) N N44 N Y4327076
17	6025 160	2			RETAINER, Inertia Retractor Pedulum Shaft N N N Y6025160
18	5232 154-5	1			RELEASE, Retractor Tension Reliever N N24 N Y5232154

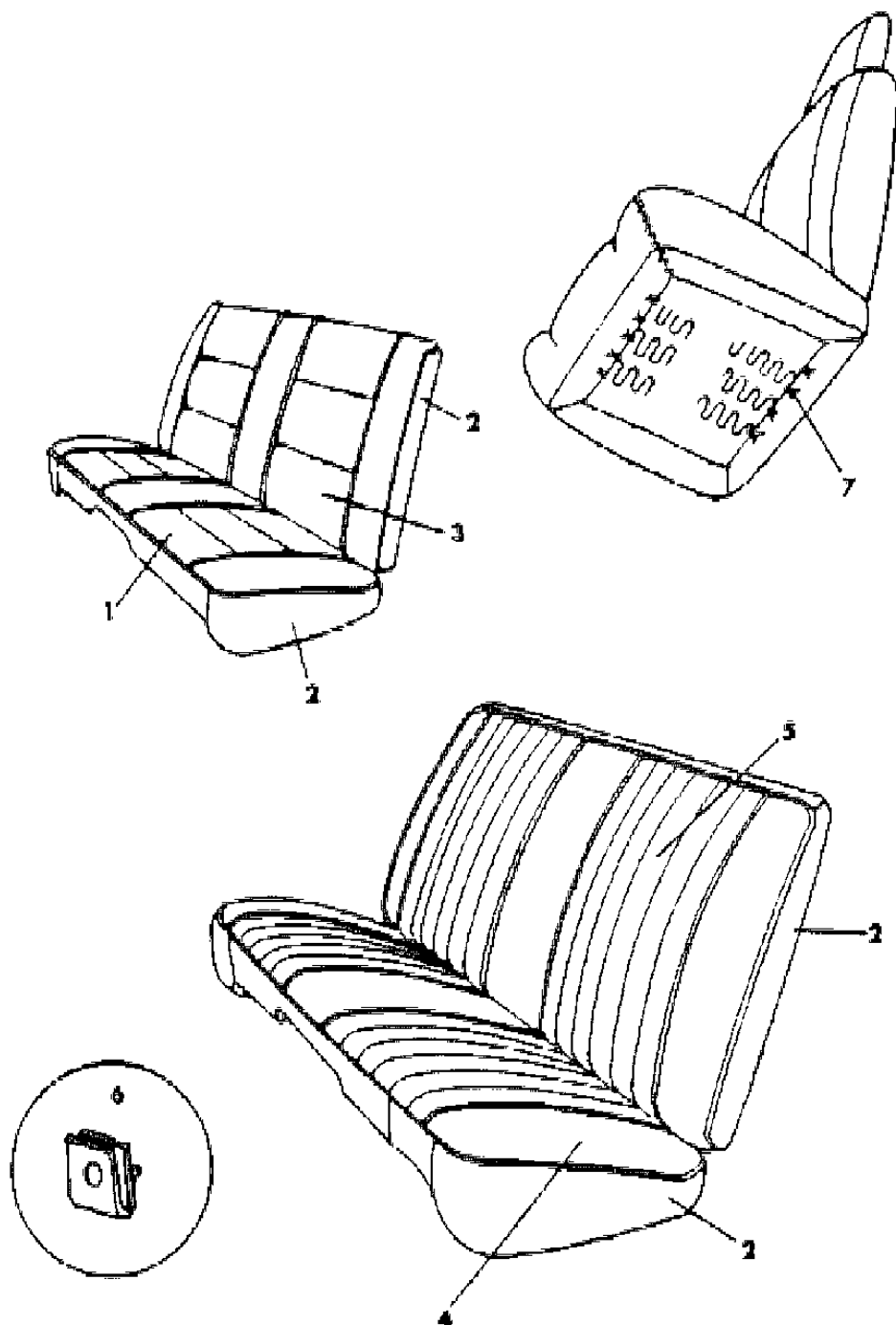
MODEL CODES  
 B = GRAN FURY  
 C = LEBARON/TOWN & COUNTRY  
 D = ARIES  
 E = 600  
 F = FIFTH AVENUE  
 G = DIPLOMAT  
 M = HORIZON/TURISMO/SCAMP  
 P = RELIANT  
 S = CORDOBA  
 T = E CLASS/NEWYORKER  
 V = 400  
 X = MIRADA  
 Y = IMPERIAL  
 Z = OMNI/CHARGER/RAMPAGE

BODY STYLES  
 21 = 2-DOOR SEDAN  
 22 = 2-DOOR SPECIAL COUPE  
 24 = 2-DOOR HATCHBACK  
 27 = 2-DOOR CONVERTIBLE  
 28 = FWD PICKUP  
 41 = 4-DOOR SEDAN  
 45 = 4-DOOR STATION WAGON  
 44 = 4-DOOR HATCHBACK  
 48 = EXECUTIVE SEDAN

AR = Use as Required - = Non Illustrated Part P.A.R. = Paint as Required

SEAT REAR M,Z TRIM CODE F5,F6  
Figure IT-1301

3253-1 30 100



ITEM	PART NUMBER	QTY	BODY	MODEL	DESCRIPTION
1-2					CUSHION,Rear w/Spring/Frame, Pad and Cover N N N N
	N750 A5A	1			N N24 NF5A YN750A5A
	N750 B5C	1			(use up to 7/7/83) N N24 NF5CB YN750B5C
	N726 C5B	1			(use after 7/7/83) N N24 NF5CB YN726C5B
	N750 A5M	1			(use up to 7/6/83) N N24 NF5M YN750A5M
	N726 C5M	1			(use after 7/6/83) N N24 NF5M YN726C5M
	N750 B5T	1			N N24 NF5TL YN750B5T
	N750 B5X	1			N N24 NF5X YN750B5X
	N751 A5A	1			N N44 NF5A YN751A5A
	N751 B5C	1			(use up to 7/7/83) N N44 NF5CB YN751B5C
	N727 C5B	1			(use after 7/7/83) N N44 NF5CB YN727C5B
	N751 A5M	1			(use up to 7/6/83) N N44 NF5M YN751A5M
	N727 C5M	1			(use after 7/6/83) N N44 NF5M YN727C5M
	N751 B5T	1			N N44 NF5TL YN751B5T
1					COVER,Rear Cushion N N N N
	N527 A5A	1			N N24 NF5A YN527A5A
	N527 B5C	1			(use up to 7/7/83) N N24 NF5CB YN527B5C
	N401 C5B	1			(use after 7/7/83) N N24 NF5CB YN401C5B
	N527 A5M	1			(use up to 7/6/83) N N24 NF5M YN527A5M
	N401 C5M	1			(use after 7/6/83) N N24 NF5M YN401C5M
	N527 B5T	1			N N24 NF5TL YN527B5T
	N527 B5X	1			N N24 NF5X YN527B5X
	N526 A5A	1			N N44 NF5A YN526A5A
	N526 B5C	1			(use up to 7/7/83) N N44 NF5CB YN526B5C
	N400 C5B	1			(use after 7/7/83) N N44 NF5CB YN400C5B
	N526 A5M	1			(use up to 7/6/83) N N44 NF5M YN526A5M
	N400 C5M	1			(use after 7/6/83) N N44 NF5M YN400C5M
	N526 B5T	1			N N44 NF5TL YN526B5T
2					ROLL STOCK,Vinyl Order by the Inch N N N N
	R616 AA2	AR			64" Wide, Silver N N N YR616AA2
	R616 BB5	AR			64" Wide, Blue N N N YR616BB5
	R616 VM6	AR			64" Wide, Red N N N YR616VM6
	R616 BL3	AR			64" Wide, Tan N N N YR616BL3
	R600 BX7	AR			54" Wide, Black N N N YR600BX7
2-3					BACK, Rear w/Panel, Protectors, Pad and Cover N N N N
	N760 A5A	1			N N24 NF5A YN760A5A
	N760 B5C	1			(use up to 7/7/83) N N24 NF5CB YN760B5C

MODEL CODES

B = GRAN FURY	G = DIPLOMAT	V = 400
C = LEBARON/TOWN & COUNTRY	M = HORIZON/TURISMO/SCAMP	X = MIRADA
D = ARIES	P = RELIANT	Y = IMPERIAL
E = 600	S = CORDOBA	Z = OMNI/CHARGER/RAMPAGE
F = FIFTH AVENUE	T = E CLASS/NEWYORKER	

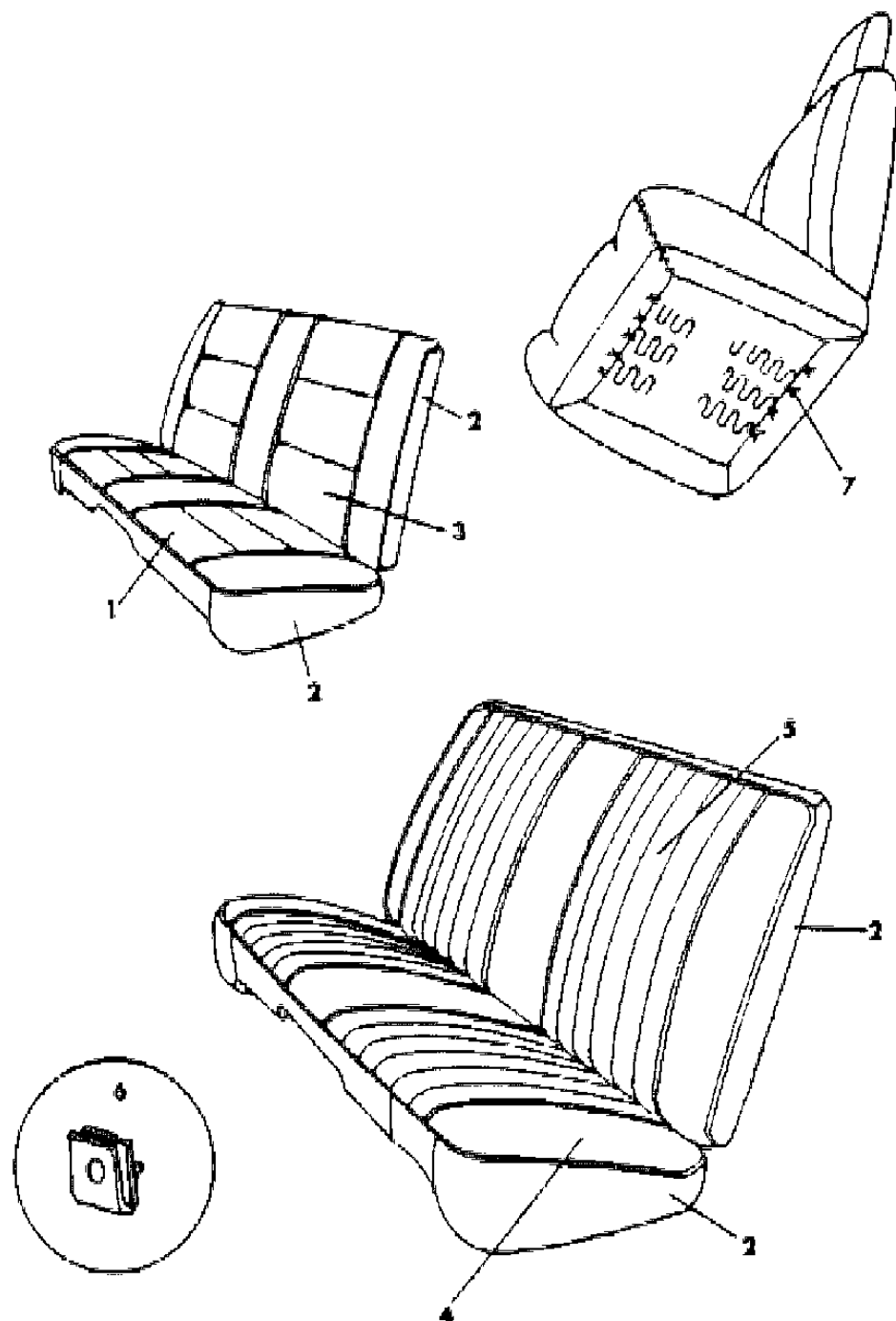
BODY STYLES

21 = 2-DOOR SEDAN	41 = 4-DOOR SEDAN
22 = 2-DOOR SPECIAL COUPE	45 = 4-DOOR STATION WAGON
24 = 2-DOOR HATCHBACK	44 = 4-DOOR HATCHBACK
27 = 2-DOOR CONVERTIBLE	48 = EXECUTIVE SEDAN
28 = FWD PICKUP	

AR = Use as Required - = Non Illustrated Part P.A.R. = Paint as Required

SEAT REAR M,Z TRIM CODE F5,F6  
Figure IT-1301

3253-1 30 100



ITEM	PART NUMBER	QTY	BODY	MODEL	DESCRIPTION
	N728 C5B	1			(use after 7/7/83) N N24 NF5CB YN728C5B
	N760 A5M	1			(use up to 7/6/83) N N24 NF5M YN760A5M
	N728 C5M	1			(use after 7/6/83) N N24 NF5M YN728C5M
	N760 B5T	1			N N24 NF5TL YN760B5T
	N760 B5X	1			N N24 NF5X YN760B5X
	N753 A5A	1			N N44 NF5A YN753A5A
	N753 B5C	1			(use up to 7/7/83) N N44 NF5CB YN753B5C
	N729 C5B	1			(use after 7/7/83) N N44 NF5CB YN729C5B
	N753 A5M	1			(use up to 7/6/83) N N44 NF5M YN753A5M
	N729 C5M	1			(use after 7/6/83) N N44 NF5M YN729C5M
	N753 B5T	1			N N44 NF5TL YN753B5T
3					COVER,Rear Back N N N N
	N351 A5A	1			N N24 NF5A YN351A5A
	N351 B5C	1			(use up to 7/7/83) N N24 NF5CB YN351B5C
	N403 C5B	1			(use after 7/7/83) N N24 NF5CB YN403C5B
	N351 A5M	1			(use up to 7/6/83) N N24 NF5M YN351A5M
	N403 C5M	1			(use after 7/6/83) N N24 NF5M YN403C5M
	N351 B5T	1			N N24 NF5TL YN351B5T
	N351 B5X	1			N N24 NF5X YN351B5X
	N529 A5A	1			N N44 NF5A YN529A5A
	N529 B5C	1			(use up to 7/7/83) N N44 NF5CB YN529B5C
	N402 C5B	1			(use after 7/7/83) N N44 NF5CB YN402C5B
	N529 A5M	1			(use up to 7/6/83) N N44 NF5M YN529A5M
	N402 C5M	1			(use after 7/6/83) N N44 NF5M YN402C5M
	N529 B5T	1			N N44 NF5TL YN529B5T
4&2					CUSHION, w/Spring,Frame, Pad and Cover N N N N
	N800 B6A	1			N N24 NF6A YN800B6A
	N800 B6C	1			N N24 NF6CB YN800B6C
	N800 B6M	1			N N24 NF6M YN800B6M
	N800 B6T	1			N N24 NF6TL YN800B6T
	N800 B6X	1			N N24 NF6X YN800B6X
	N801 B6A	1			N N44 NF6A YN801B6A
	N801 B6C	1			N N44 NF6CB YN801B6C
	N801 B6M	1			N N44 NF6M YN801B6M
	N801 B6T	1			N N44 NF6TL YN801B6T
4					COVER, Cushion N N N N
	N354 B6A	1			N N24 NF6A YN354B6A

MODEL CODES

B = GRAN FURY	G = DIPLOMAT	V = 400
C = LEBARON/TOWN & COUNTRY	M = HORIZON/TURISMO/SCAMP	X = MIRADA
D = ARIES	P = RELIANT	Y = IMPERIAL
E = 600	S = CORDOBA	Z = OMNI/CHARGER/RAMPAGE
F = FIFTH AVENUE	T = E CLASS/NEWYORKER	

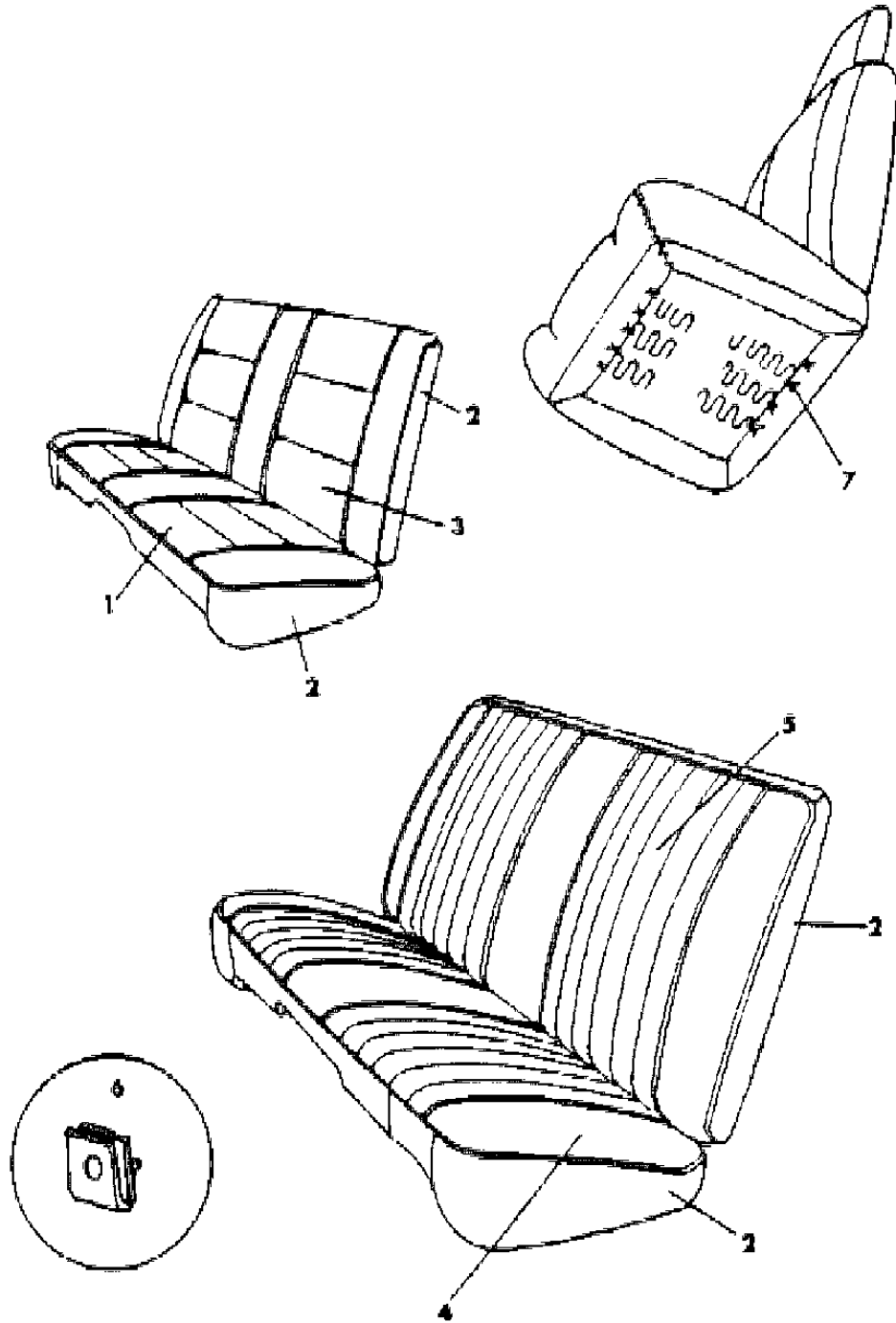
BODY STYLES

21 = 2-DOOR SEDAN	41 = 4-DOOR SEDAN
22 = 2-DOOR SPECIAL COUPE	45 = 4-DOOR STATION WAGON
24 = 2-DOOR HATCHBACK	44 = 4-DOOR HATCHBACK
27 = 2-DOOR CONVERTIBLE	48 = EXECUTIVE SEDAN
28 = FWD PICKUP	

AR = Use as Required - = Non Illustrated Part P.A.R. = Paint as Required

SEAT REAR M,Z TRIM CODE F5,F6  
Figure IT-1301

3253-1 30 100



ITEM	PART NUMBER	QTY	BODY	MODEL	DESCRIPTION
	N354 B6C	1			N N24 NF6CB YN354B6C
	N354 B6M	1			N N24 NF6M YN354B6M
	N354 B6T	1			N N24 NF6TL YN354B6T
	N354 B6X	1			N N24 NF6X YN354B6X
	N355 B6A	1			N N44 NF6A YN355B6A
	N355 B6C	1			N N44 NF6CB YN355B6C
	N355 B6M	1			N N44 NF6M YN355B6M
	N355 B6T	1			N N44 NF6TL YN355B6T
5 &					BACK, w/Panel, Protectors, Pad and Cover N N N N
	N802 B6A	1			N N24 NF6A YN802B6A
	N802 B6C	1			N N24 NF6CB YN802B6C
	N802 B6M	1			N N24 NF6M YN802B6M
	N802 B6T	1			N N24 NF6TL YN802B6T
	N802 B6X	1			N N24 NF6X YN802B6X
	N803 B6A	1			N N44 NF6A YN803B6A
	N803 B6C	1			N N44 NF6CB YN803B6C
	N803 B6M	1			N N44 NF6M YN803B6M
	N803 B6T	1			N N44 NF6TL YN803B6T
5					COVER, Back N N N N
	N356 B6A	1			N N24 NF6A YN356B6A
	N356 B6C	1			N N24 NF6CB YN356B6C
	N356 B6M	1			N N24 NF6M YN356B6M
	N356 B6T	1			N N24 NF6TL YN356B6T
	N356 B6X	1			N N24 NF6X YN356B6X
	N357 B6A	1			N N44 NF6A YN357B6A
	N357 B6C	1			N N44 NF6CB YN357B6C
	N357 B6M	1			N N44 NF6M YN357B6M
	N357 B6T	1			N N44 NF6TL YN357B6T
6	6500 296	2			CLIP,Rear Cushion Retainer N N N Y6500296
7	6008 076	AR			CLIP,Hog Ring N N N Y6008076

MODEL CODES

B = GRAN FURY	G = DIPLOMAT	V = 400
C = LEBARON/TOWN & COUNTRY	M = HORIZON/TURISMO/SCAMP	X = MIRADA
D = ARIES	P = RELIANT	Y = IMPERIAL
E = 600	S = CORDOBA	Z = OMNI/CHARGER/RAMPAGE
F = FIFTH AVENUE	T = E CLASS/NEWYORKER	

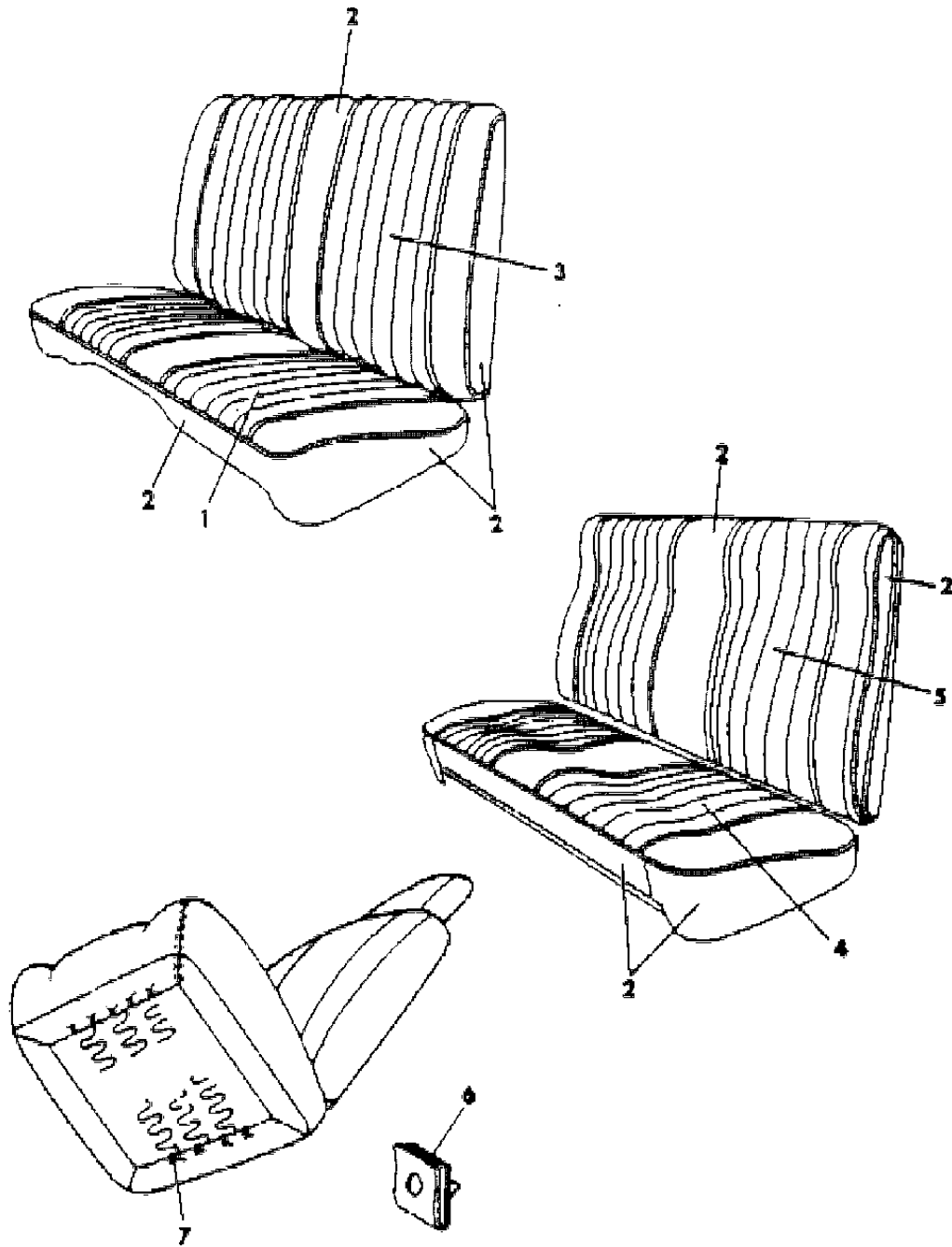
BODY STYLES

21 = 2-DOOR SEDAN	41 = 4-DOOR SEDAN
22 = 2-DOOR SPECIAL COUPE	45 = 4-DOOR STATION WAGON
24 = 2-DOOR HATCHBACK	44 = 4-DOOR HATCHBACK
27 = 2-DOOR CONVERTIBLE	48 = EXECUTIVE SEDAN
28 = FWD PICKUP	

AR = Use as Required - = Non Illustrated Part P.A.R. = Paint as Required

SEAT REAR M,Z TRIM CODE C8,C7  
Figure IT-1302

3253-130200



ITEM	PART NUMBER	QTY	BODY	MODEL	DESCRIPTION
1-2					CUSHION, w/Spring/Frame, Pad and Cover N N N N
	N921 B8A	1			N N NC8A YN921B8A
	N921 V8M	1			N N NC8M YN921V8M
	N921 B8T	1			N N NC8TL YN921B8T
1					COVER, Cushion N N N N
	N344 A8A	1			N N NC8A YN344A8A
	N344 V8M	1			N N NC8M YN344V8M
	N344 B8T	1			N N NC8TL YN344B8T
2					ROLL STOCK,Vinyl Order by the Inch N N N N
	R616 AA2	AR			64" Wide, Silver N N N YR616AA2
	R616 BB5	AR			64" Wide, Blue N N N YR616BB5
	R616 VM6	AR			64" Wide, Red N N N YR616VM6
	R616 BL3	AR			64"Wide, Tan N N N YR616BL3
3&2					BACK, w/Panel, Protectors, Pad and Cover N N N N
	N922 B8A	1			N N NC8A YN922B8A
	N922 V8M	1			N N NC8M YN922V8M
	N922 B8T	1			N N NC8TL YN922B8T
3					COVER, Back N N N N
	N345 A8A	1			N N NC8A YN345A8A
	N345 V8M	1			N N NC8M YN345V8M
	N345 B8T	1			N N NC8TL YN345B8T
4&2					CUSHION, w/Spring/Frame, Pad and Cover N N N N
	N816 B7A	1			N N NC7A YN816B7A
	N816 B7C	1			N N NC7CB YN816B7C
	N816 B7M	1			N N NC7M YN816B7M
	N816 B7T	1			N N NC7TL YN816B7T
4					COVER, Cushion N N N N
	N519 B7A	1			N N NC7A YN519B7A
	N519 B7C	1			N N NC7CB YN519B7C
	N519 B7M	1			N N NC7M YN519B7M
	N519 B7T	1			N N NC7TL YN519B7T
5&2					BACK, w/Panel, Protectors, Pad and Cover N N N N
	N817 B7A	1			N N NC7A YN817B7A
	N817 B7C	1			N N NC7CB YN817B7C
	N817 B7M	1			N N NC7M YN817B7M
	N817 B7T	1			N N NC7TL YN817B7T
5					COVER, Back N N N N

MODEL CODES

B = GRAN FURY	G = DIPLOMAT	V = 400
C = LEBARON/TOWN & COUNTRY	M = HORIZON/TURISMO/SCAMP	X = MIRADA
D = ARIES	P = RELIANT	Y = IMPERIAL
E = 600	S = CORDOBA	Z = OMNI/CHARGER/RAMPAGE
F = FIFTH AVENUE	T = E CLASS/NEWYORKER	

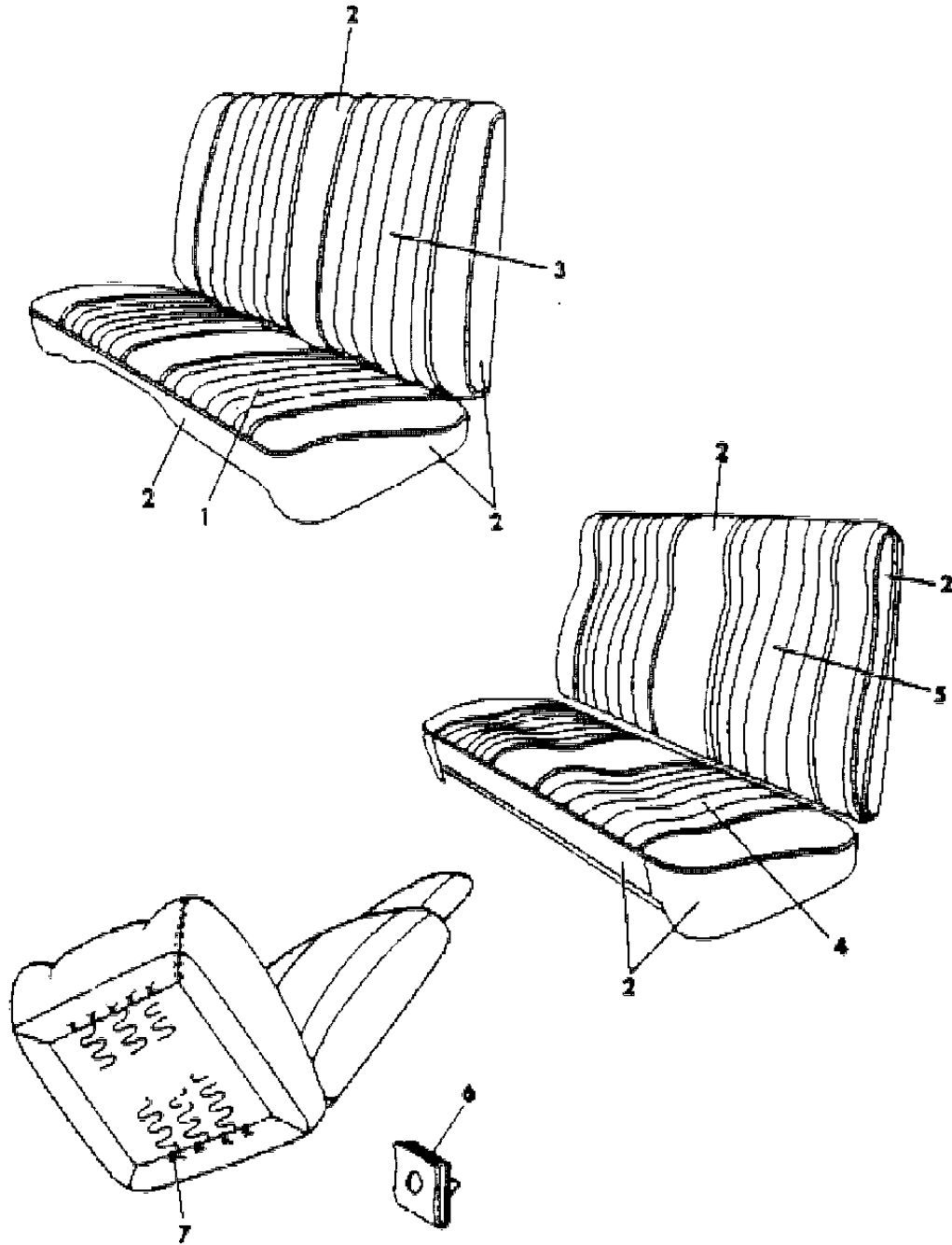
BODY STYLES

21 = 2-DOOR SEDAN	41 = 4-DOOR SEDAN
22 = 2-DOOR SPECIAL COUPE	45 = 4-DOOR STATION WAGON
24 = 2-DOOR HATCHBACK	44 = 4-DOOR HATCHBACK
27 = 2-DOOR CONVERTIBLE	48 = EXECUTIVE SEDAN
28 = FWD PICKUP	

AR = Use as Required - = Non Illustrated Part P.A.R. = Paint as Required

SEAT REAR M,Z TRIM CODE C8,C7  
Figure IT-1302

3253-130200



ITEM	PART NUMBER	QTY	BODY	MODEL	DESCRIPTION
	N521 B7A	1			N N NC7A YN521B7A
	N521 B7C	1			N N NC7CB YN521B7C
	N521 B7M	1			N N NC7M YN521B7M
	N521 B7T	1			N N NC7TL YN521B7T
6	6500 296	AR			CLIP, Rear Cushion Retainer N N N Y6500296
7	6008 076	AR			CLIP, Hog Ring N N N Y6008076

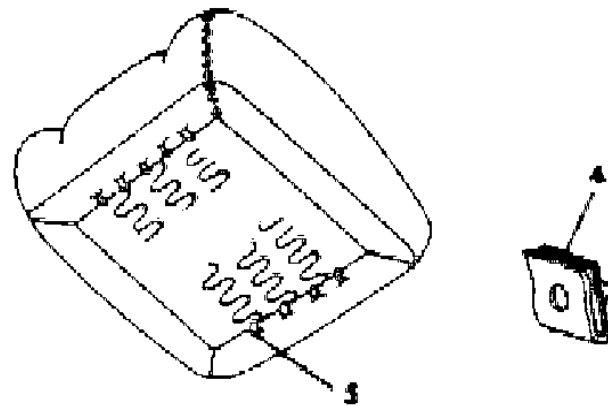
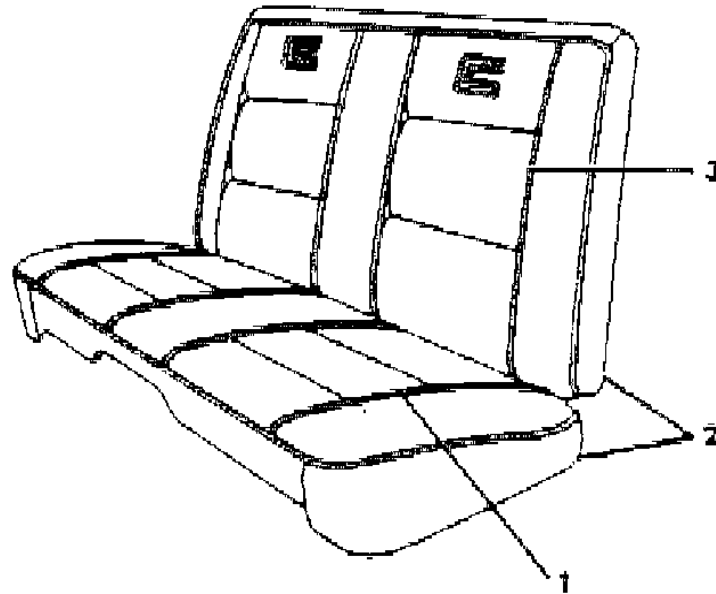
MODEL CODES  
 B = GRAN FURY  
 C = LEBARON/TOWN & COUNTRY  
 D = ARIES  
 E = 600  
 F = FIFTH AVENUE  
 G = DIPLOMAT  
 M = HORIZON/TURISMO/SCAMP  
 P = RELIANT  
 S = CORDOBA  
 T = E CLASS/NEWYORKER  
 V = 400  
 X = MIRADA  
 Y = IMPERIAL  
 Z = OMNI/CHARGER/RAMPAGE

BODY STYLES  
 21 = 2-DOOR SEDAN  
 22 = 2-DOOR SPECIAL COUPE  
 24 = 2-DOOR HATCHBACK  
 27 = 2-DOOR CONVERTIBLE  
 28 = FWD PICKUP  
 41 = 4-DOOR SEDAN  
 45 = 4-DOOR STATION WAGON  
 44 = 4-DOOR HATCHBACK  
 48 = EXECUTIVE SEDAN

AR = Use as Required - = Non Illustrated Part P.A.R. = Paint as Required

SEAT REAR Z TRIM CODE S5  
Figure IT-1303

3253.130300



ITEM	PART NUMBER	QTY	BODY	MODEL	DESCRIPTION
1-2	N770 B5A	1			CUSHION, w/Spring/Frame, Pad and Cover N N NS5AC YN770B5A
1	N414 B5A	1			COVER, Cushion N N NS5AC YN414B5A
2	R616 AA2	AR			ROLL STOCK, Vinyl 64" Wide Order by the Inch N N NS5AC YR616AA2
2-3	N771 B5A	1			BACK, w/Panel, Protectors, Pad and Cover N N NS5AC YN771B5A
3	N415 B5A	1			COVER, Back N N NS5AC YN415B5A
4	6500 296	AR			CLIP, Rear Cushion Retainer N N N Y6500296
4	6008 076	AR			HOG RING N N N Y6008076

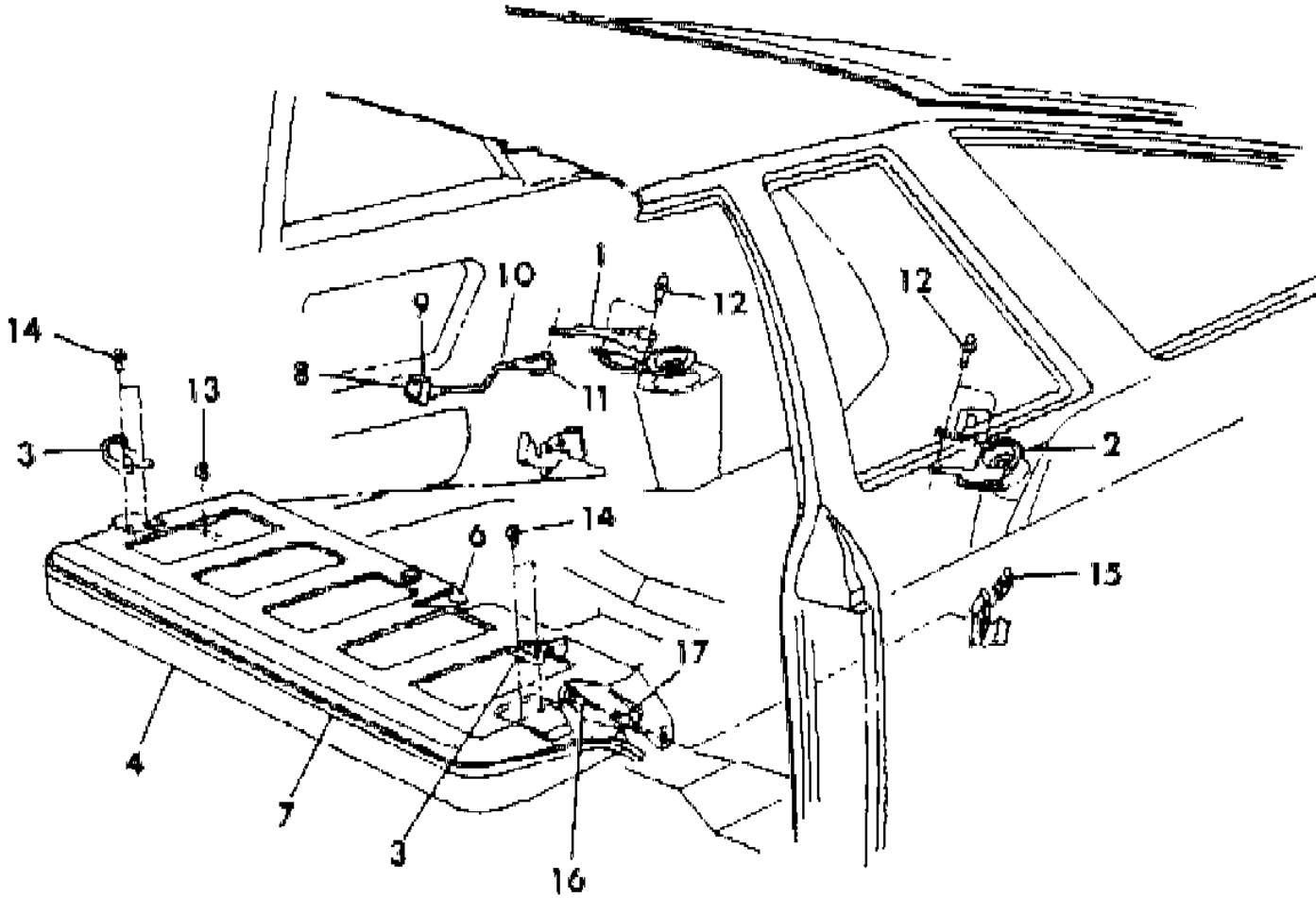
MODEL CODES  
 B = GRAN FURY  
 C = LEBARON/TOWN & COUNTRY  
 D = ARIES  
 E = 600  
 F = FIFTH AVENUE  
 G = DIPLOMAT  
 M = HORIZON/TURISMO/SCAMP  
 P = RELIANT  
 S = CORDOBA  
 T = E CLASS/NEWYORKER  
 V = 400  
 X = MIRADA  
 Y = IMPERIAL  
 Z = OMNI/CHARGER/RAMPAGE

BODY STYLES  
 21 = 2-DOOR SEDAN  
 22 = 2-DOOR SPECIAL COUPE  
 24 = 2-DOOR HATCHBACK  
 27 = 2-DOOR CONVERTIBLE  
 28 = FWD PICKUP  
 41 = 4-DOOR SEDAN  
 45 = 4-DOOR STATION WAGON  
 44 = 4-DOOR HATCHBACK  
 48 = EXECUTIVE SEDAN

AR = Use as Required - = Non Illustrated Part P.A.R. = Paint as Required

FOLD DOWN REAR SEAT M,Z 24  
Figure IT-1321

3253 132100



ITEM	PART NUMBER	QTY	BODY	MODEL	DESCRIPTION
1	5207 284	1			LATCH, Second Seat Back N N N Y5207284
2	5207 306	1			BRACKET and RETAINER CLIP, Second Seat Back N N N Y5207306
3	5207 288	2			STRICKER, Second Seat Back Latch and Retainer Clip N N N Y5207288
4	5230 363	1			PANEL, Rear Seat Back N N N Y5230363
6	5230 365	1			PROTECTOR, Inner N N N Y5230365
7	S535 RX9	1			PROTECTOR, Upper N N N YS535RX9
8	H443 SX9	1			BUTTON, Second Seat Back Release Rod N N N YH443SX9
9	4246 304	1			BAND, Second Seat Back Release Tie Down N N N Y4246304
10	H428 SX9	1			BEZEL, Second Seat Back Latch Release Rod Button N N N YH428SX9
11	5207 289	1			ROD, Second Seat Back Latch Release N N N Y5207289
12	6031 485	1			CLIP, Second Seat Back Latch Release Rod N N N Y6031485
13	2945 109	1			CLIP, Second Seat Back Release Rod Attaching N N N Y2945109
14	6101 276	AR			SCREW and WASHER N N N Y6101276
15	6023 878	2			RING, Retainer N N N Y6023878
16	6100 557	4			SCREW N N N Y6100557
17	6500 624	2			U-NUT N N N Y6500624
17	6500 378	2			SCREW N N N Y6500378
17	5230 351	2			BUSHING N N N Y5230351
	5230 350	1			SPACER, Seat Back Pivot, Right N N N Y5230350

MODEL CODES  
 B = GRAN FURY  
 C = LEBARON/TOWN & COUNTRY  
 D = ARIES  
 E = 600  
 F = FIFTH AVENUE  
 G = DIPLOMAT  
 M = HORIZON/TURISMO/SCAMP  
 P = RELIANT  
 S = CORDOBA  
 T = E CLASS/NEWYORKER  
 V = 400  
 X = MIRADA  
 Y = IMPERIAL  
 Z = OMNI/CHARGER/RAMPAGE

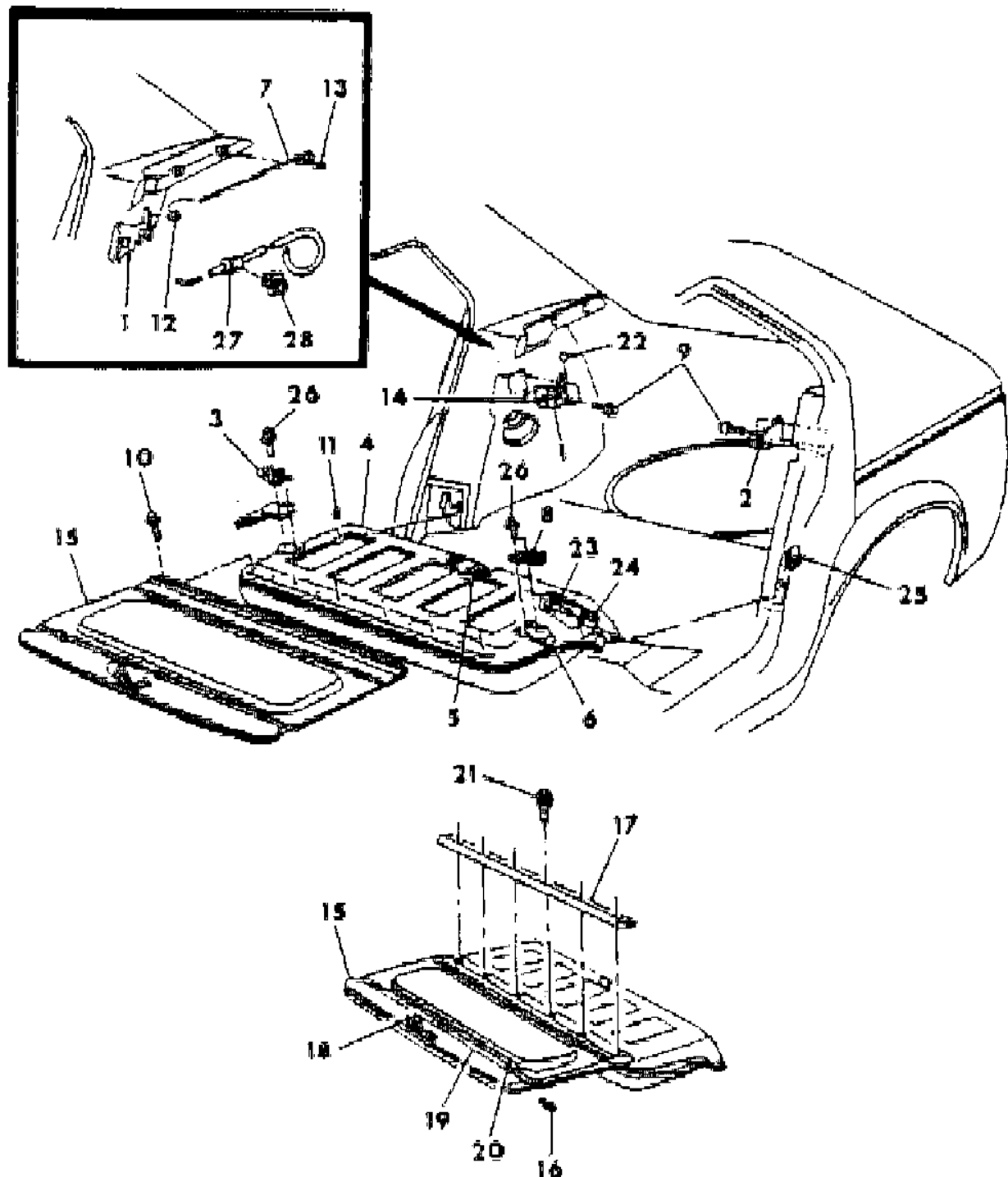
BODY STYLES  
 21 = 2-DOOR SEDAN  
 22 = 2-DOOR SPECIAL COUPE  
 24 = 2-DOOR HATCHBACK  
 27 = 2-DOOR CONVERTIBLE  
 28 = FWD PICKUP  
 41 = 4-DOOR SEDAN  
 45 = 4-DOOR STATION WAGON  
 44 = 4-DOOR HATCHBACK  
 48 = EXECUTIVE SEDAN

AR = Use as Required - = Non Illustrated Part P.A.R. = Paint as Required



FOLD DOWN REAR SEAT M,Z 44  
Figure IT-1322

3253 132200



ITEM	PART NUMBER	QTY	BODY	MODEL	DESCRIPTION
1	5207 008	2			LATCH, Folding Rear Seat Back N N N Y5207008
2	5207 208	1			BRACKET and CLIP, Support N N N Y5207208
3	5207 059	1			STRICKER, Folding Seat Back Latch N N N Y5207059
4	5230 363	1			PANEL, Seat Back N N N Y5230363
5	5230 365	1			PROTECTOR, Inner N N N Y5230365
6	S535 RX9	1			PROTECTOR, Upper N N N YS535RX9
7	5207 082	1			ROD, Latch Release N N N Y5207082
8	5207 272	1			STRICKER, Left Side N N N Y5207272
9	6101 276	AR			SCREW and WASHER N N N Y6101276
10		AR			SCREW (not serviced) N N N
11	6023 878	1			RING, Retainer N N N Y6023878
12	2945 109	1			CLIP, Latch to Rod N N N Y2945109
13	3845 099	1			CLIP N N N Y3845099
14	5207 189	1			BUMPER, Folding Rear Seat Back Support N N N Y5207189
	6031 340	1			NUT, Seat Back Latch Bumper N N N Y6031340
15	H207 AA7	1			PANEL, Rear Shelf, Silver N N N YH207AA7
	H207 BC7	1			Blue N N N YH207BC7
	H207 VM6	1			Red N N N YH207VM6
	H207 BT9	1			Brown N N N YH207BT9
16	5230 427	1			CORD, Shelf Panel N N N Y5230427
17	5200 315	1			RETAINER, Shelf Panel Carpet N N N Y5200315
18	5200 383	1			STRAP, Shelf Panel Lift N N N Y5200383
19	5200 306	1			ROD, Shelf Panel Support N N N Y5200306
20	5200 309	3			RETAINER, Shelf Panel Support Rod N N N Y5200309
21		AR			SCREW (not serviced) N N N
22	5207 080	AR			KNOB, 2nd. Seat Back Latch Release N N N Y5207080
23	6500 378	2			SCREW, Folding Rear Seat Back Pivot N N N Y6500378
24	5230 351	2			BUSHING, Folding Rear Seat Back Pivot Screw N N N Y5230351
	5230 350	1			SPACER, Folding Rear Seat Back Pivot, Right N N N Y5230350
25	6500 624	2			J-NUT N N N Y6500624
	6031 485	1			CLIP, Second Seat Back Latch Release Rod N N N Y6031485
	4246 304	1			BAND, Second Seat Back Release Tie Down N N N Y4246304
	6031 340	1			NUT, Folding Rear Seat Back Latch Bumper Adjuster N N N Y6031340
26	6100 557	4			SCREW N N N Y6100557

MODEL CODES

B = GRAN FURY	G = DIPLOMAT	V = 400
C = LEBARON/TOWN & COUNTRY	M = HORIZON/TURISMO/SCAMP	X = MIRADA
D = ARIES	P = RELIANT	Y = IMPERIAL
E = 600	S = CORDOBA	Z = OMNI/CHARGER/RAMPAGE
F = FIFTH AVENUE	T = E CLASS/NEWYORKER	

BODY STYLES

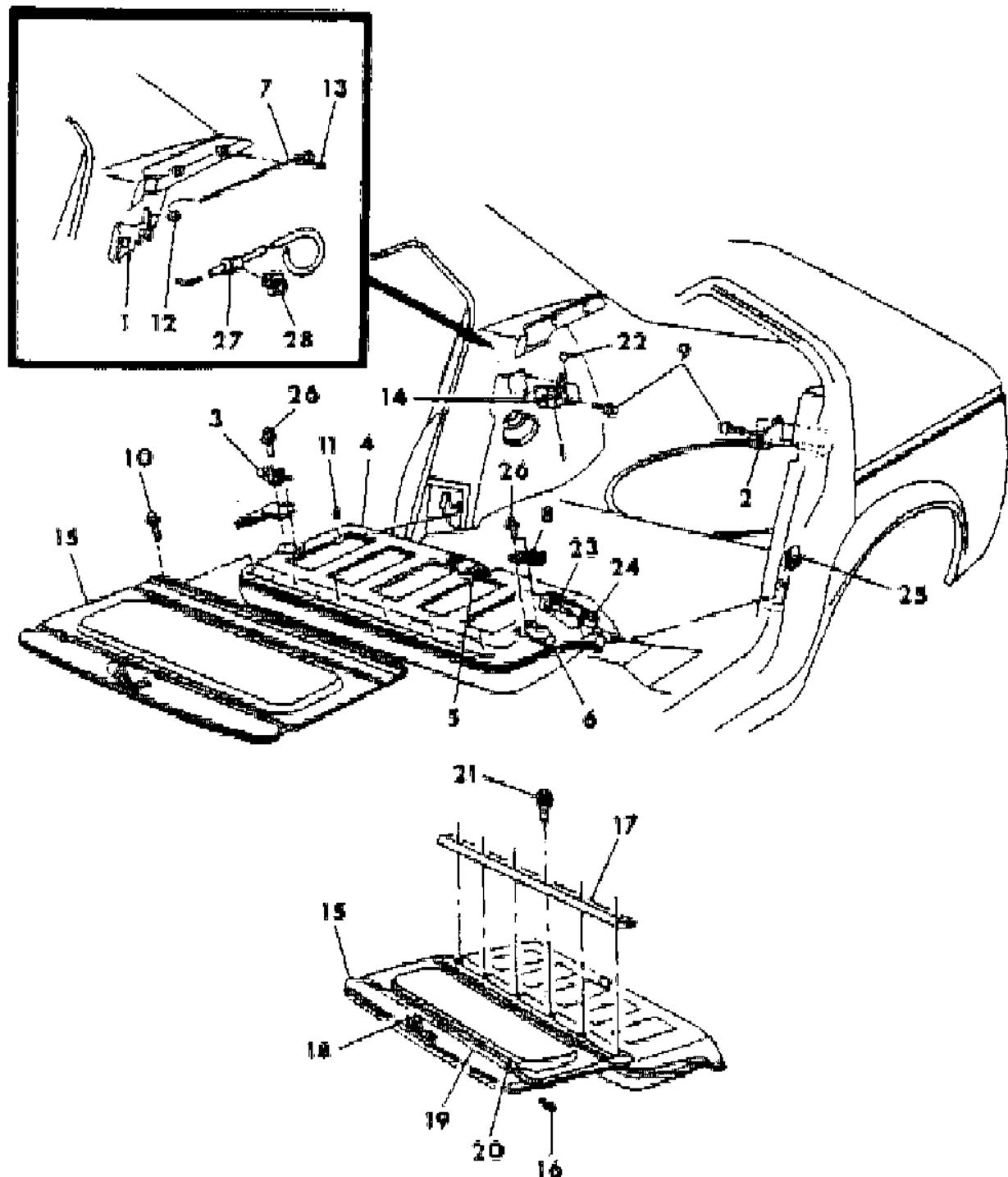
21 = 2-DOOR SEDAN	41 = 4-DOOR SEDAN
22 = 2-DOOR SPECIAL COUPE	45 = 4-DOOR STATION WAGON
24 = 2-DOOR HATCHBACK	44 = 4-DOOR HATCHBACK
27 = 2-DOOR CONVERTIBLE	48 = EXECUTIVE SEDAN
28 = FWD PICKUP	

AR = Use as Required - = Non Illustrated Part P.A.R. = Paint as Required

FOLD DOWN REAR SEAT M,Z 44  
Figure IT-1322

3253 132200

ITEM	PART NUMBER	QTY	BODY	MODEL	DESCRIPTION
27	4057 555	AR			RETAINER N N N Y4057555
28		AR			CLIP (not serviced) N N N N



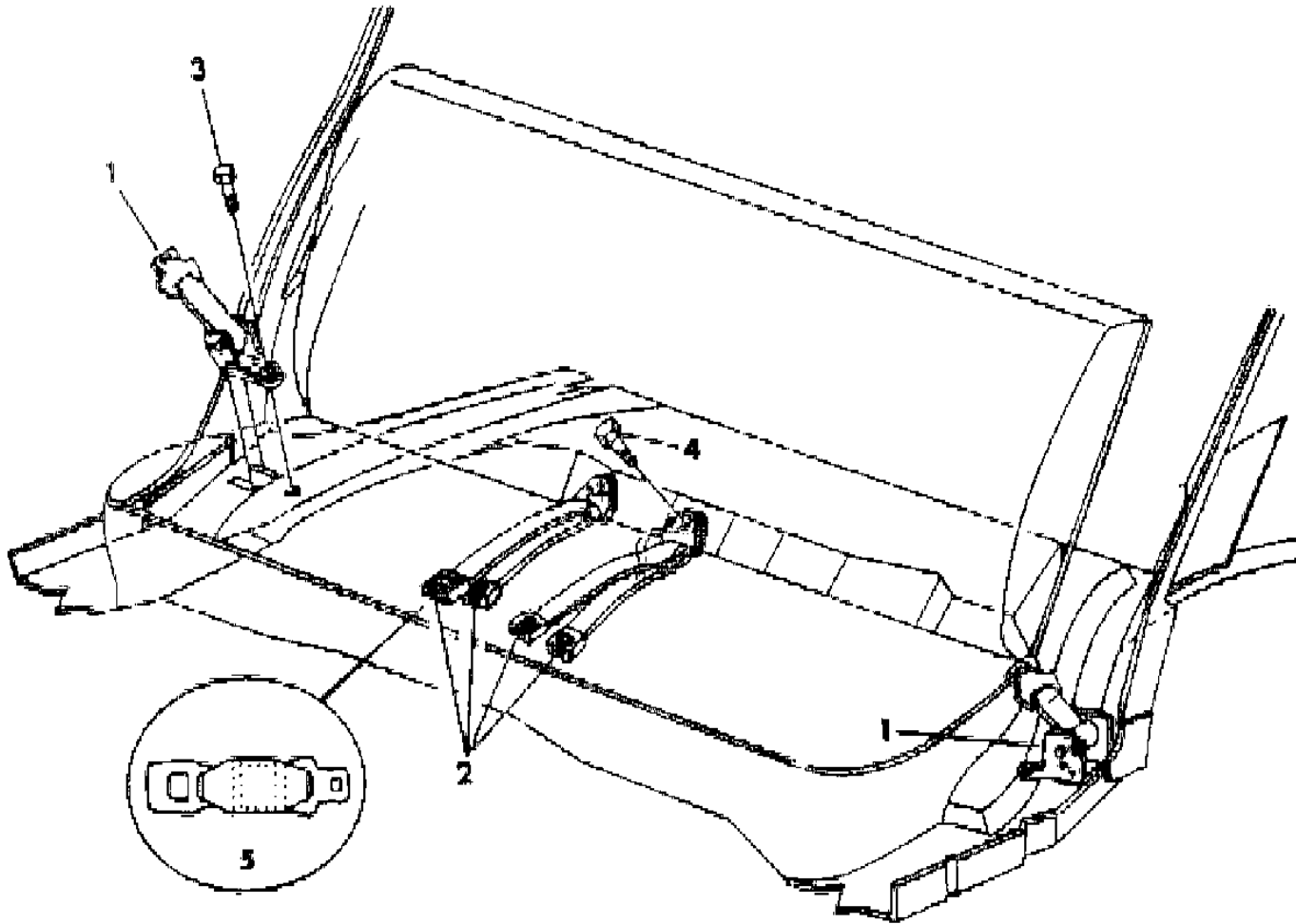
MODEL CODES  
 B = GRAN FURY  
 C = LEBARON/TOWN & COUNTRY  
 D = ARIES  
 E = 600  
 F = FIFTH AVENUE  
 G = DIPLOMAT  
 M = HORIZON/TURISMO/SCAMP  
 P = RELIANT  
 S = CORDOBA  
 T = E CLASS/NEWYORKER  
 V = 400  
 X = MIRADA  
 Y = IMPERIAL  
 Z = OMNI/CHARGER/RAMPAGE

BODY STYLES  
 21 = 2-DOOR SEDAN  
 22 = 2-DOOR SPECIAL COUPE  
 24 = 2-DOOR HATCHBACK  
 27 = 2-DOOR CONVERTIBLE  
 28 = FWD PICKUP  
 41 = 4-DOOR SEDAN  
 45 = 4-DOOR STATION WAGON  
 44 = 4-DOOR HATCHBACK  
 48 = EXECUTIVE SEDAN

AR = Use as Required - = Non Illustrated Part P.A.R. = Paint as Required

**BELT REAR SEAT LAP M,Z**  
Figure IT-1371

3253 137100 A



ITEM	PART NUMBER	QTY	BODY	MODEL	DESCRIPTION
1					BELT, Rear Seat Lap Outboard Tip Half Label No. 4316222 N N N N
	F673 BA3	2			Silver N N N YF673BA3
	F673 BB5	2			BLUE N N N YF673BB5
	F673 BM6	2			Red N N N YF673BM6
	F673 BL3	2			Tan N N N YF673BL3
	F673 BX9	2			Black N N N YF673BX9
2					BELT, Rear Seat Lap Buckle Inner, Right Label No. 4316756 N N N N
	F712 BA3	1			Silver N N N YF712BA3
	F712 BB5	1			Blue N N N YF712BB5
	F712 BM6	1			Red N N N YF712BM6
	F712 BL3	1			Tan N N N YF712BL3
	F712 BX9	1			Black N N N YF712BX9
					Buckle and Tip, Left Label No. 4136755 N N N N
	F711 BA3	1			Silver N N N YF711BA3
	F711 BB5	1			Blue N N N YF711BB5
	F711 BM6	1			Red N N N YF711BM6
	F711 BL3	1			Tan N N N YF711BL3
	F711 BX9	1			Black N N N YF711BX9
3	6031 484	2			BOLT N N N Y6031484
4	6031 298	1			BOLT N N N Y6031298
5	4316 219	1			EXTENSION, Rear Seat Belt N N N Y4316219

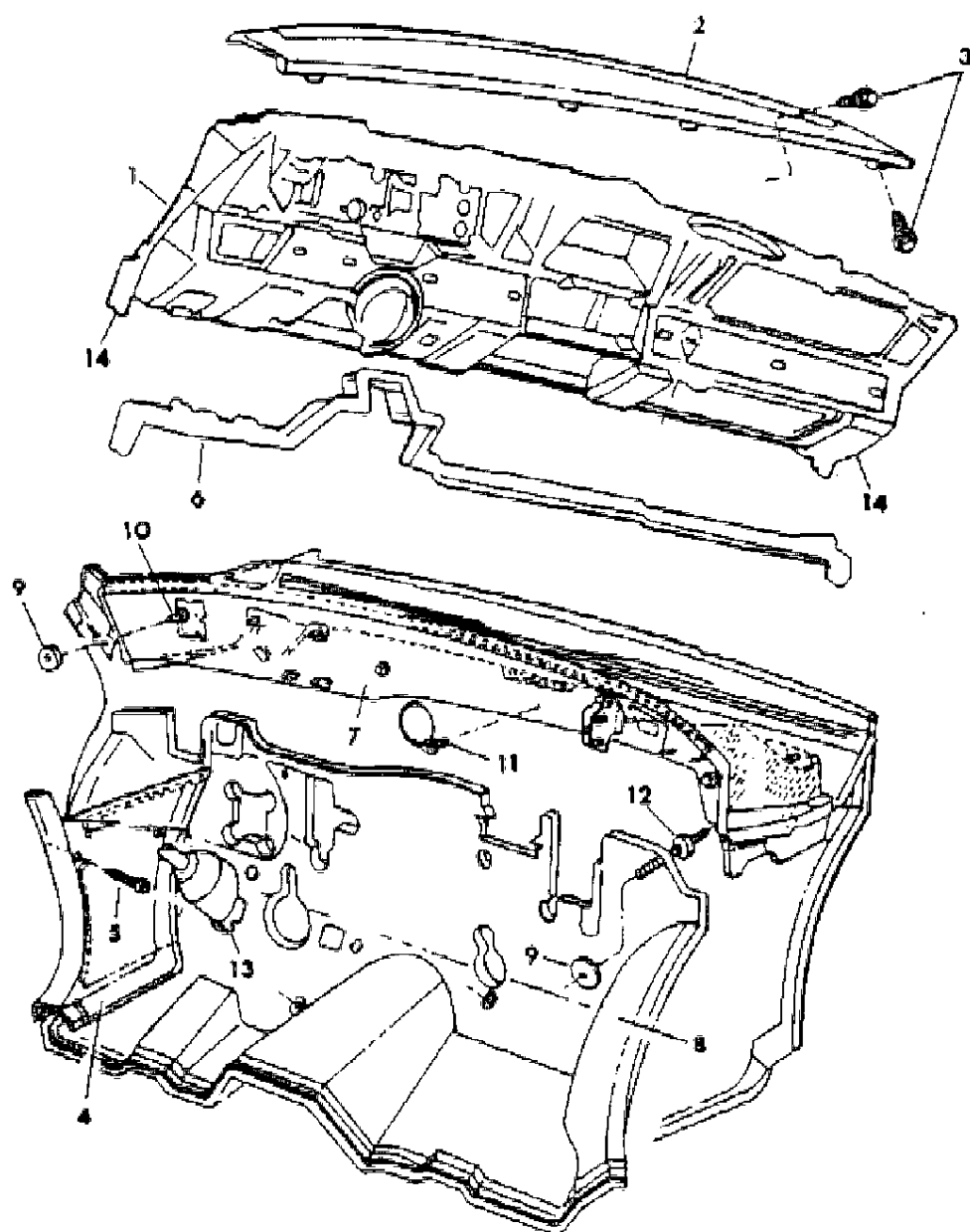
MODEL CODES  
 B = GRAN FURY                      G = DIPLOMAT                      V = 400  
 C = LEBARON/TOWN & COUNTRY    M = HORIZON/TURISMO/SCAMP    X = MIRADA  
 D = ARIES                            P = RELIANT                        Y = IMPERIAL  
 E = 600                                S = CORDOBA                        Z = OMNI/CHARGER/RAMPAGE  
 F = FIFTH AVENUE                    T = E CLASS/NEWYORKER

BODY STYLES  
 21 = 2-DOOR SEDAN                    41 = 4-DOOR SEDAN  
 22 = 2-DOOR SPECIAL COUPE        45 = 4-DOOR STATION WAGON  
 24 = 2-DOOR HATCHBACK            44 = 4-DOOR HATCHBACK  
 27 = 2-DOOR CONVERTIBLE          48 = EXECUTIVE SEDAN  
 28 = FWD PICKUP

AR = Use as Required - = Non Illustrated Part P.A.R. = Paint as Required

**INSTRUMENT PANEL AND COWL P,D,C,V**  
**Figure IT-3011**

3253.301100



ITEM	PART NUMBER	QTY	BODY	MODEL	DESCRIPTION
NOTE: COVERS or BEZELS needed with Instrument Panel replacement are located in Group 23 B. s ARE NOT RETURNABLE.					
1	4220 591	1			PANEL, Instrument (plastic)(paint as required) N N N N w/o Electronic Travel Computer N N N Y4220591
	4220 291	1			w/Electronic Travel Computer N N N Y4220291
2					COVER, Instrument Panel Top (w/or w/o Stereo) N N N N
	P453 AA7	1			Silver N N N YP453AA7
	P453 AC7	1			Blue, Dark N N N YP453AC7
	P453 AM6	1			Red N N N YP453AM6
	P453 BT8	1			Brown N N N YP453BT8
3		AR			SCREW (not serviced) N N N N
4					PANEL, Cowl Side Trim N N N N w/o Carpet N N N N
	F206-7 AA3	1			Silver NP,D N N YF206AA3
	F206-7 BB5	1			Blue NP,D N N YF206BB5
	F206-7 VM6	1			Red NP,D N N YF206VM6
	F206-7 BL3	1			Brown NP,D N N YF206BL3 w/Carpet N N N N
	F194-5 AA7	1			Silver NC,V N27,41,45,48 N YF194AA7
	F194-5 AC7	1			Blue NC,V N27,41,45,48 N YF194AC7
	F194-5 AM6	1			Red NC,V N27,41,45,48 N YF194AM6
	F194-5 BL3	1			Tan NC,V N27,41,45,48 N YF194BL3
	F194-5 BT9	1			Brown NC,V N27,41,45,48 N YF194BT9
	4339 700-1	1			Silver N NSedan & LimoN Y4339700
	4339 702-3	1			Blue N NSedan & LimoN Y4339702 w/o Turbo, Right N N N N
	F194 AA7	1			Silver NC,V N22 N YF194AA7
	F194 AC7	1			Blue NC,V N22 N YF194AC7
	F194 AM6	1			Red NC,V N22 N YF194AM6
	F194 BL3	1			Tan NC,V N22 N YF194BL3
	F194 BT9	1			Brown NC,V N22 N YF194BT9 w/Turbo (E67), Right N N N N
	F190 BA7	1			Silver NC,V N22 N YF190BA7
	F190 BC7	1			Blue NC,V N22 N YF190BC7
	F190 BM6	1			Red NC,V N22 N YF190BM6
	F190 BL3	1			Tan NC,V N22 N YF190BL3
	F190 BT9	1			Brown NC,V N22 N YF190BT9
-	4247 832	1			BRACKET, Cowl Side Trim, Right (w/E67) NC,V N22 N Y4247832

MODEL CODES

B = GRAN FURY	G = DIPLOMAT	V = 400
C = LEBARON/TOWN & COUNTRY	M = HORIZON/TURISMO/SCAMP	X = MIRADA
D = ARIES	P = RELIANT	Y = IMPERIAL
E = 600	S = CORDOBA	Z = OMNI/CHARGER/RAMPAGE
F = FIFTH AVENUE	T = E CLASS/NEWYORKER	

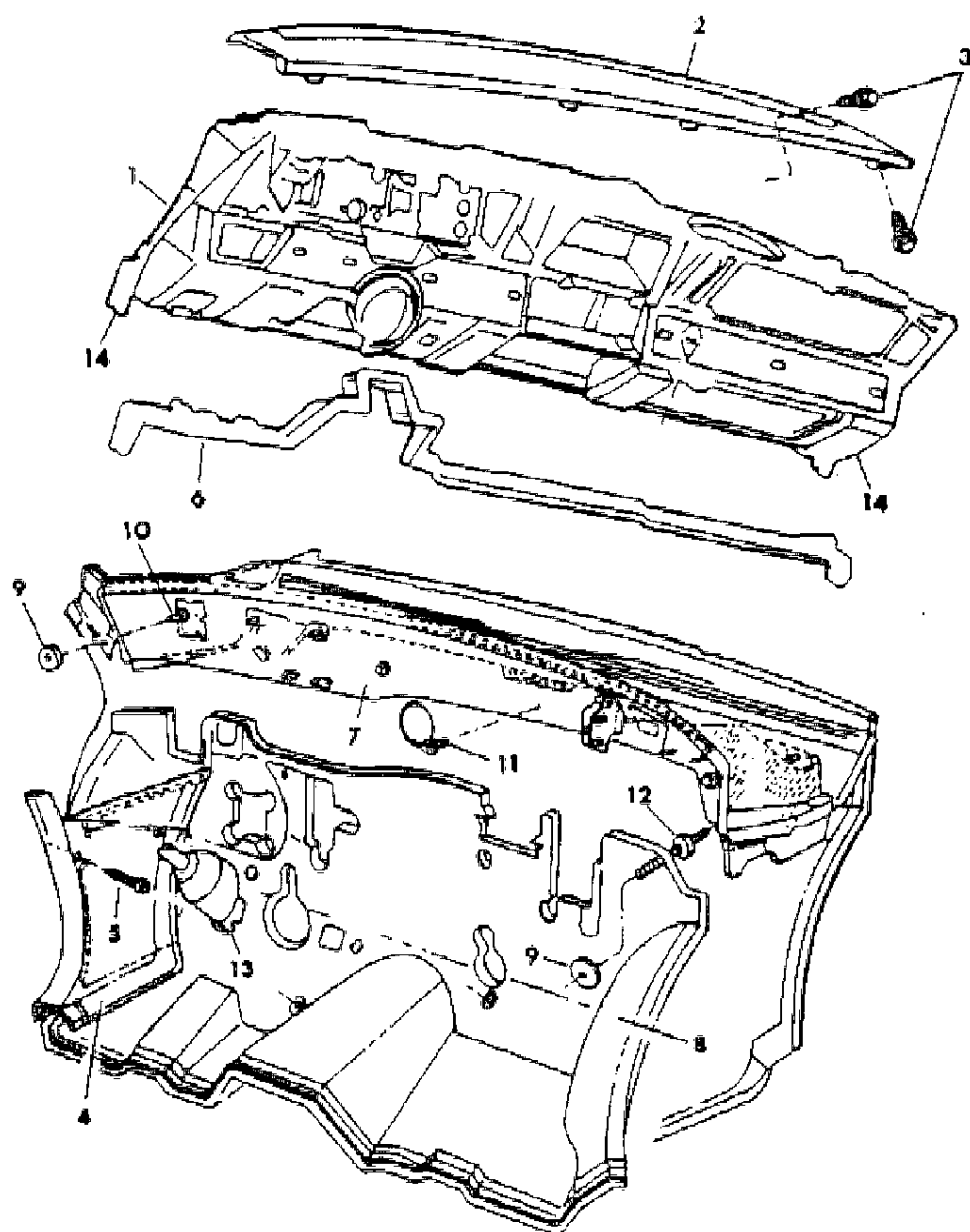
BODY STYLES

21 = 2-DOOR SEDAN	41 = 4-DOOR SEDAN
22 = 2-DOOR SPECIAL COUPE	45 = 4-DOOR STATION WAGON
24 = 2-DOOR HATCHBACK	44 = 4-DOOR HATCHBACK
27 = 2-DOOR CONVERTIBLE	48 = EXECUTIVE SEDAN
28 = FWD PICKUP	

AR = Use as Required - = Non Illustrated Part P.A.R. = Paint as Required

**INSTRUMENT PANEL AND COWL P,D,C,V**  
**Figure IT-3011**

3253.301100



ITEM	PART NUMBER	QTY	BODY	MODEL	DESCRIPTION
					w/ or w/o Turbo, Left N N N N
	F195 AA7	1			Silver NC,V N22 N YF195AA7
	F195 AC7	1			Blue NC,V N22 N YF195AC7
	F195 AM6	1			Red NC,V N22 N YF195AM6
	F195 BL3	1			Tan NC,V N22 N YF195BL3
	F195 BT9	1			Brown NC,V N22 N YF195BT9
5		AR			SCREW (not serviced) N N N N
6	4220 708	1			REINFORCEMENT, Instrument Panel Lower (paint as required) N N N Y4220708
7	4278 961	1			SILENCER, Cowl Panel N N N Y4278961
8					LINER, Dash N N N N
	4314 175	1			N NExc. 27 N Y4314175
	4314 573	1			N N27 N Y4314573
-	4278 955	1			PACKAGE, Liner Attaching N N N Y4278955
9	4206 545	AR			RETAINER N N N Y4206545
10	6032 020	1			STUD, Collar N N N Y6032020
11		3			SCREW and WASHER (not serviced) N N N N
12	6031 630	4			STUD N N N Y6031630
13	4188 868	1			COVER and SILENCER, Steering Column N N N Y4188868
14	4047 568-9	1			SUPPORT, Lower Reinforcement End N N N Y4047568

**MODEL CODES**

B = GRAN FURY	G = DIPLOMAT	V = 400
C = LEBARON/TOWN & COUNTRY	M = HORIZON/TURISMO/SCAMP	X = MIRADA
D = ARIES	P = RELIANT	Y = IMPERIAL
E = 600	S = CORDOBA	Z = OMNI/CHARGER/RAMPAGE
F = FIFTH AVENUE	T = E CLASS/NEWYORKER	

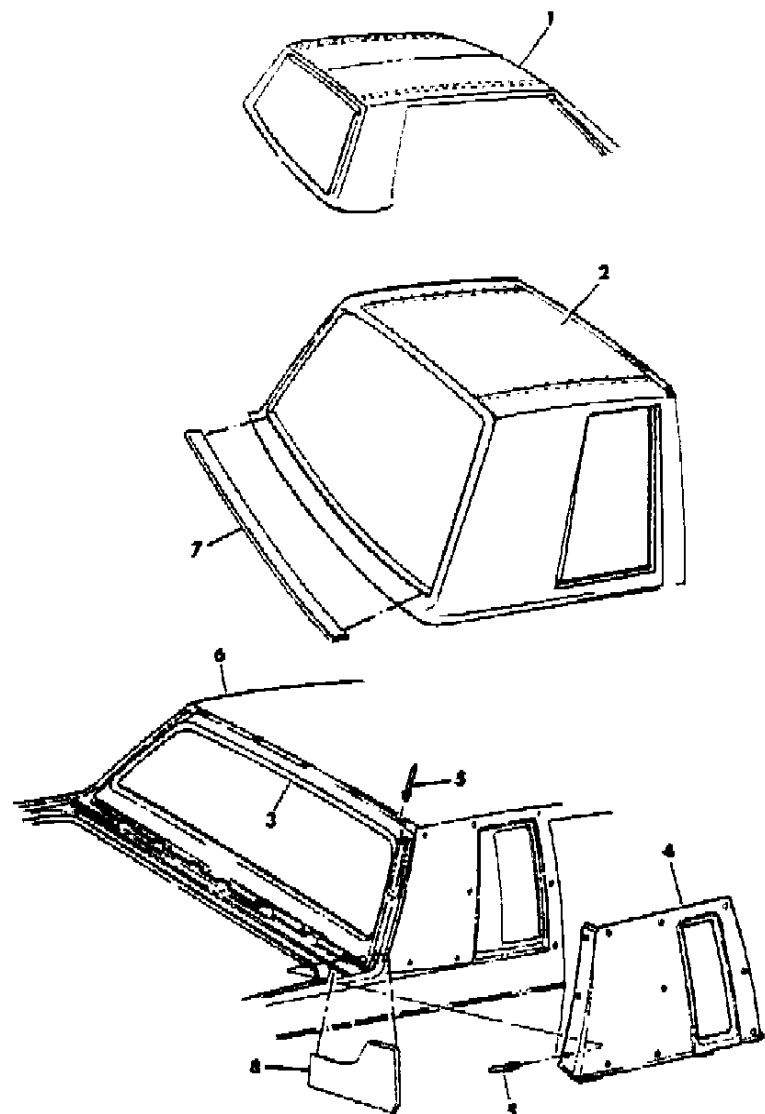
**BODY STYLES**

21 = 2-DOOR SEDAN	41 = 4-DOOR SEDAN
22 = 2-DOOR SPECIAL COUPE	45 = 4-DOOR STATION WAGON
24 = 2-DOOR HATCHBACK	44 = 4-DOOR HATCHBACK
27 = 2-DOOR CONVERTIBLE	48 = EXECUTIVE SEDAN
28 = FWD PICKUP	

AR = Use as Required - = Non Illustrated Part P.A.R. = Paint as Required

ROOF COVER P,D,C,V EXC. SEDAN & LIMO.  
Figure IT-3021

3253-302100



ITEM	PART NUMBER	QTY	BODY	MODEL	DESCRIPTION
NOTE: For Sedan & Limo. See Exterior Illustration 23-2750,2760 s ARE NOT RETURNABLE.					
1					COVER, Roof, Full N N N N
	T927 BA2	1			N N41 NV1A YT927BA2
	T927 VC9	1			N N41 NV1C YT927VC9
	T927 BM5	1			N N41 NV1M YT927BM5
	T927 BL4	1			N N41 NV1U YT927BL4
	T927 VW3	1			N N41 NV1W YT927VW3
	T927 AX9	1			N N41 NV1X YT927AX9
2					COVER, Roof, Landau N N N N
	T928 BA2	1			NP,D N21 NV6A YT928BA2
	T928 VC9	1			NP,D N21 NV6C YT928VC9
	T928 BM5	1			NP,D N21 NV6M YT928BM5
	T928 BL4	1			NP,D N21 NV6U YT928BL4
	T928 VW3	1			NP,D N21 NV6W YT928VW3
	T928 VX9	1			NP,D N21 NV6X YT928VX9
					Padded Landau N N N N0
	T931 BA2	1			NC,V N22 NV6A YT931BA2
	T931 AC9	1			NC,V N22 NV6C YT931AC9
	T931 BL4	1			NC,V N22 NV6U YT931BL4
	T931 BM5	1			NC,V N22 NV6M YT931BM5
	T931 BT8	1			NC,V N22 NV6K YT931BT8
	T931 AW3	1			NC,V N22 NV6W YT931AW3
	T931 AX9	1			NC,V N22 NV6X YT931AX9
3	4229 503	1			FOUNDATION, Roof Backlite NC,V N22 NV6 Y4229503
4	4229 558-9	1			FOUNDATION, Roof Quarter Window NC,V N22 NV6 Y4229558
5		40			RIVET (not serviced) NC,V N22 NV6 N
6	4229 975	1			PAD, Roof NC,V N22 NV6 Y4229975
	4229 777	1			PAD, Roof NP,D N21 NV6 Y4229777
7	4229 778	1			PAD, Rear Window Opening Lower NC,V N22 NV6 Y4229778
8	4276 202	3			FILLAR STRIP, Rear Window Lower Corner NC,V N22 NV6 Y4276202

MODEL CODES

B = GRAN FURY	G = DIPLOMAT	V = 400
C = LEBARON/TOWN & COUNTRY	M = HORIZON/TURISMO/SCAMP	X = MIRADA
D = ARIES	P = RELIANT	Y = IMPERIAL
E = 600	S = CORDOBA	Z = OMNI/CHARGER/RAMPAGE
F = FIFTH AVENUE	T = E CLASS/NEWYORKER	

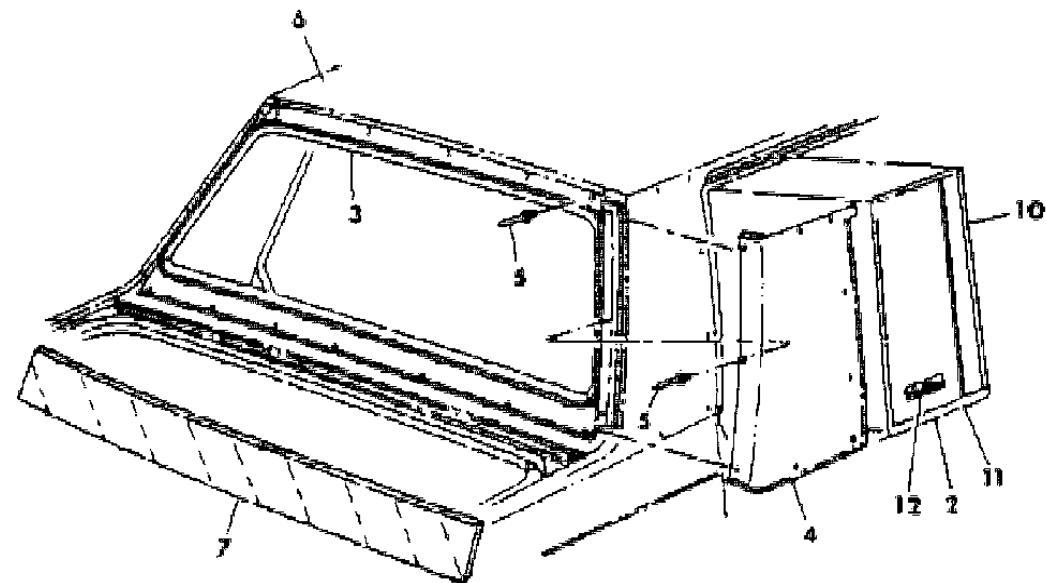
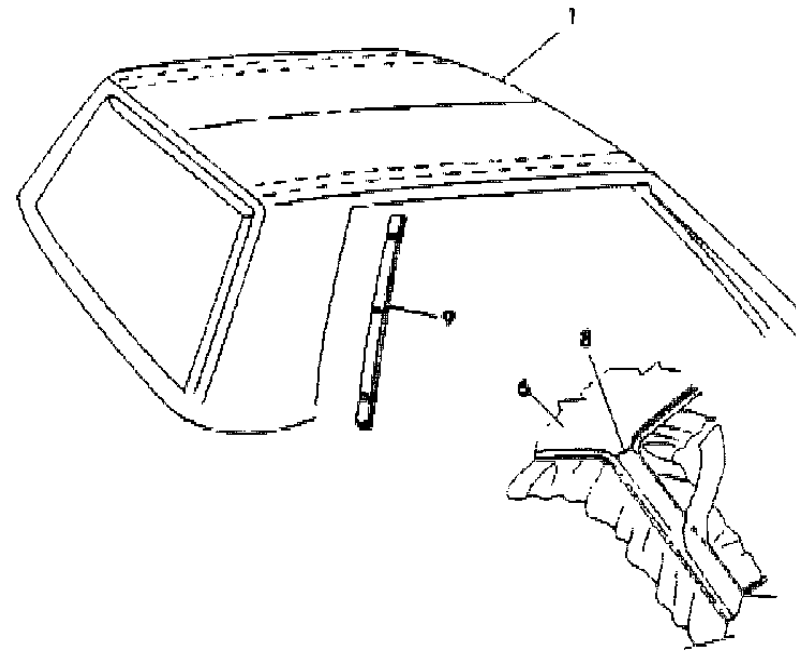
BODY STYLES

21 = 2-DOOR SEDAN	41 = 4-DOOR SEDAN
22 = 2-DOOR SPECIAL COUPE	45 = 4-DOOR STATION WAGON
24 = 2-DOOR HATCHBACK	44 = 4-DOOR HATCHBACK
27 = 2-DOOR CONVERTIBLE	48 = EXECUTIVE SEDAN
28 = FWD PICKUP	

AR = Use as Required - = Non Illustrated Part P.A.R. = Paint as Required

ROOF COVER C,V - 41  
Figure IT-3022

3253 102200



ITEM	PART NUMBER	QTY	BODY	MODEL	DESCRIPTION
1					COVER, Full Padded N N N N
	T932 BA2	1			N N NV7A YT932BA2
	T932 AC9	1			N N NV7C YT932AC9
	T932 BL4	1			N N NV7U YT932BL4
	T932 BM5	1			N N NV7M YT932BM5
	T932 BT8	1			N N NV7K YT932BT8
	T932 AW3	1			N N NV7W YT932AW3
	T932 AX9	1			N N NV7X YT932AX9
2					COVER w/NAME PLATE and MOULDINGS, Rear Door Rear
					Outer N N N N
	X542-3 BA2	1			NC N NV7A YX542BA2
	X542-3 AC9	1			NC N NV7C YX542AC9
	X542-3 BL4	1			NC N NV7U YX542BL4
	X542-3 BM5	1			NC N NV7M YX542BM5
	X542-3 BT8	1			NC N NV7T YX542BT8
	X542-3 AW3	1			NC N NV7W YX542AW3
	X542-3 AX9	1			NC N NV7X YX542AX9
					w/Mouldings N N N N
	X526-7 BA2	1			NV N NV7A YX526BA2
	X526-7 AC9	1			NV N NV7C YX526AC9
	X526-7 BL4	1			NV N NV7U YX526BL4
	X526-7 BM5	1			NV N NV7M YX526BM5
	X526-7 BT8	1			NV N NV7K YX526BT8
	X526-7 AW3	1			NV N NV7W YX526AW3
	X526-7 AX9	1			NV N NV7X YX526AX9
3	4229 716	1			FOUNDATION N N NV7 Y4229716
4	4229 718-9	1			FOUNDATION, Quarter N N NV7 Y4229718
5		AR			RIVET (not serviced) N N NV7 N
6	4229 977	1			PAD, Roof N N NV7 Y4229977
7	4229 979	1			PAD, Rear Window Lower N N NV7 Y4229979
8	4229 978	2			PAD, Front Pillar N N NV7 Y4229978
9	X324 AW3	3			RETAINER, Rear Door Opening Vinyl Roof (paint as required) N N NV7 YX324AW3
10	4198 958-9	1			MOULDING, Front N N NV7 Y4198958
11	4198 960-1	1			MOULDING, Lower N N NV7 Y4198960
12	4017 688	2			NAME PLATE (LeBaron) N N NV7 Y4017688

MODEL CODES

B = GRAN FURY	G = DIPLOMAT	V = 400
C = LEBARON/TOWN & COUNTRY	M = HORIZON/TURISMO/SCAMP	X = MIRADA
D = ARIES	P = RELIANT	Y = IMPERIAL
E = 600	S = CORDOBA	Z = OMNI/CHARGER/RAMPAGE
F = FIFTH AVENUE	T = E CLASS/NEWYORKER	

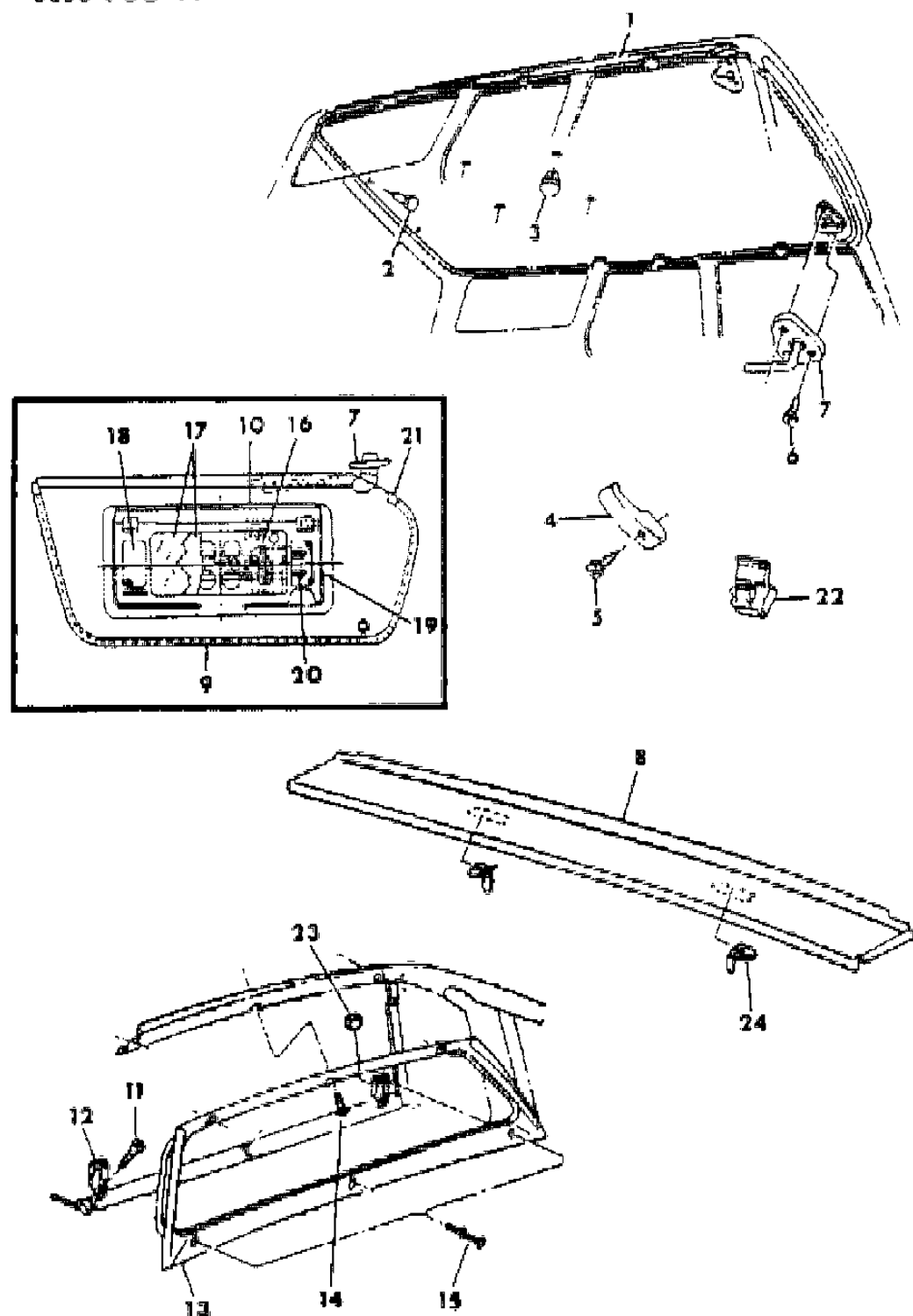
BODY STYLES

21 = 2-DOOR SEDAN	41 = 4-DOOR SEDAN
22 = 2-DOOR SPECIAL COUPE	45 = 4-DOOR STATION WAGON
24 = 2-DOOR HATCHBACK	44 = 4-DOOR HATCHBACK
27 = 2-DOOR CONVERTIBLE	48 = EXECUTIVE SEDAN
28 = FWD PICKUP	

AR = Use as Required - = Non Illustrated Part P.A.R. = Paint as Required

**HEADLINING, VISOR AND SHELF PANEL P,D,C,V EXCEPT EXECUTIVE SEDAN & LIMO.**  
**Figure IT-3031**

3253.3 03100



ITEM	PART NUMBER	QTY	BODY	MODEL	DESCRIPTION
NOTE: For Exec. Sedan & Limo See Illustration 303150 s ARE NOT RETURNABLE.					
1					HEADLINING, Cloth N N N N
	H837 AA3	1			Silver N N21,22 N YH837AA3
	H837 BB5	1			Blue, Medium N N21,22 N YH837BB5
	H837 AC7	1			Blue, Dark N N21,22 N YH837AC7
	H837 VM6	1			Red N N21,22 N YH837VM6
	H837 BL3	1			Tan N N21,22 N YH837BL3
	H837 BT8	1			Brown N N21,22 N YH837BT8
	H834 AA3	1			Silver N N41 N YH834AA3
	H834 BB5	1			Blue, Medium N N41 N YH834BB5
	H834 AC7	1			Blue, Dark N N41 N YH834AC7
	H834 VM6	1			Red N N41 N YH834VM6
	H834 BL3	1			Tan N N41 N YH834BL3
	H834 BT8	1			Brown N N41 N YH834BT8
	H850 BB5	1			Blue, Medium N N45 N YH850BB5
	H850 AM6	1			Red N N45 N YH850AM6
	H850 BL3	1			Tan N N45 N YH850BL3
	H850 BT8	1			Brown N N45 N YH850BT8
2	6003 587	1			FASTENER, Roof Headlining Rear Attaching N N45 N Y6003587
3					FASTENER, Roof Headlining N N N N
	H452 BB5	4			Blue N N45 N YH452BB5
	H452 TM6	4			Red N N45 N YH452TM6
	H452 BL3	4			Tan N N45 N YH452BL3
4	3685 992	2			HOOK, Coat N N N Y3685992
5		2			SCREW (not serviced) N N N N
6		6			SCREW (not serviced) N N N N
7	4078 431	2			ARM and BRACKET, Sun Visor N N N Y4078431
	4305 110-1	1			ARM, Sun Visor NC,V N27 N Y4305110
	4248 315	1			ELBOW and BRACKET, Lighted Mirror N N N Y4248315
8					PANEL, Rear Shelf Trim N N N N
	H189 AA7	1			Silver N N N YH189AA7
	H189 BB5	1			Blue, Medium N N N YH189BB5
	H189 AC7	1			Blue, Dark N N N YH189AC7
	H189 AM6	1			Red N N N YH189AM6
	H189 BL3	1			Tan N N N YH189BL3
	H189 BT9	1			Brown N N N YH189BT9
	4097 518	1			PANEL, Deak Opening, Upper NC,V N27 N Y4097518

**MODEL CODES**

B = GRAN FURY	G = DIPLOMAT	V = 400
C = LEBARON/TOWN & COUNTRY	M = HORIZON/TURISMO/SCAMP	X = MIRADA
D = ARIES	P = RELIANT	Y = IMPERIAL
E = 600	S = CORDOBA	Z = OMNI/CHARGER/RAMPAGE
F = FIFTH AVENUE	T = E CLASS/NEWYORKER	

**BODY STYLES**

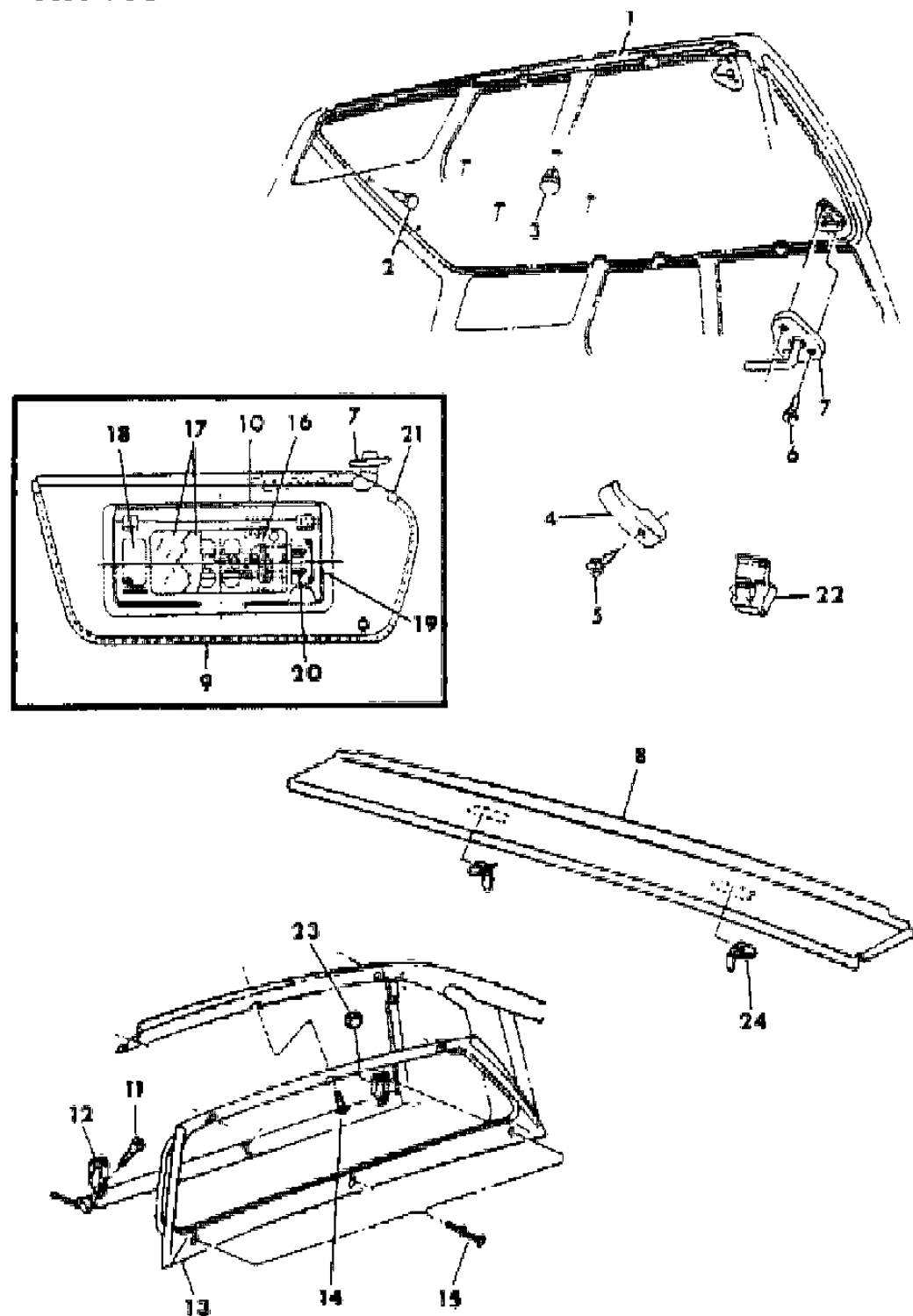
21 = 2-DOOR SEDAN	41 = 4-DOOR SEDAN
22 = 2-DOOR SPECIAL COUPE	45 = 4-DOOR STATION WAGON
24 = 2-DOOR HATCHBACK	44 = 4-DOOR HATCHBACK
27 = 2-DOOR CONVERTIBLE	48 = EXECUTIVE SEDAN
28 = FWD PICKUP	

AR = Use as Required - = Non Illustrated Part P.A.R. = Paint as Required



**HEADLINING, VISOR AND SHELF PANEL P,D,C,V EXCEPT EXECUTIVE SEDAN & LIMO.  
Figure IT-3031**

3253.3 03100



ITEM	PART NUMBER	QTY	BODY	MODEL	DESCRIPTION
9					PANEL, Sun Visor, Cloth w/o Lighted Mirror N N N N
	H693 AA3	2			Silver N N N YH693AA3
	H693 BB5	2			Blue, Medium N N N YH693BB5
	H693 AC7	2			Blue, Dark N N N YH693AC7
	H693 VM6	2			Red N N N YH693VM6
	H693 BL3	2			Tan N N N YH693BL3
	H693 BT8	2			Brown N N N YH693BT8
					VISOR, w/Lighted Mirror Right N N N N
	H329 BA3	1			Silver N N N YH329BA3
	H329 BB5	1			Blue, Medium N N N YH329BB5
	H329 BC7	1			Blue, Dark N N N YH329BC7
	H329 BM6	1			Red N N N YH329BM6
	H329 BL3	1			Tan N N N YH329BL3
	H329 BT8	1			Brown N N N YH329BT8
					w/o Mirror, Vinyl N N N N
	H356-7 BL3	1			Cashmere NC,V N27 N YH356BL3
	H356-7 BT8	1			Brown NC,V N27 N YH356BT8
	H356-7 BM6	1			Red NC,V N27 N YH356BM6
10					MIRROR, w/Cover Visor Vanity, Rt. N N N N
	H308 AAA	1			Silver N N N YH308AAA
	H308 BBB	1			Blue, Medium N N N YH308BBB
	H308 ACC	1			Blue, Dark N N N YH308ACC
	H308 AMM	1			Red N N N YH308AMM
	H308 BLL	1			Tan N N N YH308BLL
	H308 BTT	1			Brown N N N YH308BTT
					COVER AND FRAME, Mirror N N N N
	H310 AAA	1			Silver N N N YH310AAA
	H310 BBB	1			Blue, Medium N N N YH310BBB
	H310 ACC	1			Blue, Dark N N N YH310ACC
	H310 AMM	1			Red N N N YH310AMM
	H310 BLL	1			Tan N N N YH310BLL
	H310 BTT	1			Brown N N N YH310BTT
					VISOR, Sub Assy. w/Lighted Mirror N N N N
	H334 BA3	1			Silver N N N YH334BA3
	H334 BB5	1			Blue, Medium N N N YH334BB5
	H334 BC7	1			Blue, Dark N N N YH334BC7
	H334 BM6	1			Red N N N YH334BM6

**MODEL CODES**

B = GRAN FURY	G = DIPLOMAT	V = 400
C = LEBARON/TOWN & COUNTRY	M = HORIZON/TURISMO/SCAMP	X = MIRADA
D = ARIES	P = RELIANT	Y = IMPERIAL
E = 600	S = CORDOBA	Z = OMNI/CHARGER/RAMPAGE
F = FIFTH AVENUE	T = E CLASS/NEWYORKER	

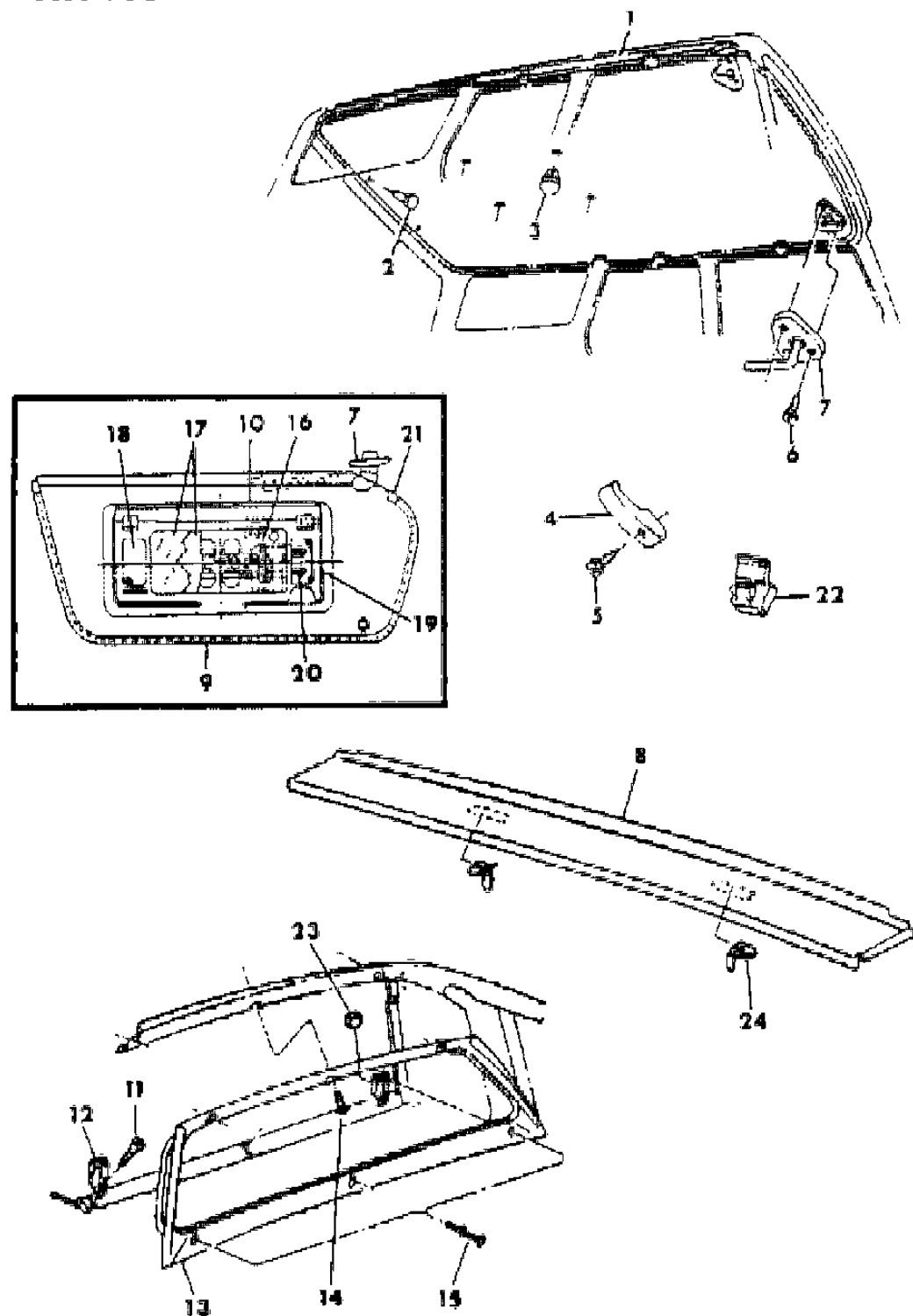
**BODY STYLES**

21 = 2-DOOR SEDAN	41 = 4-DOOR SEDAN
22 = 2-DOOR SPECIAL COUPE	45 = 4-DOOR STATION WAGON
24 = 2-DOOR HATCHBACK	44 = 4-DOOR HATCHBACK
27 = 2-DOOR CONVERTIBLE	48 = EXECUTIVE SEDAN
28 = FWD PICKUP	

AR = Use as Required - = Non Illustrated Part P.A.R. = Paint as Required

**HEADLINING, VISOR AND SHELF PANEL P,D,C,V EXCEPT EXECUTIVE SEDAN & LIMO.**  
**Figure IT-3031**

3253.3 03100



ITEM	PART NUMBER	QTY	BODY	MODEL	DESCRIPTION
	H334 BL3	1			Tan N N N YH334BL3
	H334 BT8	1			Brown N N N YH334BT8
11	9414 712	5			SCREW NC,V N N Y9414712
12	4223 241	3			BRACKET NC,V N N Y4223241
13	F232 AA3	1			PANEL, Rear Window Trim (paint as required) NC,V N N YF232AA3
14		6			SCREW (not serviced) NC,V N N N0
15					FASTENER, Rear Window Trim N N N N
	H448 AA3	1			Silver NC,V N N YH448AA3
	H448 AC7	1			Blue NC,V N N YH448AC7
	H448 AM6	1			Red NC,V N N YH448AM6
	H448 BL3	1			Tan NC,V N N YH448BL3
	H448 BT8	1			Brown NC,V N N YH448BT8
16	3832 873	1			COMPONENT BOARD, Lighted Mirror N N N Y3832873
17	4077 693	1			MIRROR and BACK, Vanity Mirror N N N Y4077693
18	4166 974	2			LENS, Vanity Mirror N N N Y4166974
19	4166 976	2			HINGE SPRING, Vanity Mirror N N N Y4166976
20	4166 978	4			BLUB N N N Y4166978
21	1490 983	2			CLIP, Visor Panel End N N N Y1490983
22	4247 890	AR			RETAINER, Headlining and Garnish Moulding N N N Y4247890
23	4247 904	AR			SPACER N N N Y4247904
24	6003 640	AR			FASTENER, Shelf Trim Panel N N21,22,41 N Y6003640
					The following parts are not illustrated. s ARE NOT RETURNABLE.
					SILENCERS, Roof Panel N N N N
	4078 582	AR			Front N N N Y4078582
	4078 583	AR			Center N N N Y4078583
	4078 584	AR			Rear N N N Y4078584

**MODEL CODES**

B = GRAN FURY	G = DIPLOMAT	V = 400
C = LEBARON/TOWN & COUNTRY	M = HORIZON/TURISMO/SCAMP	X = MIRADA
D = ARIES	P = RELIANT	Y = IMPERIAL
E = 600	S = CORDOBA	Z = OMNI/CHARGER/RAMPAGE
F = FIFTH AVENUE	T = E CLASS/NEWYORKER	

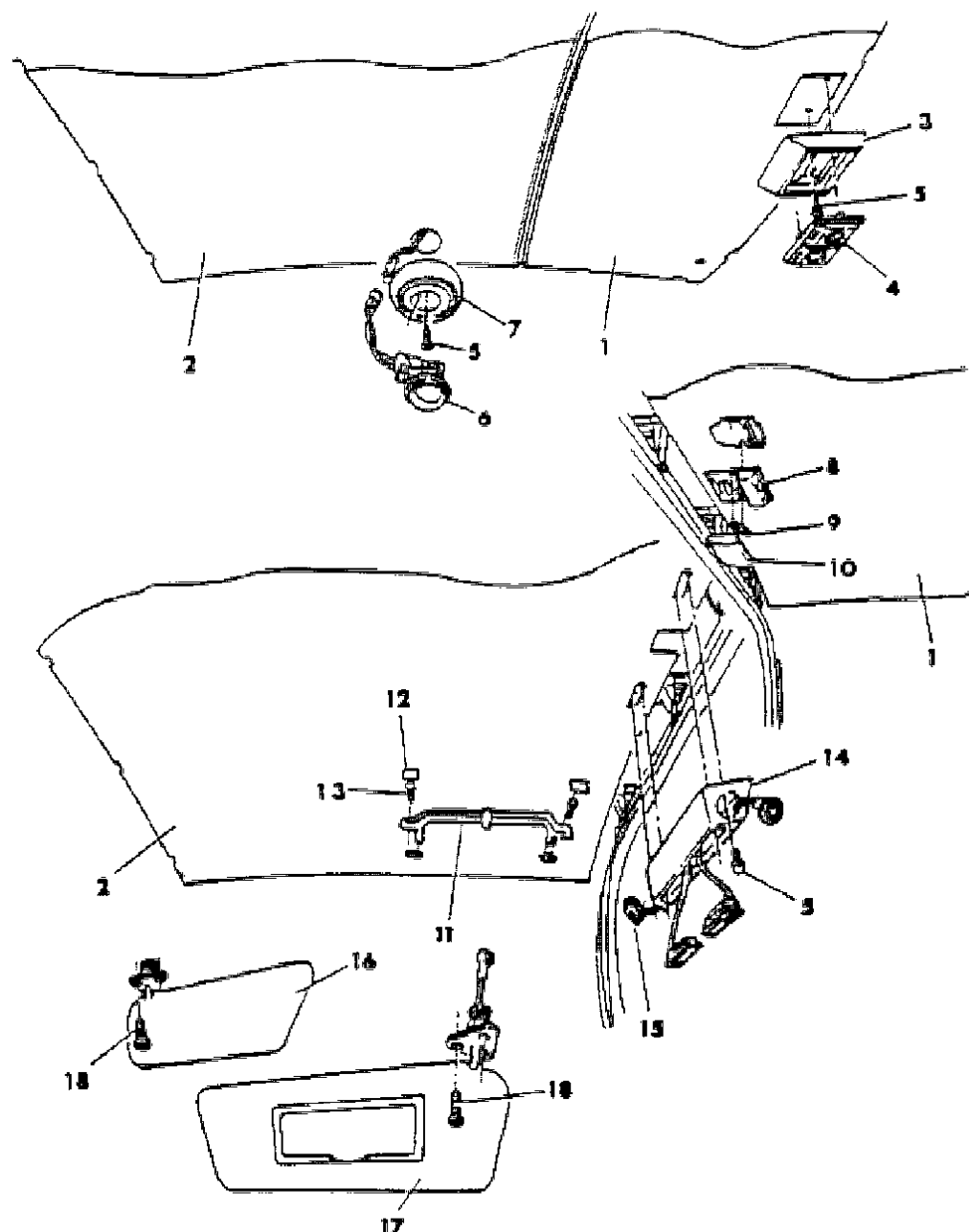
**BODY STYLES**

21 = 2-DOOR SEDAN	41 = 4-DOOR SEDAN
22 = 2-DOOR SPECIAL COUPE	45 = 4-DOOR STATION WAGON
24 = 2-DOOR HATCHBACK	44 = 4-DOOR HATCHBACK
27 = 2-DOOR CONVERTIBLE	48 = EXECUTIVE SEDAN
28 = FWD PICKUP	

AR = Use as Required - = Non Illustrated Part P.A.R. = Paint as Required

**HEADLINING & SUNVISOR EXEC. SEDAN & LIMO.**  
Figure IT-3031

J253-303150



ITEM	PART NUMBER	QTY	BODY	MODEL	DESCRIPTION
1					HEADLINER, Front N N N N
	4339 600	1			Silver N NSedan N Y4339600
	4339 601	1			Blue N NSedan N Y4339601
	4339 916	1			Silver N NLimo. N Y4339916
	4339 917	1			Blue N NLimo. N Y4339917
2					HEADLINER, Rear N N N N
	4339 602	1			Silver N NSedan N Y4339602
	4339 603	1			Blue N NSedan N Y4339603
	4339 918	1			Silver N NLimo. N Y4339918
	4339 919	1			Blue N NLimo. N Y4339919
3					HOUSING, Front Dome Lamp N N N N
	4339 743	1			Silver N NSedan N Y4339743
	4339 744	1			Blue N NSedan N Y4339744
4	3591 783	1			LAMP, Front Dome N NSedan N Y3591783
5					SCREW (Not Serviced) N N N N
6	3591 132	2			LAMP, B-Pillar Spotlight N NSedan N Y3591132
7					HOUSING, B Pillar Spotlight N N N N
	4339 824	2			Silver N NSedan N Y4339824
	4339 825	2			Blue N NSedan N Y4339825
8	4220 249				LAMP, Front Dome N NLimo. N Y4220249
9					SCREW (Not Serviced) N NLimo. N N
10					LENS, Dome Lamp (Service w/Lamp) N NLimo. N N
11					STRAP, Assist N N N N
	4339 564	2			Silver N N N Y4339564
	4339 565	2			Blue N N N Y4339565
12	4010 388	4			CAP, Assist Strap N N N Y4010388
13					SCREW (Not Serviced) N N N N
14					HOUSING, Glamour Lamp N N N N
	4342 066	1			Silver N NLimo. N Y4342066
	4342 067	1			Blue N NLimo. N Y4342067
15					LENS, Glamour Lamp N NLimo. N Y3591946
	9431 808	1			BULB, Glamour Lamp N NLimo. N Y9431808
16					SUNVISOR, Left w/o Mirror N N N N
		1			Silver N N N N0
		1			Blue N N N N0
17					SUNVISOR, Right w/Mirror N N N N
		1			Silver N N N N0

MODEL CODES

B = GRAN FURY	G = DIPLOMAT	V = 400
C = LEBARON/TOWN & COUNTRY	M = HORIZON/TURISMO/SCAMP	X = MIRADA
D = ARIES	P = RELIANT	Y = IMPERIAL
E = 600	S = CORDOBA	Z = OMNI/CHARGER/RAMPAGE
F = FIFTH AVENUE	T = E CLASS/NEWYORKER	

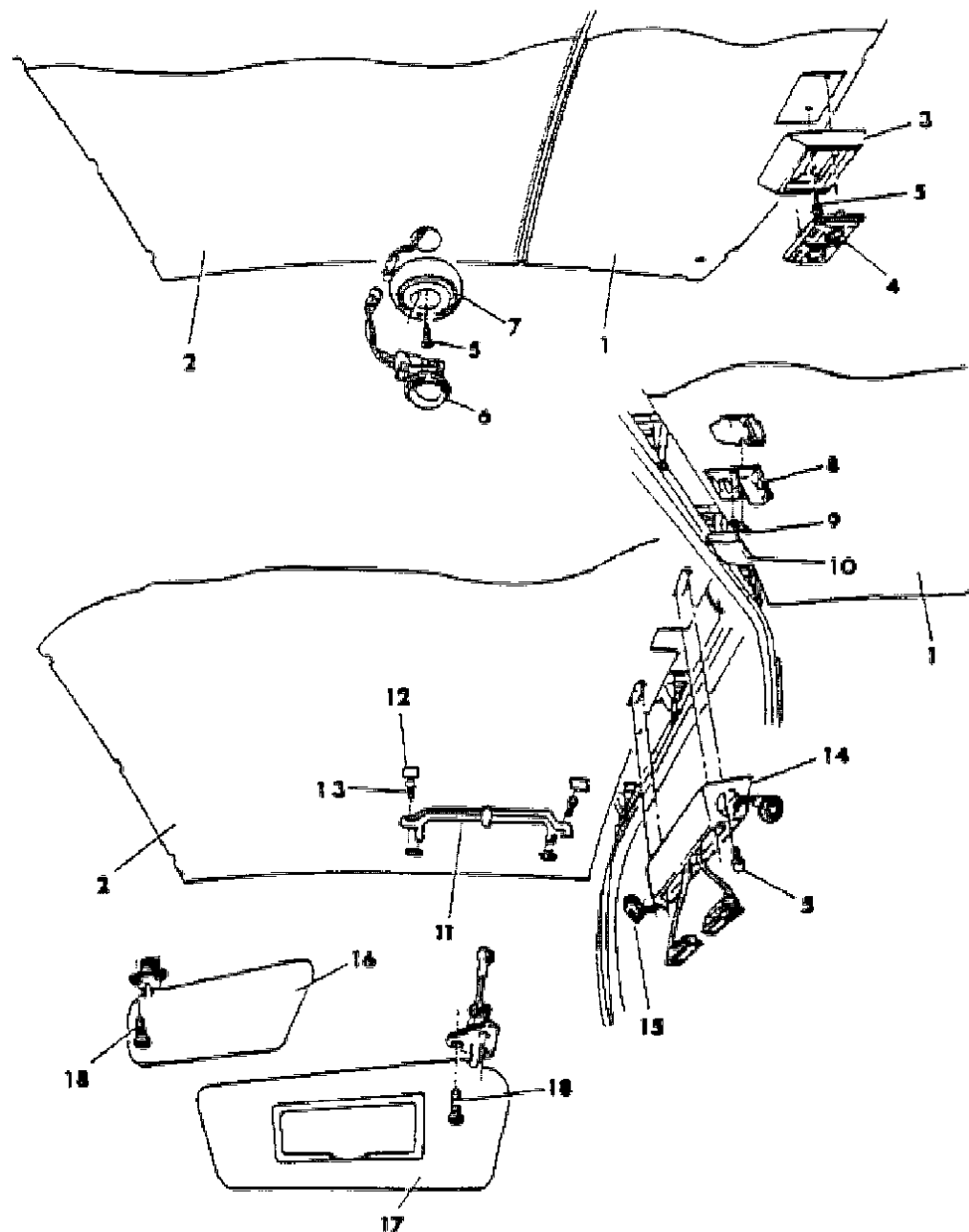
BODY STYLES

21 = 2-DOOR SEDAN	41 = 4-DOOR SEDAN
22 = 2-DOOR SPECIAL COUPE	45 = 4-DOOR STATION WAGON
24 = 2-DOOR HATCHBACK	44 = 4-DOOR HATCHBACK
27 = 2-DOOR CONVERTIBLE	48 = EXECUTIVE SEDAN
28 = FWD PICKUP	

AR = Use as Required - = Non Illustrated Part P.A.R. = Paint as Required

HEADLINING & SUNVISOR EXEC. SEDAN & LIMO.  
Figure IT-3031

J253-303 150



ITEM	PART NUMBER	QTY	BODY	MODEL	DESCRIPTION
------	-------------	-----	------	-------	-------------

18	0153 704	4			Blue N N N N0 SCREW, Sunvisor Attaching N N N Y0153704
----	----------	---	--	--	---

MODEL CODES

B = GRAN FURY	G = DIPLOMAT	V = 400
C = LEBARON/TOWN & COUNTRY	M = HORIZON/TURISMO/SCAMP	X = MIRADA
D = ARIES	P = RELIANT	Y = IMPERIAL
E = 600	S = CORDOBA	Z = OMNI/CHARGER/RAMPAGE
F = FIFTH AVENUE	T = E CLASS/NEWYORKER	

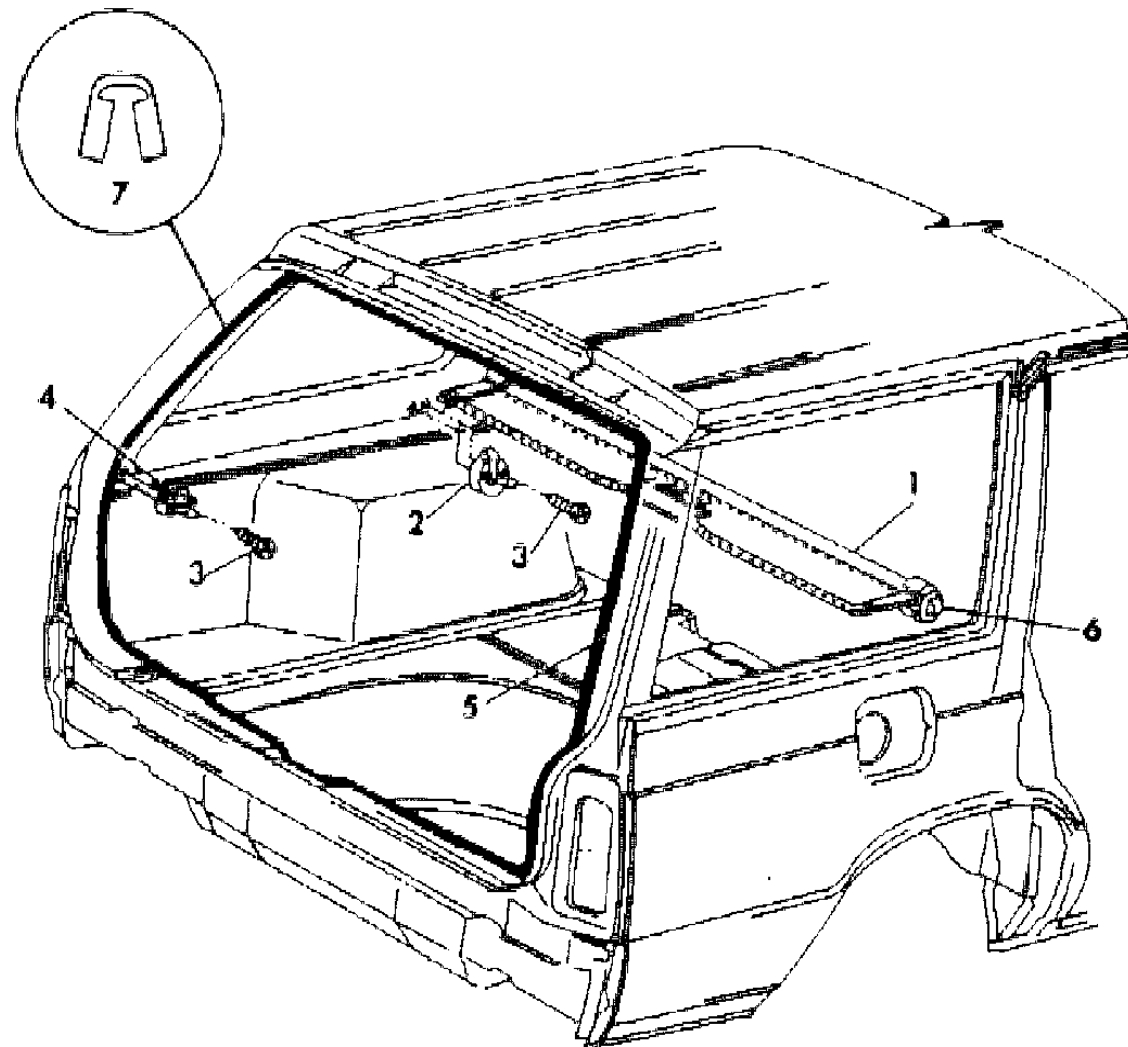
BODY STYLES

21 = 2-DOOR SEDAN	41 = 4-DOOR SEDAN
22 = 2-DOOR SPECIAL COUPE	45 = 4-DOOR STATION WAGON
24 = 2-DOOR HATCHBACK	44 = 4-DOOR HATCHBACK
27 = 2-DOOR CONVERTIBLE	48 = EXECUTIVE SEDAN
28 = FWD PICKUP	

AR = Use as Required - = Non Illustrated Part P.A.R. = Paint as Required

SECURITY COVER . P,D,C 45  
Figure IT-3032

3253-303200



ITEM	PART NUMBER	QTY	BODY	MODEL	DESCRIPTION
1					COVER, Rear Compartment . N N N N (use up to 1/3/83) N N N N Blue N N N Y4271037 Red . N N N Y4267007 Tan . N N N Y4271038
	4271 037	1			
	4267 007	1			
	4271 038	1			
	4271 034	1			Brown . N N N Y4271034 (use after 1/3/83) N N N N Blue N N N Y4271048 Red N N N Y4271050
	4271 048	1			
	4271 050	1			
	4271 049	1			Tan N N N Y4271049 Brown N N N Y4271051
	4271 051	1			
2					COVER, Support . N N N N Blue N N N YW234BB5 Red . N N N YW234VM6 Tan . N N N YW234BL3 Brown . N N N YW234BT8
	W234 BB5	2			
	W234 VM6	2			
	W234 BL3	2			
	W234 BT8	2			
3		AR			SCREW (not serviced) . N N N N
4					COVER, Hook . N N N N Blue N N N YW236BB5 Red . N N N YW236VM6 Tan . N N N YW236BL3 Brown . N N N YW236BT8
	W236-7 BB5	2			
	W236-7 VM6	2			
	W236-7 BL3	2			
	W236-7 BT8	2			
5					WELT, Lift Gate Opening . N N N N Blue N N N YW267BB5 Red . N N N YW267VM6 Tan . N N N YW267BL3 Brown . N N N YW267BT8
	W267 BB5	1			
	W267 VM6	1			
	W267 BL3	1			
	W267 BT8	1			
6	4271 047	1			END CAP N N N Y4271047
7	4078 958	2			END CAP, Lift Gate Opening Welt N N N Y4078958

MODEL CODES

B = GRAN FURY

C = LEBARON/TOWN & COUNTRY

D = ARIES

E = 600

F = FIFTH AVENUE

G = DIPLOMAT

M = HORIZON/TURISMO/SCAMP

P = RELIANT

S = CORDOBA

T = E CLASS/NEWYORKER

V = 400

X = MIRADA

Y = IMPERIAL

Z = OMNI/CHARGER/RAMPAGE

BODY STYLES

21 = 2-DOOR SEDAN

22 = 2-DOOR SPECIAL COUPE

24 = 2-DOOR HATCHBACK

27 = 2-DOOR CONVERTIBLE

28 = FWD PICKUP

41 = 4-DOOR SEDAN

45 = 4-DOOR STATION WAGON

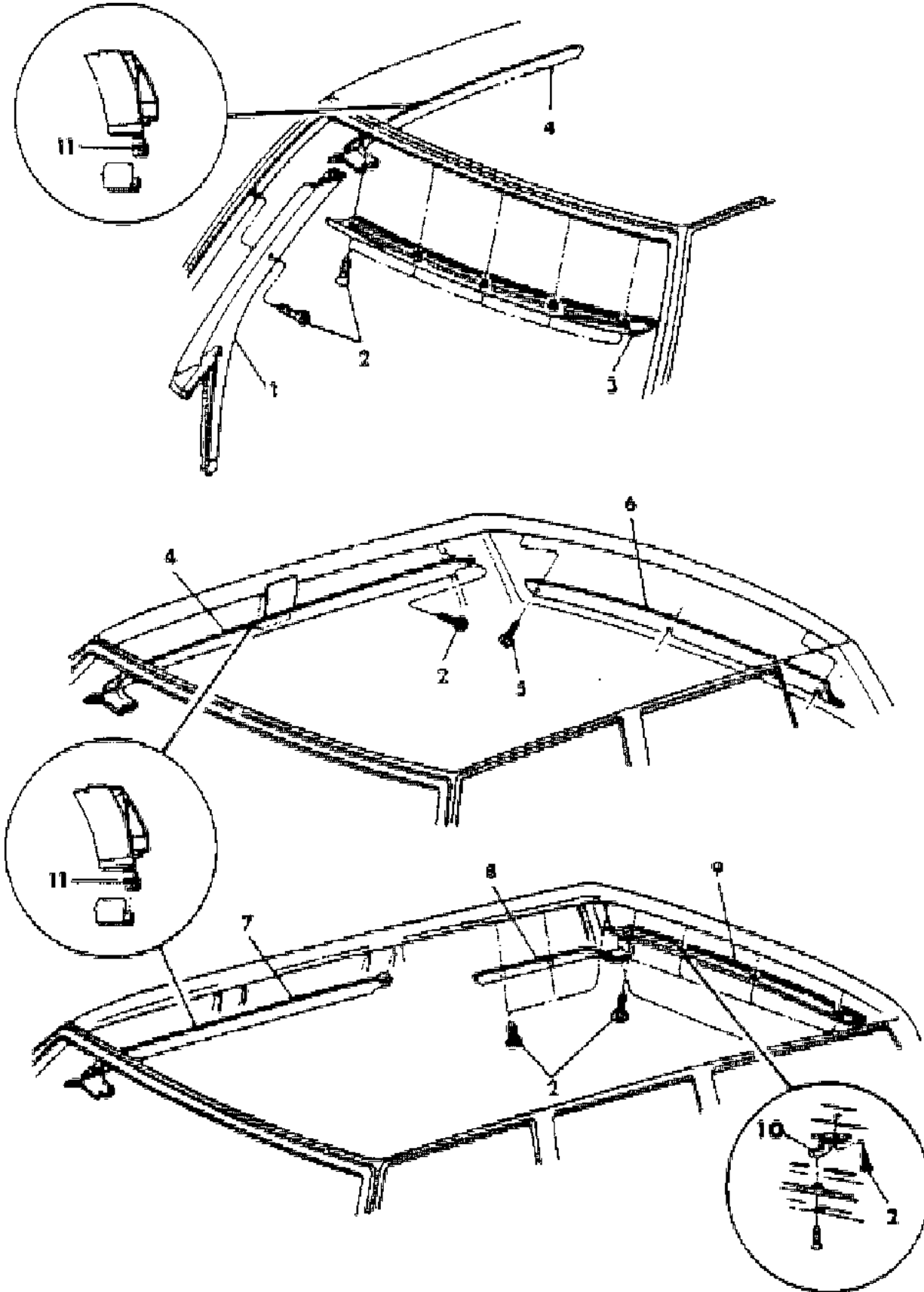
44 = 4-DOOR HATCHBACK

48 = EXECUTIVE SEDAN

AR = Use as Required - = Non Illustrated Part P.A.R. = Paint as Required

GARNISH MOULDING P,D,C,V EXC. SEDAN & LIMO.  
Figure IT-3033

3253 103300 A



ITEM	PART NUMBER	QTY	BODY	MODEL	DESCRIPTION
NOTE: For Sedan & Limo. See Interior Illustration IT-303500 s ARE NOT RETURNABLE.					
1	F290-1 AA3	1			MOULDING, Windshield Side (silver paint as required) N N N YF290AA3
2		AR			SCREW (not serviced) N N N N
3	4077 546	1			MOULDING, Windshield Upper N N N Y4077546
4					MOULDING w/RETAINER, Roof Rail (silver paint as required) N N N N N21,22 N YF286AA3 N N41 N YF284AA3
5	9414 712	2			SCREW N N N Y9414712
6					MOULDING, Rear Window Header (paint as required) N N N N N21 N Y4077542 N N41 N Y4077541
7	F288-9 AB2	1			MOULDING w/RETAINER, Roof Rail (Blue paint as required) N N45 N YF288AB2
8	F294-5 AB2	1			MOULDING, Quarter Window Rail (blue paint as required) N N45 N YF294AB2
9	4248 232	1			MOULDING, Lift Gate Header Opening (paint as required) N N45 N Y4248232
10	4247 758	4			BRACKET, Liftgate Opening Header Moulding Attaching N N N Y4247758
11		AR			RETAINER, Garnish Moulding and Headliner (Serv. w/Moulding) N N N N

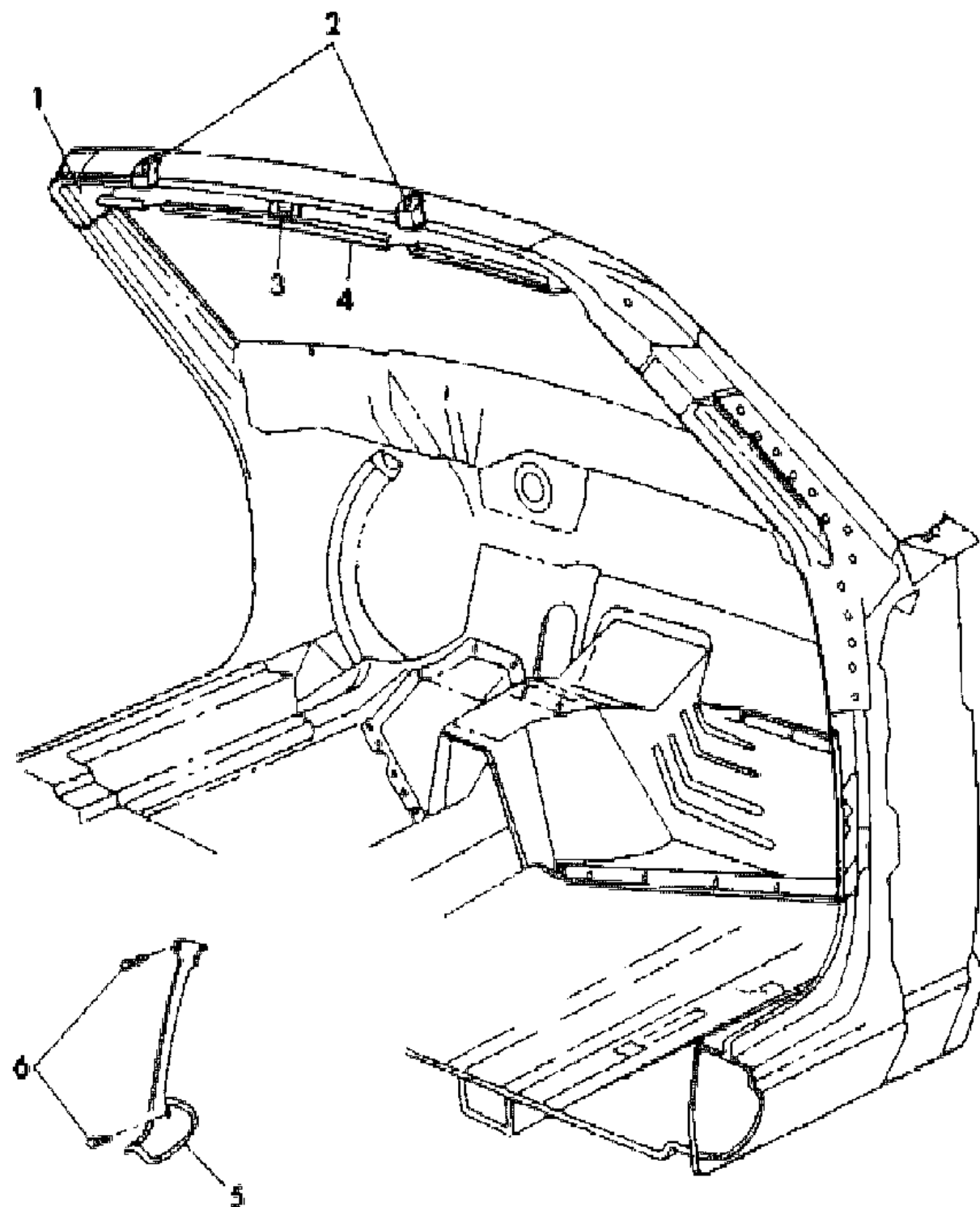
MODEL CODES  
 B = GRAN FURY  
 C = LEBARON/TOWN & COUNTRY  
 D = ARIES  
 E = 600  
 F = FIFTH AVENUE  
 G = DIPLOMAT  
 M = HORIZON/TURISMO/SCAMP  
 P = RELIANT  
 S = CORDOBA  
 T = E CLASS/NEWYORKER  
 V = 400  
 X = MIRADA  
 Y = IMPERIAL  
 Z = OMNI/CHARGER/RAMPAGE

BODY STYLES  
 21 = 2-DOOR SEDAN  
 22 = 2-DOOR SPECIAL COUPE  
 24 = 2-DOOR HATCHBACK  
 27 = 2-DOOR CONVERTIBLE  
 28 = FWD PICKUP  
 41 = 4-DOOR SEDAN  
 45 = 4-DOOR STATION WAGON  
 44 = 4-DOOR HATCHBACK  
 48 = EXECUTIVE SEDAN

AR = Use as Required - = Non Illustrated Part P.A.R. = Paint as Required

**COVERTIBLE GARNISH MOULDING C,V 27**  
**Figure IT-3034**

3253 303400



ITEM	PART NUMBER	QTY	BODY	MODEL	DESCRIPTION
1					MOULDING, Windshield Header N N N N
	F142-3 BL3	1			Cashmere N N N YF142BL3
	F142-3 BT8	1			Brown N N N YF142BT8
	F142-3 AM6	1			Red N N N YF142AM6
2	4097 505	2			STRICKER, Latch N N N Y4097505
3					BRACKET, Sun Visor (serviced in item 4) N N N N
4					MOULDING, Windshield N N N N
	F164 BL3	1			Cashmere N N N YF164BL3
	F164 BT8	1			Brown N N N YF164BT8
	F164 AM6	1			Red N N N YF164AM6
5					MOULDING, "B" Pillar N N N N
	F166-7 BL3	1			Cashmere N N N YF166BL3
	F166-7 BT8	1			Brown N N N YF166BT8
	F166-7 AM6	1			Red N N N YF166AM6
6		AR			SCREW N N N N6029025

**MODEL CODES**

B = GRAN FURY	G = DIPLOMAT	V = 400
C = LEBARON/TOWN & COUNTRY	M = HORIZON/TURISMO/SCAMP	X = MIRADA
D = ARIES	P = RELIANT	Y = IMPERIAL
E = 600	S = CORDOBA	Z = OMNI/CHARGER/RAMPAGE
F = FIFTH AVENUE	T = E CLASS/NEWYORKER	

**BODY STYLES**

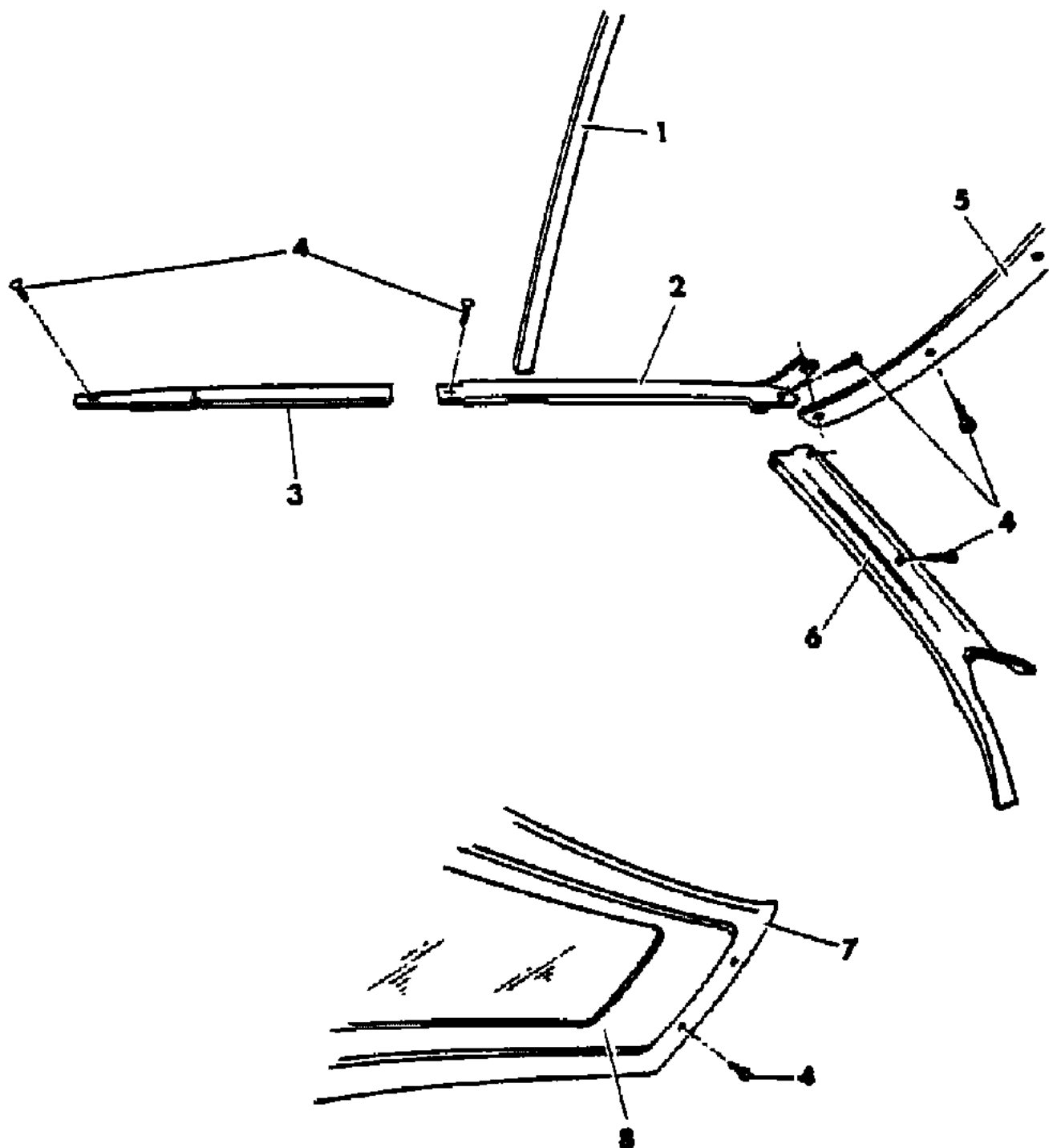
21 = 2-DOOR SEDAN	41 = 4-DOOR SEDAN
22 = 2-DOOR SPECIAL COUPE	45 = 4-DOOR STATION WAGON
24 = 2-DOOR HATCHBACK	44 = 4-DOOR HATCHBACK
27 = 2-DOOR CONVERTIBLE	48 = EXECUTIVE SEDAN
28 = FWD PICKUP	

AR = Use as Required - = Non Illustrated Part P.A.R. = Paint as Required

**MOULDING, GARNISH & BACKLITE INSERT SEDAN & LIMO.  
Figure IT-3035**

3253-3 03 500

ITEM	PART NUMBER	QTY	BODY	MODEL	DESCRIPTION
1	4339 604	1			MOULDING, Headliner Divider N N N N Silver N NSedan N Y4339604
	4339 605	1			Blue N NSedan N Y4339605
2	4339 574-5	1			MOULDING, Headliner Garnish, Front N N N N Silver N N N Y4339574
	4339 576-7	1			Blue N N N Y4339576
3	4339 570-1	1			MOULDING, Headliner Garnish, Rear N N N N Silver N NSedan N Y4339570
	4339 572-3	1			Blue N NSedan N Y4339572
	4339 878-9	1			Silver N NLimo. N Y4339878
	4339 880-1	1			Blue N NLimo. N Y4339880
4				SCREW (Not Serviced) N N N N	
5	4339 598	1			MOULDING, Windshield Garnish N N N N Silver N N N Y4339598
	4339 599	1			Blue N N N Y4339599
6	4339 578-9	1			MOULDING, Windshield Side Garnish N N N N Silver N N N Y4339578
	4339 580-1	1			Blue N N N Y4339580
7	4339 596	1			MOULDING, Backlite Garnish N N N N Silver N N N Y4339596
	4339 597	1			Blue N N N Y4339597
8	4339 594	1			FILLER, Backlite Garnish N N N N Silver N N N Y4339594
	4339 595	1			Blue N N N Y4339595
	4339 746	AR			NOTE: The Following Items Are Not Illustrated s ARE NOT RETURNABLE. RETAINER, Headliner Divider N N N Y4339746



MODEL CODES  
 B = GRAN FURY  
 C = LEBARON/TOWN & COUNTRY  
 D = ARIES  
 E = 600  
 F = FIFTH AVENUE  
 G = DIPLOMAT  
 M = HORIZON/TURISMO/SCAMP  
 P = RELIANT  
 S = CORDOBA  
 T = E CLASS/NEWYORKER  
 V = 400  
 X = MIRADA  
 Y = IMPERIAL  
 Z = OMNI/CHARGER/RAMPAGE

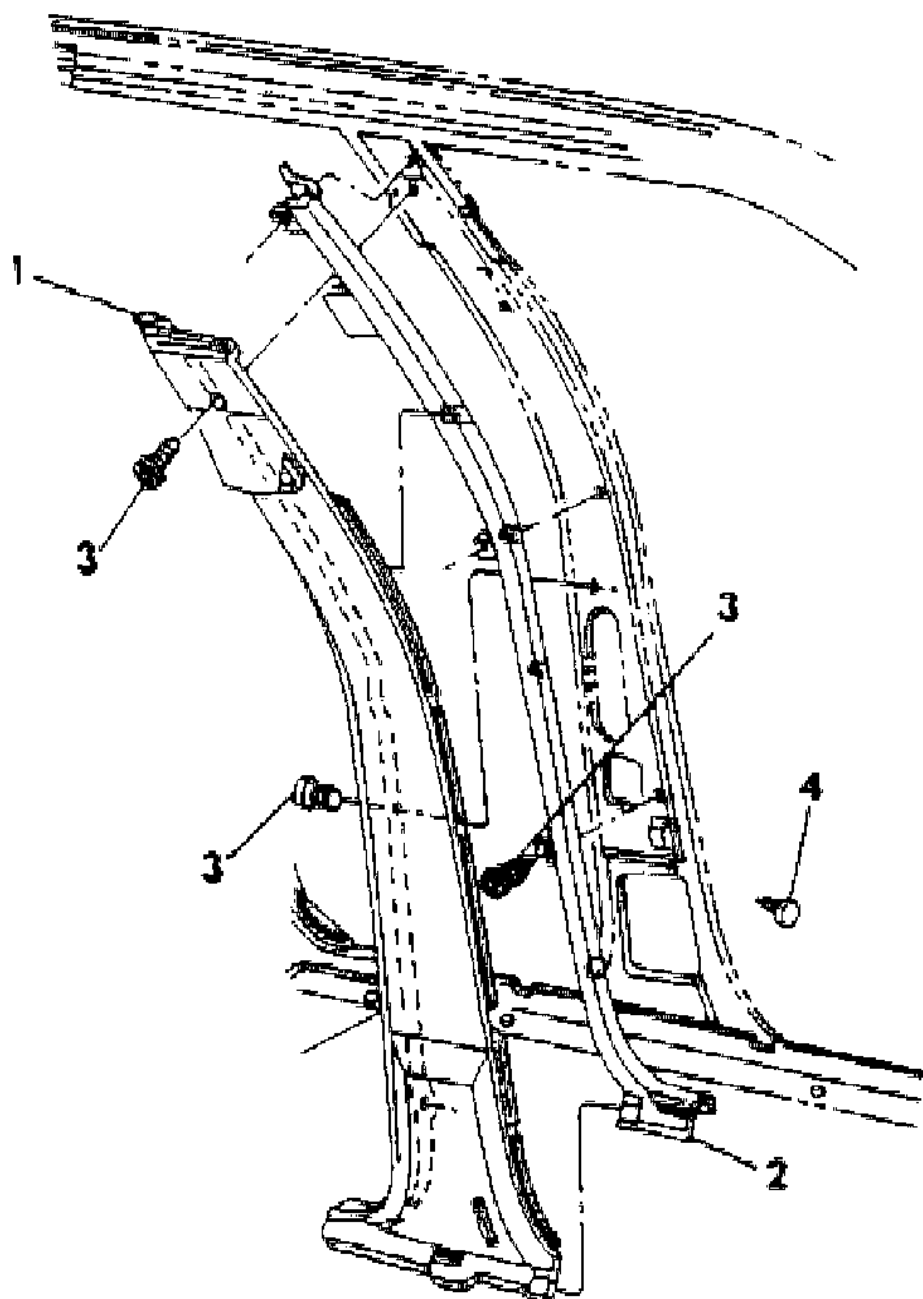
BODY STYLES  
 21 = 2-DOOR SEDAN  
 22 = 2-DOOR SPECIAL COUPE  
 24 = 2-DOOR HATCHBACK  
 27 = 2-DOOR CONVERTIBLE  
 28 = FWD PICKUP  
 41 = 4-DOOR SEDAN  
 45 = 4-DOOR STATION WAGON  
 44 = 4-DOOR HATCHBACK  
 48 = EXECUTIVE SEDAN

AR = Use as Required - = Non Illustrated Part P.A.R. = Paint as Required



**B PILLAR TRIM P,D,C,V - 41,45,SEDAN,LIMO.**  
**Figure IT-3051**

3253-305100



ITEM	PART NUMBER	QTY	BODY	MODEL	DESCRIPTION
1					COVER, Center Pillar "B" Rear N N N N
	F408-9 AA3	1			Silver N N N YF408AA3
	F408-9 BB5	1			Blue N N N YF408BB5
	F408-9 AC7	1			Blue N N N YF408AC7
	F408-9 AM6	1			Red N N N YF408AM6
	F408-9 BL3	1			Tan N N N YF408BL3
	F408-9 BT8	1			Brown N N N YF408BT8
	4339 586-7	1			Silver N NSedan N Y4339586
	4339 588-9	1			Blue N NSedan N Y4339588
	4339 882-3	1			Silver N NLimo. N Y4339882
	4339 884-5	1			Blue N NLimo. N Y4339884
2					COVER, Center Pillar "B" Front N N N N
	F396-7 AA3	1			Silver N N N YF396AA3
	F396-7 BB5	1			Blue N N N YF396BB5
	F396-7 AC7	1			Blue, Dark N N N YF396AC7
	F396-7 AM6	1			Red N N N YF396AM6
	F396-7 BL3	1			Tan N N N YF396BL3
	F396-7 BT8	1			Brown N N N YF396BT8
	4339 590-1	1			Silver N NSedan & LimoN Y4339590
	4339 592-3	1			Blue N NSedan & LimoN Y4339592
-					BUMPER, Front Pillar N N N N
	F394 AA3	2			Silver N N N YF394AA3
	F394 BB5	2			Blue, Medium N N N YF394BB5
	F394 AC7	2			Blue, Dark N N N YF394AC7
	F394 AM6	2			Red N N N YF394AM6
	F394 BL3	2			Tan N N N YF394BL3
	F394 BT8	2			Brown N N N YF394BT8
3		AR			SCREW (not serviced) N N N N
4	6003 423	8			FASTENER, Center Pillar Silencer Attaching N N N Y6003423

**MODEL CODES**

B = GRAN FURY	G = DIPLOMAT	V = 400
C = LEBARON/TOWN & COUNTRY	M = HORIZON/TURISMO/SCAMP	X = MIRADA
D = ARIES	P = RELIANT	Y = IMPERIAL
E = 600	S = CORDOBA	Z = OMNI/CHARGER/RAMPAGE
F = FIFTH AVENUE	T = E CLASS/NEWYORKER	

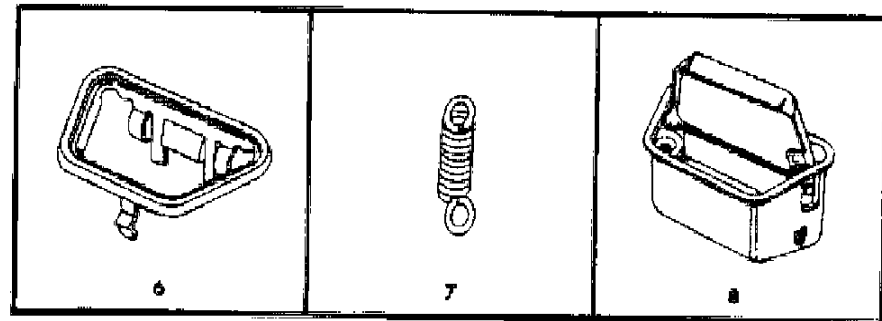
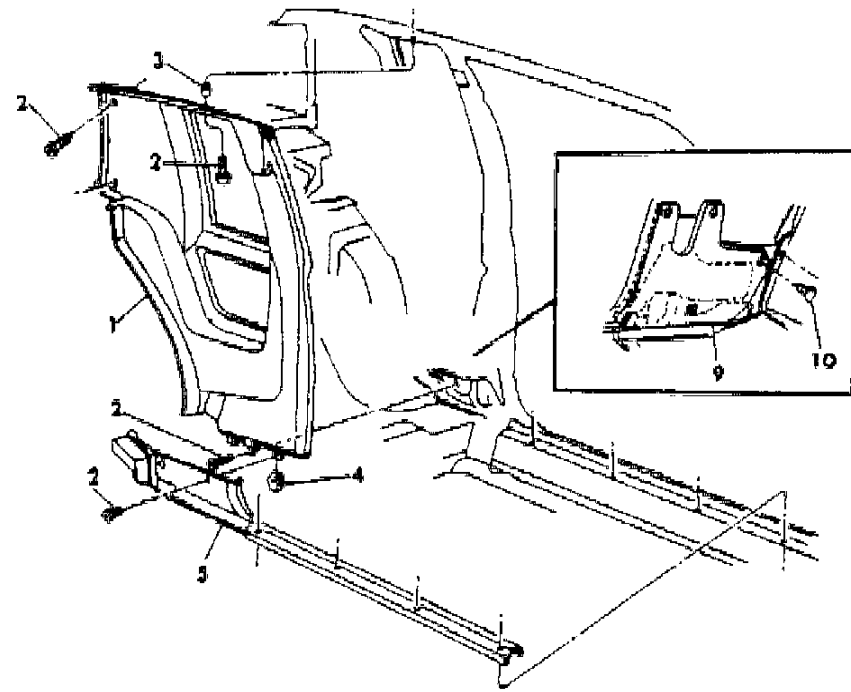
**BODY STYLES**

21 = 2-DOOR SEDAN	41 = 4-DOOR SEDAN
22 = 2-DOOR SPECIAL COUPE	45 = 4-DOOR STATION WAGON
24 = 2-DOOR HATCHBACK	44 = 4-DOOR HATCHBACK
27 = 2-DOOR CONVERTIBLE	48 = EXECUTIVE SEDAN
28 = FWD PICKUP	

AR = Use as Required - = Non Illustrated Part P.A.R. = Paint as Required

QUARTER PANEL P,D 21  
Figure IT-3061

3253.306100



ITEM	PART NUMBER	QTY	BODY	MODEL	DESCRIPTION
1	F150-1 VB2	1			PANEL, Quarter Upper (paint as required) N N N YF150VB2
-					BUMPER, Quarter Trim Upper N N N N
-	F394 AA3	2			Silver N N N YF394AA3
-	F394 AC7	2			Blue N N N YF394AC7
-	F394 AM6	2			Red N N N YF394AM6
-	F394 BL3	2			Tan N N N YF394BL3
2	9416 049	AR			SCREW N N N Y9416049
3	0152 863	AR			SPACER NUT N N N Y152863
4	0152 490	4			U/NUT N N N Y152490
5					PLATE, See Scuff Plate Illustration Group 23-TRIM N N N N
6	2788 701	2			BEZEL, Ash Receiver N N N Y2788701
7	2292 503	2			SPRING, Ash Receiver Lid N N N Y2292503
8	2788 032	2			RECEIVER, Ash N N N Y2788032
9	3762 862	AR			SILENCER (material 36" X 72") N N N Y3762862
10	6003 423	AR			FASTENER N N N Y6003423

MODEL CODES

B = GRAN FURY	G = DIPLOMAT	V = 400
C = LEBARON/TOWN & COUNTRY	M = HORIZON/TURISMO/SCAMP	X = MIRADA
D = ARIES	P = RELIANT	Y = IMPERIAL
E = 600	S = CORDOBA	Z = OMNI/CHARGER/RAMPAGE
F = FIFTH AVENUE	T = E CLASS/NEWYORKER	

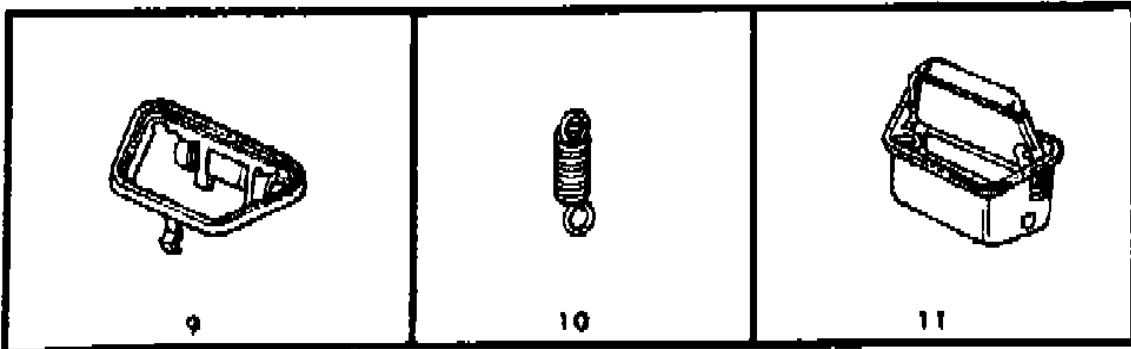
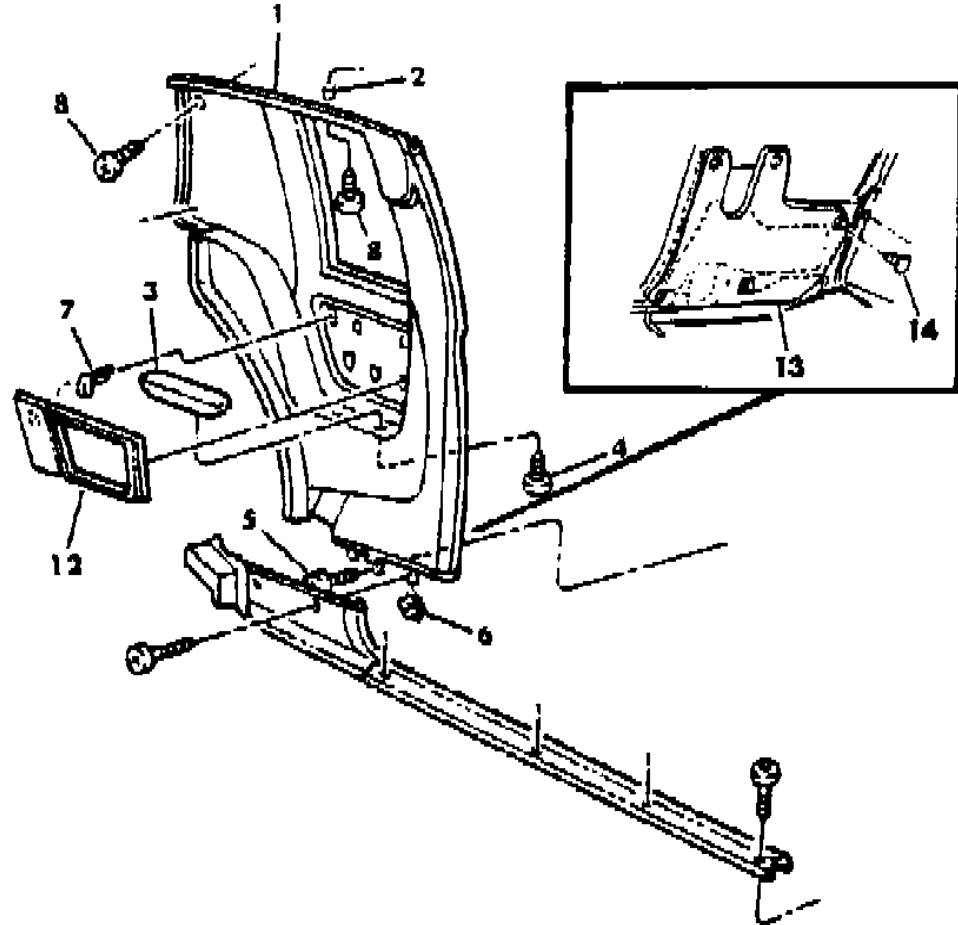
BODY STYLES

21 = 2-DOOR SEDAN	41 = 4-DOOR SEDAN
22 = 2-DOOR SPECIAL COUPE	45 = 4-DOOR STATION WAGON
24 = 2-DOOR HATCHBACK	44 = 4-DOOR HATCHBACK
27 = 2-DOOR CONVERTIBLE	48 = EXECUTIVE SEDAN
28 = FWD PICKUP	

AR = Use as Required - = Non Illustrated Part P.A.R. = Paint as Required

QUARTER PANEL C,V 22  
Figure IT-3062

3253.306200



ITEM	PART NUMBER	QTY	BODY	MODEL	DESCRIPTION
1	H364-5 AA3	1			PANEL, Upper Trim (paint as required) N N N YH364AA3
-					BUMPER, Quarter Trim Upper N N N N
-	F394 AA3	2			Silver N N N YF394AA3
-	F394 AC7	2			Blue N N N YF394AC7
-	F394 AM6	2			Red N N N YF394AM6
-	F394 BL3	2			Tan N N N YF394BL3
2	0152 863	2			NUT, Spacer N N N Y152863
3					ARM REST N N N N
	D408-9 AA3	1			Silver N N N YD408AA3
	D408-9 AC7	1			Blue, Dark N N N YD408AC7
	D408-9 AM6	1			Red N N N YD408AM6
	D408-9 BL3	1			Tan N N N YD408BL3
	D408-9 BT8	1			Brown N N N YD408BT8
4	9428 283	4			SCREW N N N Y9428283
5	9414 712	5			SCREW N N N Y9414712
6	6031 803	4			U-NUT N N N Y6031803
7	3832 193	12			FASTENER N N N Y3832193
8	9146 049	6			SCREW N N N Y9146049
9	2657 877	2			BEZEL, Ash Receiver N N N Y2657877
10	2292 503	2			SPRING, Ash Receiver Lid N N N Y2292503
11	2589 587	2			RECEIVER, Ash N N N Y2589587
12					BOLSTER, Quarter Trim Panel N N N N
	D520-1 AA2	1			N N NV8A YD520AA2
	D520-1 AM6	1			N N NV8M YD520AM6
	D520-1 BL3	1			N N NV8L YD520BL3
	D520-1 BT8	1			N N NV8T YD520BT8
	D522-3 AA3	1			N N NJ3A,J5A YD522AA3
	D522-3 AC7	1			N N NJ3C,J5C YD522AC7
	D522-3 AM6	1			N N NJ3M,J5M YD522AM6
	D522-3 BL3	1			N N NJ3L,J5L YD522BL3
	D522-3 BT8	1			N N NJ3T,J5T YD522BT8
	D542-3 BC8	1			N N NSPC YD542BC8
	D542-3 AK9	1			N N NSPTK YD542AK9
	D542-3 BM6	1			N N NSPM YD542BM6
	D542-3 BL3	1			N N NSPL YD542BL3
13	3762 862	AR			SILENCER (material 36" x 72") N N N Y3762862
14	6003 423	AR			FASTENER N N N Y6003423

MODEL CODES

B = GRAN FURY	G = DIPLOMAT	V = 400
C = LEBARON/TOWN & COUNTRY	M = HORIZON/TURISMO/SCAMP	X = MIRADA
D = ARIES	P = RELIANT	Y = IMPERIAL
E = 600	S = CORDOBA	Z = OMNI/CHARGER/RAMPAGE
F = FIFTH AVENUE	T = E CLASS/NEWYORKER	

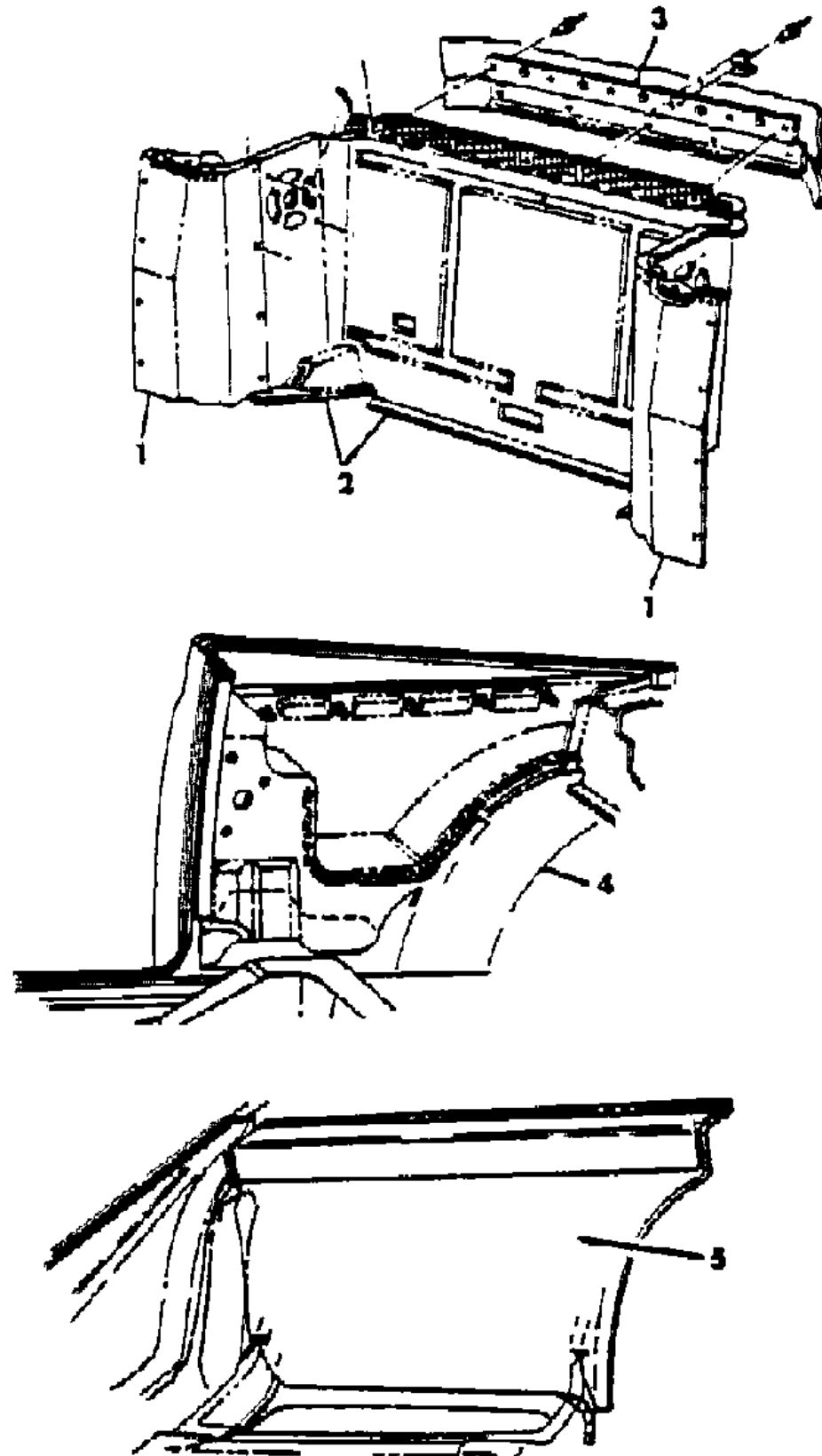
BODY STYLES

21 = 2-DOOR SEDAN	41 = 4-DOOR SEDAN
22 = 2-DOOR SPECIAL COUPE	45 = 4-DOOR STATION WAGON
24 = 2-DOOR HATCHBACK	44 = 4-DOOR HATCHBACK
27 = 2-DOOR CONVERTIBLE	48 = EXECUTIVE SEDAN
28 = FWD PICKUP	

AR = Use as Required - = Non Illustrated Part P.A.R. = Paint as Required

CONVERTIBLE TOP WELL CLOSURE (QUARTER PANEL) C,V - 27  
Figure IT-3063

3253 306300



ITEM	PART NUMBER	QTY	BODY	MODEL	DESCRIPTION
1	4097 596-7	1			PANEL, Top Well N N N Y4097596
2	4097 789	1			PANEL, Top Well Closure N N N Y4097789
3					REINFORCEMENT ASSY., Top Well N N N N
	F169 AM6	1			Red N N N YF169AM6
	F169 BT8	1			Brown N N N YF169BT8
4	4305 004-5	1			SHIELD, Water Quarter Inner N N N Y4305004
5	4097 783	1			PAD, Silencer Rear Compartment N N N Y4097783

MODEL CODES  
 B = GRAN FURY  
 C = LEBARON/TOWN & COUNTRY  
 D = ARIES  
 E = 600  
 F = FIFTH AVENUE  
 G = DIPLOMAT  
 M = HORIZON/TURISMO/SCAMP  
 P = RELIANT  
 S = CORDOBA  
 T = E CLASS/NEWYORKER  
 V = 400  
 X = MIRADA  
 Y = IMPERIAL  
 Z = OMNI/CHARGER/RAMPAGE

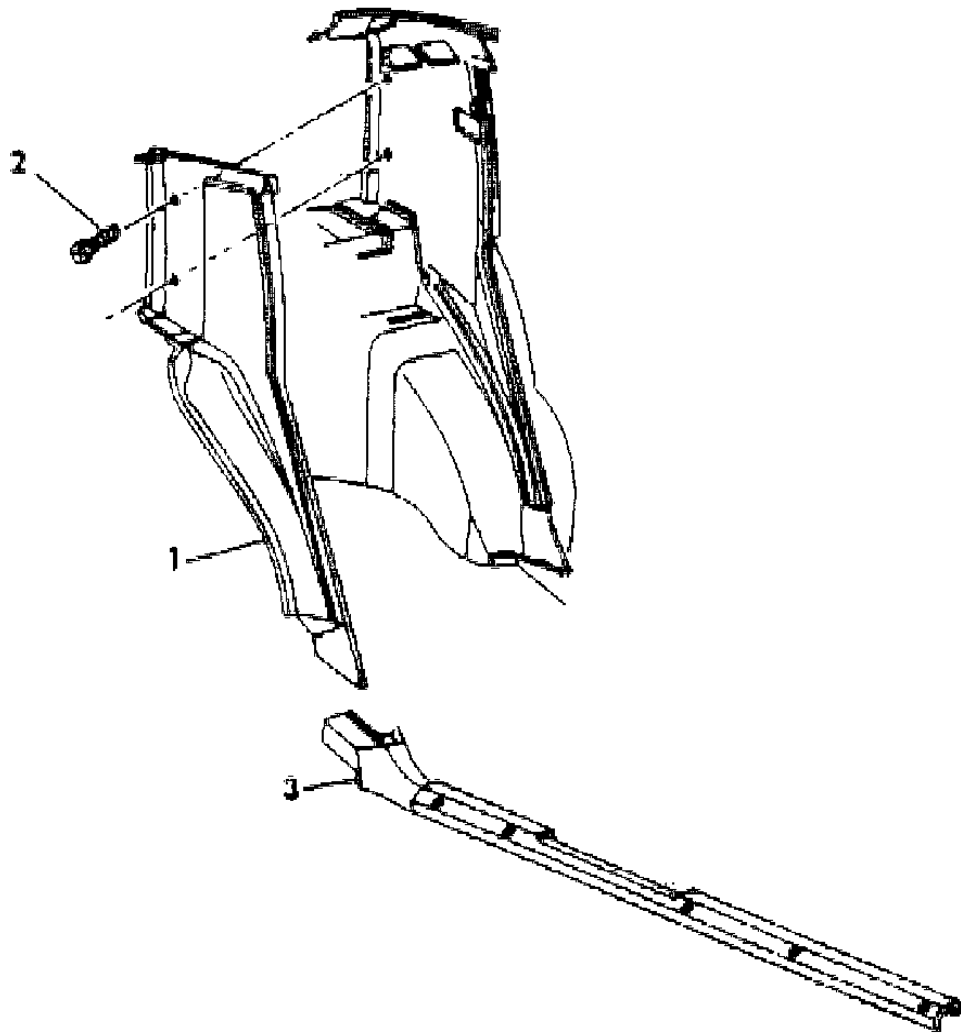
BODY STYLES  
 21 = 2-DOOR SEDAN  
 22 = 2-DOOR SPECIAL COUPE  
 24 = 2-DOOR HATCHBACK  
 27 = 2-DOOR CONVERTIBLE  
 28 = FWD PICKUP  
 41 = 4-DOOR SEDAN  
 45 = 4-DOOR STATION WAGON  
 44 = 4-DOOR HATCHBACK  
 48 = EXECUTIVE SEDAN

AR = Use as Required - = Non Illustrated Part P.A.R. = Paint as Required

QUARTER PANEL P,D,C,V - 41  
Figure IT-3064

ITEM	PART NUMBER	QTY	BODY	MODEL	DESCRIPTION
1	F152-3 VB2	1			PANEL, Quarter Trim (paint as required) N N N YF152VB2
2		AR			SCREW (not serviced) N N N N
3					PLATE, See Scuff Plate Illustration Group 23-TRIM N N N N

3253 306400



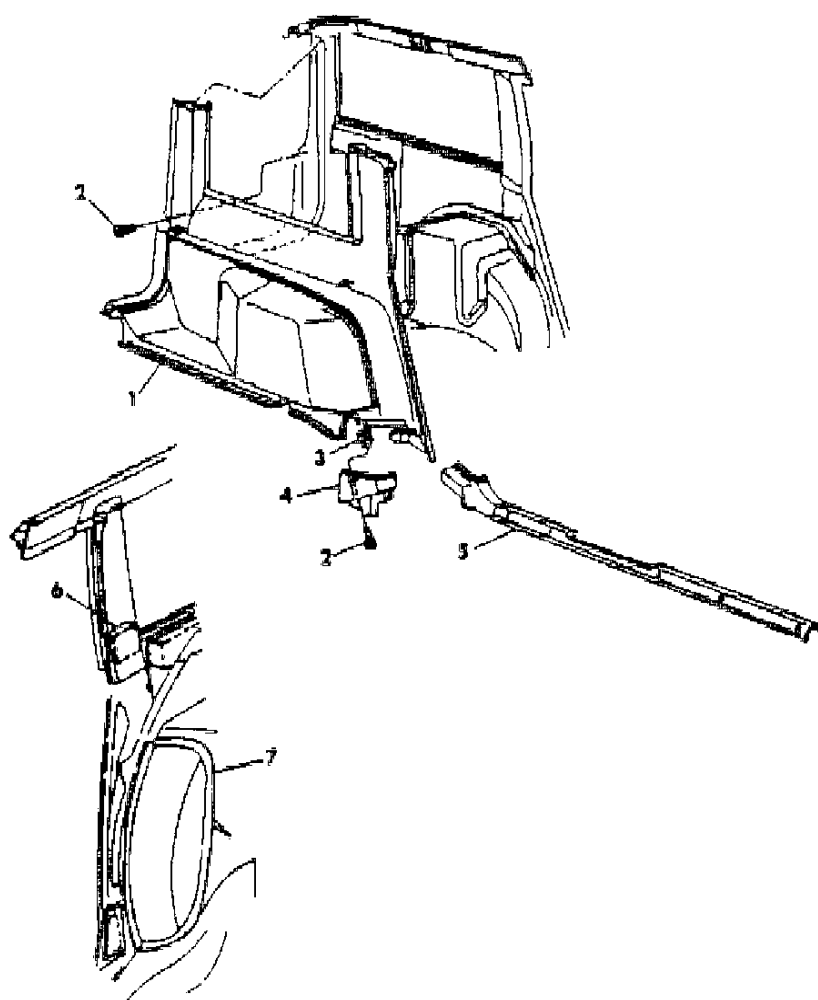
MODEL CODES  
 B = GRAN FURY  
 C = LEBARON/TOWN & COUNTRY  
 D = ARIES  
 E = 600  
 F = FIFTH AVENUE  
 G = DIPLOMAT  
 M = HORIZON/TURISMO/SCAMP  
 P = RELIANT  
 S = CORDOBA  
 T = E CLASS/NEWYORKER  
 V = 400  
 X = MIRADA  
 Y = IMPERIAL  
 Z = OMNI/CHARGER/RAMPAGE

BODY STYLES  
 21 = 2-DOOR SEDAN  
 22 = 2-DOOR SPECIAL COUPE  
 24 = 2-DOOR HATCHBACK  
 27 = 2-DOOR CONVERTIBLE  
 28 = FWD PICKUP  
 41 = 4-DOOR SEDAN  
 45 = 4-DOOR STATION WAGON  
 44 = 4-DOOR HATCHBACK  
 48 = EXECUTIVE SEDAN

AR = Use as Required - = Non Illustrated Part P.A.R. = Paint as Required

QUARTER PANEL P,D,C 45  
Figure IT-3065

3253 306300



ITEM	PART NUMBER	QTY	BODY	MODEL	DESCRIPTION
1	W244-5 VB2	1			PANEL, Quarter Trim (paint as required) NP,D N N YW244VB2
	W230-1 AM6	1			Red NC N N YW230AM6
	W230-1 BL3	1			Tan NC N N YW230BL3
	W230-1 BT8	1			Brown NC N N YW230BT8
					CARPET, Quarter Trim Panel N N N N
	W572-3 AM6	1			Red NC N N YW572AM6
	W572-3 BL3	1			Tan NC N N YW572BL3
2	W572-3 BT9	1			Brown NC N N YW572BT9
	9414 712	AR			SCREW N N N Y9414712
	6031 803	4			U/NUT N N N Y6031803
4	W240-1 VB2	2			PLATE, Seat Adjuster Access Hole Cover (paint as required) N N N YW240VB2
5					PLATE, See Scuff Plate illustration Group 23-TRIM N N N N
6	4136 546	2			PAD, Lock Pillar, Upper Silencer N N N Y4136546
7	4247 226-7	1			SILENCER, Wheelhouse Cover, Molded N N N Y4247226

MODEL CODES

B = GRAN FURY	G = DIPLOMAT	V = 400
C = LEBARON/TOWN & COUNTRY	M = HORIZON/TURISMO/SCAMP	X = MIRADA
D = ARIES	P = RELIANT	Y = IMPERIAL
E = 600	S = CORDOBA	Z = OMNI/CHARGER/RAMPAGE
F = FIFTH AVENUE	T = E CLASS/NEWYORKER	

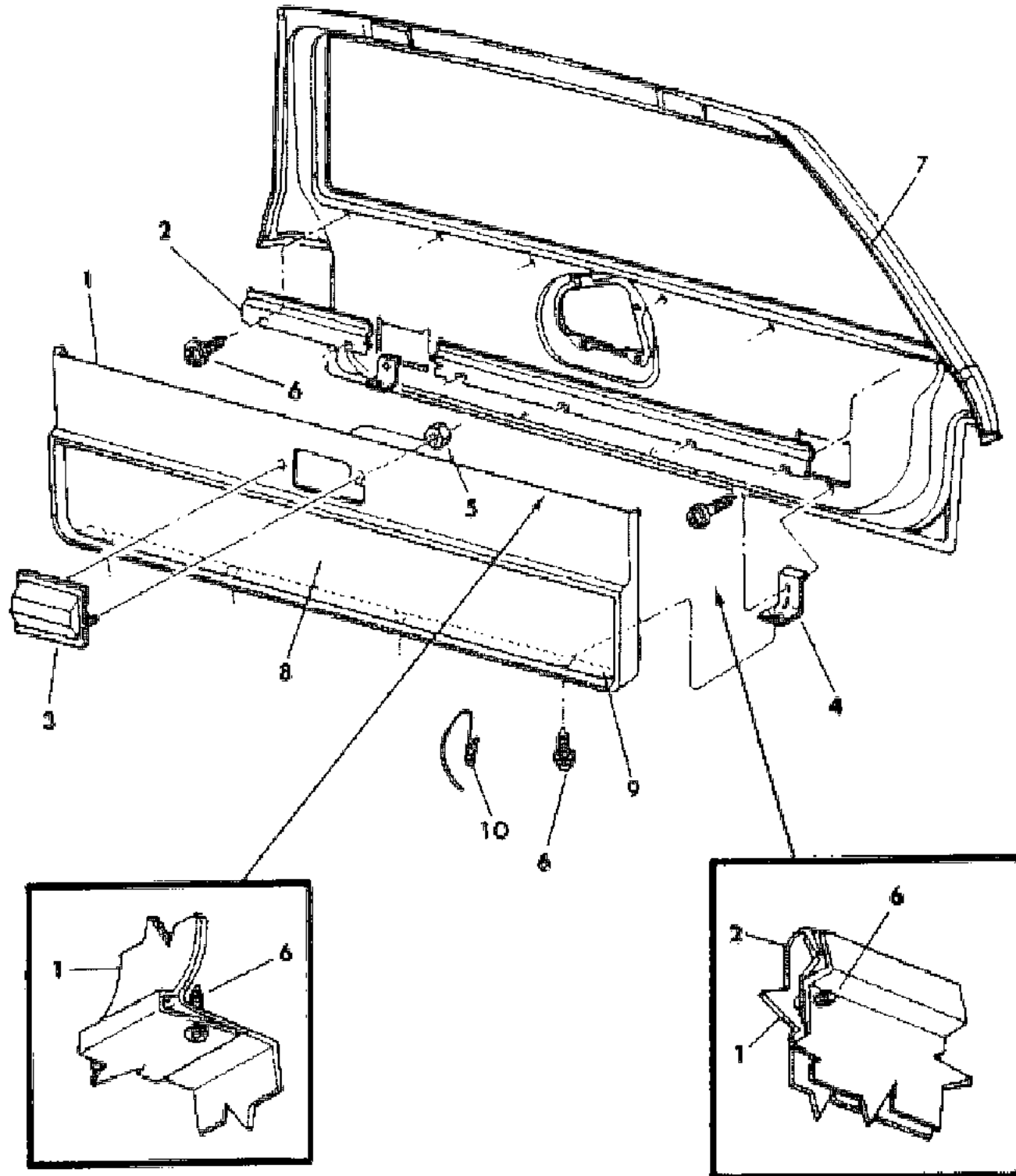
BODY STYLES

21 = 2-DOOR SEDAN	41 = 4-DOOR SEDAN
22 = 2-DOOR SPECIAL COUPE	45 = 4-DOOR STATION WAGON
24 = 2-DOOR HATCHBACK	44 = 4-DOOR HATCHBACK
27 = 2-DOOR CONVERTIBLE	48 = EXECUTIVE SEDAN
28 = FWD PICKUP	

AR = Use as Required - = Non Illustrated Part P.A.R. = Paint as Required

LIFT GATE TRIM PANEL P,D,C 45  
Figure IT-3066

3253 306600



ITEM	PART NUMBER	QTY	BODY	MODEL	DESCRIPTION
1	W665 AB2	1			PANEL, Lift Gate (paint as required) NP,D N N YW665AB2
	W663 AM6	1			Red NC N N YW663AM6
	W663 BL3	1			Tan NC N N YW663BL3
	W663 BT8	1			Brown NC N N YW663BT8
2	4078 310	AR			RETAINER N N N Y4078310
3	W661 VB2	1			COVER, Rear Wiper Moter (paint as required) N N N YW661VB2
4	4078 713	2			BRACKET, Trim to Inner Panel Attaching N N N Y4078713
5	6023 120	2			NUT N N N Y6023120
6	9420 486	12			SCREW N N N Y9420486
7	4078 959	AR			WELT or WEATHERSTRIP N N N Y4078959
8	4136 546	AR			PAD, Lift Gate Opening Silencer N N N Y4136546
9					CARPET, Trim Panel N N N N
	R118 VM6	1			Red NC N N YR118VM6
	W664 BL3	1			Tan NC N N YW664BL3
10	W664 BT8	1			Brown NC N N YW664BT8
	4247 884	1			CLIP N N N Y4247884

MODEL CODES

B = GRAN FURY	G = DIPLOMAT	V = 400
C = LEBARON/TOWN & COUNTRY	M = HORIZON/TURISMO/SCAMP	X = MIRADA
D = ARIES	P = RELIANT	Y = IMPERIAL
E = 600	S = CORDOBA	Z = OMNI/CHARGER/RAMPAGE
F = FIFTH AVENUE	T = E CLASS/NEWYORKER	

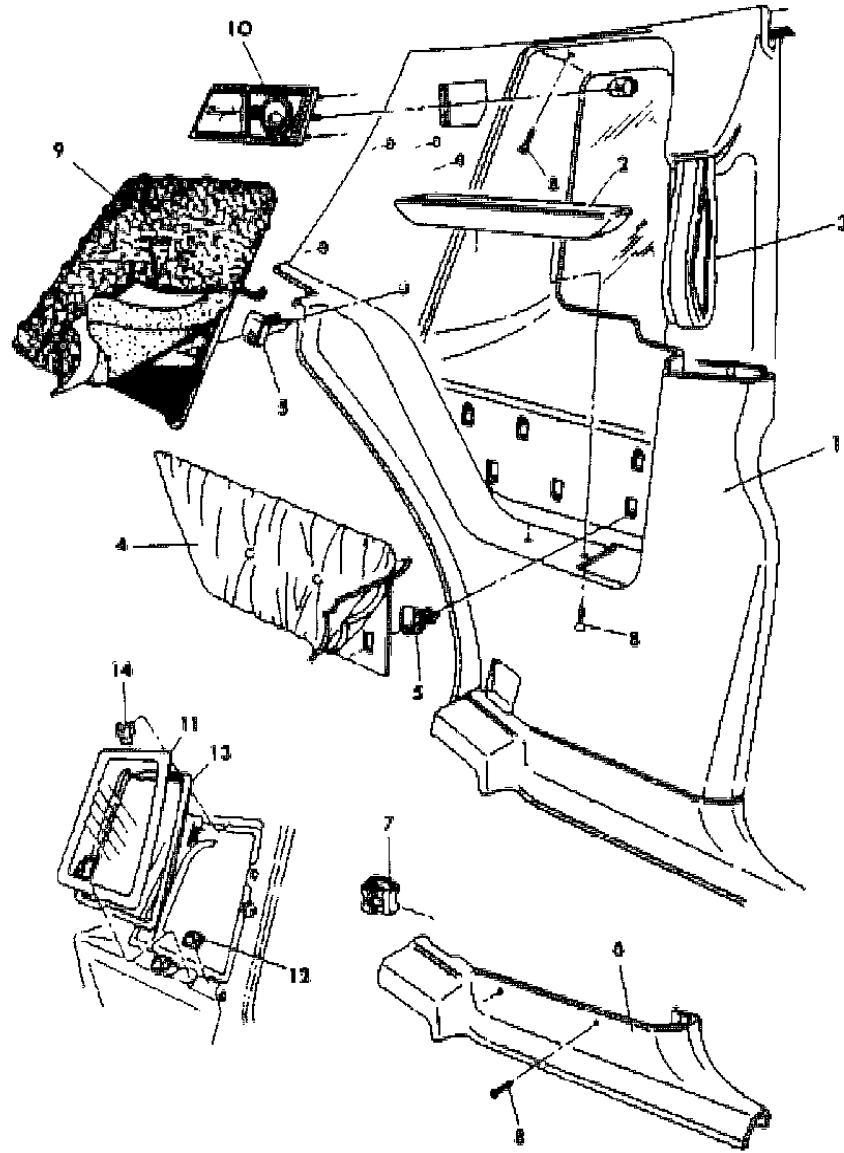
BODY STYLES

21 = 2-DOOR SEDAN	41 = 4-DOOR SEDAN
22 = 2-DOOR SPECIAL COUPE	45 = 4-DOOR STATION WAGON
24 = 2-DOOR HATCHBACK	44 = 4-DOOR HATCHBACK
27 = 2-DOOR CONVERTIBLE	48 = EXECUTIVE SEDAN
28 = FWD PICKUP	

AR = Use as Required - = Non Illustrated Part P.A.R. = Paint as Required

PANEL, QUARTER TRIM SEDAN & LIMO.  
Figure IT-3067

3253 306700 4



ITEM	PART NUMBER	QTY	BODY	MODEL	DESCRIPTION
1					PANEL, Quarter Trim N N N N
	4339 546-7	1			Silver N N N Y4339546
	4339 548-9	1			Blue N N N Y4339548
2					PAD, Armrest N N N N
	4339 550-1	1			Silver N N N Y4339550
	4339 552-3	1			Blue N N N Y4339552
3					STRAP, Assist N N N N
	4339 562	2			Silver N N N Y4339562
	4339 563	2			Blue N N N Y4339563
4					APPLIQUE N N N N
	4339 554-5	1			Silver N N N Y4339554
	4339 556-7	1			Blue N N N Y4339556
5	4114 785	AR			FASTENER N N N Y4114785
6					MOULDING, Quarter Trim N N N N
	4339 582-3	1			Silver N N N Y4339582
	4339 584-5	1			Blue N N N Y4339584
7		AR			NUT (Not Serviced) N N N N
8					SCREW (Not Serviced) N N N N
9					PILLOW, Quarter Trim N N N N
	4339 558-9	1			Silver N N N Y4339558
	4339 560-1	1			Blue N N N Y4339560
10	4339 740-1	1			LAMP, Quarter Reading N N N Y4339740
11	4339 622-3	1			GLASS, Quarter Window N N N Y4339622
12	4206 362	6			SPACER, Quarter Glass N N N Y4206362
13	4278 162	2			SPACER, Quarter Glass N N N Y4278162
14	4206 852	2			CLIP, Quarter Glass Mtg. N N N Y4206852

MODEL CODES

B = GRAN FURY	G = DIPLOMAT	V = 400
C = LEBARON/TOWN & COUNTRY	M = HORIZON/TURISMO/SCAMP	X = MIRADA
D = ARIES	P = RELIANT	Y = IMPERIAL
E = 600	S = CORDOBA	Z = OMNI/CHARGER/RAMPAGE
F = FIFTH AVENUE	T = E CLASS/NEWYORKER	

BODY STYLES

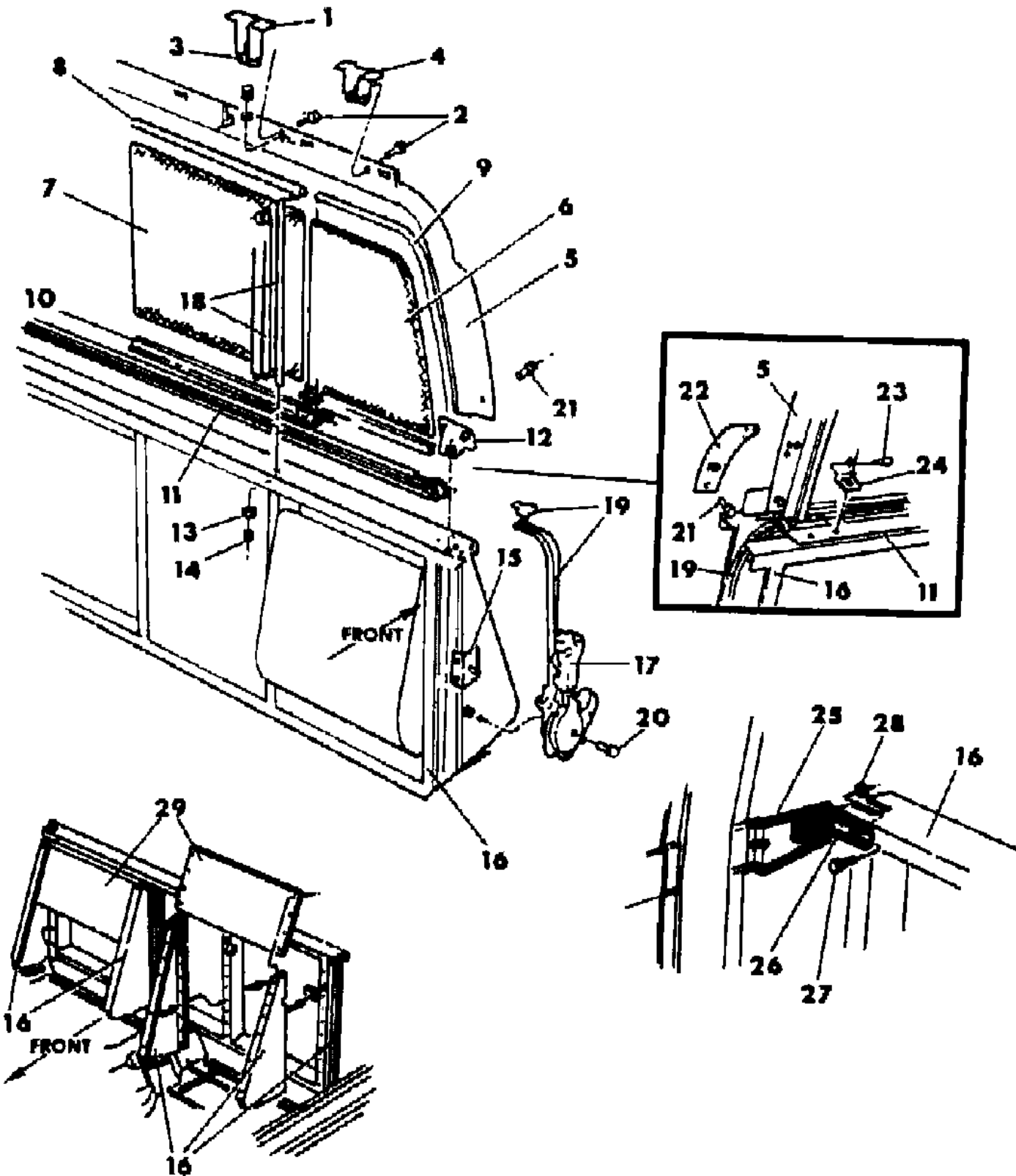
21 = 2-DOOR SEDAN	41 = 4-DOOR SEDAN
22 = 2-DOOR SPECIAL COUPE	45 = 4-DOOR STATION WAGON
24 = 2-DOOR HATCHBACK	44 = 4-DOOR HATCHBACK
27 = 2-DOOR CONVERTIBLE	48 = EXECUTIVE SEDAN
28 = FWD PICKUP	

AR = Use as Required - = Non Illustrated Part P.A.R. = Paint as Required



**DIVIDER, CENTER PRIVACY LIMO.  
Figure IT-3068**

3253 306800



ITEM	PART NUMBER	QTY	BODY	MODEL	DESCRIPTION
1	4339 938	2			BRACKET, Upper Track Support, Inner N N N Y4339938
2	6500 739	AR			BOLT N N N Y6500739
3	6101 283	AR			NUT N N N Y6101283
4	4339 937	2			BRACKET, Upper Track Support, Outer N N N Y4339937
5	4339 935	1			TRACK, Upper Divider Glass N N N Y4339935
6	4339 948	1			GLASS, Divider Stationary N N N Y4339948
7	4339 951	1			GLASS, Sliding N N N Y4339951
8	4339 956	1			CHANNEL, Sliding Glass Upper N N N Y4339956
9	4339 949	1			CHANNEL, Stationary Glass, Upper N N N Y4339949
	4339 950	1			Lower N N N Y4339950
10	4339 957	1			CHANNEL, Sliding Glass, Lower N N N Y4339957
11	4339 936	1			TRACK, Divider Glass, Lower N N N Y4339936
12	4339 939	1			BRACKET, Track Divider, Upper N N N Y4339939
13					WASHER (Not Serviced) N N N N
14					NUT (Not Serviced) N N N N
15	4342 073	1			BRACKET, Regulator N N N Y4342073
16	4339 862	1			FRAME, Center Divider, Lower N N N Y4339862
17	4342 072	1			MOTOR w/MECHANISM, Sliding Glass N N N Y4342072
18					MOULDING, Upper N N N N
		1			Silver N N N N0
		1			Blue N N N N0
19	4342 010	1			BRACKET w/TRACK, Sliding Window N N N Y4342010
20					BOLT (M6-1 X 16) (Not Serviced) N N N N
21					SCREW (Not Serviced) N N N N
22	4342 009	1			BRACE, Upper/Lower Divider N N N Y4342009
23	4342 008	1			BUMPER, Rubber N N N Y4342008
24	4339 953	1			BRACKET, Divider Glass Bumper N N N Y4339953
25	4342 016-7	1			BRACE, "B" Pillar to Frame N N N Y4342016
26	4342 018	2			BRACKET, Brace to Frame N N N Y4342018
27					BOLT (8M-7 X 12 Nylon) (Not Serviced) N N N N0
28					NUT (8M) (Not Serviced) N N N N0
29	4339 930	2			PLATE, Reinforcement N N N Y4339930

**MODEL CODES**

B = GRAN FURY	G = DIPLOMAT	V = 400
C = LEBARON/TOWN & COUNTRY	M = HORIZON/TURISMO/SCAMP	X = MIRADA
D = ARIES	P = RELIANT	Y = IMPERIAL
E = 600	S = CORDOBA	Z = OMNI/CHARGER/RAMPAGE
F = FIFTH AVENUE	T = E CLASS/NEWYORKER	

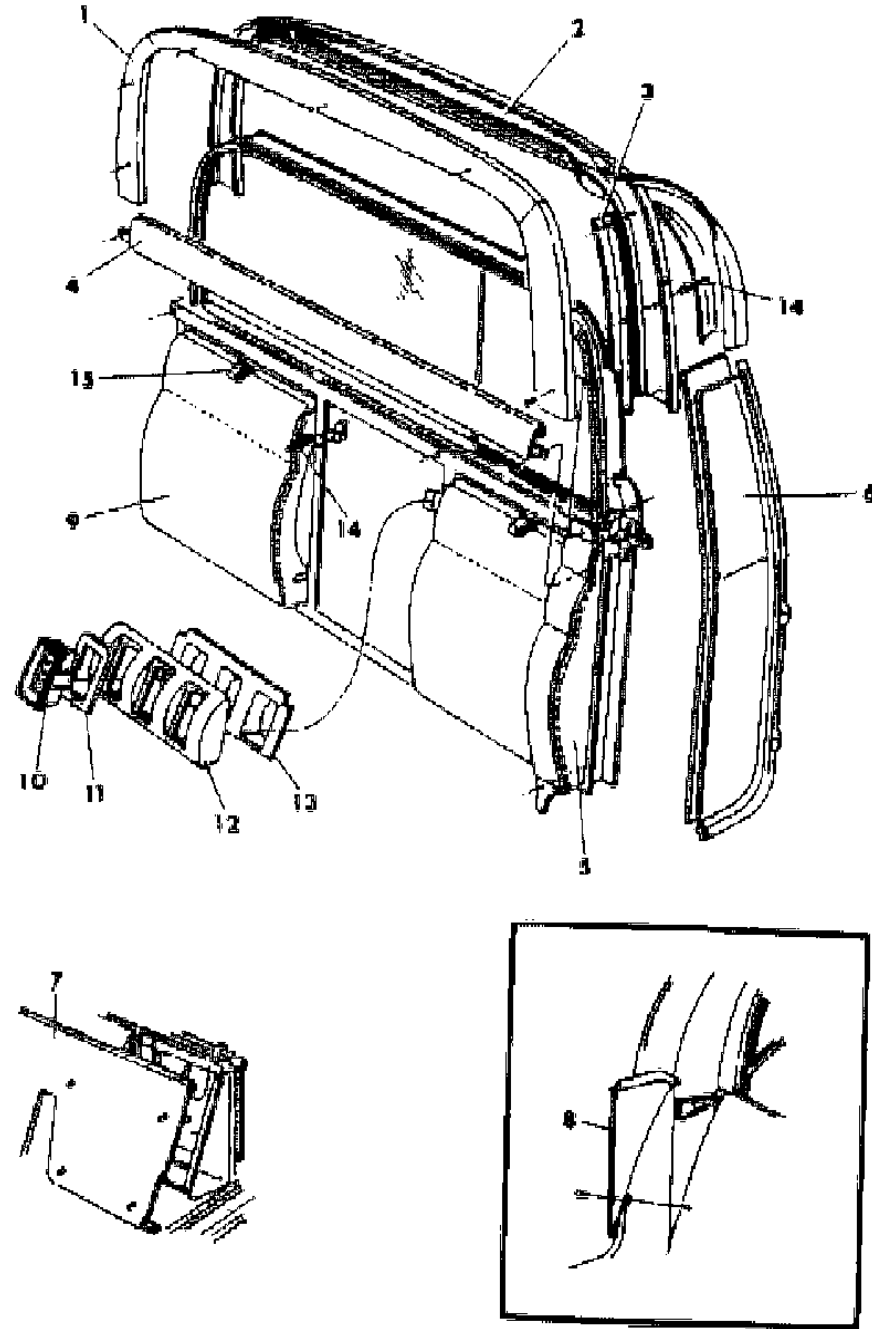
**BODY STYLES**

21 = 2-DOOR SEDAN	41 = 4-DOOR SEDAN
22 = 2-DOOR SPECIAL COUPE	45 = 4-DOOR STATION WAGON
24 = 2-DOOR HATCHBACK	44 = 4-DOOR HATCHBACK
27 = 2-DOOR CONVERTIBLE	48 = EXECUTIVE SEDAN
28 = FWD PICKUP	

AR = Use as Required - = Non Illustrated Part P.A.R. = Paint as Required

**TRIM PANELS, CENTER DIVIDER LIMO.  
Figure IT-3069**

3253 306 900



ITEM	PART NUMBER	QTY	BODY	MODEL	DESCRIPTION
1	4339 914	1			PANEL, Trim Upper Divider, Rear N N N N Silver N N N Y4339914
	4339 915	1			Blue N N N Y4339915
2	4339 908	1			PANEL, Trim Upper Divider, Front N N N N Silver N N N Y4339908
	4339 909	1			Blue N N N Y4339909
3					BRACKET (Serviced in Item No. 1) N N N N
4	4339 892	1			PANEL, Trim Divider Belt N N N N Silver N N N Y4339892
	4339 893	1			Blue N N N Y4339893
5	4339 898-9	1			PANEL, Trim Divider Outer Lower N N N N Silver N N N Y4339898
	4339 900-1	1			Blue N N N Y4339900
6	4339 894-5	1			PANEL, Trim Divider Front Outer N N N N Silver N N N Y4339894
	4339 896-7	1			Blue N N N Y4339896
7	4339 890	1			PANEL, Trim Divider Front Lower N N N N Silver N N N Y4339890
	4339 891	1			Blue N N N Y4339891
8	4339 910-1	1			PANEL, Front Divider Outer N N N N Silver N N N Y4339910
	4339 912-3	1			Blue N N N Y4339912
9	4339 906	2			TRIM, Back of Jump Seat Cushion N N N N Silver N N N Y4339906
	4339 907	2			Blue N N N Y4339907
10	3847 978	AR			BEZEL, A/C Outlet N N N Y3847978
11					TAPE (.125 X.50) (Not Serviced) N N N N
12	4342 024	1			PANEL, Divider A/C N N N N Silver N N N Y4342024
	4342 025	1			Blue N N N Y4342025
13	4342 027	1			DUCT, A/C Panel Inner N N N Y4342027
14					RIVET (Not Serviced) N N N N
15					PULL STRAP (Serviced In Jump Seat) N N N N

**MODEL CODES**

B = GRAN FURY	G = DIPLOMAT	V = 400
C = LEBARON/TOWN & COUNTRY	M = HORIZON/TURISMO/SCAMP	X = MIRADA
D = ARIES	P = RELIANT	Y = IMPERIAL
E = 600	S = CORDOBA	Z = OMNI/CHARGER/RAMPAGE
F = FIFTH AVENUE	T = E CLASS/NEWYORKER	

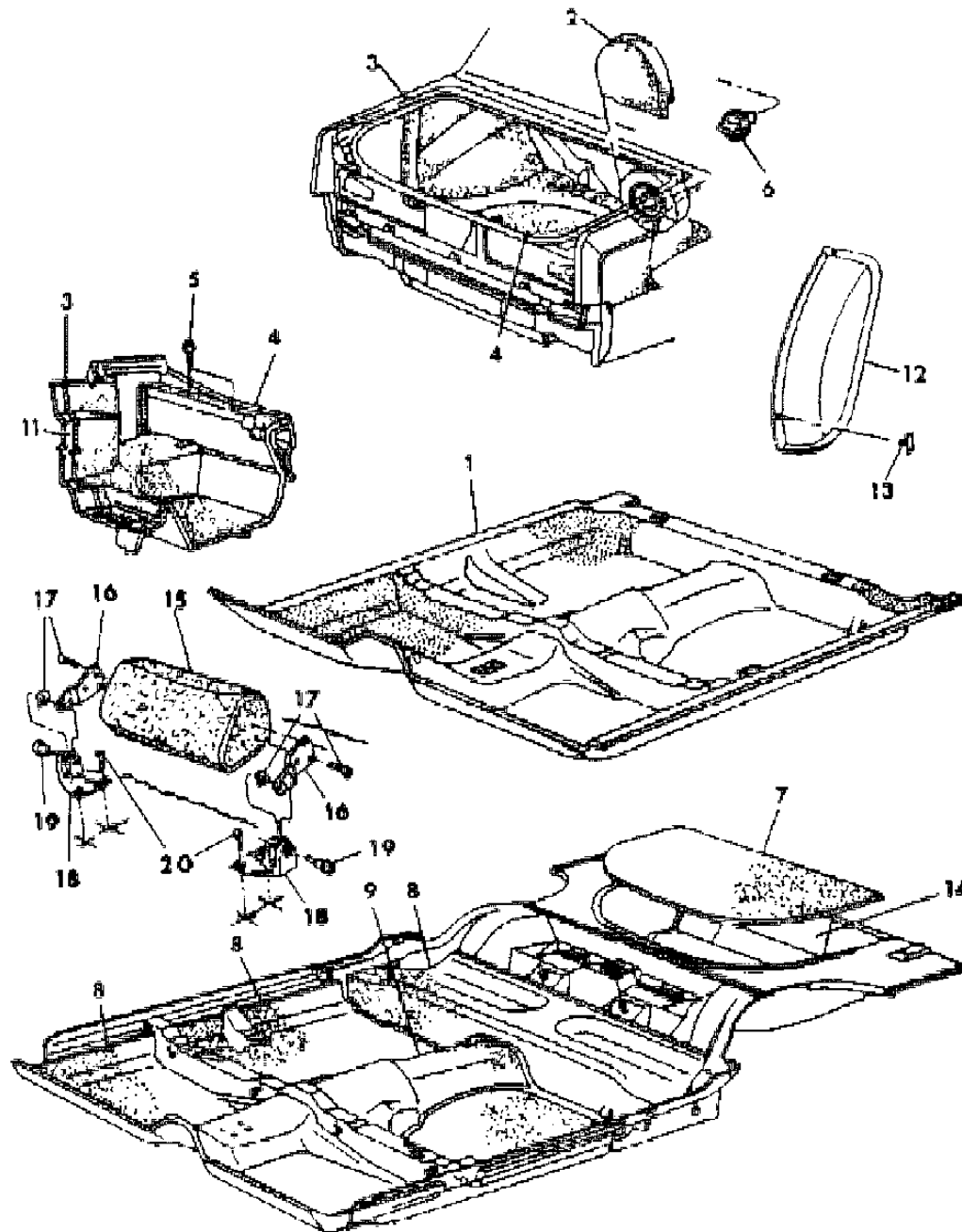
**BODY STYLES**

21 = 2-DOOR SEDAN	41 = 4-DOOR SEDAN
22 = 2-DOOR SPECIAL COUPE	45 = 4-DOOR STATION WAGON
24 = 2-DOOR HATCHBACK	44 = 4-DOOR HATCHBACK
27 = 2-DOOR CONVERTIBLE	48 = EXECUTIVE SEDAN
28 = FWD PICKUP	

AR = Use as Required - = Non Illustrated Part P.A.R. = Paint as Required

CARPET P,D,C,V  
Figure IT-3081

3253 308 100 A



ITEM	PART NUMBER	QTY	BODY	MODEL	DESCRIPTION
1					CARPET, Front and Rear N N N N
	M641 BA7	1			Silver N N N YM641BA7
	M641 BC7	1			Blue, Dark N N N YM641BC7
	M641 BM6	1			Red N N N YM641BM6
	M641 BT9	1			Brown N N N YM641BT9
	4339 538	1			Front, Silver N NSedan N Y4339538
	4339 539	1			Front, Blue N NSedan N Y4339539
	4339 940	1			Front, Silver N NLimo. N Y4339940
	4339 941	1			Front, Blue N NLimo. N Y4339941
	4339 540	1			Rear, Silver N NSedan N Y4339540
	4339 541	1			Rear, Blue N NSedan N Y4339541
	4339 942	1			Rear, Silver N NLimo. N Y4339942
	4339 943	1			Rear, Blue N NLimo. N Y4339943
2	4223 273	1			COVER, Spare Tire, Mini Tire (carpet) N N21,22,41 N Y4223273
	4282 238	1			N NSEDAN & LIMON Y4282238
	4223 730	1			Full Tire (carpet) N N21,22,41 N Y4223730
3	4077 906-7	1			CARPET, Wheelhouse N N21,22,41 N Y4077906
4	4078 122	1			CARPET, Floor and Deck Lower Panel (w/Trunk Dress up) N N21,22,41 N Y4078122
	4223 961	1			(w/o Trunk Dress up) N N21,22,41 N Y4223961
5		AR			SCREW (not serviced) N N21,22,41 N N
6	4223 983	1			FASTENER, Spare Tire Cover Attaching N N21,22,41 N Y4223983
7	4223 959	1			CARPET, Floor Well N N21,22,41 N Y4223959
8	4186 901	AR			SILENCER N N N Y4186901
9	4223 991	AR			SILENCER N N N Y4223991
11	3762 862	AR			SILENCER, Wheelhouse (material 36" x 72") N N N Y3762862
12	4247 226-7	1			SILENCER, Wheelhouse Inner (36" x 72" Material) NC,V N N Y4247226
13	6003 683	1			FASTENER, Wheelhouse Carpet (left side) N N N Y6003683
	6003 351	AR			FASTENER, Silencer Attaching (left side) N N N Y6003351
14	3762 862	AR			SILENCER (material 36" x 72") N N N Y3762862
15					FOOTREST N N N N
	4339 544	2			Silver N NSedan & LimoN Y4339544
	4339 545	2			Blue N NSedan & LimoN Y4339545
16-17	4339 670-1	1			KIT, Footrest Arm Bracket N NSedan & LimoN Y4339670
16					ARM, Footrest (Serviced In Kit) N NSedan & LimoN N

MODEL CODES

B = GRAN FURY	G = DIPLOMAT	V = 400
C = LEBARON/TOWN & COUNTRY	M = HORIZON/TURISMO/SCAMP	X = MIRADA
D = ARIES	P = RELIANT	Y = IMPERIAL
E = 600	S = CORDOBA	Z = OMNI/CHARGER/RAMPAGE
F = FIFTH AVENUE	T = E CLASS/NEWYORKER	

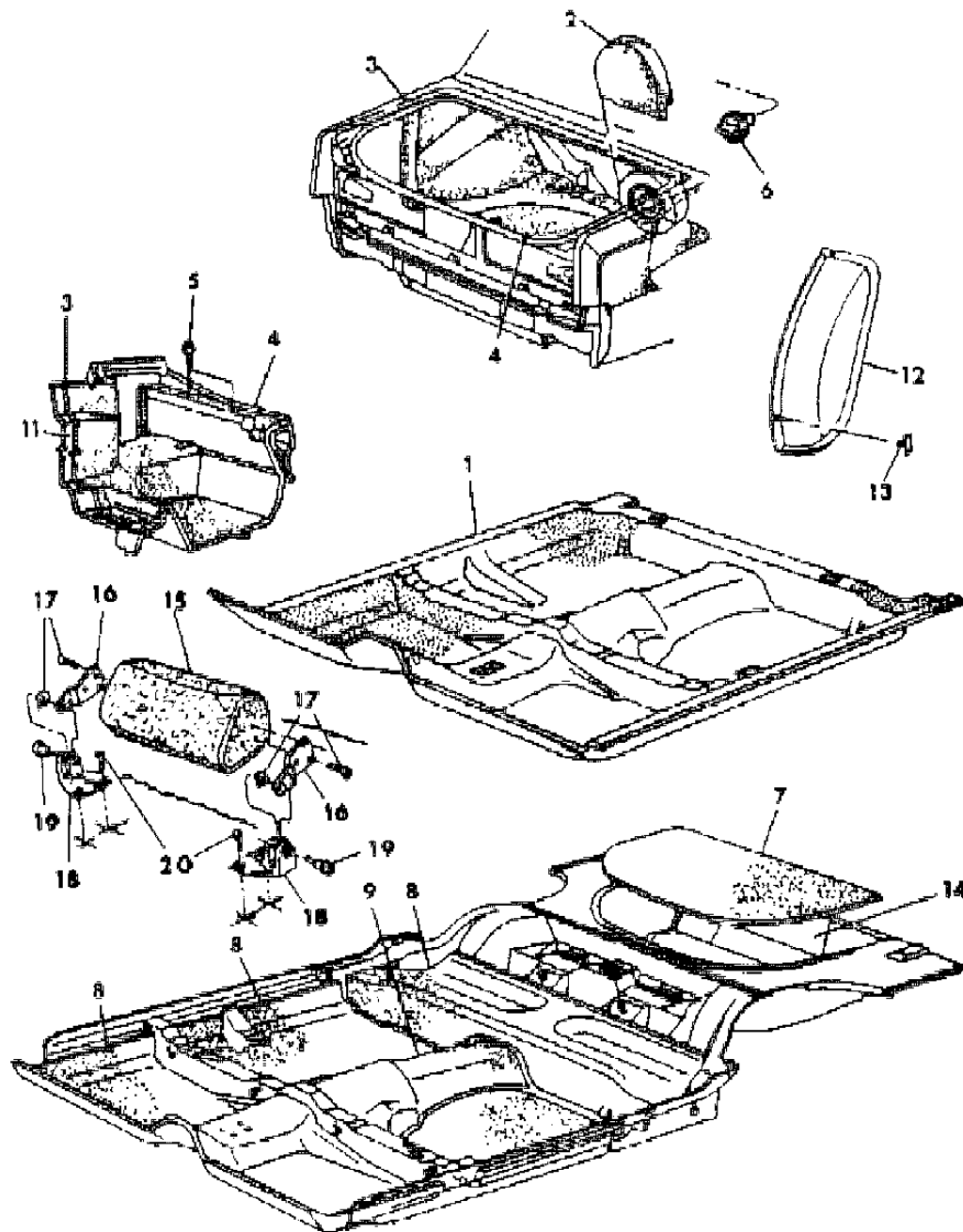
BODY STYLES

21 = 2-DOOR SEDAN	41 = 4-DOOR SEDAN
22 = 2-DOOR SPECIAL COUPE	45 = 4-DOOR STATION WAGON
24 = 2-DOOR HATCHBACK	44 = 4-DOOR HATCHBACK
27 = 2-DOOR CONVERTIBLE	48 = EXECUTIVE SEDAN
28 = FWD PICKUP	

AR = Use as Required - = Non Illustrated Part P.A.R. = Paint as Required

CARPET P,D,C,V  
Figure IT-3081

3253 308 100 A



ITEM	PART NUMBER	QTY	BODY	MODEL	DESCRIPTION
17					SCREW (Serviced In Kit) N NSedan & LimoN N
18-20	4339 672-3	1			KIT, Footrest Support Bracket N NSedan & LimoN Y4339672
18					BRACKET, Footrest (Serviced In Kit) N NSedan & LimoN N
19					BOLT (Serviced In Kit) N NSedan & LimoN N
20					SCREW (Serviced In Kit) N NSedan & LimoN N
					CARPETED FLOOR MAT PACKAGE, Set of 2 N N N N
					Front N N N N
	M022 AA7	1			Silver N N N YM022AA7
	M022 AC7	1			Blue, Dark N N N YM022AC7
	M022 VM6	1			Red N N N YM022VM6
	M022 BT9	1			Brown N N N YM022BT9
					Rear N N N N
	M024 AA7	1			Silver N N N YM024AA7
	M024 VC7	1			Blue, Dark N N N YM024VC7
	M024 VM6	1			Red N N N YM024VM6
	M024 BT9	1			Brown N N N YM024BT9
	4339 542	1			Silver N NSedan & LimoN Y4339542
	4339 543	1			Blue N NSedan & LimoN Y4339543
					CARPET, Roll Stock 54" Wide Order By The Inch (used on seats) N N N N
	R112 AA7	AR			Silver N N N YR112AA7
	R112 SC7	AR			Blue, Dark N N N YR112SC7
	R112 TM6	AR			Red N N N YR112TM6
	R112 BL3	AR			Tan N N N YR112BL3
	R112 BT9	AR			Brown N N N YR112BT9
					CARPET, Roll Stock 54" Wide Order By The Inch (used on doors) N N N N
	R113 AA7	AR			Silver N N N YR113AA7
	R113 SC7	AR			Blue, Dark N N N YR113SC7
	R113 TM6	AR			Red N N N YR113TM6
	R113 BL3	AR			Tan N N N YR113BL3
	R113 BT9	AR			Brown N N N YR113BT9

MODEL CODES

B = GRAN FURY	G = DIPLOMAT	V = 400
C = LEBARON/TOWN & COUNTRY	M = HORIZON/TURISMO/SCAMP	X = MIRADA
D = ARIES	P = RELIANT	Y = IMPERIAL
E = 600	S = CORDOBA	Z = OMNI/CHARGER/RAMPAGE
F = FIFTH AVENUE	T = E CLASS/NEWYORKER	

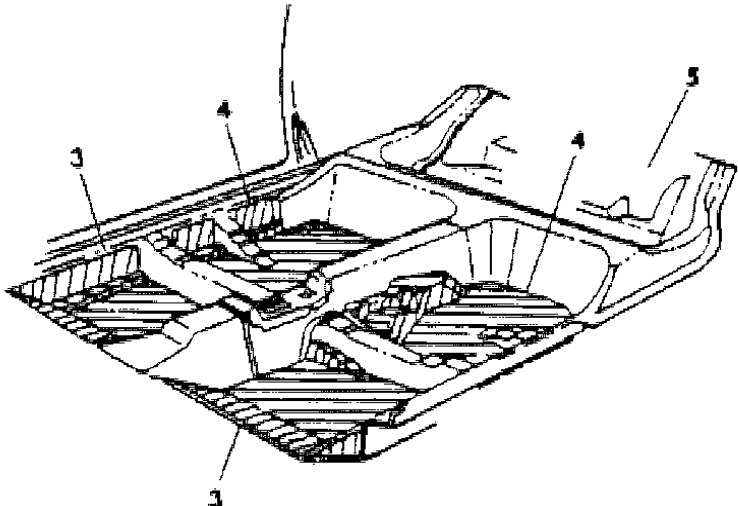
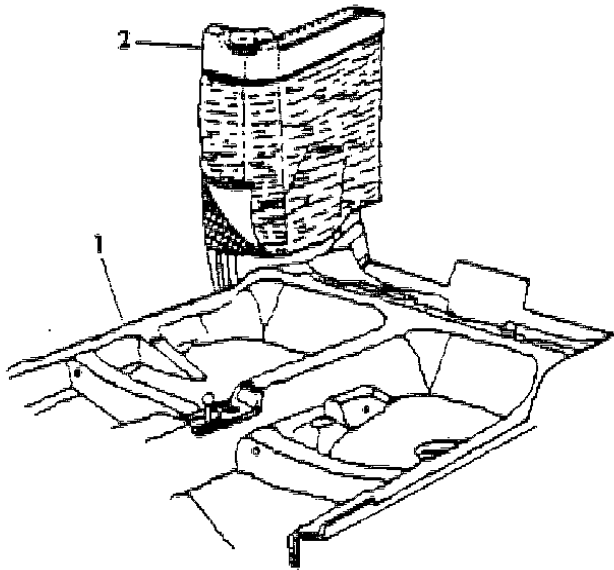
BODY STYLES

21 = 2-DOOR SEDAN	41 = 4-DOOR SEDAN
22 = 2-DOOR SPECIAL COUPE	45 = 4-DOOR STATION WAGON
24 = 2-DOOR HATCHBACK	44 = 4-DOOR HATCHBACK
27 = 2-DOOR CONVERTIBLE	48 = EXECUTIVE SEDAN
28 = FWD PICKUP	

AR = Use as Required - = Non Illustrated Part P.A.R. = Paint as Required

CONVERTIBLE CARPET C,V 27  
Figure IT-3082

3253.3 08 200



ITEM	PART NUMBER	QTY	BODY	MODEL	DESCRIPTION
1					CARPET, Front and Rear N N N N
	M623 BT9	1			Brown N N N YM623BT9
	M623 BM6	1			Red N N N YM623BM6
2					CARPET, Top Well (quarter panel) N N N N
	M620-1 AT6	1			Cashmere N N N YM620AT6
	M620-1 BT9	1			Mahogany N N N YM620BT9
	M620-1 AM6	1			Red N N N YM620AM6
3	4305 072-3	1			SILENCER, Front N N N Y4305072
4	4097 780-1	1			SILENCER, Rear N N N Y4097780
5	4097 783	1			PAD, Rear Compartment N N N Y4097783
The following parts are not illustrated. s ARE NOT RETURNABLE.					
	4077 906-7	1			CARPET, Wheelhouse N N N Y4077906
	6003 683	1			Fastener, Wheelhouse Carpet Attaching, Left Side N N N Y6003683

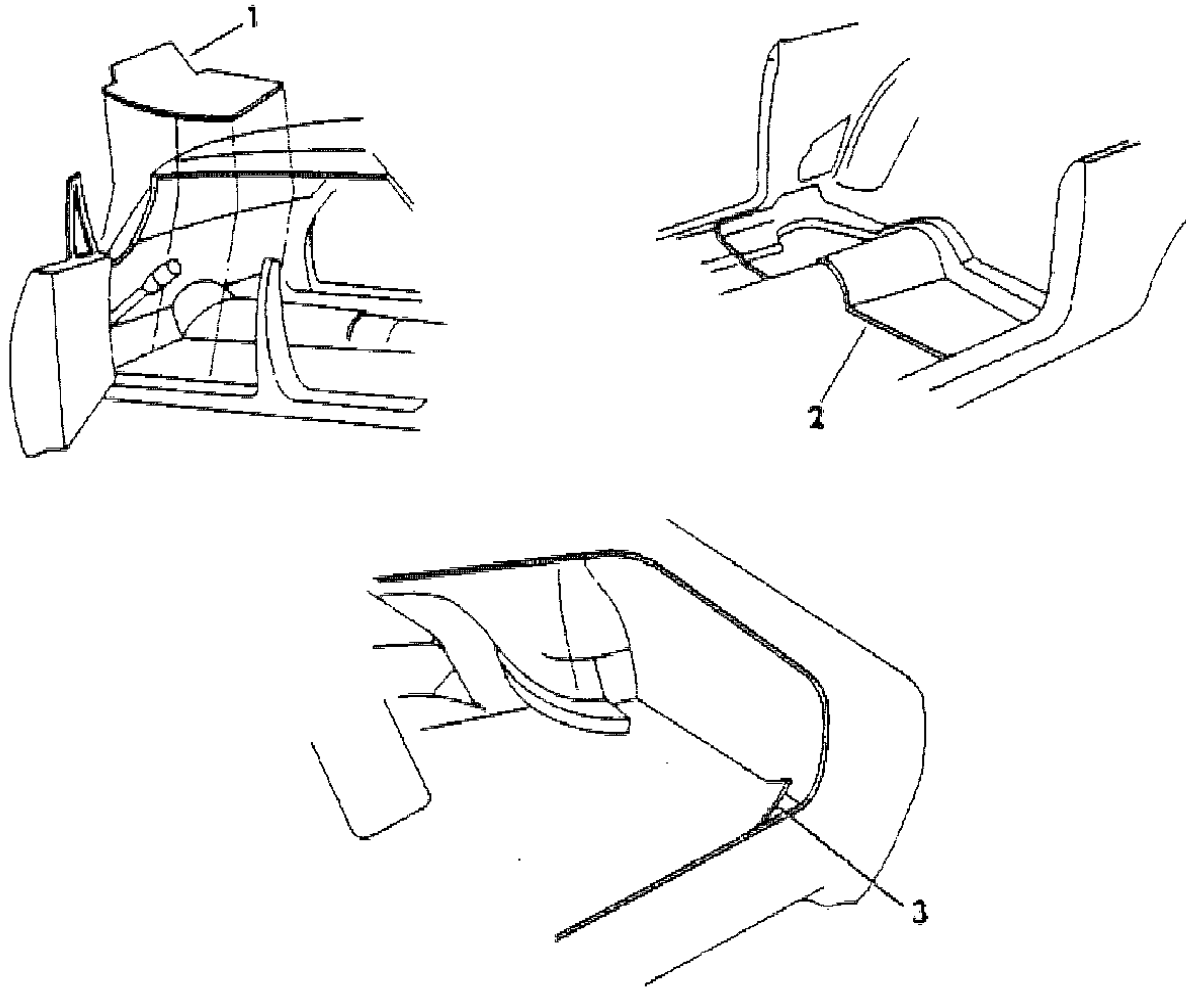
MODEL CODES  
 B = GRAN FURY  
 C = LEBARON/TOWN & COUNTRY  
 D = ARIES  
 E = 600  
 F = FIFTH AVENUE  
 G = DIPLOMAT  
 M = HORIZON/TURISMO/SCAMP  
 P = RELIANT  
 S = CORDOBA  
 T = E CLASS/NEWYORKER  
 V = 400  
 X = MIRADA  
 Y = IMPERIAL  
 Z = OMNI/CHARGER/RAMPAGE

BODY STYLES  
 21 = 2-DOOR SEDAN  
 22 = 2-DOOR SPECIAL COUPE  
 24 = 2-DOOR HATCHBACK  
 27 = 2-DOOR CONVERTIBLE  
 28 = FWD PICKUP  
 41 = 4-DOOR SEDAN  
 45 = 4-DOOR STATION WAGON  
 44 = 4-DOOR HATCHBACK  
 48 = EXECUTIVE SEDAN

AR = Use as Required - = Non Illustrated Part P.A.R. = Paint as Required

MATS FRONT AND REAR P,D  
Figure IT-3083

3253-308300



ITEM	PART NUMBER	QTY	BODY	MODEL	DESCRIPTION
1	4248 256	1			MAT, Rubber, Heavy Duty, Front (black) N N N Y4248256
2	4247 450	1			MAT, Rubber, Heavy Duty, Rear, (black) N N N Y4247450
3	4078 537	1			MAT, Luggage Compartment Floor Well w/Mini Spare N N N Y4078537

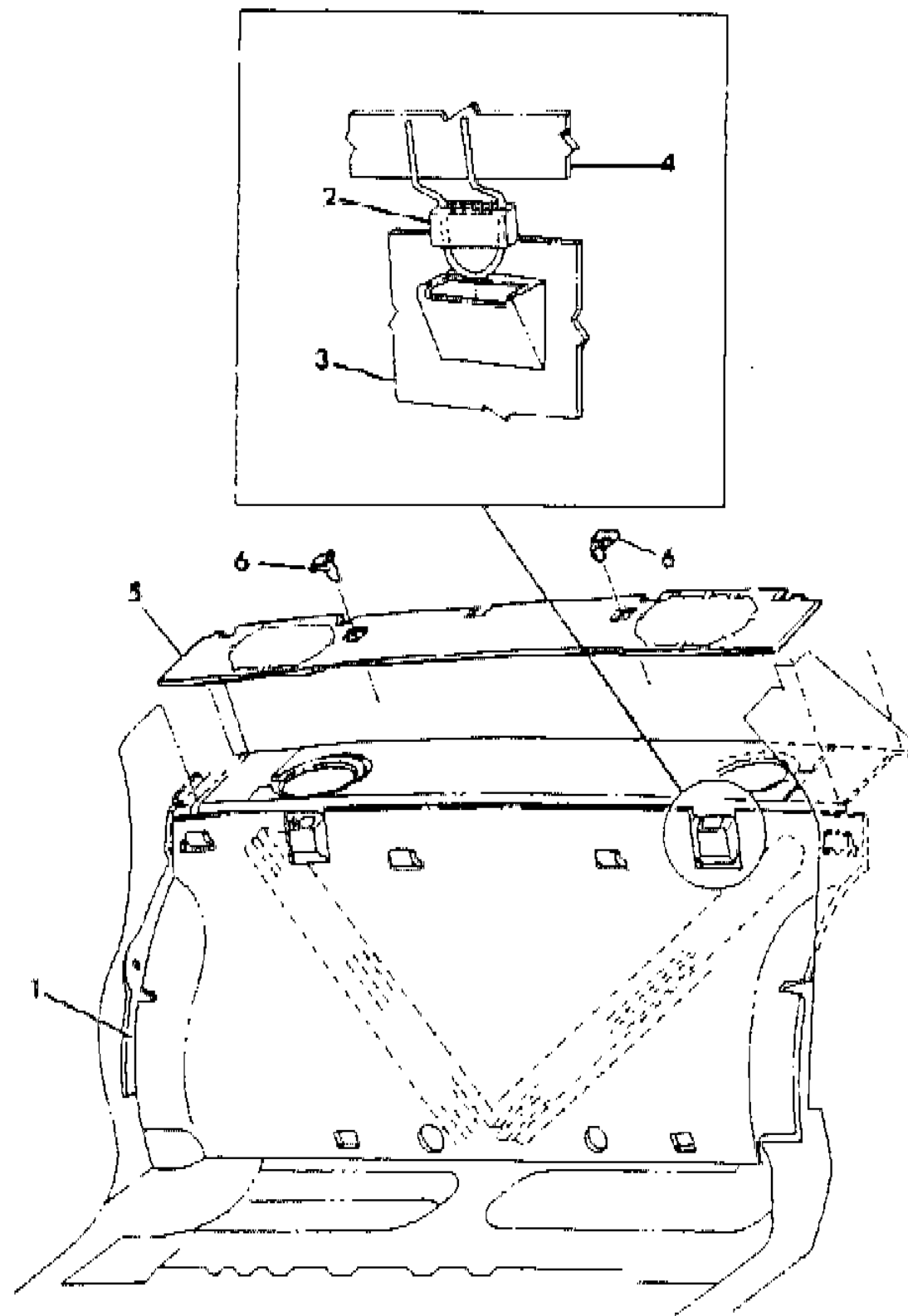
MODEL CODES  
 B = GRAN FURY  
 C = LEBARON/TOWN & COUNTRY  
 D = ARIES  
 E = 600  
 F = FIFTH AVENUE  
 G = DIPLOMAT  
 M = HORIZON/TURISMO/SCAMP  
 P = RELIANT  
 S = CORDOBA  
 T = E CLASS/NEWYORKER  
 V = 400  
 X = MIRADA  
 Y = IMPERIAL  
 Z = OMNI/CHARGER/RAMPAGE

BODY STYLES  
 21 = 2-DOOR SEDAN  
 22 = 2-DOOR SPECIAL COUPE  
 24 = 2-DOOR HATCHBACK  
 27 = 2-DOOR CONVERTIBLE  
 28 = FWD PICKUP  
 41 = 4-DOOR SEDAN  
 45 = 4-DOOR STATION WAGON  
 44 = 4-DOOR HATCHBACK  
 48 = EXECUTIVE SEDAN

AR = Use as Required - = Non Illustrated Part P.A.R. = Paint as Required

**SILENCERS REAR COMPARTMENT P,D,C,V - 21,22,41**  
**Figure IT-3084**

3253.308400



ITEM	PART NUMBER	QTY	BODY	MODEL	DESCRIPTION
1	4247 715	1			SILENCER, Luggage Compartment Front liner N N N Y4247715
2	4239 182	1			SEAL, Rear Seat Back to Shelf Panel N N N Y4239182
3					SHELF PANEL (ref.) N N N N
4					SPRING, Rear Seat Back (ref.) N N N N
5	4223 571	1			SILENCER, Sound Barrier N N N Y4223571
6	6003 325	1			FASTENER N N N Y6003325

**MODEL CODES**

B = GRAN FURY	G = DIPLOMAT	V = 400
C = LEBARON/TOWN & COUNTRY	M = HORIZON/TURISMO/SCAMP	X = MIRADA
D = ARIES	P = RELIANT	Y = IMPERIAL
E = 600	S = CORDOBA	Z = OMNI/CHARGER/RAMPAGE
F = FIFTH AVENUE	T = E CLASS/NEWYORKER	

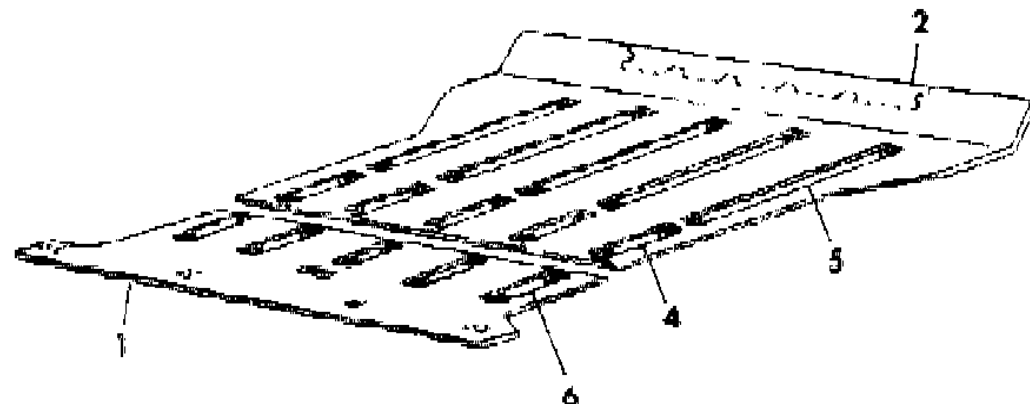
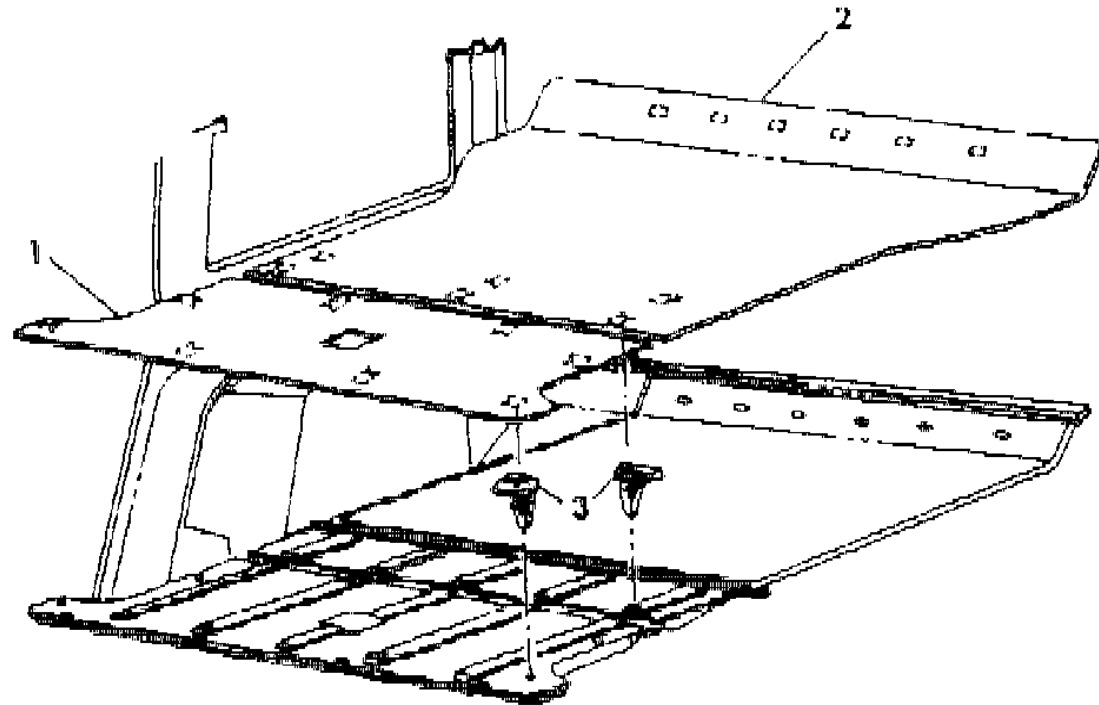
**BODY STYLES**

21 = 2-DOOR SEDAN	41 = 4-DOOR SEDAN
22 = 2-DOOR SPECIAL COUPE	45 = 4-DOOR STATION WAGON
24 = 2-DOOR HATCHBACK	44 = 4-DOOR HATCHBACK
27 = 2-DOOR CONVERTIBLE	48 = EXECUTIVE SEDAN
28 = FWD PICKUP	

AR = Use as Required - = Non Illustrated Part P.A.R. = Paint as Required

**CARPET CARGO AREA P,D,C 45**  
**Figure IT-3085**

3253 108500



ITEM	PART NUMBER	QTY	BODY	MODEL	DESCRIPTION
1					CARPET, Rear Seat Back N N N N
	M662 BC7	1			Blue NP,D N N YM662BC7
	M662 VM6	1			Red NP,D N N YM662VM6
	M662 BL3	1			Tan NP,D N N YM662BL3
	W270 AM6	1			Red NC N N YW270AM6
	W270 BL3	1			Tan NC N N YW270BL3
	W270 BT9	1			Brown NC N N YW270BT9
2					CARPET, Cargo Floor N N N N
	M672 BC7	1			Blue NP,D N N YM672BC7
	M672 VM6	1			Red NP,D N N YM672VM6
	M672 BL3	1			Tan NP,D N N YM672BL3
	W271 AM6	1			Red NC N N YW271AM6
	W271 BL3	1			Tan NC N N YW271BL3
	W271 BT9	1			Brown NC N N YW271BT9
3	4114 785	AR			FASTENER, Carpet N N N Y4114785
4	4247 142	5			MOULDING, Rear Seat Back Filler (Skid Strips) NC N N Y4247142
5	4247 143	5			MOULDING, Cargo Floor (skid strips) NC N N Y4247143
6	2086 533	5			MOULDING, Rear Seat Back Carpet NC-P N N Y2086533

MODEL CODES  
 B = GRAN FURY  
 C = LEBARON/TOWN & COUNTRY  
 D = ARIES  
 E = 600  
 F = FIFTH AVENUE  
 G = DIPLOMAT  
 M = HORIZON/TURISMO/SCAMP  
 P = RELIANT  
 S = CORDOBA  
 T = E CLASS/NEWYORKER  
 V = 400  
 X = MIRADA  
 Y = IMPERIAL  
 Z = OMNI/CHARGER/RAMPAGE

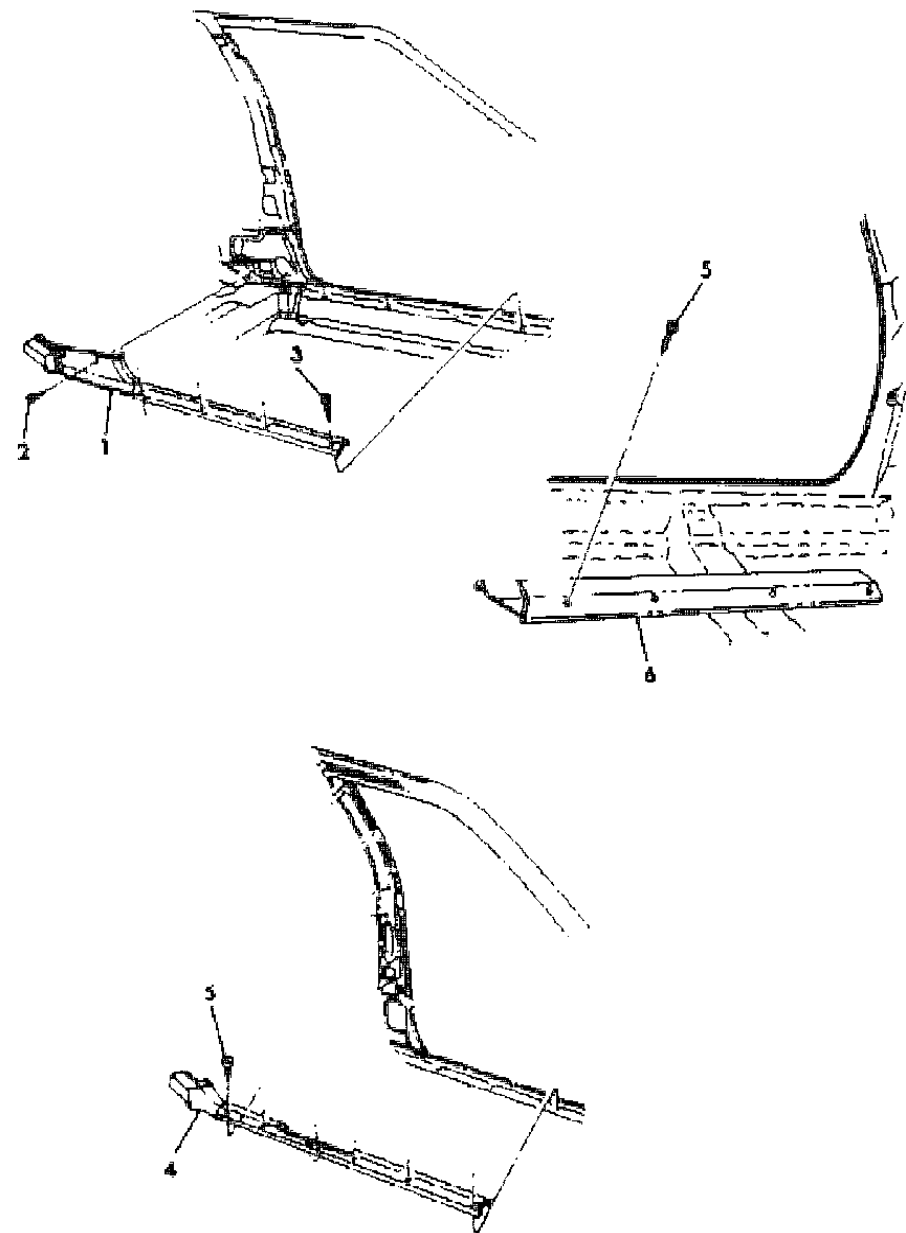
BODY STYLES  
 21 = 2-DOOR SEDAN  
 22 = 2-DOOR SPECIAL COUPE  
 24 = 2-DOOR HATCHBACK  
 27 = 2-DOOR CONVERTIBLE  
 28 = FWD PICKUP  
 41 = 4-DOOR SEDAN  
 45 = 4-DOOR STATION WAGON  
 44 = 4-DOOR HATCHBACK  
 48 = EXECUTIVE SEDAN

AR = Use as Required - = Non Illustrated Part P.A.R. = Paint as Required



**SCUFF PLATES BODY SIDE SILL AND DOOR P,D,C,V**  
**Figure IT-3086**

3253 308600



ITEM	PART NUMBER	QTY	BODY	MODEL	DESCRIPTION
1	M904-5 VB2	1			PLATE, Door Sill Scuff Louer (paint as required) N N21,22 N YM904VB2
2		4			SCREW (not serviced) N N21,22 N N
3	9414 712	8			SCREW N N21,22 N Y9414712
4	M906-7 VB2	1			PLATE, Front and Rear Door Sill (paint as required) N N41,45 N YM906VB2
5		10			SCREW (not serviced) N N41,45 N N
6	M914-5 AT4	1			PLATE, Door Sill N N27 N YM914AT4
	4339 568-9	1			Front, Silver N NSedan & LimoN Y4339568
	4339 644-5	1			Front, Blue N NSedan & LimoN Y4339644
	4339 566-7	1			Rear, Silver N NSedan N Y4339566
	4339 642-3	1			Rear, Blue N NSedan N Y4339642
	4339 874-5	1			Rear, Silver N NLimo. N Y4339874
	4339 876-7	1			Rear, Blue N NLimo. N Y4339876

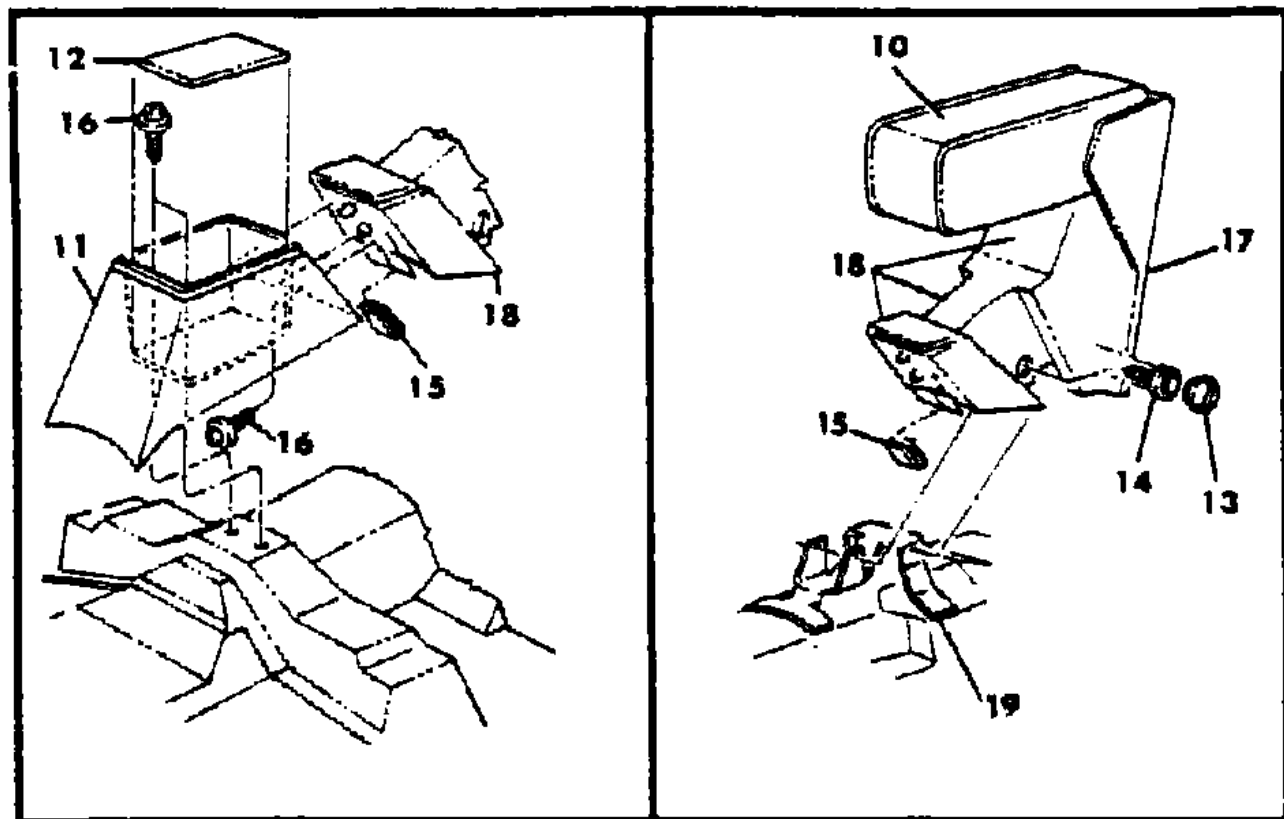
**MODEL CODES**  
 B = GRAN FURY  
 C = LEBARON/TOWN & COUNTRY  
 D = ARIES  
 E = 600  
 F = FIFTH AVENUE  
 G = DIPLOMAT  
 M = HORIZON/TURISMO/SCAMP  
 P = RELIANT  
 S = CORDOBA  
 T = E CLASS/NEWYORKER  
 V = 400  
 X = MIRADA  
 Y = IMPERIAL  
 Z = OMNI/CHARGER/RAMPAGE

**BODY STYLES**  
 21 = 2-DOOR SEDAN  
 22 = 2-DOOR SPECIAL COUPE  
 24 = 2-DOOR HATCHBACK  
 27 = 2-DOOR CONVERTIBLE  
 28 = FWD PICKUP  
 41 = 4-DOOR SEDAN  
 45 = 4-DOOR STATION WAGON  
 44 = 4-DOOR HATCHBACK  
 48 = EXECUTIVE SEDAN

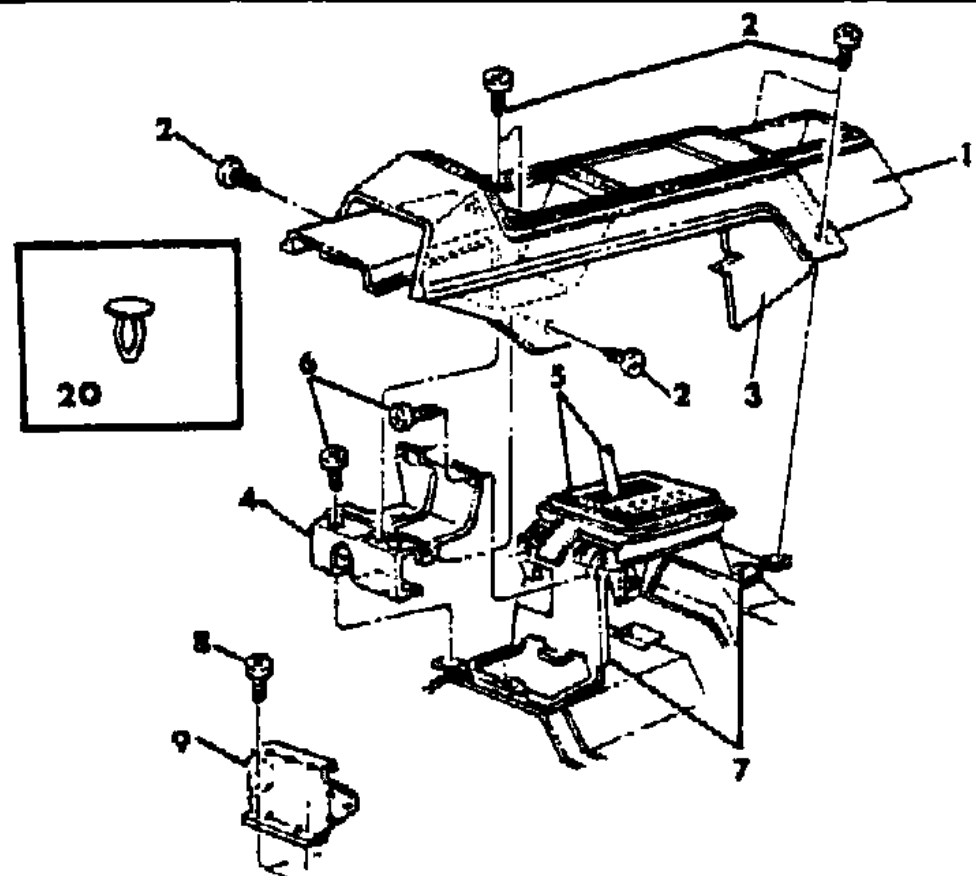
AR = Use as Required - = Non Illustrated Part P.A.R. = Paint as Required

CONSOLE AND ARM REST P,D,C,V (EXCEPT SEDAN & LIMO.)  
Figure IT-3087

3253 308700c



ITEM	PART NUMBER	QTY	BODY	MODEL	DESCRIPTION
NOTE: Console for sedan & limo., front on illus. 308900; for limo rear console, illus. 308950 s ARE NOT RETURNABLE.					
1					CONSOLE, Less Carpet N N N N Manual N N N N Brown (paint as required) NP,D N N YF361BT8 Auto N N N N
	F361 BT8	1			
	F530 BT8	1			Tan (paint as required) NP,D N N YF530BT8 Manual N N N N
	F359 BT8	1			Brown (paint as required) NC,V N N YF359BT8 Auto N N N N
	F529 AA7	1			Silver NC,V N N YF529AA7
	F529 AC7	1			Blue, Dark NC,V N N YF529AC7
	F529 AM6	1			Red NC,V N N YF529AM6
	F529 BT8	1			Brown NC,V N N YF529BT8
2		AR			SCREW (not serviced) N N N N
3					CARPET, Console N N N N (use up to 12/21/82) N N N N
	F380-1 AA7	1			Silver NP,D N N YF380AA7
	F380-1 BC7	1			Blue NP,D N N YF380BC7
	F380-1 AM6	1			Red NP,D N N YF380AM6
	F380-1 BT9	1			Brown NP,D N N YF380BT9 (use after 12/21/82) N N N N
	F400-1 BA7	1			Silver NP,D N N YF400BA7
	F400-1 BC7	1			Blue NP,D N N YF400BC7
	F400-1 BM6	1			Red NP,D N N YF400BM6
	F400-1 BT9	1			Brown NP,D N N YF400BT9 (use up to 1/10/83) N N N N
	F376-7 AA7	1			Silver NC,V N N YF376AA7
	F376-7 AC7	1			Blue, Dark NC,V N N YF376AC7
	F376-7 AM6	1			Red NC,V N N YF376AM6
	F376-7 BT9	1			Brown NC,V N N YF376BT9 (use after 1/10/83) N N N N
	F402-3 BA7	1			Silver NC,V N N YF402BA7
	F402-3 BC7	1			Blue, Dark NC,V N N YF402BC7
	F402-3 BM6	1			Red NC,V N N YF402BM6
	F402-3 BT9	1			Brown NC,V N N YF402BT9
4	4078 983	1			BRACKET, Floor Console, Auto, Front N N N Y4078983
5					See Group 21 N N N N



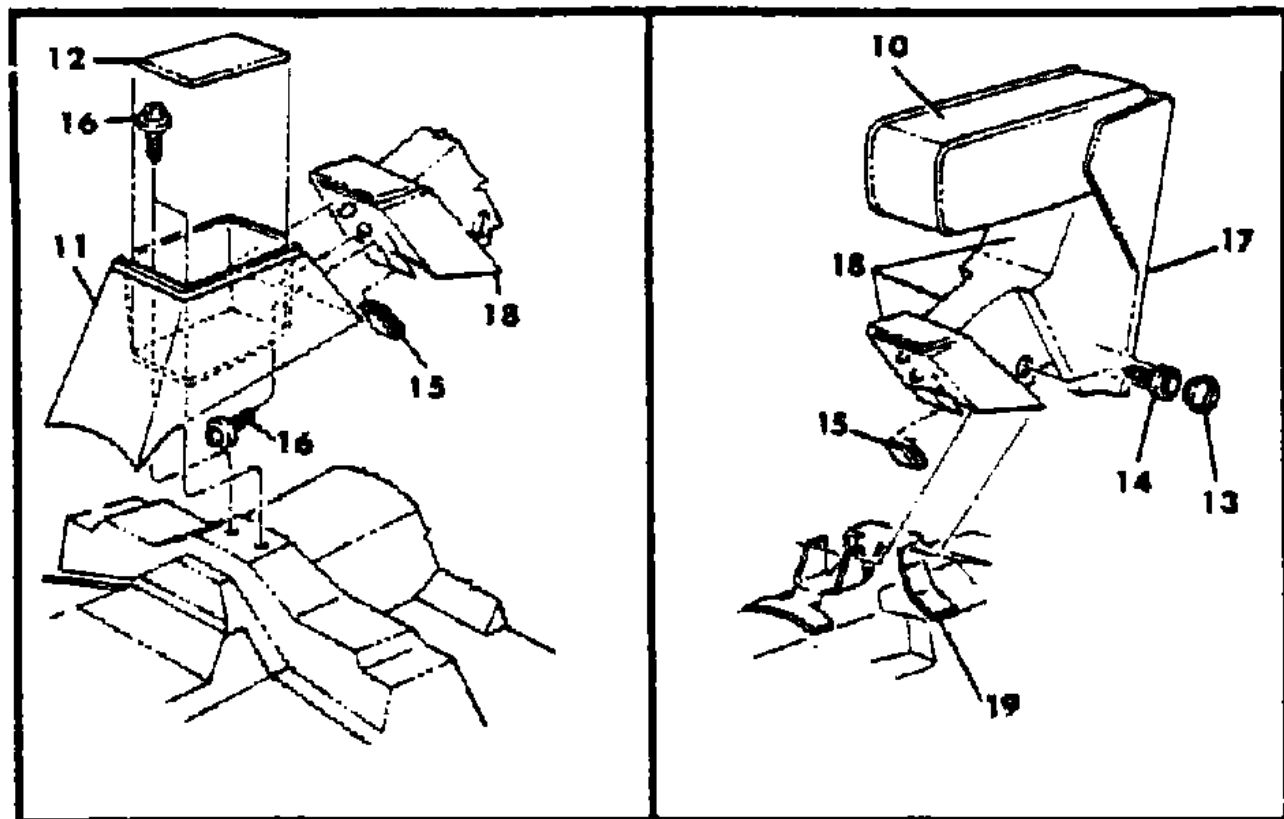
MODEL CODES  
 B = GRAN FURY  
 C = LEBARON/TOWN & COUNTRY  
 D = ARIES  
 E = 600  
 F = FIFTH AVENUE  
 G = DIPLOMAT  
 M = HORIZON/TURISMO/SCAMP  
 P = RELIANT  
 S = CORDOBA  
 T = E CLASS/NEWYORKER  
 V = 400  
 X = MIRADA  
 Y = IMPERIAL  
 Z = OMNI/CHARGER/RAMPAGE

BODY STYLES  
 21 = 2-DOOR SEDAN  
 22 = 2-DOOR SPECIAL COUPE  
 24 = 2-DOOR HATCHBACK  
 27 = 2-DOOR CONVERTIBLE  
 28 = FWD PICKUP  
 41 = 4-DOOR SEDAN  
 45 = 4-DOOR STATION WAGON  
 44 = 4-DOOR HATCHBACK  
 48 = EXECUTIVE SEDAN

AR = Use as Required - = Non Illustrated Part P.A.R. = Paint as Required

**CONSOLE AND ARM REST P,D,C,V (EXCEPT SEDAN & LIMO.)**  
**Figure IT-3087**

3253 308700c



ITEM	PART NUMBER	QTY	BODY	MODEL	DESCRIPTION
6	9414 722	AR			SCREW N N N Y9414722
7	4206 371	1			REINFORCEMENT, Console Gear Selector to Floor Pan Mounting, Auto. N N N Y4206371
	4278 732	1			Manual N N N Y4278732
8	9414 712	2			SCREW N N N Y9414712
9	4247 686	1			BRACKET, Floor Console Manual, Front N N N Y4247686
10					ARM REST, Console Vinyl N N N N
	F328 AA2	1			N N NV8A YF328AA2
	F328 AM6	1			N N NV8M YF328AM6
	F328 BL3	1			N N NV8L YF328BL3
	F328 BT8	1			N N NV8T YF328BT8
					Cloth N N N N
	F327 AA3	1			N N NJ5A YF327AA3
	F327 AC7	1			N N NJ5C YF327AC7
	F327 AM6	1			N N NJ5M YF327AM6
	F327 BL3	1			N N NJ5L YF327BL3
	F327 BT8	1			N N NJ5T YF327BT8
	F343 BA3	1			Silver NP,D N N YF343BA3
	F343 BC7	1			Blue, Dark NP,D N N YF343BC7
	F343 BM6	1			Red NP,D N N YF343BM6
	F343 BT8	1			Brown NP,D N N YF343BT8
11	F324 BT8	1			HOUSING, Storage Compartment (paint as required) NC,V N N YF324BT8
12	4247 391	1			PLATE (plastic) N N N Y4247391
13	F332 BT8	4			PLUG N N N YF332BT8
14	0181 063	4			BOLT N N N Y181063
15	0152 490	3			U/NUT N N N Y152490
16		AR			SCREW (not serviced) N N N N
17	F347 BT8	1			COVER, Rear Arm Rest (paint as required) N N N YF347BT8
18	F346 BT8	1			HOUSING, Rear Center Arm rest (paint as required) N N N YF346BT8
19	4247 285	1			BRACKET N N N Y4247285
20	4247 835	1			FASTENER, Console Front Stowage Box to Bracket N N N Y4247835

NOTE: The following part is not illustrated. s ARE NOT RETURNABLE.

4247 779 1 BRACKET, (inside housing number 18) N N N Y4247779

NOTE: For related parts refer to Group 21. s ARE NOT RETURNABLE.

**MODEL CODES**

B = GRAN FURY	G = DIPLOMAT	V = 400
C = LEBARON/TOWN & COUNTRY	M = HORIZON/TURISMO/SCAMP	X = MIRADA
D = ARIES	P = RELIANT	Y = IMPERIAL
E = 600	S = CORDOBA	Z = OMNI/CHARGER/RAMPAGE
F = FIFTH AVENUE	T = E CLASS/NEWYORKER	

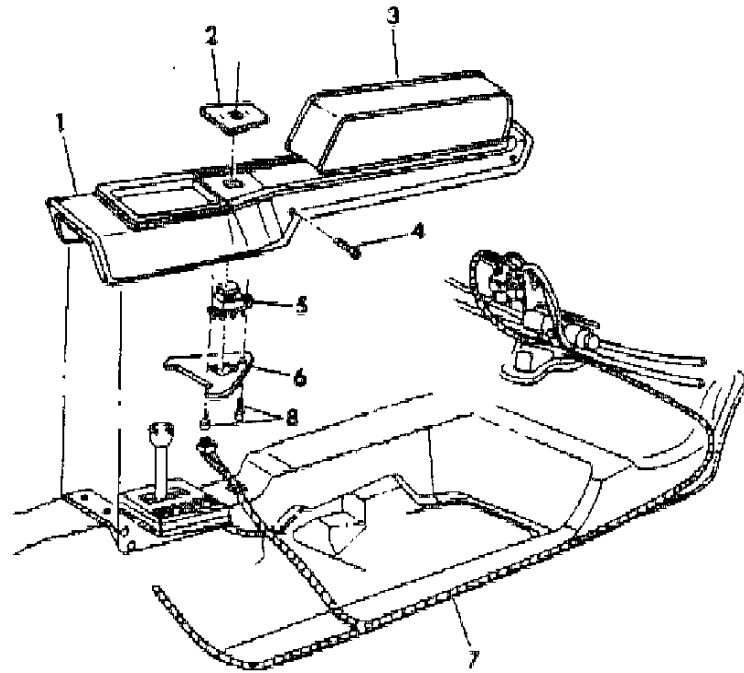
**BODY STYLES**

21 = 2-DOOR SEDAN	41 = 4-DOOR SEDAN
22 = 2-DOOR SPECIAL COUPE	45 = 4-DOOR STATION WAGON
24 = 2-DOOR HATCHBACK	44 = 4-DOOR HATCHBACK
27 = 2-DOOR CONVERTIBLE	48 = EXECUTIVE SEDAN
28 = FWD PICKUP	

AR = Use as Required - = Non Illustrated Part P.A.R. = Paint as Required

**CONVERTIBLE CONSOLE AND ARM REST C,V 27**  
**Figure IT-3088**

3253 308800



ITEM	PART NUMBER	QTY	BODY	MODEL	DESCRIPTION
1					CONSOLE N N N N
	F430 BTK	1			(use up to 3/1/83) N N NRLTK YF430BTK
	F395 BTK	1			(use after 3/1/83) N N NRLTK YF395BTK
	F430 BL3	1			(use up to 3/1/83) N N NV8L YF430BL3
	F395 BL3	1			(use after 3/1/83) N N NV8L YF395BL3
	F430 BM6	1			(use up to 3/1/83) N N NV8M,V8MW YF430BM6
	F395 BM6	1			(use after 3/1/83) N N NV8M,V8MW YF395BM6
2	4097 677	1			APPLIQUE, Switch (woodgrain) N N N Y4097677
	4097 676	1			(brushed aluminum) N N N Y4097676
3					ARM REST N N N N
	F432 BTK	1			(use up to 3/1/83) N N NRLTK YF432BTK
	F405 BTK	1			(use after 3/1/83) N N NRLTK YF405BTK
	F431 BL3	1			(use up to 3/1/83) N N NV8L YF431BL3
	F405 BL3	1			(use after 3/1/83) N N NV8L YF405BL3
	F431 BM6	1			(use up to 3/1/82) N N NV8M YF431BM6
	F405 BM6	1			(use after 3/1/83) N N NV8M YF405BM6
	F431 BW1	1			(use up to 3/1/83) N N NV8MW YF431BW1
	F405 BW1	1			(use after 3/1/83) N N NV8MW YF405BW1
4		AR			SCREW (not serviced) N N N N
5	3747 935	1			SWITCH, Folding Top N N N Y3747935
6	4097 590	1			SUPPORT, Switch Mounting N N N Y4097590
7	4097 612	1			WIRING, Folding Top Switch N N N Y4097612
8		AR			SCREW (not serviced) N N N N

NOTE: For related parts refer to Group 21. s ARE NOT RETURNABLE.

**MODEL CODES**

B = GRAN FURY	G = DIPLOMAT	V = 400
C = LEBARON/TOWN & COUNTRY	M = HORIZON/TURISMO/SCAMP	X = MIRADA
D = ARIES	P = RELIANT	Y = IMPERIAL
E = 600	S = CORDOBA	Z = OMNI/CHARGER/RAMPAGE
F = FIFTH AVENUE	T = E CLASS/NEWYORKER	

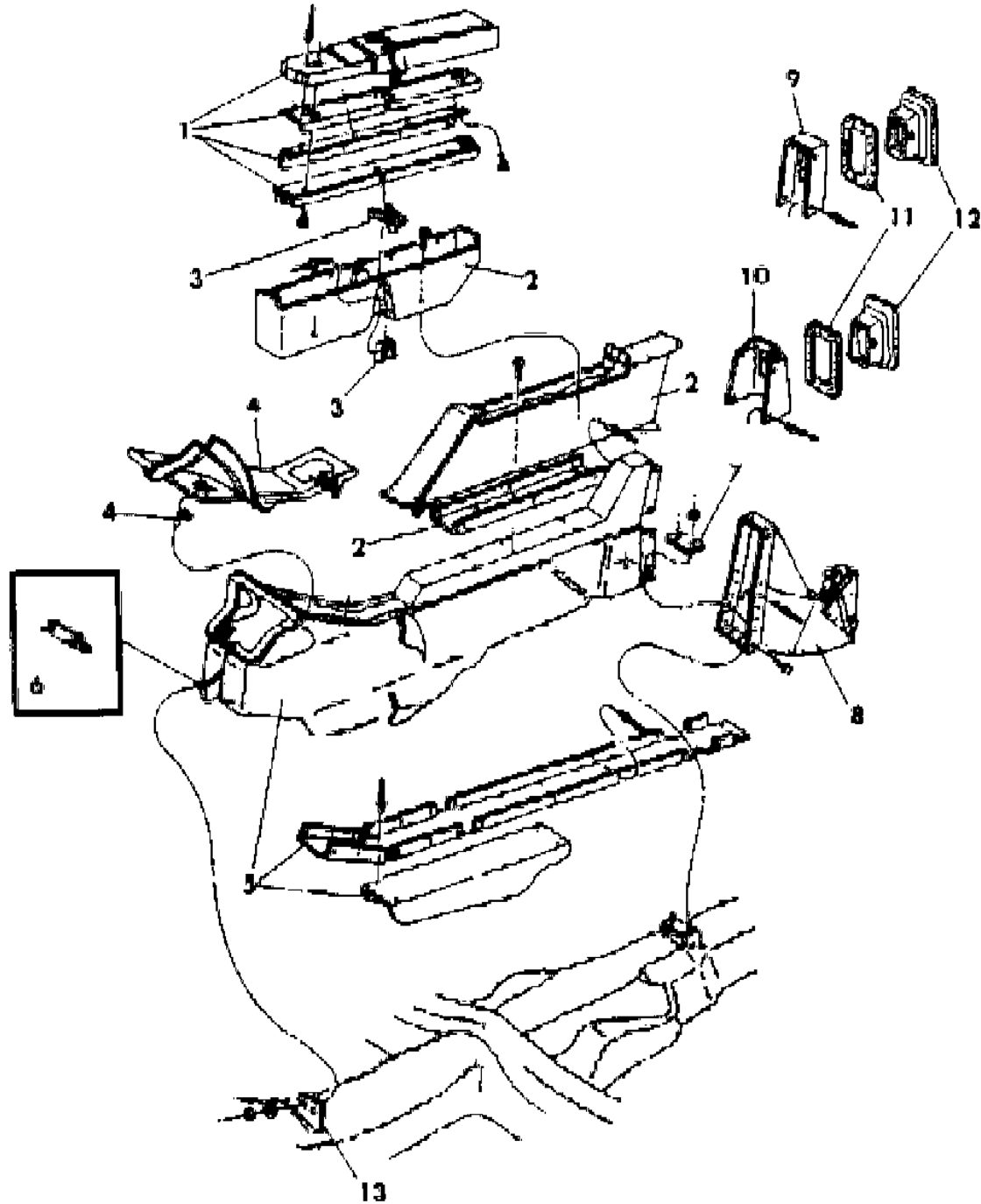
**BODY STYLES**

21 = 2-DOOR SEDAN	41 = 4-DOOR SEDAN
22 = 2-DOOR SPECIAL COUPE	45 = 4-DOOR STATION WAGON
24 = 2-DOOR HATCHBACK	44 = 4-DOOR HATCHBACK
27 = 2-DOOR CONVERTIBLE	48 = EXECUTIVE SEDAN
28 = FWD PICKUP	

AR = Use as Required - = Non Illustrated Part P.A.R. = Paint as Required

CONSOLE, FRONT SEDAN & LIMO.  
Figure IT-3089

3233-308 900



ITEM	PART NUMBER	QTY	BODY	MODEL	DESCRIPTION
1					COVER, Front Console Storage Compartment w/Latch N N N N
	4339 630	1			Silver N N N Y4339630
	4339 631	1			Blue N N N Y4339631
2					CONSOLE, Upper w/Compartment & Cover & Striker N N N N
	4339 818	1			Silver N NSedan N Y4339818
	4339 819	1			Blue N NSedan N Y4339819
	4339 842	1			Silver N NLimo. N Y4339842
	4339 843	1			Blue N NLimo. N Y4339843
					COVER, Upper Console N N N N
	4339 752	1			Silver N N N Y4339752
	4339 753	1			Blue N N N Y4339753
3	4339 691	1			STRIKER & Latch Pkg. N N N Y4339691
4					EXTENSION, Front Console (Serv. in item 5) N N N N
5					CONSOLE, Lower w/Carpet N N N N
	4339 816	1			Silver N NSedan N Y4339816
	4339 817	1			Blue N NSedan N Y4339817
	4339 844	1			Silver N NLimo. N Y4339844
	4339 845	1			Blue N NLimo. N Y4339845
					CARPET, Lower Console N N N N
	4339 812	1			Silver N N N Y4339812
	4339 813	1			Blue N N N Y4339813
6	4339 794	1			BRACKET, Console Front N N N Y4339794
7	4339 795	1			BRACKET, Console Upper Rear N N N Y4339795
8	4342 046	1			DIVERTER N N N Y4342046
9					HOUSING (Serv. in item 2) N NSedan N N
10					HOUSING (Serv. in item 5) N NSedan N N
11					TAPE (Not Serv.) N NSedan N N
12	3847 978	2			BEZEL Air Conditioning N NSedan N Y3847978
13	4339 797	1			BRACKET, Front Mounting N N N Y4339797

MODEL CODES

B = GRAN FURY	G = DIPLOMAT	V = 400
C = LEBARON/TOWN & COUNTRY	M = HORIZON/TURISMO/SCAMP	X = MIRADA
D = ARIES	P = RELIANT	Y = IMPERIAL
E = 600	S = CORDOBA	Z = OMNI/CHARGER/RAMPAGE
F = FIFTH AVENUE	T = E CLASS/NEWYORKER	

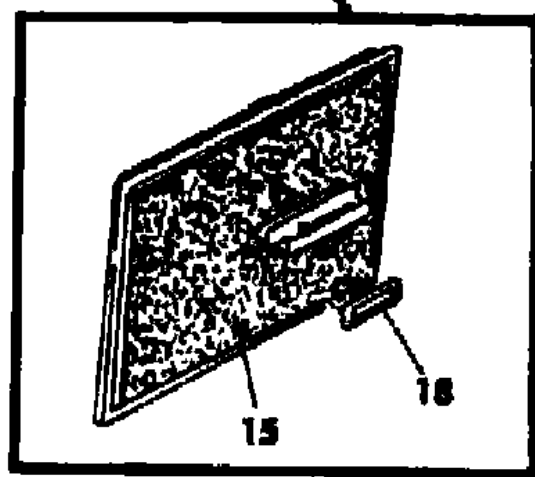
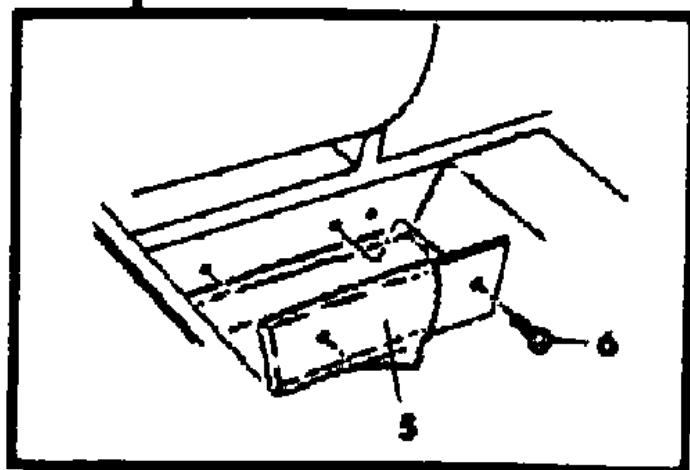
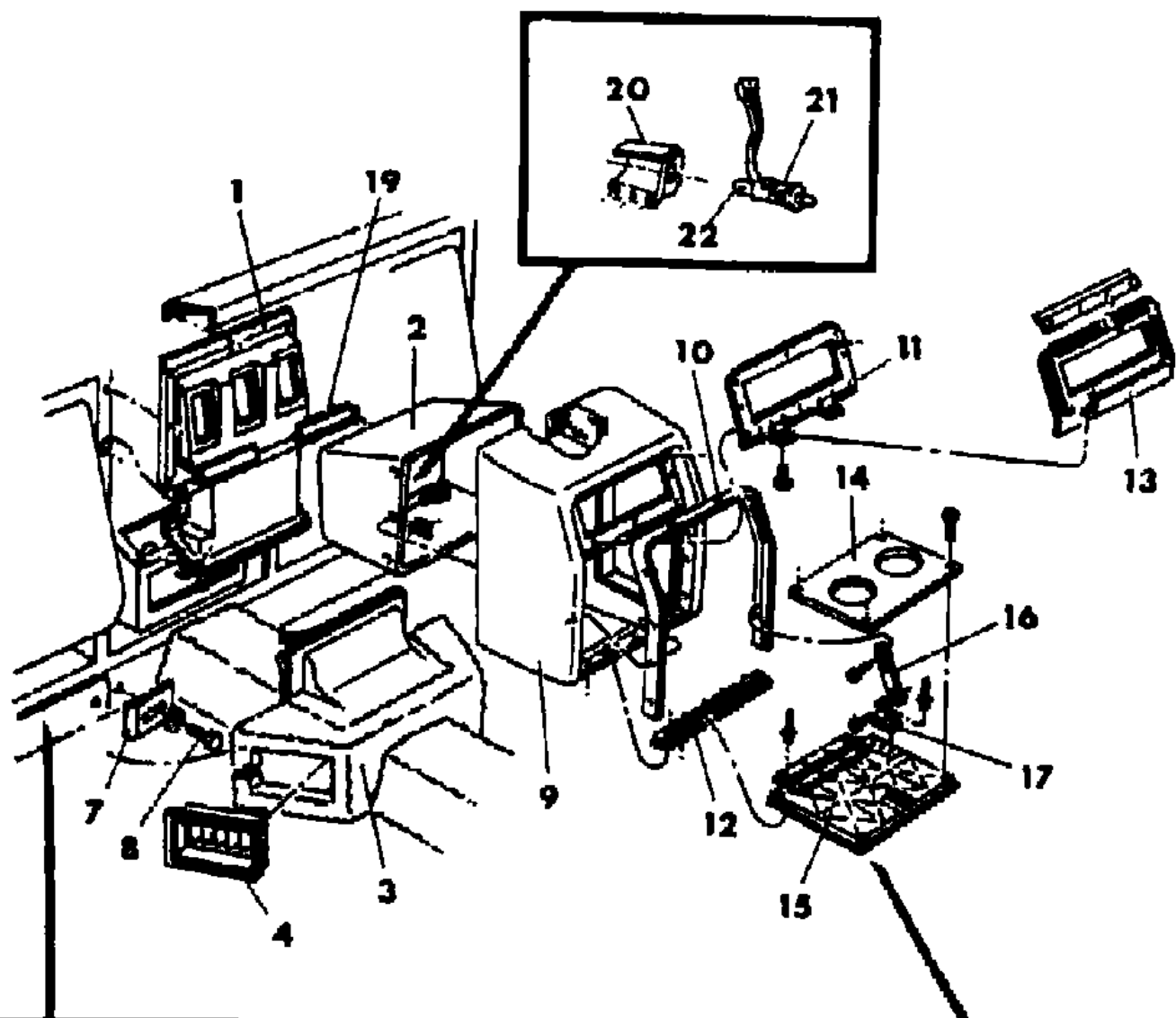
BODY STYLES

21 = 2-DOOR SEDAN	41 = 4-DOOR SEDAN
22 = 2-DOOR SPECIAL COUPE	45 = 4-DOOR STATION WAGON
24 = 2-DOOR HATCHBACK	44 = 4-DOOR HATCHBACK
27 = 2-DOOR CONVERTIBLE	48 = EXECUTIVE SEDAN
28 = FWD PICKUP	

AR = Use as Required - = Non Illustrated Part P.A.R. = Paint as Required

CONSOLE, REAR LIMO.  
Figure IT-3089

3253-3 08 9 50



ITEM	PART NUMBER	QTY	BODY	MODEL	DESCRIPTION
1	4342 023	1			DUCT, Rear Console, Upper N N N Y4342023
2	4342 036	1			BOX, Storage, Rear Console N N N Y4342036
3	4342 029	1			BODY, Rear Console, Lower N N N N Silver N N N Y4342029
	4342 030	1			Blue N N N Y4342030
4	3847 978	AR			BEZEL, Air Conditioning N N N Y3847978
5	4339 902-3	1			PANEL, Divider, Lower N N N N Silver N N N Y4339902
	4339 904-5	1			Blue N N N Y4339904
6					SCREW (Not Serviced) N N N N
7	4342 045	2			BRACKET, Body Mounting N N N Y4342045
8					BOLT (Not Serviced) N N N N
9					BODY, Rear Console Upper N N N N
	4342 031	1			Silver N N N Y4342031
	4342 032	1			Blue N N N Y4342032
10	4342 028	1			MOULDING, Rear Console N N N Y4342028
11	4342 037	1			BRACKET, Faceplate Mounting N N N Y4342037
12	4342 035	1			BRACKET, Rear Console Door Mounting N N N Y4342035
13	4342 039	1			FACEPLATE, Radio, Rear Console N N N Y4342039
14					PANEL, Console Door Inner (Serv. w/Item 15) N N N N
15	4342 040	1			DOOR, Rear Console, Complete N N N Y4342040
	4342 042	1			HINGE PACKAGE, Door Attaching N N N Y4342042
16					ARM, Rear Console Door (Serv. w/Item 15) N N N N
17					BRACKET, Rear Console Door Arm (Serv. w/Item 15) N N N N
18	4342 041	1			NAME PLATE, Rear Console Door N N N Y4342041
19	4342 044	1			BRACKET, Rear Console Upper Mounting N N N Y4342044
20	4342 043	1			HOUSING, Rear Console Lamp N N N Y4342043
21	4221 170	1			SWITCH, Console Lamp N N N Y4221170
22	1522 144	1			LAMP, Rear Console N N N Y1522144

MODEL CODES

B = GRAN FURY	G = DIPLOMAT	V = 400
C = LEBARON/TOWN & COUNTRY	M = HORIZON/TURISMO/SCAMP	X = MIRADA
D = ARIES	P = RELIANT	Y = IMPERIAL
E = 600	S = CORDOBA	Z = OMNI/CHARGER/RAMPAGE
F = FIFTH AVENUE	T = E CLASS/NEWYORKER	

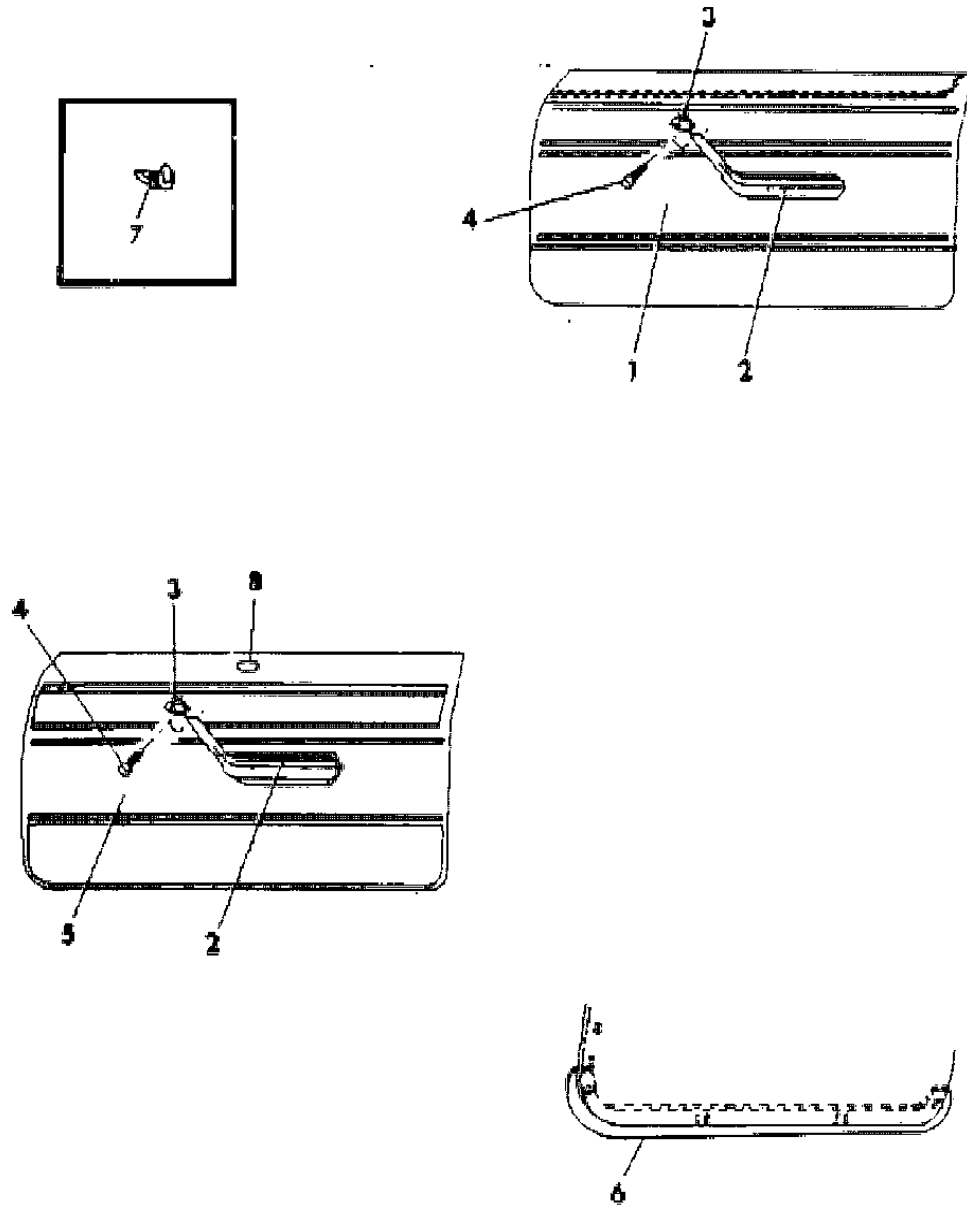
BODY STYLES

21 = 2-DOOR SEDAN	41 = 4-DOOR SEDAN
22 = 2-DOOR SPECIAL COUPE	45 = 4-DOOR STATION WAGON
24 = 2-DOOR HATCHBACK	44 = 4-DOOR HATCHBACK
27 = 2-DOOR CONVERTIBLE	48 = EXECUTIVE SEDAN
28 = FWD PICKUP	

AR = Use as Required - = Non Illustrated Part P.A.R. = Paint as Required

DOOR TRIM PANEL P,D 21  
Figure IT-3101

3253 310100



ITEM	PART NUMBER	QTY	BODY	MODEL	DESCRIPTION
1					PANEL, Door N N N N (Use Up to 4/20/83) N N N N N N NC1CB,C2CB YK240BB5 N N NC1M,C2M YK240BM6 N N NC1TL,C2TL YK240BL3 (Use After 4/20/83) N N N N N N NC1CB,C2CB YK262BB5 N N NC1M,C2M YK262BM6 N N NC1TL,C2TL YK262BL3
2					ARM REST N N N N Silver N N N YD498AA3 Blue N N N YD498BB5 Red N N N YD498VM6 Tan N N N YD498BL3
-	6032 096	AR			SCREW, Arm Rest Attaching N N N Y6032096
3	4223 630-1	1			BEZEL, Arm Rest N N N Y4223630
4		AR			SCREW (not serviced) N N N N
5					PANEL, Door w/Finish Plate and Carpet N N N N (Use Up To 4/4/83) N N N N N N NG4A YK250BA2 N N NG4CB YK250BB5 N N NG4M YK250BM6 N N NG4TL YK250BL3 (Use After 4/4/83) N N N N N N NG4A YK264BA2 N N NG4CB YK264BB5 N N NG4M YK264BM6 N N NG4TL YK264BL3 (Use Up To 4/15/83) N N N N N N NP3A,P7A YK252BA3 N N NP3CB,P7CB YK252BB5 N N NP3M,P7M YK252BM6 N N NP3TL,P7TL YK252BL3 (Use After 4/15/83) N N N N N N NP3A,P7A YK266BA3 N N NP3CB,P7CB YK266BB5 N N NP3M,P7M YK266BM6

MODEL CODES  
 B = GRAN FURY  
 C = LEBARON/TOWN & COUNTRY  
 D = ARIES  
 E = 600  
 F = FIFTH AVENUE  
 G = DIPLOMAT  
 M = HORIZON/TURISMO/SCAMP  
 P = RELIANT  
 S = CORDOBA  
 T = E CLASS/NEWYORKER  
 V = 400  
 X = MIRADA  
 Y = IMPERIAL  
 Z = OMNI/CHARGER/RAMPAGE

BODY STYLES  
 21 = 2-DOOR SEDAN  
 22 = 2-DOOR SPECIAL COUPE  
 24 = 2-DOOR HATCHBACK  
 27 = 2-DOOR CONVERTIBLE  
 28 = FWD PICKUP  
 41 = 4-DOOR SEDAN  
 45 = 4-DOOR STATION WAGON  
 44 = 4-DOOR HATCHBACK  
 48 = EXECUTIVE SEDAN

AR = Use as Required - = Non Illustrated Part P.A.R. = Paint as Required

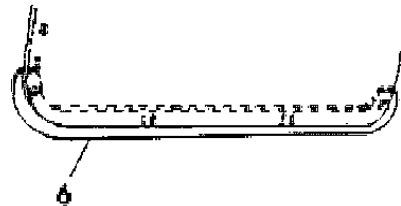
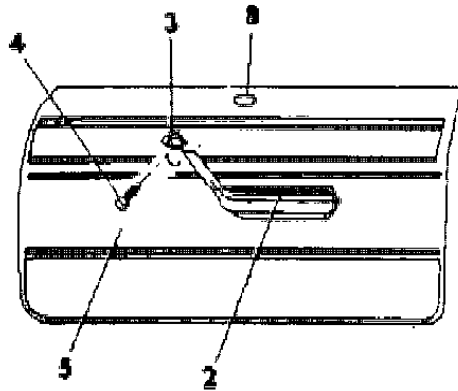
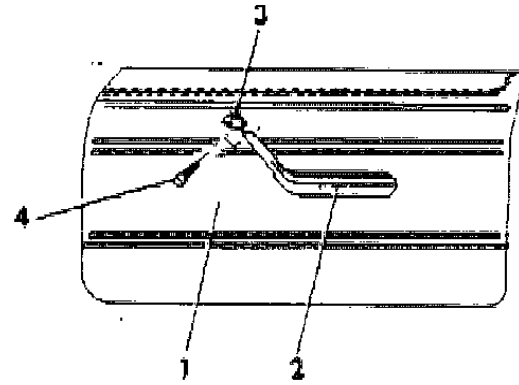
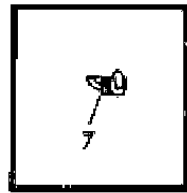
DOOR TRIM PANEL P,D 21  
Figure IT-3101

3253 310100

ITEM	PART NUMBER	QTY	BODY	MODEL	DESCRIPTION
	K266-7 BL3	1			N N NP3TL,P7TL YK266BL3
6	4247 229	2			SEAL, Secondary Sound N N N Y4247229
7	6003 640	AR			FASTENER, Door Panel N N N Y6003640
8	2981 974	2			MEDALLION N N N Y2981974
-	6023 485	AR			NUT, Push N N N Y6023485

The following parts are not illustrated. s ARE NOT RETURNABLE.

4049 602	AR				SILENCER, Door (36"x36"x1/2" material) N N N Y4049602
----------	----	--	--	--	---



MODEL CODES

B = GRAN FURY	G = DIPLOMAT	V = 400
C = LEBARON/TOWN & COUNTRY	M = HORIZON/TURISMO/SCAMP	X = MIRADA
D = ARIES	P = RELIANT	Y = IMPERIAL
E = 600	S = CORDOBA	Z = OMNI/CHARGER/RAMPAGE
F = FIFTH AVENUE	T = E CLASS/NEWYORKER	

BODY STYLES

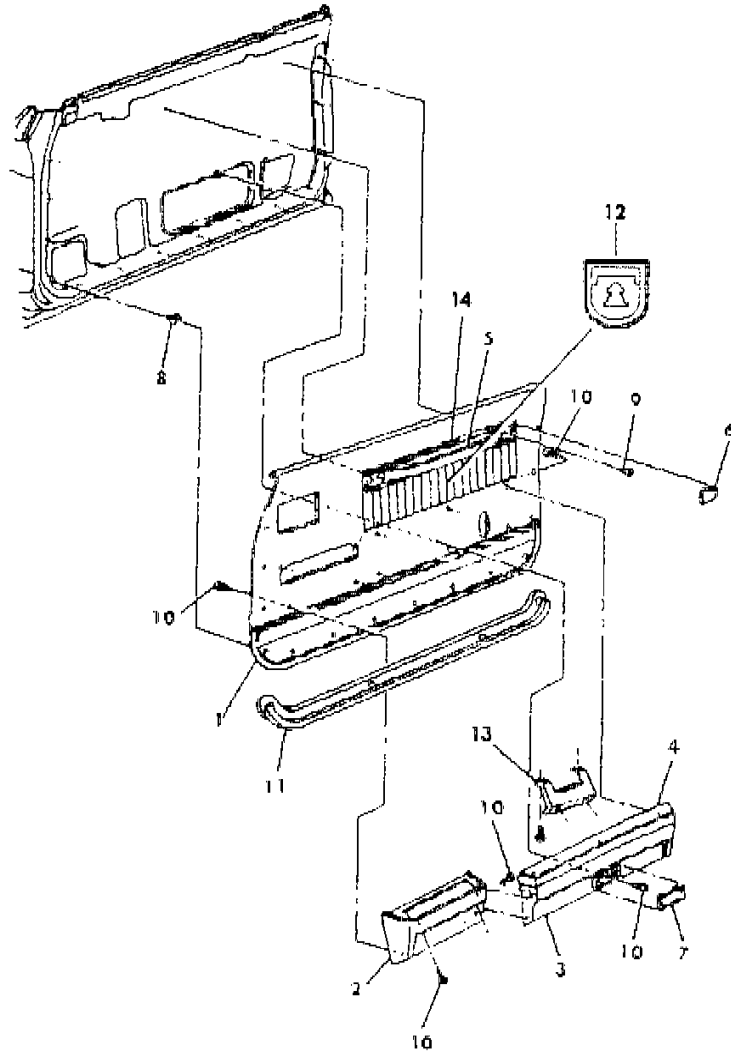
21 = 2-DOOR SEDAN	41 = 4-DOOR SEDAN
22 = 2-DOOR SPECIAL COUPE	45 = 4-DOOR STATION WAGON
24 = 2-DOOR HATCHBACK	44 = 4-DOOR HATCHBACK
27 = 2-DOOR CONVERTIBLE	48 = EXECUTIVE SEDAN
28 = FWD PICKUP	

AR = Use as Required - = Non Illustrated Part P.A.R. = Paint as Required



**DOOR TRIM PANEL C,V 22,27**  
**Figure IT-3102**

3253-310200 A



ITEM	PART NUMBER	QTY	BODY	MODEL	DESCRIPTION
1					PANEL, Door N N N N
					Vinyl N N N N
	K234-5 BA2	1			N N NV8A YK234BA2
	K234-5 BM6	1			N N NV8M YK234BM6
	K234-5 BL3	1			N N NV8L YK234BL3
	K234-5 BT8	1			N N NV8T YK234BT8
	K234-5 BMW	1			N N NV8MW YK234BMW
					Cloth Insert N N N N
	K236-7 BA3	1			N N NJ3A,J5A YK236BA3
	K136-7 BC7	1			N N NJ3C,J5C YK136BC7
	K236-7 BM6	1			N N NJ3M,J5M YK236BM6
	K236-7 BL3	1			N N NJ3L,J5L YK236BL3
	K236-7 BT8	1			N N NJ3T,J5T YK236BT8
					Vinyl N N N N
	K168-9 BC8	1			N N NSPC YK168BC8
	K168-9 BL3	1			N N NSPL YK168BL3
	K168-9 BM6	1			N N NSPM YK168BM6
	K168-9 BTK	1			N N NSPTK,RLTK YK168BTK
2	D412-3 AA3	1			Base, Arm Rest w/Electric Window Switch (paint as required) N N N YD412AA3
-	6031 964	AR			NUT, Push Base Attaching N N N Y6031964
3	D414-5 AA3	1			Base, Arm Rest w/o Power Door Locks (paint as required) N N N YD414AA3
	D536-7 BL3	1			w/Power Door Locks (paint as required) N N N YD536BL3
4					PAD, Arm Rest N N N N
					w/o Power Door Locks N N N N
	D402-3 AA3	1			Silver N N N YD402AA3
	D402-3 AC7	1			Blue, Dark N N N YD402AC7
	D402-3 AM6	1			Red N N N YD402AM6
	D402-3 BL3	1			Tan N N N YD402BL3
	D402-3 BT8	1			Brown N N N YD402BT8
	D402-3 BW1	1			White N N N YD402BW1
					w/Power Door Locks and or w/Electric Mirrors N N N N
	D528-9 BA3	1			Silver N N N YD528BA3
	D528-9 BC7	1			Blue, Dark N N N YD528BC7
	D528-9 BM6	1			Red N N N YD528BM6
	D528-9 BL3	1			Tan N N N YD528BL3

**MODEL CODES**

B = GRAN FURY	G = DIPLOMAT	V = 400
C = LEBARON/TOWN & COUNTRY	M = HORIZON/TURISMO/SCAMP	X = MIRADA
D = ARIES	P = RELIANT	Y = IMPERIAL
E = 600	S = CORDOBA	Z = OMNI/CHARGER/RAMPAGE
F = FIFTH AVENUE	T = E CLASS/NEWYORKER	

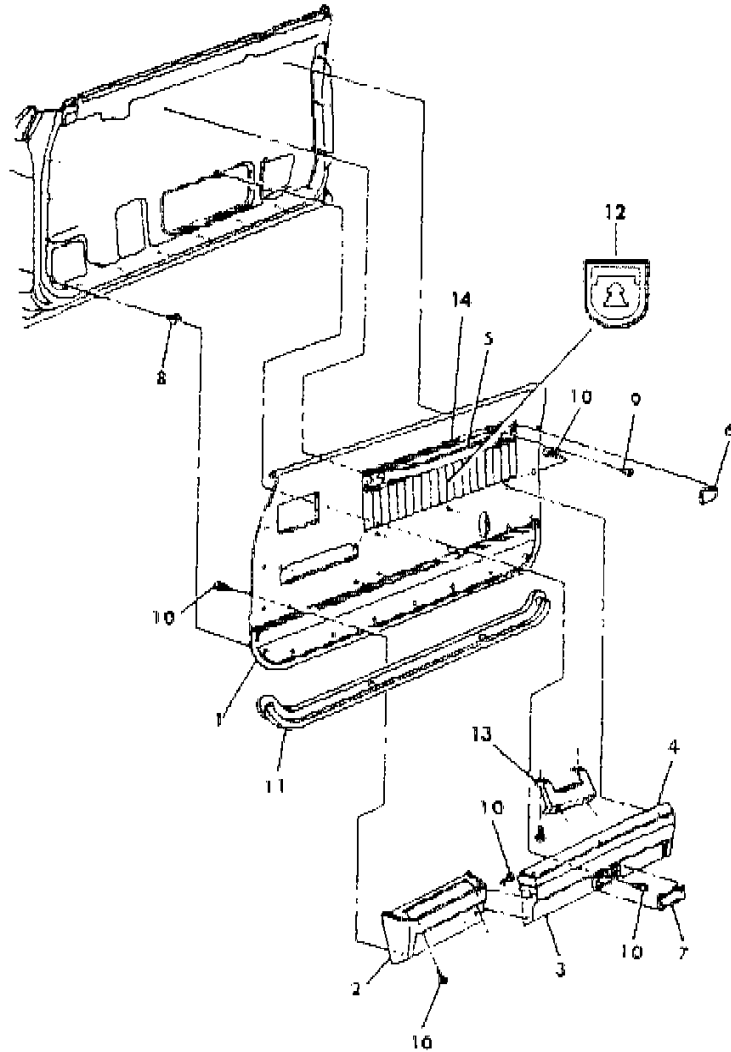
**BODY STYLES**

21 = 2-DOOR SEDAN	41 = 4-DOOR SEDAN
22 = 2-DOOR SPECIAL COUPE	45 = 4-DOOR STATION WAGON
24 = 2-DOOR HATCHBACK	44 = 4-DOOR HATCHBACK
27 = 2-DOOR CONVERTIBLE	48 = EXECUTIVE SEDAN
28 = FWD PICKUP	

AR = Use as Required - = Non Illustrated Part P.A.R. = Paint as Required

**DOOR TRIM PANEL C,V 22,27**  
**Figure IT-3102**

3253-310200 A



ITEM	PART NUMBER	QTY	BODY	MODEL	DESCRIPTION
	D528-9 BT8	1			Brown N N N YD528BT8
	D528-9 BW1	1			White N N N YD528BW1
5					HANDLE N N N N
	D946 AA2	2			Silver N N N YD946AA2
	D946 AC8	2			Blue, Dark N N N YD946AC8
	D946 AM6	2			Red N N N YD946AM6
	D946 BL3	2			Tan N N N YD946BL3
	D946 BT8	2			Brown N N N YD946BT8
	D946 BW1	2			White N N N YD946BW1
6	4223 635	4			END CAP N N N Y4223635
7	3591 803	2			LENS, Reflex N N N Y3591803
8	6003 640	AR			FASTENER N N N Y6003640
9	6032 141	AR			SCREW N N N Y6032141
10		AR			SCREW (not serviced) N N N N
11	4247 229	2			SEAL, Secondary N N N Y4247229
12	4247 692	2			MEDALLION, Mark Cross Package N N N Y4247692
13	4248 449	2			BRACKET, Remote Mirror Bezel to Arm Rest N N N Y4248449
	6030 851	4			NUT, Speed Bracket Attaching N N N Y6030851
14	4223 637	2			FINISH PLATE N N N Y4223637
	6032 133	AR			NUT, Finish Plate N N N Y6032133
The following parts are not illustrated. s ARE NOT RETURNABLE.					
	4049 602	AR			SILENCER, Door (36"x36"x1/2" material) N N N Y4049602

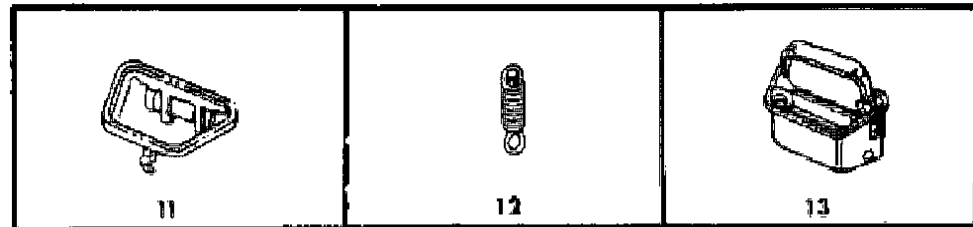
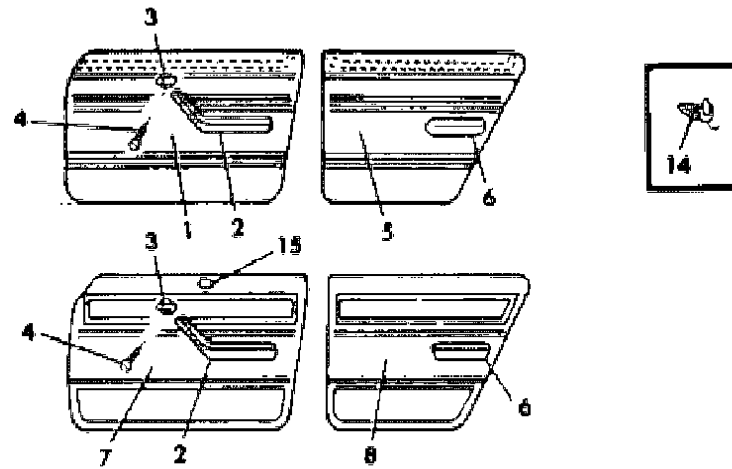
MODEL CODES  
 B = GRAN FURY  
 C = LEBARON/TOWN & COUNTRY  
 D = ARIES  
 E = 600  
 F = FIFTH AVENUE  
 G = DIPLOMAT  
 M = HORIZON/TURISMO/SCAMP  
 P = RELIANT  
 S = CORDOBA  
 T = E CLASS/NEWYORKER  
 V = 400  
 X = MIRADA  
 Y = IMPERIAL  
 Z = OMNI/CHARGER/RAMPAGE

BODY STYLES  
 21 = 2-DOOR SEDAN  
 22 = 2-DOOR SPECIAL COUPE  
 24 = 2-DOOR HATCHBACK  
 27 = 2-DOOR CONVERTIBLE  
 28 = FWD PICKUP  
 41 = 4-DOOR SEDAN  
 45 = 4-DOOR STATION WAGON  
 44 = 4-DOOR HATCHBACK  
 48 = EXECUTIVE SEDAN

AR = Use as Required - = Non Illustrated Part P.A.R. = Paint as Required

DOOR TRIM PANEL P,D 41,45  
Figure IT-3103

3253-310300



ITEM	PART NUMBER	QTY	BODY	MODEL	DESCRIPTION
1					PANEL, Door Front N N N N Vinyl (Use up to 4/15/83) N N N N N N NC1CB,C2CB YK194BB5 N N NK2CB,K8CB YK194BB5 N N NC1M,C2M YK194BM6 K194-5 BL3 1 N N NC1TL,C2TL YK194BL3 N N NK2TL,K8TL YK194BL3 Vinyl (Use after 4/15/83) N N N N N N NC1CB,C2CB YK268BB5 N N NK2CB,K8CB YK268BB5 N N NC1M,C2M YK268BM6 K268-9 BL3 1 N N NC1TL,C2TL YK268BL3 N N NK2TL,K8TL YK268BL3
2					ARM REST, Front N N N N Silver N N N YD498AA3 Blue, Medium N N N YD498BB5 Red N N N YD498VM6 D498-9 BL3 1 Tan N N N YD498BL3 6032 096 AR SCREW, Arm Rest Attaching N N N Y6032096
3	4223 630-1	1			Bezel, Arm Rest N N N Y4223630
4		AR			SCREW (not serviced) N N N N
5					PANEL, Door Rear N N N N Vinyl N N N N N N NC1CB,C2CB YK472BB5 N N NK2CB,K8CB YK472BB5 K472-3 BM6 1 N N NC1M,C2M YK472BM6 K472-3 BL3 1 N N NC1TL,C2TL YK472BL3 N N NK2TL,K8TL YK472BL3
6					ARM REST, Rear N N N N Silver N N N YD426AA3 Blue, Medium N N N YD426BB5 Red N N N YD426VM6 D426-7 BL3 1 Tan N N N YD426BL3
7					PANEL, Door Front w/Woodgrain Finish Plate and Carpet N N N N Vinyl (Use up to 4/15/83) N N N N N N NG4A YK190BA2

MODEL CODES

B = GRAN FURY	G = DIPLOMAT	V = 400
C = LEBARON/TOWN & COUNTRY	M = HORIZON/TURISMO/SCAMP	X = MIRADA
D = ARIES	P = RELIANT	Y = IMPERIAL
E = 600	S = CORDOBA	Z = OMNI/CHARGER/RAMPAGE
F = FIFTH AVENUE	T = E CLASS/NEWYORKER	

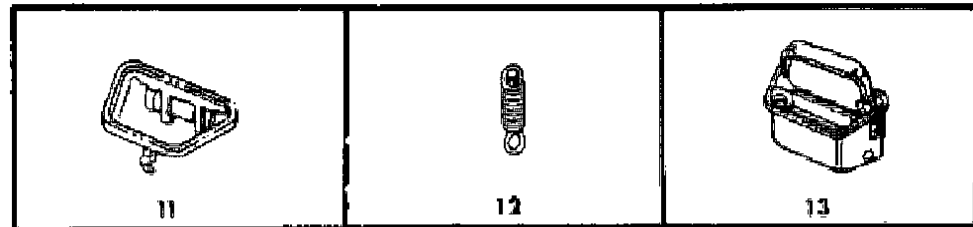
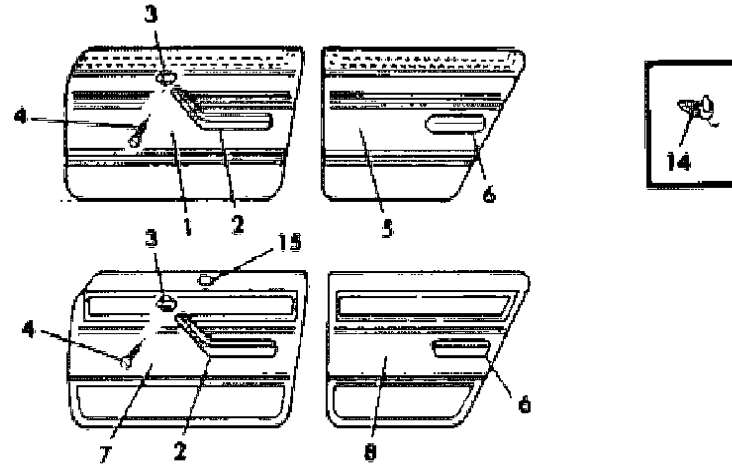
BODY STYLES

21 = 2-DOOR SEDAN	41 = 4-DOOR SEDAN
22 = 2-DOOR SPECIAL COUPE	45 = 4-DOOR STATION WAGON
24 = 2-DOOR HATCHBACK	44 = 4-DOOR HATCHBACK
27 = 2-DOOR CONVERTIBLE	48 = EXECUTIVE SEDAN
28 = FWD PICKUP	

AR = Use as Required - = Non Illustrated Part P.A.R. = Paint as Required

DOOR TRIM PANEL P,D 41,45  
Figure IT-3103

3253-310300



ITEM	PART NUMBER	QTY	BODY	MODEL	DESCRIPTION
	K190-1 BB5	1			N N NG4CB YK190BB5
	K190-1 BM6	1			N N NG4M YK190BM6
	K190-1 BL3	1			N N NG4TL YK190BL3
					Vinyl (Use after 4/15/83) N N N N
	K270-1 BA2	1			N N NG4A YK270BA2
	K270-1 BB5	1			N N NG4CB YK270BB5
	K270-1 BM6	1			N N NG4M YK270BM6
	K270-1 BL3	1			N N NG4TL YK270BL3
					Cloth (Use up to 4/13/83) N N N N
	K192-3 BA3	1			N N NP3A,P7A YK192BA3
	K192-3 BB5	1			N N NP3CB,P7CB YK192BB5
	K192-3 BM6	1			N N NP3M,P7M YK192BM6
	K192-3 BL3	1			N N NP3TL,P7TL YK192BL3
					Cloth (Use after 4/13/83) N N N N
	K272-3 BA3	1			N N NP3A,P7A YK272BA3
	K272-3 BB5	1			N N NP3CB,P7CB YK272BB5
	K272-3 BM6	1			N N NP3M,P7M YK272BM6
	K272-3 BL3	1			N N NP3TL,P7TL YK272BL3
8					PANEL, Door Rear w/Woodgrain Finish Plate and Carpet N N N N N Vinyl N N N N
	K474-5 BA2	1			N N41,45 NG4A YK474BA2
	K474-5 BB5	1			N N41,45 NG4CB YK474BB5
	K474-5 BM6	1			N N41,45 NG4M YK474BM6
	K474-5 BL3	1			N N41,45 NG4TL YK474BL3
					Cloth N N N N
	K476-7 BA3	1			N N41,45 NP3A,P7A YK476BA3
	K476-7 BB5	1			N N41,45 NP3CB,P7CB YK476BB5
	K476-7 BM6	1			N N41,45 NP3M P7M YK476BM6
	K476-7 BL3	1			N N41,45 NP3TL,P7TL YK476BL3
9	4247 230	2			SEAL, Secondary Sound Front N N N Y4247230
10	4247 231	2			SEAL, Secondary Sound Rear N N N Y4247231
11	2788 701	2			BEZEL, Ash Receiver N N N Y2788701
12	2292 503	2			SPRING, Ash Receiver N N N Y2292503
13	2788 032	2			RECEIVER, Ash N N N Y2788032
14	6003 640	AR			FASTENER, Trim Panel N N N Y6003640
15	2981 974	2			MEDALION N N N Y2981974

MODEL CODES

B = GRAN FURY

C = LEBARON/TOWN & COUNTRY

D = ARIES

E = 600

F = FIFTH AVENUE

G = DIPLOMAT

M = HORIZON/TURISMO/SCAMP

P = RELIANT

S = CORDOBA

T = E CLASS/NEWYORKER

V = 400

X = MIRADA

Y = IMPERIAL

Z = OMNI/CHARGER/RAMPAGE

BODY STYLES

21 = 2-DOOR SEDAN

22 = 2-DOOR SPECIAL COUPE

24 = 2-DOOR HATCHBACK

27 = 2-DOOR CONVERTIBLE

28 = FWD PICKUP

41 = 4-DOOR SEDAN

45 = 4-DOOR STATION WAGON

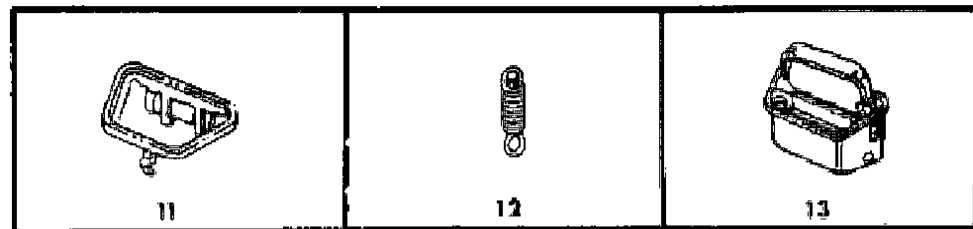
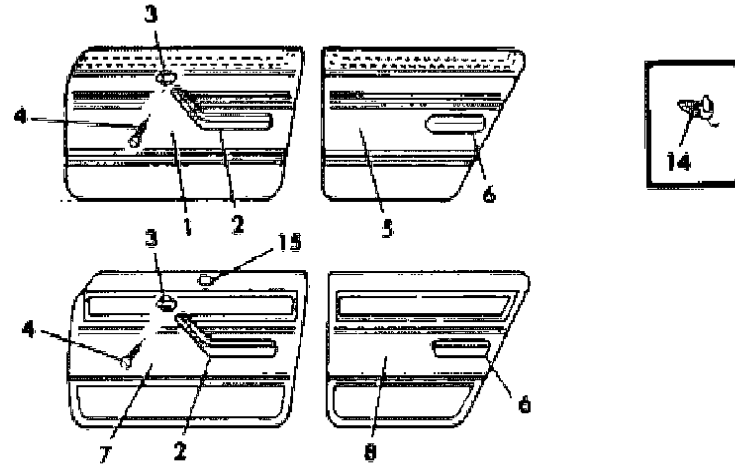
44 = 4-DOOR HATCHBACK

48 = EXECUTIVE SEDAN

AR = Use as Required - = Non Illustrated Part P.A.R. = Paint as Required

DOOR TRIM PANEL P,D 41,45  
Figure IT-3103

3253-310300



ITEM	PART NUMBER	QTY	BODY	MODEL	DESCRIPTION
-	6023 485	AR			NUT, Push N N N Y6023485
The following parts are not illustrated. s ARE NOT RETURNABLE.					
	4049 602	AR			SILENCER, Door (36"x36"x1/2" material) N N N Y4049602

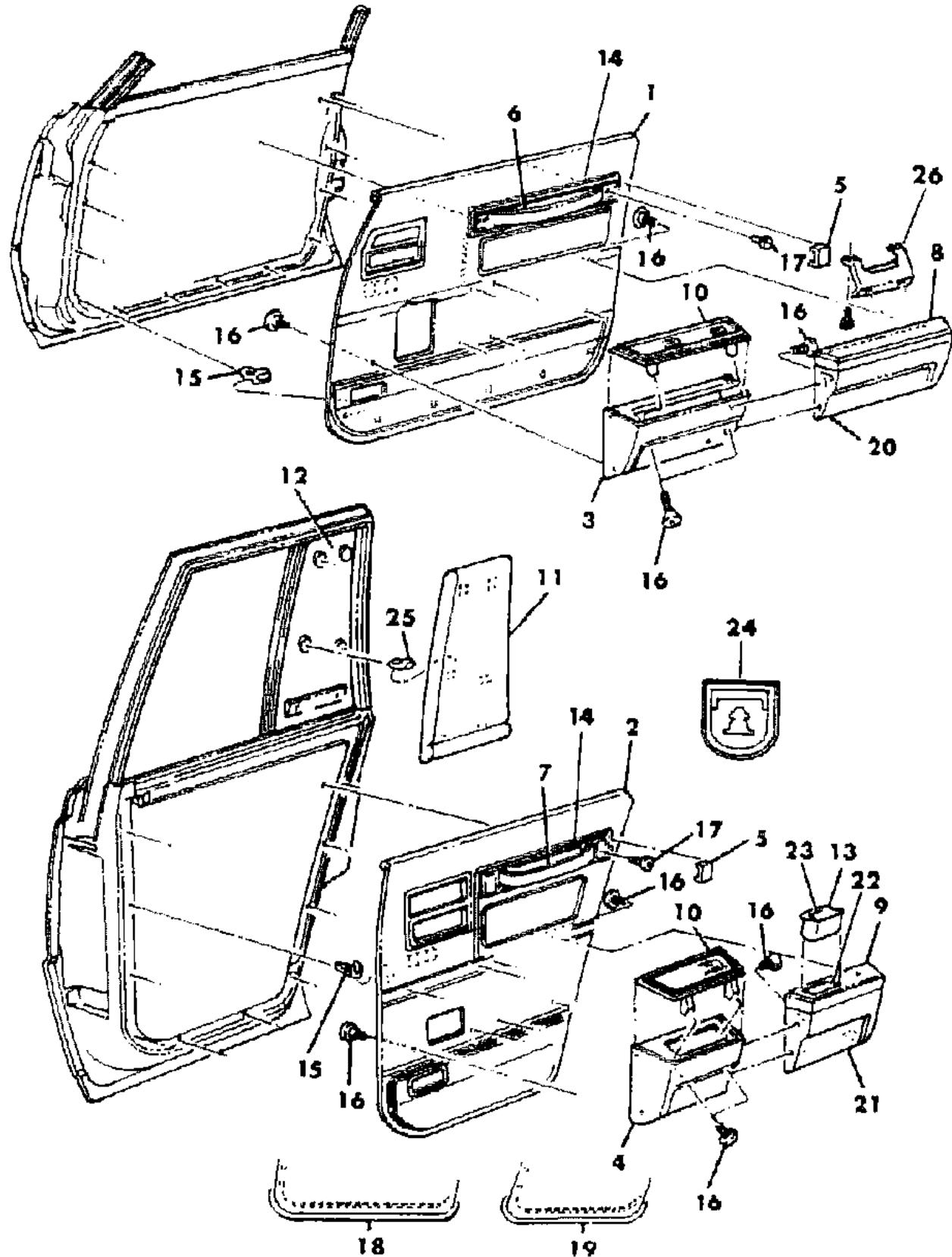
MODEL CODES  
 B = GRAN FURY  
 C = LEBARON/TOWN & COUNTRY  
 D = ARIES  
 E = 600  
 F = FIFTH AVENUE  
 G = DIPLOMAT  
 M = HORIZON/TURISMO/SCAMP  
 P = RELIANT  
 S = CORDOBA  
 T = E CLASS/NEWYORKER  
 V = 400  
 X = MIRADA  
 Y = IMPERIAL  
 Z = OMNI/CHARGER/RAMPAGE

BODY STYLES  
 21 = 2-DOOR SEDAN  
 22 = 2-DOOR SPECIAL COUPE  
 24 = 2-DOOR HATCHBACK  
 27 = 2-DOOR CONVERTIBLE  
 28 = FWD PICKUP  
 41 = 4-DOOR SEDAN  
 45 = 4-DOOR STATION WAGON  
 44 = 4-DOOR HATCHBACK  
 48 = EXECUTIVE SEDAN

AR = Use as Required - = Non Illustrated Part P.A.R. = Paint as Required

DOOR TRIM PANEL C,V - 41,45  
Figure IT-3104

3253-310400 A



ITEM	PART NUMBER	QTY	BODY	MODEL	DESCRIPTION
1					PANEL, Front Door N N N N
					Vinyl N N N N
	K142-3 AA2	1			N N41 NV8A YK142AA2
	K142-3 AM6	1			N N41,45 NV8M YK142AM6
	K142-3 BL3	1			N N41,45 NV8L YK142BL3
	K142-3 BT8	1			N N41 NV8T YK142BT8
					Cloth N N N N
	K144-5 AA3	1			N N41 NJ3A,J5A YK144AA3
	K144-5 AC7	1			N N41 NJ3C,J5C YK144AC7
	K144-5 AM6	1			N N41,45 NJ3M,J5M YK144AM6
	K144-5 BL3	1			N N41,45 NJ3L,J5L YK144BL3
	K144-5 BT8	1			N N41 NJ3T,J5T YK144BT8
					Vinyl N N N N
	K166-7 BC8	1			N N NSPC YK166BC8
	K166-7 BM6	1			N N NSPM YK166BM6
	K166-7 BL3	1			N N NSPL YK166BL3
	K166-7 BTK	1			N N NSPTK YK166BTK
2					PANEL, Rear Door N N N N
					Vinyl N N N N
	K478-9 BA2	1			N N41 NV8A YK478BA2
	K478-9 BM6	1			N N41,45 NV8M YK478BM6
	K478-9 BL3	1			N N41,45 NV8L YK478BL3
	K478-9 BT8	1			N N41 NV8T YK478BT8
					Cloth N N N N
	K480-1 BA3	1			N N41 NJ3A,J5A YK480BA3
	K480-1 BC7	1			N N41 NJ3C,J5C YK480BC7
	K480-1 BM6	1			N N41,45 NJ3M,J5M YK480BM6
	K480-1 BL3	1			N N41,45 NJ3L,J5L YK480BL3
	K480-1 BT8	1			N N41 NJ3T,J5T YK480BT8
					Vinyl N N N N
	K490-1 BC8	1			N N NSPC YK490BC8
	K490-1 BM6	1			N N NSPM YK490BM6
	K490-1 BL3	1			N N NSPL YK490BL3
	K490-1 BTK	1			N N NSPTK YK490BTK
3	D412-3 AA3	1			BASE, Arm Rest w/Power Windows Front (paint as required) N N41,45 N YD412AA3

MODEL CODES

B = GRAN FURY	G = DIPLOMAT	V = 400
C = LEBARON/TOWN & COUNTRY	M = HORIZON/TURISMO/SCAMP	X = MIRADA
D = ARIES	P = RELIANT	Y = IMPERIAL
E = 600	S = CORDOBA	Z = OMNI/CHARGER/RAMPAGE
F = FIFTH AVENUE	T = E CLASS/NEWYORKER	

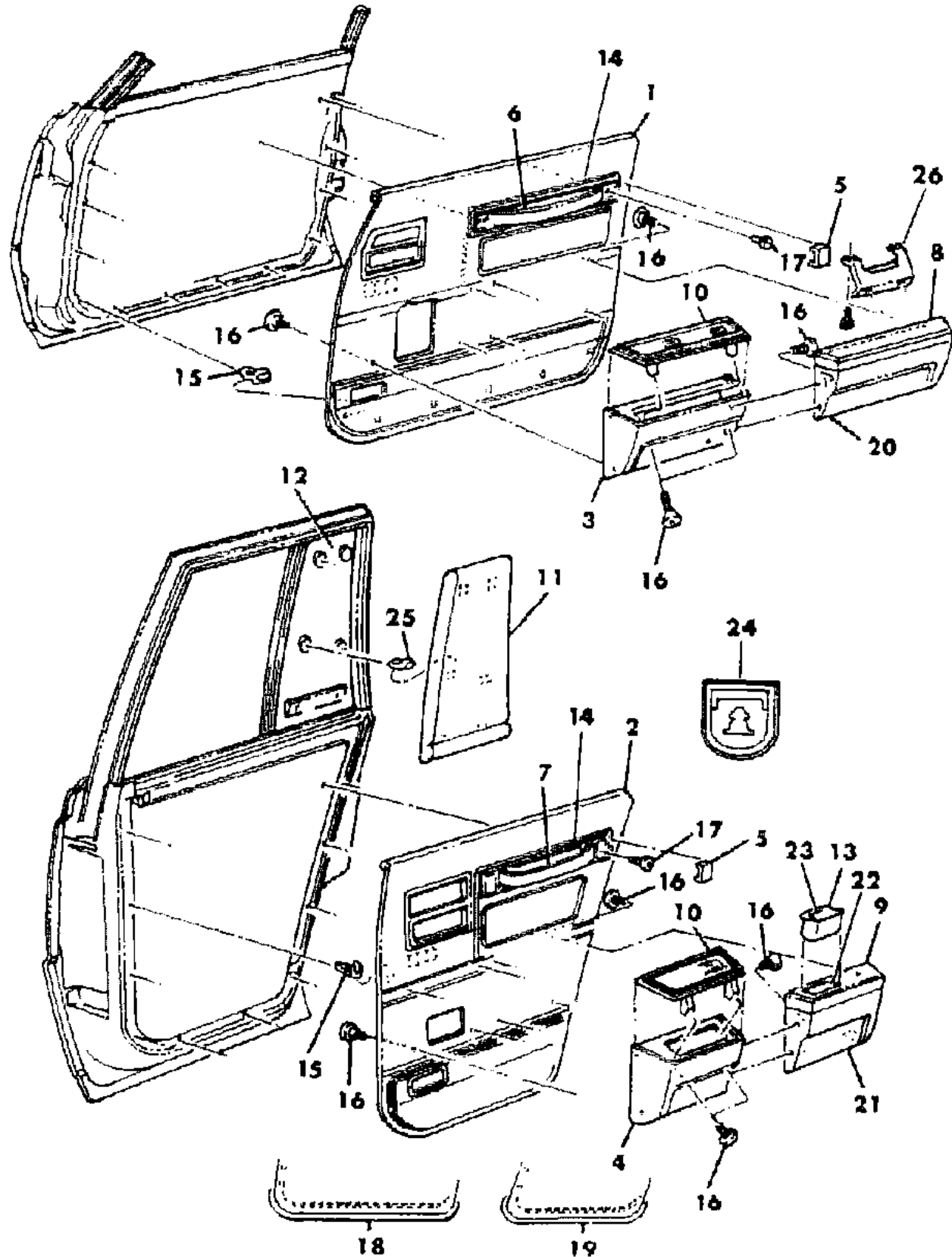
BODY STYLES

21 = 2-DOOR SEDAN	41 = 4-DOOR SEDAN
22 = 2-DOOR SPECIAL COUPE	45 = 4-DOOR STATION WAGON
24 = 2-DOOR HATCHBACK	44 = 4-DOOR HATCHBACK
27 = 2-DOOR CONVERTIBLE	48 = EXECUTIVE SEDAN
28 = FWD PICKUP	

AR = Use as Required - = Non Illustrated Part P.A.R. = Paint as Required

DOOR TRIM PANEL C,V - 41,45  
Figure IT-3104

3253-310 400 A



ITEM	PART NUMBER	QTY	BODY	MODEL	DESCRIPTION
4	D518-9 AA3	1			BASE, Arm Rest w/Power Windows Rear (paint as required) N N41,45 N YD518AA3
5	4247 167	AR			END CAP N N41,45 N Y4247167
6	D930 AA2	2			PULL HANDLE, Front N N N N Silver N N41,45 N YD930AA2
	D930 AC8	2			Blue N N41,45 N YD930AC8
	D930 AM6	2			Red N N41,45 N YD930AM6
	D930 BL3	2			Tan N N41,45 N YD930BL3
	D930 BT8	2			Brown N N41,45 N YD930BT8
	D930 AK9	2			Saddle N N41,45 N YD930AK9
7	D931 AA2	2			PULL HANDLE, Rear N N N N Silver N N41,45 N YD931AA2
	D931 AC8	2			Blue, Dark N N41,45 N YD931AC8
	D931 AM6	2			Red N N41,45 N YD931AM6
	D931 BL3	2			Tan N N41,45 N YD931BL3
	D931 BT8	2			Brown N N41,45 N YD931BT8
	D931 AK9	2			Saddle N N41,45 N YD931AK9
8	D506-7 AA3	1			PAD, Arm Rest Front N N N N w/o Power Door Locks N N N N Silver N N41,45 N YD506AA3
	D506-7 AC7	1			Blue, Dark N N41,45 N YD506AC7
	D506-7 AM6	1			Red N N41,45 N YD506AM6
	D506-7 BL3	1			Tan N N41,45 N YD506BL3
	D506-7 BT8	1			Brown N N41,45 N YD506BT8
	D530-1 BA3	1			w/Power Door Locks and or Electric Mirrors N N N N Silver N N41,45 N YD530BA3
	D530-1 BC7	1			Blue, Dark N N41,45 N YD530BC7
	D530-1 BM6	1			Red N N41,45 N YD530BM6
	D530-1 BL3	1			Tan N N41,45 N YD530BL3
	D530-1 BT8	1			Brown N N41,45 N YD530BT8
9	D514-5 AA3	1			PAD, Arm Rest Rear N N N N Silver N N41,45 N YD514AA3
	D514-5 AC7	1			Blue, Dark N N41,45 N YD514AC7
	D514-5 AM6	1			Red N N41,45 N YD514AM6
	D514-5 BL3	1			Tan N N41,45 N YD514BL3
	D514-5 BT8	1			Brown N N41,45 N YD514BT8
10					See Group 23 C N N N N

MODEL CODES

B = GRAN FURY  
C = LEBARON/TOWN & COUNTRY  
D = ARIES  
E = 600  
F = FIFTH AVENUE

G = DIPLOMAT  
M = HORIZON/TURISMO/SCAMP  
P = RELIANT  
S = CORDOBA  
T = E CLASS/NEWYORKER

V = 400  
X = MIRADA  
Y = IMPERIAL  
Z = OMNI/CHARGER/RAMPAGE

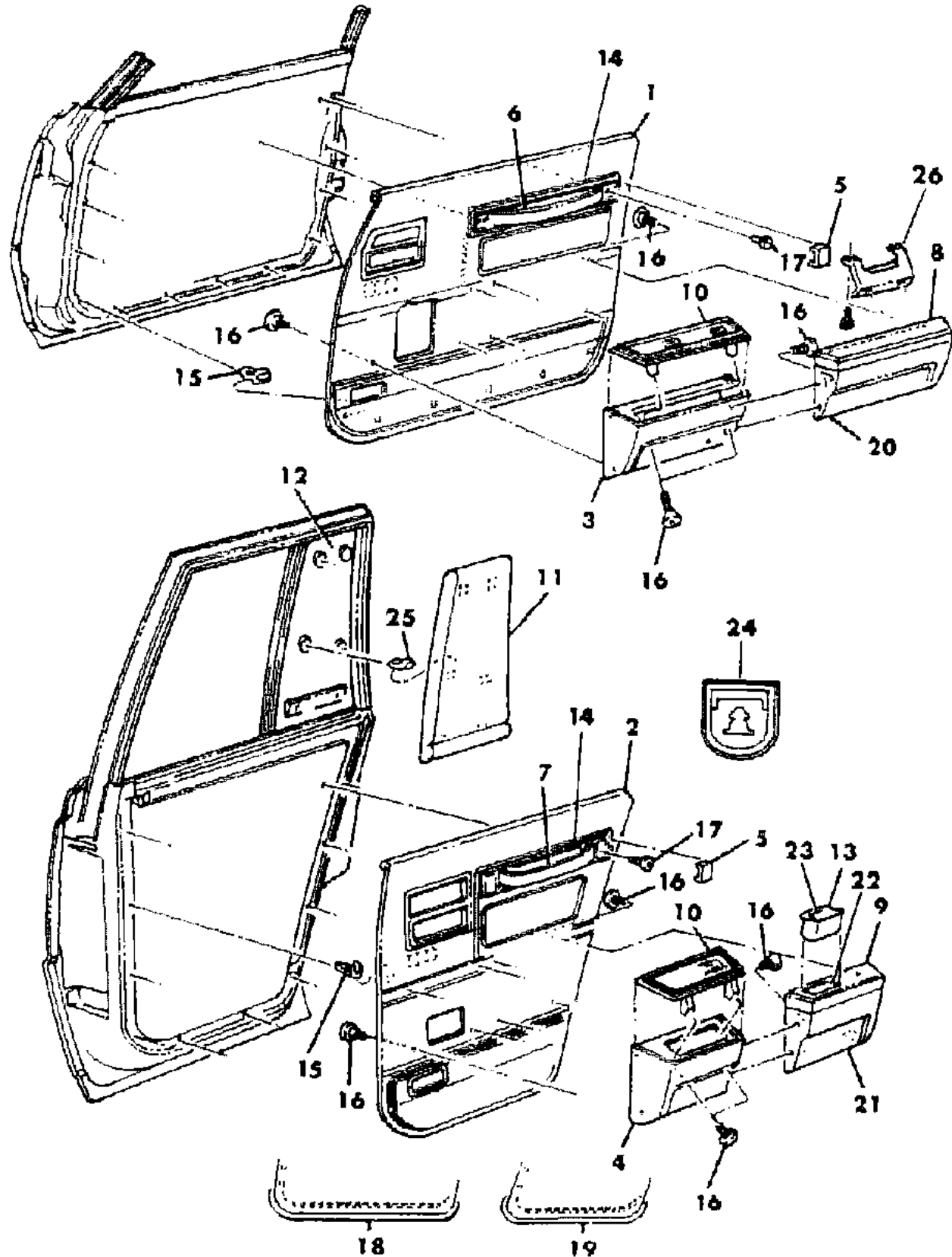
BODY STYLES

21 = 2-DOOR SEDAN  
22 = 2-DOOR SPECIAL COUPE  
24 = 2-DOOR HATCHBACK  
27 = 2-DOOR CONVERTIBLE  
28 = FWD PICKUP  
41 = 4-DOOR SEDAN  
45 = 4-DOOR STATION WAGON  
44 = 4-DOOR HATCHBACK  
48 = EXECUTIVE SEDAN

AR = Use as Required - = Non Illustrated Part P.A.R. = Paint as Required

DOOR TRIM PANEL C,V - 41,45  
Figure IT-3104

3253-310400 A



ITEM	PART NUMBER	QTY	BODY	MODEL	DESCRIPTION
11					COVER, Rear Door Quarter Inner N N N N
	D864-5 AA3	1			Silver N N41 NV7A YD864AA3
	D864-5 AC7	1			Blue, Dark N N41 NV7C YD864AC7
	D864-5 AM6	1			Red N N41 NV7M YD864AM6
	D864-5 BL3	1			Tan N N41 NV7U YD864BL3
	D864-5 BT8	1			Brown N N41 NV7T,V7TK YD864BT8
12	4280 098-9	1			INSERT N N N Y4280098
13	2589 587	2			ASH RECEIVER N N N Y2589587
14					FINISH PLATE N N N N
	4247 165	2			Front N N N Y4247165
	4247 166	2			Rear N N N Y4247166
	6032 133	AR			NUT, Finish Plate N N N Y6032133
15	6003 640	AR			FASTENER N N N Y6003640
16		AR			SCREW (not serviced) N N N N
17	6032 141	AR			SCREW N N N Y6032141
18	4247 230	2			SEAL, Secondary Front N N N Y4247230
19	4247 231	2			SEAL, Secondary Rear N N N Y4247231
20	D508-9 AA3	1			BASE, Arm Rest Front w/o Power Door Locks (paint as required) N N N YD508AA3
	D538-9 BL3	1			w/Power Door Locks (paint as required) N N N YD538BL3
	6032 124	AR			WASHER and STUD, Rear Arm Rest to Glass Attaching N N N Y6032124
	6032 125	AR			NUT, Rear Arm Rest to Regulator Bolt Attaching N N N Y6032125
	6031 964	AR			NUT, Push Arm Rest Base Attaching N N N Y6031964
21	D516-7 AA3	1			BASE, Arm Rest Rear (paint as required) N N N YD516AA3
22	2657 877	2			BEZEL, Ash Receiver N N N Y2657877
23	2292 503	2			SPRING, Ash Receiver Lid N N N Y2292503
24	4247 692	2			MEDALLION (MARK CROSS PACKAGE) N N N Y4247692
25	4114 785	8			FASTENER N N N Y4114785
26	4248 449	2			BRACKET, Remote Mirror Bezel to Arm Rest N N N Y4248449
	6030 851	4			NUT, Speed Bracket Attaching N N N Y6030851
The following part is not illustrated. s ARE NOT RETURNABLE.					
	4049 602	AR			SILENCER, Door (36"x36"x1/2" material) N N N Y4049602

MODEL CODES

B = GRAN FURY	G = DIPLOMAT	V = 400
C = LEBARON/TOWN & COUNTRY	M = HORIZON/TURISMO/SCAMP	X = MIRADA
D = ARIES	P = RELIANT	Y = IMPERIAL
E = 600	S = CORDOBA	Z = OMNI/CHARGER/RAMPAGE
F = FIFTH AVENUE	T = E CLASS/NEWYORKER	

BODY STYLES

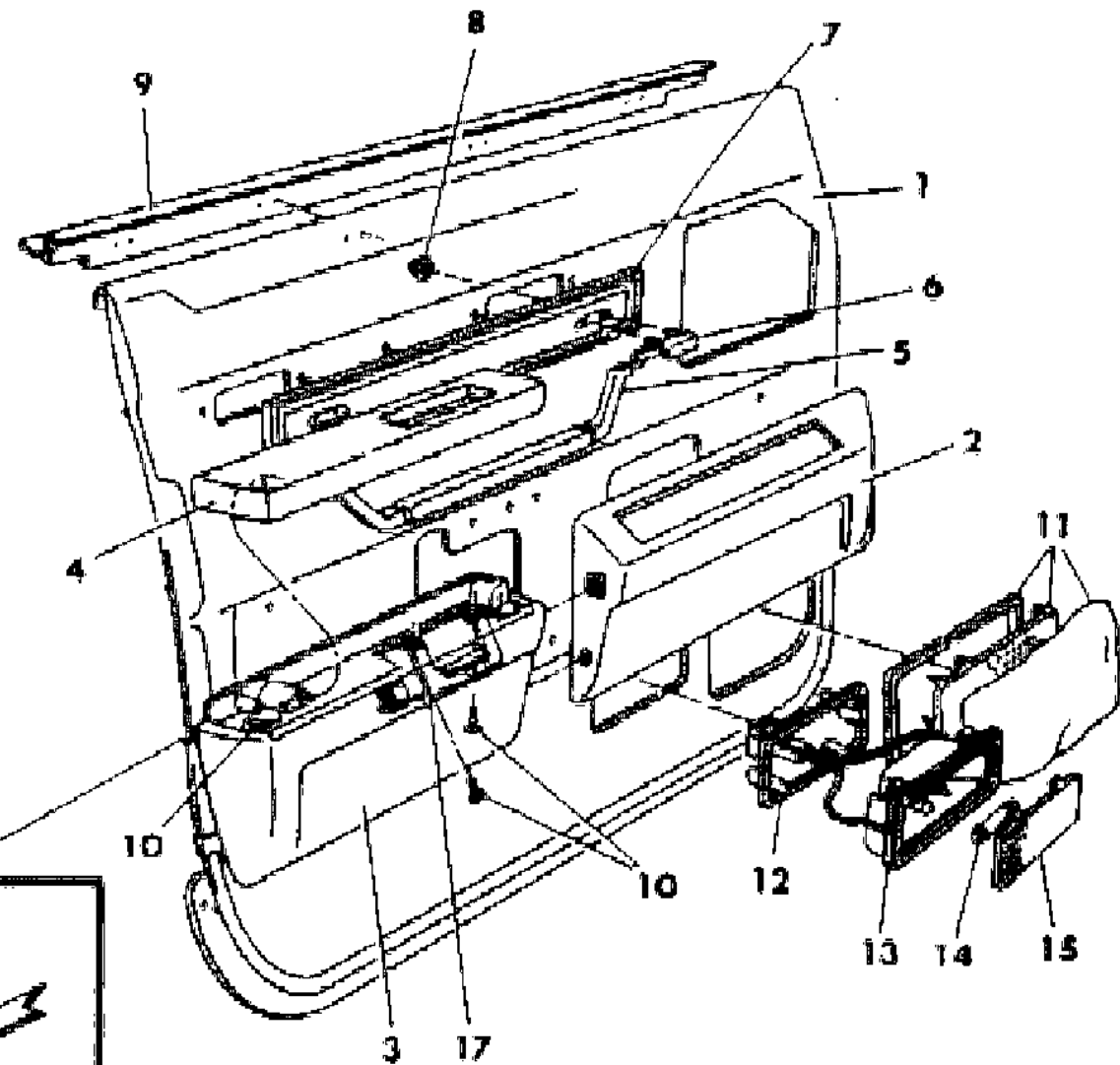
21 = 2-DOOR SEDAN	41 = 4-DOOR SEDAN
22 = 2-DOOR SPECIAL COUPE	45 = 4-DOOR STATION WAGON
24 = 2-DOOR HATCHBACK	44 = 4-DOOR HATCHBACK
27 = 2-DOOR CONVERTIBLE	48 = EXECUTIVE SEDAN
28 = FWD PICKUP	

AR = Use as Required - = Non Illustrated Part P.A.R. = Paint as Required



PANEL, FRONT DOOR TRIM SEDAN & LIMO.  
Figure IT-3105

3253.3 10 500



ITEM	PART NUMBER	QTY	BODY	MODEL	DESCRIPTION
1					PANEL, Front Door Trim N N N N
	4339 692-3	1			Silver N N N Y4339692
	4339 694-5	1			Blue N N N Y4339694
2					ARMREST, Front Control N N N N
	4339 790-1	1			Silver N N N Y4339790
	4339 792-3	1			Blue N N N Y4339792
3					ARMREST, Rear Compartment N N N N
	4339 806-7	1			Silver N N N Y4339806
	4339 808-9	1			Blue N N N Y4339808
4					PAD, Armrest N N N N
	4339 802-3	1			Silver N N N Y4339802
	4339 804-5	1			Blue N N N Y4339804
5	4078 233	1			STRAP, Door Pull N N N Y4078233
6	4077 196-7	1			END CAP, Pull Strap N N N Y4077196
7	4248 603	1			BEZEL, Door Pull Strap N N N Y4248603
8					NUT (Not Serviced) N N N N
9	4280 412-3	1			WEATHERSTRIP, Inner N N N Y4280412
10					SCREW (Not Serviced) N N N N
11					GRILLE, Speakers N N N N
	4339 696-7	1			Silver N N N Y4339696
	4339 698-9	1			Blue N N N Y4339698
12		1			RETAINER, Door Courtesy Lamp N N N N0
13-15	4220 596	1			LAMP, Courtesy, Front Door N N N Y4220596
14	9431 809	1			BULB, Courtesy Lamp N N N Y9431809
15	4220 597	1			LENS, Courtesy Lamp N N N Y4220597

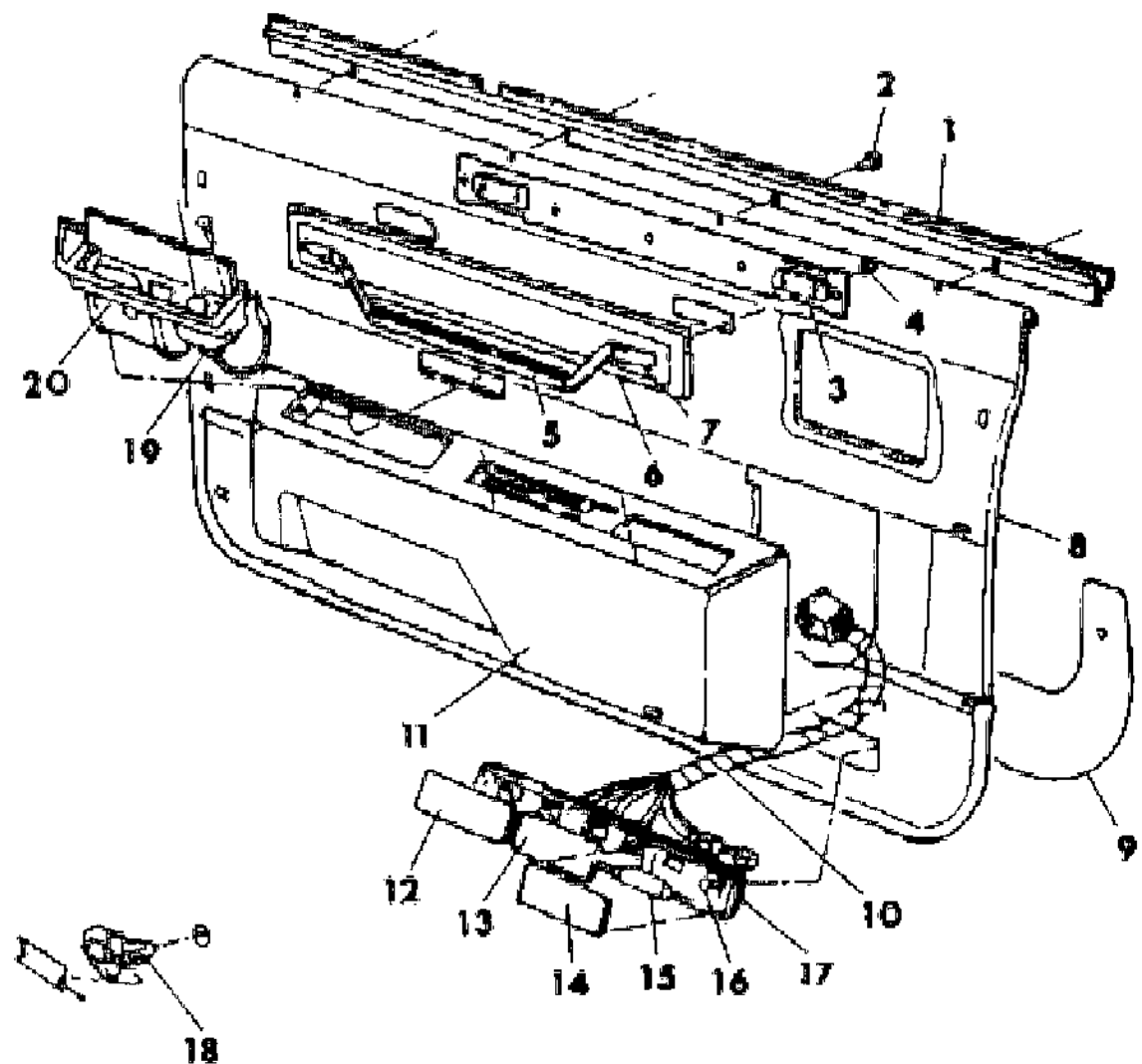
MODEL CODES  
 B = GRAN FURY  
 C = LEBARON/TOWN & COUNTRY  
 D = ARIES  
 E = 600  
 F = FIFTH AVENUE  
 G = DIPLOMAT  
 M = HORIZON/TURISMO/SCAMP  
 P = RELIANT  
 S = CORDOBA  
 T = E CLASS/NEWYORKER  
 V = 400  
 X = MIRADA  
 Y = IMPERIAL  
 Z = OMNI/CHARGER/RAMPAGE

BODY STYLES  
 21 = 2-DOOR SEDAN  
 22 = 2-DOOR SPECIAL COUPE  
 24 = 2-DOOR HATCHBACK  
 27 = 2-DOOR CONVERTIBLE  
 28 = FWD PICKUP  
 41 = 4-DOOR SEDAN  
 45 = 4-DOOR STATION WAGON  
 44 = 4-DOOR HATCHBACK  
 48 = EXECUTIVE SEDAN

AR = Use as Required - = Non Illustrated Part P.A.R. = Paint as Required

PANEL, REAR DOOR TRIM SEDAN AND LIMO.  
Figure IT-3106

3253-310 600



ITEM	PART NUMBER	QTY	BODY	MODEL	DESCRIPTION
1	4339 958-9	1			WEATHERSTRIP, Inner N N N Y4339958
2					SCREW (Not Serviced) N N N N
3		2			BASE, Pull Strap (serviced in item 8) N N N N
4	6032 133	AR			NUT N N N Y6032133
5	4078 233	2			STRAP, Door Pull N N N Y4078233
6	4339 690	2			BEZEL, Pull Strap N N N Y4339690
7	4077 196-7	2			BRACKET, Pull Strap N N N Y4077196
	4339 745	4			COVER, Pull Strap End Cap N N N Y4339745
8					PANEL, Door Trim N N N N
	4339 920-1	1			Silver N NLimo. N Y4339920
	4339 922-3	1			Blue N NLimo. N Y4339922
	4339 786-7	1			Silver N NSedan N Y4339786
	4339 788-9	1			Blue N NSedan N Y4339788
9	4339 960	2			SEAL, Door Sill N N N Y4339960
10	4339 716	2			WIRING, Door Courtesy Lamp N N N Y4339716
11					ARM REST, Rear N N N N
	4339 834-5	1			Silver N N N Y4339834
	4339 836-7	1			Blue N N N Y4339836
12	5209 525	2			LENS, Courtesy Lamp N N N Y5209525
13	4339 735	2			LENS, Directional N N N Y4339735
14	4339 734	2			LENS, Courtesy Lamp, Red N N N Y4339734
15		6			BULB, Courtesy Lamp (Not Serviced) N N N N
16					SCREW (8-18 X .50) (Not Serviced) N N N N
17	4339 742	2			HOUSING, Courtesy Lamp N N N Y4339742
18	6003 640	AR			FASTENER N N N Y6003640
19	4339 829	2			RECEPTICAL, Ash Receiver N N N Y4339829
20	4339 828	2			SOCKET w/RETAINER, Ash Receiver N N N Y4339828

MODEL CODES

B = GRAN FURY	G = DIPLOMAT	V = 400
C = LEBARON/TOWN & COUNTRY	M = HORIZON/TURISMO/SCAMP	X = MIRADA
D = ARIES	P = RELIANT	Y = IMPERIAL
E = 600	S = CORDOBA	Z = OMNI/CHARGER/RAMPAGE
F = FIFTH AVENUE	T = E CLASS/NEWYORKER	

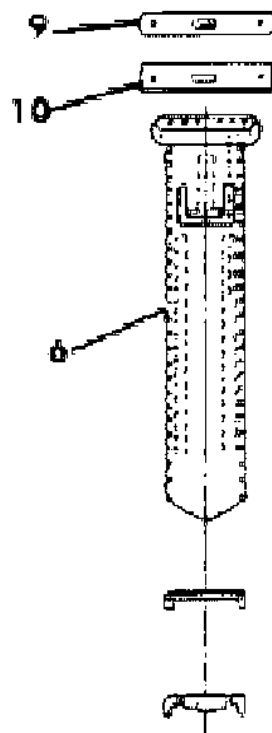
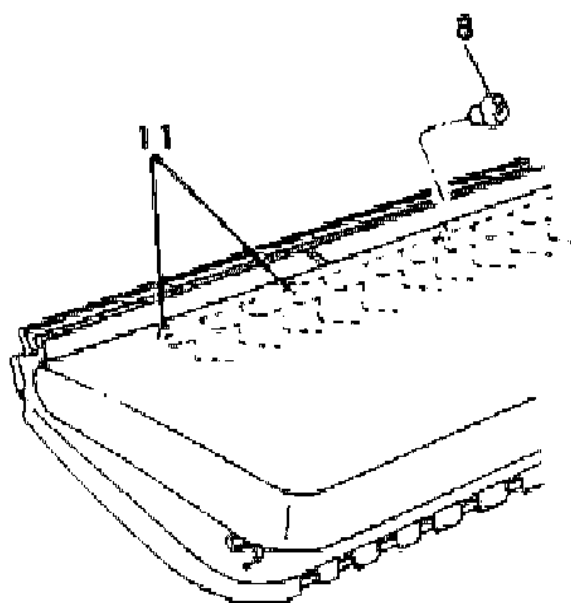
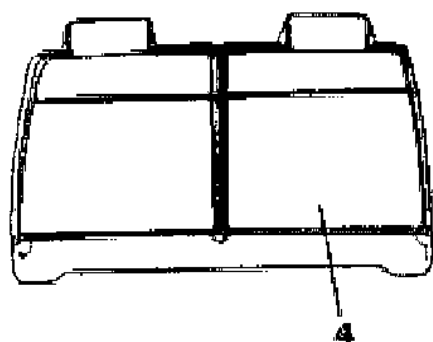
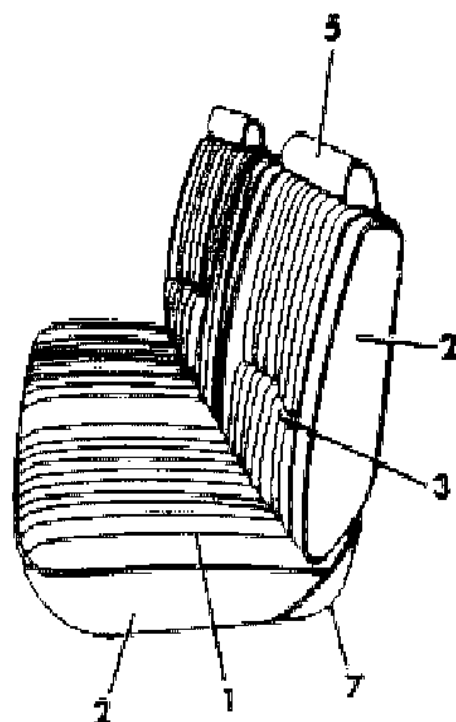
BODY STYLES

21 = 2-DOOR SEDAN	41 = 4-DOOR SEDAN
22 = 2-DOOR SPECIAL COUPE	45 = 4-DOOR STATION WAGON
24 = 2-DOOR HATCHBACK	44 = 4-DOOR HATCHBACK
27 = 2-DOOR CONVERTIBLE	48 = EXECUTIVE SEDAN
28 = FWD PICKUP	

AR = Use as Required - = Non Illustrated Part P.A.R. = Paint as Required

SEAT FRONT P,D 21 TRIM CODES C1,C2  
Figure IT-3201

3253-320100



ITEM	PART NUMBER	QTY	BODY	MODEL	DESCRIPTION
1-2					CUSHION, w/Spring/Frame, Pad and Cover N N N N
	B907 B1C	1			N N NC1CB YB907B1C
	B907 B1M	1			N N NC1M YB907B1M
	B907 B1T	1			N N NC1TL YB907B1T
	B909 B2C	1			N N NC2CB YB909B2C
	B909 B2M	1			N N NC2M YB909B2M
	B909 B2T	1			N N NC2TL YB909B2T
1					COVER, Cushion N N N N
	C440 B1C	1			N N NC1CB YC440B1C
	C440 A1M	1			N N NC1M YC440A1M
	C440 B1T	1			N N NC1TL YC440B1T
	C446 B2C	1			N N NC2CB YC446B2C
	C446 A2M	1			N N NC2M YC446A2M
	C446 B2T	1			N N NC2TL YC446B2T
2					ROLL STOCK, Vinyl 64" Wide Order By The Inch N N N N
	R616 BB5	AR			Blue N N N YR616BB5
	R616 VM6	AR			Red N N N YR616VM6
	R616 BT8	AR			Brown N N N YR616BT8
2-3					BACK, w/Spring/Frame, Pad and Cover N N N N
	C964-5 B1C	1			N N NC1Cb YC964B1C
	C964-5 A1M	1			N N NC1M YC964A1M
	C964-5 B1T	1			N N NC1TL YC964B1T
	C984-5 B2C	1			N N NC2CB YC984B2C
	C984-5 A2M	1			N N NC2M YC984A2M
	C984-5 B2T	1			N N NC2TL YC984B2T
3					COVER, Back N N N N
	C460-1 B1C	1			N N NC1CB YC460B1C
	C460-1 A1M	1			N N NC1M YC460A1M
	C460-1 B1T	1			N N NC1TL YC460B1T
	C448-9 B2C	1			N N NC2CB YC448B2C
	C448-9 A2M	1			N N NC2M YC448A2M
	C448-9 B2T	1			N N NC2TL YC448B2T
4					ROLL STOCK, Vinyl 50" Wide Order By The Inch N N N N
	R620 AC8	AR			Blue N N N YR620AC8
	R620 VM6	AR			Red N N N YR620VM6
	R620 BT8	AR			Tan N N N YR620BT8
5					HEADREST N N N N

MODEL CODES

B = GRAN FURY  
C = LEBARON/TOWN & COUNTRY  
D = ARIES  
E = 600  
F = FIFTH AVENUE  
G = DIPLOMAT  
M = HORIZON/TURISMO/SCAMP  
P = RELIANT  
S = CORDOBA  
T = E CLASS/NEWYORKER  
V = 400  
X = MIRADA  
Y = IMPERIAL  
Z = OMNI/CHARGER/RAMPAGE

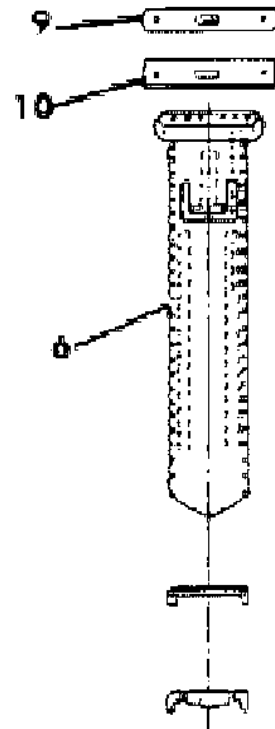
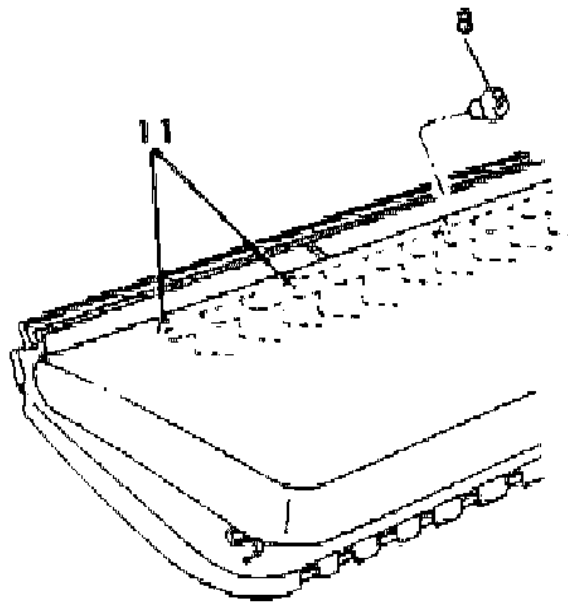
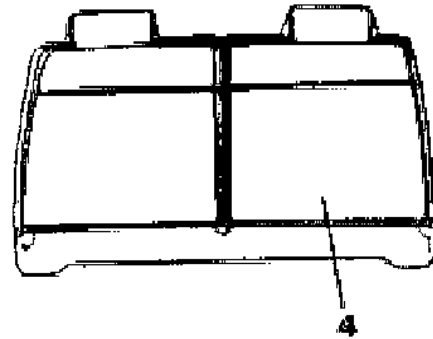
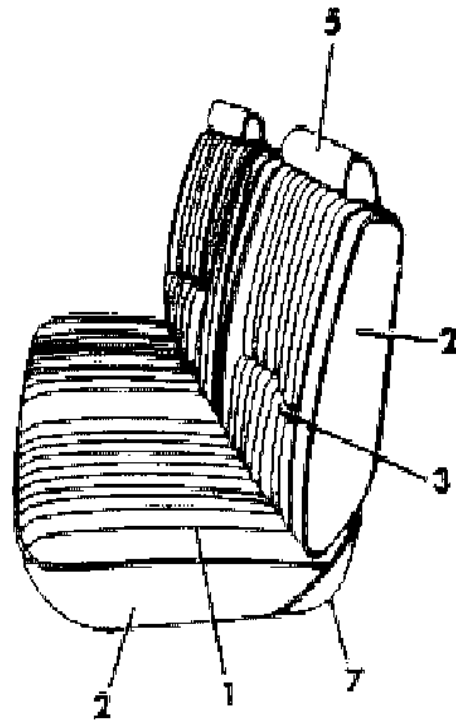
BODY STYLES

21 = 2-DOOR SEDAN  
22 = 2-DOOR SPECIAL COUPE  
24 = 2-DOOR HATCHBACK  
27 = 2-DOOR CONVERTIBLE  
28 = FWD PICKUP  
41 = 4-DOOR SEDAN  
45 = 4-DOOR STATION WAGON  
44 = 4-DOOR HATCHBACK  
48 = EXECUTIVE SEDAN

AR = Use as Required - = Non Illustrated Part P.A.R. = Paint as Required

SEAT FRONT P,D 21 TRIM CODES C1,C2  
Figure IT-3201

3253-320100



ITEM	PART NUMBER	QTY	BODY	MODEL	DESCRIPTION
	S790 BB5	2			Blue N N N YS790BB5
	S790 VM6	2			Red N N N YS790VM6
	S790 BL3	2			Tan N N N YS790BL3
6					SLEEVE, Headrest N N N N
	S786 BB5	2			Blue N N N YS786BB5
	S786 VM6	2			Red N N N YS786VM6
	S786 BL3	2			Tan N N N YS786BL3
7					SHIELD, Cushion N N N N
	S780-1 AC7	1			Blue N N N YS780AC7
	S780-1 VM6	1			Red N N N YS780VM6
	S780-1 BT8	1			Brown N N N YS780BT8
8	4277 908	2			BUSHING, Cushion Pivot Bracket N N N Y4277908
9	4190 388	2			COVER, Headrest Finish N N N Y4190388
10	4190 387	2			SUPPORT, Headrest Trim Cover N N N Y4190387
	0136 135	2			RIVET, Headrest Catch to Upper Support N N N Y136135
11	6008 076	AR			HOG RING N N N Y6008076

MODEL CODES

B = GRAN FURY	G = DIPLOMAT	V = 400
C = LEBARON/TOWN & COUNTRY	M = HORIZON/TURISMO/SCAMP	X = MIRADA
D = ARIES	P = RELIANT	Y = IMPERIAL
E = 600	S = CORDOBA	Z = OMNI/CHARGER/RAMPAGE
F = FIFTH AVENUE	T = E CLASS/NEWYORKER	

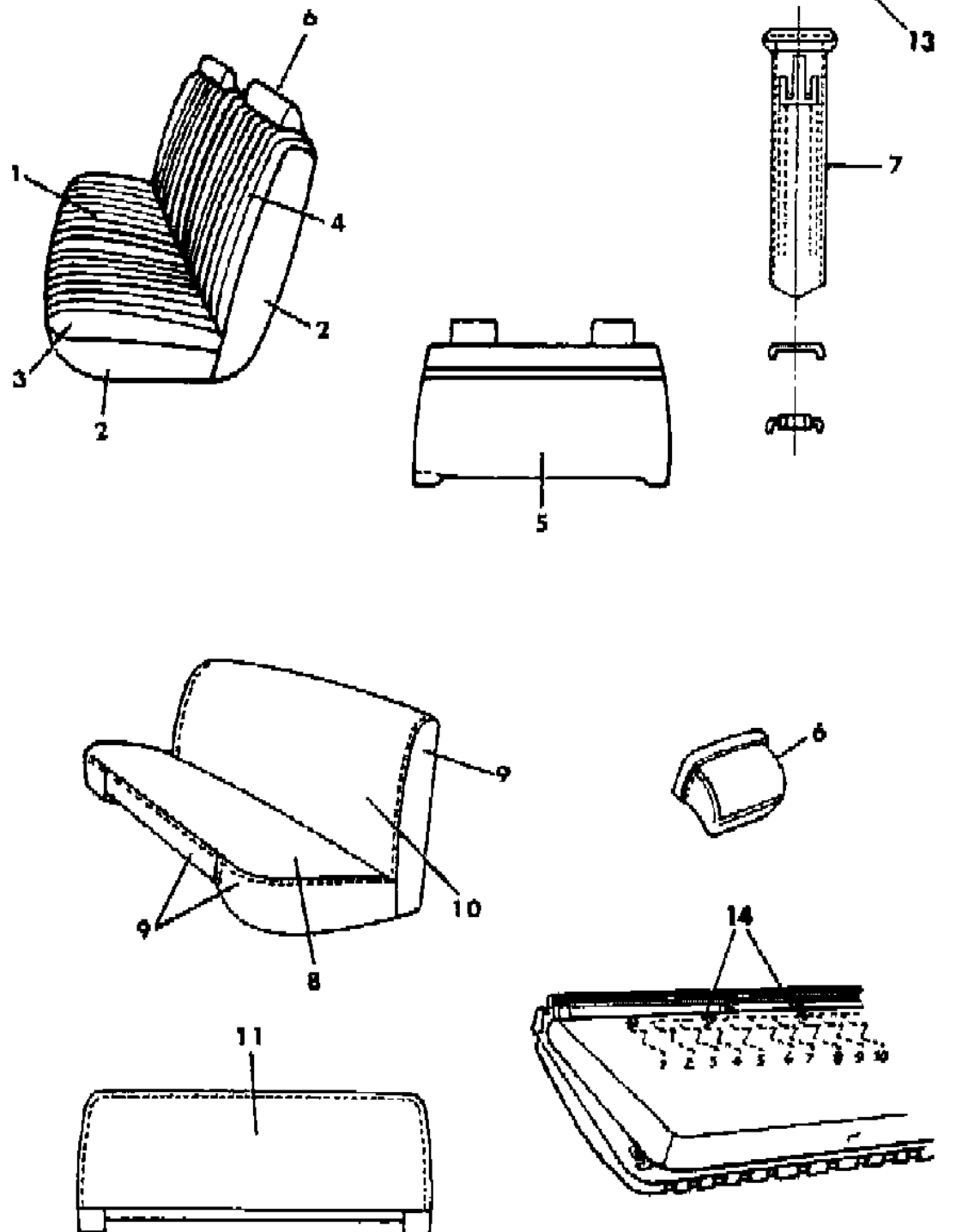
BODY STYLES

21 = 2-DOOR SEDAN	41 = 4-DOOR SEDAN
22 = 2-DOOR SPECIAL COUPE	45 = 4-DOOR STATION WAGON
24 = 2-DOOR HATCHBACK	44 = 4-DOOR HATCHBACK
27 = 2-DOOR CONVERTIBLE	48 = EXECUTIVE SEDAN
28 = FWD PICKUP	

AR = Use as Required - = Non Illustrated Part P.A.R. = Paint as Required

SEAT FRONT P,D 41,45 TRIM CODES C1,C2,K2  
Figure IT-3202

3253.320 200



ITEM	PART NUMBER	QTY	BODY	MODEL	DESCRIPTION
1-4					SEAT COMPLETE, (Includes Cushion and Back) w/Spring/Frame, Pad and Cover N N N N Heavy Duty N N N N N N41 NC1CB YC752B1C N N41 NC1M YC752B1M N N41 NC1TL YC752B1T Heavy Duty N N N N N N41 NC2CB YC715B2C N N41 NC2M YC715B2M N N41 NC2TL YC715B2T
2	R616 BB5	AR			ROLL STOCK, Vinyl 64" Wide Order By The Inch N N N N Blue N N N YR616BB5 Red N N N YR616VM6
	R616 VM6	AR			
	R616 BT8	AR			Brown N N N YR616BT8
3					COVER, Cushion N N N N N N41 NC1CB YC441B1C N N41 NC1M YC441A1M N N41 NC1TL YC441B1T N N41 NC2CB YC447B2C N N41 NC2M YC447A2M N N41 NC2TL YC447B2T
	C441 B1C	1			
	C441 A1M	1			
	C441 B1T	1			
	C447 B2C	1			
	C447 A2M	1			
	C447 B2T	1			
4					COVER, Back N N N N N N41 NC1CB YC425B1C N N41 NC1M YC425A1M N N41 NC1TL YC425B1T N N41 NC2CB YC427B2C N N41 NC2M YC427A2M N N41 NC2TL YC427B2T
	C425 B1C	1			
	C425 A1M	1			
	C425 B1T	1			
	C427 B2C	1			
	C427 A2M	1			
	C427 B2T	1			
5					ROLL STOCK, Vinyl 50" Wide Order By The Inch N N N N Blue N N N YR620AC8 N N NRLTK YB944BTK Red N N N YR620VM6 Tan N N N YR620BL3
	R620 AC8	AR			
	B944 BTK	1			
	R620 VM6	AR			
	R620 BL3	AR			
6					HEADREST N N N N Blue, Medium N N N YS790BB5 Blue, Dark N N N YS790BC7 Red N N N YS790VM6
	S790 BB5	2			
	S790 BC7	2			
	S790 VM6	2			

MODEL CODES

B = GRAN FURY  
C = LEBARON/TOWN & COUNTRY  
D = ARIES  
E = 600  
F = FIFTH AVENUE  
G = DIPLOMAT  
M = HORIZON/TURISMO/SCAMP  
P = RELIANT  
S = CORDOBA  
T = E CLASS/NEWYORKER  
V = 400  
X = MIRADA  
Y = IMPERIAL  
Z = OMNI/CHARGER/RAMPAGE

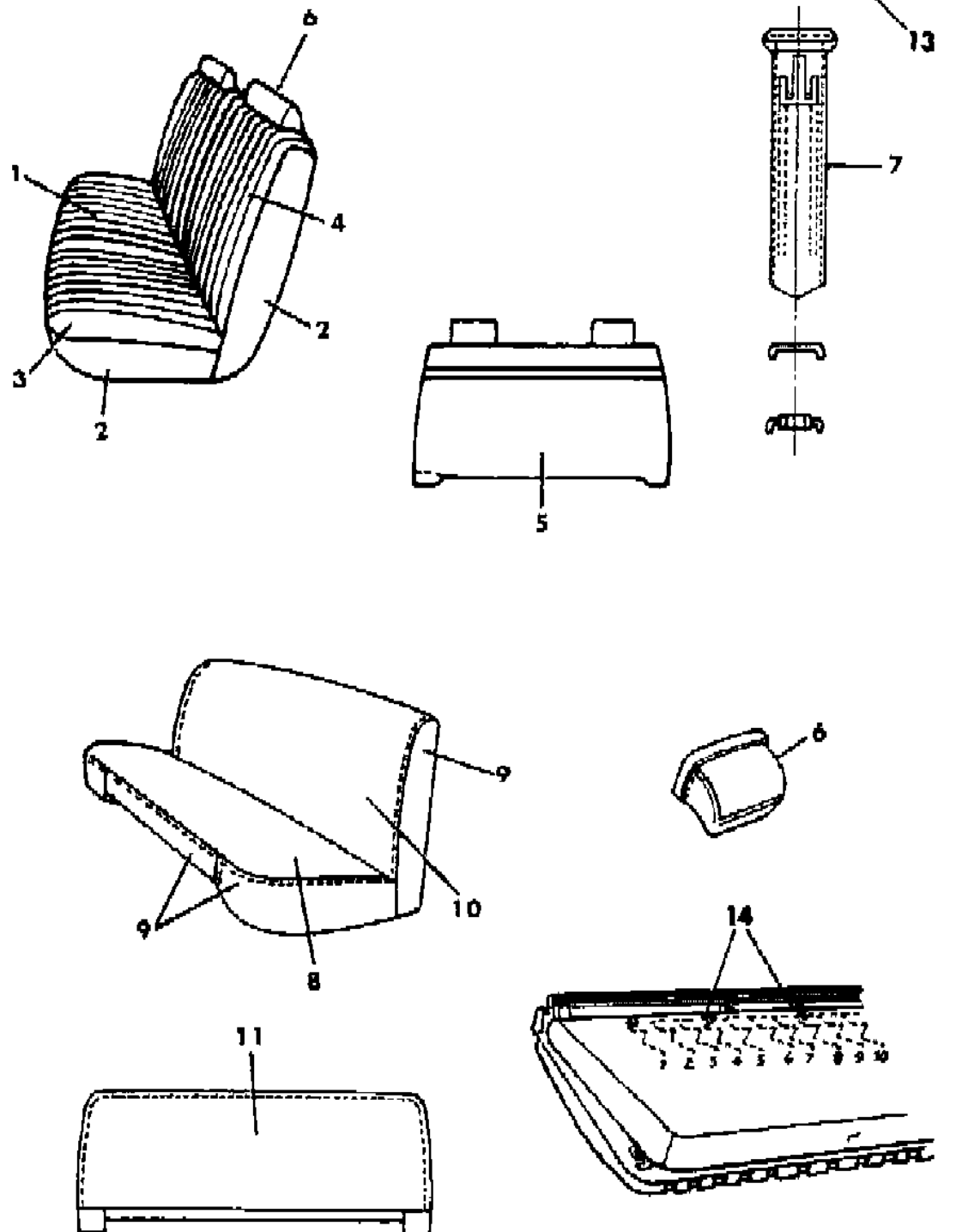
BODY STYLES

21 = 2-DOOR SEDAN  
22 = 2-DOOR SPECIAL COUPE  
24 = 2-DOOR HATCHBACK  
27 = 2-DOOR CONVERTIBLE  
28 = FWD PICKUP  
41 = 4-DOOR SEDAN  
45 = 4-DOOR STATION WAGON  
44 = 4-DOOR HATCHBACK  
48 = EXECUTIVE SEDAN

AR = Use as Required - = Non Illustrated Part P.A.R. = Paint as Required

SEAT FRONT P,D 41,45 TRIM CODES C1,C2,K2  
Figure IT-3202

3253.320 200



ITEM	PART NUMBER	QTY	BODY	MODEL	DESCRIPTION
	S790 BL3	2			Tan N N N YS790BL3
	S790 BT8	2			Brown N N N YS790BT8
7					SLEEVE, Headrest N N N N
	S786 BB5	2			Blue, Medium N N N YS786BB5
	S786 AC7	2			Blue, Dark N N N YS786AC7
	S786 VM6	2			Red N N N YS786VM6
	S786 BL3	2			Tan N N N YS786BL3
	S786 BT8	2			Brown N N N YS786BT8
8-10					SEAT COMPLETE (Includes Cushion and Back), w/Spring/Frame, Pad and Cover N N N N
	C690 B2C	1			N N NK2CB YC690B2C
	C690 B2T	1			N N NK2TL YC690B2T
8					COVER, Cushion N N N N
	C396 B2C	1			N N NK2CB YC396B2C
	C396 B2T	1			N N NK2TL YC396B2T
9					ROLL STOCK, Vinyl Order by the Inch N N N N
	R616 VC8	AR			64" Wide N N NK2CB YR616VC8
	R609 BT8	AR			58" Wide N N NK2TL YR609BT8
10					COVER, Back N N N N
	C397 B2C	1			N N NK2CB YC397B2C
	C397 B2T	1			N N NK2TL YC397B2T
11					ROLL STOCK, Vinyl 50" Wide Order by the Inch. N N N N
	R620 AC8	AR			N N NK2CB YR620AC8
	R620 BT8	AR			N N NK2TL YR620BT8
12	4190 388	2			COVER, Headrest Finish N N N Y4190388
13	4190 387	2			SUPPORT, Headrest Trim Cover N N N Y4190387
	0136 135	2			RIVET, Headrest Catch to Upper Support N N N Y136135
14	6008 076	AR			HOG RING N N N Y6008076

MODEL CODES

B = GRAN FURY  
C = LEBARON/TOWN & COUNTRY  
D = ARIES  
E = 600  
F = FIFTH AVENUE  
G = DIPLOMAT  
M = HORIZON/TURISMO/SCAMP  
P = RELIANT  
S = CORDOBA  
T = E CLASS/NEWYORKER  
V = 400  
X = MIRADA  
Y = IMPERIAL  
Z = OMNI/CHARGER/RAMPAGE

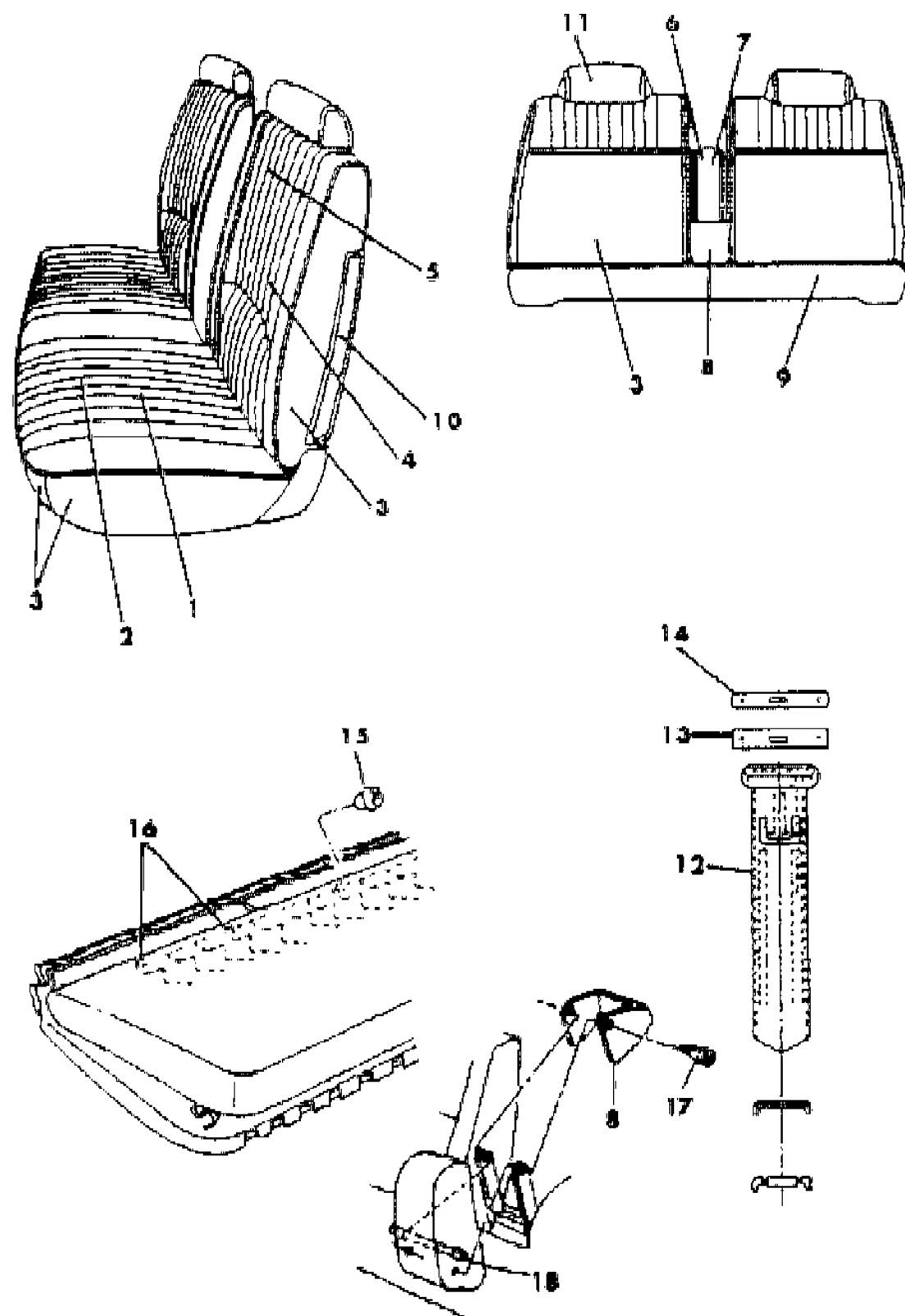
BODY STYLES

21 = 2-DOOR SEDAN  
22 = 2-DOOR SPECIAL COUPE  
24 = 2-DOOR HATCHBACK  
27 = 2-DOOR CONVERTIBLE  
28 = FWD PICKUP  
41 = 4-DOOR SEDAN  
45 = 4-DOOR STATION WAGON  
44 = 4-DOOR HATCHBACK  
48 = EXECUTIVE SEDAN

AR = Use as Required - = Non Illustrated Part P.A.R. = Paint as Required

SEAT FRONT P,D 21,41,45 TRIM CODE G4  
Figure IT-3203

3253-3 20300 A



ITEM	PART NUMBER	QTY	BODY	MODEL	DESCRIPTION
1-3					CUSHION, w/Spring/Frame, Pad and Cover N N N N
	B928 B4A	1			N N NG4A YB928B4A
	B928 B4B	1			N N NG4CB YB928B4B
	B928 B4M	1			N N NG4M YB928B4M
	B928 B4L	1			N N NG4TL YB928B4L
2					COVER, Cushion N N N N
	C474 B4A	1			N N NG4A YC474B4A
	C474 B4B	1			N N NG4CB YC474B4B
	C474 B4M	1			N N NG4M YC474B4M
	C474 B4L	1			N N NG4TL YC474B4L
3					ROLL STOCK, Vinyl 64" Wide Order by the Inch N N N N
	R616 AA2	AR			Silver N N N YR616AA2
	R616 BB5	AR			Blue N N N YR616BB5
	R616 VM6	AR			Red N N N YR616VM6
	R616 BL3	AR			Tan N N N YR616BL3
3-5					BACK, w/Spring/Frame, Pad and Cover N N N N
	B934-5 B4A	1			N N NG4A YB934B4A
	B934-5 B4B	1			N N NG4B YB934B4B
	B934-5 B4M	1			N N NG4M YB934B4M
	B934-5 B4L	1			N N NG4TL YB934B4L
5					COVER, Back N N N N
	C472-3 B4A	1			N N NG4A YC472B4A
	C472-3 B4B	1			N N NG4CB YC472B4B
	C472-3 B4M	1			N N NG4M YC472B4M
	C472-3 B4L	1			N N NG4TL YC472B4L
6-7					ARM REST w/Cover N N N N
	B941 BA2	1			N N NG4A YB941BA2
	B941 BB5	1			N N NG4CB YB941BB5
	B941 BM6	1			N N NG4M YB941BM6
	B941 BL3	1			N N NG4TL YB941BL3
7					COVER, Arm Rest N N N N
	C459 BA2	1			N N NG4A YC459BA2
	C459 BB5	1			N N NG4CB YC459BB5
	C459 BM6	1			N N NG4M YC459BM6
	C459 BL3	1			N N NG4TL YC459BL3
8					COVER, Arm Rest Finish N N N N
	S581 AA3	1			N N NG4A YS581AA3

MODEL CODES

B = GRAN FURY	G = DIPLOMAT	V = 400
C = LEBARON/TOWN & COUNTRY	M = HORIZON/TURISMO/SCAMP	X = MIRADA
D = ARIES	P = RELIANT	Y = IMPERIAL
E = 600	S = CORDOBA	Z = OMNI/CHARGER/RAMPAGE
F = FIFTH AVENUE	T = E CLASS/NEWYORKER	

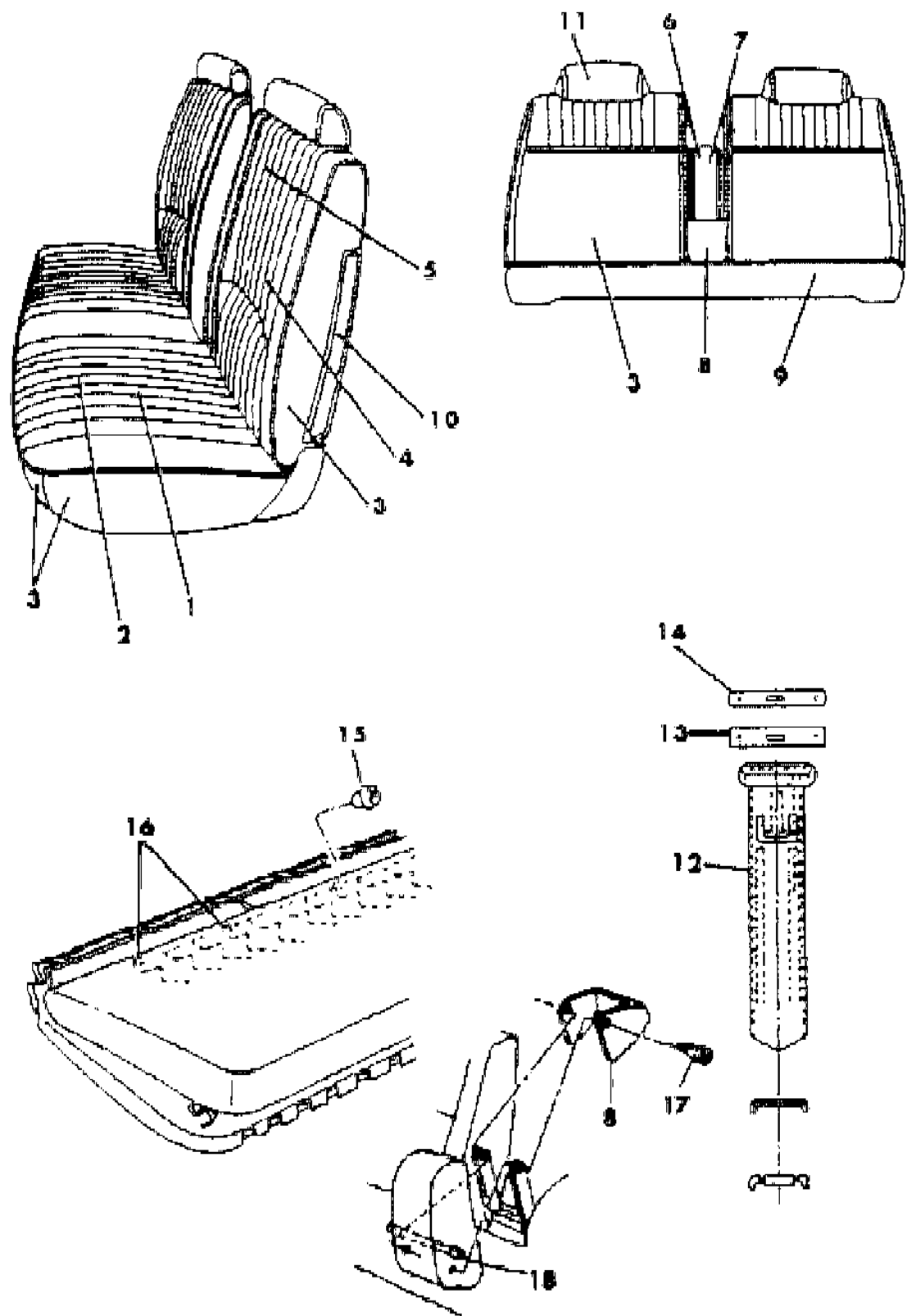
BODY STYLES

21 = 2-DOOR SEDAN	41 = 4-DOOR SEDAN
22 = 2-DOOR SPECIAL COUPE	45 = 4-DOOR STATION WAGON
24 = 2-DOOR HATCHBACK	44 = 4-DOOR HATCHBACK
27 = 2-DOOR CONVERTIBLE	48 = EXECUTIVE SEDAN
28 = FWD PICKUP	

AR = Use as Required - = Non Illustrated Part P.A.R. = Paint as Required

SEAT FRONT P,D 21,41,45 TRIM CODE G4  
Figure IT-3203

3253-3 20300 A



ITEM	PART NUMBER	QTY	BODY	MODEL	DESCRIPTION
	S581 BB5	1			N N NG4CB YS581BB5
	S581 AM6	1			N N NG4M YS581AM6
	S581 BL3	1			N N NG4TL YS581BL3
9					SHIELD, Cushion N N N N
	S780-1 AA3	1			Silver N N21 N YS780AA3
	S780-1 AC7	1			Blue N N21 N YS780AC7
	S780-1 VM6	1			Red N N21 N YS780VM6
	S780-1 BT8	1			Brown N N21 N YS780BT8
	S678-9 AA3	1			Silver N N41 N YS678AA3
	S678-9 AC7	1			Blue N N41,45 N YS678AC7
	S678-9 AM6	1			Red N N41,45 N YS678AM6
	S678-9 BT8	1			Brown N N41,45 N YS678BT8
10	S752-3 AA3	1			SHIELD, Back, Outer (paint as required) N N N YS752AA3
11					HEAD REST N N N N
	S790 AA2	2			Silver N N N YS790AA2
	S790 BB5	2			Blue N N N YS790BB5
	S790 VM6	2			Red N N N YS790VM6
	S790 BL3	2			Tan N N N YS790BL3
12					SLEEVE, Head Rest N N N N
	S786 AA3	2			Silver N N N YS786AA3
	S786 BB5	2			Blue N N N YS786BB5
	S786 VM6	2			Red N N N YS786VM6
	S786 BL3	2			Tan N N N YS786BL3
13	4190 387	2			SUPPORT, Head Rest N N N Y4190387
-	0136 135	AR			RIVET, Support Attaching N N N Y136135
14	4190 388	2			COVER, Head Rest Finish N N N Y4190388
15	4277 908	AR			BUSHING, Cushion Pivot Bracket N N N Y4277908
16	6008 076	AR			HOG RING N N N Y6008076
17	6030 082	2			SCREW, Arm Rest To Stanchion N N N Y6030082
18	4239 076	1			ROD, Arm Rest Lock N N N Y4239076
-	6006 324	1			NUT, Arm Rest Lock Rod N N N Y6006324

MODEL CODES

B = GRAN FURY	G = DIPLOMAT	V = 400
C = LEBARON/TOWN & COUNTRY	M = HORIZON/TURISMO/SCAMP	X = MIRADA
D = ARIES	P = RELIANT	Y = IMPERIAL
E = 600	S = CORDOBA	Z = OMNI/CHARGER/RAMPAGE
F = FIFTH AVENUE	T = E CLASS/NEWYORKER	

BODY STYLES

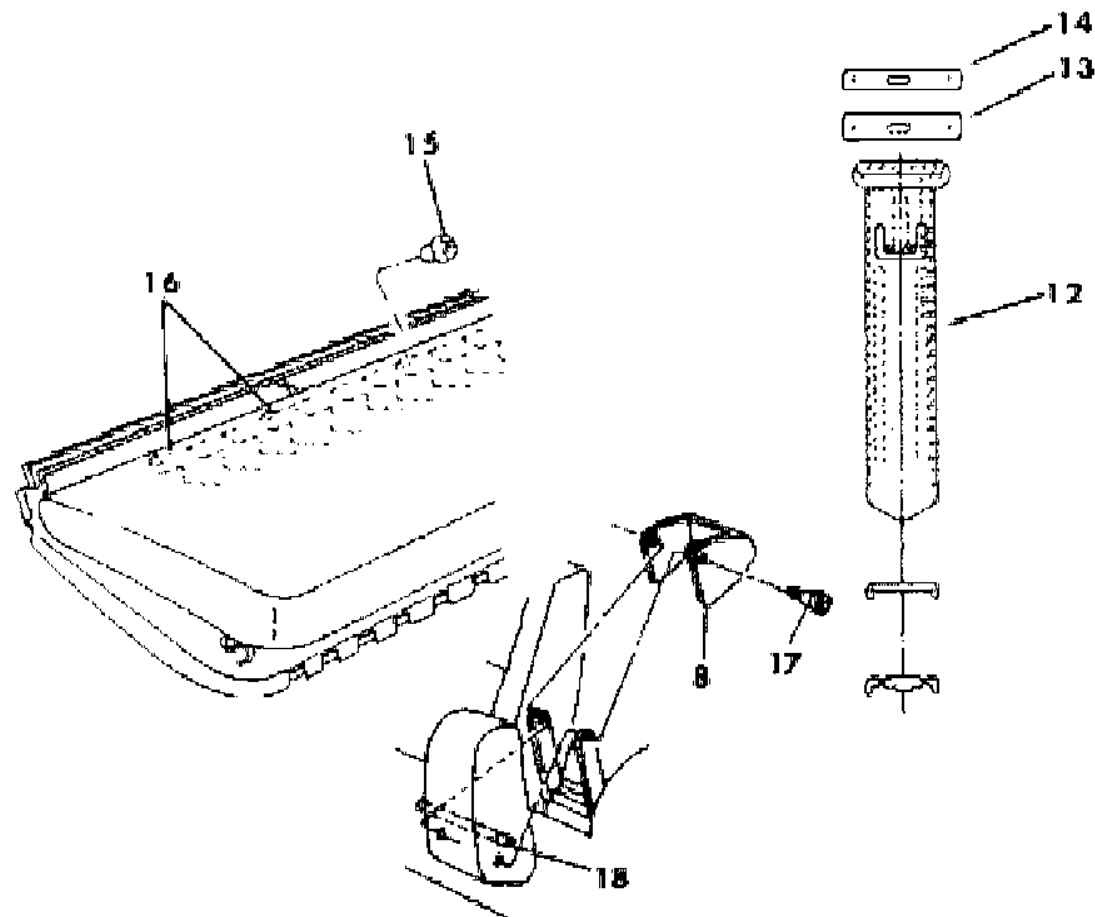
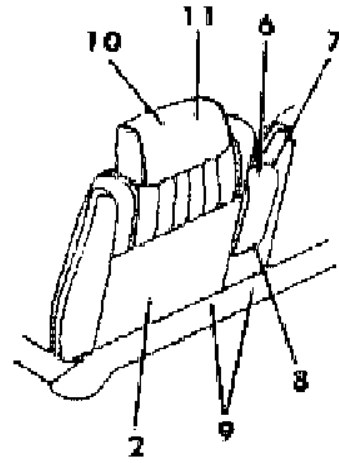
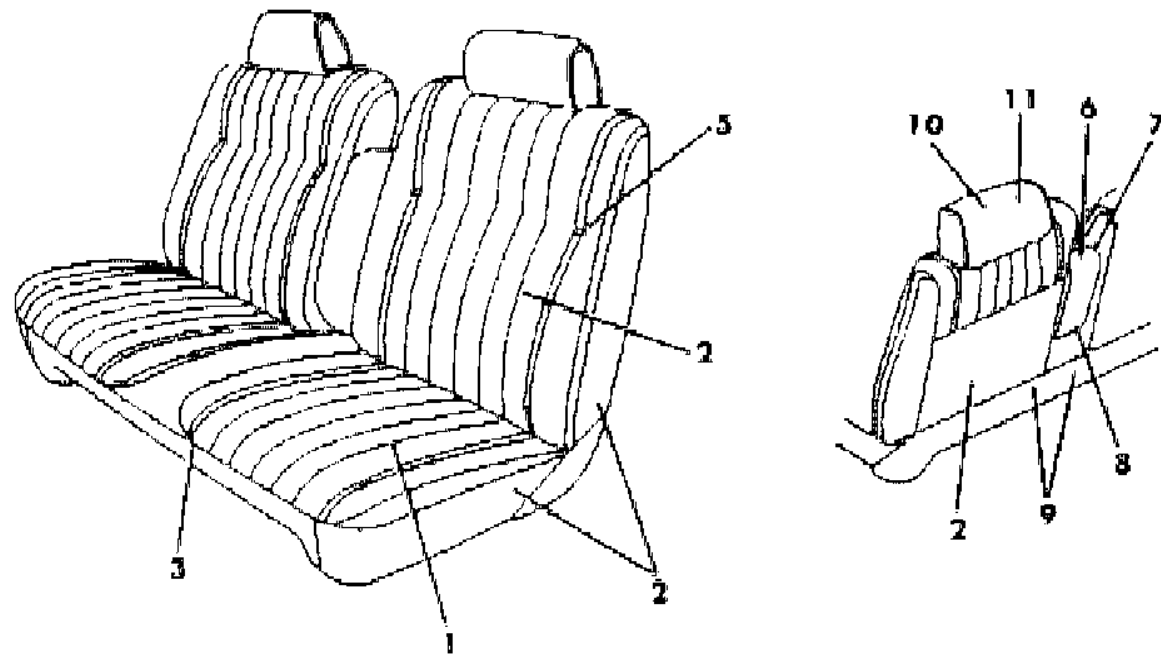
21 = 2-DOOR SEDAN	41 = 4-DOOR SEDAN
22 = 2-DOOR SPECIAL COUPE	45 = 4-DOOR STATION WAGON
24 = 2-DOOR HATCHBACK	44 = 4-DOOR HATCHBACK
27 = 2-DOOR CONVERTIBLE	48 = EXECUTIVE SEDAN
28 = FWD PICKUP	

AR = Use as Required - = Non Illustrated Part P.A.R. = Paint as Required



SEAT FRONT P,D 21,41,45 TRIM CODE P3  
Figure IT-3204

3253-3 20 400 A



ITEM	PART NUMBER	QTY	BODY	MODEL	DESCRIPTION
1-3					CUSHION, w/Spring/Frame, Pad and Cover N N N N
	B960 B3A	1			N N NP3A YB960B3A
	B960 B3B	1			N N NP3CB YB960B3B
	B960 B3M	1			N N NP3M YB960B3M
	B960 B3L	1			N N NP3TL YB960B3L
1					COVER, Cushion N N N N
	C310 B3A	1			N N NP3A YC310B3A
	C310 B3B	1			N N NP3CB YC310B3B
	C310 B3M	1			N N NP3M YC310B3M
	C310 B3L	1			N N NP3TL YC310B3L
2					ROLL STOCK, Cloth 54" Wide Order by the Inch N N N N
	R016 BA3	AR			Silver N N N YR016BA3
	R016 BC7	AR			Blue N N N YR016BC7
	R016 BM6	AR			Red N N N YR016BM6
	R016 BT8	AR			Brown N N N YR016BT8
3					ROLL STOCK, Vinyl 64" Wide Order by the Inch N N N N
	R616 AA2	AR			Silver N N N YR616AA2
	R616 VC5	AR			Blue N N N YR616VC5
	R616 VM6	AR			Red N N N YR616VM6
	R616 BT8	AR			Brown N N N YR616BT8
2&4-5					BACK, w/Spring/Frame, Pad and Cover N N N N
	B958-9 B3A	1			N N NP3A YB958B3A
	B958-9 B3B	1			N N NP3CB YB958B3B
	B958-9 B3M	1			N N NP3M YB958B3M
	B958-9 B3L	1			N N NP3TL YB958B3L
4					COVER, Back N N N N
	C308-9 B3A	1			N N NP3A YC308B3A
	C308-9 B3B	1			N N NP3CB YC308B3B
	C308-9 B3M	1			N N NP3M YC308B3M
	C308-9 B3L	1			N N NP3TL YC308B3L
5					BUTTON, Back (chrome) N N N N
	4190 694	AR			(up to 1/26/83) N N N Y4190694
	4316 220	AR			(after 1/26/83) N N N Y4316220
6					ARM REST w/Cover N N N N
	B951 BA3	1			N N NP3A YB951BA3
	B951 BC7	1			N N NP3CB YB951BC7
	B951 BM6	1			N N NP3M YB951BM6

MODEL CODES

B = GRAN FURY

C = LEBARON/TOWN & COUNTRY

D = ARIES

E = 600

F = FIFTH AVENUE

G = DIPLOMAT

M = HORIZON/TURISMO/SCAMP

P = RELIANT

S = CORDOBA

T = E CLASS/NEWYORKER

V = 400

X = MIRADA

Y = IMPERIAL

Z = OMNI/CHARGER/RAMPAGE

BODY STYLES

21 = 2-DOOR SEDAN

22 = 2-DOOR SPECIAL COUPE

24 = 2-DOOR HATCHBACK

27 = 2-DOOR CONVERTIBLE

28 = FWD PICKUP

41 = 4-DOOR SEDAN

45 = 4-DOOR STATION WAGON

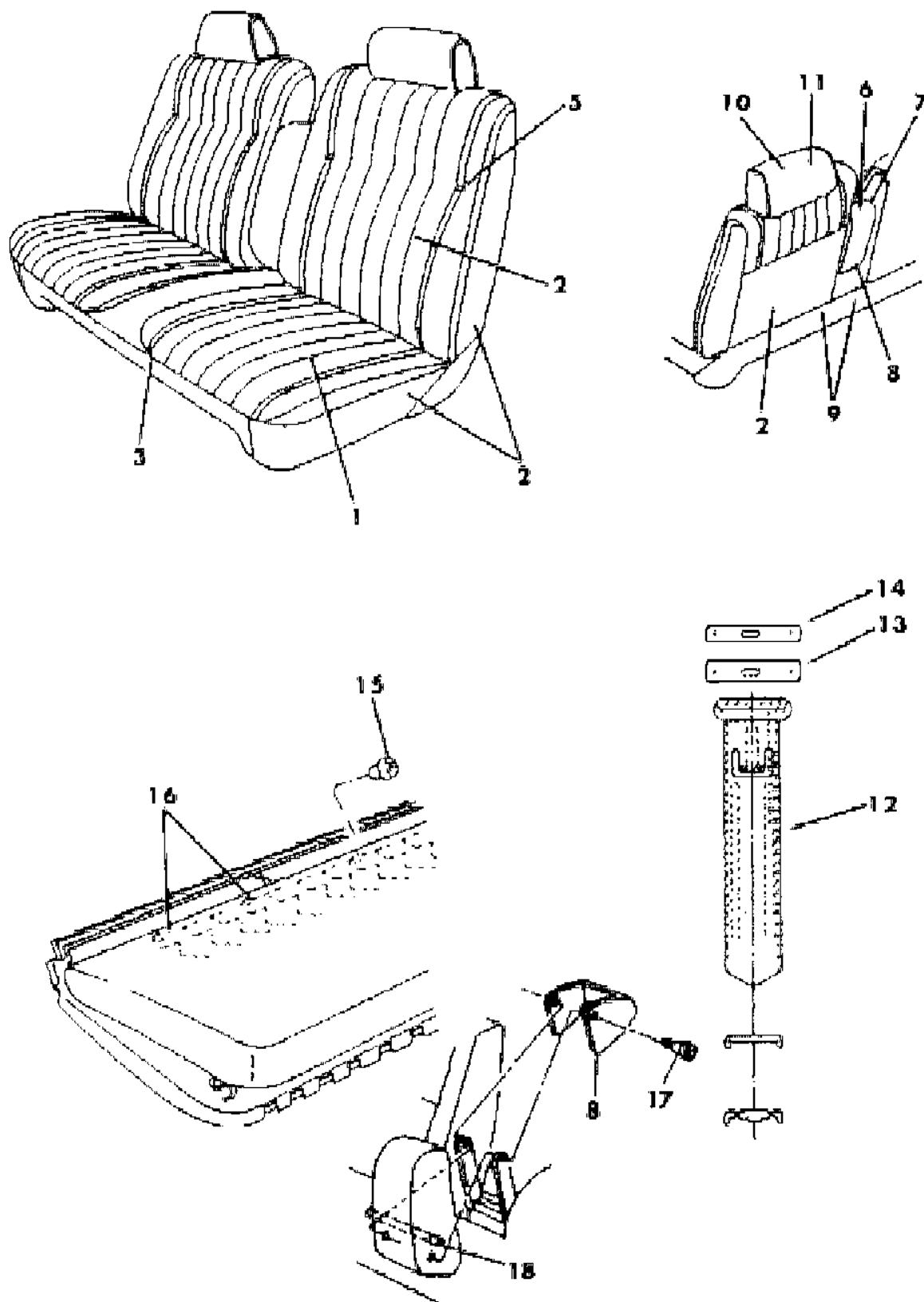
44 = 4-DOOR HATCHBACK

48 = EXECUTIVE SEDAN

AR = Use as Required - = Non Illustrated Part P.A.R. = Paint as Required

**SEAT FRONT P,D 21,41,45 TRIM CODE P3**  
**Figure IT-3204**

3253-3 20 400 A



ITEM	PART NUMBER	QTY	BODY	MODEL	DESCRIPTION
	B951 BT8	1			N N NP3TL YB951BT8
7	C323 BA3	1			COVER, Arm Rest N N N N
	C323 BC7	1			N N NP3A YC323BA3
	C323 BM6	1			N N NP3CB YC323BC7
	C323 BT8	1			N N NP3M YC323BM6
8	S581 AA3	1			COVER, Arm Rest Finish N N N N
	S581 BB5	1			N N NP3A YS581AA3
	S581 AM6	1			N N NP3CB YS581BB5
	S581 BL3	1			N N NP3M YS581AM6
9	S780-1 AA3	1			SHIELD, Cushion N N N N
	S780-1 AC7	1			N N NP3TL YS581BL3
	S780-1 VM6	1			N N21 NP3A YS780AA3
	S780-1 BT8	1			N N21 NP3CB YS780AC7
	S678-9 AA3	1			N N21 NP3M YS780VM6
	S678-9 AC7	1			N N21 NP3TL YS780BT8
	S678-9 AM6	1			N N41,45 NP3A YS678AA3
	S678-9 BT8	1			N N41,45 NP3CB YS678AC7
	S678-9 VM6	1			N N41,45 NP3M YS678AM6
	S678-9 BT8	1			N N41,45 NP3TL YS678BT8
10	B957 BA2	2			HEADREST w/Cover N N N N
	B957 BB5	2			N N NP3A YB957BA2
	B957 BM6	2			N N NP3CB YB957BB5
	B957 BL3	2			N N NP3M YB957BM6
11	C328 BA3	2			COVER, Headrest N N N N
	C328 BB5	2			N N NP3A YC328BA3
	C328 BM6	2			N N NP3CB YC328BB5
	C328 BL3	2			N N NP3M YC328BM6
12	S786 AA3	2			SLEEVE, Headrest N N N N
	S786 BB5	2			N N NP3A YS786AA3
	S786 VM6	2			N N NP3CB YS786BB5
	S786 BL3	2			N N NP3M YS786VM6
13	4190 387	2			SUPPORT, Headrest Trim Cover N N N Y4190387
-	0136 135	AR			RIVET, Support N N N Y136135

**MODEL CODES**

B = GRAN FURY	G = DIPLOMAT	V = 400
C = LEBARON/TOWN & COUNTRY	M = HORIZON/TURISMO/SCAMP	X = MIRADA
D = ARIES	P = RELIANT	Y = IMPERIAL
E = 600	S = CORDOBA	Z = OMNI/CHARGER/RAMPAGE
F = FIFTH AVENUE	T = E CLASS/NEWYORKER	

**BODY STYLES**

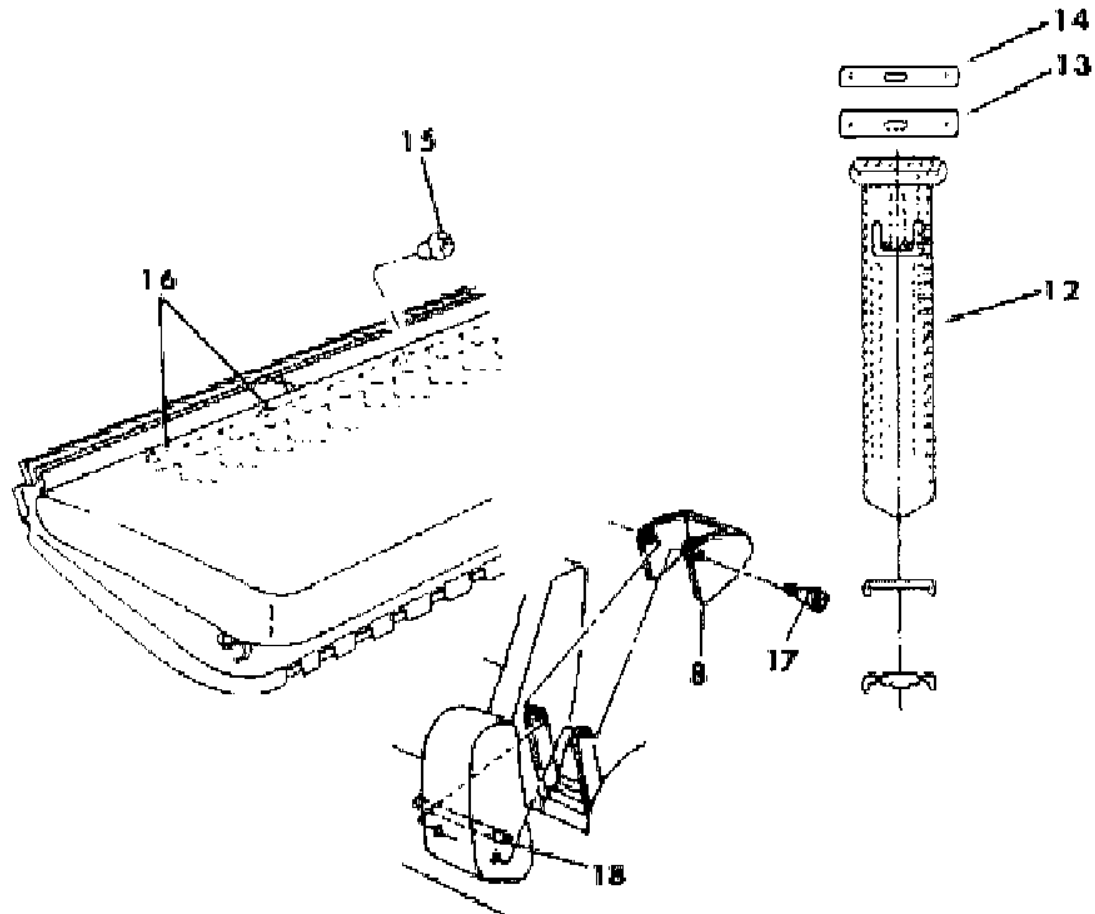
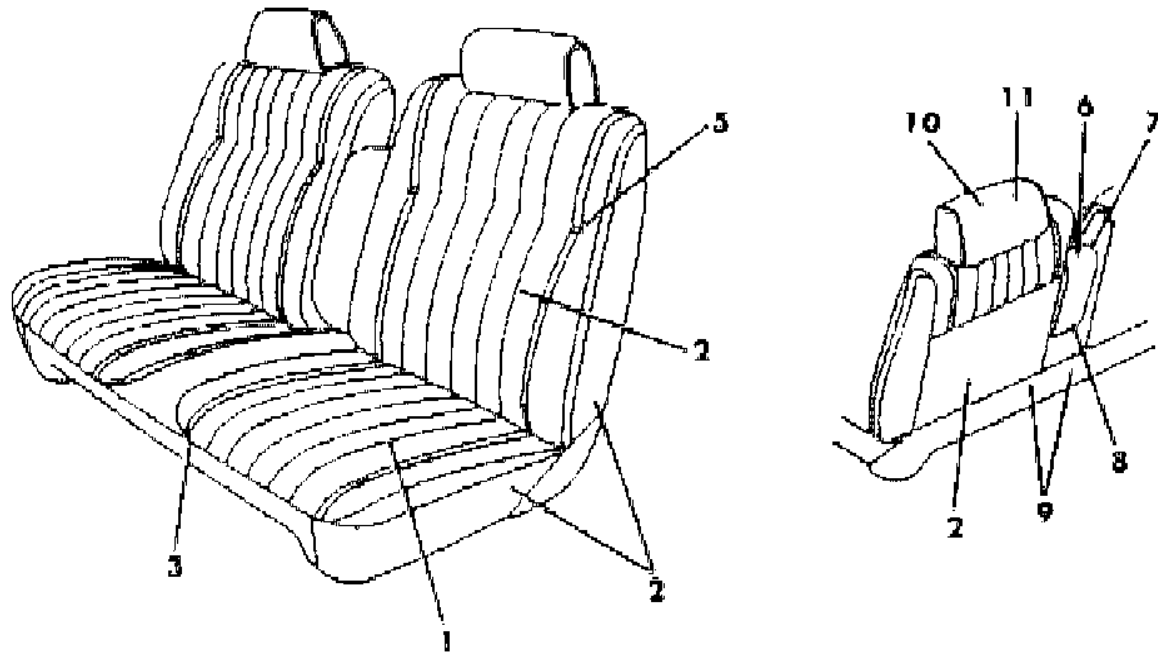
21 = 2-DOOR SEDAN	41 = 4-DOOR SEDAN
22 = 2-DOOR SPECIAL COUPE	45 = 4-DOOR STATION WAGON
24 = 2-DOOR HATCHBACK	44 = 4-DOOR HATCHBACK
27 = 2-DOOR CONVERTIBLE	48 = EXECUTIVE SEDAN
28 = FWD PICKUP	

AR = Use as Required - = Non Illustrated Part P.A.R. = Paint as Required

SEAT FRONT P,D 21,41,45 TRIM CODE P3  
Figure IT-3204

3253-3 20 400 A

ITEM	PART NUMBER	QTY	BODY	MODEL	DESCRIPTION
14	4198 038	2			COVER, Headrest Finish N N N Y4198038
15	4277 908	AR			BUSHING, Cushion Pivot Bracket N N N Y4277908
16	6008 076	AR			HOG RING N N N Y6008076
17	6030 082	2			SCREW, Arm Rest To Stanchion N N N Y6030082
18	4239 076	1			ROD, Arm Rest Lock N N N Y4239076
-	6006 324	1			NUT, Arm Rest Lock Rod N N N Y6006324



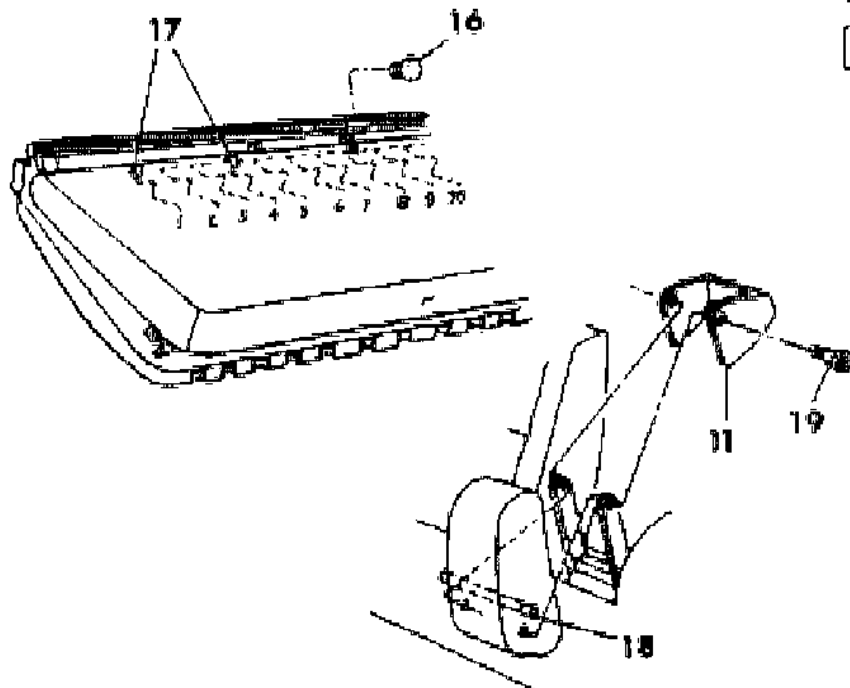
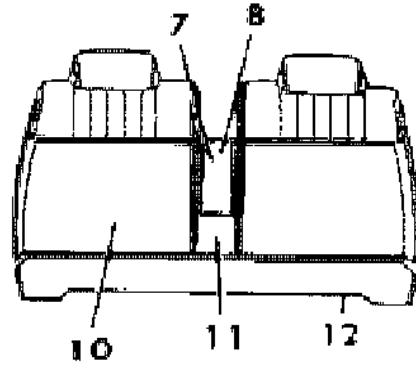
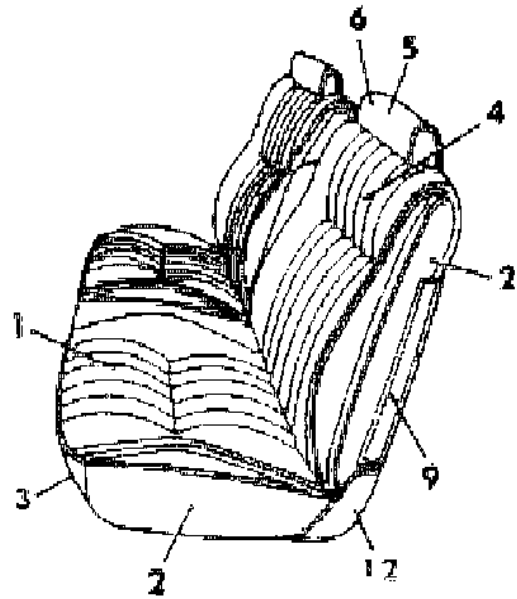
MODEL CODES  
 B = GRAN FURY  
 C = LEBARON/TOWN & COUNTRY  
 D = ARIES  
 E = 600  
 F = FIFTH AVENUE  
 G = DIPLOMAT  
 M = HORIZON/TURISMO/SCAMP  
 P = RELIANT  
 S = CORDOBA  
 T = E CLASS/NEWYORKER  
 V = 400  
 X = MIRADA  
 Y = IMPERIAL  
 Z = OMNI/CHARGER/RAMPAGE

BODY STYLES  
 21 = 2-DOOR SEDAN  
 22 = 2-DOOR SPECIAL COUPE  
 24 = 2-DOOR HATCHBACK  
 27 = 2-DOOR CONVERTIBLE  
 28 = FWD PICKUP  
 41 = 4-DOOR SEDAN  
 45 = 4-DOOR STATION WAGON  
 44 = 4-DOOR HATCHBACK  
 48 = EXECUTIVE SEDAN

AR = Use as Required - = Non Illustrated Part P.A.R. = Paint as Required

SEAT FRONT C,V TRIM CODE J3  
Figure IT-3205

3253.3205004



ITEM	PART NUMBER	QTY	BODY	MODEL	DESCRIPTION
1-3					CUSHION, w/Spring/Frame, Pad and Cover N N N N
	A806 B3A	1			N N NJ3A YA806B3A
	A806 B3C	1			N N NJ3C YA806B3C
	A806 B3M	1			N N NJ3M YA806B3M
	A806 B3L	1			N N NJ3L YA806B3L
	A806 B3T	1			N N NJ3T YA806B3T
1					Cover, Cushion N N N N
	C411 A3A	1			N N NJ3A YC411A3A
	C411 A3C	1			N N NJ3C YC411A3C
	C411 A3M	1			N N NJ3M YC411A3M
	C411 B3L	1			N N NJ3L YC411B3L
	C411 B3T	1			N N NJ3T YC411B3T
2					ROLL STOCK, Cloth 54" Wide Order by the Inch. N N N N
	R093 AA3	AR			N N NJ3A YR093AA3
	R093 AC7	AR			N N NJ3C YR093AC7
	R093 AM6	AR			N N NJ3M YR093AM6
	R093 BL3	AR			N N NJ3L YR093BL3
	R093 BT8	AR			N N NJ3T YR093BT8
3					ROLL STOCK, Vinyl 64" Wide Order by the Inch N N N N
	R616 AA2	AR			N N NJ3A YR616AA2
	R616 VC8	AR			N N NJ3C YR616VC8
	R616 VM6	AR			N N NJ3M YR616VM6
	R616 BL3	AR			N N NJ3L YR616BL3
	R609 BT8	AR			58" Wide N N NJ3T YR609BT8
2-4					BACK, w/Spring/Frame, Pad and Cover N N N N
					(use up to 4/15/83) N N N N
	A810-1 B3A	1			N N22 NJ3A YA810B3A
	A810-1 B3C	1			N N22 NJ3C YA810B3C
	A810-1 B3M	1			N N22 NJ3M YA810B3M
	A810-1 B3L	1			N N22 NJ3L YA810B3L
	A810-1 B3T	1			N N22 NJ3T YA810B3T
					(use after 4/15/83) N N N N
	C810-1 B3A	1			N N22 NJ3A YC810B3A
	C810-1 B3C	1			N N22 NJ3C YC810B3C
	C810-1 B3M	1			N N22 NJ3M YC810B3M
	C810-1 B3L	1			N N22 NJ3L YC810B3L
	C810-1 B3T	1			N N22 NJ3T YC810B3T

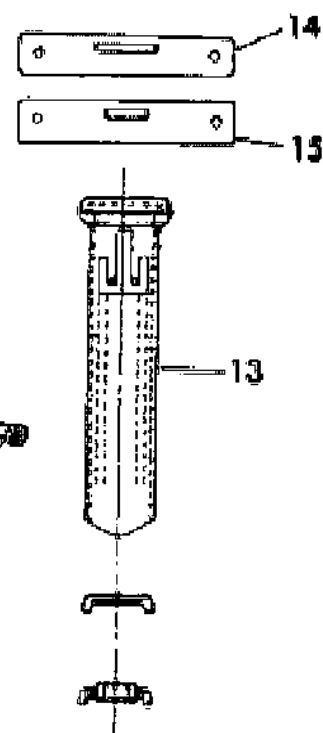
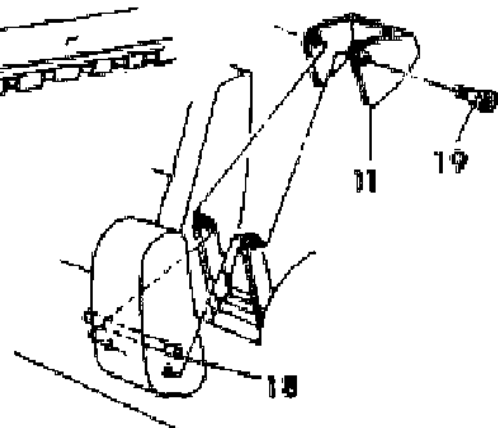
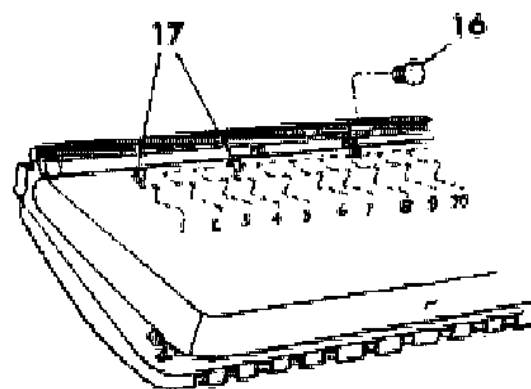
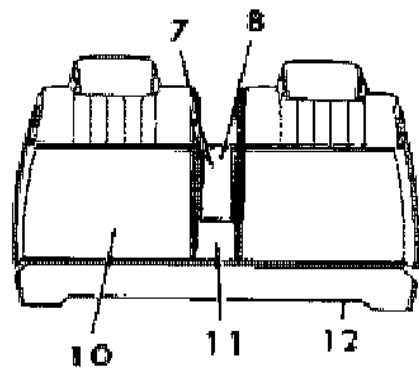
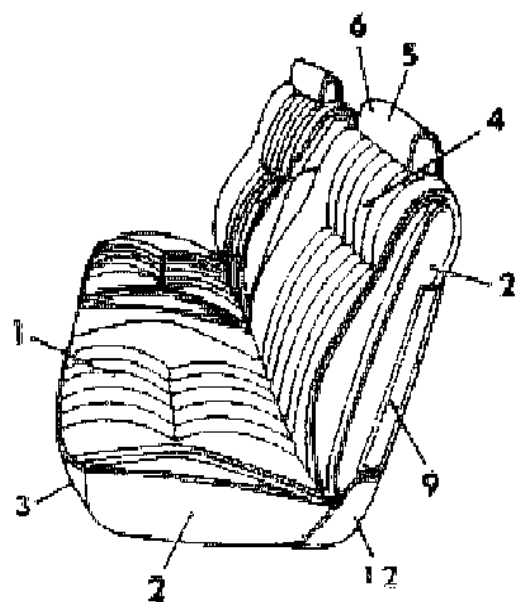
MODEL CODES  
 B = GRAN FURY  
 C = LEBARON/TOWN & COUNTRY  
 D = ARIES  
 E = 600  
 F = FIFTH AVENUE  
 G = DIPLOMAT  
 M = HORIZON/TURISMO/SCAMP  
 P = RELIANT  
 S = CORDOBA  
 T = E CLASS/NEWYORKER  
 V = 400  
 X = MIRADA  
 Y = IMPERIAL  
 Z = OMNI/CHARGER/RAMPAGE

BODY STYLES  
 21 = 2-DOOR SEDAN  
 22 = 2-DOOR SPECIAL COUPE  
 24 = 2-DOOR HATCHBACK  
 27 = 2-DOOR CONVERTIBLE  
 28 = FWD PICKUP  
 41 = 4-DOOR SEDAN  
 45 = 4-DOOR STATION WAGON  
 44 = 4-DOOR HATCHBACK  
 48 = EXECUTIVE SEDAN

AR = Use as Required - = Non Illustrated Part P.A.R. = Paint as Required

SEAT FRONT C,V TRIM CODE J3  
Figure IT-3205

3253-3205004



ITEM	PART NUMBER	QTY	BODY	MODEL	DESCRIPTION
					(use up to 4/15/83) N N N N
	A812-3 B3A	1			N N41,45 NJ3A YA812B3A
	A812-3 B3C	1			N N41,45 NJ3C YA812B3C
	A812-3 B3M	1			N N41,45 NJ3M YA812B3M
	A812-3 B3L	1			N N41,45 NJ3L YA812B3L
	A812-3 B3T	1			N N41,45 NJ3T YA812B3T
					(use after 4/15/83) N N N N
	C812-3 B3A	1			N N41,45 NJ3A YC812B3A
	C812-3 B3C	1			N N41,45 NJ3C YC812B3C
	C812-3 B3M	1			N N41,45 NJ3M YC812B3M
	C812-3 B3L	1			N N41,45 NJ3L YC812B3L
	C812-3 B3T	1			N N41,45 NJ3T YC812B3T
4					COVER, Back N N N N
					(use up to 4/15/83) N N N N
	C412-3 A3A	1			N N NJ3A YC412A3A
	C412-3 A3C	1			N N NJ3C YC412A3C
	C412-3 A3M	1			N N NJ3M YC412A3M
	C412-3 B3L	1			N N NJ3L YC412B3L
	C412-3 B3T	1			N N NJ3T YC412B3T
					(use after 4/15/83) N N N N
	C414-5 B3A	1			N N NJ3A YC414B3A
	C414-5 B3C	1			N N NJ3C YC414B3C
	C414-5 B3M	1			N N NJ3M YC414B3M
	C414-5 B3L	1			N N NJ3L YC414B3L
	C414-5 B3T	1			N N NJ3T YC414B3T
5					HEADREST w/COVER N N N N
	C806 AA3	2			N N NJ3A YC806AA3
	C806 AC7	2			N N NJ3C YC806AC7
	C806 AM6	2			N N NJ3M YC806AM6
	C806 BL3	2			N N NJ3L YC806BL3
	C806 BT8	2			N N NJ3T YC806BT8
6					COVER, Headrest N N N N
	C351 AA3	2			N N NJ3A YC351AA3
	C351 AC7	2			N N NJ3C YC351AC7
	C351 AM6	2			N N NJ3M YC351AM6
	C351 BL3	2			N N NJ3L YC351BL3
	C351 BT8	2			N N NJ3T YC351BT8

MODEL CODES

B = GRAN FURY	G = DIPLOMAT	V = 400
C = LEBARON/TOWN & COUNTRY	M = HORIZON/TURISMO/SCAMP	X = MIRADA
D = ARIES	P = RELIANT	Y = IMPERIAL
E = 600	S = CORDOBA	Z = OMNI/CHARGER/RAMPAGE
F = FIFTH AVENUE	T = E CLASS/NEWYORKER	

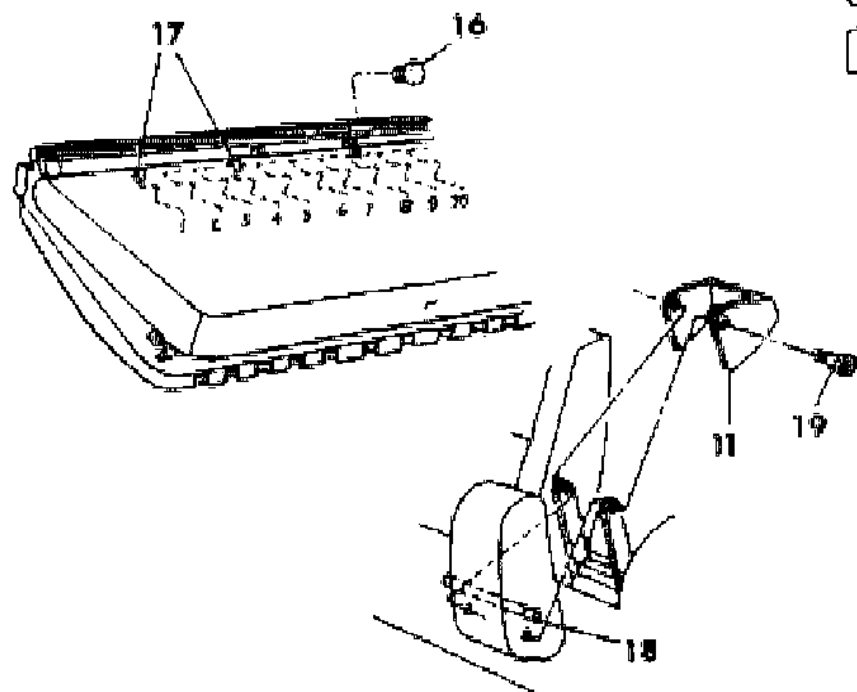
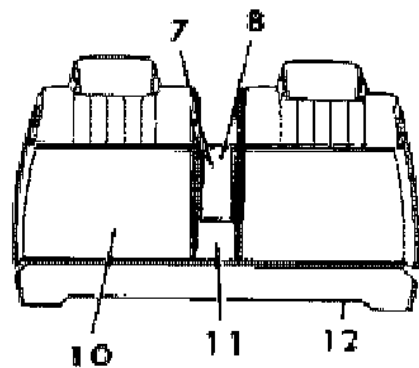
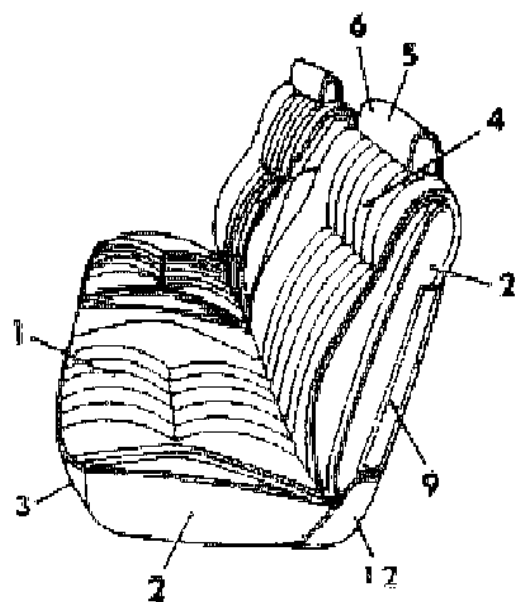
BODY STYLES

21 = 2-DOOR SEDAN	41 = 4-DOOR SEDAN
22 = 2-DOOR SPECIAL COUPE	45 = 4-DOOR STATION WAGON
24 = 2-DOOR HATCHBACK	44 = 4-DOOR HATCHBACK
27 = 2-DOOR CONVERTIBLE	48 = EXECUTIVE SEDAN
28 = FWD PICKUP	

AR = Use as Required - = Non Illustrated Part P.A.R. = Paint as Required

SEAT FRONT C,V TRIM CODE J3  
Figure IT-3205

3253.3205004



ITEM	PART NUMBER	QTY	BODY	MODEL	DESCRIPTION
7					ARM REST w/COVER N N N N
	C836 AA3	1			N N NJ3A YC836AA3
	C836 AC7	1			N N NJ3C YC836AC7
	C836 AM6	1			N N NJ3M YC836AM6
	C836 BL3	1			N N NJ3L YC836BL3
	C836 BT8	1			N N NJ3T YC836BT8
8					COVER, Arm Rest N N N N
	C408 AA3	1			N N NJ3A YC408AA3
	C408 AC7	1			N N NJ3C YC408AC7
	C408 AM6	1			N N NJ3M YC408AM6
	C408 BL3	1			N N NJ3L YC408BL3
	C408 BT8	1			N N NJ3T YC408BT8
9	S750-1 AA3	1			SHIELD, Outer (paint as required) N N N YS750AA3
10					ROLL STOCK, Vinyl 50" Wide Order by the Inch. N N N N
	R620 AA2	AR			N N NJ3A YR620AA2
	R620 AC8	AR			N N NJ3C YR620AC8
	R620 VM6	AR			N N NJ3M YR620VM6
	R620 BL3	AR			N N NJ3L YR620BL3
	R620 BT8	AR			N N NJ3T YR620BT8
11					SHIELD, Arm Rest Finish N N N N
	S581 AA3	1			N N NJ3A YS581AA3
	S581 AC7	1			N N NJ3C YS581AC7
	S581 AM6	1			N N NJ3M YS581AM6
	S581 BL3	1			N N NJ3L YS581BL3
	S581 BT8	1			N N NJ3T YS581BT8
12					SHIELD, Cushion Outer N N N N
	S780-1 AA3	1			N N22 NJ3A YS780AA3
	S780-1 AC7	1			N N22 NJ3C YS780AC7
	S780-1 VM6	1			N N22 NJ3M YS780VM6
	S780-1 BL3	1			N N22 NJ3L YS780BL3
	S780-1 BT8	1			N N22 NJ3T YS780BT8
	S678-9 AA3	1			N N41,45 NJ3A YS678AA3
	S678-9 AC7	1			N N41,45 NJ3C YS678AC7
	S678-9 AM6	1			N N41,45 NJ3M YS678AM6
	S678-9 BL3	1			N N41,45 NJ3L YS678BL3
	S678-9 BT8	1			N N41,45 NJ3T YS678BT8
13					SLEEVE, Headrest N N N N

MODEL CODES

B = GRAN FURY	G = DIPLOMAT	V = 400
C = LEBARON/TOWN & COUNTRY	M = HORIZON/TURISMO/SCAMP	X = MIRADA
D = ARIES	P = RELIANT	Y = IMPERIAL
E = 600	S = CORDOBA	Z = OMNI/CHARGER/RAMPAGE
F = FIFTH AVENUE	T = E CLASS/NEWYORKER	

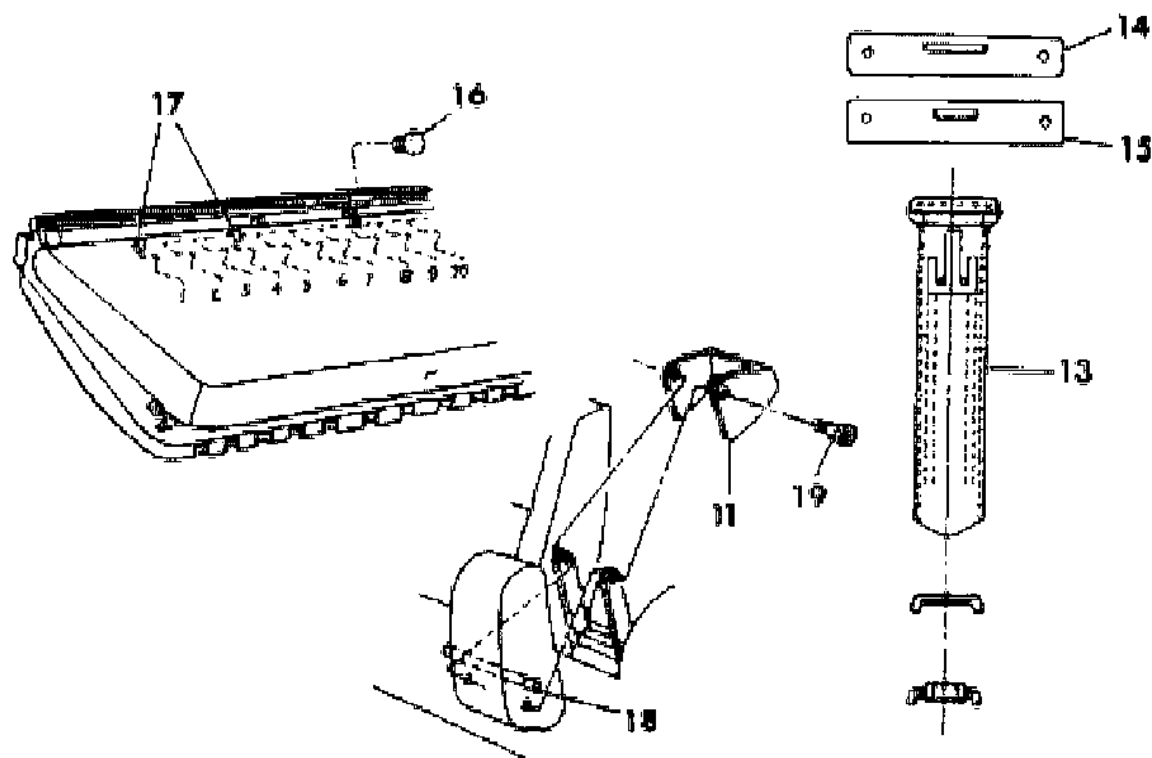
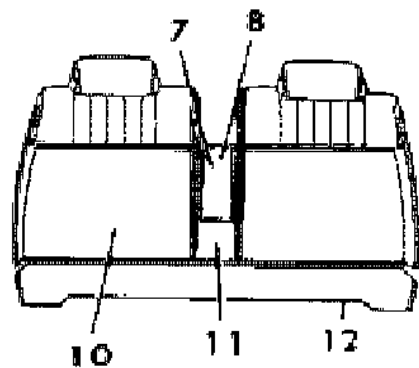
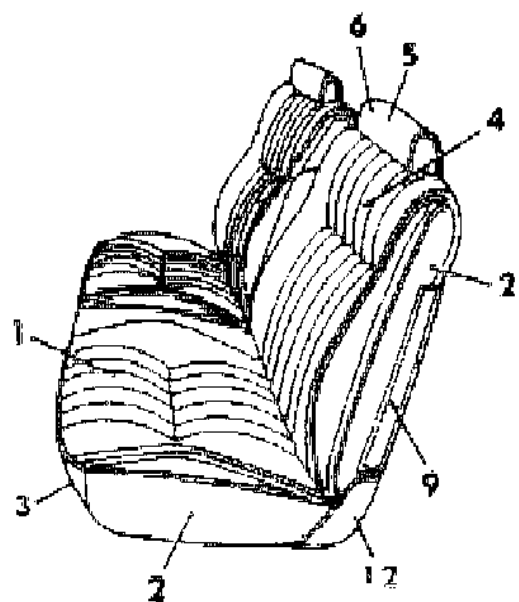
BODY STYLES

21 = 2-DOOR SEDAN	41 = 4-DOOR SEDAN
22 = 2-DOOR SPECIAL COUPE	45 = 4-DOOR STATION WAGON
24 = 2-DOOR HATCHBACK	44 = 4-DOOR HATCHBACK
27 = 2-DOOR CONVERTIBLE	48 = EXECUTIVE SEDAN
28 = FWD PICKUP	

AR = Use as Required - = Non Illustrated Part P.A.R. = Paint as Required

SEAT FRONT C,V TRIM CODE J3  
Figure IT-3205

3253.320500A



ITEM	PART NUMBER	QTY	BODY	MODEL	DESCRIPTION
	S786 AA3	2			N N NJ3A YS786AA3
	S786 AC7	2			N N NJ3C YS786AC7
	S786 VM6	2			N N NJ3M YS786VM6
	S786 BL3	2			N N NJ3L YS786BL3
	S786 BT8	2			N N NJ3T YS786BT8
14	4190 388	2			COVER, Headrest Finish N N N Y4190388
15	4198 387	2			SUPPORT, Headrest Trim Cover N N N Y4198387
-	0136 135	AR			RIVET, Support N N N Y136135
16	4277 908	2			BUSHING, Cushion Pivot Bracket N N N Y4277908
17	6008 076	AR			HOG RING N N N Y6008076
18	4239 076	1			ROD, Arm Rest Lock N N N Y4239076
-	6006 324	1			NUT, Arm Rest Lock Rod N N N Y6006324
19	6030 082	2			SCREW, Arm Rest to Stanchion N N N Y6030082

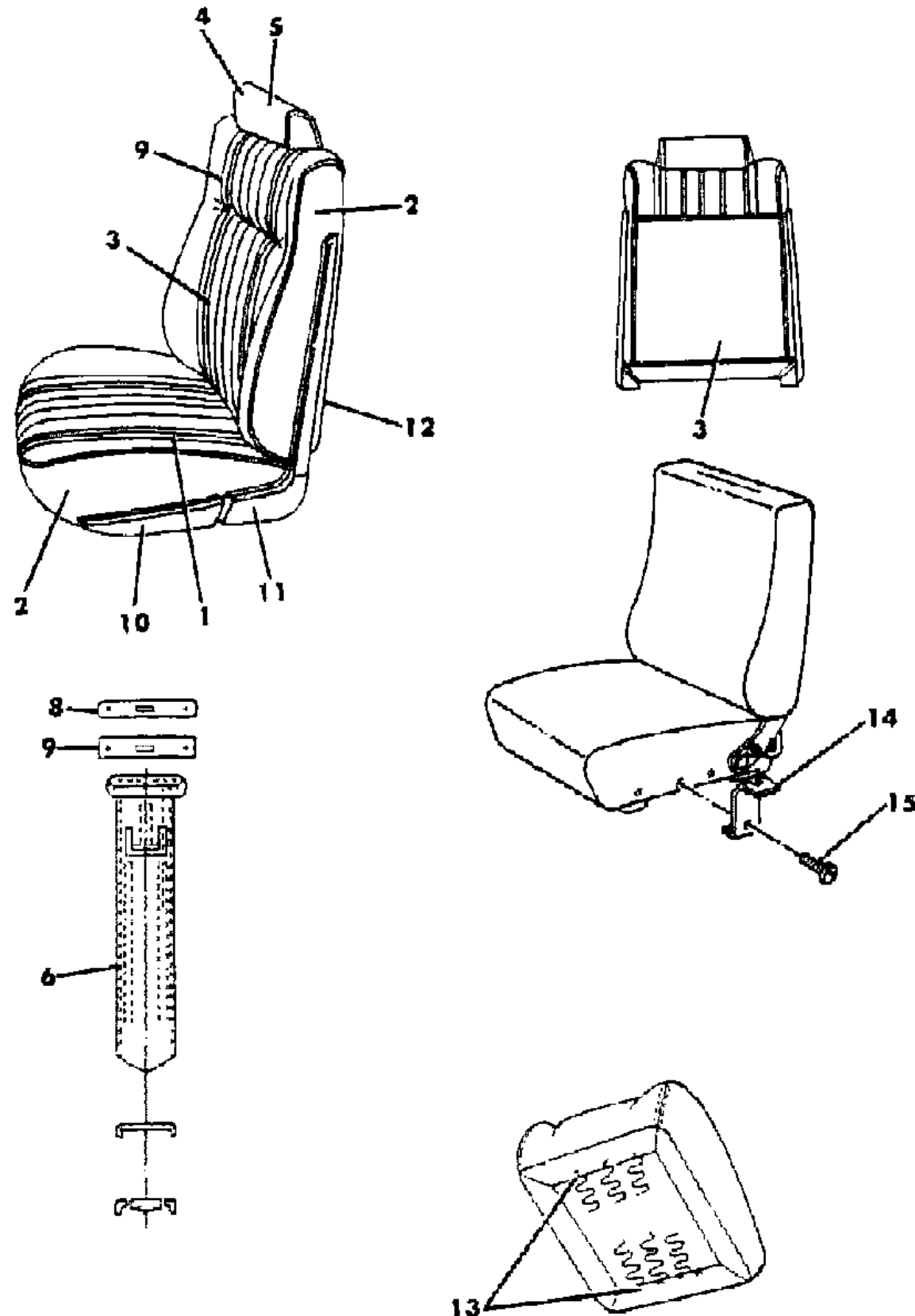
MODEL CODES  
 B = GRAN FURY  
 C = LEBARON/TOWN & COUNTRY  
 D = ARIES  
 E = 600  
 F = FIFTH AVENUE  
 G = DIPLOMAT  
 M = HORIZON/TURISMO/SCAMP  
 P = RELIANT  
 S = CORDOBA  
 T = E CLASS/NEWYORKER  
 V = 400  
 X = MIRADA  
 Y = IMPERIAL  
 Z = OMNI/CHARGER/RAMPAGE

BODY STYLES  
 21 = 2-DOOR SEDAN  
 22 = 2-DOOR SPECIAL COUPE  
 24 = 2-DOOR HATCHBACK  
 27 = 2-DOOR CONVERTIBLE  
 28 = FWD PICKUP  
 41 = 4-DOOR SEDAN  
 45 = 4-DOOR STATION WAGON  
 44 = 4-DOOR HATCHBACK  
 48 = EXECUTIVE SEDAN

AR = Use as Required - = Non Illustrated Part P.A.R. = Paint as Required

SEAT FRONT P,D TRIM CODES P7  
Figure IT-3221

3253 322100



ITEM	PART NUMBER	QTY	BODY	MODEL	DESCRIPTION
1-3					CUSHION, w/Spring/Frame, Pad and Cover N N N N
					Manual N N N N
	C815 B7A	2			N N NP7A YC815B7A
	C815 B7B	2			N N NP7CB YC815B7B
	C815 B7M	2			N N NP7M YC815B7M
	C815 B7L	2			N N NP7TL YC815B7L
					Electric Lt. N N N N
	C824 B7A	1			N N NP7A YC824B7A
	C824 B7B	1			N N NP7CB YC824B7B
	C824 B7M	1			N N NP7M YC824B7M
	C824 B7L	1			N N NP7TL YC824B7L
1					COVER, Cushion N N N N
	C481 B7A	2			N N NP7A YC481B7A
	C481 B7B	2			N N NP7CB YC481B7B
	C481 B7M	2			N N NP7M YC481B7M
	C481 B7L	2			N N NP7TL YC481B7L
2					ROLL STOCK, Cloth 54" Wide Order By The Inch N N N N
	R016 BA3	AR			Silver N N N YR016BA3
	R016 BC7	AR			Blue N N N YR016BC7
	R016 BM6	AR			Red N N N YR016BM6
	R016 BT8	AR			Brown N N N YR016BT8
2-3					BACK, w/Spring/Frame, Pad and Cover N N N N
	C814 B7A	1			N N NP7A YC814B7A
	C814 B7B	2			N N NP7CB YC814B7B
	C814 B7M	2			N N NP7M YC814B7M
	C814 B7L	2			N N NP7TL YC814B7L
	6500 534	4			BOLT, Front Seat Back to Cushion Attaching N N N Y6500534
3					COVER, Back N N N N
	C482 B7A	2			N N NP7A YC482B7A
	C482 B7B	2			N N NP7CB YC482B7B
	C482 B7M	2			N N NP7M YC482B7M
	C482 B7L	2			N N NP7TL YC482B7L
4-5					HEADREST, w/Cover N N N N
	B957 BA3	2			N N NP7A YB957BA3
	B957 BB5	2			N N NP7CB YB957BB5
	B957 BM6	2			N N NP7M YB957BM6
	B957 BL3	2			N N NP7TL YB957BL3

MODEL CODES

B = GRAN FURY	G = DIPLOMAT	V = 400
C = LEBARON/TOWN & COUNTRY	M = HORIZON/TURISMO/SCAMP	X = MIRADA
D = ARIES	P = RELIANT	Y = IMPERIAL
E = 600	S = CORDOBA	Z = OMNI/CHARGER/RAMPAGE
F = FIFTH AVENUE	T = E CLASS/NEWYORKER	

BODY STYLES

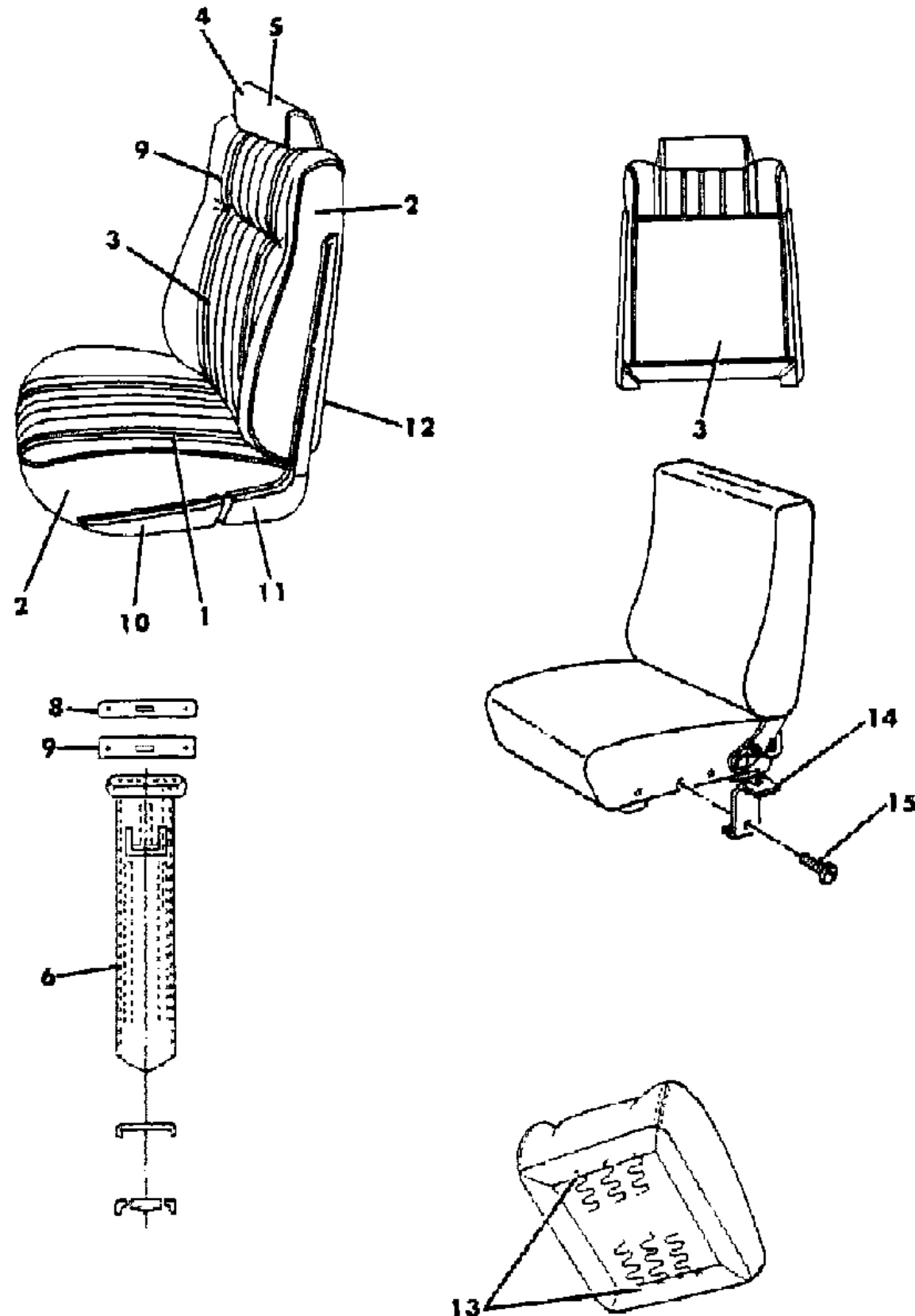
21 = 2-DOOR SEDAN	41 = 4-DOOR SEDAN
22 = 2-DOOR SPECIAL COUPE	45 = 4-DOOR STATION WAGON
24 = 2-DOOR HATCHBACK	44 = 4-DOOR HATCHBACK
27 = 2-DOOR CONVERTIBLE	48 = EXECUTIVE SEDAN
28 = FWD PICKUP	

AR = Use as Required - = Non Illustrated Part P.A.R. = Paint as Required



SEAT FRONT P,D TRIM CODES P7  
Figure IT-3221

3253 322100



ITEM	PART NUMBER	QTY	BODY	MODEL	DESCRIPTION
5					COVER, Headrest N N N N
	C328 BA3	2			N N NP7A YC328BA3
	C328 BB5	2			N N NP7CB YC328BB5
	C328 BM6	2			N N NP7M YC328BM6
	C328 BL3	2			N N NP7TL YC328BL3
6					SLEEVE, Headrest N N N N
	S786 AA3	2			Silver N N N YS786AA3
	S786 BB5	2			Blue N N N YS786BB5
	S786 VM6	2			red N N N YS786VM6
	S786 BL3	2			tan N N N YS786BL3
	4138 140	4			SPACER, Headrest N N N Y4138140
7					BUTTON, Chrome N N N N
	4190 694	4			(up to 1/26/83) N N N Y4190694
	4316 220	4			(after 1/26/83) N N N Y4316220
	4239 321	4			RETAINER, Button N N N Y4239321
8	4190 388	2			COVER, Headrest Finish N N N Y4190388
9	4190 387	2			SUPPORT, Headrest Trim Cover N N N Y4190387
	0136 135	2			RIVET, Headrest Catch to Upper Support N N N Y136135
10	S772-3 VB2	1			SHIELD, Cushion (paint as required) N N N YS772VB2
11	S756-7 AB2	1			SHIELD, Back, Lower (paint as required) N N N YS756AB2
-	6500 452	2			NUT N N N Y6500452
12	S796-7 BL3	1			SHIELD, Back, Upper Outer (paint as required) N N N YS796BL3
	S798-9 BL3	1			Inner N N N YS798BL3
-	6031 147	1			NUT N N N Y6031147
13	6008 076-7	AR			HOG RING N N N Y6008076
14	4190 711	1			BRACKET, Side Shield Attaching N N N Y4190711
15		AR			SCREW (not serviced) N N N N

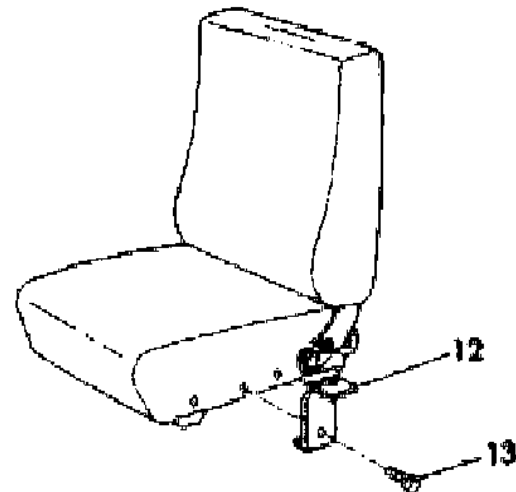
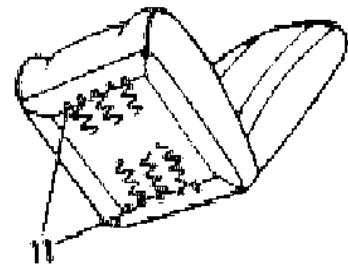
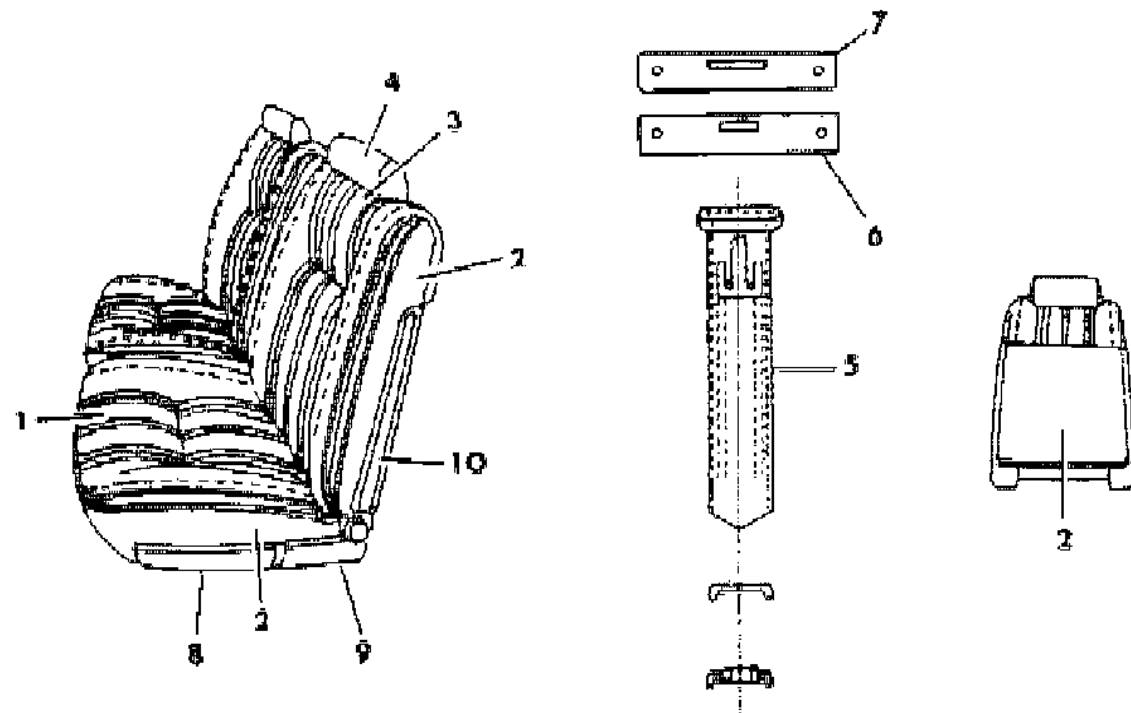
MODEL CODES  
 B = GRAN FURY  
 C = LEBARON/TOWN & COUNTRY  
 D = ARIES  
 E = 600  
 F = FIFTH AVENUE  
 G = DIPLOMAT  
 M = HORIZON/TURISMO/SCAMP  
 P = RELIANT  
 S = CORDOBA  
 T = E CLASS/NEWYORKER  
 V = 400  
 X = MIRADA  
 Y = IMPERIAL  
 Z = OMNI/CHARGER/RAMPAGE

BODY STYLES  
 21 = 2-DOOR SEDAN  
 22 = 2-DOOR SPECIAL COUPE  
 24 = 2-DOOR HATCHBACK  
 27 = 2-DOOR CONVERTIBLE  
 28 = FWD PICKUP  
 41 = 4-DOOR SEDAN  
 45 = 4-DOOR STATION WAGON  
 44 = 4-DOOR HATCHBACK  
 48 = EXECUTIVE SEDAN

AR = Use as Required - = Non Illustrated Part P.A.R. = Paint as Required

**SEAT FRONT C,V TRIM CODES V8**  
Figure IT-3222

3253-3 22 200



ITEM	PART NUMBER	QTY	BODY	MODEL	DESCRIPTION
1-2					CUSHION, w/Spring/Frame. Pad and Cover N N N N
	A798-9 B8A	1			N N NV8A YA798B8A
	A798-9 B8M	1			N N NV8M YA798B8M
	A798-9 B8L	1			N N NV8L YA798B8L
	A798-9 B8T	1			N N NV8T YA798B8T
	A798-9 B8W	1			N N NV8MW YA798B8W
1					COVER, Cushion N N N N
	C420 A8A	2			N N NV8A YC420A8A
	C420 A8M	2			N N NV8M YC420A8M
	C420 B8L	2			N N NV8L YC420B8L
	C420 B8T	2			N N NV8T YC420B8T
	C420 B8W	2			N N NV8MW YC420B8W
2					ROLL STOCK, Order by the Inch. N N N N
	R616 AA2	AR			Silver, 64" Wide N N N YR616AA2
	R616 VM6	AR			Red, 64" Wide N N N YR616VM6
	R616 VT3	AR			Tan, 64" Wide N N N YR616VT3
2-3					BACK, w/Spring/Frame, Pad and Cover N N N N
	A800-1 B8A	1			N N NV8A YA800B8A
	A800-1 B8M	1			N N NV8M YA800B8M
	A800-1 B8L	1			N N NV8L YA800B8L
	A800-1 B8T	1			N N NV8T YA800B8T
	A800-1 B8W	1			N N NV8MW YA800B8W
	6500 534	4			BOLT, Front Seat Back to Cushion Attaching N N NV8MW Y6500534
3					COVER, Back N N N N
	C470 A8A	2			N N NV8A YC470A8A
	C470 A8M	2			N N NV8M YC470A8M
	C470 B8L	2			N N NV8L YC470B8L
	C470 B8T	2			N N NV8T YC470B8T
	C470 B8W	2			N N NV8MW YC470B8W
4					HEADREST w/COVER N N N N
	S790 AA2	2			N N NV8A YS790AA2
	S790 VM6	2			N N NV8M YS790VM6
	S790 BL3	2			N N NV8L YS790BL3
	S790 BT8	2			N N NV8T YS790BT8
	S790 BW1	2			N N NV8MW YS790BW1
5					SLEEVE, Headrest N N N N

**MODEL CODES**

B = GRAN FURY	G = DIPLOMAT	V = 400
C = LEBARON/TOWN & COUNTRY	M = HORIZON/TURISMO/SCAMP	X = MIRADA
D = ARIES	P = RELIANT	Y = IMPERIAL
E = 600	S = CORDOBA	Z = OMNI/CHARGER/RAMPAGE
F = FIFTH AVENUE	T = E CLASS/NEWYORKER	

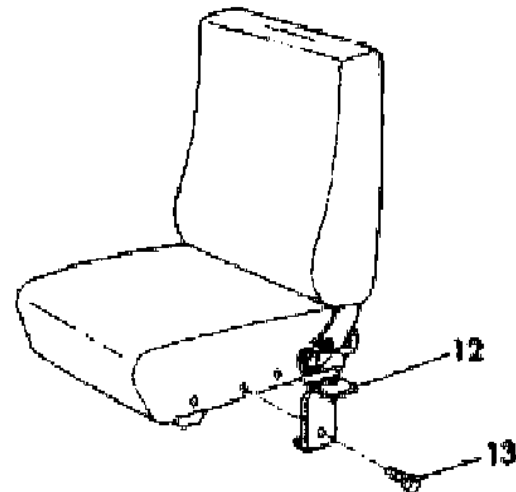
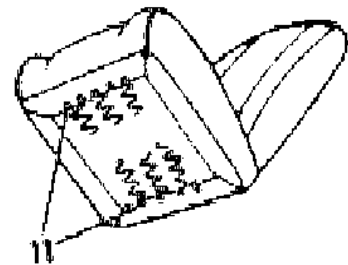
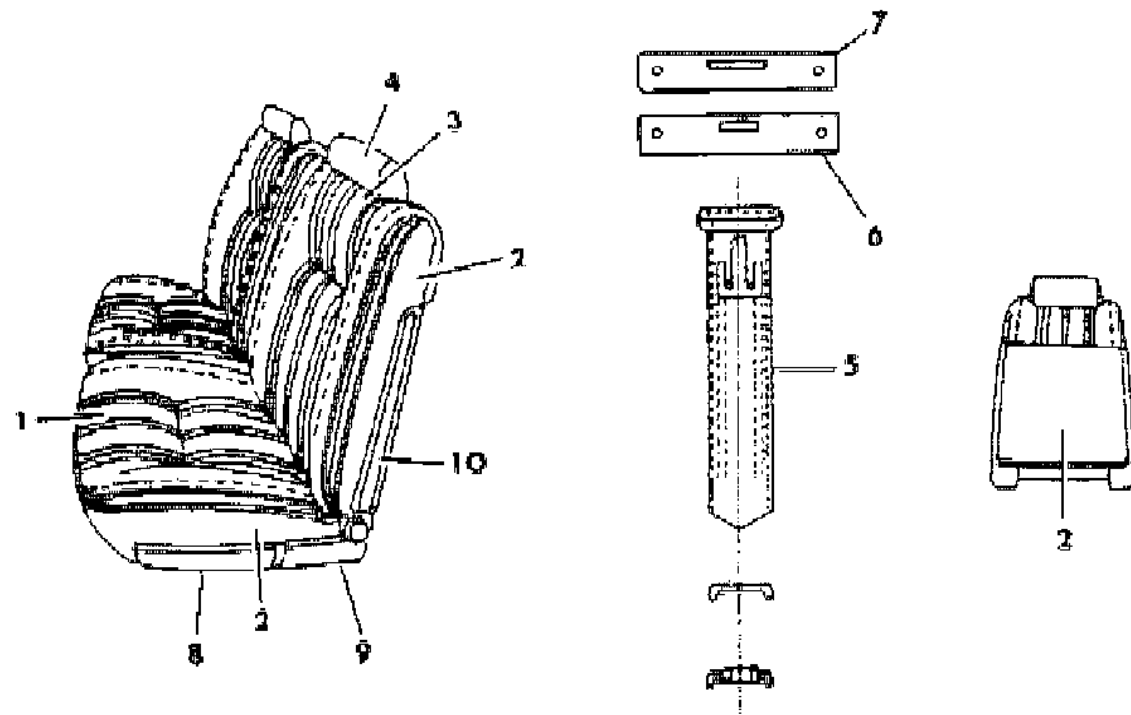
**BODY STYLES**

21 = 2-DOOR SEDAN	41 = 4-DOOR SEDAN
22 = 2-DOOR SPECIAL COUPE	45 = 4-DOOR STATION WAGON
24 = 2-DOOR HATCHBACK	44 = 4-DOOR HATCHBACK
27 = 2-DOOR CONVERTIBLE	48 = EXECUTIVE SEDAN
28 = FWD PICKUP	

AR = Use as Required - = Non Illustrated Part P.A.R. = Paint as Required

SEAT FRONT C,V TRIM CODES V8  
Figure IT-3222

3253-3 22 200



ITEM	PART NUMBER	QTY	BODY	MODEL	DESCRIPTION
	S786 AA3	2			N N NV8A YS786AA3
	S786 VM6	2			N N NV8M YS786VM6
	S786 BL3	2			N N NV8L YS786BL3
	S786 BT8	2			N N NV8T YS786BT8
	S786 BW1	2			N N NV8MW YS786BW1
	4138 140	4			SPACER, Headrest N N N Y4138140
6	4190 387	2			SUPPORT, Headrest Trim Cover N N N Y4190387
	0136 135	2			RIVET, Headrest Catch to Upper Support N N N Y136135
7	4190 388	2			COVER, Headrest Finish N N N Y4190388
8	S772-3 VB2	1			SHIELD, Cushion, Inner and Outer (paint as required) N N N YS772VB2
9	S756-7 AB2	1			SHIELD, Lower, Inner and Outer (paint as required) N N N YS756AB2
-	6500 453	AR			NUT N N N Y6500453
10	S796-7 BL3	1			SHIELD, Upper, Outer (paint as required) N N N YS796BL3
	S798-9 BL3	1			Inner (paint as required) N N N YS798BL3
-	6031 147	AR			NUT N N N Y6031147
11	6008 076	AR			HOG RING N N N Y6008076
12	4190 711	1			BRACKET, Side Shield Attaching N N N Y4190711
13		AR			SCREW (not serviced) N N N N

MODEL CODES

B = GRAN FURY	G = DIPLOMAT	V = 400
C = LEBARON/TOWN & COUNTRY	M = HORIZON/TURISMO/SCAMP	X = MIRADA
D = ARIES	P = RELIANT	Y = IMPERIAL
E = 600	S = CORDOBA	Z = OMNI/CHARGER/RAMPAGE
F = FIFTH AVENUE	T = E CLASS/NEWYORKER	

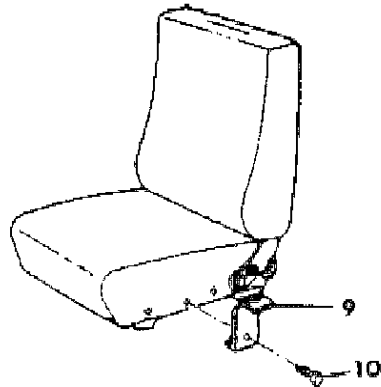
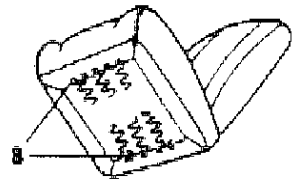
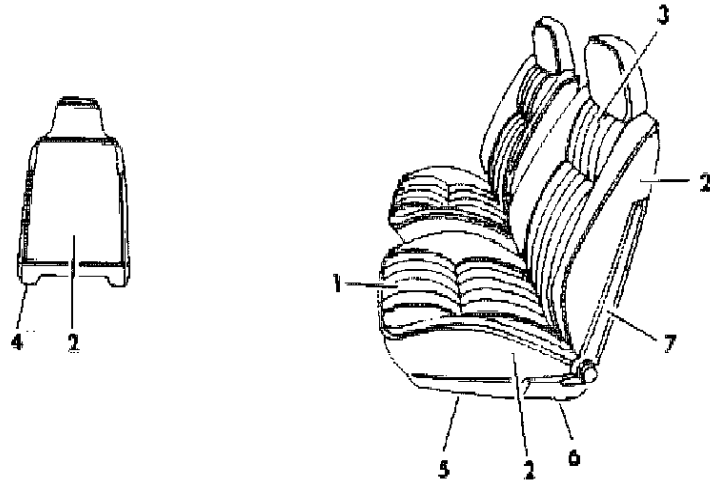
BODY STYLES

21 = 2-DOOR SEDAN	41 = 4-DOOR SEDAN
22 = 2-DOOR SPECIAL COUPE	45 = 4-DOOR STATION WAGON
24 = 2-DOOR HATCHBACK	44 = 4-DOOR HATCHBACK
27 = 2-DOOR CONVERTIBLE	48 = EXECUTIVE SEDAN
28 = FWD PICKUP	

AR = Use as Required - = Non Illustrated Part P.A.R. = Paint as Required

**SEAT FRONT C,V TRIM CODE J5**  
**Figure IT-3223**

3253-322300



ITEM	PART NUMBER	QTY	BODY	MODEL	DESCRIPTION
1-2					CUSHION, w/Spring/Frame, Pad and Cover N N N N
	A802-3 B5A	1			N N NJ5A YA802B5A
	A802-3 B5C	1			N N NJ5C YA802B5C
	A802-3 B5M	1			N N NJ5M YA802B5M
	A802-3 B5L	1			N N NJ5L YA802B5L
	A802-3 B5T	1			N N NJ5T YA802B5T
1					COVER, Cushion N N N N
	C344 A5A	2			N N NJ5A YC344A5A
	C344 A5C	2			N N NJ5C YC344A5C
	C344 A5M	2			N N NJ5M YC344A5M
	C344 B5L	2			N N NJ5L YC344B5L
	C444 B5T	2			N N NJ5T YC444B5T
2					ROLL STOCK, Cloth 54" Wide Order by the Inch. N N N N
	R093 AA3	AR			N N NJ5A YR093AA3
	R093 AC7	AR			N N NJ5C YR093AC7
	R093 AM6	AR			N N NJ5M YR093AM6
	R093 BL3	AR			N N NJ5L YR093BL3
	R093 BT8	AR			N N NJ5T YR093BT8
2-3					BACK, w/Spring/Frame, Pad and Cover N N N N
	A804-5 B5A	1			N N NJ5A YA804B5A
	A804-5 B5C	1			N N NJ5C YA804B5C
	A804-5 B5M	1			N N NJ5M YA804B5M
	A804-5 B5L	1			N N NJ5L YA804B5L
	A804-5 B5T	1			N N NJ5T YA804B5T
	6500 534	4			BOLT, Front Seat Back to Cushion Attaching N N N Y6500534
3					COVER, Back N N N N
	C345 A5A	2			N N NJ5A YC345A5A
	C345 A5C	2			N N NJ5C YC345A5C
	C345 A5M	2			N N NJ5M YC345A5M
	C345 B5L	2			N N NJ5L YC345B5L
	C345 B5T	2			N N NJ5T YC345B5T
4					ROLL STOCK, Carpet 54" Wide Order by the Inch. N N N N
	R112 AA7	AR			N N NJ5A YR112AA7
	R112 SC7	AR			N N NJ5C YR112SC7
	R112 TM6	AR			N N NJ5M YR112TM6
	R112 BL3	AR			N N NJ5L YR112BL3
	R112 BT9	AR			N N NJ5T YR112BT9

**MODEL CODES**

B = GRAN FURY	G = DIPLOMAT	V = 400
C = LEBARON/TOWN & COUNTRY	M = HORIZON/TURISMO/SCAMP	X = MIRADA
D = ARIES	P = RELIANT	Y = IMPERIAL
E = 600	S = CORDOBA	Z = OMNI/CHARGER/RAMPAGE
F = FIFTH AVENUE	T = E CLASS/NEWYORKER	

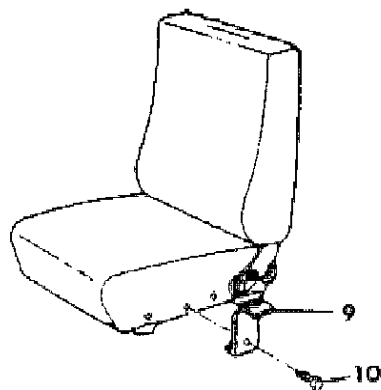
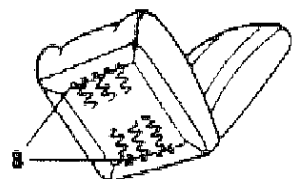
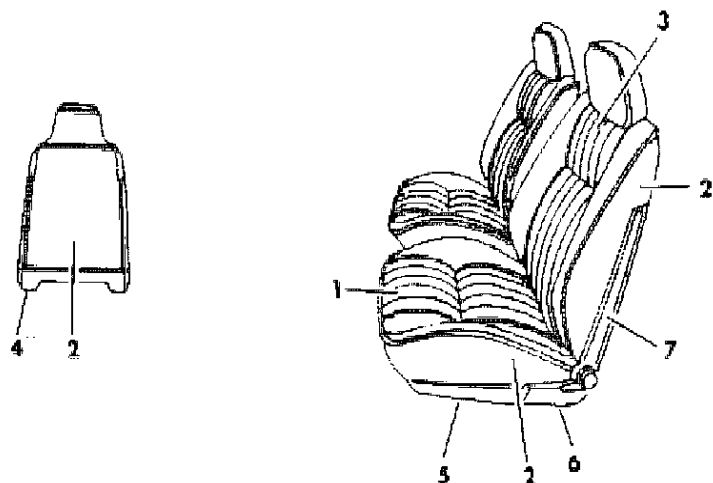
**BODY STYLES**

21 = 2-DOOR SEDAN	41 = 4-DOOR SEDAN
22 = 2-DOOR SPECIAL COUPE	45 = 4-DOOR STATION WAGON
24 = 2-DOOR HATCHBACK	44 = 4-DOOR HATCHBACK
27 = 2-DOOR CONVERTIBLE	48 = EXECUTIVE SEDAN
28 = FWD PICKUP	

AR = Use as Required - = Non Illustrated Part P.A.R. = Paint as Required

SEAT FRONT C,V TRIM CODE J5  
Figure IT-3223

3253-322300



ITEM	PART NUMBER	QTY	BODY	MODEL	DESCRIPTION
5	S772-3 VB2	1			SHIELD, Cushion, Inner and Outer (paint as required) N N N YS772VB2
6	S756-7 AB2	1			SHIELD, Back Upper, Inner and Outer (paint as required) N N N YS756AB2
-	6031 147	AR			NUT N N N Y6031147
7	S796-7 BL3	1			SHIELD, Back Side, Inner and Outer (paint as required) N N N YS796BL3
-	6500 453	AR			NUT N N N Y6500453
8	6008 076	AR			HOG RING N N N Y6008076
9	4190 711	1			BRACKET, Side Shield Attaching N N N Y4190711
10		AR			SCREW (not serviced) N N N N

NOTE: For Arm Rest See Console and Arm Rest Illustration. s ARE NOT RETURNABLE.

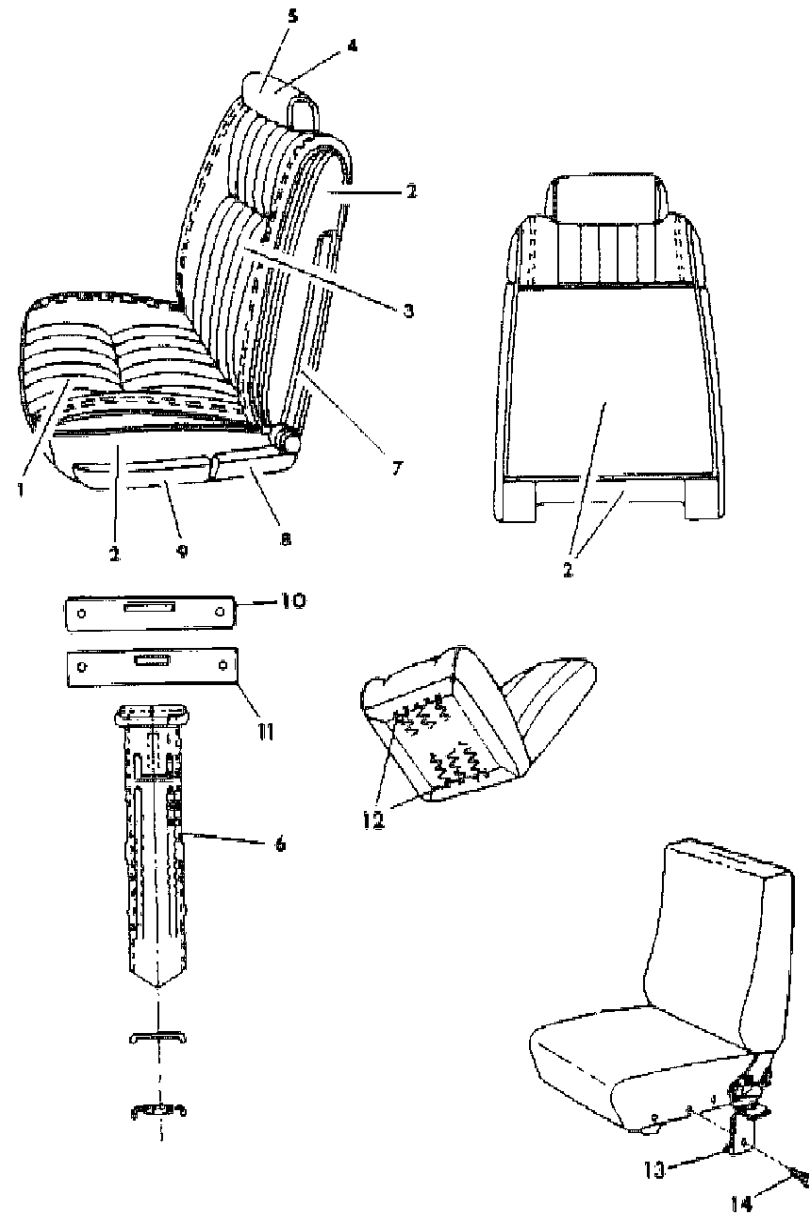
MODEL CODES  
 B = GRAN FURY  
 C = LEBARON/TOWN & COUNTRY  
 D = ARIES  
 E = 600  
 F = FIFTH AVENUE  
 G = DIPLOMAT  
 M = HORIZON/TURISMO/SCAMP  
 P = RELIANT  
 S = CORDOBA  
 T = E CLASS/NEWYORKER  
 V = 400  
 X = MIRADA  
 Y = IMPERIAL  
 Z = OMNI/CHARGER/RAMPAGE

BODY STYLES  
 21 = 2-DOOR SEDAN  
 22 = 2-DOOR SPECIAL COUPE  
 24 = 2-DOOR HATCHBACK  
 27 = 2-DOOR CONVERTIBLE  
 28 = FWD PICKUP  
 41 = 4-DOOR SEDAN  
 45 = 4-DOOR STATION WAGON  
 44 = 4-DOOR HATCHBACK  
 48 = EXECUTIVE SEDAN

AR = Use as Required - = Non Illustrated Part P.A.R. = Paint as Required

**SEAT FRONT C TRIM CODE RLTK**  
**Figure IT-3224**

3253 322400



ITEM	PART NUMBER	QTY	BODY	MODEL	DESCRIPTION
1-2					CUSHION, w/Spring/Frame, Pad and Cover N N N N N N NRLTK YA814BLK
1	A814-5 BLK	1			
	C422 BLK	2			COVER, Cushion N N NRLTK YC422BLK
2	R609 BT8	AR			ROLL STOCK, Vinyl 58" Wide Order by the inch N N NRLTK YR609BT8
2-3	A816-7 BLK	1			BACK, w/Spring, Frame and Cover N N NRLTK YA816BLK
	6500 534	4			BOLT, Front Seat Back To Cushion Attaching N N N Y6500534
3	C471 BLK	2			COVER, Back N N NRLTK YC471BLK
4	C834 BLK	2			HEADREST w/COVER N N NRLTK YC834BLK
5	C404 BK9	2			COVER, Headrest N N NRLTK YC404BK9
6	S786 BT8	2			SLEEVE, Headrest N N NRLTK YS786BT8
7	S796-7 BL3	1			SHIELD, Back Outer (paint as required) N N NRLTK YS796BL3
	S798-9 BL3	1			Inner N N NRLTK YS798BL3
-	6500 453	AR			NUT N N N Y6500453
8	S756-7 AB2	1			SHIELD, CUSHION Outer and Inner (paint as required) N N NRLTK YS756AB2
-	6031 147	AR			NUT N N N Y6031147
9	S772-3 VB2	1			SHIELD, CUSHION Side Outer and Inner (paint as required) N N NRLTK YS772VB2
10	4190 388	2			COVER, Headrest Finish N N N Y4190388
11	4190 387	2			SUPPORT, Headrest Trim Cover N N N Y4190387
	0136 135	2			RIVET, Headrest Catch to Upper Support N N N Y136135
12	6008 076	AR			HOG RING N N N Y6008076
13	4190 711	1			BRACKET, Side Shield Attaching N N N Y4190711
14		AR			SCREW (not serviced) N N N N

NOTE: For Arm Rest See Console and Arm Rest Illustration. s ARE NOT RETURNABLE.

**MODEL CODES**

B = GRAN FURY	G = DIPLOMAT	V = 400
C = LEBARON/TOWN & COUNTRY	M = HORIZON/TURISMO/SCAMP	X = MIRADA
D = ARIES	P = RELIANT	Y = IMPERIAL
E = 600	S = CORDOBA	Z = OMNI/CHARGER/RAMPAGE
F = FIFTH AVENUE	T = E CLASS/NEWYORKER	

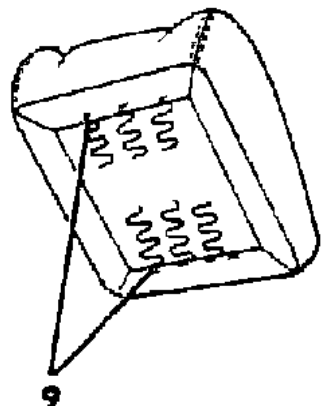
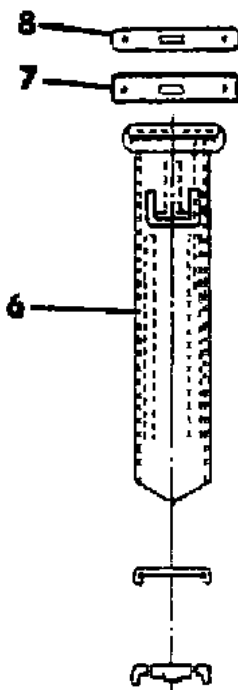
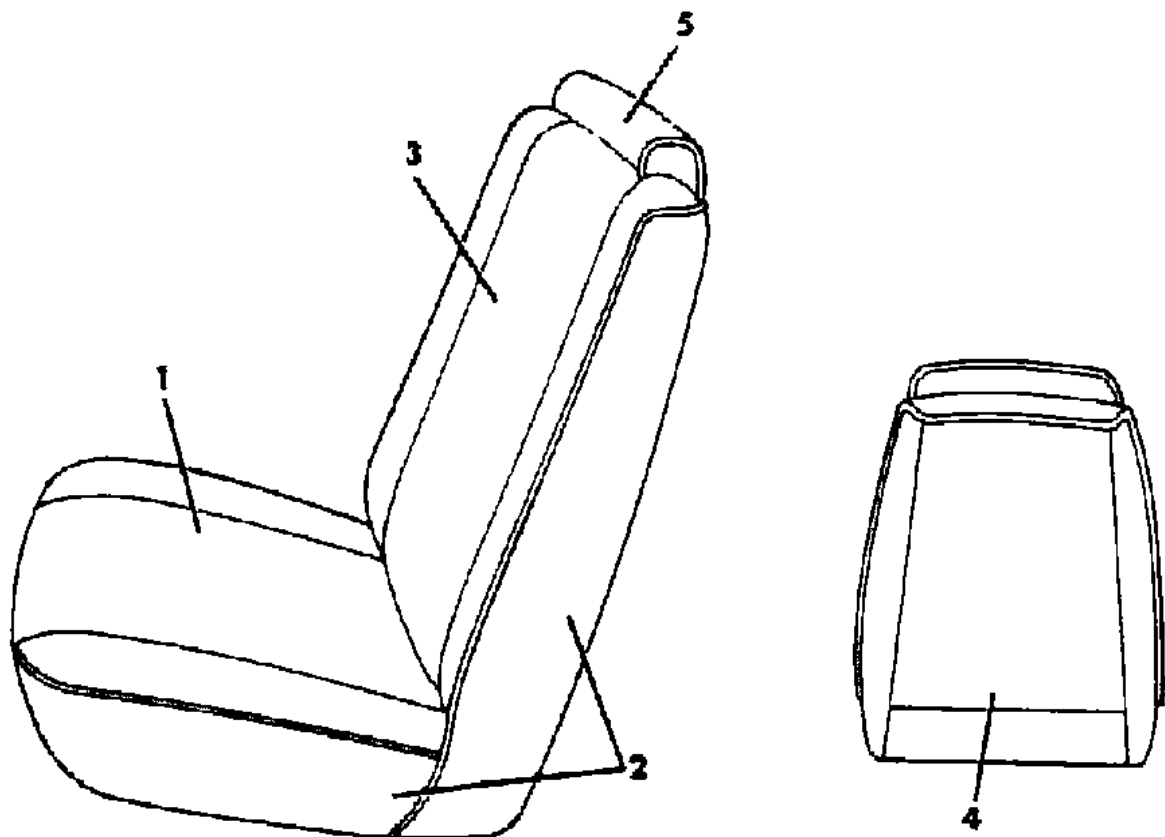
**BODY STYLES**

21 = 2-DOOR SEDAN	41 = 4-DOOR SEDAN
22 = 2-DOOR SPECIAL COUPE	45 = 4-DOOR STATION WAGON
24 = 2-DOOR HATCHBACK	44 = 4-DOOR HATCHBACK
27 = 2-DOOR CONVERTIBLE	48 = EXECUTIVE SEDAN
28 = FWD PICKUP	

AR = Use as Required - = Non Illustrated Part P.A.R. = Paint as Required

SEAT FRONT P,D TRIM CODE K8  
Figure IT-3225

3253 322500



ITEM	PART NUMBER	QTY	BODY	MODEL	DESCRIPTION
1-2					CUSHION, w/Spring/Frame, Pad and Cover N N N N
	C672 B8C	2			up to 1-15-83 N N NK8CB YC672B8C
	C772 B8C	2			after 1-15-83 N N NK8CB YC772B8C
	C672 B8T	2			up to 4-7-83 N N NK8TL YC672B8T
	C772 B8T	2			after 4-7-83 N N NK8TL YC772B8T
1					COVER, Cushion N N N N
	C419 B8C	2			up to 1-15-83 N N NK8CB YC419B8C
	C497 B8C	2			after 1-15-83 N N NK8CB YC497B8C
	C419 B8T	2			up to 4-7-83 N N NK8TL YC419B8T
	C497 B8T	2			after 4-7-83 N N NK8TL YC497B8T
2					ROLL STOCK, Vinyl Order by the Inch N N N N
	R616 VC8	AR			64" Wide N N NK8CB YR616VC8
	R609 BT8	AR			58" Wide N N NK8TL YR609BT8
2-3					BACK, w/Spring/Frame, Pad and Cover N N N N
	C673 B8C	2			up to 1-15-83 N N NK8CB YC673B8C
	C781 B8C	2			after 1-15-83 N N NK8CB YC781B8C
	C673 B8T	2			up to 4-7-83 N N NK8TL YC673B8T
	C781 B8T	2			after 4-7-83 N N NK8TL YC781B8T
	6500 534	4			BOLT, Front Seat Back to Cushion Attaching N N N Y6500534
3					COVER, Back N N N N
	C421 B8C	2			up to 1-15-83 N N NK8CB YC421B8C
	C498 B8C	2			after 1-15-83 N N NK8CB YC498B8C
	C421 B8T	2			up to 4-7-83 N N NK8TL YC421B8T
	C498 B8T	2			after 4-7-83 N N NK8TL YC498B8T
4					ROLL STOCK, Vinyl 50" Wide Order by the Inch N N N N
	R620 AC8	AR			N N NK8CB YR620AC8
	R620 BT8	AR			N N NK8TL YR620BT8
5					HEADREST w/COVER N N N N
	S790 BC7	2			N N NK8CB YS790BC7
	S790 BT8	2			N N NK8TL YS790BT8
6					SLEEVE, Headrest N N N N
	S786 AC7	2			N N NK8CB YS786AC7
	S786 BT8	2			N N NK8TL YS786BT8
7	4190 387	2			SUPPORT, Headrest N N N Y4190387
-	0136 135	2			RIVET, Headrest Catch to Upper Support N N N Y136135
8	4190 388	2			COVER, Headrest Finish N N N Y4190388
9	6008 076	AR			HOG RING N N N Y6008076

MODEL CODES

B = GRAN FURY	G = DIPLOMAT	V = 400
C = LEBARON/TOWN & COUNTRY	M = HORIZON/TURISMO/SCAMP	X = MIRADA
D = ARIES	P = RELIANT	Y = IMPERIAL
E = 600	S = CORDOBA	Z = OMNI/CHARGER/RAMPAGE
F = FIFTH AVENUE	T = E CLASS/NEWYORKER	

BODY STYLES

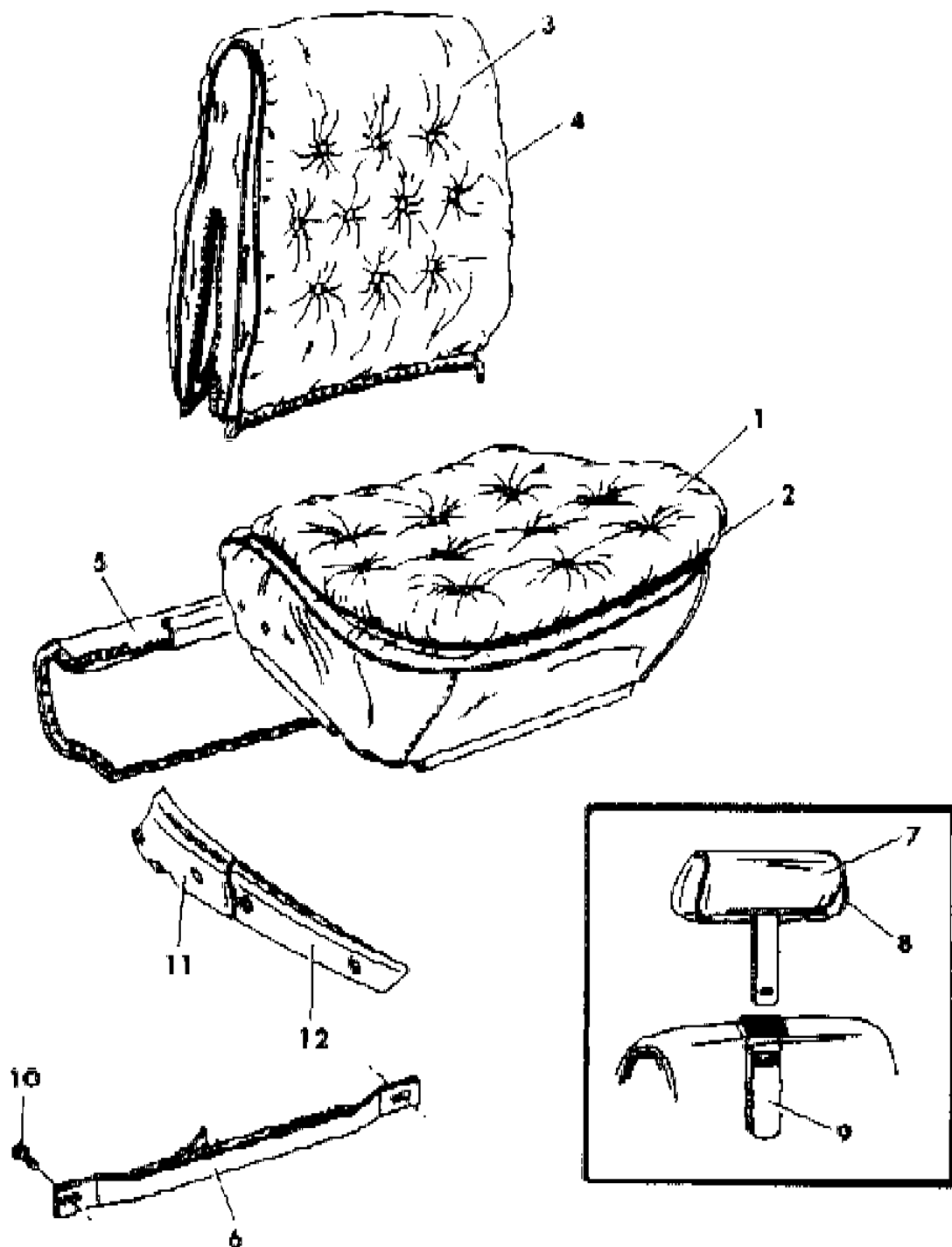
21 = 2-DOOR SEDAN	41 = 4-DOOR SEDAN
22 = 2-DOOR SPECIAL COUPE	45 = 4-DOOR STATION WAGON
24 = 2-DOOR HATCHBACK	44 = 4-DOOR HATCHBACK
27 = 2-DOOR CONVERTIBLE	48 = EXECUTIVE SEDAN
28 = FWD PICKUP	

AR = Use as Required - = Non Illustrated Part P.A.R. = Paint as Required

SEAT, FRONT SEDAN & LIMO.  
Figure IT-3226

3253 322600

ITEM	PART NUMBER	QTY	BODY	MODEL	DESCRIPTION
1-2					BACK, Front Seat w/Spring, Frame, Pad & Cover N N N N
	4339 760	1			Silver N N N Y4339760
	4339 761	1			Blue N N N Y4339761
2					COVER, Front Back N N N N
	4339 648	1			Silver N N N Y4339648
	4339 649	1			Blue N N N Y4339649
3-4					CUSHION, Front w/Spring, Frame, Pad & Cover N N N N
	4339 758	1			Silver N N N Y4339758
	4339 759	1			Blue N N N Y4339759
4					COVER, Front Cushion N N N N
	4339 646	1			Silver N N N Y4339646
	4339 647	1			Blue N N N Y4339647
5					SHIELD, Sight N N N N
	4339 652-3	1			Silver N N N Y4339652
	4339 654-5	1			Blue N N N Y4339654
6	4339 660	1			BRACKET, Sight Shield Attaching N N N Y4339660
7					HEADREST w/Cover N N N N
	4339 749	1			Silver N N N Y4339749
	4339 750	1			Blue N N N Y4339750
8					COVER, Headrest N N N N
	4339 650	1			Silver N N N Y4339650
	4339 651	1			Blue N N N Y4339651
9					SLEEVE, Headrest N N N N
	S786 AA3	1			Silver N N N YS786AA3
	S786 AC7	1			Blue N N N YS786AC7
10					BOLT (Not Serviced) N N N N
11	S756-7 AB2	1			SHIELD, Front Cushion, Rear (Paint As Required) N N N YS756AB2
12	S772-3 VB2	1			SHIELD, Front Cushion, Front (Paint As Required) N N N YS772VB2



MODEL CODES  
 B = GRAN FURY  
 C = LEBARON/TOWN & COUNTRY  
 D = ARIES  
 E = 600  
 F = FIFTH AVENUE  
 G = DIPLOMAT  
 M = HORIZON/TURISMO/SCAMP  
 P = RELIANT  
 S = CORDOBA  
 T = E CLASS/NEWYORKER  
 V = 400  
 X = MIRADA  
 Y = IMPERIAL  
 Z = OMNI/CHARGER/RAMPAGE

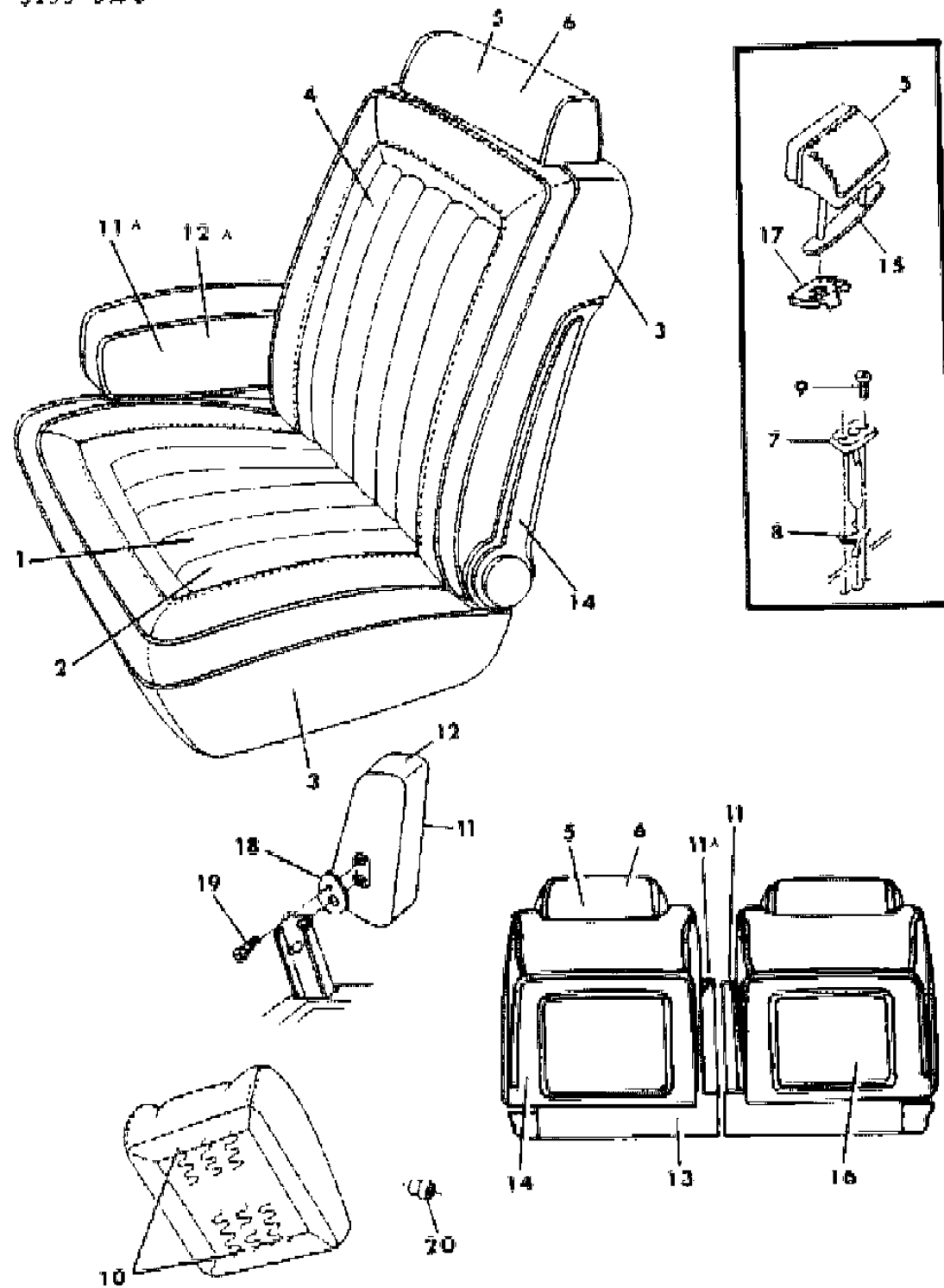
BODY STYLES  
 21 = 2-DOOR SEDAN  
 22 = 2-DOOR SPECIAL COUPE  
 24 = 2-DOOR HATCHBACK  
 27 = 2-DOOR CONVERTIBLE  
 28 = FWD PICKUP  
 41 = 4-DOOR SEDAN  
 45 = 4-DOOR STATION WAGON  
 44 = 4-DOOR HATCHBACK  
 48 = EXECUTIVE SEDAN

AR = Use as Required - = Non Illustrated Part P.A.R. = Paint as Required



SEAT FRONT C TRIM CODE SP  
Figure IT-3231

3253 323100 D



ITEM	PART NUMBER	QTY	BODY	MODEL	DESCRIPTION
1-3					CUSHION, w/Spring/Frame, Pad and Cover N N N N
	A760-1 BPC				N N21,41 NSPC YA760BPC
	A760-1 BPM				N N21,41 NSPM YA760BPM
	A760-1 BPL				N N21,41 NSPL YA760BPL
	A760-1 BPT				N N21,41,45 NSPTK YA760BPT
2					COVER, Cushion N N N N
	A438-9 BPC	1			N N21,41 NSPC YA438BPC
	A438-9 BPM	1			N N21,41 NSPM YA438BPM
	A438-9 BPL	1			N N21,41 NSPL YA438BPL
	A438-9 BPT	1			N N21,41,45 NSPTK YA438BPT
3					ROLL STOCK, Vinyl Order by the Inch N N N N
	R616 VC8	AR			Blue, 64" Wide N N21,41 NSPC YR616VC8
	R616 VM6	AR			Red, 64" Wide N N21,41 NSPM YR616VM6
	R616 BL3	AR			Tan, 64" Wide N N21,41 NSPL YR616BL3
	R609 BT8	AR			Brown, 58" Wide N N21,41,45 NSPTK YR609BT8
3-4					BACK, w/Spring/Frame, Pad and Cover N N N N
	A796-7 BPC	1			N N21,41 NSPC YA796BPC
	A796-7 BPM	1			N N21,41 NSPM YA796BPM
	A796-7 BPL	1			N N21,41 NSPL YA796BPL
	A796-7 BPT	1			N N21,41,45 NSPTK YA796BPT
4					COVER, Back N N N N
	A440-1 BPC	1			N N21,41 NSPC YA440BPC
	A440-1 BPM	1			N N21,41 NSPM YA440BPM
	A440-1 BPL	1			N N21,41 NSPL YA440BPL
	A440-1 BPT	1			N N21,41,45 NSPTK YA440BPT
5					HEADREST w/COVER N N N N
	A758 BC8	2			N N21,41 NSPC YA758BC8
	A758 BM6	2			N N21,41 NSPM YA758BM6
	A758 BL3	2			N N21,41 NSPL YA758BL3
	A758 BT8	2			N N21,41,45 NSPTK YA758BT8
6					COVER, Headrest N N N N
	A448 BC8	2			N N21,41 NSPC YA448BC8
	A448 BM6	2			N N21,41 NSPM YA448BM6
	A448 BL3	2			N N21,41 NSPL YA448BL3
	A448 BT8	2			N N21,41,45 NSPTK YA448BT8
7					SLEEVE, Headrest N N N N
	S690 SC7	4			N N21,41 NSPC YS690SC7

MODEL CODES

B = GRAN FURY

C = LEBARON/TOWN & COUNTRY

D = ARIES

E = 600

F = FIFTH AVENUE

G = DIPLOMAT

M = HORIZON/TURISMO/SCAMP

P = RELIANT

S = CORDOBA

T = E CLASS/NEWYORKER

V = 400

X = MIRADA

Y = IMPERIAL

Z = OMNI/CHARGER/RAMPAGE

BODY STYLES

21 = 2-DOOR SEDAN

22 = 2-DOOR SPECIAL COUPE

24 = 2-DOOR HATCHBACK

27 = 2-DOOR CONVERTIBLE

28 = FWD PICKUP

41 = 4-DOOR SEDAN

45 = 4-DOOR STATION WAGON

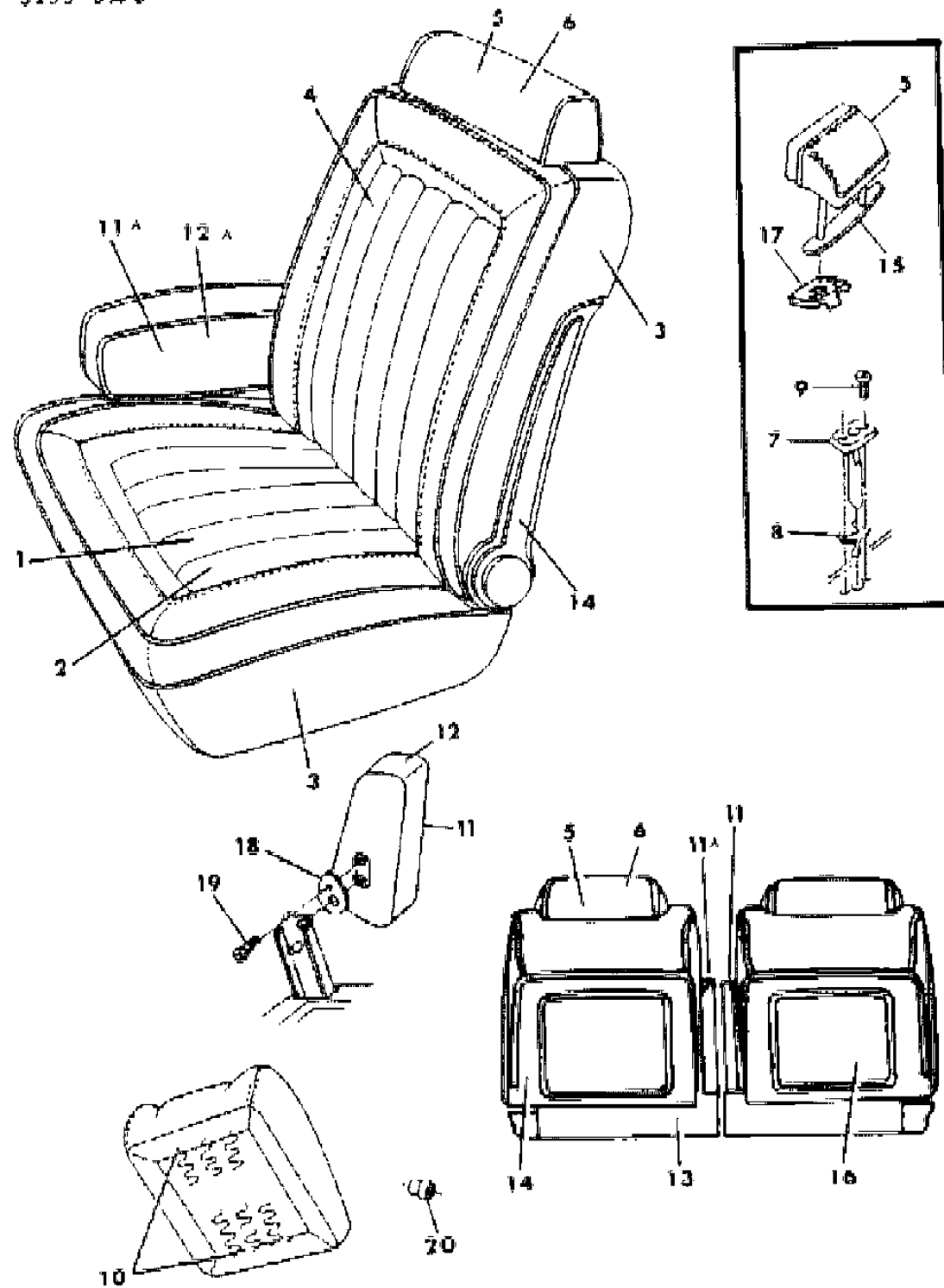
44 = 4-DOOR HATCHBACK

48 = EXECUTIVE SEDAN

AR = Use as Required - = Non Illustrated Part P.A.R. = Paint as Required

SEAT FRONT C TRIM CODE SP  
Figure IT-3231

3253 323100 D



ITEM	PART NUMBER	QTY	BODY	MODEL	DESCRIPTION
	S690 TM6	4			N N21,41 NSPM YS690TM6
	S690 BL3	4			N N21,41 NSPL YS690BL3
	S690 BT8	4			N N21,41,45 NSPTK YS690BT8
8	4098 965	4			CATCH, Headrest Post N N21,41,45 N Y4098965
9		4			SCREW (not serviced) N N N N
10	6008 076	AR			HOG RING N N N Y6008076
11					ARM REST w/COVER N N N N
	A756 BC8	1			Passenger Seat N N N N
	A756 BM6	1			N N21,41 NSPC YA756BC8
	A756 BL3	1			N N21,41 NSPL YA756BL3
	A756 BT8	1			N N21,41,45 NSPTK YA756BT8
11A					ARM REST w/COVER N N N N
	A757 BC8	1			Drivers Seat N N N N
	A757 BM6	1			N N21,41 NSPC YA757BC8
	A757 BL3	1			N N21,41 NSPL YA757BL3
	A757 BT8	1			N N21,41,45 NSPTK YA757BT8
12					COVER, Arm Rest N N N N
	A446 BC8	1			Passenger Seat N N N N
	A446 BM6	1			N N21,41 NSPC YA446BC8
	A446 BL3	1			N N21,41 NSPL YA446BL3
	A446 BT8	1			N N21,41,45 NSPTK YA446BT8
12A					COVER, Arm Rest N N N N
	A447 BC8	1			Drivers Seat N N N N
	A447 BM6	1			N N21,41 NSPC YA447BC8
	A447 BL3	1			N N21,41 NSPL YA447BL3
	A447 BT8	1			N N21,41,45 NSPTK YA447BT8
13					CARPET (serviced in cushion cover) N N N N
14					SHIELD w/FINISH PLATE, Front Seat Back (paint as required) N N N N
	S746-7 BL3	1			(use up to 10/28/82) N N N YS746BL3
	S748-9 BL3	1			(use after 10/28/82) N N N YS748BL3
15	4018 808	2			COVER, Headrest Finish N N21,41,45 N Y4018808
16					COVER, Back Pocket N N N N

MODEL CODES

B = GRAN FURY	G = DIPLOMAT	V = 400
C = LEBARON/TOWN & COUNTRY	M = HORIZON/TURISMO/SCAMP	X = MIRADA
D = ARIES	P = RELIANT	Y = IMPERIAL
E = 600	S = CORDOBA	Z = OMNI/CHARGER/RAMPAGE
F = FIFTH AVENUE	T = E CLASS/NEWYORKER	

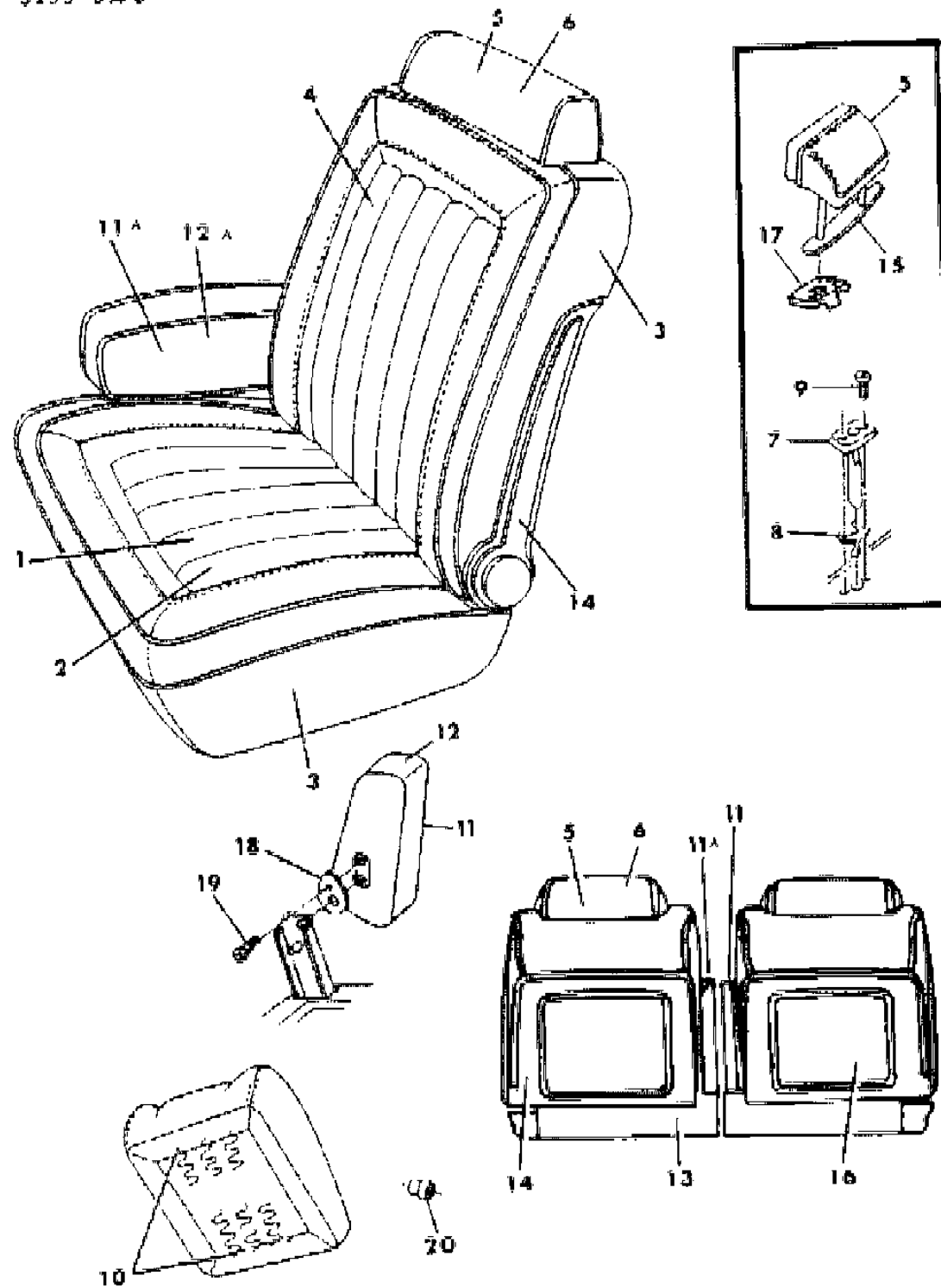
BODY STYLES

21 = 2-DOOR SEDAN	41 = 4-DOOR SEDAN
22 = 2-DOOR SPECIAL COUPE	45 = 4-DOOR STATION WAGON
24 = 2-DOOR HATCHBACK	44 = 4-DOOR HATCHBACK
27 = 2-DOOR CONVERTIBLE	48 = EXECUTIVE SEDAN
28 = FWD PICKUP	

AR = Use as Required - = Non Illustrated Part P.A.R. = Paint as Required

SEAT FRONT C TRIM CODE SP  
Figure IT-3231

3253 323100 D



ITEM	PART NUMBER	QTY	BODY	MODEL	DESCRIPTION
	A426-7 BC8	1			(use up to 12/14/82 Jefferson, 1/4/83 St. Louis) N N NSPC YA426BC8
	S714-5 BC8	1			(use after 12/14/82 Jefferson, 1/4/83 St. Louis) N N NSPC YS714BC8
	S714-5 BC8	1			(Newark) N N NSPC YS714BC8
	A426-7 BM6	1			(use up to 11/18/82 Jefferson, 12/1/82 St. Louis, 11/8/82 Newark) N N NSPM YA426BM6
	S714-5 BM6	1			(use after 11/18/82 Jefferson, 12/1/82 St. Louis, 11/8/82 Newark) N N NSPM YS714BM6
	A426-7 BL3	1			(use up to 11/12/82 Jefferson, 11/22/82 St. Louis, 11/29/82 Newark) N N NSPL YA426BL3
	S714-5 BL3	1			(use after 11/12/82 Jefferson, 11/22/82 St. Louis, 11/29/82 Newark) N N NSPL YS714BL3
	A426-7 BT8	1			(use up to 11/18/82 Jefferson, 12/1/82 St. Louis, 11/8/82 Newark) N N NSPTK YA426BT8
	S714-5 BT8	1			(use after 11/18/82 Jefferson, 12/1/82 St. Louis, 11/8/82 Newark) N N NSPTK YS714BT8
17	4138 140	4			SPACER, Headrest N N N Y4138140
18	4290 871	AR			SPACER, Arm Rest to Stanchion N N N Y4290871
19	6032 567	AR			BOLT, Shoulder N N N Y6032567
20	4190 488	1			BUSHING, Inner Pivot Pin Right Only N N N Y4190488

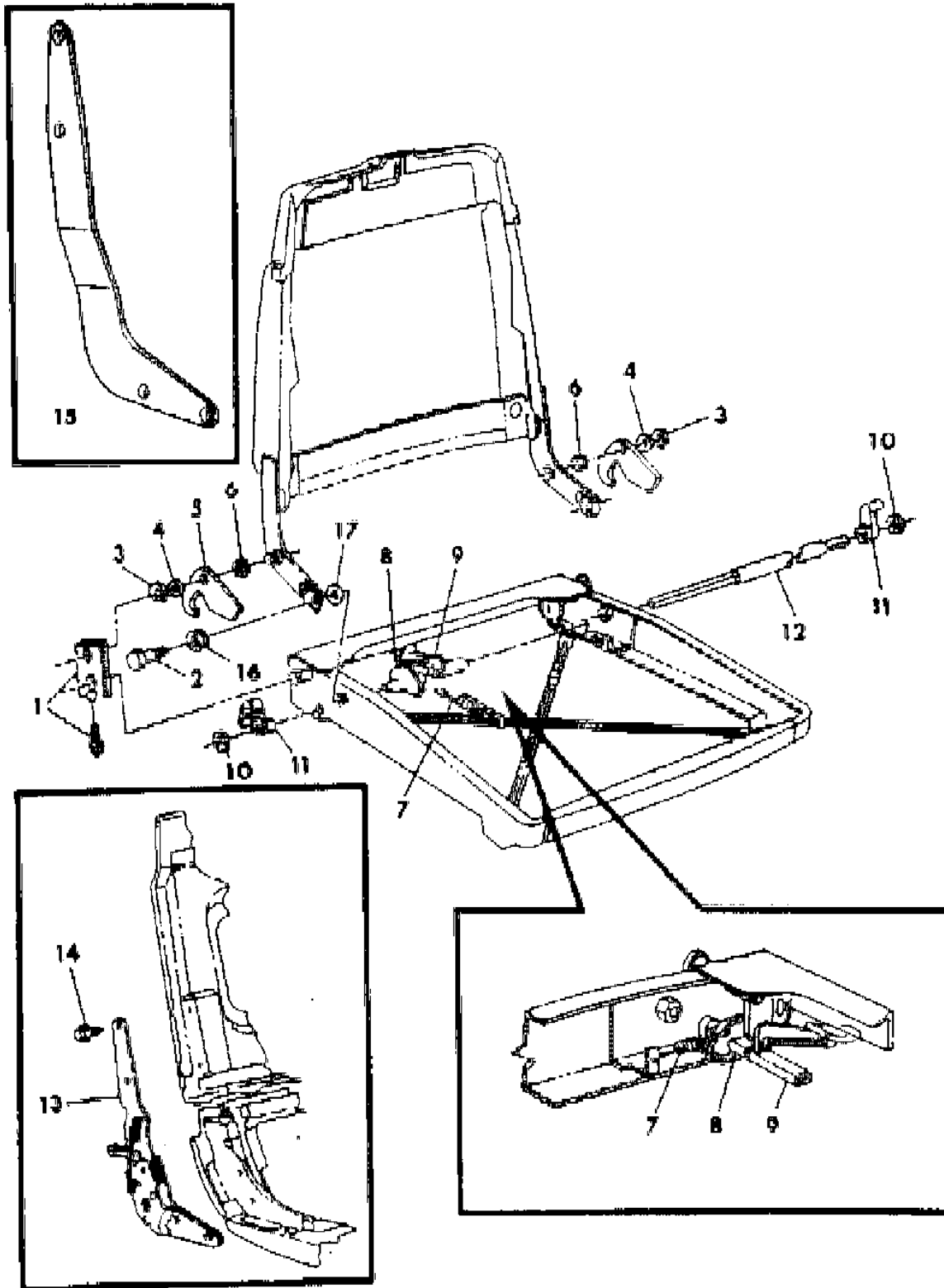
MODEL CODES  
 B = GRAN FURY  
 C = LEBARON/TOWN & COUNTRY  
 D = ARIES  
 E = 600  
 F = FIFTH AVENUE  
 G = DIPLOMAT  
 M = HORIZON/TURISMO/SCAMP  
 P = RELIANT  
 S = CORDOBA  
 T = E CLASS/NEWYORKER  
 V = 400  
 X = MIRADA  
 Y = IMPERIAL  
 Z = OMNI/CHARGER/RAMPAGE

BODY STYLES  
 21 = 2-DOOR SEDAN  
 22 = 2-DOOR SPECIAL COUPE  
 24 = 2-DOOR HATCHBACK  
 27 = 2-DOOR CONVERTIBLE  
 28 = FWD PICKUP  
 41 = 4-DOOR SEDAN  
 45 = 4-DOOR STATION WAGON  
 44 = 4-DOOR HATCHBACK  
 48 = EXECUTIVE SEDAN

AR = Use as Required - = Non Illustrated Part P.A.R. = Paint as Required

**FRONT SEAT BACK RELEASE P,D,C,V**  
Figure IT-3241

3253 324100 B



ITEM	PART NUMBER	QTY	BODY	MODEL	DESCRIPTION
1	4239 492	4			LOCK, Seat Back N N41,45 N Y4239492
2	6500 534	4			BOLT, Seat Back N NALL N Y6500534
3	6024 440	4			RING, Retainer N N21 N Y6024440
4	6500 479	4			WASHER N N21 N Y6500479
5	4239 487	4			LATCH, Seat Back N N21 N Y4239487
6	4190 274	4			BUSHING, Latch N N21 N Y4190274
7	4190 611	2			SPRING, Return N N21 N Y4190611
8	4190 616	2			STOP, Actuator N N21,22,27 N Y4190616
9	4190 613	2			HANDLE, Release N N21,22,27 N Y4190613
10	6022 149	4			NUT, Push N N21,22,27 N Y6022149
11	4190 614-5	2			ACTUATOR N N21,22,27 N Y4190614
12	4190 612	2			SHAFT N N21,22 N Y4190612
	4190 612	2			w/o Power Seats N N27 N Y4190612
	4316 429	1			SHAFT w/STOP, w/Power Seats N N27 N Y4316429
13	4190 664-5	1			LATCH ASSY., Front Seat Inertia, w/Bench and w/Split Back Bench N N21,22 N Y4190664
14	6100 585	AR			SCREW, Latch Assy. Inertia N N21,22 N Y6100585
15	4239 784-5	1			ARM, Seat Back to Cushion, w/Bench Seat and Center Arm Rest N N41,45 N Y4239784
	4290 900-1	2			w/Bucket Seats, w/Heave Duty Springs N NALL N Y4290900
16	2858 089	4			WASHER, 1.25 dia. N N21,22 N Y2858089
17		4			WASHER, 2.00 dia. (not serviced) N N21,22 N N

**MODEL CODES**

B = GRAN FURY	G = DIPLOMAT	V = 400
C = LEBARON/TOWN & COUNTRY	M = HORIZON/TURISMO/SCAMP	X = MIRADA
D = ARIES	P = RELIANT	Y = IMPERIAL
E = 600	S = CORDOBA	Z = OMNI/CHARGER/RAMPAGE
F = FIFTH AVENUE	T = E CLASS/NEWYORKER	

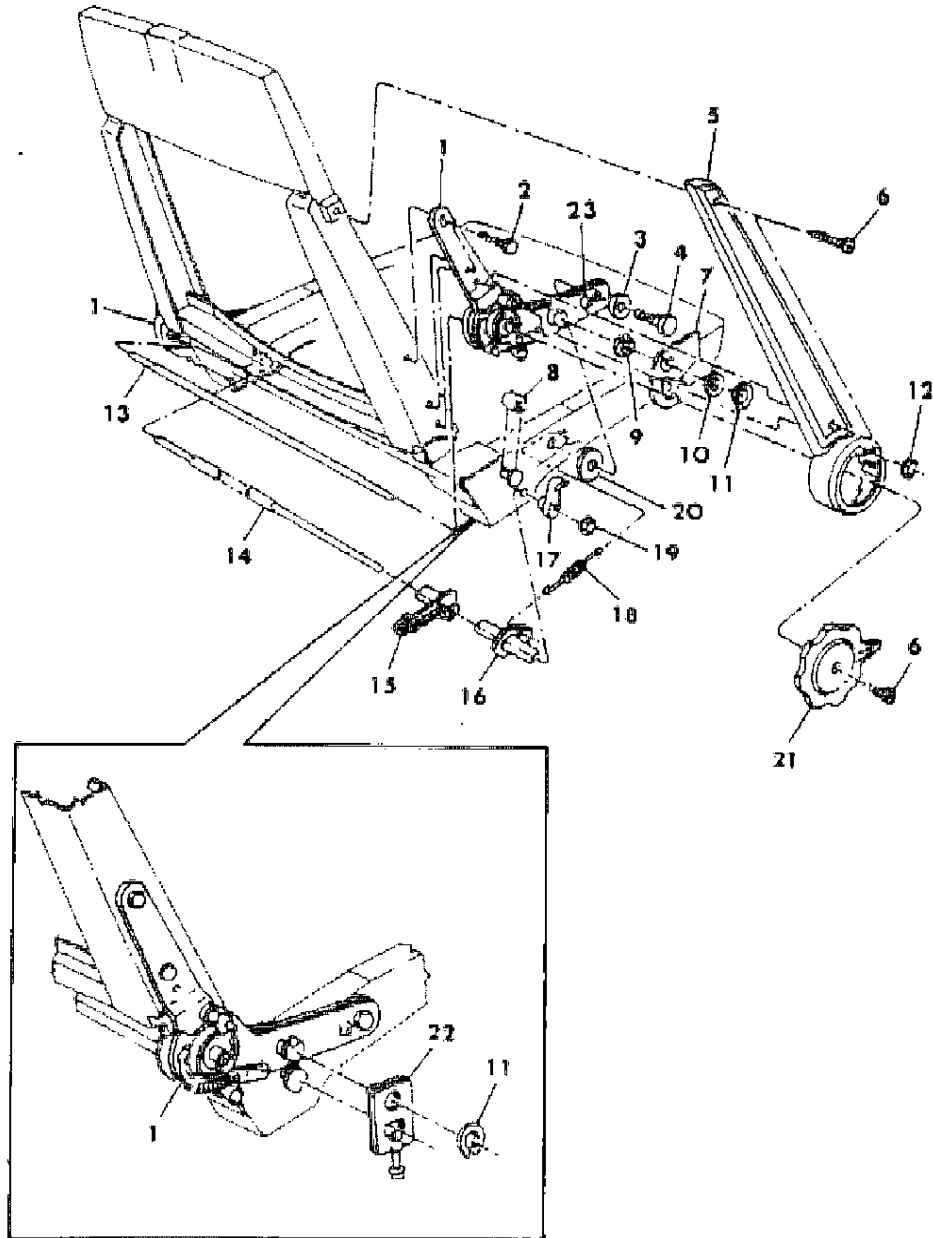
**BODY STYLES**

21 = 2-DOOR SEDAN	41 = 4-DOOR SEDAN
22 = 2-DOOR SPECIAL COUPE	45 = 4-DOOR STATION WAGON
24 = 2-DOOR HATCHBACK	44 = 4-DOOR HATCHBACK
27 = 2-DOOR CONVERTIBLE	48 = EXECUTIVE SEDAN
28 = FWD PICKUP	

AR = Use as Required - = Non Illustrated Part P.A.R. = Paint as Required

RECLINING BUCKET SEAT P,D,C,V  
Figure IT-3251

3253 325100



ITEM	PART NUMBER	QTY	BODY	MODEL	DESCRIPTION
1					RECLINER UNIT, Bucket Seat N N N N0
	4239 278	1			OUTER, Rt. N NALL N Y4239278
	4239 294	1			INNER, Rt. N NALL N Y4239294
	4239 279	1			OUTER, Lt. N NALL N Y4239279
	4239 295	1			INNER, Lt. N NALL N Y4239295
2	6500 558	4			BOLT N NALL N Y6500558
3	2858 089	2			WASHER, Front Seat Back Hinge Arm N N21,22 N Y2858089
4	6500 534	2			BOLT N NALL N Y6500534
5					SHIELD, Front Seat Back (paint as required) N NALL N N0
	S796-7 BL3	1			Outer N NALL N YS796BL3
	S758-9 AA3	1			Inner N NALL N YS758AA3
6					SCREW, (not Serviced) N NALL N N0
7	4239 487	2			LATCH, Front Seat Back To Cushion N N21,22 N Y4239487
8	4239 468	2			COVER, Stop Pin N N21,22 N Y4239468
9	4190 274	2			BUSHING, Front Seat Latch Pivot N N21,22 N Y4190274
10	6500 479	2			WASHER N N21,22 N Y6500479
11	6024 440	2			RING, Retaining N NALL N Y6024440
12	6031 147	2			NUT SPRING, Push on Type N NALL N Y6031147
13	4239 300	1			ROD, Front Seat Back Recliner Connector N N N Y4239300
14	4190 612	1			SHAFT, Front Seat Inertia Latch Actuator N N21,22 N Y4190612
15	4190 613	1			HANDLE, Front Seat Inertia Release N N21,22 N Y4190613
16	4190 616	1			STOP, Front Seat Inertia Latch Actuator N N21,22 N Y4190616
17	4190 614-5	1			ACTUATOR, Front Seat Inertia Latch N N21,22 N Y4190614
18	4190 611	1			SPRING, Front Seat Inertia Latch Handle Return N N21,22 N Y4190611
19	6022 149	2			NUT, Front Seat Inertia Latch Push On N N21,22 N Y6022149
20		2			WASHER, Front Seat Back Hinge Arm (not serviced) N N21,22 N N0
21	4239 510	1			KNOB, Front Seat Back Recliner Release N NALL N Y4239510
	4290 338	1			COVER, Inboard N NALL N Y4290338
22	4239 492	1			LOCK ASSY., Front Seat Back to Cushion N N41,45 N Y4239492
23	6500 453	AR			NUT N N N Y6500453

MODEL CODES

B = GRAN FURY	G = DIPLOMAT	V = 400
C = LEBARON/TOWN & COUNTRY	M = HORIZON/TURISMO/SCAMP	X = MIRADA
D = ARIES	P = RELIANT	Y = IMPERIAL
E = 600	S = CORDOBA	Z = OMNI/CHARGER/RAMPAGE
F = FIFTH AVENUE	T = E CLASS/NEWYORKER	

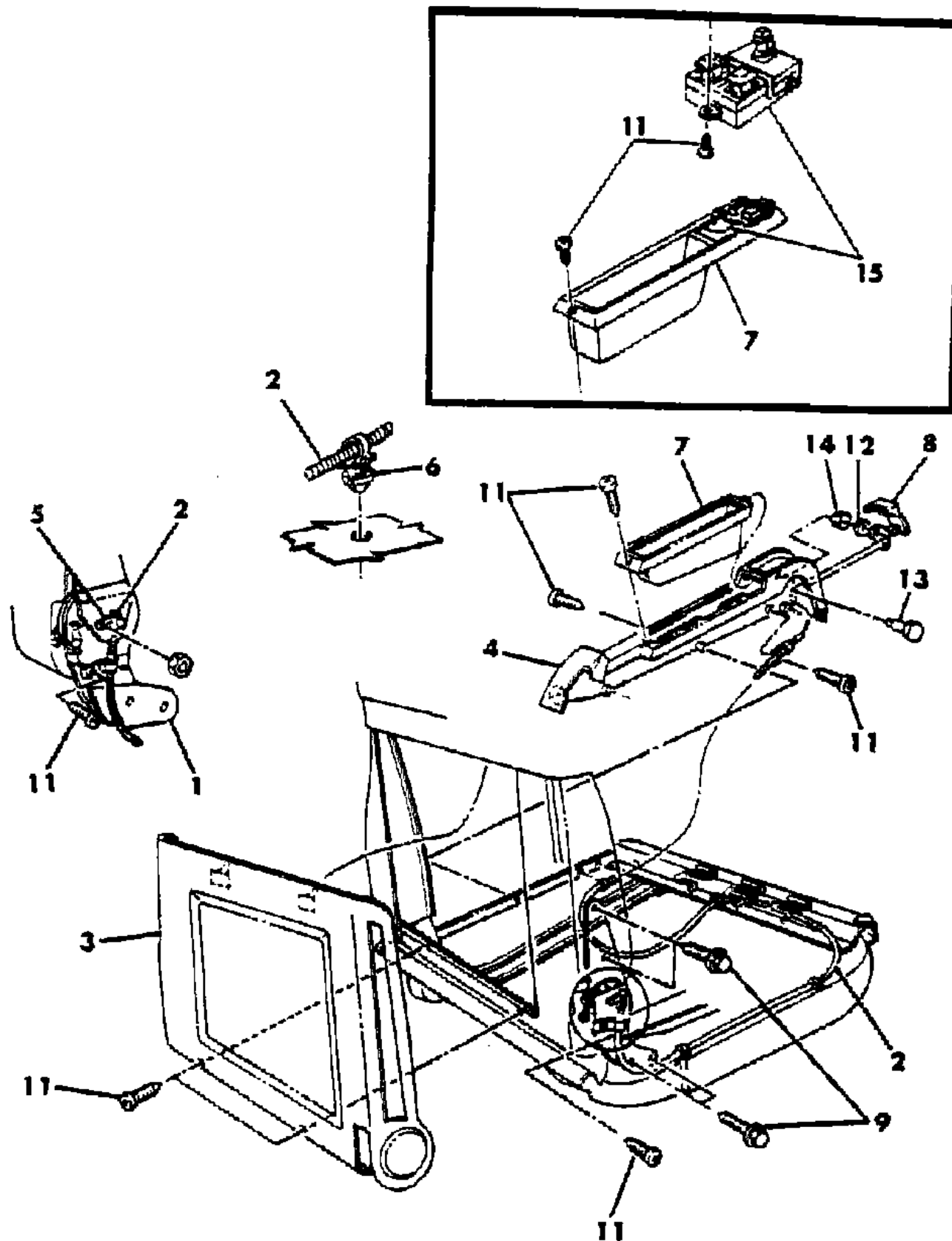
BODY STYLES

21 = 2-DOOR SEDAN	41 = 4-DOOR SEDAN
22 = 2-DOOR SPECIAL COUPE	45 = 4-DOOR STATION WAGON
24 = 2-DOOR HATCHBACK	44 = 4-DOOR HATCHBACK
27 = 2-DOOR CONVERTIBLE	48 = EXECUTIVE SEDAN
28 = FWD PICKUP	

AR = Use as Required - = Non Illustrated Part P.A.R. = Paint as Required

RECLINING 50/50 SEAT C  
Figure IT-3252

3253 325200



ITEM	PART NUMBER	QTY	BODY	MODEL	DESCRIPTION
1	4277 152-3	1			RECLINER N N22,27 N Y4277152
	4190 410	1			Right N N41,45 N Y4190410
	4277 553	1			Left N N41,45 N Y4277553
2	4316 984-5	1			CABLE, Release N N N Y4316984
3					SHIELD w/FINISH PLATE, Front Seat Back (paint as required) N N N
	S746-7 BL3	1			(use up to 10/28/82) N N N YS746BL3
	S748-9 BL3	1			(use after 10/28/82) N N N YS748BL3
					CONSOLETTA w/HANDLE N N N N
4	S834-5 CA3	1			Silver N N N YS834CA3
	S834-5 CC7	1			Blue, Dark N N N YS834CC7
	S834-5 CL3	1			Beige N N N YS834CL3
	S834-5 CM6	1			Red N N N YS834CM6
	S834-5 CT8	1			Brown N N N YS834CT8
5	4277 506-7	1			ACTUATOR N N N Y4277506
6					CLIP (not serviced) N N N N
7					TRAY w/DECAL N N N N
					(Use w/ Manual Seats) N N N N
	S820 BL3	AR			Beige N N N YS820BL3
	S820 BC7	AR			Blue, Dark N N N YS820BC7
	S820 BM6	AR			Red N N N YS820BM6
	S820 BT8	AR			Brown N N N YS820BT8
					(Use w/Electric Seats) N N N N
	S821 BL3	AR			Beige N N N YS821BL3
	S821 BC7	AR			Blue, Dark N N N YS821BC7
	S821 BM6	AR			Red N N N YS821BM6
S821 BT8	AR			Brown N N N YS821BT8	
8					HANDLE, Recliner Release N N N N
	S600 BA3	2			Silver N N N YS600BA3
	S600 BC7	2			Blue, Dark N N N YS600BC7
	S600 BL3	2			Beige N N N YS600BL3
	S600 BM6	2			Red N N N YS600BM6
	S600 BT8	2			Brown N N N YS600BT8
9	9422 041	4			SCREW and WASHER N N N Y9422041
10	0120 622	AR			NUT, Lock N N N Y120622
11		AR			SCREW (not serviced) N N N N
12	6100 883	2			WASHER N N N Y6100883

MODEL CODES

B = GRAN FURY

C = LEBARON/TOWN & COUNTRY

D = ARIES

E = 600

F = FIFTH AVENUE

G = DIPLOMAT

M = HORIZON/TURISMO/SCAMP

P = RELIANT

S = CORDOBA

T = E CLASS/NEWYORKER

V = 400

X = MIRADA

Y = IMPERIAL

Z = OMNI/CHARGER/RAMPAGE

BODY STYLES

21 = 2-DOOR SEDAN

22 = 2-DOOR SPECIAL COUPE

24 = 2-DOOR HATCHBACK

27 = 2-DOOR CONVERTIBLE

28 = FWD PICKUP

41 = 4-DOOR SEDAN

45 = 4-DOOR STATION WAGON

44 = 4-DOOR HATCHBACK

48 = EXECUTIVE SEDAN

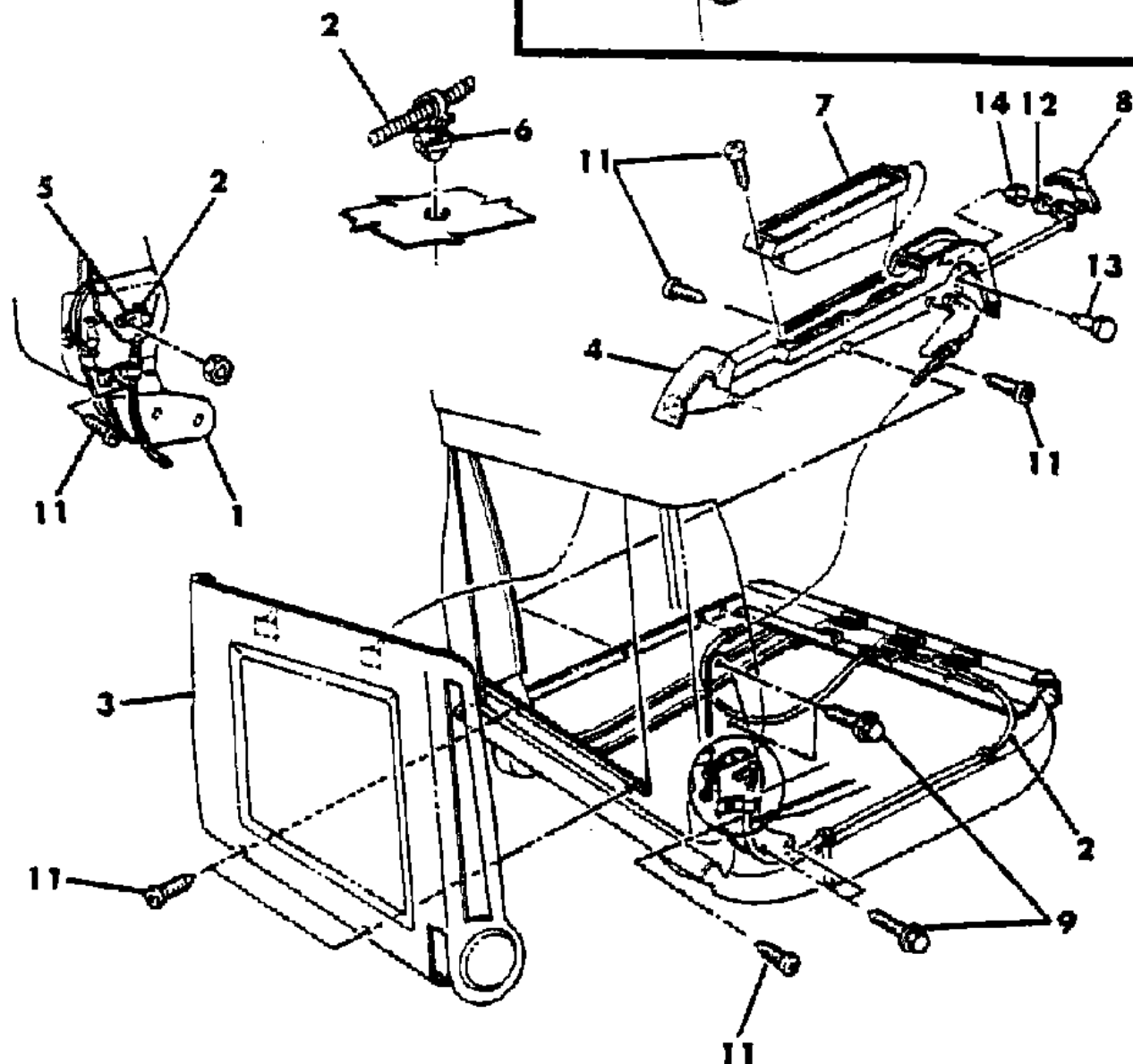
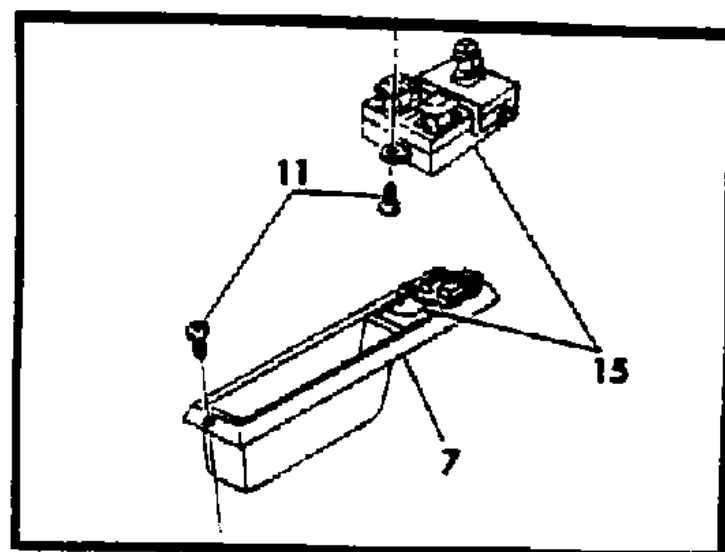
AR = Use as Required - = Non Illustrated Part P.A.R. = Paint as Required

RECLINING 50/50 SEAT C  
Figure IT-3252

3253 325200

ITEM	PART NUMBER	QTY	BODY	MODEL	DESCRIPTION
------	-------------	-----	------	-------	-------------

13	6032 310	2			BOLT, Shoulder N N N Y6032310
14	4290 370-1	1			SPRING, Handle Return N N N Y4290370
15	3747 815	1			SWITCH, Seat Adjuster N N N Y3747815



MODEL CODES

B = GRAN FURY	G = DIPLOMAT	V = 400
C = LEBARON/TOWN & COUNTRY	M = HORIZON/TURISMO/SCAMP	X = MIRADA
D = ARIES	P = RELIANT	Y = IMPERIAL
E = 600	S = CORDOBA	Z = OMNI/CHARGER/RAMPAGE
F = FIFTH AVENUE	T = E CLASS/NEWYORKER	

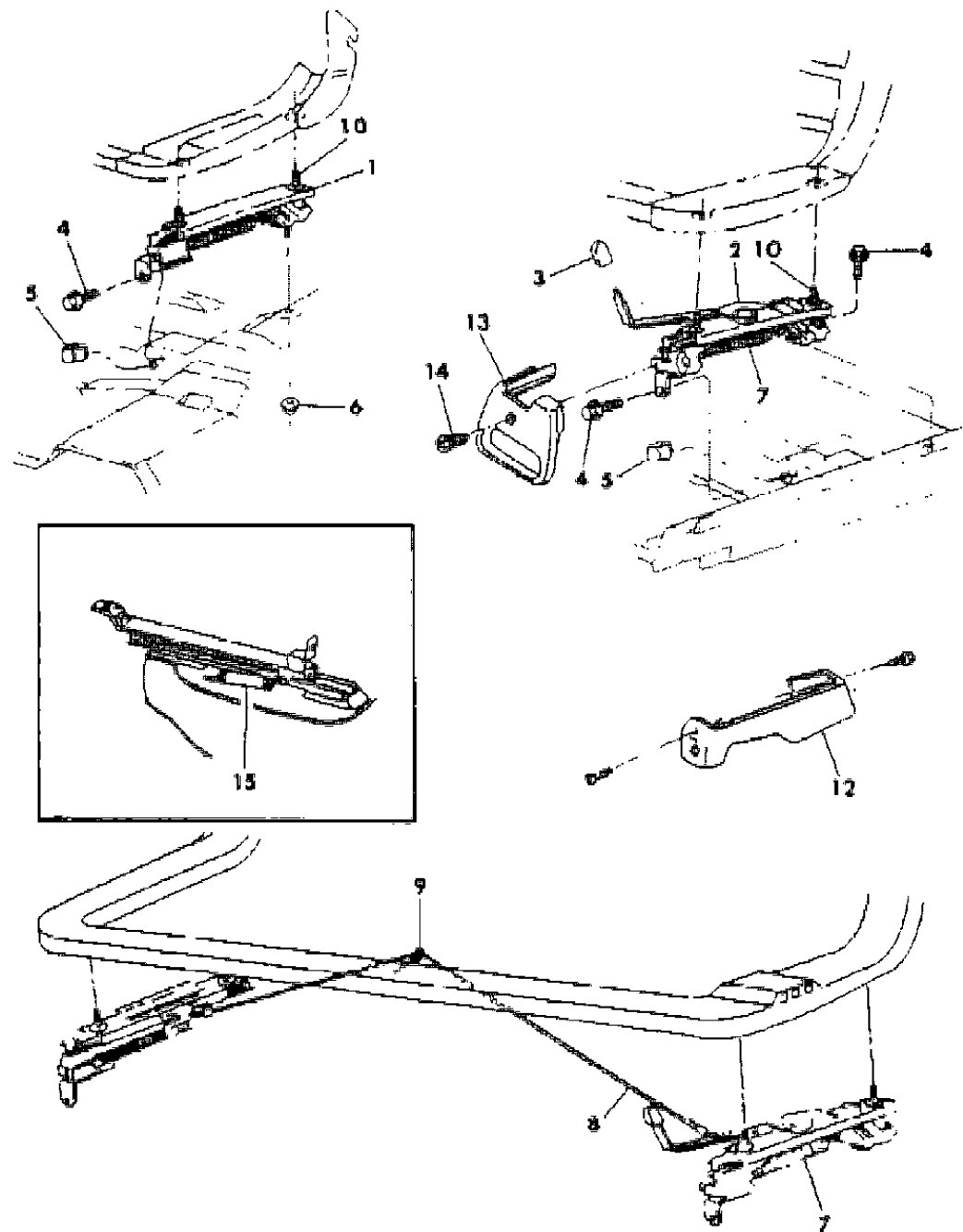
BODY STYLES

21 = 2-DOOR SEDAN	41 = 4-DOOR SEDAN
22 = 2-DOOR SPECIAL COUPE	45 = 4-DOOR STATION WAGON
24 = 2-DOOR HATCHBACK	44 = 4-DOOR HATCHBACK
27 = 2-DOOR CONVERTIBLE	48 = EXECUTIVE SEDAN
28 = FWD PICKUP	

AR = Use as Required - = Non Illustrated Part P.A.R. = Paint as Required

SEAT ADJUSTER MANUAL P,D,C,V 0  
Figure IT-3261

3253 326100A



ITEM	PART NUMBER	QTY	BODY	MODEL	DESCRIPTION
1	4277 652-3	1			ADJUSTER, w/Bucket Seat Inner N N N Y4277652
	4277 992-3	1			NC,V N27 N Y4277992
	4277 160-1	1			w/50/50 Split N N N Y4277160
2	4277 650-1	1			ADJUSTER, Outer N N N N0 w/Bucket Seat N N N Y4277650
	4277 990-1	1			w/Bucket Seat NC,V N27 N Y4277990
	4239 934-5	1			w/Bench Seat N N N Y4239934
	4277 158-9	1			w/50/50 Split N N N Y4277158
	5207 235	1			KNOB, Release Lever N N N Y5207235
4		AR			SCREW and WASHER (not serviced) N N N N
5	6101 283	AR			U/NUT N N N Y6101283
6		AR			NUT and WASHER (not serviced) N N N N
7	4246 167	AR			SPRING, Adjuster Release Lever w/Bucket N N N Y4246167
	4172 396	AR			w/Bench N N N Y4172396
	4277 173	AR			w/50/50 Seat N N N Y4277173
8	4239 933	1			WIRE, Release Lever Connector N N N N0 w/Bench Seat N N N Y4239933
	4239 942	2			w/Bucket Seat N N N Y4239942
	4277 556	1			w/50/50 Split N N N Y4277556
9	2942 556	1			HOOK, Guide Wire N N N Y2942556
10					SCREW and WASHER (not serviced) N N N N0
12					COVER, Manual Adjuster, Outer N N N N
	S870-1 AT6	1			Cashmere NC,V N27 N YS870AT6
	S870-1 BT8	1			Brown NC,V N27 N YS870BT8
	S870-1 AM6	1			Red NC,V N27 N YS870AM6
	S870-1 BW1	1			White NC,V N27 N YS870BW1
	S594-5 AA7				COVER, Adjuster w/Bucket Seat Outer N N N N0 Silver N N N YS594AA7
	S594-5 AC7				Blue, Dark N N N YS594AC7
	S594-5 AM6				Red N N N YS594AM6
	S594-5 BT8				Brown N N N YS594BT8
		1			Inner, Bucket N N N N0
S596-7 AA7				Silver N N N YS596AA7	
S596-7 AC7				Blue, Dark N N N YS596AC7	
S596-7 AM6				Red N N N YS596AM6	
S596-7 BT8				Brown N N N YS596BT8	
				COVER, Adjuster, w/Bench Seat N N N N0	

MODEL CODES

B = GRAN FURY	G = DIPLOMAT	V = 400
C = LEBARON/TOWN & COUNTRY	M = HORIZON/TURISMO/SCAMP	X = MIRADA
D = ARIES	P = RELIANT	Y = IMPERIAL
E = 600	S = CORDOBA	Z = OMNI/CHARGER/RAMPAGE
F = FIFTH AVENUE	T = E CLASS/NEWYORKER	

BODY STYLES

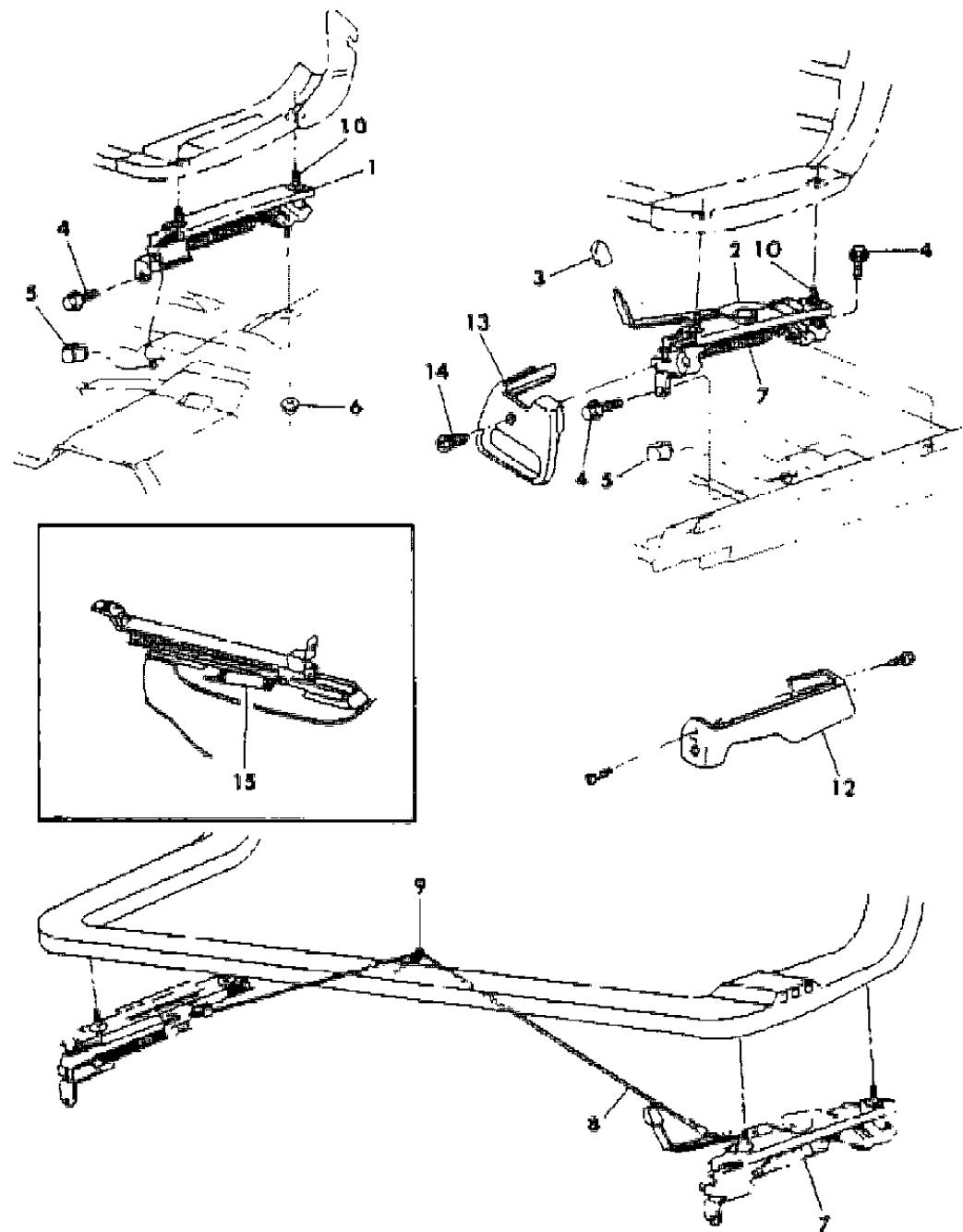
21 = 2-DOOR SEDAN	41 = 4-DOOR SEDAN
22 = 2-DOOR SPECIAL COUPE	45 = 4-DOOR STATION WAGON
24 = 2-DOOR HATCHBACK	44 = 4-DOOR HATCHBACK
27 = 2-DOOR CONVERTIBLE	48 = EXECUTIVE SEDAN
28 = FWD PICKUP	

AR = Use as Required - = Non Illustrated Part P.A.R. = Paint as Required



SEAT ADJUSTER MANUAL P,D,C,V 0  
Figure IT-3261

3253 326100A



ITEM	PART NUMBER	QTY	BODY	MODEL	DESCRIPTION
	S558-9 AA7	1			Silver N N N YS558AA7
	S558-9 AC7	1			Blue, Dark N N N YS558AC7
	S558-9 VM6	1			Red N N N YS558VM6
	S558-9 BT8	1			Brown N N N YS558BT8
13					COVER, Manual Adjuster, w/50/50 Split N N N N
	4277 996-7	1			Front N N N Y4277996
	4277 998-9	1			Rear N N N Y4277998
15	4172 398	1			SPRING, Adjuster Return w/Bench N N N Y4172398
	4277 173	1			w/50/50 Split N N N Y4277173
	4246 166	1			w/Buckets N N N Y4246166

MODEL CODES

B = GRAN FURY	G = DIPLOMAT	V = 400
C = LEBARON/TOWN & COUNTRY	M = HORIZON/TURISMO/SCAMP	X = MIRADA
D = ARIES	P = RELIANT	Y = IMPERIAL
E = 600	S = CORDOBA	Z = OMNI/CHARGER/RAMPAGE
F = FIFTH AVENUE	T = E CLASS/NEWYORKER	

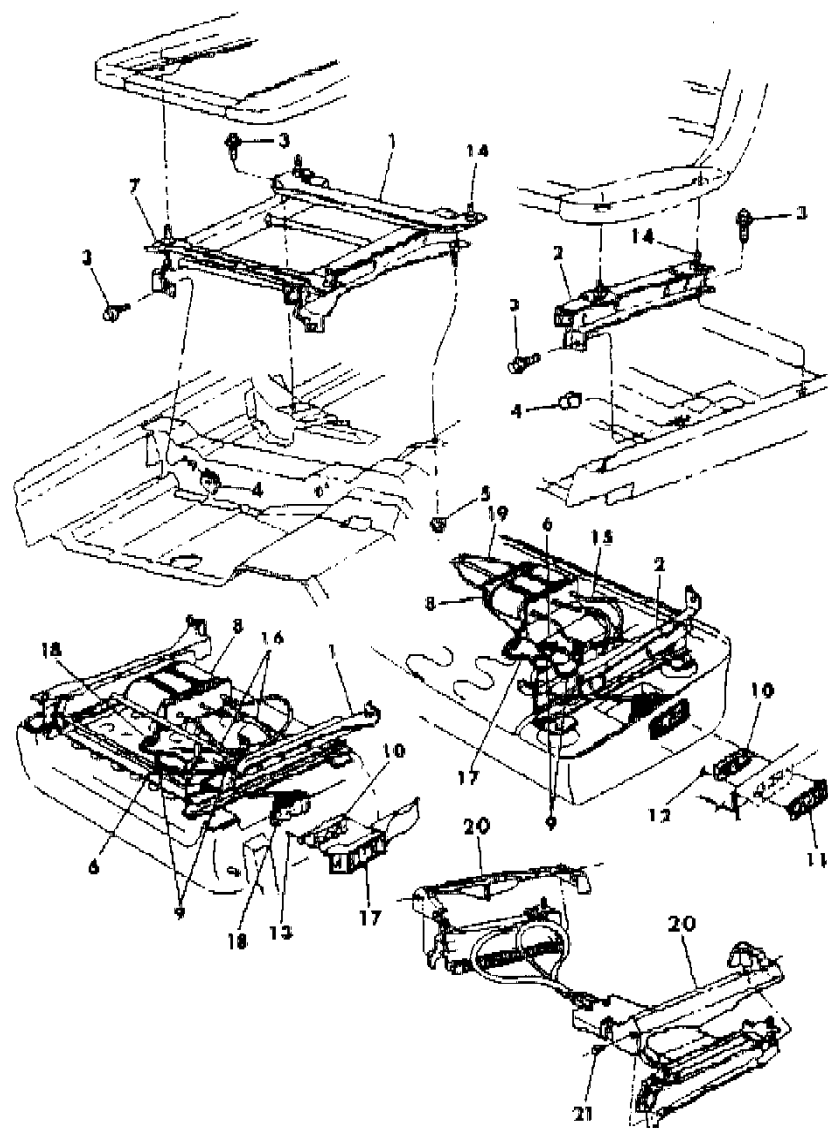
BODY STYLES

21 = 2-DOOR SEDAN	41 = 4-DOOR SEDAN
22 = 2-DOOR SPECIAL COUPE	45 = 4-DOOR STATION WAGON
24 = 2-DOOR HATCHBACK	44 = 4-DOOR HATCHBACK
27 = 2-DOOR CONVERTIBLE	48 = EXECUTIVE SEDAN
28 = FWD PICKUP	

AR = Use as Required - = Non Illustrated Part P.A.R. = Paint as Required

**SEAT ADJUSTER ELECTRIC - P,D,C,V**  
**Figure IT-3271**

3253 327100



ITEM	PART NUMBER	QTY	BODY	MODEL	DESCRIPTION
1	4327 008	1			ADJUSTER, w/Bucket N N21,22,41,45 N Y4327008
1	4327 009	1			N N27 N Y4327009
	4327 005	1			w/50/50 Split N N N Y4327005
2	4327 006-7	1			ADJUSTER, Bench Seat N N N Y4327006
3	6500 615	AR			SCREW and WASHER N N N Y6500615
4	6101 283	AR			U/NUT N N N Y6101283
5	6100 051	AR			NUT and WASHER N N N Y6100051
6	2945 704	AR			STRAP N N N Y2945704
7	6028 040	4			RETAINER N N N Y6028040
8	4054 186	1			MOTOR, w/Bench Seat N N N Y4054186
	4172 871	1			W/Bucket and 50/50 Split N N N Y4172871
9		AR			CLIP (not serviced) N N N N
10	3747 740	1			SWITCH, w/Bench and Split Bench Seat N N N Y3747740
	3747 924	1			w/Bucket Seats N N N Y3747924
11	3747 967	1			BEZEL, Switch w/Bench Seat N N N Y3747967
12	6025 002	AR			NUT and CONE WASHER N N N Y6025002
13		AR			SCREW (not serviced) N N N N
14	0180 079	4			SCREW and WASHER N N N Y180079
15					HOUSING, Bench Seat Cable N N N N
	4172 878	1			Right (31.37") N N N Y4172878
	4054 185	1			Left (11.05") N N N Y4054185
					CABLE N N N N
	4172 876	1			Right (32.43") N N N Y4172876
	4054 183	3			Left (12.19") N N N Y4054183
16	4054 185	1			HOUSING, Bucket and 50/50Split (11.05") N N N Y4054185
	4054 183	3			CABLE, Bucket and 50/50 Split (12.19") N N N Y4054183
	4327 011	1			HOUSING NC,V N27 N Y4327011
	4327 010	1			CABLE NC,V N27 N Y4327010
17	S775 VB2	1			SHIELD (paint as required) N N N YS775VB2
18	4209 646	1			WIRING, Seat Adjuster N N N Y4209646
	4304 400	1			w/50/50 Split N N N Y4304400
19	4246 135	2			HOUSING, Vertical and Horizontal, Right (35.31") N N N Y4246135
	4246 134	2			CABLE, Vertical and Horizontal, Right (36.38") N N N Y4246134
20					COVER, w/Bench N N N N
	S894-5 BA7	1			Silver N N N YS894BA7

**MODEL CODES**

B = GRAN FURY	G = DIPLOMAT	V = 400
C = LEBARON/TOWN & COUNTRY	M = HORIZON/TURISMO/SCAMP	X = MIRADA
D = ARIES	P = RELIANT	Y = IMPERIAL
E = 600	S = CORDOBA	Z = OMNI/CHARGER/RAMPAGE
F = FIFTH AVENUE	T = E CLASS/NEWYORKER	

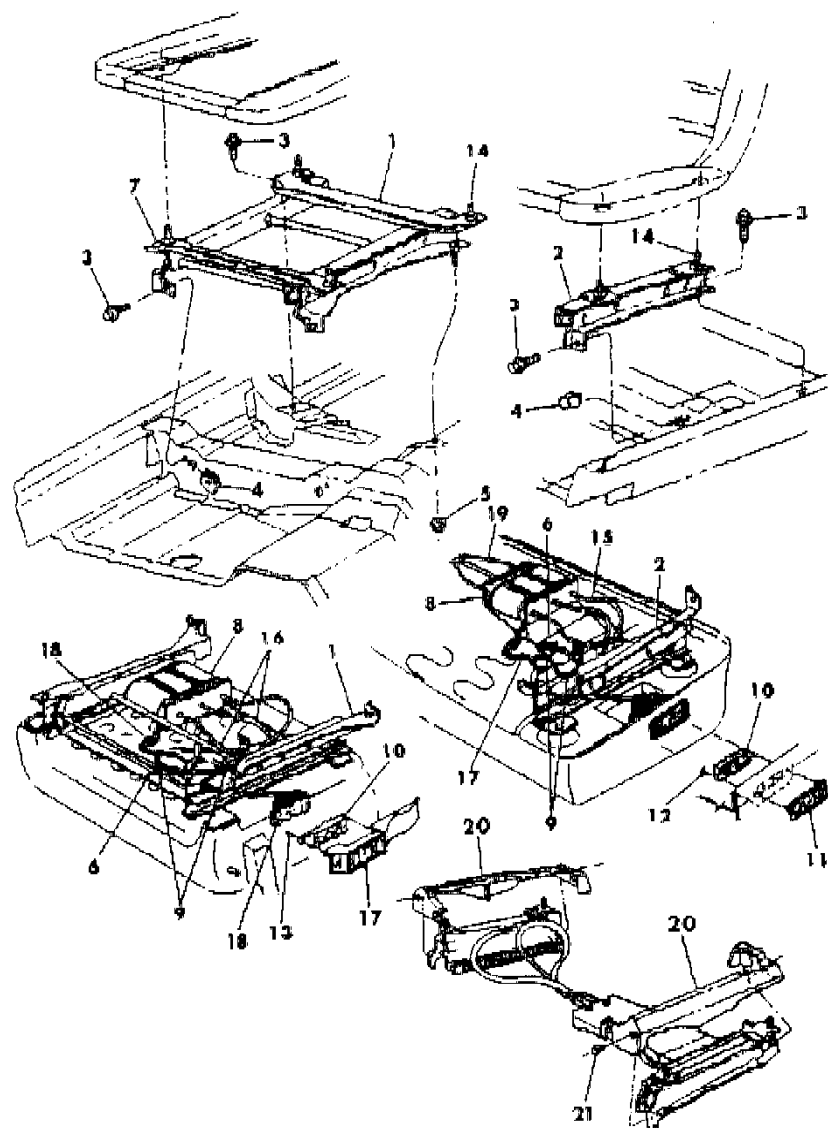
**BODY STYLES**

21 = 2-DOOR SEDAN	41 = 4-DOOR SEDAN
22 = 2-DOOR SPECIAL COUPE	45 = 4-DOOR STATION WAGON
24 = 2-DOOR HATCHBACK	44 = 4-DOOR HATCHBACK
27 = 2-DOOR CONVERTIBLE	48 = EXECUTIVE SEDAN
28 = FWD PICKUP	

AR = Use as Required - = Non Illustrated Part P.A.R. = Paint as Required

**SEAT ADJUSTER ELECTRIC - P,D,C,V**  
**Figure IT-3271**

3253 327100



ITEM	PART NUMBER	QTY	BODY	MODEL	DESCRIPTION
	S894-5 BC7	1			Blue, Dark N N N YS894BC7
	S894-5 BM6	1			Red N N N YS894BM6
	S894-5 BT8	1			Brown N N N YS894BT8
	S571 AA7	1			w/Bucket Outer, Left N N N N Silver N N N YS571AA7
	S571 AC7	1			Blue, Dark N N N YS571AC7
	S571 VM6	1			Red N N N YS571VM6
	S571 BT8	1			Brown N N N YS571BT8
	S589 BM6	1			Red NC,V N27 N YS589BM6
	S589 BT8	1			Brown NC,V N27 N YS589BT8
	S583 AA7	1			w/Bucket Inner, Left N N N N Silver N N N YS583AA7
	S583 AC7	1			Blue, Dark N N N YS583AC7
	S583 AM6	1			Red N N N YS583AM6
	S583 BT8	1			Brown N N N YS583BT8
	S899 BA7	1			w/50/50 Split, Inner N N N N Silver N N N YS899BA7
	S899 BC7	1			Blue, Dark N N N YS899BC7
	S899 BM6	1			Red N N N YS899BM6
	S899 BT8	1			Brown N N N YS899BT8
	S895 BA7	1			w/50/50 Split, Outer N N N N Silver N N N YS895BA7
	S895 BC7	1			Blue, Dark N N N YS895BC7
	S895 BM6	1			Red N N N YS895BM6
	S895 BT8	1			Brown N N N YS895BT8
21	AR				SCREW (not serviced) N N N N
NOTE: The Following Items Are Not Illustrated s ARE NOT RETURNABLE.					
	4239 717	1			SPRING, Horizontal Power N N N Y4239717
	4239 719	1			SPRING, Vertical w/Bucket and 50/50 Split N N N Y4239719
	4239 721	1			SPRING, Vertical w/Bench N N N Y4239721

**MODEL CODES**

B = GRAN FURY	G = DIPLOMAT	V = 400
C = LEBARON/TOWN & COUNTRY	M = HORIZON/TURISMO/SCAMP	X = MIRADA
D = ARIES	P = RELIANT	Y = IMPERIAL
E = 600	S = CORDOBA	Z = OMNI/CHARGER/RAMPAGE
F = FIFTH AVENUE	T = E CLASS/NEWYORKER	

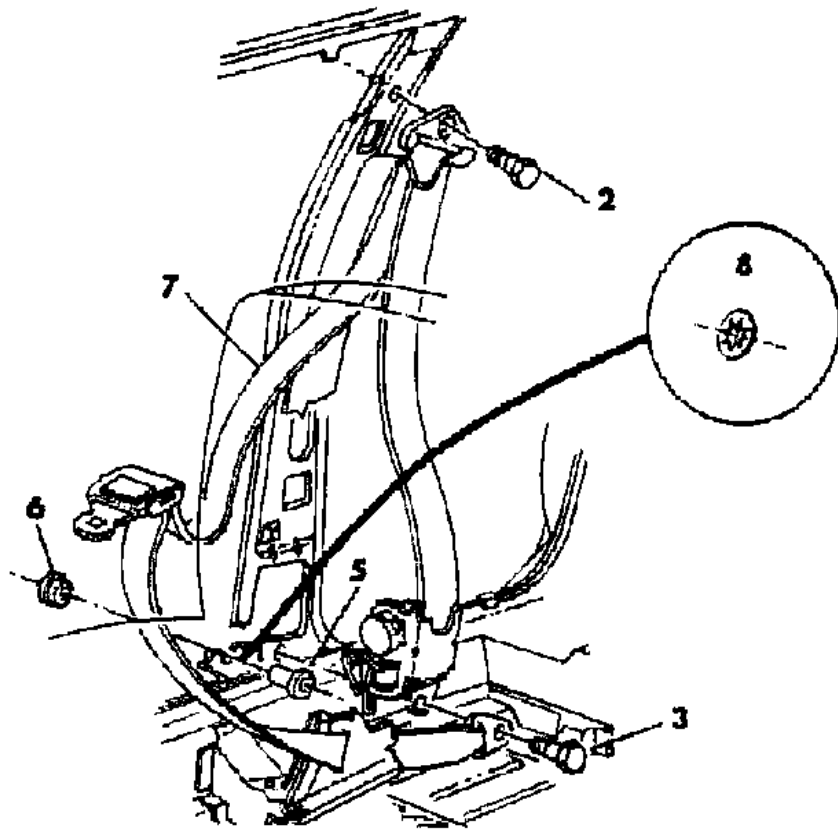
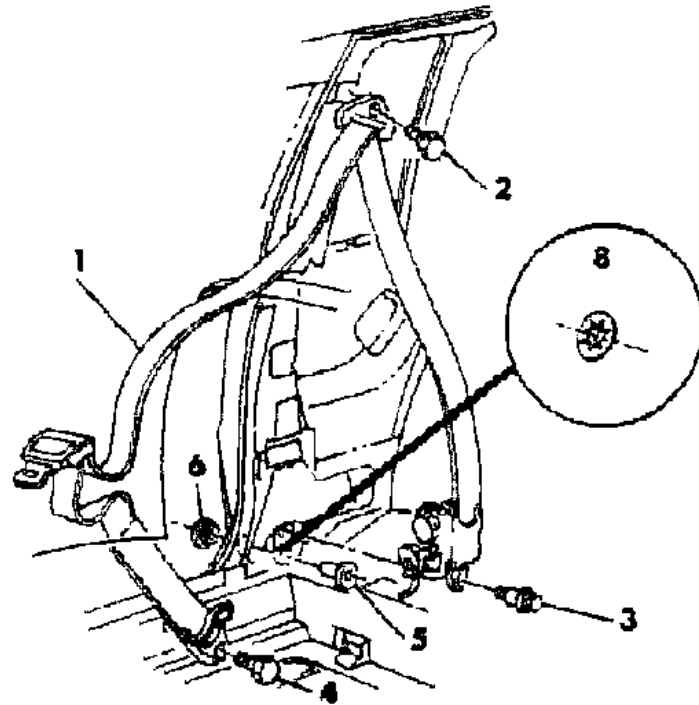
**BODY STYLES**

21 = 2-DOOR SEDAN	41 = 4-DOOR SEDAN
22 = 2-DOOR SPECIAL COUPE	45 = 4-DOOR STATION WAGON
24 = 2-DOOR HATCHBACK	44 = 4-DOOR HATCHBACK
27 = 2-DOOR CONVERTIBLE	48 = EXECUTIVE SEDAN
28 = FWD PICKUP	

AR = Use as Required - = Non Illustrated Part P.A.R. = Paint as Required

**BELT FRONT SEAT LAP AND SHOULDER P,D,C,V 0**  
**Figure IT-3281**

3253 328100 A



ITEM	PART NUMBER	QTY	BODY	MODEL	DESCRIPTION
1					BELT, Front Seat Lap and Shoulder Outer, Label No 4290456 N N N N0
	F650 BA3	2			Silver N N21,22 N YF650BA3
	F650 BB5	2			Blue, Light N N21,22 N YF650BB5
	F650 BC7	2			Blue, Dark N N21,22 N YF650BC7
	F650 BM6	2			Red N N21,22 N YF650BM6
	F650 BL3	2			Tan N N21,22 N YF650BL3
	F650 BT8	2			Brown N N21,22 N YF650BT8
	F650 BX9	2			Black N N21,22 N YF650BX9
2	6031 298	2			BOLT, Shoulder N N N Y6031298
3	6031 484	2			BOLT N N N Y6031484
4	6031 216	2			BOLT, Shoulder N N N Y6031216
5	4172 859	2			CYLINDER, Seat Belt Tension Releiver Button (use up to 11/1/82) N N N Y4172859
	4290 789	2			w/BUMPER (use after 11/1/82) N N N Y4290789
6					RETAINER, Seat Belt Tension Releiver Button N N N N0
	4290 337	2			(Up to 6/15/83) N N N Y4290337
	4327 076	2			(After 6/15/83) N N N Y4327076
7					BELT, Front Seat Lap and Shoulder, Outer Label No. 4290460 - 1 N N N N0
	F654-5 BA3	1			Silver N N41,45 N YF654BA3
	F654-5 BB5	1			Blue, Light N N41,45 N YF654BB5
	F654-5 BC7	1			Blue, Dark N N41,45 N YF654BC7
	F654-5 BM6	1			Red N N41,45 N YF654BM6
	F654-5 BL3	1			Tan N N41,45 N YF654BL3
	F654-5 BT8	1			Brown N N41,45 N YF654BT8
	F654-5 BX9	1			Black N N41,45 N YF654BX9
	F744-5 BA3	1			Label No. 4327102-3 N N N N Silver N N41,45 N YF744BA3
	F744-5 BB5	1			Blue, Light N N41,45 N YF744BB5
	F744-5 BC7	1			Blue, Dark N N41,45 N YF744BC7
	F744-5 BM6	1			Red N N41,45 N YF744BM6
	F744-5 BL3	1			Tan N N41,45 N YF744BL3
	F744-5 BT8	1			Brown N N41,45 N YF744BT8
	F744-5 BX9	1			Black N N41,45 N YF744BX9
	4172 857	2			ROD, Tension Releiver Release Actuating N N41,45 N Y4172857

**MODEL CODES**

B = GRAN FURY	G = DIPLOMAT	V = 400
C = LEBARON/TOWN & COUNTRY	M = HORIZON/TURISMO/SCAMP	X = MIRADA
D = ARIES	P = RELIANT	Y = IMPERIAL
E = 600	S = CORDOBA	Z = OMNI/CHARGER/RAMPAGE
F = FIFTH AVENUE	T = E CLASS/NEWYORKER	

**BODY STYLES**

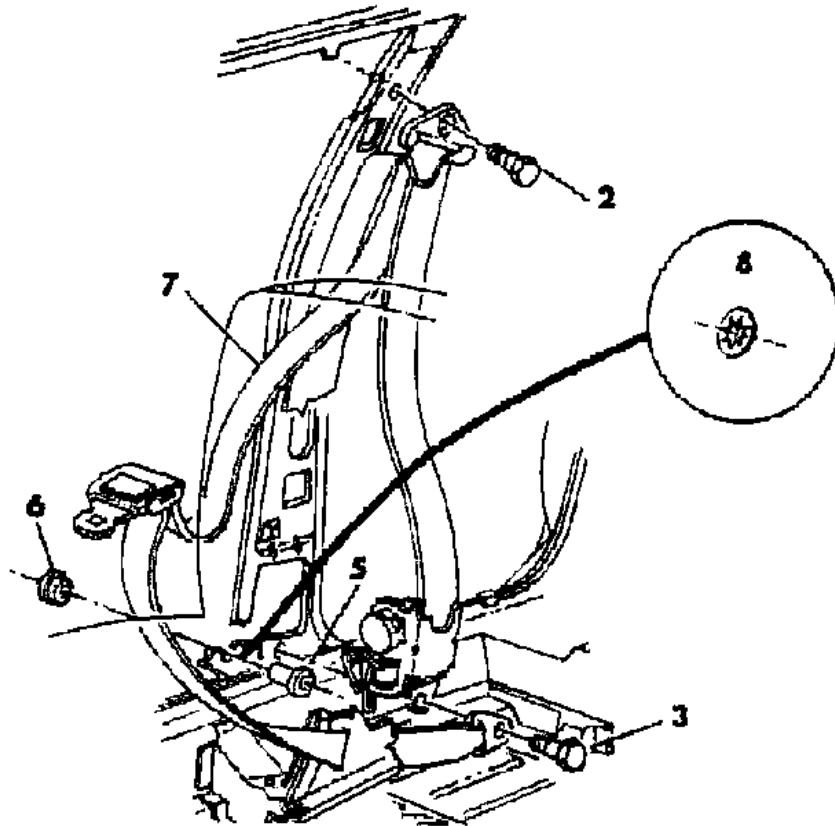
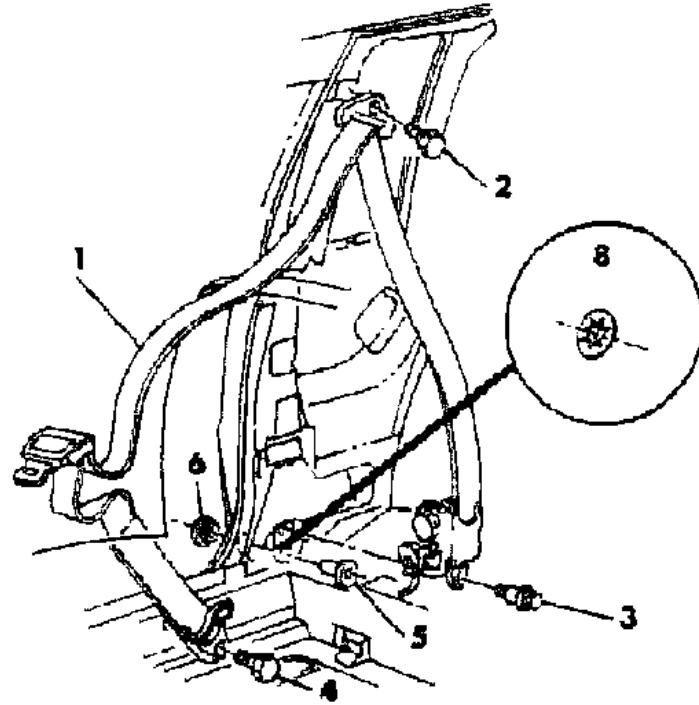
21 = 2-DOOR SEDAN	41 = 4-DOOR SEDAN
22 = 2-DOOR SPECIAL COUPE	45 = 4-DOOR STATION WAGON
24 = 2-DOOR HATCHBACK	44 = 4-DOOR HATCHBACK
27 = 2-DOOR CONVERTIBLE	48 = EXECUTIVE SEDAN
28 = FWD PICKUP	

AR = Use as Required - = Non Illustrated Part P.A.R. = Paint as Required

**BELT FRONT SEAT LAP AND SHOULDER P,D,C,V 0**  
**Figure IT-3281**

3253 328100 A

ITEM	PART NUMBER	QTY	BODY	MODEL	DESCRIPTION
8	6025 160	2			RETAINER, Inertia Retractor Pendulum Shaft N N N Y6025160



MODEL CODES  
 B = GRAN FURY  
 C = LEBARON/TOWN & COUNTRY  
 D = ARIES  
 E = 600  
 F = FIFTH AVENUE  
 G = DIPLOMAT  
 M = HORIZON/TURISMO/SCAMP  
 P = RELIANT  
 S = CORDOBA  
 T = E CLASS/NEWYORKER  
 V = 400  
 X = MIRADA  
 Y = IMPERIAL  
 Z = OMNI/CHARGER/RAMPAGE

BODY STYLES  
 21 = 2-DOOR SEDAN  
 22 = 2-DOOR SPECIAL COUPE  
 24 = 2-DOOR HATCHBACK  
 27 = 2-DOOR CONVERTIBLE  
 28 = FWD PICKUP  
 41 = 4-DOOR SEDAN  
 45 = 4-DOOR STATION WAGON  
 44 = 4-DOOR HATCHBACK  
 48 = EXECUTIVE SEDAN

AR = Use as Required - = Non Illustrated Part P.A.R. = Paint as Required

**BELT FRONT SEAT INBOARD P,D,C,V 0**  
Figure IT-3282

3253 328 200

ITEM	PART NUMBER	QTY	BODY	MODEL	DESCRIPTION
1					BELT, Front Seat Lap, Inner, Label No. 4277638 N N N N0
	F622 BA3	1			Silver N N N YF622BA3
	F622 BB5	1			Blue, Light N N N YF622BB5
	F622 BC7	1			Blue, Dark N N N YF622BC7
	F622 BM6	1			Red N N N YF622BM6
	F622 BL3	1			Tan N N N YF622BL3
	F622 BT8	1			Brown N N N YF622BT8
	F622 BX9	1			Black N N N YF622BX9
					Label No. 4316111 N N N N
	F676 BA3	1			Silver N N N YF676BA3
	F676 BB5	1			Blue, Medium N N N YF676BB5
	F676 BC7	1			Blue, Dark N N N YF676BC7
	F676 BM6	1			Red N N N YF676BM6
	F676 BL3	1			Tan N N N YF676BL3
	F676 BT8	1			Brown N N N YF676BT8
	F676 BX9	1			Black N N N YF676BX9
2	6031 298	AR			BOLT N N N Y6031298
3		AR			WASHER (not serviced) N N N N
4					BELT, Front Seat Lap Inboard, Right Label No. 4316750 N N N N0
	F706 BA3	1			Silver N N N YF706BA3
	F706 BB5	1			Blue, Light N N N YF706BB5
	F706 BC7	1			Blue, Dark N N N YF706BC7
	F706 BM6	1			Red N N N YF706BM6
	F706 BL3	1			Tan N N N YF706BL3
	F706 BT8	1			Brown N N N YF706BT8
	F706 BX9	1			Black N N N YF706BX9
5					BELT, Front Seat Lap Inboard, Left Label No. 4316751 N N N N
	F707 BA3	1			Silver N N N YF707BA3
	F707 BB5	1			Blue, Medium N N N YF707BB5
	F707 BC7	1			Blue, Dark N N N YF707BC7
	F707 BM6	1			Red N N N YF707BM6
	F707 BL3	1			Tan N N N YF707BL3
	F707 BT8	1			Brown N N N YF707BT8
	F707 BX9	1			Black N N N YF707BX9
6	F814 JX9	2			COVER, Anchor Bolt N N N YF814JX9
7					BELT, Inner Buckle Label No. 4277632-3 N N N N

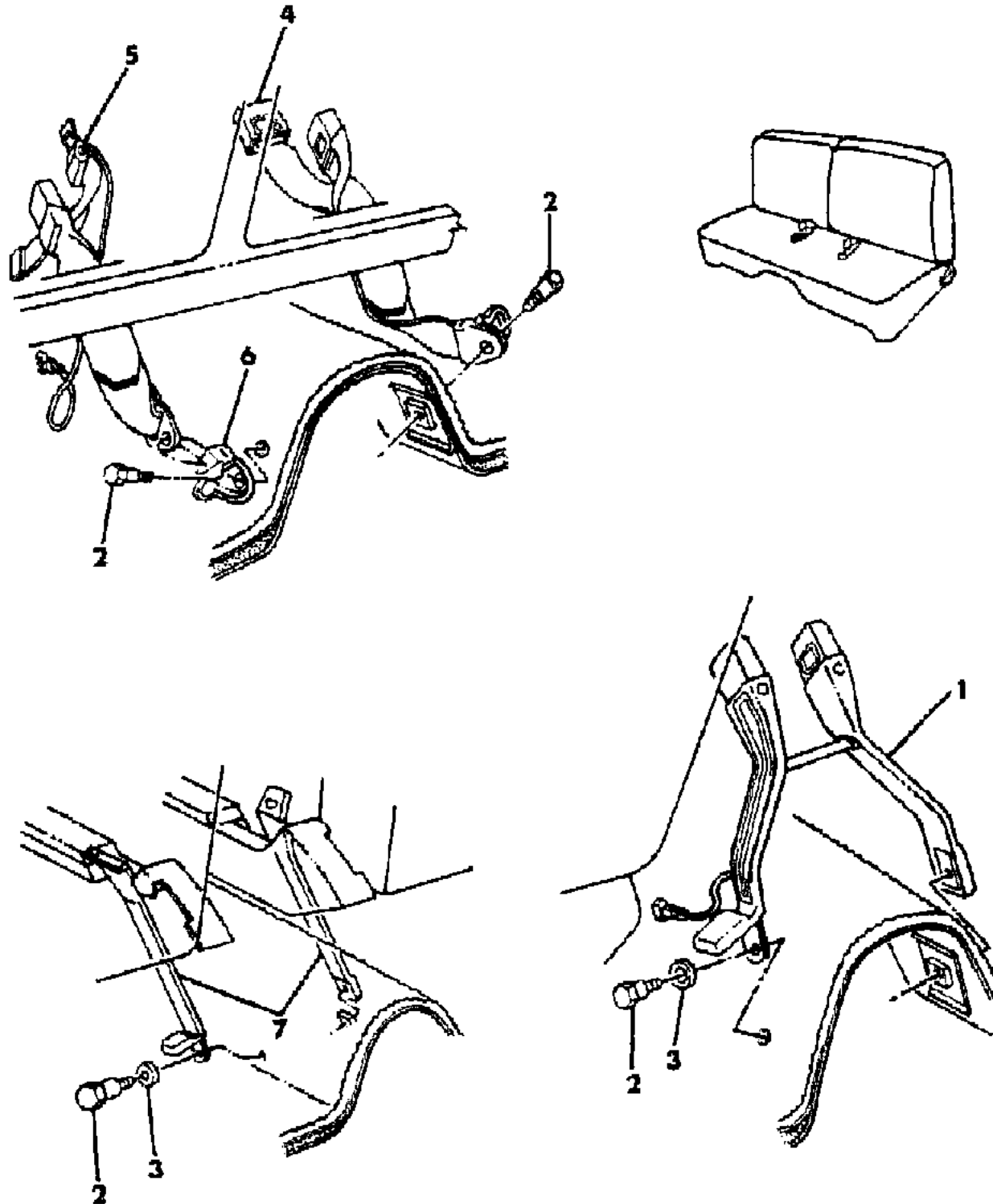
MODEL CODES

B = GRAN FURY	G = DIPLOMAT	V = 400
C = LEBARON/TOWN & COUNTRY	M = HORIZON/TURISMO/SCAMP	X = MIRADA
D = ARIES	P = RELIANT	Y = IMPERIAL
E = 600	S = CORDOBA	Z = OMNI/CHARGER/RAMPAGE
F = FIFTH AVENUE	T = E CLASS/NEWYORKER	

BODY STYLES

21 = 2-DOOR SEDAN	41 = 4-DOOR SEDAN
22 = 2-DOOR SPECIAL COUPE	45 = 4-DOOR STATION WAGON
24 = 2-DOOR HATCHBACK	44 = 4-DOOR HATCHBACK
27 = 2-DOOR CONVERTIBLE	48 = EXECUTIVE SEDAN
28 = FWD PICKUP	

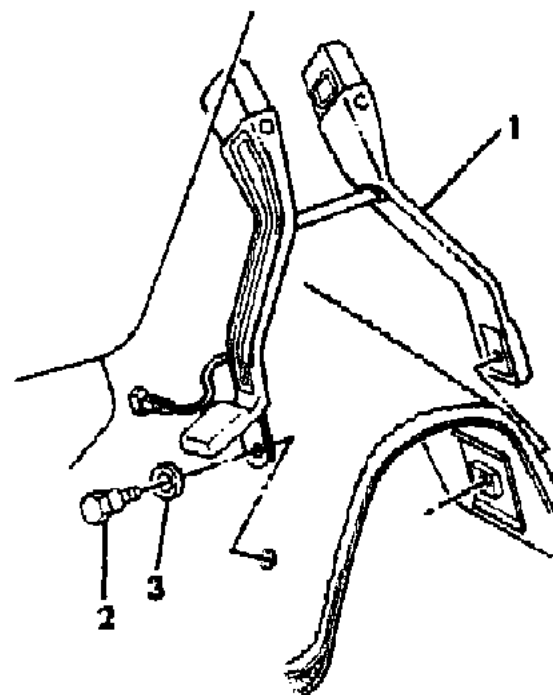
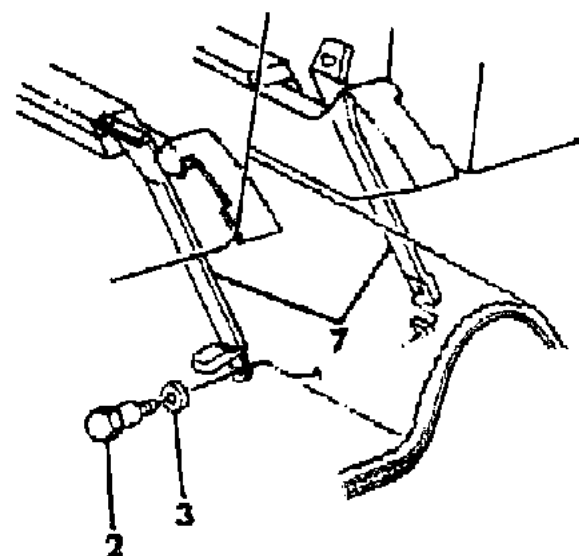
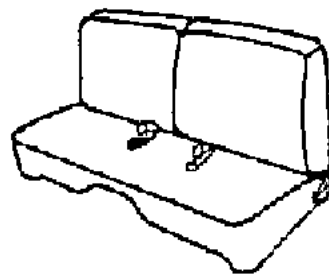
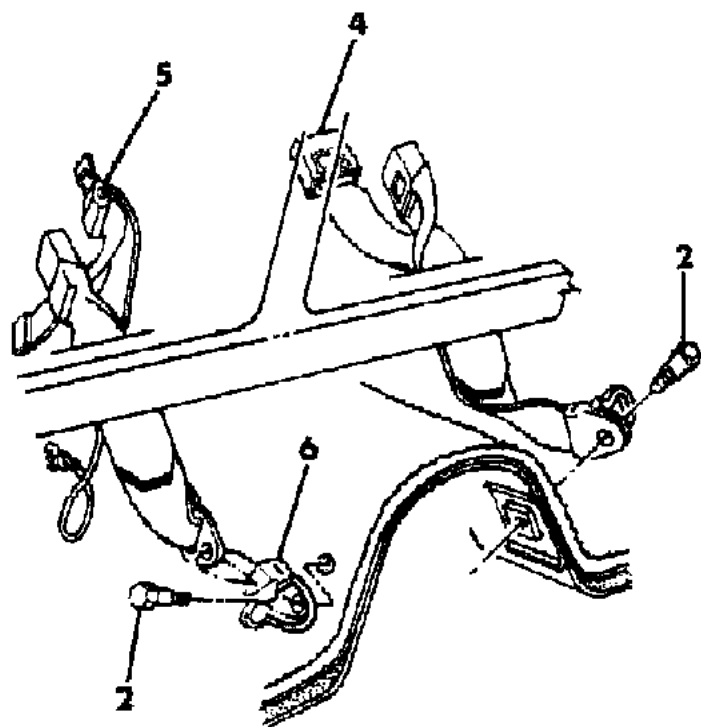
AR = Use as Required - = Non Illustrated Part P.A.R. = Paint as Required



**BELT FRONT SEAT INBOARD P,D,C,V 0**  
**Figure IT-3282**

3253 328 200

ITEM	PART NUMBER	QTY	BODY	MODEL	DESCRIPTION
	F616-7 BA3	1			Silver N N N YF616BA3
	F616-7 BC7	1			Blue N N N YF616BC7
	F616-7 BM6	1			Red N N N YF616BM6
	F616-7 BL3	1			Tan N N N YF616BL3
	F616-7 BT8	1			Brown N N N YF616BT8



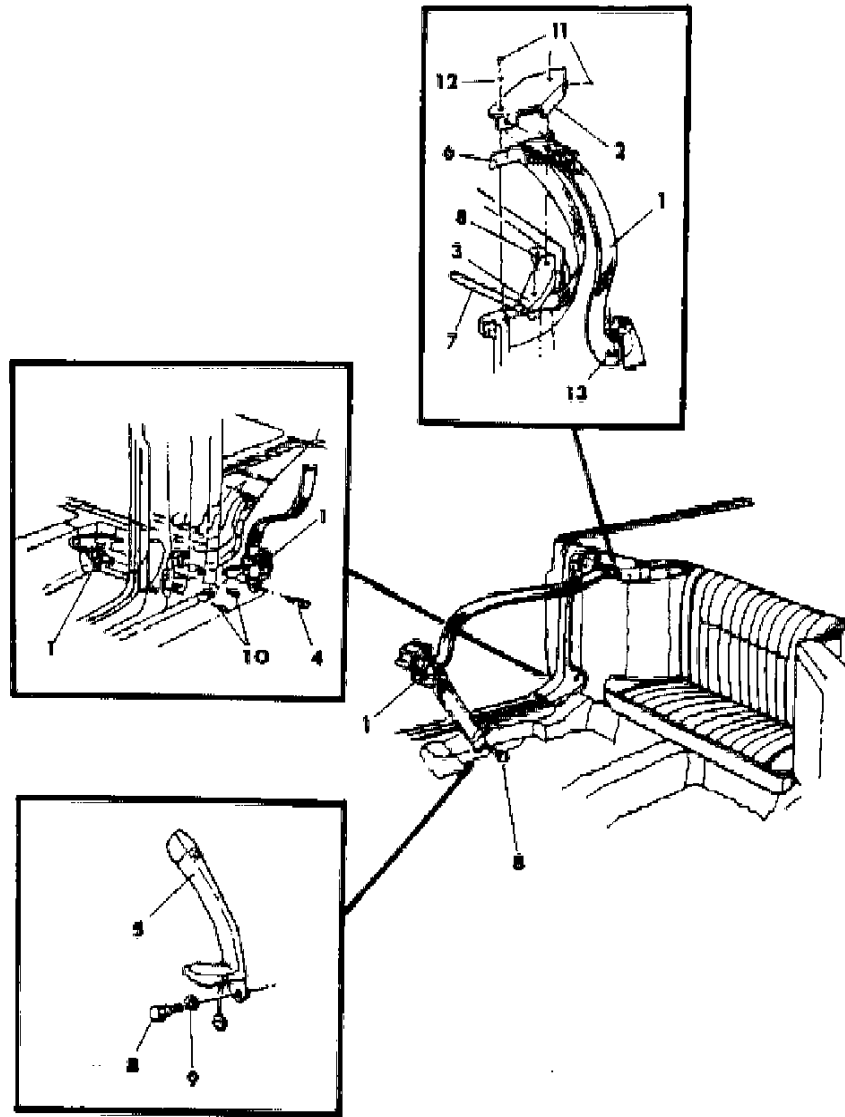
MODEL CODES  
 B = GRAN FURY  
 C = LEBARON/TOWN & COUNTRY  
 D = ARIES  
 E = 600  
 F = FIFTH AVENUE  
 G = DIPLOMAT  
 M = HORIZON/TURISMO/SCAMP  
 P = RELIANT  
 S = CORDOBA  
 T = E CLASS/NEWYORKER  
 V = 400  
 X = MIRADA  
 Y = IMPERIAL  
 Z = OMNI/CHARGER/RAMPAGE

BODY STYLES  
 21 = 2-DOOR SEDAN  
 22 = 2-DOOR SPECIAL COUPE  
 24 = 2-DOOR HATCHBACK  
 27 = 2-DOOR CONVERTIBLE  
 28 = FWD PICKUP  
 41 = 4-DOOR SEDAN  
 45 = 4-DOOR STATION WAGON  
 44 = 4-DOOR HATCHBACK  
 48 = EXECUTIVE SEDAN

AR = Use as Required - = Non Illustrated Part P.A.R. = Paint as Required

**CONVERTIBLE SEAT BELT C,V 27**  
Figure IT-3283

3253 328300A



ITEM	PART NUMBER	QTY	BODY	MODEL	DESCRIPTION
1					BELT, Lap and Shoulder Label No. 4317995 N N N N
	F585 BL3	2			Beige N N N YF585BL3
	F585 BT8	2			Brown N N N YF585BT8
	F585 BM6	2			Red N N N YF585BM6
2	4305 126-7	1			COVER & PLATE PKG., Belt Guide, Chrome N N N Y4305126
3	4097 670-1	1			GUIDE, Bracket Belt, Inner N N N Y4097670
4	6031 484	2			SCREW N N N Y6031484
5					BELT, Inner Label No. 4317997 N N N N
	F591 BL3	1			Beige N N N YF591BL3
	F591 BT8	1			Brown N N N YF591BT8
	F591 BM6	1			Red N N N YF591BM6
6		1			PLATE, Finish Top Well (Serviced In Pkg., Item 2) N N N N0
7	4097 680-1	1			SUPPORT, Shoulder Harness N N N Y4097680
8	6031 298	AR			BOLT N N N Y6031298
9					WASHER (Not Serviced) N N N N
10					SCREW (8-18x1/2)(Not Serviced) N N N N
11					SCREW (8-18x5/8)(Not Serviced) N N N N
12	4305 101	4			FASTENER N N N Y4305101
13	0446 214	2			WASHER N N N Y0446214

MODEL CODES

B = GRAN FURY	G = DIPLOMAT	V = 400
C = LEBARON/TOWN & COUNTRY	M = HORIZON/TURISMO/SCAMP	X = MIRADA
D = ARIES	P = RELIANT	Y = IMPERIAL
E = 600	S = CORDOBA	Z = OMNI/CHARGER/RAMPAGE
F = FIFTH AVENUE	T = E CLASS/NEWYORKER	

BODY STYLES

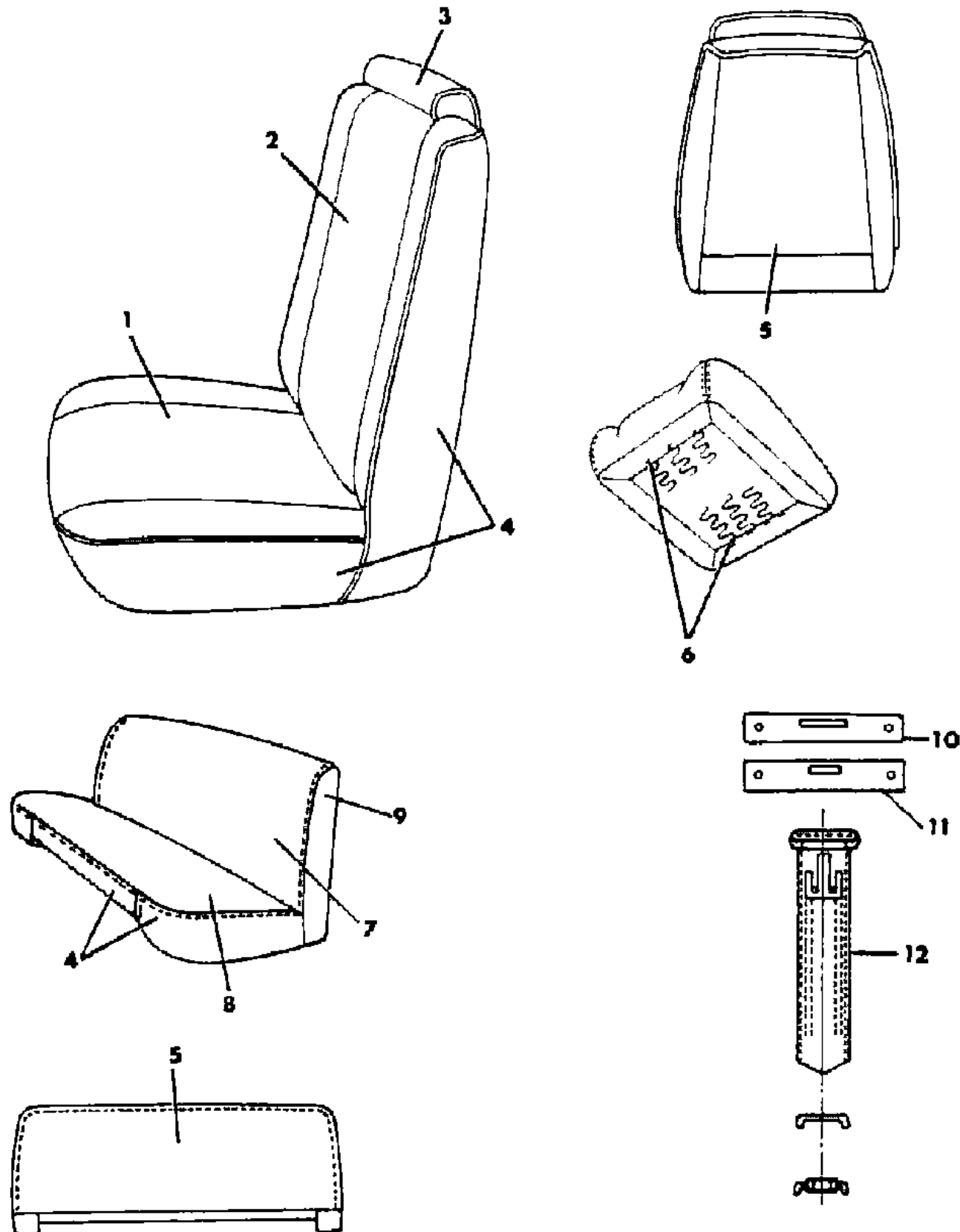
21 = 2-DOOR SEDAN	41 = 4-DOOR SEDAN
22 = 2-DOOR SPECIAL COUPE	45 = 4-DOOR STATION WAGON
24 = 2-DOOR HATCHBACK	44 = 4-DOOR HATCHBACK
27 = 2-DOOR CONVERTIBLE	48 = EXECUTIVE SEDAN
28 = FWD PICKUP	

AR = Use as Required - = Non Illustrated Part P.A.R. = Paint as Required



FLEET POLICE AND OTHERS FRONT SEAT P,D  
Figure IT-3291

3253 3 29100



ITEM	PART NUMBER	QTY	BODY	MODEL	DESCRIPTION
1	4196 634	2			COVER, Cushion N N N N Blue Cloth N N N7PV Y4196634
	4196 638	2			Beige, Cloth N N N7PV Y4196638
2	4196 635	2			COVER, Back N N N N Blue, Cloth N N N7PV Y4196635
	4196 639	2			Beige, Cloth N N N7PV Y4196639
3	R074 BBX	AR			ROLL STOCK, 54" Wide Order By The Inch N N N N Blue, Cloth N N N7PV YR074BBX
	R074 BLX	AR			Beige, Cloth N N N7PV YR074BLX
4	R616 VC8	AR			ROLL STOCK, 54" Wide Order By The Inch N N N N Blue, Vinyl N N N YR616VC8
	R609 BT8	AR			Brown, Vinyl N N N YR609BT8
5	R620 AC8	AR			ROLL STOCK, 54" Wide Order By The Inch N N N N Blue Vinyl N N N YR620AC8
	R620 BT8	AR			Brown, Vinyl N N N YR620BT8
6	6008 076	AR			HOG RING N N N Y6008076
7	4196 645	1			COVER, Back N N N N Blue, Cloth N N N7RB,7TE Y4196645
	4196 647	1			Beige, Cloth N N N7RB,7TE Y4196647
8	4196 644	1			COVER, Cushion N N N N Blue, Cloth N N N7RB,7TE Y4196644
	4196 646	1			Beige, Cloth N N N7RB,7TE Y4196646
9	R615 VC8	AR			ROLL STOCK, 54" Wide Order By The Inch N N N N Blue, Vinyl N N N7RB,7TE YR615VC8
	R615 BT8	AR			Brown, Vinyl N N N7RB,7TE YR615BT8
10	4190 388	2			COVER, Headrest Finish N N N Y4190388
11	4190 387	2			SUPPORT, Headrest N N N Y4190387
12	S786 AC7	2			SLEEVE, Headrest N N N N Blue N N N YS786AC7
	S786 BT8	2			Brown N N N YS786BT8

NOTE: For 7PS Code, Specify P7 Trim Code Illustration No. 322100 s ARE NOT RETURNABLE.

MODEL CODES

B = GRAN FURY  
C = LEBARON/TOWN & COUNTRY  
D = ARIES  
E = 600  
F = FIFTH AVENUE

G = DIPLOMAT

M = HORIZON/TURISMO/SCAMP

P = RELIANT

S = CORDOBA

T = E CLASS/NEWYORKER

V = 400

X = MIRADA

Y = IMPERIAL

Z = OMNI/CHARGER/RAMPAGE

BODY STYLES

21 = 2-DOOR SEDAN

22 = 2-DOOR SPECIAL COUPE

24 = 2-DOOR HATCHBACK

27 = 2-DOOR CONVERTIBLE

28 = FWD PICKUP

41 = 4-DOOR SEDAN

45 = 4-DOOR STATION WAGON

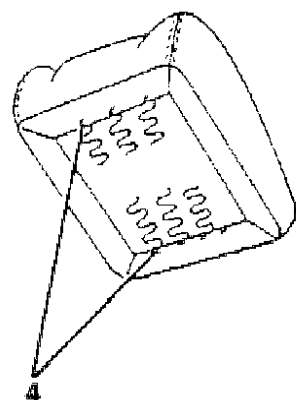
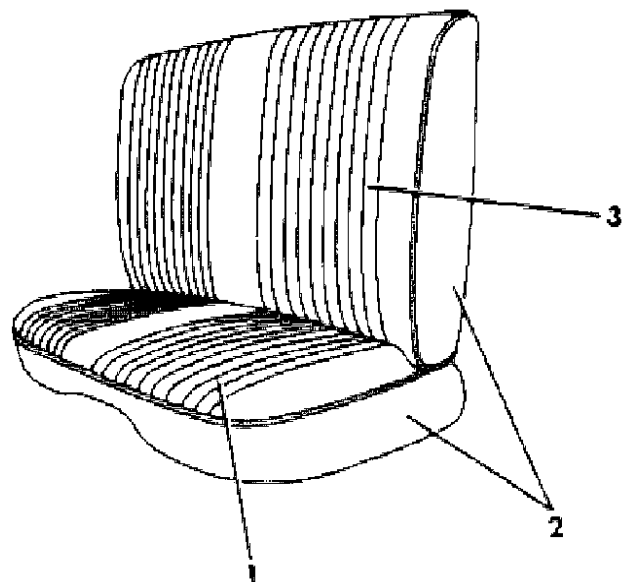
44 = 4-DOOR HATCHBACK

48 = EXECUTIVE SEDAN

AR = Use as Required - = Non Illustrated Part P.A.R. = Paint as Required

**SEAT REAR P,D TRIM CODES C1,C2,G4**  
**Figure IT-3301**

3253.330100



ITEM	PART NUMBER	QTY	BODY	MODEL	DESCRIPTION
1 &					CUSHION, w/Spring/Frame, Pad and Cover N N N N
	C961 B1C	1			w/o Heavy Duty N N N N N N21,41 NC1CB YC961B1C
	C961 A1M	1			N N21,41 NC1M YC961A1M
	C961 B1T	1			N N21,41 NC1TL YC961B1T
	C738 B1C	1			w/Heavy Duty N N N N N N21,41 NC1CB YC738B1C
	C738 B1M	1			N N21,41 NC1M YC738B1M
	C738 B1T	1			N N21,41 NC1TL YC738B1T
	C973 B2C	1			w/o Heavy Duty N N N N N N21,41 NC2CB YC973B2C
	C973 A2M	1			N N21,41 NC2M YC973A2M
	C973 B2T	1			N N21,41 NC2TL YC973B2T
	C982 B2C	1			w/Heavy Duty N N N N N N21,41 NC2CB YC982B2C
	C982 A2M	1			N N21,41 NC2M YC982A2M
	C982 B2T	1			N N21,41 NC2TL YC982B2T
	B938 B4A	1			N N21,41,45 NG4A YB938B4A
	B938 B4B	1			N N21,41,45 NG4CB YB938B4B
	B938 B4M	1			N N21,41,45 NG4M YB938B4M
	B938 B4L	1			N N21,41,45 NG4TL YB938B4L
1					COVER, Cushion N N N N
	C442 B1C	1			N N21,41 NC1CB YC442B1C
	C442 A1M	1			N N21,41 NC1M YC442A1M
	C442 B1T	1			N N21,41 NC1TL YC442B1T
	C450 B2C	1			N N21,41 NC2CB YC450B2C
	C450 A2M	1			N N21,41 NC2M YC450A2M
	C450 B2T	1			N N21,41 NC2TL YC450B2T
	C475 B4A	1			N N21,41,45 NG4A YC475B4A
	C475 B4B	1			N N21,41,45 NG4CB YC475B4B
	C475 B4M	1			N N21,41,45 NG4M YC475B4M
	C475 B4L	1			N N21,41,45 NG4TL YC475B4L
2					ROLL STOCK, Vinyl 64" Wide Order by the Inch. N N N N
	R616 AA2	AR			Silver N N N YR616AA2
	R616 BB5	AR			Blue N N N YR616BB5
	R616 VF5	AR			Green N N N YR616VF5
	R616 VM6	AR			Red N N N YR616VM6

**MODEL CODES**

B = GRAN FURY	G = DIPLOMAT	V = 400
C = LEBARON/TOWN & COUNTRY	M = HORIZON/TURISMO/SCAMP	X = MIRADA
D = ARIES	P = RELIANT	Y = IMPERIAL
E = 600	S = CORDOBA	Z = OMNI/CHARGER/RAMPAGE
F = FIFTH AVENUE	T = E CLASS/NEWYORKER	

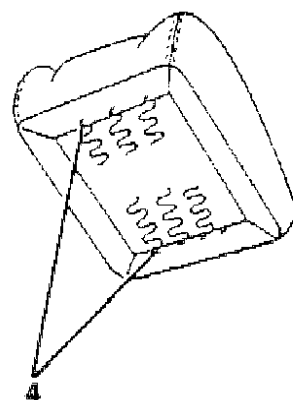
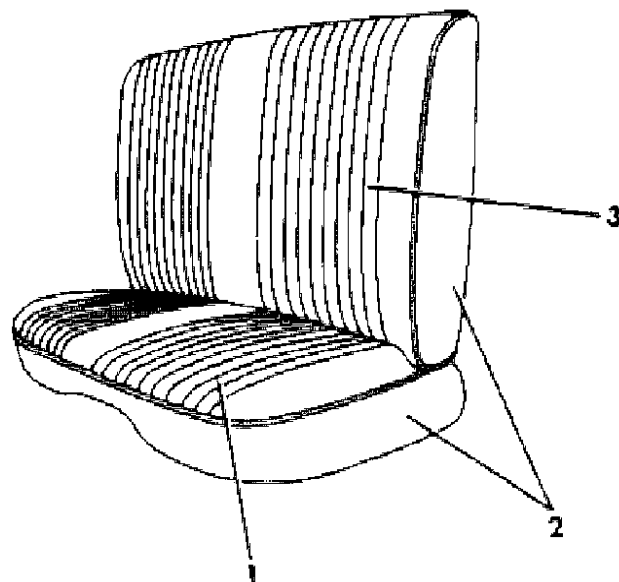
**BODY STYLES**

21 = 2-DOOR SEDAN	41 = 4-DOOR SEDAN
22 = 2-DOOR SPECIAL COUPE	45 = 4-DOOR STATION WAGON
24 = 2-DOOR HATCHBACK	44 = 4-DOOR HATCHBACK
27 = 2-DOOR CONVERTIBLE	48 = EXECUTIVE SEDAN
28 = FWD PICKUP	

AR = Use as Required - = Non Illustrated Part P.A.R. = Paint as Required

SEAT REAR P,D TRIM CODES C1,C2,G4  
Figure IT-3301

3253.330100



ITEM	PART NUMBER	QTY	BODY	MODEL	DESCRIPTION
	R616 BL3	AR			Tan N N N YR616BL3
3 &					BACK, w/Spring/Frame, Pad and Cover N N N N w/o Heavy Duty N N N N
	C962 B1C	1			N N21,41 NC1CB YC962B1C
	C962 A1M	1			N N21,41 NC1M YC962A1M
	C962 B1T	1			N N21,41 NC1TL YC962B1T
					w/Heavy Duty N N N N
	C741 B1C	1			N N21,41 NC1CB YC741B1C
	C741 B1M	1			N N21,41 NC1M YC741B1M
	C741 B1T	1			N N21,41 NC1TL YC741B1T
	C974 B2C	1			N N21,41 NC2CB YC974B2C
					w/o Heavy Duty N N N N
	C974 A2M	1			N N21,41 NC2M YC974A2M
	C974 B2T	1			N N21,41 NC2TL YC974B2T
					w/Heavy Duty N N N N
	C983 B2C	1			N N21,41 NC2CB YC983B2C
	C983 A2M	1			N N21,41 NC2M YC983A2M
	C983 B2T	1			N N21,41 NC2TL YC983B2T
	B939 B4A	1			N N21,41 NG4A YB939B4A
	B939 B4B	1			N N21,41 NG4CB YB939B4B
	B939 B4M	1			N N21,41 NG4M YB939B4M
	B939 B4L	1			N N21,41 NG4TL YB939B4L
	B940 B4B	1			N N45 NG4CB YB940B4B
	B940 B4M	1			N N45 NG4M YB940B4M
	B940 B4L	1			N N45 NG4TL YB940B4L
3					COVER, Back N N N N
	C443 B1C	1			N N21,41 NC1Cb YC443B1C
	C443 A1M	1			N N21,41 NC1M YC443A1M
	C443 B1T	1			N N21,41 NC1TL YC443B1T
	C451 B2C	1			N N21,41 NC2CB YC451B2C
	C451 A2M	1			N N21,41 NC2M YC451A2M
	C451 B2T	1			N N21,41 NC2TL YC451B2T
	C476 B4A	1			N N21,41 NG4A YC476B4A
	C476 B4B	1			N N21,41 NG4CB YC476B4B
	C476 B4M	1			N N21,41 NG4M YC476B4M
	C476 B4L	1			N N21,41 NG4TL YC476B4L
	C477 B4B	1			N N45 NG4CB YC477B4B

MODEL CODES

B = GRAN FURY	G = DIPLOMAT	V = 400
C = LEBARON/TOWN & COUNTRY	M = HORIZON/TURISMO/SCAMP	X = MIRADA
D = ARIES	P = RELIANT	Y = IMPERIAL
E = 600	S = CORDOBA	Z = OMNI/CHARGER/RAMPAGE
F = FIFTH AVENUE	T = E CLASS/NEWYORKER	

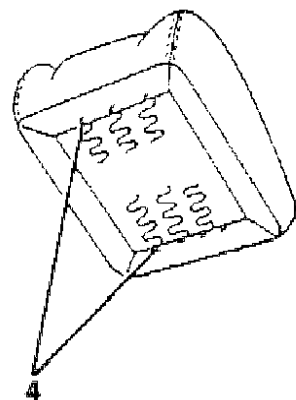
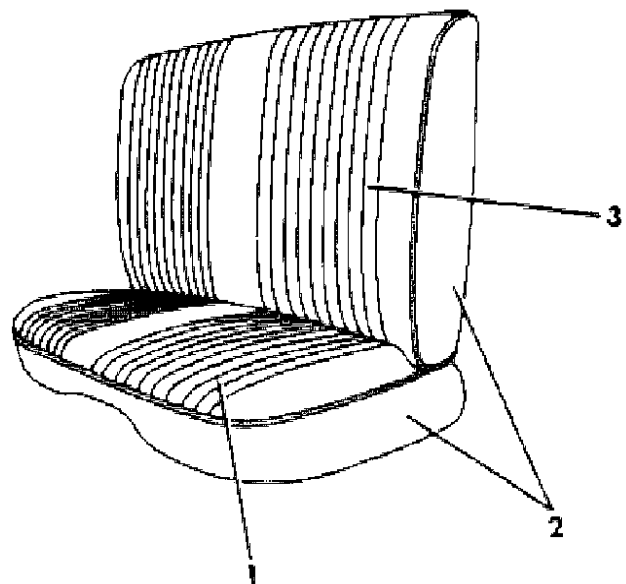
BODY STYLES

21 = 2-DOOR SEDAN	41 = 4-DOOR SEDAN
22 = 2-DOOR SPECIAL COUPE	45 = 4-DOOR STATION WAGON
24 = 2-DOOR HATCHBACK	44 = 4-DOOR HATCHBACK
27 = 2-DOOR CONVERTIBLE	48 = EXECUTIVE SEDAN
28 = FWD PICKUP	

AR = Use as Required - = Non Illustrated Part P.A.R. = Paint as Required

**SEAT REAR P,D TRIM CODES C1,C2,G4**  
**Figure IT-3301**

3253.30100



ITEM	PART NUMBER	QTY	BODY	MODEL	DESCRIPTION
	C477 B4M	1			N N45 NG4M YC477B4M
	C477 B4L	1			N N45 NG4TL YC477B4L
4	6008 076	AR			HOG RING N N N Y6008076

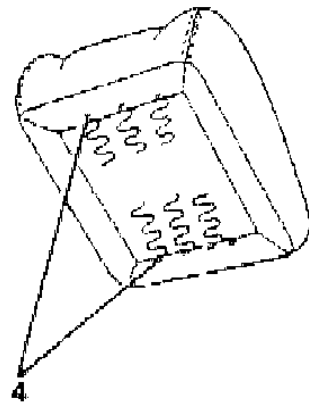
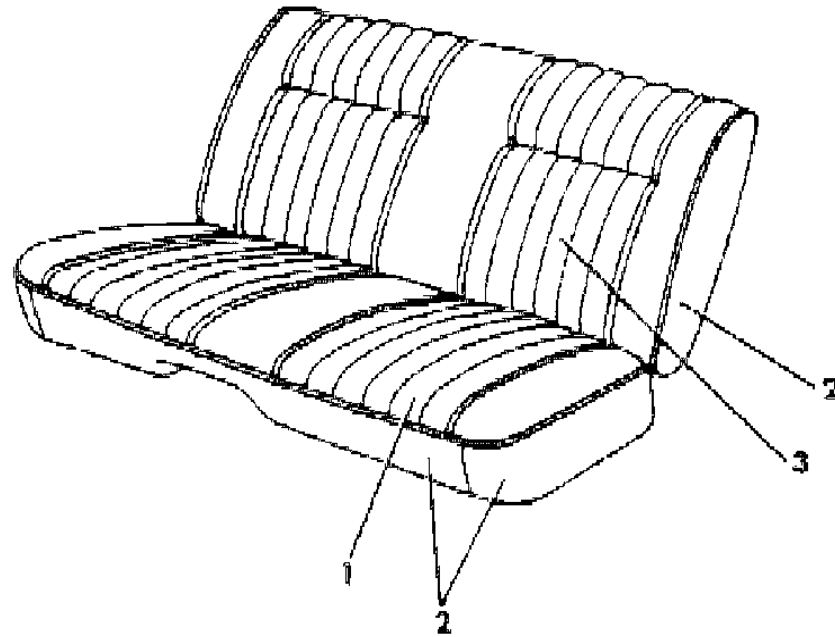
**MODEL CODES**  
 B = GRAN FURY  
 C = LEBARON/TOWN & COUNTRY  
 D = ARIES  
 E = 600  
 F = FIFTH AVENUE  
 G = DIPLOMAT  
 M = HORIZON/TURISMO/SCAMP  
 P = RELIANT  
 S = CORDOBA  
 T = E CLASS/NEWYORKER  
 V = 400  
 X = MIRADA  
 Y = IMPERIAL  
 Z = OMNI/CHARGER/RAMPAGE

**BODY STYLES**  
 21 = 2-DOOR SEDAN  
 22 = 2-DOOR SPECIAL COUPE  
 24 = 2-DOOR HATCHBACK  
 27 = 2-DOOR CONVERTIBLE  
 28 = FWD PICKUP  
 41 = 4-DOOR SEDAN  
 45 = 4-DOOR STATION WAGON  
 44 = 4-DOOR HATCHBACK  
 48 = EXECUTIVE SEDAN

AR = Use as Required - = Non Illustrated Part P.A.R. = Paint as Required

SEAT REAR P,D TRIM CODES P3,P7  
Figure IT-3302

3253-330200



ITEM	PART NUMBER	QTY	BODY	MODEL	DESCRIPTION
1-2					CUSHION, w/Spring/Frame, Pad and Cover N N N N
	B952 B3A	1			N N NP3A,P7A YB952B3A
	B952 B3B	1			N N NP3CB,P7CB YB952B3B
	B952 B3M	1			N N NP3M,P7M YB952B3M
	B952 B3L	1			N N NP3TL,P7TL YB952B3L
1					COVER, Cushion N N N N
	C478 B3A	1			N N NP3A,P7A YC478B3A
	C478 B3B	1			N N NP3CB,P7CB YC478B3B
	C478 B3M	1			N N NP3M,P7M YC478B3M
	C478 B3L	1			N N NP3TL,P7TL YC478B3L
2					ROLL STOCK, Cloth 54" Wide Order by the Inch N N N N
	R016 BA3	AR			N N NP3A,P7A YR016BA3
	R016 BC7	AR			N N NP3CB,P7CB YR016BC7
	R016 BM6	AR			N N NP3M,P7M YR016BM6
	R016 BT8	AR			N N NP3TL,P7TL YR016BT8
2-3					BACK, w/Spring/Frame, Pad and Cover N N N N
	B953 B3A	1			N N21,41 NP3A,P7A YB953B3A
	B953 B3B	1			N N21,41 NP3CB,P7CB YB953B3B
	B953 B3M	1			N N21,41 NP3M,P7M YB953B3M
	B953 B3L	1			N N21,41 NP3TL,P7TL YB953B3L
	B954 B3B	1			N N45 NP3CB,P7CB YB954B3B
	B954 B3M	1			N N45 NP3M,P7M YB954B3M
	B954 B3L	1			N N45 NP3TL,P7TL YB954B3L
3					COVER, Back N N N N
	C479 B3A	1			N N21,41 NP3A,P7A YC479B3A
	C479 B3B	1			N N21,41 NP3CB,P7CB YC479B3B
	C479 B3M	1			N N21,41 NP3M,P7M YC479B3M
	C479 B3L	1			N N21,41 NP3TL,P7TL YC479B3L
	C480 B3B	1			N N45 NP3CB,P7CB YC480B3B
	C480 B3M	1			N N45 NP3M,P7M YC480B3M
	C480 B3L	1			N N45 NP3TL,P7TL YC480B3L
4					BUTTON, Chrome N N N N
	4190 694	AR			(up to 1/26/83) N N N Y4190694
	4316 220	AR			(after 1/26/83) N N N Y4316220
	4239 321	AR			RETAINER N N N Y4239321
5					HOG RING N N N Y6008076

MODEL CODES

B = GRAN FURY	G = DIPLOMAT	V = 400
C = LEBARON/TOWN & COUNTRY	M = HORIZON/TURISMO/SCAMP	X = MIRADA
D = ARIES	P = RELIANT	Y = IMPERIAL
E = 600	S = CORDOBA	Z = OMNI/CHARGER/RAMPAGE
F = FIFTH AVENUE	T = E CLASS/NEWYORKER	

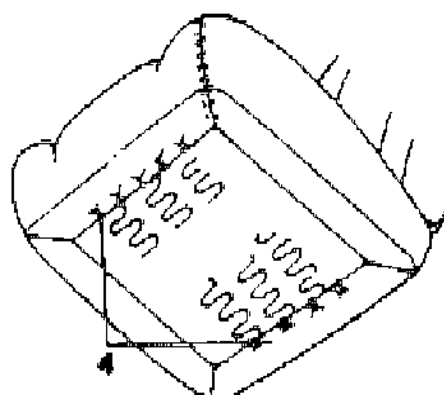
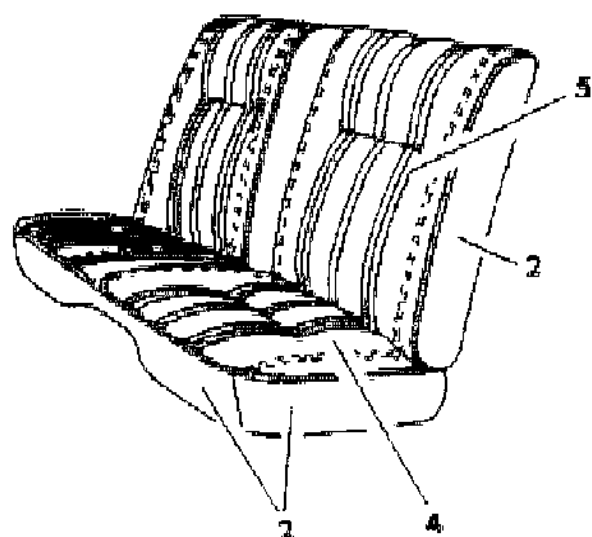
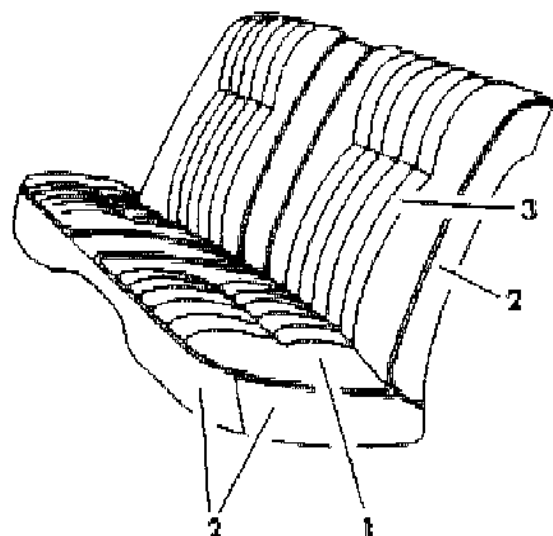
BODY STYLES

21 = 2-DOOR SEDAN	41 = 4-DOOR SEDAN
22 = 2-DOOR SPECIAL COUPE	45 = 4-DOOR STATION WAGON
24 = 2-DOOR HATCHBACK	44 = 4-DOOR HATCHBACK
27 = 2-DOOR CONVERTIBLE	48 = EXECUTIVE SEDAN
28 = FWD PICKUP	

AR = Use as Required - = Non Illustrated Part P.A.R. = Paint as Required

SEAT REAR C,V TRIM CODES J3,J5,V8  
Figure IT-3303

3253-330300



ITEM	PART NUMBER	QTY	BODY	MODEL	DESCRIPTION
1-2					CUSHION, w/Spring/Frame, Pad and Cover N N N N
	C694 A5A	1			N N NJ3A,J5A YC694A5A
	C694 A5C	1			N N NJ3C,J5C YC694A5C
	C694 A5M	1			N N NJ3M,J5M YC694A5M
	C694 B5L	1			N N NJ3L,J5L YC694B5L
	C694 B5T	1			N N NJ3T,J5T YC694B5T
1					COVER, Cushion N N N N
	C346 A5A	1			N N NJ3A,J5A YC346A5A
	C346 A5C	1			N N NJ3C,J5C YC346A5C
	C346 A5M	1			N N NJ3M,J5M YC346A5M
	C346 B5L	1			N N NJ3L,J5L YC346B5L
	C346 B5T	1			N N NJ3T,J5T YC346B5T
2					ROLL STOCK, Vinyl Order by the Inch N N N N
	R616 AA2	AR			Silver, 64" Wide N N N YR616AA2
	R616 VC8	AR			Blue,64" Wide N N N YR616VC8
	R616 VM6	AR			Red, 64" Wide N N N YR616VM6
	R616 BL3	AR			Tan, 64" Wide N N N YR616BL3
	R609 BT8	AR			Browm, 58" Wide N N N YR609BT8
2-3					BACK, w/Spring/Frame, Pad and Cover N N N N
	B902 A5A	1			N N NJ3A,J5A YB902A5A
	C902 A5C	1			N N NJ3C,J5C YC902A5C
	B902 A5M	1			N N NJ3M,J5M YB902A5M
	B902 A5L	1			N N NJ3L,J5L YB902A5L
	B902 B5T	1			N N NJ3T,J5T YB902B5T
	C698 B5M	1			NC N45 NJ3M,J5M YC698B5M
	C698 B5L	1			NC N45 NJ3L,J5L YC698B5L
5					COVER, Back N N N N
	C464 A5A	1			N N NJ3A,J5A YC464A5A
	C464 A5C	1			N N NJ3C,J5C YC464A5C
	C464 A5M	1			N N NJ3M,J5M YC464A5M
	C464 B5L	1			N N NJ3L,J5L YC464B5L
	C464 B5T	1			N N NJ3T,J5T YC464B5T
	C406 B5M	1			NC N45 NJ3M,J5M YC406B5M
	C406 B5L	1			NC N45 NJ3L,J5L YC406B5L
4 &					CUSHION, w/Spring/Frame, Pad and Cover N N N N
	C768 A8A	1			N N NV8A YC768A8A
	C768 A8M	1			N N NV8M YC768A8M

MODEL CODES

B = GRAN FURY	G = DIPLOMAT	V = 400
C = LEBARON/TOWN & COUNTRY	M = HORIZON/TURISMO/SCAMP	X = MIRADA
D = ARIES	P = RELIANT	Y = IMPERIAL
E = 600	S = CORDOBA	Z = OMNI/CHARGER/RAMPAGE
F = FIFTH AVENUE	T = E CLASS/NEWYORKER	

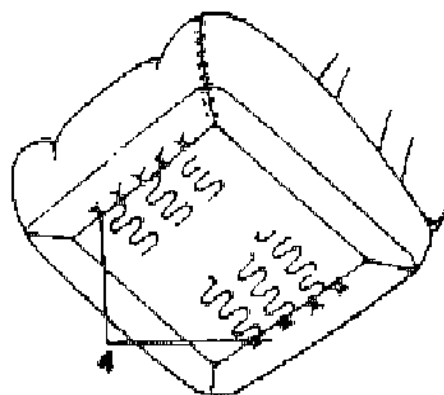
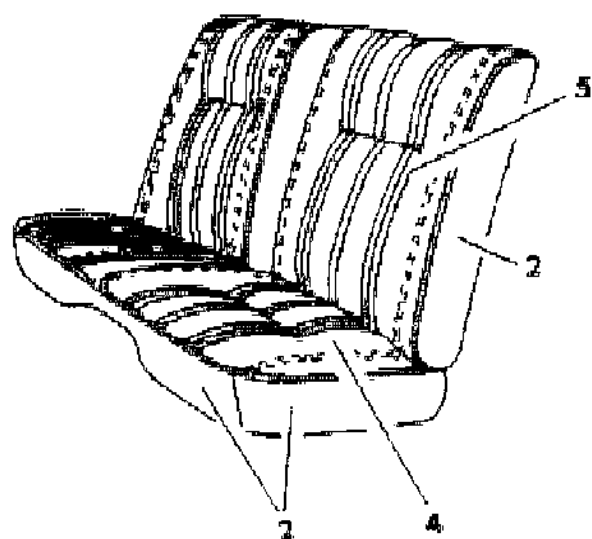
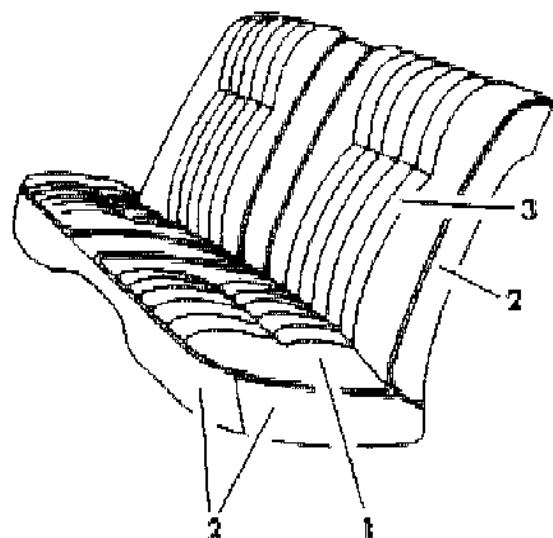
BODY STYLES

21 = 2-DOOR SEDAN	41 = 4-DOOR SEDAN
22 = 2-DOOR SPECIAL COUPE	45 = 4-DOOR STATION WAGON
24 = 2-DOOR HATCHBACK	44 = 4-DOOR HATCHBACK
27 = 2-DOOR CONVERTIBLE	48 = EXECUTIVE SEDAN
28 = FWD PICKUP	

AR = Use as Required - = Non Illustrated Part P.A.R. = Paint as Required

SEAT REAR C,V TRIM CODES J3,J5,V8  
Figure IT-3303

3253-330300



ITEM	PART NUMBER	QTY	BODY	MODEL	DESCRIPTION
	C768 B8L	1			N N NV8L YC768B8L
	C768 B8T	1			N N NV8T YC768B8T
	B905 B8M	1			N N45 NV8M YB905B8M
	B905 B8L	1			N N45 NV8L YB905B8L
4					COVER, Cushion N N N N
	C380 A8A	1			N N NV8A YC380A8A
	C380 A8M	1			N N NV8M YC380A8M
	C380 B8L	1			N N NV8L YC380B8L
	C380 B8T	1			N N NV8T YC380B8T
	C468 A8M	1			N N45 NV8M YC468A8M
	C468 B8L	1			N N45 NV8L YC468B8L
5 &					BACK, w/Spring/Frame, Pad and Cover N N N N
	B901 A8A	1			N N NV8A YB901A8A
	B901 A8M	1			N N NV8M YB901A8M
	B901 B8L	1			N N NV8L YB901B8L
	B901 B8T	1			N N NV8T YB901B8T
	C766 A8M	1			N N45 NV8M YC766A8M
	C766 B8L	1			N N45 NV8L YC766B8L
5					COVER, Back N N N N
	C463 A8A	1			N N NV8A YC463A8A
	C463 A8M	1			N N NV8M YC463A8M
	C463 B8L	1			N N NV8L YC463B8L
	C463 B8T	1			N N NV8T YC463B8T
	C383 A8M	1			N N45 NV8M YC383A8M
	C383 B8L	1			N N45 NV8L YC383B8L
6	6008 076	AR			HOG RING N N N Y6008076

MODEL CODES

B = GRAN FURY	G = DIPLOMAT	V = 400
C = LEBARON/TOWN & COUNTRY	M = HORIZON/TURISMO/SCAMP	X = MIRADA
D = ARIES	P = RELIANT	Y = IMPERIAL
E = 600	S = CORDOBA	Z = OMNI/CHARGER/RAMPAGE
F = FIFTH AVENUE	T = E CLASS/NEWYORKER	

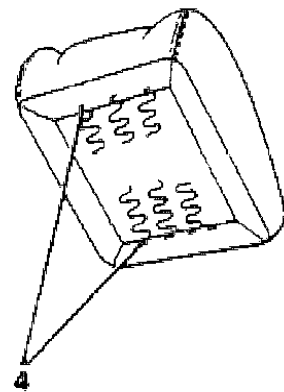
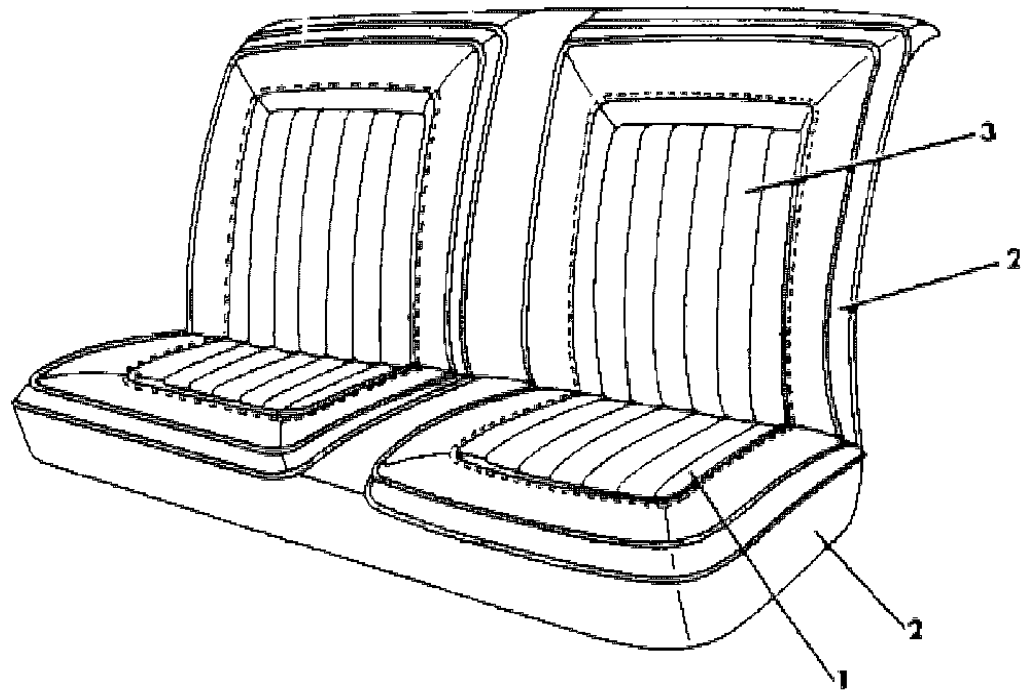
BODY STYLES

21 = 2-DOOR SEDAN	41 = 4-DOOR SEDAN
22 = 2-DOOR SPECIAL COUPE	45 = 4-DOOR STATION WAGON
24 = 2-DOOR HATCHBACK	44 = 4-DOOR HATCHBACK
27 = 2-DOOR CONVERTIBLE	48 = EXECUTIVE SEDAN
28 = FWD PICKUP	

AR = Use as Required - = Non Illustrated Part P.A.R. = Paint as Required

**SEAT REAR C TRIM CODE SP**  
**Figure IT-3304**

3253.330 400



ITEM	PART NUMBER	QTY	BODY	MODEL	DESCRIPTION
1-2					COSHION, w/Spring/Frame, Pad and Cover N N N N
	A748 BPC	1			N N22,41 NSPC YA748BPC
	A748 BPM	1			N N22,41 NSPM YA748BPM
	A748 BPL	1			N N22,41 NSPL YA748BPL
	A748 BPT	1			N N22,41 NSPTK YA748BPT
	A750 BPM	1			N N45 NSPM YA750BPM
	A750 BPL	1			N N45 NSPL YA750BPL
	A750 BPT	1			N N45 NSPTK YA750BPT
1					COVER, Cushion N N N N
	A442 BPC	1			N N22,41 NSPC YA442BPC
	A442 BPM	1			N N22,41 NSPM YA442BPM
	A442 BPL	1			N N22,41 NSPL YA442BPL
	A442 BPT	1			N N22,41 NSPTK YA442BPT
	A444 BPM	1			N N45 NSPM YA444BPM
	A444 BPL	1			N N45 NSPL YA444BPL
	A444 BPT	1			N N45 NSPTK YA444BPT
2					ROLL STOCK, Vintl Order by the Inch N N N N
	R616 VC8	AR			Blue, 64" Wide N N N YR616VC8
	R616 VM6	AR			Red, 64" Wide N N N YR616VM6
	R616 BL3	AR			Tan, 64" Wide N N N YR616BL3
	R609 BT8	AR			Brown, 58" Wide N N N YR609BT8
2-3					BACK, w/Spring/Frame, Pad and Cover N N N N
	A749 BPC	1			N N22,41 NSPC YA749BPC
	A749 BPM	1			N N22,41 NSPM YA749BPM
	A749 BPL	1			N N22,41 NSPL YA749BPL
	A749 BPT	1			N N22,41 NSPTK YA749BPT
	A751 BPM	1			N N45 NSPM YA751BPM
	A751 BPL	1			N N45 NSPL YA751BPL
	A751 BPT	1			N N45 NSPTK YA751BPT
3					COVER, Back N N N N
	A443 BPC	1			N N22,41 NSPC YA443BPC
	A443 BPM	1			N N22,41 NSPM YA443BPM
	A443 BPL	1			N N22,41 NSPL YA443BPL
	A443 BPT	1			N N22,41 NSPTK YA443BPT
	A445 BPM	1			N N45 NSPM YA445BPM
	A445 BPL	1			N N45 NSPL YA445BPL
	A445 BPT	1			N N45 NSPTK YA445BPT

**MODEL CODES**

B = GRAN FURY	G = DIPLOMAT	V = 400
C = LEBARON/TOWN & COUNTRY	M = HORIZON/TURISMO/SCAMP	X = MIRADA
D = ARIES	P = RELIANT	Y = IMPERIAL
E = 600	S = CORDOBA	Z = OMNI/CHARGER/RAMPAGE
F = FIFTH AVENUE	T = E CLASS/NEWYORKER	

**BODY STYLES**

21 = 2-DOOR SEDAN	41 = 4-DOOR SEDAN
22 = 2-DOOR SPECIAL COUPE	45 = 4-DOOR STATION WAGON
24 = 2-DOOR HATCHBACK	44 = 4-DOOR HATCHBACK
27 = 2-DOOR CONVERTIBLE	48 = EXECUTIVE SEDAN
28 = FWD PICKUP	

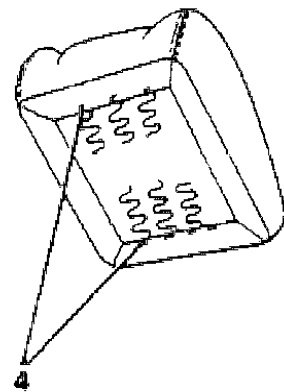
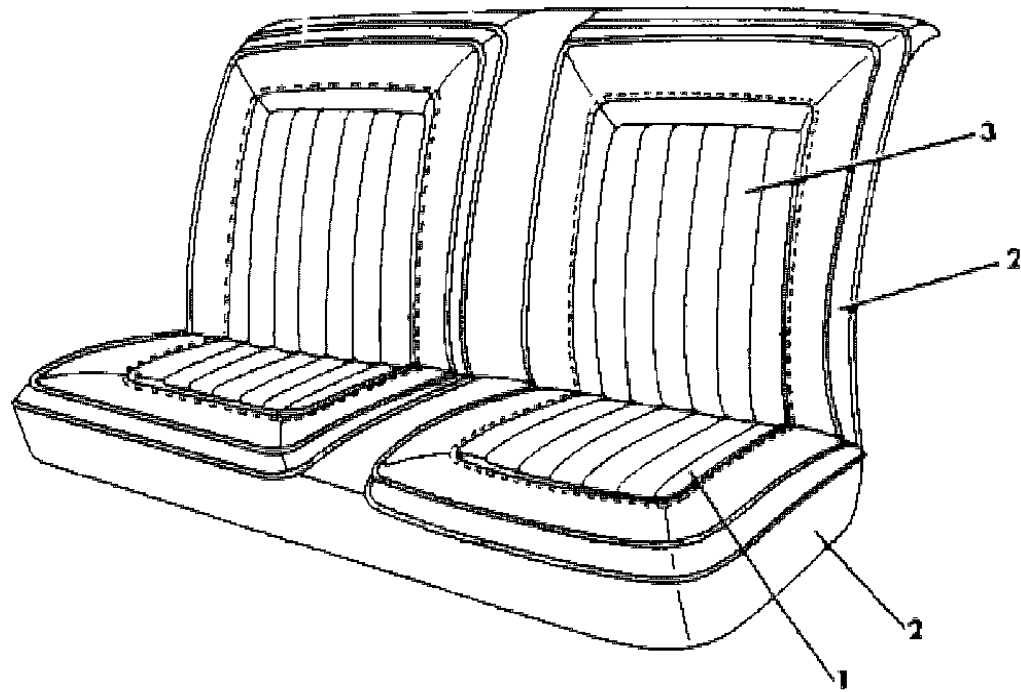
AR = Use as Required - = Non Illustrated Part P.A.R. = Paint as Required



SEAT REAR C TRIM CODE SP  
Figure IT-3304

ITEM	PART NUMBER	QTY	BODY	MODEL	DESCRIPTION
4	6008 076	AR			HOG RING N N N Y6008076

3253.330 400



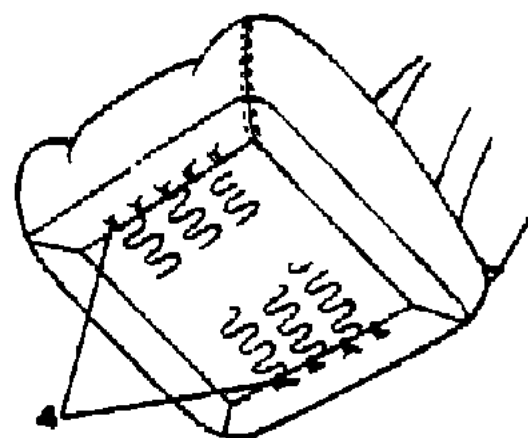
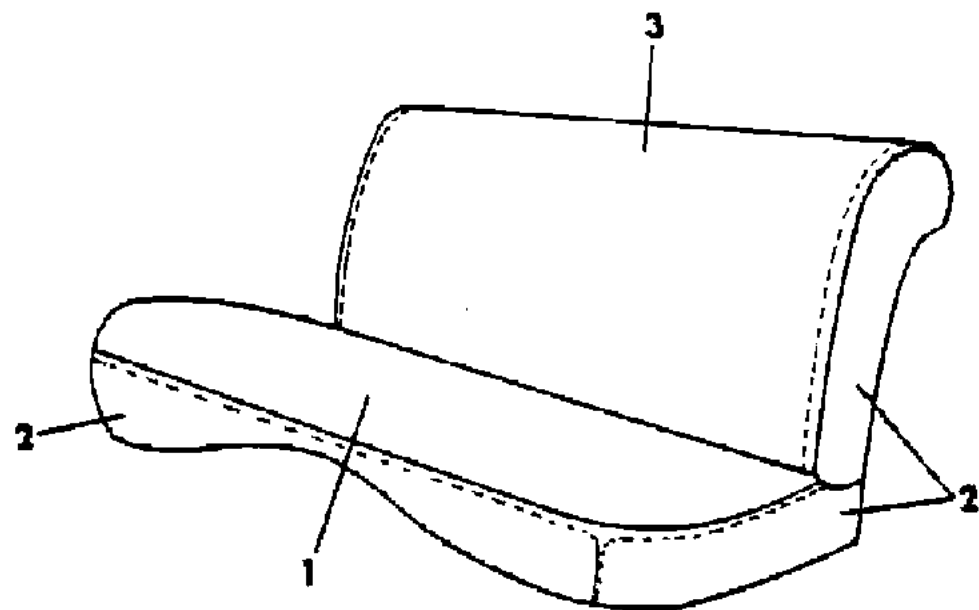
MODEL CODES		
B = GRAN FURY	G = DIPLOMAT	V = 400
C = LEBARON/TOWN & COUNTRY	M = HORIZON/TURISMO/SCAMP	X = MIRADA
D = ARIES	P = RELIANT	Y = IMPERIAL
E = 600	S = CORDOBA	Z = OMNI/CHARGER/RAMPAGE
F = FIFTH AVENUE	T = E CLASS/NEWYORKER	

BODY STYLES	
21 = 2-DOOR SEDAN	41 = 4-DOOR SEDAN
22 = 2-DOOR SPECIAL COUPE	45 = 4-DOOR STATION WAGON
24 = 2-DOOR HATCHBACK	44 = 4-DOOR HATCHBACK
27 = 2-DOOR CONVERTIBLE	48 = EXECUTIVE SEDAN
28 = FWD PICKUP	

AR = Use as Required - = Non Illustrated Part P.A.R. = Paint as Required

SEAT REAR P,D TRIM CODES K2,K8  
Figure IT-3305

3253-330500



ITEM	PART NUMBER	QTY	BODY	MODEL	DESCRIPTION
1-2					CUSHION, w/Spring/Frame, Pad and Cover N N N N
	C820 B2C	1			w/Heavy Duty Springs N N N N
	C820 B2T	1			(use up to 11/8/82) N N NK2CB,K8CB YC820B2C
	C756 B2C	1			N N NK2TL,K8TL YC820B2T
	C756 B2T	1			(use after 11/8/82) N N NK2CB,K8CB YC756B2C
	C732 B2C	1			N N NK2TL,K8TL YC756B2T
	C732 B2T	1			w/o Heavy Duty Springs N N N N
	C507 B2C	1			(w/o Heavy Duty Springs) N N NK2CB,K8CB YC732B2C
	C507 B2T	1			N N NK2TL,K8TL YC732B2T
1					COVER, Cushion N N N N
	C507 B2C	1			N N NK2CB,K8CB YC507B2C
	C507 B2T	1			N N NK2TL,K8TL YC507B2T
2					ROLL STOCK, Vinyl Order by the Inch N N N N
	R616 VC8	AR			64" Wide N N NK2CB,K8CB YR616VC8
	R609 BT8	AR			58" Wide N N NK2TL,K8TL YR609BT8
2-3					BACK, w/Spring/Frame, Pad and Cover N N N N
	C821 B2C	1			N N NK2CB,K8CB YC821B2C
	C821 B2T	1			N N NK2TL,K8TL YC821B2T
3					COVER, Back N N N N
	C399 B2C	1			N N NK2CB,K8CB YC399B2C
	C399 B2T	1			N N NK2TL,K8TL YC399B2T
4	6008 076	AR			HOG RING N N N Y6008076

MODEL CODES  
 B = GRAN FURY  
 C = LEBARON/TOWN & COUNTRY  
 D = ARIES  
 E = 600  
 F = FIFTH AVENUE  
 G = DIPLOMAT  
 M = HORIZON/TURISMO/SCAMP  
 P = RELIANT  
 S = CORDOBA  
 T = E CLASS/NEWYORKER  
 V = 400  
 X = MIRADA  
 Y = IMPERIAL  
 Z = OMNI/CHARGER/RAMPAGE

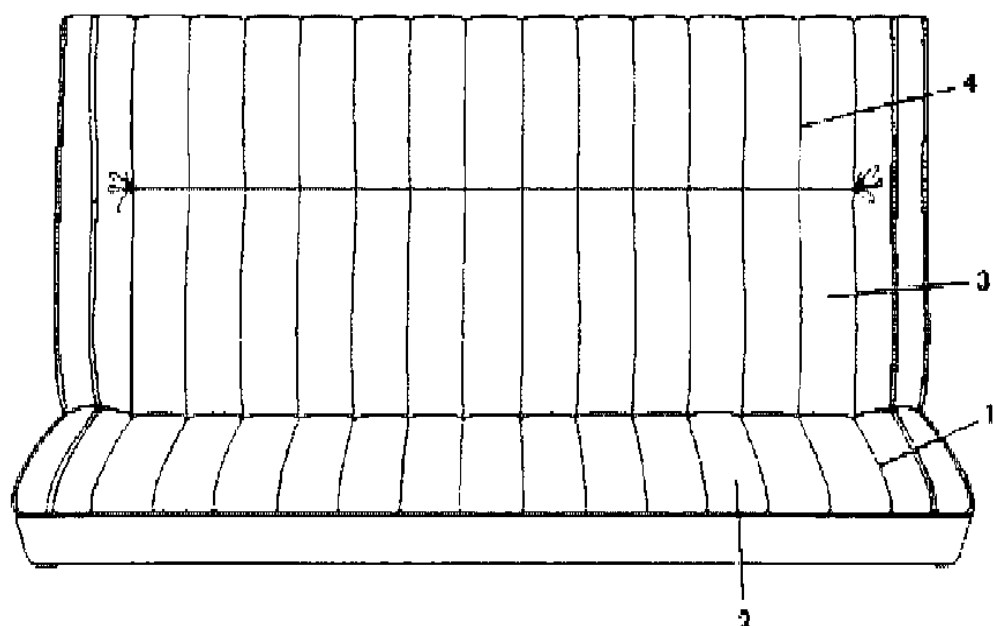
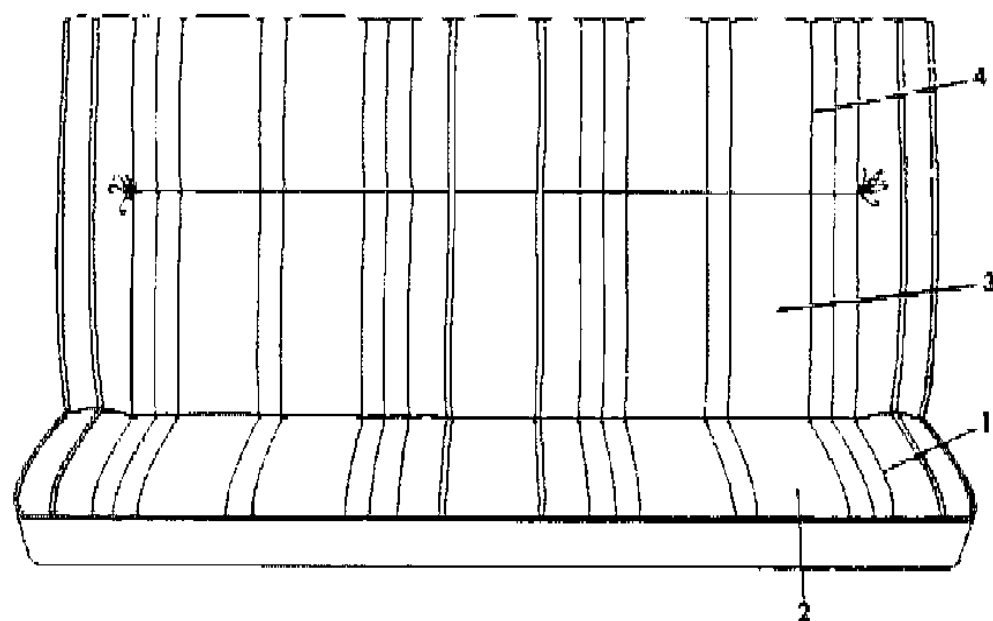
BODY STYLES  
 21 = 2-DOOR SEDAN  
 22 = 2-DOOR SPECIAL COUPE  
 24 = 2-DOOR HATCHBACK  
 27 = 2-DOOR CONVERTIBLE  
 28 = FWD PICKUP  
 41 = 4-DOOR SEDAN  
 45 = 4-DOOR STATION WAGON  
 44 = 4-DOOR HATCHBACK  
 48 = EXECUTIVE SEDAN

AR = Use as Required - = Non Illustrated Part P.A.R. = Paint as Required

**CONVERTIBLE REAR SEAT C,V 27**  
**Figure IT-3306**

ITEM	PART NUMBER	QTY	BODY	MODEL	DESCRIPTION
1-2					CUSHION, w/Spring/Frame, Pad and Cover N N N N
	B944 BTK	1			N N NRLTK YB944BTK
	B942 AM6	1			N N NV8M YB942AM6
	B942 BL3	1			N N NV8L YB942BL3
	B942 BW1	1			N N NV8MW YB942BW1
2					COVER, Cushion N N N N
	C484 BTK	1			N N NRLTK YC484BTK
	C486 BL3	1			N N NV8L YC486BL3
	C486 BM6	1			N N NV8M YC486BM6
	C486 BW1	1			N N NV8MW YC486BW1
3-4					BACK, w/Spring/Frame, Pad and Cover N N N N
	B945 BTK	1			N N NRLTK YB945BTK
	B943 AM6	1			N N NV8M YB943AM6
	B943 BL3	1			N N NV8L YB943BL3
	B943 BW1	1			N N NV8MW YB943BW1
4					COVER, Back N N N N
	C483 BTK	1			N N NRLTK YC483BTK
	C485 BL3	1			N N NV8L YC485BL3
	C485 BM6	1			N N NV8M YC485BM6
	C485 BW1	1			N N NV8MW YC485BW1

3253-330600



MODEL CODES  
 B = GRAN FURY                      G = DIPLOMAT                      V = 400  
 C = LEBARON/TOWN & COUNTRY    M = HORIZON/TURISMO/SCAMP    X = MIRADA  
 D = ARIES                            P = RELIANT                        Y = IMPERIAL  
 E = 600                                S = CORDOBA                        Z = OMNI/CHARGER/RAMPAGE  
 F = FIFTH AVENUE                    T = E CLASS/NEWYORKER

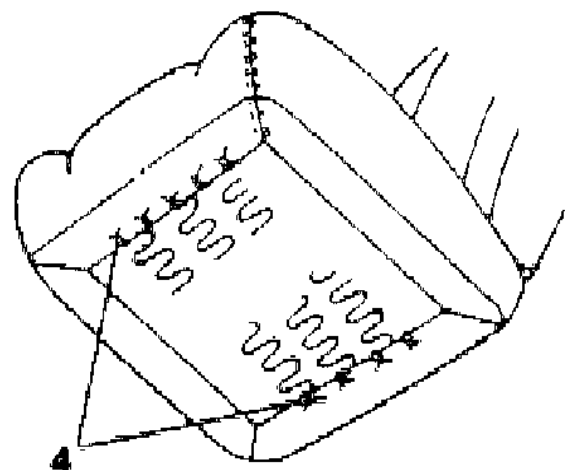
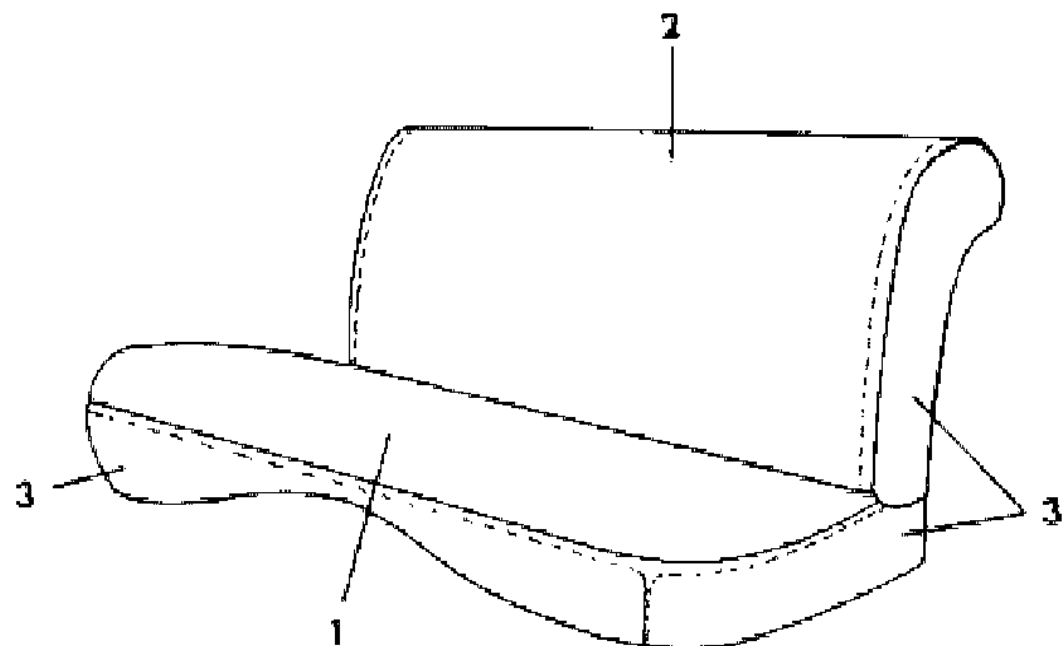
BODY STYLES  
 21 = 2-DOOR SEDAN                    41 = 4-DOOR SEDAN  
 22 = 2-DOOR SPECIAL COUPE        45 = 4-DOOR STATION WAGON  
 24 = 2-DOOR HATCHBACK            44 = 4-DOOR HATCHBACK  
 27 = 2-DOOR CONVERTIBLE           48 = EXECUTIVE SEDAN  
 28 = FWD PICKUP

AR = Use as Required - = Non Illustrated Part P.A.R. = Paint as Required

FLEET POLICE AND OTHERS REAR SEAT P,D  
Figure IT-3307

3253-330700

ITEM	PART NUMBER	QTY	BODY	MODEL	DESCRIPTION
1					COVER, Cushion N N N N
	4196 636	1			Blue, Cloth N N N7PV,7RB Y4196636
	4196 640	1			Beige, Cloth N N N7PV,7RB Y4196640
2					COVER, Back N N N N
	4196 637	1			Blue, Cloth N N N7PV,7RB Y4196637
	4196 641	1			Beige, Cloth N N N7PV,7RB Y4196641
3					ROLL STOCK, Vinyl 54" Wide Order By The Inch N N N N
	R616 VC8	AR			Blue N N N YR616VC8
	R609 BT8	AR			Brown N N N YR609BT8
4	6008 076	AR			HOG RING N N N Y6008076



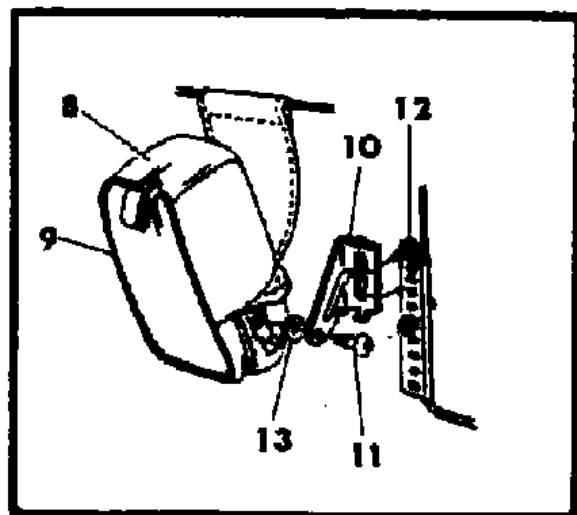
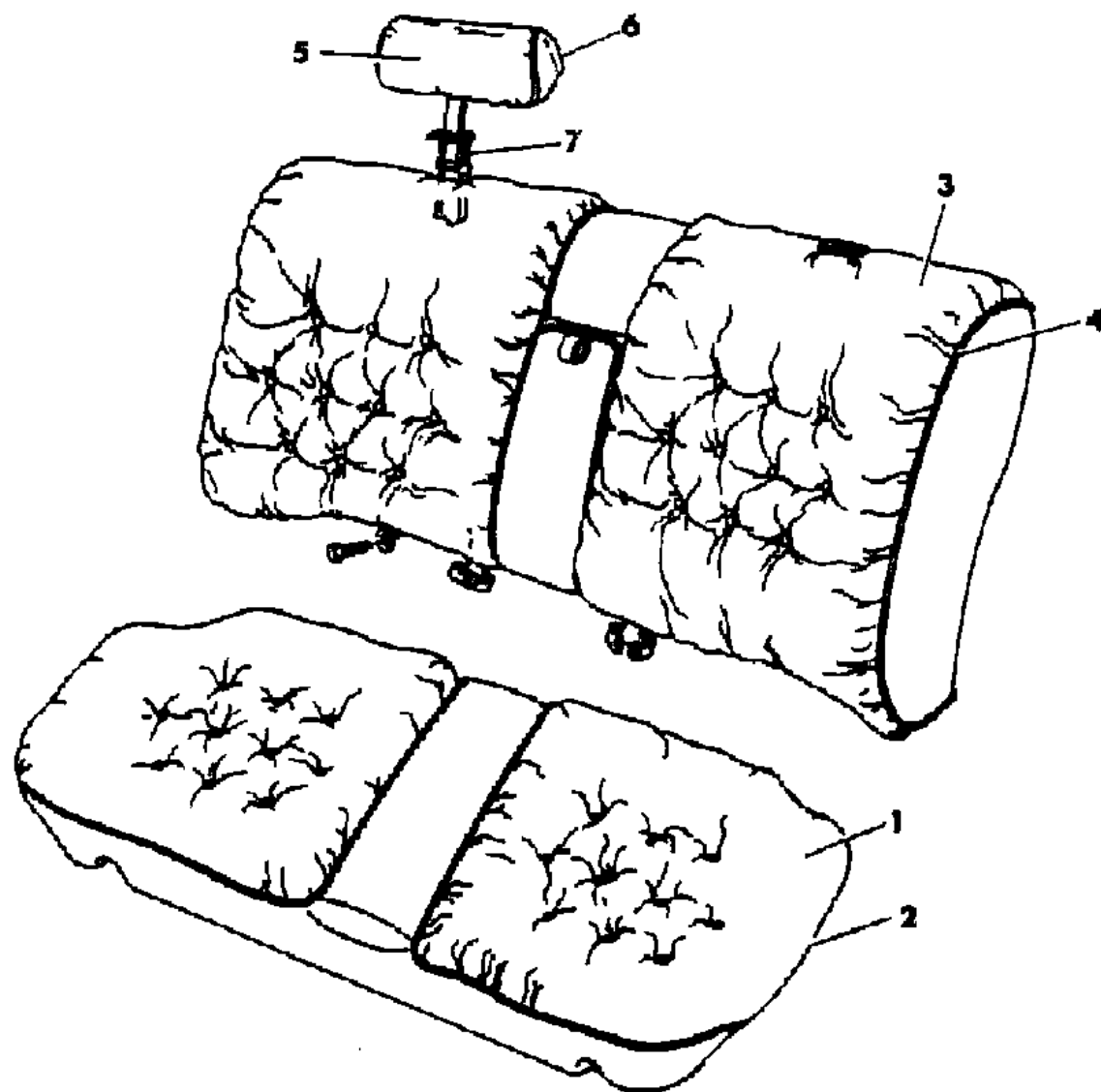
MODEL CODES  
 B = GRAN FURY  
 C = LEBARON/TOWN & COUNTRY  
 D = ARIES  
 E = 600  
 F = FIFTH AVENUE  
 G = DIPLOMAT  
 M = HORIZON/TURISMO/SCAMP  
 P = RELIANT  
 S = CORDOBA  
 T = E CLASS/NEWYORKER  
 V = 400  
 X = MIRADA  
 Y = IMPERIAL  
 Z = OMNI/CHARGER/RAMPAGE

BODY STYLES  
 21 = 2-DOOR SEDAN  
 22 = 2-DOOR SPECIAL COUPE  
 24 = 2-DOOR HATCHBACK  
 27 = 2-DOOR CONVERTIBLE  
 28 = FWD PICKUP  
 41 = 4-DOOR SEDAN  
 45 = 4-DOOR STATION WAGON  
 44 = 4-DOOR HATCHBACK  
 48 = EXECUTIVE SEDAN

AR = Use as Required - = Non Illustrated Part P.A.R. = Paint as Required

SEAT, REAR SEDAN & LIMO.  
Figure IT-3308

3253 330 800



ITEM	PART NUMBER	QTY	BODY	MODEL	DESCRIPTION
1-2					CUSHION, Rear w/Spring, Frame, Pad & Cover N N N N
	4339 754	1			Silver N N N Y4339754
	4339 755	1			Blue N N N Y4339755
2					COVER, Rear Cushion N N N N
	4339 656	1			Silver N N N Y4339656
	4339 657	1			Blue N N N Y4339657
3-4					BACK, Rear w/Spring, Frame, Pad & Cover N N N N
	4339 756	1			Silver N N N Y4339756
	4339 757	1			Blue N N N Y4339757
4					COVER, Rear Seat Back N N N N
	4339 658	1			Silver N N N Y4339658
	4339 659	1			Blue N N N Y4339659
5-6					HEADREST, Rear Seat N N N N
	4339 665	1			Silver N N N Y4339665
	4339 666	1			Blue N N N Y4339666
6					COVER, Headrest (Serv. w/Headrest) N N N N
7					SLEEVE, Headrest, Rear N N N N
8-9					ARMREST, Rear Seat N N N N
	4339 762	1			Silver N N N Y4339762
	4339 763	1			Blue N N N Y4339763
9					COVER, Rear Armrest N N N N
	4339 680	1			Silver N N N Y4339680
	4339 681	1			Blue N N N Y4339681
10	4339 782-3	1			HINGE, Center Armrest, Rear N N N Y4339782
11	0181 063	2			BOLT, Armrest to Hinge N N N Y0181063
12	6026 584	AR			BOLT, Hinge to Frame N N N Y6026584
13					WASHER, Hinge to Armrest N N N N0

MODEL CODES

B = GRAN FURY	G = DIPLOMAT	V = 400
C = LEBARON/TOWN & COUNTRY	M = HORIZON/TURISMO/SCAMP	X = MIRADA
D = ARIES	P = RELIANT	Y = IMPERIAL
E = 600	S = CORDOBA	Z = OMNI/CHARGER/RAMPAGE
F = FIFTH AVENUE	T = E CLASS/NEWYORKER	

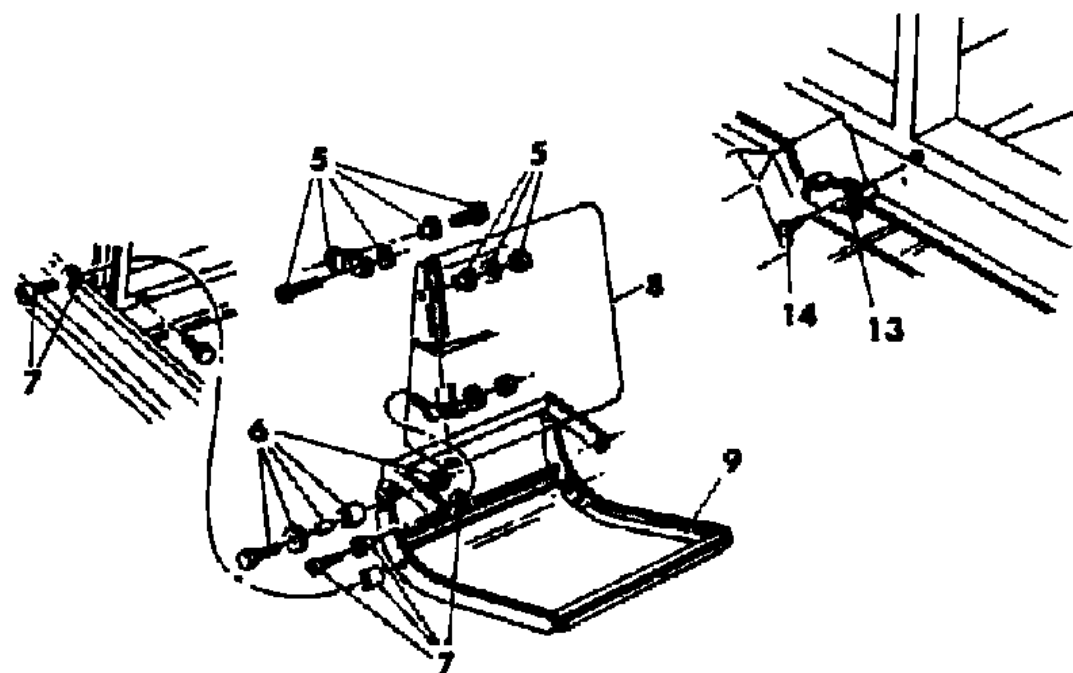
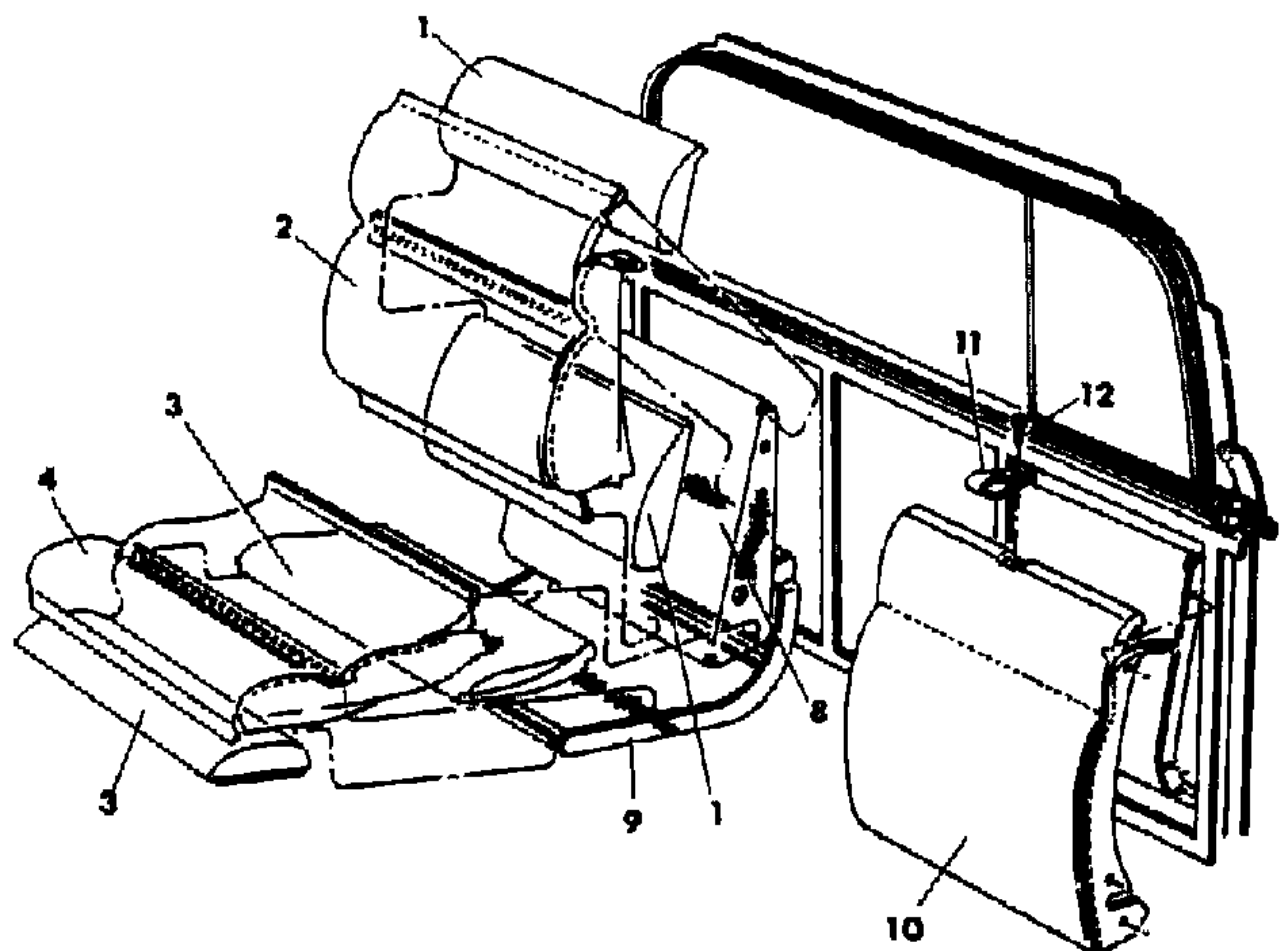
BODY STYLES

21 = 2-DOOR SEDAN	41 = 4-DOOR SEDAN
22 = 2-DOOR SPECIAL COUPE	45 = 4-DOOR STATION WAGON
24 = 2-DOOR HATCHBACK	44 = 4-DOOR HATCHBACK
27 = 2-DOOR CONVERTIBLE	48 = EXECUTIVE SEDAN
28 = FWD PICKUP	

AR = Use as Required - = Non Illustrated Part P.A.R. = Paint as Required

JUMP SEAT LIMO.  
Figure IT-3309

3253-330 900



ITEM	PART NUMBER	QTY	BODY	MODEL	DESCRIPTION
1-2					BACK w/Cover & Pads N N N N
	4342 019	2			Silver N N N Y4342019
	4342 020	2			Blue N N N Y4342020
2					COVER, Seat Back N N N N
	4339 886	2			Silver N N N Y4339886
	4339 887	2			Blue N N N Y4339887
3-4					CUSHION w/Cover & Pads N N N N
	4342 021	2			Silver N N N Y4342021
	4342 022	2			Blue N N N Y4342022
4					COVER, Cushion N N N N
	4339 888	2			Silver N N N Y4339888
	4339 889	2			Blue N N N Y4339889
5	4339 932	2			LINK PKG., Upper Back N N N Y4339932
6	4339 926	2			BUMPER Pkg., Stop N N N Y4339926
7	4339 934	2			HARDWARE PKG., Lower N N N Y4339934
8	4339 931	2			FRAME, Seat Back N N N Y4339931
9	4339 933	2			FRAME, Seat Cushion N N N Y4339933
10					PANEL, Cushion Bottom Cover N N N N
	4339 906	2			Silver N N N Y4339906
	4339 907	2			Blue N N N Y4339907
11					PULL STRAP (Serviced In Item 2) N N N N
		2			Silver N N N N
		2			Blue N N N N
12					SCREW (Not Serviced) N N N N
13	4339 927	2			BRACKET, Jump Seat Stop N N N Y4339927
14					BOLT (Not Serviced) N N N N

MODEL CODES

B = GRAN FURY	G = DIPLOMAT	V = 400
C = LEBARON/TOWN & COUNTRY	M = HORIZON/TURISMO/SCAMP	X = MIRADA
D = ARIES	P = RELIANT	Y = IMPERIAL
E = 600	S = CORDOBA	Z = OMNI/CHARGER/RAMPAGE
F = FIFTH AVENUE	T = E CLASS/NEWYORKER	

BODY STYLES

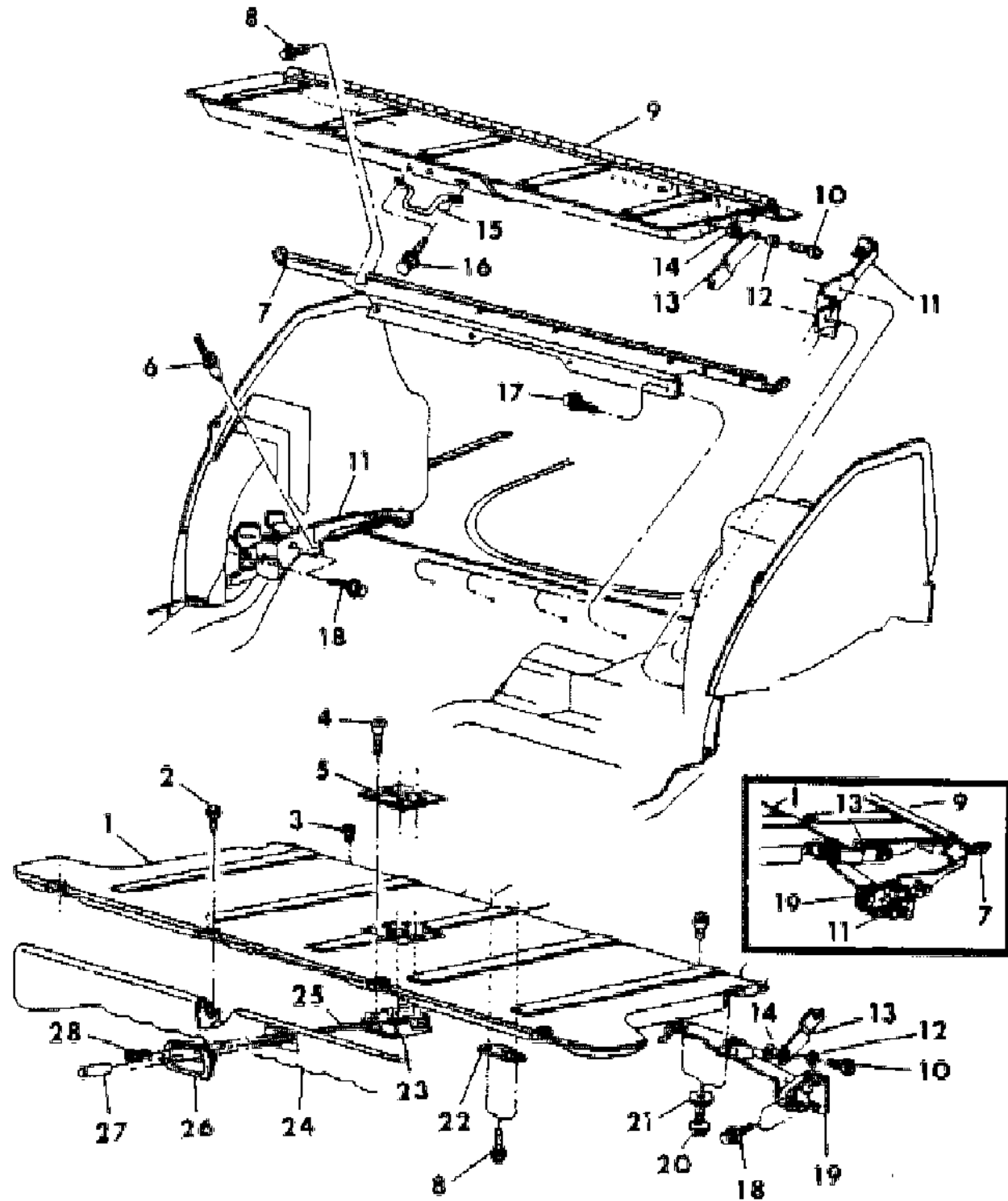
21 = 2-DOOR SEDAN	41 = 4-DOOR SEDAN
22 = 2-DOOR SPECIAL COUPE	45 = 4-DOOR STATION WAGON
24 = 2-DOOR HATCHBACK	44 = 4-DOOR HATCHBACK
27 = 2-DOOR CONVERTIBLE	48 = EXECUTIVE SEDAN
28 = FWD PICKUP	

AR = Use as Required - = Non Illustrated Part P.A.R. = Paint as Required

FOLD DOWN REAR SEAT P,D,C 45 0  
Figure IT-3321

3253 332100

ITEM	PART NUMBER	QTY	BODY	MODEL	DESCRIPTION
1					PANEL, Seat Back N N N N0
	W232 BB5	1			Blue N N N YW232BB5
	W232 VM6	1			Red N N N YW232VM6
	W232 BL3	1			Tan N N N YW232BL3
	W232 BT8	1			Brown N N N YW232BT8
2					SCREW (not serviced) N N N N0
3	4206 315	1			BUMPER, Seat Back N N N Y4206315
4	6100 897	3			SCREW N N N Y6100897
5	4206 082	1			ESCUTCHEON, Seat Back Latch N N N Y4206082
6	6031 115	4			RIVET N N N Y6031115
7	4206 092	1			FRAME, Filler Supt. Center N N N Y4206092
8		AR			SCREW (not serviced) N N N N
9	4206 269	1			PANEL, Filler N N N Y4206269
10	6500 554	4			SCREW, Shoulder N N N Y6500554
11	4278 424-5	1			FRAME & P/NUT, Side Filler Support N N N Y4278424
12	0869 770	4			WASHER, Spring N N N Y0869770
13	4206 369	2			LINK, Filler Panel to Seat Back N N N Y4206369
14					WASHER (not serviced) N N N N0
15	4206 214	1			STRIKER, Filler Panel N N N Y4206214
16	0181 063	2			SCREW, Striker N N N Y0181063
17	6500 557	AR			SCREW N N N Y6500557
18	6100 566	AR			SCREW N N N Y6100566
19	4206 318-9	1			HINGE, Seat Back N N N Y4206318
20	6100 566	4			SCREW and WASHER N N N Y6100566
21					WASHER (serviced in item 20) N N N N0
22	4206 983	1			BRACKET, Seat Back Center Retainer N N N Y4206983
23	4172 139	1			LATCH, Seat Back N N N Y4172139
	6100 041	3			NUT, Latch Attaching N N N Y6100041
24					SEAT BACK (see trim section) N N N N0
25	4172 723	1			ROD, Latch Release N N N Y4172723
26	W246 TB2	1			BEZEL, Latch Release Knob (paint as required) N N N YW246TB2
27	3861 859	1			Knob, Release Latch Rod N N N Y3861859
28					SCREW (not serviced) N N N N0



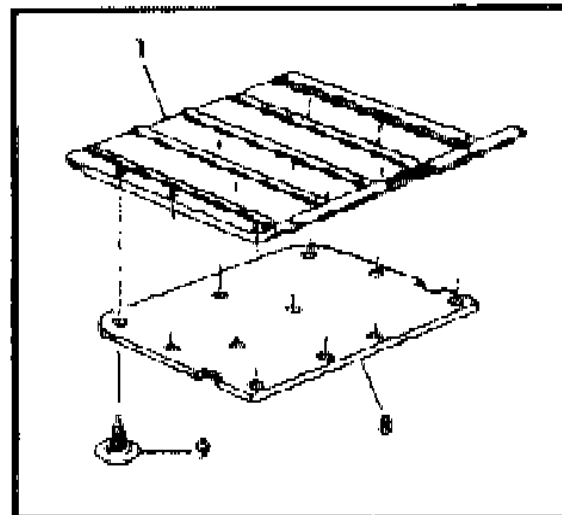
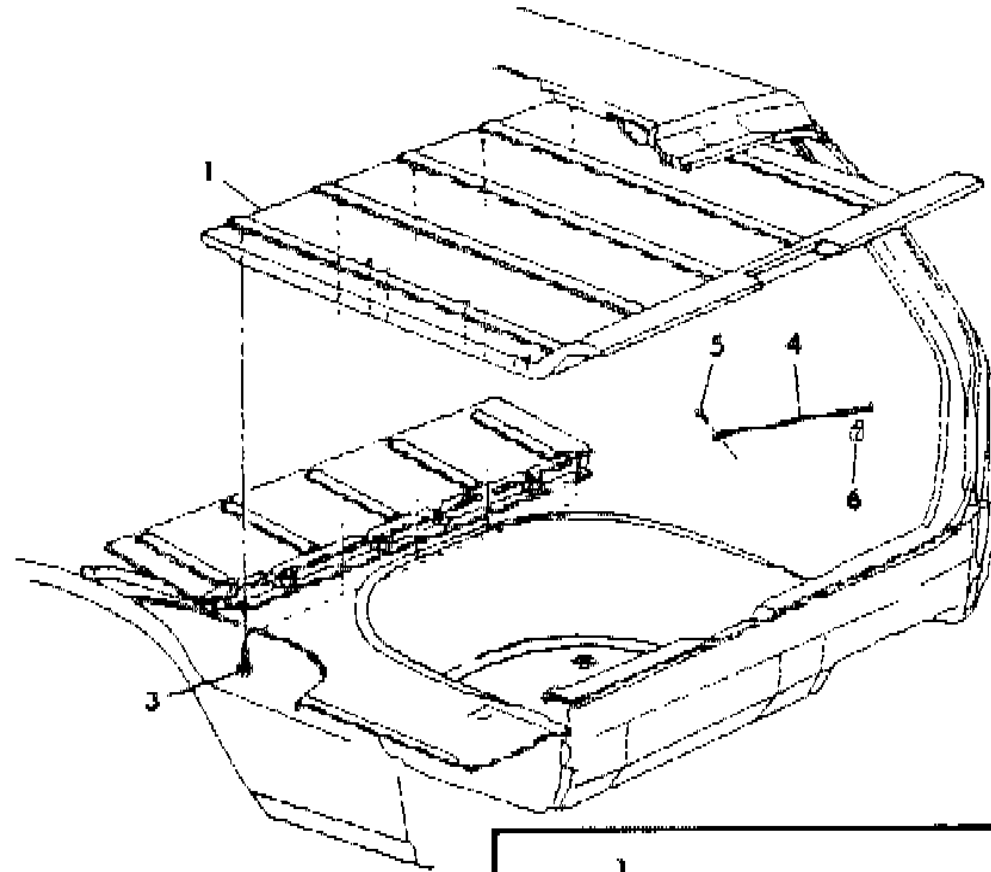
MODEL CODES  
 B = GRAN FURY  
 C = LEBARON/TOWN & COUNTRY  
 D = ARIES  
 E = 600  
 F = FIFTH AVENUE  
 G = DIPLOMAT  
 M = HORIZON/TURISMO/SCAMP  
 P = RELIANT  
 S = CORDOBA  
 T = E CLASS/NEWYORKER  
 V = 400  
 X = MIRADA  
 Y = IMPERIAL  
 Z = OMNI/CHARGER/RAMPAGE

BODY STYLES  
 21 = 2-DOOR SEDAN  
 22 = 2-DOOR SPECIAL COUPE  
 24 = 2-DOOR HATCHBACK  
 27 = 2-DOOR CONVERTIBLE  
 28 = FWD PICKUP  
 41 = 4-DOOR SEDAN  
 45 = 4-DOOR STATION WAGON  
 44 = 4-DOOR HATCHBACK  
 48 = EXECUTIVE SEDAN

AR = Use as Required - = Non Illustrated Part P.A.R. = Paint as Required

PANEL, CARGO P,D,C 0  
Figure IT-3322

3253 332200



ITEM	PART NUMBER	QTY	BODY	MODEL	DESCRIPTION
1					PANEL, Rear Cargo Cover N N N N0
	W233 BB5	1			Blue N N N YW233BB5
	W233 VM6	1			Red N N N YW233VM6
	W233 BL3	1			Tan N N N YW233BL3
	W233 BT8	1			Brown N N N YW233BT8
2					PANEL (see fold down rear seat - wagon illustration) N N N N0
3					SCREW (not serviced) N N N N0
4	3861 821	1			CABLE, Cargo Floor Panel Support N N N Y3861821
5	6031 401	1			SCREW, Cable Attaching N N N Y6031401
6	6016 080	1			CLIP, Cable Attaching N N N Y6016080
7					SCREW (not serviced) N N N N0
8	4078 960	AR			SILENCER N N N Y4078960
9	6003 423	AR			FASTENER (Use up to 10/1/82) N N N Y6003423
	6032 363	AR			(Use after 10/1/82) N N N Y6032363

MODEL CODES

B = GRAN FURY	G = DIPLOMAT	V = 400
C = LEBARON/TOWN & COUNTRY	M = HORIZON/TURISMO/SCAMP	X = MIRADA
D = ARIES	P = RELIANT	Y = IMPERIAL
E = 600	S = CORDOBA	Z = OMNI/CHARGER/RAMPAGE
F = FIFTH AVENUE	T = E CLASS/NEWYORKER	

BODY STYLES

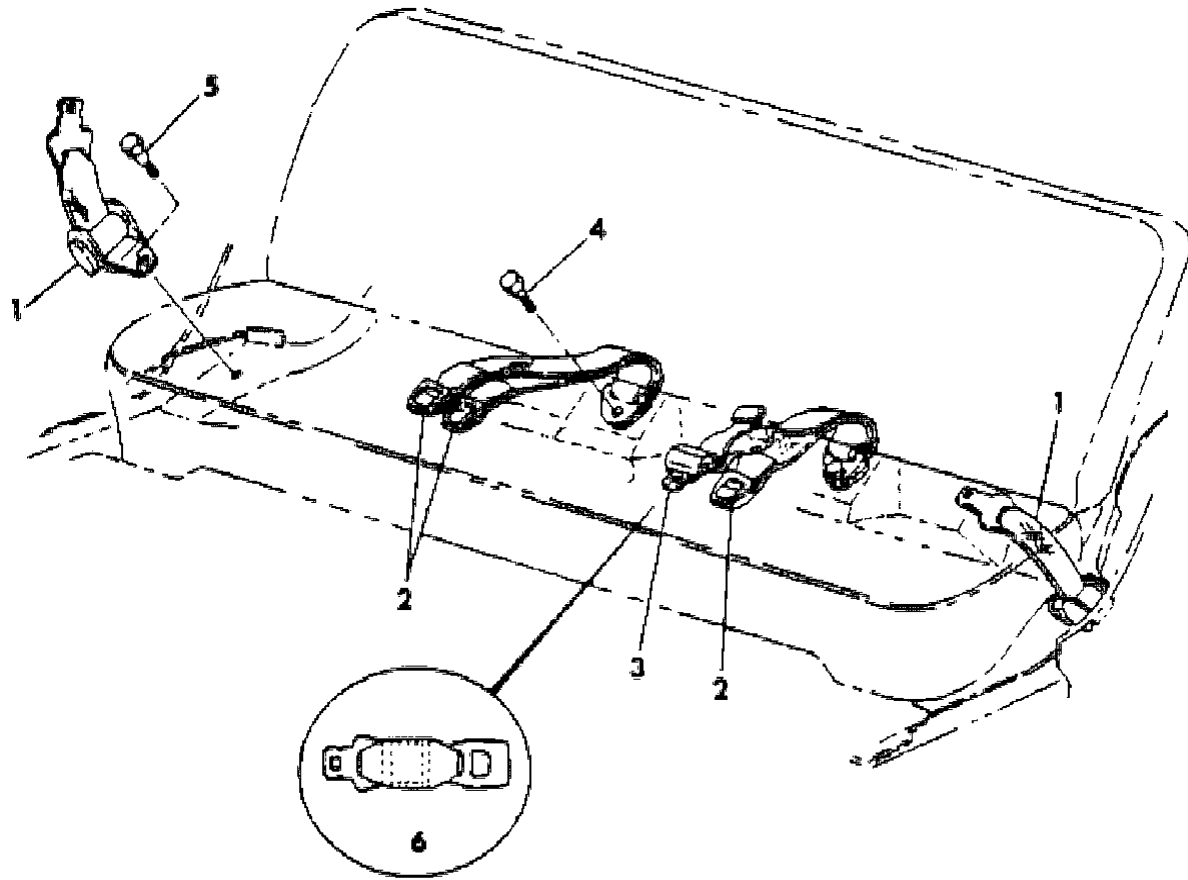
21 = 2-DOOR SEDAN	41 = 4-DOOR SEDAN
22 = 2-DOOR SPECIAL COUPE	45 = 4-DOOR STATION WAGON
24 = 2-DOOR HATCHBACK	44 = 4-DOOR HATCHBACK
27 = 2-DOOR CONVERTIBLE	48 = EXECUTIVE SEDAN
28 = FWD PICKUP	

AR = Use as Required - = Non Illustrated Part P.A.R. = Paint as Required



**BELT REAR SEAT LAP P,D,C,V 0**  
**Figure IT-3371**

3253 337100 A



ITEM	PART NUMBER	QTY	BODY	MODEL	DESCRIPTION
1					BELT, Rear seat Lap Outboard Tip Half, Label No. 4277885 N N N N0
	F861 AA3	2			Silver N N N YF861AA3
	F861 BB5	2			Blue N N N YF861BB5
	F861 AC7	2			Blue, Dark N N N YF861AC7
	F861 AM6	2			Red N N N YF861AM6
	F861 BL3	2			Tan N N N YF861BL3
	F861 BT8	2			Brown N N N YF861BT8
	F861 AX9	2			Black N N N YF861AX9
	F589 BM6	2			Label No. 4317998 N N N N Red N N27 N YF589BM6
	F589 BL3	2			Cashmere N N27 N YF589BL3
	F589 BT8	2			Brown N N27 N YF589BT8
2					BELT, Rear Seat Lap Buckle Inner, Right, Label No. 4316754 N N N N0
	F710 BA3	2			Silver N N N YF710BA3
	F710 BB5	2			Blue N N N YF710BB5
	F710 BC7	2			Blue, Dark N N N YF710BC7
	F710 BM6	2			Red N N N YF710BM6
	F710 BL3	2			Tan N N N YF710BL3
	F710 BT8	2			Brown N N N YF710BT8
	F710 BX9	2			Black N N N YF710BX9
	F713 BL3	1			Label No. 4316757 N N N N Cashmere N N27 N YF713BL3
	F713 BM6	1			Red N N27 N YF713BM6
	F713 BT8	1			Brown N N27 N YF713BT8
3					BELT, Rear Seat Lap Buckle and Tip, Left, Label No. 4316747 N N N N0
	F717 BA3	1			Silver N N N YF717BA3
	F717 BB5	1			Blue N N N YF717BB5
	F717 BC7	1			Blue, Dark N N N YF717BC7
	F717 BM6	1			Red N N N YF717BM6
	F717 BL3	1			Tan N N N YF717BL3
	F717 BT8	1			Brown N N N YF717BT8
	F717 BX9	1			Black N N N YF717BX9
4	6031 298	2			BOLT N N N Y6031298
	6031 298	6			N N27 N Y6031298

**MODEL CODES**

B = GRAN FURY	G = DIPLOMAT	V = 400
C = LEBARON/TOWN & COUNTRY	M = HORIZON/TURISMO/SCAMP	X = MIRADA
D = ARIES	P = RELIANT	Y = IMPERIAL
E = 600	S = CORDOBA	Z = OMNI/CHARGER/RAMPAGE
F = FIFTH AVENUE	T = E CLASS/NEWYORKER	

**BODY STYLES**

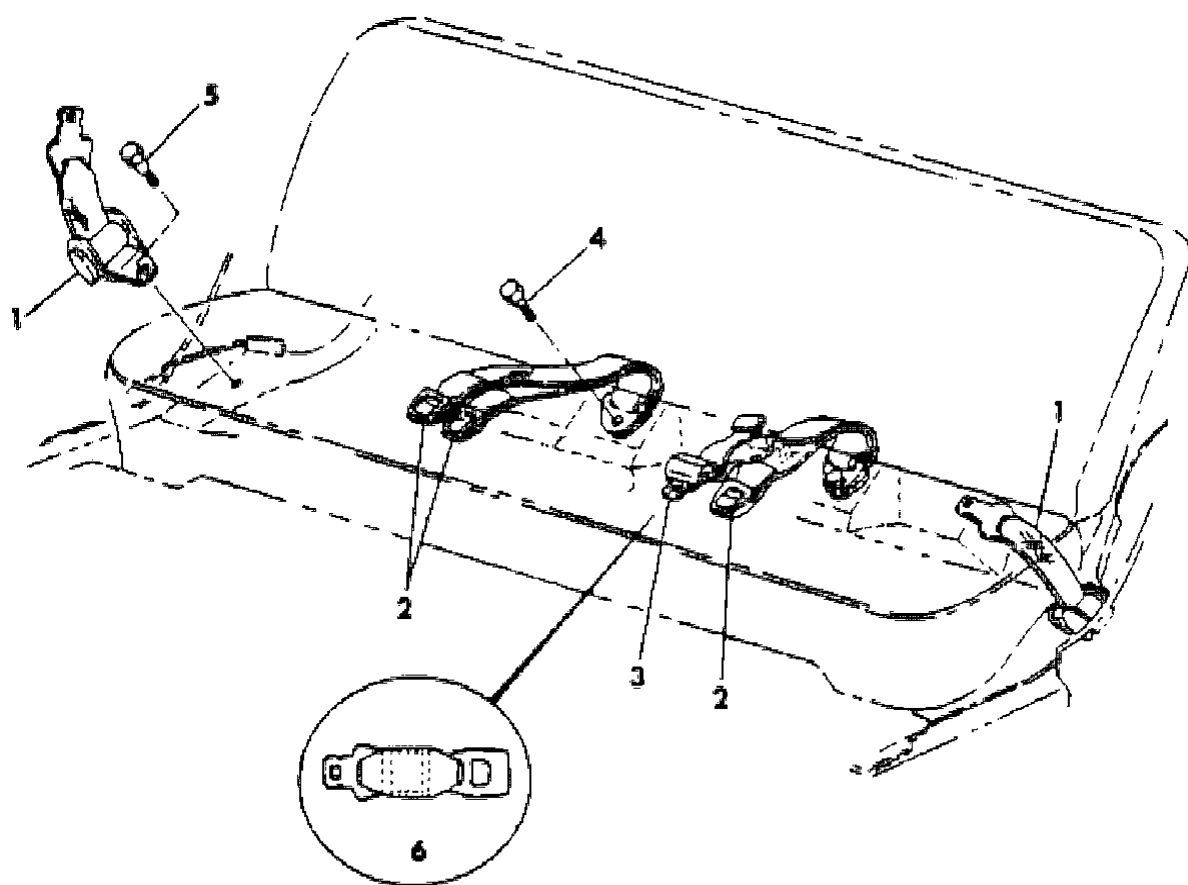
21 = 2-DOOR SEDAN	41 = 4-DOOR SEDAN
22 = 2-DOOR SPECIAL COUPE	45 = 4-DOOR STATION WAGON
24 = 2-DOOR HATCHBACK	44 = 4-DOOR HATCHBACK
27 = 2-DOOR CONVERTIBLE	48 = EXECUTIVE SEDAN
28 = FWD PICKUP	

AR = Use as Required - = Non Illustrated Part P.A.R. = Paint as Required

**BELT REAR SEAT LAP P,D,C,V 0**  
**Figure IT-3371**

3253 337100 A

ITEM	PART NUMBER	QTY	BODY	MODEL	DESCRIPTION
5	6031 484	2			BOLT N N N Y6031484
6	4342 710	1			EXTENSION, Rear Seat Belt N N N Y4342710



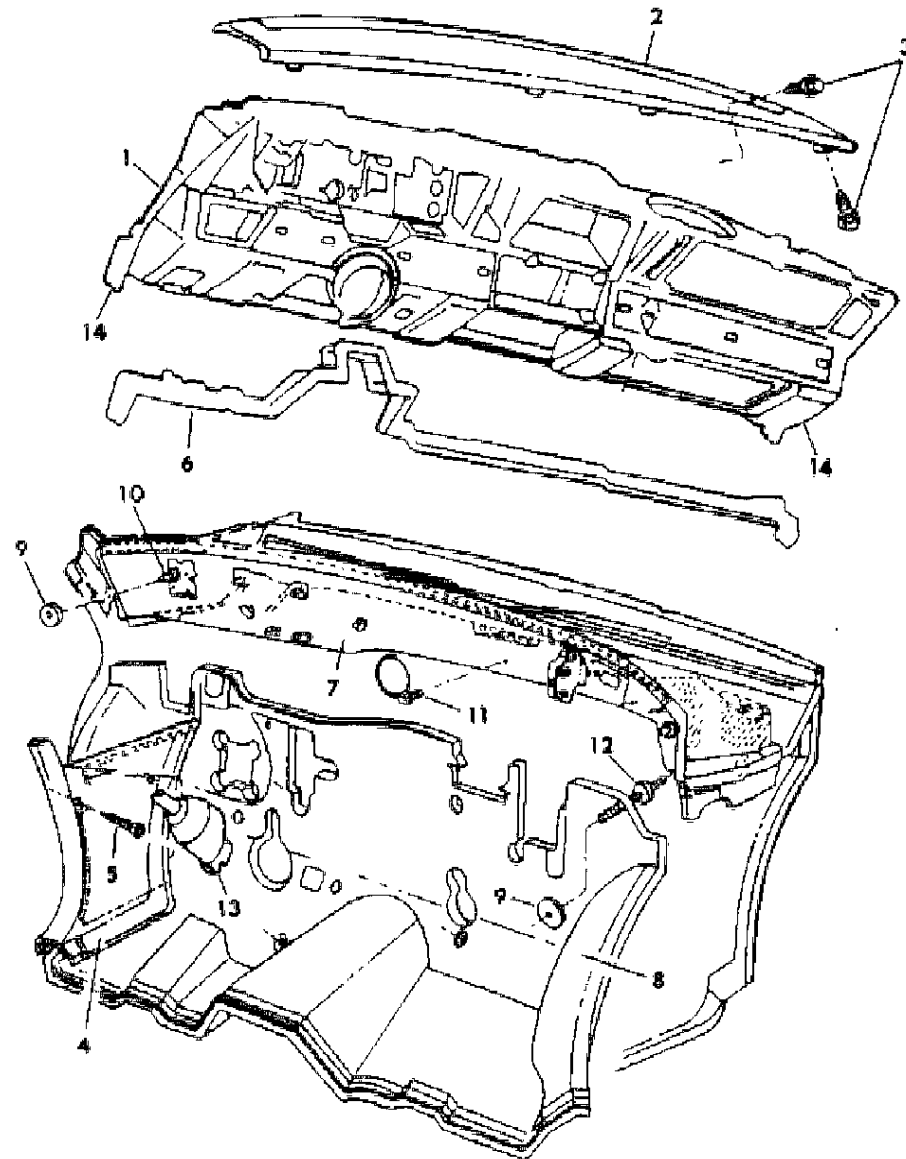
MODEL CODES  
 B = GRAN FURY  
 C = LEBARON/TOWN & COUNTRY  
 D = ARIES  
 E = 600  
 F = FIFTH AVENUE  
 G = DIPLOMAT  
 M = HORIZON/TURISMO/SCAMP  
 P = RELIANT  
 S = CORDOBA  
 T = E CLASS/NEWYORKER  
 V = 400  
 X = MIRADA  
 Y = IMPERIAL  
 Z = OMNI/CHARGER/RAMPAGE

BODY STYLES  
 21 = 2-DOOR SEDAN  
 22 = 2-DOOR SPECIAL COUPE  
 24 = 2-DOOR HATCHBACK  
 27 = 2-DOOR CONVERTIBLE  
 28 = FWD PICKUP  
 41 = 4-DOOR SEDAN  
 45 = 4-DOOR STATION WAGON  
 44 = 4-DOOR HATCHBACK  
 48 = EXECUTIVE SEDAN

AR = Use as Required - = Non Illustrated Part P.A.R. = Paint as Required

**INSTRUMENT PANEL AND COWL E,T**  
Figure IT-4011

3253 401100



ITEM	PART NUMBER	QTY	BODY	MODEL	DESCRIPTION
1					PANEL, Instrument (plastic paint as required) N N N N
	4220 591	1			w/o Electronic Travel Computer N N N Y4220591
	4220 291	1			w/Electronic Travel Computer N N N Y4220291
2					COVER, Instrument Panel Top N N N N
	P453 AA7	1			Silver N N N YP453AA7
	P453 AC7	1			Blue, Dark N N N YP453AC7
	P453 AM6	1			Red N N N YP453AM6
	P453 BT8	1			Brown N N N YP453BT8
3		AR			SCREW (not serviced) N N N N
4					PANEL, Cowl Side Trim N N N N
					w/Carpet N N N N
	F194-5 AA7	1			Silver N N N YF194AA7
	F194-5 AC7	1			Blue, Dark N N N YF194AC7
	F194-5 AM6	1			Red N N N YF194AM6
	F194-5 BL3	1			Beige N N N YF194BL3
	F194-5 BT9	1			Brown N N N YF194BT9
					w/o Turbo (w67), Right N N N N
	F194 AA7	1			Silver N N N YF194AA7
	F194 AC7	1			Blue, Dark N N N YF194AC7
	F194 AM6	1			Red N N N YF194AM6
	F194 BL3	1			Beige N N N YF194BL3
	F194 BT9	1			Brown N N N YF194BT9
					w/Turbo (E67), Right N N N N
	F190 BA7	1			Silver N N N YF190BA7
	F190 BC7	1			Blue, Dark N N N YF190BC7
	F190 BM6	1			Red N N N YF190BM6
	F190 BL3	1			Beige N N N YF190BL3
	F190 BT9	1			Brown N N N YF190BT9
-	4247 832	1			BRACKET, Cowl Side Trim, Right (w/E67) N N N Y4247832
					w/or w/o Turbo, Left N N N N
					w/Carpet N N N N
	F195 AA7	1			Silver N N N YF195AA7
	F195 AC7	1			Blue, Dark N N N YF195AC7
	F195 AM6	1			Red N N N YF195AM6
	F195 BL3	1			Beige N N N YF195BL3
	F195 BT9	1			Brown N N N YF195BT9
5		AR			SCREW (not serviced) N N N N

**MODEL CODES**

B = GRAN FURY	G = DIPLOMAT	V = 400
C = LEBARON/TOWN & COUNTRY	M = HORIZON/TURISMO/SCAMP	X = MIRADA
D = ARIES	P = RELIANT	Y = IMPERIAL
E = 600	S = CORDOBA	Z = OMNI/CHARGER/RAMPAGE
F = FIFTH AVENUE	T = E CLASS/NEWYORKER	

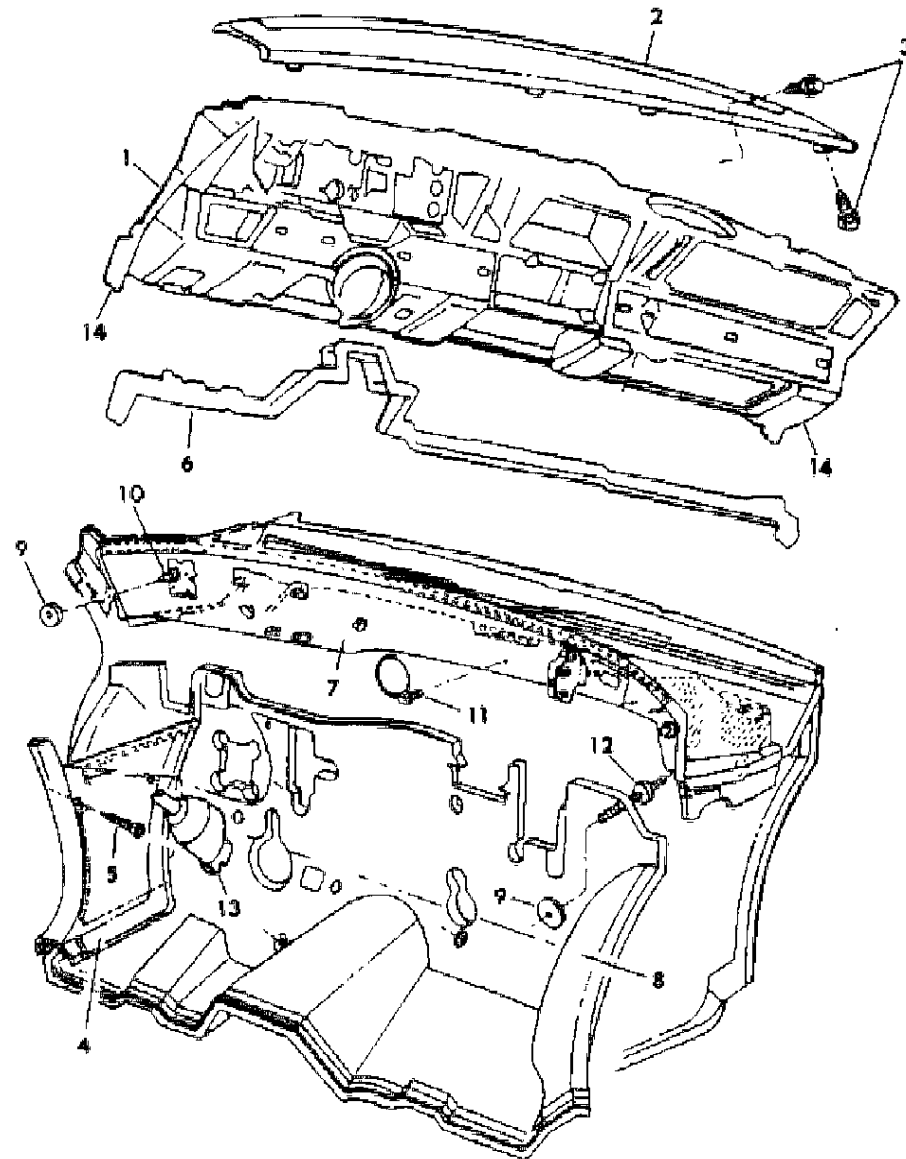
**BODY STYLES**

21 = 2-DOOR SEDAN	41 = 4-DOOR SEDAN
22 = 2-DOOR SPECIAL COUPE	45 = 4-DOOR STATION WAGON
24 = 2-DOOR HATCHBACK	44 = 4-DOOR HATCHBACK
27 = 2-DOOR CONVERTIBLE	48 = EXECUTIVE SEDAN
28 = FWD PICKUP	

AR = Use as Required - = Non Illustrated Part P.A.R. = Paint as Required

**INSTRUMENT PANEL AND COWL E,T**  
**Figure IT-4011**

3253 401100



ITEM	PART NUMBER	QTY	BODY	MODEL	DESCRIPTION
6	4220 708	1			REINFORCEMENT, Instrument Panel Lower (paint as required) N N N Y4220708
7	4278 961	1			SILENCER, Cowl Panel N N N Y4278961
8	4314 175	1			LINER, Dash N N N Y4314175
-	4278 955	1			LINER, Attaching Package N N N Y4278955
9	4206 545	AR			RETAINER N N N Y4206545
10	6032 020	1			STUD, Collar N N N Y6032020
11		3			SCREW and WASHER (not serviced) N N N N
12	6031 630	4			STUD N N N Y6031630
13	4188 868	1			COVER and SILENCER, Steering Column N N N Y4188868
14	4047 568-9	1			SUPPORT, Lower Reinforcement End N N N Y4047568

**MODEL CODES**

B = GRAN FURY	G = DIPLOMAT	V = 400
C = LEBARON/TOWN & COUNTRY	M = HORIZON/TURISMO/SCAMP	X = MIRADA
D = ARIES	P = RELIANT	Y = IMPERIAL
E = 600	S = CORDOBA	Z = OMNI/CHARGER/RAMPAGE
F = FIFTH AVENUE	T = E CLASS/NEWYORKER	

**BODY STYLES**

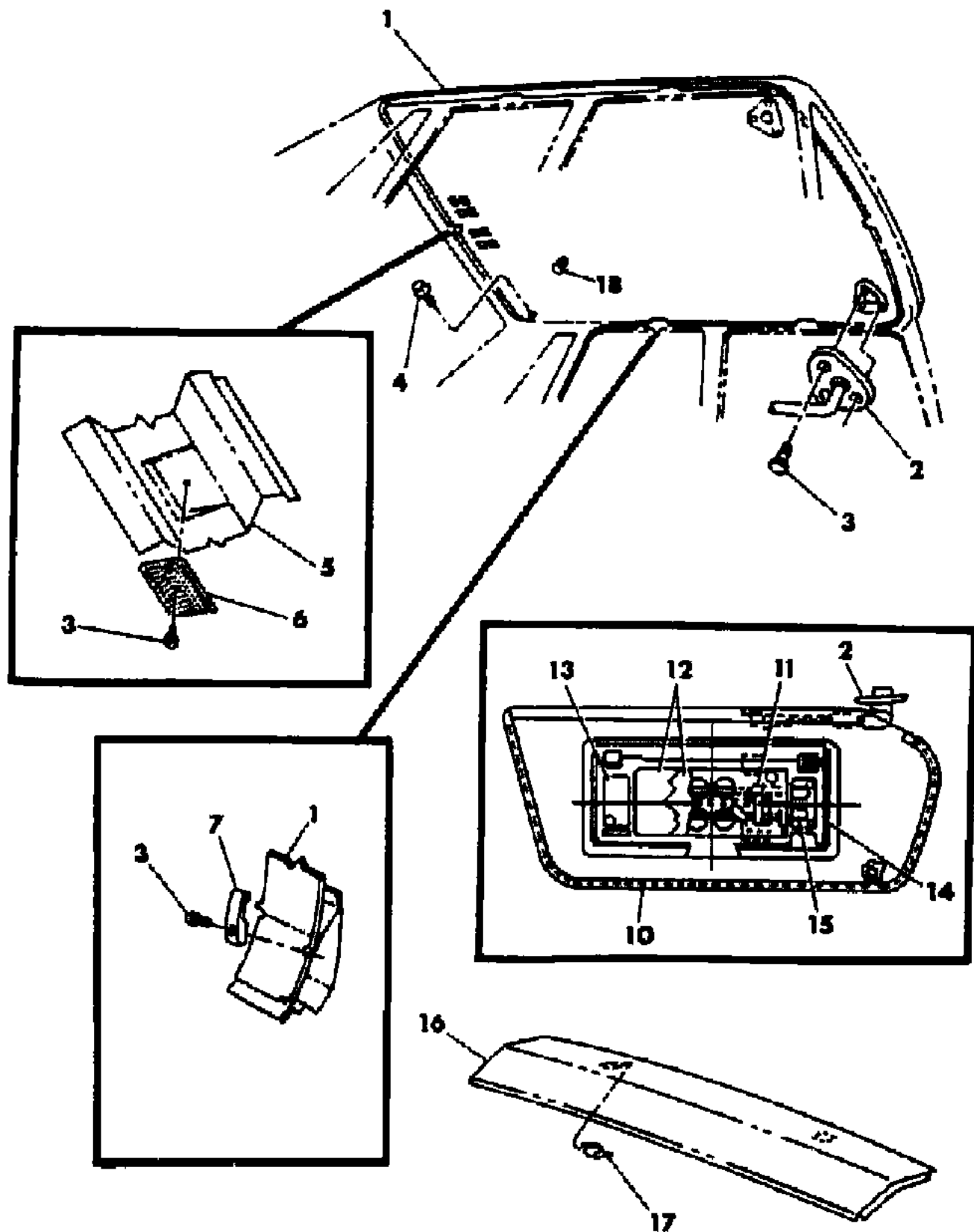
21 = 2-DOOR SEDAN	41 = 4-DOOR SEDAN
22 = 2-DOOR SPECIAL COUPE	45 = 4-DOOR STATION WAGON
24 = 2-DOOR HATCHBACK	44 = 4-DOOR HATCHBACK
27 = 2-DOOR CONVERTIBLE	48 = EXECUTIVE SEDAN
28 = FWD PICKUP	

AR = Use as Required - = Non Illustrated Part P.A.R. = Paint as Required

# HEADLINING, VISOR AND SHELF PANEL E,T

## Figure IT-4031

3253 403100 B



ITEM	PART NUMBER	QTY	BODY	MODEL	DESCRIPTION
1					HEADLINING N N N N
	H858 BA3	1			Silver N N N YH858BA3
	H858 BC7	1			Blue, Dark N N N YH858BC7
	H858 BL3	1			Beige N N N YH858BL3
	H858 BM6	1			Red N N N YH858BM6
	H858 BT8	1			Brown N N N YH858BT8
2	4248 315	1			ELBOW and BRACKET, w/Illuminated Visor N N N Y4248315
	4078 431	2			w/o Illuminated Visor N N N Y4078431
3		AR			SCREW (not serviced) N N N N
4	6003 587	2			FASTENER N N N Y6003587
5					FRAME, Rear Window Opening, Upper N N N N
6	4247 874	2			HOOK, Velcro Headlining N N N Y4247874
7	3685 992	2			HOOK, Coat N N N Y3685992
10					VISOR, Sun w/o Illuminated Mirror N N N N
	H343 BA3	2			Silver N N N YH343BA3
	H343 BC7	2			Blue, Dark N N N YH343BC7
	H343 BM6	2			Red N N N YH343BM6
	H343 BL3	2			Beige N N N YH343BL3
	H343 BT8	2			Brown N N N YH343BT8
	H332 BA3	1			w/Illuminated Mirror, Right N N N N
	H332 BC7	1			Silver N N N YH332BA3
	H332 BM6	1			Blue, Dark N N N YH332BC7
	H332 BL3	1			Red N N N YH332BM6
	H332 BT8	1			Beige N N N YH332BL3
	H333 BA3	1			Brown N N N YH332BT8
	H333 BC7	1			VISOR, Sub Assy., w/Illuminated Mirror N N N N
	H333 BM6	1			Silver N N N YH333BA3
	H333 BL3	1			Blue, Dark N N N YH333BC7
	H333 BT8	1			Red N N N YH333BM6
11	3832 873	1			Beige N N N YH333BL3
12	4077 693	1			Brown N N N YH333BT8
13	4166 974	2			COMPONENT BOARD, Mirror N N N Y3832873
14	4166 976	2			MIRROR and BACK, Vanity Mirror N N N Y4077693
15	4166 978	4			LENS, Vanity Mirror N N N Y4166974
16					HINGE SPRING, Vanity Mirror N N N Y4166976
					BULB N N N Y4166978
					PANEL, Shelf Trim N N N N

**MODEL CODES**

B = GRAN FURY	G = DIPLOMAT	V = 400
C = LEBARON/TOWN & COUNTRY	M = HORIZON/TURISMO/SCAMP	X = MIRADA
D = ARIES	P = RELIANT	Y = IMPERIAL
E = 600	S = CORDOBA	Z = OMNI/CHARGER/RAMPAGE
F = FIFTH AVENUE	T = E CLASS/NEWYORKER	

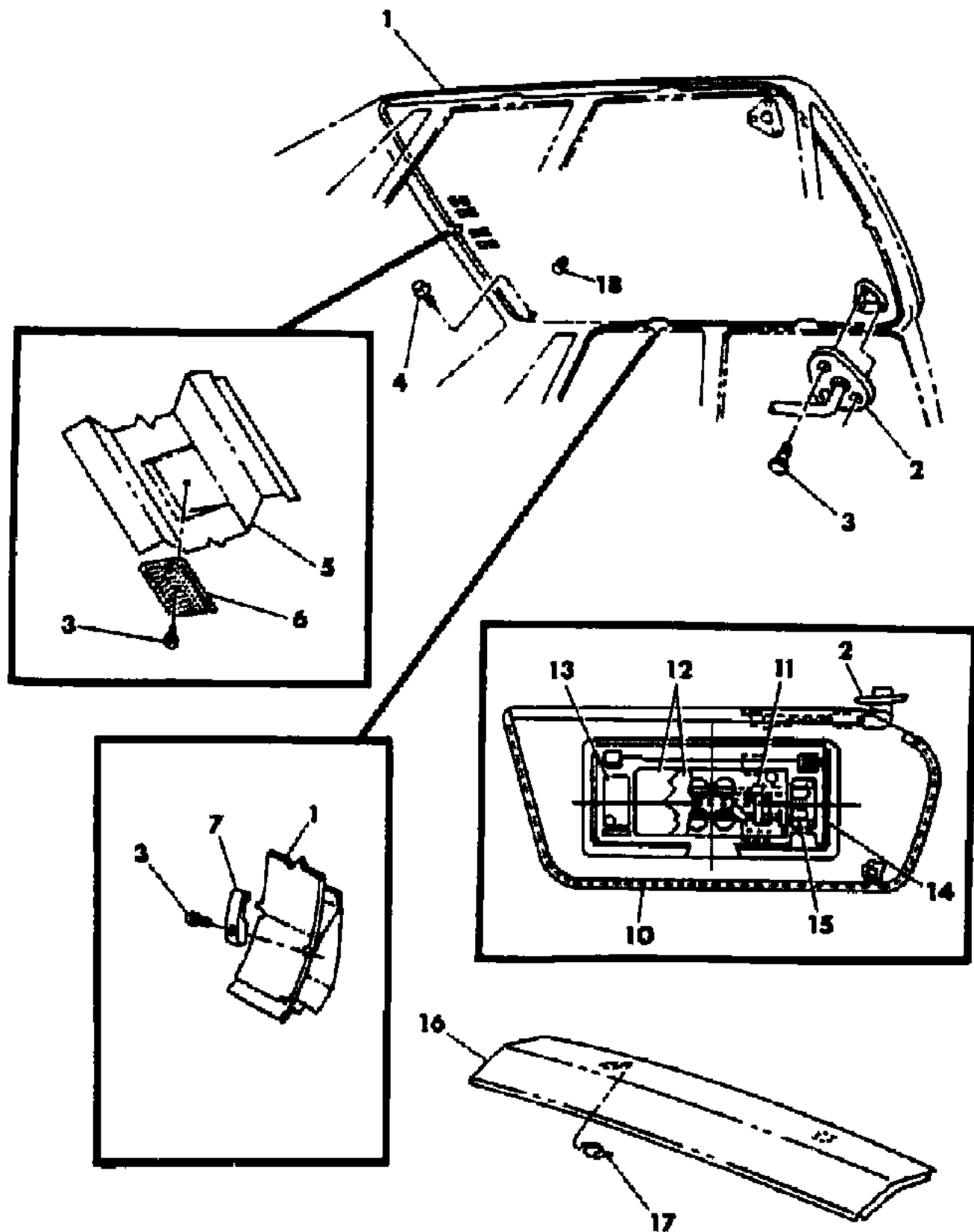
**BODY STYLES**

21 = 2-DOOR SEDAN	41 = 4-DOOR SEDAN
22 = 2-DOOR SPECIAL COUPE	45 = 4-DOOR STATION WAGON
24 = 2-DOOR HATCHBACK	44 = 4-DOOR HATCHBACK
27 = 2-DOOR CONVERTIBLE	48 = EXECUTIVE SEDAN
28 = FWD PICKUP	

AR = Use as Required - = Non Illustrated Part P.A.R. = Paint as Required

HEADLINING, VISOR AND SHELF PANEL E,T  
Figure IT-4031

3253 403100 B



ITEM	PART NUMBER	QTY	BODY	MODEL	DESCRIPTION
					(Use up to 11/12/82) N N N N
	H193 BA7	1			Silver N N N YH193BA7
	H193 BC7	1			Blue, Dark N N N YH193BC7
	H193 BM6	1			Red N N N YH193BM6
	H193 BL3	1			Beige N N N YH193BL3
	H193 BT9	1			Brown N N N YH193BT9
					(Use after 11/12/82) N N N N
	H204 BA7	1			Silver N N N YH204BA7
	H204 BC7	1			Blue, Dark N N N YH204BC7
	H204 BM6	1			Red N N N YH204BM6
	H204 BL3	1			Beige N N N YH204BL3
	H204 BT9	1			Brown N N N YH204BT9
17	6031 536	3			CLIP, Shelf Panel Attaching N N N Y6031536
18					FASTENER N N N N
	H452 AA3	2			Silver N N N YH452AA3
	H452 VC7	2			Blue, Dark N N N YH452VC7
	H452 TM6	2			Red N N N YH452TM6
	H452 BL3	2			Beige N N N YH452BL3
	H452 BT8	2			Brown N N N YH452BT8

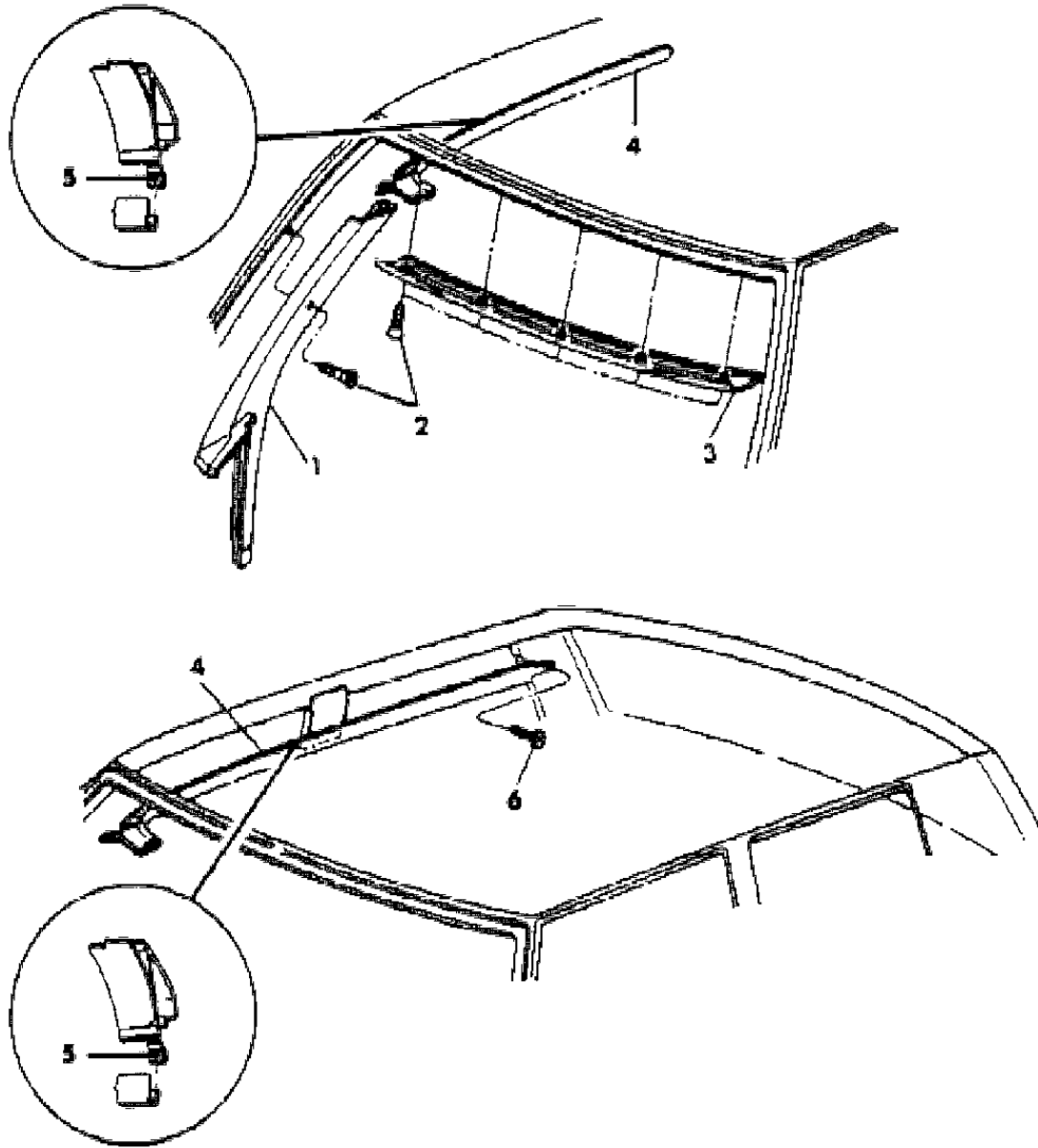
MODEL CODES  
 B = GRAN FURY  
 C = LEBARON/TOWN & COUNTRY  
 D = ARIES  
 E = 600  
 F = FIFTH AVENUE  
 G = DIPLOMAT  
 M = HORIZON/TURISMO/SCAMP  
 P = RELIANT  
 S = CORDOBA  
 T = E CLASS/NEWYORKER  
 V = 400  
 X = MIRADA  
 Y = IMPERIAL  
 Z = OMNI/CHARGER/RAMPAGE

BODY STYLES  
 21 = 2-DOOR SEDAN  
 22 = 2-DOOR SPECIAL COUPE  
 24 = 2-DOOR HATCHBACK  
 27 = 2-DOOR CONVERTIBLE  
 28 = FWD PICKUP  
 41 = 4-DOOR SEDAN  
 45 = 4-DOOR STATION WAGON  
 44 = 4-DOOR HATCHBACK  
 48 = EXECUTIVE SEDAN

AR = Use as Required - = Non Illustrated Part P.A.R. = Paint as Required

**GARNISH MOULDING E,T**  
**Figure IT-4032**

3253 403200



ITEM	PART NUMBER	QTY	BODY	MODEL	DESCRIPTION
1	F290-1 AA3	1			MOULDING, Windshield Side, Garnish (paint as required) N N N YF290AA3 w/Fabric Cover N N N N
	F418-9 BA3	1			Silver NT-P N N YF418BA3
	F418-9 BC7	1			Blue, Dark NT-P N N YF418BC7
	F418-9 BL3	1			Beige NT-P N N YF418BL3
	F418-9 BM6	1			Red NT-P N N YF418BM6
	F418-9 BT8	1			Brown NT-P N N YF418BT8
2	0153 704	9			SCREW N N N Y153704
3	F218 VB2	1			MOULDING, Windshield Header, Upper Garnish (paint as required) N N N YF218VB2 w/Fabric Cover N N N N
	F424 BA3	1			Silver NT-P N N YF424BA3
	F424 BC7	1			Blue, Dark NT-P N N YF424BC7
	F424 BL3	1			Beige NT-P N N YF424BL3
	F424 BM6	1			Red NT-P N N YF424BM6
	F424 BT8	1			Brown NT-P N N YF424BT8
4	H146-7 BL3	1			MOULDING w/RETAINER, Roof Rail Garnish (Paint As Required) N N N YH146BL3 MOULDING w/RETAINER, Roof Rail Garnish, w/Fabric Cover N N N N
	H194-5 BA3	1			Silver NT-P N N YH194BA3
	H194-5 BC7	1			Blue, Dark NT-P N N YH194BC7
	H194-5 BL3	1			Beige NT-P N N YH194BL3
	H194-5 BM6	1			Red NT-P N N YH194BM6
	H194-5 BT8	1			Brown NT-P N N YH194BT8
5		6			RETAINER, Roof Rail Side Moulding (Serviced In Item No. 4) N N N N
6		AR			SCREW (not serviced) N N N N

MODEL CODES

B = GRAN FURY	G = DIPLOMAT	V = 400
C = LEBARON/TOWN & COUNTRY	M = HORIZON/TURISMO/SCAMP	X = MIRADA
D = ARIES	P = RELIANT	Y = IMPERIAL
E = 600	S = CORDOBA	Z = OMNI/CHARGER/RAMPAGE
F = FIFTH AVENUE	T = E CLASS/NEWYORKER	

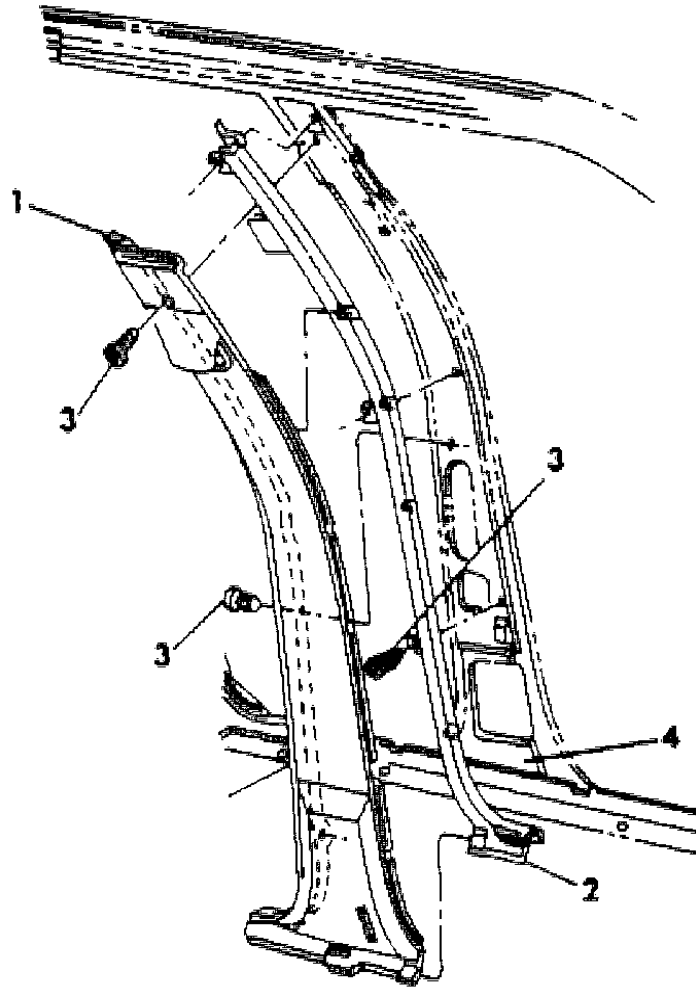
BODY STYLES

21 = 2-DOOR SEDAN	41 = 4-DOOR SEDAN
22 = 2-DOOR SPECIAL COUPE	45 = 4-DOOR STATION WAGON
24 = 2-DOOR HATCHBACK	44 = 4-DOOR HATCHBACK
27 = 2-DOOR CONVERTIBLE	48 = EXECUTIVE SEDAN
28 = FWD PICKUP	

AR = Use as Required - = Non Illustrated Part P.A.R. = Paint as Required

**B PILLAR TRIM E,T**  
**Figure IT-4051**

3253 405100



ITEM	PART NUMBER	QTY	BODY	MODEL	DESCRIPTION
1					COVER, Center (B) Pillar Trim, Rear, w/o Fabric Cover N N N N
	F408-9 AA3	1			Silver N N N YF408AA3
	F408-9 AC7	1			Blue, Dark N N N YF408AC7
	F408-9 AM6	1			Red N N N YF408AM6
	F408-9 BL3	1			Beige N N N YF408BL3
	F408-9 BT8	1			Brown N N N YF408BT8
	F422-3 BA3				w/Fabric Cover N N N N
	F422-3 BC7				Silver NT-P N N YF422BA3
	F422-3 BM6				Blue, Dark NT-P N N YF422BC7
	F422-3 BL3				Red NT-P N N YF422BM6
	F422-3 BT8				Beige NT-P N N YF422BL3
2					COVER, Center (B) Pillar Trim, Front N N N N
	F396-7 AA3	1			Silver N N N YF396AA3
	F396-7 AC7	1			Blue, Dark N N N YF396AC7
	F396-7 AM6	1			Red N N N YF396AM6
	F396-7 BL3	1			Beige N N N YF396BL3
	S903 DT5	1			Tan N N27 N YS903DT5
	F420-1 BA3	1			w/Fabric Cover N N N N
	F420-1 BC7	1			Silver NT-P N N YF420BA3
	F420-1 BM6	1			Blue, Dark NT-P N N YF420BC7
	F420-1 BL3	1			Red NT-P N N YF420BM6
	F420-1 BT8	1			Beige NT-P N N YF420BL3
					Brown NT-P N N YF420BT8
-					BUMPER, Center (B) Pillar Trim Cover, Front N N N N
	F394 AA3	2			Silver N N N YF394AA3
	F394 AC7	2			Blue, Dark N N N YF394AC7
	F394 AM6	2			Red N N N YF394AM6
	F394 BL3	2			Beige N N N YF394BL3
	F394 BT8	2			Brown N N N YF394BT8
3		AR			SCREW (not serviced) N N N N
4	3762 862	AR			SILENCER, Body Side Aperture, Lower Center Pillar N N N Y3762862
-	6003 423	8			FASTENER, Silencer Attaching N N N Y6003423

**MODEL CODES**

B = GRAN FURY	G = DIPLOMAT	V = 400
C = LEBARON/TOWN & COUNTRY	M = HORIZON/TURISMO/SCAMP	X = MIRADA
D = ARIES	P = RELIANT	Y = IMPERIAL
E = 600	S = CORDOBA	Z = OMNI/CHARGER/RAMPAGE
F = FIFTH AVENUE	T = E CLASS/NEWYORKER	

**BODY STYLES**

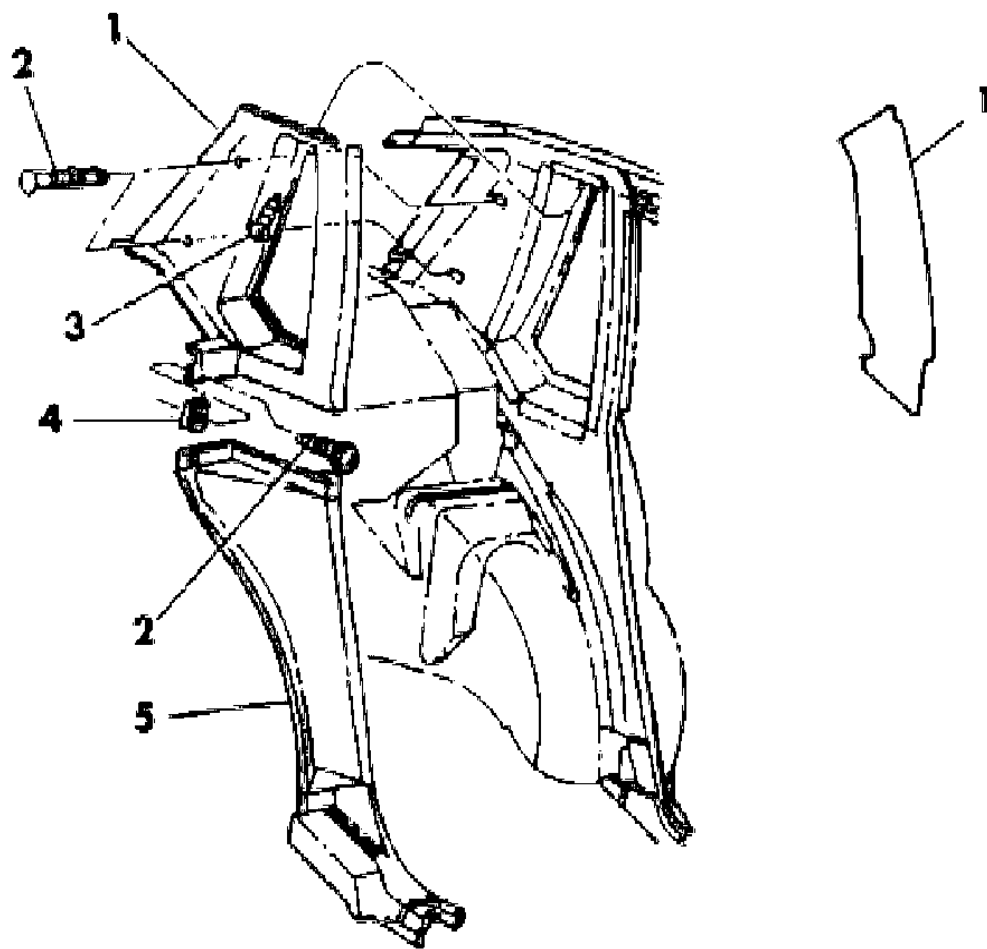
21 = 2-DOOR SEDAN	41 = 4-DOOR SEDAN
22 = 2-DOOR SPECIAL COUPE	45 = 4-DOOR STATION WAGON
24 = 2-DOOR HATCHBACK	44 = 4-DOOR HATCHBACK
27 = 2-DOOR CONVERTIBLE	48 = EXECUTIVE SEDAN
28 = FWD PICKUP	

AR = Use as Required - = Non Illustrated Part P.A.R. = Paint as Required



QUARTER PANEL E,T  
Figure IT-4061

3253 406100A



ITEM	PART NUMBER	QTY	BODY	MODEL	DESCRIPTION
1	H644-5 BL3	1			PANEL, Quarter Trim Upper (paint as required) N N N YH644BL3
					w/Fabric Cover N N N N
	H200-1 BA3	1			Silver NT-P N N YH200BA3
	H200-1 BC7	1			Blue, Dark NT-P N N YH200BC7
	H200-1 BL3	1			Beige NT-P N N YH200BL3
	H200-1 BM6	1			Red NT-P N N YH200BM6
2	H200-1 BT8	1			Brown NT-P N N YH200BT8
	F155 BA3	4			FASTENER, Upper Quarter Trim Panel N N N N
					Silver N N N YF155BA3
	F155 BC7	4			Blue, Dark N N N YF155BC7
	F155 BM6	4			Red N N N YF155BM6
	F155 BL3	4			Beige N N N YF155BL3
3		AR			SCREW (not serviced) N N N N
	1199 301	2			J-NUT N N N Y1199301
5	F370-1 BL3	1			PANEL, Quarter Trim, Lower (paint as required) N N N YF370BL3
					w/Fabric Cover N N N N
	F426-7 BA3	1			Silver NT-P N N YF426BA3
	F426-7 BC7	1			Blue, Dark NT-P N N YF426BC7
	F426-7 BL3	1			Beige NT-P N N YF426BL3
	F426-7 BM6	1			Red NT-P N N YF426BM6
	F426-7 BT8	1			Brown NT-P N N YF426BT8

MODEL CODES

B = GRAN FURY	G = DIPLOMAT	V = 400
C = LEBARON/TOWN & COUNTRY	M = HORIZON/TURISMO/SCAMP	X = MIRADA
D = ARIES	P = RELIANT	Y = IMPERIAL
E = 600	S = CORDOBA	Z = OMNI/CHARGER/RAMPAGE
F = FIFTH AVENUE	T = E CLASS/NEWYORKER	

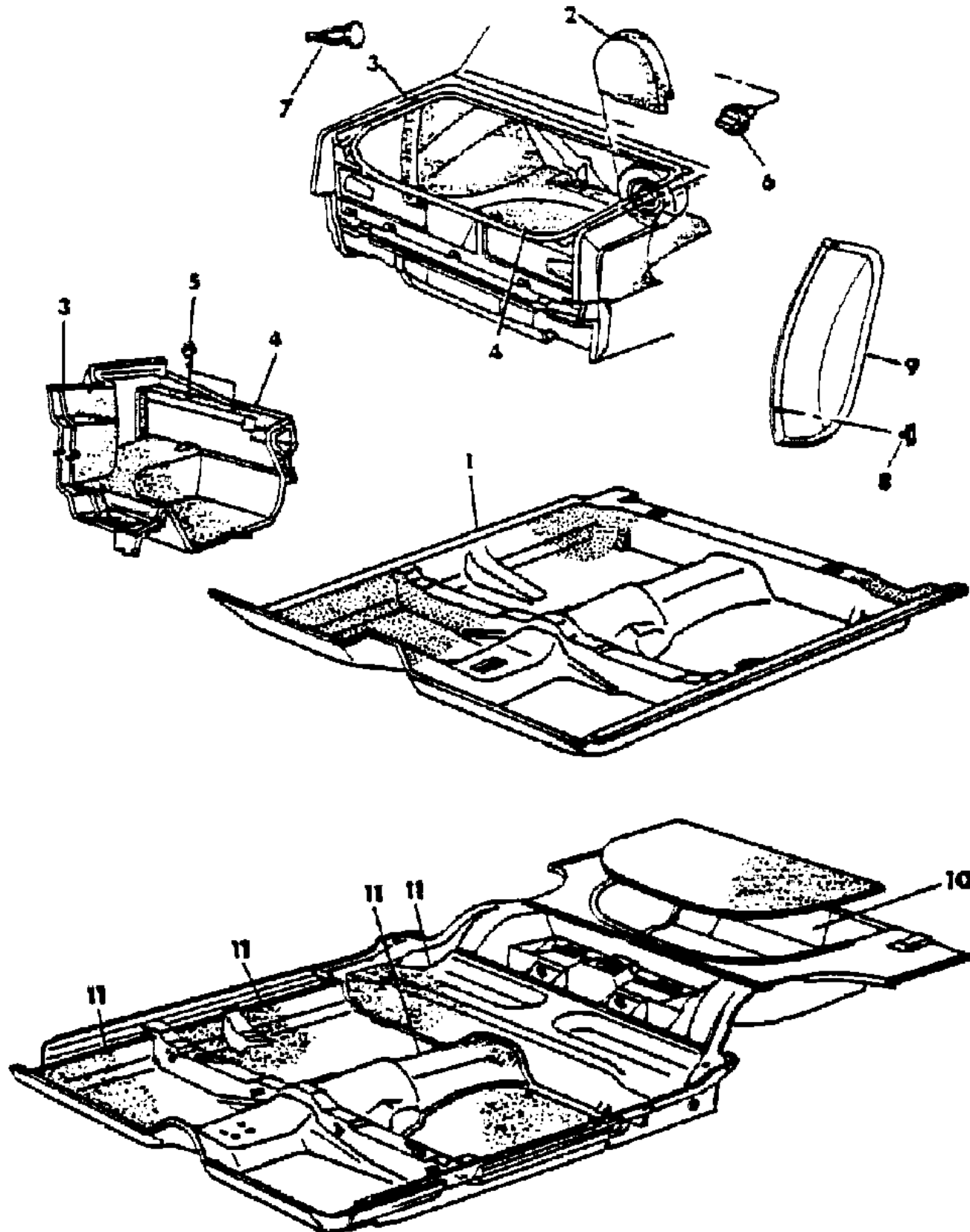
BODY STYLES

21 = 2-DOOR SEDAN	41 = 4-DOOR SEDAN
22 = 2-DOOR SPECIAL COUPE	45 = 4-DOOR STATION WAGON
24 = 2-DOOR HATCHBACK	44 = 4-DOOR HATCHBACK
27 = 2-DOOR CONVERTIBLE	48 = EXECUTIVE SEDAN
28 = FWD PICKUP	

AR = Use as Required - = Non Illustrated Part P.A.R. = Paint as Required

CARPET E,T  
Figure IT-4081

3253 408100



ITEM	PART NUMBER	QTY	BODY	MODEL	DESCRIPTION
1					CARPET N N N N
	M636 BA7	1			Silver N N N YM636BA7
	M636 BC7	1			Blue, Dark N N N YM636BC7
	M636 BM6	1			Red N N N YM636BM6
	M636 BT9	1			Brown N N N YM636BT9
2					COVER, Spare Tire N N N N
					Full Size N N N N
001	4223 730				NEXC. T-P N N N Y4223730
001	4282 239				NT-P N N N Y4282239
					Mini Size N N N N
					NExc. T-P N N N N4223273
					NT-P N N N N4282238
3	4247 818-9	1			CARPET, Wheelhouse and Quarter Trim Panel N N N Y4247818
4	4247 672	1			CARPET, Luggage Floor and Lower Deck N N N Y4247672
5		AR			SCREW (not serviced) N N N N
6	4223 983	1			FASTENER, Spare Tire Trim Cover N N N Y4223983
7	6003 683	AR			CLIP, Wheelhouse and Quarter Trim Attaching N N N Y6003683
8	6003 351	4			CLIP, Wheelhouse Inner Silencer N N N Y6003351
9	4247 226-7	1			SILENCER, Wheelhouse Cover N N N Y4247226
10	3762 862	AR			SILENCER, Spare Tire Floor Pan (36"x72" material) N N N Y3762862
11	4186 901	AR			SILENCER (36"x72" material) N N N Y4186901
The following parts are not illustrated. s ARE NOT RETURNABLE.					
					Carpeted Floor Mats, Package Set of Two N N N N
					Front N N N N
	M022 AA7	1			Silver N N N YM022AA7
	M022 AC7	1			Blue, Dark N N N YM022AC7
	M022 VM6	1			Red N N N YM022VM6
	M022 BT9	1			Brown N N N YM022BT9
					Rear N N N N
	M024 AA7	1			Silver N N N YM024AA7
	M024 VC7	1			Blue, Dark N N N YM024VC7
	M024 VM6	1			Red N N N YM024VM6
	M024 BT9	1			Brown N N N YM024BT9
					CARPET, Roll Stock, Needled Velour Short Ozite 54" Wide
					Order by the Inch (used on seats) N N N N
	R112 AA7	AR			Silver N N N YR112AA7

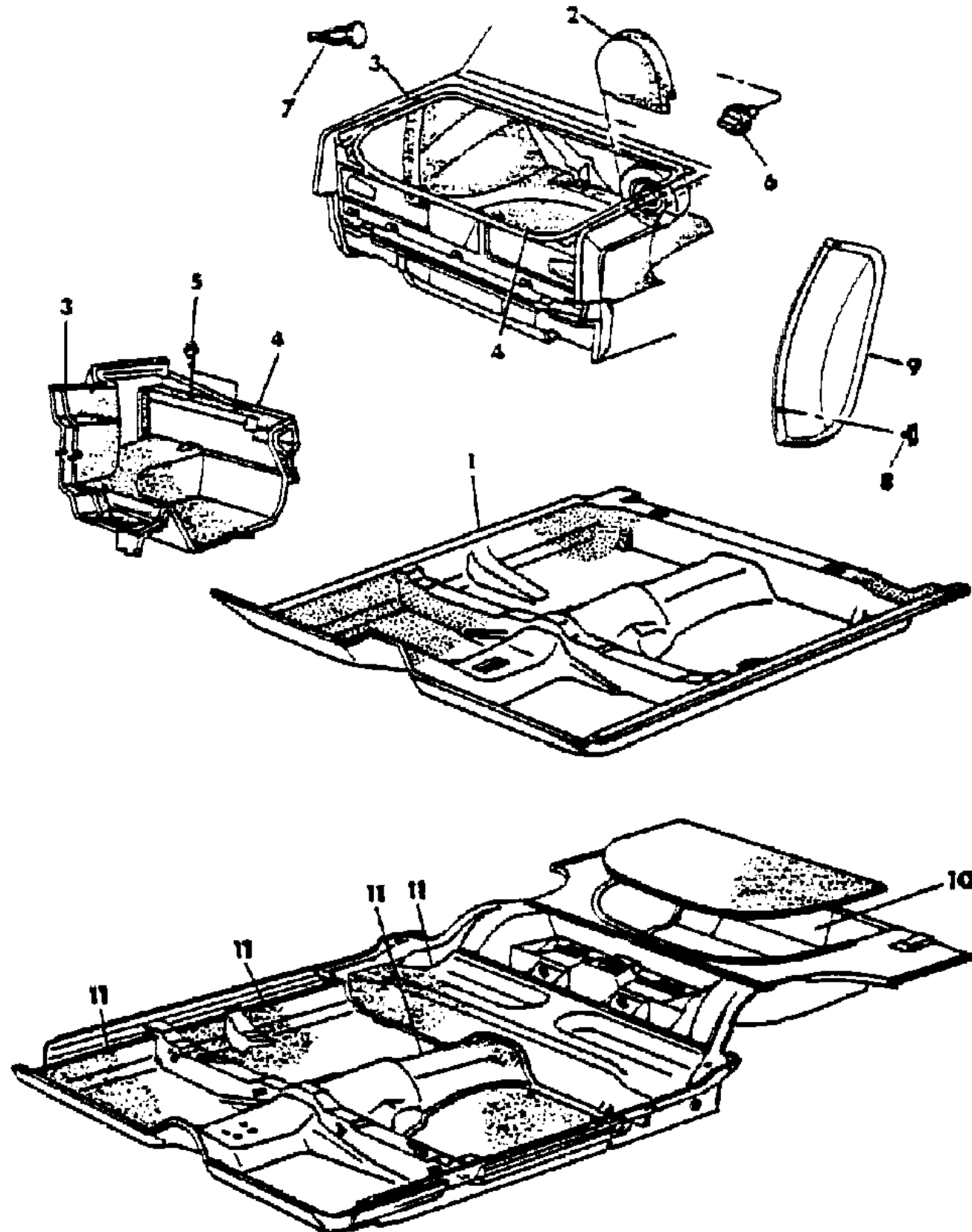
MODEL CODES  
 B = GRAN FURY  
 C = LEBARON/TOWN & COUNTRY  
 D = ARIES  
 E = 600  
 F = FIFTH AVENUE  
 G = DIPLOMAT  
 M = HORIZON/TURISMO/SCAMP  
 P = RELIANT  
 S = CORDOBA  
 T = E CLASS/NEWYORKER  
 V = 400  
 X = MIRADA  
 Y = IMPERIAL  
 Z = OMNI/CHARGER/RAMPAGE

BODY STYLES  
 21 = 2-DOOR SEDAN  
 22 = 2-DOOR SPECIAL COUPE  
 24 = 2-DOOR HATCHBACK  
 27 = 2-DOOR CONVERTIBLE  
 28 = FWD PICKUP  
 41 = 4-DOOR SEDAN  
 45 = 4-DOOR STATION WAGON  
 44 = 4-DOOR HATCHBACK  
 48 = EXECUTIVE SEDAN

AR = Use as Required - = Non Illustrated Part P.A.R. = Paint as Required

CARPET E,T  
Figure IT-4081

3253 408100



ITEM	PART NUMBER	QTY	BODY	MODEL	DESCRIPTION
	R112 SC7	AR			Blue N N N YR112SC7
	R112 TM6	AR			Red N N N YR112TM6
	R112 BL3	AR			Tan N N N YR112BL3
	R112 BT9	AR			Brown N N N YR112BT9
					CARPET, Roll Stock, Needled Ozite 54" Wide Order by the Inch (used on doors) N N N N
	R113 AA7	AR			Silver N N N YR113AA7
	R113 SC7	AR			Blue N N N YR113SC7
	R113 TM6	AR			Red N N N YR113TM6
	R113 BL3	AR			Tan N N N YR113BL3
	R113 BT9	AR			Brown N N N YR113BT9

MODEL CODES  
 B = GRAN FURY  
 C = LEBARON/TOWN & COUNTRY  
 D = ARIES  
 E = 600  
 F = FIFTH AVENUE  
 G = DIPLOMAT  
 M = HORIZON/TURISMO/SCAMP  
 P = RELIANT  
 S = CORDOBA  
 T = E CLASS/NEWYORKER  
 V = 400  
 X = MIRADA  
 Y = IMPERIAL  
 Z = OMNI/CHARGER/RAMPAGE

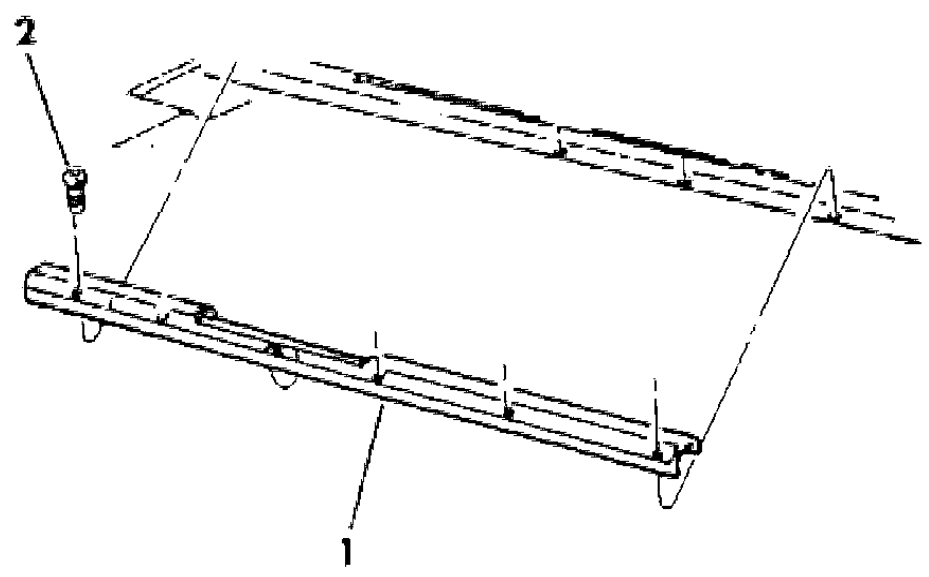
BODY STYLES  
 21 = 2-DOOR SEDAN  
 22 = 2-DOOR SPECIAL COUPE  
 24 = 2-DOOR HATCHBACK  
 27 = 2-DOOR CONVERTIBLE  
 28 = FWD PICKUP  
 41 = 4-DOOR SEDAN  
 45 = 4-DOOR STATION WAGON  
 44 = 4-DOOR HATCHBACK  
 48 = EXECUTIVE SEDAN

AR = Use as Required - = Non Illustrated Part P.A.R. = Paint as Required

**SCUFF PLATES BODY SILL AND DOORS E,T**  
**Figure IT-4082**

ITEM	PART NUMBER	QTY	BODY	MODEL	DESCRIPTION
1	M902-3 BA3	1			PLATE, Door Sill Scuff (paint as required) N N N YM902BA3
2		AR			SCREW (not serviced) N N N N

3253 408 200



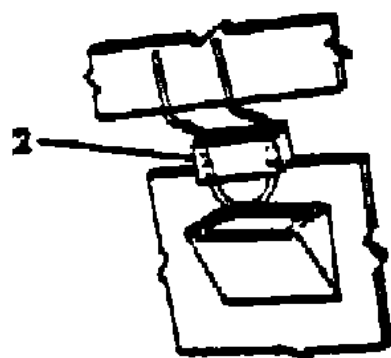
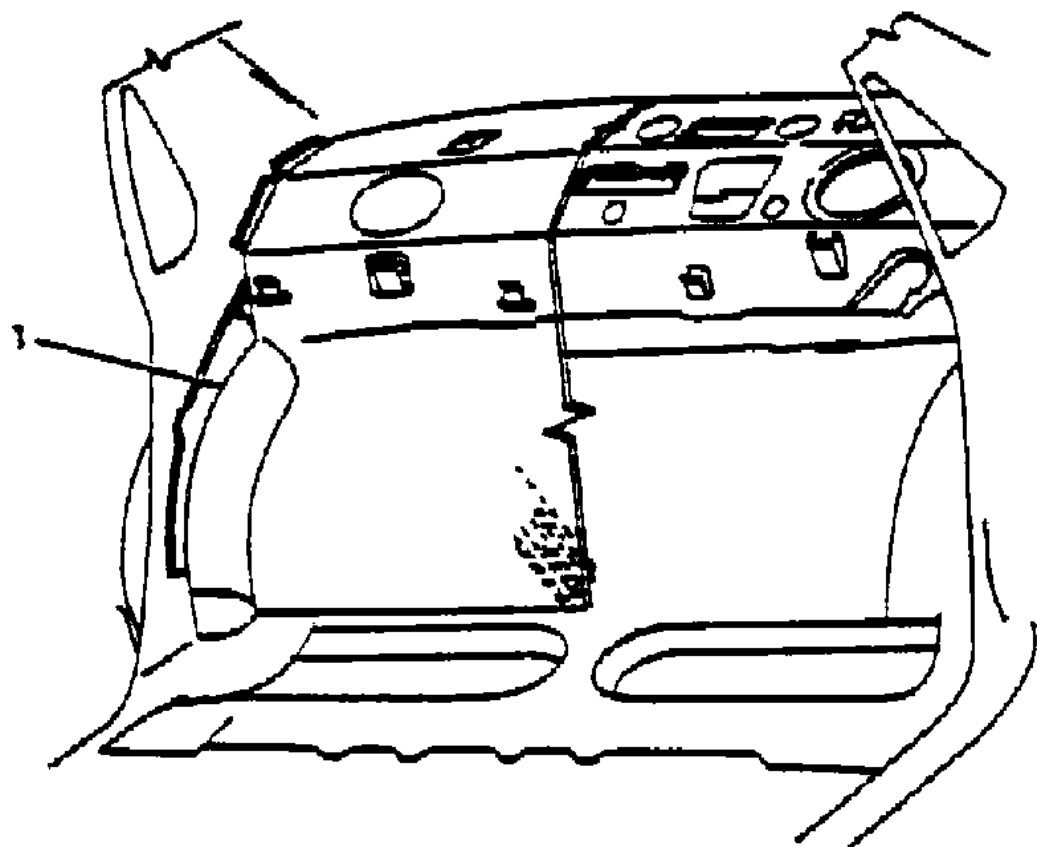
MODEL CODES  
 B = GRAN FURY                      G = DIPLOMAT                      V = 400  
 C = LEBARON/TOWN & COUNTRY    M = HORIZON/TURISMO/SCAMP    X = MIRADA  
 D = ARIES                            P = RELIANT                        Y = IMPERIAL  
 E = 600                                S = CORDOBA                        Z = OMNI/CHARGER/RAMPAGE  
 F = FIFTH AVENUE                    T = E CLASS/NEWYORKER

BODY STYLES  
 21 = 2-DOOR SEDAN                    41 = 4-DOOR SEDAN  
 22 = 2-DOOR SPECIAL COUPE        45 = 4-DOOR STATION WAGON  
 24 = 2-DOOR HATCHBACK            44 = 4-DOOR HATCHBACK  
 27 = 2-DOOR CONVERTIBLE          48 = EXECUTIVE SEDAN  
 28 = FWD PICKUP

AR = Use as Required - = Non Illustrated Part P.A.R. = Paint as Required

SILENCERS REAR COMPARTMENT E,T  
Figure IT-4083

3253 408300



ITEM	PART NUMBER	QTY	BODY	MODEL	DESCRIPTION
1					SILENCER, Luggage Compartment, Front Liner and Shelf Trim N N N N0
	4247 833	1			(Use up to 9/28/82) N N N Y4247833
	4248 608	1			(Use after 9/28/82) N N N Y4248608
2	4239 182	2			SEAL, Rear Seat Back Spring Shelf Panel N N N Y4239182

MODEL CODES

B = GRAN FURY	G = DIPLOMAT	V = 400
C = LEBARON/TOWN & COUNTRY	M = HORIZON/TURISMO/SCAMP	X = MIRADA
D = ARIES	P = RELIANT	Y = IMPERIAL
E = 600	S = CORDOBA	Z = OMNI/CHARGER/RAMPAGE
F = FIFTH AVENUE	T = E CLASS/NEWYORKER	

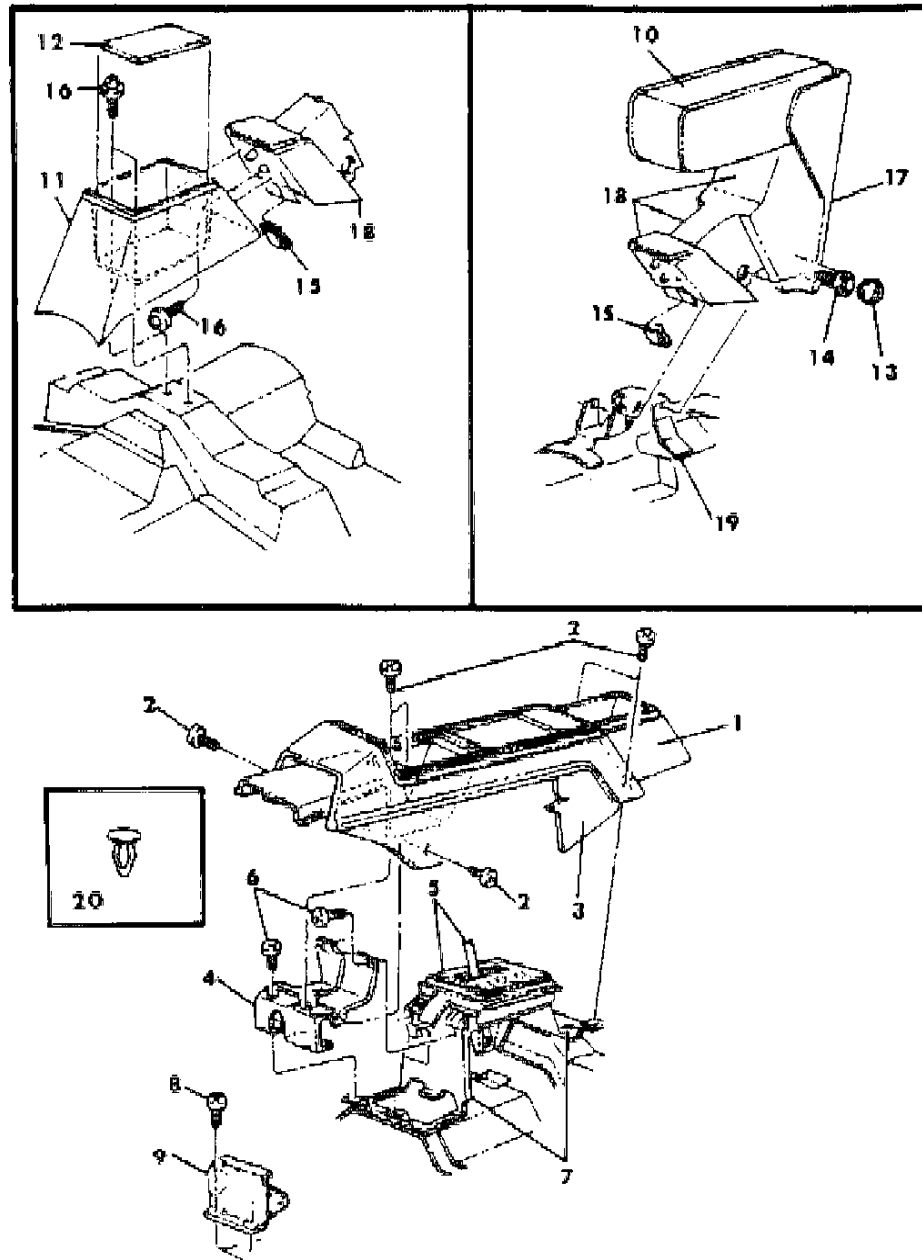
BODY STYLES

21 = 2-DOOR SEDAN	41 = 4-DOOR SEDAN
22 = 2-DOOR SPECIAL COUPE	45 = 4-DOOR STATION WAGON
24 = 2-DOOR HATCHBACK	44 = 4-DOOR HATCHBACK
27 = 2-DOOR CONVERTIBLE	48 = EXECUTIVE SEDAN
28 = FWD PICKUP	

AR = Use as Required - = Non Illustrated Part P.A.R. = Paint as Required

CONSOLE AND ARM REST E,T  
Figure IT-4084

3253 408 400c



ITEM	PART NUMBER	QTY	BODY	MODEL	DESCRIPTION
1					CONSOLE, Less Carpet N N N N
	F359 BT8	1			Manual, 4 and 5 Speed (paint as required) N N N YF359BT8
	F529 AA7	1			Auto N N N N
	F529 AC7	1			Silver N N N YF529AA7
	F529 AM6	1			Blue, Dark N N N YF529AC7
	F529 BT8	1			Red N N N YF529AM6
2		AR			SCREW (not serviced( N N N N
3					CARPET, Console N N N N
					(use up to 1/10/83 N N N N
	F376-7 AA7	1			Silver N N N YF376AA7
	F376-7 AC7	1			Blue, Dark N N N YF376AC7
	F376-7 AM6	1			Red N N N YF376AM6
	F376-7 BT9	1			Brown N N N YF376BT9
					(use after 1/10/83 N N N N
	F402-3 BA7	1			Silver N N N YF402BA7
	F402-3 BC7	1			Blue, Dark N N N YF402BC7
	F402-3 BM6	1			Red N N N YF402BM6
	F402-3 BT9	1			Brown N N N YF402BT9
4	4078 983	1			BRACKET, Floor Console, Auto, Front N N N Y4078983
					See Group 21 N N N N
6	9414 722	AR			SCREW N N N Y9414722
7	4206 371	1			REINFORCEMENT, Console Gear Selector to Floor Pan
					Mounting w/Auto. N N N Y4206371
	4278 732	1			BRACKET, Floor Pan Gear Shift Mounting, w/Manual N N N
					Y4278732
8	9414 712	2			SCREW N N N Y9414712
9	4247 686	1			BRACKET, Floor Console Manual, Front N N N Y4247686
10					ARM REST, Console, Cloth N N N N
	F343 BA3	1			Silver N N N YF343BA3
	F343 BC7	1			Blue, Dark N N N YF343BC7
	F343 BM6	1			Red N N N YF343BM6
	F343 BT8	1			Brown N N N YF343BT8
11	F324 BT8	1			HOUSING, Storage Compartment (paint as required) N N N
					YF324BT8
12	4247 391	1			PLATE (plastic) N N N Y4247391
13	F332 BT8	4			PLUG N N N YF332BT8

MODEL CODES

B = GRAN FURY	G = DIPLOMAT	V = 400
C = LEBARON/TOWN & COUNTRY	M = HORIZON/TURISMO/SCAMP	X = MIRADA
D = ARIES	P = RELIANT	Y = IMPERIAL
E = 600	S = CORDOBA	Z = OMNI/CHARGER/RAMPAGE
F = FIFTH AVENUE	T = E CLASS/NEWYORKER	

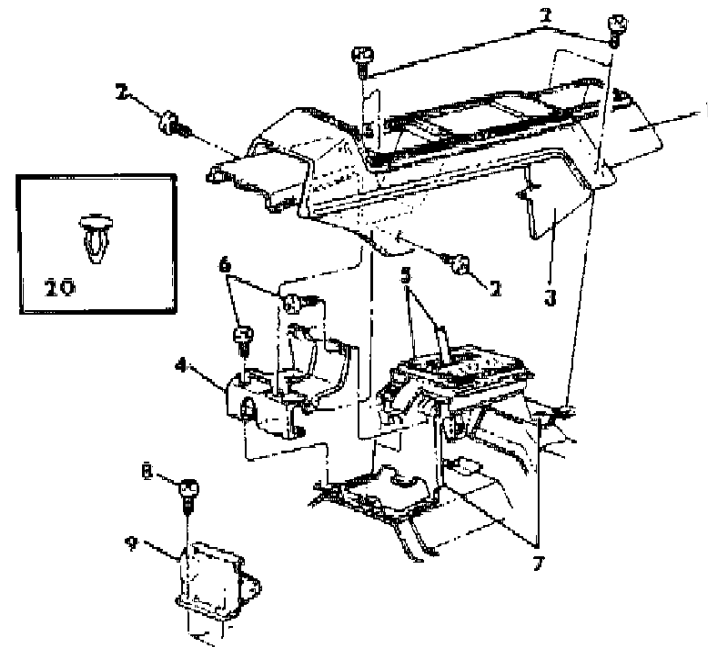
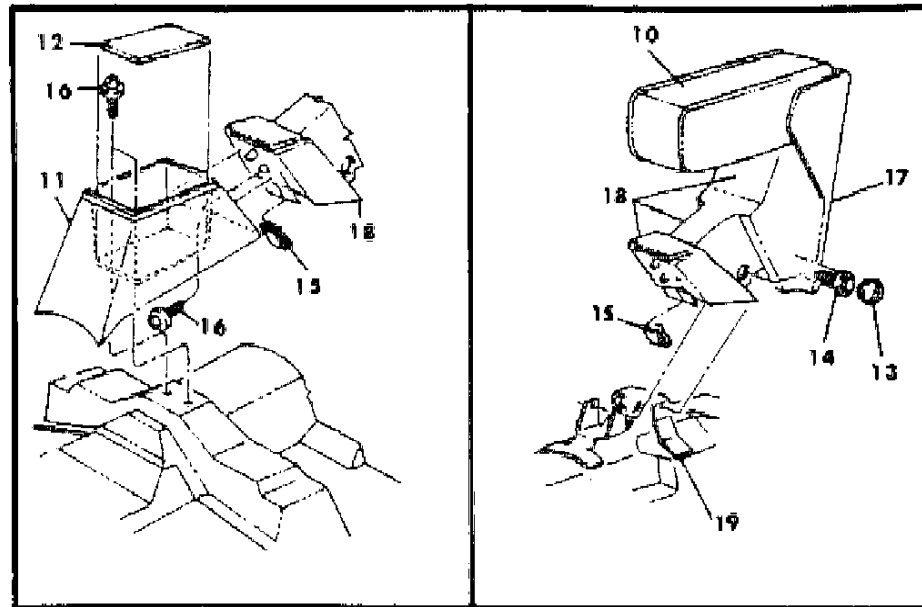
BODY STYLES

21 = 2-DOOR SEDAN	41 = 4-DOOR SEDAN
22 = 2-DOOR SPECIAL COUPE	45 = 4-DOOR STATION WAGON
24 = 2-DOOR HATCHBACK	44 = 4-DOOR HATCHBACK
27 = 2-DOOR CONVERTIBLE	48 = EXECUTIVE SEDAN
28 = FWD PICKUP	

AR = Use as Required - = Non Illustrated Part P.A.R. = Paint as Required

CONSOLE AND ARM REST E,T  
Figure IT-4084

3253 408 400c



ITEM	PART NUMBER	QTY	BODY	MODEL	DESCRIPTION
14	0181 063	4			BOLT N N N Y181063
15	0152 490	3			U/NUT N N N Y152490
16		AR			SCREW (not serviced) N N N N
17	F347 BT8	1			COVER, Rear Arm Rest (paint as required) N N N YF347BT8
18	F346 BT8	1			HOUSING, Rear Center Arm Rest (paint as required) N N N YF346BT8
19	4247 285	1			BRACKET N N N Y4247285
20	4247 835	1			FASTENER, Console Front Storage Box to Bracket N N N Y4247835

The following parts are not illustrated. s ARE NOT RETURNABLE.

4247 779	1				BRACKET (inside housing number 18) N N N Y4247779
6100 049	2				NUT w/WASHER, Dash Panel Forward Console Mounting Bracket to Console Attaching N N N Y6100049

NOTE: For related parts refer to Group 21. s ARE NOT RETURNABLE.

MODEL CODES

B = GRAN FURY	G = DIPLOMAT	V = 400
C = LEBARON/TOWN & COUNTRY	M = HORIZON/TURISMO/SCAMP	X = MIRADA
D = ARIES	P = RELIANT	Y = IMPERIAL
E = 600	S = CORDOBA	Z = OMNI/CHARGER/RAMPAGE
F = FIFTH AVENUE	T = E CLASS/NEWYORKER	

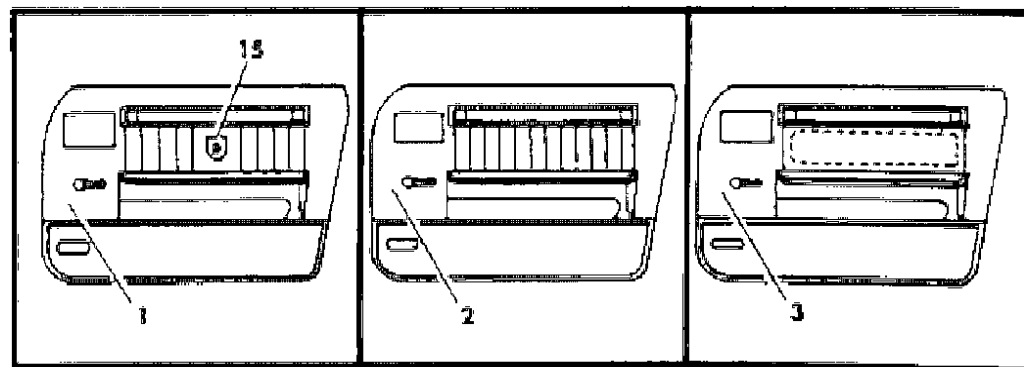
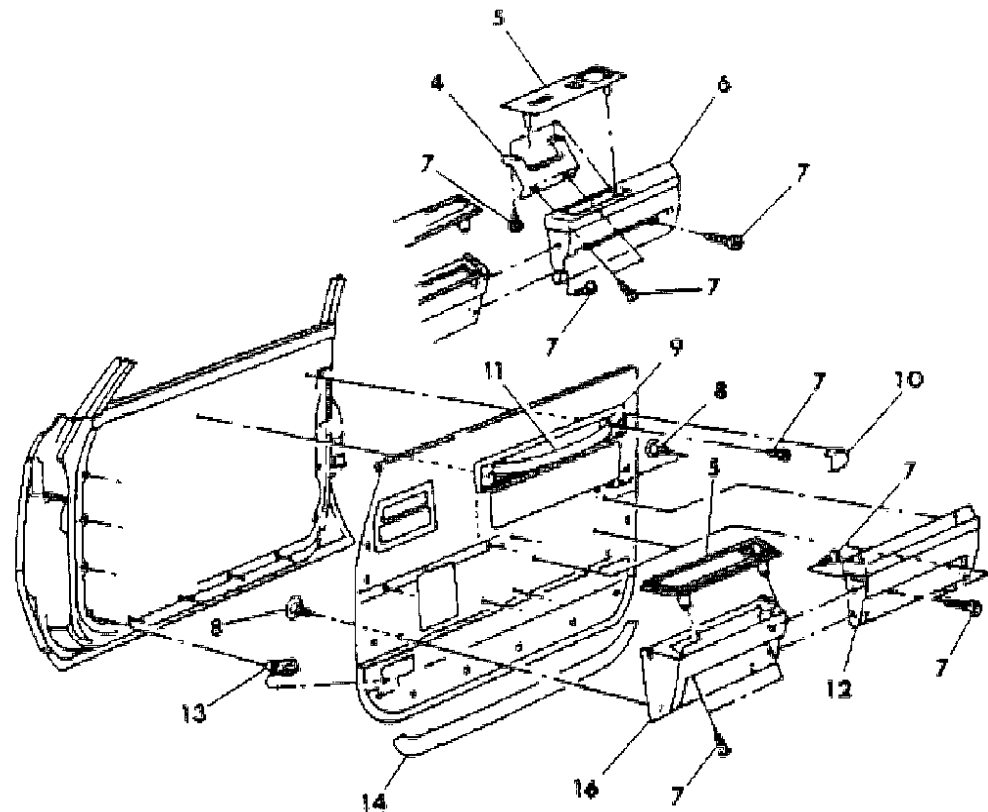
BODY STYLES

21 = 2-DOOR SEDAN	41 = 4-DOOR SEDAN
22 = 2-DOOR SPECIAL COUPE	45 = 4-DOOR STATION WAGON
24 = 2-DOOR HATCHBACK	44 = 4-DOOR HATCHBACK
27 = 2-DOOR CONVERTIBLE	48 = EXECUTIVE SEDAN
28 = FWD PICKUP	

AR = Use as Required - = Non Illustrated Part P.A.R. = Paint as Required

DOOR TRIM PANEL, FRONT E,T  
Figure IT-4101

3253 410100 A



ITEM	PART NUMBER	QTY	BODY	MODEL	DESCRIPTION
1					PANEL, Door Trim N N N N
	K166-7 BA2	1			N N NSPA YK166BA2
	K166-7 BC8	1			N N NSPC YK166BC8
	K166-7 BM6	1			N N NSPM YK166BM6
	K166-7 BL3	1			N N NSPL YK166BL3
	K166-7 BTK	1			N N NSPTK YK166BTK
2					PANEL, Door Trim N N N N
	K164-5 BA3	1			N N NGFA YK164BA3
	K164-5 BC7	1			N N NGFC YK164BC7
	K164-5 BM6	1			N N NGFM YK164BM6
	K164-5 BL3	1			N N NGFL YK164BL3
	K164-5 BT8	1			N N NGFT YK164BT8
	K172-3 BA3	1			N N NE5A YK172BA3
	K172-3 BC7	1			N N NE5C YK172BC7
	K172-3 BM6	1			N N NE5M YK172BM6
	K172-3 BT8	1			N N NE5T YK172BT8
3					PANEL, Door Trim N N N N
	K138-9 AA2	1			N N NC4A YK138AA2
	K138-9 AM6	1			N N NC4M YK138AM6
	K138-9 BL3	1			N N NC4L YK138BL3
	K186-7 BA3	1			N N NPFA YK186BA3
	K186-7 BC7	1			N N NPFC YK186BC7
	K186-7 BM6	1			N N NPFM YK186BM6
	K186-7 BL3	1			N N NPFL YK186BL3
	K186-7 BT8	1			N N NPFT YK186BT8
					(use up to 4/4/83) N N N N
	K186-7 BA3	1			N N NF3A YK186BA3
	K186-7 BC7	1			N N NF3C YK186BC7
	K186-7 BM6	1			N N NF3M YK186BM6
	K186-7 BL3	1			N N NF3L YK186BL3
					(use after 4/4/83) N N N N
	K108-9 CA3	1			N N NF3A YK108CA3
	K108-9 CC7	1			N N NF3C YK108CC7
	K108-9 CM6	1			N N NF3M YK108CM6
	K108-9 CL3	1			N N NF3L YK108CL3
4	4248 449	2			BRACKET, Mirror Bezel to Arm Rest Base N N N Y4248449
	6030 851	4			NUT, Speed Bracket Attaching N N N Y6030851

MODEL CODES

B = GRAN FURY	G = DIPLOMAT	V = 400
C = LEBARON/TOWN & COUNTRY	M = HORIZON/TURISMO/SCAMP	X = MIRADA
D = ARIES	P = RELIANT	Y = IMPERIAL
E = 600	S = CORDOBA	Z = OMNI/CHARGER/RAMPAGE
F = FIFTH AVENUE	T = E CLASS/NEWYORKER	

BODY STYLES

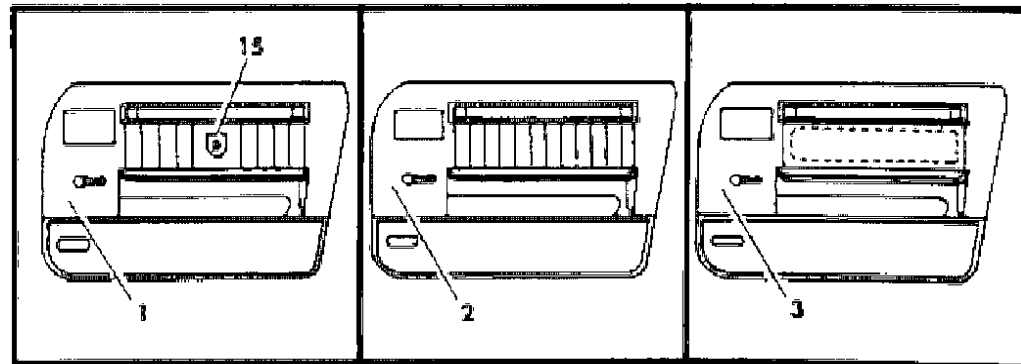
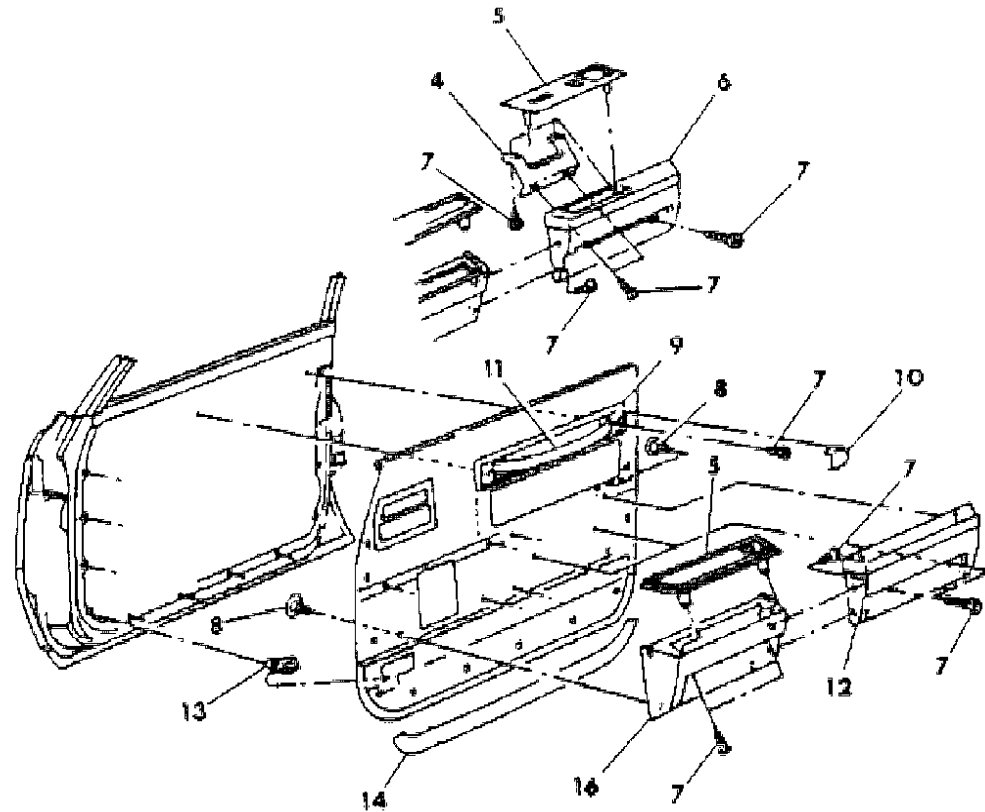
21 = 2-DOOR SEDAN	41 = 4-DOOR SEDAN
22 = 2-DOOR SPECIAL COUPE	45 = 4-DOOR STATION WAGON
24 = 2-DOOR HATCHBACK	44 = 4-DOOR HATCHBACK
27 = 2-DOOR CONVERTIBLE	48 = EXECUTIVE SEDAN
28 = FWD PICKUP	

AR = Use as Required - = Non Illustrated Part P.A.R. = Paint as Required



DOOR TRIM PANEL, FRONT E,T  
Figure IT-4101

3253 410100 A



ITEM	PART NUMBER	QTY	BODY	MODEL	DESCRIPTION
5					BEZELS (see Group 23C) N N N N
6					PAD, Arm Rest w/Power Door Locks and or Electric Mirrors N N N N
	D530-1 BA3	1			Silver N N N YD530BA3
	D530-1 BC7	1			Blue, Dark N N N YD530BC7
	D530-1 BM6	1			Red N N N YD530BM6
	D530-1 BL3	1			Beige N N N YD530BL3
	D530-1 BT8	1			Brown N N N YD530BT8
					w/o Power Door Locks N N N N
	D506-7 AA3	1			Silver N N N YD506AA3
	D506-7 AC7	1			Blue, Dark N N N YD506AC7
	D506-7 AM6	1			Red N N N YD506AM6
	D506-7 BL3	1			Beige N N N YD506BL3
	D506-7 BT8	1			Brown N N N YD506BT8
7		AR			SCREW (not serviced) N N N N
8		AR			SCREW and WASHER (not serviced) N N N N
9	4247 165	2			PLATE, Finish N N N Y4247165
-	6032 133	6			NUT N N N Y6032133
10	4247 167	4			END CAP, Finish Plate N N N Y4247167
11					HANDLE, Pull N N N N
	D930 AA2	2			Silver N N N YD930AA2
	D930 AC8	2			Blue, Dark N N N YD930AC8
	D930 AM6	2			Red N N N YD930AM6
	D930 BL3	2			Beige N N N YD930BL3
	D930 BT8	2			Brown N N N YD930BT8
	D930 AK9	2			Saddle N N N YD930AK9
-	6032 141	4			SCREW, Pull Handle Attaching N N N Y6032141
12					BASE, Arm Rest (paint as required) N N N N
	D538-9 BL3	1			w/Power Door Locks N N N YD538BL3
	D508-9 AA3	1			w/o Power Door Locks N N N YD508AA3
	6031 964	AR			NUT, Push Base Attaching N N N Y6031964
13	4114 785	AR			FASTENER N N N Y4114785
14	4247 230	2			SEAL, Secondary Sound N N N Y4247230
15	4247 692	2			MEDALLION, Trim Panel (Mark Cross) N N N Y4247692
16					BASE, Arm Rest (paint as required) N N N N
	D412-3 AA3	1			w/Power Windows N N N YD412AA3
The following part is not illustrated. s ARE NOT RETURNABLE.					
	4049 602	AR			SILENCER, Door (36"x36"x1/2" material) N N N Y4049602

MODEL CODES

B = GRAN FURY

C = LEBARON/TOWN & COUNTRY

D = ARIES

E = 600

F = FIFTH AVENUE

G = DIPLOMAT

M = HORIZON/TURISMO/SCAMP

P = RELIANT

S = CORDOBA

T = E CLASS/NEWYORKER

V = 400

X = MIRADA

Y = IMPERIAL

Z = OMNI/CHARGER/RAMPAGE

BODY STYLES

21 = 2-DOOR SEDAN

22 = 2-DOOR SPECIAL COUPE

24 = 2-DOOR HATCHBACK

27 = 2-DOOR CONVERTIBLE

28 = FWD PICKUP

41 = 4-DOOR SEDAN

45 = 4-DOOR STATION WAGON

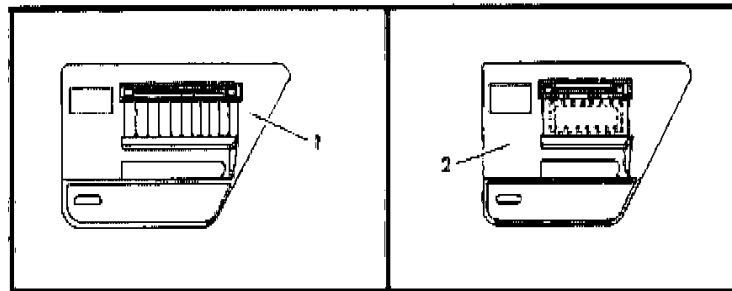
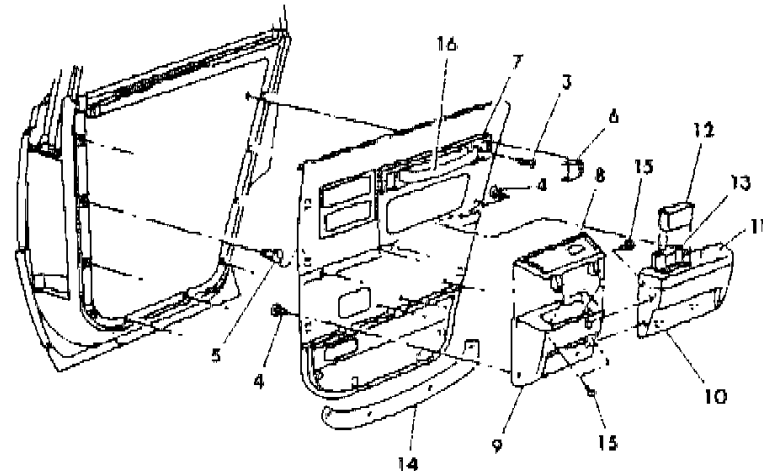
44 = 4-DOOR HATCHBACK

48 = EXECUTIVE SEDAN

AR = Use as Required - = Non Illustrated Part P.A.R. = Paint as Required

**DOOR TRIM PANEL, REAR E,T**  
**Figure IT-4102**

3253 410200



ITEM	PART NUMBER	QTY	BODY	MODEL	DESCRIPTION
1					PANEL, Door Trim N N N N
	K492-3 BA2	1			N N NSPA YK492BA2
	K492-3 BC8	1			N N NSPC YK492BC8
	K492-3 BM6	1			N N NSPM YK492BM6
	K492-3 BL3	1			N N NSPL YK492BL3
	K492-3 BTK	1			N N NSPTK YK492BTK
	K486-7 BA3	1			N N NGFA YK486BA3
	K486-7 BC7	1			N N NGFC YK486BC7
	K486-7 BM6	1			N N NGFM YK486BM6
	K486-7 BL3	1			N N NGFL YK486BL3
	K486-7 BT8	1			N N NGFT YK486BT8
	K488-9 BA3	1			N N NE5A YK488BA3
	K488-9 BC7	1			N N NE5C YK488BC7
	K488-9 BM6	1			N N NE5M YK488BM6
	K488-9 BT8	1			N N NE5T YK488BT8
2					PANEL, Door Trim N N N N
	K498-9 BA3	1			N N NPFA YK498BA3
	K498-9 BC7	1			N N NPFC YK498BC7
	K498-9 BM6	1			N N NPFM YK498BM6
	K498-9 BL3	1			N N NPFL YK498BL3
	K498-9 BA3	1			(use up to 4/4/83) N N NF3A YK498BA3
	K498-9 BC7	1			(use up to 4/4/83) N N NF3C YK498BC7
	K498-9 BM6	1			(use up to 4/4/83) N N NF3M YK498BM6
	K498-9 BL3	1			(use up to 4/4/83) N N NF3L YK498BL3
	K446-7 CA3	1			(use after 4/4/83) N N NF3A YK446CA3
	K446-7 CC7	1			(use after 4/4/83) N N NF3C YK446CC7
	K446-7 CM6	1			(use after 4/4/83) N N NF3M YK446CM6
	K446-7 CL3	1			(use after 4/4/83) N N NF3L YK446CL3
	K498-9 BT8	1			N N NPFT YK498BT8
	K484-5 BA2	1			N N NC4A YK484BA2
	K484-5 BM6	1			N N NC4M YK484BM6
	K484-5 BL3	1			N N NC4L YK484BL3
3	6032 141	AR			SCREW N N N Y6032141
4		AR			SCREW and WASHER (not serviced) N N N N
5	4114 785	AR			FASTENER N N N Y4114785
6	4247 167	4			END CAP N N N Y4247167
7	4247 166	2			PLATE, Finish N N N Y4247166

**MODEL CODES**

B = GRAN FURY	G = DIPLOMAT	V = 400
C = LEBARON/TOWN & COUNTRY	M = HORIZON/TURISMO/SCAMP	X = MIRADA
D = ARIES	P = RELIANT	Y = IMPERIAL
E = 600	S = CORDOBA	Z = OMNI/CHARGER/RAMPAGE
F = FIFTH AVENUE	T = E CLASS/NEWYORKER	

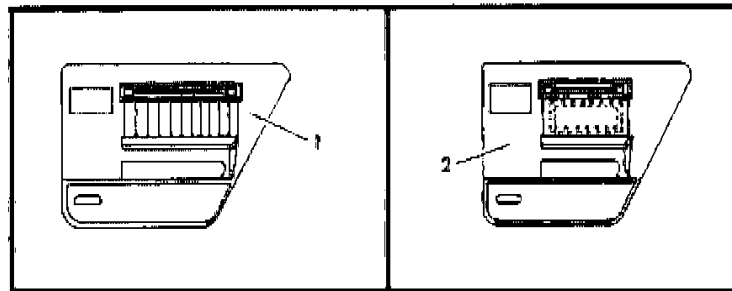
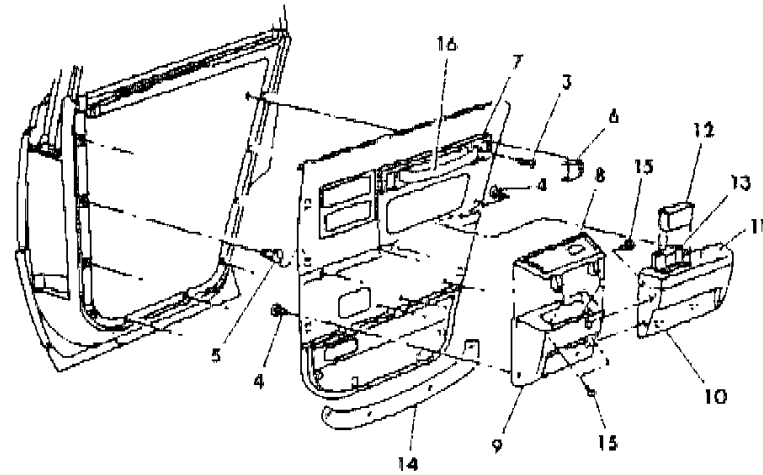
**BODY STYLES**

21 = 2-DOOR SEDAN	41 = 4-DOOR SEDAN
22 = 2-DOOR SPECIAL COUPE	45 = 4-DOOR STATION WAGON
24 = 2-DOOR HATCHBACK	44 = 4-DOOR HATCHBACK
27 = 2-DOOR CONVERTIBLE	48 = EXECUTIVE SEDAN
28 = FWD PICKUP	

AR = Use as Required - = Non Illustrated Part P.A.R. = Paint as Required

**DOOR TRIM PANEL, REAR E,T**  
**Figure IT-4102**

3253 410200



ITEM	PART NUMBER	QTY	BODY	MODEL	DESCRIPTION
-	6032 133	6			NUT, Finish Plate N N N Y6032133
8					BEZEL (see Group 23C) N N N N
9	D518-9 AA3	1			BASE, Arm Rest w/Power Windows N N N YD518AA3
10	D390-1 BL3	1			BASE, Arm Rest N N N YD390BL3
11					PAD, Arm Rest N N N N
	D422-3 BA3	1			Silver N N N YD422BA3
	D422-3 BC7	1			Blue, Dark N N N YD422BC7
	D422-3 BM6	1			Red N N N YD422BM6
	D422-3 BL3	1			Beige N N N YD422BL3
	D422-3 BT8	1			Brown N N N YD422BT8
12	3832 955	2			RECEPTICLE, Ash Receiver N N N Y3832955
	0274 306	2			PIN, Ash Receiver Lid Attaching N N N Y274306
13					RECEPTICLE, Complete N N N N0
	D438 BA3	2			Silver N N N YD438BA3
	D438 BC7	2			Blue, Dark N N N YD438BC7
	D438 BM6	2			Red N N N YD438BM6
	D438 BL3	2			Beige N N N YD438BL3
	D438 BT8	2			Brown N N N YD438BT8
14	4247 372	2			SEAL, Secondary N N N Y4247372
15		AR			SCREW (not serviced) N N N N
16					HANDLE, Door Pull N N N N
	D931 AA2	2			Silver N N N YD931AA2
	D931 AC8	2			Blue, Dark N N N YD931AC8
	D931 AM6	2			Red N N N YD931AM6
	D931 BL3	2			Beige N N N YD931BL3
	D931 BT8	2			Brown N N N YD931BT8
	D931 AK9	2			Saddle N N N YD931AK9
	4049 602	AR			SILENCER, Door (36"x36"x1/2" material) N N N Y4049602

The following part is not illustrated. s ARE NOT RETURNABLE.

**MODEL CODES**

B = GRAN FURY	G = DIPLOMAT	V = 400
C = LEBARON/TOWN & COUNTRY	M = HORIZON/TURISMO/SCAMP	X = MIRADA
D = ARIES	P = RELIANT	Y = IMPERIAL
E = 600	S = CORDOBA	Z = OMNI/CHARGER/RAMPAGE
F = FIFTH AVENUE	T = E CLASS/NEWYORKER	

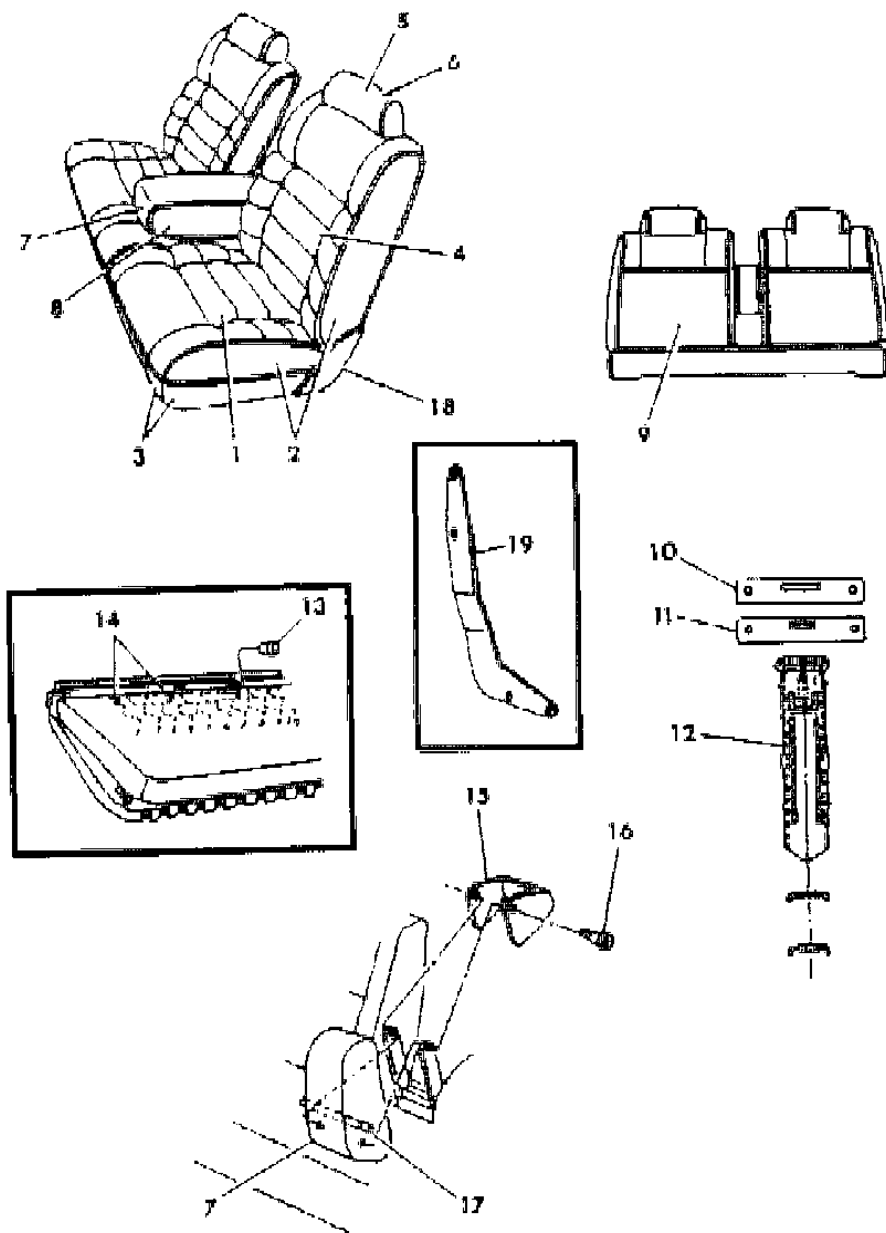
**BODY STYLES**

21 = 2-DOOR SEDAN	41 = 4-DOOR SEDAN
22 = 2-DOOR SPECIAL COUPE	45 = 4-DOOR STATION WAGON
24 = 2-DOOR HATCHBACK	44 = 4-DOOR HATCHBACK
27 = 2-DOOR CONVERTIBLE	48 = EXECUTIVE SEDAN
28 = FWD PICKUP	

AR = Use as Required - = Non Illustrated Part P.A.R. = Paint as Required

**SEAT FRONT E,T TRIM CODE F3**  
**Figure IT-4201**

3253 420100A



ITEM	PART NUMBER	QTY	BODY	MODEL	DESCRIPTION
1-3					CUSHION, w/Spring/Frame, Pad and Cover N N N N (use up to 4/4/83) N N N N
	A781 B3A	1			N N NF3A YA781B3A
	A781 B3C	1			N N NF3C YA781B3C
	A781 B3M	1			N N NF3M YA781B3M
	A781 B3L	1			N N NF3L YA781B3L (use after 4/4/83) N N N N
	A923 C3A	1			N N NF3A YA923C3A
	A923 C3C	1			N N NF3C YA923C3C
	A923 C3M	1			N N NF3M YA923C3M
	A923 C3L	1			N N NF3L YA923C3L
1					COVER, Cushion N N N N (use up to 4/4/83) N N N N
	A466 B3A	1			N N NF3A YA466B3A
	A466 B3C	1			N N NF3C YA466B3C
	A466 B3M	1			N N NF3M YA466B3M
	A466 B3L	1			N N NF3L YA466B3L (use after 4/4/83) N N N N
	A509 C3A	1			N N NF3A YA509C3A
	A509 C3C	1			N N NF3C YA509C3C
	A509 C3M	1			N N NF3M YA509C3M
	A509 C3L	1			N N NF3L YA509C3L
2					ROLL STOCK, Cloth 54" Wide Order by the Inch N N N N (use up to 4/4/83) N N N N
	R011 BA3	AR			N N NF3A YR011BA3
	R011 BC7	AR			N N NF3C YR011BC7
	R011 BM6	AR			N N NF3M YR011BM6
	R011 BL3	AR			N N NF3L YR011BL3 (use after 4/4/83) N N N N
	R093 AA3	AR			N N NF3A YR093AA3
	R093 AC7	AR			N N NF3C YR093AC7
	R093 AM6	AR			N N NF3M YR093AM6
	R093 BL3	AR			N N NF3L YR093BL3
3					ROLL STOCK, Vinyl 64" Wide Order by the Inch N N N N
	R616 AA2	AR			N N NF3A YR616AA2
	R616 VC8	AR			N N NF3C YR616VC8
	R616 VM6	AR			N N NF3M YR616VM6

**MODEL CODES**

B = GRAN FURY	G = DIPLOMAT	V = 400
C = LEBARON/TOWN & COUNTRY	M = HORIZON/TURISMO/SCAMP	X = MIRADA
D = ARIES	P = RELIANT	Y = IMPERIAL
E = 600	S = CORDOBA	Z = OMNI/CHARGER/RAMPAGE
F = FIFTH AVENUE	T = E CLASS/NEWYORKER	

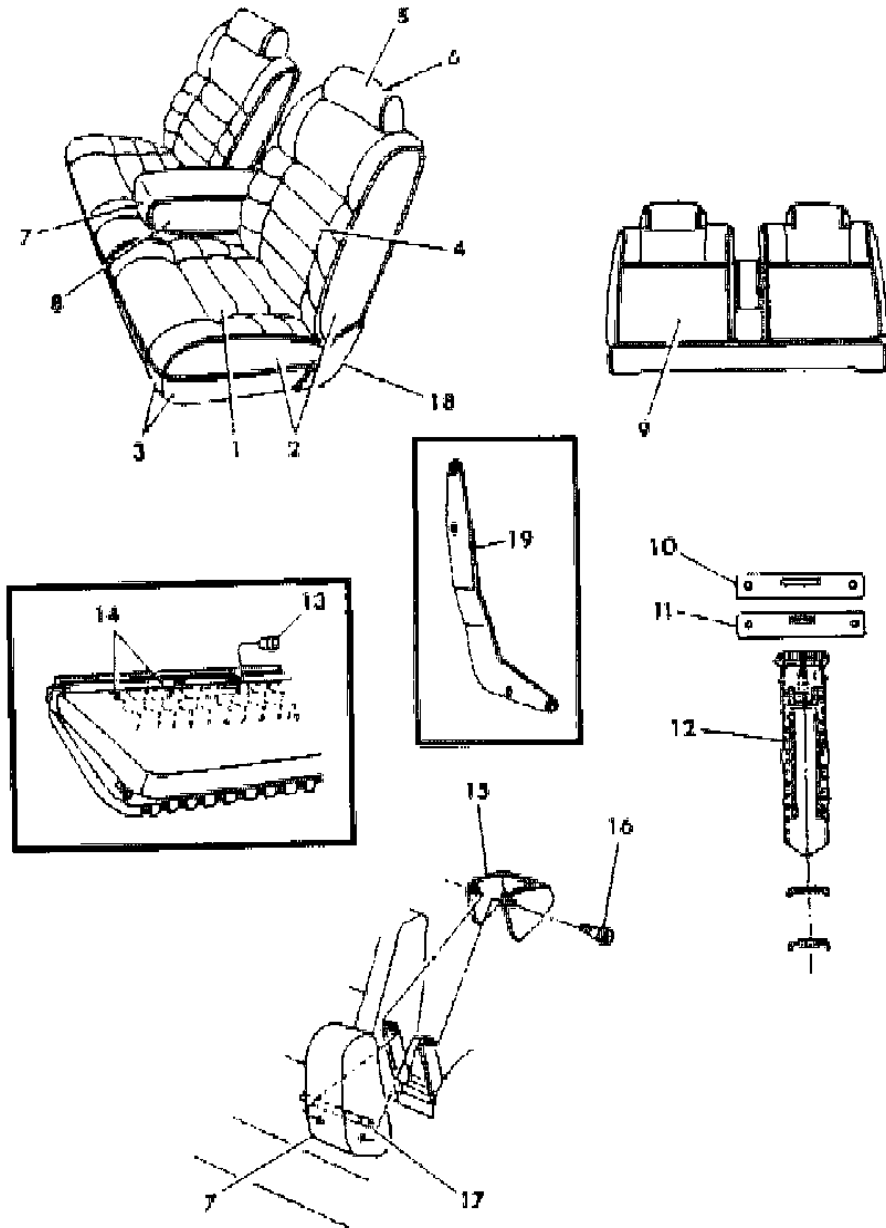
**BODY STYLES**

21 = 2-DOOR SEDAN	41 = 4-DOOR SEDAN
22 = 2-DOOR SPECIAL COUPE	45 = 4-DOOR STATION WAGON
24 = 2-DOOR HATCHBACK	44 = 4-DOOR HATCHBACK
27 = 2-DOOR CONVERTIBLE	48 = EXECUTIVE SEDAN
28 = FWD PICKUP	

AR = Use as Required - = Non Illustrated Part P.A.R. = Paint as Required

**SEAT FRONT E,T TRIM CODE F3**  
**Figure IT-4201**

3253 420100A



ITEM	PART NUMBER	QTY	BODY	MODEL	DESCRIPTION
	R616 BL3	AR			N N NF3L YR616BL3
2-4					BACK, w/Spring/Frame, Pad and Cover N N N N (use up to 4/4/83) N N N N
	A782-3 B3A	1			N N NF3A YA782B3A
	A782-3 B3C	1			N N NF3C YA782B3C
	A782-3 B3M	1			N N NF3M YA782B3M
	A782-3 B3L	1			N N NF3L YA782B3L (use after 4/4/83) N N N N
	A926-7 C3A	1			N N NF3A YA926C3A
	A926-7 C3C	1			N N NF3C YA926C3C
	A926-7 C3M	1			N N NF3M YA926C3M
	A926-7 C3L	1			N N NF3L YA926C3L
4					COVER, Back N N N N (use up to 4/4/83) N N N N
	A464-5 B3A	1			N N NF3A YA464B3A
	A464-5 B3C	1			N N NF3C YA464B3C
	A464-5 B3M	1			N N NF3M YA464B3M
	A464-5 B3L	1			N N NF3L YA464B3L (use after 4/4/83) N N N N
	A510-1 C3A	1			N N NF3A YA510C3A
	A510-1 C3C	1			N N NF3C YA510C3C
	A510-1 C3M	1			N N NF3M YA510C3M
	A510-1 C3L	1			N N NF3L YA510C3L
5					HEADREST w/COVER N N N N
	A777 BA3	2			(use up to 9/27/82) N N NF3A YA777BA3
	B957 BA3	2			(use from 9/27/82 to 4/4/83) N N NF3A YB957BA3
	C806 AA3	2			(use after 4/4/83) N N NF3A YC806AA3
	A777 BC7	2			(use up to 9/21/82) N N NF3C YA777BC7
	B957 BC7	2			(use from 9/21/82 to 4/4/83) N N NF3C YB957BC7
	C806 AC7	2			(use after 4/4/83) N N NF3C YC806AC7
	A777 BM6	2			(use up to 9/23/82) N N NF3M YA777BM6
	B957 BM6	2			(use from 9/23/82 to 4/4/83) N N NF3M YB957BM6
	C806 AM6	2			(use after 4/4/83) N N NF3M YC806AM6
	A777 BL3	2			(use up to 9/20/82) N N NF3L YA777BL3
	B957 BL3	2			(use from 9/20/82 to 4/4/83) N N NF3L YB957BL3
	C806 BL3	2			(use after 4/4/83) N N NF3L YC806BL3
6					COVER, Headrest N N N N

**MODEL CODES**

B = GRAN FURY	G = DIPLOMAT	V = 400
C = LEBARON/TOWN & COUNTRY	M = HORIZON/TURISMO/SCAMP	X = MIRADA
D = ARIES	P = RELIANT	Y = IMPERIAL
E = 600	S = CORDOBA	Z = OMNI/CHARGER/RAMPAGE
F = FIFTH AVENUE	T = E CLASS/NEWYORKER	

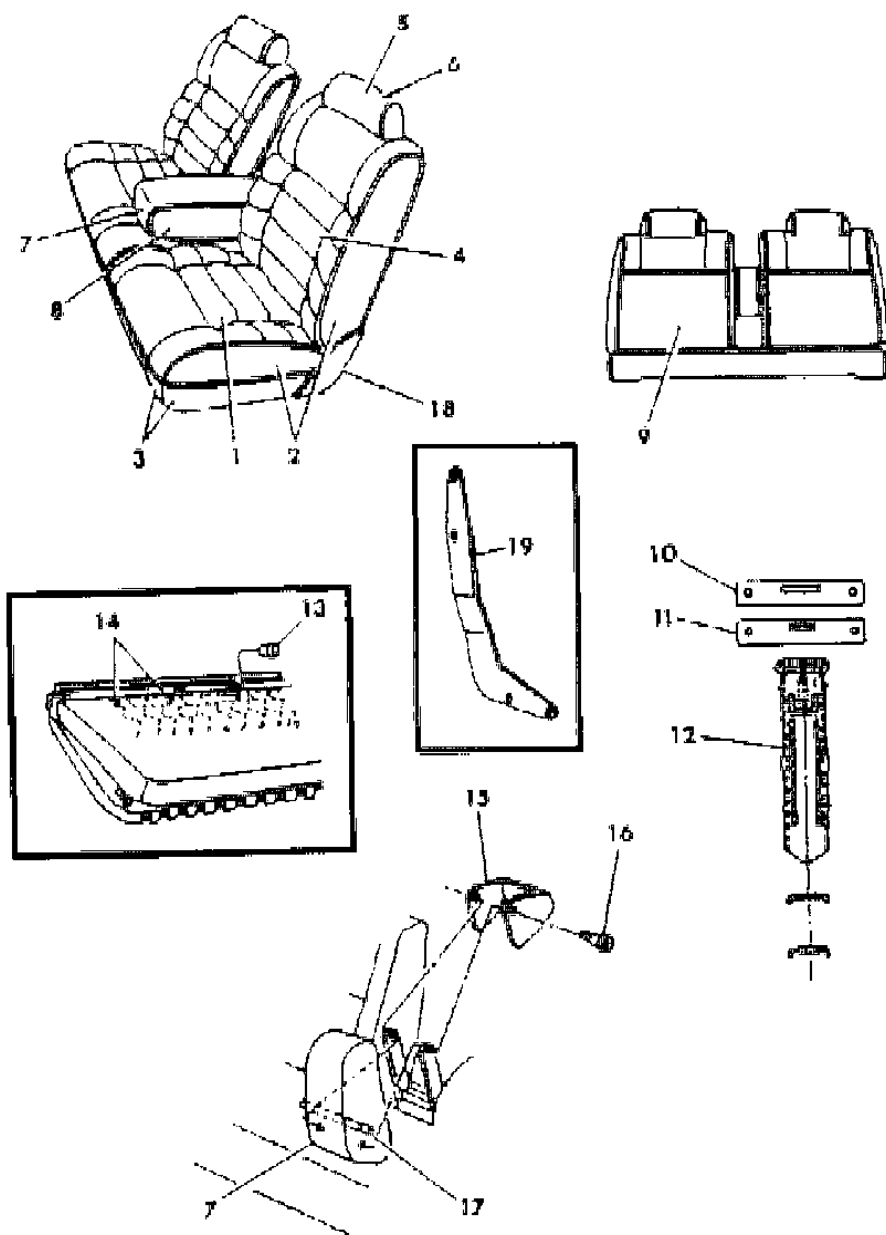
**BODY STYLES**

21 = 2-DOOR SEDAN	41 = 4-DOOR SEDAN
22 = 2-DOOR SPECIAL COUPE	45 = 4-DOOR STATION WAGON
24 = 2-DOOR HATCHBACK	44 = 4-DOOR HATCHBACK
27 = 2-DOOR CONVERTIBLE	48 = EXECUTIVE SEDAN
28 = FWD PICKUP	

AR = Use as Required - = Non Illustrated Part P.A.R. = Paint as Required

SEAT FRONT E,T TRIM CODE F3  
Figure IT-4201

3253 420100A



ITEM	PART NUMBER	QTY	BODY	MODEL	DESCRIPTION
	A469 BA3	2			(use up to 9/27/82) N N NF3A YA469BA3
	C328 BA3	2			(use from 9/27/82 to 4/4/83) N N NF3A YC328BA3
	C351 AA3	2			(use after 4/4/83) N N NF3A YC351AA3
	A469 BC7	2			(use up to 9/21/82) N N NF3C YA469BC7
	C328 BC7	2			(use from 9/21/82 to 4/4/83) N N NF3C YC328BC7
	C351 AC7	2			(use after 4/4/83) N N NF3C YC351AC7
	A469 BM6	2			(use up to 9/23/82) N N NF3M YA469BM6
	C328 BM6	2			(use from 9/23/82 to 4/4/83) N N NF3M YC328BM6
	C351 AM6	2			(use after 4/4/83) N N NF3M YC351AM6
	A469 BL3	2			(use up to 9/20/82) N N NF3L YA469BL3
	C328 BL3	2			(use from 9/20/82 to 4/4/83) N N NF3L YC328BL3
	C351 BL3	2			(use after 4/4/83) N N NF3L YC351BL3
7					ARM REST w/COVER N N N N
					(use up to 4/4/83) N N N N
	A778 BA3	1			N N NF3A YA778BA3
	A778 BC7	1			N N NF3C YA778BC7
	A778 BM6	1			N N NF3M YA778BM6
	A778 BL3	1			N N NF3L YA778BL3
					(use after 4/4/83) N N N N
	C836 AA3	1			N N NF3A YC836AA3
	C836 AC7	1			N N NF3C YC836AC7
	C836 AM6	1			N N NF3M YC836AM6
	C836 BL3	1			N N NF3L YC836BL3
8					COVER, Arm Rest N N N N
					(use up to 4/4/83) N N N N
	A470 BA3	1			N N NF3A YA470BA3
	A470 BC7	1			N N NF3C YA470BC7
	A470 BM6	1			N N NF3M YA470BM6
	A470 BL3	1			N N NF3L YA470BL3
					(use after 4/4/83) N N N N
		1			N N NF3A NC408AA3
		1			N N NF3C NC408AC7
		1			N N NF3M NC408AM6
		1			N N NF3L NC408BL3
9					ROLL STOCK, Vinyl 50" Wide Order by the Inch N N N N
	R620 AA2	AR			N N NF3A YR620AA2
	R620 AC8	AR			N N NF3C YR620AC8

MODEL CODES

B = GRAN FURY	G = DIPLOMAT	V = 400
C = LEBARON/TOWN & COUNTRY	M = HORIZON/TURISMO/SCAMP	X = MIRADA
D = ARIES	P = RELIANT	Y = IMPERIAL
E = 600	S = CORDOBA	Z = OMNI/CHARGER/RAMPAGE
F = FIFTH AVENUE	T = E CLASS/NEWYORKER	

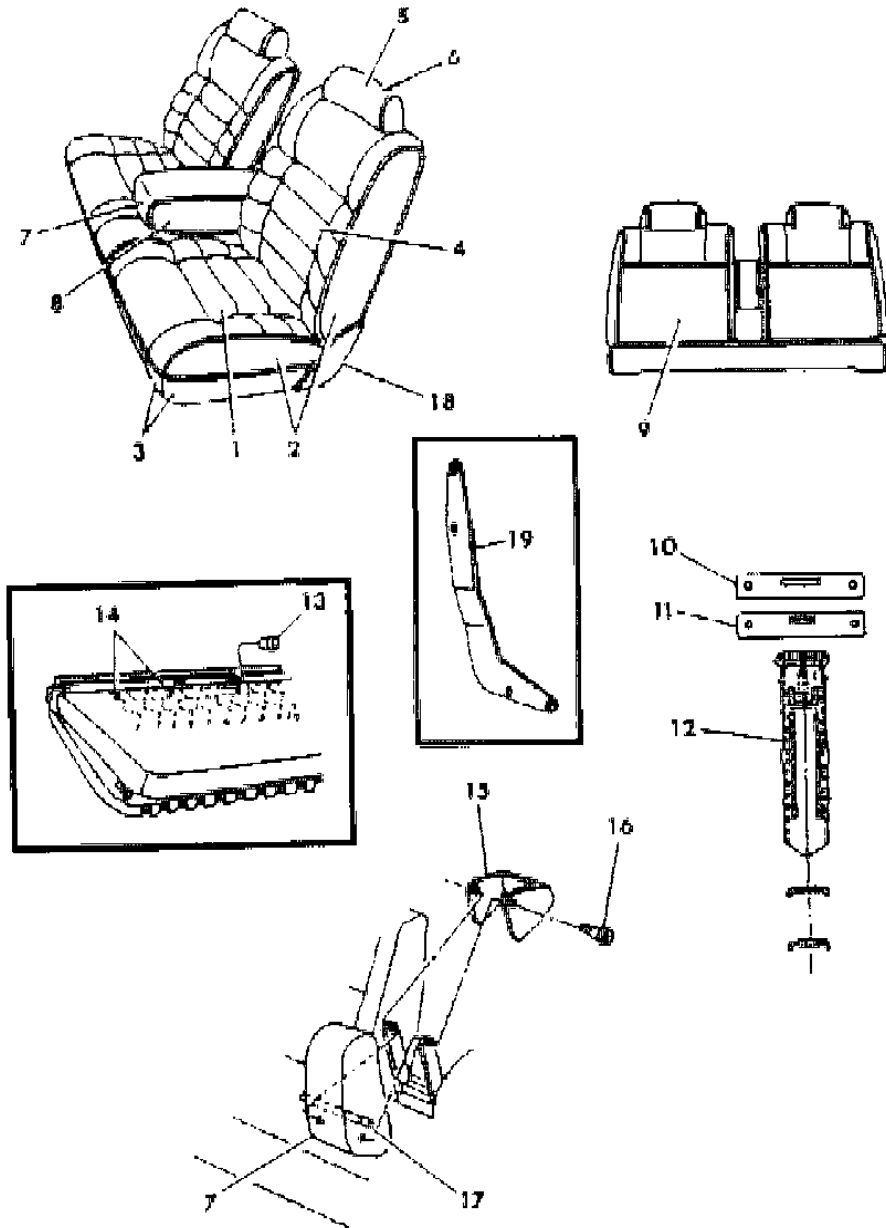
BODY STYLES

21 = 2-DOOR SEDAN	41 = 4-DOOR SEDAN
22 = 2-DOOR SPECIAL COUPE	45 = 4-DOOR STATION WAGON
24 = 2-DOOR HATCHBACK	44 = 4-DOOR HATCHBACK
27 = 2-DOOR CONVERTIBLE	48 = EXECUTIVE SEDAN
28 = FWD PICKUP	

AR = Use as Required - = Non Illustrated Part P.A.R. = Paint as Required

**SEAT FRONT E,T TRIM CODE F3**  
**Figure IT-4201**

3253 420100A



ITEM	PART NUMBER	QTY	BODY	MODEL	DESCRIPTION
	R620 VM6	AR			N N NF3M YR620VM6
	R620 BL3	AR			N N NF3L YR620BL3
	R093 AA3	AR			ROLL STOCK, Cloth 54" Wide Order by the Inch N N N N
	R093 AC7	AR			N N NF3A YR093AA3
	R093 AM6	AR			N N NF3M YR093AM6
	R093 BL3	AR			N N NF3L YR093BL3
10	4190 388	2			COVER, Headrest Finish N N N Y4190388
11	4190 387	2			SUPPORT, Headrest Trim Cover N N N Y4190387
12					SLEEVE, Headrest N N N N
	S786 AA3	2			N N NF3A YS786AA3
	S786 AC7	2			N N NF3C YS786AC7
	S786 VM6	2			N N NF3M YS786VM6
	S786 BL3	2			N N NF3L YS786BL3
13	4277 908	2			BUSHING, Cushion Pivot Bracket N N N Y4277908
14	6008 076	AR			HOG RING N N N Y6008076
15					COVER, Arm Rest Finish N N N N
	S581 AA3	1			N N NF3A YS581AA3
	S581 AC7	1			N N NF3C YS581AC7
	S581 AM6	1			N N NF3M YS581AM6
	S581 BL3	1			N N NF3L YS581BL3
16	6030 082	2			SCREW, Arm Rest to Stanchion N N N Y6030082
17	4138 891	1			ROD, Arm Rest Lock N N N Y4138891
-	6006 324	AR			NUT, Arm Rest Lock Rod N N N Y6006324
18					SHIELD, Rear Rail N N N N
	S678-9 AA3	1			N N NF3A YS678AA3
	S678-9 AC7	1			N N NF3C YS678AC7
	S678-9 AM6	1			N N NF3M YS678AM6
	S678-9 BL3	1			N N NF3L YS678BL3
19	4239 784-5	1			ARM, Front Seat Back to Cushion (Split Back Bench w/Center Arm Rest) N N N Y4239784
	6100 585	4			SCREW w/WASHER N N N Y6100585

**MODEL CODES**

B = GRAN FURY	G = DIPLOMAT	V = 400
C = LEBARON/TOWN & COUNTRY	M = HORIZON/TURISMO/SCAMP	X = MIRADA
D = ARIES	P = RELIANT	Y = IMPERIAL
E = 600	S = CORDOBA	Z = OMNI/CHARGER/RAMPAGE
F = FIFTH AVENUE	T = E CLASS/NEWYORKER	

**BODY STYLES**

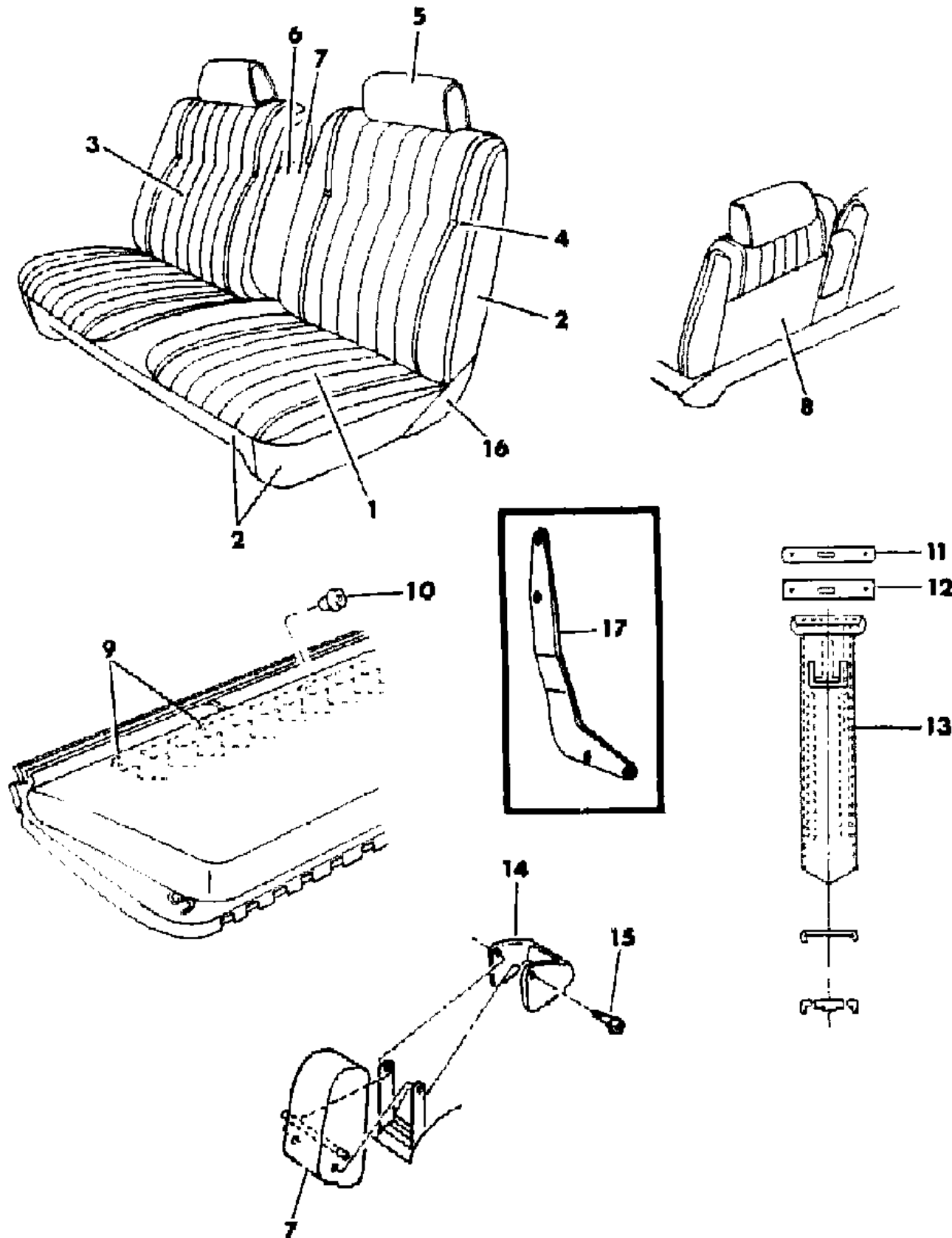
21 = 2-DOOR SEDAN	41 = 4-DOOR SEDAN
22 = 2-DOOR SPECIAL COUPE	45 = 4-DOOR STATION WAGON
24 = 2-DOOR HATCHBACK	44 = 4-DOOR HATCHBACK
27 = 2-DOOR CONVERTIBLE	48 = EXECUTIVE SEDAN
28 = FWD PICKUP	

AR = Use as Required - = Non Illustrated Part P.A.R. = Paint as Required

SEAT FRONT E,T TRIM CODE C4

Figure IT-4202

3253 420 200 A



ITEM	PART NUMBER	QTY	BODY	MODEL	DESCRIPTION
1-2					CUSHION, w/Spring/Frame, Pad and Cover N N N N
	A786 B4A	1			N N NC4A YA786B4A
	A786 B4M	1			N N NC4M YA786B4M
	A786 B4L	1			N N NC4L YA786B4L
1					COVER, Cushion N N N N
	A410 B4A	1			N N NC4A YA410B4A
	A410 B4M	1			N N NC4M YA410B4M
	A410 B4L	1			N N NC4L YA410B4L
2					ROLL STOCK, Vinyl 64" Wide Order by the Inch N N N N
	R616 AA2	AR			N N NC4A YR616AA2
	R616 VM6	AR			N N NC4M YR616VM6
	R616 BL3	AR			N N NC4L YR616BL3
2-3					BACK, w/Spring/Frame, Pad and Cover N N N N
	A784-5 B4A	1			N N NC4A YA784B4A
	A784-5 B4M	1			N N NC4M YA784B4M
	A784-5 B4L	1			N N NC4L YA784B4L
3					COVER, Back N N N N
	A408-9 B4A	1			N N NC4A YA408B4A
	A408-9 B4M	1			N N NC4M YA408B4M
	A408-9 B4L	1			N N NC4L YA408B4L
4					BUTTON, Chrome N N N N
	4190 694	4			(up to 1/26/83 N N N Y4190694
	4316 220	4			(after 1/26/83 N N N Y4316220
5					HEADREST w/COVER N N N N
	S790 AA2	2			N N NC4A YS790AA2
	S790 VM6	2			N N NC4M YS790VM6
	S790 BL3	2			N N NC4L YS790BL3
6					ARM REST w/COVER N N N N
	A725 BA2	1			(use up to 10/20/82) N N NC4A YA725BA2
	B941 BA2	1			(use after 10/20/82) N N NC4A YB941BA2
	A725 BM6	1			(use up to 10/22/82) N N NC4M YA725BM6
	B941 BM6	1			(use after 10/22/82) N N NC4M YB941BM6
	A725 BL3	1			(use up to 10/6/82) N N NC4L YA725BL3
	B941 BLL	1			(use after 10/6/82) N N NC4L YB941BLL
7					COVER, Arm Rest N N N N
	A414 BA2	1			(use up to 10/20/82) N N NC4A YA414BA2
	C459 BA2	1			(use after 10/20/82) N N NC4A YC459BA2

MODEL CODES

B = GRAN FURY

C = LEBARON/TOWN & COUNTRY

D = ARIES

E = 600

F = FIFTH AVENUE

G = DIPLOMAT

M = HORIZON/TURISMO/SCAMP

P = RELIANT

S = CORDOBA

T = E CLASS/NEWYORKER

V = 400

X = MIRADA

Y = IMPERIAL

Z = OMNI/CHARGER/RAMPAGE

BODY STYLES

21 = 2-DOOR SEDAN

22 = 2-DOOR SPECIAL COUPE

24 = 2-DOOR HATCHBACK

27 = 2-DOOR CONVERTIBLE

28 = FWD PICKUP

41 = 4-DOOR SEDAN

45 = 4-DOOR STATION WAGON

44 = 4-DOOR HATCHBACK

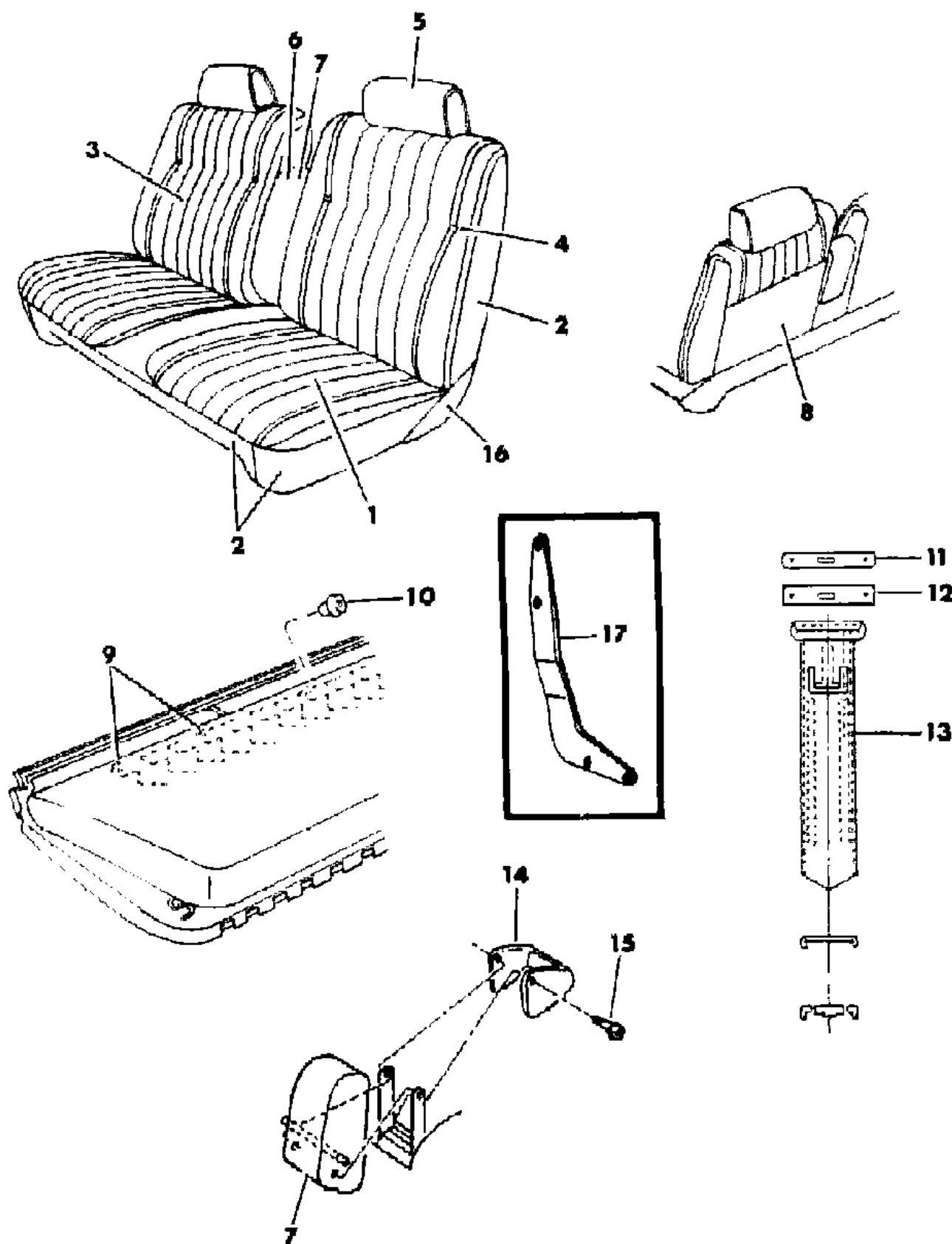
48 = EXECUTIVE SEDAN

AR = Use as Required - = Non Illustrated Part P.A.R. = Paint as Required



SEAT FRONT E,T TRIM CODE C4  
Figure IT-4202

3253 420 200 A



ITEM	PART NUMBER	QTY	BODY	MODEL	DESCRIPTION
	A414 BM6	1			(use up to 10/22/82) N N NC4M YA414BM6
	C459 BM6	1			(use after 10/22/82) N N NC4M YC459BM6
	A414 BL3	1			(use up to 10/6/82) N N NC4L YA414BL3
	C459 BLL	1			(use after 10/6/82) N N NC4L YC459BLL
8					ROLL STOCK, Vinyl 50" Wide Order by the Inch N N N N
	R620 AA2	AR			N N NC4A YR620AA2
	R620 VM6	AR			N N NC4M YR620VM6
	R620 BL3	AR			N N NC4L YR620BL3
9	6008 076	AR			HOG RING N N N Y6008076
10	4277 908	2			BUSHING, Cushion Pivot Bracket N N N Y4277908
11	4190 388	2			COVER, Headrest Finish N N N Y4190388
12	4190 387	2			SUPPORT, Headrest Trim Cover N N N Y4190387
13					SLEEVE, Headrest N N N N
	S786 AA3	2			N N NC4A YS786AA3
	S786 VM6	2			N N NC4M YS786VM6
	S786 BL3	2			N N NC4L YS786BL3
14					COVER, Arm Rest Finish N N N N
	S581 AA3	1			N N NC4A YS581AA3
	S581 AM6	1			N N NC4M YS581AM6
	S581 BL3	1			N N NC4L YS581BL3
15	6030 082	2			SCREW, Arm Rest to Stanchion N N N Y6030082
16					SHIELD, Rear Rail N N N N
	S678-9 AA3	1			N N NC4A YS678AA3
	S678-9 AM6	1			N N NC4M YS678AM6
	S678-9 BL3	1			N N NC4L YS678BL3
17	4239 784-5	1			ARM, Front Seat Back to Cushion (Split Back Bench w/Center Arm Rest) N N N Y4239784
	6100 585	4			SCREW w/WASHER N N N Y6100585

MODEL CODES

B = GRAN FURY	G = DIPLOMAT	V = 400
C = LEBARON/TOWN & COUNTRY	M = HORIZON/TURISMO/SCAMP	X = MIRADA
D = ARIES	P = RELIANT	Y = IMPERIAL
E = 600	S = CORDOBA	Z = OMNI/CHARGER/RAMPAGE
F = FIFTH AVENUE	T = E CLASS/NEWYORKER	

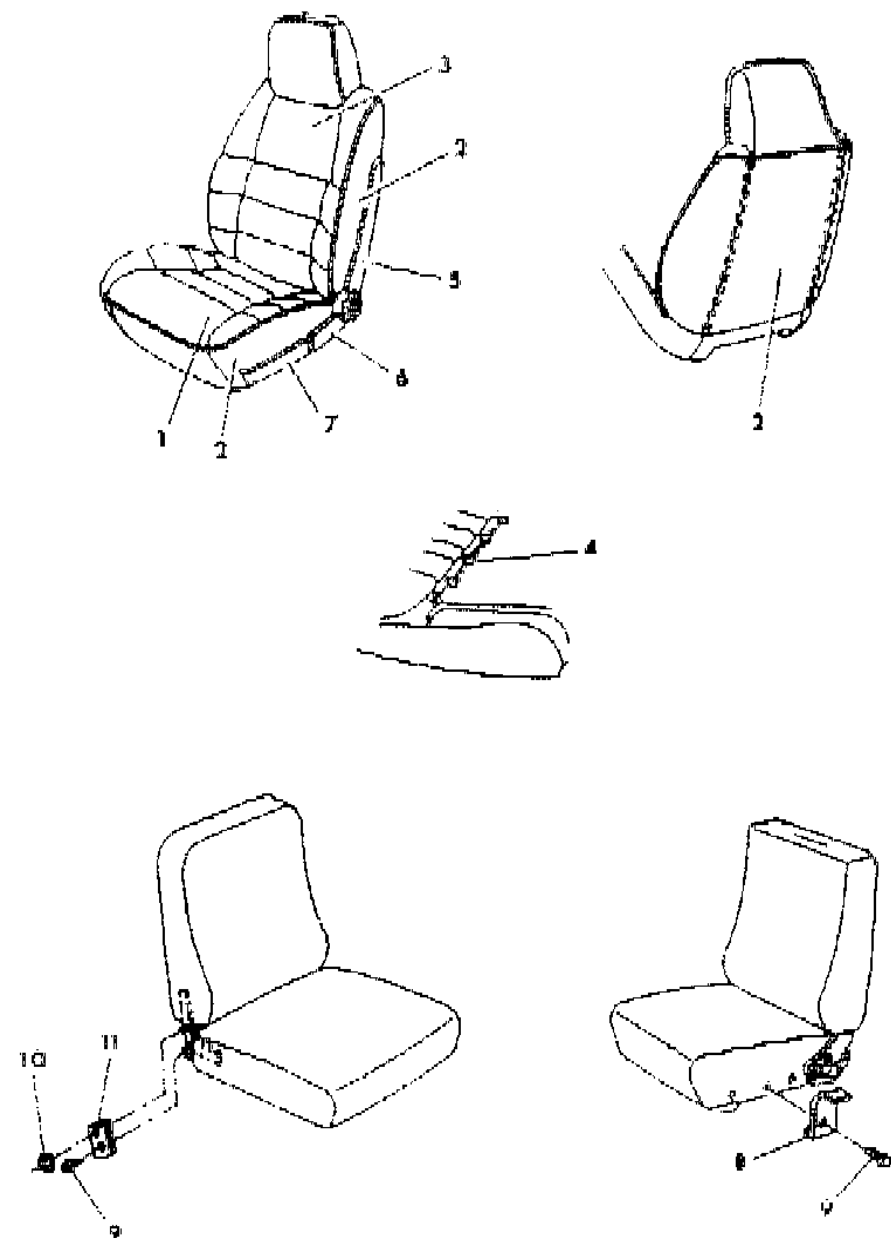
BODY STYLES

21 = 2-DOOR SEDAN	41 = 4-DOOR SEDAN
22 = 2-DOOR SPECIAL COUPE	45 = 4-DOOR STATION WAGON
24 = 2-DOOR HATCHBACK	44 = 4-DOOR HATCHBACK
27 = 2-DOOR CONVERTIBLE	48 = EXECUTIVE SEDAN
28 = FWD PICKUP	

AR = Use as Required - = Non Illustrated Part P.A.R. = Paint as Required

**SEAT FRONT E,T TRIM CODE E5**  
**Figure IT-4221**

3253 422100



ITEM	PART NUMBER	QTY	BODY	MODEL	DESCRIPTION
1-2					CUSHION, w/Spring/Frame, Pad and Cover N N N N
	A792-3 B5A	1			(use up to 1/3/83) N N NE5A YA792B5A
	A832-3 B5A	1			(use after 1/3/83) N N NE5A YA832B5A
	A792-3 B5C	1			(use up to 10/21/82) N N NE5C YA792B5C
	A832-3 B5C	1			(use after 10/21/82) N N NE5C YA832B5C
	A792-3 B5M	1			(use up to 10/27/82) N N NE5M YA792B5M
	A832-3 B5M	1			(use after 10/27/82) N N NE5M YA832B5M
	A792-3 B5T	1			(use up to 1/3/83) N N NE5T YA792B5T
	A832-3 B5T	1			(use after 1/3/83) N N NE5T YA832B5T
1					COVER, Cushion N N N N
	A416 B5A	2			(use up to 1/3/83) N N NE5A YA416B5A
	A471 B5A	2			(use after 1/3/83) N N NE5A YA471B5A
	A416 B5C	2			(use up to 10/21/82) N N NE5C YA416B5C
	A471 B5C	2			(use after 10/21/82) N N NE5C YA471B5C
	A416 B5M	2			(use up to 10/27/82) N N NE5M YA416B5M
	A471 B5M	2			(use after 10/27/82) N N NE5M YA471B5M
	A416 B5T	2			(use up to 1/3/83) N N NE5T YA416B5T
	A471 B5T	2			(use after 1/3/83) N N NE5T YA471B5T
2					ROLL STOCK, Cloth 54" Wide Order by the Inch N N N N
	R016 BA3	AR			N N NE5A YR016BA3
	R016 BC7	AR			N N NE5C YR016BC7
	R016 BM6	AR			N N NE5M YR016BM6
	R016 BT8	AR			N N NE5T YR016BT8
2-3					BACK, w/Spring/Frame, Pad and Cover N N N N
	A794 B5A	2			(use up to 1/3/83) N N NE5A YA794B5A
	A834 B5A	2			(use after 1/3/83) N N NE5A YA834B5A
	A794 B5C	2			(use up to 10/20/82) N N NE5C YA794B5C
	A834 B5C	2			(use after 10/20/82) N N NE5C YA834B5C
	A794 B5M	2			(use up to 10/29/82) N N NE5M YA794B5M
	A834 B5M	2			(use after 10/29/82) N N NE5M YA834B5M
	A794 B5T	2			(use up to 1/3/83) N N NE5T YA794B5T
	A834 B5T	2			(use after 1/3/83) N N NE5T YA834B5T
	6500 534	4			BOLT, Front Seat Back to Cushion Attaching N N N Y6500534
3					COVER, Back N N N N
	A418 B5A	2			(use up to 1/3/83) N N NE5A YA418B5A
	A472 B5A	2			(use after 1/3/83) N N NE5A YA472B5A
	A418 B5C	2			(use up to 10/20/82) N N NE5C YA418B5C

MODEL CODES  
 B = GRAN FURY                      G = DIPLOMAT                      V = 400  
 C = LEBARON/TOWN & COUNTRY    M = HORIZON/TURISMO/SCAMP    X = MIRADA  
 D = ARIES                            P = RELIANT                        Y = IMPERIAL  
 E = 600                                S = CORDOBA                        Z = OMNI/CHARGER/RAMPAGE  
 F = FIFTH AVENUE                    T = E CLASS/NEWYORKER

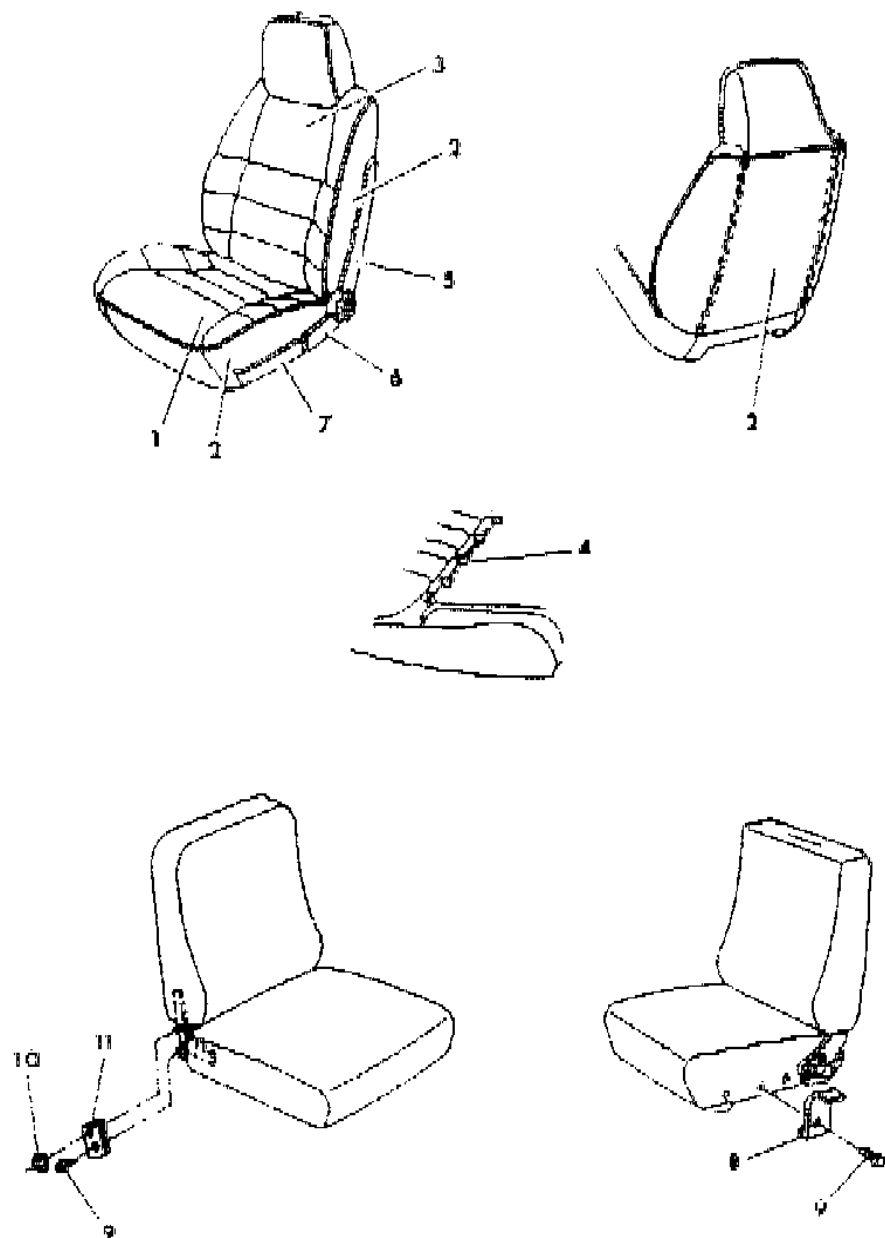
BODY STYLES  
 21 = 2-DOOR SEDAN                    41 = 4-DOOR SEDAN  
 22 = 2-DOOR SPECIAL COUPE        45 = 4-DOOR STATION WAGON  
 24 = 2-DOOR HATCHBACK            44 = 4-DOOR HATCHBACK  
 27 = 2-DOOR CONVERTIBLE         48 = EXECUTIVE SEDAN  
 28 = FWD PICKUP

AR = Use as Required - = Non Illustrated Part P.A.R. = Paint as Required

SEAT FRONT E,T TRIM CODE E5

Figure IT-4221

3253 422100



ITEM	PART NUMBER	QTY	BODY	MODEL	DESCRIPTION
	A472 B5C	2			(use after 10/20/82) N N NE5C YA472B5C
	A418 B5M	2			(use up to 10/29/82) N N NE5M YA418B5M
	A472 B5M	2			(use after 10/29/82) N N NE5M YA472B5M
	A418 B5T	2			(use up to 1/3/83) N N NE5T YA418B5T
	A472 B5T	2			(use after 1/3/83) N N NE5T YA472B5T
4	6008 076	AR			HOG RING N N N Y6008076
5	S796-7 BL3	1			SHIELD, Back Upper Outer (paint as required) N N N YS796BL3
	S798-9 BL3	1			Inner N N N YS798BL3
-	6500 453	AR			NUT N N N Y6500453
6	S756-7 AB2	1			Shield, Cushion Outer and Inner (paint as required) N N N YS756AB2
-	6031 147	AR			NUT N N N Y6031147
7	S772-3 VB2	1			SHIELD, Cushion Side Outer and Inner (paint as required) N N N YS772VB2
8	4190 711	1			BRACKET, Side Shield Attaching N N N Y4190711
9		AR			SCREW (not serviced) N N N N
10	6024 440	AR			RING, Retaining Seat Latch to Back N N N Y6024440
11	4239 492	AR			LOCK, Back to Cushion N N N Y4239492

NOTE: For arm rest see Console and Arm Rest Illustration. s ARE NOT RETURNABLE.

MODEL CODES

B = GRAN FURY	G = DIPLOMAT	V = 400
C = LEBARON/TOWN & COUNTRY	M = HORIZON/TURISMO/SCAMP	X = MIRADA
D = ARIES	P = RELIANT	Y = IMPERIAL
E = 600	S = CORDOBA	Z = OMNI/CHARGER/RAMPAGE
F = FIFTH AVENUE	T = E CLASS/NEWYORKER	

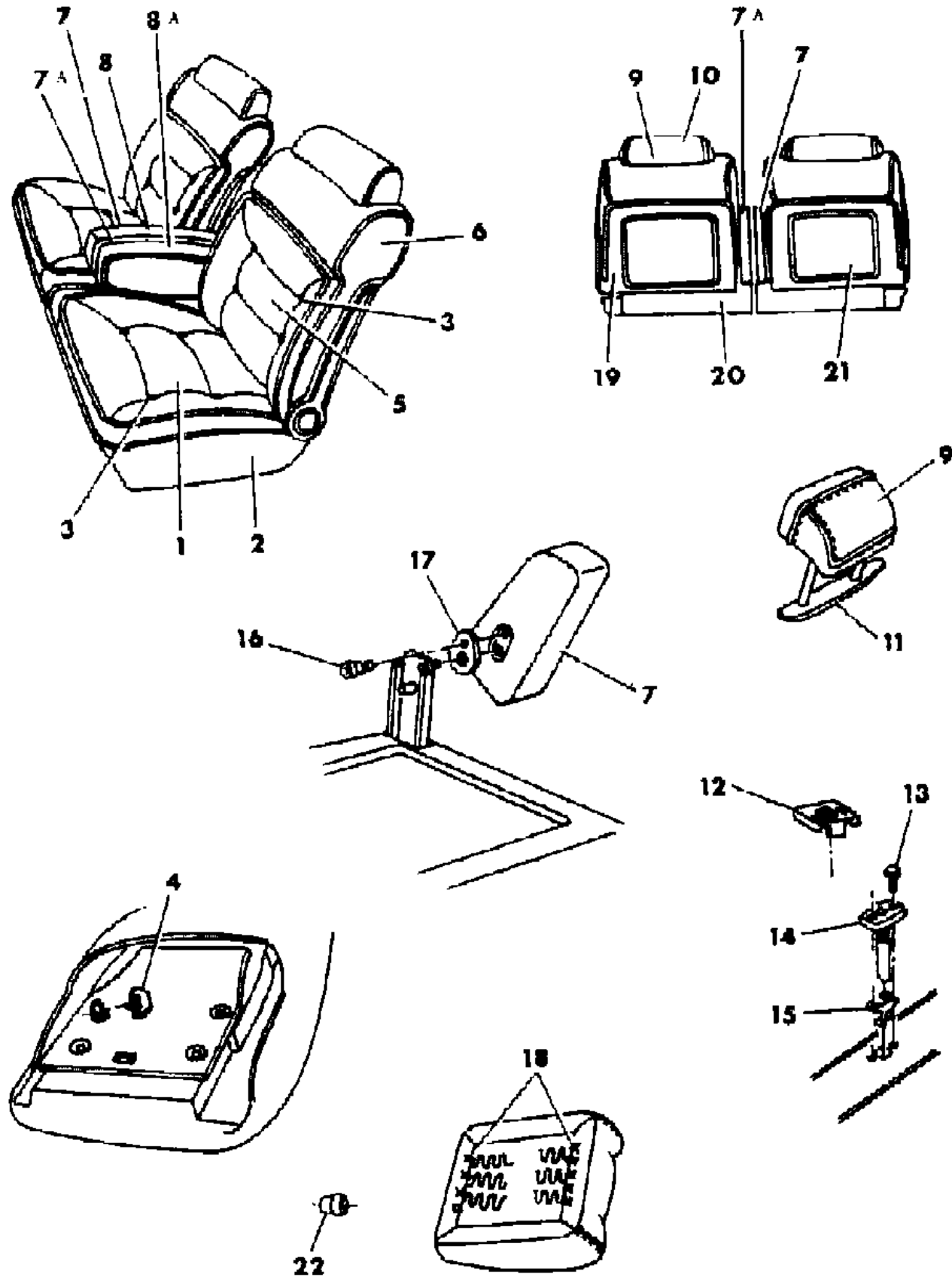
BODY STYLES

21 = 2-DOOR SEDAN	41 = 4-DOOR SEDAN
22 = 2-DOOR SPECIAL COUPE	45 = 4-DOOR STATION WAGON
24 = 2-DOOR HATCHBACK	44 = 4-DOOR HATCHBACK
27 = 2-DOOR CONVERTIBLE	48 = EXECUTIVE SEDAN
28 = FWD PICKUP	

AR = Use as Required - = Non Illustrated Part P.A.R. = Paint as Required

SEAT FRONT E,T TRIM CODE GF,PF  
Figure IT-4231

3253 423100c



ITEM	PART NUMBER	QTY	BODY	MODEL	DESCRIPTION
1-2					CUSHION, w/Spring/Frame, Pad and Cover N N N N
	A788-9 BFA	1			N N NGFA,PFA YA788BFA
	A788-9 BFC	1			N N NGFC,PFC YA788BFC
	A818-9 BFM	1			(use up to 11/4/82) N N NGFM,PFM YA818BFM
	A788-9 BFM	1			(use after 11/4/82) N N NGFM,PFM YA788BFM
	A788-9 BFL	1			N N NGFL,PFL YA788BFL
	A788-9 BFT	1			N N NGFT,PFT YA788BFT
1					COVER w/CARPET, Cushion N N N N
	A428-9 BFA	1			N N NGFA,PFA YA428BFA
	A428-9 BFC	1			N N NGFC,PFC YA428BFC
	A458-9 BFM	1			(use up to 11/4/82) N N NGFM,PFM YA458BFM
	A428-9 BFM	1			(use after 11/4/82) N N NGFM,PFM YA428BFM
	A428-9 BFL	1			N N NGFL,PFL YA428BFL
	A428-9 BFT	1			N N NGFT,PFT YA428BFT
2					ROLL STOCK, Cloth 54" Wide Order by the Inch N N N N
	R011 BA3	AR			N N NGFA,PFA YR011BA3
	R011 BC7	AR			N N NGFC,PFC YR011BC7
	R011 BM6	AR			N N NGFM,PFM YR011BM6
	R011 BL3	AR			N N NGFL,PFL YR011BL3
	R011 BT8	AR			N N NGFT,PFT YR011BT8
3					BUTTON, Cushion and Back N N N N
	G391 BA3	AR			N N NGFA,PFA YG391BA3
	G391 BC7	AR			N N NGFC,PFC YG391BC7
	G390 BM6	AR			(use up to 11/4/82) N N NGFM,PFM YG390BM6
	G391 BM6	AR			(use after 11/4/82) N N NGFM,PFM YG391BM6
	G391 BL3	AR			N N NGFL,PFL YG391BL3
	G391 BT8	AR			N N NGFT,PFT YG391BT8
	6032 359	AR			RETAINER, Button N N NGFT,PFT Y6032359
4	4018 167	AR			WASHER, Button N N N Y4018167
5-6					BACK, w/Spring/Frame, Pad and Cover N N N N
	A790-1 BFA	1			N N NGFA,PFA YA790BFA
	A790-1 BFC	1			N N NGFC,PFC YA790BFC
	A920-1 BFM	1			(use up to 11/4/82) N N NGFM,PFM YA920BFM
	A790-1 BFM	1			(use after 11/4/82) N N NGFM,PFM YA790BFM
	A790-1 BFL	1			N N NGFL,PFL YA790BFL
	A790-1 BFT	1			N N NGFT,PFT YA790BFT
5					COVER, Back N N N N

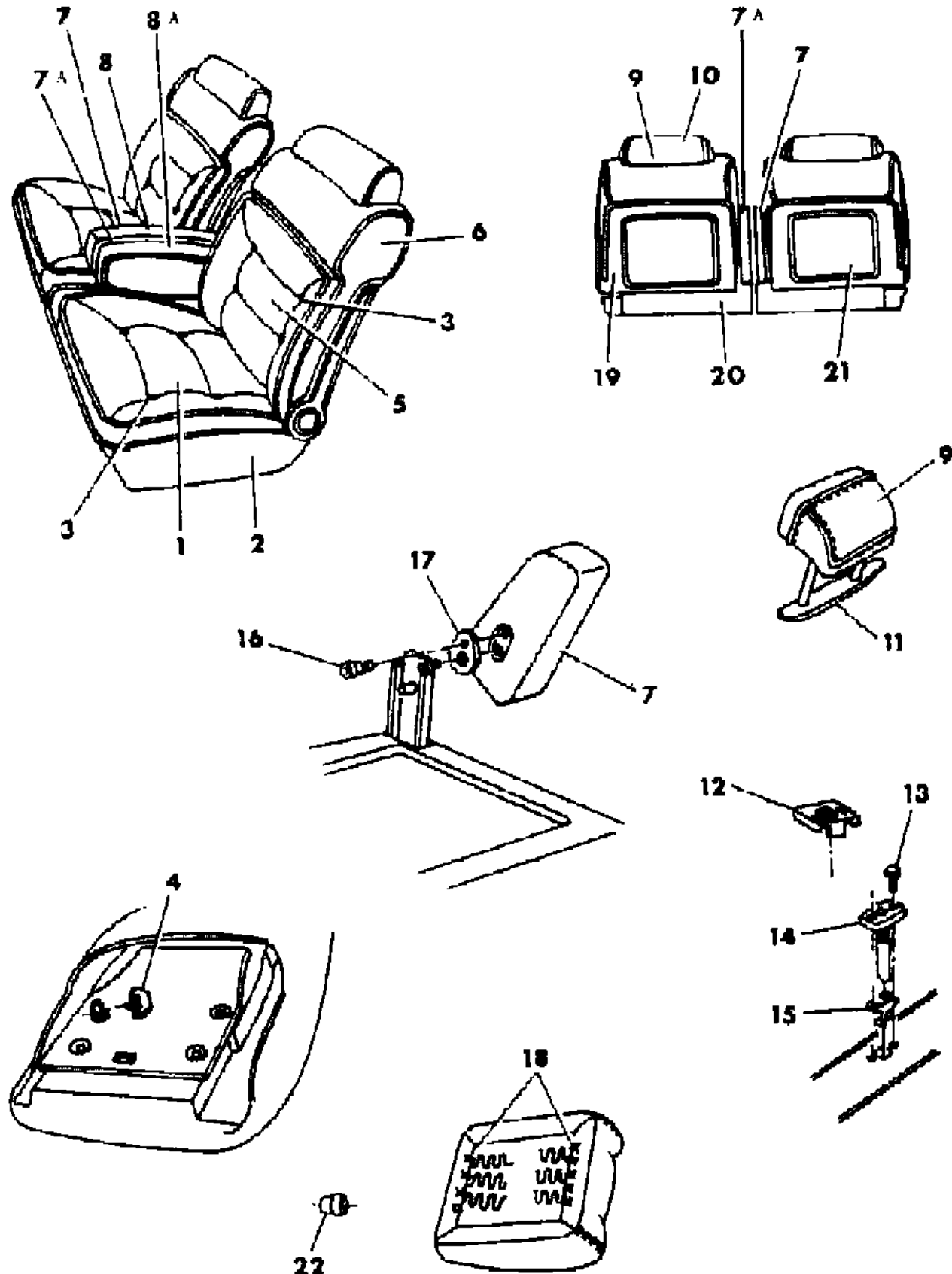
MODEL CODES  
 B = GRAN FURY  
 C = LEBARON/TOWN & COUNTRY  
 D = ARIES  
 E = 600  
 F = FIFTH AVENUE  
 G = DIPLOMAT  
 M = HORIZON/TURISMO/SCAMP  
 P = RELIANT  
 S = CORDOBA  
 T = E CLASS/NEWYORKER  
 V = 400  
 X = MIRADA  
 Y = IMPERIAL  
 Z = OMNI/CHARGER/RAMPAGE

BODY STYLES  
 21 = 2-DOOR SEDAN  
 22 = 2-DOOR SPECIAL COUPE  
 24 = 2-DOOR HATCHBACK  
 27 = 2-DOOR CONVERTIBLE  
 28 = FWD PICKUP  
 41 = 4-DOOR SEDAN  
 45 = 4-DOOR STATION WAGON  
 44 = 4-DOOR HATCHBACK  
 48 = EXECUTIVE SEDAN

AR = Use as Required - = Non Illustrated Part P.A.R. = Paint as Required

SEAT FRONT E,T TRIM CODE GF,PF  
Figure IT-4231

3253 423100c



ITEM	PART NUMBER	QTY	BODY	MODEL	DESCRIPTION
	A430-1 BFA	1			N N NGFA,PFA YA430BFA
	A430-1 BFC	1			N N NGFC,PFC YA430BFC
	A460-1 BFM	1			(use up to 11/4/82) N N NGFM,PFM YA460BFM
	A430-1 BFM	1			(use after 11/4/82) N N NGFM,PFM YA430BFM
	A430-1 BFL	1			N N NGFL,PFL YA430BFL
	A430-1 BFT	1			N N NGFT,PFT YA430BFT
6					ROLL STOCK, Cloth 54" Wide Order by the Inch N N N N
	R017 BA3	AR			N N NGFA,PFA YR017BA3
	R017 BC7	AR			N N NGFC,PFC YR017BC7
	R017 BM6	AR			N N NGFM,PFM YR017BM6
	R017 BL3	AR			N N NGFL,PFL YR017BL3
	R017 BT8	AR			N N NGFT,PFT YR017BT8
7					ARM REST w/COVER N N N N
					Passenger Seat N N N N
	A742 BA3	1			N N NGFA,PFA YA742BA3
	A742 BC7	1			N N NGFC,PFC YA742BC7
	A742 BM6	1			N N NGFM,PFM YA742BM6
	A742 BL3	1			N N NGFL,PFL YA742BL3
	A742 BT8	1			N N NGFT,PFT YA742BT8
7A					ARM REST w/COVER N N N N
					Drivers Seat N N N N
	A743 BA3	1			N N NGFA,PFA YA743BA3
	A743 BC7	1			N N NGFC,PFC YA743BC7
	A743 BM6	1			N N NGFM,PFM YA743BM6
	A743 BL3	1			N N NGFL,PFL YA743BL3
	A743 BT8	1			N N NGFT,PFT YA743BT8
8					COVER, Arm Rest N N N N
					Passenger Seat N N N N
	A436 BA3	1			N N NGFA,PFA YA436BA3
	A436 BC7	1			N N NGFC,PFC YA436BC7
	A436 BM6	1			N N NGFM,PFM YA436BM6
	A436 BL3	1			N N NGFL,PFL YA436BL3
	A436 BT8	1			N N NGFT,PFT YA436BT8
8A					COVER, Arm Rest N N N N
					Drivers Seat N N N N
	A437 BA3	1			N N NGFA,PFA YA437BA3
	A437 BC7	1			N N NGFC,PFC YA437BC7

MODEL CODES

B = GRAN FURY	G = DIPLOMAT	V = 400
C = LEBARON/TOWN & COUNTRY	M = HORIZON/TURISMO/SCAMP	X = MIRADA
D = ARIES	P = RELIANT	Y = IMPERIAL
E = 600	S = CORDOBA	Z = OMNI/CHARGER/RAMPAGE
F = FIFTH AVENUE	T = E CLASS/NEWYORKER	

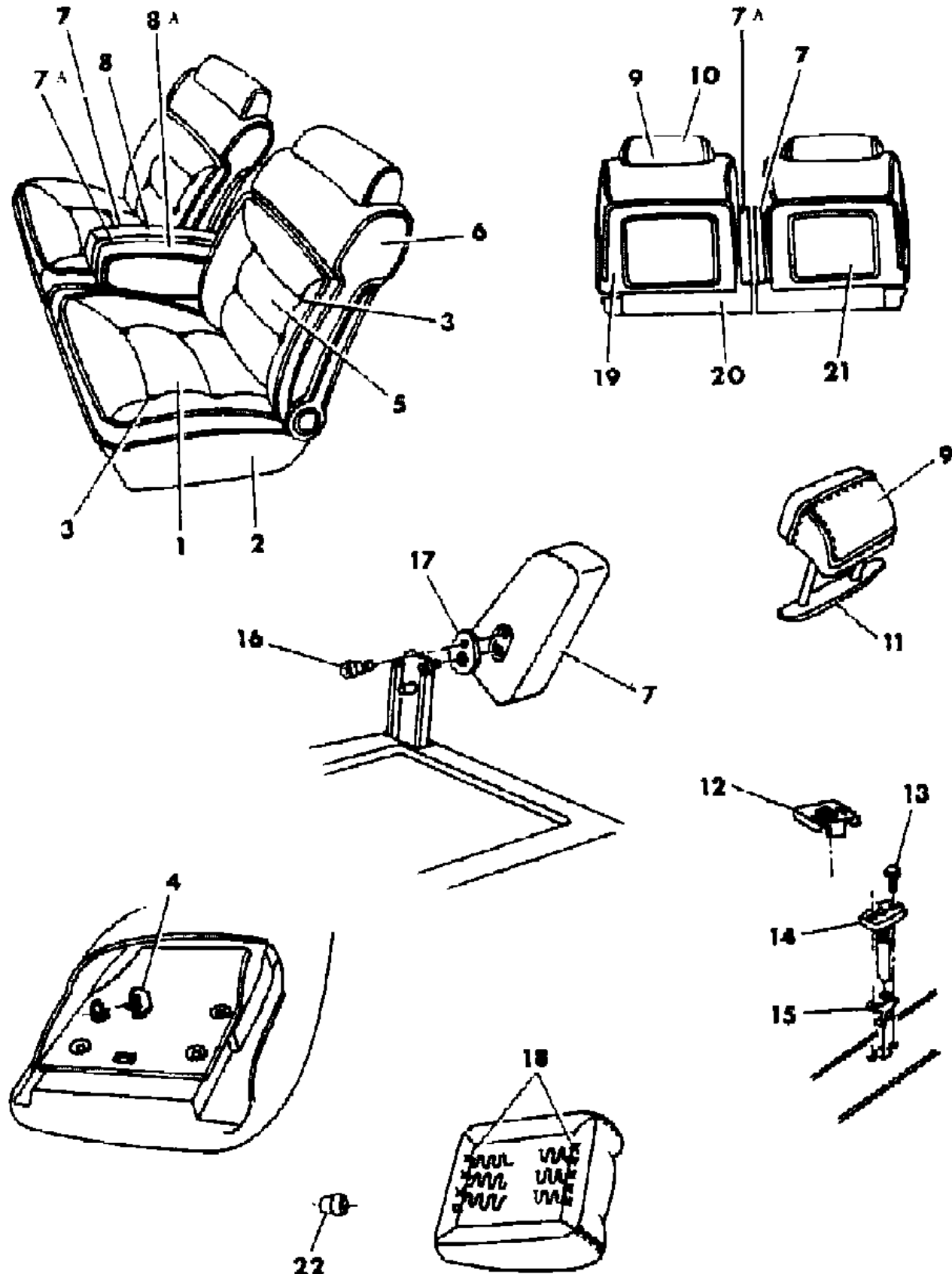
BODY STYLES

21 = 2-DOOR SEDAN	41 = 4-DOOR SEDAN
22 = 2-DOOR SPECIAL COUPE	45 = 4-DOOR STATION WAGON
24 = 2-DOOR HATCHBACK	44 = 4-DOOR HATCHBACK
27 = 2-DOOR CONVERTIBLE	48 = EXECUTIVE SEDAN
28 = FWD PICKUP	

AR = Use as Required - = Non Illustrated Part P.A.R. = Paint as Required

SEAT FRONT E,T TRIM CODE GF,PF  
Figure IT-4231

3253 423100c



ITEM	PART NUMBER	QTY	BODY	MODEL	DESCRIPTION
	A437 BM6	1			N N NGFM,PFM YA437BM6
	A437 BL3	1			N N NGFL,PFL YA437BL3
	A437 BT8	1			N N NGFT,PFT YA437BT8
9					HEADREST w/COVER N N N N
	A740 BA3	2			N N NGFA,PFA YA740BA3
	A740 BC7	2			N N NGFC,PFC YA740BC7
	A740 BM6	2			N N NGFM,PFM YA740BM6
	A740 BL3	2			N N NGFL,PFL YA740BL3
	A740 BT8	2			N N NGFT,PFT YA740BT8
10					COVER, Headrest N N N N
	A434 BA3	2			N N NGFA,PFA YA434BA3
	A434 BC7	2			N N NGFC,PFC YA434BC7
	A434 BM6	2			N N NGFM,PFM YA434BM6
	A434 BL3	2			N N NGFL,PFL YA434BL3
	A434 BT8	2			N N NGFT,PFT YA434BT8
11	4018 808	2			COVER, Headrest Finish N N N Y4018808
12	4138 140	4			SPACER, Headrest N N N Y4138140
13		AR			SCREW (not serviced) N N N N
14					SLEEVE, Headrest N N N N
	S690 BA3	4			N N NGFA,PFA YS690BA3
	S690 SC7	4			N N NGFC,PFC YS690SC7
	S690 TM6	4			N N NGFM,PFM YS690TM6
	S690 BL3	4			N N NGFL,PFL YS690BL3
	S690 BT8	4			N N NGFT,PFT YS690BT8
15	4098 965	4			CATCH, Headrest Post N N N Y4098965
16	6032 567	AR			BOLT, Shoulder N N N Y6032567
17	4290 871	AR			SPACER, Arm Rest N N N Y4290871
18	6008 076	AR			HOG RING N N N Y6008076
19					SHIELD w/FINISH PLATE, Front Seat Back (paint as required) N N N
	S746-7 BL3	1			(use up to 10/28/82) N N N YS746BL3
	S748-9 BL3	1			(use after 10/28/82) N N N YS748BL3
20					CARPET (serviced in cushion cover item No. 1) N N N N
21					COVER, Back Pocket N N N N
	A424-5 BA3	1			(use up to 10/28/82) N N N N
	A424-5 BC7	1			N N NGFA,PFA YA424BA3
					N N NGFC,PFC YA424BC7

MODEL CODES

B = GRAN FURY	G = DIPLOMAT	V = 400
C = LEBARON/TOWN & COUNTRY	M = HORIZON/TURISMO/SCAMP	X = MIRADA
D = ARIES	P = RELIANT	Y = IMPERIAL
E = 600	S = CORDOBA	Z = OMNI/CHARGER/RAMPAGE
F = FIFTH AVENUE	T = E CLASS/NEWYORKER	

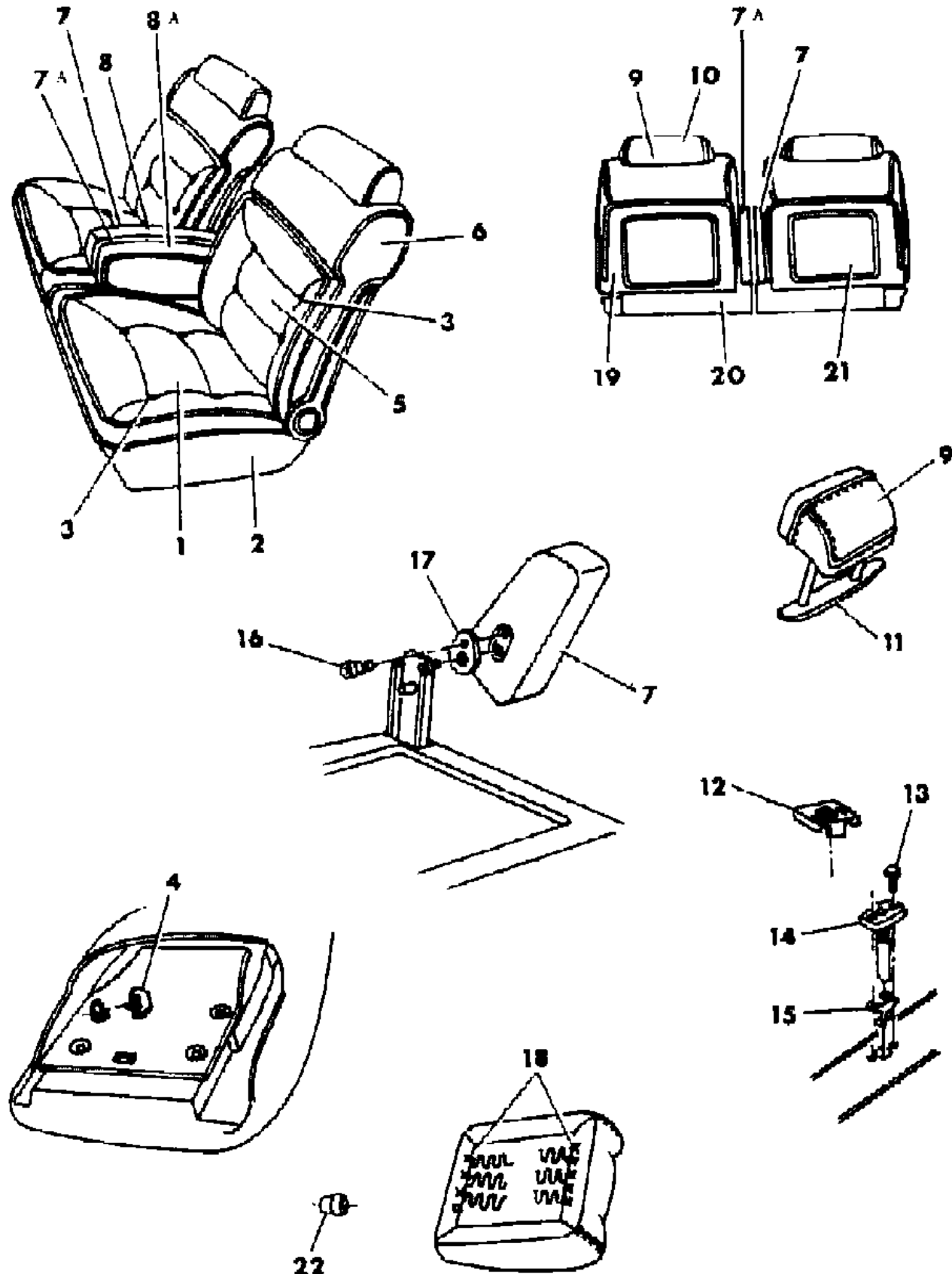
BODY STYLES

21 = 2-DOOR SEDAN	41 = 4-DOOR SEDAN
22 = 2-DOOR SPECIAL COUPE	45 = 4-DOOR STATION WAGON
24 = 2-DOOR HATCHBACK	44 = 4-DOOR HATCHBACK
27 = 2-DOOR CONVERTIBLE	48 = EXECUTIVE SEDAN
28 = FWD PICKUP	

AR = Use as Required - = Non Illustrated Part P.A.R. = Paint as Required

SEAT FRONT E,T TRIM CODE GF,PF  
Figure IT-4231

3253 423100c



ITEM	PART NUMBER	QTY	BODY	MODEL	DESCRIPTION
	A424-5 BM6	1			N N NGFM,PFM YA424BM6
	A424-5 BL3	1			N N NGFL,PFL YA424BL3
	A424-5 BT8	1			N N NGFT,PFT YA424BT8 (use after 10/28/82) N N N N
	S712-3 BA3	1			N N NGFA,PFA YS712BA3
	S712-3 BC7	1			N N NGFC,PFC YS712BC7
	S712-3 BM6	1			N N NGFM,PFM YS712BM6
	S712-3 BL3	1			N N NGFL,PFL YS712BL3
	S712-3 BT8	1			N N NGFT,PFT YS712BT8
22	4190 488	1			BUSHING, Inner Pivot Pin Right Only N N N Y4190488

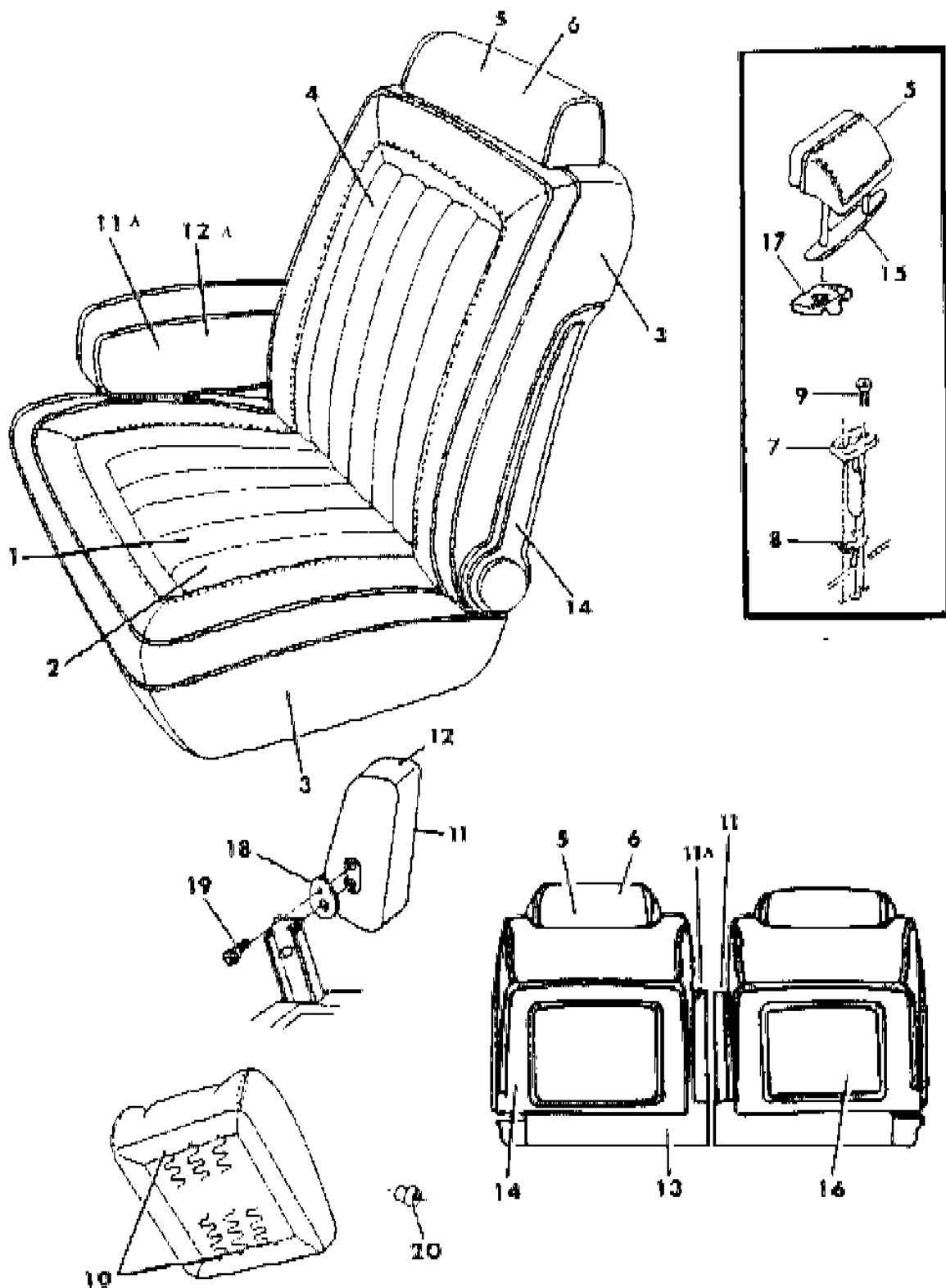
MODEL CODES  
 B = GRAN FURY  
 C = LEBARON/TOWN & COUNTRY  
 D = ARIES  
 E = 600  
 F = FIFTH AVENUE  
 G = DIPLOMAT  
 M = HORIZON/TURISMO/SCAMP  
 P = RELIANT  
 S = CORDOBA  
 T = E CLASS/NEWYORKER  
 V = 400  
 X = MIRADA  
 Y = IMPERIAL  
 Z = OMNI/CHARGER/RAMPAGE

BODY STYLES  
 21 = 2-DOOR SEDAN  
 22 = 2-DOOR SPECIAL COUPE  
 24 = 2-DOOR HATCHBACK  
 27 = 2-DOOR CONVERTIBLE  
 28 = FWD PICKUP  
 41 = 4-DOOR SEDAN  
 45 = 4-DOOR STATION WAGON  
 44 = 4-DOOR HATCHBACK  
 48 = EXECUTIVE SEDAN

AR = Use as Required - = Non Illustrated Part P.A.R. = Paint as Required

SEAT FRONT E,T TRIM CODE SP  
Figure IT-4232

3253 423200B



ITEM	PART NUMBER	QTY	BODY	MODEL	DESCRIPTION
1-3					CUSHION, w/Spring/Frame, Pad and Cover N N N N
	A760-1 BPA	1			N N NSPA YA760BPA
	A760-1 BPC	1			N N NSPC YA760BPC
	A760-1 BPM	1			N N NSPM YA760BPM
	A760-1 BPL	1			N N NSPL YA760BPL
	A760-1 BPT	1			N N NSPTK YA760BPT
2					COVER, Cushion N N N N
	A438-9 BPA	1			N N NSPA YA438BPA
	A438-9 BPC	1			N N NSPC YA438BPC
	A438-9 BPM	1			N N NSPM YA438BPM
	A438-9 BPL	1			N N NSPL YA438BPL
	A438-9 BPT	1			N N NSPTK YA438BPT
3					ROLL STOCK, Vinyl Order by the Inch N N N N
	R616 AA2	AR			64" Wide N N NSPA YR616AA2
	R616 VC8	AR			64" Wide N N NSPC YR616VC8
	R616 VM6	AR			64" Wide N N NSPM YR616VM6
	R616 BL3	AR			64" Wide N N NSPL YR616BL3
	R609 BT8	AR			58" Wide N N NSPTK YR609BT8
3-4					BACK, w/Spring/Frame, Pad and Cover N N N N
	A796-7 BPA	1			N N NSPA YA796BPA
	A796-7 BPC	1			N N NSPC YA796BPC
	A796-7 BPM	1			N N NSPM YA796BPM
	A796-7 BPL	1			N N NSPL YA796BPL
	A796-7 BPT	1			N N NSPTK YA796BPT
4					COVER, Back N N N N
	A440-1 BPA	1			N N NSPA YA440BPA
	A440-1 BPC	1			N N NSPC YA440BPC
	A440-1 BPM	1			N N NSPM YA440BPM
	A440-1 BPL	1			N N NSPL YA440BPL
	A440-1 BPT	1			N N NSPTK YA440BPT
5					HEADREST w/COVER N N N N
	A758 BA2	2			N N NSPA YA758BA2
	A758 BC8	2			N N NSPC YA758BC8
	A758 BM6	2			N N NSPM YA758BM6
	A758 BL3	2			N N NSPL YA758BL3
	A758 BT8	2			N N NSPTK YA758BT8
6					COVER, Headrest N N N N

MODEL CODES

B = GRAN FURY	G = DIPLOMAT	V = 400
C = LEBARON/TOWN & COUNTRY	M = HORIZON/TURISMO/SCAMP	X = MIRADA
D = ARIES	P = RELIANT	Y = IMPERIAL
E = 600	S = CORDOBA	Z = OMNI/CHARGER/RAMPAGE
F = FIFTH AVENUE	T = E CLASS/NEWYORKER	

BODY STYLES

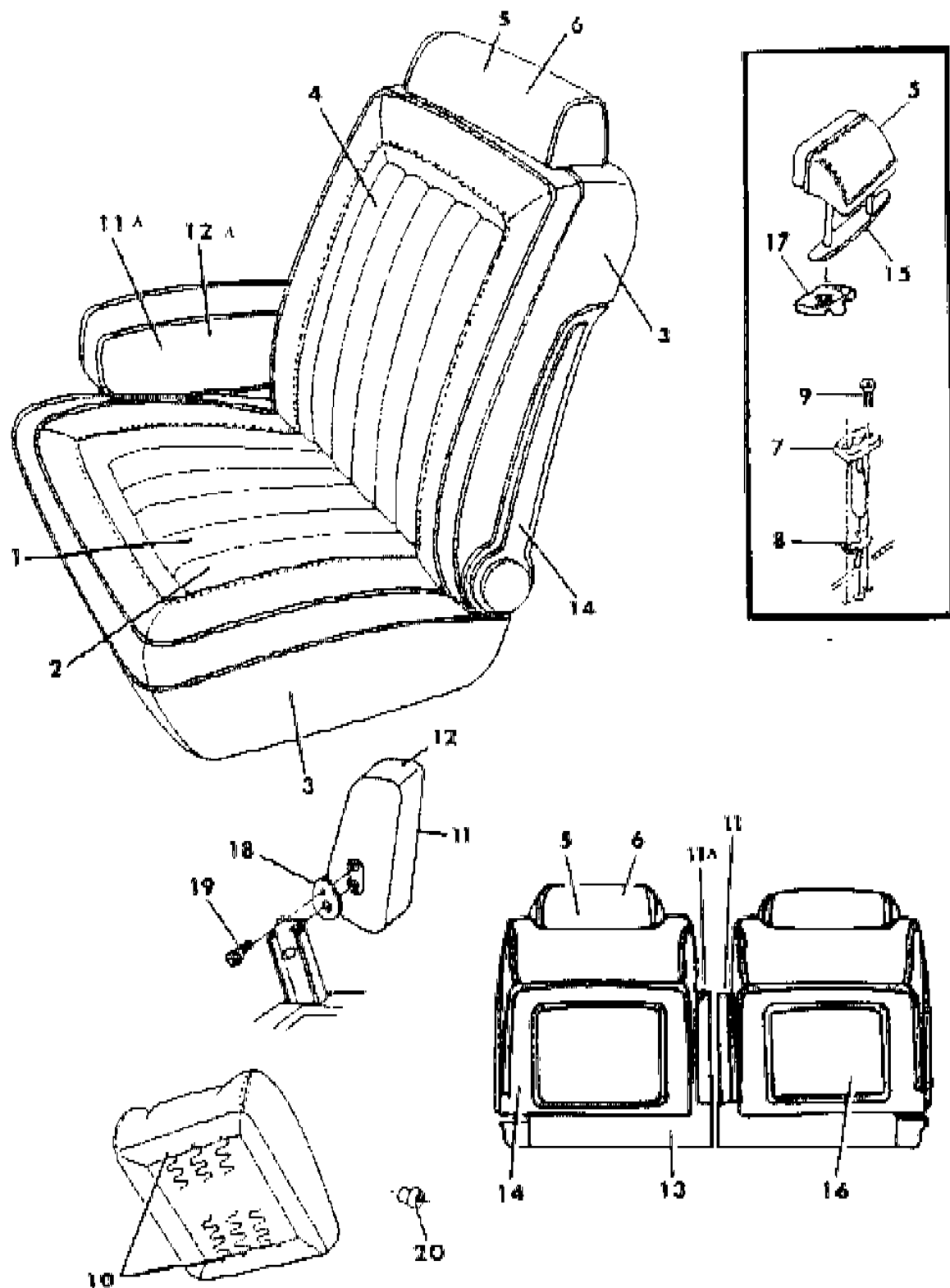
21 = 2-DOOR SEDAN	41 = 4-DOOR SEDAN
22 = 2-DOOR SPECIAL COUPE	45 = 4-DOOR STATION WAGON
24 = 2-DOOR HATCHBACK	44 = 4-DOOR HATCHBACK
27 = 2-DOOR CONVERTIBLE	48 = EXECUTIVE SEDAN
28 = FWD PICKUP	

AR = Use as Required - = Non Illustrated Part P.A.R. = Paint as Required



SEAT FRONT E,T TRIM CODE SP  
Figure IT-4232

3253 423200B



ITEM	PART NUMBER	QTY	BODY	MODEL	DESCRIPTION
	A448 BA2	2			N N NSPA YA448BA2
	A448 BC8	2			N N NSPC YA448BC8
	A448 BM6	2			N N NSPM YA448BM6
	A448 BL3	2			N N NSPL YA448BL3
	A448 BT8	2			N N NSPTK YA448BT8
7					SLEEVE, Headrest N N N N
	S690 AA3	4			N N NSPA YS690AA3
	S690 SC7	4			N N NSPC YS690SC7
	S690 TM6	4			N N NSPM YS690TM6
	S690 BL3	4			N N NSPL YS690BL3
	S690 BT8	4			N N NSPTK YS690BT8
8	4098 965	4			CATCH, Headrest Post N N N Y4098965
9		AR			SCREW (not serviced) N N N N
10	6008 076	AR			HOG RING N N N Y6008076
11					ARM REST w/COVER N N N N
					Passenger Seat N N N N
	A756 BA2	1			N N NSPA YA756BA2
	A756 BC8	1			N N NSPC YA756BC8
	A756 BM6	1			N N NSPM YA756BM6
	A756 BL3	1			N N NSPL YA756BL3
	A756 BT8	1			N N NSPTK YA756BT8
11A					ARM REST w/COVER N N N N
					Drivers Seat N N N N
	A757 BA2	1			N N NSPA YA757BA2
	A757 BC8	1			N N NSPC YA757BC8
	A757 BM6	1			N N NSPM YA757BM6
	A757 BL3	1			N N NSPL YA757BL3
	A757 BT8	1			N N NSPTK YA757BT8
12					COVER, Arm Rest N N N N
					Passenger Seat N N N N
	A446 BA2	1			N N NSPA YA446BA2
	A446 BC8	1			N N NSPC YA446BC8
	A446 BM6	1			N N NSPM YA446BM6
	A446 BL3	1			N N NSPL YA446BL3
	A446 BT8	1			N N NSPTK YA446BT8
12A					COVER, Arm Rest N N N N
					Drivers Seat N N N N

MODEL CODES

B = GRAN FURY  
C = LEBARON/TOWN & COUNTRY  
D = ARIES  
E = 600  
F = FIFTH AVENUE  
G = DIPLOMAT  
M = HORIZON/TURISMO/SCAMP  
P = RELIANT  
S = CORDOBA  
T = E CLASS/NEWYORKER  
V = 400  
X = MIRADA  
Y = IMPERIAL  
Z = OMNI/CHARGER/RAMPAGE

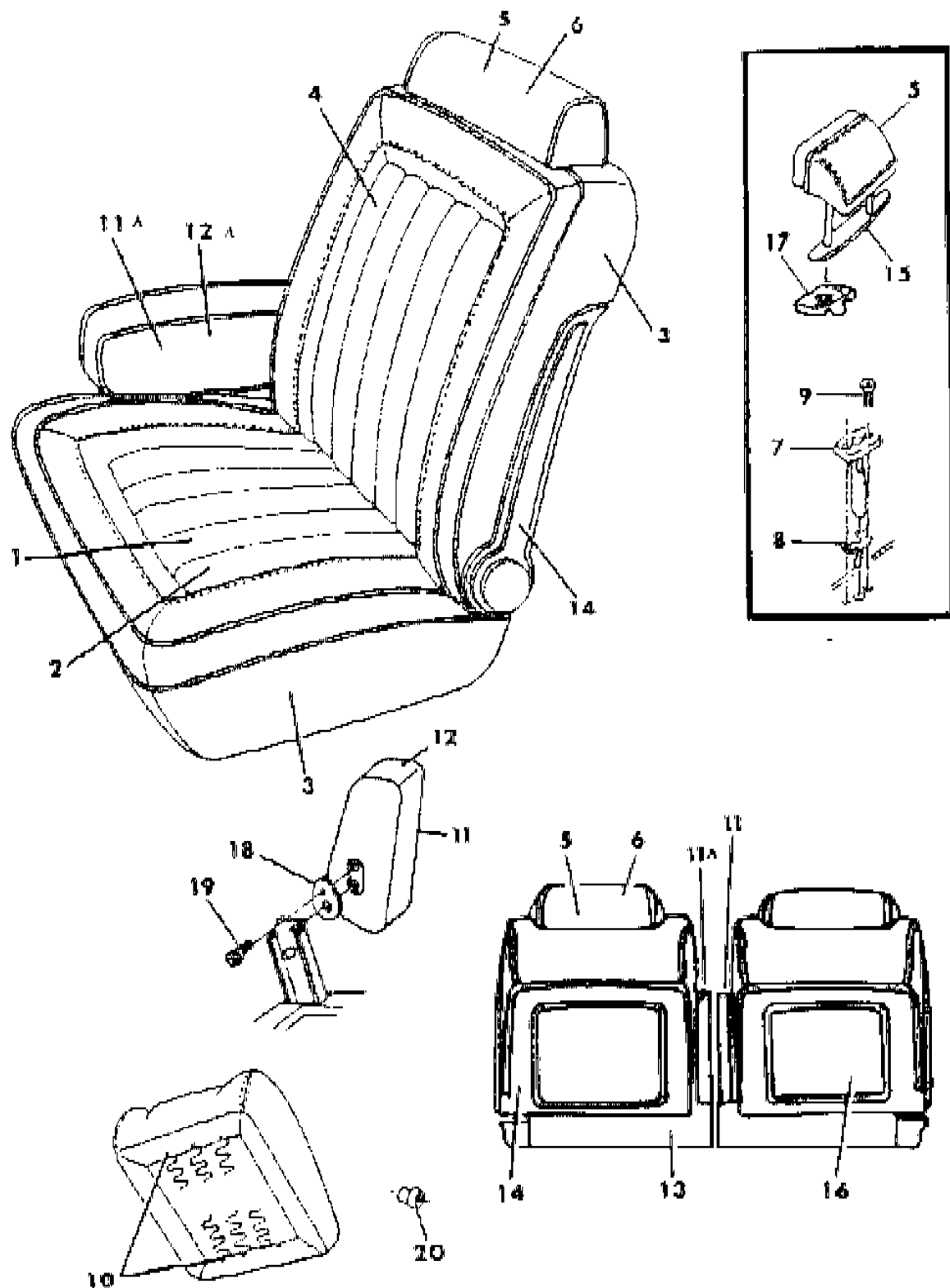
BODY STYLES

21 = 2-DOOR SEDAN  
22 = 2-DOOR SPECIAL COUPE  
24 = 2-DOOR HATCHBACK  
27 = 2-DOOR CONVERTIBLE  
28 = FWD PICKUP  
41 = 4-DOOR SEDAN  
45 = 4-DOOR STATION WAGON  
44 = 4-DOOR HATCHBACK  
48 = EXECUTIVE SEDAN

AR = Use as Required - = Non Illustrated Part P.A.R. = Paint as Required

SEAT FRONT E,T TRIM CODE SP  
Figure IT-4232

3253 423200B



ITEM	PART NUMBER	QTY	BODY	MODEL	DESCRIPTION
	A447 BA2	1			N N NSPA YA447BA2
	A447 BC8	1			N N NSPC YA447BC8
	A447 BM6	1			N N NSPM YA447BM6
	A447 BL3	1			N N NSPL YA447BL3
	A447 BT8	1			N N NSPTK YA447BT8
13					CARPET (serviced in cushion cover) N N N N
14					SHIELD w/FINISH PLATE, Front Seat Back (paint as required) N N N
	S746-7 BL3	1			(use up to 10/28/82) N N N YS746BL3
	S748-9 BL3	1			(use after 10/28/82) N N N YS748BL3
15	4018 808	2			COVER, Headrest Finish N N N Y4018808
16					COVER, Back Pocket N N N N
					(use up to 11/12/82) N N N N
	A426-7 BA2	1			N N NSPA YA426BA2
	A426-7 BC8	1			N N NSPC YA426BC8
	A426-7 BM6	1			N N NSPM YA426BM6
	A426-7 BL3	1			N N NSPL YA426BL3
	A426-7 BT8	1			N N NSPTK YA426BT8
					(use after 11/12/82) N N N N
	S714-5 BA2	1			N N NSPA YS714BA2
	S714-5 BC8	1			N N NSPC YS714BC8
	S714-5 BM6	1			N N NSPM YS714BM6
	S714-5 BL3	1			N N NSPL YS714BL3
	S714-5 BT8	1			N N NSPTK YS714BT8
17	4138 140	4			SPACER, Headrest N N N Y4138140
18	4290 871	AR			SPACER, Arm Rest to Stanchion N N N Y4290871
19	6032 567	AR			BOLT, Shoulder N N N Y6032567
20	4190 488	1			BUSHING, Inner Pivot Pin Right Only N N N Y4190488

MODEL CODES

B = GRAN FURY	G = DIPLOMAT	V = 400
C = LEBARON/TOWN & COUNTRY	M = HORIZON/TURISMO/SCAMP	X = MIRADA
D = ARIES	P = RELIANT	Y = IMPERIAL
E = 600	S = CORDOBA	Z = OMNI/CHARGER/RAMPAGE
F = FIFTH AVENUE	T = E CLASS/NEWYORKER	

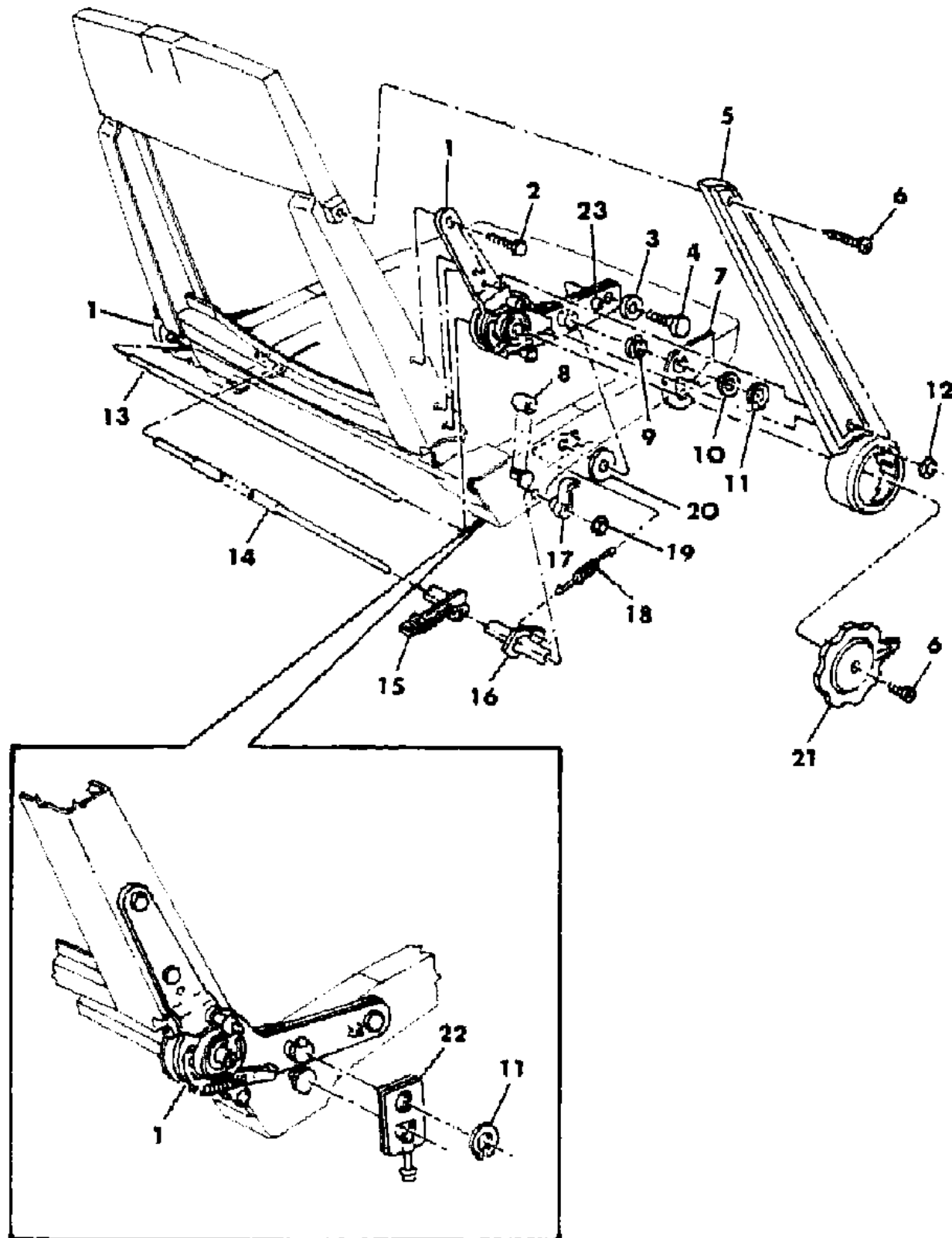
BODY STYLES

21 = 2-DOOR SEDAN	41 = 4-DOOR SEDAN
22 = 2-DOOR SPECIAL COUPE	45 = 4-DOOR STATION WAGON
24 = 2-DOOR HATCHBACK	44 = 4-DOOR HATCHBACK
27 = 2-DOOR CONVERTIBLE	48 = EXECUTIVE SEDAN
28 = FWD PICKUP	

AR = Use as Required - = Non Illustrated Part P.A.R. = Paint as Required

RECLINING BUCKET SEAT E,T  
Figure IT-4251

3253 425 100



ITEM	PART NUMBER	QTY	BODY	MODEL	DESCRIPTION
1					RECLINER, BUCKET SEAT N N N N
	4239 278	1			Outer, Right N N N Y4239278
	4239 294	1			Inner, Right N N N Y4239294
	4239 279	1			Outer, Left N N N Y4239279
	4239 295	1			Inner, Left N N N Y4239295
2	6500 558	4			BOLT N N N Y6500558
3	2858 089	2			WASHER, Front Seat Back Hinge Arm N N N Y2858089
4	6500 534	2			BOLT N N N Y6500534
5					SHIELD, Front Seat Back (paint as required) N N N N
	S796-7 BL3	1			Outer N N N YS796BL3
	S758-9 AA3	1			Inner N N N YS758AA3
6		AR			SCREW (not serviced) N N N N
7	4239 487	2			LATCH, Front Seat Back to Cushion N N N Y4239487
8	4239 468	2			COVER, Stop pin N N N Y4239468
9	4190 274	2			BUSHING, Front Seat Latch Pivot N N N Y4190274
10	6500 479	2			WASHER N N N Y6500479
11	6024 440	2			RING, Retaining N N N Y6024440
12	6031 147	2			NUT SPRING, Push on Type N N N Y6031147
13	4239 300	1			ROD, Front Seat Recliner Connector N N N Y4239300
14	4190 612	1			SHAFT, Front seat Inertia Latch Actuator N N N Y4190612
15	4190 613	1			HANDLE, Inertia Release N N N Y4190613
16	4190 616	1			STOP, Inertia Latch Actuator N N N Y4190616
17	4190 614-5	1			ACTUATOR, Inertia Latch N N N Y4190614
18	4190 611	1			SPRING, Latch Handle Return N N N Y4190611
19	6022 149	2			NUT, Push On N N N Y6022149
20		2			WASHER, Hinge Arm (not serviced) N N N N
21	4239 510	1			KNOB, Recliner Release N N N Y4239510
	4290 338	1			COVER, Inboard N N N Y4290338
22	4239 492	1			LOCK, Back to Cushion N N N Y4239492
23	6500 453	AR			NUT N N N Y6500453

MODEL CODES

B = GRAN FURY	G = DIPLOMAT	V = 400
C = LEBARON/TOWN & COUNTRY	M = HORIZON/TURISMO/SCAMP	X = MIRADA
D = ARIES	P = RELIANT	Y = IMPERIAL
E = 600	S = CORDOBA	Z = OMNI/CHARGER/RAMPAGE
F = FIFTH AVENUE	T = E CLASS/NEWYORKER	

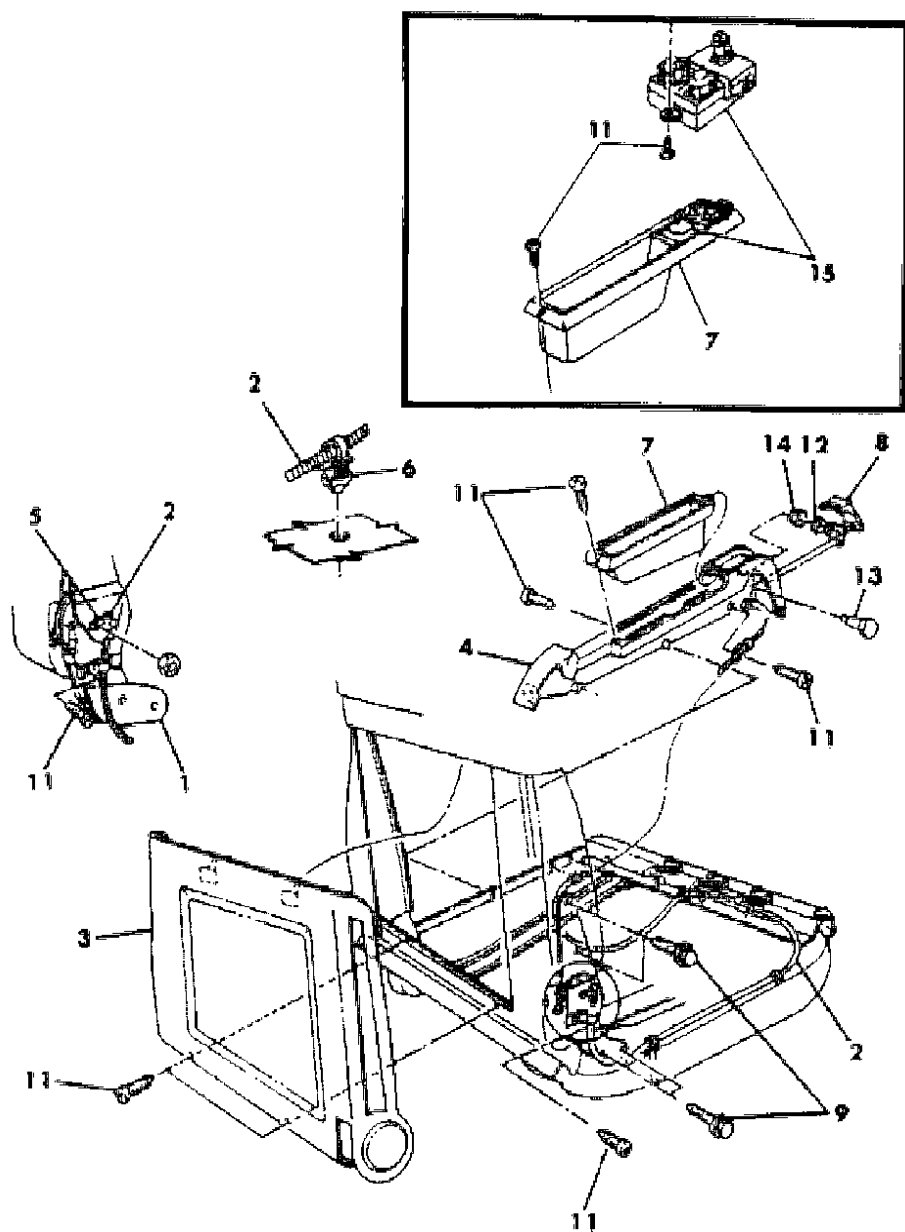
BODY STYLES

21 = 2-DOOR SEDAN	41 = 4-DOOR SEDAN
22 = 2-DOOR SPECIAL COUPE	45 = 4-DOOR STATION WAGON
24 = 2-DOOR HATCHBACK	44 = 4-DOOR HATCHBACK
27 = 2-DOOR CONVERTIBLE	48 = EXECUTIVE SEDAN
28 = FWD PICKUP	

AR = Use as Required - = Non Illustrated Part P.A.R. = Paint as Required

RECLINING 50/50 SEAT E,T  
Figure IT-4252

3253 425 200



ITEM	PART NUMBER	QTY	BODY	MODEL	DESCRIPTION
1					RECLINER N N N N
	4190 410	1			Right N N N Y4190410
	4277 553	1			Left N N N Y4277553
2	4316 984-5	1			CABLE, Release N N N Y4316984
3					SHIELD w/FINISH PLATE, Front Seat Back (paint as required) N N N
	S746-7 BL3	1			(use up to 10/28/82) N N N YS746BL3
	S748-9 BL3	1			(use after 10/28/82) N N N YS748BL3
4					CONSOLETTA w/HANDLE N N N N
	S834-5 CA3	1			Silver N N N YS834CA3
	S834-5 CC7	1			Blue, Dark N N N YS834CC7
	S834-5 CL3	1			Beige N N N YS834CL3
	S834-5 CM6	1			Red N N N YS834CM6
	S834-5 CT8	1			Brown N N N YS834CT8
5	4277 506-7	1			ACTUATOR N N N Y4277506
6		AR			CLIP (not serviced) N N N N
7					TRAY w/DECAL N N N N
					(Use w/Manual Seats) N N N N
	S820 BA3	AR			Silver N N N YS820BA3
	S820 BC7	AR			Blue, Dark N N N YS820BC7
	S820 BL3	AR			Beige N N N YS820BL3
	S820 BM6	AR			Red N N N YS820BM6
	S820 BT8	AR			Brown N N N YS820BT8
					(Use w/Electric Seats) N N N N
	S821 BA3	AR			Silver N N N YS821BA3
	S821 BC7	AR			Blue, Dark N N N YS821BC7
	S821 BL3	AR			Beige N N N YS821BL3
	S821 BM6	AR			Red N N N YS821BM6
	S821 BT8	AR			Brown N N N YS821BT8
8					HANDLE, Recliner Release N N N N
	S600 BA3	2			Silver N N N YS600BA3
	S600 BC7	2			Blue, Dark N N N YS600BC7
	S600 BL3	2			Beige N N N YS600BL3
	S600 BM6	2			Red N N N YS600BM6
	S600 BT8	2			Brown N N N YS600BT8
9	9422 041	4			SCREW and WASHER N N N Y9422041
10	0120 622	AR			NUT, Lock N N N Y120622

MODEL CODES

B = GRAN FURY	G = DIPLOMAT	V = 400
C = LEBARON/TOWN & COUNTRY	M = HORIZON/TURISMO/SCAMP	X = MIRADA
D = ARIES	P = RELIANT	Y = IMPERIAL
E = 600	S = CORDOBA	Z = OMNI/CHARGER/RAMPAGE
F = FIFTH AVENUE	T = E CLASS/NEWYORKER	

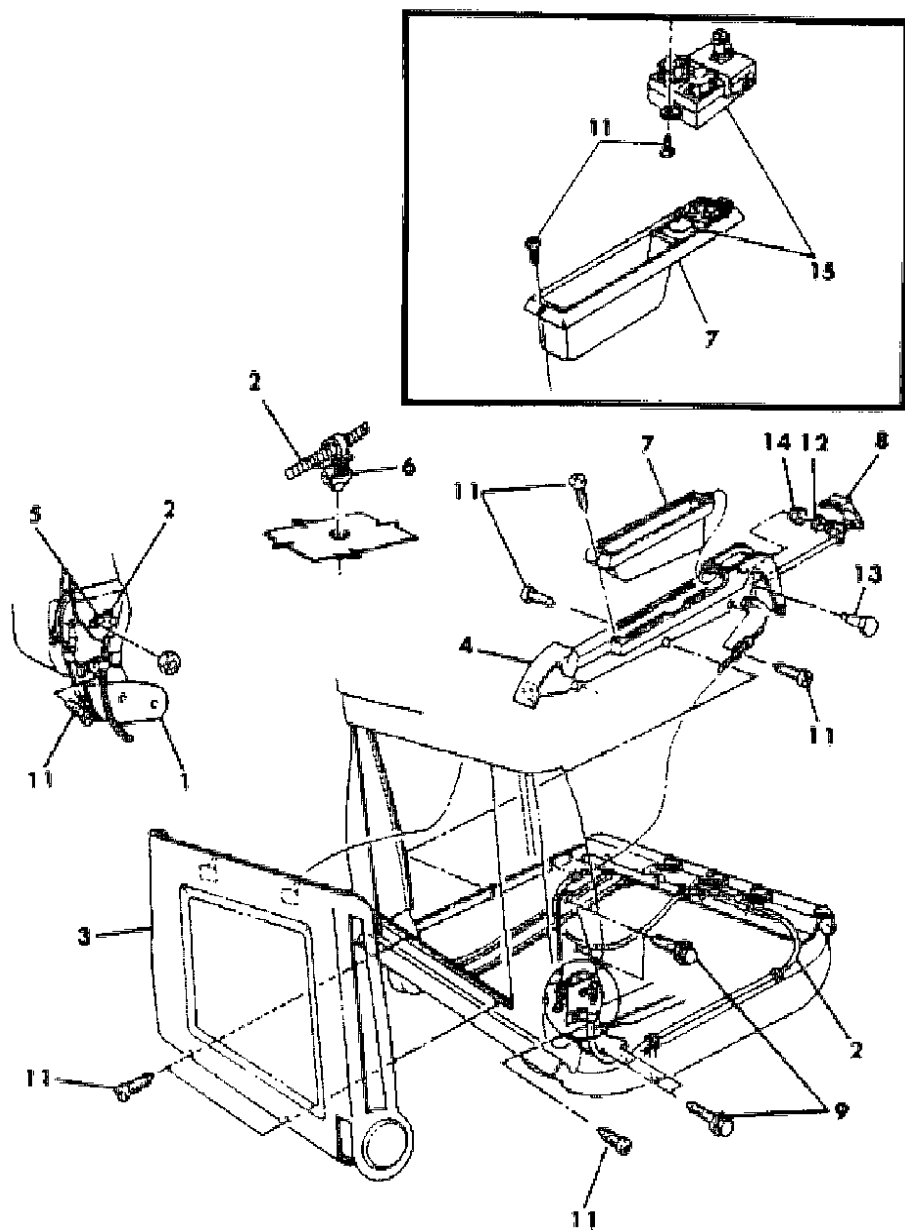
BODY STYLES

21 = 2-DOOR SEDAN	41 = 4-DOOR SEDAN
22 = 2-DOOR SPECIAL COUPE	45 = 4-DOOR STATION WAGON
24 = 2-DOOR HATCHBACK	44 = 4-DOOR HATCHBACK
27 = 2-DOOR CONVERTIBLE	48 = EXECUTIVE SEDAN
28 = FWD PICKUP	

AR = Use as Required - = Non Illustrated Part P.A.R. = Paint as Required

RECLINING 50/50 SEAT E,T  
Figure IT-4252

3253 425 200



ITEM	PART NUMBER	QTY	BODY	MODEL	DESCRIPTION
11		AR			SCREW (not serviced) N N N N
12	6100 883	2			WASHER N N N Y6100883
13	6032 310	2			BOLT, Shoulder N N N Y6032310
14	4290 370-1	1			SPRING, Handle Return N N N Y4290370
15	3747 815	1			SWITCH, Seat Adjuster N N N Y3747815

MODEL CODES

B = GRAN FURY	G = DIPLOMAT	V = 400
C = LEBARON/TOWN & COUNTRY	M = HORIZON/TURISMO/SCAMP	X = MIRADA
D = ARIES	P = RELIANT	Y = IMPERIAL
E = 600	S = CORDOBA	Z = OMNI/CHARGER/RAMPAGE
F = FIFTH AVENUE	T = E CLASS/NEWYORKER	

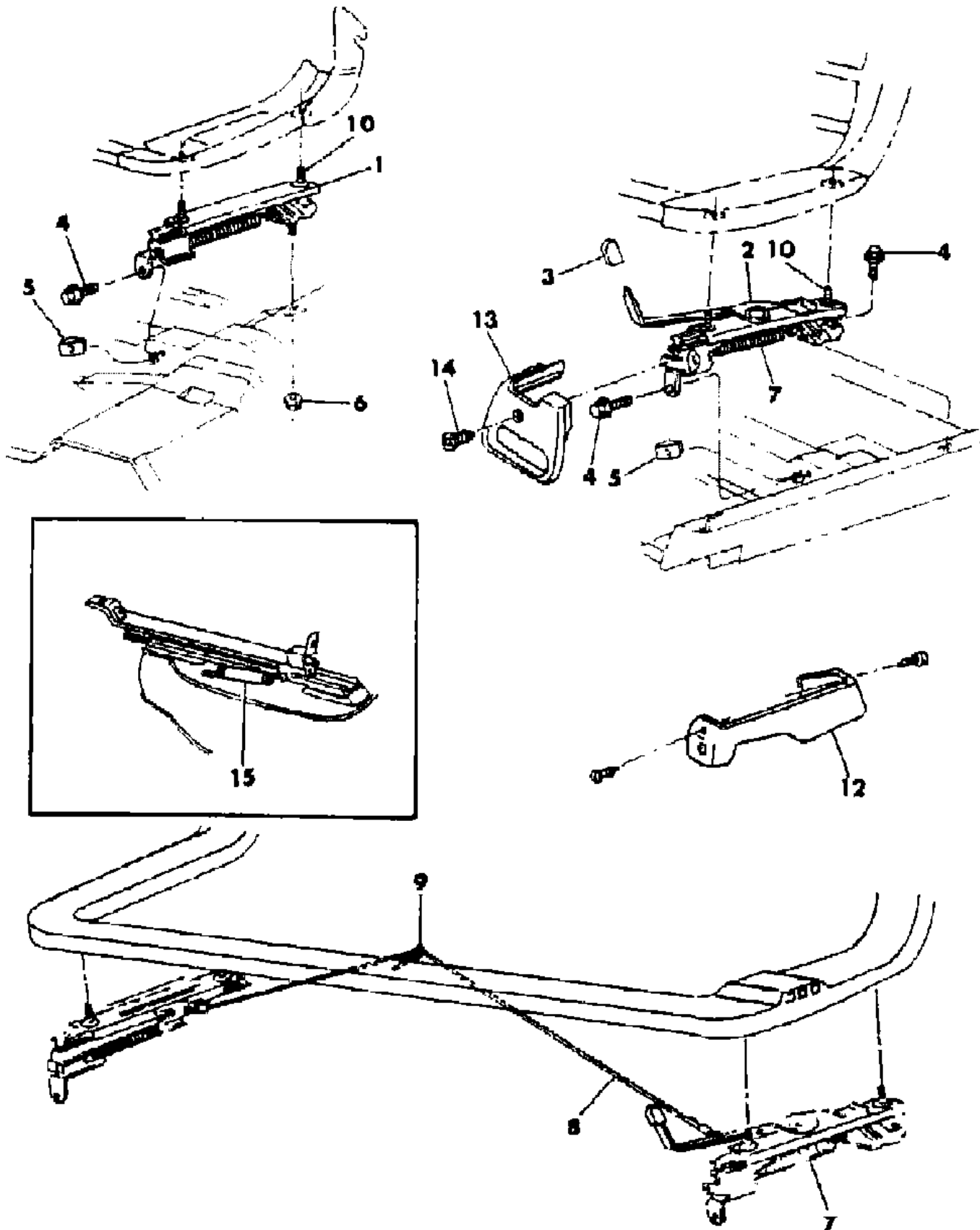
BODY STYLES

21 = 2-DOOR SEDAN	41 = 4-DOOR SEDAN
22 = 2-DOOR SPECIAL COUPE	45 = 4-DOOR STATION WAGON
24 = 2-DOOR HATCHBACK	44 = 4-DOOR HATCHBACK
27 = 2-DOOR CONVERTIBLE	48 = EXECUTIVE SEDAN
28 = FWD PICKUP	

AR = Use as Required - = Non Illustrated Part P.A.R. = Paint as Required

SEAT ADJUSTER MANUAL E,T  
Figure IT-4261

3253 426 100A



ITEM	PART NUMBER	QTY	BODY	MODEL	DESCRIPTION
1					ADJUSTER, Inner N N N N
	4277 652-3	1			w/Bucket Seat N N N Y4277652
	4277 160-1	1			w/50/50 Split N N N Y4277160
2					ADJUSTER, Outer N N N N
	4277 650-1	1			w/Bucket Seat N N N Y4277650
	4239 934-5	1			w/Bench Seat N N N Y4239934
	4277 158-9	1			w/50/50 Split N N N Y4277158
3	5207 235	1			KNOB, Release Lever N N N Y5207235
4		AR			SCREW and WASHER (do not service) N N N N
5	6101 283	AR			U/NUT N N N Y6101283
6	6500 563	AR			NUT and WASHER N N N Y6500563
7	4246 167	AR			SPRING, Adjuster Release Lever w/Bucket Seat N N N Y4246167
	4172 396	AR			w/Bench Seat N N N Y4172396
8					WIRE, Release Lever Connector N N N N
	4239 933	1			w/Bench Seat N N N Y4239933
	4239 942	1			w/Bucket Seat N N N Y4239942
	4277 556	1			w/50/50 Split N N N Y4277556
9	2942 556	1			HOOK, Guide Wire N N N Y2942556
10		AR			SCREW and WASHER (not serviced) N N N N
12					COVER, Adjuster w/Bucket Seat, Outer N N N N
	S594-5 AA7	1			Silver N N N YS594AA7
	S594-5 AC7	1			Blue, Dark N N N YS594AC7
	S594-5 AM6	1			Red N N N YS594AM6
	S594-5 BT8	1			Brown N N N YS594BT8
					Bucket Seat, Inner N N N N
	S596-7 AA7	1			Silver N N N YS596AA7
	S596-7 AC7	1			Blue, Dark N N N YS596AC7
	S596-7 AM6	1			Red N N N YS596AM6
	S596-7 BT8	1			Brown N N N YS596BT8
					w/Bench Seat N N N N
	S558-9 AA7	1			Silver N N N YS558AA7
	S558-9 AC7	1			Blue, Dark N N N YS558AC7
	S558-9 VM6	1			Red N N N YS558VM6
	S558-9 BT8	1			Brown N N N YS558BT8
13					COVER, Manual Adjuster w/50/50 Split N N N N
	4277 996-7	1			Front N N N Y4277996
	4277 998-9	1			Rear N N N Y4277998

MODEL CODES

B = GRAN FURY	G = DIPLOMAT	V = 400
C = LEBARON/TOWN & COUNTRY	M = HORIZON/TURISMO/SCAMP	X = MIRADA
D = ARIES	P = RELIANT	Y = IMPERIAL
E = 600	S = CORDOBA	Z = OMNI/CHARGER/RAMPAGE
F = FIFTH AVENUE	T = E CLASS/NEWYORKER	

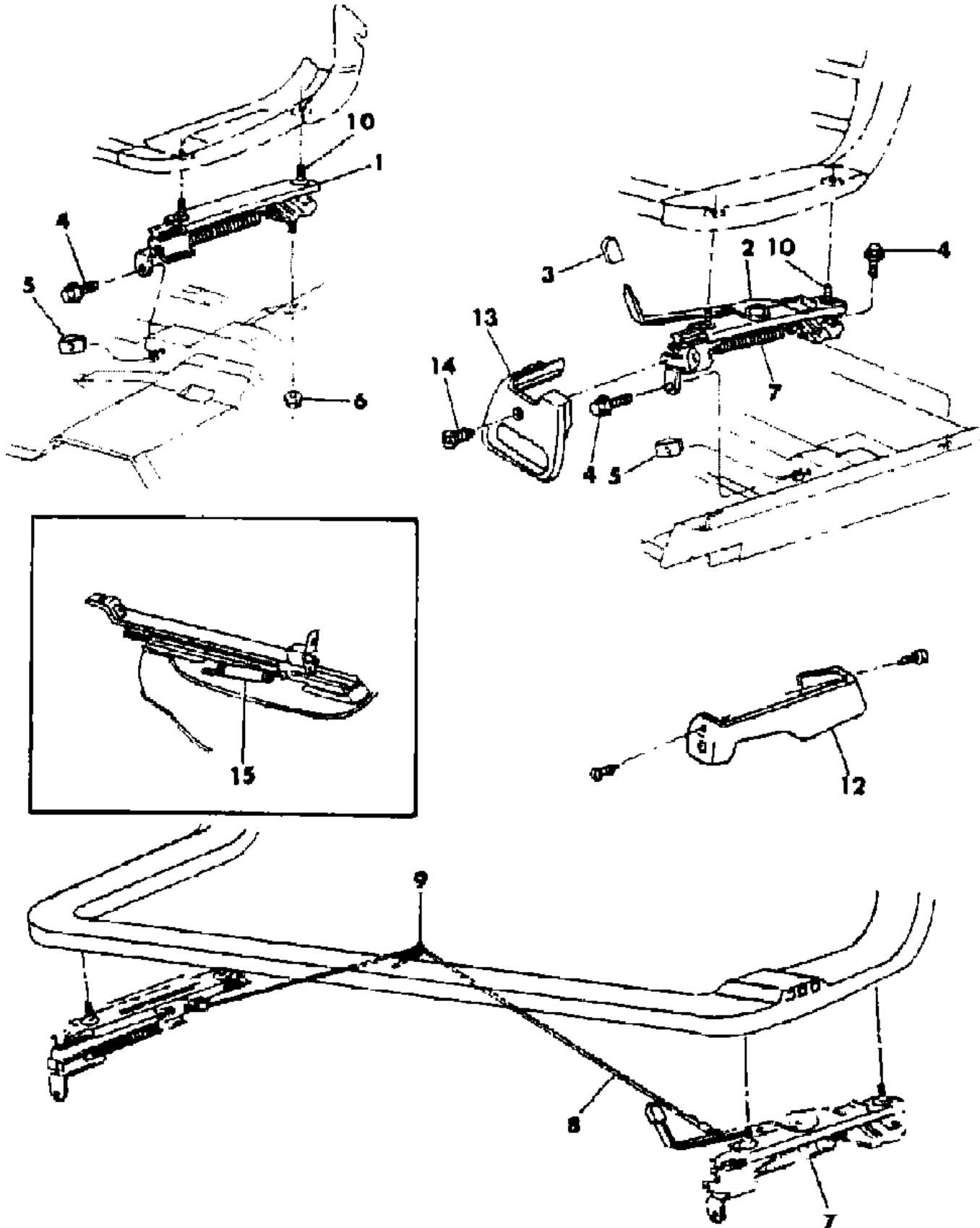
BODY STYLES

21 = 2-DOOR SEDAN	41 = 4-DOOR SEDAN
22 = 2-DOOR SPECIAL COUPE	45 = 4-DOOR STATION WAGON
24 = 2-DOOR HATCHBACK	44 = 4-DOOR HATCHBACK
27 = 2-DOOR CONVERTIBLE	48 = EXECUTIVE SEDAN
28 = FWD PICKUP	

AR = Use as Required - = Non Illustrated Part P.A.R. = Paint as Required

SEAT ADJUSTER MANUAL E,T  
Figure IT-4261

3253 426 100A



ITEM	PART NUMBER	QTY	BODY	MODEL	DESCRIPTION
14		AR			SCREW (not serviced) N N N N
15	4172 398	1			SPRING, Manual Adjuster Return w/Bench N N N Y4172398
	4277 173	1			w/50/50 Split N N N Y4277173
	4246 166	1			w/Bucket N N N Y4246166
The following part is not illustrated. s ARE NOT RETURNABLE.					
	0104 918	AR			BALL, Adjuster w/50/50 Split N N N Y104918

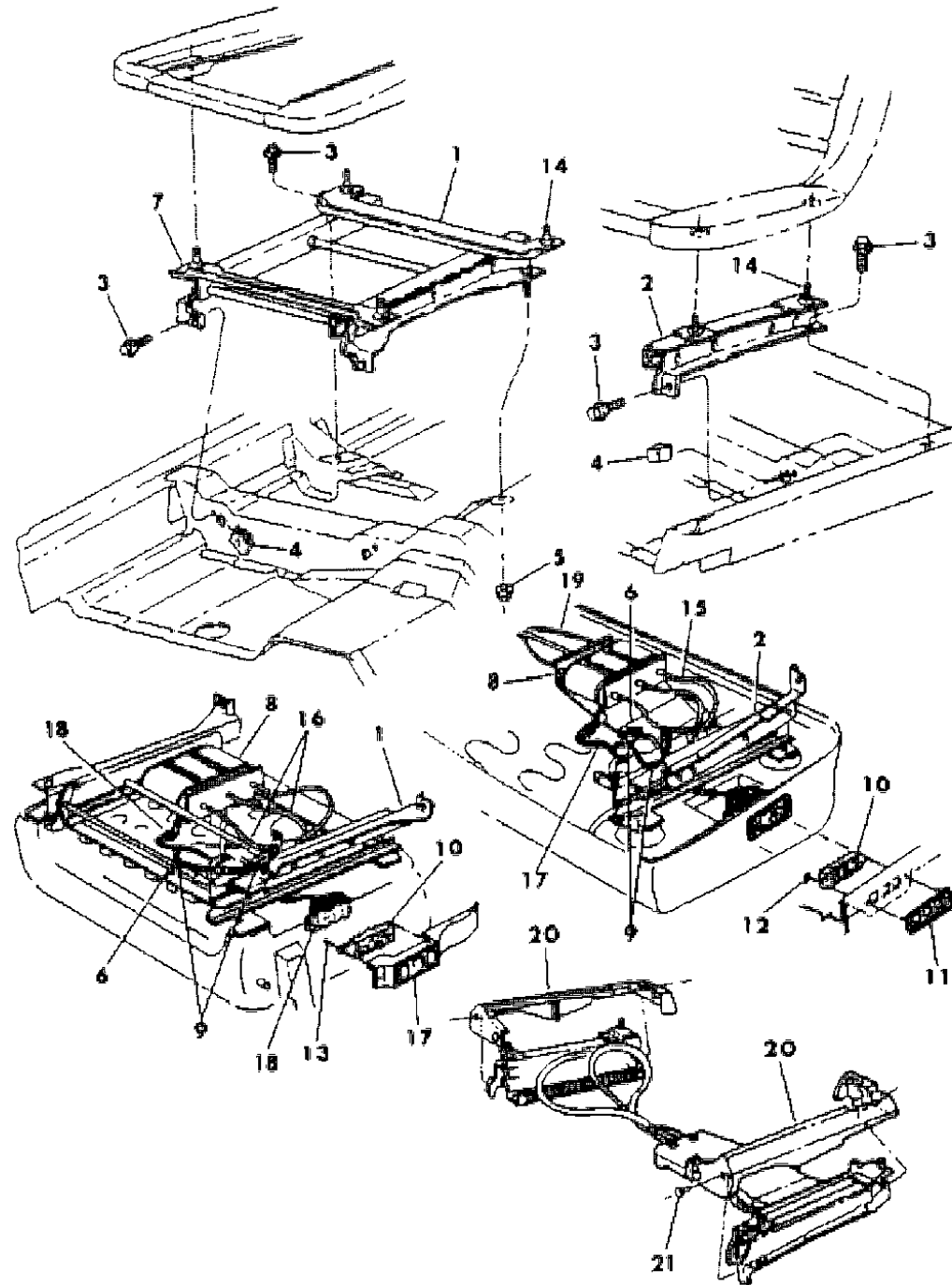
MODEL CODES  
 B = GRAN FURY  
 C = LEBARON/TOWN & COUNTRY  
 D = ARIES  
 E = 600  
 F = FIFTH AVENUE  
 G = DIPLOMAT  
 M = HORIZON/TURISMO/SCAMP  
 P = RELIANT  
 S = CORDOBA  
 T = E CLASS/NEWYORKER  
 V = 400  
 X = MIRADA  
 Y = IMPERIAL  
 Z = OMNI/CHARGER/RAMPAGE

BODY STYLES  
 21 = 2-DOOR SEDAN  
 22 = 2-DOOR SPECIAL COUPE  
 24 = 2-DOOR HATCHBACK  
 27 = 2-DOOR CONVERTIBLE  
 28 = FWD PICKUP  
 41 = 4-DOOR SEDAN  
 45 = 4-DOOR STATION WAGON  
 44 = 4-DOOR HATCHBACK  
 48 = EXECUTIVE SEDAN

AR = Use as Required - = Non Illustrated Part P.A.R. = Paint as Required

SEAT ADJUSTER ELECTRIC - E,T  
Figure IT-4271

3253 4 27 100



ITEM	PART NUMBER	QTY	BODY	MODEL	DESCRIPTION
1	4327 008	1			ADJUSTER, w/Bucket, Left N N N Y4327008
	4327 005	1			w/50/50 Split N N N Y4327005
2	4327 006-7	1			ADJUSTER, Bench Seat N N N Y4327006
3	6500 615	AR			SCREW and WASHER N N N Y6500615
4	6101 283	AR			U/NUT N N N Y6101283
5	6100 051	AR			NUT and WASHER N N N Y6100051
6	2945 704	AR			STRAP N N N Y2945704
7	6028 040	4			RETAINER N N N Y6028040
8	4054 186	1			MOTOR, w/Bench Seat N N N Y4054186
	4172 871	1			w/Bucket and 50/50 Split N N N Y4172871
9		AR			CLIP (not serviced) N N N N
10					SWITCH N N N N
	3747 740	1			w/Bench Seat N N N Y3747740
	3747 924	1			w/Bucket Seat or Split Bench N N N Y3747924
11	3747 967	1			Bezel, Switch w/Bench Seat N N N Y3747967
12	6025 002	AR			NUT and CONE WASHER N N N Y6025002
13		AR			SCREW (not serviced) N N N N
14	0180 079	4			SCREW and WASHER N N N Y180079
15					HOUSING, Bench Seat Cable N N N N
	4172 878	1			Right (31.37") N N N Y4172878
	4054 185	1			Left (11.05") N N N Y4054185
					CABLE N N N N0
	4172 876	1			Right (32.43") N N N Y4172876
	4054 183	3			Left (12.19") N N N Y4054183
16	4054 185	1			HOUSING, Bucket Seat Cable (11.05") N N N Y4054185
	4054 183	3			CABLE, Bucket Seat (12.19") N N N Y4054183
17	S775 VB2	1			SHIELD (paint as required) N N N YS775VB2
18	4209 646	1			WIRING, Seat Adjuster N N N Y4209646
	4304 400	1			w/50/50 Split N N N Y4304400
19	4246 135	2			HOUSING, Vertical and Horizontal, Right (35.31") N N N Y4246135
	4246 134	2			CABLE, Vertical and Horizontal, Right (36.38") N N N Y4246134
20					COVER, w/Bench N N N N
	S894-5 BA7	1			Silver N N N YS894BA7
	S894-5 BC7	1			Blue, Dark N N N YS894BC7
	S894-5 BM6	1			Red N N N YS894BM6

MODEL CODES

B = GRAN FURY	G = DIPLOMAT	V = 400
C = LEBARON/TOWN & COUNTRY	M = HORIZON/TURISMO/SCAMP	X = MIRADA
D = ARIES	P = RELIANT	Y = IMPERIAL
E = 600	S = CORDOBA	Z = OMNI/CHARGER/RAMPAGE
F = FIFTH AVENUE	T = E CLASS/NEWYORKER	

BODY STYLES

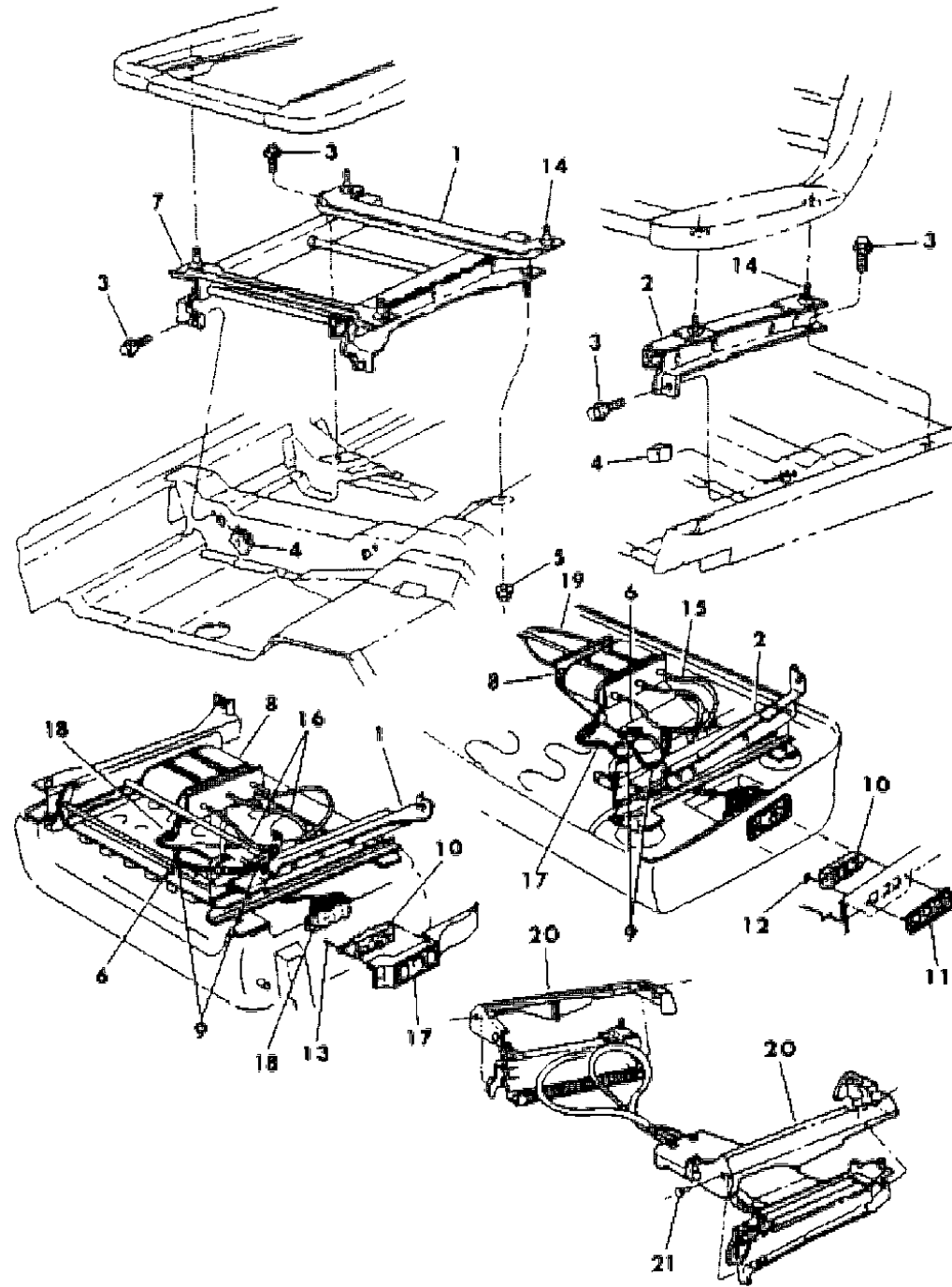
21 = 2-DOOR SEDAN	41 = 4-DOOR SEDAN
22 = 2-DOOR SPECIAL COUPE	45 = 4-DOOR STATION WAGON
24 = 2-DOOR HATCHBACK	44 = 4-DOOR HATCHBACK
27 = 2-DOOR CONVERTIBLE	48 = EXECUTIVE SEDAN
28 = FWD PICKUP	

AR = Use as Required - = Non Illustrated Part P.A.R. = Paint as Required



**SEAT ADJUSTER ELECTRIC - E,T**  
**Figure IT-4271**

3253 4 27 100



ITEM	PART NUMBER	QTY	BODY	MODEL	DESCRIPTION
	S894-5 BT8	1			Brown N N N YS894BT8 w/Bucket Outer, Left N N N N
	S571 AA7	1			Silver N N N YS571AA7
	S571 AC7	1			Blue, Dark N N N YS571AC7
	S571 VM6	1			Red N N N YS571VM6
	S571 BT8	1			Brown N N N YS571BT8 w/Bucket Inner, Left N N N N
	S583 AA7	1			Silver N N N YS583AA7
	S583 AC7	1			Blue, Dark N N N YS583AC7
	S583 AM6	1			Red N N N YS583AM6
	S583 BT8	1			Brown N N N YS583BT8 w/50/50 Split, Inner N N N N
	S899 BA7	1			Silver N N N YS899BA7
	S899 BC7	1			Blue, Dark N N N YS899BC7
	S899 BM6	1			Red N N N YS899BM6
	S899 BT8	1			Brown N N N YS899BT8 w/50/50 Split, Outer N N N N
	S895 BA7	1			Silver N N N YS895BA7
	S895 BC7	1			Blue, Dark N N N YS895BC7
	S895 BM6	1			Red N N N YS895BM6
	S895 BT8	1			Brown N N N YS895BT8
21	AR				SCREW (not Serviced) N N N N
The following parts are not illustrated. s ARE NOT RETURNABLE.					
	4239 717	1			SPRING, Horizontal Power N N N Y4239717
	4239 719	1			SPRING, Vertical w/Bucket and 50/50 Split N N N Y4239719
	4239 721	1			SPRING, Vertical w/Bench N N N Y4239721

**MODEL CODES**

B = GRAN FURY	G = DIPLOMAT	V = 400
C = LEBARON/TOWN & COUNTRY	M = HORIZON/TURISMO/SCAMP	X = MIRADA
D = ARIES	P = RELIANT	Y = IMPERIAL
E = 600	S = CORDOBA	Z = OMNI/CHARGER/RAMPAGE
F = FIFTH AVENUE	T = E CLASS/NEWYORKER	

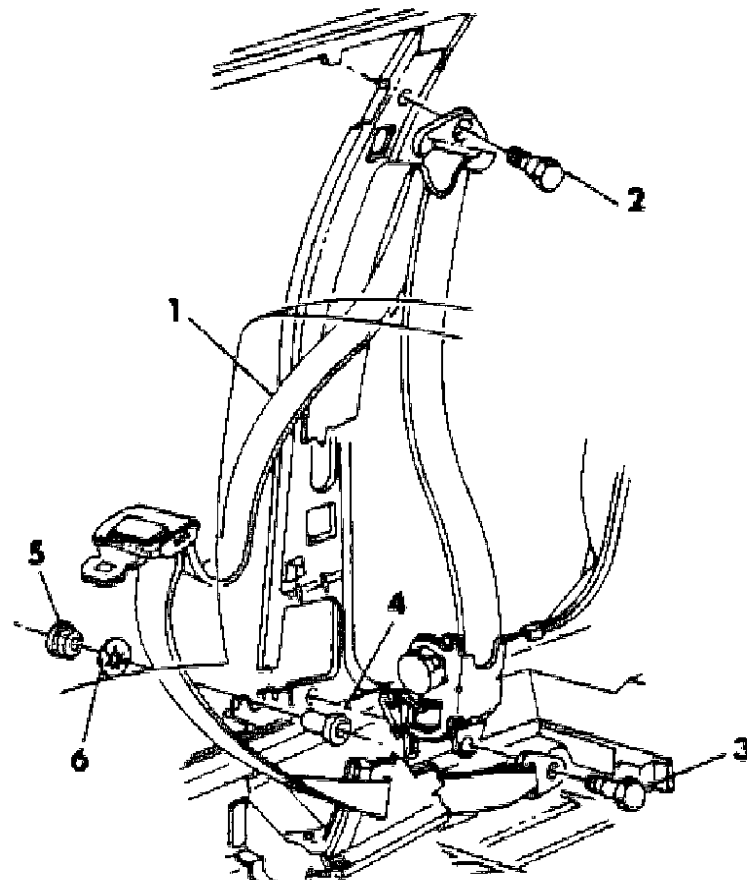
**BODY STYLES**

21 = 2-DOOR SEDAN	41 = 4-DOOR SEDAN
22 = 2-DOOR SPECIAL COUPE	45 = 4-DOOR STATION WAGON
24 = 2-DOOR HATCHBACK	44 = 4-DOOR HATCHBACK
27 = 2-DOOR CONVERTIBLE	48 = EXECUTIVE SEDAN
28 = FWD PICKUP	

AR = Use as Required - = Non Illustrated Part P.A.R. = Paint as Required

**BELT FRONT SEAT E,T**  
**Figure IT-4281**

3253 428100 A



ITEM	PART NUMBER	QTY	BODY	MODEL	DESCRIPTION
1					BELT, Lap and Shoulder, Outer Label No. 4290460-1 N N N N
	F654-5 BA3	1			Silver N N N YF654BA3
	F654-5 BC7	1			Blue, Dark N N N YF654BC7
	F654-5 BM6	1			Red N N N YF654BM6
	F654-5 BL3	1			Beige N N N YF654BL3
	F654-5 BT8	1			Brown N N N YF654BT8
	F654-5 BX9	1			Black N N N YF654BX9
					Label No. 4327102-3 N N N N
	F744-5 BA3	1			Silver N N N YF744BA3
	F744-5 BC7	1			Blue, Dark N N N YF744BC7
	F744-5 BM6	1			Red N N N YF744BM6
	F744-5 BL3	1			Beige N N N YF744BL3
	F744-5 BT8	1			Brown N N N YF744BT8
	F744-5 BX9	1			Black N N N YF744BX9
	4172 857	2			ROD, Tension Reliever Release Actuating N N N Y4172857
2	6031 298	2			BOLT, Shoulder N N N Y6031298
3	6031 484	2			BOLT N N N Y6031484
4	4172 859	2			CYLINDER, Tension Reliever Button (use up to 11/1/82) N N N Y4172859
	4290 789	2			w/Bumper (use after 11/1/82) N N N Y4290789
5					RETAINER, Tension Reliever Button N N N N0
	4290 337	2			(Up to 6/15/83) N N N Y4290337
	4327 076	2			(After 6/15/83) N N N Y4327076
6	6025 160	2			RETAINER, Inertia Retractor Pendulum Shaft N N N Y6025160

**MODEL CODES**

B = GRAN FURY	G = DIPLOMAT	V = 400
C = LEBARON/TOWN & COUNTRY	M = HORIZON/TURISMO/SCAMP	X = MIRADA
D = ARIES	P = RELIANT	Y = IMPERIAL
E = 600	S = CORDOBA	Z = OMNI/CHARGER/RAMPAGE
F = FIFTH AVENUE	T = E CLASS/NEWYORKER	

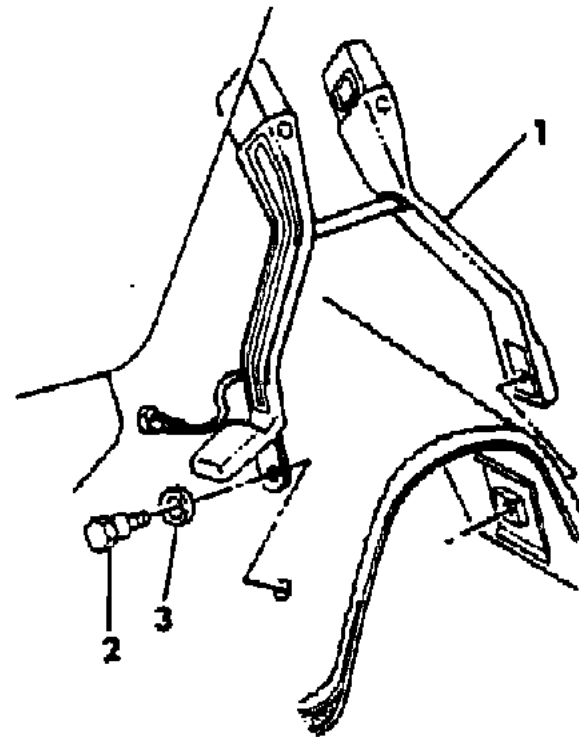
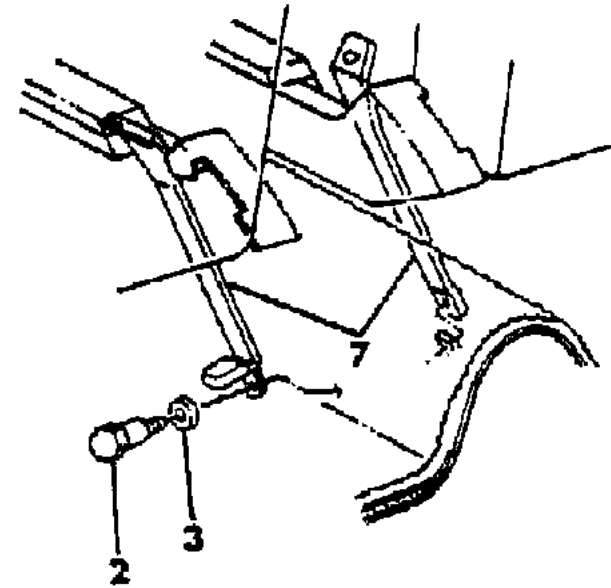
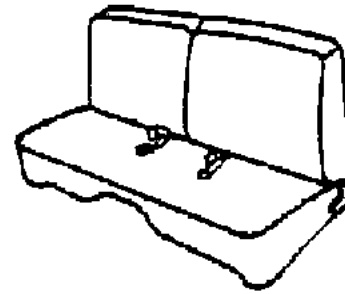
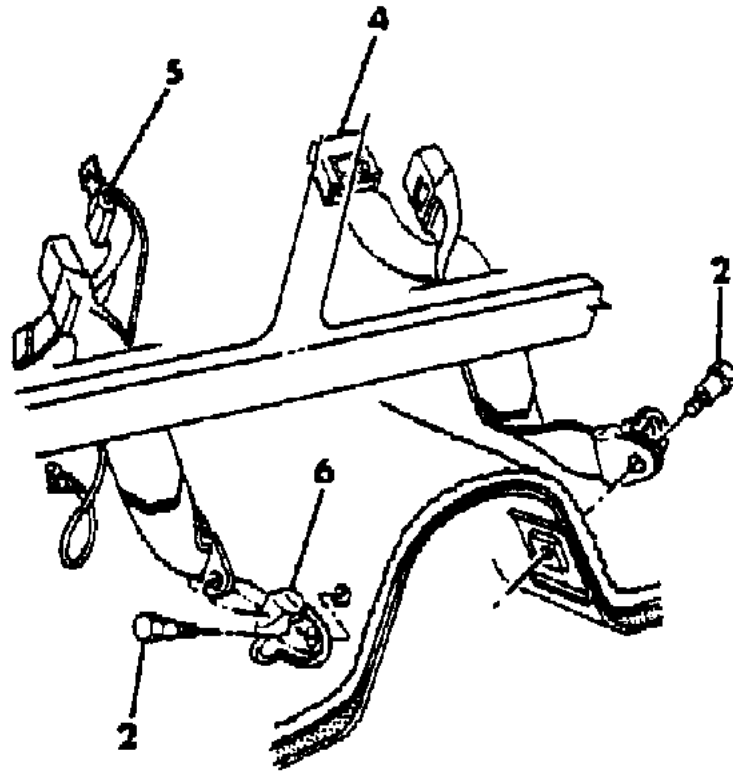
**BODY STYLES**

21 = 2-DOOR SEDAN	41 = 4-DOOR SEDAN
22 = 2-DOOR SPECIAL COUPE	45 = 4-DOOR STATION WAGON
24 = 2-DOOR HATCHBACK	44 = 4-DOOR HATCHBACK
27 = 2-DOOR CONVERTIBLE	48 = EXECUTIVE SEDAN
28 = FWD PICKUP	

AR = Use as Required - = Non Illustrated Part P.A.R. = Paint as Required

**BELT FRONT SEAT INBOARD E,T**  
Figure IT-4282

3253 428200



ITEM	PART NUMBER	QTY	BODY	MODEL	DESCRIPTION
1					BELT, Lap Buckle Half Inner Label No. 4277638 N N N N
	F622 BA3	1			Silver N N N YF622BA3
	F622 BC7	1			Blue, Dark N N N YF622BC7
	F622 BM6	1			Red N N N YF622BM6
	F622 BL3	1			Beige N N N YF622BL3
	F622 BT8	1			Brown N N N YF622BT8
	F622 BX9	1			Black N N N YF622BX9
					Label No. 4316111 N N N N
	F676 BA3	1			Silver N N N YF676BA3
	F676 BC7	1			Blue, Dark N N N YF676BC7
	F676 BM6	1			Red N N N YF676BM6
	F676 BL3	1			Beige N N N YF676BL3
	F676 BT8	1			Brown N N N YF676BT8
	F676 BX9	1			Black N N N YF676BX9
2	6031 298	AR			BOLT N N N Y6031298
3		AR			WASHER (not serviced) N N N N
4					BELT, Inboard Right Label No. 4316750 N N N N
	F706 BA3	1			Silver N N N YF706BA3
	F706 BC7	1			Blue, Dark N N N YF706BC7
	F706 BM6	1			Red N N N YF706BM6
	F706 BL3	1			Beige N N N YF706BL3
	F706 BT8	1			Brown N N N YF706BT8
	F706 BX9	1			Black N N N YF706BX9
5					BELT, Lap Inboard Left Label No. 4316751 N N N N
	F707 BA3	1			Silver N N N YF707BA3
	F707 BC7	1			Blue, Dark N N N YF707BC7
	F707 BM6	1			Red N N N YF707BM6
	F707 BL3	1			Beige N N N YF707BL3
	F707 BT8	1			Brown N N N YF707BT8
	F707 BX9	1			Black N N N YF707BX9
6	F814 JX9	2			COVER, Anchor Bolt (paint as required) N N N YF814JX9
7					BELT, Inner Buckle Label No. 4277632-3 N N N N
	F616-7 BA3	1			Silver N N N YF616BA3
	F616-7 BC7	1			Blue, Dark N N N YF616BC7
	F616-7 BM6	1			Red N N N YF616BM6
	F616-7 BL3	1			Beige N N N YF616BL3
	F616-7 BT8	1			Brown N N N YF616BT8

MODEL CODES

B = GRAN FURY	G = DIPLOMAT	V = 400
C = LEBARON/TOWN & COUNTRY	M = HORIZON/TURISMO/SCAMP	X = MIRADA
D = ARIES	P = RELIANT	Y = IMPERIAL
E = 600	S = CORDOBA	Z = OMNI/CHARGER/RAMPAGE
F = FIFTH AVENUE	T = E CLASS/NEWYORKER	

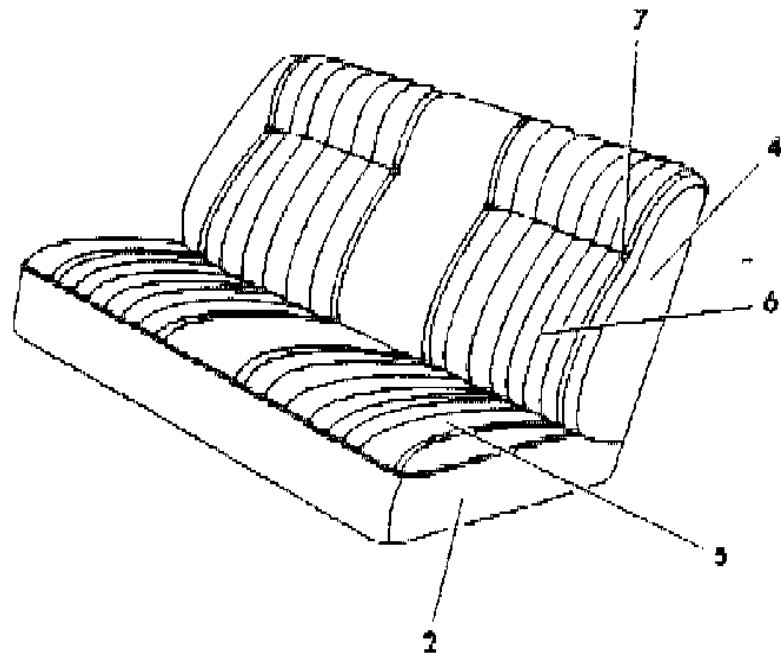
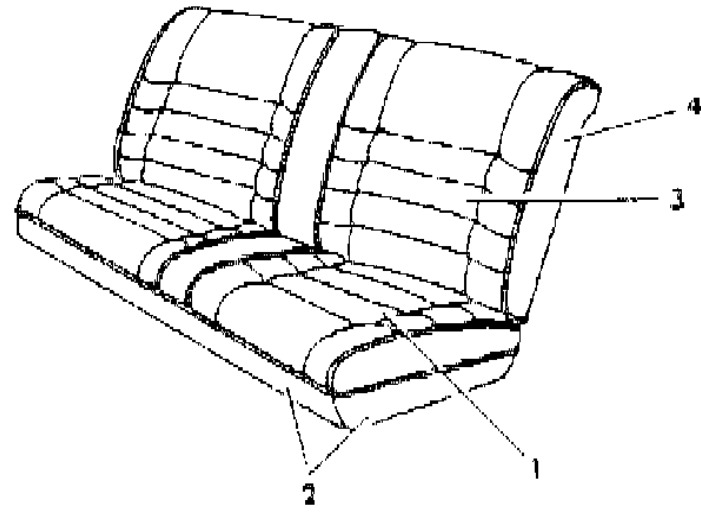
BODY STYLES

21 = 2-DOOR SEDAN	41 = 4-DOOR SEDAN
22 = 2-DOOR SPECIAL COUPE	45 = 4-DOOR STATION WAGON
24 = 2-DOOR HATCHBACK	44 = 4-DOOR HATCHBACK
27 = 2-DOOR CONVERTIBLE	48 = EXECUTIVE SEDAN
28 = FWD PICKUP	

AR = Use as Required - = Non Illustrated Part P.A.R. = Paint as Required

SEAT REAR E,T TRIM CODES C4,E5,F3  
Figure IT-4301

3253 430100



ITEM	PART NUMBER	QTY	BODY	MODEL	DESCRIPTION
1-2					CUSHION, w/Spring/Frame, Pad and Cover N N N N (use up to 4/4/83) N N N N
	A775 B3A	1			N N NF3A YA775B3A
	A775 B3C	1			N N NF3C YA775B3C
	A775 B3M	1			N N NF3M YA775B3M
	A775 B3L	1			N N NF3L YA775B3L (use after 4/4/83) N N N N
	A930 C3A	1			N N NF3A YA930C3A
	A930 C3C	1			N N NF3C YA930C3C
	A930 C3M	1			N N NF3M YA930C3M
	A930 C3L	1			N N NF3L YA930C3L
	A694 B5A	1			(use up to 1/3/83) N N NE5A YA694B5A
	A827 B5A	1			(use after 1/3/83) N N NE5A YA827B5A
	A694 B5C	1			(use up to 10/22/82) N N NE5C YA694B5C
	A827 B5C	1			(use after 10/22/82) N N NE5C YA827B5C
	A694 B5M	1			(use up to 10/28/82) N N NE5M YA694B5M
	A827 B5M	1			(use after 10/28/82) N N NE5M YA827B5M
	A694 B5T	1			(use up to 1/3/83) N N NE5T YA694B5T
	A827 B5T	1			(use after 1/3/83) N N NE5T YA827B5T
1					COVER, Cushion N N N N (use up to 4/4/83) N N N N
	A467 B3A	1			N N NF3A YA467B3A
	A467 B3C	1			N N NF3C YA467B3C
	A467 B3M	1			N N NF3M YA467B3M
	A467 B3L	1			N N NF3L YA467B3L (use after 4/4/83) N N N N
	A512 C3A	1			N N NF3A YA512C3A
	A512 C3C	1			N N NF3C YA512C3C
	A512 C3M	1			N N NF3M YA512C3M
	A512 C3L	1			N N NF3L YA512C3L
	A420 B5A	1			(use up to 1/3/83) N N NE5A YA420B5A
	A473 B5A	1			(use after 1/3/83) N N NE5A YA473B5A
	A420 B5C	1			(use up to 10/22/82) N N NE5C YA420B5C
	A473 B5C	1			(use after 10/22/82) N N NE5C YA473B5C
	A420 B5M	1			(use up to 10/28/82) N N NE5M YA420B5M
	A473 B5M	1			(use after 10/28/82) N N NE5M YA473B5M
	A420 B5T	1			(use up to 1/3/83) N N NE5T YA420B5T

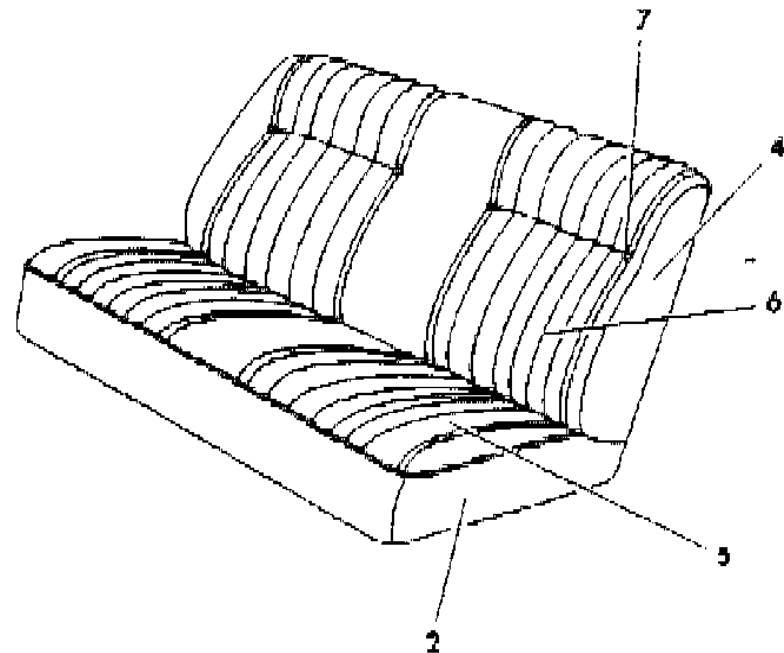
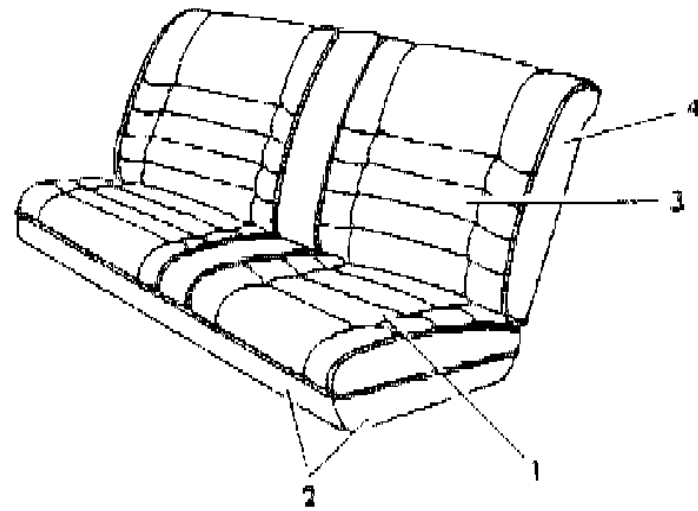
MODEL CODES  
 B = GRAN FURY  
 C = LEBARON/TOWN & COUNTRY  
 D = ARIES  
 E = 600  
 F = FIFTH AVENUE  
 G = DIPLOMAT  
 M = HORIZON/TURISMO/SCAMP  
 P = RELIANT  
 S = CORDOBA  
 T = E CLASS/NEWYORKER  
 V = 400  
 X = MIRADA  
 Y = IMPERIAL  
 Z = OMNI/CHARGER/RAMPAGE

BODY STYLES  
 21 = 2-DOOR SEDAN  
 22 = 2-DOOR SPECIAL COUPE  
 24 = 2-DOOR HATCHBACK  
 27 = 2-DOOR CONVERTIBLE  
 28 = FWD PICKUP  
 41 = 4-DOOR SEDAN  
 45 = 4-DOOR STATION WAGON  
 44 = 4-DOOR HATCHBACK  
 48 = EXECUTIVE SEDAN

AR = Use as Required - = Non Illustrated Part P.A.R. = Paint as Required

SEAT REAR E,T TRIM CODES C4,E5,F3  
Figure IT-4301

3253 430100



ITEM	PART NUMBER	QTY	BODY	MODEL	DESCRIPTION
	A473 B5T	1			(use after 1/3/83) N N NE5T YA473B5T
2	R616 AA2	AR			ROLL STOCK, Vinyl 64" Wide Order by the Inch N N N N N N NF3A,C4A YR616AA2
	R616 VC8	AR			N N NF3C YR616VC8
	R616 VM6	AR			N N NF3M,C4M YR616VM6
	R616 BL3	AR			N N NF3L,C4L YR616BL3
3-4					BACK, w/Spring/Frame, Pad and Cover N N N N (use up to 4/4/83) N N N N
	A776 B3A	1			N N NF3A YA776B3A
	A776 B3C	1			N N NF3C YA776B3C
	A776 B3M	1			N N NF3M YA776B3M
	A776 B3L	1			N N NF3L YA776B3L (use after 4/4/83) N N N N
	A931 C3A	1			N N NF3A YA931C3A
	A931 C3C	1			N N NF3C YA931C3C
	A931 C3M	1			N N NF3M YA931C3M
	A931 C3L	1			N N NF3L YA931C3L
	A695 B5A	1			(use up to 1/3/83) N N NE5A YA695B5A
	A828 B5A	1			(use after 1/3/83) N N NE5A YA828B5A
	A695 B5C	1			(use up to 10/26/82) N N NE5C YA695B5C
	A828 B5C	1			(use after 10/26/82) N N NE5C YA828B5C
	A695 B5M	1			(use up to 10/29/82) N N NE5M YA695B5M
	A828 B5M	1			(use after 10/29/82) N N NE5M YA828B5M
	A695 B5T	1			(use up to 1/3/83) N N NE5T YA695B5T
	A828 B5T	1			(use after 1/3/83) N N NE5T YA828B5T
3					COVER, Back N N N N (use up to 4/4/83) N N N N
	A468 B3A	1			N N NF3A YA468B3A
	A468 B3C	1			N N NF3C YA468B3C
	A468 B3M	1			N N NF3M YA468B3M
	A468 B3L	1			N N NF3L YA468B3L (use after 4/4/83) N N N N
	A513 C3A	1			N N NF3A YA513C3A
	A513 C3C	1			N N NF3C YA513C3C
	A513 C3M	1			N N NF3M YA513C3M
	A513 C3L	1			N N NF3L YA513C3L
	A421 B5A	1			(use up to 1/3/83) N N NE5A YA421B5A

MODEL CODES

B = GRAN FURY

C = LEBARON/TOWN & COUNTRY

D = ARIES

E = 600

F = FIFTH AVENUE

G = DIPLOMAT

M = HORIZON/TURISMO/SCAMP

P = RELIANT

S = CORDOBA

T = E CLASS/NEWYORKER

V = 400

X = MIRADA

Y = IMPERIAL

Z = OMNI/CHARGER/RAMPAGE

BODY STYLES

21 = 2-DOOR SEDAN

22 = 2-DOOR SPECIAL COUPE

24 = 2-DOOR HATCHBACK

27 = 2-DOOR CONVERTIBLE

28 = FWD PICKUP

41 = 4-DOOR SEDAN

45 = 4-DOOR STATION WAGON

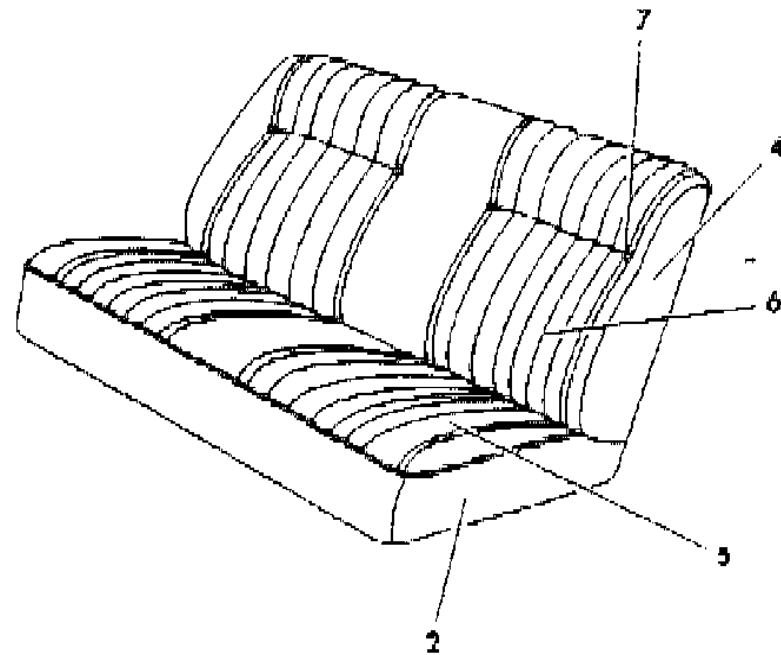
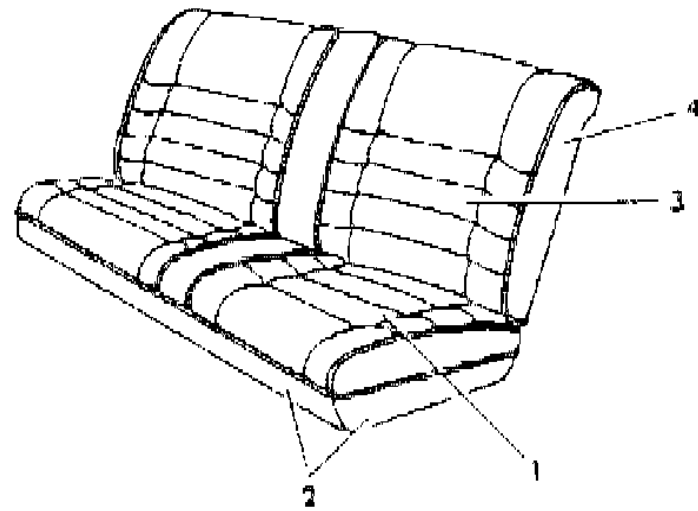
44 = 4-DOOR HATCHBACK

48 = EXECUTIVE SEDAN

AR = Use as Required - = Non Illustrated Part P.A.R. = Paint as Required

SEAT REAR E,T TRIM CODES C4,E5,F3  
Figure IT-4301

3253 430100



ITEM	PART NUMBER	QTY	BODY	MODEL	DESCRIPTION
	A474 B5A	1			(use after 1/3/83) N N NE5A YA474B5A
	A421 B5C	1			(use up to 10/26/82) N N NE5C YA421B5C
	A474 B5C	1			(use after 10/26/82) N N NE5C YA474B5C
	A421 B5M	1			(use up to 10/29/82) N N NE5M YA421B5M
	A474 B5M	1			(use after 10/29/82) N N NE5M YA474B5M
	A421 B5T	1			(use up to 1/3/83) N N NE5T YA421B5T
	A474 B5T	1			(use after 1/3/83) N N NE5T YA474B5T
4					ROLL STOCK, Cloth 54" Wide Order by the Inch N N N N (use up to 4/4/83) N N N N
	R011 BA3	AR			N N NF3A YR011BA3
	R011 BC7	AR			N N NF3C YR011BC7
	R011 BM6	AR			N N NF3M YR011BM6
	R011 BL3	AR			N N NF3L YR011BL3
	R093 AA3	AR			(use after 4/4/83) N N N N N N NF3A YR093AA3
	R093 AC7	AR			N N NF3C YR093AC7
	R093 AM6	AR			N N NF3M YR093AM6
	R093 BL3	AR			N N NF3L YR093BL3
	R088 BA2	AR			N N NE5A,C4A YR088BA2
	R092 VC7	AR			N N NE5C YR092VC7
	R092 VM6	AR			N N NE5M,C4M YR092VM6
	R088 BT8	AR			N N NE5T,C4L YR088BT8
5&2					CUSHION, w/Spring/Frame, Pad and Cover N N N N
	A723 B4A	1			N N NC4A YA723B4A
	A723 B4M	1			N N NC4M YA723B4M
	A723 B4L	1			N N NC4L YA723B4L
5					COVER, Cushion N N N N
	A411 B4A	1			N N NC4A YA411B4A
	A411 B4M	1			N N NC4M YA411B4M
	A411 B4L	1			N N NC4L YA411B4L
6&2					BACK, w/Spring/Frame, Pad and Cover N N N N
	A724 B4A	1			N N NC4A YA724B4A
	A724 B4M	1			N N NC4M YA724B4M
	A724 B4L	1			N N NC4L YA724B4L
6					COVER, Back N N N N
	A412 B4A	1			N N NC4A YA412B4A
	A412 B4M	1			N N NC4M YA412B4M

MODEL CODES

B = GRAN FURY	G = DIPLOMAT	V = 400
C = LEBARON/TOWN & COUNTRY	M = HORIZON/TURISMO/SCAMP	X = MIRADA
D = ARIES	P = RELIANT	Y = IMPERIAL
E = 600	S = CORDOBA	Z = OMNI/CHARGER/RAMPAGE
F = FIFTH AVENUE	T = E CLASS/NEWYORKER	

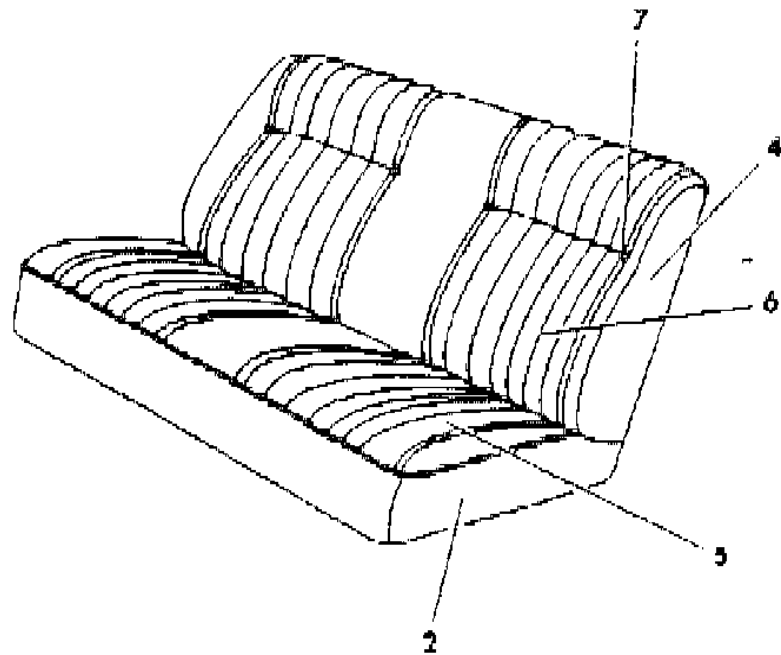
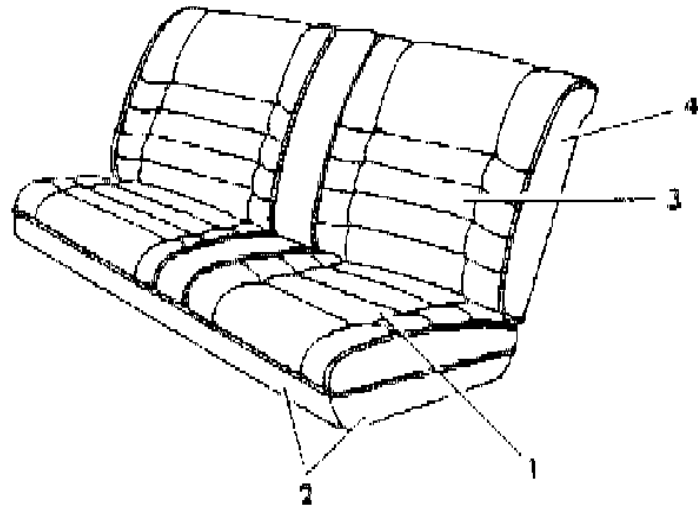
BODY STYLES

21 = 2-DOOR SEDAN	41 = 4-DOOR SEDAN
22 = 2-DOOR SPECIAL COUPE	45 = 4-DOOR STATION WAGON
24 = 2-DOOR HATCHBACK	44 = 4-DOOR HATCHBACK
27 = 2-DOOR CONVERTIBLE	48 = EXECUTIVE SEDAN
28 = FWD PICKUP	

AR = Use as Required - = Non Illustrated Part P.A.R. = Paint as Required

SEAT REAR E,T TRIM CODES C4,E5,F3  
Figure IT-4301

3253 430100



ITEM	PART NUMBER	QTY	BODY	MODEL	DESCRIPTION
	A412 B4L	1			N N NC4L YA412B4L
7	4190 694	4			BUTTON, Chrome N N N N (up to 1/26/83) N N N Y4190694
	4316 220	4			(after 1/26/83) N N N Y4316220
8	6008 076	AR			HOG RING N N N Y6008076

MODEL CODES  
 B = GRAN FURY  
 C = LEBARON/TOWN & COUNTRY  
 D = ARIES  
 E = 600  
 F = FIFTH AVENUE  
 G = DIPLOMAT  
 M = HORIZON/TURISMO/SCAMP  
 P = RELIANT  
 S = CORDOBA  
 T = E CLASS/NEWYORKER  
 V = 400  
 X = MIRADA  
 Y = IMPERIAL  
 Z = OMNI/CHARGER/RAMPAGE

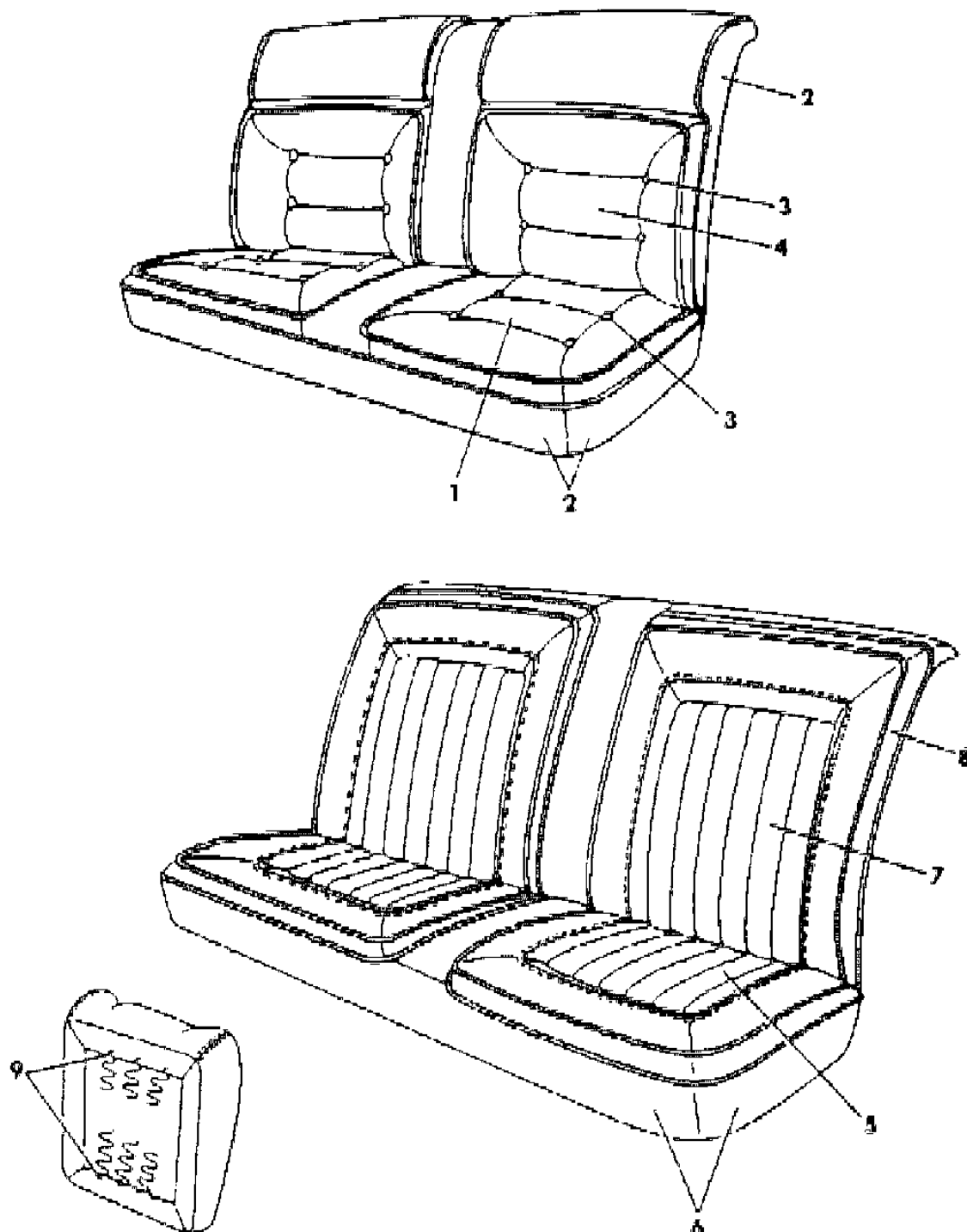
BODY STYLES  
 21 = 2-DOOR SEDAN  
 22 = 2-DOOR SPECIAL COUPE  
 24 = 2-DOOR HATCHBACK  
 27 = 2-DOOR CONVERTIBLE  
 28 = FWD PICKUP  
 41 = 4-DOOR SEDAN  
 45 = 4-DOOR STATION WAGON  
 44 = 4-DOOR HATCHBACK  
 48 = EXECUTIVE SEDAN

AR = Use as Required - = Non Illustrated Part P.A.R. = Paint as Required

SEAT REAR E,T TRIM CODES GF,PF,SP  
Figure IT-4302

3253 430200

ITEM	PART NUMBER	QTY	BODY	MODEL	DESCRIPTION
1-3					CUSHION, w/Spring/Frame, Pad and Cover N N N N
	A734 BFA	1			N N NGFA,PFA YA734BFA
	A734 BFC	1			N N NGFC,PFC YA734BFC
	A766 BFM	1			(use up to 11/4/82) N N NGFM,PFM YA766BFM
	A734 BFM	1			(use after 11/4/82) N N NGFM,PFM YA734BFM
	A734 BFL	1			N N NGFL,PFL YA734BFL
	A734 BFT	1			N N NGFT,PFT YA734BFT
1					COVER, Cushion N N N N
	A432 BFA	1			N N NGFA,PFA YA432BFA
	A432 BFC	1			N N NGFC,PFC YA432BFC
	A462 BFM	1			(use up to 11/4/82) N N NGFM,PFM YA462BFM
	A432 BFM	1			(use after 11/4/82) N N NGFM,PFM YA432BFM
	A432 BFL	1			N N NGFL,PFL YA432BFL
	A432 BFT	1			N N NGFT,PFT YA432BFT
2					ROLL STOCK, Cloth 54" Wide Order by the Inch N N N N
	R011 BA3	AR			N N NGFA,PFA YR011BA3
	R011 BC7	AR			N N NGFC,PFC YR011BC7
	R011 BM6	AR			N N NGFM,PFM YR011BM6
	R011 BL3	AR			N N NGFL,PFL YR011BL3
	R011 BT8	AR			N N NGFT,PFT YR011BT8
3					BUTTON, Cushion and Back N N N N
	G391 BA3	AR			N N NGFA,PFA YG391BA3
	G391 BC7	AR			N N NGFC,PFC YG391BC7
	G390 BM6	AR			(use up to 11/4/82) N N NGFM,PFM YG390BM6
	G391 BM6	AR			(use after 11/4/82) N N NGFM,PFM YG391BM6
	G391 BL3	AR			N N NGFL,PFL YG391BL3
	G391 BT8	AR			N N NGFT,PFT YG391BT8
-	6032 359	AR			RETAINER, Button N N NGFT,PFT Y6032359
2-4					BACK, w/Spring/Frame, Pad and Cover N N N N
	A735 BFA	1			N N NGFA,PFA YA735BFA
	A735 BFC	1			N N NGFC,PFC YA735BFC
	A767 BFM	1			(use up to 11/4/82) N N NGFM,PFM YA767BFM
	A735 BFM	1			(use after 11/4/82) N N NGFM,PFM YA735BFM
	A735 BFL	1			N N NGFL,PFL YA735BFL
	A735 BFT	1			N N NGFT,PFT YA735BFT
4					COVER, Back N N N N
	A433 BFA	1			N N NGFA,PFA YA433BFA



MODEL CODES

B = GRAN FURY	G = DIPLOMAT	V = 400
C = LEBARON/TOWN & COUNTRY	M = HORIZON/TURISMO/SCAMP	X = MIRADA
D = ARIES	P = RELIANT	Y = IMPERIAL
E = 600	S = CORDOBA	Z = OMNI/CHARGER/RAMPAGE
F = FIFTH AVENUE	T = E CLASS/NEWYORKER	

BODY STYLES

21 = 2-DOOR SEDAN	41 = 4-DOOR SEDAN
22 = 2-DOOR SPECIAL COUPE	45 = 4-DOOR STATION WAGON
24 = 2-DOOR HATCHBACK	44 = 4-DOOR HATCHBACK
27 = 2-DOOR CONVERTIBLE	48 = EXECUTIVE SEDAN
28 = FWD PICKUP	

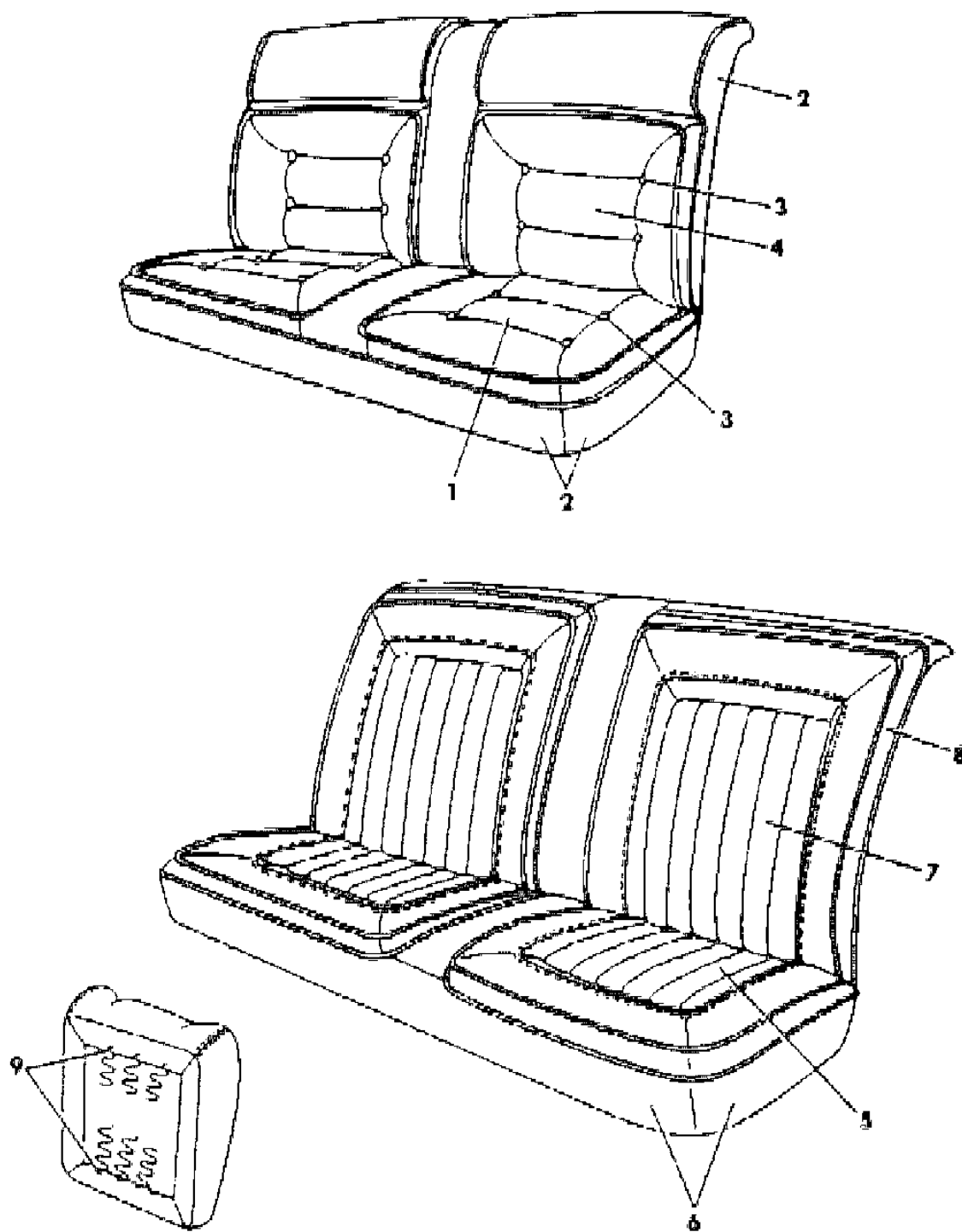
AR = Use as Required - = Non Illustrated Part P.A.R. = Paint as Required



**SEAT REAR E,T TRIM CODES GF,PF,SP**  
**Figure IT-4302**

3253 430200

ITEM	PART NUMBER	QTY	BODY	MODEL	DESCRIPTION
	A433 BFC	1			N N NGFC,PFC YA433BFC
	A463 BFM	1			(use up to 11/4/82) N N NGFM,PFM YA463BFM
	A433 BFM	1			(use after 11/4/82) N N NGFM,PFM YA433BFM
	A433 BFL	1			N N NGFL,PFL YA433BFL
	A433 BFT	1			N N NGFT,PFT YA433BFT
5-6					CUSHION, w/Spring/Frame, Pad and Cover N N N N
	A748 BPA	1			N N NSPA YA748BPA
	A748 BPC	1			N N NSPC YA748BPC
	A748 BPM	1			N N NSPM YA748BPM
	A748 BPL	1			N N NSPL YA748BPL
	A748 BPT	1			N N NSPTK YA748BPT
5					COVER, Cushion N N N N
	A442 BPA	1			N N NSPA YA442BPA
	A442 BPC	1			N N NSPC YA442BPC
	A442 BPM	1			N N NSPM YA442BPM
	A442 BPL	1			N N NSPL YA442BPL
	A442 BPT	1			N N NSPTK YA442BPT
6					ROLL STOCK, Vinyl Order by the Inch N N N N
	R616 AA2	AR			64" Wide N N NSPA YR616AA2
	R616 VC8	AR			64" Wide N N NSPC YR616VC8
	R616 VM6	AR			64" Wide N N NSPM YR616VM6
	R616 BL3	AR			64" Wide N N NSPL YR616BL3
	R609 BT8	AR			58" Wide N N NSPTK YR609BT8
7-8					BACK, w/Spring/Frame, Pad and Cover N N N N
	A749 BPA	1			N N NSPA YA749BPA
	A749 BPC	1			N N NSPC YA749BPC
	A749 BPM	1			N N NSPM YA749BPM
	A749 BPL	1			N N NSPL YA749BPL
	A749 BPT	1			N N NSPTK YA749BPT
7					COVER, Back N N N N
	A443 BPA	1			N N NSPA YA443BPA
	A443 BPC	1			N N NSPC YA443BPC
	A443 BPM	1			N N NSPM YA443BPM
	A443 BPL	1			N N NSPL YA443BPL
	A443 BPT	1			N N NSPTK YA443BPT
8					ROLL STOCK, Vinyl 54" Wide Order by the Inch N N N N
	R627 AA2	AR			N N NSPA YR627AA2



**MODEL CODES**  
 B = GRAN FURY  
 C = LEBARON/TOWN & COUNTRY  
 D = ARIES  
 E = 600  
 F = FIFTH AVENUE  
 G = DIPLOMAT  
 M = HORIZON/TURISMO/SCAMP  
 P = RELIANT  
 S = CORDOBA  
 T = E CLASS/NEWYORKER  
 V = 400  
 X = MIRADA  
 Y = IMPERIAL  
 Z = OMNI/CHARGER/RAMPAGE

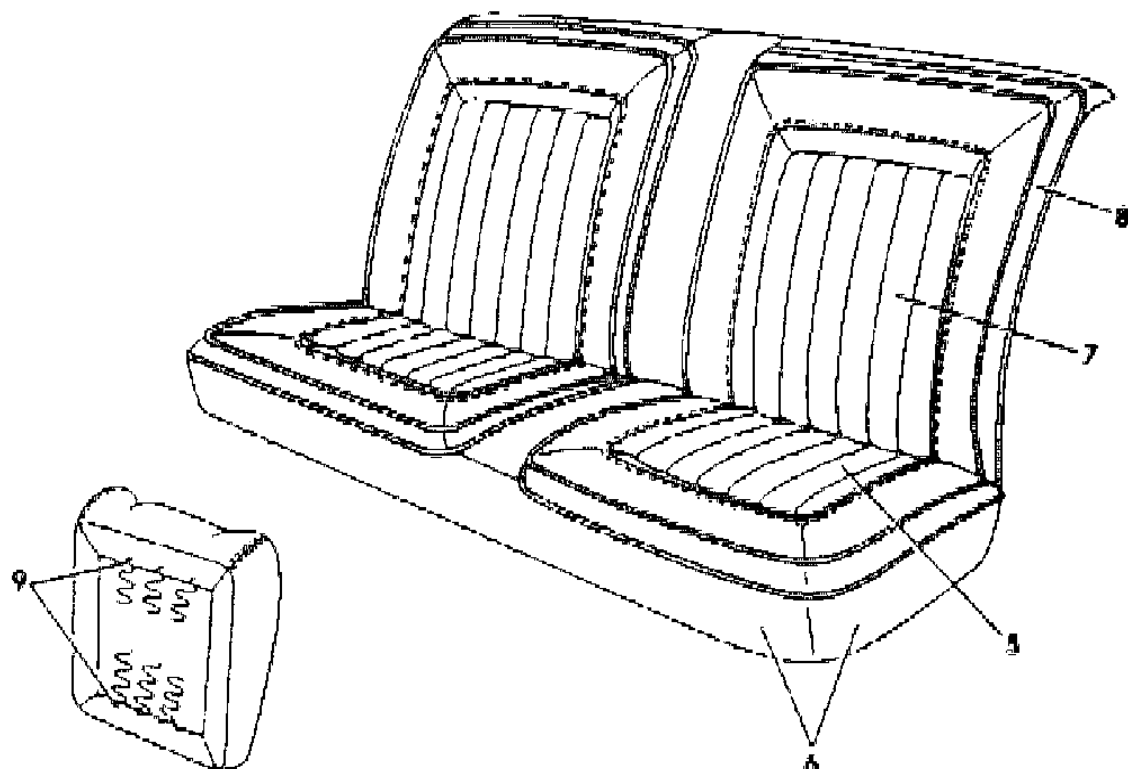
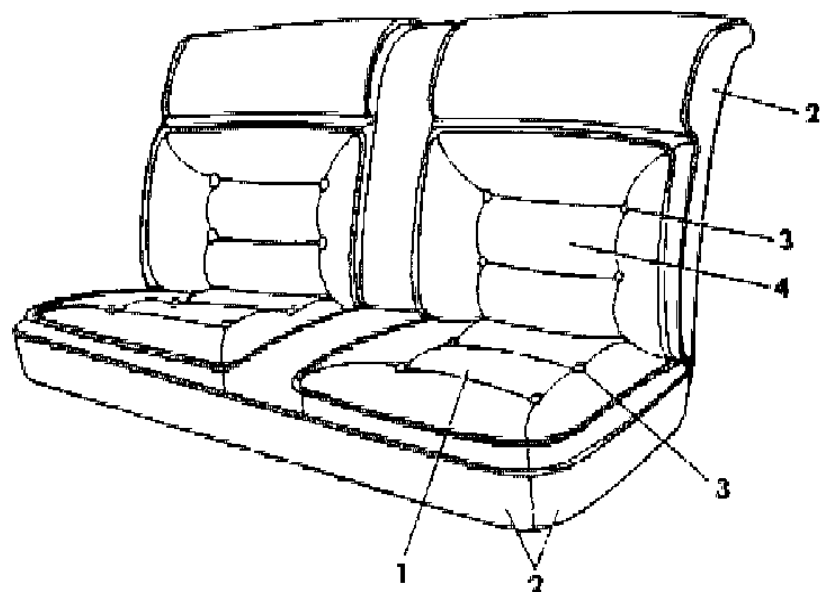
**BODY STYLES**  
 21 = 2-DOOR SEDAN  
 22 = 2-DOOR SPECIAL COUPE  
 24 = 2-DOOR HATCHBACK  
 27 = 2-DOOR CONVERTIBLE  
 28 = FWD PICKUP  
 41 = 4-DOOR SEDAN  
 45 = 4-DOOR STATION WAGON  
 44 = 4-DOOR HATCHBACK  
 48 = EXECUTIVE SEDAN

AR = Use as Required - = Non Illustrated Part P.A.R. = Paint as Required

SEAT REAR E,T TRIM CODES GF,PF,SP  
Figure IT-4302

3253 430200

ITEM	PART NUMBER	QTY	BODY	MODEL	DESCRIPTION
	R627 AC8	AR			N N NSPC YR627AC8
	R627 AM6	AR			N N NSPM YR627AM6
	R627 BL3	AR			N N NSPL YR627BL3
	R627 BK9	AR			N N NSPTK YR627BK9
9	6008 076	AR			HOG RING N N N Y6008076



MODEL CODES

B = GRAN FURY	G = DIPLOMAT	V = 400
C = LEBARON/TOWN & COUNTRY	M = HORIZON/TURISMO/SCAMP	X = MIRADA
D = ARIES	P = RELIANT	Y = IMPERIAL
E = 600	S = CORDOBA	Z = OMNI/CHARGER/RAMPAGE
F = FIFTH AVENUE	T = E CLASS/NEWYORKER	

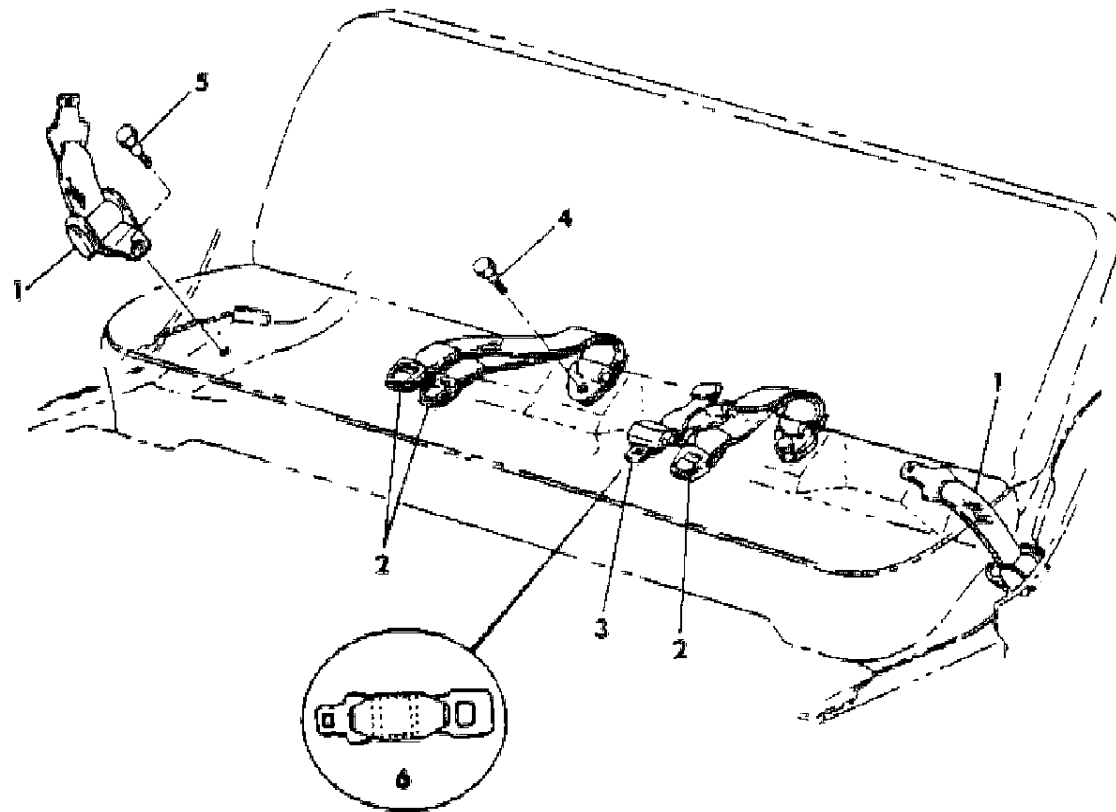
BODY STYLES

21 = 2-DOOR SEDAN	41 = 4-DOOR SEDAN
22 = 2-DOOR SPECIAL COUPE	45 = 4-DOOR STATION WAGON
24 = 2-DOOR HATCHBACK	44 = 4-DOOR HATCHBACK
27 = 2-DOOR CONVERTIBLE	48 = EXECUTIVE SEDAN
28 = FWD PICKUP	

AR = Use as Required - = Non Illustrated Part P.A.R. = Paint as Required

**BELT REAR SEAT E,T**  
**Figure IT-4371**

3253 437100 A



ITEM	PART NUMBER	QTY	BODY	MODEL	DESCRIPTION
1					BELT, Outboard Tip Half Label No. 4277885 N N N N
	F861 AA3	2			Silver N N N YF861AA3
	F861 AC7	2			Blue, Dark N N N YF861AC7
	F861 AM6	2			Red N N N YF861AM6
	F861 BL3	2			Beige N N N YF861BL3
	F861 BT8	2			Brown N N N YF861BT8
2					BELT, Buckle Inner, Right Label No. 4316754 N N N N
	F710 BA3	1			Silver N N N YF710BA3
	F710 BC7	1			Blue, Dark N N N YF710BC7
	F710 BM6	1			Red N N N YF710BM6
	F710 BL3	1			Beige N N N YF710BL3
	F710 BT8	1			Brown N N N YF710BT8
3					BELT, Buckle and Tip, Left Label No. 4316767 N N N N
	F717 BA3	1			Silver N N N YF717BA3
	F717 BC7	1			Blue, Dark N N N YF717BC7
	F717 BM6	1			Red N N N YF717BM6
	F717 BL3	1			Beige N N N YF717BL3
	F717 BT8	1			Brown N N N YF717BT8
	F717 BX9	1			Black N N N YF717BX9
4	6031 298	2			BOLT N N N Y6031298
5	6031 484	2			BOLT N N N Y6031484
6	4342 710	1			EXTENSION, Rear Seat Belt N N N Y4342710

**MODEL CODES**

B = GRAN FURY	G = DIPLOMAT	V = 400
C = LEBARON/TOWN & COUNTRY	M = HORIZON/TURISMO/SCAMP	X = MIRADA
D = ARIES	P = RELIANT	Y = IMPERIAL
E = 600	S = CORDOBA	Z = OMNI/CHARGER/RAMPAGE
F = FIFTH AVENUE	T = E CLASS/NEWYORKER	

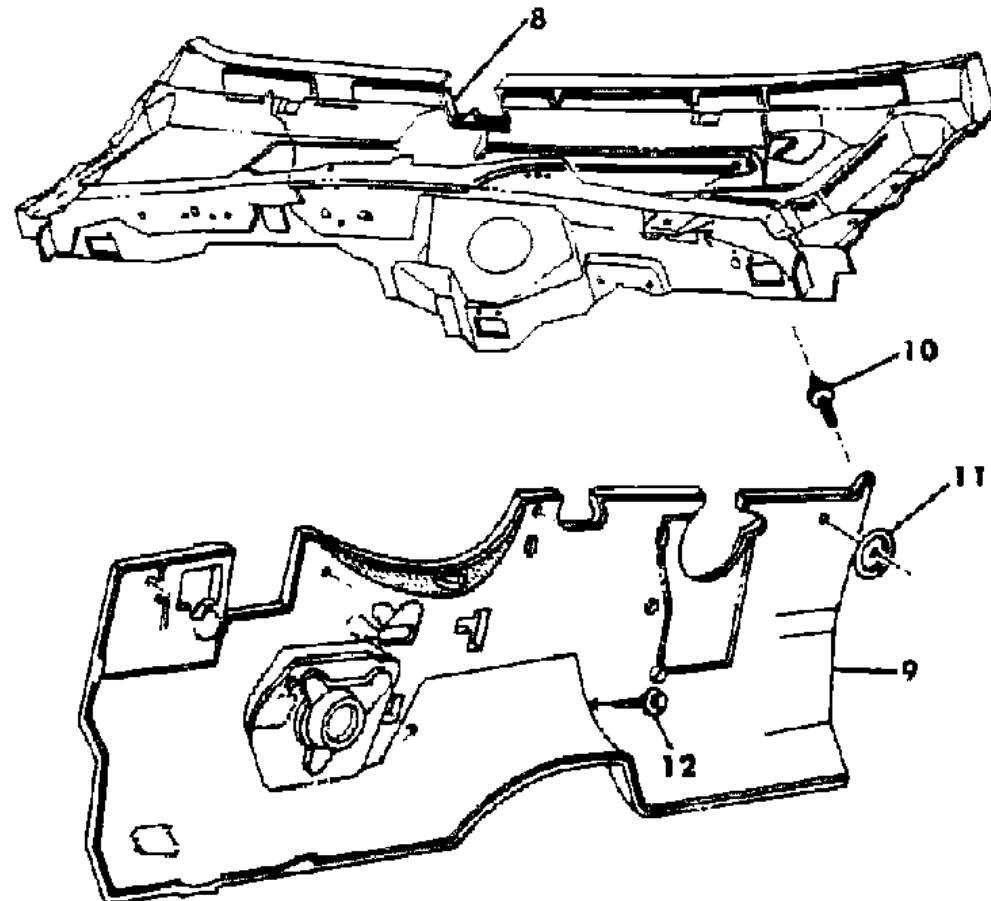
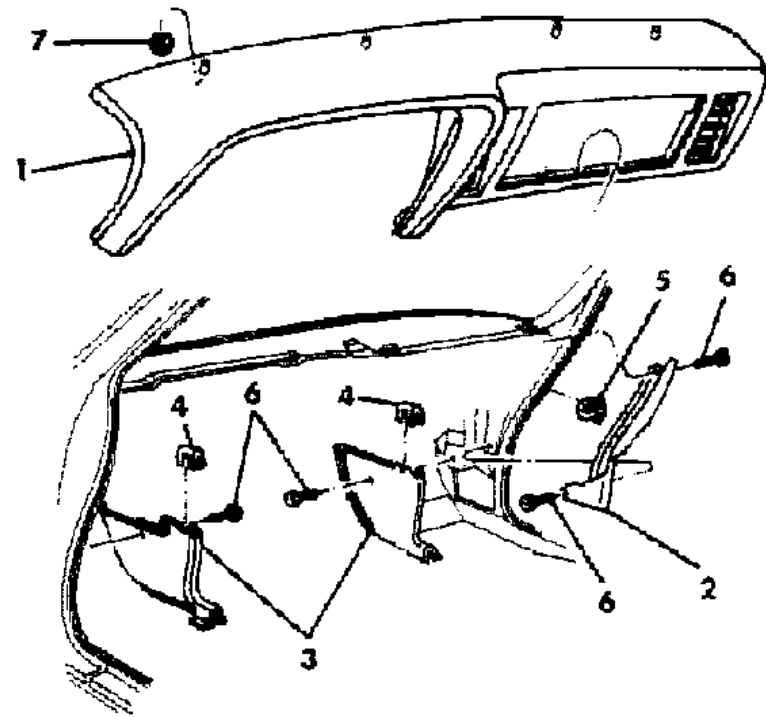
**BODY STYLES**

21 = 2-DOOR SEDAN	41 = 4-DOOR SEDAN
22 = 2-DOOR SPECIAL COUPE	45 = 4-DOOR STATION WAGON
24 = 2-DOOR HATCHBACK	44 = 4-DOOR HATCHBACK
27 = 2-DOOR CONVERTIBLE	48 = EXECUTIVE SEDAN
28 = FWD PICKUP	

AR = Use as Required - = Non Illustrated Part P.A.R. = Paint as Required

**INSTRUMENT PANEL AND COWL B,F,G**  
Figure IT-5011

3253-5 01100



ITEM	PART NUMBER	QTY	BODY	MODEL	DESCRIPTION
1	P411 AA7				PAD, Instrument Panel Trim (paint as required) N N N YP411AA7
2					COVER, Cowl Side Trim Panel To Windshield Side Garnish Moulding N N N N
	F344-5 BA7	1			Silver N N N YF344BA7
	F344-5 SC7	1			Blue N N N YF344SC7
	F344-5 TM6	1			Red N N N YF344TM6
	F344-5 BT8	1			Brown N N N YF344BT8
3					PANEL and SILENCER, Cowl Side Trim N N N N
	F198 BA7	1			Silver,Rt. N N N YF198BA7
	F201 BA7	1			Silver, Lt. N N N YF201BA7
	F198 SC7	1			Blue, Rt. N N N YF198SC7
	F201 SC7	1			Blue, Lt. N N N YF201SC7
	F198 TM6	1			Red, Rt. N N N YF198TM6
	F201 TM6	1			Red, Lt. N N N YF201TM6
	F198 BT8	1			Brown, Right N N N YF198BT8
	F201 BT8	1			Brown, Left N N N YF201BT8
4		2			J/NUT (not serviced) N N N N
5		AR			Clip(not serviced) N N N N
6	9416 824	AR			Screw N N N Y9416824
7		4			NUT,Trim Pad To Cowl Top Cover (not serviced) N N N N
8	4136 444-5	1			SILENCER, Dash Panel Plenum N N N Y4136444
9	4136 334	1			LINER, w/ or w/o A.C. N N N Y4136334
10	6031 630	4			STUD, Collar N N N Y6031630
11	4206 545	4			RETAINER N N N Y4206545
12		2			SCREW (not serviced) N N N N

MODEL CODES

B = GRAN FURY	G = DIPLOMAT	V = 400
C = LEBARON/TOWN & COUNTRY	M = HORIZON/TURISMO/SCAMP	X = MIRADA
D = ARIES	P = RELIANT	Y = IMPERIAL
E = 600	S = CORDOBA	Z = OMNI/CHARGER/RAMPAGE
F = FIFTH AVENUE	T = E CLASS/NEWYORKER	

BODY STYLES

21 = 2-DOOR SEDAN	41 = 4-DOOR SEDAN
22 = 2-DOOR SPECIAL COUPE	45 = 4-DOOR STATION WAGON
24 = 2-DOOR HATCHBACK	44 = 4-DOOR HATCHBACK
27 = 2-DOOR CONVERTIBLE	48 = EXECUTIVE SEDAN
28 = FWD PICKUP	

AR = Use as Required - = Non Illustrated Part P.A.R. = Paint as Required

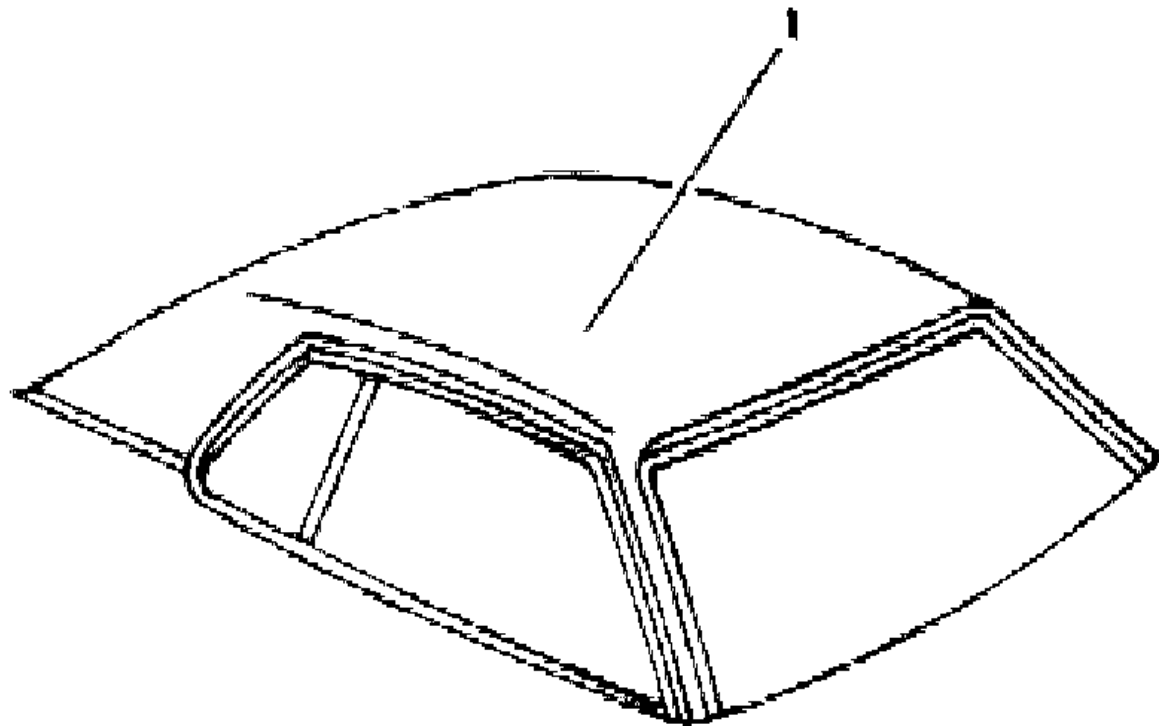
ROOF COVER B,G  
Figure IT-5021

3753.502100

ITEM	PART NUMBER	QTY	BODY	MODEL	DESCRIPTION
1					COVER, Roof Outside, Full N N N N
	T914 BA2	1			N N NV1A YT914BA2
	T914 TC9	1			N N NV1C YT914TC9
	T914 BM5	1			N N NV1M YT914BM5
	T914 BL4	1			N N NV1U YT914BL4

The following parts are not illustrated. s ARE NOT RETURNABLE.

	4094 263	2			PAD, Roof Outside Cover W/Full Roof. N N N Y4094263
--	----------	---	--	--	---



MODEL CODES

B = GRAN FURY	G = DIPLOMAT	V = 400
C = LEBARON/TOWN & COUNTRY	M = HORIZON/TURISMO/SCAMP	X = MIRADA
D = ARIES	P = RELIANT	Y = IMPERIAL
E = 600	S = CORDOBA	Z = OMNI/CHARGER/RAMPAGE
F = FIFTH AVENUE	T = E CLASS/NEWYORKER	

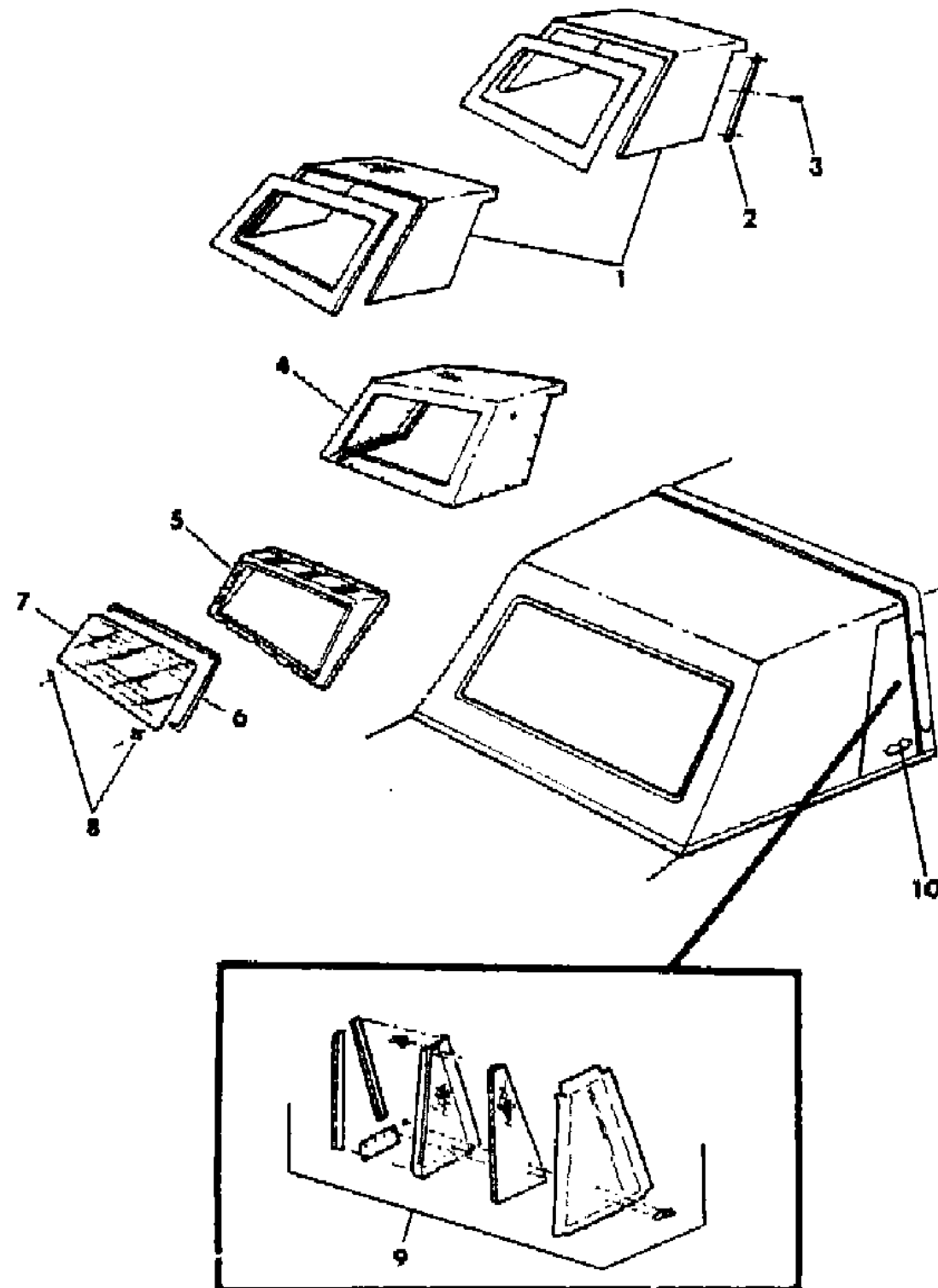
BODY STYLES

21 = 2-DOOR SEDAN	41 = 4-DOOR SEDAN
22 = 2-DOOR SPECIAL COUPE	45 = 4-DOOR STATION WAGON
24 = 2-DOOR HATCHBACK	44 = 4-DOOR HATCHBACK
27 = 2-DOOR CONVERTIBLE	48 = EXECUTIVE SEDAN
28 = FWD PICKUP	

AR = Use as Required - = Non Illustrated Part P.A.R. = Paint as Required

ROOF COVER F-S  
Figure IT-5022

3253 502200



ITEM	PART NUMBER	QTY	BODY	MODEL	DESCRIPTION
1					COVER ASSY., Roof, Vinyl N N N N
	T944 BA2	1			Silver N N NV5A YT944BA2
	T944 BC9	1			Blue N N NV5C YT944BC9
	T944 BM5	1			Red N N NV5M YT944BM5
	T944 BL4	1			Tan N N NV5U YT944BL4
	T944 BT8	1			Brown N N NV5K YT944BT8
	T944 BX9	1			Black N N NV5X YT944BX9
	T944 BW3	1			White N N NV5W YT944BW3
2	4229 804-5	1			RETAINER, Quarter Window Upper, Vinyl N N N Y4229804
3	0153 341	AR			SCREW N N N Y153341
4	4229 802	1			CAP, Roof Bonnet N N N Y4229802
5	4229 998	1			EXTENSION and SUPPORT N N N Y4229998
6		AR			BUTYL TAPE, 5/16" Thick N N N N
7	4229 801	1			GLASS ASSY., Back Lite Heated N N N Y4229801
8		AR			RETAINER (not serviced) N N N N
9					FRAME ASSY., Quarter Window Door N N N N w/o Opera Lamp N N N N
	X372-3 BA2	1			Silver N N NV5A YX372BA2
	X372-3 BC9	1			Blue N N NV5C YX372BC9
	X372-3 BM5	1			Red N N NV5M YX372BM5
	X372-3 BL4	1			Tan N N NV5U YX372BL4
	X372-3 BT8	1			Brown N N NV5K YX372BT8
	X372-3 BW3	1			White N N NV5W YX372BW3
	X372-3 BX9	1			Black N N NV5X YX372BX9
					w/ Opera Lamp N N N N
	X386-7 BA2	1			Silver N N NV5A YX386BA2
	X386-7 BC9	1			Blue N N NV5C YX386BC9
	X386-7 BM5	1			Red N N NV5M YX386BM5
	X386-7 BL4	1			Tan N N NV5U YX386BL4
	X386-7 BT8	1			Brown N N NV5K YX386BT8
	X386-7 BW3	1			White N N NV5W YX386BW3
	X386-7 BX9	1			Black N N NV5X YX386BX9
10					NAME PLATE, Fifth Avenue N N N N
	X308 BA2	1			Silver N N N YX308BA2
	X308 BC9	1			Blue N N N YX308BC9
	X308 BM5	1			Red N N N YX308BM5
	X308 BL4	1			Tan N N N YX308BL4

MODEL CODES

B = GRAN FURY	G = DIPLOMAT	V = 400
C = LEBARON/TOWN & COUNTRY	M = HORIZON/TURISMO/SCAMP	X = MIRADA
D = ARIES	P = RELIANT	Y = IMPERIAL
E = 600	S = CORDOBA	Z = OMNI/CHARGER/RAMPAGE
F = FIFTH AVENUE	T = E CLASS/NEWYORKER	

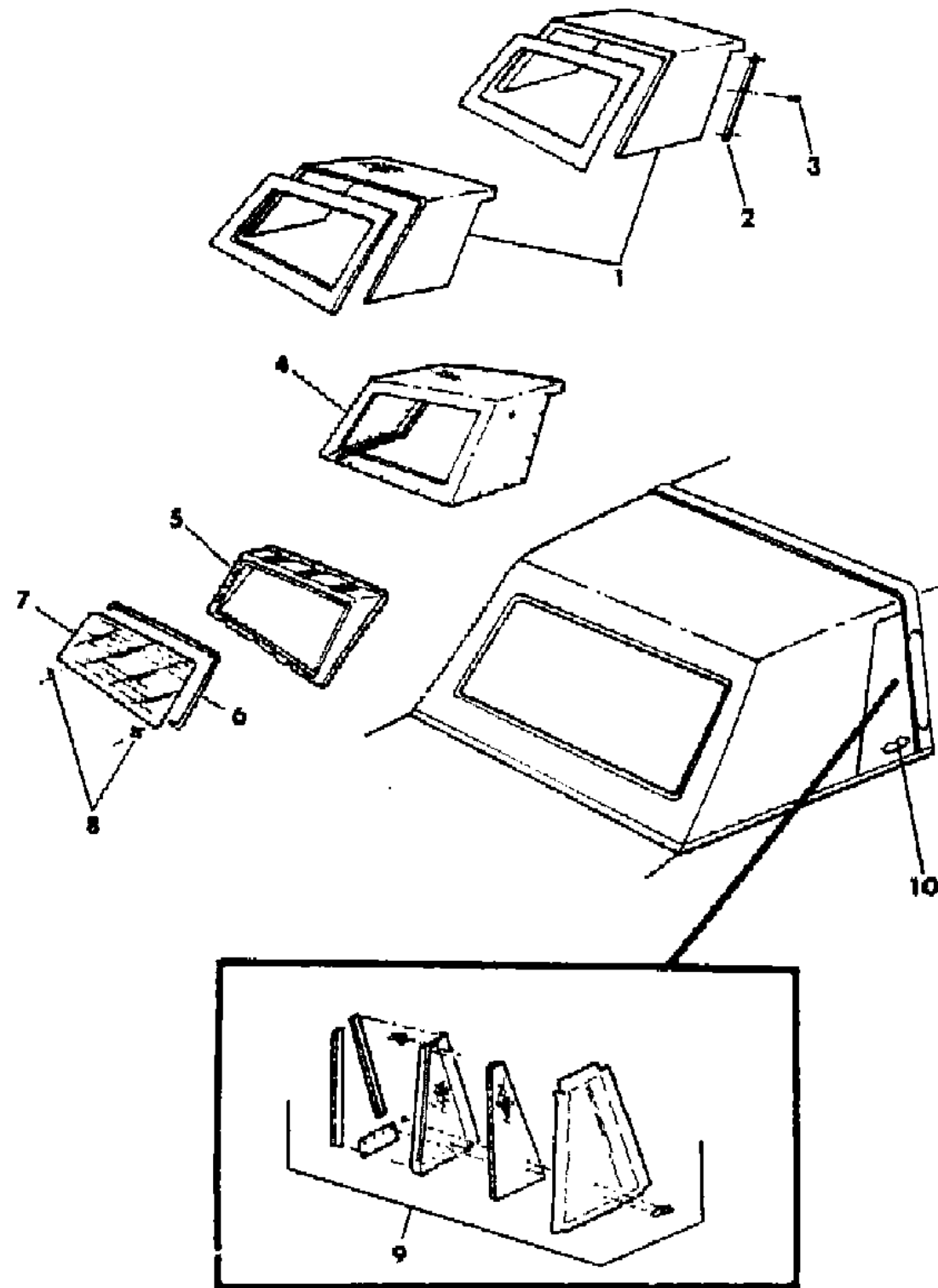
BODY STYLES

21 = 2-DOOR SEDAN	41 = 4-DOOR SEDAN
22 = 2-DOOR SPECIAL COUPE	45 = 4-DOOR STATION WAGON
24 = 2-DOOR HATCHBACK	44 = 4-DOOR HATCHBACK
27 = 2-DOOR CONVERTIBLE	48 = EXECUTIVE SEDAN
28 = FWD PICKUP	

AR = Use as Required - = Non Illustrated Part P.A.R. = Paint as Required

ROOF COVER F-S  
Figure IT-5022

3253 502200



ITEM	PART NUMBER	QTY	BODY	MODEL	DESCRIPTION
	X308 BT8	1			Brown N N N YX308BT8
	X308 BW3	1			White N N N YX308BW3
	X308 BX9	1			Black N N N YX308BX9
The following parts are not illustrated. s ARE NOT RETURNABLE.					
	4276 471	2			FILLER, Roof Cover N N NV5 Y4276471

MODEL CODES  
 B = GRAN FURY  
 C = LEBARON/TOWN & COUNTRY  
 D = ARIES  
 E = 600  
 F = FIFTH AVENUE  
 G = DIPLOMAT  
 M = HORIZON/TURISMO/SCAMP  
 P = RELIANT  
 S = CORDOBA  
 T = E CLASS/NEWYORKER  
 V = 400  
 X = MIRADA  
 Y = IMPERIAL  
 Z = OMNI/CHARGER/RAMPAGE

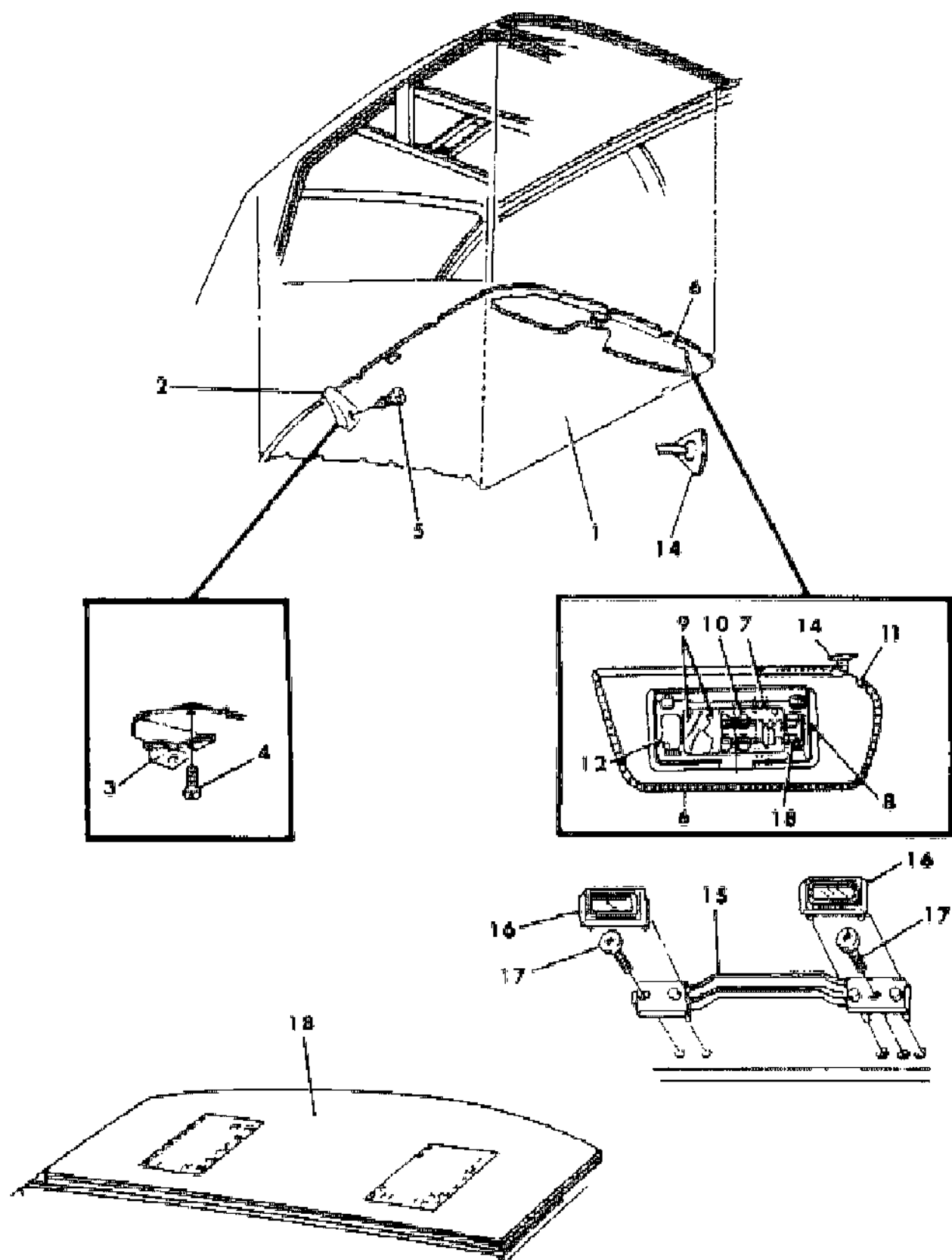
BODY STYLES  
 21 = 2-DOOR SEDAN  
 22 = 2-DOOR SPECIAL COUPE  
 24 = 2-DOOR HATCHBACK  
 27 = 2-DOOR CONVERTIBLE  
 28 = FWD PICKUP  
 41 = 4-DOOR SEDAN  
 45 = 4-DOOR STATION WAGON  
 44 = 4-DOOR HATCHBACK  
 48 = EXECUTIVE SEDAN

AR = Use as Required - = Non Illustrated Part P.A.R. = Paint as Required

# HEADLINING VISOR AND SHELF PANEL B,F,G

## Figure IT-5031

3253.503100A



ITEM	PART NUMBER	QTY	BODY	MODEL	DESCRIPTION
1					HEADLINING PANEL, W/O Sunroof, W/Cloth Finish N N N N
	H825 AA3	1			Silver NF N N YH825AA3
	H825 TC7	1			Blue NF N N YH825TC7
	H825 TM6	1			Red NF N N YH825TM6
	H825 BL3	1			Tan NF N N YH825BL3
	H824 AA3	1			Silver NB,G N N YH824AA3
	H824 TC7	1			Blue NB,G N N YH824TC7
	H824 TM6	1			Red NB,G N N YH824TM6
	H824 BL3	1			Tan NB,G N N YH824BL3
2	3685 992	2			HOOK, COAT N N N Y3685992
3	4136 320	2			BRACKET, Hook Support N N N Y4136320
4		AR			SCREW, Coat Hook Attaching (not serviced) N N N N
5	9414 716	2			SCREW N N N Y9414716
6					PANEL VISOR, w/o Mirror, w/o Sunroof, w/o Center Support, Cloth N N N N
	H535 AA3	2			Silver N N N YH535AA3
	H535 VC7	2			Blue N N N YH535VC7
	H535 VM6	2			Red N N N YH535VM6
	H535 BL3	2			Tan N N N YH535BL3
					w/Sunroof, w/o Mirror, w/Center Support, Cloth N N N N
	H540-1 AA3	1			Silver N N N YH540AA3
	H540-1 VC7	1			Blue N N N YH540VC7
	H540-1 VM6	1			Red N N N YH540VM6
	H540-1 BL3	1			Tan N N N YH540BL3
					W/LIGHTED MIRROR Complete W/Cloth Finish, w/o Sunroof Models Rt. N N N N
	H696 AA3	1			Silver N N N YH696AA3
	H696 VC7	1			Blue N N N YH696VC7
	H696 VM6	1			Red N N N YH696VM6
	H696 BL3	1			Tan N N N YH696BL3
					w/Sunroof, w/Mirror Rt. N N N N
	H624 AA3	1			Silver N N N YH624AA3
	H624 VC7	1			Blue N N N YH624VC7
	H624 VM6	1			Red N N N YH624VM6
	H624 BL3	1			Tan N N N YH624BL3
					SUN VISOR SUB ASSY, w/o Vanity Mirror, w/Cloth Finish, w/o Sunroof Models, w/Opening for Mirror N N N N

**MODEL CODES**

B = GRAN FURY	G = DIPLOMAT	V = 400
C = LEBARON/TOWN & COUNTRY	M = HORIZON/TURISMO/SCAMP	X = MIRADA
D = ARIES	P = RELIANT	Y = IMPERIAL
E = 600	S = CORDOBA	Z = OMNI/CHARGER/RAMPAGE
F = FIFTH AVENUE	T = E CLASS/NEWYORKER	

**BODY STYLES**

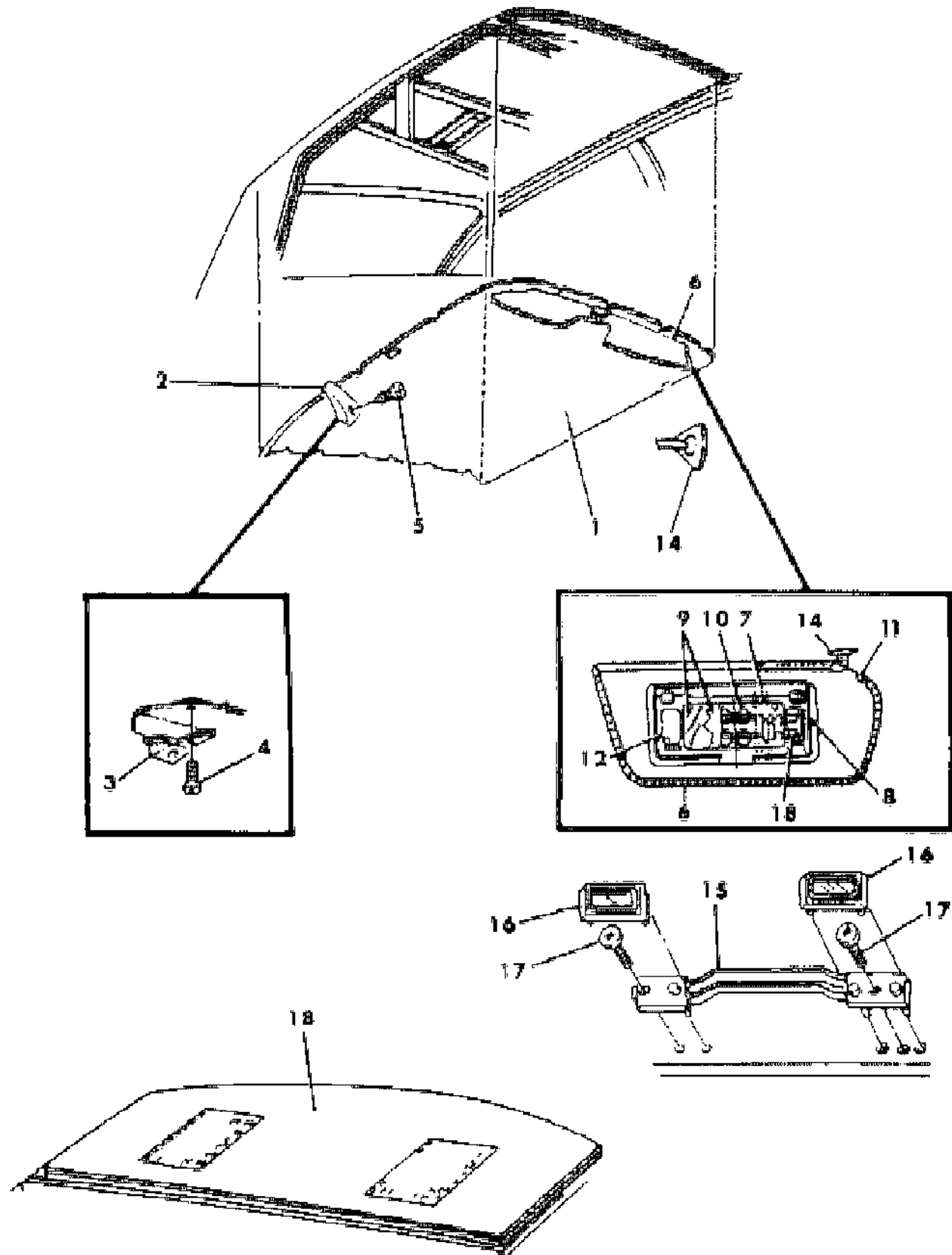
21 = 2-DOOR SEDAN	41 = 4-DOOR SEDAN
22 = 2-DOOR SPECIAL COUPE	45 = 4-DOOR STATION WAGON
24 = 2-DOOR HATCHBACK	44 = 4-DOOR HATCHBACK
27 = 2-DOOR CONVERTIBLE	48 = EXECUTIVE SEDAN
28 = FWD PICKUP	

AR = Use as Required - = Non Illustrated Part P.A.R. = Paint as Required



HEADLINING VISOR AND SHELF PANEL B,F,G  
Figure IT-5031

3253.503100A



ITEM	PART NUMBER	QTY	BODY	MODEL	DESCRIPTION
	H698 AA3	1			Silver N N N YH698AA3
	H698 VC7	1			Blue N N N YH698VC7
	H698 VM6	1			Red N N N YH698VM6
	H698 BL3	1			Tan N N N YH698BL3
	H627 AA3	1			Silver N N N YH627AA3
	H627 VC7	1			Blue N N N YH627VC7
	H627 VM6	1			Red N N N YH627VM6
	H627 BL3	1			Tan N N N YH627BL3
7					COVER, Well Frame, Visor Mirror N N N N
	H595 AAA	2			Silver N N N YH595AAA
	H595 TCC	2			Blue N N N YH595TCC
	H595 TMM	2			Red N N N YH595TMM
	H595 BLL	2			Tan N N N YH595BLL
	H636 AAA	2			COVER,Well Frame Less Mirror w/Sunroof N N N N
	H636 TCC	2			Silver N N N YH636AAA
	H636 TMM	2			Blue N N N YH636TCC
	H636 TMM	2			Red N N N YH636TMM
	H636 BLL	2			Tan N N N YH636BLL
	H689 AAA	1			COVER, Frame and Mirror, w/o Sunroof, Right N N N N
	H689 TCC	1			Silver N N N YH689AAA
	H689 TCC	1			Blue N N N YH689TCC
	H689 TMM	1			Red N N N YH689TMM
	H689 BLL	1			Tan N N N YH689BLL
	H691 AAA	1			COVER,Frame Less Mirror w/o Sunroof N N N N
	H691 AAA	1			Silver N N N YH691AAA
	H691 TCC	1			Blue N N N YH691TCC
	H691 TMM	1			Red N N N YH691TMM
	H691 BLL	1			Tan N N N YH691BLL
8	3832 346	2			HINGE and SPRING, Visor Mirror Cover N N N Y3832346
	4124 973	1			WIRING, Lighted Vanity Mirror N N N Y4124973
9	4077 687	1			MIRROR and BACKING, Illuminated Vanity Mirror N N N Y4077687
10	4077 690	2			COMPONENT BOARD, Lighted Sun Visor W/Switch N N N Y4077690
11	1490 983	2			CLIP, Visor End Panel N N N Y1490983
12	4077 689	2			LENS, Visor Mirror Light N N N Y4077689

MODEL CODES  
 B = GRAN FURY  
 C = LEBARON/TOWN & COUNTRY  
 D = ARIES  
 E = 600  
 F = FIFTH AVENUE  
 G = DIPLOMAT  
 M = HORIZON/TURISMO/SCAMP  
 P = RELIANT  
 S = CORDOBA  
 T = E CLASS/NEWYORKER  
 V = 400  
 X = MIRADA  
 Y = IMPERIAL  
 Z = OMNI/CHARGER/RAMPAGE

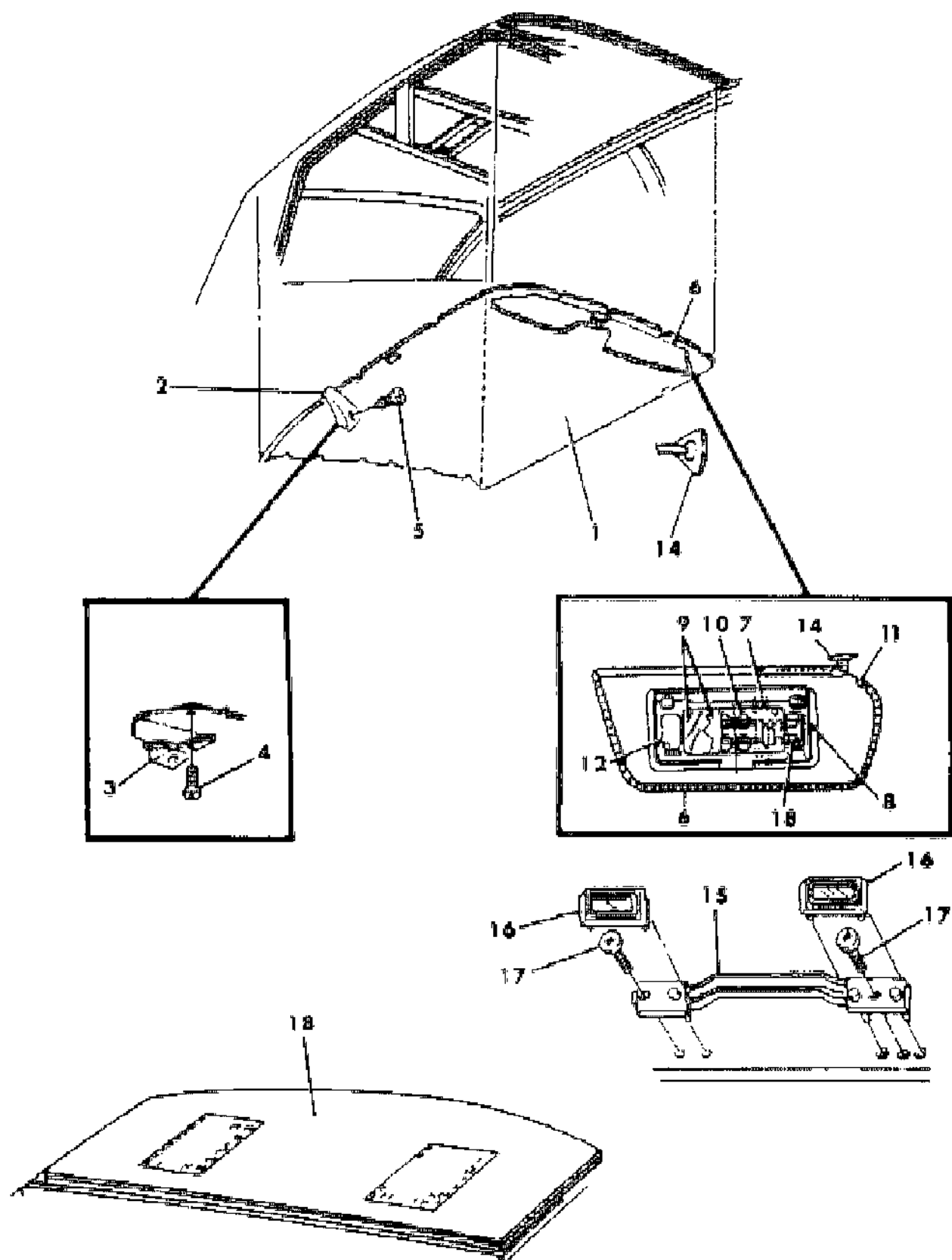
BODY STYLES  
 21 = 2-DOOR SEDAN  
 22 = 2-DOOR SPECIAL COUPE  
 24 = 2-DOOR HATCHBACK  
 27 = 2-DOOR CONVERTIBLE  
 28 = FWD PICKUP  
 41 = 4-DOOR SEDAN  
 45 = 4-DOOR STATION WAGON  
 44 = 4-DOOR HATCHBACK  
 48 = EXECUTIVE SEDAN

AR = Use as Required - = Non Illustrated Part P.A.R. = Paint as Required

# HEADLINING VISOR AND SHELF PANEL B,F,G

## Figure IT-5031

3253.503100A



ITEM	PART NUMBER	QTY	BODY	MODEL	DESCRIPTION
13	9421 330	4			BULB, Mirror N N N Y9421330
14	3832 899	2			ARM & BRACKET,Visor N N N Y3832899
	4010 747	1			W/Lighted Visor N N N Y4010747
	3832 899	2			W/O Lighted Visor N N N Y3832899
15					HANDLE, Roof Rail Grab N N N N
	H432 VC8	2			Blue N N N YH432VC8
	H432 AA2	2			Silver N N N YH432AA2
	H432 VM6	2			Red N N N YH432VM6
	H432 BL3	2			Tan N N N YH432BL3
16	4223 941	AR			COVER, Roof Rail Grab Handle End Cap N N N Y4223941
17		AR			SCREW (not serviced) N N N N
18					PANEL, Shelf Trim W/ or W/O Rear Speakers N N N N
	H674 AA7	1			Silver NB,G-H N N YH674AA7
	H674 TC7	1			Blue NB,G-H N N YH674TC7
	H674 TM6	1			Red NB,G-H N N YH674TM6
	H674 BL3	1			Tan NB,G-H N N YH674BL3
	H675 AA7	1			Silver NB,G-L N N YH675AA7
	H675 TC7	1			Blue NB,G-L N N YH675TC7
	H675 TM6	1			Red NB,G-L N N YH675TM6
	H675 BL3	1			Tan NB,G-L N N YH675BL3
	H658 AA7	1			Silver NF-S N N YH658AA7
	H658 AC7	1			Blue Dark NF-S N N YH658AC7
	H658 AM6	1			Red NF-S N N YH658AM6
	H658 BL3	1			Tan NF-S N N YH658BL3
	6002 072	2			FASTENER,Shelf Trim Panel N N N Y6002072

MODEL CODES  
 B = GRAN FURY  
 C = LEBARON/TOWN & COUNTRY  
 D = ARIES  
 E = 600  
 F = FIFTH AVENUE  
 G = DIPLOMAT  
 M = HORIZON/TURISMO/SCAMP  
 P = RELIANT  
 S = CORDOBA  
 T = E CLASS/NEWYORKER  
 V = 400  
 X = MIRADA  
 Y = IMPERIAL  
 Z = OMNI/CHARGER/RAMPAGE

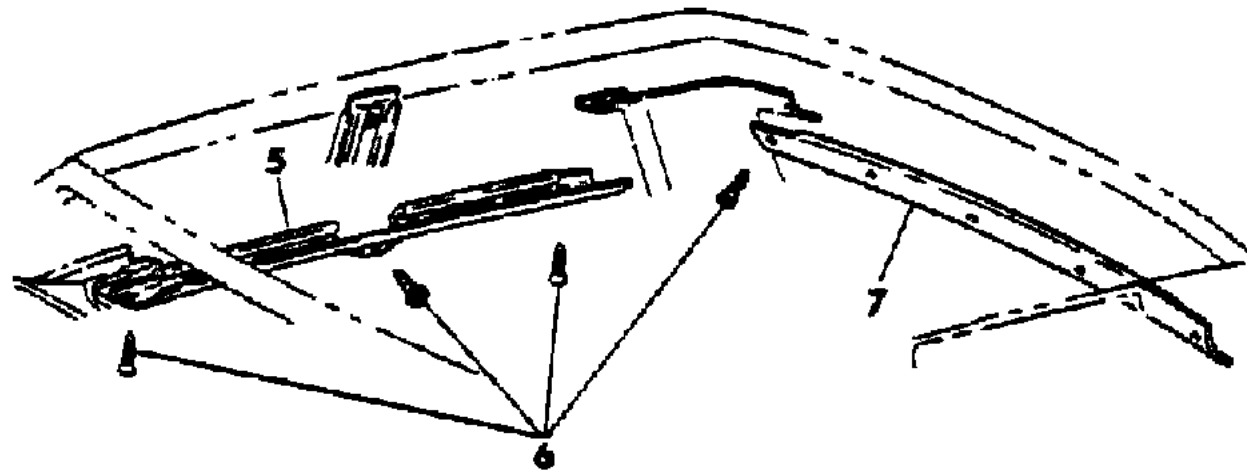
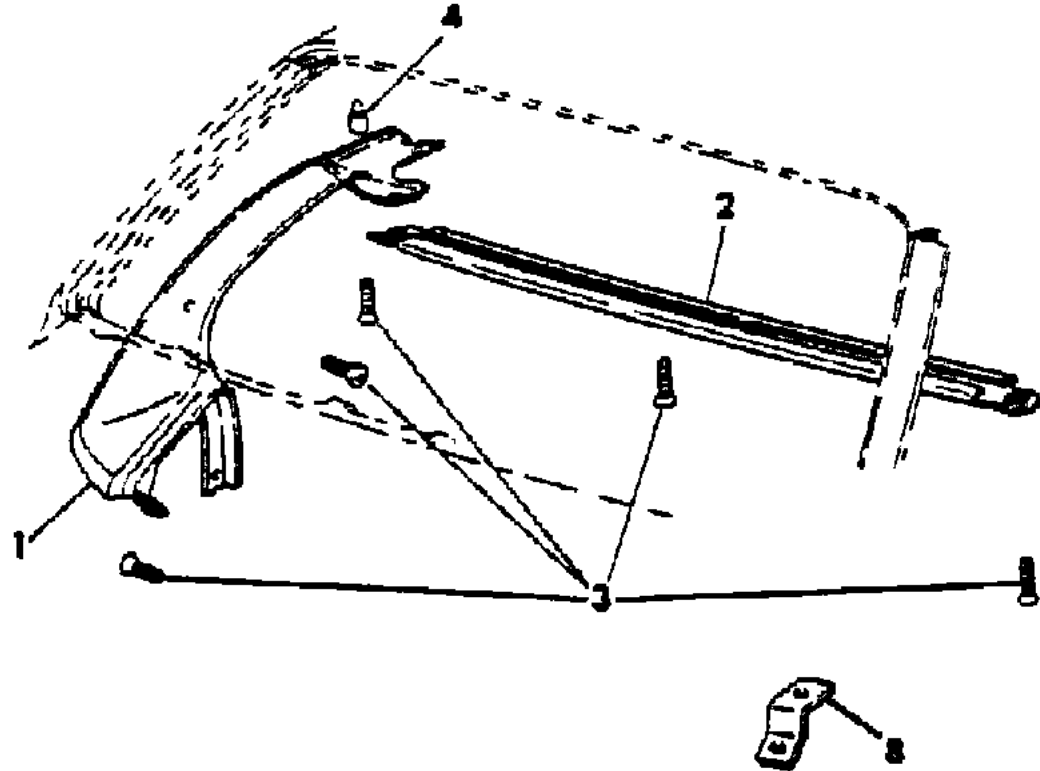
BODY STYLES  
 21 = 2-DOOR SEDAN  
 22 = 2-DOOR SPECIAL COUPE  
 24 = 2-DOOR HATCHBACK  
 27 = 2-DOOR CONVERTIBLE  
 28 = FWD PICKUP  
 41 = 4-DOOR SEDAN  
 45 = 4-DOOR STATION WAGON  
 44 = 4-DOOR HATCHBACK  
 48 = EXECUTIVE SEDAN

AR = Use as Required - = Non Illustrated Part P.A.R. = Paint as Required

GARNISH MOULDING B,G  
Figure IT-5032

3253-503200 A

ITEM	PART NUMBER	QTY	BODY	MODEL	DESCRIPTION
1					MOULDING, Windshield Side N N N N
	F256-7 AA3	1			Silver N N N YF256AA3
	F256-7 SC7	1			Blue N N N YF256SC7
	F256-7 TM6	1			Red N N N YF256TM6
	F256-7 BL3	1			Tan N N N YF256BL3
2	4278 659	1			MOULDING, Windshield, Upper N N N Y4278659
3	6032 179	AR			SCREW N N N Y6032179
4		AR			NUT (not serviced) N N N N
5	4278 660-1	1			MOULDING, Roof Side Garnish N N N Y4278660
6	6032 179	AR			SCREW N N N Y6032179
7	4136 299	1			MOULDING, Rear Window Upper N N N Y4136299
8	4040 592	AR			BRACKET, Rear Window Garnish Moulding Center Attaching, For Repair N N N Y4040592



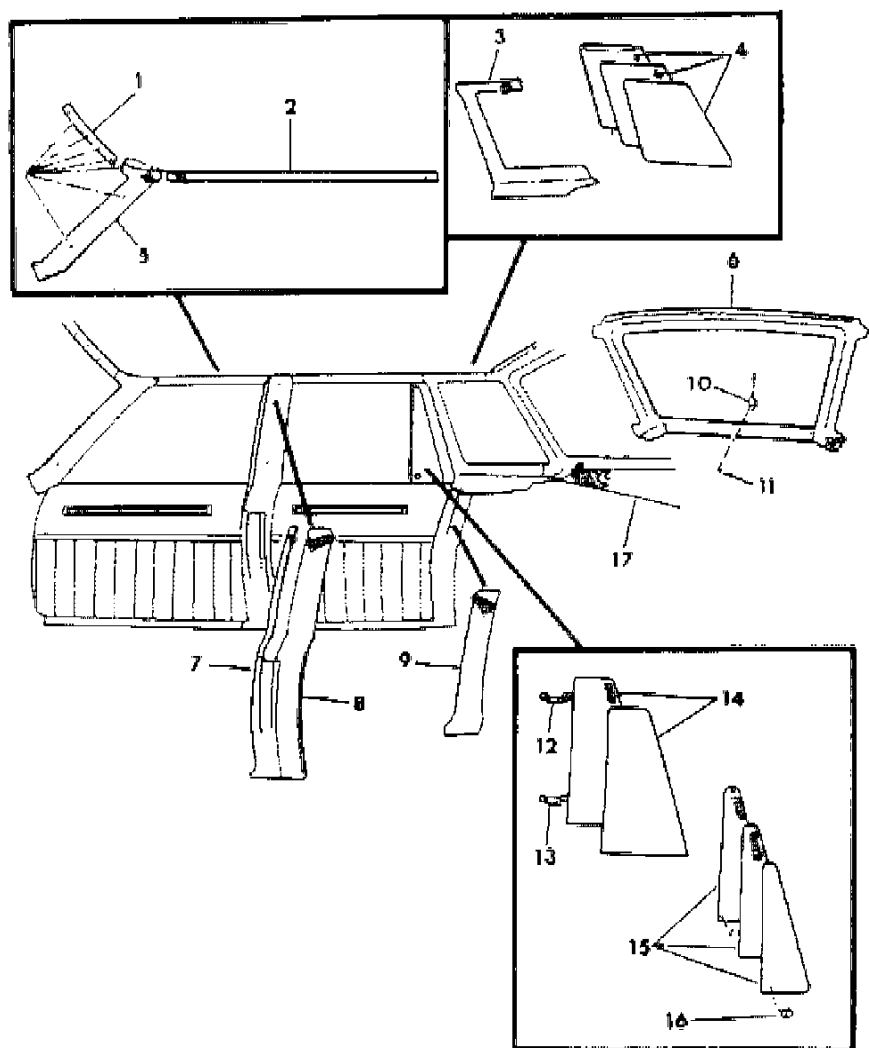
MODEL CODES  
 B = GRAN FURY  
 C = LEBARON/TOWN & COUNTRY  
 D = ARIES  
 E = 600  
 F = FIFTH AVENUE  
 G = DIPLOMAT  
 M = HORIZON/TURISMO/SCAMP  
 P = RELIANT  
 S = CORDOBA  
 T = E CLASS/NEWYORKER  
 V = 400  
 X = MIRADA  
 Y = IMPERIAL  
 Z = OMNI/CHARGER/RAMPAGE

BODY STYLES  
 21 = 2-DOOR SEDAN  
 22 = 2-DOOR SPECIAL COUPE  
 24 = 2-DOOR HATCHBACK  
 27 = 2-DOOR CONVERTIBLE  
 28 = FWD PICKUP  
 41 = 4-DOOR SEDAN  
 45 = 4-DOOR STATION WAGON  
 44 = 4-DOOR HATCHBACK  
 48 = EXECUTIVE SEDAN

AR = Use as Required - = Non Illustrated Part P.A.R. = Paint as Required

**GARNISH MOULDING F-S**  
Figure IT-5033

3253 503300



ITEM	PART NUMBER	QTY	BODY	MODEL	DESCRIPTION
1					MOULDING, Windshield Side, Upper N N N N
	F254 AA3	1			Silver N N N YF254AA3
	F254 AC7	1			Blue N N N YF254AC7
	F254 AM6	1			Red N N N YF254AM6
	F254 BL3	1			Tan N N N YF254BL3
2	6032 152	3			SCREW N N N Y6032152
					MOULDING, Roof Side Finished N N N N
	F252-3 AA3	1			Silver N N N YF252AA3
	F252-3 AC7	1			Blue N N N YF252AC7
	F252-3 AM6	1			Red N N N YF252AM6
	F252-3 BL3	1			Tan N N N YF252BL3
	6032 152	4			SCREW N N N Y6032152
3					PANEL ASSY., Quarter Upper Trim N N N N
	H714-5 AA3	1			Silver N N N YH714AA3
	H714-5 AC7	1			Blue N N N YH714AC7
	H714-5 AM6	1			Red N N N YH714AM6
	H714-5 BL3	1			Tan N N N YH714BL3
4					INSERT, Quarter Upper Trim Panel N N N N
	H716-7 AA3	1			Silver N N N YH716AA3
	H716-7 AC7	1			Blue N N N YH716AC7
	H716-7 AM6	1			Red N N N YH716AM6
	H716-7 BL3	1			Tan N N N YH716BL3
5					MOULDING, Windshield Side ("A" Pillar) N N N N
	F334-5 AA3	1			Silver N N N YF334AA3
	F334-5 AC7	1			Blue N N N YF334AC7
	F334-5 AM6	1			Red N N N YF334AM6
	F334-5 BL3	1			Tan N N N YF334BL3
6					PANEL, Rear Window Trim (cloth) N N N N
	H718 AA3	1			Silver N N N YH718AA3
	H718 AC7	1			Blue N N N YH718AC7
	H718 AM6	1			Red N N N YH718AM6
	H718 BL3	1			Tan N N N YH718BL3
7					COVER ASSY., Center ("B" Pillar) Trim Front N N N N
	F338-9 AA3	1			Silver N N N YF338AA3
	F338-9 AC7	1			Blue N N N YF338AC7
	F338-9 AM6	1			Red N N N YF338AM6
	F338-9 BL3	1			Tan N N N YF338BL3

MODEL CODES

B = GRAN FURY	G = DIPLOMAT	V = 400
C = LEBARON/TOWN & COUNTRY	M = HORIZON/TURISMO/SCAMP	X = MIRADA
D = ARIES	P = RELIANT	Y = IMPERIAL
E = 600	S = CORDOBA	Z = OMNI/CHARGER/RAMPAGE
F = FIFTH AVENUE	T = E CLASS/NEWYORKER	

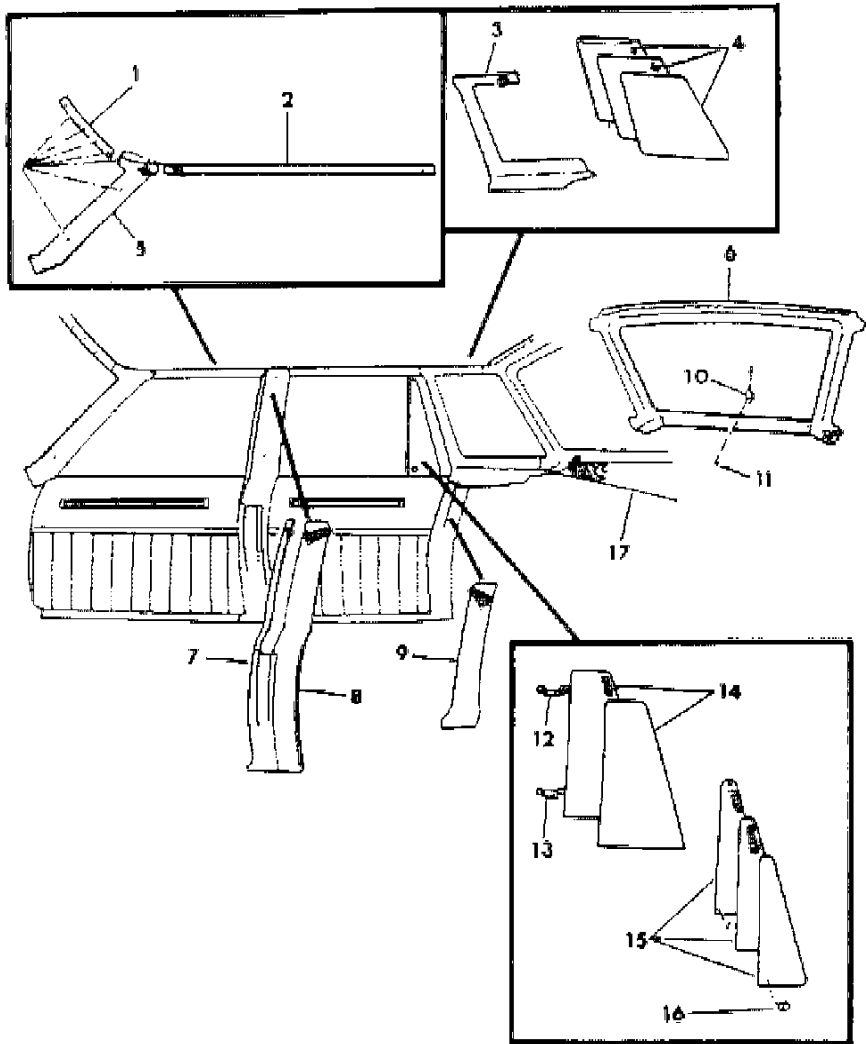
BODY STYLES

21 = 2-DOOR SEDAN	41 = 4-DOOR SEDAN
22 = 2-DOOR SPECIAL COUPE	45 = 4-DOOR STATION WAGON
24 = 2-DOOR HATCHBACK	44 = 4-DOOR HATCHBACK
27 = 2-DOOR CONVERTIBLE	48 = EXECUTIVE SEDAN
28 = FWD PICKUP	

AR = Use as Required - = Non Illustrated Part P.A.R. = Paint as Required

**GARNISH MOULDING F-S**  
Figure IT-5033

3253 503300



ITEM	PART NUMBER	QTY	BODY	MODEL	DESCRIPTION
8					COVER ASSY., Center ("B" Pillar) Trim Rear N N N N
	F340-1 AA3	1			Silver N N N YF340AA3
	F340-1 AC7	1			Blue N N N YF340AC7
	F340-1 AM6	1			Red N N N YF340AM6
	F340-1 BL3	1			Tan N N N YF340BL3
9					COVER ASSY., Lower Trim Lock Pillar N N N N
	F336-7 AA3	1			Silver N N N YF336AA3
	F336-7 AC7	1			Blue N N N YF336AC7
	F336-7 AM6	1			Red N N N YF336AM6
	F336-7 BL3	1			Tan N N N YF336BL3
10	6032 177	6			SCREW N N N Y6032177
11	4229 831	6			SUPPORT, Back Lite Extension N N N Y4229831
12	4229 832	2			BRACKET, Rear Door Window Filler Upper N N N Y4229832
13	4229 833	2			BRACKET, Rear Door Window Filler Lower N N N Y4229833
	9414 712	AR			SCREW, Bracket N N N Y9414712
14					FILLER ASSY., Rear Door Window N N N N
	H014-5 AA3	1			Silver N N N YH014AA3
	H014-5 AC7	1			Blue N N N YH014AC7
	H014-5 AM6	1			Red N N N YH014AM6
	H014-5 BL3	1			Tan N N N YH014BL3
15					APPLIQUE ASSY., Rear Door Window N N N N
	H016-7 AA3	1			Silver N N N YH016AA3
	H016-7 AC7	1			Blue N N N YH016AC7
	H016-7 AM6	1			Red N N N YH016AM6
	H016-7 BL3	1			Tan N N N YH016BL3
16					NAME PLATE, Chrysler (serviced in item 15) N N N N
	6002 852	4			RETAINER, Name Plate N N N Y6002852
17					PANEL ASSY., Shelf Trim N N N N
	H658 AA7	1			Silver N N N YH658AA7
	H658 AC7	1			Blue N N N YH658AC7
	H658 AM6	1			Red N N N YH658AM6
	H658 BL3	1			Tan N N N YH658BL3

MODEL CODES

B = GRAN FURY	G = DIPLOMAT	V = 400
C = LEBARON/TOWN & COUNTRY	M = HORIZON/TURISMO/SCAMP	X = MIRADA
D = ARIES	P = RELIANT	Y = IMPERIAL
E = 600	S = CORDOBA	Z = OMNI/CHARGER/RAMPAGE
F = FIFTH AVENUE	T = E CLASS/NEWYORKER	

BODY STYLES

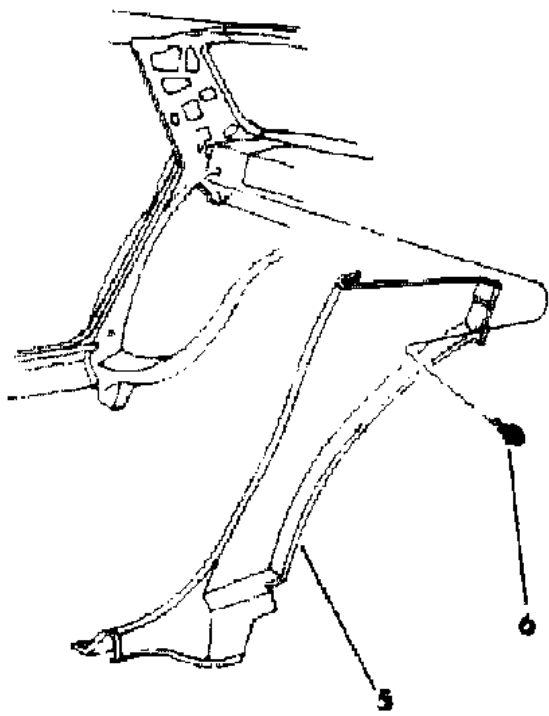
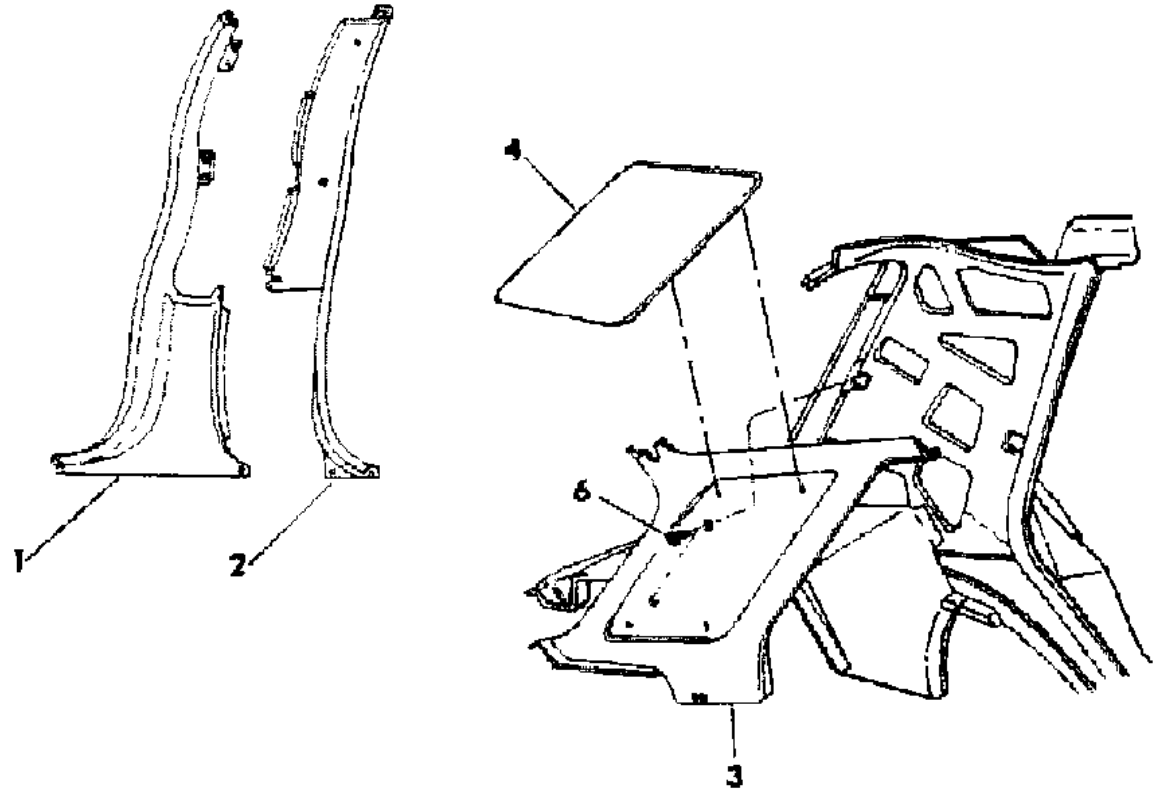
21 = 2-DOOR SEDAN	41 = 4-DOOR SEDAN
22 = 2-DOOR SPECIAL COUPE	45 = 4-DOOR STATION WAGON
24 = 2-DOOR HATCHBACK	44 = 4-DOOR HATCHBACK
27 = 2-DOOR CONVERTIBLE	48 = EXECUTIVE SEDAN
28 = FWD PICKUP	

AR = Use as Required - = Non Illustrated Part P.A.R. = Paint as Required

**B PILLAR TRIM B,G 41**  
**Figure IT-5051**

3253.5 05100

ITEM	PART NUMBER	QTY	BODY	MODEL	DESCRIPTION
1					COVER, Center Pillar "B" Front N N N N
	F390-1 AA3	1			Silver N N N YF390AA3
	F390-1 SC7	1			Blue N N N YF390SC7
	F390-1 TM6	1			Red N N N YF390TM6
	F390-1 BL3	1			Tan N N N YF390BL3
2					COVER,"B" Pillar Rear N N N N
	F392-3 AA3	1			Silver N N N YF392AA3
	F392-3 SC7	1			Blue N N N YF392SC7
	F392-3 TM6	1			Red N N N YF392TM6
	F392-3 BL3	1			Tan N N N YF392BL3
	The following part is not illustrated. s ARE NOT RETURNABLE.				
	0152 490	2			U/NUT,Center Pillar Trim Attaching N N N Y152490
	3832 193	AR			FASTENER, Insert Panel Attaching N N N Y3832193
3	H662-3 TT4	1			PANEL, Rear Quarter Upper (paint as required) N N41 N YH662TT4
4					INSERT, Quarter Trim Panel N N N N
	H664-5 AA3	1			Silver N N N YH664AA3
	H664-5 TC7	1			Blue N N N YH664TC7
	H664-5 TM6	1			Red N N N YH664TM6
	H664-5 BL3	1			Tan N N N YH664BL3
5					COVER, Lower Quarter Lock Pillar Trim N N N N
	F366-7 AA3	1			Silver N N N YF366AA3
	F366-7 SC7	1			Blue N N N YF366SC7
	F366-7 TM6	1			Red N N N YF366TM6
	F366-7 BL3	1			Tan N N N YF366BL3
6	6032 179	AR			SCREW N N N Y6032179



MODEL CODES  
 B = GRAN FURY  
 C = LEBARON/TOWN & COUNTRY  
 D = ARIES  
 E = 600  
 F = FIFTH AVENUE  
 G = DIPLOMAT  
 M = HORIZON/TURISMO/SCAMP  
 P = RELIANT  
 S = CORDOBA  
 T = E CLASS/NEWYORKER  
 V = 400  
 X = MIRADA  
 Y = IMPERIAL  
 Z = OMNI/CHARGER/RAMPAGE

BODY STYLES  
 21 = 2-DOOR SEDAN  
 22 = 2-DOOR SPECIAL COUPE  
 24 = 2-DOOR HATCHBACK  
 27 = 2-DOOR CONVERTIBLE  
 28 = FWD PICKUP  
 41 = 4-DOOR SEDAN  
 45 = 4-DOOR STATION WAGON  
 44 = 4-DOOR HATCHBACK  
 48 = EXECUTIVE SEDAN

AR = Use as Required - = Non Illustrated Part P.A.R. = Paint as Required

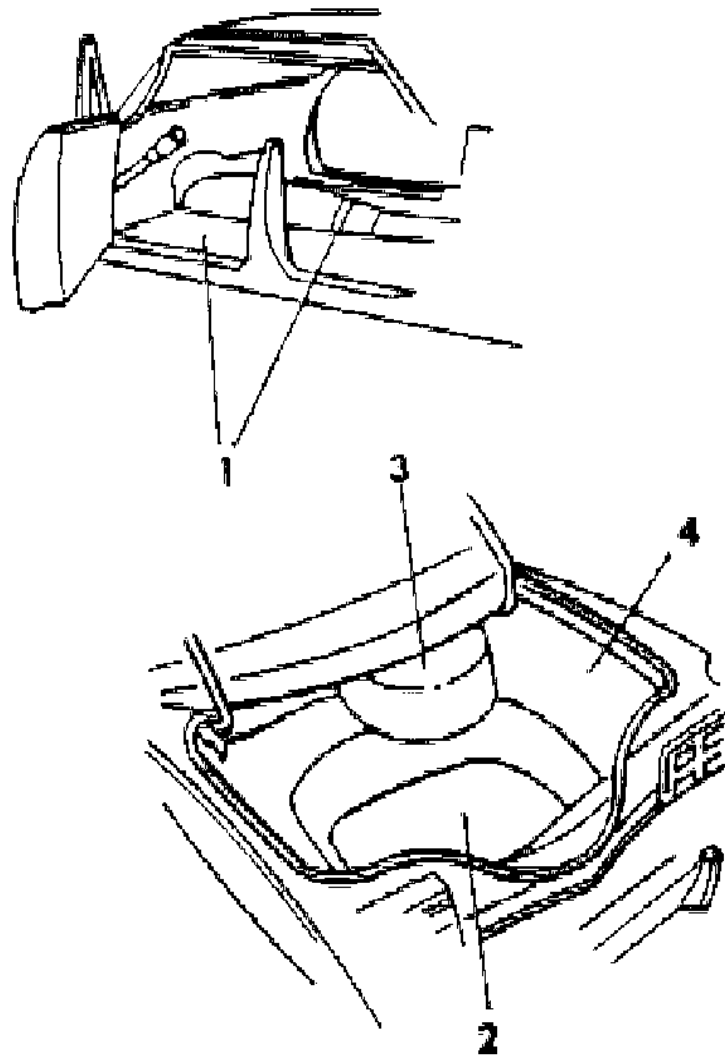
**CARPET B,F,G**  
**Figure IT-5081**

3253-5 08100

ITEM	PART NUMBER	QTY	BODY	MODEL	DESCRIPTION
------	-------------	-----	------	-------	-------------

NOTE: Only long cut pile carpet is serviced and is also used as a replacement for short cut pile. s ARE NOT RETURNABLE.

1	M705 AA7	1			CARPET N N N N Silver NB,G N N YM705AA7
	M705 TC7	1			Blue NB,G N N YM705TC7
	M705 TM6	1			Red NB,G N N YM705TM6
	M705 BT9	1			Brown NB,G N N YM705BT9
	M728 AA7	1			Silver NF-S N N YM728AA7
	M728 AC7	1			Blue NF-S N N YM728AC7
	M728 AM6	1			Red NF-S N N YM728AM6
	M728 BT9	1			Brown NF-S N N YM728BT9
2	4077 249	1			CARPET,Luggage Compartment Floor. N N N N Black N N N Y4077249
3					COVER, Spare Tire N N N N
	4010 755	1			W/Full Size Tire N N N Y4010755
	4078 695	1			W/Compact Tire N N N Y4078695
4	4077 232-3				CARPET and Silencer, Wheelhouse, Black N N N Y4077232
					The following parts are not illustrated. s ARE NOT RETURNABLE.
	M025 AA7	1			FLOOR MATS, Carpeted Package of Two, Front N N N N Silver N N N YM025AA7
	M025 VC7	1			Blue N N N YM025VC7
	M025 VM6	1			Red N N N YM025VM6
	M025 BT9	1			Brown N N N YM025BT9
	M028 AA7	1			Package of Four, Front and Rear N N N N Silver NF-S N N YM028AA7
	M028 VC7	1			Blue NF-S N N YM028VC7
	M028 VM6	1			Red NF-S N N YM028VM6
	M028 BT9	1			Brown NF-S N N YM028BT9
	M027 AA7	1			FLOOR MATS, Carpeted Package of Two, Rear N N N N Silver N N N YM027AA7
	M027 VC7	1			Blue N N N YM027VC7
	M027 VM6	1			Red N N N YM027VM6
	M027 BT9	1			Brown N N N YM027BT9
	R112 AA7	AR			CARPET,ROLL STOCK,Needled Velour Short Ozite 54" Wide: Order by the inch(used on seats) N N N N Silver N N N YR112AA7
	R112 SC7	AR			Blue N N N YR112SC7
	R112 TM6	AR			Red N N N YR112TM6



MODEL CODES

B = GRAN FURY	G = DIPLOMAT	V = 400
C = LEBARON/TOWN & COUNTRY	M = HORIZON/TURISMO/SCAMP	X = MIRADA
D = ARIES	P = RELIANT	Y = IMPERIAL
E = 600	S = CORDOBA	Z = OMNI/CHARGER/RAMPAGE
F = FIFTH AVENUE	T = E CLASS/NEWYORKER	

BODY STYLES

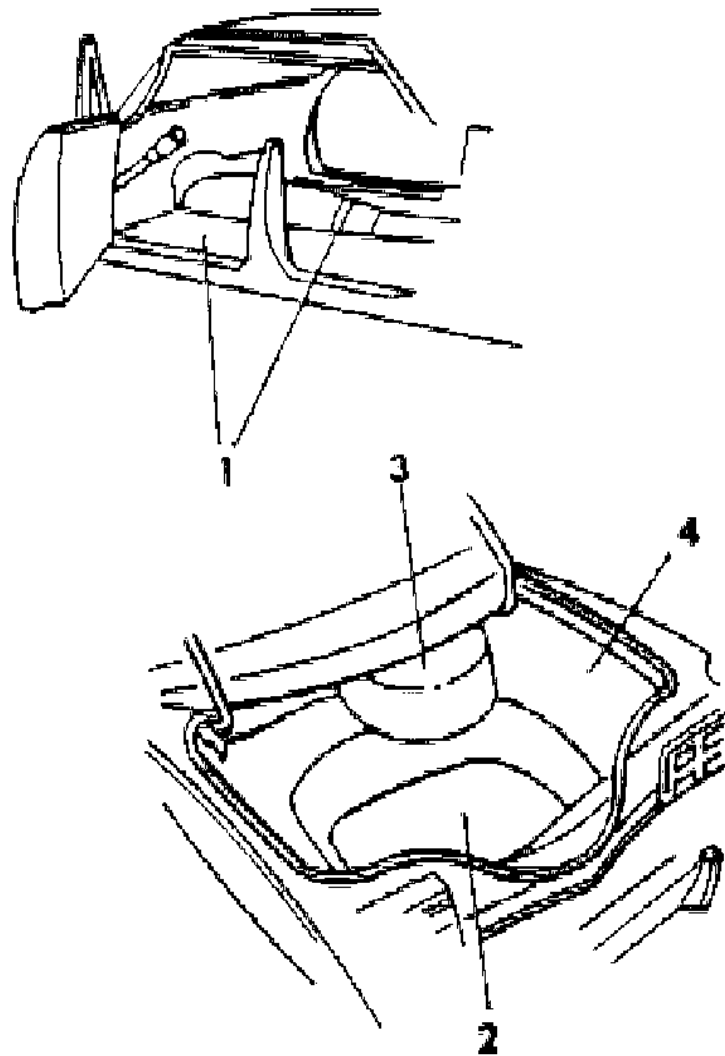
21 = 2-DOOR SEDAN	41 = 4-DOOR SEDAN
22 = 2-DOOR SPECIAL COUPE	45 = 4-DOOR STATION WAGON
24 = 2-DOOR HATCHBACK	44 = 4-DOOR HATCHBACK
27 = 2-DOOR CONVERTIBLE	48 = EXECUTIVE SEDAN
28 = FWD PICKUP	

AR = Use as Required - = Non Illustrated Part P.A.R. = Paint as Required

CARPET B,F,G  
Figure IT-5081

3253-5 08100

ITEM	PART NUMBER	QTY	BODY	MODEL	DESCRIPTION
	R112 BL3	AR			Tan N N N YR112BL3
	R112 BT9	AR			brown N N N YR112BT9 CARPET ROLL STOCK,Needled Short Ozite 54" Wide: Order by the inch(used on doors) N N N N
	R113 AA7	AR			Silver N N N YR113AA7
	R113 SC7	AR			Blue N N N YR113SC7
	R113 TM6	AR			Red N N N YR113TM6
	R113 BL3	AR			Tan N N N YR113BL3
	R113 BT9	AR			Brown N N N YR113BT9



MODEL CODES

B = GRAN FURY	G = DIPLOMAT	V = 400
C = LEBARON/TOWN & COUNTRY	M = HORIZON/TURISMO/SCAMP	X = MIRADA
D = ARIES	P = RELIANT	Y = IMPERIAL
E = 600	S = CORDOBA	Z = OMNI/CHARGER/RAMPAGE
F = FIFTH AVENUE	T = E CLASS/NEWYORKER	

BODY STYLES

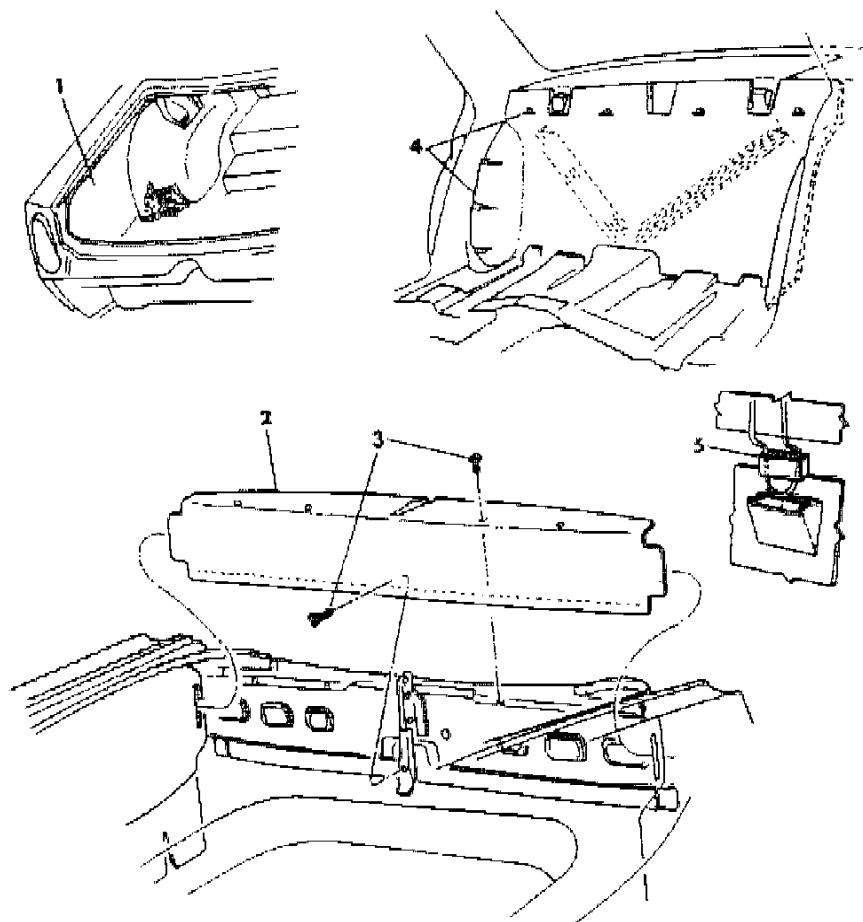
21 = 2-DOOR SEDAN	41 = 4-DOOR SEDAN
22 = 2-DOOR SPECIAL COUPE	45 = 4-DOOR STATION WAGON
24 = 2-DOOR HATCHBACK	44 = 4-DOOR HATCHBACK
27 = 2-DOOR CONVERTIBLE	48 = EXECUTIVE SEDAN
28 = FWD PICKUP	

AR = Use as Required - = Non Illustrated Part P.A.R. = Paint as Required



TRUNK B,F,G 41  
Figure IT-5082

3253-508200



ITEM	PART NUMBER	QTY	BODY	MODEL	DESCRIPTION
1	4077 234-5	1			LINER, Luggage Compartment Side N N N N Black N N N Y4077234
2	4248 363	1			COVER, Luggage Compartment Deck Opening Lower N N N N N N N Y4248363
3		AR			SCREW(not serviced) N N N N
4	3762 862	1			SILENCER, Luggage Compartment Front Liner (36"X72" Material) N N N Y3762862
5	3844 272	2			SEAL, Rear Seat Back Spring to Shelf Panel N N N Y3844272

MODEL CODES

B = GRAN FURY	G = DIPLOMAT	V = 400
C = LEBARON/TOWN & COUNTRY	M = HORIZON/TURISMO/SCAMP	X = MIRADA
D = ARIES	P = RELIANT	Y = IMPERIAL
E = 600	S = CORDOBA	Z = OMNI/CHARGER/RAMPAGE
F = FIFTH AVENUE	T = E CLASS/NEWYORKER	

BODY STYLES

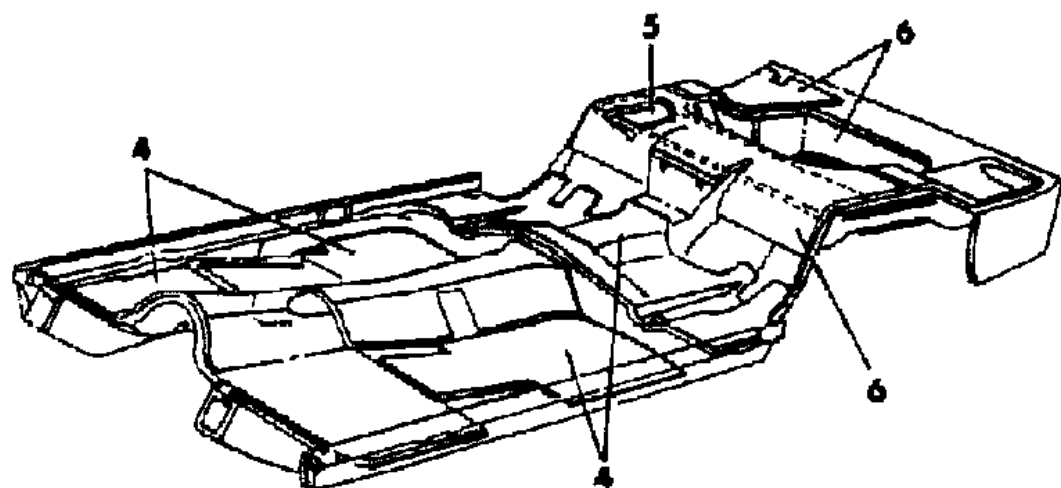
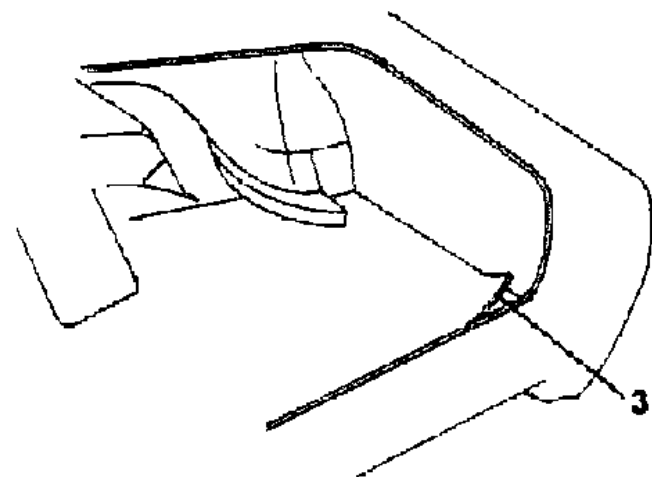
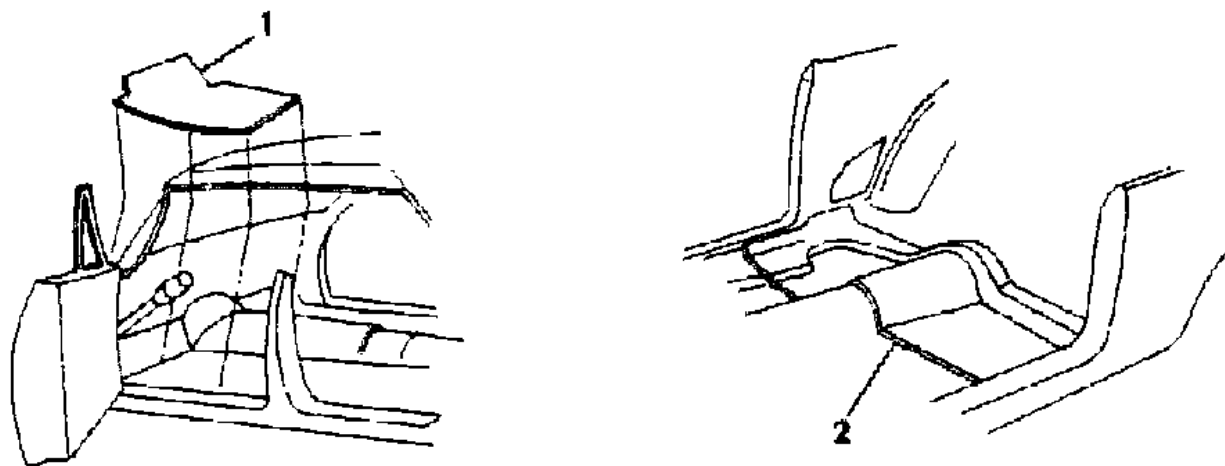
21 = 2-DOOR SEDAN	41 = 4-DOOR SEDAN
22 = 2-DOOR SPECIAL COUPE	45 = 4-DOOR STATION WAGON
24 = 2-DOOR HATCHBACK	44 = 4-DOOR HATCHBACK
27 = 2-DOOR CONVERTIBLE	48 = EXECUTIVE SEDAN
28 = FWD PICKUP	

AR = Use as Required - = Non Illustrated Part P.A.R. = Paint as Required

MATS- FRONT AND REAR FLOOR LUGGAGE COMPARTMENT FLOOR, REAR FLOOR WELL B,F,G  
Figure IT-5083

3253 508300

ITEM	PART NUMBER	QTY	BODY	MODEL	DESCRIPTION
1	4077 288	1			MAT, Front Floor Heavy Duty, Black N N N Y4077288
2	4077 289	1			MAT, Rear Floor Heavy Duty, Black N N N Y4077289
3	4077 245	1			MAT, Luggage Compartment Floor, Black N N N Y4077245
4	4186 901	AR			SILENCER (36"X72" Material) N N N Y4186901
5	3837 683	AR			SILENCER (24"X48"X1/4" Material) N N N Y3837683
6	3762 862	AR			SILENCER (36"X72" Material) N N N Y3762862



MODEL CODES

B = GRAN FURY	G = DIPLOMAT	V = 400
C = LEBARON/TOWN & COUNTRY	M = HORIZON/TURISMO/SCAMP	X = MIRADA
D = ARIES	P = RELIANT	Y = IMPERIAL
E = 600	S = CORDOBA	Z = OMNI/CHARGER/RAMPAGE
F = FIFTH AVENUE	T = E CLASS/NEWYORKER	

BODY STYLES

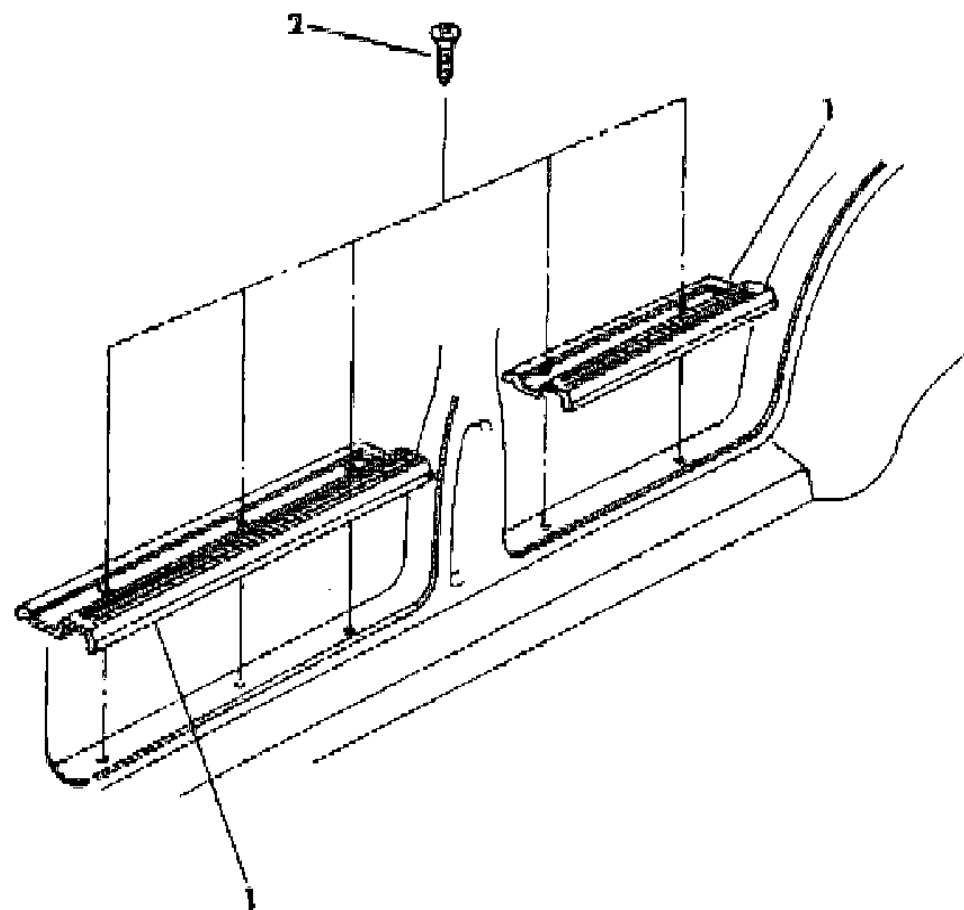
21 = 2-DOOR SEDAN	41 = 4-DOOR SEDAN
22 = 2-DOOR SPECIAL COUPE	45 = 4-DOOR STATION WAGON
24 = 2-DOOR HATCHBACK	44 = 4-DOOR HATCHBACK
27 = 2-DOOR CONVERTIBLE	48 = EXECUTIVE SEDAN
28 = FWD PICKUP	

AR = Use as Required - = Non Illustrated Part P.A.R. = Paint as Required

**SCUFF PLATES BODY SIDE SILL AND DOOR B,F,G 41**  
**Figure IT-5084**

ITEM	PART NUMBER	QTY	BODY	MODEL	DESCRIPTION
1	4078 964	2			PLATE, Front N N N Y4078964
	3831 006	2			Rear N N N Y3831006
2		AR			SCREW (not serviced) N N N N

3253 508400



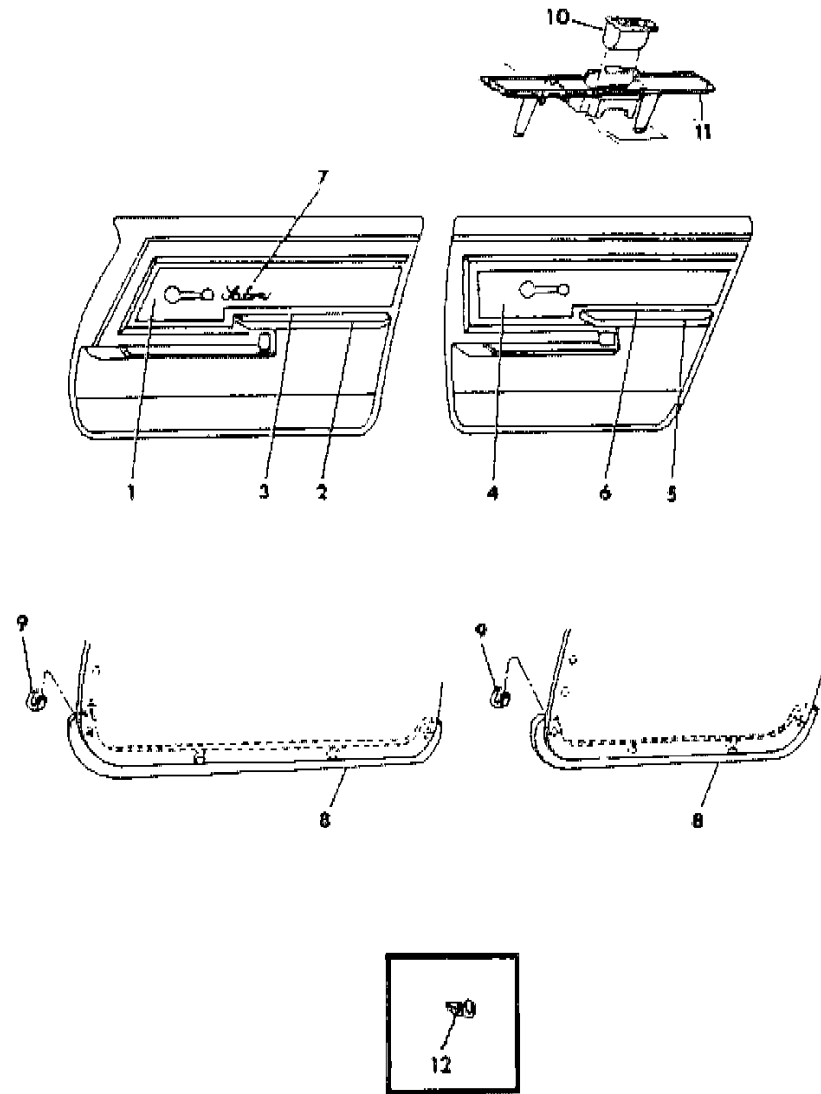
MODEL CODES  
 B = GRAN FURY                      G = DIPLOMAT                      V = 400  
 C = LEBARON/TOWN & COUNTRY    M = HORIZON/TURISMO/SCAMP    X = MIRADA  
 D = ARIES                            P = RELIANT                        Y = IMPERIAL  
 E = 600                                S = CORDOBA                       Z = OMNI/CHARGER/RAMPAGE  
 F = FIFTH AVENUE                   T = E CLASS/NEWYORKER

BODY STYLES  
 21 = 2-DOOR SEDAN                      41 = 4-DOOR SEDAN  
 22 = 2-DOOR SPECIAL COUPE        45 = 4-DOOR STATION WAGON  
 24 = 2-DOOR HATCHBACK              44 = 4-DOOR HATCHBACK  
 27 = 2-DOOR CONVERTIBLE            48 = EXECUTIVE SEDAN  
 28 = FWD PICKUP

AR = Use as Required - = Non Illustrated Part P.A.R. = Paint as Required

**DOOR TRIM PANEL B,F,G TRIM CODES A3,F4,K2,KX,H9**  
**Figure IT-5101**

3253-510 100



ITEM	PART NUMBER	QTY	BODY	MODEL	DESCRIPTION
1	J148-9 AA2	1			PANEL,Front Door N N N N N N NA3A,H9A YJ148AA2
	J148-9 VC8	1			N N NA3C,K2C,H9C YJ148VC8
	J148-9 VM6	1			N N NA3M,H9M YJ148VM6
	J148-9 BL3	1			N N NA3L,F4T,H9T YJ148BL3
	J148-9 BL3	1			N N NK2T,KXT YJ148BL3
2	D454-5 VT4				BASE, Arm Rest (paint as required) N N N YD454VT4
	3	D452-3 AA3	1		PAD and INSERT, Arm Rest N N N N Silver N N N YD452AA3
		D452-3 VC7	1		Blue N N N YD452VC7
		D452-3 VM6	1		Red N N N YD452VM6
D452-3 BL3	1		Tan N N N YD452BL3		
4	J476-7 AA2	1			PANEL,Rear Door N N N N N N NA3A,H9A YJ476AA2
	J476-7 VC8	1			N N NA3C,K2C,H9C YJ476VC8
	J476-7 VM6	1			N N NA3M,H9M YJ476VM6
	J476-7 BL3	1			N N NA3L,F4T,H9T YJ476BL3
	J476-7 BL3	1			N N NK2T,KXT YJ476BL3
5	D430-1 AA3	1			BASE and PAD, Arm Rest N N N N Silver N N N YD430AA3
	D430-1 VC7	1			Blue N N N YD430VC7
	D430-1 VM6	1			Red N N N YD430VM6
	D430-1 BL3	1			Beige N N N YD430BL3
	9141 722	AR			SCREW, Pad to Base Attaching N N N Y9141722
6	D488-9 AA3	1			PAD and INSERT, Arm Rest w/Ash Receiver N N N N Silver N N N YD488AA3
	D488-9 VC7	1			Blue N N N YD488VC7
	D488-9 VM6	1			Red N N N YD488VM6
	D488-9 BL3	1			Tan N N N YD488BL3
	6027 162	AR			SCREW, Arm Rest Attaching N N N Y6027162
7	4078 486	2			NAME PLATE "SALON" N N N Y4078486
	6023 485	AR			FASTENER, Name Plate N N N Y6023485
8	3831 428	2			SEAL,Secondary Sound N N N N Front N N N Y3831428
	3831 429	2			Rear N N N Y3831429
	6002 944	AR			FASTENER, Secondary Seal N N N Y6002944
10	4078 400	3			RECEPTACLE, Ash Receiver Rear Door N N N Y4078400

**MODEL CODES**

B = GRAN FURY	G = DIPLOMAT	V = 400
C = LEBARON/TOWN & COUNTRY	M = HORIZON/TURISMO/SCAMP	X = MIRADA
D = ARIES	P = RELIANT	Y = IMPERIAL
E = 600	S = CORDOBA	Z = OMNI/CHARGER/RAMPAGE
F = FIFTH AVENUE	T = E CLASS/NEWYORKER	

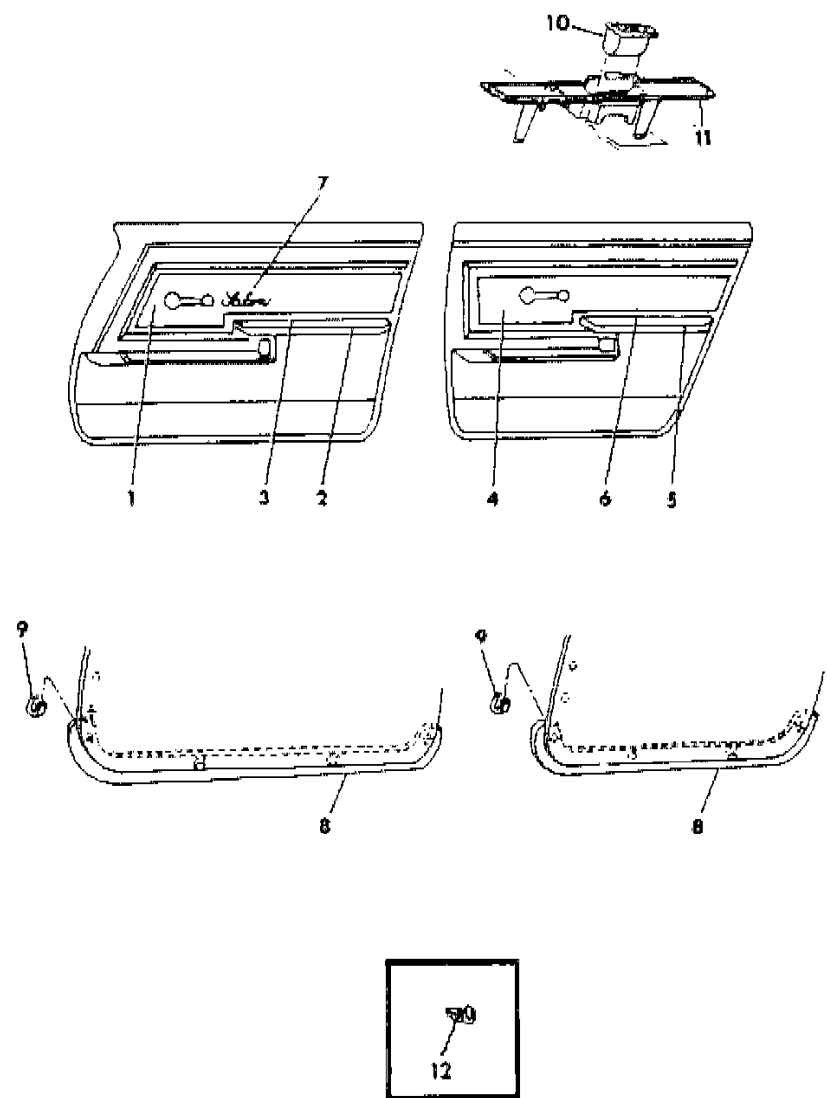
**BODY STYLES**

21 = 2-DOOR SEDAN	41 = 4-DOOR SEDAN
22 = 2-DOOR SPECIAL COUPE	45 = 4-DOOR STATION WAGON
24 = 2-DOOR HATCHBACK	44 = 4-DOOR HATCHBACK
27 = 2-DOOR CONVERTIBLE	48 = EXECUTIVE SEDAN
28 = FWD PICKUP	

AR = Use as Required - = Non Illustrated Part P.A.R. = Paint as Required

**DOOR TRIM PANEL B,F,G TRIM CODES A3,F4,K2,KX,H9  
Figure IT-5101**

3253-510100



ITEM	PART NUMBER	QTY	BODY	MODEL	DESCRIPTION
	1639 961	2			BUMPER, Ash Receiver Lid N N N Y1639961
	9417 252	4			PIN, Ash Receiver Lid Hinge N N N Y9417252
11					BEZEL (refer to 23C) N N N N
12	6003 640	AR			FASTENER, Trim Panel N N N Y6003640
NOTE: The following part is not illustrated. s ARE NOT RETURNABLE.					
	4049 602	1			SILENCER, Door (36"X36"X1/2" Material) N N N Y4049602

MODEL CODES  
 B = GRAN FURY  
 C = LEBARON/TOWN & COUNTRY  
 D = ARIES  
 E = 600  
 F = FIFTH AVENUE  
 G = DIPLOMAT  
 M = HORIZON/TURISMO/SCAMP  
 P = RELIANT  
 S = CORDOBA  
 T = E CLASS/NEWYORKER  
 V = 400  
 X = MIRADA  
 Y = IMPERIAL  
 Z = OMNI/CHARGER/RAMPAGE

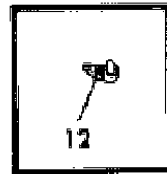
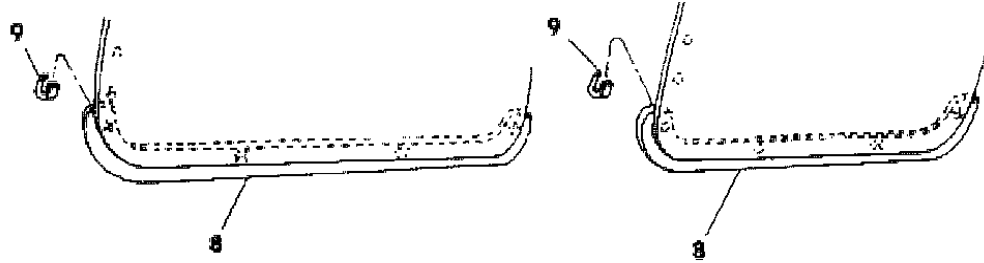
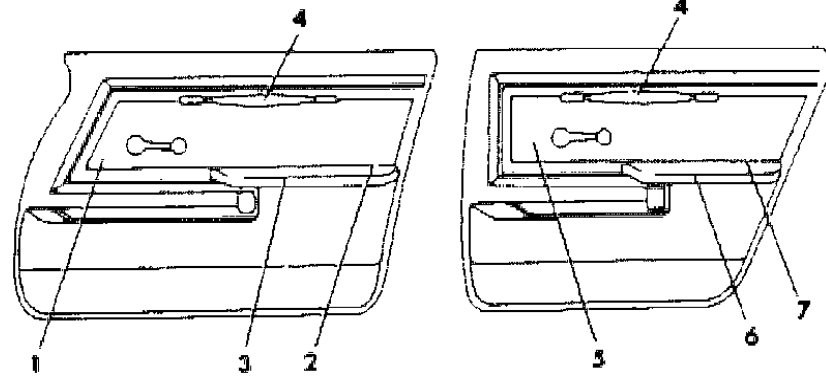
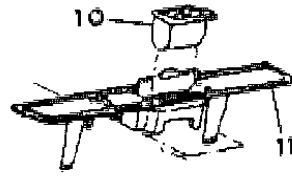
BODY STYLES  
 21 = 2-DOOR SEDAN  
 22 = 2-DOOR SPECIAL COUPE  
 24 = 2-DOOR HATCHBACK  
 27 = 2-DOOR CONVERTIBLE  
 28 = FWD PICKUP  
 41 = 4-DOOR SEDAN  
 45 = 4-DOOR STATION WAGON  
 44 = 4-DOOR HATCHBACK  
 48 = EXECUTIVE SEDAN

AR = Use as Required - = Non Illustrated Part P.A.R. = Paint as Required

**DOOR TRIM PANEL B,F,G TRIM CODE C9,DY**  
**Figure IT-5102**

3253 510 200

ITEM	PART NUMBER	QTY	BODY	MODEL	DESCRIPTION
1	J154-5 AA3	1			PANEL,Front Door N N N N N N NC9A YJ154AA3
	J154-5 VC8	1			N N NC9C YJ154VC8
	J154-5 VM6	1			N N NC9M YJ154VM6
	J154-5 BL3	1			N N NC9L YJ154BL3
	J156-7 AA2	1			N N NDYA YJ156AA2
2	J156-7 BL3	1			N N NDYL YJ156BL3
	D454-5 VT4	1			BASE, Arm Rest (paint as required) N N N YD454VT4
3					PAD and INSERT, Arm Rest N N N N
	D452-3 AA3	1			Silver N N N YD452AA3
	D452-3 VC7	1			Blue N N N YD452VC7
	D452-3 VM6	1			Red N N N YD452VM6
	D452-3 BL3	1			Tan N N N YD452BL3
4					HANDLE,Door Pull,Front and Rear w/Cap N N N N
	D840 AA2	2			Silver N N N YD840AA2
	D840 VC7	2			Blue N N N YD840VC7
	D840 VM6	2			Red N N N YD840VM6
	D840 BL3	2			Tan N N N YD840BL3
5					PANEL, Rear Door N N N N
	J480-1 AA3	1			N N NC9A YJ480AA3
	J480-1 VC8	1			N N NC9C YJ480VC8
	J480-1 VM6	1			N N NC9M YJ480VM6
	J480-1 BL3	1			N N NC9L YJ480BL3
	J484-5 AA2	1			N N NDYA YJ484AA2
6	J484-5 BL3	1			N N NDYL YJ484BL3
					BASE and PAD, Arm Rest N N N N
	D430-1 AA3	1			Silver N N N YD430AA3
	D430-1 VC7	1			Blue N N N YD430VC7
	D430-1 VM6	1			Red N N N YD430VM6
7	D430-1 BL3	1			Beige N N N YD430BL3
	9414 722	AR			SCREW, Pad to Base Attaching N N N Y9414722
					PAD and INSERT, Arm Rest w/Ash Receiver N N N N
7	D488-9 AA3	1			Silver N N N YD488AA3
	D488-9 VC7	1			Blue N N N YD488VC7
	D488-9 VM6	1			Red N N N YD488VM6
	D488-9 BL3	1			Tan N N N YD488BL3
	6027 162	AR			SCREW, Arm Rest Attaching N N N Y6027162



**MODEL CODES**

B = GRAN FURY	G = DIPLOMAT	V = 400
C = LEBARON/TOWN & COUNTRY	M = HORIZON/TURISMO/SCAMP	X = MIRADA
D = ARIES	P = RELIANT	Y = IMPERIAL
E = 600	S = CORDOBA	Z = OMNI/CHARGER/RAMPAGE
F = FIFTH AVENUE	T = E CLASS/NEWYORKER	

**BODY STYLES**

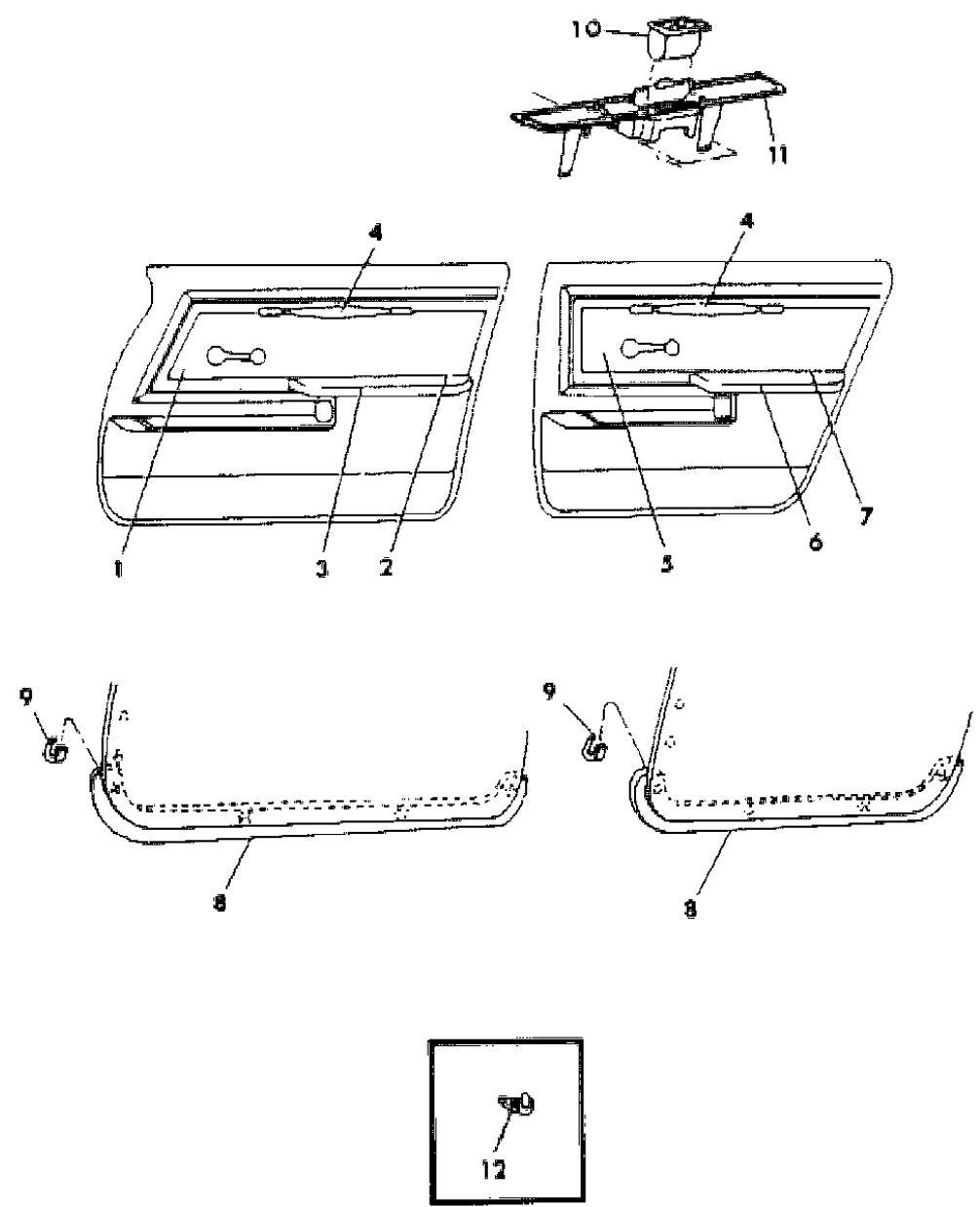
21 = 2-DOOR SEDAN	41 = 4-DOOR SEDAN
22 = 2-DOOR SPECIAL COUPE	45 = 4-DOOR STATION WAGON
24 = 2-DOOR HATCHBACK	44 = 4-DOOR HATCHBACK
27 = 2-DOOR CONVERTIBLE	48 = EXECUTIVE SEDAN
28 = FWD PICKUP	

AR = Use as Required - = Non Illustrated Part P.A.R. = Paint as Required

**DOOR TRIM PANEL B,F,G TRIM CODE C9,DY**  
**Figure IT-5102**

3253 510 200

ITEM	PART NUMBER	QTY	BODY	MODEL	DESCRIPTION
8					SEAL,Secondary Sound N N N N
	3831 428	2			Front N N N Y3831428
	3831 429	2			Rear N N N Y3831429
9	6002 944	AR			FASTENER, Secondary Seal N N N Y6002944
10	4078 400	2			RECEPTACLE, Ash Receiver Rear Door N N N Y4078400
	1639 961	2			BUMPER, Ash Receiver Lid N N N Y1639961
	9417 252	4			PIN, Ash Receiver Lid Hinge N N N Y9417252
11					Refer to 23 C N N N N
12	6003 640	AR			RETAINER, Trim Panel N N N Y6003640
The following part is not illustrated. s ARE NOT RETURNABLE.					
	4049 602	1			SILENCER,Trim Panel (36"X36"X1/2" Material) N N N Y4049602



**MODEL CODES**  
 B = GRAN FURY                      G = DIPLOMAT                      V = 400  
 C = LEBARON/TOWN & COUNTRY    M = HORIZON/TURISMO/SCAMP    X = MIRADA  
 D = ARIES                              P = RELIANT                        Y = IMPERIAL  
 E = 600                                  S = CORDOBA                        Z = OMNI/CHARGER/RAMPAGE  
 F = FIFTH AVENUE                    T = E CLASS/NEWYORKER

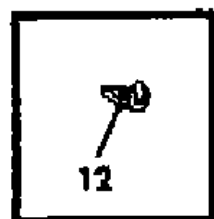
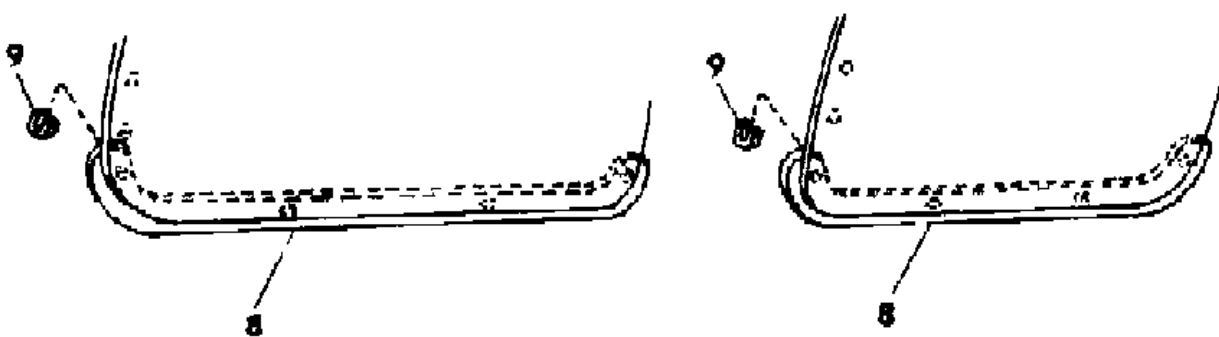
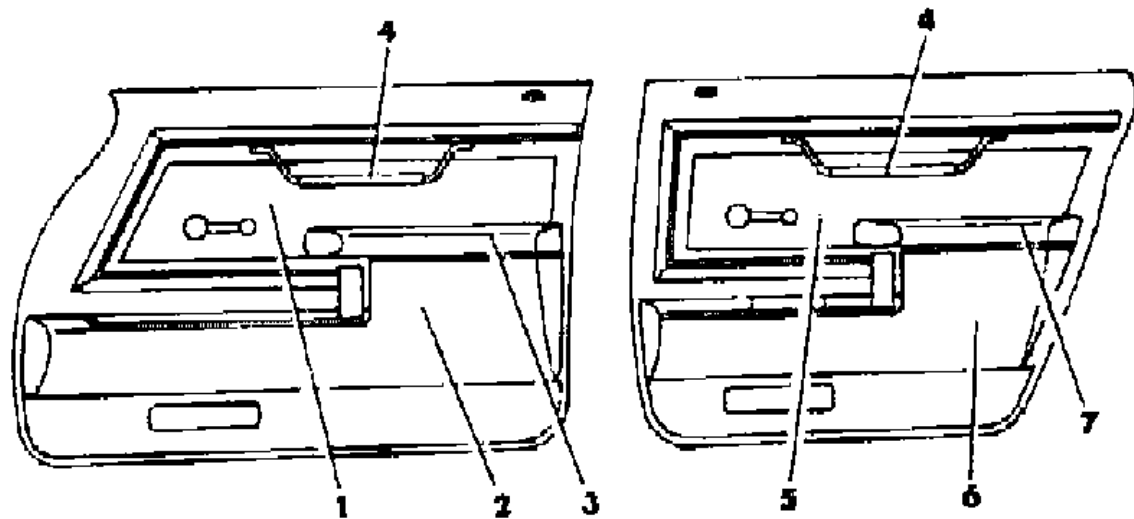
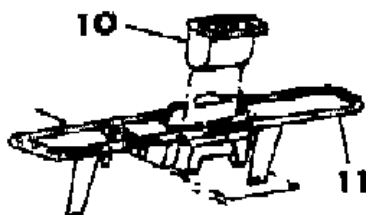
**BODY STYLES**  
 21 = 2-DOOR SEDAN                    41 = 4-DOOR SEDAN  
 22 = 2-DOOR SPECIAL COUPE        45 = 4-DOOR STATION WAGON  
 24 = 2-DOOR HATCHBACK            44 = 4-DOOR HATCHBACK  
 27 = 2-DOOR CONVERTIBLE            48 = EXECUTIVE SEDAN  
 28 = FWD PICKUP

AR = Use as Required - = Non Illustrated Part P.A.R. = Paint as Required

DOOR TRIM PANEL F-S TRIM CODES SY,S9  
Figure IT-5103

3253 510300

ITEM	PART NUMBER	QTY	BODY	MODEL	DESCRIPTION
1					PANEL, Front Door N N N N
	J224-5 AA2	1			N N NSYA YJ224AA2
	J224-5 AC8	1			N N NSYC YJ224AC8
	J224-5 AM6	1			N N NSYM YJ224AM6
	J224-5 BL3	1			Up to 6/9/83 N N NSYL YJ224BL3
	J224-5 BTL	1			After 6/9/83 N N NSYL YJ224BTL
	J226-7 AA3	1			N N NS9A YJ226AA3
	J226-7 AC7	1			N N NS9C YJ226AC7
	J226-7 AM6	1			N N NS9M YJ226AM6
	J226-7 BL3	1			Up to 6/9/83 N N NS9L YJ226BL3
	J226-7 BTL	1			After 6/9/83 N N NS9L YJ226BTL
2	D454-5 VT4	1			BASE, Arm Rest (paint as required) N N N YD454VT4
	9414 722	AR			SCREW, Pad to Base Attaching N N N Y9414722
3					PAD and INSERT, Arm Rest N N N N
	D452-3 AA3	1			Silver N N N YD452AA3
	D452-3 VC7	1			Blue N N N YD452VC7
	D452-3 VM6	1			Red N N N YD452VM6
	D452-3 BL3	1			Tan N N N YD452BL3
	6027 162	AR			SCREW, Arm Rest Attaching N N N Y6027162
4	4078 233	4			HANDLE N N N Y4078233
	6031 667	AR			WASHER, Pull Handle N N N Y6031667
	0455 734	AR			SPRING PIN, Pull Handle N N N Y455734
	4077 196-7	2			END CAP, Pull Handle N N N Y4077196
5					PANEL, Rear Door N N N N
	J494-5 BA2	1			N N NSYA YJ494BA2
	J494-5 BC8	1			N N NSYC YJ494BC8
	J494-5 BM6	1			N N NSYM YJ494BM6
	J494-5 BL3	1			Up to 6/9/83 N N NSYL YJ494BL3
	J494-5 BTL	1			After 6/9/83 N N NSYL YJ494BTL
	J490-1 AA3	1			N N NS9A YJ490AA3
	J490-1 AC7	1			N N NS9C YJ490AC7
	J490-1 AM6	1			N N NS9M YJ490AM6
	J490-1 BL3	1			Up to 6/9/83 N N NS9L YJ490BL3
	J490-1 BTL	1			After 6/9/83 N N NS9L YJ490BTL
6					BASE and PAD, Arm Rest N N N N
	D430-1 AA3	1			Silver N N N YD430AA3
	D430-1 VC7	1			Blue N N N YD430VC7



MODEL CODES  
 B = GRAN FURY  
 C = LEBARON/TOWN & COUNTRY  
 D = ARIES  
 E = 600  
 F = FIFTH AVENUE  
 G = DIPLOMAT  
 M = HORIZON/TURISMO/SCAMP  
 P = RELIANT  
 S = CORDOBA  
 T = E CLASS/NEWYORKER  
 V = 400  
 X = MIRADA  
 Y = IMPERIAL  
 Z = OMNI/CHARGER/RAMPAGE

BODY STYLES  
 21 = 2-DOOR SEDAN  
 22 = 2-DOOR SPECIAL COUPE  
 24 = 2-DOOR HATCHBACK  
 27 = 2-DOOR CONVERTIBLE  
 28 = FWD PICKUP  
 41 = 4-DOOR SEDAN  
 45 = 4-DOOR STATION WAGON  
 44 = 4-DOOR HATCHBACK  
 48 = EXECUTIVE SEDAN

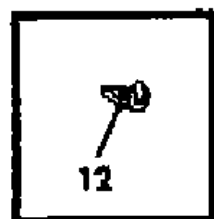
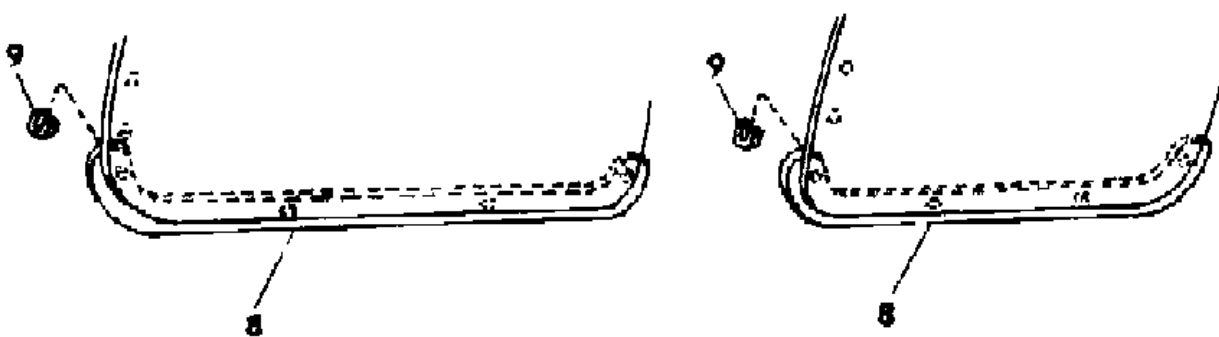
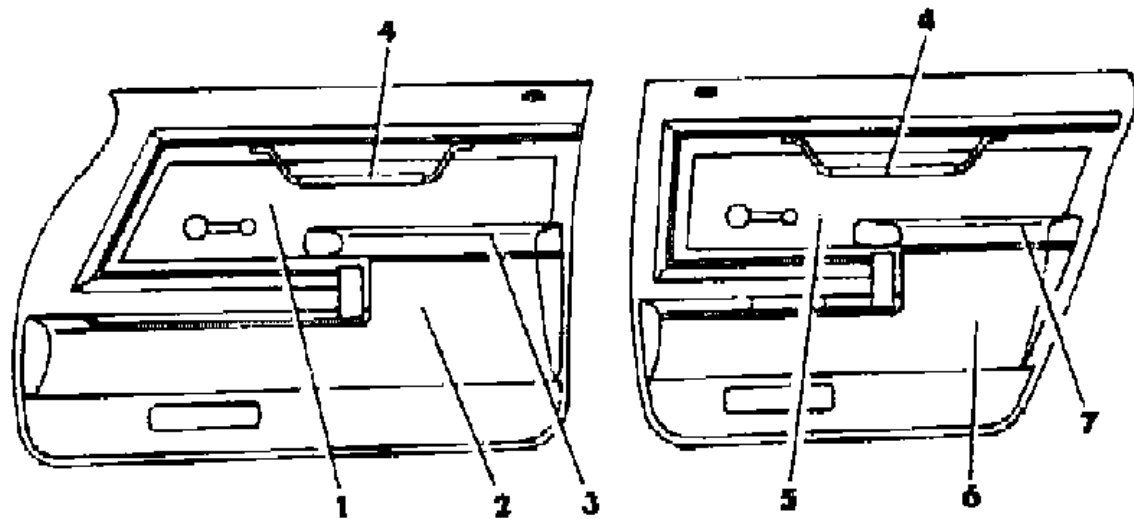
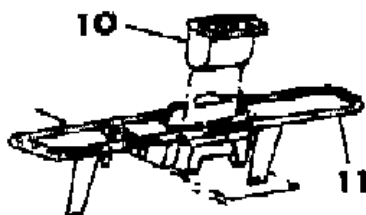
AR = Use as Required - = Non Illustrated Part P.A.R. = Paint as Required



DOOR TRIM PANEL F-S TRIM CODES SY,S9  
Figure IT-5103

3253 510300

ITEM	PART NUMBER	QTY	BODY	MODEL	DESCRIPTION
	D430-1 VM6	1			Red N N N YD430VM6
	D430-1 BL3	1			Beige N N N YD430BL3
7	9414 722	AR			SCREW, Pad to Base Attaching N N N Y9414722
					PAD and INSERT, Arm Rest w/Ash Receiver N N N N
	D488-9 AA3	1			Silver N N N YD488AA3
	D488-9 VC7	1			Blue N N N YD488VC7
	D488-9 AH9	1			Mahogany N N N YD488AH9
	D488-9 VM6	1			Red N N N YD488VM6
	D488-9 BL3	1			Tan N N N YD488BL3
8	6027 162	AR			SCREW, Arm Rest Attaching N N N Y6027162
					SEAL, Secondary Sound N N N N
	3831 428	2			Front N N N Y3831428
	3831 429	2		Rear N N N Y3831429	
9	6002 944	AR			FASTENER, Secondary Seal N N N Y6002944
10	4078 400	2			RECETACLE, Ash Receiver Rear Door N N N Y4078400
	1639 961	2			BUMPER, Ash Receiver Lid N N N Y1639961
	9417 252	4			PIN, Ash Receiver Lid Hinge N N N Y9417252
11					Refer to 23C N N N N
12	6003 640	AR			RETAINER, Trim Panel N N N Y6003640
	4049 602	AR			The following parts are not illustrated. s ARE NOT RETURNABLE. SILENCER, Trim Panel (36"X36"X1/2" Material) N N N Y4049602



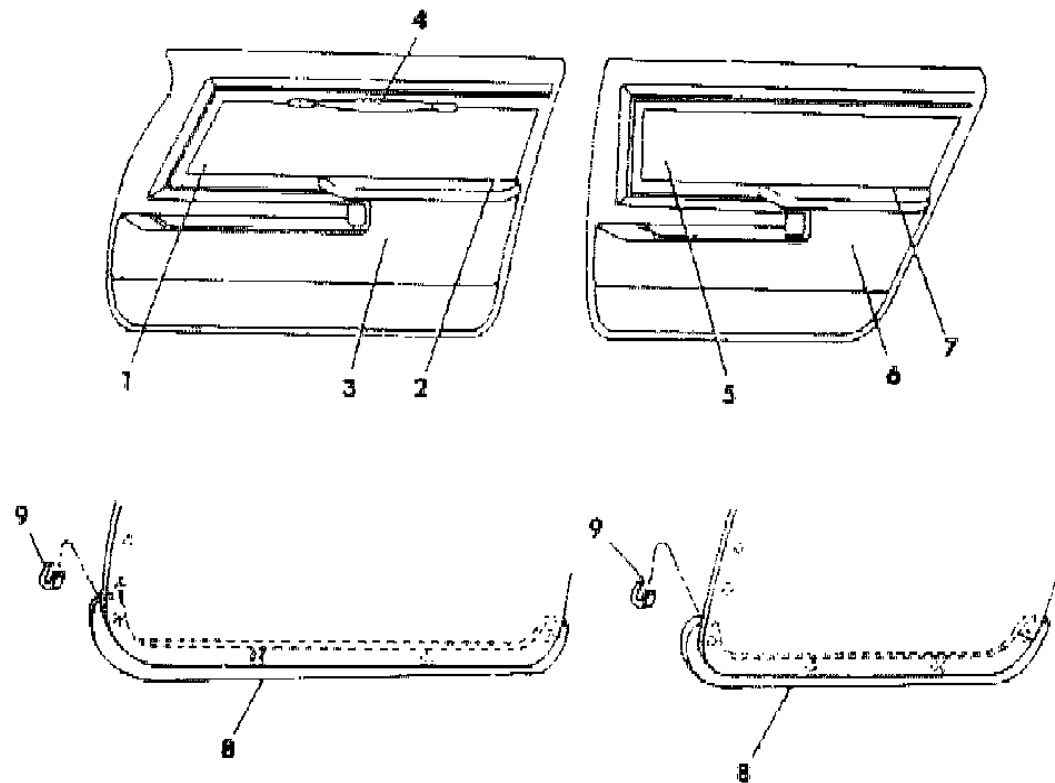
MODEL CODES  
 B = GRAN FURY  
 C = LEBARON/TOWN & COUNTRY  
 D = ARIES  
 E = 600  
 F = FIFTH AVENUE  
 G = DIPLOMAT  
 M = HORIZON/TURISMO/SCAMP  
 P = RELIANT  
 S = CORDOBA  
 T = E CLASS/NEWYORKER  
 V = 400  
 X = MIRADA  
 Y = IMPERIAL  
 Z = OMNI/CHARGER/RAMPAGE

BODY STYLES  
 21 = 2-DOOR SEDAN  
 22 = 2-DOOR SPECIAL COUPE  
 24 = 2-DOOR HATCHBACK  
 27 = 2-DOOR CONVERTIBLE  
 28 = FWD PICKUP  
 41 = 4-DOOR SEDAN  
 45 = 4-DOOR STATION WAGON  
 44 = 4-DOOR HATCHBACK  
 48 = EXECUTIVE SEDAN

AR = Use as Required - = Non Illustrated Part P.A.R. = Paint as Required

**FLEET POLICE AND OTHERS PANEL, DOOR**  
**Figure IT-5104**

3253 510400



ITEM	PART NUMBER	QTY	BODY	MODEL	DESCRIPTION
NOTE: Special Order Code is in Trim Column. s ARE NOT RETURNABLE.					
1	4196 454	1			PANEL, Front Door N N N N Blue, Right N N N8MM Y4196454
	4196 453	1			Blue, Left N N N8MM Y4196453
	4196 718	1			Tan, Right N N N8MM Y4196718
	4196 717	1			Tan, Left N N N8MM Y4196717
2	D452-3 VC7	1			PAD, Arm Rest N N N N Blue N N N8MM YD452VC7
	D452-3 VT4	1			Tan N N N8MM YD452VT4
3	D454-5 VT4	1			BASE, Arm Rest (paint as required) N N N8MM YD454VT4
4	D840 VC7	1			HANDEL, Door Pull w/Cap (on Driver side only) N N N N Blue N N N8MM YD840VC7
	D840 VT4	1			Tan N N N8MM YD840VT4
5	4196 456	1			PANEL, Rear Door N N N N Blue, Right N N N8MM Y4196456
	4196 455	1			Blue, Left N N N8MM Y4196455
	4196 720	1			Tan, Right N N N8MM Y4196720
	4196 719	1			Tan, Left N N N8MM Y4196719
6	D430-1 VC7	1			BASE and PAD, Arm Rest N N N N Blue N N N8MM YD430VC7
	D430-1 BL3	1			Tan N N N8MM YD430BL3
7	D488-9 VC7	1			PAD, Arm Rest N N N N Blue N N N8MM YD488VC7
	D488-9 VT4	1			Tan N N N8MM YD488VT4
8	3831 428	2			SEAL, Secondary Sound N N N N Front N N N Y3831428
	3831 429	2			Rear N N N Y3831429
9	6002 944	AR			FASTENER, Secondary Seal N N N Y6002944
10	6003 640	AR			RETAINER, Door Trim Panel N N N Y6003640
	9414 722	AR			The following parts are not illustrated. s ARE NOT RETURNABLE. SCREW, Pad to Base Attaching N N N Y9414722
	6027 162	AR			SCREW, Arm Rest Attaching N N N Y6027162
	4049 602	AR			SILENCER, Trim Panel N N N Y4049602

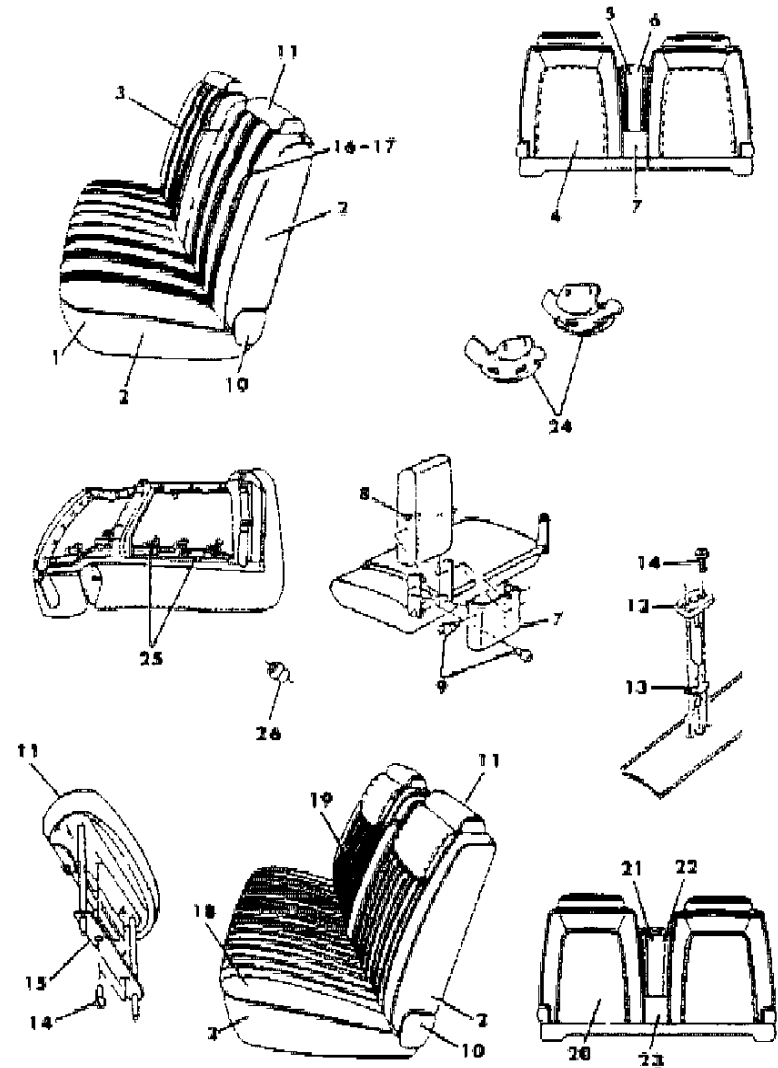
MODEL CODES  
 B = GRAN FURY  
 C = LEBARON/TOWN & COUNTRY  
 D = ARIES  
 E = 600  
 F = FIFTH AVENUE  
 G = DIPLOMAT  
 M = HORIZON/TURISMO/SCAMP  
 P = RELIANT  
 S = CORDOBA  
 T = E CLASS/NEWYORKER  
 V = 400  
 X = MIRADA  
 Y = IMPERIAL  
 Z = OMNI/CHARGER/RAMPAGE

BODY STYLES  
 21 = 2-DOOR SEDAN  
 22 = 2-DOOR SPECIAL COUPE  
 24 = 2-DOOR HATCHBACK  
 27 = 2-DOOR CONVERTIBLE  
 28 = FWD PICKUP  
 41 = 4-DOOR SEDAN  
 45 = 4-DOOR STATION WAGON  
 44 = 4-DOOR HATCHBACK  
 48 = EXECUTIVE SEDAN

AR = Use as Required - = Non Illustrated Part P.A.R. = Paint as Required

SEAT FRONT B,G TRIM CODE A3,F4  
Figure IT-5201

3255 520100 11



ITEM	PART NUMBER	QTY	BODY	MODEL	DESCRIPTION
1-2					CUSHION, w/Spring/Frame, Pad and Cover N N N N
	A618 B3A	1			Electric N N N N
	A618 B3C	1			N N NA3A YA618B3A
	A618 V3M	1			N N NA3C YA618B3C
	A618 MMM	1			Up to 9/16/82 N N NA3M YA618V3M
	A618 V3M	1			From 9/16/82 to 1/18/83 N N NA3M YA618MMM
	A618 B3L	1			After 1/18/83 N N NA3M YA618V3M
	A619 B3A	1			N N NA3L YA618B3L
	A619 B3C	1			Heavy Duty N N N N
	A619 B3M	1			N N NA3A YA619B3A
	A619 MMM	1			N N NA3C YA619B3C
	A619 B3M	1			Up to 9/16/82 N N NA3M YA619B3M
	A619 B3L	1			From 9/16/82 to 1/18/83 N N NA3M YA619MMM
	A981 B3A	1			After 1/18/83 N N NA3M YA619B3M
	A981 B3C	1			N N NA3L YA619B3L
	A981 A3M	1			Heavy Duty Electric N N N N
	A981 B3L	1			N N NA3A YA981B3A
	A618 B3A	1			N N NA3C YA981B3C
	A618 B3C	1			N N NA3M YA981A3M
	A618 B3M	1			N N NA3L YA981B3L
	A618 B3L	1			Electric N N N N
1	A595 B3A	1			N N NA3A YA618B3A
	A595 B3C	1			N N NA3C YA618B3C
	A595 V3M	1			N N NA3M YA618B3M
	A595 MMM	1			N N NA3L YA618B3L
	A595 V3M	1			COVER,Cushion N N N N
	A595 B3L	1			N N NA3A YA595B3A
					N N NA3C YA595B3C
					Up to 9/16/82 N N NA3M YA595V3M
					From 9/16/82 to 1/18/83 N N NA3M YA595MMM
					After 1/18/83 N N NA3M YA595V3M
					N N NA3L YA595B3L
2	R616 AA2	AR			ROLL STOCK, Vinyl 64" Wide Order by the Inch N N N N
	R616 VC8	AR			Silver N N N YR616AA2
	R616 VM6	AR			Blue N N N YR616VC8
	R616 BL3	AR			Red N N N YR616VM6
					Tan N N N YR616BL3

MODEL CODES

B = GRAN FURY  
C = LEBARON/TOWN & COUNTRY  
D = ARIES  
E = 600  
F = FIFTH AVENUE  
G = DIPLOMAT  
M = HORIZON/TURISMO/SCAMP  
P = RELIANT  
S = CORDOBA  
T = E CLASS/NEWYORKER  
V = 400  
X = MIRADA  
Y = IMPERIAL  
Z = OMNI/CHARGER/RAMPAGE

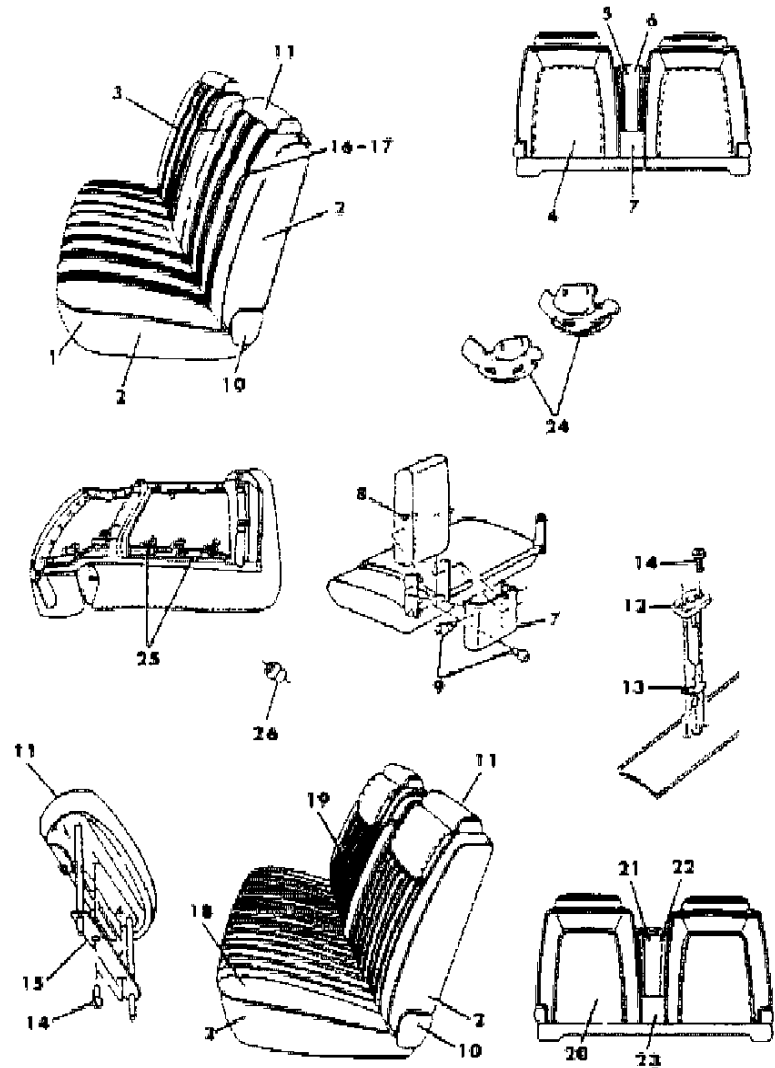
BODY STYLES

21 = 2-DOOR SEDAN  
22 = 2-DOOR SPECIAL COUPE  
24 = 2-DOOR HATCHBACK  
27 = 2-DOOR CONVERTIBLE  
28 = FWD PICKUP  
41 = 4-DOOR SEDAN  
45 = 4-DOOR STATION WAGON  
44 = 4-DOOR HATCHBACK  
48 = EXECUTIVE SEDAN

AR = Use as Required - = Non Illustrated Part P.A.R. = Paint as Required

SEAT FRONT B,G TRIM CODE A3,F4  
Figure IT-5201

3255 520100 11



ITEM	PART NUMBER	QTY	BODY	MODEL	DESCRIPTION
2-3					BACK, w/Spring/Frame, Pad and Cover N N N N
	A616-7 B3A	1			N N NA3A YA616B3A
	A616-7 B3C	1			N N NA3C YA616B3C
	A616-7 V3M	1			Up to 9/16/82 N N NA3M YA616V3M
	A616-7 MMM	1			From 9/16/82 to 1/18/83 N N NA3M YA616MMM
	A616-7 V3M	1			After 1/18/83 N N NA3M YA616V3M
	A616-7 B3L	1			N N NA3L YA616B3L
3					COVER, Back N N N N
	A596-7 B3A	1			N N NA3A YA596B3A
	A596-7 B3C	1			N N NA3C YA596B3C
	A596-7 V3M	1			Up to 9/16/82 N N NA3M YA596V3M
	A596-7 MMM	1			From 9/16/82 to 1/18/83 N N NA3M YA596MMM
	A596-7 V3M	1			After 1/18/83 N N NA3M YA596V3M
	A596-7 B3L	1			N N NA3L YA596B3L
4					PANEL, Back of Front Seat N N N N
	S778-9 AA2	1			N N NA3A YS778AA2
	S778-9 VC8	1			N N NA3C YS778VC8
	S778-9 VM6	1			N N NA3M YS778VM6
	S778-9 BL3	1			N N NA3L YS778BL3
5-6					ARM REST w/COVER N N N N
	A718 BA2	1			N N NA3A YA718BA2
	A718 BC7	1			N N NA3C YA718BC7
	A718 VM6	1			Up to 9/16/82 N N NA3M YA718VM6
	A718 MMM	1			From 9/16/82 to 1/18/83 N N NA3M YA718MMM
	A718 VM6	1			After 1/18/83 N N NA3M YA718VM6
	A718 BL3	1			N N NA3L YA718BL3
6					COVER, Arm Rest N N N N
	A544 BA3	1			N N NA3A YA544BA3
	A544 BC7	1			N N NA3C YA544BC7
	A544 VM6	1			Up to 9/16/82 N N NA3M YA544VM6
	A544 MMM	1			From 9/16/82 to 1/18/83 N N NA3M YA544MMM
	A544 VM6	1			After 1/18/83 N N NA3M YA544VM6
	A544 BL3	1			N N NA3L YA544BL3
7					COVER, Arm Rest Finish N N N N
	S728 BA3	1			N N NA3A YS728BA3
	S728 BC7	1			N N NA3C YS728BC7
	S728 VM6	1			N N NA3M YS728VM6

MODEL CODES

B = GRAN FURY	G = DIPLOMAT	V = 400
C = LEBARON/TOWN & COUNTRY	M = HORIZON/TURISMO/SCAMP	X = MIRADA
D = ARIES	P = RELIANT	Y = IMPERIAL
E = 600	S = CORDOBA	Z = OMNI/CHARGER/RAMPAGE
F = FIFTH AVENUE	T = E CLASS/NEWYORKER	

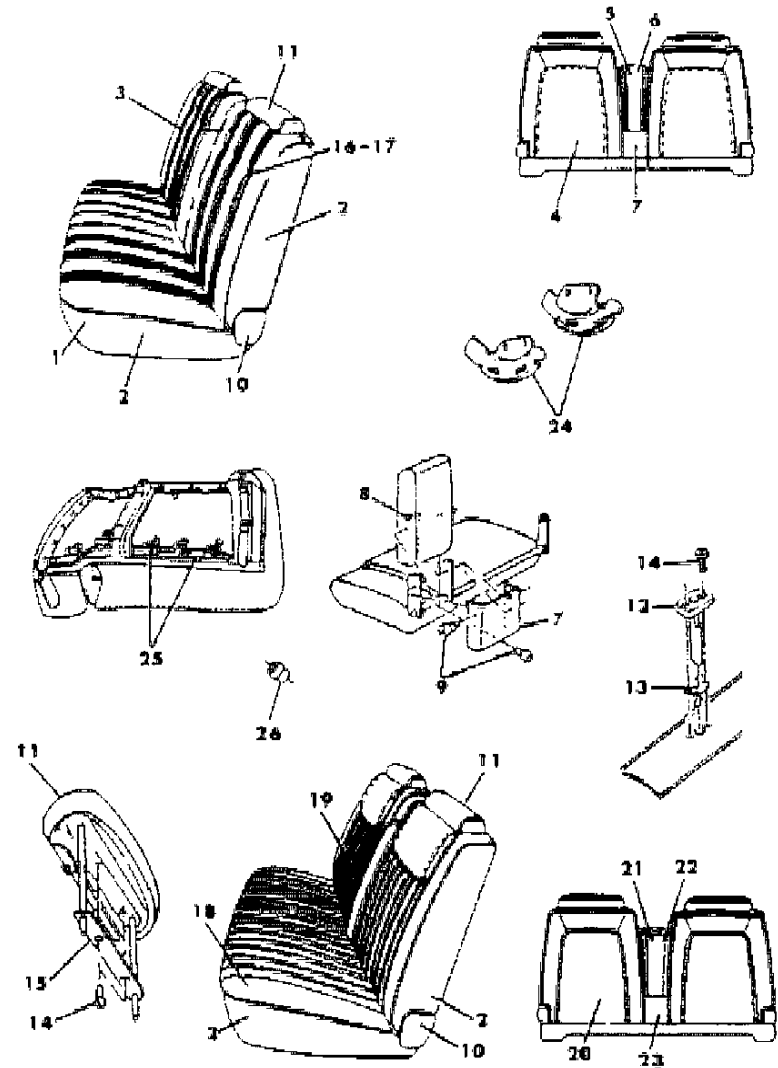
BODY STYLES

21 = 2-DOOR SEDAN	41 = 4-DOOR SEDAN
22 = 2-DOOR SPECIAL COUPE	45 = 4-DOOR STATION WAGON
24 = 2-DOOR HATCHBACK	44 = 4-DOOR HATCHBACK
27 = 2-DOOR CONVERTIBLE	48 = EXECUTIVE SEDAN
28 = FWD PICKUP	

AR = Use as Required - = Non Illustrated Part P.A.R. = Paint as Required

SEAT FRONT B,G TRIM CODE A3,F4  
Figure IT-5201

1255 520100-1



ITEM	PART NUMBER	QTY	BODY	MODEL	DESCRIPTION
	S728 BL3	1			N N NA3L YS728BL3
8	4138 891	1			ROD, Arm Rest Lock Bar N N N Y4138891
	6006 324	1			NUT, Arm Rest Lock Rod N N N Y6006324
9	6030 082	2			BOLT, Arm Rest Attaching N N N Y6030082
	4138 742-3	1			ARM, Seat Back to Cushion w/Center Arm Rest N N N Y4138742
10	S876-7 SX9	1			COVER, Hinge Arm Outer, Black (paint as required) N N N YS876SX9
	6030 981	2			NUT, Hinge Arm Cover Retaining N N N Y6030981
11	S702 AA2	2			HEAD REST N N N N N N NA3A YS702AA2
	S702 SC7	2			N N NA3C YS702SC7
	S702 TM6	2			N N NA3M YS702TM6
12	S702 BL3	2			N N NA3L,F4L YS702BL3
	S690 AA3	4			SLEEVE, Head Rest N N N N N N NA3A YS690AA3
	S690 SC7	4			N N NA3C YS690SC7
	S690 TM6	4			N N NA3M YS690TM6
	S690 BL3	4			N N NA3L,F4L YS690BL3
13	4098 965	4			CATCH, Head Rest Post N N N Y4098965
14		AR			SCREW (not serviced) N N N N
15	4018 807	2			COVER, Head Rest Finish N N N Y4018807
16	G385 AA2	AR			BUTTON w/RETAINER N N N N N N NA3A YG385AA2
	G385 VC8	AR			N N NA3C YG385VC8
	G385 VM6	AR			N N NA3M YG385VM6
	G385 BL3	AR			N N NA3L YG385BL3
17					RETAINER, Button (serviced in item 16) N N N N
18&2	A650 B4L	1			CUSHION, w/Spring/Frame, Pad and Cover N N N N (Standard) N N NF4L YA650B4L
	A655 B4L	1			(Heavy Duty) N N NF4L YA655B4L
18	A579 B4L	1			COVER, Cushion N N NF4L YA579B4L
19&2	A652-3 B4L	1			BACK, w/Spring/Frame, Pad and Cover N N NF4L YA652B4L
19	A478-9 B4L	1			COVER, Back N N NF4L YA478B4L
20	S778-9 BL3	1			PANEL, Back of Front Back N N NF4L YS778BL3
21-22	B657 BL3	1			ARM REST w/COVER N N NF4L YB657BL3
22	B376 BL3	1			COVER, Arm Rest N N NF4L YB376BL3

MODEL CODES

B = GRAN FURY	G = DIPLOMAT	V = 400
C = LEBARON/TOWN & COUNTRY	M = HORIZON/TURISMO/SCAMP	X = MIRADA
D = ARIES	P = RELIANT	Y = IMPERIAL
E = 600	S = CORDOBA	Z = OMNI/CHARGER/RAMPAGE
F = FIFTH AVENUE	T = E CLASS/NEWYORKER	

BODY STYLES

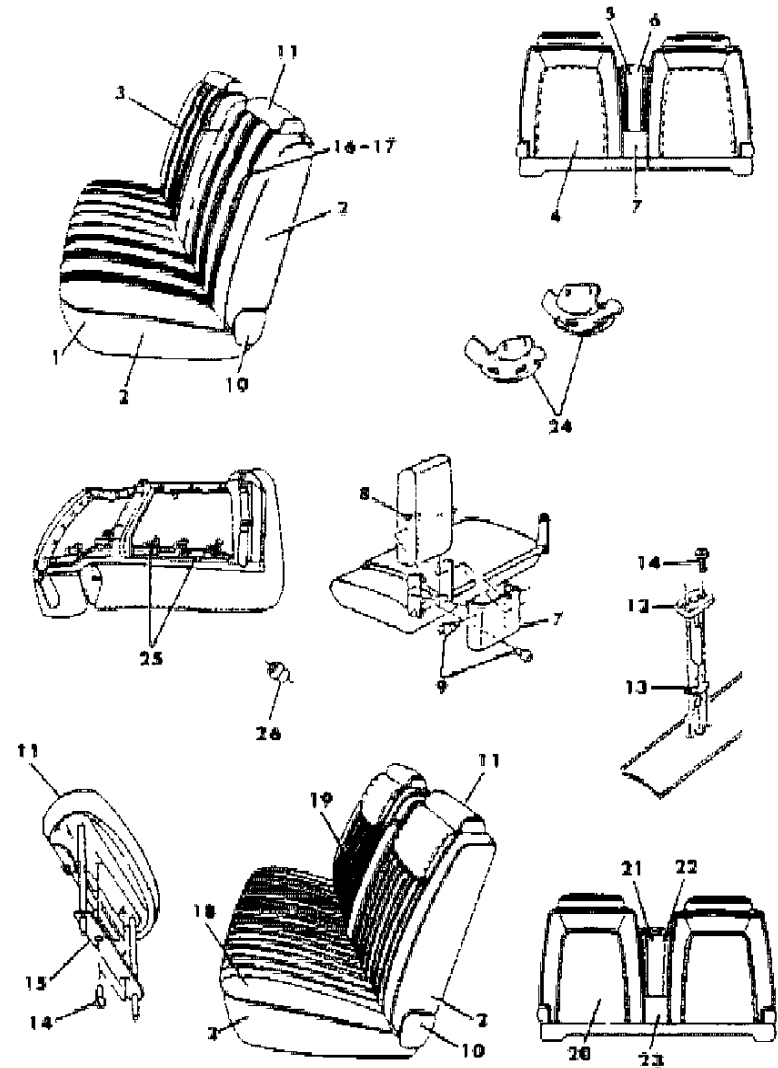
21 = 2-DOOR SEDAN	41 = 4-DOOR SEDAN
22 = 2-DOOR SPECIAL COUPE	45 = 4-DOOR STATION WAGON
24 = 2-DOOR HATCHBACK	44 = 4-DOOR HATCHBACK
27 = 2-DOOR CONVERTIBLE	48 = EXECUTIVE SEDAN
28 = FWD PICKUP	

AR = Use as Required - = Non Illustrated Part P.A.R. = Paint as Required

SEAT FRONT B,G TRIM CODE A3,F4  
Figure IT-5201

ITEM	PART NUMBER	QTY	BODY	MODEL	DESCRIPTION
23	S728 BL3	1			COVER, Arm Rest Finish N N NF4L YS728BL3
24	4190 698-9	1			REINFORCEMENT, Cushion to Back Attaching N N N Y4190698
25	6008 076	AR			HOG RING N N N Y6008076
26	4190 488	1			BUSHING, Inner Pivot Pin Right Only N N N Y4190488

3255 520100 11



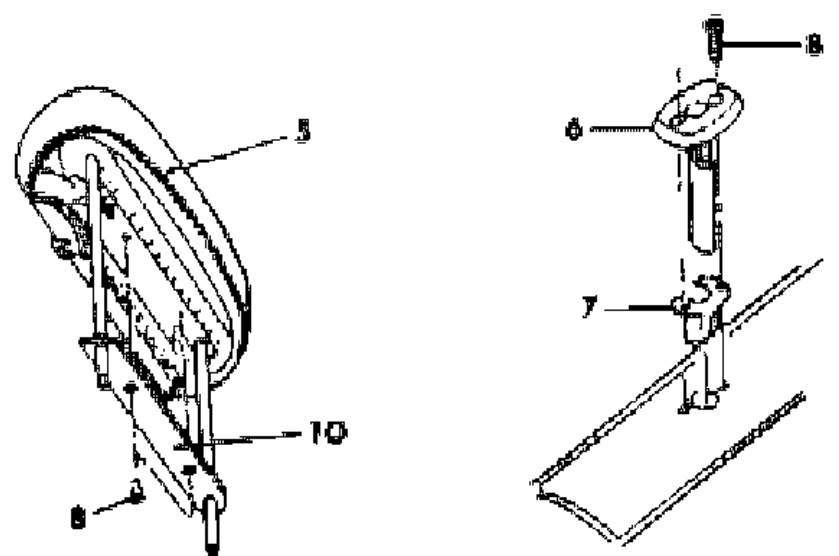
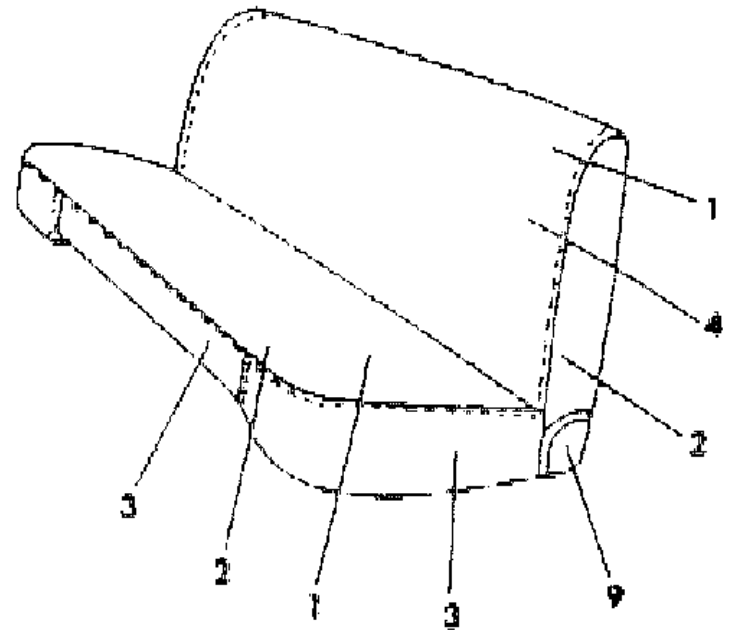
MODEL CODES  
 B = GRAN FURY  
 C = LEBARON/TOWN & COUNTRY  
 D = ARIES  
 E = 600  
 F = FIFTH AVENUE  
 G = DIPLOMAT  
 M = HORIZON/TURISMO/SCAMP  
 P = RELIANT  
 S = CORDOBA  
 T = E CLASS/NEWYORKER  
 V = 400  
 X = MIRADA  
 Y = IMPERIAL  
 Z = OMNI/CHARGER/RAMPAGE

BODY STYLES  
 21 = 2-DOOR SEDAN  
 22 = 2-DOOR SPECIAL COUPE  
 24 = 2-DOOR HATCHBACK  
 27 = 2-DOOR CONVERTIBLE  
 28 = FWD PICKUP  
 41 = 4-DOOR SEDAN  
 45 = 4-DOOR STATION WAGON  
 44 = 4-DOOR HATCHBACK  
 48 = EXECUTIVE SEDAN

AR = Use as Required - = Non Illustrated Part P.A.R. = Paint as Required

SEAT FRONT B,G TRIM CODE K2  
Figure IT-5202

3253 520200



ITEM	PART NUMBER	QTY	BODY	MODEL	DESCRIPTION
1-3					CUSHION, w/Spring/Frame, Pad and Cover N N N N
	N702 B2C	1			N N NK2C YN702B2C
	N702 B2L	1			N N NK2L YN702B2L
1					COVER, Cushion N N N N
	B313 V2C	1			N N NK2C YB313V2C
	B313 B2L	1			N N NK2L YB313B2L
2					ROLL STOCK, Vinyl 54" Wide Order By The Inch N N N N
	R615 VC8	AR			Blue N N N YR615VC8
	R615 BL3	AR			Tan N N N YR615BL3
3					ROLL STOCK, Vinyl 64" Wide Order By The Inch N N N N
	R616 VC8	AR			Blue N N N YR616VC8
	R616 BL3	AR			Tan N N N YR616BL3
4&2-3					BACK, w/Spring/Frame, Pad and Cover N N N N
	N695 V2C	1			N N NK2C YN695V2C
	N695 B2L	1			N N NK2L YN695B2L
4					COVER, Back N N N N
	N125 V2C	1			N N NK2C YN125V2C
	N125 B2L	1			N N NK2L YN125B2L
5					HEAD REST N N N N
	S814 SC7	2			N N NK2C YS814SC7
	S814 BL3	2			N N NK2L YS814BL3
6					SLEEVE, Head Rest N N N N
	S815 SC7	4			N N NK2C YS815SC7
	S815 BL3	4			N N NK2L YS815BL3
7	4098 871	4			CATCH, Head Rest Post N N N Y4098871
8		AR			SCREW (not serviced) N N N N
9					COVER, Hinge Arm Outer N N N N
	S615 SC7	2			Blue N N N YS615SC7
	S615 BL3	2			Tan N N N YS615BL3
10	4018 808	2			COVER, Head Rest Finish N N N Y4018808
The following parts are not illustrated. s ARE NOT RETURNABLE.					
	6029 579	2			BOLT, Front Back to Cushion Attaching N N N Y6029579
	4029 749	1			Pad, Heavy Duty Front Cushion N N N Y4029749

MODEL CODES  
 B = GRAN FURY  
 C = LEBARON/TOWN & COUNTRY  
 D = ARIES  
 E = 600  
 F = FIFTH AVENUE  
 G = DIPLOMAT  
 M = HORIZON/TURISMO/SCAMP  
 P = RELIANT  
 S = CORDOBA  
 T = E CLASS/NEWYORKER  
 V = 400  
 X = MIRADA  
 Y = IMPERIAL  
 Z = OMNI/CHARGER/RAMPAGE

BODY STYLES  
 21 = 2-DOOR SEDAN  
 22 = 2-DOOR SPECIAL COUPE  
 24 = 2-DOOR HATCHBACK  
 27 = 2-DOOR CONVERTIBLE  
 28 = FWD PICKUP  
 41 = 4-DOOR SEDAN  
 45 = 4-DOOR STATION WAGON  
 44 = 4-DOOR HATCHBACK  
 48 = EXECUTIVE SEDAN

AR = Use as Required - = Non Illustrated Part P.A.R. = Paint as Required

SEAT FRONT B,G TRIM CODE C9,H9  
Figure IT-5211

3253 521100

ITEM	PART NUMBER	QTY	BODY	MODEL	DESCRIPTION
1-2					CUSHION, w/Spring/Frame, Pad and Cover N N N N
	A658-9 A9A	1			N N NC9A,H9A YA658A9A
	A658-9 V9C	1			N N NC9C,H9C YA658V9C
	A658-9 V9M	1			N N NC9M,H9M YA658V9M
	A658-9 B9L	1			N N NC9L,H9L YA658B9L
1					COVER, Cushion N N N N
	A330-1 A9A	1			N N NC9A,H9A YA330A9A
	A330-1 V9C	1			N N NC9C,H9C YA330V9C
	A330-1 V9M	1			N N NC9M,H9M YA330V9M
	A330-1 B9L	1			N N NC9L,H9L YA330B9L
2					ROLL STOCK, Cloth 54' Wide Order by the Inch N N N N
	R083 AA3	AR			N N NC9A,H9A YR083AA3
	R083 TC7	AR			N N NC9C,H9C YR083TC7
	R083 TM6	AR			N N NC9M,H9M YR083TM6
	R083 BL3	AR			N N NC9L,H9L YR083BL3
14&15					N N N N
2-3					BACK, w/Spring/Frame, Pad and Cover N N N N
	A662-3 A9A	1			N N NC9A,H9A YA662A9A
	A662-3 V9C	1			N N NC9C,H9C YA662V9C
	A662-3 V9M	1			N N NC9M,H9M YA662V9M
	A662-3 B9L	1			N N NC9L,H9L YA662B9L
3					COVER, Back N N N N
	A332-3 A9A	1			N N NC9A,H9A YA332A9A
	A332-3 V9C	1			N N NC9C,H9C YA332V9C
	A332-3 V9M	1			N N NC9M,H9M YA332V9M
	A332-3 B9L	1			N N NC9L,H9L YA332B9L
4					PANEL, Back of Front Back N N N N
	S739 AA3	2			N N NC9A,H9A YS739AA3
	S739 SC7	2			N N NC9C,H9C YS739SC7
	S739 TM6	2			N N NC9M,H9M YS739TM6
	S739 BL3	2			N N NC9L,H9L YS739BL3
5-6					ARM REST w/COVER N N N N
	A808 AA3	1			N N NC9A,H9A YA808AA3
	A808 VC7	1			N N NC9C,H9C YA808VC7
	A808 VM6	1			N N NC9M,H9M YA808VM6
	A808 BL3	1			N N NC9L,H9L YA808BL3
6					COVER, Arm Rest N N N N

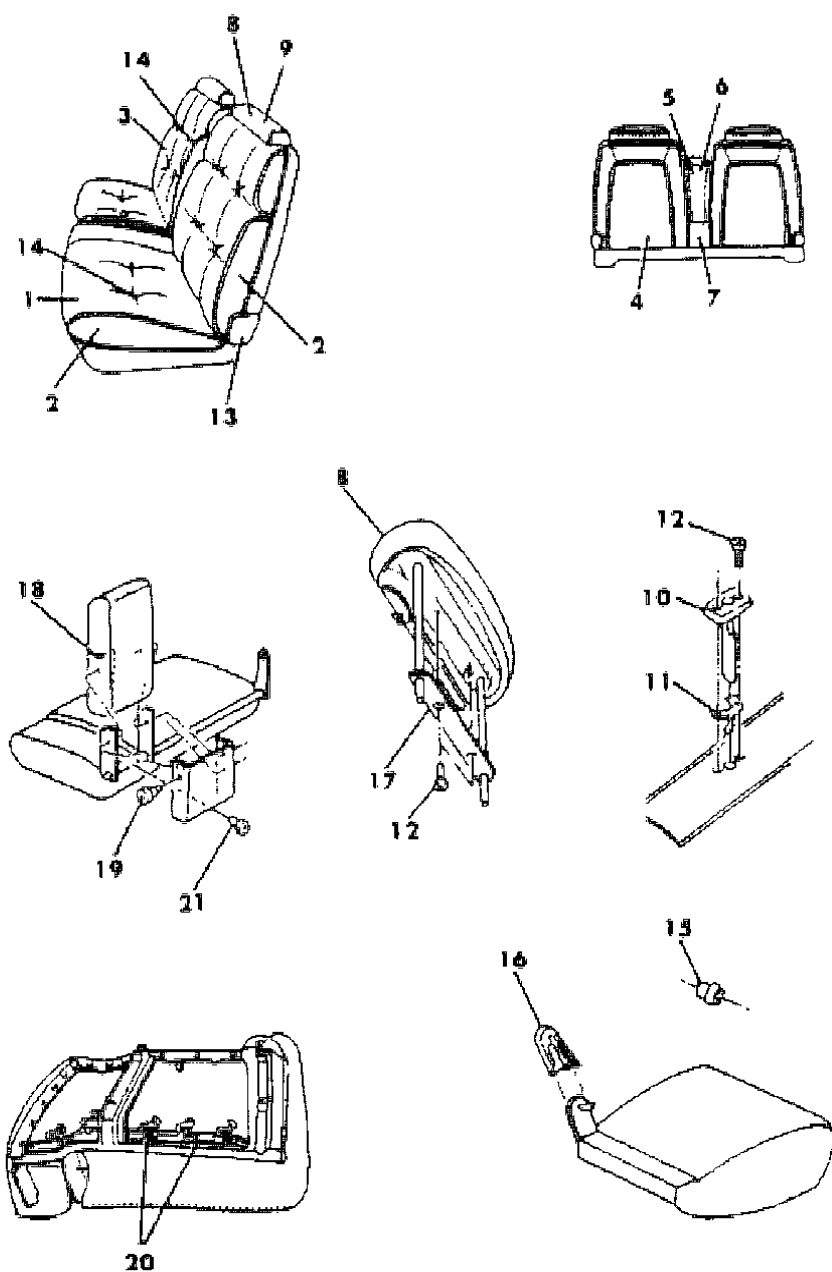
MODEL CODES

B = GRAN FURY	G = DIPLOMAT	V = 400
C = LEBARON/TOWN & COUNTRY	M = HORIZON/TURISMO/SCAMP	X = MIRADA
D = ARIES	P = RELIANT	Y = IMPERIAL
E = 600	S = CORDOBA	Z = OMNI/CHARGER/RAMPAGE
F = FIFTH AVENUE	T = E CLASS/NEWYORKER	

BODY STYLES

21 = 2-DOOR SEDAN	41 = 4-DOOR SEDAN
22 = 2-DOOR SPECIAL COUPE	45 = 4-DOOR STATION WAGON
24 = 2-DOOR HATCHBACK	44 = 4-DOOR HATCHBACK
27 = 2-DOOR CONVERTIBLE	48 = EXECUTIVE SEDAN
28 = FWD PICKUP	

AR = Use as Required - = Non Illustrated Part P.A.R. = Paint as Required





SEAT FRONT B,G TRIM CODE C9,H9  
Figure IT-5211

3253 521100

ITEM	PART NUMBER	QTY	BODY	MODEL	DESCRIPTION
	A504 AA3	1			N N NC9A,H9A YA504AA3
	A504 VC7	1			N N NC9C,H9C YA504VC7
	A504 VM6	1			N N NC9M,H9M YA504VM6
	A504 BL3	1			N N NC9L,H9L YA504BL3
7					COVER, Arm Rest Finish N N N N
	S580 AA3	1			N N NC9A,H9A YS580AA3
	S580 VC7	1			N N NC9C,H9C YS580VC7
	S580 VM6	1			N N NC9M,H9M YS580VM6
	S580 BL3	1			N N NC9L,H9L YS580BL3
8-9					HEAD REST w/COVER N N N N
	A860 AA3	2			N N NC9A,H9A YA860AA3
	A860 VC7	2			N N NC9C,H9C YA860VC7
	A860 VM6	2			N N NC9M,H9M YA860VM6
	A860 BL3	2			N N NC9L,H9L YA860BL3
9					COVER, Head Rest N N N N
	A507 AA3	2			N N NC9A,H9A YA507AA3
	A507 VC7	2			N N NC9C,H9C YA507VC7
	A507 VM6	2			N N NC9M,H9M YA507VM6
	A507 BL3	2			N N NC9L,H9L YA507BL3
10					SLEEVE, Head Rest N N N N
	S690 AA3	4			Silver N N N YS690AA3
	S690 SC7	4			Blue N N N YS690SC7
	S690 TM6	4			Red N N N YS690TM6
	S690 BL3	4			Tan N N N YS690BL3
11	4098 965	4			CATCH, Head Rest Post N N N Y4098965
12		AR			SCREW (not serviced) N N N N
13	S876-7 SX9	1			COVER, Hinge Arm Outer, Black (paint as required) N N N YS876SX9
	6030 981	2			NUT, Hinge Arm Cover N N N Y6030981
14					BUTTON w/RETAINER N N N N
	G383 AA3	AR			N N NC9A,H9A YG383AA3
	G383 TC7	AR			N N NC9C,H9C YG383TC7
	G383 TM6	AR			N N NC9M,H9M YG383TM6
	G383 BL3	AR			N N NC9L,H9L YG383BL3
15	4029 846	1			BUSHING, Front Cushion Inner Pivot Pin Right Only N N N Y4029846
16					COVER, Cushion Inner Bracket Right N N N N

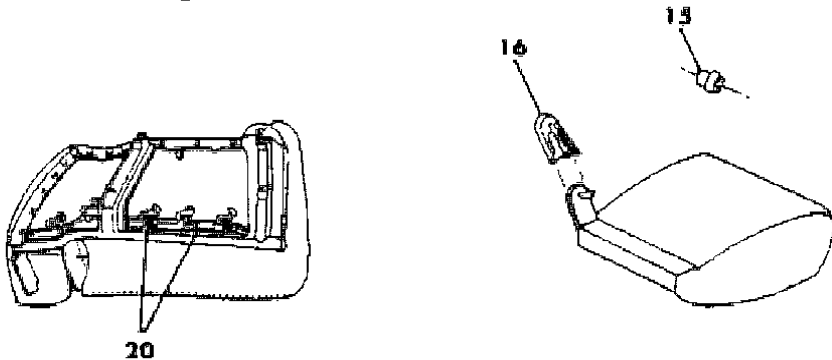
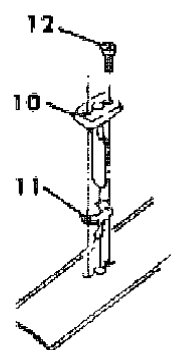
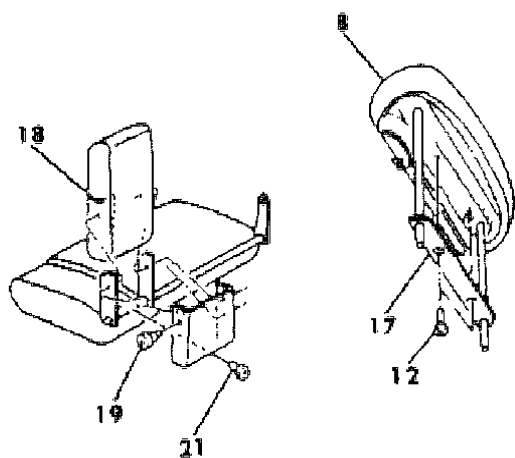
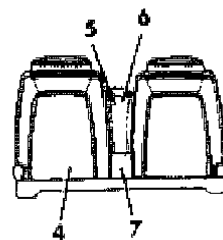
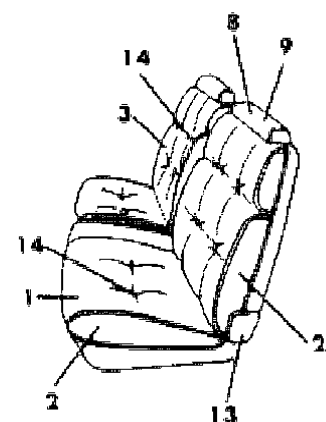
MODEL CODES

B = GRAN FURY	G = DIPLOMAT	V = 400
C = LEBARON/TOWN & COUNTRY	M = HORIZON/TURISMO/SCAMP	X = MIRADA
D = ARIES	P = RELIANT	Y = IMPERIAL
E = 600	S = CORDOBA	Z = OMNI/CHARGER/RAMPAGE
F = FIFTH AVENUE	T = E CLASS/NEWYORKER	

BODY STYLES

21 = 2-DOOR SEDAN	41 = 4-DOOR SEDAN
22 = 2-DOOR SPECIAL COUPE	45 = 4-DOOR STATION WAGON
24 = 2-DOOR HATCHBACK	44 = 4-DOOR HATCHBACK
27 = 2-DOOR CONVERTIBLE	48 = EXECUTIVE SEDAN
28 = FWD PICKUP	

AR = Use as Required - = Non Illustrated Part P.A.R. = Paint as Required



SEAT FRONT B,G TRIM CODE C9,H9  
Figure IT-5211

3253 521100

ITEM	PART NUMBER	QTY	BODY	MODEL	DESCRIPTION
	S682 AA3	1			Silver N N N YS682AA3
	S682 SC7	1			Blue N N N YS682SC7
	S682 TM6	1			Red N N N YS682TM6
	S682 BL3	1			Tan N N N YS682BL3
17	4018 808	2			COVER, Head Rest Finish N N N Y4018808
18	4138 891	1			ROD, Arm Rest Lock N N N Y4138891
	6006 324	1			NUT, Arm Rest Lock Rod N N N Y6006324
19	6030 082	2			BOLT, Arm Rest Attaching N N N Y6030082
20	6008 076	AR			HOG RING N N N Y6008076
21	0181 063	2			SCREW, Arm Rest to Seat Back N N N Y181063
The following parts are not illustrated. s ARE NOT RETURNABLE.					
	4138 743	1			ARM, Seat Back To Cushion w/Center Arm Rest, Left N N N Y4138743
	4098 886	1			Right N N N Y4098886

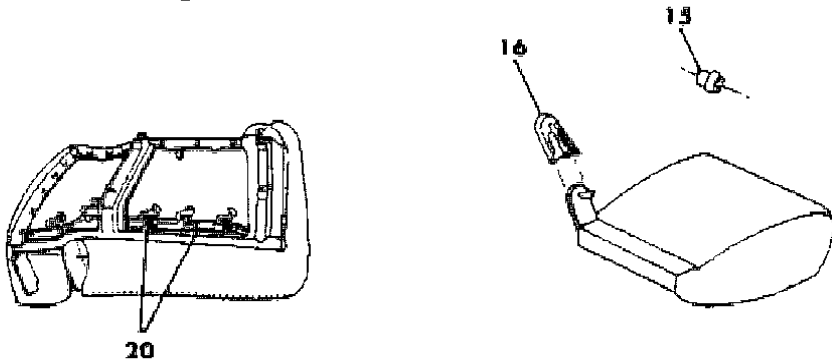
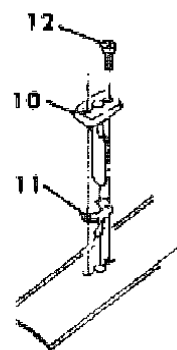
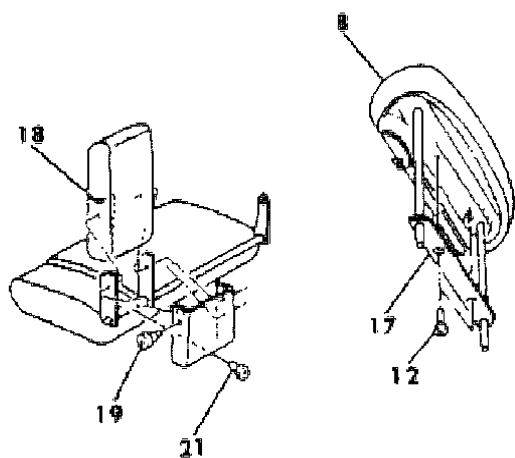
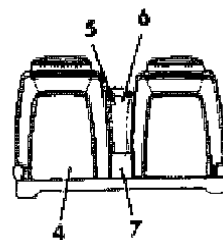
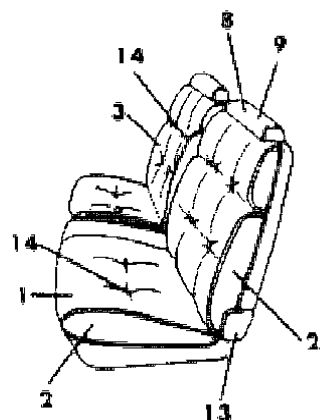
MODEL CODES

B = GRAN FURY	G = DIPLOMAT	V = 400
C = LEBARON/TOWN & COUNTRY	M = HORIZON/TURISMO/SCAMP	X = MIRADA
D = ARIES	P = RELIANT	Y = IMPERIAL
E = 600	S = CORDOBA	Z = OMNI/CHARGER/RAMPAGE
F = FIFTH AVENUE	T = E CLASS/NEWYORKER	

BODY STYLES

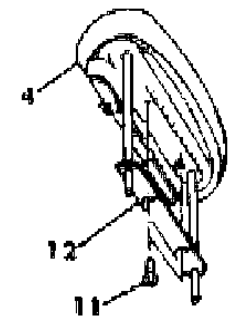
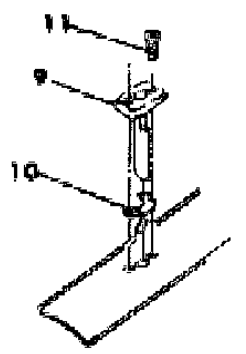
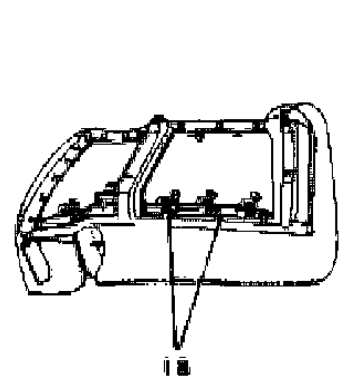
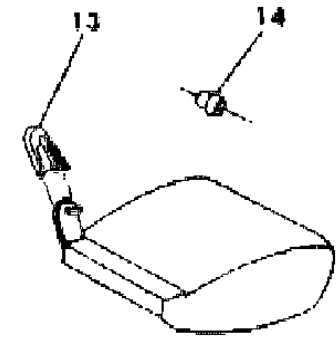
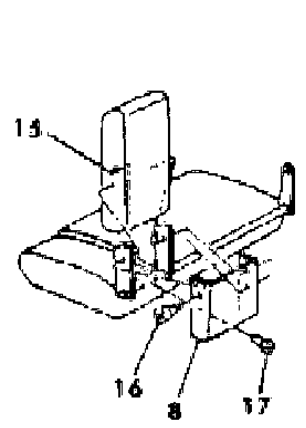
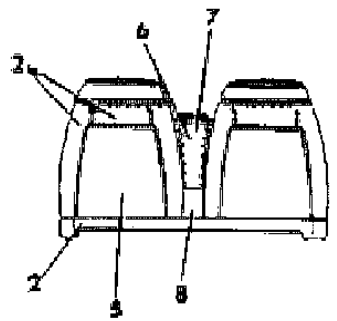
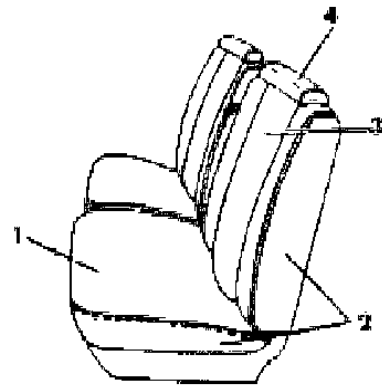
21 = 2-DOOR SEDAN	41 = 4-DOOR SEDAN
22 = 2-DOOR SPECIAL COUPE	45 = 4-DOOR STATION WAGON
24 = 2-DOOR HATCHBACK	44 = 4-DOOR HATCHBACK
27 = 2-DOOR CONVERTIBLE	48 = EXECUTIVE SEDAN
28 = FWD PICKUP	

AR = Use as Required - = Non Illustrated Part P.A.R. = Paint as Required



SEAT FRONT B,G TRIM CODE KX  
Figure IT-5212

3253.5 21 200 A



ITEM	PART NUMBER	QTY	BODY	MODEL	DESCRIPTION
1-2					CUSHION, w/Spring/Frame, Pad and Cover N N N N
	N706-7 BXL	1			N N NKXL YN706BXL
1					COVER, Cushion N N N N
	N462-3 BXL	1			N N NKXL YN462BXL
2	R616 BL3	AR			ROOL STOCK, Vinyl 64" Wide Order By The Inch N N NKXL YR616BL3
3&2	N708-9 BXL	1			BACK, w/Spring/Frame, Pad and Cover N N NKXL YN708BXL
3	N198-9 BXL	1			COVER, Back N N NKXL YN198BXL
4	S702 BL3	2			HEAD REST N N NKXL YS702BL3
5	S740 BL3	2			PANEL, Back of Front Back N N NKXL YS740BL3
6-7	G701 BL3	1			ARM REST w/COVER N N NKXL YG701BL3
7	B376 BL3	1			COVER, Arm Rest N N NKXL YB376BL3
8	S580 BL3	1			COVER, Arm Rest Finish N N NKXL YS580BL3
9	S690 BL3	4			SLEEVE, Head Rest N N NKXL YS690BL3
10	4098 965	4			CATCH, Head Rest N N NKXL Y4098965
11		AR			SCREW (not serviced) N N N N
12	4018 808	2			COVER, Head Rest Finish N N N Y4018808
13	S876-7 SX9	1			COVER, Hinge Arm Outer Black Paint as Required N N NKXL YS876SX9
	S628 BL3	1			COVER, Hinge Arm Inner Rt. Only N N N YS628BL3
14	4190 488	1			BUSHING, Front Seat Cushion Inner Pivot Pin Rt. Only N N N Y4190488
15	4138 891	1			ROD, Arm Rest Lock N N N Y4138891
	6006 324	1			NUT, Arm Rest Lock Rod N N N Y6006324
16	6030 082	2			BOLT, Arm Rest Attaching N N N Y6030082
17	0181 063	AR			SCREW, Arm Rest to Seat Back N N N Y181063
	4098 886	1			ARM, Front Seat Back to Cushion, Rt. N N N Y4098886
	4138 765	1			Lt. N N N Y4138765

The following parts are not illustrated. s ARE NOT RETURNABLE.

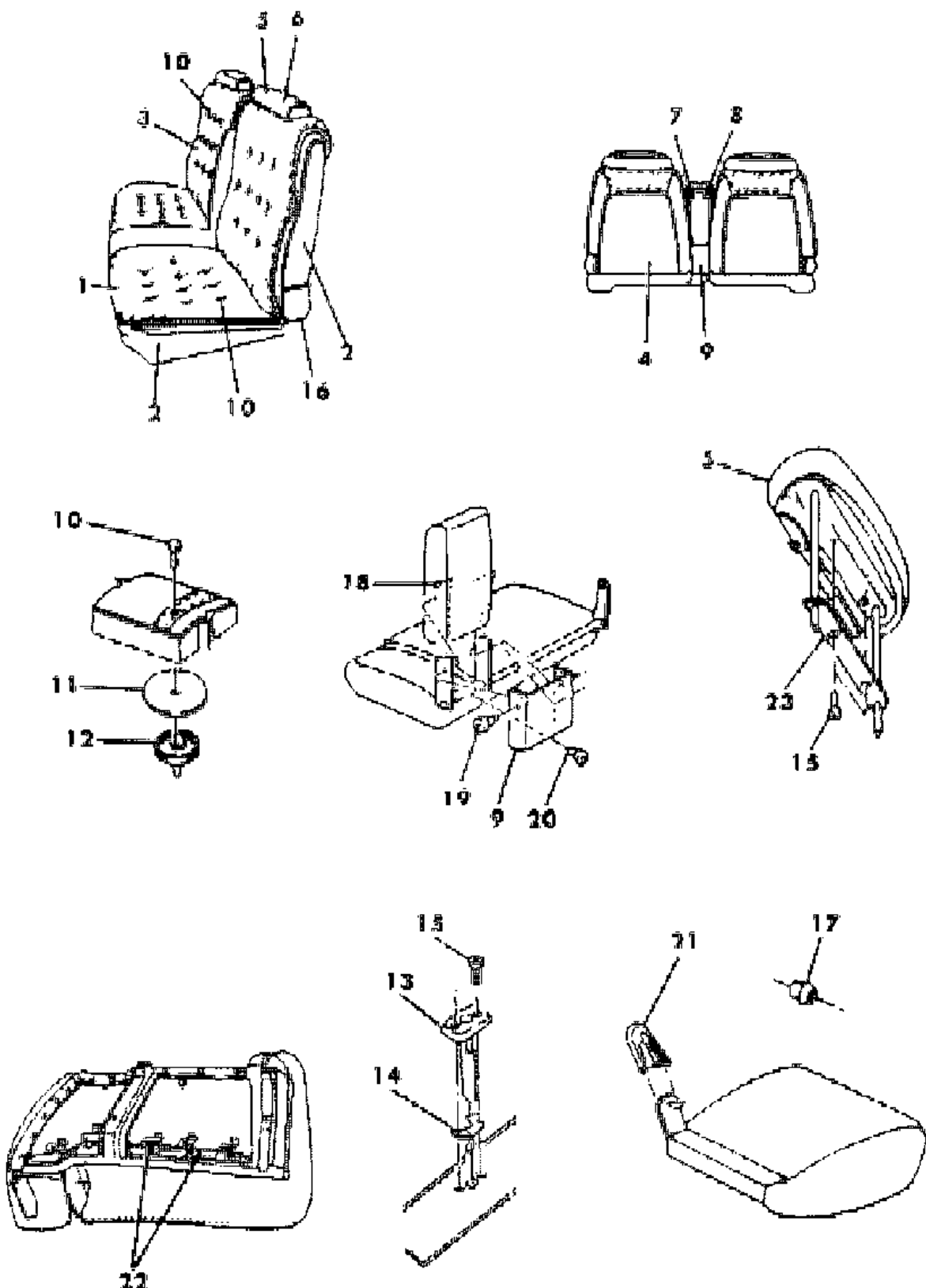
MODEL CODES		
B = GRAN FURY	G = DIPLOMAT	V = 400
C = LEBARON/TOWN & COUNTRY	M = HORIZON/TURISMO/SCAMP	X = MIRADA
D = ARIES	P = RELIANT	Y = IMPERIAL
E = 600	S = CORDOBA	Z = OMNI/CHARGER/RAMPAGE
F = FIFTH AVENUE	T = E CLASS/NEWYORKER	

BODY STYLES	
21 = 2-DOOR SEDAN	41 = 4-DOOR SEDAN
22 = 2-DOOR SPECIAL COUPE	45 = 4-DOOR STATION WAGON
24 = 2-DOOR HATCHBACK	44 = 4-DOOR HATCHBACK
27 = 2-DOOR CONVERTIBLE	48 = EXECUTIVE SEDAN
28 = FWD PICKUP	

AR = Use as Required - = Non Illustrated Part P.A.R. = Paint as Required

SEAT FRONT F TRIM CODE SY  
Figure IT-5213

3253-521300



ITEM	PART NUMBER	QTY	BODY	MODEL	DESCRIPTION
1-2					CUSHION, w/Spring/Frame, Pad and Cover N N N N
	A612-3 BYA	1			N N NSYA YA612BYA
	A612-3 BYC	1			N N NSYC YA612BYC
	A612-3 BYM	1			N N NSYM YA612BYM
	A612-3 BYL	1			Up to 5/18/83 N N NSYL YA612BYL
	A612-3 BTL	1			After 5/18/83 N N NSYL YA612BTL
1					COVER, Cushion N N N N
	A344-5 AYA	1			N N NSYA YA344AYA
	A344-5 AYC	1			N N NSYC YA344AYC
	A344-5 AYM	1			N N NSYM YA344AYM
	A344-5 BYL	1			Up to 5/18/83 N N NSYL YA344BYL
	A344-5 BTL	1			After 5/18/83 N N NSYL YA344BTL
2					ROLL STOCK, Vinyl 64" Wide Order by the Inch N N N N
	R616 AA2	AR			N N NSYA YR616AA2
	R616 VC8	AR			N N NSYC YR616VC8
	R616 VM6	AR			N N NSYM YR616VM6
	R616 BL3	AR			N N NSYL YR616BL3
2-3					BACK, w/Spring/Frame, Pad and Cover N N N N
	A614-5 BYA	1			N N NSYA YA614BYA
	A614-5 BYC	1			N N NSYC YA614BYC
	A614-5 BYM	1			N N NSYM YA614BYM
	A614-5 BYL	1			N N NSYL YA614BYL
3					COVER, Back N N N N
	G496-7 AYA	1			N N NSYA YG496AYA
	G496-7 VYC	1			N N NSYC YG496VYC
	G496-7 AYM	1			N N NSYM YG496AYM
	G496-7 BYL	1			N N NSYL YG496BYL
4					PANEL, Back of Front Back N N N N
	S740 AA2	2			N N NSYA YS740AA2
	S740 VC8	2			N N NSYC YS740VC8
	S740 VM6	2			N N NSYM YS740VM6
	S740 BL3	2			N N NSYL YS740BL3
5-6					HEAD REST w/COVER N N N N
	A859 BA2	2			N N NSYA YA859BA2
	A859 BC8	2			N N NSYC YA859BC8
	A859 BM6	2			N N NSYM YA859BM6
	A859 BL3	2			N N NSYL YA859BL3

MODEL CODES

B = GRAN FURY	G = DIPLOMAT	V = 400
C = LEBARON/TOWN & COUNTRY	M = HORIZON/TURISMO/SCAMP	X = MIRADA
D = ARIES	P = RELIANT	Y = IMPERIAL
E = 600	S = CORDOBA	Z = OMNI/CHARGER/RAMPAGE
F = FIFTH AVENUE	T = E CLASS/NEWYORKER	

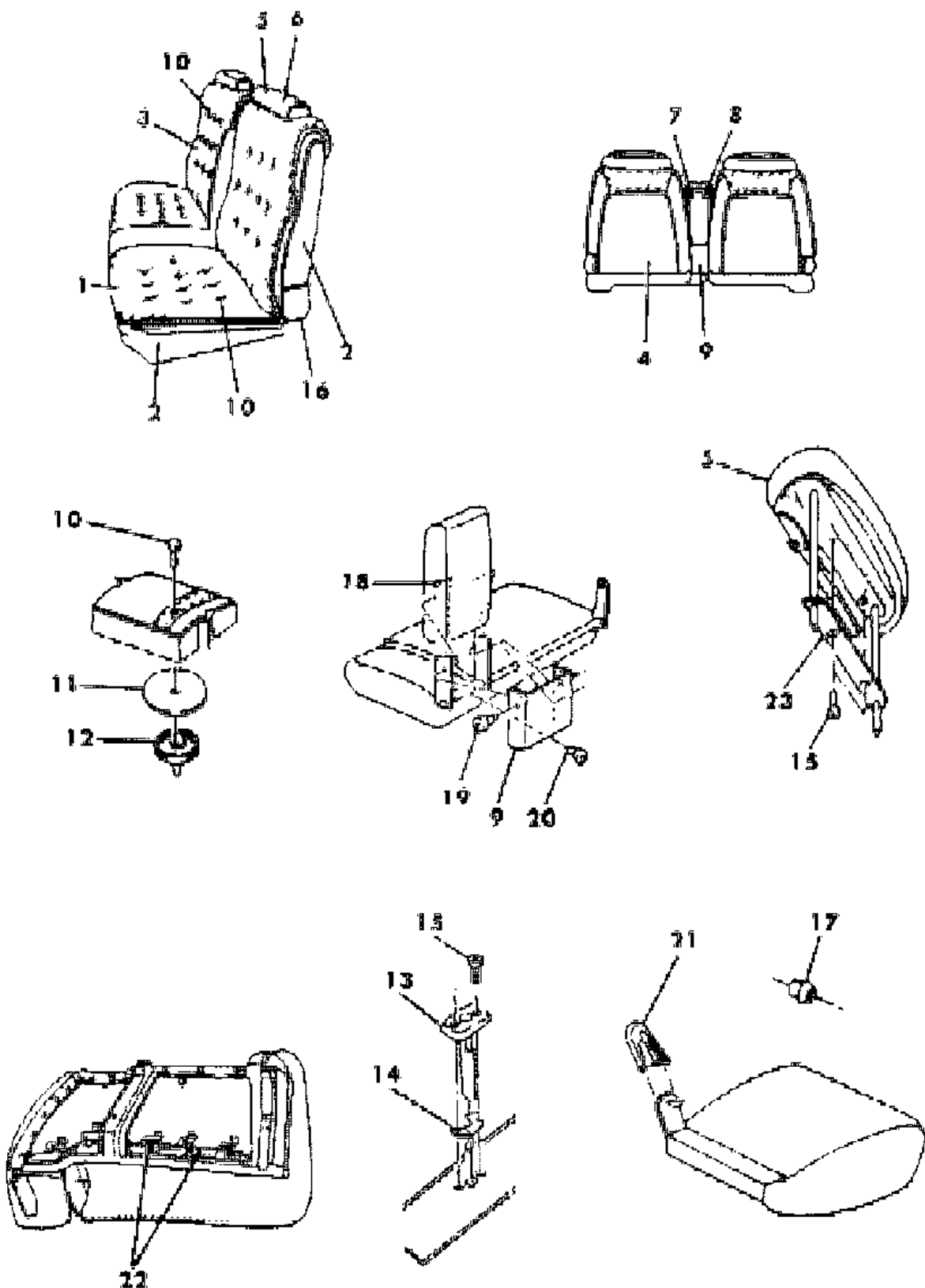
BODY STYLES

21 = 2-DOOR SEDAN	41 = 4-DOOR SEDAN
22 = 2-DOOR SPECIAL COUPE	45 = 4-DOOR STATION WAGON
24 = 2-DOOR HATCHBACK	44 = 4-DOOR HATCHBACK
27 = 2-DOOR CONVERTIBLE	48 = EXECUTIVE SEDAN
28 = FWD PICKUP	

AR = Use as Required - = Non Illustrated Part P.A.R. = Paint as Required

SEAT FRONT F TRIM CODE SY  
Figure IT-5213

3253-521300



ITEM	PART NUMBER	QTY	BODY	MODEL	DESCRIPTION
6					COVER, Head Rest N N N N
	A508 BA2	2			N N NSYA YA508BA2
	A508 BC8	2			N N NSYC YA508BC8
	A508 BM6	2			N N NSYM YA508BM6
	A508 BL3	2			N N NSYL YA508BL3
7-8					ARM REST w/COVER N N N N
	A640 AA2	1			N N NSYA YA640AA2
	A640 VC8	1			N N NSYC YA640VC8
	A640 VM6	1			N N NSYM YA640VM6
	A640 BL3	1			N N NSYL YA640BL3
8					COVER, Arm Rest N N N N
	A319 AA2	1			N N NSYA YA319AA2
	A319 VC8	1			N N NSYC YA319VC8
	A319 VM6	1			N N NSYM YA319VM6
	A319 BL3	1			N N NSYL YA319BL3
9					COVER, Arm Rest Finish N N N N
	S580 AA3	1			N N NSYA YS580AA3
	S580 VC7	1			N N NSYC YS580VC7
	S580 VM6	1			N N NSYM YS580VM6
	S580 BL3	1			N N NSYL YS580BL3
10					BUTTON w/RETAINER, Cushion and Back N N N N
	S845 AA2	AR			N N NSYA YS845AA2
	S845 VC8	AR			N N NSYC YS845VC8
	S845 AM6	AR			N N NSYM YS845AM6
	S845 BL3	AR			N N NSYL YS845BL3
11	4018 167	AR			WASHER, Button N N N Y4018167
12		AR			RETAINER, Button (serviced in item 10) N N N N
13					SLEEVE, Head Rest N N N N
	S690 AA3	4			N N NSYA YS690AA3
	S690 SC7	4			N N NSYC YS690SC7
	S690 TM6	4			N N NSYM YS690TM6
	S690 BL3	4			N N NSYL YS690BL3
14	4098 965	4			CATCH, Head Rest Post N N N Y4098965
15		AR			SCREW (not serviced) N N N N
16	S876-7 SX9	1			COVER, Hinge Arm Outer, Black (paint as required) N N N YS876SX9
17	4190 488	1			BUSHING, Cushion Inner Pivot Right Only N N N Y4190488

MODEL CODES

B = GRAN FURY	G = DIPLOMAT	V = 400
C = LEBARON/TOWN & COUNTRY	M = HORIZON/TURISMO/SCAMP	X = MIRADA
D = ARIES	P = RELIANT	Y = IMPERIAL
E = 600	S = CORDOBA	Z = OMNI/CHARGER/RAMPAGE
F = FIFTH AVENUE	T = E CLASS/NEWYORKER	

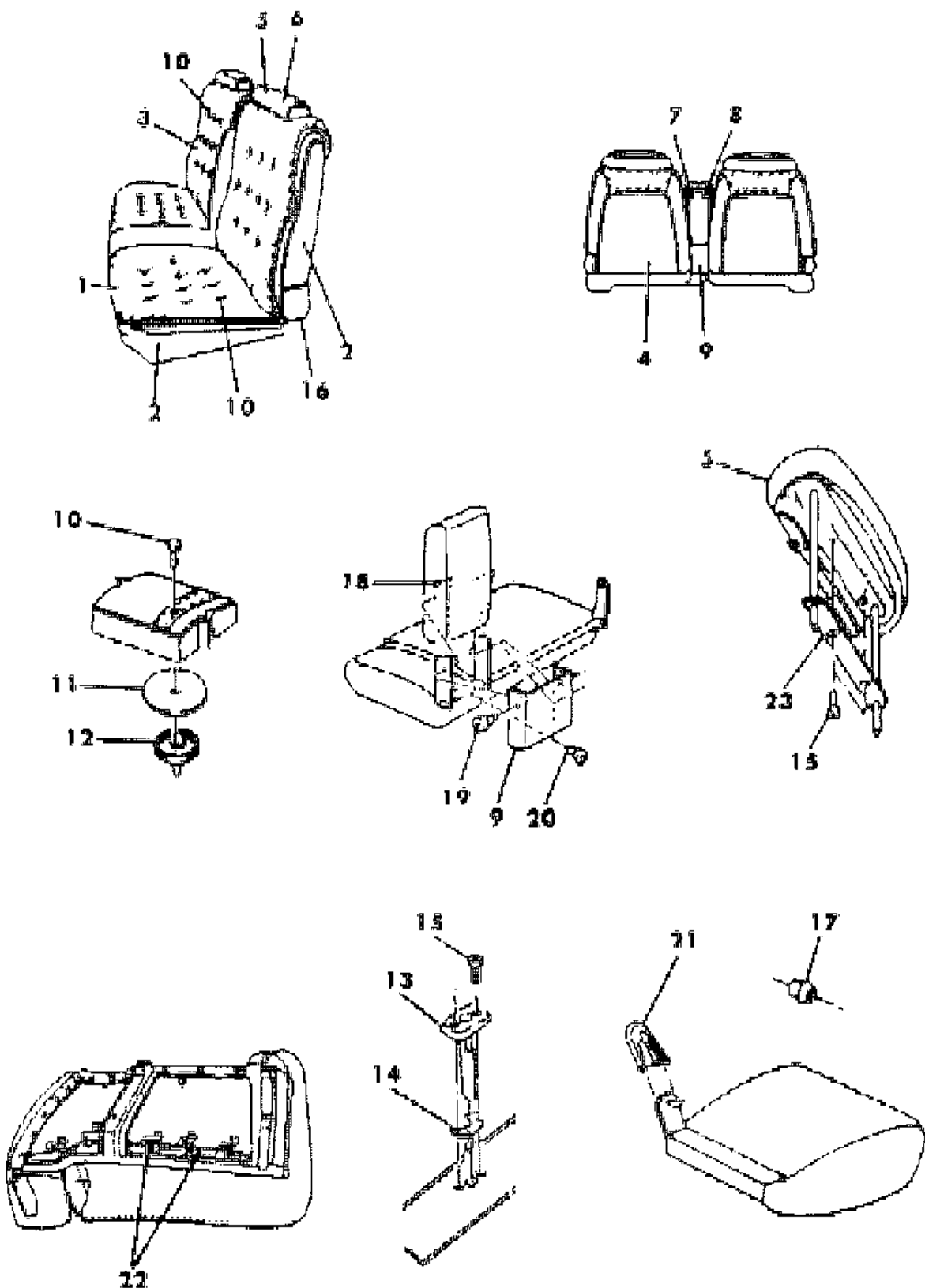
BODY STYLES

21 = 2-DOOR SEDAN	41 = 4-DOOR SEDAN
22 = 2-DOOR SPECIAL COUPE	45 = 4-DOOR STATION WAGON
24 = 2-DOOR HATCHBACK	44 = 4-DOOR HATCHBACK
27 = 2-DOOR CONVERTIBLE	48 = EXECUTIVE SEDAN
28 = FWD PICKUP	

AR = Use as Required - = Non Illustrated Part P.A.R. = Paint as Required

SEAT FRONT F TRIM CODE SY  
Figure IT-5213

3253-521300



ITEM	PART NUMBER	QTY	BODY	MODEL	DESCRIPTION
18	4138 891	1			ROD, Arm Rest Lock N N N Y4138891
	6006 324	1			NUT, Arm Rest Lock Rod N N N Y6006324
19	6030 082	2			BOLT, Arm Rest Attaching N N N Y6030082
20	0181 063	AR			SCREW, Arm Rest to Seat Back N N N Y181063
21					COVER, Hinge Arm Inner, Right N N N N
	S682 AA3	1			N N NSYA YS682AA3
	S682 SC7	1			N N NSYC YS682SC7
	S682 TM6	1			N N NSYM YS682TM6
	S682 BL3	1			N N NSYL YS682BL3
22	6008 076	AR			HOG RING N N N Y6008076
23	4018 808	2			COVER, Head Rest Finish N N N Y4018808

MODEL CODES  
 B = GRAN FURY  
 C = LEBARON/TOWN & COUNTRY  
 D = ARIES  
 E = 600  
 F = FIFTH AVENUE  
 G = DIPLOMAT  
 M = HORIZON/TURISMO/SCAMP  
 P = RELIANT  
 S = CORDOBA  
 T = E CLASS/NEWYORKER  
 V = 400  
 X = MIRADA  
 Y = IMPERIAL  
 Z = OMNI/CHARGER/RAMPAGE

BODY STYLES  
 21 = 2-DOOR SEDAN  
 22 = 2-DOOR SPECIAL COUPE  
 24 = 2-DOOR HATCHBACK  
 27 = 2-DOOR CONVERTIBLE  
 28 = FWD PICKUP  
 41 = 4-DOOR SEDAN  
 45 = 4-DOOR STATION WAGON  
 44 = 4-DOOR HATCHBACK  
 48 = EXECUTIVE SEDAN

AR = Use as Required - = Non Illustrated Part P.A.R. = Paint as Required

SEAT FRONT F TRIM CODE S9  
Figure IT-5214

3253 521400

ITEM	PART NUMBER	QTY	BODY	MODEL	DESCRIPTION
1-2					CUSHION, w/Spring/Frame, Pad and Cover N N N N
	A604-5 B9A	1			N N NS9A YA604B9A
	A604-5 B9C	1			N N NS9C YA604B9C
	A604-5 B9M	1			N N NS9M YA604B9M
	A604-5 B9L	1			Up to 5/19/83 N N NS9L YA604B9L
	A604-5 BTL	1			After 5/19/83 N N NS9L YA604BTL
1					COVER, Cushion N N N N
	A350-1 A9A	1			N N NS9A YA350A9A
	A350-1 A9C	1			N N NS9C YA350A9C
	A350-1 A9M	1			N N NS9M YA350A9M
	A350-1 B9L	1			Up to 5/19/83 N N NS9L YA350B9L
	A350-1 BTL	1			After 5/19/83 N N NS9L YA350BTL
2					ROLL STOCK, Order by the Inch Cloth 54" Wide N N N N
	R093 AA3	AR			N N NS9A YR093AA3
	R093 AC7	AR			N N NS9C YR093AC7
	R093 AM6	AR			N N NS9M YR093AM6
	R093 BL3	AR			N N NS9L YR093BL3
2-3					BACK, w/Spring/Frame, Pad and Cover N N N N
	A606-7 B9A	1			N N NS9A YA606B9A
	A606-7 B9C	1			N N NS9C YA606B9C
	A606-7 B9M	1			N N NS9M YA606B9M
	A606-7 B9L	1			N N NS9L YA606B9L
3					COVER, Back N N N N
	A352-3 A9A	1			N N NS9A YA352A9A
	A352-3 A9C	1			N N NS9C YA352A9C
	A352-3 A9M	1			N N NS9M YA352A9M
	A352-3 B9L	1			N N NS9L YA352B9L
4					PANEL, Front Back N N N N
	S742 AA3	2			N N NS9A YS742AA3
	S742 AC7	2			N N NS9C YS742AC7
	S742 AM6	2			N N NS9M YS742AM6
	S742 BL3	2			N N NS9L YS742BL3
5					HEADREST w/COVER N N N N
	A905 AA3	2			N N NS9A YA905AA3
	A905 AC7	2			N N NS9C YA905AC7
	A905 AM6	2			N N NS9M YA905AM6
	A905 BL3	2			N N NS9L YA905BL3

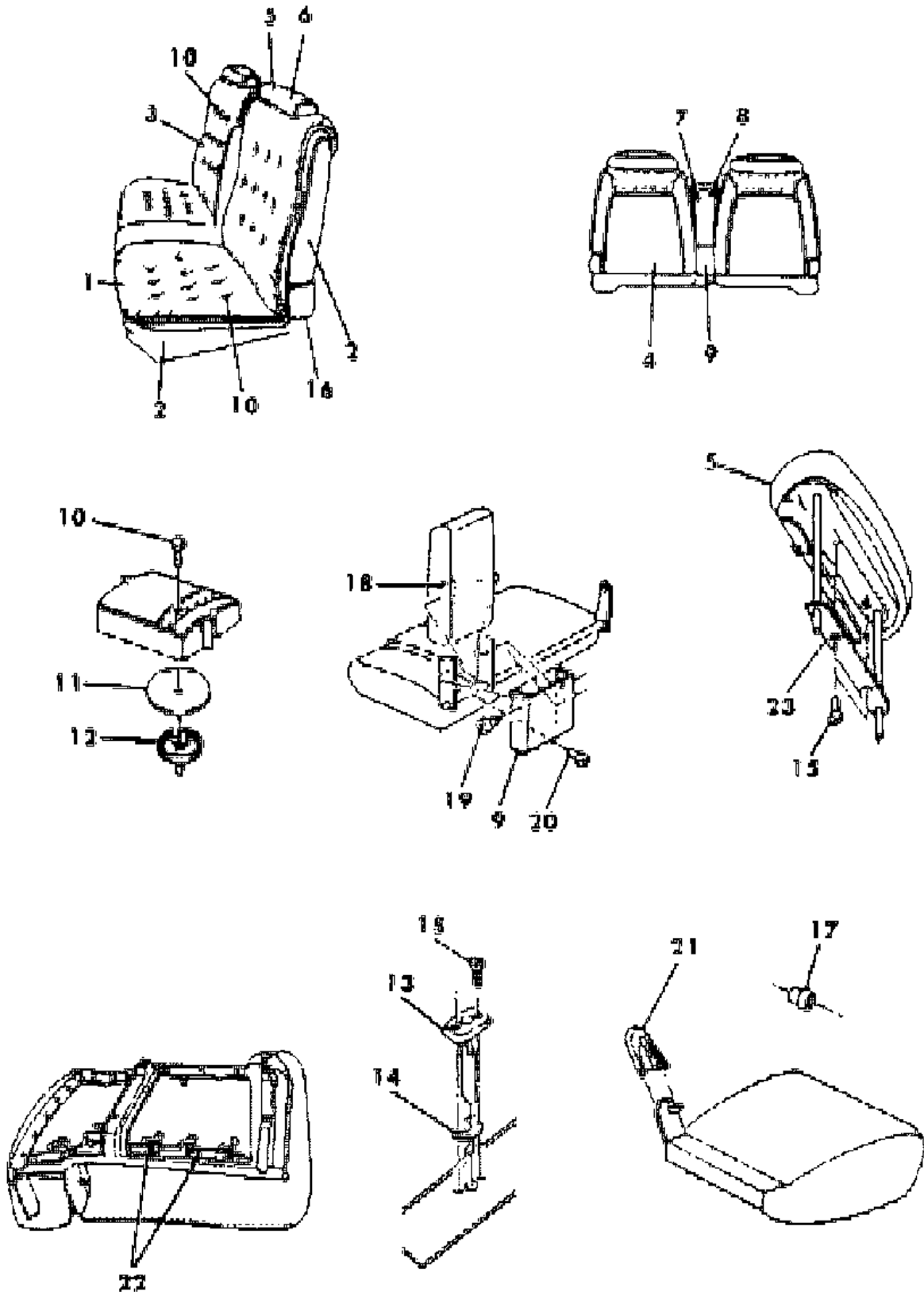
MODEL CODES

B = GRAN FURY	G = DIPLOMAT	V = 400
C = LEBARON/TOWN & COUNTRY	M = HORIZON/TURISMO/SCAMP	X = MIRADA
D = ARIES	P = RELIANT	Y = IMPERIAL
E = 600	S = CORDOBA	Z = OMNI/CHARGER/RAMPAGE
F = FIFTH AVENUE	T = E CLASS/NEWYORKER	

BODY STYLES

21 = 2-DOOR SEDAN	41 = 4-DOOR SEDAN
22 = 2-DOOR SPECIAL COUPE	45 = 4-DOOR STATION WAGON
24 = 2-DOOR HATCHBACK	44 = 4-DOOR HATCHBACK
27 = 2-DOOR CONVERTIBLE	48 = EXECUTIVE SEDAN
28 = FWD PICKUP	

AR = Use as Required - = Non Illustrated Part P.A.R. = Paint as Required



SEAT FRONT F TRIM CODE S9  
Figure IT-5214

3253 521 400

ITEM	PART NUMBER	QTY	BODY	MODEL	DESCRIPTION
6					COVER, Headrest N N N N
	A357 AA3	2			N N NS9A YA357AA3
	A357 AC7	2			N N NS9C YA357AC7
	A507 AM6	2			N N NS9M YA507AM6
	A357 BL3	2			N N NS9L YA357BL3
7					ARM REST w/COVER N N N N
	A908 AA3	1			N N NS9A YA908AA3
	A908 AC7	1			N N NS9C YA908AC7
	A908 AM6	1			N N NS9M YA908AM6
	A908 BL3	1			N N NS9L YA908BL3
8					COVER, Arm Rest N N N N
	A356 AA3	1			N N NS9A YA356AA3
	A356 AC7	1			N N NS9C YA356AC7
	A356 AM6	1			N N NS9M YA356AM6
	A356 BL3	1			N N NS9L YA356BL3
9					COVER, Arm Rest Finish N N N N
	S580 AA3	1			Silver N N N YS580AA3
	S580 VC7	1			Blue N N N YS580VC7
	S580 VM6	1			Red N N N YS580VM6
	S580 BL3	1			Tan N N N YS580BL3
10					BUTTON w/RETAINER, Cushion and Back N N N N
	G378 AA3	AR			N N NS9A YG378AA3
	G378 AC7	AR			N N NS9C YG378AC7
	G378 AM6	AR			N N NS9M YG378AM6
	G378 BL3	AR			N N NS9L YG378BL3
11	4018 167	AR			WASHER, Button N N N Y4018167
12		AR			RETAINER, Button (serviced in item 10) N N N N
13					SLEEVE, Headrest N N N N
	S690 AA3	4			Silver N N N YS690AA3
	S690 SC7	4			Blue N N N YS690SC7
	S690 TM6	4			Red N N N YS690TM6
	S690 BL3	4			Tan N N N YS690BL3
14	4098 965	4			CATCH, Headrest Post N N N Y4098965
15		AR			SCREW (not serviced) N N N N
16	S876-7 SX9	1			COVER, Hinge Arm Outer (paint as required) N N N YS876SX9
17	4190 488	1			BUSHING, Front Seat Cushion Inner Pivot, Rt. Only N N N Y4190488

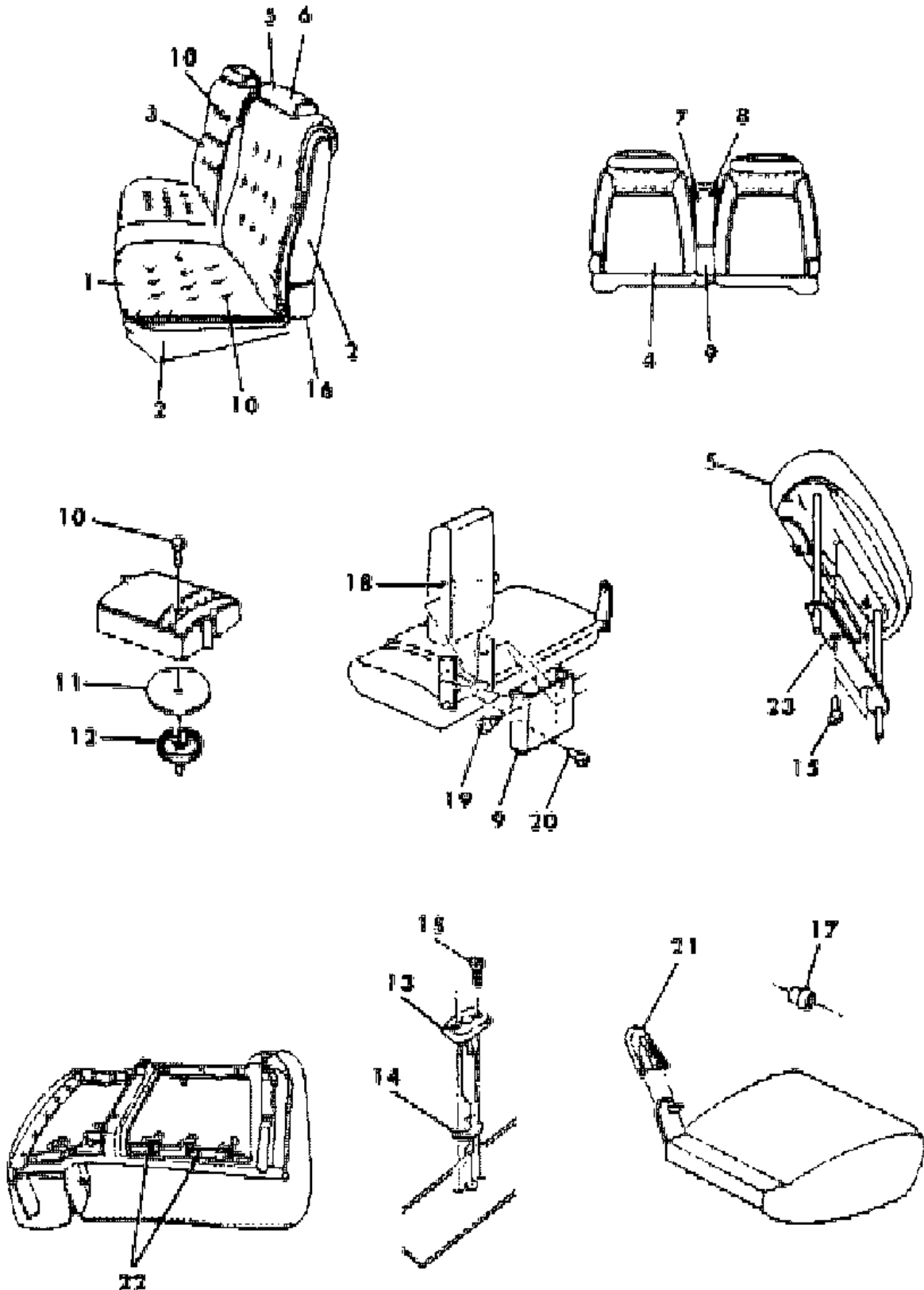
MODEL CODES

B = GRAN FURY	G = DIPLOMAT	V = 400
C = LEBARON/TOWN & COUNTRY	M = HORIZON/TURISMO/SCAMP	X = MIRADA
D = ARIES	P = RELIANT	Y = IMPERIAL
E = 600	S = CORDOBA	Z = OMNI/CHARGER/RAMPAGE
F = FIFTH AVENUE	T = E CLASS/NEWYORKER	

BODY STYLES

21 = 2-DOOR SEDAN	41 = 4-DOOR SEDAN
22 = 2-DOOR SPECIAL COUPE	45 = 4-DOOR STATION WAGON
24 = 2-DOOR HATCHBACK	44 = 4-DOOR HATCHBACK
27 = 2-DOOR CONVERTIBLE	48 = EXECUTIVE SEDAN
28 = FWD PICKUP	

AR = Use as Required - = Non Illustrated Part P.A.R. = Paint as Required

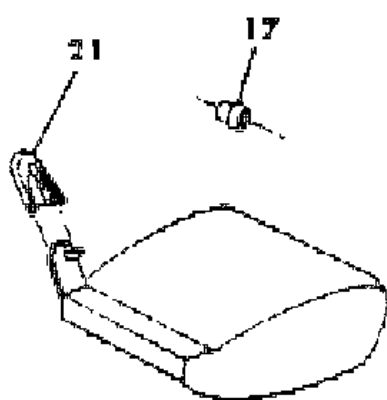
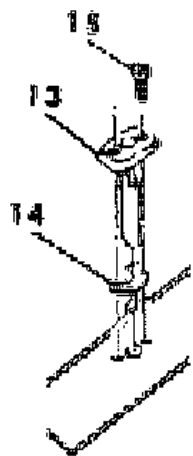
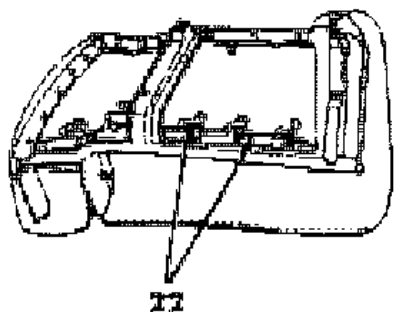
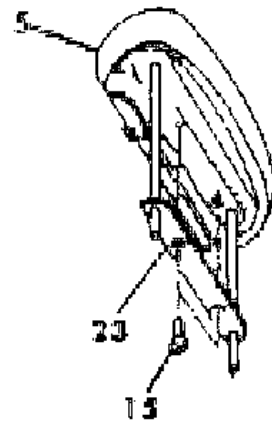
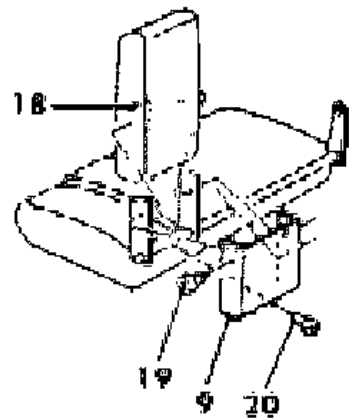
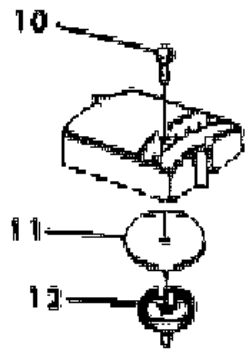
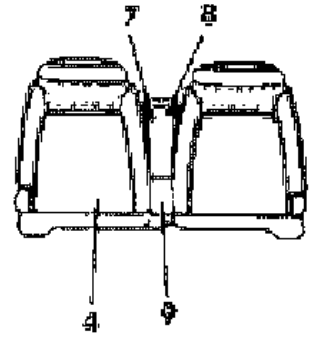
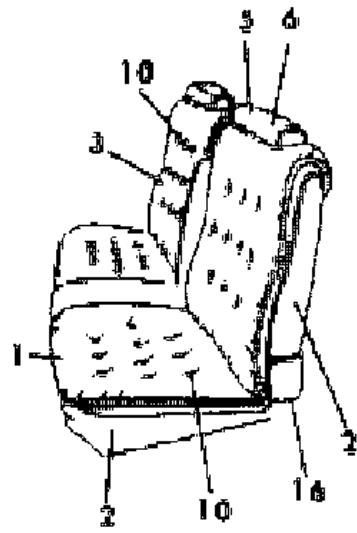




SEAT FRONT F TRIM CODE S9  
Figure IT-5214

3253 521 400

ITEM	PART NUMBER	QTY	BODY	MODEL	DESCRIPTION
18	4138 891	1			ROD, Arm Rest Lock N N N Y4138891
	6006 324	1			NUT, Arm Rest Lock Rod N N N Y6006324
19	6030 082	2			BOLT, Arm Rest Attaching N N N Y6030082
20	0181 083	AR			SCREW, Arm Rest to Seat Back N N N Y181083
21					COVER, Hinge Arm Inner Rt. N N N N
	S682 AA3	1			Silver N N N YS682AA3
	S682 SC7	1			Blue N N N YS682SC7
	S682 TM6	1			Red N N N YS682TM6
	S682 BL3	1			Tan N N N YS682BL3
22	6008 076	AR			HOG RING N N N Y6008076
23	4018 808	2			COVER, Head Rest Finish N N N Y4018808
The following parts are not illustrated. s ARE NOT RETURNABLE.					
	4138 743	1			ARM, Back to Cushion Arm Rest, Rt. N N N Y4138743
	4138 765	1			Lt. N N N Y4138765



MODEL CODES

B = GRAN FURY	G = DIPLOMAT	V = 400
C = LEBARON/TOWN & COUNTRY	M = HORIZON/TURISMO/SCAMP	X = MIRADA
D = ARIES	P = RELIANT	Y = IMPERIAL
E = 600	S = CORDOBA	Z = OMNI/CHARGER/RAMPAGE
F = FIFTH AVENUE	T = E CLASS/NEWYORKER	

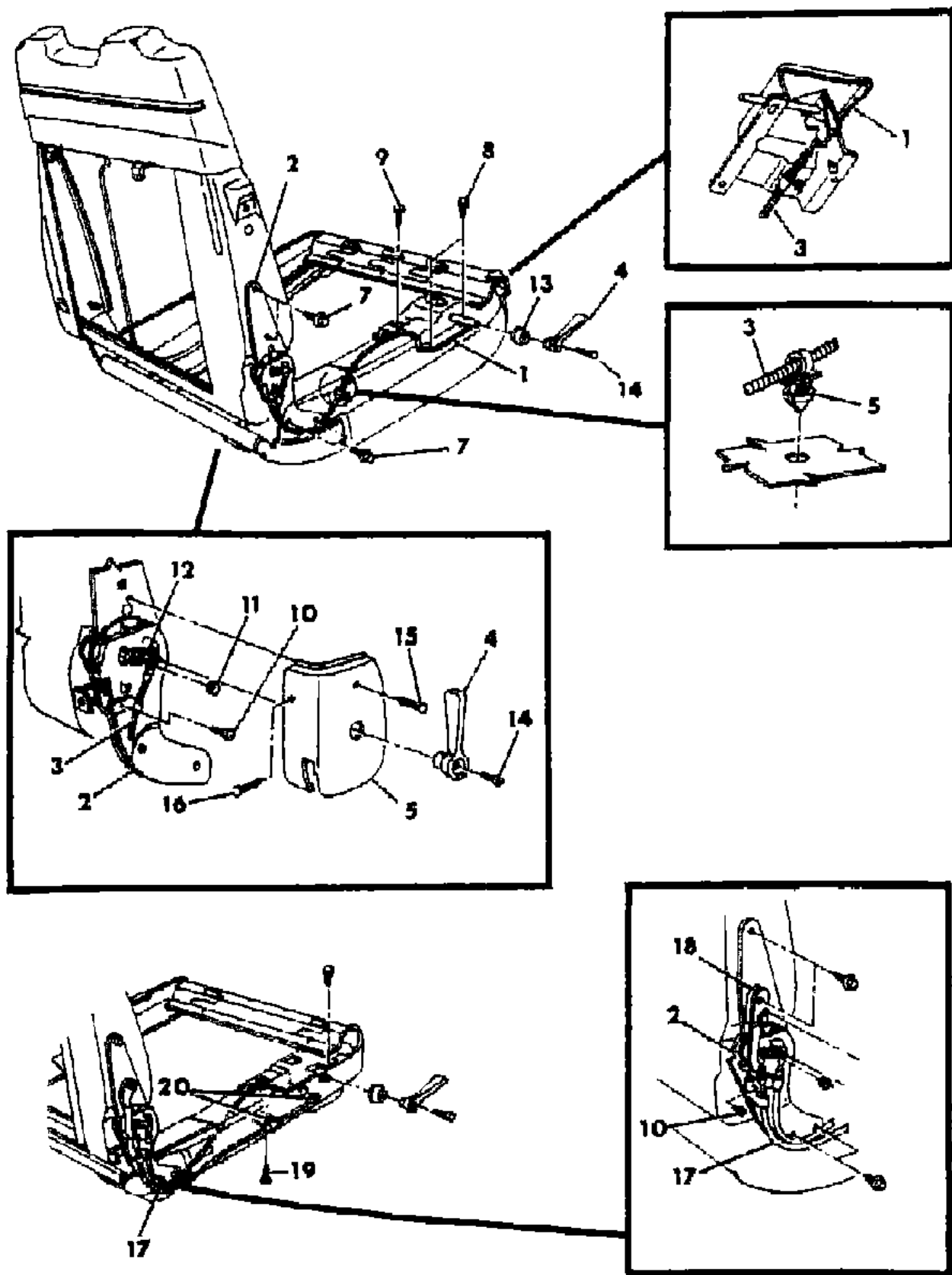
BODY STYLES

21 = 2-DOOR SEDAN	41 = 4-DOOR SEDAN
22 = 2-DOOR SPECIAL COUPE	45 = 4-DOOR STATION WAGON
24 = 2-DOOR HATCHBACK	44 = 4-DOOR HATCHBACK
27 = 2-DOOR CONVERTIBLE	48 = EXECUTIVE SEDAN
28 = FWD PICKUP	

AR = Use as Required - = Non Illustrated Part P.A.R. = Paint as Required

RECLINING FRONT SEAT AND SEAT BACK RELEASE B,F,G  
Figure IT-5251

3253 5 25 100



ITEM	PART NUMBER	QTY	BODY	MODEL	DESCRIPTION
1	4018 066	1			ACTUATOR, Seat Back Release N N N Y4018066
2	4190 410	1			RECLINER, Front Seat Back N N N Y4190410
	4190 248-9	1			SPRING, Recliner Release Cam N N N Y4190248
	4138 358	1			SHIM, Front Seat Back Recliner N N N Y4138358
3	3844 812	1			CABLE, Recliner Release N N N Y3844812
4	4138 298	AR			HANDLE, Seat Back Latch N N N Y4138298
5		AR			CLIP (not serviced) N N N N
6		AR			COVER (See Seat Illustration) N N N N
7	9422 041	AR			SCREW and WASHER N N N Y9422041
8		AR			SCREW, Actuator Attaching (not serviced) N N N N
9	9414 712	AR			SCREW, Actuator Attaching N N N Y9414712
10		AR			SCREW (not serviced) N N N N
11	0120 622	AR			LOCK NUT N N N Y120622
12	4029 871	1			ADAPTER, Recliner Actuator Handle N N N Y4029871
13	4098 080	1			BEZEL, Recliner Handle N N N Y4098080
14		AR			SCREW (not serviced) N N N N
15		AR			SCREW (not serviced) N N N N
16		AR			SCREW (not serviced) N N N N
17	4172 778	1			CABLE, Manual Adjuster Release E.Z. Entry N N N Y4172778
18	5232 060	1			BRACKET, E.Z. Entry N N N Y5232060
19	9414 712	1			SCREW, Cable to Actuator E.Z. Entry N N N Y9414712
20					ADJUSTER, (see Manual Seat Adjuster) N N N N

The following parts are not illustrated. s ARE NOT RETURNABLE.

	3871 470	AR			SPRING, Manual Seat Adjuster Release Lever N N N Y3871470
	4138 742	1			ARM, Front Seat Back to Cushion w/o Recliner N N N N
	4138 743	1			Right, w/Bench,Center Arm Rest N N N Y4138742
					Left, w/Bench,Center Arm Rest N N N Y4138743

MODEL CODES

B = GRAN FURY	G = DIPLOMAT	V = 400
C = LEBARON/TOWN & COUNTRY	M = HORIZON/TURISMO/SCAMP	X = MIRADA
D = ARIES	P = RELIANT	Y = IMPERIAL
E = 600	S = CORDOBA	Z = OMNI/CHARGER/RAMPAGE
F = FIFTH AVENUE	T = E CLASS/NEWYORKER	

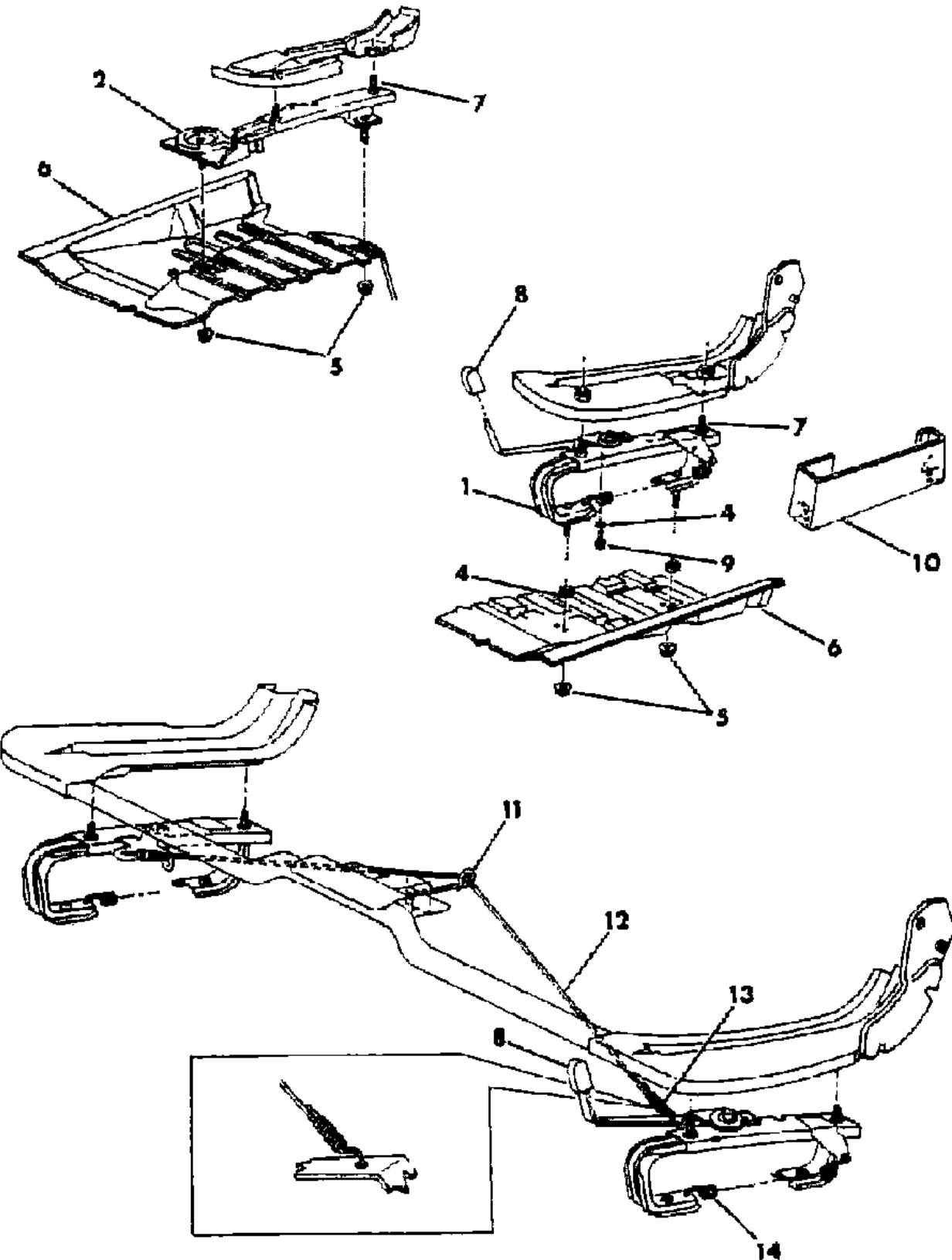
BODY STYLES

21 = 2-DOOR SEDAN	41 = 4-DOOR SEDAN
22 = 2-DOOR SPECIAL COUPE	45 = 4-DOOR STATION WAGON
24 = 2-DOOR HATCHBACK	44 = 4-DOOR HATCHBACK
27 = 2-DOOR CONVERTIBLE	48 = EXECUTIVE SEDAN
28 = FWD PICKUP	

AR = Use as Required - = Non Illustrated Part P.A.R. = Paint as Required

SEAT ADJUSTER MANUAL B,F,G  
Figure IT-5261

3253 526100



ITEM	PART NUMBER	QTY	BODY	MODEL	DESCRIPTION
1					ADJUSTER, Manual N N N N
	3882 046	1			Right, w/Bench (use up to 10/1/82) N N N Y3882046
	4290 831	1			(use after 10/1/82) N N N Y4290831
	4172 049	1			Left, w/Bench (use up to 10/1/82) N N N Y4172049
	4290 836	1			(use after 10/1/82) N N N Y4290836
	4246 093	1			Outer, w/60/40, Right w/o Police Package (use up to 10/1/82) N N N Y4246093
	4290 844	1			(use after 10/1/82) N N N Y4290844
	4290 843	1			w/Police Package N N N Y4290843
	4172 041	1			Outer, w/60/40, Left w/o Police Package (use up to 10/1/82) N N N Y4172041
	4290 835	1			(use after 10/1/82) N N N Y4290835
	4290 833	1			w/Police Package N N N Y4290833
	3882 043	1			Inner, w/60/40 w/o Police Package (use up to 10/1/82) N N N Y3882043
	4290 830	1			(use after 10/1/82) N N N Y4290830
	4290 829	1			w/Police Package N N N Y4290829
	4172 363	1			SPRING, E.Z. Entry Release Lever Return w/60/40 N N N Y4172363
	4172 009	1			SPRING, Seat Adjuster Latch Return N N N Y4172009
2	4172 030	1			ADJUSTER, Front Seat Manual Right, Inner w/o Police Package
					(use up to 10/1/82) N N N Y4172030
	4290 834	1			(use after 10/1/82) N N N Y4290834
	4290 832	1			w/Police Package N N N Y4290832
4	6028 040	AR			RETAINER N N N Y6028040
5		AR			NUT and WASHER (not serviced) N N N N
6	4206 394-5	1			REINFORCEMENT, Front Floor Pan Seat Guide N N N Y4206394
	4206 396-7	1			Rear Floor Pan Seat Guide N N N Y4206396
7	0181 088	AR			SCREW and WASHER N N N Y181088
8	5207 235	AR			KNOB, Front Seat Adjust Release N N N Y5207235
9	0181 063	AR			SCREW N N N Y181063
10					COVER, Inner, Left N N N N
	S621 AA7	1			Silver N N N YS621AA7
	S621 SC7	1			Blue N N N YS621SC7
	S621 TM6	1			Red N N N YS621TM6
	S621 BT8	1			Brown N N N YS621BT8

MODEL CODES

B = GRAN FURY	G = DIPLOMAT	V = 400
C = LEBARON/TOWN & COUNTRY	M = HORIZON/TURISMO/SCAMP	X = MIRADA
D = ARIES	P = RELIANT	Y = IMPERIAL
E = 600	S = CORDOBA	Z = OMNI/CHARGER/RAMPAGE
F = FIFTH AVENUE	T = E CLASS/NEWYORKER	

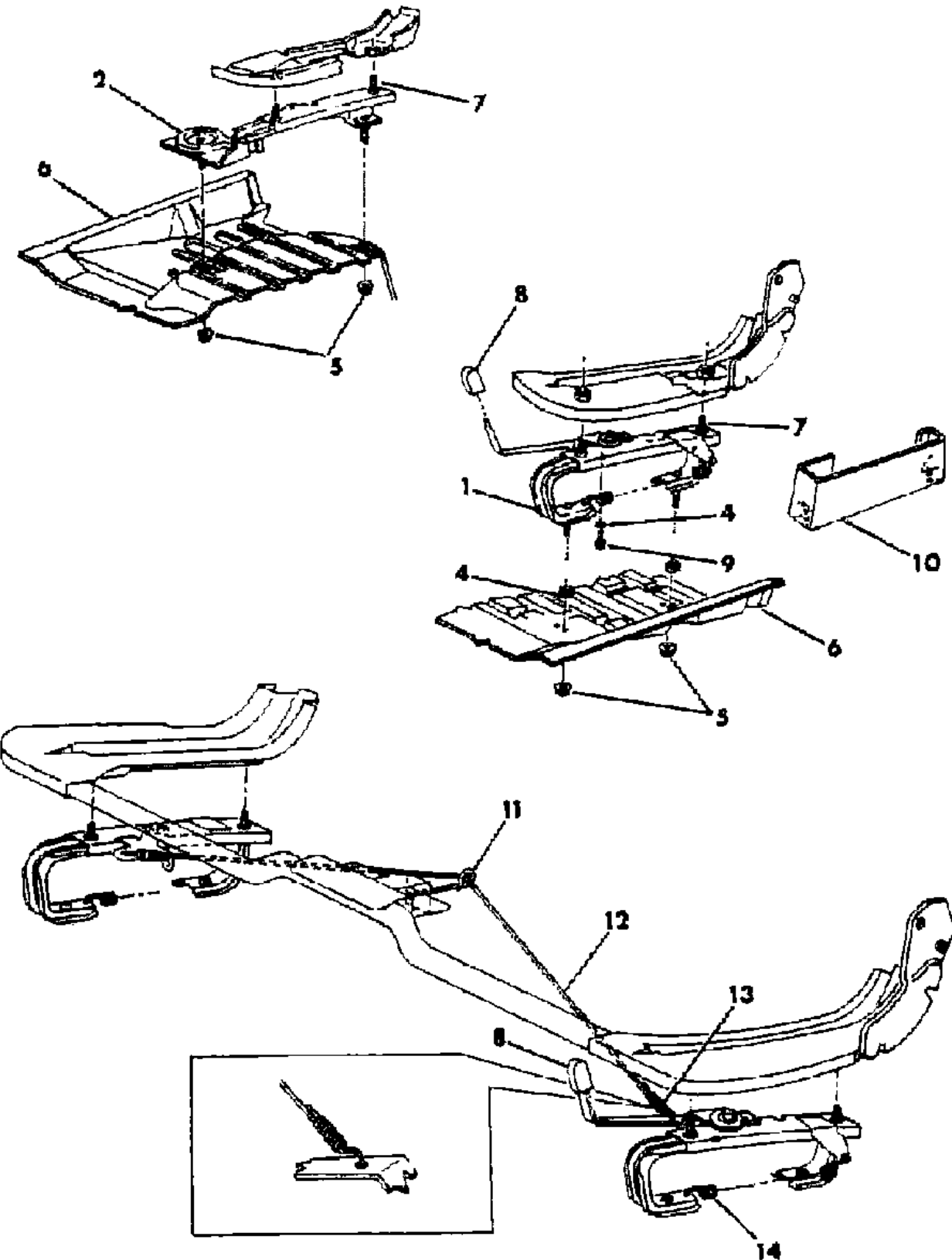
BODY STYLES

21 = 2-DOOR SEDAN	41 = 4-DOOR SEDAN
22 = 2-DOOR SPECIAL COUPE	45 = 4-DOOR STATION WAGON
24 = 2-DOOR HATCHBACK	44 = 4-DOOR HATCHBACK
27 = 2-DOOR CONVERTIBLE	48 = EXECUTIVE SEDAN
28 = FWD PICKUP	

AR = Use as Required - = Non Illustrated Part P.A.R. = Paint as Required

SEAT ADJUSTER MANUAL B,F,G  
Figure IT-5261

3253 526100



ITEM	PART NUMBER	QTY	BODY	MODEL	DESCRIPTION
					Outer, Right N N N N
	S622 AA7	1			Silver N N N YS622AA7
	S622 TC7	1			Blue N N N YS622TC7
	S622 TM6	1			Red N N N YS622TM6
	S622 BT8	1			Brown N N N YS622BT8
					Outer, Left N N N N
	S623 AA7	1			Silver N N N YS623AA7
	S623 SC7	1			Blue N N N YS623SC7
	S623 TM6	1			Red N N N YS623TM6
	S623 BT8	1			Brown N N N YS623BT8
					Inner, Right N N N N
	S872 AA7	1			Silver N N N YS872AA7
	S872 SC7	1			Blue N N N YS872SC7
	S872 TM6	1			Red N N N YS872TM6
	S872 BT8	1			Brown N N N YS872BT8
11	2942 556	1			HOOK, Seat Guide Wire N N N Y2942556
12	4172 057	1			WIRE,Seat Adjuster Latch w/Bench N N N Y4172057
	4172 174	1			w/60/40 N N N Y4172174
13	4172 333	AR			SPRING, Seat Adjuster Release Latch Return N N N Y4172333
14	3871 470	AR			SPRING, Seat Adjuster Tension N N N Y3871470
The following parts are not illustrated. s ARE NOT RETURNABLE.					
	6025 766	AR			NUT, Spring Cover Attaching N N N Y6025766
	0104 918	AR			BALL N N N Y104918

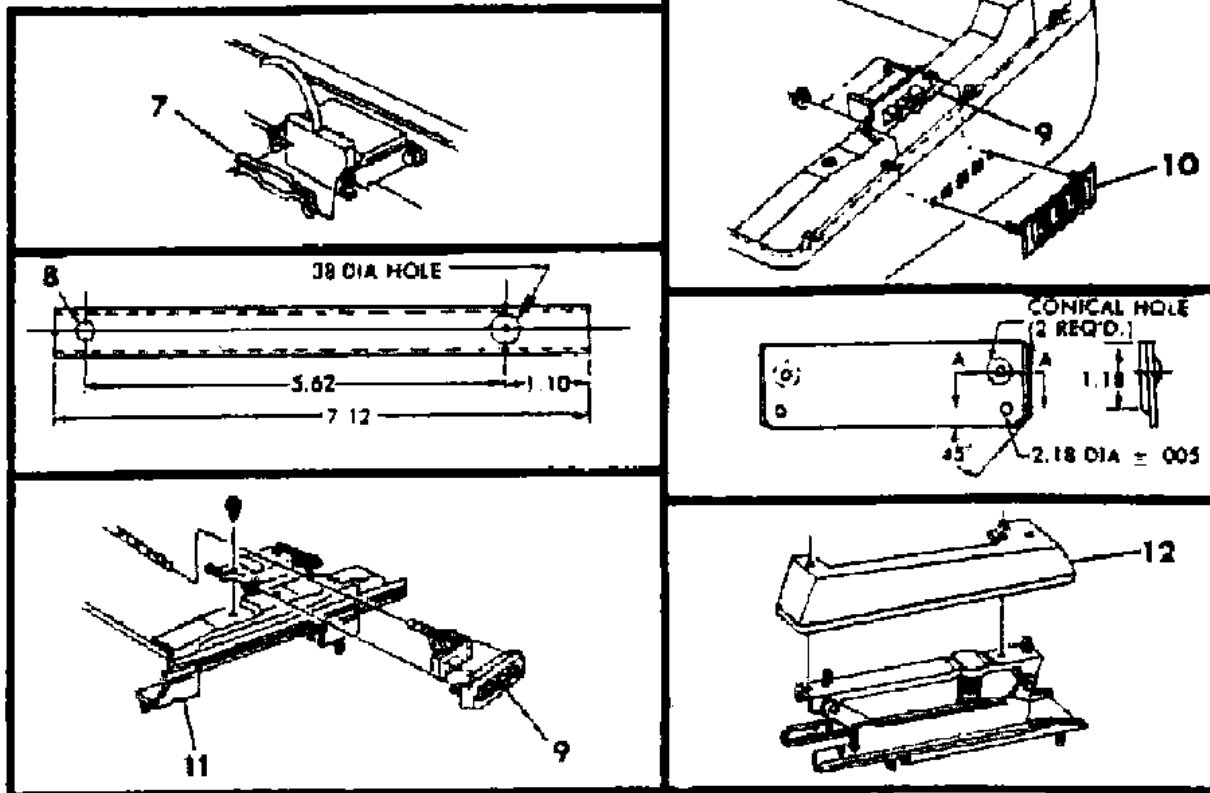
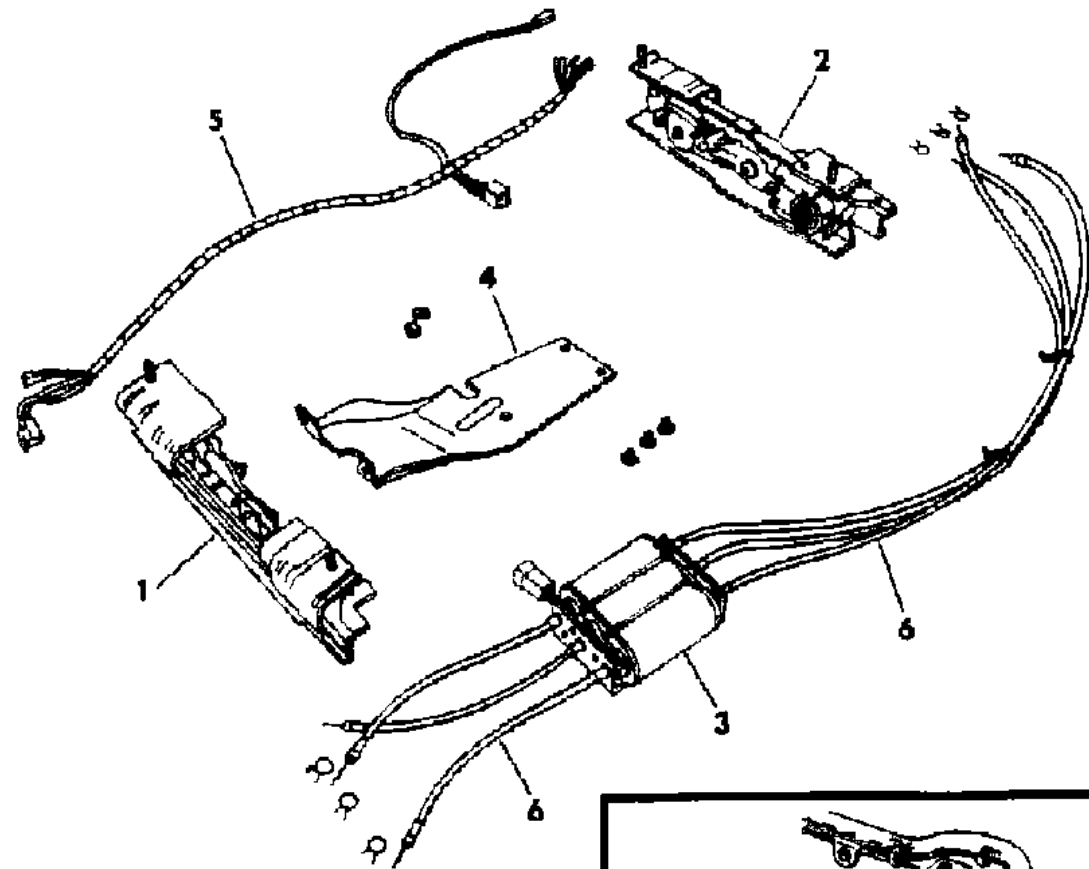
MODEL CODES  
 B = GRAN FURY  
 C = LEBARON/TOWN & COUNTRY  
 D = ARIES  
 E = 600  
 F = FIFTH AVENUE  
 G = DIPLOMAT  
 M = HORIZON/TURISMO/SCAMP  
 P = RELIANT  
 S = CORDOBA  
 T = E CLASS/NEWYORKER  
 V = 400  
 X = MIRADA  
 Y = IMPERIAL  
 Z = OMNI/CHARGER/RAMPAGE

BODY STYLES  
 21 = 2-DOOR SEDAN  
 22 = 2-DOOR SPECIAL COUPE  
 24 = 2-DOOR HATCHBACK  
 27 = 2-DOOR CONVERTIBLE  
 28 = FWD PICKUP  
 41 = 4-DOOR SEDAN  
 45 = 4-DOOR STATION WAGON  
 44 = 4-DOOR HATCHBACK  
 48 = EXECUTIVE SEDAN

AR = Use as Required - = Non Illustrated Part P.A.R. = Paint as Required

**ADJUSTER, ELECTRIC BENCH SEAT B,F,G**  
Figure IT-5271

3253 527 100



ITEM	PART NUMBER	QTY	BODY	MODEL	DESCRIPTION
1	4054 177	1			DRIVE UNIT N N N Y4054177
2	4054 176	1			SLAVE UNIT N N N Y4054176
3	4054 186	1			MOTOR N N N Y4054186
4	2945 719	1			MOUNT, Motor N N N Y2945719
5	4209 430	1			WIRING, Adjuster Feed N N N Y4209430
6	4054 184	AR			TUBE (Length 31.37") N N N Y4054184
	4054 185	AR			(Length 11.05") N N N Y4054185
	4054 183	AR			CABLE (Length 12.19") N N N Y4054183
	4054 182	AR			(Length 39.06") N N N Y4054182
7	3747 029	AR			RETAINER, Switch Insulator N N N Y3747029
8	4055 693	1			BRACKET, Seat Track Wiring N N N Y4055693
	6028 040	1			RETAINER, Wiring Bracket N N N Y6028040
9	3747 740	1			SWITCH N N N Y3747740
10	3746 967	1			BEZEL, Switch N N N Y3746967
11	3746 939	1			PLATE, Switch Mounting w/Split Bench N N N Y3746939
12					COVER, Right N N N N
	S686 AA7	1			Silver N N N YS686AA7
	S686 SC7	1			Blue N N N YS686SC7
	S686 TM6	1			Red N N N YS686TM6
	S686 BT8	1			Brown N N N YS686BT8
					Left N N N N
	S689 AA7	1			Silver N N N YS689AA7
	S689 SC7	1			Blue N N N YS689SC7
	S689 TM6	1			Red N N N YS689TM6
	S689 BT8	1			Brown N N N YS689BT8

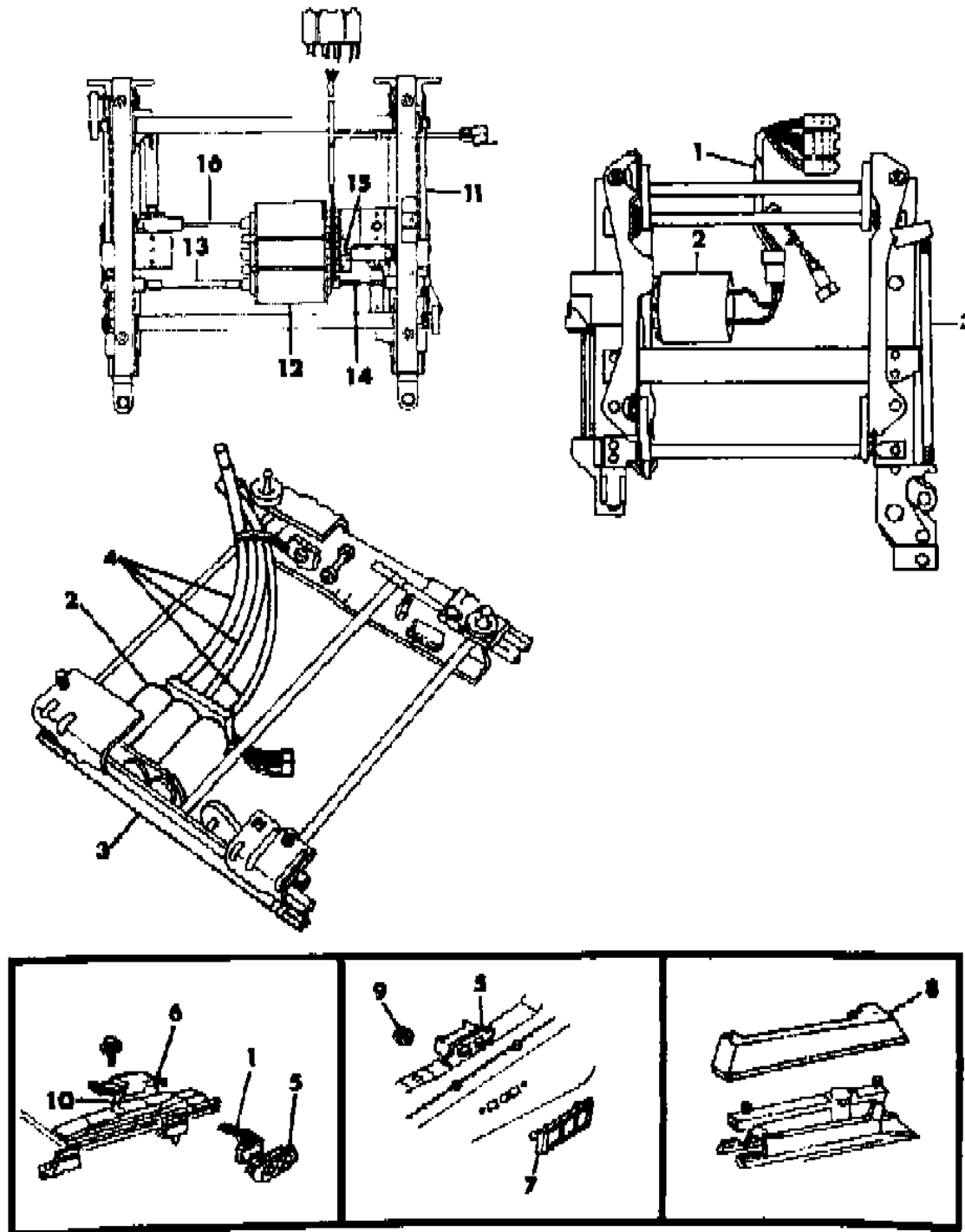
MODEL CODES  
 B = GRAN FURY                      G = DIPLOMAT                      V = 400  
 C = LEBARON/TOWN & COUNTRY    M = HORIZON/TURISMO/SCAMP    X = MIRADA  
 D = ARIES                            P = RELIANT                        Y = IMPERIAL  
 E = 600                                S = CORDOBA                        Z = OMNI/CHARGER/RAMPAGE  
 F = FIFTH AVENUE                    T = E CLASS/NEWYORKER

BODY STYLES  
 21 = 2-DOOR SEDAN                    41 = 4-DOOR SEDAN  
 22 = 2-DOOR SPECIAL COUPE        45 = 4-DOOR STATION WAGON  
 24 = 2-DOOR HATCHBACK            44 = 4-DOOR HATCHBACK  
 27 = 2-DOOR CONVERTIBLE            48 = EXECUTIVE SEDAN  
 28 = FWD PICKUP

AR = Use as Required - = Non Illustrated Part P.A.R. = Paint as Required

**ADJUSTER FRONT SEAT ELECTRIC 60/40 SPLIT B,F,G**  
Figure IT-5272

3253-527 200 A



ITEM	PART NUMBER	QTY	BODY	MODEL	DESCRIPTION
1	4209 431	1			WIRING, Seat Adjuster N N N Y4209431
2	4172 871	1			MOTOR, Left N N N Y4172871
	4239 716	1			Right N N N Y4239716
3	4318 294	1			ADJUSTER, Left, w/Motor and Cables N N N Y4318294
	4316 794	1			ADJUSTER, Left, Less Motor and Cables N N N Y4316794
	4246 218	1			Right, 4 Way N N N Y4246218
4	4054 169	AR			Tube (Length 14.30") N N N Y4054169
	4054 168	AR			CABLE (Length 15.44") N N N Y4054168
5	3747 740	1			SWITCH, Left w/60/40 N N N Y3747740
	3747 957	1			Right N N N Y3747957
6	3747 795	1			BRACKET, Switch Mounting, Left N N N Y3747795
7	3746 967	1			BEZEL, Switch Non-Reclining N N N Y3746967
8					COVER, Outer Left N N N N
	S689 AA7	1			Silver N N N YS689AA7
	S689 SC7	1			Blue N N N YS689SC7
	S689 TM6	1			Red N N N YS689TM6
	S689 BT8	1			Brown N N N YS689BT8
					Inner, Left N N N N
	S695 AA7	1			Silver N N N YS695AA7
	S695 SC7	1			Blue N N N YS695SC7
	S695 TM6	1			Red N N N YS695TM6
	S695 BT8	1			Brown N N N YS695BT8
					Outer, Right N N N N
	S576 AA7	1			Silver N N N YS576AA7
	S576 VC7	1			Blue N N N YS576VC7
	S576 VM6	1			Red N N N YS576VM6
	S576 BT8	1			Brown N N N YS576BT8
					Inner, Right N N N N
	S676 AA7	1			Silver N N N YS676AA7
	S676 AC7	1			Blue N N N YS676AC7
	S676 AM6	1			Red N N N YS676AM6
	S676 BT8	1			Brown N N N YS676BT8
9	6025 002	2			Nut w/Washer N N N Y6025002
10	9420 867	2			NUT N N N Y9420867
11	4318 294	1			ADJUSTER, Left, w/Motor and Cables N N N Y4318294
	4316 794	1			ADJUSTER, Left, Less Motor and Cables N N N Y4316794

MODEL CODES

B = GRAN FURY	G = DIPLOMAT	V = 400
C = LEBARON/TOWN & COUNTRY	M = HORIZON/TURISMO/SCAMP	X = MIRADA
D = ARIES	P = RELIANT	Y = IMPERIAL
E = 600	S = CORDOBA	Z = OMNI/CHARGER/RAMPAGE
F = FIFTH AVENUE	T = E CLASS/NEWYORKER	

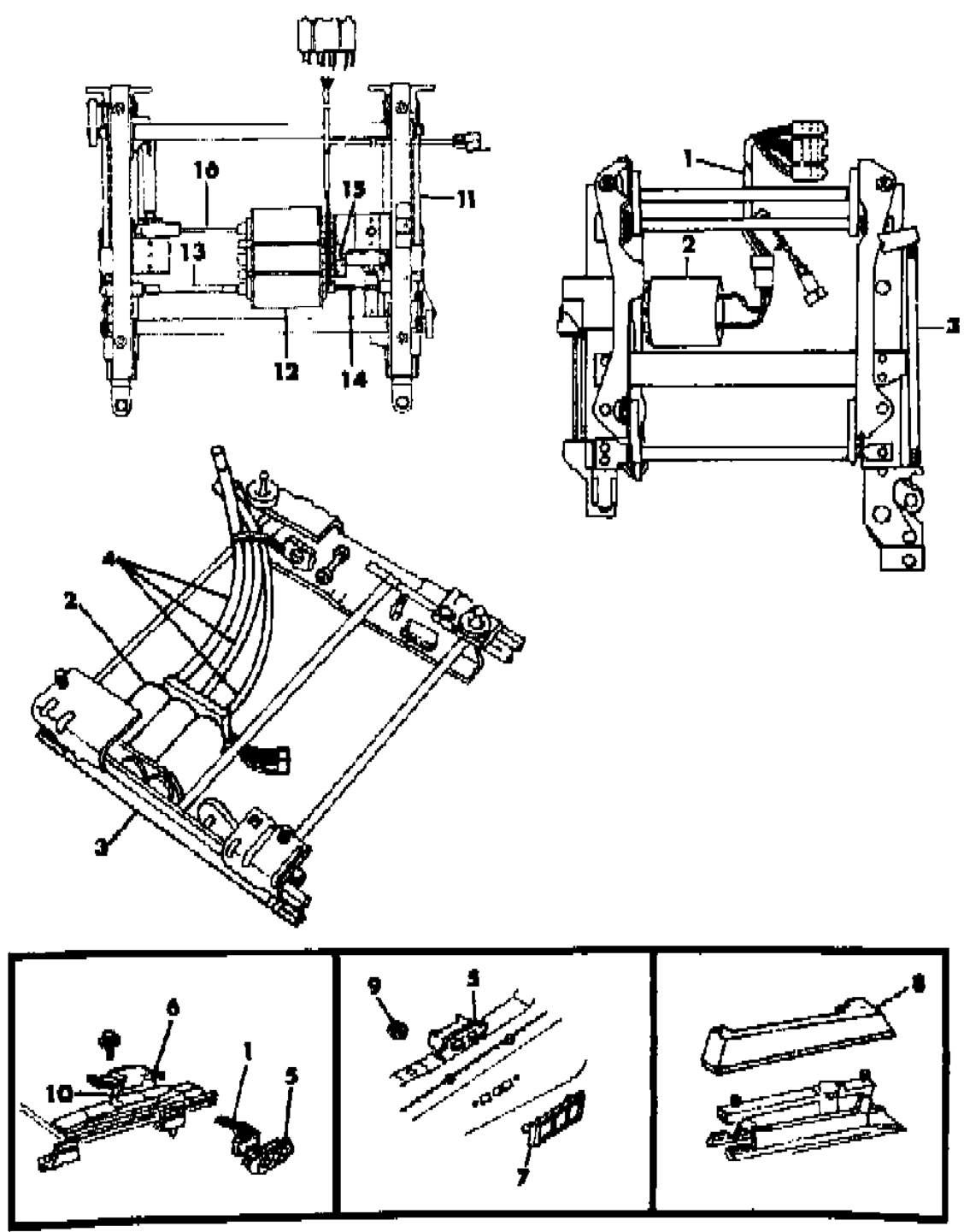
BODY STYLES

21 = 2-DOOR SEDAN	41 = 4-DOOR SEDAN
22 = 2-DOOR SPECIAL COUPE	45 = 4-DOOR STATION WAGON
24 = 2-DOOR HATCHBACK	44 = 4-DOOR HATCHBACK
27 = 2-DOOR CONVERTIBLE	48 = EXECUTIVE SEDAN
28 = FWD PICKUP	

AR = Use as Required - = Non Illustrated Part P.A.R. = Paint as Required

**ADJUSTER FRONT SEAT ELECTRIC 60/40 SPLIT B,F,G**  
**Figure IT-5272**

3253-527 200 A



ITEM	PART NUMBER	QTY	BODY	MODEL	DESCRIPTION
	4316 795	1			CABLE, Adjuster Outer, Fore and Aft (Use after 11/11/82) N N N Y4316795
	4316 796	1			CABLE, Adjuster Inner, Fore and Aft (Use after 11/11/82) N N N Y4316796
	4316 797	1			SHAFT, Adjuster Flexible Up/Down (Use after 11/11/82) N N N Y4316797
12	4054 928	1			MOTOR, Left N N N N (Use up to 11/11/82) N N N Y4054928
	4316 798	1			(Use after 11/11/82) N N N Y4316798
13	4054 929	1			CABLE, Horizontal Drive (Length 6.77") N N N Y4054929
14	4054 930	1			CABLE, Horizontal Drive (Length 4.05") N N N Y4054930
15	4054 931	1			CABLE, Front Riser (Length 2.06") N N N Y4054931
16	4054 932	1			CABLE, Rear Riser (Length 4.83") N N N Y4054932
The following parts are not illustrated. s ARE NOT RETURNABLE.					
	4055 693	1			Bracket, Seat Track Wiring N N N Y4055693
	6028 040	1			RETAINER, Wiring Bracket N N N Y6028040
	4239 718	1			CABLE, Verticle 4/Way Right N N N Y4239718
	4239 720	1			CABLE, Horizontal 4/Way Right N N N Y4239720
	4239 724	1			SPRING, Vertical 4/Way Right N N N Y4239724
	4239 722	1			SPRING, Horizontal 4/Way Right N N N Y4239722

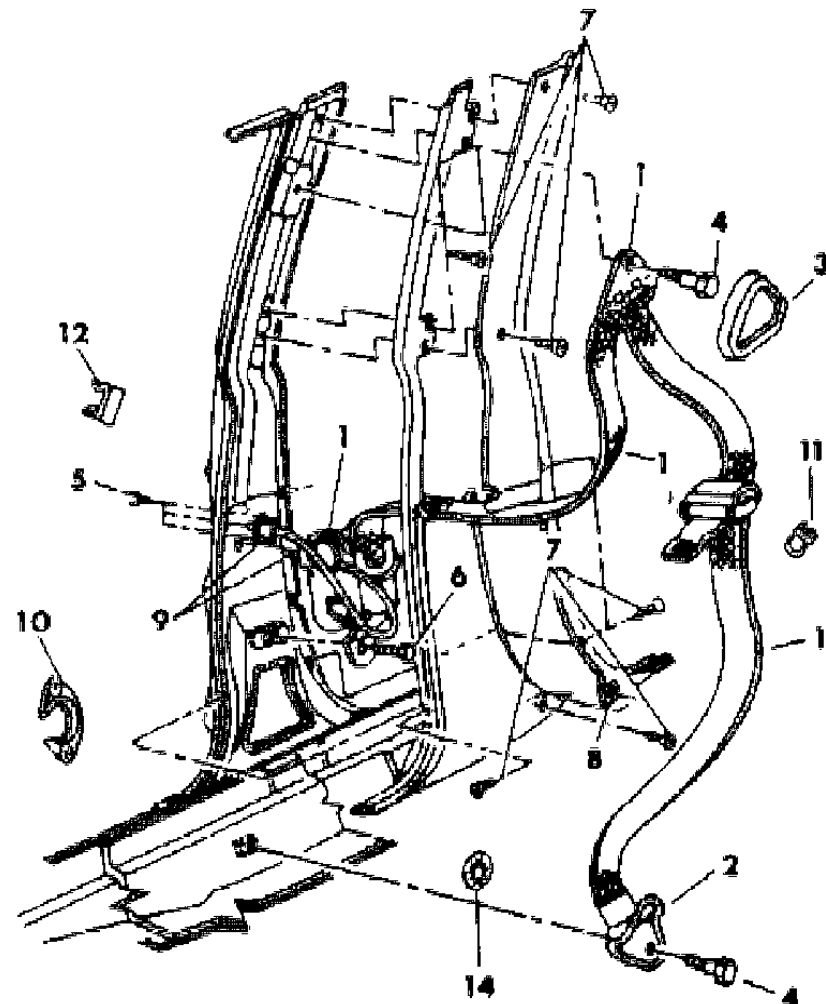
MODEL CODES  
 B = GRAN FURY  
 C = LEBARON/TOWN & COUNTRY  
 D = ARIES  
 E = 600  
 F = FIFTH AVENUE  
 G = DIPLOMAT  
 M = HORIZON/TURISMO/SCAMP  
 P = RELIANT  
 S = CORDOBA  
 T = E CLASS/NEWYORKER  
 V = 400  
 X = MIRADA  
 Y = IMPERIAL  
 Z = OMNI/CHARGER/RAMPAGE

BODY STYLES  
 21 = 2-DOOR SEDAN  
 22 = 2-DOOR SPECIAL COUPE  
 24 = 2-DOOR HATCHBACK  
 27 = 2-DOOR CONVERTIBLE  
 28 = FWD PICKUP  
 41 = 4-DOOR SEDAN  
 45 = 4-DOOR STATION WAGON  
 44 = 4-DOOR HATCHBACK  
 48 = EXECUTIVE SEDAN

AR = Use as Required - = Non Illustrated Part P.A.R. = Paint as Required

**BELT FRONT SEAT LAP AND SHOULDER OUTER B,F,G**  
Figure IT-5281

3253.528100A



ITEM	PART NUMBER	QTY	BODY	MODEL	DESCRIPTION
1					BELT, Outer Label No. 4290466-7 N N N N
	F660-1 BA3	1			Silver N N N YF660BA3
	F660-1 BC7	1			Blue N N N YF660BC7
	F660-1 BM6	1			Red N N N YF660BM6
	F660-1 BL3	1			Tan N N N YF660BL3
2	F814 JX9	1			COVER, Swivel Plate (Black) N N N YF814JX9
3					COVER, Belt Hanger N N N N
	F828 AA3	2			Silver N N N YF828AA3
	F828 TC7	2			Blue N N N YF828TC7
	F828 TM6	2			Red N N N YF828TM6
	F828 BL3	2			Tan N N N YF828BL3
4	6031 216	2			BOLT N N N Y6031216
5		AR			SCREW (not serviced) N N N N
6	6031 484	2			BOLT N N N Y6031484
7		16			SCREW (not serviced) N N N N
8	0152 490	2			U-NUT N N N Y152490
9	4054 574-5	1			RELEASE, Tension Reliever N N N Y4054574
10	4054 365	2			RETAINER, Reliever Release Attaching N N N Y4054365
11					COVER, Unibelt Tip (serviced in item 1) N N N N
12	4054 971	2			CLIP, Reliever Cable to Cover Retaining N N N Y4054971
13	4172 612	2			PLUG, Reliever Release Hole N N N Y4172612
14	6025 160	2			RETAINER, Inertia Retractor Pendulum Shaft N N N Y6025160

MODEL CODES

B = GRAN FURY	G = DIPLOMAT	V = 400
C = LEBARON/TOWN & COUNTRY	M = HORIZON/TURISMO/SCAMP	X = MIRADA
D = ARIES	P = RELIANT	Y = IMPERIAL
E = 600	S = CORDOBA	Z = OMNI/CHARGER/RAMPAGE
F = FIFTH AVENUE	T = E CLASS/NEWYORKER	

BODY STYLES

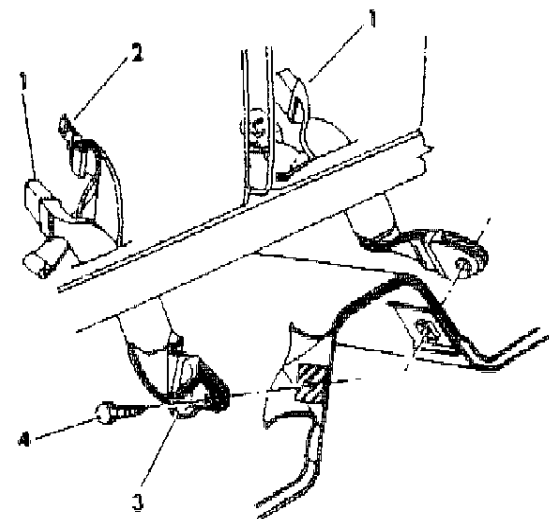
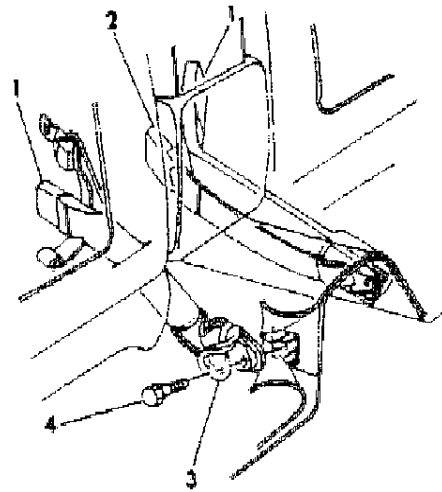
21 = 2-DOOR SEDAN	41 = 4-DOOR SEDAN
22 = 2-DOOR SPECIAL COUPE	45 = 4-DOOR STATION WAGON
24 = 2-DOOR HATCHBACK	44 = 4-DOOR HATCHBACK
27 = 2-DOOR CONVERTIBLE	48 = EXECUTIVE SEDAN
28 = FWD PICKUP	

AR = Use as Required - = Non Illustrated Part P.A.R. = Paint as Required



**BELT FRONT SEAT LAP AND SHOULDER INNER B,F,G**  
**Figure IT-5282**

3253 528 200



ITEM	PART NUMBER	QTY	BODY	MODEL	DESCRIPTION
1					BELT, Buckle Half Label No. 4054666, Right N N N N
	F758 AA3	1			Silver N N N YF758AA3
	F758 SC7	1			Blue N N N YF758SC7
	F758 TM6	1			Red N N N YF758TM6
	F758 BL3	1			Tan N N N YF758BL3
					Label No. 4316752-3 N N N N
	F708-9 BA3	1			Silver N N N YF708BA3
	F708-9 BC7	1			Blue N N N YF708BC7
	F708-9 BM6	1			Red N N N YF708BM6
	F708-9 BL3	1			Tan N N N YF708BL3
2					BELT, Buckle Half Center Label No. 4290464, Right N N N N
	F658 BA3	1			Silver N N N YF658BA3
	F658 BC7	1			Blue N N N YF658BC7
	F658 BM6	1			Red N N N YF658BM6
	F658 BL3	1			Tan N N N YF658BL3
3	F814 JX9	2			COVER, Anchor Bolt, Black N N N YF814JX9
4	6031 216	AR			BOLT N N N Y6031216

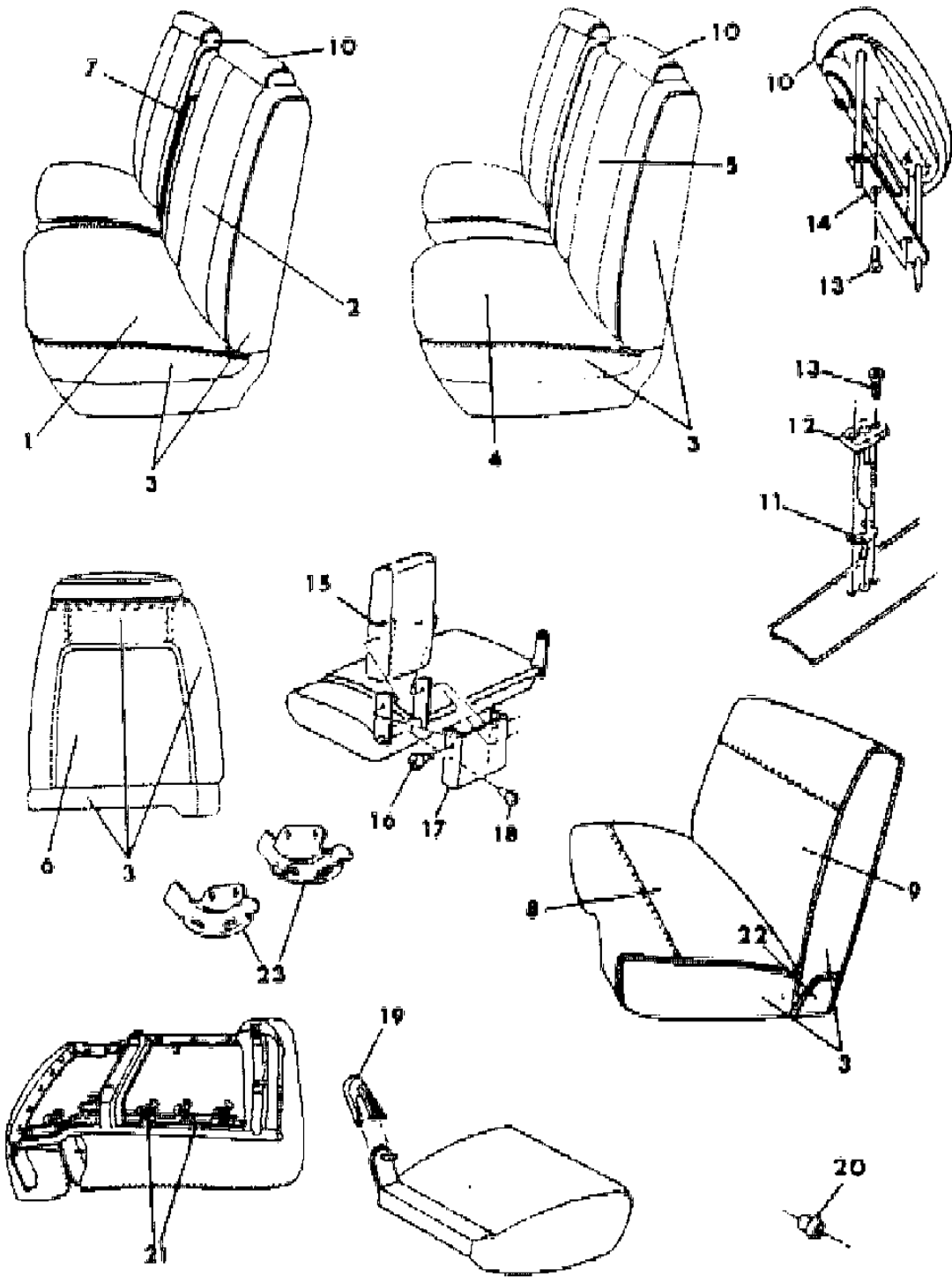
MODEL CODES  
 B = GRAN FURY  
 C = LEBARON/TOWN & COUNTRY  
 D = ARIES  
 E = 600  
 F = FIFTH AVENUE  
 G = DIPLOMAT  
 M = HORIZON/TURISMO/SCAMP  
 P = RELIANT  
 S = CORDOBA  
 T = E CLASS/NEWYORKER  
 V = 400  
 X = MIRADA  
 Y = IMPERIAL  
 Z = OMNI/CHARGER/RAMPAGE

BODY STYLES  
 21 = 2-DOOR SEDAN  
 22 = 2-DOOR SPECIAL COUPE  
 24 = 2-DOOR HATCHBACK  
 27 = 2-DOOR CONVERTIBLE  
 28 = FWD PICKUP  
 41 = 4-DOOR SEDAN  
 45 = 4-DOOR STATION WAGON  
 44 = 4-DOOR HATCHBACK  
 48 = EXECUTIVE SEDAN

AR = Use as Required - = Non Illustrated Part P.A.R. = Paint as Required

FLEET POLICE AND OTHERS FRONT SEAT B,F,G  
Figure IT-5291

3253 529100



ITEM	PART NUMBER	QTY	BODY	MODEL	DESCRIPTION
NOTE: Special order code is in trim column. s ARE NOT RETURNABLE.					
1	4196 276-7	1			COVER, Cushion N N N N Blue, Vinyl N N N7VB Y4196276
	4196 660-1	1			Blue, Cloth N N N7VC,7TD Y4196660
	4196 666-7	1			Beige, Cloth N N N7VC,7TD Y4196666
2	4196 278-9	1			COVER, Back N N N N Blue, Vinyl N N N7VB Y4196278
	4196 662-3	1			Blue, Cloth N N N7VC,7TD Y4196662
	4196 668-9	1			Beige, Cloth N N N7VC,7TD Y4196668
3	R616 VC8	AR			ROLL STOCK, Vinyl 64" Wide Order by the Inch. N N N N Blue N N N YR616VC8
	R616 BL3	AR			Beige N N N YR616BL3
4	4196 670	2			COVER, Cushion N N N N Blue, Cloth N N N7RW,7RG Y4196670
	4196 674	2			Beige, Cloth N N N7RW,7RG Y4196674
	4196 236	2			Blue, Vinyl N N N7PY Y4196236
	4196 608	2			Beige, Vinyl N N N7PY Y4196608
5	4196 672	2			COVER, Back N N N N Blue, Cloth N N N7RW,7RG Y4196672
	4196 674	2			Beige, Cloth N N N7RW,7RG Y4196674
	4196 238	2			Blue, Vinyl N N N7PY Y4196238
	4196 610	2			Beige, Vinyl N N N7PY Y4196610
6	S740 VC8	2			PANEL, Back of Front Back N N N N Blue N N N YS740VC8
	S740 BL3	2			Beige N N N YS740BL3
7	B376 VC8	1			COVER, Arm Rest N N N N Blue N N N YB376VC8
	B376 BL3	1			Beige N N N YB376BL3
8	4196 650	1			COVER, Cushion N N N N Blue, Cloth N N N7RB Y4196650
	4196 654	1			Beige, Cloth N N N7RB Y4196654
9	4196 651	1			COVER, Back N N N N Blue, Cloth N N N7RB Y4196651
	4196 655	1			Beige, Cloth N N N7RB Y4196655
10	S702 SC7	2			HEAD REST N N N N Blue N N N YS702SC7
	S702 BL3	2			Beige N N N YS702BL3

MODEL CODES

B = GRAN FURY  
C = LEBARON/TOWN & COUNTRY  
D = ARIES  
E = 600  
F = FIFTH AVENUE

G = DIPLOMAT

M = HORIZON/TURISMO/SCAMP

P = RELIANT

S = CORDOBA

T = E CLASS/NEWYORKER

V = 400

X = MIRADA

Y = IMPERIAL

Z = OMNI/CHARGER/RAMPAGE

BODY STYLES

21 = 2-DOOR SEDAN

22 = 2-DOOR SPECIAL COUPE

24 = 2-DOOR HATCHBACK

27 = 2-DOOR CONVERTIBLE

28 = FWD PICKUP

41 = 4-DOOR SEDAN

45 = 4-DOOR STATION WAGON

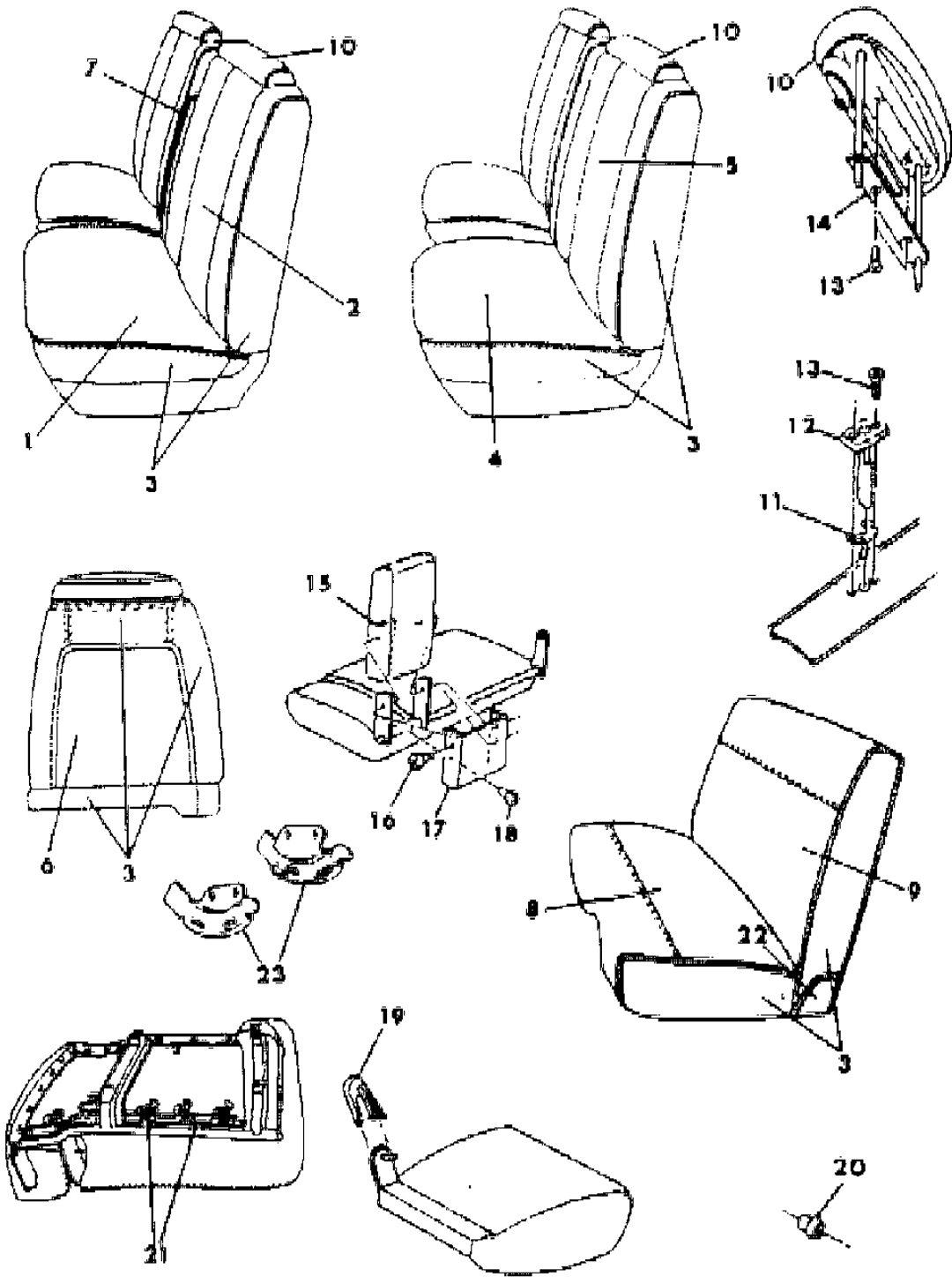
44 = 4-DOOR HATCHBACK

48 = EXECUTIVE SEDAN

AR = Use as Required - = Non Illustrated Part P.A.R. = Paint as Required

FLEET POLICE AND OTHERS FRONT SEAT B,F,G  
Figure IT-5291

3253 529100



ITEM	PART NUMBER	QTY	BODY	MODEL	DESCRIPTION
11					SLEEVE, Head Rest N N N N
	S690 SC7	4			Blue N N N YS690SC7
	S690 BL3	4			Beige N N N YS690BL3
12	4098 965	4			CATCH, Head Rest N N N Y4098965
13		AR			SCREW (not serviced) N N N N
14	4018 808	2			COVER, Head Rest Finish N N N Y4018808
15	4138 891	1			ROD, Arm Rest Lock N N N Y4138891
	6006 324	1			NUT, Arm Rest Lock Rod N N N Y6006324
16	6030 082	2			BOLT, Arm Rest Attaching N N N Y6030082
17					COVER, Arm Rest Finish N N N N
	S580 VC7	1			Blue N N N YS580VC7
	S580 BL3	1			Beige N N N YS580BL3
18	0181 063	AR			SCREW, Arm Rest to Seat Back N N N Y181063
19					COVER, Hinge Arm Inner, Right Only N N N N
	S628 SC7	1			Blue N N N YS628SC7
	S628 BL3	1			Beige N N N YS628BL3
20	4190 488	1			BUSHING, Inner Pivot, Right Only N N N Y4190488
21	6008 076	AR			HOG RING N N N Y6008076
22	S876-7 SX9	1			COVER, Hinge Arm Outer (paint as required) N N N YS876SX9
23	4190 698-9	1			REINFORCEMENT, Cushion to Back Attaching N N N Y4190698

MODEL CODES

B = GRAN FURY	G = DIPLOMAT	V = 400
C = LEBARON/TOWN & COUNTRY	M = HORIZON/TURISMO/SCAMP	X = MIRADA
D = ARIES	P = RELIANT	Y = IMPERIAL
E = 600	S = CORDOBA	Z = OMNI/CHARGER/RAMPAGE
F = FIFTH AVENUE	T = E CLASS/NEWYORKER	

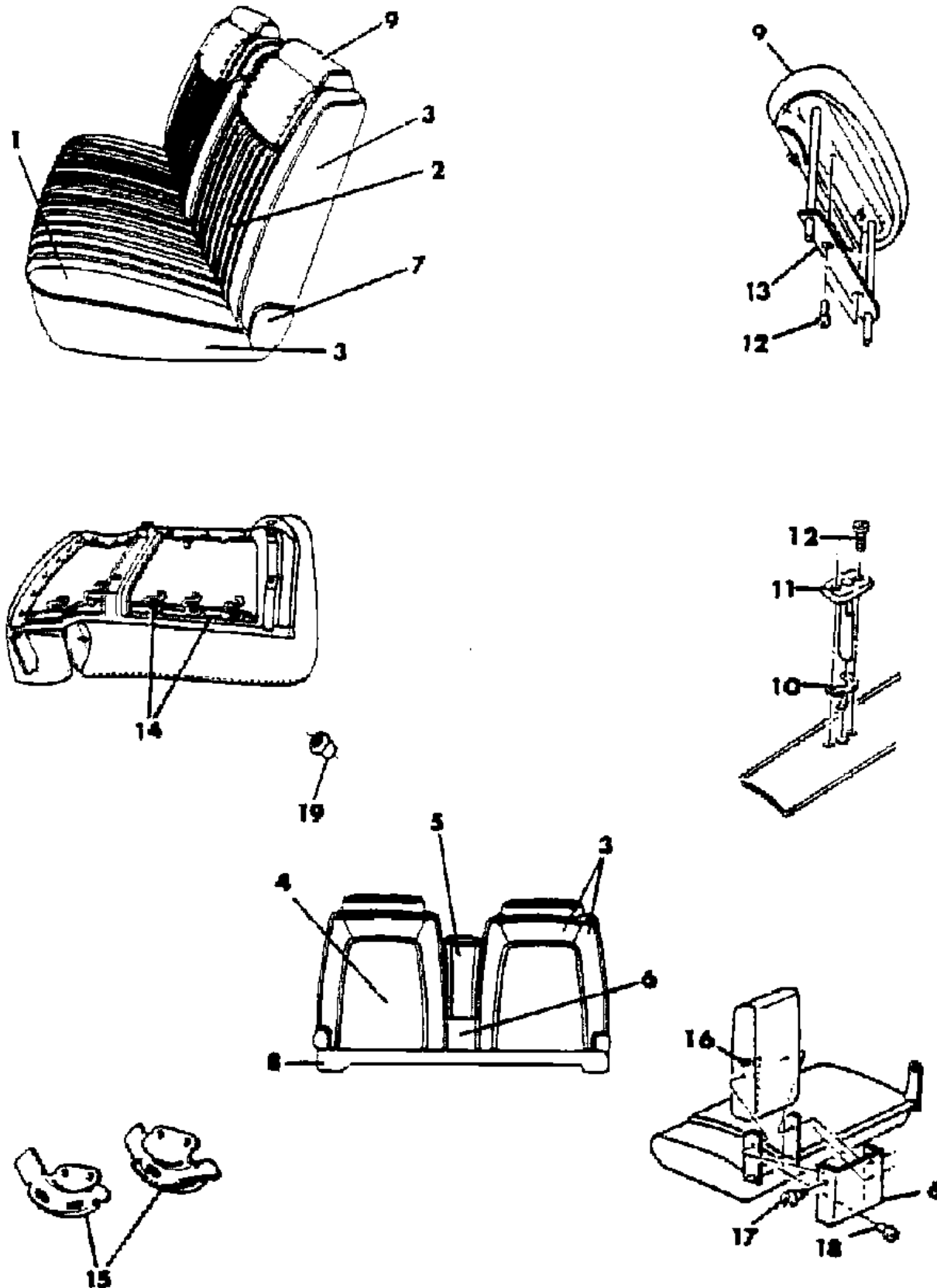
BODY STYLES

21 = 2-DOOR SEDAN	41 = 4-DOOR SEDAN
22 = 2-DOOR SPECIAL COUPE	45 = 4-DOOR STATION WAGON
24 = 2-DOOR HATCHBACK	44 = 4-DOOR HATCHBACK
27 = 2-DOOR CONVERTIBLE	48 = EXECUTIVE SEDAN
28 = FWD PICKUP	

AR = Use as Required - = Non Illustrated Part P.A.R. = Paint as Required

FLEET POLICE AND OTHERS FRONT SEAT B,F,G  
Figure IT-5291

3253 529 200



ITEM	PART NUMBER	QTY	BODY	MODEL	DESCRIPTION
NOTE: Special order code is in trim column. s ARE NOT RETURNABLE.					
1	4196 525	1			COVER, Cushion N N N N Silver, Vinyl N N N7PX Y4196525
	4196 517	1			Red, Vinyl N N N7PX Y4196517
2	4196 526-7	1			COVER, Back N N N N Silver, Vinyl N N N7PX Y4196526
	4196 518-9	1			Red, Vinyl N N N7PX Y4196518
3	R616 AA2	AR			ROLL STOCK, Vinyl 64" Wide Order by the Inch. N N N N Silver N N N YR616AA2
	R616 VM6	AR			Red N N N YR616VM6
4	S778-9 AA2	1			PANEL, Back of Front Back N N N N Silver N N N YS778AA2
	S778-9 VM6	1			Red N N N YS778VM6
5	4196 530	1			COVER, Arm Rest N N N N Silver, Vinyl N N N7PX Y4196530
	4196 522	1			Red, Vinyl N N N7PX Y4196522
6	S728 AA3	1			COVER, Arm Rest Finish N N N N Silver N N N YS728AA3
	S728 VM6	1			Red N N N YS728VM6
7	S786-7 SX9	1			COVER, Hinge Arm Outer (paint as required) N N N YS786SX9
8	R112 AA7	AR			CARPET, 54" Wide Order by the Inch. N N N N Silver N N N YR112AA7
	R112 TM6	AR			Red N N N YR112TM6
9	S702 AA2	2			HEAD REST N N N N Silver N N N YS702AA2
	S702 TM6	2			Red N N N YS702TM6
10	S690 AA3	4			SLEEVE, Head Rest N N N N Silver N N N YS690AA3
	S690 TM6	4			Red N N N YS690TM6
11	4098 965	4			CATCH, Head Rest N N N Y4098965
12		AR			SCREW (not serviced) N N N N
13	4018 808	2			COVER, Head Rest Finish N N N Y4018808
14	6008 076	AR			HOG RING N N N Y6008076
15	4190 698-9	1			REINFORCEMENT, Cushion to Back Attaching N N N Y4190698
16	4138 891	1			ROD, Arm Rest Lock N N N Y4138891
	6006 324	1			NUT, Arm Rest Lock Rod N N N Y6006324
17	6030 082	2			BOLT N N N Y6030082

MODEL CODES

B = GRAN FURY	G = DIPLOMAT	V = 400
C = LEBARON/TOWN & COUNTRY	M = HORIZON/TURISMO/SCAMP	X = MIRADA
D = ARIES	P = RELIANT	Y = IMPERIAL
E = 600	S = CORDOBA	Z = OMNI/CHARGER/RAMPAGE
F = FIFTH AVENUE	T = E CLASS/NEWYORKER	

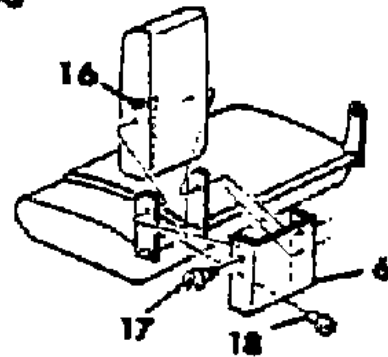
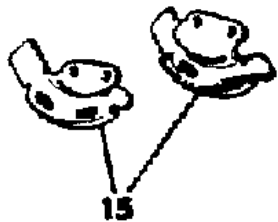
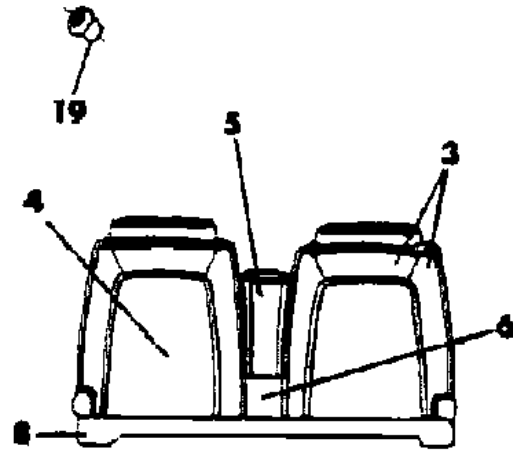
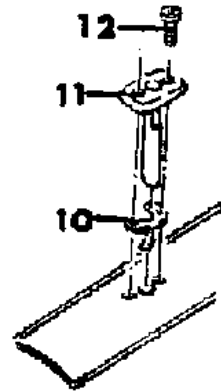
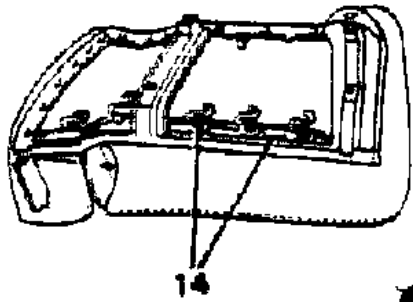
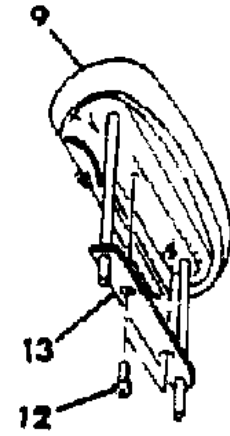
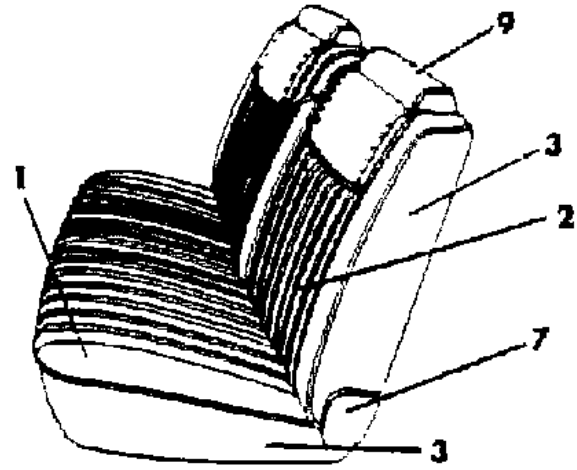
BODY STYLES

21 = 2-DOOR SEDAN	41 = 4-DOOR SEDAN
22 = 2-DOOR SPECIAL COUPE	45 = 4-DOOR STATION WAGON
24 = 2-DOOR HATCHBACK	44 = 4-DOOR HATCHBACK
27 = 2-DOOR CONVERTIBLE	48 = EXECUTIVE SEDAN
28 = FWD PICKUP	

AR = Use as Required - = Non Illustrated Part P.A.R. = Paint as Required

FLEET POLICE AND OTHERS FRONT SEAT B,F,G  
Figure IT-5291

3253 529 200



ITEM	PART NUMBER	QTY	BODY	MODEL	DESCRIPTION
18	0181 063	AR			SCREW N N N Y181063
19	4190 488	1			BUSHING, Inner Pivot Right Only N N N Y4190488

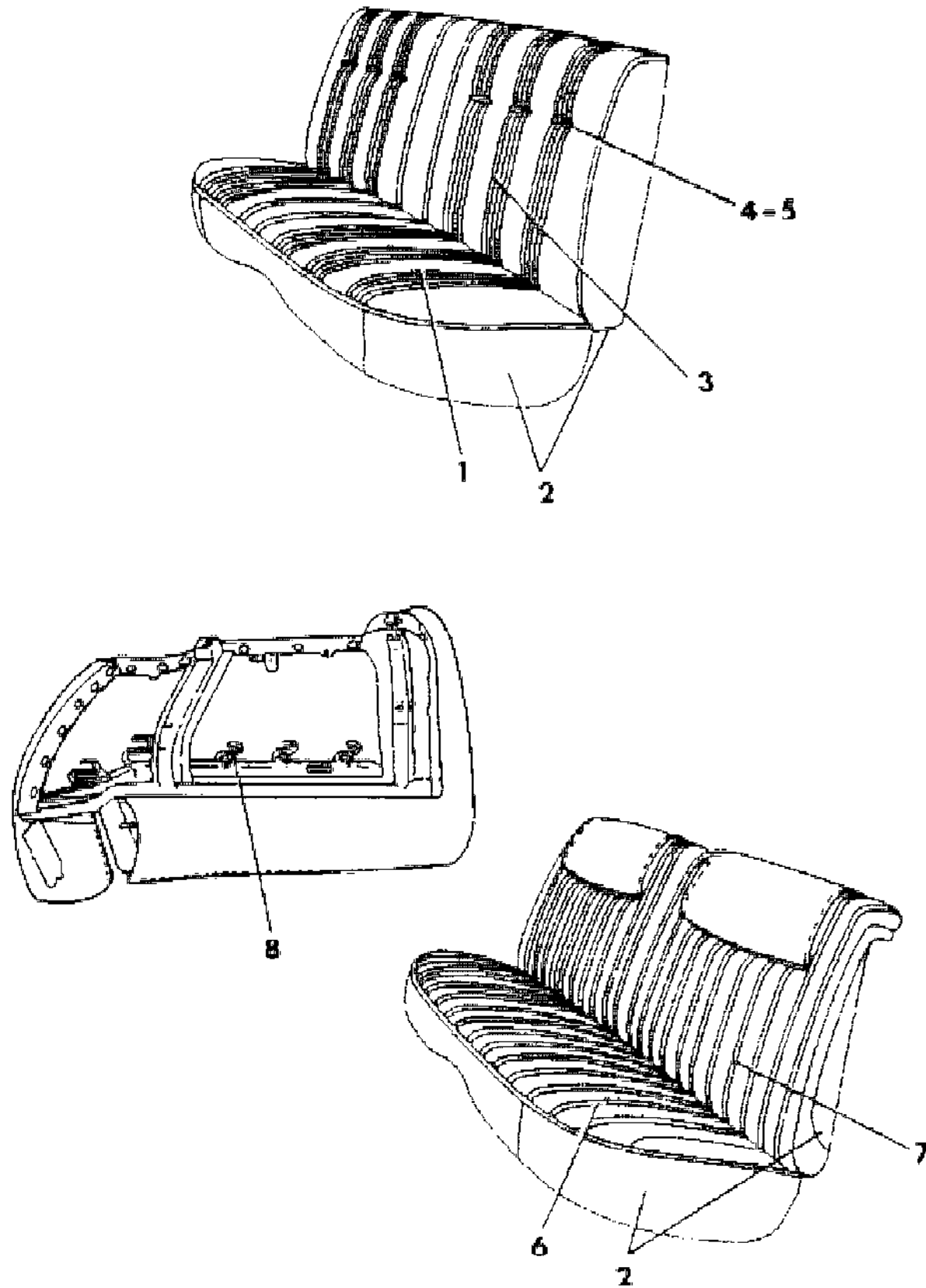
MODEL CODES  
 B = GRAN FURY  
 C = LEBARON/TOWN & COUNTRY  
 D = ARIES  
 E = 600  
 F = FIFTH AVENUE  
 G = DIPLOMAT  
 M = HORIZON/TURISMO/SCAMP  
 P = RELIANT  
 S = CORDOBA  
 T = E CLASS/NEWYORKER  
 V = 400  
 X = MIRADA  
 Y = IMPERIAL  
 Z = OMNI/CHARGER/RAMPAGE

BODY STYLES  
 21 = 2-DOOR SEDAN  
 22 = 2-DOOR SPECIAL COUPE  
 24 = 2-DOOR HATCHBACK  
 27 = 2-DOOR CONVERTIBLE  
 28 = FWD PICKUP  
 41 = 4-DOOR SEDAN  
 45 = 4-DOOR STATION WAGON  
 44 = 4-DOOR HATCHBACK  
 48 = EXECUTIVE SEDAN

AR = Use as Required - = Non Illustrated Part P.A.R. = Paint as Required

SEAT REAR B,G TRIM CODES A3,F4  
Figure IT-5301

3253 530100 A



ITEM	PART NUMBER	QTY	BODY	MODEL	DESCRIPTION
1-2					CUSHION, w/Spring/Frame, Pad and Cover N N N N
	A981 B3A	1			Heavy Duty N N N N
	A981 B3C	1			N N NA3A YA981B3A
	A981 A3M	1			N N NA3C YA981B3C
	A981 MMM	1			Up to 9/16/82 N N NA3M YA981A3M
	A981 A3M	1			From 9/16/82 to 1/18/83 N N NA3M YA981MMM
	A981 B3L	1			After 1/18/83 N N NA3M YA981A3M
1					N N NA3L YA981B3L
					COVER, Cushion N N N N
	A592 B1A	1			N N NA3A YA592B1A
	A592 B1C	1			N N NA3C YA592B1C
	A592 V1M	1			Up to 9/16/82 N N NA3M YA592V1M
	A592 MMM	1			From 9/16/82 to 1/18/83 N N NA3M YA592MMM
	A592 V1M	1			After 1/18/83 N N NA3M YA592V1M
	A592 B1L	1			N N NA3L YA592B1L
2					ROLL STOCK, Vinyl 64" Wide Order by the Inch N N N N
	R616 AA3	AR			Silver N N N YR616AA3
	R616 VC8	AR			Blue N N N YR616VC8
	R616 TM6	AR			Red N N N YR616TM6
	R616 BL3	AR			Tan N N N YR616BL3
2-3					BACK, w/Spring/Frame, Pad and Cover N N N N
	A982 B3A	1			Heavy Duty N N N N
	A982 B3C	1			N N NA3A YA982B3A
	A982 A3M	1			N N NA3C YA982B3C
	A982 MMM	1			Up to 9/16/82 N N NA3M YA982A3M
	A982 A3M	1			From 9/16/82 to 1/18/83 N N NA3M YA982MMM
	A982 B3L	1			After 1/18/83 N N NA3M YA982A3M
					N N NA3L YA982B3L
3					COVER, Back N N N N
	A594 B1A	1			N N NA3A YA594B1A
	A594 B1C	1			N N NA3C YA594B1C
	A594 V1M	1			Up to 9/16/82 N N NA3M YA594V1M
	A594 MMM	1			From 9/16/82 to 1/18/83 N N NA3M YA594MMM
	A594 V1M	1			After 1/18/83 N N NA3M YA594V1M
	A594 B1L	1			N N NA3L YA594B1L
4					BUTTON w/RETAINER N N N N
	G385 AA2	AR			N N NA3A YG385AA2

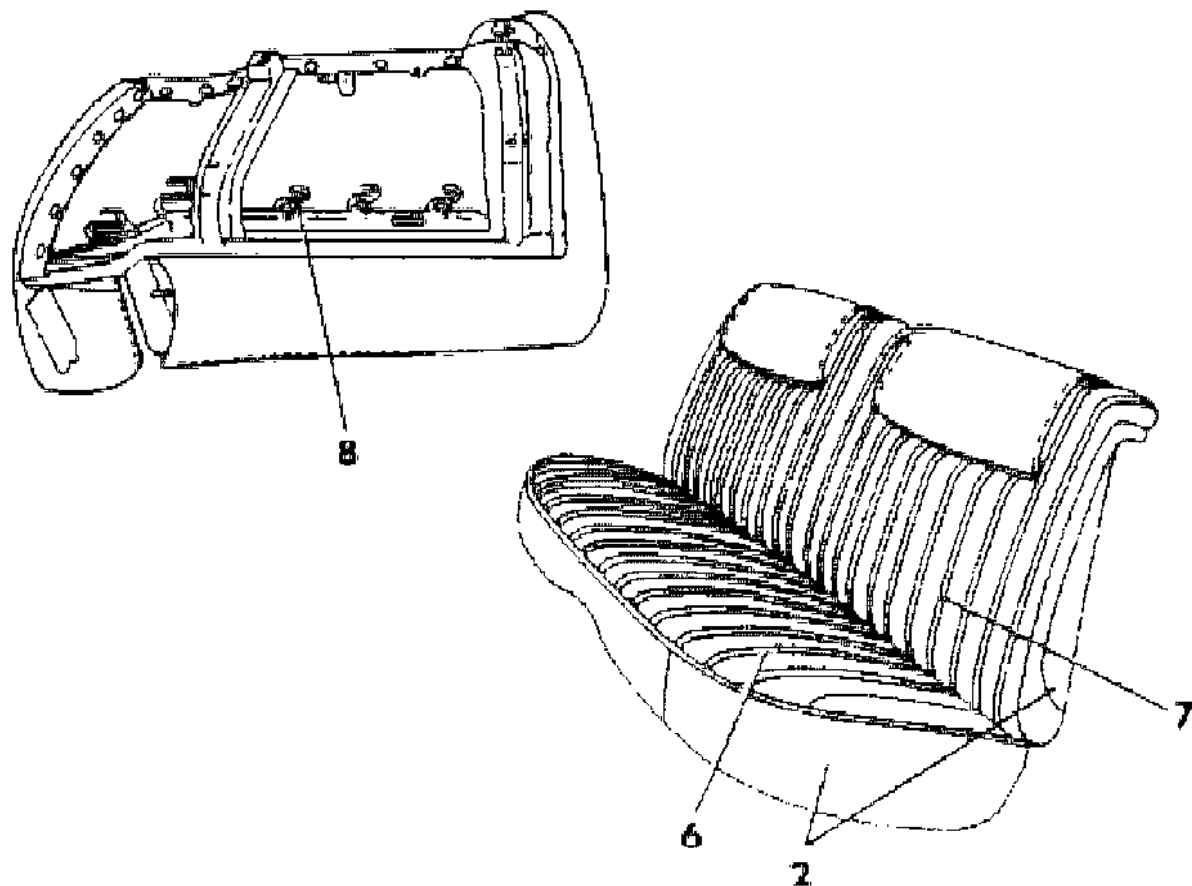
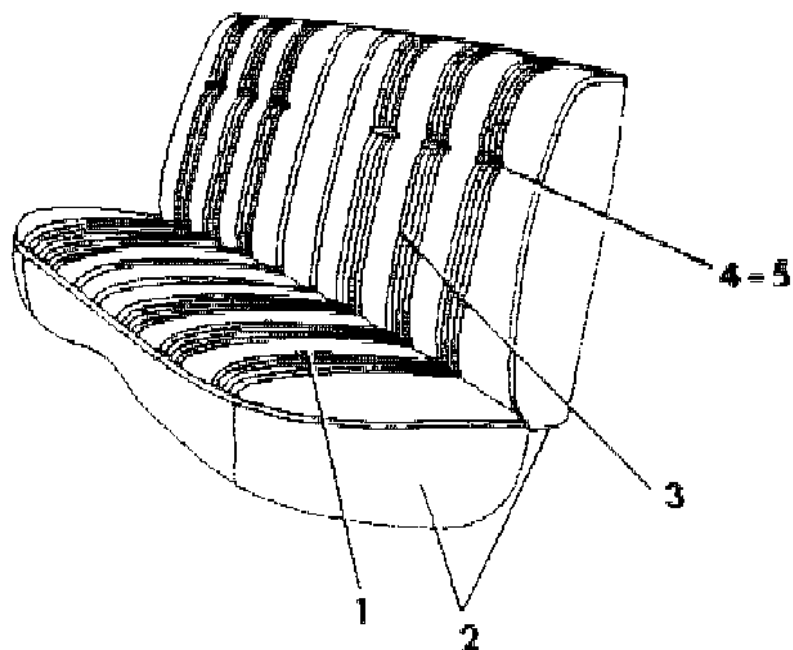
MODEL CODES  
 B = GRAN FURY  
 C = LEBARON/TOWN & COUNTRY  
 D = ARIES  
 E = 600  
 F = FIFTH AVENUE  
 G = DIPLOMAT  
 M = HORIZON/TURISMO/SCAMP  
 P = RELIANT  
 S = CORDOBA  
 T = E CLASS/NEWYORKER  
 V = 400  
 X = MIRADA  
 Y = IMPERIAL  
 Z = OMNI/CHARGER/RAMPAGE

BODY STYLES  
 21 = 2-DOOR SEDAN  
 22 = 2-DOOR SPECIAL COUPE  
 24 = 2-DOOR HATCHBACK  
 27 = 2-DOOR CONVERTIBLE  
 28 = FWD PICKUP  
 41 = 4-DOOR SEDAN  
 45 = 4-DOOR STATION WAGON  
 44 = 4-DOOR HATCHBACK  
 48 = EXECUTIVE SEDAN

AR = Use as Required - = Non Illustrated Part P.A.R. = Paint as Required

SEAT REAR B,G TRIM CODES A3,F4  
Figure IT-5301

3253 530100 A



ITEM	PART NUMBER	QTY	BODY	MODEL	DESCRIPTION
	G385 VC8	AR			N N NA3C YG385VC8
	G385 VM6	AR			N N NA3M YG385VM6
	G385 BL3	AR			N N NA3L YG385BL3
5		AR			RETAINER, Button (serviced in item 4) N N N N
6-2					CUSHION, w/Spring/Frame, Pad and Cover N N N N
	A984 B4L	1			N N NF4L YA984B4L
6					COVER, Cushion N N N N
	A530 B4L	1			N N NF4L YA530B4L
7-2					BACK, w/Spring/Frame, Pad and Cover N N N N
	A985 B4L	1			N N NF4L YA985B4L
7					COVER, Back N N N N
	A531 B4L	1			N N NF4L YA531B4L
8	6008 076	AR			HOG RING N N N Y6008076

MODEL CODES

B = GRAN FURY	G = DIPLOMAT	V = 400
C = LEBARON/TOWN & COUNTRY	M = HORIZON/TURISMO/SCAMP	X = MIRADA
D = ARIES	P = RELIANT	Y = IMPERIAL
E = 600	S = CORDOBA	Z = OMNI/CHARGER/RAMPAGE
F = FIFTH AVENUE	T = E CLASS/NEWYORKER	

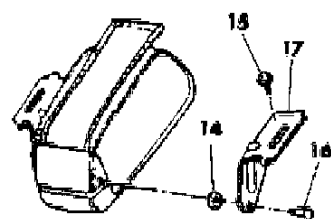
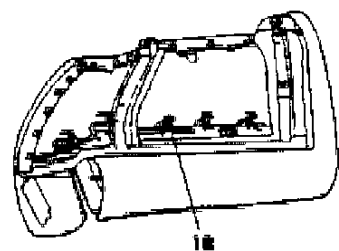
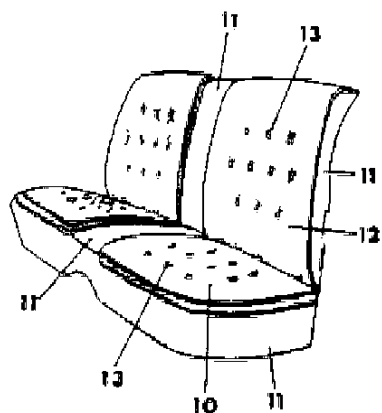
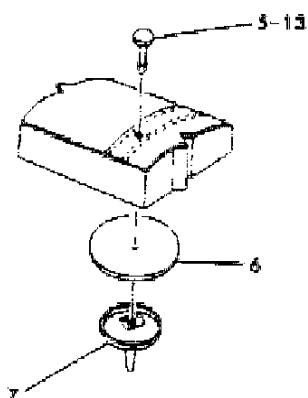
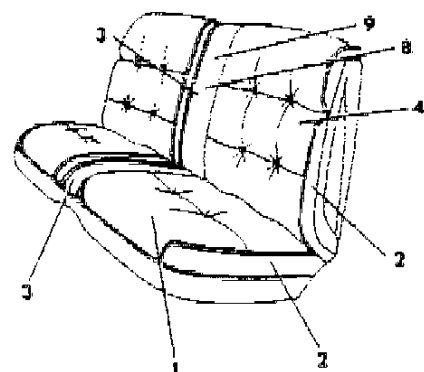
BODY STYLES

21 = 2-DOOR SEDAN	41 = 4-DOOR SEDAN
22 = 2-DOOR SPECIAL COUPE	45 = 4-DOOR STATION WAGON
24 = 2-DOOR HATCHBACK	44 = 4-DOOR HATCHBACK
27 = 2-DOOR CONVERTIBLE	48 = EXECUTIVE SEDAN
28 = FWD PICKUP	

AR = Use as Required - = Non Illustrated Part P.A.R. = Paint as Required

**SEAT REAR B,F,G TRIM CODES C9,H9,S9,SY**  
**Figure IT-5302**

3253 530 200



ITEM	PART NUMBER	QTY	BODY	MODEL	DESCRIPTION
1-2					CUSHION, w/Spring/Frame, Pad and Cover N N N N
	A666 A9A	1			N N NC9A,H9A YA666A9A
	A666 V9C	1			N N NC9C,H9C YA666V9C
	A666 V9M	1			N N NC9M,H9M YA666V9M
	A666 B9L	1			N N NC9L,H9L YA666B9L
1					COVER, Cushion N N N N
	A335 A9A	1			N N NC9A,H9A YA335A9A
	A335 V9C	1			N N NC9C,H9C YA335V9C
	A335 V9M	1			N N NC9M,H9M YA335V9M
	A335 B9L	1			N N NC9L,H9L YA335B9L
2					Roll Stock, Cloth 54" Wide Order by the Inch N N N N
	R083 AA2	AR			N N NC9A,H9A YR083AA2
	R083 TC7	AR			N N NC9C,H9C YR083TC7
	R083 TM6	AR			N N NC9M,H9M YR083TM6
	R083 BL3	AR			N N NC9L,H9L YR083BL3
3					Roll Stock, Cloth 54" Wide Order Bby the Inch N N N N
	R080 AA2	AR			N N NC9A,H9A YR080AA2
	R080 TC7	AR			N N NC9C,H9C YR080TC7
	R080 TM6	AR			N N NC9M,H9M YR080TM6
	R080 BL3	AR			N N NC9L,H9L YR080BL3
2-4					BACK, w/Spring/Frame, Pad and Cover N N N N
	A667 A9A	1			N N NC9A,H9A YA667A9A
	A667 V9C	1			N N NC9C,H9C YA667V9C
	A667 V9M	1			N N NC9M,H9M YA667V9M
	A667 B9L	1			N N NC9L,H9L YA667B9L
3					COVER, Back N N N N
	A337 A9A	1			N N NC9A,H9A YA337A9A
	A337 V9C	1			N N NC9C,H9C YA337V9C
	A337 V9M	1			N N NC9M,H9M YA337V9M
	A337 B9L	1			N N NC9L,H9L YA337B9L
5					BUTTON w/RETAINER N N N N
					Cushion N N N N
	S795 AA3	AR			N N NC9A,H9A YS795AA3
	S795 TC7	AR			N N NC9C,H9C YS795TC7
	S795 TM6	AR			N N NC9M,H9M YS795TM6
	S795 BL3	AR			N N NC9L,H9L YS795BL3
					Back N N N N

**MODEL CODES**

B = GRAN FURY	G = DIPLOMAT	V = 400
C = LEBARON/TOWN & COUNTRY	M = HORIZON/TURISMO/SCAMP	X = MIRADA
D = ARIES	P = RELIANT	Y = IMPERIAL
E = 600	S = CORDOBA	Z = OMNI/CHARGER/RAMPAGE
F = FIFTH AVENUE	T = E CLASS/NEWYORKER	

**BODY STYLES**

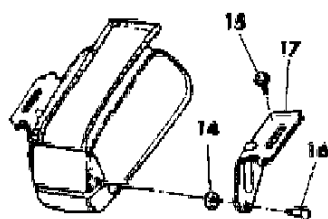
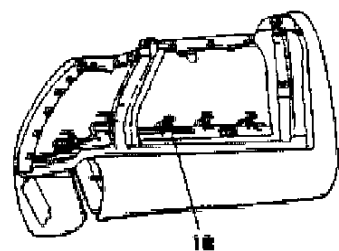
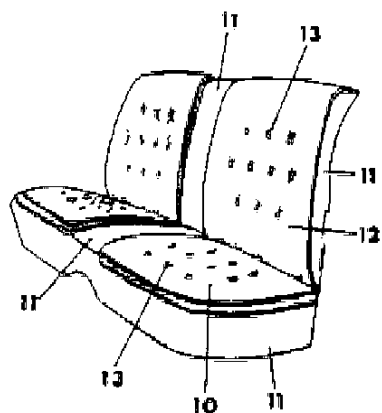
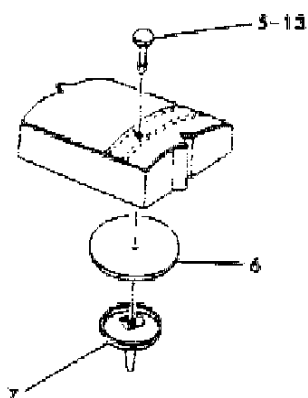
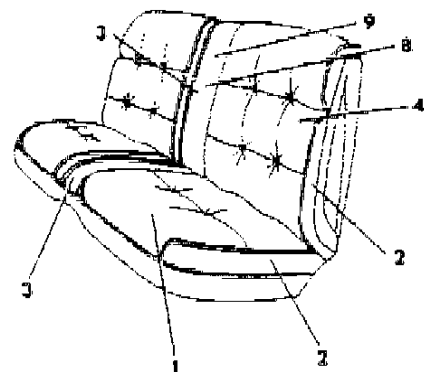
21 = 2-DOOR SEDAN	41 = 4-DOOR SEDAN
22 = 2-DOOR SPECIAL COUPE	45 = 4-DOOR STATION WAGON
24 = 2-DOOR HATCHBACK	44 = 4-DOOR HATCHBACK
27 = 2-DOOR CONVERTIBLE	48 = EXECUTIVE SEDAN
28 = FWD PICKUP	

AR = Use as Required - = Non Illustrated Part P.A.R. = Paint as Required



**SEAT REAR B,F,G TRIM CODES C9,H9,S9,SY**  
**Figure IT-5302**

3253 530 200



ITEM	PART NUMBER	QTY	BODY	MODEL	DESCRIPTION
	G383 AA3	AR			N N NC9A,H9A YG383AA3
	G383 TC7	AR			N N NC9C,H9C YG383TC7
	G383 TM6	AR			N N NC9M,H9M YG383TM6
	G383 BL3	AR			N N NC9L,H9L YG383BL3
6	4029 901	AR			WASHER, Button N N N Y4029901
7	3758 940	AR			RETAINER, Button (serviced in item 5 and 13) N N N Y3758940
8					ARM REST N N N N
	A678 AA3	1			N N NC9A,H9A YA678AA3
	A678 VC7	1			N N NC9C,H9C YA678VC7
	A678 VM6	1			N N NC9M,H9M YA678VM6
	A678 BL3	1			N N NC9L,H9L YA678BL3
9					COVER, Arm Rest N N N N
	A340 AA3	1			N N NC9A,H9A YA340AA3
	A340 VC7	1			N N NC9C,H9C YA340VC7
	A340 VM6	1			N N NC9M,H9M YA340VM6
	A340 BL3	1			N N NC9L,H9L YA340BL3
10-11					CUSHION, w/Spring/Frame, Pad and Cover N N N N
	A914 A9A	1			N N NS9A YA914A9A
	A914 A9C	1			N N NS9C YA914A9C
	A914 A9M	1			N N NS9M YA914A9M
	A914 B9L	1			N N NS9L YA914B9L
	A940 AYA	1			N N NSYA YA940AYA
	A940 AYC	1			N N NSYC YA940AYC
	A940 AYM	1			N N NSYM YA940AYM
	A940 BYL	1			N N NSYL YA940BYL
10					COVER, Cushion N N N N
	A354 A9A	1			N N NS9A YA354A9A
	A354 A9C	1			N N NS9C YA354A9C
	A354 A9M	1			N N NS9M YA354A9M
	A354 B9L	1			N N NS9L YA354B9L
	A348 AYA	1			N N NSYA YA348AYA
	A348 AYC	1			N N NSYC YA348AYC
	A348 AYM	1			N N NSYM YA348AYM
	A348 BYL	1			N N NSYL YA348BYL
11					ROLL STOCK, Cloth 54" Wide Order by the Inch N N N N
	R093 AA3	AR			Silver N N NS9A YR093AA3
	R093 AC7	AR			Blue N N NS9C YR093AC7

**MODEL CODES**

B = GRAN FURY	G = DIPLOMAT	V = 400
C = LEBARON/TOWN & COUNTRY	M = HORIZON/TURISMO/SCAMP	X = MIRADA
D = ARIES	P = RELIANT	Y = IMPERIAL
E = 600	S = CORDOBA	Z = OMNI/CHARGER/RAMPAGE
F = FIFTH AVENUE	T = E CLASS/NEWYORKER	

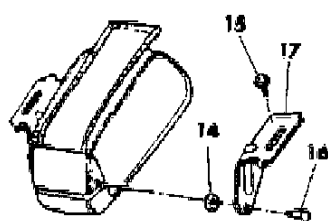
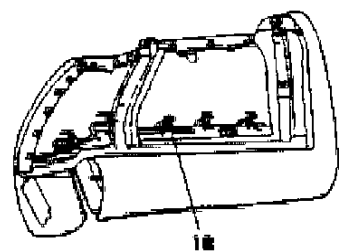
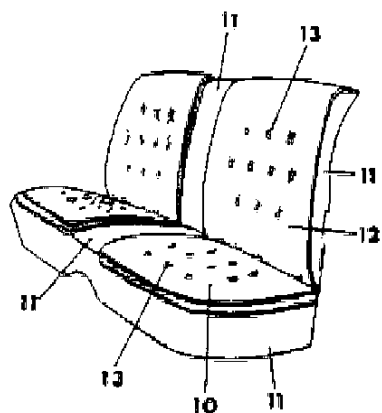
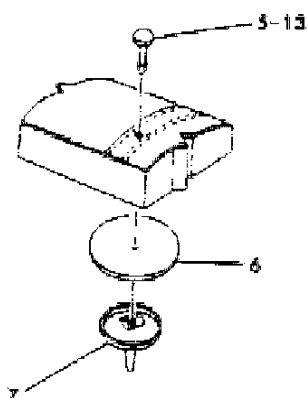
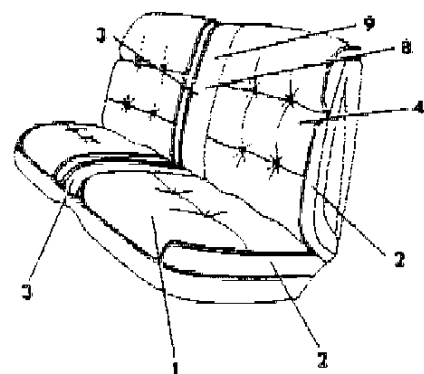
**BODY STYLES**

21 = 2-DOOR SEDAN	41 = 4-DOOR SEDAN
22 = 2-DOOR SPECIAL COUPE	45 = 4-DOOR STATION WAGON
24 = 2-DOOR HATCHBACK	44 = 4-DOOR HATCHBACK
27 = 2-DOOR CONVERTIBLE	48 = EXECUTIVE SEDAN
28 = FWD PICKUP	

AR = Use as Required - = Non Illustrated Part P.A.R. = Paint as Required

SEAT REAR B,F,G TRIM CODES C9,H9,S9,SY  
Figure IT-5302

3253 530 200



ITEM	PART NUMBER	QTY	BODY	MODEL	DESCRIPTION
	R093 AM6	AR			Red N N NS9M YR093AM6
	R093 BL3	AR			Tan N N NS9L YR093BL3
	R616 AA2	AR			Vinyl 64" Wide Order By the Inch N N N N
	R616 VC8	AR			Silver N N NSYA YR616AA2
	R616 VM6	AR			Blue N N NSYC YR616VC8
	R616 VM6	AR			Red N N NSYM YR616VM6
	R616 BL3	AR			Tan N N NSYL YR616BL3
11-12					BACK, w/Spring/Frame, Pad and Cover N N N N
	A915 A9A	1			N N NS9A YA915A9A
	A915 A9C	1			N N NS9C YA915A9C
	A915 A9M	1			N N NS9M YA915A9M
	A915 B9L	1			N N NS9L YA915B9L
	A941 AYA	1			N N NSYA YA941AYA
	A941 AYC	1			N N NSYC YA941AYC
	A941 AYM	1			N N NSYM YA941AYM
	A941 BYL	1			N N NSYL YA941BYL
12					COVER, Back N N N N
	A355 A9A	1			N N NS9A YA355A9A
	A355 A9C	1			N N NS9C YA355A9C
	A355 A9M	1			N N NS9M YA355A9M
	A355 B9L	1			N N NS9L YA355B9L
	A349 AYA	1			N N NSYA YA349AYA
	A349 AYC	1			N N NSYC YA349AYC
	A349 AYM	1			N N NSYM YA349AYM
	A349 BYL	1			N N NSYL YA349BYL
13					BUTTON w/RETAINER, Cushion and Back N N N N
	G379 AA3	AR			N N NS9A YG379AA3
	G379 AC7	AR			N N NS9C YG379AC7
	G379 AM6	AR			N N NS9M YG379AM6
	G379 BL3	AR			N N NS9L YG379BL3
	S846 AA2	AR			N N NSYA YS846AA2
	S846 VC8	AR			N N NSYC YS846VC8
	S846 AM6	AR			N N NSYM YS846AM6
	S846 BL3	AR			N N NSYL YS846BL3
14	6031 537	2			WASHER, Rear Seat Back Center Arm Rest Spacer N N N Y6031537
15	0181 063	2			BOLT, Arm Rest to Seat Back N N N Y181063

MODEL CODES

B = GRAN FURY	G = DIPLOMAT	V = 400
C = LEBARON/TOWN & COUNTRY	M = HORIZON/TURISMO/SCAMP	X = MIRADA
D = ARIES	P = RELIANT	Y = IMPERIAL
E = 600	S = CORDOBA	Z = OMNI/CHARGER/RAMPAGE
F = FIFTH AVENUE	T = E CLASS/NEWYORKER	

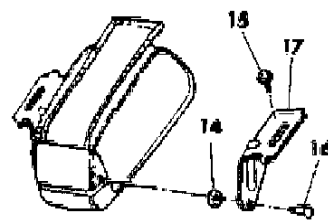
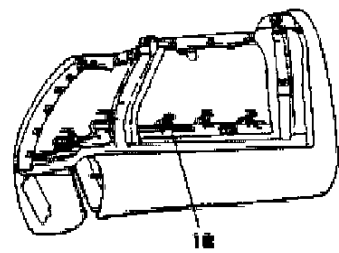
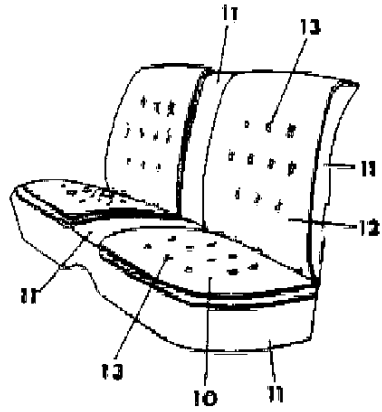
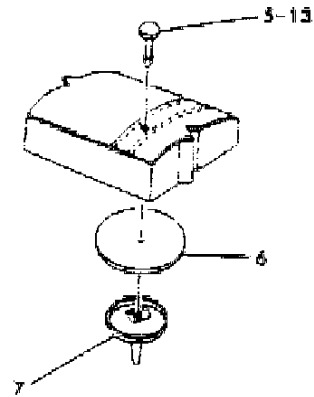
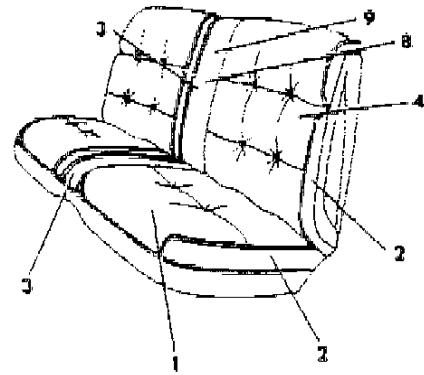
BODY STYLES

21 = 2-DOOR SEDAN	41 = 4-DOOR SEDAN
22 = 2-DOOR SPECIAL COUPE	45 = 4-DOOR STATION WAGON
24 = 2-DOOR HATCHBACK	44 = 4-DOOR HATCHBACK
27 = 2-DOOR CONVERTIBLE	48 = EXECUTIVE SEDAN
28 = FWD PICKUP	

AR = Use as Required - = Non Illustrated Part P.A.R. = Paint as Required

SEAT REAR B,F,G TRIM CODES C9,H9,S9,SY  
Figure IT-5302

3253 530 200



ITEM	PART NUMBER	QTY	BODY	MODEL	DESCRIPTION
16	6026 584	2			SCREW, Arm Rest N N N Y6026584
17	4098 764-5	1			HINGE, Arm Rest N N N Y4098764
18	6008 076	AR			HOG RING N N N Y6008076

MODEL CODES

B = GRAN FURY	G = DIPLOMAT	V = 400
C = LEBARON/TOWN & COUNTRY	M = HORIZON/TURISMO/SCAMP	X = MIRADA
D = ARIES	P = RELIANT	Y = IMPERIAL
E = 600	S = CORDOBA	Z = OMNI/CHARGER/RAMPAGE
F = FIFTH AVENUE	T = E CLASS/NEWYORKER	

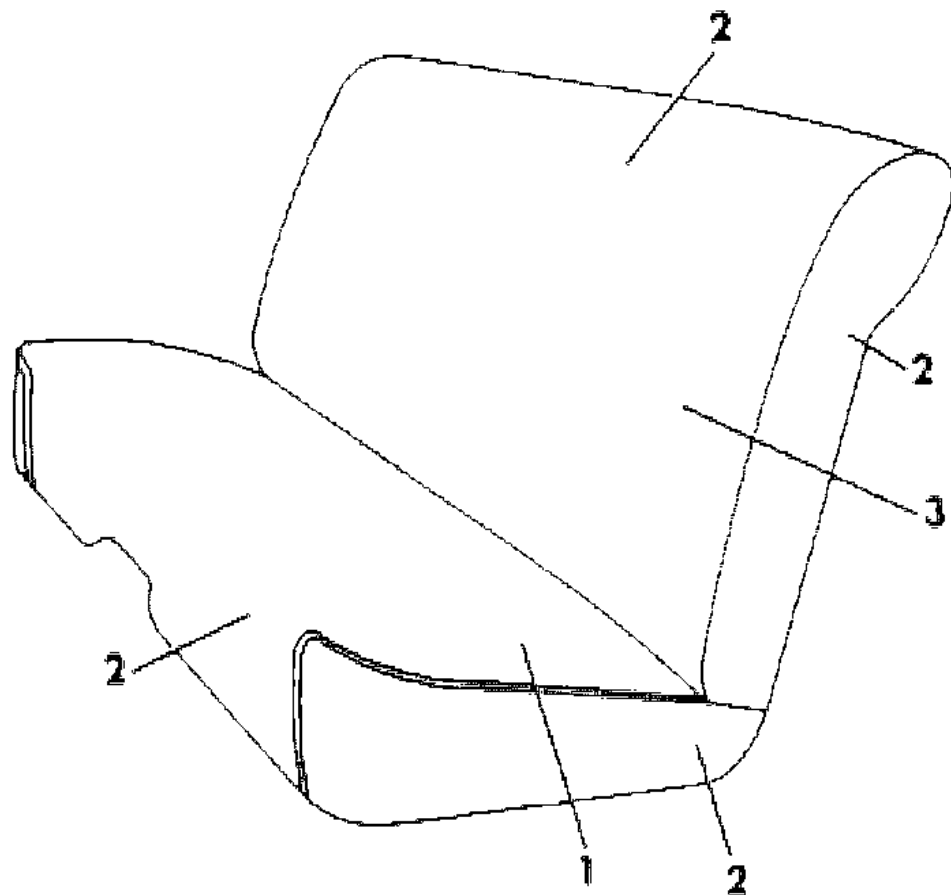
BODY STYLES

21 = 2-DOOR SEDAN	41 = 4-DOOR SEDAN
22 = 2-DOOR SPECIAL COUPE	45 = 4-DOOR STATION WAGON
24 = 2-DOOR HATCHBACK	44 = 4-DOOR HATCHBACK
27 = 2-DOOR CONVERTIBLE	48 = EXECUTIVE SEDAN
28 = FWD PICKUP	

AR = Use as Required - = Non Illustrated Part P.A.R. = Paint as Required

SEAT REAR B,G TRIM CODES K2,KX  
Figure IT-5303

3253.530 300



ITEM	PART NUMBER	QTY	BODY	MODEL	DESCRIPTION
1-2					CUSHIOM, w/Spring/Frame, Pad and Cover N N N N
	N738 V2C	1			N N NK2C YN738V2C
	N738 B2L	1			N N NK2L,KXL YN738B2L
1					COVER, Cushion N N N N
	N163 V2C	1			N N NK2C YN163V2C
	N163 B2L	1			N N NK2L,KXL YN163B2L
2					ROLL STOCK, Vinyl 64" Wide Order By The Inch N N N N
	R616 VC8	AR			Blue N N NK2C YR616VC8
	R616 BL3	AR			Tan N N NK2L,KXL YR616BL3
3&2					BACK, w/Spring/Frame, Pad and Cover N N N N
	N740 V2C	1			N N NK2C YN740V2C
	N740 B2L	1			N N NK2L,KXL YN740B2L
3					COVER, Back N N N N
	N164 V2C	1			N N NK2C YN164V2C
	N164 B2L	1			N N NK2L,KXL YN164B2L
The following parts are not illustrated. s ARE NOT RETURNABLE.					
	4138 071	2			PROTECTOR, Rear Seat Cushion Frame (w/Heavy Duty Cushion) N N N Y4138071
	3844 288	2			SCUFF PLATE, Cushion Hold Down N N N Y3844288
	6008 076	AR			HOG RING N N N Y6008076

MODEL CODES

B = GRAN FURY	G = DIPLOMAT	V = 400
C = LEBARON/TOWN & COUNTRY	M = HORIZON/TURISMO/SCAMP	X = MIRADA
D = ARIES	P = RELIANT	Y = IMPERIAL
E = 600	S = CORDOBA	Z = OMNI/CHARGER/RAMPAGE
F = FIFTH AVENUE	T = E CLASS/NEWYORKER	

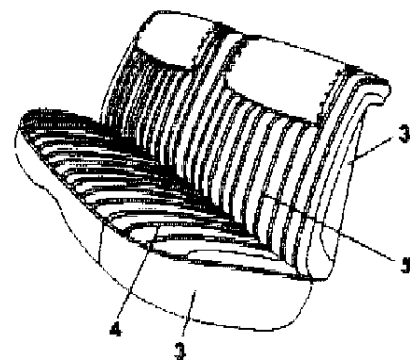
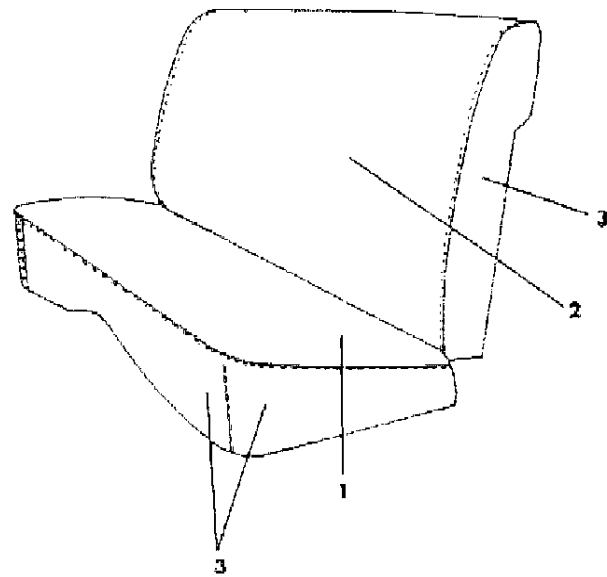
BODY STYLES

21 = 2-DOOR SEDAN	41 = 4-DOOR SEDAN
22 = 2-DOOR SPECIAL COUPE	45 = 4-DOOR STATION WAGON
24 = 2-DOOR HATCHBACK	44 = 4-DOOR HATCHBACK
27 = 2-DOOR CONVERTIBLE	48 = EXECUTIVE SEDAN
28 = FWD PICKUP	

AR = Use as Required - = Non Illustrated Part P.A.R. = Paint as Required

**FLEET POLICE AND OTHERS REAR SEAT B,F,G**  
**Figure IT-5304**

3253.530400



ITEM	PART NUMBER	QTY	BODY	MODEL	DESCRIPTION
NOTE: Special order code is in trim column. s ARE NOT RETURNABLE.					
1					COVER, Cushion N N N N
	4196 652	1			Blue, Cloth N N N7VC Y4196652
	4196 656	1			Beige, Cloth N N N7VC Y4196656
	4196 652	1			Blue, Cloth N N N7RW Y4196652
	4196 656	1			Beige, Cloth N N N7RW Y4196656
	4196 652	1			Blue, Cloth N N N7RB Y4196652
	4196 656	1			Beige, Cloth N N N7RB Y4196656
	N163 V2C	1			Blue, Vinyl N N N7TE,7TD YN163V2C
	N163 B2L	1			Beige, Vinyl N N N7TE,7TD YN163B2L
2					COVER, Back N N N N
	4196 653	1			Blue, Cloth N N N7VC Y4196653
	4196 657	1			Beige, Cloth N N N7VC Y4196657
	4196 653	1			Blue, Cloth N N N7RW Y4196653
	4196 657	1			Beige, Cloth N N N7RW Y4196657
	4196 653	1			Blue, Cloth N N N7RB Y4196653
	4196 657	1			Beige, Cloth N N N7RB Y4196657
	N164 V2C	1			Blue, Vinyl N N N7TE,7TD YN164V2C
	N164 B2L	1			Beige, Vinyl N N N7TE,7TD YN164B2L
3					ROLL STOCK, Vinyl 64" Wide, Order by the inch N N N N
	R616 AA3	AR			Silver N N N YR616AA3
	R616 VC8	AR			Blue N N N YR616VC8
	R616 VM6	AR			Red N N N YR616VM6
	R616 BL3	AR			Beige N N N YR616BL3
4					COVER, Cushion N N N N
	4196 528	1			Silver, Vinyl N N N7PX Y4196528
	4196 520	1			Red, Vinyl N N N7PX Y4196520
5					COVER, Back N N N N
	4196 529	1			Silver, Vinyl N N N7PX Y4196529
	4196 521	1			Red, Vinyl N N N7PX Y4196521

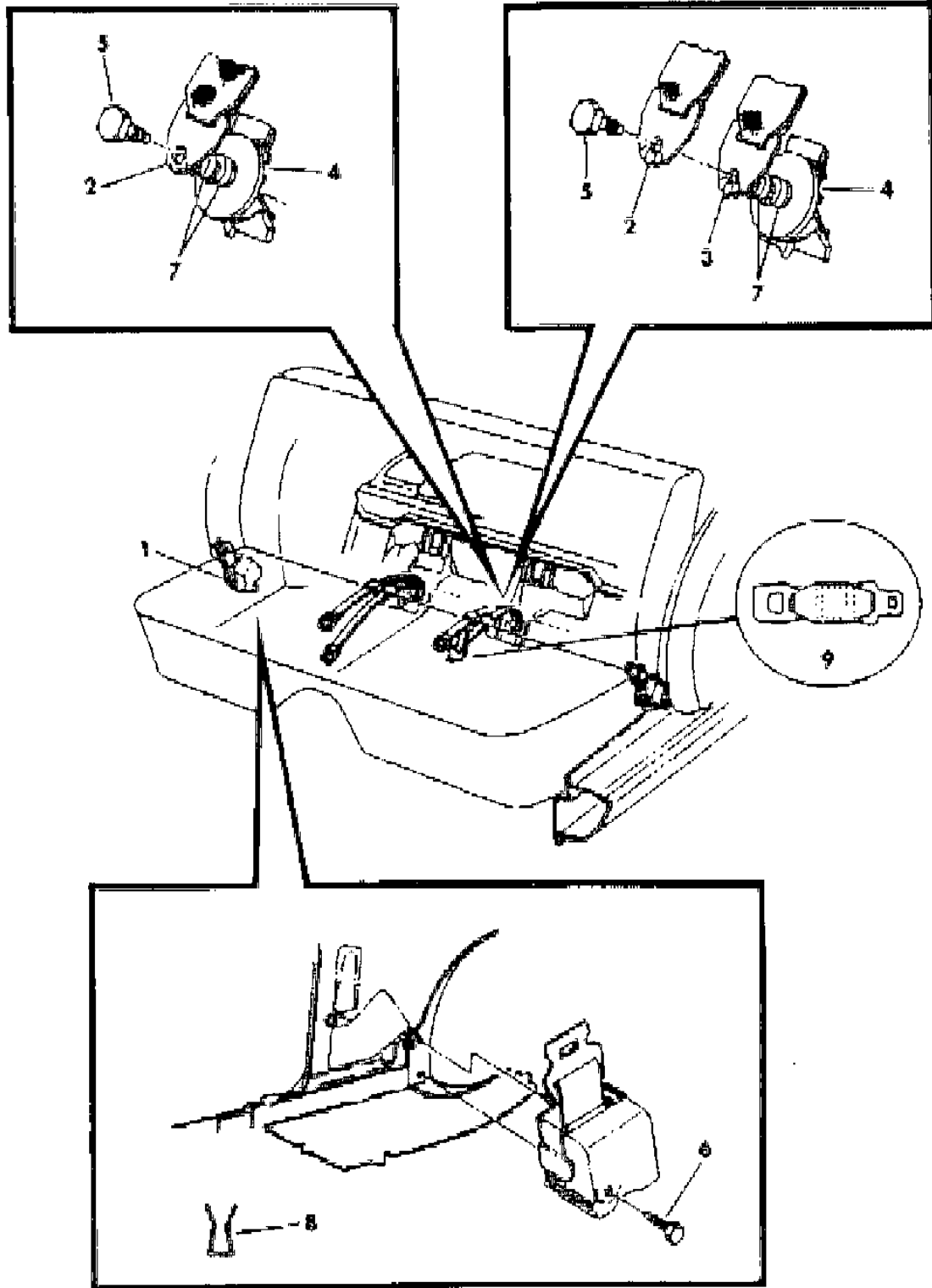
MODEL CODES  
 B = GRAN FURY                      G = DIPLOMAT                      V = 400  
 C = LEBARON/TOWN & COUNTRY    M = HORIZON/TURISMO/SCAMP    X = MIRADA  
 D = ARIES                            P = RELIANT                        Y = IMPERIAL  
 E = 600                                S = CORDOBA                        Z = OMNI/CHARGER/RAMPAGE  
 F = FIFTH AVENUE                    T = E CLASS/NEWYORKER

BODY STYLES  
 21 = 2-DOOR SEDAN                    41 = 4-DOOR SEDAN  
 22 = 2-DOOR SPECIAL COUPE        45 = 4-DOOR STATION WAGON  
 24 = 2-DOOR HATCHBACK            44 = 4-DOOR HATCHBACK  
 27 = 2-DOOR CONVERTIBLE           48 = EXECUTIVE SEDAN  
 28 = FWD PICKUP

AR = Use as Required - = Non Illustrated Part P.A.R. = Paint as Required

**BELT REAR SEAT LAP B,F,G**  
Figure IT-5371

3253 537 100 A



ITEM	PART NUMBER	QTY	BODY	MODEL	DESCRIPTION
1					BELT, Outboard Tip Half Label NO. 4290471 N N N N
	F665 BA3	2			Silver N N N YF665BA3
	F665 BC7	2			Blue N N N YF665BC7
	F665 BM6	2			Red N N N YF665BM6
	F665 BL3	2			Tan N N N YF665BL3
2					BELT, Buckle Half, Right Label No. 4316758 N N N N
	F714 BA3	2			Silver N N N YF714BA3
	F714 BC7	2			Blue N N N YF714BC7
	F714 BM6	2			Red N N N YF714BM6
	F714 BL3	2			Tan N N N YF714BL3
3					BELT, Buckle and Tip, Left Label No. 4316769 N N N N
	F719 BA3	1			Silver N N N YF719BA3
	F719 BC7	1			Blue N N N YF719BC7
	F719 BM6	1			Red N N N YF719BM6
	F719 BL3	1			Tan N N N YF719BL3
4	3861 291	AR			PAD, Swivel Plate N N N Y3861291
5	6031 216	2			BOLT N N N Y6031216
6	6030 484	2			BOLT N N N Y6030484
7		2			SPACER (not serviced) N N N N
8	6002 972	2			U-CLIP N N N Y6002972
9	4342 710	1			EXTENSION, Rear Seat Belt N N N Y4342710

MODEL CODES

B = GRAN FURY	G = DIPLOMAT	V = 400
C = LEBARON/TOWN & COUNTRY	M = HORIZON/TURISMO/SCAMP	X = MIRADA
D = ARIES	P = RELIANT	Y = IMPERIAL
E = 600	S = CORDOBA	Z = OMNI/CHARGER/RAMPAGE
F = FIFTH AVENUE	T = E CLASS/NEWYORKER	

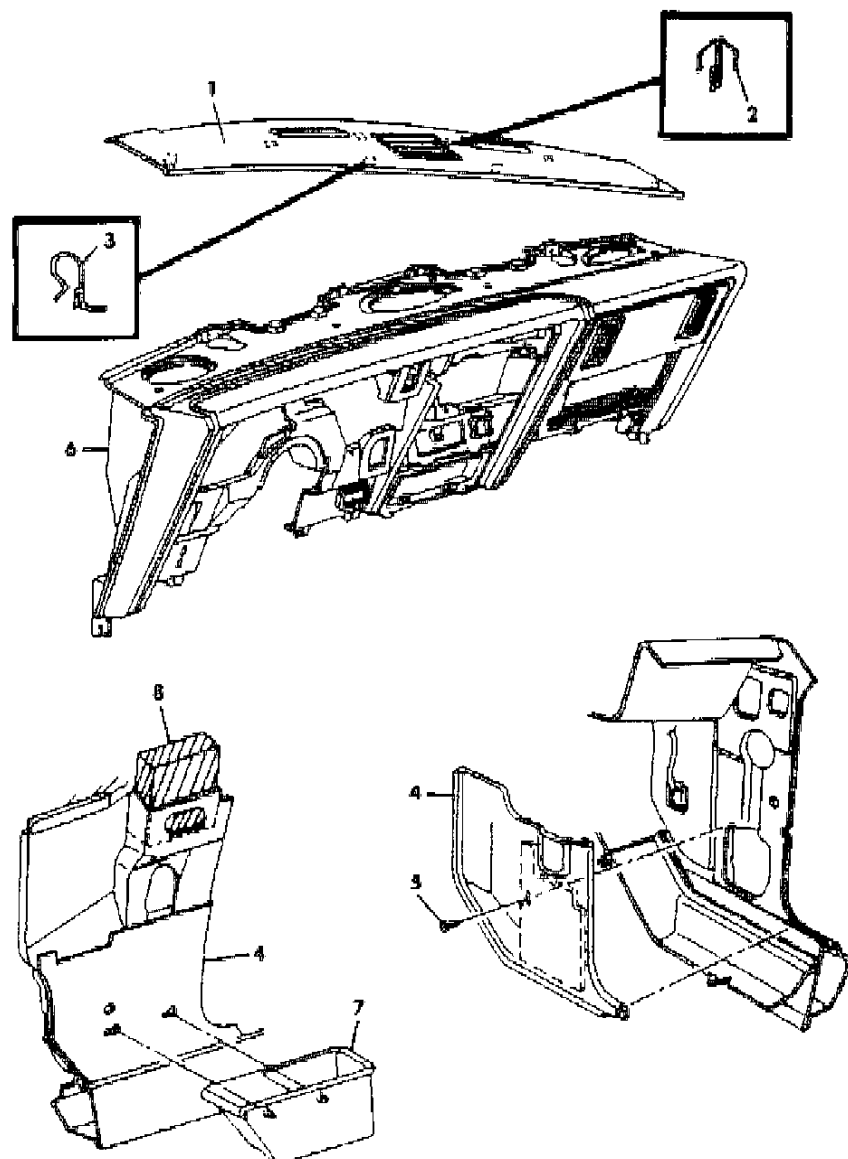
BODY STYLES

21 = 2-DOOR SEDAN	41 = 4-DOOR SEDAN
22 = 2-DOOR SPECIAL COUPE	45 = 4-DOOR STATION WAGON
24 = 2-DOOR HATCHBACK	44 = 4-DOOR HATCHBACK
27 = 2-DOOR CONVERTIBLE	48 = EXECUTIVE SEDAN
28 = FWD PICKUP	

AR = Use as Required - = Non Illustrated Part P.A.R. = Paint as Required

**INSTRUMENT PANEL AND COWL S,X,Y**  
**Figure IT-7011**

3253 701100



ITEM	PART NUMBER	QTY	BODY	MODEL	DESCRIPTION
1					COVER, Instrument Panel Trim (paint as required) N N N N
	P658 AA7	1			w/Radio N N N N Silver N N N YP658AA7
	P659 AA7	1			w/Stereo N N N N Silver N N N YP659AA7
2	3590 389	AR			CLIP, Cover Front (windshield side) N N N Y3590389
3		AR			CLIP, Cover Rear (drivers side) Serviced in item 1 N N N N
4					PANEL w/SILENCER, Cowl Side Trim w/o Litter Container N N N N
	F268-9 AA3	1			Silver N N N YF268AA3
	F268-9 TC7	1			Blue N N N YF268TC7
	F268-9 TM6	1			Red N N N YF268TM6
	F268-9 BL3	1			Tan N N N YF268BL3
	F228-9 AA3	1			w/Litter Container(right side only) and Carpet N N N N Silver NS,X N N YF228AA3
	F228-9 VC7	1			Blue NS,X N N YF228VC7
	F228-9 VM6	1			Red NS,X N N YF228VM6
	F228-9 BL3	1			Tan NS,X N N YF228BL3
	F258-9 AA3	1			Silver NY N N YF258AA3
	F258-9 AC7	1			Blue, Dark NY N N YF258AC7
	F258-9 AM6	1			Red NY N N YF258AM6
	F258-9 BL3	1			Tan (use up to 8/27/82) NY N N YF258BL3
	F258-9 BTL	1			Tan (use after 8/27/82) NY N N YF258BTL
5		2			SCREW,(8-18x1-1/2 not serviced) N N N N
6					PANEL and PAD,Instrument Panel Trim N N N N
	P431 AA7	1			Silver NS,X N N YP431AA7
	P431 TC7	1			Blue NS,X N N YP431TC7
	P431 TM6	1			Red NS,X N N YP431TM6
	P431 BT8	1			Brown NS,X N N YP431BT8
	P424 AA7	1			Silver NY N N YP424AA7
	P424 VC7	1			Blue, Dark NY N N YP424VC7
	P424 VM6	1			Red NY N N YP424VM6
	P424 VT6	1			Tan NY N N YP424VT6
	P424 BT8	1			Brown NY N N YP424BT8
7					BOX, Cowl Side Container N N N N
	F231 AA3	1			Silver NS,X N N YF231AA3
	F231 VC7	1			Blue NS,X N N YF231VC7

**MODEL CODES**

B = GRAN FURY	G = DIPLOMAT	V = 400
C = LEBARON/TOWN & COUNTRY	M = HORIZON/TURISMO/SCAMP	X = MIRADA
D = ARIES	P = RELIANT	Y = IMPERIAL
E = 600	S = CORDOBA	Z = OMNI/CHARGER/RAMPAGE
F = FIFTH AVENUE	T = E CLASS/NEWYORKER	

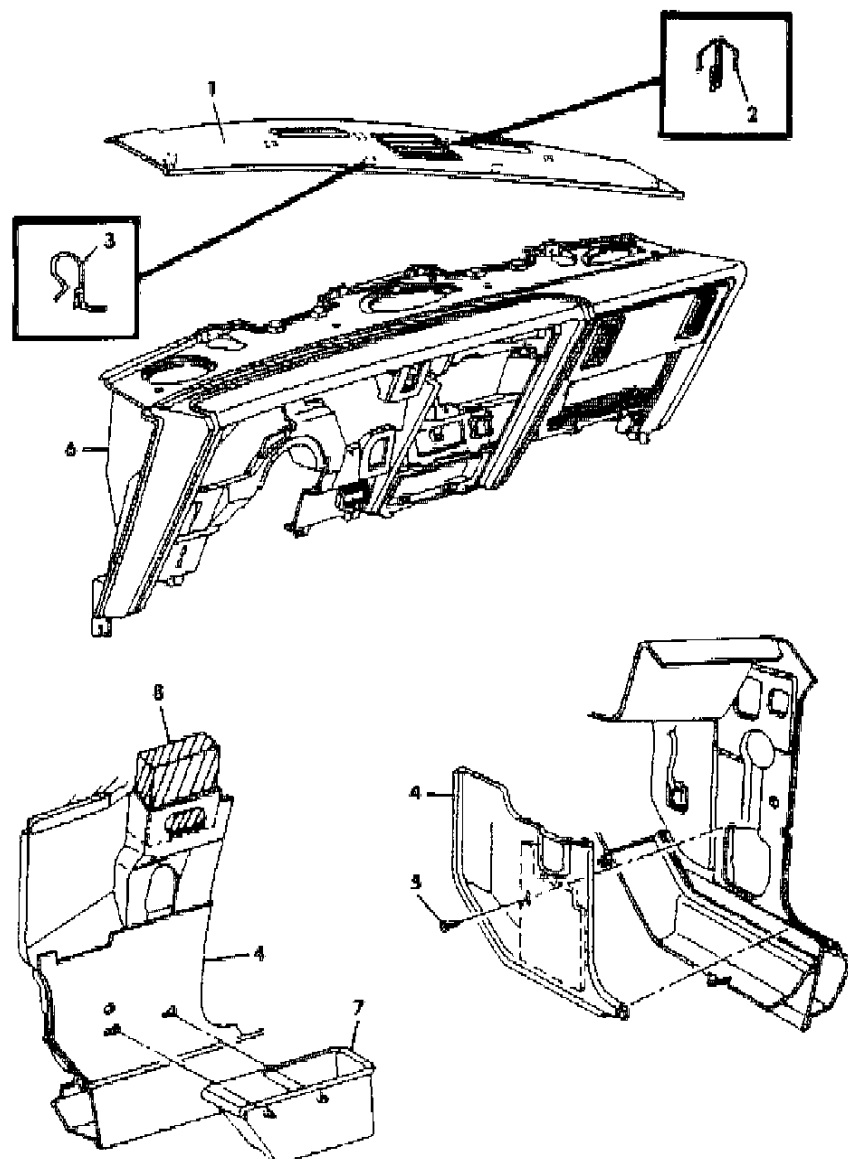
**BODY STYLES**

21 = 2-DOOR SEDAN	41 = 4-DOOR SEDAN
22 = 2-DOOR SPECIAL COUPE	45 = 4-DOOR STATION WAGON
24 = 2-DOOR HATCHBACK	44 = 4-DOOR HATCHBACK
27 = 2-DOOR CONVERTIBLE	48 = EXECUTIVE SEDAN
28 = FWD PICKUP	

AR = Use as Required - = Non Illustrated Part P.A.R. = Paint as Required

**INSTRUMENT PANEL AND COWL S,X,Y**  
**Figure IT-7011**

3253 701100



ITEM	PART NUMBER	QTY	BODY	MODEL	DESCRIPTION
	F231 VM6	1			Red NS,X N N YF231VM6
	F231 BL3	1			Tan NS,X N N YF231BL3
	F241 AA3	1			Silver NY N N YF241AA3
	F241 VC7	1			Blue, Dark NY N N YF241VC7
	F241 VM6	1			Red NY N N YF241VM6
	F241 BL3	1			Tan NY N N YF241BL3
	F241 BT9	1			Brown NY N N YF241BT9
8	4136 545	2			PAD, Cowl Side Inner N N N Y4136545
The following part is not illustrated. s ARE NOT RETURNABLE.					
					UMBRELLA HOLDER, Cowl Side N N N N
	F248 AA3	1			Silver NY N N YF248AA3
	F248 VC7	1			Blue, Dark NY N N YF248VC7
	F248 VM6	1			Red NY N N YF248VM6
	F248 BL3	1			Tan NY N N YF248BL3

**MODEL CODES**

B = GRAN FURY	G = DIPLOMAT	V = 400
C = LEBARON/TOWN & COUNTRY	M = HORIZON/TURISMO/SCAMP	X = MIRADA
D = ARIES	P = RELIANT	Y = IMPERIAL
E = 600	S = CORDOBA	Z = OMNI/CHARGER/RAMPAGE
F = FIFTH AVENUE	T = E CLASS/NEWYORKER	

**BODY STYLES**

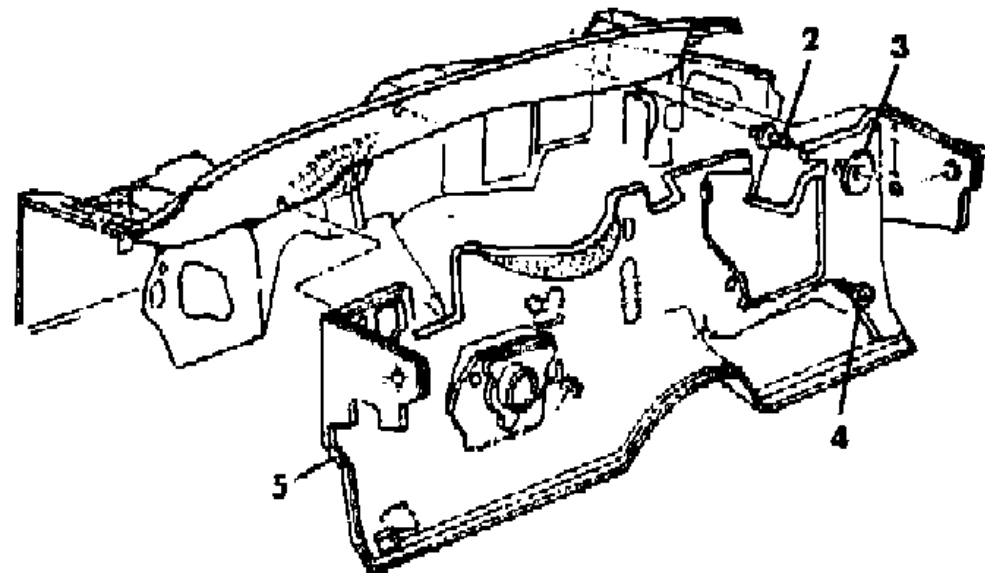
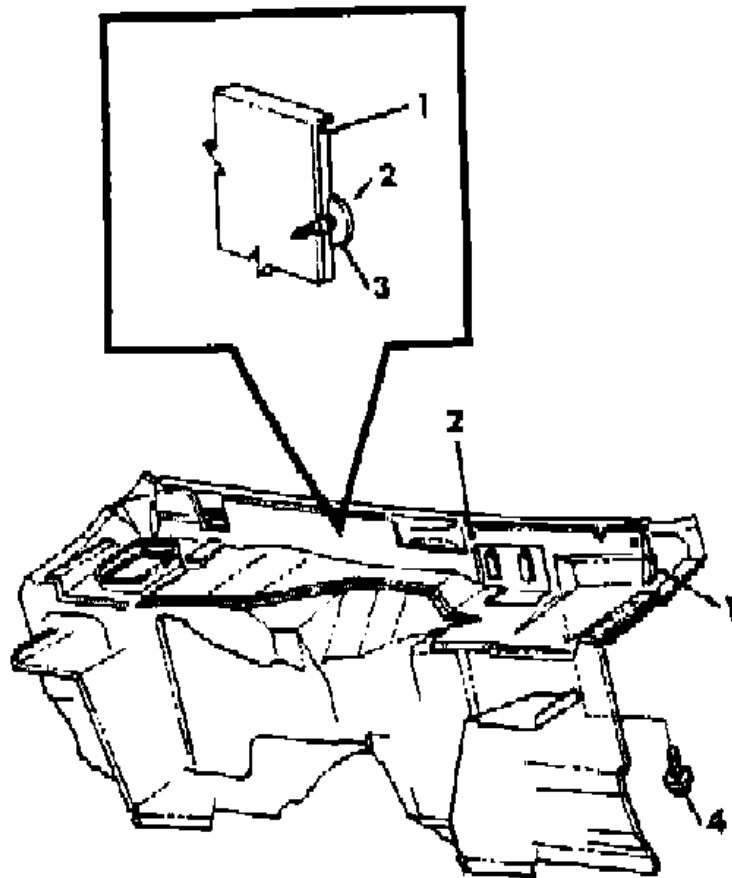
21 = 2-DOOR SEDAN	41 = 4-DOOR SEDAN
22 = 2-DOOR SPECIAL COUPE	45 = 4-DOOR STATION WAGON
24 = 2-DOOR HATCHBACK	44 = 4-DOOR HATCHBACK
27 = 2-DOOR CONVERTIBLE	48 = EXECUTIVE SEDAN
28 = FWD PICKUP	

AR = Use as Required - = Non Illustrated Part P.A.R. = Paint as Required



DASH LINER AND SILENCERS S,X,Y  
Figure IT-7012

3253 701200



ITEM	PART NUMBER	QTY	BODY	MODEL	DESCRIPTION
1	4136 444	1			SILENCER N N N Y4136444
2	6032 020	AR			STUD N N N Y6032020
3	4206 545	AR			RETAINER N N N Y4206545
4		AR			SCREW, SEAL and WASHER (8-18x75)(5/16 Hex) (not serviced) N N N N
5	4206 619	1			LINER, Dash Panel N N N Y4206619

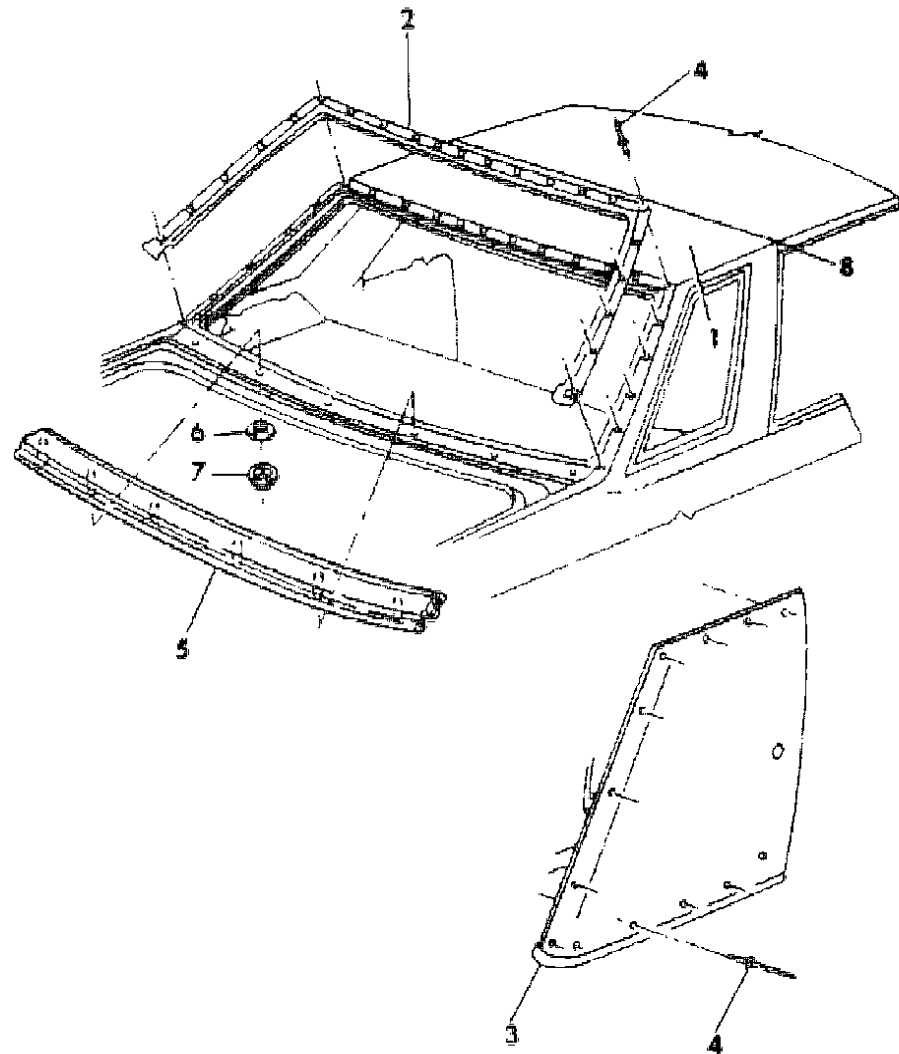
MODEL CODES  
 B = GRAN FURY  
 C = LEBARON/TOWN & COUNTRY  
 D = ARIES  
 E = 600  
 F = FIFTH AVENUE  
 G = DIPLOMAT  
 M = HORIZON/TURISMO/SCAMP  
 P = RELIANT  
 S = CORDOBA  
 T = E CLASS/NEWYORKER  
 V = 400  
 X = MIRADA  
 Y = IMPERIAL  
 Z = OMNI/CHARGER/RAMPAGE

BODY STYLES  
 21 = 2-DOOR SEDAN  
 22 = 2-DOOR SPECIAL COUPE  
 24 = 2-DOOR HATCHBACK  
 27 = 2-DOOR CONVERTIBLE  
 28 = FWD PICKUP  
 41 = 4-DOOR SEDAN  
 45 = 4-DOOR STATION WAGON  
 44 = 4-DOOR HATCHBACK  
 48 = EXECUTIVE SEDAN

AR = Use as Required - = Non Illustrated Part P.A.R. = Paint as Required

ROOF COVER S,X  
Figure IT-7021

3253 702100 A



ITEM	PART NUMBER	QTY	BODY	MODEL	DESCRIPTION
1					COVER, Padded Landau w/Plugged Window N N N N
	T918 BA2	1			N N NV5A YT918BA2
	T918 BC9	1			N N NV5C YT918BC9
	T918 BM5	1			N N NV5M YT918BM5
	T918 BT8	1			N N NV5K YT918BT8
	T918 BL4	1			N N NV5U YT918BL4
	T918 BW3	1			N N NV5W YT918BW3
	T918 BX9	1			N N NV5X YT918BX9
2	4011 752	1			RETAINER,Viny Roof Rear Window, Upper and Side N N NV5 Y4011752
3	4229 696-7	1			RETAINER,Viny Roof Opera Window N N NV5 Y4229696
4		AR			RIVET,Retainer Attaching(not serviced) N N N N
5					MOULDING, Vinyl Roof, Lower N N N N
	T911 BA2	1			N N NV5A YT911BA2
	T911 BC9	1			N N NV5C YT911BC9
	T911 BT8	1			N N NV5K YT911BT8
	T911 BM5	1			N N NV5M YT911BM5
	T911 BW3	1			N N NV5W YT911BW3
	T911 BX9	1			N N NV5X YT911BX9
	T911 BL4	1			N N NV5U YT911BL4
6	6026 387	AR			WASHER N N NV5 Y6026387
7	9420 262	7			NUT(7/16" Hex) N N NV5 Y9420262
8	4077 212	1			PAD,w/Padded Roof N N NV5 Y4077212
The following parts are not illustrated. s ARE NOT RETURNABLE.					
					WELT,w/Padded Roof (order by the inch) N N N N
	R284 BA2	AR			N N NV5A YR284BA2
	R284 TC9	AR			N N NV5C YR284TC9
	R284 BM5	AR			N N NV5M YR284BM5
	R284 BT8	AR			N N NV5K YR284BT8
	R284 BL4	AR			N N NV5U YR284BL4
	R284 VW3	AR			N N NV5W YR284VW3
	R284 TX9	AR			N N NV5X YR284TX9

MODEL CODES

B = GRAN FURY	G = DIPLOMAT	V = 400
C = LEBARON/TOWN & COUNTRY	M = HORIZON/TURISMO/SCAMP	X = MIRADA
D = ARIES	P = RELIANT	Y = IMPERIAL
E = 600	S = CORDOBA	Z = OMNI/CHARGER/RAMPAGE
F = FIFTH AVENUE	T = E CLASS/NEWYORKER	

BODY STYLES

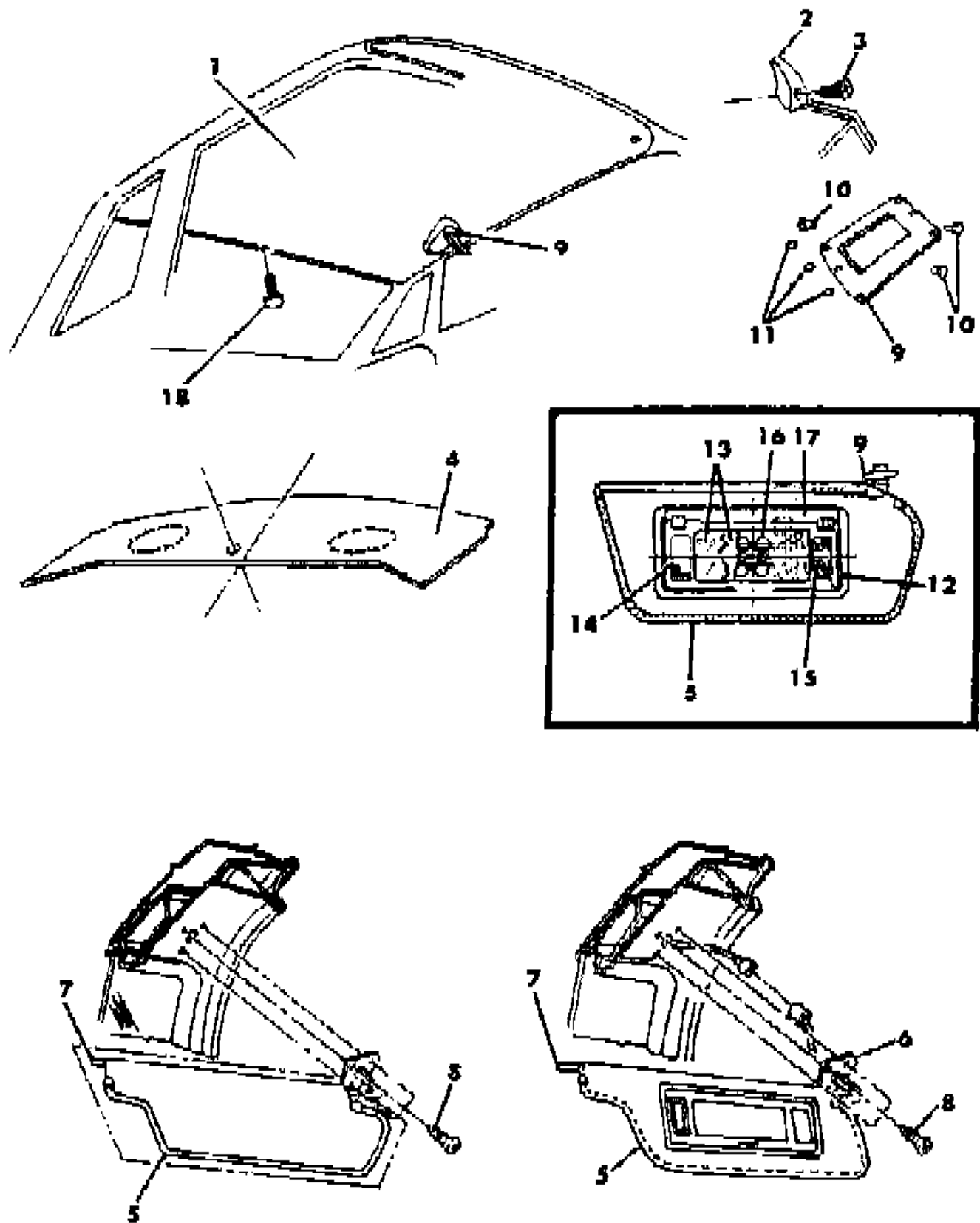
21 = 2-DOOR SEDAN	41 = 4-DOOR SEDAN
22 = 2-DOOR SPECIAL COUPE	45 = 4-DOOR STATION WAGON
24 = 2-DOOR HATCHBACK	44 = 4-DOOR HATCHBACK
27 = 2-DOOR CONVERTIBLE	48 = EXECUTIVE SEDAN
28 = FWD PICKUP	

AR = Use as Required - = Non Illustrated Part P.A.R. = Paint as Required

# HEADLINING, VISOR AND SHELF PANEL S,X,Y

## Figure IT-7031

3253 703100



ITEM	PART NUMBER	QTY	BODY	MODEL	DESCRIPTION
1					HEADLINING,Panel w/Reading Lamp, Cloth N N N N
	H822 AA3	1			Silver NS,X N N YH822AA3
	H822 TC7	1			Blue NS,X N N YH822TC7
	H822 TM6	1			Red NS,X N N YH822TM6
	H822 BL3	1			Tan NS,X N N YH822BL3
	H822 TW1	1			White NS,X N N YH822TW1
	H844 AA3	1			Silver NY N N YH844AA3
	H844 VC7	1			Blue, Dark NY N N YH844VC7
	H844 VM6	1			Red NY N N YH844VM6
	H844 BL3	1			Tan NY N N YH844BL3
					w/o Reading Lamp N N N N
	H821 AA3	1			Silver NS,X N N YH821AA3
	H821 TC7	1			Blue NS,X N N YH821TC7
	H821 TM6	1			Red NS,X N N YH821TM6
	H821 BL3	1			Tan NS,X N N YH821BL3
	4223 225	AR			SILENCER, Roof, Rear N N N Y4223225
	4078 574	AR			SILENCER, Roof, Front N N N Y4078574
	4078 869	AR			SILENCER, Roof, Center N N N Y4078869
2	3685 992	2			HOOK,Coat N N N Y3685992
3	9414 716	2			SCREW N N N Y9414716
4					PANEL,Shelf Trim N N N N
	4271 002	1			Silver NS,X N N Y4271002
	4267 362	1			Blue NS,X N N Y4267362
	4267 365	1			Red NS,X N N Y4267365
	4271 032	1			Brown NX,S N N Y4271032
	H593 AA7	1			Silver NY N N YH593AA7
	H593 VC7	1			Blue, Dark NY N N YH593VC7
	H593 VM6	1			Red NY N N YH593VM6
	H593 BT9	1			Brown NY N N YH593BT9
5					VISOR,Trim Panel N N N N
	H686-7 AA3	1			Silver N N N YH686AA3
	H686-7 VC7	1			Blue, Dark N N N YH686VC7
	H686-7 VM6	1			Red N N N YH686VM6
	H686-7 BL3	1			Tan N N N YH686BL3
					VISOR PANEL,w/Lighted Mirror Rt. N N N N
	H700 AA3	1			Silver NX,S,Y N N YH700AA3
	H700 VC7	1			Blue, Dark NX,S,Y N N YH700VC7

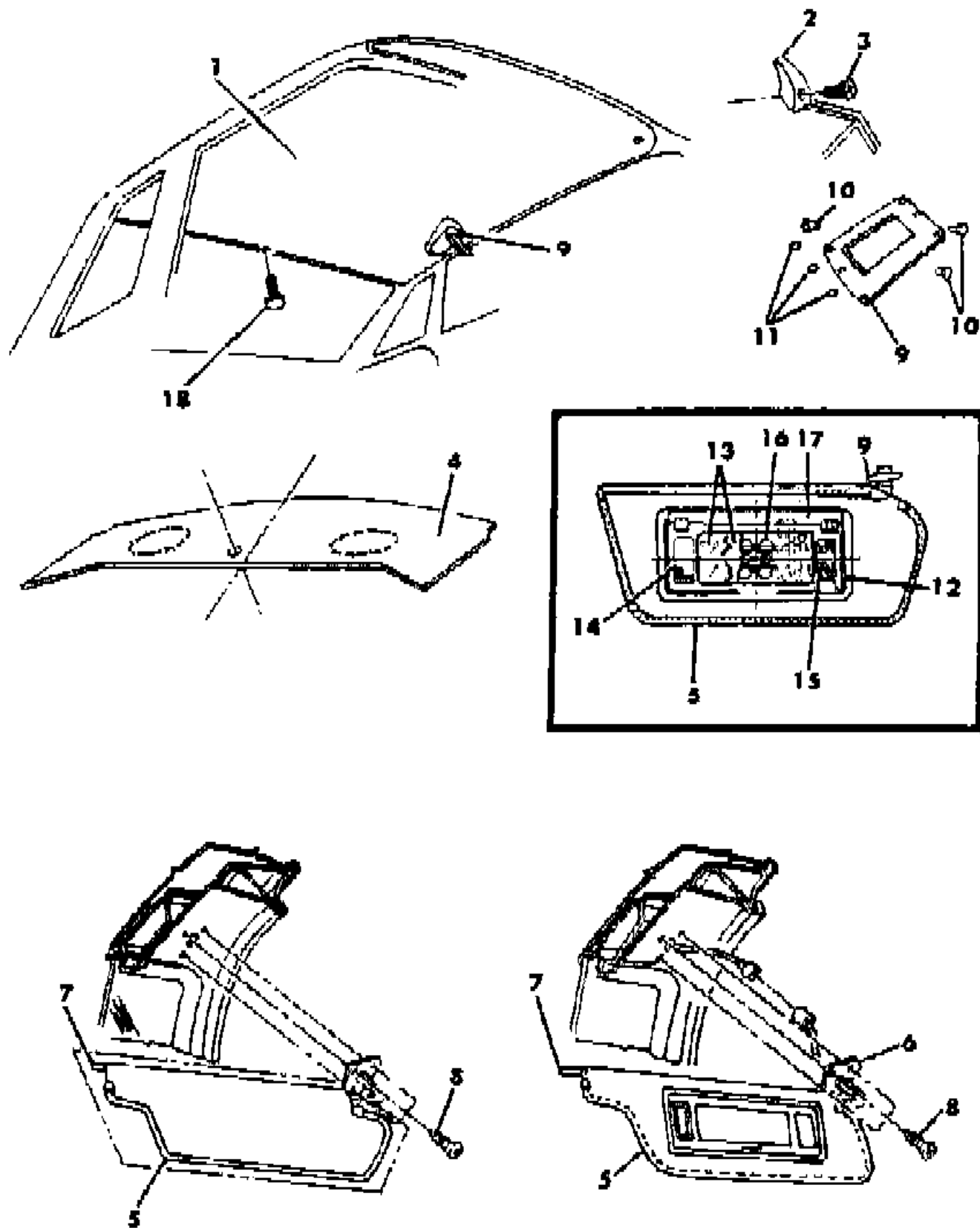
MODEL CODES  
 B = GRAN FURY  
 C = LEBARON/TOWN & COUNTRY  
 D = ARIES  
 E = 600  
 F = FIFTH AVENUE  
 G = DIPLOMAT  
 M = HORIZON/TURISMO/SCAMP  
 P = RELIANT  
 S = CORDOBA  
 T = E CLASS/NEWYORKER  
 V = 400  
 X = MIRADA  
 Y = IMPERIAL  
 Z = OMNI/CHARGER/RAMPAGE

BODY STYLES  
 21 = 2-DOOR SEDAN  
 22 = 2-DOOR SPECIAL COUPE  
 24 = 2-DOOR HATCHBACK  
 27 = 2-DOOR CONVERTIBLE  
 28 = FWD PICKUP  
 41 = 4-DOOR SEDAN  
 45 = 4-DOOR STATION WAGON  
 44 = 4-DOOR HATCHBACK  
 48 = EXECUTIVE SEDAN

AR = Use as Required - = Non Illustrated Part P.A.R. = Paint as Required

HEADLINING, VISOR AND SHELF PANEL S,X,Y  
Figure IT-7031

3253 703100



ITEM	PART NUMBER	QTY	BODY	MODEL	DESCRIPTION
	H700 VM6	1			Red NX,S,Y N N YH700VM6
	H700 BL3	1			Tan NX,S,Y N N YH700BL3
	H707 AA3	1			Lt. w/Garage Door Switch N N N N Silver NY N N YH707AA3
	H707 VC7	1			Blue, Dark NY N N YH707VC7
	H707 VM6	1			Red NY N N YH707VM6
	H707 BL3	1			Tan NY N N YH707BL3
	H691 TAA	2			COVER,WELL and FRAME,Visor w/o Lighted Mirror N N N N Silver NX,S N N YH691TAA
	H691 TCC	2			Blue NX,S N N YH691TCC
	H691 TMM	2			Red NX,S N N YH691TMM
	H691 BLL	2			Tan NX,S N N YH691BLL
	H691 AAA	1			Silver, Right NY N N YH691AAA
	H691 TCC	1			Blue, Dark, Right NY N N YH691TCC
	H691 TMM	1			Red, Right NY N N YH691TMM
	H691 BLL	1			Tan, Right NY N N YH691BLL
	H702 AA3	1			VISOR PANEL,Sub. Assy. w/o Lighted Mirror Rt. N N N N Silver NX,S,Y N N YH702AA3
	H702 VC7	1			Blue, Dark NX,S,Y N N YH702VC7
	H702 VM6	1			Red NX,S,Y N N YH702VM6
	H702 BL3	1			Tan NX,S,Y N N YH702BL3
6	4011 302	2			ARM & BRACKET,Visor,w/o Lighted Mirror N N N Y4011302
	4223 477	2			ARM & BRACKET,Visor,w/Lighted Mirror N N N Y4223477
7	1490 983	2			CLIP,Visor Panel End N N N Y1490983
8		AR			SCREW(not serviced) N N N N
9	4078 617	1			FRAME, Rear Window (paint as required) NX,S N NV5 Y4078617
10		AR			SCREW (not serviced) NX,S N NV5 N
11	4078 618	AR			SUPPORT, Frame NX,S N NV5 Y4078618
12	3832 346	2			HINGE SPRING, w/Lighted Mirror N N N Y3832346
13	4077 687	2			MIRROR and BACKING N N N Y4077687
14	4077 689	2			LENS,Visor Mirror N N N Y4077689
15	9415 969	2			BULB,Lighted Mirror Light N N N Y9415969
16	4077 690	2			COMPONENT BOARD,Vanity Mirror N N N Y4077690
17					COVER, Frame and Mirror N N N N
	H689 AAA	2			Silver NX,S N N YH689AAA
	H689 TCC	2			Blue NX,S N N YH689TCC
	H689 TMM	2			Red NX,S N N YH689TMM

MODEL CODES

B = GRAN FURY	G = DIPLOMAT	V = 400
C = LEBARON/TOWN & COUNTRY	M = HORIZON/TURISMO/SCAMP	X = MIRADA
D = ARIES	P = RELIANT	Y = IMPERIAL
E = 600	S = CORDOBA	Z = OMNI/CHARGER/RAMPAGE
F = FIFTH AVENUE	T = E CLASS/NEWYORKER	

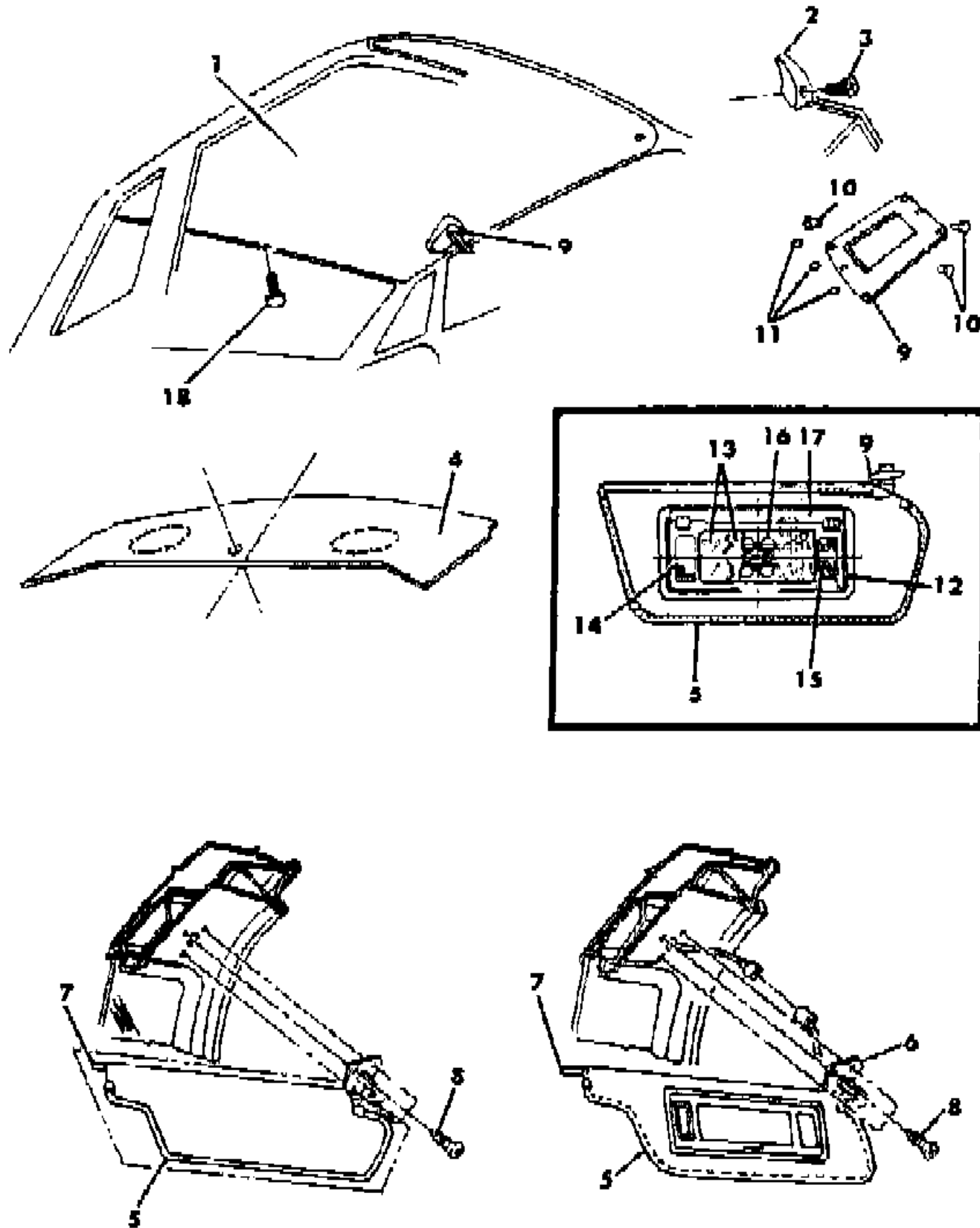
BODY STYLES

21 = 2-DOOR SEDAN	41 = 4-DOOR SEDAN
22 = 2-DOOR SPECIAL COUPE	45 = 4-DOOR STATION WAGON
24 = 2-DOOR HATCHBACK	44 = 4-DOOR HATCHBACK
27 = 2-DOOR CONVERTIBLE	48 = EXECUTIVE SEDAN
28 = FWD PICKUP	

AR = Use as Required - = Non Illustrated Part P.A.R. = Paint as Required

HEADLINING, VISOR AND SHELF PANEL S,X,Y  
Figure IT-7031

3253 703100



ITEM	PART NUMBER	QTY	BODY	MODEL	DESCRIPTION
	H689 BLL	2			Tan NX,S N N YH689BLL
	H689 AAA	1			Silver, Right NY N N YH689AAA
	H689 TCC	1			Blue, Dark, Right NY N N YH689TCC
	H689 TMM	1			Red, Right NY N N YH689TMM
	H689 BLL	1			Tan, Right NY N N YH689BLL
18	H446 RX9	1			FASTENER HEADLINING N N N YH446RX9
The Following parts are not illustrated. 0 s ARE NOT RETURNABLE.					
	4222 270	1			GARAGE DOOR OPENER RECEIVER PACKAGE NY N N Y4222270

NOTE: For the Imperial Garage Door Opener refer to Technical Service Bulletin Number 08-02-81. As St ated in the Bulletin, parts are to be procured by the dealer directly from:  
 PRINCE CORPORATION ated in the Bulletin, parts are to be procured by the dealer directly from:  
 WINDCREST DRIVE ated in the Bulletin, parts are to be procured by the dealer directly from:  
 HOLLAND, Michigan 48423 ated in the Bulletin, parts are to be procured by the dealer directly from:  
 For additional transmitters phone area code (616) 392-3234. ated in the Bulletin, parts are to be procured by the dealer directly from:

COVER,Seat Belt Retractor See Seat Belt Illustration N N N N

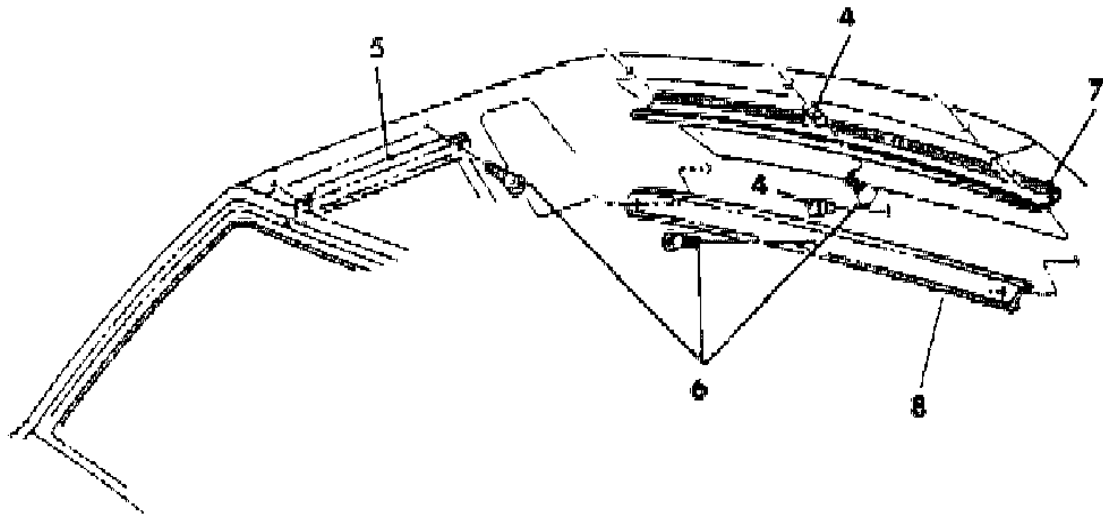
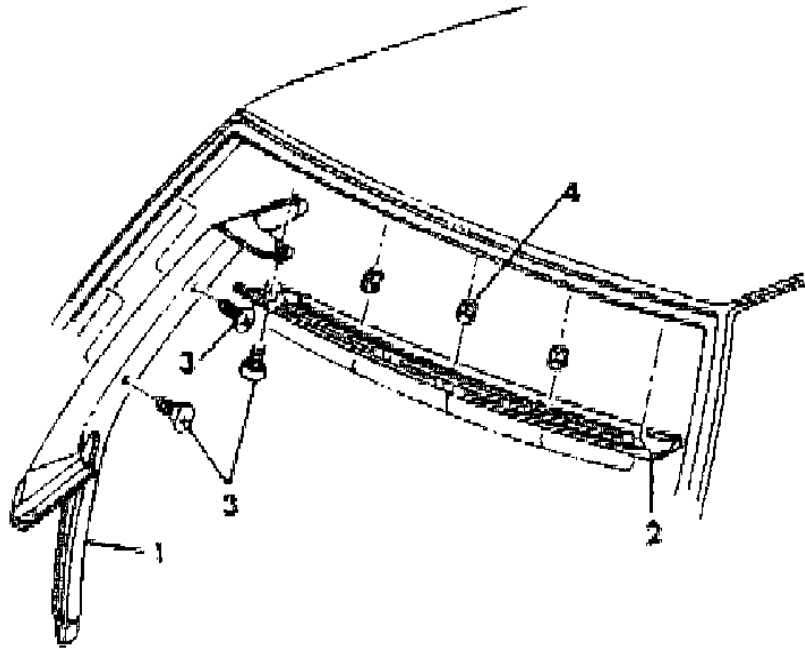
MODEL CODES  
 B = GRAN FURY  
 C = LEBARON/TOWN & COUNTRY  
 D = ARIES  
 E = 600  
 F = FIFTH AVENUE  
 G = DIPLOMAT  
 M = HORIZON/TURISMO/SCAMP  
 P = RELIANT  
 S = CORDOBA  
 T = E CLASS/NEWYORKER  
 V = 400  
 X = MIRADA  
 Y = IMPERIAL  
 Z = OMNI/CHARGER/RAMPAGE

BODY STYLES  
 21 = 2-DOOR SEDAN  
 22 = 2-DOOR SPECIAL COUPE  
 24 = 2-DOOR HATCHBACK  
 27 = 2-DOOR CONVERTIBLE  
 28 = FWD PICKUP  
 41 = 4-DOOR SEDAN  
 45 = 4-DOOR STATION WAGON  
 44 = 4-DOOR HATCHBACK  
 48 = EXECUTIVE SEDAN

AR = Use as Required - = Non Illustrated Part P.A.R. = Paint as Required

GARNISH MOULDING X,S,Y  
Figure IT-7032

3253 703200



ITEM	PART NUMBER	QTY	BODY	MODEL	DESCRIPTION
1	MOULDING, "A" Pillar (w/filler) N N N N				
	F158-9 AA3	1			Silver NX,S N N YF158AA3
	F158-9 TC7	1			Blue NX,S N N YF158TC7
	F158-9 TM6	1			Red NX,S N N YF158TM6
	F158-9 BL3	1			Tan NX,S N N YF158BL3
	F156-7 AA3	1			Silver NY N N YF156AA3
	F156-7 VC8	1			Blue, Dark NY N N YF156VC8
	F156-7 VM6	1			Red NY N N YF156VM6
	F156-7 BL3	1			Tan NY N N YF156BL3
	2	MOULDING, Windshield Upper (paint as required) NX,S N N Y4136142			
H131 AA3		1			Silver NY N N YH131AA3
H131 VC7		1			Blue, Dark NY N N YH131VC7
H131 VM6		1			Red NY N N YH131VM6
H131 BL3		1			Tan NY N N YH131BL3
3		AR			SCREW (not serviced) NX,S N N N NY N N Y6032152
	6032 152	AR			
4	0152 861	AR			SPACER N N N Y152861
5	MOULDING, Roof Side (paint as required) NX,S N N Y4136140				
	H128 AA3	2			Silver NY N N YH128AA3
	H128 VC7	2			Blue, Dark NY N N YH128VC7
	H128 VM6	2			Red NY N N YH128VM6
	H128 BL3	2			Tan NY N N YH128BL3
6	6032 152	AR			SCREW N N N Y6032152
7	MOULDING, Rear Window Upper (paint as required) NX,S N N Y4136143				
	H130 AA3	1			Silver NY N N YH130AA3
	H130 VC7	1			Blue, Dark NY N N YH130VC7
	H130 VM6	1			Red NY N N YH130VM6
	H130 BL3	1			Tan NY N N YH130BL3
8	MOULDING, Rear Window Lower (paint as required) NX,S N N Y4136148				
	H129 AA3	1			Silver NY N N YH129AA3
	H129 VC7	1			Blue, Dark NY N N YH129VC7
	H129 VM6	1			Red NY N N YH129VM6
	H129 BL3	1			Tan NY N N YH129BL3

MODEL CODES

B = GRAN FURY	G = DIPLOMAT	V = 400
C = LEBARON/TOWN & COUNTRY	M = HORIZON/TURISMO/SCAMP	X = MIRADA
D = ARIES	P = RELIANT	Y = IMPERIAL
E = 600	S = CORDOBA	Z = OMNI/CHARGER/RAMPAGE
F = FIFTH AVENUE	T = E CLASS/NEWYORKER	

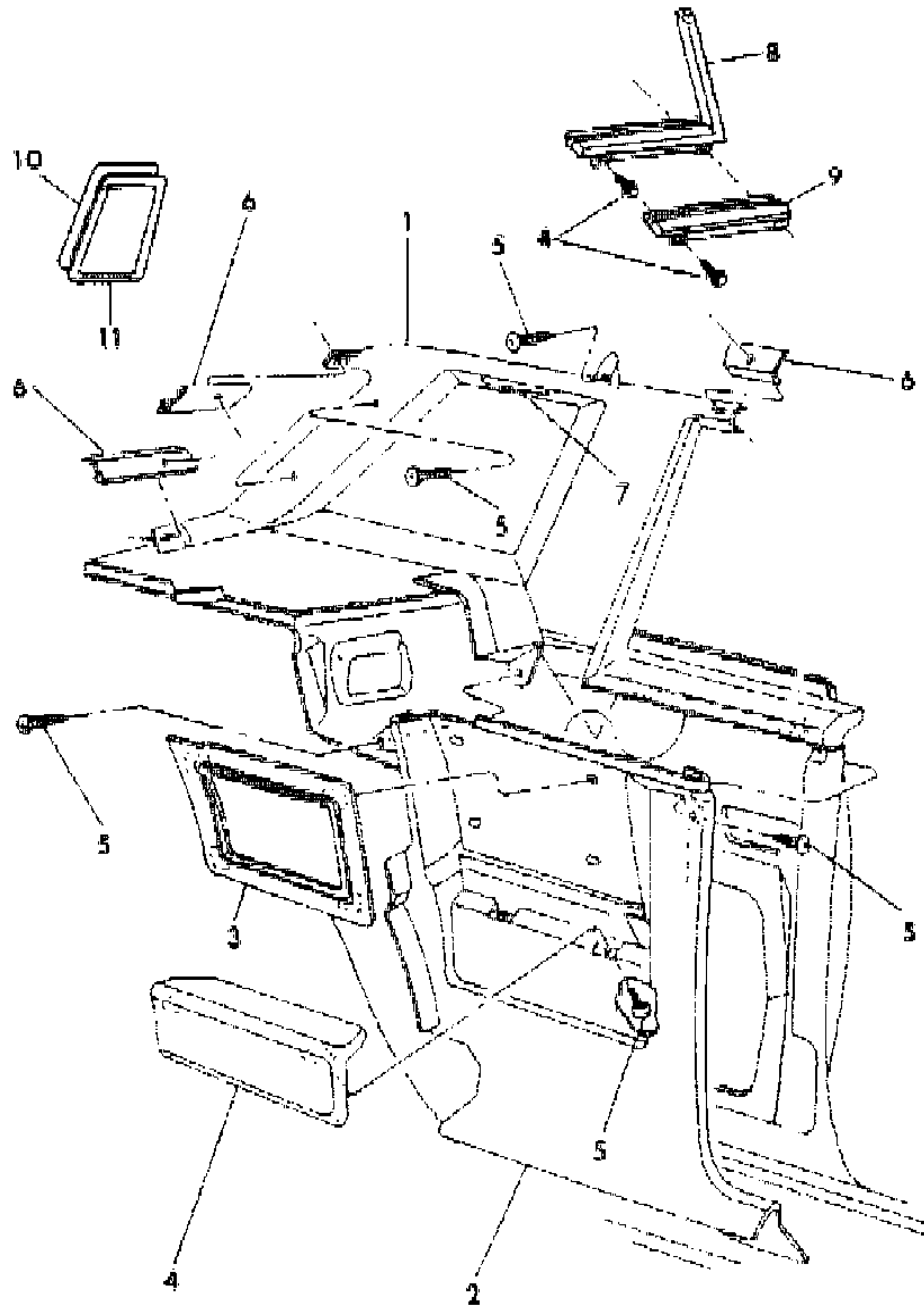
BODY STYLES

21 = 2-DOOR SEDAN	41 = 4-DOOR SEDAN
22 = 2-DOOR SPECIAL COUPE	45 = 4-DOOR STATION WAGON
24 = 2-DOOR HATCHBACK	44 = 4-DOOR HATCHBACK
27 = 2-DOOR CONVERTIBLE	48 = EXECUTIVE SEDAN
28 = FWD PICKUP	

AR = Use as Required - = Non Illustrated Part P.A.R. = Paint as Required

QUARTER PANEL S,X  
Figure IT-7061

3253 706100



ITEM	PART NUMBER	QTY	BODY	MODEL	DESCRIPTION
1					PANEL,Quarter Trim, Upper N N N N
	H678-9 TW1	1			White,paint as required N N N YH678TW1
-	4136 546	4			PAD, Quarter Inside to Outer Upper Panel N N N Y4136546
2					PANEL,Quarter Trim Lower N N N N
	H666-7 TW1	1			White,paint as required N N N YH666TW1
3					INSERT,Quarter Trim Panel N N N N
	K770-1 AA2	1			N N NDLA,N5A YK770AA2
	K770-1 VC8	1			N N NN5C YK770VC8
	K770-1 VM6	1			N N NN5M YK770VM6
	K770-1 BL3	1			N N NDLL,N5L YK770BL3
	K772-3 BA3	1			N N NC9A YK772BA3
	K772-3 BC7	1			N N NC9C YK772BC7
	K772-3 BM6	1			N N NC9M YK772BM6
	K772-3 BL3	1			N N NC9L YK772BL3
4					ARM REST,Quarter Trim Panel N N N N
	D486-7 AA3	1			Silver N N N YD486AA3
	D486-7 TC7	1			Blue N N N YD486TC7
	D486-7 TM6	1			Red N N N YD486TM6
	D486-7 BL3	1			Tan N N N YD486BL3
5		AR			SCREW(not serviced) N N N N
6	4136 140	1			Moulding, Roof Side (paint as required) N N N Y4136140
7					LAMP,Quarter Window See Group 8. N N N N
8					MOULDING, Quarter Window N N N N
	F270-1 TW1	1			NX N N YF270TW1
	4077 294-5	1			(Featherwood Grain) NS N N Y4077294
9	D912-3 TW1	1			MOULDING, Inside Belt Quarter (paint as required) NX N N YD912TW1
10		AR			TAPE, Foam (not serviced) NS N NV5 N
11	4078 626-7	1			APPLIQUE, Quarter Panel (paint as required) NS N NV5 Y4078626
The following part is not illustrated. ated in the Bulletin, parts are to be procured by the dealer directly from:					
	4136 546	4			PAD,Quarter Inner Panel to Outer Panel N N N Y4136546

MODEL CODES

B = GRAN FURY	G = DIPLOMAT	V = 400
C = LEBARON/TOWN & COUNTRY	M = HORIZON/TURISMO/SCAMP	X = MIRADA
D = ARIES	P = RELIANT	Y = IMPERIAL
E = 600	S = CORDOBA	Z = OMNI/CHARGER/RAMPAGE
F = FIFTH AVENUE	T = E CLASS/NEWYORKER	

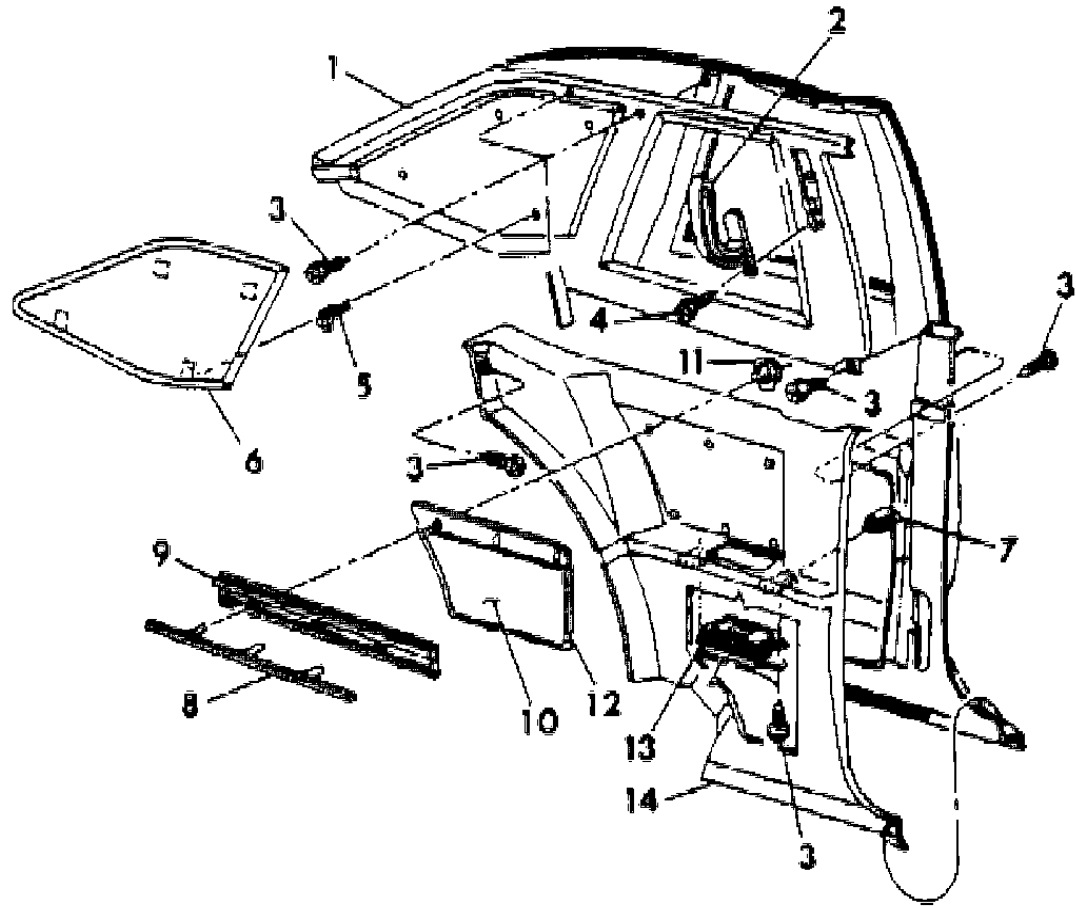
BODY STYLES

21 = 2-DOOR SEDAN	41 = 4-DOOR SEDAN
22 = 2-DOOR SPECIAL COUPE	45 = 4-DOOR STATION WAGON
24 = 2-DOOR HATCHBACK	44 = 4-DOOR HATCHBACK
27 = 2-DOOR CONVERTIBLE	48 = EXECUTIVE SEDAN
28 = FWD PICKUP	

AR = Use as Required - = Non Illustrated Part P.A.R. = Paint as Required

QUARTER PANEL Y  
Figure IT-7062

3253 706200



ITEM	PART NUMBER	QTY	BODY	MODEL	DESCRIPTION
1					PANEL w/MOULDING, Quarter Upper Trim N N N N
	H424-5 AA3	1			Silver N N N YH424AA3
	H424-5 VC7	1			Blue, Dark N N N YH424VC7
	H424-5 VM6	1			Red N N N YH424VM6
	H424-5 BL3	1			Tan N N N YH424BL3
-	4136 546	4			PAD, Quarter Inside to Outer Upper Panel N N N Y4136546
2					STRAP, Quarter Panel Assist Complete N N N N
	F298 AA2	2			Silver N N N YF298AA2
	F298 VC8	2			Blue, Dark N N N YF298VC8
	F298 VM6	2			Red N N N YF298VM6
	F298 BL3	2			Tan N N N YF298BL3
	F281 AA2	2			STRAP, Only N N N N
	F281 AA2	2			Silver N N N YF281AA2
	F281 VC8	2			Blue, Dark N N N YF281VC8
	F281 VM6	2			Red N N N YF281VM6
	F281 BL3	2			Tan N N N YF281BL3
3	9414 712	AR			SCREW N N N Y9414712
4	9414 736	AR			SCREW N N N Y9414736
5	1623 945	AR			FASTENER N N N Y1623945
6					PAD AND INSERT, Quarter Upper Trim Panel N N N N
	H420 AA3	1			Silver N N N YH420AA3
	H420-1 VC7	1			Blue, Dark N N N YH420VC7
	H420-1 VM6	1			Red N N N YH420VM6
	H420-1 BL3	1			Tan N N N YH420BL3
7	0152 490	AR			U/NUT N N N Y152490
8	4078 078-9	1			MOULDING, Quarter Trim Panel Insert N N N Y4078078
9					BASE, Quarter Lower Trim Panel Insert Moulding N N N N
	D954-5 AA2	1			Silver N N N YD954AA2
	D954-5 VC7	1			Blue, Dark N N N YD954VC7
	D954-5 VM6	1			Red N N N YD954VM6
	D954-5 BL3	1			Tan N N N YD954BL3
10					BOLSTER, Quarter Lower Insert N N N N
	K782-3 AA3	1			Silver N N NA9A YK782AA3
	K782-3 BL3	1			Tan N N NA9L YK782BL3
	K780-1 AA2	1			Silver N N NAYA YK780AA2
	K780-1 VC8	1			Blue, Dark N N NAYC YK780VC8
	K780-1 VM6	1			Red N N NAYM YK780VM6

MODEL CODES

B = GRAN FURY	G = DIPLOMAT	V = 400
C = LEBARON/TOWN & COUNTRY	M = HORIZON/TURISMO/SCAMP	X = MIRADA
D = ARIES	P = RELIANT	Y = IMPERIAL
E = 600	S = CORDOBA	Z = OMNI/CHARGER/RAMPAGE
F = FIFTH AVENUE	T = E CLASS/NEWYORKER	

BODY STYLES

21 = 2-DOOR SEDAN	41 = 4-DOOR SEDAN
22 = 2-DOOR SPECIAL COUPE	45 = 4-DOOR STATION WAGON
24 = 2-DOOR HATCHBACK	44 = 4-DOOR HATCHBACK
27 = 2-DOOR CONVERTIBLE	48 = EXECUTIVE SEDAN
28 = FWD PICKUP	

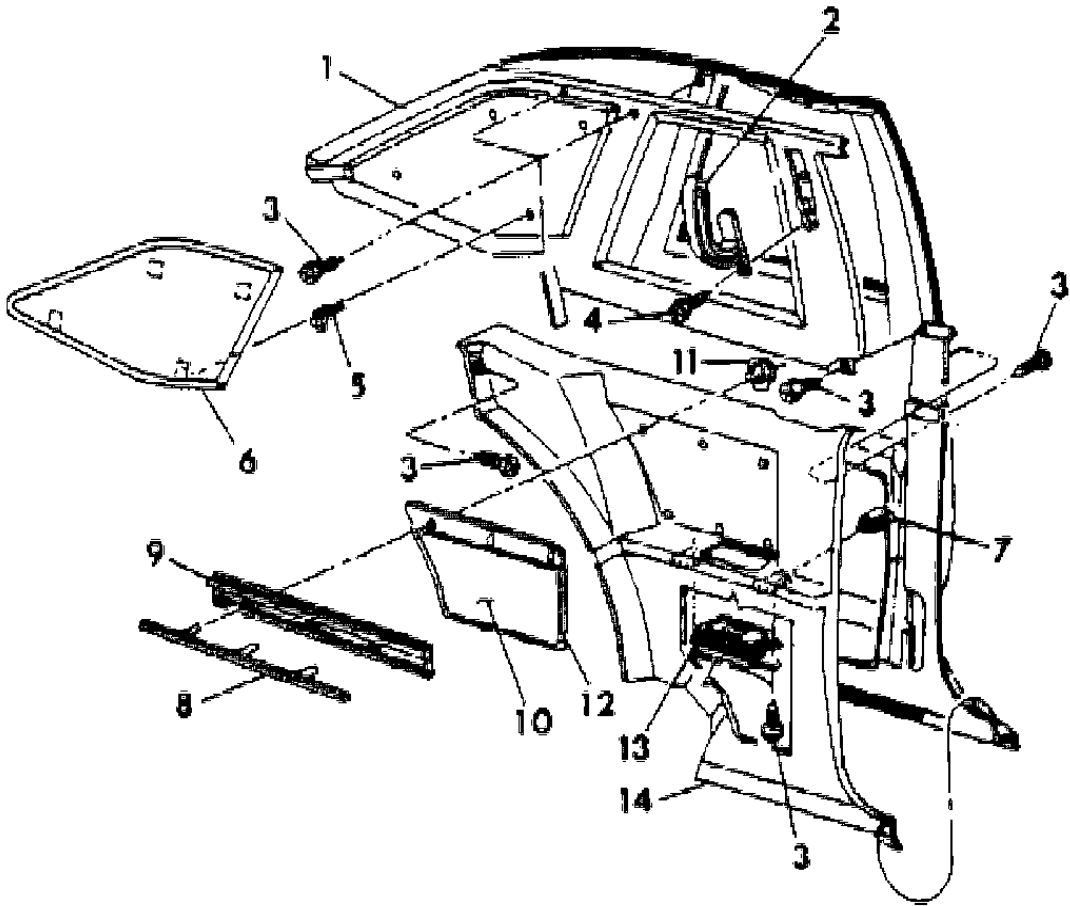
AR = Use as Required - = Non Illustrated Part P.A.R. = Paint as Required



QUARTER PANEL Y  
Figure IT-7062

3253 706200

ITEM	PART NUMBER	QTY	BODY	MODEL	DESCRIPTION
	K780-1 BL3	1			Tan N N NAYL YK780BL3
11	9420 294	6			NUT, Quarter Lower Trim Panel Moulding to Base Attaching N N N Y9420294
12	4077 484-5	1			MOULDING, Quarter Trim Panel Insert Frame N N N Y4077484
13					ASH RECEIVER, Complete N N N N
	D419 AA3	2			Silver N N N YD419AA3
	D419 VC7	2			Blue, Dark N N N YD419VC7
	D419 VM6	2			Red N N N YD419VM6
	D419 BL3	2			Tan N N N YD419BL3
	3832 955	2			RECEPTACLE, Only N N N Y3832955
14					PANEL, Quarter Lower Trim N N N N
	K784-5 AA3	1			Silver N N N YK784AA3
	K784-5 VC8	1			Blue, Dark N N N YK784VC8
	K784-5 VM6	1			Red N N N YK784VM6
	K784-5 BL3	1			Tan N N N YK784BL3



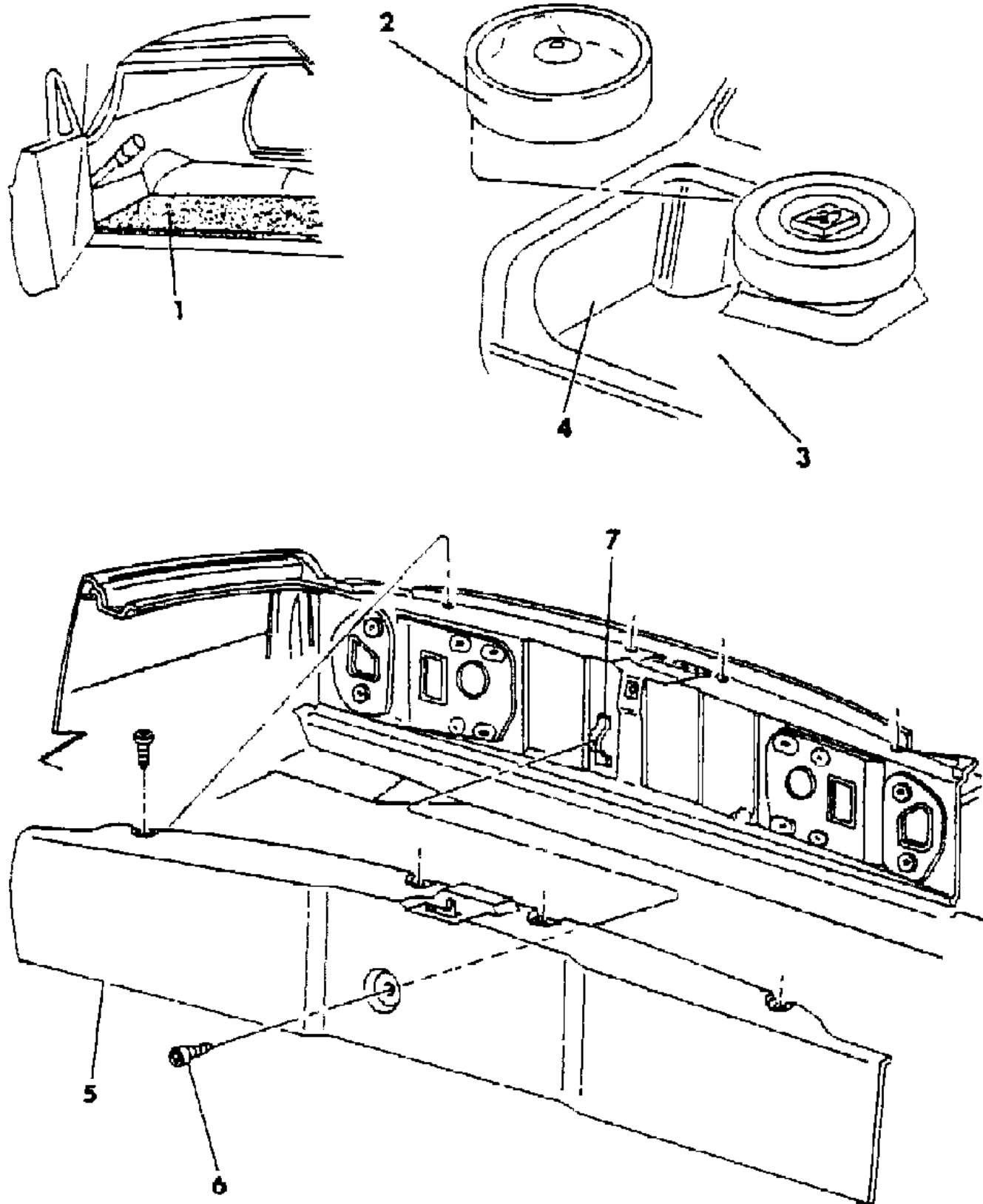
MODEL CODES  
 B = GRAN FURY  
 C = LEBARON/TOWN & COUNTRY  
 D = ARIES  
 E = 600  
 F = FIFTH AVENUE  
 G = DIPLOMAT  
 M = HORIZON/TURISMO/SCAMP  
 P = RELIANT  
 S = CORDOBA  
 T = E CLASS/NEWYORKER  
 V = 400  
 X = MIRADA  
 Y = IMPERIAL  
 Z = OMNI/CHARGER/RAMPAGE

BODY STYLES  
 21 = 2-DOOR SEDAN  
 22 = 2-DOOR SPECIAL COUPE  
 24 = 2-DOOR HATCHBACK  
 27 = 2-DOOR CONVERTIBLE  
 28 = FWD PICKUP  
 41 = 4-DOOR SEDAN  
 45 = 4-DOOR STATION WAGON  
 44 = 4-DOOR HATCHBACK  
 48 = EXECUTIVE SEDAN

AR = Use as Required - = Non Illustrated Part P.A.R. = Paint as Required

CARPET S,X  
Figure IT-7081

3253 708100



ITEM	PART NUMBER	QTY	BODY	MODEL	DESCRIPTION
------	-------------	-----	------	-------	-------------

NOTE: Only long cut pile carpet is serviced and is used as a replacement for short cut pile. as stated in the Bulletin, parts are to be procured by the dealer directly from:

1	M705 AA7	1			CARPET, Floor One Piece Front & Rear N N N N Silver N N N YM705AA7
	M705 TC7	1			Blue N N N YM705TC7
	M705 TM6	1			Red N N N YM705TM6
	M705 BT9	1			Brown N N N YM705BT9
2	4010 637	1			COVER, Spare Tire, W/o Collapsible Tire N N N Y4010637
	4077 804	1			W/Collapsible Tire N N N Y4077804
3	4077 251	1			CARPET, Luggage Compt. Floor N N N N Black N N N Y4077251
4	4011 548	1			COVER, Wheelhouse Luggage Compt. (Carpet) N N N N Black, Rt. N N N Y4011548
	4011 549	1			Black, Lt. N N N Y4011549
5	4011 618	1			CARPET, Rear Deck Lower Panel N N N N Black N N N Y4011618
6		1			SCREW(not serviced) N N N N
7	4077 747	1			BRACKET, Deck Opening Lower Trim Panel Attaching N N N Y4077747

The following parts are not illustrated. as stated in the Bulletin, parts are to be procured by the dealer directly from:

					CARPET, Needed Velour Short Ozite 54" Wide Order By The Inch(used on seats) N N N N
	R112 AA7	AR			Silver N N N YR112AA7
	R112 SC7	AR			Blue N N N YR112SC7
	R112 TM6	AR			Red N N N YR112TM6
	R112 BL3	AR			Tan N N N YR112BL3
	R112 BT9	AR			Brown N N N YR112BT9
					CARPET, Needed Short Ozite 54" Wide Order By The Inch(used on doors) N N N N
	R113 AA7	AR			Silver N N N YR113AA7
	R113 SC7	AR			Blue N N N YR113SC7
	R113 TM6	AR			Red N N N YR113TM6
	R113 BL3	AR			Tan N N N YR113BL3
	R113 BT9	AR			Brown N N N YR113BT9
					MATS, Carpeted Front N N N N
	M025 AA7	1			Silver N N N YM025AA7
	M025 VC7	1			Blue N N N YM025VC7

MODEL CODES

B = GRAN FURY

C = LEBARON/TOWN & COUNTRY

D = ARIES

E = 600

F = FIFTH AVENUE

G = DIPLOMAT

M = HORIZON/TURISMO/SCAMP

P = RELIANT

S = CORDOBA

T = E CLASS/NEWYORKER

V = 400

X = MIRADA

Y = IMPERIAL

Z = OMNI/CHARGER/RAMPAGE

BODY STYLES

21 = 2-DOOR SEDAN

22 = 2-DOOR SPECIAL COUPE

24 = 2-DOOR HATCHBACK

27 = 2-DOOR CONVERTIBLE

28 = FWD PICKUP

41 = 4-DOOR SEDAN

45 = 4-DOOR STATION WAGON

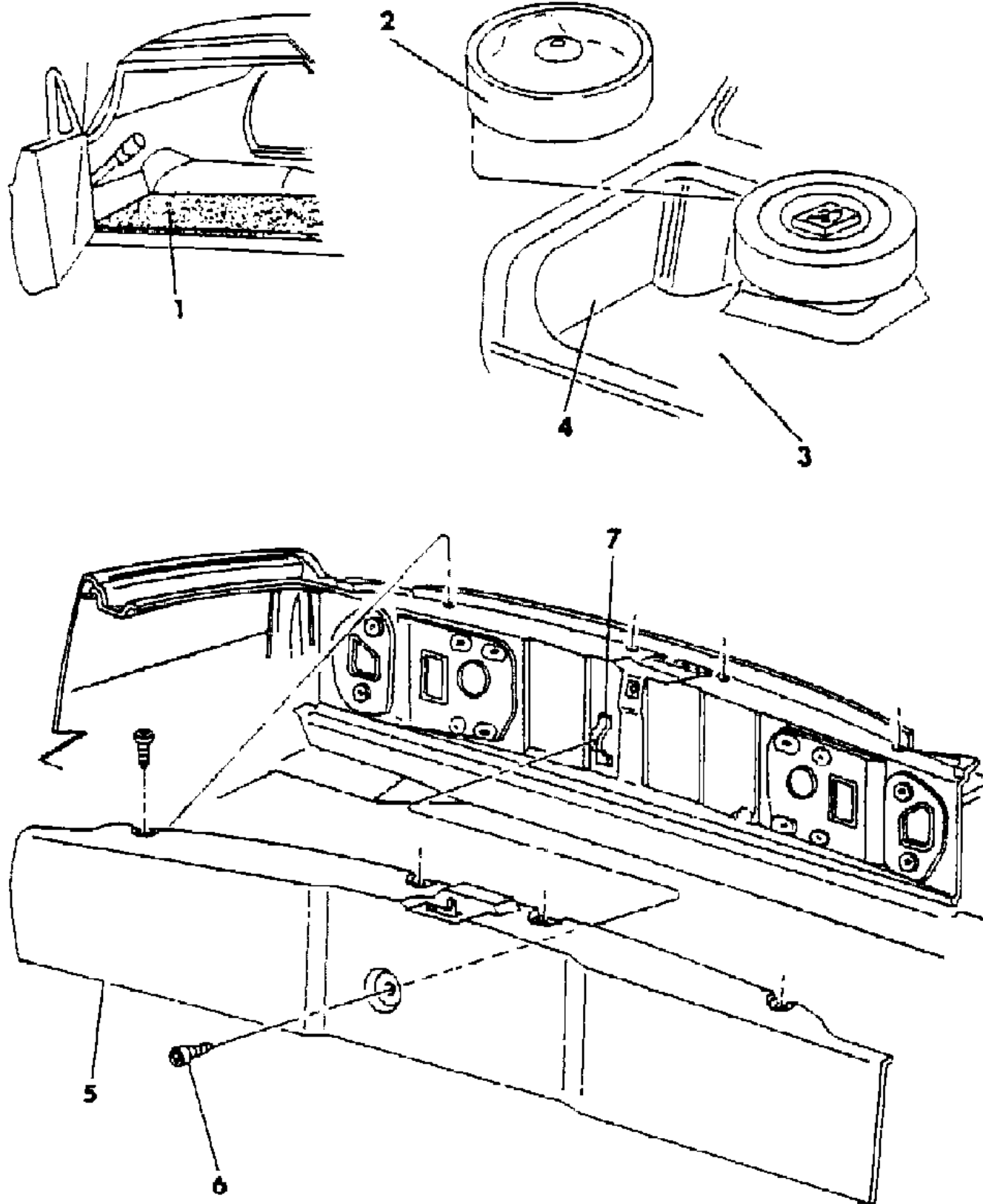
44 = 4-DOOR HATCHBACK

48 = EXECUTIVE SEDAN

AR = Use as Required - = Non Illustrated Part P.A.R. = Paint as Required

CARPET S,X  
Figure IT-7081

3253 708100



ITEM	PART NUMBER	QTY	BODY	MODEL	DESCRIPTION
	M025 VM6	1			Red N N N YM025VM6
	M025 BT9	1			Brown N N N YM025BT9
					Rear N N N N
	M027 AA7	1			Silver N N N YM027AA7
	M027 VC7	1			Blue N N N YM027VC7
	M027 VM6	1			Red N N N YM027VM6
	M027 BT9	1			Brown N N N YM027BT9

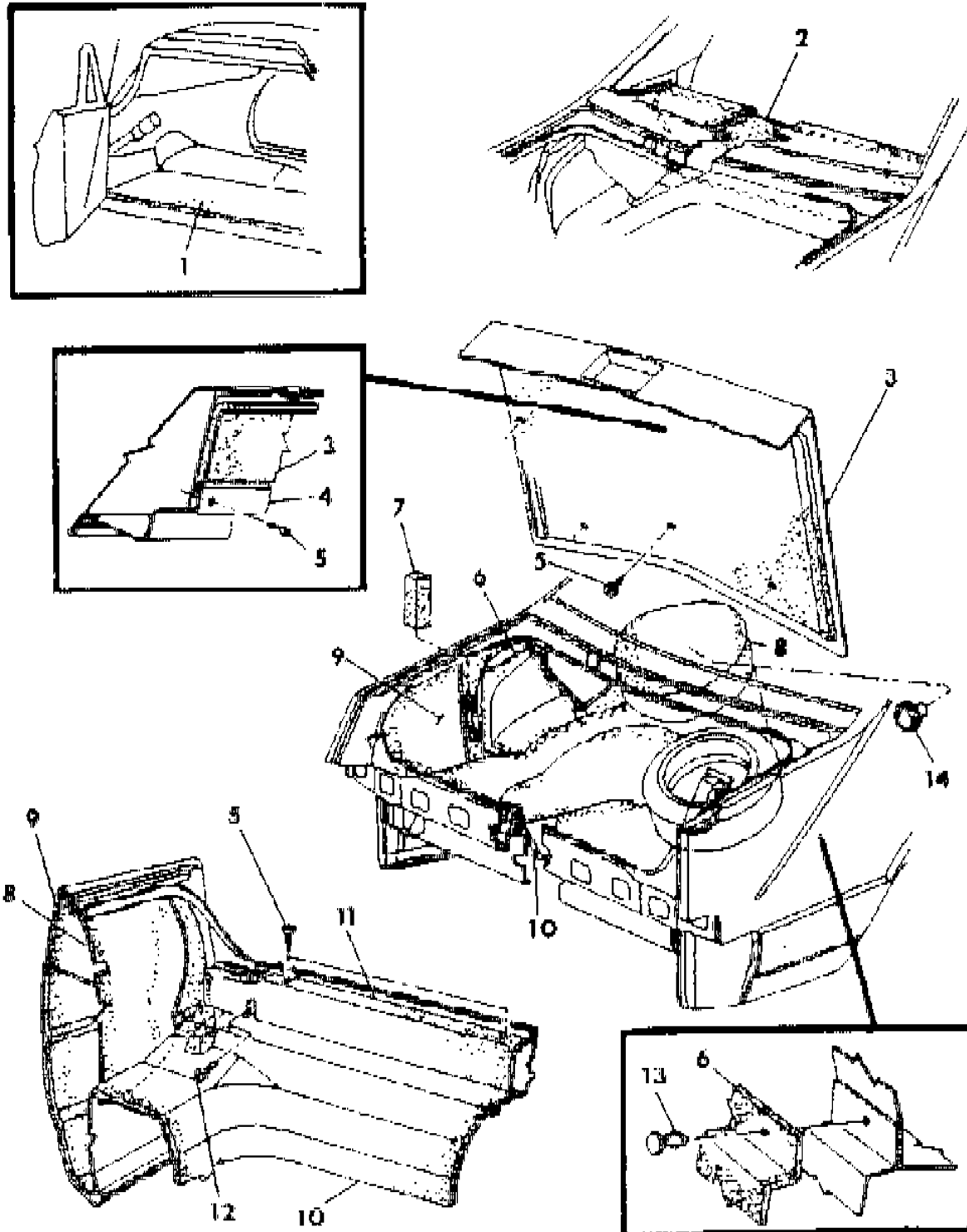
MODEL CODES  
 B = GRAN FURY  
 C = LEBARON/TOWN & COUNTRY  
 D = ARIES  
 E = 600  
 F = FIFTH AVENUE  
 G = DIPLOMAT  
 M = HORIZON/TURISMO/SCAMP  
 P = RELIANT  
 S = CORDOBA  
 T = E CLASS/NEWYORKER  
 V = 400  
 X = MIRADA  
 Y = IMPERIAL  
 Z = OMNI/CHARGER/RAMPAGE

BODY STYLES  
 21 = 2-DOOR SEDAN  
 22 = 2-DOOR SPECIAL COUPE  
 24 = 2-DOOR HATCHBACK  
 27 = 2-DOOR CONVERTIBLE  
 28 = FWD PICKUP  
 41 = 4-DOOR SEDAN  
 45 = 4-DOOR STATION WAGON  
 44 = 4-DOOR HATCHBACK  
 48 = EXECUTIVE SEDAN

AR = Use as Required - = Non Illustrated Part P.A.R. = Paint as Required

**CARPET Y**  
**Figure IT-7082**

3253 708 200



ITEM	PART NUMBER	QTY	BODY	MODEL	DESCRIPTION
1					CARPET, Floor One Piece Front and Rear N N N N
	M664 AA7	1			Silver N N N YM664AA7
	M664 VC7	1			Blue, Dark N N N YM664VC7
	M664 VM6	1			Red N N N YM664VM6
	M664 BT9	1			Brown N N N YM664BT9
2	4078 531	1			COVER, Luggage Compartment, Front N N N Y4078531
3	4077 902	1			COVER, Deck Lid Panel N N N Y4077902
4	4077 885	1			MOULDING, Deck Panel Trim Cover N N N Y4077885
5		AR			SCREW (not serviced) N N N N
6	4078 266-7	1			CARPET, Wheelhouse Side Inner N N N Y4078266
7	4223 401	1			COVER, Jack Trim N N N Y4223401
8	4078 527	1			COVER, Spare Tire and Quarter Trim (Mini) N N N Y4078527
9	4078 474	1			CARPET, Luggage Side Rt. w/Conventional Spare N N N Y4078474
	4078 475	1			Lt. N N N Y4078475
10	4078 265	1			CARPET, Luggage Compartment Floor N N N Y4078265
11	4011 525	1			CARPET, Deck Opening Lower Panel N N N Y4011525
12	9416 105	2			SCREW N N N Y9416105
13	6031 681	AR			CLIP, Trim Rt. N N N Y6031681
14	4223 272	1			FASTENER N N N Y4223272
The following parts are not illustrated. ated in the Bulletin, parts are to be procured by the dealer directly from:					
	6003 351	AR			FASTENER, Wheelhouse Inner Silencer N N N Y6003351
	4078 993	1			SILENCER, Luggage Compartment Front Liner N N N Y4078993
	4078 966-7	1			SILENCER, Wheelhouse Inner Panel N N N Y4078966
	4078 938	1			SILENCER, Rear Floor Right and Center N N N Y4078938
	6030 441	AR			RETAINER, Silencer Barrier N N N Y6030441
	4223 685	1			SILENCER, Shelf Panel N N N Y4223685
	4078 993	1			SILENCER, Luggage Compartment Front N N N Y4078993
					CARPET, 54" Wide Order By The Inch (used on doors and seats) N N N N
	R119 AA7	AR			Silver N N N YR119AA7
	R119 VC7	AR			Blue, Dark N N N YR119VC7
	R119 VM6	AR			Red N N N YR119VM6
	R119 BL3	AR			Tan N N N YR119BL3
	6030 441	4			RETAINER, Deck Lid Carpet Attaching N N N Y6030441
					MATS, Carpeted Front and Rear Package of Four N N N N

**MODEL CODES**

B = GRAN FURY	G = DIPLOMAT	V = 400
C = LEBARON/TOWN & COUNTRY	M = HORIZON/TURISMO/SCAMP	X = MIRADA
D = ARIES	P = RELIANT	Y = IMPERIAL
E = 600	S = CORDOBA	Z = OMNI/CHARGER/RAMPAGE
F = FIFTH AVENUE	T = E CLASS/NEWYORKER	

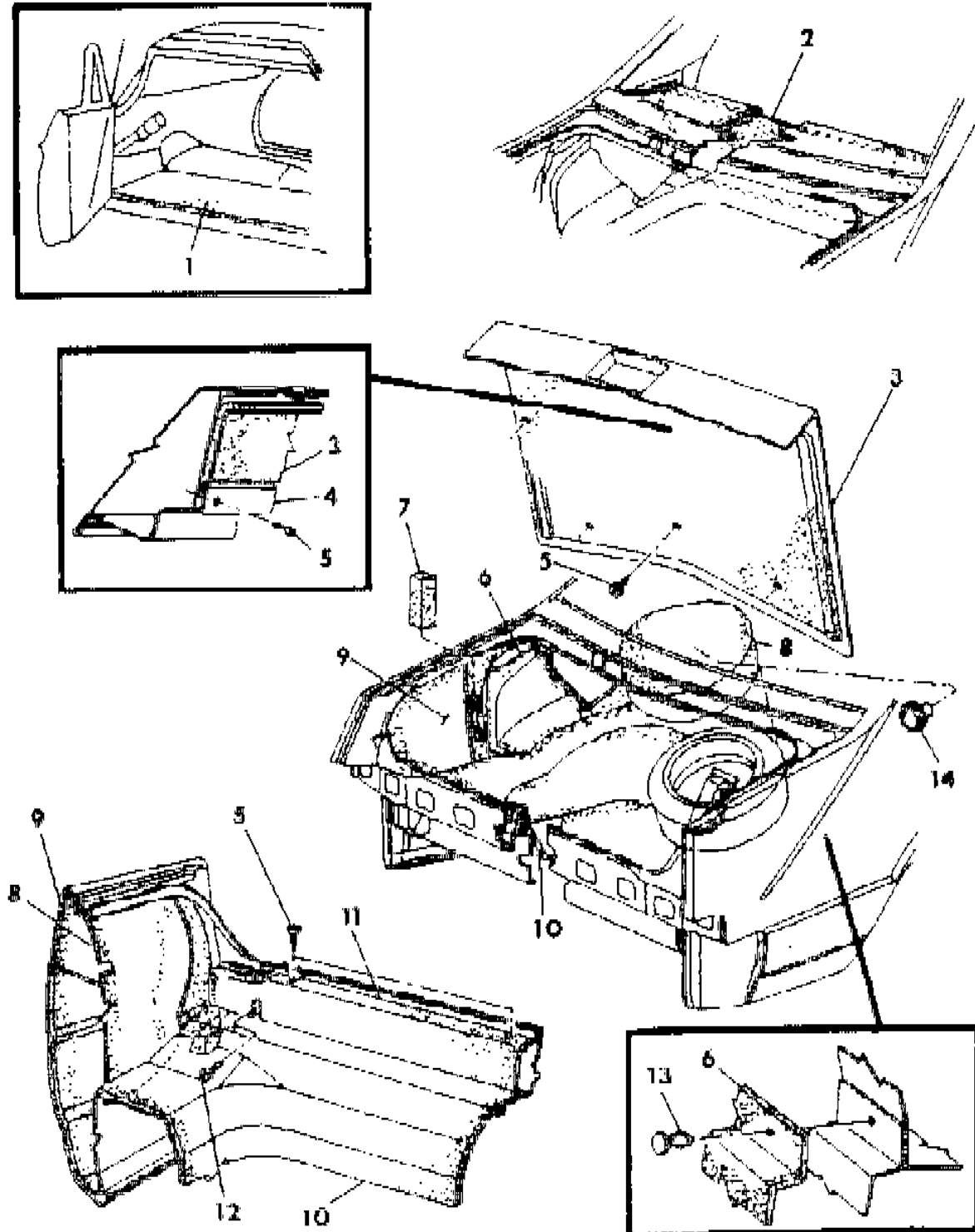
**BODY STYLES**

21 = 2-DOOR SEDAN	41 = 4-DOOR SEDAN
22 = 2-DOOR SPECIAL COUPE	45 = 4-DOOR STATION WAGON
24 = 2-DOOR HATCHBACK	44 = 4-DOOR HATCHBACK
27 = 2-DOOR CONVERTIBLE	48 = EXECUTIVE SEDAN
28 = FWD PICKUP	

AR = Use as Required - = Non Illustrated Part P.A.R. = Paint as Required

**CARPET Y**  
**Figure IT-7082**

3253 708 200



ITEM	PART NUMBER	QTY	BODY	MODEL	DESCRIPTION
	M028 AA7	1			Silver N N N YM028AA7
	M028 VC7	1			Blue, Dark N N N YM028VC7
	M028 VM6	1			Red N N N YM028VM6
	M028 BT9	1			Brown N N N YM028BT9

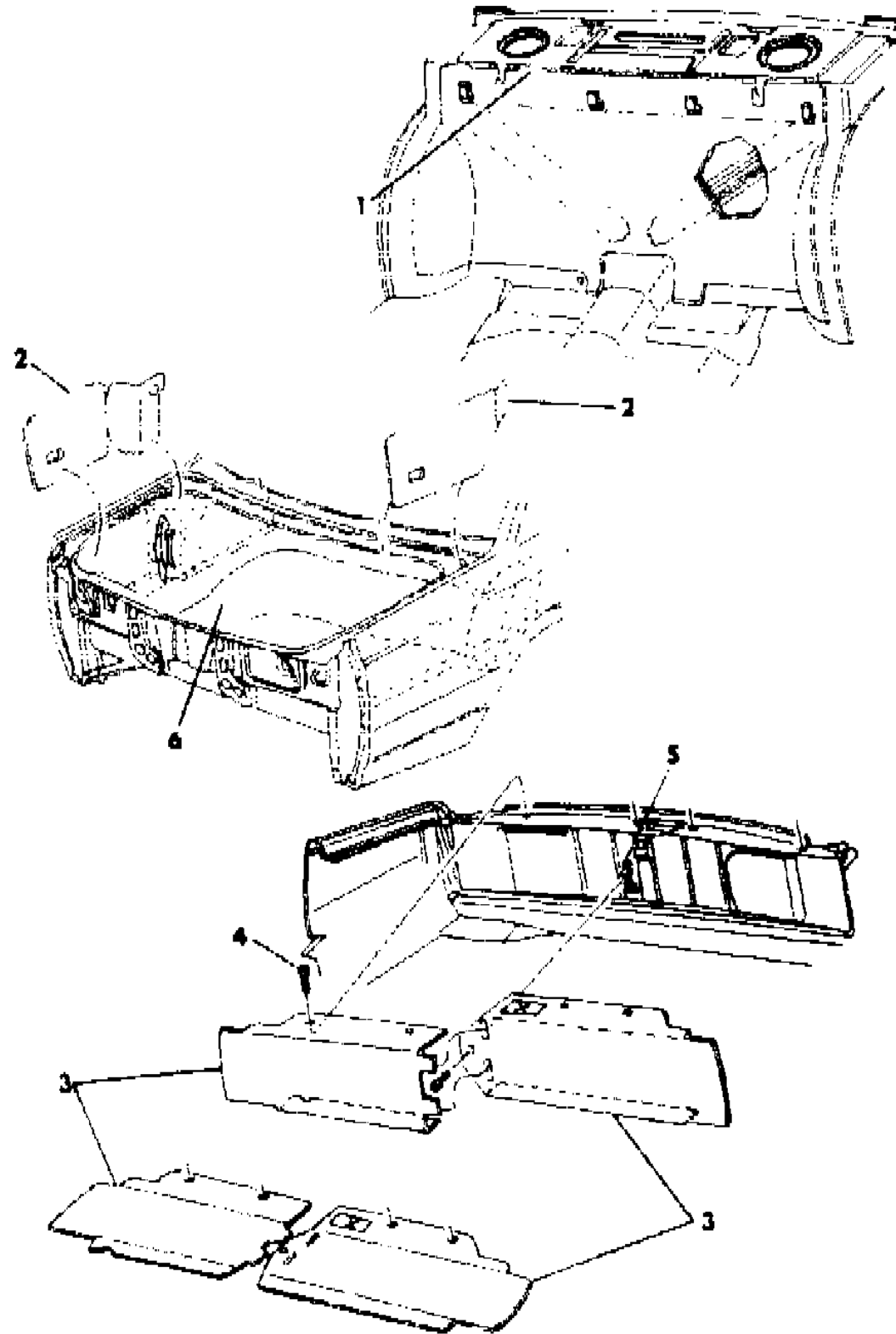
MODEL CODES  
 B = GRAN FURY  
 C = LEBARON/TOWN & COUNTRY  
 D = ARIES  
 E = 600  
 F = FIFTH AVENUE  
 G = DIPLOMAT  
 M = HORIZON/TURISMO/SCAMP  
 P = RELIANT  
 S = CORDOBA  
 T = E CLASS/NEWYORKER  
 V = 400  
 X = MIRADA  
 Y = IMPERIAL  
 Z = OMNI/CHARGER/RAMPAGE

BODY STYLES  
 21 = 2-DOOR SEDAN  
 22 = 2-DOOR SPECIAL COUPE  
 24 = 2-DOOR HATCHBACK  
 27 = 2-DOOR CONVERTIBLE  
 28 = FWD PICKUP  
 41 = 4-DOOR SEDAN  
 45 = 4-DOOR STATION WAGON  
 44 = 4-DOOR HATCHBACK  
 48 = EXECUTIVE SEDAN

AR = Use as Required - = Non Illustrated Part P.A.R. = Paint as Required

TRUNK X,S  
Figure IT-7083

3253 708300



ITEM	PART NUMBER	QTY	BODY	MODEL	DESCRIPTION
1	4077 225	1			SILENCER,Luggage Compartment Front N N N Y4077225
2	4077 238-9	1			LINER,Luggage Compartment Side N N N Y4077238
3	4077 300-1	1			PANEL,Deck Opening Lower Trim N N N Y4077300
4		AR			SCREW(not serviced) N N N N
5	4077 747	1			BRACKET,Deck Opening Lower Trim Panel Attaching N N N Y4077747
6	4077 248	1			MAT, Luggage Compartment Floor N N N Y4077248
The following parts are not illustrated. ated in the Bulletin, parts are to be pro cured by the dealer directly from:					
	4186 901	AR			SILENCER, Rear Floor, Left (36"X72" Material) N N N Y4186901
	4223 466-7	1			SILENCER, Wheelhouse Inner N N N Y4223466
	4223 222	AR			SILENCER and INSULATOR N N N Y4223222

MODEL CODES  
 B = GRAN FURY  
 C = LEBARON/TOWN & COUNTRY  
 D = ARIES  
 E = 600  
 F = FIFTH AVENUE  
 G = DIPLOMAT  
 M = HORIZON/TURISMO/SCAMP  
 P = RELIANT  
 S = CORDOBA  
 T = E CLASS/NEWYORKER  
 V = 400  
 X = MIRADA  
 Y = IMPERIAL  
 Z = OMNI/CHARGER/RAMPAGE

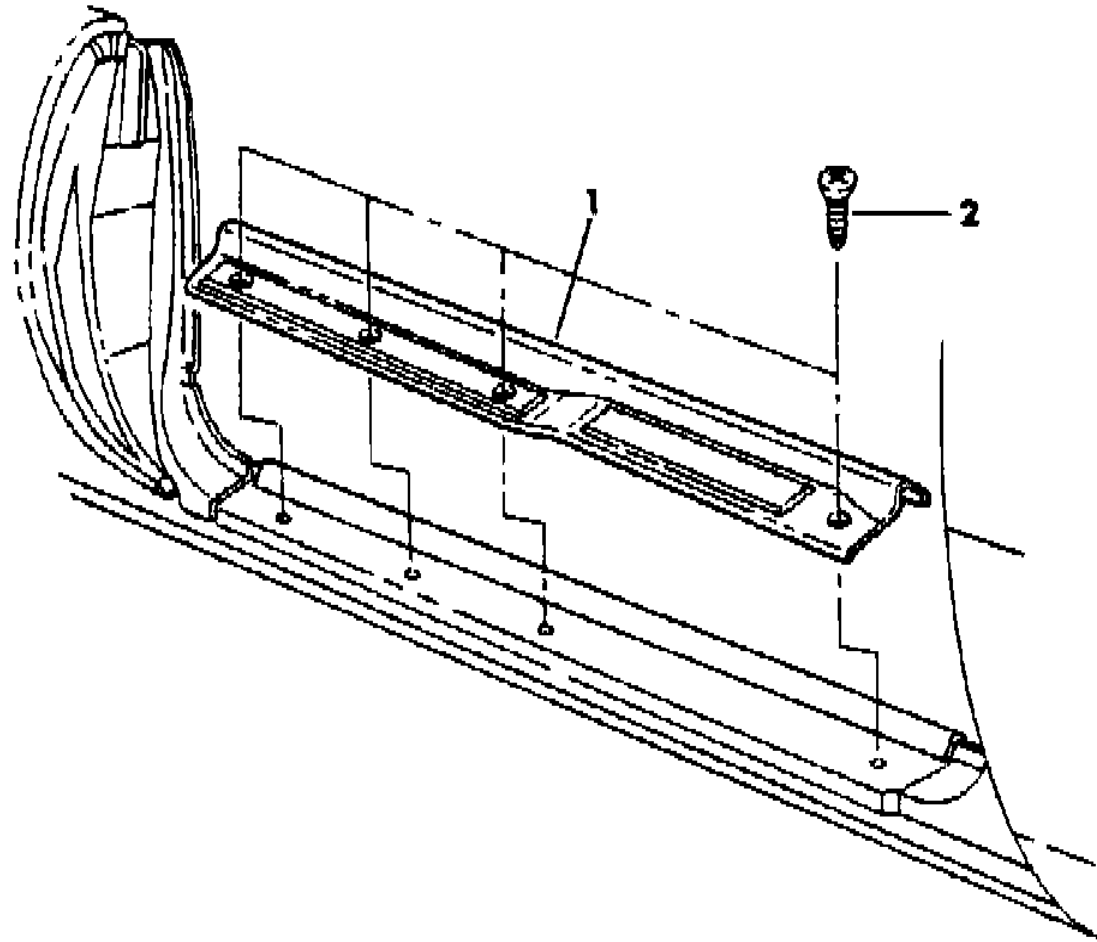
BODY STYLES  
 21 = 2-DOOR SEDAN  
 22 = 2-DOOR SPECIAL COUPE  
 24 = 2-DOOR HATCHBACK  
 27 = 2-DOOR CONVERTIBLE  
 28 = FWD PICKUP  
 41 = 4-DOOR SEDAN  
 45 = 4-DOOR STATION WAGON  
 44 = 4-DOOR HATCHBACK  
 48 = EXECUTIVE SEDAN

AR = Use as Required - = Non Illustrated Part P.A.R. = Paint as Required

**SCUFF PLATES BODY SIDE SILL AND DOORS X,S,Y**  
**Figure IT-7084**

ITEM	PART NUMBER	QTY	BODY	MODEL	DESCRIPTION
1	4078 460-1	1			SCUFF PLATE w/INSERT, Side Sill Door N N N Y4078460
2		AR			SCREW (not serviced) N N N N

3253 708400



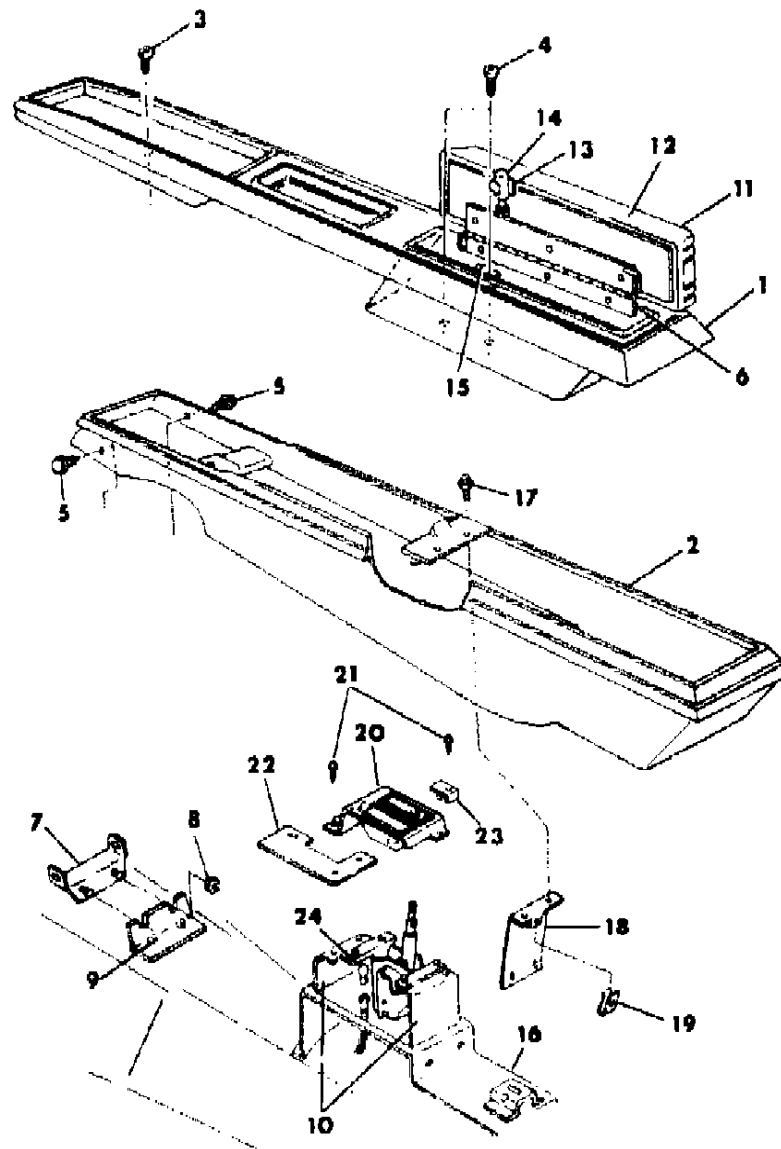
MODEL CODES  
 B = GRAN FURY  
 C = LEBARON/TOWN & COUNTRY  
 D = ARIES  
 E = 600  
 F = FIFTH AVENUE  
 G = DIPLOMAT  
 M = HORIZON/TURISMO/SCAMP  
 P = RELIANT  
 S = CORDOBA  
 T = E CLASS/NEWYORKER  
 V = 400  
 X = MIRADA  
 Y = IMPERIAL  
 Z = OMNI/CHARGER/RAMPAGE

BODY STYLES  
 21 = 2-DOOR SEDAN  
 22 = 2-DOOR SPECIAL COUPE  
 24 = 2-DOOR HATCHBACK  
 27 = 2-DOOR CONVERTIBLE  
 28 = FWD PICKUP  
 41 = 4-DOOR SEDAN  
 45 = 4-DOOR STATION WAGON  
 44 = 4-DOOR HATCHBACK  
 48 = EXECUTIVE SEDAN

AR = Use as Required - = Non Illustrated Part P.A.R. = Paint as Required

CONSOLE S,X  
Figure IT-7085

3253 708500



ITEM	PART NUMBER	QTY	BODY	MODEL	DESCRIPTION
1	4106 749	1			CONSOLE, Upper w/Featherwood Finish Plate N N N Y4106749
	4106 750	1			w/Brushed Aluminum Finish Plate N N N Y4106750
2	F322 BT8	1			CONSOLE, Lower (paint as required) N N N YF322BT8
3		AR			SCREW(8-18x5/8 not serviced) N N N N
4		AR			SCREW(10-18x5/8 not serviced) N N N N
5		AR			SCREW(not serviced) N N N N
6	4011 796	1			HINGE,Console Lid N N N Y4011796
7	4077 705	1			BRACKET,Console Front N N N Y4077705
8	0118 613	2			NUT N N N Y118613
9	4134 997	2			BRACKET N N N Y4134997
10	4206 427	1			BRACKET N N N Y4206427
11					INSERT and PAD, Console Lid N N N N
	F279 AA7	1			Silver N N N YF279AA7
	F279 TC7	1			Blue N N N YF279TC7
	F279 TM6	1			Red N N N YF279TM6
	F279 BT8	1			Brown N N N YF279BT8
12	4011 756	1			COVER,Console Lid N N N Y4011756
13	4011 800	1			BEZEL,Console Lid N N N Y4011800
14	4011 798	1			BUTTON,Console Lid N N N Y4011798
15	2879 805	1			STRICKER N N N Y2879805
16	4077 978	1			BRACKET N N N Y4077978
17		AR			SCREW(10-16 x1/2 Lg. not serviced) N N N N
18	4078 343	1			BRACKET, Floor Console to Bracket N N N Y4078343
19		AR			U/NUT(not serviced) N N N N
20					GEAR SELECTOR,See Group 21 N N N N
21		AR			SCREW(10-16 x 3/4 Lg. 5/16 Hex not serviced) N N N N
22	4078 312	1			BRACKET,Floor Console Stabilizer,Front N N N Y4078312
23	3747 949	1			PLATE,Gear Selector Clamping N N N Y3747949
24					LAMP, See Group 8 N N N N
The following parts are not illustrated. In the Bulletin, parts are to be procured by the dealer directly from:					
	0118 514	3			RIVET, Floor Console Rear Bracket to Base Attaching N N N Y118514
					CARPET, Console Lower N N N N
	F240 AA7	1			Silver N N N YF240AA7
	F240 VC7	1			Blue N N N YF240VC7
	F240 VM6	1			Red N N N YF240VM6
	F240 BT9	1			Brown N N N YF240BT9

MODEL CODES

B = GRAN FURY	G = DIPLOMAT	V = 400
C = LEBARON/TOWN & COUNTRY	M = HORIZON/TURISMO/SCAMP	X = MIRADA
D = ARIES	P = RELIANT	Y = IMPERIAL
E = 600	S = CORDOBA	Z = OMNI/CHARGER/RAMPAGE
F = FIFTH AVENUE	T = E CLASS/NEWYORKER	

BODY STYLES

21 = 2-DOOR SEDAN	41 = 4-DOOR SEDAN
22 = 2-DOOR SPECIAL COUPE	45 = 4-DOOR STATION WAGON
24 = 2-DOOR HATCHBACK	44 = 4-DOOR HATCHBACK
27 = 2-DOOR CONVERTIBLE	48 = EXECUTIVE SEDAN
28 = FWD PICKUP	

AR = Use as Required - = Non Illustrated Part P.A.R. = Paint as Required



CONSOLE S,X  
Figure IT-7085

ITEM	PART NUMBER	QTY	BODY	MODEL	DESCRIPTION
------	-------------	-----	------	-------	-------------

NOTE: For related parts see group 21. Listed in the Bulletin, parts are to be procured by the dealer directly from:

---



---



---



---



---



---



---



---



---



---



---



---



---



---



---



---



---



---



---



---

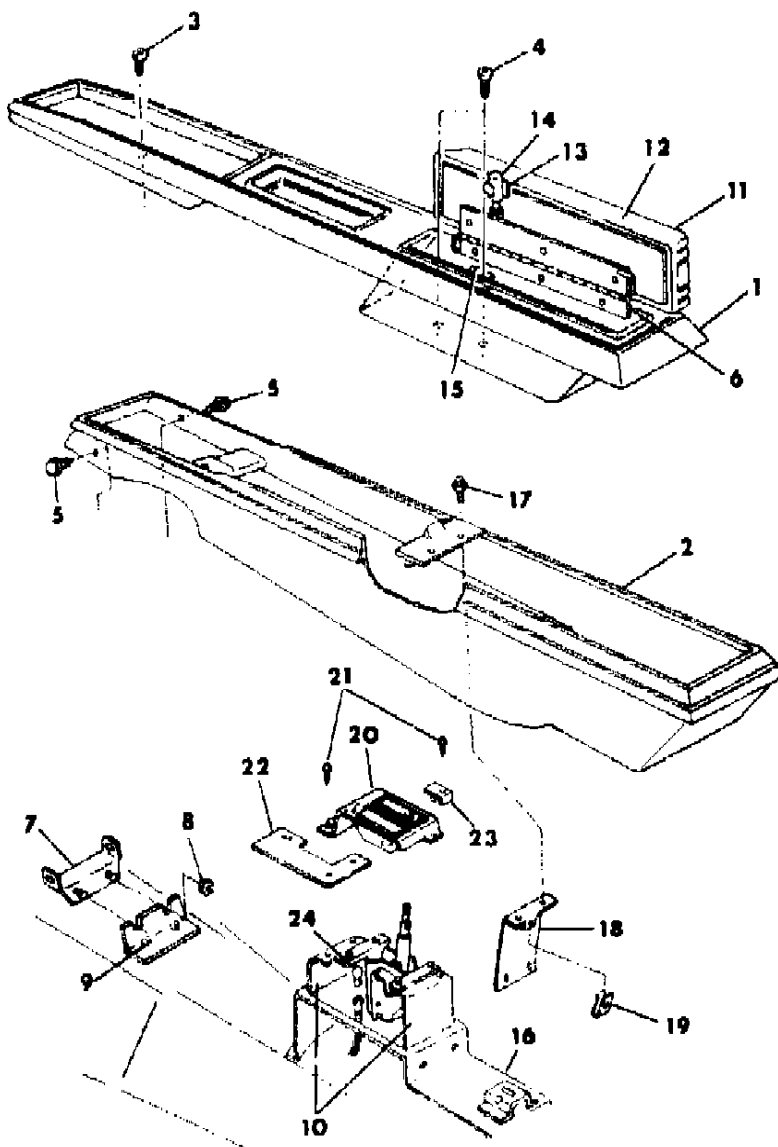


---



---

3253 708500



MODEL CODES

B = GRAN FURY	G = DIPLOMAT	V = 400
C = LEBARON/TOWN & COUNTRY	M = HORIZON/TURISMO/SCAMP	X = MIRADA
D = ARIES	P = RELIANT	Y = IMPERIAL
E = 600	S = CORDOBA	Z = OMNI/CHARGER/RAMPAGE
F = FIFTH AVENUE	T = E CLASS/NEWYORKER	

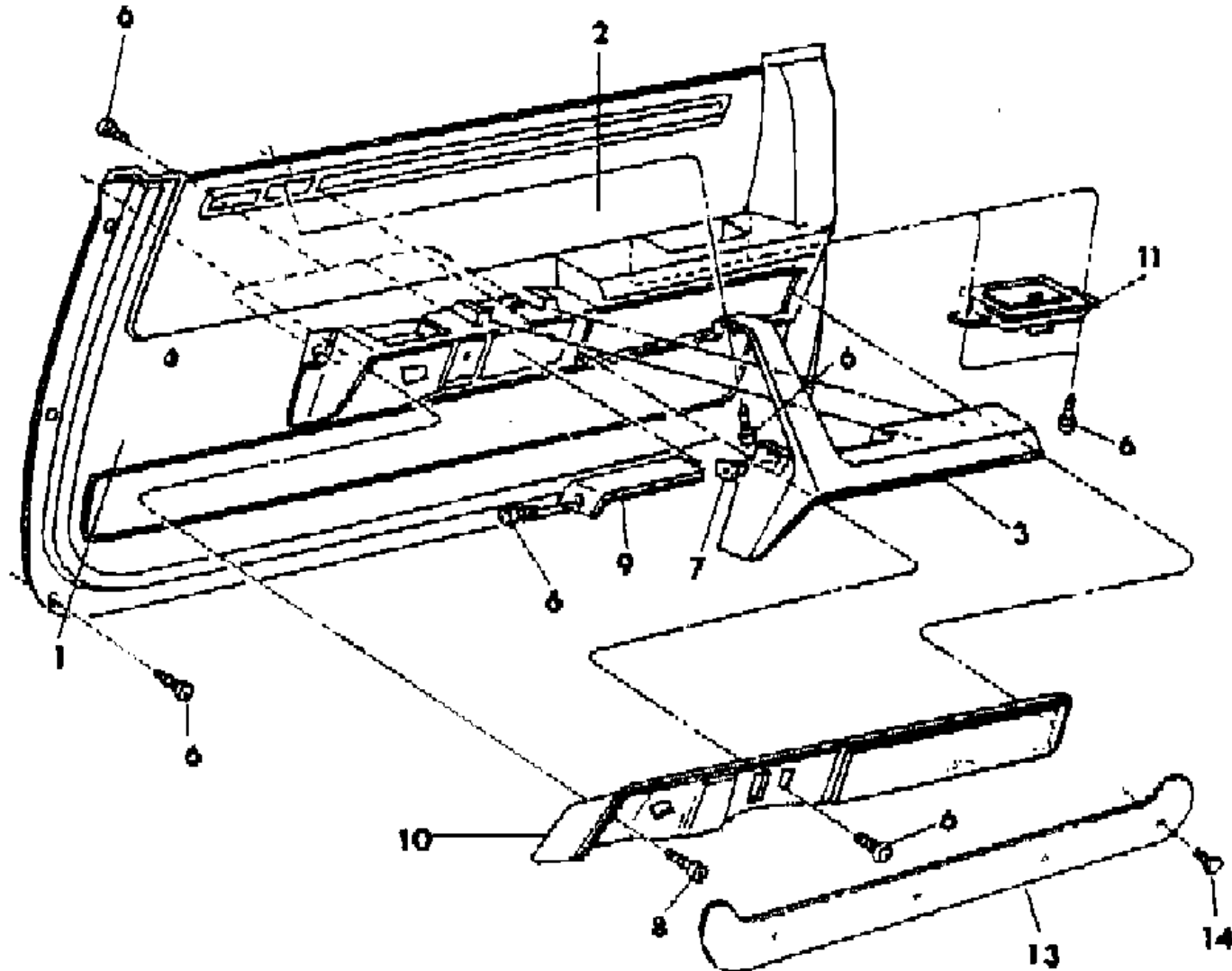
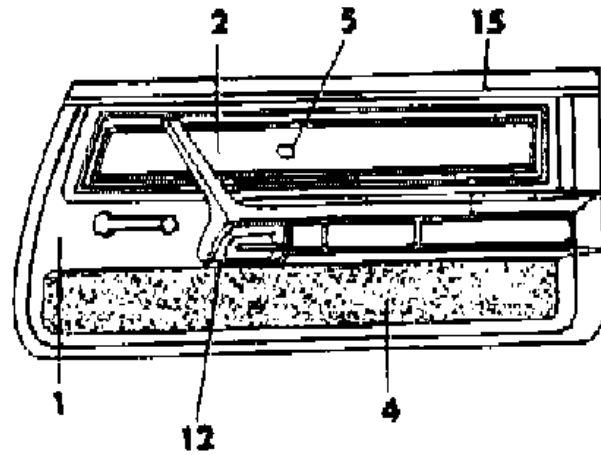
BODY STYLES

21 = 2-DOOR SEDAN	41 = 4-DOOR SEDAN
22 = 2-DOOR SPECIAL COUPE	45 = 4-DOOR STATION WAGON
24 = 2-DOOR HATCHBACK	44 = 4-DOOR HATCHBACK
27 = 2-DOOR CONVERTIBLE	48 = EXECUTIVE SEDAN
28 = FWD PICKUP	

AR = Use as Required - = Non Illustrated Part P.A.R. = Paint as Required

DOOR TRIM PANEL S  
Figure IT-7101

3253 7 10 100



ITEM	PART NUMBER	QTY	BODY	MODEL	DESCRIPTION
1	K258-9 AA3	1			PANEL,Front Door Lower Trim, w/Carpet, w/o Arm Rest N N N N Silver N N NC9A,DLA YK258AA3
	K258-9 AC7	1			Blue N N NC9C YK258AC7
	K258-9 AM6	1			Red N N NC9M YK258AM6
	K258-9 BL3	1			Tan N N NC9L,DLL YK258BL3
2	K136-7 AA2	1			PANEL,Front Door Trim Upper w/Moulding N N N N N N NDLA YK136AA2
	K136-7 BL3	1			N N NDLL YK136BL3
	K216-7 BA3	1			N N NC9A YK216BA3
	K216-7 BC7	1			N N NC9C YK216BC7
	K216-7 BM6	1			N N NC9M YK216BM6
3	K216-7 BL3	1			N N NC9L YK216BL3
					ARM REST,Front Door w/Pull Handle N N N N w/Power Windows and Locks N N N N
	D482-3 AA3	1			Silver N N N YD482AA3
	D482-3 TC7	1			Blue N N N YD482TC7
	D482-3 TM6	1			Red N N N YD482TM6
	D482-3 BL3	1			Tan N N N YD482BL3
					w/o Power Windows and Locks N N N N
	D480-1 AA3	1			Silver N N N YD480AA3
	D480-1 TC7	1			Blue N N N YD480TC7
	D480-1 TM6	1			Red N N N YD480TM6
D480-1 BL3	1			Tan N N N YD480BL3	
4				CARPET (not serviced) N N N N	
5	4077 459	2			MEDALLION and BEZEL N N N Y4077459
	6031 147	AR			FASTENER, Madallion N N N Y6031147
The following parts are not illustrated. ated in the Bulletin, parts are to be procured by the dealer directly from:					
	6031 147	AR			RETAINER,Moulding Attaching N N N Y6031147
	4114 785	AR			FASTENER, Trim Panel Door N N N Y4114785
	4049 602	2			SILENCER (36"X36"X1/2" Material) N N N Y4049602
	H446 RX9	6			FASTENER Seal N N N YH446RX9
6	6032 092	18			SCREW N N N Y6032092
7	6031 964	2			NUT N N N Y6031964
8	9420 486	2			SCREW N N N Y9420486
9					See Switch Plate Illustration group 23. N N N N
10					See Door Illustration group 23. N N N N
11	4011 623	2			RECEIVER, Ash Complete N N N Y4011623

MODEL CODES

B = GRAN FURY  
C = LEBARON/TOWN & COUNTRY  
D = ARIES  
E = 600  
F = FIFTH AVENUE

G = DIPLOMAT

M = HORIZON/TURISMO/SCAMP

P = RELIANT

S = CORDOBA

T = E CLASS/NEWYORKER

V = 400

X = MIRADA

Y = IMPERIAL

Z = OMNI/CHARGER/RAMPAGE

BODY STYLES

21 = 2-DOOR SEDAN

22 = 2-DOOR SPECIAL COUPE

24 = 2-DOOR HATCHBACK

27 = 2-DOOR CONVERTIBLE

28 = FWD PICKUP

41 = 4-DOOR SEDAN

45 = 4-DOOR STATION WAGON

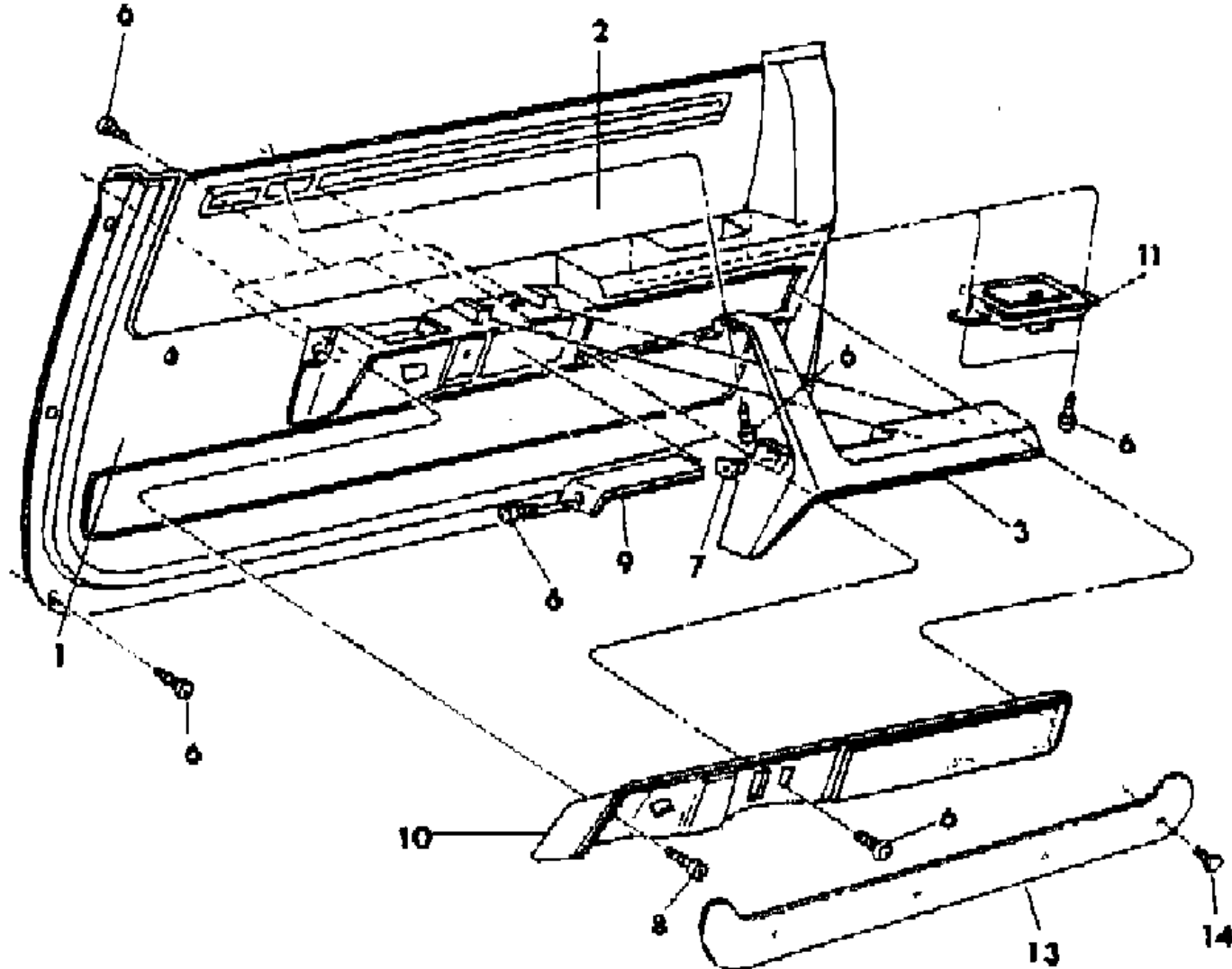
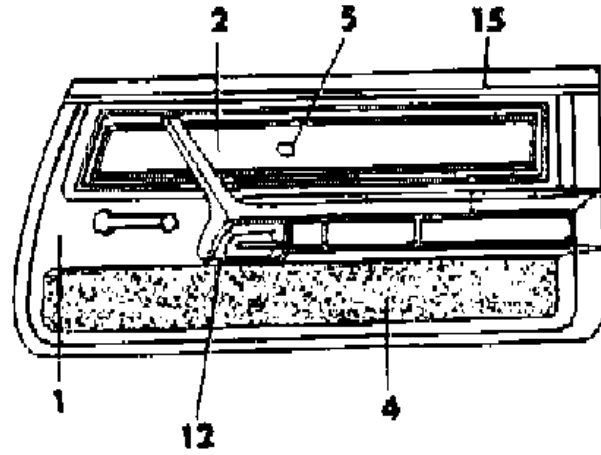
44 = 4-DOOR HATCHBACK

48 = EXECUTIVE SEDAN

AR = Use as Required - = Non Illustrated Part P.A.R. = Paint as Required

DOOR TRIM PANEL S  
Figure IT-7101

3253 7 10 100



ITEM	PART NUMBER	QTY	BODY	MODEL	DESCRIPTION
	4011 885	2			RECEPTACLE, Ash Receiver N N N Y4011885
	1639 961	4			BUMPER, Ash Receiver N N N Y1639961
	0455 798	2			PIN, Ash Receiver Lid N N N Y455798
	0152 490	4			U/NUT, Ash Receiver Attaching N N N Y152490
	0274 306	2			PIN, Lid Attaching N N N Y274306
12	3832 946-7	1			BEZEL, Arm Rest N N N Y3832946
13	4012 000	2			SEAL, Secondary Sound N N N Y4012000
14	6030 441	AR			RETAINER, Secondary Seal Attaching N N N Y6030441
15					MOULDING N N N N
	D866-7 AA3	1			Silver N N N YD866AA3
	D866-7 VC7	1			Blue N N N YD866VC7
	D866-7 VM6	1			Red N N N YD866VM6
	D866-7 BL3	1			Tan N N N YD866BL3
	4011 962-3	1			Featherwood N N N Y4011962
	3510 447	AR			GROMMET, Garnish Moulding N N N Y3510447

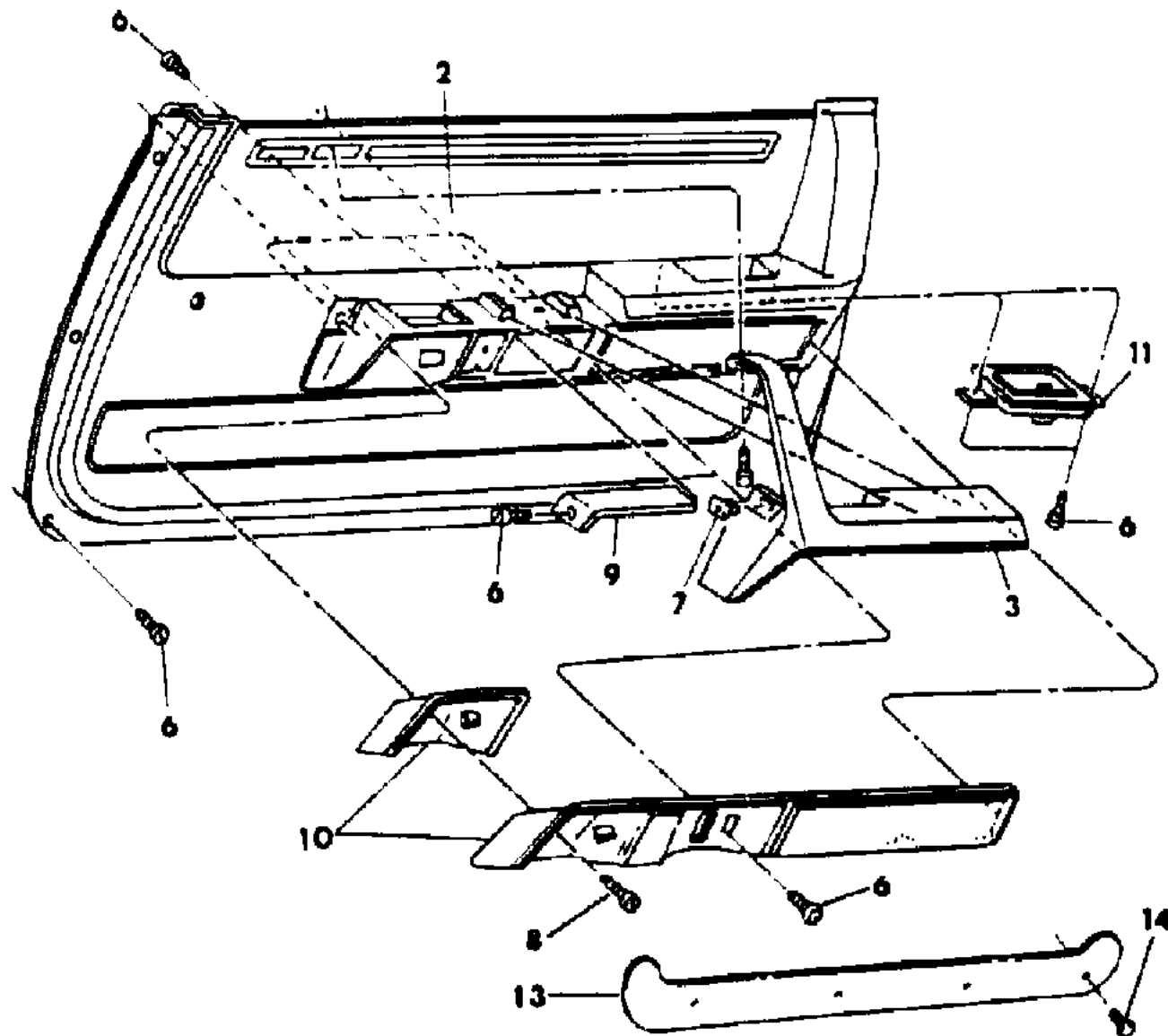
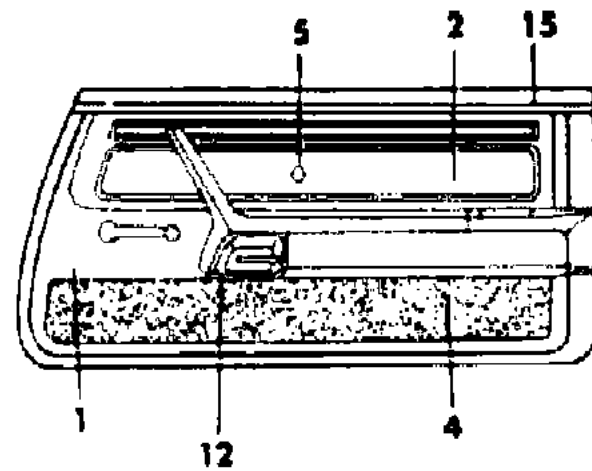
MODEL CODES  
 B = GRAN FURY  
 C = LEBARON/TOWN & COUNTRY  
 D = ARIES  
 E = 600  
 F = FIFTH AVENUE  
 G = DIPLOMAT  
 M = HORIZON/TURISMO/SCAMP  
 P = RELIANT  
 S = CORDOBA  
 T = E CLASS/NEWYORKER  
 V = 400  
 X = MIRADA  
 Y = IMPERIAL  
 Z = OMNI/CHARGER/RAMPAGE

BODY STYLES  
 21 = 2-DOOR SEDAN  
 22 = 2-DOOR SPECIAL COUPE  
 24 = 2-DOOR HATCHBACK  
 27 = 2-DOOR CONVERTIBLE  
 28 = FWD PICKUP  
 41 = 4-DOOR SEDAN  
 45 = 4-DOOR STATION WAGON  
 44 = 4-DOOR HATCHBACK  
 48 = EXECUTIVE SEDAN

AR = Use as Required - = Non Illustrated Part P.A.R. = Paint as Required

DOOR TRIM PANEL X  
Figure IT-7102

3253 7 10 200



ITEM	PART NUMBER	QTY	BODY	MODEL	DESCRIPTION
1					PANEL,Front Door Lower Trim, w/Carpet, w/o Arm Rest N N N N
	K258-9 AA3	1			Silver N N NC9A,DLA,N5A YK258AA3
	K258-9 AC7	1			Blue N N NC9C,N5C YK258AC7
	K258-9 AM6	1			Red N N NC9M,N5M YK258AM6
	K258-9 BL3	1			Tan N N NC9L,DLL,N5L YK258BL3
2					PANEL,Front Door Upper Trim w/Moulding N N N N
	K136-7 AA2	1			N N NDLA,N5A YK136AA2
	K136-7 BC8	1			N N NN5C YK136BC8
	K136-7 BM6	1			N N NN5M YK136BM6
	K136-7 BL3	1			N N NDLL,N5L YK136BL3
	K216-7 BA3	1			N N NC9A YK216BA3
	K216-7 BC7	1			N N NC9C YK216BC7
	K216-7 BM6	1			N N NC9M YK216BM6
	K216-7 BL3	1			N N NC9L YK216BL3
3					ARM REST,Front Door w/Pull Handle N N N N
					w/Power Windows and Locks N N N N
	D482-3 AA3	1			Silver N N N YD482AA3
	D482-3 TC7	1			Blue N N N YD482TC7
	D482-3 TM6	1			Red N N N YD482TM6
	D482-3 BL3	1			Tan N N N YD482BL3
					w/o Power Windows and Locks N N N N
	D480-1 AA3	1			Silver N N N YD480AA3
D480-1 TC7	1			Blue N N N YD480TC7	
	D480-1 TM6	1			Red N N N YD480TM6
	D480-1 BL3	1			Tan N N N YD480BL3
4					CARPET (not serviced) N N N N
5	4077 980	AR			MEDALLION, Mirada N N N Y4077980
	6031 147	2			FASTENER, Medallion Attaching N N N Y6031147
6	6032 092	18			SCREW N N N Y6032092
7	6031 964	2			NUT N N N Y6031964
8	9420 486	2			SCREW N N N Y9420486
9					See Switch Plate Illustration group 23C N N N N
10					See Door Illustration group 23. N N N N
11	4011 623	2			ASH RECEIVER, Complete N N N Y4011623
	4011 885	2			RECEPTACLE, Ash Receiver N N N Y4011885
	1639 961	4			BUMPER, Ash Receiver N N N Y1639961
	0455 798	2			PIN, Lid and Spring Attaching N N N Y455798

MODEL CODES

B = GRAN FURY

C = LEBARON/TOWN & COUNTRY

D = ARIES

E = 600

F = FIFTH AVENUE

G = DIPLOMAT

M = HORIZON/TURISMO/SCAMP

P = RELIANT

S = CORDOBA

T = E CLASS/NEWYORKER

V = 400

X = MIRADA

Y = IMPERIAL

Z = OMNI/CHARGER/RAMPAGE

BODY STYLES

21 = 2-DOOR SEDAN

22 = 2-DOOR SPECIAL COUPE

24 = 2-DOOR HATCHBACK

27 = 2-DOOR CONVERTIBLE

28 = FWD PICKUP

41 = 4-DOOR SEDAN

45 = 4-DOOR STATION WAGON

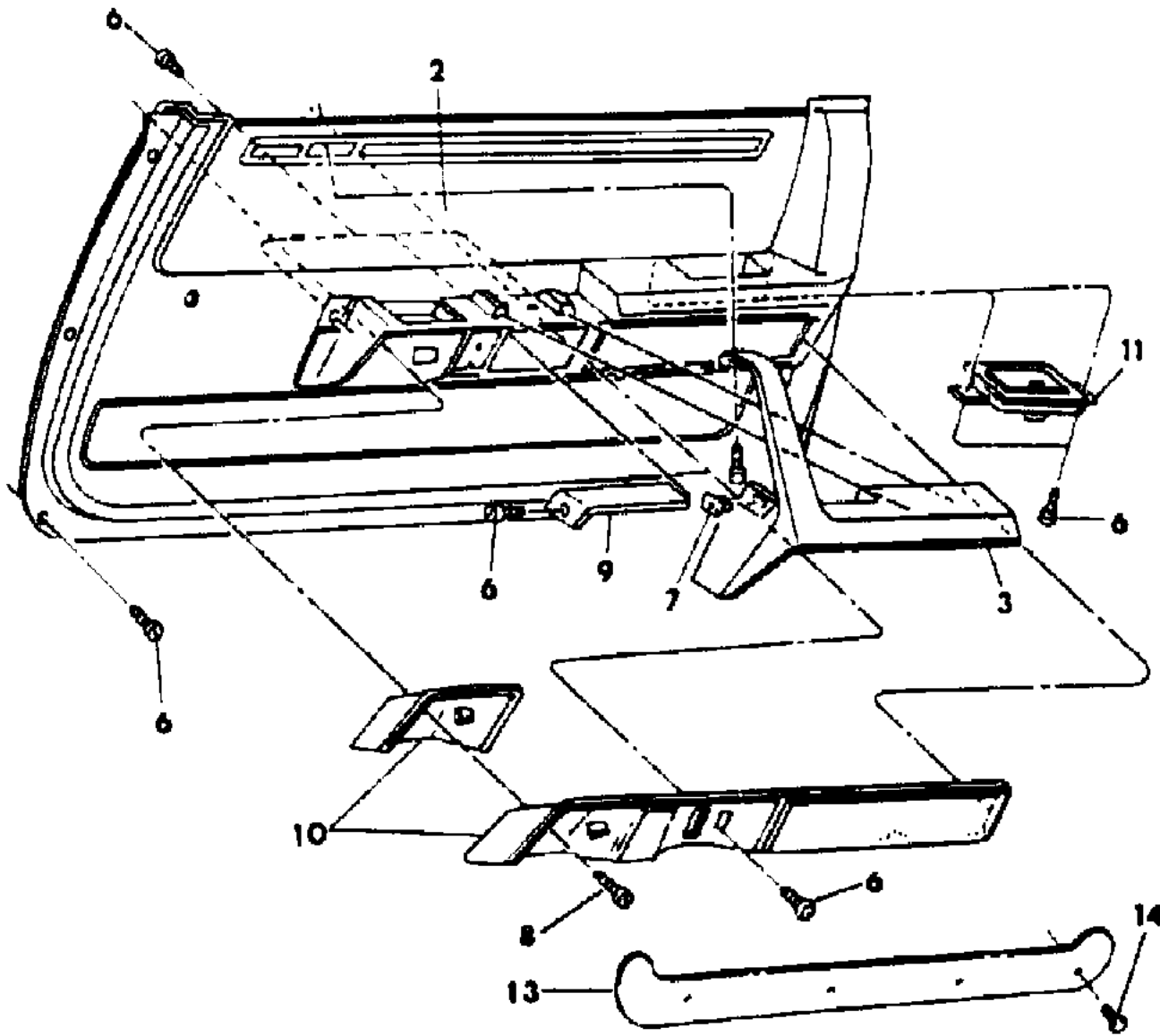
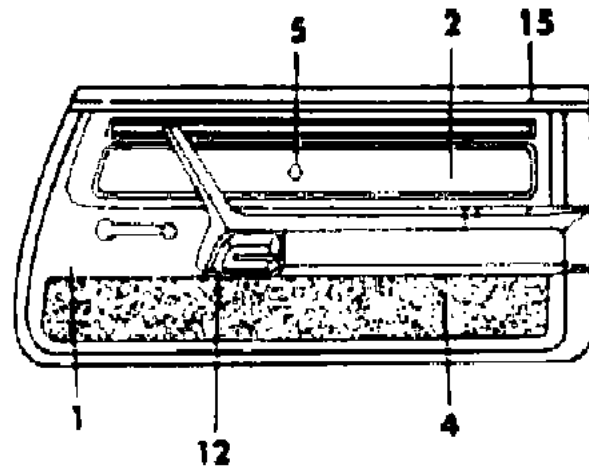
44 = 4-DOOR HATCHBACK

48 = EXECUTIVE SEDAN

AR = Use as Required - = Non Illustrated Part P.A.R. = Paint as Required

DOOR TRIM PANEL X  
Figure IT-7102

3253 7 10 200



ITEM	PART NUMBER	QTY	BODY	MODEL	DESCRIPTION
	0152 490	4			J/NUT, Receiver to Door Attaching N N N Y152490
	0274 306	2			PIN, Lid Attaching N N N Y274306
12	3832 946-7	1			BEZEL, Arm Rest N N N Y3832946
13	4012 000	2			SEAL, Secondary Sound N N N Y4012000
14	6030 441	AR			RETAINER, Secondary Seal Attaching N N N Y6030441
15					MOULDING N N N N
	D866-7 AA3	1			Silver N N N YD866AA3
	D866-7 VC7	1			Blue N N N YD866VC7
	D866-7 VM6	1			Red N N N YD866VM6
	D866-7 BL3	1			Tan N N N YD866BL3
The following parts are not illustrated. ated in the Bulletin, parts are to be procured by the dealer directly from:					
	4114 785	AR			FASTENER, Trim Panel Attaching N N N Y4114785
	3510 447	2			GROMMET, Door Moulding Attaching N N N Y3510447
	6031 147	AR			RETAINER, Trim Panel Moulding Attaching N N N Y6031147
	4049 602	2			SILENCER (36"X36"X1/2" Material) N N N Y4049602

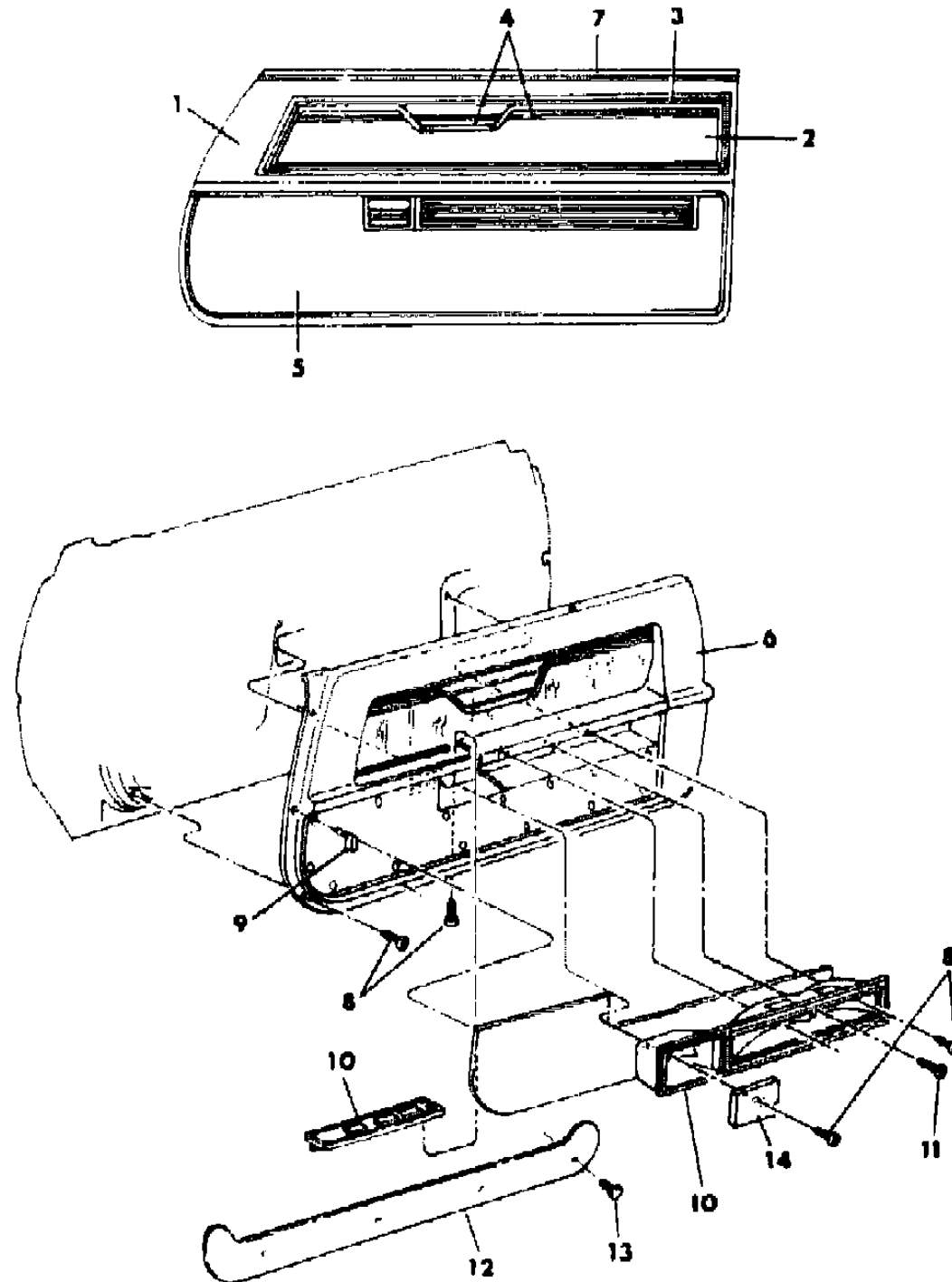
MODEL CODES  
 B = GRAN FURY  
 C = LEBARON/TOWN & COUNTRY  
 D = ARIES  
 E = 600  
 F = FIFTH AVENUE  
 G = DIPLOMAT  
 M = HORIZON/TURISMO/SCAMP  
 P = RELIANT  
 S = CORDOBA  
 T = E CLASS/NEWYORKER  
 V = 400  
 X = MIRADA  
 Y = IMPERIAL  
 Z = OMNI/CHARGER/RAMPAGE

BODY STYLES  
 21 = 2-DOOR SEDAN  
 22 = 2-DOOR SPECIAL COUPE  
 24 = 2-DOOR HATCHBACK  
 27 = 2-DOOR CONVERTIBLE  
 28 = FWD PICKUP  
 41 = 4-DOOR SEDAN  
 45 = 4-DOOR STATION WAGON  
 44 = 4-DOOR HATCHBACK  
 48 = EXECUTIVE SEDAN

AR = Use as Required - = Non Illustrated Part P.A.R. = Paint as Required

**DOOR TRIM PANEL Y**  
**Figure IT-7103**

3253 71030GA



ITEM	PART NUMBER	QTY	BODY	MODEL	DESCRIPTION
1					PANEL, Door N N N N
	K110-1 AA2	1			N N NA9A,AYA YK110AA2
	K110-1 VC8	1			N N NAYC YK110VC8
	K110-1 VM6	1			N N NAYM YK110VM6
	K110-1 BL3	1			N N NA9L,AYL YK110BL3
2					BOLSTER, Door Trim Panel N N N N
	K116-7 AA3	1			N N NA9A YK116AA3
	K116-7 BL3	1			N N NA9L YK116BL3
	K114-5 AA2	1			N N NAYA YK114AA2
	K114-5 VC8	1			N N NAYC YK114VC8
	K114-5 VM6	1			N N NAYM YK114VM6
	K114-5 BL3	1			N N NAYL YK114BL3
3	4077 022-3	1			MOULDING, Door Trim Panel N N N Y4077022
4					HANDLE, Door (teakwood) N N N N
	D950-1 AA2	1			Silver N N N YD950AA2
	D950-1 VC7	1			Blue, Dark N N N YD950VC7
	D950-1 VM6	1			Red N N N YD950VM6
	D950-1 BL3	1			Tan N N N YD950BL3
	4078 233	2			HANDLE, Only N N N Y4078233
	0455 734	AR			SPRING PIN, Door Pull Handle N N N Y0455734
	4077 196-7	1			END CAP, Pull Handle N N N Y4077196
	6031 667	AR			WASHER, Pull Handle Attaching N N N Y6031667
	6031 147	AR			NUT, Retaining End Cap Attaching N N N Y6031147
	9420 621	AR			NUT, Pull Handle Attaching N N N Y9420621
5					CARPET, Door Trim Panel N N N N
	D730-1 AA7	1			Silver N N N YD730AA7
	D730-1 VC7	1			Blue, Dark N N N YD730VC7
	D730-1 VM6	1			Red N N N YD730VM6
	D730-1 BL3	1			Tan N N N YD730BL3
6	4077 042-3	1			PAD, Arm Rest N N N Y4077042
7					WEATHERSTRIP (ref.) N N N N
8	6032 092	18			SCREW N N N Y6032092
9	4114 785	AR			FASTENER, Trim Panel N N N Y4114785
10	4077 492-3	1			BEZEL, Remote Handle N N N Y4077492
11	9414 712	AR			SCREW N N N Y9414712
12	4012 000	AR			SEAL, Secondary Sound N N N Y4012000
13	6030 441	AR			FASTENER N N N Y6030441

**MODEL CODES**

B = GRAN FURY	G = DIPLOMAT	V = 400
C = LEBARON/TOWN & COUNTRY	M = HORIZON/TURISMO/SCAMP	X = MIRADA
D = ARIES	P = RELIANT	Y = IMPERIAL
E = 600	S = CORDOBA	Z = OMNI/CHARGER/RAMPAGE
F = FIFTH AVENUE	T = E CLASS/NEWYORKER	

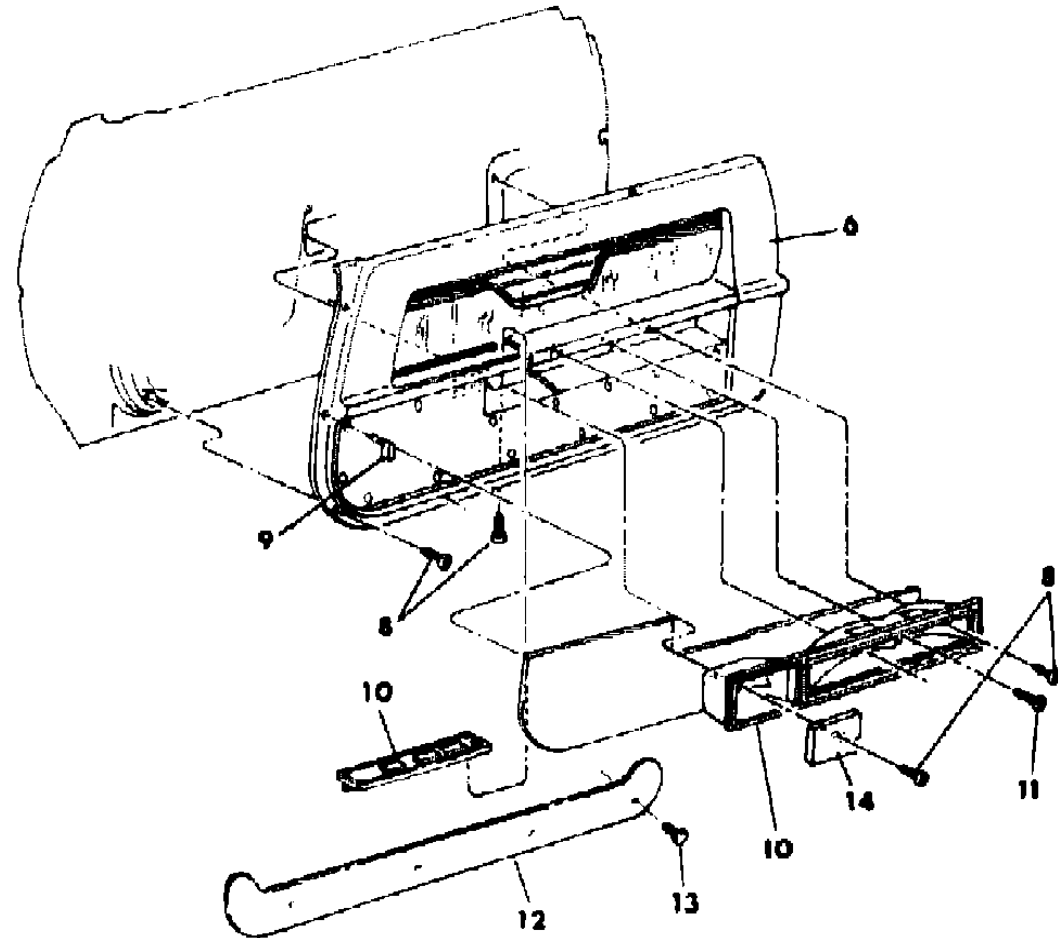
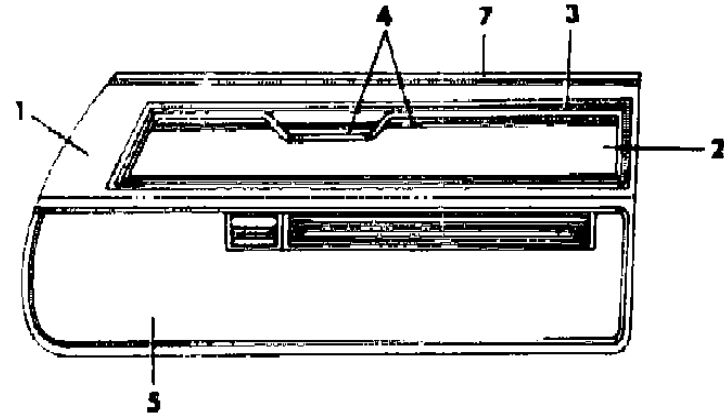
**BODY STYLES**

21 = 2-DOOR SEDAN	41 = 4-DOOR SEDAN
22 = 2-DOOR SPECIAL COUPE	45 = 4-DOOR STATION WAGON
24 = 2-DOOR HATCHBACK	44 = 4-DOOR HATCHBACK
27 = 2-DOOR CONVERTIBLE	48 = EXECUTIVE SEDAN
28 = FWD PICKUP	

AR = Use as Required - = Non Illustrated Part P.A.R. = Paint as Required

DOOR TRIM PANEL Y  
Figure IT-7103

3253 71030GA



ITEM	PART NUMBER	QTY	BODY	MODEL	DESCRIPTION
14	4077 472-3	1			TRIM PLATE, Remote Handle N N N Y4077472
The following parts are not illustrated. ated in the Bulletin, parts are to be procured by the dealer directly from:					
	4049 602	2			SILENCER (36"X36"X1/2" Material) N N N Y4049602

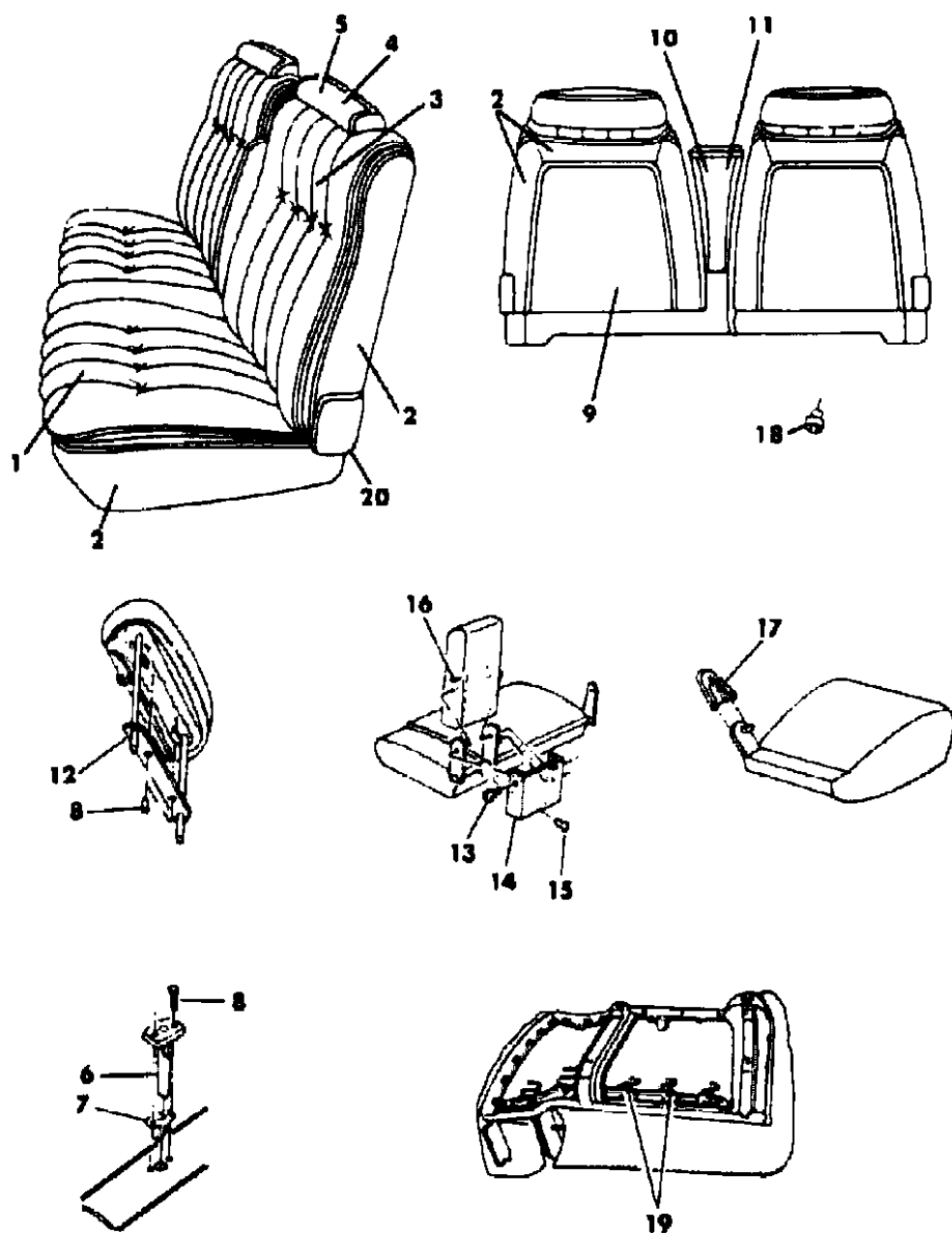
MODEL CODES  
 B = GRAN FURY  
 C = LEBARON/TOWN & COUNTRY  
 D = ARIES  
 E = 600  
 F = FIFTH AVENUE  
 G = DIPLOMAT  
 M = HORIZON/TURISMO/SCAMP  
 P = RELIANT  
 S = CORDOBA  
 T = E CLASS/NEWYORKER  
 V = 400  
 X = MIRADA  
 Y = IMPERIAL  
 Z = OMNI/CHARGER/RAMPAGE

BODY STYLES  
 21 = 2-DOOR SEDAN  
 22 = 2-DOOR SPECIAL COUPE  
 24 = 2-DOOR HATCHBACK  
 27 = 2-DOOR CONVERTIBLE  
 28 = FWD PICKUP  
 41 = 4-DOOR SEDAN  
 45 = 4-DOOR STATION WAGON  
 44 = 4-DOOR HATCHBACK  
 48 = EXECUTIVE SEDAN

AR = Use as Required - = Non Illustrated Part P.A.R. = Paint as Required

**SEAT FRONT S,X TRIM CODE C9**  
Figure IT-7211

3 253 721100



ITEM	PART NUMBER	QTY	BODY	MODEL	DESCRIPTION
1-4					CUSHION, w/Spring/Frame, Pad and Cover N N N N
					Manual N N N N
	B696-7 B9A	1			Up to 1-3-83 N N NC9A YB696B9A
	B870-1 B9A	1			After 1-3-83 N N NC9A YB870B9A
	B696-7 B9C	1			Up to 11-1-82 N N NC9C YB696B9C
	B870-1 B9C	1			After 11-1-82 N N NC9C YB870B9C
	B696-7 B9M	1			Up to 9-30-82 N N NC9M YB696B9M
	B870-1 B9M	1			After 9-30-82 N N NC9M YB870B9M
	B696-7 B9L	1			N N NC9L YB696B9L
					Electric N N N N
	B822-3 B9A	1			N N NC9A YB822B9A
	B822-3 B9C	1			N N NC9C YB822B9C
	B822-3 B9M	1			N N NC9M YB822B9M
	B822-3 B9L	1			N N NC9L YB822B9L
1					COVER, Cushion N N N N
	B420-1 B9A	1			Up to 9-28-82 N N NC9A YB420B9A
	B410-1 B9A	1			After 9-28-82 N N NC9A YB410B9A
	B420-1 B9C	1			Up to 9-28-82 N N NC9C YB420B9C
	B410-1 B9C	1			After 9-28-82 N N NC9C YB410B9C
	B420-1 B9M	1			Up to 9-28-82 N N NC9M YB420B9M
	B410-1 B9M	1			After 9-28-82 N N NC9M YB410B9M
	B420-1 B9L	1			N N NC9L YB420B9L
2					ROLL STOCK,Cloth 54" Wide Order By The Inch N N N N
	R083 AA3	AR			Silver N N NC9A YR083AA3
	R083 TC7	AR			Blue N N NC9C YR083TC7
	R083 TM6	AR			Red N N NC9M YR083TM6
	R083 BL3	AR			Tan N N NC9L YR083BL3
2&3					BACK, w/Spring/Frame, Pad and Cover N N N N
	B694-5 B9A	1			Up to 1-3-83 N N NC9A YB694B9A
	B872-3 B9A	1			After 1-3-83 N N NC9A YB872B9A
	B694-5 B9C	1			Up to 11-1-82 N N NC9C YB694B9C
	B872-3 B9C	1			After 11-1-82 N N NC9C YB872B9C
	B694-5 B9M	1			Up to 9-30-82 N N NC9M YB694B9M
	B872-3 B9M	1			After 9-30-82 N N NC9M YB872B9M
	B694-5 B9L	1			N N NC9L YB694B9L
3					COVER, Back N N N N
	B422 B9A	1			Right, Up to 9-30-82 N N NC9A YB422B9A

MODEL CODES

B = GRAN FURY	G = DIPLOMAT	V = 400
C = LEBARON/TOWN & COUNTRY	M = HORIZON/TURISMO/SCAMP	X = MIRADA
D = ARIES	P = RELIANT	Y = IMPERIAL
E = 600	S = CORDOBA	Z = OMNI/CHARGER/RAMPAGE
F = FIFTH AVENUE	T = E CLASS/NEWYORKER	

BODY STYLES

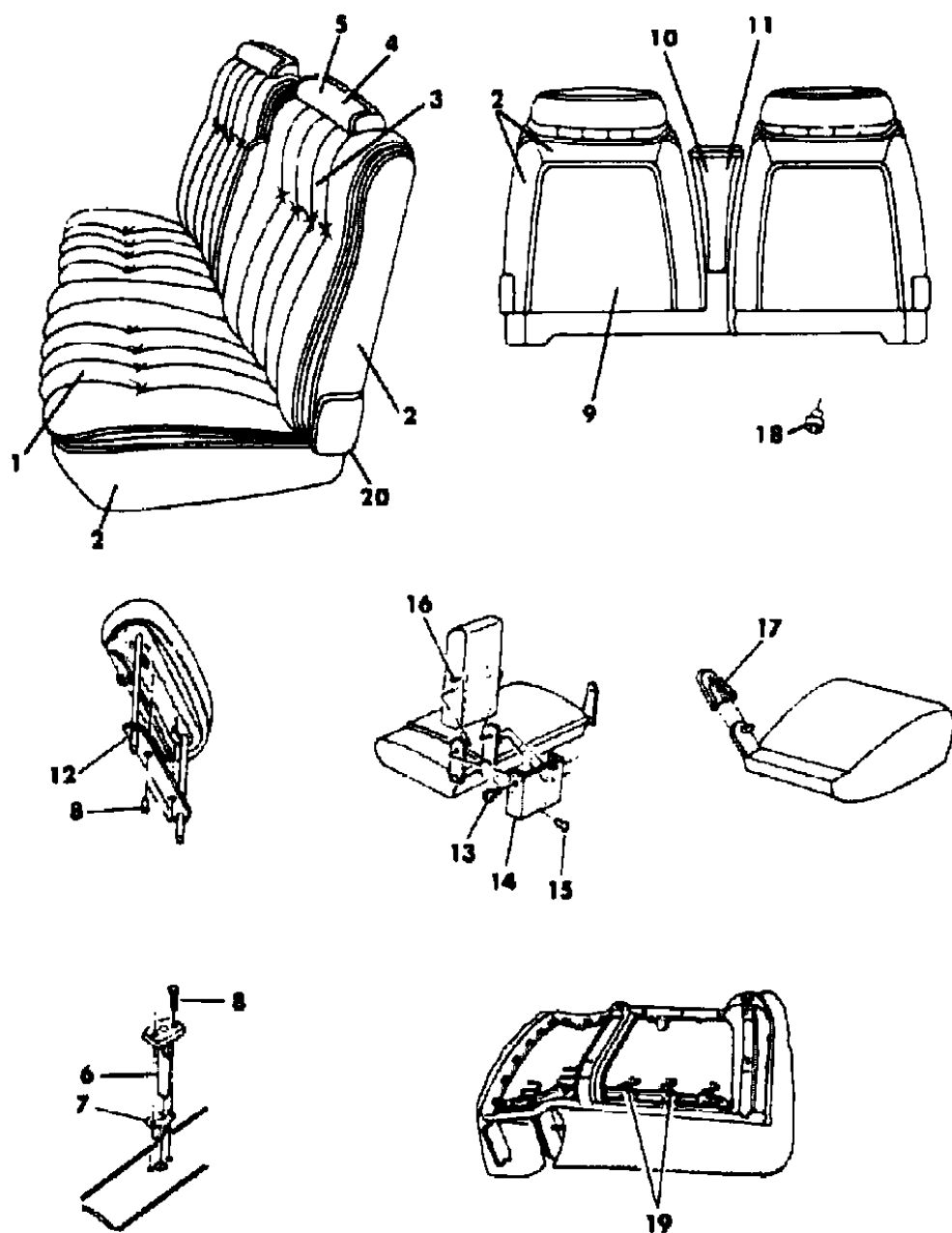
21 = 2-DOOR SEDAN	41 = 4-DOOR SEDAN
22 = 2-DOOR SPECIAL COUPE	45 = 4-DOOR STATION WAGON
24 = 2-DOOR HATCHBACK	44 = 4-DOOR HATCHBACK
27 = 2-DOOR CONVERTIBLE	48 = EXECUTIVE SEDAN
28 = FWD PICKUP	

AR = Use as Required - = Non Illustrated Part P.A.R. = Paint as Required



SEAT FRONT S,X TRIM CODE C9  
Figure IT-7211

3253 721100



ITEM	PART NUMBER	QTY	BODY	MODEL	DESCRIPTION
	B412 B9A	1			Right, After 9-30-82 N N NC9A YB412B9A
	B423 B9A	1			Left, Up to 9-23-82 N N NC9A YB423B9A
	B413 B9A	1			Left, After 9-23-82 N N NC9A YB413B9A
	B422 B9C	1			Right, Up to 9-30-82 N N NC9C YB422B9C
	B412 B9C	1			Right, After 9-30-82 N N NC9C YB412B9C
	B423 B9C	1			Left, Up to 9-23-82 N N NC9C YB423B9C
	B413 B9C	1			Left, After 9-23-82 N N NC9C YB413B9C
	B422 B9M	1			Right, Up to 9-30-82 N N NC9M YB422B9M
	B412 B9M	1			Right, After 9-30-82 N N NC9M YB412B9M
	B423 B9M	1			Left, Up to 9-23-82 N N NC9M YB423B9M
	B413 B9M	1			Left, After 9-23-82 N N NC9M YB413B9M
	B422-3 B9L	1			N N NC9L YB422B9L
4&5					HEAD REST w/COVER N N N N
	B820 BA3	2			Up to 10-14-82 N N NC9A YB820BA3
	B865 BA2	2			After 10-14-82 N N NC9A YB865BA2
	B820 BC7	2			Up to 10-14-82 N N NC9C YB820BC7
	B865 BC7	2			After 10-14-82 N N NC9C YB865BC7
	B820 BM6	2			Up to 10-14-82 N N NC9M YB820BM6
	B865 BM6	2			After 10-14-82 N N NC9M YB865BM6
	B820 BL3	2			N N NC9L YB820BL3
5					COVER,Head Rest N N N N
	B426 BA3	2			Up to 10-14-82 N N NC9A YB426BA3
	B416 BA2	2			After 10-14-82 N N NC9A YB416BA2
	B426 BC7	2			UP to 10-14-82 N N NC9C YB426BC7
	B416 BC7	2			After 10-14-82 N N NC9C YB416BC7
	B426 BM6	2			Up to 10-14-82 N N NC9M YB426BM6
	B416 BM6	2			After 10-14-82 N N NC9M YB416BM6
	B426 BL3	2			N N NC9L YB426BL3
6					SLEEVE,Head Rest N N N N
	S690 AA3	4			N N NC9A YS690AA3
	S690 SC7	4			N N NC9C YS690SC7
	S690 TM6	4			N N NC9M YS690TM6
	S690 BL3	4			N N NC9L YS690BL3
7	4098 965	4			CATCH,Head Rest Post N N N Y4098965
8		AR			SCREW(not Sserviced) N N N N
9					PANEL,Back of Front Back N N N N
	S736 BA3	2			Up to 10-13-82 N N NC9A YS736BA3

MODEL CODES

B = GRAN FURY	G = DIPLOMAT	V = 400
C = LEBARON/TOWN & COUNTRY	M = HORIZON/TURISMO/SCAMP	X = MIRADA
D = ARIES	P = RELIANT	Y = IMPERIAL
E = 600	S = CORDOBA	Z = OMNI/CHARGER/RAMPAGE
F = FIFTH AVENUE	T = E CLASS/NEWYORKER	

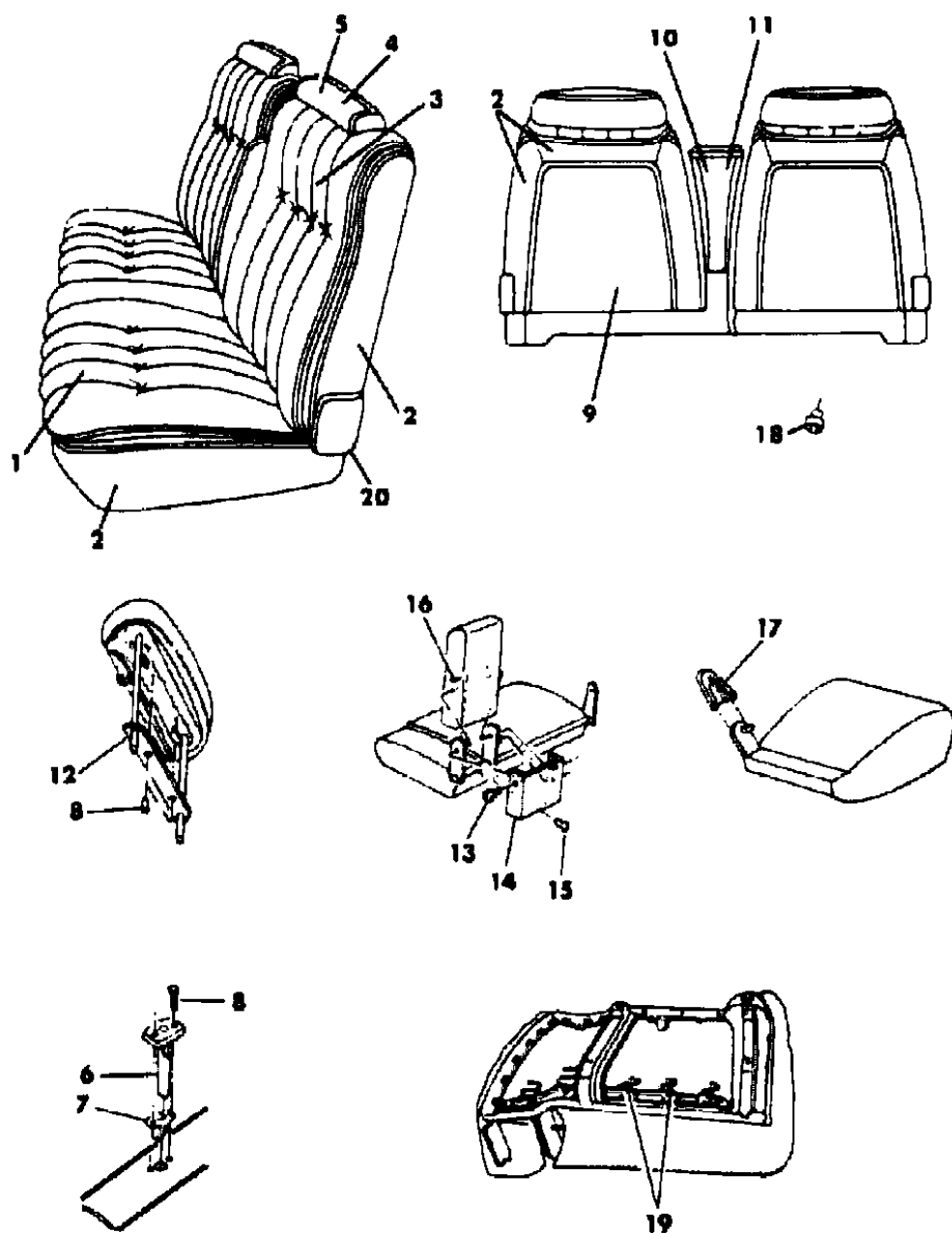
BODY STYLES

21 = 2-DOOR SEDAN	41 = 4-DOOR SEDAN
22 = 2-DOOR SPECIAL COUPE	45 = 4-DOOR STATION WAGON
24 = 2-DOOR HATCHBACK	44 = 4-DOOR HATCHBACK
27 = 2-DOOR CONVERTIBLE	48 = EXECUTIVE SEDAN
28 = FWD PICKUP	

AR = Use as Required - = Non Illustrated Part P.A.R. = Paint as Required

SEAT FRONT S,X TRIM CODE C9  
Figure IT-7211

3253 721100



ITEM	PART NUMBER	QTY	BODY	MODEL	DESCRIPTION
	S737 BA2	2			After 10-13-82 N N NC9A YS737BA2
	S736 BC7	2			Up to 10-13-82 N N NC9C YS736BC7
	S737 BC7	2			After 10-13-82 N N NC9C YS737BC7
	S736 BM6	2			Up to 10-13-82 N N NC9M YS736BM6
	S737 BM6	2			After 10-13-82 N N NC9M YS737BM6
10&11	S736 BL3	2			N N NC9L YS736BL3
	B819 BA3	1			ARM REST,Center N N N N
	B866 BA2	1			Up to 1-3-83 N N NC9A YB819BA3
	B819 BC7	1			After 1-3-83 N N NC9A YB866BA2
	B866 BC7	1			Up to 1-3-83 N N NC9C YB819BC7
	B819 BM6	1			After 1-3-83 N N NC9C YB866BC7
	B866 BM6	1			Up to 10-14-82 N N NC9M YB819BM6
	B819 BL3	1			After 10-14-82 N N NC9M YB866BM6
11	B427 BA3	1			N N NC9L YB819BL3
	B427 BC7	1			COVER, Arm Rest N N N N
	B427 BM6	1			N N NC9A YB427BA3
	B427 BL3	1			N N NC9C YB427BC7
12	4018 808	2			N N NC9M YB427BM6
13	6030 082	2			N N NC9L YB427BL3
14	S580 AA3	1			COVER,Arm Rest Finish N N N N
	S580 VC7	1			N N NC9A YS580AA3
	S580 VM6	1			N N NC9C YS580VC7
	S580 BL3	1			N N NC9M YS580VM6
15		AR			N N NC9L YS580BL3
16	4138 891	1			SCREW (not serviced) N N N N
	6006 324	AR			ROD,Arm Rest Lock N N N Y4138891
	3520 187	1			NUT,Lock Rod N N N Y6006324
17	S682 AA3	1			LOCK BAR, Arm Rest N N N Y3520187
	S682 SC7	1			COVER,Cushion Inner Bracket Rt. N N N N
	S682 TM6	1			N N NC9A YS682AA3
	S682 BL3	1			N N NC9C YS682SC7
18	4190 488	1			N N NC9M YS682TM6
					N N NC9L YS682BL3
					BUSHING, Front Cushion Inner Pivot Pin Right Oonly N N N
					Y4190488

MODEL CODES

B = GRAN FURY	G = DIPLOMAT	V = 400
C = LEBARON/TOWN & COUNTRY	M = HORIZON/TURISMO/SCAMP	X = MIRADA
D = ARIES	P = RELIANT	Y = IMPERIAL
E = 600	S = CORDOBA	Z = OMNI/CHARGER/RAMPAGE
F = FIFTH AVENUE	T = E CLASS/NEWYORKER	

BODY STYLES

21 = 2-DOOR SEDAN	41 = 4-DOOR SEDAN
22 = 2-DOOR SPECIAL COUPE	45 = 4-DOOR STATION WAGON
24 = 2-DOOR HATCHBACK	44 = 4-DOOR HATCHBACK
27 = 2-DOOR CONVERTIBLE	48 = EXECUTIVE SEDAN
28 = FWD PICKUP	

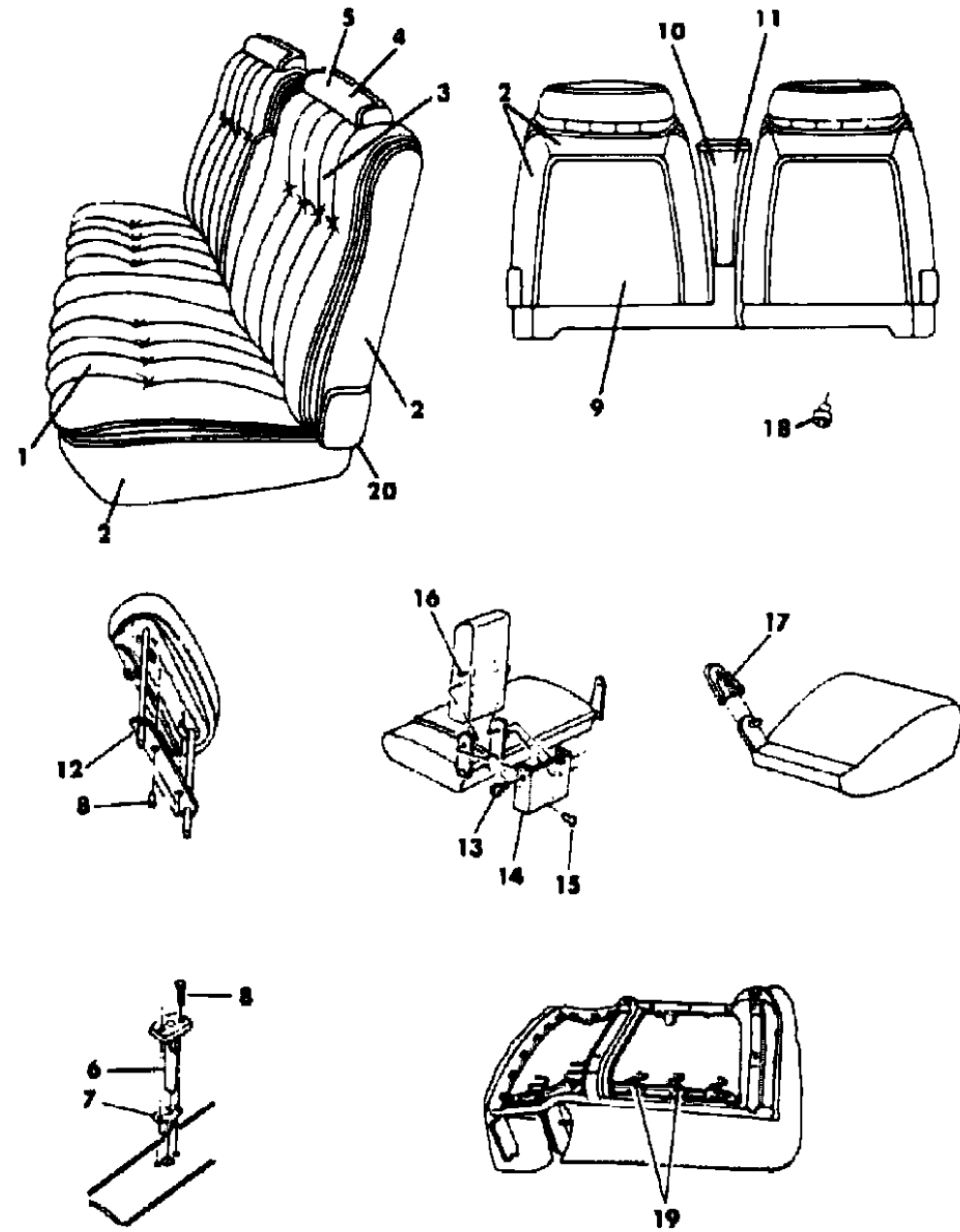
AR = Use as Required - = Non Illustrated Part P.A.R. = Paint as Required

SEAT FRONT S,X TRIM CODE C9  
Figure IT-7211

3 253 721100

ITEM	PART NUMBER	QTY	BODY	MODEL	DESCRIPTION
------	-------------	-----	------	-------	-------------

19	6008 076	AR			HOG RING N N N Y6008076
20					COVER,Hinge Arm Outer N N N N
	S877 SX9	1			Black,Paint as Required, Left N N N YS877SX9
	S844 SX9	1			Black,Paint as Required, Right N N N YS844SX9



MODEL CODES  
 B = GRAN FURY  
 C = LEBARON/TOWN & COUNTRY  
 D = ARIES  
 E = 600  
 F = FIFTH AVENUE  
 G = DIPLOMAT  
 M = HORIZON/TURISMO/SCAMP  
 P = RELIANT  
 S = CORDOBA  
 T = E CLASS/NEWYORKER  
 V = 400  
 X = MIRADA  
 Y = IMPERIAL  
 Z = OMNI/CHARGER/RAMPAGE

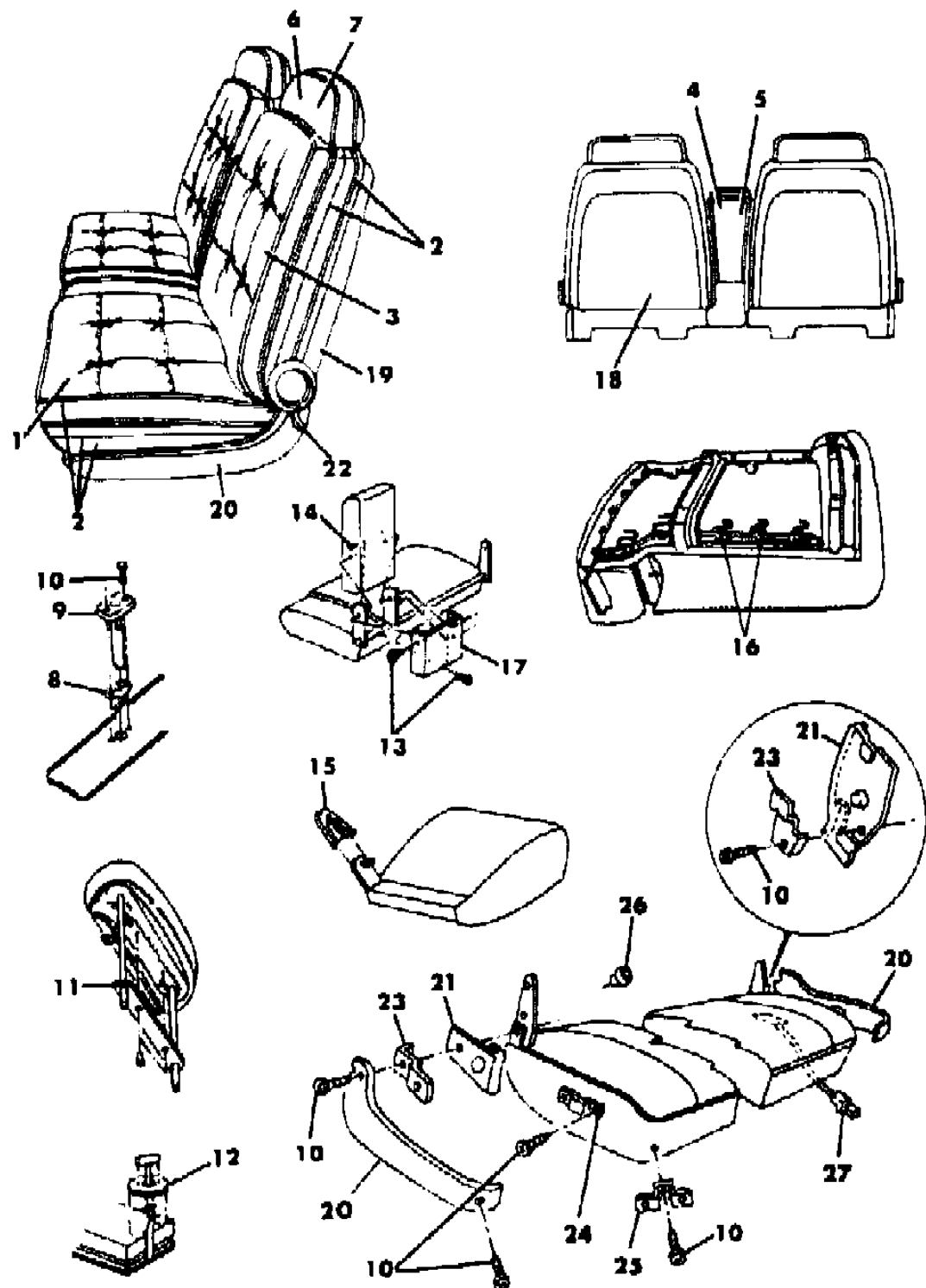
BODY STYLES  
 21 = 2-DOOR SEDAN  
 22 = 2-DOOR SPECIAL COUPE  
 24 = 2-DOOR HATCHBACK  
 27 = 2-DOOR CONVERTIBLE  
 28 = FWD PICKUP  
 41 = 4-DOOR SEDAN  
 45 = 4-DOOR STATION WAGON  
 44 = 4-DOOR HATCHBACK  
 48 = EXECUTIVE SEDAN

AR = Use as Required - = Non Illustrated Part P.A.R. = Paint as Required

SEAT FRONT Y TRIM CODE A9

Figure IT-7212

3253 7 21200



ITEM	PART NUMBER	QTY	BODY	MODEL	DESCRIPTION
1-2					CUSHION, w/Spring/Frame, Pad and Cover N N N N
	B666-7 A9A	1			N N NA9A YB666A9A
	B666-7 B9L	1			N N NA9L YB666B9L
1					COVER, Cushion N N N N
	B366-7 A9A	1			N N NA9A YB366A9A
	B366-7 B9L	1			N N NA9L YB366B9L
2					CLOTH, Roll Stock 54" Wide Order by the Inch N N N N
	R093 AA3	AR			Silver N N NA9A YR093AA3
	R093 BL3	AR			Tan N N NA9L YR093BL3
2-3					BACK, w/Spring/Frame, Pad and Cover N N N N
	B668-9 A9A	1			N N NA9A YB668A9A
	B668-9 B9L	1			N N NA9L YB668B9L
3					COVER, Back N N N N
	B350-1 A9A	1			N N NA9A YB350A9A
	B350-1 B9L	1			N N NA9L YB350B9L
4-5					ARM REST w/COVER N N N N
	B629 AA3	1			N N NA9A YB629AA3
	B629 BL3	1			N N NA9L YB629BL3
5					COVER, Arm Rest N N N N
	B362 AA3	1			N N NA9A YB362AA3
	B362 BL3	1			N N NA9L YB362BL3
6-7					HEAD REST w/COVER N N N N
	B624 AA3	2			N N NA9A YB624AA3
	B624 BL3	2			N N NA9L YB624BL3
7					COVER, Head Rest N N N N
	B358 AA3	2			N N NA9A YB358AA3
	B358 BL3	2			N N NA9L YB358BL3
8	4190 586	4			SLEEVE, Head Rest Chrome N N N Y4190586
9	4098 965	4			CATCH, Head Rest N N N Y4098965
10		AR			SCREW(not serviced) N N N N
11	4018 808	2			COVER, Head Rest Finish N N N Y4018808
12	4029 857	AR			WASHER, Seat Back Cover to Pull Down Loop N N N Y4029857
13	6030 082	2			SCREW, Arm Rest to Stanchion N N N Y6030082
14	3520 187	1			LOCK BAR, Arm Rest N N N Y3520187
	4138 891	1			ROD, Arm Rest Lock N N N Y4138891
	6006 324	AR			NUT, Arm Rest Lock Rod N N N Y6006324
15					COVER, Cushion Inner Bracket, Right N N N N

MODEL CODES

B = GRAN FURY	G = DIPLOMAT	V = 400
C = LEBARON/TOWN & COUNTRY	M = HORIZON/TURISMO/SCAMP	X = MIRADA
D = ARIES	P = RELIANT	Y = IMPERIAL
E = 600	S = CORDOBA	Z = OMNI/CHARGER/RAMPAGE
F = FIFTH AVENUE	T = E CLASS/NEWYORKER	

BODY STYLES

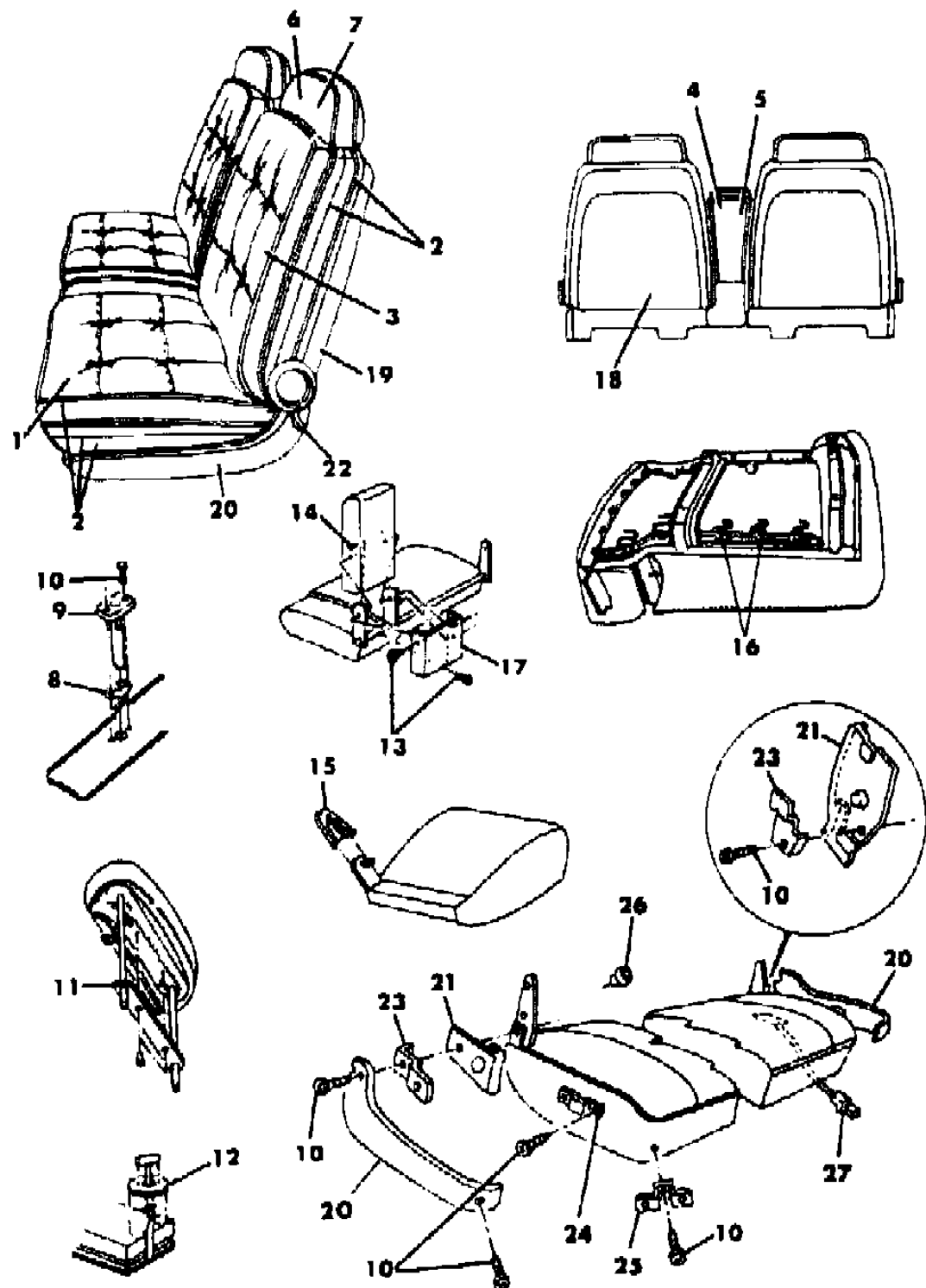
21 = 2-DOOR SEDAN	41 = 4-DOOR SEDAN
22 = 2-DOOR SPECIAL COUPE	45 = 4-DOOR STATION WAGON
24 = 2-DOOR HATCHBACK	44 = 4-DOOR HATCHBACK
27 = 2-DOOR CONVERTIBLE	48 = EXECUTIVE SEDAN
28 = FWD PICKUP	

AR = Use as Required - = Non Illustrated Part P.A.R. = Paint as Required

# SEAT FRONT Y TRIM CODE A9

Figure IT-7212

3253 7 21200



ITEM	PART NUMBER	QTY	BODY	MODEL	DESCRIPTION
	S682 AA3	1			N N NA9A YS682AA3
	S682 BL3	1			N N NA9L YS682BL3
16	6008 076	AR			HOG RING N N N Y6008076
17	S524 JX9	2			COVER, Arm Rest to Stanchion N N N YS524JX9 COVER, Arm Rest Finish N N N N
	S580 AA3	1			N N NA9A YS580AA3
	S580 BL3	1			N N NA9L YS580BL3
18	S898 AA3	2			COVER, Map Pocket N N N N N N NA9A YS898AA3
	S898 BL3	2			N N NA9L YS898BL3
19	S782-3 AA2	1			SHIELD, Back w/Knob N N N N N N NA9A YS782AA2
	S782-3 BL3	1			N N NA9L YS782BL3
20	S784-5 AA2	1			SHIELD, Cushion N N N N N N NA9A YS784AA2
	S784-5 BL3	1			N N NA9L YS784BL3
21	S788-9 VW1	1			COVER, Interia Latch (paint as required) N N N YS788VW1
22	4190 588	1			LEVER, Release N N N Y4190588
	6030 981	2			NUT,Hinge Arm Cover Retaining N N N Y6030981
23	4190 738-9	1			BRACKET, Side Shield Mounting Rear N N N Y4190738
24	4190 736	2			BRACKET, Side Shield Mounting Side N N N Y4190736
25	4190 578-9	1			BRACKET, Side Shield Mounting Front N N N Y4190578
26	4190 488	1			BUSHING, Front Cushion Inner Pivot Pin Right Only N N N Y4190488
27	4221 013	1			SWITCH, Seat Spring Occupant Sensing N N N Y4221013

MODEL CODES

B = GRAN FURY	G = DIPLOMAT	V = 400
C = LEBARON/TOWN & COUNTRY	M = HORIZON/TURISMO/SCAMP	X = MIRADA
D = ARIES	P = RELIANT	Y = IMPERIAL
E = 600	S = CORDOBA	Z = OMNI/CHARGER/RAMPAGE
F = FIFTH AVENUE	T = E CLASS/NEWYORKER	

BODY STYLES

21 = 2-DOOR SEDAN	41 = 4-DOOR SEDAN
22 = 2-DOOR SPECIAL COUPE	45 = 4-DOOR STATION WAGON
24 = 2-DOOR HATCHBACK	44 = 4-DOOR HATCHBACK
27 = 2-DOOR CONVERTIBLE	48 = EXECUTIVE SEDAN
28 = FWD PICKUP	

AR = Use as Required - = Non Illustrated Part P.A.R. = Paint as Required

SEAT FRONT Y TRIM CODES AY  
Figure IT-7213

3253 721300

ITEM	PART NUMBER	QTY	BODY	MODEL	DESCRIPTION
1-3					CUSHION, w/Spring/Frame, Pad and Cover N N N N
	B670-1 BYA	1			N N NAYA YB670BYA
	B670-1 BYC	1			N N NAYC YB670BYC
	B670-1 BYM	1			N N NAYM YB670BYM
	B670-1 BYL	1			N N NAYL YB670BYL
2					COVER, Cushion N N N N
	B364-5 AYA	1			N N NAYA YB364AYA
	B364-5 VYC	1			N N NAYC YB364VYC
	B364-5 VYM	1			N N NAYM YB364VYM
	B364-5 BYL	1			N N NAYL YB364BYL
3					VINYL, Roll Stock Order by the Inch N N N N
	R616 AA2	AR			Silver 64" Wide N N NAYA YR616AA2
	R616 VC8				Blue, Dark 64" Wide N N NAYC YR616VC8
	R616 VM6				Red 64" Wide N N NAYM YR616VM6
	R616 BL3				Tan 64" Wide N N NAYL YR616BL3
3-4					BACK, w/Spring/Frame, Pad and Cover N N N N
	B672-3 BYA	1			N N NAYA YB672BYA
	B672-3 BYC	1			N N NAYC YB672BYC
	B672-3 BYM	1			N N NAYM YB672BYM
	B672-3 BYL	1			N N NAYL YB672BYL
4					COVER, Back N N N N
	B348-9 AYA	1			N N NAYA YB348AYA
	B348-9 VYC	1			N N NAYC YB348VYC
	B348-9 VYM	1			N N NAYM YB348VYM
	B348-9 BYL	1			N N NAYL YB348BYL
5-6					HEADREST w/COVER N N N N
	B625 AA2	2			N N NAYA YB625AA2
	B625 VC8	2			N N NAYC YB625VC8
	B625 VM6	2			N N NAYM YB625VM6
	B625 BL3	2			N N NAYL YB625BL3
6					COVER, Headrest N N N N
	B359 BA2	2			N N NAYA YB359BA2
	B359 BC8	2			N N NAYC YB359BC8
	B359 BM6	2			N N NAYM YB359BM6
	B359 BL3	2			N N NAYL YB359BL3
7	4190 586	4			SLEEVE, Headrest, Chrome N N N Y4190586
8	4098 965	4			CATCH, Headrest Post N N N Y4098965

MODEL CODES

B = GRAN FURY  
C = LEBARON/TOWN & COUNTRY  
D = ARIES  
E = 600  
F = FIFTH AVENUE

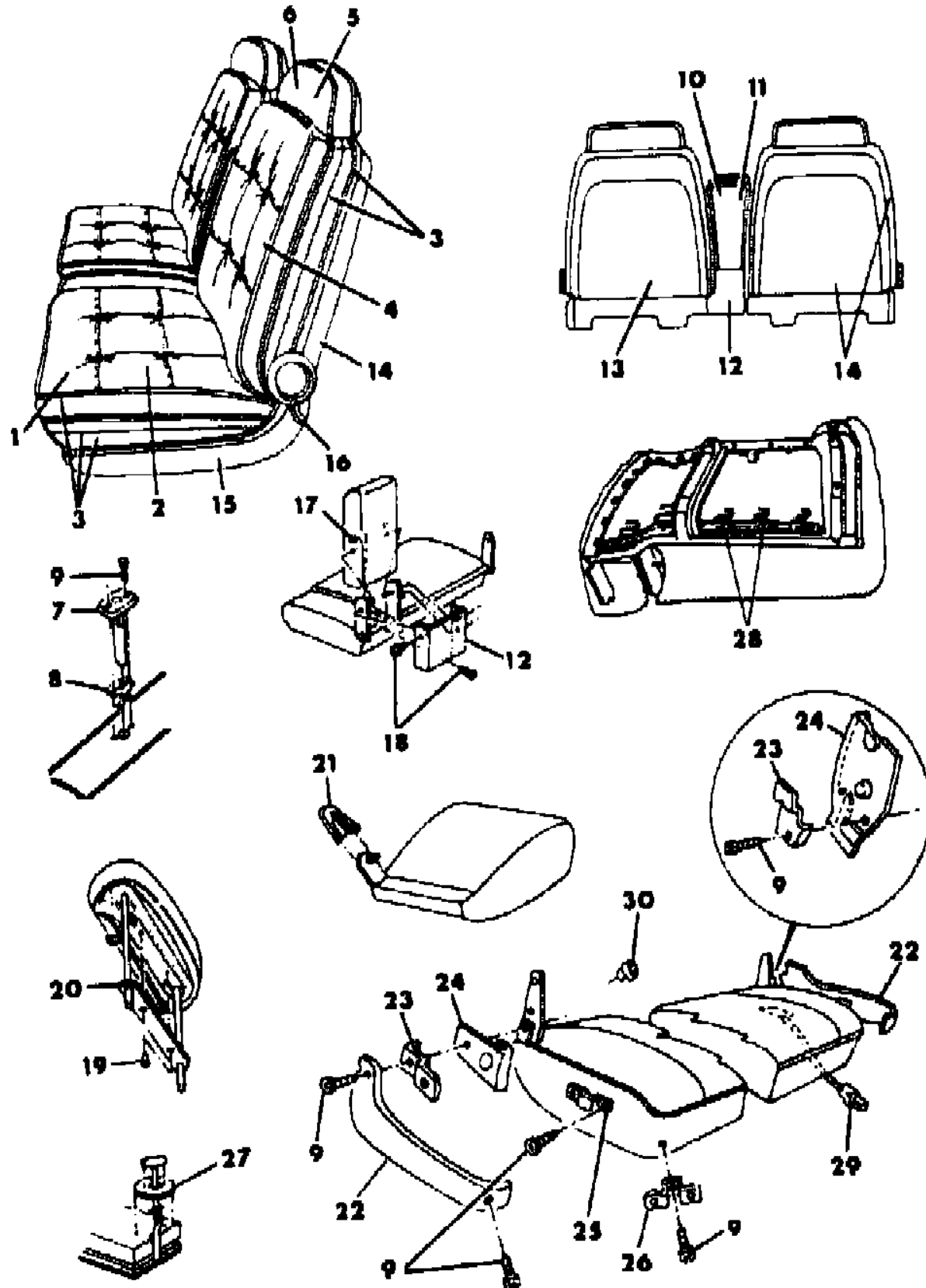
G = DIPLOMAT  
M = HORIZON/TURISMO/SCAMP  
P = RELIANT  
S = CORDOBA  
T = E CLASS/NEWYORKER

V = 400  
X = MIRADA  
Y = IMPERIAL  
Z = OMNI/CHARGER/RAMPAGE

BODY STYLES

21 = 2-DOOR SEDAN  
22 = 2-DOOR SPECIAL COUPE  
24 = 2-DOOR HATCHBACK  
27 = 2-DOOR CONVERTIBLE  
28 = FWD PICKUP  
41 = 4-DOOR SEDAN  
45 = 4-DOOR STATION WAGON  
44 = 4-DOOR HATCHBACK  
48 = EXECUTIVE SEDAN

AR = Use as Required - = Non Illustrated Part P.A.R. = Paint as Required



SEAT FRONT Y TRIM CODES AY  
Figure IT-7213

3253 721300

ITEM	PART NUMBER	QTY	BODY	MODEL	DESCRIPTION
9		AR			SCREW (not serviced) N N N N
10-11					ARM REST w/COVER N N N N
	B628 AA2	1			N N NAYA YB628AA2
	B628 VC8	1			N N NAYC YB628VC8
	B628 VM6	1			N N NAYM YB628VM6
	B628 BL3	1			N N NAYL YB628BL3
11					COVER, Arm Rest N N N N
	B363 AA2	1			N N NAYA YB363AA2
	B363 VC8	1			N N NAYC YB363VC8
	B361 VM6	1			N N NAYM YB361VM6
	B363 BL3	1			N N NAYL YB363BL3
12					COVER, Arm Rest Finish N N N N
	S580 AA3	1			Silver N N N YS580AA3
	S580 VC7	1			Blue, Dark N N N YS580VC7
	S580 TM6	1			Red N N N YS580TM6
	S580 BL3	1			Tan N N N YS580BL3
	S534 JX9	2			COVER, Arm Rest to Stanchion N N N YS534JX9
13					MAP POCKET N N N N
	S897 AA2	2			N N NAYA YS897AA2
	S897 VC8	2			N N NAYC YS897VC8
	S897 VM6	2			N N NAYM YS897VM6
	S897 BL3	2			N N NAYL YS897BL3
14					SHIELD, Front Seat Back w/Knob N N N N
	S782-3 AA2	1			Silver N N N YS782AA2
	S782-3 VC8	1			Blue, Dark N N N YS782VC8
	S782-3 VM6	1			Red N N N YS782VM6
	S782-3 BL3	1			Tan N N N YS782BL3
15					SHIELD, Front Seat Cushion N N N N
	S784-5 AA2	1			Silver N N N YS784AA2
	S784-5 VC8	1			Blue, Dark N N N YS784VC8
	S784-5 VM6	1			Red N N N YS784VM6
	S784-5 BL3	1			Tan N N N YS784BL3
16	4190 588	1			LEVER, Release N N N Y4190588
17	4138 891	1			ROD, Arm Rest Lock N N N Y4138891
	6006 324	AR			NUT, Lock Rod N N N Y6006324
	3520 187	1			LOCK BAR, Arm Rest N N N Y3520187
18	6030 082	AR			SCREW, Arm Rest to Stanchion Attaching N N N Y6030082

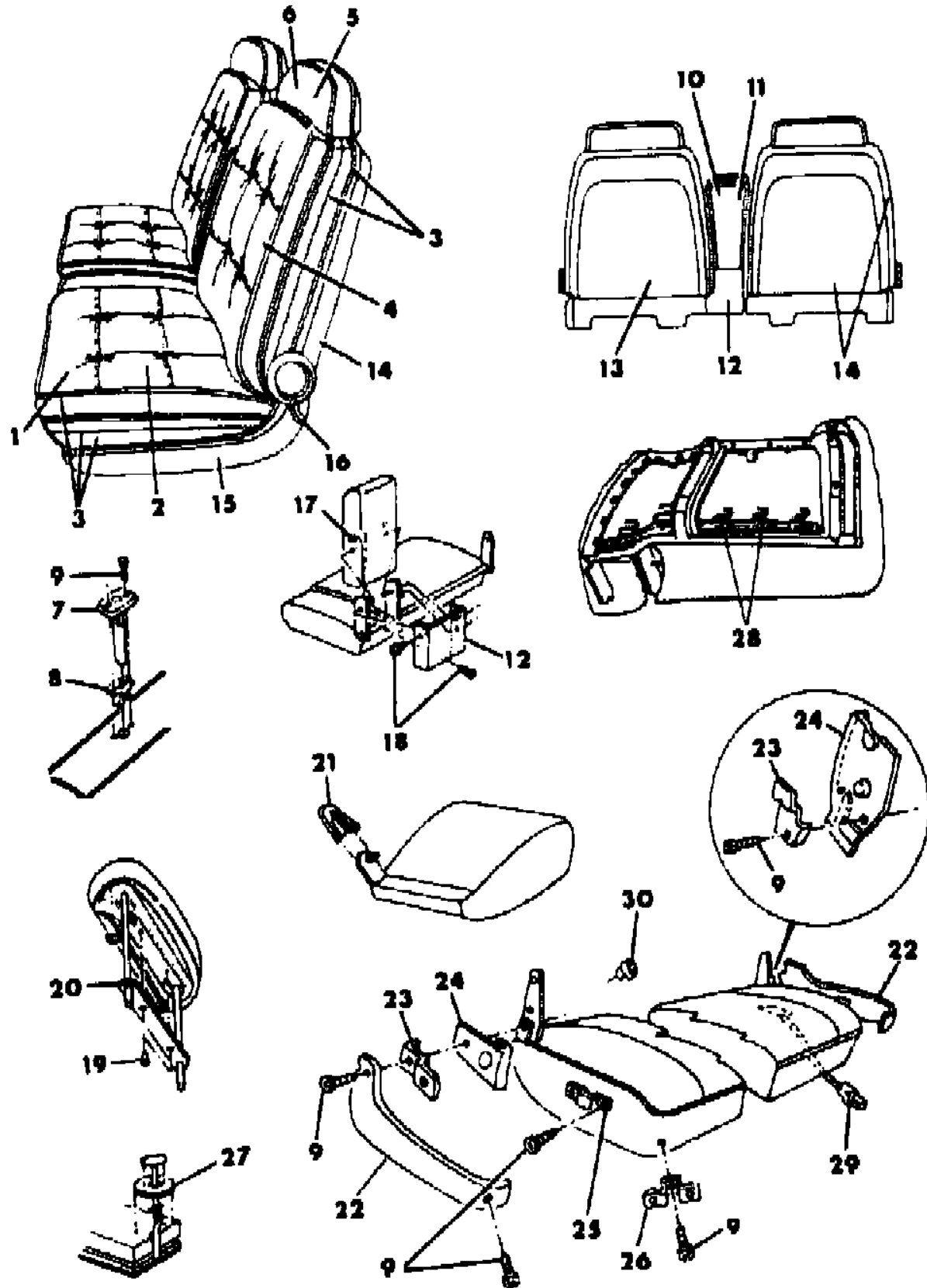
MODEL CODES

B = GRAN FURY	G = DIPLOMAT	V = 400
C = LEBARON/TOWN & COUNTRY	M = HORIZON/TURISMO/SCAMP	X = MIRADA
D = ARIES	P = RELIANT	Y = IMPERIAL
E = 600	S = CORDOBA	Z = OMNI/CHARGER/RAMPAGE
F = FIFTH AVENUE	T = E CLASS/NEWYORKER	

BODY STYLES

21 = 2-DOOR SEDAN	41 = 4-DOOR SEDAN
22 = 2-DOOR SPECIAL COUPE	45 = 4-DOOR STATION WAGON
24 = 2-DOOR HATCHBACK	44 = 4-DOOR HATCHBACK
27 = 2-DOOR CONVERTIBLE	48 = EXECUTIVE SEDAN
28 = FWD PICKUP	

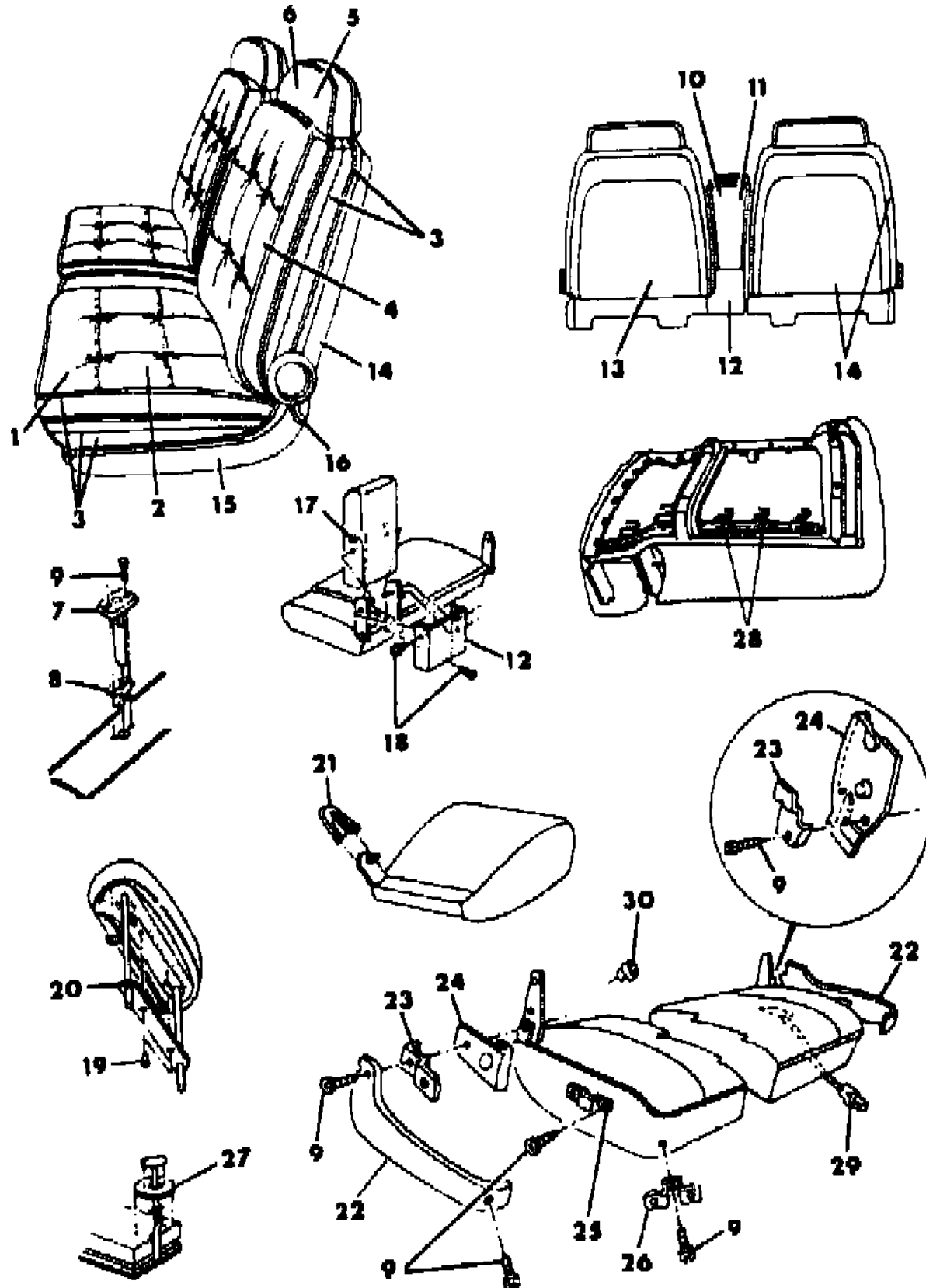
AR = Use as Required - = Non Illustrated Part P.A.R. = Paint as Required



SEAT FRONT Y TRIM CODES AY  
Figure IT-7213

3253 721300

ITEM	PART NUMBER	QTY	BODY	MODEL	DESCRIPTION
19		AR			SCREW (not serviced) N N N N
20	4018 808	2			COVER, Headrest Finish N N N Y4018808
21					COVER, Inner Hinge Bracket N N N N
	S682 AA3	1			Silver N N N YS682AA3
	S682 SC7	1			Blue, Dark N N N YS682SC7
	S682 TM6	1			Red N N N YS682TM6
	S682 BL3	1			Tan N N N YS682BL3
22					SHIELD, Cushion Side N N N N
	S784-5 AA2	1			N N NAYA YS784AA2
	S784-5 VC8	1			N N NAYC YS784VC8
	S784-5 VM6	1			N N NAYM YS784VM6
	S784-5 BL3	1			N N NAYL YS784BL3
23	4190 738-9	1			BRACKET, Side Shield Mounting Rear N N N Y4190738
24	S788 VW1	1			COVER, Intertia Latch (paint as required) N N N YS788VW1
25	4190 736	2			BRACKET, Side Shield Mounting Side N N N Y4190736
26	4190 578-9	1			BRACKET, Side Shield Front Mounting N N N Y4190578
24	S788-9 VW1	1			COVER, Intertia Latch (paint as required) N N N YS788VW1
27	4029 857	8			WASHER, Front Seat Back Cover Pulldown Loop N N N Y4029857
28	6008 076	AR			HOG RING N N N Y6008076
29	4221 013	1			SWITCH, Seat Spring Occupant Sensing N N N Y4221013
30	4190 488	1			BUSHING, Cushing Inner Pivot Pin Right Only N N N Y4190488



MODEL CODES  
 B = GRAN FURY  
 C = LEBARON/TOWN & COUNTRY  
 D = ARIES  
 E = 600  
 F = FIFTH AVENUE  
 G = DIPLOMAT  
 M = HORIZON/TURISMO/SCAMP  
 P = RELIANT  
 S = CORDOBA  
 T = E CLASS/NEWYORKER  
 V = 400  
 X = MIRADA  
 Y = IMPERIAL  
 Z = OMNI/CHARGER/RAMPAGE

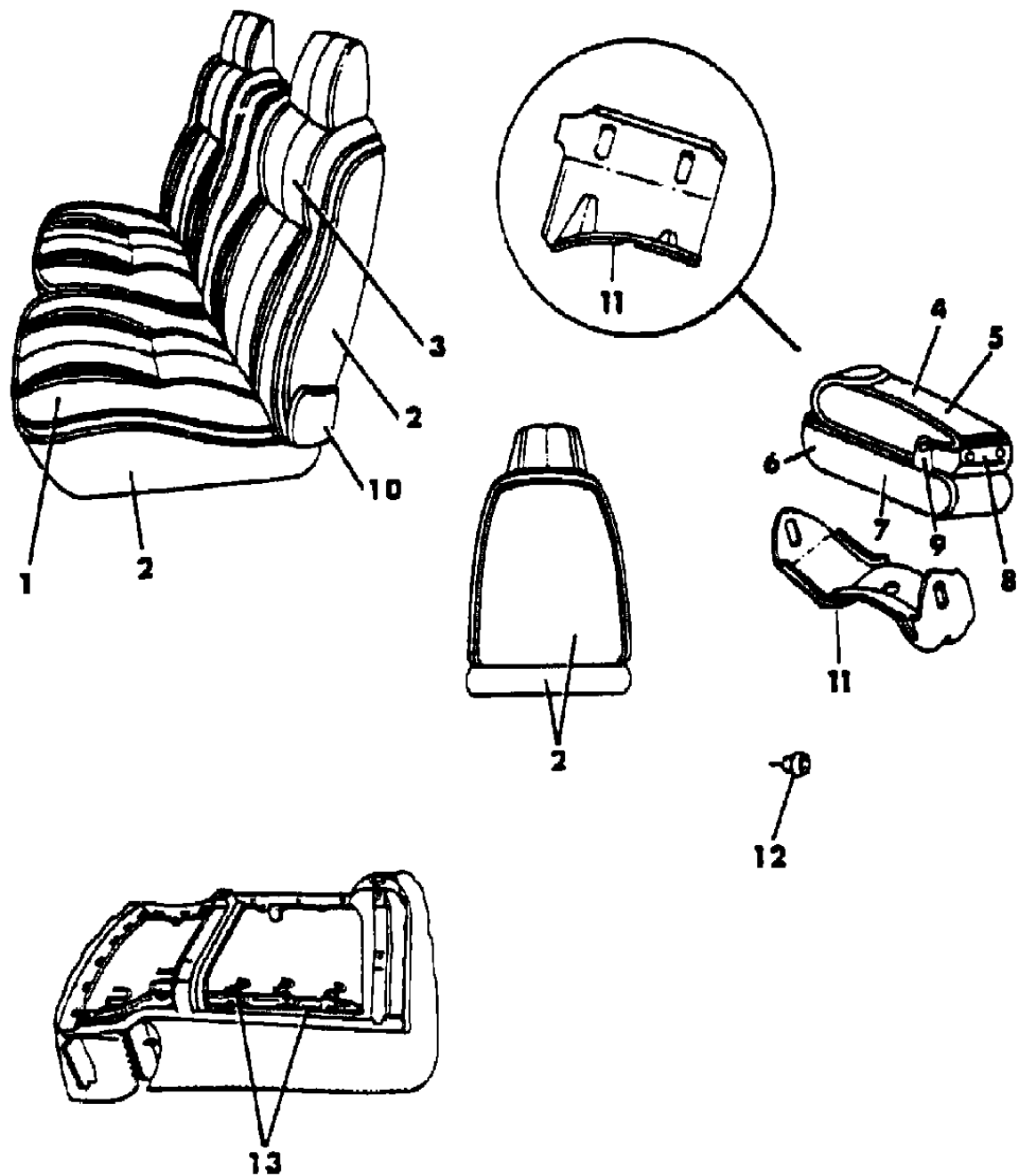
BODY STYLES  
 21 = 2-DOOR SEDAN  
 22 = 2-DOOR SPECIAL COUPE  
 24 = 2-DOOR HATCHBACK  
 27 = 2-DOOR CONVERTIBLE  
 28 = FWD PICKUP  
 41 = 4-DOOR SEDAN  
 45 = 4-DOOR STATION WAGON  
 44 = 4-DOOR HATCHBACK  
 48 = EXECUTIVE SEDAN

AR = Use as Required - = Non Illustrated Part P.A.R. = Paint as Required



SEAT FRONT S,X TRIM CODE N5  
Figure IT-7221

3253 722100



ITEM	PART NUMBER	QTY	BODY	MODEL	DESCRIPTION
1-2					CUSHION, w/Spring/Frame. Pad and Cover N N N N
	B610 B5A	2			N N NN5A YB610B5A
	B610 B5C	2			N N NN5C YB610B5C
	B610 B5M	2			N N NN5M YB610B5M
	B610 B5L	2			N N NN5L YB610B5L
1					COVER, Cushion N N N N
	A454 B5A	2			N N NN5A YA454B5A
	A454 B5C	2			N N NN5C YA454B5C
	A454 B5M	2			N N NN5M YA454B5M
	A454 B5L	2			N N NN5L YA454B5L
2					ROLL STOCK, Vinyl Order by the Inch N N N N
	R616 AA2	AR			Silver 64" Wide N N NN5A YR616AA2
	R616 VC8	AR			Blue 64" Wide N N NN5C YR616VC8
	R616 VM6	AR			Red 64" Wide N N NN5M YR616VM6
	R616 BL3	AR			Tan 64" Wide N N NN5L YR616BL3
2-3					BACK, w/Spring/Frame, Pad and Cover N N N N
	B608-9 B5A	1			N N NN5A YB608B5A
	B608-9 B5C	1			N N NN5C YB608B5C
	B608-9 B5M	1			N N NN5M YB608B5M
	B608-9 B5L	1			N N NN5L YB608B5L
3					COVER, Back N N N N
	A450 B5A	2			N N NN5A YA450B5A
	A450 B5C	2			N N NN5C YA450B5C
	A450 B5M	2			N N NN5M YA450B5M
	A450 B5L	2			N N NN5L YA450B5L
4-5					ARM REST w/COVER N N N N
	B654 B5A	1			N N NN5A YB654B5A
	B654 B5C	1			N N NN5C YB654B5C
	B654 B5M	1			N N NN5M YB654B5M
	B654 B5L	1			N N NN5L YB654B5L
5					COVER, Arm Rest N N N N
	B305 BA3	1			N N NN5A YB305BA3
	B305 BC7	1			N N NN5C YB305BC7
	B305 BM6	1			N N NN5M YB305BM6
	B305 BL3	1			N N NN5L YB305BL3
6-7					CUSHION, Center w/Spring/Frame, Pad and Cover N N N N
	B649 B5A	1			N N NN5A YB649B5A

MODEL CODES

B = GRAN FURY	G = DIPLOMAT	V = 400
C = LEBARON/TOWN & COUNTRY	M = HORIZON/TURISMO/SCAMP	X = MIRADA
D = ARIES	P = RELIANT	Y = IMPERIAL
E = 600	S = CORDOBA	Z = OMNI/CHARGER/RAMPAGE
F = FIFTH AVENUE	T = E CLASS/NEWYORKER	

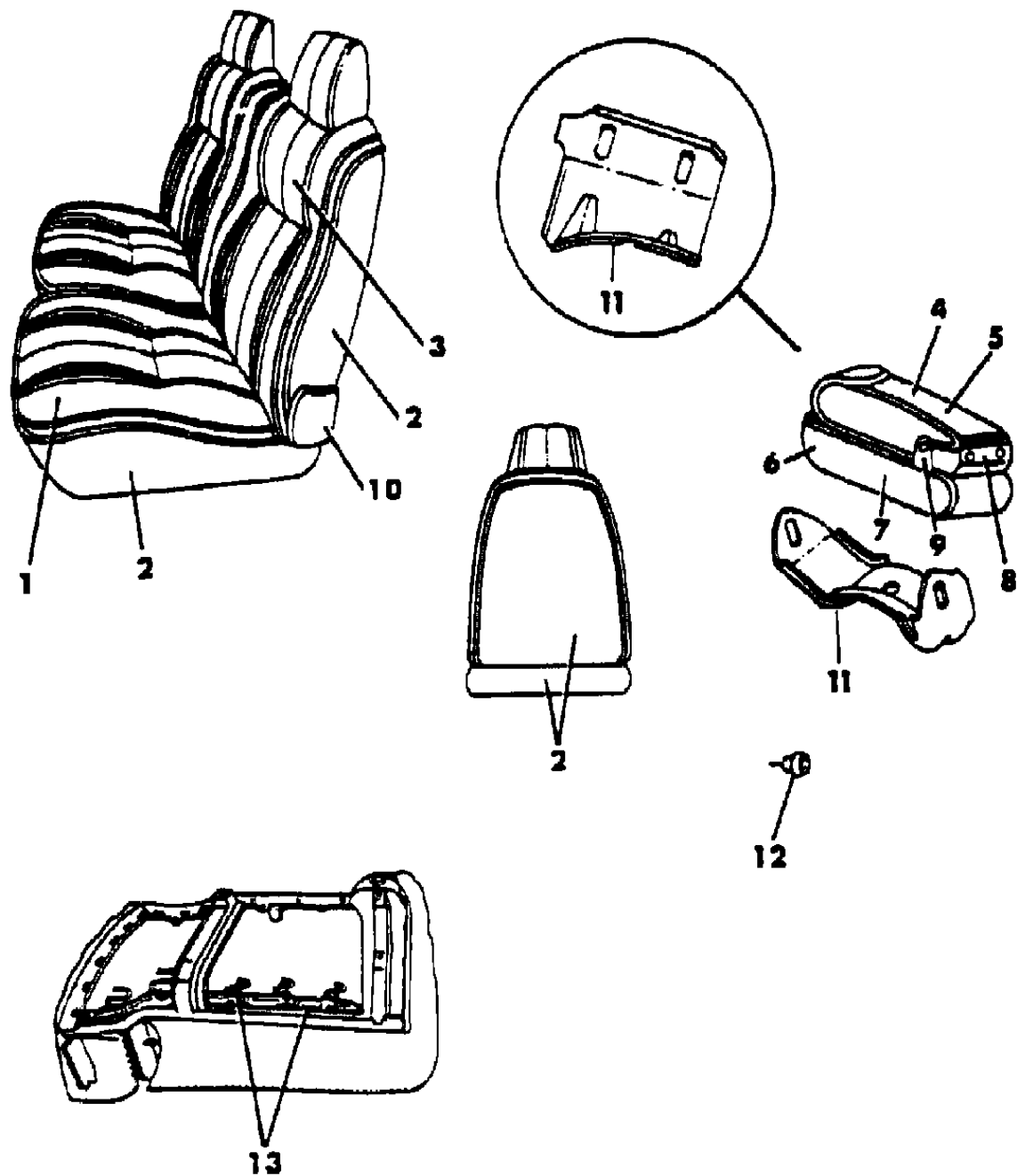
BODY STYLES

21 = 2-DOOR SEDAN	41 = 4-DOOR SEDAN
22 = 2-DOOR SPECIAL COUPE	45 = 4-DOOR STATION WAGON
24 = 2-DOOR HATCHBACK	44 = 4-DOOR HATCHBACK
27 = 2-DOOR CONVERTIBLE	48 = EXECUTIVE SEDAN
28 = FWD PICKUP	

AR = Use as Required - = Non Illustrated Part P.A.R. = Paint as Required

SEAT FRONT S,X TRIM CODE N5  
Figure IT-7221

3253 722100



ITEM	PART NUMBER	QTY	BODY	MODEL	DESCRIPTION
	B649 B5C	1			N N NN5C YB649B5C
	B649 B5M	1			N N NN5M YB649B5M
	B649 B5L	1			N N NN5L YB649B5L
7	B304 BA3	1			COVER, Center Cushion N N N N
	B304 BC7	1			N N NN5C YB304BC7
	B304 BM6	1			N N NN5M YB304BM6
	B304 BL3	1			N N NN5L YB304BL3
8	S531 JW1	1			COVER, Arm Rest Finish (paint as required) N N N YS531JW1
9	S534 AA3	2			COVER, Stanchion (paint as required) N N N YS534AA3
10	S816-7 AA3	1			COVER, Hinge Arm (paint as required) N N N N
	S734 AA3	1			OUTER N N N YS816AA3
	S735 AA3	1			INNER, Left N N N YS734AA3
	6030 981	AR			INNER, Right N N N YS735AA3
11	4073 159	1			NUT, Outer Hinge Arm Attaching N N N Y6030981
	4206 425	1			BRACKET, Center Cushion Mounting N N N N
	0181 088	AR			Front N N N Y4073159
12	4190 488	1			Rear N N N Y4206425
13	6008 076	AR			SCREW, Cushion to Mounting Bracket N N N Y181088
					BUSHING, Cushion Inner Pivot Pin Right Only N N N Y4190488
					HOG RING N N N Y6008076

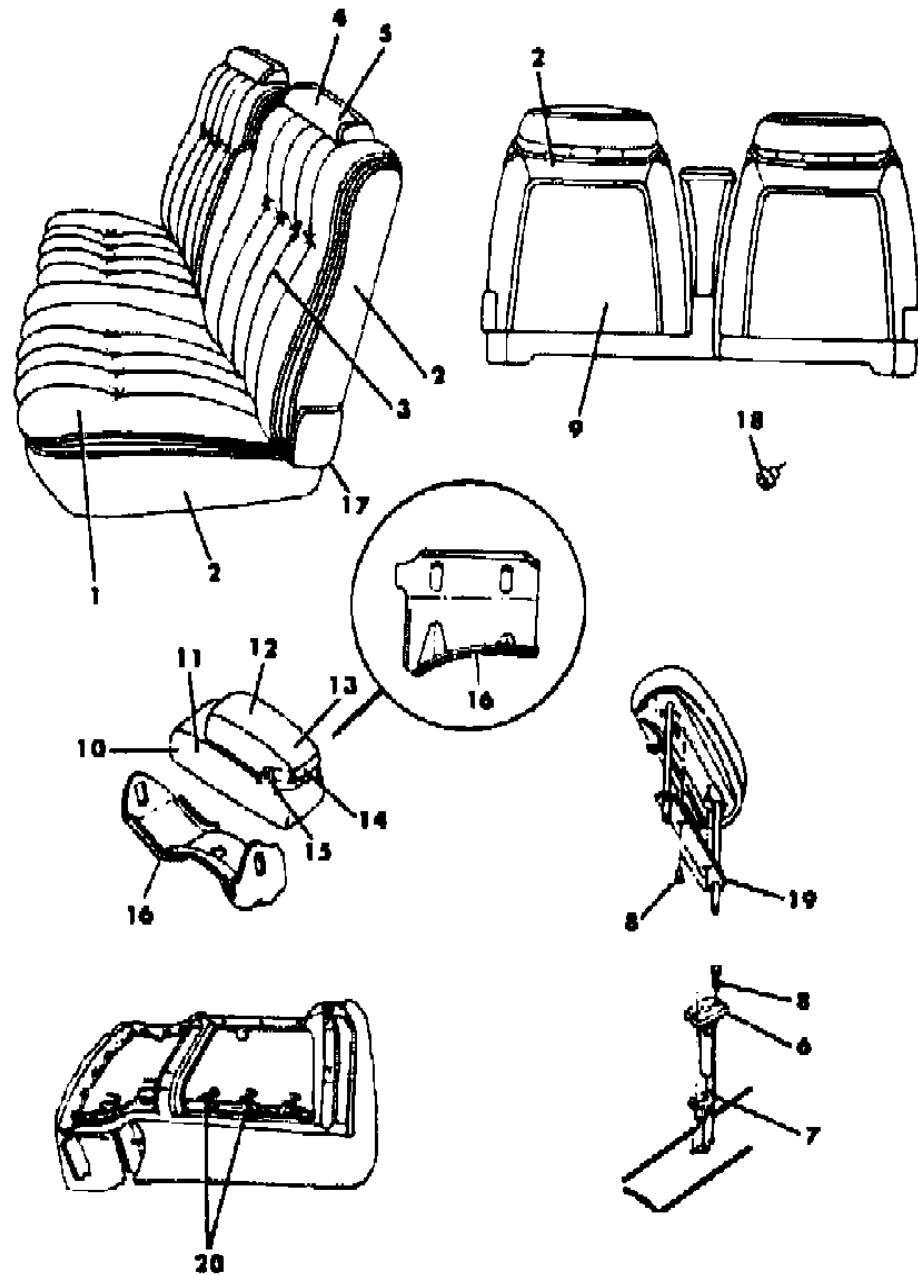
MODEL CODES  
 B = GRAN FURY  
 C = LEBARON/TOWN & COUNTRY  
 D = ARIES  
 E = 600  
 F = FIFTH AVENUE  
 G = DIPLOMAT  
 M = HORIZON/TURISMO/SCAMP  
 P = RELIANT  
 S = CORDOBA  
 T = E CLASS/NEWYORKER  
 V = 400  
 X = MIRADA  
 Y = IMPERIAL  
 Z = OMNI/CHARGER/RAMPAGE

BODY STYLES  
 21 = 2-DOOR SEDAN  
 22 = 2-DOOR SPECIAL COUPE  
 24 = 2-DOOR HATCHBACK  
 27 = 2-DOOR CONVERTIBLE  
 28 = FWD PICKUP  
 41 = 4-DOOR SEDAN  
 45 = 4-DOOR STATION WAGON  
 44 = 4-DOOR HATCHBACK  
 48 = EXECUTIVE SEDAN

AR = Use as Required - = Non Illustrated Part P.A.R. = Paint as Required

**SEAT FRONT S,X TRIM CODE DL**  
**Figure IT-7222**

3253 722200



ITEM	PART NUMBER	QTY	BODY	MODEL	DESCRIPTION
1-2					CUSHION, w/Spring/Frame, Pad and Cover N N N N
	B684-5 BLA	1			N N NDLA YB684BLA
	B684-5 BLL	1			N N NDLL YB684BLL
1					COVER, Cushion N N N N
	B408 ALA	2			N N NDLA YB408ALA
	B408 BLL	2			N N NDLL YB408BLL
2					ROLL STOCK, Vinyl Order by the Inch N N N N
	R616 AA2	AR			Silver 64" Wide N N NDLA YR616AA2
	R616 BL3	AR			Tan 64" Wide N N NDLL YR616BL3
2&3					BACK, w/Spring/Frame, Pad and Cover N N N N
	B682-3 BLA	1			N N NDLA YB682BLA
	B682-3 BLL	1			N N NDLL YB682BLL
3					COVER, Back N N N N
	B307 ALA	2			N N NDLA YB307ALA
	B307 BLL	2			N N NDLL YB307BLL
4&5					HEAD REST w/COVER N N N N
	A859 AA2	2			N N NDLA YA859AA2
	A859 BL3	2			N N NDLL YA859BL3
5					COVER, Head Rest N N N N
	A508 AA2	2			N N NDLA YA508AA2
	A508 BL3	2			N N NDLL YA508BL3
6					SLEEVE, Head Rest N N N N
	S690 AA3	4			N N NDLA YS690AA3
	S690 BL3	4			N N NDLL YS690BL3
7	4098 965	4			CATCH, Head Rest Post N N N Y4098965
8		AR			SCREW(not serviced) N N N N
9					PANEL, Back of Front Back N N N N
	S731 AA2	2			N N NDLA YS731AA2
	S731 BL3	2			N N NDLL YS731BL3
10-11					CUSHION, Center w/Spring/Frame, Pad and Cover N N N N
	B711 AA3	1			N N NDLA YB711AA3
	B711 BL3	1			N N NDLL YB711BL3
11					COVER, Center Cushion N N N N
	B418 AA3	1			N N NDLA YB418AA3
	B418 BL3	1			N N NDLL YB418BL3
12-13					ARM REST w/COVER N N N N
	B795 AA3	1			N N NDLA YB795AA3

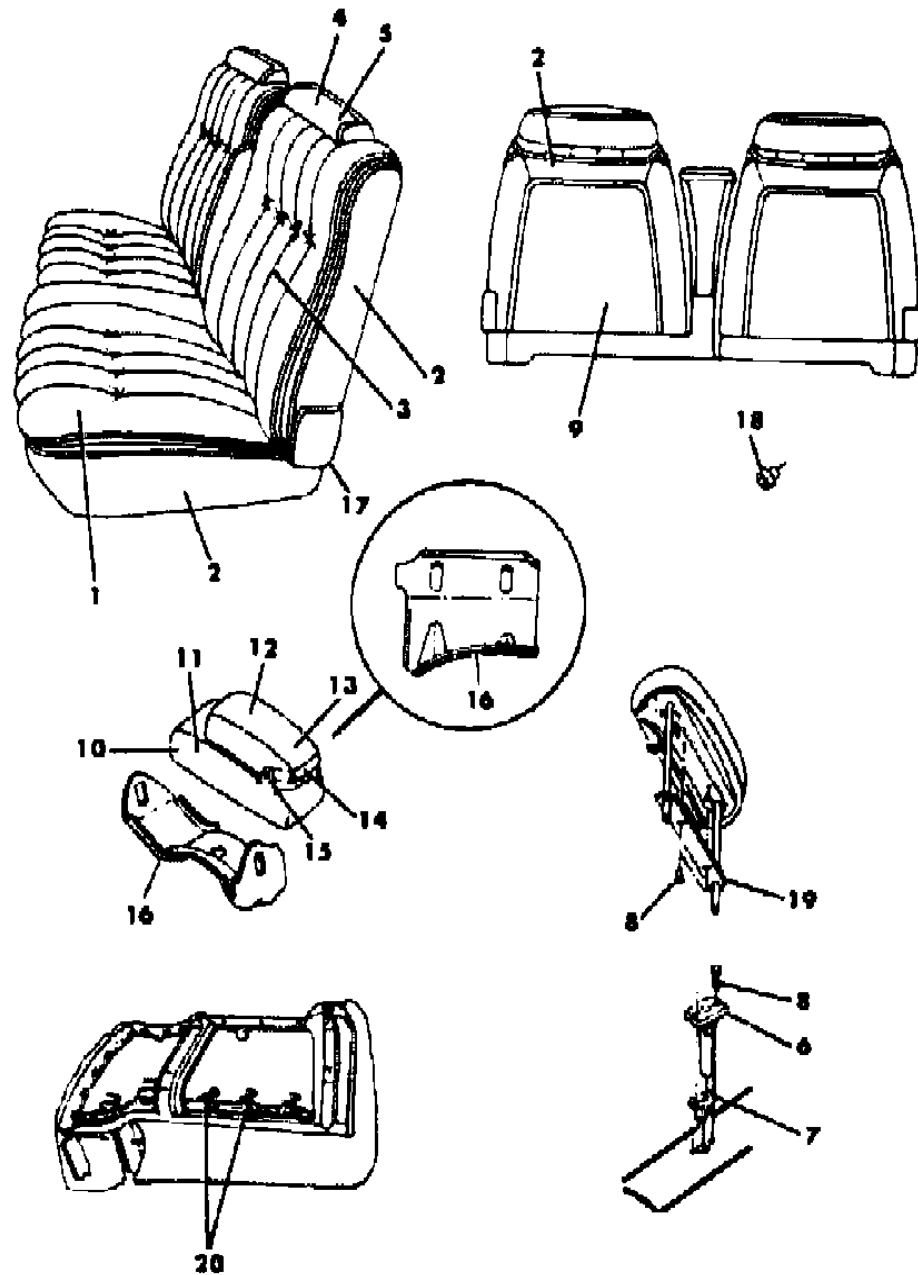
MODEL CODES  
 B = GRAN FURY  
 C = LEBARON/TOWN & COUNTRY  
 D = ARIES  
 E = 600  
 F = FIFTH AVENUE  
 G = DIPLOMAT  
 M = HORIZON/TURISMO/SCAMP  
 P = RELIANT  
 S = CORDOBA  
 T = E CLASS/NEWYORKER  
 V = 400  
 X = MIRADA  
 Y = IMPERIAL  
 Z = OMNI/CHARGER/RAMPAGE

BODY STYLES  
 21 = 2-DOOR SEDAN  
 22 = 2-DOOR SPECIAL COUPE  
 24 = 2-DOOR HATCHBACK  
 27 = 2-DOOR CONVERTIBLE  
 28 = FWD PICKUP  
 41 = 4-DOOR SEDAN  
 45 = 4-DOOR STATION WAGON  
 44 = 4-DOOR HATCHBACK  
 48 = EXECUTIVE SEDAN

AR = Use as Required - = Non Illustrated Part P.A.R. = Paint as Required

SEAT FRONT S,X TRIM CODE DL  
Figure IT-7222

3253 722200



ITEM	PART NUMBER	QTY	BODY	MODEL	DESCRIPTION
	B795 BL3	1			N N NDLL YB795BL3
13					COVER, Arm Rest N N N N
	B403 AA3	1			N N NDLA YB403AA3
	B403 BL3	1			N N NDLL YB403BL3
14	S531 JW1	1			COVER, Arm Rest Finish (paint as required) N N N YS531JW1
15	S534 AA3	1			COVER, Arm Rest Stanchion (paint as required) N N N YS534AA3
16					BRACKET, Center Cushion Mounting N N N N
	4073 159	1			Front N N N Y4073159
	4206 425	1			Rear N N N Y4206425
	6028 521	AR			SCREW, Arm Rest to Stanchion Attaching N N N Y6028521
	0181 088	4			SCREW & WASHER, Center Cushion to Bracket N N N Y181088
17					COVER, Hinge Arm (paint as required) N N N N
	S877 SX9	1			OUTER, Left N N N YS877SX9
	S844 SX9	1			OUTER, Right N N N YS844SX9
	S876 SX9	1			INNER, Left N N N YS876SX9
	S877 SX9	1			INNER, Right N N N YS877SX9
18	4190 488	1			BUSHING, Front Seat Inner Pivot Pin Right Only N N N Y4190488
19	4018 808	2			COVER, Hesd Rest Finish N N N Y4018808
20	6008 076	AR			HOG RING N N N Y6008076

MODEL CODES

B = GRAN FURY	G = DIPLOMAT	V = 400
C = LEBARON/TOWN & COUNTRY	M = HORIZON/TURISMO/SCAMP	X = MIRADA
D = ARIES	P = RELIANT	Y = IMPERIAL
E = 600	S = CORDOBA	Z = OMNI/CHARGER/RAMPAGE
F = FIFTH AVENUE	T = E CLASS/NEWYORKER	

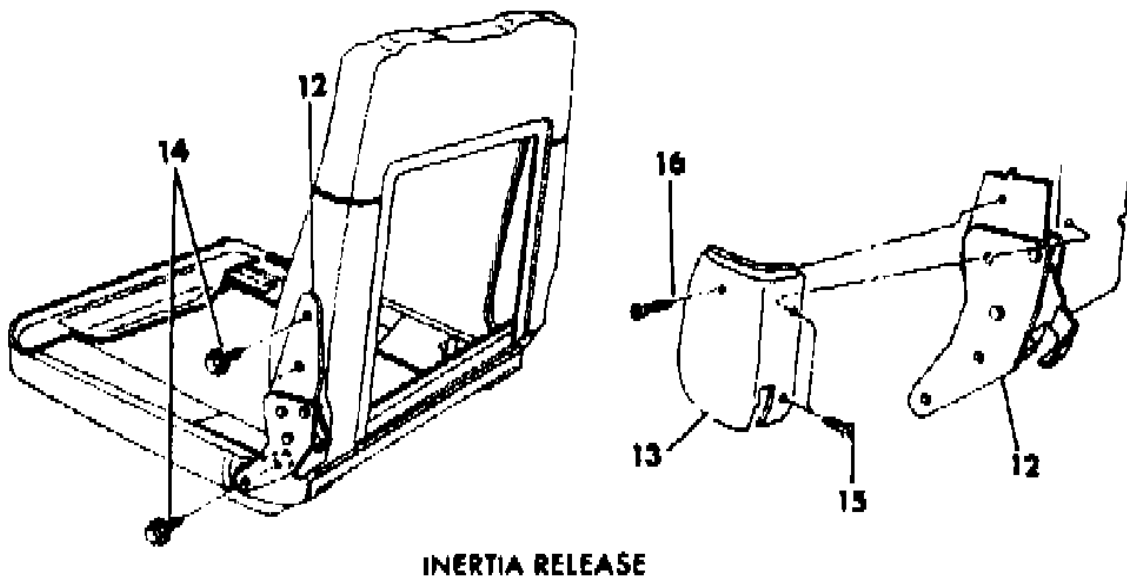
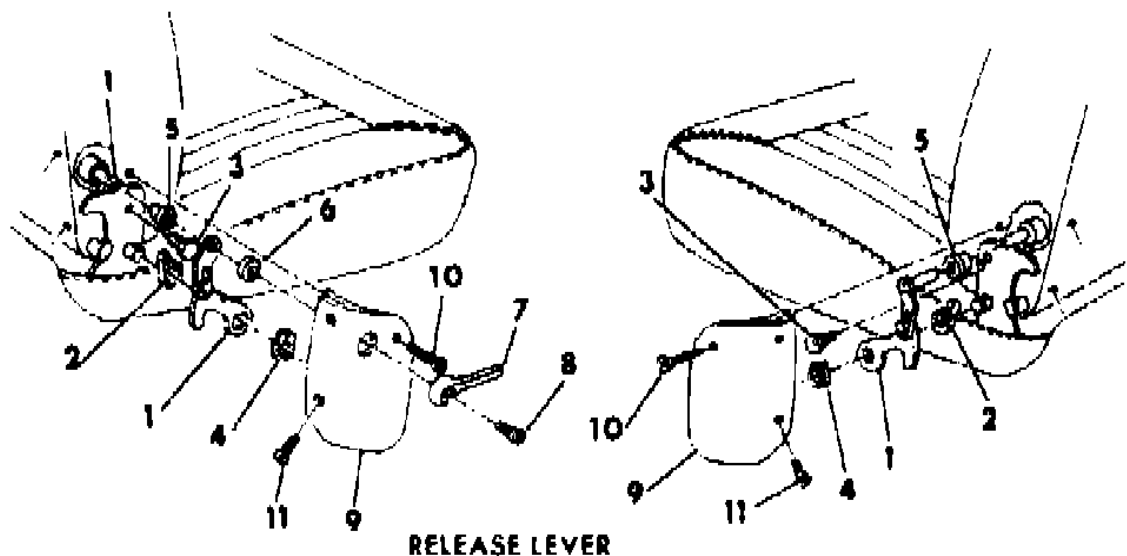
BODY STYLES

21 = 2-DOOR SEDAN	41 = 4-DOOR SEDAN
22 = 2-DOOR SPECIAL COUPE	45 = 4-DOOR STATION WAGON
24 = 2-DOOR HATCHBACK	44 = 4-DOOR HATCHBACK
27 = 2-DOOR CONVERTIBLE	48 = EXECUTIVE SEDAN
28 = FWD PICKUP	

AR = Use as Required - = Non Illustrated Part P.A.R. = Paint as Required

**FRONT SEAT BACK RELEASE LATCH S,X,Y**  
Figure IT-7241

3253 724 100



ITEM	PART NUMBER	QTY	BODY	MODEL	DESCRIPTION
1					LATCH, Front Seat Back, w/Buckets N N N N
	4190 054-5	1			Inboard N N N Y4190054
	4098 066-7	1			Outboard N N N Y4098066
2	4018 866-7	1			SPRING, Latch Return, w/Buckets N N N Y4018866
3	6031 518	4			SCREW, Pivot Shoulder N N N Y6031518
4	6024 440	AR			RETAING RING, Lock Back to Cushion N N N Y6024440
5	4029 846	4			BUSHING, Shaft Pivot Back to Cushion N N N Y4029846
6	6024 203	1			PUSHNUT, Lever Retainer N N N Y6024203
7	4138 298	1			HANDLE, Release Latch, w/Bucket N N N Y4138298
8					SCREW (not serviced) N N N N0
9					COVER, Latch (see Inter Trim) N N N N0
10					SCREW (not serviced) N N N N0
11					SCREW (not serviced) N N N N0
12					LATCH, Inertia Front Seat Back N N N N0
	4190 091	1			w/Bucket N N N Y4190091
	4190 092	1			w/C.A.R., Rt. N N N Y4190092
	4190 983	1			w/60/40, w/C.A.R., Lt. N N N Y4190983
13					COVER (see Inter Trim) N N N N0
14	9422 041	8			SCREW, w/WASHER, Latch Attaching N N N Y9422041
15					SCREW, (not serviced) N N N N0
16					SCREW, (not serviced) N N N N0
NOTE: The Following Items Are Not Illustrated 0 ated in the Bulletin, parts are to be procured by the dealer directly from:					
	4190 100	AR			SPRING, Front Seat Inertia Latch Lever Return, w/60/40 N N N Y4190100
	4190 102	1			SPRING, Front Seat Inertia Latch Counter Balance, w/Bench N N N Y4190102

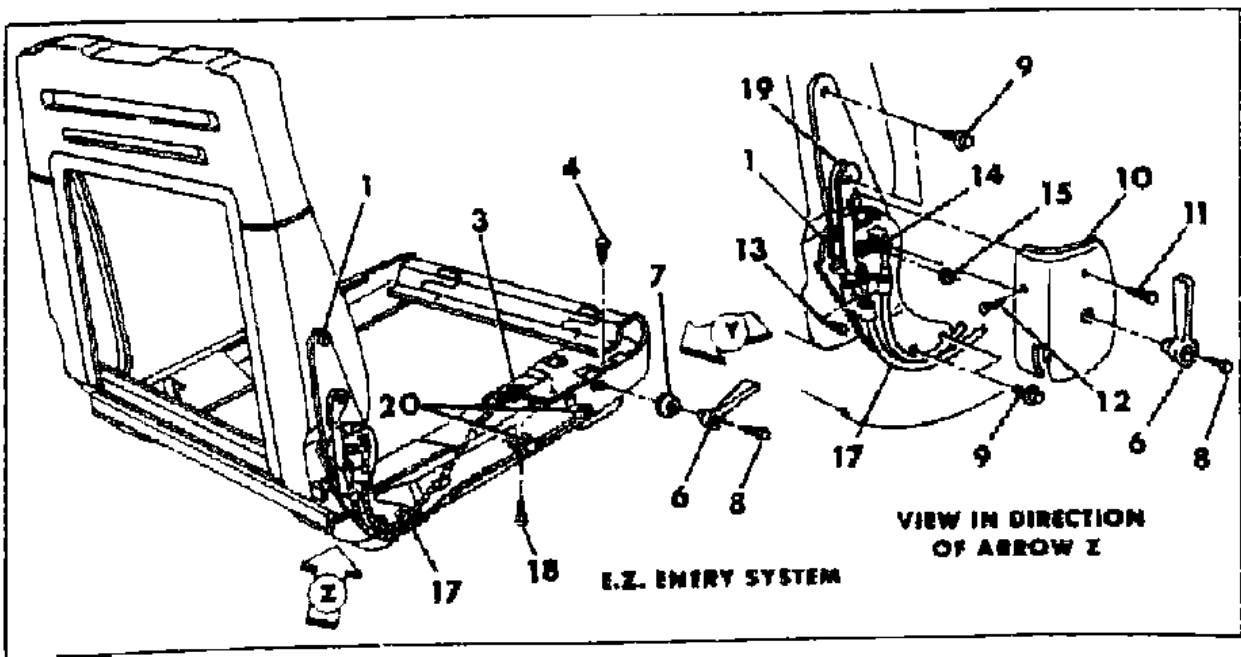
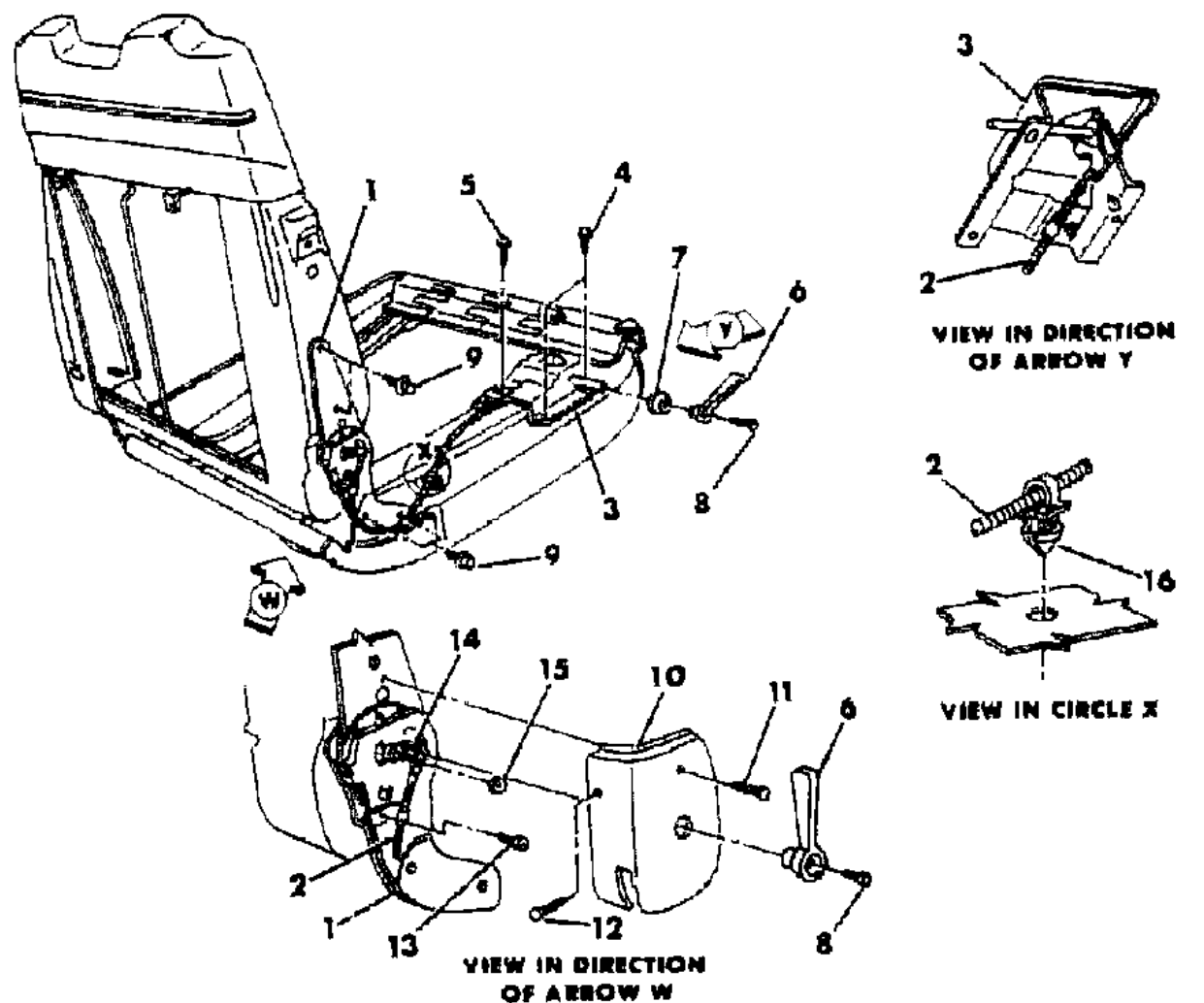
MODEL CODES  
 B = GRAN FURY  
 C = LEBARON/TOWN & COUNTRY  
 D = ARIES  
 E = 600  
 F = FIFTH AVENUE  
 G = DIPLOMAT  
 M = HORIZON/TURISMO/SCAMP  
 P = RELIANT  
 S = CORDOBA  
 T = E CLASS/NEWYORKER  
 V = 400  
 X = MIRADA  
 Y = IMPERIAL  
 Z = OMNI/CHARGER/RAMPAGE

BODY STYLES  
 21 = 2-DOOR SEDAN  
 22 = 2-DOOR SPECIAL COUPE  
 24 = 2-DOOR HATCHBACK  
 27 = 2-DOOR CONVERTIBLE  
 28 = FWD PICKUP  
 41 = 4-DOOR SEDAN  
 45 = 4-DOOR STATION WAGON  
 44 = 4-DOOR HATCHBACK  
 48 = EXECUTIVE SEDAN

AR = Use as Required - = Non Illustrated Part P.A.R. = Paint as Required

RECLINING FRONT SEAT AND SEAT BACK RELEASE LATCH, W/60/40 S,X,Y 0  
Figure IT-7251

3253 725 100



ITEM	PART NUMBER	QTY	BODY	MODEL	DESCRIPTION
1	4190 410	1			RECLINER, Front Seat Back N N N Y4190410
	4138 358	1			SHIM, Front Seat Back Recliner Locking Arm N N N Y4138358
	4190 248-9	1			SPRING, Front Seat Back Recliner, Release Cam N N N Y4190248
	4190 588	1			LEVER, Recliner Release N N N Y4190588
2	3844 812	1			CABLE, Front Seat Recliner Release N N N Y3844812
3	4018 066	1			ACTUATOR, Front Seat Recliner Release N N N Y4018066
4					SCREW (not serviced) N N N N0
5	9414 712	1			SCREW, Actuator Attaching N N N Y9414712
6	4190 587	2			HANDLE, Seat Back Latching N N N Y4190587
7	4098 080	1			BEZEL, Seat Recliner Handle N N N Y4098080
8					SCREW (not serviced) N N N N0
9	9422 041	4			SCREW, w/WASHER N N N Y9422041
10					COVER (see interior trim) N N N N0
11					SCREW (not serviced) N N N N0
12					SCREW (not serviced) N N N N0
13					SCREW (not serviced) N N N N0
14	4029 871	1			ADAPTER, Seat Back Actuator Handle N N N Y4029871
15					LOCK NUT, (not serviced) N N N N0
16					CLIP (not serviced) N N N N0
17	4172 778	1			CABLE, Front Seat Man. Recliner and EZ Entry Release N N N Y4172778
18	9414 712	2			SCREW, Cable to Actuator N N N Y9414712
19	5232 060	1			BRACKET N N N Y5232060
20					ADJUSTER, Seat (see man. seat adj.) N N N N0
NOTE: The following items are not illustrated 0 ated in the Bulletin, parts are to be procured by the dealer directly from:					
	6022 149	1			RETAINER RING, Recliner Release Actuator Shaft N N N Y6022149

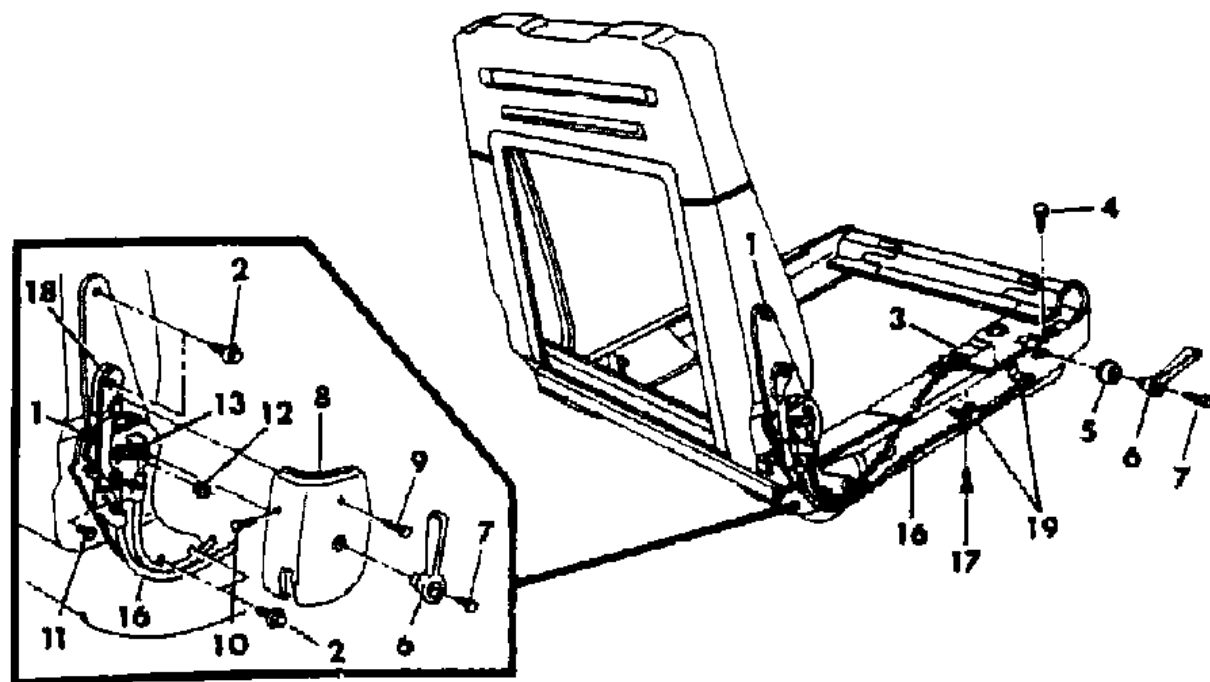
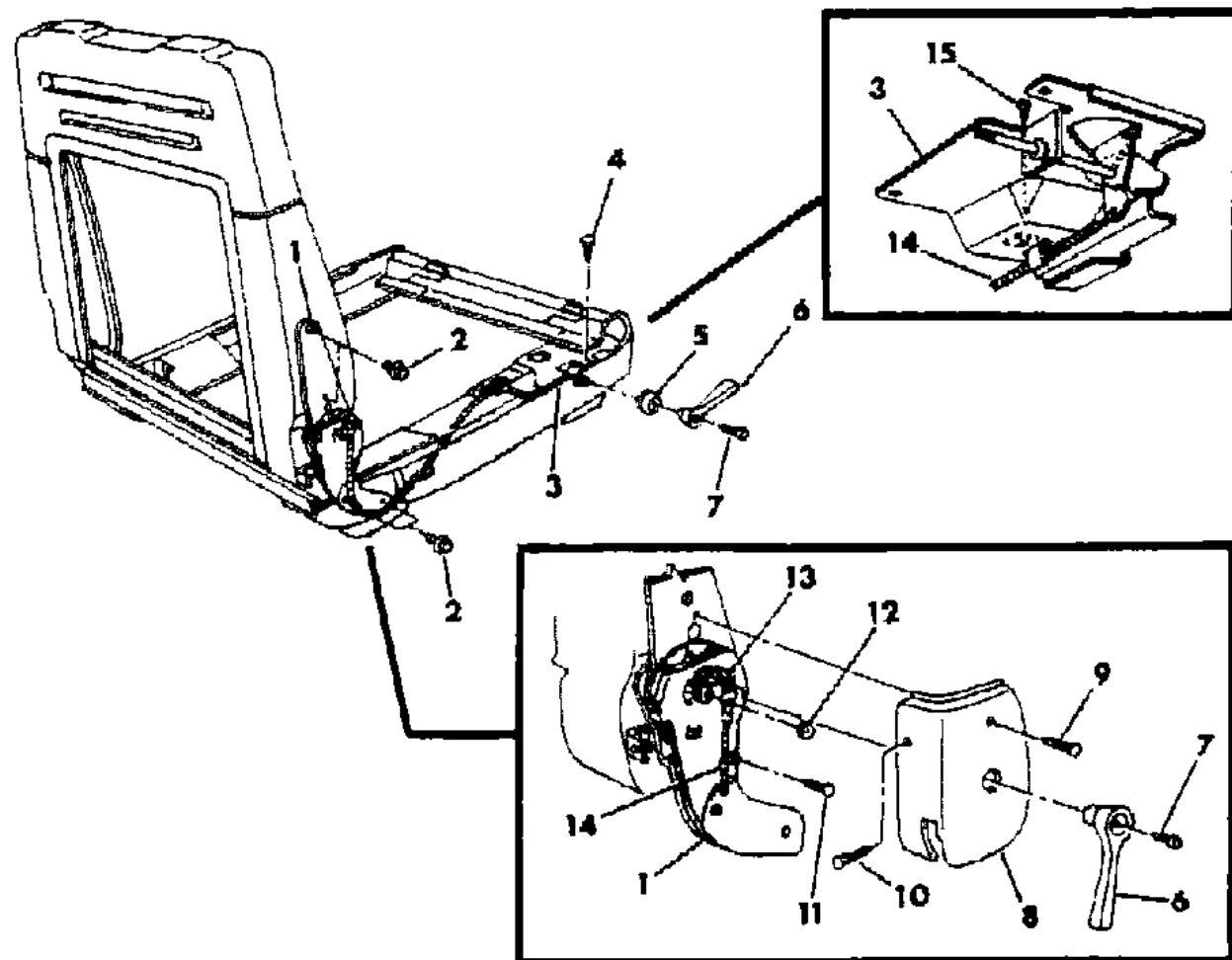
MODEL CODES  
 B = GRAN FURY  
 C = LEBARON/TOWN & COUNTRY  
 D = ARIES  
 E = 600  
 F = FIFTH AVENUE  
 G = DIPLOMAT  
 M = HORIZON/TURISMO/SCAMP  
 P = RELIANT  
 S = CORDOBA  
 T = E CLASS/NEWYORKER  
 V = 400  
 X = MIRADA  
 Y = IMPERIAL  
 Z = OMNI/CHARGER/RAMPAGE

BODY STYLES  
 21 = 2-DOOR SEDAN  
 22 = 2-DOOR SPECIAL COUPE  
 24 = 2-DOOR HATCHBACK  
 27 = 2-DOOR CONVERTIBLE  
 28 = FWD PICKUP  
 41 = 4-DOOR SEDAN  
 45 = 4-DOOR STATION WAGON  
 44 = 4-DOOR HATCHBACK  
 48 = EXECUTIVE SEDAN

AR = Use as Required - = Non Illustrated Part P.A.R. = Paint as Required

RECLINING FRONT SEAT AND SEAT BACK RELEASE LATCH W/BUCKETS S,X 0  
Figure IT-7252

3253 725200



ITEM	PART NUMBER	QTY	BODY	MODEL	DESCRIPTION
1	4190 968-9	1			RECLINER, Front Seat Back Bracket N N N Y4190968
	4138 358	1			SHIM, Front Seat Back Recliner Locking Arm N N N Y4138358
	4190 588	1			LEVER, Recliner Release N N N Y4190588
2	9422 041	4			SCREW and Washer N N N Y9422041
3	4018 816	1			ACTUATOR, Front Seat Recliner Release N N N Y4018816
4					SCREW (not serviced) N N N N0
5	4098 080	1			BEZEL, Recliner Handle N N N Y4098080
6	4190 587	2			HANDLE, Recliner and Seat Back Release N N N Y4190587
7					SCREW (not serviced) N N N N0
8					COVER (see interior trim) N N N N0
9					SCREW (not serviced) N N N N0
10					SCREW (not serviced) N N N N0
11					SCREW (not serviced) N N N N0
12					LOCK NUT (not serviced) N N N N0
13	4029 871	1			ADAPTER, Seat Back Recliner Actuator N N N Y4029871
14	4018 852	1			CABLE, Recliner Release Remote N N N Y4018852
15	9414 712	1			SCREW, Cable to Actuator Handle N N N Y9414712
16	4172 777	1			CABLE, Front Seat Manual Adjust Recliner and EZ Entry Release N N N Y4172777
17	9414 712	1			SCREW, Cable to Actuator N N N Y9414712
18	5232 060	1			BRACKET, EZ Entry Release N N N Y5232060
19					ADJUSTER (see manual seat adjuster) N N N N0
NOTE: The following items are not illustrated 0 ated in the Bulletin, parts are to be procured by the dealer directly from:					
	6022 149	1			RETAINER RING, Recliner Release Actuator Shaft to Bracket N N N Y6022149

MODEL CODES

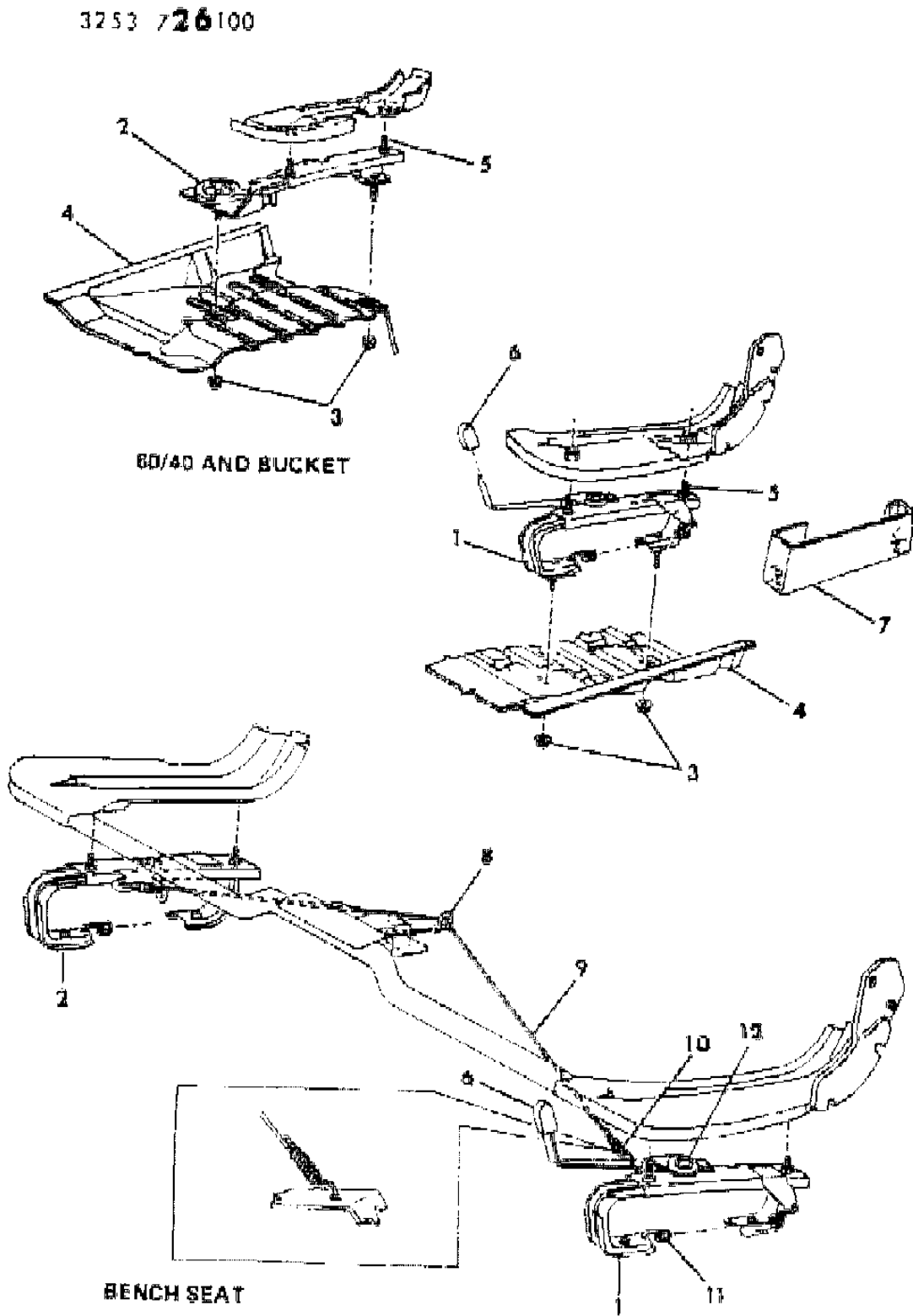
B = GRAN FURY	G = DIPLOMAT	V = 400
C = LEBARON/TOWN & COUNTRY	M = HORIZON/TURISMO/SCAMP	X = MIRADA
D = ARIES	P = RELIANT	Y = IMPERIAL
E = 600	S = CORDOBA	Z = OMNI/CHARGER/RAMPAGE
F = FIFTH AVENUE	T = E CLASS/NEWYORKER	

BODY STYLES

21 = 2-DOOR SEDAN	41 = 4-DOOR SEDAN
22 = 2-DOOR SPECIAL COUPE	45 = 4-DOOR STATION WAGON
24 = 2-DOOR HATCHBACK	44 = 4-DOOR HATCHBACK
27 = 2-DOOR CONVERTIBLE	48 = EXECUTIVE SEDAN
28 = FWD PICKUP	

AR = Use as Required - = Non Illustrated Part P.A.R. = Paint as Required

**SEAT ADJUSTER, MANUAL S,X,Y 0**  
**Figure IT-7261**



ITEM	PART NUMBER	QTY	BODY	MODEL	DESCRIPTION
1					ADJUSTER, Manual N N N N0
	4172 129	1			OUTER, Left, w/60/40 Seat (use up to 10/1/82) N N N Y4172129
	4290 839	1			(use after 10/1/82) N N N Y4290839
	4172 065	1			INNER, Left, w/60/40 Seat (use up to 10/1/82) N N N Y4172065
	4290 838	1			(use after 10/1/82) N N N Y4290838
	4172 159	1			OUTER, Left, w/Bucket Seat (use up to 10/1/82) N N N Y4172159
	4290 841	1			(use after 10/1/82) N N N Y4290841
	4172 162	1			INNER, Left, w/Bucket Seat (use up to 11/15/82) N N N Y4172162
	4290 842	1			(use after 11/15/82) N N N Y4290842
2					ADJUSTER, Manual N N N N0
	4246 096	1			Outer, Right, w/60/40 Seat (use up to 10/1/82) N N N Y4246096
	4290 845	1			(use after 10/1/82) N N N Y4290845
	4172 058	1			Inner, Right, w/60/40, w/Bucket Seat (use up to 10/1/82) N N N Y4172058
	4290 837	1			(use after 10/1/82) N N N Y4290837
	4246 120	1			Outer, Right, w/Bucket, w/EZ Entry (use up to 11/15/82) N N N Y4246120
	4246 620	1			(use after 11/15/82) N N N Y4246620
	4172 158	1			Outer, Right, w/Bucket, w/o EZ Entry (use up to 10/1/82) N N N Y4172158
	4290 840	1			(use after 10/1/82) N N N Y4290840
	4172 363	1			SPRING, Front Seat Manual Adjuster Release Lever Return w/EZ Entry N N N Y4172363
3					NUT and WASHER (not serviced) N N N N0
4					REINFORCEMENT, Floor Pan N N N N0
	4206 394-5	1			Front N N N Y4206394
	4206 396-7	1			Rear N N N Y4206396
5	0181 088	AR			SCREW and WASHER N N N Y0181088
6	5207 235	AR			KNOB, Manual Adjuster Release N N N Y5207235
7					COVER, Manual Seat Adjuster N N N N0
	S864-5 AA7	1			OUTER, w/Bucket, Silver N N N YS864AA7
	S864-5 TC7	1			Blue, Dark N N N YS864TC7

MODEL CODES  
 B = GRAN FURY  
 C = LEBARON/TOWN & COUNTRY  
 D = ARIES  
 E = 600  
 F = FIFTH AVENUE  
 G = DIPLOMAT  
 M = HORIZON/TURISMO/SCAMP  
 P = RELIANT  
 S = CORDOBA  
 T = E CLASS/NEWYORKER  
 V = 400  
 X = MIRADA  
 Y = IMPERIAL  
 Z = OMNI/CHARGER/RAMPAGE

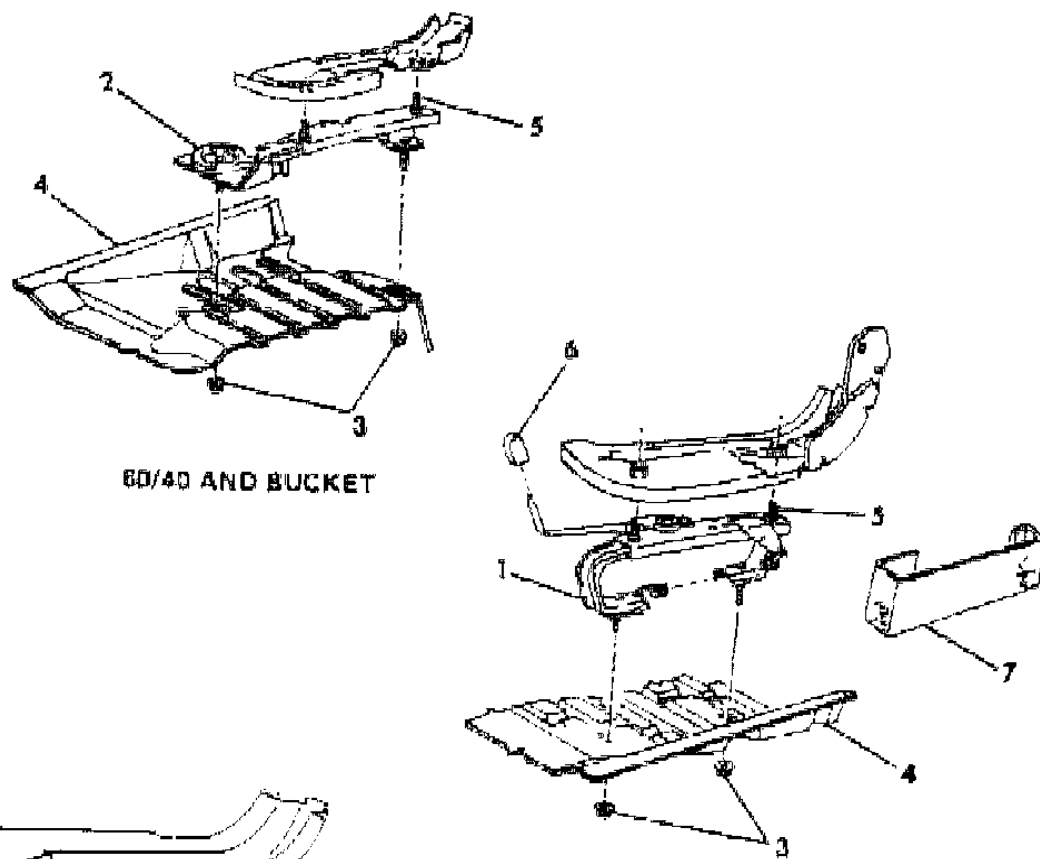
BODY STYLES  
 21 = 2-DOOR SEDAN  
 22 = 2-DOOR SPECIAL COUPE  
 24 = 2-DOOR HATCHBACK  
 27 = 2-DOOR CONVERTIBLE  
 28 = FWD PICKUP  
 41 = 4-DOOR SEDAN  
 45 = 4-DOOR STATION WAGON  
 44 = 4-DOOR HATCHBACK  
 48 = EXECUTIVE SEDAN

AR = Use as Required - = Non Illustrated Part P.A.R. = Paint as Required

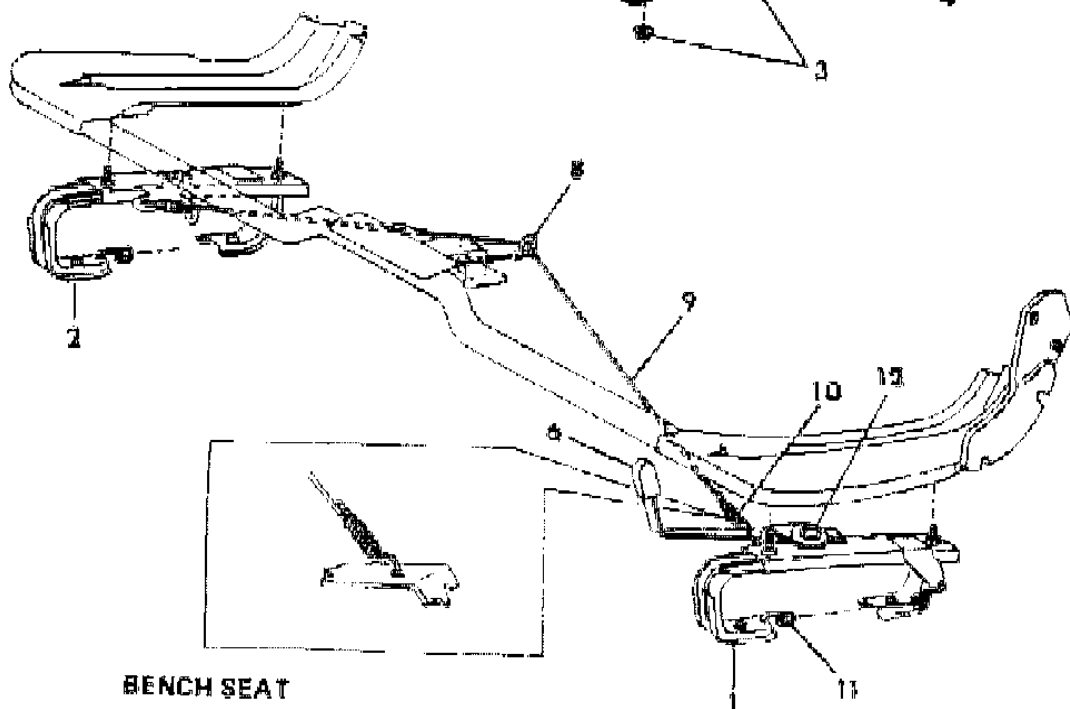


**SEAT ADJUSTER, MANUAL S,X,Y 0**  
**Figure IT-7261**

3253 726100



**60/40 AND BUCKET**



**BENCH SEAT**

ITEM	PART NUMBER	QTY	BODY	MODEL	DESCRIPTION
	S864-5 TM6	1			Red N N N YS864TM6
	S864-5 BT8	1			Brown N N N YS864BT8
	S866-7 AA7	1			Outer, w/60/40, Silver N N N YS866AA7
	S866-7 TC7	1			Blue, Dark N N N YS866TC7
	S866-7 TM6	1			Red N N N YS866TM6
	S866-7 BT8	1			Brown N N N YS866BT8
	S873 AA7	1			Inner, Right, w/Bucket or 60/40, Silver N N N YS873AA7
	S873 TC7	1			Blue, Dark N N N YS873TC7
	S873 TM6	1			Red N N N YS873TM6
	S873 BT8	1			Brown N N N YS873BT8
	S868 AA7	1			Inner, Left, w/buckets or 60/40, Silver N N N YS868AA7
	S868 TC7	1			Blue, Dark N N N YS868TC7
	S868 TM6	1			Red N N N YS868TM6
	S868 BT8	1			Brown N N N YS868BT8
	6025 766	2			NUT, Spring Cover Attaching N N N Y6025766
8	2942 556	1			HOOK, Seat Wire Guide N N N Y2942556
9	4172 174	1			WIRE, Seat Adjuster Latch, w/60/40 N N N Y4172174
10	4172 333	1			SPRING, Lever Return N N N Y4172333
	4172 164	1			SPRING, Tension Return Manual N N N Y4172164
11	4172 009	1			SPRING, Seat Adjuster Tension N N N Y4172009
12	4246 125	1			SPRING, Adjuster Latch Return N N N Y4246125

NOTE: The following items are not illustrated or noted in the Bulletin, parts are to be procured by the dealer directly from:

0104 918 AR Ball N N N Y0104918

**MODEL CODES**

B = GRAN FURY	G = DIPLOMAT	V = 400
C = LEBARON/TOWN & COUNTRY	M = HORIZON/TURISMO/SCAMP	X = MIRADA
D = ARIES	P = RELIANT	Y = IMPERIAL
E = 600	S = CORDOBA	Z = OMNI/CHARGER/RAMPAGE
F = FIFTH AVENUE	T = E CLASS/NEWYORKER	

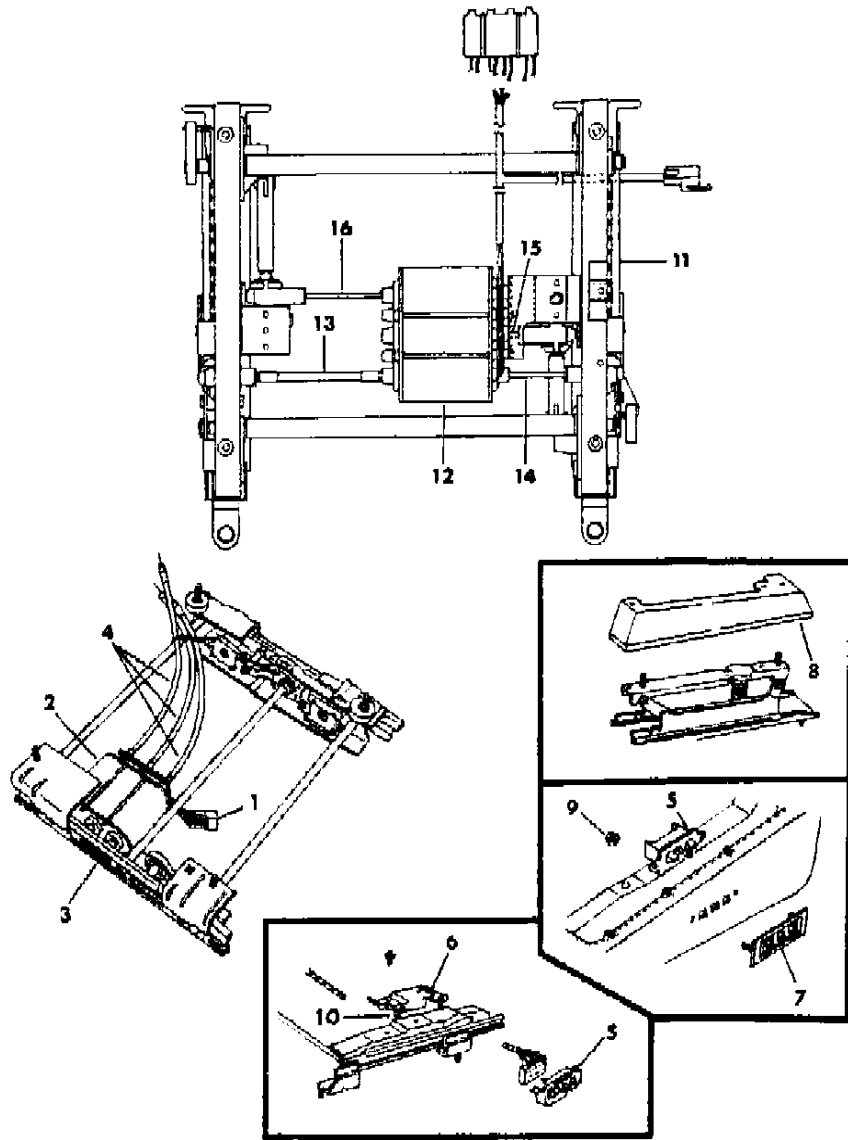
**BODY STYLES**

21 = 2-DOOR SEDAN	41 = 4-DOOR SEDAN
22 = 2-DOOR SPECIAL COUPE	45 = 4-DOOR STATION WAGON
24 = 2-DOOR HATCHBACK	44 = 4-DOOR HATCHBACK
27 = 2-DOOR CONVERTIBLE	48 = EXECUTIVE SEDAN
28 = FWD PICKUP	

AR = Use as Required - = Non Illustrated Part P.A.R. = Paint as Required

**ADJUSTER ELECTRIC BUCKET AND 60/40 - X,S,Y**  
**Figure IT-7271**

3253 727100



ITEM	PART NUMBER	QTY	BODY	MODEL	DESCRIPTION
1	4209 431	1			WIRING, Adjuster NX,S N N Y4209431
	4209 025	1			NY N N Y4209025
2	4172 871	1			MOTOR, Left N N N Y4172871
	4239 716	1			Right N N N Y4239716
3					ADJUSTER (Less Motor and Cables) N N N N
	4318 294	1			Left N N N Y4318294
	4239 912	1			Right, 4 Way N N N Y4239912
4	4054 169	1			TUBE (14.30") N N N Y4054169
	4054 168	1			CABLE (15.44") N N N Y4054168
5					SWITCH, w/60/40 Seat N N N N
	3747 740	1			Left N N N Y3747740
	3747 957	1			Right N N N Y3747957
	3747 741	1			SWITCH and BEZEL, w/Buckets N N N Y3747741
6	3747 795	1			BRACKET, Switch Mounting N N N Y3747795
7	3746 967	1			BEZEL, Switch w/60/40 Seats, Left N N N Y3746967
	3747 960	1			Right N N N Y3747960
8					COVER, Outer, Left N N N N
	S689 AA7	1			Silver N N N YS689AA7
	S689 SC7	1			Blue, Dark N N N YS689SC7
	S689 TM6	1			Red N N N YS689TM6
	S689 BT8	1			Brown N N N YS689BT8
					Inner, Left N N N N
	S695 AA7	1			Silver N N N YS695AA7
	S695 SC7	1			Blue, Dark N N N YS695SC7
	S695 TM6	1			Red N N N YS695TM6
	S695 BT8	1			Brown N N N YS695BT8
					Outer, Right N N N N
	S576 AA7	1			Silver N N N YS576AA7
	S576 VC7	1			Blue, Dark N N N YS576VC7
	S576 VM6	1			Red N N N YS576VM6
	S576 BT8	1			Brown N N N YS576BT8
					Inner, Right N N N N
	S578 AA7	1			Silver N N N YS578AA7
	S578 VC7	1			Blue, Dark N N N YS578VC7
	S578 VM6	1			Red N N N YS578VM6
	S578 BT8	1			Brown N N N YS578BT8
9	6025 002	2			NUT and WASHER N N N Y6025002

**MODEL CODES**

B = GRAN FURY	G = DIPLOMAT	V = 400
C = LEBARON/TOWN & COUNTRY	M = HORIZON/TURISMO/SCAMP	X = MIRADA
D = ARIES	P = RELIANT	Y = IMPERIAL
E = 600	S = CORDOBA	Z = OMNI/CHARGER/RAMPAGE
F = FIFTH AVENUE	T = E CLASS/NEWYORKER	

**BODY STYLES**

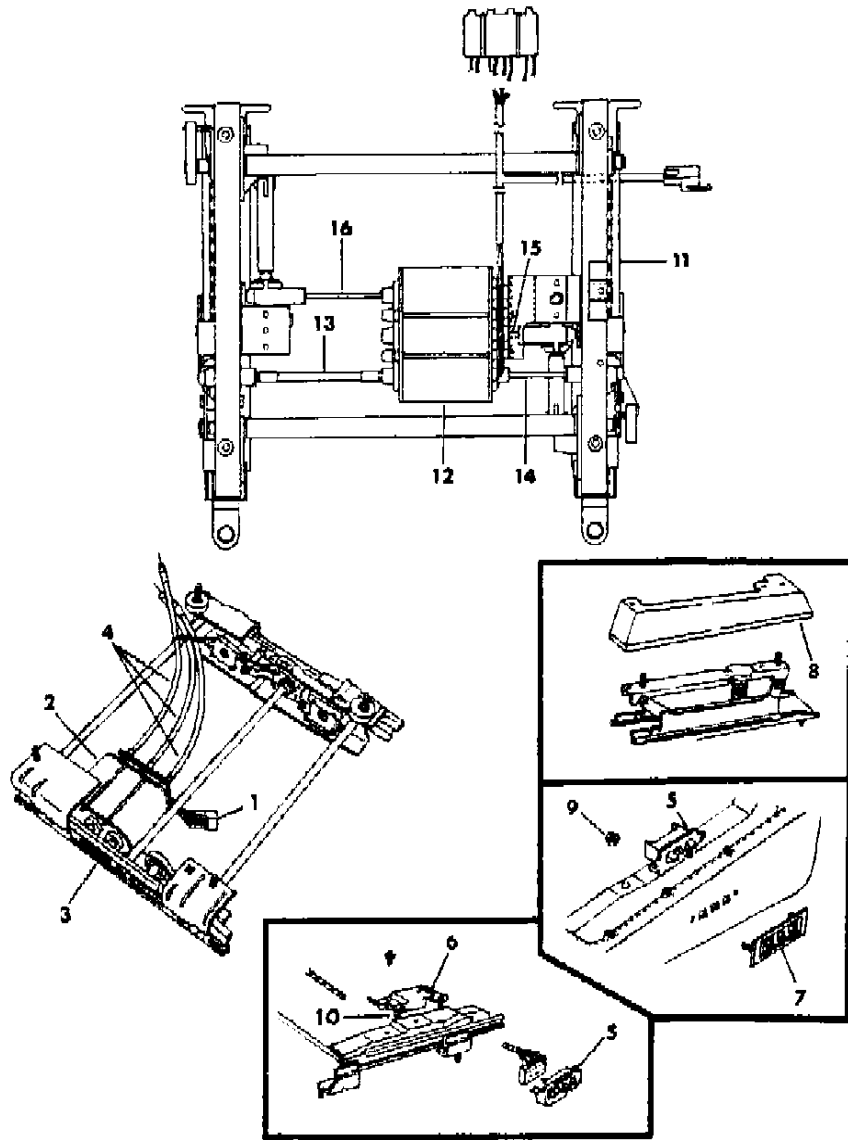
21 = 2-DOOR SEDAN	41 = 4-DOOR SEDAN
22 = 2-DOOR SPECIAL COUPE	45 = 4-DOOR STATION WAGON
24 = 2-DOOR HATCHBACK	44 = 4-DOOR HATCHBACK
27 = 2-DOOR CONVERTIBLE	48 = EXECUTIVE SEDAN
28 = FWD PICKUP	

AR = Use as Required - = Non Illustrated Part P.A.R. = Paint as Required

# ADJUSTER ELECTRIC BUCKET AND 60/40 - X,S,Y

## Figure IT-7271

3253 727100



ITEM	PART NUMBER	QTY	BODY	MODEL	DESCRIPTION
10	9420 867	2			NUT N N N Y9420867
11	4318 294	1			ADJUSTER N N N Y4318294
12	4054 928	1			MOTOR N N N Y4054928
13	4054 929	1			CABLE, Horizontal Drive (6.77") N N N Y4054929
14	4054 930	1			CABLE, Horizontal Drive (4.05") N N N Y4054930
15	4054 931	1			CABLE, Front Riser (2.06") N N N Y4054931
16	4054 932	1			CABLE, Front Riser (4.83") N N N Y4054932
The following parts are not illustrated. ated in the Bulletin, parts are to be procured by the dealer directly from:					
	2945 544	4			SPACER, w/Bucket N N N Y2945544
	4239 724	1			SPRING, Vertical 4 Way, Right N N N Y4239724
	4239 722	1			SPRING, Horizontal 4 Way, Right N N N Y4239722
	4239 718	1			CABLE, Vertical 4 Way, Right N N N Y4239718
	4239 720	1			CABLE, Horizontal 4 Way, Right N N N Y4239720
	4055 693	1			BRACKET, Seat Track Wiring N N N Y4055693
	6028 040	1			RETAINER, Wiring Bracket N N N Y6028040
					COVER, Mounting Base Inner N N N N
	S892-3 AA7	1			Silver N N N YS892AA7
	S892-3 TC7	1			Blue, Dark N N N YS892TC7
	S892-3 TM6	1			Red N N N YS892TM6
	S892-3 BT8	1			Brown N N N YS892BT8

NOTE: See Manual Adjuster for Right Bucket Seat. ated in the Bulletin, parts are to be procured by the dealer directly from:

**MODEL CODES**

B = GRAN FURY	G = DIPLOMAT	V = 400
C = LEBARON/TOWN & COUNTRY	M = HORIZON/TURISMO/SCAMP	X = MIRADA
D = ARIES	P = RELIANT	Y = IMPERIAL
E = 600	S = CORDOBA	Z = OMNI/CHARGER/RAMPAGE
F = FIFTH AVENUE	T = E CLASS/NEWYORKER	

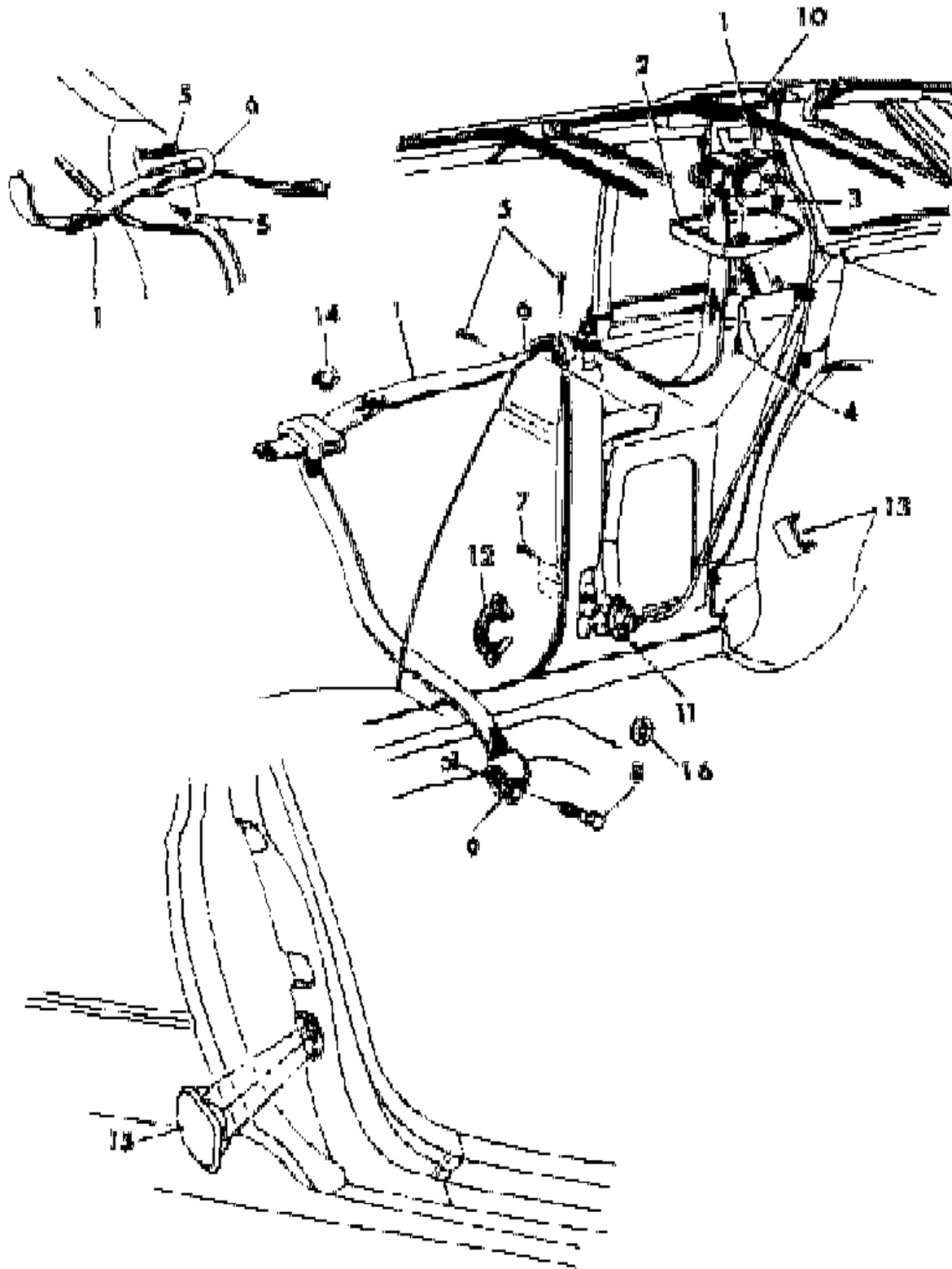
**BODY STYLES**

21 = 2-DOOR SEDAN	41 = 4-DOOR SEDAN
22 = 2-DOOR SPECIAL COUPE	45 = 4-DOOR STATION WAGON
24 = 2-DOOR HATCHBACK	44 = 4-DOOR HATCHBACK
27 = 2-DOOR CONVERTIBLE	48 = EXECUTIVE SEDAN
28 = FWD PICKUP	

AR = Use as Required - = Non Illustrated Part P.A.R. = Paint as Required

**BELT FRONT SEAT LAP AND SHOULDER X,S,Y 0**  
**Figure IT-7281**

3253 728100A



ITEM	PART NUMBER	QTY	BODY	MODEL	DESCRIPTION
1					BELT, Front Seat Lap and Shoulder Outer N N N N0
	F662-3 BA3	1			Label No. 4290468 - 9 N N N N Silver N NX,S N YF662BA3
	F662-3 BC7	1			Blue, Dark N NX,S N YF662BC7
	F662-3 BM6	1			Red N NX,S N YF662BM6
	F662-3 BL3	1			Tan N NX,S N YF662BL3
	F651 BA3	2			Lable No. 4290457 N N N N0 Silver N NY N YF651BA3
	F561 BC7	2			Blue, Dark N NY N YF561BC7
	F561 BM6	2			Red N NY N YF561BM6
	F561 BL3	2			Tan N NY N YF561BL3
2					COVER, Headlining Roof Rail Retract N N N N0
	H682-3 TW1	1			White N NX,S N YH682TW1
	H622-3 AA3	1			Silver N NY N YH622AA3
	H622-3 VC7	1			Blue, Dark N NY N YH622VC7
	H622-3 VM6	1			Red N NY N YH622VM6
	H622-3 BL3	1			Tan N NY N YH622BL3
3	6028 727	4			NUT N N N Y6028727
4					SCREW (not serviced) N N N N0
5					SCREW (not serviced) N N N N0
6					GUIDE, Front Seat Unibelt Webbing N N N N0
	S863 AA3	2			w/Hi-Back Bucket, Silver N N N YS863AA3 w/Standard Bucket, C.A.R. and 60/40 N N N N0
	S761 AA3	2			Silver N N N YS761AA3
	S761 SC7	2			Blue, Dark N N N YS761SC7
	S761 TM6	2			Red N N N YS761TM6
	S761 BL3	2			Tan N N N YS761BL3
7					SCREW (not serviced) N N N N0
8	6030 452	2			BOLT N N N Y6030452
9	F814 JX9	2			COVER, Front Seat Lap Bolt Swivel Plate, Black N N N YF814JX9
10	4136 348-9	1			PLATE, w/Screws, Roof inner Panel Side Reinforcement Shoulder Belt Retractor (Repair) N N N Y4136348
11	4172 456	2			RELEASE, Front Seat Unibelt Retractor Reliever N N N Y4172456
12	4054 365	1			RETAINER, Front Seat Unibelt Tension Reliever Attaching N N N Y4054365

**MODEL CODES**

B = GRAN FURY	G = DIPLOMAT	V = 400
C = LEBARON/TOWN & COUNTRY	M = HORIZON/TURISMO/SCAMP	X = MIRADA
D = ARIES	P = RELIANT	Y = IMPERIAL
E = 600	S = CORDOBA	Z = OMNI/CHARGER/RAMPAGE
F = FIFTH AVENUE	T = E CLASS/NEWYORKER	

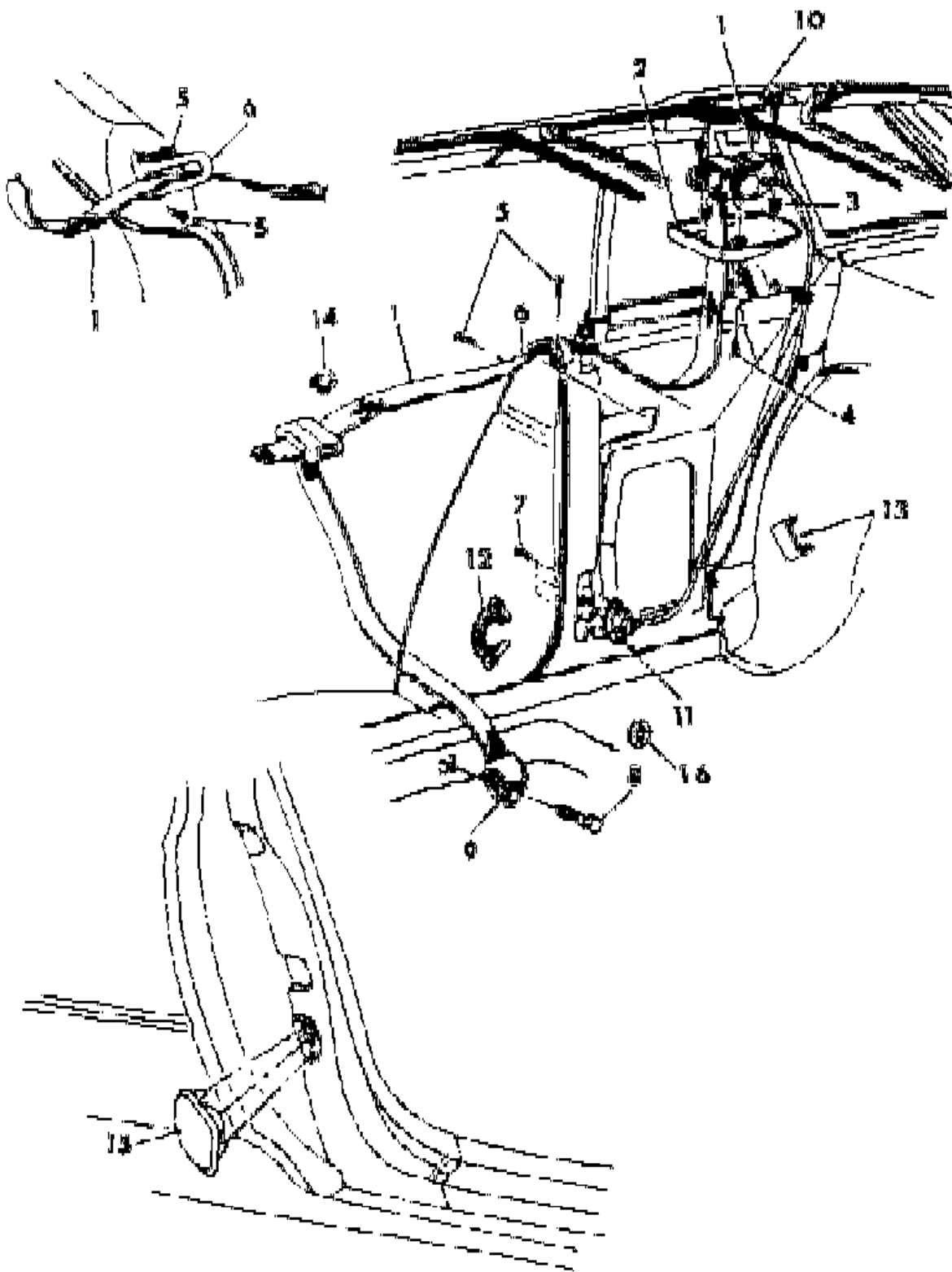
**BODY STYLES**

21 = 2-DOOR SEDAN	41 = 4-DOOR SEDAN
22 = 2-DOOR SPECIAL COUPE	45 = 4-DOOR STATION WAGON
24 = 2-DOOR HATCHBACK	44 = 4-DOOR HATCHBACK
27 = 2-DOOR CONVERTIBLE	48 = EXECUTIVE SEDAN
28 = FWD PICKUP	

AR = Use as Required - = Non Illustrated Part P.A.R. = Paint as Required

**BELT FRONT SEAT LAP AND SHOULDER X,S,Y 0**  
**Figure IT-7281**

3253 728100A



ITEM	PART NUMBER	QTY	BODY	MODEL	DESCRIPTION
13	4054 971	2			CLIP, Front Seat Belt Tension Reliever Cable Retaining N N N Y4054971
14	F405 MX9	1			COVER, Unibelt Tip, Black N N N YF405MX9
15	4172 612	2			PLUG, Front Seat Unibelt Tension Reliever Release Hole N N N Y4172612
16	6025 160	2			RETAINER, Inertia Retractor Pendulum Shaft N N N Y6025160

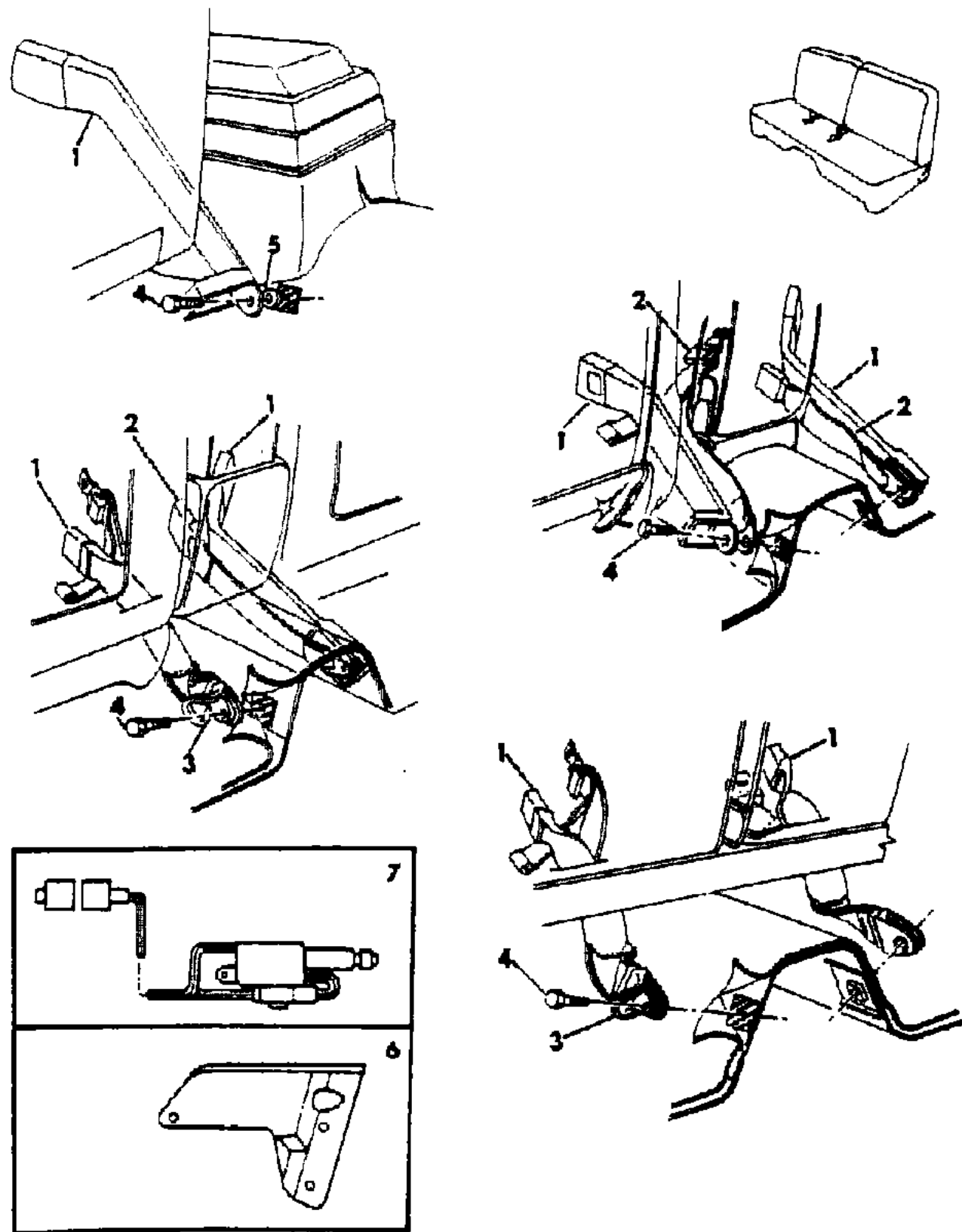
MODEL CODES  
 B = GRAN FURY  
 C = LEBARON/TOWN & COUNTRY  
 D = ARIES  
 E = 600  
 F = FIFTH AVENUE  
 G = DIPLOMAT  
 M = HORIZON/TURISMO/SCAMP  
 P = RELIANT  
 S = CORDOBA  
 T = E CLASS/NEWYORKER  
 V = 400  
 X = MIRADA  
 Y = IMPERIAL  
 Z = OMNI/CHARGER/RAMPAGE

BODY STYLES  
 21 = 2-DOOR SEDAN  
 22 = 2-DOOR SPECIAL COUPE  
 24 = 2-DOOR HATCHBACK  
 27 = 2-DOOR CONVERTIBLE  
 28 = FWD PICKUP  
 41 = 4-DOOR SEDAN  
 45 = 4-DOOR STATION WAGON  
 44 = 4-DOOR HATCHBACK  
 48 = EXECUTIVE SEDAN

AR = Use as Required - = Non Illustrated Part P.A.R. = Paint as Required

**BELT FRONT SEAT INBOARD X,S,Y 0**  
Figure IT-7282

3253 728 200 A



ITEM	PART NUMBER	QTY	BODY	MODEL	DESCRIPTION
1					BELT, Front Seat Lap Buckle Inner Label No. 4054666 N N N N0
	F758 AA3	1			Silver N N N YF758AA3
	F758 SC7	1			Blue, Dark N N N YF758SC7
	F758 TM6	1			Red N N N YF758TM6
	F758 BL3	1			Tan N N N YF758BL3
					Label No. 4316753, Left N N N N0
	F709 BA3	1			Silver N N N YF709BA3
	F709 BC7	1			Blue, Dark N N N YF709BC7
	F709 BM6	1			Red N N N YF709BM6
	F709 BL3	1			Tan N N N YF709BL3
2					BELT, Front Seat Center N N N N0
					Buckle Half, Label No. 4250464 N N N N0
	F658 BA3	1			Silver N N N YF658BA3
	F658 BC7	1			Blue, Dark N N N YF658BC7
	F658 BM6	1			Red N N N YF658BM6
	F658 BL3	1			Tan N N N YF658BL3
					Tip Half, Label No. 4290459 N N N N0
	F653 BA3	1			Silver N N N YF653BA3
	F653 BC7	1			Blue, Dark N N N YF653BC7
	F653 BM6	1			Red N N N YF653BM6
	F653 BL3	1			Tan N N N YF653BL3
3	F814 JX9	2			COVER, Front Seat Lap Belt Tunnel Anchor Bolt, Black N N N YF814JX9
4	6030 458	AR			BOLT N N N Y6030458
5		AR			SPACER (not serviced) N N N N0
6	4172 807	1			BRACKET, Unibelt Solenoid Mounting N NY N Y4172807
7	4172 808	1			SOLENOID, Unibelt N NY N Y4172808

MODEL CODES

B = GRAN FURY	G = DIPLOMAT	V = 400
C = LEBARON/TOWN & COUNTRY	M = HORIZON/TURISMO/SCAMP	X = MIRADA
D = ARIES	P = RELIANT	Y = IMPERIAL
E = 600	S = CORDOBA	Z = OMNI/CHARGER/RAMPAGE
F = FIFTH AVENUE	T = E CLASS/NEWYORKER	

BODY STYLES

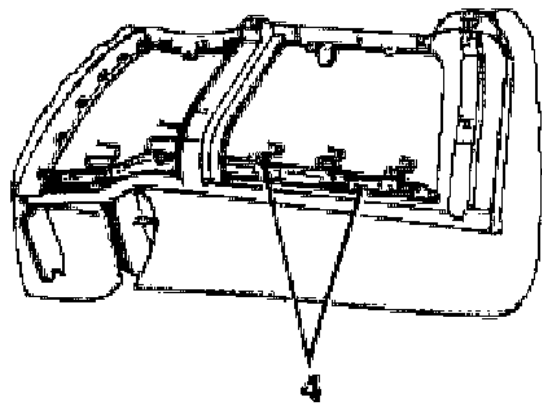
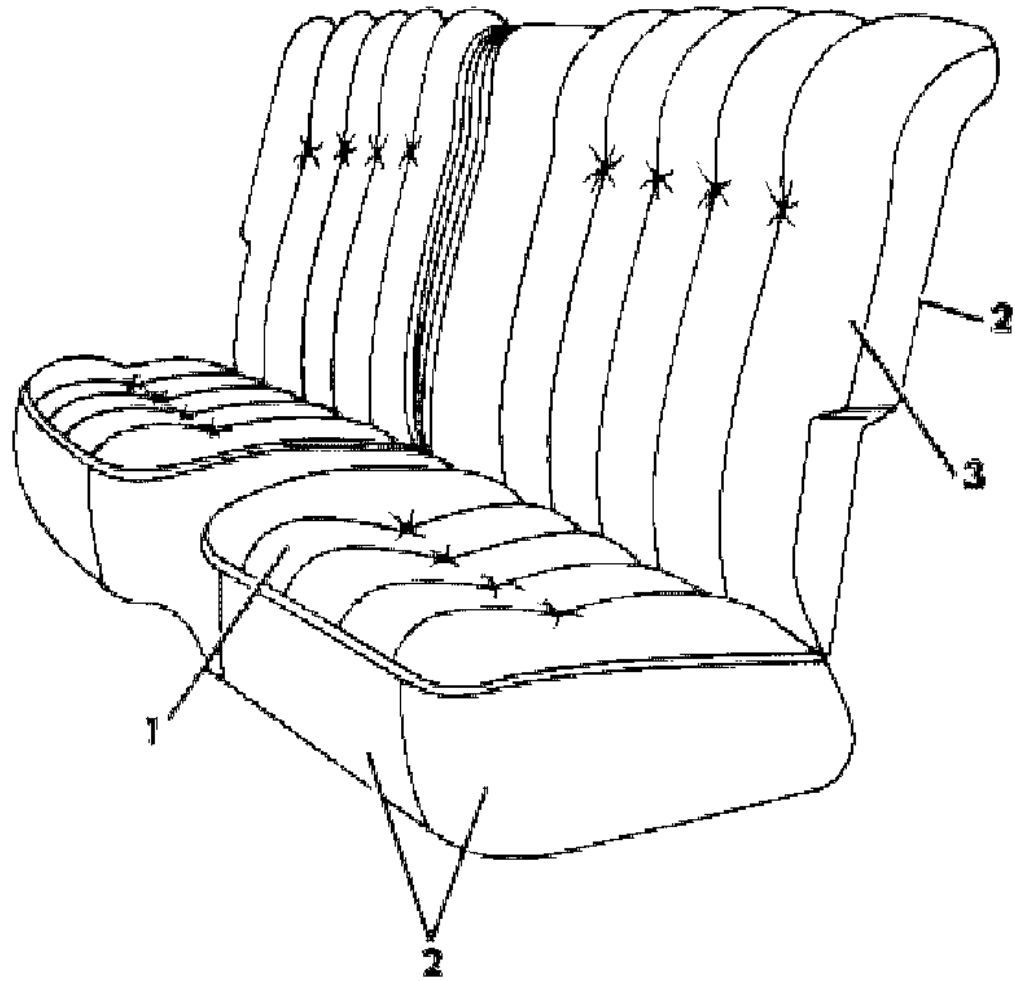
21 = 2-DOOR SEDAN	41 = 4-DOOR SEDAN
22 = 2-DOOR SPECIAL COUPE	45 = 4-DOOR STATION WAGON
24 = 2-DOOR HATCHBACK	44 = 4-DOOR HATCHBACK
27 = 2-DOOR CONVERTIBLE	48 = EXECUTIVE SEDAN
28 = FWD PICKUP	

AR = Use as Required - = Non Illustrated Part P.A.R. = Paint as Required

SEAT REAR S,X TRIM CODES C9,DL  
Figure IT-7301

3253 730100

ITEM	PART NUMBER	QTY	BODY	MODEL	DESCRIPTION
1-2					CUSHION, w/Spring/Frame, Pad and Cover N N N N
	B817 B9A	1			Up to 1-3-83 N N NC9A YB817B9A
	B867 B9A	1			After 1-3-83 N N NC9A YB867B9A
	B817 B9C	1			Up to 10-11-82 N N NC9C YB817B9C
	B867 B9C	1			After 10-11-82 N N NC9C YB867B9C
	B817 B9M	1			Up to 10-11-82 N N NC9M YB817B9M
	B867 B9M	1			After 10-11-82 N N NC9M YB867B9M
	B817 B9L	1			N N NC9L YB817B9L
	B859 ALA	1			N N NDLA YB859ALA
	B859 BLL	1			N N NDLL YB859BLL
1					COVER, Cushion N N N N
	B424 B9A	1			Up to 10-11-82 N N NC9A YB424B9A
	B414 B9A	1			After 10-11-82 N N NC9A YB414B9A
	B424 B9C	1			Up to 10-11-82 N N NC9C YB424B9C
	B414 B9C	1			After 10-11-82 N N NC9C YB414B9C
	B424 B9M	1			Up to 10-11-82 N N NC9M YB424B9M
	B414 B9M	1			After 10-11-82 N N NC9M YB414B9M
	B424 B9L	1			N N NC9L YB424B9L
	B481 ALA	1			N N NDLA YB481ALA
	B481 BLL	1			N N NDLL YB481BLL
2					CLOTH, Roll Stock 54" Wide Order by the Inch N N N N
	R016 BA3	AR			Silver N N N YR016BA3
	R016 BC7	AR			Blue N N N YR016BC7
	R016 BM6	AR			Red N N N YR016BM6
	R016 BL3	AR			Tan N N N YR016BL3
					VINYL, Roll Stock Order by the Inch N N N N
	R616 AA3	AR			Silver 64" Wide N N N YR616AA3
	R616 VC8	AR			Blue, 64" Wide N N N YR616VC8
	R616 VM6	AR			Red, 64" Wide N N N YR616VM6
	R616 BL3	AR			Tan, 64" Wide N N N YR616BL3
3 &					BACK, w/Spring/Frame, Pad and Cover N N N N
	B818 B9A	1			Up to 1-3-83 N N NC9A YB818B9A
	B868 B9A	1			After 1-3-83 N N NC9A YB868B9A
	B818 B9C	1			Up to 11-1-82 N N NC9C YB818B9C
	B868 B9C	1			After 11-1-82 N N NC9C YB868B9C
	B818 B9M	1			Up to 9-28-82 N N NC9M YB818B9M
	B868 B9M	1			After 9-28-82 N N NC9M YB868B9M



MODEL CODES  
 B = GRAN FURY  
 C = LEBARON/TOWN & COUNTRY  
 D = ARIES  
 E = 600  
 F = FIFTH AVENUE  
 G = DIPLOMAT  
 M = HORIZON/TURISMO/SCAMP  
 P = RELIANT  
 S = CORDOBA  
 T = E CLASS/NEWYORKER  
 V = 400  
 X = MIRADA  
 Y = IMPERIAL  
 Z = OMNI/CHARGER/RAMPAGE

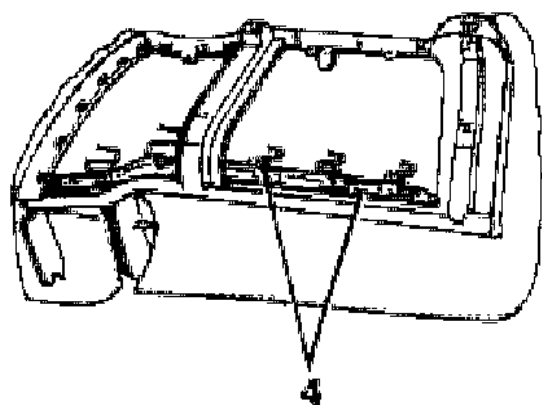
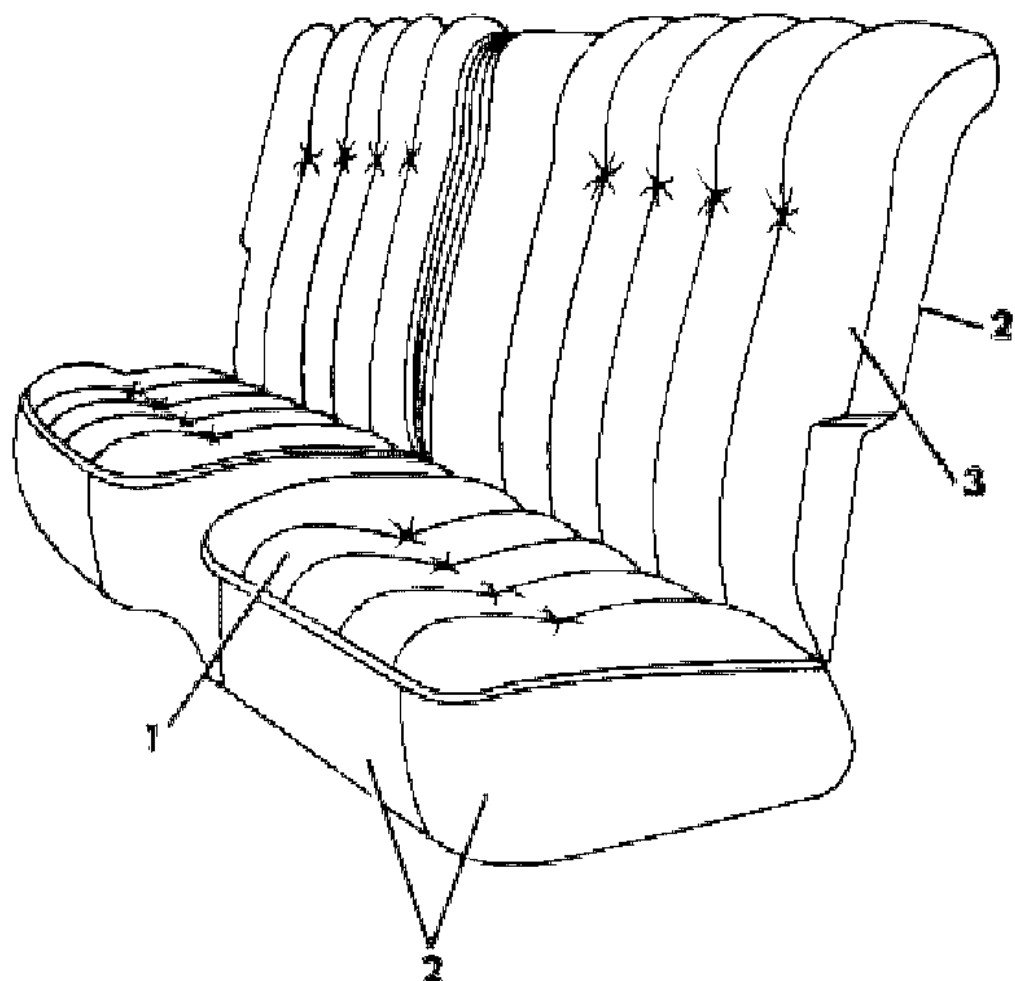
BODY STYLES  
 21 = 2-DOOR SEDAN  
 22 = 2-DOOR SPECIAL COUPE  
 24 = 2-DOOR HATCHBACK  
 27 = 2-DOOR CONVERTIBLE  
 28 = FWD PICKUP  
 41 = 4-DOOR SEDAN  
 45 = 4-DOOR STATION WAGON  
 44 = 4-DOOR HATCHBACK  
 48 = EXECUTIVE SEDAN

AR = Use as Required - = Non Illustrated Part P.A.R. = Paint as Required

SEAT REAR S,X TRIM CODES C9,DL  
Figure IT-7301

3253 730100

ITEM	PART NUMBER	QTY	BODY	MODEL	DESCRIPTION
	B818 B9L	1			N N NC9L YB818B9L
	B878 ALA	1			N N NDLA YB878ALA
	B878 BLL	1			N N NDLL YB878BLL
3					COVER, Back N N N N
	B425 B9A	1			Up to 9-28-82 N N NC9A YB425B9A
	B415 B9A	1			After 9-28-82 N N NC9A YB415B9A
	B425 B9C	1			Up to 9-28-82 N N NC9C YB425B9C
	B415 B9C	1			After 9-28-82 N N NC9C YB415B9C
	B425 B9M	1			Up to 9-28-82 N N NC9M YB425B9M
	B415 B9M	1			After 9-28-82 N N NC9M YB415B9M
	B425 B9L	1			N N NC9L YB425B9L
	B482 ALA	1			N N NDLA YB482ALA
	B482 BLL	1			N N NDLL YB482BLL
4	6008 076	AR			HOG RING N N N Y6008076



MODEL CODES

B = GRAN FURY	G = DIPLOMAT	V = 400
C = LEBARON/TOWN & COUNTRY	M = HORIZON/TURISMO/SCAMP	X = MIRADA
D = ARIES	P = RELIANT	Y = IMPERIAL
E = 600	S = CORDOBA	Z = OMNI/CHARGER/RAMPAGE
F = FIFTH AVENUE	T = E CLASS/NEWYORKER	

BODY STYLES

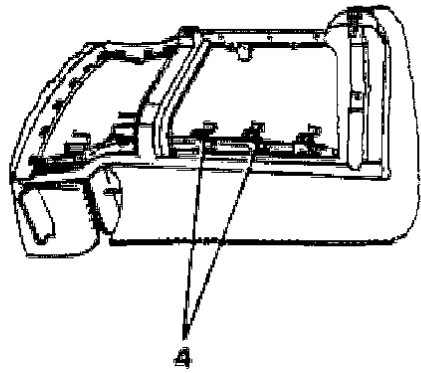
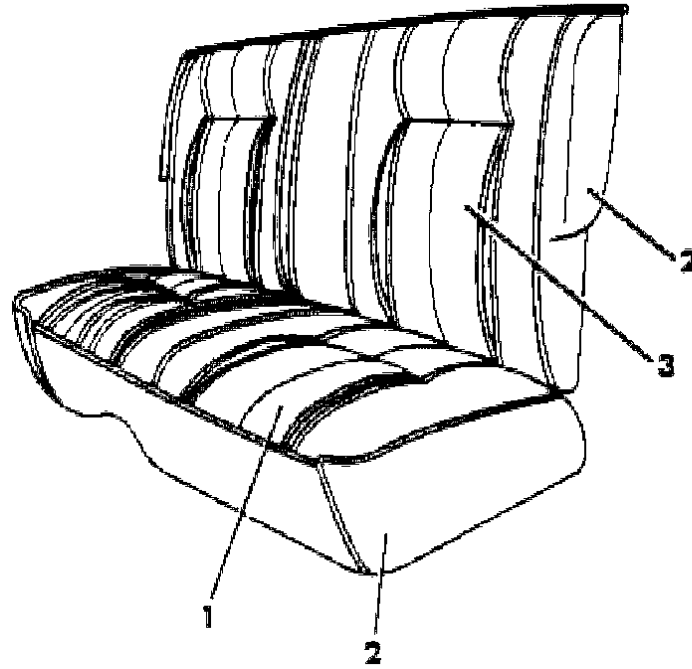
21 = 2-DOOR SEDAN	41 = 4-DOOR SEDAN
22 = 2-DOOR SPECIAL COUPE	45 = 4-DOOR STATION WAGON
24 = 2-DOOR HATCHBACK	44 = 4-DOOR HATCHBACK
27 = 2-DOOR CONVERTIBLE	48 = EXECUTIVE SEDAN
28 = FWD PICKUP	

AR = Use as Required - = Non Illustrated Part P.A.R. = Paint as Required



SEAT REAR S,X TRIM CODES N5  
Figure IT-7302

3253 730200



ITEM	PART NUMBER	QTY	BODY	MODEL	DESCRIPTION
1-2					CUSHION, w/Spring/Frame, Pad and Cover N N N N
	B647 A5A	1			N N NN5A YB647A5A
	B647 V5C	1			N N NN5C YB647V5C
	B647 V5M	1			N N NN5M YB647V5M
	B647 B5L	1			N N NN5L YB647B5L
5					COVER, Cushion N N N N
	B302 B5A	1			N N NN5A YB302B5A
	B302 B5C	1			N N NN5C YB302B5C
	B302 B5M	1			N N NN5M YB302B5M
	B302 B5L	1			N N NN5L YB302B5L
2					ROLL STOCK, Vinyl 64" Wide Order by the Inch N N N N
	R616 AA3	AR			Silver N N NN5A YR616AA3
	R616 VC8	AR			Blue N N NN5C YR616VC8
	R616 VM6	AR			Red N N NN5M YR616VM6
	R616 BL3	AR			Tan N N NN5L YR616BL3
2-3					BACK, w/Spring/Frame, Pad and Cover N N N N
	B648 A5A	1			N N NN5A YB648A5A
	B648 V5C	1			N N NN5C YB648V5C
	B648 V5M	1			N N NN5M YB648V5M
	B648 B5L	1			N N NN5L YB648B5L
7					COVER, Back N N N N
	B303 B5A	1			N N NN5A YB303B5A
	B303 B5C	1			N N NN5C YB303B5C
	B303 B5M	1			N N NN5M YB303B5M
	B303 B5L	1			N N NN5L YB303B5L
4	6008 076	AR			HOG RING N N N Y6008076

MODEL CODES

B = GRAN FURY	G = DIPLOMAT	V = 400
C = LEBARON/TOWN & COUNTRY	M = HORIZON/TURISMO/SCAMP	X = MIRADA
D = ARIES	P = RELIANT	Y = IMPERIAL
E = 600	S = CORDOBA	Z = OMNI/CHARGER/RAMPAGE
F = FIFTH AVENUE	T = E CLASS/NEWYORKER	

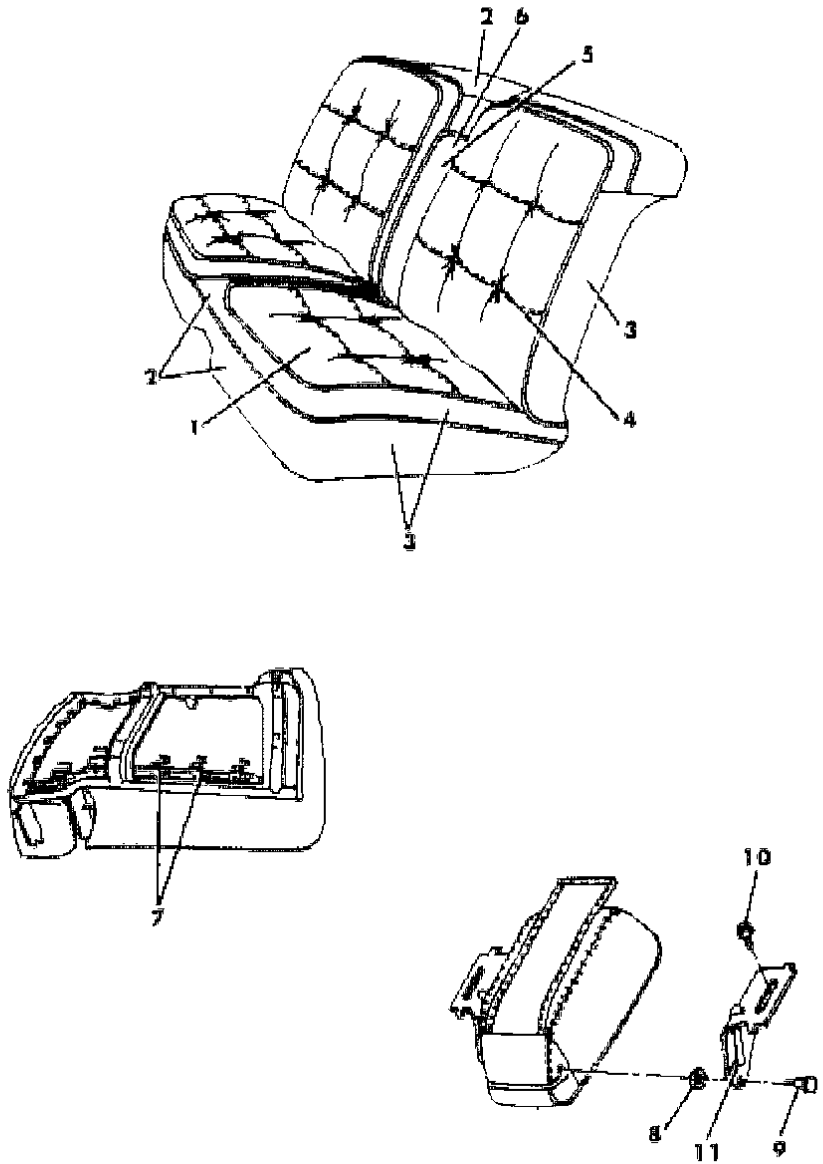
BODY STYLES

21 = 2-DOOR SEDAN	41 = 4-DOOR SEDAN
22 = 2-DOOR SPECIAL COUPE	45 = 4-DOOR STATION WAGON
24 = 2-DOOR HATCHBACK	44 = 4-DOOR HATCHBACK
27 = 2-DOOR CONVERTIBLE	48 = EXECUTIVE SEDAN
28 = FWD PICKUP	

AR = Use as Required - = Non Illustrated Part P.A.R. = Paint as Required

**SEAT REAR Y TRIM CODES A9,AY**  
**Figure IT-7303**

3253 730300



ITEM	PART NUMBER	QTY	BODY	MODEL	DESCRIPTION
1-3					CUSHION, w/Spring/Frame, Pad and Cover N N N N
	B631 A9A	1			N N NA9A YB631A9A
	B631 B9L	1			N N NA9L YB631B9L
	B630 AYA	1			N N NAYA YB630AYA
	B630 AYC	1			N N NAYC YB630AYC
	B630 AYM	1			N N NAYM YB630AYM
	B630 BYL	1			N N NAYL YB630BYL
1					COVER, Cushion N N N N
	B382 A9A	1			N N NA9A YB382A9A
	B382 B9L	1			N N NA9L YB382B9L
	B383 AYA	1			N N NAYA YB383AYA
	B383 AYC	1			N N NAYC YB383AYC
	B383 AYM	1			N N NAYM YB383AYM
	B383 BYL	1			N N NAYL YB383BYL
2					ROLL STOCK N N N N
					CLOTH 54" Wide Order By The Inch N N N N
	R093 AA3	AR			N N NA9A YR093AA3
	R093 BL3	AR			N N NA9L YR093BL3
3					VINYL 64" Wide Order by the Inch N N N N
	R616 AA2	AR			Silver N N N YR616AA2
	R616 VC8	AR			Blue, Dark N N N YR616VC8
	R616 VM6	AR			Red N N N YR616VM6
	R616 BL3	AR			Tan N N N YR616BL3
2-4					BACK, w/Spring/Frame, Pad and Cover N N N N
	B633 A9A	1			N N NA9A YB633A9A
	B633 B9L	1			N N NA9L YB633B9L
	B632 AYA	1			N N NAYA YB632AYA
	B632 AYC	1			N N NAYC YB632AYC
	B632 AYM	1			N N NAYM YB632AYM
	B632 BYL	1			N N NAYL YB632BYL
4					COVER, Back N N N N
	B384 A9A	1			N N NA9A YB384A9A
	B384 B9L	1			N N NA9L YB384B9L
	B385 AYA	1			N N NAYA YB385AYA
	B385 AYC	1			N N NAYC YB385AYC
	B385 AYM	1			N N NAYM YB385AYM
	B385 BYL	1			N N NAYL YB385BYL

**MODEL CODES**

B = GRAN FURY	G = DIPLOMAT	V = 400
C = LEBARON/TOWN & COUNTRY	M = HORIZON/TURISMO/SCAMP	X = MIRADA
D = ARIES	P = RELIANT	Y = IMPERIAL
E = 600	S = CORDOBA	Z = OMNI/CHARGER/RAMPAGE
F = FIFTH AVENUE	T = E CLASS/NEWYORKER	

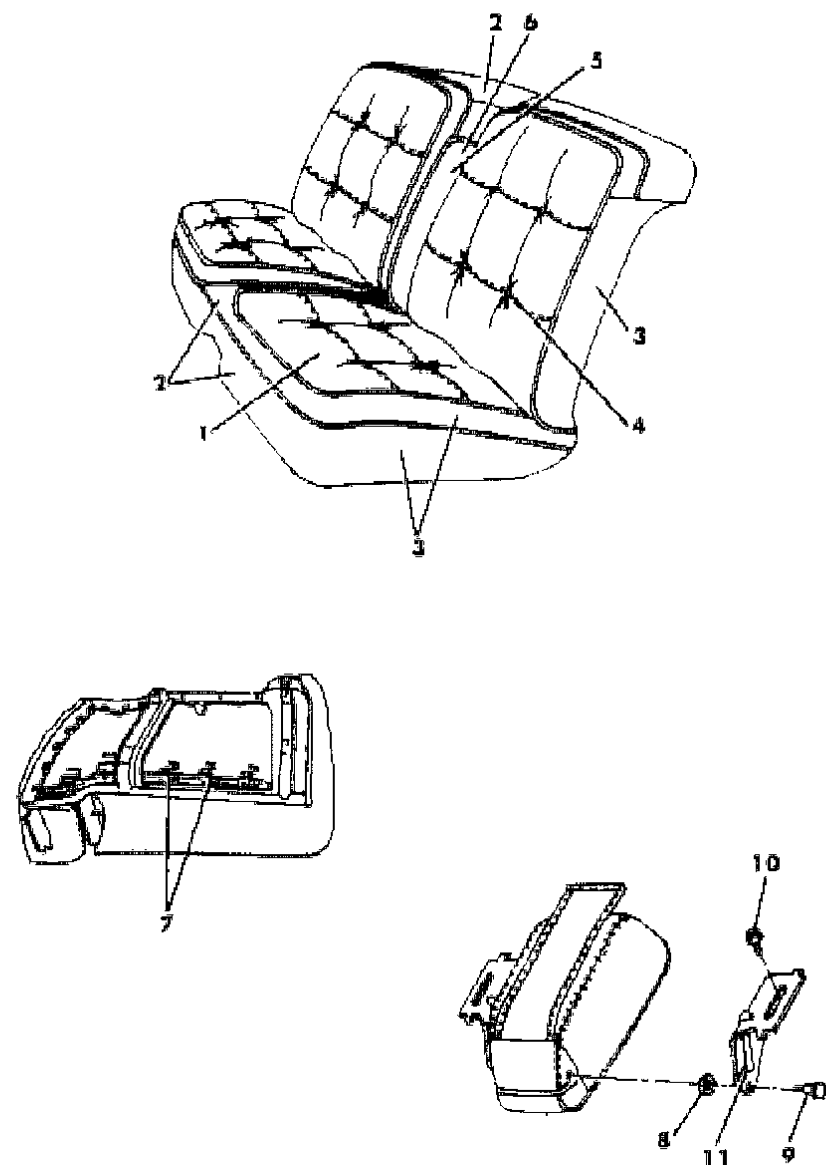
**BODY STYLES**

21 = 2-DOOR SEDAN	41 = 4-DOOR SEDAN
22 = 2-DOOR SPECIAL COUPE	45 = 4-DOOR STATION WAGON
24 = 2-DOOR HATCHBACK	44 = 4-DOOR HATCHBACK
27 = 2-DOOR CONVERTIBLE	48 = EXECUTIVE SEDAN
28 = FWD PICKUP	

AR = Use as Required - = Non Illustrated Part P.A.R. = Paint as Required

SEAT REAR Y TRIM CODES A9,AY  
Figure IT-7303

3253 730300



ITEM	PART NUMBER	QTY	BODY	MODEL	DESCRIPTION
	B385 AYW	1			N N NAYCW,AYMW YB385AYW
5-6					ARM REST, w/Cover N N N N
	B616 B9A	1			N N NA9A YB616B9A
	B616 B9L	1			N N NA9L YB616B9L
	B615 AA2	1			N N NAYA YB615AA2
	B615 VC8	1			N N NAYC YB615VC8
	B615 VM6	1			N N NAYM YB615VM6
	B615 BL3	1			N N NAYL YB615BL3
6					COVER, Arm Rest N N N N
	B344 AA3	1			N N NA9A YB344AA3
	B344 BL3	1			N N NA9L YB344BL3
	B343 AA2	1			N N NAYA YB343AA2
	B343 VC8	1			N N NAYC YB343VC8
	B343 VM6	1			N N NAYM YB343VM6
	B343 BL3	1			N N NAYL YB343BL3
7	6008 076	AR			HOG RING N N N Y6008076
8	6031 537	2			WASHER, Arm Rest Pivot N N N Y6031537
9	6026 584	2			SCREW, Arm Rest to Support N N N Y6026584
10	0181 063	2			BOLT, Arm Rest to Seat Back N N N Y181063
11	4098 764-5	1			HINGE, Center Arm Rest N N N Y4098764

MODEL CODES

B = GRAN FURY	G = DIPLOMAT	V = 400
C = LEBARON/TOWN & COUNTRY	M = HORIZON/TURISMO/SCAMP	X = MIRADA
D = ARIES	P = RELIANT	Y = IMPERIAL
E = 600	S = CORDOBA	Z = OMNI/CHARGER/RAMPAGE
F = FIFTH AVENUE	T = E CLASS/NEWYORKER	

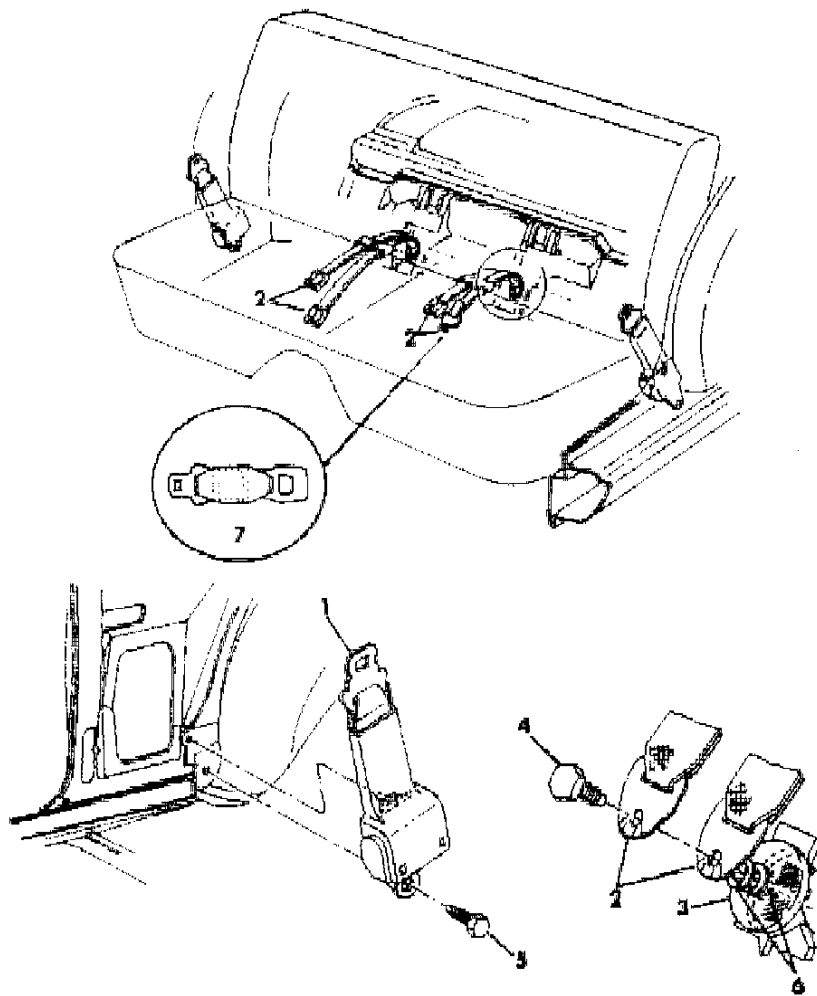
BODY STYLES

21 = 2-DOOR SEDAN	41 = 4-DOOR SEDAN
22 = 2-DOOR SPECIAL COUPE	45 = 4-DOOR STATION WAGON
24 = 2-DOOR HATCHBACK	44 = 4-DOOR HATCHBACK
27 = 2-DOOR CONVERTIBLE	48 = EXECUTIVE SEDAN
28 = FWD PICKUP	

AR = Use as Required - = Non Illustrated Part P.A.R. = Paint as Required

**BELT REAR SEAT LAP S,X,Y**  
**Figure IT-7371**

3253 737 100 A



ITEM	PART NUMBER	QTY	BODY	MODEL	DESCRIPTION
1					BELT, Rear Seat Lap Outboard Tip Half Label No. 4290478 N N N N
	F672 BA3	2			Silver N N N YF672BA3
	F672 BC7	2			Blue, Dark N N N YF672BC7
	F672 BM6	2			Red N N N YF672BM6
	F672 BL3	2			Tan N N N YF672BL3
2					BELT, Rear Seat Lap Inner Buckle, Right Label No. 4316758 N N N N
	F714 BA3	1			Silver N N N YF714BA3
	F714 BC7	1			Blue, Dark N N N YF714BC7
	F714 BM6	1			Red N N N YF714BM6
	F714 BL3	1			Tan N N N YF714BL3
					Buckle and Tip Half, Left Label No. 4316769 N N N N
	F719 BA3	1			Silver N N N YF719BA3
	F719 BC7	1			Blue, Dark N N N YF719BC7
	F719 BM6	1			Red N N N YF719BM6
	F719 BL3	1			Tan N N N YF719BL3
3	3861 291	AR			PAD, Rear Seat Belt Swivel Plate N N N Y3861291
4	6031 216	2			BOLT N N N Y6031216
5	6031 484	2			BOLT N N N Y6031484
6		AR			SPACER (not serviced) N N N N
7	4316 219	1			EXTENSION, Rear Seat Belt N N N Y4316219

**MODEL CODES**

B = GRAN FURY	G = DIPLOMAT	V = 400
C = LEBARON/TOWN & COUNTRY	M = HORIZON/TURISMO/SCAMP	X = MIRADA
D = ARIES	P = RELIANT	Y = IMPERIAL
E = 600	S = CORDOBA	Z = OMNI/CHARGER/RAMPAGE
F = FIFTH AVENUE	T = E CLASS/NEWYORKER	

**BODY STYLES**

21 = 2-DOOR SEDAN	41 = 4-DOOR SEDAN
22 = 2-DOOR SPECIAL COUPE	45 = 4-DOOR STATION WAGON
24 = 2-DOOR HATCHBACK	44 = 4-DOOR HATCHBACK
27 = 2-DOOR CONVERTIBLE	48 = EXECUTIVE SEDAN
28 = FWD PICKUP	

AR = Use as Required - = Non Illustrated Part P.A.R. = Paint as Required