

# PASSENGER CAR

(Includes Front Wheel  
Drive Pickup Truck)

## PARTS CATALOG 1982

# 82

ILLUSTRATED  
TEXT  
SECTION



This publication contains Parts Information for all 1982 model year Domestic Built Passenger Cars and Front Wheel Drive Pickup Trucks.

The use of this Parts Catalog and the arrangement of information herein is explained in the General Information Section as indexed below.

### INDEX TO INFORMATION PAGES

● ABBREVIATIONS .....	INF 13-17
● ALPHABETICAL INDEX .....	INF-4
● BODY CODE PLATE INTERPRETATION .....	INF-9
● BUILD DATE MONTH AND YEAR .....	INF-7
● CAR LINE INFORMATION .....	INF-6
● COLOR CODE OR COMBINED PART NUMBERS .....	INF-5
● DATE CODE CORRELATION TABLES .....	INF-11
● ENGINE IDENTIFICATION CODES .....	INF-6
● ENGINE IDENTIFICATION NUMBERS .....	INF-6
● GROUP SYSTEM .....	INF-2
● HOW TO LOCATE PARTS .....	INF-2
● ILLUSTRATION INDEX .....	INF-4
● INTERIOR TRIM .....	INF-5
● METRIC CONVERSION TABLE .....	INF-10
● NUMERICAL INDEX .....	INF-4
● PAGE NUMBERING .....	INF-3
● PARTS CATALOG REVISION SERVICE .....	INF-4
● PARTS PACKAGES .....	INF-4
● PRICE CLASS (SERIES) INFORMATION .....	INF-8 & 9
● PRODUCT BULLETINS .....	INF-4
● SALES CODES .....	INF-4 & 12
● SPECIFYING INFORMATION .....	INF-3
● STANDARD PARTS .....	INF-4
● SYMBOLS USED IN THIS CATALOG .....	INF-3
● TRANSMISSION IDENTIFICATION .....	INF-5
● TRIM CODE AND BODY PAINT CODES .....	INF-9
● VEHICLE IDENTIFICATION PLATE .....	INF-7 & 8

## HOW TO USE THIS CATALOG AND LOCATE PARTS

This Catalog is divided into Parts Groups in which illustrations and Parts of a similar function and/or location are published (i.e., Group 5 - Brakes, Group 9 - Engine) as shown in the Group Contents listing on the right side of this page. Tab indexes are provided with the catalog binders to separate these Groups.

Several methods may be used to locate a specific item:

**Option A:** From the Group Contents listing, select the Group which would most logically contain the item. Open the catalog to respective tab index of that Group. Page 1 of the Group is always the fly or cover page which contains a listing of graphics in that Group. Select the graphic most likely to contain the item. Turn to that respective graphic number to locate the item sought which will reference to text below the graphic or on the adjoining page containing the part number.

**Option B:** If the "noun" name of the part you seek is known, refer to the Alphabetical Index section of the catalog. The group/illustration/ and item number you seek will be found adjacent to the part "noun" name. Locate the illustration and item to determine the part number.

(The Alphabetical Index, tailored to this catalog, is being expanded progressively as parts data is added to computer storage. Completion of this program will refer the user directly to the page number and item number to locate the part number. Currently, reference is to Group, Figure Number and Key or Item Number.)

### Note: Important Catalog Changes for 1982 are as follows:

- Group 1
  - Heaters moved to Group 24
  - Radios, Speakers and Antennas moved to Group 23B
  - Floor mats moved to IT-carpets
  - Rear window defogger (Blower) moved to Group 24
  - Spotlights moved to Group 8
- Group 10
  - Engine oiling moved to Group 9
- Group 12
  - Fenders moved to Group 23-A
- Group 15
  - Hoods moved to Group 23-A
- Group 23-A
  - Sill scuff plates to IT (Interior Trim)
- Group 23-C
  - Seat hardware and belts to IT (Interior Trim)
- Group 23-D
  - Plugs removed Groups 23-A & 23-C

GROUP	CONTENTS
INF	Information Section
AL	Alphabetical Index
IL	Illustration Index
1	(See Note)
2	Front Suspension
3	Axle - Rear
4	Brake - Parking
5	Brake - Service
6	Clutch
7	Cooling
8	Electrical
9A	Engine - 4 Cylinder
9B	Engine - 6 Cylinder
9C	Engine - 8 Cylinder
10	(See Note)
11	Exhaust
12	(See Note)
13	Frame
14	Fuel System
15	(See Note)
16	Prop. Shaft and Universal Joint
17	Spring and Shock
19	Steering
21M	Transmission - Manual
21A	Transmission - Automatic
22	Wheel and Brake Drum
23	Body - Exterior Ornamentation
23A	Body - Major Sheet Metal
23B	Instrument Panel
23C	Doors, Mirrors and Related Parts
23D	Body - Miscellaneous
IT	Interior Trim, Seat Mechanisms & Belts
24	Heater and Air Conditioner
25	Emission Controls
NU	Numerical Index

## PAGE NUMBERING

Two-part page numbers are used throughout this catalog. The first part of the page designation indicates one major group or section. The second part indicates the actual page number in the group. For example:

2-1 indicates Group 2, Front Suspension, Page 1

3-4 indicates Group 3, Axle Rear, Page 4

In the maintenance of the Loose Leaf Parts Catalog Revision Service, it may become necessary to add information beyond the capacity of the page. In this event, an "A" page will be used. For example, if it becomes necessary, because of change, to add several part numbers to page 2-1 and space does not permit the addition, you will be given Page 2-1A. Page 2-1A should be filed immediately following Page 2-1.

## SYMBOLS USED IN THIS PARTS CATALOG

The following symbols are used in the Parts Catalog and revisions thereto:

# - Preceding a part number indicates parts which have been added and not previously published.

AR - Indicates the quantity required may vary or is to be determined by the user.

V - Suffix to engine displacement, preceded by a quantity indicates the number of carburetor Venturis (Barrels.)

## SPECIFYING INFORMATION

The following information is included in this Parts Catalog:

1. Part Name
2. Part Number
3. Model Application
4. Quantity used per vehicle
5. Description and dimensions necessary for proper identification of parts where necessary
6. Model or Engine Column:  
Engine by Displacement or Vehicle Car Line and/or Price Class or Body Style Code.
7. Effective points of series running changes are indicated by vehicle serial number, engine number or body number where applicable. When serial number effective points are not available, production effective dates are used. (Refer to the Federal Certification Label for the build date).
8. Parts designated as CANADA are available only in Canada for vehicles sold in Canada.

In the event replacement parts not listed herein are required, orders may be submitted by providing a description of the part, the applicable Figure and Item Number reference, the vehicle model, serial number, and when appropriate, the Trim code.

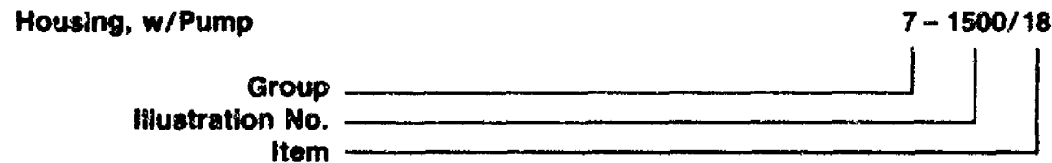
## ILLUSTRATION INDEX

This index is a compilation of catalog parts description data with reference to illustrations, figures and key numbers as shown:

The first page of each group contains a listing of all illustrations within that group. Also refer to illustrations alphabetically listed in information section.

## ALPHABETICAL INDEX

This index is a compilation of catalog parts description data with a reference to the location of the item by group - Figure and key number as shown in the following example:



The index will be expanded progressively as data is added to computer files. To locate a part by name, refer to the Alphabetical Index. This index indicates the group and illustration and item number where the part is located. Alphabetical Index can be found in INF section of catalog.

## NUMERICAL INDEX

A listing of Part Numbers contained in the catalog. The numbers are in numerical sequence with reference to the group and illustration and item number where the part is located.

## PARTS PACKAGES

Service Parts Packages, containing all parts needed for specific service operation, are listed in their respective groups with related parts. The listing will show adaptability and model application.

## STANDARD PARTS

Important attaching standard parts such as bolts, nuts, etc. are generally listed in the text of the respective major parts groups.

## SALES CODES

To provide positive identification of replacement parts selected Sales Codes are used as secondary qualifiers in some areas of this publication. An explanation of the use and a description of the Sales Codes employed will be found at the back of the INF section.

## PRODUCT BULLETINS

PRODUCT BULLETINS are issued when important changes are made in production or when corrections are to be made in the Parts Catalog between regular revisions. All catalogs should be noted and changed accordingly to remain current between revisions.

## PARTS CATALOG REVISION SERVICE

Subscribers to the Passenger Car Parts Catalog Revision Service will be periodically provided with revised copy incorporating the latest information. Revisions may be provided by Group or complete book copy.

## COLOR CODED OR COMBINED PART NUMBERS

Appearing throughout this catalog are part numbers containing both letters and numbers. For example: D500 KB7. These are good serviceable part numbers. The combination of letters and numbers merely indicates the parts are keyed to the interior color of the vehicles on which they are used.

In addition, Right and Left part numbers are frequently combined on one line; e.g. D500-1 KB7. Such numbers are interpreted as D500 KB7, Right side application, and D501 KB7 Left side. Right and Left Sides are always determined by their relationship to the driver when normally seated and looking forward.

## INTERIOR TRIM

Refer to the Group 23 Trim section of the catalog for information relative to Interior Soft and Hard Trim, Rolled Stock, etc.

## TRANSMISSION IDENTIFICATION

### MANUAL TRANSMISSION

(Example PP23044360001)

PLANT CODE	COMPONENT CODE	DATE CODE	SERIAL NUMBER
2 letters PP - New Process Gear Division	3 digits 230 - 230 trans. 250 - 250 trans. 833 - 833 trans.	4 digits Based on the calendar on Page INF-11	4 digits A sequential number beginning with 0001 for each day's production

Location: Below centerline on Front Portion of Right Side

### AUTOMATIC TRANSMISSION

(Example PK3681063W44360001)

PLANT CODE	PART NO.	CHANGE CODE	DATE CODE	SERIAL NUMBER
2 letters PK - Kokomo	7 digits 3681063	1 digit W (Factory use only- of no significance to the field)	4 digits Based on the calendar on Page INF-11	4 digits A sequential number beginning with 0001 for each day's production.

Location: On Oil Pan Side Rail-Left Side.

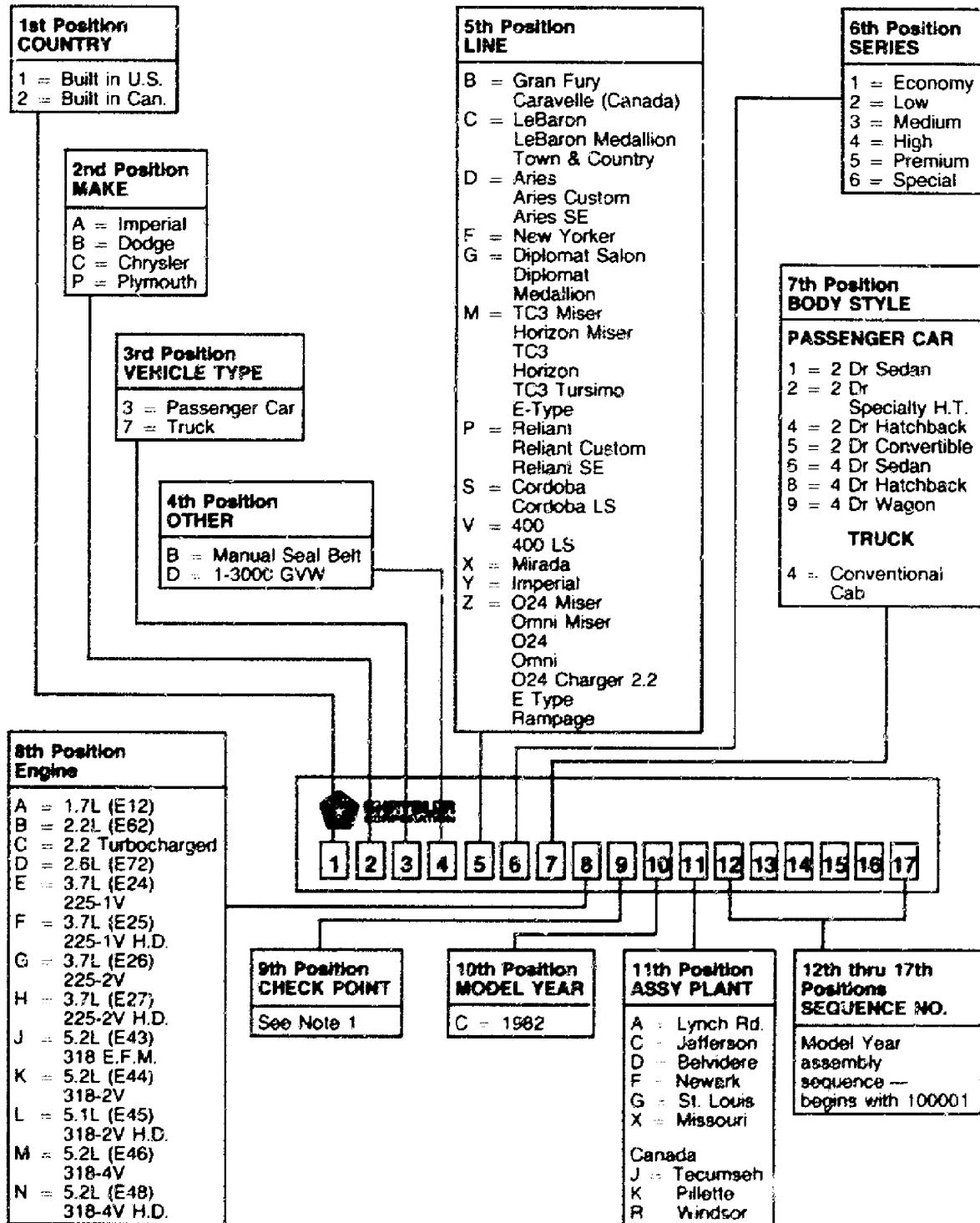
**NOTE:** A derivative of the Vehicle Identification Number is also stamped on all production installed Engines and Transmissions, e.g.:

C	A	100001
Model Year	Assembly Plant	Vehicle Sequence Number





## VEHICLE IDENTIFICATION NUMBER (VIN) DEFINED

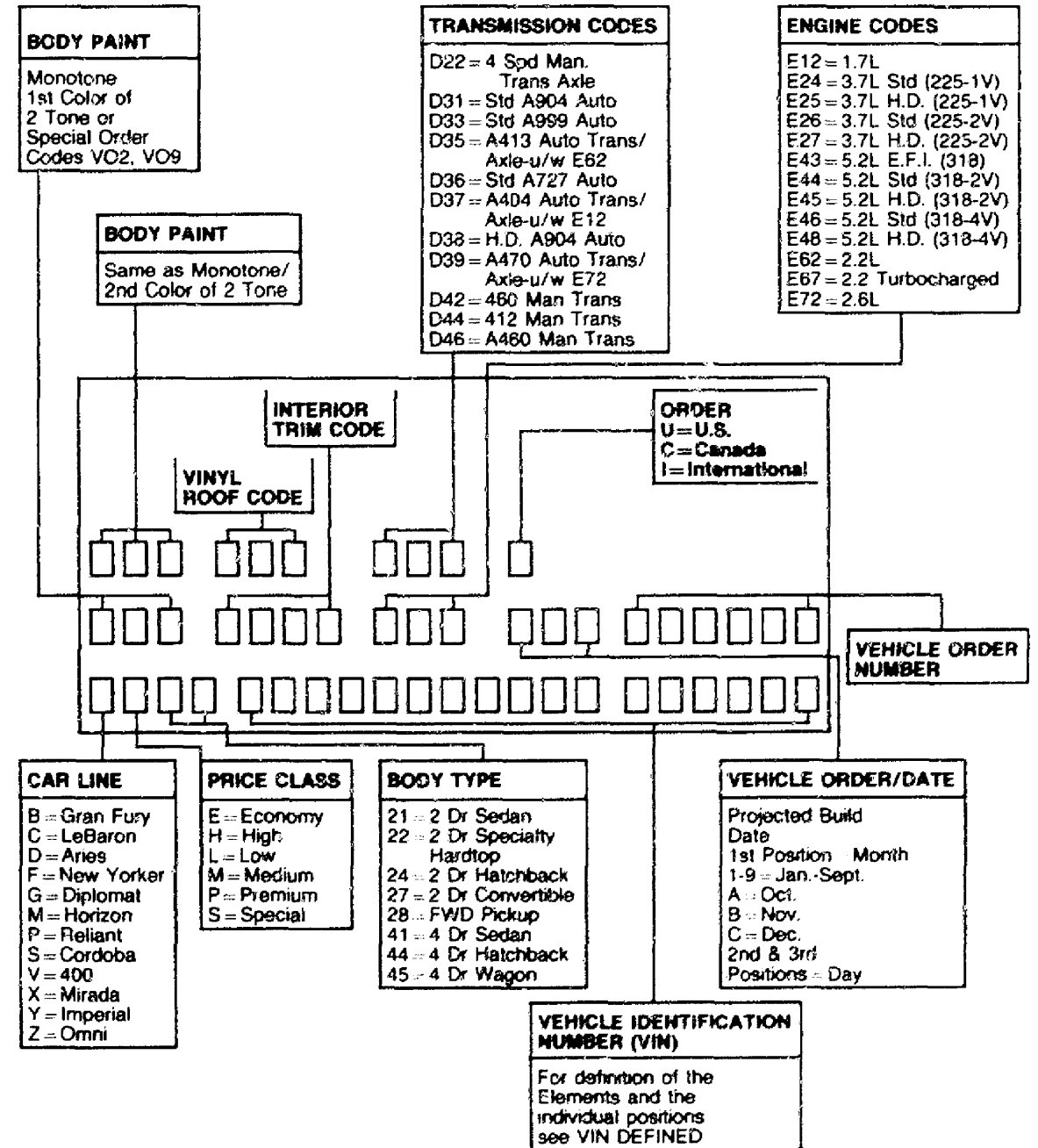


**NOTE 1:**  
The Check Digit will be a numeric character 0-9 or alpha X. It is for verification of the accuracy on the VIN through use of a prescribed mathematical formula mandated by Federal Code MVSS 115.

## BODY CODE PLATE

The Body Code Plate is located on the Left Front Side Shield or Wheel Housing or on the Upper Radiator Support. The Plate contains 5 rows of data. The bottom 2 rows, plus a portion of the center row, are reserved for specific information as depicted below. Starting at the center row, (following the reserved portion), other Sales Codes used to build a specific vehicle are listed in the ascending order by Alpha sequence.

## CODE PLATE INTERPRETATION



## METRIC CONVERSION TABLE

### LINEAR MEASUREMENT

1 foot (ft.)	= 12 inches (in.)	1 centimeter (cm)	= 10 millimeters (mm)
1 yard (yd.)	= 3 ft. = 36 in.	1 meter (m)	= 100 cm = 1000 mm
1 mile (statute)	= 5,280 ft.	1 kilometer (km)	= 1000 meters

To convert	Into	Multiply by	To convert	Into	Multiply by
inches	centimeters	2.5400	centimeters	inches	0.3937
inches	millimeters	25.4000	millimeters	inches	0.0394
feet	meters	0.3048	meters	feet	3.2808
feet	millimeters	304.8000	millimeters	feet	0.0033
yards	meters	0.9144	meters	yards	1.0936
miles	kilometers	1.6093	kilometers	miles	0.6214

### AREA MEASUREMENT

1 square foot (sq.ft.)	= 144 square inches (sq.in.)	1 sq. centimeter (cm <sup>2</sup> )	= 100 sq. millimeters (mm <sup>2</sup> )
1 square yard (sq.yd.)	= 9 square feet	1 sq. meter (m <sup>2</sup> )	= 10,000 cm <sup>2</sup>
1 acre	= 4,840 sq. ft.	1 are (a)	= 100 m <sup>2</sup>
1 square mile	= 640 acres	1 sq. kilometer (km <sup>2</sup> )	= 1,000,000 m <sup>2</sup>

To convert	Into	Multiply by	To convert	Into	Multiply by
square inches	sq. centimeters	6.4516	sq. centimeters	sq. inches	0.1550
square feet	sq. meters	0.0929	sq. meters	sq. feet	10.7639
square yards	sq. meters	0.8361	sq. meters	sq. yards	1.1960
acres	sq. meters	4.047.0	sq. meters	acres	0.0002
square miles	sq. kilometers	2.5900	sq. kilometers	sq. miles	0.3861

### CUBIC MEASUREMENT (VOLUME)

1 cubic foot (cu. ft.)	= 1.728 cubic inches (cu. in.)	1 cu. centimeter (cm <sup>3</sup> )	= 1000 cu. millimeters (mm <sup>3</sup> )
1 cubic yard (cu. yd.)	= 27 cubic feet	1 cubic meter (m <sup>3</sup> )	= 1,000,000 cm <sup>3</sup>

To convert	Into	Multiply by	To convert	Into	Multiply by
cubic inches	cu. centimeters	16.3872	cu. centimeters	cubic inches	0.0610
cubic feet	cubic meters	0.0283	cubic meters	cubic feet	35.3145
cubic yards	cubic meters	0.7646	cubic meters	cubic yards	1.3079

### LIQUID MEASUREMENT (CAPACITY)

1 pint (pt.)	= 28.875 cubic inches	1 centimeter (cl.)	= 10 milliliters (ml.)
1 quart (qt.)	= 2 pints = 57.75 cu. in.	1 liter (l)	= 100 cl. = 1000 ml.
1 gallon (gal.)	= 4 qts. = 231 cu. in.	1 kiloliter (kl)	= 1000 liters

To convert	Into	Multiply by	To convert	Into	Multiply by
cubic inches	liters	0.0164	liters	cubic inches	61.0250
pints	liters	2.1132	liters	pints	0.4732
quarts	liters	0.9463	liters	quarts	1.0566
gallons	liters	3.7853	liters	gallons	0.2642
cubic feet	liters	28.3162	liters	cubic feet	0.0353

### WEIGHT MEASUREMENT

1 ounce (oz.)	= 16 drams	1 centigram (cg.)	= 10 milligrams (mg.)
1 pound (lb.)	= 16 ounces	1 gram (g.)	= 100 cg. = 1000 mg.
1 short ton	= 2000 pounds	1 kilogram (kg.)	= 1000 grams
1 long ton	= 2240 pounds	1 metric ton (t.)	= 1000 kg.

To convert	Into	Multiply by	To convert	Into	Multiply by
drams	grams	1.7718	grams	drams	0.5644
ounces	grams	28.3495	grams	ounces	0.0253
pounds	kilograms	0.4536	kilograms	pounds	2.2046
tons (short)	tons (metric)	0.9072	tons (metric)	tons (short)	1.1023

### POWER MEASUREMENT

1 horsepower (hp)	= 746 watts	7457 kilowatts (kw)	1 horsepower (ps)	= 736 watts	7355 kw
-------------------	-------------	---------------------	-------------------	-------------	---------

To convert	Into	Multiply by	To convert	Into	Multiply by
horsepower (U.S.)	horsepower (met.)	1.0139	horsepower (met.)	horsepower (U.S.)	0.9863
horsepower (U.S.)	kilowatts	0.7457	kilowatts	horsepower (met.)	0.7355
kilowatts	horsepower (U.S.)	1.3405	horsepower (met.)	kilowatts	1.2596

## DATE CODE CORRELATION TABLE

### 1982 DAY NUMBER

DATE	JAN.	FEB.	MAR.	APR.	MAY	JUNE	JULY	AUG.	SEPT.	OCT.	NOV.	DEC.
1	7462	7493	7521	7552	7582	7613	7643	7674	7705	7735	7766	7796
2	7463	7494	7522	7553	7583	7614	7644	7675	7706	7736	7767	7797
3	7464	7495	7523	7554	7584	7615	7645	7676	7707	7737	7768	7798
4	7465	7496	7524	7555	7585	7616	7646	7677	7708	7738	7769	7799
5	7466	7497	7525	7556	7586	7617	7647	7678	7709	7739	7770	7800
6	7467	7498	7526	7557	7587	7618	7648	7679	7710	7740	7771	7801
7	7468	7499	7527	7558	7588	7619	7649	7680	7711	7741	7772	7802
8	7469	7500	7528	7559	7589	7620	7650	7681	7712	7742	7773	7803
9	7470	7501	7529	7560	7590	7621	7651	7682	7713	7743	7774	7804
10	7471	7502	7530	7561	7591	7622	7652	7683	7714	7744	7775	7805
11	7472	7503	7531	7562	7592	7623	7653	7684	7715	7745	7776	7806
12	7473	7504	7532	7563	7593	7624	7654	7685	7716	7746	7777	7807
13	7474	7505	7533	7564	7594	7625	7655	7686	7717	7747	7778	7808
14	7475	7506	7534	7565	7595	7626	7656	7687	7718	7748	7779	7809
15	7476	7507	7535	7566	7596	7627	7657	7688	7719	7749	7780	7810
16	7477	7508	7536	7567	7597	7628	7658	7689	7720	7750	7781	7811
17	7478	7509	7537	7568	7598	7629	7659	7690	7721	7751	7782	7812
18	7479	7510	7538	7569	7599	7630	7660	7691	7722	7752	7783	7813
19	7480	7511	7539	7570	7600	7631	7661	7692	7723	7753	7784	7814
20	7481	7512	7540	7571	7601	7632	7662	7693	7724	7754	7785	7815
21	7482	7513	7541	7572	7602	7633	7663	7694	7725	7755	7786	7816
22	7483	7514	7542	7573	7603	7634	7664	7695	7726	7756	7787	7817
23	7484	7515	7543	7574	7604	7635	7665	7696	7727	7757	7788	7818
24	7485	7516	7544	7575	7605	7636	7666	7697	7728	7758	7789	7819
25	7486	7517	7545	7576	7606	7637	7667	7698	7729	7759	7790	7820
26	7487	7518	7546	7577	7607	7638	7668	7699	7730	7760	7791	7821
27	7488	7519	7547	7578	7608	7639	7669	7700	7731	7761	7792	7822
28	7489	7520	7548	7579	7609	7640	7670	7701	7732	7762	7793	7823
29	7490	7521	7549	7580	7610	7641	7671	7702	7733	7763	7794	7824
30	7491	7522	7550	7581	7611	7642	7672	7703	7734	7764	7795	7825
31	7492	7523	7551	7582	7612	7643	7673	7704	7735	7765	7796	7826

### 1983 DAY NUMBER

DATE	JAN.	FEB.	MAR.	APR.	MAY	JUNE	JULY	AUG.	SEPT.	OCT.	NOV.	DEC.
1	7827	7858	7886	7917	7947	7973	8008	8039	8069	8100	8130	8161
2	7828	7859	7887	7918	7948	7974	8009	8040	8070	8101	8131	8162
3	7829	7860	7888	7919	7949	7975	8010	8041	8071	8102	8132	8163
4	7830	7861	7889	7920	7950	7976	8011	8042	8072	8103	8133	8164
5	7831	7862	7890	7921	7951	7977	8012	8043	8073	8104	8134	8165
6	7832	7863	7891	7922	7952	7978	8013	8044	8074	8105	8135	8166
7	7833	7864	7892	7923	7953	7979	8014	8045	8075	8106	8136	8167
8	7834	7865	7893	7924	7954	7980	8015	8046	8076	8107	8137	8168
9	7835	7866	7894	7925	7955	7981	8016	8047	8077	8108	8138	8169
10	7836	7867	7895	7926	7956	7982	8017	8048	8078	8109	8139	8170
11	7837	7868	7896	7927	7957	7983	8018	8049	8079	8110	8140	8171
12	7838	7869	7897	7928	7958	7984	8019	8050	8080	8111	8141	8172
13	7839	7870	7898	7929	7959	7985	8020	8051	8081	8112	8142	8173
14	7840	7871	7899	7930	7960	7986	8021	8052	8082	8113	8143	8174
15	7841	7872	7900	7931	7961	7987	8022	8053	8083	8114	8144	8175
16	7842	7873	7901	7932	7962	7988	8023	8054	8084	8115	8145	8176
17	7843	7874	7902	7933	7963	7989	8024	8055	8085	8116	8146	8177
18	7844	7875	7903	7934	7964	7990	8025	8056	8086	8117	8147	8178
19	7845	7876	7904	7935	7965	7991	8026	8057	8087	8118	8148	8179
20	7846	7877	7905	7936	7966	7992	8027	8058	8088	8119	8149	8180
21	7847	7878	7906	7937	7967	7993	8028	8059	8089	8120	8150	8181
22	7848	7879	7907	7938	7968	7994	8029	8060	8090	8121	8151	8182
23	7849	7880	7908	7939	7969	7995	8030	8061	8091	8122	8152	8183
24	7850	7881	7909	7940	7970	7996	8031	8062	8092	8123	8153	8184
25	7851	7882	7910	7941	7971	7997	8032	8063	8093	8124	8154	8185
26	7852	7883	7911	7942	7972	7998	8033	8064	8094	8125	8155	8186
27	7853	7884	7912	7943	7973	7999	8034	8065	8095	8126	8156	8187
28	7854	7885	7913	7944	7974	7999	8035	8066	8096	8127	8157	8188
29	7855	7886	7914	7945	7975	8000	8036	8067	8097	8128	8158	8189
30	7856	7887	7915	7946	7976	8001	8037	8068	8098	8129	8159	8190
31	7857	7888	7916	7947	7977	8002	8038	8069	8099	8130	8160	8191

## SALES CODES

Due to the increase complexity of qualifications required to describe the application of some replacement parts; particularly those related to Emission Control System, Sales Codes are used on a selected basis in some areas of this publication.

Normally, Sales Codes will be employed as secondary qualifiers and are for the express purpose of providing positive identification of parts applicable to vehicle components or systems so complex in nature that normal methods of written qualification are either inadequate or confusing.

The Sales code will always appear after the written description of the part; will be enclosed in parenthesis; will be prefixed S/C; and will follow a hyphen appended to the S/C, e.g.: (S/C-N95).

To determine whether or not the vehicle for which the part is being specified was built with a particular Sales Code it will be necessary to refer to the Body Code Plate depicted on page INF-7. Sales Codes are also listed on vehicle invoices and on the Maroney label which is affixed to the side glass on new units.

### DEFINITION OF SALES CODES USED

**N22 = ASPIRATOR.** Used in conjunction with catalytic exhaust system. Consists of a valve located in a line running from the clean side of the carburetor Air Cleaner to the Exhaust Manifold. CANADA only.

**N61 = JAPANESE EMISSION PACKAGE.** Mandatory for designated engines on cars sold in the Nation of Japan.

**N92 = LEAN BURN (Electronic Spark Advance).** Used in conjunction with a conventional non-catalytic exhaust system. Unleaded fuel is not required. CANADA & EXPORT only.

**N93 = CANADIAN & EXPORT EMISSION CONTROLS.** Includes conventional non-catalytic exhaust system. Not available with Lean Burn, California Emission Controls.

**N94 = LEAN BURN (Electronic Spark Advance).** Used in conjunction with a catalytic exhaust system. Unleaded fuel is required. Not available with California Emission Controls.

**N95 = EMISSION CONTROLS TESTING & LABEL.** Commonly referred to as "California Emission Controls" due to it being mandatory for designated engines on cars sold in State of California.

**N95 = HIGH ALTITUDE EMISSION CONTROLS.** Required for some Car-line and Engine combinations sold in some geographical markets predominantly above 4000' elevation.

**N98 = WITHOUT LEAN BURN (Electronic Spark Advance).** Standard equipment on some selected Model & Engine combinations. Used in conjunction with a catalytic exhaust system. Unleaded fuel is required.

## ABBREVIATIONS

Abbreviations as used throughout this catalog are interpreted as follows:

ABS	ABSORBER	BTM	BOTTOM
ACC	ACCESSORY	BTN	BUTTON
ACCEL	ACCELERATOR	B/UP	BACK UP
A/CLNR	AIR CLEANER	BUSH	BUSHING
A/COND	AIR CONDITIONING	CAD	CADIUM
ACTG	ACTUATING	CAN	CANADA-CANADIAN
ACTR	ACTUATOR	CAP	CAPACITY
ADAPT	ADAPTER-ADAPTATION	C.A.S.	CLEANER AIR SYSTEM
ADJ	ADJUSTING-ADJUSTOR- ADJUSTABLE-ADJUSTMENT	CARB	CARBURETOR
A/INL	AIR INLET	CATA	CATALYTIC
ALTR	ALTERNATOR	C/BAR	CROSS BAR
ALUM	ALUMINUM	CBL	CABLE
AMP	AMPERE	C/BRD	CIRCUIT BOARD
AMPL	AMPLIFIER	C.BRKR	CIRCUIT BREAKER
AMTR	AMMETER	CCW	COUNTERCLOCKWISE
ANCH	ANCHOR	C/E	COMMUTATOR END
&	AND	CHAM	CHAMFRED
A/OUT	AIR OUTLET	CHMBR	CHAMBER
APPROX	APPROXIMATE, APPROXIMATELY	CHR	CHROMIUM
AR	AS REQUIRED	C.I.	CUBIC INCH
A/RATLR	ANTI RATTLER	C/IRON	CAST IRON
A REST	ARM REST	C/CASE	CRANKCASE
ARM	ARMATURE	CK/CHFT	CRANKSHAFT
A/SQK	ANTISQUEAK	CL	CLEANER
ASSY	ASSEMBLY	CL/NUT	CLINCH NUT
A/SUSP	AIR SUSPENSION	C/LP	COURTESY LAMP
A.T.C.	AUTOMATIC TEMPERATURE CONTROL	CLSR	CLOSURE
ATT	ATTACHING	C/LTR	CIGAR OR CIGARETTE LIGHTER
A/TRANS	AUTOMATIC TRANSMISSION	C/MBR	CROSSMEMBER
AUTO	AUTOMATIC	COE	CAB OVER ENGINE
AUX	AUXILIARY	COL	COLUMN
BAL	BALANCE	COMB	COMBINATION
BATT	BATTERY	COMBN	COMBUSTION
BBL	BARREL	COMP	COMPLETE, COMPONENT
B/BRK	BOOSTER BRAKE	COMPN	COMPRESSION
B/CRK	BELL CRANK	COMPR	COMPRESSOR
B.E.	BLACK ENAMEL	COMPT	COMPARTMENT
B/JNT	BALL JOINT	COMTR	COMMUTATOR
BLK	BLOCK	COND	CONDENSER
BLT	BUILT	CONDT	CONDUIT
BLWR	BLOWER	CONDTG	CONDITIONING
BMPR	BUMPER	CONN	CONNECTING-CONNECTION- CONNECTOR
BOLT & RET	BOLT & RETAINER	CONT	CONTINUED-CONTROL
BOLT & WA.	BOLT & WASHER	CONT'D	CONTINUED
BR	BRASS	CONV	CONVERTER
BRD	BOARD	COP	COPPER
BRG	BEARING	CO/SHFT	COUNTERSHAFT
BRK	BRAKE	CO/WT	COUNTERWEIGHT
BRKT	BRACKET	CP	CANDLEPOWER
BRKR	BREAKER	C/PILLAR	CENTER PILLAR
BRT	BRIGHT	CPLG	COUPLING
BRZ	BRONZE	C/SHFT	CROSS SHAFT
BSTR	BOOSTER	CSTG	CASTING
B/STUD	BALL STUD	CTR	CENTER
		CU	CUBIC
		CUSH	CUSHION

**ABBREVIATIONS (Cont'd.)**

CUSH	CUSHION	EXP	EXPORT
CUST	CUSTOM	EXPN	EXPANSION
CV	CONVERTIBLE	EXT	EXTENSION
C/VAL	CONTROL VALVE	EXTL	EXTERNAL
CVR	COVER	EXTR	EXTRUDED
C/WT	COUNTERWEIGHT	F	FAHRENHEIT
CYL	CYLINDER	FACT	FACTORY
DBL	DOUBLE	F/AIR	FRESH AIR
D/CVR	DUST COVER	FAST	FASTENING-FASTENER
D/E	DRIVE END	F/AXLE	FRONT AXLE
DECAL	DECALCOMANIA	F/BRD	FLOOR BOARD
DEFL	DEFLECTOR	F/CPLG	FLUID COUPLING
DEFGR	DEFOGGER	F/DR	FRONT DOOR
DEFR	DEFROSTER	F/FILT	FUEL FILTER
DEG (°)	DEGREE	F/GA	FUEL GAGE
D/EXH	DUAL EXHAUST	F/IDLE	FAST IDLE
DIA	DIAMETER	FIL HD	FILLISTER HEAD
DIAG	DIAGONAL	FIN	FINISH
DIAPH	DIAPHRAGM	F/INJ	FUEL INJECTION
DIFF	DIFFERENTIAL	FLD	FIELD
DIM	DIMENSION	FLEX	FLEXIBLE
DIR	DIRECT-DIRECTIONAL	FLG	FLANGE
DIR CL	DIRECT CLUTCH	FL HD	FLAT HEAD
DIST	DISTRIBUTOR-DISTRIBUTING	FLR	FLOOR
DIV	DIVISION-DIVISIONAL	F/MLDG	FINISH MOULDING
D/LINK	DRAG LINK	F/FR	FENDER
D/LP	DOME LAMP	F/PAN	FLOOR PAN
DMPR	DAMPER	F/PUMP	FUEL PUMP
DOM	DOMESTIC	FREQ	FREQUENCY
D/PINION	DRIVE PINION	FRT	FRONT
DR	DOOR	FT	FOOT-FEET
D/R SHAFT	DOUBLE ROCKER SHAFT	F/TANK	FUEL TANK
DRIV	DRIVE	FTG	FITTING
DRVN	DRIVEN	F/TOP	FOLDING TOP
D/SEAL	DUST SEAL	GA	GAUGE-GAGE
D/SHLD	DUST SHIELD	GALV	GALVANIZED
D/SW	DIMMER SWITCH	GARN	GARNISH
EBL	ELECTRIC HEATED BACK LIGHT	G/BOX	GLOVE BOX
ECC	ECCENTRIC	GEN	GENERATOR
ECS	EVAPORATE EMISSION CONTROL SYSTEM	GLA	GLASS
E.F.I. (M)	ELECTRONIC FUEL EJECTION (METERING)	G/MLDG	GARNISH-MOULDING
E.G.R.	EXHAUST GAS RECIRCULATION	GND	GROUND
ELECT	ELECTRIC	GOV	GOVERNOR
ELIM	ELIMINATOR	GR	GEAR
EMR	ENGINE MAINTENANCE REMINDER	G/REG	GENERATOR-REGULATOR
ENG	ENGINE	GRL	GRILLE
EQ	EQUIPMENT	GRMT	GROMMET
ESC	ESCUTCHEON	G/SHIFT	GEARSHIFT
ETC	ET CETERA	GSKT	GASKET
EVAP	EVAPORATON-EVAPORATOR	GVW	GROSS VEHICLE WEIGHT
EX	EXTRA	H/BRK	HAND BRAKE
EXC	EXCLUDE	H/C	HIGH COMPRESSION
EXH	EXHAUST	HD	HEAD
		H/D	HEAVY DUTY
		HDL	HANDLE
		H/LIN	HEAD LINING
		HDLS	HEADLESS
		HDR	HEADER

**ABBREVIATIONS (Cont'd.)**

HEMI	HEMISPHERICAL	LOC	LOCATING
H/EX	HEXAGON	LP	LAMP
HGE	HINGE	L.S.H.	LOW SECTION HEIGHT
H/GUIDE	HYDRAGUIDE	LT	LEFT
H/LP	HEADLAMP	LUB	LUBRICANT-LUBRICATING
H/PERF	HIGH PERFORMANCE	LUGG	LUGGAGE
H/REST	HEAD REST	LVR	LEVER
HSG	HOUSING	LWR	LOWER
H/SNK	HEAT SINK	M & I	MARINE & INDUSTRIAL
H/SHLD	HEAT SHIELD	M/ADJ	MANUAL ADJUSTING
NHT	HEATER	MAN	MANUAL
HVY	HEAVY	MANF	MANIFOLD
HYD	HYDRAULIC	MAR	MARINE
I/ARM	IDLER ARM	MAX	MAXIMUM
I.D.	INSIDE DIAMETER	MAX PERF	MAXIMUM PERFORMANCE
IDENT	IDENTIFICATION	M/BRK	MANUAL BRAKE
IGN	IGNITION	MBR	MEMBER
IN	INCH	M/CYL	MASTER CYLINDER
INCL	INCLUSIVE-INCLUDES	MECH	MECHANISM
IND	INDUSTRIAL	MED	MEDIUM
INDIC	INDICATOR	MEDAL	MEDALLION
INL	INLET	MIL	MILITARY
INR	INNER	MIN	MINIMUM
INS	INSULATING-INSULATION-INSULATOR	MDLG	MOULDING
INST	INSTRUMENT-INSTRUCTION	MOD	MODEL
INT	INTAKE	M/MTRG	MAIN METERING
INTER	INTERMITTENTLY-INTERMEDIATE	M.P.H.	MILES PER HOUR
INTL	INTERNAL	MT	MOUNT
INTLK	INTERLOCK	MTG	MOUNTING
I/PNL	INSTRUMENT PANEL	MTR	MOTOR
I/PULLEY	IDLER PULLEY	M/TRANS	MANUAL TRANSMISSION
I/S	INSIDE	MTRG	METERING
J/BLK	JUNCTION BLOCK	NEG	NEGATIVE
JNT	JOINT	NEUT	NEUTRAL
K/DN	KICKDOWN	NI	NICKEL
KDX	KNOCK DOWN EXPORT	NO. OR #	NUMBER
KILO	KILOMETER	NOM	NOMINAL
KNU	KNUCKLE	NO	NITROGEN OXIDE EMISSION CONTROL
K/UP	KICKUP	N/PLT	NAME PLATE
LBS	POUNDS	NUT & WA	NUT AND WASHER
L/C	LOW COMPRESSION	O/CTR	OVER CENTER
LCF	LOW CAB FORWARD	O.D.	OUTSIDE DIAMETER
L/COMPT	LUGGAGE COMPARTMENT	O/DRV	OVER DRIVE
LEA	LEATHER	O/GA	OIL GAUGE
LED	LIGHT EMITTING DIODE	OPER	OPERATING
LGH	LENGTH	OPNG	OPENING
LHD	LEFT HAND DRIVE	OPP	OPPOSITE
L.H. THD	LEFT HAND THREAD	OPT	OPTIONAL
LIC	LICENSE	O/PUMP	OIL PUMP
LIN	LINING-LINER	ORN	ORNAMENT
LK	LOCK	O/RUNN	OVERRUNNING
LKG	LOCKING	O/S	OUTSIDE
LK/NUT	LOCK NUT	O/SIZE	OVERSIZE
LK/WA	LOCK WASHER	OTR	OUTER
		OUTL	OUTLET

**ABBREVIATIONS (Cont'd.)**

OV	.....	OVAL
O/W	.....	OPTIONAL WITH
O/WRAP	.....	OVERWRAP
OZ	.....	OUNCE
P	.....	PITCH
PACK	.....	PACKING
PARK	.....	PARKING
PART	.....	PARTIAL PARTITION
PASS	.....	PASSENGER
P/BRK	.....	POWER BRAKE
P/BTN	.....	PUSH BUTTON
PC/BRD	.....	PRINTED CIRCUIT BOARD
PED	.....	PEDAL
PERF	.....	PERFORMANCE
PIST	.....	PISTON
PIV	.....	PIVOT
PKG	.....	PACKAGE
PL	.....	PLAIN
P/LAMP	.....	PARKING LAMP
PLR	.....	PILLAR
PLT	.....	PLATE-PLATED
PLUNG	.....	PLUNGER
PL/WA	.....	PLAIN WASHER
P/MTR	.....	POTENTIOMETER
PNL	.....	PANEL
PNTD	.....	PAINTED
POS	.....	POSITIVE
POLY	.....	POLYESTER
P/PNL	.....	POCKET PANEL
PRESS	.....	PRESSURE
PRI	.....	PRIMARY
PROD	.....	PRODUCTION
P/ROD	.....	PUSH ROD
PROP	.....	PROPELLER
PRPG	.....	PROPORTIONING
PSF	.....	POUNDS PER SQUARE FOOT
PSI	.....	POUNDS PER SQUARE INCH
P/STRG	.....	POWER STEERING
PT	.....	POINT
PTO	.....	POWER TAKE OFF
PWR	.....	POWER
Q/PNL	.....	QUARTER PANEL
QTR	.....	QUARTER
Q/WDO	.....	QUARTER WINDOW
R	.....	RADIUS
R/A	.....	REAR AXLE
R/AXLE	.....	REAR AXLE
RAD	.....	RADIATOR
R/CONT	.....	REMOTE CONTROL
RC/SHIFT	.....	ROCKER SHAFT
RD	.....	ROUND
R/DR	.....	REAR DOOR
REC	.....	RECEIVER
RECIR	.....	RECIRCULATING
RECT	.....	RECTANGULAR
RECTR	.....	RECTIFIER
RED	.....	REDUCTION
REFL	.....	REFLECTOR
REG	.....	REGULATOR
REINF	.....	REINFORCEMENT
REL	.....	RELEASE
REM	.....	REMOTE
REQ	.....	REQUIRED
RES	.....	RESISTOR
RET	.....	RETAINER
RETG	.....	RETAINING
REV	.....	REVERSE
REVERB	.....	REVERBERATOR
R/FLR	.....	REAR FLOOR
RHD	.....	RIGHT HAND DRIVE
RHEO	.....	RHEOSTAT
R.H. THD	.....	RIGHT HAND THREAD
R/L	.....	RIGHT AND LEFT
RPM	.....	REVOLUTIONS PER MINUTE
R/QTR	.....	REAR QUARTER
RR	.....	REAR
RSVR	.....	RESERVOIR
RT	.....	RIGHT
R/WDO	.....	REAR WINDOW
S/ABS	.....	SHOCK ABSORBER
S/C	.....	SALES CODE
S/COMPT	.....	SIDE COMPARTMENT
S/DEFL	.....	STONE DEFLECTOR
SECT	.....	SECTION
SER	.....	SERIAL-SERVICE
S/EXH	.....	SINGLE EXHAUST
S-FIN	.....	SEMI-FINISHED
S/GR	.....	STEERING GEAR
SHFT	.....	SHIFT
SHLD	.....	SHIELD
SIG	.....	SIGNAL
S/KNU	.....	STEERING KNUCKLE
SLD	.....	SLIDE
SLDG	.....	SLIDING
S/LP	.....	STOP LAMP
SLTD	.....	SLOTTED
SLV	.....	SLEEVE
S/MBR	.....	SIDE MARKER
SOC	.....	SOCKET
SOL	.....	SOLENOID
SOPD	.....	SPEED
SPEEDO	.....	SPEEDOMETER
SPKR	.....	SPEAKER
SPL	.....	SPECIAL
SPL EQUIP	.....	SPECIAL EQUIPMENT
SPRG	.....	SPRING
S/PNL	.....	SIDE PANEL
SF/SHLD	.....	SPLASH SHIELD
SQ	.....	SQUARE
S/R SHAFT	.....	SINGLE ROCKER SHAFT
S/RAIL	.....	SIDE RAIL
S/RING	.....	SNAP RING

**ABBREVIATIONS (CONT'D.)**

S/SHLD	.....	SIDE SHIELD
S/SILL	.....	SIDE SILL
S/SPD	.....	SINGLE SPEED
STA	.....	STATION-STATIONARY
STAB	.....	STABILIZER
STD	.....	STANDARD
STGHT	.....	STRAIGHT
STL	.....	STEEL
STRG	.....	STEERING
STRKR	.....	STRIKER
STRNR	.....	STRAINER
STRTR	.....	STARTER
SUCT	.....	SUCTION
SUPT	.....	SUPPORT
SUSP	.....	SUSPENSION
SW	.....	SWITCH
SYNCH	.....	SYNCHRONIZER
T	.....	TEETH
TAP	.....	TAPPING
T/BKL	.....	TURN BUCKLE
T/BLK	.....	TERMINAL BLOCK
T/COMP	.....	TRIMMED COMPLETE
T/CONT	.....	THROTTLE CONTROL
T/CONV	.....	TORQUE CONVERTER
TEMP	.....	TEMPERATURE
TERM	.....	TERMINAL
T/GA	.....	TEMPERATURE GAUGE
T-GATE	.....	TAILGATE
THD	.....	THREAD
THK	.....	THICK
THERMO	.....	THERMOSTAT
3RD	.....	THIRD
THR	.....	THRUST
THROT	.....	THROTTLE
T.I.C.	.....	THERMOSTATIC IGNITION
	.....	CONTROL
T/LP	.....	TAIL LAMP
TORQ	.....	TORQUE
TORS	.....	TORSION
TPI	.....	THREADS PER INCH
T/PIPE	.....	TAIL PIPE
T/PLT	.....	TAPPING PLATE
T/PNL	.....	TRIM PANEL
TPR	.....	TAPER
TRANS	.....	TRANSMISSION
TRANSF	.....	TRANSFER
TRIMD	.....	TRIMMED
T/SIG	.....	TURN SIGNAL
TRUN.	.....	TRUNNION
TST	.....	TAIL STOP & TURNING
T/STRIP	.....	TACKING STRIP
TUB	.....	TUBULAR
U/BODY	.....	UNDERBODY
U/DRV	.....	UNDERDRIVE
U/JNT	.....	UNIVERSAL JOINT
UNIV	.....	UNIVERSAL
UPR	.....	UPPER
U/S	.....	UNDERSIZE
U/SEAT	.....	UNDERSEAT
U/W	.....	USED WITH
V	.....	VENTUR (QTY OF CARB BBL)
VAC	.....	VACUUM
VAL	.....	VALVE
V/DMPR	.....	VIBRATION DAMPER
VENT	.....	VENTILATOR-VENTILATING
VERT	.....	VERTICAL
VOL CONT	.....	VOLUME CONTROL
V/REG	.....	VOLTAGE REGULATOR
V/SPD	.....	VARIABLE SPEED
V/WING	.....	VENT WING
W	.....	WATT
WA	.....	WASHER
WAG	.....	WAGON
WB	.....	WHEELBASE
W/BRG	.....	WHEEL BEARING
W/CORD	.....	WEATHERCORD
WDO	.....	WINDOW
WHL	.....	WHEEL
W/HSE	.....	WHEELHOUSE
W/LIFT	.....	WINDOW LIFT
W/O	.....	WITHOUT
W/PUMP	.....	WATER PUMP
W/REG	.....	WINDOW REGULATOR
W/SHLD	.....	WINDSHIELD
W/STRIP	.....	WEATHERSTRIP
WT	.....	WEIGHT
W/WASHER	.....	WINDSHIELD WASHER
W/WPR	.....	WINDSHIELD WIPER
X/MBR	.....	X MEMBER

**NOTES**

---

**GROUP 2 - FRONT SUSPENSION & DRIVE**

<b>ILLUSTRATION TITLE</b>	<b>GROUP-FIG. NO.</b>
DRIVE SHAFT IDENTIFICATION .....	Fig. 2-100
DRIVE SHAFT, FRONT (GKN) - M&Z w/1.7 Eng. w/VW-A412 4 Spd Man .....	Fig. 2-200
DRIVE SHAFT, FRONT (GKN) - M&Z w/1.7 Eng. w/Auto.Trans.& NPG-A460 4 Speed Man.Trans. ....	Fig. 2-300
DRIVE SHAFT, FRONT (GKN) - M,Z,All - P,D,21 w/2.2 Eng. ....	Fig. 2-400
DRIVE SHAFT, FRONT,w/SPRING LOADED INNER SHAFT- M,Z,P,D (GKN) .....	Fig. 2-425
DRIVE SHAFT, FRONT (CITROEN) P,D, 41,45- V,C All, w/2.2 & 2.6 Eng. ....	Fig. 2-500
DRIVE SHAFT, FRONT,w/SPRING LOADED INNER SHAFT P,D,V,C (CITROEN) .....	Fig. 2-525
FRONT SUSPENSION-M,Z .....	Fig. 2-600
FRONT SUSPENSION-P,D,V,C .....	Fig. 2-700
FRONT SUSPENSION-B,F,G,X,S,Y .....	Fig. 2-800
ARM-UPPER CONTROL-B,F,G,X,S,Y .....	Fig. 2-900
ARM-LOWER CONTROL-B,F,G,X,S,Y .....	Fig. 2-1000
TIE RODS, STEERING GEAR AND LINKAGE - B,F,G,X,S,Y .....	Fig. 2-1100

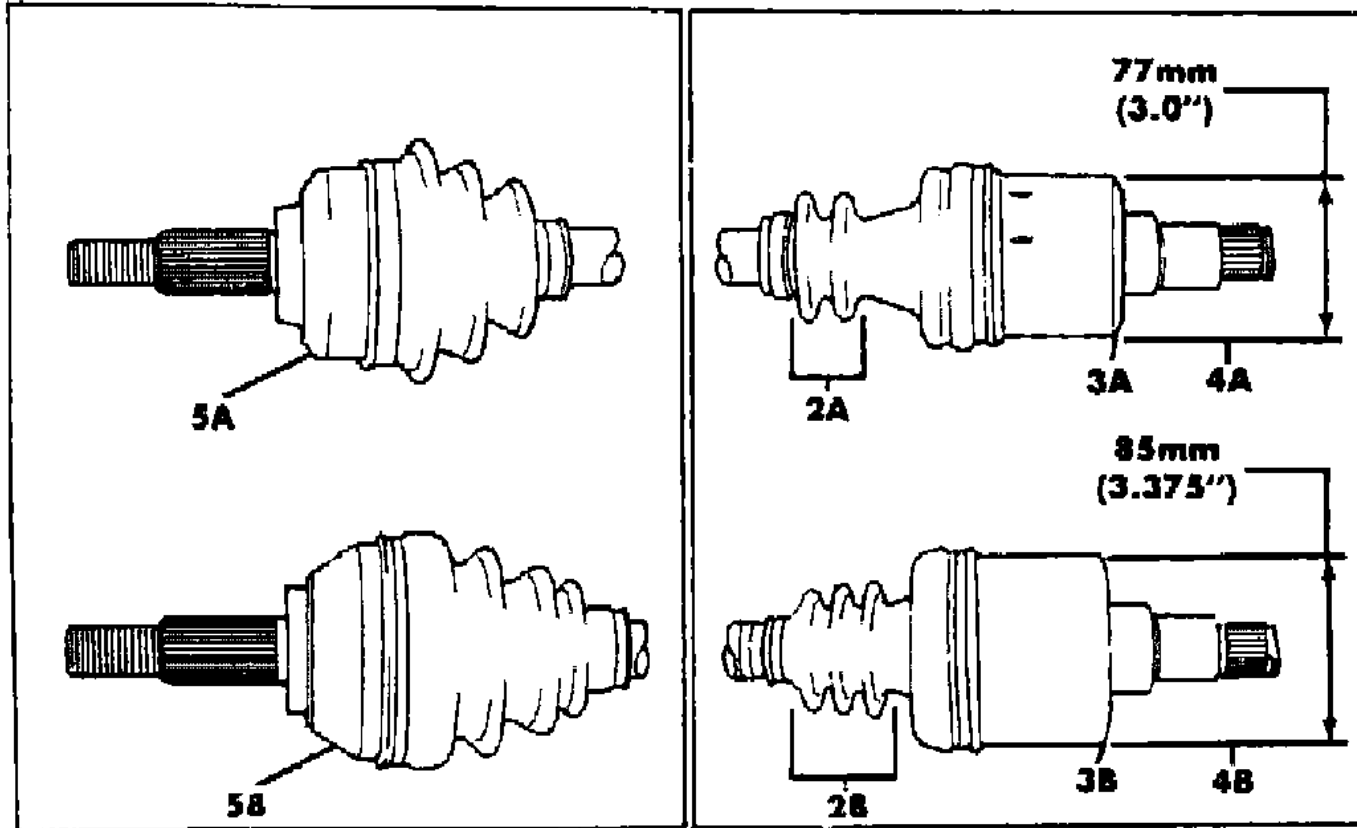
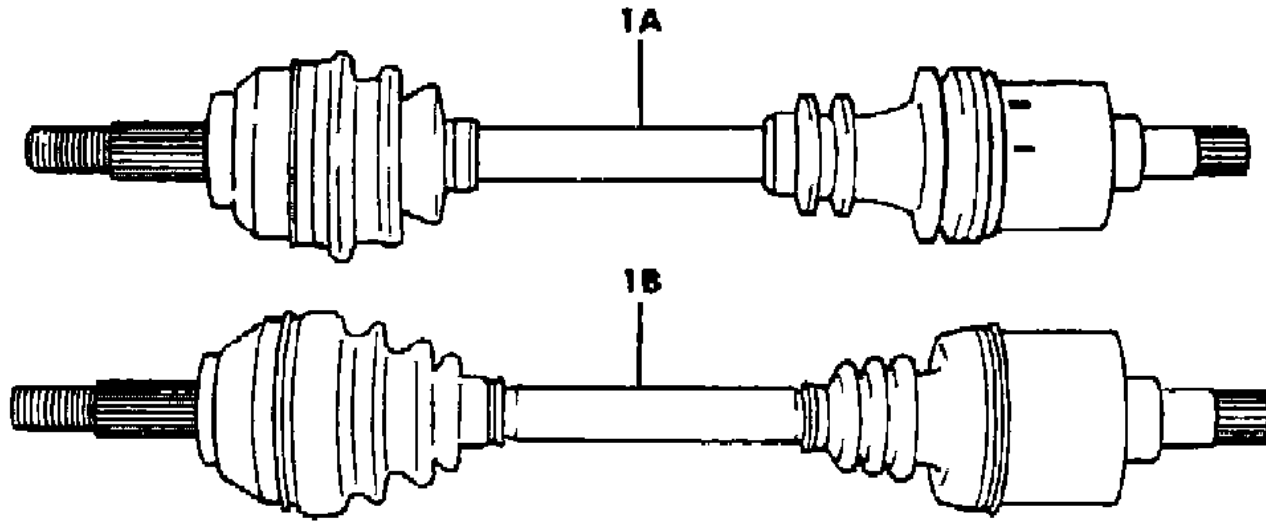
**ILLUSTRATION NOT AVAILABLE AT TIME OF PUBLICATION**

---

# DRIVE SHAFT IDENTIFICATION

Figure 2-100

210? 100



ITEM	PART NUMBER	QTY	BODY	MODEL	DESCRIPTION
------	-------------	-----	------	-------	-------------

Two different make Drive Shafts are being used on Front Wheel Drive vehicles, GKN & Citroen. Service replacement parts ARE NOT interchangeable.

NOTE: M&Z w/1.7 Eng. & VW-A412 4 Speed Manual uses GKN Shaft w/bolted flange type Inner Joint attached by 6 screws.

CAUTION: Some P&D Models may have a GKN on one side and CITROEN on the other. To avoid problems, the make of Shaft MUST be determined prior to specifying parts.

The accompanying figure illustrates the characteristics of the two makes of Shaft. ing parts.

1	SHAFT Complete, Lt.
1A	GKN
1B	Citroen

The appearance of Rt. Shafts is the same as the Lt. except for overall length and the Rt. Inner Joint stub shaft is longer and includes the speedometer drive worm.

2	BOOT, Inner Joint
2A	GKN = 2 Convolutions at inner end
2B	CITROEN = 3 Convolutions at inner end
3	SHOULDER, inner joint o.d. to inner face
3A	GKN = Beveled
3B	CITROEN = Abrupt (approx. 90 degree)
4	OUTSIDE DIAMETER, inner joint
4A	GKN = Approx. 77mm (3.0")
4B	CITROEN = Approx. 85mm (3.375")
5	SHOULDER, outer joint o.d. to seal surface
5A	GKN = Curved from o.d.
5B	CITROEN = Flat bevel with sharp angle at o.d.

#### MODEL CODES

B = GRAN FURY/CARAVELLE	P = RELIANT
C = LEBARON/TOWN & COUNTRY	S = CORDOBA
D = ARIES	V = 400
F = NEW YORKER	X = MIRADA
G = DIPLOMAT	Y = IMPERIAL
M = HORIZON/TC3/SCAMP	Z = OMNI/O24/RAMPAGE

#### BODY STYLES

21 = 2-DOOR SEDAN	28 = FWD PICKUP
22 = 2-DOOR SPECIAL COUPE	41 = 4-DOOR SEDAN
24 = 2-DOOR HATCHBACK	44 = 4-DOOR HATCHBACK
27 = 2-DOOR CONVERTIBLE	45 = 2-SEAT STATION WAGON

AR = Use as Required - = Non Illustrated Part P.A.R. = Paint as Required

DRIVE SHAFT, FRONT (GKN) - M&Z w/1.7 Eng. w/VW-A412 4 Spd Man  
Figure 2-200

2102 200

ITEM	PART NUMBER	QTY	BODY	MODEL	DESCRIPTION
1	5212 570	1		All	SHAFT,Drive,Rt.
1A	5212 571	1		All	SHAFT,Drive, Lt.
2	5212 566	AR		All	SPACER-RING, Outer Joint (Also In 4205853 Pkg.)
3-5	4205 853	2		All	BOOT PKG., Outer Joint
3				All	Clamp, Inner
4				All	Boot
5				All	Clamp, Outer
NOTE: 4205853 Pkg (Item 3-5) also includes Lock Ring 5212580 for use w/Auto Trans-axle. r drive worm.					
6-9&					
27&28	4186 890	2		All	JOINT, COMPLETE, Drive Shaft, Outer
6				All	Cross
7				All	Ball
8				All	Cage
9				All	Housing
10-15	5212 567	2		All	TRIPODE, Complete Frt.
10				All	Race
11				All	Retainer
12				All	Needle
13				All	"O"Ring
14				All	Circlip
15				All	Cross
16-18	5212 568-9	1		All	BOOT PKG., Inner,Joint
16				All	Clamp
17				All	Boot
18				All	Seal
19	5212 596	6		All	CAP, Housing Screw
20	6500 199	12		All	SCREW, Housing
21	5212 572	2		All	HOUSING, Tripode, Trans. Axle
22				All	Trans.Axle (Man.Trans.) Ref.Only
23				All	Cylinder Block (Ref.Only)
24	5212 597	1		All	HEAT-SHIELD
25	6500 276	1		All	SCREW, Heat Shield Att.
	6500 267	2		All	
26	4014 448-9	1		All	KNUCKLE, Steering
27	5212 535	2		All	SEAL, Joint Outer
28	5212 536	2		All	WEAR-SLEEVE, Joint Outer

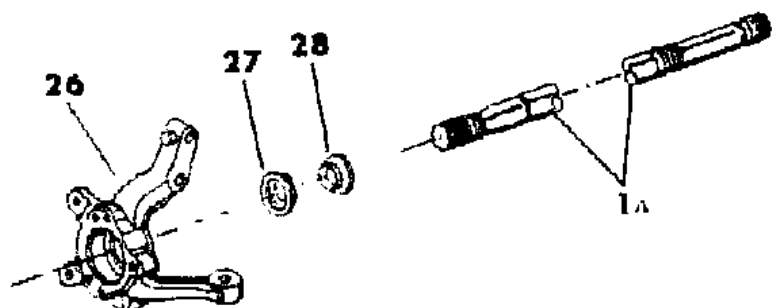
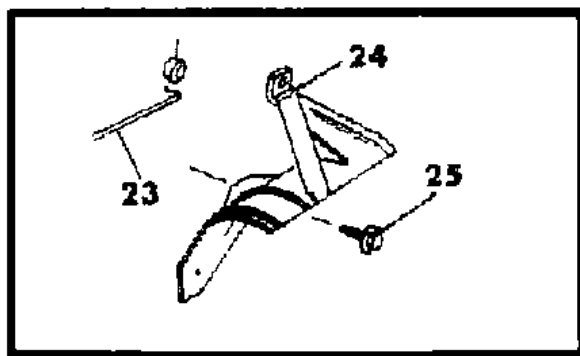
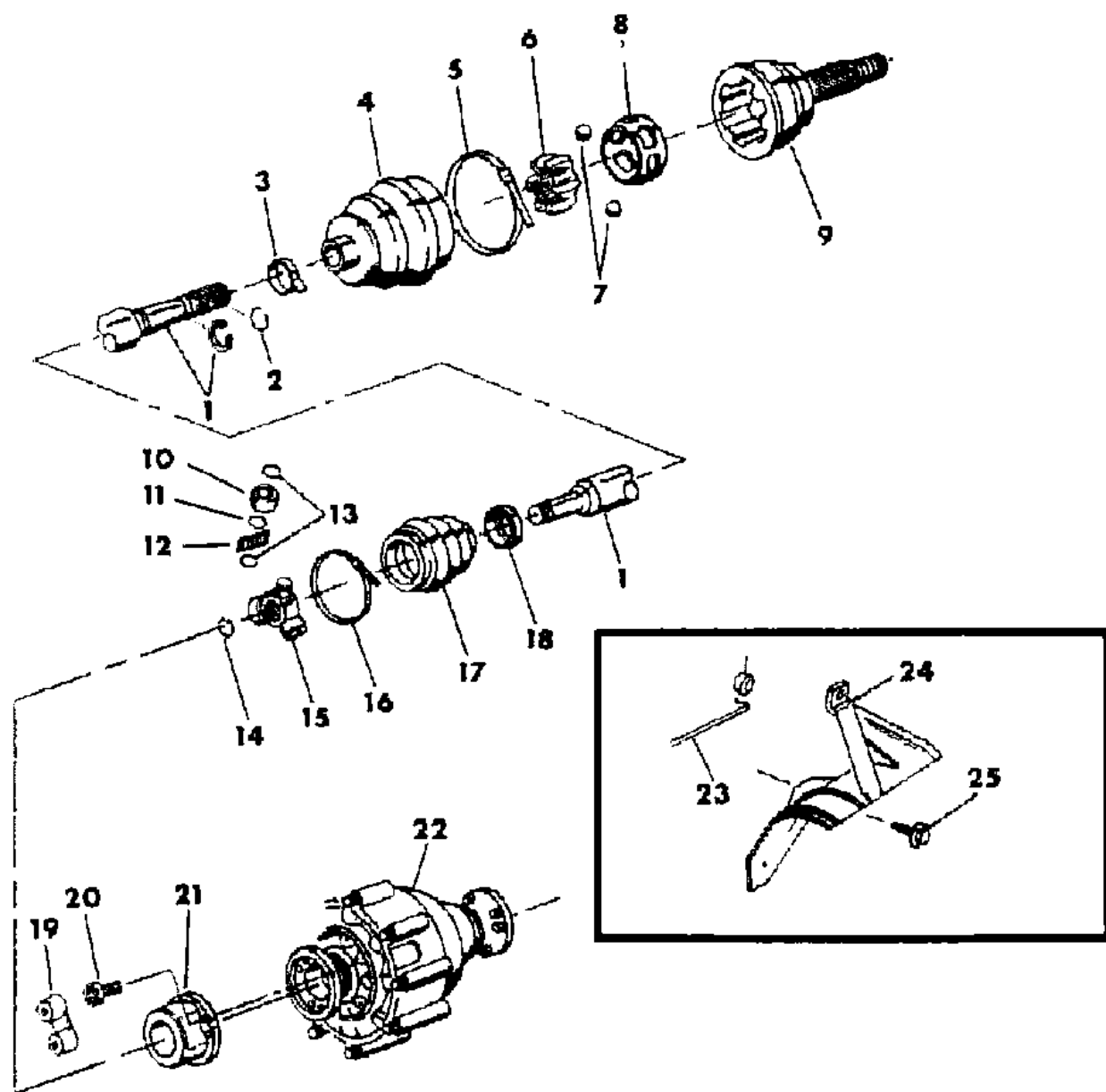
MODEL CODES

B = GRAN FURY/CARAVELLE	P = RELIANT
C = LEBARON/TOWN & COUNTRY	S = CORDOBA
D = ARIES	V = 400
F = NEW YORKER	X = MIRADA
G = DIPLOMAT	Y = IMPERIAL
M = HORIZON/TC3/SCAMP	Z = OMNI/O24/RAMPAGE

BODY STYLES

21 = 2-DOOR SEDAN	28 = FWD PICKUP
22 = 2-DOOR SPECIAL COUPE	41 = 4-DOOR SEDAN
24 = 2-DOOR HATCHBACK	44 = 4-DOOR HATCHBACK
27 = 2-DOOR CONVERTIBLE	45 = 2-SEAT STATION WAGON

AR = Use as Required - = Non Illustrated Part P.A.R. = Paint as Required

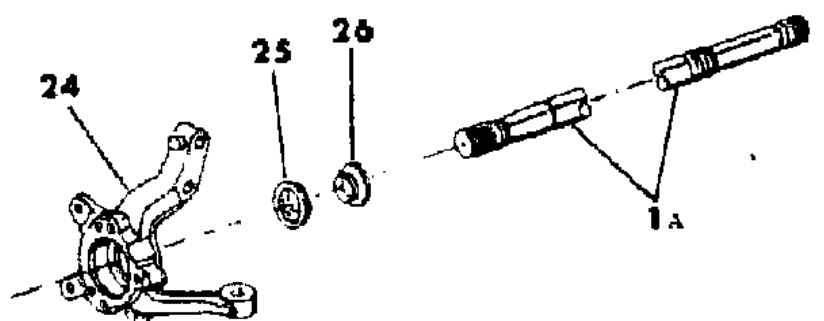
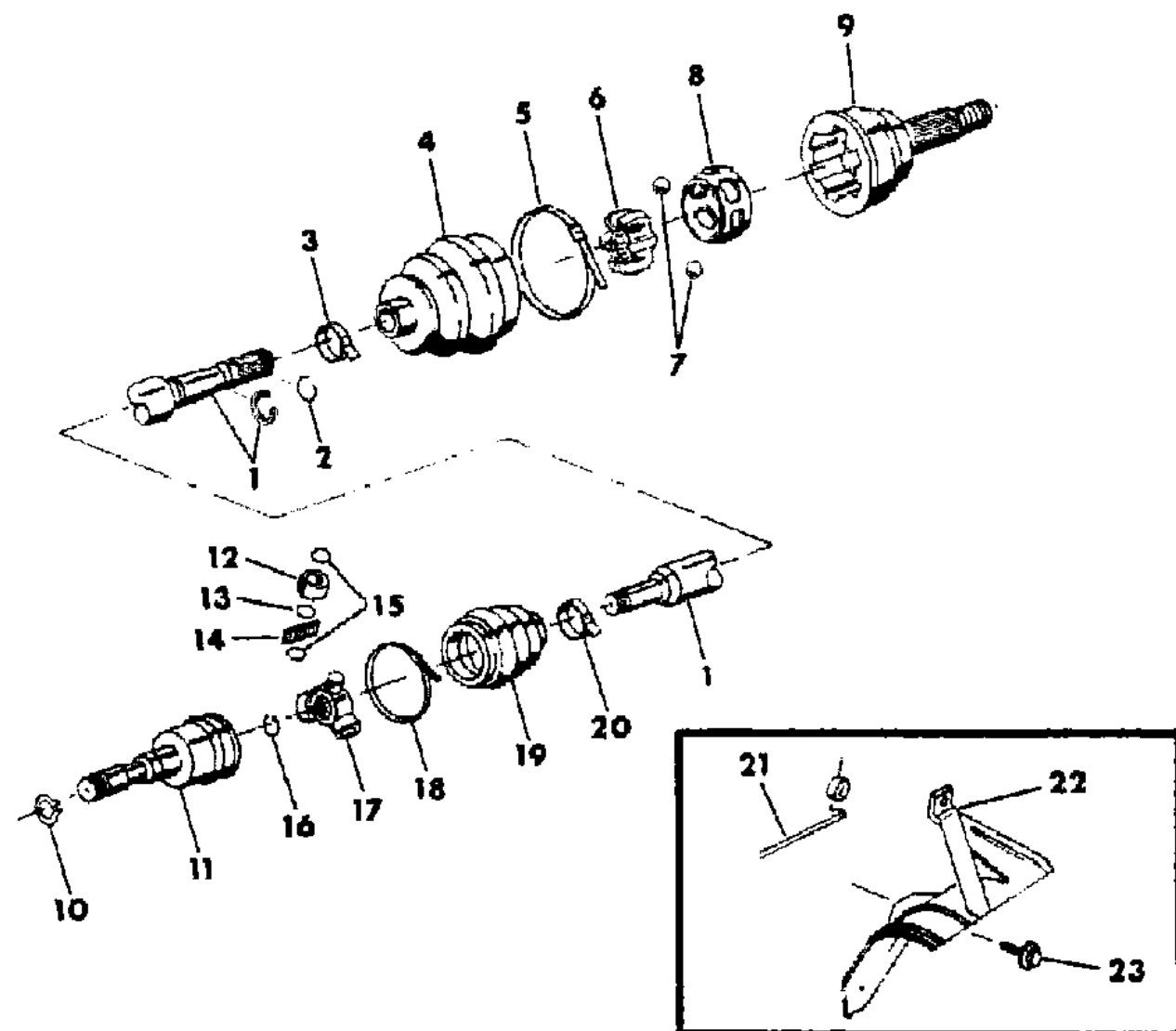




**DRIVE SHAFT, FRONT (GKN) - M&Z w/1.7 Eng. w/Auto.Trans.& NPG-A460 4 Speed Man.Trans.**  
**Figure 2-300**

2102 300

ITEM	PART NUMBER	QTY	BODY	MODEL	DESCRIPTION
1	5212 629	1		All	SHAFT,Drive,Rt.
1A	5212 579	1		All	SHAFT,Drive,Lt.
2	5212 566	AR		All	SPACER-RING, Outer Joint (Also In 4205853 Pkg.)
3-5&1	4205 853	2		All	BOOT PKG, Outer Joint
3				All	Clamp, Inner
4				All	Boot
5				All	Clamp, Outer
6-9	4186 890	2		All	JOINT, Comp.Drive Shaft, Outer
6				All	Cross
7				All	Ball
8				All	Cage
9				All	Housing
10	5212 580	2		All	LOCK-Ring, Drive Shaft Hsg.
11	5212 576-7	1		All	HOUSING, w/Shaft, Dr.Shaft Joint, Inner
12-17	5212 567	2		All	TRIPOD, Comp.
12				All	Race
13				All	Retainer
14				All	Needle
15				All	O Ring
16				All	Circlip
17				All	Cross
18-20	4205 852	1		All	BOOT PKG.,Inner Joint, Rt.
	4057 033	1		All	Lt.
18				All	Clamp, Inner
19				All	Boot
20				All	Clamp, Outer
21				All	Cylinder Block (Ref.)
22	5212 597	1		All	HEAT-SHIELD, Man. Trans.
23	6500 276	1		All	BOLT, Heat Shield Att.
	6500 267	2		All	
24	#4014 448-9	1		All	KNUCKLE, Strg.
25	5212 535	2		All	SEAL, Joint Outer (Also Serv.In 4186890 Pkg.)
26	5212 536	2		All	WEAR-SLEEVE, Joint Outer (Also Serv.In 4186890 Pkg.)



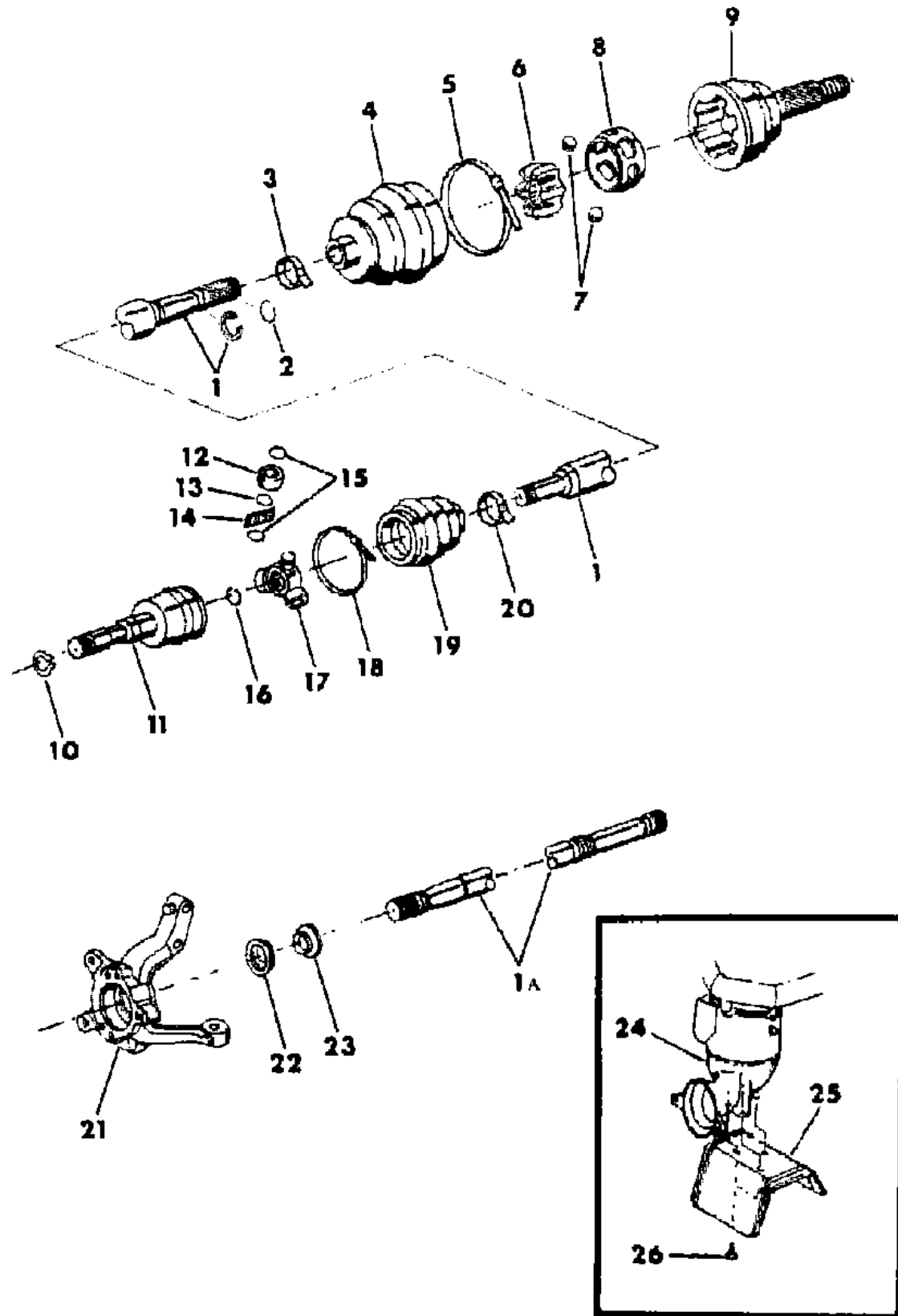
**MODEL CODES**  
 B = GRAN FURY/CARAVELLE      P = RELIANT  
 C = LEBARON/TOWN & COUNTRY    S = CORDOBA  
 D = ARIES                            V = 400  
 F = NEW YORKER                    X = MIRADA  
 G = DIPLOMAT                        Y = IMPERIAL  
 M = HORIZON/TC3/SCAMP          Z = OMNI/O24/RAMPAGE

**BODY STYLES**  
 21 = 2-DOOR SEDAN                    28 = FWD PICKUP  
 22 = 2-DOOR SPECIAL COUPE        41 = 4-DOOR SEDAN  
 24 = 2-DOOR HATCHBACK            44 = 4-DOOR HATCHBACK  
 27 = 2-DOOR CONVERTIBLE           45 = 2-SEAT STATION WAGON

AR = Use as Required - = Non Illustrated Part P.A.R. = Paint as Required

DRIVE SHAFT, FRONT (GKN) - M,Z,All - P,D,21 w/2.2 Eng.  
Figure 2-400

2102 400



ITEM	PART NUMBER	QTY	BODY	MODEL	DESCRIPTION
NOTE: For identification of Shaft make (GKN or Citroen) see Figure 2-100. r drive worm.					
1	#5212 628	1		P,D	SHAFT DRIVE, Rt.
	5212 630	1		M,Z	
1A	5212 619	1		P,D	SHAFT DRIVE, Lt.
	5212 617	1		M,Z	
2	5212 566	AR		All	SPACER-Ring, Outer Joint (Also In 4205853 Pkg.)
3-5&	4205 853	2		All	BOOT PKG.,Outer Joint
3				All	Clamp, Inner
4				All	Boot
5				All	Clamp, Outer
6-9	4186 891	2		All	JOINT COMP.,Drive Shaft, Outer
6				All	Cross
7				All	Ball
8				All	Cage
9				All	Housing
10	5212 580	1		All	LOCK-RING, Drive Shaft Hsg.
11	5212 614-5	1		All	HOUSING, w/SHAFT, Joint Inner
12-17	5212 608	AR		All	TRIPOD PKG., Comp.Inner Shaft
12				All	Race
13				All	Retainer
14				All	Needle
15				All	O Ring
16				All	Circlip
17				All	Cross
18-20	5212 612-3	1		All	BOOT PKG.,Inner Joint
18				All	Clamp, Inner
19				All	Boot
20				All	Clamp, Outer
21	#4014 448-9	1		All	KNUCKLE, Strg.
22	5212 535	2		All	SEAL, Joint Outer (Also Serv.In Pkg.4186891)
23	5212 536	2		All	WEAR-SLEEVE, Joint Outer (Also Serv.In Pkg.4186891)
24				All	EXH. MANIF. LOWER (Ref.)
25	5212 620	1		All	HEAT-SHIELD (2.6 Eng)
26	6100 294	3		All	BOLT, Shield Att.

MODEL CODES

B = GRAN FURY/CARAVELLE	P = RELIANT
C = LEBARON/TOWN & COUNTRY	S = CORDOBA
D = ARIES	V = 400
F = NEW YORKER	X = MIRADA
G = DIPLOMAT	Y = IMPERIAL
M = HORIZON/TC3/SCAMP	Z = OMNI/O24/RAMPAGE

BODY STYLES

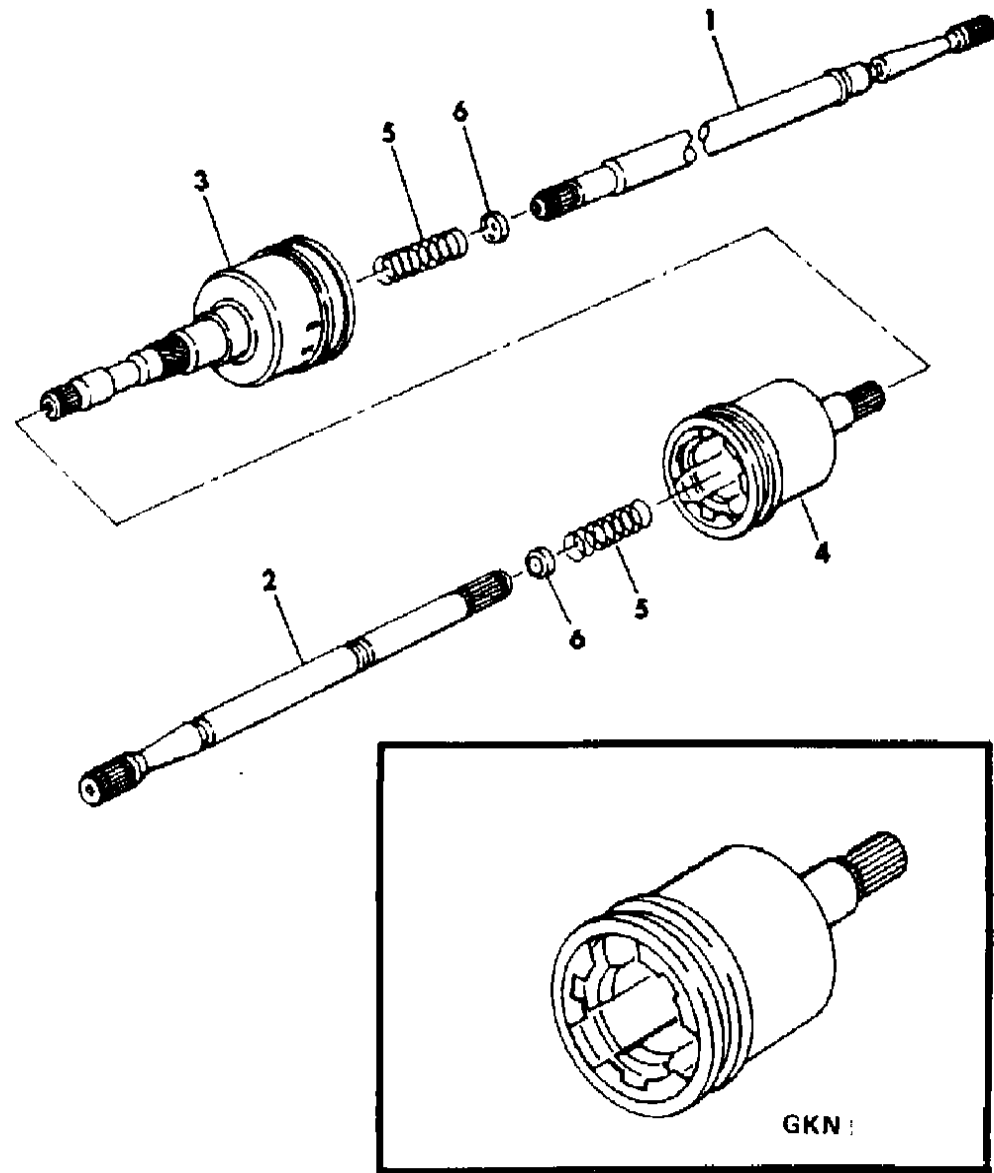
21 = 2-DOOR SEDAN	28 = FWD PICKUP
22 = 2-DOOR SPECIAL COUPE	41 = 4-DOOR SEDAN
24 = 2-DOOR HATCHBACK	44 = 4-DOOR HATCHBACK
27 = 2-DOOR CONVERTIBLE	45 = 2-SEAT STATION WAGON

AR = Use as Required - = Non Illustrated Part P.A.R. = Paint as Required

DRIVE SHAFT, FRONT,w/SPRING LOADED INNER SHAFT- M,Z,P,D (GKN)

Figure 2-425

2102 425



ITEM	PART NUMBER	QTY	BODY	MODEL	DESCRIPTION
NOTE: Service replacement parts, such as boot pkgs. tripod pkg. etc. are the same peculiar to GKN. r drive worm.					
1	#5212 646	1		M,Z	SHAFT DRIVE, w/1.7 Eng., Rt.
	5212 660	1		M,Z	SHAFT DRIVE, w/2.2 Eng., Rt.
	5212 662	1		P,D,21	SHAFT DRIVE, w/2.2 Eng., Rt.
2	#5212 647	1		M,Z	SHAFT DRIVE, w/1.7 Eng., Lt.
	5212 661	1		M,Z	SHAFT DRIVE, w/2.2 Eng., Lt.
	5212 663	1		P,D,21	SHAFT DRIVE, w/2.2 Eng., Lt.
3	#5212 644	1		M,Z	HOUSING,w/Shaft, Spring Loaded Inner,w/1.7 Eng.Rt.
	5212 656	1		M,Z	HOUSING,w/Shaft, Spring Loaded Inner,w/2.2 Eng.Rt.
	5212 656	1		P,D,21	HOUSING,w/Shaft, Spring Loaded Inner,w/2.2 Eng.Rt.
4	#5212 645	1		M,Z	HOUSING,w/Shaft, Spring Loaded Inner,w/1.7 Eng.Lt.
	5212 657	1		M,Z	HOUSING,w/Shaft, Spring Loaded Inner,w/2.2 Eng.Lt.
	5212 657	1		P,D,21	HOUSING,w/Shaft, Spring Loaded Inner,w/2.2 Eng.Lt.
5	#5212 664	AR		All	SPRING, Housing Shaft, Inner
6	#5212 665	AR		All	CUP, Spring Housing Shaft, Inner

MODEL CODES

B = GRAN FURY/CARAVELLE	P = RELIANT
C = LEBARON/TOWN & COUNTRY	S = CORDOBA
D = ARIES	V = 400
F = NEW YORKER	X = MIRADA
G = DIPLOMAT	Y = IMPERIAL
M = HORIZON/TC3/SCAMP	Z = OMNI/O24/RAMPAGE

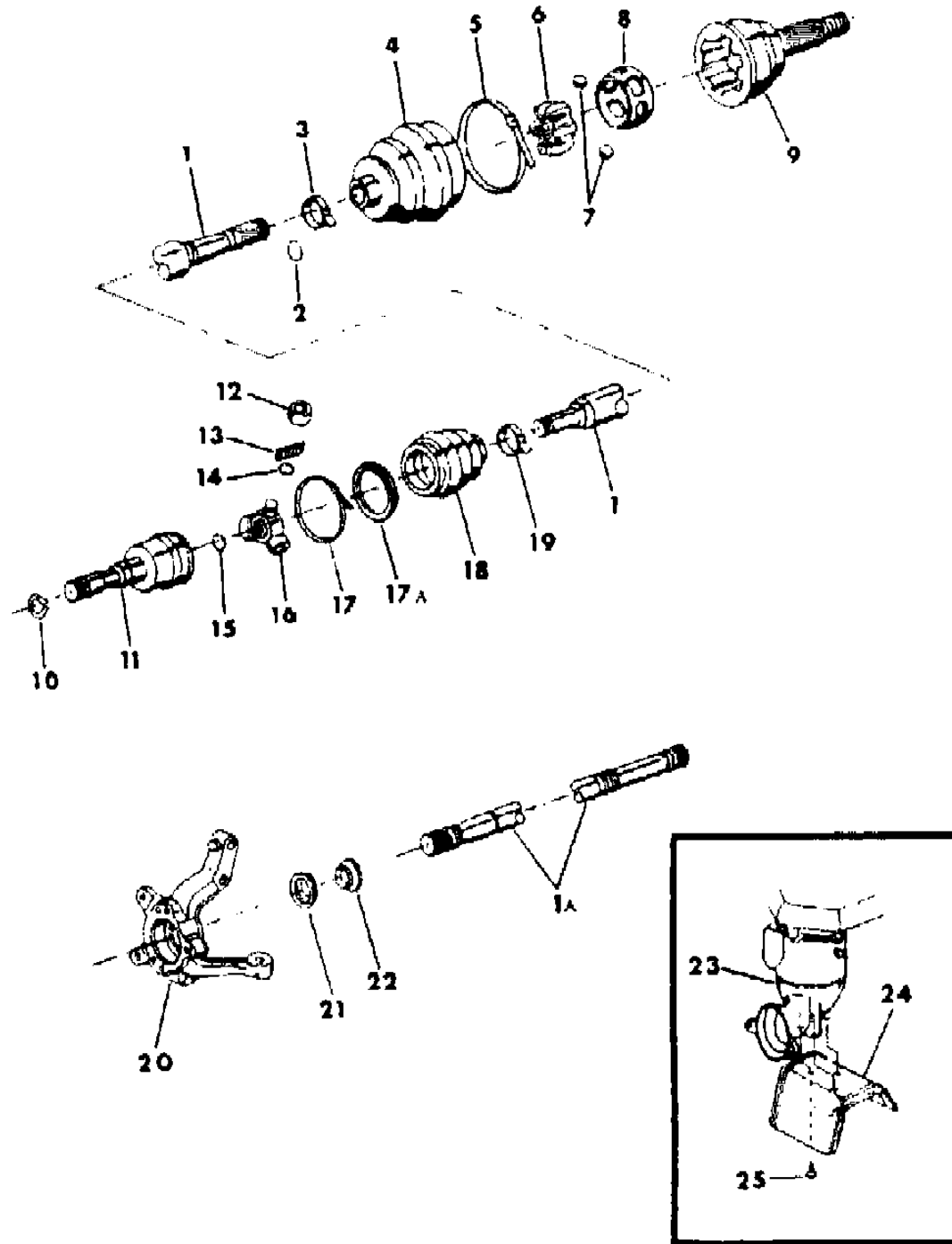
BODY STYLES

21 = 2-DOOR SEDAN	28 = FWD PICKUP
22 = 2-DOOR SPECIAL COUPE	41 = 4-DOOR SEDAN
24 = 2-DOOR HATCHBACK	44 = 4-DOOR HATCHBACK
27 = 2-DOOR CONVERTIBLE	45 = 2-SEAT STATION WAGON

AR = Use as Required - = Non Illustrated Part P.A.R. = Paint as Required

DRIVE SHAFT, FRONT (CITROEN) P,D, 41,45- V,C All, w/2.2 & 2.6 Eng.  
Figure 2-500

: 500



ITEM	PART NUMBER	QTY	BODY	MODEL	DESCRIPTION
NOTE: For identification of Shaft make (GKN or Citroen) see Figure 2-100. r drive worm.					
1	#5212 721	1		P,D,V,C	SHAFT DRIVE, Rt.
1A	5212 709	1		P,D,V,C	SHAFT DRIVE, Lt.
2	5212 710	AR		All	SNAP-RING, Outer Joint
3-5&	5212 713	2		All	BOOT PKG.,Outer Joint
3				All	Clamp, Inner
4				All	Boot
5	5212 720	AR		All	Clamp, Outer
6-9	4186 892	2		All	JOINT,COMP.DRIVE SHAFT, Outer
6				All	Cross
7				All	Ball
8				All	Cage
9				All	Housing
10	5212 580	2		All	LOCK-RING, Drive Shaft Hsg.
11	5212 718-9	1		All	HOUSING, w/SHAFT, Inner
12-16	5212 711	AR		All	TRIPOD PKG.,Comp.,Inner Shaft
12				All	Race
13				All	Needle
14				All	O Ring
15				All	Circlip
16				All	Cross
17-19	5212 716-7	1		All	BOOT PKG.,Inner Joint
17				All	Clamp, Inner
17A				All	Retainer, Ring
18				All	Boot
19				All	Clamp,Outer
20	4014 448-9	1		All	KNUCKLE, Strg.
21	5212 535	2		All	SEAL, Joint Outer (Also Serv.In 4186892 Pkg.)
22	5212 536	2		All	WEAR-SLEEVE, Joint Outer (Also Serv.In 4186892 Pkg.)
23				All	EXH. MANIF. LOWER (Ref.)
24	5212 620	1		All	HEAT-SHIELD, (2.6 Eng.)
25	6100 294	3		All	BOLT, Shield Att.

MODEL CODES

B = GRAN FURY/CARAVELLE	P = RELIANT
C = LEBARON/TOWN & COUNTRY	S = CORDOBA
D = ARIES	V = 400
F = NEW YORKER	X = MIRADA
G = DIPLOMAT	Y = IMPERIAL
M = HORIZON/TC3/SCAMP	Z = OMNI/O24/RAMPAGE

BODY STYLES

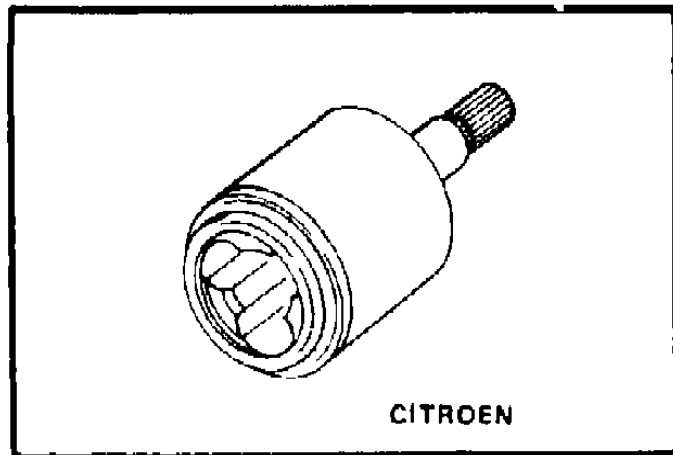
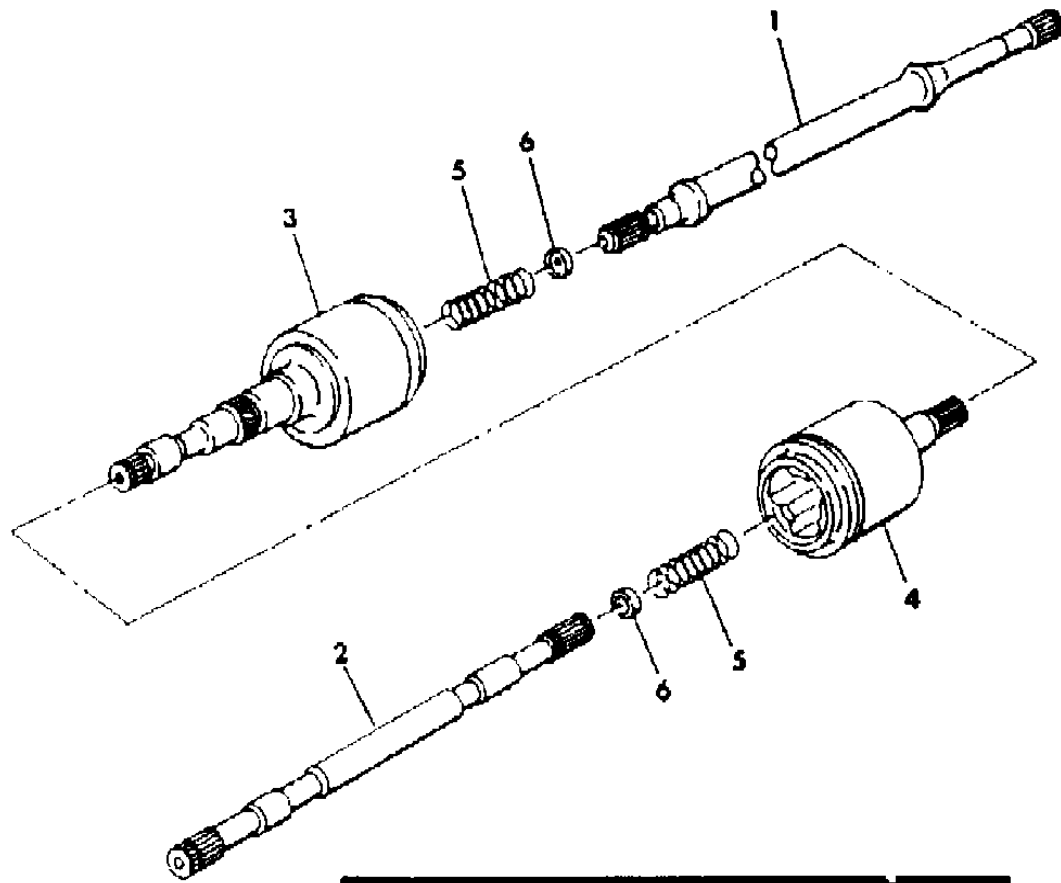
21 = 2-DOOR SEDAN	28 = FWD PICKUP
22 = 2-DOOR SPECIAL COUPE	41 = 4-DOOR SEDAN
24 = 2-DOOR HATCHBACK	44 = 4-DOOR HATCHBACK
27 = 2-DOOR CONVERTIBLE	45 = 2-SEAT STATION WAGON

AR = Use as Required - = Non Illustrated Part P.A.R. = Paint as Required

DRIVE SHAFT, FRONT,w/SPRING LOADED INNER SHAFT P,D,V,C (CITROEN)

Figure 2-525

2102 525



ITEM	PART NUMBER	QTY	BODY	MODEL	DESCRIPTION
NOTE: Service replacement parts, such as boot pkg. tripod pkg.etc.are the same peculiar to CITROEN r drive worm.					
1	#5212 744	1		P,D,41,	SHAFT DRIVE, w/2.2 Eng., Rt.
	5212 744	1		V,C	SHAFT DRIVE, w/2.2 Eng., Rt.
	5212 744	1		All	SHAFT DRIVE, w/2.6 Eng., Rt.
2	#5212 745	1		P,D,41,	SHAFT DRIVE, w/2.2 Eng., Lt.
	5212 745	1		V,C	SHAFT DRIVE, w/2.2 Eng., Lt.
	5212 745	1		All	SHAFT DRIVE, w/2.6 Eng., Lt.
3	#5212 746	1		All	HOUSING,w/SHAFT, Spring Loaded,Inner,Rt.
4	#5212 747	1		All	HOUSING,w/SHAFT, Spring Loaded,Inner,Lt.
5	#5212 740	AR		All	SPRING, Housing Shaft,Inner
6	#5212 741	AR		All	CUP, Spring Housing Shaft,Inner

MODEL CODES

B = GRAN FURY/CARAVELLE	P = RELIANT
C = LEBARON/TOWN & COUNTRY	S = CORDOBA
D = ARIES	V = 400
F = NEW YORKER	X = MIRADA
G = DIPLOMAT	Y = IMPERIAL
M = HORIZON/TC3/SCAMP	Z = OMNI/O24/RAMPAGE

BODY STYLES

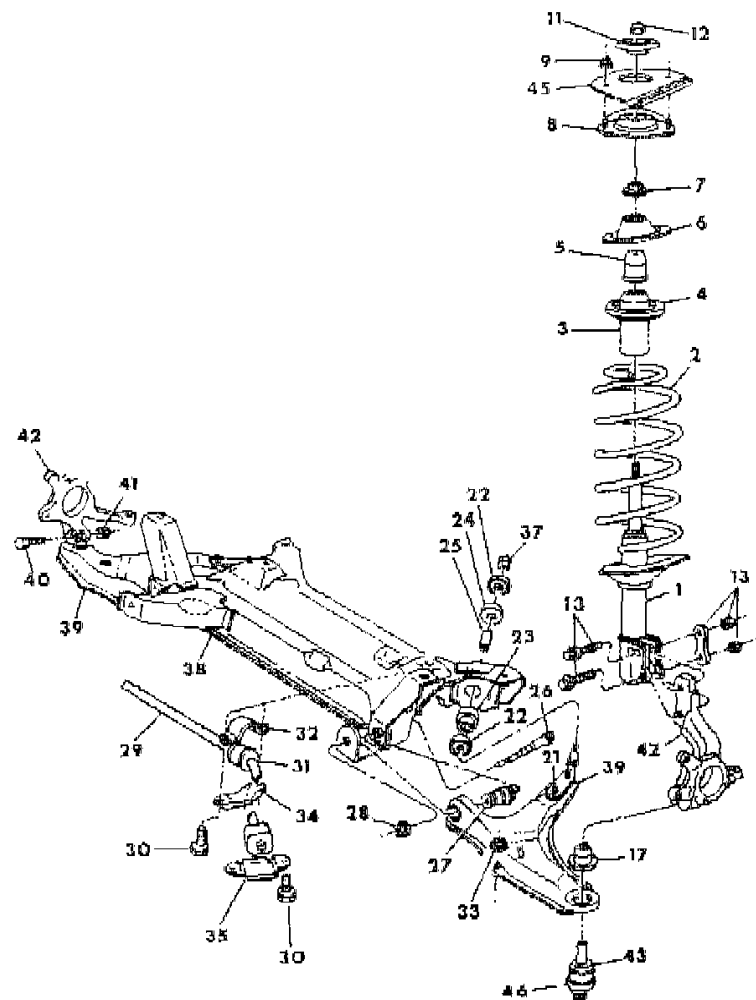
21 = 2-DOOR SEDAN	28 = FWD PICKUP
22 = 2-DOOR SPECIAL COUPE	41 = 4-DOOR SEDAN
24 = 2-DOOR HATCHBACK	44 = 4-DOOR HATCHBACK
27 = 2-DOOR CONVERTIBLE	45 = 2-SEAT STATION WAGON

AR = Use as Required - = Non Illustrated Part P.A.R. = Paint as Required

# FRONT SUSPENSION-M,Z

## Figure 2-600

2102 300



ITEM	PART NUMBER	QTY	BODY	MODEL	DESCRIPTION
1	#5204 733	2	All		SHOCK ABSORBER Std.
	5204 734	2	All		SHOCK ABSORBER w/Firm Feel Susp. Or H.D.
2	#4014 451-2	1	All		Coil-Spring, 1.7L Eng.(A412 Man.Trans.) w/o A/C Std.
	4014 382	2	All		w/o A/C. H.D.
	4014 454	2	All		w/A/C, Std.
	4014 384	2	All		w/A/C, H.D.
	4014 452	1	All		COIL-Spring, 1.7L Eng.(A460 Man. Trans.) w/o A/C, Std., Rt.
	4014 454	1	All		w/o A/C, Std., Lt.
	4014 382	1	All		w/o A/C, H.D.,Rt.
	4014 384	1	All		w/o A/C, H.D.,Lt.
	4014 454	1	All		w/ A/C, Std., Rt.
	4014 456	1	All		w/ A/C, Std., Lt.
	4014 384	1	All		w/ A/C, H.D., Rt.
	4014 386	1	All		w/ A/C, H.D., Lt.
	4014 454	1	All		COIL-SPRING, 1.7L Eng., w/Auto. Trans. w/o A/C, Std.,Rt.
	4014 456	1	All		w/o A/c, Std. Lt.
	4014 384	1	All		w/o A/c, H.D. Rt.
	4014 386	1	All		w/o A/c, H.D. Lt.
	4014 456	1	All		w/A/C, Std., Rt.
	4014 458	1	All		w/A/C, Std., Lt.
	4014 384	1	All		w/A/C, H.D., Rt.
	4014 386	1	All		w/A/C, H.D., Lt.
	4014 452	1	All		COIL-SPRING, 2.2L Eng.(Man.Trans.) w/o A/C, Std.,Rt.
	4014 454	1	All		w/o A/C, Std., Lt.
	4014 382	1	All		w/o A/C, H.D., Rt.
	4014 384	1	All		w/o A/C, H.D., Lt.
	4014 454	1	All		w/A/C, Std., Rt.
	4014 456	1	All		w/A/C, Std., Lt.
	4014 384	1	All		w/A/C, H.D., Rt.
	4014 386	1	All		w/A/C, H.D., Lt.
	4014 454	1	All		COIL-SPRING, 2.2L Eng.(Auto.Trans.) w/o A/C, Std.,Rt.
	4014 456	1	All		w/o A/C, Std., Lt.
	4014 384	1	All		w/o A/C, H.D., Rt.
	4014 386	1	All		w/o A/C, H.D., Lt.
	4014 456	1	All		w/A/C, Std., Rt.
	4014 458	1	All		w/A/C, Std., Lt.
	4014 386	1	All		w/A/C, H.D., Rt.

### MODEL CODES

B = GRAN FURY/CARAVELLE	P = RELIANT
C = LEBARON/TOWN & COUNTRY	S = CORDOBA
D = ARIES	V = 400
F = NEW YORKER	X = MIRADA
G = DIPLOMAT	Y = IMPERIAL
M = HORIZON/TC3/SCAMP	Z = OMNI/O24/RAMPAGE

### BODY STYLES

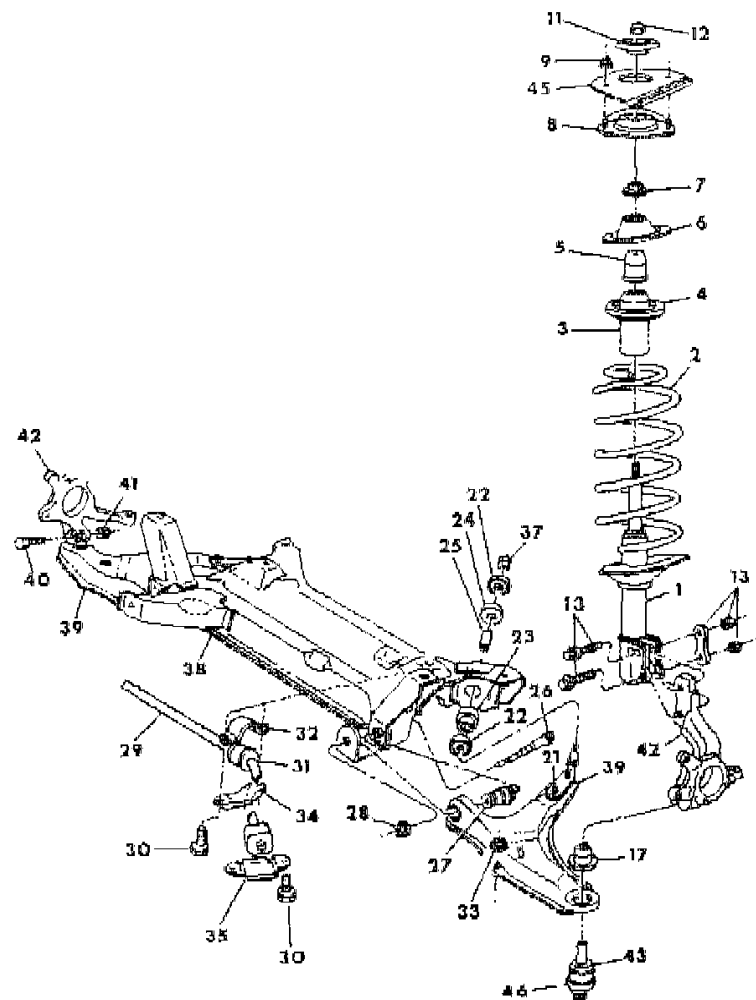
21 = 2-DOOR SEDAN	28 = FWD PICKUP
22 = 2-DOOR SPECIAL COUPE	41 = 4-DOOR SEDAN
24 = 2-DOOR HATCHBACK	44 = 4-DOOR HATCHBACK
27 = 2-DOOR CONVERTIBLE	45 = 2-SEAT STATION WAGON

AR = Use as Required - = Non Illustrated Part P.A.R. = Paint as Required

# FRONT SUSPENSION-M,Z

## Figure 2-600

2102 300



ITEM	PART NUMBER	QTY	BODY	MODEL	DESCRIPTION
					w/A/C, H.D., Lt.
3	5204 610	2	All		DUST-SHIELD
4	4014 441	AR	All		SPACER, Spring Shock Upper
5	5204 608	2	All		BUMPER, Jounce
6	4014 325	2	All		RETAINER, Shock Upper
7	#5204 595	2	All		BALL-BEARING
8	#4052 556	2	All		MOUNT, Front Shock Upper
11	#4014 236	2	All		RETAINER, Shock Rebound Stop
9	6100 051	4	All		NUT,w/WASHER
12	6500 174	2	All		NUT, Shock Rod
13	4267 335	2	All		ATTACHING PKG., Frt. Shock Consists Of: 1-6500450 Cam-Bolt, Shock Mtg. Upper 1-6500451 Bolt, Shock Mtg. Lower 1-4014327 Washer, Shock Damper 2-6500536 Nut, Shock Knuckle Bolt
17	4014 242	2	All		SEAL, Ball Joint
21			All		RIVET (Not Serviced)
22	5204 534	4	All		RETAINER, Arm Strut Bushing
23	#4052 574	2	All		BUSHING, Arm Strut Frt.
24	#4052 582	2	All		BUSHING, Arm Strut Rear
25	5204 535	2	All		SLEEVE, Strut Bushing
26	4014 239	2	All		BOLT, Pivot Shaft
27	5204 622	2	All		BUSHING, Cont.Arm Pivot Shaft
28	6500 231	2	All		NUT, Pivot Bolt
29	#4014 439	1	All		SWAY BAR, Frt., Std. w/Glass Belted Tires
	4014 440	1	All		Std., w/Steel Belted Tires
30	#6100 579	8	All		BOLT, Clamp
31	#4014 431	2	All		CUSHION, Shaft, w/Glass Belted Tires
	4014 432	2	All		w/Steel Belted Tires
32	#4014 416	2	All		CLAMP, Shaft Bushing, Upper
33	6100 517	4	All		NUT, Bolt
34	#4014 434	2	All		CLAMP, Shaft Bushing, Lower
35	#4014 418	2	All		RETAINER, Shaft Arm
37	6100 502	2	All		NUT, Strut
38			All		C/MEMBER (Ref.Only)
39	#4052 634-5	1	All		ARM, Lower Control

### MODEL CODES

B = GRAN FURY/CARAVELLE	P = RELIANT
C = LEBARON/TOWN & COUNTRY	S = CORDOBA
D = ARIES	V = 400
F = NEW YORKER	X = MIRADA
G = DIPLOMAT	Y = IMPERIAL
M = HORIZON/TC3/SCAMP	Z = OMNI/O24/RAMPAGE

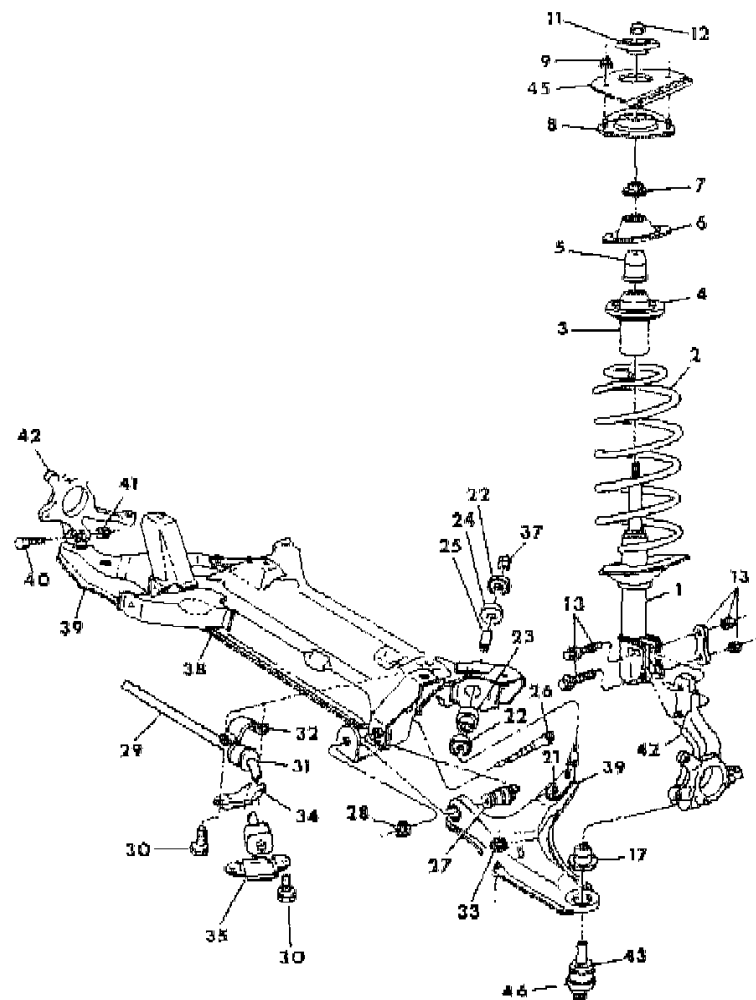
### BODY STYLES

21 = 2-DOOR SEDAN	28 = FWD PICKUP
22 = 2-DOOR SPECIAL COUPE	41 = 4-DOOR SEDAN
24 = 2-DOOR HATCHBACK	44 = 4-DOOR HATCHBACK
27 = 2-DOOR CONVERTIBLE	45 = 2-SEAT STATION WAGON

AR = Use as Required - = Non Illustrated Part P.A.R. = Paint as Required

**FRONT SUSPENSION-M,Z**  
**Figure 2-600**

2102 300



ITEM	PART NUMBER	QTY	BODY	MODEL	DESCRIPTION
	4106 180	2		All	TIE ROD END PKG. (Not Shown)
					Consists Of:
					1 -----Rod End
					1-6500121 Nut
					1-6100024 C/Pin
40	6500 449	2		All	BOLT, Knuckle To Ball Joint
41	6500 259	2		All	NUT, Knuckle To Ball Joint Bolt
42	#4014 448-9	1		All	KNUCKLE, Strg.
43	4014 323	2		All	BALL JOINT
45					PLATE, Shock Tower (See Fender Section)

**MODEL CODES**

B = GRAN FURY/CARAVELLE	P = RELIANT
C = LEBARON/TOWN & COUNTRY	S = CORDOBA
D = ARIES	V = 400
F = NEW YORKER	X = MIRADA
G = DIPLOMAT	Y = IMPERIAL
M = HORIZON/TC3/SCAMP	Z = OMNI/O24/RAMPAGE

**BODY STYLES**

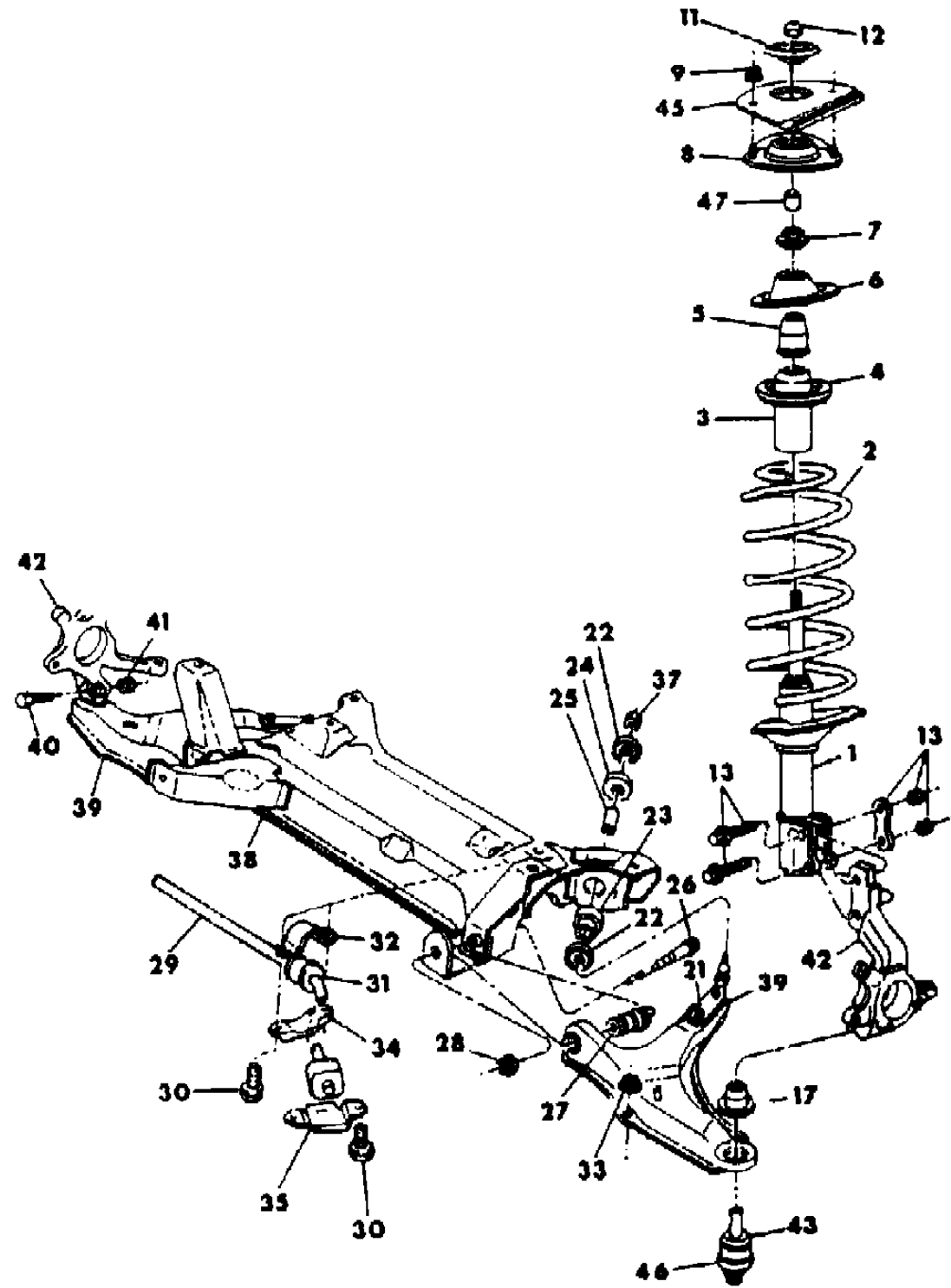
21 = 2-DOOR SEDAN	28 = FWD PICKUP
22 = 2-DOOR SPECIAL COUPE	41 = 4-DOOR SEDAN
24 = 2-DOOR HATCHBACK	44 = 4-DOOR HATCHBACK
27 = 2-DOOR CONVERTIBLE	45 = 2-SEAT STATION WAGON

AR = Use as Required - = Non Illustrated Part P.A.R. = Paint as Required



FRONT SUSPENSION-P,D,V,C  
Figure 2-700

2102 700A



ITEM	PART NUMBER	QTY	BODY	MODEL	DESCRIPTION
1	#4014 301	2	All		SHOCK ABSORBER Std.
	4014 302	2	All		SHOCK ABSORBER H.D.
	4052 685	2	All		WEIGHT, Shock (Per.Serv.Bull.Only)
	6101 365	2	All		SET-SCREW, Weight
	#4014 454	1	P,D		COIL-SPRING, 2.2L Eng.(Man.Trans.)w/o A/C,Std.,Rt.
2	4014 456	1	P,D		Lt.
	4014 384	1	P,D		w/o A/C, H.D., Rt.
	4014 386	1	P,D		w/o A/C, H.D., Lt.
	4014 454	1	P,D		w/A/C, Std.,Rt.
	4014 456	1	P,D		w/A/C, Std.,Lt.
	4014 384	1	P,D		w/A/C, H.D.,Rt.
	4014 386	1	P,D		w/A/C, H.D.,Lt.
	4014 454	1	P,D		COIL-SPRING,2.2L Eng.(Auto.Trans.) w/o A/C,Std.,Rt.
	4014 456	1	P,D		w/o A/C, Std., Lt.
	4014 384	1	P,D		w/o A/C, H.D., Rt.
	4014 386	1	P,D		w/o A/C, H.D., Lt.
	4014 456	1	P,D		w/A/C, Std., Rt.
	4014 458	1	P,D		w/A/C, Std., Lt.
	4014 386	1	P,D		w/A/C, H.D., Rt.
	4014 388	1	P,D		w/A/C, H.D., Lt.
	4014 456	1	P,D		COIL-SPRING, 2.6L Eng.,w/o A/C, Std.,Rt.
	4014 458	1	P,D		w/o A/C, Std.,Lt.
	4014 386	1	P,D		w/o A/C, H.D.,Rt.
	4014 388	1	P,D		w/o A/C, H.D.,Lt.
	4014 458	1	P,D		w/A/C, Std.,Rt.
	4014 460	1	P,D		w/A/C, Std.,Lt.
	4014 388	2	P,D		w/A/C, H.D.
	4014 456	1	V,C		COIL-SPRING, 2.2L Eng.,(Man.Trans.) w/o A/C,Std.,Rt.
	4014 458	1	V,C		w/o A/C, Std.,Lt.
	4014 384	1	V,C		w/o A/C, H.D.,Rt.
	4014 386	1	V,C		w/o A/C, H.D.,Lt.
	4014 456	1	V,C		COIL-SPRING,2.2L Eng.(Auto.Trans.)w/o A/C,Std.,Rt.
4014 458	1	V,C		w/o A/C, Std.,Lt.	
4014 386	1	V,C		w/o A/C, H.D.,Rt.	
4014 388	1	V,C		w/o A/C, H.D.,Lt.	
4014 456	1	V,C		COIL-SPRING, 2.2L Eng.(Man.Trans.)w/A/C, Std.,Rt.	
4014 458	1	V,C		w/A/C, Std.,Lt.	

MODEL CODES

B = GRAN FURY/CARAVELLE	P = RELIANT
C = LEBARON/TOWN & COUNTRY	S = CORDOBA
D = ARIES	V = 400
F = NEW YORKER	X = MIRADA
G = DIPLOMAT	Y = IMPERIAL
M = HORIZON/TC3/SCAMP	Z = OMNI/O24/RAMPAGE

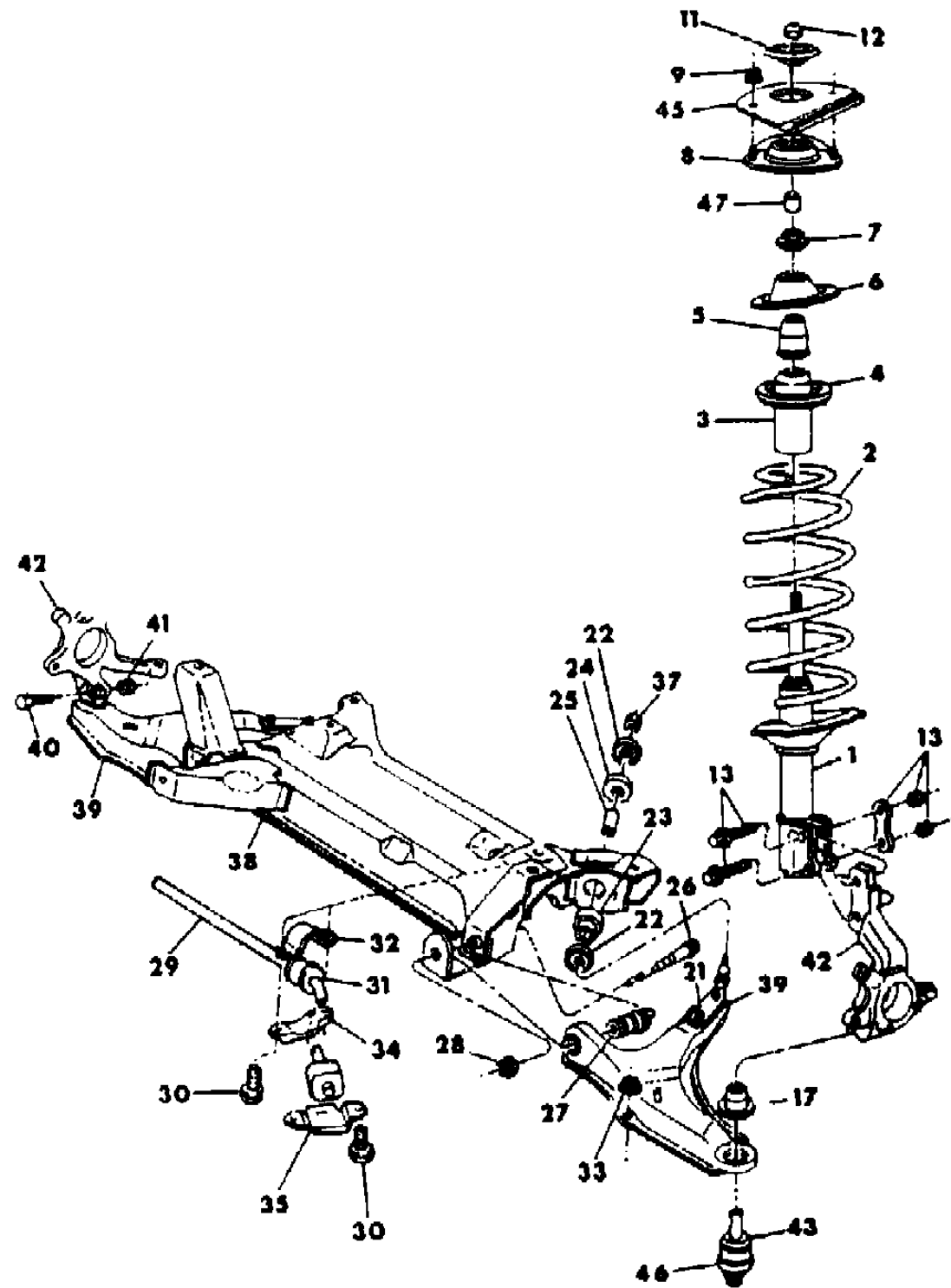
BODY STYLES

21 = 2-DOOR SEDAN	28 = FWD PICKUP
22 = 2-DOOR SPECIAL COUPE	41 = 4-DOOR SEDAN
24 = 2-DOOR HATCHBACK	44 = 4-DOOR HATCHBACK
27 = 2-DOOR CONVERTIBLE	45 = 2-SEAT STATION WAGON

AR = Use as Required - = Non Illustrated Part P.A.R. = Paint as Required

FRONT SUSPENSION-P,D,V,C  
Figure 2-700

2102 700A



ITEM	PART NUMBER	QTY	BODY	MODEL	DESCRIPTION
	4014 386	1		V,C	w/A/C, H.D.,Rt.
	4014 388	1		V,C	w/A/C, H.D.,Lt.
	4014 458	1		V,C	COIL-SPRING, 2.2L Eng.(Auto.Trans.)w/A/C, Std.,Rt.
	4014 460	1		V,C	w/A/C,Std.,Lt.
	4014 386	1		V,C	w/A/C,H.D.,Rt.
	4014 388	1		V,C	w/A/C,H.D.,Lt.
	4014 458	1		V,C	COIL-SPRING,2.6L Eng.,w/o A/C, Std.,Rt.
	4014 460	1		V,C	w/o A/C,Std., Lt.
	4014 386	1		V,C	w/o A/C,H.D., Rt.
	4014 388	1		V,C	w/o A/C,H.D., Lt.
	4014 460	2		V,C	COIL-SPRING, 2.6L Eng.,w/A/C, Std.
	4014 388	1		V,C	w/A/C, H.D., Rt.
	4014 490	1		V,C	w/A/C, H.D., Lt.
3	5204 610	2	All		DUST-SHIELD
4	4014 441	AR	All		SPACER, Spring Shock Upper
5	5204 608	2	All		BUMPER, Jounce
6	4014 325	2	All		RETAINER, Shock Upper
7	#5204 595	2	All		BALL-BEARING
8	#4052 556	2	All		MOUNT, Frt. Shock, Upper
11	#4014 236	2	All		RETAINER, Shock Rebound Stop
9	6100 051	4	All		NUT,w/WASHER
12	6500 174	2	All		NUT, Shock Rod
13	4267 335	2	All		ATTACHING PKG., Frt. Shock
					Consists Of:
					1-6500450 Cam-Bolt, Shock Mtg. Upper
					1-6500451 Bolt, Shock Mtg. Lower
					1-4014327 Washer, Shock Damper
					2-6500536 Nut, Shock Knuckle Bolt
17	4014 242	2	All		SEAL, Ball Joint
21			All		RIVET (Not Serviced)
22	5204 534	4	All		RETAINER, Arm Strut Bushing
23	#4052 574	2	All		BUSHING, Arm Strut Frt.
24	#4052 582	2	All		BUSHING, Arm Strut Rear
25	5204 535	2	All		SLEEVE, Strut Bushing
26	4014 239	2	All		BOLT, Pivot Shaft
27	5204 622	2	All		BUSHING, Cont. Arm Pivot Shaft
28	6500 231	2	All		NUT, Pivot Bolt

MODEL CODES

B = GRAN FURY/CARAVELLE	P = RELIANT
C = LEBARON/TOWN & COUNTRY	S = CORDOBA
D = ARIES	V = 400
F = NEW YORKER	X = MIRADA
G = DIPLOMAT	Y = IMPERIAL
M = HORIZON/TC3/SCAMP	Z = OMNI/O24/RAMPAGE

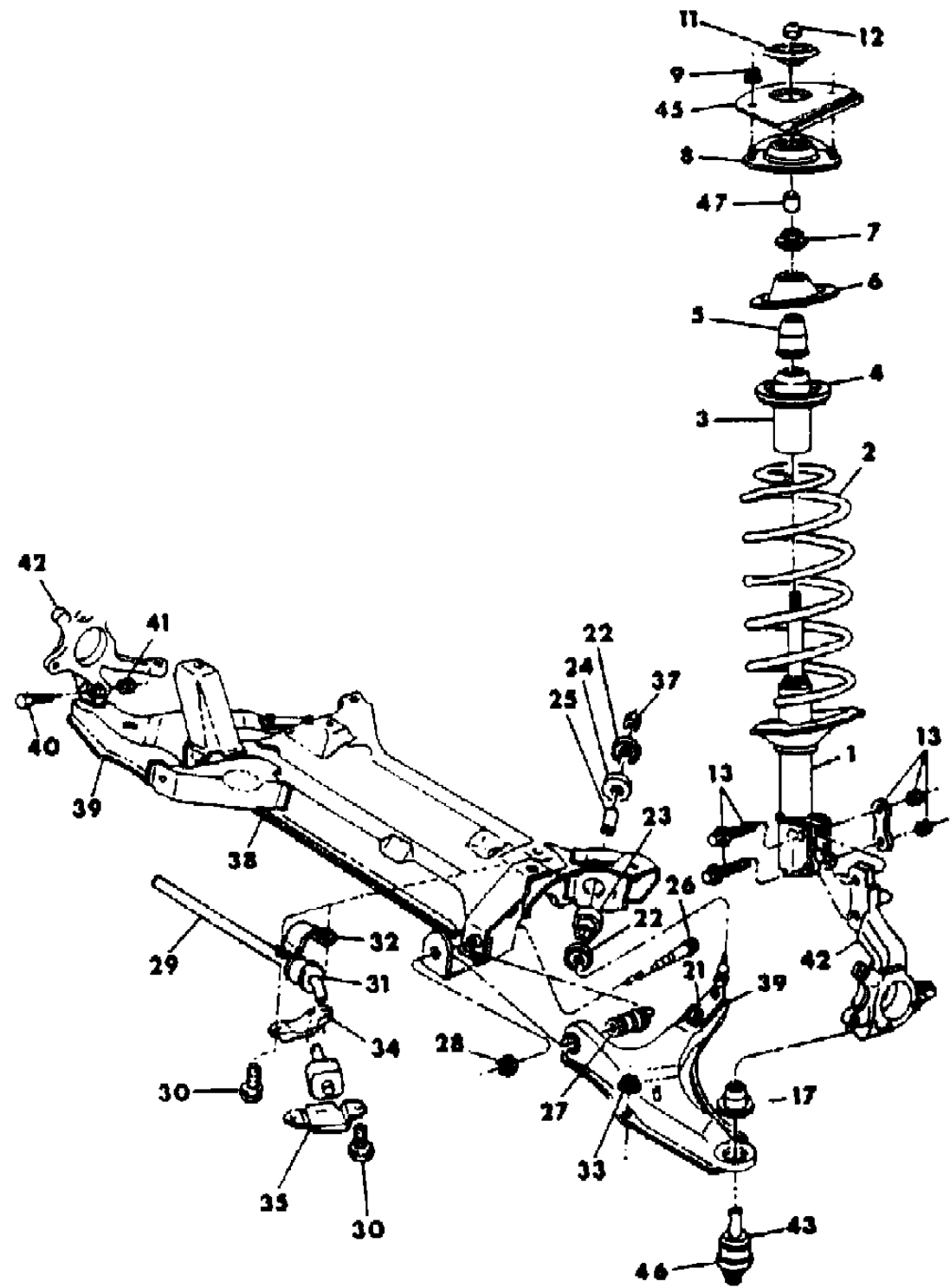
BODY STYLES

21 = 2-DOOR SEDAN	28 = FWD PICKUP
22 = 2-DOOR SPECIAL COUPE	41 = 4-DOOR SEDAN
24 = 2-DOOR HATCHBACK	44 = 4-DOOR HATCHBACK
27 = 2-DOOR CONVERTIBLE	45 = 2-SEAT STATION WAGON

AR = Use as Required - = Non Illustrated Part P.A.R. = Paint as Required

FRONT SUSPENSION-P,D,V,C  
Figure 2-700

2102 700A



ITEM	PART NUMBER	QTY	BODY	MODEL	DESCRIPTION
29	#4052 541	1	21,22,4		SWAY BAR, Std.,w/Glass Belted Tires
	4052 542	1	21,22,4		w/Steel Belted Tires
	4014 436	1	27		Std. Or H.D.
	4052 542	1	45		Std. Or H.D.
30	#6100 579	8	All		BOLT, Clamp
31	#4052 549	2	21,22,4		CUSHION,Shaft
	4014 432	2	27		
32	#4014 416	2	All		CLAMP,Shaft Bushing, Upper
33	6100 517	4	All		NUT, Bolt
34	#4014 434	2	All		CLAMP,Shaft Bushing, Lower
35	#4014 418	2	All		RETAINER,Shaft Arm
37	6100 502	2	All		NUT, Strut
38			All		C/MEMBER (Ref. Only)
39	#4052 634-5	1	All		ARM, Lower Control
40	6500 449	2	All		BOLT, Knuckle To Ball Joint
41	6500 259	2	All		NUT, Knuckle To Ball Joint Bolt
42	#4014 448-9	1	All		KNUCKLE, Strg.
43	4014 323	2	All		BALL JOINT
45					PLATE, Shock Tower (See Fender Section)
47	#5204 615	2	All		SPACER, Bearing
	4106 180	2	All		TIE ROD END PKG. (Not Ill.)
					Consists Of:
					1----- Rod End
					1-6500121 Nut
					1-6100024 C/Pin

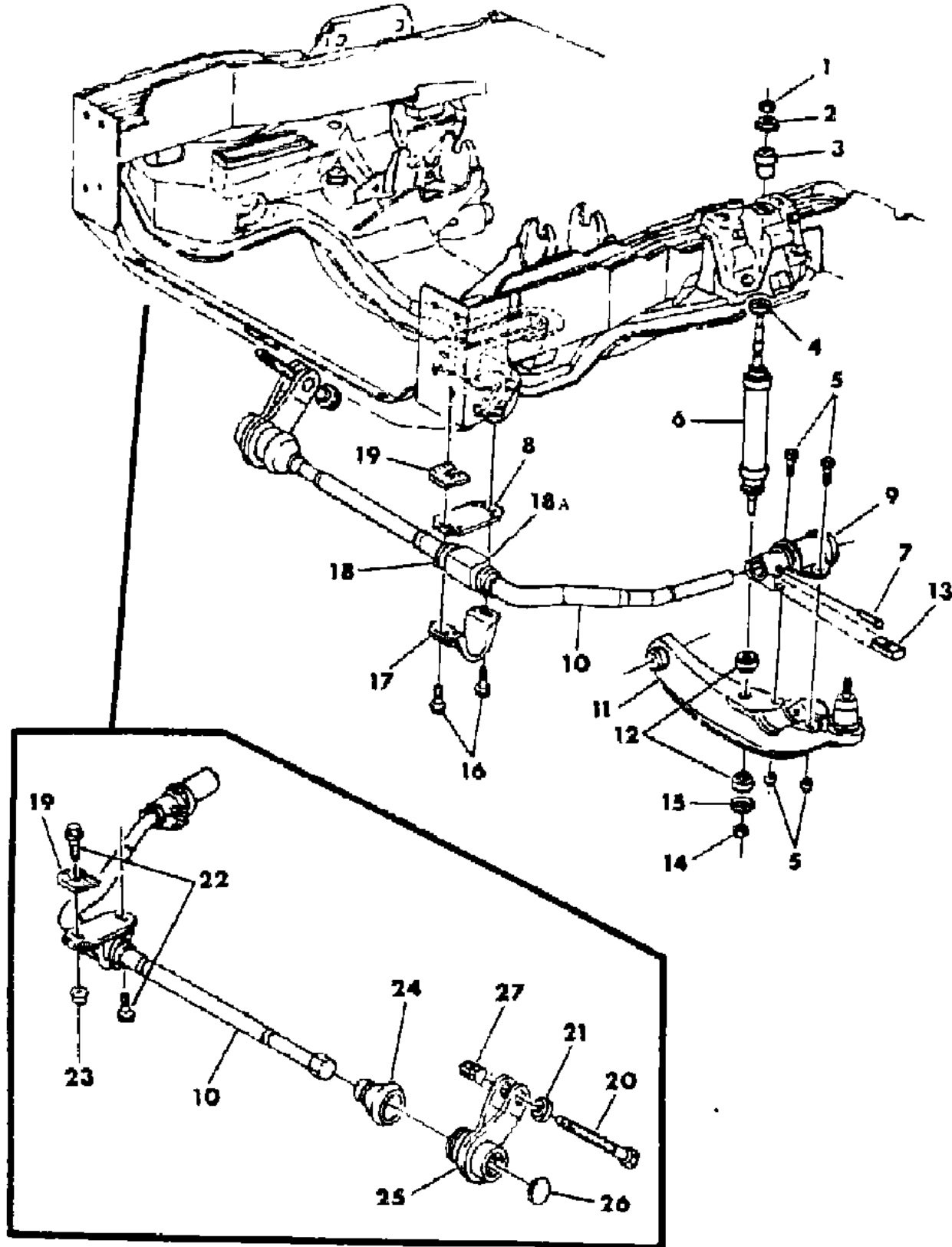
MODEL CODES  
 B = GRAN FURY/CARAVELLE      P = RELIANT  
 C = LEBARON/TOWN & COUNTRY      S = CORDOBA  
 D = ARIES      V = 400  
 F = NEW YORKER      X = MIRADA  
 G = DIPLOMAT      Y = IMPERIAL  
 M = HORIZON/TC3/SCAMP      Z = OMNI/O24/RAMPAGE

BODY STYLES  
 21 = 2-DOOR SEDAN      28 = FWD PICKUP  
 22 = 2-DOOR SPECIAL COUPE      41 = 4-DOOR SEDAN  
 24 = 2-DOOR HATCHBACK      44 = 4-DOOR HATCHBACK  
 27 = 2-DOOR CONVERTIBLE      45 = 2-SEAT STATION WAGON

AR = Use as Required - = Non Illustrated Part P.A.R. = Paint as Required

FRONT SUSPENSION-B,F,G,X,S,Y  
Figure 2-800

2102 800



ITEM	PART NUMBER	QTY	BODY	MODEL	DESCRIPTION
	4106 153		All		BUSHING PACKAGE, Spring to Lower Cont. Arm Consists of: 1----- Bushing 1 - 181146 Bolt 1- 152346 Nut
					2 -----Nut 2 -----Bolt 1-4014073 Plate 1-9425686 Bolt
	4186 805		F,G		BUSHING PACKAGE, Spring to Lower Cont. Arm, Police And Taxi Only Consists of: 1----- Bushing 1-4014073 Plate 1-0181146 Bolt 1-0152346 Nut 2 ----- Nut 2 ----- Bolt 1- 9425686 Bolt
	4186 828	1	All		PIVOT, PKG., Cushion Spring Consists of: 1 ----- Plate 1 ----- Cushion 1 ----- Retainer 2 ----- Clamp 1-4014073 Plate 2-6031753 Bolt,w/Washer 2-9425686 Bolt 1-6030854 Nut
1	0114 942	2	All		NUT, Front Shock Upper Mtg.
2	3722 001	4	All		RETAINER, Front Shock Upper Mtg. Bushing
3	3722 006	2	All		BUSHING, Front Shock Upper Mtg.
4	3722 001	4	All		RETAINER, Front Shock Upper Mtg. Bushing
5	4026 849	4	All		SCREW and NUT PACKAGE, Spring to Lower Cont. Arm Consists of: 1-----Screw w/Washer 1-----Nut

MODEL CODES

B = GRAN FURY/CARAVELLE	P = RELIANT
C = LEBARON/TOWN & COUNTRY	S = CORDOBA
D = ARIES	V = 400
F = NEW YORKER	X = MIRADA
G = DIPLOMAT	Y = IMPERIAL
M = HORIZON/TC3/SCAMP	Z = OMNI/O24/RAMPAGE

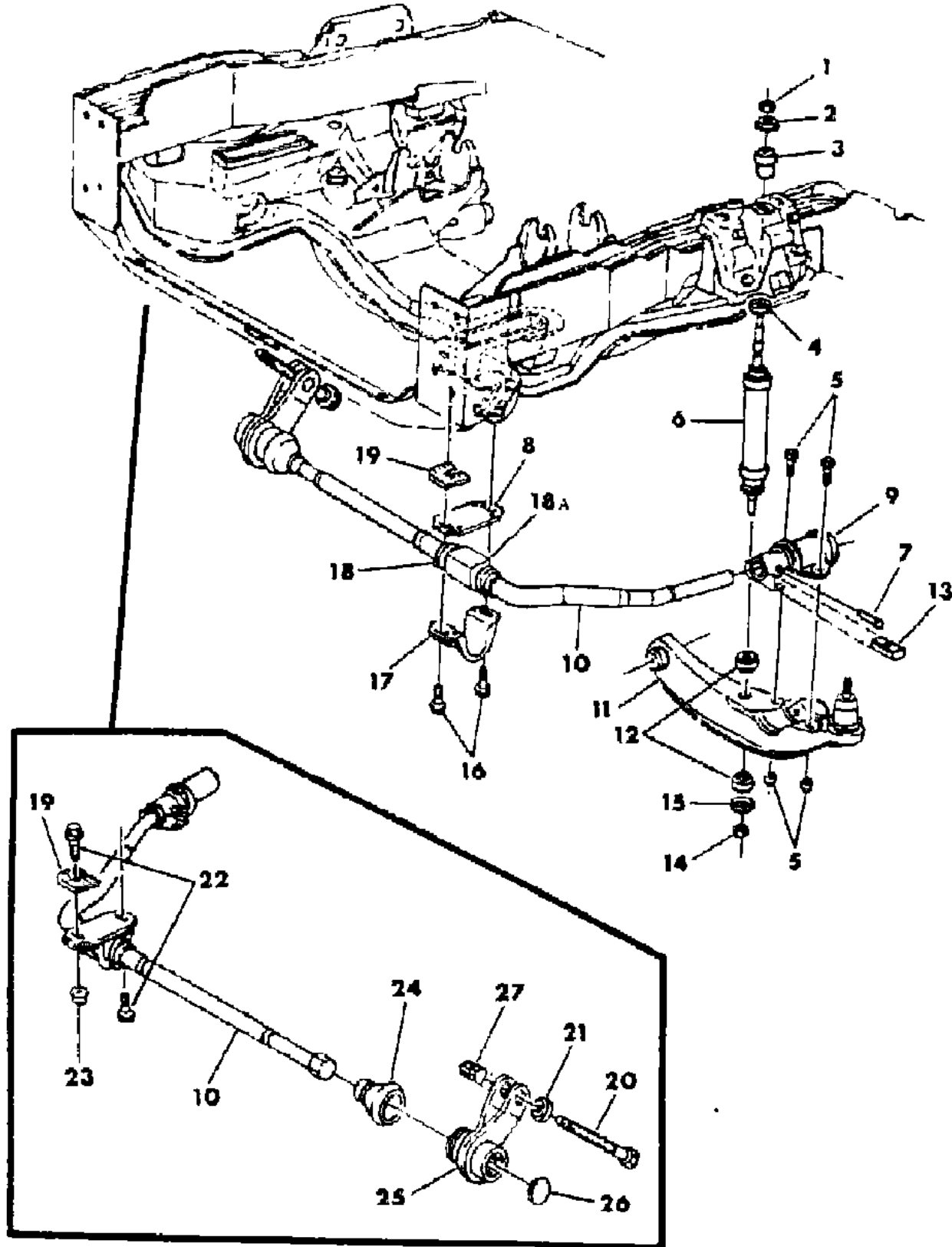
BODY STYLES

21 = 2-DOOR SEDAN	28 = FWD PICKUP
22 = 2-DOOR SPECIAL COUPE	41 = 4-DOOR SEDAN
24 = 2-DOOR HATCHBACK	44 = 4-DOOR HATCHBACK
27 = 2-DOOR CONVERTIBLE	45 = 2-SEAT STATION WAGON

AR = Use as Required - = Non Illustrated Part P.A.R. = Paint as Required

FRONT SUSPENSION-B,F,G,X,S,Y  
Figure 2-800

2102 800



ITEM	PART NUMBER	QTY	BODY	MODEL	DESCRIPTION
6	3879 932	2		B,F,G,X	
				22,41	SHOCK, Front, Std.
	4267 309	2		Y	Std.
	3879 281	2		B,F,G,X	H.D.
				22,41	Heavy Duty, 1" Dia.
	3879 281	2		45	Std. Or H.D.
	4057 093	2		B,F,G,X	Heavy Duty, 1-3/16" Dia.
7		2		All	RIVET, (Serviced in Item 10)
8		2		All	PLATE, (Serviced in Item 10)
9		2		All	BUSHING, (Serviced in Item 10)(Also in Bush.Pkg.4106153)
10	4014 142-3	1		All	TORSION BAR Or SPRING, Frt.
	4014 288-9	1		B,F,G	Police Only
11	4014 004-5	1		All	ARM, w/Shaft and Ball Joint, Lower Cont.
12	3643 891	4		All	BUSHING, Front Shock Lower Mtg.
13	4014 023	2		All	NUT, Shaft Cushion Link
14	0271 506	2		All	NUT, Front Shock Lower Mtg.
15		2		All	RETAINER (Serviced in Item 6)
16	6031 993	4		All	BOLT w/ Washer, Pivot Cushion Ret.
17		2		All	RETAINER (Serviced in Item 10)
18	3815 738	4		All	CLAMP, Pivot Cushion Seal
18A	4186 828	1		All	PIVOT PKG., Cushion Spring
19	4014 073	2		All	PLATE, Spring Pivot Cushion Friction (Also In Bush. Pkg., 4106153)
20	3815 680	2		All	BOLT, Spring Anchor Adj.
21	4014 100	2		All	BEARING, Spring Anchor Adj. Bolt
22	6030 912	4		All	BOLT, w/Washer, Pivot Cushion Ret.
23	6030 854	4		All	NUT, Pivot Cushion Ret. Bolt
24	2269 250	2		All	SEAL, Anchor Inner
25	4094 070	2		All	ANCHOR, Torsion Bar
26		2		All	PLUG (Serviced in Item 25)
27	4094 071	2		All	SWIVEL, Anchor Adj. Bolt

MODEL CODES

B = GRAN FURY/CARAVELLE	P = RELIANT
C = LEBARON/TOWN & COUNTRY	S = CORDOBA
D = ARIES	V = 400
F = NEW YORKER	X = MIRADA
G = DIPLOMAT	Y = IMPERIAL
M = HORIZON/TC3/SCAMP	Z = OMNI/O24/RAMPAGE

BODY STYLES

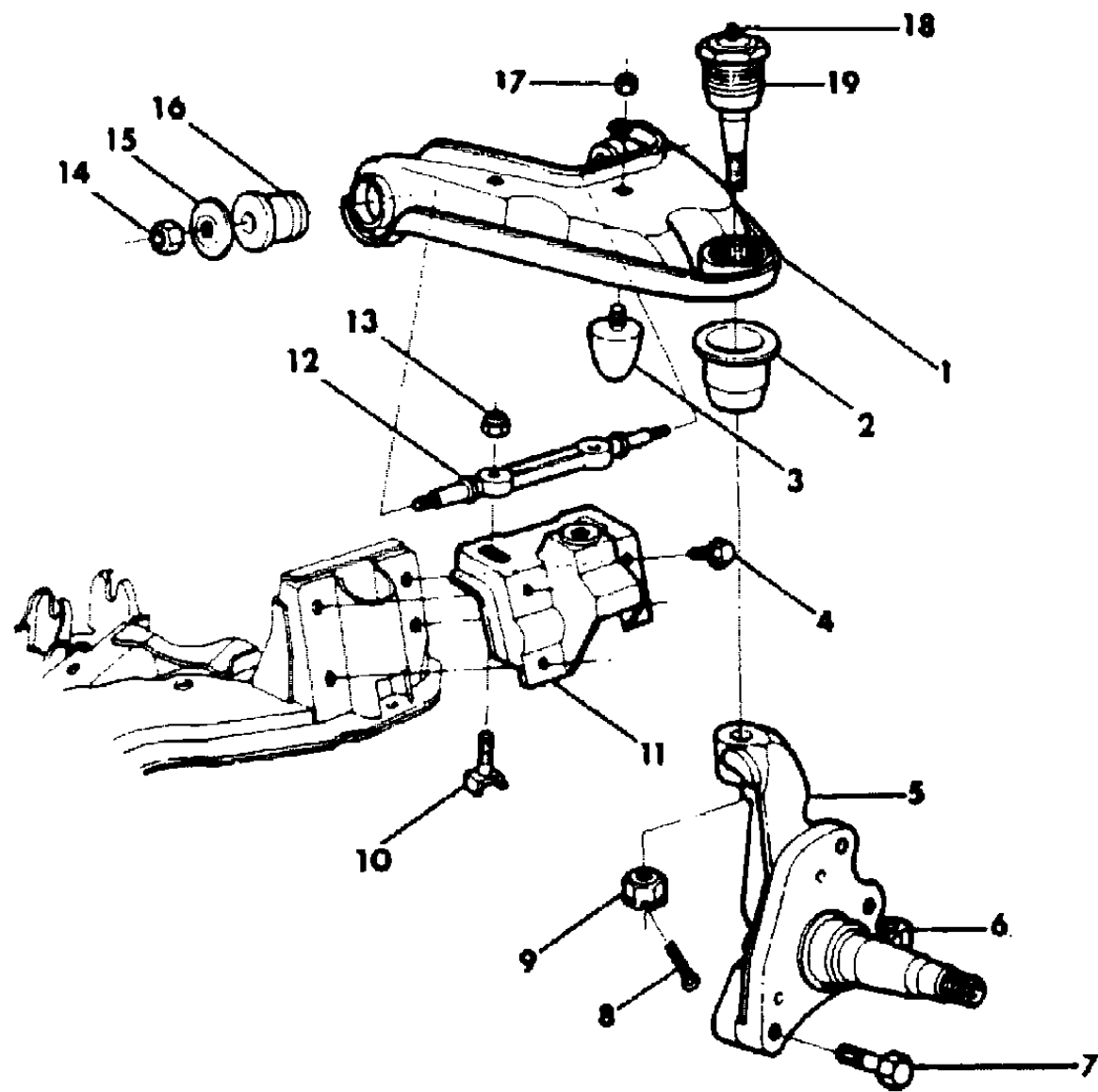
21 = 2-DOOR SEDAN	28 = FWD PICKUP
22 = 2-DOOR SPECIAL COUPE	41 = 4-DOOR SEDAN
24 = 2-DOOR HATCHBACK	44 = 4-DOOR HATCHBACK
27 = 2-DOOR CONVERTIBLE	45 = 2-SEAT STATION WAGON

AR = Use as Required - = Non Illustrated Part P.A.R. = Paint as Required

ARM-UPPER CONTROL-B,F,G,X,S,Y

Figure 2-900

2102 900



ITEM	PART NUMBER	QTY	BODY	MODEL	DESCRIPTION
1	4014 368-9	1		All	ARM, Frt. Wheel Upper Cont.
2	2269 127	2		All	SEAL, Ball Joint Upper
3	4014 050	2		All	BUMPER, Arm
4	#6031 240	8		All	SCREW,w/WASHER
5	3402 640-1	1		All	KNUCKLE, Strg. Linkage
6	3815 712-3	1		All	ARM, Strg. Linkage Knuckle
7	6029 441	4		All	BOLT, Knuckle
8		2		All	C/PIN (Not Serv.)
9	0273 911	2		All	NUT, Ball Joint
10	3815 473	4		All	BOLT, Pivot Bar Support
11	3815 706-7	1		All	SUPPORT, Pivot
	4014 352	2		All	SPACER, Cont.Arm Pivot Supt.,Frt. (Not Ill.)
	4014 353	2		All	Rear
12		2		All	PIVOT BAR (Serviced in Upper Control Arm)
13	6031 282	4		All	NUT, Pivot Bar Support Mtg.
14	6031 282	4		All	NUT, Pivot
15	3815 704	4		All	RETAINER, Arm Bushing
16	4106 195	4		All	BUSHING, Arm
17	0118 615	2		All	NUT, Bumper
18	6030 099	2		All	FITTING, Ball Joint
19	2298 534	2		All	BALL JOINT PKG., Upper

Consists of:  
 1 -----Ball Joint  
 1 - 2269127 Seal  
 1 - 0273911 NUT  
 1 -----C/Pin  
 1 - 1672960 Washer

MODEL CODES

B = GRAN FURY/CARAVELLE	P = RELIANT
C = LEBARON/TOWN & COUNTRY	S = CORDOBA
D = ARIES	V = 400
F = NEW YORKER	X = MIRADA
G = DIPLOMAT	Y = IMPERIAL
M = HORIZON/TC3/SCAMP	Z = OMNI/O24/RAMPAGE

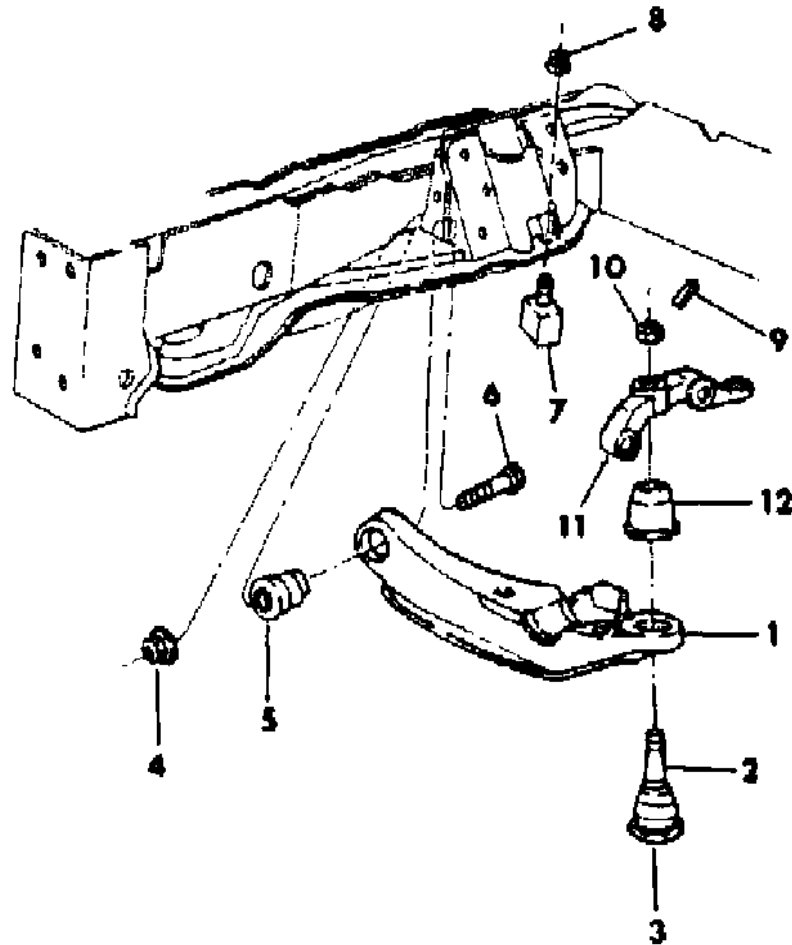
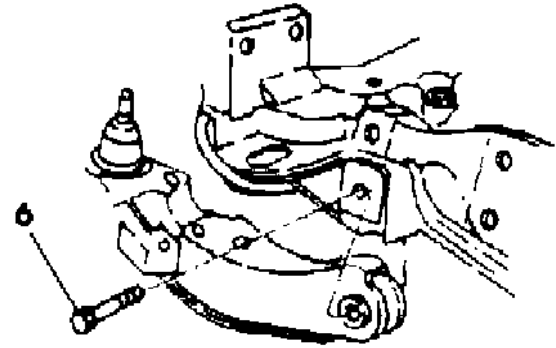
BODY STYLES

21 = 2-DOOR SEDAN	28 = FWD PICKUP
22 = 2-DOOR SPECIAL COUPE	41 = 4-DOOR SEDAN
24 = 2-DOOR HATCHBACK	44 = 4-DOOR HATCHBACK
27 = 2-DOOR CONVERTIBLE	45 = 2-SEAT STATION WAGON

AR = Use as Required - = Non Illustrated Part P.A.R. = Paint as Required

ARM-LOWER CONTROL-B,F,G,X,S,Y  
Figure 2-1000

2102 1000



ITEM	PART NUMBER	QTY	BODY	MODEL	DESCRIPTION
1	4014 004-5	1		All	ARM, Lower Control
2	3837 087	2		All	BALL JOINT PKG., Lower Consists of: 1 -----Ball Joint 1-3402540 Seal 1 - 273912 Nut 1 -----C/Pin
3	6030 099	2		All	FITTING, Ball Joint, Lower
4	6030 854	2		All	NUT, Pivot Bolt
5	3815 688	2		All	BUSHING, Arm Pivot
6	6030 853	2		All	BOLT, Pivot
7	3722 614	2		All	BUMPER, Arm
8	6025 011	2		All	NUT, Bumper
9		2		All	C/PIN (Not Serv.)
10	0273 912	2		All	NUT, Ball Joint Stud
11	3815 712-3	2		All	ARM, Steering Knuckle
12	3402 540	2		All	SEAL, Ball Joint Lower

MODEL CODES

B = GRAN FURY/CARAVELLE	P = RELIANT
C = LEBARON/TOWN & COUNTRY	S = CORDOBA
D = ARIES	V = 400
F = NEW YORKER	X = MIRADA
G = DIPLOMAT	Y = IMPERIAL
M = HORIZON/TC3/SCAMP	Z = OMNI/O24/RAMPAGE

BODY STYLES

21 = 2-DOOR SEDAN	28 = FWD PICKUP
22 = 2-DOOR SPECIAL COUPE	41 = 4-DOOR SEDAN
24 = 2-DOOR HATCHBACK	44 = 4-DOOR HATCHBACK
27 = 2-DOOR CONVERTIBLE	45 = 2-SEAT STATION WAGON

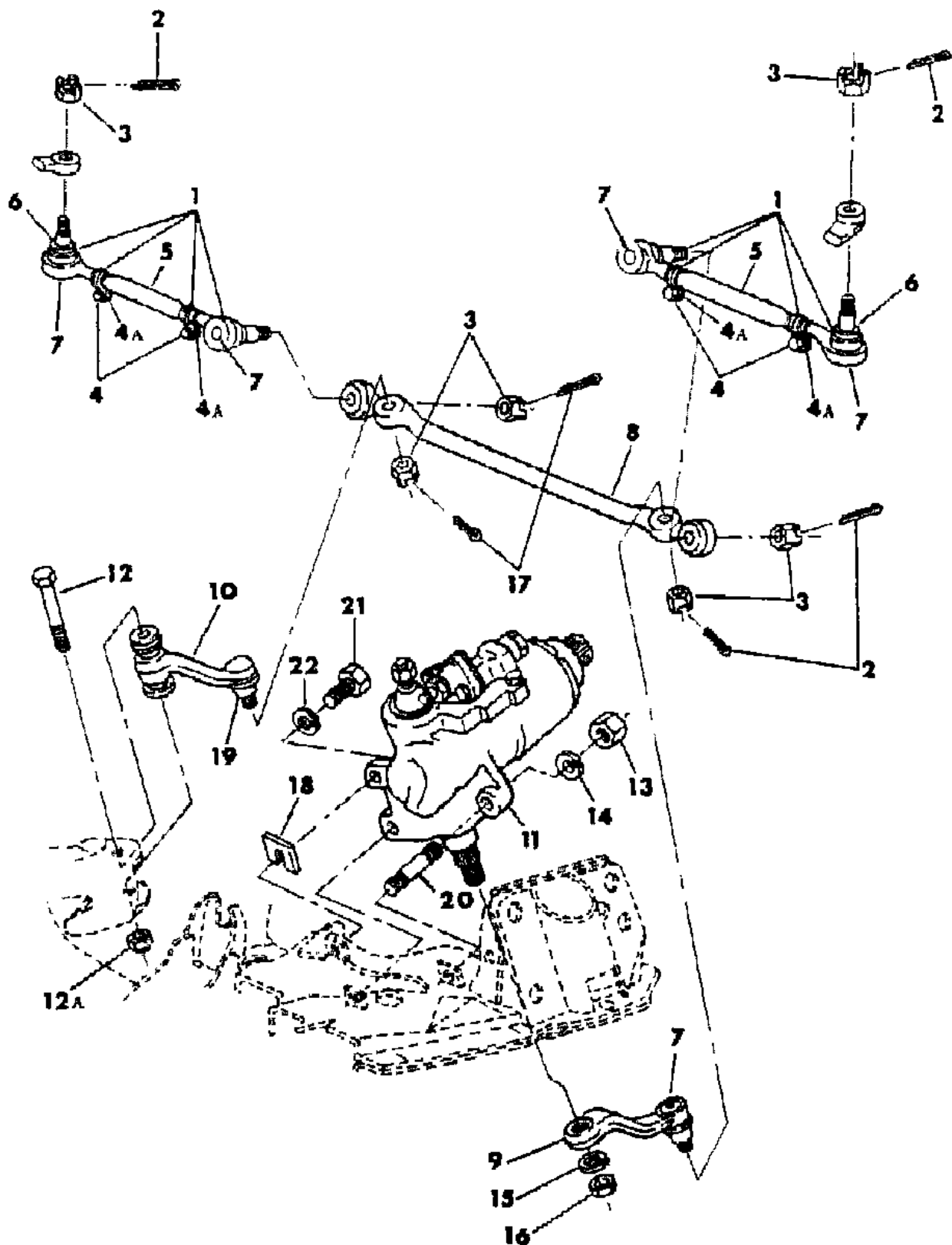
AR = Use as Required - = Non Illustrated Part P.A.R. = Paint as Required





TIE RODS, STEERING GEAR AND LINKAGE - B,F,G,X,S,Y  
Figure 2-1100

2102 1100



ITEM	PART NUMBER	QTY	BODY	MODEL	DESCRIPTION
------	-------------	-----	------	-------	-------------

21	6031 732	2	All		BOLT, Strg. Gear Mounting
22	6028 087	AR	All		WASHER, Strg. Gear Housing to Frame

MODEL CODES

B = GRAN FURY/CARAVELLE	P = RELIANT
C = LEBARON/TOWN & COUNTRY	S = CORDOBA
D = ARIES	V = 400
F = NEW YORKER	X = MIRADA
G = DIPLOMAT	Y = IMPERIAL
M = HORIZON/TC3/SCAMP	Z = OMNI/O24/RAMPAGE

BODY STYLES

21 = 2-DOOR SEDAN	28 = FWD PICKUP
22 = 2-DOOR SPECIAL COUPE	41 = 4-DOOR SEDAN
24 = 2-DOOR HATCHBACK	44 = 4-DOOR HATCHBACK
27 = 2-DOOR CONVERTIBLE	45 = 2-SEAT STATION WAGON

AR = Use as Required - = Non Illustrated Part P.A.R. = Paint as Required

---

**GROUP 3 - REAR AXLE**

<b>ILLUSTRATION TITLE</b>	<b>GROUP-FIG. NO.</b>
REAR AXLE DIFFERENTIAL AND CARRIER 7-1/4" O.D. GEAR .....	Fig. 3-100
REAR AXLE DIFFERENTIAL AND CARRIER 8-1/4" O.D. GEAR-1-5/8" DIA. STEM .....	Fig. 3-200

**ILLUSTRATION NOT AVAILABLE AT TIME OF PUBLICATION**

---

# REAR AXLE DIFFERENTIAL AND CARRIER 7-1/4" O.D. GEAR

## Figure 3-100

2103 100

ITEM	PART NUMBER	QTY	BODY	MODEL	DESCRIPTION
------	-------------	-----	------	-------	-------------

NOTE: The 7-1/4" Dia. Gear Axle has a 1-3/8" Dia. stem and is embossed with carrier part number 3507881, 3723590 or 3723591. IT also has a separate cover.

NOTE: Differential and Carriers have a metal tag bolted on them giving the ratio of the Rear Axle. ver.

NOTE: The 7-1/4" Dia. Gear Axle is only offered without Sure-Grip. ver.

NOTE: The 7-1/4" Dia. Gear Axle is only offered with 10" Brakes. ver.

	4205 888	1	B,F,G	GEAR PACKAGE, Side
	4205 869	1	X,S	Up To 9-21-81
	4205 888	1	X,S	After 9-21-81
	Consists of:			
	2 - ---- Gear,Diff.Side			
	2 - ---- Pinion,Diff.Shaft			
	1 - ----- Shaft,Diff. Pinion			
	1 - 0152 229 Pin, Diff. Pinion Shaft Lock			
	1 - 4137026 Screw, Diff. Pinion Shaft Lock			
	2 - ----- Washer,Gear Thrust			
	1 - 4131292 Washer Pkg., Diff. Gear			
	GEAR and PINION PACKAGE,			
	4186 969	1	B,F,G,X	2.24/2.26 To 1 (Stamp No. 4137027 Gear 4137033 Pinion)
	3621 939	1	B,F,G,X	2.71/2.76 to 1
	3723 672	1	B,F,G,X	2.94 To 1 Ratio
	Consists of:			
	1 - ---- Gear,Set			
	1 - 3507 575 Spacer			
	1 - 2070 117 Washer,Flange			
	1 - 6028 041 Nut,Flange			
	1 - ---- Sheet,Instruction			
	3420 091	2	B,F,G,X	BEARING PACKAGE
	Consists of:			
	1 - ---- Bearing			
	1 - ---- Collar,Brg.			
	1 - 2852 948 Seal,Shaft Oil			
	1 - 2881 314 Gasket,Support Plt.,Inner			
	1 - 2070 933 Gasket,Support Plt.,Outer			
	1 - ---- Sheet,Instruction			
	4137 056	1	B,F,G,X	DIFFERENTIAL,w/CARRIER and HOUSING, 2.71/2.76 to 1 Ratio w/o Axle Shafts, 59.50 Track, Up To 9-17-81
	4137 615	1	B,F,G,X	After 9-17-81

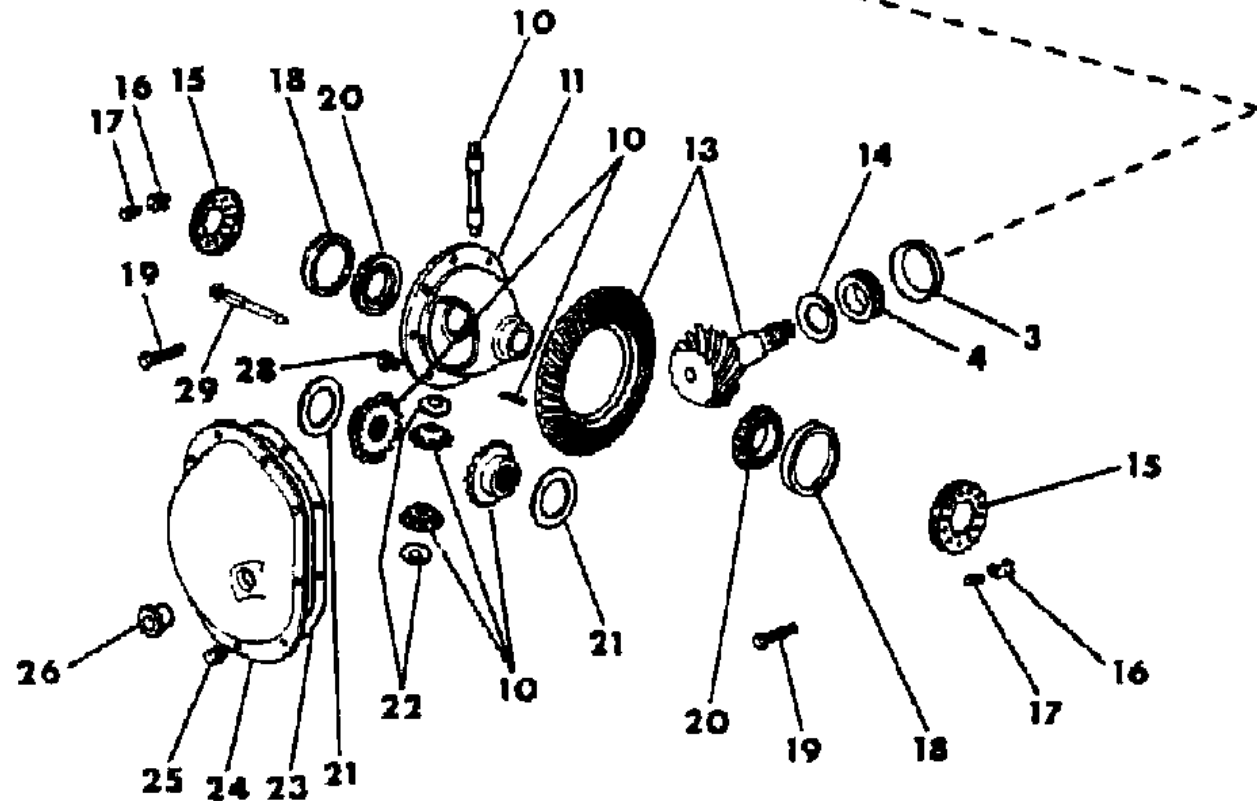
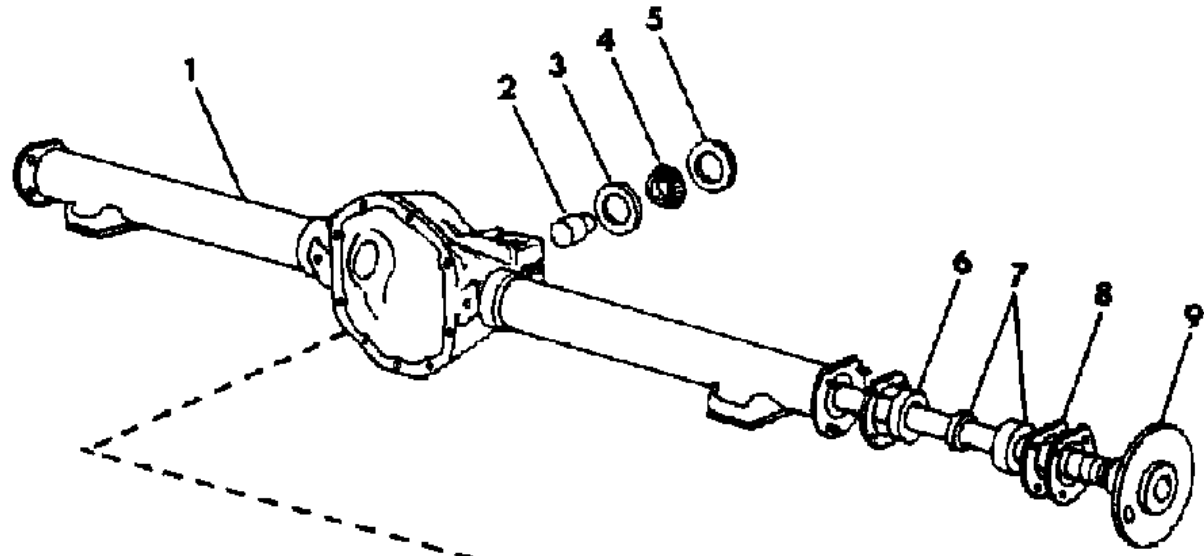
**MODEL CODES**

B = GRAN FURY/CARAVELLE	P = RELIANT
C = LEBARON/TOWN & COUNTRY	S = CORDOBA
D = ARIES	V = 400
F = NEW YORKER	X = MIRADA
G = DIPLOMAT	Y = IMPERIAL
M = HORIZON/TC3/SCAMP	Z = OMNI/O24/RAMPAGE

**BODY STYLES**

21 = 2-DOOR SEDAN	28 = FWD PICKUP
22 = 2-DOOR SPECIAL COUPE	41 = 4-DOOR SEDAN
24 = 2-DOOR HATCHBACK	44 = 4-DOOR HATCHBACK
27 = 2-DOOR CONVERTIBLE	45 = 2-SEAT STATION WAGON

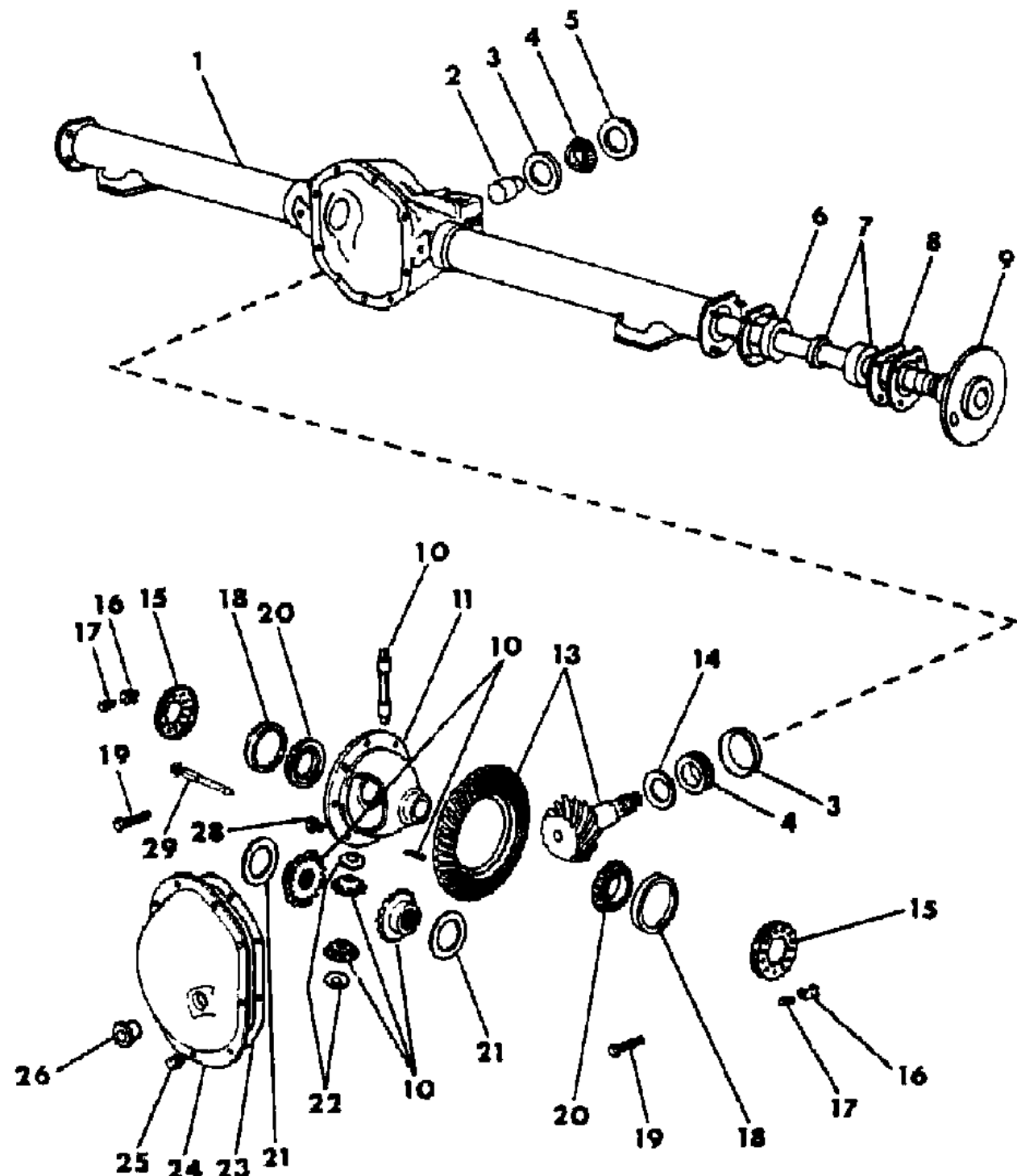
AR = Use as Required - = Non Illustrated Part P.A.R. = Paint as Required



# REAR AXLE DIFFERENTIAL AND CARRIER 7-1/4" O.D. GEAR

## Figure 3-100

2103 100



ITEM	PART NUMBER	QTY	BODY	MODEL	DESCRIPTION
	4137 008	1		B,F,G,X	w/o Axle Shaft, 2.24 / 2.26, 59.50 Track, Up To 9-17-81
	4137 614	1		B,F,G,X	After 9-17-81
	4137 068	1		B,F,G,X	w/o Axle Shaft, 2.94 To 1 Ratio, 59.50 Track, Up To 9-17-81
	4137 616	1		B,F,G,X	After 9-17-81
1	4137 045	1		B,F,G,X	HOUSING, Axle w/Tubes, 2.24/ 2.26/ 2.71/ 2.76/ 2.94 To 1 Ratio, Up To 9-17-81
1	#4137 623	1		B,F,G,X	After 9-17-81
2	3507 575	1		All	SPACER,Collapsible Type,31/64" Lgh.
3	2070 317	1		All	CUP,Axle Drive Pinion Brg.,Frt.
	2070 319	1		B,F,G,X	Rear
4	2070 316	1		All	CONE,w/ROLLER,Axle Drive Pinion,Frt.
	2931 817	1		All	SHIM, Axle Frt. Drive Pinion
	2070 318	1		B,F,G,X	Rear
5	2881 041	1		All	SEAL,Drive Pinion Frt. Oil,3-5/32" O.D.
6	2852 948	2		B,F,G	SEAL,Drive Shaft Oil,Inner
	2931 875	2		X,S	
7	3420 091	2		B,F,G,X	BEARING,COLLAR,SEAL and GASKET PACKAGE, Axle Drive Shaft,w/2-7/8" O.D. Brg.
	3744 495	2		All	BEARING, ASSY. Axle Drive Shaft, 2-17/32 O.D.
8	3723 300	2		B,F,G,X	RETAINER,Drive Shaft Brg.
9	#4137 621	2		B,F,G	SHAFT,Rr. Axle Drive (25 T)
	3723 980	2		X,S	Up To 9-21-81
	4137 621	2		X,S	After 9-21-81
10	#4205 888	1		B,F,G	GEARS,PINIONS,SHAFT,WASHERS and PIN PACKAGE,Diff. Side, 2.24/2.26/2.71/2.76/ & 2.94 To 1 Ratio
	4205 869	1		X,S	Up To 9-21-81
	4205 888	1		X,S	After 9-21-81
11	4137 051	1		B,F,G,X	CASE,w/o Screws,Axle,Casting No.4137052, 2.71/2.76/2.94 To 1 Ratio
	4137 013	1		B,F,G,X	Casting No. 4137014, 2.24/2.26 To 1 Ratio
13	3621 939	1		B,F,G,X	GEAR and PINION PACKAGE,Axle,2.71/2.76 to 1 Ratio,,Incl. 2800275 Gear and 3621939 Pinion
	3723 672	1		B,F,G,X	2.94 to 1 Ratio
	4186 969	1		B,F,G,X	2.24/2.26 to 1 Ratio
NOTE: Diff. Gear and Pinions are SERVICED by M ATCHED SET they are contained in. The SET NUMBER must be ordered for replacement of either Gear or Pinion.					
14	3723 020	AR		B,F,G,X	SHIM,w/Inside Tabs, Axle Drive Pinion Rr. Brg.,.020" Thk.

**MODEL CODES**

B = GRAN FURY/CARAVELLE	P = RELIANT
C = LEBARON/TOWN & COUNTRY	S = CORDOBA
D = ARIES	V = 400
F = NEW YORKER	X = MIRADA
G = DIPLOMAT	Y = IMPERIAL
M = HORIZON/TC3/SCAMP	Z = OMNI/O24/RAMPAGE

**BODY STYLES**

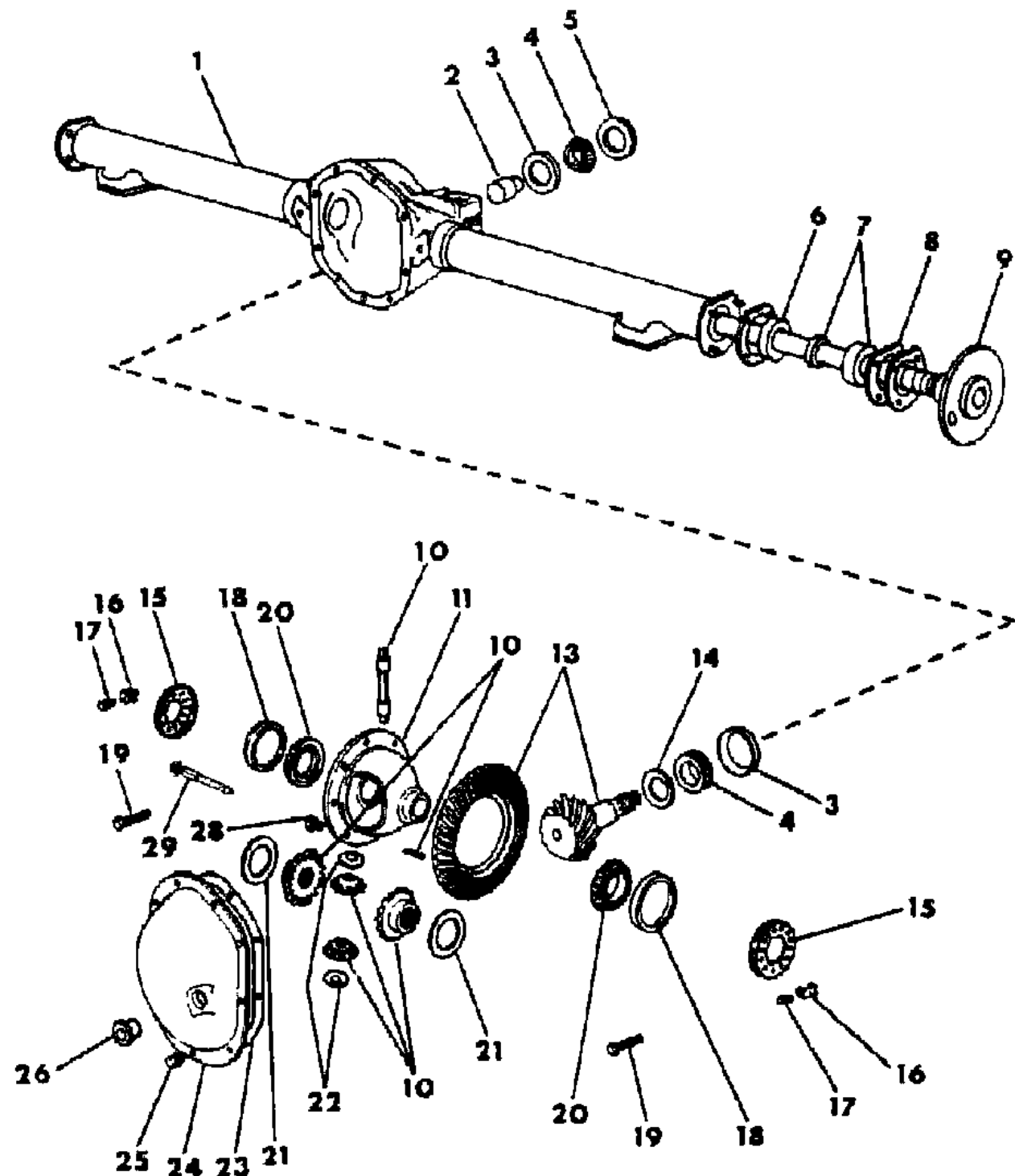
21 = 2-DOOR SEDAN	28 = FWD PICKUP
22 = 2-DOOR SPECIAL COUPE	41 = 4-DOOR SEDAN
24 = 2-DOOR HATCHBACK	44 = 4-DOOR HATCHBACK
27 = 2-DOOR CONVERTIBLE	45 = 2-SEAT STATION WAGON

AR = Use as Required - = Non Illustrated Part P.A.R. = Paint as Required

# REAR AXLE DIFFERENTIAL AND CARRIER 7-1/4" O.D. GEAR

## Figure 3-100

2103 100



ITEM	PART NUMBER	QTY	BODY	MODEL	DESCRIPTION
	3723 021	AR		B,F,G,X	.021" Thk.
	3723 022	AR		B,F,G,X	.022" Thk.
	3723 023	AR		B,F,G,X	.023" Thk.
	3723 024	AR		B,F,G,X	.024" Thk.
	3723 025	AR		B,F,G,X	.025" Thk.
	3723 026	AR		B,F,G,X	.026" Thk.
	3723 027	AR		B,F,G,X	.027" Thk.
	3723 028	AR		B,F,G,X	.028" Thk.
	3723 029	AR		B,F,G,X	.029" Thk.
	3723 030	AR		B,F,G,X	.030" Thk.
	3723 031	AR		B,F,G,X	.031" Thk.
	3723 032	AR		B,F,G,X	.032" Thk.
	3723 033	AR		B,F,G,X	.033" Thk.
	3723 034	AR		B,F,G,X	.034" Thk.
	3723 035	AR		B,F,G,X	.035" Thk.
	3723 036	AR		B,F,G,X	.036" Thk.
	3723 037	AR		B,F,G,X	.037" Thk.
	3723 038	AR		B,F,G,X	.038" Thk.
15	3507 876	2	All		ADJUSTER
16	3723 858	2	All		LOCK,Adj.
17	6031 109	2	B,F,G		SCREW,Lock,1/4"-20 x 1/2"
	6023 092	2	B,F,G,X		5/16"-18 x 5/8"
18	1937 770	2	B,F,G,X		CUP,Diff. Brg.,2-57/64"O.D.
19	3507 572	4	B,F,G,X		SCREW,Cap
20	1937 771	2	B,F,G,X		CONE,w/ROLLERS,Diff. Brg.
21	4131 292	AR	B,F,G,X		WASHER PKG., Diff. Gear Thrust Consists Of: 2 - Washer .031/.033 2 - Washer .036/.038 2 - Washer .041/.043 2 - Washer .046/.048
22	2404 197	2	B,F,G		WASHER,Diff. Pinion
23			B,F,G		GASKET,Axle Carrier Cover,(Use Adhesive Silicone)
24	4186 968	1	B,F,G,X		COVER,w/RUBBER PLUG,Axle Carrier, 2.24/2.26/2.71/2.76/ & 2.94 To 1 Ratio
25	6031 645	10	B,F,G,X		SCREW, Cover
26	3723 687	1	All		PLUG,Axle Carrier Cover Filler,Rubber

**MODEL CODES**

B = GRAN FURY/CARAVELLE	P = RELIANT
C = LEBARON/TOWN & COUNTRY	S = CORDOBA
D = ARIES	V = 400
F = NEW YORKER	X = MIRADA
G = DIPLOMAT	Y = IMPERIAL
M = HORIZON/TC3/SCAMP	Z = OMNI/O24/RAMPAGE

**BODY STYLES**

21 = 2-DOOR SEDAN	28 = FWD PICKUP
22 = 2-DOOR SPECIAL COUPE	41 = 4-DOOR SEDAN
24 = 2-DOOR HATCHBACK	44 = 4-DOOR HATCHBACK
27 = 2-DOOR CONVERTIBLE	45 = 2-SEAT STATION WAGON

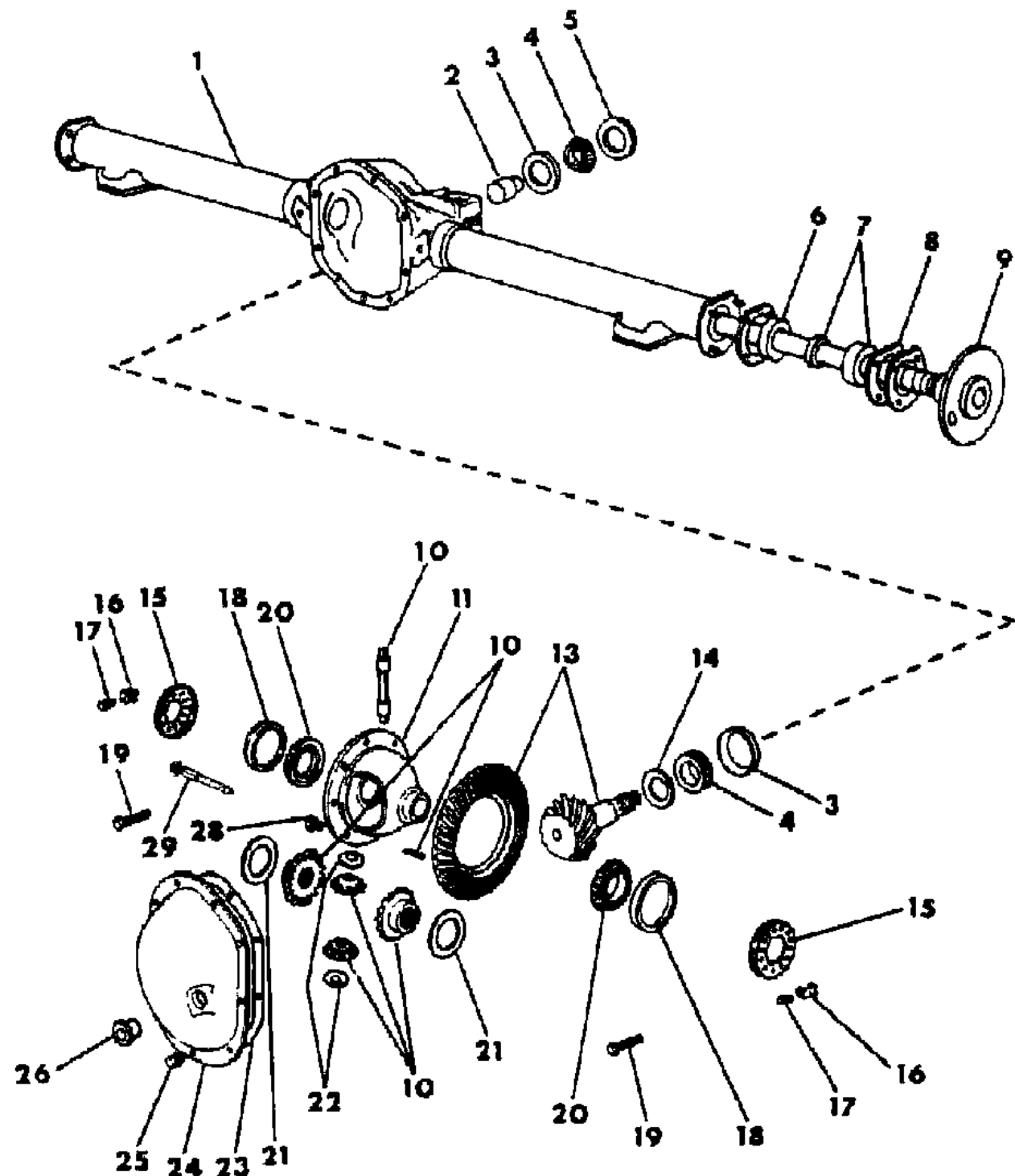
AR = Use as Required - = Non Illustrated Part P.A.R. = Paint as Required

REAR AXLE DIFFERENTIAL AND CARRIER 7-1/4" O.D. GEAR

Figure 3-100

2103 100

ITEM	PART NUMBER	QTY	BODY	MODEL	DESCRIPTION
28	4131 255	1		B,F,G,X	SCREW-PKG., Drive Gear, 3/8-24, w/Shoulder (Contains 10 Screws)
29	4137 026	1		All	SCREW, Diff.Pinion Shaft Lock, 2.26/2.76 Ratio
	2852 883	2		All	LOCK, Rr. Axle Drive Shaft (Not Ill.)



MODEL CODES

B = GRAN FURY/CARAVELLE	P = RELIANT
C = LEBARON/TOWN & COUNTRY	S = CORDOBA
D = ARIES	V = 400
F = NEW YORKER	X = MIRADA
G = DIPLOMAT	Y = IMPERIAL
M = HORIZON/TC3/SCAMP	Z = OMNI/O24/RAMPAGE

BODY STYLES

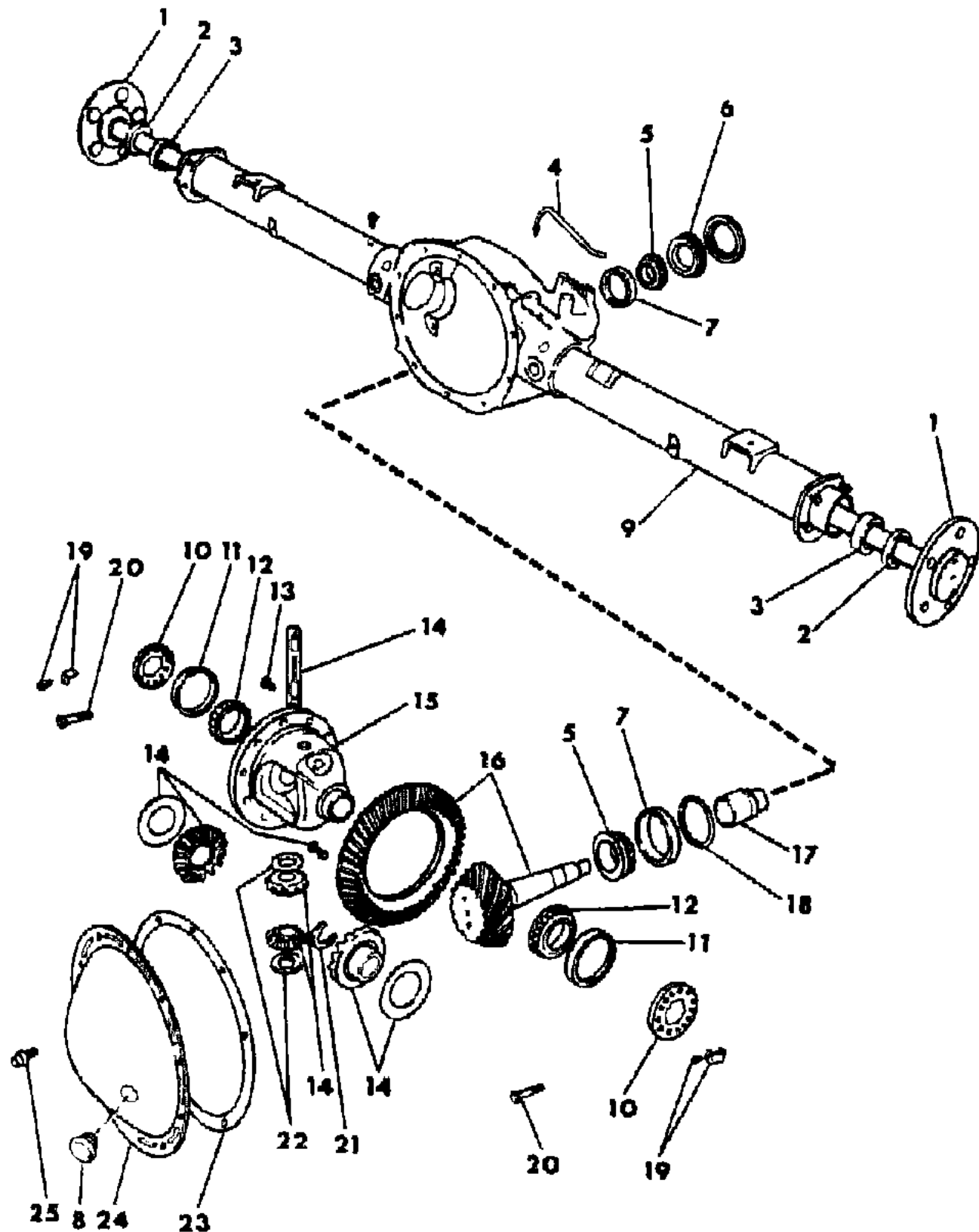
21 = 2-DOOR SEDAN	28 = FWD PICKUP
22 = 2-DOOR SPECIAL COUPE	41 = 4-DOOR SEDAN
24 = 2-DOOR HATCHBACK	44 = 4-DOOR HATCHBACK
27 = 2-DOOR CONVERTIBLE	45 = 2-SEAT STATION WAGON

AR = Use as Required - = Non Illustrated Part P.A.R. = Paint as Required

REAR AXLE DIFFERENTIAL AND CARRIER 8-1/4" O.D. GEAR-1-5/8" DIA. STEM

Figure 3-200

2103 200



ITEM	PART NUMBER	QTY	BODY	MODEL	DESCRIPTION
NOTE: The 8-1/4" Dia. gear axle has a 1-5/8" Dia. pinion shaft and carrier part number 3723598 or 3723599 embossed on it. It has a separate cover. ATCHED SET they are contained in. The SET NUMBER must be ordered for replacement of either Gear or Pinion.					
NOTE: Differential and carriers have a metal tag bolted on them giving the ratio of the rear axle. ATCHED SET they are contained in. The SET NUMBER must be ordered for replacement of either Gear or Pinion.					
	4186 957	1	All		GEAR and PINION PACKAGE, Axle Drive, 2.24 To 1 Ratio
	3837 581	1	All		2.93/2.94 to 1 Ratio
	3837 579	1	All		2.45/2.47 to 1 Ratio
	Consists of:				
	1 - ---- --- Gear Set				
	1 - 2800484 Cone,Rr.				
	1 - 2800485 Cup,Rr.				
	1 - 3507575 Spacer,Brg. Adj.				
	1 - 2070316 Cone,Frt.				
	1 - 2070317 Cup,Frt.				
	1 - 2881041 Seal,Dr. Pinion Frt. Brg.				
	1 - 4131255 Screw Pkg., Dr. Gear				
	4176 754	1	All		GEAR PACKAGE, Axle Side
	Consists of:				
	2 - ---- --- Gear,Side				
	1 - 4131293 Washer Pkg., Diff. Gear Thrust				
	2 - ---- --- Pinion,Diff.				
	2 - 2852912 Washer,Pinion Thrust				
	1 - 2852913 Shaft				
	1 - 3507724 Screw,Lock				
	3723 947	1	All		DIFFERENTIAL,w/CARRIER and HOUSING,2.24 To 1 Ratio
	w/o Sure-Grip w/o Axle Shafts 59.50 Track				
	3723 984	1	All		2.45/2.47 to 1 Ratio,w/o Sure-Grip, 59.50 Track
	3723 987	1	All		2.94 to 1 Ratio,w/o Sure-Grip, 59.50 Track
	3723 986	1	All		2.94 to 1 Ratio,w/Sure-Grip, 59.50 Track
	3723 690	1	All		DIFFERENTIAL, Partial, w/Sure-Grip, 2.94 To 1
1	3723 982	2	All		SHAFT,Axle Drive (27T)
2	2931 875	2	All		OIL SEAL,Drive Shaft
3	3744 495	2	All		BEARING ASSEMBLY, Axle Drive Shaft, 2-17/32" O.D.
3A		1	All		SCREW, Brake Tube Tee Vent
4	3723 966	1	All		VENT, Rr. Axle Tube
5	2070 316	1	All		CONE,w/ROLLERS,Axle Drive Pinion,Frt.
	2931 817	1	All		SHIM, Axle Frt. Brg. Adj.

MODEL CODES

B = GRAN FURY/CARAVELLE	P = RELIANT
C = LEBARON/TOWN & COUNTRY	S = CORDOBA
D = ARIES	V = 400
F = NEW YORKER	X = MIRADA
G = DIPLOMAT	Y = IMPERIAL
M = HORIZON/TC3/SCAMP	Z = OMNI/O24/RAMPAGE

BODY STYLES

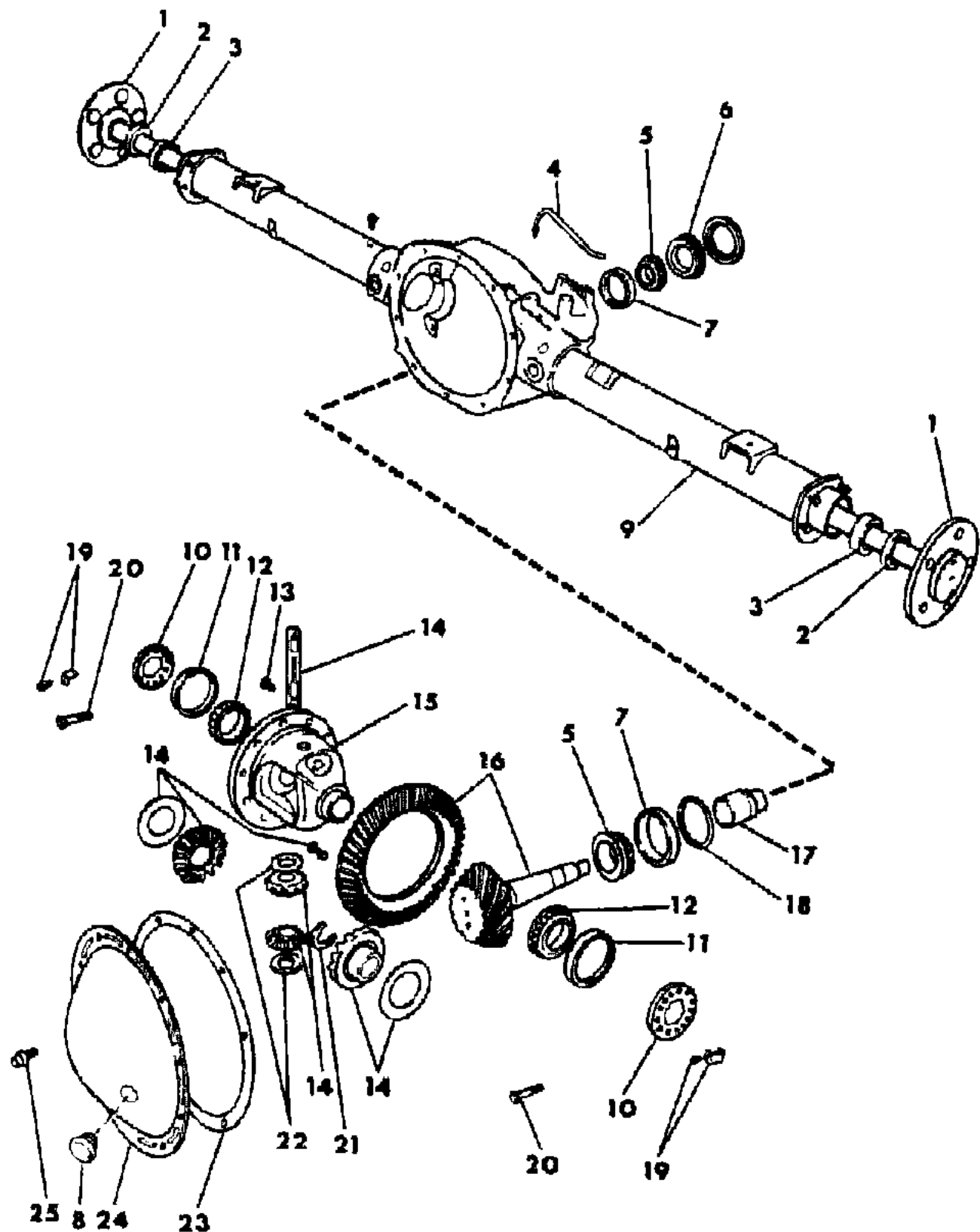
21 = 2-DOOR SEDAN	28 = FWD PICKUP
22 = 2-DOOR SPECIAL COUPE	41 = 4-DOOR SEDAN
24 = 2-DOOR HATCHBACK	44 = 4-DOOR HATCHBACK
27 = 2-DOOR CONVERTIBLE	45 = 2-SEAT STATION WAGON

AR = Use as Required - = Non Illustrated Part P.A.R. = Paint as Required

REAR AXLE DIFFERENTIAL AND CARRIER 8-1/4" O.D. GEAR-1-5/8" DIA. STEM

Figure 3-200

2103 200



ITEM	PART NUMBER	QTY	BODY	MODEL	DESCRIPTION
	2800 484	1		All	Rr.
6	2881 041	1		All	OIL SEAL,Drive Pinion,3-5/32" O.D.
7	2070 317	1		All	CUP,Brg.,Axle Drive Pinion,Frnt.
	2800 485	1		All	Rr.
8	3723 687	1		All	PLUG,Axle Carrier Filler, Rubber
9	3723 967	1		All	HOUSING, Axle Drive Pinion
10	3507 876	2		All	ADJUSTER, Diff. Brg.
11	3723 569	2		All	CUP,Diff. Brg.
12	1790 541	2		All	CONE,w/ROLLERS,Diff. Brg.
13	4131 255	1		All	SCREW-PKG., Gear Drive (Contains 10 Screws)
14	4176 754	1		All	GEAR, PKG.,Axle Diff. Side
	3507 724	1		All	SCREW, Diff. Pinion Shaft Lock
	3723 582	AR		All	WASHER,Gear Thrust,.032" Thk.
	3723 865	AR		All	WASHER,Gear Thrust,.037" Thk.
	3723 866	AR		All	.042" Thk.
	3723 867	AR		All	.047" Thk.
15	2881 423	1		All	CASE,Diff., 2.94 To 1 Ratio w/o Sure-Grip
	3432 435	1		All	2.24/2.26/2.45/2.47 To 1 Ratio, w/o Sure-Grip
	4131 293	1		All	WASHER, Gear Thrust
16	3837 579			All	GEAR and PINION PACKAGE, Axle Drive,2.45/2.47 to 1 Ratio, Incl. 3723578 Gear and 3723579 Pinion
	3837 581	1		All	2.93/2.94 to 1 Ratio,Incl. 2852933 Gear and 3507914 Pinion
	4186 957	1		All	2.24/2.26 to 1 Ratio
	3723 583	1		All	GEAR SET, Axle Drive,2.45/2.47 to 1 Ratio,Incl. 3723584 Gear and 3723585 Pinion
	3723 485	10		All	SCREW, Drive Gear
NOTE: Differential Gear and Pinion are serviced by MATCHED SET numbers only. The SET NUMBER must be ordered for replacement of either Gear or Pinion.Gear and Pinion numbers stamped on the item may be used to confirm the correct					
17	3507 575	1		All	SPACER
18	3723 620	1		All	SHIM,Drive Pinion Rr. Brg.,.020"Thk.
	3723 621	1		All	.021"Thk.
	3723 623	1		All	.023"Thk.
	3723 625	1		All	.025"Thk.
	3723 627	1		All	.027"Thk.
	3723 628	1		All	.028"Thk.
	3723 629	1		All	.029"Thk.
	3723 630	1		All	.030"Thk.

MODEL CODES

B = GRAN FURY/CARAVELLE	P = RELIANT
C = LEBARON/TOWN & COUNTRY	S = CORDOBA
D = ARIES	V = 400
F = NEW YORKER	X = MIRADA
G = DIPLOMAT	Y = IMPERIAL
M = HORIZON/TC3/SCAMP	Z = OMNI/O24/RAMPAGE

BODY STYLES

21 = 2-DOOR SEDAN	28 = FWD PICKUP
22 = 2-DOOR SPECIAL COUPE	41 = 4-DOOR SEDAN
24 = 2-DOOR HATCHBACK	44 = 4-DOOR HATCHBACK
27 = 2-DOOR CONVERTIBLE	45 = 2-SEAT STATION WAGON

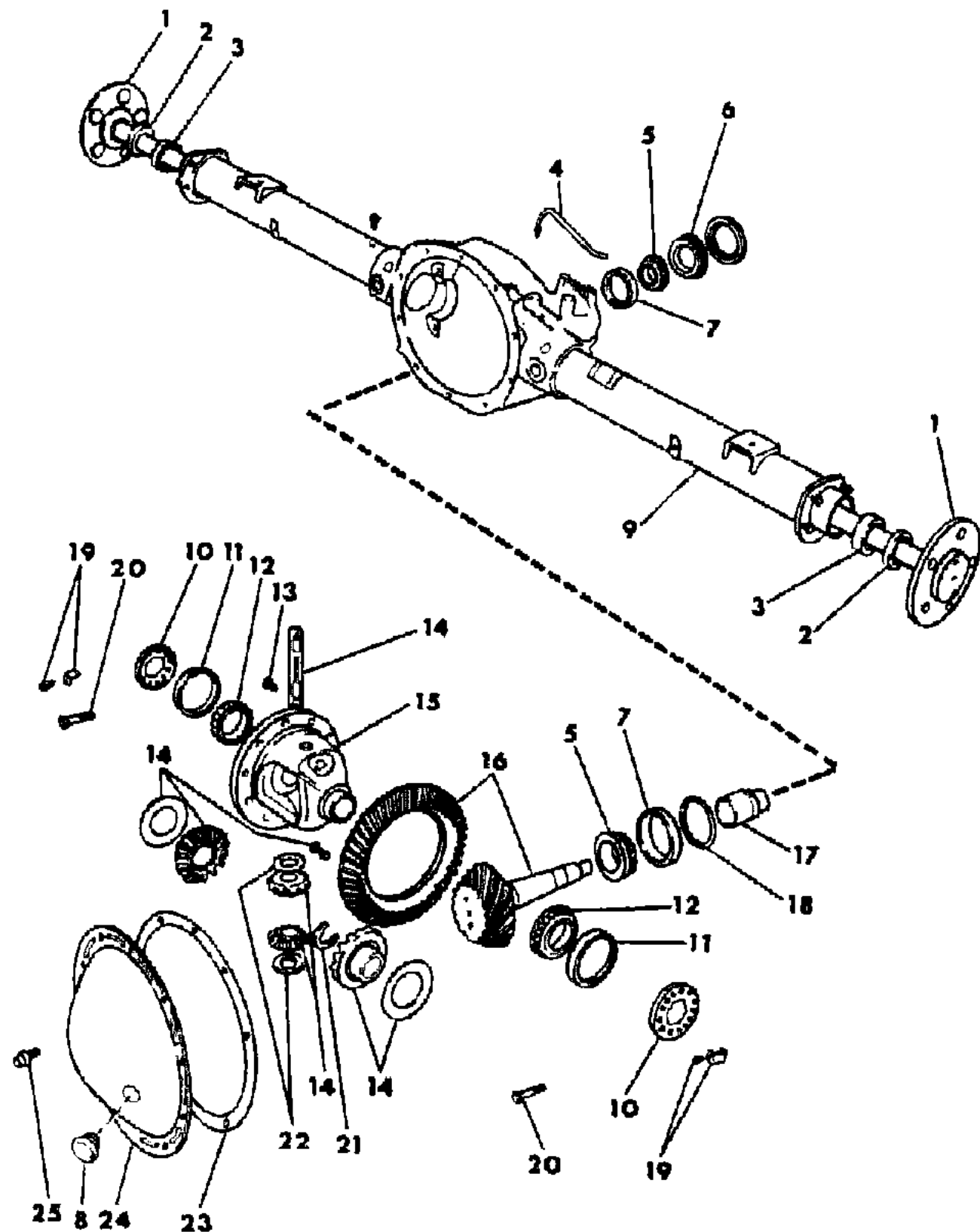
AR = Use as Required - = Non Illustrated Part P.A.R. = Paint as Required



REAR AXLE DIFFERENTIAL AND CARRIER 8-1/4" O.D. GEAR-1-5/8" DIA. STEM

Figure 3-200

2103 200



ITEM	PART NUMBER	QTY	BODY	MODEL	DESCRIPTION
	3723 631	1	All		.031"Thk.
	3723 633	1	All		.033"Thk.
	3723 635	1	All		.035"Thk.
	3723 637	1	All		.037"Thk.
19	3723 859	2	All		LOCK,Adj.
	6031 109	2	All		SCREW,Lock,1/4"-20 x 1/2"
	6023 092	2	All		5/16"-18 x 5/8"
20	3432 695	4	All		SCREW,Cap
21	2852 883	2	All		LOCK,Drive Shaft
22	2852 912	2	All		WASHER,Drive Pinion Thrust
23			All		GASKET,Axle Carrier Cover(Use Silicone Adhesive)
24	4049 689	1	All		COVER,w/Rubber Plug,Axle Carrier
25	6031 109	10	All		SCREW,Cover

MODEL CODES

B = GRAN FURY/CARAVELLE	P = RELIANT
C = LEBARON/TOWN & COUNTRY	S = CORDOBA
D = ARIES	V = 400
F = NEW YORKER	X = MIRADA
G = DIPLOMAT	Y = IMPERIAL
M = HORIZON/TC3/SCAMP	Z = OMNI/O24/RAMPAGE

BODY STYLES

21 = 2-DOOR SEDAN	28 = FWD PICKUP
22 = 2-DOOR SPECIAL COUPE	41 = 4-DOOR SEDAN
24 = 2-DOOR HATCHBACK	44 = 4-DOOR HATCHBACK
27 = 2-DOOR CONVERTIBLE	45 = 2-SEAT STATION WAGON

AR = Use as Required - = Non Illustrated Part P.A.R. = Paint as Required

---

**GROUP 4 - BRAKE, PARKING**

<b>ILLUSTRATION TITLE</b>	<b>GROUP-FIG. NO.</b>
PARKING BRAKE LEVER & CONTROLS - M,Z - 24,44 .....	Fig. 4-100
PARKING BRAKE LEVER & CONTROLS - M,Z - 28 .....	Fig. 4-125
PARKING BRAKE LEVER - P,D,C,V .....	Fig. 4-150
PARKING BRAKE LEVER - B,F,G .....	Fig. 4-200
PARKING BRAKE LEVER - X,S,Y .....	Fig. 4-400
PARKING BRAKE CONTROLS - P,D,C,V .....	Fig. 4-450
PARKING BRAKE CONTROLS - B,F,G,X,S,Y .....	Fig. 4-500

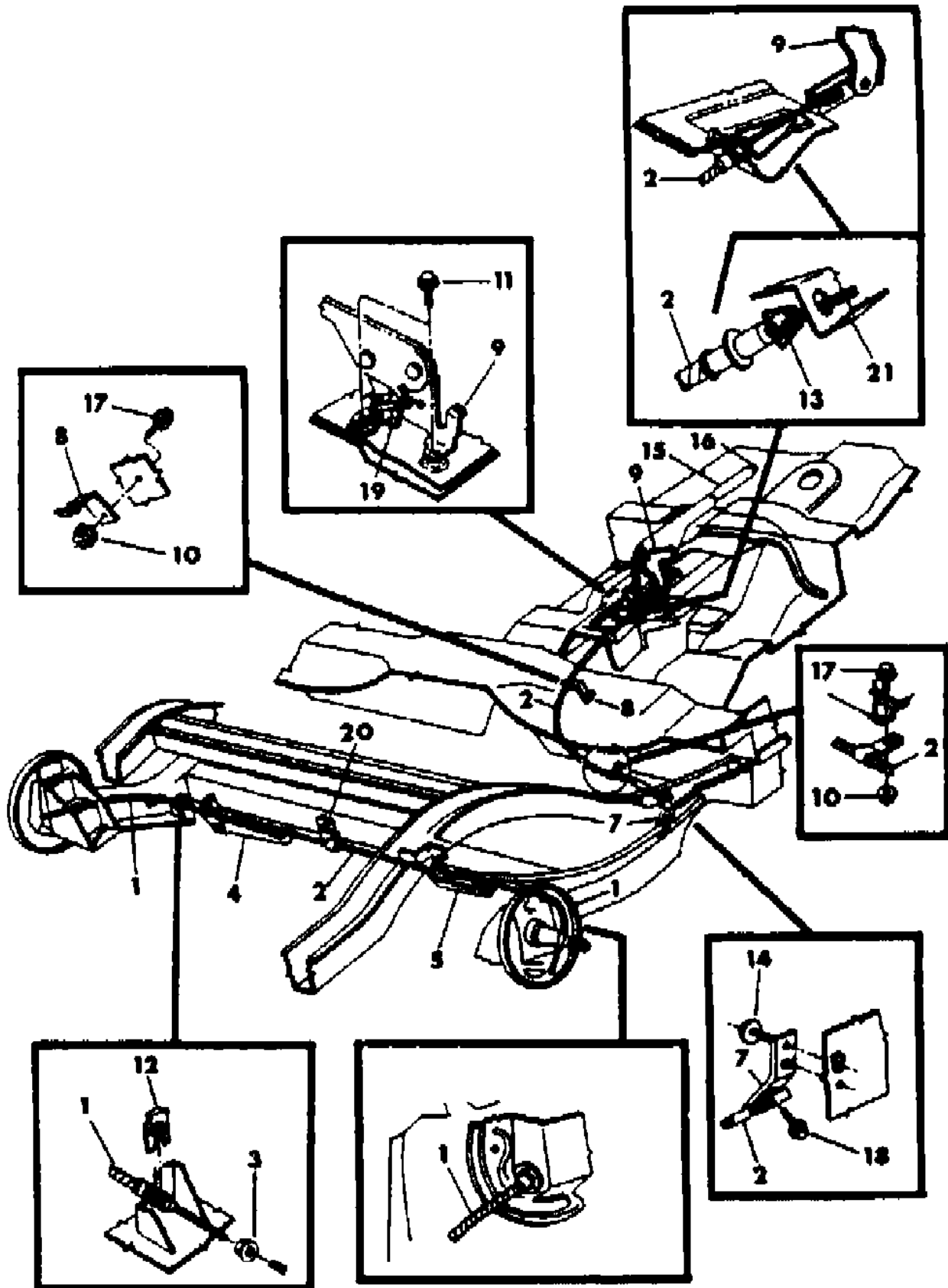
**ILLUSTRATION NOT AVAILABLE AT TIME OF PUBLICATION**

---

PARKING BRAKE LEVER & CONTROLS - M,Z - 24,44

Figure 4-100

2104 100



ITEM	PART NUMBER	QTY	BODY	MODEL	DESCRIPTION
1	#3880 175	2	All		CABLE, Rear, Up To 12-4-81
	3880 346	2	All		After 12-4-81
2	5204 111	1	44		CABLE, Frt.
	5204 120	1	24		
3	6030 607	1	All		NUT, Cable Adjusting Conn.
4	3575 604	1	All		CONNECTOR, Cable Adj.
5	3575 605	1	All		CONNECTOR, Frt. Cable To Rear Cable
7	5204 119	1	All		BRACKET, Cable Side Rail
8	5204 122	1	All		CLIP, Cable Tunnel Frt.
9	5211 931	1	All		LEVER, Parking Brake
10	0118 613	2	All		NUT, Frt. Cable Screw
11	6500 187	2	All		SCREW,w/WASHER, Park Brake Mtg.
12	2201 467	2	All		CLIP, Rear Cable
13	3467 924	1	All		RETAINER, Cable Frt.
14	6100 583	1	All		SCREW, Cable Side Rail Brkt.
15	5211 929	1	All		GRIP, Handle
16	4186 991	1	All		BUTTON REPAIR PKG.
17	0181 063	2	All		SCREW, Cable Clip
18		1	All		SCREW, Frt., Cable Rail Brkt. (Not Serv.)
19	5209 922	1	All		SWITCH, Park Brake Lever
20	5204 125	1	All		BRACKET, Cable To Rr. C/Member
21	#3880 236	1	All		BRACKET, Frt. Cable Rr. Side Rail

MODEL CODES

B = GRAN FURY/CARAVELLE	P = RELIANT
C = LEBARON/TOWN & COUNTRY	S = CORDOBA
D = ARIES	V = 400
F = NEW YORKER	X = MIRADA
G = DIPLOMAT	Y = IMPERIAL
M = HORIZON/TC3/SCAMP	Z = OMNI/O24/RAMPAGE

BODY STYLES

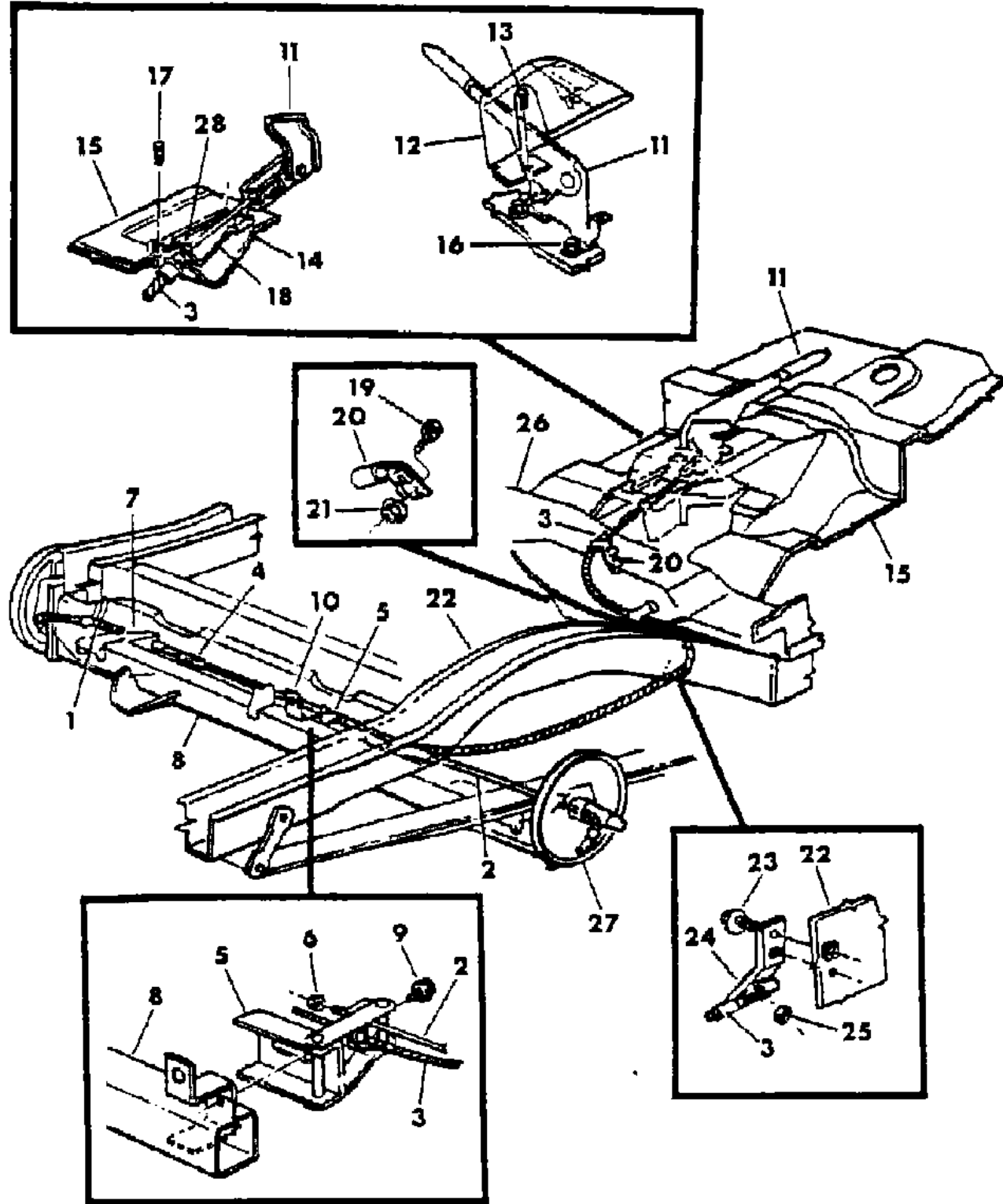
21 = 2-DOOR SEDAN	28 = FWD PICKUP
22 = 2-DOOR SPECIAL COUPE	41 = 4-DOOR SEDAN
24 = 2-DOOR HATCHBACK	44 = 4-DOOR HATCHBACK
27 = 2-DOOR CONVERTIBLE	45 = 2-SEAT STATION WAGON

AR = Use as Required - = Non Illustrated Part P.A.R. = Paint as Required

PARKING BRAKE LEVER & CONTROLS - M,Z - 28

Figure 4-125

2104 125A



ITEM	PART NUMBER	QTY	BODY	MODEL	DESCRIPTION
1	#3880 336	1		All	CABLE, Rear, Lt.
2	#3880 339	1		All	Rt.
3	#3880 179	1		All	CABLE, Frt., Up To 12-14-81
4	3880 427	1		All	After 12-14-81
5	#3766 234	1		All	CONNECTOR, Frt. Cable To Rr. Cable
6	#3880 151	1		All	CONNECTOR, Cable Adj.
7	#6030 607	1		All	NUT, Cable Conn. Adj.
8					SEAT, Rear Spring Cable (Ref.)
9					AXLE, Rr. (Ref.)
10	#6100 312	1		All	SCREW, Guide
11	#3880 137	1		All	GUIDE, Cable
12	#5211 931	1		All	LEVER, Park Brake
13					COVER, Park Brake, w/o Console (Ref.)
14					SCREW, Cover w/o Console (Ref.)
15					REINFORCEMENT, Floor Pan (Ref.)
16	#6500 187	2		All	PAN, Frt. Floor (Ref.)
17					SCREW,w/WASHER, Park Brake Mtg.
18					SCREW, Frt. Floor Pan Cable (Ref.)
19					SEAL, Floor Pan (Ref.)
20	#0181 063	3		All	SCREW, Frt. Cable Clip
21	#5204 122	1		All	CLIP, Frt. Cable Tunnel
22	#0219 462	3		All	NUT, Frt. Cable Clip Bolt
23					RAIL, Rr. (Ref.)
24					SCREW, Cable Side Rail Brkt. (Not Serviced)
25	#3880 236	1		All	BRACKET, Frt. Cable Side
26	#0152 360	1		All	NUT, Brkt.
27					PAN, Rr. Floor (Ref.)
28					PLATE, Rr. Backing (Ref.)
29	#3467 924	1		All	RETAINER, Cable Frt.

MODEL CODES

B = GRAN FURY/CARAVELLE	P = RELIANT
C = LEBARON/TOWN & COUNTRY	S = CORDOBA
D = ARIES	V = 400
F = NEW YORKER	X = MIRADA
G = DIPLOMAT	Y = IMPERIAL
M = HORIZON/TC3/SCAMP	Z = OMNI/O24/RAMPAGE

BODY STYLES

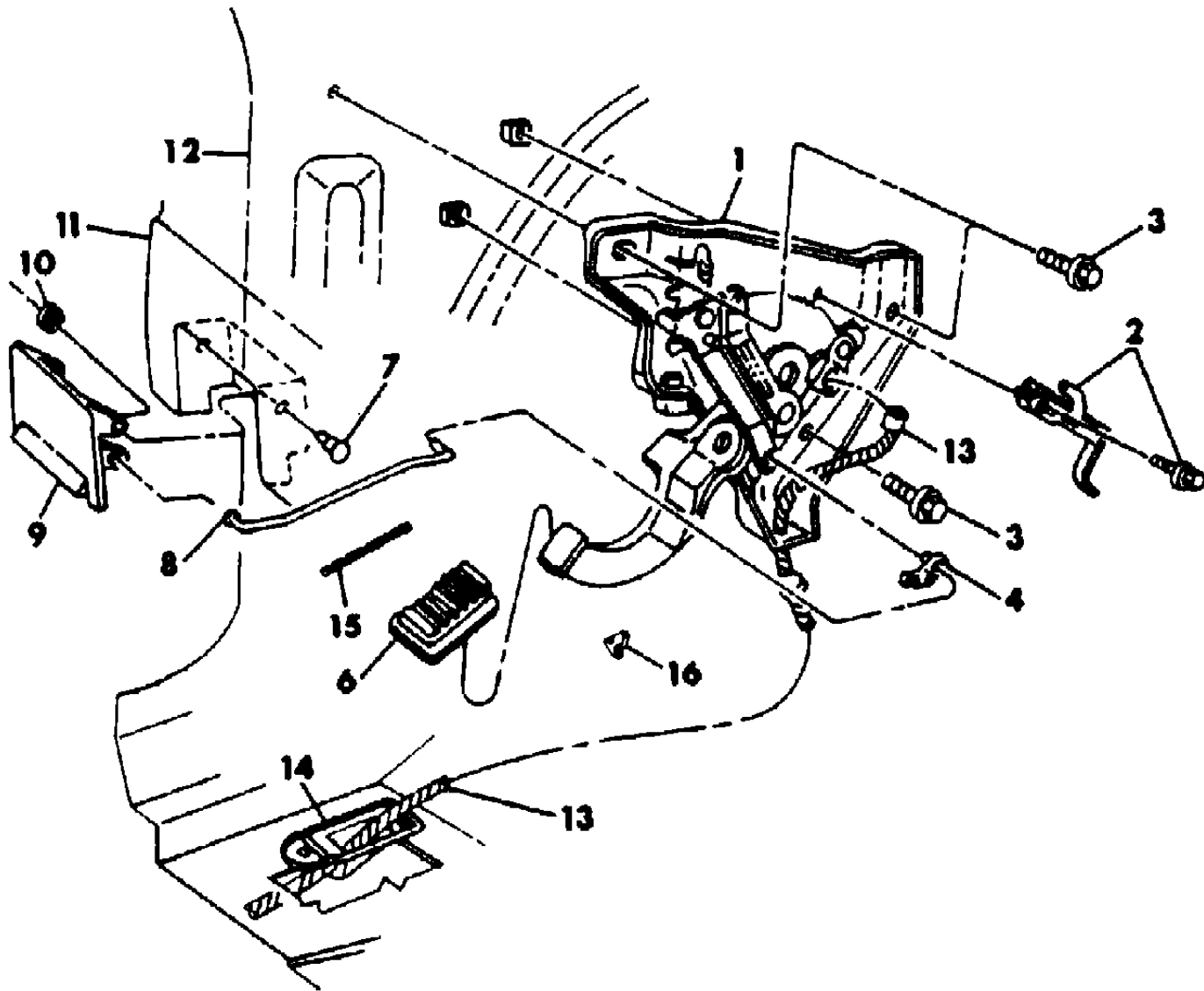
21 = 2-DOOR SEDAN	28 = FWD PICKUP
22 = 2-DOOR SPECIAL COUPE	41 = 4-DOOR SEDAN
24 = 2-DOOR HATCHBACK	44 = 4-DOOR HATCHBACK
27 = 2-DOOR CONVERTIBLE	45 = 2-SEAT STATION WAGON

AR = Use as Required - = Non Illustrated Part P.A.R. = Paint as Required

PARKING BRAKE LEVER - P,D,C,V

Figure 4-150

3104 150



ITEM	PART NUMBER	QTY	BODY	MODEL	DESCRIPTION
1	4019 170	1		All	LEVER,Park Brake
2	3747 327	1		A11	SWITCH, Lever Release
3	6100 584	3		All	SCREW,w/WASHER
4	3454 220	1		All	CLIP, Lever Rel.Rod
6	4019 175	1		All	PAD, Lever
7	4019 174	1		All	PIN, Pivot Rel.Handle
8	4019 172	1		All	ROD, Rel.
9	F296 VB2	1		All	Handle, Lt.Blue
	F296 VF5	1		All	Green
	F296 VM6	1		All	Red
	F296 VT6	1		All	Tan
	F296 AC7	1		All	Dk.Blue
	F296 AH9	1		All	Mahogany
	F296 AA7	1		All	Dk.Silver
10	6031 147	1		All	CLIP, Rel. Handle Pivot Pin
11					INST.Panel (Ref.Only)
12					COWL SIDE (Ref.Only)
13	3766 435	1		All	CABLE, Front
14					GROMMET (Ref.Only)
15	4205 997	1		All	SPRING PKG., Rel. Rod Retainer
16	4205 996	1		All	BUMPER PKG.,Park Brake Lever

MODEL CODES

B = GRAN FURY/CARAVELLE	P = RELIANT
C = LEBARON/TOWN & COUNTRY	S = CORDOBA
D = ARIES	V = 400
F = NEW YORKER	X = MIRADA
G = DIPLOMAT	Y = IMPERIAL
M = HORIZON/TC3/SCAMP	Z = OMNI/O24/RAMPAGE

BODY STYLES

21 = 2-DOOR SEDAN	28 = FWD PICKUP
22 = 2-DOOR SPECIAL COUPE	41 = 4-DOOR SEDAN
24 = 2-DOOR HATCHBACK	44 = 4-DOOR HATCHBACK
27 = 2-DOOR CONVERTIBLE	45 = 2-SEAT STATION WAGON

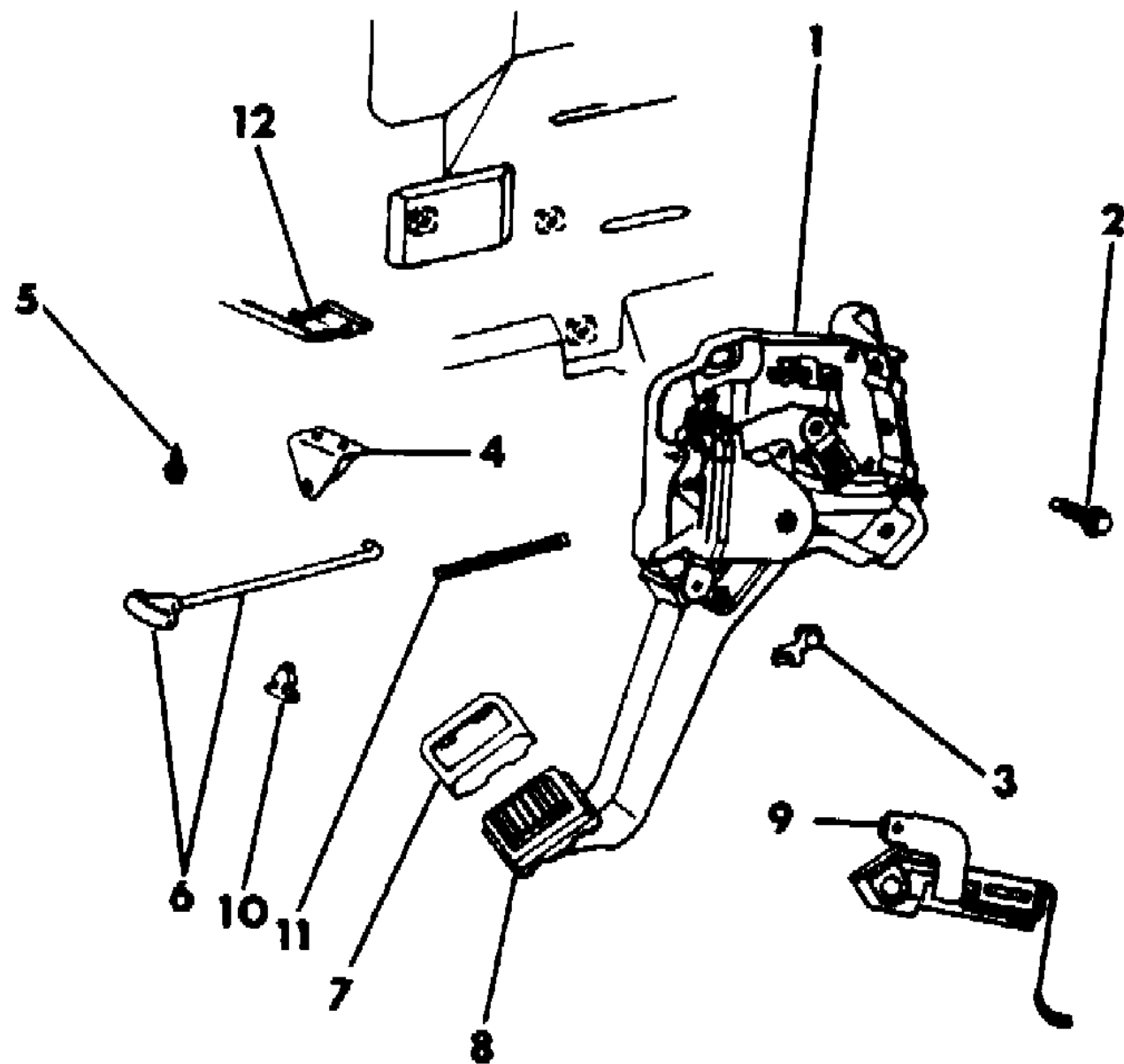
AR = Use as Required - = Non Illustrated Part P.A.R. = Paint as Required

PARKING BRAKE LEVER - B,F,G

Figure 4-200

2104 200

ITEM	PART NUMBER	QTY	BODY	MODEL	DESCRIPTION
1	4019 369	1		All	LEVER,Park Brake
1	0181 088	3		All	SCREW w/WASHER, Lever Att.
3	3454 220	1		All	CLIP, Lever Rel. Rod
4	4019 545	1		All	BEZEL, Rel. Rod
5		2		All	SCREW (Not Serv.)
6	4019 543	1		All	ROD,w/KNOB, Lever Rel.
7	2467 513	1		All	BEZEL, Pedal Pad
8	2467 514	1		All	PAD, Pedal
9	3747 327	1		All	SWITCH, Park Brake
10	4205 996	1		All	BUMPER PKG., Lever Ret.
11	4205 997	1		All	SPRING PKG, Rel. Rod
12		1		All	REINF.Inst.Panel (Ref.Only)



MODEL CODES

B = GRAN FURY/CARAVELLE	P = RELIANT
C = LEBARON/TOWN & COUNTRY	S = CORDOBA
D = ARIES	V = 400
F = NEW YORKER	X = MIRADA
G = DIPLOMAT	Y = IMPERIAL
M = HORIZON/TC3/SCAMP	Z = OMNI/O24/RAMPAGE

BODY STYLES

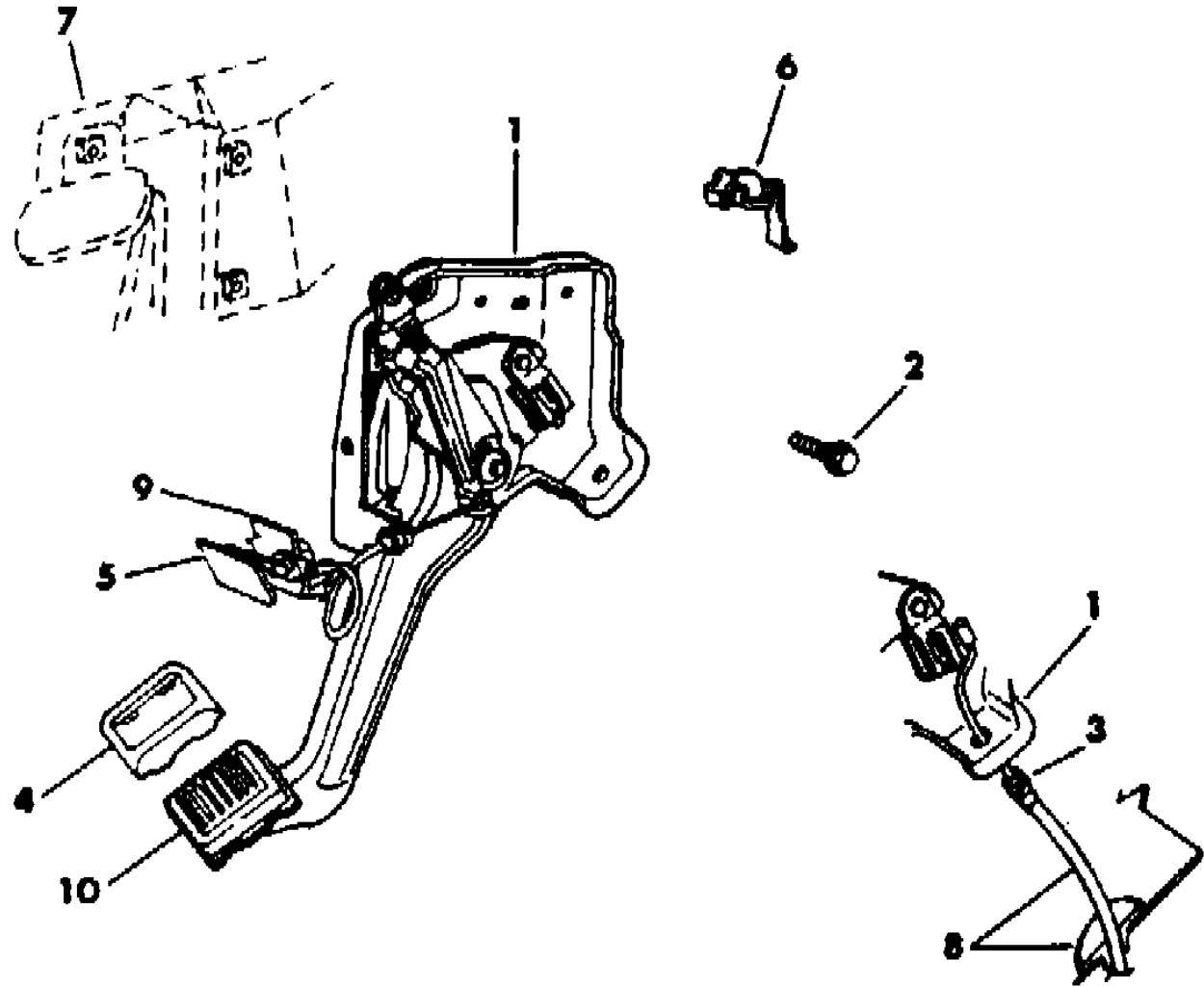
21 = 2-DOOR SEDAN	28 = FWD PICKUP
22 = 2-DOOR SPECIAL COUPE	41 = 4-DOOR SEDAN
24 = 2-DOOR HATCHBACK	44 = 4-DOOR HATCHBACK
27 = 2-DOOR CONVERTIBLE	45 = 2-SEAT STATION WAGON

AR = Use as Required - = Non Illustrated Part P.A.R. = Paint as Required

PARKING BRAKE LEVER - X,S,Y  
Figure 4-400

2104 400

ITEM	PART NUMBER	QTY	BODY	MODEL	DESCRIPTION
1	4019 851	1		All	LEVER, Park Brake
2	0181 088	3		All	SCREW w/WASHER, Lever Att.
3	3767 939	1		All	RETAINER, Cable Rear
4	2467 513	1		All	BEZEL, Pedal Pad
5	4019 503	1		X,S	RELEASE, Park Brake Lever
	5211 939	1		Y	
6	3747 327	1		All	SWITCH, Lever Release
7				All	COWL, Side Inner (Ref.)
8	3766 057	1		X,S	CABLE, Ft.
	5211 949	1		Y	
9				All	INST. Panel (Ref.)
10	2467 514	1		All	PAD, Pedal



MODEL CODES

B = GRAN FURY/CARAVELLE	P = RELIANT
C = LEBARON/TOWN & COUNTRY	S = CORDOBA
D = ARIES	V = 400
F = NEW YORKER	X = MIRADA
G = DIPLOMAT	Y = IMPERIAL
M = HORIZON/TC3/SCAMP	Z = OMNI/O24/RAMPAGE

BODY STYLES

21 = 2-DOOR SEDAN	28 = FWD PICKUP
22 = 2-DOOR SPECIAL COUPE	41 = 4-DOOR SEDAN
24 = 2-DOOR HATCHBACK	44 = 4-DOOR HATCHBACK
27 = 2-DOOR CONVERTIBLE	45 = 2-SEAT STATION WAGON

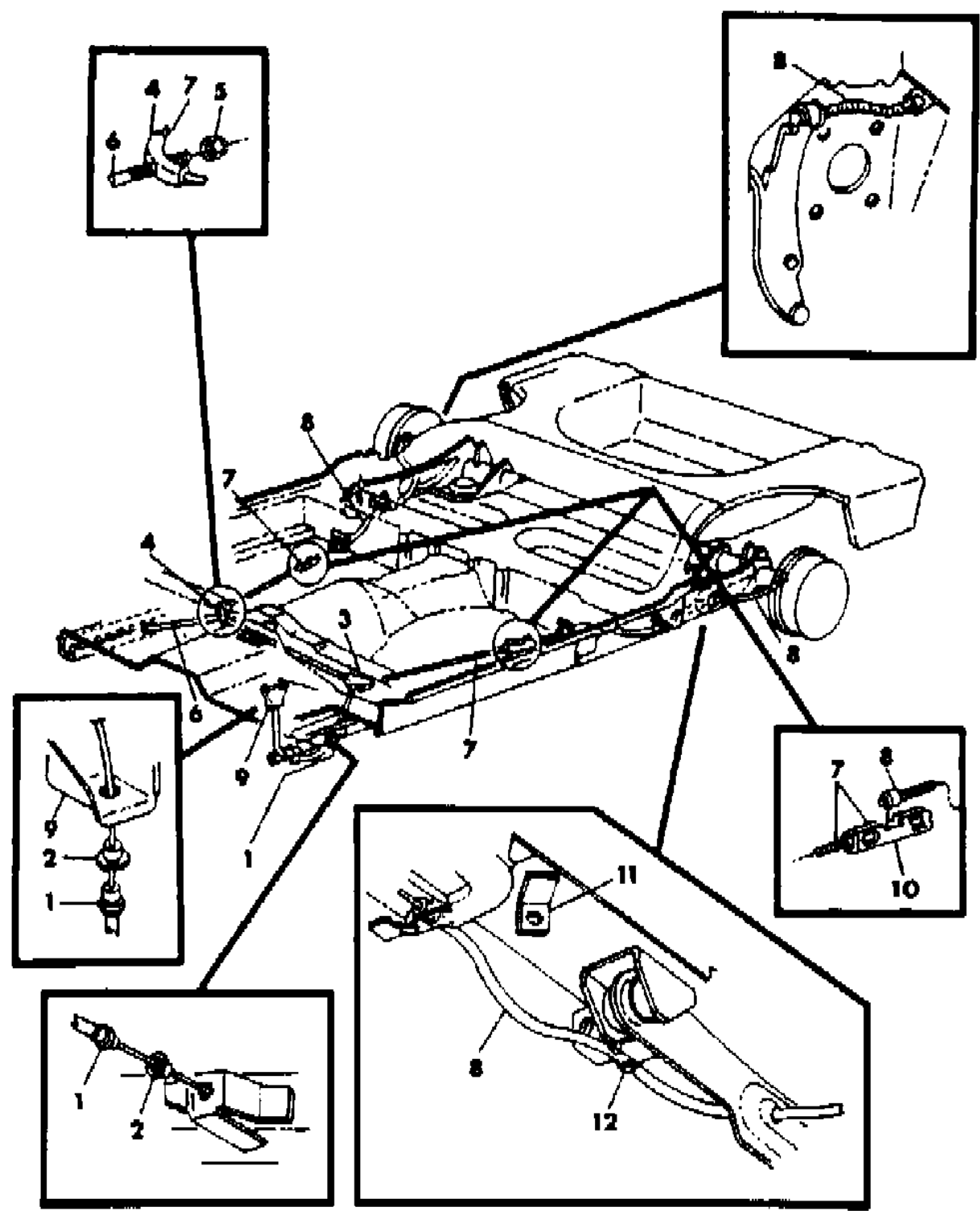
AR = Use as Required - = Non Illustrated Part P.A.R. = Paint as Required

PARKING BRAKE CONTROLS - P,D,C,V

Figure 4-450

3104 450A

ITEM	PART NUMBER	QTY	BODY	MODEL	DESCRIPTION
1	3766 435	1		All	CABLE, Front
	5200 384	1		All	SEAL, Dash Panel Cable (Not Ill.)
2	3467 939	2		All	RETAINER, Cable Seal
3	3575 593	1		All	CONNECTOR, Frt. To Int. Cable
4	3467 901	1		All	EQUALIZER
5	6030 607	1		All	NUT, Cable Adjust Conn.
6	3766 379	1		All	HOOK, Int. Adjust Cable
	3880 022	1		All	CUSHION, Park Brake Hook Adjust (Not Ill.)
7	3766 459	1		All	CABLE, Int.
8	#3880 317-8	1		All	CABLE, Rear, Up To 11-16-81
	3880 377-8	1		All	After 11-16-81
9					LEVER (Ref.Only)
10	#3766 234	2		All	CONNECTOR, Int. Cable To Rr. Cable
11					BRKT. (Ref. See Ill. Gr.5)
12					BRKT. (Ref. See Ill. Gr.5)



MODEL CODES

- |                            |                      |
|----------------------------|----------------------|
| B = GRAN FURY/CARAVELLE    | P = RELIANT          |
| C = LEBARON/TOWN & COUNTRY | S = CORDOBA          |
| D = ARIES                  | V = 400              |
| F = NEW YORKER             | X = MIRADA           |
| G = DIPLOMAT               | Y = IMPERIAL         |
| M = HORIZON/TC3/SCAMP      | Z = OMNI/O24/RAMPAGE |

BODY STYLES

- |                           |                           |
|---------------------------|---------------------------|
| 21 = 2-DOOR SEDAN         | 28 = FWD PICKUP           |
| 22 = 2-DOOR SPECIAL COUPE | 41 = 4-DOOR SEDAN         |
| 24 = 2-DOOR HATCHBACK     | 44 = 4-DOOR HATCHBACK     |
| 27 = 2-DOOR CONVERTIBLE   | 45 = 2-SEAT STATION WAGON |

AR = Use as Required - = Non Illustrated Part P.A.R. = Paint as Required

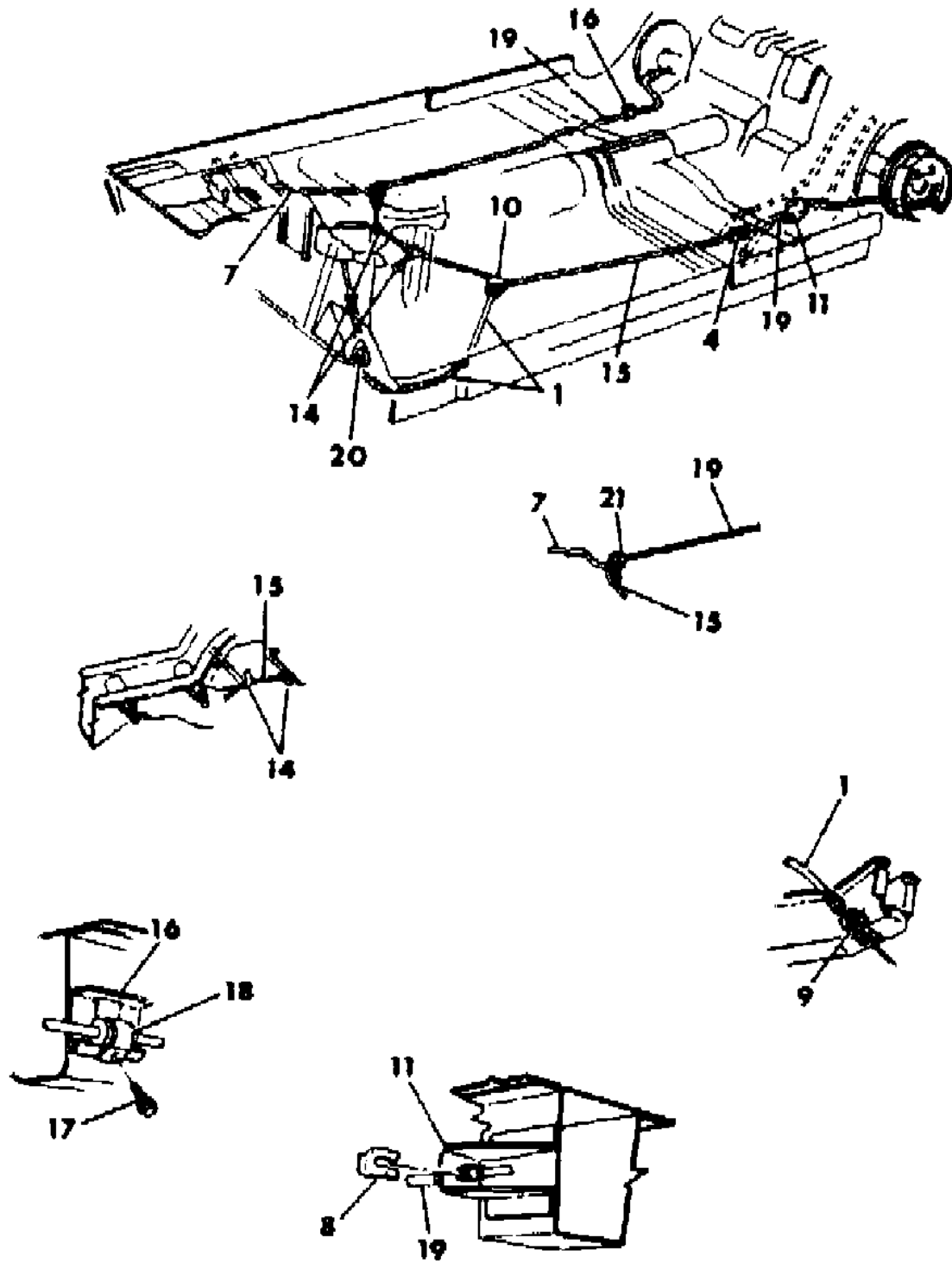


PARKING BRAKE CONTROLS - B,F,G,X,S,Y

Figure 4-500

2104 500

ITEM	PART NUMBER	QTY	BODY	MODEL	DESCRIPTION
1	3766 292	1		All	CABLE, Frt.
4	3766 234	1		All	CONNECTOR, Inter. To Rear Cable,Lt.
7	3880 073	1		All	HOOK, Int. Cable Equalizer
8	2201 467	1		All	CLIP, Cable To Cable Supt.
9	3467 939	2		All	RETAINER, Cable Lower
10	3575 593	1		All	CONNECTOR, Frt. To Inter. Cable
11	3570 345	1		All	BRACKET, Rear Side Rail Cable, Lt.
14	3766 289	2		All	HOOK, Inter. Cable Guide
15	#3880 072	1		All	CABLE, Inter.
16	4073 057	1		All	BRACKET, Rear Side Rail Cable, Rt.
17		1		All	SCREW, (Not Serviced)
18	3699 186	1		All	CLAMP, Rear Cable Anchor, Rt.
19	3880 074	2		All	CABLE, Rear, Exc. Police & Taxi
	3880 075	2		F,G	Police & Taxi
20	2259 118	1		All	SEAL, Frt. Floor Pan Cable
21	3467 901	1		All	EQUALIZER, Cable Inter.



MODEL CODES

B = GRAN FURY/CARAVELLE	P = RELIANT
C = LEBARON/TOWN & COUNTRY	S = CORDOBA
D = ARIES	V = 400
F = NEW YORKER	X = MIRADA
G = DIPLOMAT	Y = IMPERIAL
M = HORIZON/TC3/SCAMP	Z = OMNI/O24/RAMPAGE

BODY STYLES

21 = 2-DOOR SEDAN	28 = FWD PICKUP
22 = 2-DOOR SPECIAL COUPE	41 = 4-DOOR SEDAN
24 = 2-DOOR HATCHBACK	44 = 4-DOOR HATCHBACK
27 = 2-DOOR CONVERTIBLE	45 = 2-SEAT STATION WAGON

AR = Use as Required - = Non Illustrated Part P.A.R. = Paint as Required

---

**GROUP 5 - BRAKE, SERVICE**

<b>ILLUSTRATION TITLE</b>	<b>GROUP-FIG. NO.</b>
FRONT WHEEL DISC BRAKES P,D,C,V .....	Fig. 5-100
CALIPER WITH HUB AND DISC (SLIDER TYPE) F,G,B,X,S,Y .....	Fig. 5-200
FRONT WHEEL DISC BRAKES M,Z .....	Fig. 5-300
REAR WHEEL BRAKE (EXCEPT M,Z,P,D,C,V) .....	Fig. 5-400
REAR WHEEL BRAKE M,Z,P,D,C,V .....	Fig. 5-500
MASTER CYLINDER M,Z,P,D,C,V .....	Fig. 5-600
MASTER CYLINDER, ALUMINUM F,G,B,X,S,Y .....	Fig. 5-700
POWER BRAKE UNIT P,D,C,V .....	Fig. 5-800
POWER BRAKE UNIT M,Z .....	Fig. 5-900
POWER UNIT BENDIX F,G,B,X,S,Y .....	Fig. 5-1000
BRAKE PEDAL AND BRACKET P,D,C,V .....	Fig. 5-1200
BRAKE PEDAL AND BRACKET M,Z .....	Fig. 5-1300
BRAKE PEDAL AND BRACKET F,G,B .....	Fig. 5-1400
BRAKE PEDAL AND BRACKET X,S,Y .....	Fig. 5-1500
BRAKE LINES P,D,C,V .....	Fig. 5-1600
BRAKE LINES M,Z .....	Fig. 5-1700
BRAKE LINES F,G,B,X,S,Y .....	Fig. 5-1800

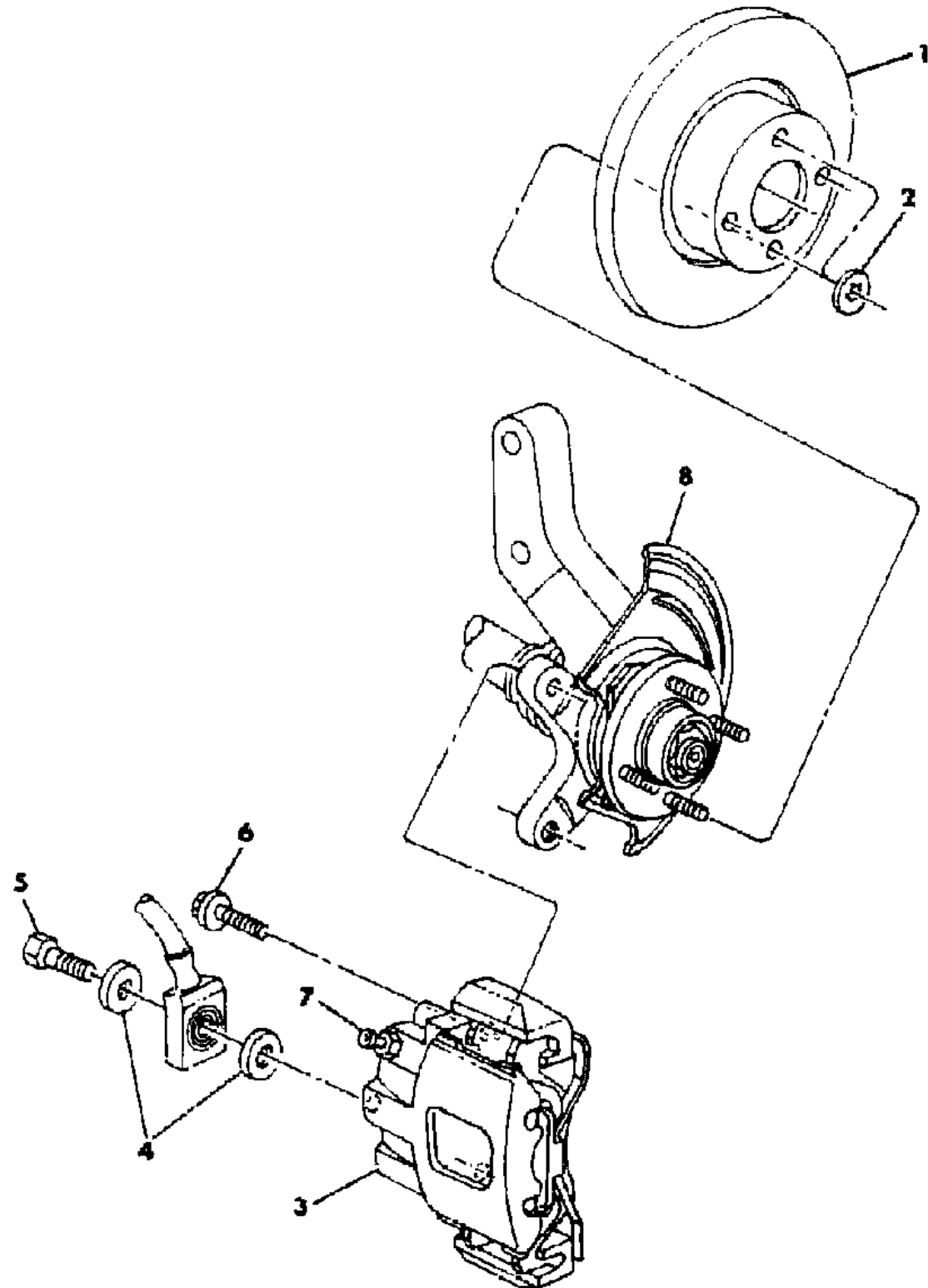
**ILLUSTRATION NOT AVAILABLE AT TIME OF PUBLICATION**

---

FRONT WHEEL DISC BRAKES P,D,C,V

Figure 5-100

2105 100



ITEM	PART NUMBER	QTY	BODY	MODEL	DESCRIPTION
	4205 983	1			SHOE and LINING PKG.,(w/Man. Disc) Consists of: 2 - ---- --- Shoe and Lining, Inner 2 - ---- --- Shoe and Lining, Outer
	4267 348	1			SHOE and LINING PKG.,(w/pwr. Disc) Consists of: 2 - ---- --- Shoe and Lining, Inner 2 - ---- --- Shoe and Lining, Outer
	4205 984	2			PISTON, SEAL, BOOT PACKAGE Consists of: 1 - ---- --- Piston 1 - ---- --- Seal 1 - ---- --- Boot
	4205 985	2			BOOT and SEAL PACKAGE Consists of: 1 - ---- --- Seal 1 - ---- --- Boot
	4205 982	2			BUSHING PKG. Consists of: 2 - ---- --- Bushing 2 - ---- --- Sleeve
1	4126 947	2			DISC BRAKE
3	4238 684-5	1			HOUSING, Caliper Partial consists of: 4126 729 4 Pin (Not Shown) 4126 732 2 Clip (Not Shown) 4205 985 2 Boot (Not Shown) see Pkg. 4205 985 2 Seal (Not Shown) see Pkg. 4205 984 2 Piston (Not Shown) see Pkg. 4205 982 2 Bushing (Not Shown) see Pkg. 4205 982 2 Sleeve (Not Shown) see Pkg.
4	6030 084	4			GASKET
5	6030 230	2			BOLT
6	6500 496	4			SCREW-HEX
7	4126 879	2			SCREW, Bleeder
	4126 733	2			CAP, Bleeder (Not Shown)
8	4126 750	2			SHIELD, Splash

MODEL CODES

B = GRAN FURY/CARAVELLE	P = RELIANT
C = LEBARON/TOWN & COUNTRY	S = CORDOBA
D = ARIES	V = 400
F = NEW YORKER	X = MIRADA
G = DIPLOMAT	Y = IMPERIAL
M = HORIZON/TC3/SCAMP	Z = OMNI/O24/RAMPAGE

BODY STYLES

21 = 2-DOOR SEDAN	28 = FWD PICKUP
22 = 2-DOOR SPECIAL COUPE	41 = 4-DOOR SEDAN
24 = 2-DOOR HATCHBACK	44 = 4-DOOR HATCHBACK
27 = 2-DOOR CONVERTIBLE	45 = 2-SEAT STATION WAGON

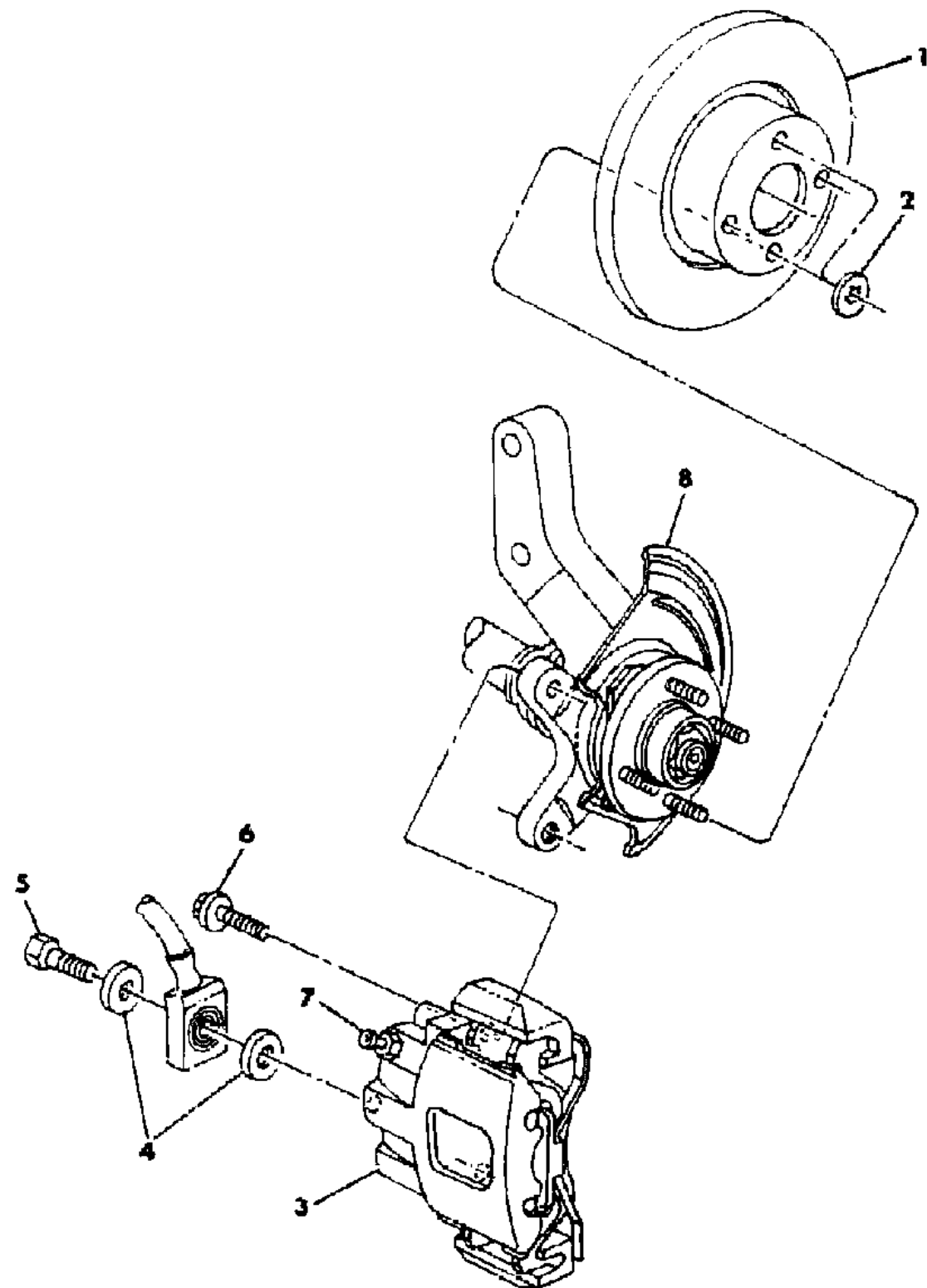
AR = Use as Required - = Non Illustrated Part P.A.R. = Paint as Required

FRONT WHEEL DISC BRAKES P,D,C,V

Figure 5-100

2105 100

ITEM	PART NUMBER	QTY	BODY	MODEL	DESCRIPTION
	4126 737	2			ADAPTER (Not Shown)



MODEL CODES

B = GRAN FURY/CARAVELLE	P = RELIANT
C = LEBARON/TOWN & COUNTRY	S = CORDOBA
D = ARIES	V = 400
F = NEW YORKER	X = MIRADA
G = DIPLOMAT	Y = IMPERIAL
M = HORIZON/TC3/SCAMP	Z = OMNI/O24/RAMPAGE

BODY STYLES

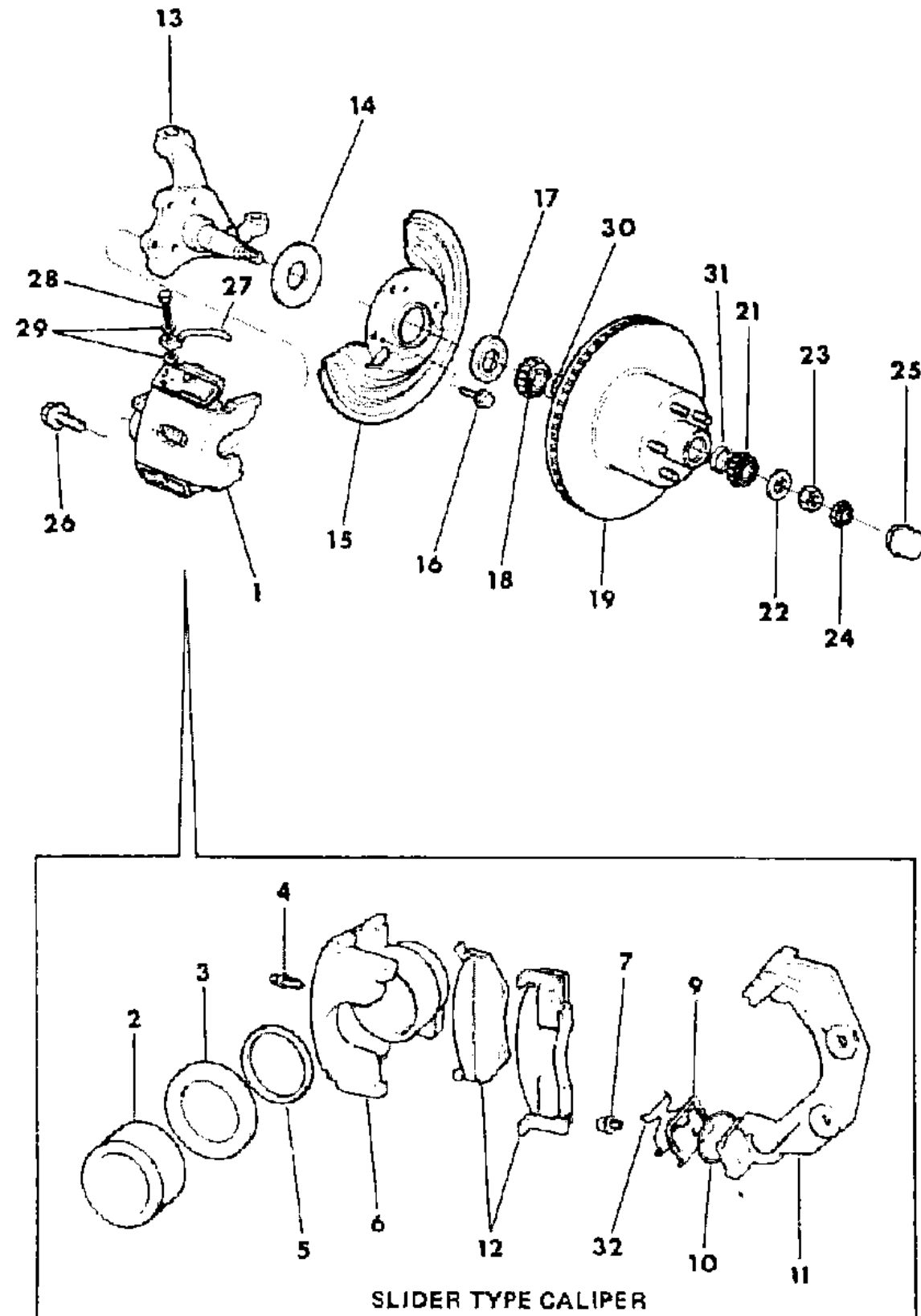
21 = 2-DOOR SEDAN	28 = FWD PICKUP
22 = 2-DOOR SPECIAL COUPE	41 = 4-DOOR SEDAN
24 = 2-DOOR HATCHBACK	44 = 4-DOOR HATCHBACK
27 = 2-DOOR CONVERTIBLE	45 = 2-SEAT STATION WAGON

AR = Use as Required - = Non Illustrated Part P.A.R. = Paint as Required

# CALIPER WITH HUB AND DISC (SLIDER TYPE) F,G,B,X,S,Y

## Figure 5-200

2105 200



ITEM	PART NUMBER	QTY	BODY	MODEL	DESCRIPTION
	4049 699	1		F,G	SHOE and LINING PKG. (AXLE SET) (H/Duty) Consists of: 2 - ---- Shoe and Lining, Inner 2 - ---- Shoe and Lining, Outer 1 - 4186997 Spring Pkg.
	4176 778	1		All	SHOE and LINING PKG. (Axle Set) Consists of: 2 - ---- Shoe and Lining, Outer 2 - ---- Shoe and Lining, Inner 1- 4186997 Spring Pkg.
	3683 975	1		All	BEARING PACKAGE, Inner Consist of: 1 - 3580892 Cone 1 - ---- Cup 1 - 3580723 Seal
	1671 465	1		All	BEARING PACKAGE, Outer Consists of: 1- --- Cone 1- --- Cup
	4186 990	2		All	BOOT and SEAL PACKAGE Consists of: 1 - ---- Seal 1 - ---- Boot 1 - ---- Silicon 1 - ---- Gage
	4186 989	1		All	PISTON, SEAL, BOOT PACKAGE Consists of: 1 - ---- Piston 1 - ---- Seal 1 - ---- Boot 1 - ---- Silicon 1 - ---- Gage
1-12		1		All	CALIPER, Slider Type (Service Components)
2	4186 989	2		All	PISTON, SEAL, BOOT PACKAGE
3	4186 990	2		All	BOOT, SEAL, PACKAGE
4	3780 788	2		All	SCREW, Bleeder
5	4186 990	2		All	SEAL, BOOT PACKAGE

**MODEL CODES**

B = GRAN FURY/CARAVELLE	P = RELIANT
C = LEBARON/TOWN & COUNTRY	S = CORDOBA
D = ARIES	V = 400
F = NEW YORKER	X = MIRADA
G = DIPLOMAT	Y = IMPERIAL
M = HORIZON/TC3/SCAMP	Z = OMNI/O24/RAMPAGE

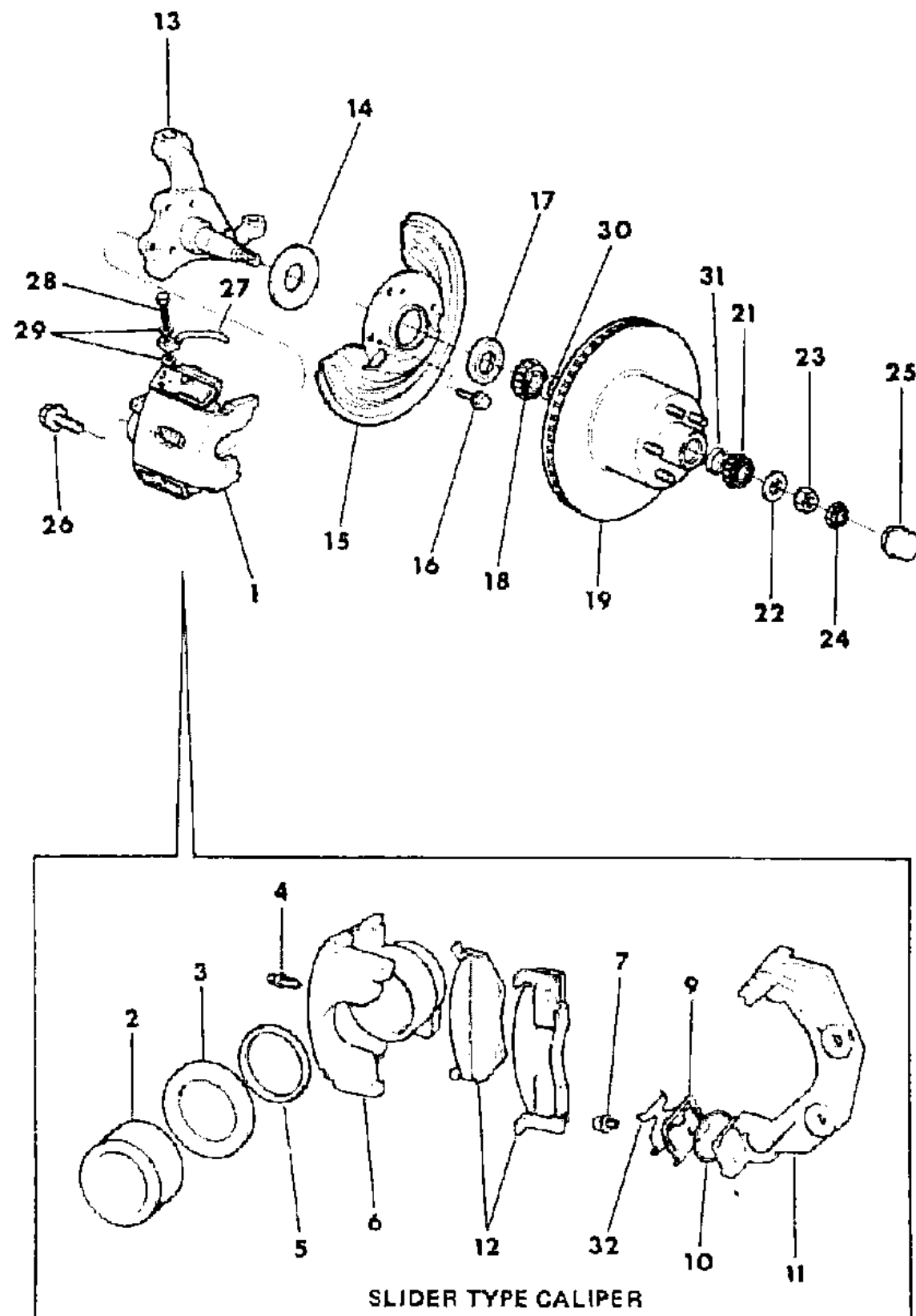
**BODY STYLES**

21 = 2-DOOR SEDAN	28 = FWD PICKUP
22 = 2-DOOR SPECIAL COUPE	41 = 4-DOOR SEDAN
24 = 2-DOOR HATCHBACK	44 = 4-DOOR HATCHBACK
27 = 2-DOOR CONVERTIBLE	45 = 2-SEAT STATION WAGON

AR = Use as Required - = Non Illustrated Part P.A.R. = Paint as Required

**CALIPER WITH HUB AND DISC (SLIDER TYPE) F,G,B,X,S,Y**  
**Figure 5-200**

2105 200



ITEM	PART NUMBER	QTY	BODY	MODEL	DESCRIPTION
6	4126 843	1	All		HOUSING, Partl. Lt.
	4126 842	1	All		Rt.
7	6029 930	4	All		SCREW
9	3580 824	4	All		PLATE
10	3766 519	2	All		RUBBER BAND
11	#4267 344	2	All		ADAPTER, Caliper
12		2	All		SHOE and LINING (See above Packages)
13	3402 640-1	2	All		KNUCKLE, Rt. and Lt.
14	2944 704	2	All		SEAL
15	3880 518-9	2	All		SHIELD, Splash
16	0181 084	2	All		SCREW
17	3580 723	2	All		SEAL, Dust
19	4131 251	2	F,G,X,S		HUB with DISC (Std)
	4126 886	2	Y		
	3880 685	2	F,G,B		H/Duty
21	1671 465	2	All		CONE and ROLLER, Outer (Pkg.)
22	0600 194	2	All		WASHER, Thrust
23	6029 692	2	All		NUT, Bearing Adjusting
24	1673 324	2	All		NUT, Lock
25	3580 894	2	All		CAP
26	6030 952	4	All		SCREW and WASHER, Caliper Mounting
27	4240 508-9	1	All		HOSE, Brake
28	6030 026	2	All		SCREW, Hose to Caliper
29	6030 084	4	All		GASKET, Hose Screw
30	5224 299	2	All		CUP, Bearing Inner
31	1671 465	2	All		CUP, Bearing Outer (Pkg.)
32	#4186 997	4	All		SPRING

**MODEL CODES**

B = GRAN FURY/CARAVELLE	P = RELIANT
C = LEBARON/TOWN & COUNTRY	S = CORDOBA
D = ARIES	V = 400
F = NEW YORKER	X = MIRADA
G = DIPLOMAT	Y = IMPERIAL
M = HORIZON/TC3/SCAMP	Z = OMNI/O24/RAMPAGE

**BODY STYLES**

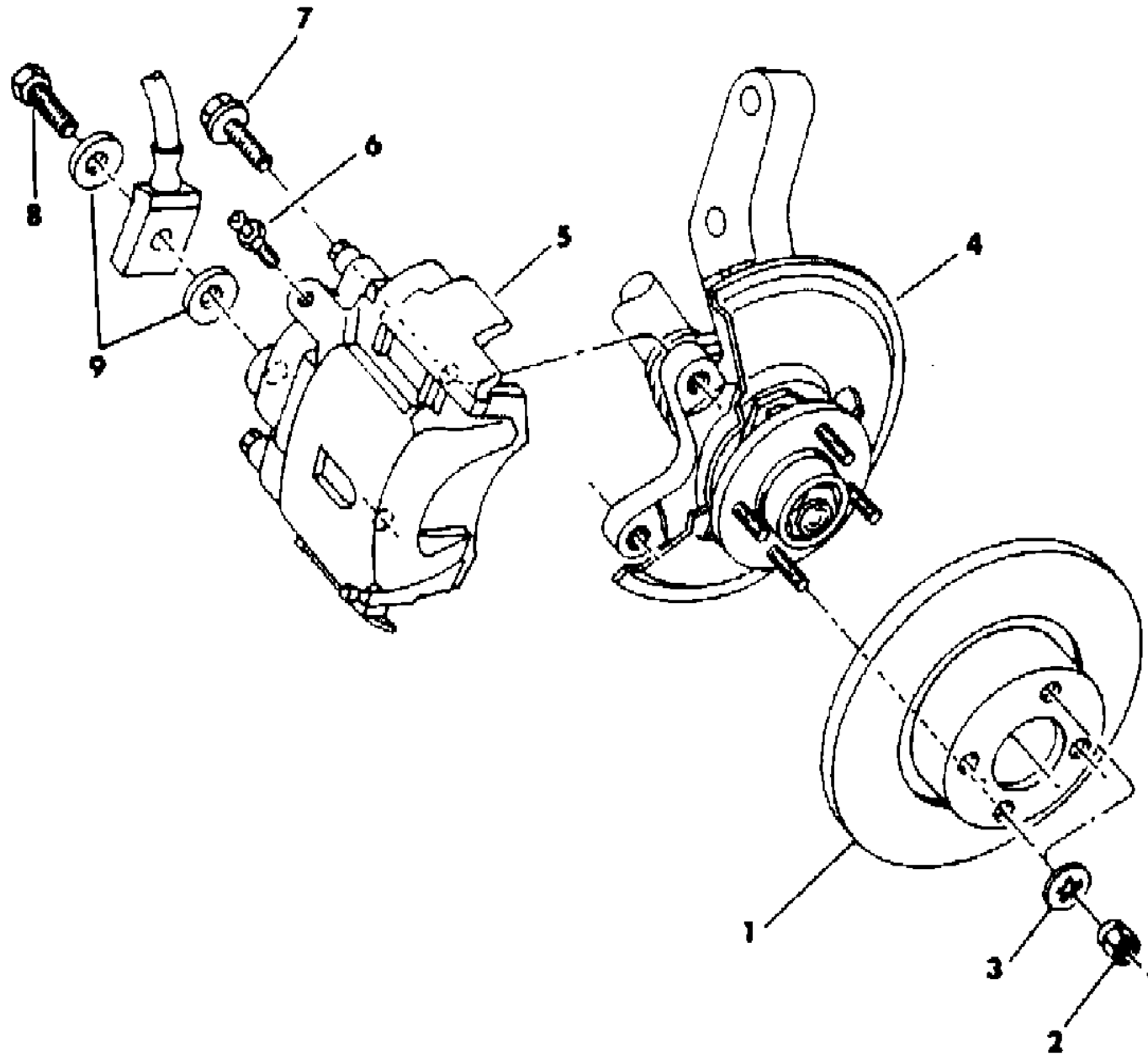
21 = 2-DOOR SEDAN	28 = FWD PICKUP
22 = 2-DOOR SPECIAL COUPE	41 = 4-DOOR SEDAN
24 = 2-DOOR HATCHBACK	44 = 4-DOOR HATCHBACK
27 = 2-DOOR CONVERTIBLE	45 = 2-SEAT STATION WAGON

AR = Use as Required - = Non Illustrated Part P.A.R. = Paint as Required

FRONT WHEEL DISC BRAKES M,Z

Figure 5-300

2105 300



ITEM	PART NUMBER	QTY	BODY	MODEL	DESCRIPTION
	4176 767	1			SHOE and LINING PKG. Riveted Lining Consists of: 4- --- --- Shoe and Lining 2 - 5204393 Bushing
	4094 129	2			1 - 5204412 Clip Anti-Rattle Rt. 1 - 5204413 Clip Anti-Rattle Lt. 2 - --- --- Grease Package BOOT and SEAL PKG. Consists of: 1- --- --- Seal 1- --- --- Boot
	4094 128	2			PISTON, BOOT and SEAL Consists of: 1- --- --- Piston 1- --- --- Seal 1- --- --- Boot
1	5204 255	2			DISC Brake
2	#6500 526	16			NUT, Wheel Stud, Std.
4	4126 750	2			SHIELD, Splash
5	5204 378-9	1			HOUSING, Caliper, Partial Consists of: 4267 330 4 Pin (Not Shown) 4267 331 2 Bushing (Not Shown) 4094 128 2 Piston (Not Shown), See Pkg. 4094 128 2 Boot (Not Shown), See Pkg. 4094 128 2 Seal (Not Shown), See Pkg. 4126 890 2 Adapter (Not Shown) 5204 412-3 1 Clip Anti-Rattle (Not Shown) 5204 389 2 Cap, Bleeder Screw (Not Shown)
6	3780 788	2			SCREW, Bleeder
7	6500 494	4			SCREW and WASHER, Caliper Mounting
8	6030 230	2			BOLT, Brake Hose to Caliper
9	6030 084	4			GASKET, Inlet Hose

MODEL CODES

B = GRAN FURY/CARAVELLE	P = RELIANT
C = LEBARON/TOWN & COUNTRY	S = CORDOBA
D = ARIES	V = 400
F = NEW YORKER	X = MIRADA
G = DIPLOMAT	Y = IMPERIAL
M = HORIZON/TC3/SCAMP	Z = OMNI/O24/RAMPAGE

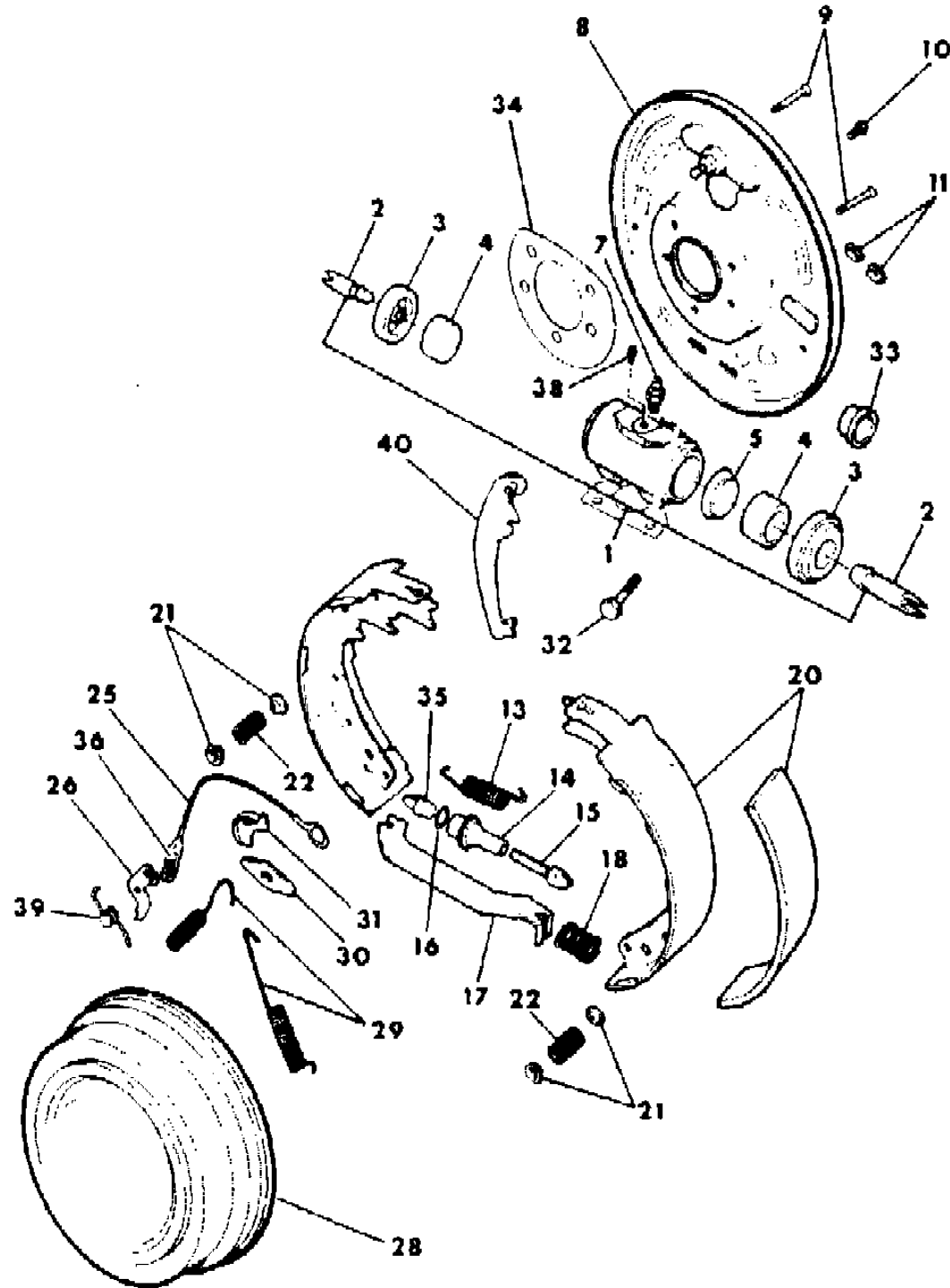
BODY STYLES

21 = 2-DOOR SEDAN	28 = FWD PICKUP
22 = 2-DOOR SPECIAL COUPE	41 = 4-DOOR SEDAN
24 = 2-DOOR HATCHBACK	44 = 4-DOOR HATCHBACK
27 = 2-DOOR CONVERTIBLE	45 = 2-SEAT STATION WAGON

AR = Use as Required - = Non Illustrated Part P.A.R. = Paint as Required

**REAR WHEEL BRAKE (EXCEPT M,Z,P,D,C,V)**  
**Figure 5-400**

2105 400



ITEM	PART NUMBER	QTY	BODY	MODEL	DESCRIPTION
	4049 682	2		All	SHOE and LINING PKG., 10" Brakes Consists of: 2 - ---- --- Shoe and Lining, Primary 2 - ---- --- Shoe and Lining, Secondary 2 - 2260835 Spring
	4026 648	1		F,G	1 - 4049681 Pin, Washer and Lock Pkg. SHOE and LINING PKG., 11" Brakes Taxi Lining Consists of: 2 - ---- --- Shoe and Lining, Primary 2 - ---- --- Shoe and Lining, Secondary
	4049 681	2		All	1 - 4049681 Pin, Washer and Lock Pkg. PIN, WASHER and Lock Pkg., Rr. Whl. Pk./Brk. and A/Adj. Consists of: 2 - ---- --- Pin, Rr. Whl. Brk. A/Adj. Lvr. 2- 2072643 Washer, Pkg./Brk. Lvr. Pin 2-2072644 Lock, Pkg./Brk. Lvr. Pin
	3780 524	1		All	WHEEL CYLINDER REPAIR PKG., 10" and 11" Brakes Consists of: 2 - ---- --- Cup 2 - ---- --- Expander 2 - 2881618 Boot
1	3780 525	2		All	CYLINDER, WHEEL, 10" and 11" Brakes, Less P/Rods
2	2260 787	4		All	ROD, Wheel Cylinder Push
3	2881 618	4		All	BOOT, 10" and 11" Brakes
4	2260 843	4		All	PISTON, 10" and 11" Brakes
7	3766 674	2		All	SCREW, Bleeder
8	3699 601	2		All	SUPPORT, 10" Brakes
	3699 603	2		All	11" Brakes
9	2260 548	4		All	Pin, 2-11/32" Lgh., Fig. 1 Stamped on Head
	4049 681	AR		All	Rr. Whl. Brake, Auto. Adj. Lvr.
10	6028 921	AR		All	SCREW, Whl. Brake Cyl. Mtg.
11	2072 614	4		All	COVER, Brake Adj. Hole
13	3766 574	2		All	SPRING, 10" Brakes
	2880 555	2		All	11" Brakes

**MODEL CODES**

B = GRAN FURY/CARAVELLE	P = RELIANT
C = LEBARON/TOWN & COUNTRY	S = CORDOBA
D = ARIES	V = 400
F = NEW YORKER	X = MIRADA
G = DIPLOMAT	Y = IMPERIAL
M = HORIZON/TC3/SCAMP	Z = OMNI/O24/RAMPAGE

**BODY STYLES**

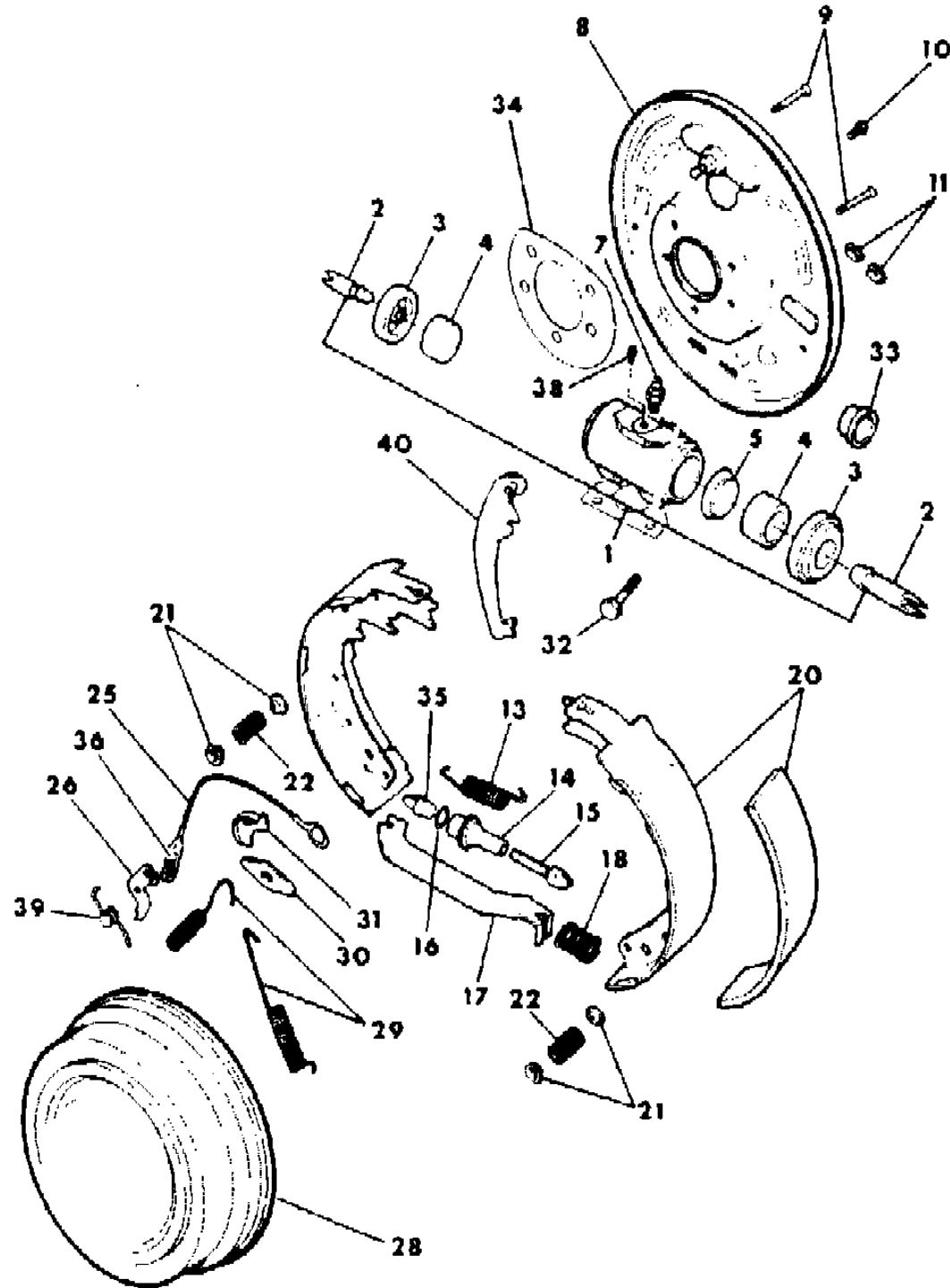
21 = 2-DOOR SEDAN	28 = FWD PICKUP
22 = 2-DOOR SPECIAL COUPE	41 = 4-DOOR SEDAN
24 = 2-DOOR HATCHBACK	44 = 4-DOOR HATCHBACK
27 = 2-DOOR CONVERTIBLE	45 = 2-SEAT STATION WAGON

AR = Use as Required - = Non Illustrated Part P.A.R. = Paint as Required



**REAR WHEEL BRAKE (EXCEPT M,Z,P,D,C,V)**  
**Figure 5-400**

2105 400



ITEM	PART NUMBER	QTY	BODY	MODEL	DESCRIPTION
14	2944 692-3	AR		All	NUT, Auto. Adj. Pivot Screw
15	2881 686-7	AR		All	SCREW, Auto. Adj. Pivot
16	6027 559	AR		All	WASHER, Auto. Adj. Button
17	3880 756-7	1		All	STRUT, 11" Brakes
	4126 576-7	1		All	STRUT, 10" Brakes
18	2533 822	1		All	SPRING, Pk. Brk. Lvr. Strut, w/11" Brakes
20		2		All	SHOE and LINING (Serviced in Shoe and Lining Pkg.)
21	4126 525	8		All	RETAINER, Spring
22	4126 525	4		All	SPRING, Hold-Down
25	3461 663	2		All	CABLE, 10" Brakes
	3461 664	2		All	11" Brakes
26	3461 665	2		All	LEVER, Auto. Adj.
28	#4049 661	2		All	DRUM, Rear Wheel, 10" Brakes
	3780 537	2	F,G,B		w/11" Brakes
29	2260 835	4		All	SPRING, 10" Brakes
	2260 789	4		All	11" Brakes
30	2267 045	2		All	PLATE, 10" Brakes
	2260 788	2		All	11" Brakes
31	2260 793	2		All	GUIDE, Auto. Adj. Cable
32	3723 668	AR		All	BOLT, Rr. Whl. Mtg., 1" Long
	3723 669	AR		All	15/16" Long
33	3699 549	AR		All	PLUG, Park Brake Cable Hole
34	2881 314	AR		All	GASKET, Axle Hsg. Brake Support Plate, 5 Holes, Inner
	2070 933	AR		All	5 Holes, Outer
35	2944 586	2		All	BUTTON, Auto. Adj.
36	3461 660	2		All	SPRING, Auto. Adj. Cable
39	2944 580	2		All	SPRING, Rr. Whl. Brake A/Adj. Lever, Rt.
	2944 581	2		All	Lt.
40	3880 628-9	1		All	LEVER, Park Brake w/10" Brakes
			X,S		
	3880 630-1	1		All	w/11" Brakes

**MODEL CODES**

B = GRAN FURY/CARAVELLE	P = RELIANT
C = LEBARON/TOWN & COUNTRY	S = CORDOBA
D = ARIES	V = 400
F = NEW YORKER	X = MIRADA
G = DIPLOMAT	Y = IMPERIAL
M = HORIZON/TC3/SCAMP	Z = OMNI/O24/RAMPAGE

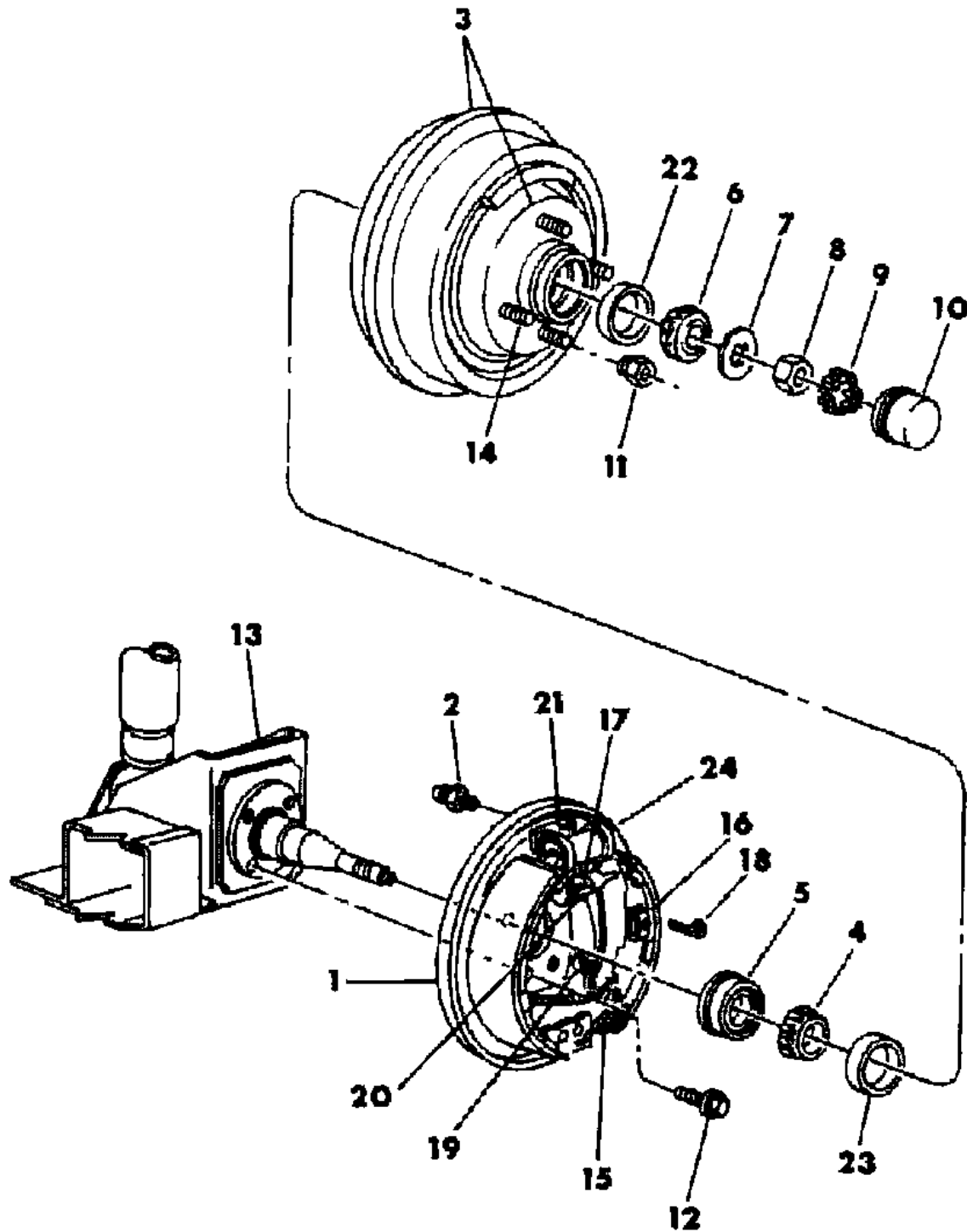
**BODY STYLES**

21 = 2-DOOR SEDAN	28 = FWD PICKUP
22 = 2-DOOR SPECIAL COUPE	41 = 4-DOOR SEDAN
24 = 2-DOOR HATCHBACK	44 = 4-DOOR HATCHBACK
27 = 2-DOOR CONVERTIBLE	45 = 2-SEAT STATION WAGON

AR = Use as Required - = Non Illustrated Part P.A.R. = Paint as Required

REAR WHEEL BRAKE M,Z,P,D,C,V  
Figure 5-500

2105 500



ITEM	PART NUMBER	QTY	BODY	MODEL	DESCRIPTION
	4205 999	2		All	SHOE and LINING PKG. Consists of: 1- --- --- Shoe and Lining Pk/Brk. Lvr. 1- --- --- Shoe and Lining Pk/Brk. Lvr. 2- --- --- Shoe and Lining Brake Trailing
	4094 130	2		All	SHOE and LINING PKG. PK/BRK. LVR. RT. and LT. WHEEL CYLINDER REPAIR PKG. Consists of: 2- --- --- Piston 2- --- --- Cup 2- --- --- Boot 1- --- --- Expander
1	#4238 640	2		All	SUPPORT, Brake
2	3766 674	2		All	SCREW, Bleeder
3	5204 419	2		Except	HUB and DRUM (up to 1-15-82)
	4238 649	2		All	after (1-15-82)
	4238 649	2		28	
4	2203 352	2		All	CONE and ROLLER, Inner
5	4126 893	2		All	SEAL, Dust
6	1671 465	2		All	CONE and ROLLER, Outer (Pkg.)
7	0600 194	2		All	WASHER, Bearing Thrust
8	6029 692	2		All	NUT, Bearing Adjusting
9	1673 324	2		All	LOCK, Bearing Adjusting Nut
10	3580 894	2		All	CAP, Grease
11	#6500 526	8		All	NUT, Wheel Stud, Std.
12	6500 113	8		All	BOLT, Spindle Mtd.
13	#4228 076	2		All	SPINDLE, Rr. Whl. Mtg.
	4228 076	2		28	after 12-1-81
14	5204 272	8		All	STUD, Wheel
15	4126 669	4		All	SPRING, Shoe to Shoe Lower
16	5204 349	4		All	SPRING, Shoe Hold Down
17	5204 348	4		All	SPRING, Shoe Return
18	5204 350	4		All	PIN
19	3699 549	2		All	PLUG,Pk/Brk.Cable
20	5204 215	2		All	SCREW Rr. Whl. Brk. Adj. .
	5204 356	2		All	LOCK Rr. Whl. Brk. Nut (not shown)
	5204 353	2		All	NUT Rr. Whl. Brk. Adj. Screw (not shown)

MODEL CODES

B = GRAN FURY/CARAVELLE	P = RELIANT
C = LEBARON/TOWN & COUNTRY	S = CORDOBA
D = ARIES	V = 400
F = NEW YORKER	X = MIRADA
G = DIPLOMAT	Y = IMPERIAL
M = HORIZON/TC3/SCAMP	Z = OMNI/O24/RAMPAGE

BODY STYLES

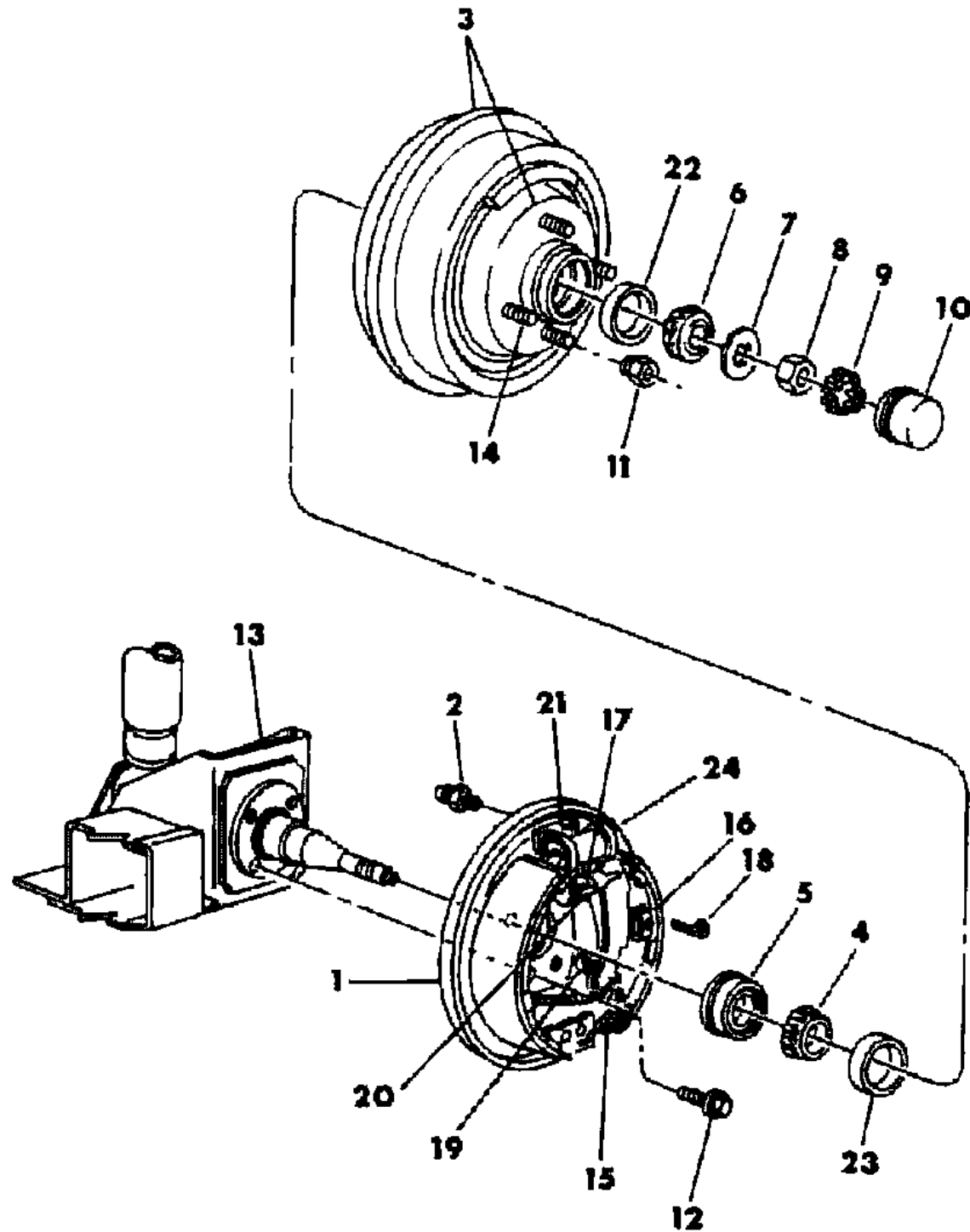
21 = 2-DOOR SEDAN	28 = FWD PICKUP
22 = 2-DOOR SPECIAL COUPE	41 = 4-DOOR SEDAN
24 = 2-DOOR HATCHBACK	44 = 4-DOOR HATCHBACK
27 = 2-DOOR CONVERTIBLE	45 = 2-SEAT STATION WAGON

AR = Use as Required - = Non Illustrated Part P.A.R. = Paint as Required

REAR WHEEL BRAKE M,Z,P,D,C,V  
Figure 5-500

2105 500

ITEM	PART NUMBER	QTY	BODY	MODEL	DESCRIPTION
21	6028 921	4		All	SCREW, Cyl. Mtg.
22	1671 465	2		All	CUP, Bearing, Outer (Pkg.)
23	2203 353	2		All	CUP, Bearing, Inner
24	4126 780	2		All	CYLINDER Whl. Complete
	3699 549	2		All	PLUG, Brake Adj. Hole (Not Shown)
	6032 166	4		All	WASHER, Pk. Brk. Lvr. Pin (Not Shown)



MODEL CODES

B = GRAN FURY/CARAVELLE	P = RELIANT
C = LEBARON/TOWN & COUNTRY	S = CORDOBA
D = ARIES	V = 400
F = NEW YORKER	X = MIRADA
G = DIPLOMAT	Y = IMPERIAL
M = HORIZON/TC3/SCAMP	Z = OMNI/O24/RAMPAGE

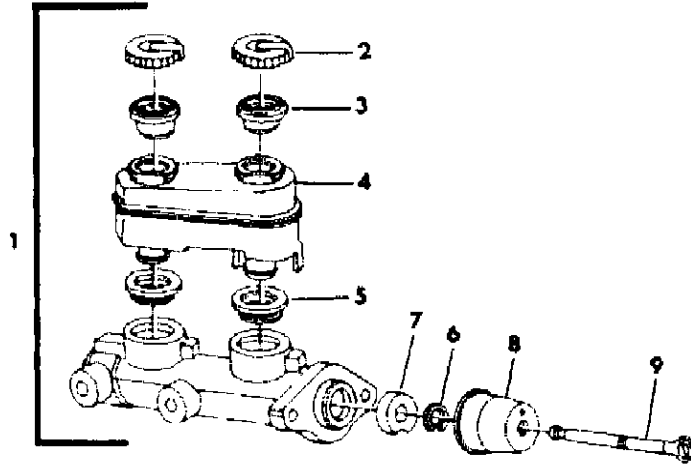
BODY STYLES

21 = 2-DOOR SEDAN	28 = FWD PICKUP
22 = 2-DOOR SPECIAL COUPE	41 = 4-DOOR SEDAN
24 = 2-DOOR HATCHBACK	44 = 4-DOOR HATCHBACK
27 = 2-DOOR CONVERTIBLE	45 = 2-SEAT STATION WAGON

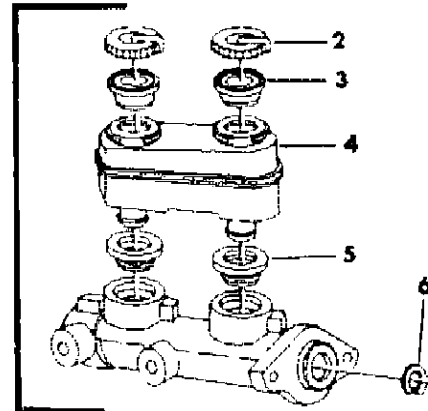
AR = Use as Required - = Non Illustrated Part P.A.R. = Paint as Required

**MASTER CYLINDER M,Z,P,D,C,V**  
**Figure 5-600**

2105 600



**WITH MANUAL DISC BRAKES**



**WITH POWER DISC BRAKES**

ITEM	PART NUMBER	QTY	BODY	MODEL	DESCRIPTION
	4186 965	1		M,Z	MASTER CYL. REPAIR PKG., All Consists of: 1- --- --- Piston Assy. Primary 1- --- --- Piston Assy. Secondary 1- 3880018 Retainer Manual 1- 5204051 Boot, Manual 1- 6031134 Stop, Piston 2- --- --- Insert Tube 2- --- --- Insert Tube
	4205 987	1		P,D,C,V	1-4019421 Clip Push Rod Pin MASTER CYL. REPAIR PKG., All Disc Consists of: 1- --- --- Piston Assy. Primary 1- --- --- Piston Assy. Secondary 2- --- --- Insert 1- 3880018 Retainer, Manual 1- 5204051 Boot, Manual 1- 6031134 Stop 1- 4019421 Clip Push Rod Pin
1	#3880 285	1		M,Z	MASTER CYL., w/Man. Disc.
	3880 287	1		P,D,C,V	w/Man. Disc.
	3880 287	1		M,Z,P,D	w/Pwr. Disc.
2	5204 056	2		All	CAP, M/Cylinder Reservoir
3	5204 057	2		All	DIAPHRAGM, Reservoir
4	3766 447	1		M,Z	RESERVOIR, Master Cyl. w/Man. Disc
	3766 498	1		M,Z,P,D	RESERVOIR, Master Cyl. all Disc
5	5204 149	2			GROMMET, Reservoir
6	6031 134	1		All	STOP, Snap Ring
7	#3880 018	1		M,Z	RETAINER , w/Man. Disc
	3880 018	1		P,D,C,V	RETAINER , w/Man. Disc
8	5204 051	1		All	BOOT, Manual
9	5204 050	1		M,Z	ROD, w/Man. Disc
	3766 365	1		P,D,C,V	ROD, w/Man. Disc
	4019 421	1		All	CLIP, Push Rod Pin (not shown)

NOTE: Whenever the Brake Booster/Master Cyl. Push Rod is Disconnected from Brk. Pedal, replace ClipPart Number 4019421 Gear and Pinion numbers stamped on the item may be used to confirm the correct MATCHED SET they are contained in.

**MODEL CODES**

B = GRAN FURY/CARAVELLE	P = RELIANT
C = LEBARON/TOWN & COUNTRY	S = CORDOBA
D = ARIES	V = 400
F = NEW YORKER	X = MIRADA
G = DIPLOMAT	Y = IMPERIAL
M = HORIZON/TC3/SCAMP	Z = OMNI/O24/RAMPAGE

**BODY STYLES**

21 = 2-DOOR SEDAN	28 = FWD PICKUP
22 = 2-DOOR SPECIAL COUPE	41 = 4-DOOR SEDAN
24 = 2-DOOR HATCHBACK	44 = 4-DOOR HATCHBACK
27 = 2-DOOR CONVERTIBLE	45 = 2-SEAT STATION WAGON

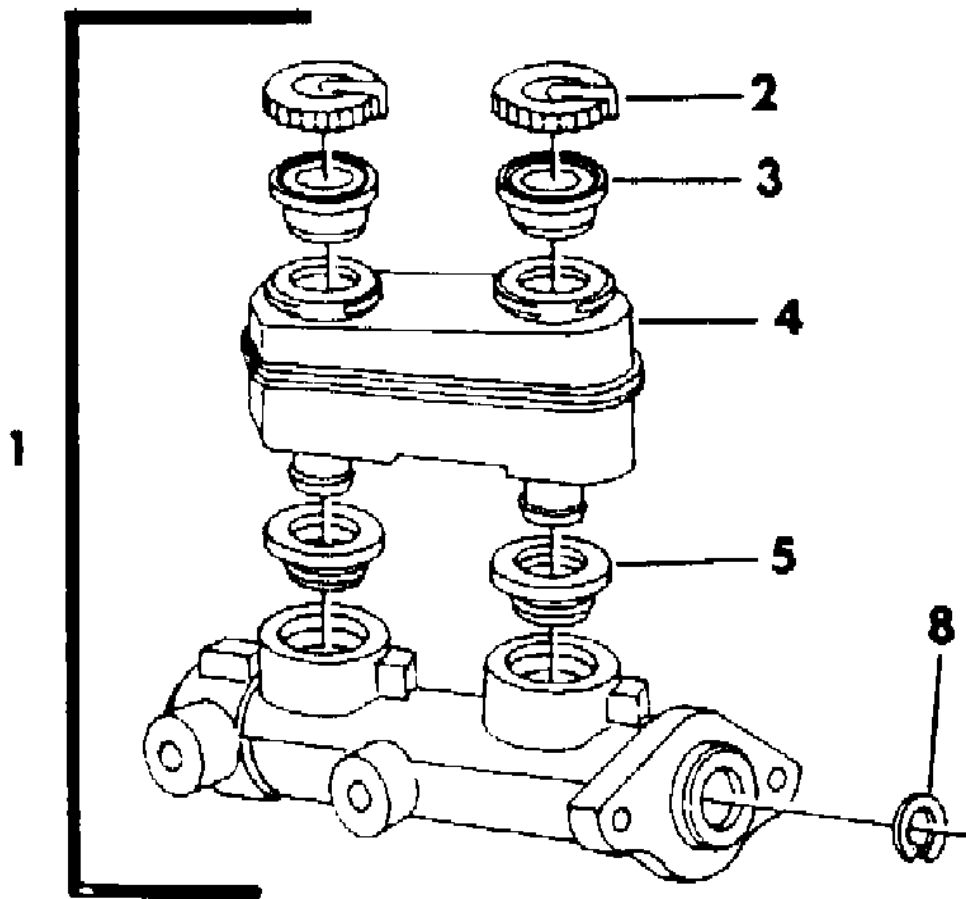
AR = Use as Required - = Non Illustrated Part P.A.R. = Paint as Required

**MASTER CYLINDER, ALUMINUM F,G,B,X,S,Y**  
**Figure 5-700**

2105 700

ITEM	PART NUMBER	QTY	BODY	MODEL	DESCRIPTION
	4205 973	1		All	MASTER CYL. REPAIR PKG., All Power Consists of: 1 - --- --- Piston Assy., Primary 2 - --- --- Insert Tube 1 - --- --- Piston Assy., Secondary 1- 6029170 Stop Piston 1-4019421 Clip, M/cyl. Push Rod Pin
1	3880 289	1		All	MASTER CYL.
2	5204 056	2		All	CAP
3	5204 057	2		All	DIAPHRAGM
4	3766 448	1		All	RESERVOIR
5	5204 149	2		All	GROMMET
8	6029 170	1		All	STOP, Snap Ring
	2933 249	AR		All	FLUID, Brake Hi Temp., 12 oz.
	2933 250	AR		All	1 Quart
	2933 251	AR		All	1 Gallon
	2933 252	AR		All	5 Gallon
	4019 421	1		All	CLIP, Push Rod Pin (not shown)

NOTE: Whenever the Brake Booster/Master Cyl. Push Rod is disconnected from Brk Pedal, replace PartNumber 4019421 Gear and Pinion numbers stamped on the item may be used to confirm the correct MATCHED SET they are contained in.



**WITH POWER DISC BRAKES**

**MODEL CODES**

B = GRAN FURY/CARAVELLE	P = RELIANT
C = LEBARON/TOWN & COUNTRY	S = CORDOBA
D = ARIES	V = 400
F = NEW YORKER	X = MIRADA
G = DIPLOMAT	Y = IMPERIAL
M = HORIZON/TC3/SCAMP	Z = OMNI/O24/RAMPAGE

**BODY STYLES**

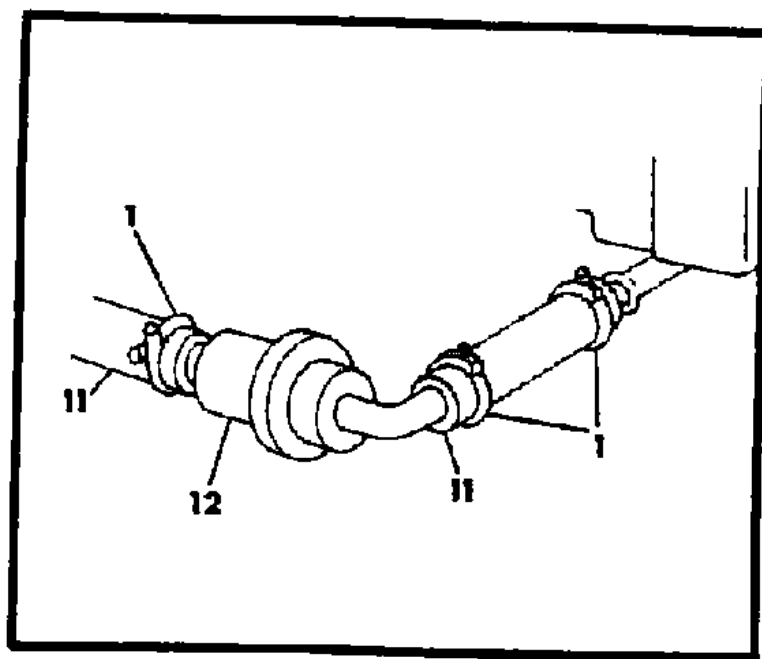
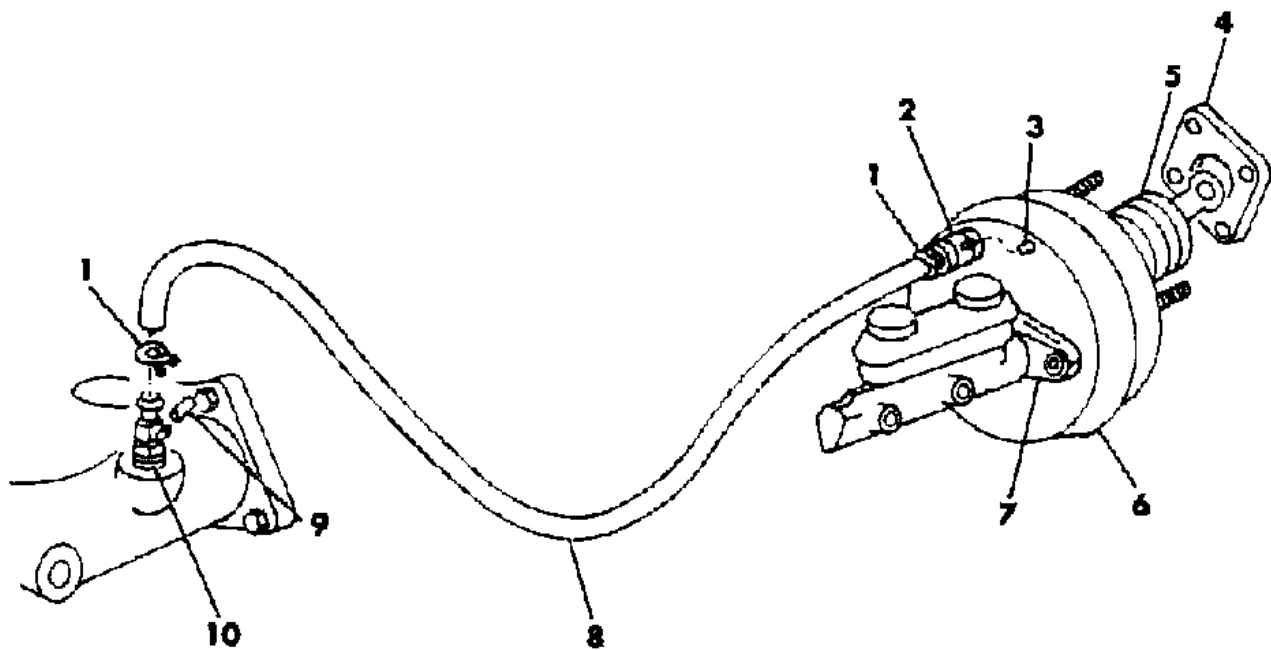
21 = 2-DOOR SEDAN	28 = FWD PICKUP
22 = 2-DOOR SPECIAL COUPE	41 = 4-DOOR SEDAN
24 = 2-DOOR HATCHBACK	44 = 4-DOOR HATCHBACK
27 = 2-DOOR CONVERTIBLE	45 = 2-SEAT STATION WAGON

AR = Use as Required - = Non Illustrated Part P.A.R. = Paint as Required

POWER BRAKE UNIT P,D,C,V

Figure 5-800

2105 800



ITEM	PART NUMBER	QTY	BODY	MODEL	DESCRIPTION
1	2448 761	2			CLAMP
2	3880 043	1			VALVE, Check Vacuum
	3461 007	1			GROMMET, Valve Check (Not Shown)
3	3880 044	1			CAP, Check Valve
4	3699 447	1			GASKET
5	3880 006	1			BOOT, Push Rod
6	#3880 161	1			BOOSTER, w/Clip
	4240 533	1			BOOSTER Pkg. for Field Installation
7	6500 230	2			NUT
8	3879 277	AR			HOSE, .34 I.D. 50 Ft. Roll
9	3580 171	1			CAP, Conn. Alux Tube 3/16" I.D.
	3580 170	1			1/8" I.D.
10	#4094 872	1			CONNECTOR, 5 Way
	4026 117	1			CONNECTOR, 7 Way
	4210 580	1			4 Way
	4241 873	1			3 Way
	5240 798	1			1 Way
11	4267 340	AR			HOSE .341 I.D. Hypalon, 50 ft. Roll
12	3766 429	1			FILTER
	4026 136	AR			HOSE .025 I.D. 50 Ft. Roll (Not Shwon)
	3847 935	1			CONNECTOR A/C Hose to Brk.
					Bstr. (Not Shown)
	3766 384	1			PLATE, M/cyl. Reinf. (not shown)
	4019 421	1			CLIP, Push Rod Pin (not shown)
					CAP, Carb. P/Brk.Bstr. Nipple
	3580 452	1			w/Man. Brks. (Not Shown)

NOTE: Whenever the Brake Booster/Master Cyl. Push Rod is disconnected from Brk Pedal, replace Clip Part Number 4019421. Gear and Pinion numbers stamped on the item may be used to confirm the correct MATCHED SET they are contained in.

MODEL CODES

B = GRAN FURY/CARAVELLE	P = RELIANT
C = LEBARON/TOWN & COUNTRY	S = CORDOBA
D = ARIES	V = 400
F = NEW YORKER	X = MIRADA
G = DIPLOMAT	Y = IMPERIAL
M = HORIZON/TC3/SCAMP	Z = OMNI/O24/RAMPAGE

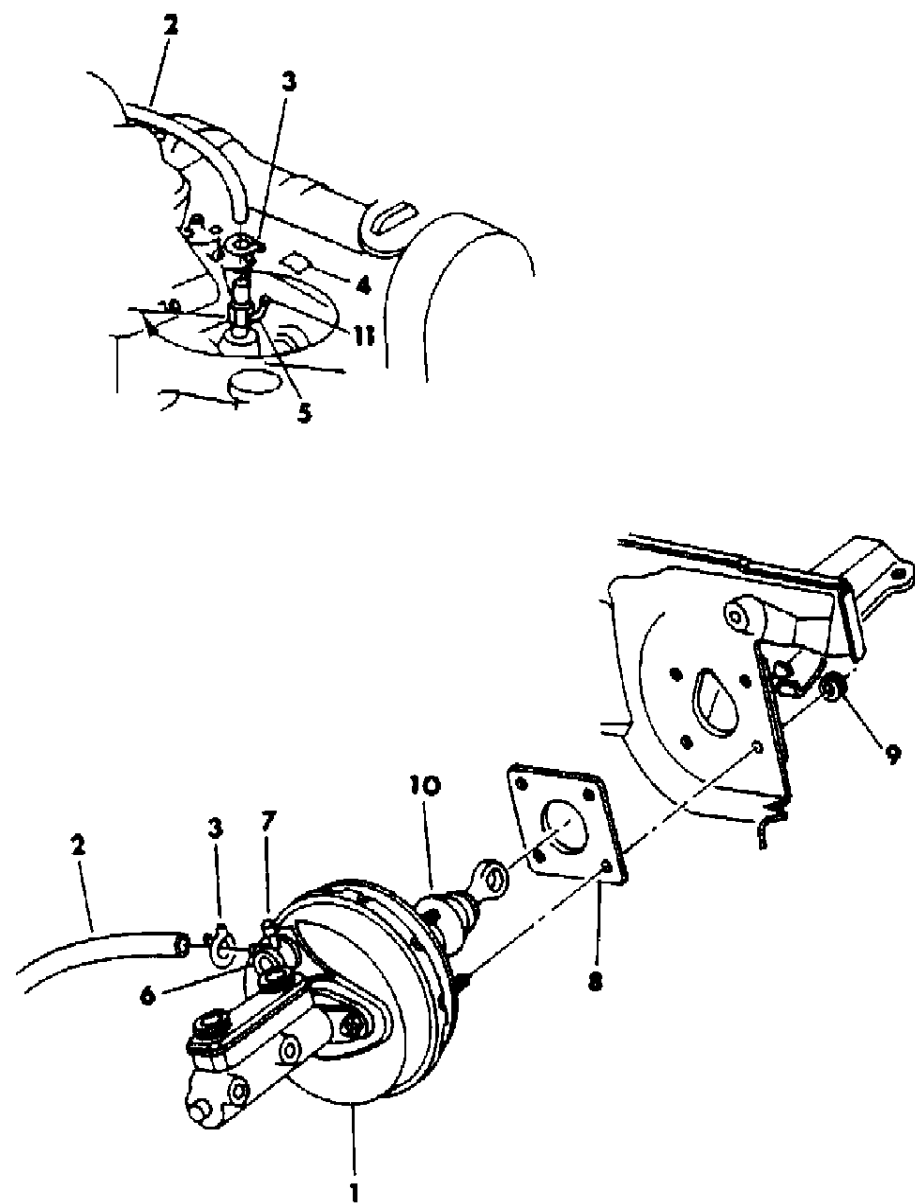
BODY STYLES

21 = 2-DOOR SEDAN	28 = FWD PICKUP
22 = 2-DOOR SPECIAL COUPE	41 = 4-DOOR SEDAN
24 = 2-DOOR HATCHBACK	44 = 4-DOOR HATCHBACK
27 = 2-DOOR CONVERTIBLE	45 = 2-SEAT STATION WAGON

AR = Use as Required - = Non Illustrated Part P.A.R. = Paint as Required

POWER BRAKE UNIT M,Z  
Figure 5-900

2105 900



ITEM	PART NUMBER	QTY	BODY	MODEL	DESCRIPTION
1	4186 951	1			POWER UNIT w/Pwr. Disc up to 2-3-82
	3880 307	1			after 2-3-82
	4267 334	1			BOOSTER, Pkg. Field Installation
2	3879 277	AR			HOSE .34 I.D. 50 Ft. Roll
	4267 340	AR			.341 I.D. Hypalon
	4026 136	AR			.025 I.D. 50 Ft. Roll
	4026 511	AR			.145 I.D. 50 Ft. Roll
3	2448 761	2			CLAMP
4	3580 170	1			CAP
5	4094 139	1			CONNECTOR, 2 Way
	4094 872	1			5 Way
	4026 117	1			7 Way
	4041 228	1			1 Way w/plug, P/Brk. Vac. Line
	5240 798	1			1 Way, Vacuum Control
6	3420 973	1			VALVE and GROMMET PKG.
7	2944 127	1			CAP
8	5204 061	1			GASKET
9	6100 050	AR			NUT
10	5204 069	1			BOOT
	3580 171	1			CAP, Tube 3/16" I.D. (not shown)
	6500 230	2			NUT, Bstr. to M/Cyl. Mtg. (Not Shown)
	5204 048	1			PLATE, M/Cyl. Reif. (Not Shown)
	4026 136	AR			HOSE .025 I.D. 50 Ft. Roll (Not Shown)
	3766 429	1			FILTER, Vac. Hose (Not Shown)
	4019 421	1			CLIP, Push Rod Pin (not shown)
	3580 452	1			CAP, Carb. P/Brk. Bstr. Nipple w/Man. Brks. (Not Shown)

NOTE: Whenever the Brake Booster/Master Cyl. Push Rod is Disconnected from Brk Pedal, replace Clip Part Number 4019421. Gear and Pinion numbers stamped on the item may be used to confirm the correct MATCHED SET they are contained in.

MODEL CODES

B = GRAN FURY/CARAVELLE	P = RELIANT
C = LEBARON/TOWN & COUNTRY	S = CORDOBA
D = ARIES	V = 400
F = NEW YORKER	X = MIRADA
G = DIPLOMAT	Y = IMPERIAL
M = HORIZON/TC3/SCAMP	Z = OMNI/O24/RAMPAGE

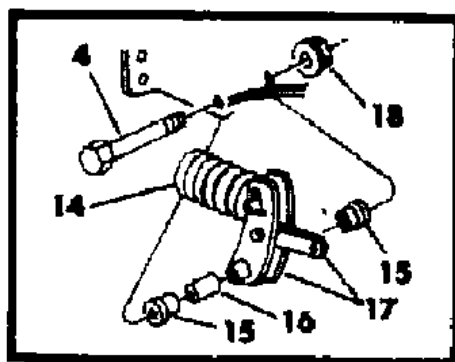
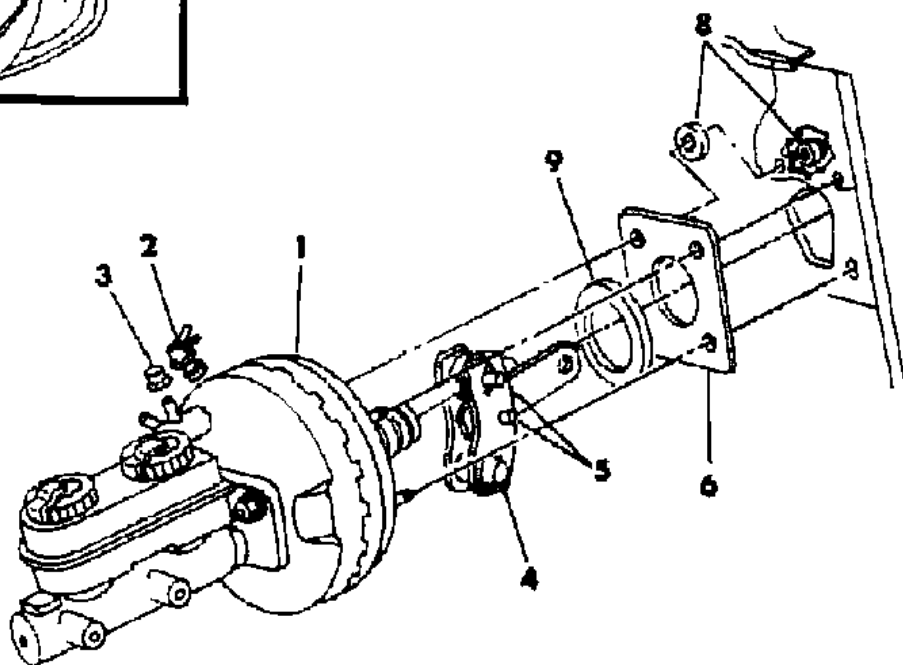
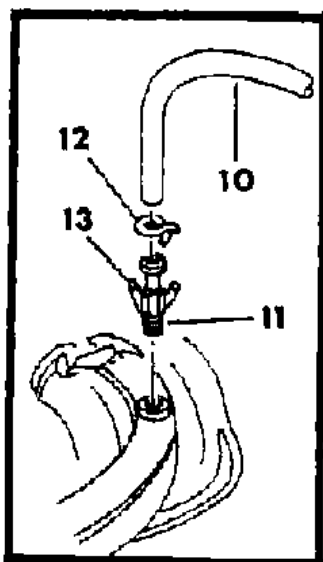
BODY STYLES

21 = 2-DOOR SEDAN	28 = FWD PICKUP
22 = 2-DOOR SPECIAL COUPE	41 = 4-DOOR SEDAN
24 = 2-DOOR HATCHBACK	44 = 4-DOOR HATCHBACK
27 = 2-DOOR CONVERTIBLE	45 = 2-SEAT STATION WAGON

AR = Use as Required - = Non Illustrated Part P.A.R. = Paint as Required

POWER UNIT BENDIX F,G,B,X,S,Y  
Figure 5-1000

2105 1000



ITEM	PART NUMBER	QTY	BODY	MODEL	DESCRIPTION
1	4131 289	1		F,G,B	POWER UNIT, 11-1/2" Booster up to 10-19-81
	4240 532	1		X,S,Y	up to 10-19-81
	3880 348	1		All	after 10-19-81
2	3420 973	1		All	VALVE and GROMMET PKG.
3	2944 127	1		All	CAP
4	6028 165	1		All	BOLT
5	2075 006	2		All	PIN, Clevis, Pwr. Brake
6	3699 447	1		All	GASKET
8	0118 614	AR		All	NUT
9	3766 046	1		All	RING, Boot
10	3699 423	1		All	HOSE, Lgh. 20"
	3837 042	1		All	.215 I.D. Neoprene 50 ft. Roll
	3879 277	1		All	.34 I.D. (Flexible) 50 ft. Roll
	4267 340	1		All	.341 I.D. Hypalon 50 ft. Roll
	3780 796	AR		All	.350 I.D. 50 Ft. Roll
	4026 136	AR		All	.025 I.D. 50 Ft. Roll
	4026 511	AR		All	.145 I.D. 50 Ft. Roll
11	4210 580	1		All	CONNECTOR, 4-Way, w/Caps
	4026 117	1		All	7-Way, w/Caps
12	2448 761	AR		All	CLAMP, Hose Mounting
13	3580 171	1		All	CAP, Conn. Aux Tube, 3/16" I.D.
	3580 170	1		All	1/8" I.D.
	3580 172	1		All	1/4" I.D.
14	3766 073	1		All	BOOT, Plunger to Push Rod, Bendix
15	2467 770	2		All	BUSHING, Brake Pedal
16	2534 227	1		All	SLEEVE, Brake Pedal
17	4131 258	1		All	HUB, LEVER and LINK (Rod), and Clip
18	6023 035	AR		All	NUT
	3766 429	1		All	FILTER, Vac. Hose
	3766 480	1		X,S	MUFFLER, Bstr. Vac. Hose (not shown)
	3880 050	1		Y	w/318 Engine w/EFM (not shown)
	4019 421	1		All	CLIP, Push Rod Pin (not shown)

NOTE: Whenever the Brake Booster/Master Cyl. Push Rod is disconnected from Brk Pedal, replace Clip Part Number 4019421.  
Gear and Pinion numbers stamped on the item may be used to confirm the correct MATCHED SET they are contained in.

MODEL CODES

B = GRAN FURY/CARAVELLE	P = RELIANT
C = LEBARON/TOWN & COUNTRY	S = CORDOBA
D = ARIES	V = 400
F = NEW YORKER	X = MIRADA
G = DIPLOMAT	Y = IMPERIAL
M = HORIZON/TC3/SCAMP	Z = OMNI/O24/RAMPAGE

BODY STYLES

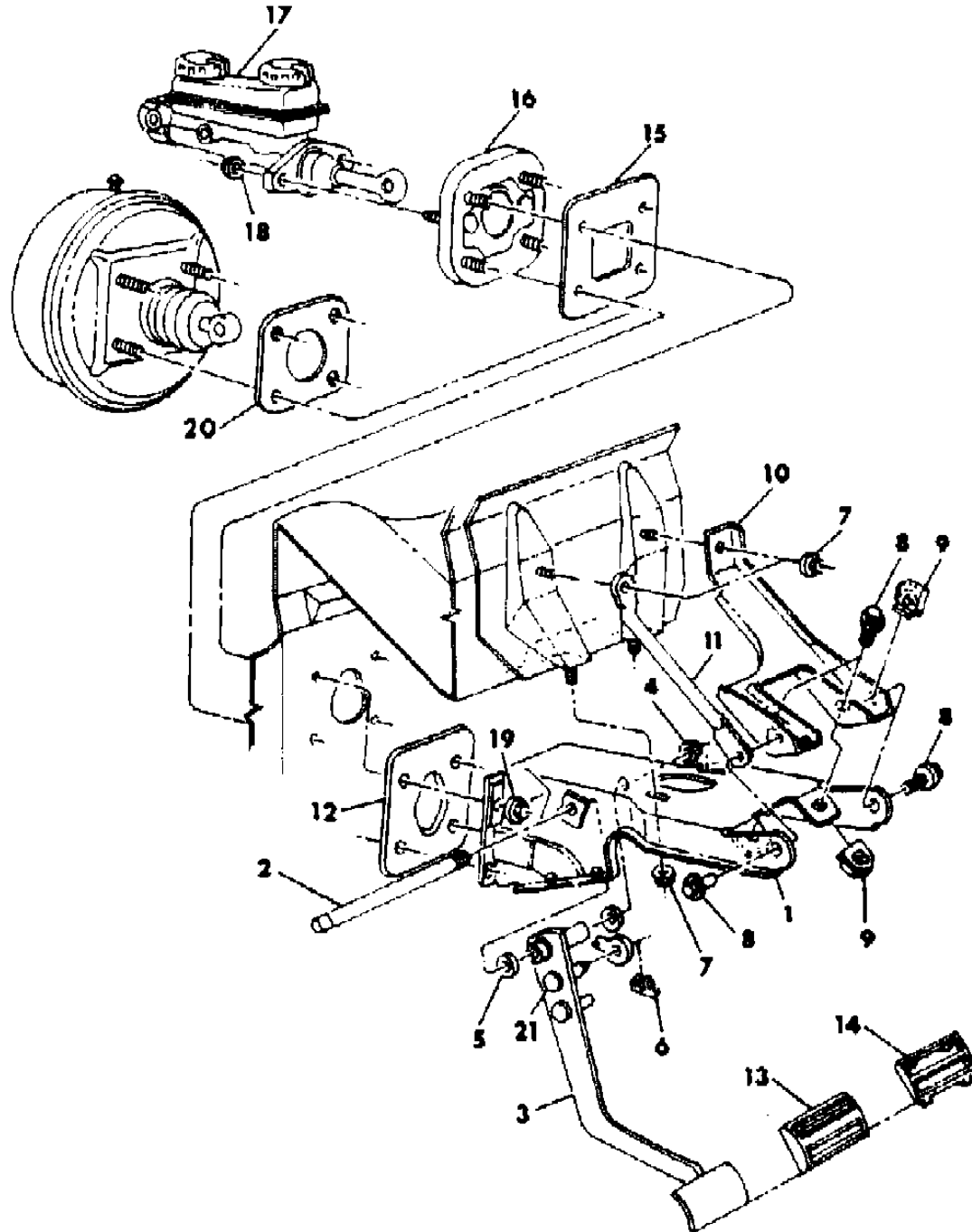
21 = 2-DOOR SEDAN	28 = FWD PICKUP
22 = 2-DOOR SPECIAL COUPE	41 = 4-DOOR SEDAN
24 = 2-DOOR HATCHBACK	44 = 4-DOOR HATCHBACK
27 = 2-DOOR CONVERTIBLE	45 = 2-SEAT STATION WAGON

AR = Use as Required - = Non Illustrated Part P.A.R. = Paint as Required



**BRAKE PEDAL AND BRACKET P,D,C,V**  
**Figure 5-1200**

2105 1200



ITEM	PART NUMBER	QTY	BODY	MODEL	DESCRIPTION
1	4019 680	1			BRACKET, Auto. Trans. up to 10-19-81
	3880 331	1			after 10-19-81
1	4019 682	1			Man. Trans. up to 10-19-81
	3880 332	1			after 10-19-81
2	4019 681	1			SHAFT PIVOT, Man. Trans.
	4019 685	1			Auto. Trans.
3	#4019 687	1			PEDAL w/Man. Disc, w/Man. Trans.
	3880 298	1			w/Power Disc, w/Man. Trans.
	4019 689	1			w/Man. Disc, w/Auto. Trans.
	3880 299	1			w/Power Disc, w/Auto. Trans.
4	6500 197	1			NUT
5	2467 770	2			BUSHING
6	4019 421	1			CLIP
7	6500 532	4			NUT, w/Washer
8	6100 584	4			SCREW, w/Washer
9	6500 501	4			U-NUT
10	4019 677	1			SUPPORT, up to 10-19-81
	3880 319	1			after 10-19-81
11	4019 722	1			STRUT, I/Panel Support
	4019 729	1			STRUT, Park Brk. (Not Shown)
12	#3880 257	1			SPACER
13	4019 715	1			PAD, Pedal w/ Man. Trans.
	4019 660	1			w/ Auto. Trans.
14	4019 661	1			BEZEL w/Auto. Trans.
15	3766 366	1			GASKET
16	3766 384	1			PLATE
17					MASTER CYLINDER
18	6500 230	2			NUT w/Washer
19	6100 050	4			NUT w/Washer
20	3699 447	1			GASKET, Pwr. Bstr.
21	4019 420	1			PIN
	3747 993	1			SWITCH, Brk. Warning (Not Shown)
	6031 704	1			CLIP, Stop Lp. Sw. (Not Shown)
	3747 995	1			SWITCH w/Speed Control (Not Shown)
	3747 992	1			BRACKET, Switch Mtg. (Not Shown)
					STRIKER, Stop Lp. Sw. (not Shown)
	3747 989	1			w/Man. Disc

MODEL CODES

B = GRAN FURY/CARAVELLE	P = RELIANT
C = LEBARON/TOWN & COUNTRY	S = CORDOBA
D = ARIES	V = 400
F = NEW YORKER	X = MIRADA
G = DIPLOMAT	Y = IMPERIAL
M = HORIZON/TC3/SCAMP	Z = OMNI/O24/RAMPAGE

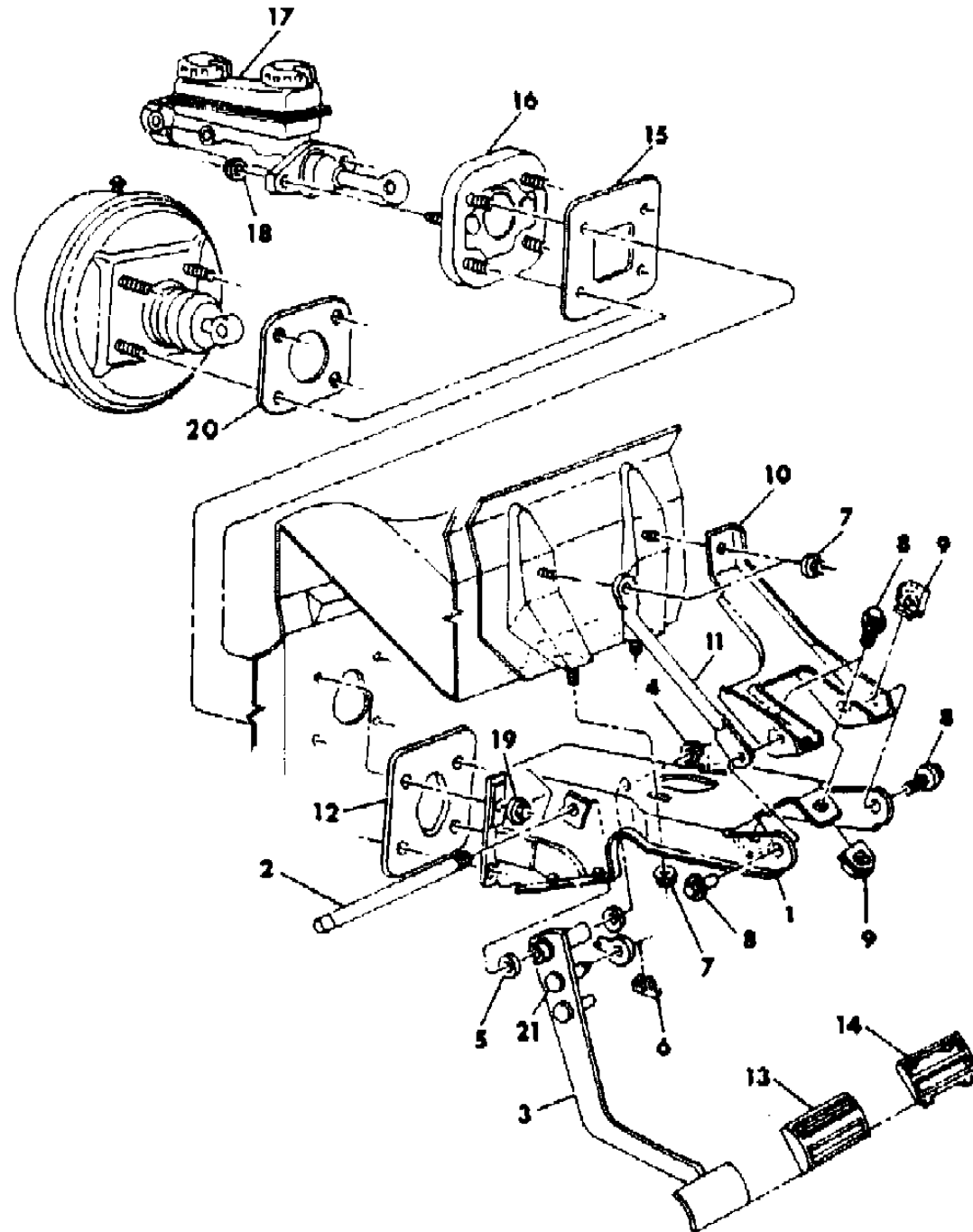
BODY STYLES

21 = 2-DOOR SEDAN	28 = FWD PICKUP
22 = 2-DOOR SPECIAL COUPE	41 = 4-DOOR SEDAN
24 = 2-DOOR HATCHBACK	44 = 4-DOOR HATCHBACK
27 = 2-DOOR CONVERTIBLE	45 = 2-SEAT STATION WAGON

AR = Use as Required - = Non Illustrated Part P.A.R. = Paint as Required

**BRAKE PEDAL AND BRACKET P,D,C,V**  
**Figure 5-1200**

2105 1200



ITEM	PART NUMBER	QTY	BODY	MODEL	DESCRIPTION
	3747 990	1			w/Pwr. Disc

NOTE: Whenever the Brake Booster/Master Cyl. Push Rod is disconnected from Brk Pedal, replace Clip Part Number 4019421. Gear and Pinion numbers stamped on the item may be used to confirm the correct MATCHED SET they are contained in.

MODEL CODES  
 B = GRAN FURY/CARAVELLE      P = RELIANT  
 C = LEBARON/TOWN & COUNTRY      S = CORDOBA  
 D = ARIES      V = 400  
 F = NEW YORKER      X = MIRADA  
 G = DIPLOMAT      Y = IMPERIAL  
 M = HORIZON/TC3/SCAMP      Z = OMNI/O24/RAMPAGE

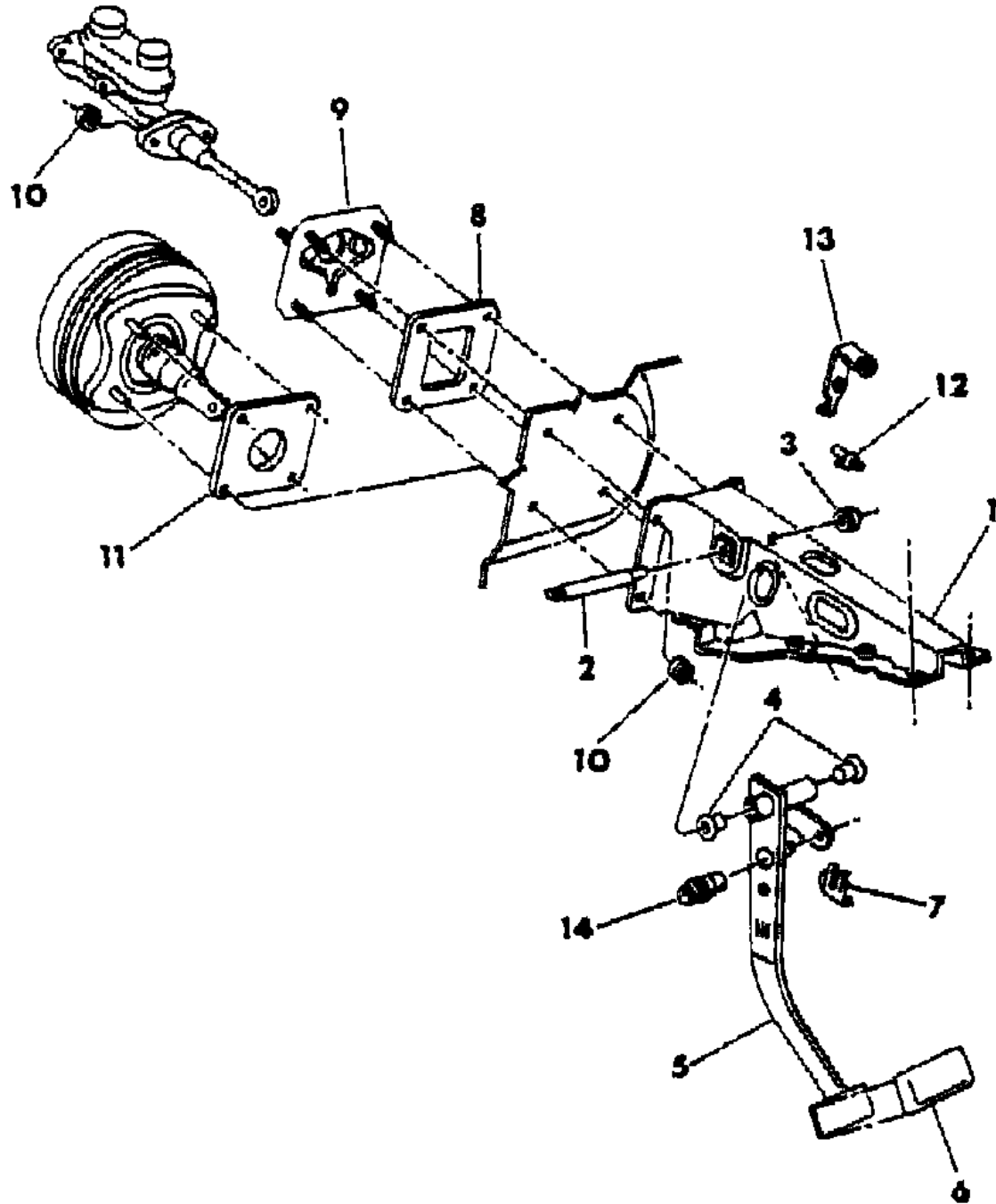
BODY STYLES  
 21 = 2-DOOR SEDAN      28 = FWD PICKUP  
 22 = 2-DOOR SPECIAL COUPE      41 = 4-DOOR SEDAN  
 24 = 2-DOOR HATCHBACK      44 = 4-DOOR HATCHBACK  
 27 = 2-DOOR CONVERTIBLE      45 = 2-SEAT STATION WAGON

AR = Use as Required - = Non Illustrated Part P.A.R. = Paint as Required

BRAKE PEDAL AND BRACKET M,Z

Figure 5-1300

2105 1300



ITEM	PART NUMBER	QTY	BODY	MODEL	DESCRIPTION
					BRACKET, Brake Pedal Support w/Man. Trans.
	4019 700	1			w/2.69/3.13 Gear Ratio
	4188 103	1			w/3.37 Gear Ratio
2	4019 708	1			SHAFT, Brk Pedal, w/Man w/3.13/2.69 Gear Ratio
	5206 221	1			w/3.37 Gear Ratio
	5206 209	1			Auto.
3	6500 197	1			NUT
4	2467 770	2			BUSHING, Brake Pedal
5	5206 212	1			PEDAL, Man. Disc Brakes, w/Man. Trans.
	5206 213	1			Pwr. Brakes, w/Man. Trans.
	5206 226	1			Man. Brakes, w/Auto. Trans.
	5206 227	1			Pwr. Brakes, w/Auto Trans.
6	5206 237	1			PAD, Brake Pedal, Man.
	5206 231	1			Auto.
7	4019 421	1			CLIP
8	5204 041	1			GASKET, Booster to Dash
9	5204 048	1			PLATE
10	6500 230	1			NUT
11	5204 061	1			GASKET
12	2926 275	1			SWITCH w/Clip, Stop Lamp
	5209 994	1			w/Speed Control
13	5209 928	1			BRACKET
	5209 965	1			w/Speed Control
	5209 754	1			SUPPORT, I/Pnl. to Pedal Brkt.,(Not Shown)
14	4019 420	1			PIN

NOTE: Whenever the Brake Booster/Master Cyl. Push Rod is disconnected from Brk Pedal, replace Clip Part Number 4019421. Gear and Pinion numbers stamped on the item may be used to confirm the correct MATCHED SET they are contained in.

MODEL CODES

B = GRAN FURY/CARAVELLE	P = RELIANT
C = LEBARON/TOWN & COUNTRY	S = CORDOBA
D = ARIES	V = 400
F = NEW YORKER	X = MIRADA
G = DIPLOMAT	Y = IMPERIAL
M = HORIZON/TC3/SCAMP	Z = OMNI/O24/RAMPAGE

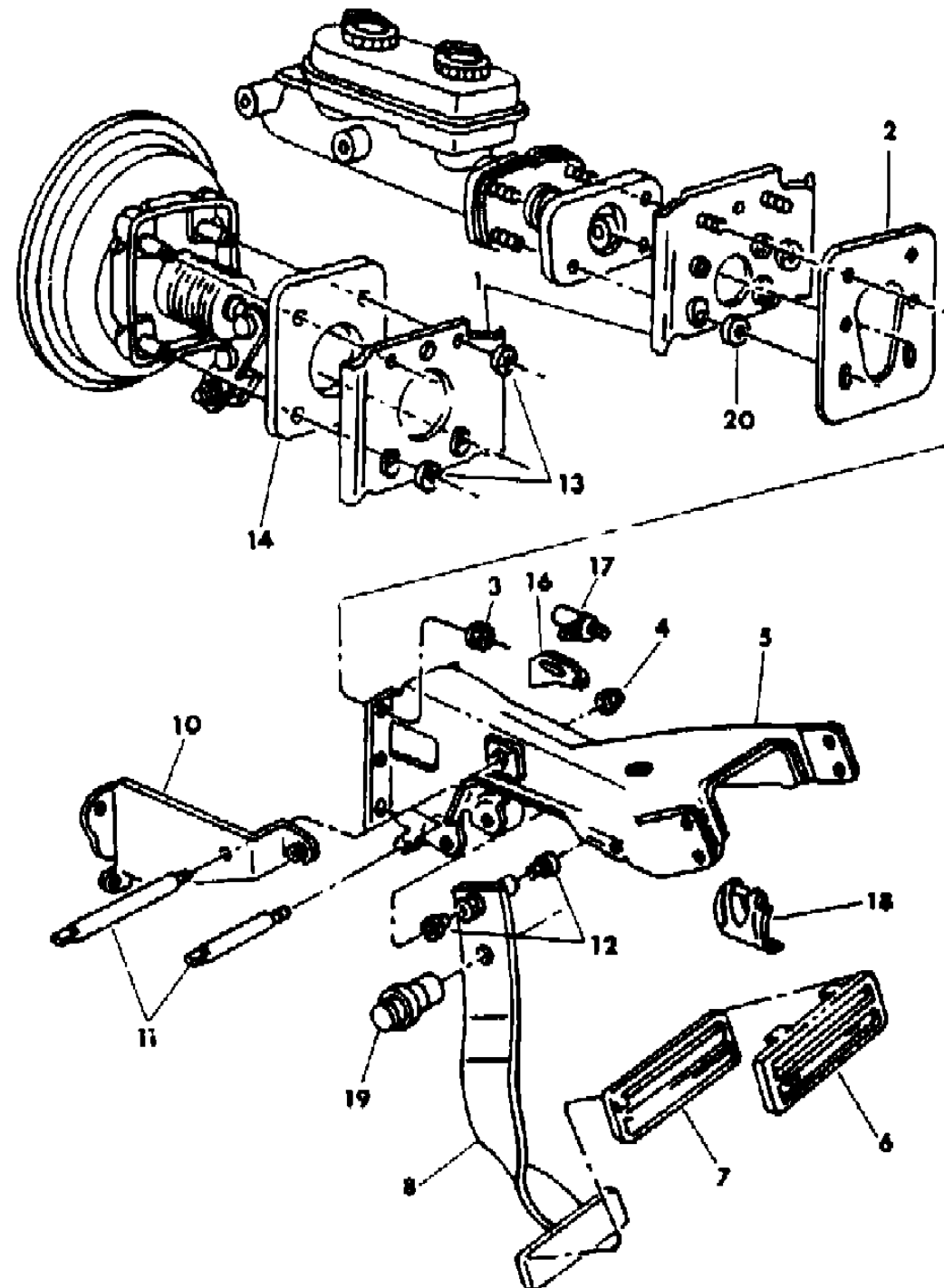
BODY STYLES

21 = 2-DOOR SEDAN	28 = FWD PICKUP
22 = 2-DOOR SPECIAL COUPE	41 = 4-DOOR SEDAN
24 = 2-DOOR HATCHBACK	44 = 4-DOOR HATCHBACK
27 = 2-DOOR CONVERTIBLE	45 = 2-SEAT STATION WAGON

AR = Use as Required - = Non Illustrated Part P.A.R. = Paint as Required

**BRAKE PEDAL AND BRACKET F,G,B**  
**Figure 5-1400**

2105 1400



ITEM	PART NUMBER	QTY	BODY	MODEL	DESCRIPTION
1	3766 120	1		All	REINFORCEMENT, Manual, Black
2	3766 122	1		All	GASKET
3	0118 614	4		All	NUT and WASHER
4	6023 035	1		All	NUT
5	4019 745	1		All	BRACKET
6	4019 661	1		All	BEZEL, w/Auto Trans.
7	3467 530	1		All	PAD, Manual
	4019 660	1		All	Auto.
8	#4019 417	1		All	PEDAL, Man.
	4019 657	1		All	PEDAL and Clip, Auto.
10	4019 671	1		All	BRACKET
11	3748 703	1		All	SHAFT, Auto.
	3748 704	1		All	MANUAL
12	2467 770	2		All	BUSHING
13	6028 040	2		All	RETAINER
14	3699 190	1		All	GASKET
16	3747 020	1		All	BRACKET, Switch Mtg.
17	2926 275	1		All	SWITCH, Stop Lamp
	5209 994	1		All	w/Speed Control
	2809 033	1		All	Heavy Duty
18	4019 421	1		All	CLIP
19	4019 420	1		All	PIN
20	0118 614	2		All	NUT

NOTE: Whenever the Brake Booster/Master Cyl. Push Rod is disconnected from Brk pedal, replace Clip Part Number 4019421. Gear and Pinion numbers stamped on the item may be used to confirm the correct MATCHED SET they are contained in.

**MODEL CODES**

B = GRAN FURY/CARAVELLE	P = RELIANT
C = LEBARON/TOWN & COUNTRY	S = CORDOBA
D = ARIES	V = 400
F = NEW YORKER	X = MIRADA
G = DIPLOMAT	Y = IMPERIAL
M = HORIZON/TC3/SCAMP	Z = OMNI/O24/RAMPAGE

**BODY STYLES**

21 = 2-DOOR SEDAN	28 = FWD PICKUP
22 = 2-DOOR SPECIAL COUPE	41 = 4-DOOR SEDAN
24 = 2-DOOR HATCHBACK	44 = 4-DOOR HATCHBACK
27 = 2-DOOR CONVERTIBLE	45 = 2-SEAT STATION WAGON

AR = Use as Required - = Non Illustrated Part P.A.R. = Paint as Required

**BRAKE PEDAL AND BRACKET X,S,Y**  
Figure 5-1500

2105 1500

ITEM	PART NUMBER	QTY	BODY	MODEL	DESCRIPTION
3	3699 447	1		All	GASKET
4	6023 035	1		All	NUT
7	0118 614	2		All	NUT
	4019 652	1		All	BRACKET
9	0181 086	2		All	SCREW
10	4019 660	2		All	PAD, Auto.
11	4019 657	1		All	PEDAL and Clip, Auto.
	3748 703	1		All	SHAFT. Auto.
16	2467 770	2		All	BUSHING
21	4019 661	1		All	BEZEL
25	3747 716	1		All	BRACKET, Switch Mtg.
26	2926 275	1		All	SWITCH, w/Clip Stop Lamp
	5209 994	1		X,S,Y	w/Speed Control
27	4019 421	1		All	CLIP
28	4019 420	1		All	PIN
29	4019 654	1		All	SUPPORT, Brk. Ped. Brkt.
30	0181 086	2		All	SCREW and Washer

NOTE: Whenever the Brake Booster/Master Cyl. Push Rod is disconnected from Brk Pedal, replace Clip Part Number 4019421.  
Gear and Pinion numbers stamped on the item may be used to confirm the correct MATCHED SET they are contained in.

---



---



---



---



---



---



---



---



---

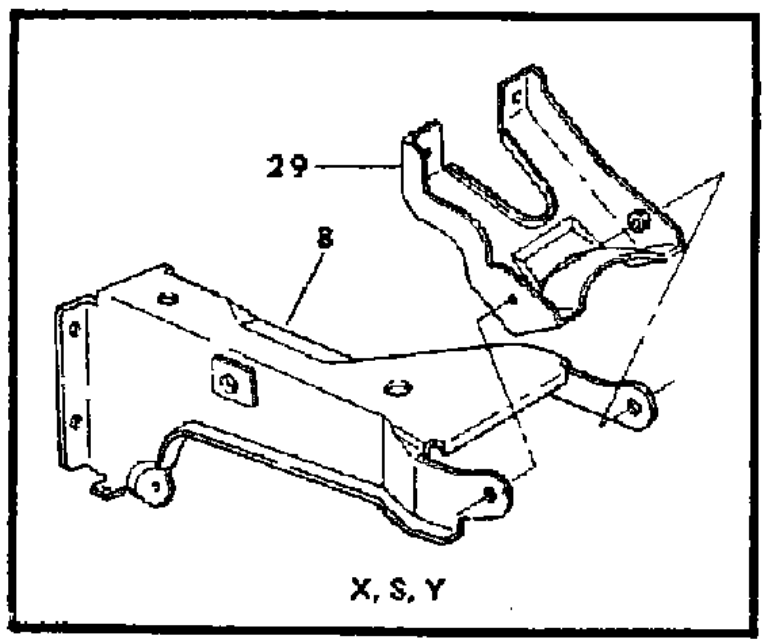
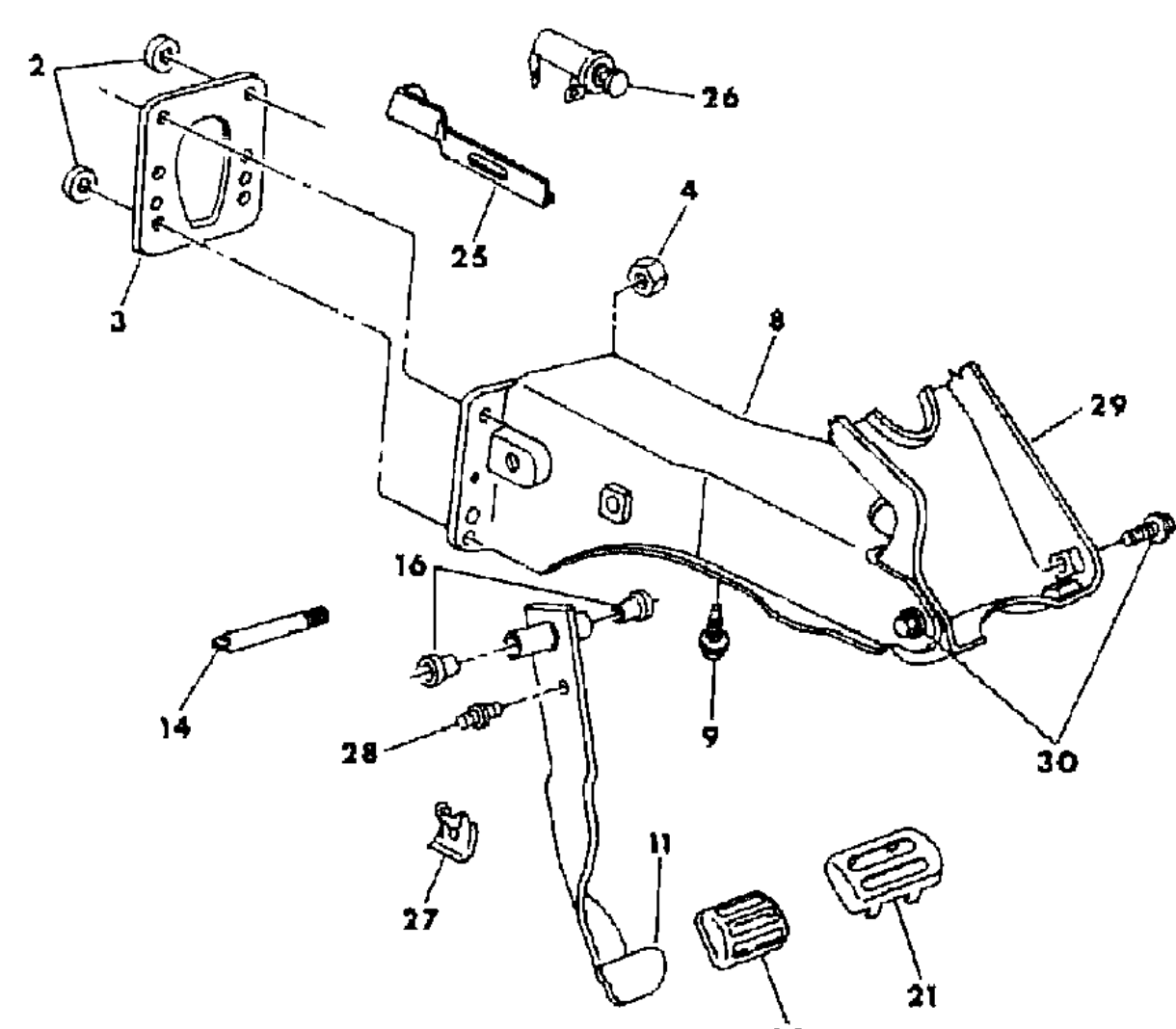


---

MODEL CODES  
 B = GRAN FURY/CARAVELLE      P = RELIANT  
 C = LEBARON/TOWN & COUNTRY      S = CORDOBA  
 D = ARIES      V = 400  
 F = NEW YORKER      X = MIRADA  
 G = DIPLOMAT      Y = IMPERIAL  
 M = HORIZON/TC3/SCAMP      Z = OMNI/O24/RAMPAGE

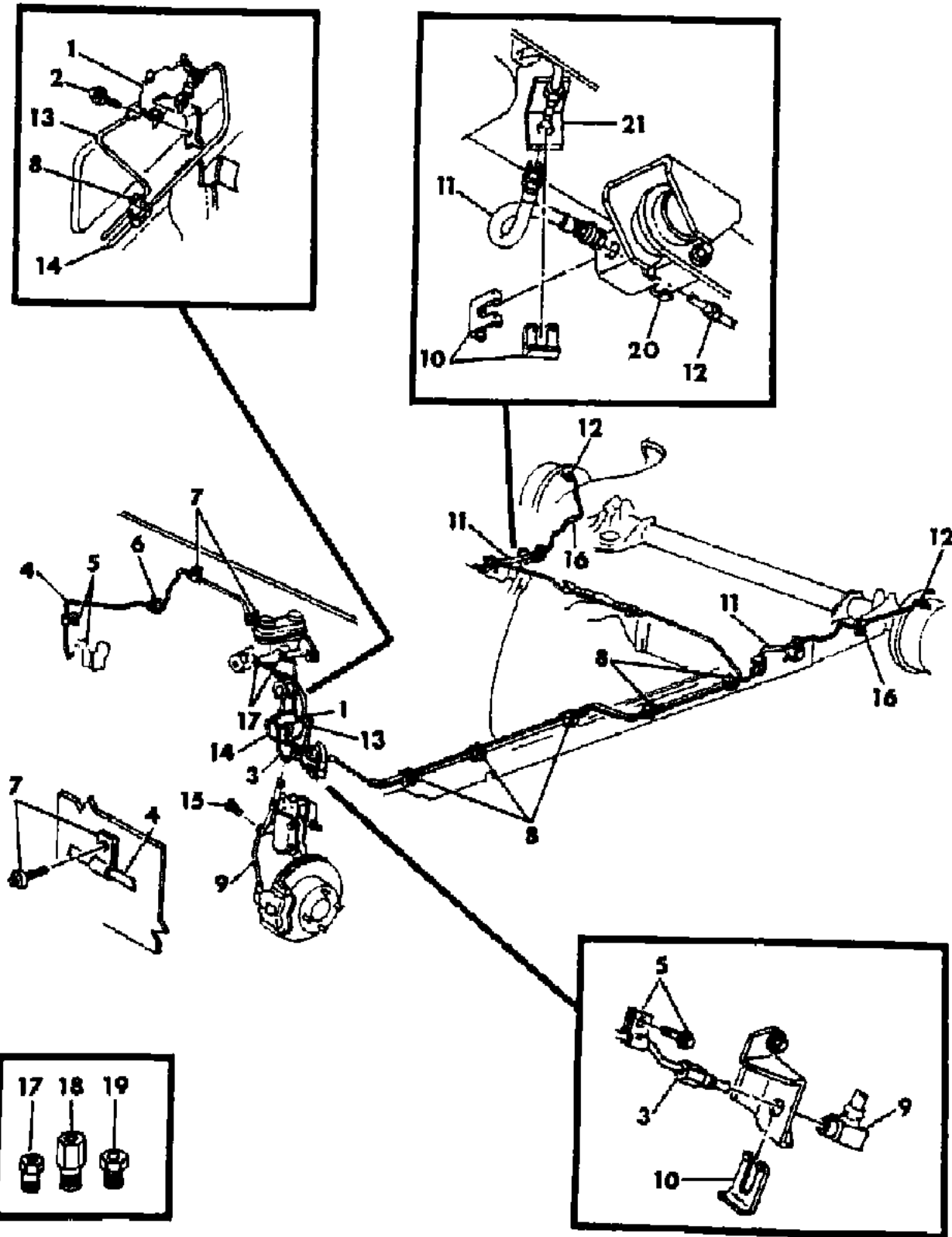
BODY STYLES  
 21 = 2-DOOR SEDAN      28 = FWD PICKUP  
 22 = 2-DOOR SPECIAL COUPE      41 = 4-DOOR SEDAN  
 24 = 2-DOOR HATCHBACK      44 = 4-DOOR HATCHBACK  
 27 = 2-DOOR CONVERTIBLE      45 = 2-SEAT STATION WAGON

AR = Use as Required - = Non Illustrated Part P.A.R. = Paint as Required



**BRAKE LINES P,D,C,V**  
**Figure 5-1600**

2105 1600A



ITEM	PART NUMBER	QTY	BODY	MODEL	DESCRIPTION
1	4205 995	1			VALVE
2					SCREW (Not Serviced)
3	1843 251	AR			TUBING Brake 25 Ft. Roll 3/16" O.D.
4	1843 251	AR			TUBING Brake 25 Ft. Roll 3/16" O.D.
5					CLIP w/Screw (Not Serviced)
6					CLIP w/Screw (Not Serviced)
7					CLIP w/Screw (Not Serviced)
8	3766 495	6			CLIP
9	4126 838-9	1			HOSE, Frt. Whl. Brk.
10	2208 893	6			LOCK
11	4126 654	2			HOSE, Rr. Whl. Brk.
12	1843 251	AR			TUBING BRAKE 25 Ft. Roll 3/16" O.D.
13	1843 251	AR			TUBING BRAKE 25 Ft. Roll 3/16" O.D.
14	1843 251	AR			TUBING BRAKE 25 Ft. Roll 3/16" O.D.
15	6100 264	2			SCREW w/Washer
16					CLIP w/Screw (Not Serviced)
17	0137 396	AR			NUT 3/8-24 Thd.
18	6029 113	AR			NUT 3/8-24 Thd., Long Hex
19	6031 714	AR			NUT 7/16-24 Thd.
20	4126 920-1	1			BRACKET,Rear Wheel Brake Hose Cable Guide Mtg.
21	4134 879	2			BRACKET,Rear Floor Pan Rear Rail Brake Line Retainer
	3879 283	AR			COVER, 25 Ft. Roll 3/16" O.D. Tubing (Not Shown)
	6100 276	2			SCREW, Rr. Whl. Brk. Hose Guide (not shown)
	4238 626	1			BRACKET, Tube Val. Mtg. (Not Shown)

**MODEL CODES**

B = GRAN FURY/CARAVELLE	P = RELIANT
C = LEBARON/TOWN & COUNTRY	S = CORDOBA
D = ARIES	V = 400
F = NEW YORKER	X = MIRADA
G = DIPLOMAT	Y = IMPERIAL
M = HORIZON/TC3/SCAMP	Z = OMNI/O24/RAMPAGE

**BODY STYLES**

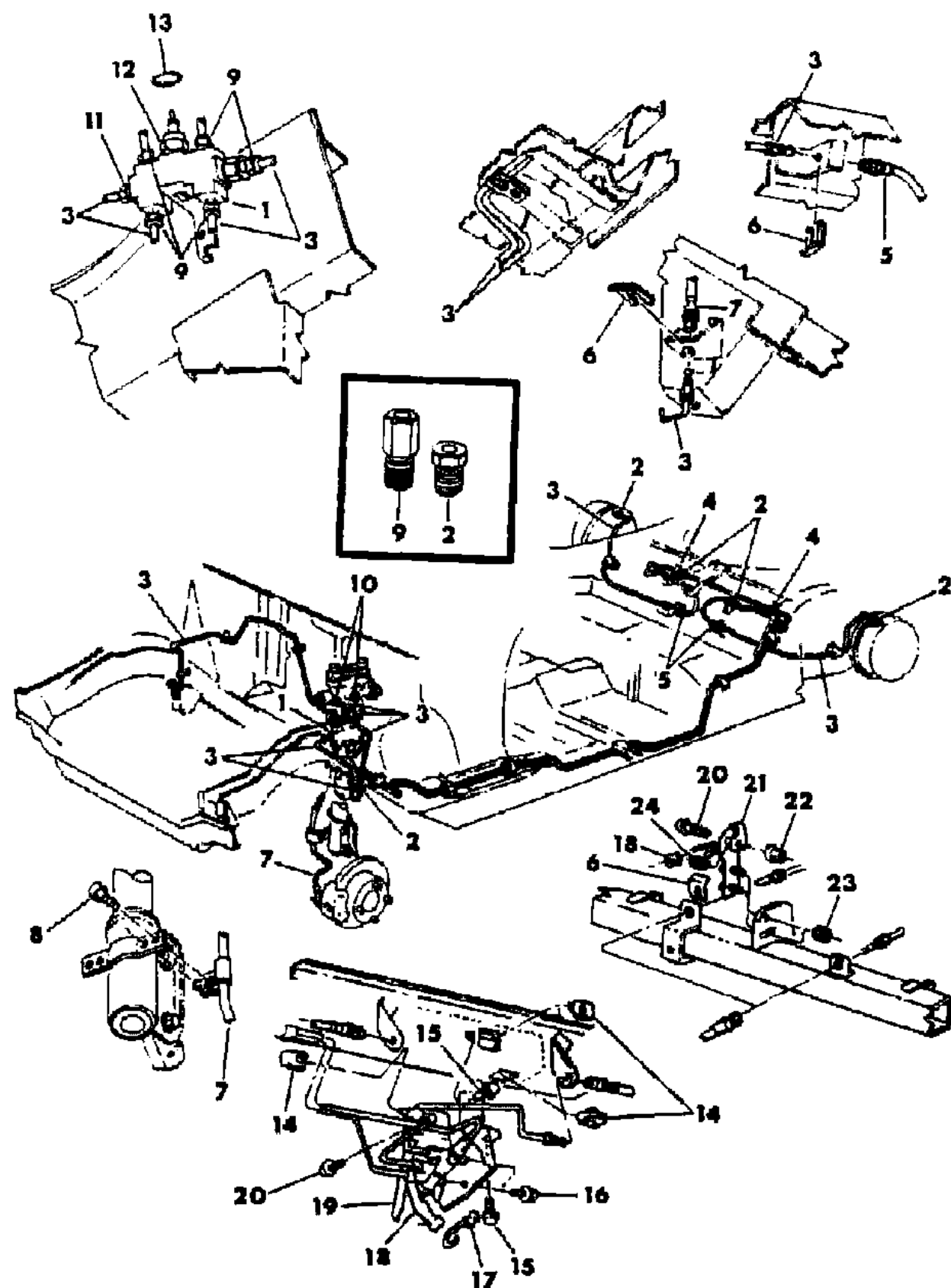
21 = 2-DOOR SEDAN	28 = FWD PICKUP
22 = 2-DOOR SPECIAL COUPE	41 = 4-DOOR SEDAN
24 = 2-DOOR HATCHBACK	44 = 4-DOOR HATCHBACK
27 = 2-DOOR CONVERTIBLE	45 = 2-SEAT STATION WAGON

AR = Use as Required - = Non Illustrated Part P.A.R. = Paint as Required

# BRAKE LINES M,Z

## Figure 5-1700

2105 1700



ITEM	PART NUMBER	QTY	BODY	MODEL	DESCRIPTION
1	5204 080	1			VALVE, Metering and Warning
2	6029 113	AR			NUT
3	1843 251	AR			TUBING BRAKE 25 Ft. Roll 3/16" O.D.
4	2123 341	2			CLIP
5	5204 264	2			HOSE, Rear Brake
6	2208 893	2			CLIP
7	5204 260-1	1			HOSE, Front Brake
8	6100 264	2			SCREW
9	0137 396	AR			NUT
10	0137 396	AR			NUT
11	6031 714	AR			NUT
12	3620 790	1			SWITCH, Brake Warning
13	2881 984	1			"O" RING
	3879 283	AR			COVER 25 Ft. Roll, 3/16" O.D. Tubing
	4026 140	AR			3/8" O.D. Tubing
	6030 084	AR			GASKET, Inlet Hose (not shown)
	6029 113	AR			NUT 3/8-24 Thd. Lg. Hex (not shown)
14	#6101 283	3	28		U Nut
15	#6100 303	3	28		BOLT, w/washer
16	#6100 301	2	28		BOLT, w/washer
17	#3880 084	1	28		VALVE, Height Sensing
18	#4238 577	1	28		SPRING
19	#4238 589	1	28		BRACKET, Valve
20	#6500 572	1	28		BOLT
21	#3880 087	1	28		LEVER
22	#6100 048	1	28		NUT w/washer
23	#6100 051	2	28		NUT w/washer
24	#3880 135	1	28		RETAINER

**MODEL CODES**

B = GRAN FURY/CARAVELLE	P = RELIANT
C = LEBARON/TOWN & COUNTRY	S = CORDOBA
D = ARIES	V = 400
F = NEW YORKER	X = MIRADA
G = DIPLOMAT	Y = IMPERIAL
M = HORIZON/TC3/SCAMP	Z = OMNI/O24/RAMPAGE

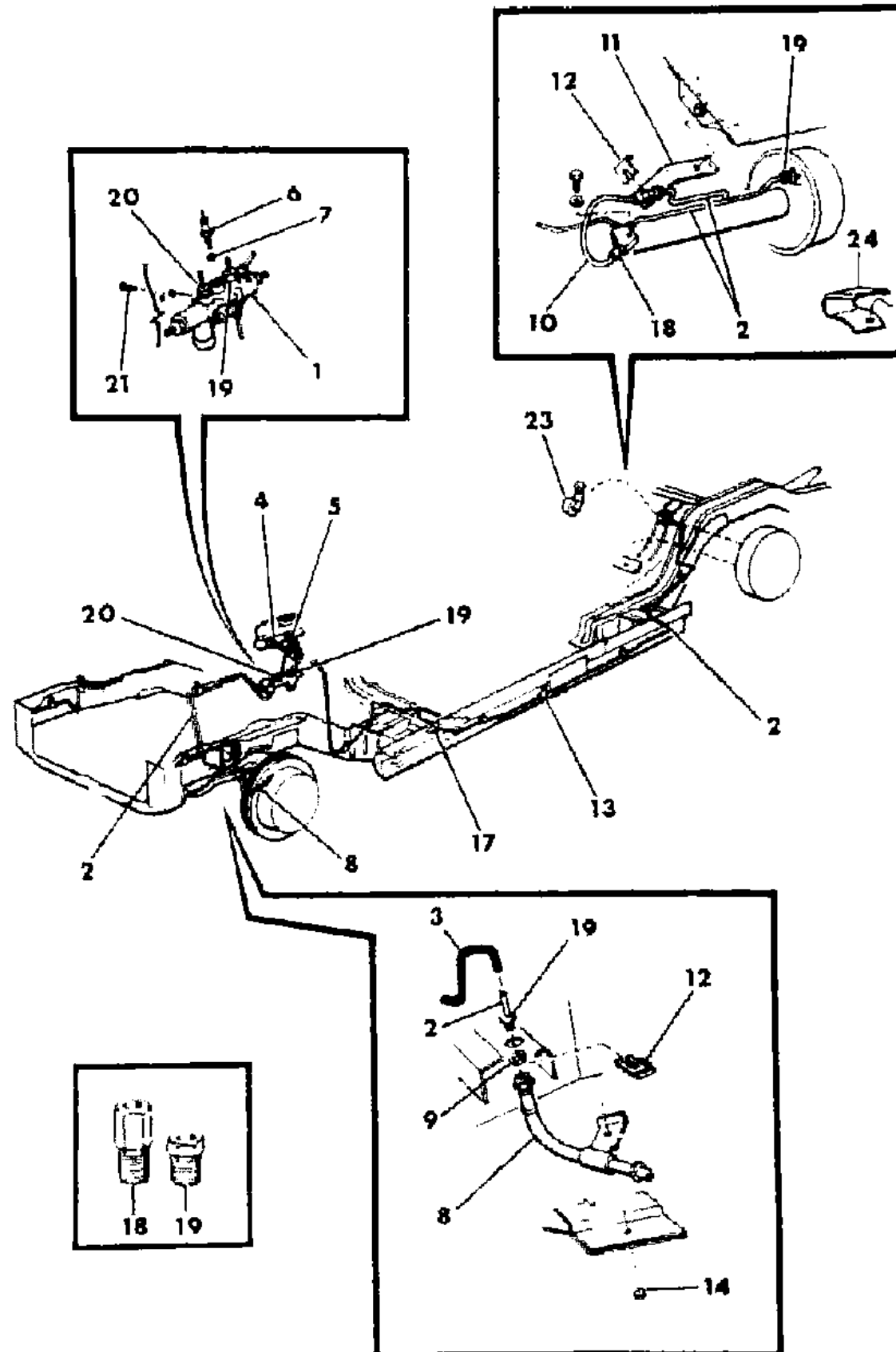
**BODY STYLES**

21 = 2-DOOR SEDAN	28 = FWD PICKUP
22 = 2-DOOR SPECIAL COUPE	41 = 4-DOOR SEDAN
24 = 2-DOOR HATCHBACK	44 = 4-DOOR HATCHBACK
27 = 2-DOOR CONVERTIBLE	45 = 2-SEAT STATION WAGON

AR = Use as Required - = Non Illustrated Part P.A.R. = Paint as Required

**BRAKE LINES F,G,B,X,S,Y**  
**Figure 5-1800**

2105 1800



ITEM	PART NUMBER	QTY	BODY	MODEL	DESCRIPTION
1	#3880 038	1	F,G		VALVE, Police
	4176 794	1	All		w/Disc Brakes
2	1843 251	1	All		TUBING, Brake, 25 ft. Roll, 3/16" O.D.
	1843 252	1	All		1/4" O.D.
	1843 253	1	All		5/16" O.D.
	1843 254	1	All		3/8" O.D.
3	3879 283	1	All		COVER, 25 ft. Rolls, 3/16" O.D. Tubing
					9-1/4 Coils per inch
	1843 257	1	All		3/16" O.D. Tubing, 11-1/2 Coils per inch
	1843 258	1	All		1/4" O.D. Tubing
	4026 140	1	All		3/8" O.D. Tubing
4	6026 888	2	All		NUT, Secondary Tube
5	6026 887	2	All		NUT, Primary Tube
6	3620 790	1	All		SWITCH, Mtrg. Prpg.
7	2881 984	1	All		"O" RING, Sw. Mtrg. Prpg.
8	4240 508-9	1	All		HOSE, Front Whl. Brake (Flexible)
9	6030 084	1	All		GASKET, Inlet Hose
10	4126 502	1	All		HOSE and TEE, Rear Axle
11	4126 503	1	All		BRACKET, Brake Tube Rear Hose
12	2208 893	4	All		LOCK
13	2207 933	1	All		CLIP
14	6025 004	1	All		NUT
17	2123 341	1	All		CLIP
18	6029 113	AR	All		NUT, 3/8-24 Thd. Long Hex
19	6031 714	AR	All		NUT, 7/16-24 Thd.
20	6026 436	1	All		NUT, Primary, 3/16" O.D.
21	6030 607	1	All		LOCK, Nut
23	3723 689	1	All		CLIP
24	3880 807	1	All		GUARD Rr. Axle Brk. Tube Tee
	3766 357	1	All		SHIELD Brk. Val. to RR. Hose (not shown)
	4126 794	1	All		SHIELD Frt. Brake Lt. Hose Heat (not shown)
	0137 396	AR	All		NUT, 3/8-24 Thd. (not shown)

**MODEL CODES**

B = GRAN FURY/CARAVELLE	P = RELIANT
C = LEBARON/TOWN & COUNTRY	S = CORDOBA
D = ARIES	V = 400
F = NEW YORKER	X = MIRADA
G = DIPLOMAT	Y = IMPERIAL
M = HORIZON/TC3/SCAMP	Z = OMNI/O24/RAMPAGE

**BODY STYLES**

21 = 2-DOOR SEDAN	28 = FWD PICKUP
22 = 2-DOOR SPECIAL COUPE	41 = 4-DOOR SEDAN
24 = 2-DOOR HATCHBACK	44 = 4-DOOR HATCHBACK
27 = 2-DOOR CONVERTIBLE	45 = 2-SEAT STATION WAGON

AR = Use as Required - = Non Illustrated Part P.A.R. = Paint as Required



---

**GROUP 6 - CLUTCH**

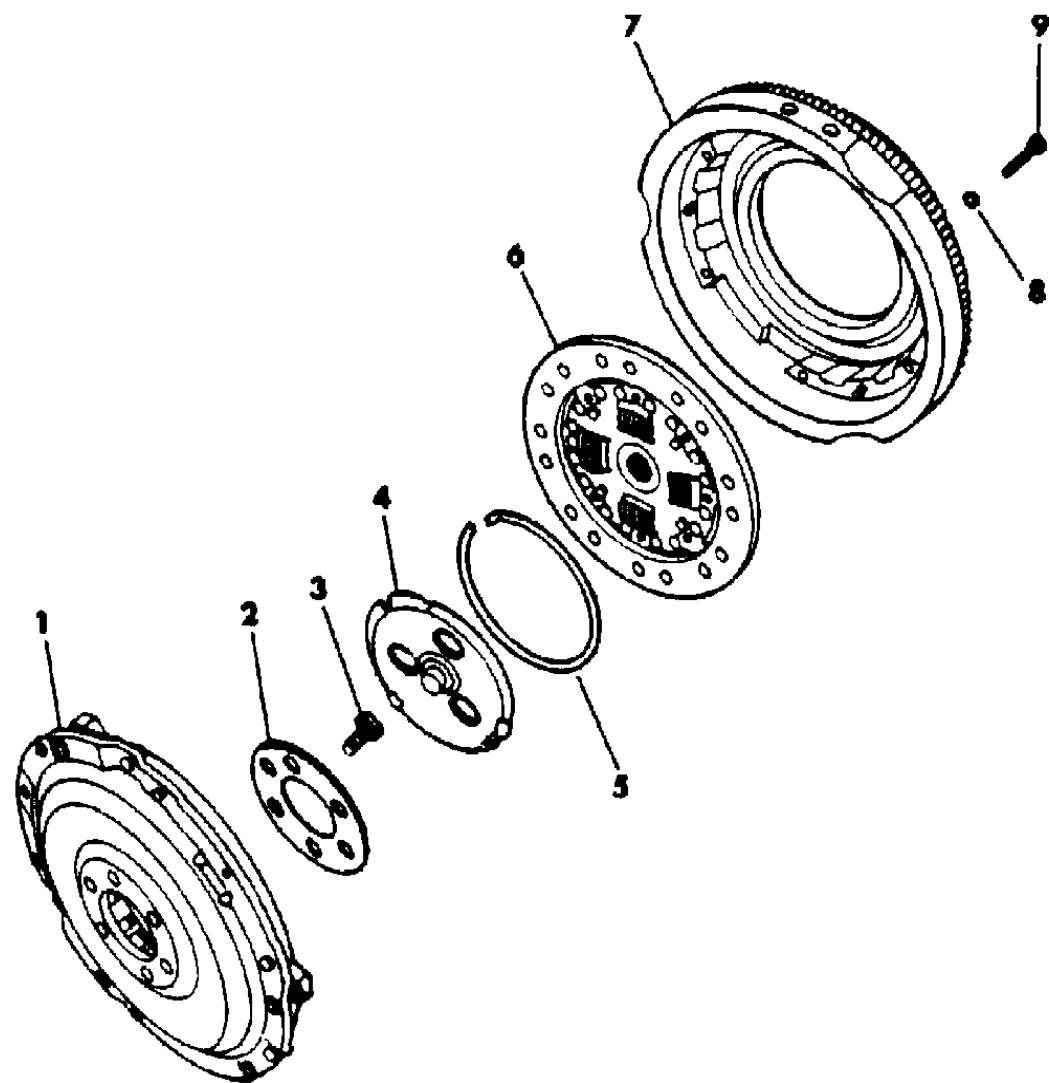
<b>ILLUSTRATION TITLE</b>	<b>GROUP-FIG. NO.</b>
CLUTCH - M,Z 1.7L Eng. & A-412 Trans. ....	Fig. 6-100
CLUTCH - M,Z 1.7L Eng. & A-460 Trans. ....	Fig. 6-125
CLUTCH - M,Z,P,D,V,C w/2.2L Eng. & A-460 Trans. ....	Fig. 6-150
CLUTCH PEDAL & LINKAGE- M,Z 1.7L Eng. & A-412 Trans. ....	Fig. 6-300
CLUTCH PEDAL AND LINKAGE - M,Z,P,D,V,C All Eng. w/A-460 Trans. ....	Fig. 6-350

**ILLUSTRATION NOT AVAILABLE AT TIME OF PUBLICATION**

---

**CLUTCH - M,Z 1.7L Eng. & A-412 Trans.  
Figure 6-100**

2106 100



ITEM	PART NUMBER	QTY	BODY	MODEL	DESCRIPTION
1	5222 864	1		all	COVER, w/Plate, Clutch Pressure (Luk) Dab Of Yellow Paint On Flange Cover
	5222 871	1		all	(Borg & Beck) Dab Of Light Blue Paint On Flange Cover
2	5240 152	1		all	PLATE, C/Shaft Bolt Backing
3	6500 059	6		all	BOLT, Plate Backing
4-5	4186 869	1		all	PLATE w/RING, Clutch Release (Borg & Beck)
4	5222 866	1		all	(Luk)
5	4130 985	1		all	RING, Release Plate Retainer (Also Serviced In 4186869)(Borg & Beck)
	5222 868	1		all	(Luk)
6	4186 868	1		all	DISC, Clutch
7				All	FLYWHEEL ( Ref. See Gr. 9)
8				All	DOWEL, Lock ( Ref. See Gr. 9)
9				All	BOLT, Flywheel To Clutch ( Ref. See Gr. 9)

MODEL CODES

B = GRAN FURY/CARAVELLE	P = RELIANT
C = LEBARON/TOWN & COUNTRY	S = CORDOBA
D = ARIES	V = 400
F = NEW YORKER	X = MIRADA
G = DIPLOMAT	Y = IMPERIAL
M = HORIZON/TC3/SCAMP	Z = OMNI/O24/RAMPAGE

BODY STYLES

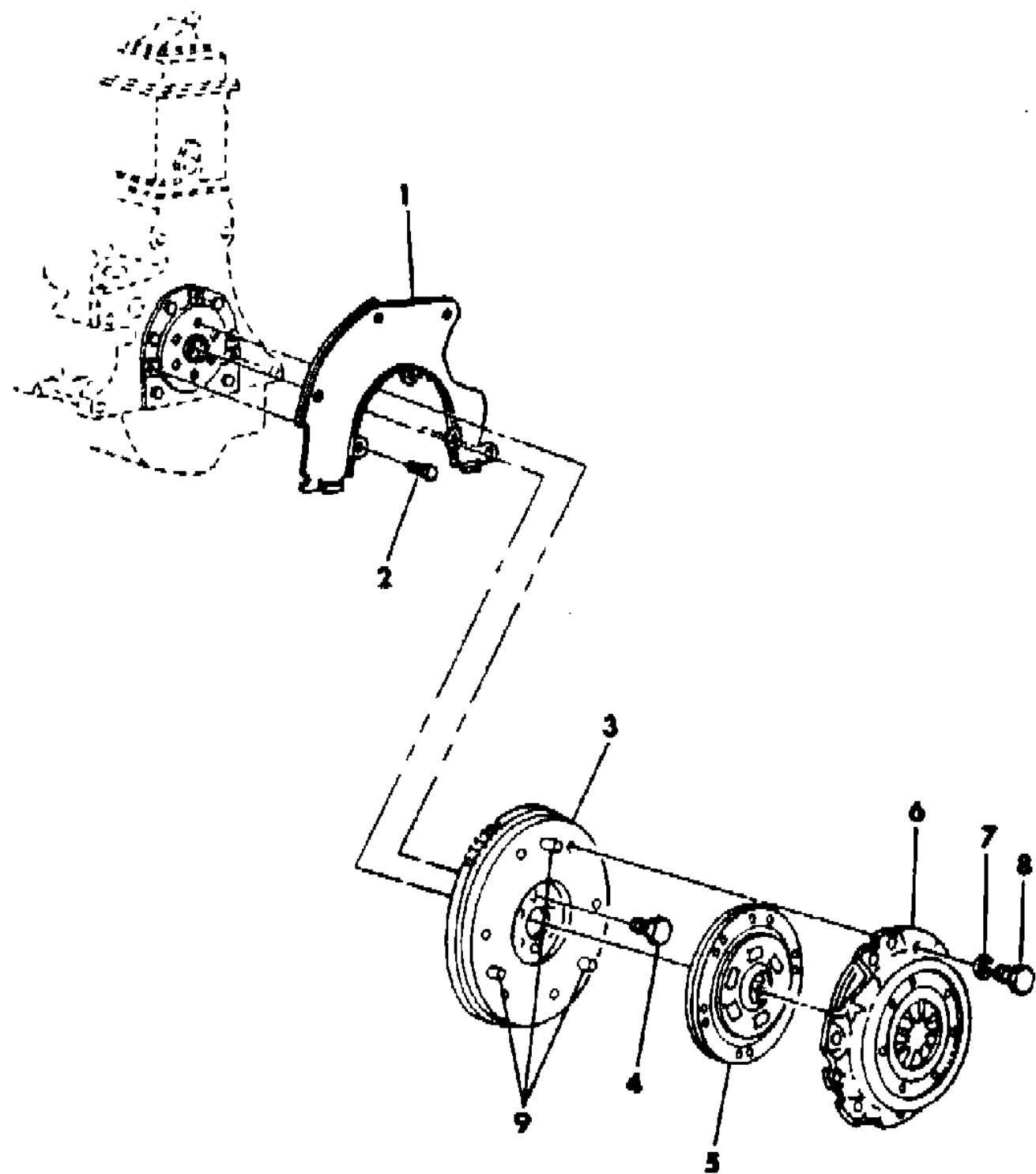
21 = 2-DOOR SEDAN	28 = FWD PICKUP
22 = 2-DOOR SPECIAL COUPE	41 = 4-DOOR SEDAN
24 = 2-DOOR HATCHBACK	44 = 4-DOOR HATCHBACK
27 = 2-DOOR CONVERTIBLE	45 = 2-SEAT STATION WAGON

AR = Use as Required - = Non Illustrated Part P.A.R. = Paint as Required

CLUTCH - M,Z 1.7L Eng. & A-460 Trans.  
Figure 6-125

2108 125

ITEM	PART NUMBER	QTY	BODY	MODEL	DESCRIPTION
1				all	COVER, Trans. Case Upper (Ref.)
2				all	SCREW, Cover (Ref.)
3				All	FLYWHEEL ( Ref. See Gr. 9)
4				All	SCREW, Flywheel ( Ref. See Gr. 9)
5	4205 865	1		all	DISC, Clutch
6	4205 864	1		All	COVER, w/PLATE, Clutch Pressure & Disc
7	6100 141	6		all	WASHER, Lock
8	6100 165	6		all	BOLT, Cover
9				All	DOWEL, Cover ( Ref. See Gr. 9)



MODEL CODES

B = GRAN FURY/CARAVELLE	P = RELIANT
C = LEBARON/TOWN & COUNTRY	S = CORDOBA
D = ARIES	V = 400
F = NEW YORKER	X = MIRADA
G = DIPLOMAT	Y = IMPERIAL
M = HORIZON/TC3/SCAMP	Z = OMNI/O24/RAMPAGE

BODY STYLES

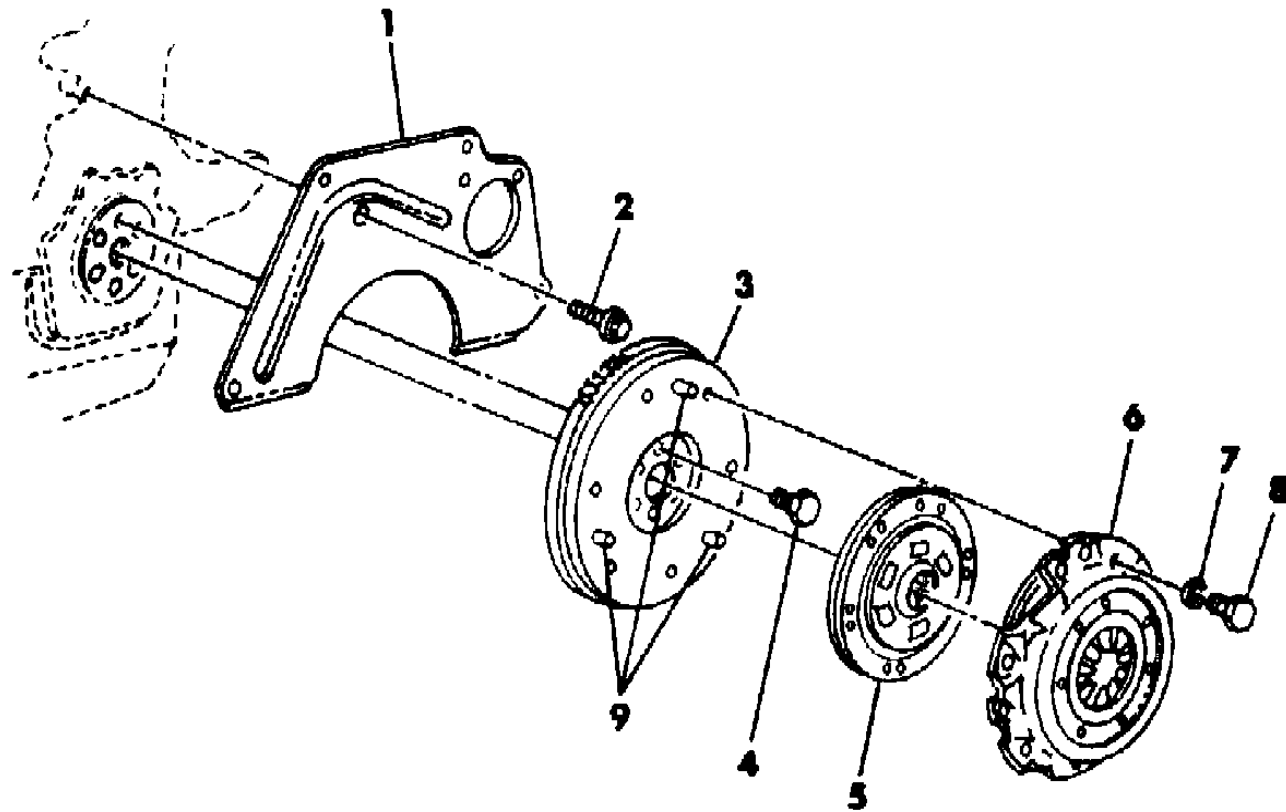
21 = 2-DOOR SEDAN	28 = FWD PICKUP
22 = 2-DOOR SPECIAL COUPE	41 = 4-DOOR SEDAN
24 = 2-DOOR HATCHBACK	44 = 4-DOOR HATCHBACK
27 = 2-DOOR CONVERTIBLE	45 = 2-SEAT STATION WAGON

AR = Use as Required - = Non Illustrated Part P.A.R. = Paint as Required

**CLUTCH - M,Z,P,D,V,C w/2.2L Eng. & A-460 Trans.  
Figure 6-150**

2108 150

ITEM	PART NUMBER	QTY	BODY	MODEL	DESCRIPTION
1				all	COVER, Trans. Case Upper (Ref.Only)
2				all	SCREW,w/WASHER (Ref.Only)
3				All	FLYWHEEL ( Ref. See Gr. 9)
4				All	BOLT, Flywheel Mtg. ( Ref. See Gr. 9)
5	5222 677	1		all	DISC, Clutch (Aisin) (w/4 Damper Springs In Center Of Disc)
	5222 700	1		all	(Ap) (w/6 Damper Springs In Center Of Disc)
	4295 006	1		P,D,V,C	Eff. 4-15-82 (Models Built At St.Louis Only)
6	4186 894	1		all	COVER,w/PLATE, Clutch Pressure & Disc Pkg.
	4295 007	1		P,D,V,C	Eff. 4-15-82 (Models Built At St.Louis Only)
7	6100 141	6		all	WASHER, Cover To Flywheel
8	6100 165	6		all	BOLT, Cover To Flywheel
9				All	DOWEL,Flywheel To Cover ( Ref. See Gr. 9)



**MODEL CODES**

B = GRAN FURY/CARAVELLE	P = RELIANT
C = LEBARON/TOWN & COUNTRY	S = CORDOBA
D = ARIES	V = 400
F = NEW YORKER	X = MIRADA
G = DIPLOMAT	Y = IMPERIAL
M = HORIZON/TC3/SCAMP	Z = OMNI/O24/RAMPAGE

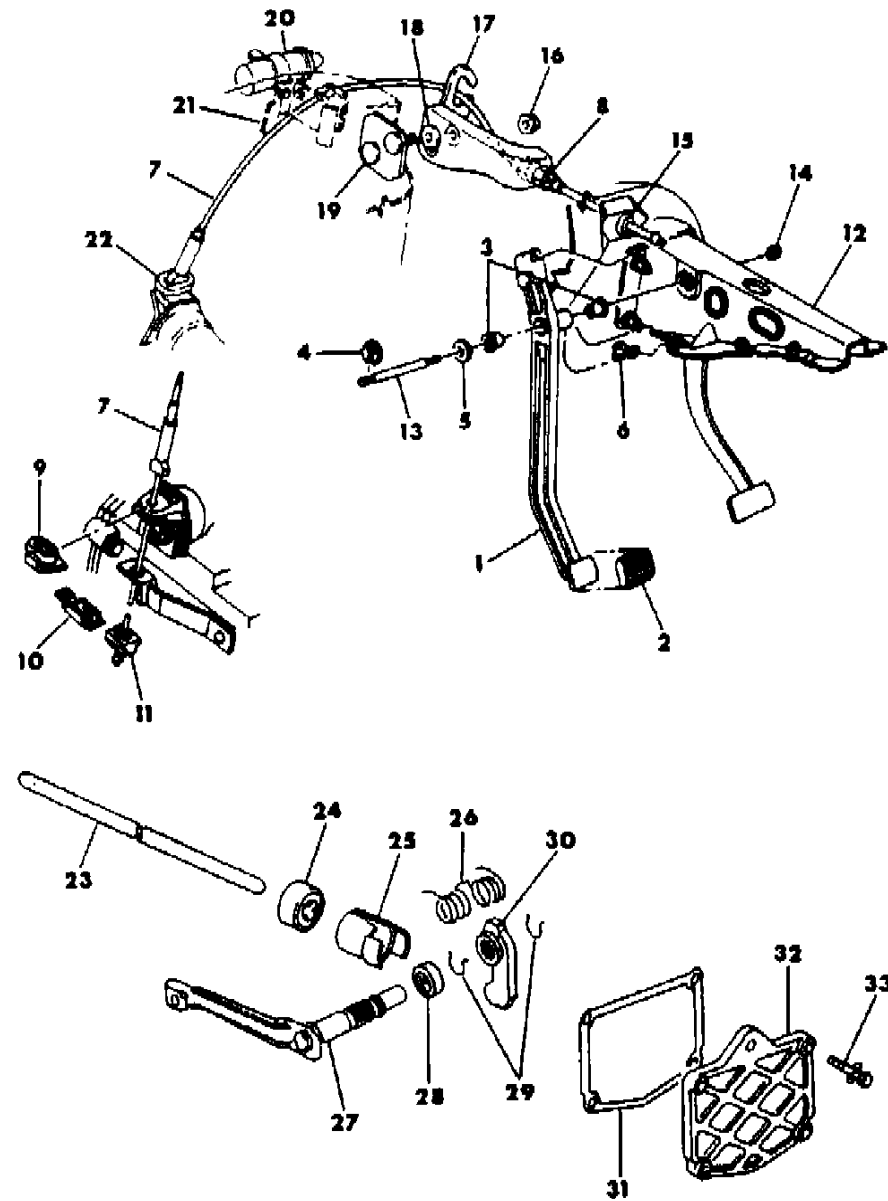
**BODY STYLES**

21 = 2-DOOR SEDAN	28 = FWD PICKUP
22 = 2-DOOR SPECIAL COUPE	41 = 4-DOOR SEDAN
24 = 2-DOOR HATCHBACK	44 = 4-DOOR HATCHBACK
27 = 2-DOOR CONVERTIBLE	45 = 2-SEAT STATION WAGON

AR = Use as Required - = Non Illustrated Part P.A.R. = Paint as Required

**CLUTCH PEDAL & LINKAGE- M,Z 1.7L Eng. & A-412 Trans.  
Figure 6-300**

2106 300



ITEM	PART NUMBER	QTY	BODY	MODEL	DESCRIPTION
1	4267 336	1		All	PEDAL PACKAGE, Clutch Consists Of: 1----- Pedal 1-6032051 Seat,Cable Terminal 1-6032050 Retainer,Cable Terminal
2	5206 237	1		All	PAD,Pedal
3	2467 770	2		All	BUSHING, Pedal
4	6030 373	1		All	LOCK-RING, Clutch Pedal Shaft
5	2073 632	1		All	WASHER, Clutch Pedal Shaft
6	2266 820	1		All	STOP, Clutch Pedal
7	5206 246	1		All	CABLE, Clutch Pedal
8	6031 447	1		All	SCREW,w/WASHER, Cable Mtg., Brkt.
9	5206 234	1		All	GROMMET, Cable
10	5206 245	1		All	RETAINER, Clutch Cable Lock
11	5206 244	1		All	GROMMET, Cable Retainer
12		1		All	BRACKET, Pedal (Ref.See Grp.5)
13	5206 221	1		All	SHAFT, Pedal
14	6500 197	1		All	NUT, Shaft
15	3593 446	1		All	GROMMET, Cable Dash Panel
16	6100 050	2		All	NUT,w/WASHER, Cable Mtg. Plate
17	5206 247	1		All	BRACKET, Cable Mtg.
18		1			PUSH-NUT (Not Serviced)
19	4188 101	1	All		PLATE, Cable Mtg.
20		1			COIL (See III. Gr.8)
21		1			BRACKET (See III. Gr.8)
22	5206 234	1		All	GROMMET, Cable
23	5240 081	1		All	ROD, Clutch Rel.
24	4094 827	1		All	BEARING, Clutch Rel.
25	5240 067	1		All	BUSHING, Rel. Bearing Pilot
26	5240 075	1		All	SPRING, Inner Lever
27	5240 068	1		All	SHAFT, Clutch Lever
28	4094 828	1		All	SEAL, Lever Shaft
29	5240 072	1		All	LOCK-RING, Linkage Lever
30	5240 071	1		All	LEVER, Linkage Inner
31	5240 061	1		All	GASKET, Linkage Cover
32	5240 062	1		All	COVER, Linkage
33	5240 024	1		All	BOLT, Linkage Cover

MODEL CODES

B = GRAN FURY/CARAVELLE	P = RELIANT
C = LEBARON/TOWN & COUNTRY	S = CORDOBA
D = ARIES	V = 400
F = NEW YORKER	X = MIRADA
G = DIPLOMAT	Y = IMPERIAL
M = HORIZON/TC3/SCAMP	Z = OMNI/O24/RAMPAGE

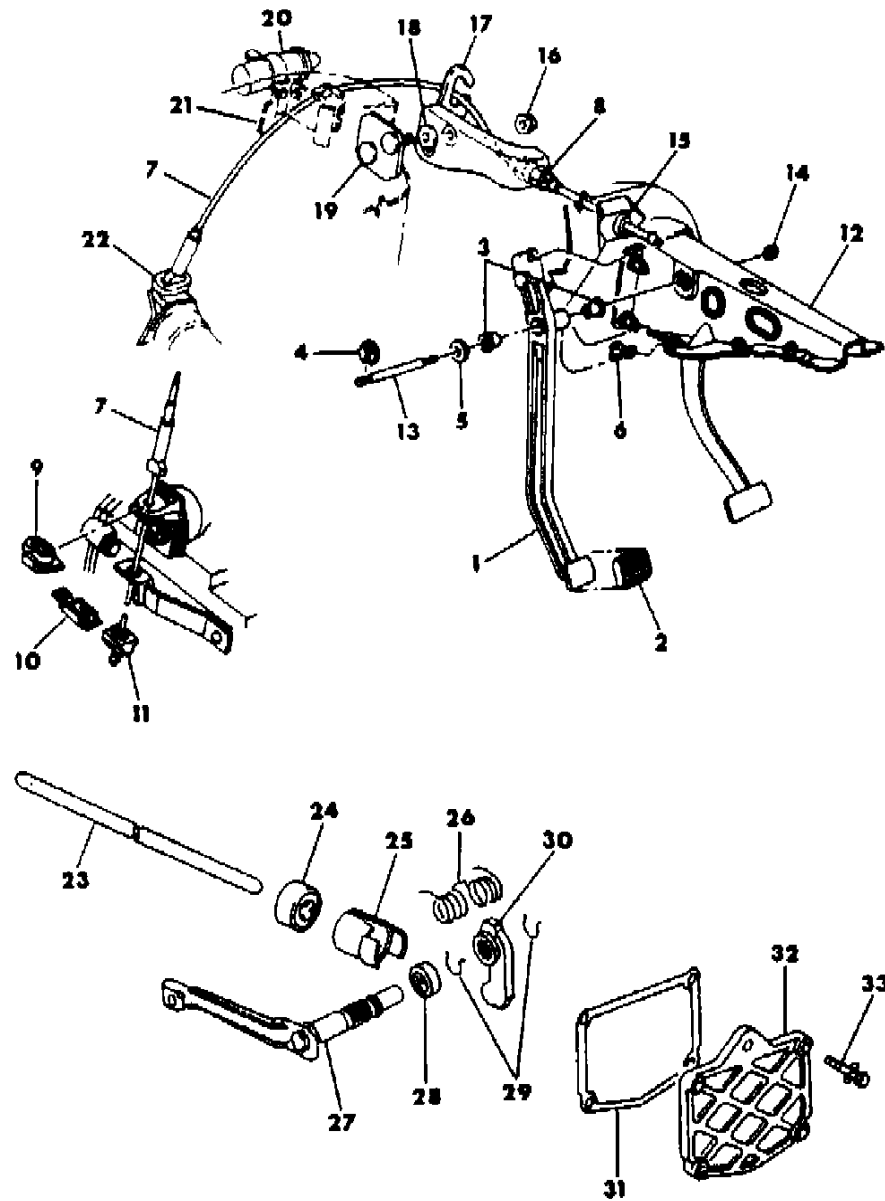
BODY STYLES

21 = 2-DOOR SEDAN	28 = FWD PICKUP
22 = 2-DOOR SPECIAL COUPE	41 = 4-DOOR SEDAN
24 = 2-DOOR HATCHBACK	44 = 4-DOOR HATCHBACK
27 = 2-DOOR CONVERTIBLE	45 = 2-SEAT STATION WAGON

AR = Use as Required - = Non Illustrated Part P.A.R. = Paint as Required

CLUTCH PEDAL & LINKAGE- M,Z 1.7L Eng. & A-412 Trans.  
Figure 6-300

2106 300



ITEM	PART NUMBER	QTY	BODY	MODEL	DESCRIPTION
	6032 051	1		All	SEAT, Clutch Cable Terminal
	6032 050	1		All	RETAINER, Clutch Cable Terminal Seat

MODEL CODES

B = GRAN FURY/CARAVELLE	P = RELIANT
C = LEBARON/TOWN & COUNTRY	S = CORDOBA
D = ARIES	V = 400
F = NEW YORKER	X = MIRADA
G = DIPLOMAT	Y = IMPERIAL
M = HORIZON/TC3/SCAMP	Z = OMNI/O24/RAMPAGE

BODY STYLES

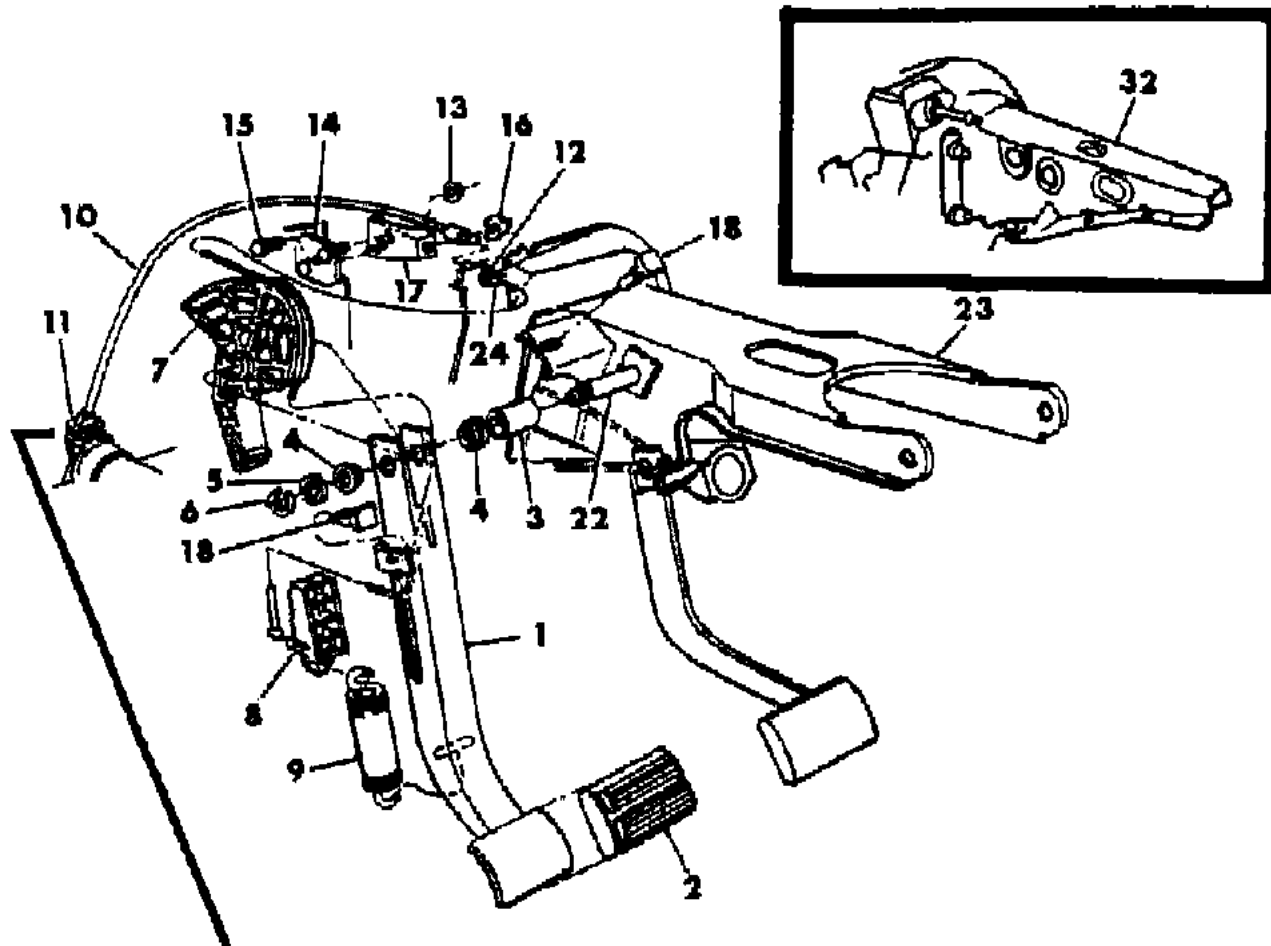
21 = 2-DOOR SEDAN	28 = FWD PICKUP
22 = 2-DOOR SPECIAL COUPE	41 = 4-DOOR SEDAN
24 = 2-DOOR HATCHBACK	44 = 4-DOOR HATCHBACK
27 = 2-DOOR CONVERTIBLE	45 = 2-SEAT STATION WAGON

AR = Use as Required - = Non Illustrated Part P.A.R. = Paint as Required

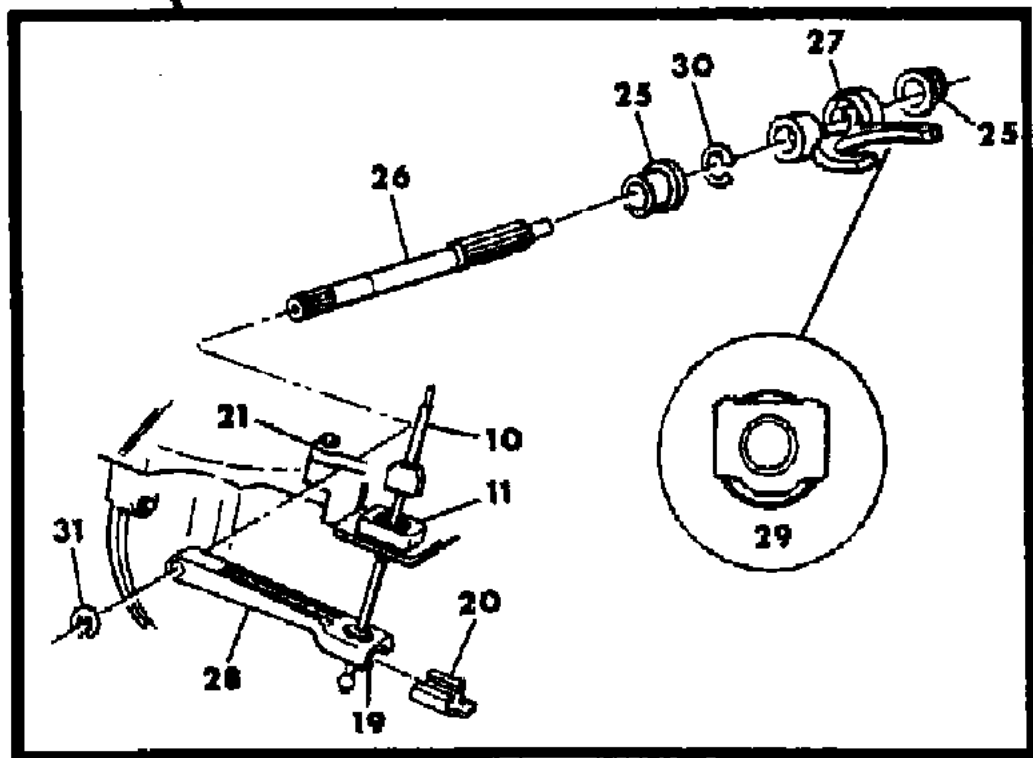
CLUTCH PEDAL AND LINKAGE - M,Z,P,D,V,C All Eng. w/A-460 Trans.

Figure 6-350

2108 350A



ITEM	PART NUMBER	QTY	BODY	MODEL	DESCRIPTION
1	4019 713	1		P,D,V,C	PEDAL, Clutch
	4019 704	1		M,Z	
2	4019 715	1		P,D,V,C	PAD, Pedal
	5206 237	1		M,Z	
3	4019 716	1		P,D,V,C	SPACER, Pedal
	4019 706	1		M,Z	
4	4019 707	2	All		BUSHING, Pedal
5	2073 632	1	All		WASHER, Pedal Shaft
6	6030 373	1	All		LOCK-RING, Pedal Shaft
7	4019 747	1	All		ADJUSTER, Pivot
8	4019 695	1	All		POSITION-ADJUSTER
9	#4188 654	1	All		SPRING, Clutch Cable Adj.
	4188 653	1	All		CLIP, Clutch Cable Adj. Spring (Not Ill.)
	4019 749	1	All		DAMPER, Clutch Pedal Adj. Spring (Not Ill.)
10	5206 246	1	M,Z		CABLE, Clutch Pedal, w/1.7L Eng.
	4019 750	1	M-E,Z-E		w/1.7L Eng.
	5206 246	1	M-L,Z-L		w/1.7L Eng.
	4019 750	1	All		w/2.2L Eng.
	6029 654	1	P,D,V,C		CLIP, Pedal Cable, 2.2 Eng. (Not Ill.)
11	5206 234	1	M,Z		GROMMET, Cable, 1.7 Eng. w/3.37 Gear Ratio
	4019 696	1	M,Z		1.7 Eng. w/2.69 Gear Ratio
	4019 696	1	All		2.2 Eng.
12	3593 446	1	All		GROMMET, Cable Panel Dash
13	6100 050	2	All		NUT,w/WASHER, Cable Mtg. Plate
14	4188 101	1	All		PLATE, Cable Mtg.
15	3759 944	1	All		RETAINER, Plate
16	5211 884	1	All		CLIP, Cable
17	4019 717	1	P,D,V,C		BRACKET, Cable Mtg.
	5206 247	1	M-L,Z-L		w/1.7L Eng.
	4188 651	1	M-E,Z-E		w/1.7L Eng.
	4188 651	1	M,Z		w/2.2L Eng.
18	4019 709	1	All		BUMPER, Pedal Stop
18A	2266 820	1	All		Pedal Stop Brkt.
19	5206 244	1	All		GROMMET, Cable Retainer
20	5206 245	1	All		RETAINER, Cable Lock
21			All		TRANS. (Ref.)
22			All		SHAFT (Ref. See Grp.5)



MODEL CODES

B = GRAN FURY/CARAVELLE  
 C = LEBARON/TOWN & COUNTRY  
 D = ARIES  
 F = NEW YORKER  
 G = DIPLOMAT  
 M = HORIZON/TC3/SCAMP  
 P = RELIANT  
 S = CORDOBA  
 V = 400  
 X = MIRADA  
 Y = IMPERIAL  
 Z = OMNI/O24/RAMPAGE

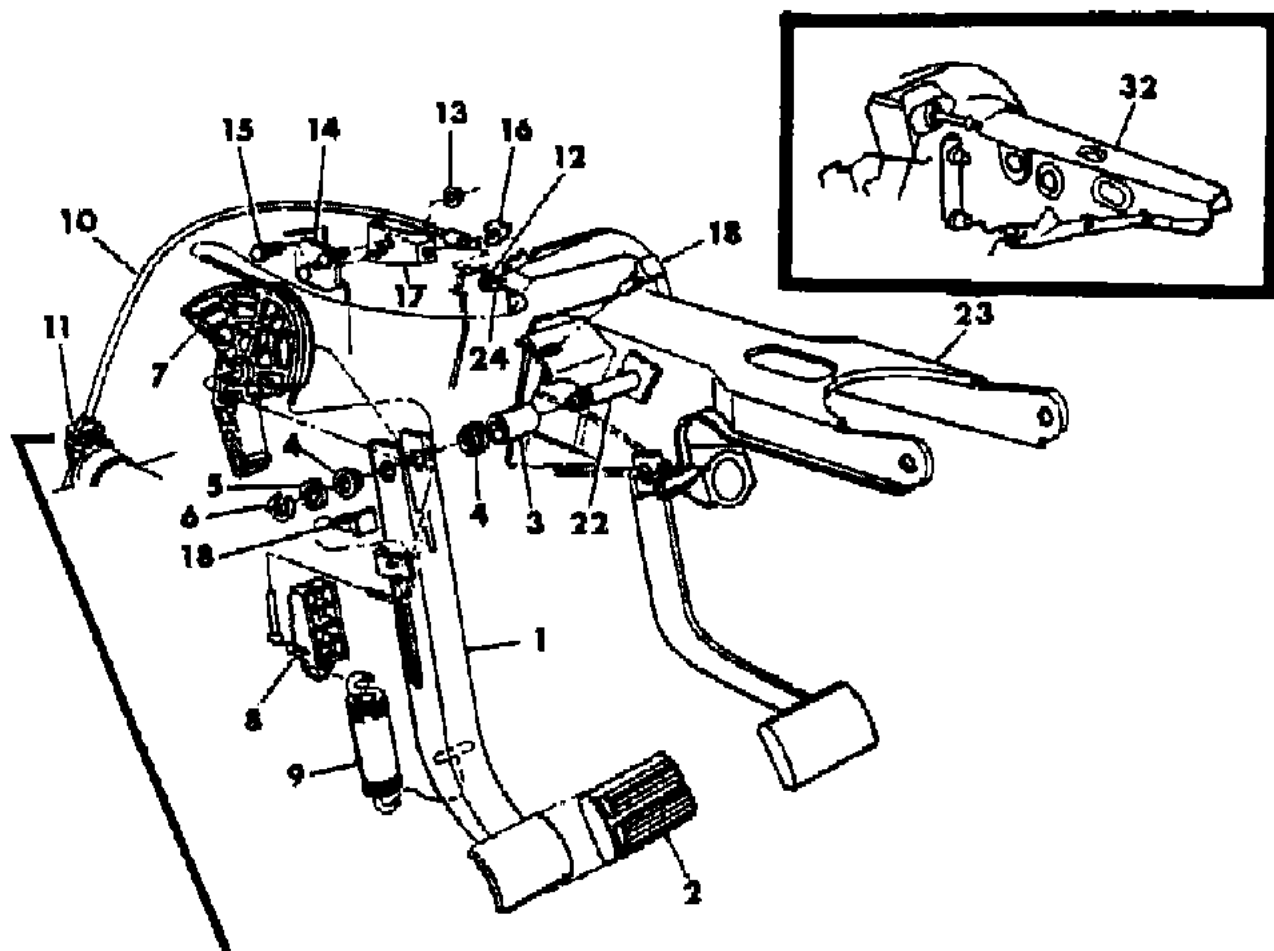
BODY STYLES

21 = 2-DOOR SEDAN  
 22 = 2-DOOR SPECIAL COUPE  
 24 = 2-DOOR HATCHBACK  
 27 = 2-DOOR CONVERTIBLE  
 28 = FWD PICKUP  
 41 = 4-DOOR SEDAN  
 44 = 4-DOOR HATCHBACK  
 45 = 2-SEAT STATION WAGON

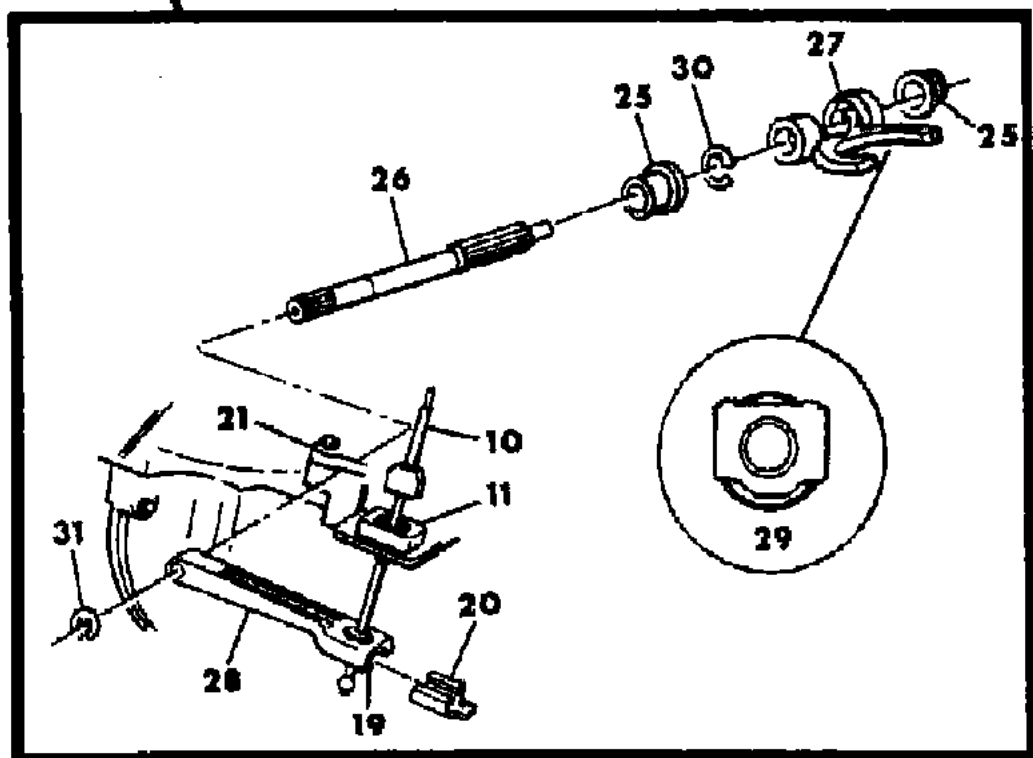
AR = Use as Required - = Non Illustrated Part P.A.R. = Paint as Required

CLUTCH PEDAL AND LINKAGE - M,Z,P,D,V,C All Eng. w/A-460 Trans.  
Figure 6-350

2108 350A



ITEM	PART NUMBER	QTY	BODY	MODEL	DESCRIPTION
23				P,D,V,C	BRACKET, (Ref. See Grp.5)
24	6031 447	1	All		NUT, Cable Mtg.
25	5222 710	1	All		BUSHING, Clutch Rel. Shaft, Inner
	5222 709	1	All		Outer
26	5222 708	1	All		SHAFT, Clutch Rel., w/2.2L Eng.
	4202 283	1	M,Z		w/1.7L Eng.
27	5222 707	1	All		FORK, Clutch Rel.
28	5222 975	1	All		LEVER, Clutch Rel. Shaft, w/2.2L Eng.
	4202 284	1	M,Z		w/1.7L Eng.
29	4202 378	1	All		BEARING,w/SLEEVE, Clutch Rel.
30	6500 510	1	All		E-RING, Shaft Outer Bushing
31	6500 338	1	All		E-RING, Lever To Shaft
32			M,Z		BRACKET (Ref. See Grp.5)



MODEL CODES  
 B = GRAN FURY/CARAVELLE      P = RELIANT  
 C = LEBARON/TOWN & COUNTRY      S = CORDOBA  
 D = ARIES      V = 400  
 F = NEW YORKER      X = MIRADA  
 G = DIPLOMAT      Y = IMPERIAL  
 M = HORIZON/TC3/SCAMP      Z = OMNI/O24/RAMPAGE

BODY STYLES  
 21 = 2-DOOR SEDAN      28 = FWD PICKUP  
 22 = 2-DOOR SPECIAL COUPE      41 = 4-DOOR SEDAN  
 24 = 2-DOOR HATCHBACK      44 = 4-DOOR HATCHBACK  
 27 = 2-DOOR CONVERTIBLE      45 = 2-SEAT STATION WAGON

AR = Use as Required - = Non Illustrated Part P.A.R. = Paint as Required



---

**GROUP 7 - COOLING**

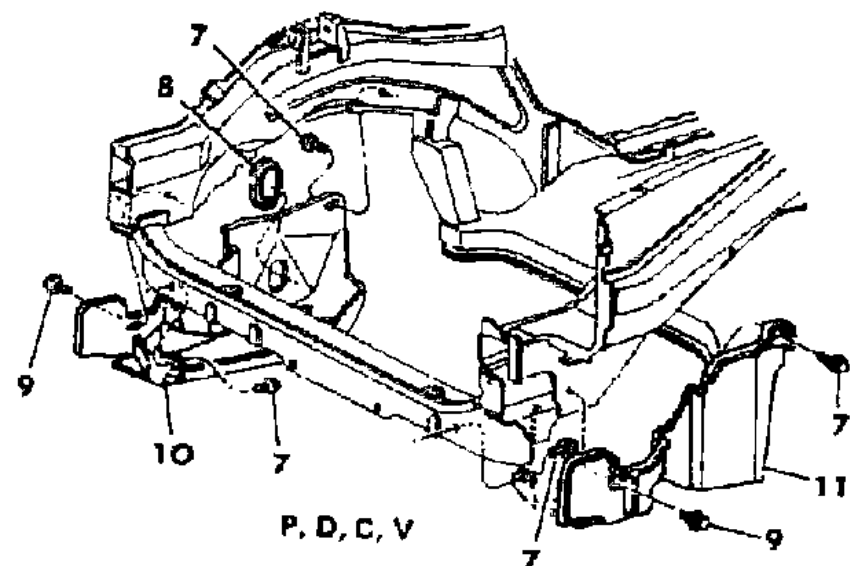
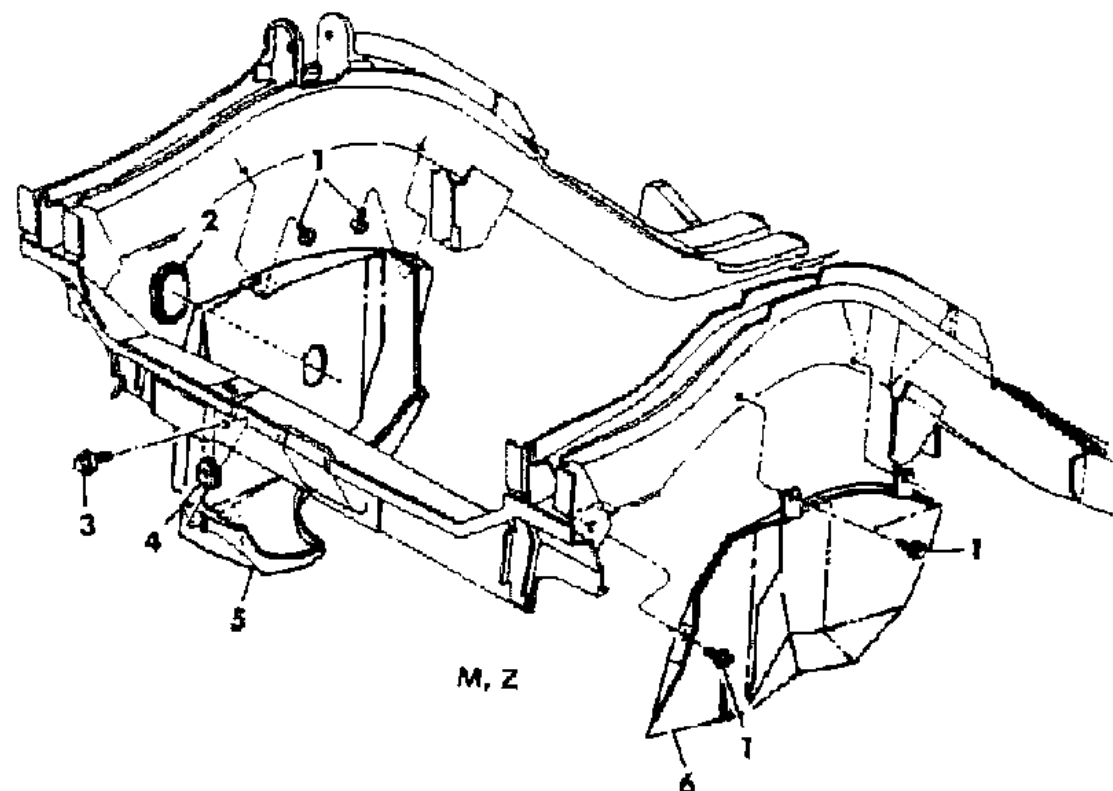
<b>ILLUSTRATION TITLE</b>	<b>GROUP-FIG. NO.</b>
SPLASH SHIELDS - M,Z,P,D,C,V. ....	Fig. 7-100
DRIVE PULLEYS & BELTS - 1.7 L. ENGINE ....	Fig. 7-200
DRIVE PULLEYS & BELTS - 2.2 L. & 2.6 L. ....	Fig. 7-300
FAN, PULLEYS & BELTS - 225 ENGINE ....	Fig. 7-400
FAN, PULLEYS & BELTS - 318 ENGINE ....	Fig. 7-500
GRILLE AND RELATED PARTS M,Z ....	Fig. 7-600
GRILLE AND RELATED PARTS - P,D ....	Fig. 7-700
GRILLE & RELATED PARTS - V ....	Fig. 7-800
GRILLE & RELATED PARTS - C ....	Fig. 7-900
GRILLE AND RELATED PARTS F ....	Fig. 7-1000
GRILLE AND RELATED PARTS B & G ....	Fig. 7-1100
GRILLE AND RELATED PARTS - S ....	Fig. 7-1200
GRILLE AND RELATED PARTS - Y ....	Fig. 7-1300
RADIATOR,SHROUD,AND COOLANT RECOVERY SYSTEM M,Z ....	Fig. 7-1400
COOLING SYSTEM AND RELATED PARTS - P,D,V,C. ....	Fig. 7-1500
RADIATOR,SHROUDS,SIDE PANELS AND COOLANT RECOVERY SYSTEM F,G,X,S,Y ....	Fig. 7-1600
WATER PUMP AND RELATED PARTS M,Z - 1.7L ENG. ....	Fig. 7-1700
WATER PUMP AND RELATED PARTS - P,D - 2.6L ENG. ....	Fig. 7-1800
WATER PUMP AND RELATED PARTS - 2.2L ENG. M,Z,P,D ....	Fig. 7-1900
WATER PUMP AND RELATED PARTS 225,318 ENGINES ....	Fig. 7-2000

**ILLUSTRATION NOT AVAILABLE AT TIME OF PUBLICATION**

**SPLASH SHIELDS - M,Z,P,D,C,V.**  
**Figure 7-100**

2107 100

ITEM	PART NUMBER	QTY	BODY	MODEL	DESCRIPTION
1		5		M,Z.	SCREW (do not service)
2	2811 825	1		M,Z.	PLUG, accessory splash shield
3		1		M,Z.	SCREW, (do not service)
4	6031 482	1		M,Z.	U-NUT
5	5202 638	1		M,Z.	SHIELD, accessory splash, Rt.
6	5202 625	1		M,Z.	SHIELD, trans. appearance. Lt.
7		4		P,D,C,V	SCREW, (do not service)
8	2811 825	1		P,D,C,V	PLUG, accessory splash shield.
9		2		P,D,C,V	SCREW, (do not service)
10	4191 532	1		P,D,C,V	SHIELD, accessory splash. Rt. w/2.2 L. engine
	4191 534	1		P,D,C,V	w/2.6 L. engine
11	4191 565	1		P,D,C,V	SHIELD, trans. appearance. Lt.



MODEL CODES  
 B = GRAN FURY/CARAVELLE      P = RELIANT  
 C = LEBARON/TOWN & COUNTRY    S = CORDOBA  
 D = ARIES                            V = 400  
 F = NEW YORKER                    X = MIRADA  
 G = DIPLOMAT                       Y = IMPERIAL  
 M = HORIZON/TC3/SCAMP         Z = OMNI/O24/RAMPAGE

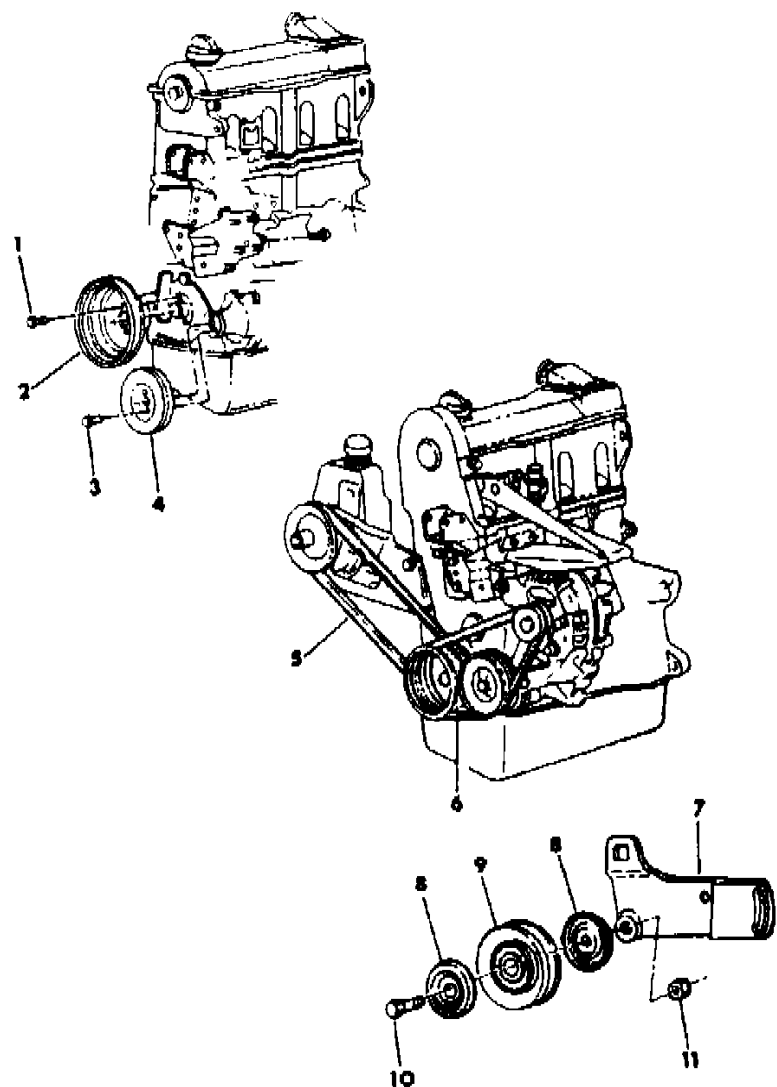
BODY STYLES  
 21 = 2-DOOR SEDAN                28 = FWD PICKUP  
 22 = 2-DOOR SPECIAL COUPE    41 = 4-DOOR SEDAN  
 24 = 2-DOOR HATCHBACK        44 = 4-DOOR HATCHBACK  
 27 = 2-DOOR CONVERTIBLE      45 = 2-SEAT STATION WAGON

AR = Use as Required - = Non Illustrated Part P.A.R. = Paint as Required

# DRIVE PULLEYS & BELTS - 1.7 L. ENGINE

Figure 7-200

2107 200



ITEM	PART NUMBER	QTY	BODY	MODEL	DESCRIPTION
1	6500 350	4			BOLT
2	5214 486	1			PULLEY,drive w/o air cond, 3 groove
	4241 150	1			w/air cond.
3	6500 137	3			SCREW & WASHER
4	5214 504	1			PULLEY, water pump
5	4027 331	1			BELT,p/strg.pump drive
6	5214 136	1			BELT,alt.& w/pump drive
7	5203 649	1			BRKT.,idler pulley
8	5214 065	2			SHIELD,alt.idler
9	3830 196	1			PULLEY,Idler
10	6500 374	2			SCREW& WASHER
11	0271 502	1			NUT,idler shield

MODEL CODES

B = GRAN FURY/CARAVELLE	P = RELIANT
C = LEBARON/TOWN & COUNTRY	S = CORDOBA
D = ARIES	V = 400
F = NEW YORKER	X = MIRADA
G = DIPLOMAT	Y = IMPERIAL
M = HORIZON/TC3/SCAMP	Z = OMNI/O24/RAMPAGE

BODY STYLES

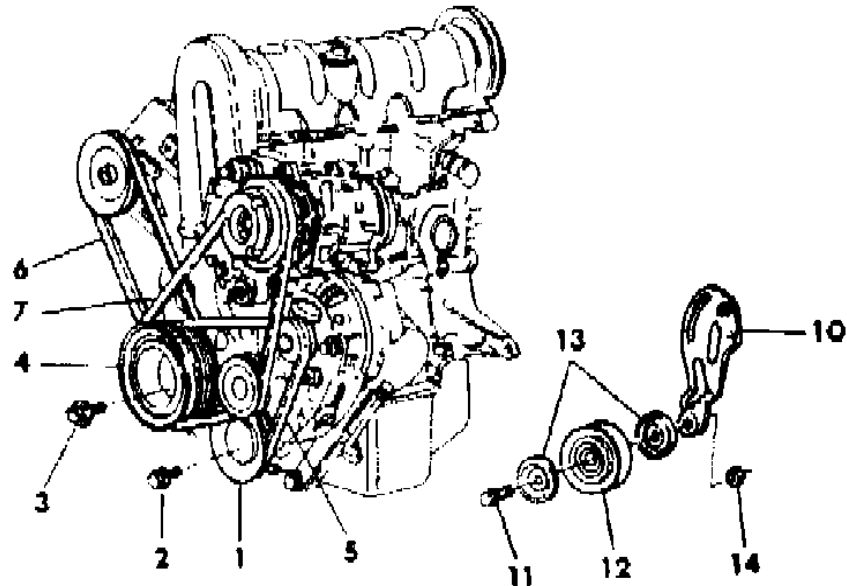
21 = 2-DOOR SEDAN	28 = FWD PICKUP
22 = 2-DOOR SPECIAL COUPE	41 = 4-DOOR SEDAN
24 = 2-DOOR HATCHBACK	44 = 4-DOOR HATCHBACK
27 = 2-DOOR CONVERTIBLE	45 = 2-SEAT STATION WAGON

AR = Use as Required - = Non Illustrated Part P.A.R. = Paint as Required

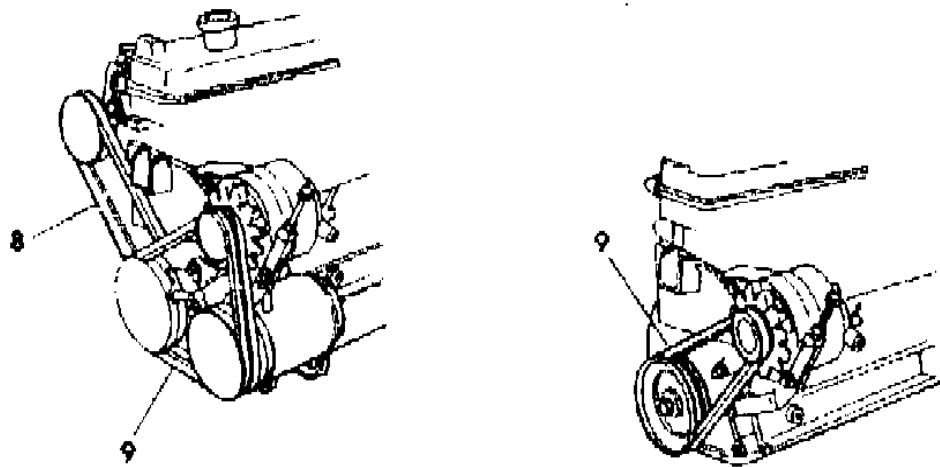
DRIVE PULLEYS & BELTS - 2.2 L. & 2.6 L.

Figure 7-300

2107 300



2.2 LITER ENGINE



2.6 LITER ENGINE

ITEM	PART NUMBER	QTY	BODY	MODEL	DESCRIPTION
1	4201 191	1		2.2L	PULLEY, water pump drive
2	6500 137	3		2.2L	SCREW & WASHER
3	6500 350	4		2.2L	BOLT,drive pulley attach
4	4201 459	1		2.2L	PULLEY, drive, w/o air cond.
	4201 464	1		2.2L	w/air cond.
5	4273 076	1		2.2L	BELT, alt. & water pump drive
6	4267 343	1		2.2L	BELT, power strg. drive
7	4273 020	1		2.2L	BELT, air cond. compressor drive
8	4027 330	1		2.6L	BELT, power strg. drive
9	4273 075	1		2.6L	BELT, alt. drive w/o air cond.
	4268 273	1		2.6L	w/air cond., matched set Up to 3-10-82
	4273 186	1		2.6L	After 3-10-82
10	5203 649	1		2.2L	BRACKET,Idler Pulley
11	6500 374	2			SCREW & WASHER
12	3830 196	1		2.2L	PULLEY,Idler
13	5214 065	2		2.2L	SHIELD, idler roller
14	0271 502	1		2.2L	NUT,Idler Pulley Brkt.

MODEL CODES

B = GRAN FURY/CARAVELLE	P = RELIANT
C = LEBARON/TOWN & COUNTRY	S = CORDOBA
D = ARIES	V = 400
F = NEW YORKER	X = MIRADA
G = DIPLOMAT	Y = IMPERIAL
M = HORIZON/TC3/SCAMP	Z = OMNI/O24/RAMPAGE

BODY STYLES

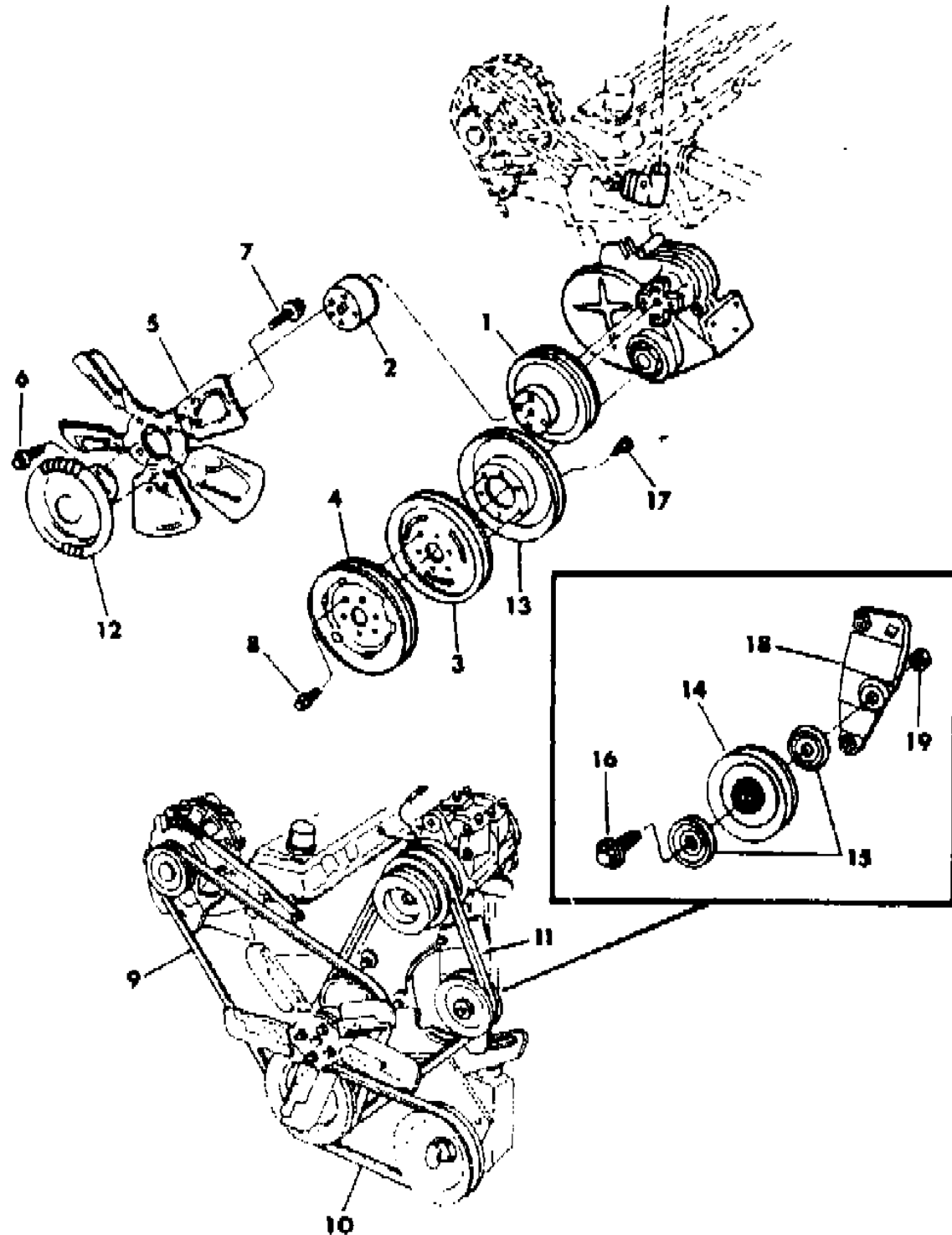
21 = 2-DOOR SEDAN	28 = FWD PICKUP
22 = 2-DOOR SPECIAL COUPE	41 = 4-DOOR SEDAN
24 = 2-DOOR HATCHBACK	44 = 4-DOOR HATCHBACK
27 = 2-DOOR CONVERTIBLE	45 = 2-SEAT STATION WAGON

AR = Use as Required - = Non Illustrated Part P.A.R. = Paint as Required

# FAN, PULLEYS & BELTS - 225 ENGINE

Figure 7-400

2107 400



ITEM	PART NUMBER	QTY	BODY	MODEL	DESCRIPTION
------	-------------	-----	------	-------	-------------

NOTE: "All Belts Listed As Matched Sets Must Be Replaced In Sets, In All Dual Belt Applications." Gear and Pinion numbers stamped on the item may be used to confirm the correct MATCHED SET they are contained in.

1	2202 666	1	All		PULLEY, Fan 1 Groove W/o Air Cond.
	4173 465	1	ALL		W/A/Cond.
2	2265 036	1	All		SPACER, Fan 2.20"Lgh. W/o Air Cond., W/o Max Cool
3		1			Vibration Damper, (See Group 9)
4	4095 536	1	All		PULLEY, P/Strg. Pump Drive 1 Groove
5	3462 185	1	All		FAN, 4 Blades 17 1/2" W/o Air Cond.
	4140 442	1	All		5 Blades 18.50"Dia. w/A/Cond.
6	0181 088	4	All		SCREW W/washer
7	0181 086	4	All		SCREW W/washer
8	0181 086	4	All		SCREW & WASHER
9	4106 214	1	All		BELT, Fan And Alt. Drive, Matched Set
	4106 219	1	All		W/100 Amp. Alt., W/o Air Cond.
	4106 217	1	All		w/100 Amp. Alt. O.S. Lgh. 59", "Matched Set" W/air Cond.
10	4027 319	1	All		BELT, P/Strg. Pump Drive
11	4173 211	1	All		BELT, Compressor Drive
12	4095 853	1	All		DRIVE, Fan w/A/Cond.
	4167 771	1	All		W/O A/Cond.
13	3685 687	1	All		PULLEY, A/C Compr. Or A/Pump Drive 1 Groove 7.202 O.D.
14	3830 197	1	Exc. X,		PULLEY & BRG., Idler W/o Air Pump
	3830 196	1	X, S		
15	5214 065	2	All		SHIELD, Idler Pulley
16	6029 735	1	All		SCREW
17	6022 250	3	All		SCREW & WASHER, Drive Pulley 3/8 X .75
18	4100 783	1	All		BRACKET, Idler Pulley, W/o Air Pump
19	0271 502	1	All		NUT, Idler Pulley, W/o Air Pump

MODEL CODES

B = GRAN FURY/CARAVELLE	P = RELIANT
C = LEBARON/TOWN & COUNTRY	S = CORDOBA
D = ARIES	V = 400
F = NEW YORKER	X = MIRADA
G = DIPLOMAT	Y = IMPERIAL
M = HORIZON/TC3/SCAMP	Z = OMNI/O24/RAMPAGE

BODY STYLES

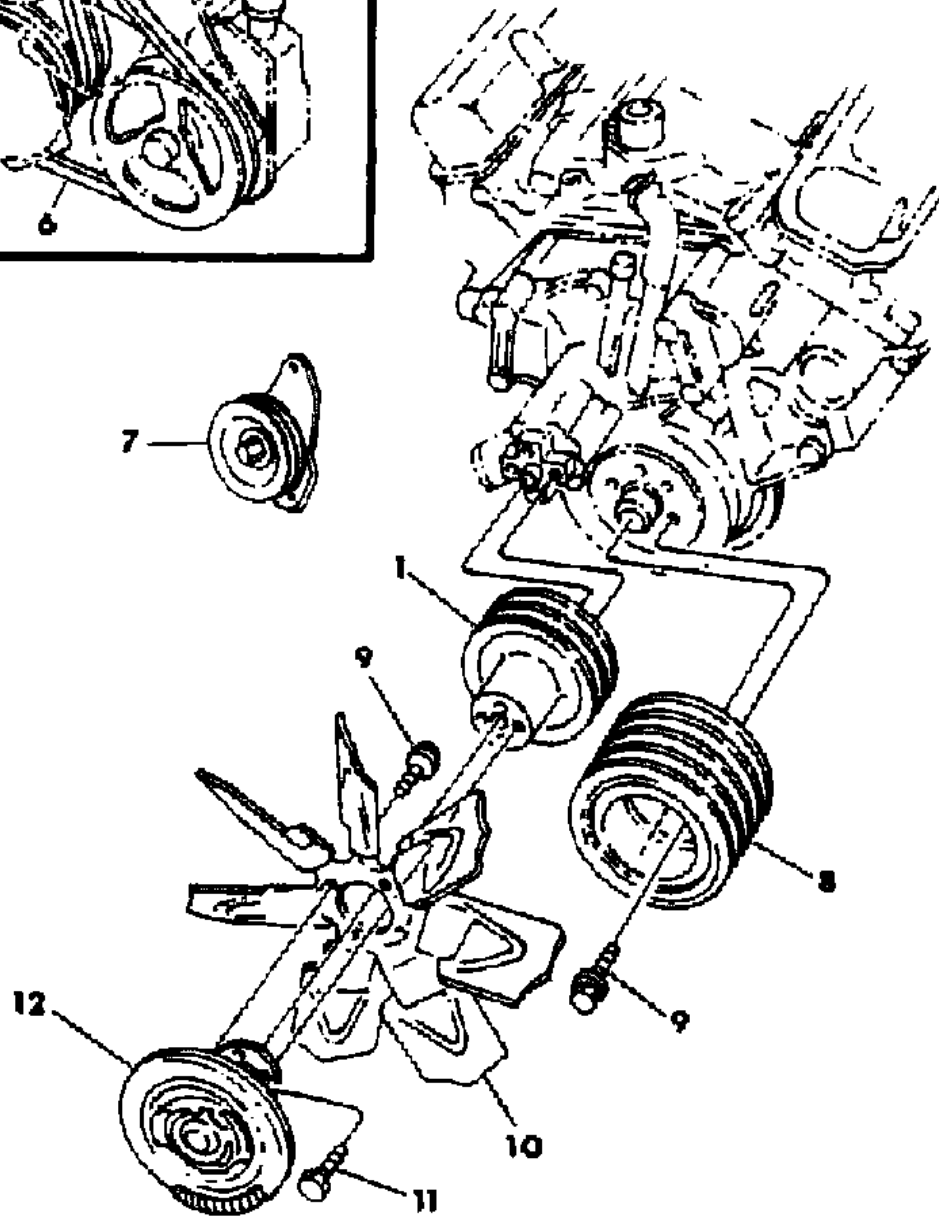
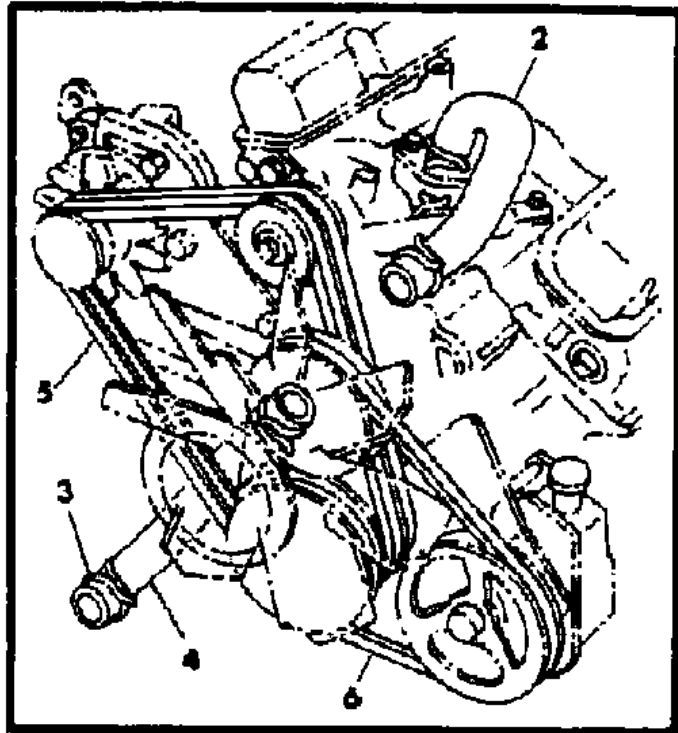
21 = 2-DOOR SEDAN	28 = FWD PICKUP
22 = 2-DOOR SPECIAL COUPE	41 = 4-DOOR SEDAN
24 = 2-DOOR HATCHBACK	44 = 4-DOOR HATCHBACK
27 = 2-DOOR CONVERTIBLE	45 = 2-SEAT STATION WAGON

AR = Use as Required - = Non Illustrated Part P.A.R. = Paint as Required

# FAN, PULLEYS & BELTS - 318 ENGINE

Figure 7-500

2107 500



ITEM	PART NUMBER	QTY	BODY	MODEL	DESCRIPTION
NOTE: "All Belts Listed As Matched Sets Must Be Replaced In Sets, In All Dual Belt Applications." Gear and Pinion numbers stamped on the item may be used to confirm the correct MATCHED SET they are contained in.					
1	3698 805	1	All		PULLEY, Fan w/Air Pump w/A/Cond.5.837/5.937 O.D., 2 Groove
	4179 953	1	All		w/o A/Cond.6.347/6.427 O.D.2 3/4"Deep 3 Groove
	3870 211	1	All		w/100 Amp. Alt.
2		1			HOSE,Rad.Inlet (see rad. illus.)
3		AR			CLAMP,Rad.Hose (see rad. illus.)
4		1			HOSE,Rad.Outlet (see rad. illus.)
5	4106 240	1	X,S,Y.		BELT,Alt.Drive w/o A/Cond.w/100 Amp.Alt.,O.S. Lgh.60.50", "Matched Set"
	4106 207	1	All		Fan & Alt.Drive w/o 100 amp. alt. w/o air cond. 47.76" matched set
	4106 240	1	ALL		Alt & A/C Compr.Drive w/100 amp.Alt.O.S.Lgh.60.50""Matched Set"
	4106 241	1	All		O.S.Lgh.56.76"w/o 100 Amp. Alt., "Matched Set"
6	4106 204	1	All		BELT,Fan & P/Strg.Pump Drive O.S.Lgh.44.75", "Matched Set"
	4106 201	1	All		P/Strg.Pump Drive O.S.Lgh.37.00", "Matched Set"
7	4100 639	1	ALL		BRACKET,Alt.Idler Pulley w/100 Amp.Alt.
	5214 065	2	All		SHIELD,Alt.Idler
	0271 502	1	All		NUT
	3879 131	1	ALL		PULLEY,Alt.Idler 2 Groove w/100 Amp.Alt.
	9418 275	1	All		BOLT
8	3870 069	1	All		PULLEY,Fan Drive w/o A/Cond.,7.257/7.357 O.D. 2 Groove
	3870 074	1	All		w/o A/Cond.7.257/7.357 O.D. 3 Groove w/100 Amp. Alt.
	3614 382	1	All		w/Air Pump w/A/Cond.,7.457/7.557 O.D. 4 Groove
9	0181 086	10	All		SCREW
10	4266 059	1	All		FAN,5 Blades 20"Dia. w/A.C,& W/Max Cooling
	4140 442	1	All		w/o Max Cooling, w/o Air Cond.(5 Blade-18.5"Dia.)
11	0181 088	4	All		SCREW
12	3769 617	1	F,G.		DRIVE UNIT, 71/4",w/Max Cooling and/or Air Cond.
	4095 703	1	All		w/Air Cond.7-1/4"DiA. w/Max Cooling
	4167 771	1	All		w/o A/Cond,6" Dia. w/o Max Cooling

MODEL CODES

- |                            |                      |
|----------------------------|----------------------|
| B = GRAN FURY/CARAVELLE    | P = RELIANT          |
| C = LEBARON/TOWN & COUNTRY | S = CORDOBA          |
| D = ARIES                  | V = 400              |
| F = NEW YORKER             | X = MIRADA           |
| G = DIPLOMAT               | Y = IMPERIAL         |
| M = HORIZON/TC3/SCAMP      | Z = OMNI/O24/RAMPAGE |

BODY STYLES

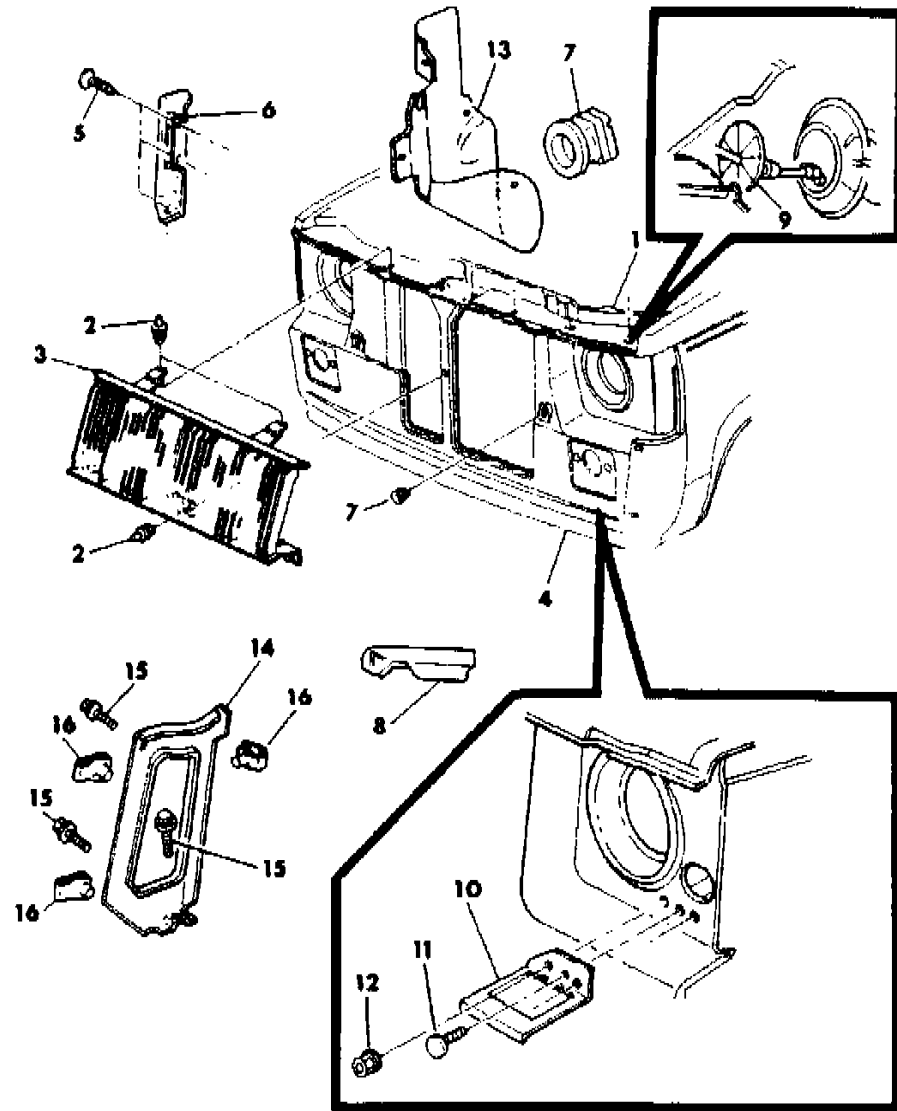
- |                           |                           |
|---------------------------|---------------------------|
| 21 = 2-DOOR SEDAN         | 28 = FWD PICKUP           |
| 22 = 2-DOOR SPECIAL COUPE | 41 = 4-DOOR SEDAN         |
| 24 = 2-DOOR HATCHBACK     | 44 = 4-DOOR HATCHBACK     |
| 27 = 2-DOOR CONVERTIBLE   | 45 = 2-SEAT STATION WAGON |

AR = Use as Required - = Non Illustrated Part P.A.R. = Paint as Required

# GRILLE AND RELATED PARTS M,Z

Figure 7-600

2107 600



ITEM	PART NUMBER	QTY	BODY	MODEL	DESCRIPTION
------	-------------	-----	------	-------	-------------

(FOR M,Z-24 GRILLE AND RELATED ITEMS NOT LISTED,REFER TO GROUP 13) Gear and Pinion numbers stamped on the item may be used to confirm the correct MATCHED SET they are contained in.

1	4074 483	1	All		C/MEMBER,Rad.Yoke Comp. .
2	6031 383	AR	All		RETAINER
3	4103 209	1	M-44		GRILLE,Rad.
	4103 305	1	Z-44		
4	4103 200	1	All		PANEL,Closure H/Lamp Mtg.
5	6030 538	AR	All		RETAINER
6	4103 916	1	All		SHIELD,Closure Panel To Rad.Air Rt.
7	6031 138	AR	All		NUT,Rad.Grille To C/Mbr.Spacer Black
	6031 234	AR	All		Pink
8	4103 230-1	1	M,Z,24		BRACE,Fndr.Clsr.H/Lamp Mtg.Pnl.
9	5201 335	2	M,Z,24		COVER,Clsr.Pnl.H/Lamp Mtg.Opng.
10	5201 395	1	M,Z,44		SHIELD, Air Inlet Clsr. Pnl.
11	6031 299	2	M,Z,44		RETAINER
12	6029 471	2	All		NUT
13	5201 389	1	All		BAFFLE, clsr. panel. w/air cond.
14			M,Z 24		BRACE,Facia Supt.Clsr.Pnl. (See Illus.in Gr.13)
15			M,Z 24		U-Nut (See Illus.in Gr.13)
16			M,Z 24		Screw & Washer (See Illus.in Gr.13)

NOTE: The Following Items Are Not Illustrated Gear and Pinion numbers stamped on the item may be used to confirm the correct MATCHED SET they are contained in.

	4140 438	1	44		DAM,Air W/Air Cond.
	6030 441	10	44		RETAINER,Air Dam to Yoke
	4103 304	1	44		PENTASTAR, Rad. Grille Ornament

### MODEL CODES

B = GRAN FURY/CARAVELLE	P = RELIANT
C = LEBARON/TOWN & COUNTRY	S = CORDOBA
D = ARIES	V = 400
F = NEW YORKER	X = MIRADA
G = DIPLOMAT	Y = IMPERIAL
M = HORIZON/TC3/SCAMP	Z = OMNI/O24/RAMPAGE

### BODY STYLES

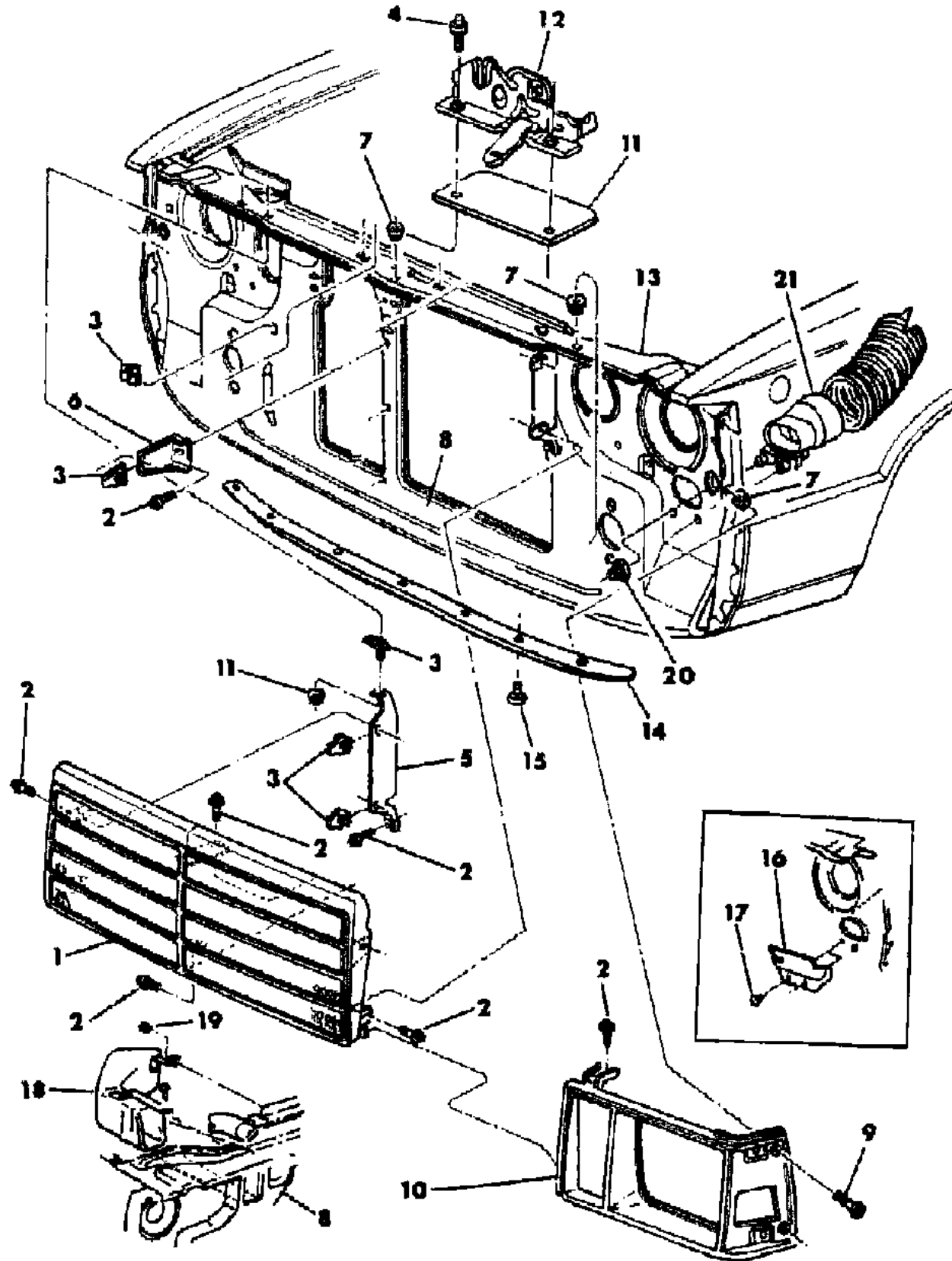
21 = 2-DOOR SEDAN	28 = FWD PICKUP
22 = 2-DOOR SPECIAL COUPE	41 = 4-DOOR SEDAN
24 = 2-DOOR HATCHBACK	44 = 4-DOOR HATCHBACK
27 = 2-DOOR CONVERTIBLE	45 = 2-SEAT STATION WAGON

AR = Use as Required - = Non Illustrated Part P.A.R. = Paint as Required

# GRILLE AND RELATED PARTS - P,D

Figure 7-700

2107 700



ITEM	PART NUMBER	QTY	BODY	MODEL	DESCRIPTION
1	4270 401	1		P	GRILLE,Radiator Up to 3-1-82
	4293 224	1		P	After 3-1-82
	X566 VA3	1		D	Burnished Silver Met. Up to 3-1-82
	4293 211	1		D	After 3-1-82
	X566 VC3	1		D	Day Star Blue Met. Up to 3-1-82
	4293 212	1		D	After 3-1-82
	X566 VF2	1		D	Light Seaspray Green Met. Up to 3-1-82
	4293 214	1		D	After 3-1-82
	X566 AF7	1		D	Med. Seaspray Green Met. Up to 3-1-82
	4293 208	1		D	After 3-1-82
	X566 VK8	1		D	Spice Tan Met. Up to 3-1-82
	4293 215	1		D	After 3-1-82
	X566 VC9	1		D	Nightwatch Blue Up to 3-1-82
	4293 213	1		D	After 3-1-82
	X566 AT3	1		D	Manila Cream. Up to 3-1-82
4293 210	1		D	After 3-1-82	
X566 AM8	1		D	Morocco Red. Up to 3-1-82	
4293 209	1		D	After 3-1-82	
X566 VT4	1		D	Natural Suede Tan. Up to 3-1-82	
4293 216	1		D	After 3-1-82	
X566 VX9	1		D	Black. Up to 3-1-82	
4293 218	1		D	After 3-1-82	
X566 AA9	1		D	Charcoal Grey Met. Up to 3-1-82	
4293 207	1		D	After 3-1-82	
X566 VW3	1		D	Pearl White. Up to 3-1-82	
4293 217	1		D	After 3-1-82	
2			All	SCREW & WASHER (Do Not Service)	
3			All	U-Nut (Do Not Service)	
4	6100 557	2	All	SCREW w/washer	
5	4103 148	2	All	BRACE,Rad. Grille,Outer	
6	4270 404	1		BRACE,Rad.Grille,Center	
7	6031 234	7	All	SNAP NUT,Plastic	
8	4270 154	1	ALL	PANEL,H/Lamp Closure Mtg. Up To 10-21-81	
	4296 021	1	ALL	After 10-21-81	
	4073 281	2		CAP, Closure Panel	
9				SCREW,H/Lamp Bezel (See Illus.in Gr.8)	
10				BEZEL,H/Lamp (See Illus.in Gr.8)	

MODEL CODES

B = GRAN FURY/CARAVELLE	P = RELIANT
C = LEBARON/TOWN & COUNTRY	S = CORDOBA
D = ARIES	V = 400
F = NEW YORKER	X = MIRADA
G = DIPLOMAT	Y = IMPERIAL
M = HORIZON/TC3/SCAMP	Z = OMNI/O24/RAMPAGE

BODY STYLES

21 = 2-DOOR SEDAN	28 = FWD PICKUP
22 = 2-DOOR SPECIAL COUPE	41 = 4-DOOR SEDAN
24 = 2-DOOR HATCHBACK	44 = 4-DOOR HATCHBACK
27 = 2-DOOR CONVERTIBLE	45 = 2-SEAT STATION WAGON

AR = Use as Required - = Non Illustrated Part P.A.R. = Paint as Required



# GRILLE AND RELATED PARTS - P,D

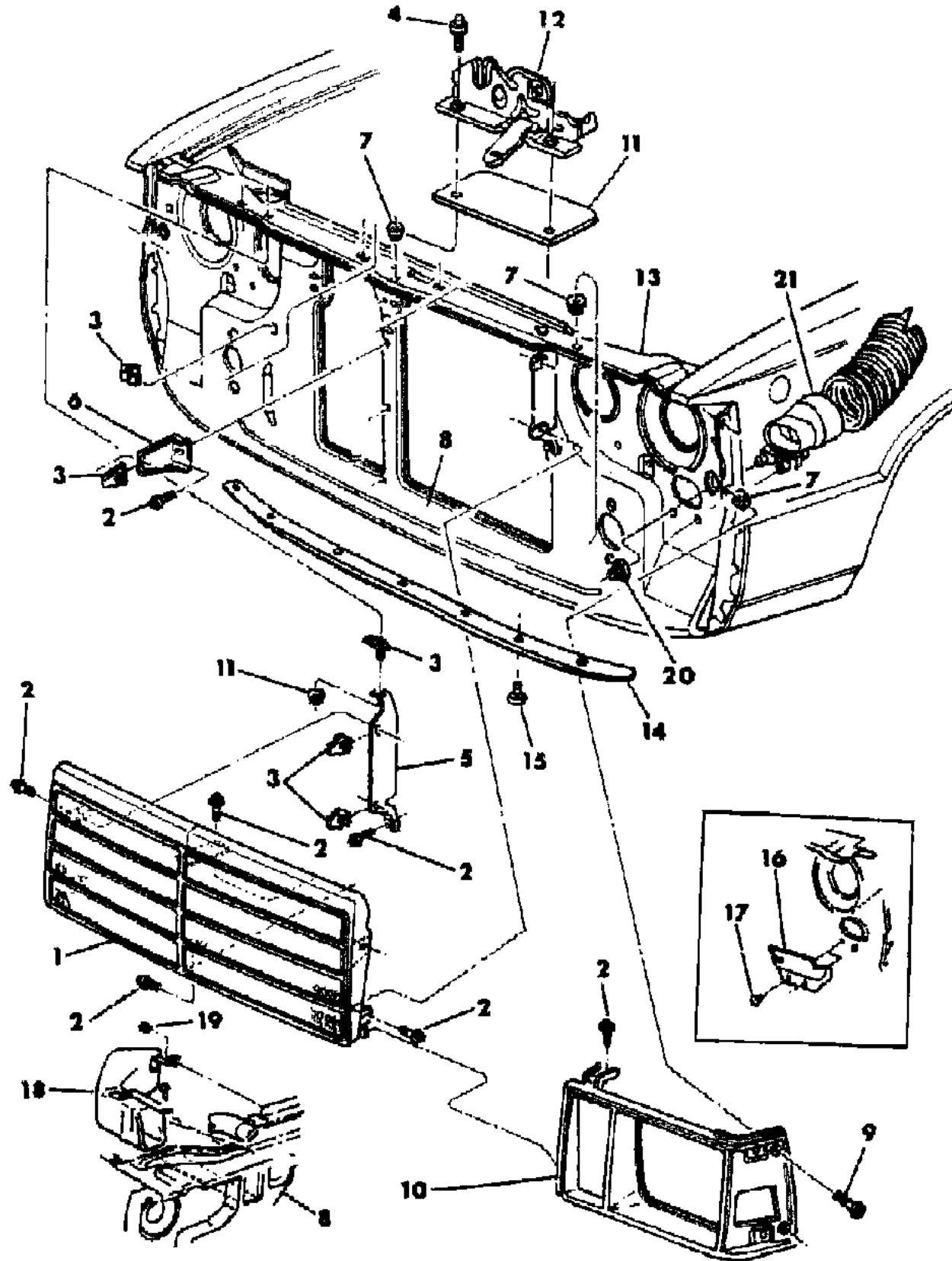
Figure 7-700

2107 700

ITEM	PART NUMBER	QTY	BODY	MODEL	DESCRIPTION
11	4103 754	1		All	SHIELD,H/Lamp Closure Panel C/Member Wiring
12	5232 057	1		All	LATCH, hood
13	4074 484	1		All	CROSSMEMBER,Rad.Clsr. Pnl.
14	4140 445	1		All	DAM,Air
15	6030 441	8			RETAINER,Dam to C/Mbr.
16	4103 277	1			BAFFLE, air inlet
17	6031 299	2			RETAINER
18	4266 164	1			DUCT, carb air w/2.6 L. eng. (exc. Canada)
	0118 140	4			RIVET, brkt. to duct attach
19		2			SCREW (do not service)
20	6029 471	2			NUT, w/2.6 L. eng.
21	5201 394	1			DUCT, air inlet w/2.6 L. eng.
	4103 182	1			w/2.2 L. eng.

NOTE: THE FOLLOWING ITEMS ARE NOT ILLUSTRATED Gear and Pinion numbers stamped on the item may be used to confirm the correct MATCHED SET they are contained in.

4103 168	1	ALL	SHIELD,Closure Panel To Rad. Air,W/2.2L Eng.Rt.
4103 943	1	ALL	W/2.6L Eng. Rt.
4103 250	1	D	LETTER "D",Rad. Grille
4103 251	1	D	Letter "O"
4103 252	1	D	Letter "D"
4103 253	1	D	Letter "G"
4103 254	1	D	Letter "E"



MODEL CODES

- |                            |                      |
|----------------------------|----------------------|
| B = GRAN FURY/CARAVELLE    | P = RELIANT          |
| C = LEBARON/TOWN & COUNTRY | S = CORDOBA          |
| D = ARIES                  | V = 400              |
| F = NEW YORKER             | X = MIRADA           |
| G = DIPLOMAT               | Y = IMPERIAL         |
| M = HORIZON/TC3/SCAMP      | Z = OMNI/O24/RAMPAGE |

BODY STYLES

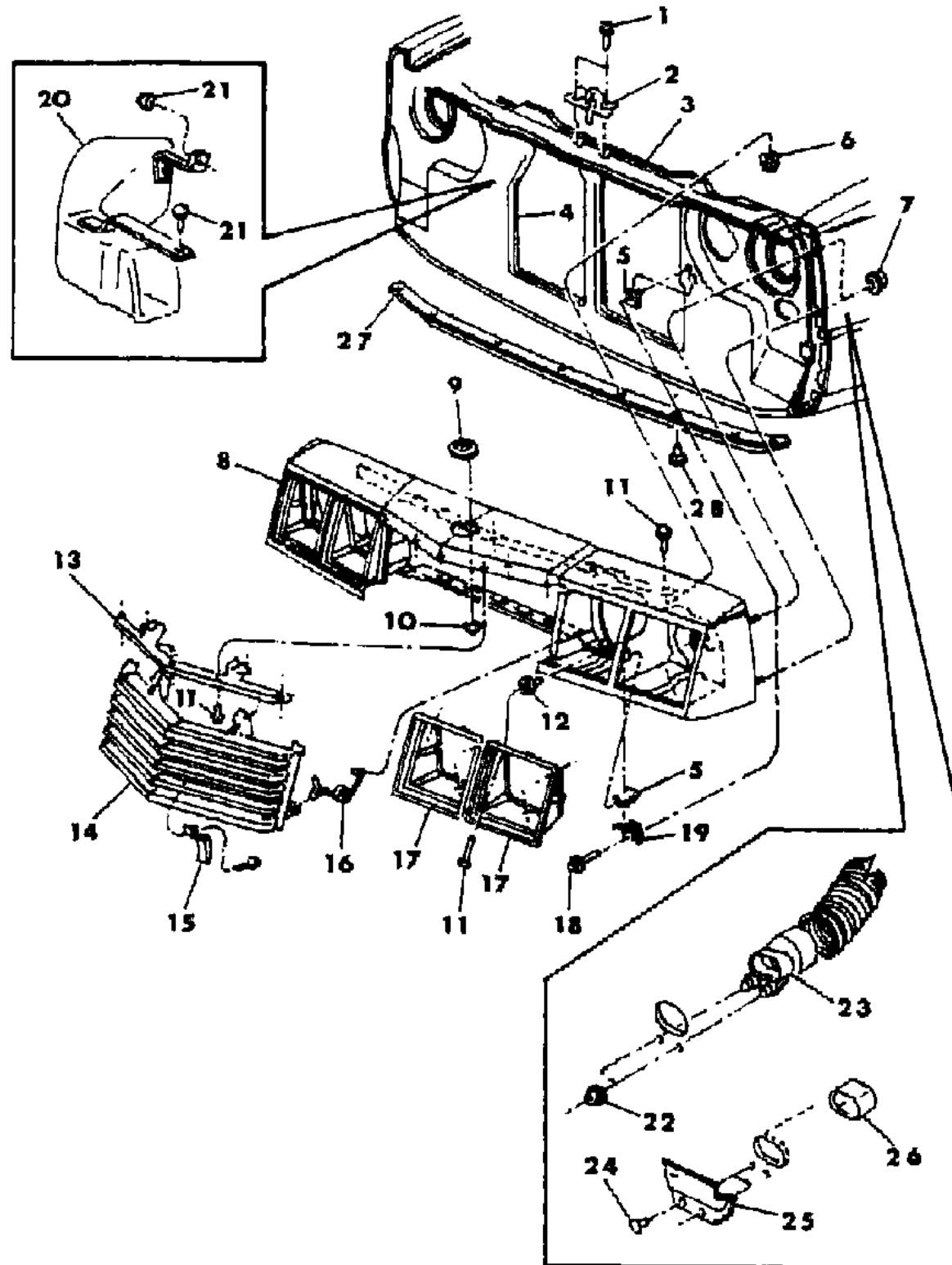
- |                           |                           |
|---------------------------|---------------------------|
| 21 = 2-DOOR SEDAN         | 28 = FWD PICKUP           |
| 22 = 2-DOOR SPECIAL COUPE | 41 = 4-DOOR SEDAN         |
| 24 = 2-DOOR HATCHBACK     | 44 = 4-DOOR HATCHBACK     |
| 27 = 2-DOOR CONVERTIBLE   | 45 = 2-SEAT STATION WAGON |

AR = Use as Required - = Non Illustrated Part P.A.R. = Paint as Required

# GRILLE & RELATED PARTS - V

## Figure 7-800

2107 800



ITEM	PART NUMBER	QTY	BODY	MODEL	DESCRIPTION
1	6100 557	2			SCREW w/washer
2	5232 057	1			LATCH, hood
3	4074 484	1			CROSSMEMBER, rad. clsr. panel
4	4270 154	1			PANEL, headlamp clsr. mtg. Up To 10-21-81
	4296 021	1			After 10-21-81
5	6100 041	4			U-NUT
6	6031 138	5			NUT, snap-in type
7	0219 462	4			NUT
8	#4103 723	1			PANEL, rad. grille h/lamp mtg.
9	4229 725	1			ORNAMENT
	4103 466	1			(Pentastar)
10	6029 471	2			NUT, stamped w/washer face
11					SCREW, (do not service)
12	6032 118	6			NUT, snap-in type
13	#4103 717	1			MOULDING, rad. grille
14	#X583 AA1	1			GRILLE, radiator. Sterling Silver
	X583 AA9	1			Charcoal Grey Met.
	X583 AC1	1			Light Blue Met.
	X583 AC9	1			Nightwatch Blue
	X583 AH9	1			Dark Mahogany Met.
	X583 AK8	1			Spice Tan Met.
	X583 AM8	1			Morocco Red
	X583 AT3	1			Med. Tan
	X583 AT7	1			Golden Tan Met.
	X583 AW3	1			Pearl White
	X583 AX9	1			Black
15		1			RETRACTOR, rad. grille (not required)
16	4074 947	2			SPRING, rad. grille return
17					BEZEL, headlamp (serv. in grp. 8)
18	6100 566	4			SCREW w/washer
19	4103 750	2			BRACE, rad. grille
20	4140 584	1			DUCT, carb air w/2.6 L. (exc. Canada)
21					SCREW w/2.6 L.(do not service)
22	6029 471	2			NUT w/2.6 L.
23	5201 394	1			ADAPTOR, air inlet w/2.6 L.
24	6031 299	2			RETAINER, w/2.2 L.
25	4103 277	1			BAFFLE, air inlet

### MODEL CODES

B = GRAN FURY/CARAVELLE	P = RELIANT
C = LEBARON/TOWN & COUNTRY	S = CORDOBA
D = ARIES	V = 400
F = NEW YORKER	X = MIRADA
G = DIPLOMAT	Y = IMPERIAL
M = HORIZON/TC3/SCAMP	Z = OMNI/O24/RAMPAGE

### BODY STYLES

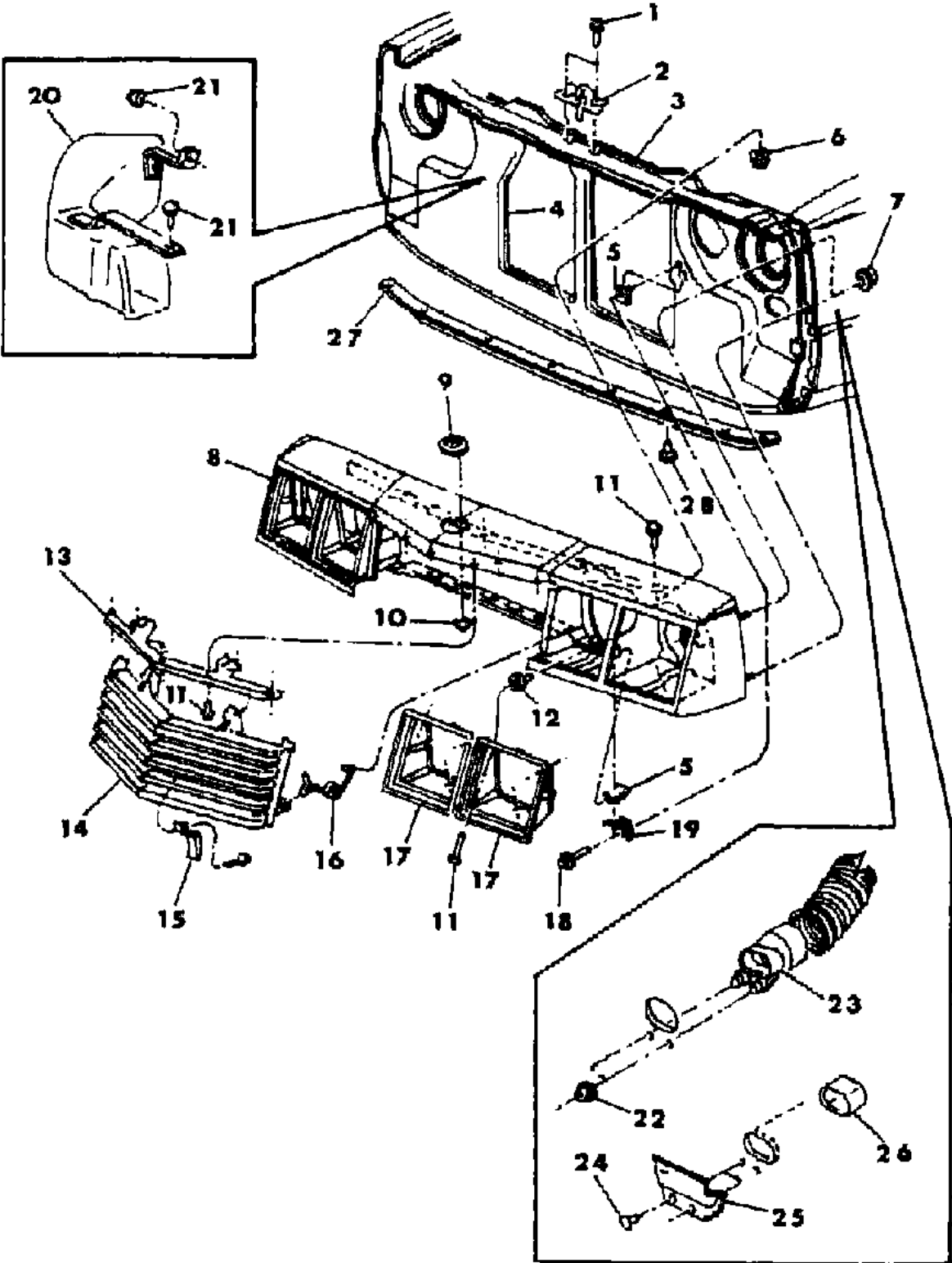
21 = 2-DOOR SEDAN	28 = FWD PICKUP
22 = 2-DOOR SPECIAL COUPE	41 = 4-DOOR SEDAN
24 = 2-DOOR HATCHBACK	44 = 4-DOOR HATCHBACK
27 = 2-DOOR CONVERTIBLE	45 = 2-SEAT STATION WAGON

AR = Use as Required - = Non Illustrated Part P.A.R. = Paint as Required

GRILLE & RELATED PARTS - V

Figure 7-800

2107 800



ITEM	PART NUMBER	QTY	BODY	MODEL	DESCRIPTION
26	4103 182	1			DUCT, rad clr. panel to ESA hsg. w/2.2 L.
27	4140 445	1			DAM, front air
28	6030 441	8			RETAINER, air dam
NOTE: THE FOLLOWING ITEMS ARE NOT ILLUSTRATED Gear and Pinion numbers stamped on the item may be used to confirm the correct MATCHED SET they are contained in.					
	4103 774	1			BRACKET, rad support panel to clr. panel, ctr.

- MODEL CODES
- |                            |                      |
|----------------------------|----------------------|
| B = GRAN FURY/CARAVELLE    | P = RELIANT          |
| C = LEBARON/TOWN & COUNTRY | S = CORDOBA          |
| D = ARIES                  | V = 400              |
| F = NEW YORKER             | X = MIRADA           |
| G = DIPLOMAT               | Y = IMPERIAL         |
| M = HORIZON/TC3/SCAMP      | Z = OMNI/O24/RAMPAGE |

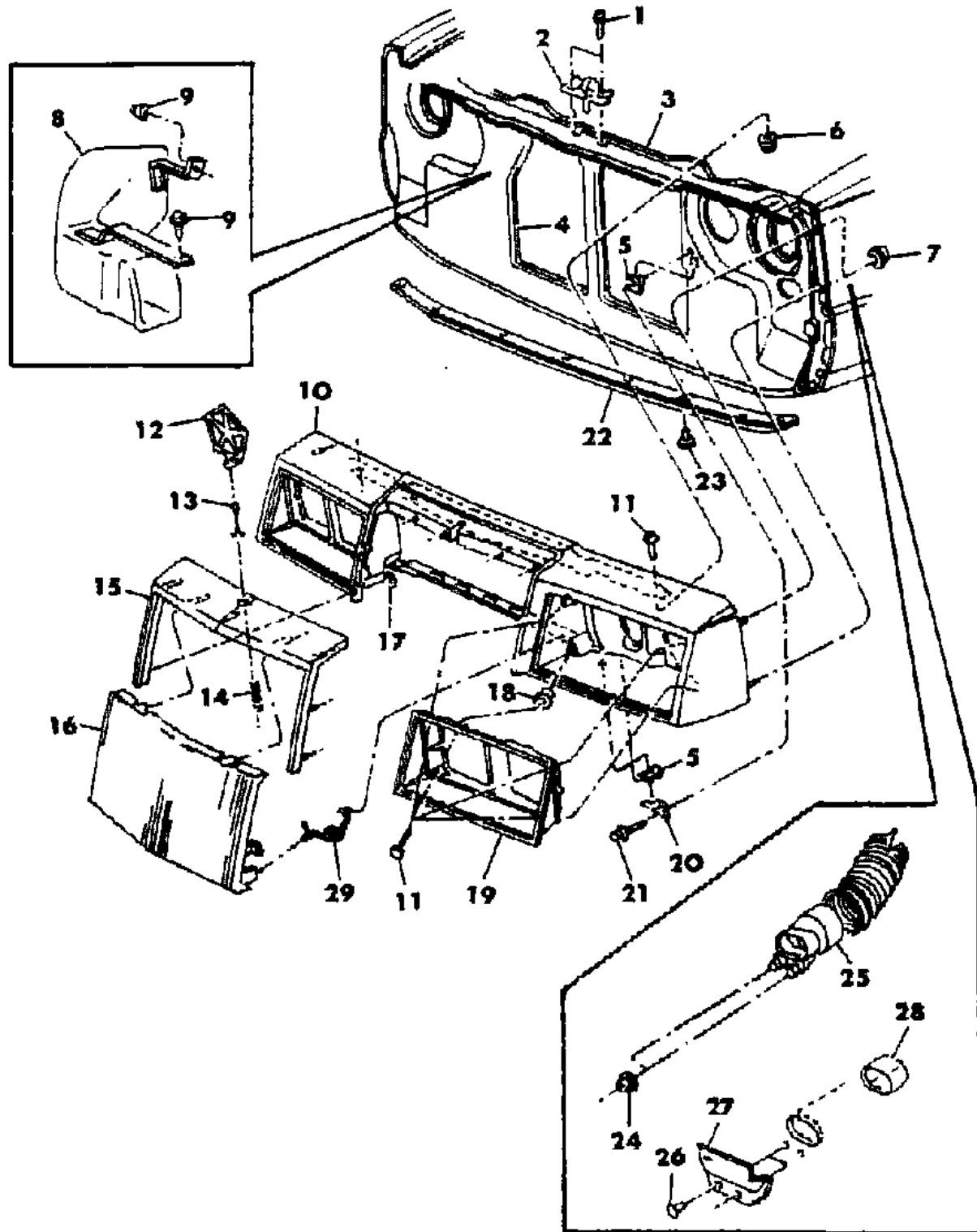
- BODY STYLES
- |                           |                           |
|---------------------------|---------------------------|
| 21 = 2-DOOR SEDAN         | 28 = FWD PICKUP           |
| 22 = 2-DOOR SPECIAL COUPE | 41 = 4-DOOR SEDAN         |
| 24 = 2-DOOR HATCHBACK     | 44 = 4-DOOR HATCHBACK     |
| 27 = 2-DOOR CONVERTIBLE   | 45 = 2-SEAT STATION WAGON |

AR = Use as Required - = Non Illustrated Part P.A.R. = Paint as Required

# GRILLE & RELATED PARTS - C

## Figure 7-900

2107 900



ITEM	PART NUMBER	QTY	BODY	MODEL	DESCRIPTION
1	6100 557	2			SCREW w/washer
2	5232 057	1			LATCH, hood
3	4074 484	1			CROSSMEMBER, rad. clsr. panel
4	4270 154	1			PANEL, h/lamp mtg. Up to 10-21-81
	4296 021	1			After 10-21-81
5	6100 041	4			U-NUT
6	6031 138	5			NUT, snap-in type
7	0219 462	4			NUT
8	4140 584	1		2.6 L.	DUCT, carb air (exc. Canada)
9				2.6 L.	SCREW (do not service)
10	4103 715	1			PANEL, rad, grille h/lamp mtg.
11					SCREW (do not service)
12	4103 466	1			ORNAMENT, w/o A61 Pkg.
	4103 694	1			w/A61 Pkg (Crystal)
13	3672 780	1			RETAINER, ornament
14	3672 672	1			SPRING, ornament
15	4103 708	1			MOULDING, grille
16	4103 721	1			GRILLE, rad.
17					NUT (do not service)
18	6032 118	8			NUT, snap-in type
19					BEZEL, headlamp (see illus. in grp. 8 )
20	4103 750	1			BRACE, rad. grille mtg. ctr.
21	6100 566	4			SCREW w/washer
22	4140 445	1			DAM, front air
23	6030 441	8			RETAINER, air dam
24	6029 471	2		2.6 L.	NUT
25	5201 394	1		2.6 L.	ADAPTOR
26	6031 299	2		2.2 L.	RETAINER
27	4103 277	1		All	BAFFLE
28	4103 182	1		2.2 L.	DUCT, rad. mtg. panel to ESA
29	4074 947	2			SPRING, rad. grille return
NOTE: THE FOLLOWING ITEMS ARE NOT ILLUSTRATED Gear and Pinion numbers stamped on the item may be used to confirm the correct MATCHED SET they are contained in.					
	4103 774	1			BRACKET, rad. clsr. panel to support. ctr.
	4103 316	1			SHIELD, grille to ground concealment

### MODEL CODES

B = GRAN FURY/CARAVELLE	P = RELIANT
C = LEBARON/TOWN & COUNTRY	S = CORDOBA
D = ARIES	V = 400
F = NEW YORKER	X = MIRADA
G = DIPLOMAT	Y = IMPERIAL
M = HORIZON/TC3/SCAMP	Z = OMNI/O24/RAMPAGE

### BODY STYLES

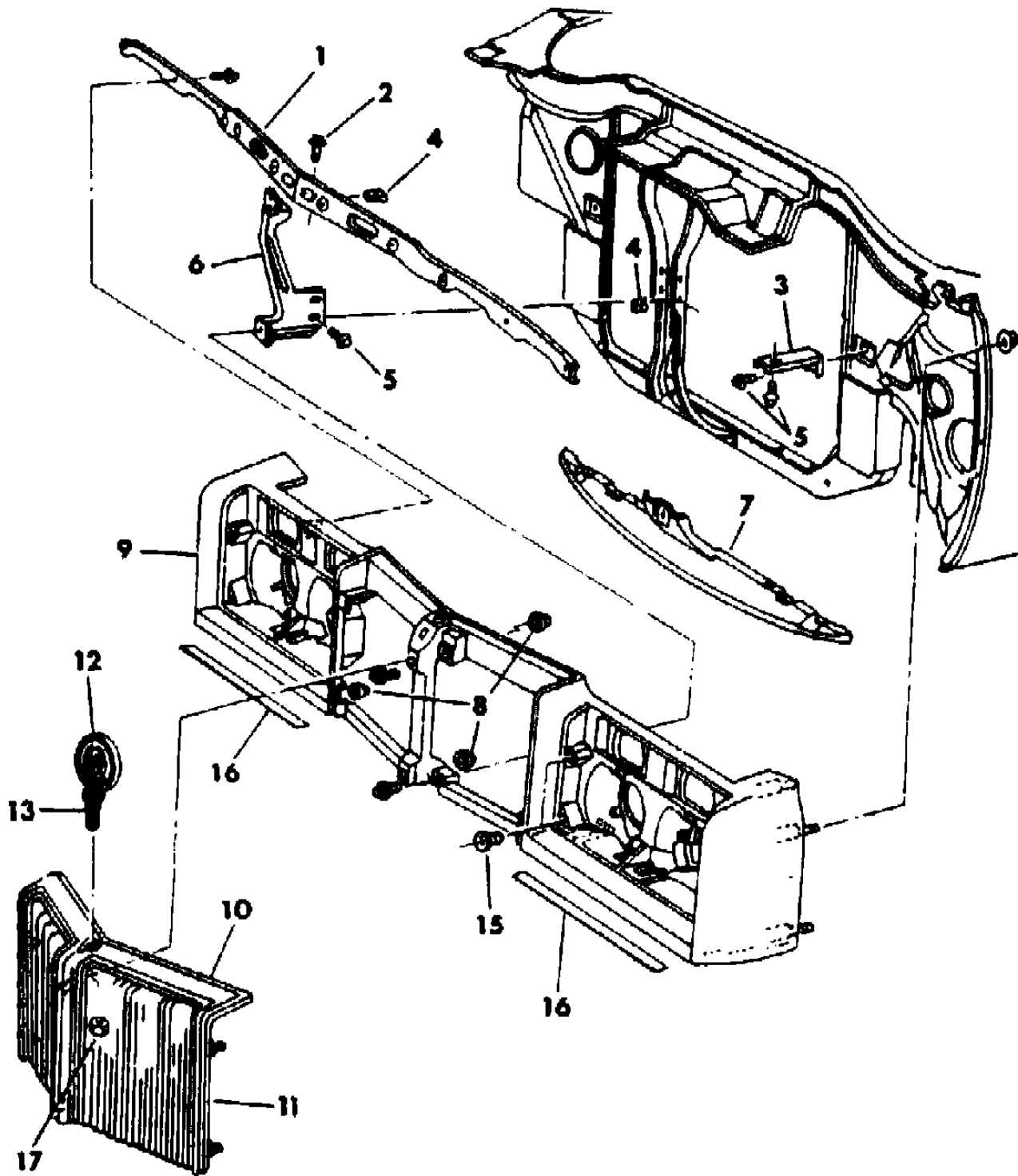
21 = 2-DOOR SEDAN	28 = FWD PICKUP
22 = 2-DOOR SPECIAL COUPE	41 = 4-DOOR SEDAN
24 = 2-DOOR HATCHBACK	44 = 4-DOOR HATCHBACK
27 = 2-DOOR CONVERTIBLE	45 = 2-SEAT STATION WAGON

AR = Use as Required - = Non Illustrated Part P.A.R. = Paint as Required

**GRILLE AND RELATED PARTS F**  
**Figure 7-1000**

2107 1000

ITEM	PART NUMBER	QTY	BODY	MODEL	DESCRIPTION
1		1			CROSSBAR,H/Lamp Mtg.Panel Upr.(Serviced in Item 9)
2	6029 887	2		All	SCREW & WASHER
3	3868 650	2		All	BRACE,H/Lamp Mtg.Panel Lwr.
4	0152 454	3		All	U-NUT
5	0181 063	AR		All	SCREW & WA
6	4074 800	1		All	BRACE,Vert.Lock Support
7	4074 894	1		All	PANEL, Air Dam Valance
8	6030 441	10			RETAINER,Air Dam to Yoke.
		AR		All	NUT (do not serv.)
9	4103 658	1			PANEL,Upr.H/Lamp Mtg., Primed
10	4103 621	1		F-S.	FRAME, Radiator Grille
11	4103 635	1		F-S	GRILLE, Radiator
12	4103 466	1		F-S	ORNAMENT ASSY - Rad. Grille Frame(Pentastar)
	4103 623	1		F-S.	BASE, ornament
13	3672 780	1		All	RETAINER,Panel Orna.
	3672 672	1		All	SPRING,Panel Orna.
	4267 866	1		All	SPRING & RETAINER PKG.,Rad. Grille Orna.
15	6031 138	AR		All	NUT - Spacer
16	4103 624-5	1		F-S	MOULDING,Rad. Grille Closure Pnl.
17	6030 435	1		All	NUT,Ornament attach
NOTE: THE FOLLOWING ITEMS ARE NOT ILLUSTRATED Gear and Pinion numbers stamped on the item may be used to confirm					
	3868 952	1			SPOILER,Frt.Air w/Police Pkg.



MODEL CODES  
 B = GRAN FURY/CARAVELLE      P = RELIANT  
 C = LEBARON/TOWN & COUNTRY      S = CORDOBA  
 D = ARIES      V = 400  
 F = NEW YORKER      X = MIRADA  
 G = DIPLOMAT      Y = IMPERIAL  
 M = HORIZON/TC3/SCAMP      Z = OMNI/O24/RAMPAGE

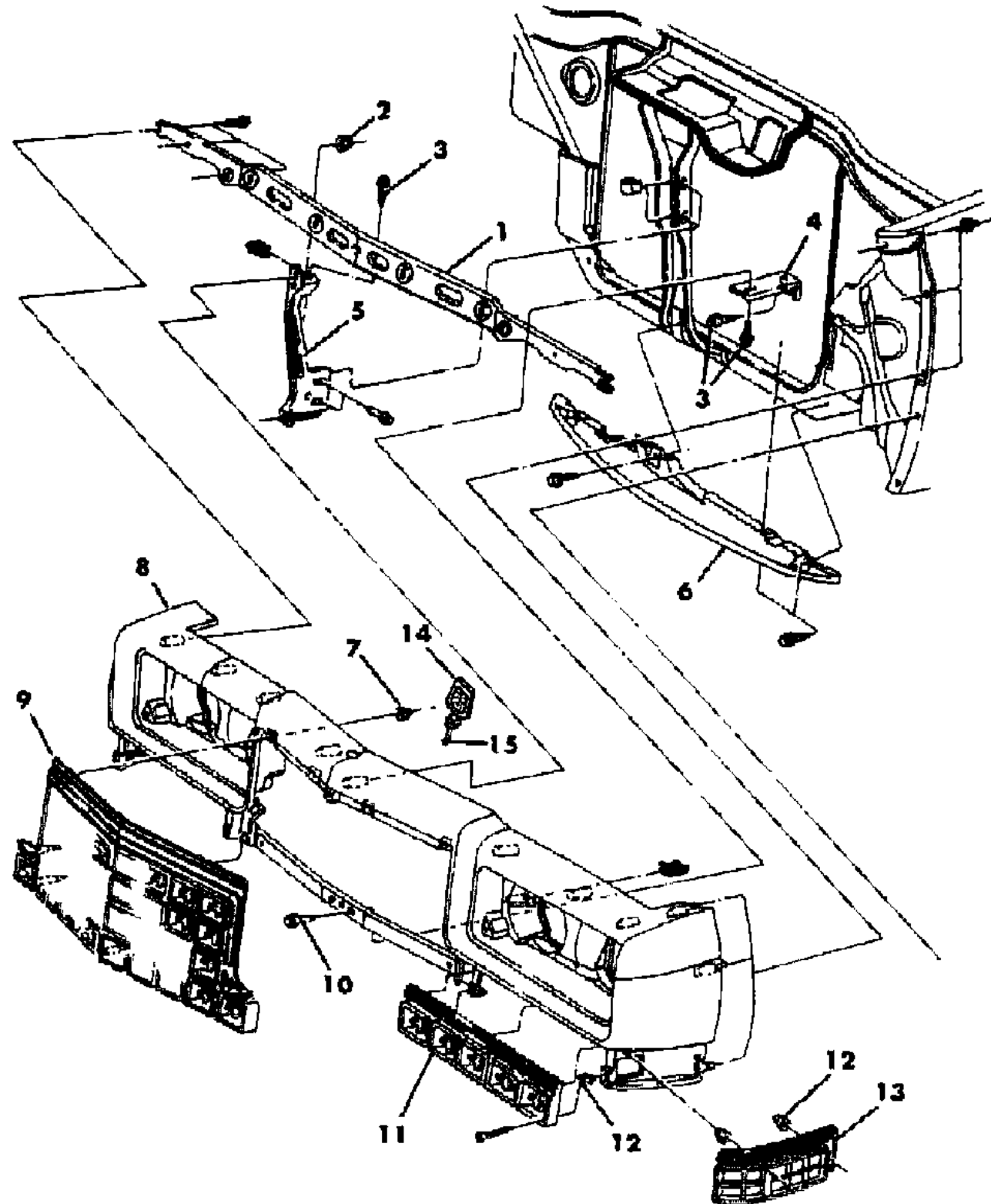
BODY STYLES  
 21 = 2-DOOR SEDAN      28 = FWD PICKUP  
 22 = 2-DOOR SPECIAL COUPE      41 = 4-DOOR SEDAN  
 24 = 2-DOOR HATCHBACK      44 = 4-DOOR HATCHBACK  
 27 = 2-DOOR CONVERTIBLE      45 = 2-SEAT STATION WAGON

AR = Use as Required - = Non Illustrated Part P.A.R. = Paint as Required

GRILLE AND RELATED PARTS B & G

Figure 7-1100

2107 1100



ITEM	PART NUMBER	QTY	BODY	MODEL	DESCRIPTION
1		1			CROSSBAR, H/Lamp Mtg. Pnl. Upr.(Serviced in Item 8)
2	0219 462	1			NUT & WASHER
3	6029 887	AR			SCREW & WASHER
4	3868 650	2			BRACE, H/Lamp Mtg. Pnl. Lwr.
5	4074 800	1			BRACE, Vert. Lock Support
6	4074 894	1			PANEL, Air Dam Valance
7	6025 002	AR			NUT & WASHER
8	4074 781	1			PANEL ASSY - Rad. Grille Clsr.
9	4103 414	1		G	GRILLE ASSY.,Rad. Center (Dodge)
	4074 768	1		B	
10	6029 887	1			Screw
11	4103 408-9	1		G	GRILLE - Rad. Inter
	4074 786-7	1		B	
12	6031 138	AR			NUT
13	4103 410-1	1		G	GRILLE, Rad Outer
	4074 754-5	1		B	
14	4103 313	1			ORNAMENT ASSY - Rad Grille Frame
	6030 435	1			NUT, Ornament Attach.
15					Not Applicable
	4267 866	1			SPRING & RETAINER PKG.,Rad. Grille Orna.
NOTE: THE FOLLOWING ITEMS ARE NOT ILLUSTRATED Gear and Pinion numbers stamped on the item may be used to confirm					
					the correct MATCHED SET they are contained in.
	3868 952	1			SPOILER, frt. air w/police pkg.

MODEL CODES

B = GRAN FURY/CARAVELLE	P = RELIANT
C = LEBARON/TOWN & COUNTRY	S = CORDOBA
D = ARIES	V = 400
F = NEW YORKER	X = MIRADA
G = DIPLOMAT	Y = IMPERIAL
M = HORIZON/TC3/SCAMP	Z = OMNI/O24/RAMPAGE

BODY STYLES

21 = 2-DOOR SEDAN	28 = FWD PICKUP
22 = 2-DOOR SPECIAL COUPE	41 = 4-DOOR SEDAN
24 = 2-DOOR HATCHBACK	44 = 4-DOOR HATCHBACK
27 = 2-DOOR CONVERTIBLE	45 = 2-SEAT STATION WAGON

AR = Use as Required - = Non Illustrated Part P.A.R. = Paint as Required

# GRILLE AND RELATED PARTS - S

Figure 7-1200

2107 1200

ITEM	PART NUMBER	QTY	BODY	MODEL	DESCRIPTION
------	-------------	-----	------	-------	-------------

(SEE ILLUSTRATION SECTION 13 FOR MIRADA X) Gear and Pinion numbers stamped on the item may be used to confirm the correct MATCHED SET they are contained in.

1	4103 932	1	All		PANEL ASSY - Rad Grille H/Lp Mtg.
2	4103 466	1	All		ORNAMENT,H/Lamp Mtg.Pnl.
3		1	All		FILLER, Bumper Corner (see illus. 13)
4	4074 730	1	All		CROSSBAR,H/Lamp Mtg.Panel Upr.
5	4074 728-9	1	All		BRACE,H/Lamp Mtg.Pnl.Lower
6	4194 082	2	ALL		RETAINER, Filler to Bumper
7	4074 851	1	ALL		BRACE,Vertical Lock.
8	0219 462	6	All		NUT
	6027 422	4	All		
9	4103 228	1	All		MLDG., Rad Grille H/Lp Mtg Pnl
10	4074 606	1	All		GRILLE,Rad.
11	6031 138	AR	All		SPACER NUT
12					SCREW (do not service)
13	3672 672	1	All		SPRING, Rad Grille Pnl Orna.
	3672 780	1	All		RETAINER, Rad Grl. Panel Orna.
	4267 866	1	S-P		SPRING & RETAINER PKG.,Rad Grille Orna.
14	0181 065	AR	ALL		SCREW,Vertical Lock Brace.

NOTE: THE FOLLOWING ITEMS ARE NOT ILLUSTRATED Gear and Pinion numbers stamped on the item may be used to confirm the correct MATCHED SET they are contained in.

	0124 939	1			NUT, rad. grille ornament
--	----------	---	--	--	---------------------------

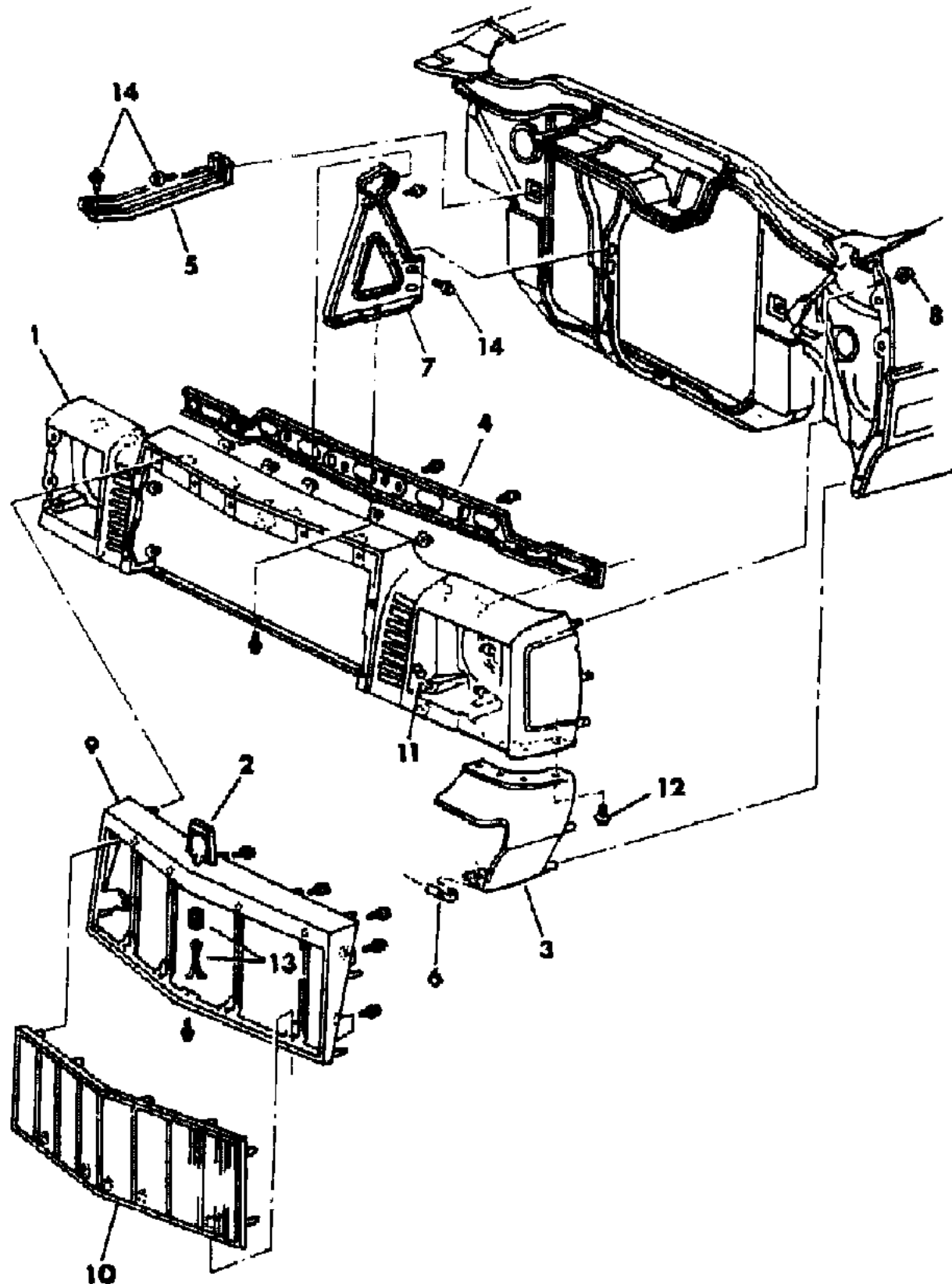
### MODEL CODES

B = GRAN FURY/CARAVELLE	P = RELIANT
C = LEBARON/TOWN & COUNTRY	S = CORDOBA
D = ARIES	V = 400
F = NEW YORKER	X = MIRADA
G = DIPLOMAT	Y = IMPERIAL
M = HORIZON/TC3/SCAMP	Z = OMNI/O24/RAMPAGE

### BODY STYLES

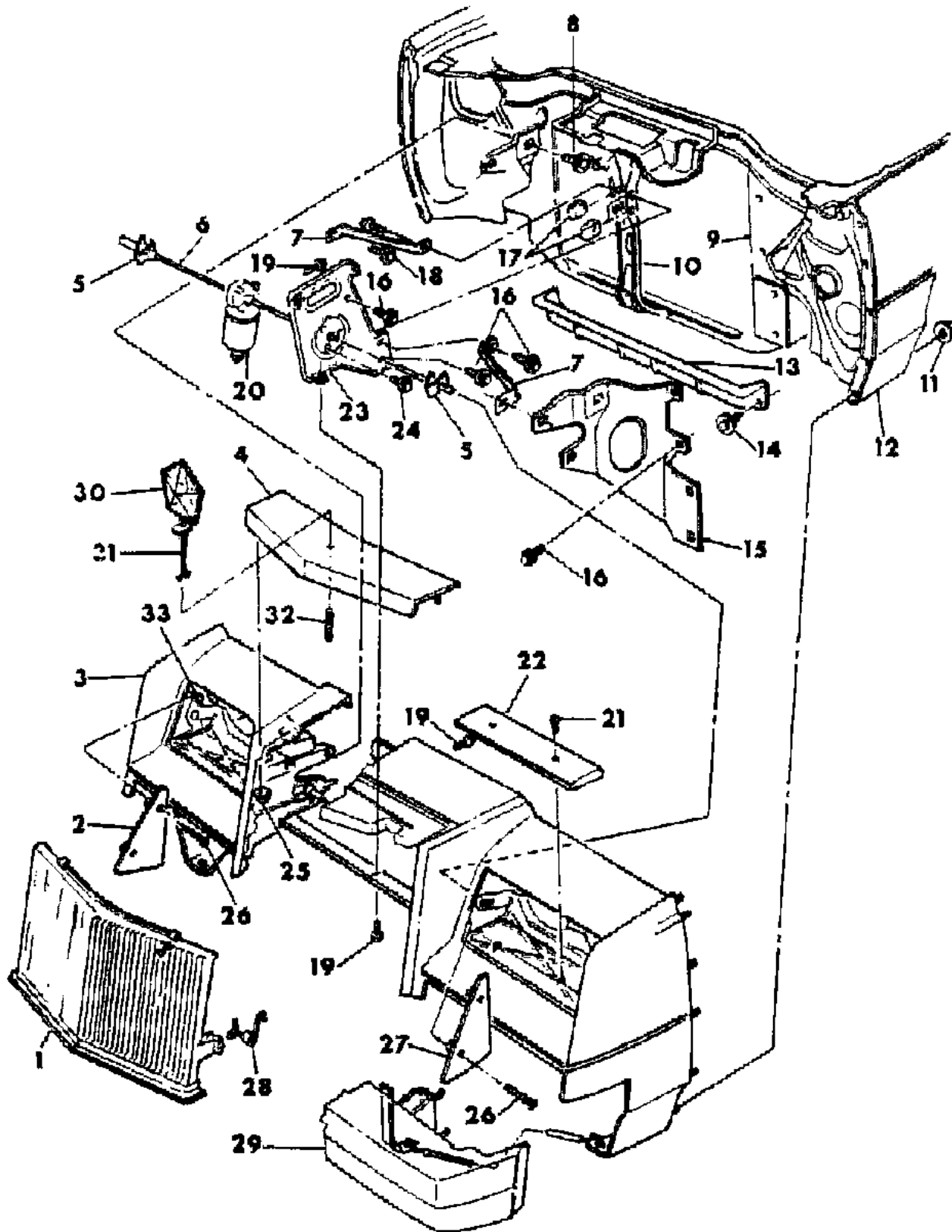
21 = 2-DOOR SEDAN	28 = FWD PICKUP
22 = 2-DOOR SPECIAL COUPE	41 = 4-DOOR SEDAN
24 = 2-DOOR HATCHBACK	44 = 4-DOOR HATCHBACK
27 = 2-DOOR CONVERTIBLE	45 = 2-SEAT STATION WAGON

AR = Use as Required - = Non Illustrated Part P.A.R. = Paint as Required



**GRILLE AND RELATED PARTS - Y**  
Figure 7-1300

2107 1300



ITEM	PART NUMBER	QTY	BODY	MODEL	DESCRIPTION
1	4074 996	1			GRILLE,Rad.Center.
2	4103 296-7	1			Panel,H/Lamp Opening Outer,Side Trim.
3	4103 267	1			PANEL & REINF.,H/Lamp Mtg.,Dealer Paint
4	4074 936	1			MOULDING,Rad.Grille H/Lamp Mtg. Panel
5					RETAINER (See Illus.Section 8)
6					BAR,H/Lamp Door.(See Illus.Section 8)
7	4074 941	2			STRUT,Rad.Grille Vertical Lock Supt.
8					SCREW & WASHER (Do Not Service)
9					PANEL,Rad.Yoke (See Rad.Panels & Shroud Illus.)
10					SUPPORT,Vertical Lock (See Illus.Section 15)
11	6027 422	10			NUT,H/Lamp Mtg. Panel.
12					FENDER,Front (See Illus.Section 12)
13	4074 820	1			SHIELD,Rad. Lower Air.
14					SCREW & WASHER (Do Not Service)
15	4074 942-3	1			BRACE,H/Lamp Mtg. Panel to Rad. Yoke Panel.
16	0181 065	8			SCREW & WASHER.
17					U/NUT (Do Not Service)
18					SCREW & WASHER (Do Not Service)
19					SCREW & WASHER (Do Not Service)
20					MOTOR,H/Lamp (See Illus. Section 8)
21					SCREW (Do Not Service)
22	4103 294-5	1			PANEL,H/Lamp Door Trim, Argent.
23	4074 925	1			BRACE,Rad. Grille H/Lamp Mtg. Lock Supt.
24	6023 092	3			SCREW, H/Lamp Motor.
25					NUT (Do Not Service)
26	0153 558	8			SCREW, Side Trim Panel
27	4103 292-3	1			PANEL, H/Lamp Opening Inner Trim, Argent.
28	4074 947	2			SPRING, Rad. Grille Return
29					BUMPER,Front (See Illus. Section 13)
30	4074 982	1			ORNAMENT,Rad. Grille Center Moulding (Pentastar) Up to 12-1-81
	4103 694	1			After 12-1-81
31	3672 780	1			RETAINER,Ornament
32	3672 672	1			SPRING,Ornament
	4267 866	1			SPRING & RETAINER PKG.,Rad Grille Orna.
33	4074 992-3	1			BRACKET, head lamp door outer, pivot adj.

MODEL CODES

B = GRAN FURY/CARAVELLE	P = RELIANT
C = LEBARON/TOWN & COUNTRY	S = CORDOBA
D = ARIES	V = 400
F = NEW YORKER	X = MIRADA
G = DIPLOMAT	Y = IMPERIAL
M = HORIZON/TC3/SCAMP	Z = OMNI/O24/RAMPAGE

BODY STYLES

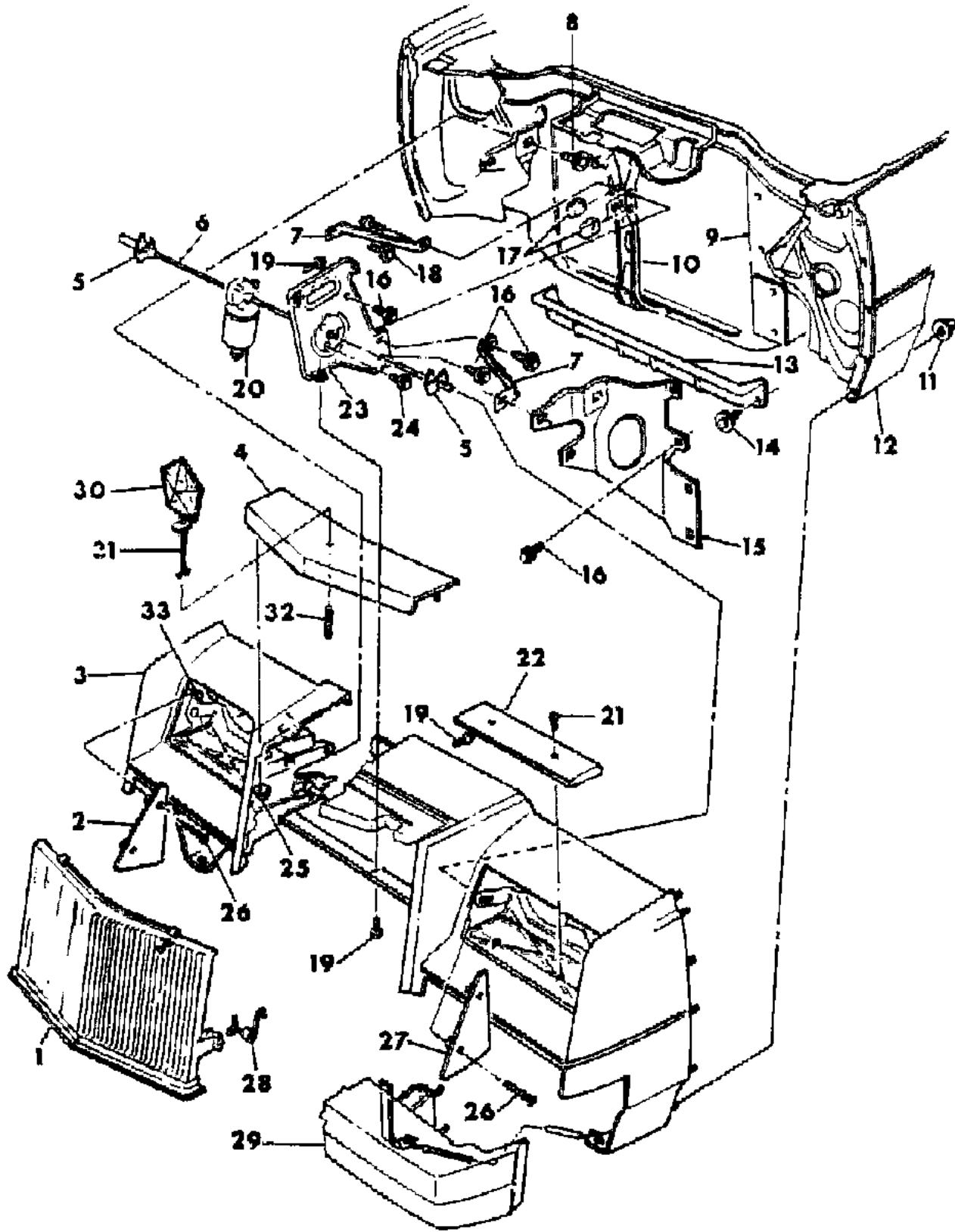
21 = 2-DOOR SEDAN	28 = FWD PICKUP
22 = 2-DOOR SPECIAL COUPE	41 = 4-DOOR SEDAN
24 = 2-DOOR HATCHBACK	44 = 4-DOOR HATCHBACK
27 = 2-DOOR CONVERTIBLE	45 = 2-SEAT STATION WAGON

AR = Use as Required - = Non Illustrated Part P.A.R. = Paint as Required



Figure 7-1300

2107 1300



**GRILLE AND RELATED PARTS - Y**  
**Figure 7-1300**

ITEM	PART NUMBER	QTY	BODY	MODEL	DESCRIPTION
------	-------------	-----	------	-------	-------------

NOTE: THE FOLLOWING ITEMS ARE NOT ILLUSTRATED. Gear and Pinion numbers stamped on the item may be used to confirm the correct MATCHED SET they are contained in.

	4074 955	1			CROSSBAR, Rad. Grille H/Lamp Mtg.,Upper
	4074 974	1			EXTENSION, Rad. Air Shield, Lower

MODEL CODES

B = GRAN FURY/CARAVELLE	P = RELIANT
C = LEBARON/TOWN & COUNTRY	S = CORDOBA
D = ARIES	V = 400
F = NEW YORKER	X = MIRADA
G = DIPLOMAT	Y = IMPERIAL
M = HORIZON/TC3/SCAMP	Z = OMNI/O24/RAMPAGE

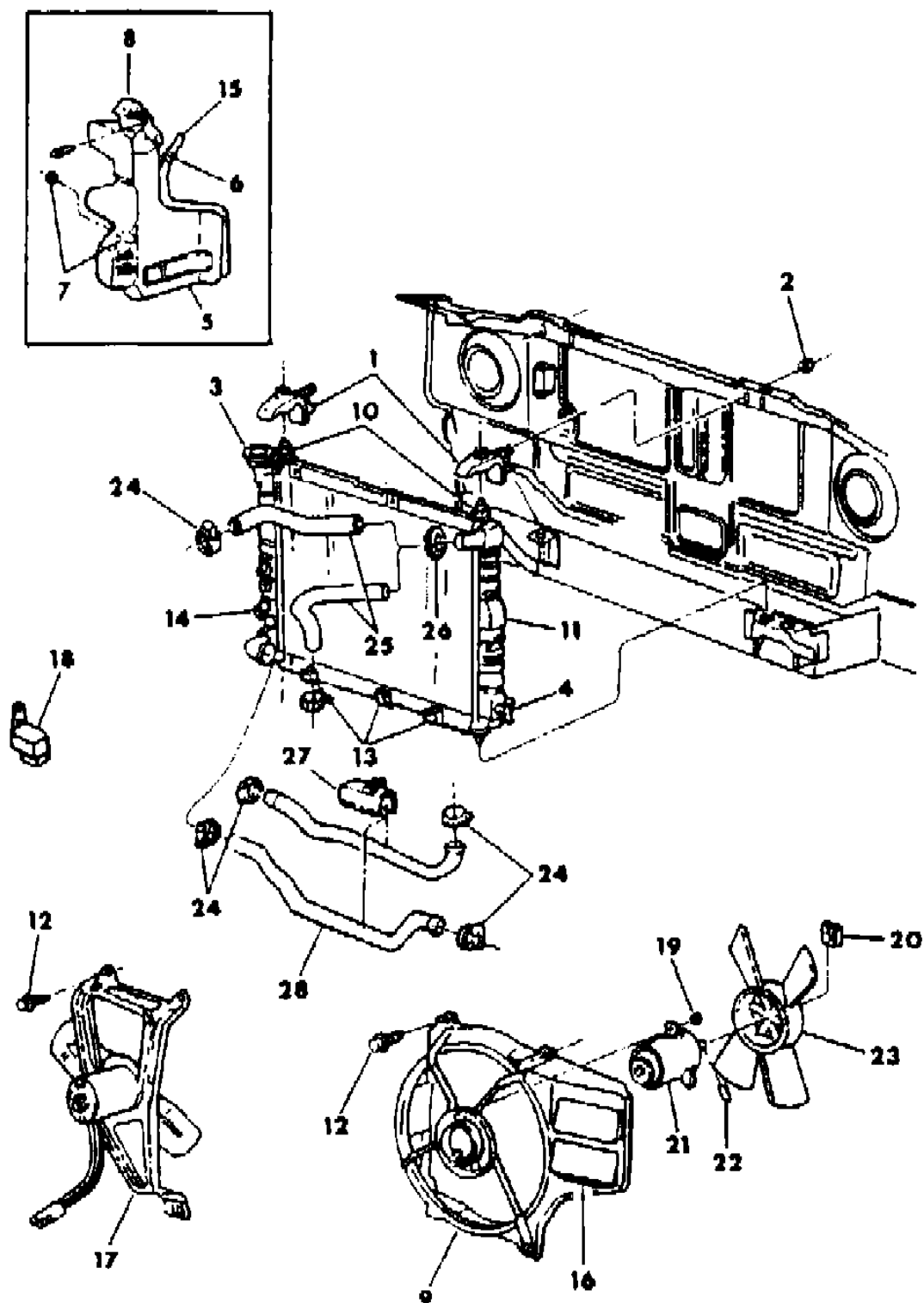
BODY STYLES

21 = 2-DOOR SEDAN	28 = FWD PICKUP
22 = 2-DOOR SPECIAL COUPE	41 = 4-DOOR SEDAN
24 = 2-DOOR HATCHBACK	44 = 4-DOOR HATCHBACK
27 = 2-DOOR CONVERTIBLE	45 = 2-SEAT STATION WAGON

AR = Use as Required - = Non Illustrated Part P.A.R. = Paint as Required

**RADIATOR,SHROUD,AND COOLANT RECOVERY SYSTEM M,Z**  
**Figure 7-1400**

2107 1400



ITEM	PART NUMBER	QTY	BODY	MODEL	DESCRIPTION
1	4140 566-7	1			BRACKET,Rad.Upr.Mtg.
2	6500 583	2			NUT,Brkt.To Yoke C/Mbr.
3	3781 830	1			CAP,Rad.Pressure Vent
4	1686 198	1			COCK,Rad.Drain
5	4140 461	1			RESERVOIR,Coolant Reserve
6	2448 761	1			CLAMP,Tube
7	6500 331	1			SCREW, reservoir attach
	6100 046	1			NUT, reservoir attach
8	4140 464	1			CAP,Rad.C/Reserve Tank
9	4140 451	1			SHROUD,Rad.Fan
10	4140 427	2			ISOLATOR, Rubber, Rad.
11	4140 616	1			CORE,Radiator 20.5" W/Air Cond. W/Man. Trans
	4140 911	1			20.5" w/o Air or Max Cool,w/Man. Trans.
	4140 912	1			20.5" w/o Air or Max Cool,w/Auto. Trans.
	4140 613	1			20.5" W/Air Cond. W/Auto Trans
12	6100 558	4			SCREW & WASHER
	6100 041	2			U-NUT, Top Shroud Mtg.
13	4140 538	1			CLIP, Spring, Lower Shroud Mtg. w/o Air Cond.
	4266 212	2			w/Air Cond.
14	5209 923	1			SWITCH,Rad.Temp.Fan
	6031 903	1			BUSHING, Fan Switch
15	4026 148	AR			HOSE,OverFlow Coolant Reserve .290 I.D.50 Ft.Roll
16	4140 454	2			COVER,Rad.Fan Shroud Hole Upr.& Intern.
	5201 222	1			Lower
17	#4266 007	1			FAN, motor & brkt. w/o air cond.
18	4057 981	1			RELAY, fan motor
19	6500 288	3			NUT, fan relay mtg.
20	6500 377	1			RETAINER, fan
21	5211 115	1			MOTOR, rad. fan w/air cond.
22	6100 644	1			PIN, split, motor attach
23	4140 581	1			FAN, plastic 15-4-1.7 w/air cond.
	4266 069	1			steel 12-2-1.28 w/o air cond.
24	3683 824	3			CLAMP, rad. hose
25	4140 546	1	1.7 L.		HOSE, rad. inlet
	4140 572	1	2.2 L.		
26	2448 763	1			CLAMP, rad. hose
27	4140 849	1	1.7 L.		CLIP, rad. inlet hose

**MODEL CODES**

B = GRAN FURY/CARAVELLE	P = RELIANT
C = LEBARON/TOWN & COUNTRY	S = CORDOBA
D = ARIES	V = 400
F = NEW YORKER	X = MIRADA
G = DIPLOMAT	Y = IMPERIAL
M = HORIZON/TC3/SCAMP	Z = OMNI/O24/RAMPAGE

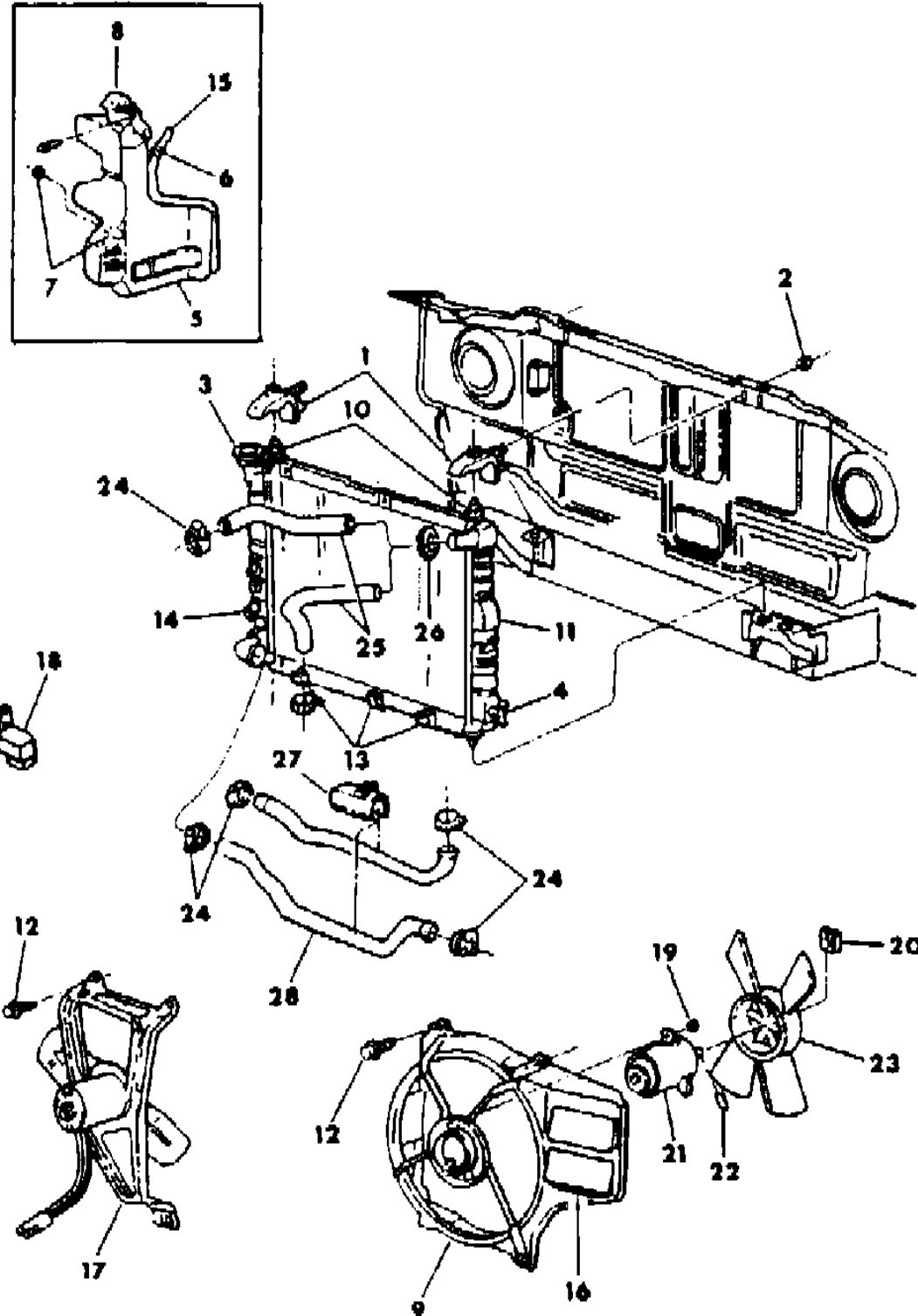
**BODY STYLES**

21 = 2-DOOR SEDAN	28 = FWD PICKUP
22 = 2-DOOR SPECIAL COUPE	41 = 4-DOOR SEDAN
24 = 2-DOOR HATCHBACK	44 = 4-DOOR HATCHBACK
27 = 2-DOOR CONVERTIBLE	45 = 2-SEAT STATION WAGON

AR = Use as Required - = Non Illustrated Part P.A.R. = Paint as Required

**RADIATOR,SHROUD,AND COOLANT RECOVERY SYSTEM M,Z**  
**Figure 7-1400**

2107 1400



ITEM	PART NUMBER	QTY	BODY	MODEL	DESCRIPTION
28	4140 547	1		1.7 L.	HOSE, rad. outlet
	4140 573	1		2.2 L.	
NOTE: THE FOLLOWING ITEMS ARE NOT ILLUSTRATED Gear and Pinion numbers stamped on the item may be used to confirm the correct MATCHED SET they are contained in.					
	6100 041	2			U/NUT,Upper Shroud Mtg.
	4140 849	1			CLIP, rad. overflow hose
	4140 538	1			CLIP, rad. shroud mtg. lower

MODEL CODES  
 B = GRAN FURY/CARAVELLE      P = RELIANT  
 C = LEBARON/TOWN & COUNTRY      S = CORDOBA  
 D = ARIES      V = 400  
 F = NEW YORKER      X = MIRADA  
 G = DIPLOMAT      Y = IMPERIAL  
 M = HORIZON/TC3/SCAMP      Z = OMNI/O24/RAMPAGE

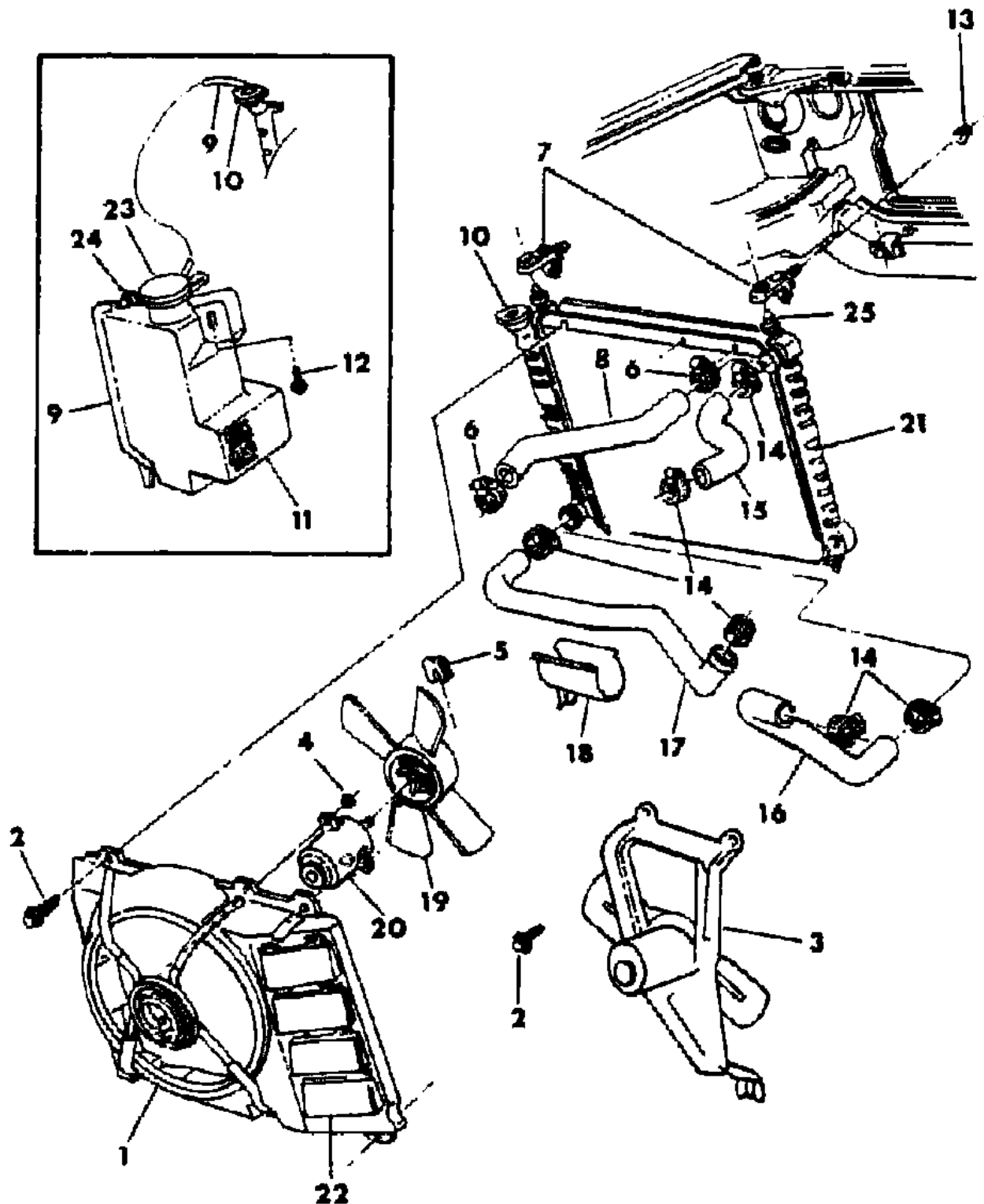
BODY STYLES  
 21 = 2-DOOR SEDAN      28 = FWD PICKUP  
 22 = 2-DOOR SPECIAL COUPE      41 = 4-DOOR SEDAN  
 24 = 2-DOOR HATCHBACK      44 = 4-DOOR HATCHBACK  
 27 = 2-DOOR CONVERTIBLE      45 = 2-SEAT STATION WAGON

AR = Use as Required - = Non Illustrated Part P.A.R. = Paint as Required

COOLING SYSTEM AND RELATED PARTS - P,D,V,C.

Figure 7-1500

2107 1500



ITEM	PART NUMBER	QTY	BODY	MODEL	DESCRIPTION
1	4140 452	1		2.2 L.	SHROUD,Fan.
	4140 453	1		2.6 L.	
2	6100 558	AR			SCREW,Shroud Att.
	6100 041	2			U-NUT, Top Shroud Mtg.
3	#4266 007	1		2.2 L.	FAN, motor & brkt. w/o air cond.
4	6500 288	3			NUT,Fan Motor Mtg.
5	6500 377	1			RETAINER,Rad.Fan
	6100 644	1			SPLIT PIN, Fan to Motor Mtg.
6	3683 824	2		2.2 L.	CLAMP,Inlet Hose
	4140 606	2		2.2 L.	s/steel, screw type
7	4140 571	2			BRACKET,Upper Rad.Mtg.
8	4140 574	1		2.2 L.	HOSE,Rad.Inlet
9	4026 148	AR			HOSE,Coolant Reserve (50FT.Roll)
10	3781 830	1			CAP,Radiator
11	4140 463	1			RESERVOIR,Coolant Reserve
12		1			SCREW (Do Not Service)
13	6500 583	2			NUT & WASHER,Rad.Mtg.
14	2448 763	4		2.6 L.	CLAMP,Rad.Hose
	4041 608	4		2.6 L.	s/steel screw type
	4041 608	2		2.2 L.	s/steel screw type
15	4140 576	1		2.6 L.	HOSE,Inlet
16	4140 577	1		2.6 L.	HOSE,Outlet
17	4266 260	1		2.2 L.	HOSE,Outlet
18	5240 760	1		2.2 L.	CLIP,Outlet Hose
19	4266 074	1		2.6 L.	FAN,Radiator,W/Air Cond. or Max Cool 15-5-2
	4266 069	1		2.2 L.	W/O Air Cond. or Max Cool 12-2-1.28
	4140 581	1		2.2 L.	W/Air Cond. or Max Cool 15-7-1.4
	4140 581	1		2.2 L.	W/o Air Cond, W/Auto Trans & High Alt. Pkg.
20	5211 115	1			MOTOR,Rad.Fan W/Air Cond.
	5211 058	1		2.6 L.	W/o Air Cond. or Max Cool
	5211 058	1		2.2 L.	W/Auto Trans & High Alt. Pkg. W/o Air Cond.
21	4140 692	1		2.6 L.	RADIATOR, 25" W/O Air Cond
	4140 695	1		2.6 L.	W/Air Cond.
	4140 981	1		2.2 L.	22.5" W/o Air Cond., W/Man Trans.
	4140 683	1		2.2 L.	22.5" W/Air Cond., W/Man Trans.
	4140 982	1		2.2 L.	22.5" W/o Air Cond., W/Auto Trans.
	4140 685	1		2.2 L.	22.5" W/Air Cond., W/Auto Trans.

MODEL CODES

B = GRAN FURY/CARAVELLE  
 C = LEBARON/TOWN & COUNTRY  
 D = ARIES  
 F = NEW YORKER  
 G = DIPLOMAT  
 M = HORIZON/TC3/SCAMP  
 P = RELIANT  
 S = CORDOBA  
 V = 400  
 X = MIRADA  
 Y = IMPERIAL  
 Z = OMNI/O24/RAMPAGE

BODY STYLES

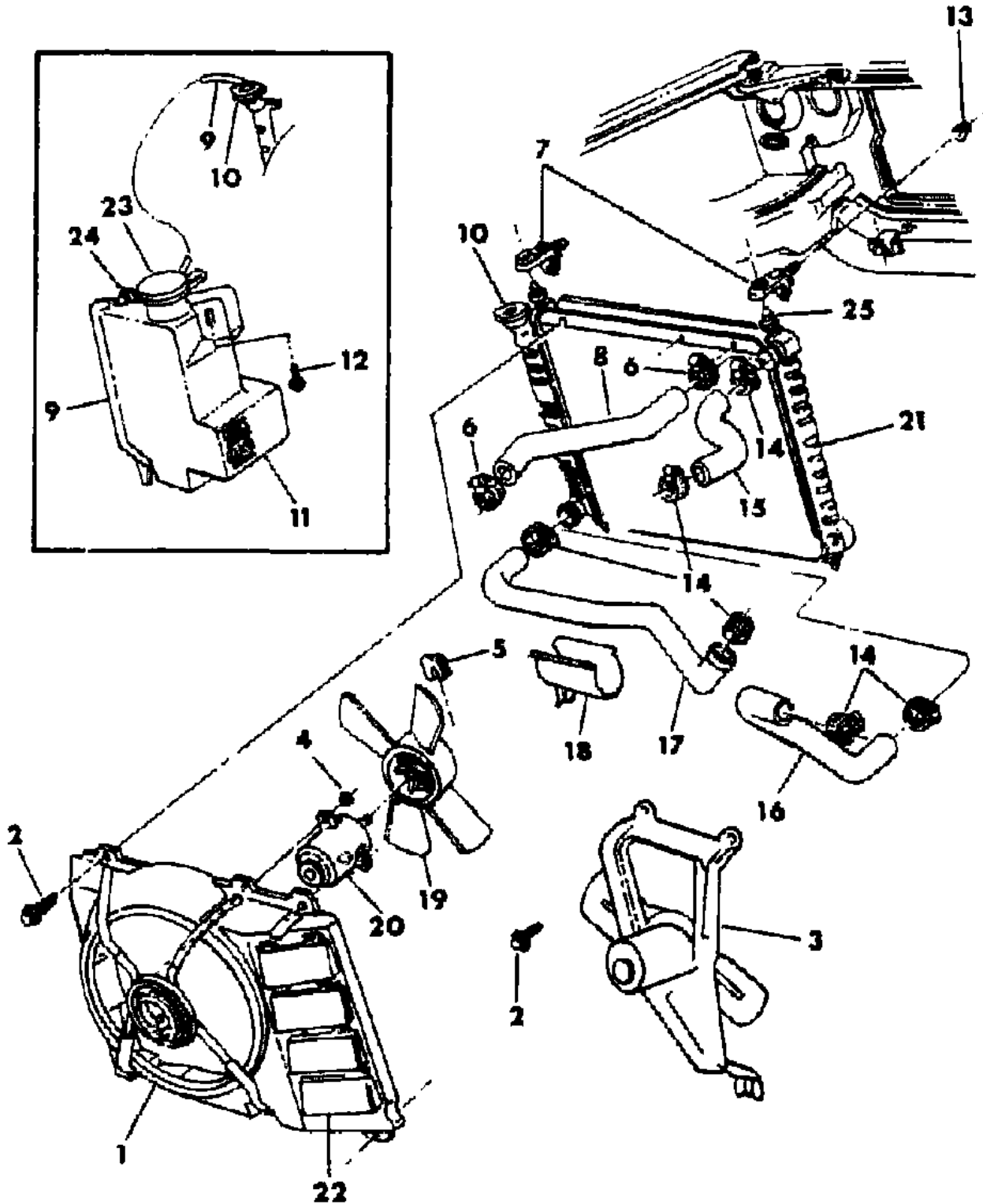
21 = 2-DOOR SEDAN  
 22 = 2-DOOR SPECIAL COUPE  
 24 = 2-DOOR HATCHBACK  
 27 = 2-DOOR CONVERTIBLE  
 28 = FWD PICKUP  
 41 = 4-DOOR SEDAN  
 44 = 4-DOOR HATCHBACK  
 45 = 2-SEAT STATION WAGON

AR = Use as Required - = Non Illustrated Part P.A.R. = Paint as Required

COOLING SYSTEM AND RELATED PARTS - P,D,V,C.

Figure 7-1500

2107 1500



ITEM	PART NUMBER	QTY	BODY	MODEL	DESCRIPTION
	4140 686	1		2.2 L.	22.5" w/o Air Cond. w/Auto Trans.
22		4		2.2 L.	COVER,Rad.Fan Shroud Hole (Serv. in Assy)
	4266 057	2		2.6 L.	
23	4140 464	1			CAP,Coolant Reserve Reservoir
24	0153 640	1			CLAMP,Coolant Reserve Hose (Do Not Service)
25	4140 427	4			ISOLATOR, rad., rubber

NOTE: THE FOLLOWING ITEMS ARE NOT ILLUSTRATED Gear and Pinion numbers stamped on the item may be used to confirm the correct MATCHED SET they are contained in.

	4140 538	2		2.2 L.	CLIP, Spring, Lower Shroud Mtg.
	1686 198	1			COCK, Radiator Drain
	5209 923	1			SWITCH, Rad. Fan Temp.(Note 1)
	4221 284	1			(Note 2)
	3747 999	1		2.6 L.	SWITCH, Rad. Fan Air Temp
	6031 903	1		2.6 L.	BUSHING, Fan Switch
	4221 285	1		2.6 L.	RELAY,Rad. Fan Air Temp
	3747 822	1		2.2 L.	

NOTE 1:Up to build dates at Jefferson 2-8-82 Newark 3-1-83; St Louis 1-27-82 Gear and Pinion numbers stamped on the item may be used to confirm the correct MATCHED SET they are contained in.

NOTE 2:After dates in note 1. Gear and Pinion numbers stamped on the item may be used to confirm the correct MATCHED SET they are contained in.

MODEL CODES

B = GRAN FURY/CARAVELLE	P = RELIANT
C = LEBARON/TOWN & COUNTRY	S = CORDOBA
D = ARIES	V = 400
F = NEW YORKER	X = MIRADA
G = DIPLOMAT	Y = IMPERIAL
M = HORIZON/TC3/SCAMP	Z = OMNI/O24/RAMPAGE

BODY STYLES

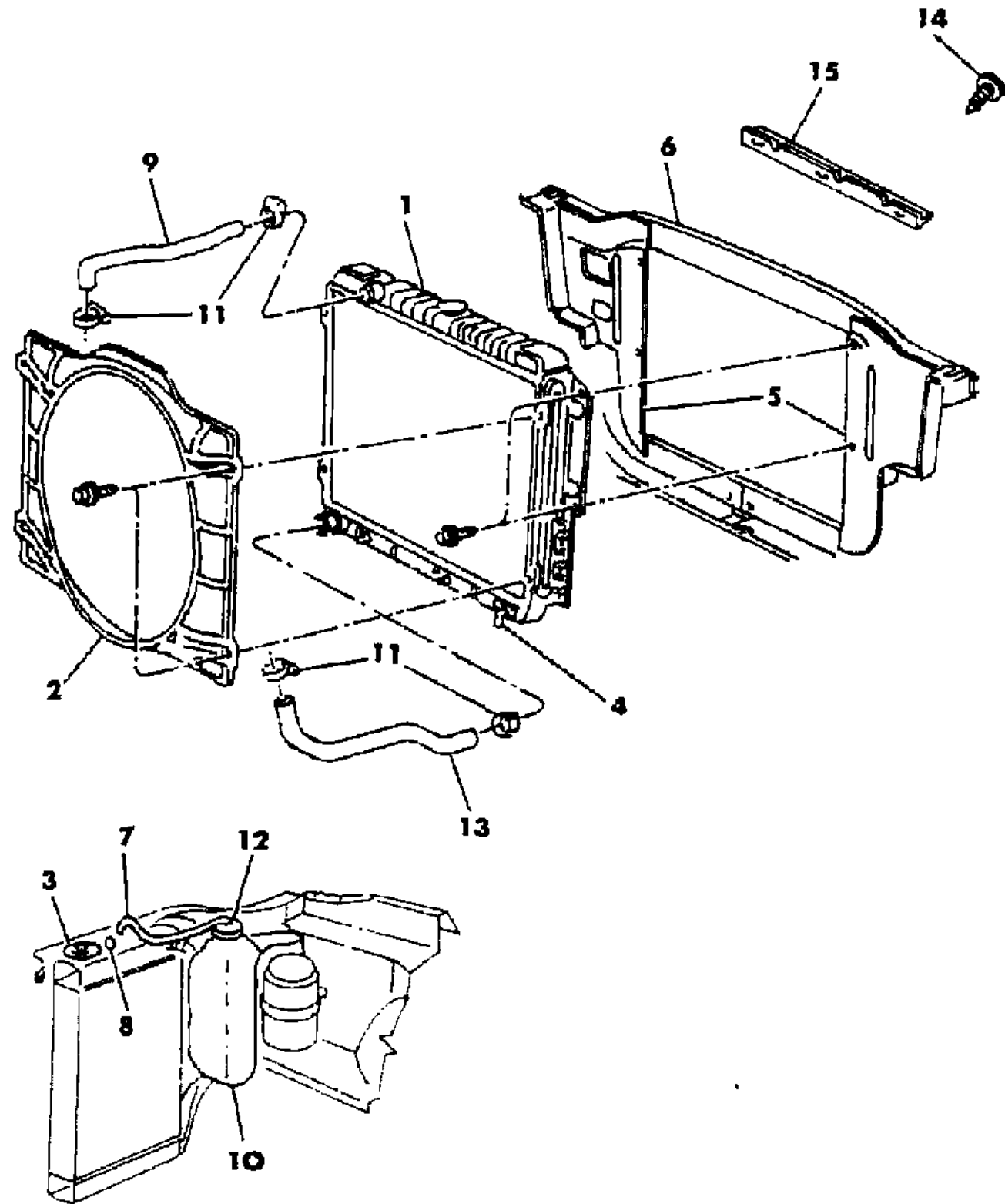
21 = 2-DOOR SEDAN	28 = FWD PICKUP
22 = 2-DOOR SPECIAL COUPE	41 = 4-DOOR SEDAN
24 = 2-DOOR HATCHBACK	44 = 4-DOOR HATCHBACK
27 = 2-DOOR CONVERTIBLE	45 = 2-SEAT STATION WAGON

AR = Use as Required - = Non Illustrated Part P.A.R. = Paint as Required

**RADIATOR,SHROUDS,SIDE PANELS AND COOLANT RECOVERY SYSTEM F,G,X,S,Y**  
**Figure 7-1600**

2107 1600

ITEM	PART NUMBER	QTY	BODY	MODEL	DESCRIPTION
1	4140 602	1			RADIATOR, 19" W/225 Eng., W/o Air Cond., W/o Max Cooling
	4140 623	1			22" W/Air Cond., W/o Max Cooling, 225 Eng.
	4140 623	1			22" W/o Air Cond., W/Max Cooling, 225 Eng.
	4164 146	1			22" W/o Air Cond., W/o Max Cooling, 318 Eng.
	4140 641	1			26" W/Max Cooling, 318 Eng.
2	4140 641	1			26" W/air cond. 318 Eng.
	4140 318	1	F,G,X,S		SHROUD, w/225 Eng.w/Max Cooling.w/22" Core
	3869 812	1	All		318 Eng. w/A/Cond. w/26" Core
3	3781 830	1	All		CAP,Rad.Filler Pressure Vent
4	1686 198	1	All		COCK,Rad.Drain
5	4016 338	1	F,G,X,S		PANEL,Rad.Yoke Side Rt.225,318 Eng. w/19 & 22"Core
	3868 679	1	F,G,X,S		225,318 Eng.w/19 & 22"Core Lt.
	3868 682-3	1	All		318 Eng.w/26"Core w/A/Cond.
6	4103 464	1	All		C/MEMBER,Rad.Yoke
7	4026 148	AR	All		HOSE,Coolant Reserve (50FT.Roll)
8	2448 761	AR	All		Clamp
9	4140 051	1	All		HOSE, inlet w/225 Eng.
	4140 710	1	All		w/318 eng., w/o police or fleet
	4140 711	1	F,G.		w/318 eng., w/fleet pkg.
	4140 712	1	F,G.		w/318 eng., w/police pkg. (silicone)
10	4140 741	1	All		RESERVOIR,Coolant Reserve
11	2448 763	4	All		CLAMP, hose. 1 1/2"-2" std.
	4041 608	4	All		s/steel screw type
12	4140 464	1	All		CAP,Rad.Coolant Reserve Tank
13	3870 113	1	All		HOSE, outlet w/225 eng.
	3870 120	1	All		w/318 eng. w/o police pkg.
	4140 708	1	F,G.		w/318 eng. w/police pkg. (silicone)
14	6030 538	3	All		RETAINER,Rad.Yoke C/Mbr.To Rad.SeaL
15	4103 056	1	All		SEAL, Rad. Yoke C/Mbr. To Rad.



**MODEL CODES**

B = GRAN FURY/CARAVELLE	P = RELIANT
C = LEBARON/TOWN & COUNTRY	S = CORDOBA
D = ARIES	V = 400
F = NEW YORKER	X = MIRADA
G = DIPLOMAT	Y = IMPERIAL
M = HORIZON/TC3/SCAMP	Z = OMNI/O24/RAMPAGE

**BODY STYLES**

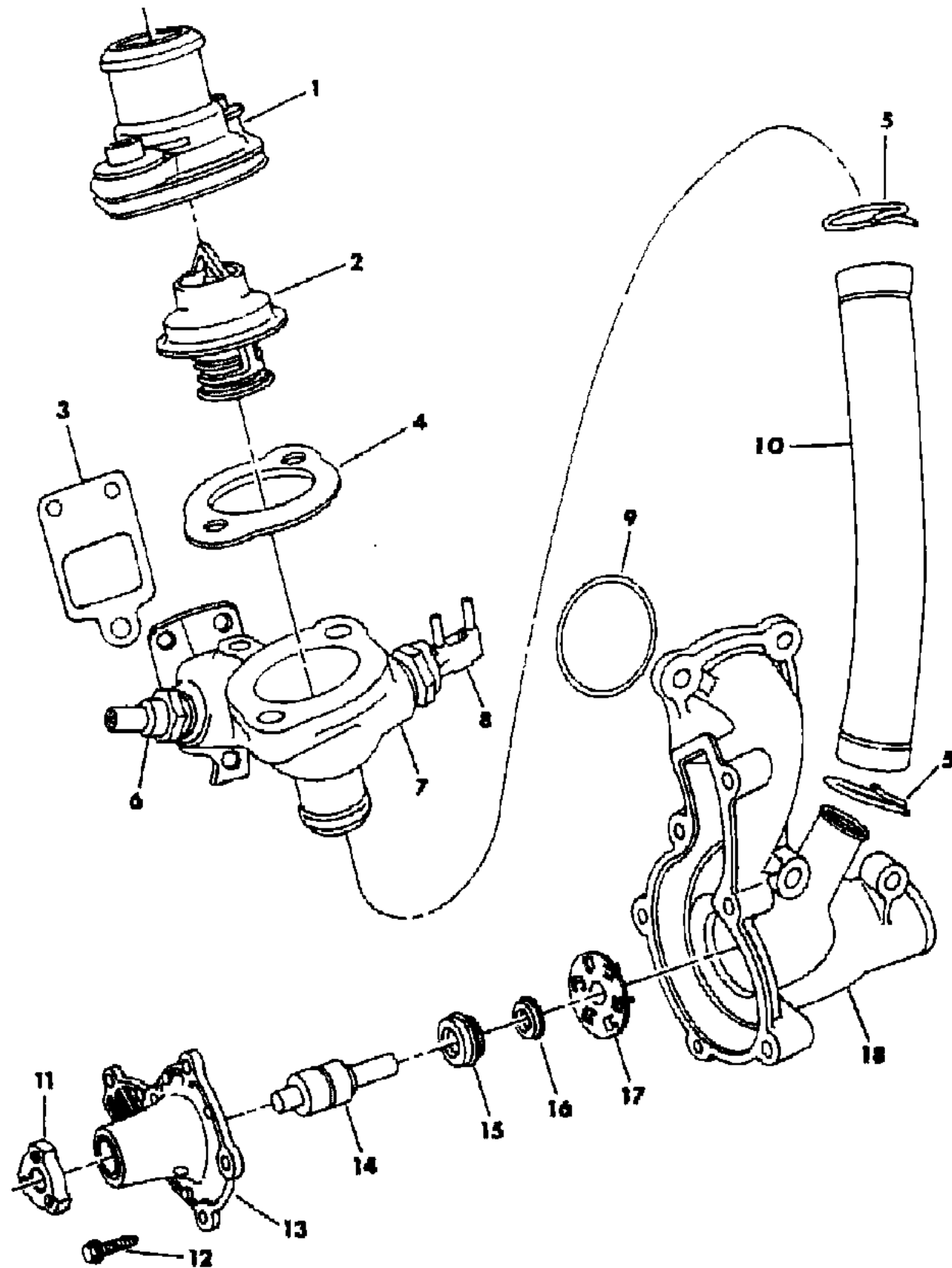
21 = 2-DOOR SEDAN	28 = FWD PICKUP
22 = 2-DOOR SPECIAL COUPE	41 = 4-DOOR SEDAN
24 = 2-DOOR HATCHBACK	44 = 4-DOOR HATCHBACK
27 = 2-DOOR CONVERTIBLE	45 = 2-SEAT STATION WAGON

AR = Use as Required - = Non Illustrated Part P.A.R. = Paint as Required

WATER PUMP AND RELATED PARTS M,Z - 1.7L ENG.

Figure 7-1700

2107 1700



ITEM	PART NUMBER	QTY	BODY	MODEL	DESCRIPTION
	5214 490	1			PUMP,Water(Contains Items 11,13,14,15,17)
1	5214 514	1			CONNECTOR,Cyl.Water Outlet
2	4105 436	1			THERMOSTAT,195 Degree After 9/21/81
	5214 513	1			Up to 9/21/81
3	5240 344	1			GASKET,Water Control Box
4	4179 895	1			GASKET,Cyl.Water Outlet Connector
5	3683 824	2			CLAMP,w/Pump By Pass Hose
6		1			SWITCH,Eng.Temp.(See Figure 8-47)
7	5214 526	1			BOX,Water Control
8		1			SEND.UNIT,Eng.Temp (See Figure 8-47)
9	5240 692	1			GASKET,W/Pump Hsg.(Rubber)
10	5214 521	1			HOSE,W/Pump By Pass
11					HUB,(Serv.In W/Pump)
12	6100 229	3			SCREW,W/Pump Body (M8x30)
	6100 297	1			(M8x35)
13					BODY,(Serv.In W/Pump)
14					SHAFT,(Serv.In W/Pump)
15					SEAL,(Serv.In W/Pump)
16					RET.(Serv.In W/Pump)
17					DEFLECTOR,(Serv.In W/Pump)
18	5240 603	1			HOUSING,W/Pump

NOTE:The Following Items Are Not Illustrated Gear and Pinion numbers stamped on the item may be used to confirm the correct MATCHED SET they are contained in.

	6101 336	1			SCREW & WASHER,w/Pump Body Att. 10 MM
	6100 300	2			SCREW & WASHER,w/Pump Hsg.Att.-Long
	6100 296	2			Short
	6100 899	3			SCREW,Water Control Box Att.M6X20
	6100 123	3			WASHER
	6500 384	1			STUD,Cylinder Water Outlet Connector
	6100 233	1			WASHER, Cyl. Water Outlet Conn.
	6100 295	1			SCREW w/Washer, Water Outlet Att.

MODEL CODES

B = GRAN FURY/CARAVELLE	P = RELIANT
C = LEBARON/TOWN & COUNTRY	S = CORDOBA
D = ARIES	V = 400
F = NEW YORKER	X = MIRADA
G = DIPLOMAT	Y = IMPERIAL
M = HORIZON/TC3/SCAMP	Z = OMNI/O24/RAMPAGE

BODY STYLES

21 = 2-DOOR SEDAN	28 = FWD PICKUP
22 = 2-DOOR SPECIAL COUPE	41 = 4-DOOR SEDAN
24 = 2-DOOR HATCHBACK	44 = 4-DOOR HATCHBACK
27 = 2-DOOR CONVERTIBLE	45 = 2-SEAT STATION WAGON

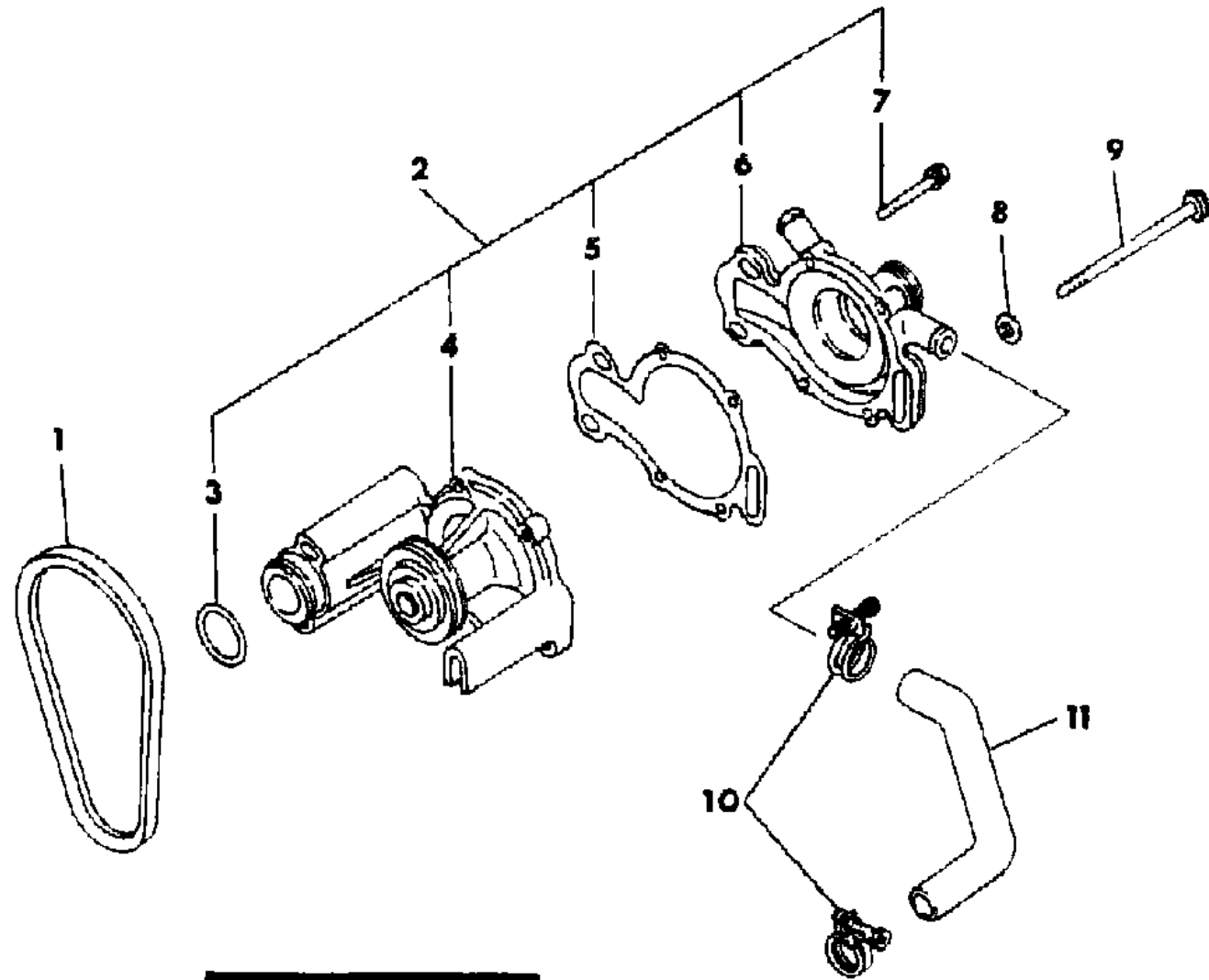
AR = Use as Required - = Non Illustrated Part P.A.R. = Paint as Required



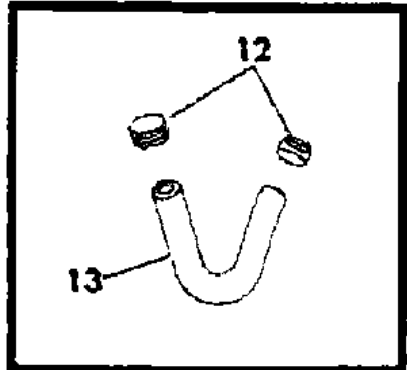
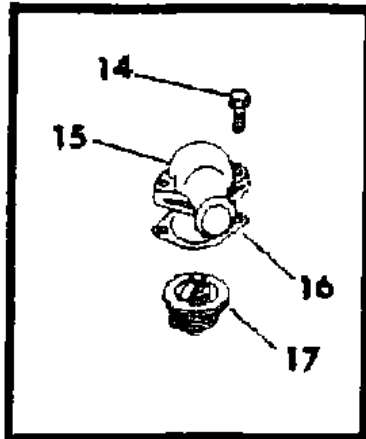
WATER PUMP AND RELATED PARTS - P,D - 2.6L ENG.

Figure 7-1800

2107 1800



ITEM	PART NUMBER	QTY	BODY	MODEL	DESCRIPTION
1	MD02 5221	1			V-BELT,Water Pump
2	MD02 5190	1			PUMP ASSY,Water
3	MD03 0764	1			RING,Water Pipe
4	MD02 5191	1			BODY,Water Pump
5	MD02 5196	1			GASKET,Water Pump
6	MD02 5192	1			CASE,Water Pump
7	MF24 1231	4			BOLT,w/Washer
8	MF45 0005	3			WASHER
9	MD02 5198	3			BOLT,Flange
10	MA60 9047	2			CLIP
11	MD02 5199	1			HOSE,Water By-Pass
12	MS66 0164	3			CLIP,Hose (13.1)
	MS66 0162	3			CLIP,Hose (11.)
13	MD02 1472	1			HOSE,Water
14	MF24 0056	2			BOLT,w/Washer
15	MD02 0634	1			FITTING,Water Outlet
16	MD00 0551	1			GASKET
17	MD00 5131	1			THERMOSTAT-190 Degree. Up to Oct 81
	MD00 5371	1			180 Degree. After Oct. 81



MODEL CODES

- |                            |                      |
|----------------------------|----------------------|
| B = GRAN FURY/CARAVELLE    | P = RELIANT          |
| C = LEBARON/TOWN & COUNTRY | S = CORDOBA          |
| D = ARIES                  | V = 400              |
| F = NEW YORKER             | X = MIRADA           |
| G = DIPLOMAT               | Y = IMPERIAL         |
| M = HORIZON/TC3/SCAMP      | Z = OMNI/O24/RAMPAGE |

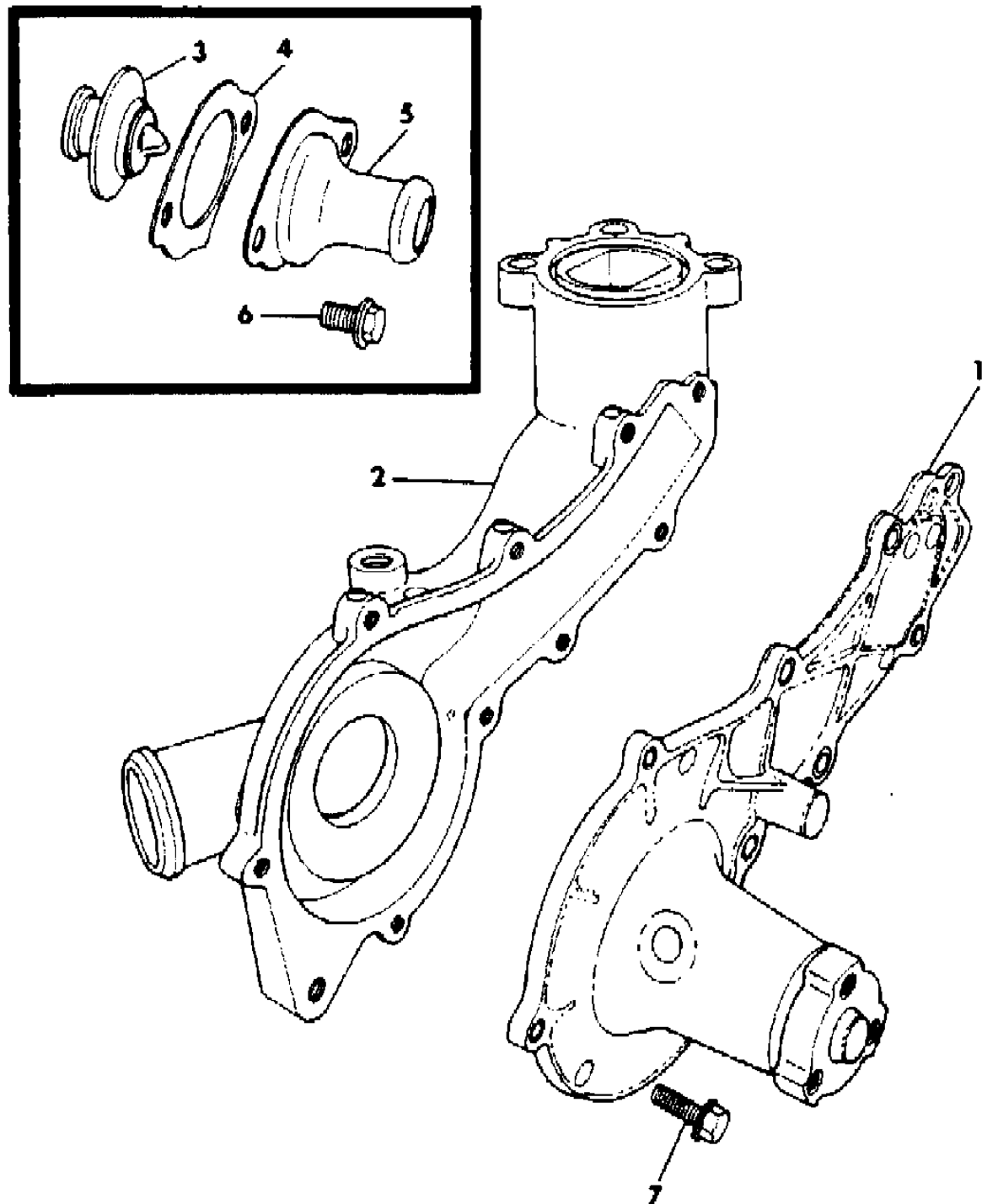
BODY STYLES

- |                           |                           |
|---------------------------|---------------------------|
| 21 = 2-DOOR SEDAN         | 28 = FWD PICKUP           |
| 22 = 2-DOOR SPECIAL COUPE | 41 = 4-DOOR SEDAN         |
| 24 = 2-DOOR HATCHBACK     | 44 = 4-DOOR HATCHBACK     |
| 27 = 2-DOOR CONVERTIBLE   | 45 = 2-SEAT STATION WAGON |

AR = Use as Required - = Non Illustrated Part P.A.R. = Paint as Required

**WATER PUMP AND RELATED PARTS - 2.2L ENG. M,Z,P,D**  
**Figure 7-1900**

2107 1900



ITEM	PART NUMBER	QTY	BODY	MODEL	DESCRIPTION
1	5203 432	1			PUMP ASSY,Water
2	5203 714	1			HOUSING,Water Pump
3	4105 404	1			THERMOSTAT-195 Degree
	4105 442	1			185 Degree
4	4179 895	1			GASKET,Water Outlet
5	5214 514	1			CONNECTOR,Water Outlet
6	6100 295	2			SCREW,Water Outlet Connector
7	6101 278	9			SCREW,Water Pump To Housing (M6x1.00x18)
NOTE: THE FOLLOWING ITEMS ARE NOT ILLUSTRATED Gear and Pinion numbers stamped on the item may be used to confirm the correct MATCHED SET they are contained in.					
	5203 542	1			GASKET,Water Pump Housing
	5203 339	1			NIPPLE,Thermostat Water By-Pass
	6500 339	3			SCREW,Water Pump Hsg.Attaching (M8x1.25x30)
	6500 531	1			(M10x1.5x100)
	4105 206	1			HOSE,Water By-Pass
	0153 640	2			CLAMP, by-pass hose
	4266 221	1			INSERT, Water Pump Nipple

MODEL CODES

B = GRAN FURY/CARAVELLE	P = RELIANT
C = LEBARON/TOWN & COUNTRY	S = CORDOBA
D = ARIES	V = 400
F = NEW YORKER	X = MIRADA
G = DIPLOMAT	Y = IMPERIAL
M = HORIZON/TC3/SCAMP	Z = OMNI/O24/RAMPAGE

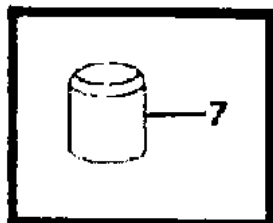
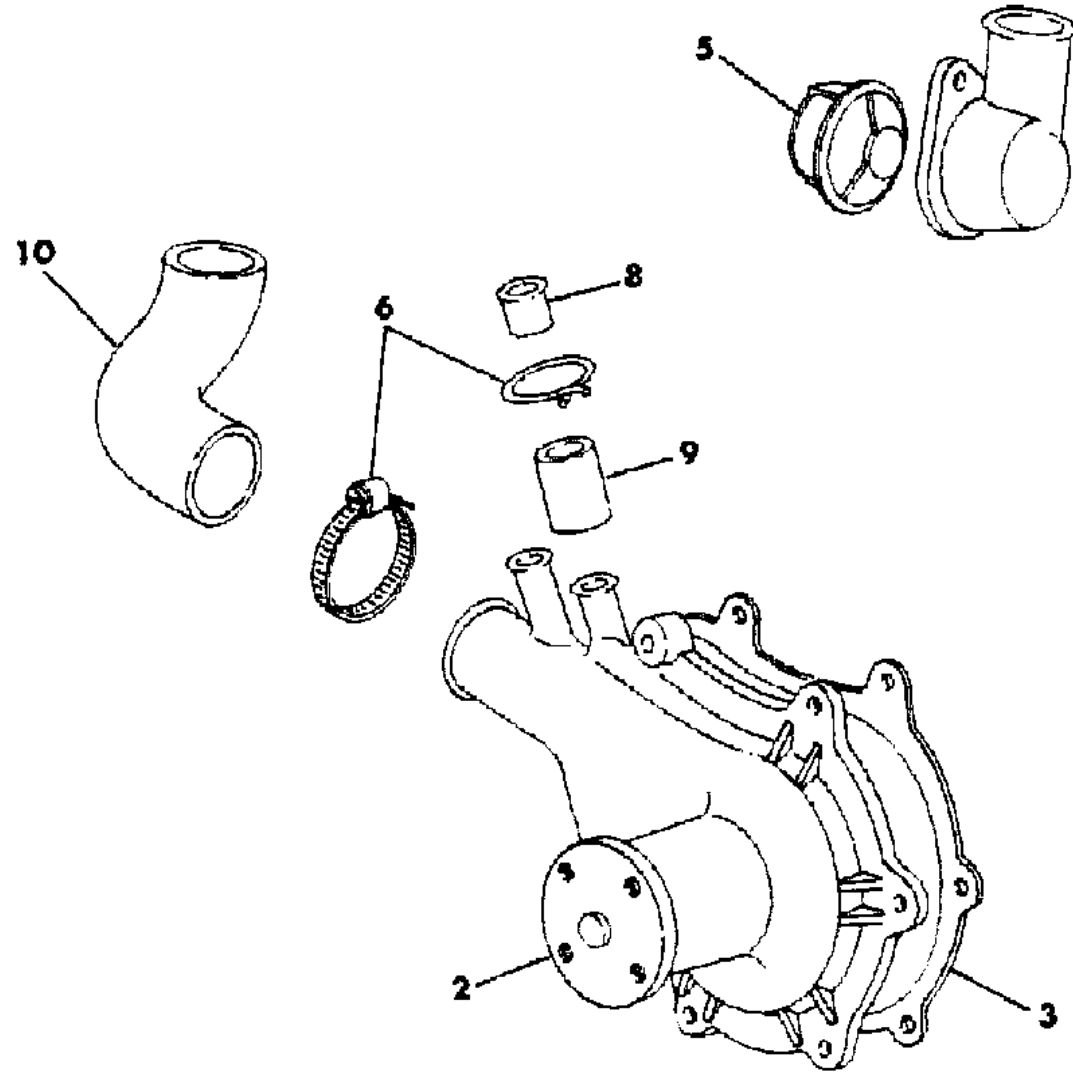
BODY STYLES

21 = 2-DOOR SEDAN	28 = FWD PICKUP
22 = 2-DOOR SPECIAL COUPE	41 = 4-DOOR SEDAN
24 = 2-DOOR HATCHBACK	44 = 4-DOOR HATCHBACK
27 = 2-DOOR CONVERTIBLE	45 = 2-SEAT STATION WAGON

AR = Use as Required - = Non Illustrated Part P.A.R. = Paint as Required

**WATER PUMP AND RELATED PARTS 225,318 ENGINES**  
**Figure 7-2000**

2107 2000



ITEM	PART NUMBER	QTY	BODY	MODEL	DESCRIPTION
	4131 243	1		All	WATER PUMP PKG.225 Eng. Consists Of" 1-1947523 Gasket,Interm.Plate 1- --- --- Pump,Water
	3837 641	1		All	WATER PUMP PKG.318 Eng. Consists Of: 1 - 2129013 Gasket,Body 1 - ---- --- Pump,Water
2	3671 525	1		All Exc	HUB,Fan Pulley 225,318 Eng.
	3751 812	1		Y	
3	1947 521	1		All	GASKET,w/Pump Body,225 Eng.
	2129 013	1		All	318 Eng.
	1947 523	1		All	GASKET,Interm.Plate,225 Eng.
5	4131 240	1		All	THERMOSTAT,195 Degree
6	0870 469	AR		All	CLAMP,w/Pump By Pass Hose
	4041 606	2		ALL	CLAMP,S/Steel Screw Type,318 Eng.
	2448 762	2		All	CLAMP, 318 Eng.
7	2128 425	1		All	CAP,w/Pump Body Htr.Hole,(Rubber)
	0870 469	1		All	CLAMP, heater hole cap
8	1947 643	1		All	NIPPLE,w/Pump By Pass,225 Eng.
	2402 903	1		All	318 Engine
9	1315 466	AR		All	HOSE,w/Pump By Pass,5/8" I D. 50 Ft.Roll,225 Eng.
10	4095 227	1		All	HOSE,(Preformed) 318 Eng.
	4012 595	1		All	Silicone,W/318 Eng.

NOTE:The Following Items Are Not Illustrated Gear and Pinion numbers stamped on the item may be used to confirm the correct MATCHED SET they are contained in.

	6027 880	1		All	SCREW,w/Pump Body 3/8 -16 X 2"
	9421 897	1		All	3/8 X 5"
	6028 166	3		All	318 Eng.3/8 x 5 1/4"
	9420 892	2		All	318 Eng.3/8 x 2 3/4"
	6024 487	4		All	225 Eng. 3/8 x 1 5/8"
	9416 171	1		All	225 Eng. 3/8 x 1.25"

h. system. Unleaded fuel is NOT required. Gear and Pinion numbers stamped on the item may be used to confirm the correct MATCHED SET they are contained in.

with Lean Burn, California Emission Control or High Altitude Emission Control. Gear and Pinion numbers stamped on the item may be used to confirm the correct MATCHED SET they are contained in.

**MODEL CODES**

B = GRAN FURY/CARAVELLE	P = RELIANT
C = LEBARON/TOWN & COUNTRY	S = CORDOBA
D = ARIES	V = 400
F = NEW YORKER	X = MIRADA
G = DIPLOMAT	Y = IMPERIAL
M = HORIZON/TC3/SCAMP	Z = OMNI/O24/RAMPAGE

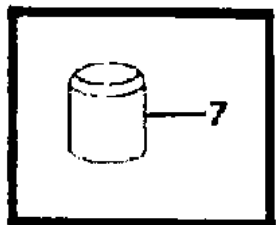
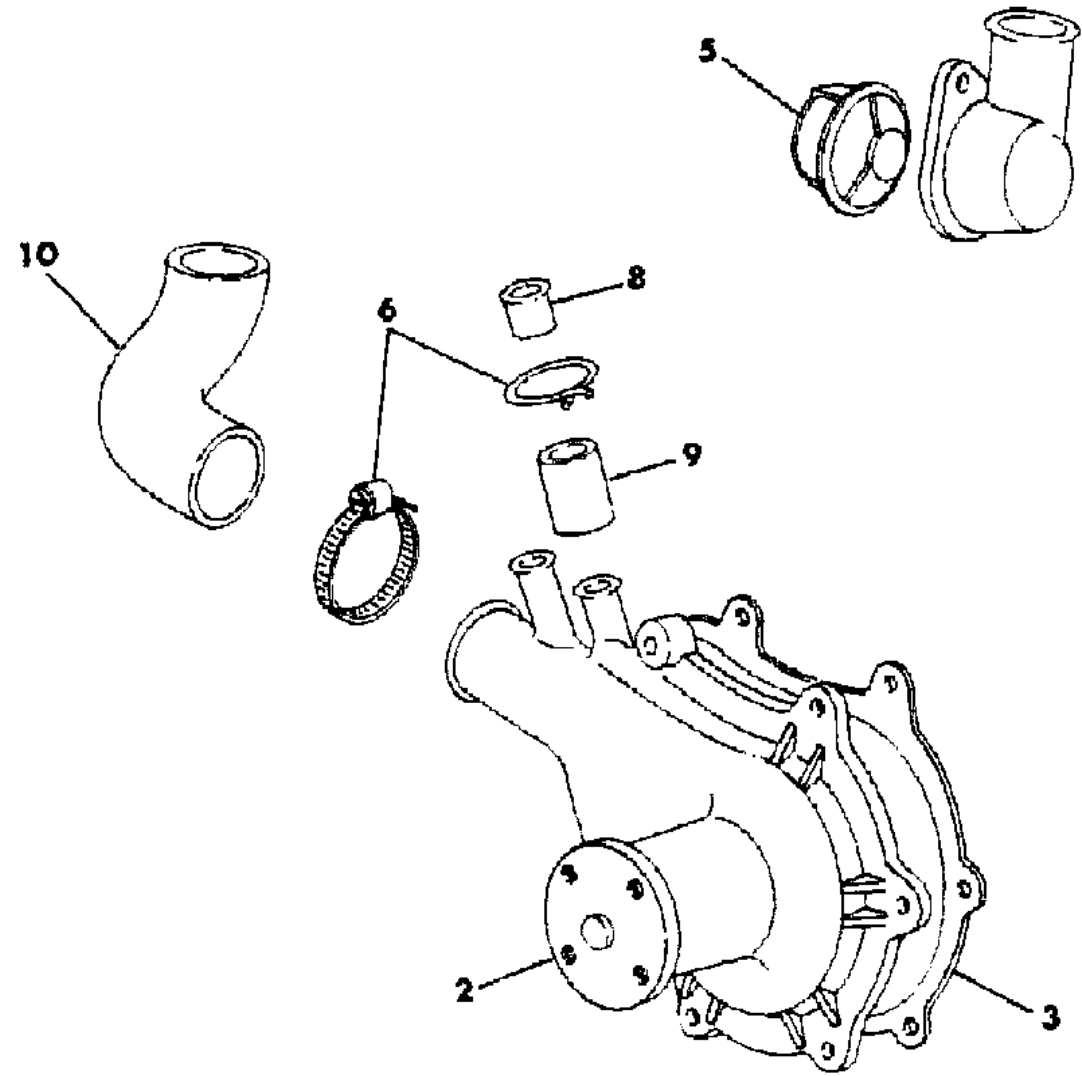
**BODY STYLES**

21 = 2-DOOR SEDAN	28 = FWD PICKUP
22 = 2-DOOR SPECIAL COUPE	41 = 4-DOOR SEDAN
24 = 2-DOOR HATCHBACK	44 = 4-DOOR HATCHBACK
27 = 2-DOOR CONVERTIBLE	45 = 2-SEAT STATION WAGON

AR = Use as Required - = Non Illustrated Part P.A.R. = Paint as Required

Figure 7-2000

2107 2000





---

## GROUP 8 - ELECTRICAL

ILLUSTRATION TITLE	GROUP-FIG. NO.
<b>CROSS REFERENCE</b>	
CROSS REFERENCE ON ELECTRICAL PRODUCTION ITEMS .....	Fig. 8-100
SWITCH REFERENCE CHART ALPHABETIC LISTING .....	Fig. 8-125
<b>DISTRIBUTORS</b>	
DISTRIBUTOR 1.7L ENGINE .....	Fig. 8-200
DISTRIBUTOR 2.2L ENGINE .....	Fig. 8-300
DISTRIBUTOR 2.6L ENGINE .....	Fig. 8-400
DISTRIBUTOR 225 and 318 ENGINES .....	Fig. 8-500
<b>STARTERS</b>	
STARTERS M,Z,P,D,C,V .....	Fig. 8-600
STARTER COMPONENTS M,Z-1.7L ENGINE CHRYSLER NO. 5206255 (BOSCH) .....	Fig. 8-700
STARTER COMPONENTS M,Z-1.7L ENGINE CHRYSLER NO. 5213395 (BOSCH) .....	Fig. 8-800
STARTER COMPONENTS M,Z-1.7L ENGINE CHRYSLER NO. 5206265 (NIPPONDENSO) .....	Fig. 8-900
STARTER COMPONENTS M,Z-1.7L ENGINE CHRYSLER NO. 5213295 (NIPPONDENSO) .....	Fig. 8-1000
STARTER COMPONENTS 2.2L ENGINE CHRYSLER NO. 5213190 (NIPPONDENSO) .....	Fig. 8-1100
STARTER COMPONENTS 2.2L ENGINE CHRYSLER NO. 5213045 (BOSCH) .....	Fig. 8-1125
STARTER COMPONENTS 2.6L ENGINE .....	Fig. 8-1200
STARTER 225 and 318 ENGINE CHRYSLER NO. 4145360 .....	Fig. 8-1300
<b>ALTERNATORS</b>	
ALTERNATOR 1.7L and 2.2L ENGINES .....	Fig. 8-1400
ALTERNATOR 2.6L ENGINE .....	Fig. 8-1500
ALTERNATOR 60 AND 78 AMP. 225 & 318 ENGINE .....	Fig. 8-1600
ALTERNATOR 114 AMP. 225 & 318 ENGINE .....	Fig. 8-1700
ALTERNATOR MOUNTING 1.7L- 2.2L AND 225 ENGINES .....	Fig. 8-1800
ALTERNATOR MOUNTING 318 ENGINE .....	Fig. 8-1900
<b>LAMPS</b>	
LAMPS--FRONT L BODY M-Z 24 .....	Fig. 8-2000
LAMPS--REAR L BODY--24 .....	Fig. 8-2100
LAMPS--FRONT L BODY M-Z44 .....	Fig. 8-2200
LAMPS--REAR L BODY M-Z 44 .....	Fig. 8-2300
LAMPS--FRONT K BODY P-D .....	Fig. 8-2400
LAMPS--REAR K BODY P-D .....	Fig. 8-2500
LAMPS--FRONT M BODY F .....	Fig. 8-2600
LAMPS--REAR M BODY F .....	Fig. 8-2700

ILLUSTRATION NOT AVAILABLE AT TIME OF PUBLICATION

**GROUP 8 - ELECTRICAL**

**GROUP 8 - ELECTRICAL**

ILLUSTRATION TITLE	GROUP-FIG. NO.
<b>LAMPS (Continued)</b>	
LAMPS--REAR M BODY F .....	Fig. 8-2700
LAMPS--FRONT K BODY C-V .....	Fig. 8-2800
LAMPS--REAR K BODY C-V .....	Fig. 8-2900
LAMPS--FRONT M BODY B-G .....	Fig. 8-3000
LAMPS--REAR M BODY B-G .....	Fig. 8-3100
LAMPS--FRONT L BODY M-Z 28 .....	Fig. 8-3200
LAMPS--REAR L BODY M-Z-28 .....	Fig. 8-3300
LAMPS--FRONT J BODY X .....	Fig. 8-3400
LAMPS--REAR J BODY X .....	Fig. 8-3500
LAMPS--FRONT J BODY S .....	Fig. 8-3600
LAMPS--REAR J BODY S .....	Fig. 8-3700
LAMPS--FRONT J BODY Y .....	Fig. 8-3800
LAMPS--REAR J BODY Y .....	Fig. 8-3900
HEADLAMP CONCEALED J BODY Y .....	Fig. 8-4000
LAMPS--DOME COURTESY & SPOTLIGHT L-K-M BODY .....	Fig. 8-4100
LAMPS--DOME & COURTESY J BODY .....	Fig. 8-4200
<b>ILLUMINATED DOOR LOCK LIGHT</b>	
ILLUMINATED DOOR LOCK LIGHT .....	Fig. 8-4300
<b>SOCKETS AND CABLES</b>	
SOCKETS AND CABLES .....	Fig. 8-4400
<b>BULB CROSS REFERENCE</b>	
BULB CROSS REFERENCE .....	Fig. 8-4500
<b>WIRING</b>	
WIRING--ENGINE & RELATED PARTS .....	Fig. 8-4600
IGNITION COIL--SPARK PLUGS & SPARK PLUG CABLES 2.6L ENGINE .....	Fig. 8-4700
IGNITION COIL--SPARK PLUGS & SPARK PLUG CABLES 1.7-2.2-225 & 318 ENGINES .....	Fig. 8-4800
WIRING--ENGINE & RELATED PARTS .....	Fig. 8-4900
ELECTRICAL MOUNTING BRACKETS P-D .....	Fig. 8-5000
SWITCHES--OIL-TEMPERATURE-EGR-DETONATION .....	Fig. 8-5100
WIRING--INSTRUMENT PANEL RELAY--BUZZER & CHIMES .....	Fig. 8-5200
<b>FUSES &amp; CIRCUIT BREAKER</b>	
FUSES AND CIRCUIT BREAKER .....	Fig. 8-5300

ILLUSTRATION TITLE	GROUP-FIG. NO.
<b>SWITCHES--TURN SIGNAL &amp; HAZARD WARNING</b>	
SWITCH--TURN SIGNAL & HAZARD WARNING .....	Fig. 8-5400
WIRING--BODY & ACCESSORIES .....	Fig. 8-5500
<b>TERMINAL CHARTS</b>	
TERMINAL CHART .....	Fig. 8-5600
TERMINAL CHART .....	Fig. 8-5700
INSULATOR CHART .....	Fig. 8-5800
INSULATOR CHART .....	Fig. 8-5900
<b>RETAINER &amp; CONNECTOR CHARTS</b>	
RETAINERS, CONNECTORS, PLUGS, SLEEVES AND PARTS CHART .....	Fig. 8-6000
RETAINERS, CONNECTORS, PLUGS AND SLEEVES CHART .....	Fig. 8-6100
<b>INSULATOR CHARTS</b>	
INSULATOR CHART .....	Fig. 8-6200
INSULATOR 2 WAY .....	Fig. 8-6300
INSULATOR 2 WAY .....	Fig. 8-6400
INSULATOR 3 WAY .....	Fig. 8-6500
INSULATOR 4 WAY .....	Fig. 8-6600
INSULATOR 6 WAY .....	Fig. 8-6700
INSULATOR 8 WAY .....	Fig. 8-6800
INSULATOR 9 AND 10 WAY .....	Fig. 8-6900

**CROSS REFERENCE ON ELECTRICAL PRODUCTION ITEMS**

**Figure 8-100**

ITEM	PART NUMBER	QTY	BODY	MODEL	DESCRIPTION
"NOTE" D.N.S indicates the part number listed is not serviced. Gear and Pinion numbers stamped on the item may be used to confirm the correct MATCHED SET they are contained in.					
1					WIRING NO NO N N
	3843 567				Y3843567 ND.N.S. N N
	0000 DNS				N3843567 YD.N.S. N N
	3843 862				Y3843862 ND.N.S. N N
	0000 DNS				N3843862 YD.N.S. N N
	4055 552				Y4055552 ND.N.S. N N
	0000 DNS				N4055552 YD.N.S. N N
	4055 692				Y4055692 ND.N.S. N N
	0000 DNS				N4055692 YD.N.S. N N
	5211 510				Y5211510 ND.N.S. N N
	0000 DNS				N5211510 YD.N.S. N N
	5211 511				Y5211511 ND.N.S. N N
	0000 DNS				N5211511 YD.N.S. N N
2					RELAYS N N N N
	3747 133				Y3747133 N4049059 N N
	4049 059				N3747133 Y4049059 N N
	3843 295				Y3843295 N4176029 N N
	4176 029				N3843295 Y4176029 N N
	2926 433				Y2926433 N2932834 N N
	2932 834				N2926433 Y2932834 N N
					Y N3747955 N N
	3747 955				N Y3747955 N N
	3747 569				Y3747569 N4221051 N N
	4221 051				N3747569 Y4221051 N N
	5209 925				Y5209925 N4057981 N N
	4057 981				N5209925 Y4057981 N N
	5209 949				Y5209949 N4057999 N N
	4057 999				N5209949 Y4057999 N N
	4209 144				Y4209144 N0 N N
	4186 387				Y4186387 N0 N N
	5209 974				Y5209974 N4057981 N N
	4057 981				N5209974 Y4057981 N N
	4221 006				Y4221006 N4221212 N N
	4221 212				N4221006 Y4221212 N N
	4221 061				Y4221061 N0 N N

ILLUSTRATION NOT AVAILABLE AT TIME OF PUBLICATION

MODEL CODES

B = GRAN FURY/CARAVELLE	P = RELIANT
C = LEBARON/TOWN & COUNTRY	S = CORDOBA
D = ARIES	V = 400
F = NEW YORKER	X = MIRADA
G = DIPLOMAT	Y = IMPERIAL
M = HORIZON/TC3/SCAMP	Z = OMNI/O24/RAMPAGE

BODY STYLES

21 = 2-DOOR SEDAN	28 = FWD PICKUP
22 = 2-DOOR SPECIAL COUPE	41 = 4-DOOR SEDAN
24 = 2-DOOR HATCHBACK	44 = 4-DOOR HATCHBACK
27 = 2-DOOR CONVERTIBLE	45 = 2-SEAT STATION WAGON

AR = Use as Required - = Non Illustrated Part P.A.R. = Paint as Required



**CROSS REFERENCE ON ELECTRICAL PRODUCTION ITEMS**  
**Figure 8-100**

ITEM	PART NUMBER	QTY	BODY	MODEL	DESCRIPTION
3					CIRCUIT BREAKERS N N N N
	4186 377				Y4186377 N0 N N
	4209 584				Y4209584 N0 N N
	2983 415				Y2983415 N0 N N
	4186 373				Y4186373 N0 N N
	4186 379				Y4186379 N0 N N

ILLUSTRATION NOT AVAILABLE AT TIME OF PUBLICATION

MODEL CODES  
 B = GRAN FURY/CARAVELLE      P = RELIANT  
 C = LEBARON/TOWN & COUNTRY      S = CORDOBA  
 D = ARIES      V = 400  
 F = NEW YORKER      X = MIRADA  
 G = DIPLOMAT      Y = IMPERIAL  
 M = HORIZON/TC3/SCAMP      Z = OMNI/O24/RAMPAGE

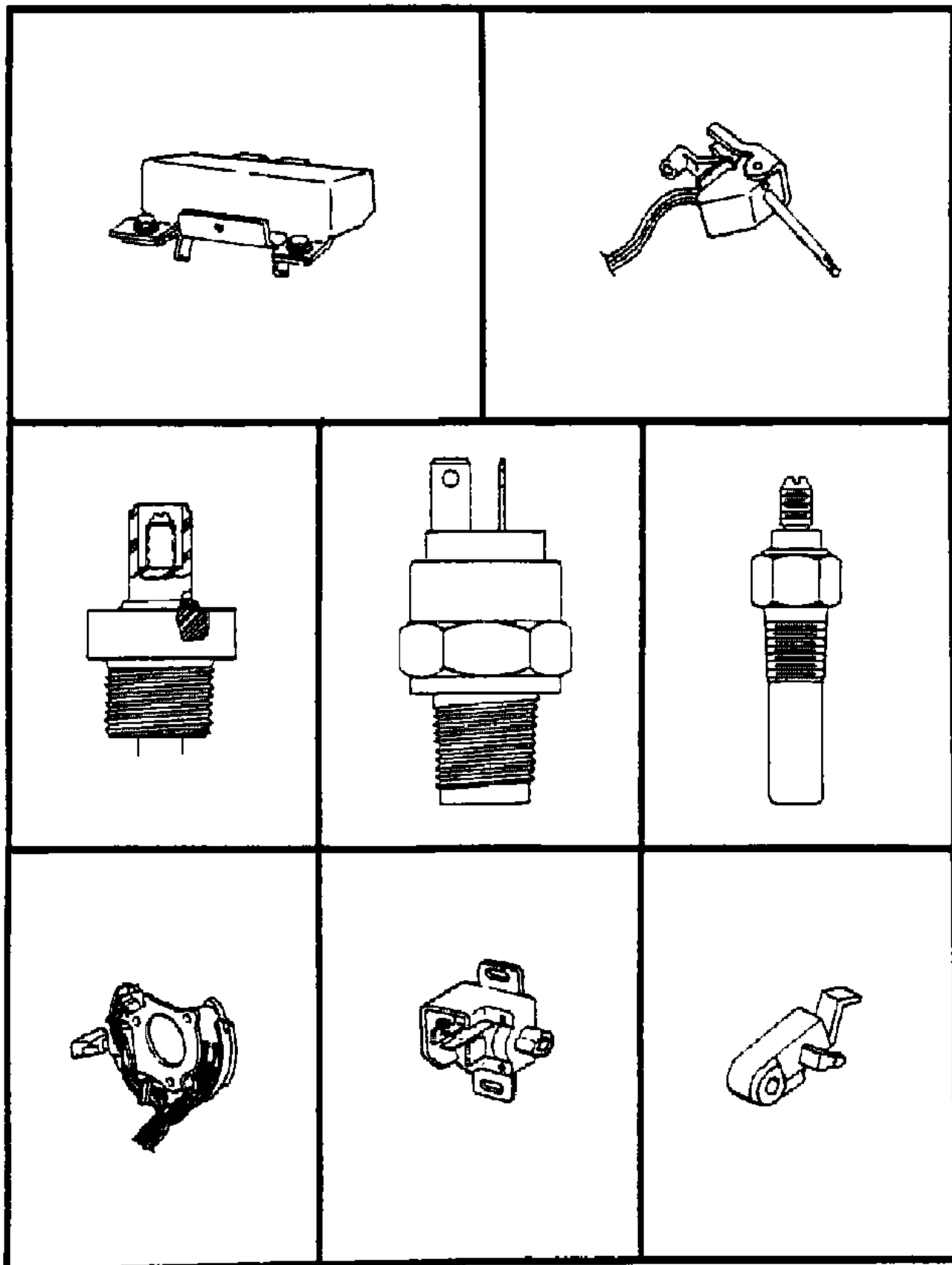
BODY STYLES  
 21 = 2-DOOR SEDAN      28 = FWD PICKUP  
 22 = 2-DOOR SPECIAL COUPE      41 = 4-DOOR SEDAN  
 24 = 2-DOOR HATCHBACK      44 = 4-DOOR HATCHBACK  
 27 = 2-DOOR CONVERTIBLE      45 = 2-SEAT STATION WAGON

AR = Use as Required - = Non Illustrated Part P.A.R. = Paint as Required

SWITCH REFERENCE CHART ALPHABETIC LISTING

Figure 8-125

3108 125



ITEM	PART NUMBER	QTY	BODY	MODEL	DESCRIPTION
	5209 995				SWITCH, a/Cond. Cutout 1.7L & 2.2L Eng.
	3747 874			P,D	SWITCH, Amplifier Rr.
	4221 203			C,V	SWITCH, Amplifier Rr.
	3747 874			B,F,G	SWITCH, Amplifier Rr.
	3747 928			X,S	SWITCH, Amplifier Rr.
	4221 060			Y	SWITCH, Amplifier Rr.
	2258 404				SWITCH, Back Up Lamp 2.2L Eng. (Manual)
	4057 983				SWITCH, Back Up Lamp 1.7L Eng. (Manual)
	4057 750			ALL	SWITCH, Back Up & Neutral Starter (a/Trans.)
	3620 790			ALL	SWITCH, Brake System Warning
	3747 501			X,S,Y	SWITCH, Clock Reset
	5209 922			M,Z	SWITCH, Cargo Lamp (2 Door)
	4221 073			M,Z	SWITCH, Clutch Speed Cont. (w/A460 Trans)
	5209 979			M,Z	SWITCH, Clutch Speed Cont. (w/A412 Trans)
	4221 072			P,D,C,V	SWITCH, Clutch Speed Control
	3747 154			PDCV,BF	SWITCH, Deck Lid Release
	3747 608			X,S,Y	SWITCH, Deck Lid Release
	4221 326			P,D,C,V	SWITCH, Door Ajar
	4221 025			B,F,G	SWITCH, Door Ajar Frt. & Rr.
	4221 572			X,S,Y	SWITCH, Door Ajar
	4221 141			P,D	SWITCH, Door Lock (Trim Panel Mtd.)
	3747 935			C,V,X,S	SWITCH, Door Lock (Arm Rest)
	4131 376			B,F,G	SWITCH, Door Lock (Arm Rest)
	4221 254			M,Z	SWITCH, Door Pillar (Front)
	4221 117			P,D,C,V	SWITCH, Door Pillar (Front)
	3747 289			B,F,G,X	SWITCH, Door Pillar (Front)
	3747 289			PDCV,BF	SWITCH, Door Pillar (Rear)
	5209 985			M,Z	SWITCH, Ebl.
	4221 078			P,D,C,V	SWITCH, Ebl.
	3747 641			B,F,G	SWITCH, Ebl.
	4186 361			X,S,Y	SWITCH, Ebl.
					SWITCH EGR, Charge Temp
	4111 482			B,G,F,X	w/225 Eng.
	4111 482			B,G,F,X	w/318 Eng. E40 w/(S/C-N92)
	4111 482			B,G,F,X	w/318 Eng. E46 & E48 w/(S/C-N94, w/S/C-N95, w/S/C-N96)
	4111 482			B,G,F,X	w/318 Eng. E44 & E45 w/(S/C-N94) CANADA
	4091 471			B,G,F,X	w/318 Eng. E44 & E45 w/(S/C-N94, w/S/C-N96) FED

MODEL CODES

B = GRAN FURY/CARAVELLE  
 C = LEBARON/TOWN & COUNTRY  
 D = ARIES  
 F = NEW YORKER  
 G = DIPLOMAT  
 M = HORIZON/TC3/SCAMP  
 P = RELIANT  
 S = CORDOBA  
 V = 400  
 X = MIRADA  
 Y = IMPERIAL  
 Z = OMNI/O24/RAMPAGE

BODY STYLES

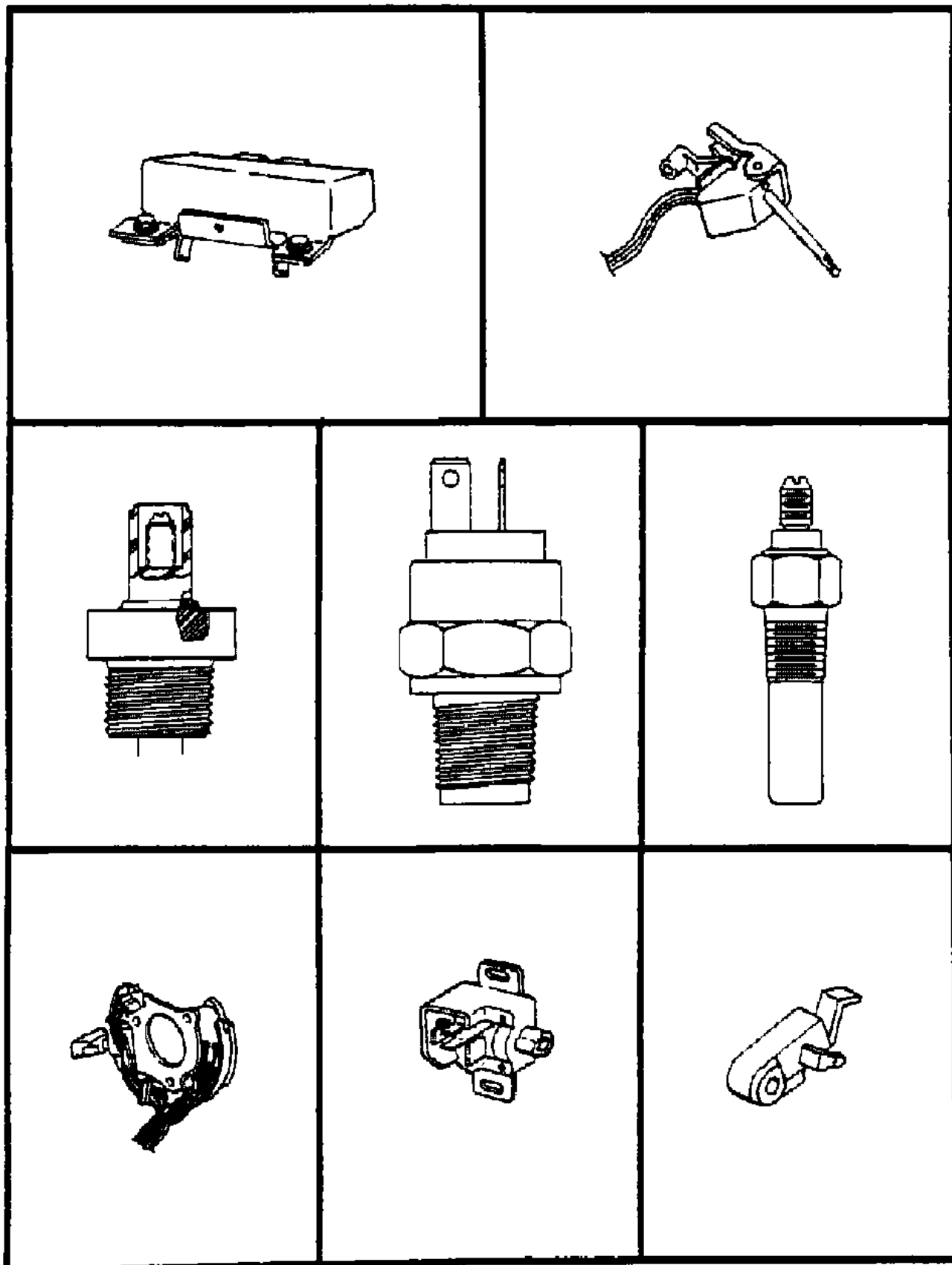
21 = 2-DOOR SEDAN  
 22 = 2-DOOR SPECIAL COUPE  
 24 = 2-DOOR HATCHBACK  
 27 = 2-DOOR CONVERTIBLE  
 28 = FWD PICKUP  
 41 = 4-DOOR SEDAN  
 44 = 4-DOOR HATCHBACK  
 45 = 2-SEAT STATION WAGON

AR = Use as Required - = Non Illustrated Part P.A.R. = Paint as Required

SWITCH REFERENCE CHART ALPHABETIC LISTING

Figure 8-125

3108 125



ITEM	PART NUMBER	QTY	BODY	MODEL	DESCRIPTION
	4221 071			M,Z,P,D	SWITCH, Eng. Temp.
	3746 524			Y	SWITCH, Eng. Temp., E F I (E43) SWITCH, Engine Temp.
	4091 719			M,Z	(1.7L Eng.) (150 F) (Silver)
	4091 719			M,Z,P,D	w/S/C-N96, (2.2 L Eng.) All/Trans. (150 F) (Silver)
	4091 719			M,Z	w/S/C-N95, (2.2 L Eng.) w/m/Trans. (150 F) (Silver)
	4091 719			P,D,C,V	w/S/C-N94, w/S/C-N95, (2.2 L Eng.) w/m/Trans. (150F) (Silver)
	4145 716			M,Z,P,D	w/S/C-N94, S/C-N95 (2.2L Eng.) w/a/Trans. (125 F) (Blue)
	4145 716			M,Z	w/S/C-N94, (2.2L Eng.) w/a/Trans. (125 F) (Blue)
	4145 716			28	w/S/C-N96 (2.2L Eng.) (125 F) (Blue)
	4145 716			M,Z,P,D	w/S/C-N92, (2.2L Eng.) All/Trans. (125 F) (Blue)
	4091 471			B,F,G,X	SWITCH, Eng. Temp., 225, 318 Eng.
	4221 023			M,Z	SWITCH, w/Gskt., Lift Gate Cargo (4 Door)
	4221 025			M,Z	SWITCH, Lift Gate Cargo Lamp (4 Door)
				P,D,C (	SWITCH, Lift Gate Cargo (Serviced In Latch Assy.)
	5209 922			P,D,C (	SWITCH, Lift Gate Ajar
	3747 079			M,Z,B,F	SWITCH, Glove Box Lamp
	4221 107			P,D,C,V	SWITCH, Glove Box Lamp
	3747 513			X,S,Y	SWITCH, Glove Box Lamp
	5209 950			M,Z	SWITCH, Hatch Release
	4221 223			M,Z,X,S	SWITCH, Headlamp
	4221 225			P,D,C,V	SWITCH, Headlamp
	4221 248			Y	SWITCH, Headlamp
	5209 891			M,Z	SWITCH, Ignition
	3747 882			P,D,C,V	SWITCH, Ignition w/o Tilt
	4221 201			P,D,C,V	SWITCH, Ignition w/ Tilt
	4131 367			B,F,G,X	SWITCH, Ignition w/o Tilt
	3747 529			B,F,G,X	SWITCH, Ignition w/ Tilt
	5209 903			M,Z	SWITCH, Ignition Key Warning
	4131 522				SWITCH, Ignition Key Warning w/o Tilt (All Except M,Z)
	3488 432				SWITCH, Ignition Key Warning w/ Tilt (All Except M,Z)
	4186 353				SWITCH, Oil Pressure 1.7L Eng.
	4267 021				SWITCH, Oil Pressure 2.2L Eng.
	2889 298				SWITCH, Oil Pressure 2.6L Eng.
	4205 921				SWITCH, Oil Pressure 225 Eng.
	4186 352				SWITCH, Oil Pressure 318 Eng.
	3747 327				SWITCH, Parking Barke

MODEL CODES

B = GRAN FURY/CARAVELLE  
 C = LEBARON/TOWN & COUNTRY  
 D = ARIES  
 F = NEW YORKER  
 G = DIPLOMAT  
 M = HORIZON/TC3/SCAMP  
 P = RELIANT  
 S = CORDOBA  
 V = 400  
 X = MIRADA  
 Y = IMPERIAL  
 Z = OMNI/O24/RAMPAGE

BODY STYLES

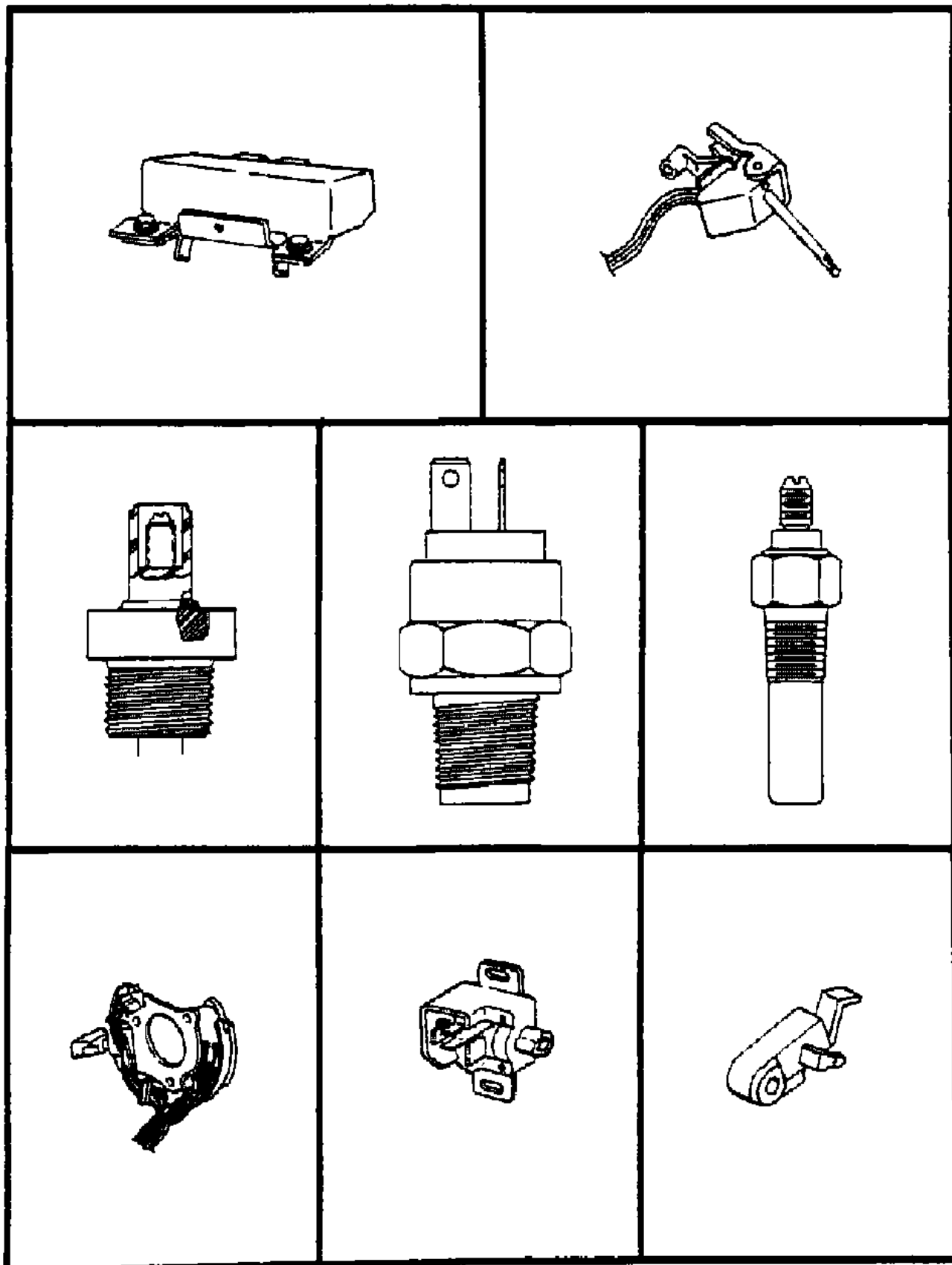
21 = 2-DOOR SEDAN  
 22 = 2-DOOR SPECIAL COUPE  
 24 = 2-DOOR HATCHBACK  
 27 = 2-DOOR CONVERTIBLE  
 28 = FWD PICKUP  
 41 = 4-DOOR SEDAN  
 44 = 4-DOOR HATCHBACK  
 45 = 2-SEAT STATION WAGON

AR = Use as Required - = Non Illustrated Part P.A.R. = Paint as Required

SWITCH REFERENCE CHART ALPHABETIC LISTING

Figure 8-125

3108 125



ITEM	PART NUMBER	QTY	BODY	MODEL	DESCRIPTION
	3747 999				SWITCH, Radiator Fan Air Temp. 2.6L Eng.
	3747 740			PDCV,BF	SWITCH, Seat Adjuster (60/40 Beach)
	3747 815			Y	SWITCH, Seat Adjuster (60/40 Beach)
	3747 957			B,F,G,X	SWITCH, Seat Adjuster (60/40 Beach Right 4 Way)
	3747 814			Y	SWITCH, Seat Adjuster (60/40 Beach Right 4 Way)
	3747 741			X,S	SWITCH, Seat Adjuster (Bucket Seat)
	4221 013			Y	SWITCH, Seat Occupant
	2926 275			MZ,BFG,	SWITCH, Stop Lamp
	3747 993			P,D,C,V	SWITCH, Stop Lamp
	5209 994			MZ,BFG,	SWITCH, Stop Lamp Speed Control
	3747 995			P,D,C,V	SWITCH, Stop Lamp Speed Control
	5209 922			P,D,C,V	SWITCH, Trunk Ajar
	5209 922			Y	SWITCH, Trunk Lamp
					SWITCH, Turn Signal & Hazard Warning
	4221 339			M,Z	w/o Cornering Lamp
	4221 337				w/o Cornering Lamp w/o Tilt (All Except M,Z)
	4221 338				w/ Cornering Lamp w/o Tilt (All Except M,Z)
	4221 205				w/o Cornering Lamp w/ Tilt (All Except M,Z)
	4221 206				w/ Cornering Lamp w/ Tilt (All Except M,Z)
	4221 141			P,D	SWITCH, Window Lift (Trim Mtd. Single)
	4221 142			P,D	SWITCH, Window Lift (Trim Mtd. 2 Gang)
	4221 144			P,D	SWITCH, Window Lift (Trim Mtd. 4 Gang)
	3747 935			C,V	SWITCH, Window Lift (Arm Rest Single)
	4221 133			C,V	SWITCH, Window Lift (Arm Rest 5 Gang)
	4131 376			B,F,G	SWITCH, Window Lift (Arm Rest Single)
	4131 377			B,F,G	SWITCH, Window Lift (Arm Rest 5 Gang)
	3747 935			X,S,Y	SWITCH, Window Lift (Arm Rest Single)
	3747 936			X,S,Y	SWITCH, Window Lift (Arm Rest 2 Gang)
					SWITCH, Windshield Wiper
	5209 863			M,Z	2 Speed
	4221 124			M,Z	w/Intermittent
	3747 914			P,D,C,V	2 Speed w/o Tilt
	4221 125			P,D,C,V	w/Intermittent w/o Tilt
	3867 558			P,D,C,V	w/Intermittent w/ Tilt
	3747 653			B,F,G	2 Speed w/o Tilt
	4221 042			B,F,G	w/Intermittent w/o Tilt
	4293 110			B,F,G	w/Intermittent w/ Tilt

MODEL CODES

B = GRAN FURY/CARAVELLE  
 C = LEBARON/TOWN & COUNTRY  
 D = ARIES  
 F = NEW YORKER  
 G = DIPLOMAT  
 M = HORIZON/TC3/SCAMP  
 P = RELIANT  
 S = CORDOBA  
 V = 400  
 X = MIRADA  
 Y = IMPERIAL  
 Z = OMNI/O24/RAMPAGE

BODY STYLES

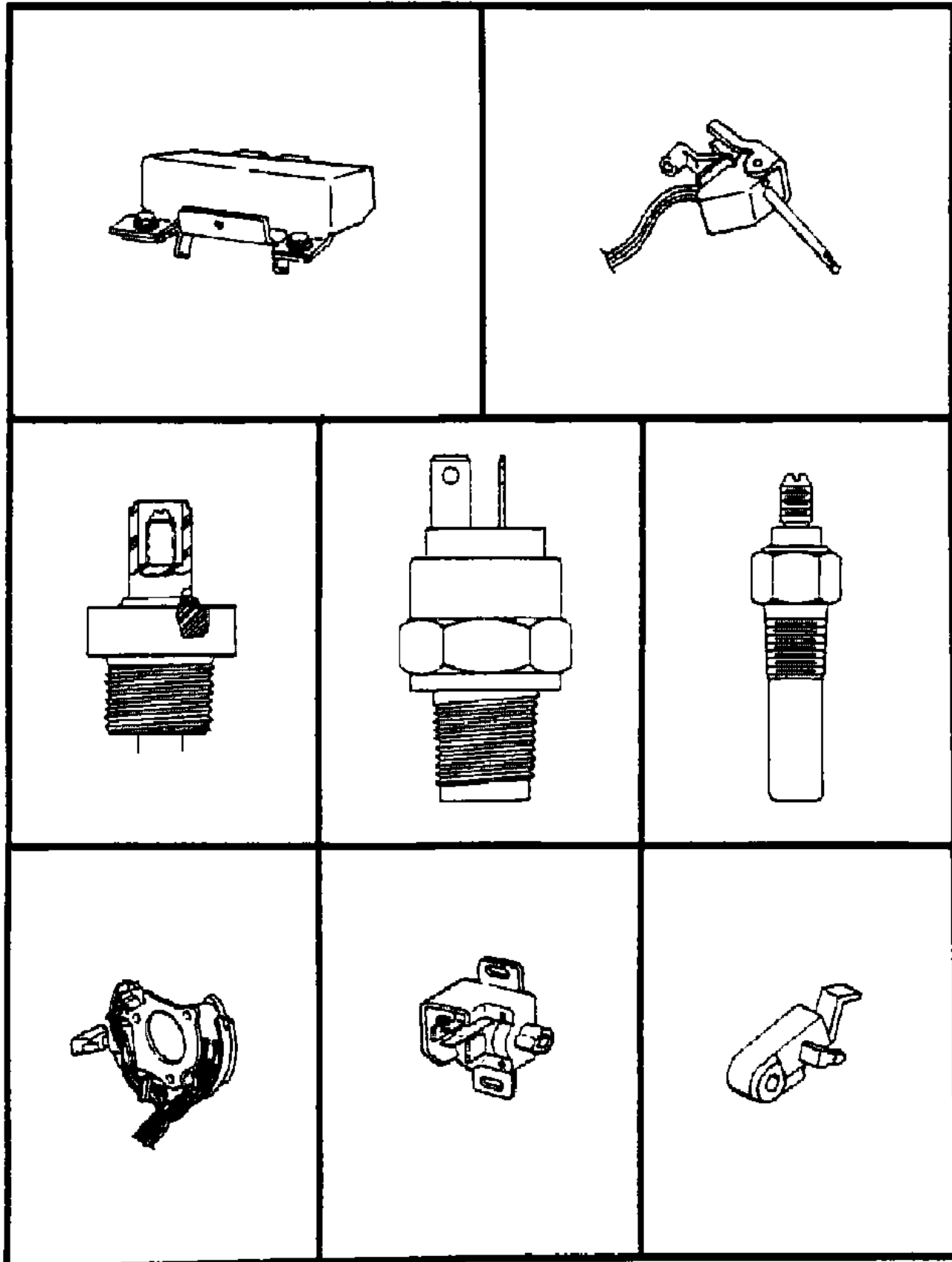
21 = 2-DOOR SEDAN  
 22 = 2-DOOR SPECIAL COUPE  
 24 = 2-DOOR HATCHBACK  
 27 = 2-DOOR CONVERTIBLE  
 28 = FWD PICKUP  
 41 = 4-DOOR SEDAN  
 44 = 4-DOOR HATCHBACK  
 45 = 2-SEAT STATION WAGON

AR = Use as Required - = Non Illustrated Part P.A.R. = Paint as Required

SWITCH REFERENCE CHART ALPHABETIC LISTING

Figure 8-125

3108 125



ITEM	PART NUMBER	QTY	BODY	MODEL	DESCRIPTION
	3747 654			X,S,Y	2 Speed w/o Tilt
	4221 051			X,S,Y	w/Intermittent w/o Tilt
	4293 111			X,S,Y	w/Intermittent w/ Tilt
	5209 875			M,Z	SWITCH, Wiper & Washer (Rear)
	4221 080			P,D,C	SWITCH, Wiper & Washer (Rear)

MODEL CODES  
 B = GRAN FURY/CARAVELLE      P = RELIANT  
 C = LEBARON/TOWN & COUNTRY      S = CORDOBA  
 D = ARIES      V = 400  
 F = NEW YORKER      X = MIRADA  
 G = DIPLOMAT      Y = IMPERIAL  
 M = HORIZON/TC3/SCAMP      Z = OMNI/O24/RAMPAGE

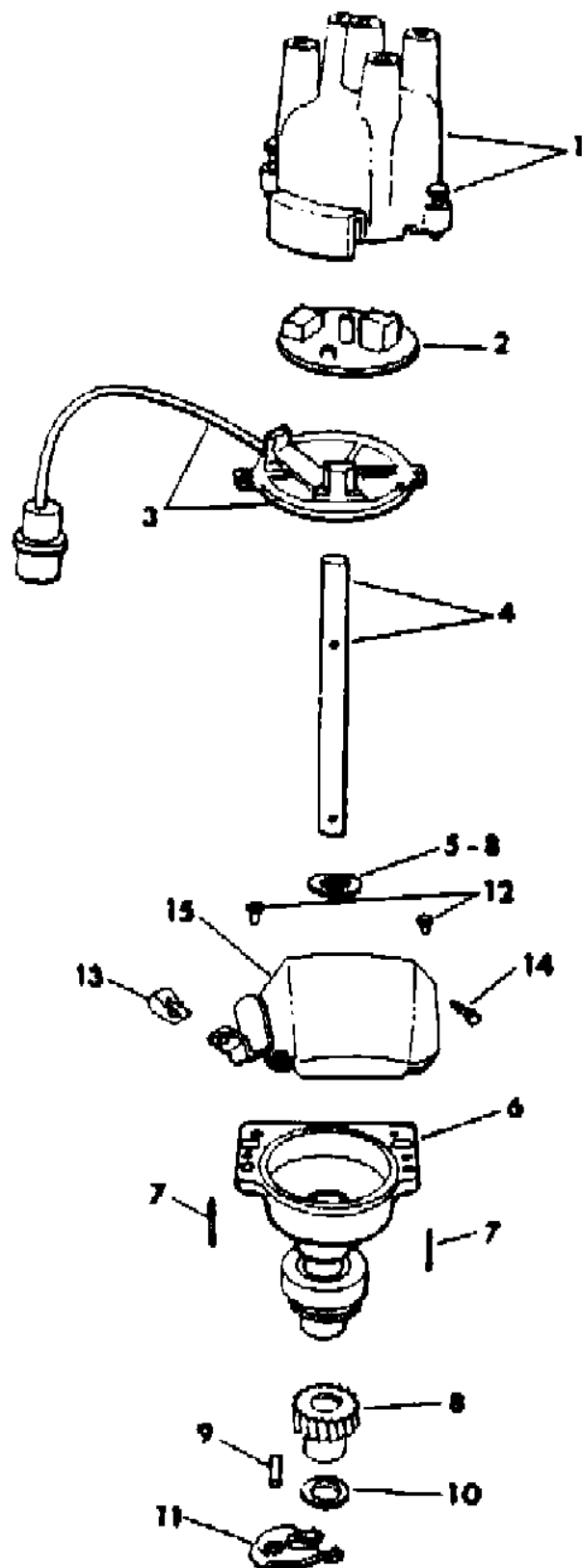
BODY STYLES  
 21 = 2-DOOR SEDAN      28 = FWD PICKUP  
 22 = 2-DOOR SPECIAL COUPE      41 = 4-DOOR SEDAN  
 24 = 2-DOOR HATCHBACK      44 = 4-DOOR HATCHBACK  
 27 = 2-DOOR CONVERTIBLE      45 = 2-SEAT STATION WAGON

AR = Use as Required - = Non Illustrated Part P.A.R. = Paint as Required

DISTRIBUTOR 1.7L ENGINE

Figure 8-200

210R 200



ITEM	PART NUMBER	QTY	BODY	MODEL	DESCRIPTION
	5206 945	1			DISTRIBUTOR
1	4240 446	1			CAP and SCREW
2	5213 728				ROTOR
3	4240 471	1			SWITCH and PLATE,(Up To 5-15-82)
	4240 471	1			(After 5-15-82)
4	5211 587	1			Repair Pkg. (Not Shown)
		1			SHAFT and PIN,(Serviced in Dist.)
5	6100 629	1			PIN, Shaft Ret.
	5206 262	1			WASHER, Shaft
6		1			HOUSING,(Serviced in Dist.)
		2			BEARING, Shaft (Serviced In Dist.)
7	5206 261	2			SPRING, Switch Plate Ret.
8		1			GEAR and PIN PACKAGE Drive (Not Serviced)
9		1			PIN, Gear, Not Serv.
10	5206 452	1			GASKET, Dist.
	6031 196	1			O-RING, Dist. Insert
11	5206 291	1			CLAMP, Dist. Retaining
12	6101 014	2			SCREW, M 4 x 0.7 x 14
	6100 903	2			M 4 x 0.7 x 10
13					J-NUT, Not Serviced
14	6500 703				SCREW, Splash Shield
15	5213 378	1			SHIELD, Splash

MODEL CODES

B = GRAN FURY/CARAVELLE	P = RELIANT
C = LEBARON/TOWN & COUNTRY	S = CORDOBA
D = ARIES	V = 400
F = NEW YORKER	X = MIRADA
G = DIPLOMAT	Y = IMPERIAL
M = HORIZON/TC3/SCAMP	Z = OMNI/O24/RAMPAGE

BODY STYLES

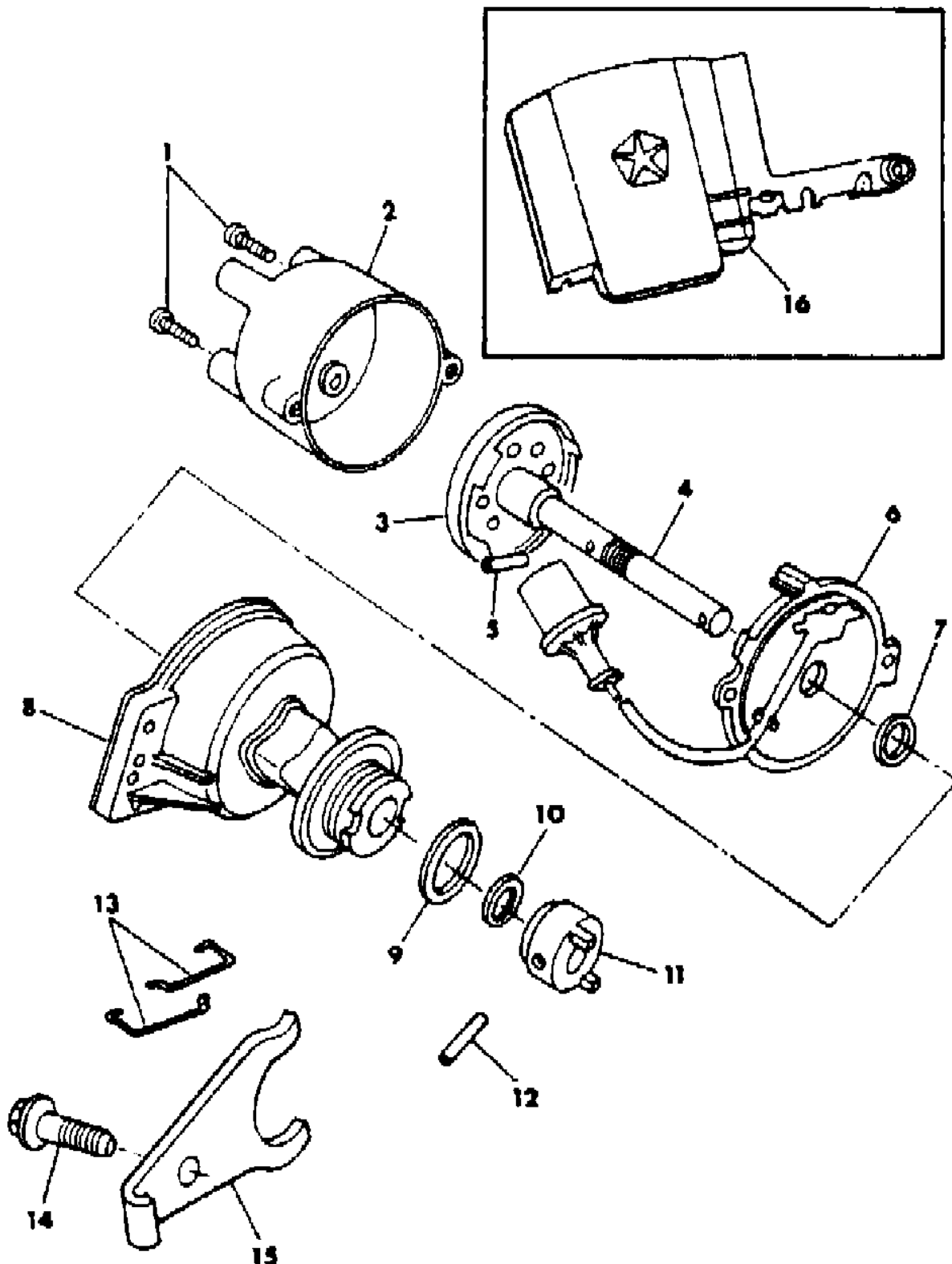
21 = 2-DOOR SEDAN	28 = FWD PICKUP
22 = 2-DOOR SPECIAL COUPE	41 = 4-DOOR SEDAN
24 = 2-DOOR HATCHBACK	44 = 4-DOOR HATCHBACK
27 = 2-DOOR CONVERTIBLE	45 = 2-SEAT STATION WAGON

AR = Use as Required - = Non Illustrated Part P.A.R. = Paint as Required

DISTRIBUTOR 2.2L ENGINE

Figure 8-300

2108 300



ITEM	PART NUMBER	QTY	BODY	MODEL	DESCRIPTION
	4240 470	1			DISTRIBUTOR
1	6500 077	2			SCREW
2	4240 446	1			CAP
3	5213 728	1			ROTOR
4					SHAFT, Serviced In Assy.
5					PIN, Serviced In Assy.
6	4240 471				SWITCH
7					WASHER, Not Serviced
8					HOUSING, Serviced In Assy.
9					WASHER, Not Serviced
10	6031 594				O-RING, Dist.
	6031 196				O-RING, Dist. Insert
11					COUPLING, Serviced In Assy.
12					PIN, Not Serviced
13	5206 261	2			SPRING
14					BOLT, Not Serviced
15	4179 922				CLAMP
16	5213 378				SHIELD, Splash Dist.
	6500 703				SCREW, Splash Shield

MODEL CODES

B = GRAN FURY/CARAVELLE	P = RELIANT
C = LEBARON/TOWN & COUNTRY	S = CORDOBA
D = ARIES	V = 400
F = NEW YORKER	X = MIRADA
G = DIPLOMAT	Y = IMPERIAL
M = HORIZON/TC3/SCAMP	Z = OMNI/O24/RAMPAGE

BODY STYLES

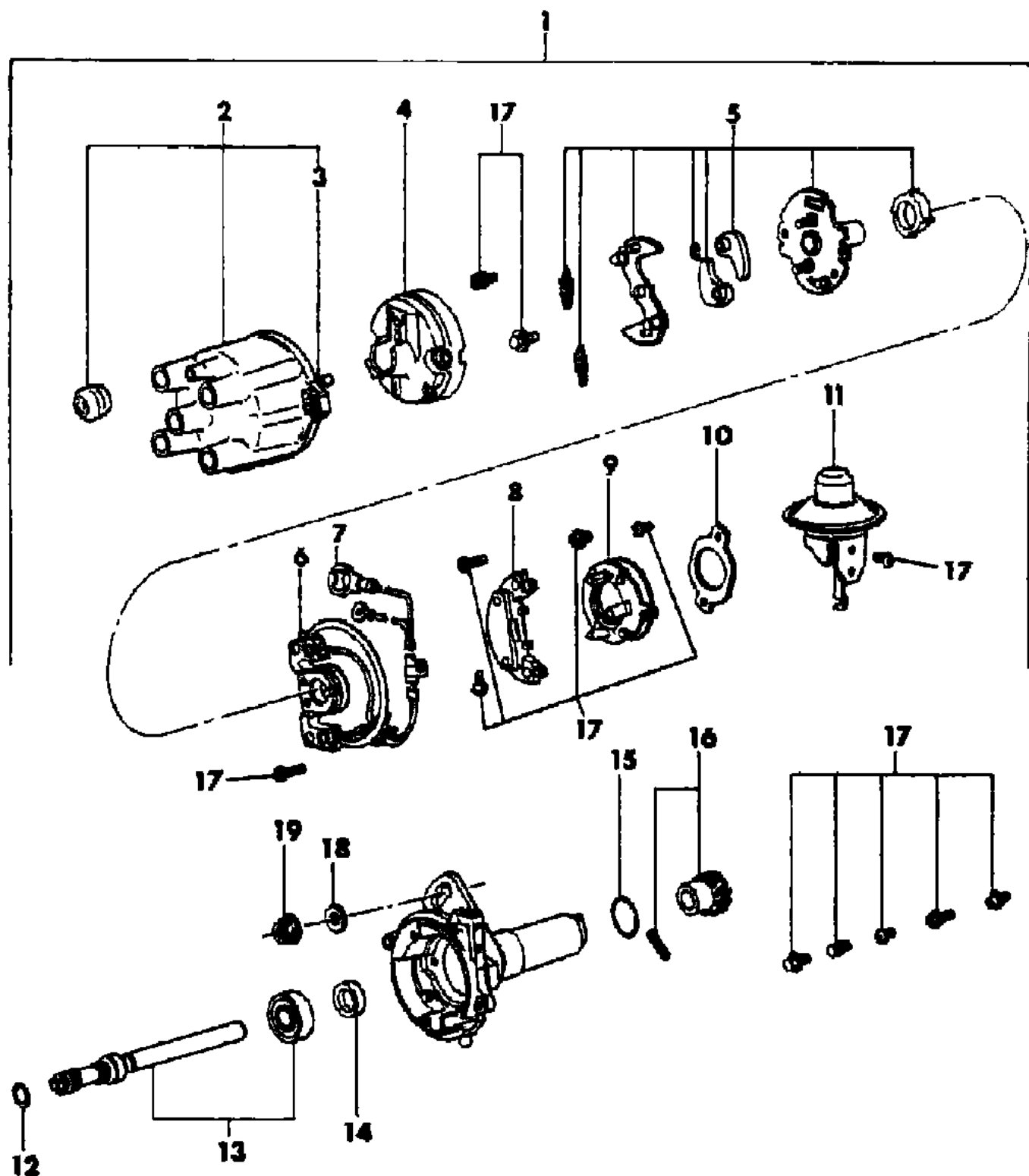
21 = 2-DOOR SEDAN	28 = FWD PICKUP
22 = 2-DOOR SPECIAL COUPE	41 = 4-DOOR SEDAN
24 = 2-DOOR HATCHBACK	44 = 4-DOOR HATCHBACK
27 = 2-DOOR CONVERTIBLE	45 = 2-SEAT STATION WAGON

AR = Use as Required - = Non Illustrated Part P.A.R. = Paint as Required

# DISTRIBUTOR 2.6L ENGINE

## Figure 8-400

2108 400



ITEM	PART NUMBER	QTY	BODY	MODEL	DESCRIPTION
1	MD02 5707	1			DISTRIBUTOR, Exc. (S/C-N95)
	MD02 7694	1			DISTRIBUTOR, w/(S/C-N95)
	MD02 5708	1			DISTRIBUTOR, Canada
2	MD60 7466	1			CAP
3	MD60 2757	1			CARBON, Contact
4	MD60 7734	1			ROTOR
5	MD60 7474	1			GOVERNOR SET
6	MD60 7471	1			PICK UP SET
7	MD60 7473	1			WIRE, Lead
8	MD60 7478	1			IGNITOR SET
9	MD60 7470	1			BREAKER
10	MD60 7359	1			PLATE
11	MD60 7475	1			VACUUM SET, Exc. (S/C-N95)
	MD60 7477	1			VACUUM SET, w/(S/C-N95)
	MD60 7476	1			VACUUM SET, Canada
12	MD60 7472	1			WASHER
13	MD60 7468	1			SHAFT
14	MD60 7405	1			OIL SEAL
15	MD60 2412	1			O-RING
16	MD60 7226	1			COUPLING SET
17	MD60 7469	1			SCREW SET
18	MD00 1530	1			WASHER, Special
19	MF40 4104	1			NUT, Flange

### MODEL CODES

B = GRAN FURY/CARAVELLE	P = RELIANT
C = LEBARON/TOWN & COUNTRY	S = CORDOBA
D = ARIES	V = 400
F = NEW YORKER	X = MIRADA
G = DIPLOMAT	Y = IMPERIAL
M = HORIZON/TC3/SCAMP	Z = OMNI/O24/RAMPAGE

### BODY STYLES

21 = 2-DOOR SEDAN	28 = FWD PICKUP
22 = 2-DOOR SPECIAL COUPE	41 = 4-DOOR SEDAN
24 = 2-DOOR HATCHBACK	44 = 4-DOOR HATCHBACK
27 = 2-DOOR CONVERTIBLE	45 = 2-SEAT STATION WAGON

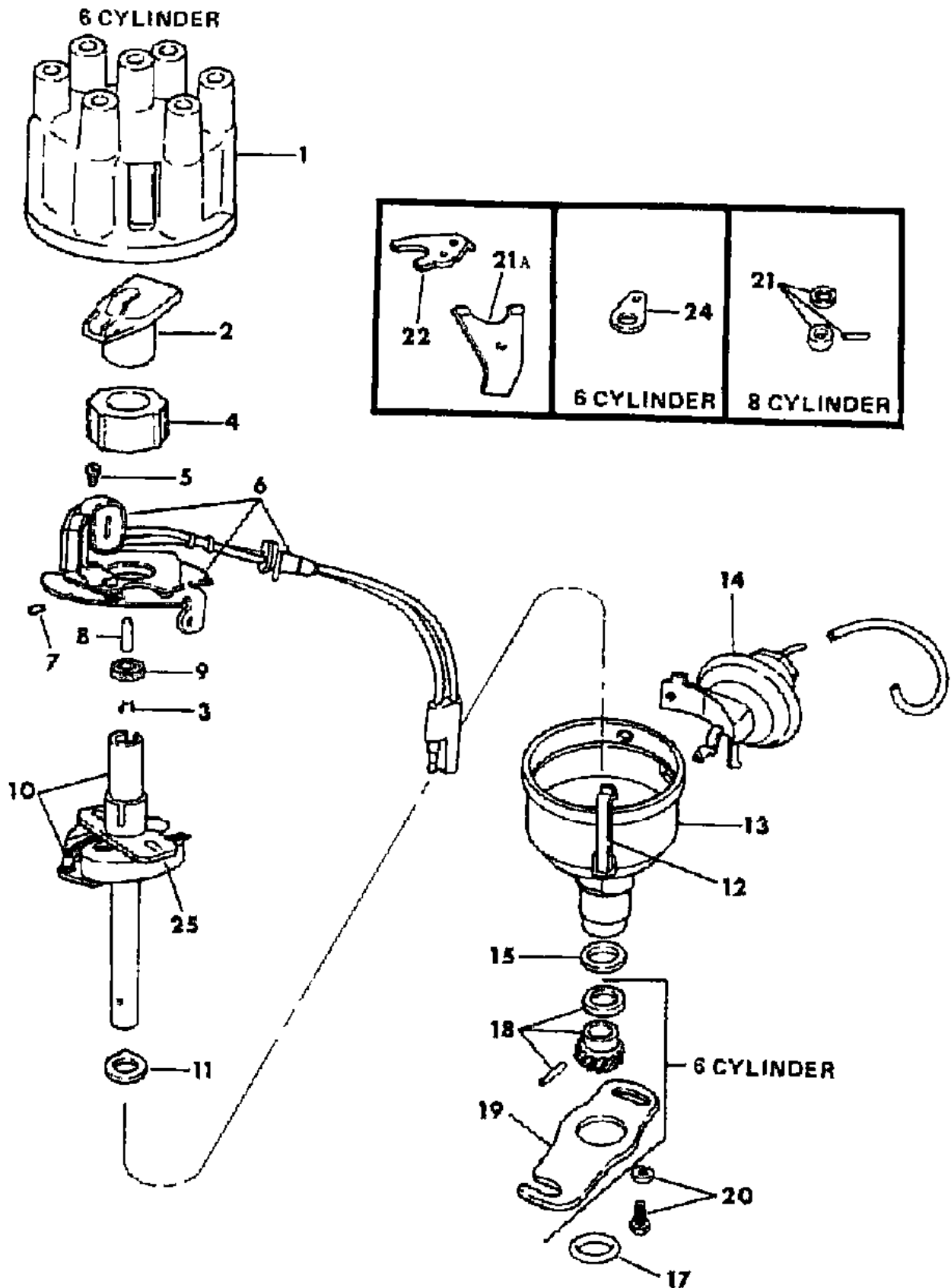
AR = Use as Required - = Non Illustrated Part P.A.R. = Paint as Required



DISTRIBUTOR 225 and 318 ENGINES

Figure 8-500

2108 500



ITEM	PART NUMBER	QTY	BODY	MODEL	DESCRIPTION
	4145 753	1			DISTRIBUTOR, w/ (S/C -N92,S/C -N94,S/C -N95) Y4145753 N0 N4145754 N0
	4145 754	1			DISTRIBUTOR, w/ (S/C -N92,S/C -N94,S/C -N95) N4145753 N0 Y4145754 N0
	4145 751	1			w/ (S/C- N95) Y4145751 N4145752 N0 N0
	4145 752	1			w/ (S/C- N95) N4145751 Y4145752 N0 N0
	4145 954	1			w/ (S/C- N98) Y4145954 N4145955 N0 N0
	4145 955	1			w/ (S/C- N98) N4145954 Y4145955 N0 N0
	4145 612	1			w/ (S/C- N93) Y4145612 N4145613 N0 N0
	4145 613	1			w/ (S/C- N93) N4145612 Y4145613 N0 N0
	4091 140	1			w/Efi w/318 Engine E43 Y4091140 N0 N4091142 N0
	4091 142	1			w/Efi w/318 Engine E43 N4091140 N0 Y4091142 N0 N0 N0 N0 N0
1	4111 630	1			CAP N0 Y4111630 N4111640 N0
1	4111 640	1			CAP N0 N4111630 Y4111640 N0
2	3874 401	1			ROTOR N0 Y3874401 Y3874401 N0
3		1			SNAP RING, w/Wick N0 N0 N0 N0
		1			w/ 3874876 N0 Y N0 N0
4	3656 862	1			RELUCTOR N0 Y3656862 N3656017 N0
4	3656 017	1			RELUCTOR N0 N3656862 Y3656017 N0
5	6026 763	1			SCREW, 8-32x 3/16 N0 Y6026763 Y6026763 N0
6	4145 239	1			PICK-UP and PLATE,w/4145752 & 4145754 N0 Y4145239 Y4145239 N0
	4145 210	1			PICK-UP and PLATE,w/4145955 & 4145613 N0 Y4145210 N0 N0
	4091 147	1			PICK-UP and PLATE,w/4091142 E43 Eng. N0 N0 Y4091147 N0
7	9417 599	1			PIN, 3/32 x 3/8 N0 Y9417599 Y9417599 N0
8	9414 521	1			PIN, 3/32 x 9/16 N0 Y9414521 Y9414521 N0
9					SPACER N0 N0 N0 N0
	2642 988	1			N0 Y2642988 N0 N0
	3874 408	1			N0 Y3874408 N0 N0
	2642 988	1			N0 N0 Y2642988 N0
	3874 408	1			N0 N0 Y3874408 N0
10		1			SHAFT, Dist. Not Serv. N0 N0 N N0
11	2875 028	1			SEAL, Dist. Housing N0 N0 Y2875028 N0
12	1838 508	1			SPRING N0 Y1838508 Y1838508 N0

MODEL CODES

B = GRAN FURY/CARAVELLE	P = RELIANT
C = LEBARON/TOWN & COUNTRY	S = CORDOBA
D = ARIES	V = 400
F = NEW YORKER	X = MIRADA
G = DIPLOMAT	Y = IMPERIAL
M = HORIZON/TC3/SCAMP	Z = OMNI/O24/RAMPAGE

BODY STYLES

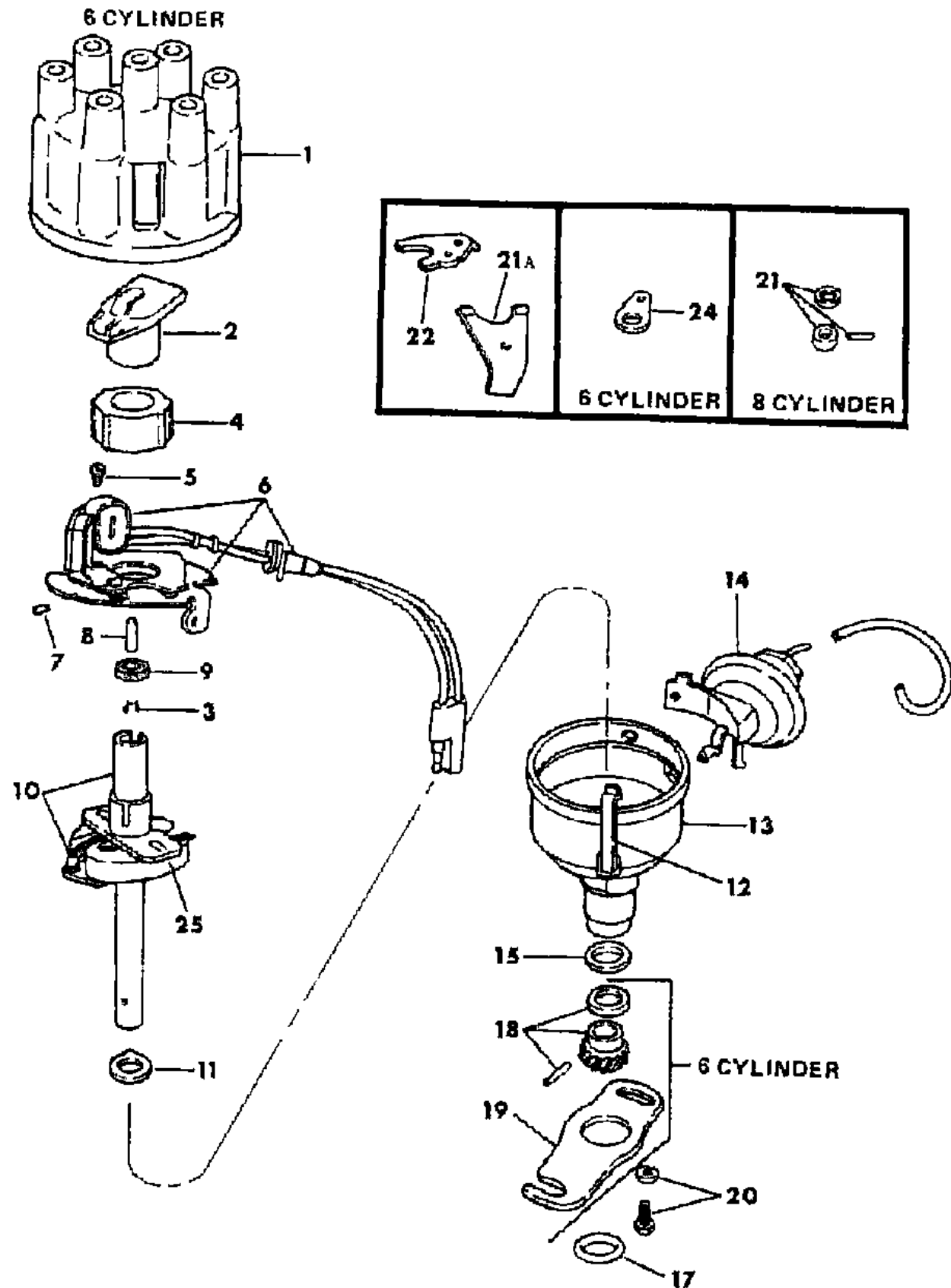
21 = 2-DOOR SEDAN	28 = FWD PICKUP
22 = 2-DOOR SPECIAL COUPE	41 = 4-DOOR SEDAN
24 = 2-DOOR HATCHBACK	44 = 4-DOOR HATCHBACK
27 = 2-DOOR CONVERTIBLE	45 = 2-SEAT STATION WAGON

AR = Use as Required - = Non Illustrated Part P.A.R. = Paint as Required

DISTRIBUTOR 225 and 318 ENGINES

Figure 8-500

2108 500



ITEM	PART NUMBER	QTY	BODY	MODEL	DESCRIPTION
13		1			HOUSING and BEARING N0 N0 N0 N0
		1			(Service in Dist.) N0 N0 N0 N0
14		1			CONTROL, Vacuum N0 N0 N0 N0
	3874 878	1			N0 Y3874878 N3755474 N0
	3755 474	1			N0 N3874878 Y3755474 N0
15	2095 630	1			GASKET, Dist. Mtg. Oil Ret. N0 Y2095630 N0 N0
17	2875 923	1			"O" RING, Dist. Hsg. N0 N0 Y2875923 N0
18	2084 653	1			GEAR and PIN PACKAGE N0 Y2084653 N0 N0
19		1			ARM,(Service in Dist.) N0 N0 N0 N0
20	0181 088	1			SCREW and WASHER N0 Y0181088 Y0181088 N0
21		1			COLLAR, PIN and WASHER PKG. N0 N0 N0 N0
21a	4095 532	1			CLAMP, Dist. N0 Y4095532 N0 N0
22	1947 612	1			CLAMP, Dist. N0 N0 Y1947612 N0
24	4091 804	1			HOLD DOWN N0 Y4091804 N0 N0
25		1			WEIGHT, Governor (Not Serviced) N0 N0 N0 N0
	4145 370	1			RELAY SWITCHING, Elect. Ign. Dist. N0 Y4145370 N0 N0

MODEL CODES

- |                            |                      |
|----------------------------|----------------------|
| B = GRAN FURY/CARAVELLE    | P = RELIANT          |
| C = LEBARON/TOWN & COUNTRY | S = CORDOBA          |
| D = ARIES                  | V = 400              |
| F = NEW YORKER             | X = MIRADA           |
| G = DIPLOMAT               | Y = IMPERIAL         |
| M = HORIZON/TC3/SCAMP      | Z = OMNI/O24/RAMPAGE |

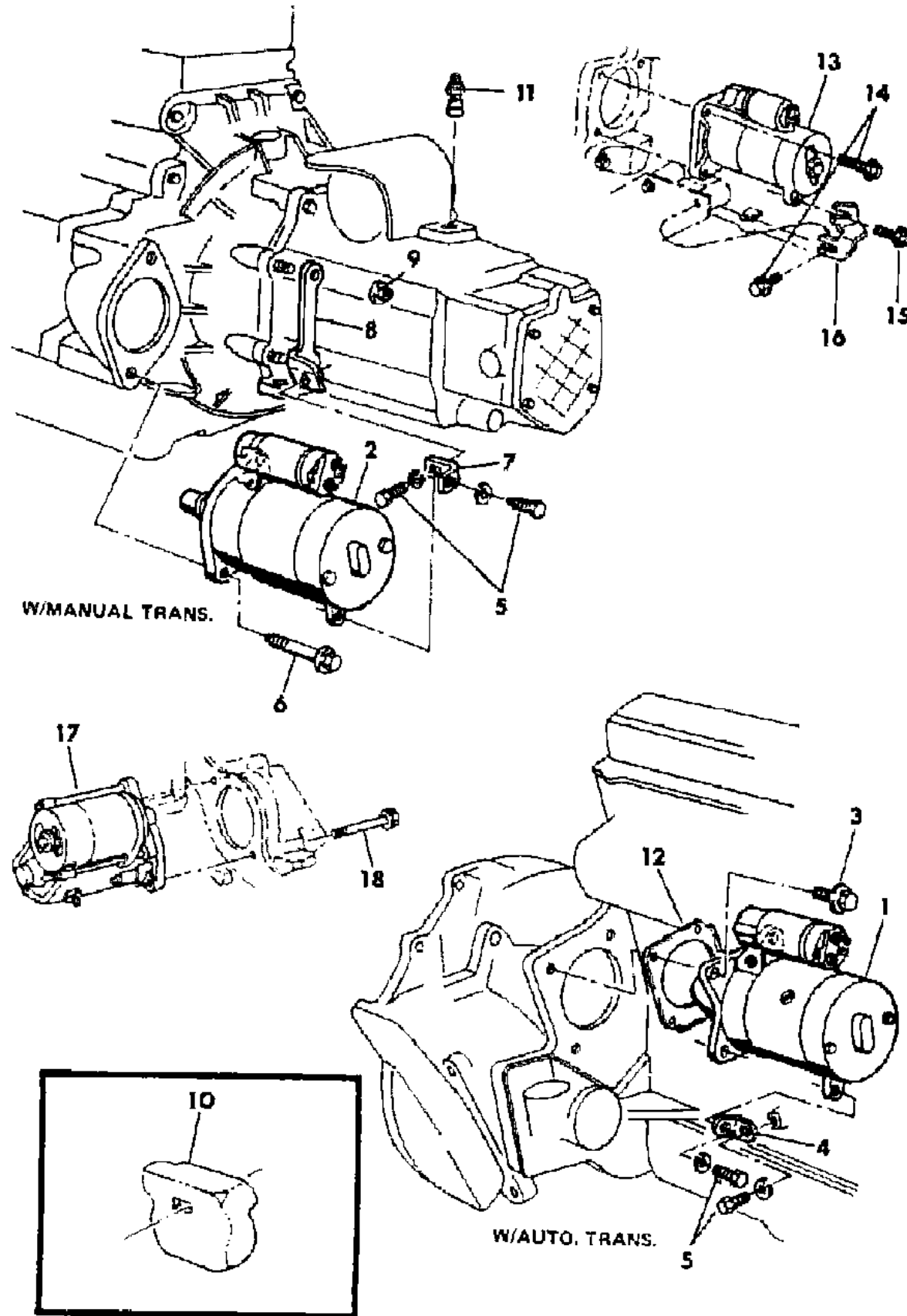
BODY STYLES

- |                           |                           |
|---------------------------|---------------------------|
| 21 = 2-DOOR SEDAN         | 28 = FWD PICKUP           |
| 22 = 2-DOOR SPECIAL COUPE | 41 = 4-DOOR SEDAN         |
| 24 = 2-DOOR HATCHBACK     | 44 = 4-DOOR HATCHBACK     |
| 27 = 2-DOOR CONVERTIBLE   | 45 = 2-SEAT STATION WAGON |

AR = Use as Required - = Non Illustrated Part P.A.R. = Paint as Required

STARTERS M,Z,P,D,C,V  
Figure 8-600

210R 600A



ITEM	PART NUMBER	QTY	BODY	MODEL	DESCRIPTION
1					STARTER
	4240 430	1		M,Z	w/ Auto. Trans.,(Bosch) Chrysler no. 5213395 1.7L Eng.
	4240 430	1		M,Z	w/ Auto. Trans.,(Nippondenso) Chrysler no. 5213295 1.7L Eng.
2					STARTER
	4240 430	1		M,Z	w/ Man. A460 Trans. - Chrysler no. 5213395 (Bosch) Chrysler no. 5213295 (Nippondenso)
	4057 937	1		M,Z	w/ Man. Trans., Bosch no. 0001208403 - Chrysler no. 5206255, 1.7L Eng.
	4057 937	1		M,Z	w/ Man. Trans., Nippondenso no. 0280005130 - Chrysler no. 5206265, 1.7L Eng.
3	6500 278	3		M,Z	SCREW and WASHER, 1.7L Eng.
4	5206 251	1		M,Z	BRACKET, Starter Mtg., 1.7L Eng.
5	6500 276	2		M,Z	SCREW and WASHER, 1.7L Eng.
6	6500 570	2		M,Z	BOLT, Man. Trans., 1.7L Eng.
7	5206 252	1		M,Z	BRACKET, Starter Mtg., 1.7L Eng.
8	5206 253	1		M,Z	BRACKET, Starter Mtg., 1.7L Eng.
9	6100 050	2		M,Z	NUT and WASHER, M8-1.25, 1.7L Eng.
10	4140 428	1		M,Z	SHIELD, Starter Heat, w/ Auto Trans., 1.7L Eng.
	4140 428	1		M,Z-E	SHIELD, Starter Heat, w/M/ Trans., 1.7L Eng.
	4140 428	1		M,Z,P,D	SHIELD, Starter Heat, 2.2L Eng.
	4140 768	1		M,Z,P,D	Clip, Starter Heat, 2.2L Eng.
	4140 768	1		M,Z	Clip, Starter Heat, 1.7L Eng. a/Trans.
11	4057 983	1		M,Z	SWITCH and GASKET, Back-Up Lamp, (w/412 M/Trans.)
	2258 404	1		M,Z	SWITCH, Back-Up Lamp, (w/460 M/Trans.)
	2258 404	1		P,D,C,V	SWITCH, Back-Up Lamp, (w/M/Trans.)
	1302 807	1		M,Z	GASKET, (w/460 M/Trans.)
	1302 807	1		P,D,C,V	GASKET, (w/M/Trans.)
12	5224 062	1		M,Z	SEAL, Trans, Cyl. Block to Starter, 1.7L Eng.
13	5213 045	1			STARTER, 2.2L Eng.
14	6500 278	1			BOLT, Upper Mtg. 2.2L Eng.
15	6500 276	1			BOLT, Lower Mtg. 2.2L Eng.
16	5213 046	1			BRACKET, Starter Mtg., 2.2L Eng.
17	MD02 5235	1			STARTER, 5213235 CHRYSLER No., 2.6L ENGINE
18	MF14 0271	2			BOLT, Mtg. 2.6L Eng.
	5213 047	1			RELAY, Starter

NOTE: The following parts not shown on illustration Gear and Pinion numbers stamped on the item may be used to confirm the correct MATCHED SET they are contained in.

MODEL CODES

B = GRAN FURY/CARAVELLE	P = RELIANT
C = LEBARON/TOWN & COUNTRY	S = CORDOBA
D = ARIES	V = 400
F = NEW YORKER	X = MIRADA
G = DIPLOMAT	Y = IMPERIAL
M = HORIZON/TC3/SCAMP	Z = OMNI/O24/RAMPAGE

BODY STYLES

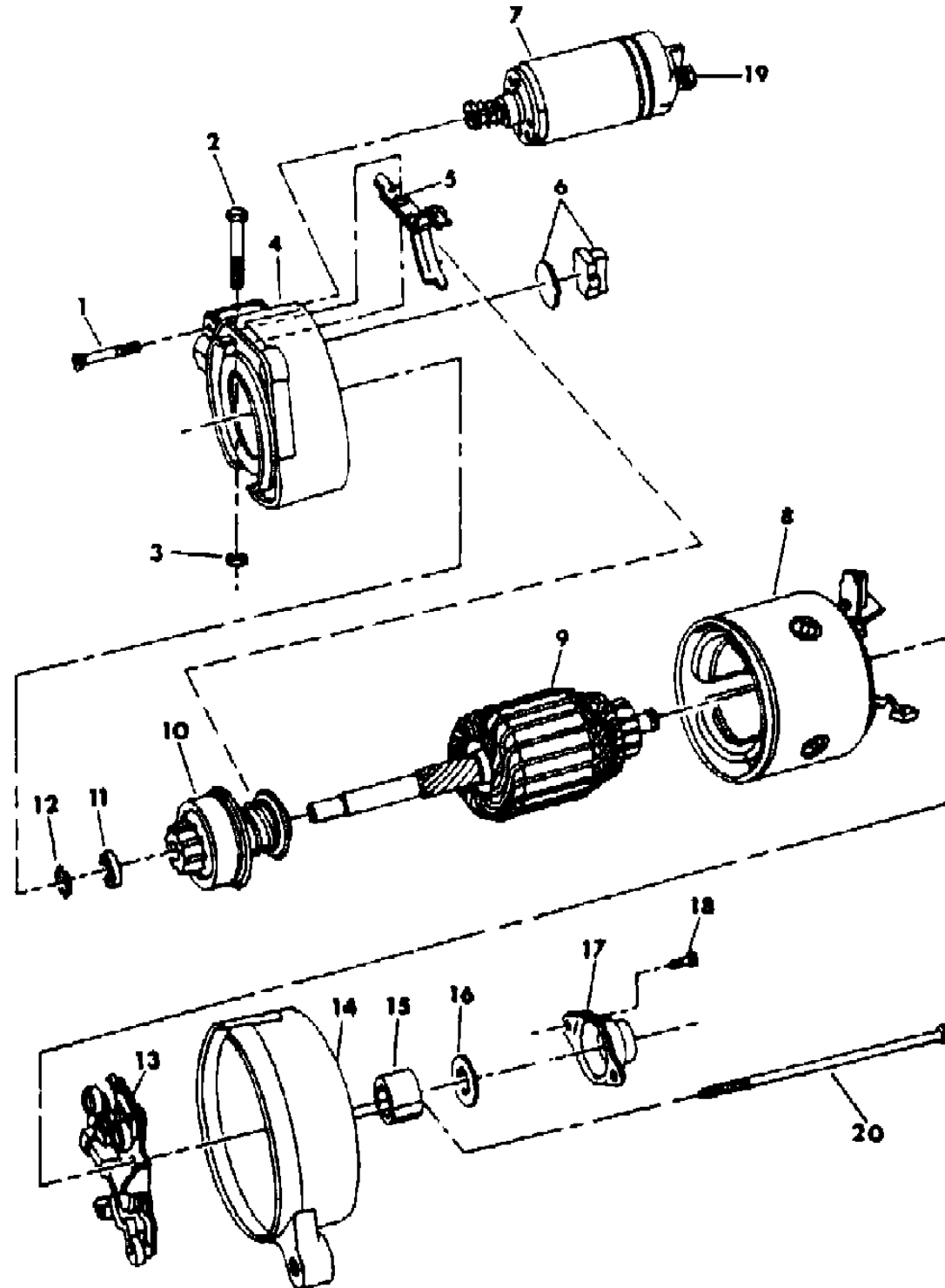
21 = 2-DOOR SEDAN	28 = FWD PICKUP
22 = 2-DOOR SPECIAL COUPE	41 = 4-DOOR SEDAN
24 = 2-DOOR HATCHBACK	44 = 4-DOOR HATCHBACK
27 = 2-DOOR CONVERTIBLE	45 = 2-SEAT STATION WAGON

AR = Use as Required - = Non Illustrated Part P.A.R. = Paint as Required

STARTER COMPONENTS M,Z-1.7L ENGINE CHRYSLER NO. 5206255 (BOSCH)

Figure 8-700

2108 700



ITEM	PART NUMBER	QTY	BODY	MODEL	DESCRIPTION
1	5206 629	2			SCREW, Solenoid
2	5206 628	1			PIN, Shift Fork Lever
3	5206 617	1			NUT, Shift Fork Lever
4	5206 622	1			HOUSING
5	5206 609	1			LEVER, Shift Fork
6	5206 627	1			SEAL PACKAGE
7	5206 626	1			SOLENOID
8	5206 625	1			FIELD FRAME
9	5206 623	1			ARMATURE
10	5206 624	1			CLUTCH
11		1			WASHER, Ret., Not Serv.
12	5206 620	1			RING, Seal
13	5206 605	1			HOLDER, Brush
14	5206 606	1			HEAD, End
15	5206 610	1			BEARING, End Head
16	5206 618	1			SHIM PACKAGE
17	5206 612	1			COVER, Bearing
18	5206 621	2			SCREW, Bearing Cover
19	5206 616	1			NUT, Connecting Terminal
20	5206 613	2			BOLT, Thru

MODEL CODES

B = GRAN FURY/CARAVELLE	P = RELIANT
C = LEBARON/TOWN & COUNTRY	S = CORDOBA
D = ARIES	V = 400
F = NEW YORKER	X = MIRADA
G = DIPLOMAT	Y = IMPERIAL
M = HORIZON/TC3/SCAMP	Z = OMNI/O24/RAMPAGE

BODY STYLES

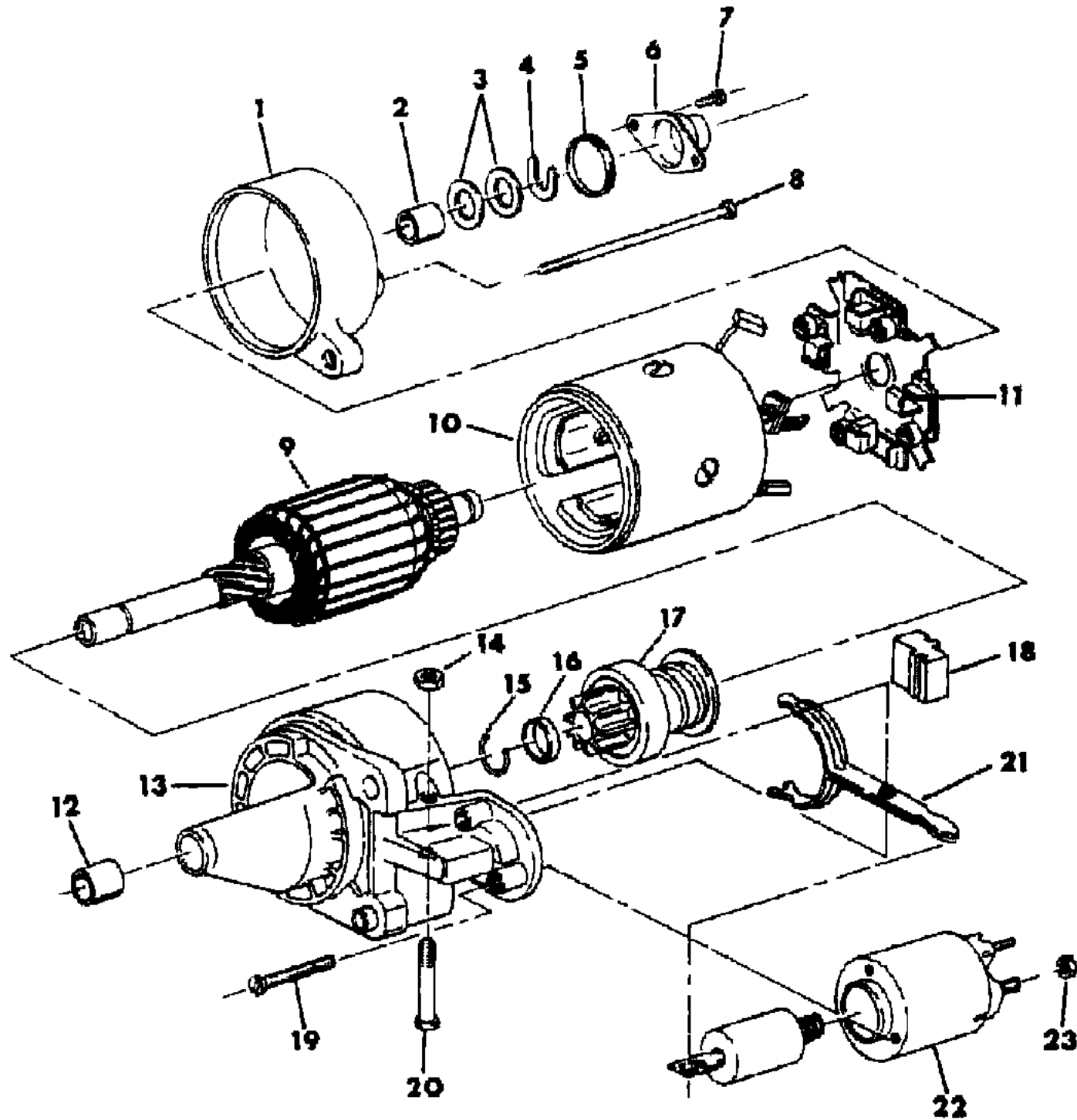
21 = 2-DOOR SEDAN	28 = FWD PICKUP
22 = 2-DOOR SPECIAL COUPE	41 = 4-DOOR SEDAN
24 = 2-DOOR HATCHBACK	44 = 4-DOOR HATCHBACK
27 = 2-DOOR CONVERTIBLE	45 = 2-SEAT STATION WAGON

AR = Use as Required - = Non Illustrated Part P.A.R. = Paint as Required

STARTER COMPONENTS M,Z-1.7L ENGINE CHRYSLER NO. 5213395 (BOSCH)

Figure 8-800

2108 800



ITEM	PART NUMBER	QTY	BODY	MODEL	DESCRIPTION
1	5206 606	1			HEAD, End
2	5206 610	1			BEARING, End Head
3	5206 618	1			SHIM PACKAGE
4		1			WASHER, Retaining, Not Serv.
5	5206 620	1			SEAL
6	5206 612	1			COVER, Bearing
7	5206 621	2			SCREW, Bearing Cover
8	5206 613	2			BOLT THRU
9	5206 602	1			ARMATURE, Serviced w/Snap Ring
10	5206 604	1			FIELD FRAME
11	5206 605	1			BRUSH HOLDER
12	5206 611	1			BEARING, Housing
13	5206 601	1			HOUSING
14	5206 617	1			NUT, Fork shift Lever
15					SNAP RING, (Serv. in Shim Pkg. 5213392)
16					SEAL, (Serv. in Seal Pkg. 5206608)
17	5206 603	1			CLUTCH, (Serv. w/Snap & w/Seal)
18					SEAL, (Serv. in Seal Pkg. 5206608)
19	5206 615	3			SCREW, Solenoid
20	5206 614	1			PIN, Shift Fork Lever
21	5206 609	1			LEVER, Shift Fork
22	5206 607	1			SOLENOID
23	5206 616	1			NUT, Connecting Terminal

MODEL CODES

- |                            |                      |
|----------------------------|----------------------|
| B = GRAN FURY/CARAVELLE    | P = RELIANT          |
| C = LEBARON/TOWN & COUNTRY | S = CORDOBA          |
| D = ARIES                  | V = 400              |
| F = NEW YORKER             | X = MIRADA           |
| G = DIPLOMAT               | Y = IMPERIAL         |
| M = HORIZON/TC3/SCAMP      | Z = OMNI/O24/RAMPAGE |

BODY STYLES

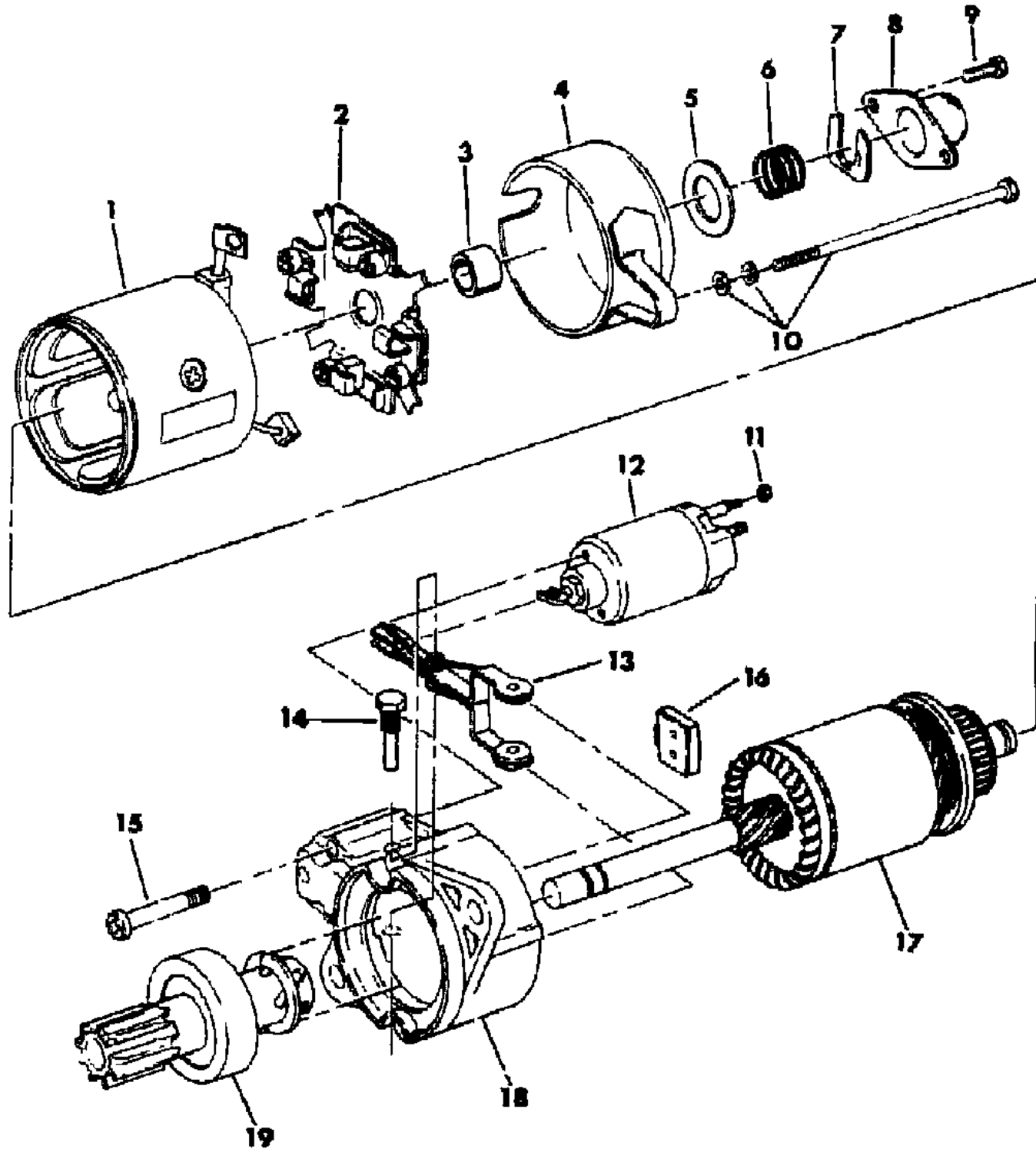
- |                           |                           |
|---------------------------|---------------------------|
| 21 = 2-DOOR SEDAN         | 28 = FWD PICKUP           |
| 22 = 2-DOOR SPECIAL COUPE | 41 = 4-DOOR SEDAN         |
| 24 = 2-DOOR HATCHBACK     | 44 = 4-DOOR HATCHBACK     |
| 27 = 2-DOOR CONVERTIBLE   | 45 = 2-SEAT STATION WAGON |

AR = Use as Required - = Non Illustrated Part P.A.R. = Paint as Required

STARTER COMPONENTS M,Z-1.7L ENGINE CHRYSLER NO. 5206265 (NIPPONDENSO)

Figure 8-900

2108 900



ITEM	PART NUMBER	QTY	BODY	MODEL	DESCRIPTION
1	5206 650	1			FIELD FRAME
2	5206 564	1			BRUSH HOLDER
3					BEARING, End Head (Service in 5206635)
4	5213 312	1			HEAD, End w/Brg.
5		1			SEAL,(Serviced in 5206640 Armature Brake Pkg.)
6		1			SPRING,(Serviced in 5206640 Armature Brake Pkg.)
7		1			PLATE,(Serviced in 5206640 Armature Brake Pkg.)
8	5213 315	1			COVER, Bearing
9		1			SCREW,(Serviced IN 5206640 Armature Brake Pkg.)
10	5206 642	2			BOLT THRU
11	5206 645	1			NUT PACKAGE
12	5213 352	1			SOLENOID
13	5206 638	1			LEVER, Shift Fork
14	5206 565	1			PIN, Fork Shift Lever
15	5206 644	2			SCREW, Solenoid
16	5206 637	1			SEAL PACKAGE
17	5206 648	1			ARMATURE PACKAGE
18	5206 647	1			HOUSING PACKAGE
19	5206 649	1			CLUTCH PACKAGE
	5206 966	1			SNAP RING, Not Shown

MODEL CODES

B = GRAN FURY/CARAVELLE	P = RELIANT
C = LEBARON/TOWN & COUNTRY	S = CORDOBA
D = ARIES	V = 400
F = NEW YORKER	X = MIRADA
G = DIPLOMAT	Y = IMPERIAL
M = HORIZON/TC3/SCAMP	Z = OMNI/O24/RAMPAGE

BODY STYLES

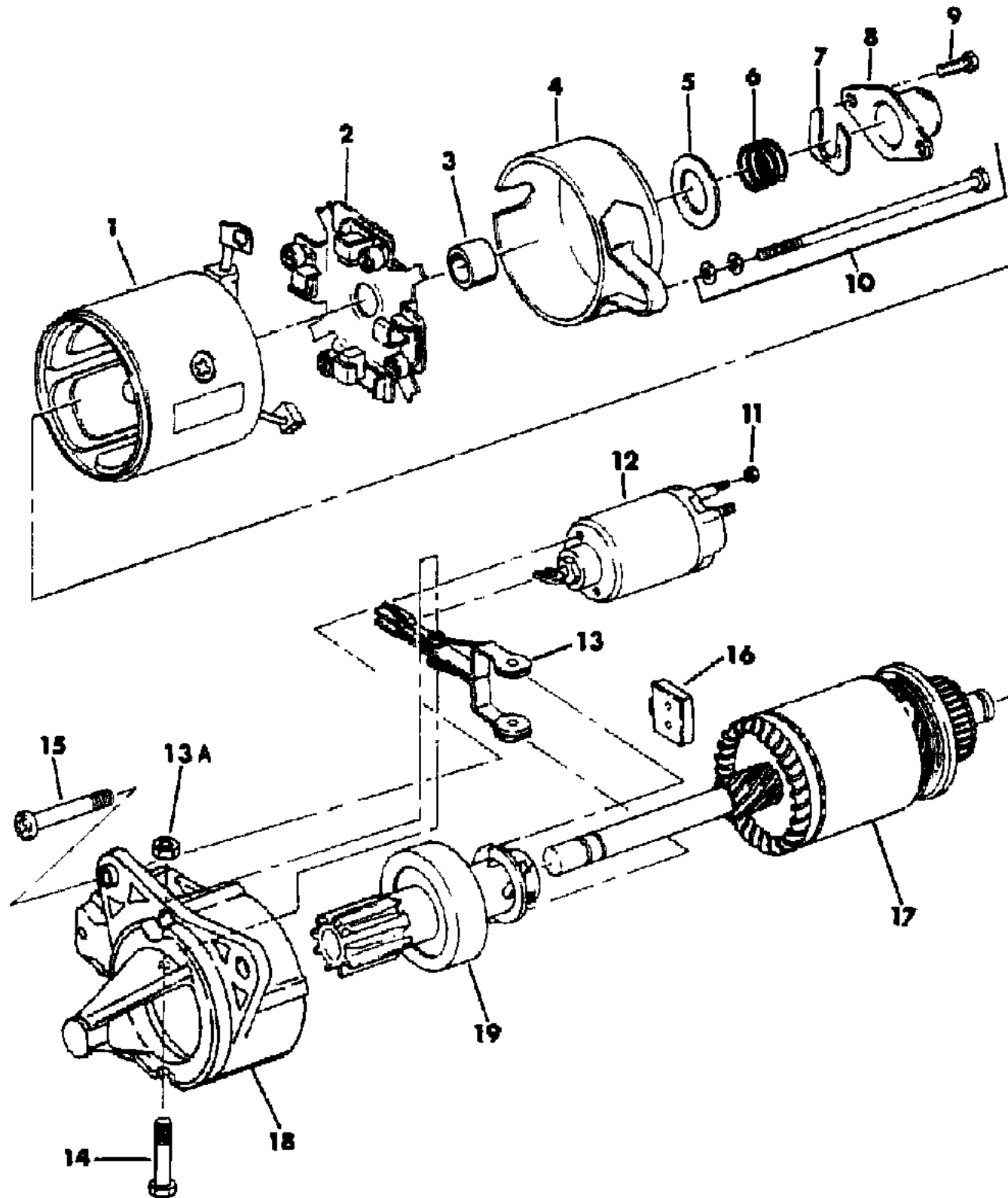
21 = 2-DOOR SEDAN	28 = FWD PICKUP
22 = 2-DOOR SPECIAL COUPE	41 = 4-DOOR SEDAN
24 = 2-DOOR HATCHBACK	44 = 4-DOOR HATCHBACK
27 = 2-DOOR CONVERTIBLE	45 = 2-SEAT STATION WAGON

AR = Use as Required - = Non Illustrated Part P.A.R. = Paint as Required

STARTER COMPONENTS M,Z-1.7L ENGINE CHRYSLER NO. 5213295 (NIPPONDENSO)

Figure 8-1000

2108 1000



ITEM	PART NUMBER	QTY	BODY	MODEL	DESCRIPTION
1	5213 353	1			FIELD FRAME
2	5206 634	1			BRUSH HOLDER
3	5213 315	1			BEARING, End Head
4	5213 312	1			HEAD, End. w/Brg.
5					SEAL,(Serviced in 5206640 Armature Brake Pkg.)
6					SPRING,(Serviced in 5206640 Armature Brake Pkg.)
7					PLATE,(Serviced in 5206640 Armature Brake Pkg.)
8		1			COVER, Bearing, Not Serv.
9					SCREW,(Serviced in 5206640 Armature Brake Pkg.)
10	5206 642	2			BOLT THRU
11	5206 645	1			NUT PACKAGE
12	5213 352	1			SOLENOID
13	5206 638	1			LEVER, Shifting Fork
13A	5206 646	1			NUT, Shifting Fork Lever
14	5206 643	1			PIN, Fork Shift Lever
15	5206 644	2			SCREW, Solenoid
16	5206 637	1			SEAL PACKAGE
17	5206 631	1			ARMATURE
18	5206 630	1			HOUSING PACKAGE
19	5206 632	1			CLUTCH PACKAGE
	5206 966	1			SNAP RING, Not Shown

MODEL CODES

B = GRAN FURY/CARAVELLE	P = RELIANT
C = LEBARON/TOWN & COUNTRY	S = CORDOBA
D = ARIES	V = 400
F = NEW YORKER	X = MIRADA
G = DIPLOMAT	Y = IMPERIAL
M = HORIZON/TC3/SCAMP	Z = OMNI/O24/RAMPAGE

BODY STYLES

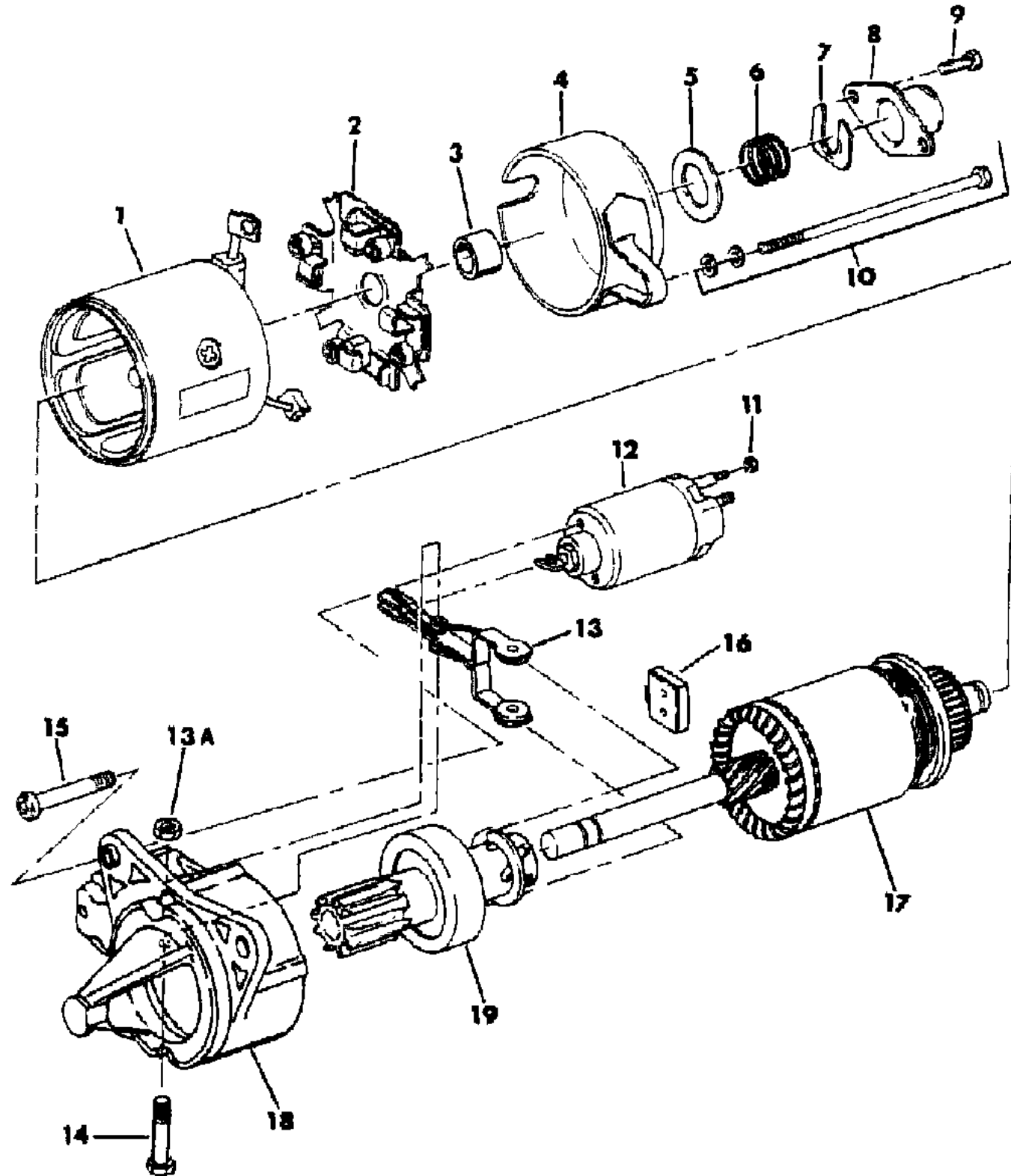
21 = 2-DOOR SEDAN	28 = FWD PICKUP
22 = 2-DOOR SPECIAL COUPE	41 = 4-DOOR SEDAN
24 = 2-DOOR HATCHBACK	44 = 4-DOOR HATCHBACK
27 = 2-DOOR CONVERTIBLE	45 = 2-SEAT STATION WAGON

AR = Use as Required - = Non Illustrated Part P.A.R. = Paint as Required

STARTER COMPONENTS 2.2L ENGINE CHRYSLER NO. 5213190 (NIPPONDENSO)

Figure 8-1100

2108 1100



ITEM	PART NUMBER	QTY	BODY	MODEL	DESCRIPTION
1	5213 311	1			FIELD FRAME
2	5206 634	1			BRUSH HOLDER
3					BEARING, End Head (Serviced In 5213312 Pkg.)
4	5213 312	1			HEAD, End. w/Brg.
5	5213 317				SEAL,(Also Serviced in 5206640 Armature Brake Pkg.)
6					SPRING,(Serviced in 5206640 Armature Brake Pkg.)
7					PLATE,(Serviced in 5206640 Armature Brake Pkg.)
8	5213 315	1			COVER, Bearing
9					SCREW,(Serviced in 5206640 Armature Brake Pkg.)
10	5206 642	2			BOLT THRU
11	5206 645	1			NUT PACKAGE
12	5213 313	1			SOLENOID
	5213 316				NUT, Solenoid
13	5213 314	1			LEVER, Shifting Fork
13A	5206 646	1			NUT, Shifting Fork Lever
14	5206 643	1			PIN, Fork Shift Lever
15	5206 644	2			SCREW, Solenoid
16	5206 637	1			SEAL PACKAGE
17	5206 631	1			ARMATURE
18	5213 309	1			HOUSING PACKAGE
19	5213 310	1			CLUTCH PACKAGE
	5206 966	1			SNAP RING,(Not Shown)

MODEL CODES

B = GRAN FURY/CARAVELLE	P = RELIANT
C = LEBARON/TOWN & COUNTRY	S = CORDOBA
D = ARIES	V = 400
F = NEW YORKER	X = MIRADA
G = DIPLOMAT	Y = IMPERIAL
M = HORIZON/TC3/SCAMP	Z = OMNI/O24/RAMPAGE

BODY STYLES

21 = 2-DOOR SEDAN	28 = FWD PICKUP
22 = 2-DOOR SPECIAL COUPE	41 = 4-DOOR SEDAN
24 = 2-DOOR HATCHBACK	44 = 4-DOOR HATCHBACK
27 = 2-DOOR CONVERTIBLE	45 = 2-SEAT STATION WAGON

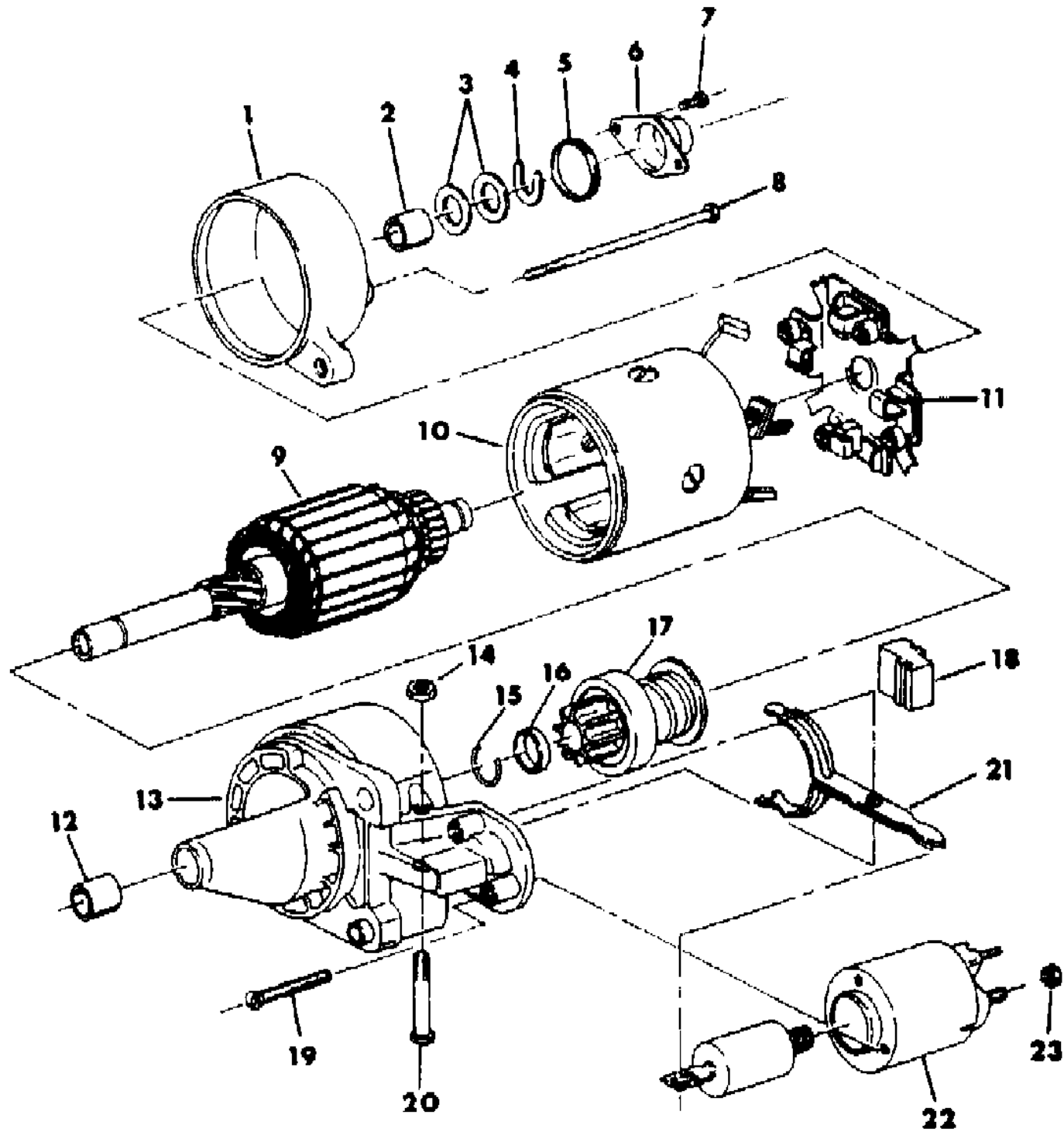
AR = Use as Required - = Non Illustrated Part P.A.R. = Paint as Required



STARTER COMPONENTS 2.2L ENGINE CHRYSLER NO. 5213045 (BOSCH)

Figure 8-1125

2108 1125



ITEM	PART NUMBER	QTY	BODY	MODEL	DESCRIPTION
1	5206 606	1			HEAD, End
2	5206 610	1			BEARING, End Head
3	5213 392				SHIM PACKAGE
4	5213 393	1			WASHER, Retaining
5					SEAL,(Serviced in Seal Pkg. 5213387)
6	5206 612				COVER, Bearing
7	5213 396				SCREW, Bearing Cover
8	5206 613				BOLT THRU
	5213 390				Washer, Thru Bolt
9	5213 383				ARMATURE
10	5213 385				FIELD FRAME
11	5206 605	1			BRUSH HOLDER
12	5213 388	1			BEARING, Housing
13	5213 382	1			HOUSING
14	5213 391	1			NUT, Fork Shift Lever
15					SNAP RING,(Serviced in Shim Pkg. 5213392)
16					SEAL,(Serviced in Seal Pkg. 5213387)
17	5213 384	1			CLUTCH
18		1			SEAL,(Serviced in Seal Pkg. 5213387)
19	5206 615	1			SCREW, Solenoid
20	5206 628	1			PIN, Shift Fork Lever
21	5206 609	1			LEVER, Shift Fork
22	5206 607	1			SOLENOID
23	5206 616				NUT, Connecting Terminal

MODEL CODES

B = GRAN FURY/CARAVELLE	P = RELIANT
C = LEBARON/TOWN & COUNTRY	S = CORDOBA
D = ARIES	V = 400
F = NEW YORKER	X = MIRADA
G = DIPLOMAT	Y = IMPERIAL
M = HORIZON/TC3/SCAMP	Z = OMNI/O24/RAMPAGE

BODY STYLES

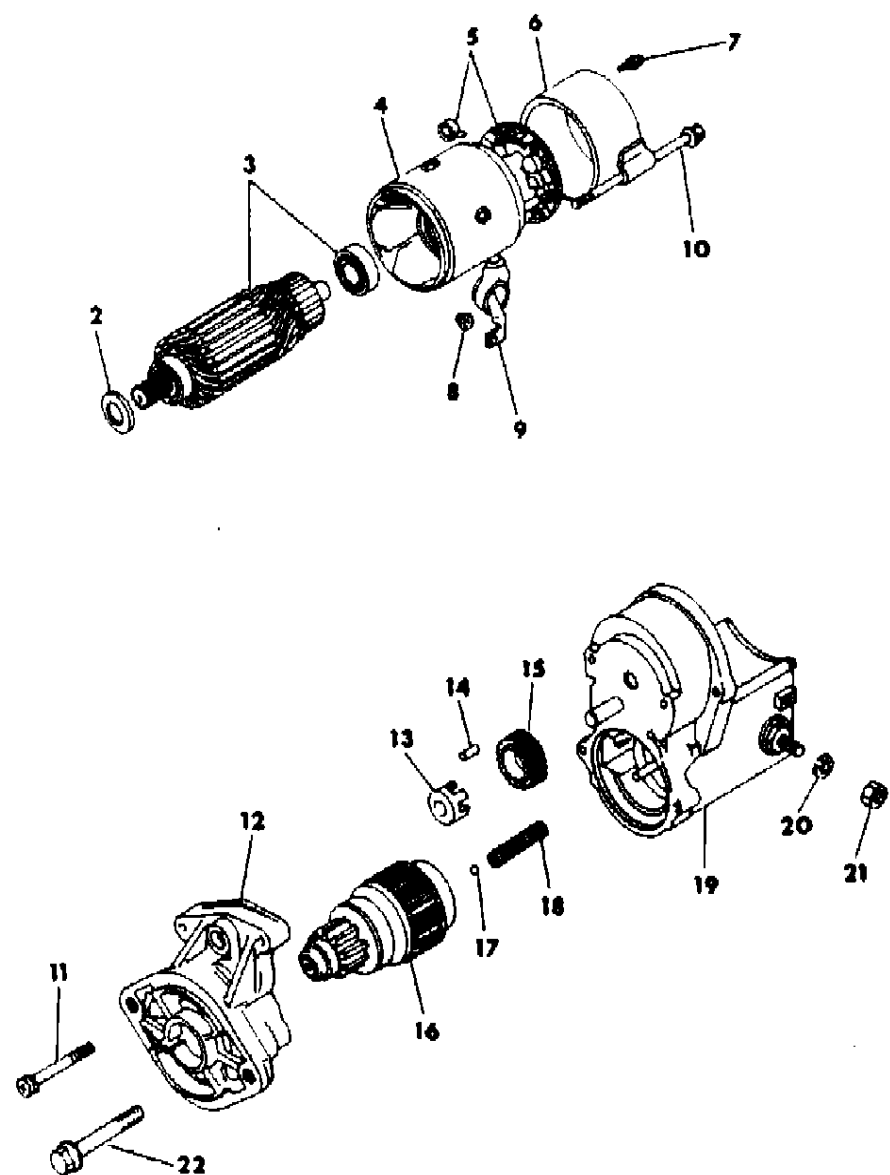
21 = 2-DOOR SEDAN	28 = FWD PICKUP
22 = 2-DOOR SPECIAL COUPE	41 = 4-DOOR SEDAN
24 = 2-DOOR HATCHBACK	44 = 4-DOOR HATCHBACK
27 = 2-DOOR CONVERTIBLE	45 = 2-SEAT STATION WAGON

AR = Use as Required - = Non Illustrated Part P.A.R. = Paint as Required

# STARTER COMPONENTS 2.6L ENGINE

Figure 8-1200

2108 1200



ITEM	PART NUMBER	QTY	BODY	MODEL	DESCRIPTION
1	MD02 5235	1			STARTER
2	MD60 4325	1			WASHER, FELT
3	MD60 4318	1			ARMATURE
4	MD60 4317	1			YOKE
5	MD60 4322	1			HOLDER
6	MD60 4333	1			FRAME
7	MD60 4335	2			SCREW, w/Washer
8	MD60 4330	1			NUT
9	MD60 4327	1			CAP, Terminal (Rubber)
10	MD60 4326	2			BOLT, w/Washer
11	MD60 4328	2			SCREW, w/Washer
12	MD60 4320	1			HOUSING,SUB-ASSEMBLY
13	MD60 4332	1			RETAINER
14	MD60 4336	5			ROLLER, Clutch
15	MD60 4324	1			PINION
16	MD60 4319	1			CLUTCH,SUB-ASSEMBLY
17	MD60 4323	1			BALL, Steel
18	MD60 4334	1			SPRING
19	MD60 4321	1			SWITCH, Magnetic (Solenoid)
20	MD60 4329	1			WASHER, Spring
21	MD60 4331	1			NUT, Hexagon
22	MF14 0271	2			BOLT, Flange (10X65)

MODEL CODES

B = GRAN FURY/CARAVELLE	P = RELIANT
C = LEBARON/TOWN & COUNTRY	S = CORDOBA
D = ARIES	V = 400
F = NEW YORKER	X = MIRADA
G = DIPLOMAT	Y = IMPERIAL
M = HORIZON/TC3/SCAMP	Z = OMNI/O24/RAMPAGE

BODY STYLES

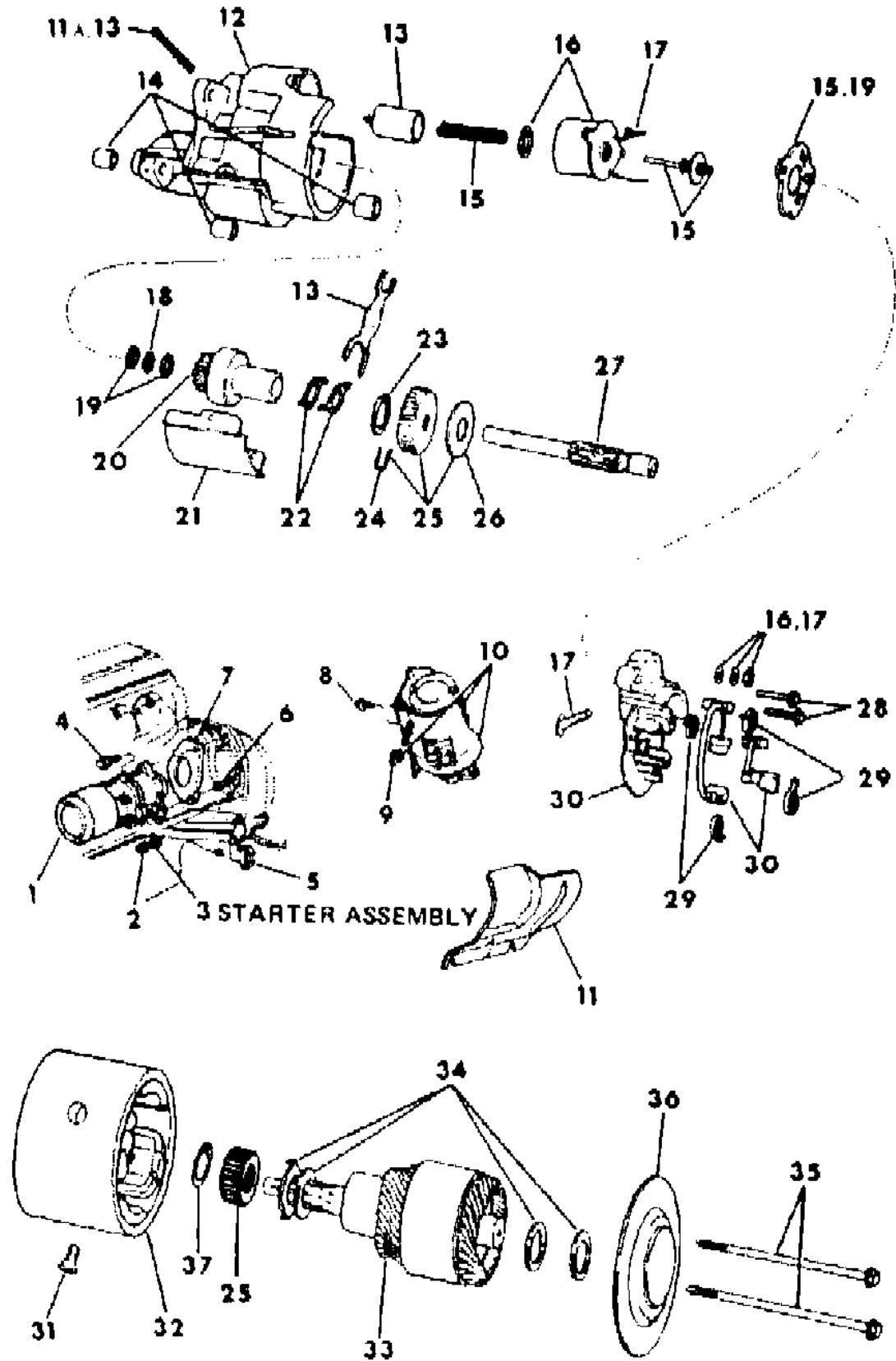
21 = 2-DOOR SEDAN	28 = FWD PICKUP
22 = 2-DOOR SPECIAL COUPE	41 = 4-DOOR SEDAN
24 = 2-DOOR HATCHBACK	44 = 4-DOOR HATCHBACK
27 = 2-DOOR CONVERTIBLE	45 = 2-SEAT STATION WAGON

AR = Use as Required - = Non Illustrated Part P.A.R. = Paint as Required

STARTER 225 and 318 ENGINE CHRYSLER NO. 4145360

Figure 8-1300

2108 1300



ITEM	PART NUMBER	QTY	BODY	MODEL	DESCRIPTION
1	4145 360	1			STARTER
2	0272 235	1			NUT
3					WASHER, (Not Serviced)
4	6023 899	1			SCREW and WASHER
5					BRACKET, Oil Cooler Tube
6	2095 875	1			STUD, Mtg. 7/16 x 2.00
7	2892 915	1			SEAL, w/225 Eng.
8	6023 092	2			SCREW and WASHER
9	6025 001	1			NUT and WASHER
10	4140 724	1			SHIELD, Starter,w/318 Eng.
11	4140 723	1			SHIELD, Starter,w/225 Eng.
11A	2095 133	1			PIN, Shifting Fork Pivot
12	3755 261	1			HOUSING and BEARING, Gear
13	4057 940	1			CORE and SHIFTING, Fork Pkg.
14	3874 817	2			BEARING, Pinion Housing
	3874 818	1			Bearing, Gear Housing
15	2932 814	2			CONTACT and SPRING Pkg.
16	3837 337	1			SOLENOID
	2875 558	1			Seal, Solenoid
17	3579 193	1			STUD
18	6022 006	1			RING, Pinion Shaft Ret.
19	2275 558	1			THRUST WASHER and RING PACKAGE
20	4145 978	1			CLUTCH
	4240 449	1			CLUTCH and SHIFTING FORK PACKAGE
21	2095 116	1			COVER, Gear Housing
22					ACTUATOR, Serviced in 4240449 Pkg.
23	6030 982	1			RING, Clutch Actuator Ret.
24	2095 117	1			SNAP RING, Pinion Shaft Gear Ret.
25	4106 092	1			GEAR and SNAP RING, w/4145360 Starter
26	3755 256	1			WASHER, Pinion Shaft Gear w/4145360 Starter
27	4091 914	1			SHAFT, Pinion
28	0153 468	2			SCREW and WASHER
29	2084 666	1			SPRING PACKAGE
30	3874 345	1			BRUSH HOLDER
31	6030 160	4			SCREW, 3/8-16.66
32	4111 959	1			FRAME and FIELD, w/4145360 Starter
33	3837 334	1			ARMATURE, w/4145360 Starter

MODEL CODES

B = GRAN FURY/CARAVELLE	P = RELIANT
C = LEBARON/TOWN & COUNTRY	S = CORDOBA
D = ARIES	V = 400
F = NEW YORKER	X = MIRADA
G = DIPLOMAT	Y = IMPERIAL
M = HORIZON/TC3/SCAMP	Z = OMNI/O24/RAMPAGE

BODY STYLES

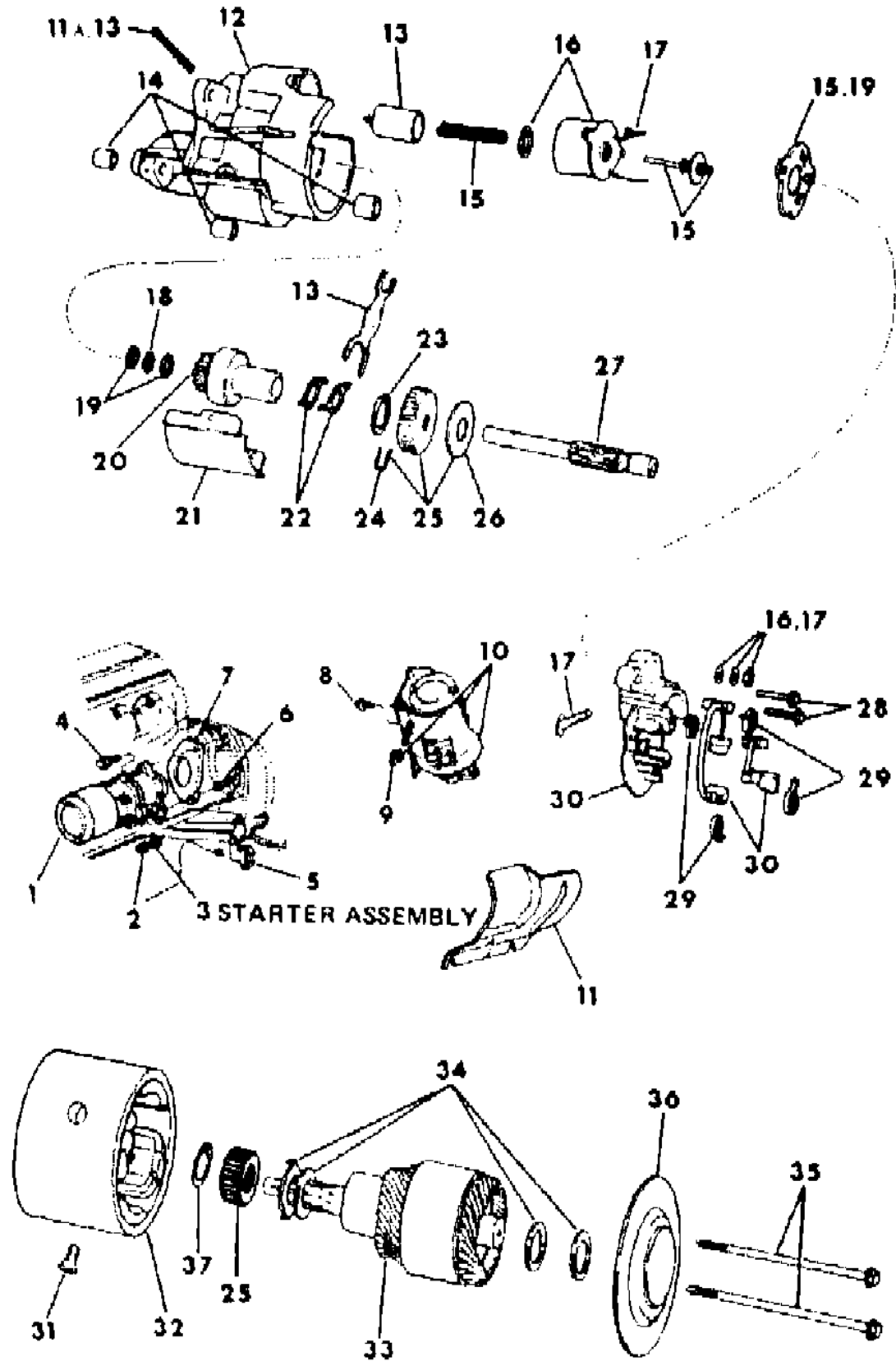
21 = 2-DOOR SEDAN	28 = FWD PICKUP
22 = 2-DOOR SPECIAL COUPE	41 = 4-DOOR SEDAN
24 = 2-DOOR HATCHBACK	44 = 4-DOOR HATCHBACK
27 = 2-DOOR CONVERTIBLE	45 = 2-SEAT STATION WAGON

AR = Use as Required - = Non Illustrated Part P.A.R. = Paint as Required

STARTER 225 and 318 ENGINE CHRYSLER NO. 4145360

Figure 8-1300

2108 1300



ITEM	PART NUMBER	QTY	BODY	MODEL	DESCRIPTION
34	3837 340	1			THRUST WASHER PACKAGE
35	3755 231	2			SCREW, 1/4-20x5.42 w/4145360 Starter
36	2095 076	1			HEAD, End
37	6022 006	1			RING, Armature Gear Ret. w/4145360
NOTE: The Following Part Not Shown On Illustration Gear and Pinion numbers stamped on the item may be used to confirm the correct MATCHED SET they are contained in.					
	4111 971				RELAY, Starter
	2423 737				PLUG, Heat Shield

MODEL CODES

- |                            |                      |
|----------------------------|----------------------|
| B = GRAN FURY/CARAVELLE    | P = RELIANT          |
| C = LEBARON/TOWN & COUNTRY | S = CORDOBA          |
| D = ARIES                  | V = 400              |
| F = NEW YORKER             | X = MIRADA           |
| G = DIPLOMAT               | Y = IMPERIAL         |
| M = HORIZON/TC3/SCAMP      | Z = OMNI/O24/RAMPAGE |

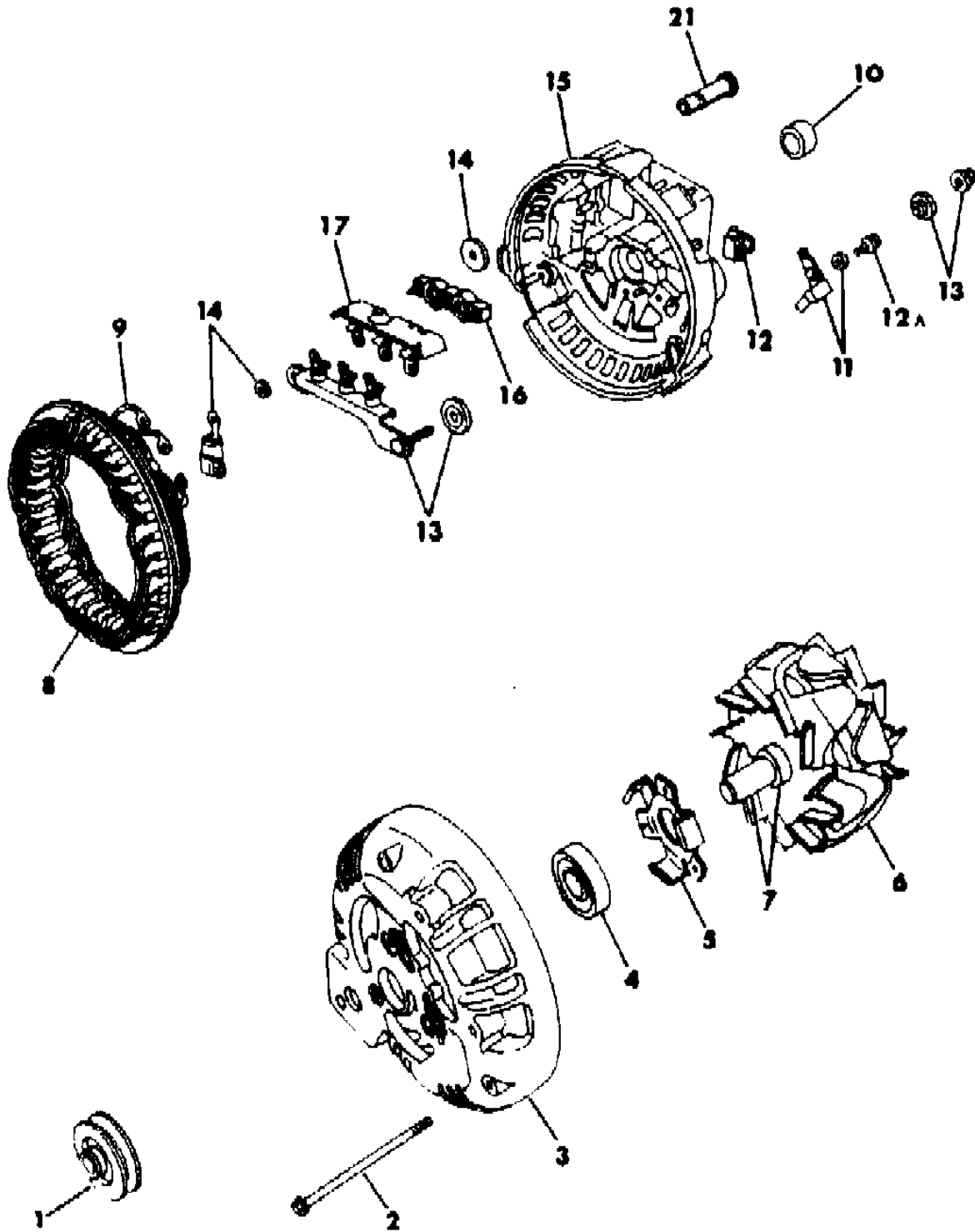
BODY STYLES

- |                           |                           |
|---------------------------|---------------------------|
| 21 = 2-DOOR SEDAN         | 28 = FWD PICKUP           |
| 22 = 2-DOOR SPECIAL COUPE | 41 = 4-DOOR SEDAN         |
| 24 = 2-DOOR HATCHBACK     | 44 = 4-DOOR HATCHBACK     |
| 27 = 2-DOOR CONVERTIBLE   | 45 = 2-SEAT STATION WAGON |

AR = Use as Required - = Non Illustrated Part P.A.R. = Paint as Required

ALTERNATOR 1.7L and 2.2L ENGINES  
Figure 8-1400

2108 1400



ITEM	PART NUMBER	QTY	BODY	MODEL	DESCRIPTION
	5213 053	1			ALTERNATOR and PULLEY, 78 Amp.
	5213 079	1			ALTERNATOR and PULLEY, 60 Amp.
1	4205 845	1			PULLEY, 2.75" Single Groove
2	5206 804	3			SCREW, Frame, 10-32 x 3.40
3	5206 422	1			SHIELD, Drive End 78 Amp.
	5206 421	1			SHIELD, Drive End 60 Amp.
4	3656 444	1			BEARING, Drive End Shield 78 Amp.
	3656 444	1			BEARING, Drive End Shield 60 Amp.
5	4091 398	1			PLATE, Drive End Shield Ret.
6	4240 414	1			ROTOR, 78 Amp.
	4240 413	1			ROTOR, 60 Amp.
7	3744 889	1			RETAINER and RING PKG.
8	4091 517	1			STATOR, 78 Amp.
	4091 515	1			STATOR, 60 Amp.
9	3438 709	3			TERMINAL, Stator
10	3755 184	1			BEARING, Rectifier End Shield
11	5211 772	1			BRUSH and WASHER PACKAGE
12	3438 159	1			BRUSH HOLDER, Axial
	4091 667	1			BRUSH HOLDER, Radial
12A	6031 272	2			SCREW, w/Washer 8-32 X .53
13	4240 488	1			BATTERY TERMINAL and POSITIVE HEAT, 78 Amp.
	4026 082	1			BATTERY TERMINAL and POSITIVE HEAT, 60 Amp.
14	3620 793	1			CAPACITOR, STUD and INSULATOR
15	4240 405	1			SHIELD, Rectifier End 78 Amp.
	4240 489	1			SHIELD, Rectifier End 60 Amp.
16	3438 729	1			INSULATOR
17	3755 114	1			HEAT SINK, Negative 78 Amp.
	3438 721	1			HEAT SINK, Negative 60 Amp.
18	6030 018				SCREW
19					SCREW, Not Serviced
20	0120 622				NUT, Not Shown
21					INSERT, Serviced in Rectifier End Shield
NOTE: The Following Parts Not Shown On Illustration Gear and Pinion numbers stamped on the item may be used to confirm the correct MATCHED SET they are contained in.					
	9437 943				BOLT, Mtg. 3/8 x 7-1/4
	6500 273				WASHER, Altr. Mtg. Bolt Nut
	3838 078				STUD, Grd. Cable

MODEL CODES

B = GRAN FURY/CARAVELLE	P = RELIANT
C = LEBARON/TOWN & COUNTRY	S = CORDOBA
D = ARIES	V = 400
F = NEW YORKER	X = MIRADA
G = DIPLOMAT	Y = IMPERIAL
M = HORIZON/TC3/SCAMP	Z = OMNI/O24/RAMPAGE

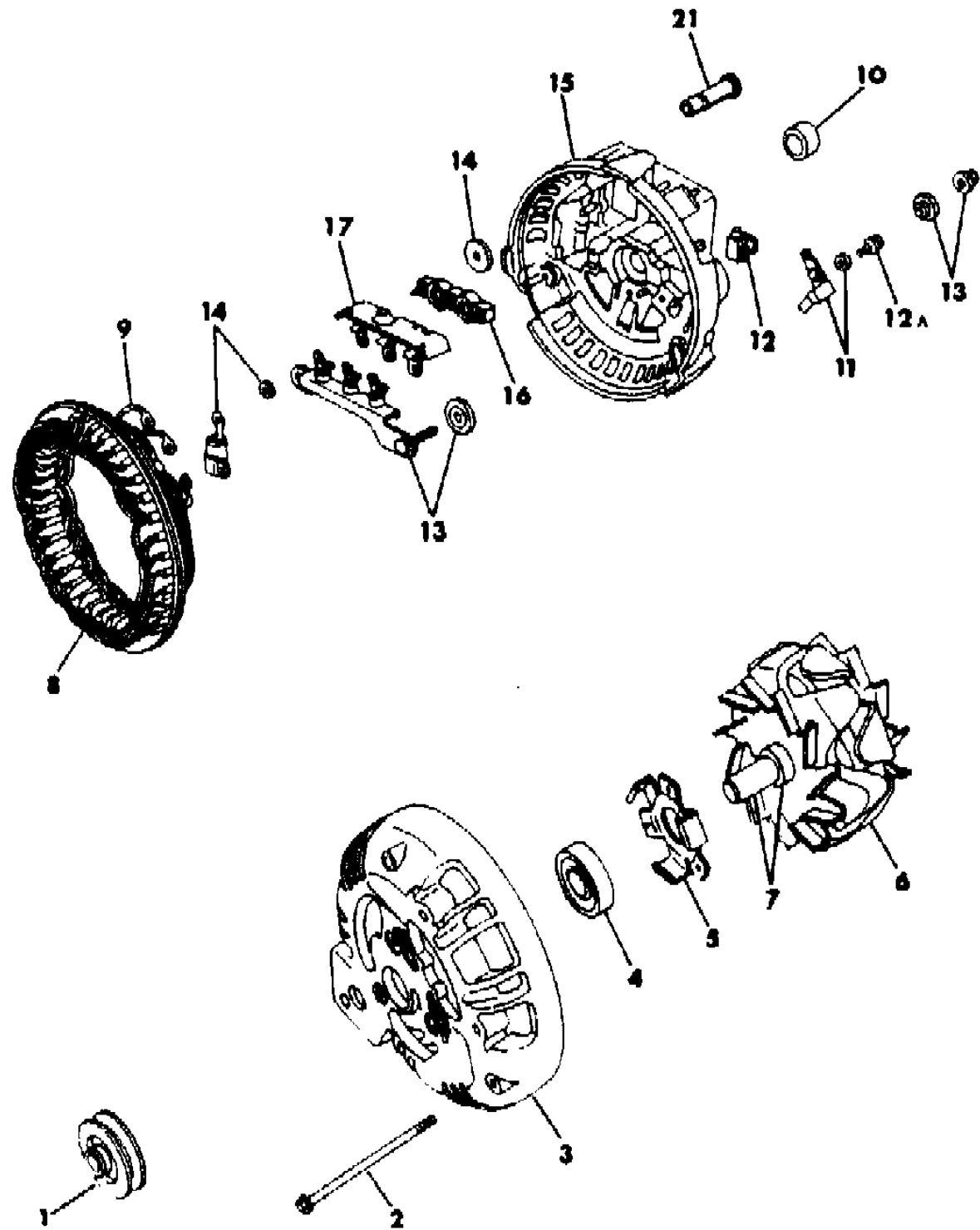
BODY STYLES

21 = 2-DOOR SEDAN	28 = FWD PICKUP
22 = 2-DOOR SPECIAL COUPE	41 = 4-DOOR SEDAN
24 = 2-DOOR HATCHBACK	44 = 4-DOOR HATCHBACK
27 = 2-DOOR CONVERTIBLE	45 = 2-SEAT STATION WAGON

AR = Use as Required - = Non Illustrated Part P.A.R. = Paint as Required

ALTERNATOR 1.7L and 2.2L ENGINES  
Figure 8-1400

2108 1400



ITEM	PART NUMBER	QTY	BODY	MODEL	DESCRIPTION
	3438 729				INSULATOR, Stator Term. Stud
	3620 794				TERMINAL PACKAGE
	6023 914				NUT, Grd. Stud
	6031 029				NUT, w/Washer,Altr. Batt. Term.
	6023 914				NUT, w/Washer,Alt. Pos. h/Sink Mtg.
	5213 191				INSERT, Altr. Mtg.
	4124 952				MOLD, Field Term.

MODEL CODES

B = GRAN FURY/CARAVELLE	P = RELIANT
C = LEBARON/TOWN & COUNTRY	S = CORDOBA
D = ARIES	V = 400
F = NEW YORKER	X = MIRADA
G = DIPLOMAT	Y = IMPERIAL
M = HORIZON/TC3/SCAMP	Z = OMNI/O24/RAMPAGE

BODY STYLES

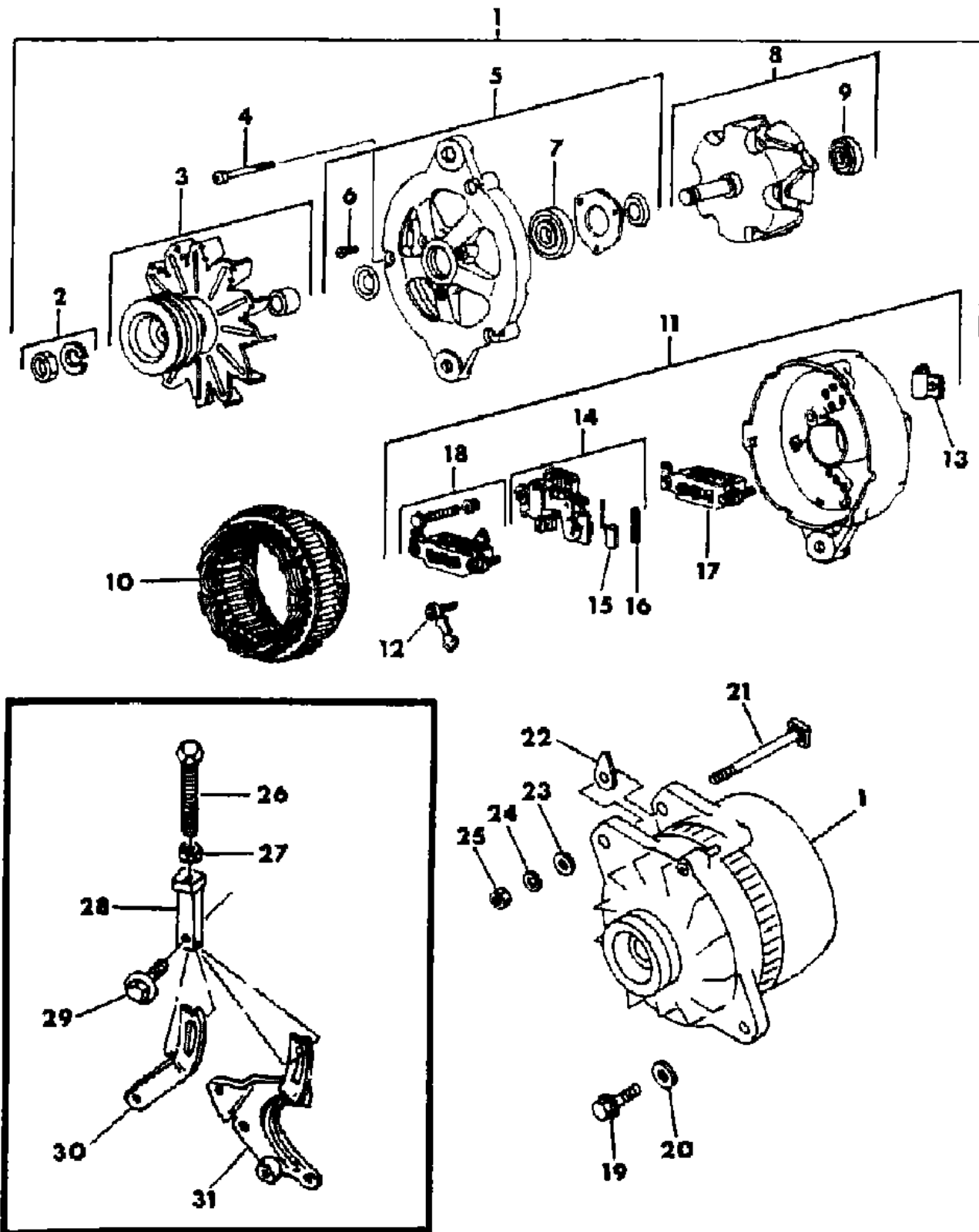
21 = 2-DOOR SEDAN	28 = FWD PICKUP
22 = 2-DOOR SPECIAL COUPE	41 = 4-DOOR SEDAN
24 = 2-DOOR HATCHBACK	44 = 4-DOOR HATCHBACK
27 = 2-DOOR CONVERTIBLE	45 = 2-SEAT STATION WAGON

AR = Use as Required - = Non Illustrated Part P.A.R. = Paint as Required

# ALTERNATOR 2.6L ENGINE

Figure 8-1500

2108 1500A



ITEM	PART NUMBER	QTY	BODY	MODEL	DESCRIPTION
1	MD02 5215	1			ALTERNATOR
2	MM50 2340	1			NUT SET
3	MD60 7426	1			PULLEY
4	MD60 7205	1			SCREW SET
5	MD60 7424	1			BRACKET, (Front)
6	MD60 2938	1			SCREW SET
7	MM50 2264	1			BEARING
8	MD60 7425	1			ROTOR
9	MD60 2789	1			BEARING, Rear
10	MD60 7428	1			STATOR
11	MD60 7427	1			BRACKET, (Rear)
12	MD60 7431	1			TERNINAL SET
13	MD60 7262	1			CONDENSER
14	MD60 7372	1			REGULATOR
15	MD60 7373	2			BRUSH
16	MD60 2227	2			SPRING, Brush
17	MD60 7429	1			RECTIFIER
18	MD60 7430	1			RECTIFIER SET
19	MF02 7753	1			BOLT, Flange
20	MD00 1521	1			WASHER
21	MD02 1662	1			BOLT
22	MD00 1517				SHIM
23	MF45 0005	1			WASHER, Plain
24	MF45 0405	1			WASHER, Spring
25	MF43 0005	1			NUT
26	6500 490	1			BOLT, Altr. Adj.
27	6500 491	1			JAM NUT, Clevis To Altr. Adj. Slot
28	4241 147	1			CLEVIS, Altr. Adj.
29		1			SCREW, Clevis To Altr. Adj. Slot Not Serv.
30	4240 438	1			STRAP, Altr. Altr. Adj. w/o /Cond.
	4240 438	1			STRAP, Altr. Altr. Adj. w/ /Heater
31	4273 050	1			BRACKET, Altr. Adj. w/A/ Cond.

MODEL CODES

B = GRAN FURY/CARAVELLE	P = RELIANT
C = LEBARON/TOWN & COUNTRY	S = CORDOBA
D = ARIES	V = 400
F = NEW YORKER	X = MIRADA
G = DIPLOMAT	Y = IMPERIAL
M = HORIZON/TC3/SCAMP	Z = OMNI/O24/RAMPAGE

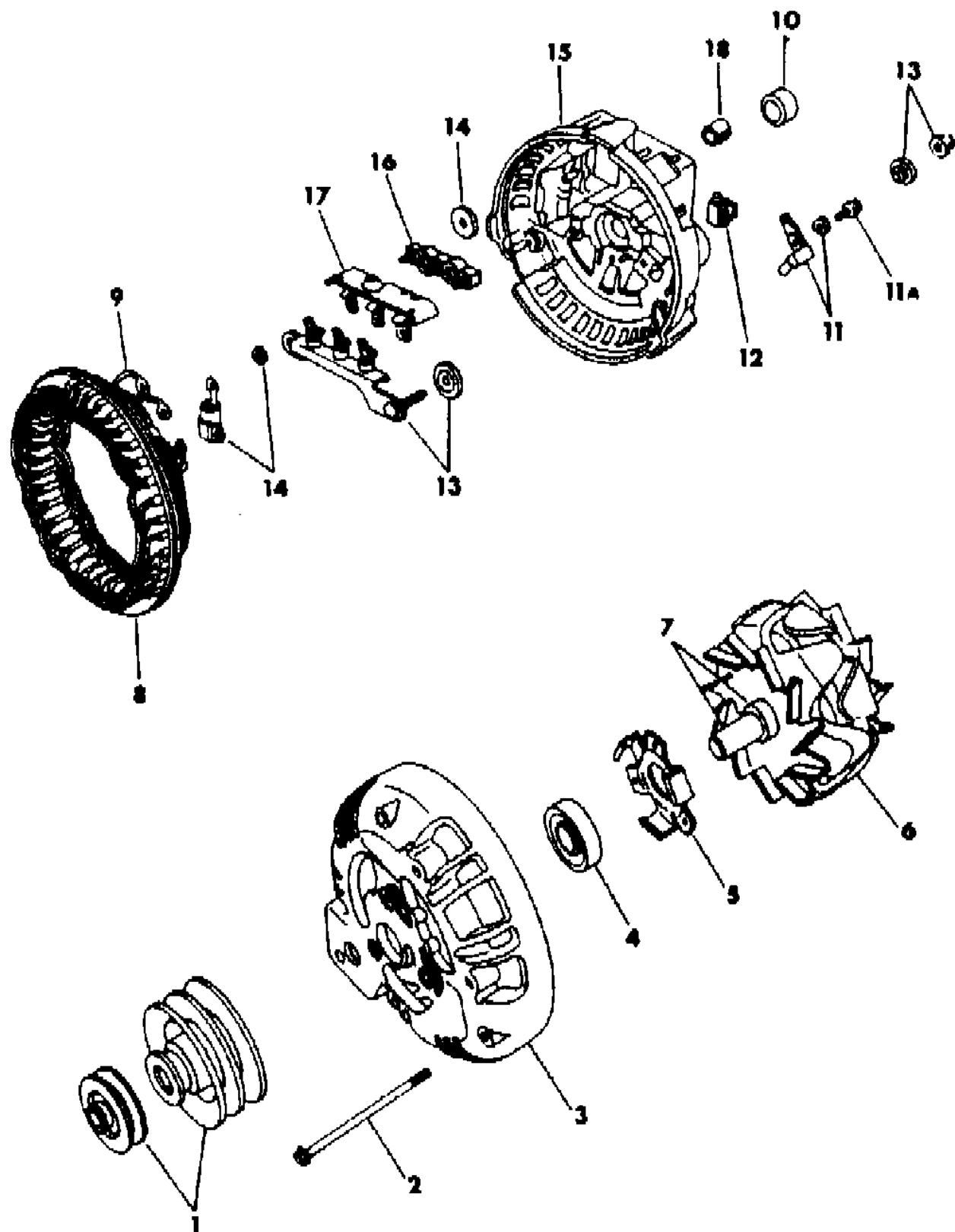
BODY STYLES

21 = 2-DOOR SEDAN	28 = FWD PICKUP
22 = 2-DOOR SPECIAL COUPE	41 = 4-DOOR SEDAN
24 = 2-DOOR HATCHBACK	44 = 4-DOOR HATCHBACK
27 = 2-DOOR CONVERTIBLE	45 = 2-SEAT STATION WAGON

AR = Use as Required - = Non Illustrated Part P.A.R. = Paint as Required

ALTERNATOR 60 AND 78 AMP. 225 & 318 ENGINE  
Figure 8-1600

2108 1600



ITEM	PART NUMBER	QTY	BODY	MODEL	DESCRIPTION
NOTE: Service Alternators consists of an Alternator and Pulley. In most cases a double groove Pulley type may be used as a service replacement for a single groove type; if not desirable, the Pulley from the original unit may be transferred to the new Alternator type may be used as a service replacement for a single groove type; if not desirable, the Pulley					
NOTE: All Alternators are stamped with a production assembly number which may or may not be the serviced Alternator. Listed above is the Alternator stamped production number crossreferenced to the applicable service number. The SERVICED PART NUMBER must be ordered in all cases. Listed above is the Alternator stamped production number crossreferenced to the applicable service number.					
1					PULLEY, Alternator N N N N
	4106 094	1			2.50 Single Groove N0 Y4106094 N0 N0
	4111 768	1			2.50 Double Groove N0 N0 Y4111768 Y4111768
2	4091 505	3			SCREW, Frame, 10-32x3.40 N0 Y4091505 Y4091505 Y4091505
3	4091 533	1			SHIELD, Drive End N0 Y4091533 N4091534 Y4091533
3	4091 534	1			SHIELD, Drive End N0 N4091533 Y4091534 N4091533
4	3656 444	1			BEARING, Drive End Shield N0 Y3656444 Y3656444 Y3656444
5	2095 012	1			RETAINER, Drive End Shield N0 Y2095012 Y2095012 Y2095012
6	4240 414	1			ROTOR N0 Y4240414 N4240413 Y4240414
6	4240 413	1			ROTOR N0 N4240414 Y4240413 N4240414
7	3744 889	1			RETAINER and SLIP RING PACKAGE N0 Y3744889 Y3744889 Y3744889
8	4091 517	1			STATOR N0 Y4091517 N4091515 Y4091517
8	4091 515	1			STATOR N0 N4091517 Y4091515 N4091517
9	3438 709	3			TERMINAL N0 Y3438709 Y3438709 Y3438709
10	4364 900	1			BEARING, Rectifier End Shield N0 Y4364900 Y4364900 Y4364900
11	4057 928	1			BRUSH and WASHER PACKAGE N0 Y4057928 Y4057928 Y4057928
11a	6031 272	2			SCREW N0 Y6031272 Y6031272 Y6031272
12	3438 159	1			BRUSH HOLDER, Axial N0 Y3438159 Y3438159 Y3438159
	4091 667	1			Radial N0 Y4091667 Y4091667 Y4091667
13	4240 488	1			BATTERY TERMINAL and POSITIVE HEAT SINK PKG. N0 Y4240488 Y4240488 Y4240488
14	3620 793	1			CAPACITOR STUD and INSULATOR N0 Y3620793 Y3620793 Y3620793
15	4091 535	1			SHIELD, Rectifier End N0 Y4091535 N4091516 Y4091535
15	4091 516	1			SHIELD, Rectifier End N0 N4091535 Y4091516 N4091535

MODEL CODES

B = GRAN FURY/CARAVELLE	P = RELIANT
C = LEBARON/TOWN & COUNTRY	S = CORDOBA
D = ARIES	V = 400
F = NEW YORKER	X = MIRADA
G = DIPLOMAT	Y = IMPERIAL
M = HORIZON/TC3/SCAMP	Z = OMNI/O24/RAMPAGE

BODY STYLES

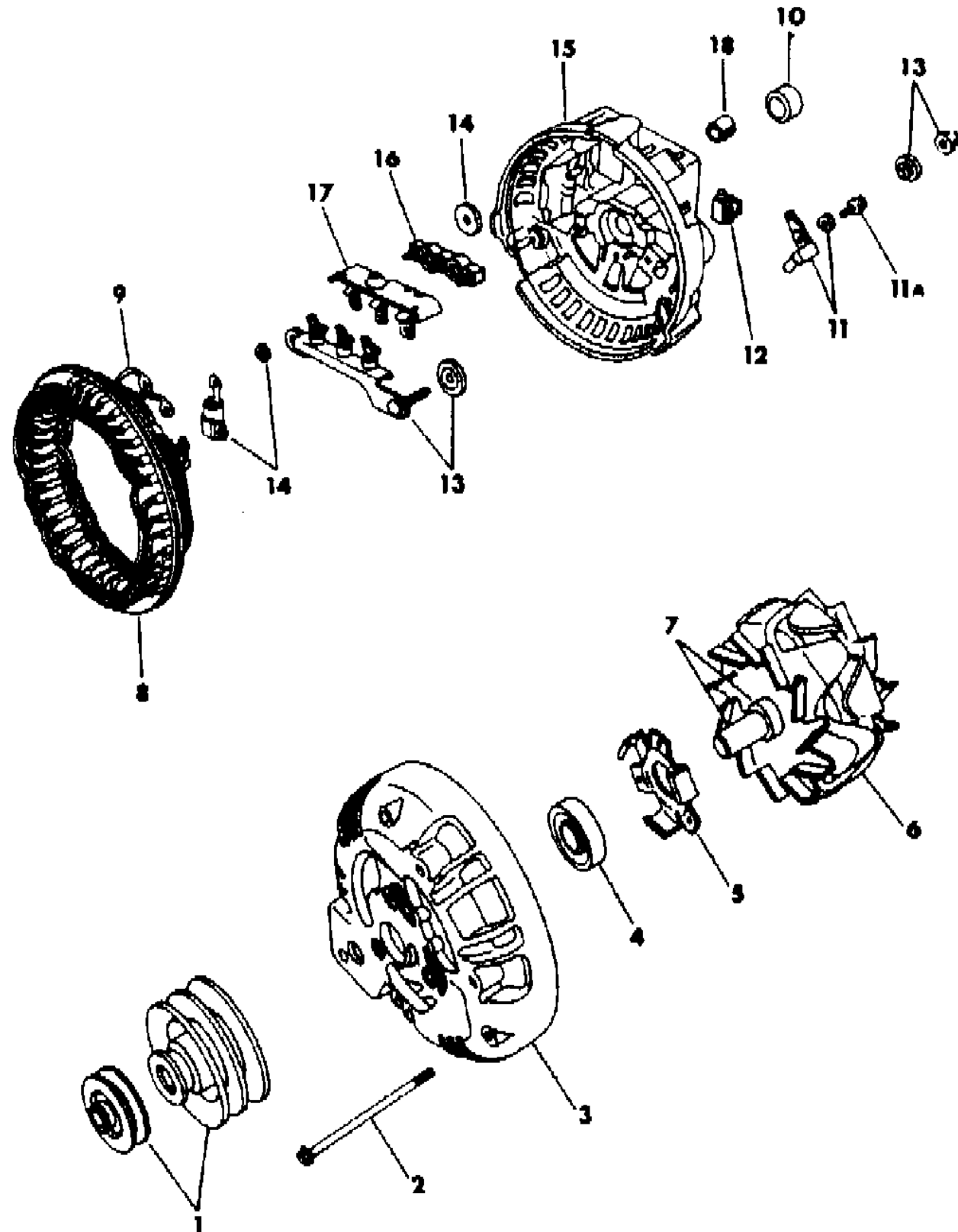
21 = 2-DOOR SEDAN	28 = FWD PICKUP
22 = 2-DOOR SPECIAL COUPE	41 = 4-DOOR SEDAN
24 = 2-DOOR HATCHBACK	44 = 4-DOOR HATCHBACK
27 = 2-DOOR CONVERTIBLE	45 = 2-SEAT STATION WAGON

AR = Use as Required - = Non Illustrated Part P.A.R. = Paint as Required



ALTERNATOR 60 AND 78 AMP. 225 & 318 ENGINE  
Figure 8-1600

2108 1600



ITEM	PART NUMBER	QTY	BODY	MODEL	DESCRIPTION
16	3438 729	1			INSULATOR, Stator Term. Stud NO Y3438729 Y3438729
17	3755 114	1			HEAT SINK, Negative NO Y3755114 N3438721 Y3755114
17	3438 721	1			HEAT SINK, Negative NO N3755114 Y3438721 N3755114
18	2095 052	1			INSERT NO Y2095052 Y2095052 Y2095052

NOTE: THE FOLLOWING PARTS NOT SHOWN ILLUSTRATION iced Alternator. Listed above is the Alternator stamped production number crossreferenced to the app

- BOLT, Altr. Mtg., 3/8 - 16 x 4 1/4 N0433116 N N N
- 3/8 - 16 x 4 1/2 N0433119 N N N
- 3/8 - 16 x 6 N9422791 N N N
- 3/8 - 16 x 5 1/2 N9423789 N N N
- 3/8 - 16 x 4 7/8 N9428486 N N N
- 3/8 - 16 x 5 1/4 N9422790 N N N
- 3/8 - 16 x 5 N9421897 N N N
- 3/8 - 16 x 7 1/4 N9427195 N N N
- 3/8 - 16 x 7 1/2 N9437943 N N N
- 3/8 - 16 x 4 3/4 N9428427 N N N
- NUT, Altr. Bolt, 3 / 8 x 16 9/16 N1523447 N N N
- SPACER, Rotor N4145342 N N N

MODEL CODES

- |                            |                      |
|----------------------------|----------------------|
| B = GRAN FURY/CARAVELLE    | P = RELIANT          |
| C = LEBARON/TOWN & COUNTRY | S = CORDOBA          |
| D = ARIES                  | V = 400              |
| F = NEW YORKER             | X = MIRADA           |
| G = DIPLOMAT               | Y = IMPERIAL         |
| M = HORIZON/TC3/SCAMP      | Z = OMNI/O24/RAMPAGE |

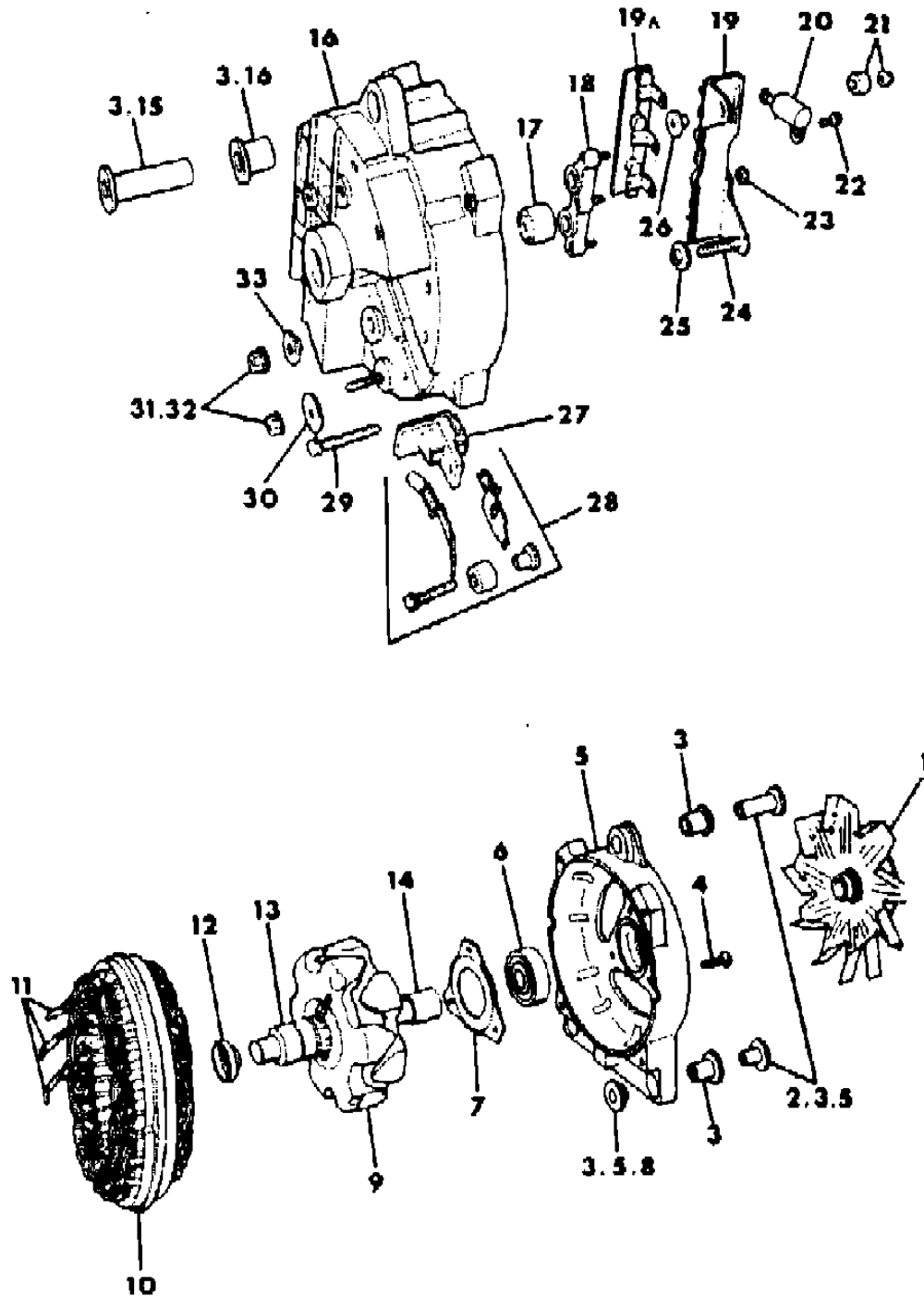
BODY STYLES

- |                           |                           |
|---------------------------|---------------------------|
| 21 = 2-DOOR SEDAN         | 28 = FWD PICKUP           |
| 22 = 2-DOOR SPECIAL COUPE | 41 = 4-DOOR SEDAN         |
| 24 = 2-DOOR HATCHBACK     | 44 = 4-DOOR HATCHBACK     |
| 27 = 2-DOOR CONVERTIBLE   | 45 = 2-SEAT STATION WAGON |

AR = Use as Required - = Non Illustrated Part P.A.R. = Paint as Required

**ALTERNATOR 114 AMP. 225 & 318 ENGINE**  
**Figure 8-1700**

2108 1700



ITEM	PART NUMBER	QTY	BODY	MODEL	DESCRIPTION
	4091 460	1			ALTERNATOR, PROD. 4091460
1	4094 028	1			FAN and PULLEY, 2.75" Double Groove
2					SLEEVE, Service in Drive End Shield also Service in Isolator Pkg.
3	4094 012	1			ISOLATOR PACKAGE
4	9428 120	3			SCREW
5	3874 995	1			DRIVE END SHIELD
6	3755 951	1			BEARING, Drive End Shield
7	3755 737	1			RETAINER, Drive End Shield Bearing
8					FERRULE, Serviced in Drive End Shield, also Serviced in Isolator Pkg.
9	4026 048	1			ROTOR and SPACER PACKAGE
10	3879 401	1			STATOR
11	3755 606	3			TERMINAL
12					RETAINER, Serviced in Slip Ring and Retainer Pkg.
13					SLIP RING, Serviced in Slip Ring and Retainer Pkg.
	3838 080	1			SLIP RING and RETAINER PACKAGE
14					SPACER, Serviced in Rotor Pkg.
15					SLEEVE, Serviced in Isolator Pkg.
16	4091 466	1			SHIELD, Rectifier End
17	3874 074	1			BEARING, Rectifier End Shield
18	3755 625	1			INSULATOR
19	4026 303	1			HEAT SINK, Positive
19A	3755 627	1			HEAT SINK, Negative
20					CAPACITOR, Serviced in 3838078 Pkg.
21					INSULATOR, Serviced in 4026303 Pkg.
22					SCREW, Not Serviced
23					NUT, Not Serviced
24					STUD, Serviced in 3838078 Pkg.
25					INSULATOR, Serviced in 3838078 Pkg.
26					SPACER, Serviced in 3838078 Pkg.
27	3838 078	1			CAPACITOR, STUD and INSULATOR Pkg.
28	3838 079	1			BRUSH
	3755 773	1			Brush Holder
29	6030 547	1			SCREW, Frame, 10x24 1 5/8
30					WASHER, Not Serviced
31	6031 029	1			NUT and WASHER
32	6023 201	1			NUT and WASHER

MODEL CODES

B = GRAN FURY/CARAVELLE	P = RELIANT
C = LEBARON/TOWN & COUNTRY	S = CORDOBA
D = ARIES	V = 400
F = NEW YORKER	X = MIRADA
G = DIPLOMAT	Y = IMPERIAL
M = HORIZON/TC3/SCAMP	Z = OMNI/O24/RAMPAGE

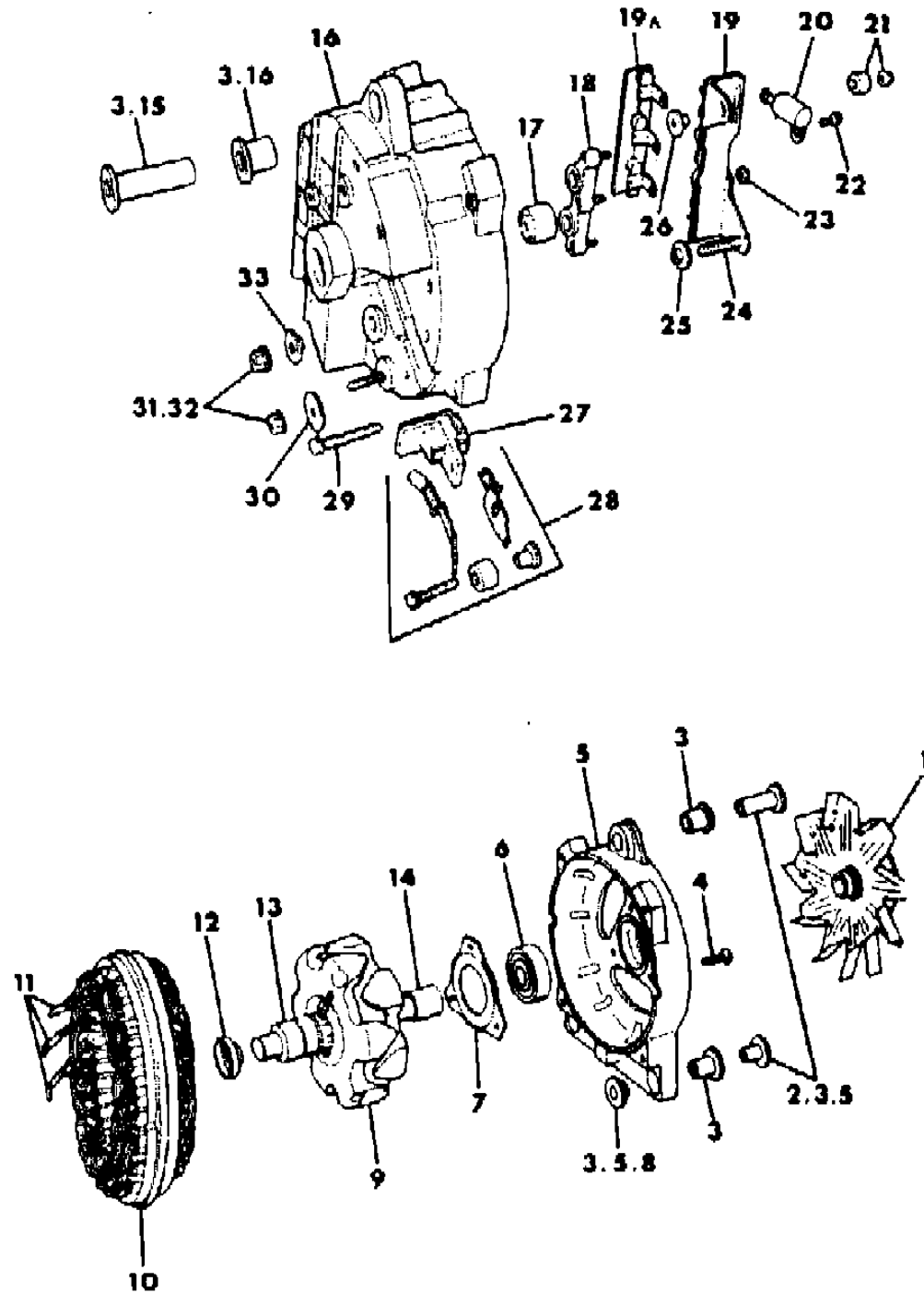
BODY STYLES

21 = 2-DOOR SEDAN	28 = FWD PICKUP
22 = 2-DOOR SPECIAL COUPE	41 = 4-DOOR SEDAN
24 = 2-DOOR HATCHBACK	44 = 4-DOOR HATCHBACK
27 = 2-DOOR CONVERTIBLE	45 = 2-SEAT STATION WAGON

AR = Use as Required - = Non Illustrated Part P.A.R. = Paint as Required

ALTERNATOR 114 AMP. 225 & 318 ENGINE  
Figure 8-1700

2108 1700



ITEM	PART NUMBER	QTY	BODY	MODEL	DESCRIPTION
------	-------------	-----	------	-------	-------------

33	3549 591				INSULATOR, Serviced in Rectifier End Shield BOLT, Altr. Pivot
----	----------	--	--	--	--

MODEL CODES  
 B = GRAN FURY/CARAVELLE  
 C = LEBARON/TOWN & COUNTRY  
 D = ARIES  
 F = NEW YORKER  
 G = DIPLOMAT  
 M = HORIZON/TC3/SCAMP  
 P = RELIANT  
 S = CORDOBA  
 V = 400  
 X = MIRADA  
 Y = IMPERIAL  
 Z = OMNI/O24/RAMPAGE

BODY STYLES  
 21 = 2-DOOR SEDAN  
 22 = 2-DOOR SPECIAL COUPE  
 24 = 2-DOOR HATCHBACK  
 27 = 2-DOOR CONVERTIBLE  
 28 = FWD PICKUP  
 41 = 4-DOOR SEDAN  
 44 = 4-DOOR HATCHBACK  
 45 = 2-SEAT STATION WAGON

AR = Use as Required - = Non Illustrated Part P.A.R. = Paint as Required

**ALTERNATOR MOUNTING 1.7L- 2.2L AND 225 ENGINES**  
**Figure 8-1800**

2108 1800

ITEM	PART NUMBER	QTY	BODY	MODEL	DESCRIPTION
1	5214 485	1			BRACKET, 1.7L Eng.
	4273 014	1			BRACKET, 2.2L Eng.. w/o A/Cond.
	4298 183	1			BRACKET, 2.2L Eng.. w/ A/Cond.
2	4241 192	1			BRACKET, Altr. Adj.
	6500 609	1			BOLT, Altr. Adj.
3	6500 597	1			U-NUT
	4209 363				GROUND STRAP,1.7L Eng. (4-1/2")
	4209 364	1			2.2L Eng. (6-1/4")
	4209 620	1			STRAP, Altr. Adj. Bracket To Mtg. Bolt (4")
4	4209 449	1			STRAP, a/Cond. Compressor (6-3/4")
	5211 210	1		M,Z,P,D	STRAP, Radio Noise Supp. Grd.
	9437 943	1			BOLT
5	5213 191				INSERT, Altr. Mounting
	4241 195	1			STRAP, Altr. Adj. 1.7L Eng.
	4241 283	1			STRAP, Altr. Adj. 2.2L Eng.
6	6500 490	1			BOLT, Altr. Adj. 1.7L & 2.2L Eng.
	4241 284	1			BRACKET, Altr. Adj. 1.7L Eng.
7	4241 153	1			Altr. Adj. 2.2L Eng.
	5240 756	1			BRACKET, Altr. Mtg. to Block w/60 or 78 Amp. Altr. 1.7L Eng.
8	5214 676	1		B,F,G,X	BRACKET, w/60 or 78 Amp. Altr. (Lower)
9	4273 058	1		B,F,G,X	BRACKET, w/60 or 78 Amp. Altr. (Upper)
10	4173 196	1		B,F,G,X	STRAP, Altr. Adj. w/Shields w/60 or 78 Amp. Altr.
11	5214 676	1		B,F,G,X	BRACKET, Altr. Mtg. to Block w/114 Amp. Altr. (Lower)
12	4095 279	1		B,F,G,X	BRACKET, Altr. Mtg. to Block w/114 Amp. Altr. (Upper)
13					BRACKET, w/Fuel Tube Shield
	4173 497	1		X,S	
	4041 405	1			IDLER, Roller & Bearing

NOTE: The following parts are not shown on illustration iced Alternator. Listed above is the Alternator stamped production number crossreferenced to the app

4268 558	AR	M,Z,P,D	INSERT, Isolator
4268 074	AR	M,Z,P,D	ISOLATOR (Rubber),up to 6-16-82
4273 176	AR	M,Z,P,D	after 6-16-82
4268 068	AR	M,Z,P,D	SLEEVE, Isolator Altr. Rr.
4268 067	1	M,Z,P,D	SLEEVE, Isolator
6029 381	1		SPACER, Altr. Mtg. w/60 or 78 Amp. Altr. w/Air Cond. w/225 Eng.
4273 079	1		SPACER, Altr. Mtg. 1.7L & 2.2L Eng.

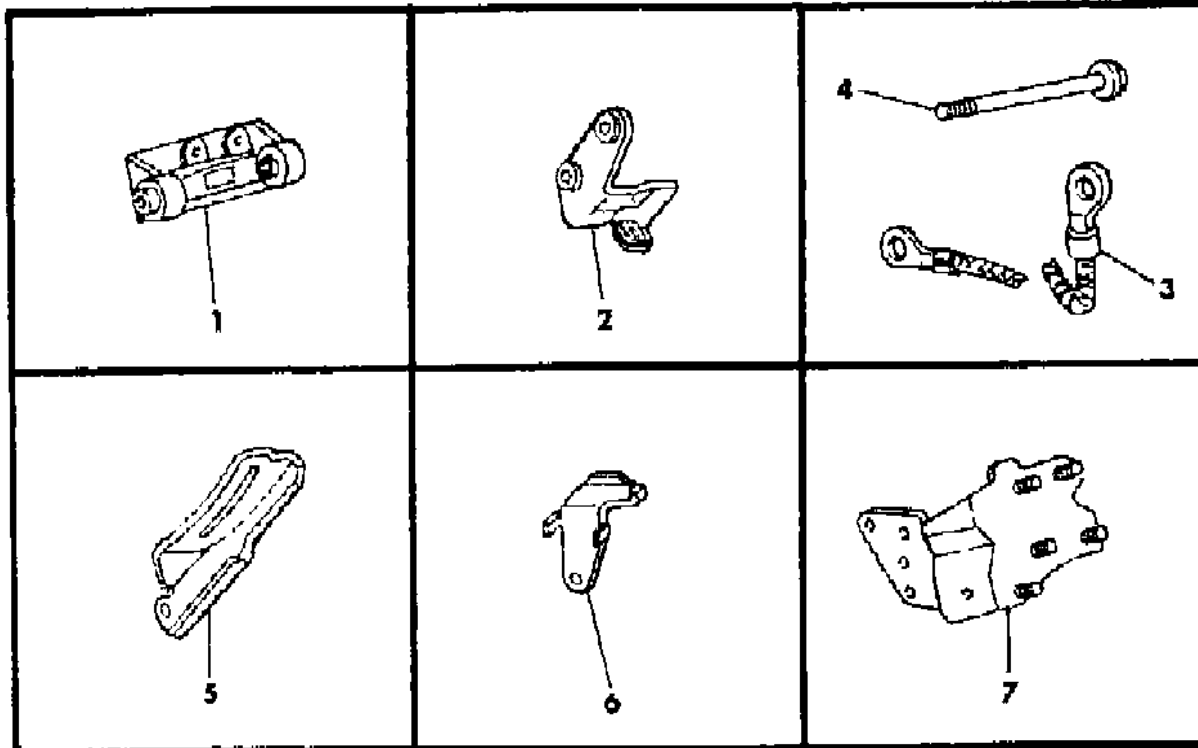
**MODEL CODES**

B = GRAN FURY/CARAVELLE	P = RELIANT
C = LEBARON/TOWN & COUNTRY	S = CORDOBA
D = ARIES	V = 400
F = NEW YORKER	X = MIRADA
G = DIPLOMAT	Y = IMPERIAL
M = HORIZON/TC3/SCAMP	Z = OMNI/O24/RAMPAGE

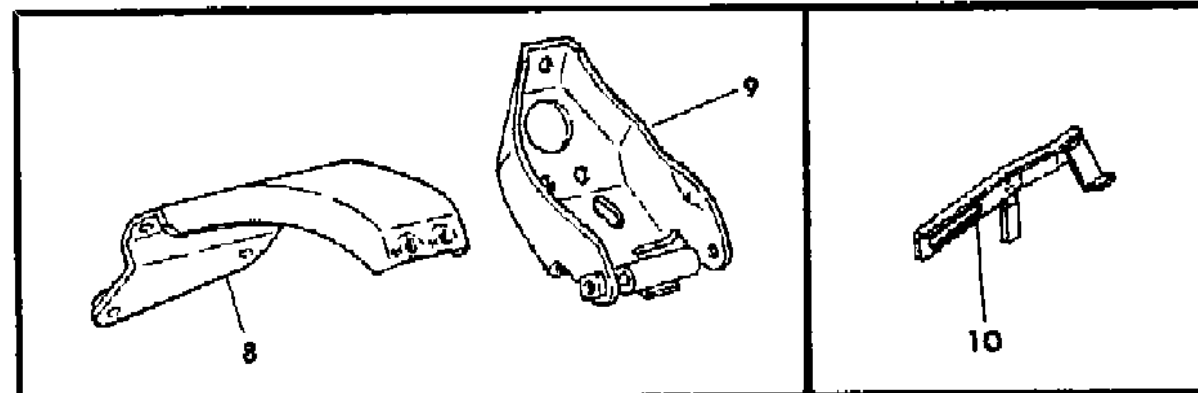
**BODY STYLES**

21 = 2-DOOR SEDAN	28 = FWD PICKUP
22 = 2-DOOR SPECIAL COUPE	41 = 4-DOOR SEDAN
24 = 2-DOOR HATCHBACK	44 = 4-DOOR HATCHBACK
27 = 2-DOOR CONVERTIBLE	45 = 2-SEAT STATION WAGON

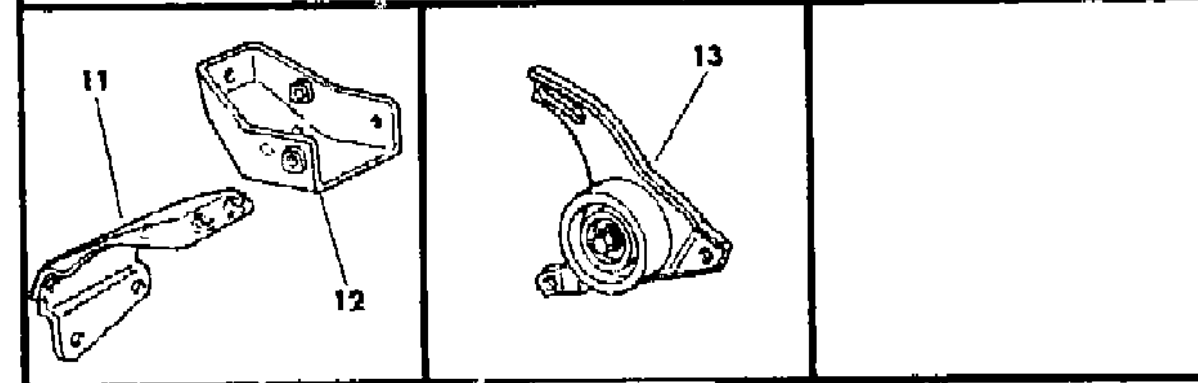
AR = Use as Required - = Non Illustrated Part P.A.R. = Paint as Required



**1.7 ENGINE**



**2.2L ENGINE**

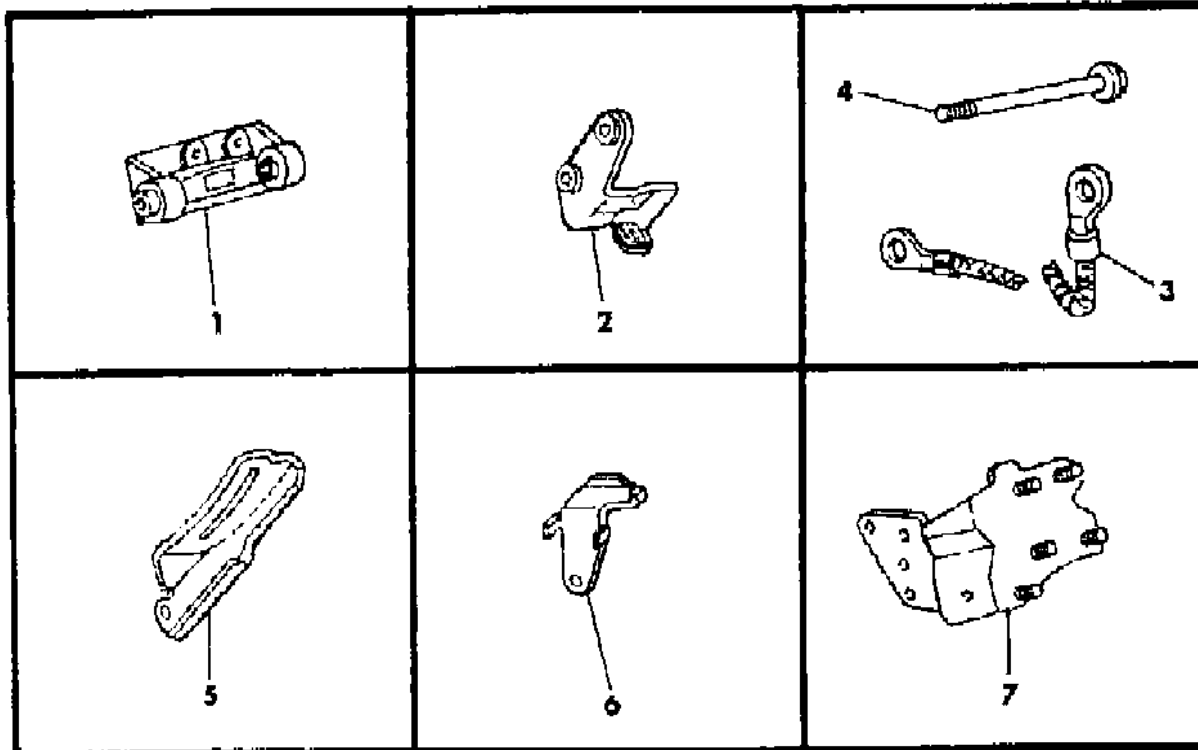


# ALTERNATOR MOUNTING 1.7L- 2.2L AND 225 ENGINES

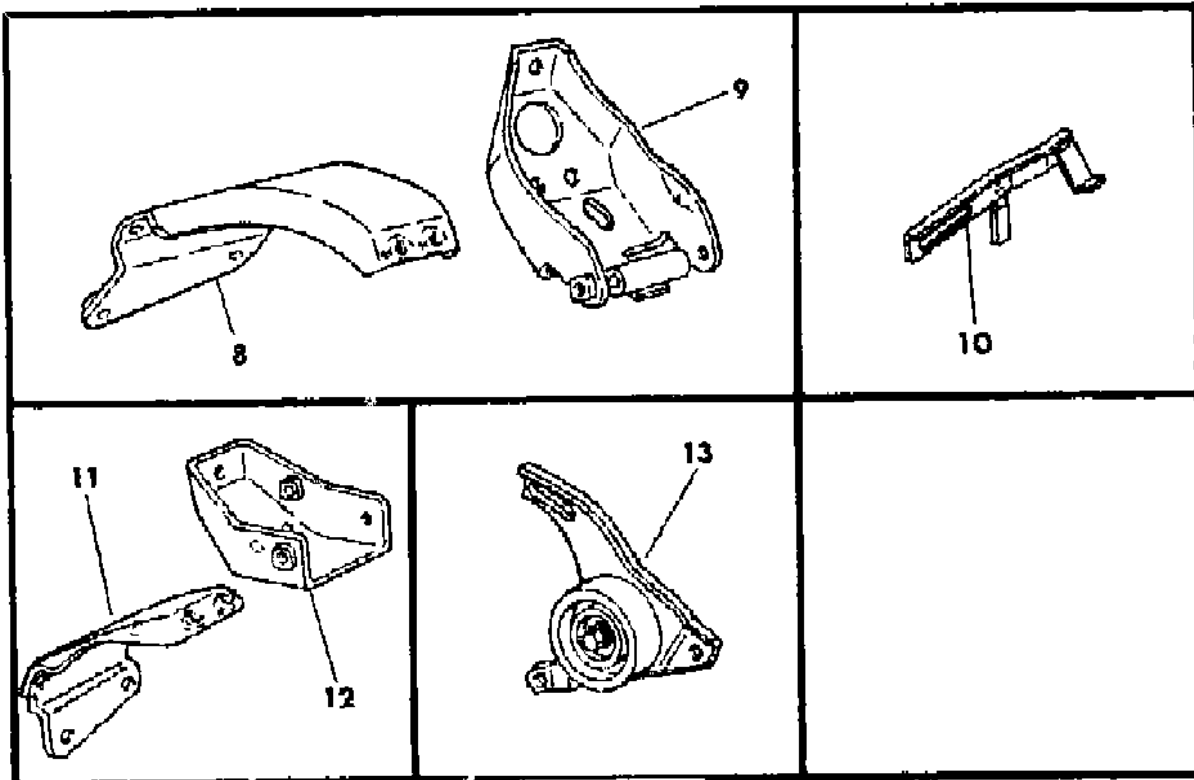
Figure 8-1800

2108 1800

ITEM	PART NUMBER	QTY	BODY	MODEL	DESCRIPTION
	4241 157	1			SPACER, Altr. & A/C Mtg. Bracket Frt. 2.2L Eng.
	6500 340	1			SCREW, w/Washer,Altr. Bracket,Chain Case Cover



1.7 ENGINE



2.25 ENGINE

MODEL CODES

B = GRAN FURY/CARAVELLE	P = RELIANT
C = LEBARON/TOWN & COUNTRY	S = CORDOBA
D = ARIES	V = 400
F = NEW YORKER	X = MIRADA
G = DIPLOMAT	Y = IMPERIAL
M = HORIZON/TC3/SCAMP	Z = OMNI/O24/RAMPAGE

BODY STYLES

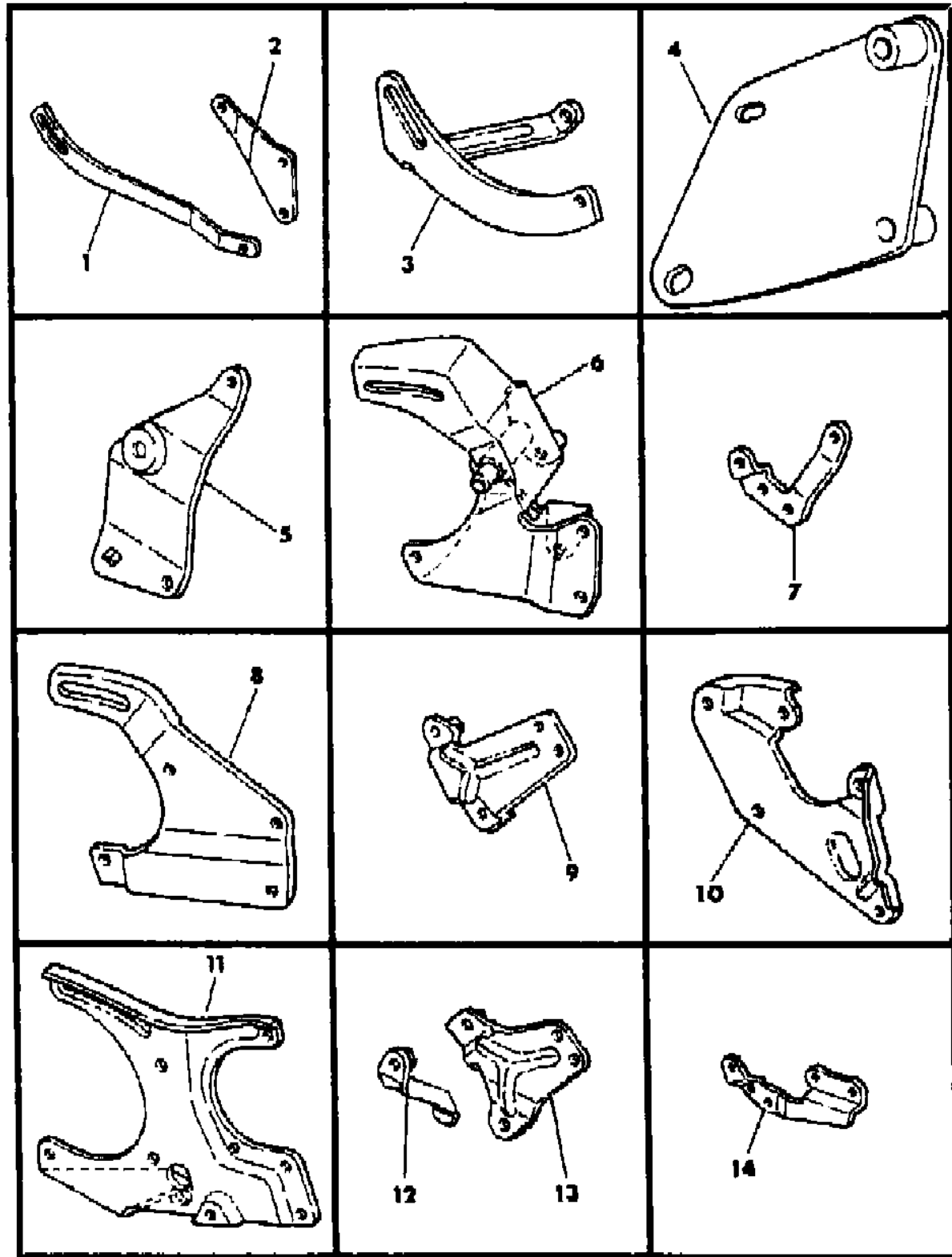
21 = 2-DOOR SEDAN	28 = FWD PICKUP
22 = 2-DOOR SPECIAL COUPE	41 = 4-DOOR SEDAN
24 = 2-DOOR HATCHBACK	44 = 4-DOOR HATCHBACK
27 = 2-DOOR CONVERTIBLE	45 = 2-SEAT STATION WAGON

AR = Use as Required - = Non Illustrated Part P.A.R. = Paint as Required

# ALTERNATOR MOUNTING 318 ENGINE

Figure 8-1900

2108 1900



ITEM	PART NUMBER	QTY	BODY	MODEL	DESCRIPTION
1	3512 498	1		B,F,G,X	STRAP, Altr. Adj. w/60 or 78 Amp. Altr. w/o Air Cond.
2	2951 834	1		B,F,G,X	BRACKET, Altr. Mtg. to Block w/60 or 78 Amp. Altr. w/o Air Cond.
3	4095 271	1		B,F,G,X	BRACKET, Altr. Mtg. to Block w/60 or 78 Amp. Altr. w/Air Cond.
4				X,S	Refer to Group 24 Or 25
6		1		B,F,G	BRACKET, Altr. Mtg., 114 Amp. Altr.
7	4071 733	1		B,F,G	Brkt.,Alternator & A/C Comp.
8		1		B,F,G,X	SUPPORT, Altr. Mtg. and Adj. Bracket (Rear)
9	3830 123	1		X,S	SUPPORT, Altr. Mtg. and Adj. Front, w/114 Amp. Altr.
10				X,S	SUPPORT, w/114 Amp. Altr. Rear
13	4100 653	1		B,F,G,X	Refer to Group 24
14	4104 388	1		B,F,G,X	BRACKET, Altr. Mtg. (Rear)
					BRACKET, w/114 Amp. Altr. w/Air Cond. Altr. Mtg.(Rear) 60 or 78 Amp.

NOTE: The following Parts are not shown on illustration iced Alternator. Listed above is the Alternator stamped production number crossreferenced to the app

6029 381	1				SPACER, Altr. Mtg. w/ 60 or 78 Amp. Altr. w/Air Cond.
6029 507	1				SPACER, Altr. Adj. Brkt. w/ 60 or 78 Amp. Altr. w/o Air Cond.
6031 433	1				SPACER, to Altr. and Air Cond. Compressor Mtg. Br kt. w/ 114 Amp. Altr.
4289 019	1		Y		GROUND STRAP, Rfi Supression

MODEL CODES

B = GRAN FURY/CARAVELLE	P = RELIANT
C = LEBARON/TOWN & COUNTRY	S = CORDOBA
D = ARIES	V = 400
F = NEW YORKER	X = MIRADA
G = DIPLOMAT	Y = IMPERIAL
M = HORIZON/TC3/SCAMP	Z = OMNI/O24/RAMPAGE

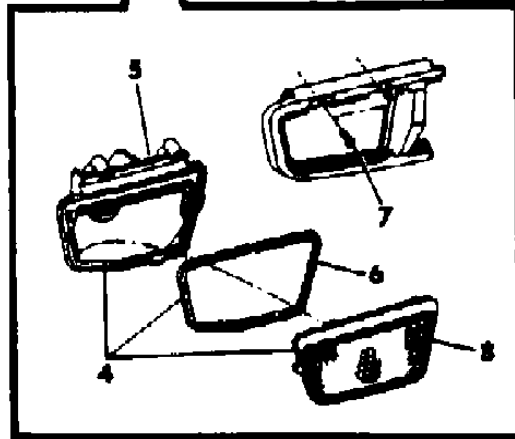
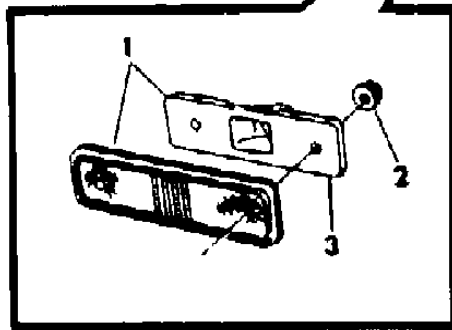
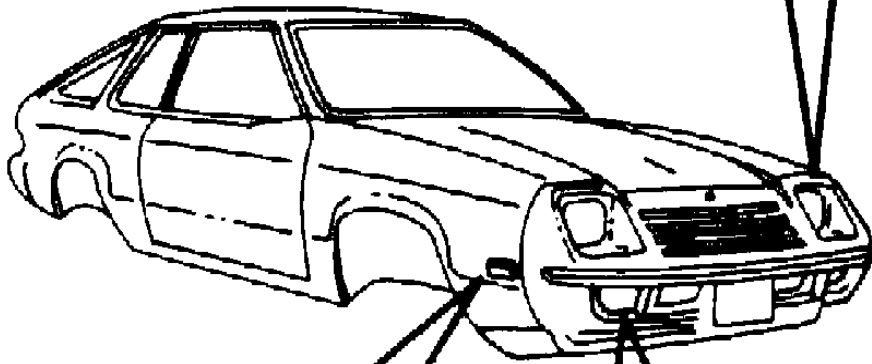
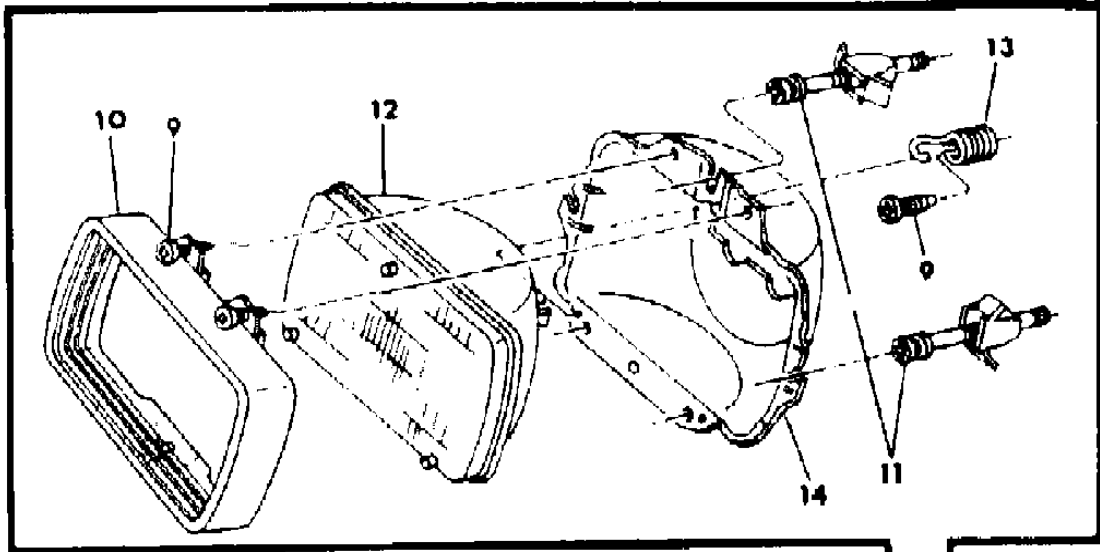
BODY STYLES

21 = 2-DOOR SEDAN	28 = FWD PICKUP
22 = 2-DOOR SPECIAL COUPE	41 = 4-DOOR SEDAN
24 = 2-DOOR HATCHBACK	44 = 4-DOOR HATCHBACK
27 = 2-DOOR CONVERTIBLE	45 = 2-SEAT STATION WAGON

AR = Use as Required - = Non Illustrated Part P.A.R. = Paint as Required

LAMPS--FRONT L BODY M-Z 24  
Figure 8-2000

2100 2000



ITEM	PART NUMBER	QTY	BODY	MODEL	DESCRIPTION
1	3587 436	2			LAMP, Frt. Fender S/M
2	6028 471	4			NUT
3					HOUSING,(Serviced in Lamp Assy.)
4	5207 568-9	1			LAMP, Parking and Turn Signal
5					HOUSING,(Serviced in Lamp Assy.)
6	3798 253	2			SEAL,(Also Serviced in Lamp Assy.)
7					SCREW,(Serviced in Lamp Assy.)
8					LENS,(Serviced in Lamp Assy.)
9	0153 340				SCREW
10	4103 908	2			BEZEL
11	3868 985	2			SCREW, Sealed Beam Unit Mtg. Seat Adj.
12	0153 199	2			SEALED BEAM UNIT, (rt. way shift)
	0153 273	2			(Lt. Way Shift), Export
	0153 590	2			HALOGEN
13	5201 386	2			SPRING, Sealed Beam Unit Mtg. Seat Adj.
14	4074 686-7	2			SEAT, Sealed Beam Unit
NOTE: The following parts not on illustration iced Alternator. Listed above is the Alternator stamped production number crossreferenced to the app					
	3764 865	AR			SOCKET, Side Marker (Repair Pkg.)
	3588 314	AR			SOCKET, Side Marker
	3764 863	AR			Parking and Turn Signal Frt.
	4055 433	AR			Parking and Turn Signal Frt. Repair Pkg.
	3843 432	AR			Repair Pkg., (Park And Turn sig.)

MODEL CODES

B = GRAN FURY/CARAVELLE	P = RELIANT
C = LEBARON/TOWN & COUNTRY	S = CORDOBA
D = ARIES	V = 400
F = NEW YORKER	X = MIRADA
G = DIPLOMAT	Y = IMPERIAL
M = HORIZON/TC3/SCAMP	Z = OMNI/O24/RAMPAGE

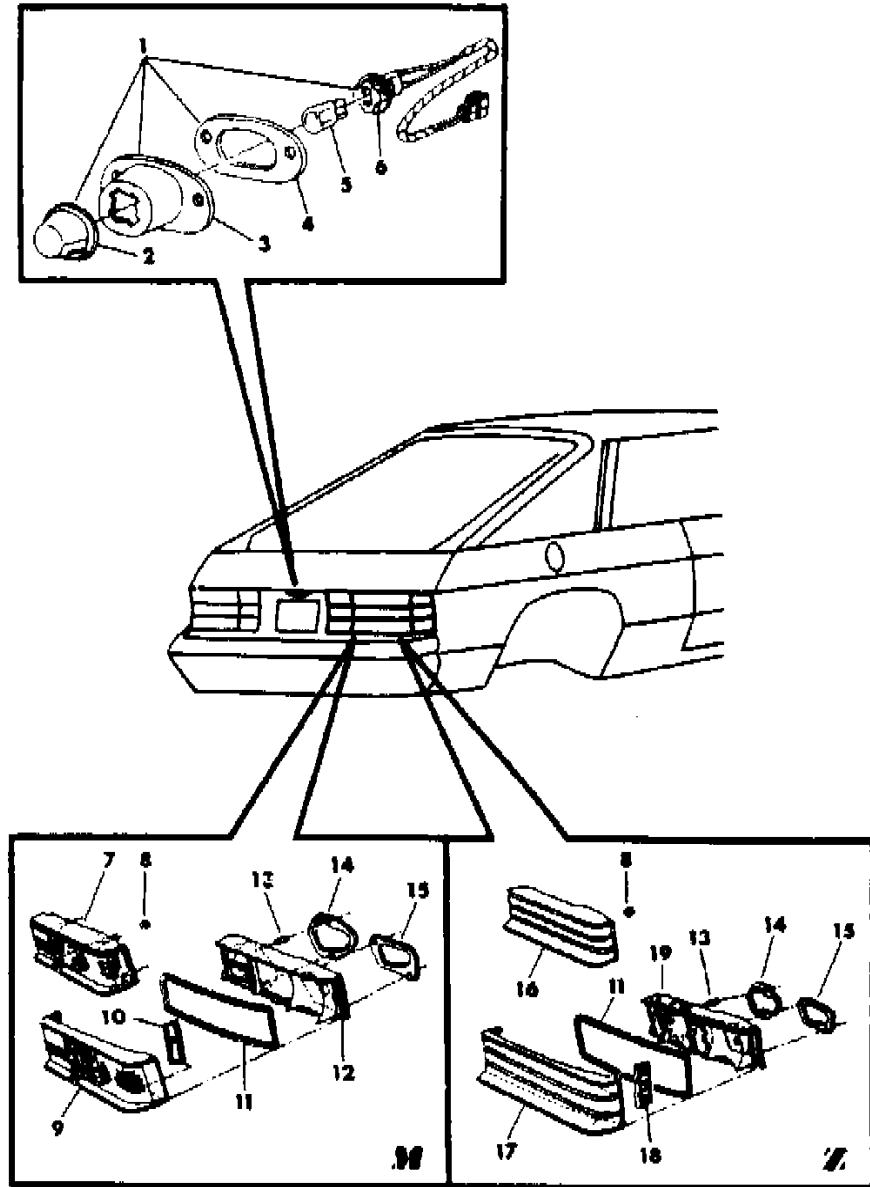
BODY STYLES

21 = 2-DOOR SEDAN	28 = FWD PICKUP
22 = 2-DOOR SPECIAL COUPE	41 = 4-DOOR SEDAN
24 = 2-DOOR HATCHBACK	44 = 4-DOOR HATCHBACK
27 = 2-DOOR CONVERTIBLE	45 = 2-SEAT STATION WAGON

AR = Use as Required - = Non Illustrated Part P.A.R. = Paint as Required

LAMPS--REAR L BODY--24  
Figure 8-2100

2108 2100



ITEM	PART NUMBER	QTY	BODY	MODEL	DESCRIPTION
1	5207 516	1			LAMP, (License)
2					LENS,(Serviced in Lamp Assy.)
3					HOUSING,(Serviced in Lamp Assy.)
4					GASKET,(Serviced in Lamp Assy.)
5	9425 542				BULB
6					SOCKET and CABLE,(Not Serviced)
7	5207 564-5	1		M	LAMP, Export
				M	LAMP, (Not Serviced)
8	6023 205	8			NUT
9	5207 674-5	1		M	LENS
	5207 588-9	1		M	LENS, Export
10				M	REFLECTOR,(Serviced in Lens Assy.)
11	3798 253	2			SEAL, Adhesive Type 33" Long (Also Serviced in Lamp Assy.)
12	5207 670-1			M	HOUSING
13	6031 398				STUD,(Also Serviced in Lamp Assy.)
14	5207 626-7	2			GASKET, Inboard (Also Serviced in Lamp Assy.)
15	5207 628-9	2			GASKET, Outboard (Also Serviced in Lamp Assy.)
16	5207 564-5	1		Z	LAMP, Export
				Z	LAMP, (Not Serviced)
17	5207 686-7	1		Z	LENS
	5207 588-9	1		Z	LENS, Export
18				Z	REFLECTOR,(Serviced in Lens Assy.)
19	5207 692-3			Z	HOUSING
NOTE: The following parts not shown on illustration iced Alternator. Listed above is the Alternator stamped production number crossreferenced to the app					
	5211 711	AR			SOCKET, Turn Signal Rr.
	2584 972	AR			Repair Pkg.
	4124 081	AR			Tail Light
	3588 314	AR			Side Marker
	5207 664	AR			WELT, Lift Gate

MODEL CODES

B = GRAN FURY/CARAVELLE  
C = LEBARON/TOWN & COUNTRY  
D = ARIES  
F = NEW YORKER  
G = DIPLOMAT  
M = HORIZON/TC3/SCAMP  
P = RELIANT  
S = CORDOBA  
V = 400  
X = MIRADA  
Y = IMPERIAL  
Z = OMNI/O24/RAMPAGE

BODY STYLES

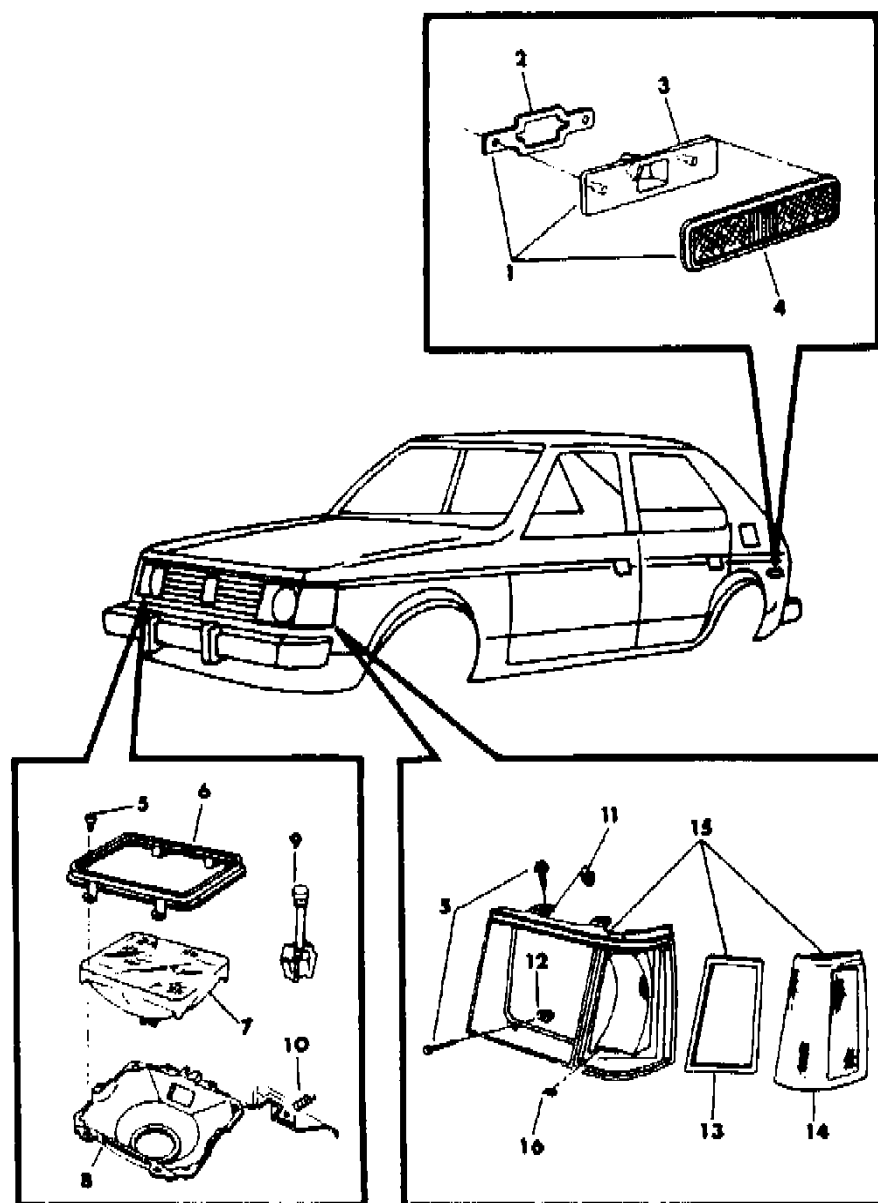
21 = 2-DOOR SEDAN  
22 = 2-DOOR SPECIAL COUPE  
24 = 2-DOOR HATCHBACK  
27 = 2-DOOR CONVERTIBLE  
28 = FWD PICKUP  
41 = 4-DOOR SEDAN  
44 = 4-DOOR HATCHBACK  
45 = 2-SEAT STATION WAGON

AR = Use as Required - = Non Illustrated Part P.A.R. = Paint as Required



LAMPS--FRONT L BODY M-Z44  
Figure 8-2200

2100 2200



ITEM	PART NUMBER	QTY	BODY	MODEL	DESCRIPTION
1	3587 440	2			LAMP, Qtr. Pnl. S/Marker
2					GASKET, Serviced in Lamp Assy.
3					HOUSING, Serviced in Lamp Assy.
4					LENS, Serviced in Lamp Assy.
5					SCREW, Not Serviced
6	5201 204	2			RETAINER, Sealed Beam Unit
7	0153 199	2			SEALED BEAM UNIT,(rt. Way Shift)
	0153 273	2			(Lt. Way Shift), Export
	0153 590	2			Halogen
8	4103 468-9	2			SEAT, Sealed Beam Unit
9	4270 581	4			SCREW and NUT, Sealed Beam Unit Seat Adj.
10	5201 386	2			SPRING, Sealed Beam Unit Mtg. Seat Adj.
11	6031 234	4			NUT, Spacer
12	6031 138	4			NUT, Spacer
13	3798 253	2			SEAL
14	5207 624-5	1			LENS, Also Serviced in Bezel Assy.
15	4103 216-7	1			BEZEL, H/Lp., Park, T/Sig. and S/Marker
16					VENT STRIP, Serviced in Bezel Assy.

NOTE: The following parts not shown on illustration iced Alternator. Listed above is the Alternator stamped production number crossreferenced to the app

3513 686	SOCKET, Side Marker
3764 863	Turn Signal Frt.
3843 432	Repair Pkg.
4053 433	PARK, t/Sig. Repair Pkg.

MODEL CODES

B = GRAN FURY/CARAVELLE	P = RELIANT
C = LEBARON/TOWN & COUNTRY	S = CORDOBA
D = ARIES	V = 400
F = NEW YORKER	X = MIRADA
G = DIPLOMAT	Y = IMPERIAL
M = HORIZON/TC3/SCAMP	Z = OMNI/O24/RAMPAGE

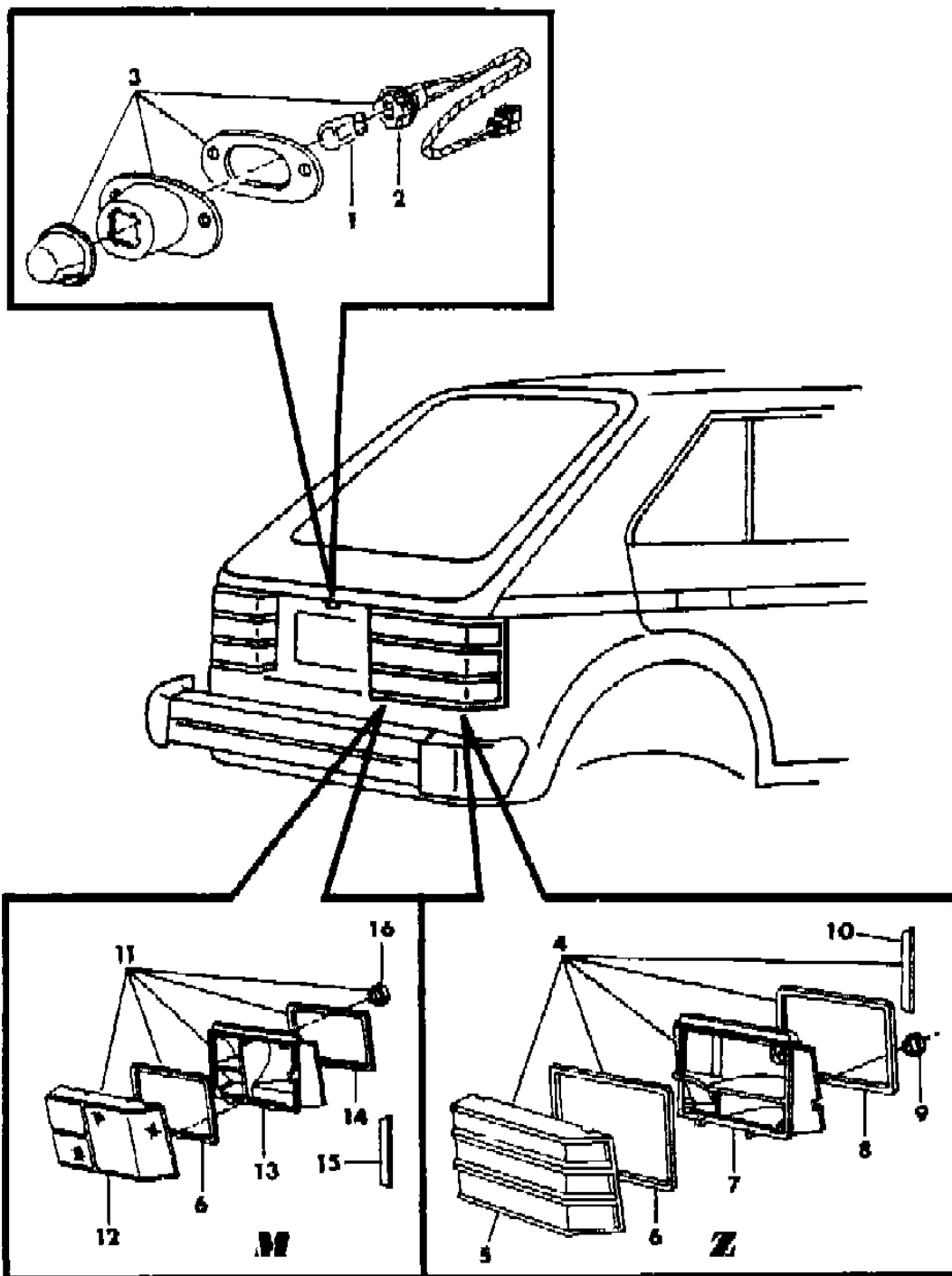
BODY STYLES

21 = 2-DOOR SEDAN	28 = FWD PICKUP
22 = 2-DOOR SPECIAL COUPE	41 = 4-DOOR SEDAN
24 = 2-DOOR HATCHBACK	44 = 4-DOOR HATCHBACK
27 = 2-DOOR CONVERTIBLE	45 = 2-SEAT STATION WAGON

AR = Use as Required - = Non Illustrated Part P.A.R. = Paint as Required

LAMPS--REAR L BODY M-Z 44  
Figure 8-2300

2108 2300



ITEM	PART NUMBER	QTY	BODY	MODEL	DESCRIPTION
1	9425 542				BULB
2					SOCKET and CABLE, Not Serviced
3	5207 516				LAMP, (License) Housing (License) Serviced In Lamp Assy.
4					LAMP, (Not Serviced)
5	5207 720-1	1		Z	LENS
	5207 740-1	1		Z	LENS, Export
6	3798 253	2		M,Z	SEAL
7	5207 710-1	2		Z	HOUSING
	5207 526-7	2		Z	HOUSING, Export
8	3798 253			Z	SEAL,(Also Serviced in Housing Assy.)
9				Z	GROUND RING, Serviced in Housing Assy.
10	5207 620			Z	WELT
11				M	LAMP, Not Serviced
12	5207 706-7	1		M	LENS
	5207 540-1	1		M	LENS, Export
13	5207 702-3	1		M	HOUSING
	5207 526-7	1		M	HOUSING, Export
14	3798 253			M	SEAL
15	5207 600	2		M	WELT
16				M	GROUND RING, Serviced in Housing Assy.

NOTE: The following parts not shown on illustration. iced Alternator. Listed above is the Alternator stamped production number crossreferenced to the app

5211 711	SOCKET, Turn Signal Rr.
3780 745	Back-Up
2584 972	Repair Pkg.
4124 081	Tail Light
3780 745	Back Up

MODEL CODES

B = GRAN FURY/CARAVELLE	P = RELIANT
C = LEBARON/TOWN & COUNTRY	S = CORDOBA
D = ARIES	V = 400
F = NEW YORKER	X = MIRADA
G = DIPLOMAT	Y = IMPERIAL
M = HORIZON/TC3/SCAMP	Z = OMNI/O24/RAMPAGE

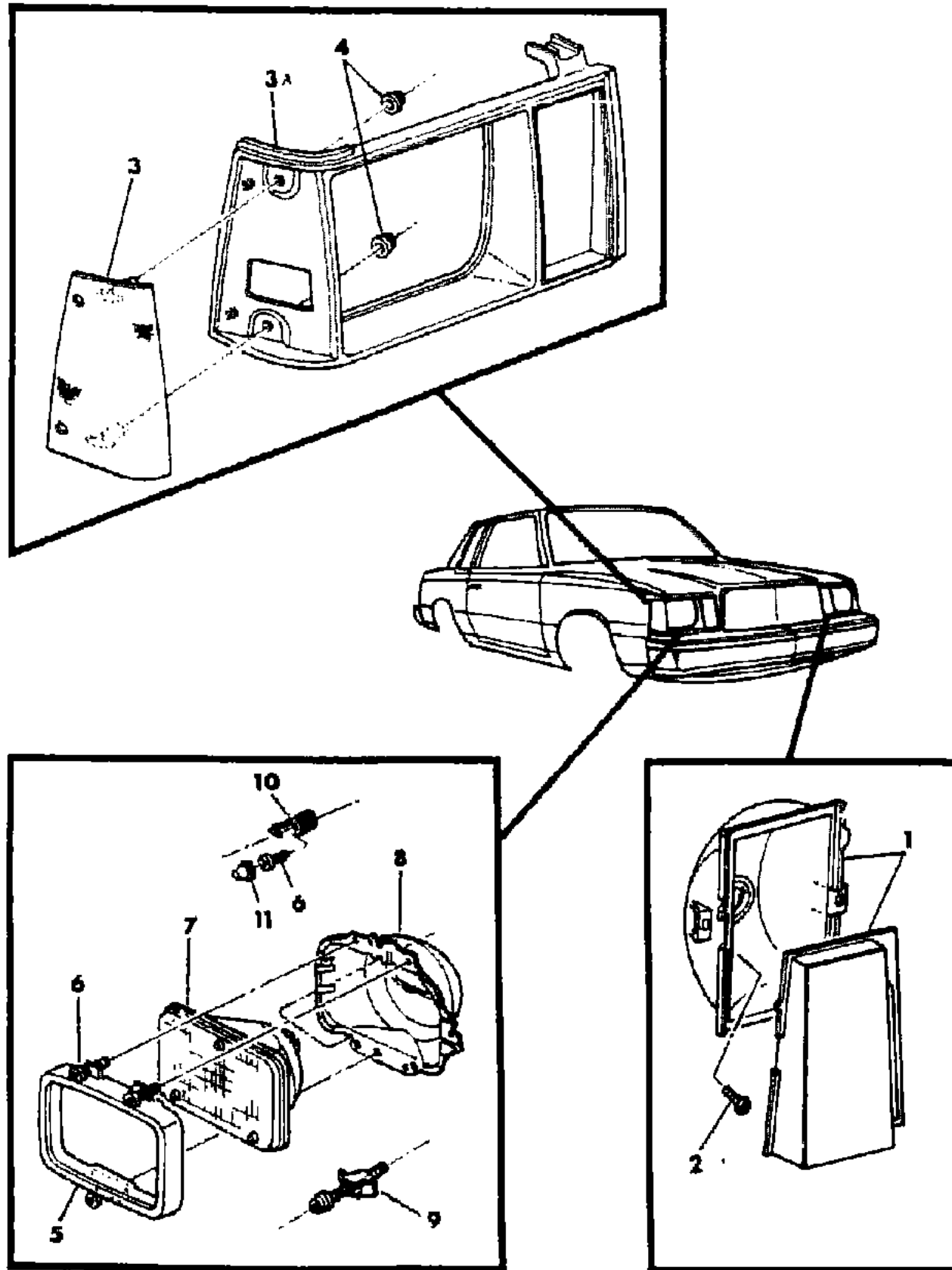
BODY STYLES

21 = 2-DOOR SEDAN	28 = FWD PICKUP
22 = 2-DOOR SPECIAL COUPE	41 = 4-DOOR SEDAN
24 = 2-DOOR HATCHBACK	44 = 4-DOOR HATCHBACK
27 = 2-DOOR CONVERTIBLE	45 = 2-SEAT STATION WAGON

AR = Use as Required - = Non Illustrated Part P.A.R. = Paint as Required

LAMPS--FRONT K BODY P-D  
Figure 8-2400

2108 2400



ITEM	PART NUMBER	QTY	BODY	MODEL	DESCRIPTION
1	4174 002-3				LAMP, h/Lamp Bezel Park and t/Sig.
2	6031 138	4			SCREW
3	4174 108-9				LAMP, h/Lamp Bezel Side Marker
3a	4103 150-1				BEZEL, Head Lamp (Up To 1-18-82)
	4270 574-5				BEZEL, Head Lamp (After 1-18-82)
4	6029 471	4			NUT
5	4103 378	2			RETAINER
6	0153 340	6			SCREW
7					SEALED BEAM UNIT
	0153 590				Halogen (Rt. Way Shift) 7"
	0153 199				(Rt. Way Shift) 7" (Exc. Halogen)
	0153 273				(Lt. Way Shift) 7" (Export)
8	4103 468-9				SEAT, Rect. h/Lamp
9	4270 581	2			NUT and SCREW
10	5201 386	2			SPRING, Rect. h/Lamp
11	6030 765	6			CAP, Screw Protector
NOTE: The following parts not shown on illustration iced Alternator. Listed above is the Alternator stamped production number crossreferenced to the app					
					SOCKET
	3843 432	2			Park and T/Sig.
	3588 314	2			Side Marker
	4274 100	2			Side Marker (Repair)

MODEL CODES  
 B = GRAN FURY/CARAVELLE      P = RELIANT  
 C = LEBARON/TOWN & COUNTRY      S = CORDOBA  
 D = ARIES      V = 400  
 F = NEW YORKER      X = MIRADA  
 G = DIPLOMAT      Y = IMPERIAL  
 M = HORIZON/TC3/SCAMP      Z = OMNI/O24/RAMPAGE

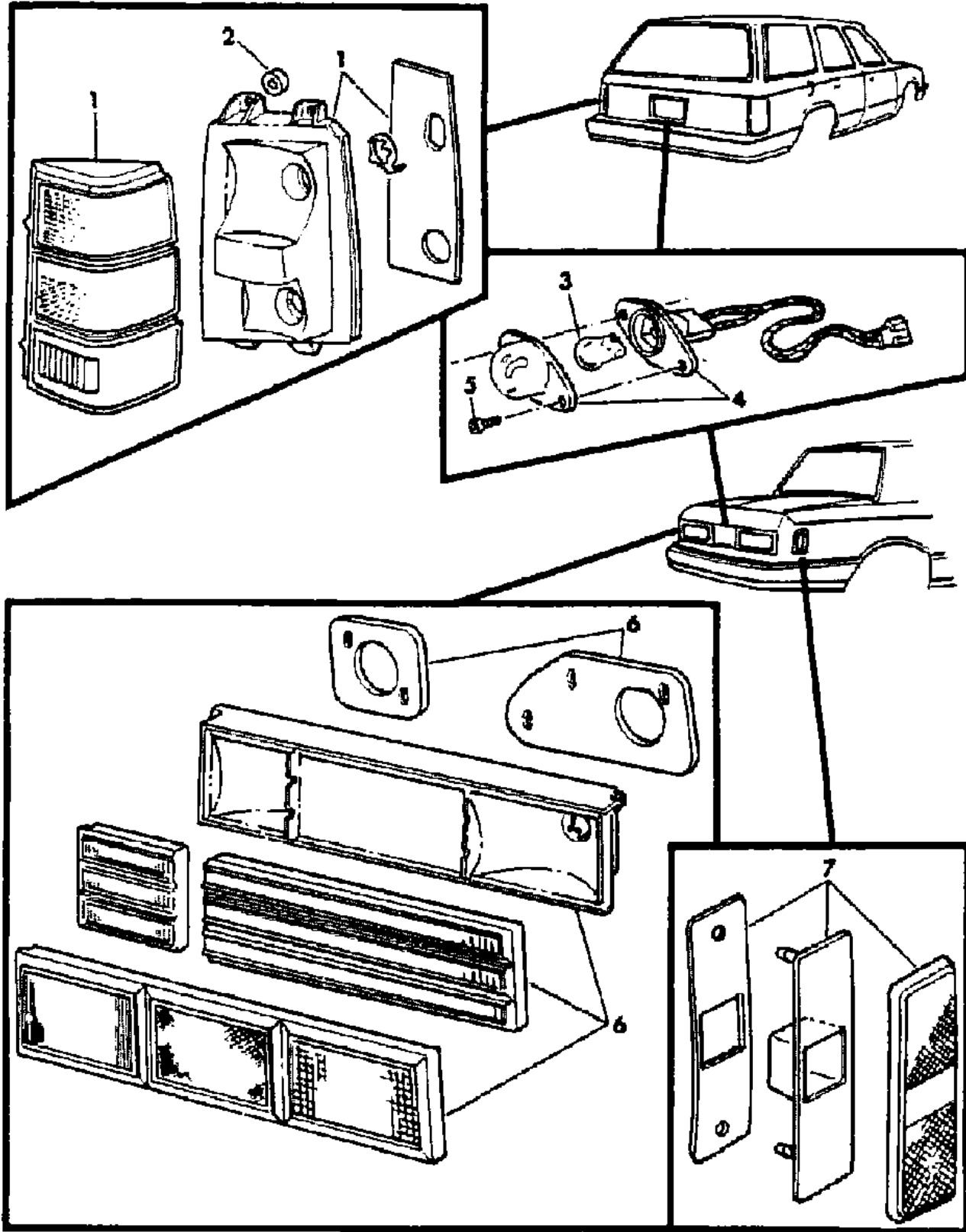
BODY STYLES  
 21 = 2-DOOR SEDAN      28 = FWD PICKUP  
 22 = 2-DOOR SPECIAL COUPE      41 = 4-DOOR SEDAN  
 24 = 2-DOOR HATCHBACK      44 = 4-DOOR HATCHBACK  
 27 = 2-DOOR CONVERTIBLE      45 = 2-SEAT STATION WAGON

AR = Use as Required - = Non Illustrated Part P.A.R. = Paint as Required

LAMPS--REAR K BODY P-D

Figure 8-2500

2108 2500



ITEM	PART NUMBER	QTY	BODY	MODEL	DESCRIPTION
1					LAMP, Qtr. Pnl. t/Stop and t/Sig. b/Up and Side Marker
	4174 080-1			P (45)	
	4174 096-7			D (45)	
	4174 298			P,D (45)	BRACKET, Qtr. Pnl. (Not Shown)
2	4174 299			P,D (45)	GASKET, Qtr. Pnl.
3	9425 542	2			BULB, License
4	4174 102	2			LAMP, License
					Housing (License) Serviced In Lamp Assy.
5					SCREW, Not Serviced
6	4174 046-7			P-L (21)	LAMP, t/Stop t/Sig. and b/Up
	4174 052-3			P-HP (2)	
	4174 422-3			D-L (21)	
	4174 426-7			D-HP (2)	
7	4174 118-9				LAMP, Qtr. Pnl. Side Marker
NOTE: The following parts not shown on illustration iced Alternator. Listed above is the Alternator stamped production number crossreferenced to the app					
					SOCKET
	3588 314	2		(21,41)	Side Marker
	4274 100	2			Side Marker, t/Sig. (Repair Pkg.)
	4124 081	4		(21,41)	Tail Stop
	3588 314	4			License
	2822 196	2		(45)	Tail Stop and T/Sig.
	5211 711	2			Rr. t/Sig. w/(60Deg.)
	5211 712	2			Back Up w/(90Deg.)

MODEL CODES

B = GRAN FURY/CARAVELLE	P = RELIANT
C = LEBARON/TOWN & COUNTRY	S = CORDOBA
D = ARIES	V = 400
F = NEW YORKER	X = MIRADA
G = DIPLOMAT	Y = IMPERIAL
M = HORIZON/TC3/SCAMP	Z = OMNI/O24/RAMPAGE

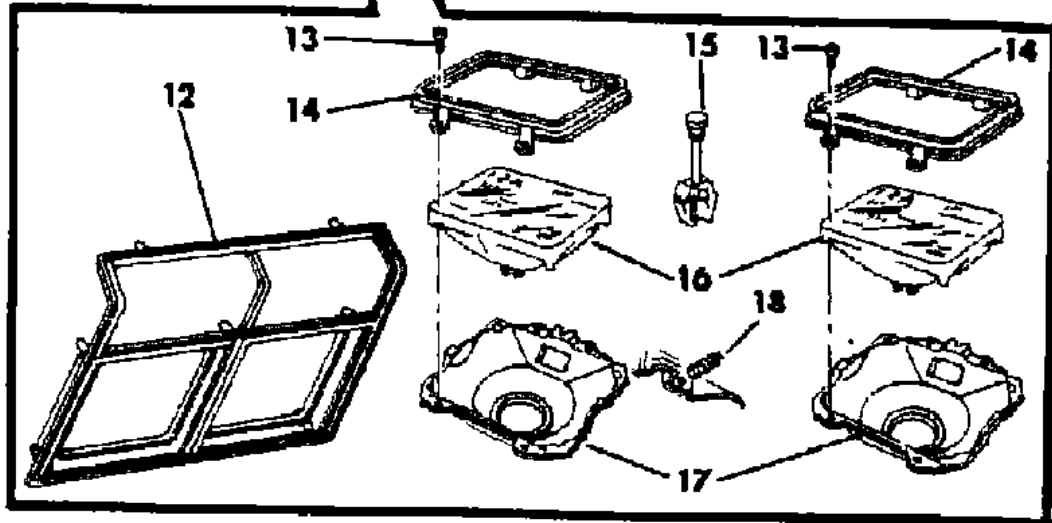
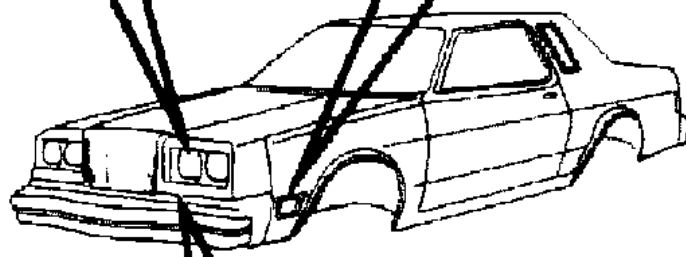
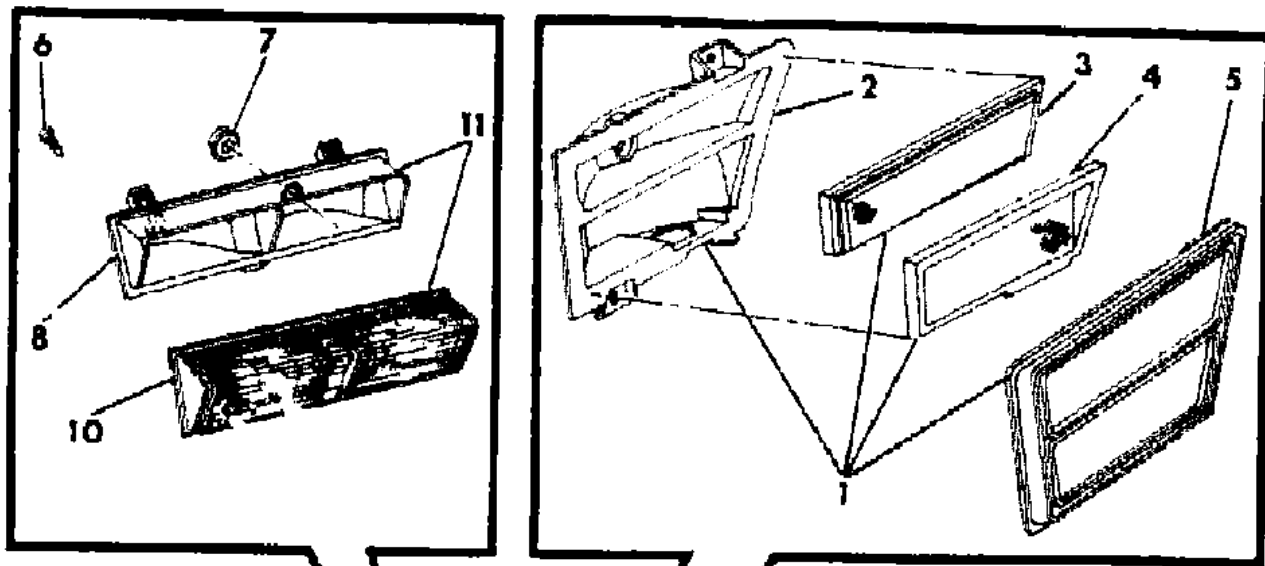
BODY STYLES

21 = 2-DOOR SEDAN	28 = FWD PICKUP
22 = 2-DOOR SPECIAL COUPE	41 = 4-DOOR SEDAN
24 = 2-DOOR HATCHBACK	44 = 4-DOOR HATCHBACK
27 = 2-DOOR CONVERTIBLE	45 = 2-SEAT STATION WAGON

AR = Use as Required - = Non Illustrated Part P.A.R. = Paint as Required

LAMPS--FRONT M BODY F  
Figure 8-2600

2108 2600



ITEM	PART NUMBER	QTY	BODY	MODEL	DESCRIPTION
1	4076 790-1				LAMP, Cornering and s/Marker
	4174 867				LAMP, s/Marker
2					HOUSING, Serviced In Lamp Assy.
3					LENS, Serviced in Lamp Assy., Upper
4					LENS, Serviced in Lamp Assy., Lower
5					BEZEL, Serviced in Lamp Assy.
6					SCREW, Not Serviced
7					PLATE, Serviced in Lamp Assy.
8					HOUSING, (Serv. in Lamp Assy.)
9					CHRYSLER, Name Plate (Serviced in 4076565 Lamp Assy.)
10					LENS, Serviced in Lamp Assy.
11	4174 364-5				LAMP, Park and T/Sig.
12	4103 638-9				BEZEL
13					SCREW, Not Serviced
14	4016 088	4			RETAINER, Sealed Beam Unit
15	3868 985	8			SCREW and NUT, Sealed Beam Unit
16	0153 440	2			SEALED BEAM UNIT, High Beam (Halogen)
	0153 481	2			High Low Beam (Halogen)
	0153 200	2			High Beam
	0153 201	2			High and Low Beam
17	3868 928-9	1			SEAT, Sealed Beam Unit, High Beam
	3868 926-7	1			High and Low Beam
18	3868 789	4			SPRING, Sealed Beam Unit Mtg. Seat Adj.
NOTE: The following parts not shown on illustration iced Alternator. Listed above is the Alternator stamped production number crossreferenced to the app					
	3843 432				SOCKET, Turn Signal
	4124 721				w/ Cable Cornering Lamp

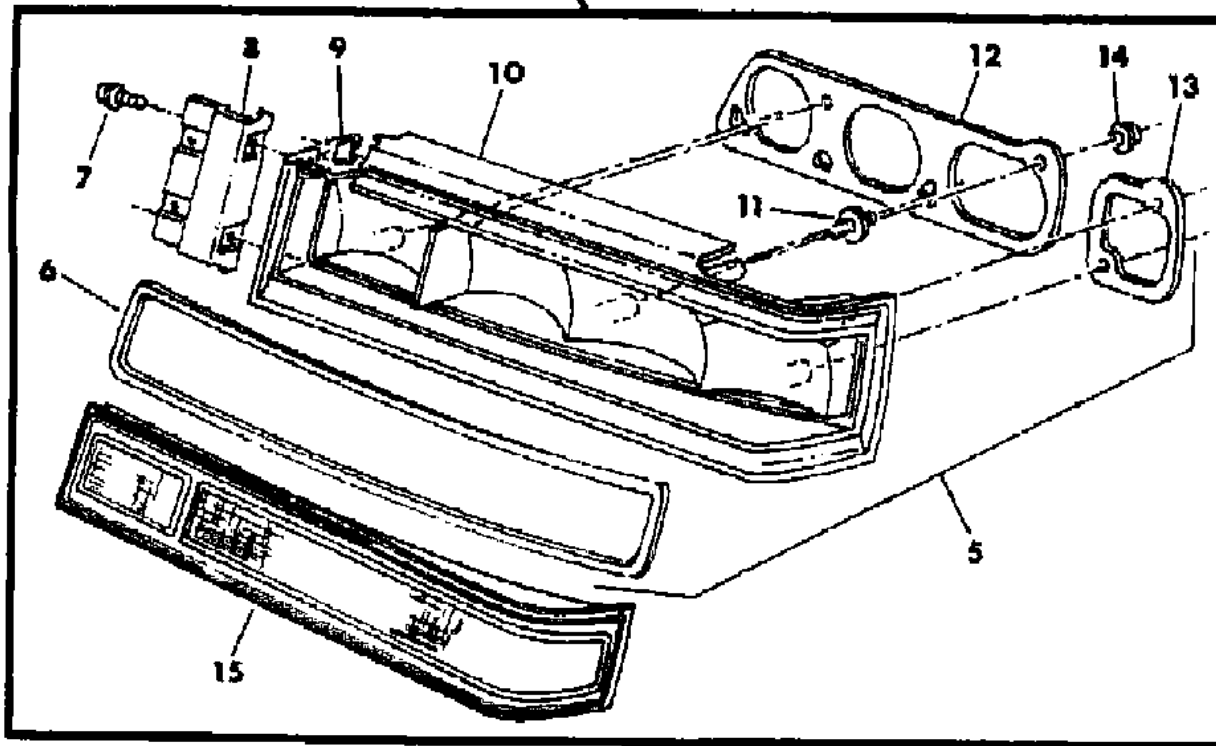
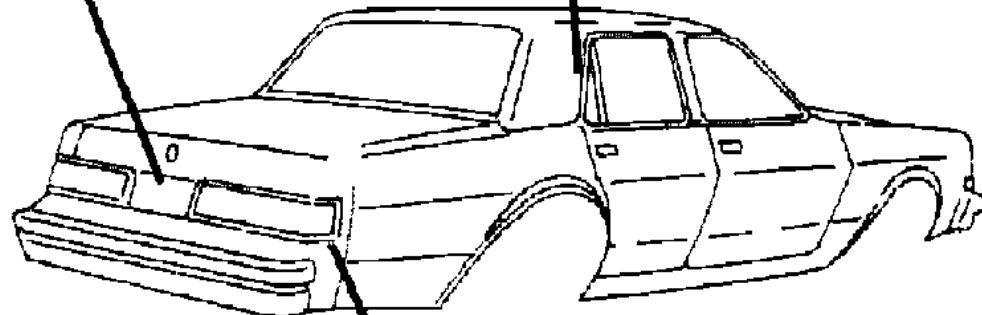
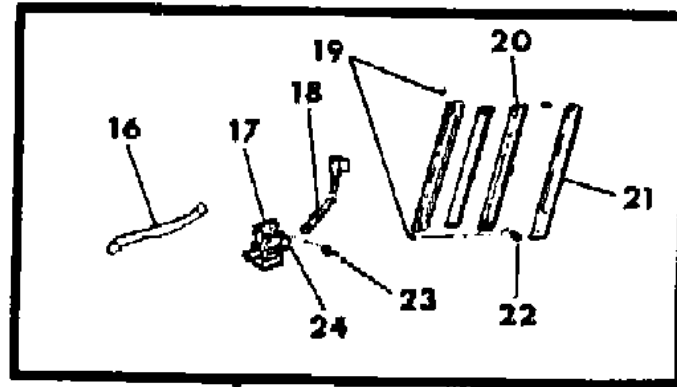
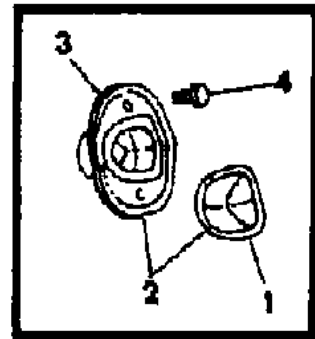
MODEL CODES  
 B = GRAN FURY/CARAVELLE  
 C = LEBARON/TOWN & COUNTRY  
 D = ARIES  
 F = NEW YORKER  
 G = DIPLOMAT  
 M = HORIZON/TC3/SCAMP  
 P = RELIANT  
 S = CORDOBA  
 V = 400  
 X = MIRADA  
 Y = IMPERIAL  
 Z = OMNI/O24/RAMPAGE

BODY STYLES  
 21 = 2-DOOR SEDAN  
 22 = 2-DOOR SPECIAL COUPE  
 24 = 2-DOOR HATCHBACK  
 27 = 2-DOOR CONVERTIBLE  
 28 = FWD PICKUP  
 41 = 4-DOOR SEDAN  
 44 = 4-DOOR HATCHBACK  
 45 = 2-SEAT STATION WAGON

AR = Use as Required - = Non Illustrated Part P.A.R. = Paint as Required

LAMPS--REAR M BODY F  
Figure 8-2700

2108 2700A



ITEM	PART NUMBER	QTY	BODY	MODEL	DESCRIPTION
1					LENS, Serviced in Lamp Assy.
2	4076 808				LAMP, (License)
3					HOUSING, Serviced in Lamp Assy.
4					SCREW, Not Serviced
5	4174 356-7	1			LAMP, Lwr.Deck Oping Pnl.Tail Stop & T/Sig.
6					SEAL, Serviced in Lamp Assy.
7					SCREW, Not Serviced
8	4229 652				SUPPORT
9					NUT, Speed
10					HOUSING, Serviced in Lamp Assy.
11					STUD, Serviced in Lamp Assy.
12					GASKET, Serviced In Lamp Assy.
13					GASKET, Serviced In Lamp Assy.
14	6023 205	12			NUT
15	4076 892-3				LENS
16	4229 163	AR			WIRE, 12 Volts
17	4229 291	AR			RETAINER, Inverter Assy.
18		AR			WIRE, Lamp, 110 Volts
19	4057 555	AR			NUT, 3/16
20	4229 160-1				LENS, Light Insert
21	4229 806-7				BEZEL, Rear Dr. Qtr. Wdo.
22	4094 619				RETAINER
23		AR			RIVET, 1/8 x .032
24	4229 162	AR			INVERTER, Rear Opera Lamp
NOTE: The following parts not shown on illustration iced Alternator. Listed above is the Alternator stamped production number crossreferenced to the app					
	3513 386				SOCKET, License
	4124 081				Tail and Turn Signal
	3513 386				Side Marker
	3764 504				Back Up

MODEL CODES

B = GRAN FURY/CARAVELLE	P = RELIANT
C = LEBARON/TOWN & COUNTRY	S = CORDOBA
D = ARIES	V = 400
F = NEW YORKER	X = MIRADA
G = DIPLOMAT	Y = IMPERIAL
M = HORIZON/TC3/SCAMP	Z = OMNI/O24/RAMPAGE

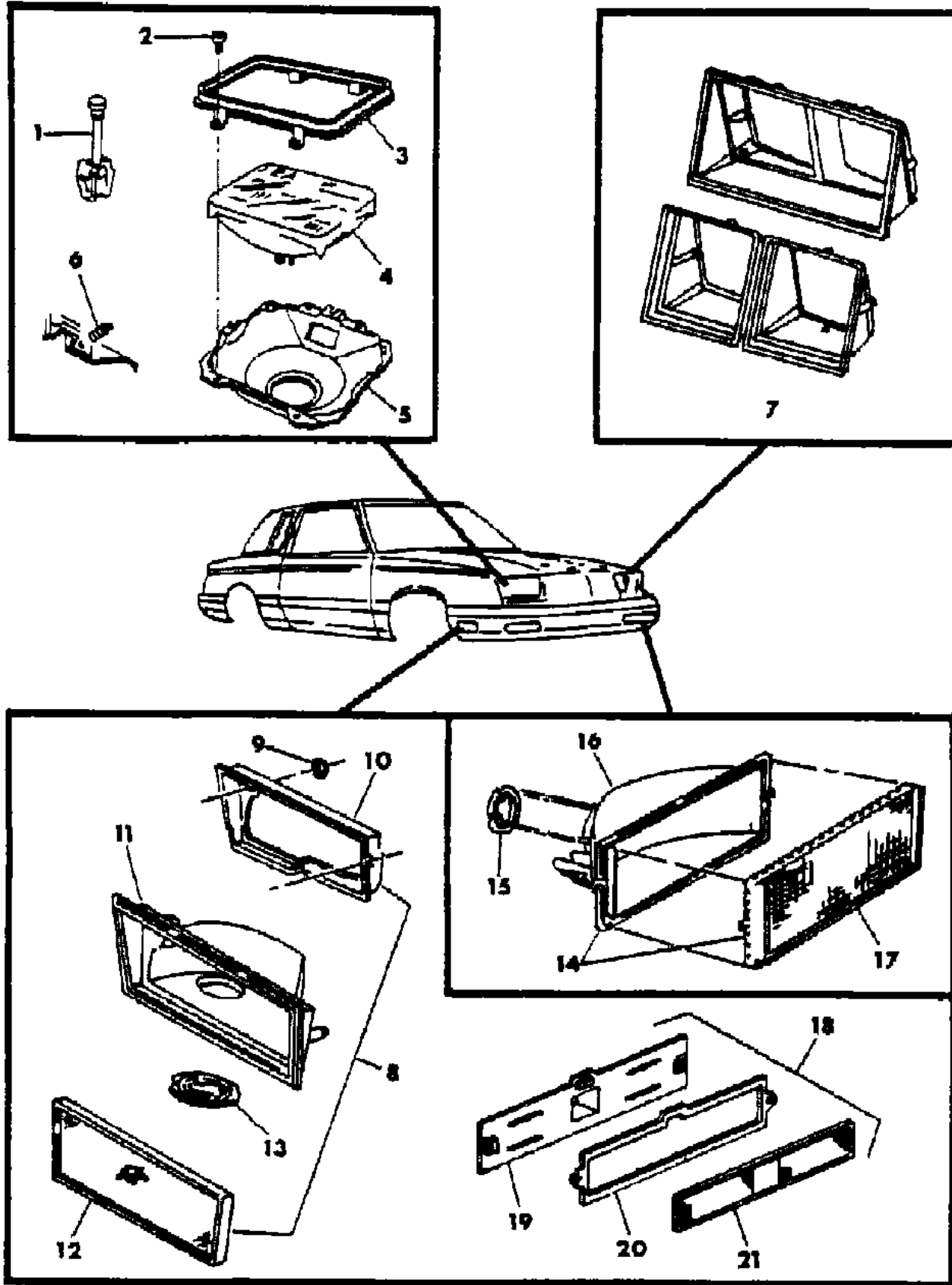
BODY STYLES

21 = 2-DOOR SEDAN	28 = FWD PICKUP
22 = 2-DOOR SPECIAL COUPE	41 = 4-DOOR SEDAN
24 = 2-DOOR HATCHBACK	44 = 4-DOOR HATCHBACK
27 = 2-DOOR CONVERTIBLE	45 = 2-SEAT STATION WAGON

AR = Use as Required - = Non Illustrated Part P.A.R. = Paint as Required

LAMPS--FRONT K BODY C-V  
Figure 8-2800

2108 2800A



ITEM	PART NUMBER	QTY	BODY	MODEL	DESCRIPTION
1	3868 985	1			SCREW, w/Nut, Sealed Beam Unit
2					SCREW, Not Serviced
3	4016 088				RETAINER, Sealed Beam Unit
4					SEALED BEAM UNIT
	0153 440				High Beam (Halogen)
	0153 481				High & Low Beam (Halogen)
	0153 200				High Beam
	0153 201				High & Low Beam
5					SEAT, Sealed Beam
	3868 928-9				High Beam
	3868 926-7				High & Low Beam
6	3868 789				SPRING, Sealed Beam Unit Seat Adj.
7					BEZEL, H/LAMP
	4270 550-1			C	Bezel
	4270 556-7			V	Bezel (Inter)
	4270 558-9			V	Bezel (Outer)
8	4174 206-7				LAMP, w/ Cornering
9	6029 471	4			NUT
10	4174 212-3				BRACKET
11					HOUSING, Serviced In Lamp Assy.
12					LENS, Serviced In Lamp Assy.
13					PLATE, Serviced In Lamp Assy.
14	4174 200-1				LAMP, Park & Turn Signal
15					PLATE, Serviced In Lamp Assy.
16					HOUSING, Serviced In Lamp Assy.
17					LENS, Serviced In Lamp Assy.
18	4174 224				LAMP, Side Marker
19					HOUSING, Serviced In Lamp Assy.
20					GASKET, Serviced In Lamp Assy.
21					LENS, Serviced In Lamp Assy.
	4174 546-7			C (45)	BEZEL, Side Marker (Not Shown)
NOTE: The following parts not shown on illustration iced Alternator. Listed above is the Alternator stamped production number crossreferenced to the app					
	4124 721				SOCKET, Turn Signal w/Cable Cornering Lamp SOCKET and CABLE, Qtr.Panel T/Stop, T/Sig.,B/Up Lamp

MODEL CODES

B = GRAN FURY/CARAVELLE	P = RELIANT
C = LEBARON/TOWN & COUNTRY	S = CORDOBA
D = ARIES	V = 400
F = NEW YORKER	X = MIRADA
G = DIPLOMAT	Y = IMPERIAL
M = HORIZON/TC3/SCAMP	Z = OMNI/O24/RAMPAGE

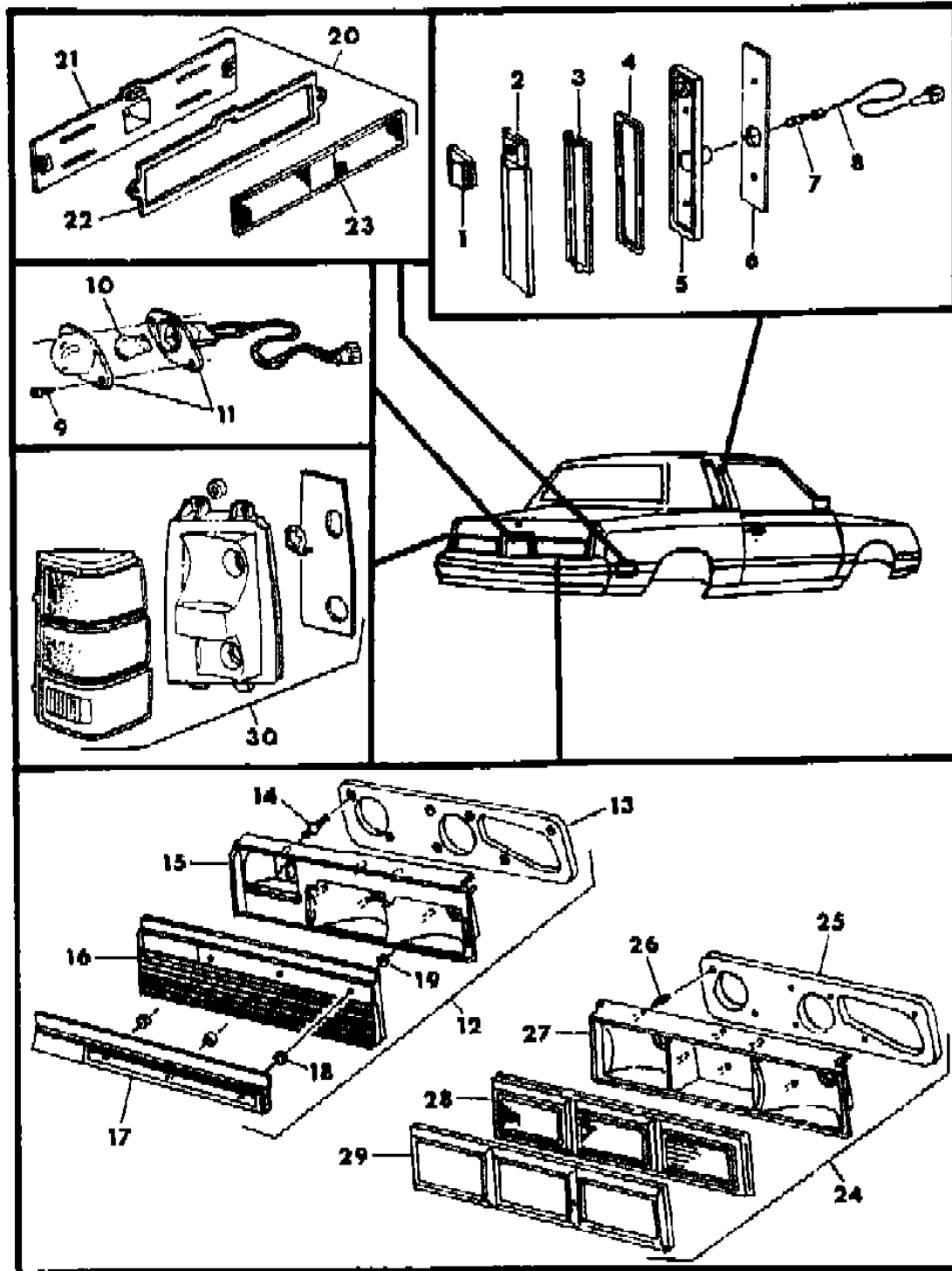
BODY STYLES

21 = 2-DOOR SEDAN	28 = FWD PICKUP
22 = 2-DOOR SPECIAL COUPE	41 = 4-DOOR SEDAN
24 = 2-DOOR HATCHBACK	44 = 4-DOOR HATCHBACK
27 = 2-DOOR CONVERTIBLE	45 = 2-SEAT STATION WAGON

AR = Use as Required - = Non Illustrated Part P.A.R. = Paint as Required

LAMPS--REAR K BODY C-V  
Figure 8-2900

2108 2900B



ITEM	PART NUMBER	QTY	BODY	MODEL	DESCRIPTION
1	3881 692				COVER
2	3881 689				LENS
3					FILTER, Serviced In Lens Assy.
4	3881 688				GASKET, Lens
5	4186 356				HOUSING
6					GASKET, Housing (Serviced In Housing Assy.)
7	9428 049				BULB
8	3746 516				SOCKET
9					SCREW, Not Serviced
10	9425 542				BULB, License
11	4174 102				LAMP, (License)
12	4174 214-5		C		LAMP, Tail Stop & Turn Signal
13			C		GASKET, Serviced in Lamp Assy.
14			C		STUD, Serviced in Lamp Assy.
15			C		HOUSING, Serviced In Lamp Assy.
16			C		LENS, Serviced In Lamp Assy.
17			C		BEZEL,(Serviced In Lamp Assy.
18			C		GASKET, Serviced In Lamp Assy.
19	9420 294		C		NUT
20	4174 311				LAMP, Side Marker
21					HOUSING, Serviced In Lamp Assy.
22					GASKET, Serviced in Lamp Assy.
23					LENS, Serviced in Lamp Assy.
24	4174 314-5		V		LAMP, Tail Stop & Turn Signal
25			V		GASKET, Serviced In Lamp Assy.
26			V		STUD, Serviced In Lamp Assy.
27			V		HOUSING, Serviced In Lamp Assy.
28			V		LENS, Serviced In Lamp Assy.
29			V		BEZEL, Serviced In Lamp Assy.
30	4174 080-1		C (45)		LAMP, Qtr. Pnl. T/S T/Sig. B/Up & S/Marker
	4174 299		C (45)		Gasket, Qtr. Pnl. T/S T/Sig. B/Up & S/Marker (Not Shown)
	4174 298		C (45)		Bracket, Qtr. Pnl. T/S T/Sig. B/Up & S/Marker (Not Shown)
					NOTE: The following parts not shown on illustration iced Alternator. Listed above is the Alternator stamped production number crossreferenced to the app
	3588 314				SOCKET, License Lamp Side Marker

MODEL CODES

B = GRAN FURY/CARAVELLE	P = RELIANT
C = LEBARON/TOWN & COUNTRY	S = CORDOBA
D = ARIES	V = 400
F = NEW YORKER	X = MIRADA
G = DIPLOMAT	Y = IMPERIAL
M = HORIZON/TC3/SCAMP	Z = OMNI/O24/RAMPAGE

BODY STYLES

21 = 2-DOOR SEDAN	28 = FWD PICKUP
22 = 2-DOOR SPECIAL COUPE	41 = 4-DOOR SEDAN
24 = 2-DOOR HATCHBACK	44 = 4-DOOR HATCHBACK
27 = 2-DOOR CONVERTIBLE	45 = 2-SEAT STATION WAGON

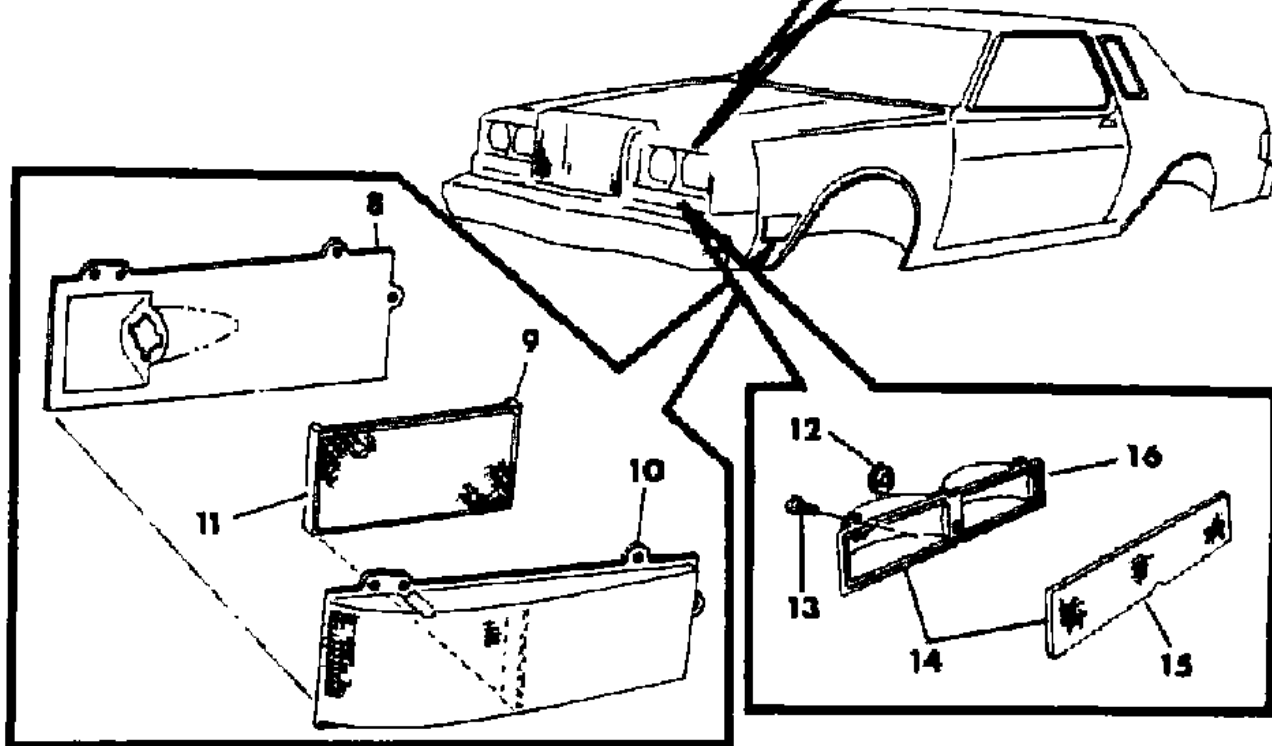
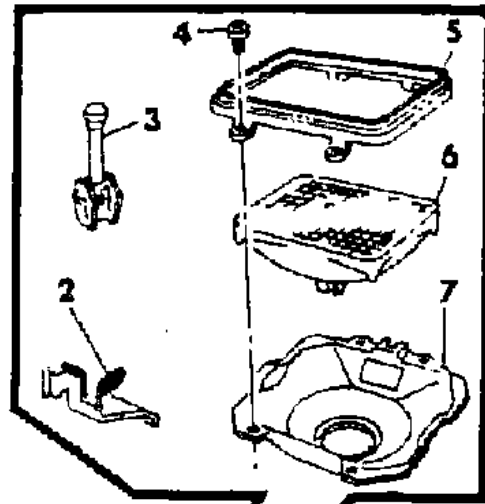
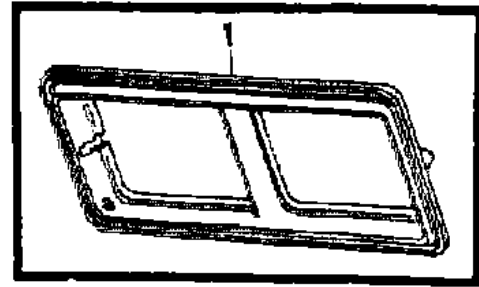
AR = Use as Required - = Non Illustrated Part P.A.R. = Paint as Required



LAMPS--FRONT M BODY B-G

Figure 8-3000

2108 3000



ITEM	PART NUMBER	QTY	BODY	MODEL	DESCRIPTION
1	4074 626	2			BEZEL, H/Lamp Assy.
2	3868 789	4			SPRING, Sealed Beam Unit Seat Adj.
3	3868 985				SCREW and NUT, Sealed Beam Unit
4					SCREW,(Not Serviced)
5	4016 088				RETAINER, Sealed Beam Unit
6					SEALED BEAM UNIT
	0153 440				High Beam (Halogen)
	0153 481				High and Low Beam (Halogen)
	0153 200				High Beam
	0153 201				High and Low Beam
7					SEAT, Sealed Beam
	3868 928-9				High Beam
	3868 926-7				High and Low Beam
8					HOUSING,(Serviced in Lamp)
9					REFLECTOR,(Serviced in Lamp Assy.)
10					LENS,(Serviced in Lamp Assy.)
11	4076 570-1				LAMP, Side Marker
12					PLATE
13					SCREW,(Not Serviced)
14	4076 566-7				LAMP, Park and Turn Sig.
15					LENS,(Serviced in Lamp Assy.)
16					HOUSING,(Serviced in Lamp Assy.)
NOTE: The following parts not shown on illustration iced Alternator. Listed above is the Alternator stamped production number crossreferenced to the app					
	3843 432				SOCKET, Turn Signal, Park

MODEL CODES

- |                            |                      |
|----------------------------|----------------------|
| B = GRAN FURY/CARAVELLE    | P = RELIANT          |
| C = LEBARON/TOWN & COUNTRY | S = CORDOBA          |
| D = ARIES                  | V = 400              |
| F = NEW YORKER             | X = MIRADA           |
| G = DIPLOMAT               | Y = IMPERIAL         |
| M = HORIZON/TC3/SCAMP      | Z = OMNI/O24/RAMPAGE |

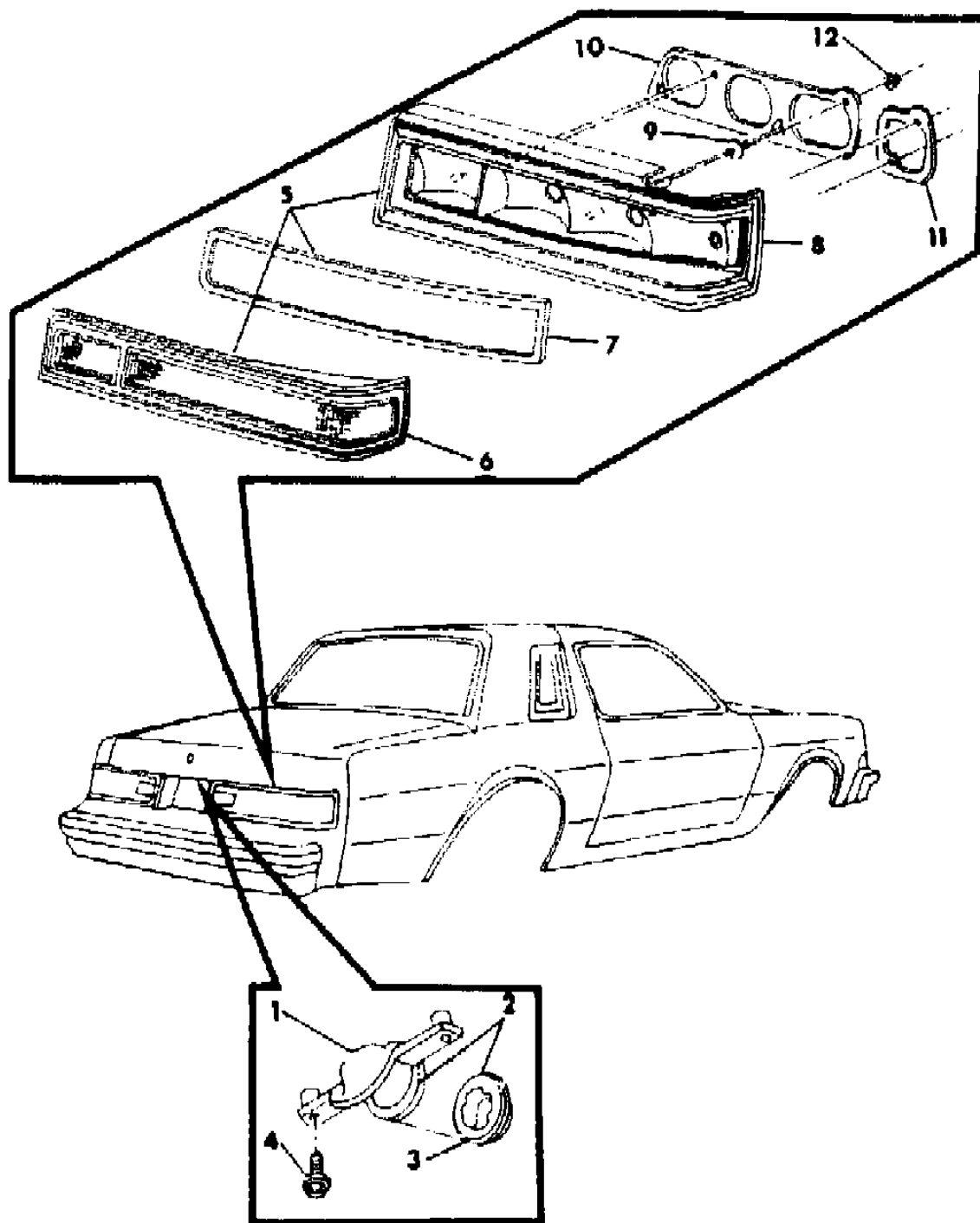
BODY STYLES

- |                           |                           |
|---------------------------|---------------------------|
| 21 = 2-DOOR SEDAN         | 28 = FWD PICKUP           |
| 22 = 2-DOOR SPECIAL COUPE | 41 = 4-DOOR SEDAN         |
| 24 = 2-DOOR HATCHBACK     | 44 = 4-DOOR HATCHBACK     |
| 27 = 2-DOOR CONVERTIBLE   | 45 = 2-SEAT STATION WAGON |

AR = Use as Required - = Non Illustrated Part P.A.R. = Paint as Required

LAMPS--REAR M BODY B-G  
Figure 8-3100

Z108 3100



ITEM	PART NUMBER	QTY	BODY	MODEL	DESCRIPTION
1					LENS,(Serviced in Lamp Assy.)
2	4076 812	1			LAMP, (License)
3					HOUSING,(Serviced in Lamp Assy.)
4	0152 490				U-NUT
5	4076 574-5	1		G	LAMP, T/S Side Marker and Back Up
	4225 074-5	1		B	LAMP, T/S Side Marker and Back Up
6	4076 688-9	1			LENS
7	3798 253				SEAL
8	4076 686-7			G	HOUSING
				B	HOUSING,(Serviced In Lamp Assy.)
9					STUD,(Serviced In Lamp Assy.)
10		8			GASKET,(Serviced In Lamp Assy.)
11					GASKET,(Serviced in Lamp Assy.)
12	6023 205	2			NUT

NOTE: The following parts not shown on illustration iced Alternator. Listed above is the Alternator stamped production number crossreferenced to the app

3513 686	SOCKET, License
4124 081	Tail Light, Turn Signal
3513 686	Side Marker
3764 504	Back Up

MODEL CODES

B = GRAN FURY/CARAVELLE	P = RELIANT
C = LEBARON/TOWN & COUNTRY	S = CORDOBA
D = ARIES	V = 400
F = NEW YORKER	X = MIRADA
G = DIPLOMAT	Y = IMPERIAL
M = HORIZON/TC3/SCAMP	Z = OMNI/O24/RAMPAGE

BODY STYLES

21 = 2-DOOR SEDAN	28 = FWD PICKUP
22 = 2-DOOR SPECIAL COUPE	41 = 4-DOOR SEDAN
24 = 2-DOOR HATCHBACK	44 = 4-DOOR HATCHBACK
27 = 2-DOOR CONVERTIBLE	45 = 2-SEAT STATION WAGON

AR = Use as Required - = Non Illustrated Part P.A.R. = Paint as Required

LAMPS--FRONT L BODY M-Z 28

Figure 8-3200

2108 3200

ITEM	PART NUMBER	QTY	BODY	MODEL	DESCRIPTION
1	3587 436	2			LAMP, Frt. Fender S/M
2	6028 471	4			NUT
3					HOUSING,(Serviced in Lamp Assy.)
4	5207 568-9	1			LAMP, Parking & Turn Signal
5					HOUSING,(Serviced in Lamp Assy.)
6	3798 253	2			SEAL,(Also Serviced in Lamp Assy.)
7					SCREW,(Serviced in Lamp Assy.)
8					LENS,(Serviced in Lamp Assy.)
9	0153 340				SCREW
10	4103 908	2			BEZEL
11	3868 985	2			SCREW
12	0153 199	2			SEALED BEAM UNIT, (Lt. Way Shift)
	0153 273	2			(Rt. Way Shift), Export
	0153 590	2			HALOGEN
13	5201 386	2			SPRING, Sealed Beam Unit Mtg. Seat Adj.
14	4074 686-7	2			SEAT, Sealed Beam Unit

NOTE: The following parts not shown on illustration iced Alternator. Listed above is the Alternator stamped production number crossreferenced to the app

					SOCKET, Turn Signal, Park
	3764 865				Side Marker (Repair Pkg.)
	3588 314				Side Marker
	3764 863				Parking & Turn Signal Frt.
	4055 433				Parking & Turn Signal Frt. (Repair Pkg.)
	3843 432				Parking & Turn Signal Frt. (Repair Pkg.)

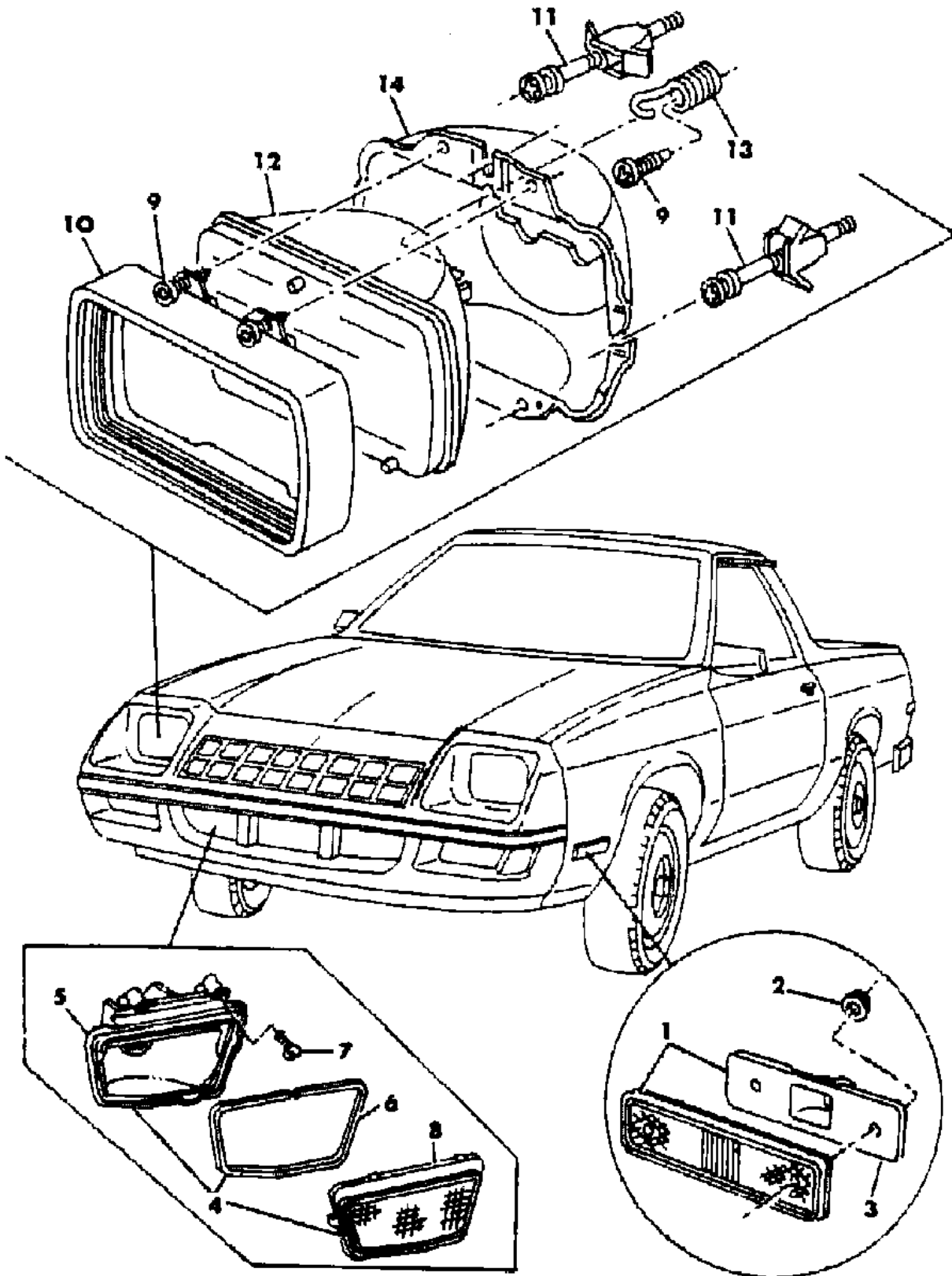
MODEL CODES

B = GRAN FURY/CARAVELLE	P = RELIANT
C = LEBARON/TOWN & COUNTRY	S = CORDOBA
D = ARIES	V = 400
F = NEW YORKER	X = MIRADA
G = DIPLOMAT	Y = IMPERIAL
M = HORIZON/TC3/SCAMP	Z = OMNI/O24/RAMPAGE

BODY STYLES

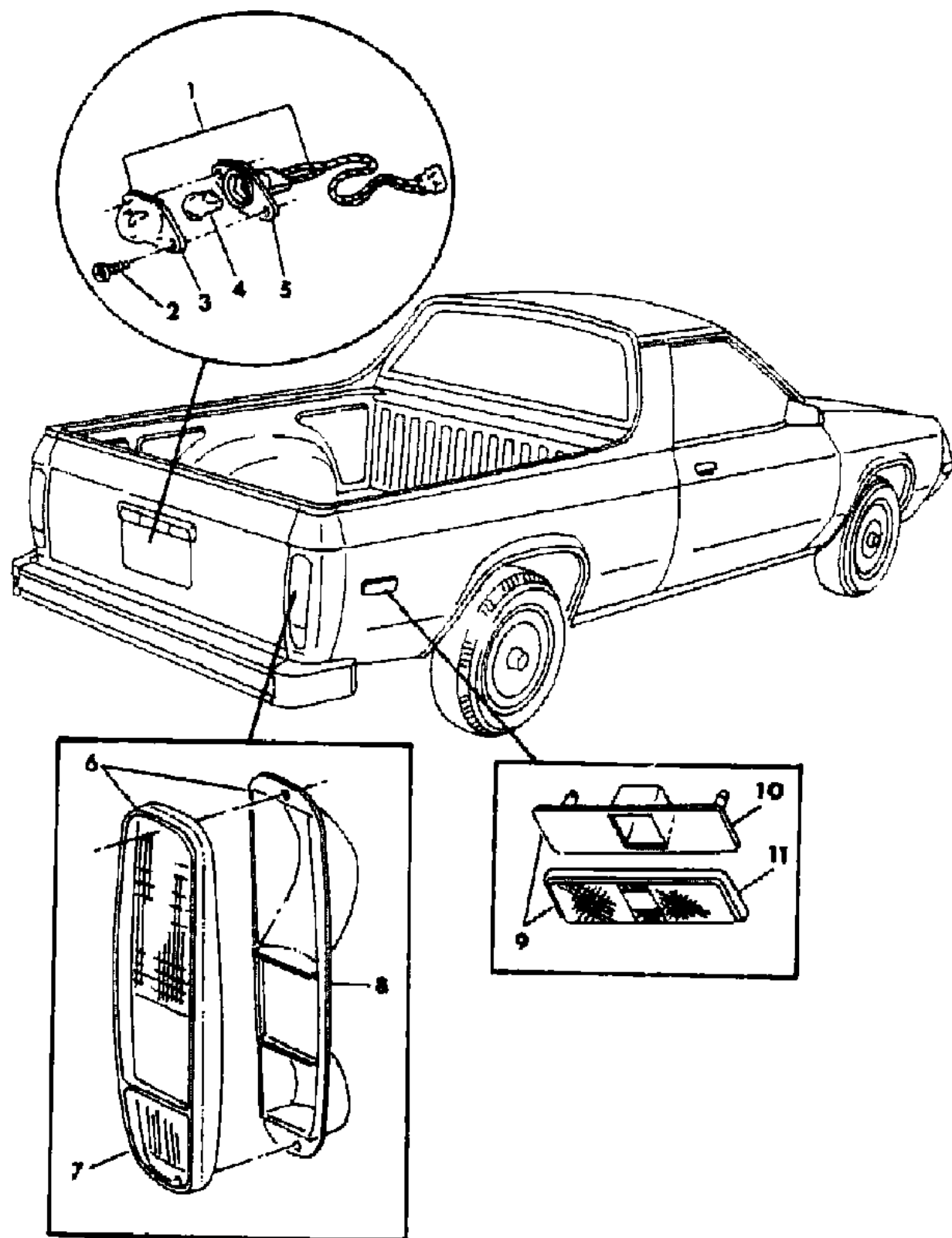
21 = 2-DOOR SEDAN	28 = FWD PICKUP
22 = 2-DOOR SPECIAL COUPE	41 = 4-DOOR SEDAN
24 = 2-DOOR HATCHBACK	44 = 4-DOOR HATCHBACK
27 = 2-DOOR CONVERTIBLE	45 = 2-SEAT STATION WAGON

AR = Use as Required - = Non Illustrated Part P.A.R. = Paint as Required



LAMPS--REAR L BODY M-Z-28  
Figure 8-3300

2108 3300



ITEM	PART NUMBER	QTY	BODY	MODEL	DESCRIPTION
1	4174 102				LAMP, (License)
2					SCREW,(Not Serviced)
3					LENS,(Serviced in Lamp Assy.)
4	9425 542				BULB
5					HOUSING,(Serviced in Lamp Assy.)
6	5207 716-7				LAMP, Tail Stop & Turn Signal
7					LENS,(Serviced in Lamp Assy.)
8					HOUSING,(Serviced In Lamp Assy.)
9	4174 383	2			LAMP, Rear Side Marker
10					HOUSING,(Serviced In Lamp Assy.)
11					LENS,(Serviced In Lamp Assy.)

NOTE: The following part not shown on illustration iced Alternator. Listed above is the Alternator stamped production number crossreferenced to the app

Tail Stop  
Back Up

MODEL CODES

B = GRAN FURY/CARAVELLE	P = RELIANT
C = LEBARON/TOWN & COUNTRY	S = CORDOBA
D = ARIES	V = 400
F = NEW YORKER	X = MIRADA
G = DIPLOMAT	Y = IMPERIAL
M = HORIZON/TC3/SCAMP	Z = OMNI/O24/RAMPAGE

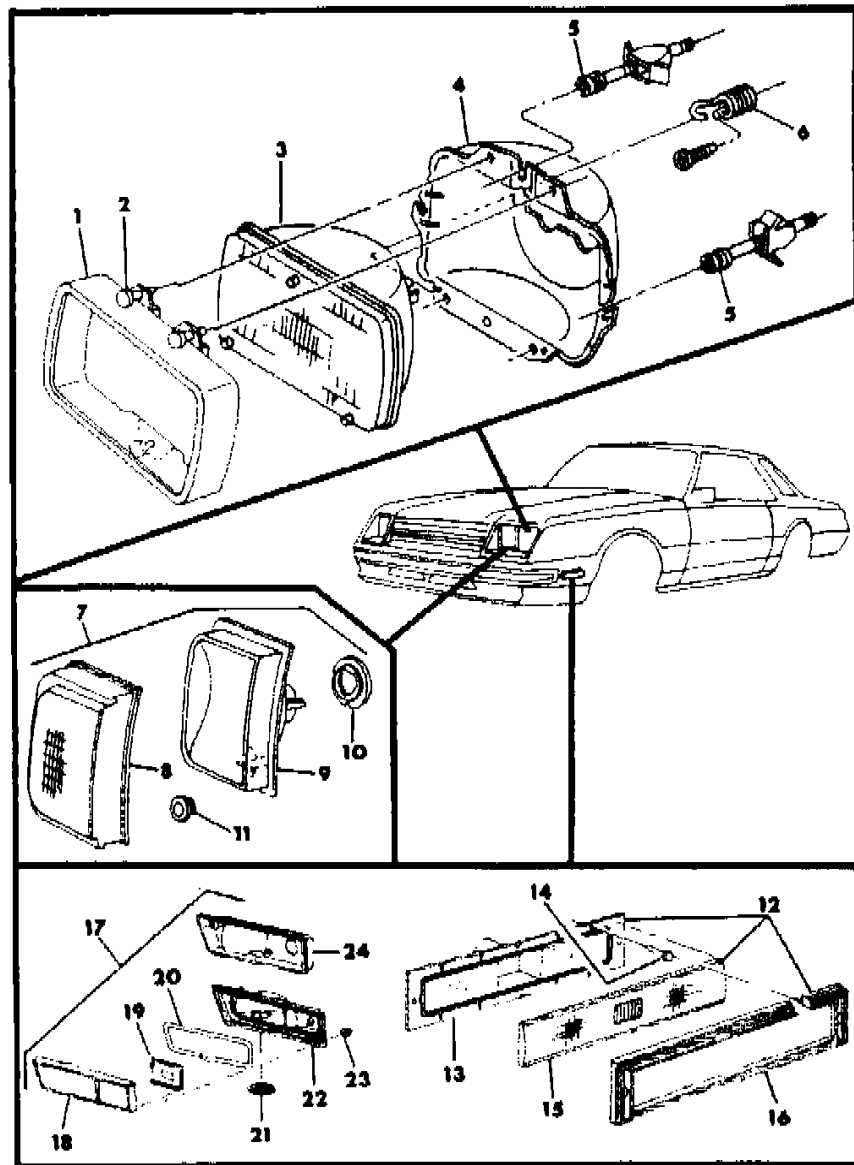
BODY STYLES

21 = 2-DOOR SEDAN	28 = FWD PICKUP
22 = 2-DOOR SPECIAL COUPE	41 = 4-DOOR SEDAN
24 = 2-DOOR HATCHBACK	44 = 4-DOOR HATCHBACK
27 = 2-DOOR CONVERTIBLE	45 = 2-SEAT STATION WAGON

AR = Use as Required - = Non Illustrated Part P.A.R. = Paint as Required

LAMPS--FRONT J BODY X  
Figure 8-3400

2108 3400



ITEM	PART NUMBER	QTY	BODY	MODEL	DESCRIPTION
1	4074 802				RETAINER, H/Lamp
2					SCREW,(Not Serviced)
3					SEALED BEAM UNIT
	0153 199				(Rt. Way Shift)
	0153 273				(Lt. Way Shift), Export
	0153 590				Rt. Way Shift (Halogen)
4	4074 686-7				SEAT, Sealed Beam Unit
5	4270 581				NUT and SCREW
6	3868 789				SPRING, Sealed Beam Unit
7	4076 988-9				LAMP, Park and T/Sig.
8					LENS,(Serviced in Lamp Assy.)
9					HOUSING,(Serviced in Lamp Assy.)
10					PLATE,(Serviced in Lamp Assy.)
11	6029 471				NUT
12	4076 089				LAMP, Side Marker (w/o Bezel)
13					HOUSING,(Serviced in Lamp Assy.)
14					SCREW,(Not Serviced)
15					LENS,(Serviced in Lamp Assy.)
16	3587 420				BEZEL
17	4076 834-5				LAMP, Cornering and Side Marker
18	4076 880-1				LENS
19					REFLECTOR,(Serviced in Lens Assy.)
20	3798 253				SEAL
21					PLATE,(Serviced in Lamp Assy.)
22					HOUSING,(Serviced in Lamp Assy.)
23					NUT,(Not Serviced )
24	4076 840-1				BRACKET
NOTE: The following parts not shown on illustration iced Alternator. Listed above is the Alternator stamped production number crossreferenced to the app					
					SOCKET
	3843 432				Parking and Turn Signal
	3588 314				Side Marker
	3764 865				Cornering (Repair Pkg.)
	4124 721				w/ Cable Cornering Lamp

MODEL CODES

B = GRAN FURY/CARAVELLE	P = RELIANT
C = LEBARON/TOWN & COUNTRY	S = CORDOBA
D = ARIES	V = 400
F = NEW YORKER	X = MIRADA
G = DIPLOMAT	Y = IMPERIAL
M = HORIZON/TC3/SCAMP	Z = OMNI/O24/RAMPAGE

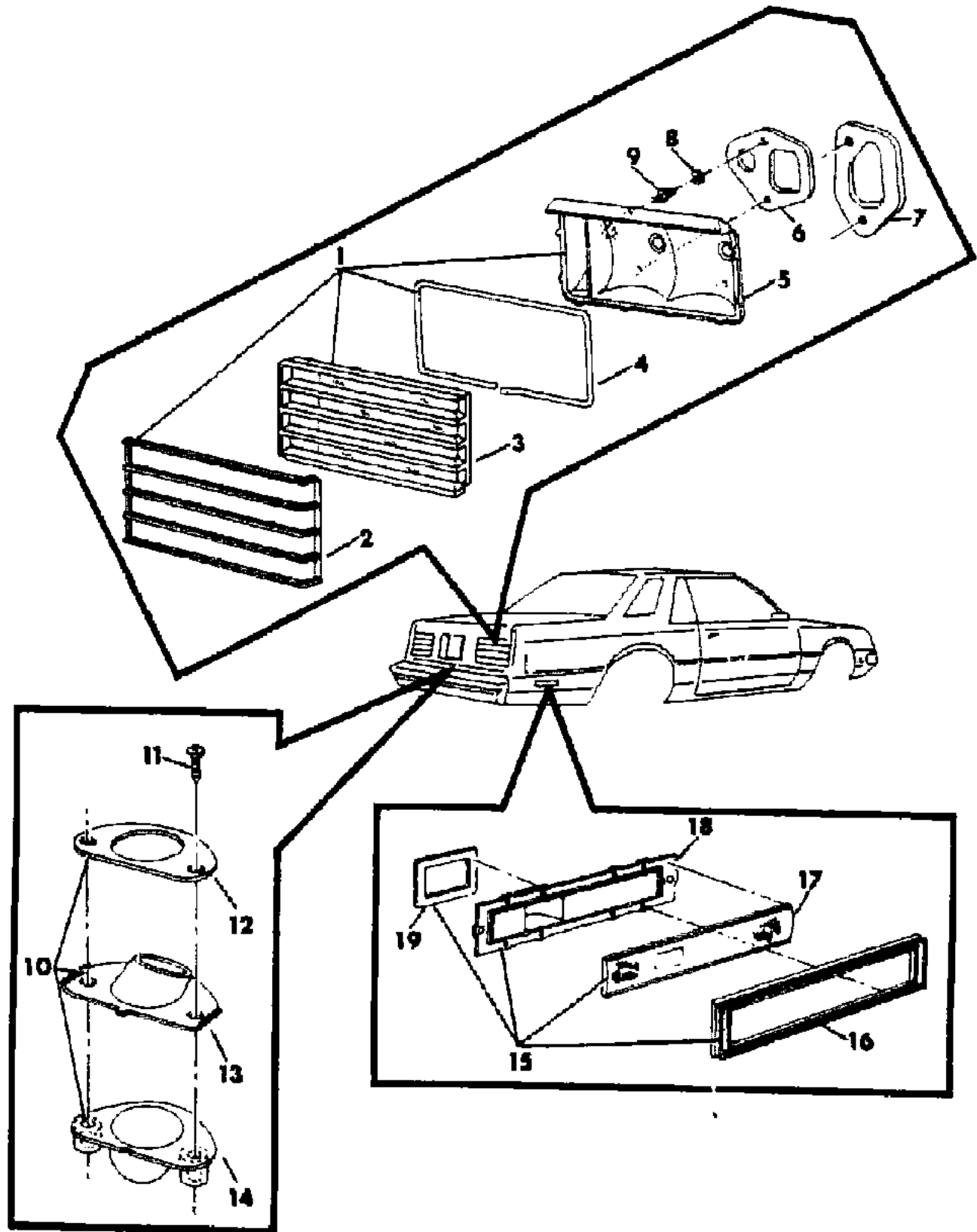
BODY STYLES

21 = 2-DOOR SEDAN	28 = FWD PICKUP
22 = 2-DOOR SPECIAL COUPE	41 = 4-DOOR SEDAN
24 = 2-DOOR HATCHBACK	44 = 4-DOOR HATCHBACK
27 = 2-DOOR CONVERTIBLE	45 = 2-SEAT STATION WAGON

AR = Use as Required - = Non Illustrated Part P.A.R. = Paint as Required

LAMPS--REAR J BODY X  
Figure 8-3500

2108 3500



ITEM	PART NUMBER	QTY	BODY	MODEL	DESCRIPTION
1	4076 610-1				LAMP, T/Light T/Sig. and Back Up
2					BEZEL, (Serv. in Lamp and Lens Assy.)
3	4076 704-5				LENS ASSEMBLY
4	3798 253				SEAL
5					HOUSING, Serviced in Lamp Assy.
6					GASKET, Inboard (Serviced in Lamp Assy.)
7					GASKET, Outboard (Serviced in Lamp Assy.)
8	6023 205				NUT
9					STUD, Serviced in Lamp Assy.
10	4076 850 3588 314				LAMP, (License) Socket, License
11					SCREW, Not Serviced
12					GASKET, Serviced in Lamp Assy.
13					PLATE, Serviced in Lamp Assy.
14					LENS, Serviced in Lamp Assy.
15	4076 099				LAMP, Side Marker and Reflector (w/o Bezel)
16	3587 420				BEZEL
17					LENS, Serviced in Lamp Assy.
18					HOUSING, Serviced in Lamp Assy.
19					GASKET, Serviced in Lamp Assy.

MODEL CODES

B = GRAN FURY/CARAVELLE	P = RELIANT
C = LEBARON/TOWN & COUNTRY	S = CORDOBA
D = ARIES	V = 400
F = NEW YORKER	X = MIRADA
G = DIPLOMAT	Y = IMPERIAL
M = HORIZON/TC3/SCAMP	Z = OMNI/O24/RAMPAGE

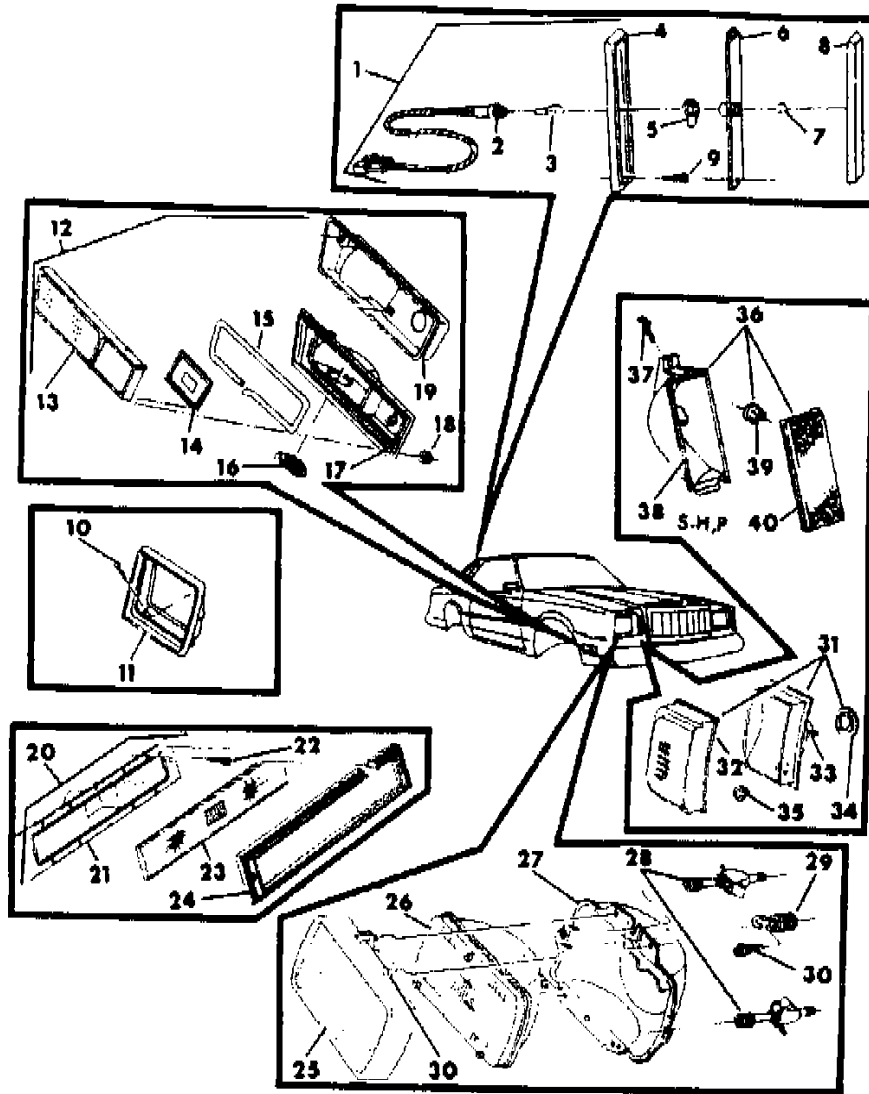
BODY STYLES

21 = 2-DOOR SEDAN	28 = FWD PICKUP
22 = 2-DOOR SPECIAL COUPE	41 = 4-DOOR SEDAN
24 = 2-DOOR HATCHBACK	44 = 4-DOOR HATCHBACK
27 = 2-DOOR CONVERTIBLE	45 = 2-SEAT STATION WAGON

AR = Use as Required - = Non Illustrated Part P.A.R. = Paint as Required

LAMPS--FRONT J BODY S  
Figure 8-3600

2108 3800



ITEM	PART NUMBER	QTY	BODY	MODEL	DESCRIPTION
1	4076 816-7			S-P	LAMP ASSEMBLY, Opera
2					SOCKET and CABLE, Serviced In Lamp Assy.
	3746 516				Socket Repair Pkg.
3	9437 448				BULB
4					BEZEL, Serviced in Lamp Assy.
5					GASKET, Serviced in Lamp Assy.
6					HOUSING, Serviced in Lamp Assy.
7					FILTER, Serviced in Lamp Assy.
8					LENS, Serviced in Lamp Assy.
9	0153 365				SCREW
10					SCREW, Not Serviced
11	4074 604-5			S-P	BEZEL, H/Lamp
12	4076 834-5				LAMP, Cornering and Side Marker
13	4076 880-1				LENS ASSEMBLY
14					REFLECTOR, (Serv. in Assy.)
15	3798 253				SEAL
16					PLATE, (Serv. in Assy.)
17					HOUSING, Serviced in Lamp Assy.
18					NUT, Not Serviced
19	4076 840-1				BRACKET
20	4076 089				LAMP, Side Marker (w/o Bezel)
21					HOUSING, Serviced in Lamp Assy.
22					SCREW, Not Serviced
23					LENS, Serviced In Lamp Assy.
24	3587 420				BEZEL
25	4074 802				RETAINER, H/Lamp
26					SEALED BEAM UNIT
	0153 199				(Rt. Way shift)
	0153 590				(Rt. Way shift) Halogen
	0153 273				(Lt. Way Shift), Export
27	4074 686-7				SEAT, Sealed Beam (Hi-Lo)
28	4270 581				NUT and SCREW
29	3868 789				SPRING
30	0153 340				SCREW
31	4076 988-9				LAMP, Park t/Sig.
32					LENS, Serviced in Lamp Assy.
33					HOUSING, Serviced in Lamp Assy.

MODEL CODES

B = GRAN FURY/CARAVELLE	P = RELIANT
C = LEBARON/TOWN & COUNTRY	S = CORDOBA
D = ARIES	V = 400
F = NEW YORKER	X = MIRADA
G = DIPLOMAT	Y = IMPERIAL
M = HORIZON/TC3/SCAMP	Z = OMNI/O24/RAMPAGE

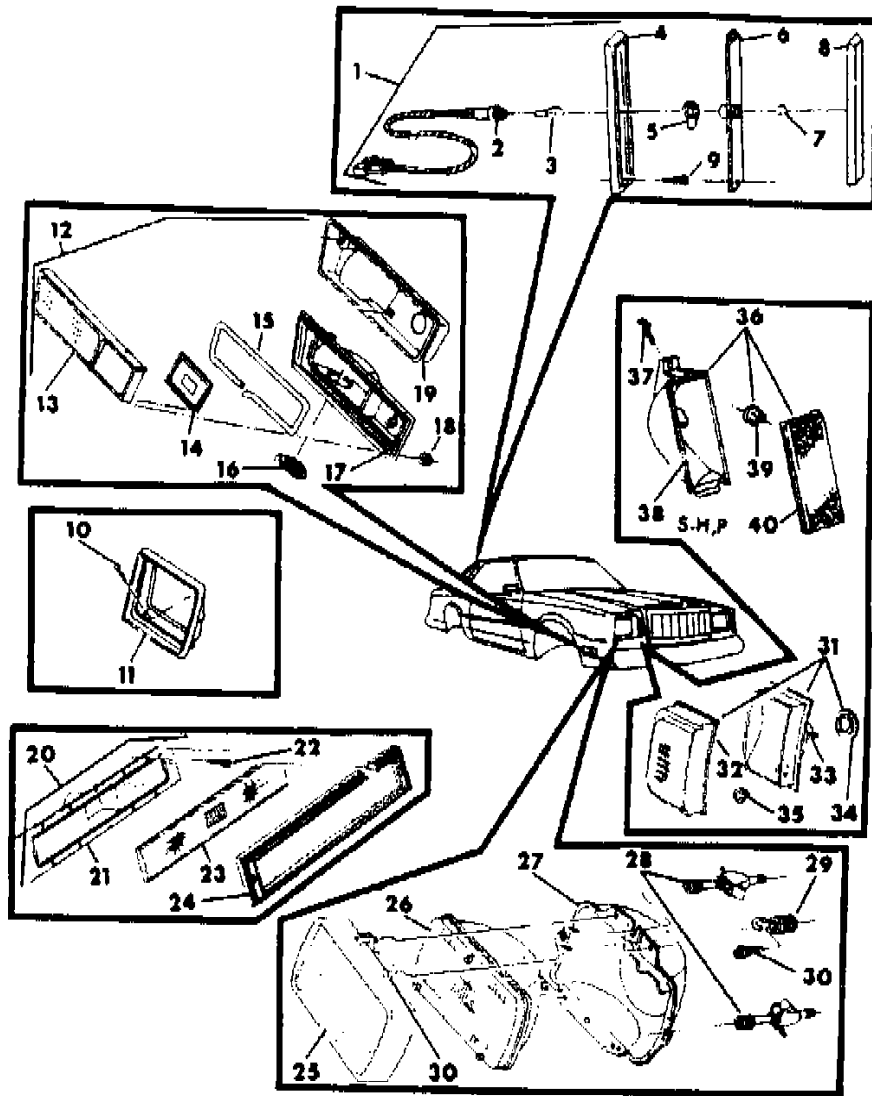
BODY STYLES

21 = 2-DOOR SEDAN	28 = FWD PICKUP
22 = 2-DOOR SPECIAL COUPE	41 = 4-DOOR SEDAN
24 = 2-DOOR HATCHBACK	44 = 4-DOOR HATCHBACK
27 = 2-DOOR CONVERTIBLE	45 = 2-SEAT STATION WAGON

AR = Use as Required - = Non Illustrated Part P.A.R. = Paint as Required

LAMPS--FRONT J BODY S  
Figure 8-3600

2108 3800



ITEM	PART NUMBER	QTY	BODY	MODEL	DESCRIPTION
34					PLATE, Serviced in Lamp Assy.
35	6029 471				NUT
36	4174 182-3			S-P	LAMP, Park and Turn Sig.
37					SCREW, Not Serviced
38					HOUSING, Serviced in Lamp Assy.
39	6031 234				NUT, Plastic
40					LENS, Serviced in Lamp Assy.
NOTE: the following parts not shown on illustration iced Alternator. Listed above is the Alternator stamped production number crossreferenced to the app					
	4124 721				SOCKET, Cornering w/Cable

MODEL CODES

B = GRAN FURY/CARAVELLE	P = RELIANT
C = LEBARON/TOWN & COUNTRY	S = CORDOBA
D = ARIES	V = 400
F = NEW YORKER	X = MIRADA
G = DIPLOMAT	Y = IMPERIAL
M = HORIZON/TC3/SCAMP	Z = OMNI/O24/RAMPAGE

BODY STYLES

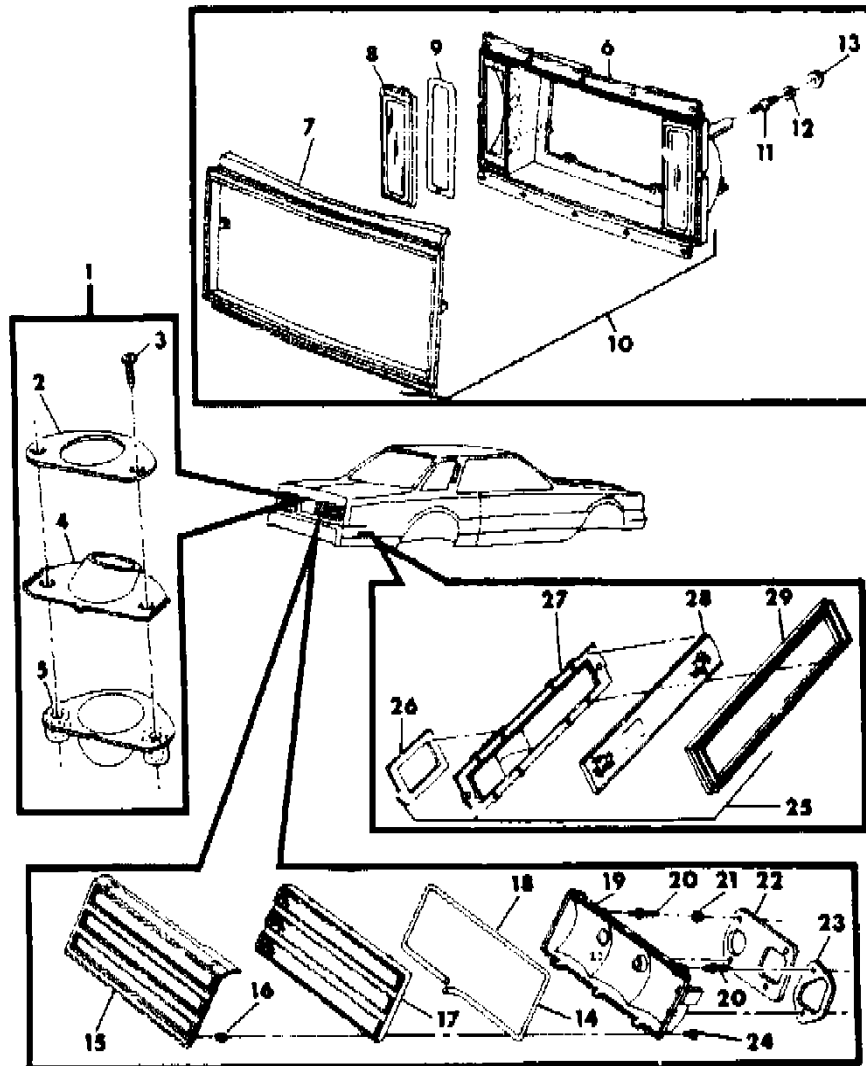
21 = 2-DOOR SEDAN	28 = FWD PICKUP
22 = 2-DOOR SPECIAL COUPE	41 = 4-DOOR SEDAN
24 = 2-DOOR HATCHBACK	44 = 4-DOOR HATCHBACK
27 = 2-DOOR CONVERTIBLE	45 = 2-SEAT STATION WAGON

AR = Use as Required - = Non Illustrated Part P.A.R. = Paint as Required



LAMPS--REAR J BODY S  
Figure 8-3700

2108 31(0)



ITEM	PART NUMBER	QTY	BODY	MODEL	DESCRIPTION
1-5	4076 850				LAMP, (License)
2					GASKET, Serviced in Lamp Assy.
3					SCREW, Not Serviced
4					PLATE, Serviced in Lamp Assy.
5					LENS, Serviced in Lamp Assy.
6-10					HOUSING, Serviced in Lamp Assy.
7					BEZEL, Serviced in Lamp Assy.
8	4076 806-7				LENS, Back-Up
9	3798 253				SEAL
10	4076 616				LAMP, Lwr. Dk. Opng. Pnl. b/Up
11					STUD, Not Serviced
12					SEAL, Not Serviced
13	6023 205				NUT
14	4076 608-9				LAMP, T/Light and T/Sig.
15					BEZEL, Lwr. Dk. Opng. T/S T/Sig.
	X206-7 AA1		S-P		Sterling Silver
	X206-7 AA9		S-P		Dark Silver
	X206-7 TBB		S-P		Nightwatch Blue
	X206-7 AC4		S-P		Glacier Blue Met.
	X206-7 AH2		S-P		Auburn Met.
	X206-7 AM6		S-P		Royal Red
	X206-7 AT3		S-P		Tan Met.
	X206-7 AT7		S-P		Golden Tan Met.
	X206-7 VK8		S-P		Spice Tan
	X206-7 VH9		S-P		Dark Brown Met.
	X206-7 VW3		S-P		Peal White
	X206-7 TXX		S-P		Black
	X206-7 TA3		S-S		Burnished Silver
	X206-7 TBB		S-S		Nightwatch Blue
	X206-7 AM8		S-S		Morocco Red
	X206-7 VW3		S-S		Pearl White
	X206-7 TXX		S-S		Black
16	6023 309				CAP
17	4076 714-5				LENS
18	3798 253				SEAL
19					HOUSING, Serviced In Assy.
20					STUD, Serviced in Lamp Assy.

MODEL CODES

B = GRAN FURY/CARAVELLE	P = RELIANT
C = LEBARON/TOWN & COUNTRY	S = CORDOBA
D = ARIES	V = 400
F = NEW YORKER	X = MIRADA
G = DIPLOMAT	Y = IMPERIAL
M = HORIZON/TC3/SCAMP	Z = OMNI/O24/RAMPAGE

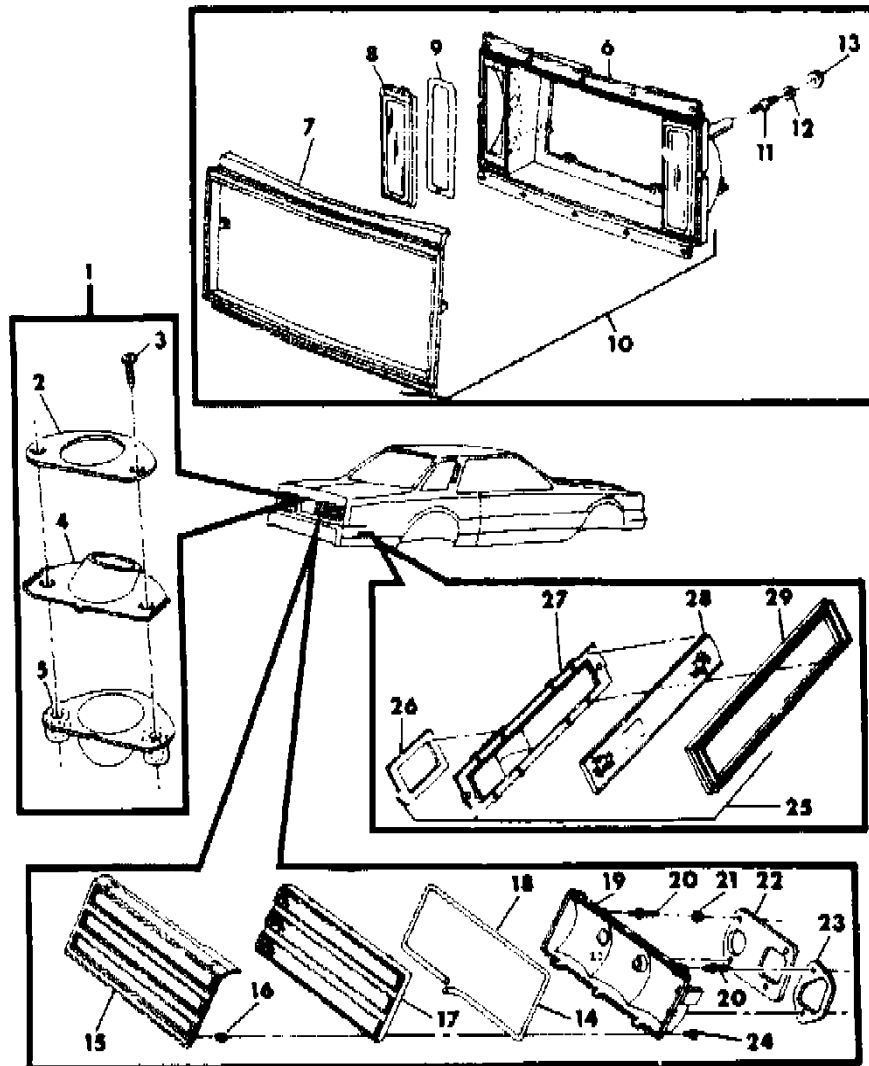
BODY STYLES

21 = 2-DOOR SEDAN	28 = FWD PICKUP
22 = 2-DOOR SPECIAL COUPE	41 = 4-DOOR SEDAN
24 = 2-DOOR HATCHBACK	44 = 4-DOOR HATCHBACK
27 = 2-DOOR CONVERTIBLE	45 = 2-SEAT STATION WAGON

AR = Use as Required - = Non Illustrated Part P.A.R. = Paint as Required

LAMPS--REAR J BODY S  
Figure 8-3700

2108 31(0)



ITEM	PART NUMBER	QTY	BODY	MODEL	DESCRIPTION
21	6023 205				NUT
22					GASKET, Serviced In Lamp Assy.
23					GASKET, Serviced in Lamp Assy.
24	6024 654				SCREW
25-29	4076 099				LAMP, Side Marker
26					GASKET, Serviced in Lamp Assy.
27					HOUSING, Serviced in Lamp Assy.
28					LENS, Serviced in Lamp Assy.
29	3587 420				BEZEL

NOTE: The following parts not shown on illustration iced Alternator. Listed above is the Alternator stamped production number crossreferenced to the app

					SOCKET
	3588 314				Side Marker
	4124 081				Tail, Stop and Turn Signal
	3764 865				Back Up
	3588 314				License

MODEL CODES

B = GRAN FURY/CARAVELLE	P = RELIANT
C = LEBARON/TOWN & COUNTRY	S = CORDOBA
D = ARIES	V = 400
F = NEW YORKER	X = MIRADA
G = DIPLOMAT	Y = IMPERIAL
M = HORIZON/TC3/SCAMP	Z = OMNI/O24/RAMPAGE

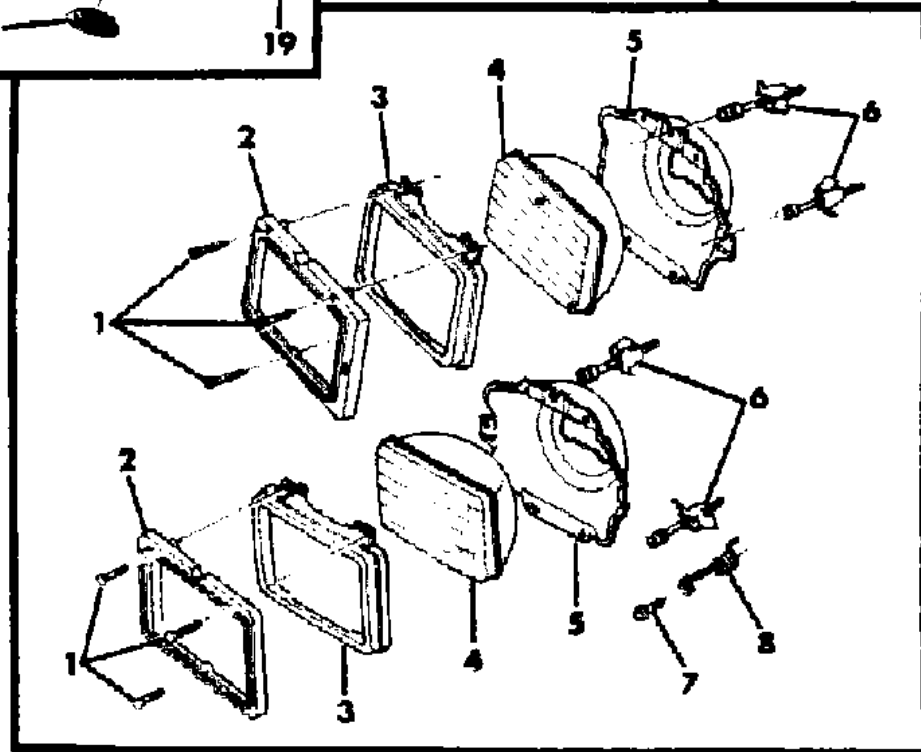
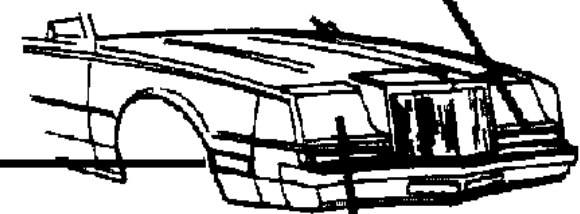
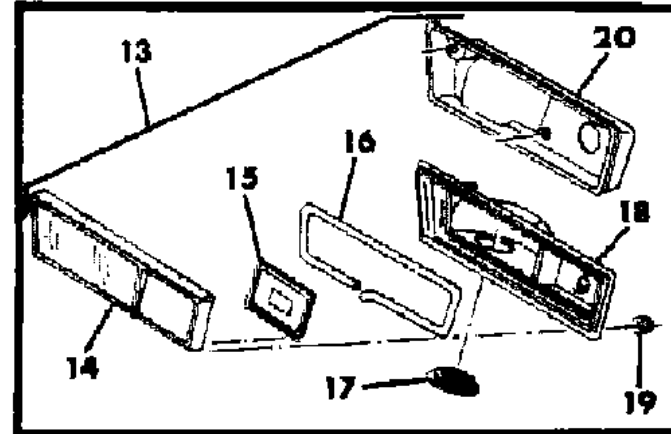
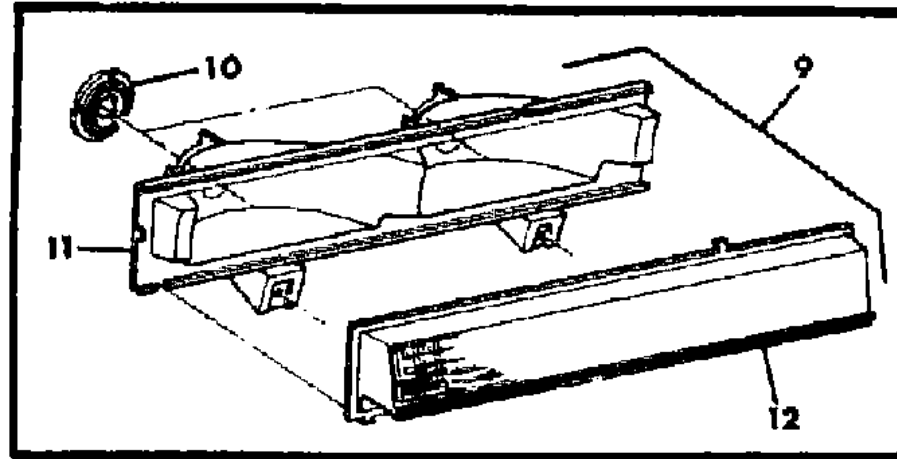
BODY STYLES

21 = 2-DOOR SEDAN	28 = FWD PICKUP
22 = 2-DOOR SPECIAL COUPE	41 = 4-DOOR SEDAN
24 = 2-DOOR HATCHBACK	44 = 4-DOOR HATCHBACK
27 = 2-DOOR CONVERTIBLE	45 = 2-SEAT STATION WAGON

AR = Use as Required - = Non Illustrated Part P.A.R. = Paint as Required

LAMPS--FRONT J BODY Y  
Figure 8-3800

2108 3800



ITEM	PART NUMBER	QTY	BODY	MODEL	DESCRIPTION
1					SCREW, Not Serviced
2	4074 908-9	2			BEZEL, h/Lamp
3	4074 956	4			RETAINER, Rect. h/Lamp
4					SEALED BEAM UNIT
	0153 481	2			Halogen (Hi-Lo)
	0153 440	2			Halogen (Hi)
5	3868 926-7	2			SEAT, Rect. H/Lamp (Hi-Lo)
	3868 928-9	2			(Hi)
6	3868 985	8			NUT and SCREW
7					SCREW, Not Serviced
8	3868 789	4			SPRING, Rect. H/Lamp
9-12	4174 008-9	1			LAMP, Park and T/Sig.
10					PLATE, Serviced in Lamp Assy.
11					HOUSING, Serviced In Lamp Assy.
12					LENS, Serviced In Lamp Assy.
13	4076 834-5				LAMP, Cornering and Side Marker
14	4076 880-1				LENS
15					REFLECTOR, Serviced In Lens Assy.
16	3798 253				SEAL
17					PLATE, Serviced In Lamp Assy.
18					HOUSING, Serviced In Lamp Assy.
19					NUT, Not Serviced
20	4076 840-1				BRACKET
	3513 686				SOCKET, Side Marker
	3843 432				SOCKET, Park & t/Sig.
	4124 721				SOCKET, Cable Cornering

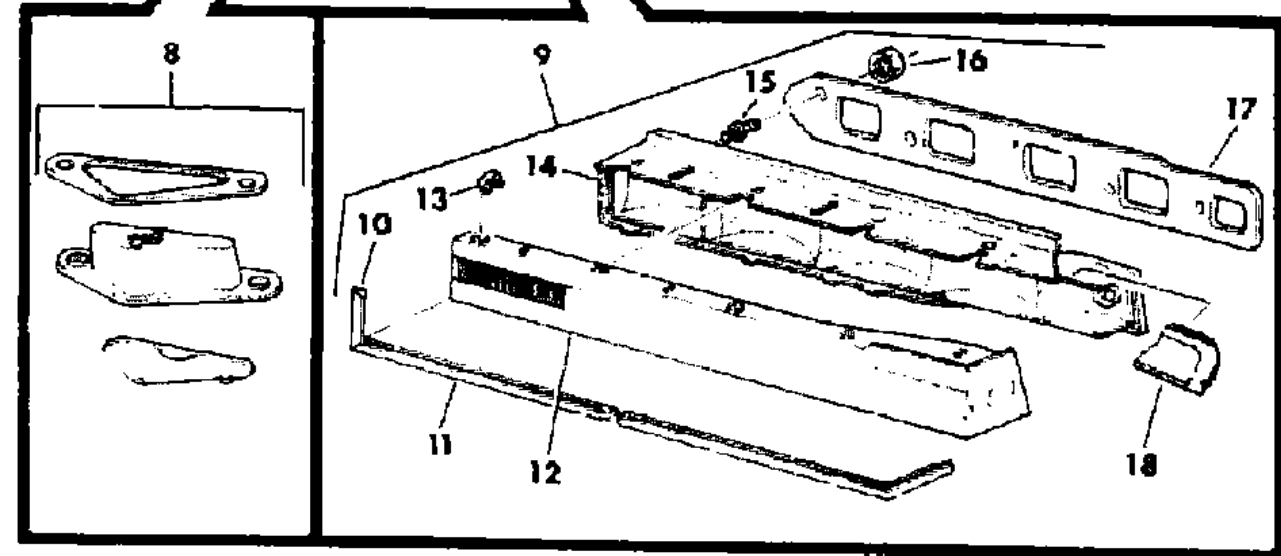
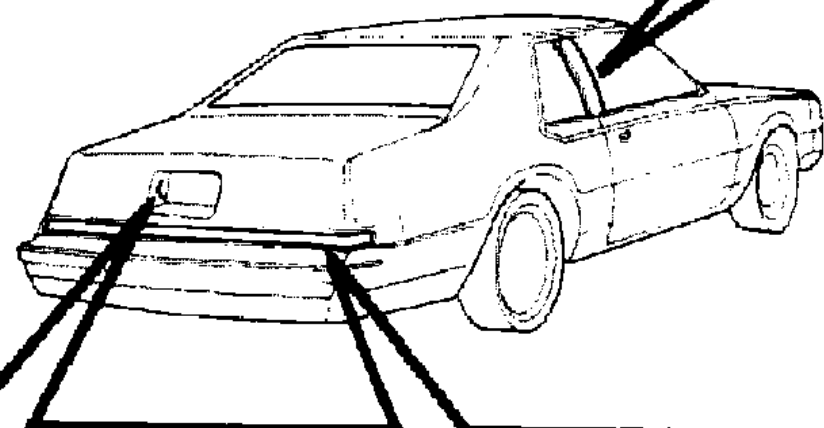
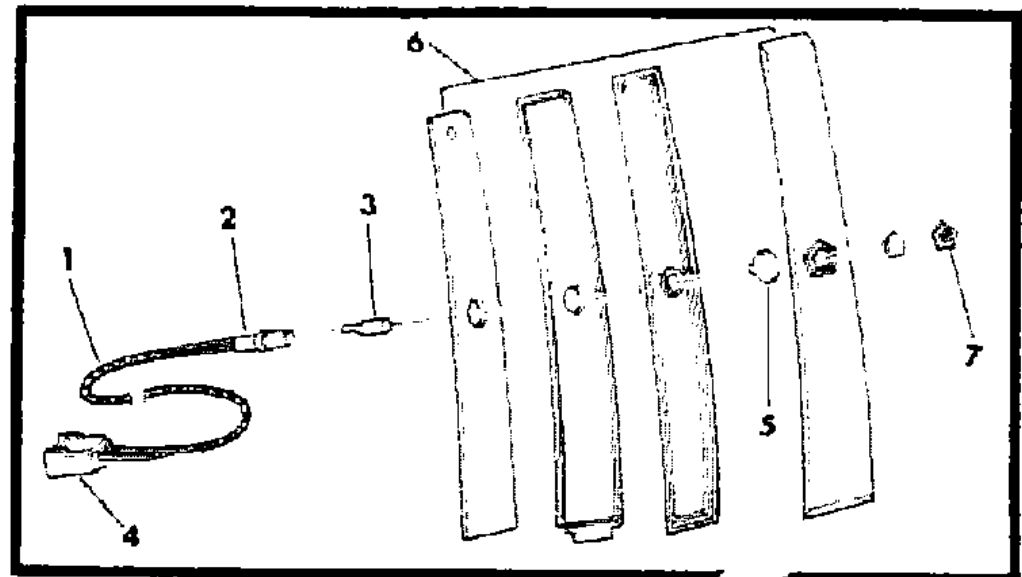
MODEL CODES  
 B = GRAN FURY/CARAVELLE  
 C = LEBARON/TOWN & COUNTRY  
 D = ARIES  
 F = NEW YORKER  
 G = DIPLOMAT  
 M = HORIZON/TC3/SCAMP  
 P = RELIANT  
 S = CORDOBA  
 V = 400  
 X = MIRADA  
 Y = IMPERIAL  
 Z = OMNI/O24/RAMPAGE

BODY STYLES  
 21 = 2-DOOR SEDAN  
 22 = 2-DOOR SPECIAL COUPE  
 24 = 2-DOOR HATCHBACK  
 27 = 2-DOOR CONVERTIBLE  
 28 = FWD PICKUP  
 41 = 4-DOOR SEDAN  
 44 = 4-DOOR HATCHBACK  
 45 = 2-SEAT STATION WAGON

AR = Use as Required - = Non Illustrated Part P.A.R. = Paint as Required

LAMPS--REAR J BODY Y  
Figure 8-3900

Fig. 3900A



ITEM	PART NUMBER	QTY	BODY	MODEL	DESCRIPTION
1					WIRING, Not Serviced
2	3746 516	AR			SOCKET
3	9437 448	AR			BULB
4	3513 350	AR			INSULATOR
	2983 406	AR			Terminal
5	6029 471	AR			NUT
6	4174 032-3	1			LAMP, Opera Lamp
					Consists Of:
					Gasket
					Plate
					Housing
					Filter
					Lens
					Tape
	4174 376				SEAL, Opera Lamp
7	4174 198	2			MEDALLION
8	4174 042	2			LAMP, (License)
9-13	4174 018-9				HOUSING, Tail Stop, t/Sig. and b/Up
10					BEZEL, Serviced in Lens Assy.
11					BEZEL, Serviced in Lens Assy.
12	4174 070-1	1			LENS, Tail Stop, t/Sig. and b/Up Lamps
13		AR			CLIP, Serviced in Housing Assy.
14					HOUSING, Serviced In Housing Assy.
15					STUD, Serviced in Housing Assy.
16	6023 205	AR			NUT
17					GASKET, Serviced in Housing Assy.
18	4174 244-5				EXTENSION, Lower Deck Housing
NOTE: The following parts not shown on illustration iced Alternator. Listed above is the Alternator stamped production number crossreferenced to the app					
	4124 081				SOCKET, Tail Stop t/Sig.
	4209 353				SOCKET, Side Marker
	5211 712				SOCKET, Back Up

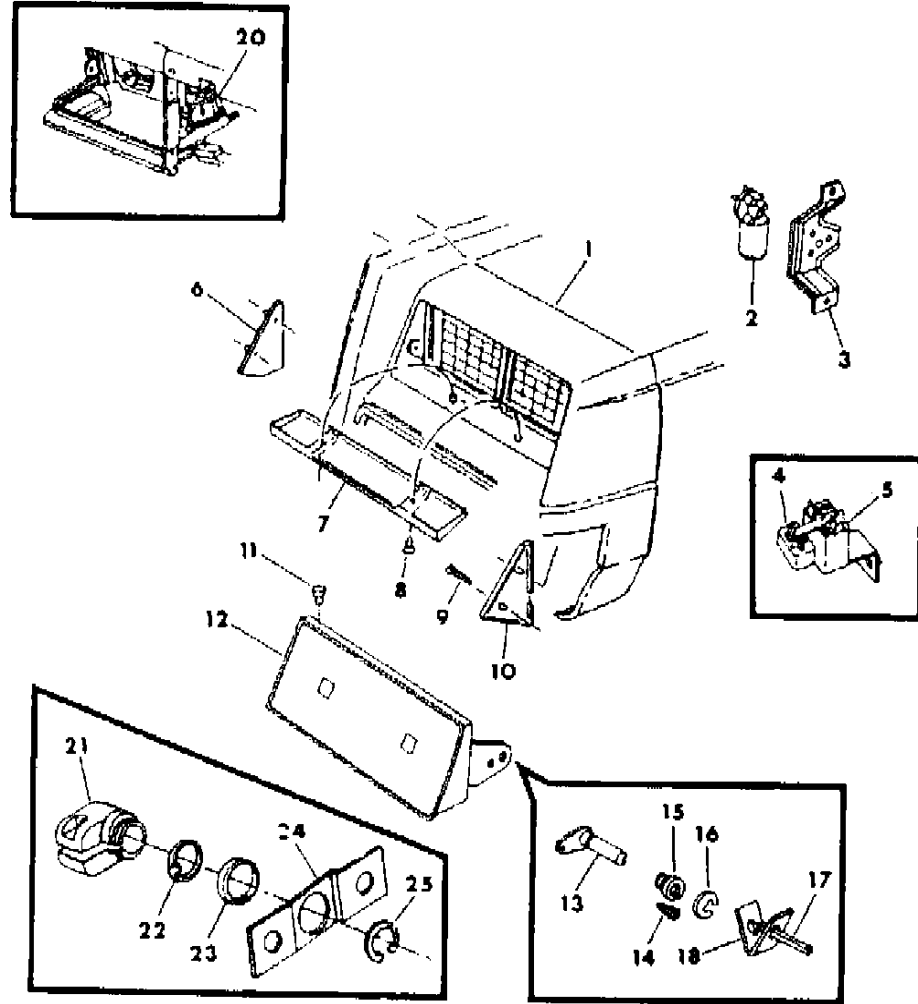
MODEL CODES  
 B = GRAN FURY/CARAVELLE  
 C = LEBARON/TOWN & COUNTRY  
 D = ARIES  
 F = NEW YORKER  
 G = DIPLOMAT  
 M = HORIZON/TC3/SCAMP  
 P = RELIANT  
 S = CORDOBA  
 V = 400  
 X = MIRADA  
 Y = IMPERIAL  
 Z = OMNI/O24/RAMPAGE

BODY STYLES  
 21 = 2-DOOR SEDAN  
 22 = 2-DOOR SPECIAL COUPE  
 24 = 2-DOOR HATCHBACK  
 27 = 2-DOOR CONVERTIBLE  
 28 = FWD PICKUP  
 41 = 4-DOOR SEDAN  
 44 = 4-DOOR HATCHBACK  
 45 = 2-SEAT STATION WAGON

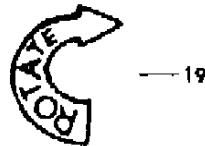
AR = Use as Required - = Non Illustrated Part P.A.R. = Paint as Required

**HEADLAMP CONCEALED J BODY Y**  
**Figure 8-4000**

2108 4000



To manually open headlamp doors, disconnect all wires to headlamp door motor (located behind center of Grille) then rotate knob located at lower end of headlamp door motor in direction of arrow until headlamp doors open fully.



ITEM	PART NUMBER	QTY	BODY	MODEL	DESCRIPTION
1					GRILLE and HEADLAMP MOUNTING PANEL, Group 7
2	4240 524	1			MOTOR, h/Lamp Door
3	4074 925	1			BRACE, h/Lamp Door Motor
4	2983 415	1			CIRCUIT BREAKER
5	3747 911	1			RELAY
6	4103 292-3	1			PANEL, h/Lamp (Inter Trim)
7	4103 294-5	1			PANEL, h/Lamp (Door Trim)
8					SCREW, Not Serviced
9					SCREW, Not Serviced
10	4103 296-7	1			PANEL, h/Lamp (Outer Trim)
11	4074 968	4			BUMPER
12	4074 910-1	1			DOOR ASSEMBLY
13	4074 922-3	1			CRANK ASSEMBLY
14					NUT, Not Serviced
15					BUSHING, Serviced In Assy.
16					RING, Serviced In Assy.
17	4074 924	2			BAR, Torsion
18	6027 292	2			RETAINER
19	2998 799	1			DECAL, h/Lamp Door
20	4074 992-3	1			BRACKET, h/Lamp Outer Pivot
	6024 067				Screw & Washer
21	4103 266				COLLER, h/Lamp Door Adjusting
	6031 925				Screw, (Set) Collar Assy. h/Lamp Door Adj.
22	4103 261				SLEEVE, h/Lamp Door
23					BUSHING, h/Lamp Door (Serviced in Coller Assy.)
24	4103 258	2			BRACKET, h/Lamp Door
25	4103 262				RETAINER, h/Lamp Door
	4240 523				BOOT, Not Shown

MODEL CODES

B = GRAN FURY/CARAVELLE	P = RELIANT
C = LEBARON/TOWN & COUNTRY	S = CORDOBA
D = ARIES	V = 400
F = NEW YORKER	X = MIRADA
G = DIPLOMAT	Y = IMPERIAL
M = HORIZON/TC3/SCAMP	Z = OMNI/O24/RAMPAGE

BODY STYLES

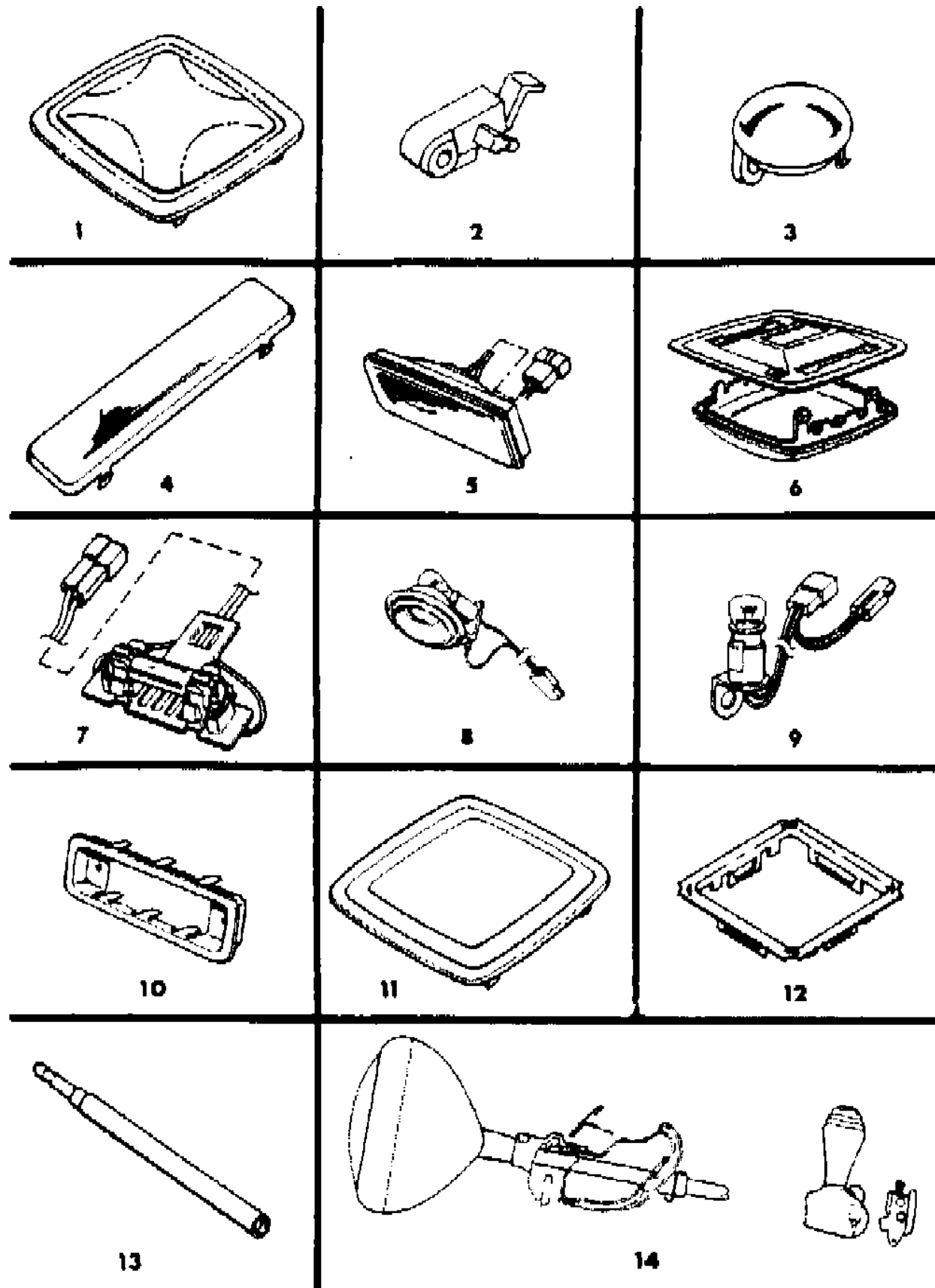
21 = 2-DOOR SEDAN	28 = FWD PICKUP
22 = 2-DOOR SPECIAL COUPE	41 = 4-DOOR SEDAN
24 = 2-DOOR HATCHBACK	44 = 4-DOOR HATCHBACK
27 = 2-DOOR CONVERTIBLE	45 = 2-SEAT STATION WAGON

AR = Use as Required - = Non Illustrated Part P.A.R. = Paint as Required

LAMPS--DOME COURTESY & SPOTLIGHT L-K-M BODY

Figure 8-4100

2100 4100A



ITEM	PART NUMBER	QTY	BODY	MODEL	DESCRIPTION
1	3488 936	2		P,D,B,F	LENS, Dome Lamp
2	5209 922	1		M,Z (24	SWITCH, Cargo Lamp
	4221 023	1		M,Z (44	
3	5209 554	1		P,D,C (	Serviced in Latch Assy.
				M,Z (44	LENS, Cargo Lamp
4					LENS
	3488 995	1		M,Z (44	Forward Dome Lamp, w/Sun Roof-Hinged w/Removeable Glass
	5209 525	1		M,Z (44	Forward Dome Lamp, w/o Sun Roof-Hinged w/Removeable Glass
	5209 525	1		M,Z (24	Forward Dome Lamp
	H408 AX9	1		M,Z (28	ESCUTCHEON, Dome Lamp (Black)
	H408 AT4	1		M,Z (28	ESCUTCHEON, Dome Lamp (Tan)
	H408 AM6	1		M,Z (28	ESCUTCHEON, Dome Lamp (Red)
	3488 995	1		M,Z (24	Cargo Lamp
	3488 995	1		P,D (21	Door Courtesy Lamp Frt. Door
	5209 525	1		P,D(41,	Door Courtesy Lamp Frt.& Rear Door
	3488 995	1		B,F,G	Door Courtesy Lamp
5					LAMP ASSEMBLY
	3591 803	1		M,Z (24	Cargo
	3591 596	AR		M,Z,B,F	TERMINAL
	5209 559	1		M,Z (24	SEAL, Cargo Lamp
					HOUSING
	5209 523	1		M,Z (24	Forward Dome Lamp
	5209 523	1		M,Z (44	Forward Dome Lamp, w/o Sun Roof-Hinged w/Removeable Glass
6	3593 541	2		B,F,G	BEZEL, Dome Lamp Center
7	3488 976	AR			INSULATOR
8	3591 132	2		B,F,G	LAMP, Courtesy w/Shield Header Mtg.
	4220 249			P,D,C,V	LAMP, Pkg. Dome and Map
	4220 249			B,F,G	LAMP, Pkg. Dome and Map
	3591 873			P,D,C,V	LENS, Dome and Map Lamp
	3591 873			B,F,G	LENS, Dome and Map Lamp
					SWITCH, Reading Lamp W/Shield Header Mtg. (Serviced in 4055342 Header Lamp Wiring Assy.)
	2983 409	4		B,F,G	TERMINAL
	4058 247	2		B,F,G	INSULATOR
	4055 342	1		B,F,G	WIRING, (Incl. Switch)

MODEL CODES

B = GRAN FURY/CARAVELLE	P = RELIANT
C = LEBARON/TOWN & COUNTRY	S = CORDOBA
D = ARIES	V = 400
F = NEW YORKER	X = MIRADA
G = DIPLOMAT	Y = IMPERIAL
M = HORIZON/TC3/SCAMP	Z = OMNI/O24/RAMPAGE

BODY STYLES

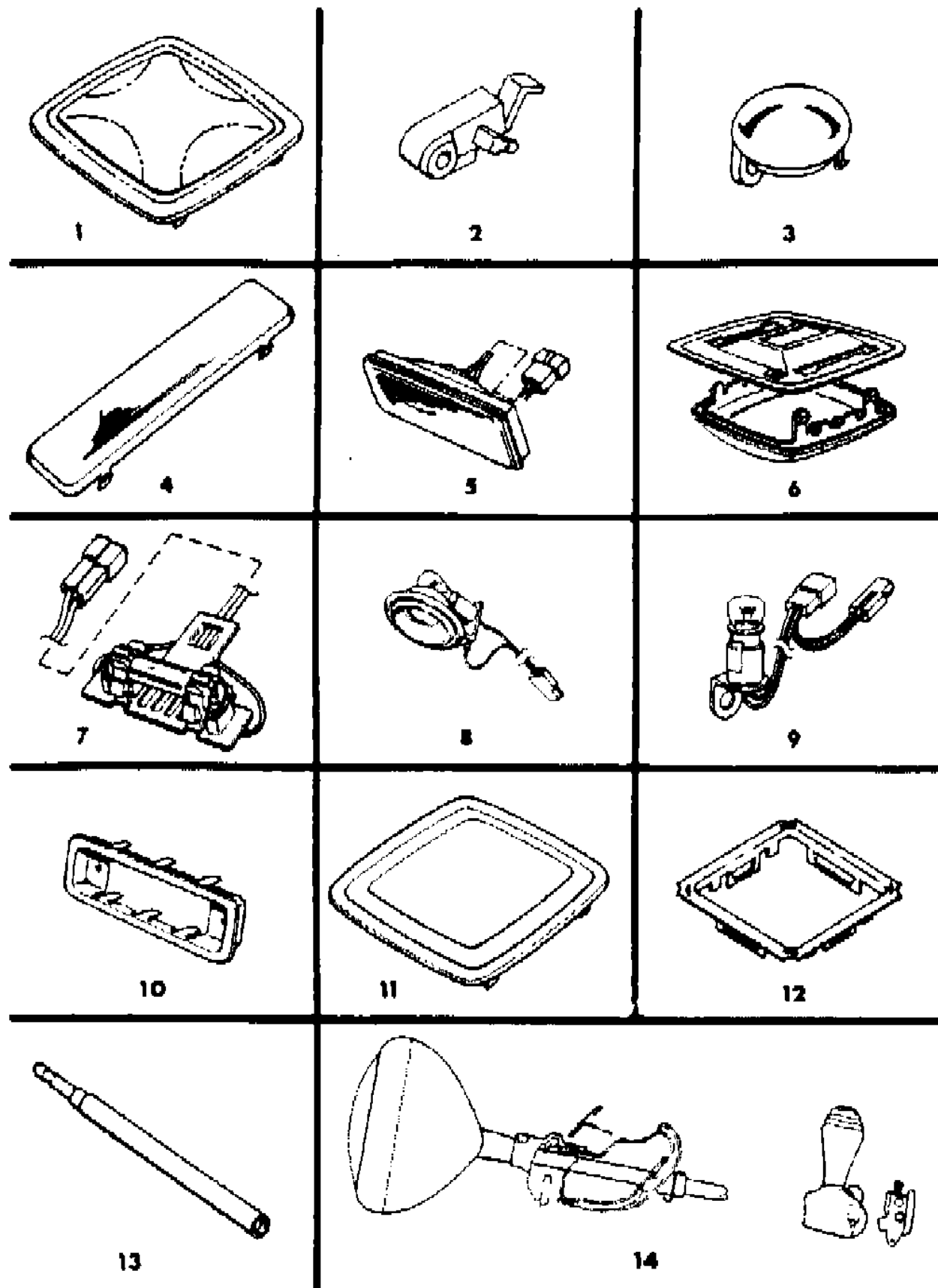
21 = 2-DOOR SEDAN	28 = FWD PICKUP
22 = 2-DOOR SPECIAL COUPE	41 = 4-DOOR SEDAN
24 = 2-DOOR HATCHBACK	44 = 4-DOOR HATCHBACK
27 = 2-DOOR CONVERTIBLE	45 = 2-SEAT STATION WAGON

AR = Use as Required - = Non Illustrated Part P.A.R. = Paint as Required

LAMPS--DOME COURTESY & SPOTLIGHT L-K-M BODY

Figure 8-4100

2100 4100A



ITEM	PART NUMBER	QTY	BODY	MODEL	DESCRIPTION
9	3591 130	1		B,F,G	LAMP, Courtesy, Under Panel
10	4220 392			P,D,C,V	BRACKET, Lamp Courtesy Frt.
	3591 126	AR		B,F,G	Painted
	3591 126			B,F,G	White
11	3591 126	AR		M,Z	BRACKET, Cargo Lamp
	3593 728			P,D,C,V	LAMP, Dome
12	3593 282	1		B,F,G	BRACKET, Dome Lamp Mtg.
	4047 293	1		P,D,C,V	BRACKET, Dome Lamp Mtg.
13	3593 282	1		P,D,C,V	w/o Soft H/Lining, w/Cargo Light
	4124 171	1		B,F,G	DIODE, Aft Dome Lamp
	4274 161	1			DIODE and MOLD, Repair Pkg. w/A/Cond.
14					SPOTLIGHT, Not Serviced
	1641 511	1			Switch, w/s Pillar Spotlight
	1233 878	1			Switch, w/s Pillar Spotlight Toggle
	4209 749	1			Wiring Assy., Spotlight Fleet
NOTE: The following parts not shown on illustration iced Alternator. Listed above is the Alternator stamped production number crossreferenced to the app					
	3593 616			B,F,G	LAMP and SWITCH, Additional Dome Lamp Assy.
	4076 842-3			B	LAMP, Ctr. Plr. Opera
	9437 484				BULB, Rr. Dr. Reading Lamp
	9431 808				BULB, Dome Lamp
	3591 803			P,D,C,V	LAMP, Courtesy Frt. Door
	4220 347			PDC (41	LAMP, Courtesy Frt. & Rr. Door
	4220 392			PDC (41	BRACKET, Courtesy Frt. & Rr. Door
	3591 803			B,F,G	LAMP, Courtesy Frt. & Rr. Door
	4221 008	1			LAMP, Under Hood
	4047 778	1		P,D	STRAP, Dome Lamp Bracket Mtg.

MODEL CODES

B = GRAN FURY/CARAVELLE	P = RELIANT
C = LEBARON/TOWN & COUNTRY	S = CORDOBA
D = ARIES	V = 400
F = NEW YORKER	X = MIRADA
G = DIPLOMAT	Y = IMPERIAL
M = HORIZON/TC3/SCAMP	Z = OMNI/O24/RAMPAGE

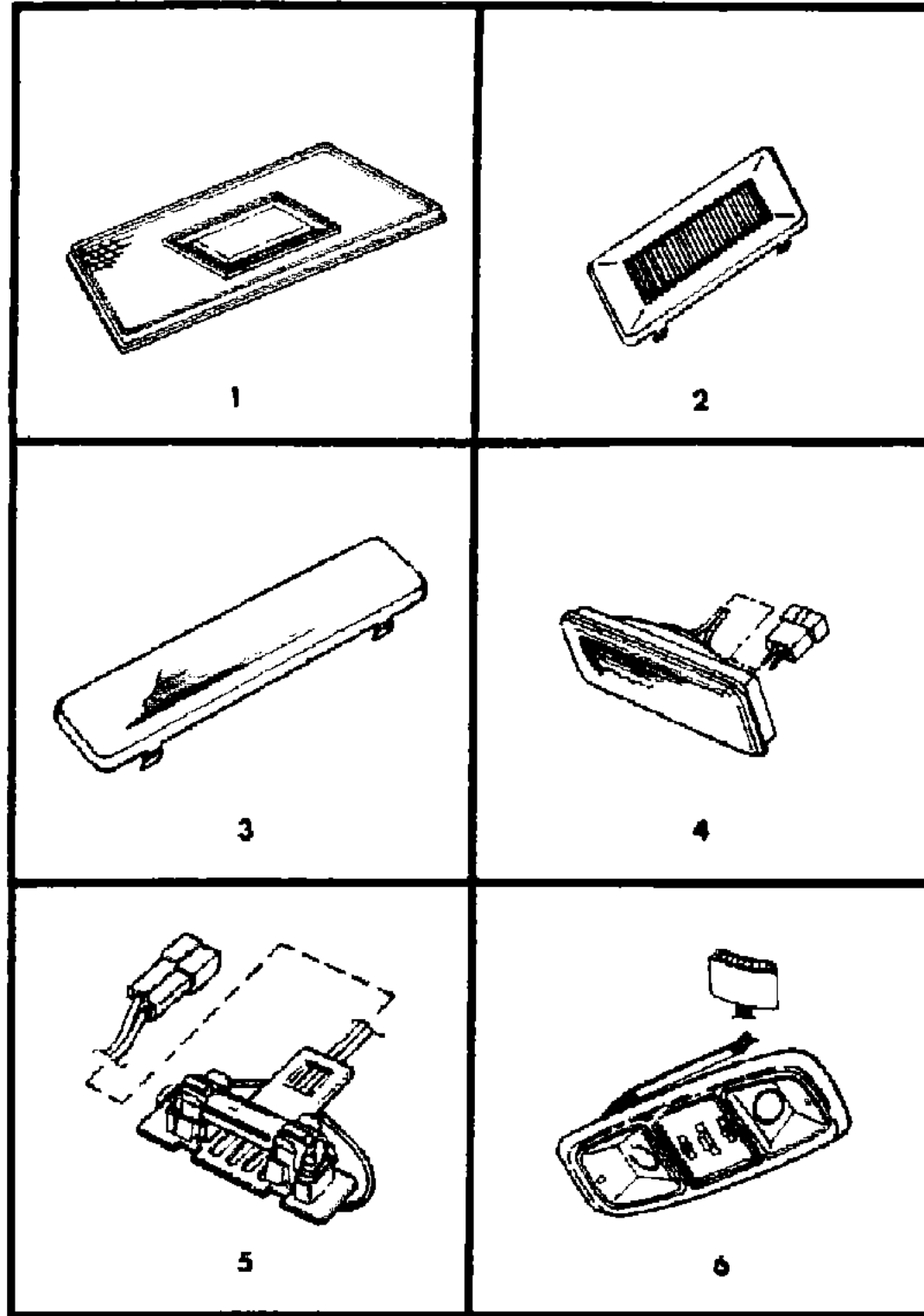
BODY STYLES

21 = 2-DOOR SEDAN	28 = FWD PICKUP
22 = 2-DOOR SPECIAL COUPE	41 = 4-DOOR SEDAN
24 = 2-DOOR HATCHBACK	44 = 4-DOOR HATCHBACK
27 = 2-DOOR CONVERTIBLE	45 = 2-SEAT STATION WAGON

AR = Use as Required - = Non Illustrated Part P.A.R. = Paint as Required

LAMPS--DOME & COURTESY J BODY  
Figure 8-4200

2108 4200A



ITEM	PART NUMBER	QTY	BODY	MODEL	DESCRIPTION
1	4047 294			Y	LENS, Frt. Door Courtesy Lamp
2	4047 992-3			Y	LENS, Rr. Door Reading Lamp
3	3591 818			X,S	LENS, Courtesy Lamp (White 8 By 3) (Frt. Door)
	4011 944			X,S	LENS, Courtesy Lamp (Red) (Frt. Door)
4	3591 944	2		X,S	LAMP Rr. Qtr. Courtesy
	3591 596	4		X,S	TERMINAL
5	3488 976	AR			INSULATOR
6	3591 955	1		X,S,Y	LAMP, Reading Frt. Mtg. (Bright Finish)
	3591 783	1		X,S,Y	LAMP, Reading Frt. Mtg. (Wood Grain)
	3591 041	1		X,S	LAMP, Dome,w/Sun Roof
	3591 789	1		X,S,Y	BRACKET, Reading Lamp Frt. Header Mtg.
	6032 019	1		X,S,Y	RING, Reading Lamp Frt. Header Mtg.
	3591 944	1		X,S	LAMP, Rr. Qtr. Reading Lamp
				X,S	Lens and Bezel (Serviced In Lamp Assy.)
				Y	LAMP, Rr. Qtr. Reading Lamp
	4047 992-3	1		Y	Lens, Reading Lamp
	4047 998-9	1		Y	Bezel, Reading Lamp
	4047 984-5	1		Y	Medallion, Reading Lamp

NOTE: The following parts not shown on illustration iced Alternator. Listed above is the Alternator stamped production number crossreferenced to the app

4124 874	2		X,S	SWITCH and WIRING, Rr. Door Reading Lamp
4209 512-3	1		Y	SWITCH, Ft. Door Reading Lamp w/Wiring
9431 808	1			BULB, Dome Lamp
4221 008	1		X,S,Y	LAMP, Under Hood
4267 275	1		B,F,G,X	LAMP, Pkg. Trunk

MODEL CODES

B = GRAN FURY/CARAVELLE	P = RELIANT
C = LEBARON/TOWN & COUNTRY	S = CORDOBA
D = ARIES	V = 400
F = NEW YORKER	X = MIRADA
G = DIPLOMAT	Y = IMPERIAL
M = HORIZON/TC3/SCAMP	Z = OMNI/O24/RAMPAGE

BODY STYLES

21 = 2-DOOR SEDAN	28 = FWD PICKUP
22 = 2-DOOR SPECIAL COUPE	41 = 4-DOOR SEDAN
24 = 2-DOOR HATCHBACK	44 = 4-DOOR HATCHBACK
27 = 2-DOOR CONVERTIBLE	45 = 2-SEAT STATION WAGON

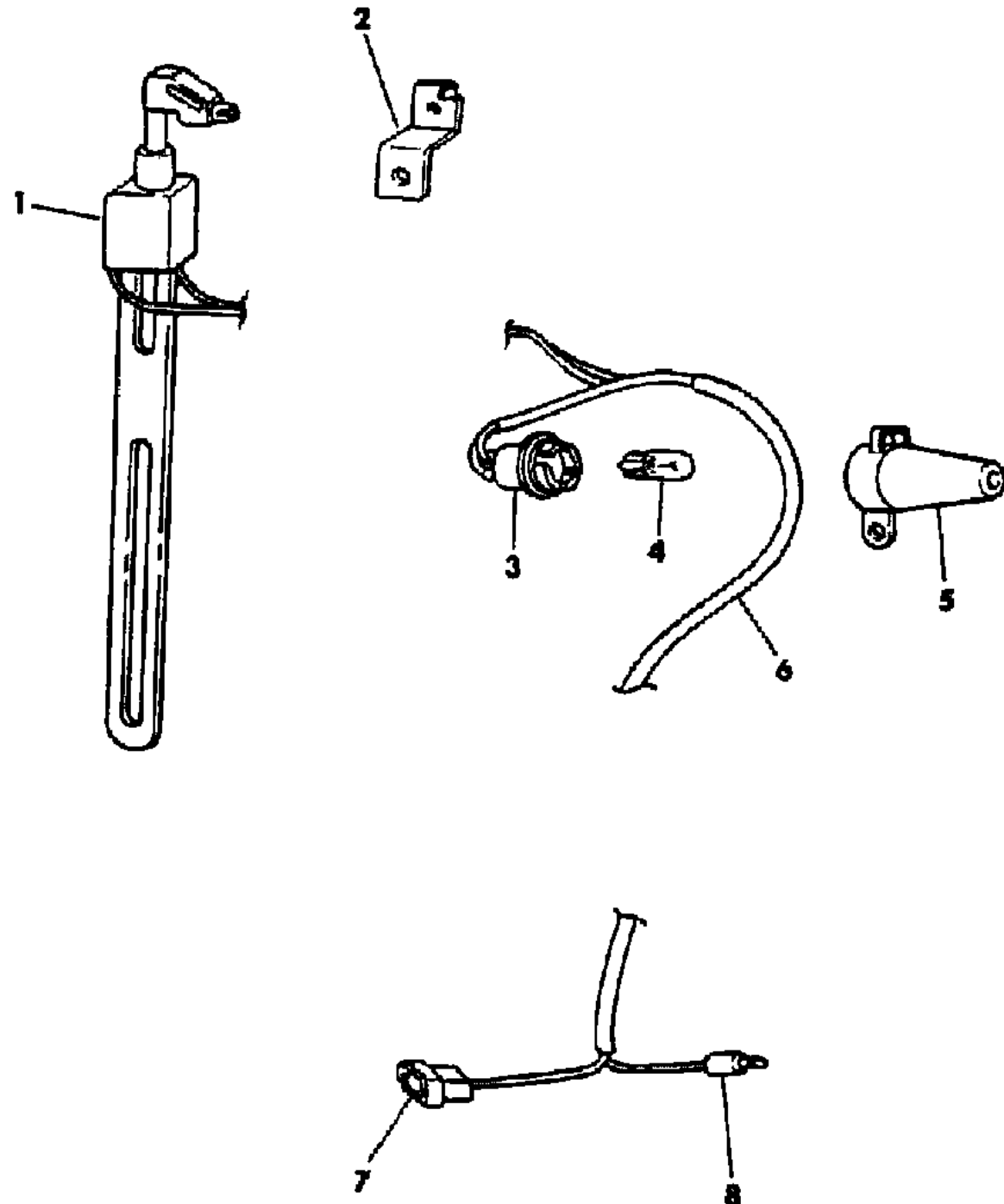
AR = Use as Required - = Non Illustrated Part P.A.R. = Paint as Required



**ILLUMINATED DOOR LOCK LIGHT**  
Figure 8-4300

2108 4300

ITEM	PART NUMBER	QTY	BODY	MODEL	DESCRIPTION
1	3747 819	1			SWITCH
2	3591 902	1			BRACKET
3	3513 686				SOCKET
4	9415 969				BULB
5	3591 894				HOUSING
6					WIRING, Not Serviced
7	4055 007				INSULATOR
	3843 386				Terminal
8					MOLD, Not Serv.
	4186 387				RELAY, Not Shown
	4172 675				CABLE ASSEMBLY



**MODEL CODES**

B = GRAN FURY/CARAVELLE	P = RELIANT
C = LEBARON/TOWN & COUNTRY	S = CORDOBA
D = ARIES	V = 400
F = NEW YORKER	X = MIRADA
G = DIPLOMAT	Y = IMPERIAL
M = HORIZON/TC3/SCAMP	Z = OMNI/O24/RAMPAGE

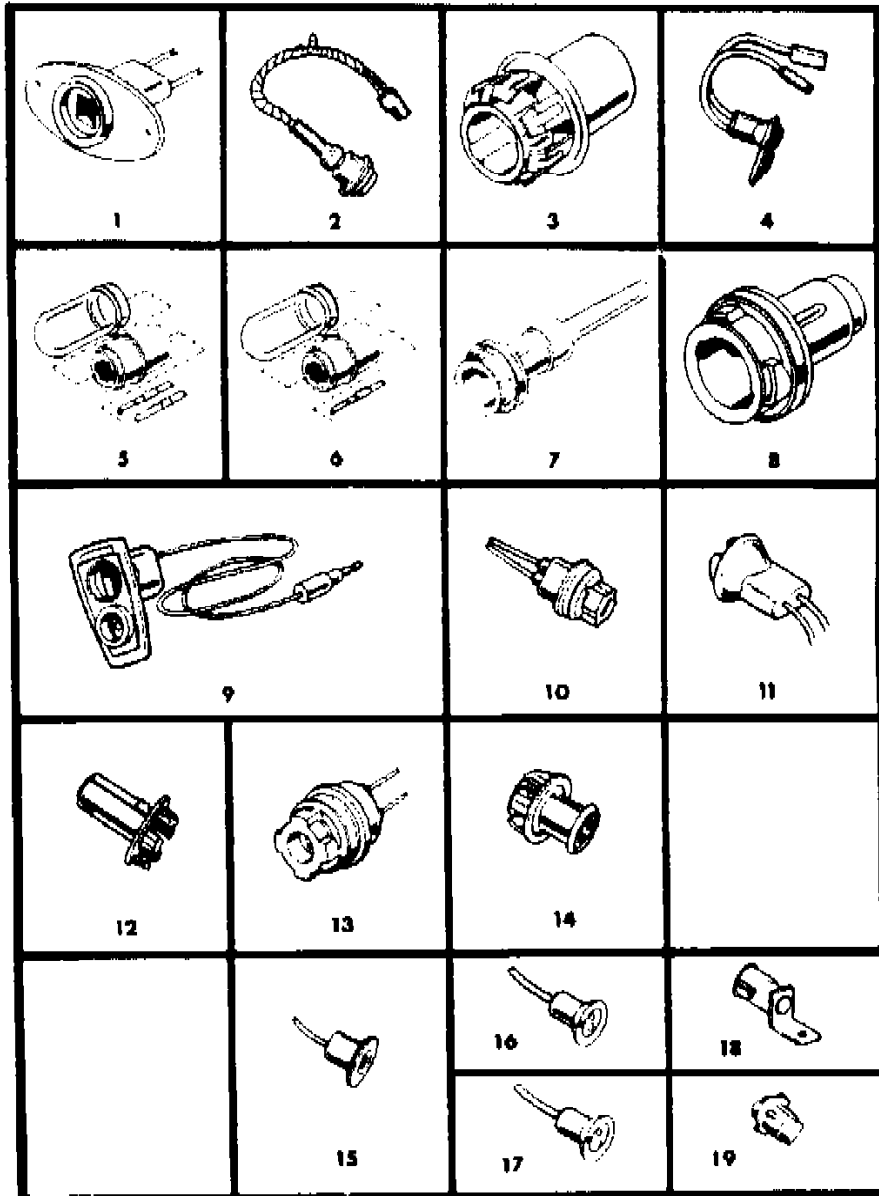
**BODY STYLES**

21 = 2-DOOR SEDAN	28 = FWD PICKUP
22 = 2-DOOR SPECIAL COUPE	41 = 4-DOOR SEDAN
24 = 2-DOOR HATCHBACK	44 = 4-DOOR HATCHBACK
27 = 2-DOOR CONVERTIBLE	45 = 2-SEAT STATION WAGON

AR = Use as Required - = Non Illustrated Part P.A.R. = Paint as Required

## SOCKETS AND CABLES Figure 8-4400

210H 4400



ITEM	PART NUMBER	QTY	BODY	MODEL	DESCRIPTION
1				X,S	SOCKETS and CABLE, License, Not Serv.
2	3843 060			B,F,G,X	SOCKET, Rr. Bmpr. Back-Up
4	3843 799			S	SOCKET and CABLE, Frt. Fender Turn Signal Indic.
5					SOCKET
	3746 516			M,Z	Rr. Window Indic.
	3746 516			MZ,PDC,	Cargo
	3746 516				Opera
	3746 516			PD,CV,B	Console
6					SOCKET
	3746 515			All	Radio Illumination
	3746 515			B,F,G	Rr. Window Indic.
	3746 515			B,F,G	Head Lamp Switch Illumination
	3746 515			B,F,G	Wiper Switch
	3746 515			B,F,G	Ash Rec.
7	4055 433			M,Z	SOCKET, Park Lamp Repair Pkg.
8	5211 537			M,Z	SOCKET, Type C-2
9					SOCKET and CABLE, Front Fender T/Signal Indic.
10					SOCKET, Back-Up and Side Marker
11	3588 314			B,F,G	SOCKET and CABLE, License Repair
12					SOCKET, Turn Signal
	2926 370			B,F,G	Frnt.
13					SOCKET and CABLE
	4055 028			X	Qtr. Pnl. Turn Signal
	4055 028			X	Frnt. Turn Signal and Side Marker
14	2822 196			P,D,C (	SOCKET, Tail Stop t/Sig.
15	3764 865				SOCKET, Cornering Lamp Repair
	4124 721			C,V,X,S	SOCKET, w/Cable Cornering
17	3843 432			M,Z,B,F	SOCKET, Park and Turn Signal Repair
18	2096 857			B,F,G	SOCKET and BRACE, Courtesy
19	3744 750			All	SOCKET, Printed Circuit Board
NOTE: The following parts not shown on illustration iced Alternator. Listed above is the Alternator stamped production number crossreferenced to the app					
	3843 432			P,D,C,V	SOCKET, Park and T/Sig.
	3513 686			M,Z	SOCKET, Side Marker (Frnt.)
	3588 126			PD,CV(2	SOCKET, Side Marker (Rr)
	4124 081			PD,CV(2	SOCKET, Tail Stop and T/Sig.
	5211 712			PD,CV(2	SOCKET, Back UP

### MODEL CODES

B = GRAN FURY/CARAVELLE	P = RELIANT
C = LEBARON/TOWN & COUNTRY	S = CORDOBA
D = ARIES	V = 400
F = NEW YORKER	X = MIRADA
G = DIPLOMAT	Y = IMPERIAL
M = HORIZON/TC3/SCAMP	Z = OMNI/O24/RAMPAGE

### BODY STYLES

21 = 2-DOOR SEDAN	28 = FWD PICKUP
22 = 2-DOOR SPECIAL COUPE	41 = 4-DOOR SEDAN
24 = 2-DOOR HATCHBACK	44 = 4-DOOR HATCHBACK
27 = 2-DOOR CONVERTIBLE	45 = 2-SEAT STATION WAGON

AR = Use as Required - = Non Illustrated Part P.A.R. = Paint as Required

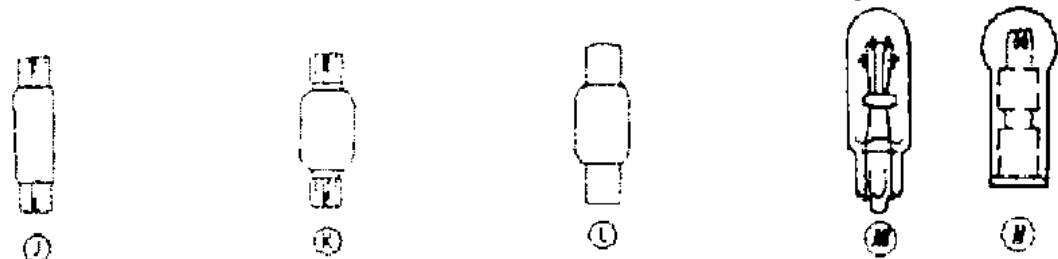
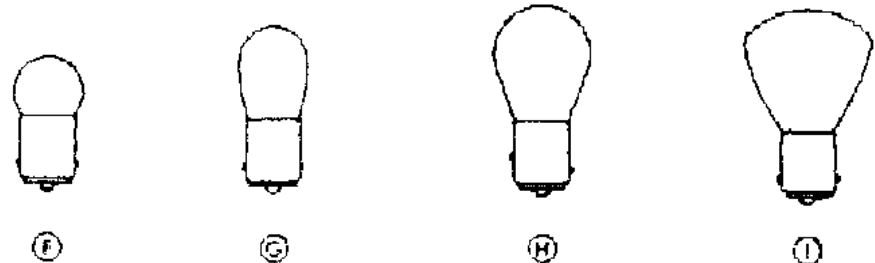
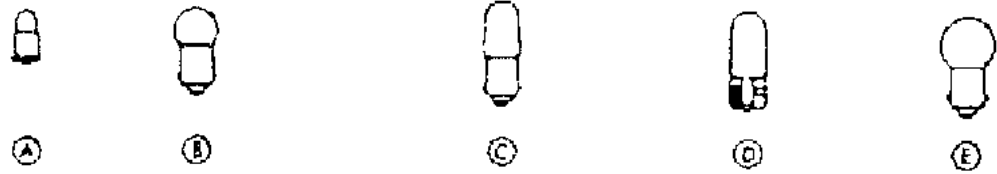


# BULB CROSS REFERENCE

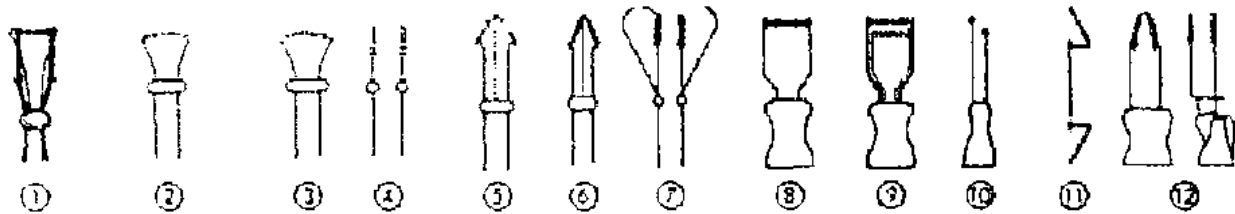
Figure 8-4500

2108 4500

ITEM	PART NUMBER	QTY	BODY	MODEL	DESCRIPTION
A	9423 277				SINGLE N330 N1 Y9423277 N
B	0131 282				SINGLE N53 N5 Y0131282 N
	0274 004				SINGLE N1445 N5 Y0274004 N
	0131 282				SINGLE N363 N5 Y0131282 N
C	0193 065				SINGLE N1815 N5 Y0193065 N
	0152 240				SINGLE N1816 N5 Y0152240 N
	0152 244				SINGLE N1891 N1 Y0152244 N
	0274 020				SINGLE N1892 N1 Y0274020 N
	9428 049				SINGLE N756 NC-2F Y9428049 N
D	9415 969				WEDGE N158 N5 Y9415969 N
	9415 969				SINGLE WEDGE N161 N1 Y9415969 N
	9425 542				SINGLE WEDGE N168 N5 Y9425542 N
	9421 330				SINGLE WEDGE N194 N1 Y9421330 N
E	0127 934				SINGLE N57 N5 Y0127934 N
	9417 863				SINGLE N257 N2 Y9417863 N
	9417 863				SINGLE N1895 N1 Y9417863 N
F	0142 450				SINGLE N67 N2 Y0142450 N
	0142 453				DOUBLE N90 N2 Y0142453 N
G	0151 577				SINGLE N1003 N8 Y0151577 N
	0151 578				DOUBLE N1004 N8 Y0151578 N
H	0142 454				SINGLE N93 N2 Y0142454 N
	9436 790				SINGLE WEDGE N73 NC-2F Y9436790 N
	0142 456				SINGLE N1141 N8 Y0142456 N
	9417 866				SINGLE N1156 N8 Y9417866 N
	9438 848				DOUBLE N2057 N8 Y9438848 NWHITE
	9438 850				DOUBLE N2057NA N8 Y9438850 NAMBER
	9419 780				DOUBLE N1157A N8 Y9419780 N
	9438 850				DOUBLE N1157NA N8 Y9438850 N
J	9431 809				DOUBLE WEDGE N212.2 NC-8 Y9431809 N
L	9431 808				FESTOON CAP - DOUBLE N211-2 N11 Y9431808 N
M	9436 790				SINGLE WEDGE N74 NC-2F Y9436790 N
N	9427 943				NV022 N Y9427943 N
	9437 173				NGE-912 N Y9437173 N
	9438 068				N194A N Y9438068 N



**FILAMENT TYPES**



**BASE TYPES**



**MINIATURE BAYONET  
SINGLE CONTACT**

**BAYONET  
SINGLE CONTACT**

**BAYONET  
DOUBLE CONTACT**

**TYPE - INDEXING BAYONET  
DOUBLE CONTACT**

**TYPE - END CONTACT DOUBLE WEDGE**

**MODEL CODES**

B = GRAN FURY/CARAVELLE	P = RELIANT
C = LEBARON/TOWN & COUNTRY	S = CORDOBA
D = ARIES	V = 400
F = NEW YORKER	X = MIRADA
G = DIPLOMAT	Y = IMPERIAL
M = HORIZON/TC3/SCAMP	Z = OMNI/O24/RAMPAGE

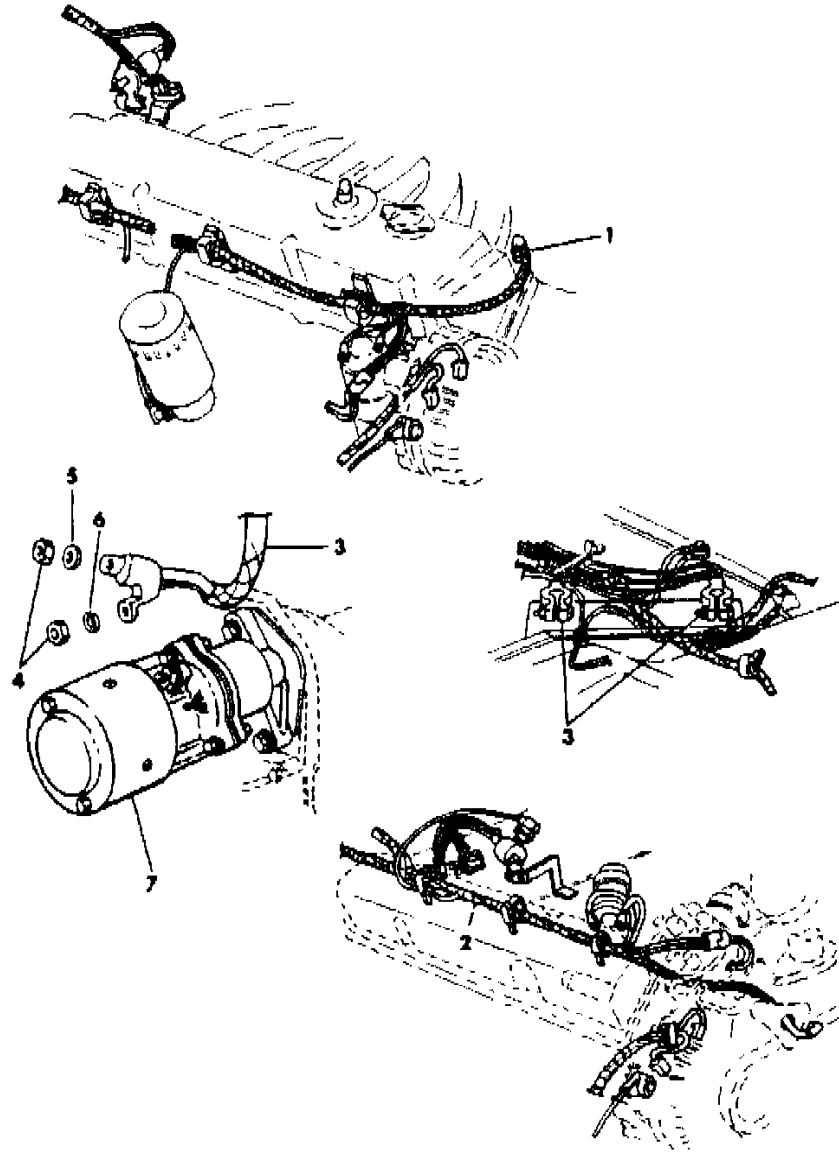
**BODY STYLES**

21 = 2-DOOR SEDAN	28 = FWD PICKUP
22 = 2-DOOR SPECIAL COUPE	41 = 4-DOOR SEDAN
24 = 2-DOOR HATCHBACK	44 = 4-DOOR HATCHBACK
27 = 2-DOOR CONVERTIBLE	45 = 2-SEAT STATION WAGON

AR = Use as Required - = Non Illustrated Part P.A.R. = Paint as Required

**WIRING--ENGINE & RELATED PARTS**  
**Figure 8-4600**

2100 4600



ITEM	PART NUMBER	QTY	BODY	MODEL	DESCRIPTION
NOTE: Also See Figure 8-4900 For Related Wiring iced Alternator. Listed above is the Alternator stamped production number crossreferenced to the app					
1					WIRING, ENG.COMP,t.
	4209 825	1		M,Z (44	w/o a/Cond. 2.2L Eng. w/H/Lamp and Dash Wiring
	4209 824	1		M,Z (44	w/a/Cond., 2.2L Eng. w/H/Lamp and Dash Wiring
	4209 821	1		M,Z (24	w/a/Cond., 2.2L Eng. w/H/Lamp and Dash Wiring
	4209 822	1		M,Z (24	w/o/a/Cond., 2.2L Eng. w/H/Lamp and Dash Wiring
	4209 818	1		M,Z (44	w/a/Cond., 1.7L Eng.(w/H/Lamp and Dash Wiring)
	4209 819	1		M,Z (44	w/o a/Cond., 1.7L Eng.(w/H/Lamp and Dash Wiring)
	4209 816	1		M,Z (24	w/o a/Cond., 1.7L Eng.(w/H/Lamp and Dash Wiring)
	4209 815	1		M,Z (24	w/a/Cond., 1.7L Eng.(w/H/Lamp and Dash Wiring)
	4209 829	1		M,Z	WIRING, Engine 2.2L
	4209 576	1		P,D,C,V	WIRING, ENG.COMP,t. w/ a/Cond., w/Rr. Heated Window.(w/ESA) 2.6L Eng.
	4209 854	1		P,D,C,V	w/ a/Cond., 2.2L Eng.
	4209 855	1		P,D,C,V	w/o a/Cond., 2.2L Eng.
		1			WIRING, Eng.,w/225 Eng.
	4274 995	1		B,F,G,X	w/225 Eng., w/(S/C-N95) w/esa
	4209 487	1		B,F,G,X	ECU, w/225 Eng. w/(S/C-N93 S/C-N98)
2					WIRING, (w/318 Eng.)
	4209 234	1		B,F,G	ESA, w/318 (E44, E45) w/(S/C-N94, S/C-N96)
	4209 234	1		X,S	ESA, w/318 (E44) w/(S/C-N94, S/C-N96)
	4209 233	1		B,F,F,X	ESA,w/318 (E44 E45 E46 E48)(S/C-N92, S/C-N94) CANADA
	4209 232	1		B,F,G,X	ESA,w/318 (E46 E48)(S/C-N94, S/C-N95) (Fleet)
	4209 685	1		Y	EFI, w/318 (E43) Eng. (Up To 1-4-82)
	4274 197	1		Y	EFI, w/318 (E43) Eng. (After 1-4-82)
		1			SENSOR, w/Maint. lamp
	4209 374	1		M,Z	WIRING, Alt. 1.7L Eng.
	4124 776	1		B,F,G	WIRING, Batt. Acc. Feed Jumper (Police)
	4274 335	1		P,D,C,V	WIRING, w/A/Cond. Throttle Kicker Sol. Jumper
3	4274 038	1		M,Z,P,D	CABLE, Ground Battery and Eng.
	4055 269	1		B,F,G,X	w/225 Eng.
	4274 210	1		B,F,G,X	318 Eng. (Up To 2-15-82)
	4274 210	1		B,F,G,X	318 Eng. (After 2-15-82)
		1			CABLE, Battery,Positive Feed
	4209 578	1			CABLE, Battery,Positive Feed, 2.6L Eng.
	4209 334	1		M,Z	w/Man. Trans., 1.7L Eng. w/412 Trans.

**MODEL CODES**

B = GRAN FURY/CARAVELLE	P = RELIANT
C = LEBARON/TOWN & COUNTRY	S = CORDOBA
D = ARIES	V = 400
F = NEW YORKER	X = MIRADA
G = DIPLOMAT	Y = IMPERIAL
M = HORIZON/TC3/SCAMP	Z = OMNI/O24/RAMPAGE

**BODY STYLES**

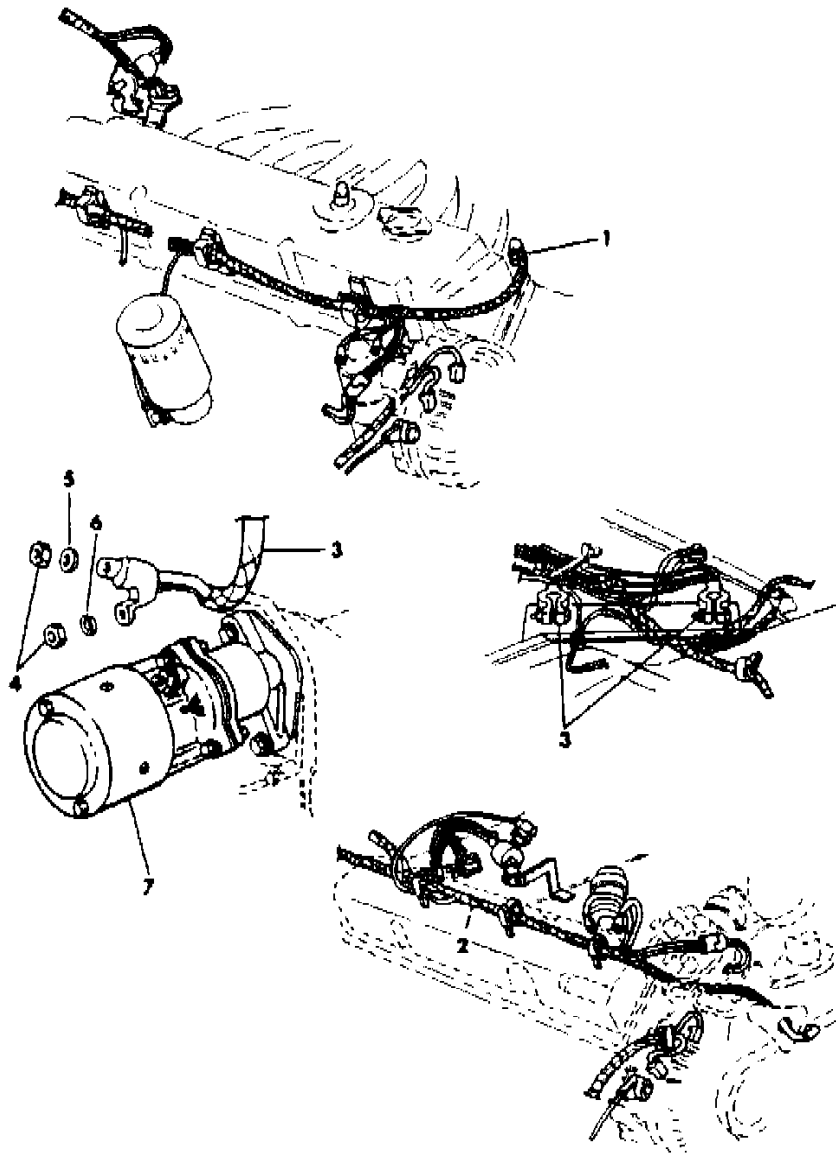
21 = 2-DOOR SEDAN	28 = FWD PICKUP
22 = 2-DOOR SPECIAL COUPE	41 = 4-DOOR SEDAN
24 = 2-DOOR HATCHBACK	44 = 4-DOOR HATCHBACK
27 = 2-DOOR CONVERTIBLE	45 = 2-SEAT STATION WAGON

AR = Use as Required - = Non Illustrated Part P.A.R. = Paint as Required

WIRING--ENGINE & RELATED PARTS

Figure 8-4600

2100 4600



ITEM	PART NUMBER	QTY	BODY	MODEL	DESCRIPTION
	4209 669	1		M,Z	w/Man. Trans., 1.7L Eng. w/460 Trans.
	4209 332	1		M,Z	w/Auto. Trans., 1.7L Eng.
	4274 170	1		M,Z	w/Man. Trans., 2.2L Eng. (Up To 4-15-82)
	4274 031	1		M,Z	w/Auto. Trans., 2.2L Eng.
	4209 558	1		P,D,C,V	w/Auto. Trans., 2.2L Eng.
	4209 252	1		P,D,C,V	w/Man. Trans., 2.2L Eng.
	4205 924	1		B,F,G,X	w/225 Eng., (Positive Feed)
	4209 392	1		B,F,G,X	w/318, Eng. w/60, 78 and 114 Amp. Altr.
		1			BATTERY TO STARTER MTG. AND RELAY
4					NUT, Not Serviced
5					WASHER, Not Serviced
6					WASHER, Lock Not Serviced
7					STARTER, See Starter Illus.

NOTE: The following parts not shown on illustration iced Alternator. Listed above is the Alternator stamped production number crossreferenced to the app

	4209 275	1		B,F,F,X	CONDUIT, Battery Cable
	1622 535	2			BOLT, Battery Cable Clamp
	6500 275	2		M,Z,P,D	Battery Ground Cable to Body
	1622 536	2			NUT, Battery Cable Clamp Bolt

MODEL CODES

B = GRAN FURY/CARAVELLE	P = RELIANT
C = LEBARON/TOWN & COUNTRY	S = CORDOBA
D = ARIES	V = 400
F = NEW YORKER	X = MIRADA
G = DIPLOMAT	Y = IMPERIAL
M = HORIZON/TC3/SCAMP	Z = OMNI/O24/RAMPAGE

BODY STYLES

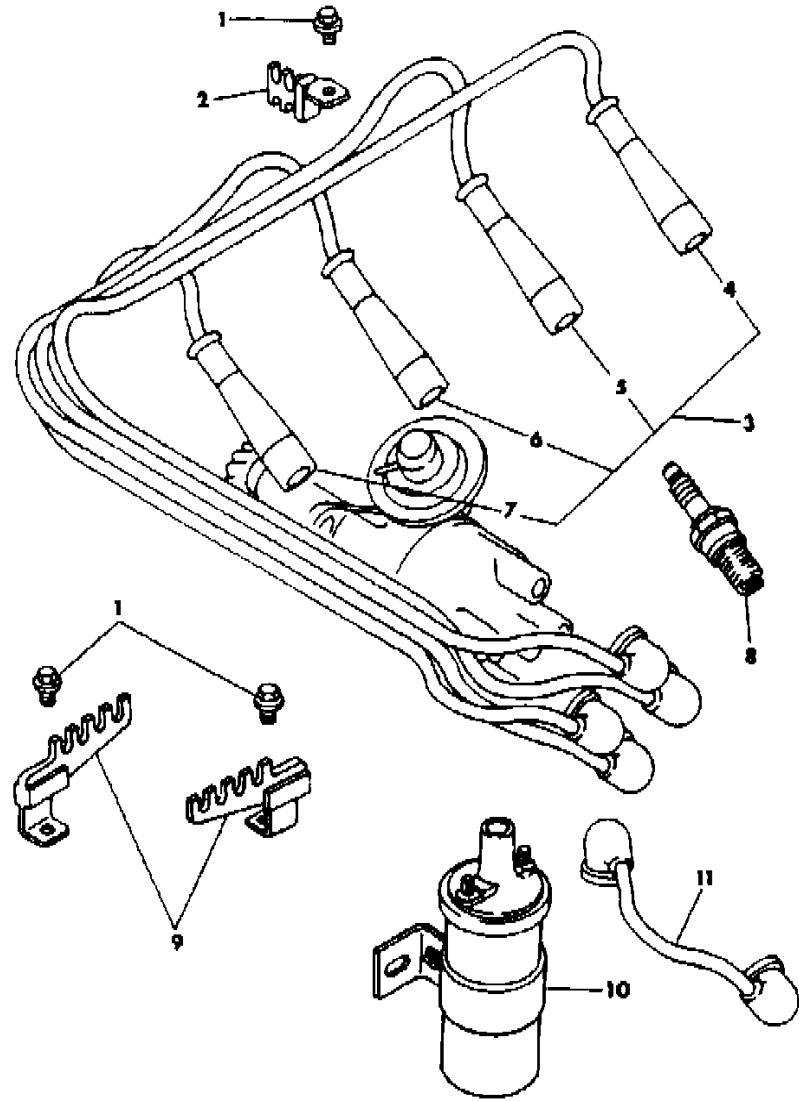
21 = 2-DOOR SEDAN	28 = FWD PICKUP
22 = 2-DOOR SPECIAL COUPE	41 = 4-DOOR SEDAN
24 = 2-DOOR HATCHBACK	44 = 4-DOOR HATCHBACK
27 = 2-DOOR CONVERTIBLE	45 = 2-SEAT STATION WAGON

AR = Use as Required - = Non Illustrated Part P.A.R. = Paint as Required

IGNITION COIL--SPARK PLUGS & SPARK PLUG CABLES 2.6L ENGINE

Figure 8-4700

2108 4700



ITEM	PART NUMBER	QTY	BODY	MODEL	DESCRIPTION
1	MF14 0202	4			BOLT,(6 x 10)
2	MD00 1790	2			SUPPORT, High Tension Cable
3	MD02 7766	1			CABLE SET
4	MD07 7714	1			CABLE, #4
5	MD07 7713	1			CABLE, #3
6	MD02 7715	1			CABLE, #2
7	MD02 7714	1			CABLE, #1
8	5213 693	4			SPARK PLUG, (PR 65) 2.6L Eng.
	5213 693	4			SPARK PLUG, (W16EPR-U10)
	MS85 1432	4			SPARK PLUG, (W16EP-U10)
9	MD02 4699	2			SUPPORT, High Tension Cable
10	MD02 5703	1			COIL, 2.6L Eng.
11	MD02 7723	1			CABLE, High Tension
	MD02 3848	1			CLAMP, Not Shown

MODEL CODES

B = GRAN FURY/CARAVELLE	P = RELIANT
C = LEBARON/TOWN & COUNTRY	S = CORDOBA
D = ARIES	V = 400
F = NEW YORKER	X = MIRADA
G = DIPLOMAT	Y = IMPERIAL
M = HORIZON/TC3/SCAMP	Z = OMNI/O24/RAMPAGE

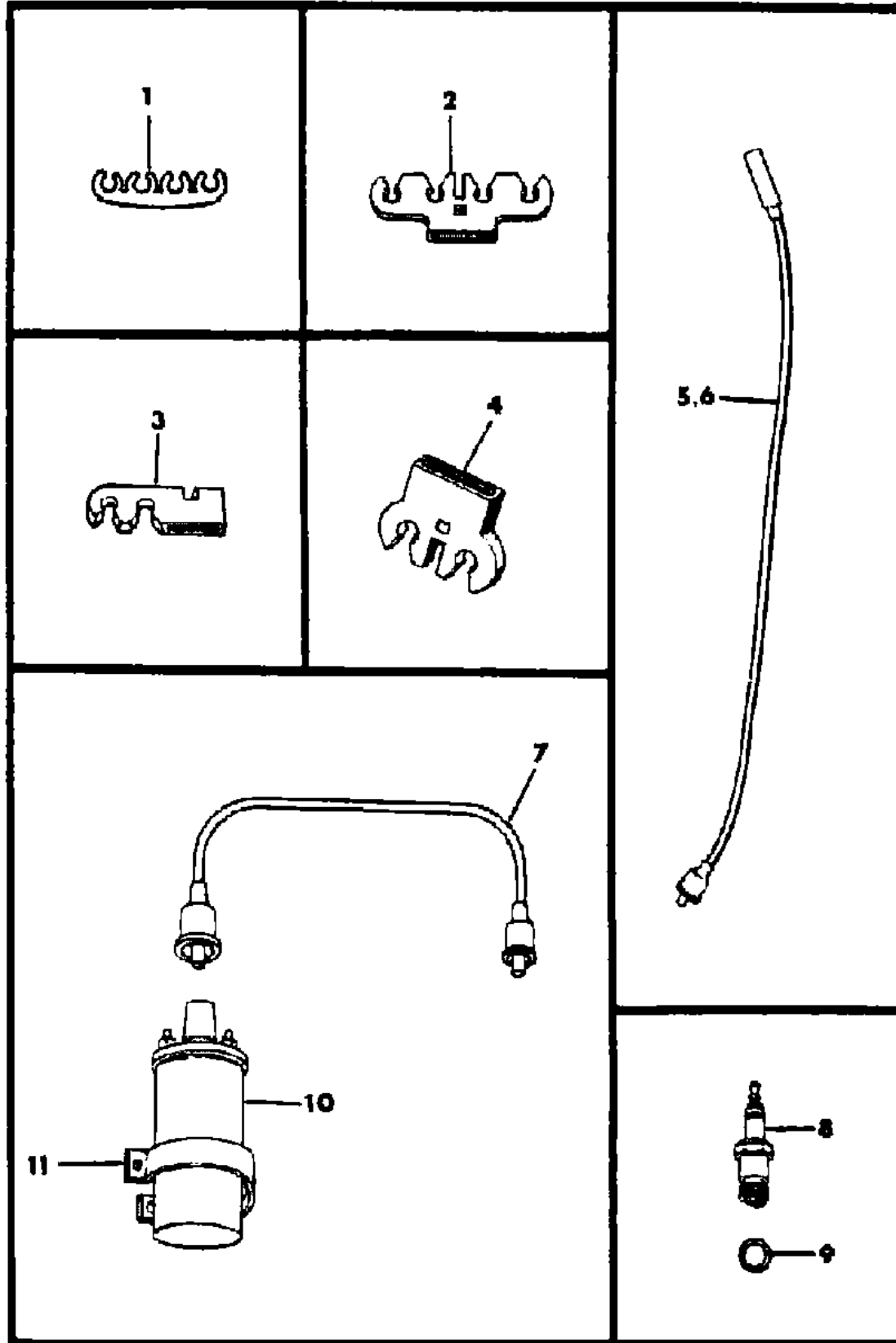
BODY STYLES

21 = 2-DOOR SEDAN	28 = FWD PICKUP
22 = 2-DOOR SPECIAL COUPE	41 = 4-DOOR SEDAN
24 = 2-DOOR HATCHBACK	44 = 4-DOOR HATCHBACK
27 = 2-DOOR CONVERTIBLE	45 = 2-SEAT STATION WAGON

AR = Use as Required - = Non Illustrated Part P.A.R. = Paint as Required

**IGNITION COIL--SPARK PLUGS & SPARK PLUG CABLES 1.7-2.2-225 & 318 ENGINES**  
**Figure 8-4800**

2108 4800



ITEM	PART NUMBER	QTY	BODY	MODEL	DESCRIPTION
1	1841 499	1			SEPERATOR, Spark Plug Cable, w/318 Eng.
2	2875 604	1			SEPERATOR, Spark Plug Cable, w/318 Eng.
3	2875 605	1			SEPERATOR, Sprak Plug Cable, w/318 Eng.
4	3755 972	2			SEPERATOR, Spark Plug Cable, w/318 Eng.
5					CABLE, Spark Plug
	5213 377	1		M,Z	No. 1 Cable, 1.7L Eng.
	5213 376	1		M,Z	No. 2 Cable, 1.7L Eng.
	5213 375	1		M,Z	No. 3 Cable, 1.7L Eng.
	5213 374	1		M,Z	No. 4 Cable, 1.7L Eng.
	5213 372	2			No. 2-3 Cable, 2.2L Eng.
	5213 373	2			No. 1-4 Cable, 2.2L Eng.
	4145 928	2			w/225 Eng.,No. 1-6 Cable
	4145 929	2			w/225 Eng.,No. 2-5 Cable
	4145 927	2			w/225 Eng.,No. 3-4 Cable
	4145 925	4			w/318 Eng., No. 1- 2-3-4 Cable
	4145 923	4			w/318 Eng., No. 5-6-7-8 Cable
6-7					CABLE SET, Ignition
	4240 432				w/1.7L Eng.
	4240 435	1			w/2.2L Eng.
	4240 433	1			w/225 Eng.
	4339 401	1			w/318 Eng.
7					CABLE, Ignition Coil Secondary
	5213 357	1		M,Z	Secondary, 1.7L Eng.
	5213 358	1		M,Z	Secondary, 2.2L Eng.
	5213 529	1		P,D,C,V	Secondary, 2.2L Eng.
	5213 370	1		B,F,G,X	w/225 Eng.
	5213 367	1		B,F,G,X	w/318
	4111 930	1		B,F,G,X	w/318 (E48) Eng.
8	5213 693			M,Z	SPARK PLUG, 1.7L ENG. P-65 PR
	5213 693			M,Z	SPARK PLUG, 1.7L Eng. w/(S/C-N92)
	5213 693				SPARK PLUG, 2.2L Eng.
	4289 155	6			P-560PR, w/225 Eng.
	5213 693	8			P-65PR PR w/318
	5213 693	8		Y	P-68ER, w/318 (E43) Eng.
9	2642 919				GASKET, Spark Plug, Thread-On
10	4176 009	1			COIL, Ignition
11	4111 986	1		P,D,C,V	BRACKET, Coil Mtg., On Coil, w/2.2L Eng.

**MODEL CODES**

B = GRAN FURY/CARAVELLE	P = RELIANT
C = LEBARON/TOWN & COUNTRY	S = CORDOBA
D = ARIES	V = 400
F = NEW YORKER	X = MIRADA
G = DIPLOMAT	Y = IMPERIAL
M = HORIZON/TC3/SCAMP	Z = OMNI/O24/RAMPAGE

**BODY STYLES**

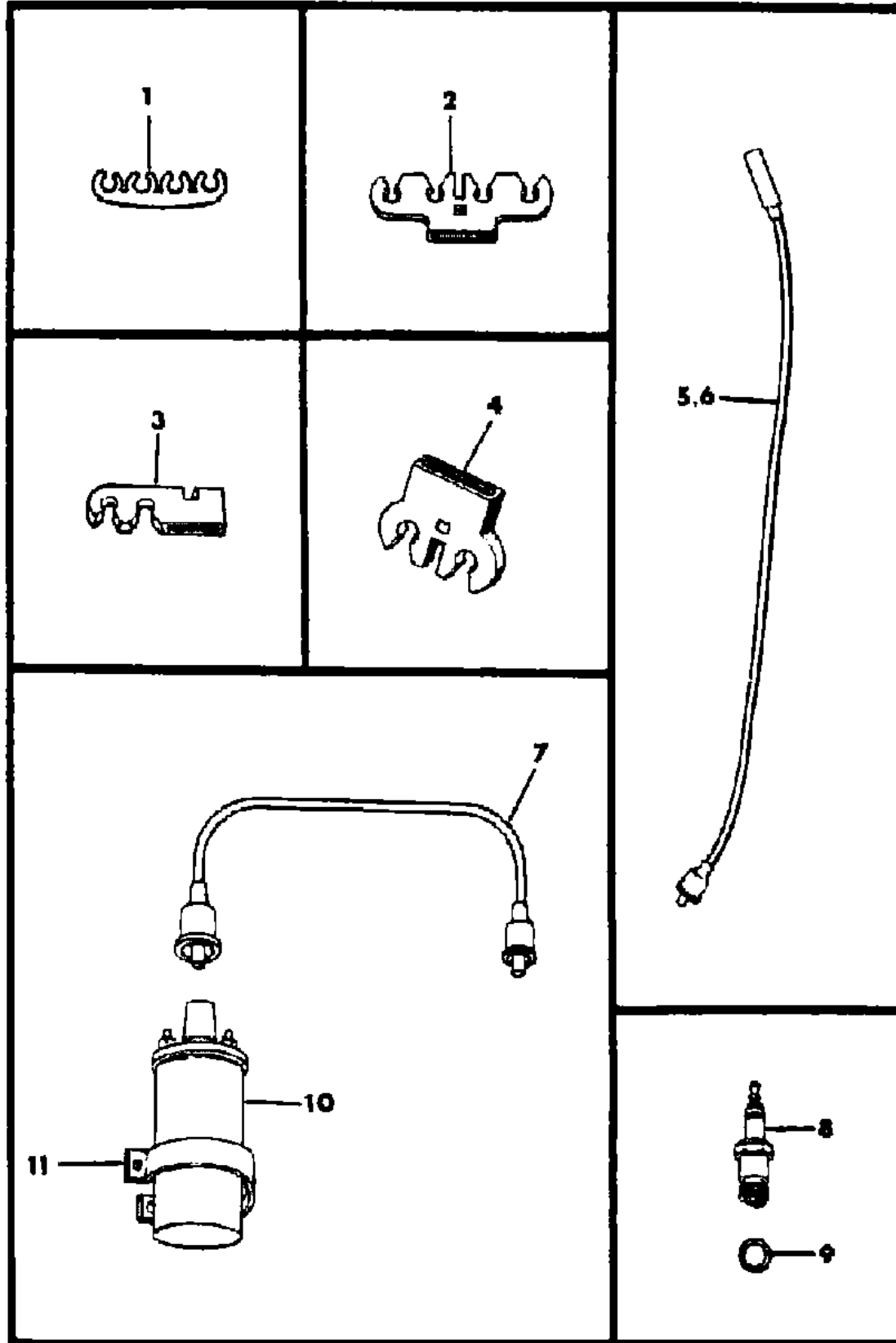
21 = 2-DOOR SEDAN	28 = FWD PICKUP
22 = 2-DOOR SPECIAL COUPE	41 = 4-DOOR SEDAN
24 = 2-DOOR HATCHBACK	44 = 4-DOOR HATCHBACK
27 = 2-DOOR CONVERTIBLE	45 = 2-SEAT STATION WAGON

AR = Use as Required - = Non Illustrated Part P.A.R. = Paint as Required



IGNITION COIL--SPARK PLUGS & SPARK PLUG CABLES 1.7-2.2-225 & 318 ENGINES  
Figure 8-4800

2108 4800



ITEM	PART NUMBER	QTY	BODY	MODEL	DESCRIPTION
	5206 368	1		M,Z,B,F	
	5206 368	1		X,S,Y	
	4145 192	1		B,F,G,X	BRACKET, Coil Ign. Ground
NOTE: The following parts not shown on illustration iced Alternator. Listed above is the Alternator stamped production number crossreferenced to the app					
	3501 915	1		M,Z	CAPACITOR, Ignition Coil Batt.
	4048 646	1		B,F,G,X	Capacitor, Ignition Coil Batt.
	4222 103	1		P,D,C,V	Capacitor, Ignition Coil Batt.
	4048 494	1			Terminal, Ignition Coil Batt.
	4145 413				NIPPLE, Cable Dist. End. (1.7L & 2.2L Eng.)

MODEL CODES

B = GRAN FURY/CARAVELLE	P = RELIANT
C = LEBARON/TOWN & COUNTRY	S = CORDOBA
D = ARIES	V = 400
F = NEW YORKER	X = MIRADA
G = DIPLOMAT	Y = IMPERIAL
M = HORIZON/TC3/SCAMP	Z = OMNI/O24/RAMPAGE

BODY STYLES

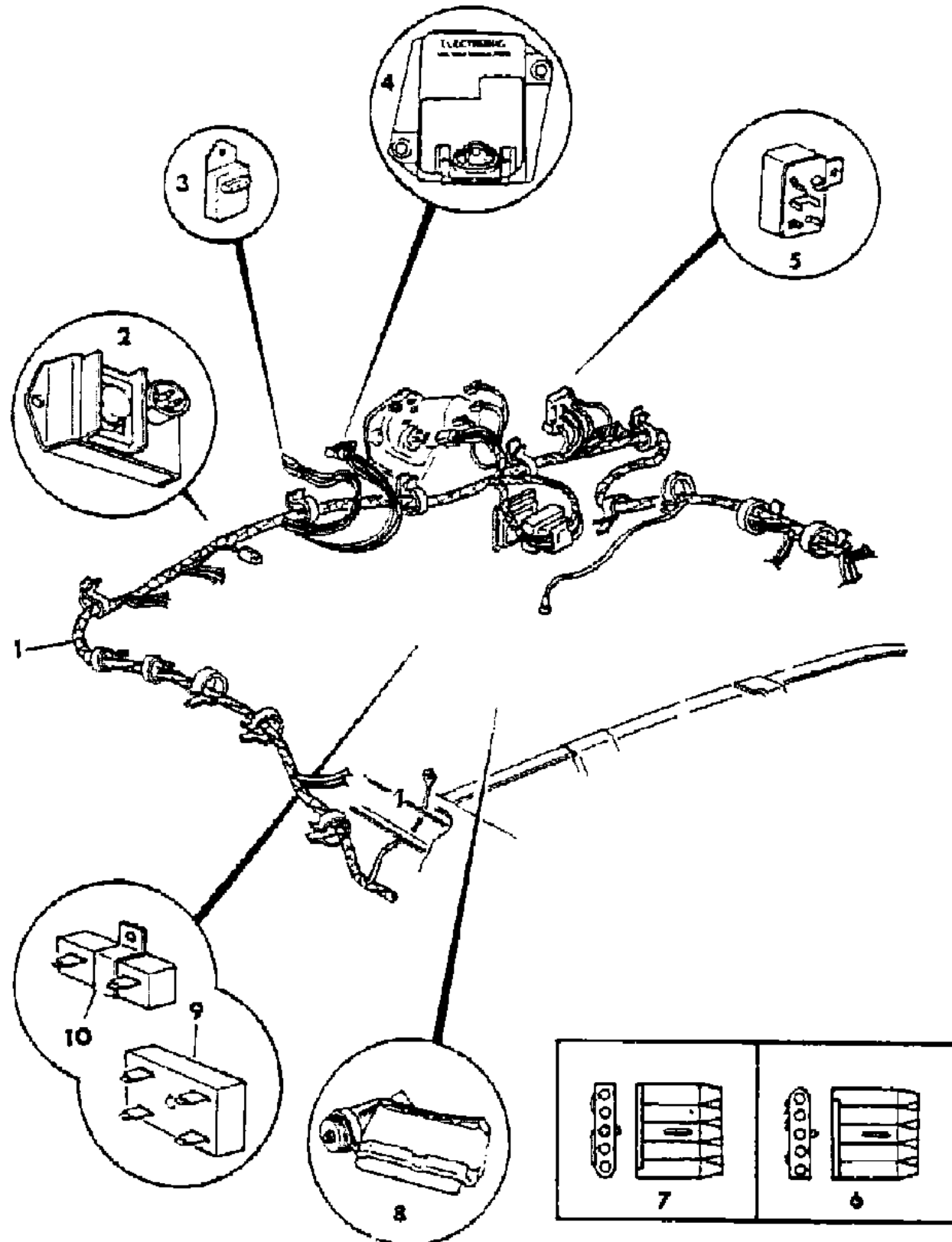
21 = 2-DOOR SEDAN	28 = FWD PICKUP
22 = 2-DOOR SPECIAL COUPE	41 = 4-DOOR SEDAN
24 = 2-DOOR HATCHBACK	44 = 4-DOOR HATCHBACK
27 = 2-DOOR CONVERTIBLE	45 = 2-SEAT STATION WAGON

AR = Use as Required - = Non Illustrated Part P.A.R. = Paint as Required

# WIRING--ENGINE & RELATED PARTS

## Figure 8-4600

2108 4900



ITEM	PART NUMBER	QTY	BODY	MODEL	DESCRIPTION
NOTE: Also See Figure 8-4600 For Related Wiring iced Alternator. Listed above is the Alternator stamped production number crossreferenced to the app					
1					WIRING, H/Lamp and Dash Panel
	4209 818		M,Z	(44	To Inst. Panel, w/ a/C (1.7L Eng.) w/Eng. Wiring
	4209 819		M,Z	(44	To Inst. Panel, w/o a/C (1.7L Eng.) w/Eng. Wiring
	4209 816		M,Z	(24	To Inst. Panel, w/o a/C (1.7L Eng.) w/Eng. Wiring
	4209 815		M,Z	(24	To Inst. Panel, w/ a/C (1.7L Eng.) w/Eng. Wiring
	4209 821		M,Z	(24	To Inst. Panel, w/ a/C (2.2L Eng.) w/ Eng. Wiring 78 Amp. Altr.
	4209 822		M,Z	(24	To Inst. Panel, w/o a/C 2.2L Eng.) w/ Eng. Wiring 78 Amp. Altr.
	4209 824		M,Z	(44	To Inst. Panel, w/ a/C 2.2L Eng.) w/ Eng. Wiring 78 Amp. Altr.
	4209 825		M,Z	(44	To Inst. Panel, w/o a/C 2.2L Eng. w/ Eng. Wiring 78 Amp. Altr.
	4209 841		P,D		To Inst. Panel,w/75 Amp.Altr.2.6L Eng. w/A/C
	4209 742		P,D		w/o A/C
	4209 837		P,D		To Inst. Panel, w/78 Amp. Altr. 2.2L Eng. w/Ebl w/o A/Cond.
	4209 836		P,D		To Inst. Panel, w/78 Amp. Altr. 2.2L Eng. w/A/Cond.
	4209 837		P,D		To Inst. Panel, w/60 Amp. Altr. 2.2L Eng.
	4209 845		C,V		To Inst. Panel, w/78 Amp. Altr. 2.2L Eng. w/A/Cond.
	4209 846		C,V		To Inst. Panel, w/60 or 78 Amp Altr. 2.2L Eng. w/Ebl. w/o A/Cond.
	4209 850		C,V		To Inst. Panel, w/75 Amp Altr. 2.6L Eng. w/A/Cond.
	4209 851		C,V		To Inst. Panel, w/75 Amp Altr. 2.6L Eng. w/o A/Cond.
	4209 852		C,V		To Inst. Panel, w/75 Amp Altr. 2.6L Eng. w/A/Cond.]CANADA
	4209 853		C,V		To Inst. Panel, w/75 Amp Altr. 2.6L Eng. w/o A/Cond.]CANADA
	4209 224		B,F,G		To Inst. Panel, w/114 Amp. Altr.
	4209 223		B,F,G		To Inst. Panel, W/60 or 78 Amp Altr.
	4209 226		X,S		w/60 or 78 Amp. Altr.
	4209 227		X,S		w/114 Amp. Altr.
	4274 097		Y		w/114 Amp. Altr. (E43)
	4209 459		Y		w/114 Amp. Altr. (E46)
	4274 233		28		WIRING, Frt. Body
	4209 695				WIRING, a/Trans.
					WIRING, m/Trans. Rev. Gear, Not Serv.
	4209 374		M,Z		WIRING, Altr., 1.7L Eng.
	4124 656		M,Z,P,D		WIRING, Speed Control (Eng. Compt.)
	4124 736		B,F,G,X		WIRING, Speed Control (Eng. Compt.)
2					CONTROL UNIT,Elect.Ignition
	5206 105		M,Z		w/1.7L, 2.2l Engine, EXPORT

### MODEL CODES

B = GRAN FURY/CARAVELLE	P = RELIANT
C = LEBARON/TOWN & COUNTRY	S = CORDOBA
D = ARIES	V = 400
F = NEW YORKER	X = MIRADA
G = DIPLOMAT	Y = IMPERIAL
M = HORIZON/TC3/SCAMP	Z = OMNI/O24/RAMPAGE

### BODY STYLES

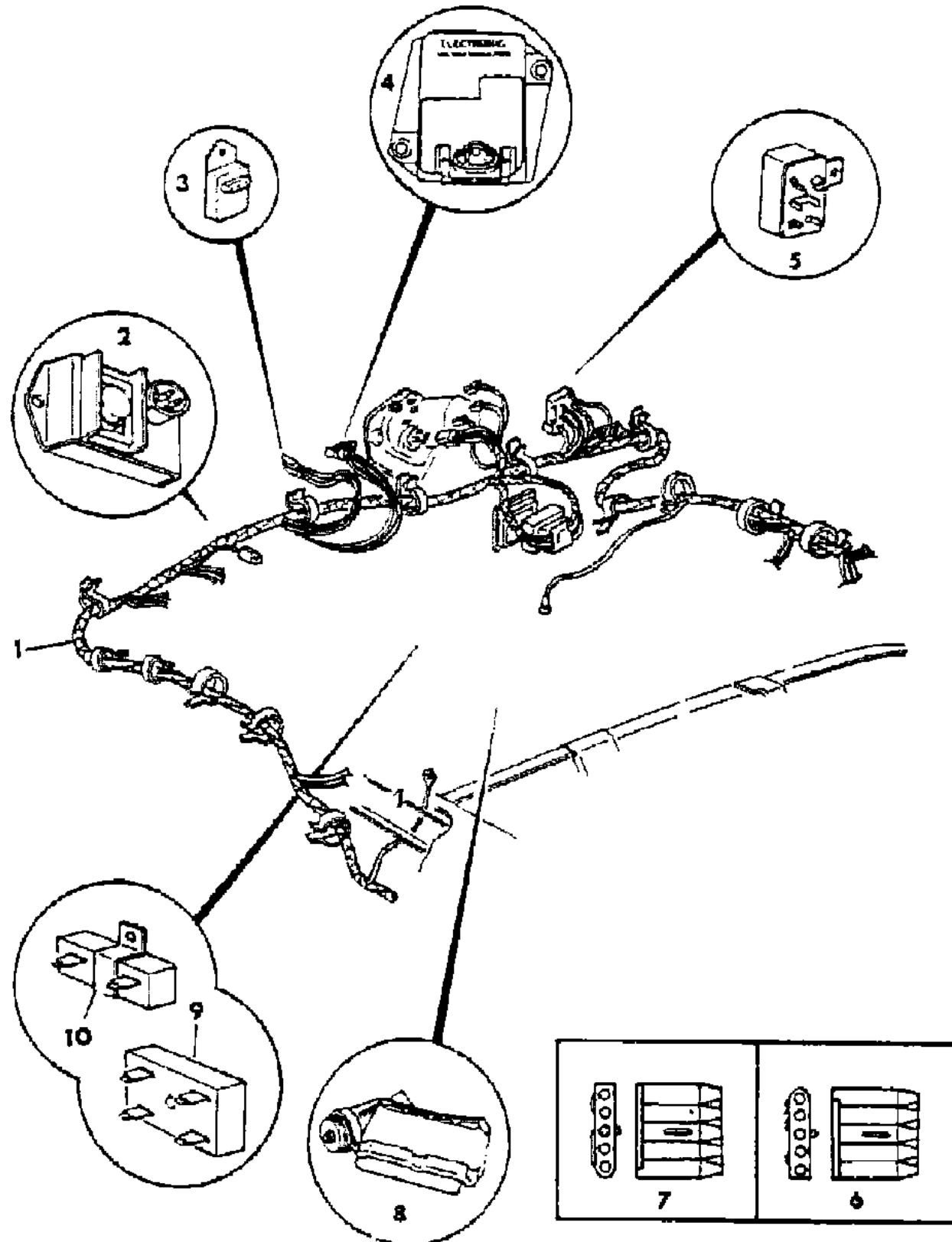
21 = 2-DOOR SEDAN	28 = FWD PICKUP
22 = 2-DOOR SPECIAL COUPE	41 = 4-DOOR SEDAN
24 = 2-DOOR HATCHBACK	44 = 4-DOOR HATCHBACK
27 = 2-DOOR CONVERTIBLE	45 = 2-SEAT STATION WAGON

AR = Use as Required - = Non Illustrated Part P.A.R. = Paint as Required

# WIRING--ENGINE & RELATED PARTS

## Figure 8-4600

2108 4900



ITEM	PART NUMBER	QTY	BODY	MODEL	DESCRIPTION
	4111 850			B,F,G,X	W/225 Eng.
	4091 345			Y	MODULE, Auto. Shutdown (E43)
	3588 421			B,F,G,X	WIRING, Elec. Ign. Control (w/Mold)
	4274 049			Y	WIRING, Elec. Switch Module
3	4111 180				CONTROL, Egr. Time Delay (60 Sec.)
	4111 481				(90 Sec.)
	4145 202			Y	(70 Sec.)
	4145 074				CONTROL, Electronic Throttle w/225 Eng.
	4111 828				CONTROL, Electronic Throttle w/225 Eng.
4	4111 990				REGULATOR, Voltage
5	4111 971			B,F,G,X	RELAY, Starter
	4145 370			B,F,G,X	RELAY, Switching Elect. Ing. Dist.
6	4274 035				MOLD, Electronic Spark Advance (repair) w/Tab
7	4274 036				MOLD, Electronic Spark Advance (repair) w/Bar
	4209 978				MOLD, Electronic Spark Advance (repair) 6 Way
	4209 477			Y	MOLD, Emf. Throttle Sensor (repair)
	4209 478			Y	MOLD, Emf. Fuel Flow Resistor (Repair)
8					CONTROL, Elect. Spark Advance
	5213 441			M,Z	w/Manual Trans., w/(S/C-N92)(1.7L Eng.), Canada
	5213 440			M,Z	w/Auto. Trans., w/(S/C-N92)(1.7L Eng.), Canada
	4318 113			M,Z	w/Manual Trans., w/(S/C-N94, S/C-N95) (1.7L Eng.)(w/412 Trans.)
	5213 438			M,Z	w/Manual Trans., w/(S/C-N94)(1.7L Eng.) w/460 Trans.
	5213 890			M,Z	w/Auto. Trans., w/(S/C-N94)(1.7L Eng.)
	5213 542			M,Z	w/Manual Trans., w/(S/C-N96)(1.7L Eng.)
	5213 633			P,D,C,V	w/Manual Trans., w/(S/C-N94)(2.2L Eng.)
	5213 633			M,Z	w/Manual Trans., w/(S/C-N94)(2.2L Eng.)w/A/Cond.
	5213 622			M,Z,P,D	w/Man.Trans., w/(S/C-N94)(2.2L Eng.)w/Heater w/o A/C
	5213 631			M,Z,P,D	w/Auto. Trans., w/(S/C-N94)(2.2L Eng.)
	5213 483			M,Z,P,D	w/Manual Trans., w/(S/C-N95)(2.2L Eng.)
	5213 482			M,Z,P,D	w/Auto. Trans., w/(S/C-N95)(2.2L Eng.)
	5213 544			M,Z,P,D	w/Manual Trans., w/(S/C-N96)(2.2L Eng.)
	5213 546			M,Z,P,D	w/Auto. Trans., w/(S/C-N96)(2.2L Eng.)
	5213 485			M,Z,P,D	w/Manual Trans., w/(S/C-N92)(2.2L Eng.), Canada
	5213 484			M,Z,P,D	w/Auto. Trans., w/(S/C-N92)(2.2L Eng.), Canada
	5213 485			M,Z-28	w/Manual Trans., w/(S/C-N92)(2.2L Eng.), Canada
	5213 484			M,Z-28	w/Auto. Trans., w/(S/C-N92)(2.2L Eng.), Canada

**MODEL CODES**

B = GRAN FURY/CARAVELLE	P = RELIANT
C = LEBARON/TOWN & COUNTRY	S = CORDOBA
D = ARIES	V = 400
F = NEW YORKER	X = MIRADA
G = DIPLOMAT	Y = IMPERIAL
M = HORIZON/TC3/SCAMP	Z = OMNI/O24/RAMPAGE

**BODY STYLES**

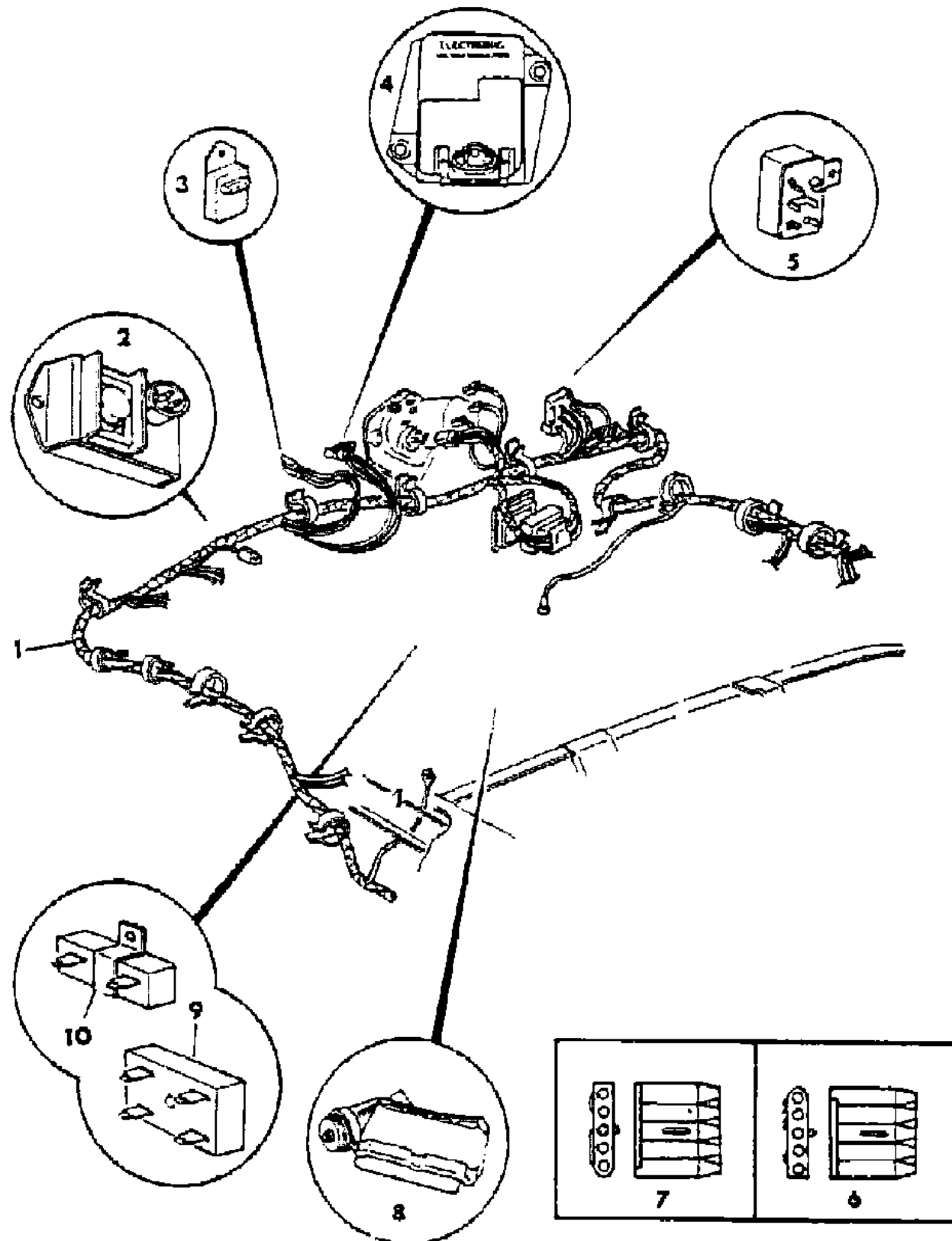
21 = 2-DOOR SEDAN	28 = FWD PICKUP
22 = 2-DOOR SPECIAL COUPE	41 = 4-DOOR SEDAN
24 = 2-DOOR HATCHBACK	44 = 4-DOOR HATCHBACK
27 = 2-DOOR CONVERTIBLE	45 = 2-SEAT STATION WAGON

AR = Use as Required - = Non Illustrated Part P.A.R. = Paint as Required

# WIRING--ENGINE & RELATED PARTS

## Figure 8-4600

2108 4900



ITEM	PART NUMBER	QTY	BODY	MODEL	DESCRIPTION
	5213 888			M,Z-28	w/Manual Trans., w/(S/C-N95)(2.2L Eng.)
	5213 631			M,Z-28	w/Auto. Trans., w/(S/C-N95)(2.2L Eng.)
	5213 486			M,Z-28	w/Manual Trans., w/(S/C-N94,w/S/C-N96 (2.2L Eng.)
	5213 486			M,Z-28	w/Auto. Trans., w/(S/C-N94, S/C-N96)(2.2L Eng.)
	4289 034		B,F,G,X		w/(S/C-N95) w/225 Eng.
	4145 452		B,F,G,X		w/(S/C-N94) w/318 Eng. (E44,E45), Canada
	4145 452		B,F,G,X		w/(S/C-N92) w/318 Eng. (E44,E45), Canada & Export
	4145 467		B,F,G,X		w/(S/C-N92) w/318 Eng. (E46,E48), Canada
	4145 996		B,F,G		w/(S/C-N94, S/C-N95) w/318 Eng. (E48)
	4145 998		B,F,G		w/318 Eng. (E48) (Police Cars)
	4145 907		B,F,G,X		w/(S/C-N94) w/318 Eng. (E44,E45)
	4145 996		B,F,G,X		w/(S/C-N95) w/318 Eng.(E46) up to 6-1-82
	4289 227		B,F,G,X		After 6-1-82
	4145 980		B,F,G,X		w/(S/C-N96) w/318 Eng. (E44,E45)
	4145 726		Y		w/318 Eng. (E43) w/(S/C-N94, S/C-N95)
	4289 104		Y		w/318 Eng. (E43) w/(S/C-N96)
	4111 138				GASKET, Lean Burn Computer
	4289 003		B,F,G,X		HEAT SHIELD, Esa. Housing
9	4091 815		Y		BALLAST RESISTOR, Ign. (E43 Eng.)
10	4106 140				ELECTRONIC SPARK ADVANCE, 225,318,2.2 Eng.
	4145 833		Y		BALLAST RESISTOR, Fuel Pump (E43) Eng.
	4176 029		Y		RELAY, Fuel Tank Pump
NOTE: The following parts not shown on illustration iced Alternator. Listed above is the Alternator stamped production number crossreferenced to the app					
	2808 869		All		HORN PACKAGE, Hi-Note
	2808 868		MZ,BFG,		HORN PACKAGE, Low Note
	4222 288		P,D,C,V		HORN and BRACKET, Low Note
	4048 958		X,Y		HORN and BRACKET, 3Rd Note
	4048 454		S		HORN and BRACKET, 3Rd Note
	5211 213		M,Z		BRACKET, Horn
	4222 126		P,D,C.V		BRACKET, Horn High Note
	4048 989		MZ,PD,C		PLATE, Horn Low Note
	4222 449		B,F,G		BRACKET, Horn
	2423 737		B,F,G,X		PLUG, Control Mtg.
	3843 893		B,F,G,X		GROMMET, Side Marker and Cornering Lamp

**MODEL CODES**

B = GRAN FURY/CARAVELLE	P = RELIANT
C = LEBARON/TOWN & COUNTRY	S = CORDOBA
D = ARIES	V = 400
F = NEW YORKER	X = MIRADA
G = DIPLOMAT	Y = IMPERIAL
M = HORIZON/TC3/SCAMP	Z = OMNI/O24/RAMPAGE

**BODY STYLES**

21 = 2-DOOR SEDAN	28 = FWD PICKUP
22 = 2-DOOR SPECIAL COUPE	41 = 4-DOOR SEDAN
24 = 2-DOOR HATCHBACK	44 = 4-DOOR HATCHBACK
27 = 2-DOOR CONVERTIBLE	45 = 2-SEAT STATION WAGON

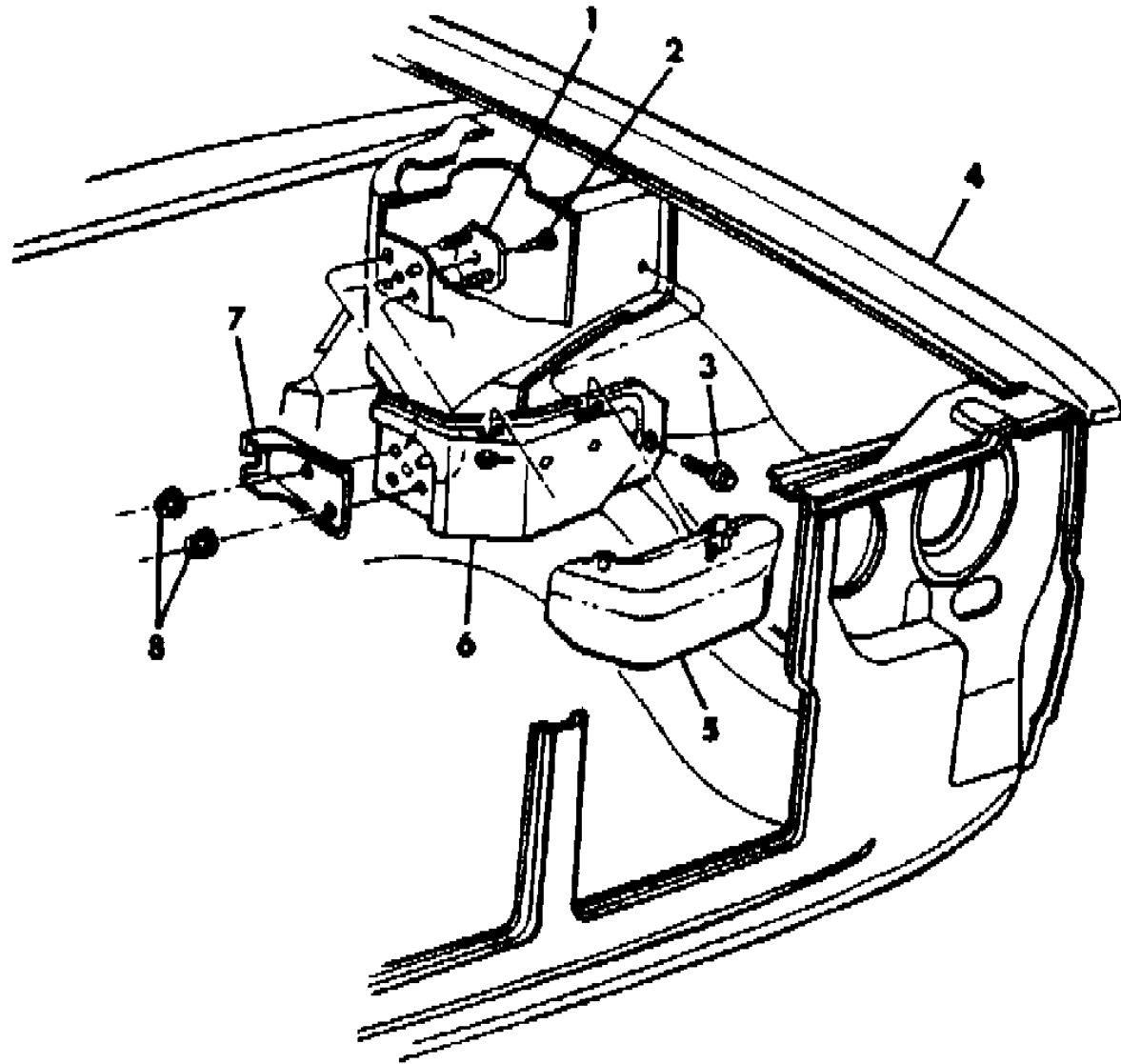
AR = Use as Required - = Non Illustrated Part P.A.R. = Paint as Required

ELECTRICAL MOUNTING BRACKETS P-D

Figure 8-5000

2108 5000

ITEM	PART NUMBER	QTY	BODY	MODEL	DESCRIPTION
1					BRACKET, See Gr.6
2	3759 944				RETAINER
3	6100 566				SCREW and WASHER
4					FENDER
5	4191 527				COVER, Plastic
6	4191 531				BRACKET
7					BRACKET, See Gr.6
8	6100 050	2			NUT



MODEL CODES

B = GRAN FURY/CARAVELLE	P = RELIANT
C = LEBARON/TOWN & COUNTRY	S = CORDOBA
D = ARIES	V = 400
F = NEW YORKER	X = MIRADA
G = DIPLOMAT	Y = IMPERIAL
M = HORIZON/TC3/SCAMP	Z = OMNI/O24/RAMPAGE

BODY STYLES

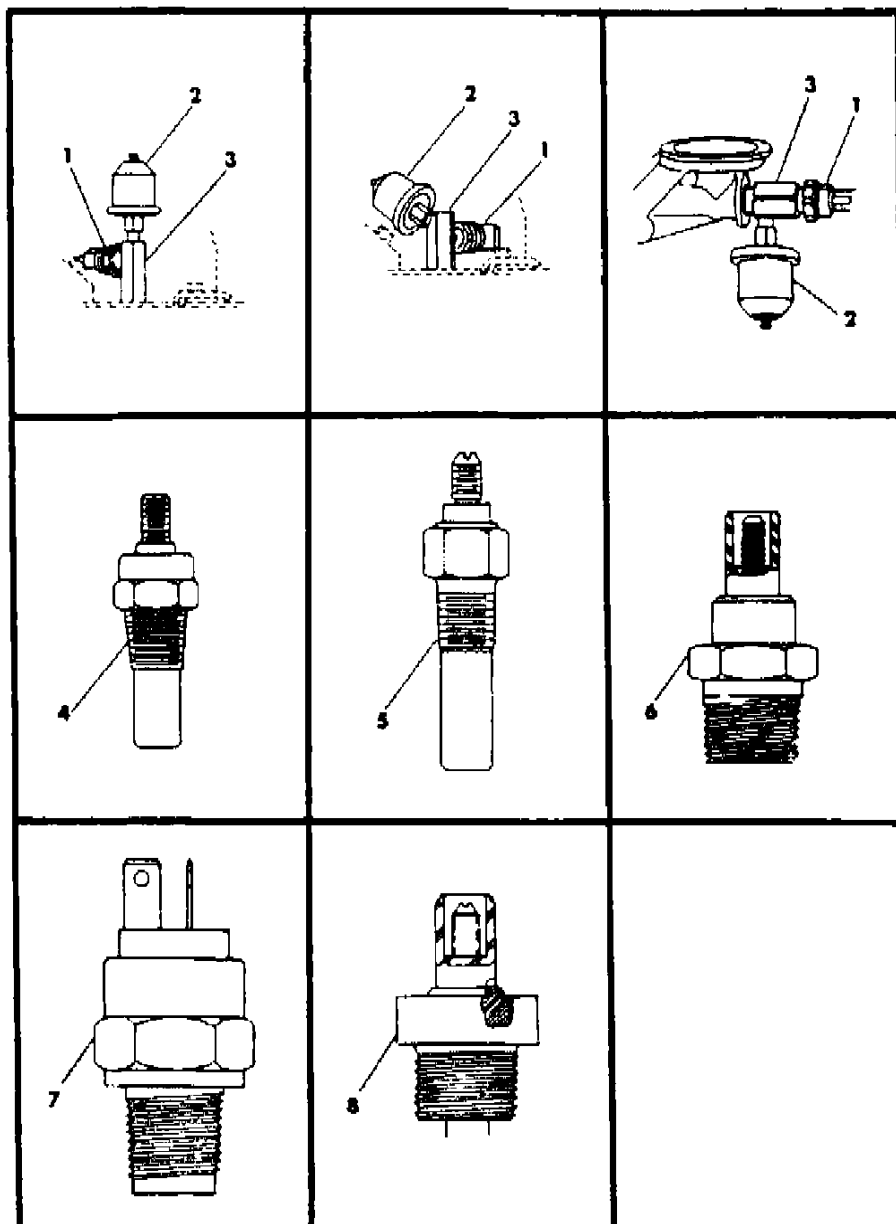
21 = 2-DOOR SEDAN	28 = FWD PICKUP
22 = 2-DOOR SPECIAL COUPE	41 = 4-DOOR SEDAN
24 = 2-DOOR HATCHBACK	44 = 4-DOOR HATCHBACK
27 = 2-DOOR CONVERTIBLE	45 = 2-SEAT STATION WAGON

AR = Use as Required - = Non Illustrated Part P.A.R. = Paint as Required

SWITCHES--OIL-TEMPERATURE-EGR-DETONATION

Figure 8-5100

2108 5100



ITEM	PART NUMBER	QTY	BODY	MODEL	DESCRIPTION
1	4186 352				SWITCH, OIL Pressure, w/Ind.Light w/318 Eng.
	4205 921				w/225
	4186 353				1.7L Eng.
	4267 021				2.2L Eng.
	2889 298				2.6L Eng.
2	2427 237			B,F,G	SENDING UNIT, w/Oil Gauge
	4220 332			P,D,C,V	SENDING UNIT, w/Oil Gauge
3	3747 433				FITTING, w/o Vacuum Advance, 318 Eng.
	3747 434				w/Vacuum Advance, 318 Eng.
	3747 432				w/225Eng.
	4221 210			P,D,C,V	w/Oil Gauge
4	4051 140			B,F,G,X	SENDING UNIT, TEMP. Gauge
	4220 334			P,D,C,V	SENDING UNIT, TEMP. Gauge
5	4221 071			M,Z,P,D	SWITCH, Eng. Temp.
	3746 524			Y	SWITCH, Eng. Temp., E F I (E43)
6					SWITCH, Engine Temp.
	4091 719			M,Z	(1.7L Eng.) (150 F) (Silver)
	4091 719			M,Z,P,D	w/S/C-N96, (2.2 L Eng.) All/Trans. (150 F) (Silver)
	4091 719			M,Z	w/S/C-N95, (2.2 L Eng.) w/m/Trans. (150 F) (Silver)
	4091 719			P,D,C,V	w/S/C-N94, w/S/C-N95, (2.2 L Eng.) w/m/Trans. (150F) (Silver)
	4145 716			M,Z,P,D	w/S/C-N94, S/C-N95 (2.2L Eng.) w/a/Trans. (125 F) (Blue)
	4145 716			M,Z	w/S/C-N94, (2.2L Eng.) w/m/Trans. (125 F) (Blue)
	4145 716			28	w/S/C-N96 (2.2L Eng.) (125 F) (Blue)
	4145 716			M,Z,P,D	w/S/C-N92, (2.2L Eng.) All/Trans. (125 F) (Blue)
7	4091 471			B,F,G,X	SWITCH, Eng. Temp., 225, 318 Eng.
	4091 471			Y	SENSOR, Eng. Temp., E F I (E43)
8					EGR SWITCH, Charge Temp
	4111 482			B,G,F,X	w/225 Eng.
	4111 482			B,G,F,X	w/318 Eng. E40 w/(S/C-N92)
	4111 482			B,G,F,X	w/318 Eng. E46 & E48 w/(S/C-N94, w/S/C-N95, w/S/C-N96)
	4111 482			B,G,F,X	w/318 Eng. E44 & E45 w/(S/C-N94) CANADA
	4091 471			B,G,F,X	w/318 Eng. E44 & E45 w/(S/C-N94, w/S/C-N96) FED
	5213 629				SENSOR,Detonation w/(S/C-N94, S/C-N95 , S/C-N96)
	4301 375				SENSOR, Oxygen Exh. Gas

NOTE: The following parts not shown on illustration iced Alternator. Listed above is the Alternator stamped production number crossreferenced to the app

MODEL CODES

B = GRAN FURY/CARAVELLE  
 C = LEBARON/TOWN & COUNTRY  
 D = ARIES  
 F = NEW YORKER  
 G = DIPLOMAT  
 M = HORIZON/TC3/SCAMP  
 P = RELIANT  
 S = CORDOBA  
 V = 400  
 X = MIRADA  
 Y = IMPERIAL  
 Z = OMNI/O24/RAMPAGE

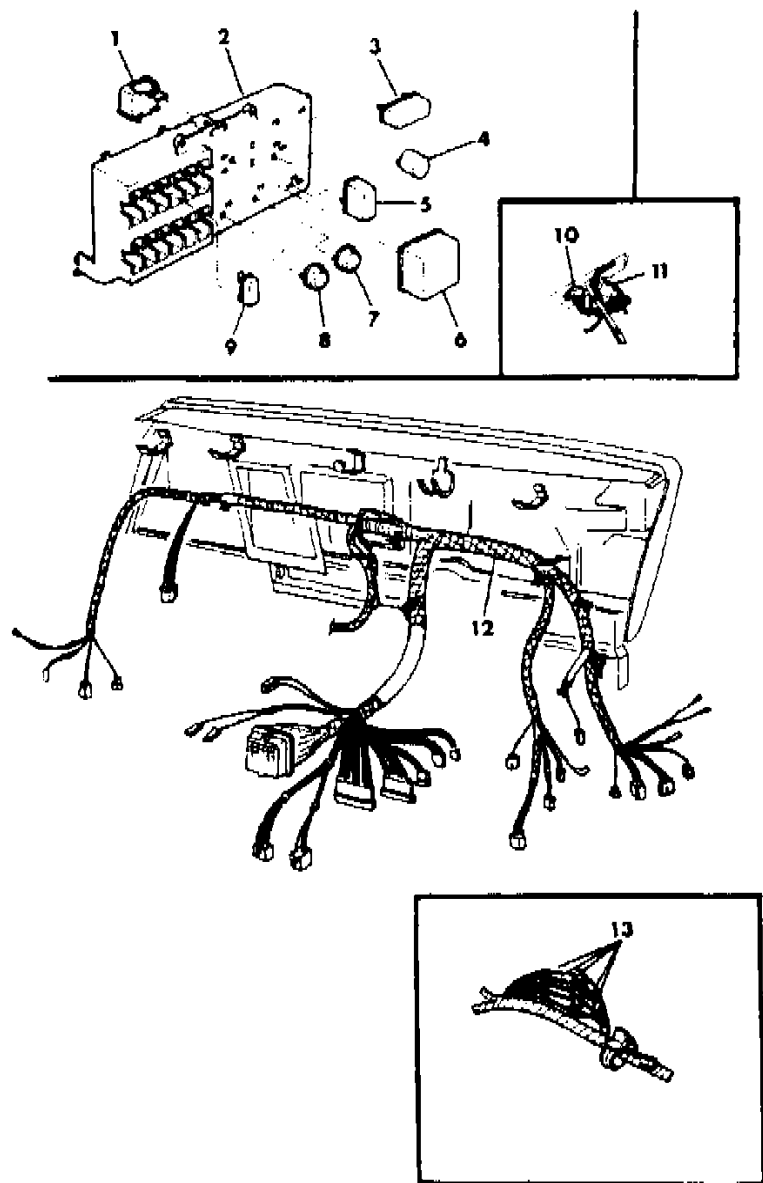
BODY STYLES

21 = 2-DOOR SEDAN  
 22 = 2-DOOR SPECIAL COUPE  
 24 = 2-DOOR HATCHBACK  
 27 = 2-DOOR CONVERTIBLE  
 28 = FWD PICKUP  
 41 = 4-DOOR SEDAN  
 44 = 4-DOOR HATCHBACK  
 45 = 2-SEAT STATION WAGON

AR = Use as Required - = Non Illustrated Part P.A.R. = Paint as Required

**WIRING--INSTRUMENT PANEL RELAY--BUZZER & CHIMES**  
**Figure 8-5200**

2108 8200



ITEM	PART NUMBER	QTY	BODY	MODEL	DESCRIPTION
1					RELAY, Window Lift Safety
2	4304 519			M,Z	MODULE, Serviced in Inst. Pnl. Wiring
	4124 697			B,F,G	Fuse Block And Relay (w/o Dots)
	4124 752				Fuse Block and Relay w/Dots
	4124 258				Terminal, Buss Bar (3 WaY)
	4221 730				Terminal, Buss Bar (1 WaY)
3					BUZZER, Warning
	4312 627				CHIMES and BRACKET
	4048 581			B,F,G	CHIMES, 3 Way Chimes
	4222 555			P,D,C,V	BRACKET, Chimes
	4274 022	AR		P,D,C,V	BRACKET, Fuse Block Mtg.
	4124 727	AR		X,S	BRACKET, Fuse Block Mtg.
4	2889 565				RELAY, Thermal Time Delay
	4221 061			B,F,G,X	RELAY, Pwr. Amplifier (Not Shown)
	4221 055			Y	RELAY, Pwr. Amplifier (Not Shown)
	4221 065			Y	RELAY, Reverse Gear Indic. Lamp
5	3747 298				RELAY, Horn
	3747 822			P,D,C,V	RELAY BRACKET, Rad. Fan Motor w/a/Cond. (2.2L Eng.)
	3747 822			Y	RELAY, w/Brkt. Efi (43) Throttle Switch
6					RELAY, Rear Heated Window (Serviced in Switch Assy.)
	4221 212				RELAY, Fan Control (Not Shown) 2.6L Eng.
	4221 285				After 2-8-82 Jefferson
	4221 285				After 3-1-82 Newark Plant
	4221 285				After 1-27-82 St. Louis Plant
	4205 925			M,Z	RELAY, w/A/Cond. Fast Idle (1.7L Eng.)
	4131 523			X,S	Relay Rr. Heated Window
7	2932 877				FLASHER, Hazard Warning
	3837 161			M,Z,P,D	FLASHER, Turn Signal
	3837 162			B,F,G,X	FLASHER, Turn Signal
9	4186 377				BREAKER, Circuit (6 Amp.)
	4186 379				BREAKER, Circuit (30 Amp.)
10					RELAY and BRACKET, Air Cond. Cutoff
11					CONTROL, (Refer to Group 24)
12					WIRING, Inst.Panel Main Harness
	4274 238			M,Z	w/A/Cond., w/Rallye Cluster
	4274 237			M,Z	w/o A/Cond., w/Rallye Cluster

**MODEL CODES**

B = GRAN FURY/CARAVELLE	P = RELIANT
C = LEBARON/TOWN & COUNTRY	S = CORDOBA
D = ARIES	V = 400
F = NEW YORKER	X = MIRADA
G = DIPLOMAT	Y = IMPERIAL
M = HORIZON/TC3/SCAMP	Z = OMNI/O24/RAMPAGE

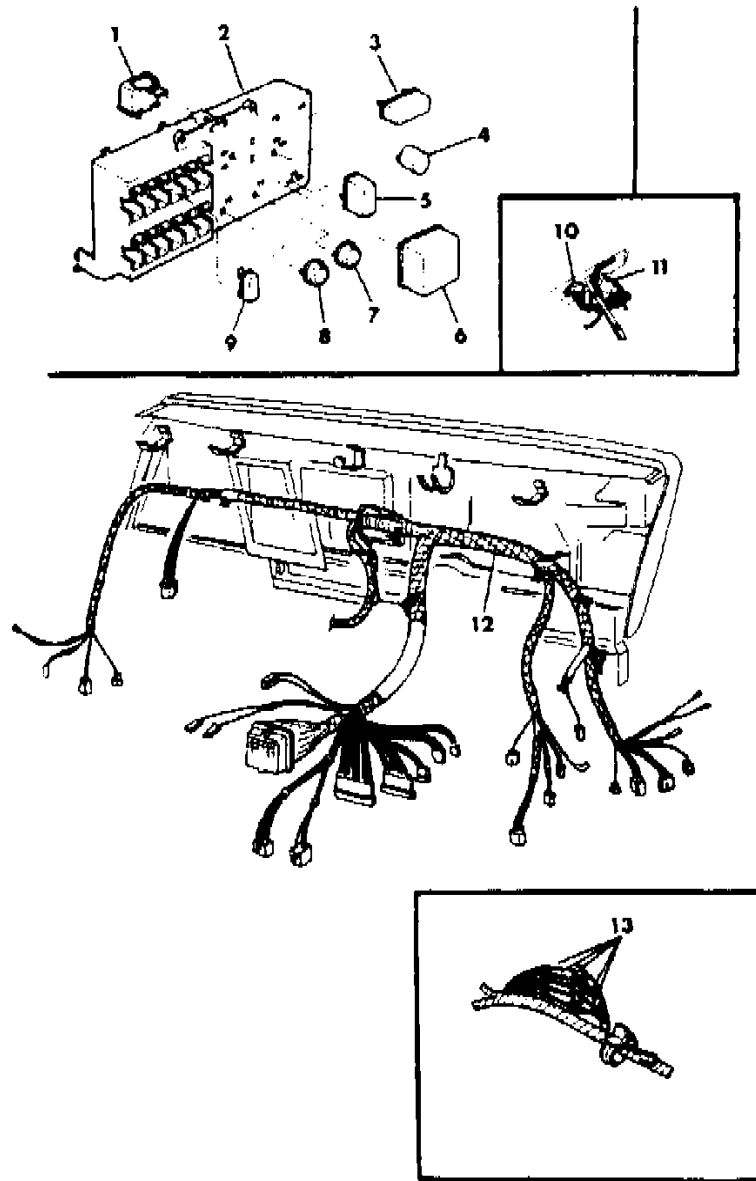
**BODY STYLES**

21 = 2-DOOR SEDAN	28 = FWD PICKUP
22 = 2-DOOR SPECIAL COUPE	41 = 4-DOOR SEDAN
24 = 2-DOOR HATCHBACK	44 = 4-DOOR HATCHBACK
27 = 2-DOOR CONVERTIBLE	45 = 2-SEAT STATION WAGON

AR = Use as Required - = Non Illustrated Part P.A.R. = Paint as Required

**WIRING--INSTRUMENT PANEL RELAY--BUZZER & CHIMES**  
**Figure 8-5200**

2108 8200



ITEM	PART NUMBER	QTY	BODY	MODEL	DESCRIPTION
	4274 240			M,Z	w/A/Cond., w/o Rallye Cluster
	4274 239			M,Z	w/o A/Cond., w/o Rallye Cluster
	4209 738			P,D	w/ A/Cond.
	4209 739			P,D	w/ Heater, w/o A/Cond.
	4209 740			C,V	w/ A/Cond.
	4209 741			C,V	w/ Heater w/o Upper Level Ventilation
	4274 253			C,V	w/ Heater w/ Upper Level Ventilation
	4209 757			B,F,G	w/A/Cond. ,w/Heater
	4209 715			X,S	w/Light Pkg. or w/o Light Pkg.
	4274 099			Y	Inst. Pnl. w/E43 Eng.
	4209 527			Y	Inst. Pnl. w/E46 Eng. WIRING, Auxiliary
	4209 793			M,Z	Wiring Assy., Acc. Lamp w/Light Pkg.
	4209 729			M,Z	Wiring Assy., R.r Wiper System I/p
	4274 044				Wiring Assy., Valance
				M,Z	Lift Gate, I/Pnl. (Not Serviced)
	4209 365			M,Z	Speed Control (I/Pnl.)
	5211 635			M,Z	Stereo I/Pnl.(4 Door)
	5211 721			M,Z	Radio, (Frt.Dual Speakers) 2 Door
	4209 309			P,D,C,V	w/ Power Lift Gate Release
	4209 752			P,D	w/ Pwrs. Seats, Doors And Windows
	4209 299			P,D,C,V	Speed Control (I/Pnl.)
	4209 292			B,F,G	w/ Power Lift Gate Release
	4209 295			B,F,G	w/ Oil Gauge
	4209 759			B,F,G	Speed Control (I/Pnl.)
	4274 019			B,F,G	WIRING, Rt. Panel w/Lighting & w/Clock
	4124 803			B,F,G	Relay Control (Police)
	4274 172			B,G	Illuminated Entry.(I/Pnl.)
	4124 566			X,S	Illuminated Entry.(I/Pnl.)
	4209 541			X,S	w/ Pwr. Speakers
	4124 749			X,S,Y	Pwr. Roof
	4124 558			X,S	Rr. Heated Wdo.
	4274 161				DIODE and MOLD, Repair Pkg.
	4274 091				DIODE and MOLD, Repair Pkg. w/a/Cond. w/Ebl.
13					CABLE, Fusible Link (Sold by The 25'Spool)
	4026 095				No. 16 Dark Blue
	4026 094				No. 14 Red

**MODEL CODES**

B = GRAN FURY/CARAVELLE	P = RELIANT
C = LEBARON/TOWN & COUNTRY	S = CORDOBA
D = ARIES	V = 400
F = NEW YORKER	X = MIRADA
G = DIPLOMAT	Y = IMPERIAL
M = HORIZON/TC3/SCAMP	Z = OMNI/O24/RAMPAGE

**BODY STYLES**

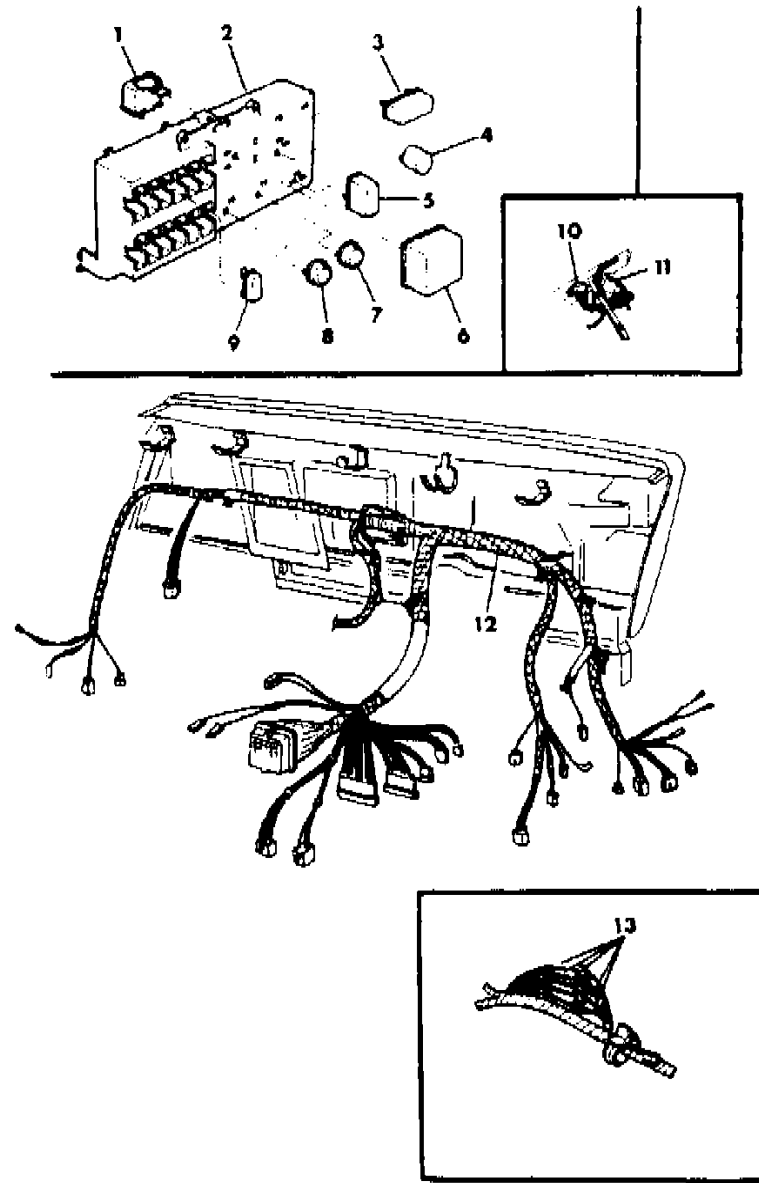
21 = 2-DOOR SEDAN	28 = FWD PICKUP
22 = 2-DOOR SPECIAL COUPE	41 = 4-DOOR SEDAN
24 = 2-DOOR HATCHBACK	44 = 4-DOOR HATCHBACK
27 = 2-DOOR CONVERTIBLE	45 = 2-SEAT STATION WAGON

AR = Use as Required - = Non Illustrated Part P.A.R. = Paint as Required



**WIRING--INSTRUMENT PANEL RELAY--BUZZER & CHIMES**  
**Figure 8-5200**

2108 8200



ITEM	PART NUMBER	QTY	BODY	MODEL	DESCRIPTION
	4026 093				No. 12 Black
	4364 877				No. 10 Dark Green
	4026 096				No. 18 Gray
	4364 878				No. 20 Orange
					CABLE,Fusible Link (Sold by The 100'Spool)
	4026 095				No. 16 Blue w/Stripe
	1752 490				No. 14 Green
	1752 489				No. 16 Blue

**MODEL CODES**

B = GRAN FURY/CARAVELLE	P = RELIANT
C = LEBARON/TOWN & COUNTRY	S = CORDOBA
D = ARIES	V = 400
F = NEW YORKER	X = MIRADA
G = DIPLOMAT	Y = IMPERIAL
M = HORIZON/TC3/SCAMP	Z = OMNI/O24/RAMPAGE

**BODY STYLES**

21 = 2-DOOR SEDAN	28 = FWD PICKUP
22 = 2-DOOR SPECIAL COUPE	41 = 4-DOOR SEDAN
24 = 2-DOOR HATCHBACK	44 = 4-DOOR HATCHBACK
27 = 2-DOOR CONVERTIBLE	45 = 2-SEAT STATION WAGON

AR = Use as Required - = Non Illustrated Part P.A.R. = Paint as Required

**FUSES AND CIRCUIT BREAKER**  
**Figure 8-5300**

ITEM	PART NUMBER	QTY	BODY	MODEL	DESCRIPTION
	9426 337				1-1/4,5 Amp.
	6101 132				Blade Type, 4 Amp.
	6101 131				Blade Type, 3 Amp.
	9426 868				1-1/4, 5 Amp.
	6101 133				Blade Type, 5 Amp.
	0147 683				3/4, 6 Amp.
	0106 653				1-1/4, 20 Amp.
	6101 137				Blade Type, 20 Amp.
	9426 331				1-1/4, 30 Amp.
	6101 139				Blade Type, 30 Amp.
	9434 296				7/8, 2 Amp.
	6101 138				Blade Type, 25 Amp. CIRCUIT BREAKER
	3747 809				20 Amp. Acc.
	3747 810				30 Amp. Acc.
	4186 377			M,Z	6 Amp. w/Rr.Wiper Washer,w/Power Deck Lid LiftgateRelease- Elect.
	4209 584				15 Amp., w/ Sun Roof
	3843 814			B,F,G	30 Amp.,w/Power Seat and/or Power Windows and /or Power Door Locks
	4186 379				30 Amp.,w/Power Seat and/or Power Windows and /or Power Door Locks and/or Sun Roof
	2983 415			X	5 Amp., H/Lamp Cover

ILLUSTRATION NOT AVAILABLE AT TIME OF PUBLICATION

**MODEL CODES**

B = GRAN FURY/CARAVELLE	P = RELIANT
C = LEBARON/TOWN & COUNTRY	S = CORDOBA
D = ARIES	V = 400
F = NEW YORKER	X = MIRADA
G = DIPLOMAT	Y = IMPERIAL
M = HORIZON/TC3/SCAMP	Z = OMNI/O24/RAMPAGE

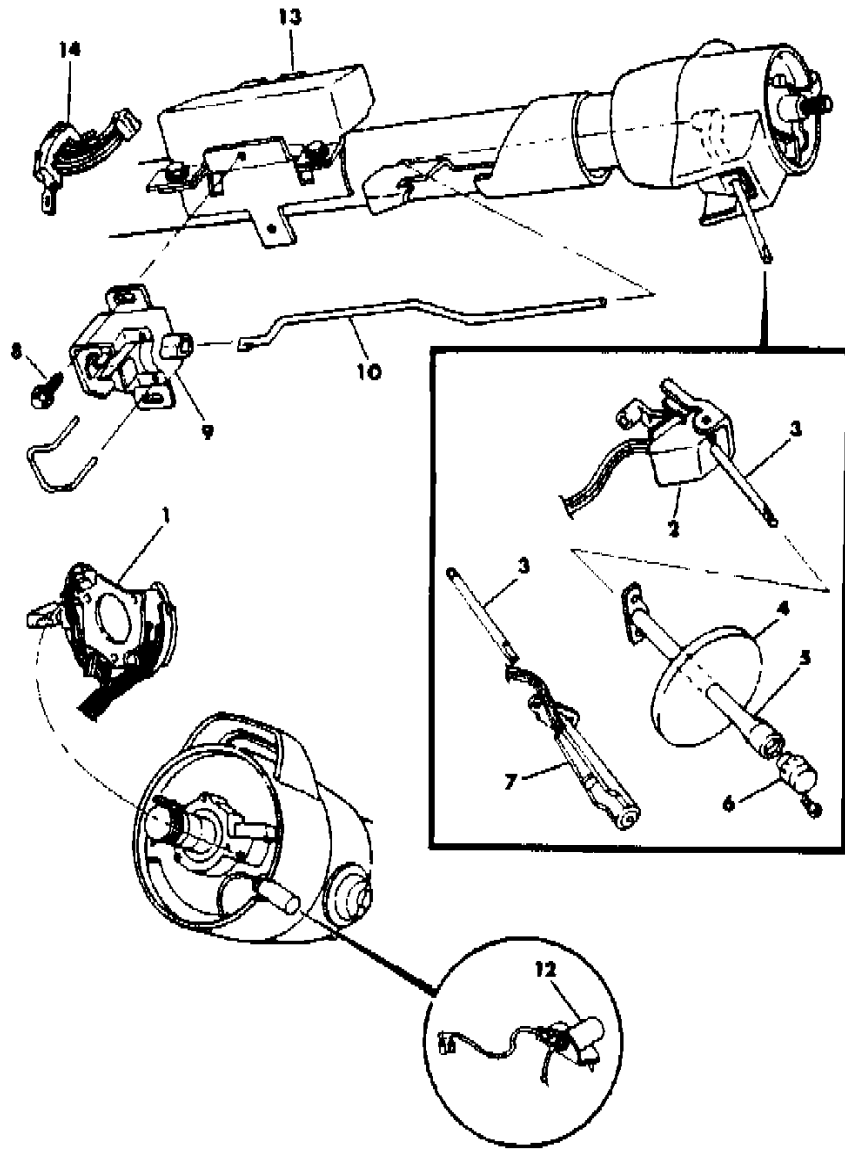
**BODY STYLES**

21 = 2-DOOR SEDAN	28 = FWD PICKUP
22 = 2-DOOR SPECIAL COUPE	41 = 4-DOOR SEDAN
24 = 2-DOOR HATCHBACK	44 = 4-DOOR HATCHBACK
27 = 2-DOOR CONVERTIBLE	45 = 2-SEAT STATION WAGON

AR = Use as Required - = Non Illustrated Part P.A.R. = Paint as Required

**SWITCH--TURN SIGNAL & HAZARD WARNING**  
**Figure 8-5400**

2108 5400



ITEM	PART NUMBER	QTY	BODY	MODEL	DESCRIPTION
1	4293 109			M,Z	SWITCH, Turn Signal and Hazard Warning
	4271 849			PD,CV,B	w/o Cornering Lamp, w/o Tilt Strg.
	4221 205			PD,CV,B	w/o Cornering Lamp, w/Tilt Strg.
	4221 206			PDCV,BF	w/Cornering Lamp, w/Tilt Strg.
	4218 752			PDCV,BF	w/Cornering Lamp, w/o Tilt Strg. (6-15-882)
	4318 752			PDCV,BF	w/Cornering Lamp, w/o Tilt Strg. (Up To 6-15-82)
	4019 782	1			ARM, Sig. Switch w/Tilt Strg.
	3747 398			B,F,G,X	SWITCH and JUMPER, Turn Signal,w/o Cornering Lamp w/Tilt Strg.
2	5209 863			M,Z	SWITCH, w/Shield Wiper and Washer,2 Speed w/o Intermittent Wipe (w/Lever and Knob)
	3747 914			P,D,C,V	w/Shield Wiper and Washer,2 Speed w/o Intermittent Wipe. (w/Lever and Knob)
	4221 124			M,Z	2 Speed w/Intermittent Wiper w/o Tilt Strg. w/Shaft
	3747 653			B,F,G	w/Shield Wiper and Washer,2 Speed w/o Intermittent Wipe. w/Shaft
	3747 654			X,S	2 Speed w/o Intermittent Wipe. w/Shaft
	4221 125			P,D,C,V	2 Speed w/Intermittent Wiper w/o Tilt Strg. w/Shaft
	4221 042			B,F,G	2 Speed w/Intermittent Wiper w/o Tilt Strg. w/Shaft
	3867 558			P,D,C,V	2 Speed w/Intermittent Wiper w/ Tilt Strg.
	4293 110			B,F,G	2 Speed w/Intermittent Wiper w/o Tilt Strg. w/Shaft
	4293 110			B,F,G	2 Speed w/Intermittent Wiper w/ Tilt Strg.
	4293 111			X,S,Y	2 Speed w/Intermittent Wiper w/ Tilt Strg.
	4221 051			X,S	2 Speed w/Intermittent Wipe, w/o Tilt Strg. w/Shaft
	3				
3747 946		1		M,Z,P,D	w/o Tilt w/Intermittent
3747 946		1		B,F,G	w/o Tilt
3747 566		1		PD,CV,B	SHAFT, w/Tilt
3747 946		1		X,S,Y	SHAFT, w/or w/o Tilt
4	P199 VX9				SHIELD, Turn Signal Switch Opening
	4221 418				SILENCER, t/Signal w/Speed Control
5	4293 911	1		ALL	COVER, Turn Signal and w/Shield Wiper Switch, w/o Auto. Speed Control
	4221 469	1		B,F,G,X	KNOB, w/s Wiper and Washer Switch (w/o Intermittent)
		1			
P159 BA7	1			Silver	
	P161 VB2				Light Blue

**MODEL CODES**

B = GRAN FURY/CARAVELLE	P = RELIANT
C = LEBARON/TOWN & COUNTRY	S = CORDOBA
D = ARIES	V = 400
F = NEW YORKER	X = MIRADA
G = DIPLOMAT	Y = IMPERIAL
M = HORIZON/TC3/SCAMP	Z = OMNI/O24/RAMPAGE

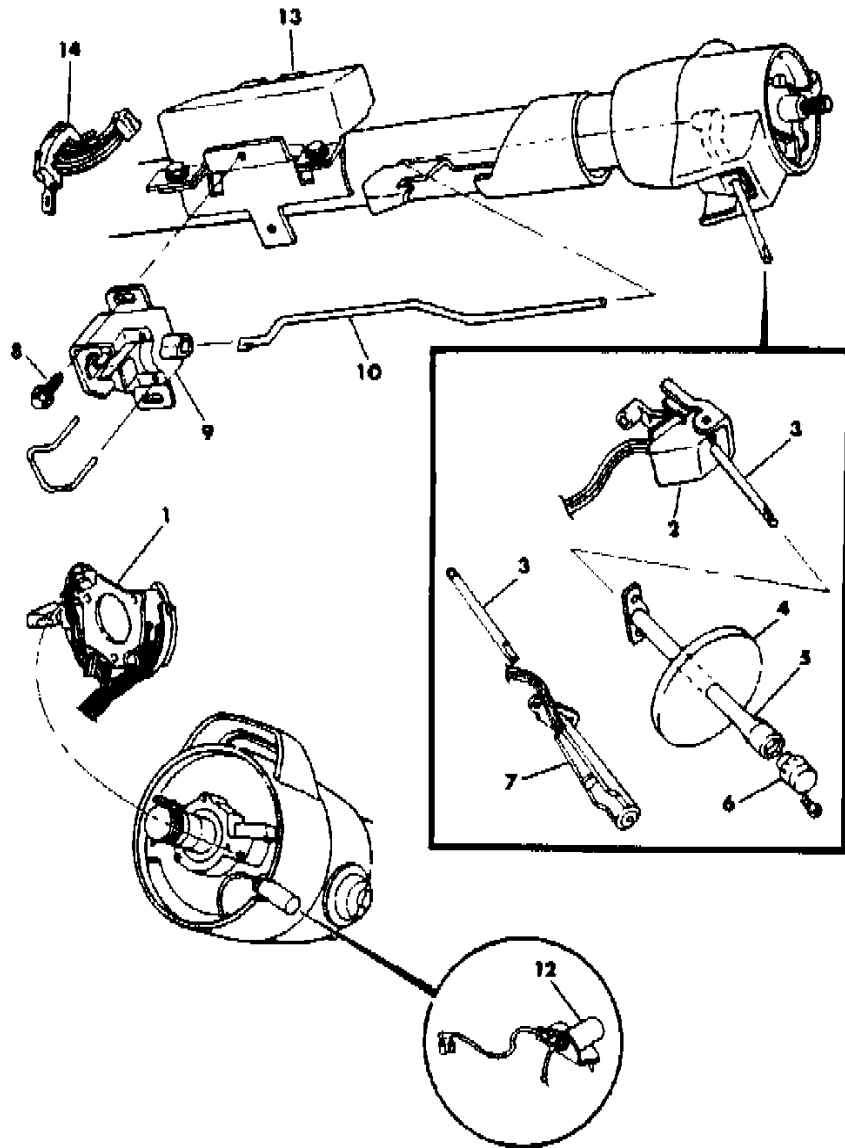
**BODY STYLES**

21 = 2-DOOR SEDAN	28 = FWD PICKUP
22 = 2-DOOR SPECIAL COUPE	41 = 4-DOOR SEDAN
24 = 2-DOOR HATCHBACK	44 = 4-DOOR HATCHBACK
27 = 2-DOOR CONVERTIBLE	45 = 2-SEAT STATION WAGON

AR = Use as Required - = Non Illustrated Part P.A.R. = Paint as Required

**SWITCH--TURN SIGNAL & HAZARD WARNING**  
**Figure 8-5400**

2108 5400



ITEM	PART NUMBER	QTY	BODY	MODEL	DESCRIPTION
	P159 BC7				Blue
	P161 VD2				Heather
	P161 VF5				Green
	P161 VH9				Aubergine
	P159 BM6				Red
	P161 VT6				Tan
	P159 BX9				Black
	3747 914	1		P,D,C,V	KNOB, w/Shaft,w/s Wiper & Washer Switch (w/o Intermittent)
	4188 491	1		PDCV,BG	KNOB and SCREW, HAZARD WARNING, w/Tilt Strg.
7	3747 881	1		P,D,C,V	SWITCH AND LEVER, w/Auto Speed Control Tilt Strg. (5-1/2in)
	3747 881	1		B,F,G,X	SWITCH AND LEVER, w/Auto Speed Control Tilt Strg. (5-1/2in)
	4267 277	1		P,D,C,V	SWITCH AND LEVER, w/Auto Speed Control Tilt Strg. (4-1/2in)
	4267 277	1		B,F,G,X	SWITCH AND LEVER, w/Auto Speed Control Tilt Strg. (4-1/2in)
	4221 482	1		ALL	SWITCH AND LEVER, w/Auto Speed Control w/o Tilt Strg. SWITCH AND LEVER, w/Auto Speed Control Tilt Strg.and Turn Signal
	P160 AA7			F-S, Y	Silver
	P160 VB2			F-S, Y	Light Blue
	P160 VC7			F-S, Y	Blue
	P160 VD2			F-S, Y	Heather
	P160 VF5			F-S, Y	Green
	P160 VH9			F-S, Y	Aubergine
	P160 VM6			F-S, Y	Red
	P160 VT6			F-S, Y	Tan
	5209 979			M,Z	SWITCH, Clutch Speed Cont. (w/A412 Trans.)
	4221 073			M,Z	SWITCH, Clutch Speed Cont. (w/A460 Trans.)
	4221 072			P,D,C,V	SWITCH, Speed Cont. Clutch w/Bracket
	5209 965			M,Z	BRACKET, Stop Speed Cont.
	3747 020			B,F,G	BRACKET, Stop Lamp w/ or w/o Speed Cont.
	3747 716			X,S,Y	BRACKET, Stop Lamp w/ or w/o Speed Cont.
	5209 994			MZ,BFG,	SWITCH, Stop LP Speed Cont.
	3747 995			P,D,C,V	SWITCH, Stop LP Speed Cont.
	3747 993			P,D,C,V	SWITCH, Stop LP w/o Speed Cont.
	3747 327			ALL	SWITCH, Parking Brake
	3747 992			P,D,C,V	BRACKET, Lamp Switch Stop
	3747 989			P,D,C,V	STRIKER, Plate w/Manual Brake
	3747 990			P,D,C,V	STRIKER, Plate w/Power Brake

**MODEL CODES**

B = GRAN FURY/CARAVELLE	P = RELIANT
C = LEBARON/TOWN & COUNTRY	S = CORDOBA
D = ARIES	V = 400
F = NEW YORKER	X = MIRADA
G = DIPLOMAT	Y = IMPERIAL
M = HORIZON/TC3/SCAMP	Z = OMNI/O24/RAMPAGE

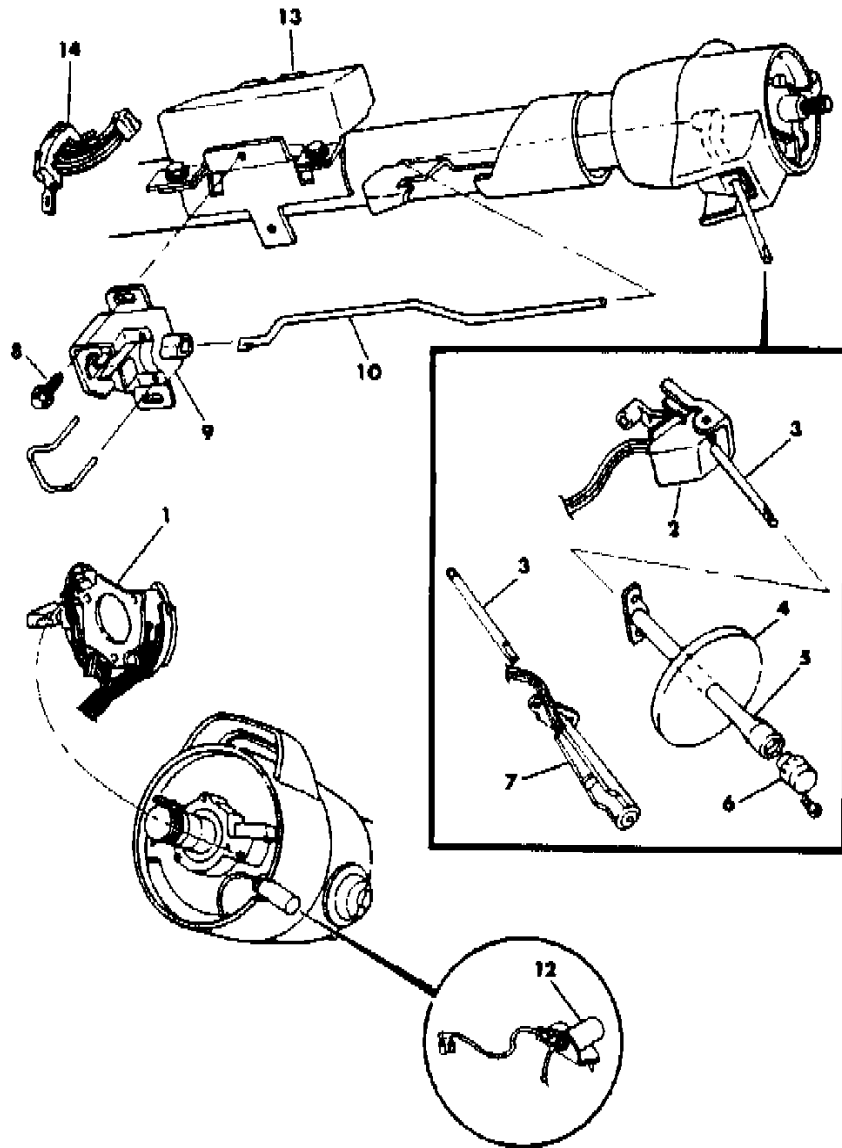
**BODY STYLES**

21 = 2-DOOR SEDAN	28 = FWD PICKUP
22 = 2-DOOR SPECIAL COUPE	41 = 4-DOOR SEDAN
24 = 2-DOOR HATCHBACK	44 = 4-DOOR HATCHBACK
27 = 2-DOOR CONVERTIBLE	45 = 2-SEAT STATION WAGON

AR = Use as Required - = Non Illustrated Part P.A.R. = Paint as Required

**SWITCH--TURN SIGNAL & HAZARD WARNING**  
**Figure 8-5400**

2108 5400



ITEM	PART NUMBER	QTY	BODY	MODEL	DESCRIPTION
8					SCREW, Not Serviced
9	4057 985	1		M,Z	SWITCH, H/LAMP Beam Selector
	4131 373	1		B,F,G,X	w/o Tilt Strg.
	4221 011	1		P,D,C,V	w/o Tilt Strg.
	4131 525	1		B,F,G,X	w/Tilt Strg.
10	4221 012	1		P,D,C,V	w/Tilt Strg.
	5209 904	1		M,Z	ROD, H/Lamp Beam Selector Actuating
	3747 920	1		P,D,C,V	w/Tilt w/Console w/A/Trans.
	3747 887	1		P,D,C,V	w/Tilt w/o Console w/A/Trans.
	4221 062	1		P,D,C,V	w/o Tilt
	3747 816	1		B,F,G,X	w/o Tilt Strg.
	3747 921	1		B,F,G,X	w/Tilt Strg. w/A/Trans. w/Console
	3747 837	1		B,F,G,X	w/Tilt Strg. w/A/Trans. w/o Console
	4019 787	1			ACTUATOR, Dimmer Switch Rod w/Tilt Strg.
	4188 291	1		P,D,C,V	(w/o Tilt)
	5206 025	1		M,Z	(w/o Tilt)
	4019 901	1		X,S	(w/o Tilt)
	4019 902	1		B,F,G	(w/o Tilt)
12	5209 854	1		M,Z	LAMP, Ignition and Starter Switch, w/Time Delay
	4221 148	1		P,D,C,V	w/o Tilt Strg.
	4221 148	1		B,F,G,X	w/o Tilt Strg.
	4293 919	1		ALL	w/Tilt Strg.
	4222 060	1		ALL	CONTROL, Intermittent Wiper
13	5209 891	1		M,Z	SWITCH, Ignition and Starter
	3747 529	1		B,F,G,X	w/Tilt Strg.
	4131 367	1		B,F,G,X	w/o Tilt Strg.
	3747 882	1		P,D,C,V	w/o Tilt Strg.
	4221 201	1		P,D,C,V	w/ Tilt Strg.
14	4274 200	1			WIRING, Tilt Strg. (Jumper)
NOTE: The following parts not Shown on illustration iced Alternator. Listed above is the Alternator stamped production number crossreferenced to the app					
	2889 565	1			RELAY, Ignition Lamp Thermal Time Delay
	2889 565	1			RELAY, h/Lamp Thermal Time Delay
	6023 088	1		B,F,G,X	SCREW,Mtg. Std. Column
	3747 595	1		P,D,C,V	PLUG, Ignition Switch Lamp Opening w/o Tilt Strg.
	3747 595	1		B,F,G,X	PLUG, Ignition Switch Lamp Opening w/o Tilt Strg.
	4131 522	1		P,D,C,V	SWITCH, Ign. Key Buzzer w/o Tilt Strg.

**MODEL CODES**

B = GRAN FURY/CARAVELLE	P = RELIANT
C = LEBARON/TOWN & COUNTRY	S = CORDOBA
D = ARIES	V = 400
F = NEW YORKER	X = MIRADA
G = DIPLOMAT	Y = IMPERIAL
M = HORIZON/TC3/SCAMP	Z = OMNI/O24/RAMPAGE

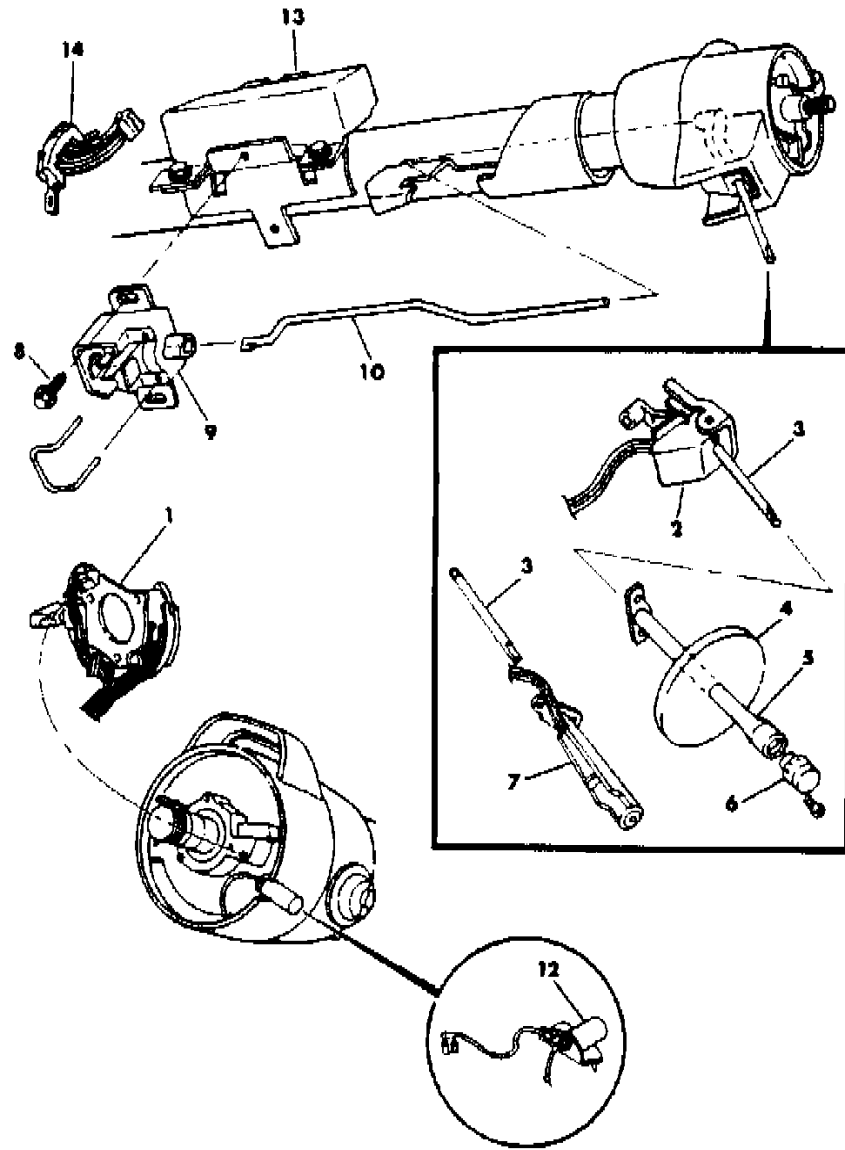
**BODY STYLES**

21 = 2-DOOR SEDAN	28 = FWD PICKUP
22 = 2-DOOR SPECIAL COUPE	41 = 4-DOOR SEDAN
24 = 2-DOOR HATCHBACK	44 = 4-DOOR HATCHBACK
27 = 2-DOOR CONVERTIBLE	45 = 2-SEAT STATION WAGON

AR = Use as Required - = Non Illustrated Part P.A.R. = Paint as Required

**SWITCH--TURN SIGNAL & HAZARD WARNING**  
**Figure 8-5400**

2108 5400



ITEM	PART NUMBER	QTY	BODY	MODEL	DESCRIPTION
	4131 522	1		B,F,G,X	SWITCH, Ign. Key Buzzer w/o Tilt Strg.
	3488 432	1		P,D,C,V	SWITCH, Ign. Key Buzzer w/ Tilt Strg.
	3488 432	1		B,F,G,X	SWITCH, Ign. Key Buzzer w/ Tilt Strg.
	5209 903	1		M,Z	SWITCH, Ign. Key Buzzer

**MODEL CODES**

B = GRAN FURY/CARAVELLE	P = RELIANT
C = LEBARON/TOWN & COUNTRY	S = CORDOBA
D = ARIES	V = 400
F = NEW YORKER	X = MIRADA
G = DIPLOMAT	Y = IMPERIAL
M = HORIZON/TC3/SCAMP	Z = OMNI/O24/RAMPAGE

**BODY STYLES**

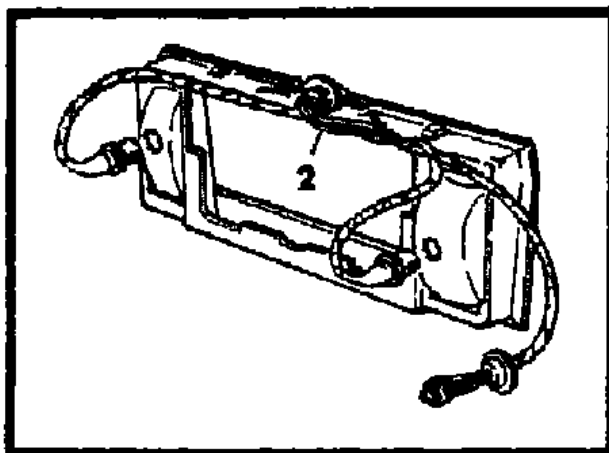
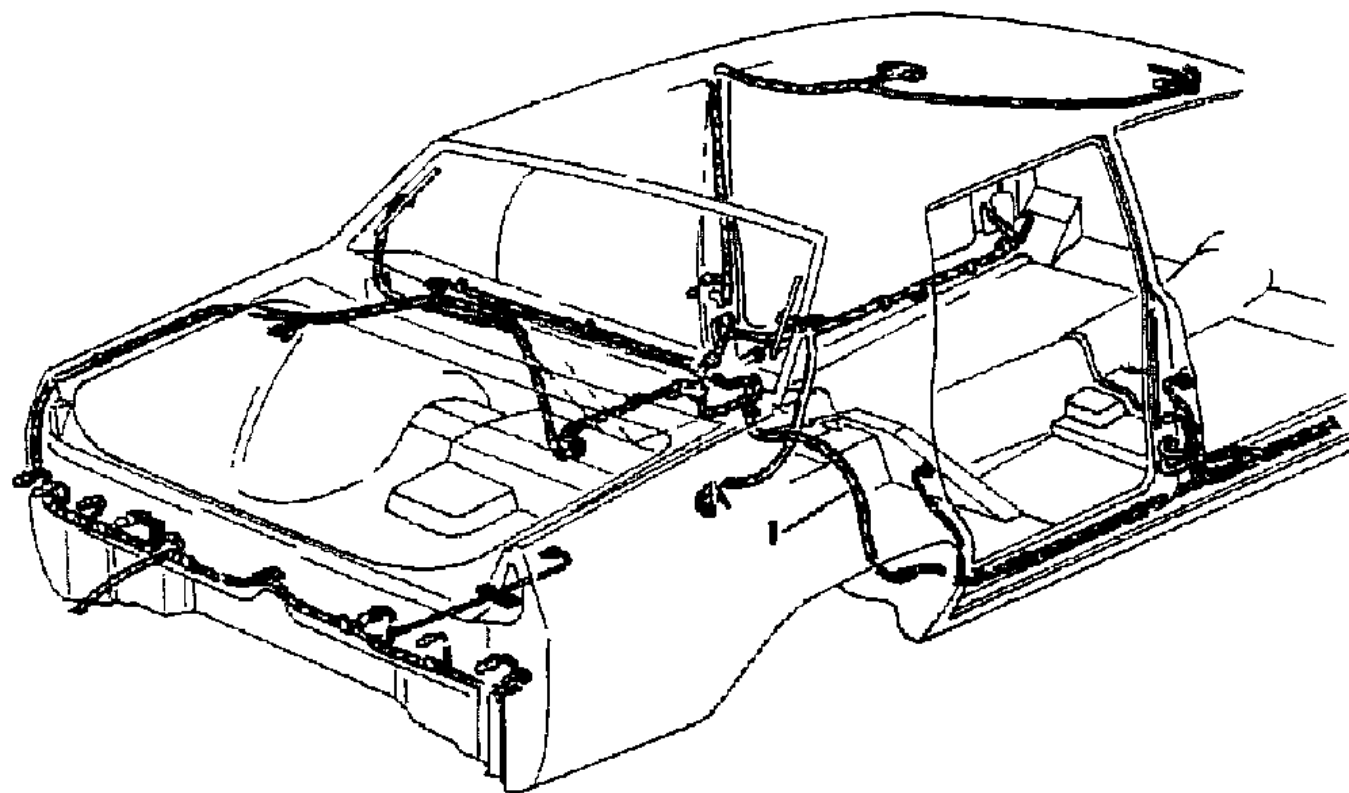
21 = 2-DOOR SEDAN	28 = FWD PICKUP
22 = 2-DOOR SPECIAL COUPE	41 = 4-DOOR SEDAN
24 = 2-DOOR HATCHBACK	44 = 4-DOOR HATCHBACK
27 = 2-DOOR CONVERTIBLE	45 = 2-SEAT STATION WAGON

AR = Use as Required - = Non Illustrated Part P.A.R. = Paint as Required

WIRING--BODY & ACCESSORIES

Figure 8-5500

2108 5500



ITEM	PART NUMBER	QTY	BODY	MODEL	DESCRIPTION
1					WIRING BODY
	4274 227			M,Z (44	BODY, w/Acc.
	4274 230			M,Z (24	BODY, w/Acc.
	4209 867			28	BODY, w/Acc. Rr.
	4274 233			28	BODY, w/Acc. Frt.
	4209 776			P,D (21	BODY, w/o Ebl.
	4209 059			C (22,4	BODY, w/Ebl.
	4209 058			C (22,4	BODY, w/o Ebl.
	4274 242			V	BODY, w/Ebl.
	4209 241			V	BODY, w/o Ebl.
	4209 781			P,D (45	BODY, w/Ebl. or w/o Ebl.
	4274 016			C,V	Wiring, Seat Adj. & Console Lamp
	4209 876			B,F,G	BODY
	4209 982			X	BODY, w/Ebl. or w/o Ebl.
	4209 983			S	BODY, w/Ebl. or w/o Ebl.
	4209 888			Y	BODY and ACC.
2					WIRING, LICENSE, TAIL, STOP and BACK UP LAMPS
	4209 799			P,D,C (	Rr. Lamp
	4274 107			P,D (45	Rr. Lamp (License)
	4209 878			G	Rr. Lamp
	4209 675			F-S	Rr. Lamp
	4209 792			C,V (22	License Lamp Trunk Lamp & Ajar
	4209 786			P,D (21	License Lamp Trunk Lamp & Deck Rel.
	4209 786			C,V (22	License Lamp Trunk Lamp & Deck Rel.
NOTE: The following parts not shown on illustration iced Alternator. Listed above is the Alternator stamped production number crossreferenced to the app					
	4055 419	2		B,F,G,X	COVER, Mold Disconnect, w/(S/C-N92)
	4055 462			B,F,G	Fuse Block
	3513 655				CABLE, Brake System Warning Lamp
	3843 893	AR		B,F,G,X	GROMMET, Side Marker and fndr. T/Sig.
	3843 875	AR		B,F,G	SWITCH, Lamp Time Delay (Diode)
MISCELLANEOUS WIRING					
	4124 086	AR		PD,CV,B	WIRING,Tilt Column
	4124 091	AR		X,S,Y	Tilt Column
	4124 328	2		B,F,G	Frt. Door Courtesy Lamp
	4209 907	2		B,F,G	Rr. Door Courtesy Lamp
	4209 261			X,S	Cornering Lamp

MODEL CODES

B = GRAN FURY/CARAVELLE  
 C = LEBARON/TOWN & COUNTRY  
 D = ARIES  
 F = NEW YORKER  
 G = DIPLOMAT  
 M = HORIZON/TC3/SCAMP  
 P = RELIANT  
 S = CORDOBA  
 V = 400  
 X = MIRADA  
 Y = IMPERIAL  
 Z = OMNI/O24/RAMPAGE

BODY STYLES

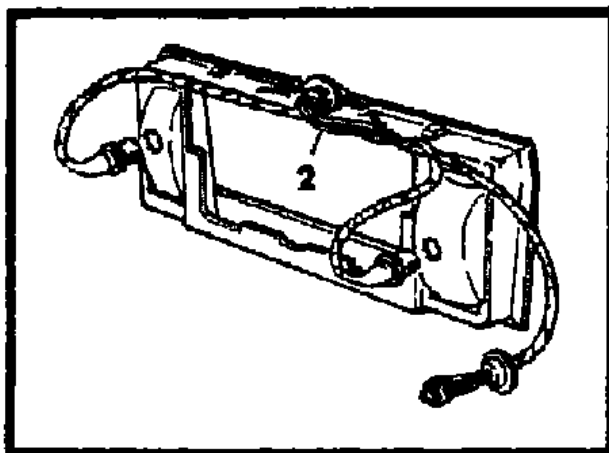
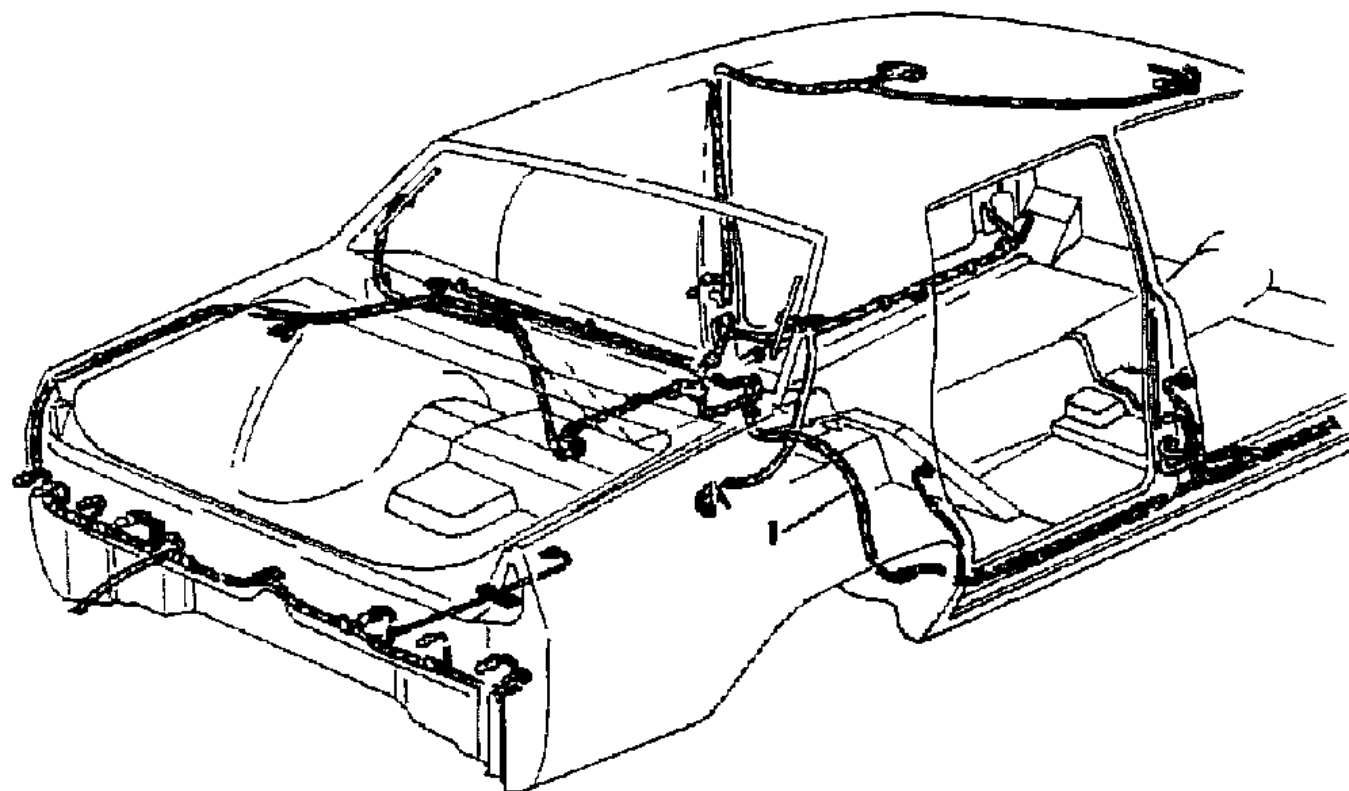
21 = 2-DOOR SEDAN  
 22 = 2-DOOR SPECIAL COUPE  
 24 = 2-DOOR HATCHBACK  
 27 = 2-DOOR CONVERTIBLE  
 28 = FWD PICKUP  
 41 = 4-DOOR SEDAN  
 44 = 4-DOOR HATCHBACK  
 45 = 2-SEAT STATION WAGON

AR = Use as Required - = Non Illustrated Part P.A.R. = Paint as Required

WIRING--BODY & ACCESSORIES

Figure 8-5500

2108 5500



ITEM	PART NUMBER	QTY	BODY	MODEL	DESCRIPTION
	5211 620				Oil Pressure Switch
	4186 399			B,F,G	Oil Pressure Switch, w/Oil Gauge
	4209 068			P,D,C (	Lift Gate and Lamp
	4274 574			PD,CV(2	Rt. Sill
	4274 982			P,D,C(4	Rt. Sill
	4274 982			P,D,C (	Lift Gate Wiper & Washer
	4274 074			P,D	Seat Adj Feed
	4209 646			P,D,C,V	Seat Adj Switch ( Bucket or Bench)
	4209 792			C,V	Deck Lid
	4274 016			C,V (22	Seat Adj & Console Lamp
	4274 142			C (41,4	Seat Adj & Console Lamp
	4274 108			P,D,C (	Heated Rr. Wdo. Lift Gate
	4209 780			C,V	Low Fuel Warning
	4209 069			P,D,C (	Lift Gate Wiper w/o Rel.
	4209 089			P,D,C (	Lift Gate Release & Wiper
	4209 309			P,D,C (	Lift Gate Release
	4209 786			PD,CV(2	Trunk Lamp
	4209 132			C,V (22	Door Ajar
	4274 069			C (41)	Door Ajar Rr.
	4274 235			M,Z (24	f/Pan w/mtr Radio
	4274 236			M,Z	f/Pan w/etr Radio
	4274 138			P,D (41	w/Dr.Lock f/Pan, w/o Power Wdo.
	4274 139			P,D (41	w/Lift f/Pan, w/Power Wdo. w/o Dr. Lock
	4274 140			P,D (41	w/Lift f/Pan, w/Dr. Lock w/Power Wdo.
	4274 143			C (41,4	w/ Lift & f/ Pan, w/Power Dr. w/o Power Wdo.
	4209 772			P,D (21	w/Lift f/Pan, w/Power Wdo. w/o Dr. Lock
	4209 771			P,D (21	Door Lock f/Pan, w/o Power Wdo.
	4209 148			C,V (22	w/Lift f/Pan
	4209 874			P,D (21	Rr. Heated Window
	4209 971			B,F,G	Frnt. Dr. & Illum. Entry
	4274 246			P,D,C,V	Dome & Map
	4274 246			P,D,C,V	Visor Vanity Lamp
	4209 216			B,F,G	Lift Gate and Heat r/Wdo.
	4209 343			M,Z (44	Lift Gate, Heat r/Wdo w/Wiper
	5211 503			M,Z (44	Cargo Lamp
	4209 870			28	Tailgate
	4209 916			28	Dome & Body Ground

MODEL CODES

B = GRAN FURY/CARAVELLE  
 C = LEBARON/TOWN & COUNTRY  
 D = ARIES  
 F = NEW YORKER  
 G = DIPLOMAT  
 M = HORIZON/TC3/SCAMP

P = RELIANT  
 S = CORDOBA  
 V = 400  
 X = MIRADA  
 Y = IMPERIAL  
 Z = OMNI/O24/RAMPAGE

BODY STYLES

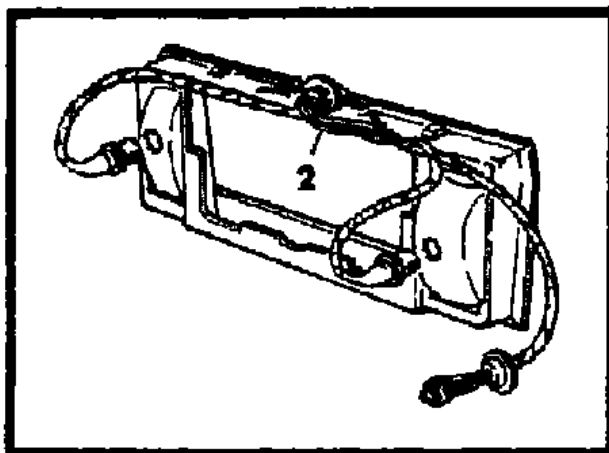
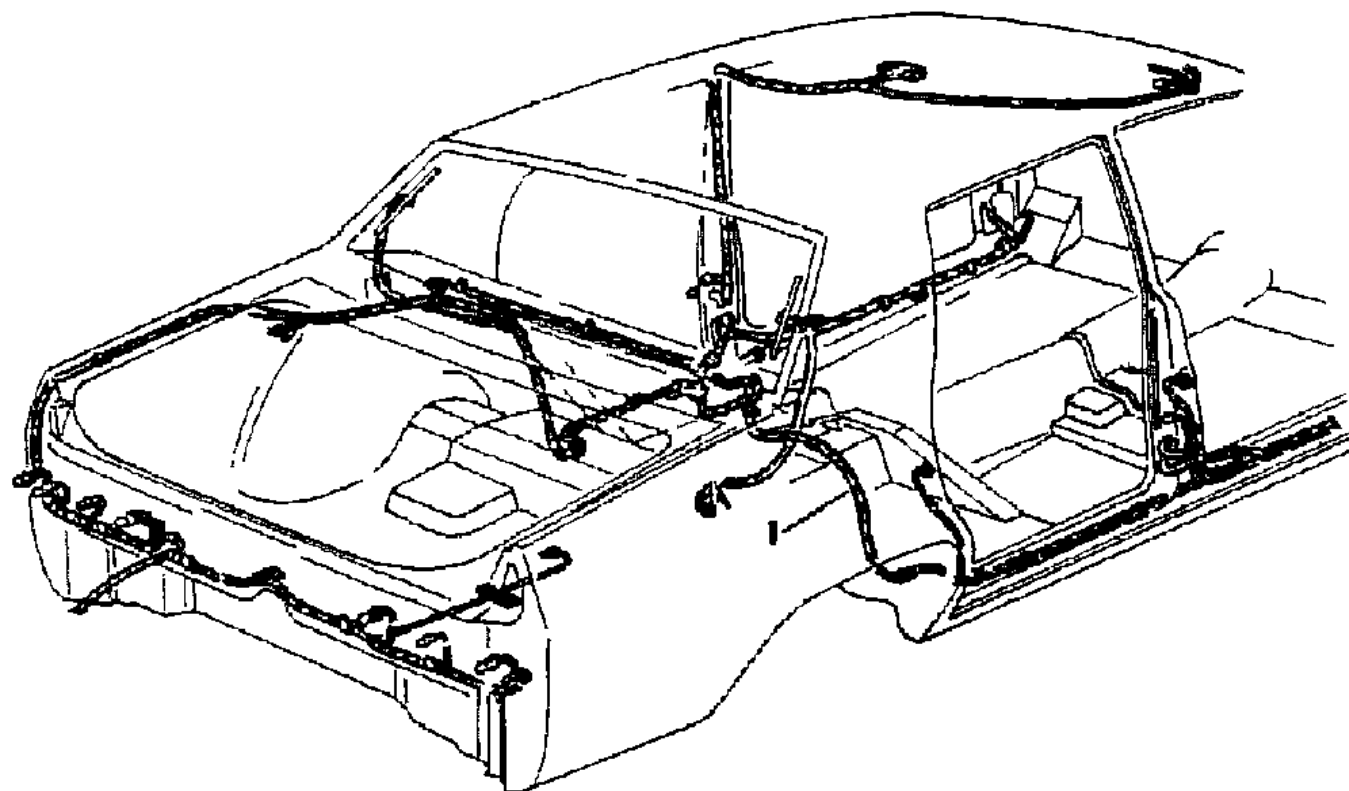
21 = 2-DOOR SEDAN  
 22 = 2-DOOR SPECIAL COUPE  
 24 = 2-DOOR HATCHBACK  
 27 = 2-DOOR CONVERTIBLE  
 28 = FWD PICKUP  
 41 = 4-DOOR SEDAN  
 44 = 4-DOOR HATCHBACK  
 45 = 2-SEAT STATION WAGON

AR = Use as Required - = Non Illustrated Part P.A.R. = Paint as Required



**WIRING--BODY & ACCESSORIES**  
**Figure 8-5500**

2108 5500



ITEM	PART NUMBER	QTY	BODY	MODEL	DESCRIPTION
	4209 024			Y	License and Back-Up Lamp
	3488 995			Y	Lens, Trunk Lamp w/Rr. Heated Window
	4274 159			B,F,G	Rr. Heated Window w/Diode
	4274 160			X,S	Rr. Heated Window w/Diode
	4274 161				DIODE and MOLD, Repair Pkg.
	4274 091				DIODE and MOLD,(Repair Pkg.) w/a/Cond. w/Ebl.
	4055 775			MZ,PD,C	TERMINAL, Heated Rear Wdo.
	4124 964			M,Z (24	Rr. Ht. Window (Ground)
	4124 965			M,Z (24	Rr. Ht. Window (Feed)
	6015 327			M,Z (24	Clip, Rr. Ht. Window (Feed)
	4221 254	2		M,Z	Switch, w/o Boot Door Pillar
	4221 117	2		P,D,C,V	Switch, Frt. & Rr. Door Pillar
	3747 289	4		B,F,G,X	Switch, Door Pillar Frt. & Rr.
	4221 101			P,D,C,V	Switch, Door Ajar Indic. (Up To 6-1-82)
	4221 326			P,D,C,V	Switch, Door Ajar Indic. (After 6-1-82)
	4221 025			B,F,G	Switch, Door Ajar Indic.
	4221 572			X,S,Y	Switch, Door Ajar Indic.
	5209 922			P,D (21	Switch, Trunk Ajar Indic.
	5209 922			M,Z	SWITCH, Cargo Lamp (2 Door)
	4221 025			M,Z	SWITCH, Lift Gate Cargo Lamp (4 Door)
	4221 023			M,Z	SWITCH & GASKET, Lift Gate Cargo Lamp (4 Door)
	4221 052			P,D,C (	SWITCH, Lift Gate Ajar
				P,D,C (	SWITCH, Lift Cargo (Serviced in Latch Assy.)
	3591 801			Y	LAMP PACKAGE, Trunk
	5209 922			Y	SWITCH, Trunk Lamp
	4267 275			P,D,C,V	LAMP PACKAGE, Trunk
	4267 275			B,F,G,X	LAMP PACKAGE, Trunk
	3591 126			Y	Bracket Trunk, (White)
	4124 814			B,F,G	Wiring, Roof (Dome)
	4209 512-3			Y	Wiring, Rr. Reading Lamp w/Switch
	4209 905			Y	Wiring, Rr. Reading Lamp Feed
	4124 916			X,S	Wiring, Lift Gate (Rel)
	4209 471			F-S	Wiring, w/Opera Lamp
	4209 537			B,F,G	Wiring, Power Ant.
	4209 598			X,S,Y	Wiring, Power Ant.
	4124 815			B,F,G	Wiring, Roof Light Jumper

**MODEL CODES**

B = GRAN FURY/CARAVELLE	P = RELIANT
C = LEBARON/TOWN & COUNTRY	S = CORDOBA
D = ARIES	V = 400
F = NEW YORKER	X = MIRADA
G = DIPLOMAT	Y = IMPERIAL
M = HORIZON/TC3/SCAMP	Z = OMNI/O24/RAMPAGE

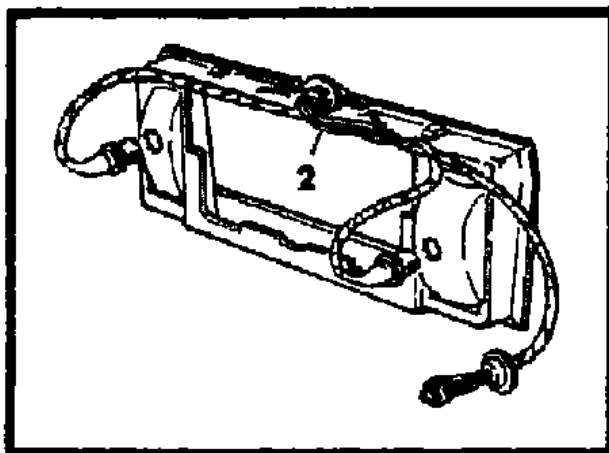
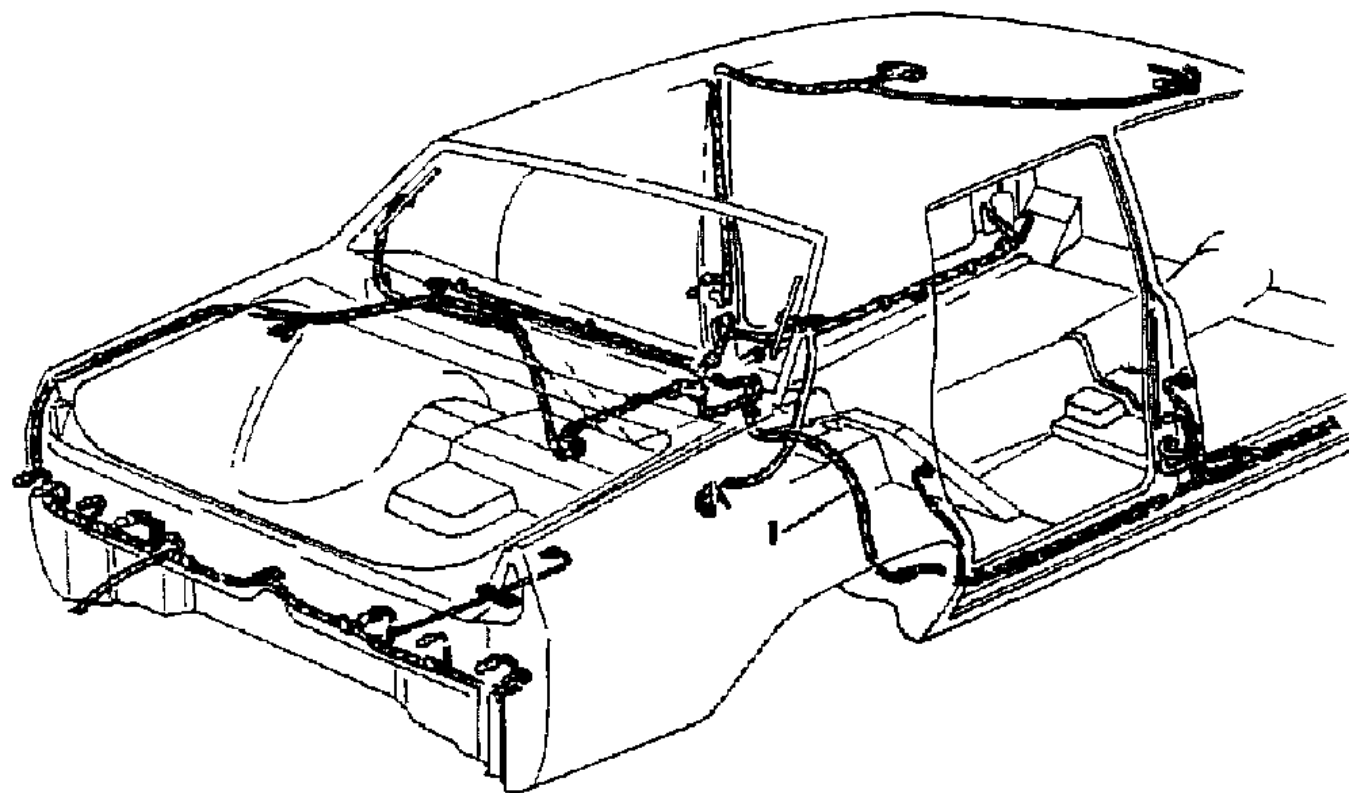
**BODY STYLES**

21 = 2-DOOR SEDAN	28 = FWD PICKUP
22 = 2-DOOR SPECIAL COUPE	41 = 4-DOOR SEDAN
24 = 2-DOOR HATCHBACK	44 = 4-DOOR HATCHBACK
27 = 2-DOOR CONVERTIBLE	45 = 2-SEAT STATION WAGON

AR = Use as Required - = Non Illustrated Part P.A.R. = Paint as Required

**WIRING--BODY & ACCESSORIES**  
**Figure 8-5500**

2108 5500



ITEM	PART NUMBER	QTY	BODY	MODEL	DESCRIPTION
	4274 042			28	Wiring, Dome & Rt. Visor
	4274 246			P,D,C,V	Wiring, Dome & Map Lamp
	4274 246			P,D,C,V	Wiring, Visor Vanity Lamp
	4209 972			S-P	WIRING, Reading & Opera Lamp Feed
	4209 895			X,S-S	Wiring, Reading Lamp Feed
	4124 914			X,S	Wiring, Rr. Reading Header & Vanity Lamp
	4124 916			X,S	Wiring, Trunk Lamp and Ajar Indic. (Deck Lid Rel.)
	4055 789			B,F,G	Wiring, Fuel Tank Sending Unit
	4274 048			Y	Wiring, Fuel Tank Sending Unit w/Efi
	4209 780			C,V (22	Wiring, w/ Low Fuel Warning
	4274 090			P,D	Wiring, Oil & Temp Gauges w/Police Pkg., w/2.6 Eng.
	4274 120			P,D	Wiring, Oil Gauge

**MODEL CODES**

B = GRAN FURY/CARAVELLE	P = RELIANT
C = LEBARON/TOWN & COUNTRY	S = CORDOBA
D = ARIES	V = 400
F = NEW YORKER	X = MIRADA
G = DIPLOMAT	Y = IMPERIAL
M = HORIZON/TC3/SCAMP	Z = OMNI/O24/RAMPAGE

**BODY STYLES**

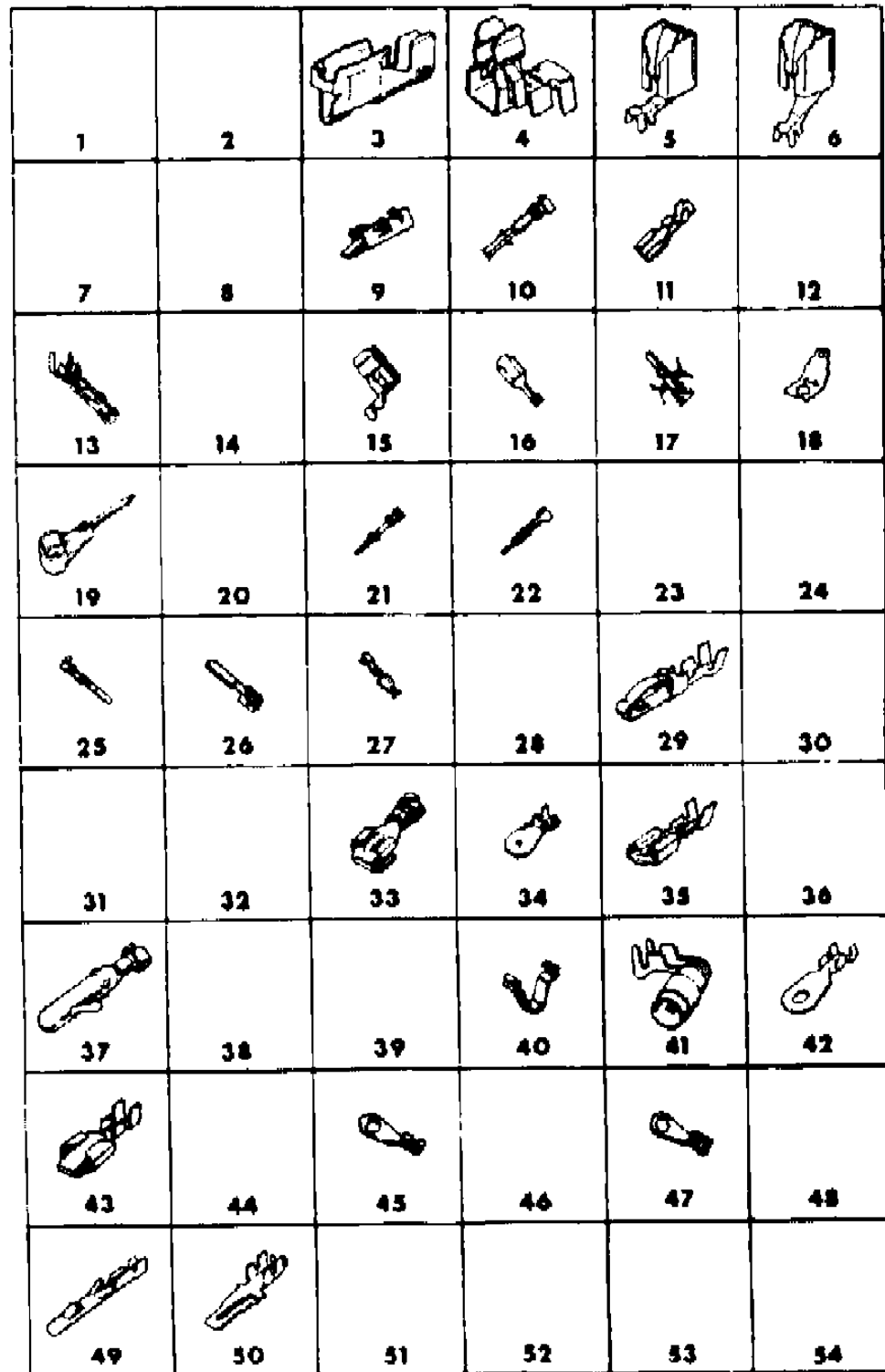
21 = 2-DOOR SEDAN	28 = FWD PICKUP
22 = 2-DOOR SPECIAL COUPE	41 = 4-DOOR SEDAN
24 = 2-DOOR HATCHBACK	44 = 4-DOOR HATCHBACK
27 = 2-DOOR CONVERTIBLE	45 = 2-SEAT STATION WAGON

AR = Use as Required - = Non Illustrated Part P.A.R. = Paint as Required

# TERMINAL CHART

## Figure 8-5600

2106 5600



ITEM	PART NUMBER	QTY	BODY	MODEL	DESCRIPTION
1					TERMINAL
2					TERMINAL
3	3513 613				TERMINAL
4	3591 596				TERMINAL
5	3764 606				TERMINAL
6	3764 607				TERMINAL
7					TERMINAL
8					TERMINAL
9	2496 532				TERMINAL
10	2983 410				TERMINAL
11	2580 061				TERMINAL
12					TERMINAL
13	3513 544				TERMINAL
14					TERMINAL
15	2926 722				TERMINAL
16	3513 482				TERMINAL
17	2983 411				TERMINAL
18					TERMINAL, Not Serv.
19	3588 946				TERMINAL
20					TERMINAL
21	2983 409				TERMINAL
22	2889 435				TERMINAL
23					TERMINAL
24					TERMINAL
25	2889 434				TERMINAL
26	2983 412				TERMINAL
27	3513 586				TERMINAL
28					TERMINAL
29	3764 556				TERMINAL
30					TERMINAL
31					TERMINAL
32					TERMINAL
33	2291 588				TERMINAL
34	0903 895				TERMINAL
35	3764 570				TERMINAL
36					TERMINAL
37	3513 543				TERMINAL

**MODEL CODES**

B = GRAN FURY/CARAVELLE	P = RELIANT
C = LEBARON/TOWN & COUNTRY	S = CORDOBA
D = ARIES	V = 400
F = NEW YORKER	X = MIRADA
G = DIPLOMAT	Y = IMPERIAL
M = HORIZON/TC3/SCAMP	Z = OMNI/O24/RAMPAGE

**BODY STYLES**

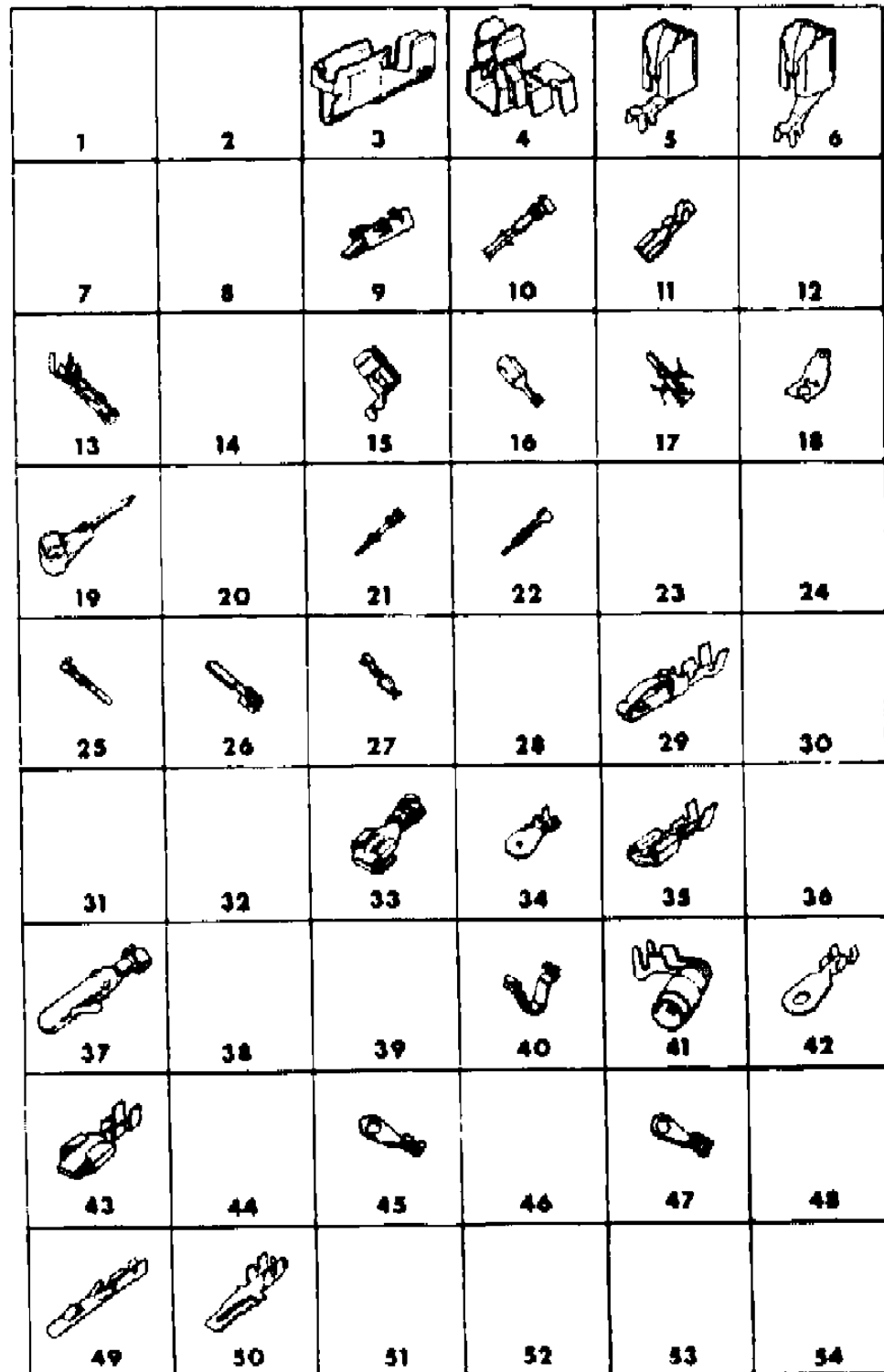
21 = 2-DOOR SEDAN	28 = FWD PICKUP
22 = 2-DOOR SPECIAL COUPE	41 = 4-DOOR SEDAN
24 = 2-DOOR HATCHBACK	44 = 4-DOOR HATCHBACK
27 = 2-DOOR CONVERTIBLE	45 = 2-SEAT STATION WAGON

AR = Use as Required - = Non Illustrated Part P.A.R. = Paint as Required

# TERMINAL CHART

## Figure 8-5600

2106 5600



ITEM	PART NUMBER	QTY	BODY	MODEL	DESCRIPTION
38					TERMINAL
39					TERMINAL
40	2427 725				TERMINAL
41	3843 577				TERMINAL
42	3755 606				TERMINAL
43	3588 819				TERMINAL
44					TERMINAL
45	3513 637				TERMINAL
46					TERMINAL
47	3438 709				TERMINAL
48					TERMINAL
49	3513 756				TERMINAL
50	3513 692				TERMINAL
51					TERMINAL
52					TERMINAL
53					TERMINAL
54					TERMINAL

**MODEL CODES**

B = GRAN FURY/CARAVELLE	P = RELIANT
C = LEBARON/TOWN & COUNTRY	S = CORDOBA
D = ARIES	V = 400
F = NEW YORKER	X = MIRADA
G = DIPLOMAT	Y = IMPERIAL
M = HORIZON/TC3/SCAMP	Z = OMNI/O24/RAMPAGE

**BODY STYLES**

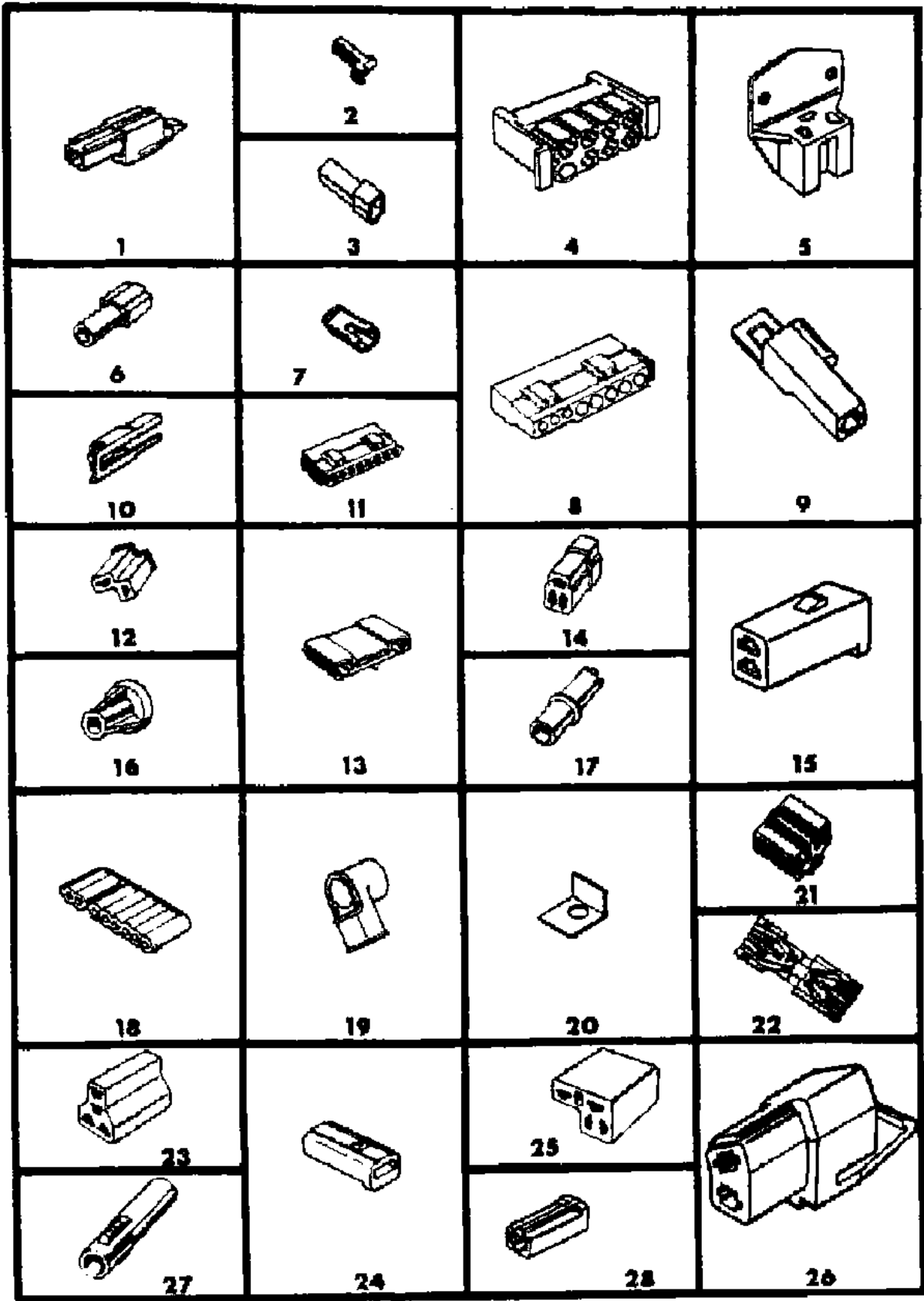
21 = 2-DOOR SEDAN	28 = FWD PICKUP
22 = 2-DOOR SPECIAL COUPE	41 = 4-DOOR SEDAN
24 = 2-DOOR HATCHBACK	44 = 4-DOOR HATCHBACK
27 = 2-DOOR CONVERTIBLE	45 = 2-SEAT STATION WAGON

AR = Use as Required - = Non Illustrated Part P.A.R. = Paint as Required



**INSULATOR CHART**  
Figure 8-5800

2108 5800



ITEM	PART NUMBER	QTY	BODY	MODEL	DESCRIPTION
1	3764 945				INSULATOR
2	2497 701				INSULATOR
3	4124 235				INSULATOR
4	2926 256				INSULATOR
5	3513 696				INSULATOR
6	3513 346				INSULATOR
7	3588 518				INSULATOR
8	2983 401				INSULATOR
9	3513 755				INSULATOR
10	3764 856				INSULATOR
11	2983 403				INSULATOR
12	3588 523				INSULATOR
13	3588 399				INSULATOR
14	3588 522				INSULATOR
15	3764 263				INSULATOR
16	3764 325				INSULATOR
17	3588 781				INSULATOR
18	3730 649				INSULATOR
19	2258 754				INSULATOR
20	3730 587				INSULATOR
21	2857 754				INSULATOR
22	3513 665				INSULATOR
23	2497 481				INSULATOR
24	3764 857				INSULATOR
25	2889 432				INSULATOR
26					INSULATOR, Not Serv.
27	3513 345				INSULATOR
28	3764 946				INSULATOR

MODEL CODES  
 B = GRAN FURY/CARAVELLE      P = RELIANT  
 C = LEBARON/TOWN & COUNTRY    S = CORDOBA  
 D = ARIES                            V = 400  
 F = NEW YORKER                    X = MIRADA  
 G = DIPLOMAT                       Y = IMPERIAL  
 M = HORIZON/TC3/SCAMP        Z = OMNI/O24/RAMPAGE

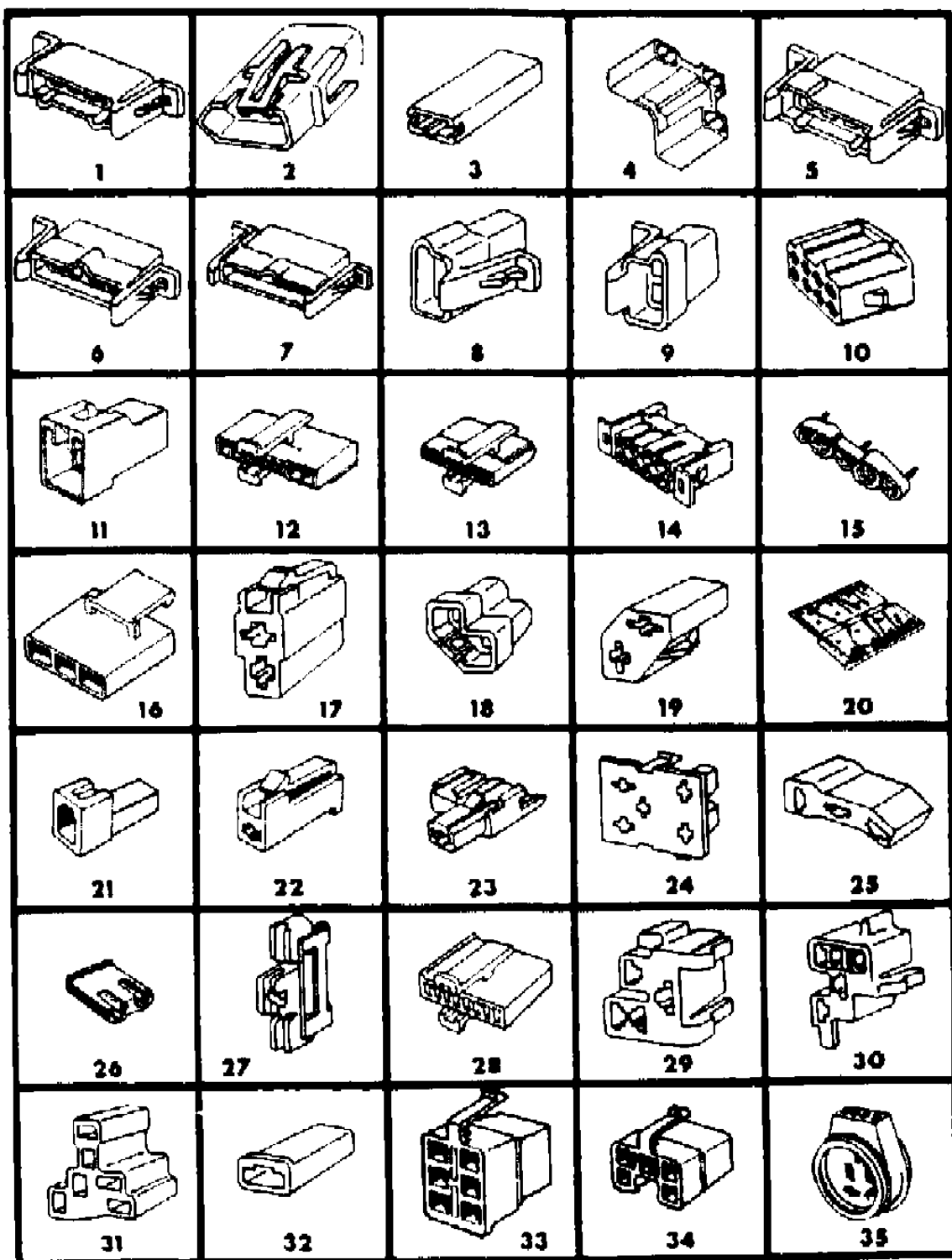
BODY STYLES  
 21 = 2-DOOR SEDAN                    28 = FWD PICKUP  
 22 = 2-DOOR SPECIAL COUPE       41 = 4-DOOR SEDAN  
 24 = 2-DOOR HATCHBACK           44 = 4-DOOR HATCHBACK  
 27 = 2-DOOR CONVERTIBLE         45 = 2-SEAT STATION WAGON

AR = Use as Required - = Non Illustrated Part P.A.R. = Paint as Required

# INSULATOR CHART

## Figure 8-5800

3108 5900



ITEM	PART NUMBER	QTY	BODY	MODEL	DESCRIPTION
1	3843 413				INSULATOR
2	3843 795				INSULATOR
3	3843 895				INSULATOR
4	4055 589				INSULATOR
5	4055 002				INSULATOR
6	4055 003				INSULATOR
7	4055 004				INSULATOR
8	4055 005				INSULATOR
9	4055 006				INSULATOR
10	4055 047				INSULATOR
11					INSULATOR, Not Serv.
12	3764 557				INSULATOR
13	3764 572				INSULATOR
14	3843 241				INSULATOR
15	3755 625				INSULATOR
16					INSULATOR, Not Serv.
17	4055 019				INSULATOR
18	4055 020				INSULATOR
19	4055 021				INSULATOR
20	3513 664				INSULATOR
21	4274 267				INSULATOR
22	3843 754				INSULATOR
23	3588 520				INSULATOR
24	4055 026				INSULATOR
25	4055 148				INSULATOR
26	3588 517				INSULATOR
27	4055 304				INSULATOR
28	4055 582				INSULATOR
29	4055 311				INSULATOR
30	4205 923				INSULATOR
31	4055 384				INSULATOR
32	4055 395				INSULATOR
33	5211 546				INSULATOR
34	5211 545				INSULATOR
35	4124 508				INSULATOR

**MODEL CODES**

B = GRAN FURY/CARAVELLE	P = RELIANT
C = LEBARON/TOWN & COUNTRY	S = CORDOBA
D = ARIES	V = 400
F = NEW YORKER	X = MIRADA
G = DIPLOMAT	Y = IMPERIAL
M = HORIZON/TC3/SCAMP	Z = OMNI/O24/RAMPAGE

**BODY STYLES**

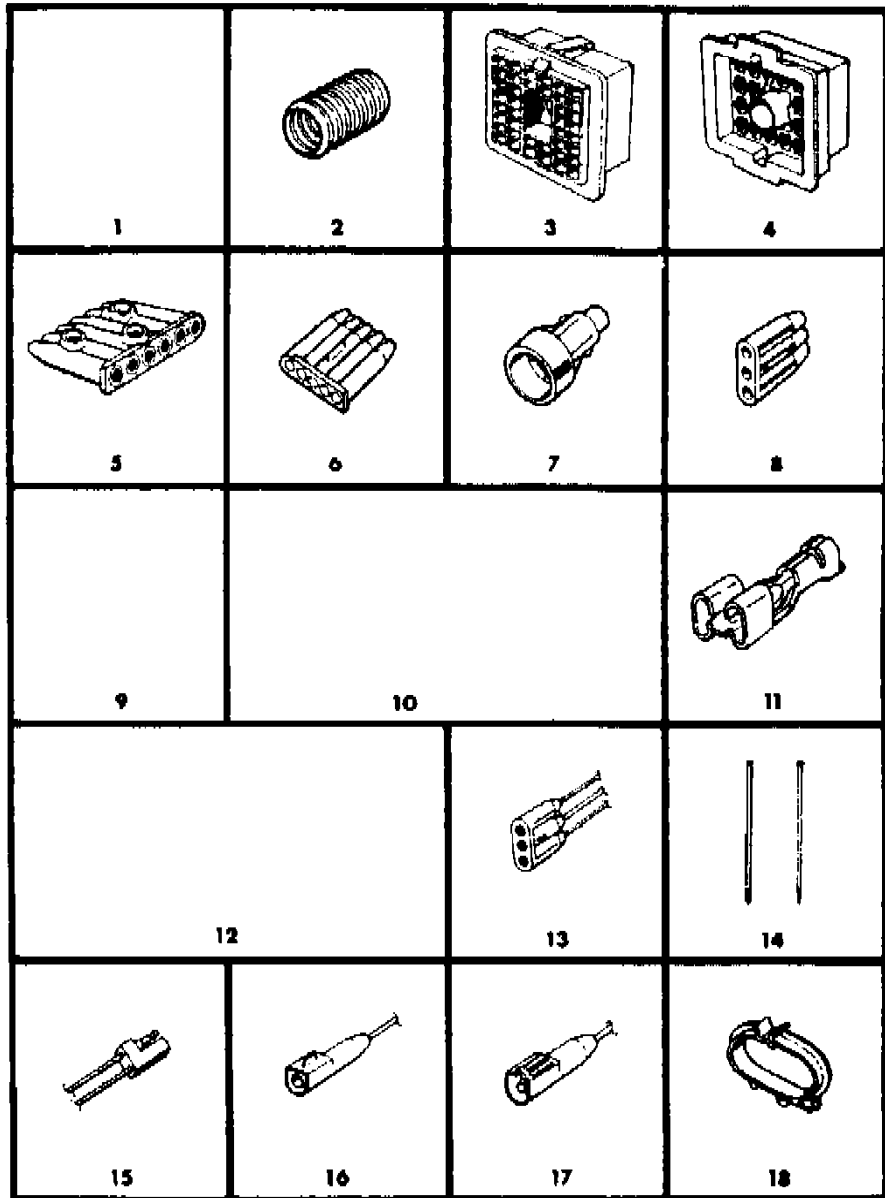
21 = 2-DOOR SEDAN	28 = FWD PICKUP
22 = 2-DOOR SPECIAL COUPE	41 = 4-DOOR SEDAN
24 = 2-DOOR HATCHBACK	44 = 4-DOOR HATCHBACK
27 = 2-DOOR CONVERTIBLE	45 = 2-SEAT STATION WAGON

AR = Use as Required - = Non Illustrated Part P.A.R. = Paint as Required

# RETAINERS, CONNECTORS, PLUGS, SLEEVES AND PARTS CHART

## Figure 8-6000

2108 6000



ITEM	PART NUMBER	QTY	BODY	MODEL	DESCRIPTION
1					
2	3843 499				TUBING
3	4055 406				CONNECTOR,(FEMALE 40 WAY)
4	4055 405				CONNECTOR,(MALE 40 WAY)
5	4209 978				MOLD,(6 Way) Repair Esa & Efm (w/Bar)
	4209 977				MOLD,(6 Way) Repair Esa & Efm (w/Tab)
6	4055 466				MOLD, w/Tab (Electronic Spark Advance Repair)
	4055 467				MOLD, w/Bar (Electronic Spark Advance Repair)
7	3843 398				CONNECTOR
8	3843 399				CONNECTOR
9					
10					
11	3843 601				TERMINAL
12					
13	3843 428				CONNECTOR
14	6015 756				TY-STRIP
15	3588 743				CONNECTOR
16	3843 427				CONNECTOR, FEMALE
17	3843 426				CONNECTOR, MALE
18	6016 046				CLIP

**MODEL CODES**

B = GRAN FURY/CARAVELLE	P = RELIANT
C = LEBARON/TOWN & COUNTRY	S = CORDOBA
D = ARIES	V = 400
F = NEW YORKER	X = MIRADA
G = DIPLOMAT	Y = IMPERIAL
M = HORIZON/TC3/SCAMP	Z = OMNI/O24/RAMPAGE

**BODY STYLES**

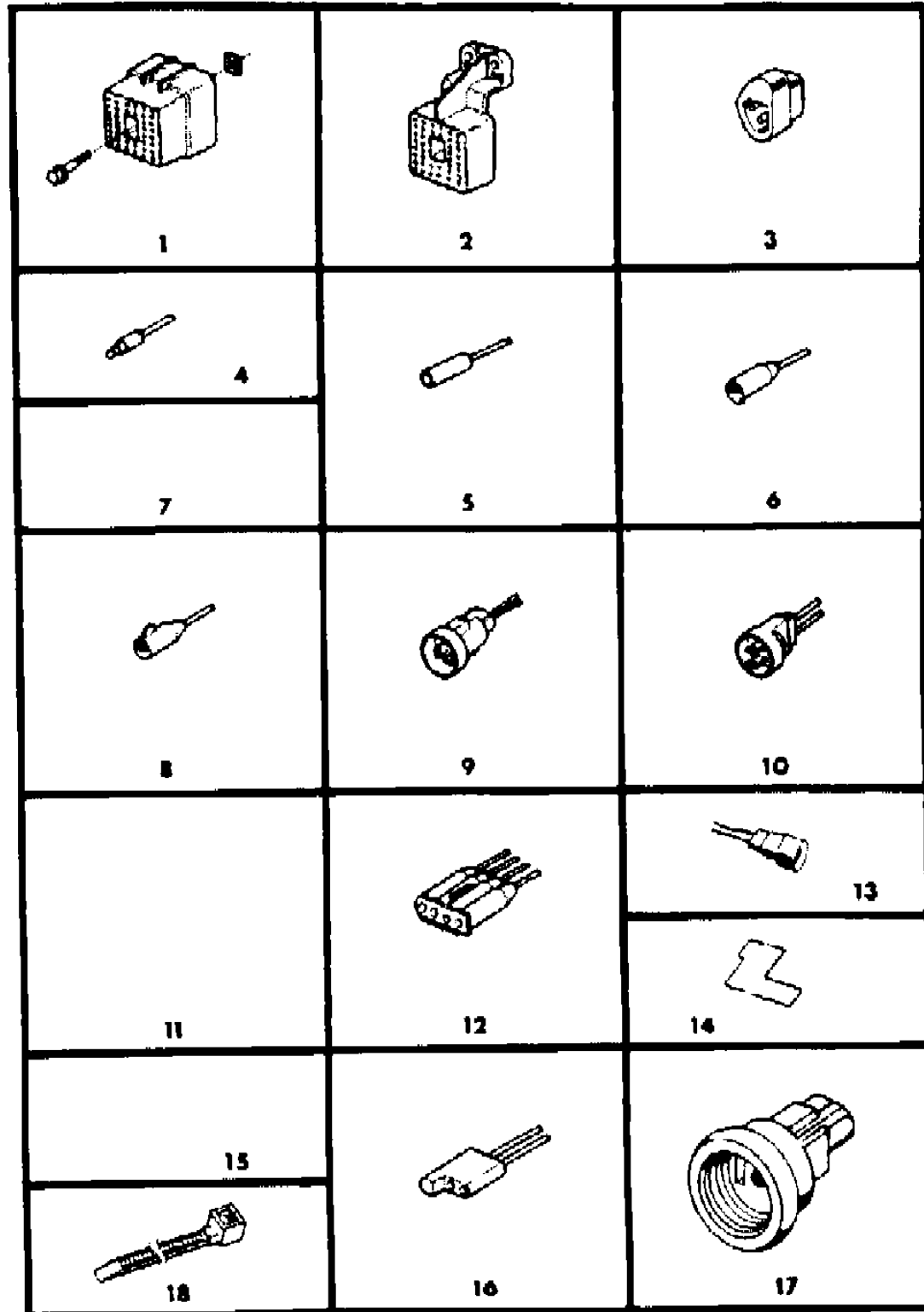
21 = 2-DOOR SEDAN	28 = FWD PICKUP
22 = 2-DOOR SPECIAL COUPE	41 = 4-DOOR SEDAN
24 = 2-DOOR HATCHBACK	44 = 4-DOOR HATCHBACK
27 = 2-DOOR CONVERTIBLE	45 = 2-SEAT STATION WAGON

AR = Use as Required - = Non Illustrated Part P.A.R. = Paint as Required



**RETAINERS, CONNECTORS, PLUGS AND SLEEVES CHART**  
**Figure 8-6100**

2108 6100



ITEM	PART NUMBER	QTY	BODY	MODEL	DESCRIPTION
1	3843 606				DISCONNECT,(MALE 40 WAY)
2	3843 608				DISCONNECT,(FEMALE 40 WAY)
3	3843 397				CONNECTOR,(v/Reg.)
4	3843 922				CONNECTOR,(MALE)
5	3843 923				CONNECTOR,(FEMALE)
6	3843 936				CONNECTOR,(MALE)
7					
8	3843 937				CONNECTOR,(FEMALE)
9	3843 945				MOLD
10	3843 430				MOLD
11					
12	3843 946				MOLD
13	3843 430				CONNECTOR
14	4055 335				CONNECTOR
15					
16	3843 949				MOLD, Dist.
17	5211 620				MOLD
18					CLIP, Not Serv.
	4124 807				MOLD,Detonation Sensor

**MODEL CODES**

B = GRAN FURY/CARAVELLE	P = RELIANT
C = LEBARON/TOWN & COUNTRY	S = CORDOBA
D = ARIES	V = 400
F = NEW YORKER	X = MIRADA
G = DIPLOMAT	Y = IMPERIAL
M = HORIZON/TC3/SCAMP	Z = OMNI/O24/RAMPAGE

**BODY STYLES**

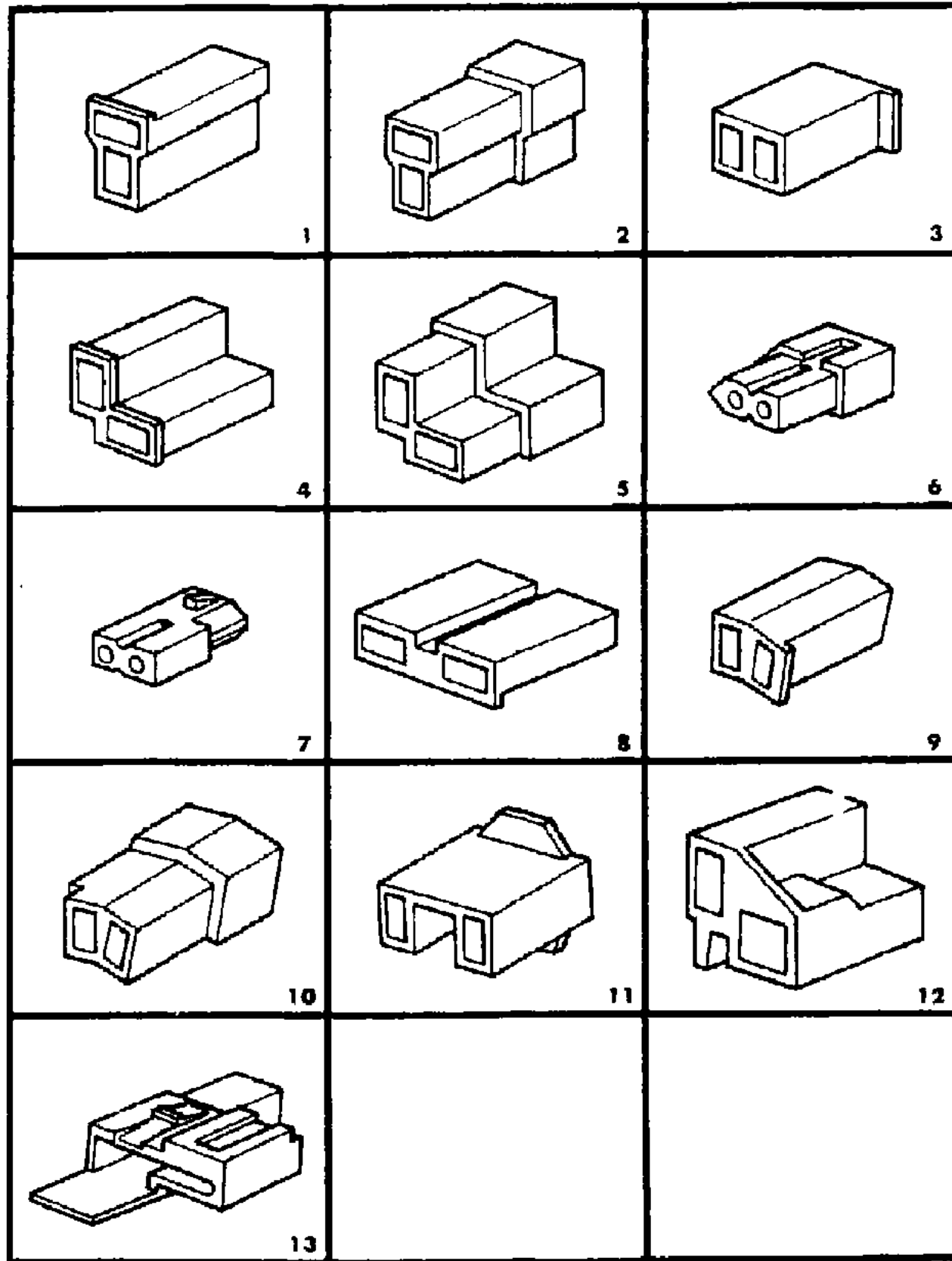
21 = 2-DOOR SEDAN	28 = FWD PICKUP
22 = 2-DOOR SPECIAL COUPE	41 = 4-DOOR SEDAN
24 = 2-DOOR HATCHBACK	44 = 4-DOOR HATCHBACK
27 = 2-DOOR CONVERTIBLE	45 = 2-SEAT STATION WAGON

AR = Use as Required - = Non Illustrated Part P.A.R. = Paint as Required



**INSULATOR 2 WAY**  
Figure 8-6300

2108 6300



ITEM	PART NUMBER	QTY	BODY	MODEL	DESCRIPTION
1	3764 944				INSULATOR
2					INSULATOR
3					INSULATOR, Not Serv.
4					INSULATOR, Not Serv.
5	2982 884				INSULATOR
6	3513 350				INSULATOR
7	3513 349				INSULATOR
8	3588 517				INSULATOR
9					INSULATOR, Not Serv.
10	3764 943				INSULATOR
11	4186 045				INSULATOR,(use 3 way insulator)
12	2889 160				INSULATOR
13	2822 340				INSULATOR

MODEL CODES

B = GRAN FURY/CARAVELLE	P = RELIANT
C = LEBARON/TOWN & COUNTRY	S = CORDOBA
D = ARIES	V = 400
F = NEW YORKER	X = MIRADA
G = DIPLOMAT	Y = IMPERIAL
M = HORIZON/TC3/SCAMP	Z = OMNI/O24/RAMPAGE

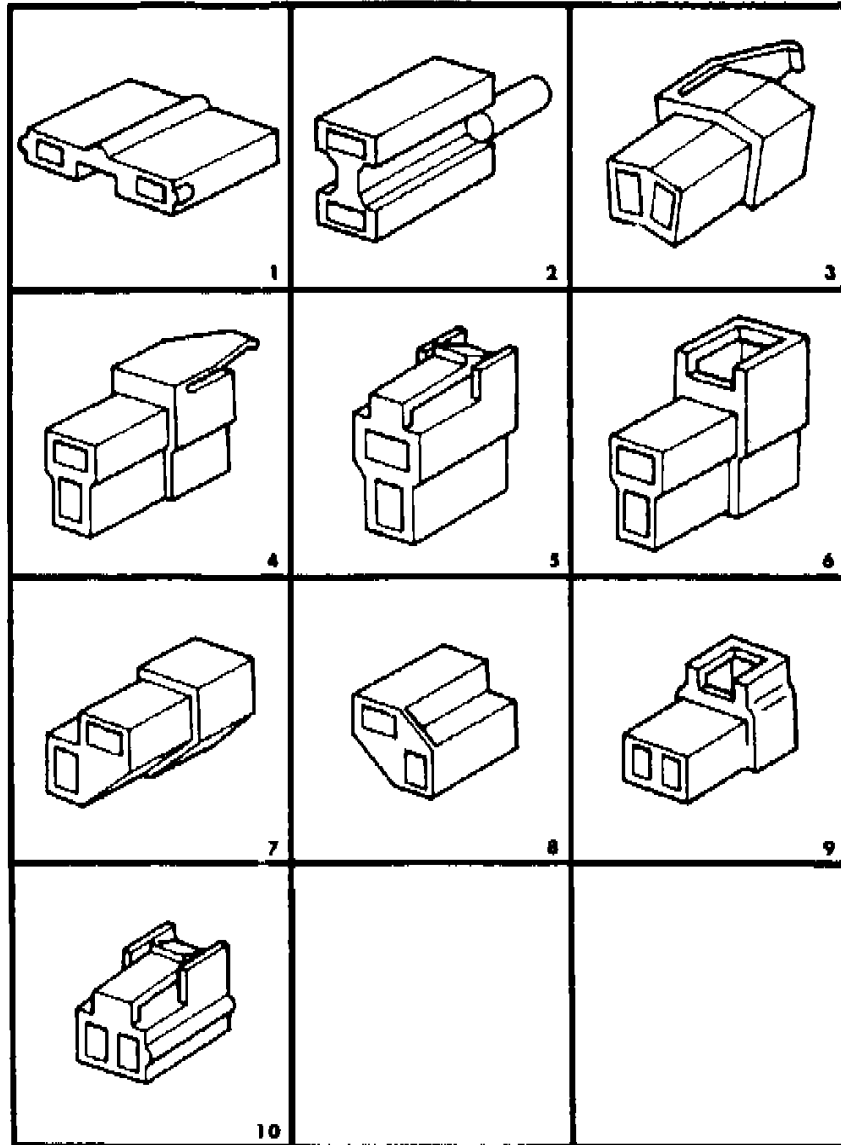
BODY STYLES

21 = 2-DOOR SEDAN	28 = FWD PICKUP
22 = 2-DOOR SPECIAL COUPE	41 = 4-DOOR SEDAN
24 = 2-DOOR HATCHBACK	44 = 4-DOOR HATCHBACK
27 = 2-DOOR CONVERTIBLE	45 = 2-SEAT STATION WAGON

AR = Use as Required - = Non Illustrated Part P.A.R. = Paint as Required

**INSULATOR 2 WAY**  
**Figure 8-6300**

2100 6400



ITEM	PART NUMBER	QTY	BODY	MODEL	DESCRIPTION
1					INSULATOR, Not Serv.
2	3588 525				INSULATOR
3					INSULATOR, Not Serv.
4	3764 949				INSULATOR
5	4055 019				INSULATOR
6	4055 018				INSULATOR
7					INSULATOR, Not Serv.
8					INSULATOR, Not Serv.
9	4274 936				INSULATOR
10	4055 012				INSULATOR

**MODEL CODES**

B = GRAN FURY/CARAVELLE	P = RELIANT
C = LEBARON/TOWN & COUNTRY	S = CORDOBA
D = ARIES	V = 400
F = NEW YORKER	X = MIRADA
G = DIPLOMAT	Y = IMPERIAL
M = HORIZON/TC3/SCAMP	Z = OMNI/O24/RAMPAGE

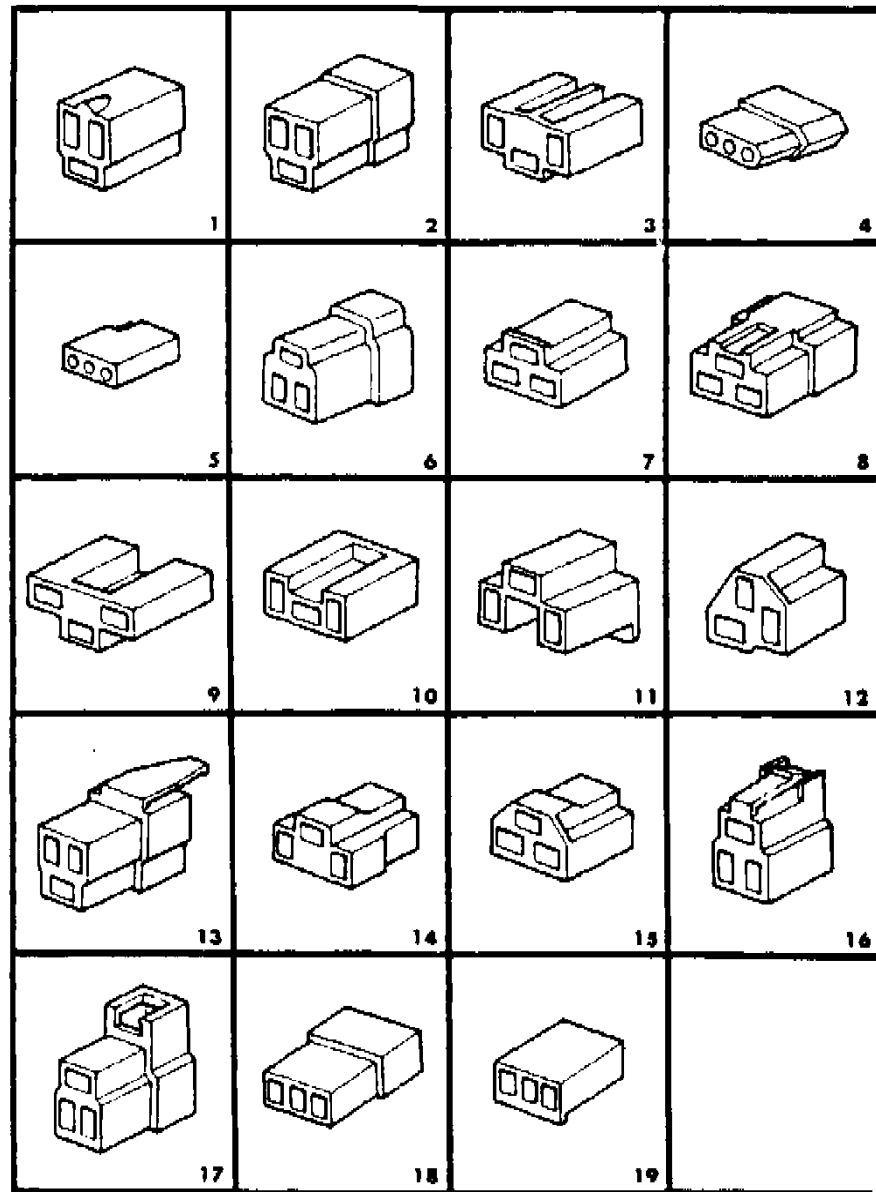
**BODY STYLES**

21 = 2-DOOR SEDAN	28 = FWD PICKUP
22 = 2-DOOR SPECIAL COUPE	41 = 4-DOOR SEDAN
24 = 2-DOOR HATCHBACK	44 = 4-DOOR HATCHBACK
27 = 2-DOOR CONVERTIBLE	45 = 2-SEAT STATION WAGON

AR = Use as Required - = Non Illustrated Part P.A.R. = Paint as Required

**INSULATOR 3 WAY**  
**Figure 8-6500**

2108 6500



ITEM	PART NUMBER	QTY	BODY	MODEL	DESCRIPTION
1					INSULATOR, Not Serv.
2					INSULATOR, Not Serv.
3					INSULATOR, Not Serv.
4	3843 795				INSULATOR
5	4209 546				INSULATOR
6					INSULATOR, Not Serv.
7	2298 882				INSULATOR
8					INSULATOR, Not Serv.
9					INSULATOR, Not Serv.
10	2771 760				INSULATOR
11	4186 045				INSULATOR
12	2889 650				INSULATOR
13	3764 947				INSULATOR
14	3843 282				INSULATOR
15	3843 059				INSULATOR
16	4055 008				INSULATOR
17	4055 007				INSULATOR
18					INSULATOR, Not Serv.
19					INSULATOR, Not Serv.

**MODEL CODES**

B = GRAN FURY/CARAVELLE	P = RELIANT
C = LEBARON/TOWN & COUNTRY	S = CORDOBA
D = ARIES	V = 400
F = NEW YORKER	X = MIRADA
G = DIPLOMAT	Y = IMPERIAL
M = HORIZON/TC3/SCAMP	Z = OMNI/O24/RAMPAGE

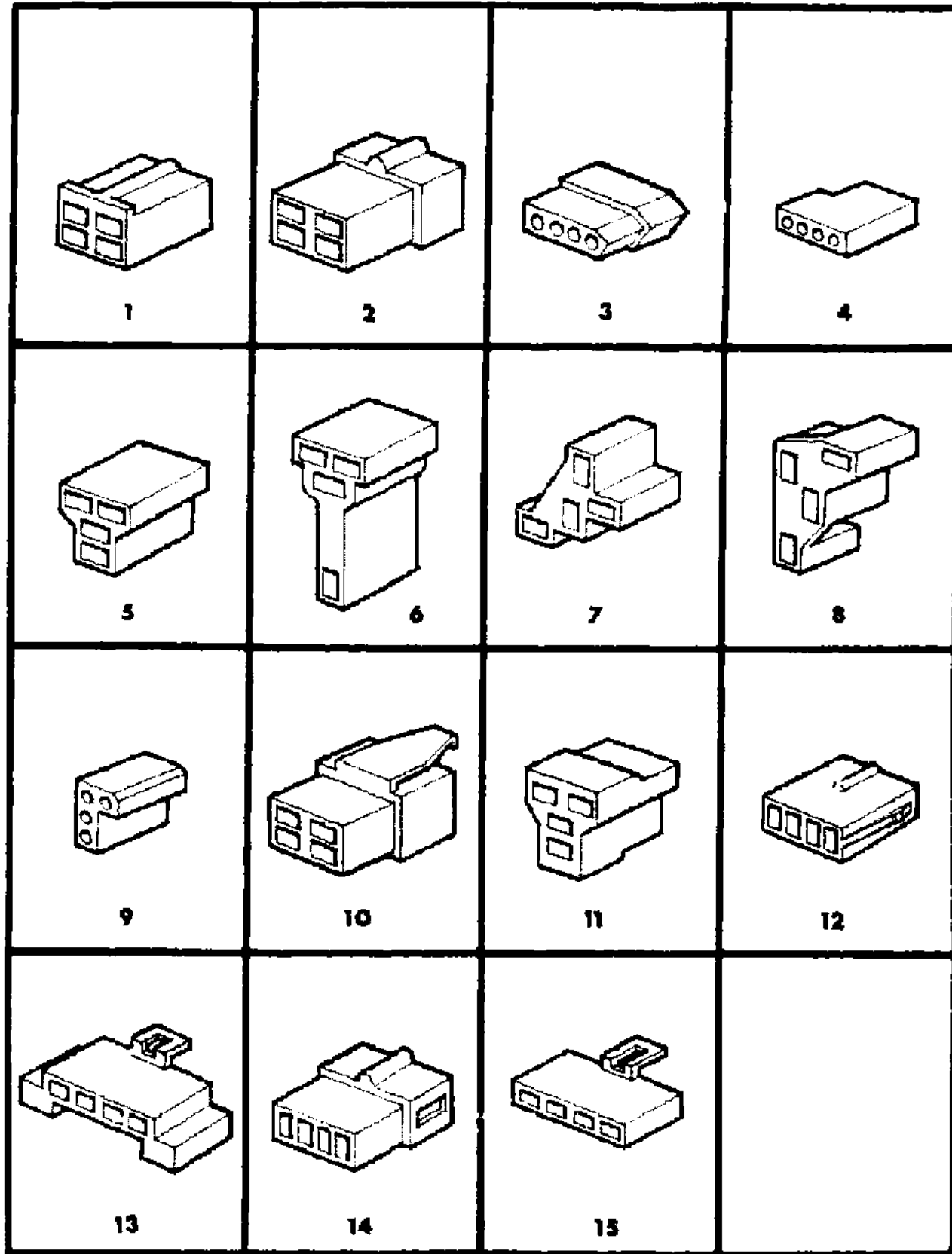
**BODY STYLES**

21 = 2-DOOR SEDAN	28 = FWD PICKUP
22 = 2-DOOR SPECIAL COUPE	41 = 4-DOOR SEDAN
24 = 2-DOOR HATCHBACK	44 = 4-DOOR HATCHBACK
27 = 2-DOOR CONVERTIBLE	45 = 2-SEAT STATION WAGON

AR = Use as Required - = Non Illustrated Part P.A.R. = Paint as Required

**INSULATOR 4 WAY**  
Figure 8-6600

2108 6600



ITEM	PART NUMBER	QTY	BODY	MODEL	DESCRIPTION
1					INSULATOR, Not Serv.
2					INSULATOR, Not Serv.
3	2983 405				INSULATOR
4	2983 406				INSULATOR
5					INSULATOR, Not Serv.
6	3513 550				INSULATOR
7					INSULATOR, Not Serv.
8					INSULATOR, Not Serv.
9					INSULATOR, Not Serv.
10					INSULATOR, Not Serv.
11	3843 283				INSULATOR
12	4055 025				INSULATOR
13	3843 896				INSULATOR
14	4055 024				INSULATOR
15	4055 249				INSULATOR
	4124 262				INSULATOR, 5 WAY

MODEL CODES

B = GRAN FURY/CARAVELLE	P = RELIANT
C = LEBARON/TOWN & COUNTRY	S = CORDOBA
D = ARIES	V = 400
F = NEW YORKER	X = MIRADA
G = DIPLOMAT	Y = IMPERIAL
M = HORIZON/TC3/SCAMP	Z = OMNI/O24/RAMPAGE

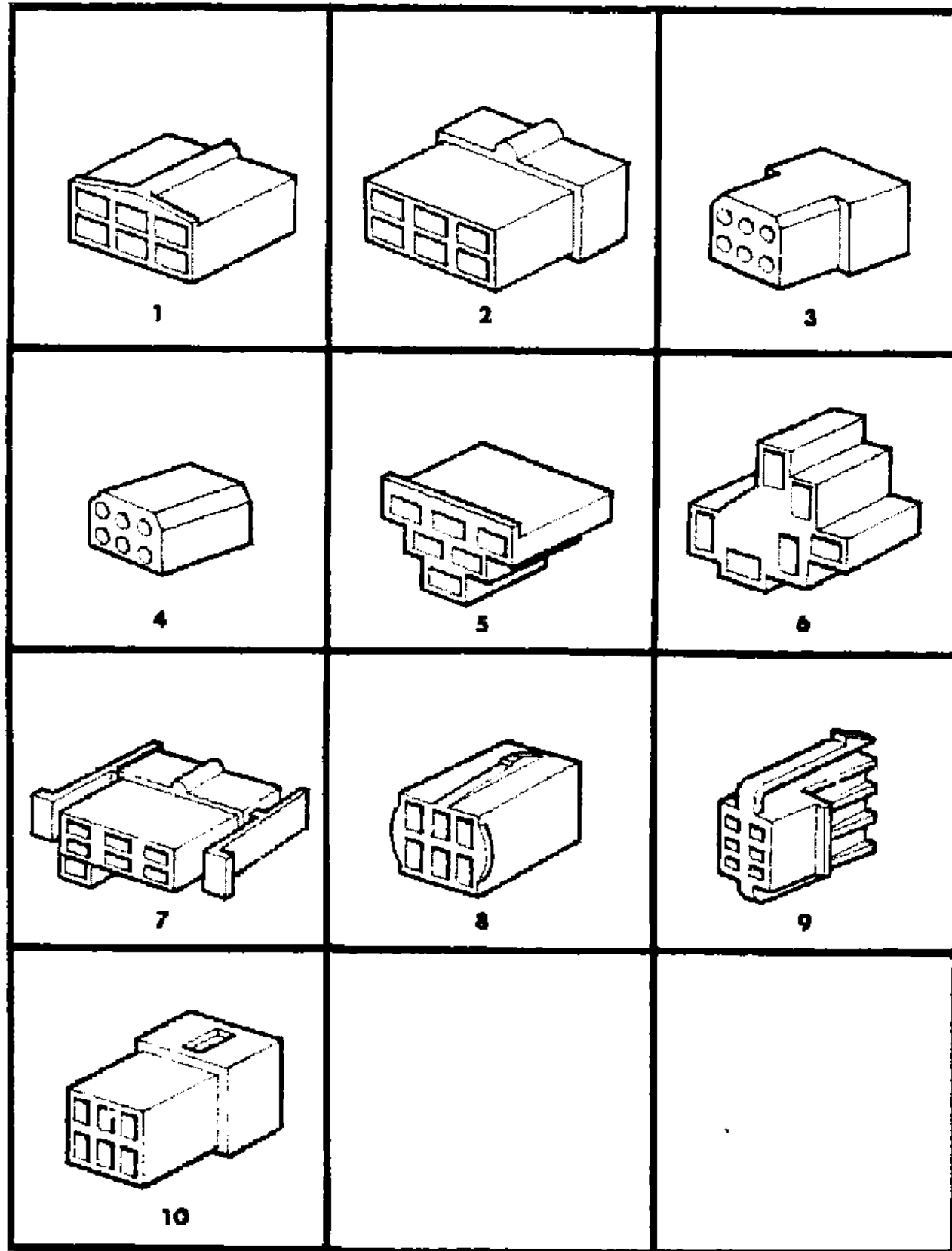
BODY STYLES

21 = 2-DOOR SEDAN	28 = FWD PICKUP
22 = 2-DOOR SPECIAL COUPE	41 = 4-DOOR SEDAN
24 = 2-DOOR HATCHBACK	44 = 4-DOOR HATCHBACK
27 = 2-DOOR CONVERTIBLE	45 = 2-SEAT STATION WAGON

AR = Use as Required - = Non Illustrated Part P.A.R. = Paint as Required

**INSULATOR 6 WAY**  
**Figure 8-6700**

2100 6700



ITEM	PART NUMBER	QTY	BODY	MODEL	DESCRIPTION
1					INSULATOR, Not Serv.
2					INSULATOR, Not Serv.
3	3513 348				INSULATOR
4	3513 347				INSULATOR
5					INSULATOR, Not Serv.
6	3588 024				INSULATOR
7	3764 640-1				INSULATOR
8	4055 015				INSULATOR
9	3843 002				INSULATOR
10	4055 014				INSULATOR

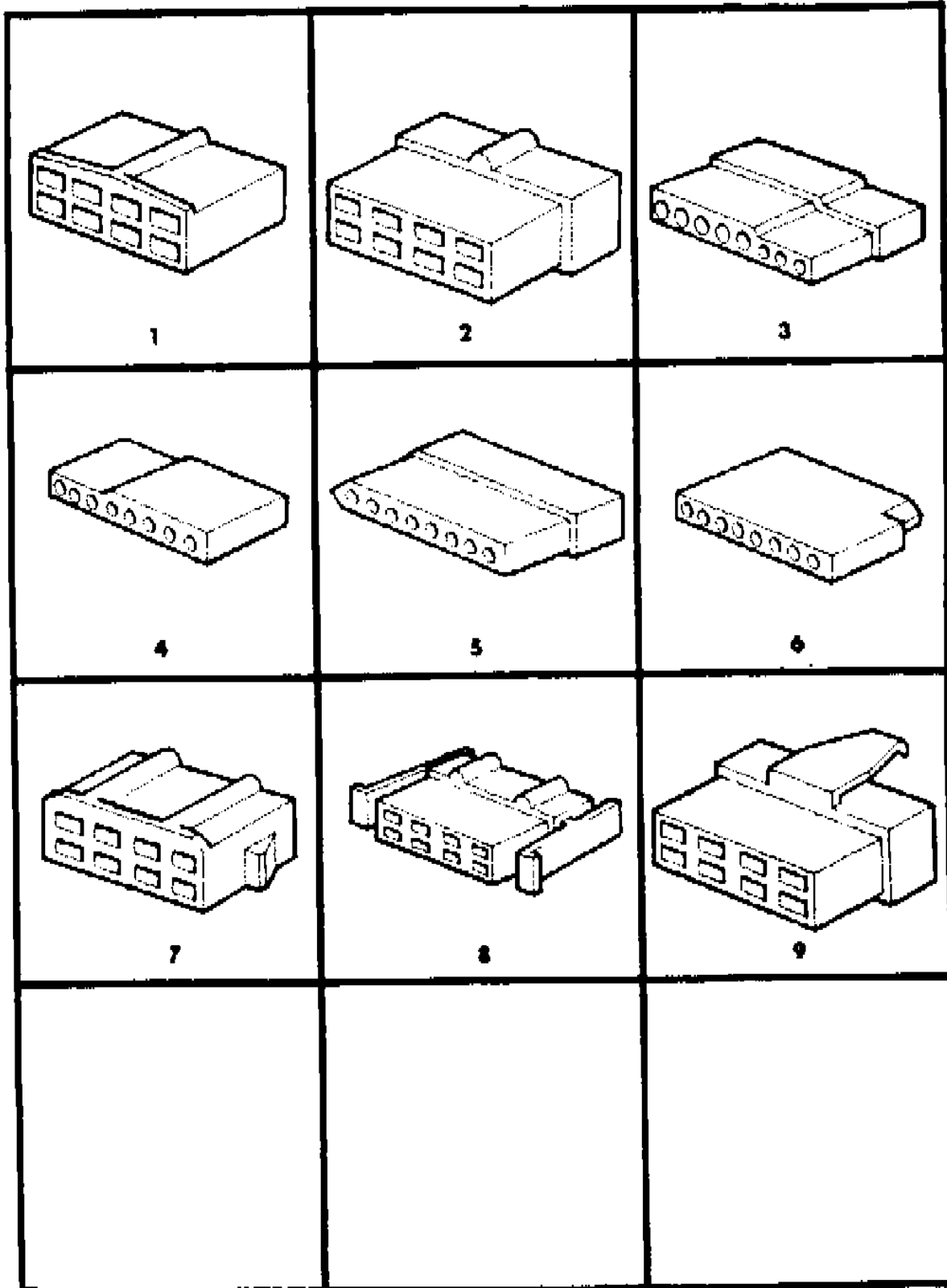
MODEL CODES  
 B = GRAN FURY/CARAVELLE      P = RELIANT  
 C = LEBARON/TOWN & COUNTRY      S = CORDOBA  
 D = ARIES      V = 400  
 F = NEW YORKER      X = MIRADA  
 G = DIPLOMAT      Y = IMPERIAL  
 M = HORIZON/TC3/SCAMP      Z = OMNI/O24/RAMPAGE

BODY STYLES  
 21 = 2-DOOR SEDAN      28 = FWD PICKUP  
 22 = 2-DOOR SPECIAL COUPE      41 = 4-DOOR SEDAN  
 24 = 2-DOOR HATCHBACK      44 = 4-DOOR HATCHBACK  
 27 = 2-DOOR CONVERTIBLE      45 = 2-SEAT STATION WAGON

AR = Use as Required - = Non Illustrated Part P.A.R. = Paint as Required

**INSULATOR 8 WAY**  
Figure 8-6800

2108 6800



ITEM	PART NUMBER	QTY	BODY	MODEL	DESCRIPTION
1					INSULATOR, Not Serv.
2	3764 953				INSULATOR, Not Serv.
3	2983 401				INSULATOR
4	2983 402				INSULATOR
5	2983 403				INSULATOR
6	2983 404				INSULATOR
7	3588 945				INSULATOR
8	2926 258				INSULATOR
9					INSULATOR, Not Serv.

MODEL CODES

B = GRAN FURY/CARAVELLE	P = RELIANT
C = LEBARON/TOWN & COUNTRY	S = CORDOBA
D = ARIES	V = 400
F = NEW YORKER	X = MIRADA
G = DIPLOMAT	Y = IMPERIAL
M = HORIZON/TC3/SCAMP	Z = OMNI/O24/RAMPAGE

BODY STYLES

21 = 2-DOOR SEDAN	28 = FWD PICKUP
22 = 2-DOOR SPECIAL COUPE	41 = 4-DOOR SEDAN
24 = 2-DOOR HATCHBACK	44 = 4-DOOR HATCHBACK
27 = 2-DOOR CONVERTIBLE	45 = 2-SEAT STATION WAGON

AR = Use as Required - = Non Illustrated Part P.A.R. = Paint as Required





**GROUP 9A - ENGINE, 4 CYLINDER**

<b>ILLUSTRATION TITLE</b>	<b>GROUP-FIG. NO.</b>
ENGINE, CYLINDER BLOCK, CYLINDER HEAD 4 CYLINDER ENG. 1.7 L, M,Z	Fig. 9A-100
TORQUE CONVERTER, DRIVE PLATE, TRANS. OIL COOLER AND TUBES 4 CYLINDER ENGINE 1.7 L, M,Z	Fig. 9A-300
OIL PUMP, OIL PAN, OIL LEVEL INDICATOR, OIL FILTER 4 CYLINDER ENGINE 1.7 L, M,Z	Fig. 9A-400
CRANKSHAFT, CONNECTING ROD, PISTONS, RINGS, FLYWHEEL 4 CYLINDER ENGINE 1.7 L, M,Z	Fig. 9A-500
CAMSHAFT, INTERMEDIATE SHAFT, INTAKE AND EXHAUST VALVES 4 CYLINDER ENGINE 1.7 L, M,Z	Fig. 9A-600
TIMING BELT, SPROCKETS, COVERS AND PULLEY 4 CYLINDER ENGINE 1.7 L, M,Z	Fig. 9A-700
INTAKE AND EXHAUST MANIFOLD 4 CYLINDER ENGINE 1.7 L, M,Z	Fig. 9A-800
ENGINE MOUNTING 4 CYLINDER ENGINE 1.7 L, M,Z	Fig. 9A-900
ENGINE STRUT, W/MAN. TRANS. 4 CYLINDER ENGINE 1.7 L, M,Z	Fig. 9A-950
CRANKCASE VENT VALVE, HOSE, OIL FILLER CAP 4 CYLINDER ENGINE 1.7 L, M,Z	Fig. 9A-1000
ENGINE, CYLINDER HEAD AND BLOCK, W/RELATED PARTS 4 CYLINDER 2.2 L. ENG. M,Z,P,D,C,V	Fig. 9A-1200
TORQUE CONVERTER, DRIVE PLATE, TRANS. OIL COOLER AND TUBES 4 CYLINDER 2.2 L. ENG., M,Z, P,D,C,V	Fig. 9A-1300
TRANSMISSION AUXILIARY OIL COOLER 4 CYLINDER 2.2 L. ENG., P,D,C,V	Fig. 9A-1350
OIL PUMP, OIL PAN, OIL LEVEL INDICATOR, OIL FILTER, OIL PRESSURE SWITCH 4 CYLINDER 2.2 L. ENG., M,Z,P,D,C,V	Fig. 9A-1400
CRANKSHAFT, CONNECTING ROD, PISTONS, RINGS, FLYWHEEL 4 CYLINDER 2.2 L ENGINE M,Z,P,D, C,V	Fig. 9A-1500
CAMSHAFT, INTERMEDIATE SHAFT, INTAKE AND EXHAUST VALVES AND RELATED PARTS 4 CYLINDER 2.2 L ENGINE, M,Z,P,D,C,V	Fig. 9A-1600
TIMING BELT, SPROCKETS, COVERS AND RELATED PARTS 4 CYLINDER 2.2 L ENGINE, M,Z,P,D,C,V	Fig. 9A-1700
INTAKE AND EXHAUST MANIFOLD AND RELATED PARTS 4 CYLINDER 2.2 L ENGINE, M,Z,P,D,C,V	Fig. 9A-1800
ENGINE MOUNTING 4 CYLINDER 2.2 L ENGINE, M,Z,P,D,C,V	Fig. 9A-1900
ENGINE STRUT, w/MAN. TRANS. 4 CYLINDER 2.2 L ENG., M,Z,P,D,C,V	Fig. 9A-1950
SHORT ENGINE 4 CYLINDER 2.6 L ENG., P,D,C,V	Fig. 9A-3100
ENGINE OVERHAUL GASKET SET 4 CYLINDER 2.6 L ENG., P,D,C,V	Fig. 9A-3200
CYLINDER HEAD AND RELATED PARTS 4 CYLINDER 2.6 L ENG., P,D,C,V	Fig. 9A-3300
CYLINDER BLOCK AND RELATED PARTS 4 CYLINDER 2.6 L ENG., P,D,C,V	Fig. 9A-3400
TORQUE CONVERTER, DRIVE PLATE, TRANS. OIL COOLER AND TUBES 4 CYLINDER 2.6 L ENG., P,D, C,V	Fig. 9A-3500
PISTONS, RINGS, CONNECTING RODS, CRANKSHAFT AND BEARINGS 4 CYLINDER 2.6 L ENG., P,D,C,V	Fig. 9A-3600
CAMSHAFT, VALVES, TIMING CHAIN AND RELATED PARTS 4 CYLINDER 2.6 L ENG., P,D,C,V	Fig. 9A-3700
BALANCING SHAFT AND RELATED PARTS 4 CYLINDER 2.6 L ENG., P,D,C,V	Fig. 9A-3800
MANIFOLDS AND RELATED PARTS 4 CYLINDER 2.6 L ENG., P,D,C,V	Fig. 9A-3900
OIL SYSTEM AND TIMING COVER 4 CYLINDER 2.6 L ENG., P,D,C,V	Fig. 9A-4000
ENGINE MOUNTING 4 CYLINDER 2.6 L Engine, P,D,C,V	Fig. 9A-4100

**ILLUSTRATION NOT AVAILABLE AT TIME OF PUBLICATION**

**ENGINE, CYLINDER BLOCK, CYLINDER HEAD 4 CYLINDER ENG. 1.7 L, M,Z**  
**Figure 9A-100**

2158 100A

ITEM	PART NUMBER	QTY	BODY	MODEL	DESCRIPTION
	4267 197	1		M,Z	GASKET SET, Engine, Complete
					Consist of:
					1 - 4094810 Oil Seal Rear
					1 - 5240435 Oil Seal, Retainer Rear
					1 - 5240542 Oil Seal, Front
					1 - 5240311 Gasket, Intake and Exhaust Manifold
					1 - 5240634 Gasket, Intake to Exhaust Manifold
					1 - 5240694 Gasket, Oil Filter Base
					1 - 5240678 Gasket, Cylinder Water Outlet Connector
					1 - 5240344 Gasket, Water Control Box
					3 - 5240698 Grommet, Timing Belt Cover
					1 - 5240468 Seal Camshaft Journal No.1
					1 - 5240542 Seal Camshaft
					1 - 5240542 Seal Intermediate Shaft
					1 - 5240440 "O"Ring, Intermediate Shaft Retainer Assy.
					1 - 4094824 Gasket, Cylinder Head
					1 - 5240525 Seal, Cylinder Head Cover, Rear
					1 - 4201755 Gasket, Cylinder Head Cover
					8 - 4094826 Oil Seal, Valve Stem
					1 - 5203148 Gasket, Oil Pan Drain Plug
					1 - 5240509 Gasket, Oil Pan
					1 - 5240692 Gasket, Water Pump Housing
Note: Eng. Assy. Partial Consist of a Block with internal parts and a Head with internal parts. This Partial Assy. does not include a Water Pump, Manifold and Electrical components such as Alternator and Distributor.					
1	#5240 405	1			ENGINE, Assy. Partial, (See Note)
1A	4094 810	1			OIL SEAL, Rear
2	5240 542	1			OIL SEAL, Front
3	5240 986	1			BLOCK, w/Pistons, Engine Cylinder
4	5240 414	2			PIN, Oil Seal Retainer, Locating Front
5	5240 414	2			PIN, Oil Seal Retainer, Locating Rear
6	5240 411	3			PLUG, Cylinder Block Core
6a	5240 849	2			DOWEL, Cylinder Block to Clutch Housing or Torque Converter Housing
	5240 411	1			PLUG, Intermediate Shaft Hole
7	5240 531	1			PLUG, Oil Pump Distributor Drive Shaft Sleeve
8	5240 413	2			PLUG, Cylinder Block Oil Gallery
9	5240 427	1			RETAINER, Oil Seal, Front

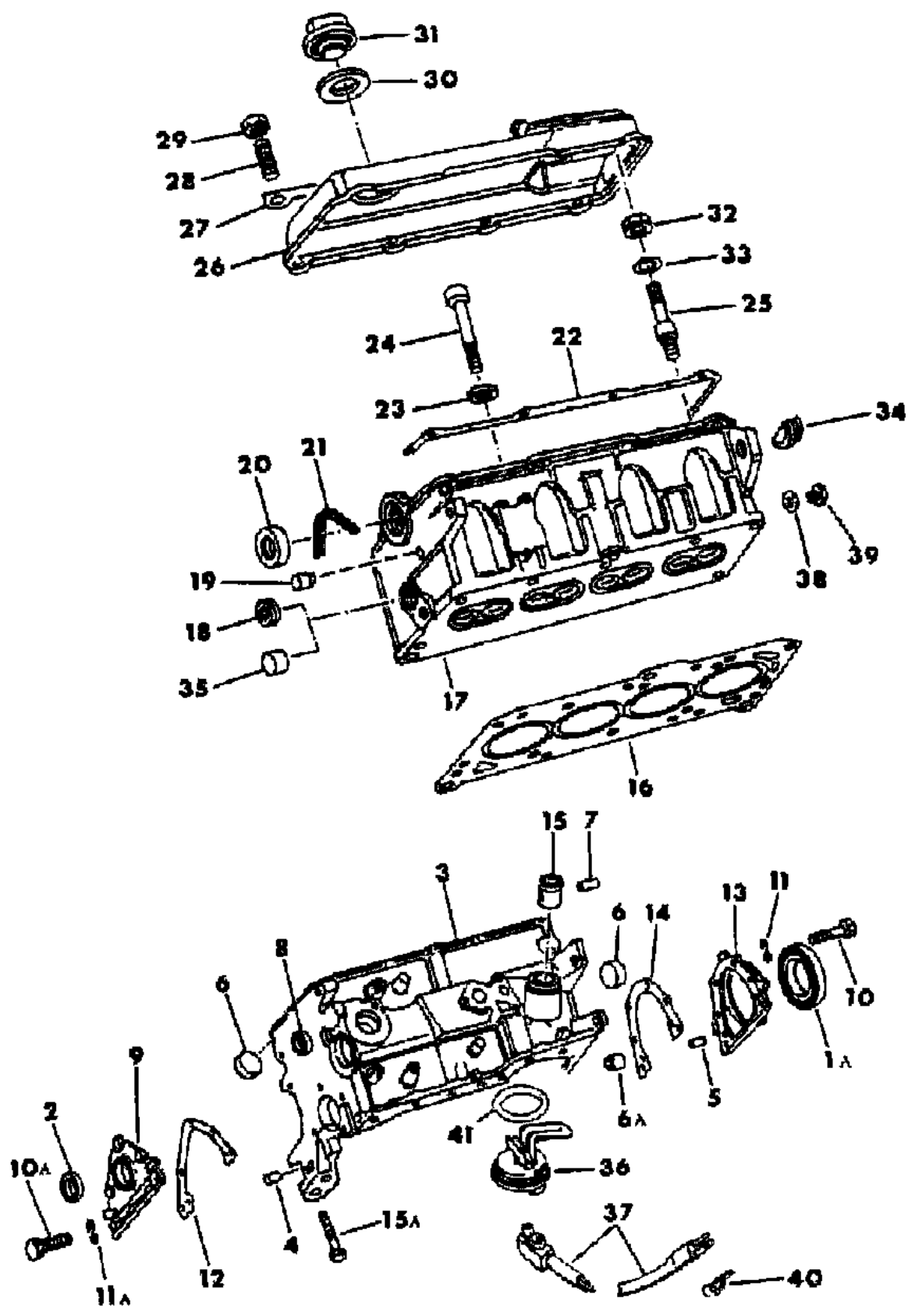
**MODEL CODES**

B = GRAN FURY/CARAVELLE	P = RELIANT
C = LEBARON/TOWN & COUNTRY	S = CORDOBA
D = ARIES	V = 400
F = NEW YORKER	X = MIRADA
G = DIPLOMAT	Y = IMPERIAL
M = HORIZON/TC3/SCAMP	Z = OMNI/O24/RAMPAGE

**BODY STYLES**

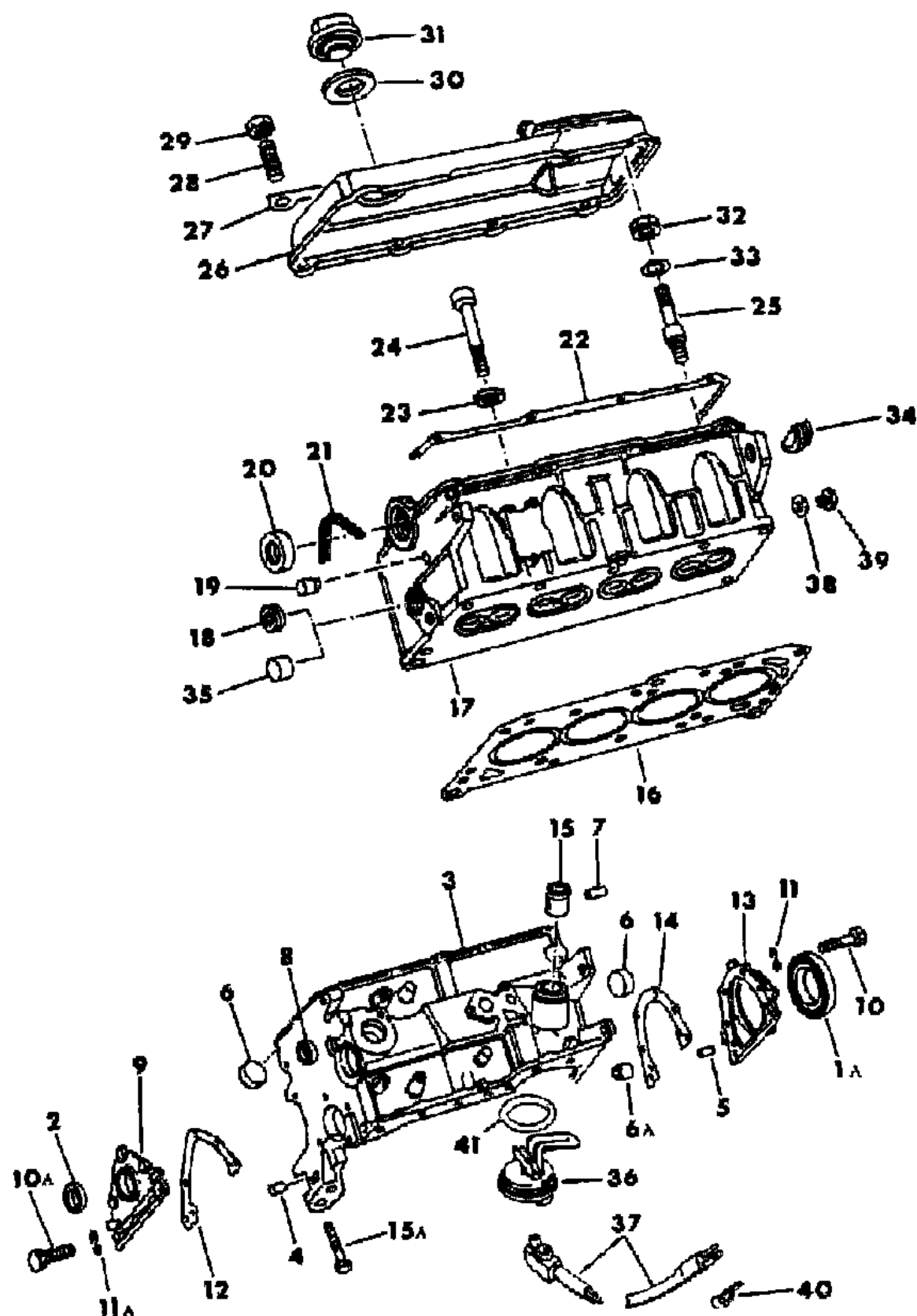
21 = 2-DOOR SEDAN	28 = FWD PICKUP
22 = 2-DOOR SPECIAL COUPE	41 = 4-DOOR SEDAN
24 = 2-DOOR HATCHBACK	44 = 4-DOOR HATCHBACK
27 = 2-DOOR CONVERTIBLE	45 = 2-SEAT STATION WAGON

AR = Use as Required - = Non Illustrated Part P.A.R. = Paint as Required



**ENGINE, CYLINDER BLOCK, CYLINDER HEAD 4 CYLINDER ENG. 1.7 L, M,Z**  
**Figure 9A-100**

2158 100A



ITEM	PART NUMBER	QTY	BODY	MODEL	DESCRIPTION
10	5240 537	6			SCREW, Rear Oil Seal Retainer (6x18 mm)
10a	5240 537	4			SCREW, Front Oil Seal Retainer (6X18 mm)
	5240 538	1			SCREW, Front Oil Seal Retainer (8 X 20 mm)
11	5240 520	6			WASHER, Rear Oil Seal Retainer Screw
11A	5240 520	4			WASHER, Front Oil Seal Retainer Screw
	5240 922	1			WASHER, Front Oil Seal Retainer Screw
12	5240 431	1			GASKET, Oil Seal Retainer, Front
13	5240 433	1			RETAINER, Oil Seal, Rear
14	5214 198	1			GASKET, Oil Seal Retainer, Rear
15	5240 416	1			SLEEVE, Oil Pump and Distributor Drive Shaft
15A	#5240 999	10			SCREW, Crankshaft Bearing Cap
16	#4240 141	1			GASKET, Cylinder Head
17	5240 475	1			HEAD, Cylinder, Assy.
	5240 996	1			(Canada)
18	5240 915	1			PLUG, Cylinder Head Core Hole (threaded type)
19	5240 482	1			PLUG, Cylinder Head Oil Line Cup
20	4186 220	1			SEAL, Camshaft
21	5240 468	1			SEAL, Camshaft Journal No.1
22	4201 755	1			GASKET, Cylinder Head Cover
23	5240 479	10			WASHER, Cylinder Head Screw
24	5240 478	10			SCREW, Cylinder Head
25	5240 465	10			STUD, Camshaft Bearing Cap
26	5240 489	1			COVER, Cylinder Head, Assy.
27	5240 495	2			RAIL, Cylinder Head Cover
28	4201 756	4			STUD, Cylinder Head Cover (6 X 15 mm)
	4201 757	4			STUD, Cylinder Head Cover (6 X 25 mm)
29	5240 436	8			NUT, Cylinder Head Cover Stud
30		1			GASKET, Cylinder Head Cover Oil Filler Cap (Serviced in Oil Filler Cap)
31	5240 498	1			CAP, Cylinder Head Cover Oil Filler
32	5240 927	10			NUT, Camshaft Bearing Cap Stud
33	5240 928	10			WASHER, Camshaft Baring Cap Stud Nut
34	5240 524	1			SEAL, Cylinder Head Cover, Rear
35	5240 482	1			PLUG, Cylinder Head Core Hole Cup (B 25 mm)
	5240 483	1			(B 24 mm)
36	5206 360	1			HEATER, Engine Block
37	5206 359	1			CORD, Heater

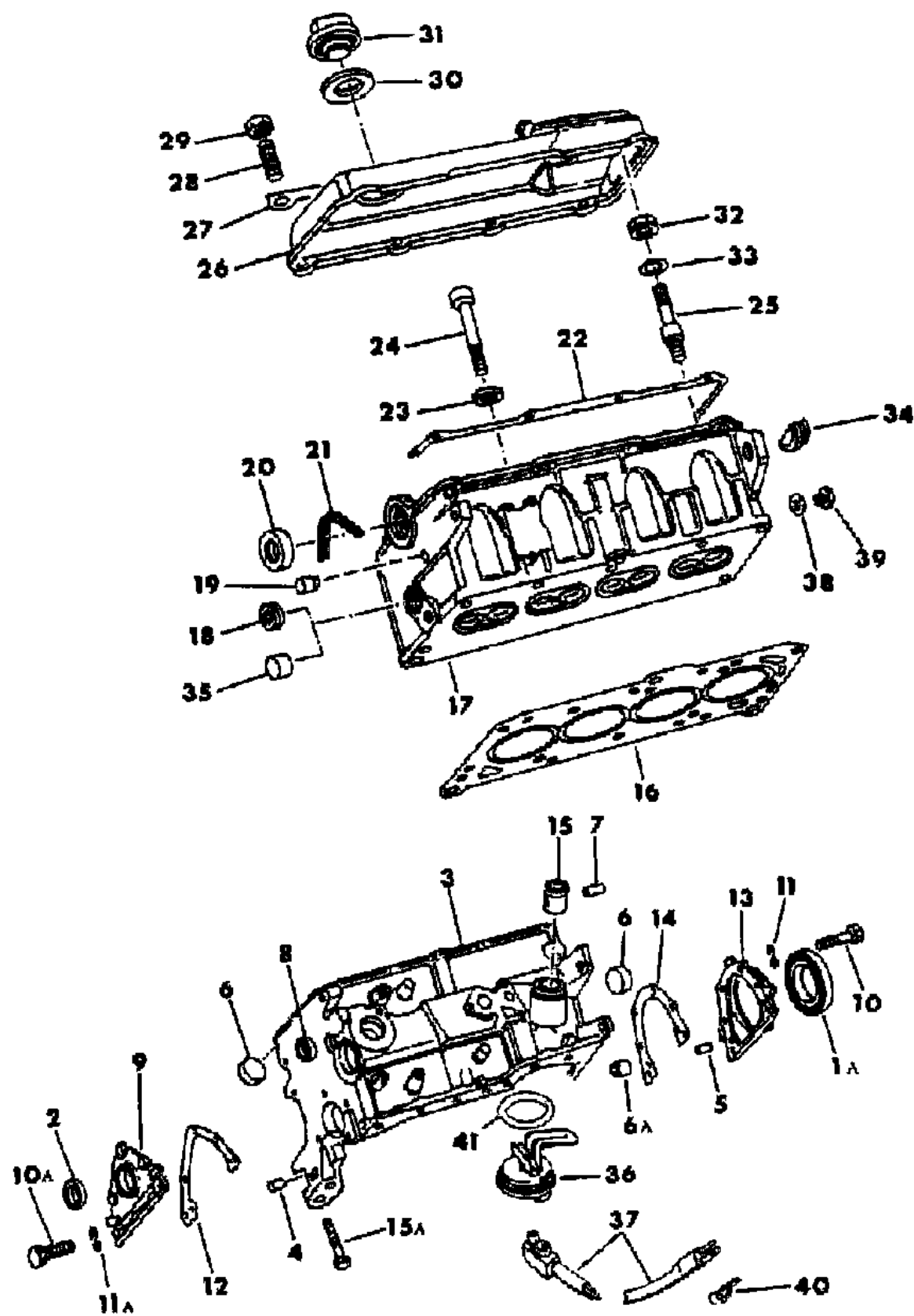
MODEL CODES  
 B = GRAN FURY/CARAVELLE      P = RELIANT  
 C = LEBARON/TOWN & COUNTRY      S = CORDOBA  
 D = ARIES      V = 400  
 F = NEW YORKER      X = MIRADA  
 G = DIPLOMAT      Y = IMPERIAL  
 M = HORIZON/TC3/SCAMP      Z = OMNI/O24/RAMPAGE

BODY STYLES  
 21 = 2-DOOR SEDAN      28 = FWD PICKUP  
 22 = 2-DOOR SPECIAL COUPE      41 = 4-DOOR SEDAN  
 24 = 2-DOOR HATCHBACK      44 = 4-DOOR HATCHBACK  
 27 = 2-DOOR CONVERTIBLE      45 = 2-SEAT STATION WAGON

AR = Use as Required - = Non Illustrated Part P.A.R. = Paint as Required

**ENGINE, CYLINDER BLOCK, CYLINDER HEAD 4 CYLINDER ENG. 1.7 L, M,Z**  
**Figure 9A-100**

2158 100A



ITEM	PART NUMBER	QTY	BODY	MODEL	DESCRIPTION
38	5240 789	AR			GASKET, Cylinder Head Air Injection Hole Plug
39	5240 791	AR			PLUG, Cylinder Head Air Injection Hole
40	6015 412	1			CLIP, Engine Heater Cord
41	6027 513	1			"O"RING, Eng. Block Heater (.06 O/S)

MODEL CODES  
 B = GRAN FURY/CARAVELLE      P = RELIANT  
 C = LEBARON/TOWN & COUNTRY      S = CORDOBA  
 D = ARIES      V = 400  
 F = NEW YORKER      X = MIRADA  
 G = DIPLOMAT      Y = IMPERIAL  
 M = HORIZON/TC3/SCAMP      Z = OMNI/O24/RAMPAGE

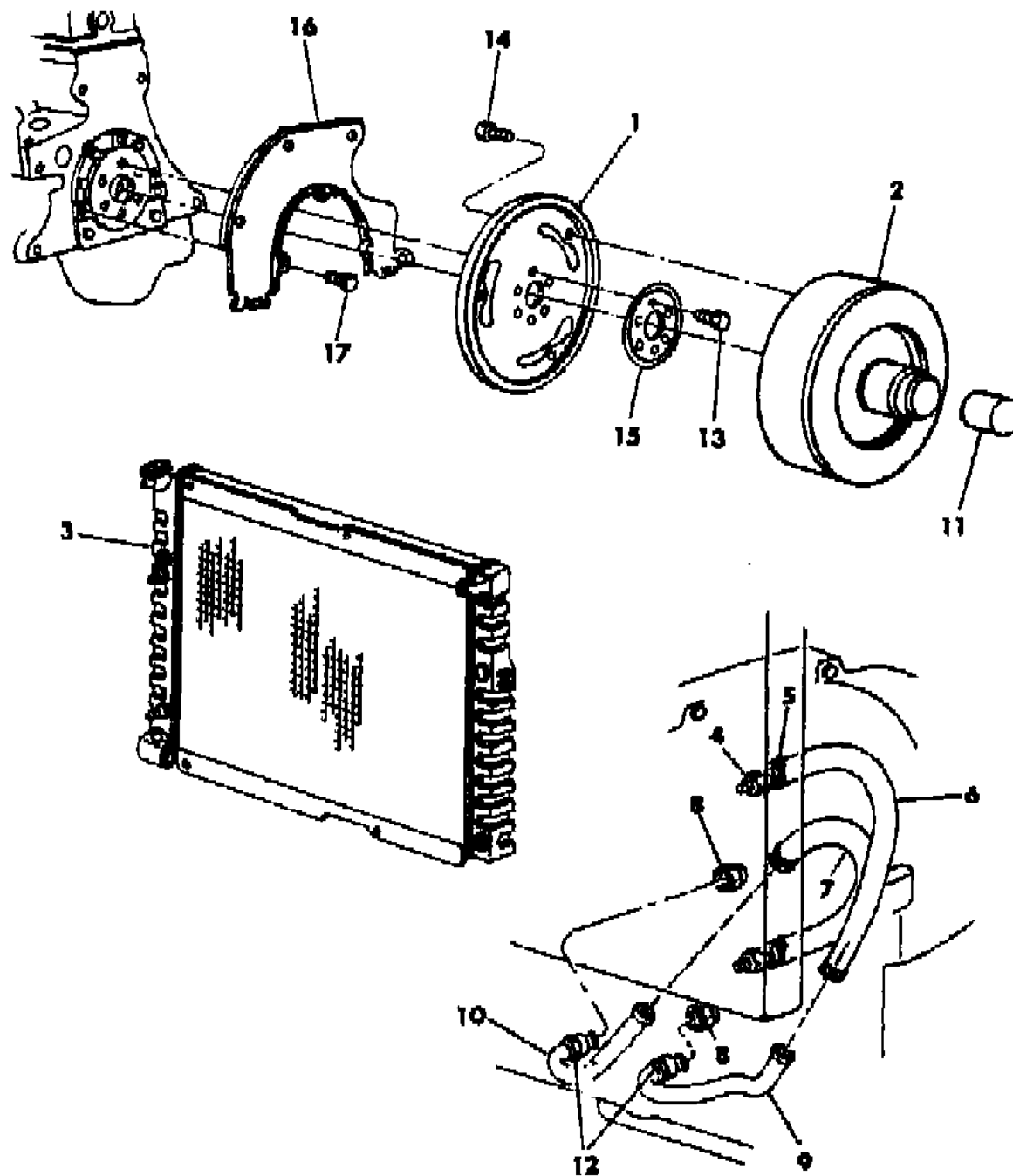
BODY STYLES  
 21 = 2-DOOR SEDAN      28 = FWD PICKUP  
 22 = 2-DOOR SPECIAL COUPE      41 = 4-DOOR SEDAN  
 24 = 2-DOOR HATCHBACK      44 = 4-DOOR HATCHBACK  
 27 = 2-DOOR CONVERTIBLE      45 = 2-SEAT STATION WAGON

AR = Use as Required - = Non Illustrated Part P.A.R. = Paint as Required

**TORQUE CONVERTER, DRIVE PLATE, TRANS. OIL COOLER AND TUBES 4 CYLINDER ENGINE 1.7 L, M,Z**  
**Figure 9A-300**

215H 300

ITEM	PART NUMBER	QTY	BODY	MODEL	DESCRIPTION
NOTE (1) Part No. 4026139 Consists of a 50 Foot Roll Hose ifold and Electrical components such as Alternator and Distributor.					
NOTE (2) Part No. 1846253 Consists of a 25 Foot Roll Tube ifold and Electrical components such as Alternator and Distributor.					
1	5222 542	1			DRIVE PLATE, Assy. Torque Converter (w/Ring Gear)
2	4106 578	1			TORQUE CONVERTER
3	4140 568	1			OIL COOLER, Radiator, w/Auto. Trans.
4	6500 170	2			CONNECTOR, Trans. Oil Cooler Hose (Radiator End)
5	0153 456	4			CLAMP, Hose
6	4026 139	AR			HOSE, Trans. Oil Cooler Outlet (Cut to 177.8 mm length) (See Note 1)
7	4026 139	AR			HOSE, Trans. Oil Cooler Inlet (Cut to 266.7 mm length) (See Note 1)
8	5222 271	2			CONNECTOR, Trans. Oil Cooler Tube (Trans. End)
9	#	1			TUBE, Inlet Trans. Oil Cooler (7.9 mm O.D. X 0.7 mm wall),(Cut to 215mm length) (See Note 2)
10	5222 488	1			TUBE, Outlet Trans, Oil Cooler
11	3515 138	1			SEAL, Trans, Torque Converter Impeller Hub
12	0137 398	2			NUT, Trans, Oil Cooler Tube (Trans. End)
13	6500 320	6			BOLT, Drive Plate to Crankshaft
14	6500 184	3			BOLT, Drive Plate to Torque Converter
15	5240 152	1			PLATE, Cranshaft Bolt Backing
16	#5224 086	1			COVER, Trans. Case Upper (See Group 21)
17	6100 988	3			SCREW, Trans. Case Upper Cover



**MODEL CODES**

B = GRAN FURY/CARAVELLE	P = RELIANT
C = LEBARON/TOWN & COUNTRY	S = CORDOBA
D = ARIES	V = 400
F = NEW YORKER	X = MIRADA
G = DIPLOMAT	Y = IMPERIAL
M = HORIZON/TC3/SCAMP	Z = OMNI/O24/RAMPAGE

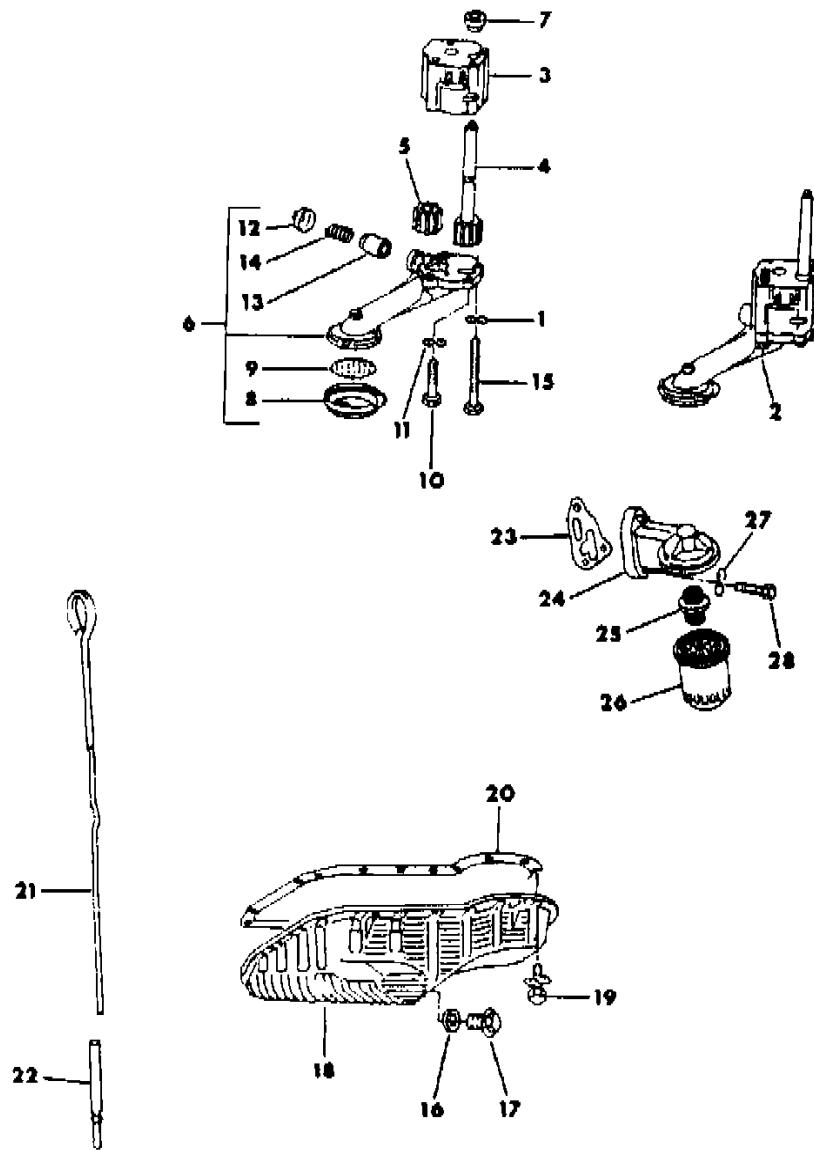
**BODY STYLES**

21 = 2-DOOR SEDAN	28 = FWD PICKUP
22 = 2-DOOR SPECIAL COUPE	41 = 4-DOOR SEDAN
24 = 2-DOOR HATCHBACK	44 = 4-DOOR HATCHBACK
27 = 2-DOOR CONVERTIBLE	45 = 2-SEAT STATION WAGON

AR = Use as Required - = Non Illustrated Part P.A.R. = Paint as Required

**OIL PUMP, OIL PAN, OIL LEVEL INDICATOR, OIL FILTER 4 CYLINDER ENGINE 1.7 L, M,Z**  
**Figure 9A-400**

2158 400



ITEM	PART NUMBER	QTY	BODY	MODEL	DESCRIPTION
1	5240 922	2			WASHER, Oil Pump Mounting Screw
2	#5240 510	1			PUMP, Oil, Assy.
3	5240 511	1			HOUSING, Oil Pump, Assy.
4	5240 515	1			SHAFT, Oil Pump Drive, Assy.
5	5240 985	1			GEAR, Oil Pump Drive
6	5240 987	1			COVER, Oil Pump, Assy.
7	5240 415	1			BUSHING, Oil Pump and Distributor Driv Shaft
8	5240 918	1			BAFFLE, Oil Pump
9	5240 988	1			SCREEN, Oil Pump Baffle
10	5240 519	2			SCREW, Oil Pump Housing
11	5240 520	2			WASHER, Oil Pump Housing Screw
12		1			RETAINER, Relief Valve Spring (Serviced in Cover Assy.)
13		1			PISTON, Oil Pump (Serviced in Cover Assy.)
14		1			SPRING, Relief Valve (Serviced in Cover Assy.)
15	5240 921	2			SCREW, Oil Pump Mounting
16	5203 148	1			GASKET, Oil Pan Drain Plug
17	5240 837	1			PLUG, Oil Pan Drain
	4240 045	1			Magnetic type
18	5240 355	1			PAN, Oil
19	5240 437	20			SCREW, Oil Pan Attaching
20	4131 166	1			GASKET, Oil Pan
21	5240 738	1			INDICATOR, Oil Level
22	5214 128	1			TUBE, Oil Level Indicator
23	5240 694	1			GASKET, Oil Filter Base
24	5240 336	1			BASE, Oil Filter
25	4104 511	1			ADAPTER, Oil Filter To Oil Filter Base
26	#4105 409	1			FILTER, Oil
27	6100 233	3			WASHER, Oil Filter Base Screw
28	6100 901	3			SCREW, Oil Filter Base

**MODEL CODES**

B = GRAN FURY/CARAVELLE	P = RELIANT
C = LEBARON/TOWN & COUNTRY	S = CORDOBA
D = ARIES	V = 400
F = NEW YORKER	X = MIRADA
G = DIPLOMAT	Y = IMPERIAL
M = HORIZON/TC3/SCAMP	Z = OMNI/O24/RAMPAGE

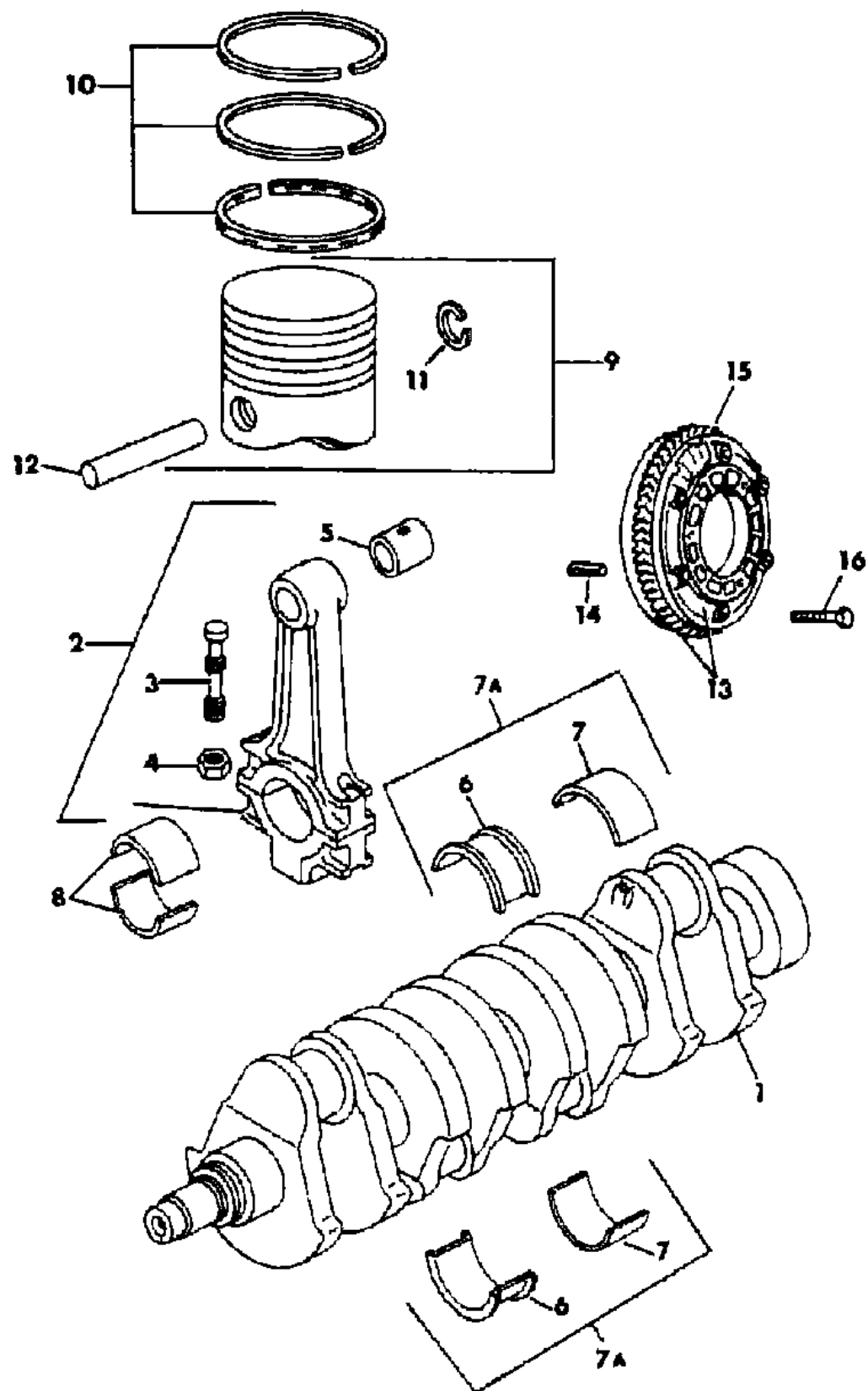
**BODY STYLES**

21 = 2-DOOR SEDAN	28 = FWD PICKUP
22 = 2-DOOR SPECIAL COUPE	41 = 4-DOOR SEDAN
24 = 2-DOOR HATCHBACK	44 = 4-DOOR HATCHBACK
27 = 2-DOOR CONVERTIBLE	45 = 2-SEAT STATION WAGON

AR = Use as Required - = Non Illustrated Part P.A.R. = Paint as Required

**CRANKSHAFT, CONNECTING ROD, PISTONS, RINGS, FLYWHEEL 4 CYLINDER ENGINE 1.7 L, M,Z**  
**Figure 9A-500**

2158 500A



ITEM	PART NUMBER	QTY	BODY	MODEL	DESCRIPTION
1	5240 417	1			CRANKSHAFT, Assy.
2	4094 874	1			PACKAGE, Connecting Rod Assy. Consists of: 4 ----- ROD, Connecting Assy.
3	5240 449	8			SCREW, Connecting Rod and Cap
	5240 450	8			w/Round Head
4	5240 451	8			NUT, Connecting Rod and Cap Screw
5	4131 202	4			BUSHING, Connecting Rod
6	4131 058	1			BEARING PACKING, Crankshaft, No.3, Std. Consists of: 1 ----- Bearing, Crankshaft, Upper 1 ----- Bearing, Crankshaft, Lower
	4131 059	1			BEARING PACKAGE, Crankshaft, No.3, 0.25 U/S.
	4131 060	1			BEARING PACKAGE, Crankshaft, No.3, 0.50 U/S.
	4131 061	1			BEARING PACKAGE, Crankshaft, No.3, 0.75 U/S.
7	4094 805	4			BEARING PACKAGE, Crankshaft, No's, 1,2,4,5, Std. Consists of: 1 ----- BEARING, Crankshaft, No's, 1,2,4,5, Upper 1 ----- BEARING, Crankshaft, No's, 1,2,4,5, Lower
	4094 806	4			BEARING PACKAGE, Crankshaft, No's, 1,2,4,5, 0.25 U/S.
	4094 807	4			BEARING PACKAGE, Crankshaft, No's, 1,2,4,5, 0.50 U/S.
	4094 808	4			BEARING PACKAGE, Crankshaft, No's, 1,2,4,5, 0.75 U/S.
7A	4131 062	1			BEARING PACKAGE, Crankshaft, Complete, No's. 1,2,3,4,5, Std. Consists of: 4 ----- BEARING, No's 1,2,4,5 Upper 4 ----- BEARING, No's 1,2,4,5 Lower 1 ----- BEARING, No. 3 Upper 1 ----- BEARING, No. 3 Lower
	4131 063	1			BEARING PACKAGE, Crankshaft, Complete, No's. 1,2,3,4,5, 0.25 U/S.
	4131 064	1			BEARING PACKAGE, Crankshaft, Complete, No's. 1,2,3,4,5, 0.50 U/S.
	4131 065	1			BEARING PACKAGE, Crankshaft, Complete, No's. 1,2,3,4,5, 0.75 U/S.
8	4094 818	1			BEARING PACKAGE, Connecting Rod, Std. Consists of: 4 ----- BEARING, Upper

MODEL CODES  
 B = GRAN FURY/CARAVELLE      P = RELIANT  
 C = LEBARON/TOWN & COUNTRY    S = CORDOBA  
 D = ARIES                            V = 400  
 F = NEW YORKER                    X = MIRADA  
 G = DIPLOMAT                       Y = IMPERIAL  
 M = HORIZON/TC3/SCAMP        Z = OMNI/O24/RAMPAGE

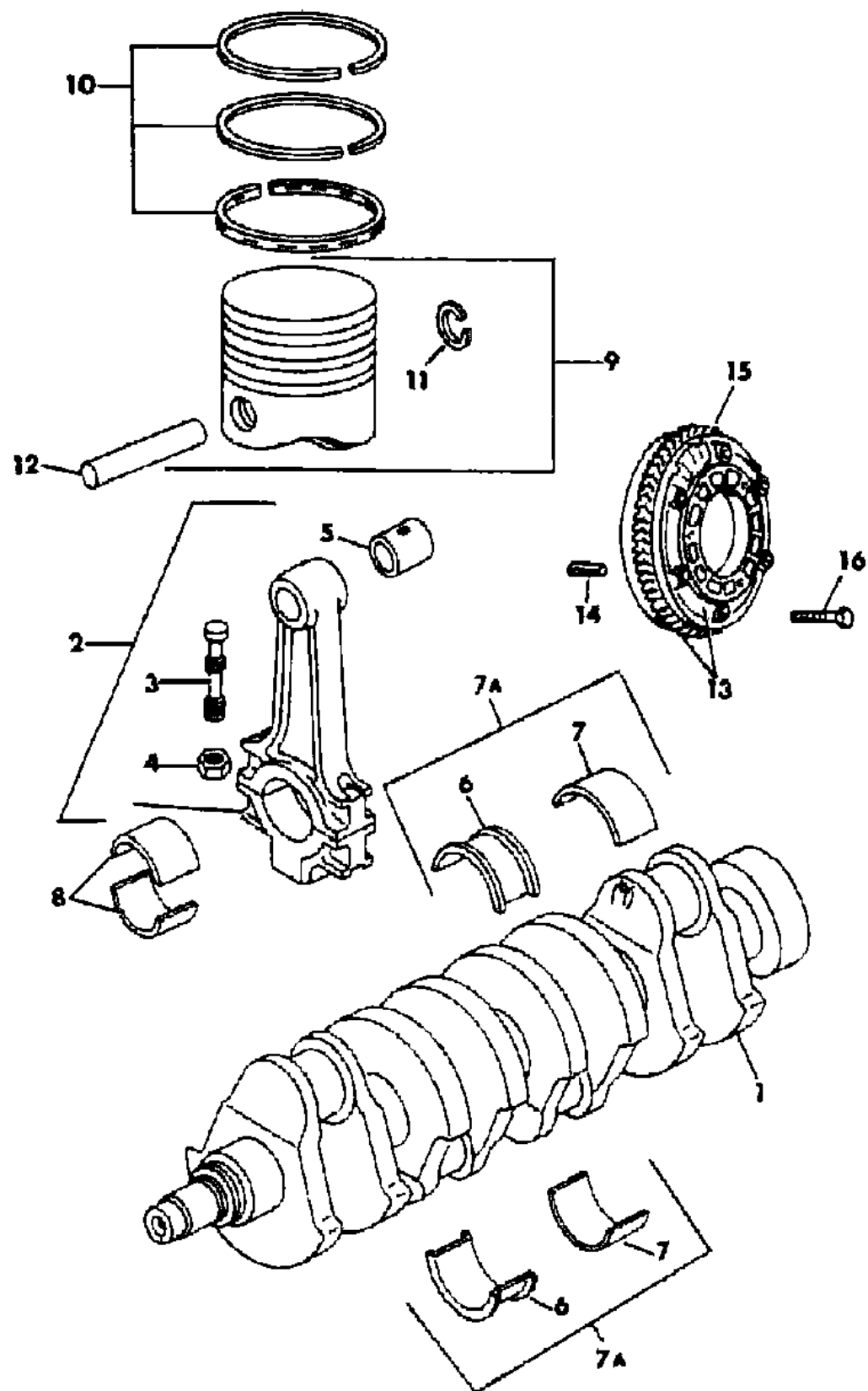
BODY STYLES  
 21 = 2-DOOR SEDAN                28 = FWD PICKUP  
 22 = 2-DOOR SPECIAL COUPE    41 = 4-DOOR SEDAN  
 24 = 2-DOOR HATCHBACK        44 = 4-DOOR HATCHBACK  
 27 = 2-DOOR CONVERTIBLE      45 = 2-SEAT STATION WAGON

AR = Use as Required - = Non Illustrated Part P.A.R. = Paint as Required



**CRANKSHAFT, CONNECTING ROD, PISTONS, RINGS, FLYWHEEL 4 CYLINDER ENGINE 1.7 L, M,Z**  
**Figure 9A-500**

2158 500A



ITEM	PART NUMBER	QTY	BODY	MODEL	DESCRIPTION
					4 ----- BEARING, Lower
	4094 819	1			BEARING PACKAGE, Connecting Rod, 0.25 U/S
	4094 820	1			BEARING PACKAGE, Connecting Rod, 0.50 U/S
	4094 821	1			BEARING PACKAGE, Connecting Rod, 0.75 U/S
9	4186 275	4			PISTON, w/Pin, Std. (For One Cylinder)
	4186 276	4			.25 MM o/s
	4186 277	4			.50 MM o/s
	4186 279	4			1.0 MM o/s
10	4186 272	4			RING SET, Piston, Std. (For Single Piston)
	4186 273	4			RING SET, Piston, .25 MM O/S (For Single Piston)
	4186 274	4			RING SET, Piston, .50 MM O/S (For Single Piston)
	4186 278	4			RING SET, Piston, 1.0 MM O/S (For Single Piston)
	4186 268	1			RING SET, Piston, Std. (For Complete Engine)
	4186 269	1			RING SET, Piston, .25 MM O/S (For Complete Engine)
	4186 270	1			RING SET, Piston, .50 MM O/S (For Complete Engine)
	4186 271	1			RING SET, Piston, 1.0 MM O/S (For Complete Engine)
11	5240 442	8			RETAINER, Piston Pin
12	5240 441	4			PIN, Piston
13	5222 972	1			FLYWHEEL, Assy. (w/Ring Gear), (w/A460 Man. Trans.) (w/2.69 and 3.13 top Gear Ratio)
	5240 156	1			(w/A412 Man. Trans.),(w/3.37 top Gear Ratio)
14	6031 923	3			DOWEL, Cluth to Flywheel
15	5240 159	1			GEAR, Flywheel Ring (w/A412 Man. Trans.), (w/3.37 top Gear Ratio)
	5206 000	1			(w/A460 Man. Trans.), (w/2.69 And 3.13 top Gear Ratio)
16	6500 349	6			SCREW, Fywheel to Crankshaft,(w/A460 Man. Trans.)
	6500 061	6			SCREW, Fywheel to Clutch (w/A412 Man. Trans.)

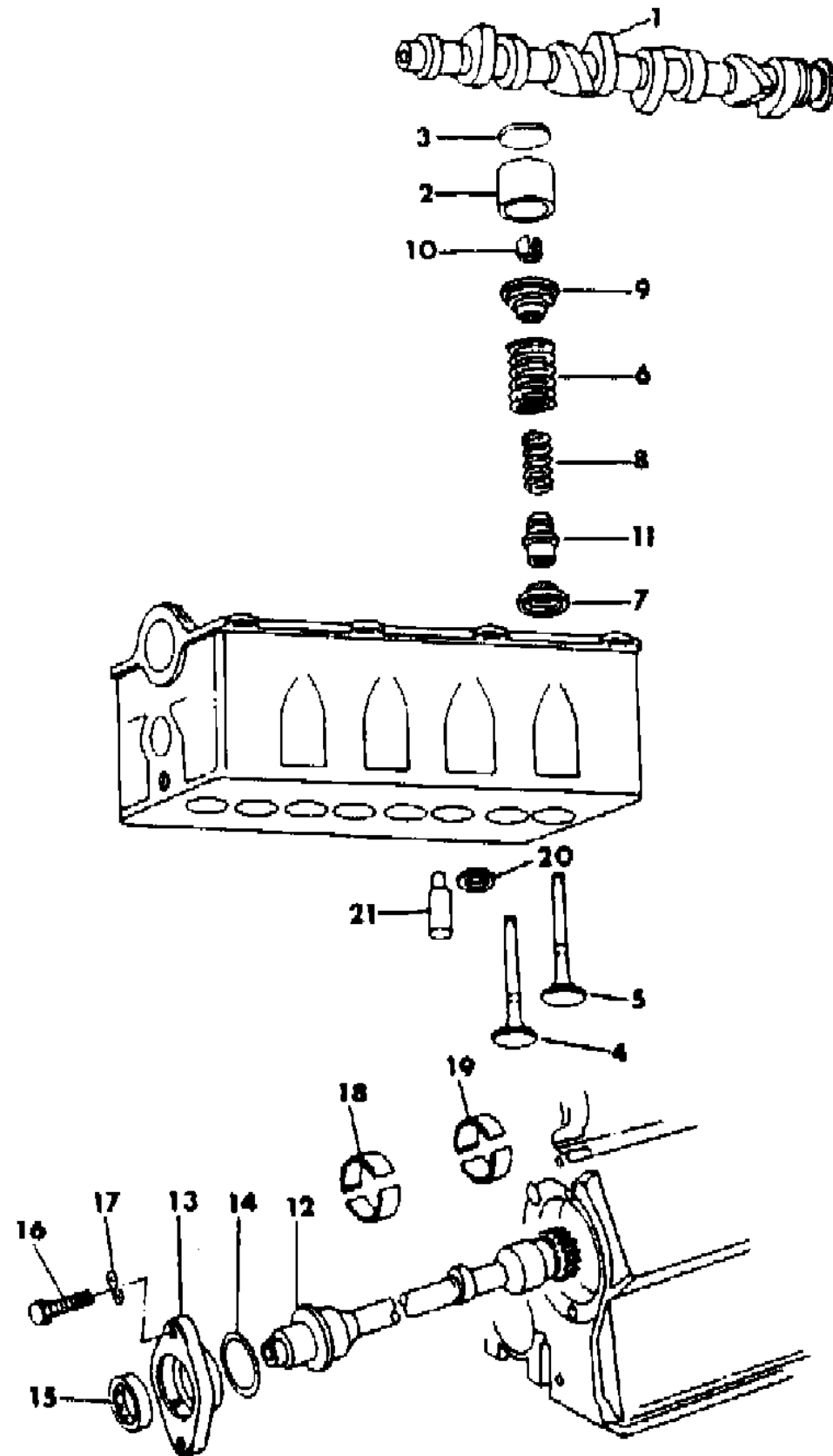
MODEL CODES  
 B = GRAN FURY/CARAVELLE      P = RELIANT  
 C = LEBARON/TOWN & COUNTRY      S = CORDOBA  
 D = ARIES      V = 400  
 F = NEW YORKER      X = MIRADA  
 G = DIPLOMAT      Y = IMPERIAL  
 M = HORIZON/TC3/SCAMP      Z = OMNI/O24/RAMPAGE

BODY STYLES  
 21 = 2-DOOR SEDAN      28 = FWD PICKUP  
 22 = 2-DOOR SPECIAL COUPE      41 = 4-DOOR SEDAN  
 24 = 2-DOOR HATCHBACK      44 = 4-DOOR HATCHBACK  
 27 = 2-DOOR CONVERTIBLE      45 = 2-SEAT STATION WAGON

AR = Use as Required - = Non Illustrated Part P.A.R. = Paint as Required

**CAMSHAFT, INTERMEDIATE SHAFT, INTAKE AND EXHAUST VALVES 4 CYLINDER ENGINE 1.7 L, M,Z**  
**Figure 9A-600**

215R 610



ITEM	PART NUMBER	QTY	BODY	MODEL	DESCRIPTION
1	5240 967	1			CAMSHAFT
2	5240 508	8			TAPPET, Valve
3	5240 946	8			SPACER, Valve Tappet, 3.00
	5240 945	AR			3.05 O/S.
	5240 944	AR			3.10 O/S.
	5240 943	AR			3.15 O/S.
	5240 942	AR			3.20 O/S.
	5240 941	AR			3.25 O/S.
	5240 573	AR			3.30 O/S.
	5240 574	AR			3.35 O/S.
	5240 575	AR			3.40 O/S.
	5240 576	AR			3.45 O/S.
	5240 577	AR			3.50 O/S.
	5240 578	AR			3.55 O/S.
	5240 579	AR			3.60 O/S.
	5240 580	AR			3.65 O/S.
	5240 581	AR			3.70 O/S.
	5240 582	AR			3.75 O/S.
	5240 583	AR			3.80 O/S.
	5240 584	AR			3.85 O/S.
	5240 585	AR			3.90 O/S.
	5240 586	AR			3.95 O/S.
	5240 587	AR			4.00 O/S.
	5240 588	AR			4.05 O/S.
	5240 589	AR			4.10 O/S.
	5240 590	AR			4.15 O/S.
	5240 591	AR			4.20 O/S.
	5240 592	AR			4.25 O/S.
4	5240 994	4			VALVE, Intake (98.7 mm) (Early Type)
	4267 222	4			PACKAGE, Intake Valve, (98.7 mm) (Late Type) Consists of one Valve, one Retainer and two Locks
	5240 970	AR			VALVE, Intake (98.2 mm) (Early Type)
	4267 223	AR			PACKAGE, Intake Valve (98.2 mm) (Late Type) Consists of one Valve, one Retainer and two Locks
5	5240 948	AR			VALVE, Exhaust (98.0 mm) (Early Type)
	4267 225	AR			PACKAGE, Exhaust Valve, (98.0 mm)(Late Type) Consists of 1-Exhaust, 1-Retainer, 2-Locks

**MODEL CODES**

B = GRAN FURY/CARAVELLE	P = RELIANT
C = LEBARON/TOWN & COUNTRY	S = CORDOBA
D = ARIES	V = 400
F = NEW YORKER	X = MIRADA
G = DIPLOMAT	Y = IMPERIAL
M = HORIZON/TC3/SCAMP	Z = OMNI/O24/RAMPAGE

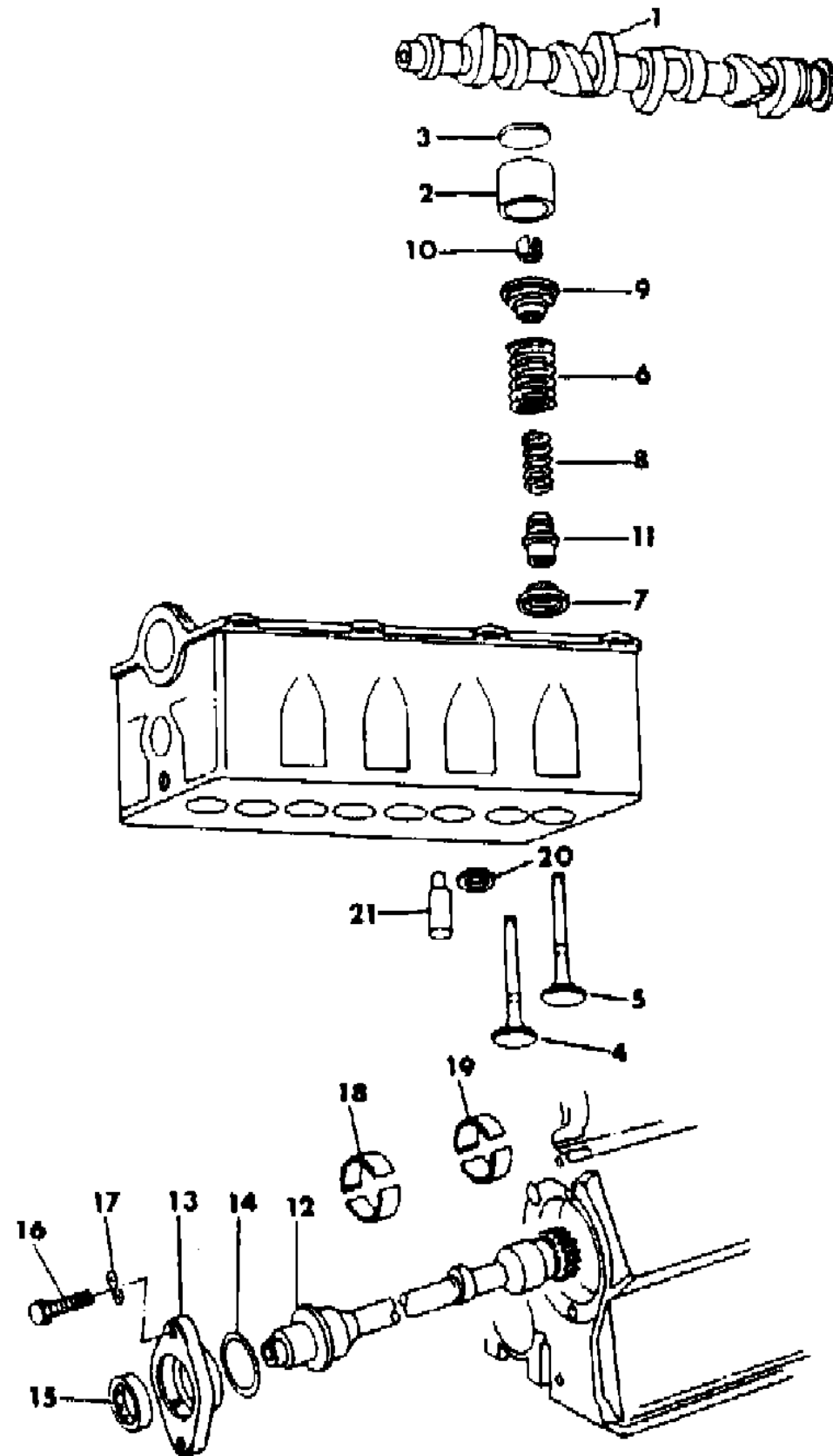
**BODY STYLES**

21 = 2-DOOR SEDAN	28 = FWD PICKUP
22 = 2-DOOR SPECIAL COUPE	41 = 4-DOOR SEDAN
24 = 2-DOOR HATCHBACK	44 = 4-DOOR HATCHBACK
27 = 2-DOOR CONVERTIBLE	45 = 2-SEAT STATION WAGON

AR = Use as Required - = Non Illustrated Part P.A.R. = Paint as Required

**CAMSHAFT, INTERMEDIATE SHAFT, INTAKE AND EXHAUST VALVES 4 CYLINDER ENGINE 1.7 L, M,Z**  
**Figure 9A-600**

215R 610



ITEM	PART NUMBER	QTY	BODY	MODEL	DESCRIPTION
	5240 995	4			(98.5 mm) (Early Type)
	4267 224	4			PACKAGE, Exhaust Valve (98.5 mm) (Late Type) Consists of 1-Valve, 1-Retainer, 2-Locks
6	5240 503	8			SPRING, Valve , Outer
7	5240 929	8			SEAT, Valve Spring
8	5240 504	8			SPRING, Valve, Inner
9	5240 505	8			RETAINER, Valve Spring (Early Type)
	4201 760	8			(Late Type)
10	5240 506	16			LOCK, Valve Spring Retainer (Early Type)
	4201 761	16			(Late Type)
11	4186 331	1			SEAL PKG., Valve Stem Oil (Consist of 8 Seals)
12	5240 469	1			SHAFT, Intermediate, Assy.
13	5240 522	1			RETAINER, Intermediate Shaft
14	5240 440	1			"O"RING, Intermediate Shaft Retainer
15	#4186 220	1			SEAL, Intermediate Shaft
16	5240 200	2			SCREW, Intermediate Shaft Retainer Mounting
17	5240 922	2			WASHER, Intermediate Shaft Retainer Screw
18		1			BUSHING, Intermediate Shaft, Front (Serviced in Block)
19		1			BUSHING, Intermediate Shaft, Rear (Serviced in Block)
20	5240 923	4			INSERT, Intake Valve Seat
	5240 924	4			INSERT, Exhaust Valve Seat
21	5240 925	AR			GUIDE, Intake Valve Stem
	5240 998	4			GUIDE, Exhaust Valve Stem

**MODEL CODES**

B = GRAN FURY/CARAVELLE	P = RELIANT
C = LEBARON/TOWN & COUNTRY	S = CORDOBA
D = ARIES	V = 400
F = NEW YORKER	X = MIRADA
G = DIPLOMAT	Y = IMPERIAL
M = HORIZON/TC3/SCAMP	Z = OMNI/O24/RAMPAGE

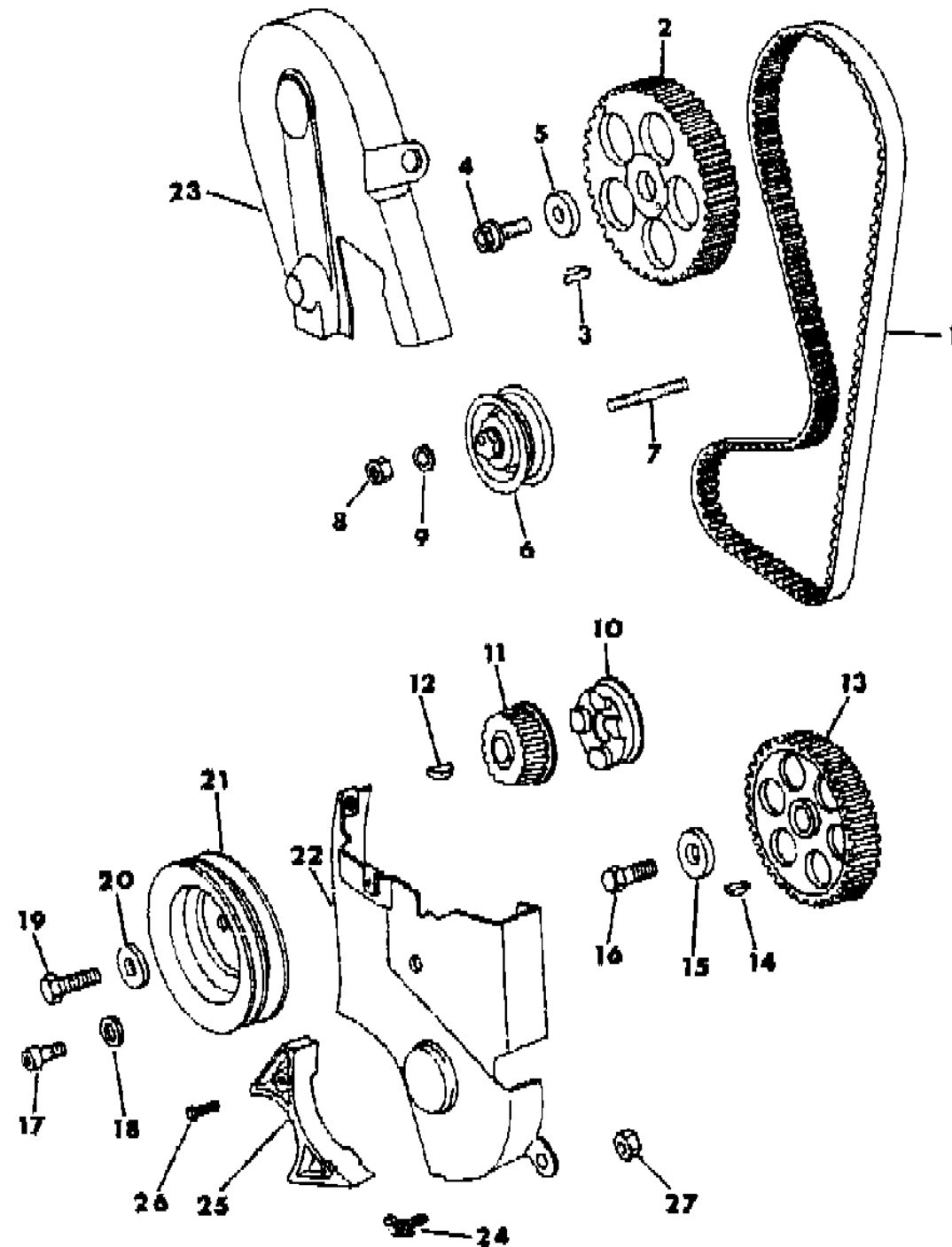
**BODY STYLES**

21 = 2-DOOR SEDAN	28 = FWD PICKUP
22 = 2-DOOR SPECIAL COUPE	41 = 4-DOOR SEDAN
24 = 2-DOOR HATCHBACK	44 = 4-DOOR HATCHBACK
27 = 2-DOOR CONVERTIBLE	45 = 2-SEAT STATION WAGON

AR = Use as Required - = Non Illustrated Part P.A.R. = Paint as Required

**TIMING BELT, SPROCKETS, COVERS AND PULLEY 4 CYLINDER ENGINE 1.7 L, M,Z**  
**Figure 9A-700**

2158 700A



ITEM	PART NUMBER	QTY	BODY	MODEL	DESCRIPTION
1	5240 346	1			BELT, Timing
2	5240 369	1			SPROCKET, Camshaft
3	6500 150	1			KEY, Camshaft Sprocket
4	6500 155	1			SCREW, Camshaft Sprocket Retaining
5	5240 631	1			WASHER, Camshaft Sprocket Retaining Screw
6	5240 607	1			PULLEY Tension
7	6100 750	1			STUD, Tension Pulley
8	6100 219	1			NUT, Tension Pulley Stud
9	6100 129	1			WASHER, Tension Pulley Stud
10	5240 700	1			GUIDE, Belt
11	5240 370	1			SPROCKET, Crankshaft
12	6500 150	1			KEY, Crankshaft Sprocket
13	5240 369	1			SPROCKET, Intermediate Shaft
14	6500 150	1			KEY, Intermediate Shaft Sprocket
15	5240 631	1			WASHER, Intermediate Shaft Sprocket Retaining Bolt
16	6500 155	1			BOLT, Intermediate Shaft Sprocket Retaining
17	6500 181	1			SCREW, Timing Bolt Cover To Water Pump
18					WASHER, (Not Serviced)
19	6500 156	1			BOLT, Crankshaft
20	5240 631	1			WASHER, Crankshaft Bolt
21					PULLEY, Drive (See Group 7)
22	5240 794	1			COVER, Timing Belt, Lower
23	5240 793	1			COVER, Timing Belt, Upper
24	6100 275	3			SCREW, Timing Belt Cover (6 X 16 mm)
	6100 277	2			SCREW, Timing Belt Cover To Cylinder Head (6 X 25 mm)
25	5214 122	1			SHIELD, Timing Belt
26	6101 006	2			SCREW, Timing Belt Shield Attaching
27	6100 041	1			"U" NUT, Timing Belt Cover Attaching

**MODEL CODES**

B = GRAN FURY/CARAVELLE	P = RELIANT
C = LEBARON/TOWN & COUNTRY	S = CORDOBA
D = ARIES	V = 400
F = NEW YORKER	X = MIRADA
G = DIPLOMAT	Y = IMPERIAL
M = HORIZON/TC3/SCAMP	Z = OMNI/O24/RAMPAGE

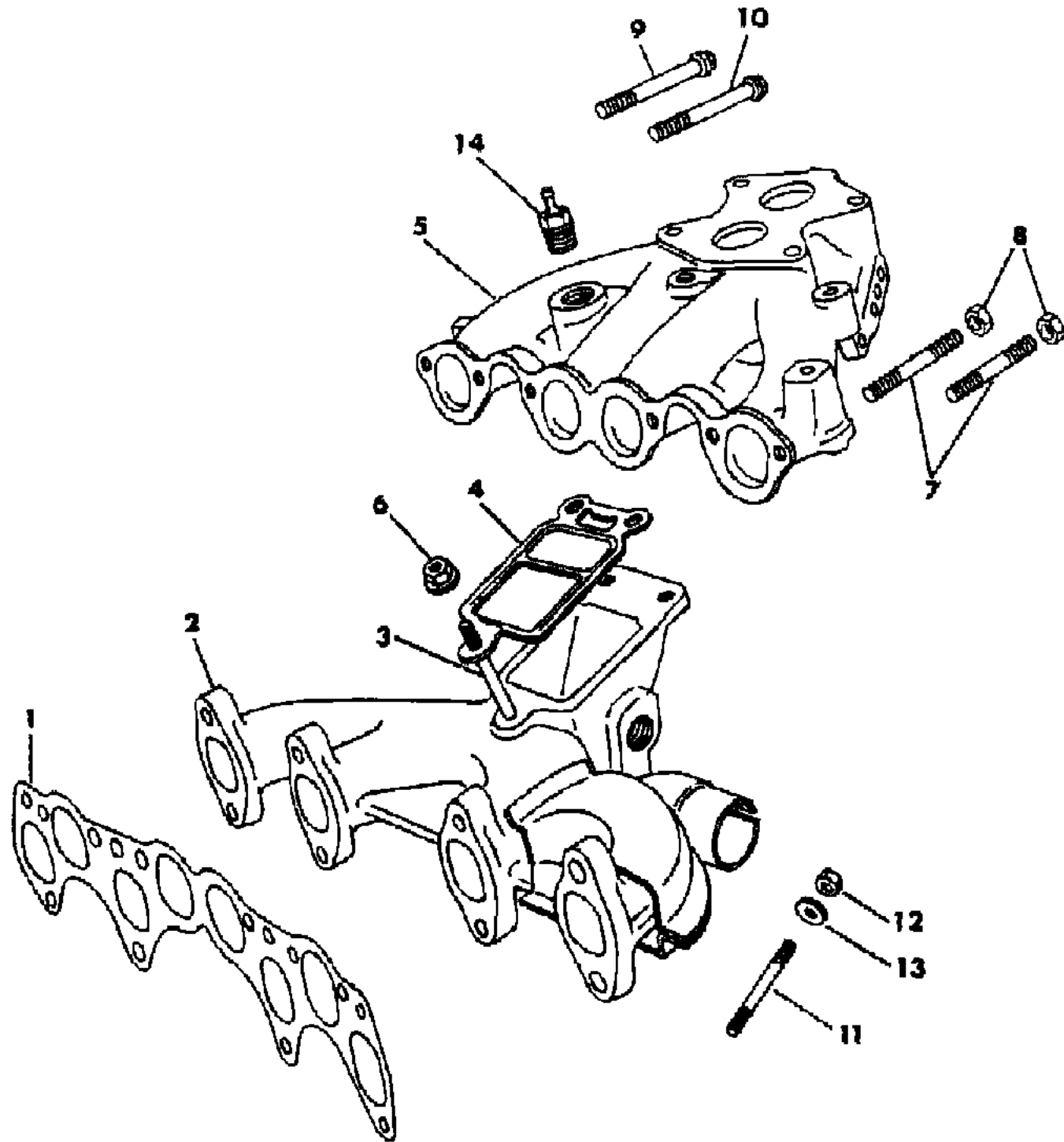
**BODY STYLES**

21 = 2-DOOR SEDAN	28 = FWD PICKUP
22 = 2-DOOR SPECIAL COUPE	41 = 4-DOOR SEDAN
24 = 2-DOOR HATCHBACK	44 = 4-DOOR HATCHBACK
27 = 2-DOOR CONVERTIBLE	45 = 2-SEAT STATION WAGON

AR = Use as Required - = Non Illustrated Part P.A.R. = Paint as Required

**INTAKE AND EXHAUST MANIFOLD 4 CYLINDER ENGINE 1.7 L, M,Z**  
**Figure 9A-800**

2158 800A



ITEM	PART NUMBER	QTY	BODY	MODEL	DESCRIPTION
1	5240 311	1			GASKET, Intake and Exhaust Manifold
2	4179 921	1			MANIFOLD, Exhaust, w/Air Heater, Assy., w/(S/C-N94,N95)
3	6100 741	1			STUD, Exhaust To Intake Manifold
	6100 297	2			SCREW, Exhaust To Intake Manifold
4	5240 634	1			GASKET, Intake To Exhaust Manifold
5	5214 797	1			MANIFOLD, Intake
6	6100 050	1			NUT, w/Washer, Exhaust To Intake Manifold Stud
7	6100 732	2			STUD, Intake To Exhaust Manifold
8	6100 050	2			NUT, w/Washer, Intake To Exhaust Manifold Stud I
9	6500 390	4			BOLT, Intake Manifold To Cylinder Head
10	6500 391	2			BOLT, Intake Manifold To Cylinder Head
11	5240 838	8			STUD, Exhaust Manifold To Cylinder Head
12	6500 363	8			NUT, Exhaust Manifold To Cylinder Head Stud
13	6100 878	8			WASHER, Exhaust Manifold To Cylinder Head Stud
14	5240 798	1			CONNECTOR, Vacuum Control, w/Air Conditioning
	1859 127	1			PLUG, Intake Manifold Vacuum, w/o Air Conditioning
	6031 789	1			CONNECTOR, Exhaust Manifold

**MODEL CODES**

B = GRAN FURY/CARAVELLE	P = RELIANT
C = LEBARON/TOWN & COUNTRY	S = CORDOBA
D = ARIES	V = 400
F = NEW YORKER	X = MIRADA
G = DIPLOMAT	Y = IMPERIAL
M = HORIZON/TC3/SCAMP	Z = OMNI/O24/RAMPAGE

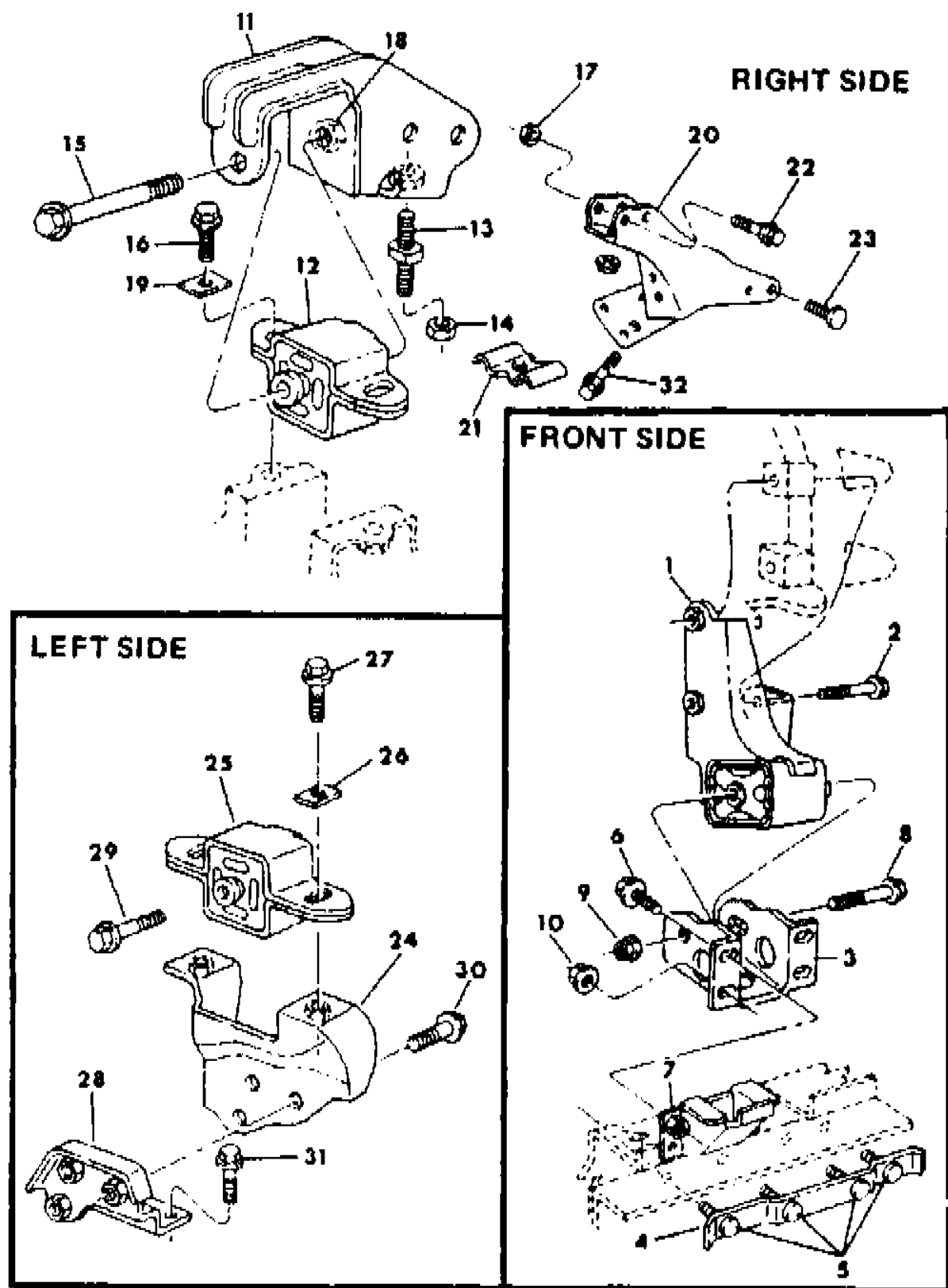
**BODY STYLES**

21 = 2-DOOR SEDAN	28 = FWD PICKUP
22 = 2-DOOR SPECIAL COUPE	41 = 4-DOOR SEDAN
24 = 2-DOOR HATCHBACK	44 = 4-DOOR HATCHBACK
27 = 2-DOOR CONVERTIBLE	45 = 2-SEAT STATION WAGON

AR = Use as Required - = Non Illustrated Part P.A.R. = Paint as Required

**ENGINE MOUNTING 4 CYLINDER ENGINE 1.7 L, M,Z**  
**Figure 9A-900**

215B 900B



ITEM	PART NUMBER	QTY	BODY	MODEL	DESCRIPTION
1	5202 975	1			INSULATOR, Engine Support, Front, w/A412 Man Trans. w/3.37 Top Gear Ratio
	5202 974	1			w/460 Man. Trans. w/2.69 and w/3.13Top Gear Ratio
	4269 277	1			w/Auto. Trans.
2	6500 161	2			BOLT, Engine Support Insulator Bracket To Engine Lug Front, w/ 2.69 and 3.13 Top Gear Ratio.
	6500 570	2			w/Man. Trans. w/3.37 Top Gear Ratio
3	#5202 919	1			BRACKET, Front Side Rail Front Crossmember, Engine Mounting Front
4	5202 257	1			PLATE, Front Crossmember Flange, Assy.
5	6500 233	4			SCREW, Front Crossmember Flange Tie Plate
6	6500 535	2			SCREW, w/Washer, Engine Support Insulator Bracket To Engine Mounting Front Bracket, Front
7	6100 518	2			NUT, Engine Support Insulator Bracket To Engine Mounting Front Bracket, Front
8	6500 263	1			SCREW, w/Washer, Engine Support Insulator to Frame, Front
9	6100 053	1			NUT, Engine Support Insulator to Frame, Front
10	6100 518	2			NUT, Front Crossmember Flange Tie Plate
11	#5202 902	1			BRACKET Assy. Eng. Support Insulator Rt. w/Auto. Trans., w/ Man. Trans. w/2.69 and 3.13 Top Gear Ratio.
	4270 166	1			w/Man. Trans. w/3.37 Top Gear Ratio.
12	#4270 153	1			BUSHING Assy. Eng. Support Insulator
13	5202 043	1			STUD, Engine Support Insulator Bracket To Engine Mounting, Right
14	6500 164	1			NUT, Stud
15	6500 263	1			SCREW w/Washer, Engine Support Insulator To Frame, Right
16	6101 305	2			SCREW w/Washer, Bushing Assy. To Insulator Bracket
17	6500 165	2			NUT, Engine Support Insulator Bracket To Engine Mounting Bolt, Right
18	6100 053	1			NUT, Engine Support Insulator To Frame Screw
19	4191 976	2			REINFORCEMENT, Insulator Shell
20	#4268 071	1			BRACKET, Engine Mounting, Rt.
21	5240 728	1			SPACER, Engine Mounting, Rt.
22	6500 369	2			BOLT, Eng. Support Insulator Bracket To Eng. Mounting Assy. Rt.
23	6500 253	2			SCREW,w/WASHER, Eng. Mounting Rt.
24	#4267 205	1			BRACKET PKG., Eng. Support Insulator Lt., w/Auto. Trans., w/ Man. Trans. w/3.37 Top Gear Ratio.

MODEL CODES

B = GRAN FURY/CARAVELLE	P = RELIANT
C = LEBARON/TOWN & COUNTRY	S = CORDOBA
D = ARIES	V = 400
F = NEW YORKER	X = MIRADA
G = DIPLOMAT	Y = IMPERIAL
M = HORIZON/TC3/SCAMP	Z = OMNI/O24/RAMPAGE

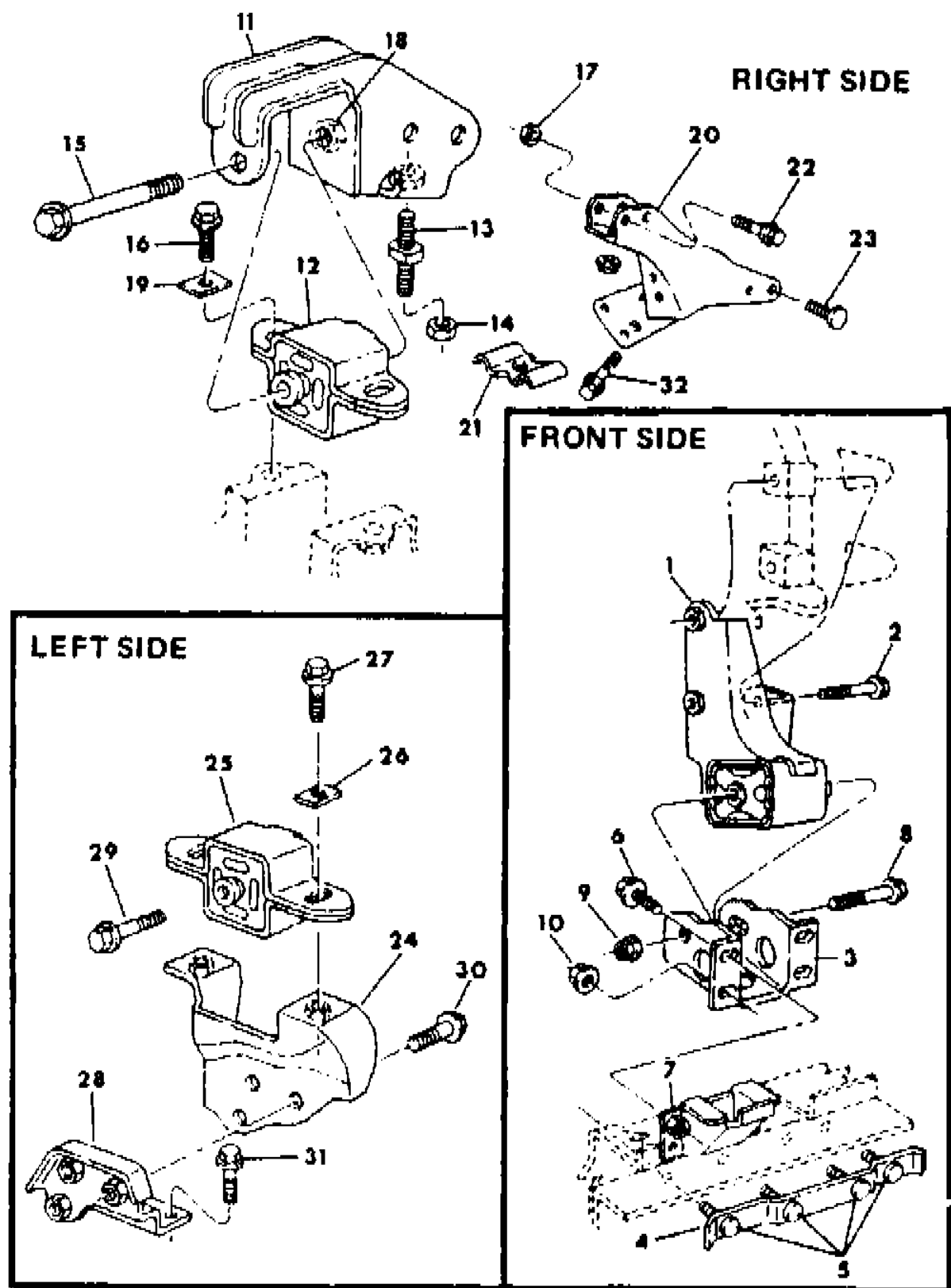
BODY STYLES

21 = 2-DOOR SEDAN	28 = FWD PICKUP
22 = 2-DOOR SPECIAL COUPE	41 = 4-DOOR SEDAN
24 = 2-DOOR HATCHBACK	44 = 4-DOOR HATCHBACK
27 = 2-DOOR CONVERTIBLE	45 = 2-SEAT STATION WAGON

AR = Use as Required - = Non Illustrated Part P.A.R. = Paint as Required

**ENGINE MOUNTING 4 CYLINDER ENGINE 1.7 L, M,Z**  
**Figure 9A-900**

215B 900B



ITEM	PART NUMBER	QTY	BODY	MODEL	DESCRIPTION
	4267 206	1			w/Man. Trans., w/2.69 Top Gear Ratio.
25	4191 973	1			BUSHING Assy., Eng. Support Insulator
26	4191 976	2			REINFORCEMENT, Insulator Shell
27	6500 602	2			SCREW w/WASHER, Bushing Assy. To Insulator Bracket
28	5202 778	1			BRACKET ASSY. Man. Trans. Adapter, Lt. w/A412 Man. Trans. w/3.37 Top Gear Ratio.
29	6500 263	1			SCREW w/Washer, Eng. Support Insulator To Frame, Lt.
30	6500 576	3			SCREW w/Washer, Eng. Support Bracket To Trans. Case, Lt.
31	6500 253	4			SCREW w/Washer, Eng. Support Insulator Bracket To Man. Trans. Housing, Lt. w/3.37 Top Gear Ratio. To Trans. Case, Lt. w/Auto. Trans.
32	6500 495	3			SCREW w/Washer, Eng. Bracket Rt., Alter. Bracket (M8 x 1.25 x 65 lg.)
	#6500 132	2			

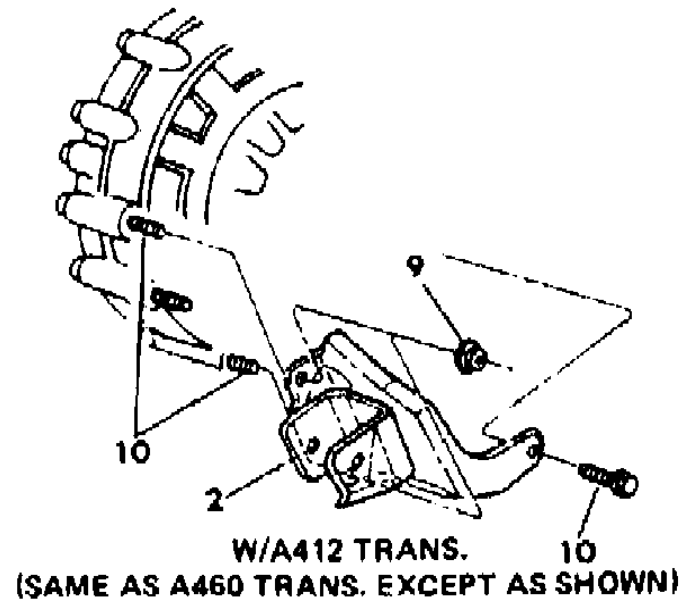
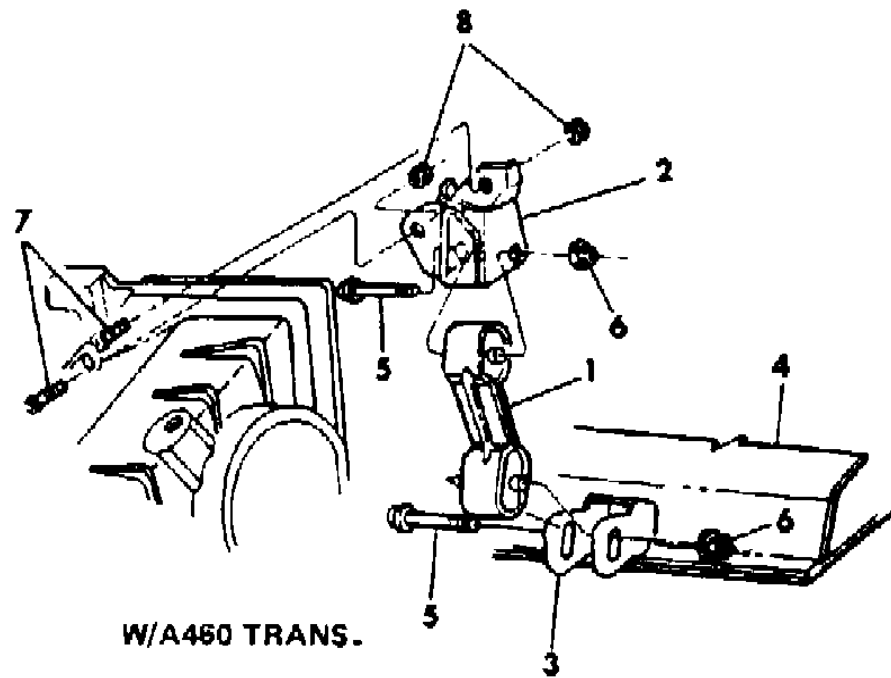
MODEL CODES  
 B = GRAN FURY/CARAVELLE      P = RELIANT  
 C = LEBARON/TOWN & COUNTRY      S = CORDOBA  
 D = ARIES      V = 400  
 F = NEW YORKER      X = MIRADA  
 G = DIPLOMAT      Y = IMPERIAL  
 M = HORIZON/TC3/SCAMP      Z = OMNI/O24/RAMPAGE

BODY STYLES  
 21 = 2-DOOR SEDAN      28 = FWD PICKUP  
 22 = 2-DOOR SPECIAL COUPE      41 = 4-DOOR SEDAN  
 24 = 2-DOOR HATCHBACK      44 = 4-DOOR HATCHBACK  
 27 = 2-DOOR CONVERTIBLE      45 = 2-SEAT STATION WAGON

AR = Use as Required - = Non Illustrated Part P.A.R. = Paint as Required

**ENGINE STRUT, W/MAN. TRANS. 4 CYLINDER ENGINE 1.7 L, M,Z**  
**Figure 9A-950**

2158 950A



ITEM	PART NUMBER	QTY	BODY	MODEL	DESCRIPTION
1	#4191 281	1			STRUT, Man. Trans. To Eng., Roll
2	#4052 557	1			BRACKET, Man. Trans. To Eng. Roll Strut, w/412 Trans., w/3.37 Top Gear Ratio
3	4191 284	1			Man. Trans., w/2.69 Top Gear Ratio
3		1			BRACKET, Suspension Crossmember To Eng. Roll Strut (Serviced in #5202733 Front Suspension Crossmember Assy.
4	#5202 733	1			CROSSMEMBER, Front Suspension Assy.
5	#6101 342	2			SCREW w/Washer, Man. Trans. To Suspension Crossmember Eng. Roll Strut w/412 Man. Trans. w/3.37 Top Gear Ratio
6	#6100 053	2			NUT w/Washer, Man. Trans. to Suspension Crossmember Eng. Roll Strut .
7	6100 342	2			STUD, Man. Trans. to Eng. Roll Strut Bracket
8	6100 517	2			NUT, Man. Trans. to Eng. Roll Strut Bracket
9	6100 518	2			NUT, Man. Trans. to Eng. Roll Strut Bracket, w/412 Trans. w/3.37 Top Gear Ratio
10	#6100 346	3			SCREW, Man. Trans. to Roll Strut Bracket, w/412 Trans. w/3.37 Top Gear Ratio

**MODEL CODES**

B = GRAN FURY/CARAVELLE	P = RELIANT
C = LEBARON/TOWN & COUNTRY	S = CORDOBA
D = ARIES	V = 400
F = NEW YORKER	X = MIRADA
G = DIPLOMAT	Y = IMPERIAL
M = HORIZON/TC3/SCAMP	Z = OMNI/O24/RAMPAGE

**BODY STYLES**

21 = 2-DOOR SEDAN	28 = FWD PICKUP
22 = 2-DOOR SPECIAL COUPE	41 = 4-DOOR SEDAN
24 = 2-DOOR HATCHBACK	44 = 4-DOOR HATCHBACK
27 = 2-DOOR CONVERTIBLE	45 = 2-SEAT STATION WAGON

AR = Use as Required - = Non Illustrated Part P.A.R. = Paint as Required



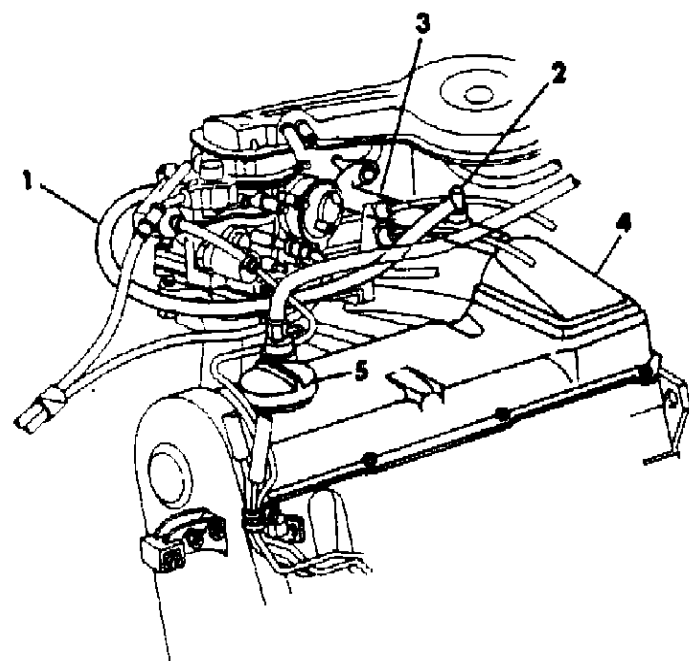
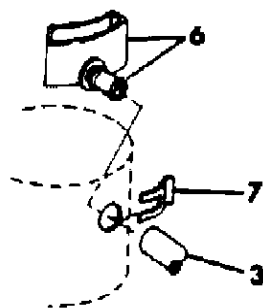
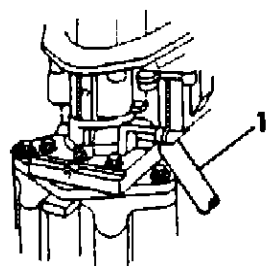
**CRANKCASE VENT VALVE, HOSE, OIL FILLER CAP 4 CYLINDER ENGINE 1.7 L, M,Z**  
**Figure 9A-1000**

2158 1000A

ITEM	PART NUMBER	QTY	BODY	MODEL	DESCRIPTION
------	-------------	-----	------	-------	-------------

NOTE (1) Part No. 4026136 Consists of a 50" foot Rool Rough Stock ifold and Electrical components such as Alternator and Distributor.

1	4026 136	AR			HOSE, Crankcase Vent Valve to Carb. (27" lg.) w/(S/C-N98),(See Note)
	4041 243	1			(Formed Hose)
2	5214 088	1			VALVE, Crankcase Vent
3	#4241 146	1			HOSE, Crankcase Vent Valve Molded
4	5240 489	1			COVER, Cylinder Head, Assy.
5	5240 498	1			CAP, Cylinder Head Cover Oil Filler
6	5214 435	1			FILTER, Crankcase Inlet Air
7	5214 436	1			CLIP, Crankcase Inlet Air Filter
8	#4105 422	1			NIPPLE,Cankcase Vent



**MODEL CODES**

B = GRAN FURY/CARAVELLE	P = RELIANT
C = LEBARON/TOWN & COUNTRY	S = CORDOBA
D = ARIES	V = 400
F = NEW YORKER	X = MIRADA
G = DIPLOMAT	Y = IMPERIAL
M = HORIZON/TC3/SCAMP	Z = OMNI/O24/RAMPAGE

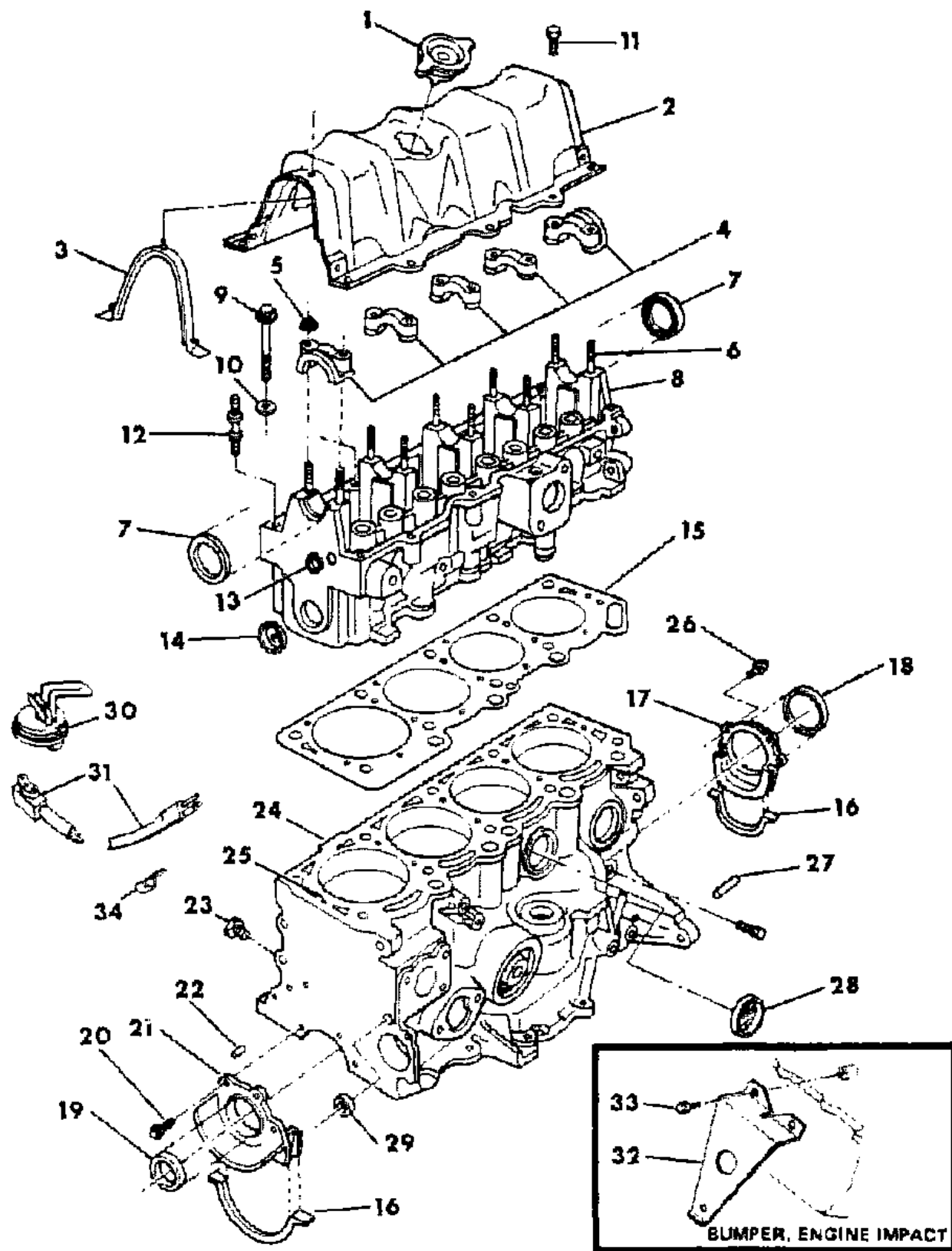
**BODY STYLES**

21 = 2-DOOR SEDAN	28 = FWD PICKUP
22 = 2-DOOR SPECIAL COUPE	41 = 4-DOOR SEDAN
24 = 2-DOOR HATCHBACK	44 = 4-DOOR HATCHBACK
27 = 2-DOOR CONVERTIBLE	45 = 2-SEAT STATION WAGON

AR = Use as Required - = Non Illustrated Part P.A.R. = Paint as Required

**ENGINE, CYLINDER HEAD AND BLOCK, W/RELATED PARTS 4 CYLINDER 2.2 L. ENG. M,Z,P,D,C,V**  
**Figure 9A-1200**

2158 1200A



ITEM	PART NUMBER	QTY	BODY	MODEL	DESCRIPTION
NOTE 1: These Packages do not contain Gaskets for all required sealings. R.T.V. Sealer #4026070 and Gasket Eliminator #4205918 must be used in addition as described in the Chrysler repair Manual.					
NOTE 2: When replacing a cyl. Head that is stamped O/S. J .050 O/S. Camshaft Journals use the Std. Cyl. Head # 4105399 and the Std. Camshaft Package #4271910 for replacement.					
	4240 097	1			GASKET PACKAGE, Engine Upper (See Note 1) Consists of: 1-5203780 Gasket, Cyl. Head 8-4201332 Seal, Valve Stem Oil 1-5214497 Seal, Cyl. Head Cover End
	4240 098	1			1-4179895 Gasket, Cyl. Water Outlet Connection GASKET PACKAGE, Engine Lower (See Note 1) Consists of: 1-1407748 Seal, Oil Pump Cover to Oil Pump Suction Pipe 1-5203542 Gasket, Water Pump Housing 1-5203778 Seal, Oil Pan to Retainer
NOTE: Short Engine Assembly consists of the Cylinder Block with Piston and Rings, Crankshaft and Bearings, Connecting Rods and Bearings. #4271910 for replacement.					
1A	4227 913	1			SHORT ENGINE, Assy.
NOTE: Fitted Case Engine Assy. consists of the Block with Pistons Rings, Connecting Rods and Bearings. #4271910 for replacement.					
	4227 916	1			FITTED CASE ENGINE, Assy.
1	2946 051	1			CAP ASSY., Oil Filler
2	5203 311	1			COVER, Cylinder Head, (See Note 1)
3	5214 479	2			SEAL, Cylinder Head Cover End
4					CAPS, Camshaft Bearing (Serviced in Cyl. Head), (See Note 1)
5	6500 165	10			NUT, Camshaft Bearing Cap Stud
6	6500 342	10			STUD, Camshaft Bearing Cap
7	#4105 395	1			SEAL, Camshaft Front (Timing Belt End)
	4105 397	1			SEAL, Camshaft Rear (Trans. End) (52.35 MM O.D.) (Painted Yellow) (52.62 MM O.D.)
8	#4105 396	1			HEAD ASSY. Cylinder (Partial) w/Std. Camshaft journals
	#4105 399	1			w/.050 O/S. Camshaft journals (See Note 2)
9	6500 397	10			SCREW, Cylinder Head (10x122.5 MM)
10	#6500 543	10			WASHER, Cylinder Head Screw
11	6100 275	3			SCREW, w/Washer, Cyl. Head
12	6500 435	4			STUD, Cylinder Head Cover (M6)

MODEL CODES

B = GRAN FURY/CARAVELLE	P = RELIANT
C = LEBARON/TOWN & COUNTRY	S = CORDOBA
D = ARIES	V = 400
F = NEW YORKER	X = MIRADA
G = DIPLOMAT	Y = IMPERIAL
M = HORIZON/TC3/SCAMP	Z = OMNI/O24/RAMPAGE

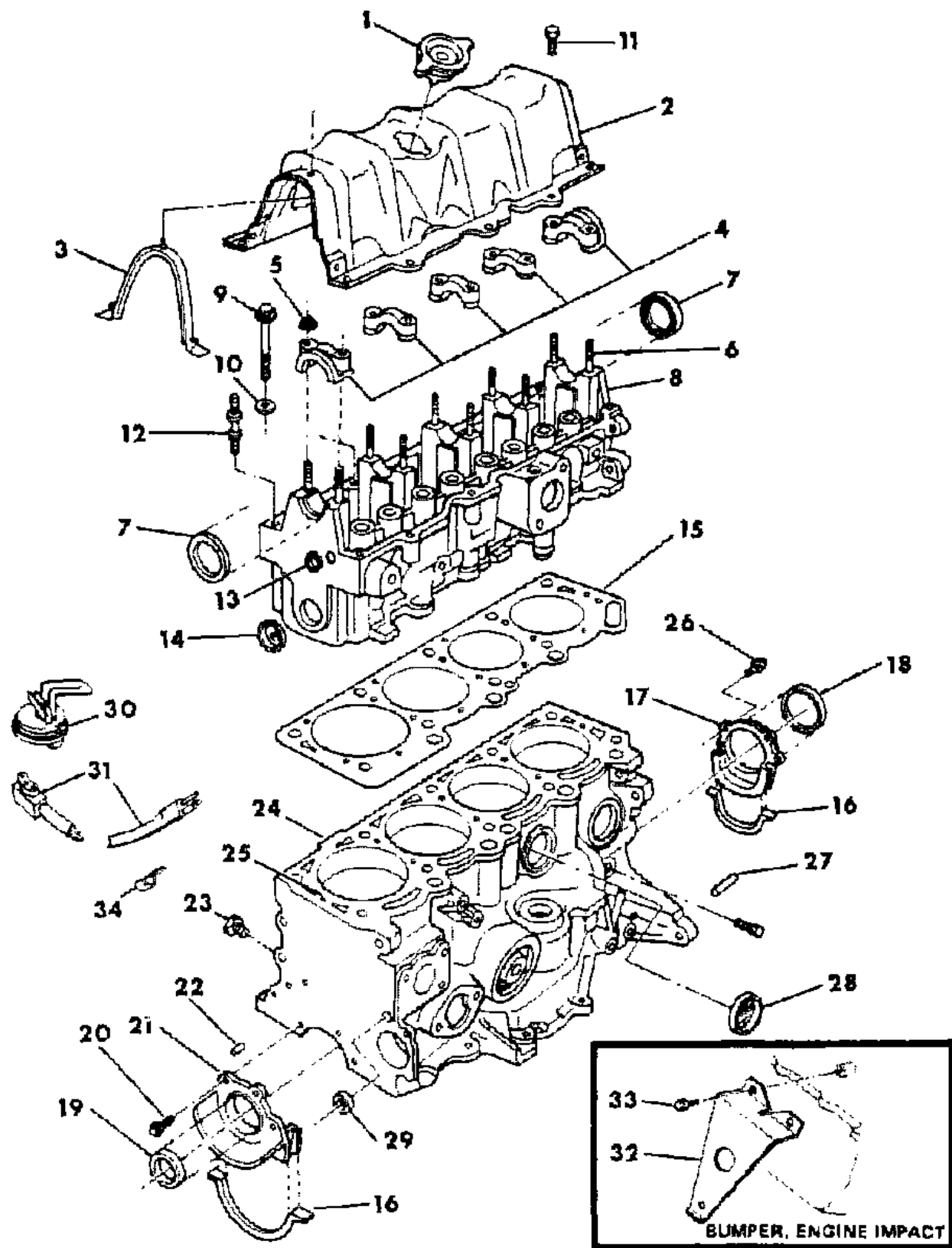
BODY STYLES

21 = 2-DOOR SEDAN	28 = FWD PICKUP
22 = 2-DOOR SPECIAL COUPE	41 = 4-DOOR SEDAN
24 = 2-DOOR HATCHBACK	44 = 4-DOOR HATCHBACK
27 = 2-DOOR CONVERTIBLE	45 = 2-SEAT STATION WAGON

AR = Use as Required - = Non Illustrated Part P.A.R. = Paint as Required

**ENGINE, CYLINDER HEAD AND BLOCK, W/RELATED PARTS 4 CYLINDER 2.2 L. ENG. M,Z,P,D,C,V**  
**Figure 9A-1200**

2158 1200A



ITEM	PART NUMBER	QTY	BODY	MODEL	DESCRIPTION
	6500 461	5			SCREW w/Washer (6x16lg.)
13	5203 340	2			PLUG, Cyl. Head Oil Gallery Hole (5/8) (.065" O/Size)
14	4105 971	AR			
	5203 341	2			PLUG, Cyl. Head Water Hole (1-1/4") (1-1/4")
15	5203 780	1			GASKET, Cyl. Head
16	5203 778	2			SEALER, Oil Pan To Retainer
17	5214 784	1			RETAINER ASSY. Crankshaft Oil Seal Rear, w/Oil Seal, (See Note 1)
18	5203 590	1			OIL SEAL, Crankshaft Rear
19	#4105 395	1			OIL SEAL, Crankshaft Front
20	6101 278	2			SCREW, w/Washer, Crankshaft Oil Seal Retainer, Front
21	5214 788	1			RETAINER ASSY., Crankshaft Oil Seal Front, w/Oil Seal, (See Note 1)
22	5203 466	4			DOWEL, Cyl. Block To Crankshaft Seal Retainer
23	0444 619	1			PLUG, Cyl. Block Water Jacket Drain 1/4" Pipe
24					BLOCK ASSY., Cyl. (Service in Short Eng. Assy.)
25					DOWEL, Cyl. Block To Cyl. Head (Not Serviced)
26	6101 278	2			SCREW, w/Washer, Crankshaft Oil Seal Retainer, Rear
27	5240 849	2			DOWEL, Cyl. Block To Clutch Housing or Trans. Case
28	5203 342	5			PLUG, Cyl. Block Water Hole 1-5/8" .065 O/S
29	5203 340	2			PLUG, Cyl. Block Oil Gallery 5/8"
30	5213 083	1			HEATER, Eng. Block
31	5206 359	1			CORD, Eng. Block Heater
32	#4105 438	1			BUMPER, Eng. Impact
33	6101 052	2			SCREW w/Washer, Impact Bumper
34	6015 412	2			CLIP, Eng. Block Heater Cord
35	6027 513	AR			"O" RING, Eng. Block Heater

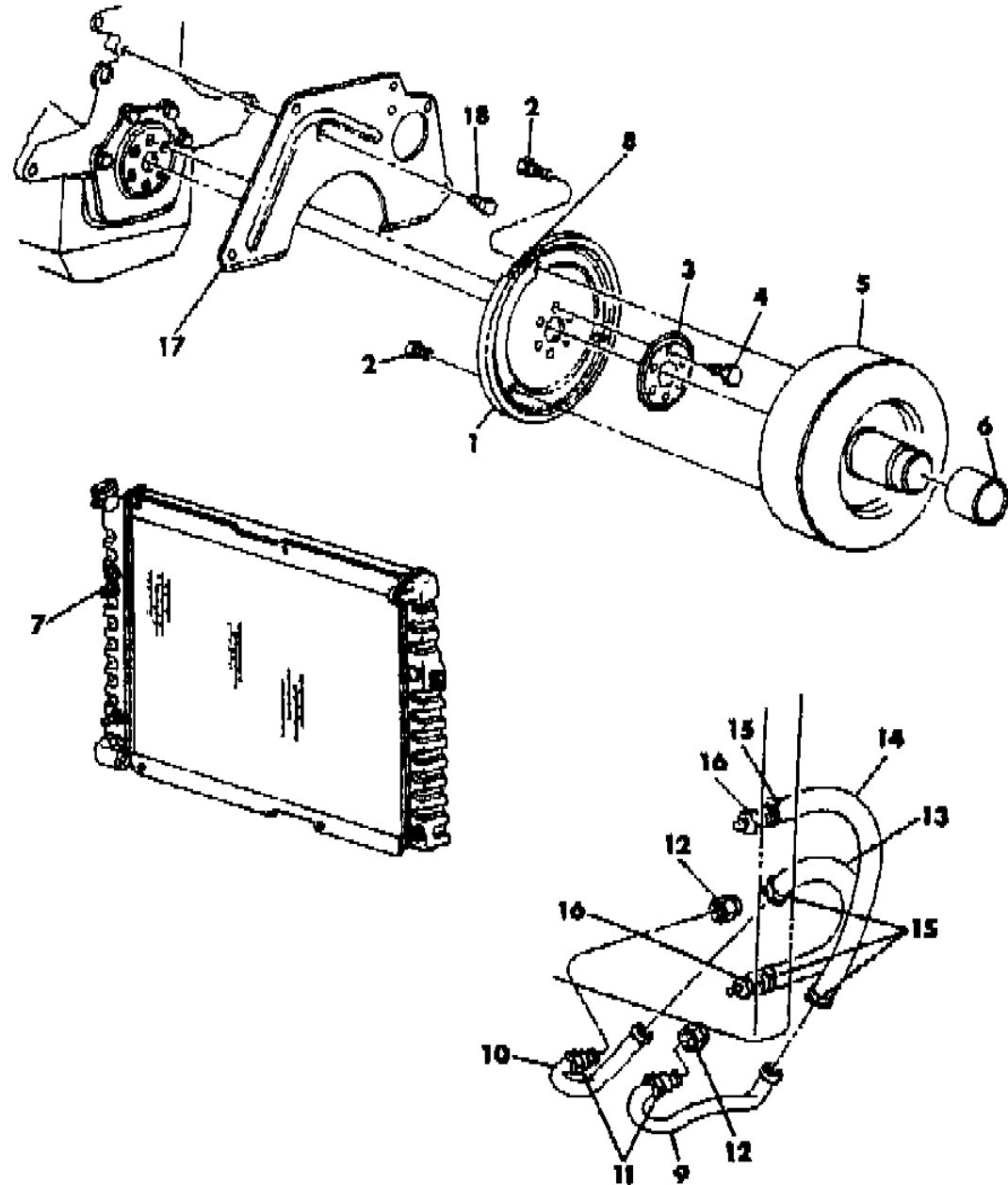
MODEL CODES  
 B = GRAN FURY/CARAVELLE      P = RELIANT  
 C = LEBARON/TOWN & COUNTRY      S = CORDOBA  
 D = ARIES      V = 400  
 F = NEW YORKER      X = MIRADA  
 G = DIPLOMAT      Y = IMPERIAL  
 M = HORIZON/TC3/SCAMP      Z = OMNI/O24/RAMPAGE

BODY STYLES  
 21 = 2-DOOR SEDAN      28 = FWD PICKUP  
 22 = 2-DOOR SPECIAL COUPE      41 = 4-DOOR SEDAN  
 24 = 2-DOOR HATCHBACK      44 = 4-DOOR HATCHBACK  
 27 = 2-DOOR CONVERTIBLE      45 = 2-SEAT STATION WAGON

AR = Use as Required - = Non Illustrated Part P.A.R. = Paint as Required

**TORQUE CONVERTER, DRIVE PLATE, TRANS. OIL COOLER AND TUBES 4 CYLINDER 2.2 L. ENG., M,Z,P,D,C,V**  
**Figure 9A-1300**

2150 1300



ITEM	PART NUMBER	QTY	BODY	MODEL	DESCRIPTION
NOTE (1) Part No. 4026139 Consists of a 50 Foot Roll Hose #4271910 for replacement.					
NOTE (2) Part No. 1843253 Consists of a 25 Foot Roll Tube #4271910 for replacement.					
1	5222 639	1			PLATE ASSY., Torque Converter Drive
2	6500 500	3			BOLT, Drive Plate To Torque Converter
3	5222 613	1			PLATE, Crankshaft Bolt Backing
4	6500 311	6			BOLT, Drive Plate To Crankshaft
5	5222 597	1			TORQUE CONVETER ASSY.
6	3515 138	1			SEAL, Torque Converter Impeller Hub To Trans.
7	4140 568	1		M,Z	OIL COOLER ASSY. Radiator Trans.
	4140 569	1		P,D,C,V	
8		1			GEAR, Torque Converter Ring (Service Drive Plate Assy.)
9		1		M,Z	TUBE ASSY., Trans. Oil Cooler, Inlet (Cut to 215 MM lgh.) (See Note 2)
		1		P,D,C,V	(Cut To 9" lgh.) (See Note 2)
10	5222 488	1		M,Z	TUBE ASSY. Trans. Oil Cooler, Outlet
		1		P,D,C,V	(Cut To 14" lgh.) (See Note 2)
11	0137 398	2			NUT, Trans. Oil Cooler Tube (Trans. End)
12	5222 271	2			CONNECTOR, Trans. Oil Cooler Tube (Trans. End)
13	4026 139	AR		P,D,C,V	HOSE, Trans. Oil Cooler Inlet (Cut To 8.50" Lgh.)(See Note 1)
	4026 139	AR		M,Z	(Cut To 266.7 MM Lgh.)(See Note 1)
14	4026 139	AR		P,D,C,V	HOSE, Trans. Oil Cooler, Outlet (Cut To 12.50" Lgh)(See Note 1)
	4026 139	AR		M,Z	(Cut To 177.8 MM Lgh.)(See Note 1)
15	0153 456	4			CLAMP, Trans. Oil Cooler Hose
16	6500 170	2			CONNECTOR, Trans. Oil Cooler Tube (Radiator End)
17	5222 454	1		M,Z,P,D	COVER, Trans. Case Upper (See Group 21)
18	6100 265	2		M,Z,P,D	SCREW, Trans. Case Cover (See Group 21)

**MODEL CODES**

B = GRAN FURY/CARAVELLE	P = RELIANT
C = LEBARON/TOWN & COUNTRY	S = CORDOBA
D = ARIES	V = 400
F = NEW YORKER	X = MIRADA
G = DIPLOMAT	Y = IMPERIAL
M = HORIZON/TC3/SCAMP	Z = OMNI/O24/RAMPAGE

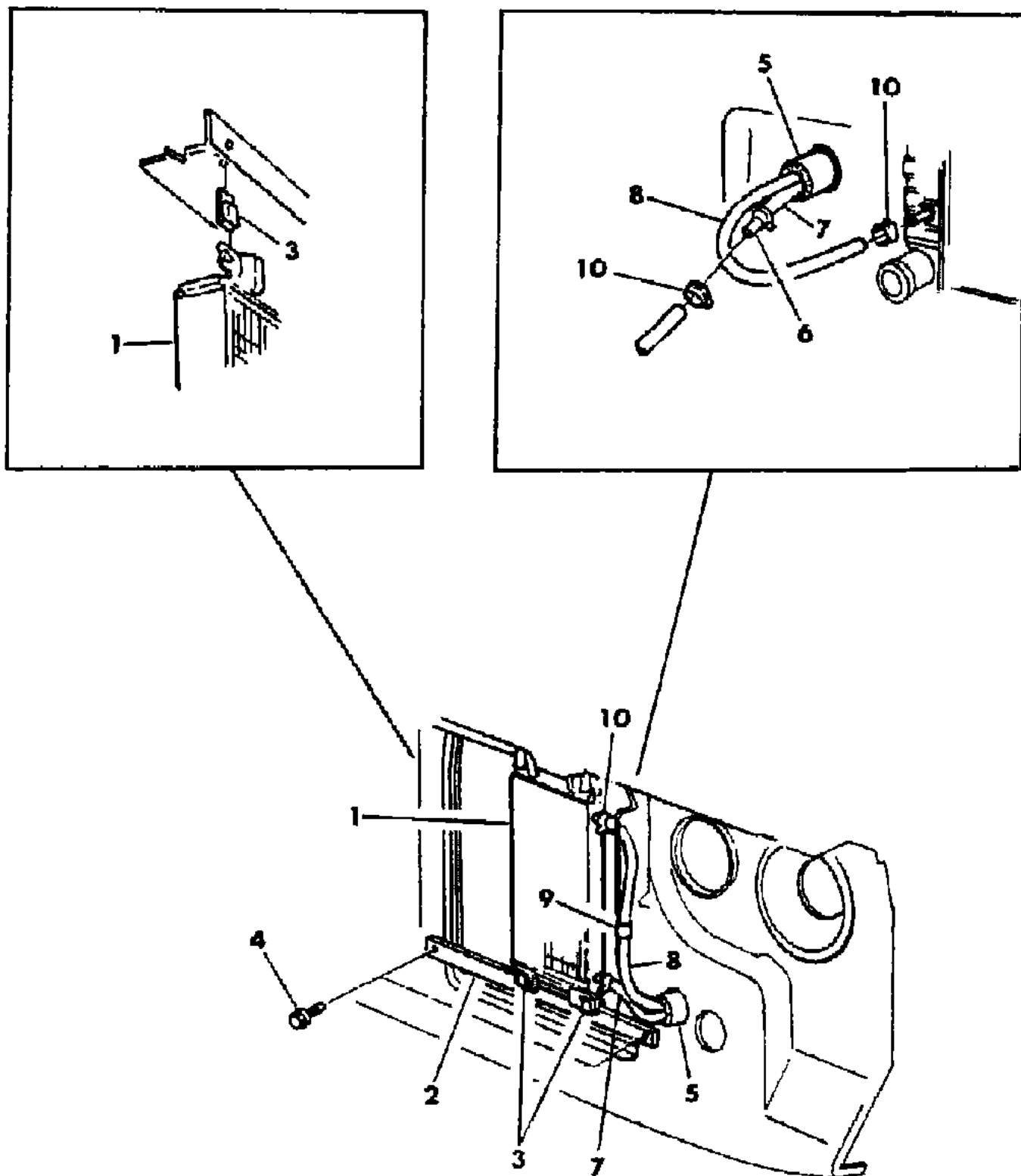
**BODY STYLES**

21 = 2-DOOR SEDAN	28 = FWD PICKUP
22 = 2-DOOR SPECIAL COUPE	41 = 4-DOOR SEDAN
24 = 2-DOOR HATCHBACK	44 = 4-DOOR HATCHBACK
27 = 2-DOOR CONVERTIBLE	45 = 2-SEAT STATION WAGON

AR = Use as Required - = Non Illustrated Part P.A.R. = Paint as Required

TRANSMISSION AUXILIARY OIL COOLER 4 CYLINDER 2.2 L. ENG., P,D,C,V  
Figure 9A-1350

2158 1350A



ITEM	PART NUMBER	QTY	BODY	MODEL	DESCRIPTION
NOTE (1) Part No. 4026139 Consists of a 50 Foot Roll Hose #4271910 for replacement.					
1	#4266 214	1			COOLER, Auxiliary, Trans. Oil
2	#4266 215	1			SUPPORT, Trans. Auxiliary Oil Cooler
3	#4266 216	2			CLIP, Support, Auxiliary Oil Cooler
4	#6032 196	2			SCREW, Support to Radiator Yoke Panel
5	#5210 322	1			SLEEVE, Hose
6	#4266 217	1			ADAPTOR, Hose To Hose
7		1			HOSE, Lower, Auxiliary Oil Cooler (Cut To 393.7 MM Lgh. (See Note 1)
8		1			HOSE, Upper, Auxiliary Oil Cooler (Cut To 838.2 MM Lgh. (See Note 1)
9					CLAMP, Hose To Yoke Panel (Not Serviced)
10	0153 456	AR			CLAMP, Cooler Hose

MODEL CODES

B = GRAN FURY/CARAVELLE	P = RELIANT
C = LEBARON/TOWN & COUNTRY	S = CORDOBA
D = ARIES	V = 400
F = NEW YORKER	X = MIRADA
G = DIPLOMAT	Y = IMPERIAL
M = HORIZON/TC3/SCAMP	Z = OMNI/O24/RAMPAGE

BODY STYLES

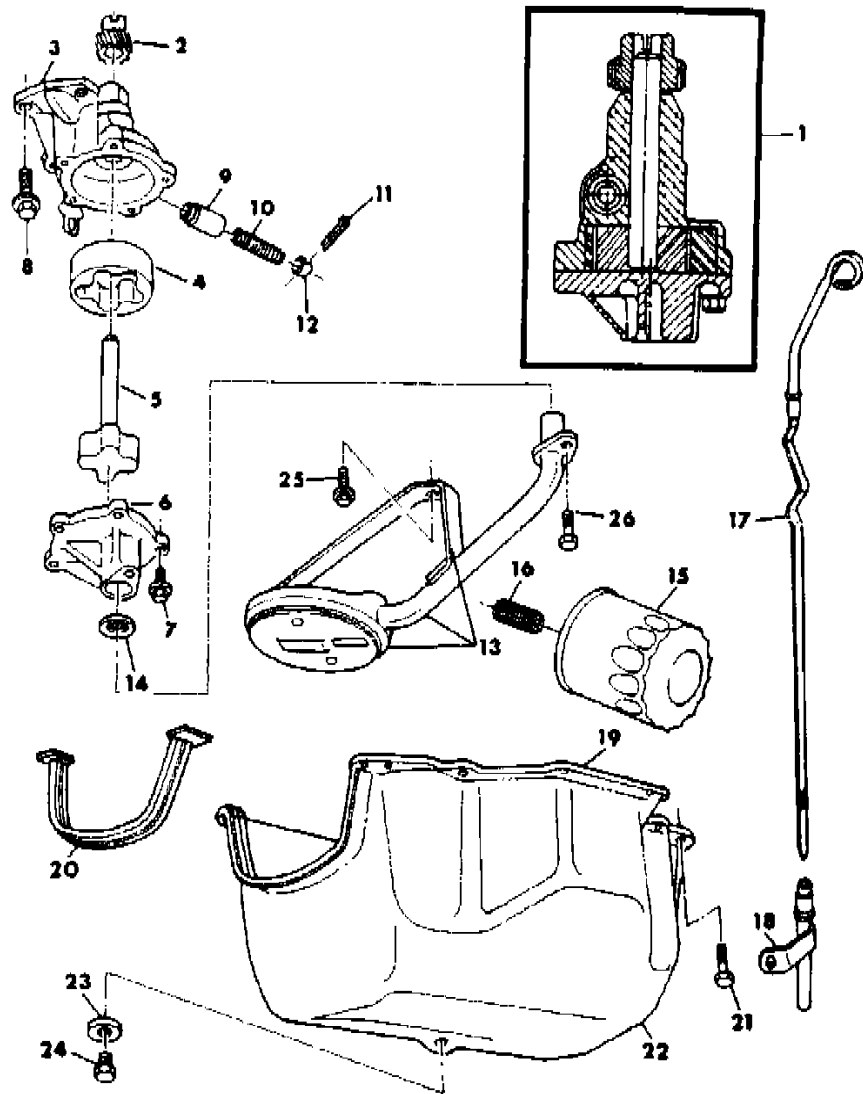
21 = 2-DOOR SEDAN	28 = FWD PICKUP
22 = 2-DOOR SPECIAL COUPE	41 = 4-DOOR SEDAN
24 = 2-DOOR HATCHBACK	44 = 4-DOOR HATCHBACK
27 = 2-DOOR CONVERTIBLE	45 = 2-SEAT STATION WAGON

AR = Use as Required - = Non Illustrated Part P.A.R. = Paint as Required

OIL PUMP, OIL PAN, OIL LEVEL INDICATOR, OIL FILTER, OIL PRESSURE SWITCH 4 CYLINDER 2.2 L. ENG., M,Z,P,D,C,V

Figure 9A-1400

7156 1400



ITEM	PART NUMBER	QTY	BODY	MODEL	DESCRIPTION
------	-------------	-----	------	-------	-------------

NOTE 1 For all required sealings R.T.V, Sealer 4026070 and Gasket eliminator 4205918 must be used as described in the Chrysler Repair Manual. #4271910 for replacement.

1	5203 415	1			PUMP ASSY. OIL
2		1			GEAR, Oil Pump and Distributor Drive (Service in Oil Pump Assy. 5203415)
3		1			BODY, Oil Pump (Service in Oil Pump 5203415)
4		1			ROTOR, Oil Pump Outer (Service in Oil Pump Drive Shaft and Rotor Pkg. 4240008)
5		1			ROTOR, Oil Pump Inner (Service in Oil Pump Drive Shaft and Rotor Pkg. 4240008)
6	5203 322	1			COVER, Oil Pump
7	6500 138	5			SCREW w/Washer, Oil Pump Cover
8	6500 151	2			SCREW w/Washer, Oil Pump Mounting
9	2120 764	1			PLUNGER, Oil Pressure Relief Valve
10	2402 473	1			SPRING, Oil Pressure Relief Valve
11	0108 636	1			PIN, Oil Pressure Relief Valve
12	2806 273	1			CAP, Oil Pressure Relief Valve
13	5203 324	1			STRAINER ASSY. Oil Pump Suction Pipe
14	1407 748	1			SEAL, Oil Pump Cover To Oil Pump Suction Pipe
15	#4105 409	1			FILTER ASSY., Oil
16	4104 511	1			ADAPTER, Oil Filter Base To Filter (Early Type)
	4273 323	1			STANDPIPE ASSY., Oil Filter Base to Oil Filter (Late Type)
	2120 017	1			GASKET, Standpipe (Late Type)
17	#4273 035	1			INDICATER, Oil Level (Early Type use with Tube 106.5 mm or 4-1/8" lgh.)
	4105 446	1			(Late Type use with Tube 305 mm or 12" lgh.)
18	5203 623	1			TUBE, Oil Level Indicator And Clip (Early Type 106.5 mm or 4-1/8" lgh.)
	4173 376	1			(Late Type 305 mm or 12" lgh.)
19		AR			SEALER, Oil Pan (Apply as Required), (See Note 1)
20	5203 778	2			SEAL, Oil Pan To Retainer
21	6100 295	7			SCREW w/Washer, Oil Pan Attaching
	6500 507	4			
22	5203 776	1			PAN ASSY., Oil
23	3769 935	1			GASKET, Oil Pan Drain Plug
24	4095 544	1			PLUG, Oil Pan Drain
25	6500 461	1			SCREW w/Washer, Suction Pipe And Strainer Bracket Attaching

MODEL CODES

B = GRAN FURY/CARAVELLE  
 C = LEBARON/TOWN & COUNTRY  
 D = ARIES  
 F = NEW YORKER  
 G = DIPLOMAT  
 M = HORIZON/TC3/SCAMP  
 P = RELIANT  
 S = CORDOBA  
 V = 400  
 X = MIRADA  
 Y = IMPERIAL  
 Z = OMNI/O24/RAMPAGE

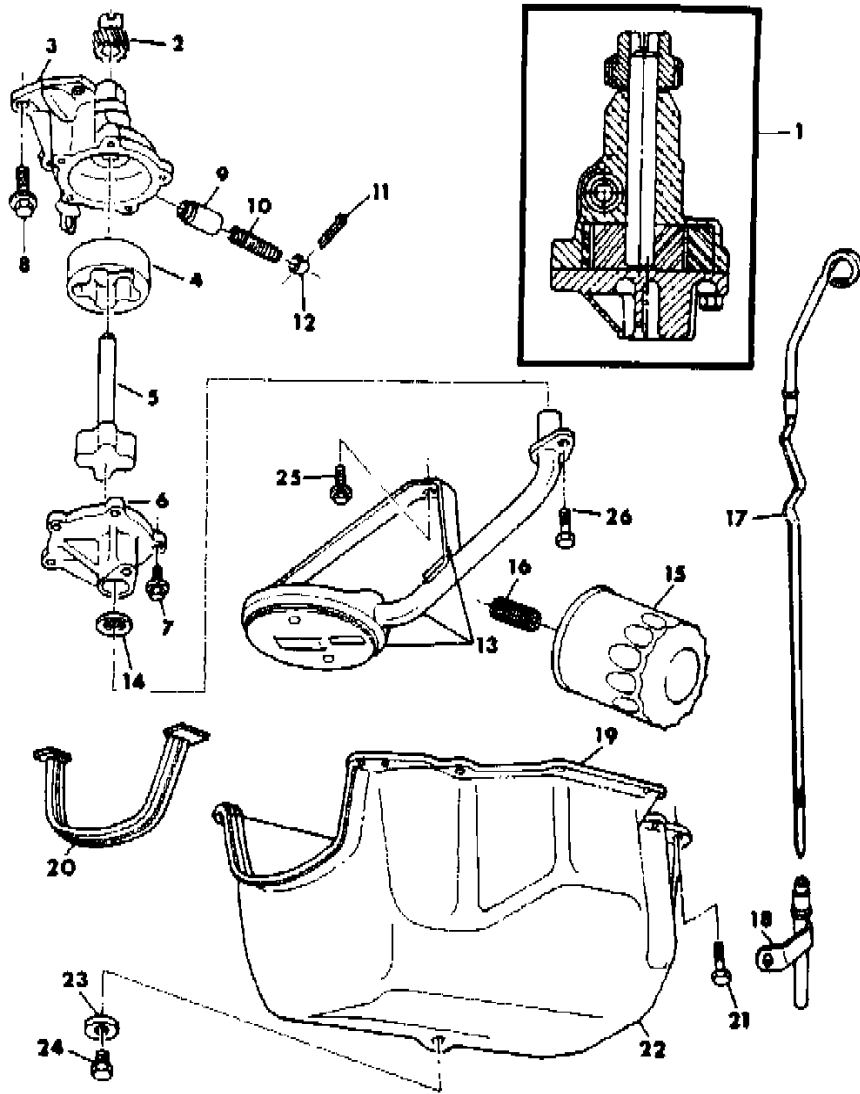
BODY STYLES

21 = 2-DOOR SEDAN  
 22 = 2-DOOR SPECIAL COUPE  
 24 = 2-DOOR HATCHBACK  
 27 = 2-DOOR CONVERTIBLE  
 28 = FWD PICKUP  
 41 = 4-DOOR SEDAN  
 44 = 4-DOOR HATCHBACK  
 45 = 2-SEAT STATION WAGON

AR = Use as Required - = Non Illustrated Part P.A.R. = Paint as Required

OIL PUMP, OIL PAN, OIL LEVEL INDICATOR, OIL FILTER, OIL PRESSURE SWITCH 4 CYLINDER 2.2 L. ENG., M,Z,P,D,C,V  
 Figure 9A-1400

7156 1400



ITEM	PART NUMBER	QTY	BODY	MODEL	DESCRIPTION
26	6500 070	1			SCREW, Suction Pipe And Strainer Bracket Assy. Attaching

MODEL CODES

B = GRAN FURY/CARAVELLE	P = RELIANT
C = LEBARON/TOWN & COUNTRY	S = CORDOBA
D = ARIES	V = 400
F = NEW YORKER	X = MIRADA
G = DIPLOMAT	Y = IMPERIAL
M = HORIZON/TC3/SCAMP	Z = OMNI/O24/RAMPAGE

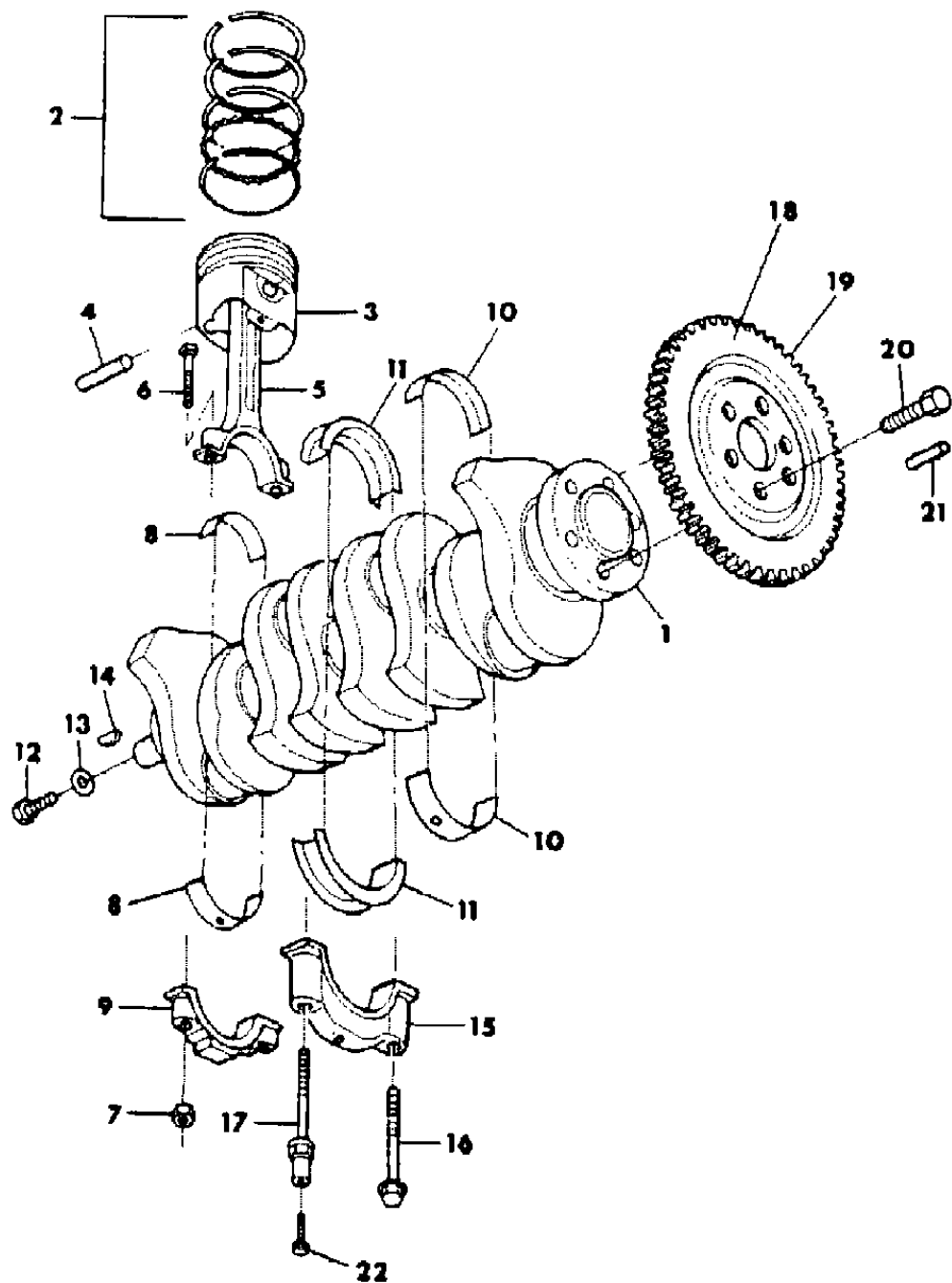
BODY STYLES

21 = 2-DOOR SEDAN	28 = FWD PICKUP
22 = 2-DOOR SPECIAL COUPE	41 = 4-DOOR SEDAN
24 = 2-DOOR HATCHBACK	44 = 4-DOOR HATCHBACK
27 = 2-DOOR CONVERTIBLE	45 = 2-SEAT STATION WAGON

AR = Use as Required - = Non Illustrated Part P.A.R. = Paint as Required

**CRANKSHAFT, CONNECTING ROD, PISTONS, RINGS, FLYWHEEL 4 CYLINDER 2.2 L ENGINE M,Z,P,D,C,V**  
**Figure 9A-1500**

2158 1500



ITEM	PART NUMBER	QTY	BODY	MODEL	DESCRIPTION
1	5214 737	1			CRANKSHAFT
2	4240 137	1			RING SET, Piston, Std. (For Complete Engine)
	4240 138	1			0.5 O/S
	4240 139	1			RING PKG., Piston, Std. (For Single Piston)
	4240 140	1			0.5 O/S
3	4240 099	4			PISTON, w/Pin, Std.
	4240 100	4			0.50 MM
4	5203 800	4			PIN, Piston
5	5203 384	4			ROD ASSY, Connecting, w/Cap
6	4227 677	8			BOLT, Connecting Rod Bearing Cap
7	4227 678	8			NUT, Connecting Rod Bearing Cap Bolt
8	4240 025	4			BEARING PACKAGE, Connecting Rod, Std.
					Consists of:
					2 ----- Bearings, Connecting Rod
	4240 026	4			0.025 U/S
	4240 027	4			0.050 U/S
	4240 028	4			0.250 U/S
	4240 029	4			0.275 U/S
	4240 030	4			0.300 U/S
9					CAP, Connecting Rod (Service in Connecting Rod Assy.)
10	4240 013	4			BEARING PACKAGE, Crankshaft Upper And Lower No. 1,2,4,5
					Std.
					Consists of:
					1 ----- Bearing, Upper No. 1,2,4,5
					1 ----- Bearing, Lower No. 1,2,4,5
	4240 014	4			0.025 U/S
	4240 015	4			0.050 U/S
	4240 016	4			0.250 U/S
	4240 017	4			0.275 U/S
	4240 018	4			0.300 U/S
11	4240 019	1			BEARING PACKAGE, Crankshaft Upper and Lower No. 3 Std.
					Consists of:
					1 ----- Bearing, Upper No.3
					1 ----- Bearing, Lower No.3
	4240 020	1			0.025 U/S
	4240 021	1			0.050 U/S
	4240 022	1			0.250 U/S

**MODEL CODES**

B = GRAN FURY/CARAVELLE	P = RELIANT
C = LEBARON/TOWN & COUNTRY	S = CORDOBA
D = ARIES	V = 400
F = NEW YORKER	X = MIRADA
G = DIPLOMAT	Y = IMPERIAL
M = HORIZON/TC3/SCAMP	Z = OMNI/O24/RAMPAGE

**BODY STYLES**

21 = 2-DOOR SEDAN	28 = FWD PICKUP
22 = 2-DOOR SPECIAL COUPE	41 = 4-DOOR SEDAN
24 = 2-DOOR HATCHBACK	44 = 4-DOOR HATCHBACK
27 = 2-DOOR CONVERTIBLE	45 = 2-SEAT STATION WAGON

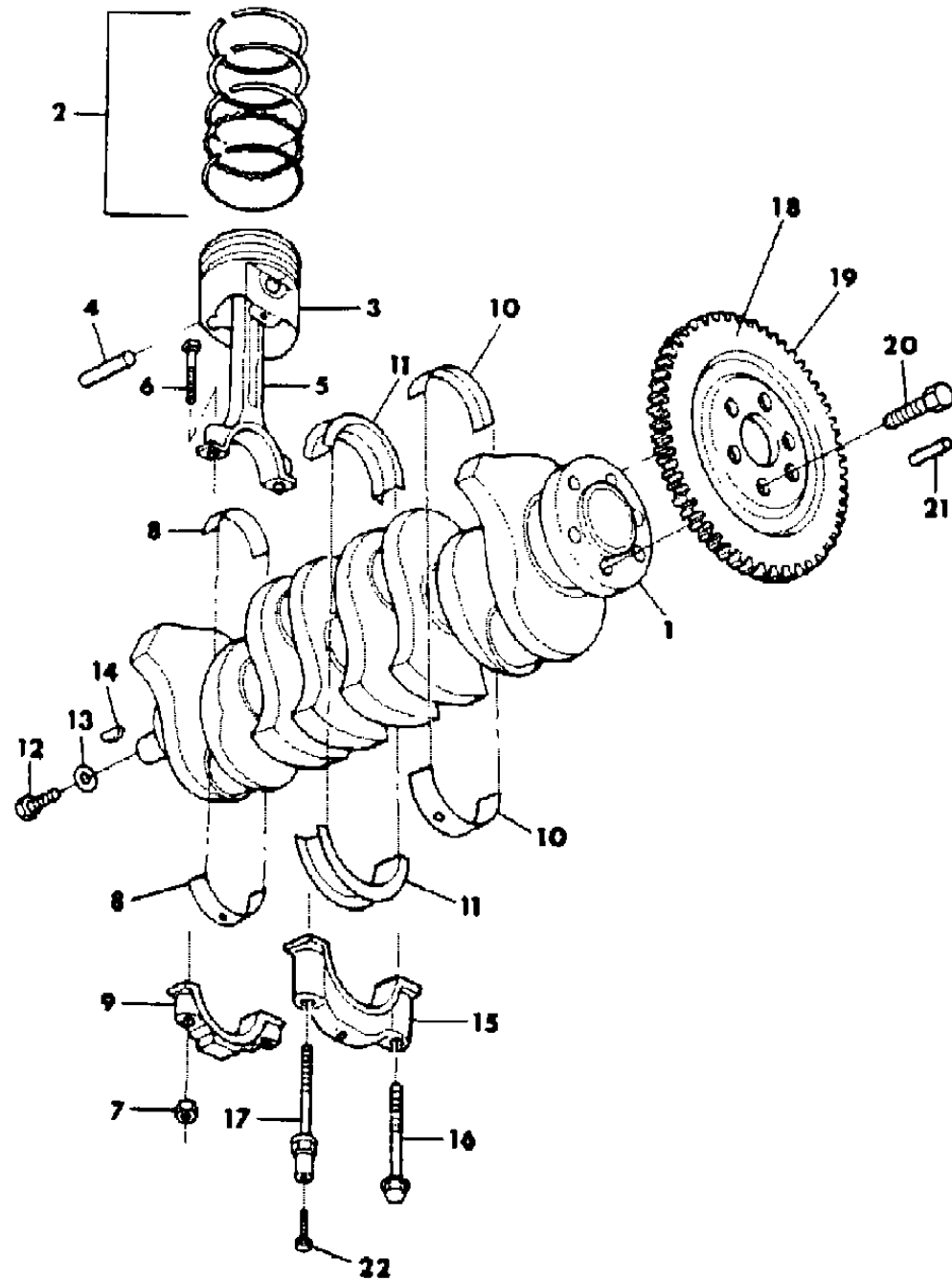
AR = Use as Required - = Non Illustrated Part P.A.R. = Paint as Required



CRANKSHAFT, CONNECTING ROD, PISTONS, RINGS, FLYWHEEL 4 CYLINDER 2.2 L ENGINE M,Z,P,D,C,V

Figure 9A-1500

2158 1500



ITEM	PART NUMBER	QTY	BODY	MODEL	DESCRIPTION
	4240 023	1			0.275 U/S
	4240 024	1			0.300 U/S
12	6500 430	1			SCREW, Crankshaft Sprocket
13	6500 431	1			WASHER, Crankshaft Sprocket Screw
14	6500 150	1			KEY, Crankshaft Sprocket
15	4105 211	1			CAP, Crankshaft Bearing No.1
	4105 212	1			No.2
	4105 213	1			No.3
	4105 214	1			No.4
	4105 215	1			No.5
16	6500 400	9			SCREW, Crankshaft Bearing Cap
17	6500 401	1			SCREW, Crankshaft Bearing Cap
18	5222 678	1			FLYWHEEL ASSY., (w/Ring Gear) w/A460 Man. Trans.
19		1			GEAR, Flywheel (Service in Flywheel Assy.)
20	6500 487	6			BOLT, Flywheel To Crankshaft
21	6031 923	3			DOWEL, Clutch Cover To Flywheel
22	6500 461	1			SCREW w/Washer

MODEL CODES

B = GRAN FURY/CARAVELLE	P = RELIANT
C = LEBARON/TOWN & COUNTRY	S = CORDOBA
D = ARIES	V = 400
F = NEW YORKER	X = MIRADA
G = DIPLOMAT	Y = IMPERIAL
M = HORIZON/TC3/SCAMP	Z = OMNI/O24/RAMPAGE

BODY STYLES

21 = 2-DOOR SEDAN	28 = FWD PICKUP
22 = 2-DOOR SPECIAL COUPE	41 = 4-DOOR SEDAN
24 = 2-DOOR HATCHBACK	44 = 4-DOOR HATCHBACK
27 = 2-DOOR CONVERTIBLE	45 = 2-SEAT STATION WAGON

AR = Use as Required - = Non Illustrated Part P.A.R. = Paint as Required

CAMSHAFT, INTERMEDIATE SHAFT, INTAKE AND EXHAUST VALVES AND RELATED PARTS 4 CYLINDER 2.2 L ENGINE, M,Z,P,D,C,V

Figure 9A-1600

2158 1600

ITEM	PART NUMBER	QTY	BODY	MODEL	DESCRIPTION
NOTE 1: GASKET Eliminator #4205918 must be used as described in the Chrysler repair Manual. #4271910 for replacement.					
1	#4271 910	1			CAMSHAFT PACKAGE, w/Std. Journals Consists of: 1----- Camshaft 8-5203491 Rocker, Valve
	4271 911	1			CAMSHAFT PACKAGE, w/.050 O/S Journals Consists of: 1----- Camshaft, w/50 O/S Journals (Stamped O/S.J) 8-5203491 Rocker, Valve
2	5203 491	8			ROCKER, Valve
3	4240 007	8			ADJUSTER, Valve Lash
4	5203 577	8			LOCK, Exhaust Valve Spring Retainer
5	4201 349	8			LOCK, Intake Valve Spring Retainer
6	5203 578	8			RETAINER, Valve Spring Intake and Exhaust
7	4201 192	8			SPRING, Valve
8	5203 474	8			SEAT, Valve Spring
9	4201 332	8			SEAL, Valve Guide, Std.
	4105 366	8			0.15 O/S., (Green)
	4105 367	8			0.40 O/S., (Yellow)
	4105 368	8			0.80 O/S., (Red)
10	5203 339	1			NIPPLE, Thermostat Water By-Pass
11	6500 342	10			STUD, Camshaft Bearing Cap
12	4105 399	1			HEAD ASSY., Cylinder (partial)
13	#5214 861	4			VALVE, Intake, Std.
	5214 862	4			0.15 O/S
	5214 863	4			0.40 O/S
	5214 864	4			0.80 O/S
14	#5214 866	4			VALVE, Exhaust, Std.
	5214 867	4			0.15 O/S
	5214 868	4			0.40 O/S
	5214 869	4			0.80 O/S
15	5203 792	4			SEAT, Exhaust Valve 36.815 MM O/S
16	#4105 715	4			GUIDE, Exhaust Valve, 43 MM Lgh.,12.540 MM O/D
17	5203 472	4			SEAT, Intake Valve, 43.375 MM O/D
18	#4105 716	4			GUIDE, Intake Valve, 12.540 MM O/D, 40 MM Lgh.
19	5203 780	1			GASKET, Cyl. Head
20	5203 411	1			SHAFT, Intermediate

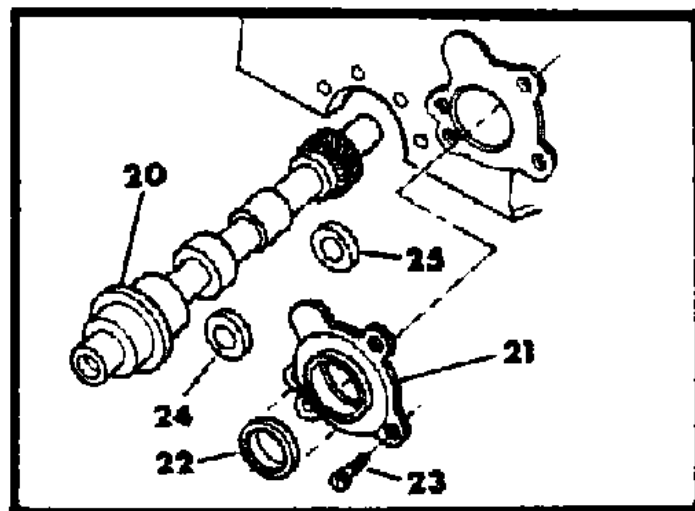
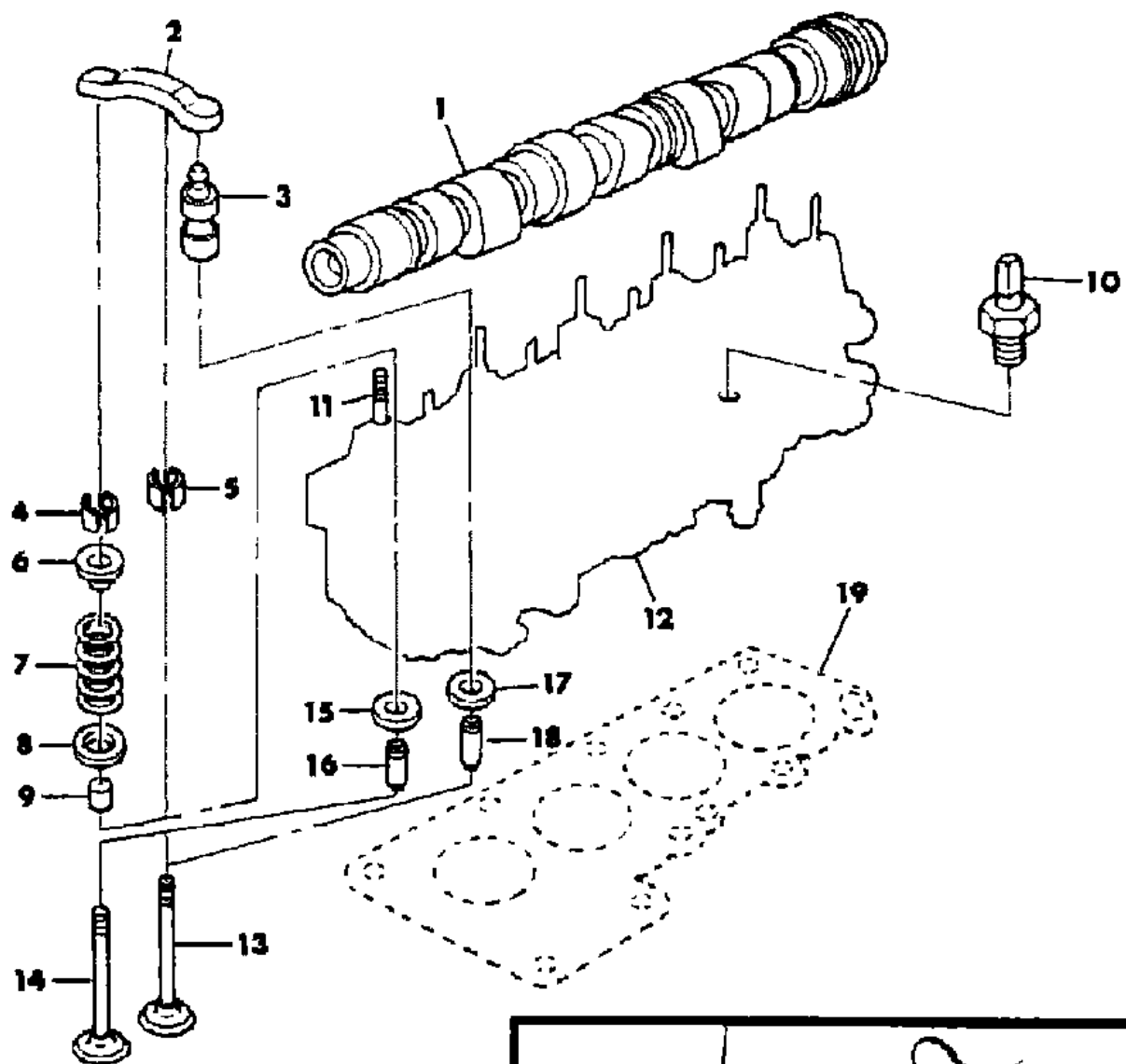
MODEL CODES

B = GRAN FURY/CARAVELLE	P = RELIANT
C = LEBARON/TOWN & COUNTRY	S = CORDOBA
D = ARIES	V = 400
F = NEW YORKER	X = MIRADA
G = DIPLOMAT	Y = IMPERIAL
M = HORIZON/TC3/SCAMP	Z = OMNI/O24/RAMPAGE

BODY STYLES

21 = 2-DOOR SEDAN	28 = FWD PICKUP
22 = 2-DOOR SPECIAL COUPE	41 = 4-DOOR SEDAN
24 = 2-DOOR HATCHBACK	44 = 4-DOOR HATCHBACK
27 = 2-DOOR CONVERTIBLE	45 = 2-SEAT STATION WAGON

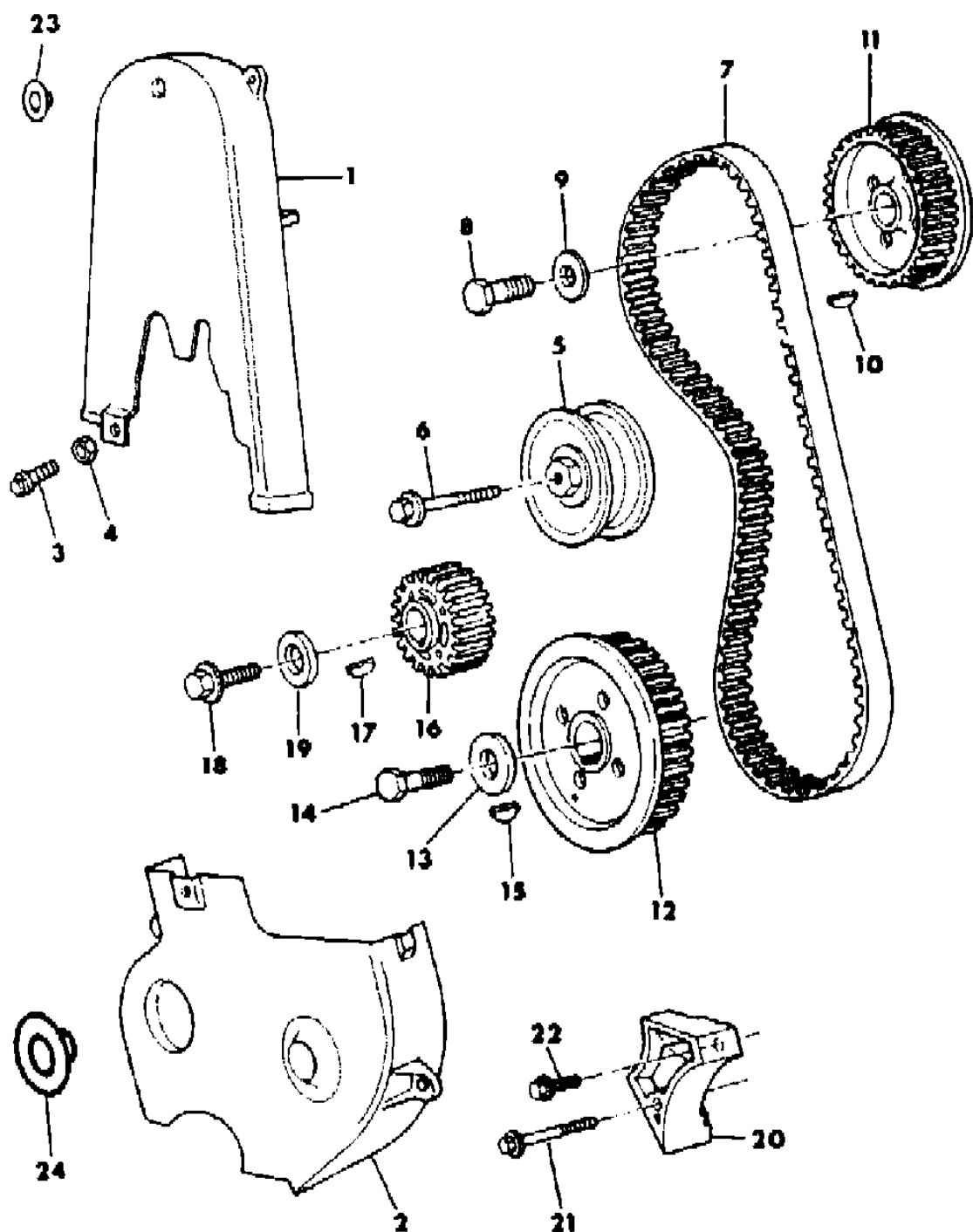
AR = Use as Required - = Non Illustrated Part P.A.R. = Paint as Required





**TIMING BELT, SPROCKETS, COVERS AND RELATED PARTS 4 CYLINDER 2.2 L ENGINE, M,Z,P,D,C,V**  
**Figure 9A-1700**

2158 1700



ITEM	PART NUMBER	QTY	BODY	MODEL	DESCRIPTION
1	5203 316	1			COVER, Timing Belt, Upper
2	5203 317	1			COVER, Timing Belt, Lower
3	6100 286	3			SCREW, Timing Belt Cover (M6x1.00 X 16 Lgh.)
4	6100 516	2			NUT, Timing Belt Cover
	6100 041	1			U-NUT, Timing Belt Cover
5	5203 469	1			PULLEY, Tension
6	6101 277	1			SCREW w/Washer, Tension Pulley Mounting
7	5203 401	1			BELT, Tension
8	6500 155	1			SCREW, Camshaft Sprocket
9	6500 346	1			WASHER, Camshaft Sprocket Screw
10	6500 150	1			KEY, Camshaft Sprocket
11	#5214 870	1			SPROCKET, Camshaft Except (S/C-E69 Mexico)
	5203 606	1			W/(S/C-E69 Mexico)
12	#5214 870	1			SPROCKET, Intermediate Shaft Except (S/C-E69 Mexico)
	5203 606	1			W/(S/C-E69 Mexico)
13	6500 346	1			WASHER, Intermediate Shaft Sprocket Screw
14	6500 155	1			SCREW, Intermediate Shaft Sprocket
15	6500 150	1			KEY, Intermediate Shaft Sprocket
16	5203 575	1			SPROCKET, Crankshaft
17	6500 150	1			KEY, Crankshaft Sprocket
18	6500 430	1			SCREW, Crankshaft Sprocket
19	6500 431	1			WASHER, Crankshaft Sprocket Screw
20	5214 636	1			SHIELD, Timing Belt
21	6101 278	1			SCREW w/Washer, Timing Belt Shield Mounting
22	6101 279	1			SCREW w/Washer, Timing Belt Shield Mounting
23	2811 953	1			PLUG, Timing Belt Cover, Upper
24	4227 940	1			PLUG, Timing Belt Cover, Lower

**MODEL CODES**

B = GRAN FURY/CARAVELLE	P = RELIANT
C = LEBARON/TOWN & COUNTRY	S = CORDOBA
D = ARIES	V = 400
F = NEW YORKER	X = MIRADA
G = DIPLOMAT	Y = IMPERIAL
M = HORIZON/TC3/SCAMP	Z = OMNI/O24/RAMPAGE

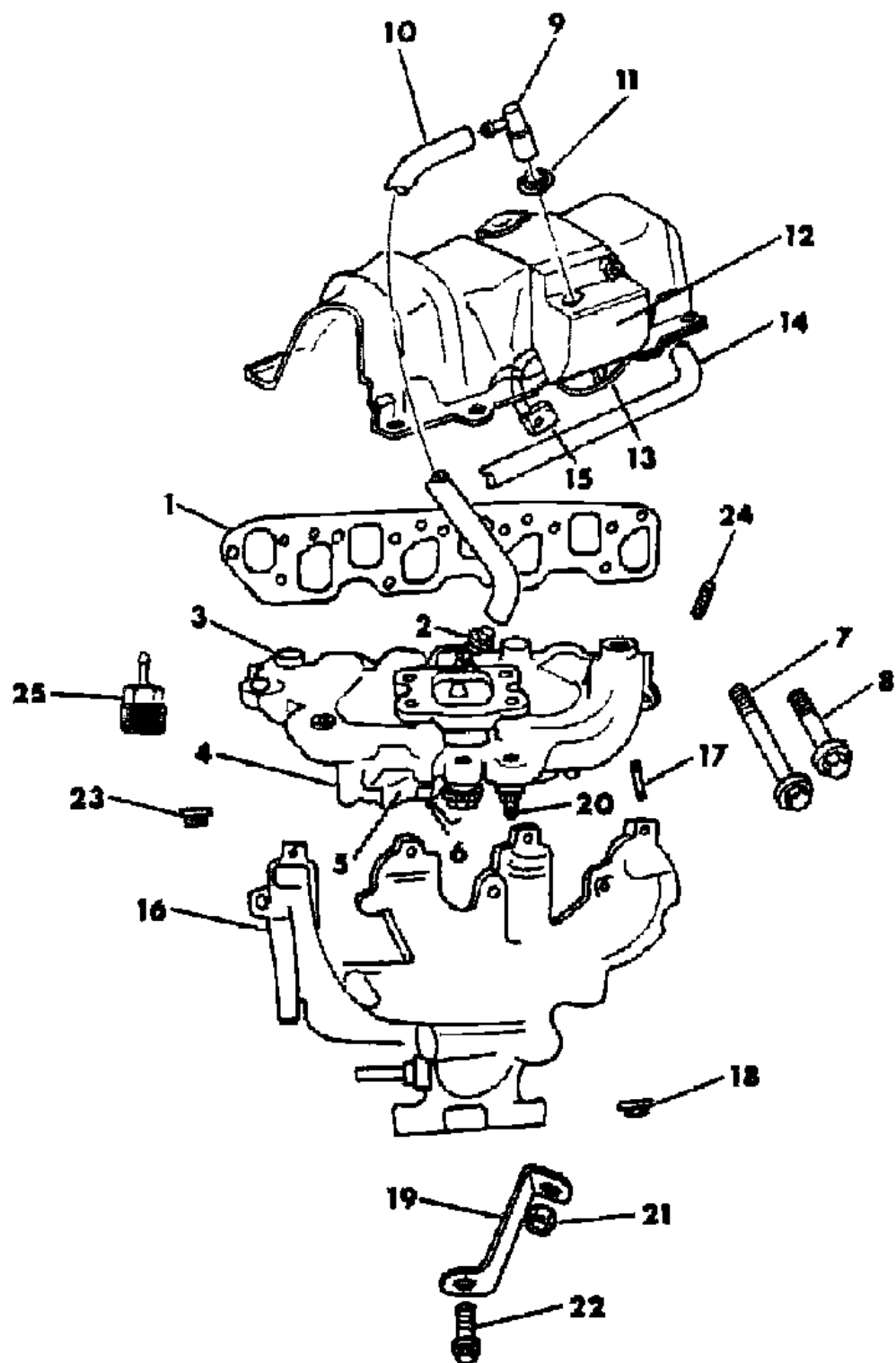
**BODY STYLES**

21 = 2-DOOR SEDAN	28 = FWD PICKUP
22 = 2-DOOR SPECIAL COUPE	41 = 4-DOOR SEDAN
24 = 2-DOOR HATCHBACK	44 = 4-DOOR HATCHBACK
27 = 2-DOOR CONVERTIBLE	45 = 2-SEAT STATION WAGON

AR = Use as Required - = Non Illustrated Part P.A.R. = Paint as Required

INTAKE AND EXHAUST MANIFOLD AND RELATED PARTS 4 CYLINDER 2.2 L ENGINE, M,Z,P,D,C,V  
Figure 9A-1800

2155 1800



ITEM	PART NUMBER	QTY	BODY	MODEL	DESCRIPTION
NOTE 1: These Packages do not contain Gaskets for all required sealings. R.T.V. Sealer #4026070 and Gasket Eliminator #4205918 must be used in addition as described in the Chrysler repair Manual.					
NOTE (2) Part No. 4026136 Consists of a 50 Foot Roll Hose (Use as Required) on as described in the Chrysler repair Manual.					
	4240 096	1			GASKET PACKAGE, Manifold (See Note 1) Consists of: 1-5214650 Gasket, Intake and Exhaust Manifold 1-4201384 Gasket, Exhaust Manifold Crossover Flange
1	5214 650	1			GASKET, Intake and Exhaust Manifold
2	5203 143	1			NIPPLE, Crankcase Vent Hole
3	#4273 111	1			MANIFOLD, Intake
4	5203 614	1			COVER, Intake Manifold Water Crossover
5	5203 688	1			GASKET, Intake Manifold to Water Crossover
6	6101 278	7			SCREW w/Washer, Crossover Cover to Intake Manifold
7	6500 391	4			BOLT, Intake Manifold to Cyl. Head (M8x90)
8	6500 390	4			BOLT, Intake Manifold to Cyl. Head (M8x65)
9	5214 088	1			VALVE, Crankcase Vent
10	4026 136	AR			HOSE, Crankcase Vent Valve to Intake Manifold (8.00 MM Lgh.), (See Note 2)
11	3751 510	1			GROMMET, Vent Valve
12	4105 955	1			MODULE ASSY, Crankcase Vent (Includes Grommet and Gasket)
13	5214 597	1			GASKET, Crankcase Vent Module
14	5214 572	1			HOSE, Crankcase Vent Module to Air Cleaner (Formed Hose)
15	4241 103	1			CLIP, Crankcase Vent Module Retaining
16	5203 749	1			MAINFOLD, Exhaust w/(S/C N92,N94,N95) Export, Canada w/(S/C N92)
17	6500 429	8			STUD, Exhaust Manifold to Cyl. Head
18	6500 363	8			NUT, Exhaust Manifold to Cyl. Head Stud
19	5203 144	1			BRACKET, Intake Manifold Support
20	6500 422	1			STUD Intake Manifold Support Bracket
21	6100 050	1			NUT w/Washer, Intake Manifold Support Bracket
22	6100 305	1			SCREW w/Washer, Intake Manifold Support Bracket to Exhaust Manifold Attaching
23	6500 362	1			PLUG, Exhaust Manifold (M18), w/(S/C-N92)
24	1859 127	1			PLUG, Intake Manifold Vaccumm
25	5240 798	1			CONNECTOR, Vaccumm Control
26	#6031 789	1			CONNECTOR, Exhaust Manifold

MODEL CODES

B = GRAN FURY/CARAVELLE	P = RELIANT
C = LEBARON/TOWN & COUNTRY	S = CORDOBA
D = ARIES	V = 400
F = NEW YORKER	X = MIRADA
G = DIPLOMAT	Y = IMPERIAL
M = HORIZON/TC3/SCAMP	Z = OMNI/O24/RAMPAGE

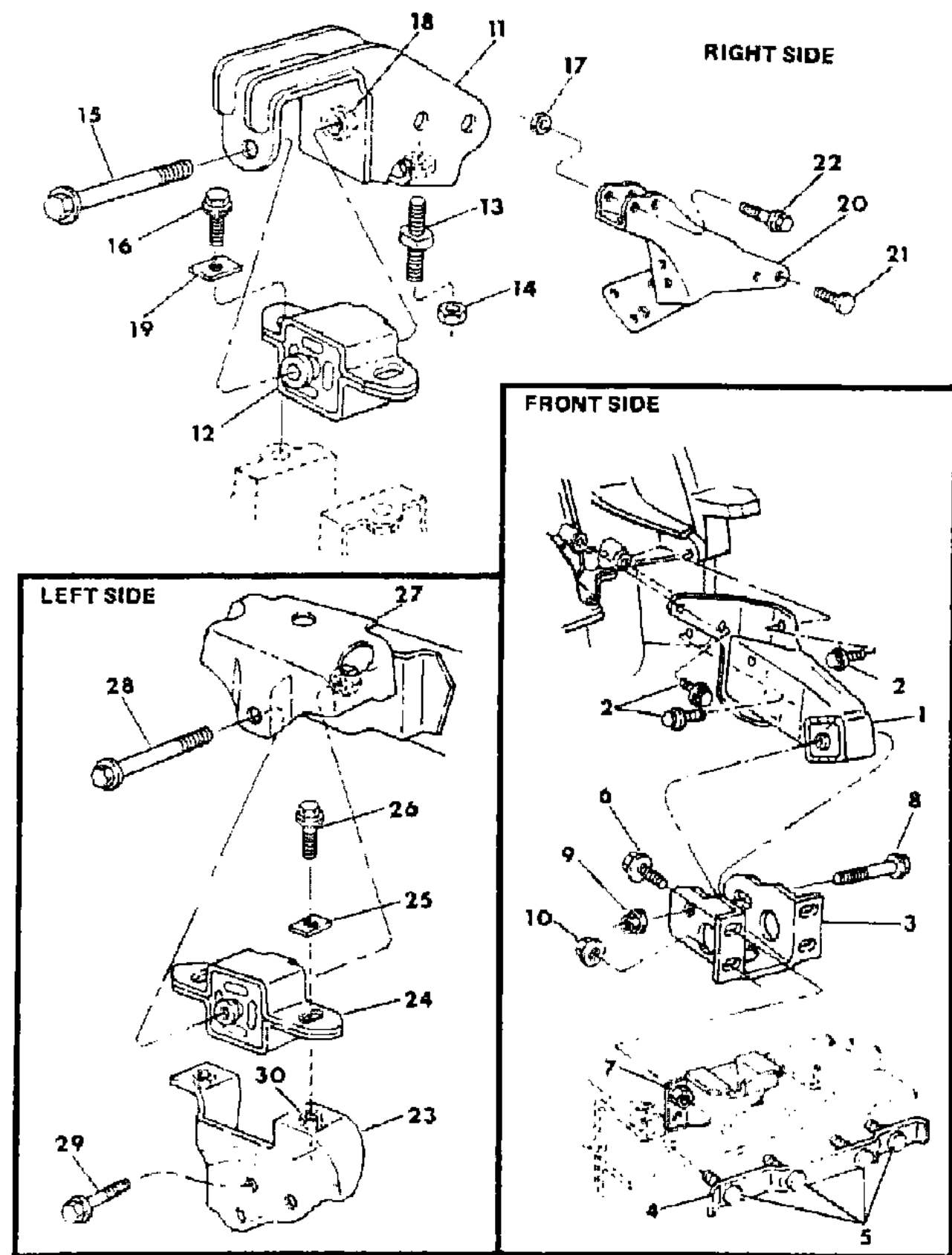
BODY STYLES

21 = 2-DOOR SEDAN	28 = FWD PICKUP
22 = 2-DOOR SPECIAL COUPE	41 = 4-DOOR SEDAN
24 = 2-DOOR HATCHBACK	44 = 4-DOOR HATCHBACK
27 = 2-DOOR CONVERTIBLE	45 = 2-SEAT STATION WAGON

AR = Use as Required - = Non Illustrated Part P.A.R. = Paint as Required

**ENGINE MOUNTING 4 CYLINDER 2.2 L ENGINE, M,Z,P,D,C,V**  
**Figure 9A-1900**

2158 1900A



ITEM	PART NUMBER	QTY	BODY	MODEL	DESCRIPTION
1	5202 864	1		M,Z	INSULATOR, Engine Support Front, w/Man. Trans.
	4269 279	1		M,Z	w/Auto. Trans.
	4191 930	1		P,D,C,V	w/Man. Trans.
	4191 890	1		P,D,C,V	w/Auto Trans.
2	6500 503	1			SCREW w/Washer, Eng. Support Insulator Bracket to Eng.
2	6500 506	1			SCREW w/Washer, Bracket to Trans. Front
	6500 486	2			SCREW w/Washer, Eng. Support Insulator Bracket to Eng. Block Front
3	#5202 920	1			BRACKET, Front Side Rail Front Crossmember Engine Mounting Front
4	5202 257	1		M,Z	TIEPLATE ASSY.,Front Crossmember Flange
	4191 963	1		P,D,C,V	
5	6500 233	4		M,Z	SCREW, Front Crossmember Flange Tie Plate
	6500 233	2		P,D,C,V	
	6500 179	2		P,D,C,V	
6	6500 179	2		M,Z	SCREW w/Washer, Eng. Support Insulator Bracket to Eng. Mounting Front Bracket Front
	6500 535	2		P,D,C,V	SCREW w/Washer, Eng. Support Insulator Bracket to Adapter Plate
7	6100 518	2		M,Z	NUT, Eng. Support Insulator Bracket to Eng. Mounting Front Bracket Screw
8	6500 263	1			SCREW w/Washer, Eng. Support Insulator to Frame Front
9	6100 053	1			NUT, Eng. Support Insulator to Frame Front
10	6100 518	2			NUT, Front Crossmember Flange Tie Plate
11	5202 902	1		M,Z	BRACKET ASSY., Eng. Support Insulator Rt.
	4191 900	1		P,D,C,V	
12	#4270 153	1			BUSHING ASSY., Eng. Support Insulator
13	5202 043	1			STUD, Eng. Support Insulator Bracket to Eng. Mounting Assy. Rt.
14	6500 164	1			NUT, Eng. Support Insulator Bracket to Eng. Mounting Assy. Stud Rt.
15	6500 263	1			SCREW w/Washer, Eng. Support Insulator to Frame
16	6500 602	2		P,D,C,V	SCREW w/Washer, Bushing Assy. to Insulator Bracket
17	6500 165	2			NUT, Eng. Support Insulator Bracket to Eng. Mounting Assy. Bolt
18		1			NUT, Eng. Support Insulator to Frame Screw (Not Serviced)
19	4191 976	2			REINFORCEMENT, Insulator Shell
20	4213 629	1			BRACKET ASSY., Eng. Mounting, Rt.

**MODEL CODES**

B = GRAN FURY/CARAVELLE	P = RELIANT
C = LEBARON/TOWN & COUNTRY	S = CORDOBA
D = ARIES	V = 400
F = NEW YORKER	X = MIRADA
G = DIPLOMAT	Y = IMPERIAL
M = HORIZON/TC3/SCAMP	Z = OMNI/O24/RAMPAGE

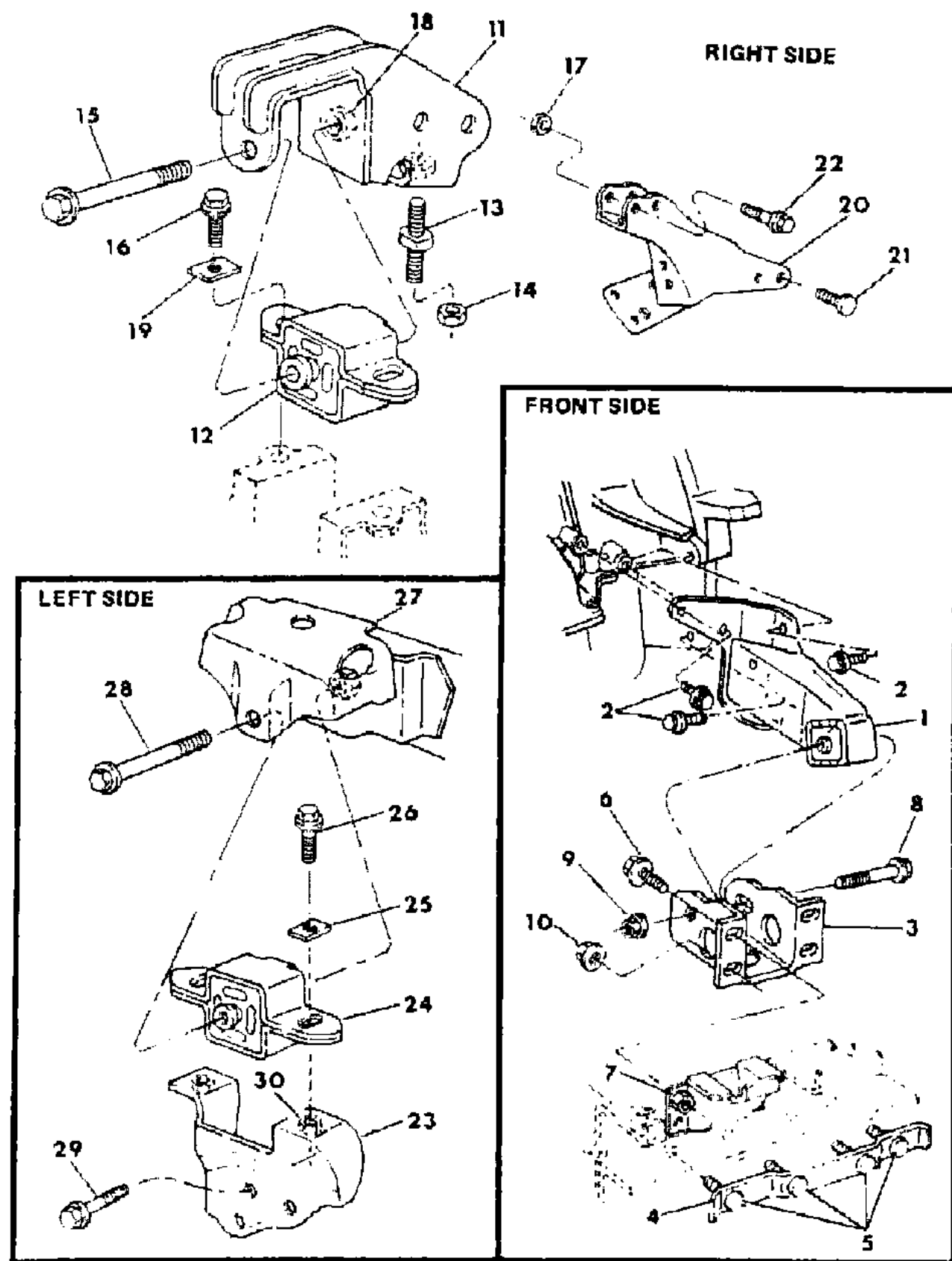
**BODY STYLES**

21 = 2-DOOR SEDAN	28 = FWD PICKUP
22 = 2-DOOR SPECIAL COUPE	41 = 4-DOOR SEDAN
24 = 2-DOOR HATCHBACK	44 = 4-DOOR HATCHBACK
27 = 2-DOOR CONVERTIBLE	45 = 2-SEAT STATION WAGON

AR = Use as Required - = Non Illustrated Part P.A.R. = Paint as Required

**ENGINE MOUNTING 4 CYLINDER 2.2 L ENGINE, M,Z,P,D,C,V**  
**Figure 9A-1900**

2158 1900A



ITEM	PART NUMBER	QTY	BODY	MODEL	DESCRIPTION
21	6500 340	2			SCREW w/Washer, Eng. Mounting Spacer to Block (M10x1.50 - 80 Lg)
21	#6500 157	2			(M10 X1.50 - 25 lgh.)
22	6500 369	2			BOLT, Eng. Support Insulator Bracket To Eng. Mounting Assy.
23	#4267 208	1		M,Z	BRACKET ASSY., Engine Support Insulator Left, w/460 Man. Trans.
	4267 207	1		M,Z	w/413 Auto. Trans.
	4267 206	1		P,D,C,V	w/Man. Trans.
	4267 205	1		P,D,C,V	w/Auto. Trans.
24	4191 973	1			BUSHING ASSY., Engine Support Insulator
25	4191 976	2			REINFORCEMENT, Insulator Shell
26	#6500 602	2			SCREW w/Washer, Bushing Assy. to Insulator Bracket
27		1			BRACKET, Frame Side Rail
28	6500 626	1			SCREW w/Washer, Engine Support Insulator to Frame Side Rail Bracket
29	6500 297	3			SCREW w/Washer, Engine Support Insulator Bracket to Trans. Case

**MODEL CODES**

B = GRAN FURY/CARAVELLE	P = RELIANT
C = LEBARON/TOWN & COUNTRY	S = CORDOBA
D = ARIES	V = 400
F = NEW YORKER	X = MIRADA
G = DIPLOMAT	Y = IMPERIAL
M = HORIZON/TC3/SCAMP	Z = OMNI/O24/RAMPAGE

**BODY STYLES**

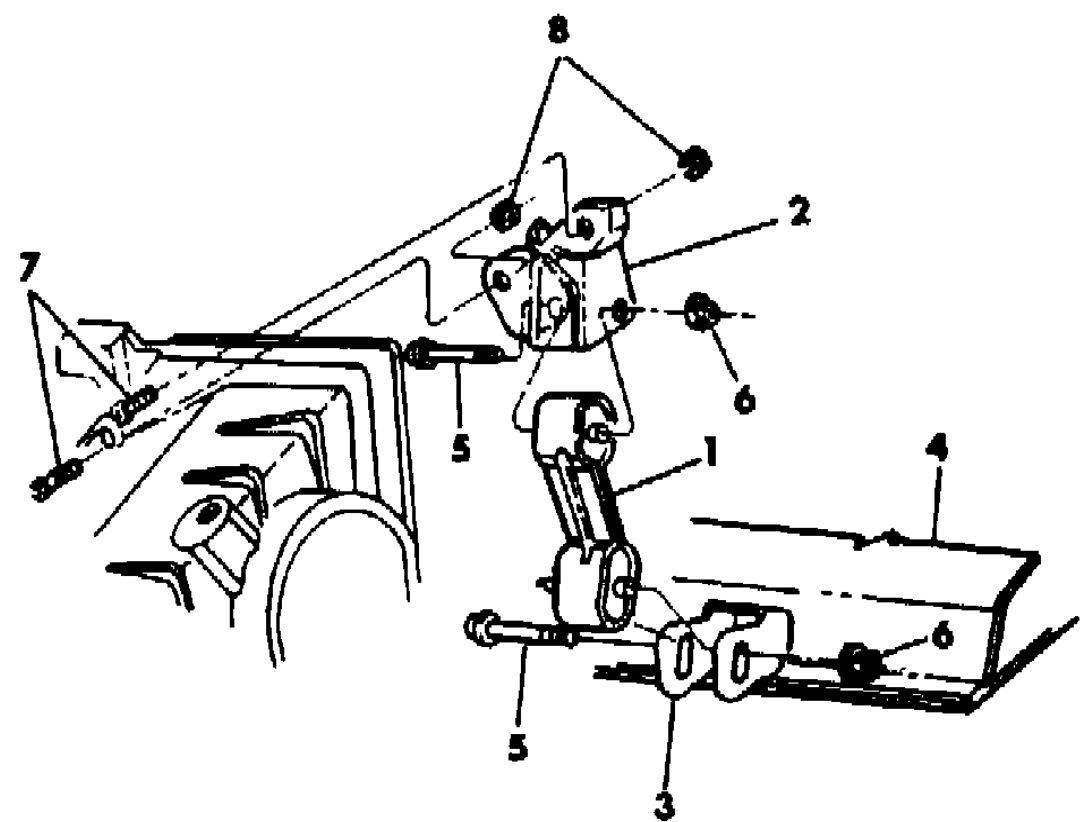
21 = 2-DOOR SEDAN	28 = FWD PICKUP
22 = 2-DOOR SPECIAL COUPE	41 = 4-DOOR SEDAN
24 = 2-DOOR HATCHBACK	44 = 4-DOOR HATCHBACK
27 = 2-DOOR CONVERTIBLE	45 = 2-SEAT STATION WAGON

AR = Use as Required - = Non Illustrated Part P.A.R. = Paint as Required

**ENGINE STRUT, w/MAN. TRANS. 4 CYLINDER 2.2 L ENG., M,Z,P,D,C,V**  
**Figure 9A-1950**

2158 1950

ITEM	PART NUMBER	QTY	BODY	MODEL	DESCRIPTION
1	#4191 282	1			STRUT, Man. Trans. to Support Crossmember Roll, w /Man. Trans.
2	#4191 284	1			BRACKET, Man. Trans. to Engine Roll Strut, w/Man. Trans.
3		1			BRACKET, Support Crossmember to Eng. Roll Strut, Serviced in # 4191206 Front side Rail Front Crossmember
4	#4191 206	1			CROSSMEMBER, Front Side Rail Front
5	#6101 342	2			SCREW W/Washer, Bracket to Strut
6	6100 053	2			NUT, Bracket to Strut Screw
7	#6100 342	2			BOLT, Man. Trans. to Eng. Roll Strut Bracket
8	#6100 517	2			NUT, Man. Trans. to Eng. Roll Strut Bracket Bolt



MODEL CODES  
 B = GRAN FURY/CARAVELLE      P = RELIANT  
 C = LEBARON/TOWN & COUNTRY    S = CORDOBA  
 D = ARIES                            V = 400  
 F = NEW YORKER                    X = MIRADA  
 G = DIPLOMAT                       Y = IMPERIAL  
 M = HORIZON/TC3/SCAMP        Z = OMNI/O24/RAMPAGE

BODY STYLES  
 21 = 2-DOOR SEDAN                28 = FWD PICKUP  
 22 = 2-DOOR SPECIAL COUPE    41 = 4-DOOR SEDAN  
 24 = 2-DOOR HATCHBACK        44 = 4-DOOR HATCHBACK  
 27 = 2-DOOR CONVERTIBLE       45 = 2-SEAT STATION WAGON

AR = Use as Required - = Non Illustrated Part P.A.R. = Paint as Required



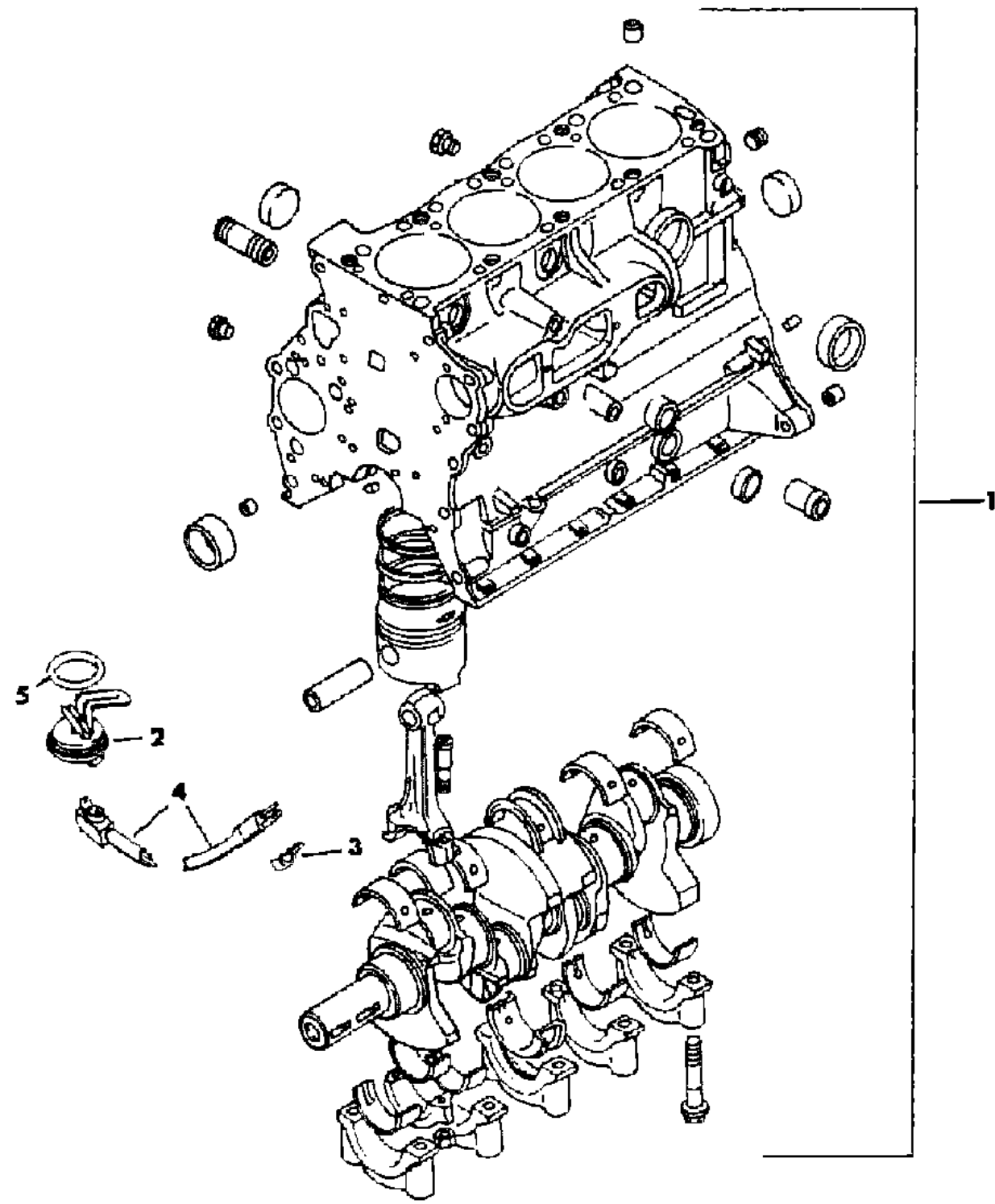
SHORT ENGINE 4 CYLINDER 2.6 L ENG., P,D,C,V  
Figure 9A-3100

2158 3100A

ITEM	PART NUMBER	QTY	BODY	MODEL	DESCRIPTION
------	-------------	-----	------	-------	-------------

Note: This Short Engine includes a Cylinder Block with Pistons and Rings, Connecting Rod and Bearings, Crankshaft and Bearings with Caps. on as described in the Chrysler repair Manual.

1	MD02 5787 MD02 5788				ENGINE, Short (See Note) U.S. (See Note) CANADA
2	5213 084	1			HEATER, Engine Block
3	6015 412	1			CLIP, Engine Block Heater Cord
4	3614 282	1			CORD, Engine Block Heater
5	6027 513	1			"O"RING, Eng. Block Heater (.06 O/S)



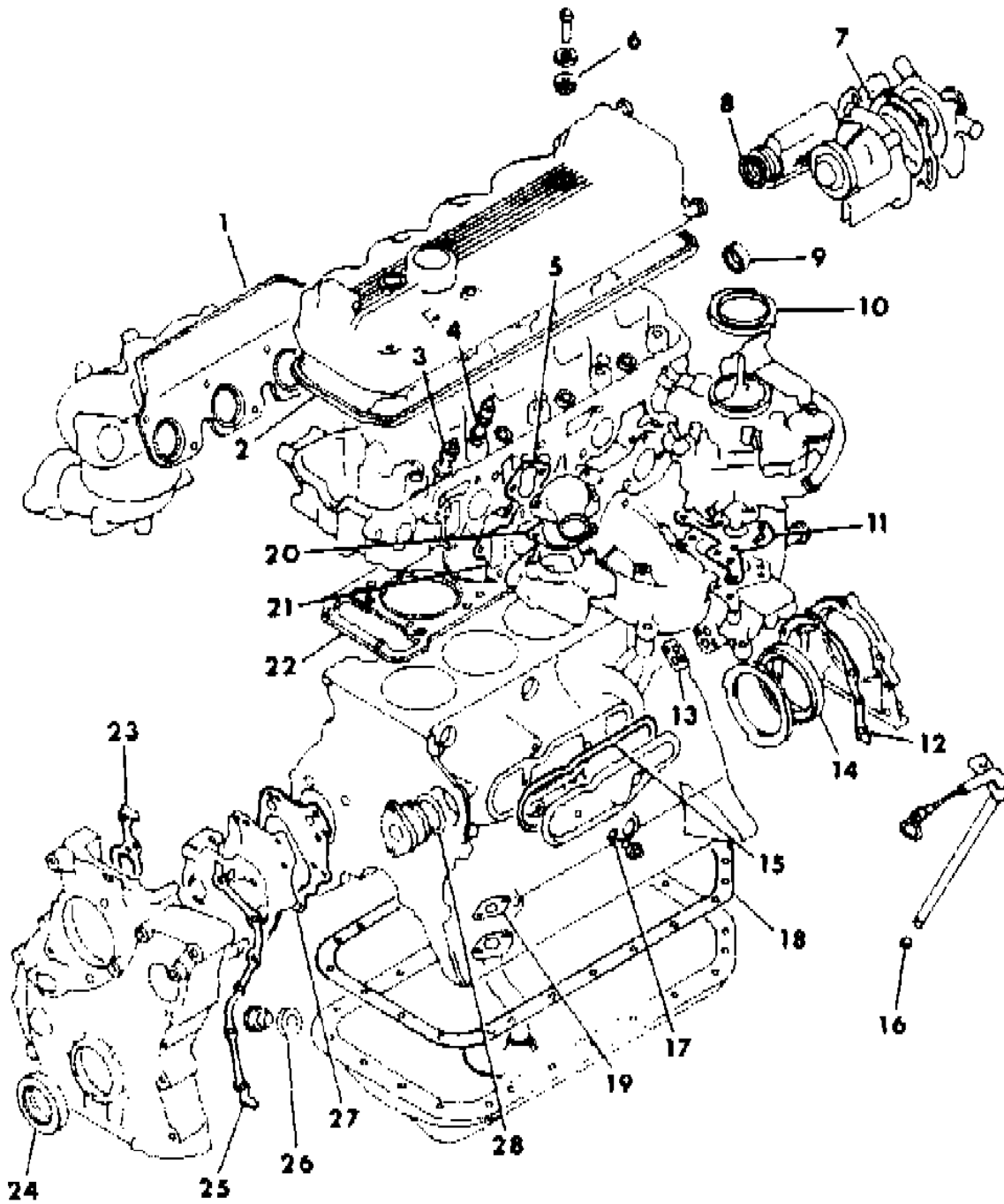
MODEL CODES  
 B = GRAN FURY/CARAVELLE      P = RELIANT  
 C = LEBARON/TOWN & COUNTRY      S = CORDOBA  
 D = ARIES      V = 400  
 F = NEW YORKER      X = MIRADA  
 G = DIPLOMAT      Y = IMPERIAL  
 M = HORIZON/TC3/SCAMP      Z = OMNI/O24/RAMPAGE

BODY STYLES  
 21 = 2-DOOR SEDAN      28 = FWD PICKUP  
 22 = 2-DOOR SPECIAL COUPE      41 = 4-DOOR SEDAN  
 24 = 2-DOOR HATCHBACK      44 = 4-DOOR HATCHBACK  
 27 = 2-DOOR CONVERTIBLE      45 = 2-SEAT STATION WAGON

AR = Use as Required - = Non Illustrated Part P.A.R. = Paint as Required

**ENGINE OVERHAUL GASKET SET 4 CYLINDER 2.6 L ENG., P,D,C,V**  
**Figure 9A-3200**

2158 3700



ITEM	PART NUMBER	QTY	BODY	MODEL	DESCRIPTION
	MD02 7935	1		P,D,V,C	GASKET SET, Engine Overhaul
	MD99 7021	1		P,D,V,C	GASKET SET, Engine Upper
					Consists of:
1					1 - MD025684 GASKET, Exhaust Manifold
2					1 - MD024682 GASKET, Rocker Cover
3					8 - MD000508 SEAL, Valve Stem
4					4 - MD009786 "O"Ring
5					2 - MD023388 GASKET, Fuel Pump
6					2 - MD000523 Oil Seal
7					1 - MD025196 Gasket, Water Pump
8					1 - MD030764 "O"Ring, Water Pump
9					1 - MD024529 Oil Seal Camshaft
10					1 - MD025181 Gasket, Air Cleaner
11					1 - MD025344 Gasket, Carburetor
12					1 - MD020242 Gasket, Oil Seal Case
13					1 - MD003358 Gasket, E.G.R Valve
14					1 - MD020435 Oil Seal, Rear
15					1 - MD020239 Gasket, Cover
16					1 - MF520004 "O"Ring
17					2 - MD020256 "O"Ring
18					1 - MD024777 Gasket, Oil Pan
19					1 - MD021577 Gasket, Oil Screen
20					1 - MD000551 Gasket, Water Outlet Fitting
21					1 - MD024628 Gasket, Inlet Manifold
22					1 - MD026654 Gasket, Cylinder Headd
23					1 - MD020324 Gasket, Chain Case, Rt.
24					1 - MD020308 Oil Seal, Front
25					1 - MD020325 Gasket, Chain Case, Lt.
26					1 - MD000312 Gasket, Oil Drain Plug
27					1 - MD021539 Gasket, Oil Pump
28					1 - MD021045 "O"Ring

**MODEL CODES**

B = GRAN FURY/CARAVELLE	P = RELIANT
C = LEBARON/TOWN & COUNTRY	S = CORDOBA
D = ARIES	V = 400
F = NEW YORKER	X = MIRADA
G = DIPLOMAT	Y = IMPERIAL
M = HORIZON/TC3/SCAMP	Z = OMNI/O24/RAMPAGE

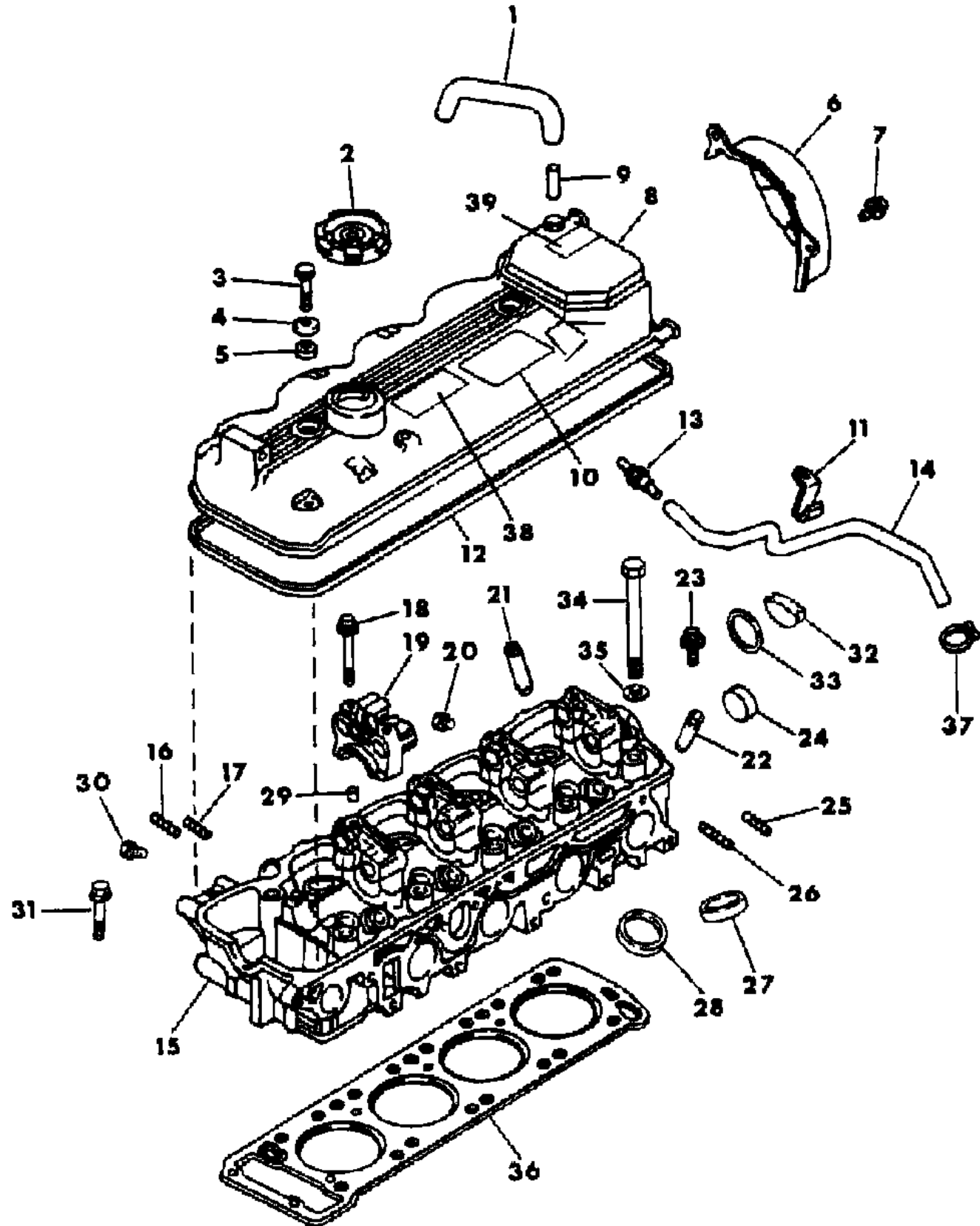
**BODY STYLES**

21 = 2-DOOR SEDAN	28 = FWD PICKUP
22 = 2-DOOR SPECIAL COUPE	41 = 4-DOOR SEDAN
24 = 2-DOOR HATCHBACK	44 = 4-DOOR HATCHBACK
27 = 2-DOOR CONVERTIBLE	45 = 2-SEAT STATION WAGON

AR = Use as Required - = Non Illustrated Part P.A.R. = Paint as Required

**CYLINDER HEAD AND RELATED PARTS 4 CYLINDER 2.6 L ENG., P,D,C,V**  
**Figure 9A-3300**

2158 3300A



ITEM	PART NUMBER	QTY	BODY	MODEL	DESCRIPTION
1	MD02 4889	1			HOSE, Breather (up to Sept. 81)
	MD01 5753	1			(after Sept. 81)
2	MD00 8784	1			CAP, Oil Filter
3	MF10 0063	2			BOLT (8x40)
4	MD00 0522	2			WASHER
5	MD00 0523	2			OIL SEAL
6	MD02 4883	1			COVER, Belt
7	MF14 0021	2			BOLT, Cover Belt (8x12)
8	MD02 7514	1			COVER, Assy. Rocker (Includes Pipe) (U.S. Except Calif.) (up to Sept. 81)
	MD01 5913	1			(after Sept. 81)
	MD02 4809	1			(Canada)
	MD02 7516	1			(Calif.) (up to Sept. 81)
	MD01 5914	1			(Calif.) (from Sept. 81 to Nov. 81)
	MD01 8569	1			(Calif.) (after Nov. 81)
9	MD02 6618	1			PIPE, Breather
10	MD00 9781	1			LABEL, Caution
11	MD02 4869	1			CLAMP, P.C.V. Hose
12	MD02 4682	1			GASKET, Rocker Cover
13	MD02 6613	1			VALVE, P.C.V.
14	#MD02 6609	1			HOSE, P.C.V.
15	MD02 6510	1			HEAD, Assy. Cylinder (U.S.)
	MD02 6520	1			(Canada)
16	MD00 5470	5			STUD, (8x25)
17	MD00 5317	3			STUD
	MF40 1937	1			STUD (8x28)
18	MD02 0566	10			BOLT, Flange
19					CAP, Camshaft (Serviced in Head Assy.)
20	MD02 2295	2			PLUG, Taper
21					GUIDE, Valve, Exhaust
	MD02 0561	4			0.05 MM O/S
	MD02 0562	4			0.25 MM O/S
	MD02 0563	4			0.50 MM O/S
22					GUIDE, Valve Inlet
	MD02 0551	4			0.05 MM O/S
	MD02 0552	4			0.25 MM O/S
	MD02 0553	4			0.50 MM O/S

MODEL CODES

B = GRAN FURY/CARAVELLE	P = RELIANT
C = LEBARON/TOWN & COUNTRY	S = CORDOBA
D = ARIES	V = 400
F = NEW YORKER	X = MIRADA
G = DIPLOMAT	Y = IMPERIAL
M = HORIZON/TC3/SCAMP	Z = OMNI/O24/RAMPAGE

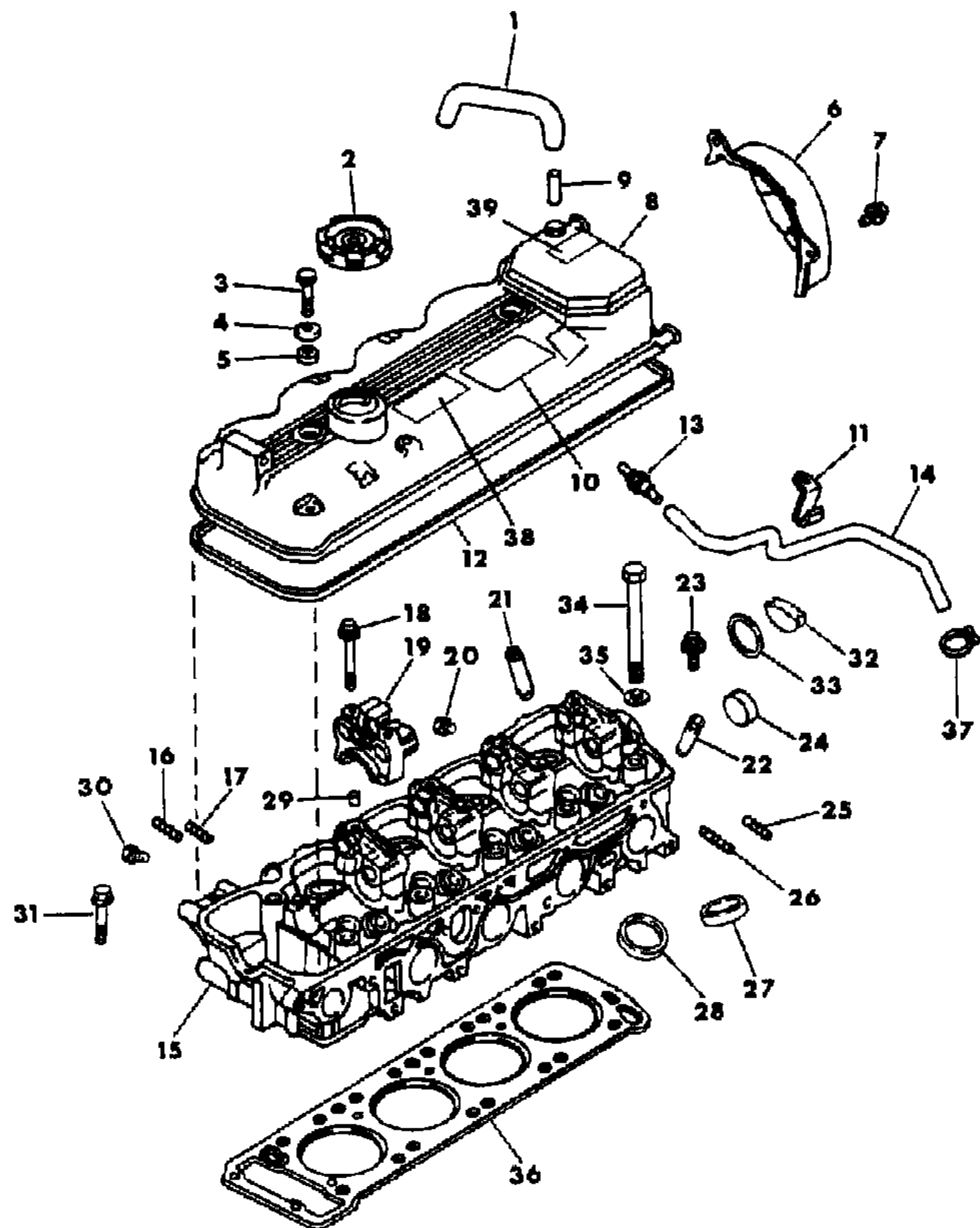
BODY STYLES

21 = 2-DOOR SEDAN	28 = FWD PICKUP
22 = 2-DOOR SPECIAL COUPE	41 = 4-DOOR SEDAN
24 = 2-DOOR HATCHBACK	44 = 4-DOOR HATCHBACK
27 = 2-DOOR CONVERTIBLE	45 = 2-SEAT STATION WAGON

AR = Use as Required - = Non Illustrated Part P.A.R. = Paint as Required

**CYLINDER HEAD AND RELATED PARTS 4 CYLINDER 2.6 L ENG., P,D,C,V**  
**Figure 9A-3300**

2158 3300A



ITEM	PART NUMBER	QTY	BODY	MODEL	DESCRIPTION
23	MF14 0227	2			BOLT, Flange (8x25)
24	MD00 0427	1			PLUG, Expansion
25	MS40 1428	6			STUD (8x28)
26	MS40 1427	6			STUD (8x25)
27					SEAT, Valve, Exhaust
	MD02 6517	4			0.30 MM O/S (U.S.)
	MD02 6518	4			0.60 MM O/S (U.S.)
	MD02 4546	4			0.30 MM O/S (Canada)
	MD02 4547	4			0.60 MM O/S (Canada)
28					SEAT, Valve, Intake
	MD02 6514	4			0.30 MM O/S
	MD02 6515	4			0.60 MM O/S
29	MS47 1104	10			BUSHING, Knock (8x9)
30	MD00 0429	1			PLUG, Taper
31	MS24 1076	2			BOLT, w/Washer (8x50)
32	MD02 0718	1			PACKING, Semi- Circular
33	MD02 4529	1			SEAL, Camshaft
34	MD02 0730	10			BOLT, Cylinder Head
35	MD02 0733	10			WASHER, Cylinder Head Bolt
36	MD02 6654	1			GASKET, Cylinder Head
37	MS66 0164	1			CLIP, P.C.V., Hose
38	#MD02 6700	1			LABEL, except Canada
	MD02 6701	1			Canada
39	#MD02 7517	1			LABEL, Engine Part No. (except Calif. and Canada up to Sept. 81)
	MD01 5915	1			(except Calif. and Canada after Sept. 81)
	MD02 7519	1			(Calif. up to Sept. 81)
	MD01 5916	1			(Calif. from Sept. 81 to Nov. 81)
	MD01 8497	1			(Calif. after Nov. 81)
	MD02 6629	1			Canada

**MODEL CODES**

B = GRAN FURY/CARAVELLE	P = RELIANT
C = LEBARON/TOWN & COUNTRY	S = CORDOBA
D = ARIES	V = 400
F = NEW YORKER	X = MIRADA
G = DIPLOMAT	Y = IMPERIAL
M = HORIZON/TC3/SCAMP	Z = OMNI/O24/RAMPAGE

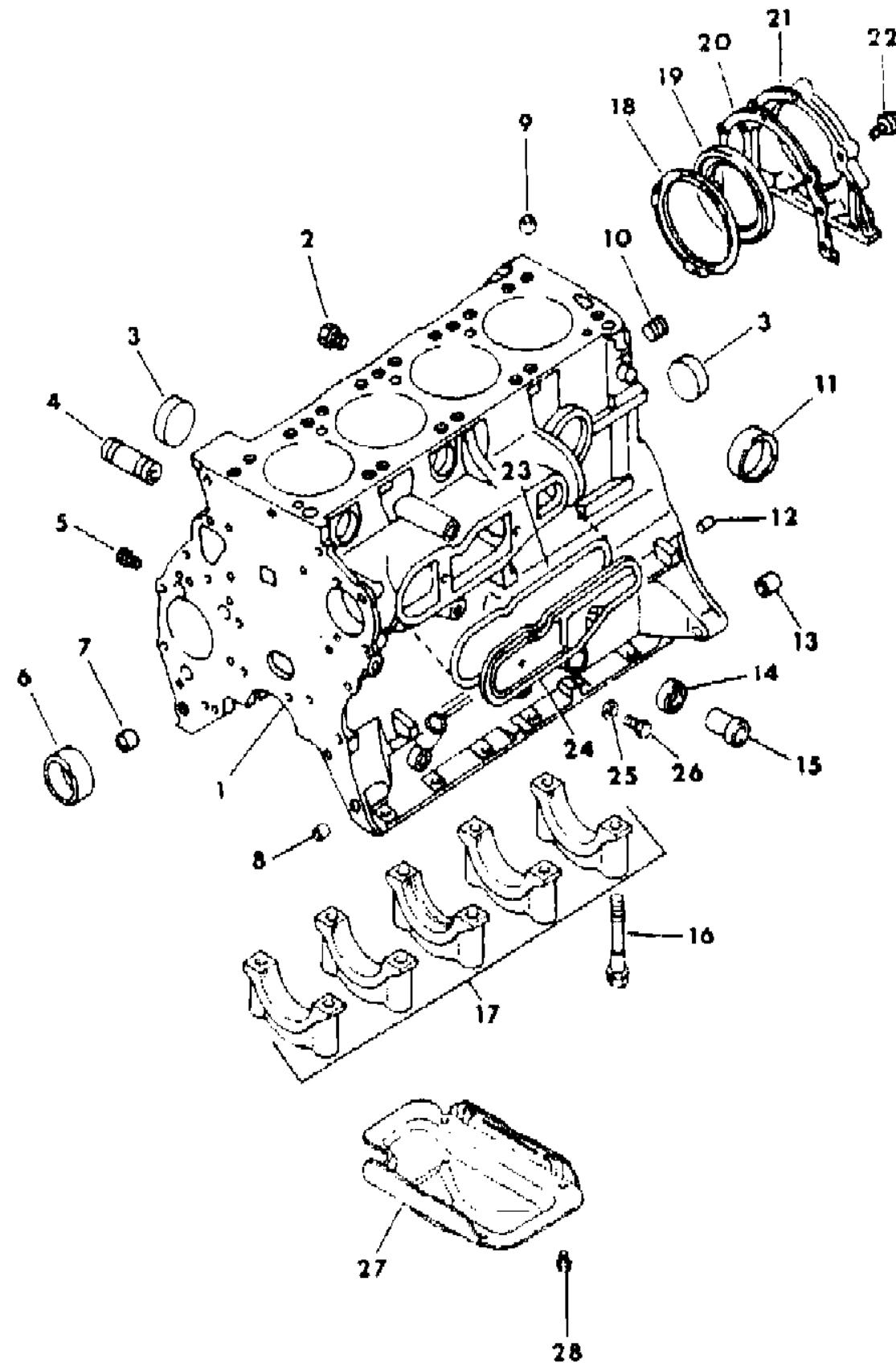
**BODY STYLES**

21 = 2-DOOR SEDAN	28 = FWD PICKUP
22 = 2-DOOR SPECIAL COUPE	41 = 4-DOOR SEDAN
24 = 2-DOOR HATCHBACK	44 = 4-DOOR HATCHBACK
27 = 2-DOOR CONVERTIBLE	45 = 2-SEAT STATION WAGON

AR = Use as Required - = Non Illustrated Part P.A.R. = Paint as Required

**CYLINDER BLOCK AND RELATED PARTS 4 CYLINDER 2.6 L ENG., P,D,C,V**  
**Figure 9A-3400**

2135 3400A



ITEM	PART NUMBER	QTY	BODY	MODEL	DESCRIPTION
1	MD02 4505	1			BLOCK Assy., Cylinder (U.S. And Export)
1	MD02 6200	1			(Canada)
2	MD00 0269	1			PLUG, Taper
3	MD00 0427	3			CAP, Sealing
4	MD02 0235	1			STUD, Oil Filter
5	MD02 4567	1			PLUG, Taper
6	MD02 1118	2			BEARING, Rear
7	MD02 0234	1			NOZZLE
8	MS47 1104	2			BUSHING, Knock (8x9)
9	MS47 1111	2			BUSHING, Knock (12x13)
10	MS66 1122	1			PLUG, Taper (3/8)
11	MF66 5544	3			CAP, Sealing (50)
12	MF47 2403	2			PIN, Dowel (6)
13	MD02 4778	2			BUSHING, Knock (up to Aug. 81)
	MS47 1109	2			(after Aug. 81)
14	MF66 5539	4			CAP, Sealing (28)
15	MD02 5364	2			JOINT
16	MD02 0223	10			BOLT, Bearing Cap
17					CAP, Crankshaft Bearing (Serviced in Block Assy.)
18	MD02 0436	1			OIL SEPARATOR
19	MD02 0435	1			OIL SEAL, Rear (up to Nov. 81)
	MD05 0604	1			(after Nov. 81)
20	MD02 0292	1			GASKET, Oil Seal Case
21	MD02 4509	1			CASE, Oil Seal
22	MF14 0208	5			BOLT, Flange (6x22)
23	MD02 0239	1			GASKET, Cover
24	MD02 0237	1			COVER
25	MD02 0256	2			"O"RING
26	MF14 0003	2			BOLT (6x12)
27	MD02 4524	1			SEAL, Crankcase
28	MF24 1223	5			BOLT, w/Washer (6x12)
29	MD02 6203	2			CAP, Sealing

**MODEL CODES**

B = GRAN FURY/CARAVELLE	P = RELIANT
C = LEBARON/TOWN & COUNTRY	S = CORDOBA
D = ARIES	V = 400
F = NEW YORKER	X = MIRADA
G = DIPLOMAT	Y = IMPERIAL
M = HORIZON/TC3/SCAMP	Z = OMNI/O24/RAMPAGE

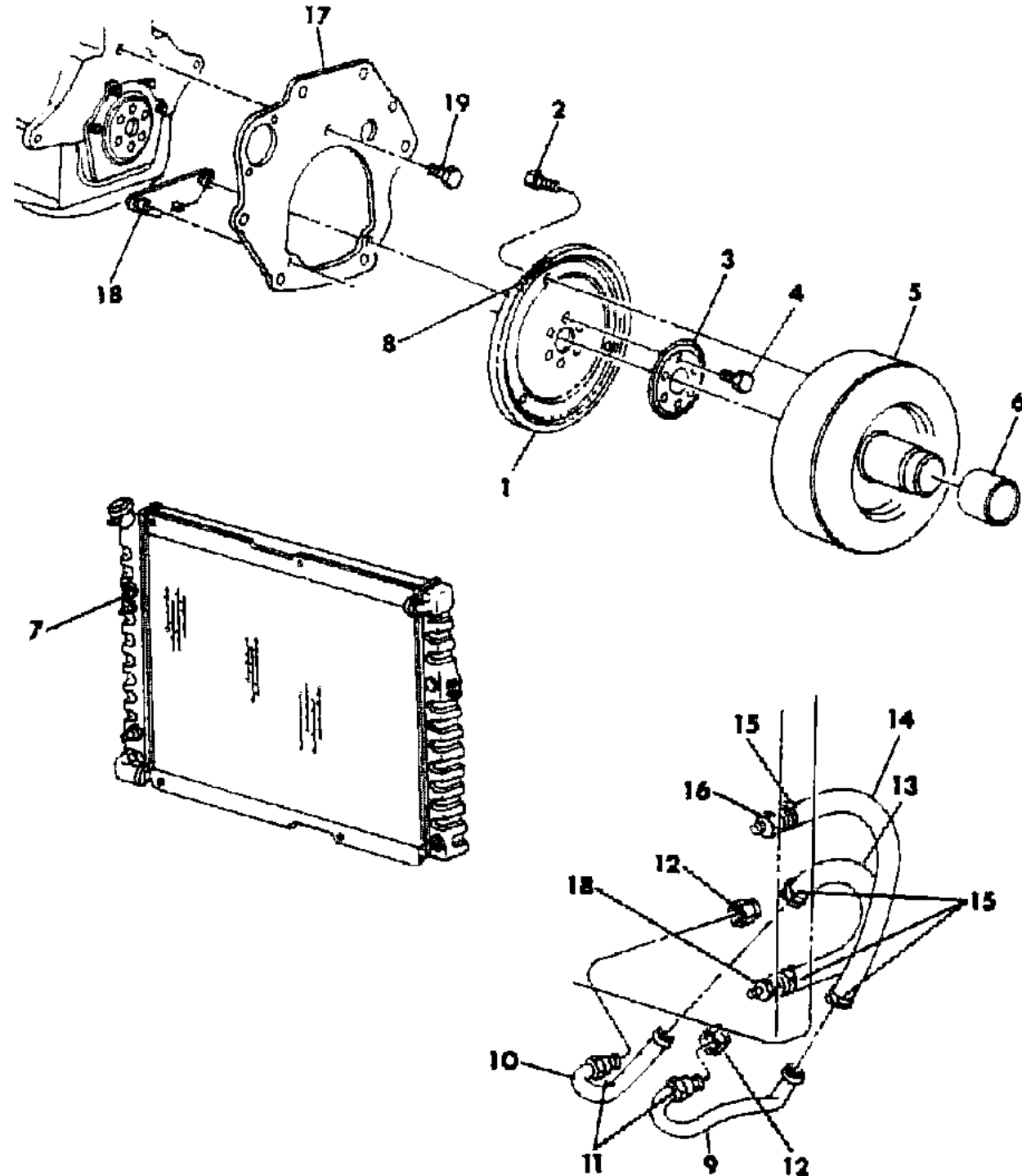
**BODY STYLES**

21 = 2-DOOR SEDAN	28 = FWD PICKUP
22 = 2-DOOR SPECIAL COUPE	41 = 4-DOOR SEDAN
24 = 2-DOOR HATCHBACK	44 = 4-DOOR HATCHBACK
27 = 2-DOOR CONVERTIBLE	45 = 2-SEAT STATION WAGON

AR = Use as Required - = Non Illustrated Part P.A.R. = Paint as Required

**TORQUE CONVERTER, DRIVE PLATE, TRANS. OIL COOLER AND TUBES 4 CYLINDER 2.6 L ENG., P,D,C,V**  
**Figure 9A-3500**

2158 3500



ITEM	PART NUMBER	QTY	BODY	MODEL	DESCRIPTION
NOTE (1) Part No. 4026139 Consists of a 50 Foot Roll Hose on as described in the Chrysler repair Manual.					
NOTE (2) Part No. 1843253 Consists of a 25 Foot Tube on as described in the Chrysler repair Manual.					
1	5222 641	1			PLATE ASSY., Torque Converter Drive
2	6500 500	3			BOLT, Drive Plate to Torque Converter
3	5222 585	1			PLATE, Crankshaft Bolt Backing
4	6500 269	6			BOLT, Drive Plate to Crankshaft
5	5222 597	1			TORQUE CONVERTER ASSY.
6	3515 138	1			SEAL, Trans. Torque Converter Impeller Hub
7	4140 569	1			OIL COOLER ASSY., Radiator Trans.
8		1			GEAR, Torque Converter Ring (Service in Drive Plate Assy.)
9		1			TUBE ASSY. Trans. Oil Cooler Inlet (Cut to 9" Lgh.) (See Note 2)
10		1			TUBE ASSY. Trans. Oil Cooler Outlet (Cut 11" Lgh. )(See Note 2)
11	0137 398	2			NUT, Trans. Oil Cooler Tube (Trans. End)
12	5222 271	2			CONNECTER, Trans. Oil Cooler Tube (Trans End)
13	4026 139	AR			HOSE, Trans. Oil Cooler Inlet (Cut to 8.50" Lgh.)(See Note 1)
14	4026 139	AR			HOSE, Trans. Oil Cooler Outlet (Cut to 12.50" Lgh.) (See Note 1)
15	0153 456	4			CLAMP, Trans. Oil Cooler Hose
16	6500 170	2			CONNECTOR, Trans. Oil Cooler Tube (Radiator End)
17	5224 388	1			SPACER, Plate Trans. (See Group 21)
18	5224 393	1			COVER, Trans. Torque Converter (See Group 21)
19	6101 221	1			SCREW, Trans. Spacer Plate

**MODEL CODES**

B = GRAN FURY/CARAVELLE	P = RELIANT
C = LEBARON/TOWN & COUNTRY	S = CORDOBA
D = ARIES	V = 400
F = NEW YORKER	X = MIRADA
G = DIPLOMAT	Y = IMPERIAL
M = HORIZON/TC3/SCAMP	Z = OMNI/O24/RAMPAGE

**BODY STYLES**

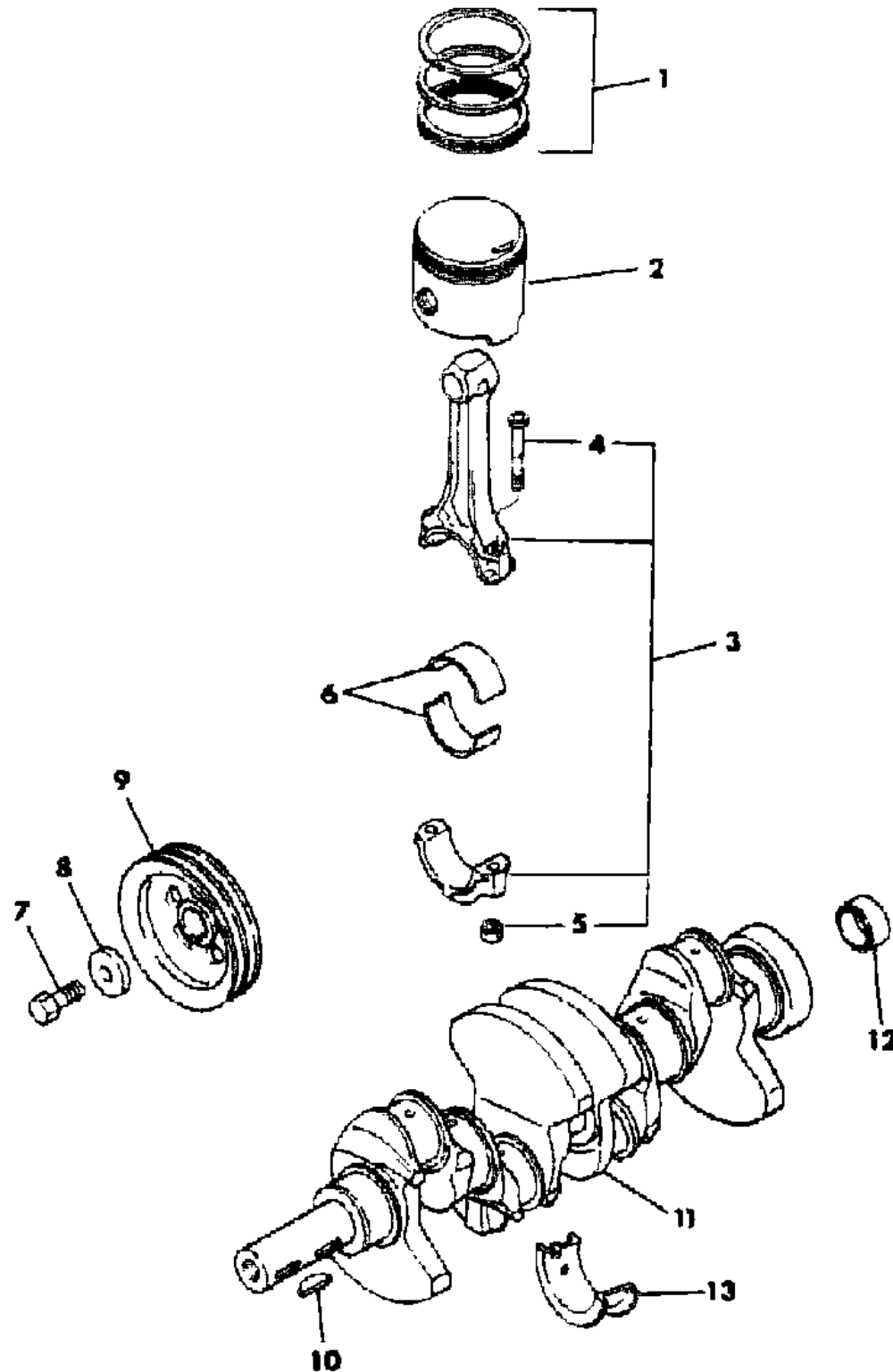
21 = 2-DOOR SEDAN	28 = FWD PICKUP
22 = 2-DOOR SPECIAL COUPE	41 = 4-DOOR SEDAN
24 = 2-DOOR HATCHBACK	44 = 4-DOOR HATCHBACK
27 = 2-DOOR CONVERTIBLE	45 = 2-SEAT STATION WAGON

AR = Use as Required - = Non Illustrated Part P.A.R. = Paint as Required

PISTONS, RINGS, CONNECTING RODS, CRANKSHAFT AND BEARINGS 4 CYLINDER 2.6 L ENG., P,D,C,V

Figure 9A-3600

2158 3600



ITEM	PART NUMBER	QTY	BODY	MODEL	DESCRIPTION
1	MD02 6835	1			RING SET, Piston, Std.
	MD02 6836	1			0.25 MM O/S
	MD02 6837	1			0.50 MM O/S
	MD02 6838	1			0.75 MM O/S
	MD02 6839	1			1.00 MM O/S
2	MD02 6921	4			PISTON, w/Pin, Std.
	MD02 6931	4			0.25 MM O/S
	MD02 6932	4			0.50 MM O/S
	MD02 6933	4			0.75 MM O/S
	MD02 6934	4			1.00 MM O/S
3	MD02 0855	4			ROD Assy. Connecting
4	MD02 1105	8			BOLT, Connecting Rod
5	MD00 6704	8			NUT, Connecting Rod
6	MD02 6430	1			BEARING SET, Connecting Rod, Std.
	MD02 6431	1			0.25 MM U/S
	MD02 6432	1			0.50 MM U/S
	MD02 6433	1			0.75 MM U/S
7	MD02 0830	1			BOLT Crankshaft Pulley
8	MD02 0831	1			WASHER
9	MD02 4895	1			PULLEY, Crankshaft
10	MD00 0606	2			KEY
11	MD02 6408	1			CRANKSHAFT
12	MD02 4893	1			BUSHING, Crankshaft
13	MD02 6815	1			BEARING SET, Crankshaft, Std.
	MD02 6816	1			0.25 MM U/S
	MD02 6817	1			0.50 MM U/S
	MD02 6818	1			0.75 MM U/S

MODEL CODES

B = GRAN FURY/CARAVELLE	P = RELIANT
C = LEBARON/TOWN & COUNTRY	S = CORDOBA
D = ARIES	V = 400
F = NEW YORKER	X = MIRADA
G = DIPLOMAT	Y = IMPERIAL
M = HORIZON/TC3/SCAMP	Z = OMNI/O24/RAMPAGE

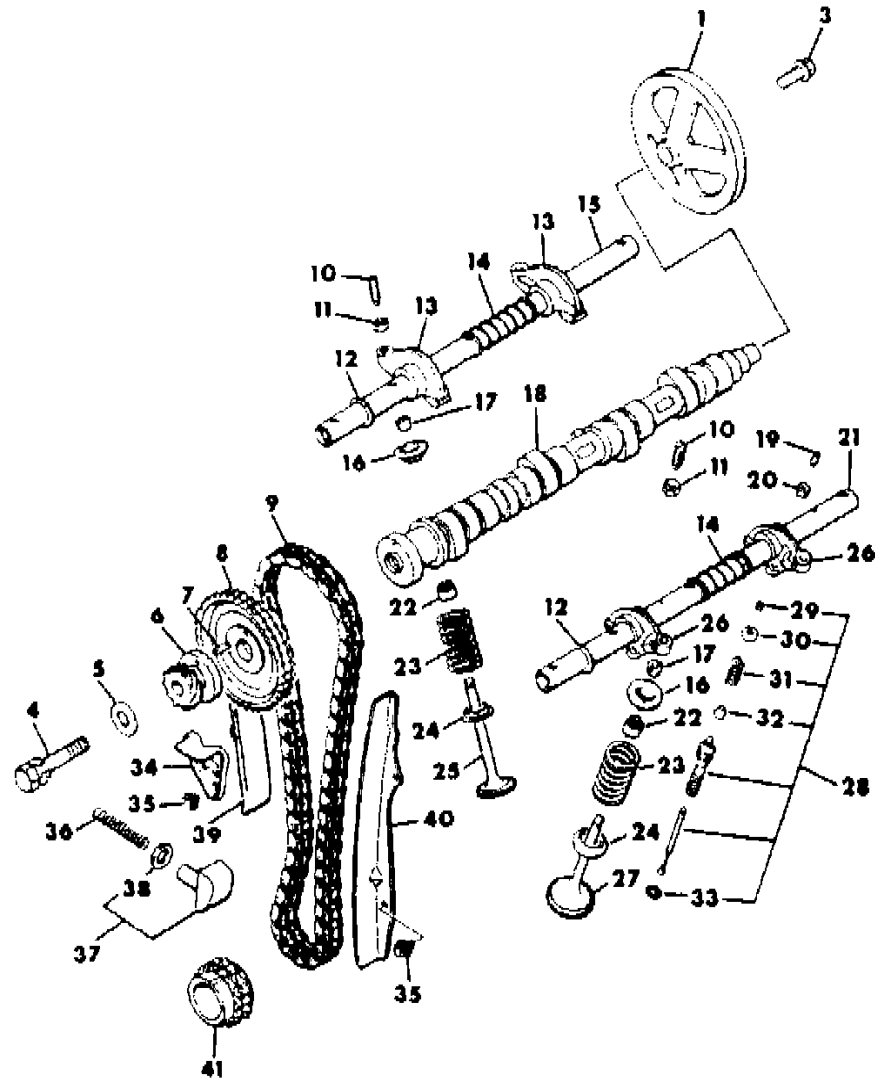
BODY STYLES

21 = 2-DOOR SEDAN	28 = FWD PICKUP
22 = 2-DOOR SPECIAL COUPE	41 = 4-DOOR SEDAN
24 = 2-DOOR HATCHBACK	44 = 4-DOOR HATCHBACK
27 = 2-DOOR CONVERTIBLE	45 = 2-SEAT STATION WAGON

AR = Use as Required - = Non Illustrated Part P.A.R. = Paint as Required

**CAMSHAFT, VALVES, TIMING CHAIN AND RELATED PARTS 4 CYLINDER 2.6 L ENG., P,D,C,V**  
**Figure 9A-3700**

2158 3700



ITEM	PART NUMBER	QTY	BODY	MODEL	DESCRIPTION
1	MD02 5669	1			PULLEY, Camshaft
3	MF14 0262	1			BOLT, Flange (10x25)
4	MS24 1117	1			BOLT, w/Washer (14x70)
5	MF45 0008	1			WASHER, Plain (14)
6	MD02 1247	1			GEAR, Distributor)
7	MD02 1219	1			PIN, Spring
8	MD02 1246	1			SPROCKET, Camshaft
9	MD02 1230	1			CHAIN, Timing
10	MD01 9845	8			SCREW, Adjusting Rocker Arm
11	MD00 0961	8			NUT
12	MD00 0964	2			WASHER, Waved
13	MD02 3226	4			ARM, Rocker, Right C
14	MD02 1211	6			SPRING, Rocker Shaft
15	MD02 3198	1			SHAFT Assy., Rocker Arm Rt.
16	MD00 8761	8			RETAINER, Valve Spring
17	MD00 8760	16			LOCK, Valve Spring Retainer
18	MD02 6730	1			CAMSHAFT
19	MD00 9371	4			SCREW, Adjusting Rocker Arm
20	MD00 9372	4			NUT
21	MD02 3196	1			SHAFT, Assy. Rocker Arm, Lt.
22	MD00 0508	8			SEAL, Valve Stem
23	MD02 2591	8			SPRING, Valve
24	MD00 0507	8			SEAT, Valve Spring
25	#MD02 4519	4			VALVE, Exhaust
26	MD02 3225	4			ARM, Rocker, Left
27	MD02 4518	4			VALVE, Inlet
28	MD00 9440	4			VALVE Assy. Jet
29	MD00 9365	8			LOCK, Valve Spring Retainer
30	MD00 9784	4			RETAINER, Valve Spring
31	MD00 9783	4			SPRING, Valve
32	MD00 6268	4			SEAL, Valve Stem
33	MD00 9786	4			"O"RING
34	MD02 1237	1			HOLDER, Camshaft Sprocket
35	MS10 1311	4			BOLT, Flange (6x10)
36	MD02 1234	1			SPRING, Tensioner
37	MD02 1233	1			SLEEVE, Complete
38	MD02 1242	1			SHEET, Rubber

**MODEL CODES**

B = GRAN FURY/CARAVELLE	P = RELIANT
C = LEBARON/TOWN & COUNTRY	S = CORDOBA
D = ARIES	V = 400
F = NEW YORKER	X = MIRADA
G = DIPLOMAT	Y = IMPERIAL
M = HORIZON/TC3/SCAMP	Z = OMNI/O24/RAMPAGE

**BODY STYLES**

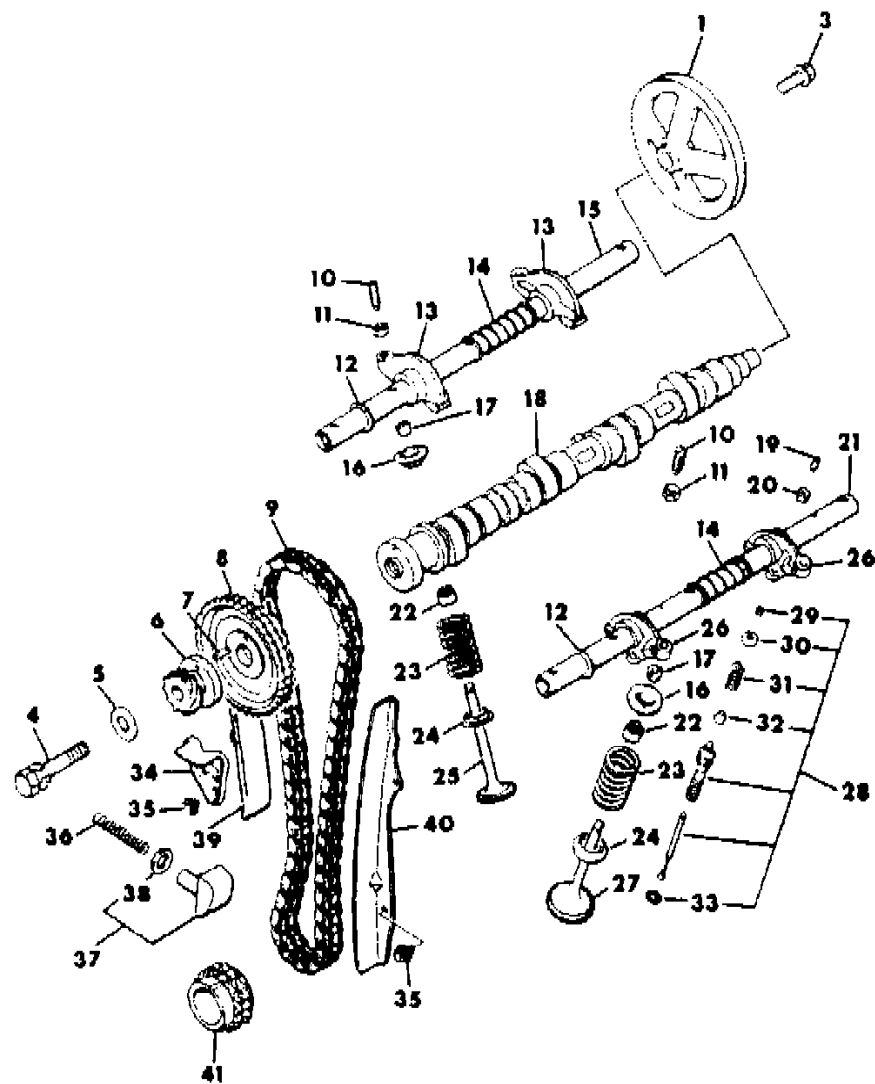
21 = 2-DOOR SEDAN	28 = FWD PICKUP
22 = 2-DOOR SPECIAL COUPE	41 = 4-DOOR SEDAN
24 = 2-DOOR HATCHBACK	44 = 4-DOOR HATCHBACK
27 = 2-DOOR CONVERTIBLE	45 = 2-SEAT STATION WAGON

AR = Use as Required - = Non Illustrated Part P.A.R. = Paint as Required



**CAMSHAFT, VALVES, TIMING CHAIN AND RELATED PARTS 4 CYLINDER 2.6 L ENG., P,D,C,V**  
**Figure 9A-3700**

2158 3700



ITEM	PART NUMBER	QTY	BODY	MODEL	DESCRIPTION
39	MD02 1232	1			GUIDE, Chain Loose Side
40	MD02 1231	1			GUIDE, Chain Tension Side
41	MD02 0843	1			SPROCKET, Crankshaft

**MODEL CODES**

B = GRAN FURY/CARAVELLE	P = RELIANT
C = LEBARON/TOWN & COUNTRY	S = CORDOBA
D = ARIES	V = 400
F = NEW YORKER	X = MIRADA
G = DIPLOMAT	Y = IMPERIAL
M = HORIZON/TC3/SCAMP	Z = OMNI/O24/RAMPAGE

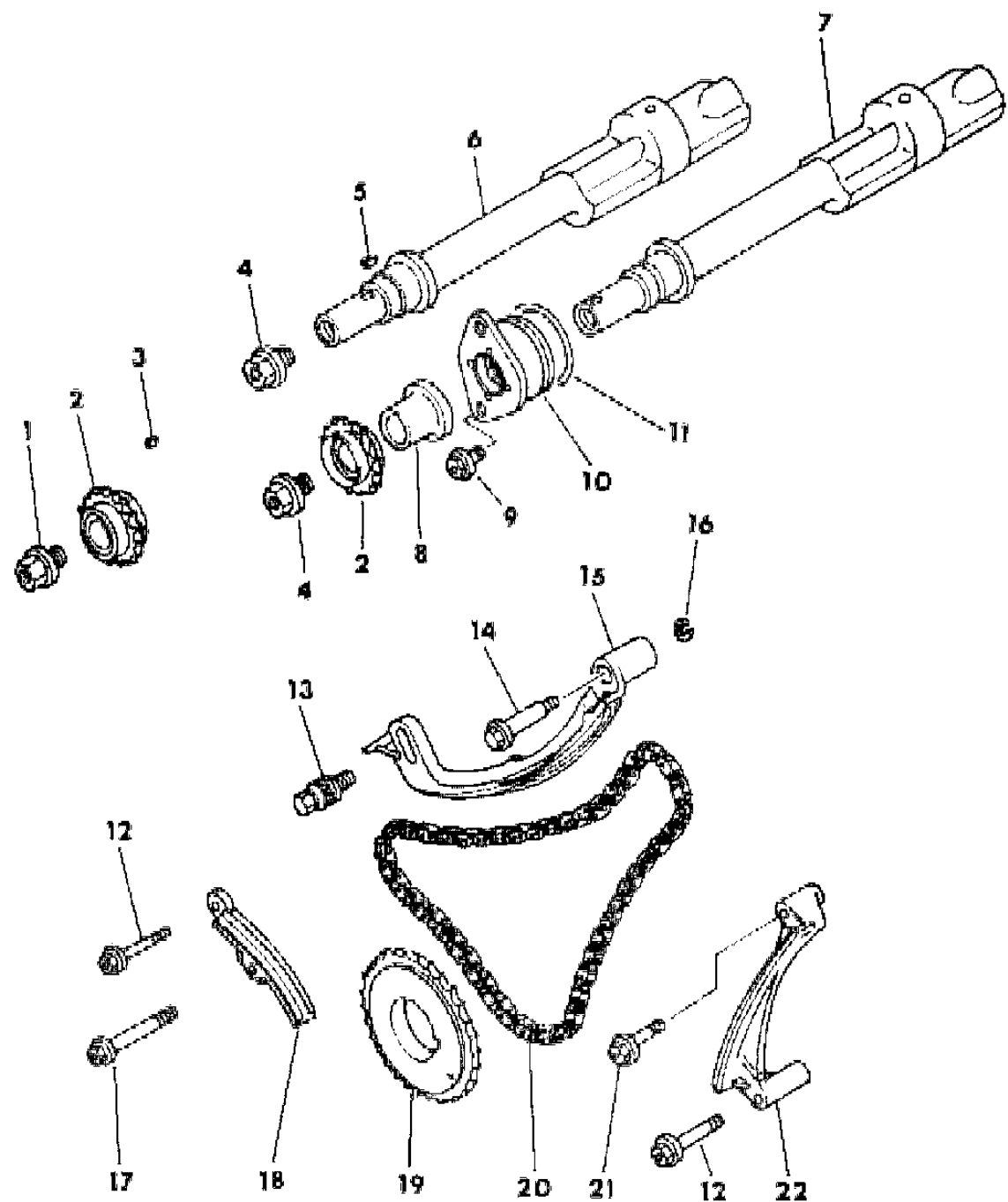
**BODY STYLES**

21 = 2-DOOR SEDAN	28 = FWD PICKUP
22 = 2-DOOR SPECIAL COUPE	41 = 4-DOOR SEDAN
24 = 2-DOOR HATCHBACK	44 = 4-DOOR HATCHBACK
27 = 2-DOOR CONVERTIBLE	45 = 2-SEAT STATION WAGON

AR = Use as Required - = Non Illustrated Part P.A.R. = Paint as Required

**BALANCING SHAFT AND RELATED PARTS 4 CYLINDER 2.6 L ENG., P,D,C,V**  
**Figure 9A-3800**

2158 3800



ITEM	PART NUMBER	QTY	BODY	MODEL	DESCRIPTION
1	MD02 7152	1			BOLT
2	MD02 1172	2			SPROCKET Assy.
3	MF47 6204	1			KEY, Woodruff (3x10)
4	MD02 7152	1			BOLT
5	MF47 6204	2			KEY, Woodruff (3x10)
6	MD02 4845	1			SHAFT, Counterbalance Rt.
7	MD02 4846	1			SHAFT, Counterbalance Lt.
8	MD02 0255	1			SPACER
9	MF14 0204	2			BOLT Flange
10	MD02 0897	1			PLATE Assy., Thrust
11	MD02 1045	1			"O"RING
12	MS10 1322	2			BOLT, Flange
13	MD02 1158	1			BOLT, Special B
14	MD02 1157	1			BOLT, Special A
15	MD02 1156	1			GUIDE, Chain B
16	MF45 0404	1			WASHER, Spring (6)
17	MS10 1325	1			BOLT, Flange (6x60)
18	MD02 1114	1			GUIDE, Chain C
19	MD02 1170	1			SPROCKET, Crankshaft B
20	MD02 1155	1			CHAIN B
21	MS10 1317	1			BOLT, Flange (6x32)
22	MD02 1111	1			GUIDE, Chain A

**MODEL CODES**

B = GRAN FURY/CARAVELLE	P = RELIANT
C = LEBARON/TOWN & COUNTRY	S = CORDOBA
D = ARIES	V = 400
F = NEW YORKER	X = MIRADA
G = DIPLOMAT	Y = IMPERIAL
M = HORIZON/TC3/SCAMP	Z = OMNI/O24/RAMPAGE

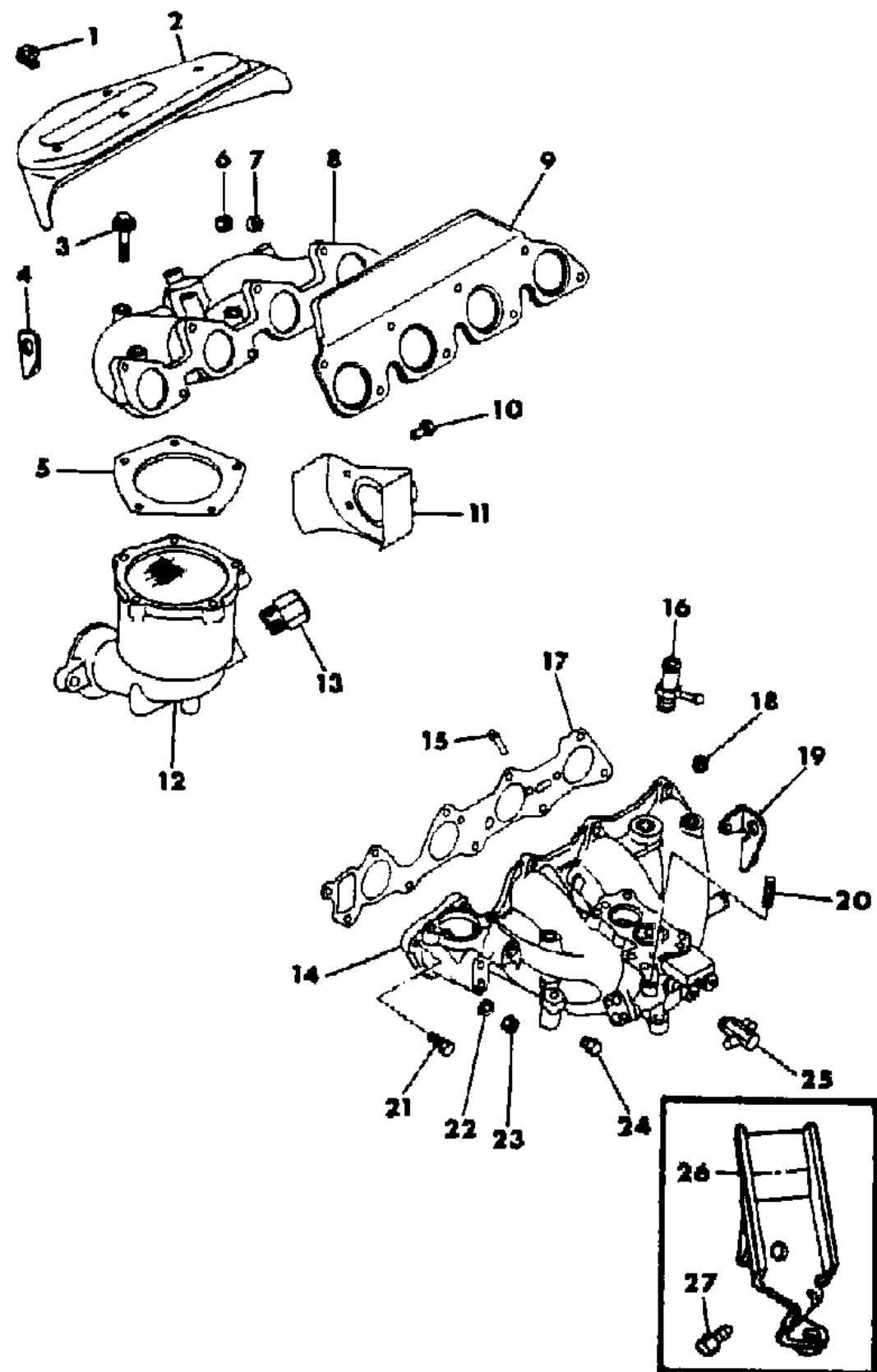
**BODY STYLES**

21 = 2-DOOR SEDAN	28 = FWD PICKUP
22 = 2-DOOR SPECIAL COUPE	41 = 4-DOOR SEDAN
24 = 2-DOOR HATCHBACK	44 = 4-DOOR HATCHBACK
27 = 2-DOOR CONVERTIBLE	45 = 2-SEAT STATION WAGON

AR = Use as Required - = Non Illustrated Part P.A.R. = Paint as Required

**MANIFOLDS AND RELATED PARTS 4 CYLINDER 2.6 L ENG., P,D,C,V**  
**Figure 9A-3900**

2158 3900A



ITEM	PART NUMBER	QTY	BODY	MODEL	DESCRIPTION
1	MD00 9669	5			BOLT, Flange, w/Washer
2	MD02 5543	1			COWL, Heat (U.S.)
	MD02 5153	1			(Canada)
	MD02 5156	1			PROTECTOR, Heat (Canada)
3	MD02 3492	5			BOLT, Flange
4	MD00 0255	1			HANGER, Engine, Front
5	MD02 5614	1			GASKET Assy.
6	MD00 0569	8			NUT
7	MS45 0035	8			WASHER, Plain (8)
8	MD02 5534	1			MANIFOLD, Exhaust (U.S.)
	MD02 5155	1			(Canada)
9	#MD02 5684	1			GASKET, Exhaust Manifold
10	MD00 9494	3			BOLT, Flange
11	MD02 5544	1			COVER
12	MD02 5535	1			CASE Assy., Catalyst
13	MD02 5365	1			JOINT
14	MD02 4626	1			MANIFOLD, Inlet (U.S.)
	MD02 4637	1			(Canada)
15	MD02 4599	1			NIPPLE
16	MD02 4705	1			JOINT
17	MD02 4628	1			GASKET, Inlet Manifold (U.S.)
	MD02 6535	1			(Canada)
18	MD02 4629	1			PLUG, Taper
19	MD02 6525	1			HANGER, Engine Rear
20	MS40 1403	1			STUD (6x8)
21	MF24 1256	1			BOLT, w/Washer (8x28)
22	MF45 0405	9			WASHER, Spring (8)
23	MF43 0005	9			NUT (8)
24	MD02 4567	1			PLUG, Taper
25	MD02 6657	1			JOINT (U.S.)
	MD02 6535	1			(Canada)
26	#MD02 6848	1			BLOCKER
27	#MF14 0022	1			BOLT Flange (8x22)
	MF16 0026	1			(8x14)

**MODEL CODES**

B = GRAN FURY/CARAVELLE	P = RELIANT
C = LEBARON/TOWN & COUNTRY	S = CORDOBA
D = ARIES	V = 400
F = NEW YORKER	X = MIRADA
G = DIPLOMAT	Y = IMPERIAL
M = HORIZON/TC3/SCAMP	Z = OMNI/O24/RAMPAGE

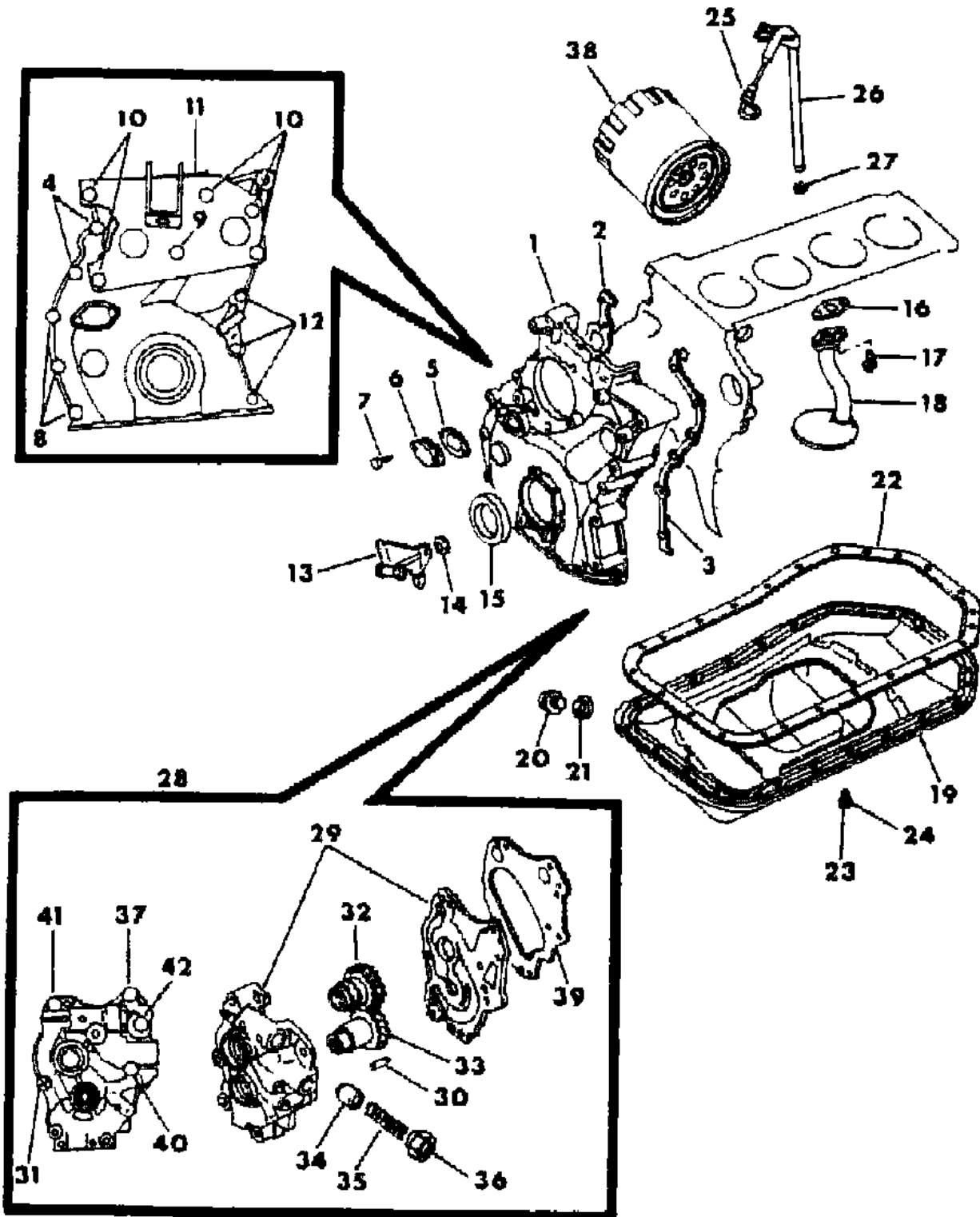
**BODY STYLES**

21 = 2-DOOR SEDAN	28 = FWD PICKUP
22 = 2-DOOR SPECIAL COUPE	41 = 4-DOOR SEDAN
24 = 2-DOOR HATCHBACK	44 = 4-DOOR HATCHBACK
27 = 2-DOOR CONVERTIBLE	45 = 2-SEAT STATION WAGON

AR = Use as Required - = Non Illustrated Part P.A.R. = Paint as Required

OIL SYSTEM AND TIMING COVER 4 CYLINDER 2.6 L ENG., P,D,C,V  
Figure 9A-4000

2158 4000



ITEM	PART NUMBER	QTY	BODY	MODEL	DESCRIPTION
1	MD02 4770	1			CASE, Timing Chain
2	MD02 0324	1			GASKET, Chain Case, Rt.
3	MD02 0325	1			GASKET, Chain Case, Lt.
4	MS10 1243	2			BOLT, Flange (8x58)
5	MD02 0353	1			GASKET
6	MD02 0349	1			COVER
7	MF14 0206	2			BOLT, Flange (6x18)
8	MS10 1245	3			BOLT, Flange (8x68)
9	MF24 1237	1			BOLT, w/Washer (8x30)
10	MF24 1269	5			BOLT, w/Washer (8x80)
11	MD02 4884	1			BRACKET, Engine Support, Front
12	MF24 1269	3			BOLT, w/Washer (8x75)
13	MD02 4396	1			BRACKET, Timing Indicator
14	MD02 4397	1			SPACER
15	MD02 0308	1			OIL SEAL, Front
16	MD02 1577	1			GASKET, Oil Screen
17	MS24 1071	2			BOLT, w/Washer
18	MD02 5223	1			SCREEN Assy., Oil
19	MD02 4775	1			PAN Assy., Oil
20	MD00 0318	1			PLUG, Oil Drain (up to Oct. 81)
	MD05 0316	1			(after Oct. 81)
21	MD00 0312	1			GASKET, Oil Drain Plug (up to Oct. 81)
	MD05 0317	1			(after Oct. 81)
22	MD02 4777	1			GASKET, Oil Pan
23	MF24 1223	24			BOLT, w/Washer (6x12)
24	MD02 4419	1			SPACER (15MM)
25	MD02 6762	1			ROD Assy., Oil Level Gauge
26	MD02 4928	1			GUIDE, Oil Level Gauge
27	MF52 0004	1			"O"RING (9)
28	MD02 2564	1			PUMP Assy., Oil
29	MD02 2565	1			BODY w/Cover Assy., Oil Pump
30	MD02 3415	2			PIN
31	MF35 0081	1			SCREW, w/Washer (6x35)
32	MD02 2558	1			GEAR, Oil Pump Driven
33	MD02 2557	1			GEAR, Oil Pump Drive
34	MD02 1563	1			PLUNGER, Relief
35	MD01 7405	1			SPRING, Relief

MODEL CODES

B = GRAN FURY/CARAVELLE	P = RELIANT
C = LEBARON/TOWN & COUNTRY	S = CORDOBA
D = ARIES	V = 400
F = NEW YORKER	X = MIRADA
G = DIPLOMAT	Y = IMPERIAL
M = HORIZON/TC3/SCAMP	Z = OMNI/O24/RAMPAGE

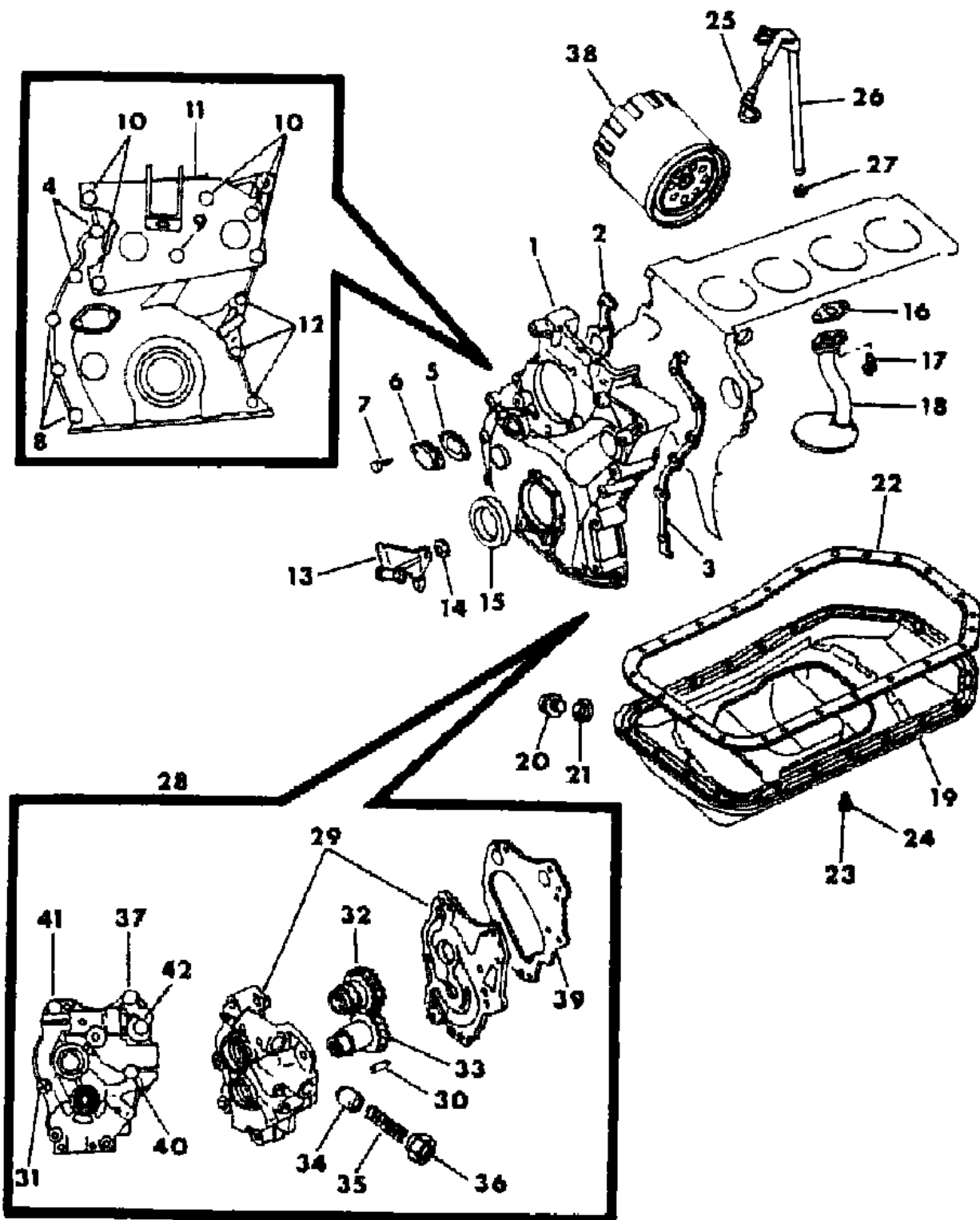
BODY STYLES

21 = 2-DOOR SEDAN	28 = FWD PICKUP
22 = 2-DOOR SPECIAL COUPE	41 = 4-DOOR SEDAN
24 = 2-DOOR HATCHBACK	44 = 4-DOOR HATCHBACK
27 = 2-DOOR CONVERTIBLE	45 = 2-SEAT STATION WAGON

AR = Use as Required - = Non Illustrated Part P.A.R. = Paint as Required

OIL SYSTEM AND TIMING COVER 4 CYLINDER 2.6 L ENG., P,D,C,V  
Figure 9A-4000

2158 4000



ITEM	PART NUMBER	QTY	BODY	MODEL	DESCRIPTION
36	MD02 1564	1			PLUG
37	MS10 1315	1			BOLT, Flange (6x16)
38	MD00 1445	1			FILTER Assy., Oil (up to Sept. 81)
	MD03 1805	1			(after Sept. 81)
39	MD02 1539	1			GASKET, Oil Pump
40	MS10 1319	1			BOLT, Flange (6x38)
41	MS10 1322	1			BOLT, Flange (6x45)
42	MS10 1316	1			BOLT, Flange (6x22)
43	MF24 0050	1			BOLT w/Washer (8x14)
44	MD02 4419	1			SPACER
45	MD02 7152	1			BOLT

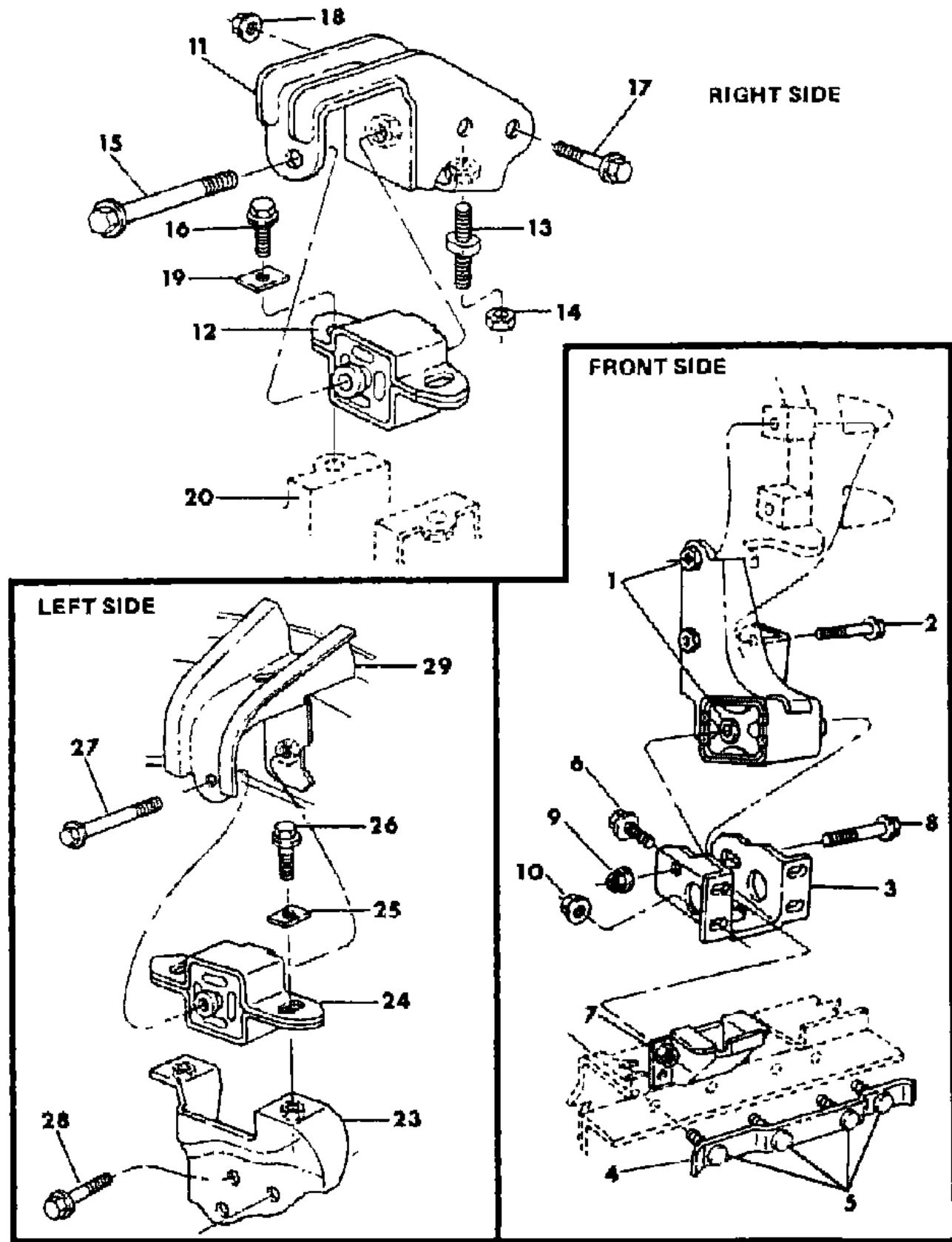
MODEL CODES  
 B = GRAN FURY/CARAVELLE      P = RELIANT  
 C = LEBARON/TOWN & COUNTRY      S = CORDOBA  
 D = ARIES      V = 400  
 F = NEW YORKER      X = MIRADA  
 G = DIPLOMAT      Y = IMPERIAL  
 M = HORIZON/TC3/SCAMP      Z = OMNI/O24/RAMPAGE

BODY STYLES  
 21 = 2-DOOR SEDAN      28 = FWD PICKUP  
 22 = 2-DOOR SPECIAL COUPE      41 = 4-DOOR SEDAN  
 24 = 2-DOOR HATCHBACK      44 = 4-DOOR HATCHBACK  
 27 = 2-DOOR CONVERTIBLE      45 = 2-SEAT STATION WAGON

AR = Use as Required - = Non Illustrated Part P.A.R. = Paint as Required

**ENGINE MOUNTING 4 CYLINDER 2.6 L Engine, P,D,C,V**  
**Figure 9A-4100**

2158 4100



ITEM	PART NUMBER	QTY	BODY	MODEL	DESCRIPTION
1	4191 891	1			INSULATOR, Engine Support Front
2	6500 263	1			SCREW w/Washer, Eng. Support to Frame
3	5202 236	1			BRACKET, Front Side Rail Front Crossmember Eng. Mounting Front Crossmember
4	4191 963	1			TIE PLATE ASSY., Front Crossmember Flange
5	6500 233	2			SCREW, Front Crossmember Flange Tie Plate
6	6500 179	2			SCREW w/Washer, Front Crossmember Flange Plate
7	6500 179	2			SCREW w/Washer, Eng. Support Insulator to Adapter Plate
8	6100 539	1			NUT w/Washer, Eng. Support Insulator to Frame, Front
9	6500 263	1			SCREW w/Washer, Eng. Support Insulator Bracket to Adapter Plate
10	6101 277	1			SCREW w/Washer, Eng. Support Insulator Bracket to Trans. Case
11	6100 518	2			NUT, Front Crossmember Flange Tie Plate
12	4191 970	1			BRACKET ASSY., Eng. Support Insulator, Rt.
13	4191 973	1			BUSHING ASSY., Eng. Support Insulator
14	5202 043	1			STUD, Eng. Support Insulator Bracket to Eng. Mounting Assy. Rt.
15	6500 164	1			NUT, Eng. Support Insulator Bracket to Eng. Mounting Assy. Stud
16	6500 263	1			SCREW w/Washer, Eng. Support Insulator to Frame
17	6101 305	2			BOLT, Bushing Assy. to Bracket
18	6500 369	2			BOLT, Eng. Support Insulator Bracket to Eng. Mounting Assy.
19	6500 165	2			NUT, Eng. Support Insulator Bracket to Eng. Mounting Assy. Bolt
20	4191 976	2			REINFORCEMENT, Insulator Shell to Eng. Mounting Assy. Bolt
21		1			RAIL, Frame Front Side (See Group 13)
22	4191 981	1			BRACKET ASSY., Eng. Support Insulator, Lt.
23	#4270 153	1			BUSHING ASSY., Eng. Support Insulator
24	4191 976	2			REINFORCEMENT, Insulator Shell
25	4271 953	1			SCREW w/Washer, Eng. Support Insulator to Frame
26	4271 953	1			SCREW w/Washer, Eng. Support Insulator to Frame Side Rail
27					Bracket Left
28	6500 495	3			SCREW w/Washer, Eng. Support Insulator Bracket to Trans. Case Left
29					BRACKET, Side Rail Eng. Mounting Lt. (See Group 13 Front Frame Left Side Rail)

**MODEL CODES**

B = GRAN FURY/CARAVELLE	P = RELIANT
C = LEBARON/TOWN & COUNTRY	S = CORDOBA
D = ARIES	V = 400
F = NEW YORKER	X = MIRADA
G = DIPLOMAT	Y = IMPERIAL
M = HORIZON/TC3/SCAMP	Z = OMNI/O24/RAMPAGE

**BODY STYLES**

21 = 2-DOOR SEDAN	28 = FWD PICKUP
22 = 2-DOOR SPECIAL COUPE	41 = 4-DOOR SEDAN
24 = 2-DOOR HATCHBACK	44 = 4-DOOR HATCHBACK
27 = 2-DOOR CONVERTIBLE	45 = 2-SEAT STATION WAGON

AR = Use as Required - = Non Illustrated Part P.A.R. = Paint as Required

---

**GROUP 9B - ENGINE, SIX CYLINDER**

<b>ILLUSTRATION TITLE</b>	<b>GROUP-FIG. NO.</b>
6 CYLINDER ENGINE .....	Fig. 9B-100
TRANSMISSION OIL COOLER - 6 CYLINDER ENGINE .....	Fig. 9B-200
OIL PUMP, OIL FILTER, OIL PAN AND OIL LEVEL INDIC (6 CYLINDER ENGINE) .....	Fig. 9B-300
PISTON, CRANKSHAFT, CONNECTING ROD (6 CYLINDER ENGINE) .....	Fig. 9B-400
CAMSHAFT, VALVES, ROCKERS, CHAIN, SPROCKET (6 CYLINDER ENGINE) .....	Fig. 9B-500
ENGINE MOUNTINGS (6 CYLINDER ENGINE) .....	Fig. 9B-600
INTAKE AND EXHAUST MANIFOLD WITH HEAT CONTROLS (6 CYLINDER ENGINE) .....	Fig. 9B-700
CRANKCASE VENT, CAP, HOSE, VALVE .....	Fig. 9B-800

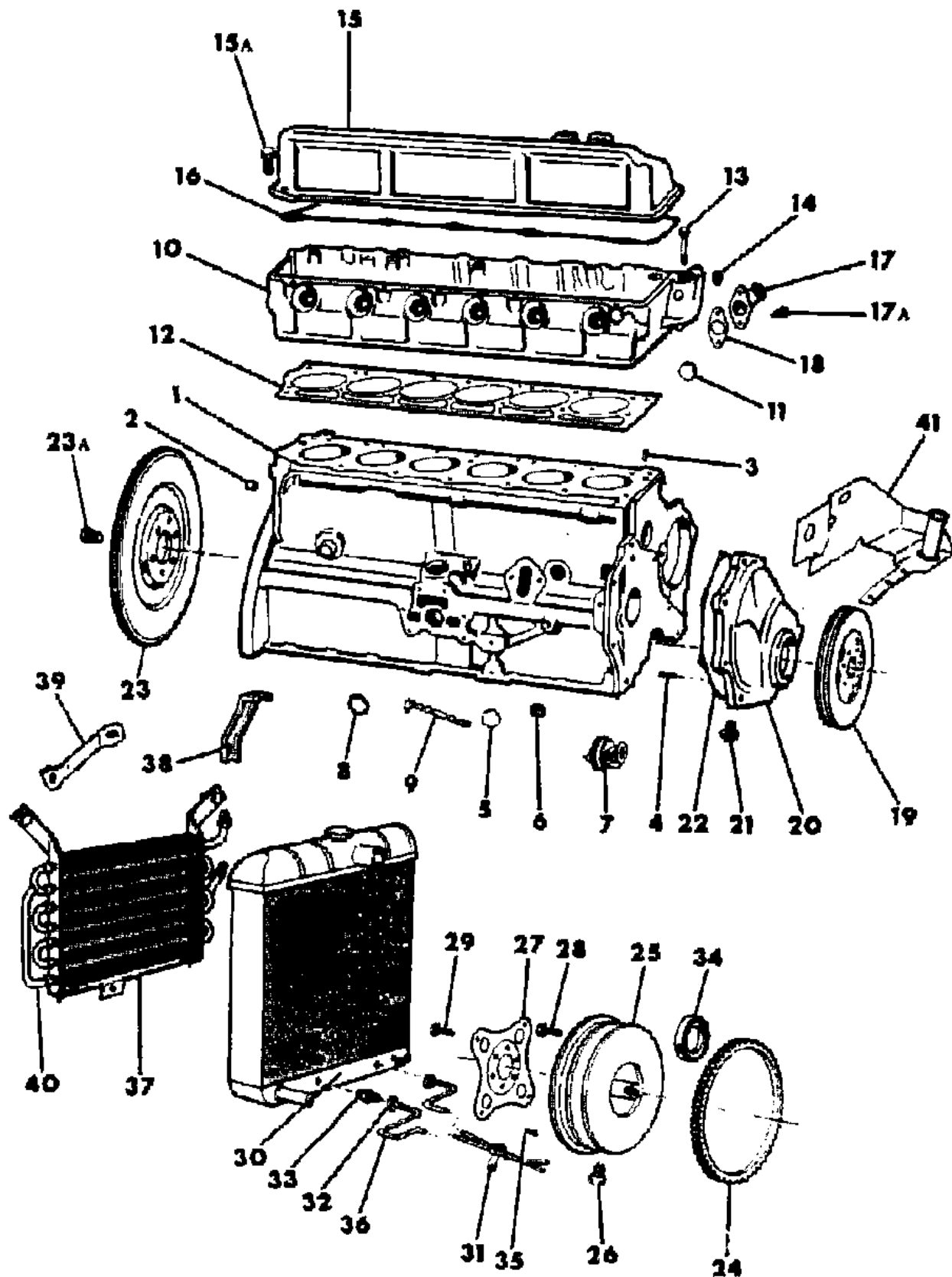
**ILLUSTRATION NOT AVAILABLE AT TIME OF PUBLICATION**

---

# 6 CYLINDER ENGINE

## Figure 9B-100

2158 100



ITEM	PART NUMBER	QTY	BODY	MODEL	DESCRIPTION
------	-------------	-----	------	-------	-------------

NOTE: ALL Engines Contain Std. Bores and Crankshaft Bearings unless the following symbols appear in the Serial Number. on as described in the Chrysler repair Manual.

The Letter "A" immediately following the engine identification number indicates Bore .020" (.508 MM)larger than Standard. on as described in the Chrysler repair Manual.

The Letter "B" immediately following the engine identification number indicates Main and Conn.Rod Brgs .010 (.254 MM) smaller than Std. on as described in the Chrysler repair Manual.

The Letters "AB" immediately following the engine identification number indicates Cylinder Bore .020" (.508 MM) larger than Standard and the Main and Connecting Rod Bearings .010" (.254 MM) smaller than Standard.

The Letters in the circular pad at either end of the eng. number are for the use of FACTORY Inspectors only and should not be used for eng. numbers. Connecting Rod Bearings .010" (.254 MM) smaller than Standard.

Always mention Serial Numbers when ordering major assemblies. Connecting Rod Bearings .010" (.254 MM) smaller than Standard

NOTE 1: When a complete overhaul engine Gasket Set is required for the 6 cylinder engine, use upper and lower engine Gasket Sets and Oil Seal Package and Intake and Exhaust Manifold Gasket Set and also Oil Pan Gasket Set.

NOTE 2: When a valve grinding Gasket Set is required for the 6 cyl. engine, use upper engine Gasket Set and Intake and Exhaust Manifold Gasket Set. and Intake and Exhaust Manifold Gasket Set and also Oil Pan Gasket Set.

NOTE 3: Parts listed w/(S/C-F57) are for heavy service. and Intake and Exhaust Manifold Gasket Set and also Oil Pan Gasket Set.

	4267 187	1			GASKET SET, Engine, Upper (See Note 1 and 2) Consists of: 1 - 4201149 Gasket, Cyl. Head 1 - 4095784 Gasket, Cyl. Head Cover
					1 - 2465391 Gasket, Exh. Pipe Flange 6 - 4095543 SEAL, Intake Valve Stem Oil 6 - 4071006 Shield, Exhaust Valve Stem Oil 1 - 1947671 Gasket, Cyl. Water Outlet Elbow
	4106 048	1			GASKET SET, Engine, Lower (See Note 1) Consists of: 1 - 1947554 Gasket, Chain Case Cover 1 - 1947521 Gasket, Water Pump Body
					1 - 1947523 Gasket, Water Pump Intermediate Plate 1 - 2121404 Gasket, Oil Pump Body 1 - 618622 Gasket, Oil Pressure Relief Valve Cap 1 - 3577870 Gasket, Fuel Pump Flange
					1 - 2465391 Gasket, Exhaust Flange 1 - 3830108 Oil Seal, Chain Case Cover
Short Engine Assembly consists of the Cylinder Block with Pistons and Rings, Crankshaft and Bearings, Connecting Rods and Bearings. and Intake and Exhaust Manifold Gasket Set and also Oil Pan Gasket Set.					
1	4227 894	1			SHORT ENGINE

### MODEL CODES

B = GRAN FURY/CARAVELLE	P = RELIANT
C = LEBARON/TOWN & COUNTRY	S = CORDOBA
D = ARIES	V = 400
F = NEW YORKER	X = MIRADA
G = DIPLOMAT	Y = IMPERIAL
M = HORIZON/TC3/SCAMP	Z = OMNI/O24/RAMPAGE

### BODY STYLES

21 = 2-DOOR SEDAN	28 = FWD PICKUP
22 = 2-DOOR SPECIAL COUPE	41 = 4-DOOR SEDAN
24 = 2-DOOR HATCHBACK	44 = 4-DOOR HATCHBACK
27 = 2-DOOR CONVERTIBLE	45 = 2-SEAT STATION WAGON

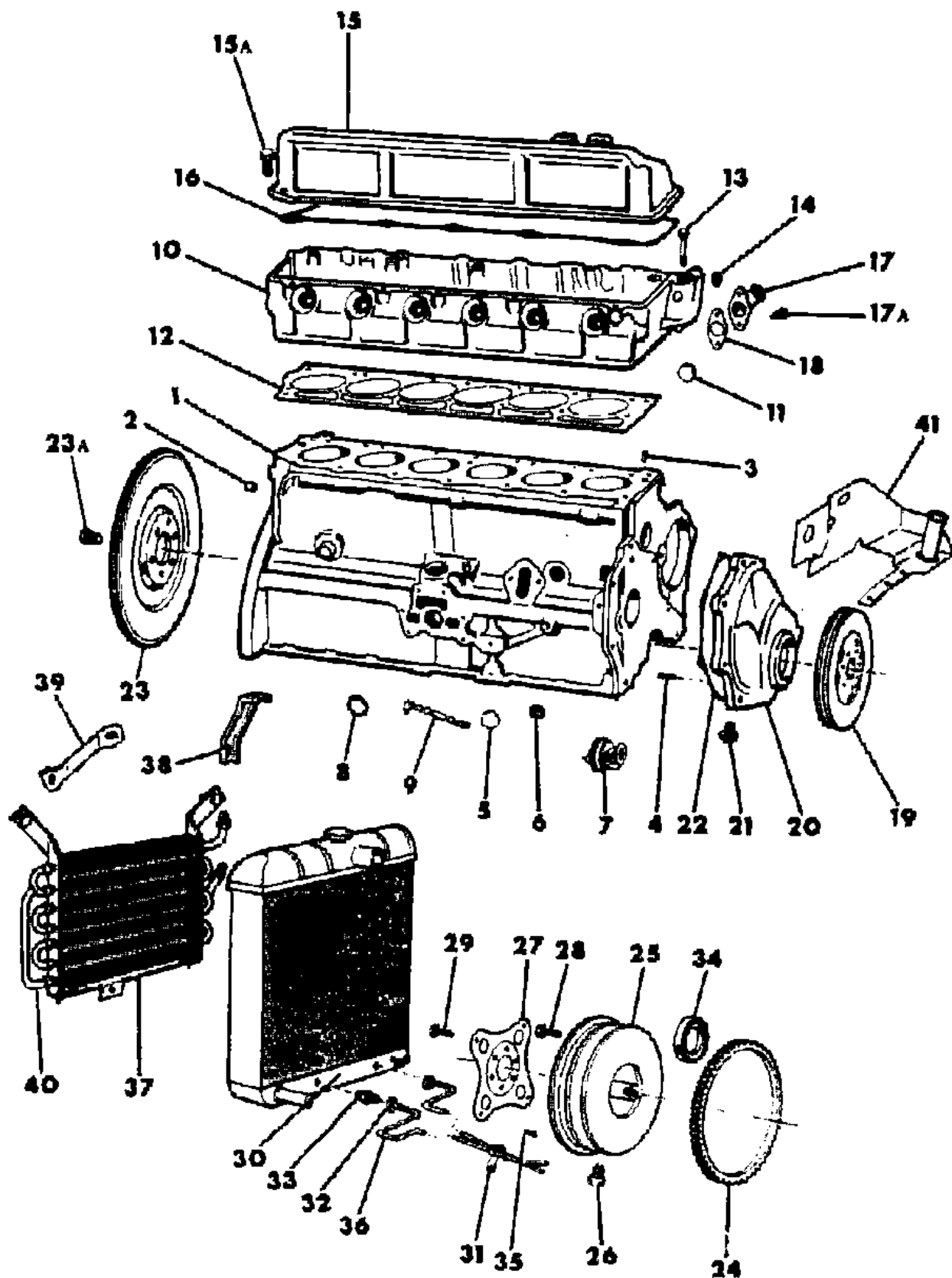
AR = Use as Required - = Non Illustrated Part P.A.R. = Paint as Required



6 CYLINDER ENGINE

Figure 9B-100

2156 100



ITEM	PART NUMBER	QTY	BODY	MODEL	DESCRIPTION
------	-------------	-----	------	-------	-------------

Fitted Case Engine Assy. consists of the Block with Pistons and Rings, Connecting Rods and Bearings. and Intake and Exhaust Manifold Gasket Set and also Oil Pan Gasket Set.

1A	4227 893	1			FITTED CASE ENGINE
2	1122 532	2			DOWEL, Cyl.Block to Clutch or Torque Converter housing , Std.
	1736 347	2			.007 Over Center
	1736 348	2			.014 Over Center
	1736 353	2			.021 Over Center
3	0141 195	2			DOWEL, Block to Cyl.Head
4	0141 195	2			DOWEL, Block to Chain Case Cover
5	2406 356	AR			PLUG, Cyl. Block Water Hole
	2406 575	AR			.065 O/S
6	6028 668	1			PLUG, Cyl. Block Oil Gallery 3/8" Pipe
7	3755 677	1			HEATER, Engine Block
8	6027 513	1			"O" RING, Eng.Heater
9	3614 282	1			CORD, Eng. Heater
9A	6015 412	2			CLIP, Eng. Heater Cord
10	4095 776	1			HEAD, Cyl.
11	6029 497	2			PLUG, Cyl. Head Cup
12	#4201 200	1			GASKET, Cyl.Head
13	1947 687	14			BOLT, Cyl. Head, 7/16" X 4-3/8"
14	1859 127	AR			PLUG, Cyl.Head, 3/8" Pipe
15	4095 780	1			COVER, Cyl. Head
15A	6022 202	8			SCREW, w/Washer, Cyl. Head Cover
16	4095 784	1			GASKET, Cyl.Head Cover
17	2121 524	1			ELBOW, Cyl.Head Water Outlet
17A	0180 124	2			BOLT, Water Outlet Elbow
18	1947 671	1			GASKET, Cyl.Water Outlet Elbow
19	4095 527	1			DAMPER, Crankshaft Vibration, w/Auto.Trans.
20	4100 422	1			COVER, Chain Case, w/Timing Indicator
21	0181 086	6			SCREW, Cover
	6024 246	1			5/16" x 3/4"
22	1947 554	1			GASKET, Chain Case Cover
24	2121 196	1			GEAR, Torque Converter or Flywheel Ring

Note To replace the original production Torque Converter look on the front cover surface for a decal which will indicate a "lock up" or a "non lock up" Torque Converter. The Trans. Input Shaft and the Torque Converter hub has one less spline for the lock up and non lock up units are not interchangeable. On the curved surface of the rear Torque Converter cover will be stamped the last 3 digits of the production part number 4202379 stamped (379). For service replacement use the following Cross Reference.

PRODUCTION|REMANUFACTURED

MODEL CODES

B = GRAN FURY/CARAVELLE	P = RELIANT
C = LEBARON/TOWN & COUNTRY	S = CORDOBA
D = ARIES	V = 400
F = NEW YORKER	X = MIRADA
G = DIPLOMAT	Y = IMPERIAL
M = HORIZON/TC3/SCAMP	Z = OMNI/O24/RAMPAGE

BODY STYLES

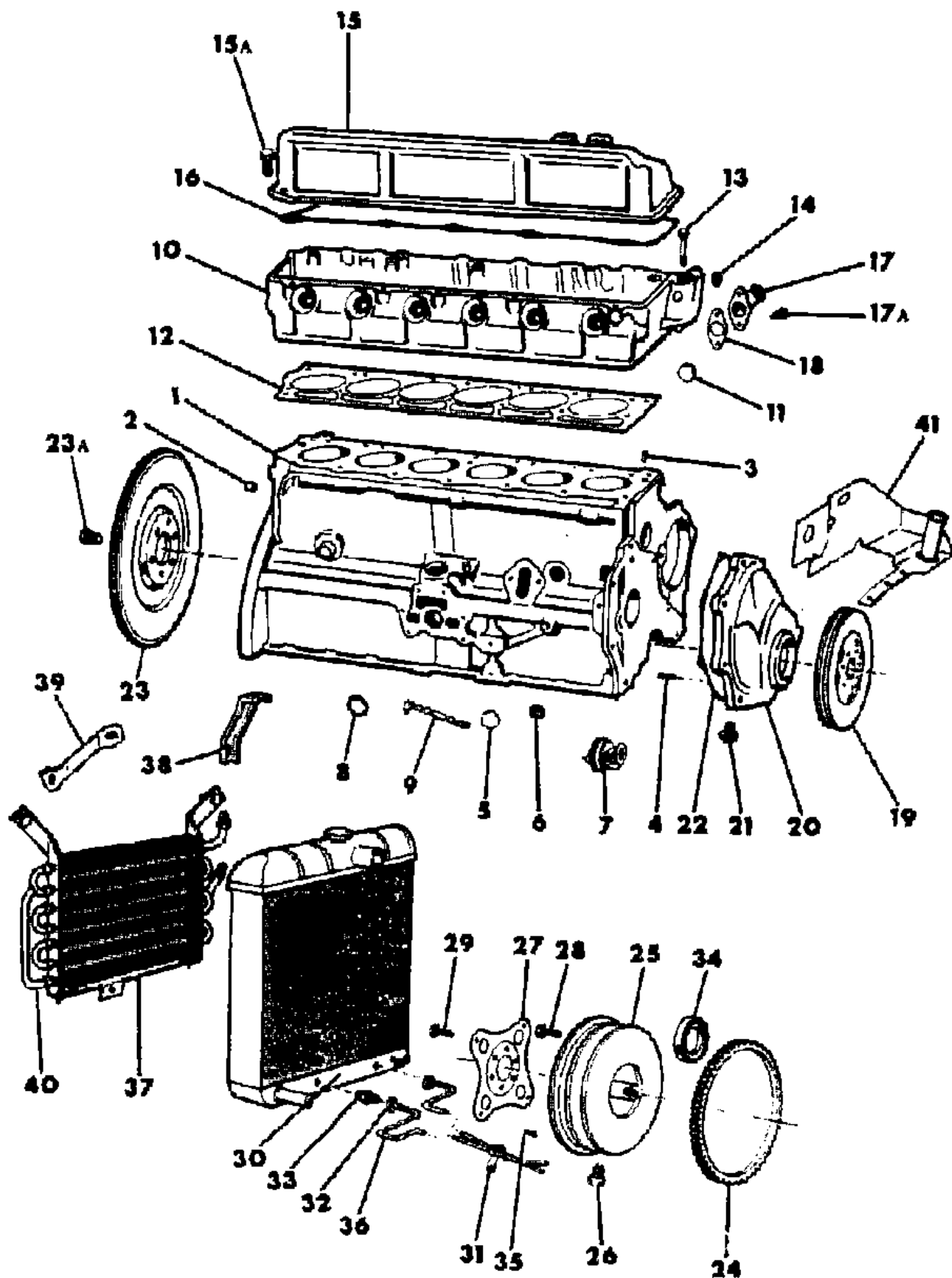
21 = 2-DOOR SEDAN	28 = FWD PICKUP
22 = 2-DOOR SPECIAL COUPE	41 = 4-DOOR SEDAN
24 = 2-DOOR HATCHBACK	44 = 4-DOOR HATCHBACK
27 = 2-DOOR CONVERTIBLE	45 = 2-SEAT STATION WAGON

AR = Use as Required - = Non Illustrated Part P.A.R. = Paint as Required

6 CYLINDER ENGINE

Figure 9B-100

2156 100



ITEM	PART NUMBER	QTY	BODY	MODEL	DESCRIPTION
					TORQUE CONVERTER TORQUE CONVERTER
					STAMPED No. Service No.
					379 4106563
					381 4106569
25	4106 563	1			CONVERTER, Torque, w/2 Bbl. Carb.
	4106 569	1			w/1 Bbl. Carb.
27	4058 428	1			PLATE, Torque Converter Drive
28	1949 424	6			SCREW, Converter Drive Plate to Crankshaft
29	1949 765	4			SCREW, Drive Plate to Converter
30	4140 380	1			COOLER, Radiator Core Trans. OIL, 12" Lgh. x 1.00"O/Dia., w/o Air Cond.
	4140 383	1			12" Lgh. x 1.25" O/Dia., w/Air Cond.
31	4140 425	1	ALL		BRACKET, Trans. Oil Cooler Tube, Rear
	4104 703	1	ALL		Front
32	1941 667	2			NUT, Trans. Oil Cooler Tube, Cooler End
	1941 667	2			Trans. End
33	0118 749	AR			CONNECTOR, Trans. Oil Cooler Tube
34	3515 138	1			SEAL, Trans. Torque Converter Impeller Hub, w/Std.Duty Trans.
	3515 137	1			w/Heavy Duty A727 TRANS.
35	1942 187	8			SPRING, Torque Converter Overrunning Clutch Roller
36	1843 251	AR			TUBE, Trans. Oil Cooler (25 ft.roll Rough Stock)
37	#4266 033	1	ALL		COOLER, Trans. Auxiliary Oil
38	#4266 034	1	F,G		BRACKET, Trans. Auxiliary Oil Cooler, Right
39	#4266 035	1	F,G		BRACKET, Trans. Auxiliary Oil Cooler, Left
40	4026 139	AR	F,G		TUBE, Trans. Auxiliary Oil Cooler
41	4100 777	1			INDICATOR, Timing

MODEL CODES

B = GRAN FURY/CARAVELLE	P = RELIANT
C = LEBARON/TOWN & COUNTRY	S = CORDOBA
D = ARIES	V = 400
F = NEW YORKER	X = MIRADA
G = DIPLOMAT	Y = IMPERIAL
M = HORIZON/TC3/SCAMP	Z = OMNI/O24/RAMPAGE

BODY STYLES

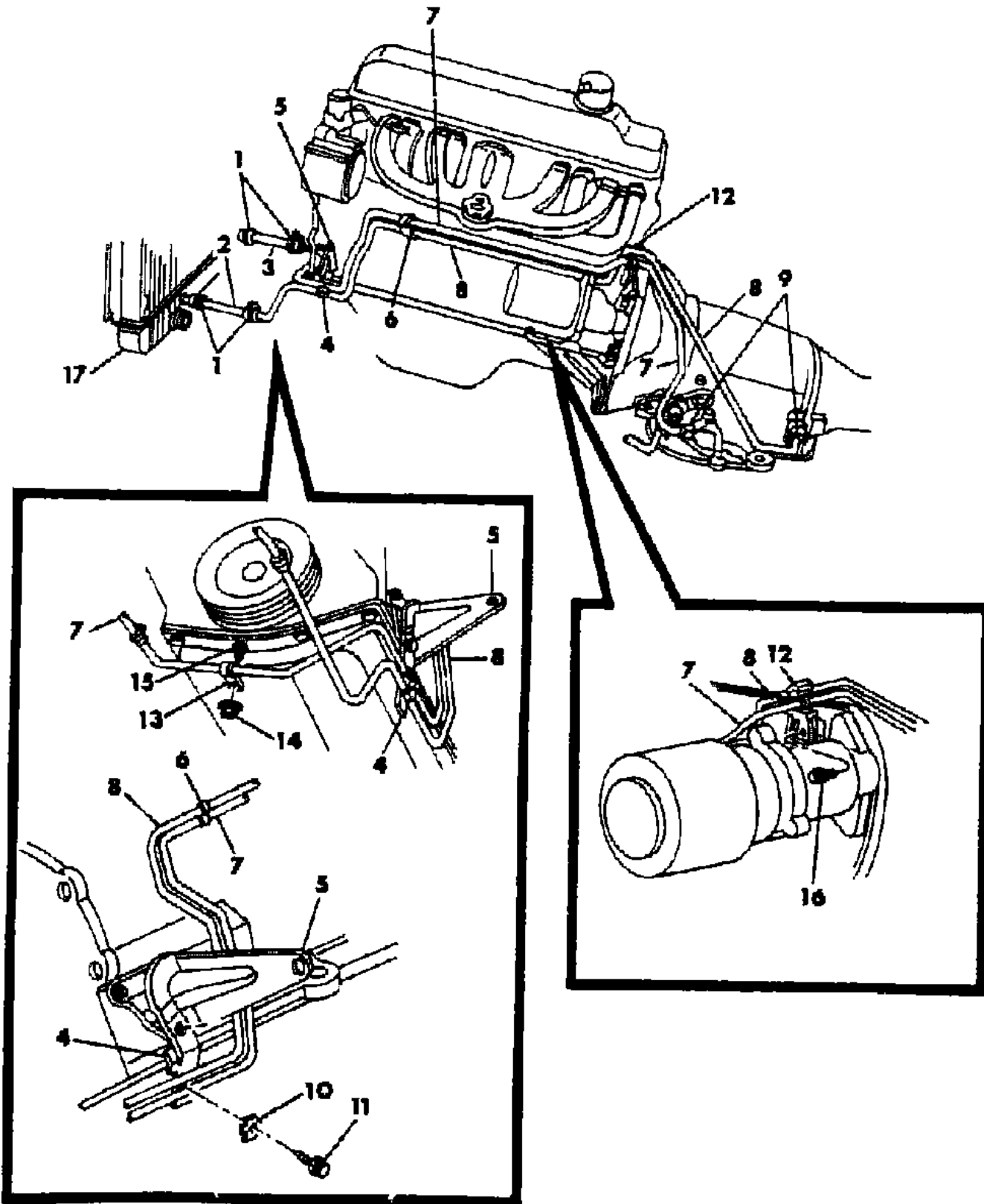
21 = 2-DOOR SEDAN	28 = FWD PICKUP
22 = 2-DOOR SPECIAL COUPE	41 = 4-DOOR SEDAN
24 = 2-DOOR HATCHBACK	44 = 4-DOOR HATCHBACK
27 = 2-DOOR CONVERTIBLE	45 = 2-SEAT STATION WAGON

AR = Use as Required - = Non Illustrated Part P.A.R. = Paint as Required

# TRANSMISSION OIL COOLER - 6 CYLINDER ENGINE

## Figure 9B-200

2156 200



ITEM	PART NUMBER	QTY	BODY	MODEL	DESCRIPTION
NOTE: "A" HOSE Transmission Oil Cooler 50ft. Roll Part No. 4026139 cut to length shown. ction part number 4202379 stamped (379). For service replacement use the following Cross Reference.					
NOTE: "B" Tube Transmission Oil Cooler 25ft. Roll Part No. 1843253 cut to length shown. ction part number 4202379 stamped (379). For service replacement use the following Cross Reference.					
1	0153 456	AR			CLAMP, Trans. Oil Cooler Hose
2	00NO TEA	1			HOSE, Trans. Oil Cooler (From Trans.) 6.25" of Note "A"
3	00NO TEA	1			HOSE, Trans. Oil Cooler (to Trans.) 6.50" of Note "A"
4	#4140 703	1			BRACKET, Trans. Oil Cooler Tube To Eng. Lt. Frt.
5		1			BRACKET, Power Strg. Pump (See Group 19)
6		1			CLIP, Trans. Oil Cooler Tube (Not Serviced)
7	00NO TEB	1			TUBE, Assy. Trans. Oil Cooler Outlet (From Trans.)length 68.588" of Note "B"
8	00NO TEB	1			TUBE, Assy. Trans. Oil Cooler Intlet (To Trans.) length 64.606" of Note "B"
9	1941 667	2			NUT, Trans. Oil Cooler Tube (Trans. End)
	0118 749	2			CONNECTOR, Trans. Oil Cooler Tube (Trans. End)
10		1			CLIP, Trans. Oil Cooler (Not Serviced)
11		1			SCREW, Trans. Oil Cooler Clip (Not Serviced)
12	4140 425	1			BRACKET, Trans. Oil Cooler Tube, Rear
13	6026 225	1			CLIP, Trans. Oil Cooler Tube To Oil Pan (Not Serviced)
14	0120 376	1			NUT, Clip To Stud
15		1			STUD, Oil Pan To Engine (Not Serviced)
16		1			SCREW, Trans. Oil Cooler Tube Bracket Rear (Not Serviced)
17	4140 380	1			COOLER, Radiator Core Trans. Oil (12" Lgh.x 1.00" O/Dia.)
	4140 383	1			(12" Lgh.x 1.25 O/Dia.)

**MODEL CODES**

B = GRAN FURY/CARAVELLE	P = RELIANT
C = LEBARON/TOWN & COUNTRY	S = CORDOBA
D = ARIES	V = 400
F = NEW YORKER	X = MIRADA
G = DIPLOMAT	Y = IMPERIAL
M = HORIZON/TC3/SCAMP	Z = OMNI/O24/RAMPAGE

**BODY STYLES**

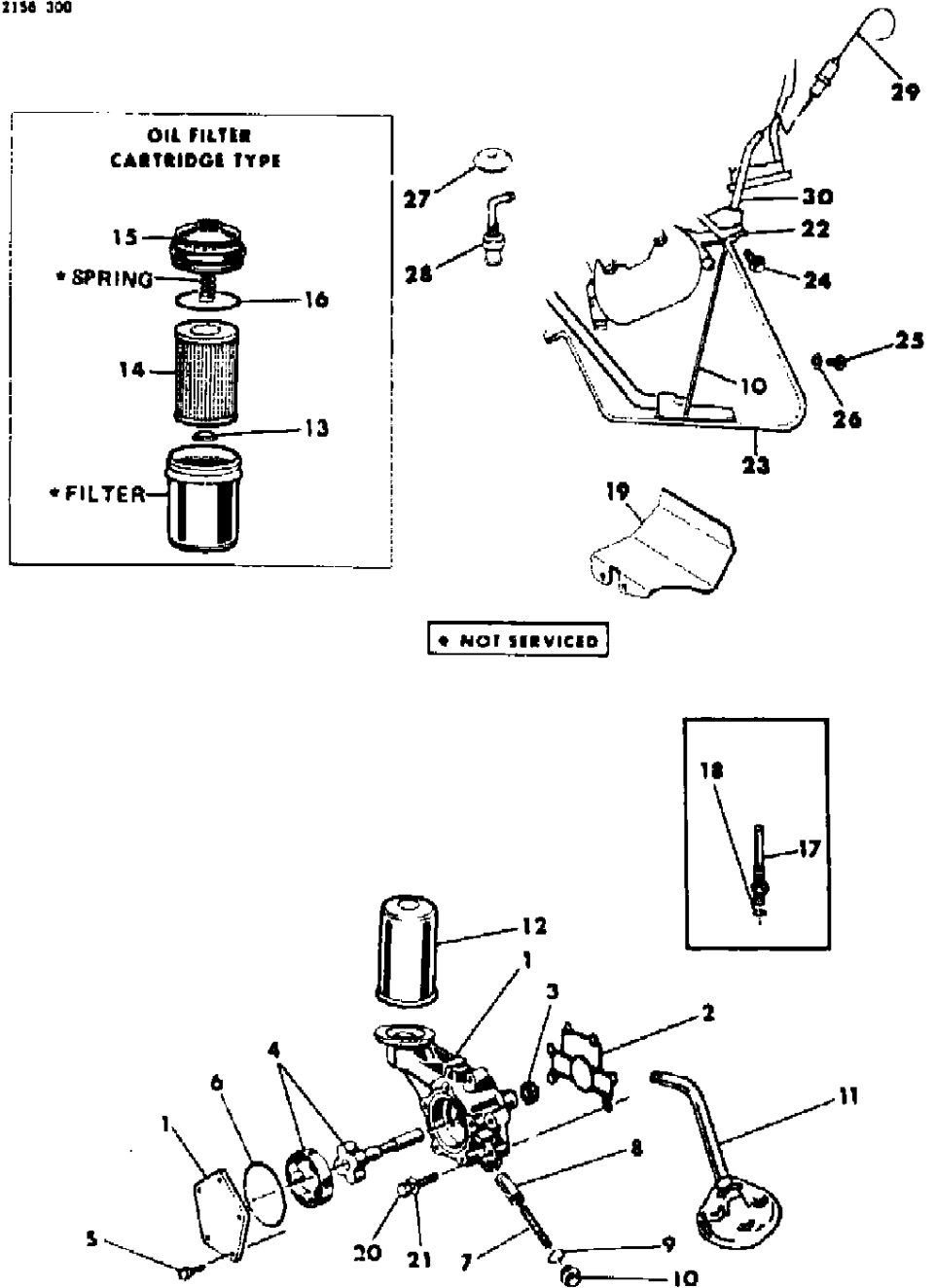
21 = 2-DOOR SEDAN	28 = FWD PICKUP
22 = 2-DOOR SPECIAL COUPE	41 = 4-DOOR SEDAN
24 = 2-DOOR HATCHBACK	44 = 4-DOOR HATCHBACK
27 = 2-DOOR CONVERTIBLE	45 = 2-SEAT STATION WAGON

AR = Use as Required - = Non Illustrated Part P.A.R. = Paint as Required

OIL PUMP, OIL FILTER, OIL PAN AND OIL LEVEL INDIC (6 CYLINDER ENGINE)

Figure 9B-300

2156 300



ITEM	PART NUMBER	QTY	BODY	MODEL	DESCRIPTION
1	4186 182	1			OIL PUMP PACKAGE Consist of: 1-4095863 Gasket 1- ----- Pump
2	4095 863	1			GASKET, Oil Pump Body
3	1947 225	1			GEAR, Oil Pump Drive
4	4186 183	1			SHAFT And ROTOR PKG. Consists of: 1- ----- Rotor, Outer 1- ----- Shaft, w/Inner Rotor
5	0181 063	5			SCREW, Oil Pump Cover
6	2268 921	1			GASKET, Oil Pump Cover
7	1737 742	1			SPRING, Oil Pressure Relief Valve
8	2120 764	1			PLUNGER, Oil Pressure Relief Valve
9	0618 622	1			GASKET, Oil Pressure Relief Valve Cap
10	0618 621	1			CAP, Oil Pressure Relief Valve
11	2780 999	1			STRAINER, Oil Pimp Suction
12	3549 957	1			FILTER, Oil (Sealed Type)
13	2532 753	1			GASKET, Oil Filter Body (Cartridge Type)
14	2532 752	1			CARTRIDGE, Oil Filter (Cartridge Type)
15	2806 671	1			COVER, Oil Filter (Cartridge Type)
16	2532 754	1			GASKET, Oil Filter Cover
17	3577 848	1			VALVE, Oil Filter Stand-Pipe Assembly
18	2120 017	1			GASKET, Oil Filter Stand-Pipe Adapter
19	2468 645	1			SHIELD, Oil Pump Body Splash
20	1800 835	5			SCREW, Oil Pump
21	9416 160	3			WASHER, Oil Pump Screw
22	4049 287	1			GASKET SET, Oil Pan Consists of: 1- ----- Gasket, Oil Pan, Rt. 1- ----- Gasket, Oil Pan, Lt. 1- ----- Gasket, Oil Pan, Frt. 1- ----- Gasket, Oil Pan, Rr.
23	4006 368	1			PAN, Oil
24	6022 271	18			SCREW, w/Washer, Oil Pan Attaching 5/16"x 9/16"
	0181 088	5			5/16"x 13/16"
	6031 814	1			STUD, Oil Pan

MODEL CODES

B = GRAN FURY/CARAVELLE  
C = LEBARON/TOWN & COUNTRY  
D = ARIES  
F = NEW YORKER  
G = DIPLOMAT  
M = HORIZON/TC3/SCAMP  
P = RELIANT  
S = CORDOBA  
V = 400  
X = MIRADA  
Y = IMPERIAL  
Z = OMNI/O24/RAMPAGE

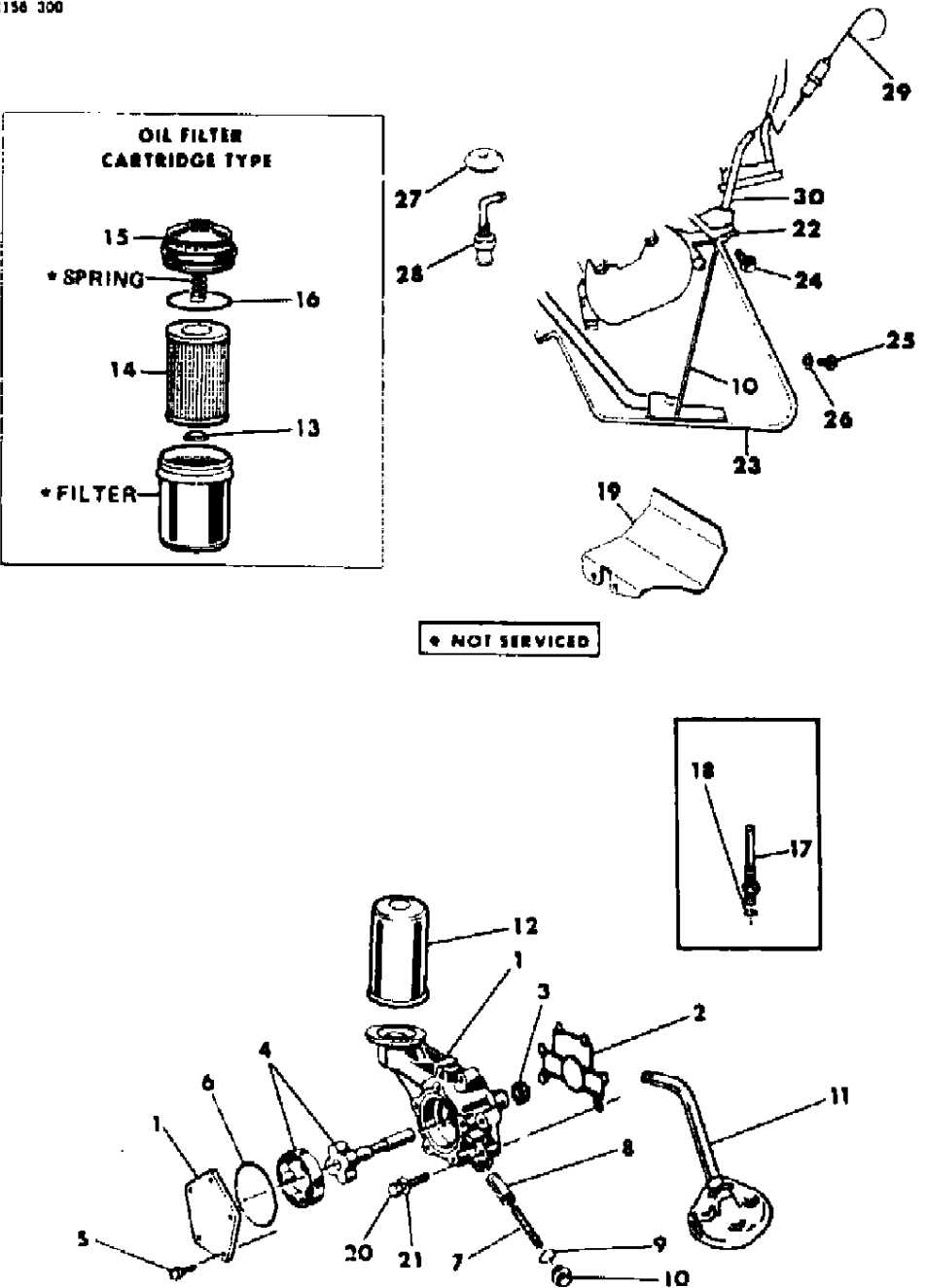
BODY STYLES

21 = 2-DOOR SEDAN  
22 = 2-DOOR SPECIAL COUPE  
24 = 2-DOOR HATCHBACK  
27 = 2-DOOR CONVERTIBLE  
28 = FWD PICKUP  
41 = 4-DOOR SEDAN  
44 = 4-DOOR HATCHBACK  
45 = 2-SEAT STATION WAGON

AR = Use as Required - = Non Illustrated Part P.A.R. = Paint as Required

**OIL PUMP, OIL FILTER, OIL PAN AND OIL LEVEL INDIC (6 CYLINDER ENGINE)**  
**Figure 9B-300**

2156 300



◆ NOT SERVICED

ITEM	PART NUMBER	QTY	BODY	MODEL	DESCRIPTION
25	4095 544	1			PLUG, Oil Pan Drain
26	3769 935	1			GASKET, Oil Pan Drain Plug
27	3751 510	1			GROMMET, Crankcase Vent Valve
28	3671 076	1			VALVE, Crankcase Vent
29	4105 289	1			INDICATOR, Oil Level
30	4100 729	1			TUBE, Oil Level Indicator

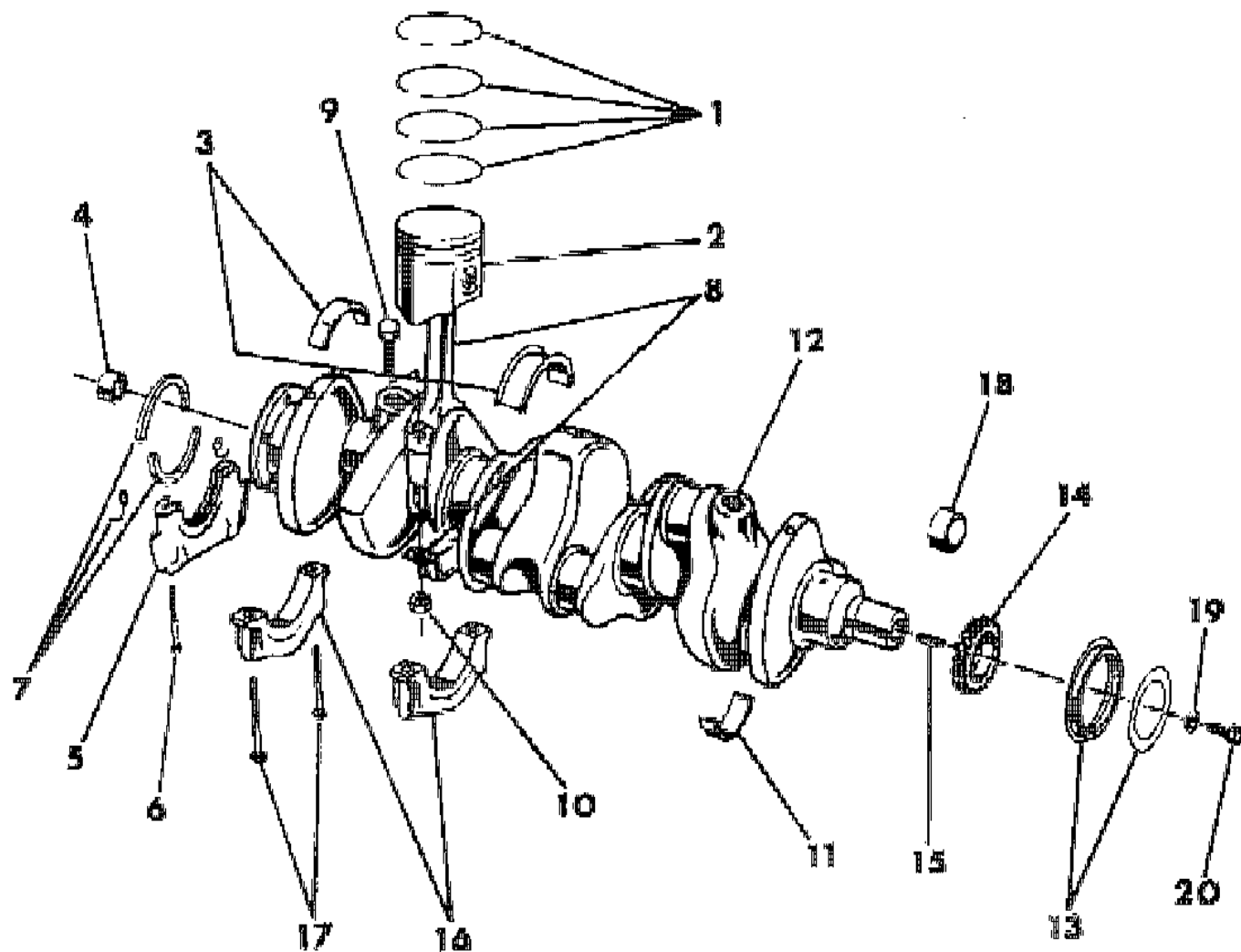
MODEL CODES  
 B = GRAN FURY/CARAVELLE      P = RELIANT  
 C = LEBARON/TOWN & COUNTRY      S = CORDOBA  
 D = ARIES      V = 400  
 F = NEW YORKER      X = MIRADA  
 G = DIPLOMAT      Y = IMPERIAL  
 M = HORIZON/TC3/SCAMP      Z = OMNI/O24/RAMPAGE

BODY STYLES  
 21 = 2-DOOR SEDAN      28 = FWD PICKUP  
 22 = 2-DOOR SPECIAL COUPE      41 = 4-DOOR SEDAN  
 24 = 2-DOOR HATCHBACK      44 = 4-DOOR HATCHBACK  
 27 = 2-DOOR CONVERTIBLE      45 = 2-SEAT STATION WAGON

AR = Use as Required - = Non Illustrated Part P.A.R. = Paint as Required

**PISTON, CRANKSHAFT, CONNECTING ROD (6 CYLINDER ENGINE)**  
**Figure 9B-400**

2158 400



ITEM	PART NUMBER	QTY	BODY	MODEL	DESCRIPTION
1	4131 203	1			RING SET, Piston (All Pistons) Std. to .009 O/S, w/(E24, E26 Eng.)
	4131 204	1			.020 to .029 O/S
	4131 212	1			Std. to .009 O/S., w/(E25, E26 Eng.)
	4131 213	1			.020 to .029 O/S
	4131 205	6			RING SET, Piston (One Piston) Std. to .009 O/S, w/(E24, E26 Eng.)
	4131 206	6			.020 to .029 O/S
	4131 214	6			Std. to .009 O/S w/(E25, E27 Eng.)
	4131 215	6			.020 to .029 O/S
The following Pistons include Pin and Retaining Rings. ction part number 4202379 stamped (379). For service replacement use the following Cross Reference.					
2	2084 384	6			PISTON, w/PIN, Std.
	2084 385	6			.005 O/S
	2084 386	6			.020 O/S
	2084 387	6			.040 O/S
When .001 thicker wall Crankshaft Main Bearings are used for Engines in production, a Maltese Cross is stamped on the Model Part of the Cyl. Block. ction part number 4202379 stamped (379). For service replacement use the following Cross Reference.					
Crankshaft Bearing Packages consist of one upper and one lower Bearing. ction part number 4202379 stamped (379). For service replacement use the following Cross Reference.					
3	4049 242	3			BEARING PACKAGE, Crankshaft, Nos. 1,2,4, Std.
	4049 243	3			.001 U/S
	4049 244	3			.002 U/S
	4049 245	3			.003 U/S
	4049 246	3			.010 U/S
	4049 247	3			.011 U/S
	4049 248	3			.012 U/S
	4049 249	1			No. 3, Std.
	4049 250	1			.001 U/S
	4049 251	1			.002 U/S
	4049 252	1			.003 U/S
	4049 253	1			.010 U/S
	4049 254	1			.011 U/S
	4049 255	1			.012 U/S
4	0053 298	1			BUSHING, Crankshaft Trans. Pilot
5	1947 557	1			RETAINER, Crankshaft Bearing Oil Seal Lower
6	9418 004	2			SCREW

**MODEL CODES**

B = GRAN FURY/CARAVELLE	P = RELIANT
C = LEBARON/TOWN & COUNTRY	S = CORDOBA
D = ARIES	V = 400
F = NEW YORKER	X = MIRADA
G = DIPLOMAT	Y = IMPERIAL
M = HORIZON/TC3/SCAMP	Z = OMNI/O24/RAMPAGE

**BODY STYLES**

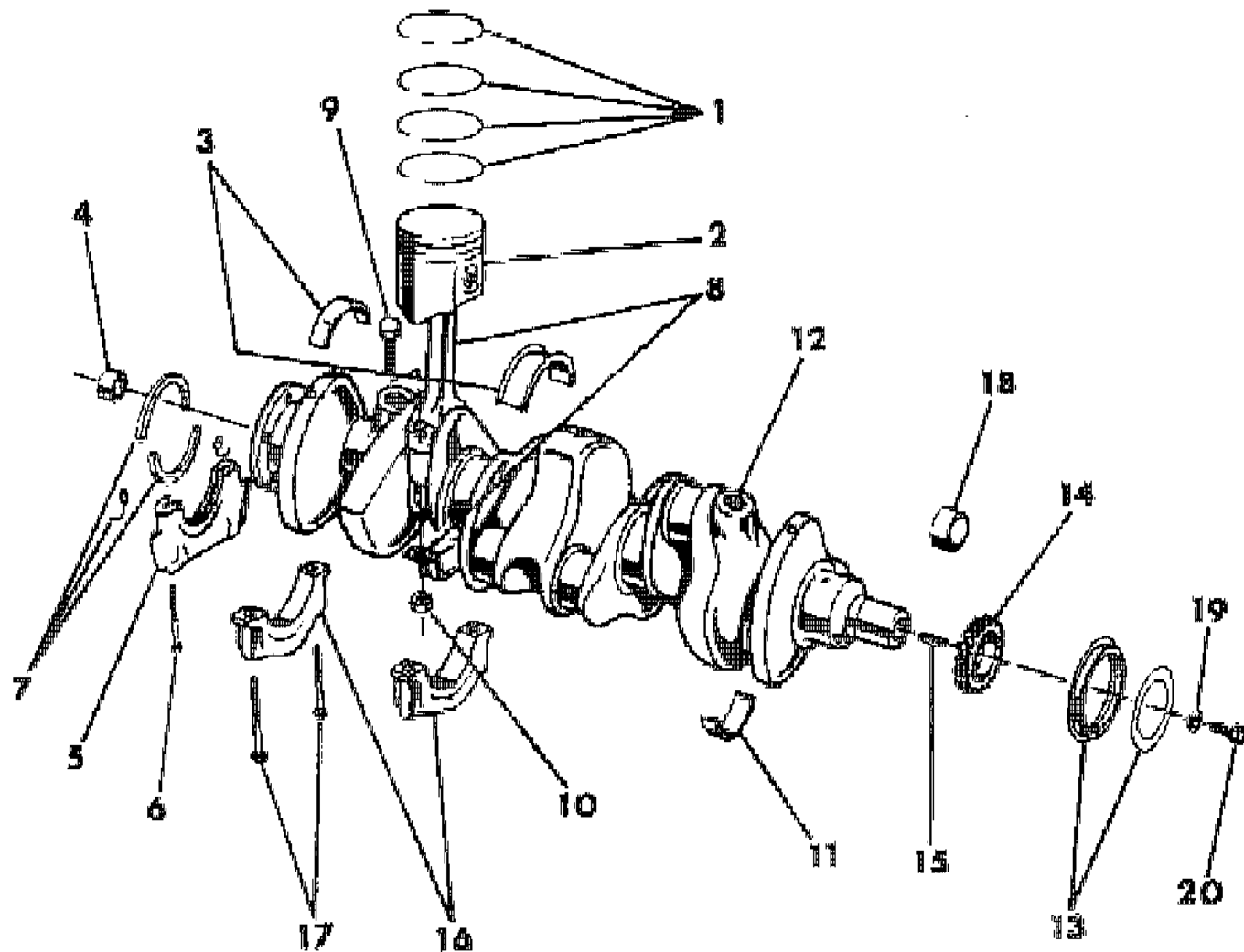
21 = 2-DOOR SEDAN	28 = FWD PICKUP
22 = 2-DOOR SPECIAL COUPE	41 = 4-DOOR SEDAN
24 = 2-DOOR HATCHBACK	44 = 4-DOOR HATCHBACK
27 = 2-DOOR CONVERTIBLE	45 = 2-SEAT STATION WAGON

AR = Use as Required - = Non Illustrated Part P.A.R. = Paint as Required

PISTON, CRANKSHAFT, CONNECTING ROD (6 CYLINDER ENGINE)

Figure 9B-400

2158 400



ITEM	PART NUMBER	QTY	BODY	MODEL	DESCRIPTION
7	4240 150	1			OIL SEAL PACKAGE, Crankshaft Rear Bearing Consists of: 2 - ----- Oil Seal, Bearing 2 - ----- Oil Seal, Retainer
Connecting Rod includes Bearing Cap, Bolt, Nut, Lockwasher and Bushing, but does not include Bearing ction part number 4202379 stamped (379). For service replacement use the following Cross Reference.					
8	4041 994	6			ROD, Connecting
9	3830 614	12			BOLT, Rod Cap
10	1737 695	12			NUT, Rod Cap Bolt
When .001 thicker wall Connecting Rod Bearings are used for Engines in production, a Maltese Cross is stamped on the model pac of the Cylinder Block. ction part number 4202379 stamped (379). For service replacement use the following Cross Reference. Connecting Rod Bearing Packages consist of one upper and one lower Bearing. ction part number 4202379 stamped (379). For service replacement use the following Cross Reference.					
11	4049 256	6			BEARING PACKAGE, Connecting Rod, Std.
	4049 257	6			.001 U/S
	4049 258	6			.002 U/S
	4049 259	6			.003 U/S
	4049 260	6			.010 U/S
	4049 261	6			.012 U/S
12	4100 646	1			CRANKSHAFT
13	3830 108	1			OIL SEAL, Chain Case Cover
14	2128 912	1			SPROCKET, Crankshaft
15	6029 411	1			KEY, Sprocket
16	4027 425	1			CAP, Crankshaft Bearing, No. 1
	4027 426	1			No. 2
	4027 427	1			No. 3
	4027 428	1			No. 4
17	1618 695	8			SCREW, Crankshaft Cap
18	3751 037	1			PLUG, Crankshaft
19	1855 561	1			WASHER, Crankshaft Screw
20	6025 547	1			SCREW, Crankshaft

MODEL CODES

B = GRAN FURY/CARAVELLE	P = RELIANT
C = LEBARON/TOWN & COUNTRY	S = CORDOBA
D = ARIES	V = 400
F = NEW YORKER	X = MIRADA
G = DIPLOMAT	Y = IMPERIAL
M = HORIZON/TC3/SCAMP	Z = OMNI/O24/RAMPAGE

BODY STYLES

21 = 2-DOOR SEDAN	28 = FWD PICKUP
22 = 2-DOOR SPECIAL COUPE	41 = 4-DOOR SEDAN
24 = 2-DOOR HATCHBACK	44 = 4-DOOR HATCHBACK
27 = 2-DOOR CONVERTIBLE	45 = 2-SEAT STATION WAGON

AR = Use as Required - = Non Illustrated Part P.A.R. = Paint as Required

**CAMSHAFT, VALVES, ROCKERS, CHAIN, SPROCKET (6 CYLINDER ENGINE)**  
**Figure 9B-500**

2156 500

ITEM	PART NUMBER	QTY	BODY	MODEL	DESCRIPTION
1	4173 909	12			ROCKER, Valve
2	2120 694	6			SPACER, Valve Rocker
4	4100 397	1			SHAFT, Rocker
5	3870 322	1			SCREW, Rocker Shaft Retainer, 5/16" x 2-1/4"
	0179 745	6			3/8 x 1-3/4"
6	1947 616	6			RETAINER, Rocker Shaft, End and Intermediate
	1947 617	1			Center
7	1324 268	2			PLUG, Rocker Shaft
8	0381 875	12			LOCK, Intake Valve Spring
9	1614 666	12			LOCK, Exhaust Valve Spring
10	4173 482	12			ROD, Valve Push
11	2402 045	12			RETAINER, Valve Spring
12	1739 534	12			SPRING, Valve
13	1947 623	6			VALVE, Intake, Std.
	2121 578	6			.005 O/S
	2121 579	6			.015 O/S
	2121 580	6			.030 O/S
14	3698 590	6			VALVE, Exhaust, Std.
	3698 591	6			.005 O/S
	3698 592	6			.015 O/S
	3698 593	6			.030 O/S
15	4095 543	6			SEAL, Intake Valve Guide
16	4071 006	6			SHIELD, Exhaust Valve Stem Oil
17	4106 028	12			TAPPET, Valve, Std.
	4106 029	12			.001 O/S
	4106 030	12			.008 O/S
	4106 031	12			.030 O/S
	4106 031	12			.030 O/S
18	4105 275	1			CAMSHAFT
19	4100 754	1			BEARING, Camshaft, No. 1, Std.
	4100 755	1			No. 2, Std.
	4100 756	1			No. 3, Std.
	2121 727	1			No. 4, Std.
	4100 762	1			No. 1, .010 O/S
	4100 763	1			No. 2, .010 O/S
	4100 764	1			No. 3, .010 O/S
	2205 516	1			No. 4, .010 O/S

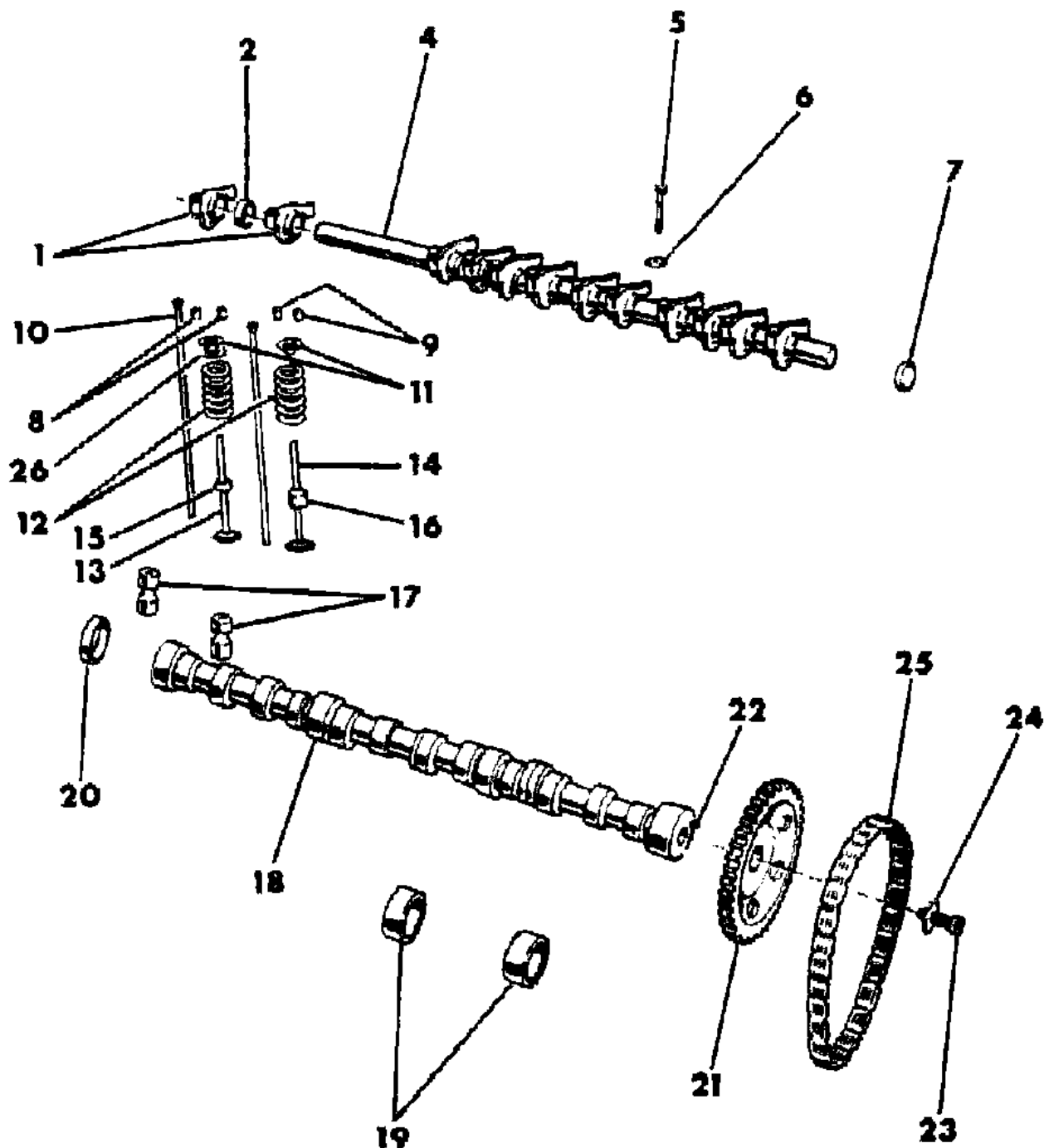
MODEL CODES

B = GRAN FURY/CARAVELLE	P = RELIANT
C = LEBARON/TOWN & COUNTRY	S = CORDOBA
D = ARIES	V = 400
F = NEW YORKER	X = MIRADA
G = DIPLOMAT	Y = IMPERIAL
M = HORIZON/TC3/SCAMP	Z = OMNI/O24/RAMPAGE

BODY STYLES

21 = 2-DOOR SEDAN	28 = FWD PICKUP
22 = 2-DOOR SPECIAL COUPE	41 = 4-DOOR SEDAN
24 = 2-DOOR HATCHBACK	44 = 4-DOOR HATCHBACK
27 = 2-DOOR CONVERTIBLE	45 = 2-SEAT STATION WAGON

AR = Use as Required - = Non Illustrated Part P.A.R. = Paint as Required

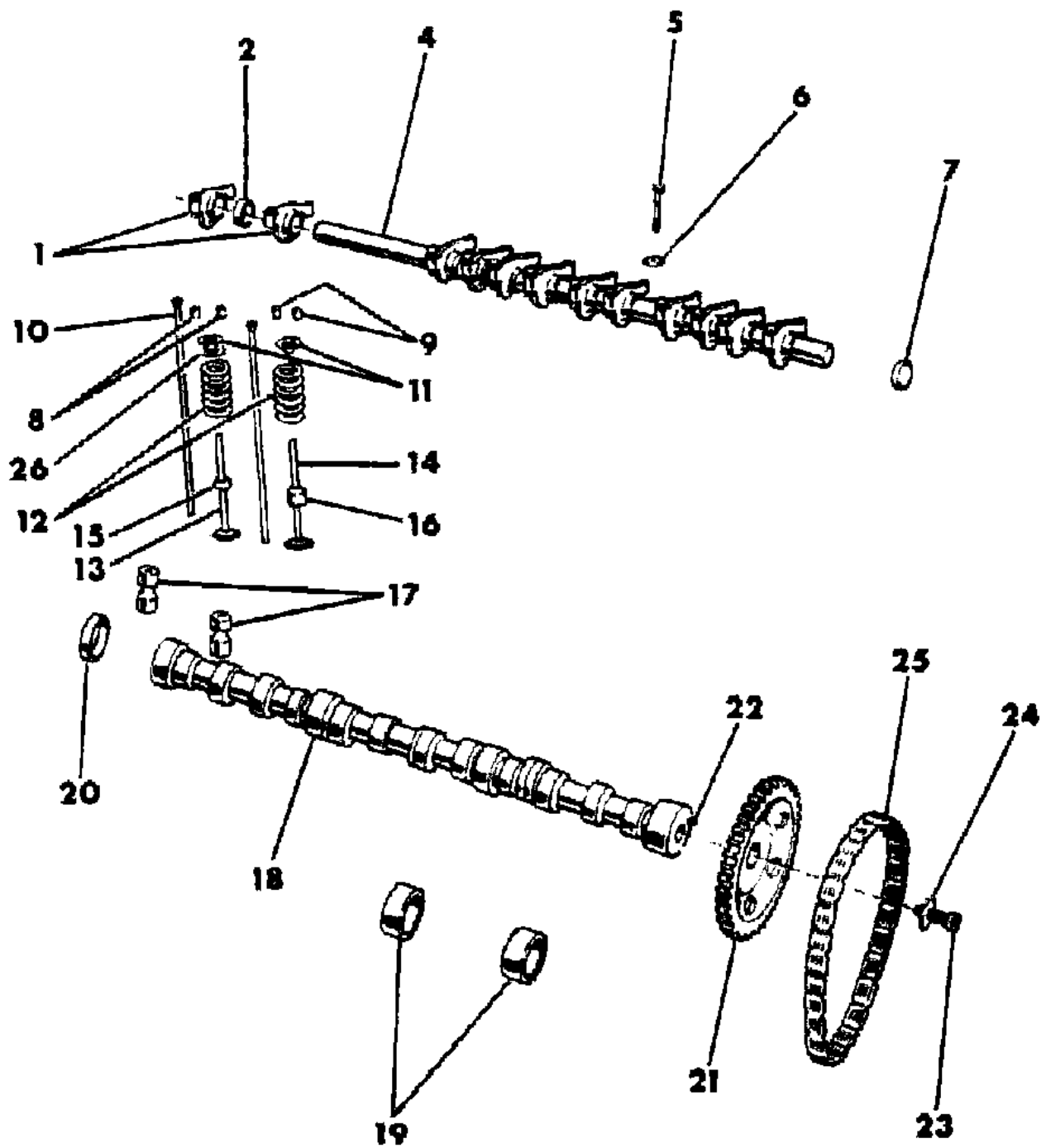




**CAMSHAFT, VALVES, ROCKERS, CHAIN, SPROCKET (6 CYLINDER ENGINE)**  
**Figure 9B-500**

2156 500

ITEM	PART NUMBER	QTY	BODY	MODEL	DESCRIPTION
20	2402 905	1			PLUG, Camshaft Rear Bearing
	2463 041	1			Oversize
21	2806 945	1			SPROCKET, Camshaft
22	0141 195	1			DOWEL, Sprocket
23	0181 140	1			SCREW, Sprocket Retainer
24	6023 053	1			WASHER, Screw
25	3514 866	1			CHAIN, Timing
26	1859 144	AR			SPACER, Valve Spring (Service only)



MODEL CODES  
 B = GRAN FURY/CARAVELLE      P = RELIANT  
 C = LEBARON/TOWN & COUNTRY      S = CORDOBA  
 D = ARIES      V = 400  
 F = NEW YORKER      X = MIRADA  
 G = DIPLOMAT      Y = IMPERIAL  
 M = HORIZON/TC3/SCAMP      Z = OMNI/O24/RAMPAGE

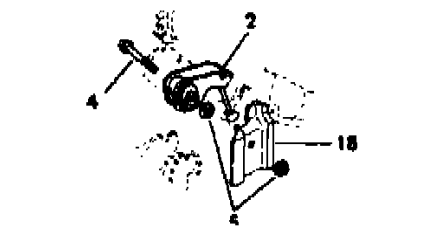
BODY STYLES  
 21 = 2-DOOR SEDAN      28 = FWD PICKUP  
 22 = 2-DOOR SPECIAL COUPE      41 = 4-DOOR SEDAN  
 24 = 2-DOOR HATCHBACK      44 = 4-DOOR HATCHBACK  
 27 = 2-DOOR CONVERTIBLE      45 = 2-SEAT STATION WAGON

AR = Use as Required - = Non Illustrated Part P.A.R. = Paint as Required

# ENGINE MOUNTINGS (6 CYLINDER ENGINE)

Figure 9B-600

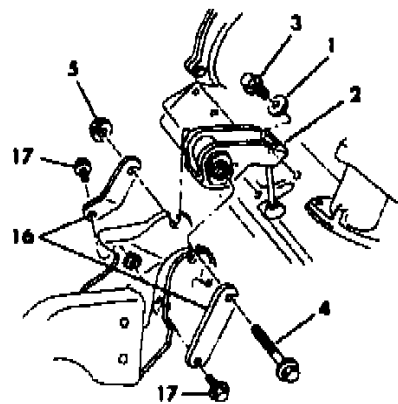
2186 600



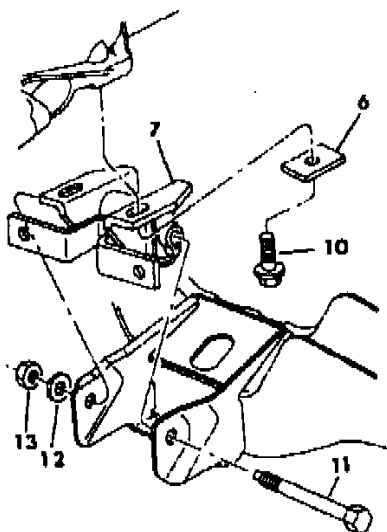
LEFT SIDE - F, G (E24, 26) W/(S-CN95)



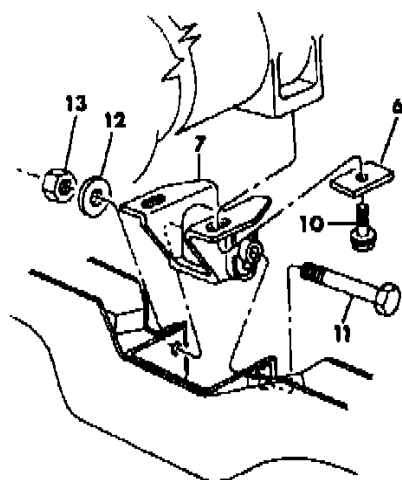
RIGHT SIDE - FRONT SUPPORT



LEFT SIDE - FRONT SUPPORT



REAR SUPPORT - X, S



REAR SUPPORT - F, G

ITEM	PART NUMBER	QTY	BODY	MODEL	DESCRIPTION
2	3817 168	1		F,G,X,S	INSULATOR, Eng. Front, Right
	3817 168	1		F,G	Right, w/o (S/C-F57) (See Note 3 at front of group)
	4001 730	1		F,G	Right, w/(S/C-F57) (See Note 3 at front of group)
	3642 821	1		F,G,X,S	Left
3	6029 770	AR			SCREW, w/Washer, Insulator to Cylinder Block
4	6031 205	2			BOLT, Eng. Front Support Ins. to Frame
5	6030 478	2			NUT, Eng. Front Support Ins. to Frame Bolt
6	3410 700	2			SPACER, Eng. Rear Support Ins. Bracket
7	3726 821	1		F,G,X,S	INSULATOR, Eng. Rear Support, w/o Heavy Duty Torison Bar
					Rear Crossmember
	3817 295	1		F,G,X,S	w/Heavy Duty Torsion Bar Rr. Crosssmember
10	6029 770	2		ALL	BOLT, Eng. Rear Support to Trans. Ext.
11	6028 237	1			BOLT, Eng. Rear Support Ins. to Crossmember
12	9417 098	1			WASHER, Ins. to Crossmember Bolt
13	0152 348	1			Nut, Ins. to Crossmember Bolt
16	3817 256	1			STRAP, Left Engine Support Bracket, Front
					Rear
17	9416 171	2			Screw, Strap
18	4005 151	1		F,G,X,S	SHIELD, Engine Mounting Heat, w/(S/Code N98)
					NUT, Eng. Heat Shield

MODEL CODES

B = GRAN FURY/CARAVELLE	P = RELIANT
C = LEBARON/TOWN & COUNTRY	S = CORDOBA
D = ARIES	V = 400
F = NEW YORKER	X = MIRADA
G = DIPLOMAT	Y = IMPERIAL
M = HORIZON/TC3/SCAMP	Z = OMNI/O24/RAMPAGE

BODY STYLES

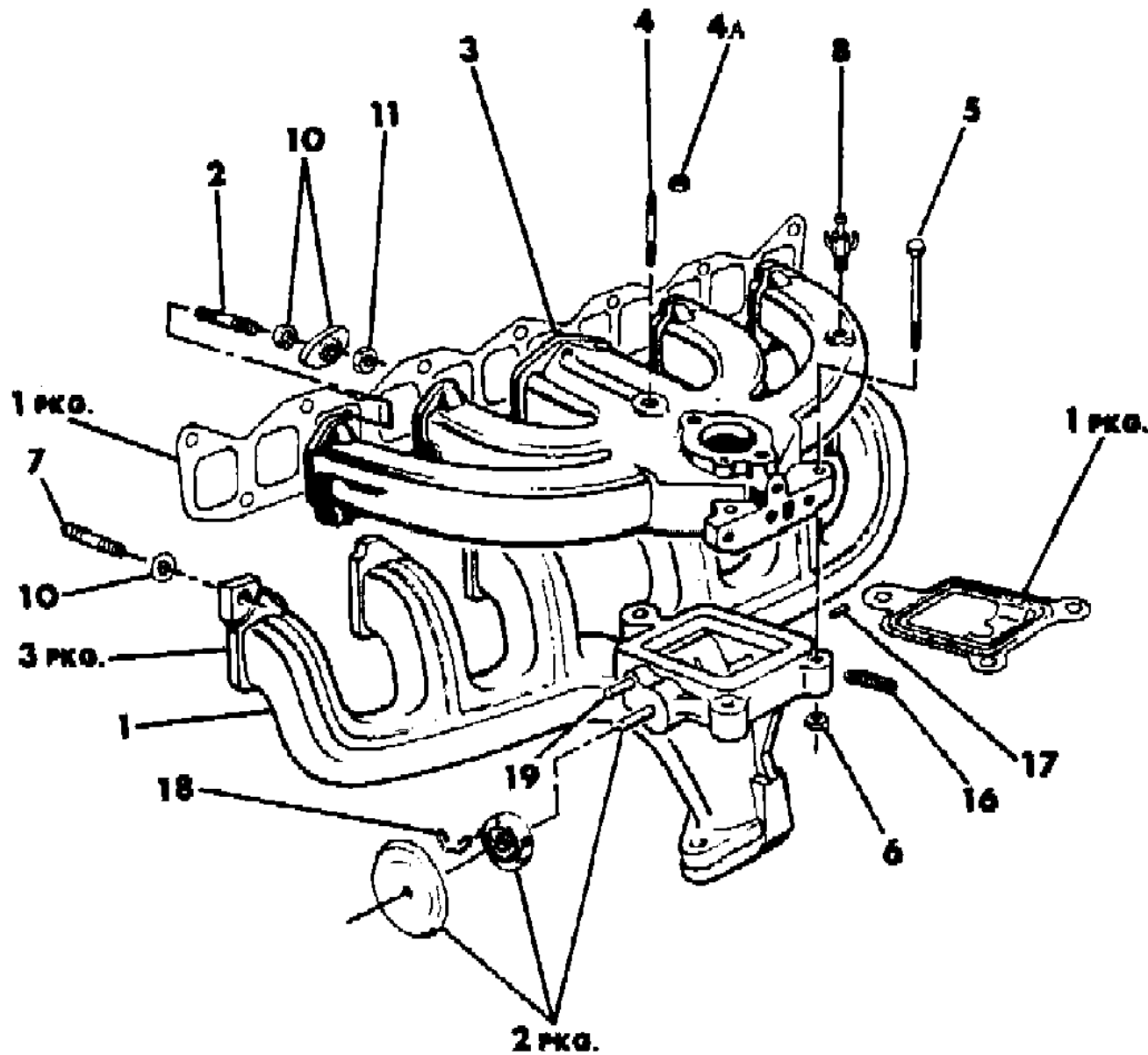
21 = 2-DOOR SEDAN	28 = FWD PICKUP
22 = 2-DOOR SPECIAL COUPE	41 = 4-DOOR SEDAN
24 = 2-DOOR HATCHBACK	44 = 4-DOOR HATCHBACK
27 = 2-DOOR CONVERTIBLE	45 = 2-SEAT STATION WAGON

AR = Use as Required - = Non Illustrated Part P.A.R. = Paint as Required

# INTAKE AND EXHAUST MANIFOLD WITH HEAT CONTROLS (6 CYLINDER ENGINE)

## Figure 9B-700

2156 700



ITEM	PART NUMBER	QTY	BODY	MODEL	DESCRIPTION
1Pkg	#4186 180	1			PACKAGE, Intake and Exhaust Manifold Gasket Consists of: 1 - ----- Gasket, Intake and Exhaust Manifold 1 - ----- Gasket, Intake to Exhaust Manifold
2Pkg	4186 175	1			HEAT CONTROL VALVE PACKAGE, Manifold Consists of: 1 - ----- Shaft 1 - ----- Plate 2 - ----- Bushing 1 - ----- Counterweight 1 - 2946107 Stop, Valve 1 - ----- Thermostat 2 - ----- Seal 1 - 3462514 Spring, Valve Shaft Damper
3Pkg	4186 239	1			PACKAGE, Exhaust Manifold, w/(S/C-N93, N98) Consists, of: 1 - ----- Manifold, Exhaust, Assy. 1 - 3744826 Package, Exhaust Manifold Mounting Parts 1 - 152568 Stud, Intake to Exhaust Manifold 1 - 6025020 Nut w/Washer 1 - 3751635 Gasket, Intake to Exhaust Manifold
4 Pkg	3744 826	1			PACKAGE, Exhaust Manifold Mounting Consists of: 10 - 3751636 Washer, Intake and Exhaust Manifold Stud 2 - 6030210 Nut, Exhaust Manifold Stud Upper Ends 2 - 3751637 Washer, Exhaust Manifold Stud Upper Ends
1	4100 445	1			MANIFOLD, Exhaust, w/(S/C-N95)
2	4186 239	1			w/(S/C-N93, N98)
2	6031 867	2			STUD, Exhaust Manifold Outlet
	6024 380	2			
3	4104 579	1			MANIFOLD, Intake, Except 2 Bbl. Carb.
	4104 594	1			w/2 Bbl. Carb.
4	0152 568	1			STUD, Intake to Exhaust Manifold
4A	0143 438	10			NUT, Intake and Exhaust Manifold Stud
	0115 729	AR			NUT, Intake and Exhaust Manifold Stud
5	6030 003	2			BOLT, Intake to Exhaust Manifold, w/Cast Iron Intake Manifold
	6031 330	2			w/Alum. Intake Manifold

**MODEL CODES**

B = GRAN FURY/CARAVELLE	P = RELIANT
C = LEBARON/TOWN & COUNTRY	S = CORDOBA
D = ARIES	V = 400
F = NEW YORKER	X = MIRADA
G = DIPLOMAT	Y = IMPERIAL
M = HORIZON/TC3/SCAMP	Z = OMNI/O24/RAMPAGE

**BODY STYLES**

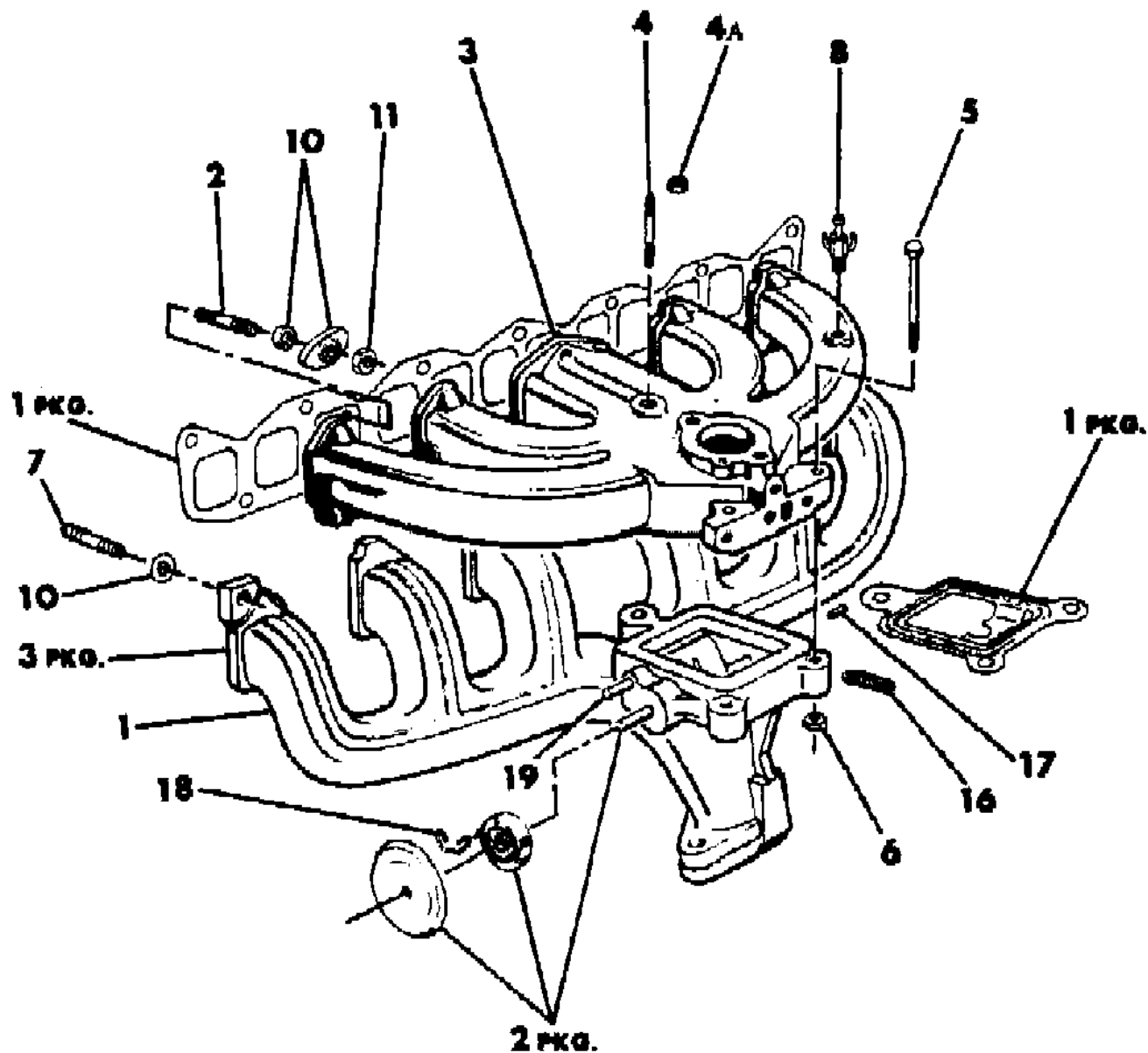
21 = 2-DOOR SEDAN	28 = FWD PICKUP
22 = 2-DOOR SPECIAL COUPE	41 = 4-DOOR SEDAN
24 = 2-DOOR HATCHBACK	44 = 4-DOOR HATCHBACK
27 = 2-DOOR CONVERTIBLE	45 = 2-SEAT STATION WAGON

AR = Use as Required - = Non Illustrated Part P.A.R. = Paint as Required

# INTAKE AND EXHAUST MANIFOLD WITH HEAT CONTROLS (6 CYLINDER ENGINE)

Figure 9B-700

2156 700



ITEM	PART NUMBER	QTY	BODY	MODEL	DESCRIPTION
6	6025 020	AR			NUT, Intake to Exhaust Manifold Bolt or Stud
7	6031 867	AR			STUD, Intake Manifold
	6031 867	AR			STUD, Intake and Exhaust Manifold
8	#4026 119	AR			CONNECTOR, Intake Manifold Vacuum Control O.D. .1875 w/ Two Side Tubes
	4026 117	AR			O.D. .1875 w/One Side Tube and O.D. .125 Center Tube
	4094 872	AR			w/Three Side Tubes
	4210 580	AR			w/4 Connection 2-3/16, 1-1/8, 1-1/4 (Location in Carb.)
	3766 033	AR			w/5 Connection 2-3/16, 1-1/8, 1-1/4, 1-3/8
9	2121 223	1			WASHER, Intake Manifold Stud
10	3751 636	10			WASHER, Intake and Exhaust Manifold Stud
	3751 637	2			WASHER, Exhaust Manifold Upper End Stud
11	6030 210	2			NUT, Exhaust Manifold Upper End Stud
16	3462 514	1			SPRING, Heat Control Valve Shaft
17	1639 597	1			PIN, Heat Control Valve Shaft Spring
18	2946 107	1			STOP, Heat Control Valve
19	0141 162	1			PIN, Heat Control Valve Stop

**MODEL CODES**

B = GRAN FURY/CARAVELLE	P = RELIANT
C = LEBARON/TOWN & COUNTRY	S = CORDOBA
D = ARIES	V = 400
F = NEW YORKER	X = MIRADA
G = DIPLOMAT	Y = IMPERIAL
M = HORIZON/TC3/SCAMP	Z = OMNI/O24/RAMPAGE

**BODY STYLES**

21 = 2-DOOR SEDAN	28 = FWD PICKUP
22 = 2-DOOR SPECIAL COUPE	41 = 4-DOOR SEDAN
24 = 2-DOOR HATCHBACK	44 = 4-DOOR HATCHBACK
27 = 2-DOOR CONVERTIBLE	45 = 2-SEAT STATION WAGON

AR = Use as Required - = Non Illustrated Part P.A.R. = Paint as Required

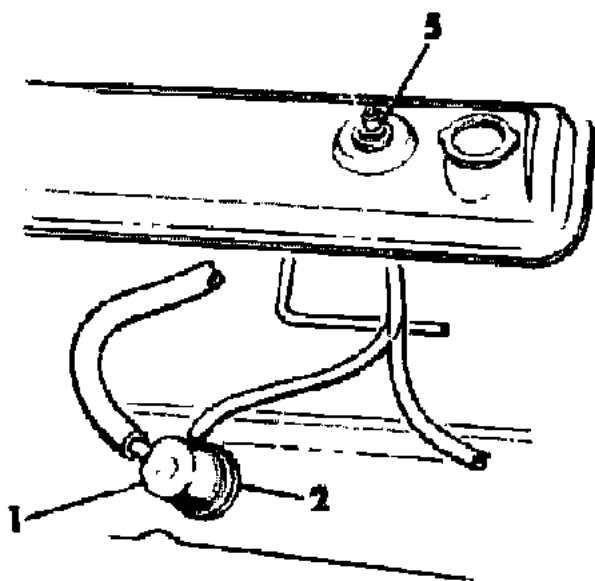
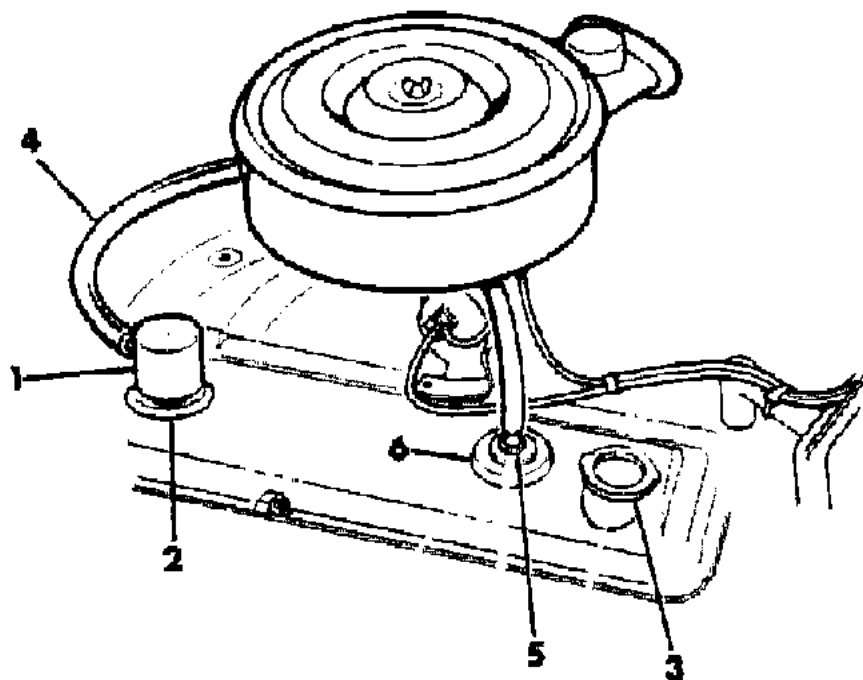
**CRANKCASE VENT, CAP, HOSE, VALVE**  
**Figure 9B-800**

2156 800

ITEM	PART NUMBER	QTY	BODY	MODEL	DESCRIPTION
------	-------------	-----	------	-------	-------------

\*NOTE Part Number 4026136, 4026146 Consists of 50Ft. Roll (Use as Required) ction part number 4202379 stamped (379). For service replacement use the following Cross Reference.

1	#4273 322	1		All	AIR CLEANER, Crankcase Vent Inlet
2	2946 079	1		All	GROMMET, Crankcase Vent Inlet Air Cleaner
3	2946 051	1		All	CAP, Oil Filler
4	4026 146	AR		ALL	HOSE, Crankcase Vent Inlet Air Cleaner to Air Cleaner, 225 Eng., 8" Lgh. required, (See Note 1)
5	3671 076	1		All	VALVE, Crankcase Vent
6	3751 510	1		All	GROMMET, Crankcase Vent Valve
7	4026 136	1		ALL	HOSE, Crankcase Vent Valve to Carb., w/225 Eng., 14" Lgh. Required (See Note)



**MODEL CODES**

B = GRAN FURY/CARAVELLE	P = RELIANT
C = LEBARON/TOWN & COUNTRY	S = CORDOBA
D = ARIES	V = 400
F = NEW YORKER	X = MIRADA
G = DIPLOMAT	Y = IMPERIAL
M = HORIZON/TC3/SCAMP	Z = OMNI/O24/RAMPAGE

**BODY STYLES**

21 = 2-DOOR SEDAN	28 = FWD PICKUP
22 = 2-DOOR SPECIAL COUPE	41 = 4-DOOR SEDAN
24 = 2-DOOR HATCHBACK	44 = 4-DOOR HATCHBACK
27 = 2-DOOR CONVERTIBLE	45 = 2-SEAT STATION WAGON

AR = Use as Required - = Non Illustrated Part P.A.R. = Paint as Required

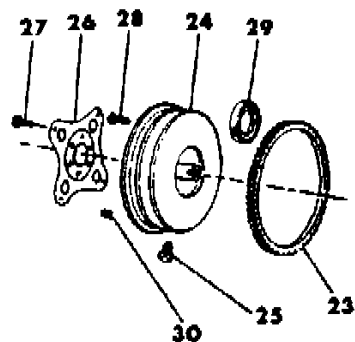
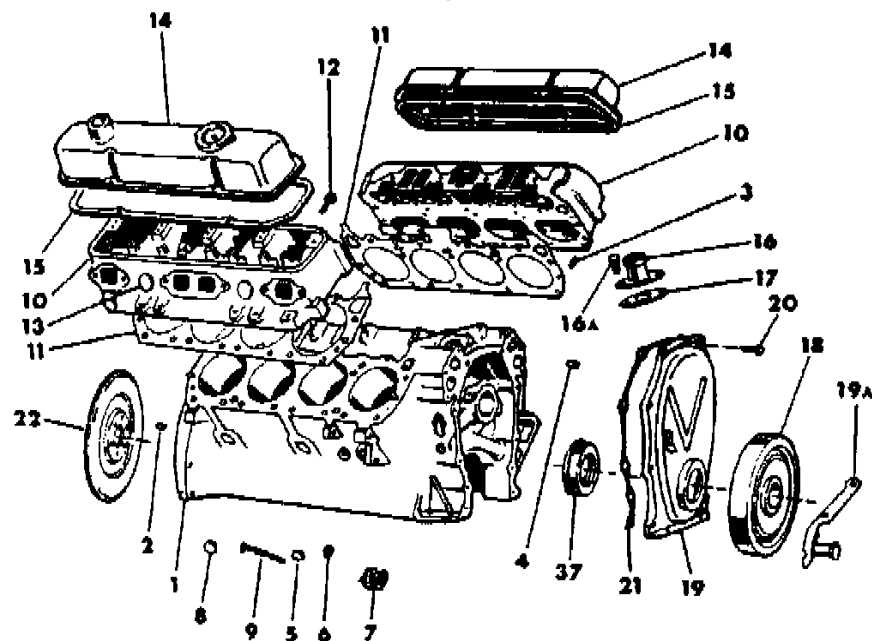
**GROUP 9C - ENGINE, 8 CYLINDER**

<b>ILLUSTRATION TITLE</b>	<b>GROUP-FIG. NO.</b>
8 CYLINDER ENGINE .....	Fig. 9C-100
ENGINE OIL COOLER F, G, B .....	Fig. 9C-200
TRANSMISSION OIL COOLER - 8 CYLINDER ENGINE .....	Fig. 9C-300
TRANSMISSION AUXILIARY OIL COOLER, F,G MODELS .....	Fig. 9C-400
OIL PUMP AND OIL FILTER, OIL PAN, OIL LEVEL INDICATOR 318(8CYL. ENG.) .....	Fig. 9C-500
CAMSHAFT, VALVES, ROCKER SHAFT TIMING CHAIN .....	Fig. 9C-600
CRANKSHAFT, PISTONS, AND RINGS .....	Fig. 9C-700
ENGINE MOUNTINGS 8 CYLINDER .....	Fig. 9C-800
MANIFOLD WITH HEAT CONTROL 8 CYLINDER .....	Fig. 9C-900
CRANKCASE VENT, CAP, HOSE, VALVE 8 CYLINDER ENGINE .....	Fig. 9C-1000

**ILLUSTRATION NOT AVAILABLE AT TIME OF PUBLICATION**

## 8 CYLINDER ENGINE Figure 9C-100

3100 100



ITEM	PART NUMBER	QTY	BODY	MODEL	DESCRIPTION
<p>NOTE: The following symbols are used in connection with engine numbers. Engine numbers without symbols indicate Standard Cylinders and Crankshaft Bearings. The Letter "A" immediately following the engine number indicates Bore .020" (.508 MM) larger than the engine identification number indicates Main and Connecting Rod Bearings .010" (.254 MM) smaller than Standard. rings. The Letter "A" immediately following the engine number indicates Bore .020" (.508 MM) larger than Standard. The Letter "B" The Letters "AB" immediately following the engine identification number indicates Cylinder Bore .020" (.508 MM) larger than Standard. Main and Connecting Rod Bearings .010" (.254 MM) smaller than Standard.</p> <p>The Letters in the circular pads at either end of the engine numbers are for the use of factory inspectors only and should not be connected with the engine numbers. Always mention Serial Numbers when ordering major assemblies.</p> <p>NOTE 1: When a complete overhaul engine gasket set is required for 8 cylinder engines use upper and lower Engine Gasket Sets, Intake Manifold Gasket, also Exhaust Manifold Gasket and Oil Pan Gaskets.</p> <p>NOTE 2: When a valve grinding gasket set is required for 8 cylinder engines use Upper Engine Gasket Set, Intake Manifold Gasket also Exhaust Manifold Gasket</p> <p>NOTE 3: All Parts listed are for 318 Engines Gasket</p>					
	4049 264	1			GASKET SET, Engine, Upper, w/318 Except E48-Eng. Consists of: 2 - 4041005 Gasket. Cyl. Head 2 - 2951267 Gasket. Cyl. Head Cover 8 - 2205958 Shield. Valve Stem Oil, Exhaust 8 - 4071006 Shield. Valve Stem Oil, Exhaust 8 - 3671616 Seal, Valve Guide, Intake 2 - 3818115 Gasket, Exh. Pipe Flange
	3837 644	1			GASKET SET, Engine, Lower w/318 Eng. Consists of: 1 - 2129012 Gasket, Chain Case Cover 1 - 50082 Gasket, Cyl. Water Outlet 2 - ----- Gasket, Oil Pan End 1 - 212903 Gasket, Water Pump Body 1 - 3577870 Gasket, Fuel Pump Flange 1 - 1326837 Gasket, Ignition Distributor 1 - 2899532 Seal, Chain Case Cover Oil 1 - 6027245 O-Ring, Ign. Dist. Housing 1 - 2875923 O-Ring, Ign. Dist. Housing
	4049 265	1			GASKET SET, Engine, Upper w/318-E48 Eng. Consists of: 2 - 4027329 Gasket, Cyl. Head 2 - 2951267 Gasket, Cyl. Head Cover 1 - 3491023 Gasket, Cyl. Head Cover Oil Filler Pipe

**MODEL CODES**

B = GRAN FURY/CARAVELLE	P = RELIANT
C = LEBARON/TOWN & COUNTRY	S = CORDOBA
D = ARIES	V = 400
F = NEW YORKER	X = MIRADA
G = DIPLOMAT	Y = IMPERIAL
M = HORIZON/TC3/SCAMP	Z = OMNI/O24/RAMPAGE

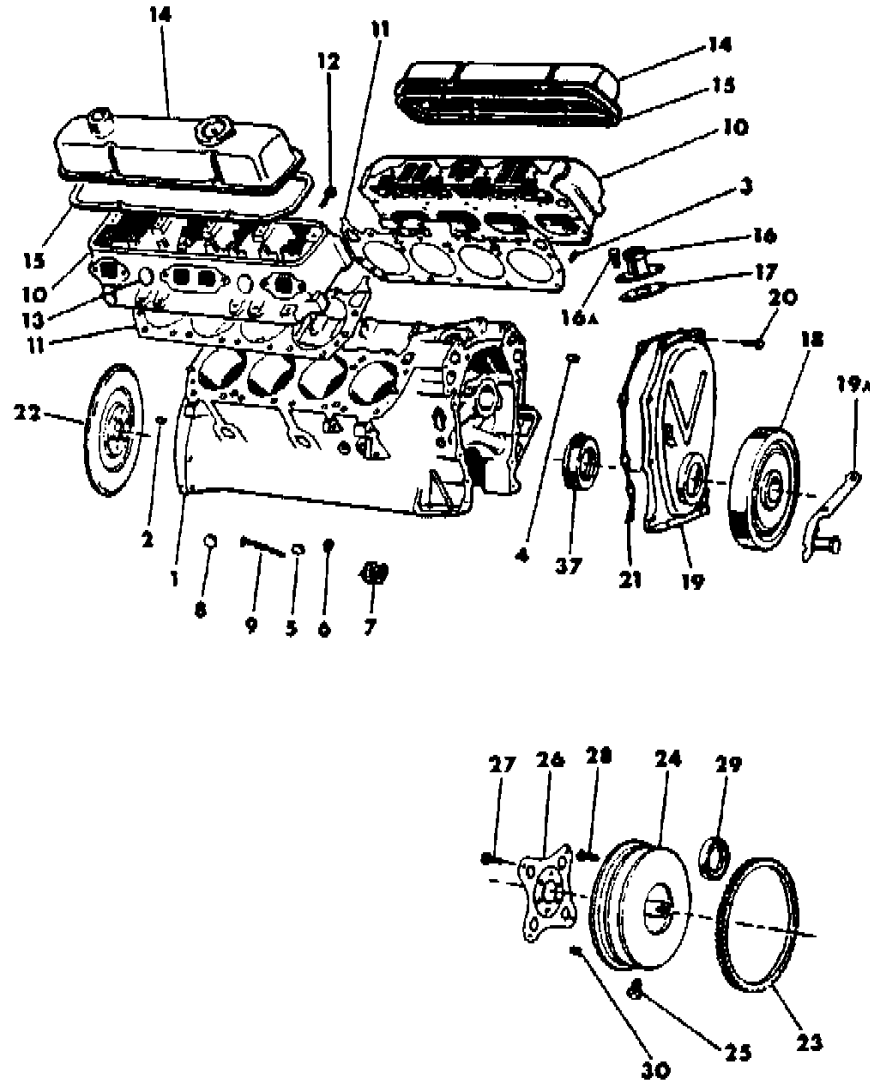
**BODY STYLES**

21 = 2-DOOR SEDAN	28 = FWD PICKUP
22 = 2-DOOR SPECIAL COUPE	41 = 4-DOOR SEDAN
24 = 2-DOOR HATCHBACK	44 = 4-DOOR HATCHBACK
27 = 2-DOOR CONVERTIBLE	45 = 2-SEAT STATION WAGON

AR = Use as Required - = Non Illustrated Part P.A.R. = Paint as Required

## 8 CYLINDER ENGINE Figure 9C-100

2100 100



ITEM	PART NUMBER	QTY	BODY	MODEL	DESCRIPTION
					8 - 4071003 Seal, Valve Guide, Intake
					2 - 3818115 Gasket, Exh. Pipe Flange
					8 - 4071006 Shield, Valve Stem Oil, Exhaust
					8 - 2205958 Shield, Valve Stem Oil, Exhaust (Priormodels only)
NOTE: Short Engine Assemblies consists of the Cylinder Block with Pistons and Rings, Crankshaft and Bearings, Connecting Rods and Bearings. Gasket					
1	#4105 987	1			SHORT ENGINE, w/318 Except E48 Eng.
	4105 989	1			w/E48-318 Eng.
Fitted Case Engine Assy. consists of the cylinder Block with Pistons and Rings, Connecting Rods and Bearings. Gasket					
1A	#4105 990	1			FITTED CASE ENGINE, w/318 Except E48 Eng.
	4105 992	1			w/E48-318 Eng.
2	1122 532	2			DOWEL, Cyl. Block to Clutch or Torque Converter Housing, Std.
	1736 347	AR			.007 Over Center
	1736 348	AR			.014 Over Center
	1736 353	AR			.021 Over Center
3	0141 215	4			DOWEL, Cyl. Block to Cyl. Head
5	2406 356	AR			PLUG, Cyl. Block Core Hole, 1.635
	2406 575	AR			1.695
	3698 639	AR			1.2585
6	3462 871	1			PLUG, Cyl. Block Oil Line
	3751 818	2			PLUG, Cyl. Block Oil Hole
7	3755 677	2			HEATER, Engine Block
8	6027 513	AR			"O"RING, Engine Heater
9	3614 314	1			CORD, Engine Block Heater
10	4100 405	2			HEAD, Cylinder, w/318 Except E48 Eng.
	4227 948	2			w/(E48-318 Eng.)
11	#4186 348	2			GASKET, Cyl. Head, w/318 Except E48 Eng.
	4131 141	2			w/318-E48 Eng.
12	6031 045	10			BOLT, Cyl. Head, 1/2 x 1-7/8"
	6031 101	8			1/2 x 3-5/8"
	2463 260	2			1/2 x 4-5/8"
13	3698 639	AR			PLUG, Cyl. Head Core Hole, 1.2605"
14	4100 558	1			COVER, Cyl. Head, Right
	4041 016	1			Left
14a	0180 018	10			SCREW, Cyl. Head Cover (1/4" X 5/8")
	0180 020	10			(1/4" X 3/4")
15	#4273 129	2			GASKET, Cyl. Head Cover, w/318 Except E48 Eng.

**MODEL CODES**

B = GRAN FURY/CARAVELLE	P = RELIANT
C = LEBARON/TOWN & COUNTRY	S = CORDOBA
D = ARIES	V = 400
F = NEW YORKER	X = MIRADA
G = DIPLOMAT	Y = IMPERIAL
M = HORIZON/TC3/SCAMP	Z = OMNI/O24/RAMPAGE

**BODY STYLES**

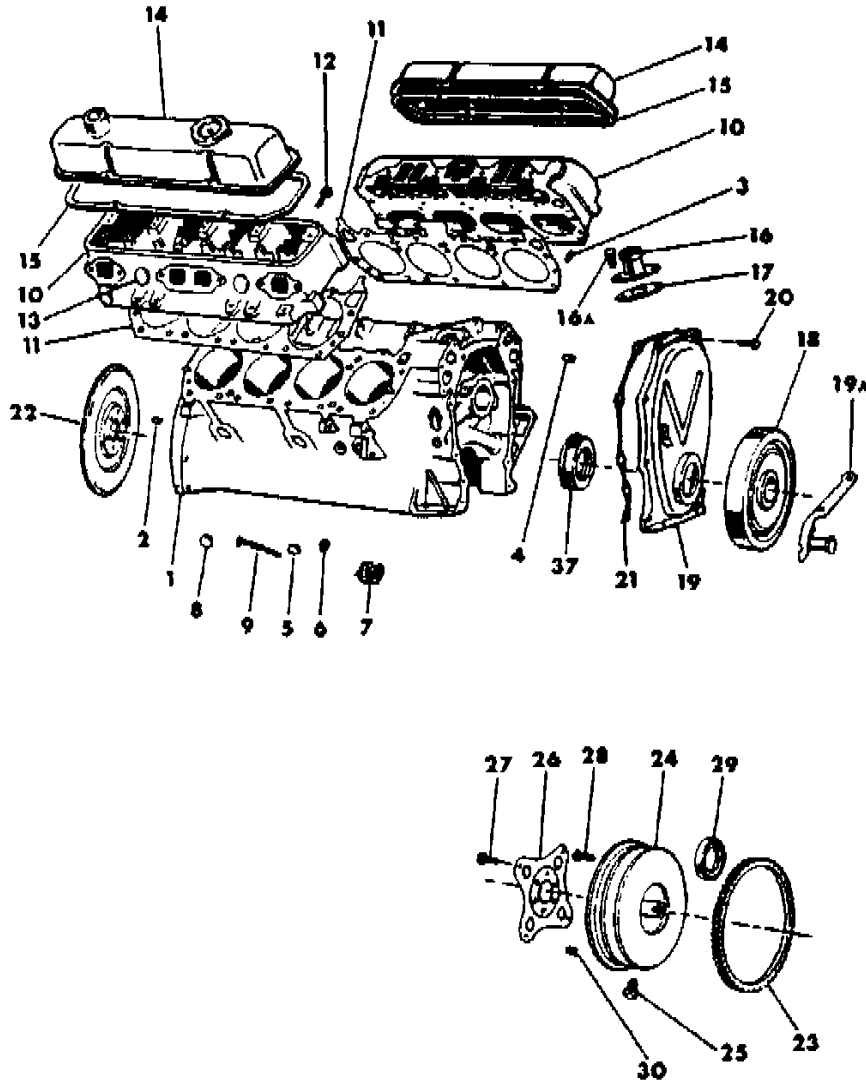
21 = 2-DOOR SEDAN	28 = FWD PICKUP
22 = 2-DOOR SPECIAL COUPE	41 = 4-DOOR SEDAN
24 = 2-DOOR HATCHBACK	44 = 4-DOOR HATCHBACK
27 = 2-DOOR CONVERTIBLE	45 = 2-SEAT STATION WAGON

AR = Use as Required - = Non Illustrated Part P.A.R. = Paint as Required



8 CYLINDER ENGINE  
Figure 9C-100

3100 100



ITEM	PART NUMBER	QTY	BODY	MODEL	DESCRIPTION
	4095 088	2			w/(E48-318 Eng.)
16	4100 490	1			CONNECTOR, Cyl. Water Outlet
16a	6031 413	2			BOLT, Cyl. Water Outlet Connector
17	4173 461	1			GASKET, Cyl. Water Outlet Connector
18	4173 443	1			DAMPER, Crankshaft Vibration, w/318 Eng.
19	3769 964	1			COVER, Chain Case, Assy.
19A	4095 625	1			INDICATOR, Timing
20	#0181 112	2			SCREW, Chain Case Cover, 3/8 x 1"
	9420 892	1			3/8 x 2-3/4"
21	2129 012	1			GASKET, Chain Case Cover
22					FLYWHEEL, w/Ring Gear (Not used)
23					GEAR, Flywheel Ring (Not used)
	2121 196	1			GEAR, Torque Converter Ring, (I.D. 11.250")
	3515 203	1			(I.D. 11.193") w/(E48-318 Eng.)
24	4106 564	1			TORQUE CONVERTER, w/(E44,E45,E46 318 Eng. (See Note)
	4202 532	1			w/(E48-318 Eng.) (See Note),w/lock-up Version
	4202 722	1			w/(E43-318 Eng.) (See Note), w/Lock-up Version
25	6023 092	1			SCREW w/Washer, Torque Converter Drain
26	4058 429	1			PLATE, Torque Converter Drive
27	1949 424	6			SCREW, Drive Plate to Crankshaft
28	1949 765	4			SCREW, Drive Plate to Torque Converter
29	3515 138	1			SEAL, Trans. Torque Converter Impeller Hub, w/A904 Auto.
					Trans.
	3515 137	1			w/A727 Auto. Trans.
30	1942 187	8			SPRING, Torque Converter Overrunning Clutch Roller
31	3830 109	1			OIL SEAL, Chain Case Cover

NOTE: To replace the original Production Torque Converter look on the front cover surface for a Decal which will indicate a Lockup or a Non-Lockup Torque Converter. The Trans. Input Shaft and the Torque Converter Hub has one less spline for the Lockup Lock units are not interchangeable. On the curved surface of the rear Torque Converter Cover will be stamped the last three digits of the production Part No. stamped (488) For service replacement use the following Cross Reference.

PRODUCTION	REMANUFACTURED
TORQUE CONVERTER	TORQUE CONVERTER
STAMPED	SERVICE
385	4106564
531	4202532
721	4202722
415	4106572

MODEL CODES

B = GRAN FURY/CARAVELLE	P = RELIANT
C = LEBARON/TOWN & COUNTRY	S = CORDOBA
D = ARIES	V = 400
F = NEW YORKER	X = MIRADA
G = DIPLOMAT	Y = IMPERIAL
M = HORIZON/TC3/SCAMP	Z = OMNI/O24/RAMPAGE

BODY STYLES

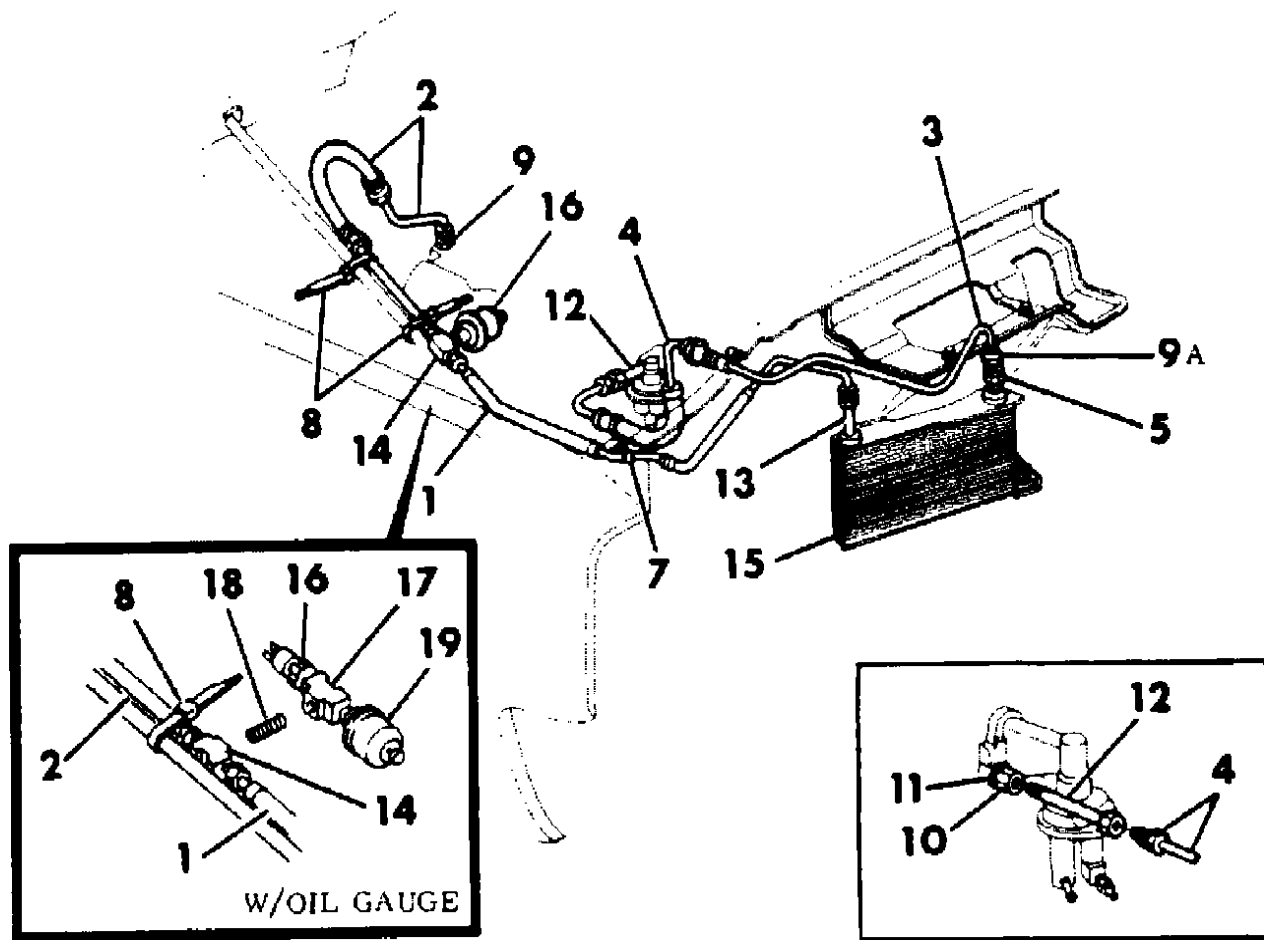
21 = 2-DOOR SEDAN	28 = FWD PICKUP
22 = 2-DOOR SPECIAL COUPE	41 = 4-DOOR SEDAN
24 = 2-DOOR HATCHBACK	44 = 4-DOOR HATCHBACK
27 = 2-DOOR CONVERTIBLE	45 = 2-SEAT STATION WAGON

AR = Use as Required - = Non Illustrated Part P.A.R. = Paint as Required



**ENGINE OIL COOLER F, G, B**  
**Figure 9C-200**

2109 200



ITEM	PART NUMBER	QTY	BODY	MODEL	DESCRIPTION
1	4140 400	1			TUBE, Engine Oil Cooler, Front
2	4026 548	1			TUBE, Engine Oil Cooler, Rear
3	4026 548	1			TUBE, Oil Cooler to Engine, Front
4	4026 549	1			TUBE, Oil Cooler to Engine, Rear
5	2264 514	1			VALVE, Engine Oil Cooler Check
6		1			CLIP, (Not Serviced)
7		1			CLIP, (Not Serviced)
8		2			CLIP, (Not Serviced)
9	6031 741	1			CONNECTOR, Engine to Oil Cooler Tube
9A	0137 406	1			CONNECTOR, Check Valve to Oil Cooler Tube
10	4071 712	1			NUT, Fuel Pump
11		1			WASHER, (Not Serviced)
12	6032 002	1			PIPE, Nipple, Return Line
13	6032 005	1			PIPE, Nipple, Outline Line
14	0128 275	1			TEE, Oil Pressure Sensing Unit
15	4140 394	1			OIL COOLER, Engine
16		1			SWITCH, Oil Pressure (See Group 8 Electrical)
17	9409 935	1			TEE, Dual Sensing Unit (w/Oil Gauge)
18	0142 868	1			NIPPLE, Connector (w/Oil Gauge)
19		1			SENDING UNIT, Oil Pressure w/(Oil Gauge) (See Group 8 Electrical)
20	1316 864	1			"O"RING, Engine Oil Cooler Tube Junction Seal

**MODEL CODES**

B = GRAN FURY/CARAVELLE	P = RELIANT
C = LEBARON/TOWN & COUNTRY	S = CORDOBA
D = ARIES	V = 400
F = NEW YORKER	X = MIRADA
G = DIPLOMAT	Y = IMPERIAL
M = HORIZON/TC3/SCAMP	Z = OMNI/O24/RAMPAGE

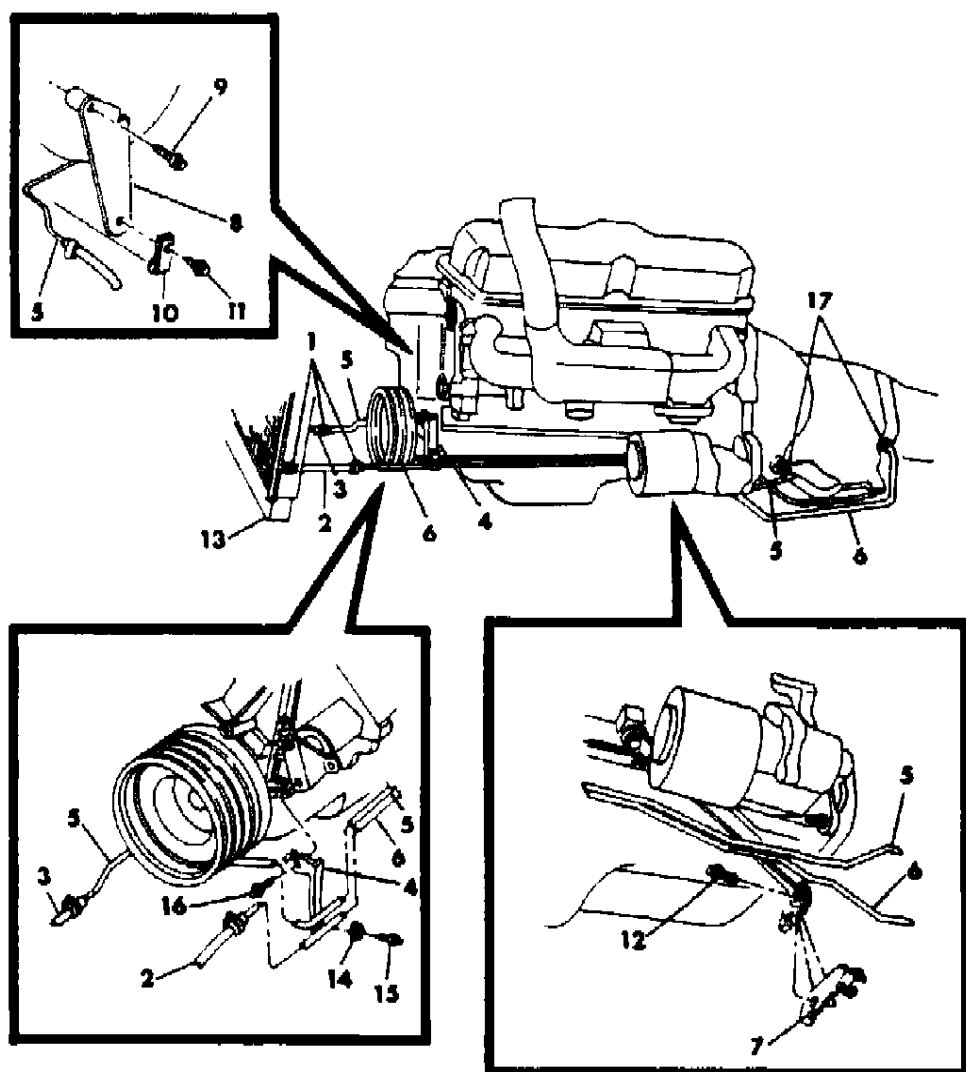
**BODY STYLES**

21 = 2-DOOR SEDAN	28 = FWD PICKUP
22 = 2-DOOR SPECIAL COUPE	41 = 4-DOOR SEDAN
24 = 2-DOOR HATCHBACK	44 = 4-DOOR HATCHBACK
27 = 2-DOOR CONVERTIBLE	45 = 2-SEAT STATION WAGON

AR = Use as Required - = Non Illustrated Part P.A.R. = Paint as Required

## TRANSMISSION OIL COOLER - 8 CYLINDER ENGINE Figure 9C-300

2100 300



ITEM	PART NUMBER	QTY	BODY	MODEL	DESCRIPTION
NOTE "A" HOSE, Transmission Oil Cooler, 50Ft. RollPart No. 4026139 cut to length shown. rt No. stamped (488) For service replacement use the following Cross Reference.					
NOTE "B" TUBE, Transmission Oil Cooler, 25Ft. RollPart No. 1843253 cut to length shown. rt No. stamped (488) For service replacement use the following Cross Reference.					
1	0153 456	AR			CLAMP, Trans. Oil Cooler Hose
2	00NO TEA	AR			HOSE, Trans. Oil Cooler (to Trans.) length 6.75" of Note "A"
3	00NO TEA	1			HOSE, Trans. Oil Cooler (from Trans.) length 6.25" of Note "A"
4	4140 415	1			BRACKET, Trans. Oil Cooler Tube to Power Strg. Bracket left front
5	00NO TEB	1			TUBE, Trans. Oil Cooler Outlet (from Trans.) length 48.355" of Note "B" (except A727 Trans.)
	00NO TEB	1			length 48.223" of Note "B" (w/A727 Trans.)
6	00NO TEB	1			TUBE, Trans. Oil Cooler Inlet (to Trans.) length 51.399" of Note "B" (except A727 Trans.)
	00NO TEB	1			length 52.464" of Note "B" (w/A727 Trans.)
7	4140 422	1			BRACKET, Trans. Oil Cooler Tube to Trans. Housing (except A727 Trans.)
	4140 340	1			(w/A727 Trans.)
8	4140 414	1			BRACKET, Trans. Oil Cooler Tube To Chain Cover
9	0181 126	1			BOLT, Bracket
10		1			CLIP, Trans. Oil Cooler Tube (Not Serviced)
11		2			SCREW, Tube Clip (Not Serviced)
12		1			BOLT, Trans. Oil Cooler Tube Bracket
13	4140 380	1			COOLER, Radiator Core Trans. Oil (12" lgh. X 1.00" O/Dia.)
	4140 383	1			(12" lgh. X 1.25" O/Dia.)
	4140 382	1			(12" lgh. X 1.50" O/Dia.)
14		1			CLIP, Trans. Oil Cooler Tube (Not Serviced)
15		2			SCREW, Clip (Not Serviced)
16		1			SCREW, Trans. Oil Cooler Tube Bracket (Not Serviced)
17	1941 667	2			NUT, Trans. Oil Cooler Tube (Trans. End)
	0118 749	2			CONNECTOR, Trans. Oil Cooler Tube (Trans End)

### MODEL CODES

B = GRAN FURY/CARAVELLE	P = RELIANT
C = LEBARON/TOWN & COUNTRY	S = CORDOBA
D = ARIES	V = 400
F = NEW YORKER	X = MIRADA
G = DIPLOMAT	Y = IMPERIAL
M = HORIZON/TC3/SCAMP	Z = OMNI/O24/RAMPAGE

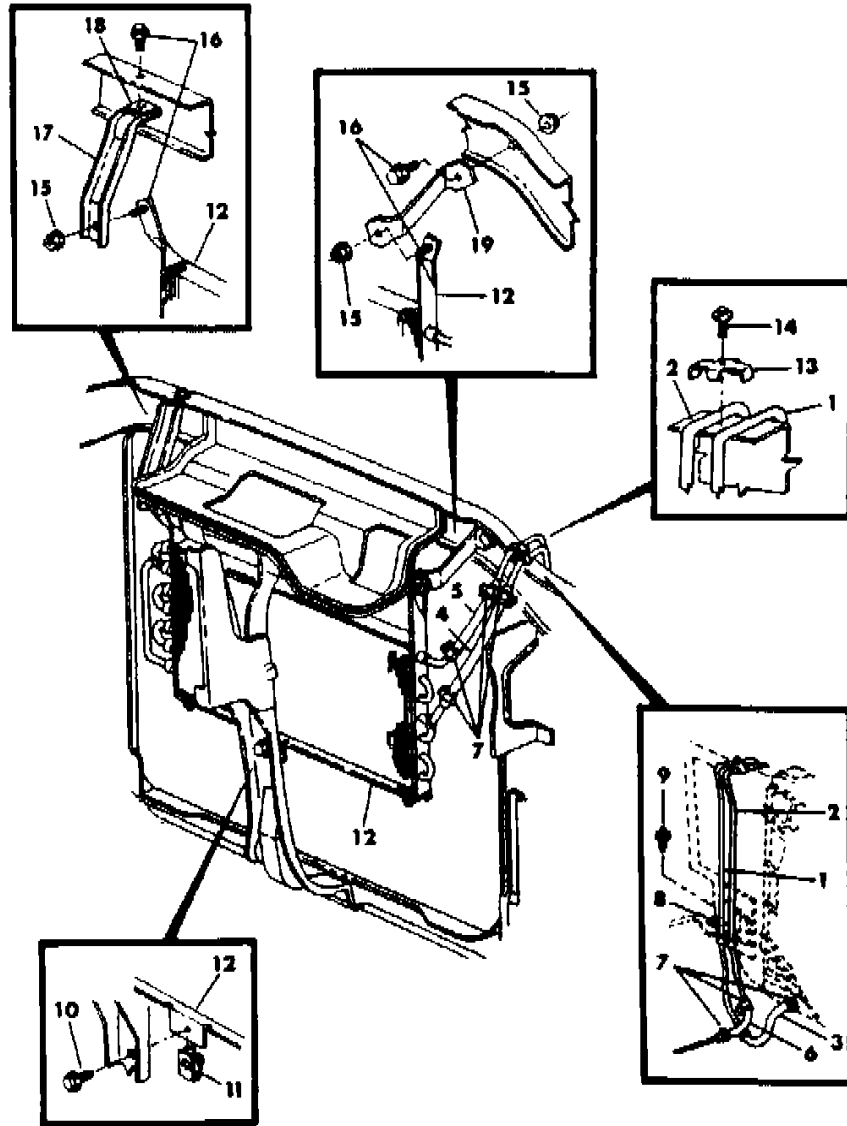
### BODY STYLES

21 = 2-DOOR SEDAN	28 = FWD PICKUP
22 = 2-DOOR SPECIAL COUPE	41 = 4-DOOR SEDAN
24 = 2-DOOR HATCHBACK	44 = 4-DOOR HATCHBACK
27 = 2-DOOR CONVERTIBLE	45 = 2-SEAT STATION WAGON

AR = Use as Required - = Non Illustrated Part P.A.R. = Paint as Required

**TRANSMISSION AUXILIARY OIL COOLER, F,G MODELS**  
**Figure 9C-400**

2100 400



ITEM	PART NUMBER	QTY	BODY	MODEL	DESCRIPTION
------	-------------	-----	------	-------	-------------

NOTE "A" HOSE, Transmission Oil Cooler, 50Ft. RollPart No. 4026139 cut to length shown. rt No. stamped (488) For service replacement use the following Cross Reference.

NOTE "B" TUBE, Transmission Oil Cooler, 25Ft. RollPart No. 1843253 cut to length shown. rt No. stamped (488) For service replacement use the following Cross Reference.

1	00NO TEB	1			TUBE, Trans. Oil Cooler To Auxiliary Oil Cooler, length 27.097" of Note "B"
2	00NO TEB	1			TUBE, Auxiliary Oil Cooler To Trans., length 27.242" of Note "B"
3	00NO TEA	1			HOSE, Trans. Oil Cooler To Auxiliary Oil Cooler, length 6.50" of Note "A"
4	00NO TEA	1			HOSE, Trans. Oil Cooler To Auxiliary Oil Cooler, length 15.5" of Note A
5	00NO TEA	1			HOSE, Auxiliary Oil Cooler To Trans., length 12" of Note A
6	00NO TEA	1			HOSE, Auxiliary Oil Cooler To Trans., length 6.75" of Note "A"
7	0153 456	AR			CLIP, Hose To Tube
8	4140 350	1			BRACKET, Trans. Auxiliary Oil Cooler Tube To Frame
9		1			SCREW, Bracket (Not Serviced)
10		1			SCREW, Hood Lock Support To Auxiliary Oil Cooler
11		1			U-NUT, Hood Lock Support To Auxiliary Oil Cooler Screw
12	4266 033	1			COOLER, Auxiliary, Trans. Oil
13		1			CLIP, Trans. Auxiliary Oil Cooler Tubes (Not Serviced)
14		1			SCREW, Clip (Not Serviced)
15	0219 462	3			NUT, Trans. Auxiliary Oil Cooler Bracket Screw
16	0181 063	3			SCREW, Trans. Auxiliary Oil Cooler Bracket
17	4266 034	1			BRACKET, Rt. Trans. Auxiliary Oil Cooler
18		1			U-Nut, Auxiliary Oil Cooler Rt. Bracket (Not Serviced)
19	#4266 035	1			Bracket, Lt. Trans. Auxiliary Oil Cooler
	4266 036	1			BRACKET, Trans. Auxillary Oil Cooler Mounting, Lower
	4266 037	1			BRACKET, Trans. Auxillary Oil Cooler Mounting, Rear

MODEL CODES

B = GRAN FURY/CARAVELLE	P = RELIANT
C = LEBARON/TOWN & COUNTRY	S = CORDOBA
D = ARIES	V = 400
F = NEW YORKER	X = MIRADA
G = DIPLOMAT	Y = IMPERIAL
M = HORIZON/TC3/SCAMP	Z = OMNI/O24/RAMPAGE

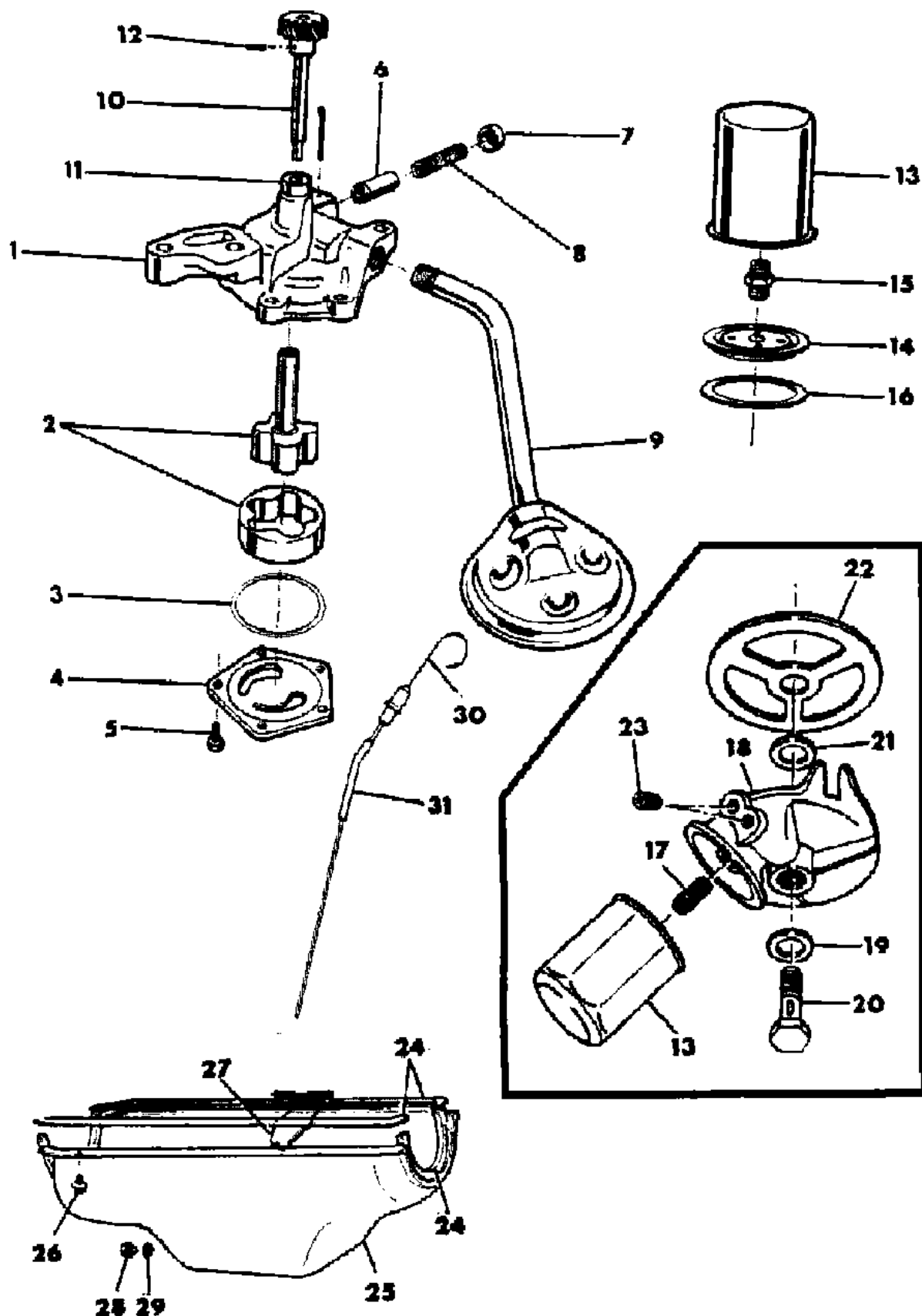
BODY STYLES

21 = 2-DOOR SEDAN	28 = FWD PICKUP
22 = 2-DOOR SPECIAL COUPE	41 = 4-DOOR SEDAN
24 = 2-DOOR HATCHBACK	44 = 4-DOOR HATCHBACK
27 = 2-DOOR CONVERTIBLE	45 = 2-SEAT STATION WAGON

AR = Use as Required - = Non Illustrated Part P.A.R. = Paint as Required

OIL PUMP AND OIL FILTER, OIL PAN, OIL LEVEL INDICATOR 318(8CYL. ENG.)  
Figure 9C-500

2109 500



ITEM	PART NUMBER	QTY	BODY	MODEL	DESCRIPTION
1	2806 270	1			OIL PUMP
2	3837 648	1			DRIVE SHAFT AND ROTOR PACKAGE, Oil Pump Consists of: 1- ----- Shaft w/Inner Rotor 1- ----- Rotor, Outer
3	2268 921	1			1- 2268921 Gasket, Oil Pump Cover Consists of: 1- ----- Shaft, Assy. Oil Pump Drive 1- ----- Rotor Outer, Oil Pump
4	4071 043	1			GASKET, Oil Pump Cover
5	0220 785	5			COVER, Oil Pump
6	2843 208	1			SCREW, Oil Pump Cover
7	2806 273	1			PLUNGER, Oil Pressure Relief Valve
8	2402 473	1			CAP, Oil Pressure Relief Valve
9	2468 849	1			SPRING, Oil Pressure Relief Valve
10	4095 260	1			SHAFT, Oil Pump and Distributer Drive . Assy.
11	2863 584	1			BUSHING, Oil Pump Distributer Drive Shaft
12	0103 726	1			PIN, Oil Pump and Distributer Drive Gear
13	3549 957	1			FILTER, Oil
14	2402 103	1			PLATE, Oil Filter Adapter w/(S/C-N92,N94)
15	3671 602	1			ADAPTER, Oil Filter to Cylinder Block w/(S/C-N92,N94)
16	3671 314	1			GASKET, Oil Filter Adapter Plate w/(S/C-N92,N94)
17	4104 511	1			ADAPTER, Oil Filter to Oil Filter Base, w/(S/C-N61,N94,N95)
18	4179 726	1			BASE, Oil Filter Assy., w/(S/C-N61,N94,N95)
19	4105 210	1			GASKET, Oil Filter Base Screw, w/(S/C-N61,N94,N95)
20	4186 347	1			SCREW, Oil Filter Base w/(S/C-N61,N94,N95)
21	2463 512	1			SEAL, Oil Filter Base Screw, w/(S/C-N61,N94,N95)
22	3577 674	1			GASKET, Oil Filter Base, w/(S/C-N61,N94,N95)
23		1			PLUG, Oil Filter Base, w/(S/C-N61,N94,N95),(3/8 dia.)
24	4240 153	1			GASKET SET, Oil Pan Consists of: 2- ----- Gasket, Oil Pan Side 2- ----- Gasket, Oil Pan End
25	4006 387	1			PAN, Oil
26	1947 963	14			SCREW, w/Washer, Oil Pan 5/16" X 13/16"
	6025 926	4			SCREW, w/Washer, Oil Pan 5/16" X 1"

MODEL CODES

B = GRAN FURY/CARAVELLE  
C = LEBARON/TOWN & COUNTRY  
D = ARIES  
F = NEW YORKER  
G = DIPLOMAT  
M = HORIZON/TC3/SCAMP  
P = RELIANT  
S = CORDOBA  
V = 400  
X = MIRADA  
Y = IMPERIAL  
Z = OMNI/O24/RAMPAGE

BODY STYLES

21 = 2-DOOR SEDAN  
22 = 2-DOOR SPECIAL COUPE  
24 = 2-DOOR HATCHBACK  
27 = 2-DOOR CONVERTIBLE  
28 = FWD PICKUP  
41 = 4-DOOR SEDAN  
44 = 4-DOOR HATCHBACK  
45 = 2-SEAT STATION WAGON

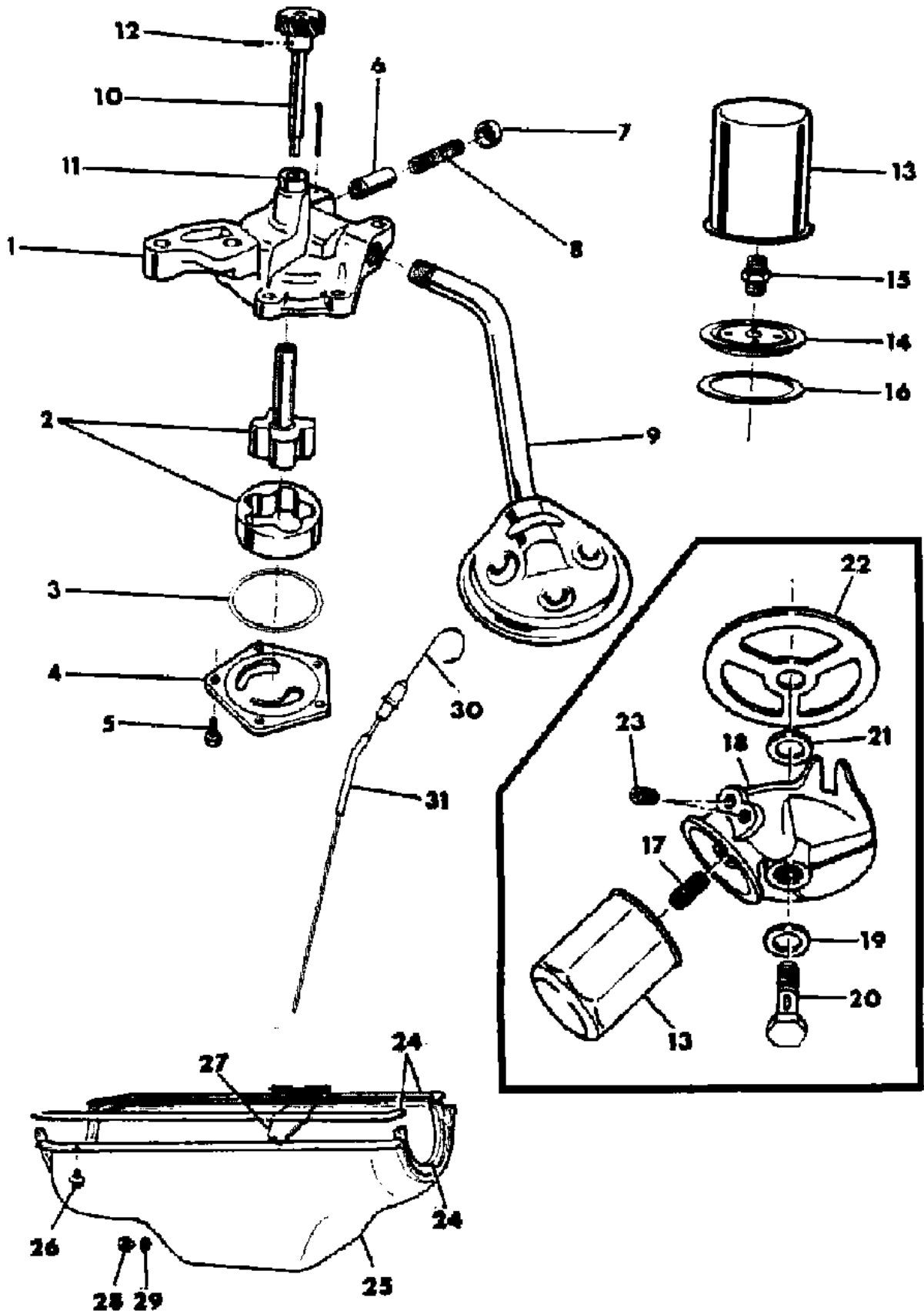
AR = Use as Required - = Non Illustrated Part P.A.R. = Paint as Required

OIL PUMP AND OIL FILTER, OIL PAN, OIL LEVEL INDICATOR 318(8CYL. ENG.)

Figure 9C-500

2109 500

ITEM	PART NUMBER	QTY	BODY	MODEL	DESCRIPTION
27	3577 794	1			BAFFLE, Crankshaft Oil Scraper, (E48-318 Eng.)
28	4095 544	1			PLUG, Oil Pan Drain
29	3769 935	1			GASKET, Oil Pan Drain Plug
30	3870 265	1			INDICATOR, Oil Level
31	4027 249	1			TUBE, Oil Level Indicator



MODEL CODES

B = GRAN FURY/CARAVELLE	P = RELIANT
C = LEBARON/TOWN & COUNTRY	S = CORDOBA
D = ARIES	V = 400
F = NEW YORKER	X = MIRADA
G = DIPLOMAT	Y = IMPERIAL
M = HORIZON/TC3/SCAMP	Z = OMNI/O24/RAMPAGE

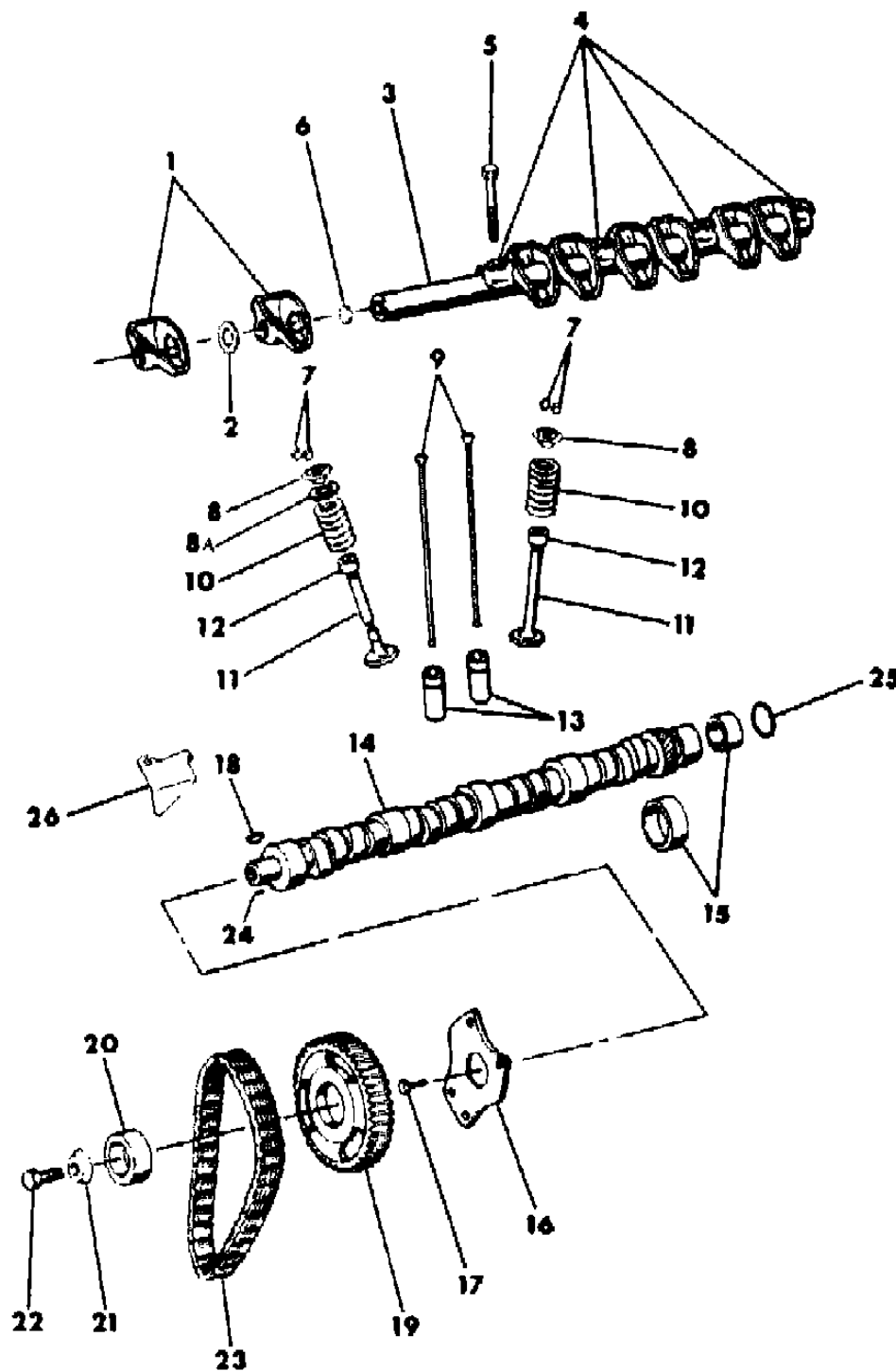
BODY STYLES

21 = 2-DOOR SEDAN	28 = FWD PICKUP
22 = 2-DOOR SPECIAL COUPE	41 = 4-DOOR SEDAN
24 = 2-DOOR HATCHBACK	44 = 4-DOOR HATCHBACK
27 = 2-DOOR CONVERTIBLE	45 = 2-SEAT STATION WAGON

AR = Use as Required - = Non Illustrated Part P.A.R. = Paint as Required

**CAMSHAFT, VALVES, ROCKER SHAFT TIMING CHAIN**  
**Figure 9C-600**

2100 600



ITEM	PART NUMBER	QTY	BODY	MODEL	DESCRIPTION
1	4095 708	8			ROCKER, Valve, Right, w/318 Eng.
	4095 709	8			Left, w/318 Eng.
3	2532 149	2			SHAFT, Valve Rocker
4	2463 322	6			RETAINER, Valve Rocker Shaft, End and Center
	2463 323	4			Intermediate
5	0181 095	10			SCREW, Valve Rocker Shaft Retainer
6	1324 268	4			PLUG, Valve Rocker Shaft
7	0381 875	16			LOCK, Intake Valve Spring Retainer
	1614 666	16			LOCK, Exhaust Spring Retainer
8	2402 045	16			RETAINER, Valve Spring
8A	1859 144	AR			SPACER, Valve Spring
9	4095 291	16			ROD, Valve Push
10	1739 534	16			SPRING, Valve, w/318 except E48 Eng.
	3751 741	16			w/E48-318 Eng.)
11	2465 335	8			VALVE, Intake, Std., w/318 Except E48 Eng.
	2465 336	8			.005 O/S
	2465 337	8			.015 O/S
	2465 338	8			.030 O/S
	3683 801	8			Std., w/E48-318 Eng.
	3683 802	8			.005 O/S
	3683 803	8			.015 O/S
	3683 804	8			.030 O/S
	4100 387	8			VALVE, Exhaust, Std. w/318 Except E48 Eng.
	4100 388	8			.005 O/S
	4100 389	8			.015 O/S
	4100 390	8			.030 O/S
	4100 632	8			w/(E48-318 Eng.), Std.
	4100 633	8			.005 O/S
	4100 634	8			.015 O/S
	4100 635	8			.030 O/S
12	4071 006	8			SHIELD, Valve Stem Oil Exhaust
	4095 543	8			SEAL, Valve Guide Intake
13	4049 338	16			TAPPET, Valve, Std.
	4049 339	16			.001 O/S
	4049 340	16			.008 O/S
	4049 341	16			.030 O/S
14	4179 768	1			CAMSHAFT, w/318 Except E48 Eng.

MODEL CODES

B = GRAN FURY/CARAVELLE	P = RELIANT
C = LEBARON/TOWN & COUNTRY	S = CORDOBA
D = ARIES	V = 400
F = NEW YORKER	X = MIRADA
G = DIPLOMAT	Y = IMPERIAL
M = HORIZON/TC3/SCAMP	Z = OMNI/O24/RAMPAGE

BODY STYLES

21 = 2-DOOR SEDAN	28 = FWD PICKUP
22 = 2-DOOR SPECIAL COUPE	41 = 4-DOOR SEDAN
24 = 2-DOOR HATCHBACK	44 = 4-DOOR HATCHBACK
27 = 2-DOOR CONVERTIBLE	45 = 2-SEAT STATION WAGON

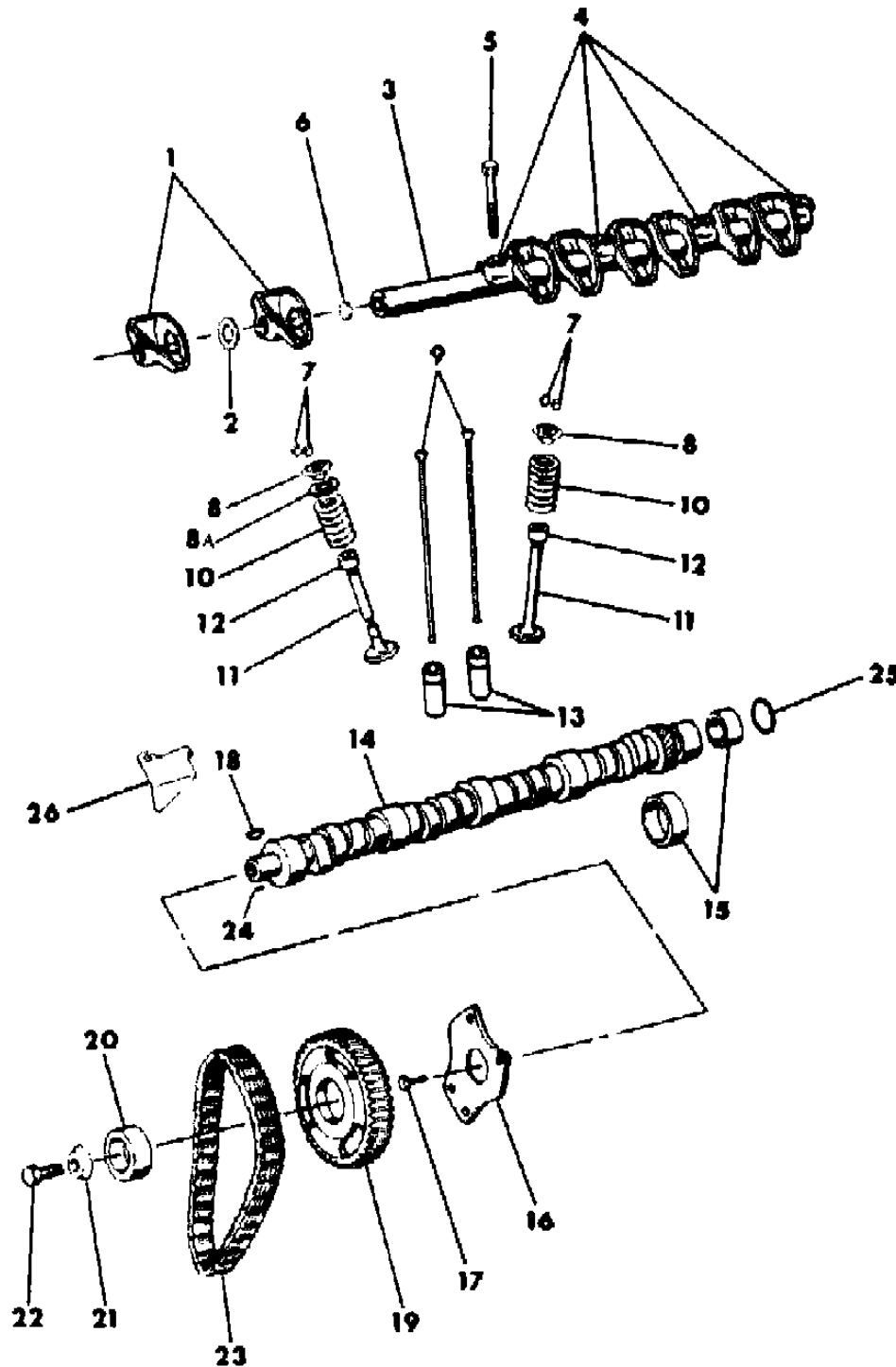
AR = Use as Required - = Non Illustrated Part P.A.R. = Paint as Required



# CAMSHAFT, VALVES, ROCKER SHAFT TIMING CHAIN

## Figure 9C-600

2100 600



ITEM	PART NUMBER	QTY	BODY	MODEL	DESCRIPTION
	4227 879	1			w/E48-318 Eng.
15	3830 603	1			BEARING, Camshaft No. 1
	4179 776	1			No. 2
	4179 777	1			No. 3
	4179 778	1			No. 4
	1632 526	1			No. 5
16	1618 670	1			PLATE, Camshaft Sprocket Thrust
17	0191 674	3			SCREW, Thrust Plate
18	0106 751	1			KEY, Camshaft
19	2843 610	1			SPROCKET, Camshaft, w/(E43,E44,E46-318 Eng.)
	2899 556	1			w/(E45,E48-318 Eng.)
20	2843 661	1			ECCENTRIC, Camshaft
21	1618 732	1			WASHER, Sprocket Retainer Screw
22	6029 735	1			SCREW, Camshaft Sprocket Retainer
23	3514 182	1			CHAIN, Timing, w/(E43,E44,E46-318 Eng.)
	1327 319	1			w/(E45,E48-318 Eng.)
25	1821 722	1			PLUG, Camshaft Rear Bearing
26	3671 649	1			TAB, Timing Chain Oil

NOTE: To Identify Between a Right & Left Rocker For the 318 Engine. The Left Rocker Push Rod Socket is approx. 1/16" to the Left and the Right Rocker SOCKET is approx. 1/16" to the right.

### MODEL CODES

B = GRAN FURY/CARAVELLE	P = RELIANT
C = LEBARON/TOWN & COUNTRY	S = CORDOBA
D = ARIES	V = 400
F = NEW YORKER	X = MIRADA
G = DIPLOMAT	Y = IMPERIAL
M = HORIZON/TC3/SCAMP	Z = OMNI/O24/RAMPAGE

### BODY STYLES

21 = 2-DOOR SEDAN	28 = FWD PICKUP
22 = 2-DOOR SPECIAL COUPE	41 = 4-DOOR SEDAN
24 = 2-DOOR HATCHBACK	44 = 4-DOOR HATCHBACK
27 = 2-DOOR CONVERTIBLE	45 = 2-SEAT STATION WAGON

AR = Use as Required - = Non Illustrated Part P.A.R. = Paint as Required

# CRANKSHAFT, PISTONS, AND RINGS

## Figure 9C-700

2109 700

ITEM	PART NUMBER	QTY	BODY	MODEL	DESCRIPTION
1	2808 550	1			RING SET, Piston, (Set for all Pistons) w/318 Except E48 Eng., Std. to .009 O/S
	2808 551	1			.020 to .029 O/S
1	2808 553	1			(Set for all Pistons) w/E48-318 Eng., Std. to .009 O/S
	2808 554	1			.020 to .029 O/S
	3780 004	8			(Set for one Piston), w/318 Except E48-Eng., Std. to .009 O/S
	3780 005	8			.020 to .029 O/S
	3780 007	8			(Set for one Piston) w/E48-318 Eng., Std. to .009 O/S
	3780 008	8			.020 to .029 O/S
NOTE: The following Pistons include Pin and Piston. SOCKET is approx. 1/16" to the right.					
2	3685 751	8			PISTON, w/Pin, w/318 Eng.
	3685 753	8			.020 O/S, w/318 Eng.
3	2658 878	8			PIN, Piston, Std.
	2658 879	8			.003 O/S
	2658 880	8			.008 O/S
NOTE: Connecting Rod includes Cap, Bolt, Nut, Lockwasher and Bushing. SOCKET is approx. 1/16" to the right.					
4	3751 015	8			ROD, Connecting
5	3830 614	16			BOLT, Connecting Rod Bearing Cap
6	1737 695	16			NUT, Rod Cap Bolt
NOTE: Crankshaft Bearing Package consists of one Upper and one Lower Bearing. SOCKET is approx. 1/16" to the right.					
7					BEARING PACKAGE, Crankshaft
	4106 009	1			No.1, w/318 Except E48 Eng. Std.
	4106 010	1			.001 U/S
	4106 011	1			.002 U/S
	4106 012	1			.003 U/S
	4106 013	1			.010 U/S
	4106 014	1			.012 U/S
	4186 194	2			Nos. 2,4, w/318 Except E48 Eng. Std.
	4186 195	2			.001 U/S
	4186 196	2			.002 U/S
	4186 197	2			.003 U/S
	4186 198	2			.010 U/S
	4186 199	2			.012 U/S
	4240 083	3			Nos. 1,2,4, w/(E48-318 Eng.) Std.
	4240 084	3			.001 U/S
	4240 085	3			.002 U/S
	4240 086	3			.003 U/S

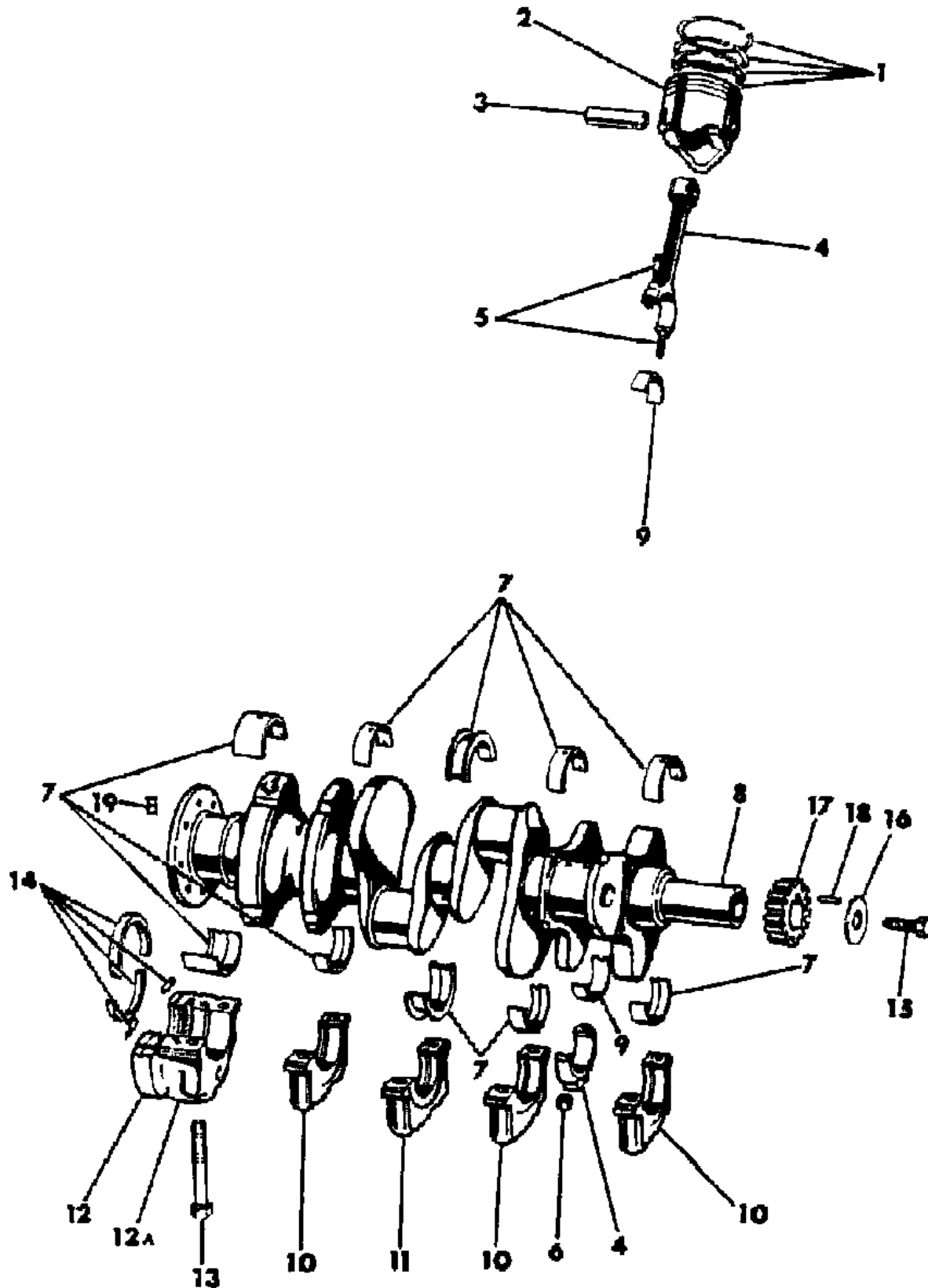
**MODEL CODES**

B = GRAN FURY/CARAVELLE	P = RELIANT
C = LEBARON/TOWN & COUNTRY	S = CORDOBA
D = ARIES	V = 400
F = NEW YORKER	X = MIRADA
G = DIPLOMAT	Y = IMPERIAL
M = HORIZON/TC3/SCAMP	Z = OMNI/O24/RAMPAGE

**BODY STYLES**

21 = 2-DOOR SEDAN	28 = FWD PICKUP
22 = 2-DOOR SPECIAL COUPE	41 = 4-DOOR SEDAN
24 = 2-DOOR HATCHBACK	44 = 4-DOOR HATCHBACK
27 = 2-DOOR CONVERTIBLE	45 = 2-SEAT STATION WAGON

AR = Use as Required - = Non Illustrated Part P.A.R. = Paint as Required



# CRANKSHAFT, PISTONS, AND RINGS

## Figure 9C-700

210# 700

ITEM	PART NUMBER	QTY	BODY	MODEL	DESCRIPTION
	4240 087	3			.010 U/S
	4240 088	3			.012 U/S
	3780 075	1			No.3, w/(318 Eng.) Std.
	3780 076	1			.001 U/S
	3780 077	1			.002 U/S
	3780 078	1			.003 U/S
	3780 079	1			.010 U/S
	3780 080	1			.012 U/S
	3514 151	1			No. 5 w/318 Eng.  Std.
	3514 152	1			.001 U/S
	3514 153	1			.002 U/S
	3514 154	1			.003 U/S
	3514 155	1			.010 U/S
	3514 156	1			.012 U/S
8	3751 831	1			CRANKSHAFT, w/318 Except E48 Eng.
	4227 880	1			w/E48-318 Eng.
9					BEARING PACKAGE, Connecting Rod
	4186 118	8			w/318 Except E48 Eng. Std.
	4186 119	8			.001 U/S
	4186 120	8			.002 U/S
	4186 121	8			.003 U/S
	4186 122	8			.010 U/S
	4186 123	8			.012 U/S
	2421 305	8			w/E48-318 Eng. Std.
	2421 306	8			.001 U/S
	2421 307	8			.002 U/S
	2421 308	8			.003 U/S
	2421 309	8			.010 U/S
	2421 310	8			.012 U/S
10					CAP, Crankshaft Bearing
	2863 854	3			Nos. 1,2,4 w/318Eng.
11	2463 582	1			CAP, Crankshaft Bearing, No. 3, w/318 Eng.
12	4173 189	1			CAP, Crankshaft Bearing, No. 5, w/318 Eng.
13	1618 695	AR			SCREW, Crankshaft Bearing Cap, w/318 Eng.
	6032 082	4			w/E48-318 Eng.
14	4240 044	1			OIL SEAL PACKAGE, Crankshaft Rear Bearing, w/318 Eng.
					Consists of:

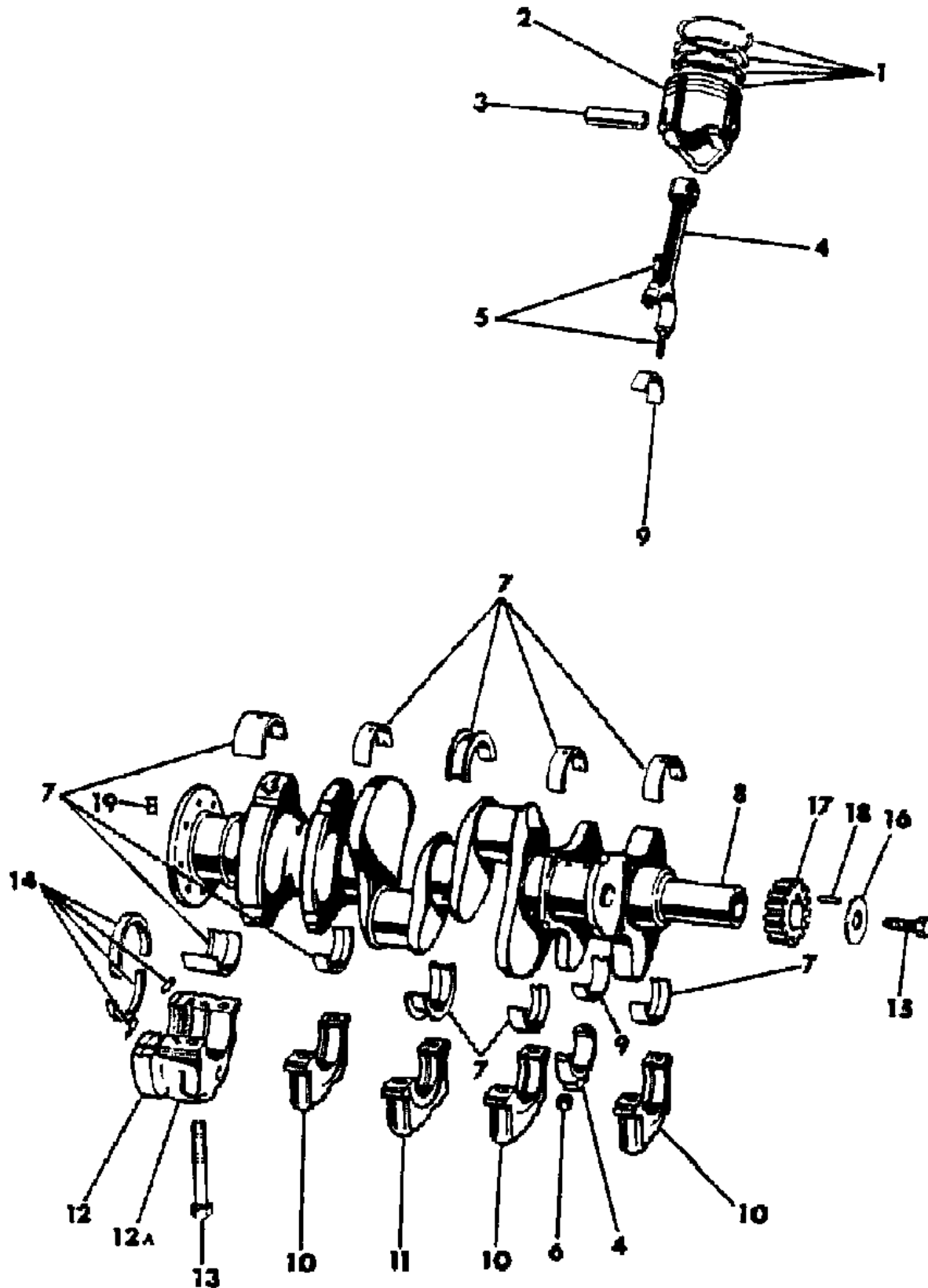
**MODEL CODES**

B = GRAN FURY/CARAVELLE	P = RELIANT
C = LEBARON/TOWN & COUNTRY	S = CORDOBA
D = ARIES	V = 400
F = NEW YORKER	X = MIRADA
G = DIPLOMAT	Y = IMPERIAL
M = HORIZON/TC3/SCAMP	Z = OMNI/O24/RAMPAGE

**BODY STYLES**

21 = 2-DOOR SEDAN	28 = FWD PICKUP
22 = 2-DOOR SPECIAL COUPE	41 = 4-DOOR SEDAN
24 = 2-DOOR HATCHBACK	44 = 4-DOOR HATCHBACK
27 = 2-DOOR CONVERTIBLE	45 = 2-SEAT STATION WAGON

AR = Use as Required - = Non Illustrated Part P.A.R. = Paint as Required

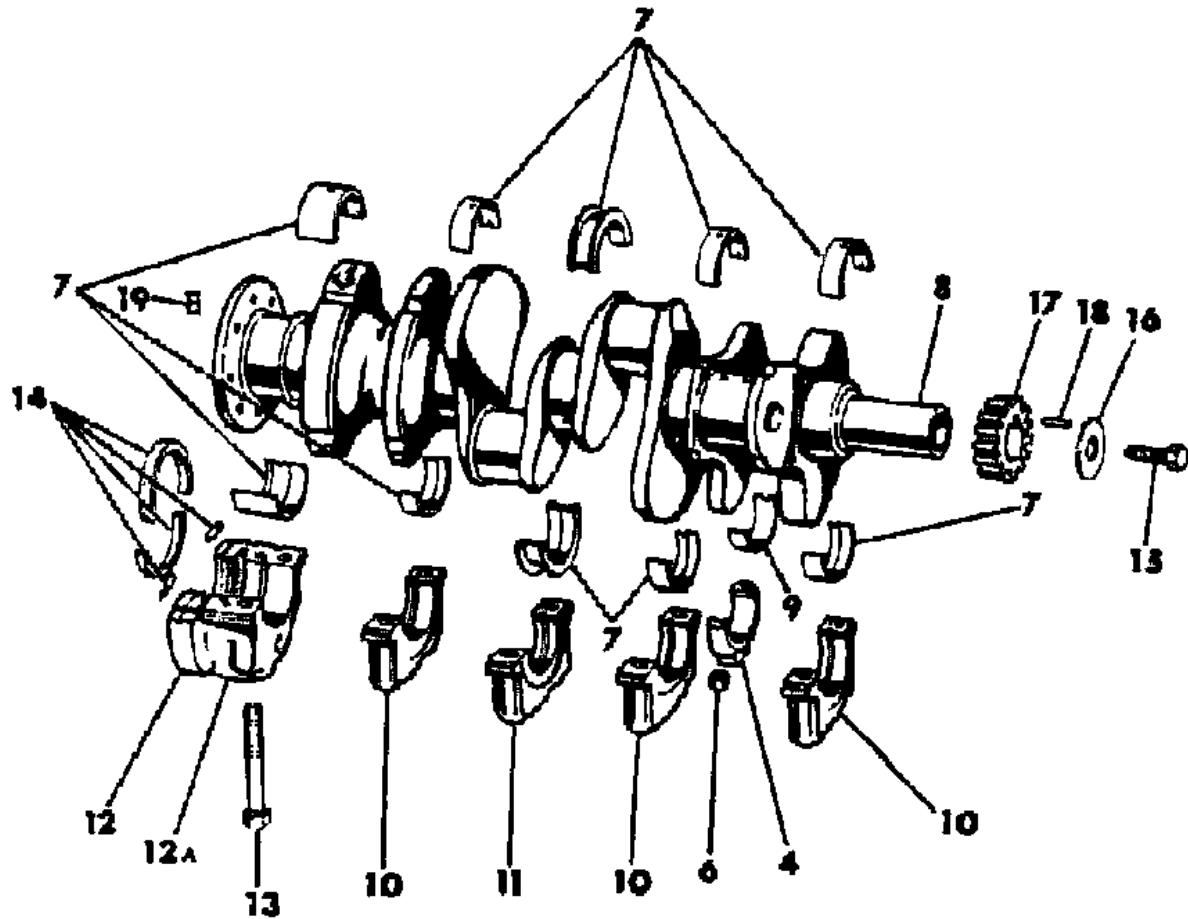
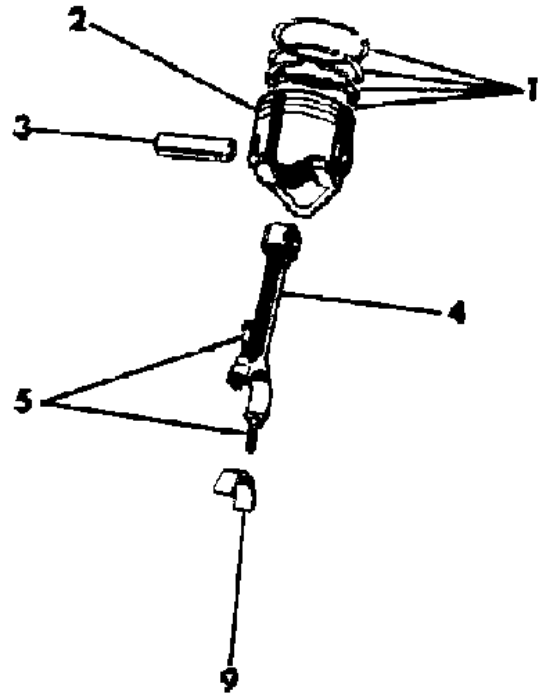


# CRANKSHAFT, PISTONS, AND RINGS

## Figure 9C-700

210# 700

ITEM	PART NUMBER	QTY	BODY	MODEL	DESCRIPTION
					1 - ----- Seal, Cap, Upper
					1 - ----- Seal, Cap, Lower
15	1821 414	1			SCREW, Crankshaft
16	1855 561	1			WASHER Crankshaft Screw
17					SPROCKET, Crankshaft
	2463 385	1			w/(E43,E44,E46-318 Eng.)
	1637 657	1			w/(E45,E48-318 Eng.)
18	6029 411	1			KEY, Sprocket
19	0053 298	1			BUSHING, Crankshaft Trans. Pilot



**MODEL CODES**

B = GRAN FURY/CARAVELLE	P = RELIANT
C = LEBARON/TOWN & COUNTRY	S = CORDOBA
D = ARIES	V = 400
F = NEW YORKER	X = MIRADA
G = DIPLOMAT	Y = IMPERIAL
M = HORIZON/TC3/SCAMP	Z = OMNI/O24/RAMPAGE

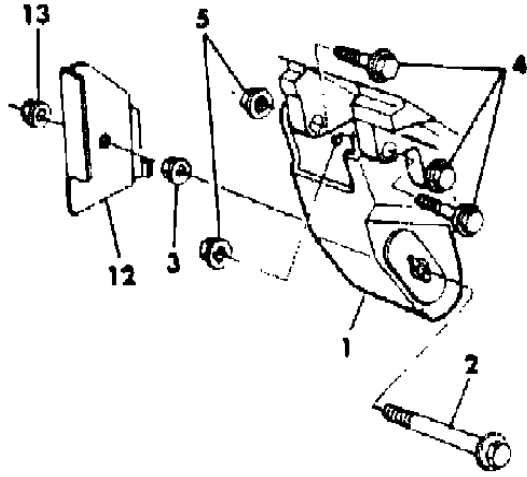
**BODY STYLES**

21 = 2-DOOR SEDAN	28 = FWD PICKUP
22 = 2-DOOR SPECIAL COUPE	41 = 4-DOOR SEDAN
24 = 2-DOOR HATCHBACK	44 = 4-DOOR HATCHBACK
27 = 2-DOOR CONVERTIBLE	45 = 2-SEAT STATION WAGON

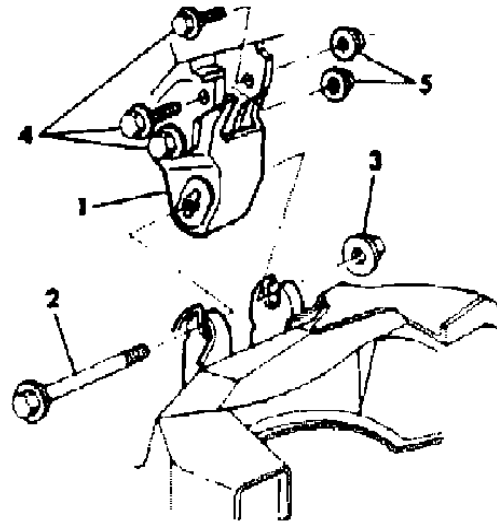
AR = Use as Required - = Non Illustrated Part P.A.R. = Paint as Required

## ENGINE MOUNTINGS 8 CYLINDER Figure 9C-800

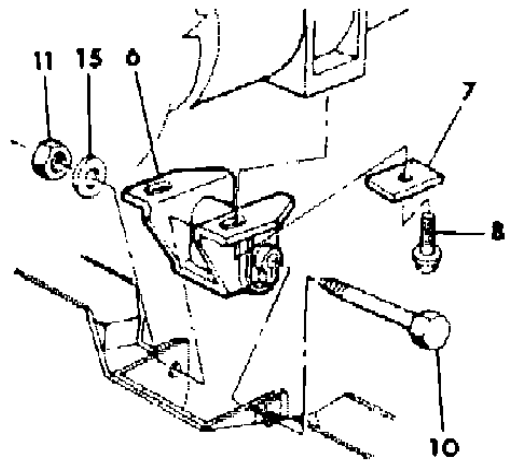
2149 800A



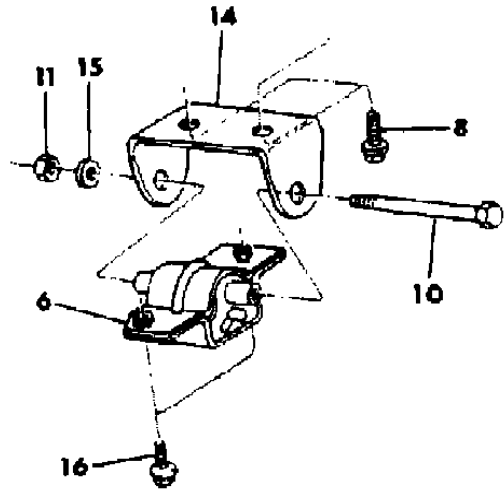
RIGHT SIDE FRT. ENG. MTG. 318 ENG.



LEFT SIDE FRT. ENG. MTG. 318 ENG.



RR. ENG. MTG. 318 ENG. B, F, G



RR. ENG. MTG. 318 ENG. X, S, Y

ITEM	PART NUMBER	QTY	BODY	MODEL	DESCRIPTION
1	3642 818	1		ALL	INSUATOR, Engine Front Support, Right, w/318 Eng.
	3817 237	1		ALL	Left, w/318 Eng.
2	6031 205	2			BOLT, Engine Front Support Insulator to Frame
3	6030 478	2			NUT, Insulator to Frame Bolt
4	0870 469	AR		ALL	SCREW, Insulator Bracket to Cylinder Block, Front Lug
	6030 713	2			SCREW, Insulator Bracket to Cylinder Block, Rear Lug
5	6030 829	AR			NUT, Insulator Bracket to Cylinder Block
6					INSULATOR, Engine Rear Support
	3726 821	1		B,F,G	w/o Heavy Duty Crossmember, w/318 Eng.
	3817 295	1		B,F,G	w/Heavy Duty Crossmember, w/318 Eng.
	4001 861	1		X,S,Y	w/318 Eng.
7	3410 700	2			SPACER, Eng. Rear Support Insulator Brkt.
8	6029 770	2			SCREW, Eng. Rear Support
10	6028 237	1			BOLT, Eng. Rear Support Insulator to Crossmember Mounting
11	0152 348	1			NUT, Insulator to Crossmember Mounting Bolt
12	4237 022	1			SHIELD, Right, Engine Mount Heat, w/Catalytic Exhaust System
13	6030 478	1			NUT, Engine Mount Heat Shield, w/(S/C-N95)
14	4001 856	1		X,S,Y	BRACKET, Engine Rear Support Insulator
15	#9417 098	2			WASHER, Insulator To Crossmember Mounting Bolt Nut
16	#6031 922	2		X,S,Y	SCREW w/Washer, Crossmember to Engine Rear Support Insulator

**MODEL CODES**

B = GRAN FURY/CARAVELLE	P = RELIANT
C = LEBARON/TOWN & COUNTRY	S = CORDOBA
D = ARIES	V = 400
F = NEW YORKER	X = MIRADA
G = DIPLOMAT	Y = IMPERIAL
M = HORIZON/TC3/SCAMP	Z = OMNI/O24/RAMPAGE

**BODY STYLES**

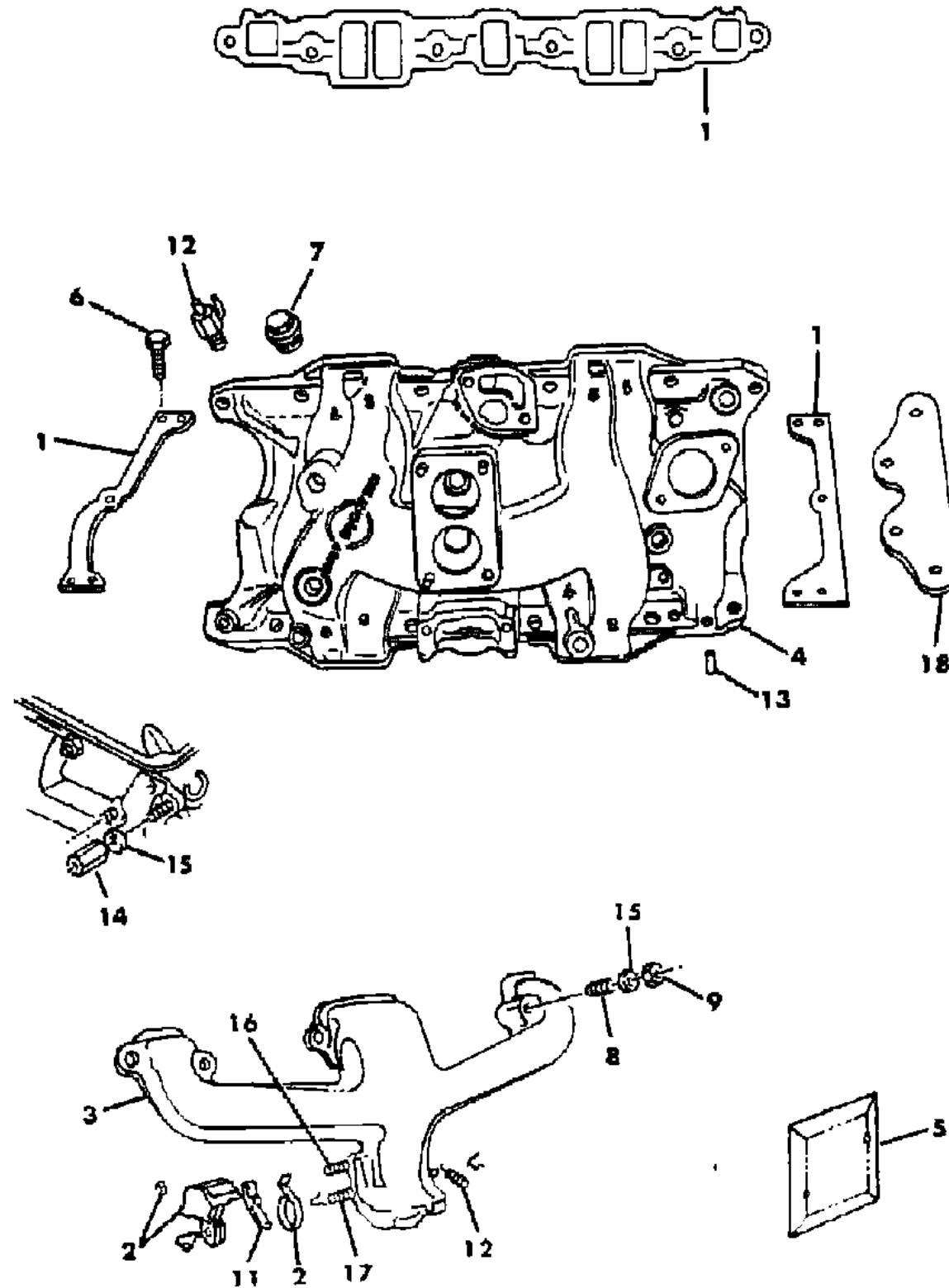
21 = 2-DOOR SEDAN	28 = FWD PICKUP
22 = 2-DOOR SPECIAL COUPE	41 = 4-DOOR SEDAN
24 = 2-DOOR HATCHBACK	44 = 4-DOOR HATCHBACK
27 = 2-DOOR CONVERTIBLE	45 = 2-SEAT STATION WAGON

AR = Use as Required - = Non Illustrated Part P.A.R. = Paint as Required

# MANIFOLD WITH HEAT CONTROL 8 CYLINDER

## Figure 9C-900

100 900A



**318-360 ENGINE**

ITEM	PART NUMBER	QTY	BODY	MODEL	DESCRIPTION
1	3837 605	1			GASKET SET, Intake Manifold, w/(E44,E45-318 Eng.) Consists of: 2 - ----- Gasket, Intake Manifold 1 - ----- Gasket, Intake Manifold Frt. 1 - ----- Gasket, Intake Manifold Rr.
	3514 187	1			GASKET SET, Intake Manifold, w/(E43,E46,E48-318 Eng.) Consists of: 2 - ----- Gasket, Intake Manifold 1 - ----- Gasket, Intake Manifold Frt. 1 - ----- Gasket, Intake Manifold Rr. 1 - ----- Sealer, Intake Manifold End Gasket
2	3683 947	1			PACKAGE, Manifold Heat Control Valve Consists of: 1 - ----- Plate, Valve 1 - ----- Shaft, Valve 1 - 2946083 Stop, Valve 1 - ----- Wheel 1 - ----- Thermostat, Valve 1 - 2951626 Spring, Valve Shaft 2 - ----- Bushing, Shaft 2 - ----- Seal, Shaft
3	4105 058	1		ALL	Manifold, Exhaust, Right, w/(E43,E44,E45,E46-318 Eng.), w/(S/C-N94, N96 U/S Built)
	4105 059	1		F,G	Right, w/(E48-318 Eng.)
	4227 756	1		ALL	Right, w/(E44, E45-318 Eng.), w/(S/C-N92, N94), Export, Canada Built
	4173 162	1		ALL	Left, w/(E43,E44,E45,E46-318 Eng. w/(S/C-N94,N96) U/S Built
	4173 165	1		F,G	Left, w/(E48-318 Eng.)
	4095 239	1		ALL	Left, w/(E44, E45-318 Eng.), w/(S/C-N92, N94) Export, Canada
4					MANIFOLD, Intake
	4201 135	1		ALL	w/(E44, E45-318 Eng.)
	4179 457	1		ALL	w/(E46, E48-318 Eng.), w/(S/C-N61,N94,N95)
	4179 967	1		ALL	w/(E46,E48-318 Eng.) w/(S/C-N92)
	4201 399	1		Y	w/(E43-318 Eng.)
5	3698 458	1		ALL	SHIELD, Intake Manifold Heat
6	0454 467	11		ALL	BOLT, Intake Manifold, 3/8 x 1-5/8"
7	4041 067	1		ALL	JET, Intake Manifold Floor, (Except E43-318 Eng.)

**MODEL CODES**

B = GRAN FURY/CARAVELLE	P = RELIANT
C = LEBARON/TOWN & COUNTRY	S = CORDOBA
D = ARIES	V = 400
F = NEW YORKER	X = MIRADA
G = DIPLOMAT	Y = IMPERIAL
M = HORIZON/TC3/SCAMP	Z = OMNI/O24/RAMPAGE

**BODY STYLES**

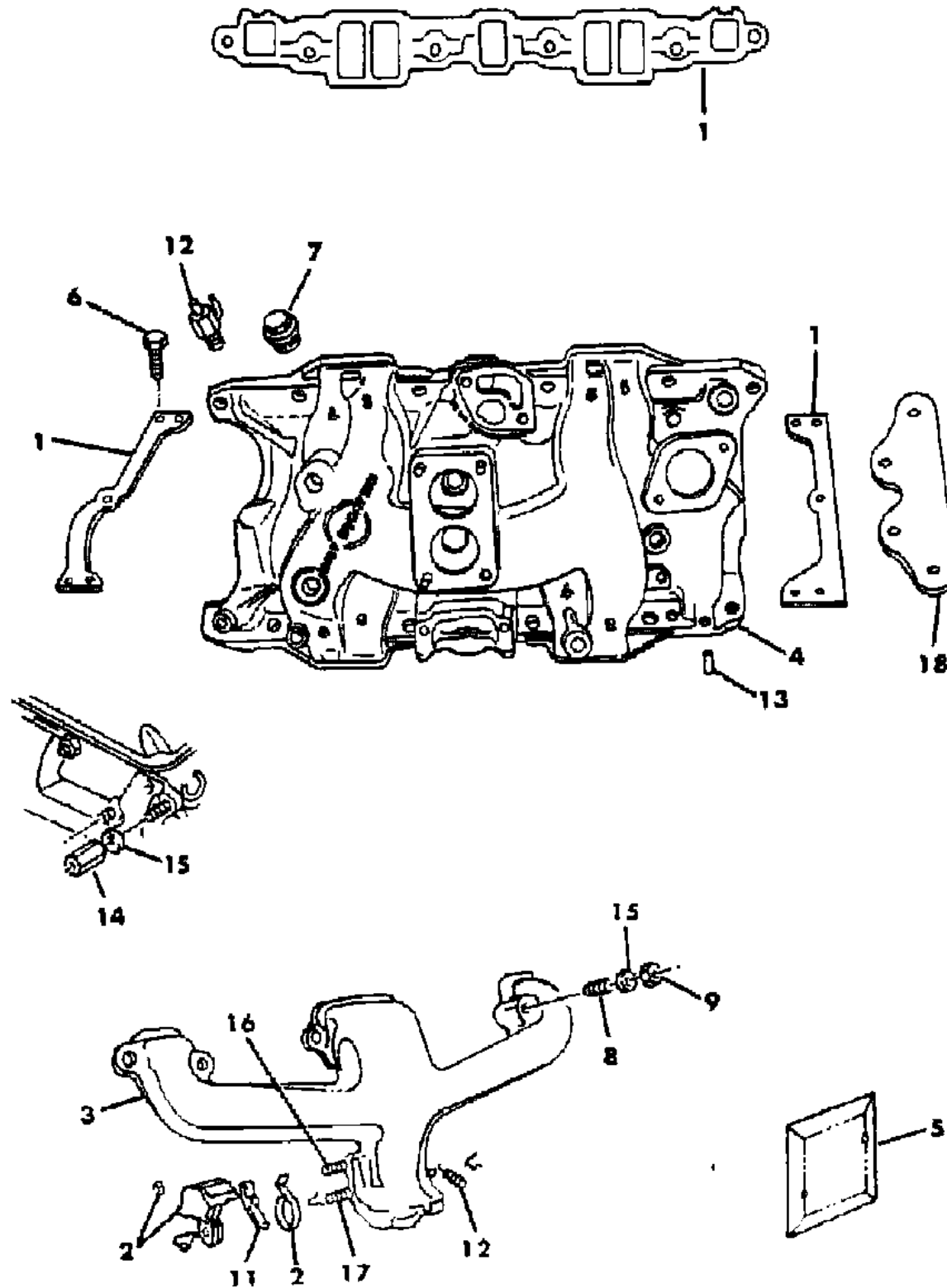
21 = 2-DOOR SEDAN	28 = FWD PICKUP
22 = 2-DOOR SPECIAL COUPE	41 = 4-DOOR SEDAN
24 = 2-DOOR HATCHBACK	44 = 4-DOOR HATCHBACK
27 = 2-DOOR CONVERTIBLE	45 = 2-SEAT STATION WAGON

AR = Use as Required - = Non Illustrated Part P.A.R. = Paint as Required

# MANIFOLD WITH HEAT CONTROL 8 CYLINDER

Figure 9C-900

100 900A



318-360 ENGINE

ITEM	PART NUMBER	QTY	BODY	MODEL	DESCRIPTION
	4201 146	1		Y	Upper, w/(E43-318 Eng.)
	4201 147	1		Y	Lower, w/(E43-318 Eng.)
8	6028 356	1	ALL		SCREW, Exhaust Manifold Left, 3-3/16" Lgh., w/Tapped Head
	6028 355	1	ALL		STUD, Exhaust Manifold Left, 1-14/16" Lgh. Hex.
	6030 622	1	ALL		2-15/16" Lgh. Hex.
	0117 713	4	ALL		STUD, Exhaust End
	0181 097	3	ALL		SCREW, Exhaust Manifold Long, 5/16 x 2-1/8"
	0181 096	2	ALL		5/16 x 1-7/8"
	6029 832	3	ALL		5/16 x 1-1/8"
	2121 223	AR	ALL		WASHER
9	0120 368	AR	ALL		NUT, Exhaust Manifold
10	4094 852	1	ALL		CONNECTOR, Intake Manifold Vacuum Control (See Group 5)
	4210 580	1	ALL		4-Connections 2-3/16", 1-1/8", 1-1/4"
11	2946 083	1	ALL		STOP, Exhaust Manifold Heat Control Valve
12	2951 626	1	ALL		SPRING, Exhaust Manifold Heat Control Valve Shaft
13	4006 583	2	ALL		DOWEL, Intake Manifold Gasket
14	6031 179	1	ALL		Nut, Exhaust Manifold End
15	2121 223	1	ALL		WASHER, Exhaust Manifold End
16	9409 667	1	ALL		PIN, Heat control Valve Stop
17	2951 627	1	ALL		PIN, Exhaust Manifold Heat Control
18	#4105 671	1	ALL		BLOCKER, Intake Manifold Gasket Rear

MODEL CODES

B = GRAN FURY/CARAVELLE	P = RELIANT
C = LEBARON/TOWN & COUNTRY	S = CORDOBA
D = ARIES	V = 400
F = NEW YORKER	X = MIRADA
G = DIPLOMAT	Y = IMPERIAL
M = HORIZON/TC3/SCAMP	Z = OMNI/O24/RAMPAGE

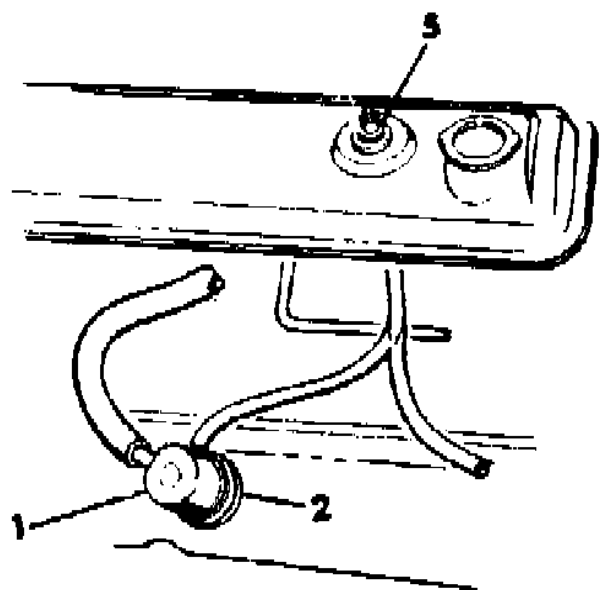
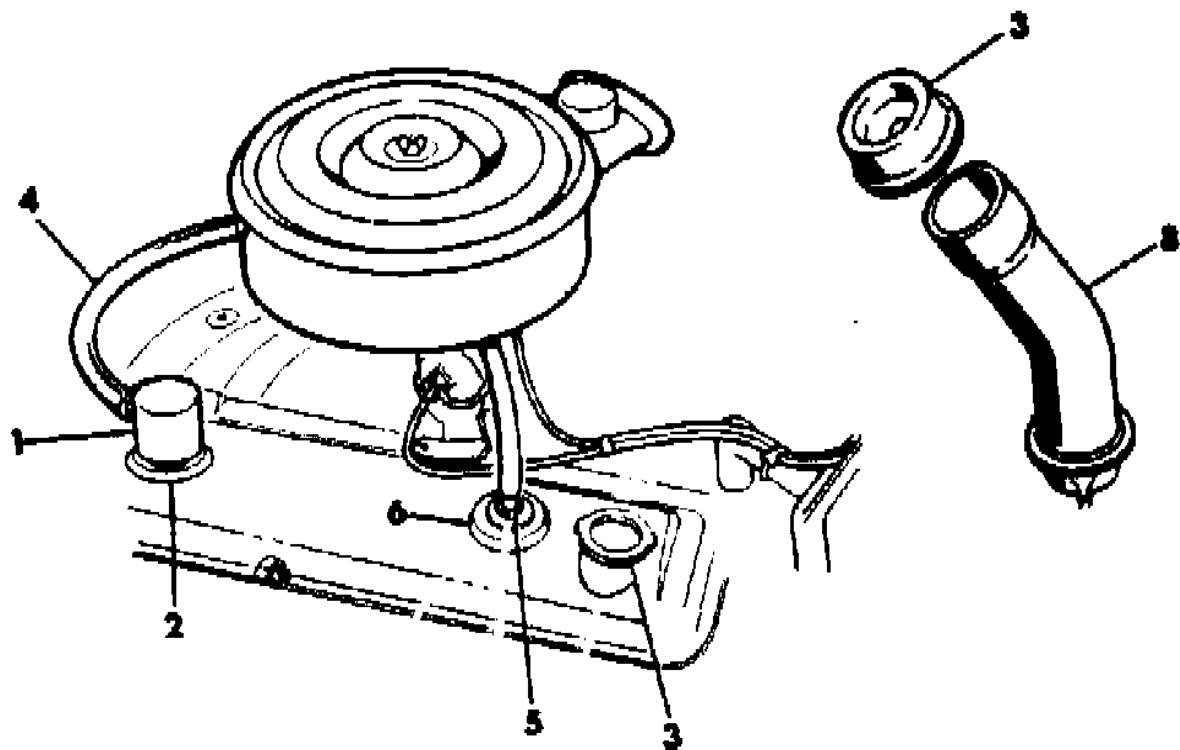
BODY STYLES

21 = 2-DOOR SEDAN	28 = FWD PICKUP
22 = 2-DOOR SPECIAL COUPE	41 = 4-DOOR SEDAN
24 = 2-DOOR HATCHBACK	44 = 4-DOOR HATCHBACK
27 = 2-DOOR CONVERTIBLE	45 = 2-SEAT STATION WAGON

AR = Use as Required - = Non Illustrated Part P.A.R. = Paint as Required

**CRANKCASE VENT, CAP, HOSE, VALVE 8 CYLINDER ENGINE**  
**Figure 9C-1000**

2100 1000



ITEM	PART NUMBER	QTY	BODY	MODEL	DESCRIPTION
NOTE Part Number 4026136, 4026146 Consists of 50Ft. Roll (Use as Required) SOCKET is approx. 1/16" to the right.					
1	4273 322	1			AIR CLEANER, Crankcase Vent Inlet
2	2946 079	1			GROMMET, Crankcase Vent Inlet Air Cleaner
3	2946 051	1			CAP, Oil Filter (Except E43, E48-318 Eng., Police Pkg.)
	2960 622	1			w/(E43, E48-318 Eng., w/Police Pkg.)
4	4026 146	AR			HOSE, Crankcase Vent Inlet Air Cleaner to Air Cleaner, 5.25 Lgh. required (See Note)
	2951 378	1			HOSE, Crankcase Vent Inlet Air Cleaner to Air Cleaner, (Molded Hose Cut to Fit 3x3")w/318-2BBI.Eng.
5	3671 076	1			VALVE, Crankcase Vent
6	3751 510	1			GROMMET, Crankcase Vent Valve
7	4026 136	AR		See Not	HOSE, Crankcase Vent Valve to Carb., Cut to 14" Lgh. w/E43, E46,E48-318 Eng., 19" Lgh. w/E44,E45 Eng.
8	4173 223	1			TUBE, Oil Filler, w/(E43,E48-318 Eng.), w/Police Pkg.
9	4179 924	1			BRACKET, Crankcase Vent Hose Retainer, w/(E43,E46,E48-318 Eng.)

ection 27150.1 and with the Department of California Highway Patrols regulations adopted pursuant to Vehicle Code Section 27150.2 when used in the applications specified in this document.

nd other "Quiet Car" items. lications specified in this document.

gh Altitude Emission Control. lications specified in this document.

cars sold in the State of California. lications specified in this document.

ic Exhaust System. Unleaded Fuel is required. lications specified in this document.

**MODEL CODES**

B = GRAN FURY/CARAVELLE	P = RELIANT
C = LEBARON/TOWN & COUNTRY	S = CORDOBA
D = ARIES	V = 400
F = NEW YORKER	X = MIRADA
G = DIPLOMAT	Y = IMPERIAL
M = HORIZON/TC3/SCAMP	Z = OMNI/O24/RAMPAGE

**BODY STYLES**

21 = 2-DOOR SEDAN	28 = FWD PICKUP
22 = 2-DOOR SPECIAL COUPE	41 = 4-DOOR SEDAN
24 = 2-DOOR HATCHBACK	44 = 4-DOOR HATCHBACK
27 = 2-DOOR CONVERTIBLE	45 = 2-SEAT STATION WAGON

AR = Use as Required - = Non Illustrated Part P.A.R. = Paint as Required



**GROUP 11 - EXHAUST**

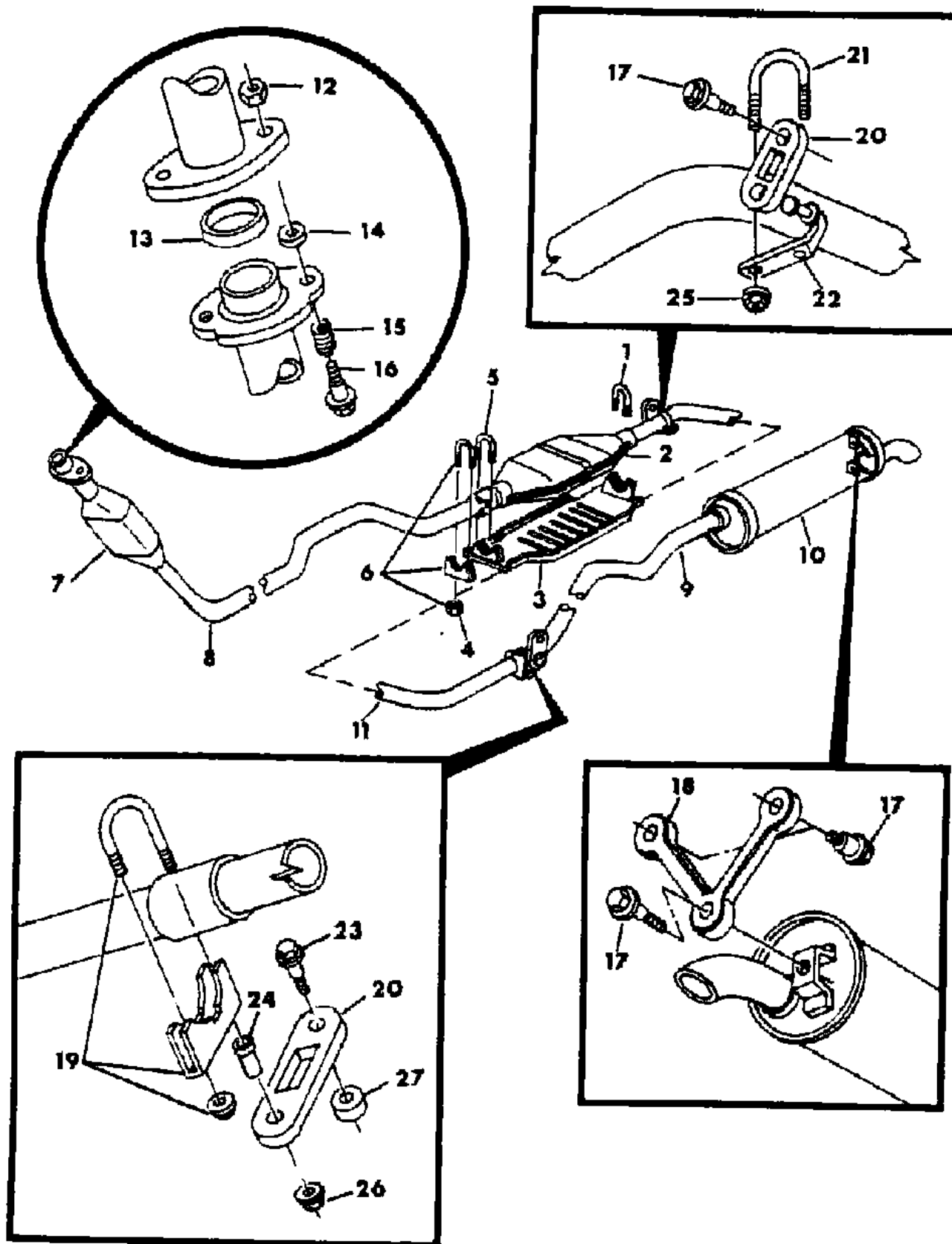
<b>ILLUSTRATION TITLE</b>	<b>GROUP-FIG. NO.</b>
EXHAUST SYSTEM-M-Z .....	Fig. 11-100
EXHAUST SYSTEM -P,D,C,V .....	Fig. 11-200
EXHAUST SYSTEM-SINGLE- 318 ENGINE .....	Fig. 11-300
CLAMPS AND BRACKETS SINGLE EXHAUST-318 .....	Fig. 11-400
EXHAUST SYSTEM-SINGLE 225 ENGINE .....	Fig. 11-500
CLAMPS AND BRACKETS EXHAUST-225 ENGINE .....	Fig. 11-600
SHIELDS-HEAT-M-Z .....	Fig. 11-700
SHIELDS-HEAT -P,D,C,V .....	Fig. 11-800
SHIELDS-UNDERBODY HEAT -B,F,G,X,S,Y .....	Fig. 11-900
SHIELDS-FLOOR PAN HEAT-ALL W/CATALYIC CONVERTER .....	Fig. 11-1000

**ILLUSTRATION NOT AVAILABLE AT TIME OF PUBLICATION**

# EXHAUST SYSTEM-M-Z

## Figure 11-100

2111 100



ITEM	PART NUMBER	QTY	BODY	MODEL	DESCRIPTION
1	5217 107	1			U-BOLT, Heat Shield Brkt., Rr. 1.7L Eng.
2	4150 625	1	44		CATA. CONVERTER, w/Rr. Pipes (S/C-N94) 1.7L Eng.
	4150 624	1	24		w/(S/C-N94) w/Rr. Pipes 1.7L Eng.
	4150 703	1	44		w/(S/C-N94, S/C-N95, S/C-N96) w/Rr. Pipes 2.2L Eng.
	4150 702	1	24		w/(S/C-N94, S/C-N95, S/C-N96) w/Rr. Pipes 2.2L Eng.
3	4150 696	1	28		w/(S/C-N95) w/Rr. Pipes 2.2L Eng.
	4150 943	1	28		w/(S/C-N94, S/C-N96) w/Rr. Pipes 2.2L Eng.
6	4150 502	1			SHIELD ASSY., Heat Rr. Conv. 2.2L Eng.
					SHIELD ASSY., Heat Rr. Conv. 1.7L Eng.(Serviced in Assy.)
	4150 938	1			SHIELD, Heat Frt.Conv. Pipe 2.2L Eng.
4	6500 201	AR			NUT
5	5217 124				U-BOLT, Heat Shield Frt.
6		1			CLAMP ASSY.
7	5217 199	1			Exh. Pipe to Resonator 1.7L Eng.
	5217 199	1			Ext. Inlet 1.7L Eng.
	4150 292	1			Exh. TO Ext. 2.2L Eng.
	5217 199	1			Muffler Inlet 1.7L Eng.
7					MINI-OX CONVERTER
	4150 707				w/PIPES 2.2L Eng. w/All Trans. w/(S/C-N95,S/C-N96)
	4150 823				w/PIPES 2.2L Eng. w/All Trans. w/(S/C-N94)
					PIPE ASSY. EXHAUST
	4150 792	1			w/(S/C-N94, S/C-N95) 1.7L Eng. w/A/Trans. w/A460 Trans.
	4150 793	1			w/(S/C-N94, S/C-N95) 1.7L Eng. m/Trans. A412
	4150 725	1	28		2.2L Eng.
	4150 938	1			Ht/Shield Frt. Conv. Pipe
	4150 940				Bracket, Frt. Conv. Pipe Ht/Shield Frt.
	4150 941				Bracket, Frt. Conv. Pipe Ht/Shield Rr.
8	5217 177	1			PIPE ASSY. EXH w/RESONATOR, w/Auto Trans. w/o Cata. Conv. 1.7L Eng.
	5217 177	1			PIPE ASSY. EXH w/RESONATOR, w/A460 Trans. w/o Cata. Conv. 1.7L Eng.
	5217 179	1			PIPE ASSY. EXH w/RESONATOR, w/A412 Trans. w/o Cata. Conv. 1.7L Eng.
9	4150 281	1	All		w/All Trans., w/o Cata. Conv. 2.2L Eng.
	4150 989	1	All		w/All Trans., w/ Cata. Conv. 2.2L Eng.
	5217 088	1	44		TAIL PIPE (Conv. To Or Ext pipe to Muffler) 1.7L Eng.
	4150 890	1			TAIL PIPE, w/Resonator w/Bright Exh. Tip 2.2L Eng.

**MODEL CODES**

B = GRAN FURY/CARAVELLE	P = RELIANT
C = LEBARON/TOWN & COUNTRY	S = CORDOBA
D = ARIES	V = 400
F = NEW YORKER	X = MIRADA
G = DIPLOMAT	Y = IMPERIAL
M = HORIZON/TC3/SCAMP	Z = OMNI/O24/RAMPAGE

**BODY STYLES**

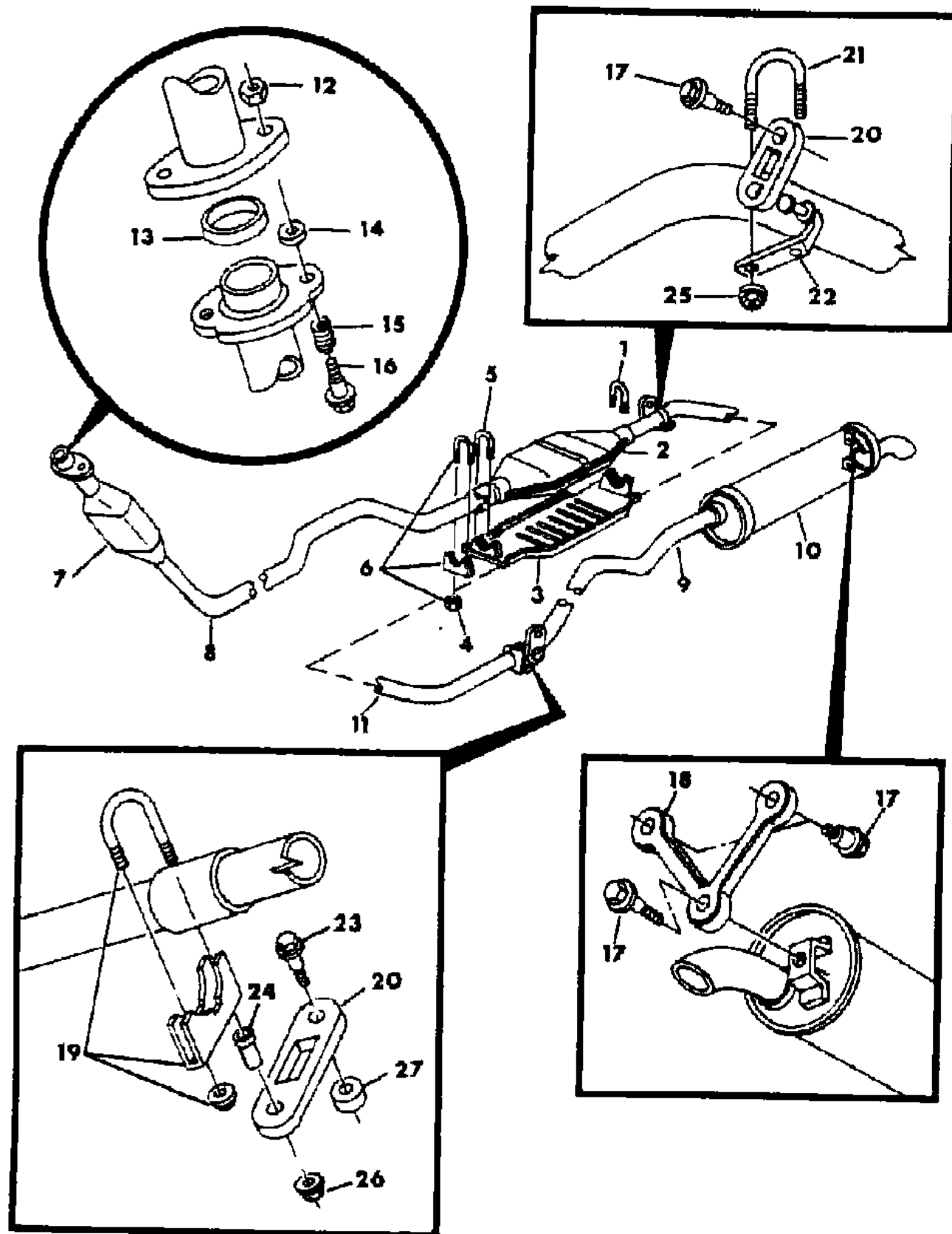
21 = 2-DOOR SEDAN	28 = FWD PICKUP
22 = 2-DOOR SPECIAL COUPE	41 = 4-DOOR SEDAN
24 = 2-DOOR HATCHBACK	44 = 4-DOOR HATCHBACK
27 = 2-DOOR CONVERTIBLE	45 = 2-SEAT STATION WAGON

AR = Use as Required - = Non Illustrated Part P.A.R. = Paint as Required

# EXHAUST SYSTEM-M-Z

## Figure 11-100

2111 100



ITEM	PART NUMBER	QTY	BODY	MODEL	DESCRIPTION
	5217 136	1	24		1.7L Eng.
	4150 438	1	24		2.2L Eng.
	4150 439	1	44		2.2L Eng.
	4150 693	1	28		2.2L Eng.
10	5217 176	1	All		MUFFLER 1.7L Eng.
	4150 565	1	All		MUFFLER 2.2L Eng.
11	5217 190	1	44		EXHAUST EXTENSION PIPE, w/o Cata. Conv. 1.7L Eng.
	5217 188	1	24		w/o Cata. Conv. 1.7L Eng.
	4150 289	1	24		w/o Cata. Conv. 2.2L Eng.
	4150 291	1	44		w/o Cata. Conv. 2.2L Eng.
	4150 724	1	28		w/o Cata. Conv. 2.2L Eng.
12	6100 499	AR			PUSH-NUT
13	4150 666	1			SEAL RING, Mini-Ox Conv. to Manifold Flange, w/(S/C-N95)
	4150 666	1			Exh. Pipe to Manifold Flange
14					PUSH-NUT (Not Serviced)
15	5217 004	2			SPRING, Mini-Ox Conv. Manifold Flange, w/(S/C-N95)
	5217 004	2			Exh. Pipe Manifold Flange
16	5217 003	2			BOLT, Mino-Ox Conv. Manifold Flange, w/(S/C-N95)
	5217 003	2			Exh. Pipe Manifold Flange
17	6500 202	AR			BOLT
18	5217 133	1			INSULATOR, Tail Pipe Rr. Support
19	4131 336	1			SUPPORT PACKAGE, Tail Pipe Frt. (1.7L Eng.)
	4150 335	1			SUPPORT PACKAGE, Tail Pipe Frt. (2.2L Eng.)
20	5217 108	1			INSULATOR, Tail Pipe Frt. Support
	5217 108	1			Exh. Pipe Support
21	5217 107	1			U-BOLT, Exh. Pipe Support (1.7L Eng.)
	4150 242	1			U-BOLT, Exh. Pipe Support (2.2L Eng.)
22	4150 325	1			SUPPORT ASSY., Exh. Pipe
23	6500 306	1			SCREW
24					SPACER (Serviced in 4131336 Support Pkg.)
25	6100 516	AR			NUT
26	6500 305	1			NUT
27					SPACER (Serviced in 4131336 Support Pkg.)

### MODEL CODES

B = GRAN FURY/CARAVELLE	P = RELIANT
C = LEBARON/TOWN & COUNTRY	S = CORDOBA
D = ARIES	V = 400
F = NEW YORKER	X = MIRADA
G = DIPLOMAT	Y = IMPERIAL
M = HORIZON/TC3/SCAMP	Z = OMNI/O24/RAMPAGE

### BODY STYLES

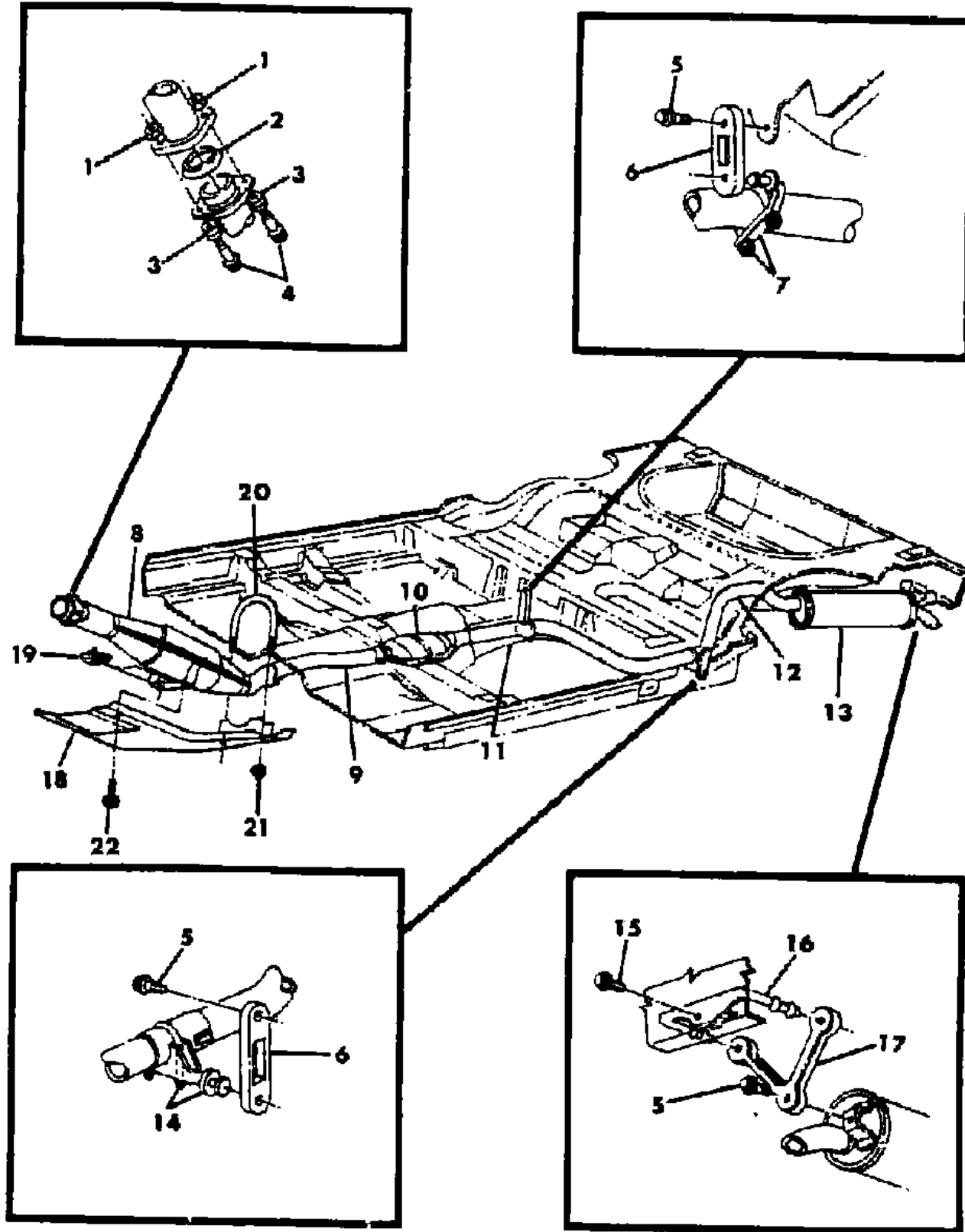
21 = 2-DOOR SEDAN	28 = FWD PICKUP
22 = 2-DOOR SPECIAL COUPE	41 = 4-DOOR SEDAN
24 = 2-DOOR HATCHBACK	44 = 4-DOOR HATCHBACK
27 = 2-DOOR CONVERTIBLE	45 = 2-SEAT STATION WAGON

AR = Use as Required - = Non Illustrated Part P.A.R. = Paint as Required

# EXHAUST SYSTEM -P,D,C,V

Figure 11-200

2111 200



ITEM	PART NUMBER	QTY	BODY	MODEL	DESCRIPTION
1	6100 499	2			NUT
2	4150 666	1			SEAL & RING
3	5217 004	2			SPRING
4	5217 003	2			BOLT
5	6500 202	3			BOLT, Shoulder
6	5217 108	2			INSULATOR
7	4150 325	1			SUPPORT ASSY., Ext. Pipe
8	4150 242	1			U-BOLT
	4150 746	1			EXHAUST PIPE, w/Cata. Conv. Frt. 2.2L Eng. Calif.
	4150 796	1			w/Cata. Conv. Frt. 2.2L Eng. w/(S/C-N94,S/C-N96)
	MD02 7688	1			2.6L Eng. FED. & Calif.
9	4150 847	1			EXHAUST PIPE, w/Resonator 2.2L Eng. w/o Cata. Conv.
	4150 847	1			w/ Resonator 2.6L Eng., w/o Cata. Conv.
10	4150 709	1			CATA. CONV., w/Pipes Rr.2.2L Eng. Fed. Calif.
	4150 502	1			SHIELD, Cata. Conv. Rr.2.2L Eng. (Not Shown)
	4227 874	1			TUBE ASSY., Conv. Rr. 2.2L Eng. (Not Shown)
11	4150 844	1			PIPE, Exh. (Ext) 2.2L Eng. w/Resonator
	4150 283	1			Exh. (Ext) 2.6L Eng. w/Resonator w/Cata. Conv.
	4150 848	1			Exh. (Ext) 2.6L Eng. w/Resonator w/o Cata. Conv. CANADA
12					PIPE, Tail (Serviced In Assy. w/Muffler)
13	4150 265	1			MUFFLER And TAIL PIPE ASSY., 2.2L Eng.
	4150 267	1			MUFFLER And TAIL PIPE ASSY., 2.6L Eng.
14	4150 333	1			SUPPORT ASSY., Tail Pipe Frt.
15	6100 590	1			SCREW
16	4150 479	1			SUPPORT BRACKET, Tail Pipe
17	5217 133	1			INSULATOR, Tail Pipe
	4150 292	1			CLAMP (Not Shown)
18	4150 510	1			SHIELD, Cata. Conv. Frt. 2.6L Eng.
	4150 937	1			SHIELD, Cata. Conv. Frt. 2.2L Eng.
19	6101 308				U-NUT
20	4150 513				U-BOLT
21	6100 516				NUT
22	6100 557				SCREW & WASHER

MODEL CODES

B = GRAN FURY/CARAVELLE	P = RELIANT
C = LEBARON/TOWN & COUNTRY	S = CORDOBA
D = ARIES	V = 400
F = NEW YORKER	X = MIRADA
G = DIPLOMAT	Y = IMPERIAL
M = HORIZON/TC3/SCAMP	Z = OMNI/O24/RAMPAGE

BODY STYLES

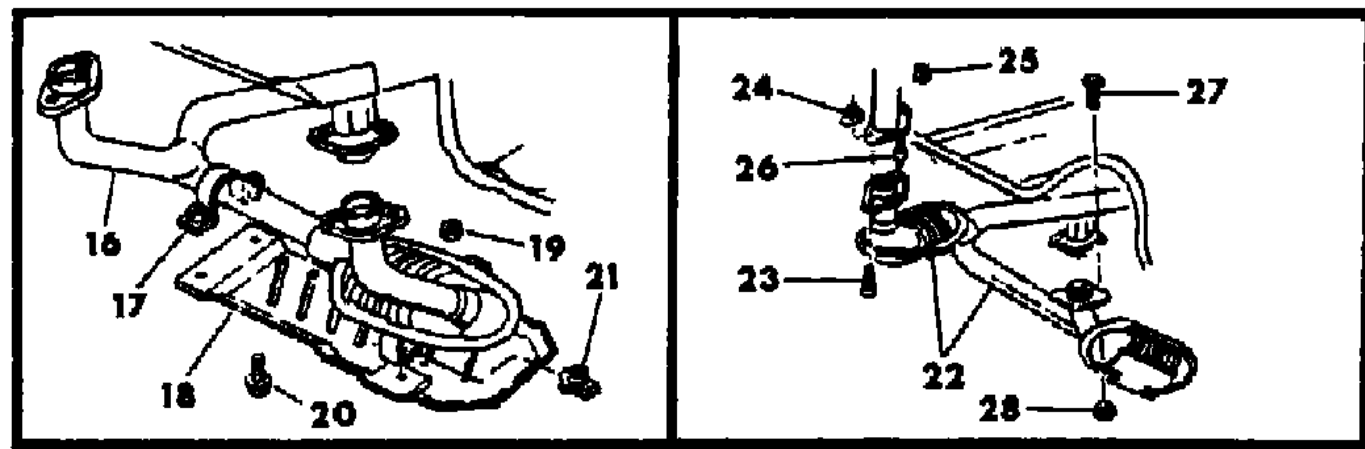
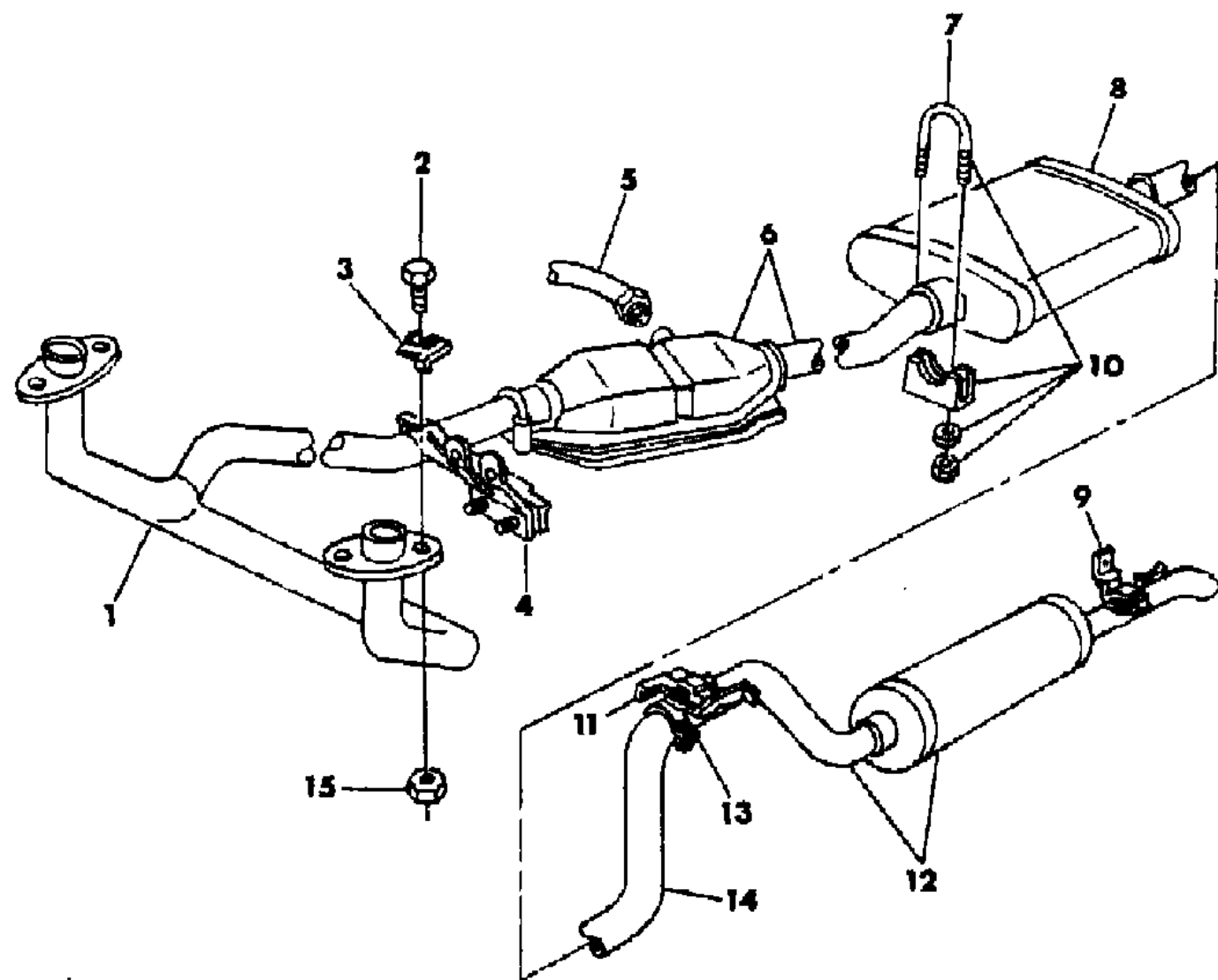
21 = 2-DOOR SEDAN	28 = FWD PICKUP
22 = 2-DOOR SPECIAL COUPE	41 = 4-DOOR SEDAN
24 = 2-DOOR HATCHBACK	44 = 4-DOOR HATCHBACK
27 = 2-DOOR CONVERTIBLE	45 = 2-SEAT STATION WAGON

AR = Use as Required - = Non Illustrated Part P.A.R. = Paint as Required

# EXHAUST SYSTEM-SINGLE- 318 ENGINE

## Figure 11-300

2111 300



ITEM	PART NUMBER	QTY	BODY	MODEL	DESCRIPTION
1	4150 324	1		B,F,G	EXHAUST PIPE,w/318 Eng. CANADA & EXPORT
	4150 324	1		X,S	w/318 Eng. CANADA AND EXPORT
	4150 342	1		B,F,G,X	w/318, Eng. (E44, E45) w/Cata. Conv. CANADA
2	0181 127	AR			BOLT, (3/8-16x2-1/4)
	6031 210	AR			STUD, (3/8-16x3-3/4)
3	4004 001	4			RETAINER, w/318 Eng.
4					BRACKET, Cata. Conv. Support
5	4004 464	1			w/318 Eng., w/Auto. Trans., w/SC-N94, S/C-N95, S/C-N98)
	4150 638	1		All	AIRLINE TUBE ASSY.,Cat. Conv. w/(S/C-N94,S/C-N95,S/C-N96)
6					CATA. CONVERTER and PIPES (Rear)
	4150 722	1		Y	w/318 Eng., (E43) (Efi) w/(S/C-N94, S/C-N95, S/C-N96)
7	4150 744	1		B,F,G	w/318 Eng., w/(S/C-N94)(E44, E45)
	4150 718	1		B,F,G	w/318 Eng., w/(S/C-N94, S/C-N95)(E46, E48)
8	4150 744	1		X,S	w/318 Eng., w/(S/C-N94)(E44)
	4150 718	1		X,S	w/318 Eng., w/(S/C-N95)(E46)
9	4150 354	1		B,F,G	w/318 Eng. CANADA
	4150 354	1		X,S	w/318 Eng. CANADA
10	4150 623	1		X,S,Y	PLATE ASSY., Cata. Conv. Support Bracket
	4004 401	2			U-BOLT, Muffler Inlet and Outlet Clamp 318 Eng.
11	4150 280	1		B,F,G,X	MUFFLER, w/318 Eng. (E44, E45)
	4150 425	1		B,F,G	w/318 Eng. w/(S/C-N94, S/C-N95)(E46, E48) w/Cata. Conv.
12	4150 678	1		B,F,G	w/318 Eng. w/(S/C-N92)(E46, E48)(CANADA
	4150 425	1		Y	w/318 Eng. (E43)
13	4150 425	1		X,S	w/318 Eng. w/(S/C-N94, N95)(E46) w/Cata. Conv.
	4150 678	1		X,S	w/318 Eng. w/(S/C-N92)(E46)
14					(See Figure 11-400)
15	4004 951	2			CLAMP , Muffler Inlet and outlet, 318 Eng.
16	4004 581	1			BRACKET, Tail Pipe Front Support
17	4150 553	1		B,F,G	TAIL PIPE and RESONATOR, w/318 (E46, E48) Eng.
	4150 553	1		X,S,Y	w/318 (E43, E46) Eng.
18					(See Figure 11-400)
19	4150 170			B,F,G,X	TAIL PIPE, w/o Resonator, w/318 (E44, E45) Eng.
20	0152 344	AR			NUT
21		1			MINI-OX CONVERTER and PIPES
22	4150 524	1		B,F,G,X	w/318 Eng. w/(S/C-N94) (E44, E45)
23	4004 836	1			STRAP, Mini-Ox Conv., w/318 Eng., w/(S/C-N98)
24	4004 505	1			HEAT SHIELD, Mini-Ox Conv., w/318 Eng.,w/(S/C-N95,N-98)

**MODEL CODES**

B = GRAN FURY/CARAVELLE	P = RELIANT
C = LEBARON/TOWN & COUNTRY	S = CORDOBA
D = ARIES	V = 400
F = NEW YORKER	X = MIRADA
G = DIPLOMAT	Y = IMPERIAL
M = HORIZON/TC3/SCAMP	Z = OMNI/O24/RAMPAGE

**BODY STYLES**

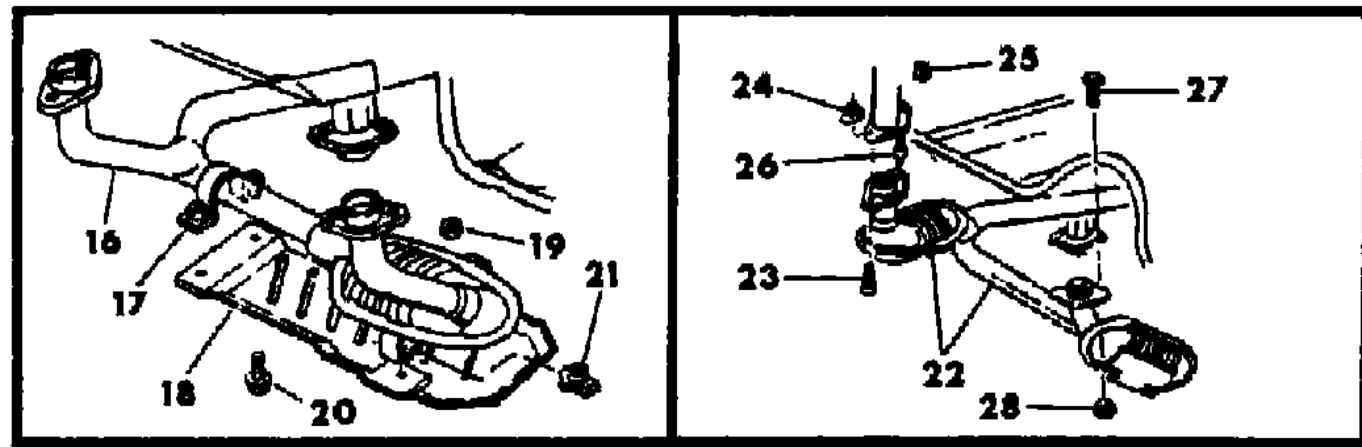
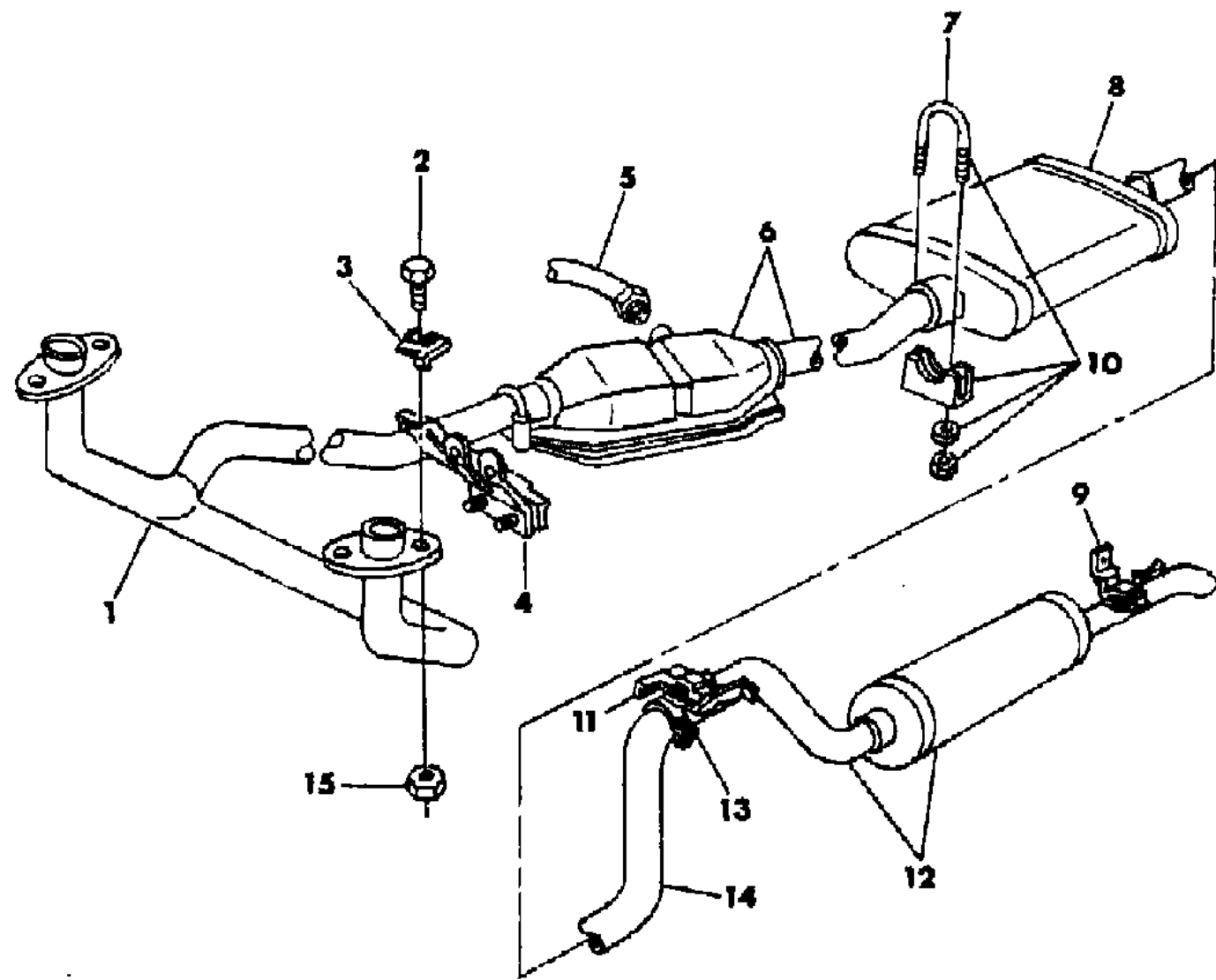
21 = 2-DOOR SEDAN	28 = FWD PICKUP
22 = 2-DOOR SPECIAL COUPE	41 = 4-DOOR SEDAN
24 = 2-DOOR HATCHBACK	44 = 4-DOOR HATCHBACK
27 = 2-DOOR CONVERTIBLE	45 = 2-SEAT STATION WAGON

AR = Use as Required - = Non Illustrated Part P.A.R. = Paint as Required

# EXHAUST SYSTEM-SINGLE- 318 ENGINE

## Figure 11-300

2111 300



ITEM	PART NUMBER	QTY	BODY	MODEL	DESCRIPTION
19	0152 344	AR			NUT
20	0181 063	4			SCREW and WASHER
21	0152 454	2			U-NUT
22	4150 330	1	B,F,G		CATA. CONV., w/Pipes w/(S/C-N94, S/C-N95) (E48)
	4150 330	1	B,F,G,X		w/Pipes w/(S/C-N95) (E46)
	4150 330	1	Y		w/Pipes w/(S/C-N94,S/C-N95,S/C-N96) (E43)(Efi)
23	0180 132				BOLT
24	6031 959				NUT
25	0152 474				NUT
26	6031 888				STUD, Shoulder
27	6031 589				BOLT
28	6031 405				NUT

**MODEL CODES**

B = GRAN FURY/CARAVELLE	P = RELIANT
C = LEBARON/TOWN & COUNTRY	S = CORDOBA
D = ARIES	V = 400
F = NEW YORKER	X = MIRADA
G = DIPLOMAT	Y = IMPERIAL
M = HORIZON/TC3/SCAMP	Z = OMNI/O24/RAMPAGE

**BODY STYLES**

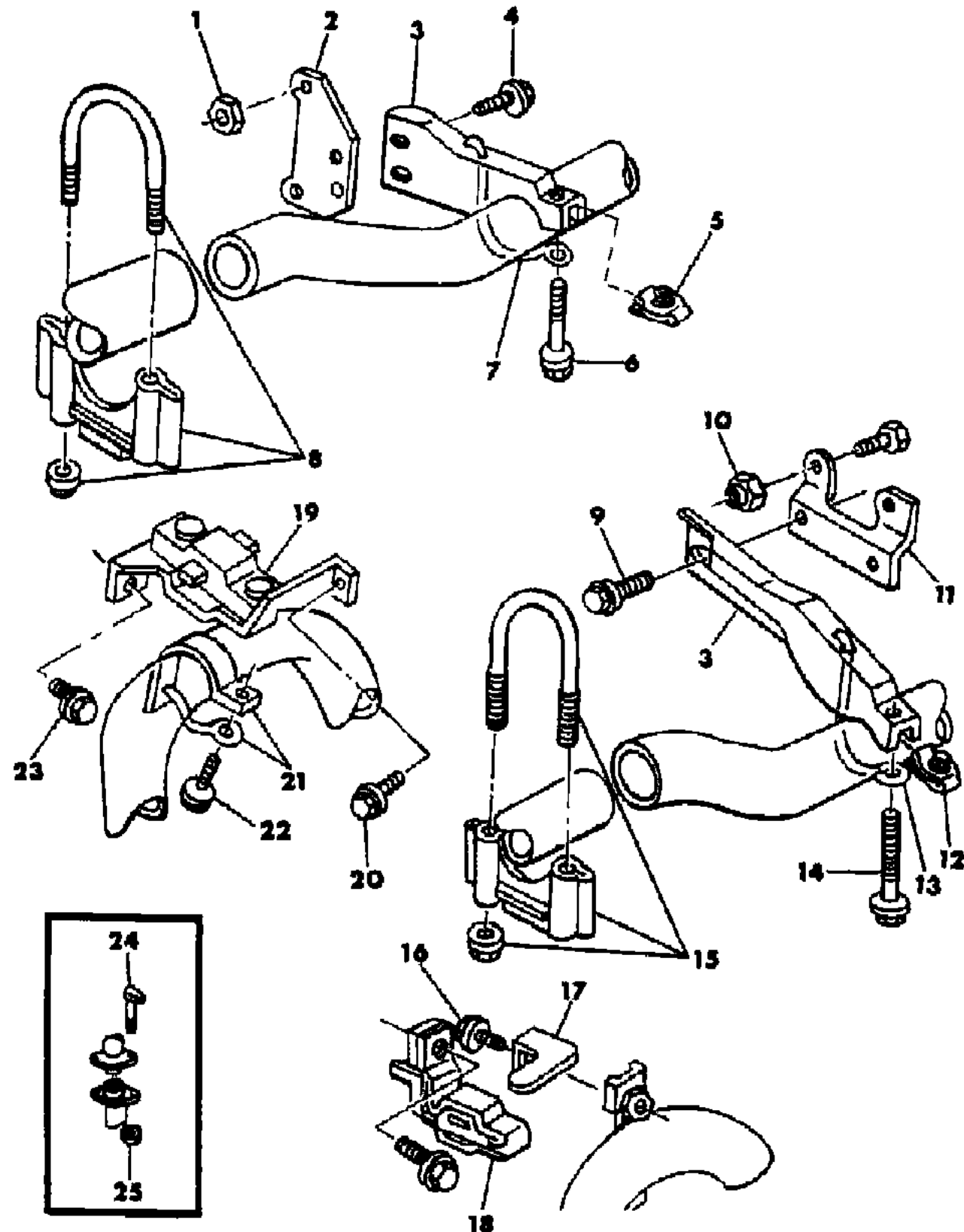
21 = 2-DOOR SEDAN	28 = FWD PICKUP
22 = 2-DOOR SPECIAL COUPE	41 = 4-DOOR SEDAN
24 = 2-DOOR HATCHBACK	44 = 4-DOOR HATCHBACK
27 = 2-DOOR CONVERTIBLE	45 = 2-SEAT STATION WAGON

AR = Use as Required - = Non Illustrated Part P.A.R. = Paint as Required

# CLAMPS AND BRACKETS SINGLE EXHAUST-318

Figure 11-400

2111 400



ITEM	PART NUMBER	QTY	BODY	MODEL	DESCRIPTION
1	6025 405	AR			NUT
2	4004 466	1			PLATE, Trans. Ext. Conv. Support Brkt. w/Auto. Trans., w/318 Eng., w/(S/C-N94,-N95,-N98)
3	4004 464	1			BRACKET,Cata. Conv. Support Brkt. w/318 Eng.,w/Auto. Trans., w/(S/C-N94,-N95,-N98)
4	6031 024	2			SCREW and WASHER
5	6029 355	AR			U-Nut
6	0153 190	AR			SCREW and WASHER
7	4004 476	1			CLAMP, Cata. Covn. Support To Pipe w/318 Eng., w/(S/C-N94,-N95,-N98)
8	4004 961	AR			CLAMP, Exh. Pipe To Cata. Conv., w/318 Eng., w/(S/C -N94,-N98)
	4004 961	AR			Mini-Ox, Conv.To Main Conv., w/318 Eng.
9	6031 024	AR			SCREW and Washer
10	6025 405	AR			NUT
11		AR			(See Item 2)
12	6029 355	AR			U-Nut
13					(See Item 7)
14	0153 190	AR			SCREW and WASHER
15					(See Item 8)
16	6031 734	AR			SCREW and WASHER
17	4004 940	1			BLADE, Tail Pipe Rr. Support w/318 Eng.
18	4004 742	1			SUPPORT,Tail Pipe Rr.
19	4004 581	1			BRACKET, Tail Pipe Front Support
20	6031 734	AR			SCREW and WASHER
21	4004 552	1			SUPPORT, Tail Pipe Frt., w/318 (E44, E45) Eng.
	4004 553	1			w/318 (E46, E47) ENG.
22	6027 859	AR			SCREW and WASHER
23	6031 734	AR			SCREW and WASHER
24	6031 589	AR			BOLT, (3/8-16x2-1/4)
	6031 588	AR			Bolt, (3/8-16x3)
25	0152 344	AR			NUT, (3/8-16)
	0181 127	AR			NUT, (3/8-16)

MODEL CODES

B = GRAN FURY/CARAVELLE	P = RELIANT
C = LEBARON/TOWN & COUNTRY	S = CORDOBA
D = ARIES	V = 400
F = NEW YORKER	X = MIRADA
G = DIPLOMAT	Y = IMPERIAL
M = HORIZON/TC3/SCAMP	Z = OMNI/O24/RAMPAGE

BODY STYLES

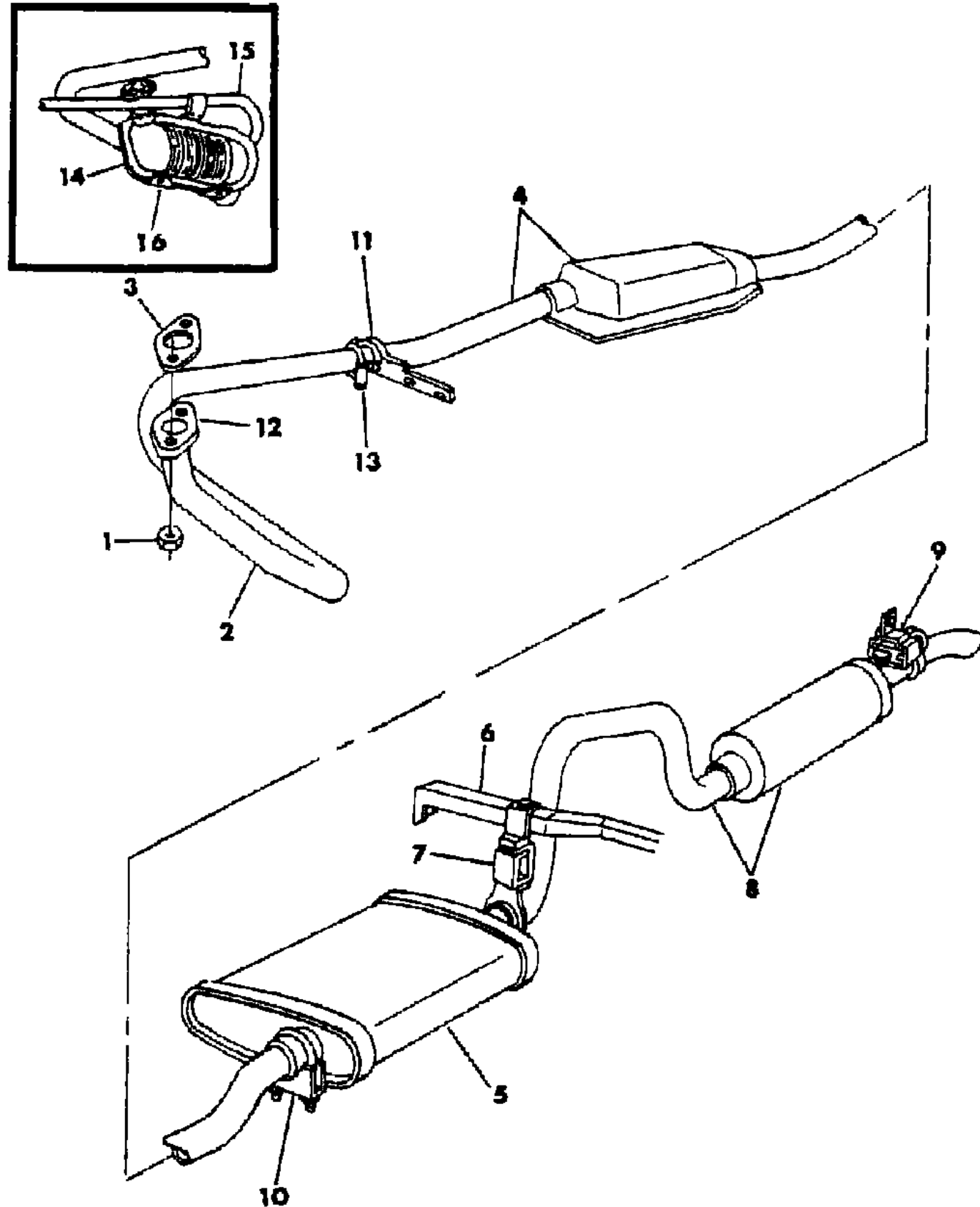
21 = 2-DOOR SEDAN	28 = FWD PICKUP
22 = 2-DOOR SPECIAL COUPE	41 = 4-DOOR SEDAN
24 = 2-DOOR HATCHBACK	44 = 4-DOOR HATCHBACK
27 = 2-DOOR CONVERTIBLE	45 = 2-SEAT STATION WAGON

AR = Use as Required - = Non Illustrated Part P.A.R. = Paint as Required

# EXHAUST SYSTEM-SINGLE 225 ENGINE

## Figure 11-500

2111 500



ITEM	PART NUMBER	QTY	BODY	MODEL	DESCRIPTION
1	0152 346	2			NUT
2	4150 462	1	B,F,G,X		EXHAUST PIPE, w/Cata. Conv. w/Cata. Conv. CANADA & EXP
	4150 212	1	B,F,G (		w/o Cata. Conv. EXP
	4150 214	1	B,F,G		w/o Cata. Conv. EXP
	4150 214	1	X,S		w/o Cata. Conv. EXP.
3	2465 391	1			GASKET, Flange
4	4150 711	1	B,F,G		CATA. CONVERTER, w/Pipes w/(S/C-N98) U.S.
	4150 711	1	X,S		w/(S/C-N98) U.S.
	4150 715	1	B,F,G		w/(S/C-N94, S/C-N95)
	4150 715	1	X,S		w/(S/C-N94, S/C-N95)
	4150 354	1	B,F,G		w/(S/C-N98) CANADA
	4150 354	1	X,S		w/(S/C-N98) CANADA
5	4150 280		B,F,G,X		MUFFLER FED.
	4150 173	1	B,F,G,X		MUFFLER Calif.,Canada
6					CROSSMEMBER, Tail Pipe Frt. Support
7					SUPPORT, Tail Pipe Frt.
8	4150 186		B,F,G,X		TAIL PIPE w/RESONATOR
9					(See Figure 11-600)
10					(See Figure 11-600)
11					(See Figure 11-600)
12					(See Fugure 11-600)
13					(See Figure 11-600)
14	4150 476		B,F,G,X		CATA. CONVERTER, w/Pipes w/(S/C-N95)
	4150 519		B,F,G,X		CATA. CONVERTER, w/Pipes w/(S/C-N98)
15	4227 873		B,F,G,X		TUBE, Comb Valve To Exh Pipe., w/(S/C-N98)
	4227 847		B,F,G		Comb Valve To Exh Pipe., w/(S/C-N95)
16	4150 081		B,F,G,X		SHIELD, Heat Frt. w/Cata. Conv. w/(S/C-N95) Calif.
	4150 525				SHIELD, Heat Frt. w/Cata. Conv. w/(S/C-N98)

### MODEL CODES

B = GRAN FURY/CARAVELLE	P = RELIANT
C = LEBARON/TOWN & COUNTRY	S = CORDOBA
D = ARIES	V = 400
F = NEW YORKER	X = MIRADA
G = DIPLOMAT	Y = IMPERIAL
M = HORIZON/TC3/SCAMP	Z = OMNI/O24/RAMPAGE

### BODY STYLES

21 = 2-DOOR SEDAN	28 = FWD PICKUP
22 = 2-DOOR SPECIAL COUPE	41 = 4-DOOR SEDAN
24 = 2-DOOR HATCHBACK	44 = 4-DOOR HATCHBACK
27 = 2-DOOR CONVERTIBLE	45 = 2-SEAT STATION WAGON

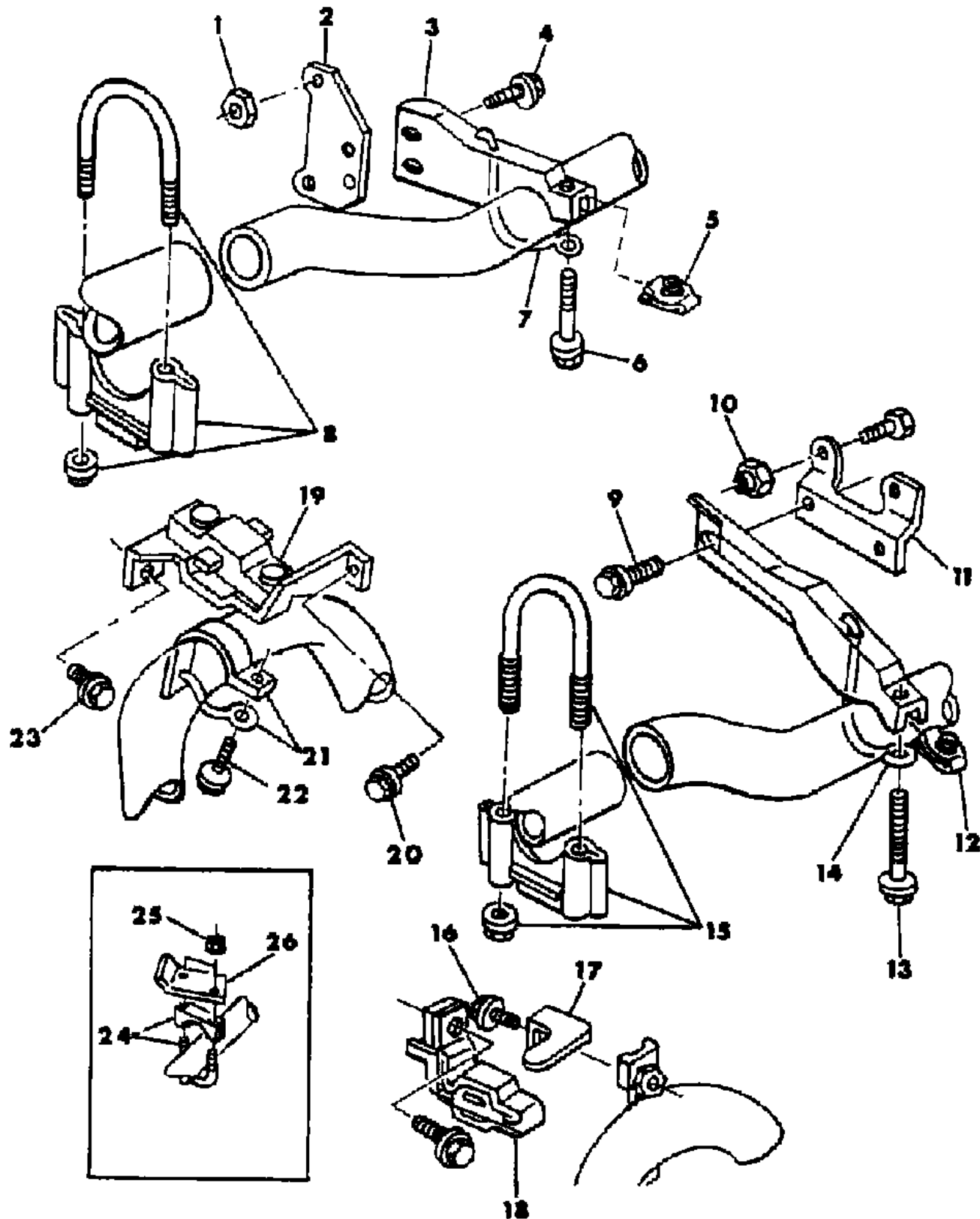
AR = Use as Required - = Non Illustrated Part P.A.R. = Paint as Required



# CLAMPS AND BRACKETS EXHAUST-225 ENGINE

Figure 11-600

2111 600



ITEM	PART NUMBER	QTY	BODY	MODEL	DESCRIPTION
1	6025 405	2			NUT
2	4004 466	1		B,F,G,X	PLATE, Trans. Ext Conv. Support Brkt. w/(S/C-N95,-N98)
3	4150 334	1		B,F,G,X	BRACKET, Cata. Conv. Support (E24) Eng. w/(S/C-N95,-N98)
4	6031 024	2			SCREW and WASHER
5	6029 355	AR			U-NUT
6	0153 190	AR			SCREW and WASHER
7	4004 476	1		B,F,G,X	CLAMP, Cata. Conv. Support To Pipe w/(S/C-N95,-N98)
8	4004 961	AR		B,F,G,X	CLAMP, Exh. Pipe To Cata Conv., w/(S/C-N98)Frt.Conv. To Main Conv. w/(S/C-N95)
9	6031 024	2			SCREW and WASHER
10	6025 405	AR			NUT
11					(See Item 2)
12	6029 355	AR			U-NUT
13	4004 476	1		B,F,G,X	CLAMP, Cata. Conv. Support To Pipe, w/(S/C-N95,-N98)
14	0153 190	AR			SCREW and WASHER
15	4004 961	1		B,F,G,X	CLAMP, Exh. Pipe To Cata. Conv.
16	6031 734	AR			SCREW and WASHER
17	4004 940	1		B,F,G,X	BLADE, Tail Pipe Rr. Support
18	4004 742	1		B,F,G,X	SUPPORT, Tail Pipe Rr.
19	4004 581	1		B,F,G,X	BRACKET, Tail Pipe Front Support
20	6031 734	AR			SCREW and WASHER
21	4004 552	1		B,F,G,X	SUPPORT, Tail Pipe Frt. (E24, E26)
22	6027 859	AR			SCREW and WASHER
23	6031 734	AR			SCREW and WASHER
24	4004 988	1		B,F,G,X	CLAMP, Exh. Pipe Brace, w/(S/C-N93)
25	6028 727	2			NUT
26	4004 479	1		B,F,G,X	BRACE, Exh. Pipe, w/(S/C-N93)

MODEL CODES

B = GRAN FURY/CARAVELLE	P = RELIANT
C = LEBARON/TOWN & COUNTRY	S = CORDOBA
D = ARIES	V = 400
F = NEW YORKER	X = MIRADA
G = DIPLOMAT	Y = IMPERIAL
M = HORIZON/TC3/SCAMP	Z = OMNI/O24/RAMPAGE

BODY STYLES

21 = 2-DOOR SEDAN	28 = FWD PICKUP
22 = 2-DOOR SPECIAL COUPE	41 = 4-DOOR SEDAN
24 = 2-DOOR HATCHBACK	44 = 4-DOOR HATCHBACK
27 = 2-DOOR CONVERTIBLE	45 = 2-SEAT STATION WAGON

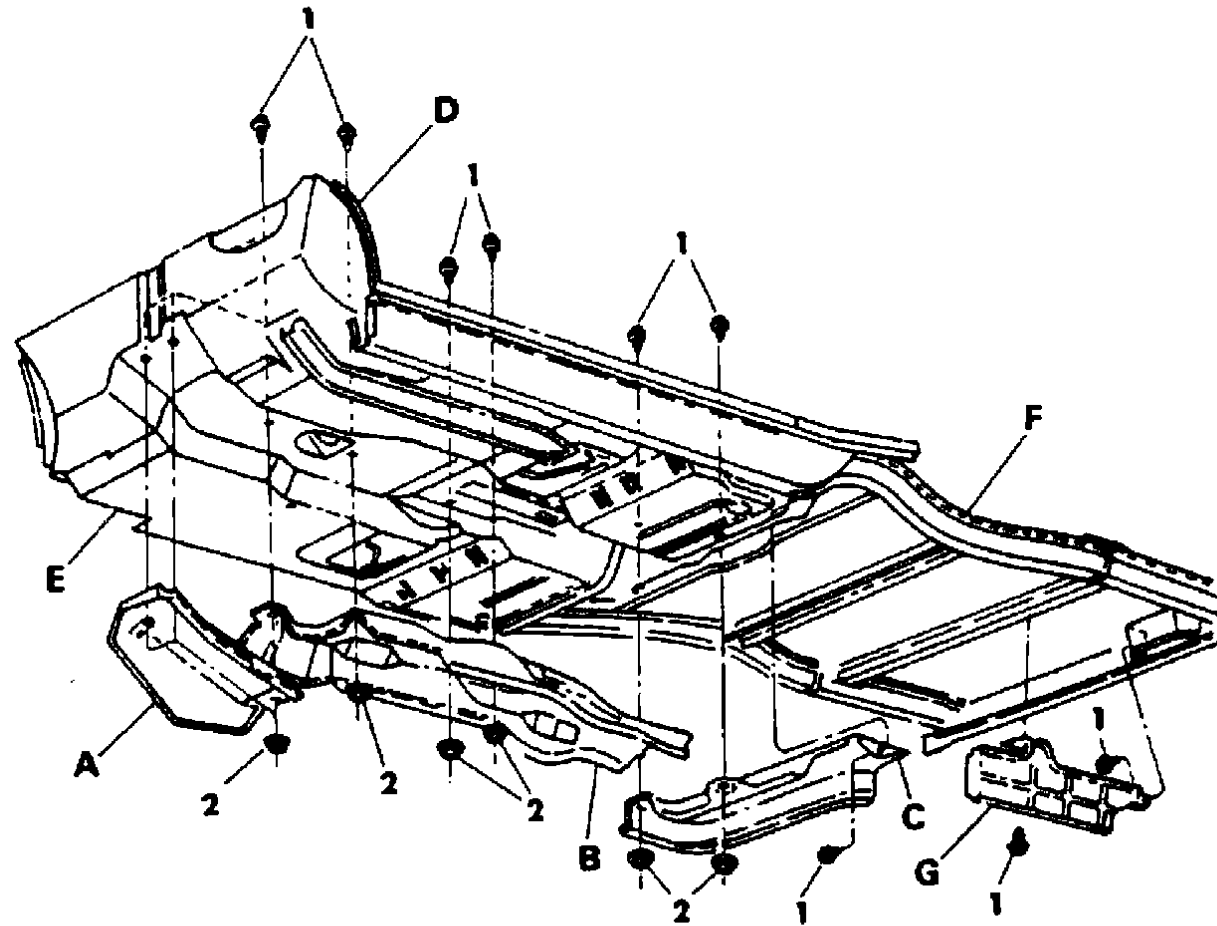
AR = Use as Required - = Non Illustrated Part P.A.R. = Paint as Required

# SHIELDS-HEAT-M-Z

## Figure 11-700

2111 700

ITEM	PART NUMBER	QTY	BODY	MODEL	DESCRIPTION
A	5230 251				SHIELD ASSY.,F/Flr.Pan,Frt.Upr.& Lwr.Heat (2.2L)
B	4266 096			M,Z (44	SHIELD ASSY., Double Wall u/b Converter )1.7L)
B	4266 097			M,Z (24	SHIELD ASSY., Double Wall u/b Converter (1.7L)
C	5200 262				SHIELD, Rr. Floor Pan
D					DASH PANEL (Reference only)
E					FRT. FLOOR PAN (Reference only)
F					RR. FLOOR PAN (Reference only)
G	4266 061			M,Z (28	SHIELD, Spare Tire
1	6030 742				SCREW
2	0219 462				NUT



### MODEL CODES

B = GRAN FURY/CARAVELLE	P = RELIANT
C = LEBARON/TOWN & COUNTRY	S = CORDOBA
D = ARIES	V = 400
F = NEW YORKER	X = MIRADA
G = DIPLOMAT	Y = IMPERIAL
M = HORIZON/TC3/SCAMP	Z = OMNI/O24/RAMPAGE

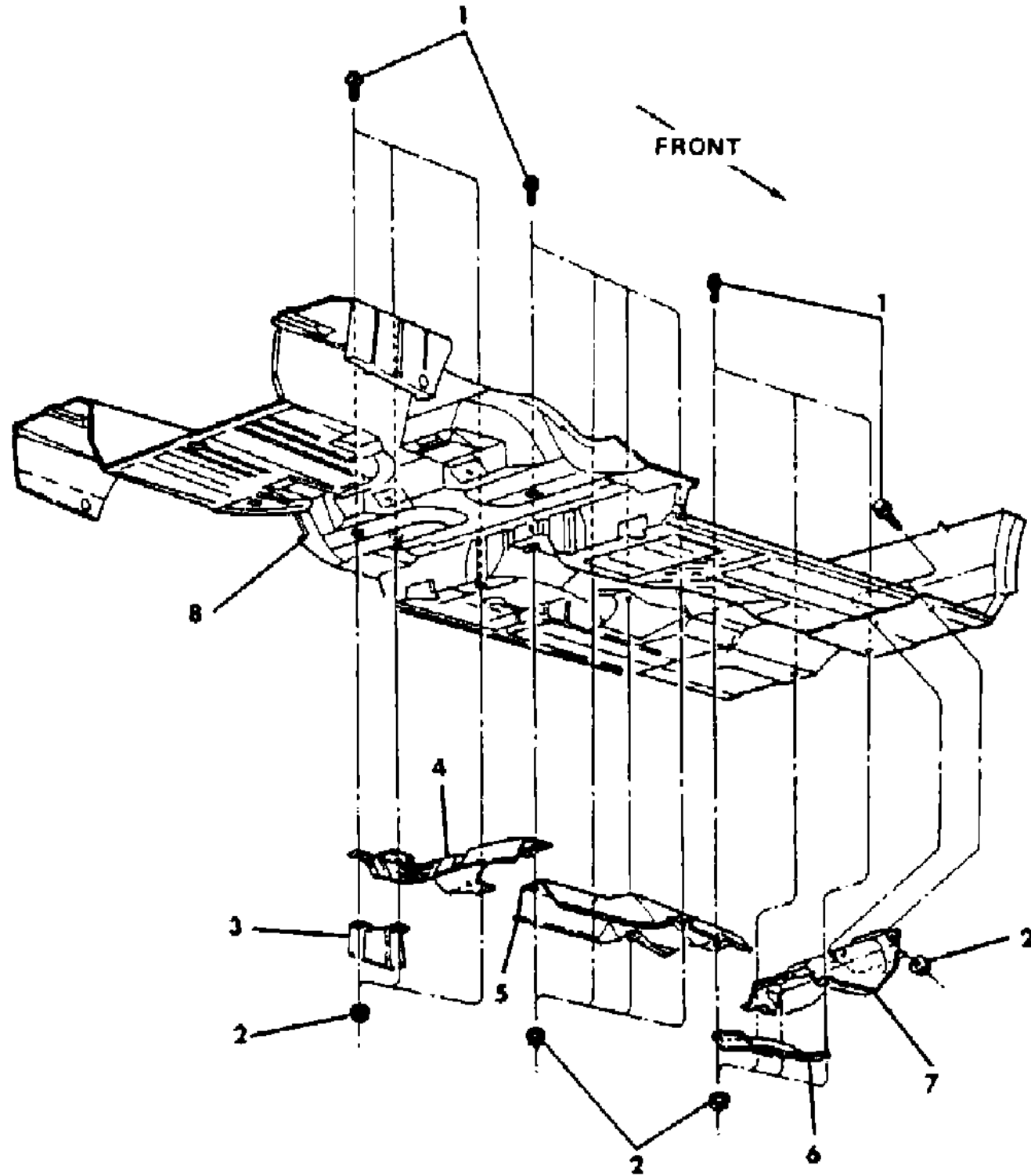
### BODY STYLES

21 = 2-DOOR SEDAN	28 = FWD PICKUP
22 = 2-DOOR SPECIAL COUPE	41 = 4-DOOR SEDAN
24 = 2-DOOR HATCHBACK	44 = 4-DOOR HATCHBACK
27 = 2-DOOR CONVERTIBLE	45 = 2-SEAT STATION WAGON

AR = Use as Required - = Non Illustrated Part P.A.R. = Paint as Required

SHIELDS-HEAT -P,D,C,V  
Figure 11-800

2111 800A



ITEM	PART NUMBER	QTY	BODY	MODEL	DESCRIPTION
1	6030 742				SCREW
2	0219 462				NUT
3	4140 823				SHIELD, Frt. Flr. Pan Ht. Aux. (2.2L & 2.6L)
4	4140 803				SHIELD ASSY., Frt. Flr. Rr. Ht. (2.6L)
5	4140 814				SHIELD, Converter Upper (2.2L & 2.6L)
6	4140 801				SHIELD ASSY., Frt. Flr. Frt. Ht. (2.2L)
7	4140 813				SHIELD ASSY., Dash Panel Ht.(2.2L & 2.6L)
	4140 815				SHIELD, Conv. Lower (S/C-N95)

MODEL CODES

B = GRAN FURY/CARAVELLE	P = RELIANT
C = LEBARON/TOWN & COUNTRY	S = CORDOBA
D = ARIES	V = 400
F = NEW YORKER	X = MIRADA
G = DIPLOMAT	Y = IMPERIAL
M = HORIZON/TC3/SCAMP	Z = OMNI/O24/RAMPAGE

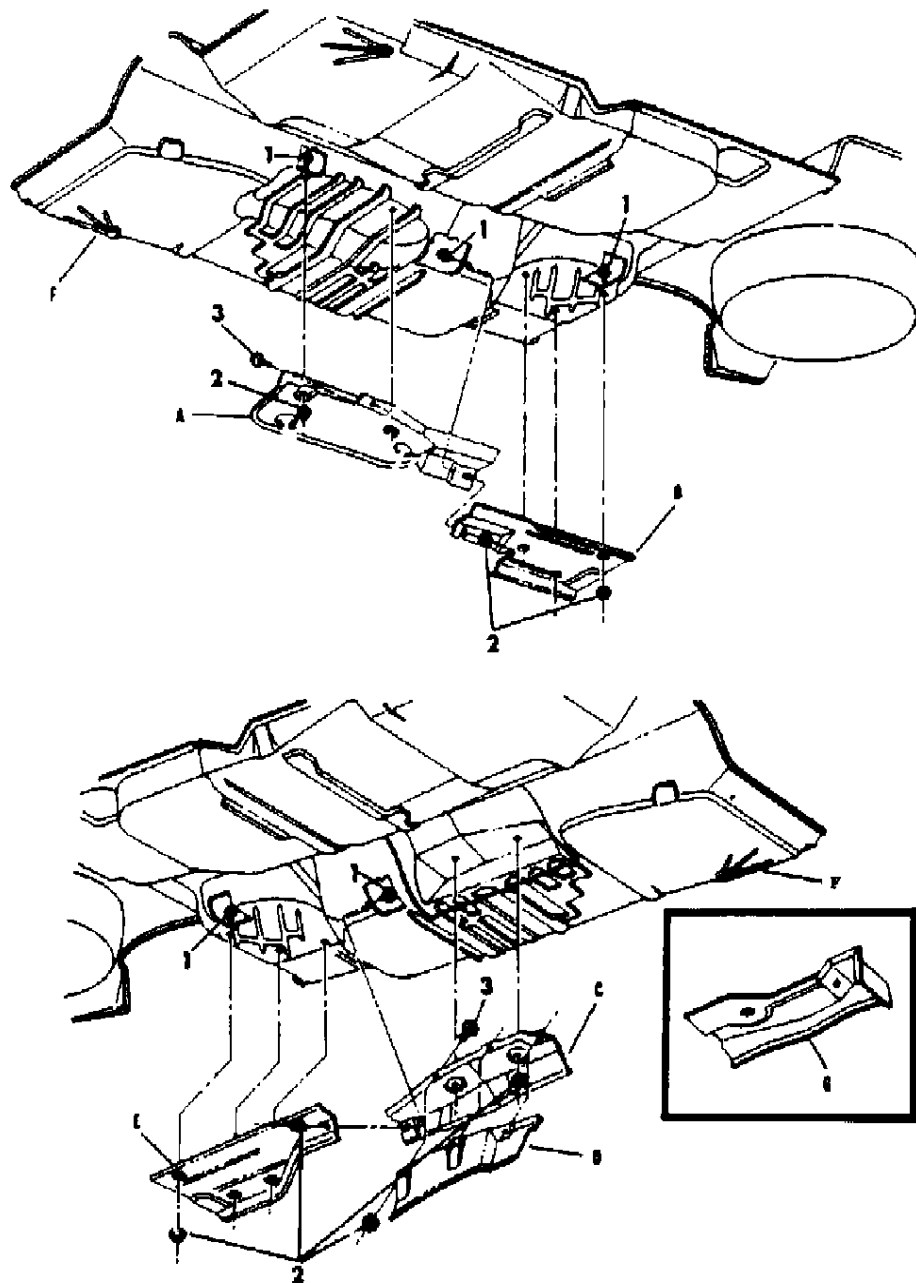
BODY STYLES

21 = 2-DOOR SEDAN	28 = FWD PICKUP
22 = 2-DOOR SPECIAL COUPE	41 = 4-DOOR SEDAN
24 = 2-DOOR HATCHBACK	44 = 4-DOOR HATCHBACK
27 = 2-DOOR CONVERTIBLE	45 = 2-SEAT STATION WAGON

AR = Use as Required - = Non Illustrated Part P.A.R. = Paint as Required

**SHIELDS-UNDERBODY HEAT -B,F,G,X,S,Y**  
**Figure 11-900**

2111 900



ITEM	PART NUMBER	QTY	BODY	MODEL	DESCRIPTION
A	4266 011	1			SHIELD ASSY. Consist Of Upper Rr. Rt. Frt. Lower Rr. Rt. Frt. Insulator
	4140 880				Upper Rr. Rt. Frt.
	4140 884				Lower Rr. Rt. Frt.
	4140 883				Insulator
	4134 053				Tape, h/Shield
	6030 218				Staple
B	3791 301	1			SHIELD, Center Floor Pan-Rt. Side Heat
C	4134 317	1			SHIELD, Frt. Floor Pan-Lt. Side Heat, Upper and Lower, w/Cata. Exh. System, w/Air Pump, w/Dual Exh.
	4140 838	1			SHIELD, Frt. Floor Pan Frt. Lt. Side Heat (w/S/C-N98)
D	4140 476	1			SHIELD, Frt. Floor Pan-Lt. Side-Rr. Heat Aux., w/Cata. Exh. System, w/Air Pump, w/Dual Exh.,w/Heavy Duty Pkg. (Trailer Assist)
E	4073 255	1		B,F,G	SHIELD, Center Floor Pan-Lt. Side Heat, w/Dual Exh.
F					PAN ASSEMBLY, Floor
G	4073 257	1			SHIELD, Frt. Floor Pan-Lt. Side Heat (Mini-Ox), w/Cata. Exh. System, w/Air Pump, w/Dual Exh.
1	0181 063	AR			SCREW and WASHER, 1/4-20
2	0118 613	AR			NUT, 1/4-20
3					STUD and RETAINER (Not Serviced)

MODEL CODES

B = GRAN FURY/CARAVELLE	P = RELIANT
C = LEBARON/TOWN & COUNTRY	S = CORDOBA
D = ARIES	V = 400
F = NEW YORKER	X = MIRADA
G = DIPLOMAT	Y = IMPERIAL
M = HORIZON/TC3/SCAMP	Z = OMNI/O24/RAMPAGE

BODY STYLES

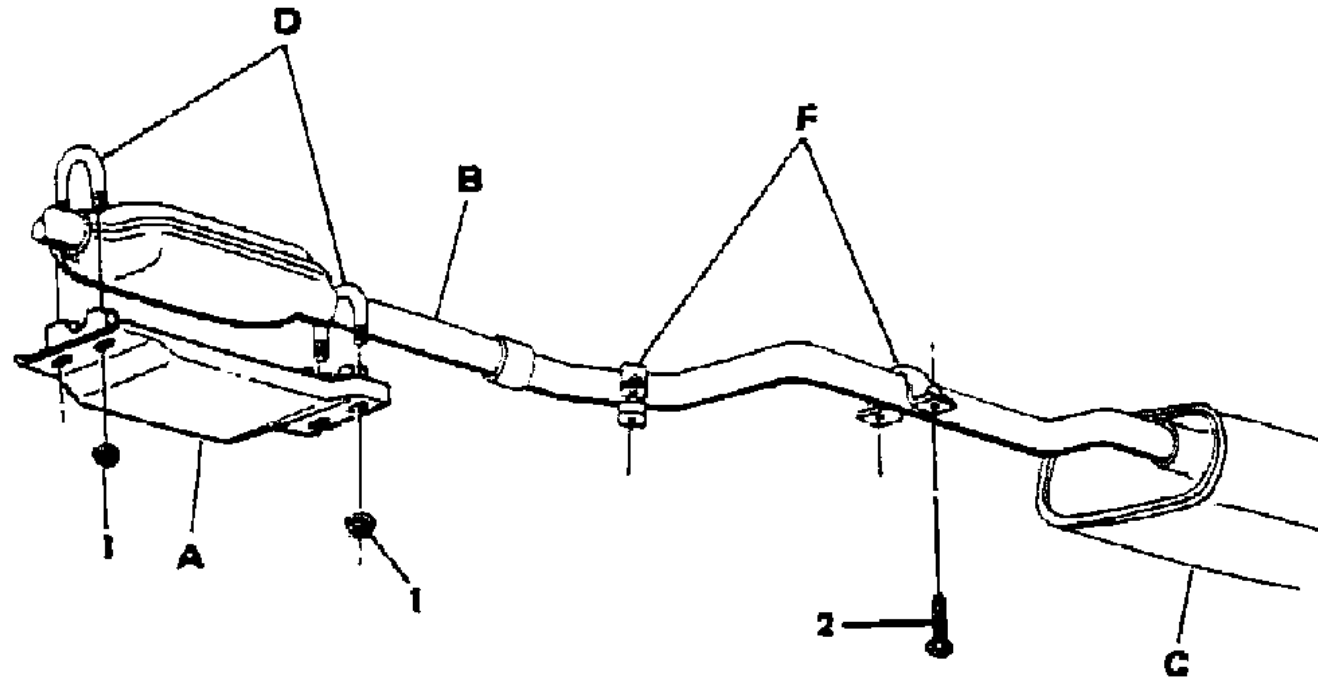
21 = 2-DOOR SEDAN	28 = FWD PICKUP
22 = 2-DOOR SPECIAL COUPE	41 = 4-DOOR SEDAN
24 = 2-DOOR HATCHBACK	44 = 4-DOOR HATCHBACK
27 = 2-DOOR CONVERTIBLE	45 = 2-SEAT STATION WAGON

AR = Use as Required - = Non Illustrated Part P.A.R. = Paint as Required

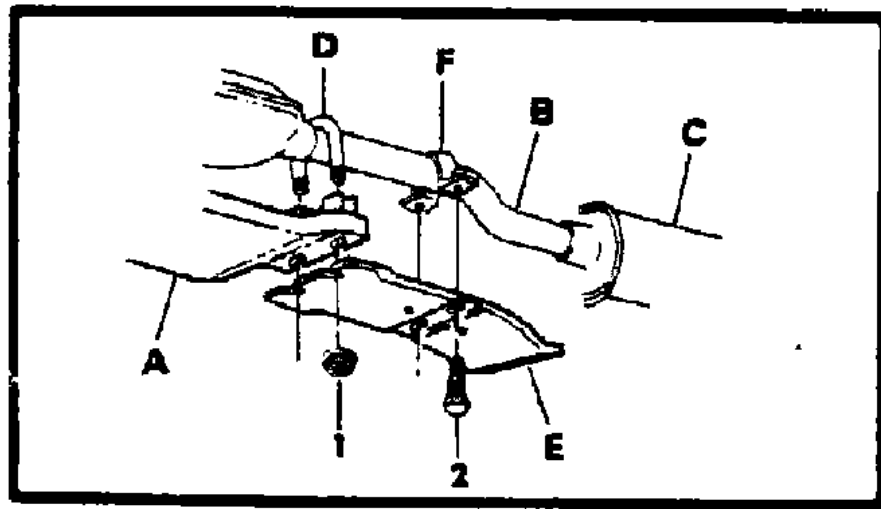
SHIELDS-FLOOR PAN HEAT-ALL W/CATALYIC CONVERTER

Figure 11-1000

2111 1000



ITEM	PART NUMBER	QTY	BODY	MODEL	DESCRIPTION
A	4004 384	1			SHIELD ASSY., Main Cata. Conv. Heat, w/225 Eng., w/(S/C-N98)
	4150 151	1		B,F,G	w/225 Eng., w/(S/C-N95)
	4150 151				w/318, Eng., w/(S/C-N95)
	4004 385	1			w/318 Eng., w/(S/C-N94, S/C-N98)
B					CATA. CONVERTER and PIPES (Reference)
C					MUFFLER (Reference Only)
D	4004 050	1			U-BOLT, Heat Shield Saddle Brkt., Frt., w/225 Eng., w/(S/C-N98)
	4004 050	2			w/225 Eng., w/(S/C-N95)
	4004 049	1			Rr., w/225 Eng., w/(S/C-N98)
	4004 050	AR			w/318 Eng., w/(S/C-N94, S/C-N95, S/C-N98)
E	4004 233	1		B,F,G	SHIELD, Cata. Conv. Ext. Pipe, w/Single Exh.
	4004 233	1		B,F,G	w/(S/C-N94, S/C-N95), w/Dual Exh. Rt.
	4004 823	1		B,F,G	Lt.
F	4004 241	1			STRAP ASSY., Cata. Conv. Ext. Pipe Heat Shield Support, w/225 Eng., w/(S/C-N98)
	4004 171	1		B,F,G	w/225 Eng.
	4004 171	1			w/318, Eng., w/Single Exh.
	4004 171	2			w/Dual Exh.
1	6025 004	AR			NUT
2	0152 793	AR			SCREW



MODEL CODES

- |                            |                      |
|----------------------------|----------------------|
| B = GRAN FURY/CARAVELLE    | P = RELIANT          |
| C = LEBARON/TOWN & COUNTRY | S = CORDOBA          |
| D = ARIES                  | V = 400              |
| F = NEW YORKER             | X = MIRADA           |
| G = DIPLOMAT               | Y = IMPERIAL         |
| M = HORIZON/TC3/SCAMP      | Z = OMNI/O24/RAMPAGE |

BODY STYLES

- |                           |                           |
|---------------------------|---------------------------|
| 21 = 2-DOOR SEDAN         | 28 = FWD PICKUP           |
| 22 = 2-DOOR SPECIAL COUPE | 41 = 4-DOOR SEDAN         |
| 24 = 2-DOOR HATCHBACK     | 44 = 4-DOOR HATCHBACK     |
| 27 = 2-DOOR CONVERTIBLE   | 45 = 2-SEAT STATION WAGON |

AR = Use as Required - = Non Illustrated Part P.A.R. = Paint as Required

---

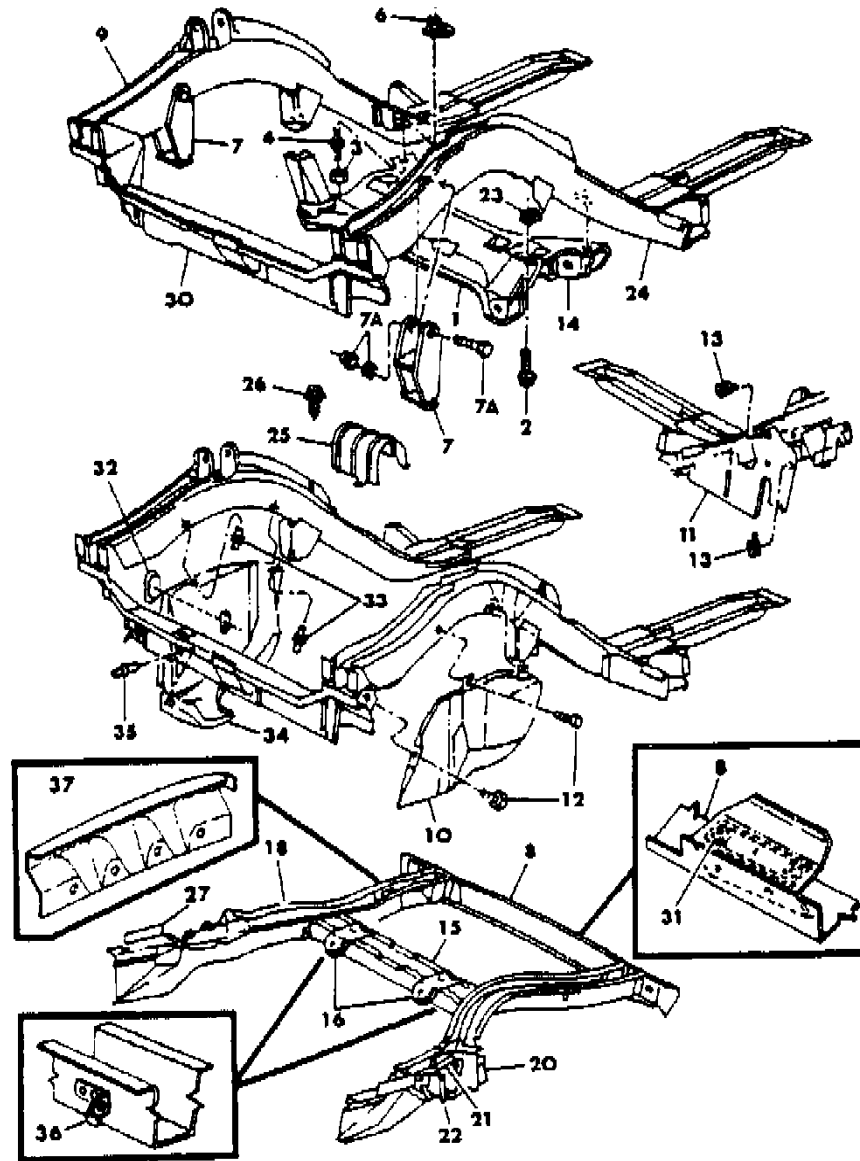
**GROUP 13 - FRAME & BUMPERS**

<b>ILLUSTRATION TITLE</b>	<b>GROUP-FIG. NO.</b>
FRAME M,Z .....	Fig. 13-100
SHIELD, BOOT AIR DEFLECTOR M,Z,P,D,V,C w/2.2L Eng. ....	Fig. 13-125
FRAME P,D,V,C .....	Fig. 13-150
FRAME B,F,G,X,S,Y .....	Fig. 13-200
BATTERY TRAYS .....	Fig. 13-400
BATTERY TRAY - P,D,V,C .....	Fig. 13-450
FASCIA, Bumper Front M,Z-24-28 .....	Fig. 13-500
FASCIA, Bumper Rear M,Z 24 .....	Fig. 13-600
BUMPER, Rear M,Z-28 .....	Fig. 13-650
BUMPER, FRONT and REAR M,Z 44 .....	Fig. 13-700
BUMPER, FRONT P,D .....	Fig. 13-800
BUMPER, FRONT V .....	Fig. 13-825
BUMPER, FRONT C .....	Fig. 13-850
BUMPER, REAR P,D,V,C,21-22-27-41 .....	Fig. 13-900
BUMPER, REAR P,D,C-45 .....	Fig. 13-950
BUMPER, FRONT B,F,G .....	Fig. 13-1000
BUMPER, REAR B,G - 41 .....	Fig. 13-1100
BUMPER, REAR F-41 .....	Fig. 13-1200
FASCIA, BUMPER FRONT X .....	Fig. 13-1700
BUMPER, FRONT S-P .....	Fig. 13-1800
FASCIA, BUMPER FRONT S-S .....	Fig. 13-1850
BUMPER, REAR X,S .....	Fig. 13-1900
BUMPER, FRONT Y .....	Fig. 13-2000
BUMPER, REAR Y .....	Fig. 13-2050
FILLER, BUMPER F .....	Fig. 13-2100
FILLER, BUMPER B,G .....	Fig. 13-2200
FILLER, BUMPER X,S .....	Fig. 13-2300
FILLER, BUMPER Y .....	Fig. 13-2350

**ILLUSTRATION NOT AVAILABLE AT TIME OF PUBLICATION**

FRAME M,Z  
Figure 13-100

2112 100A



ITEM	PART NUMBER	QTY	BODY	MODEL	DESCRIPTION
1	#5202 733	1		All	CROSSMEMBER, Frt. Susp. Comp., Use W/Auto. Trans. Only
	4052 605	1		All	Use w/1.7 Eng.
	4052 607	1		All	Use w/2.2 Eng.
2	6500 245	2		All	BOLT and Washer
3	6500 122	2		All	NUT, Stud
4	5202 246	2		All	STUD, Frt. Susp. C/Member Rr.
6	5202 328	2		All	NUT, Plate
7		2		All	BRACKET, Frt. Side Rail Shipping Tie Down (Not Serviced)
7A		2		All	BOLT, NUT And WASHER (Not Serviced)
8	4050 758	1		All	CROSSMEMBER, Rear Floor Pan Rr., Up To 12-8-81
	5218 348	1		All	After 12-8-81
9	#5218 304-5	1		All	RAIL, Front Side
10	5202 625	1		All	SHIELD, Trans Appearance Lt. (See Gr.7 For Rt. Side- GRILLE AND RELATED PARTS- SHIELD, Closure Panel To Rad. Air)
11	5202 617	1		All	SHIELD, Front Side Rail Rr. Splash, Rt. (Rubber)
12				All	SCREW (Not Serviced)
13	6029 886	AR		All	FASTENER, Shield Splash S/Rail
14	5202 186-7	1		All	BRACKET, Front Susp. C/Mbr. To S/Rail Rr. Supt.
15	5218 151	1		24,44	CROSSMEMBER, Rr. Floor Pan Front
16				24,44	REINF. Rr. Slat Belt Inner Anchor (Not Serviced)
18	4050 818-9	1		44	RAIL Rr. Floor Pan Side, Up To 12-9-81
	5218 346-7	1		44	After 12-9-81
	4050 896-7	1		24	
	5218 198-9	1		28	
	5218 196-7	1		28	EXTENSION, Rr. Floor Pan Side Rail (Not Ill.)
20				All	GUSSET w/NUT, Rr. Side Lt. (Not Serviced)
21	3767 433	4		44	REINFORCEMENT, w/Nut, Rear Susp. Mtg. Gusset
22	5200 338-9	1		All	SUPPORT, Rr. Floor Pan To Sill Lower Jacking
23	4191 299	2		All	PLATE, Front S/Rail Front Susp. C/Mbr. Front Supt.
24	5200 008-9	1		All	BRACE, Front Rail To Sill Inner Extension, Jacking Assist
25	5202 604	1		All	SHIELD, Strg. Gear Boot Splash, Rt.
	4052 597	1		All	Lt.
26				All	SCREW (Not Serviced)
27	5200 034-5	1		All	PANEL, Side Sill Inner Rear
30	#5218 234	1		All	CROSSMEMBER, w/BRKT., Eng., Frt. Mtg.
31	5200 399	1		All	REINFORCEMENT & P/NUT, Exhaust Hanger Support
32	2811 825	2		All	PLUG, Acc. Pulley Shield

MODEL CODES

B = GRAN FURY/CARAVELLE	P = RELIANT
C = LEBARON/TOWN & COUNTRY	S = CORDOBA
D = ARIES	V = 400
F = NEW YORKER	X = MIRADA
G = DIPLOMAT	Y = IMPERIAL
M = HORIZON/TC3/SCAMP	Z = OMNI/O24/RAMPAGE

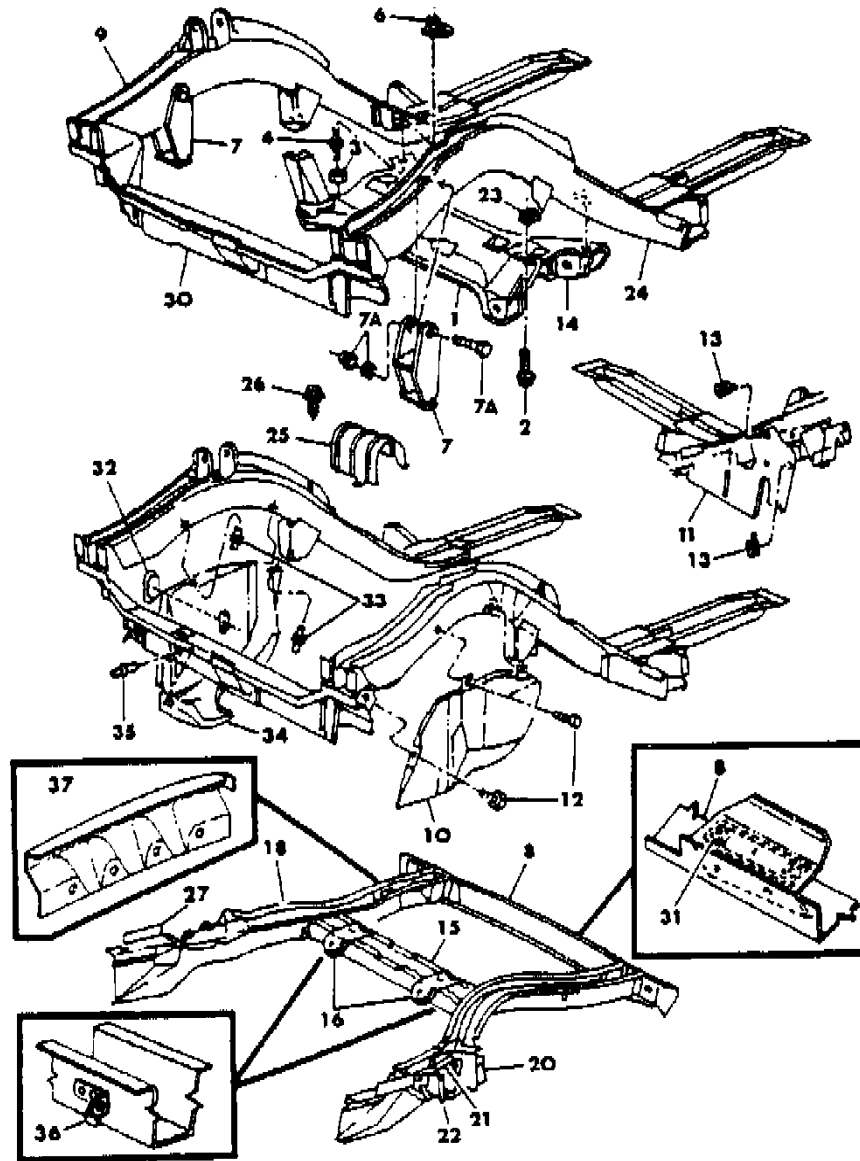
BODY STYLES

21 = 2-DOOR SEDAN	28 = FWD PICKUP
22 = 2-DOOR SPECIAL COUPE	41 = 4-DOOR SEDAN
24 = 2-DOOR HATCHBACK	44 = 4-DOOR HATCHBACK
27 = 2-DOOR CONVERTIBLE	45 = 2-SEAT STATION WAGON

AR = Use as Required - = Non Illustrated Part P.A.R. = Paint as Required

FRAME M,Z  
Figure 13-100

2113 100A



ITEM	PART NUMBER	QTY	BODY	MODEL	DESCRIPTION
33	6032 049	AR		All	RETAINER
34	5202 638	1		All	SHIELD, Acc. Pulley Splash, Rt.
35	6031 390	AR		All	RETAINER
	5218 208	1		28	CROSSMEMBER,w/BRACKET, Brake Line Mtg. (Not Ill.)
36	#5230 390-1	1		24,44	BRKT. Rr. Floor Pan C/Mem. Rr. Brake Line
37	#5230 340	1		24	DEFLECTOR, Rr.FI.Pan Side Rail Fuel Filler Tube
		4		24	SCREW, Deflector Att. (Not Serviced)
	5218 190	1		28	CROSSMEMBER, w/BRACKET, Rr. Cargo Panel Shock Mtg. (Not Ill.)

MODEL CODES

B = GRAN FURY/CARAVELLE	P = RELIANT
C = LEBARON/TOWN & COUNTRY	S = CORDOBA
D = ARIES	V = 400
F = NEW YORKER	X = MIRADA
G = DIPLOMAT	Y = IMPERIAL
M = HORIZON/TC3/SCAMP	Z = OMNI/O24/RAMPAGE

BODY STYLES

21 = 2-DOOR SEDAN	28 = FWD PICKUP
22 = 2-DOOR SPECIAL COUPE	41 = 4-DOOR SEDAN
24 = 2-DOOR HATCHBACK	44 = 4-DOOR HATCHBACK
27 = 2-DOOR CONVERTIBLE	45 = 2-SEAT STATION WAGON

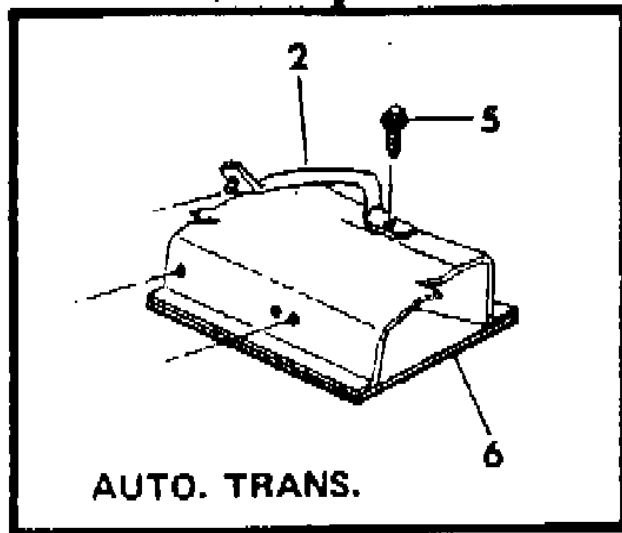
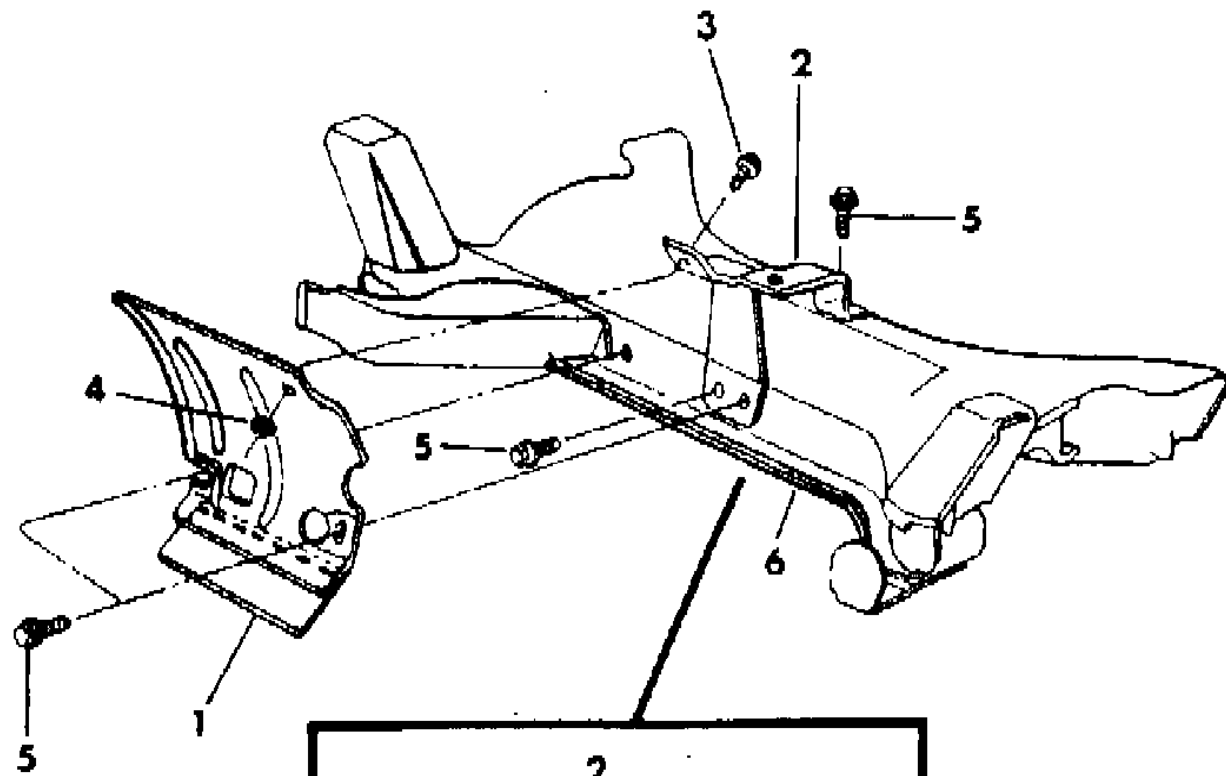
AR = Use as Required - = Non Illustrated Part P.A.R. = Paint as Required



**SHIELD, BOOT AIR DEFLECTOR M,Z,P,D,V,C w/2.2L Eng.**  
**Figure 13-125**

2113 125

ITEM	PART NUMBER	QTY	BODY	MODEL	DESCRIPTION
1	4140 456	1		All	SHIELD, Boot Air Deflector
2	4188 375	1		All	BRACKET, Shield Att., Man.Trans.
	4140 765	1		All	Auto.Trans.
3	6100 286	1		All	SCREW,w/WASHER
4	6100 047	1		All	NUT,w/WASHER
5	6101 264	AR		All	BOLT
6					C/MEMBER, Frt. (Ref.)



**MODEL CODES**

B = GRAN FURY/CARAVELLE	P = RELIANT
C = LEBARON/TOWN & COUNTRY	S = CORDOBA
D = ARIES	V = 400
F = NEW YORKER	X = MIRADA
G = DIPLOMAT	Y = IMPERIAL
M = HORIZON/TC3/SCAMP	Z = OMNI/O24/RAMPAGE

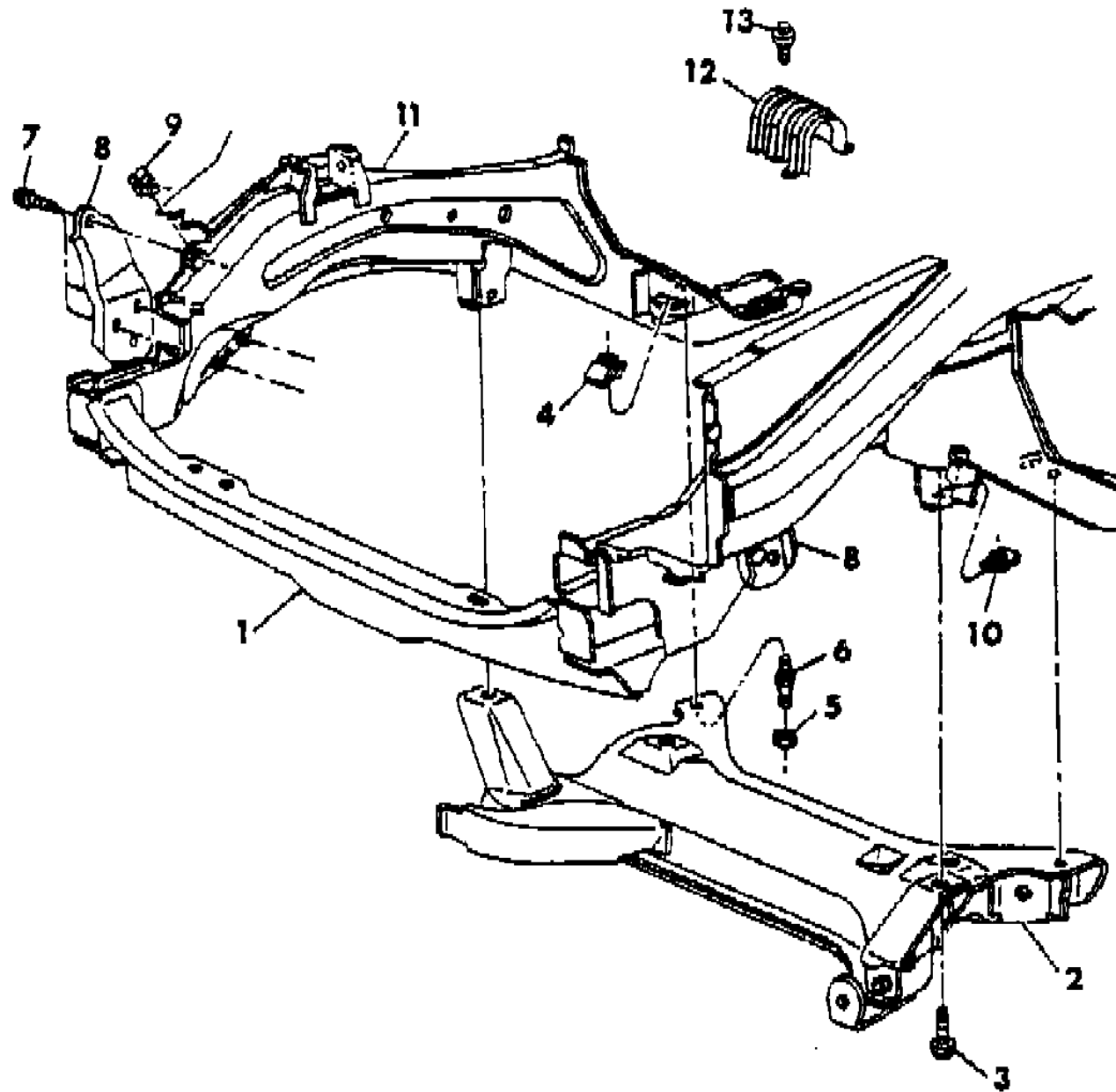
**BODY STYLES**

21 = 2-DOOR SEDAN	28 = FWD PICKUP
22 = 2-DOOR SPECIAL COUPE	41 = 4-DOOR SEDAN
24 = 2-DOOR HATCHBACK	44 = 4-DOOR HATCHBACK
27 = 2-DOOR CONVERTIBLE	45 = 2-SEAT STATION WAGON

AR = Use as Required - = Non Illustrated Part P.A.R. = Paint as Required

FRAME P,D,V,C  
Figure 13-150

2113 150



ITEM	PART NUMBER	QTY	BODY	MODEL	DESCRIPTION
1	4191 206	1		All	CROSSMEMBER, Frt. S/Rail Frt. w/Eng. Mtg. Brkt.
2	#4191 280	1		All	CROSSMEMBER, Frt. Susp. Comp.
3	6500 245	2		All	SCREW,w/Washer, C/Member Mtg.
	4129 593	1		All	C/MEMBER, Rear Floor Pan Rr. Susp.(Not Ill.)
	4129 590	1		All	C/MEMBER, Rear Floor Pan Rr. (Not Ill.)
4	5202 328	2			NUT-PLATE, C/Member Mtg.,Rr.
5	6500 122	2		All	NUT, Stud
6	5202 246	2		All	STUD, C/Member Mtg.
7	6100 230	6		All	SCREW,w/WASHER
8				All	BRACKET, Frt. S/Rail Shipping Tie Down (Not Serviced)
9		2		All	U-NUT (Not Serviced)
10	4191 299	2		All	PLATE, Frt. S/Rail C/Member Frt. Supt.
11	#4200 856-7	1		All	RAIL, Frt. Side And Reinf. Frt. Side Rail Frt.
	4191 250-1	1		All	RAIL, Frt. Side Rail Frt. Comp.
12	5202 604	1		All	SHIELD, Strg. Gear Boot Splash, Rt.
	4052 597	1		All	Lt.
13				All	SCREW (Not Serviced)
	4200 832-3	1		All	RAIL, Rr. Floor Pan Side (Not Ill.)
	4191 248-9	1		All	RAIL, Frt. Side Rail Rr.(Not Ill.)

MODEL CODES

B = GRAN FURY/CARAVELLE	P = RELIANT
C = LEBARON/TOWN & COUNTRY	S = CORDOBA
D = ARIES	V = 400
F = NEW YORKER	X = MIRADA
G = DIPLOMAT	Y = IMPERIAL
M = HORIZON/TC3/SCAMP	Z = OMNI/O24/RAMPAGE

BODY STYLES

21 = 2-DOOR SEDAN	28 = FWD PICKUP
22 = 2-DOOR SPECIAL COUPE	41 = 4-DOOR SEDAN
24 = 2-DOOR HATCHBACK	44 = 4-DOOR HATCHBACK
27 = 2-DOOR CONVERTIBLE	45 = 2-SEAT STATION WAGON

AR = Use as Required - = Non Illustrated Part P.A.R. = Paint as Required

FRAME B,F,G,X,S,Y  
Figure 13-200

2115 200

ITEM	PART NUMBER	QTY	BODY	MODEL	DESCRIPTION
1	4001 887	1		All	CROSSMEMBER, Frt. Side Rail Frt.
2	4237 439	1		All	CROSSMEMBER, Frt. Suspension w/225 Eng.
	4005 257	1		All	w/318, Eng.
3	#4129 898-9	1		All	RAIL, Frt. Side
4	4001 797	1	B,F,G		CROSSMEMBER, Frame Trans. Mtg.
	4001 797	1	X,S		w/H.D. Service Pkg. (S/C-F57)
	4005 242	1	X,S,Y		
	4129 840	1	X,S,Y		Rear Trans. Mtg.
5	4129 841	1	All		CROSSMEMBER, Frt. Side Rail Rr.
6	3791 010	1	All		REINFORCEMENT, Frt. Side Rail to Side Sill Inr. Rt.
	4015 653	1	All		Lt.
	4001 830-1	1	X,S		REINFORCEMENT, Frt. S/Rail Frt. Bumper Brkt. (Not Ill.)
7	0152 344	2	B,F,G,X		NUT, Std.
	0118 615	2	Y		All
	0118 615	2	X,S		w/Special Sound Insulator Pkg. (S/C-C17)
8	6029 550	2	B,F,G,X		BOLT, Std.
	6031 922	2	Y		All
	6031 922	2	X,S		w/Special Sound Insulator Pkg. (S/C-C17)
9	6031 150	4	All		BOLT, Body Hold Down
10	4001 701	4	All		WASHER, Body Hold Down
11	4001 552	2	All		ISOLATOR, Rr. Lwr. Cushion
12	4001 554	2	All		ISOLATOR, Rr. Upr. Cushion
13	4001 596	2	All		ISOLATOR, Frt. Lwr. Cushion
14	4001 595	2	All		ISOLATOR, Frt. Upr. Cushion
15	4015 652	1	All		CROSSMEMBER, Rr. Shock Abs.
16	4134 491	1	All		CROSSMEMBER, Rr. Floor Pan Rr.
17	4129 446-7	1	B,F,G		
			41		RAIL, Rear Floor Pan
	4129 446-7	1	X,S,Y		
	4129 448-9	1	B,F,G		
18	4015 634	2	B,F,G		REINFORCEMENT,Rr. Floor Pan Rr. C/Member, w/H.D.Service Pkg. (S/C-F58)
			22		RAIL, Rr. Floor Pan Rr. Side
19	3850 120-1	1	All		SUPPORT, w/Gusset Ctr. Flr. Pan Rr. Susp. Frt. Hgr. Brkt.
20		1	All		REINFORCEMENT, Rr. Side Rail to Side Sill Inr. Rr.(Not Serviced)
21	4073 057	2	All		BRACKET,Rear Side Rail Park Brake Cable

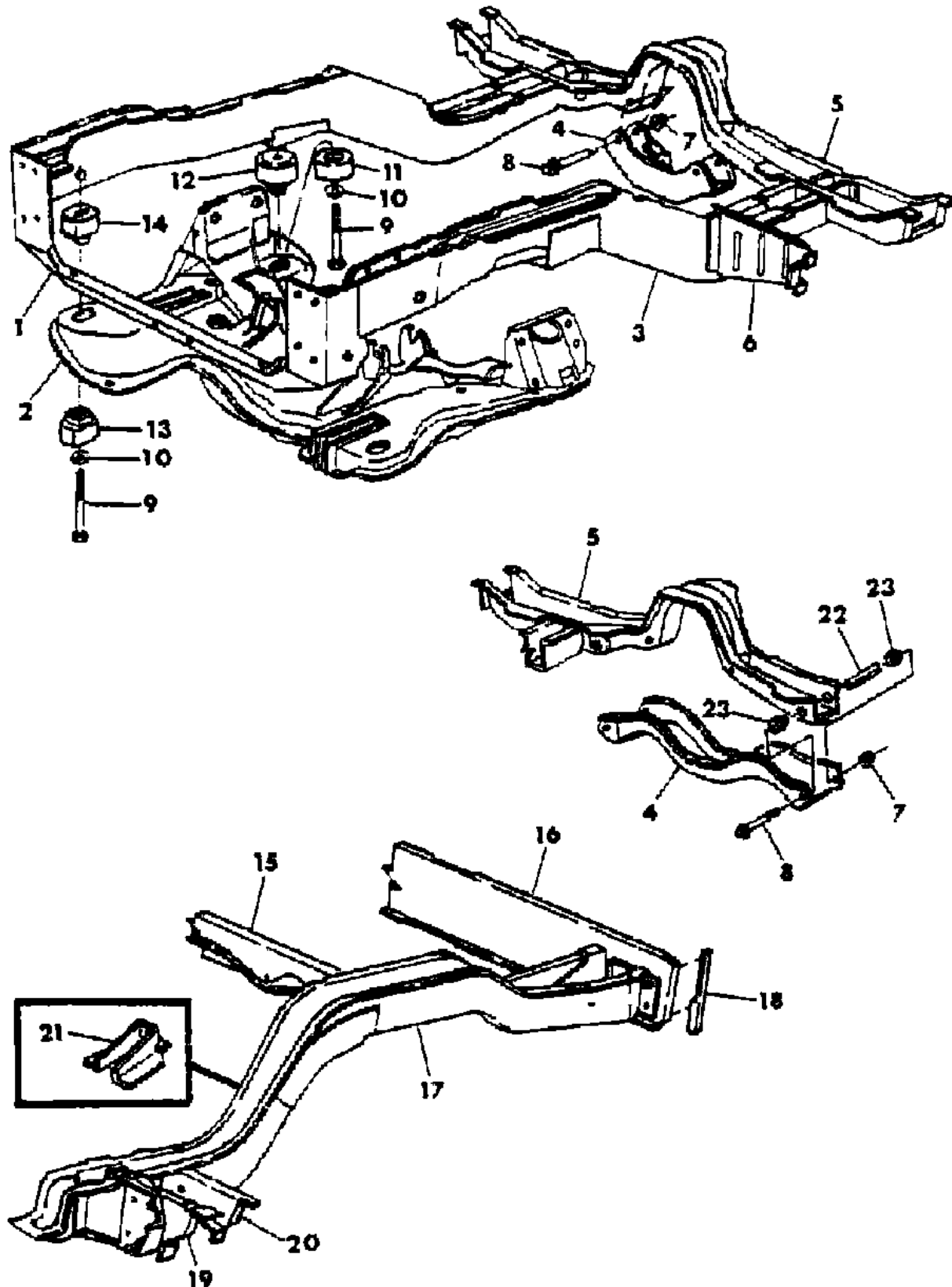
MODEL CODES

B = GRAN FURY/CARAVELLE	P = RELIANT
C = LEBARON/TOWN & COUNTRY	S = CORDOBA
D = ARIES	V = 400
F = NEW YORKER	X = MIRADA
G = DIPLOMAT	Y = IMPERIAL
M = HORIZON/TC3/SCAMP	Z = OMNI/O24/RAMPAGE

BODY STYLES

21 = 2-DOOR SEDAN	28 = FWD PICKUP
22 = 2-DOOR SPECIAL COUPE	41 = 4-DOOR SEDAN
24 = 2-DOOR HATCHBACK	44 = 4-DOOR HATCHBACK
27 = 2-DOOR CONVERTIBLE	45 = 2-SEAT STATION WAGON

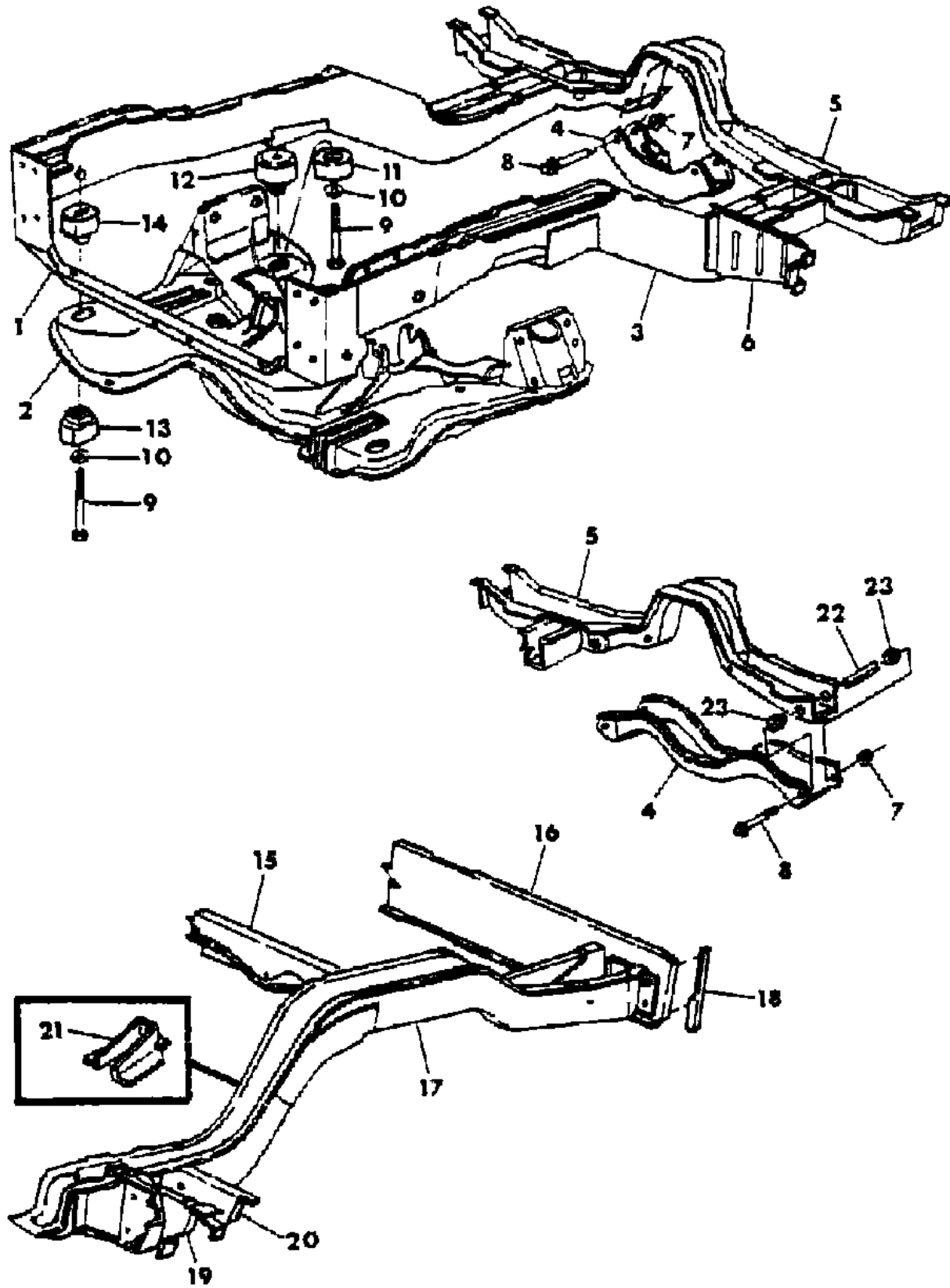
AR = Use as Required - = Non Illustrated Part P.A.R. = Paint as Required



FRAME B,F,G,X,S,Y  
Figure 13-200

2115 200

ITEM	PART NUMBER	QTY	BODY	MODEL	DESCRIPTION
22	4001 862	2		Y	SLEEVE, Trans. Mtg.C/Member Isolator
	4001 862	2		X,S	w/Special Sound Insulator Pkg. (S/C-C17)
23	4001 865	4		Y	ISOLATOR,w/INSERT, Trans. Mtg. C/Member
	4001 865	4		X,S	w/Special Sound Insulator Pkg. (S/C-C17)
	4005 248	1		All	PLATE, Frt. S/Rail C/Member Reinf.Rr., H.D. (Not Ill.)



MODEL CODES

B = GRAN FURY/CARAVELLE	P = RELIANT
C = LEBARON/TOWN & COUNTRY	S = CORDOBA
D = ARIES	V = 400
F = NEW YORKER	X = MIRADA
G = DIPLOMAT	Y = IMPERIAL
M = HORIZON/TC3/SCAMP	Z = OMNI/O24/RAMPAGE

BODY STYLES

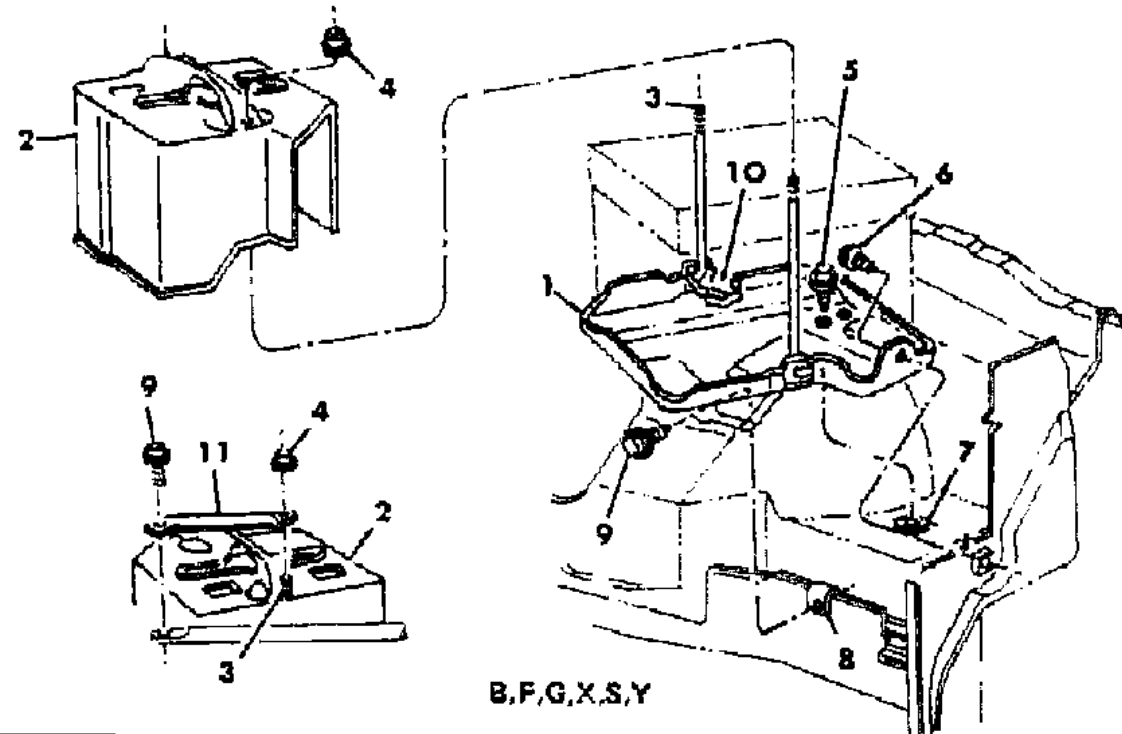
21 = 2-DOOR SEDAN	28 = FWD PICKUP
22 = 2-DOOR SPECIAL COUPE	41 = 4-DOOR SEDAN
24 = 2-DOOR HATCHBACK	44 = 4-DOOR HATCHBACK
27 = 2-DOOR CONVERTIBLE	45 = 2-SEAT STATION WAGON

AR = Use as Required - = Non Illustrated Part P.A.R. = Paint as Required

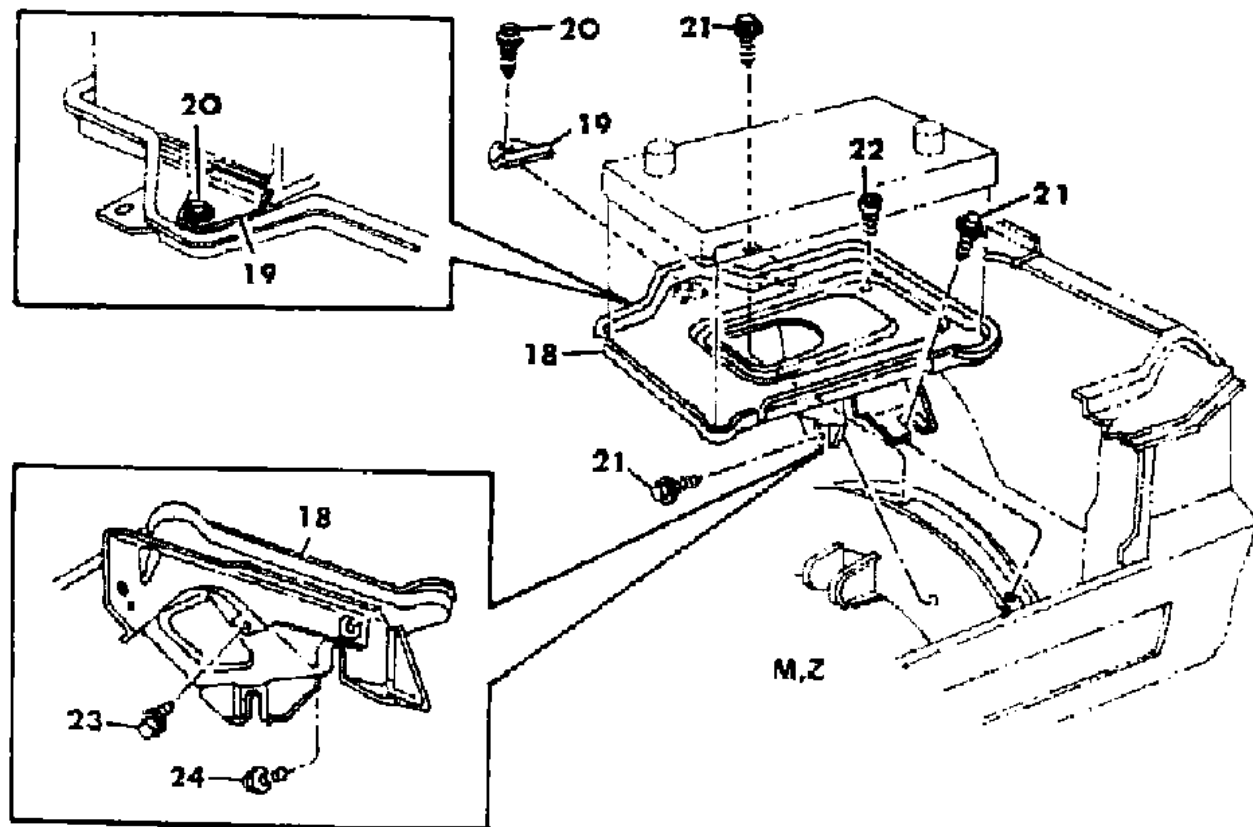
# BATTERY TRAYS

## Figure 13-400

2113 400



ITEM	PART NUMBER	QTY	BODY	MODEL	DESCRIPTION
1	4005 179	1		B,F,G,X	TRAY, Battery
2	4005 186	1		B,F,G,X	STRAP & THERMOGUARD, Battery Hold Down
3	2074 089	2		B,F,G,X	STUD, Hold Down
4	6029 920	2		All	NUT & WASHER
5	6026 823	1		All	SCREW & WASHER
6	0181 088	AR		All	SCREW & WASHER
7		AR		All	U-NUT (Not Serviced)
8	6029 324	1		B,F,G,X	U-NUT
9	6025 359	2		B,F,G,X	SCREW & WASHER
10	4005 061	2		B,F,G,X	CLIP, Hold Down Stud
11	4005 182	1		B,F,G,X	STRUT, Batt. Hold Down to Fnдр.
	4005 185	1		B,F,G,X	SLEEVE, Batt. Hold Down To Fender Strut, H.D.(Not III)
18	#5202 590	1		M,Z	TRAY, Battery Complete
19	5202 576	1		M,Z	RETAINER
	6500 325	1		M,Z-24-	STUD, Battery Retainer
	6500 326	1		M,Z-24-	NUT & WASHER
20	6100 595	AR		M,Z	SCREW & WASHER
21	6500 354	AR		M,Z	SCREW & WASHER
22	6101 283	AR		M,Z	U-NUT
23				M,Z	SCREW, Hex Flange (Not Serviced)
24				M,Z	SCREW & WASHER (Not Serviced)



### MODEL CODES

B = GRAN FURY/CARAVELLE	P = RELIANT
C = LEBARON/TOWN & COUNTRY	S = CORDOBA
D = ARIES	V = 400
F = NEW YORKER	X = MIRADA
G = DIPLOMAT	Y = IMPERIAL
M = HORIZON/TC3/SCAMP	Z = OMNI/O24/RAMPAGE

### BODY STYLES

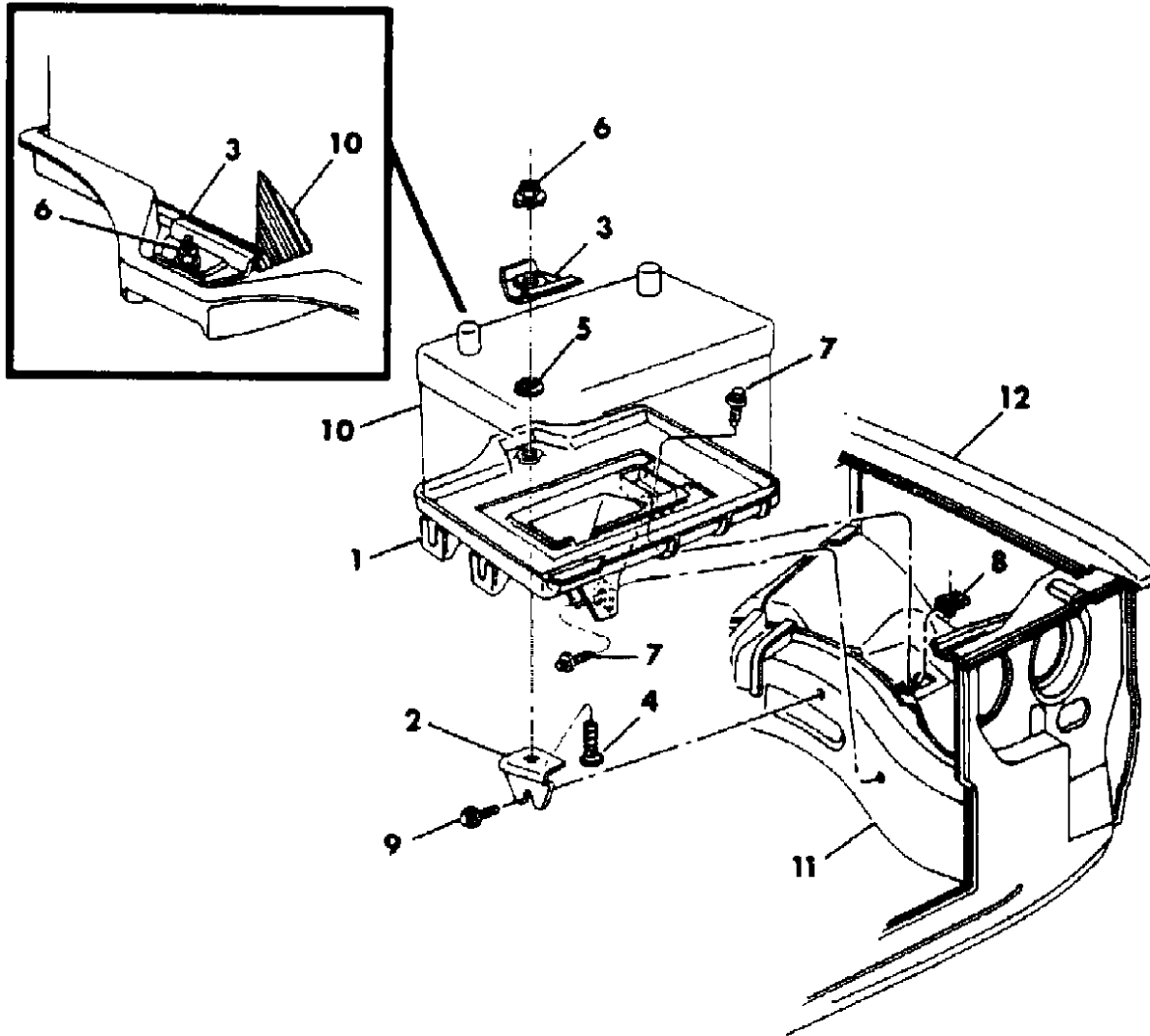
21 = 2-DOOR SEDAN	28 = FWD PICKUP
22 = 2-DOOR SPECIAL COUPE	41 = 4-DOOR SEDAN
24 = 2-DOOR HATCHBACK	44 = 4-DOOR HATCHBACK
27 = 2-DOOR CONVERTIBLE	45 = 2-SEAT STATION WAGON

AR = Use as Required - = Non Illustrated Part P.A.R. = Paint as Required

BATTERY TRAY - P,D,V,C  
Figure 13-450

2113 450

ITEM	PART NUMBER	QTY	BODY	MODEL	DESCRIPTION
1	4191 535	1		All	TRAY, Battery
2	#4103 775	1		All	BRACKET, Battery Hold-Down
3	5202 576	1		All	RETAINER, Battery
4	6101 013	1		All	BOLT, Retainer
5					PUSH-NUT (Not Serviced)
6	6500 326	1		All	NUT,w/WASHER
7	6500 300	2		All	BOLT, Tray Att.
8	6101 283	1		All	U-NUT
9	6100 588	1		All	SCREW,w/WASHER
10					BATTERY (Ref.)
11					SIDE RAIL (Ref.)
12					FENDER (Ref.)



MODEL CODES

B = GRAN FURY/CARAVELLE	P = RELIANT
C = LEBARON/TOWN & COUNTRY	S = CORDOBA
D = ARIES	V = 400
F = NEW YORKER	X = MIRADA
G = DIPLOMAT	Y = IMPERIAL
M = HORIZON/TC3/SCAMP	Z = OMNI/O24/RAMPAGE

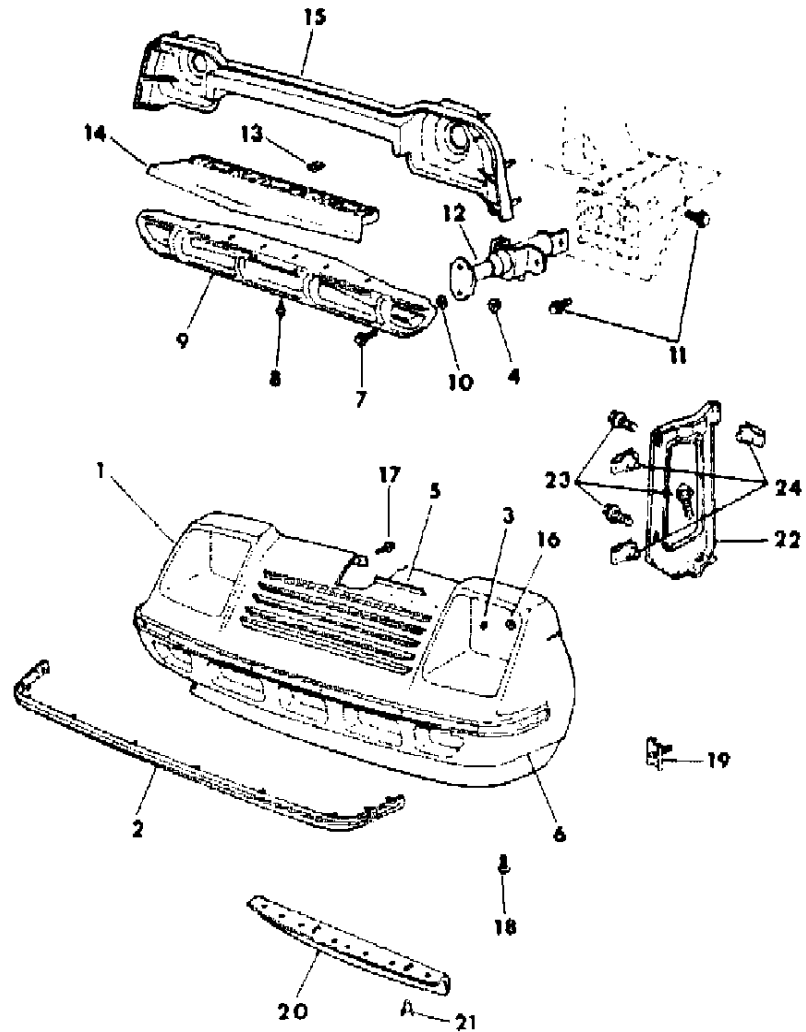
BODY STYLES

21 = 2-DOOR SEDAN	28 = FWD PICKUP
22 = 2-DOOR SPECIAL COUPE	41 = 4-DOOR SEDAN
24 = 2-DOOR HATCHBACK	44 = 4-DOOR HATCHBACK
27 = 2-DOOR CONVERTIBLE	45 = 2-SEAT STATION WAGON

AR = Use as Required - = Non Illustrated Part P.A.R. = Paint as Required

FASCIA, Bumper Front M,Z-24-28  
Figure 13-500

2113 500



ITEM	PART NUMBER	QTY	BODY	MODEL	DESCRIPTION
1	#4194 865	1		Z	FASCIA, Bumper Front, w/o Nerf
	4194 325	1		M	
2	#X309 TXZ	1		M	NERF STRIP, Black W/Bright Center
	X310 TX9	1		M	Black Vinyl
	X311 TXZ	1		Z	Black W/ Bright Center
	X312 TX9	1		Z	Black Vinyl
3	1839 995	3		M,Z	NUT, Name Plate
4	6500 086	4		M,Z	NUT & WASHER
5	5216 125	1		M	NAME PLATE,Plymouth
	4103 208	1		Z	Dodge
6	#4194 461	1		M,Z	LICENSE PLATE Frt. Att.,Pkg.
	5216 164	1		M,Z	BRACKET, License Plate
	5200 365	AR		M,Z	Bumper(Rubber)
7	6500 381	4		M,Z	BOLT, Reinf. To Absorber
8				M,Z	SCREW & WASHER (Not Serviced)
9	5216 181	1		M,Z	REINFORCEMENT
10				M,Z	PUSHNUT (Not Serviced)
11	6100 592	6		M,Z	SCREW & WASHER
12	5205 109	2		M,Z	ABSORBER, Front
13	6031 482	6		M,Z	U-NUT
14	#4194 331	1		M,Z	SUPPORT, Center
15	5201 328	1		M,Z	SUPPORT, Fascia Rad. Grill H/L Mtg.
16	6500 321	AR		M,Z	SPRING-NUT, Fascia To Nerf
17				M,Z	SCREW & WASHER (Not Serviced)
18	6030 441	4		M,Z	RETAINER, Fascia To Fender
19	6500 272	8		M,Z	RETAINER,Fascia to Air Shield
20	4140 438	1		M,Z	AIR-DAM, Front Bumper Fascia, w/Air Cond.
21	6030 441	AR		M,Z	RETAINER, Air-Dam To Frt. Bumper Fascia
22	4103 218-9	1		M,Z	BRACE, Fascia Support
23	6100 567	AR		M,Z	SCREW,w/WASHER
24	6100 041	AR		M,Z	U-NUT

MODEL CODES

B = GRAN FURY/CARAVELLE  
C = LEBARON/TOWN & COUNTRY  
D = ARIES  
F = NEW YORKER  
G = DIPLOMAT  
M = HORIZON/TC3/SCAMP  
P = RELIANT  
S = CORDOBA  
V = 400  
X = MIRADA  
Y = IMPERIAL  
Z = OMNI/O24/RAMPAGE

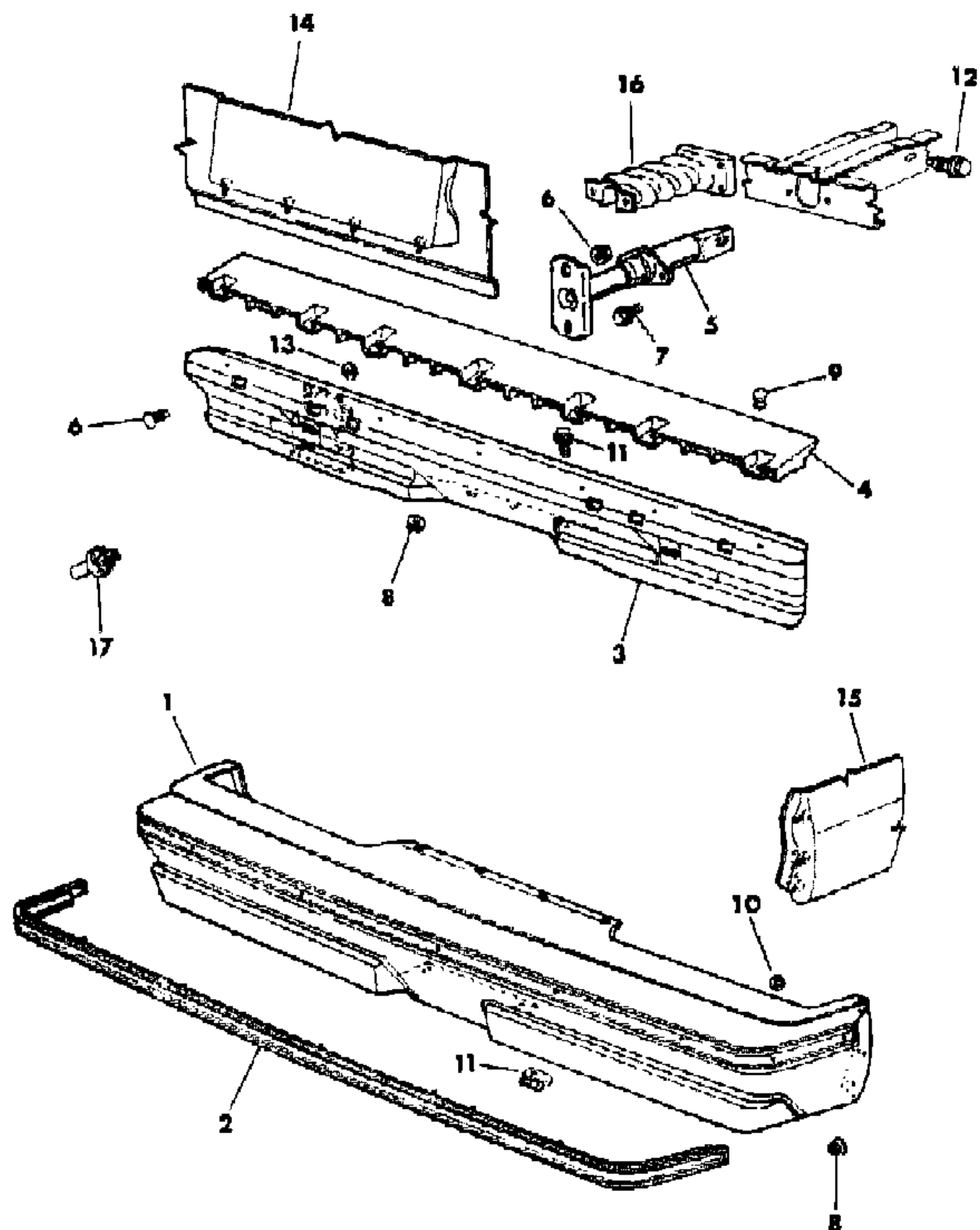
BODY STYLES

21 = 2-DOOR SEDAN  
22 = 2-DOOR SPECIAL COUPE  
24 = 2-DOOR HATCHBACK  
27 = 2-DOOR CONVERTIBLE  
28 = FWD PICKUP  
41 = 4-DOOR SEDAN  
44 = 4-DOOR HATCHBACK  
45 = 2-SEAT STATION WAGON

AR = Use as Required - = Non Illustrated Part P.A.R. = Paint as Required

FASCIA, Bumper Rear M,Z 24  
Figure 13-600

2113 600



ITEM	PART NUMBER	QTY	BODY	MODEL	DESCRIPTION
1	5216 313	1		M,Z	FASCIA, Rear Bumper, w/Nerf
	5216 312	1		M,Z	w/o Nerf
2	5216 314	1		M,Z	NERF STRIP, Black W/Bright Center
	5216 324	1		M,Z	Black Vinyl
	6500 321	AR		M,Z	NUT, Spring
3	5216 401	1		M,Z	REINFORCEMENT, Fascia, Up To 12-10-81
	4103 322	1		M,Z	After 12-10-81
4	5216 308	1		M,Z	SUPPORT, Fascia
5	5205 165	2		M,Z	ABSORBER, Rear
6	6500 381	4		M,Z	BOLT
	6500 086	4		M,Z	SCREW & WASHER
7	6100 592	4		M,Z	SCREW & WASHER
8	6100 046	10		M,Z	NUT & WASHER
9	6031 390	7		M,Z	RETAINER, Support To Reinforcement
10	6500 321	AR		M,Z	SPRING-NUT, Fascia To Nerf
11	6031 482	2		M,Z	U-Nut
12	6500 309	AR		M,Z	SCREW & WASHER
13				M,Z	PUSHNUT (Not Serviced)
14				M,Z	PANEL, Liftgate Opening (Ref.)
15				M,Z	PANEL, Qtr. (Ref.)
16	#4103 213	2		M,Z	BOOT ,Absorber Unit
	6003 654	8		M,Z	RETAINER
17	6031 548	2		M,Z	RETAINER, Fascia To Reinf.

MODEL CODES

B = GRAN FURY/CARAVELLE	P = RELIANT
C = LEBARON/TOWN & COUNTRY	S = CORDOBA
D = ARIES	V = 400
F = NEW YORKER	X = MIRADA
G = DIPLOMAT	Y = IMPERIAL
M = HORIZON/TC3/SCAMP	Z = OMNI/O24/RAMPAGE

BODY STYLES

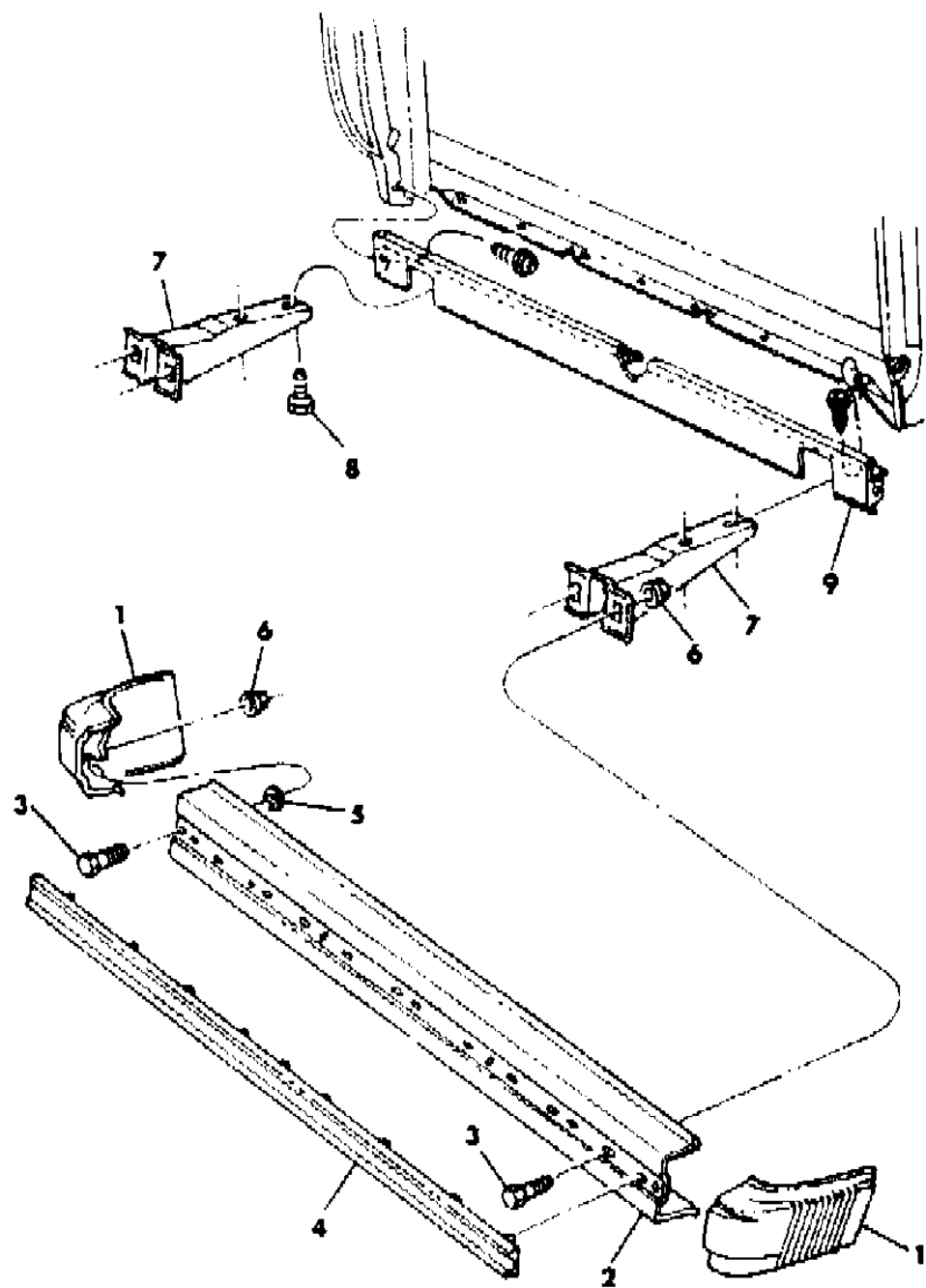
21 = 2-DOOR SEDAN	28 = FWD PICKUP
22 = 2-DOOR SPECIAL COUPE	41 = 4-DOOR SEDAN
24 = 2-DOOR HATCHBACK	44 = 4-DOOR HATCHBACK
27 = 2-DOOR CONVERTIBLE	45 = 2-SEAT STATION WAGON

AR = Use as Required - = Non Illustrated Part P.A.R. = Paint as Required



**BUMPER, Rear M,Z-28**  
**Figure 13-650**

2113 650



ITEM	PART NUMBER	QTY	BODY	MODEL	DESCRIPTION
1	#4194 854-5	1		All	CAP, Bumper End
2	#4194 852	1		All	BUMPER,w/TAPE, Rear
3	#6500 381	6		All	BOLT, Bumper
4	4194 862	1		All	NERF, Bumper Rear
5				All	PUSH-NUT (Not Serviced)
6	6500 086	AR		All	NUT,w/WASHER
7	#4194 858	2		All	SUPPORT,Bumper Rear
8		2		All	SCREW,w/WASHER (Not Serviced)
9				All	PANEL, Tailgate (Ref.See Gr.23)

**MODEL CODES**

B = GRAN FURY/CARAVELLE	P = RELIANT
C = LEBARON/TOWN & COUNTRY	S = CORDOBA
D = ARIES	V = 400
F = NEW YORKER	X = MIRADA
G = DIPLOMAT	Y = IMPERIAL
M = HORIZON/TC3/SCAMP	Z = OMNI/O24/RAMPAGE

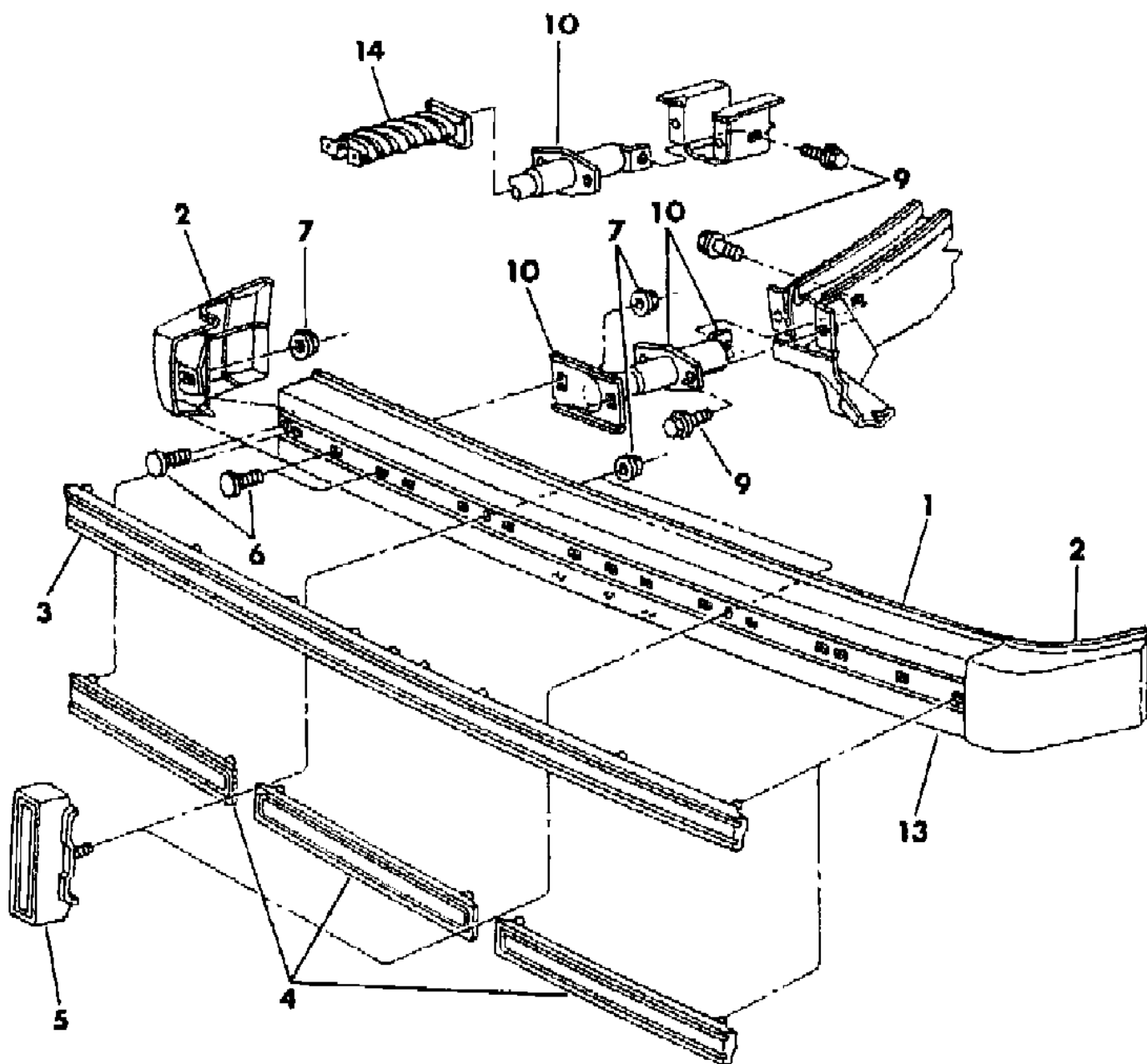
**BODY STYLES**

21 = 2-DOOR SEDAN	28 = FWD PICKUP
22 = 2-DOOR SPECIAL COUPE	41 = 4-DOOR SEDAN
24 = 2-DOOR HATCHBACK	44 = 4-DOOR HATCHBACK
27 = 2-DOOR CONVERTIBLE	45 = 2-SEAT STATION WAGON

AR = Use as Required - = Non Illustrated Part P.A.R. = Paint as Required

**BUMPER, FRONT and REAR M,Z 44**  
**Figure 13-700**

2113 700



ITEM	PART NUMBER	QTY	BODY	MODEL	DESCRIPTION
1	5216 002	1		M,Z	BUMPER, Front and Rear W/Nerf and Guards
	5216 001	1		M,Z	w/o Nerf and Guards
	4194 272	1		M,Z	w/Tape (Black)
2	5216 006-7	1		M,Z	CAP, Bumper End Front
	5216 252-3	1		M,Z	Rear
3	#4194 862	1		M,Z	NERF STRIP, w/o Guards
4	5216 012	3		M,Z	NERF STRIP, w/Guards
5	5216 190	2		M,Z	GUARD, Front and Rear
6	6500 075	6		M,Z	BOLT
7	6500 086	8		M,Z	NUT and WASHER
9	6100 592	6		M,Z	SCREW and WASHER
10	5204 980	2		M,Z	ABSORBER, Front
	5204 981	2		M,Z	Rear
13	#4194 462	1		M,Z	LICENSE PLATE, Att.Pkg.,Frt.
	4194 880	1		M,Z	Rear
	5216 050	AR		M,Z	BUTTON, Rubber
	5200 365	AR		M,Z	BUTTON, Rubber
	6023 925	AR		M,Z	NUT
14	#4103 318	2		M,Z	BOOT, Absorber,Front
	4103 213	2		M,Z	Rear
	6003 654	AR		M,Z	RETAINER (Push-Nut)

MODEL CODES

B = GRAN FURY/CARAVELLE	P = RELIANT
C = LEBARON/TOWN & COUNTRY	S = CORDOBA
D = ARIES	V = 400
F = NEW YORKER	X = MIRADA
G = DIPLOMAT	Y = IMPERIAL
M = HORIZON/TC3/SCAMP	Z = OMNI/O24/RAMPAGE

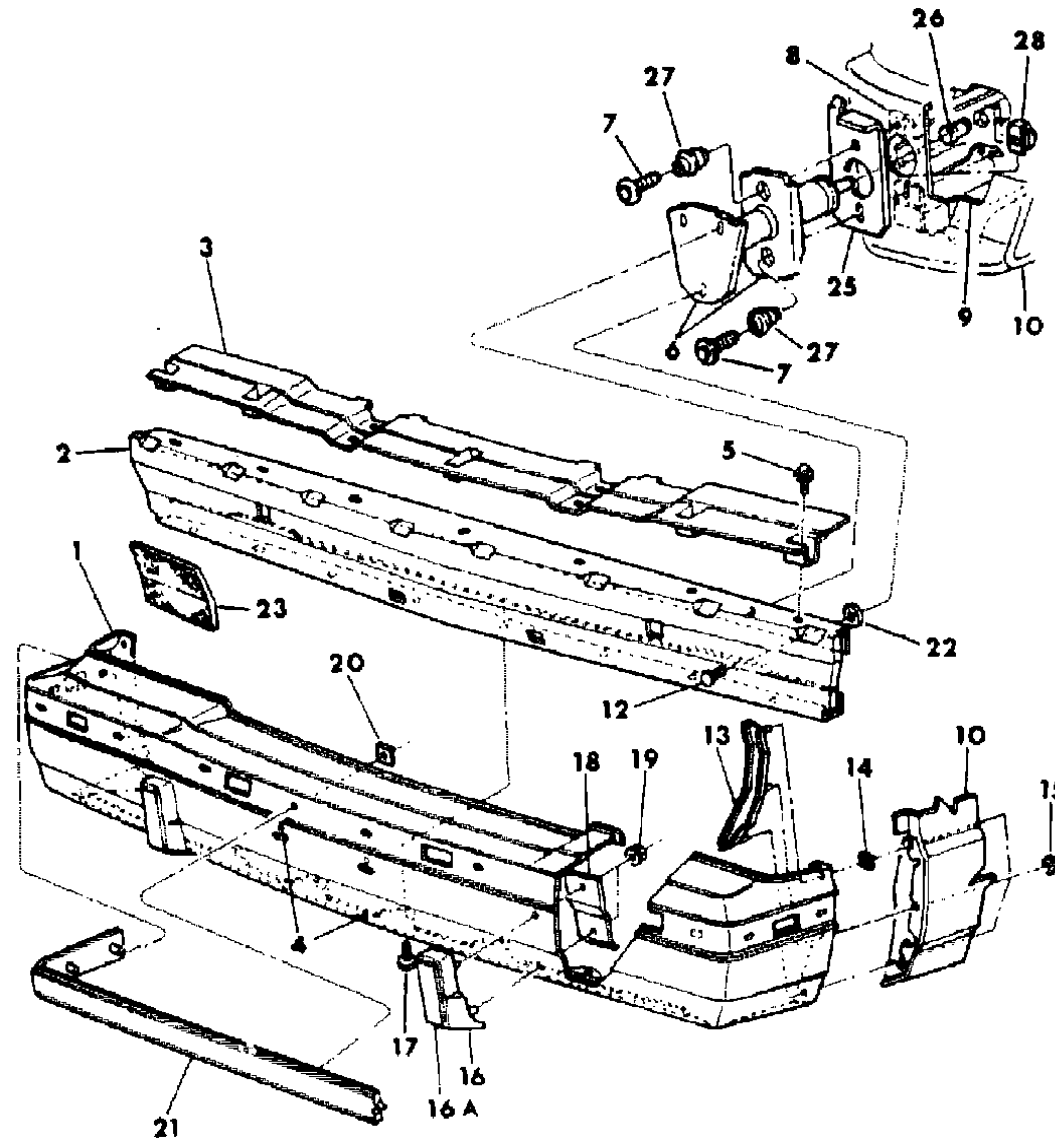
BODY STYLES

21 = 2-DOOR SEDAN	28 = FWD PICKUP
22 = 2-DOOR SPECIAL COUPE	41 = 4-DOOR SEDAN
24 = 2-DOOR HATCHBACK	44 = 4-DOOR HATCHBACK
27 = 2-DOOR CONVERTIBLE	45 = 2-SEAT STATION WAGON

AR = Use as Required - = Non Illustrated Part P.A.R. = Paint as Required

**BUMPER, FRONT P,D**  
**Figure 13-800**

2113 800



ITEM	PART NUMBER	QTY	BODY	MODEL	DESCRIPTION
1	4194 191	1		All	FASCIA, Bumper Frt. (Paint As Req.)
2	4194 167	1		All	REINFORCEMENT, Fascia Frt. Up To 10-16-81
	4194 919	1		All	After 10-16-81
3	4194 182	1		All	SUPPORT, Fascia Frt.
4	4194 180	1		All	BRACKET, License Plate Mtg.
	4194 463	1		All	LICENSE PLATE, Frt.Att.Pkg.
5				All	SCREW,W/WASHER (Not Serviced)
6	4147 743	2		All	ABSORBER, Frt., Use w/Man. Trans.
	4194 944	2		All	Use w/Auto. Trans. (w/Grommet & Isolator)
7	#6500 630	4		All	SCREW,w/WASHER
8				All	RAIL, Frt. Side (Ref.Only)
9				All	REINFORCEMENT, Frt. S/Rail (Ref.Only)
10				All	PANEL, Fender (Ref. Only)
12	6500 463	4		All	BOLT, Carriage
13	#4194 274-5	1		All	RETAINER, Fascia
14	6100 840	1		All	PUSH-NUT
15	6101 289	6		All	NUT, Retainer
16	X570 VY2	2		All	GUARD, Front (Paint As Req.)
16A	4194 722	2		All	CUSHION, Guard Frt.
17	6030 441	8		All	RETAINER
18	4194 714	2		All	PLATE, Guard Att.
19	6100 047	4		All	NUT,w/WASHER
20	6500 321	12		All	SPRING-NUT
21	#4194 883	1	45-P		NERF, Frt. Fascia, w/o Body Side Vinyl Mldg.
	X288 AC2	1	All		w/Body Side Vinyl Mldg. Lt.Blue (K5B)
	X288 AA3	1	All		Brite Silver (K5A)
	X288 AM8	1	All		Red (K5E)
	X288 AK7	1	All		Dk.Tan (K5U)
	X288 AW3	1	All		Pearl White (K5W)
	X288 AT3	1	All		Med.Tan (K5K)
	X288 AF2	1	All		Lt.Green (K5F)
	X288 AX9	1	All		Black (K5X)
	X288 AT2	1	All		Cream (K5T)
22		4		All	RETAINER, Reinf. To Absorber (Not Serviced)
23		2		All	PAD, Bumper Fascia (Serviced In Reinf. Item 2)
25	#4194 927	2		All	LIMITER-BRACKET, Abs. To Rail
26		2		All	GROMMET (Serviced In Absorber Item 6)

**MODEL CODES**

B = GRAN FURY/CARAVELLE	P = RELIANT
C = LEBARON/TOWN & COUNTRY	S = CORDOBA
D = ARIES	V = 400
F = NEW YORKER	X = MIRADA
G = DIPLOMAT	Y = IMPERIAL
M = HORIZON/TC3/SCAMP	Z = OMNI/O24/RAMPAGE

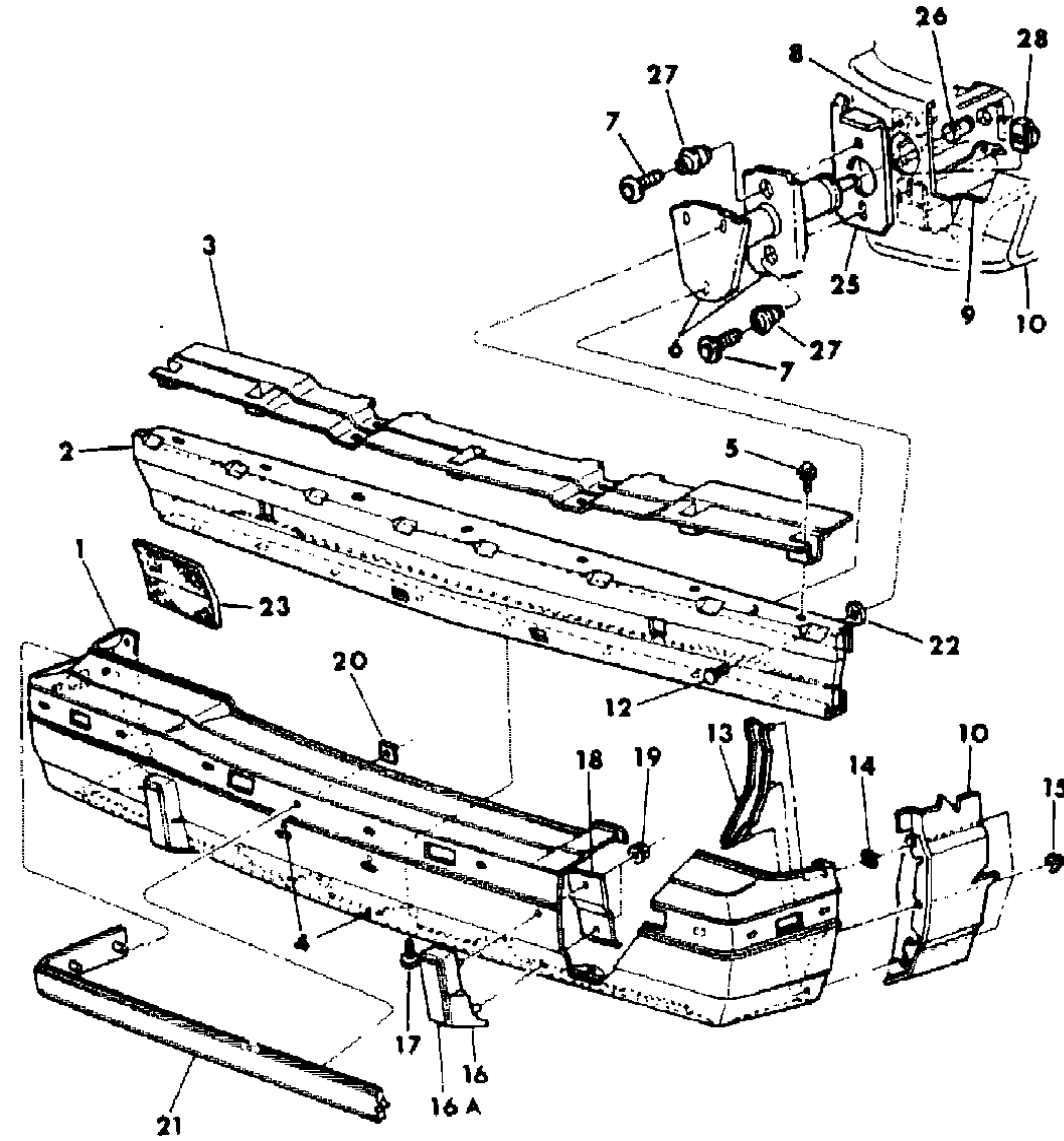
**BODY STYLES**

21 = 2-DOOR SEDAN	28 = FWD PICKUP
22 = 2-DOOR SPECIAL COUPE	41 = 4-DOOR SEDAN
24 = 2-DOOR HATCHBACK	44 = 4-DOOR HATCHBACK
27 = 2-DOOR CONVERTIBLE	45 = 2-SEAT STATION WAGON

AR = Use as Required - = Non Illustrated Part P.A.R. = Paint as Required

**BUMPER, FRONT P,D**  
**Figure 13-800**

2113 800



ITEM	PART NUMBER	QTY	BODY	MODEL	DESCRIPTION
27		4		All	ISOLATOR (Serviced In Absorber Item 6)
28	#6500 634	2		All	U-NUT
29	#6500 489	4		All	BOLT, Guard

**MODEL CODES**

B = GRAN FURY/CARAVELLE	P = RELIANT
C = LEBARON/TOWN & COUNTRY	S = CORDOBA
D = ARIES	V = 400
F = NEW YORKER	X = MIRADA
G = DIPLOMAT	Y = IMPERIAL
M = HORIZON/TC3/SCAMP	Z = OMNI/O24/RAMPAGE

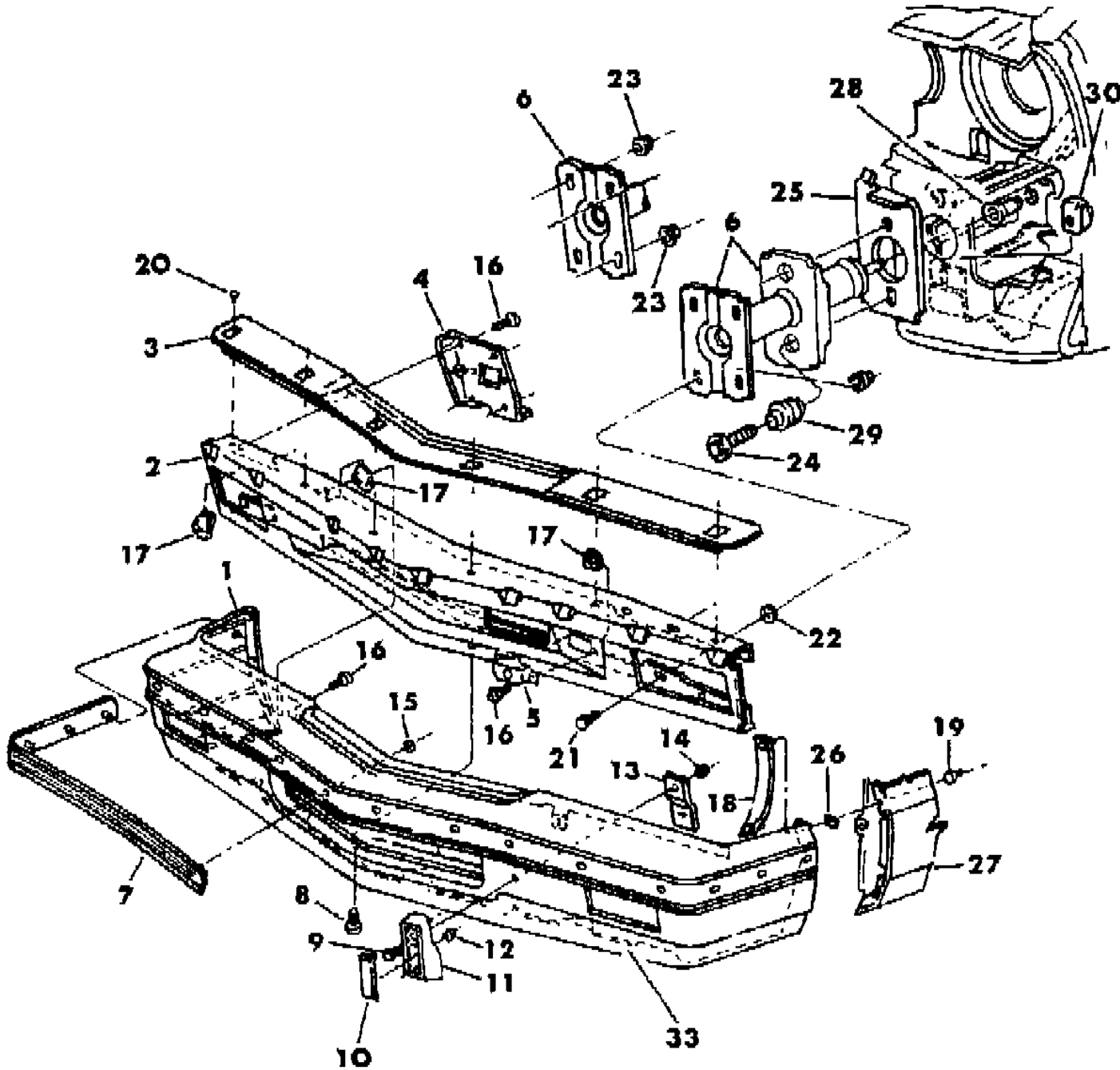
**BODY STYLES**

21 = 2-DOOR SEDAN	28 = FWD PICKUP
22 = 2-DOOR SPECIAL COUPE	41 = 4-DOOR SEDAN
24 = 2-DOOR HATCHBACK	44 = 4-DOOR HATCHBACK
27 = 2-DOOR CONVERTIBLE	45 = 2-SEAT STATION WAGON

AR = Use as Required - = Non Illustrated Part P.A.R. = Paint as Required

**BUMPER, FRONT V**  
**Figure 13-825**

2115 825



ITEM	PART NUMBER	QTY	BODY	MODEL	DESCRIPTION
1	#4194 440	1		All	FASCIA,Bumper Frt.(Paint As Req.)
2	#4194 439	1		All	REINFORCEMENT, Fascia
3	#4194 414	1		All	SUPPORT, Fascia
4	#4194 356-7	1		All	BRACKET, Fascia, Park And Turn Lamp Mtg.
5	#4194 386	2		All	BRACE, Fascia Guard
6	#4194 946	2		All	ABSORBER, Frt.
7	#X285 AC2	1		All	Nerf, Bumper Frt.,Lt.Blue (K5B) Up To Approx.3-15-82
	X310 AC2	1		All	After 3-15-82
	X285 AA3	1		All	Brite Silver (K5A) Up To Approx. 3-15-82
	X310 AA3	1		All	After 3-15-82
	X285 AM8	1		All	Red (K5E) Up To Approx. 3-15-82
	X310 AM8	1		All	After 3-15-82
	X285 AK7	1		All	Dk.Tan (K5U) Up To Approx. 3-15-82
	X310 AK7	1		All	After 3-15-82
	X285 AH9	1		All	Mahogany (K5H) Up To Approx. 3-15-82
	X310 AH9	1		All	After 3-15-82
	X285 AC9	1		All	Nightwatch Blue (K5C) Up To Approx. 3-15-82
	X310 AC9	1		All	After 3-15-82
	X285 AW3	1		All	Pearl White (K5W) Up To Approx. 3-15-82
	X310 AW3	1		All	After 3-15-82
	X285 AT3	1		All	Med.Tan (K5K) Up To Approx. 3-15-82
	X310 AT3	1		All	After 3-15-82
	X285 AT2	1		All	Cream (K5T) Up To Approx. 3-15-82
	X310 AT2	1		All	After 3-15-82
	X285 AX9	1		All	Black (K5X) Up To Approx. 3-15-82
	X310 AX9	1		All	After 3-15-82
8	#6030 441	8		All	RETAINER, Bumper To Reinf.
9	#6500 489	4		All	BOLT, Guard
10	#4194 422	2		All	CUSHION, Frt.
11	#X574-5 AT3	1		All	GUARD,Frnt. (Paint As Req.)
12	#6031 147	4		All	SPRING-NUT
13	#4194 417	2		All	PLATE, Guard Att.
14	#6100 047	4		All	NUT,w/WASHER
15				All	WASHER (Not Serviced)
16	#6100 286	16		All	SCREW,w/WASHER
17	#6100 041	16		All	U-NUT
18	#4194 274	2		All	RETAINER

**MODEL CODES**

B = GRAN FURY/CARAVELLE	P = RELIANT
C = LEBARON/TOWN & COUNTRY	S = CORDOBA
D = ARIES	V = 400
F = NEW YORKER	X = MIRADA
G = DIPLOMAT	Y = IMPERIAL
M = HORIZON/TC3/SCAMP	Z = OMNI/O24/RAMPAGE

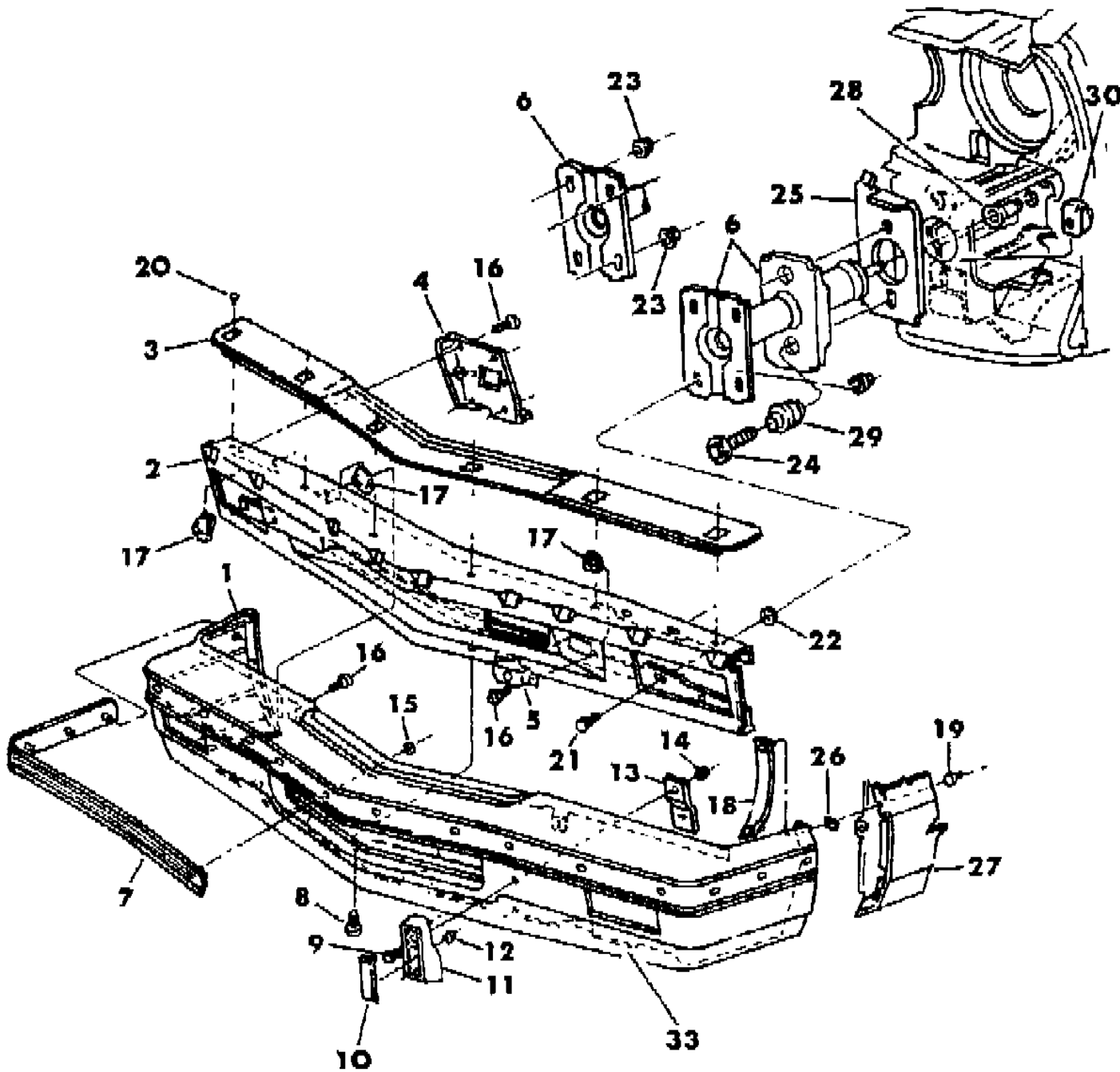
**BODY STYLES**

21 = 2-DOOR SEDAN	28 = FWD PICKUP
22 = 2-DOOR SPECIAL COUPE	41 = 4-DOOR SEDAN
24 = 2-DOOR HATCHBACK	44 = 4-DOOR HATCHBACK
27 = 2-DOOR CONVERTIBLE	45 = 2-SEAT STATION WAGON

AR = Use as Required - = Non Illustrated Part P.A.R. = Paint as Required

**BUMPER, FRONT V**  
**Figure 13-825**

2115 825



ITEM	PART NUMBER	QTY	BODY	MODEL	DESCRIPTION
19	#6101 289	4		All	NUT, Retainer
20				All	RIVET (Not Serviced)
21	#6500 463	4		All	BOLT, Carriage
22				All	RETAINER (Not Serviced)
23	#6100 050	5		All	NUT, w/WASHER
24	#6500 630	4		All	SCREW, w/WASHER
25	#4194 927	2		All	LIMITER-BRACKET
26	#6100 840	4		All	PUSH-NUT, Retainer
27				All	PANEL (Fender Ref.)
28				All	GROMMET (Serviced In Absorber Item 6)
29				All	ISOLATOR (Serviced In Absorber Item 6)
30	#6500 634	2		All	U-NUT
33	#4194 434	1		All	LICENSE PLATE, Frt. Att.Pkg.

MODEL CODES

B = GRAN FURY/CARAVELLE	P = RELIANT
C = LEBARON/TOWN & COUNTRY	S = CORDOBA
D = ARIES	V = 400
F = NEW YORKER	X = MIRADA
G = DIPLOMAT	Y = IMPERIAL
M = HORIZON/TC3/SCAMP	Z = OMNI/O24/RAMPAGE

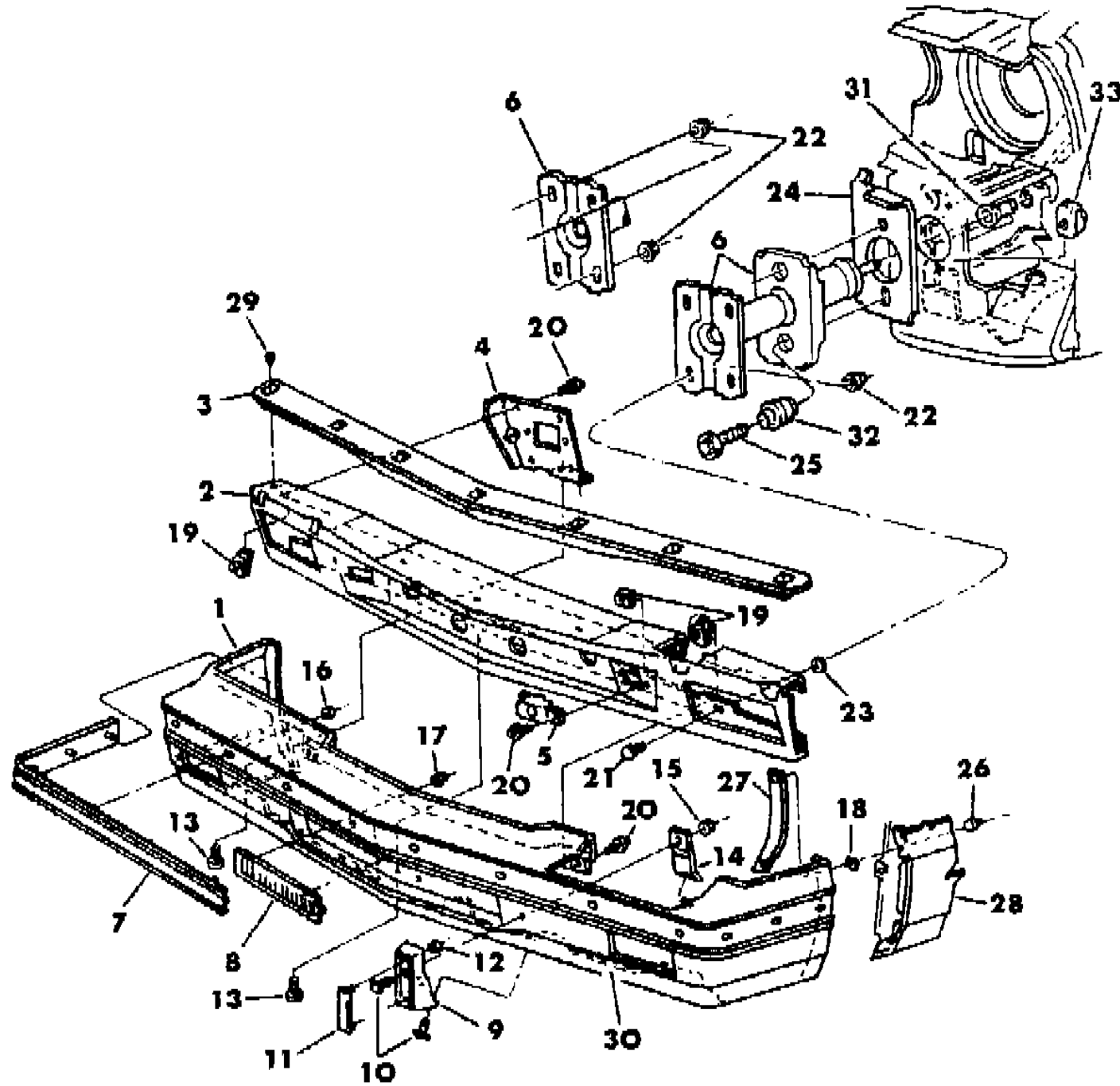
BODY STYLES

21 = 2-DOOR SEDAN	28 = FWD PICKUP
22 = 2-DOOR SPECIAL COUPE	41 = 4-DOOR SEDAN
24 = 2-DOOR HATCHBACK	44 = 4-DOOR HATCHBACK
27 = 2-DOOR CONVERTIBLE	45 = 2-SEAT STATION WAGON

AR = Use as Required - = Non Illustrated Part P.A.R. = Paint as Required

**BUMPER, FRONT C**  
Figure 13-850

3113 850



ITEM	PART NUMBER	QTY	BODY	MODEL	DESCRIPTION
1	#4194 375	1		All	FASCIA,Bumper Frt.(Paint As Req.)
2	#4194 389	1		All	REINFORCEMENT, Fascia Frt.
3	#4194 362	1		All	SUPPORT, Fascia Frt.
4	#4194 356-7	1		All	BRACKET, Fascia Park And Turn Lamp Mtg.
5	#4194 386	2		All	BRACE, Fascia Guard
6	#4194 946	2		All	ABSORBER, Frt.
7	#X284 AC2	1		All	NERF, Bumper Frt. Lt.Blue (K5B)
	X284 AA3	1		All	Brite Silver (K5A)
	X284 AM8	1		All	Red (K5E)
	X284 AK7	1		All	Dk.Tan (K5U)
	X284 AH9	1		All	Mahagony (K5H)
	X284 AC9	1		All	Nightwatch Blue (K5C)
	X284 AW3	1		All	Pearl White (K5W)
	X284 AT3	1		All	Med.Tan (K5K)
	X284 AT2	1		All	Cream (K5T)
	X284 AX9	1		All	Black (K5X)
8	#4194 368	1		All	GRILLE,Fascia, Lower
9	#X572-3 AT3	1		All	GUARD, Frt.(Paint As Req.)
10	#6500 489	1		All	BOLT, Guard
11	#4194 380	2		All	CUSHION, Guard
12	#6031 147	4		All	SPRING-NUT
13	#6030 441	8		All	RETAINER, Bumper To Reinf.
14	#4194 382	2		All	PLATE,Guard Att.
15	#6100 047	4		All	NUT,w/WASHER
16					WASHER (Not Serviced)
17					NUT (Not Serviced)
18	#6100 840	4		All	PUSH-NUT
19	#6100 041	14		All	U-NUT
20	#6100 286	14		All	SCREW,w/WASHER
21	#6500 463	4		All	BOLT,Carriage
22	#6100 051	4		All	NUT,w/WASHER
23					RETAINER (Not Serviced)
24	#4194 927	2		All	LIMITER-PLATE, Brkt. To Rail
25	#6100 593	4		All	SCREW,w/WASHER
26	#6101 289	4		All	NUT,Retainer
27	#4194 274-5	1		All	RETAINER, Fascia
28					PANEL (Fender Ref.)

MODEL CODES

B = GRAN FURY/CARAVELLE	P = RELIANT
C = LEBARON/TOWN & COUNTRY	S = CORDOBA
D = ARIES	V = 400
F = NEW YORKER	X = MIRADA
G = DIPLOMAT	Y = IMPERIAL
M = HORIZON/TC3/SCAMP	Z = OMNI/O24/RAMPAGE

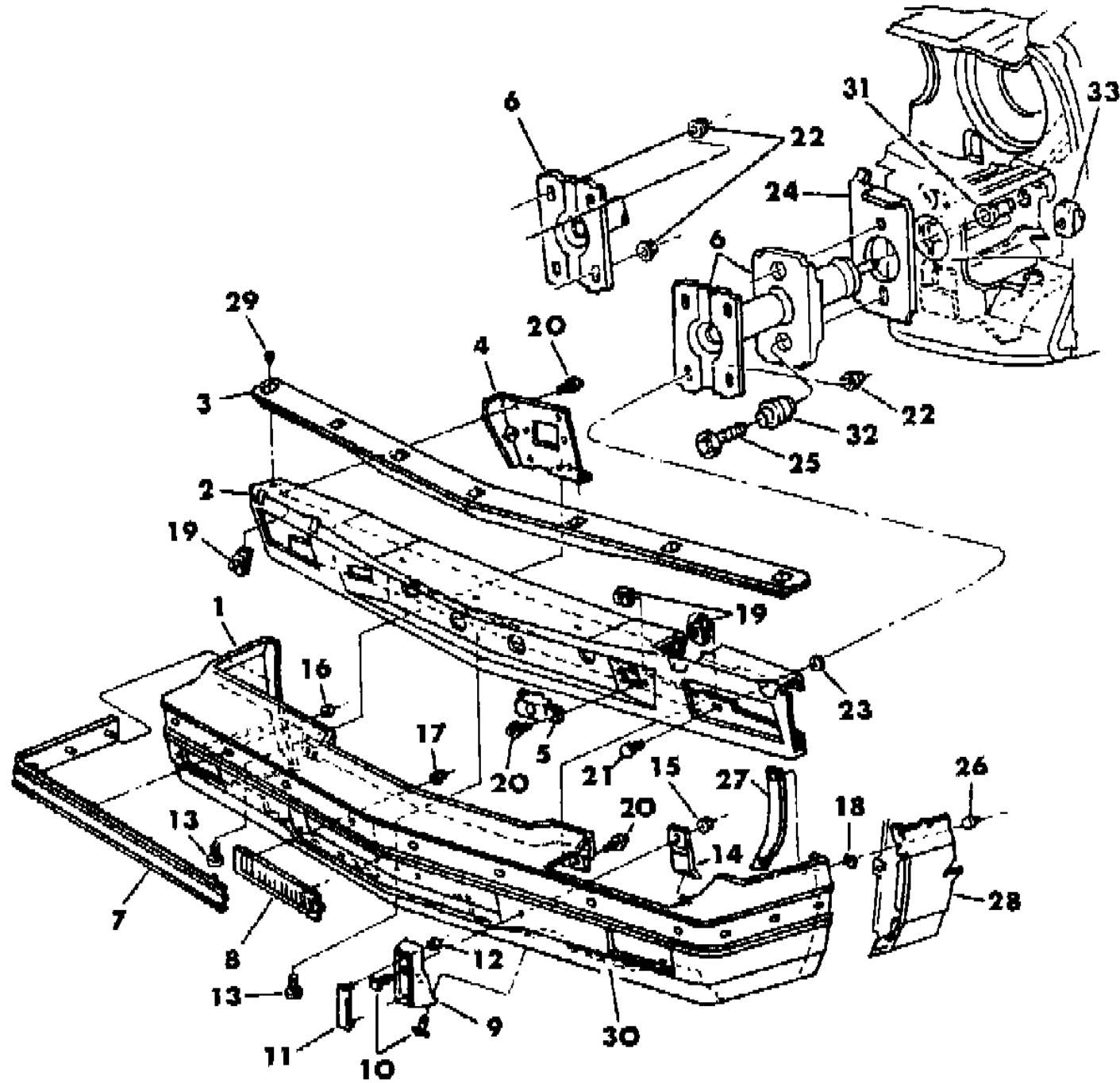
BODY STYLES

21 = 2-DOOR SEDAN	28 = FWD PICKUP
22 = 2-DOOR SPECIAL COUPE	41 = 4-DOOR SEDAN
24 = 2-DOOR HATCHBACK	44 = 4-DOOR HATCHBACK
27 = 2-DOOR CONVERTIBLE	45 = 2-SEAT STATION WAGON

AR = Use as Required - = Non Illustrated Part P.A.R. = Paint as Required

**BUMPER, FRONT C**  
Figure 13-850

3113 850



ITEM	PART NUMBER	QTY	BODY	MODEL	DESCRIPTION
29					RIVET (Not Serviced)
30	#4194 372	1		All	LICENSE-PLATE, Frt. Att.Pkg.
31					GROMMET (Serviced In Absorber Item 6)
32					ISOLATOR (Serviced In Absorber Item 6)
33	#6500 634	2		All	U-NUT

MODEL CODES

B = GRAN FURY/CARAVELLE	P = RELIANT
C = LEBARON/TOWN & COUNTRY	S = CORDOBA
D = ARIES	V = 400
F = NEW YORKER	X = MIRADA
G = DIPLOMAT	Y = IMPERIAL
M = HORIZON/TC3/SCAMP	Z = OMNI/O24/RAMPAGE

BODY STYLES

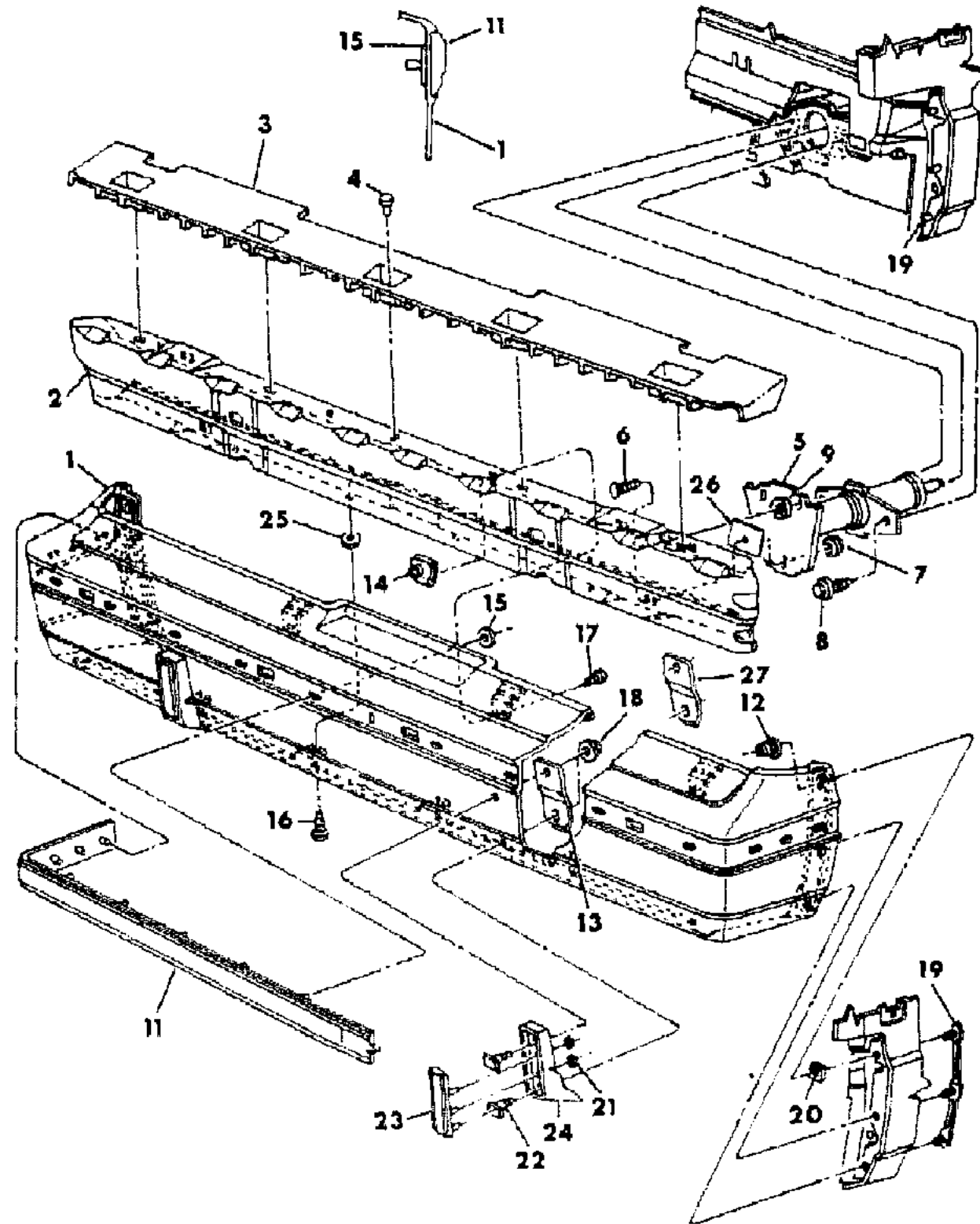
21 = 2-DOOR SEDAN	28 = FWD PICKUP
22 = 2-DOOR SPECIAL COUPE	41 = 4-DOOR SEDAN
24 = 2-DOOR HATCHBACK	44 = 4-DOOR HATCHBACK
27 = 2-DOOR CONVERTIBLE	45 = 2-SEAT STATION WAGON

AR = Use as Required - = Non Illustrated Part P.A.R. = Paint as Required



**BUMPER, REAR P,D,V,C,21-22-27-41**  
**Figure 13-900**

2113 900



ITEM	PART NUMBER	QTY	BODY	MODEL	DESCRIPTION
1	#X586 AW3	1		All	FASCIA,Bumper Rr. (Paint As Req.)
2	4194 670	1		All	REINF. Fascia
3	4194 672	1		All	SUPPORT, Fascia
4					RIVET (Not Serviced)
5	4147 742	1		All	ABSORBER, Rr.Impact
6	6500 463	6		All	BOLT, Reinf.
7	6100 051	6		All	NUT,w/WASHER
8	6100 593	4		All	SCREW,WASHER
9					PUSH-NUT (Not Serviced)
10	6100 840	4		All	PUSH-NUT
11	#X287 AA3	1		All	NERF,w/Body Side Mldg., Brite Silver (K5A)
	X287 AC2	1		All	Lt.Blue (K5B)
	X287 AC9	1		All	Nightwatch Blue (K5C)
	X287 AF2	1		All	Lt.Green (K5F)
	X287 AH9	1		All	Mahogany (K5H)
	X287 AK7	1		All	Dk.Tan (K5U)
	X287 AM8	1		All	Red (K5E)
	X287 AT2	1		All	Cream (K5T)
	X287 AT3	1		All	Med.Tan (K5K)
	X287 AW3	1		All	Pearl White (K5W)
	X287 AX9	1		All	Black (K5X)
12	6101 289	6		All	NUT,Flange
13	4194 714	2		All	PLATE, Att.
14	6100 041	4		All	U-NUT
15					WASHER (Not Serviced)
16	6030 441	AR		All	RETAINER
17	6500 452	4		All	BOLT
18	6100 047	4		All	NUT,w/WASHER
19					RETAINER (Body Ref.Only)
20	6500 321	6		All	SPRING-NUT
21	6031 147	4		All	SPRING-NUT
22	6500 489	4		All	BOLT
23	4194 722	2		All	CUSHION, Guard Rr.
24	X570 VY2	2		All	GUARD, Rear (Paint As Req.)
25	4194 690	6		All	SHIM, Fascia To Reinf. Rr. Bumper
26	4194 692	2		All	SHIM, Reinf. To Absorber Rr. Bumper
27	#4194 715	2		All	ISOLATOR,Guard Plate Att.

MODEL CODES

B = GRAN FURY/CARAVELLE	P = RELIANT
C = LEBARON/TOWN & COUNTRY	S = CORDOBA
D = ARIES	V = 400
F = NEW YORKER	X = MIRADA
G = DIPLOMAT	Y = IMPERIAL
M = HORIZON/TC3/SCAMP	Z = OMNI/O24/RAMPAGE

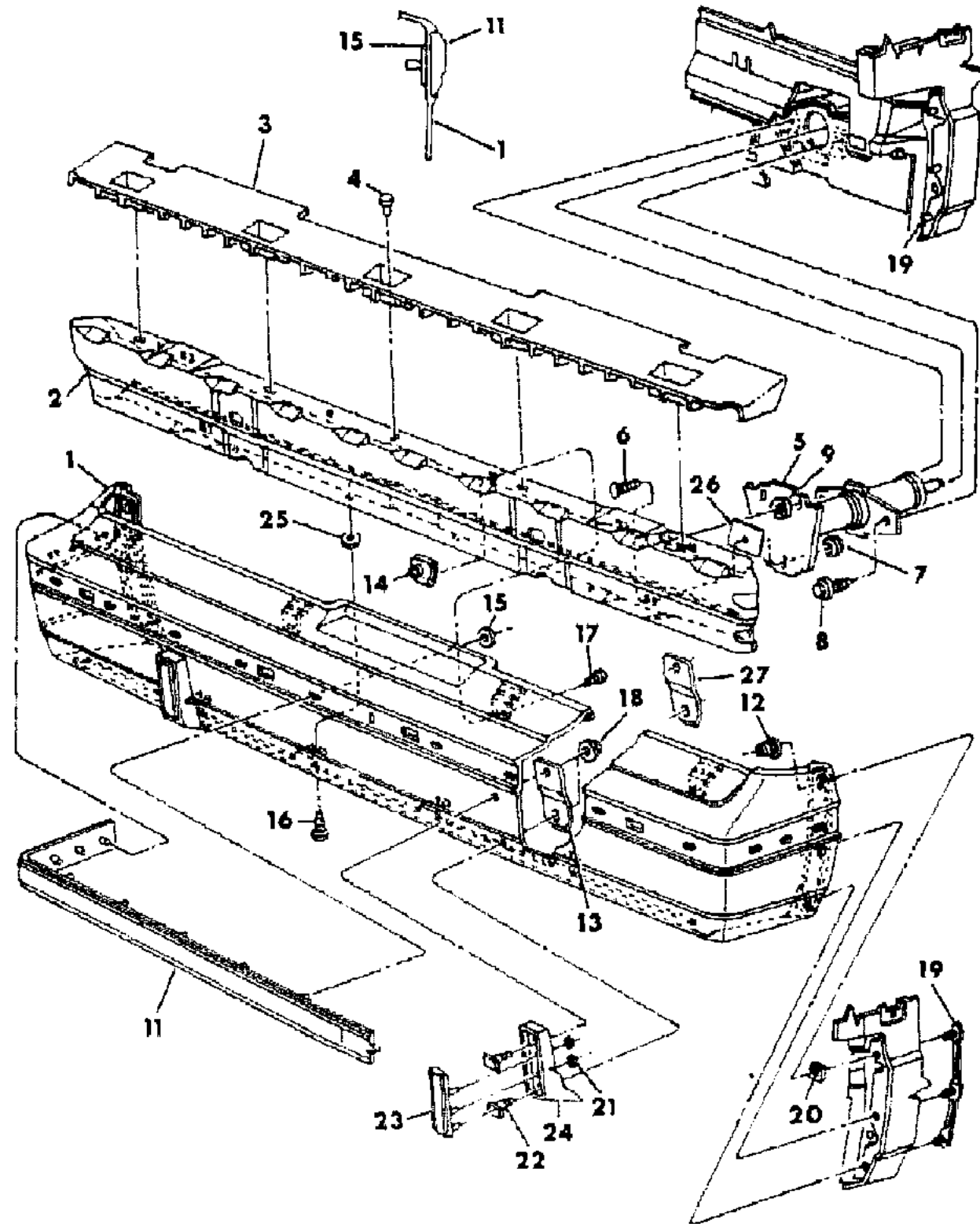
BODY STYLES

21 = 2-DOOR SEDAN	28 = FWD PICKUP
22 = 2-DOOR SPECIAL COUPE	41 = 4-DOOR SEDAN
24 = 2-DOOR HATCHBACK	44 = 4-DOOR HATCHBACK
27 = 2-DOOR CONVERTIBLE	45 = 2-SEAT STATION WAGON

AR = Use as Required - = Non Illustrated Part P.A.R. = Paint as Required

BUMPER, REAR P,D,V,C,21-22-27-41  
Figure 13-900

2113 900



ITEM	PART NUMBER	QTY	BODY	MODEL	DESCRIPTION
	4194 880	1		All	LICENSE-PLATE, Rear Att.Pkg. (Not III.)

MODEL CODES

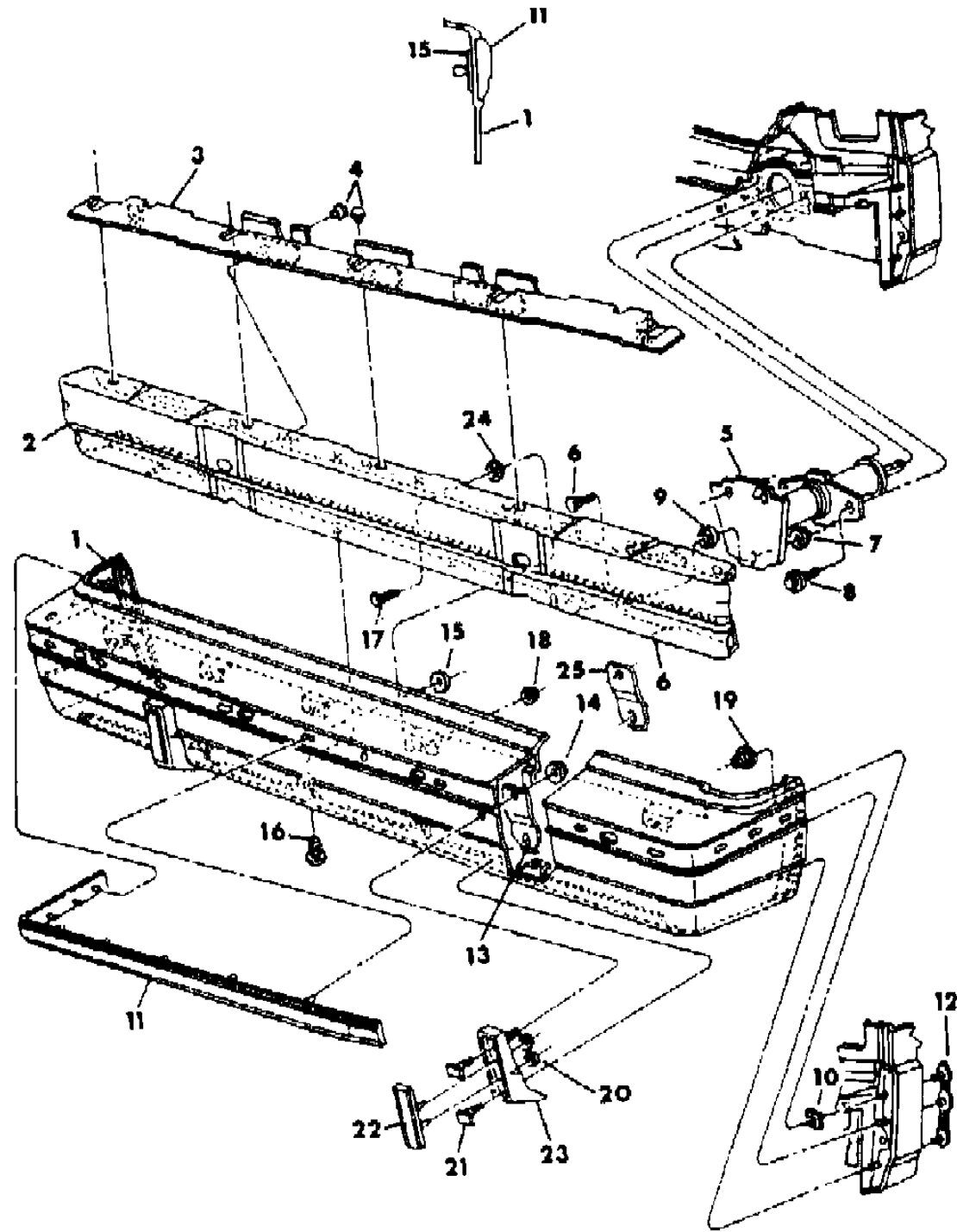
B = GRAN FURY/CARAVELLE	P = RELIANT
C = LEBARON/TOWN & COUNTRY	S = CORDOBA
D = ARIES	V = 400
F = NEW YORKER	X = MIRADA
G = DIPLOMAT	Y = IMPERIAL
M = HORIZON/TC3/SCAMP	Z = OMNI/O24/RAMPAGE

BODY STYLES

21 = 2-DOOR SEDAN	28 = FWD PICKUP
22 = 2-DOOR SPECIAL COUPE	41 = 4-DOOR SEDAN
24 = 2-DOOR HATCHBACK	44 = 4-DOOR HATCHBACK
27 = 2-DOOR CONVERTIBLE	45 = 2-SEAT STATION WAGON

AR = Use as Required - = Non Illustrated Part P.A.R. = Paint as Required

**BUMPER, REAR P,D,C-45**  
**Figure 13-950**



ITEM	PART NUMBER	QTY	BODY	MODEL	DESCRIPTION
1	X569 VY2	1		All	FASCIA,Bumper Rr., (Paint As Req.)
2	4194 720	1		All	REINF., Fascia
3	4194 725	1		All	SUPPORT, Fascia
4					RIVET (Not Serviced)
5	4147 742	2		All	ABSORBER, Rr., Impact
6	6500 463	6		All	BOLT, Reinf.
7	6100 051	6		All	NUT,w/WASHER
8	6100 593	4		All	SCREW,w/WASHER
9					PUSH-NUT (Not Serviced)
10	6500 321	6		All	SPRING-NUT
11	#4194 885	1		All	NERF, Bumper Rr.
12					RETAINER (Body Ref.Only)
13	4194 714	2		All	PLATE, Att.
14	6100 047	4		All	NUT,w/WASHER
15					WASHER (Not Serviced)
16	6030 441	AR		All	RETAINER
17	6500 452	6		All	BOLT
18	6100 048	6		All	NUT,w/WASHER
19	6101 289	6		All	NUT,Flange
20	6031 147	4		All	SPRING-NUT
21	6500 489	4		All	BOLT
22	4194 722	2		All	CUSHION, Guard Rr.
23	X570 VT6	2		All	GUARD, Rear (Paint As Req.)
24	6100 840	6		All	RETAINER
25	#4194 715	2		All	ISOLATOR,Guard Plate Att.
	4194 880	1		All	LICENSE-PLATE, Rear Att.Pkg. (Not Ill.)

**MODEL CODES**

B = GRAN FURY/CARAVELLE	P = RELIANT
C = LEBARON/TOWN & COUNTRY	S = CORDOBA
D = ARIES	V = 400
F = NEW YORKER	X = MIRADA
G = DIPLOMAT	Y = IMPERIAL
M = HORIZON/TC3/SCAMP	Z = OMNI/O24/RAMPAGE

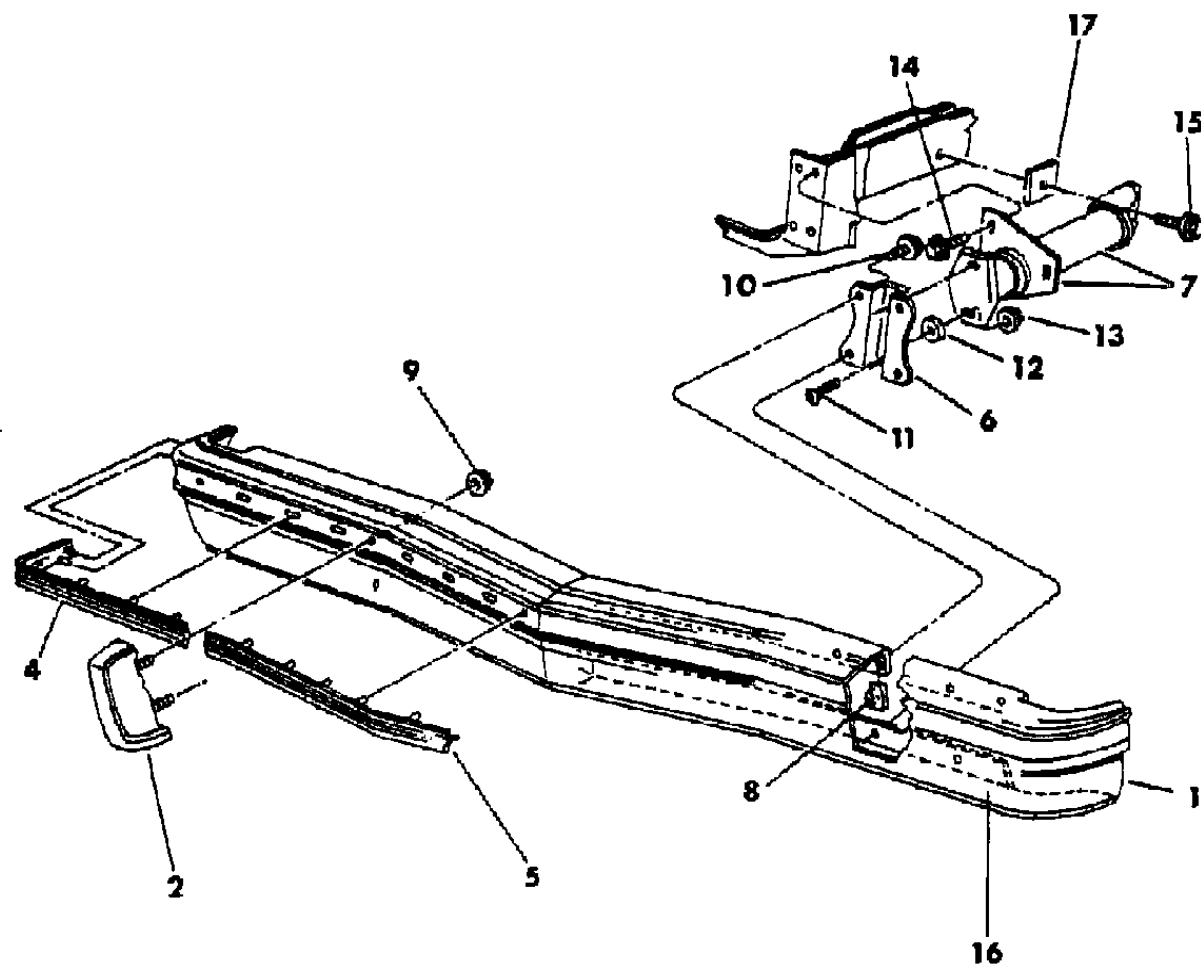
**BODY STYLES**

21 = 2-DOOR SEDAN	28 = FWD PICKUP
22 = 2-DOOR SPECIAL COUPE	41 = 4-DOOR SEDAN
24 = 2-DOOR HATCHBACK	44 = 4-DOOR HATCHBACK
27 = 2-DOOR CONVERTIBLE	45 = 2-SEAT STATION WAGON

AR = Use as Required - = Non Illustrated Part P.A.R. = Paint as Required

**BUMPER, FRONT B,F,G**  
**Figure 13-1000**

2113 1000



ITEM	PART NUMBER	QTY	BODY	MODEL	DESCRIPTION
1	4110 263	1		All	BUMPER, Frt., w/Guards w/Nerf
2	4110 214	2		All	GUARD, Bumper Frt., w/Nerf
4	4110 266	2		All	NERF, Bumper End
5	4110 268	1		All	Nerf, Bumper Center
6	4110 269	2		All	ADAPTER, Bumper Frt.
7	4147 506-7	1		All	ABSORBER, Impact, Frt.
8				All	U-NUT (Not Serviced)
9	0118 614	4		All	NUT,w/WASHER, Guard Att.
10		8		All	SCREW,w/WASHER (Not Serviced)
11	0153 366	4		All	BOLT, Adapter Att.
12	6026 648	4		All	RETAINER, Adapter
13	6031 572	4		All	NUT, Bolt
14	6031 627	4		All	SCREW,w/WASHER, Absorber Att.
15	6030 471	2		All	SCREW,w/WASHER, Absorber Att.
16	4110 226	1		All	BRACKET, License Plate Mtg.
	4194 464	1		All	LICENSE-PLATE, Frt.Att.Pkg.
17	3753 122	2		All	PLATE, Anti-Slip

MODEL CODES

B = GRAN FURY/CARAVELLE	P = RELIANT
C = LEBARON/TOWN & COUNTRY	S = CORDOBA
D = ARIES	V = 400
F = NEW YORKER	X = MIRADA
G = DIPLOMAT	Y = IMPERIAL
M = HORIZON/TC3/SCAMP	Z = OMNI/O24/RAMPAGE

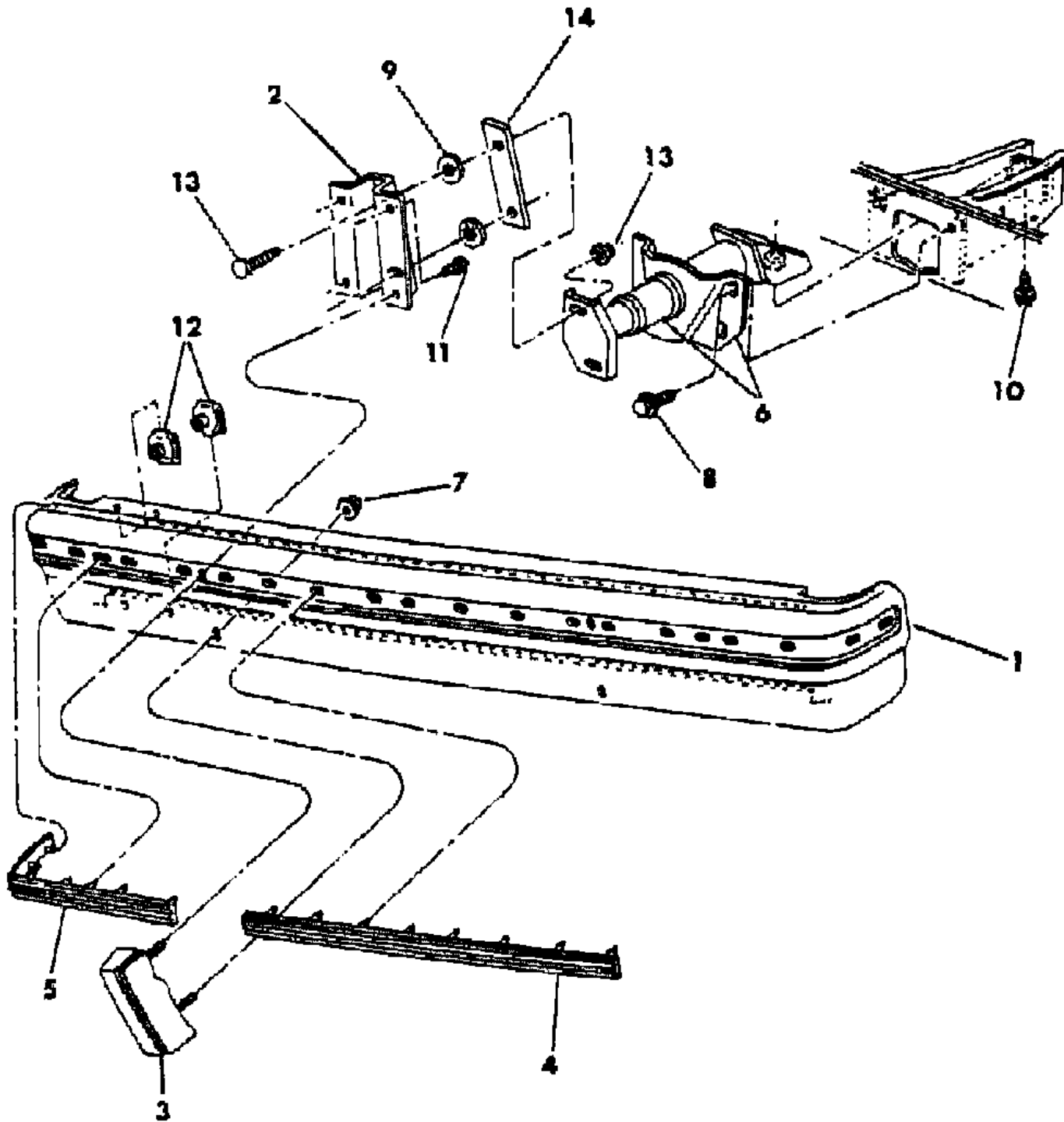
BODY STYLES

21 = 2-DOOR SEDAN	28 = FWD PICKUP
22 = 2-DOOR SPECIAL COUPE	41 = 4-DOOR SEDAN
24 = 2-DOOR HATCHBACK	44 = 4-DOOR HATCHBACK
27 = 2-DOOR CONVERTIBLE	45 = 2-SEAT STATION WAGON

AR = Use as Required - = Non Illustrated Part P.A.R. = Paint as Required

**BUMPER, REAR B,G - 41**  
**Figure 13-1100**

2113 1100



ITEM	PART NUMBER	QTY	BODY	MODEL	DESCRIPTION
1	4110 578	1		All	BUMPER, Rear w/Guards, w/Nerf
2	4110 530	2		All	ADAPTER, Absorber
3	4110 508	2		All	GUARD, Bumper Rear, w/Nerf
4	4110 586	1		All	NERF, Bumper Center, w/Guards
	4110 583	1		All	w/o Guards
5	4110 584-5	1		All	NERF, Bumper End, w/Guards
6	4147 511	2		All	ABSORBER, Impact Rear
7	0118 614	4		All	Nut,w/WASHER, Guard Att.
8	6031 627	4		All	SCREW,w/WASHER, Absorber Mtg.
9	6026 648	4		All	RETAINER, Adapter
10	6030 471	2		All	SCREW,w/WASHER, Absorber Att.
11		8		All	SCREW,w/WASHER (Not Serviced)
12		8		All	U-NUT (Not Serviced)
13	0153 366	4		All	BOLT, Adapter
	6031 572	4		All	NUT,w/WASHER
14	3753 124	AR		All	SHIM
	4194 881	1		All	LICENSE-PLATE Rr.Att.Pkg.(Not Ill.)
	4110 598	2		All	BLOCKER, Bumper Rr. (Not Ill.)

**MODEL CODES**

B = GRAN FURY/CARAVELLE	P = RELIANT
C = LEBARON/TOWN & COUNTRY	S = CORDOBA
D = ARIES	V = 400
F = NEW YORKER	X = MIRADA
G = DIPLOMAT	Y = IMPERIAL
M = HORIZON/TC3/SCAMP	Z = OMNI/O24/RAMPAGE

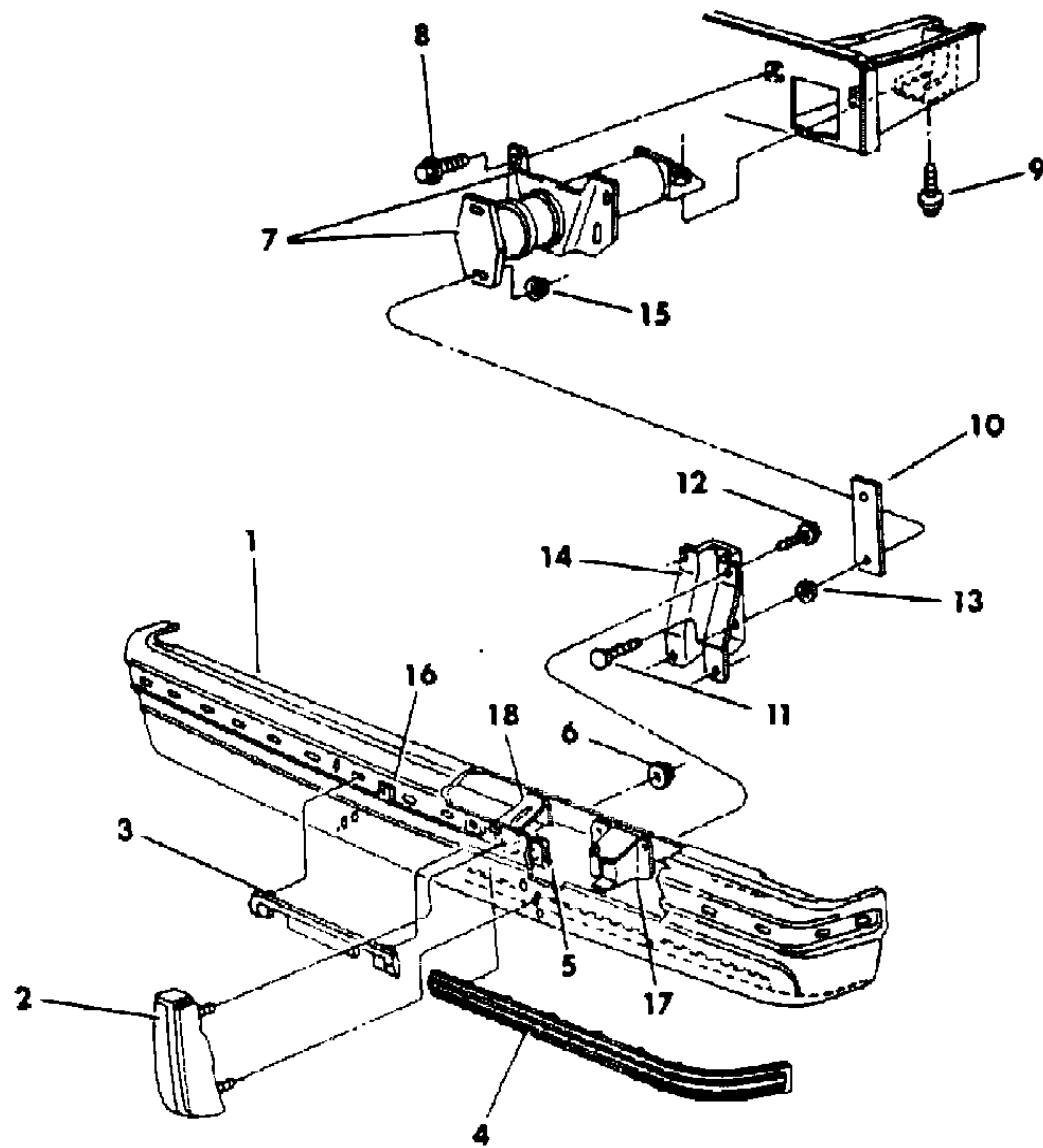
**BODY STYLES**

21 = 2-DOOR SEDAN	28 = FWD PICKUP
22 = 2-DOOR SPECIAL COUPE	41 = 4-DOOR SEDAN
24 = 2-DOOR HATCHBACK	44 = 4-DOOR HATCHBACK
27 = 2-DOOR CONVERTIBLE	45 = 2-SEAT STATION WAGON

AR = Use as Required - = Non Illustrated Part P.A.R. = Paint as Required

**BUMPER, REAR F-41**  
**Figure 13-1200**

21'3 1200



ITEM	PART NUMBER	QTY	BODY	MODEL	DESCRIPTION
1	#4194 564	1		All	BUMPER, Rear,w/Guards w/Nerf
2	#4194 566-7	1		All	GUARD, Bumper Rear, w/Nerf
3	4110 536	1		All	NERF, Bumper Center
4	#4194 568-9	1		All	NERF, Bumper End
5		8		All	U-NUT (Not Serviced)
6	0118 614	4		All	NUT,w/WASHER, Guard Att.
7	4147 511	2		All	ABSORBER, Impact Rear
8	6031 627	4		All	SCREW,w/WASHER, Absorber Mtg.
9	6030 471	2		All	SCREW,w/WASHER, Absorber Mtg.
10	3753 124	AR		All	SHIM
11	0153 366	4		All	BOLT, Brkt.
12		8		All	SCREW,w/WASHER (Not Serviced)
13	6026 648	4		All	RETAINER, Brkt.
14	4110 530	2		All	BRACKET, Bumper Adapter
15	6031 572	4		All	NUT,w/WASHER, Absorber Mtg.
16	#4194 881	1		All	LICENSE PLATE Rr.Att.Pkg.
17	4110 598	2		All	BLOCKER, Bumper Rr.
18	4110 550	2		All	BULKHEAD, Bumper Rear

MODEL CODES

B = GRAN FURY/CARAVELLE	P = RELIANT
C = LEBARON/TOWN & COUNTRY	S = CORDOBA
D = ARIES	V = 400
F = NEW YORKER	X = MIRADA
G = DIPLOMAT	Y = IMPERIAL
M = HORIZON/TC3/SCAMP	Z = OMNI/O24/RAMPAGE

BODY STYLES

21 = 2-DOOR SEDAN	28 = FWD PICKUP
22 = 2-DOOR SPECIAL COUPE	41 = 4-DOOR SEDAN
24 = 2-DOOR HATCHBACK	44 = 4-DOOR HATCHBACK
27 = 2-DOOR CONVERTIBLE	45 = 2-SEAT STATION WAGON

AR = Use as Required - = Non Illustrated Part P.A.R. = Paint as Required

FASCIA, BUMPER FRONT X  
Figure 13-1700

2113 1700A

ITEM	PART NUMBER	QTY	BODY	MODEL	DESCRIPTION
1	0181 063	10		All	SCREW,w/WASHER, Fascia Att.
2	0152 454	AR		All	U-NUT
3		2		All	BOLT (Not Serviced)
4	4110 322	1		All	BRACE, Fascia To Hood
5	6031 354	AR		All	SCREW,w/WASHER, Supt.
6	6025 011	2		All	NUT,w/WASHER
7		8		All	U-NUT (Not Serviced)
8		12		All	NUT (Body Ref. Only)
9		8		All	SCREW (Not Serviced)
10	#4271 419	1		All	FASCIA, Bumper Frt. (Paint As Req.)
11	#4110 362-3	1		All	BEZEL, Fascia H/L
12	4110 308	1		All	ABSORBER, Fascia Frt.
13	#4110 306-7	1		All	SUPPORT, Absorber
14	4110 320	2		All	BRACE, Fascia H/Lamp To Yoke
	4110 322	1		All	H/Lamp Supt. To Supt.
15	4110 324	1		All	STRAP, Fascia
16	6023 092	2		All	SCREW,w/WASHER, Strap Att.
17		2		All	J-NUT (Not Serviced)
18	4110 326	1		All	BRACKET, License Plate Mtg.
	4194 466	1		All	LICENSE-PLATE,Frnt.Att.Pkg.
19	4110 305	1		All	NERF, Fascia, w/Brite Center
	6500 321	AR		All	SPRING-NUT (Push-On) (Not Ill.)
20	4110 278	1		All	SUPPORT, Fascia & H/Lamp
	4110 333	1		All	SUPPORT, Fascia Upper (Not Ill.)
21	4140 049	1		All	AIR-DAM, Frt. Bumper Fascia, w/Air Cond.
22	6031 390	5		All	RETAINER, Air-Dam
23	4240 541	1		All	GRILLE-BAR, Replacement Pkg. Upper
					Consists Of:
					1 ----- Grille-Bar,Upper
					10 ----- Clips
					1 ----- Instruct. Sheet
	4240 550	4		All	GRILLE-BAR, Replacement Pkg.,Lower
					Consists Of:
					1 ----- Grille-Bar, Lower
					10 ----- Clips
					1 ----- Instruct.Sheet

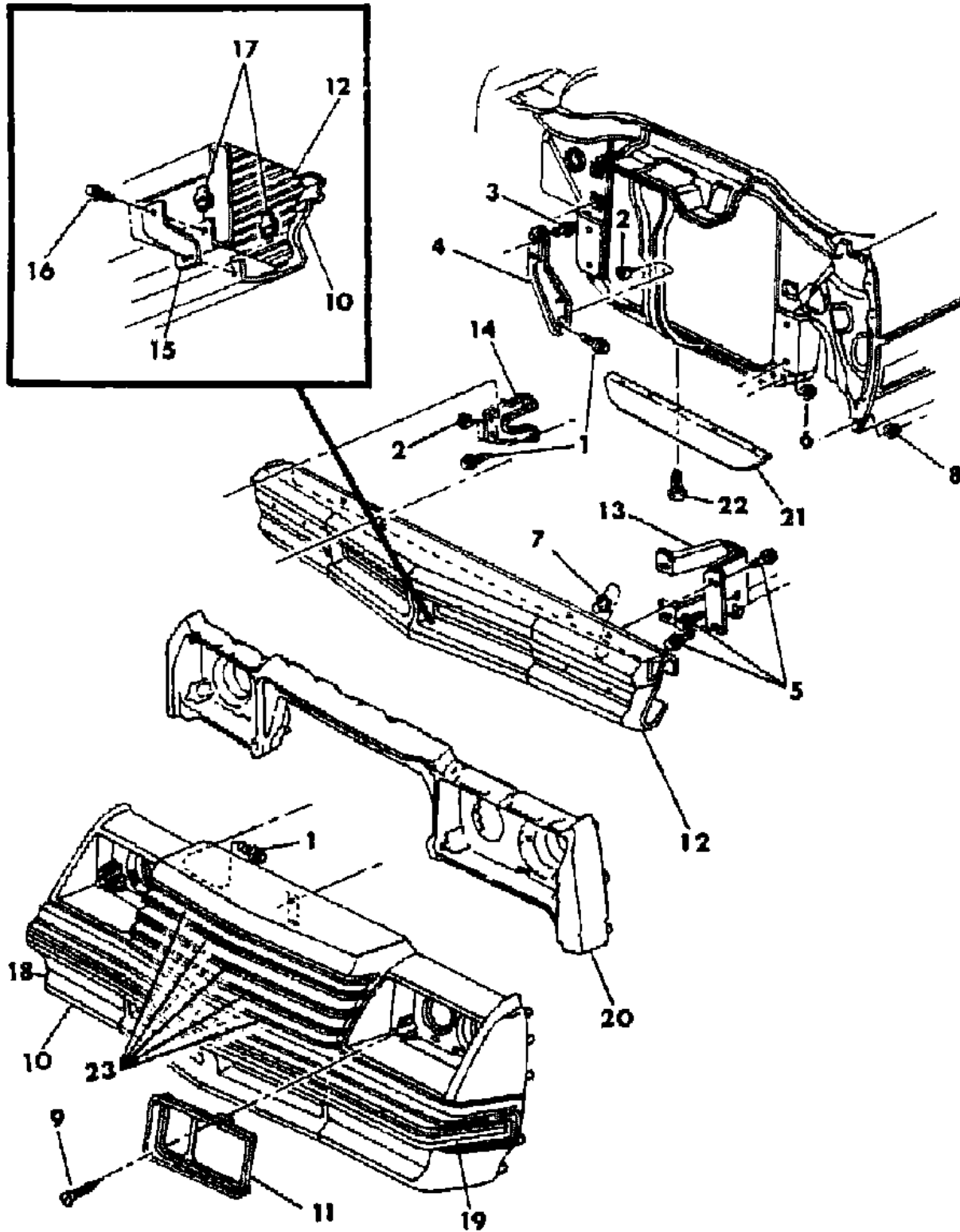
MODEL CODES

B = GRAN FURY/CARAVELLE	P = RELIANT
C = LEBARON/TOWN & COUNTRY	S = CORDOBA
D = ARIES	V = 400
F = NEW YORKER	X = MIRADA
G = DIPLOMAT	Y = IMPERIAL
M = HORIZON/TC3/SCAMP	Z = OMNI/O24/RAMPAGE

BODY STYLES

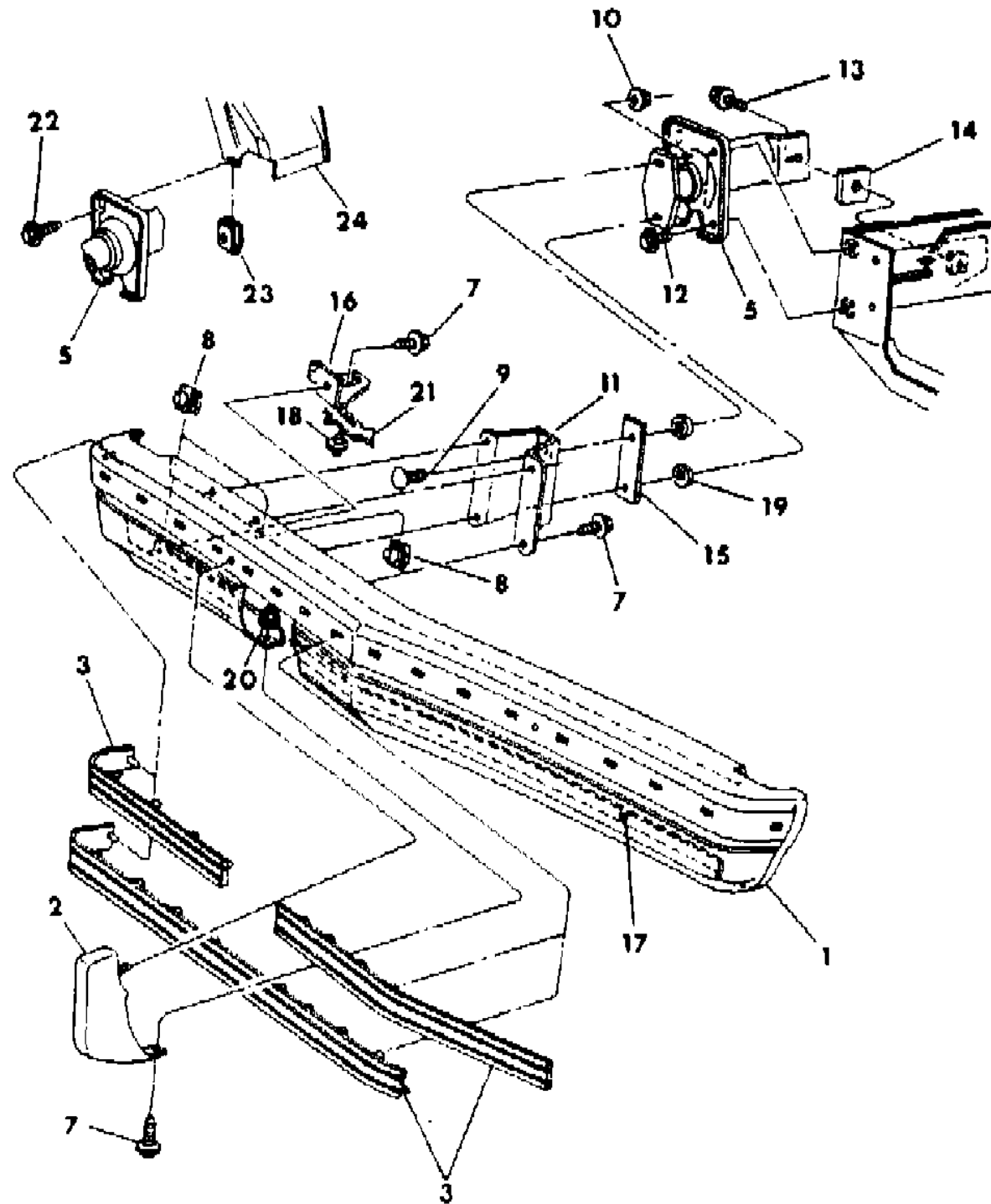
21 = 2-DOOR SEDAN	28 = FWD PICKUP
22 = 2-DOOR SPECIAL COUPE	41 = 4-DOOR SEDAN
24 = 2-DOOR HATCHBACK	44 = 4-DOOR HATCHBACK
27 = 2-DOOR CONVERTIBLE	45 = 2-SEAT STATION WAGON

AR = Use as Required - = Non Illustrated Part P.A.R. = Paint as Required



**BUMPER, FRONT S-P**  
**Figure 13-1800**

2113 1800



ITEM	PART NUMBER	QTY	BODY	MODEL	DESCRIPTION
1	4194 052	1		All	BUMPER, Frt.
2	X151 TX9	2		All	GUARD, Bumper Frt., Black
3	X262 TX9	1		All	NERF, Center, w/White Stripe, w/Guards, Black
	X260-1 TX9	1		All	End, w/Guards, w/White Stripe, Black
5	4147 506-7	1		All	ABSORBER, Impact Frt.
7		12		All	SCREW,w/WASHER (Not Serviced)
8		10		All	U-NUT (Not Serviced)
9	0153 367	4		All	BOLT, Adapter
10	6031 572	4		All	NUT,w/WASHER
11	4194 056-7	1		All	ADAPTER, Absorber Impact
12	6031 627	4		All	BOLT,w/WASHER, Absorber Mtg.
13	6030 471	2		All	BOLT,w/WASHER
14	3753 122	2		All	PLATE, Anti-Slip
15				All	INSULATOR (Not Serviced)
16	4194 060-1	1		All	BRACKET, Fender Panel Ext.
17	4110 291	1		All	BRACKET, License Plate Mtg.
	4194 465	1		All	LICENSE-PLATE, Frt.Att. Pkg.
18	6031 548	2		All	RETAINER, Brkt.
19	6026 648	AR		All	RETAINER, Adapter
20	0118 614	4		All	NUT,w/WASHER, Guard Att.
21				All	EXTENSION, Frt. Fender (Ref.Only)
22	0181 088	2		All	SCREW,w/WASHER
23		2		All	U-NUT (Not Serviced)
24				All	YOKE, Rad. (Ref. Only)

MODEL CODES

B = GRAN FURY/CARAVELLE	P = RELIANT
C = LEBARON/TOWN & COUNTRY	S = CORDOBA
D = ARIES	V = 400
F = NEW YORKER	X = MIRADA
G = DIPLOMAT	Y = IMPERIAL
M = HORIZON/TC3/SCAMP	Z = OMNI/O24/RAMPAGE

BODY STYLES

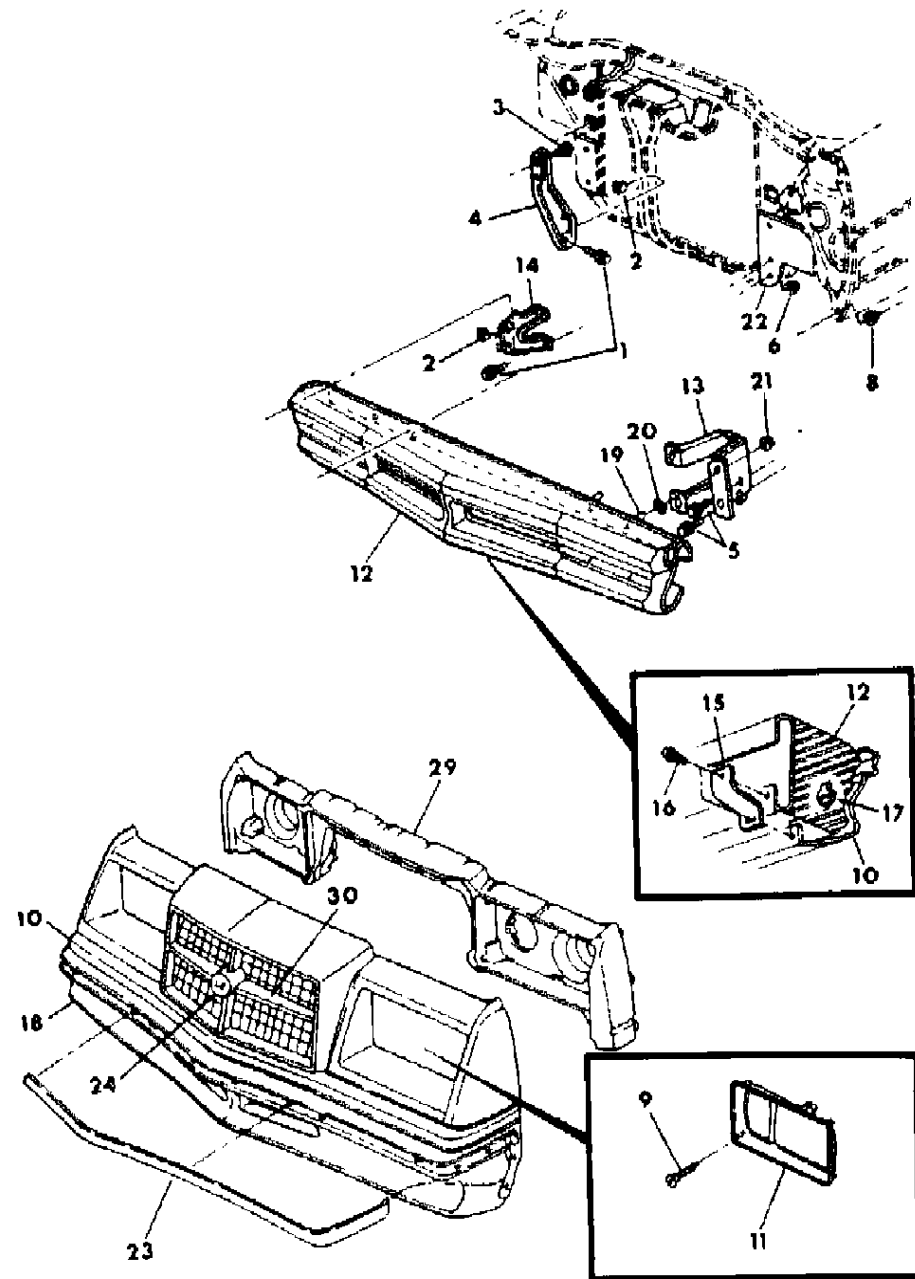
21 = 2-DOOR SEDAN	28 = FWD PICKUP
22 = 2-DOOR SPECIAL COUPE	41 = 4-DOOR SEDAN
24 = 2-DOOR HATCHBACK	44 = 4-DOOR HATCHBACK
27 = 2-DOOR CONVERTIBLE	45 = 2-SEAT STATION WAGON

AR = Use as Required - = Non Illustrated Part P.A.R. = Paint as Required



FASCIA, BUMPER FRONT S-S  
Figure 13-1850

2113 1850A



ITEM	PART NUMBER	QTY	BODY	MODEL	DESCRIPTION
1	0181 063	10		All	SCREW,w/WASHER
2	0152 454	AR		All	U-NUT
3		2		All	SCREW (Not Serviced)
4	4110 322	1		All	BRACE, Fascia To Hood Supt.
5	6031 354	AR		All	SCREW,w/WASHER
6	6025 011	AR		All	NUT,w/WASHER
8	6027 422	AR		All	NUT, Fascia Att.
9		8		All	SCREW (Not Serviced)
10	#4271 436	1		All	FASCIA, Bumper Frt. (Paint As Req.)
11	4110 362-3	1		All	BEZEL, Fascia Headlamp
12	4110 308	1		All	ABSORBER, Fascia Frt.
13	#4110 306-7	1		All	SUPPORT, Absorber
14	4110 320	2		All	BRACE, Fascia Headlamp Supt., To Yoke
	4110 322	1		All	Supt. To Supt.
15	4110 324	1		All	STRAP, Fascia
16		2		All	SCREW,w/WASHER (Not Serviced)
17		2		All	J-NUT (Not Serviced)
18	4110 326	1		All	BRACKET, License Plate Mtg.
	4194 466	1		All	LICENSE-PLATE, Frt.,Att.Pkg.
19	0153 366	AR		All	BOLT, Carriage
20	6026 648	AR		All	RETAINER, Bolt
21	6025 011	8		All	NUT,w/WASHER
22				All	BRACKET, Fender Yoke (Ref. Only)
23	4110 305	1		All	NERF, Fascia
24	4110 365	1		All	MEDALLION (LS)
	6500 321	AR		All	SPRING-NUT (Push-On) (Not Ill.)
29	4110 318	1		All	SUPPORT, Fascia Bumper & Headlamp
30	#4271 434	1		All	GRILLE, Pkg. Fascia, Rt. Consists Of: 1 ----- Grille, Rt. 10 - 6031816 Screw,w/washer 10 - 6031785 Nut
30	#4271 435	1		All	GRILLE Pkg. Fascia, Lt. Consists Of: 1----- Grille, Lt. 10 - 6031816 Screw,w/Washer 10 - 6031785 Nut

MODEL CODES

B = GRAN FURY/CARAVELLE	P = RELIANT
C = LEBARON/TOWN & COUNTRY	S = CORDOBA
D = ARIES	V = 400
F = NEW YORKER	X = MIRADA
G = DIPLOMAT	Y = IMPERIAL
M = HORIZON/TC3/SCAMP	Z = OMNI/O24/RAMPAGE

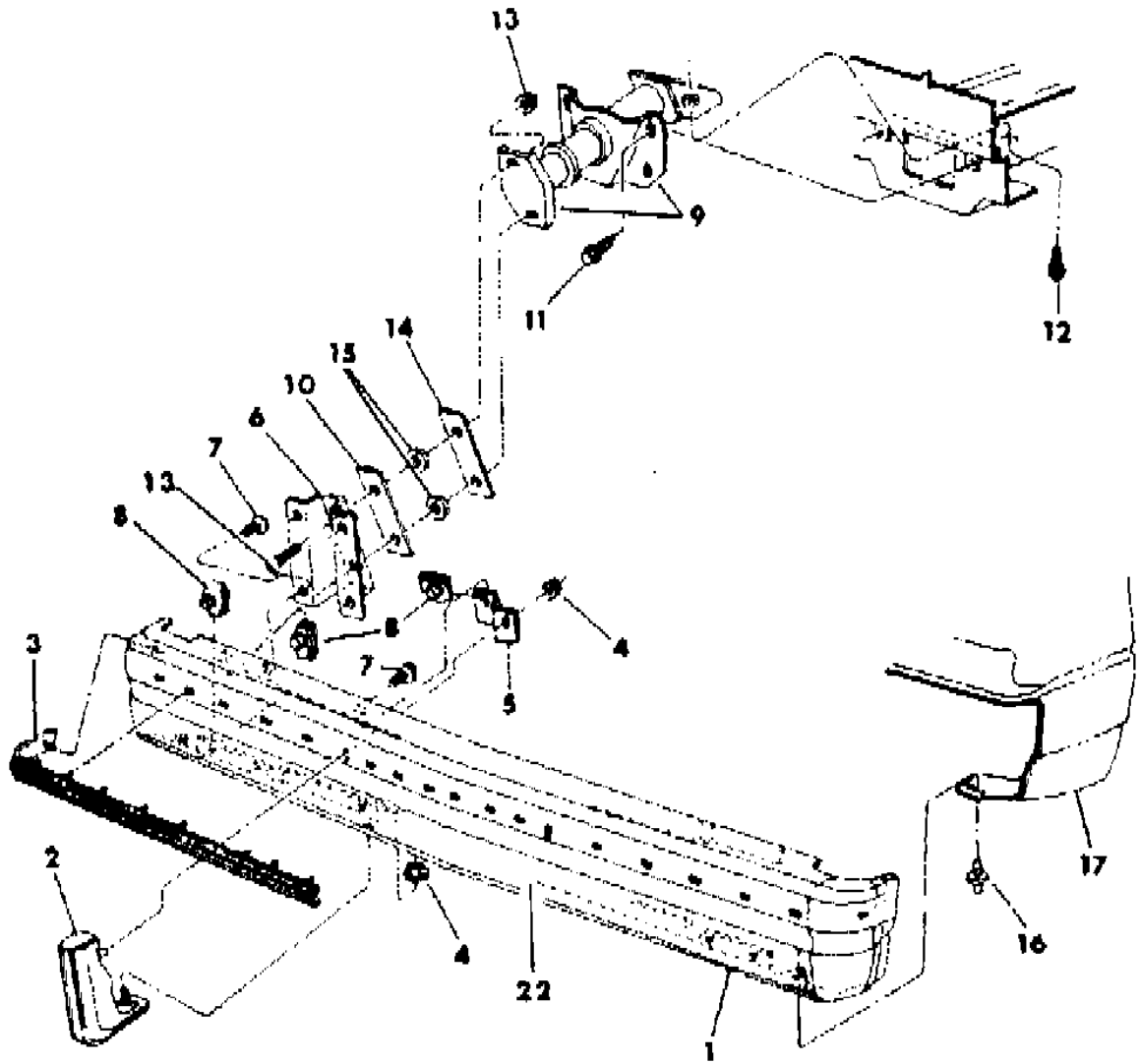
BODY STYLES

21 = 2-DOOR SEDAN	28 = FWD PICKUP
22 = 2-DOOR SPECIAL COUPE	41 = 4-DOOR SEDAN
24 = 2-DOOR HATCHBACK	44 = 4-DOOR HATCHBACK
27 = 2-DOOR CONVERTIBLE	45 = 2-SEAT STATION WAGON

AR = Use as Required - = Non Illustrated Part P.A.R. = Paint as Required

**BUMPER, REAR X,S**  
**Figure 13-1900**

2113 1900A



ITEM	PART NUMBER	QTY	BODY	MODEL	DESCRIPTION
1	4194 553	1		All	BUMPER, Rear, w/Guards w/Nerf
2	X153 TX9	2		All	GUARD w/NERF, Black
3	X194 TX9	1		S-P	NERF, Rr.Bumper, Black
	X195 TX9	1		X,S-S	w/o Guards, Black
	X196 TX9	1		X,S-S	w/Guards, Black
4	0118 614	4		All	Nut,w/WASHER, Guard Att.
5	4195 560	2		All	BULKHEAD, Bumper Rear
6	4194 556	2		All	ADAPTER, Absorber
7		8		All	SCREW,w/WASHER (Not Serviced)
8		AR		All	U-NUT (Not Serviced)
9	4147 512	2		All	ABSORBER, Impact
10		2		All	INSULATOR (Not Serviced)
11	6031 627	4		All	SCREW,w/WASHER
12	6030 471	2		All	SCREW,w/WASHER
13	0153 469	4		All	BOLT, Adapter
	0153 367	4		All	BOLT, w/Shim
	6031 572	4		All	NUT,w/WASHER
14	3835 104	AR		All	SHIM
15	6026 648	AR		All	RETAINER, Absorber
	4110 569	2		All	RETAINER, Bumper To Panel (Not Ill.)
17				All	EXT. Qtr. Panel (Ref.Only)
22	#4194 882	1		S	LICENSE-PLATE, Rear Att.Pkg.
	4194 880	1		X	Rear Att. Pkg.

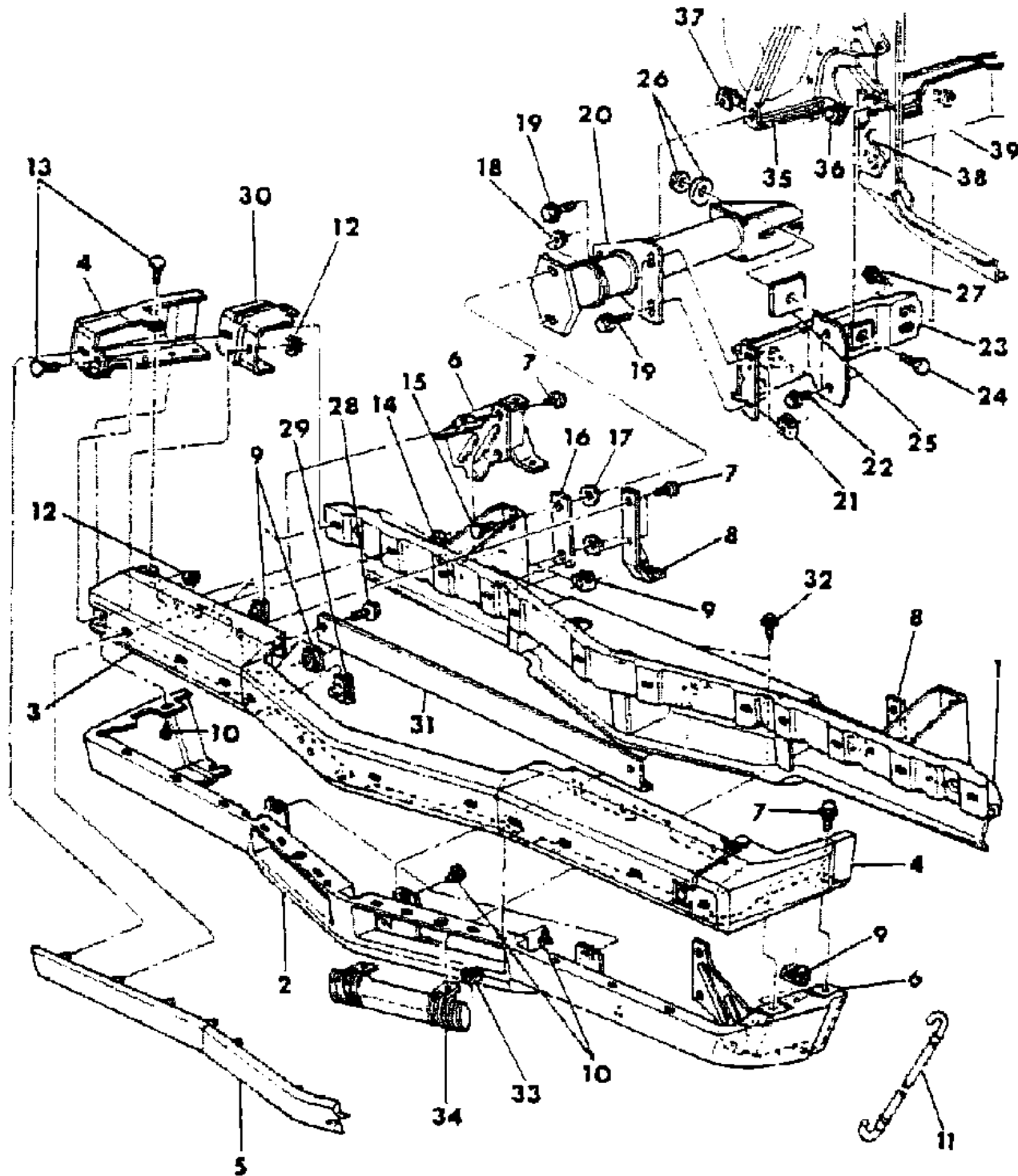
MODEL CODES  
 B = GRAN FURY/CARAVELLE      P = RELIANT  
 C = LEBARON/TOWN & COUNTRY      S = CORDOBA  
 D = ARIES      V = 400  
 F = NEW YORKER      X = MIRADA  
 G = DIPLOMAT      Y = IMPERIAL  
 M = HORIZON/TC3/SCAMP      Z = OMNI/O24/RAMPAGE

BODY STYLES  
 21 = 2-DOOR SEDAN      28 = FWD PICKUP  
 22 = 2-DOOR SPECIAL COUPE      41 = 4-DOOR SEDAN  
 24 = 2-DOOR HATCHBACK      44 = 4-DOOR HATCHBACK  
 27 = 2-DOOR CONVERTIBLE      45 = 2-SEAT STATION WAGON

AR = Use as Required - = Non Illustrated Part P.A.R. = Paint as Required

**BUMPER, FRONT Y**  
**Figure 13-2000**

2113 2000



ITEM	PART NUMBER	QTY	BODY	MODEL	DESCRIPTION
1	4194 106	1		All	REINFORCEMENT, Bumper Frt.
2				All	FILLER (Ref. Only)
3	4194 101	1		All	BUMPER, Frt.
4	4194 102-3	1		All	END-CAP
5	4194 116	1		All	NERF, Bumper Frt.
6	4194 126-7	1		All	BRACKET, Filler Supt.
7	0153 339	12		All	SCREW,w/WASHER
8	4194 115	2		All	BRACKET, Bumper To Reinf. Tie
9	6030 864	12		All	NUT
10	6030 538	AR		All	RETAINER
11	4110 569	2		All	RETAINER
12	6031 505	4		All	NUT,w/WASHER
13	6031 420	4		All	BOLT
14	6031 505	12		All	NUTw/WASHER
15	6031 828	4		All	BOLT
16					INSULATOR (Not Serviced)
17	6026 647	4		All	RETAINER
18	6030 383	4		All	NUT,w/WASHER
19	6031 354	6		All	SCREW,w/WASHER
20	4052 492	2		All	ABSORBER, Impact Frt.
21					U-NUT (Not Serviced)
22	6031 627	4		All	SCREW,w/WASHER
23	4052 460-1	1		All	RAIL-EXT.w/Brkt., Absorber Impact
24					SCREW (Not Serviced)
25	3753 122	2		All	PLATE, Anti-Slip
26	0219 469	2		All	NUT
	6030 146	2		All	WASHER
27	6030 471	2		All	SCREW,w/WASHER
28	0153 346	2		All	SCREW,w/WASHER
29	0153 345	2		All	U-NUT
30	4194 132-3	1		All	GASKET,Bumper Frt.
31	4194 138	1		All	TENSION-TIE
32					SCREW,w/WASHER (Not Serviced)
33	6031 938	AR		All	U-NUT
34	4194 120-1	1		All	GRILLE,Bumper Cooling Slot
35	4052 500	2		All	BRACE, Asorber Impact
36	0153 294	4		All	U-NUT

MODEL CODES

B = GRAN FURY/CARAVELLE	P = RELIANT
C = LEBARON/TOWN & COUNTRY	S = CORDOBA
D = ARIES	V = 400
F = NEW YORKER	X = MIRADA
G = DIPLOMAT	Y = IMPERIAL
M = HORIZON/TC3/SCAMP	Z = OMNI/O24/RAMPAGE

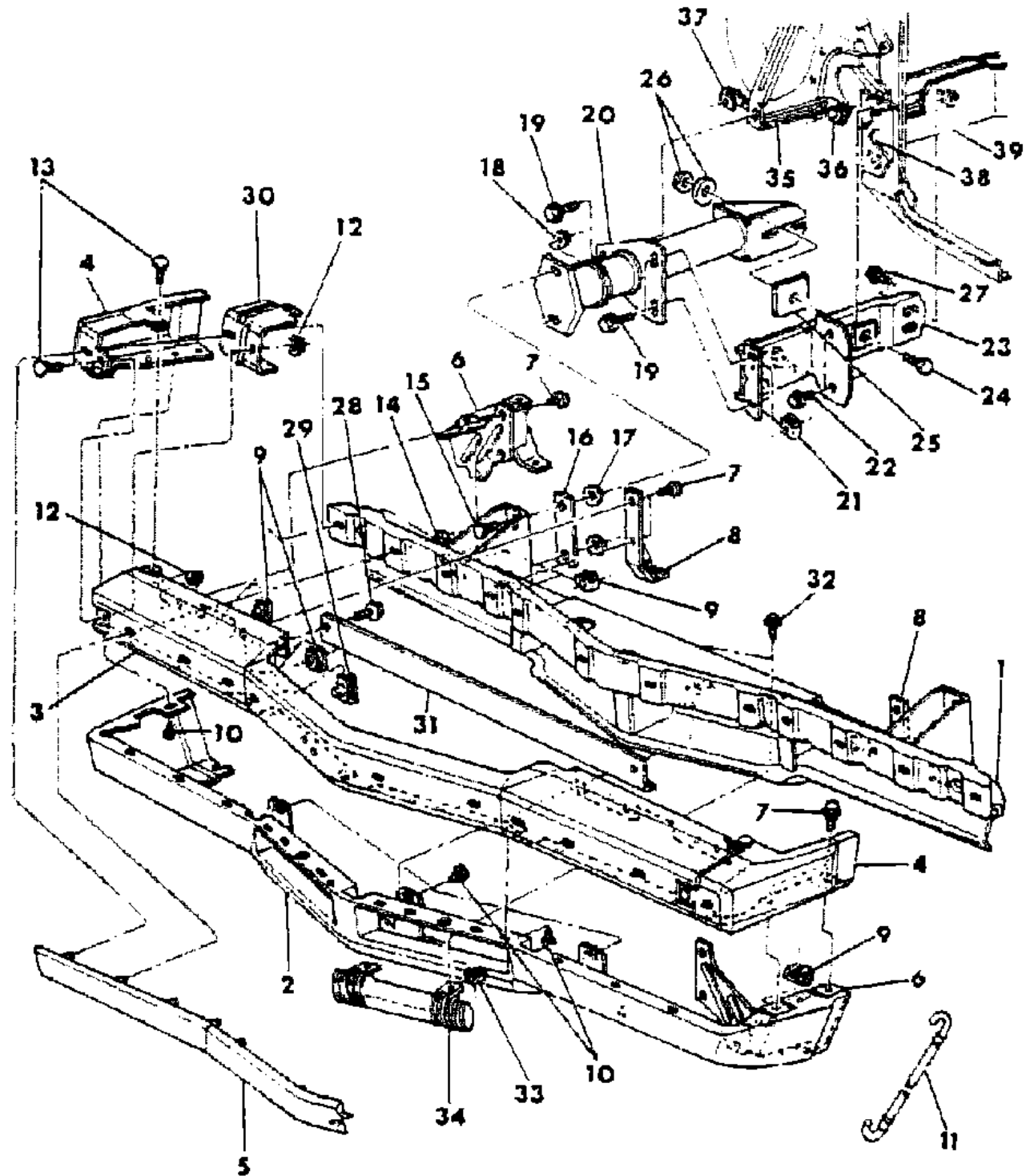
BODY STYLES

21 = 2-DOOR SEDAN	28 = FWD PICKUP
22 = 2-DOOR SPECIAL COUPE	41 = 4-DOOR SEDAN
24 = 2-DOOR HATCHBACK	44 = 4-DOOR HATCHBACK
27 = 2-DOOR CONVERTIBLE	45 = 2-SEAT STATION WAGON

AR = Use as Required - = Non Illustrated Part P.A.R. = Paint as Required

**BUMPER, FRONT Y**  
**Figure 13-2000**

2113 2000



ITEM	PART NUMBER	QTY	BODY	MODEL	DESCRIPTION
37	6031 906	2		All	U-NUT
38					BRACE, Rad. Grille (Ref. Only)
39					FRAME (Ref. Only)
	4194 135	1		All	BRACKET, License Plate Mtg. (Not Ill.)
	4194 467	1		All	LICENSE PLATE, Frt. Att.Pkg.(Not Ill.)

MODEL CODES  
 B = GRAN FURY/CARAVELLE      P = RELIANT  
 C = LEBARON/TOWN & COUNTRY      S = CORDOBA  
 D = ARIES      V = 400  
 F = NEW YORKER      X = MIRADA  
 G = DIPLOMAT      Y = IMPERIAL  
 M = HORIZON/TC3/SCAMP      Z = OMNI/O24/RAMPAGE

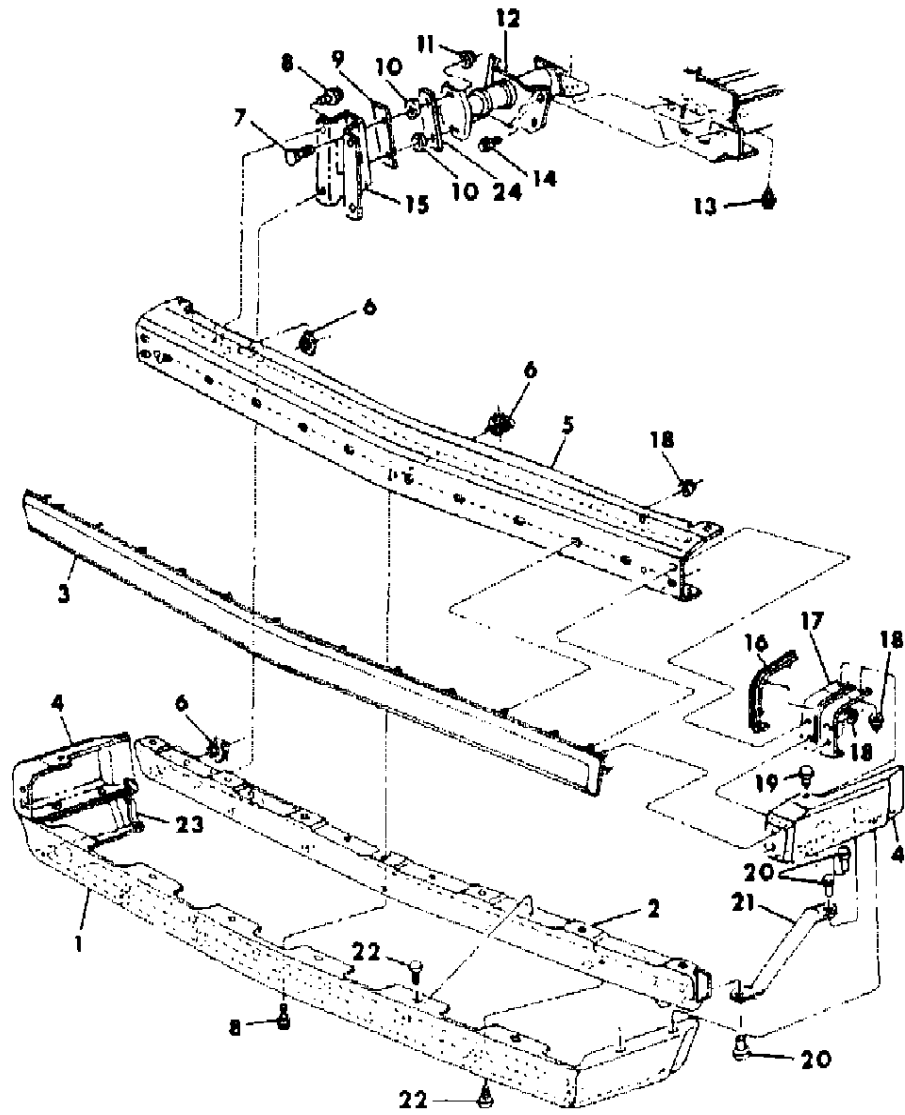
BODY STYLES  
 21 = 2-DOOR SEDAN      28 = FWD PICKUP  
 22 = 2-DOOR SPECIAL COUPE      41 = 4-DOOR SEDAN  
 24 = 2-DOOR HATCHBACK      44 = 4-DOOR HATCHBACK  
 27 = 2-DOOR CONVERTIBLE      45 = 2-SEAT STATION WAGON

AR = Use as Required - = Non Illustrated Part P.A.R. = Paint as Required

**BUMPER, REAR Y**  
**Figure 13-2050**

2113 2050

ITEM	PART NUMBER	QTY	BODY	MODEL	DESCRIPTION
1	4194 510	1		All	FASCIA, Bumper Rear (Paint As Req.)
2	4194 514	1		All	REINFORCEMENT, Fascia
3	4194 516	1		All	NERF, Bumper Rr.
4	4194 508-9	1		All	END-CAP, Bumper Rr.
5	4194 502	1		All	BUMPER, Rr.
6					U-NUT (Not Serviced)
7	0153 469	4		All	BOLT
8					BOLT (Not Serviced)
9					INSULATOR (Not Serviced)
10	6026 334	4		All	RETAINER
11	6031 572	4		All	NUT,w/WASHER
12	4052 493	2		All	ABSORBER, Rr.
13	6030 471	2		All	SCREW,w/WASHER
14	6031 627	4		All	SCREW,w/WASHER
15	4194 506	2		All	ADAPTER, Absorber
16	4194 524	2		All	GASKET, End-Cap
17	4194 522-3	1		All	BRACKET, End-Cap To Bumper
18	0118 614	AR		All	NUT,w/WASHER
19	0153 485	8		All	BOLT
20					RIVET (Not Serviced)
21	4194 520	2		All	BRACE, Fascia To End-Cap
22	6030 441	14		All	RETAINER
23	4194 515	2		All	SPRING-CLIP, Fascia To Filler
24	3753 124	AR		All	SHIM
	4194 880	1		All	LICENSE-PLATE, Rear Att.Pkg. (Not Ill.)



MODEL CODES

B = GRAN FURY/CARAVELLE	P = RELIANT
C = LEBARON/TOWN & COUNTRY	S = CORDOBA
D = ARIES	V = 400
F = NEW YORKER	X = MIRADA
G = DIPLOMAT	Y = IMPERIAL
M = HORIZON/TC3/SCAMP	Z = OMNI/O24/RAMPAGE

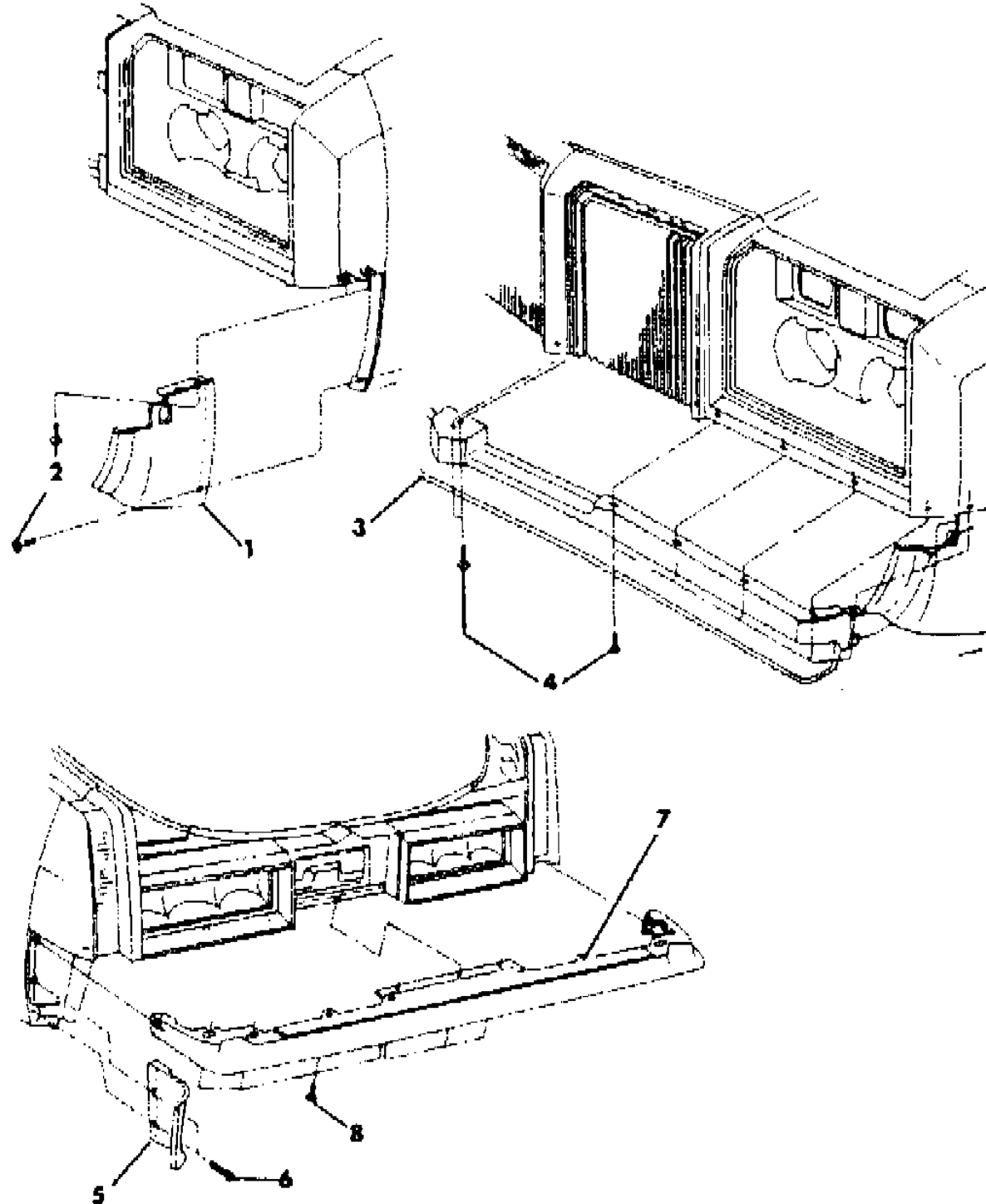
BODY STYLES

21 = 2-DOOR SEDAN	28 = FWD PICKUP
22 = 2-DOOR SPECIAL COUPE	41 = 4-DOOR SEDAN
24 = 2-DOOR HATCHBACK	44 = 4-DOOR HATCHBACK
27 = 2-DOOR CONVERTIBLE	45 = 2-SEAT STATION WAGON

AR = Use as Required - = Non Illustrated Part P.A.R. = Paint as Required

**FILLER, BUMPER F**  
**Figure 13-2100**

13 2100



ITEM	PART NUMBER	QTY	BODY	MODEL	DESCRIPTION
1	X518-9 VT5	1		All	FILLER, Frt. Fender Bumper Side (Paint As Req.)
2		AR		All	SCREW (Not Serviced)
3	#X540 TT1	1		All	FILLER, Grill Closure Pnl.Bumper Frt.(Paint As Req.)
4					SCREW (Not Serviced)
	4074 501	AR		All	SUPPORT, Frt. Bumper Filler Edge Repair (Not Ill.)
	6031 939	AR		All	CLIP, Supt. (Not Ill.)
5	X536-7 VW3	1		All	FILLER, Qtr. o/s Panel Bumper Rr.(Paint As Req.)
6					SCREW (Not Serviced)
7	#X539 VT5	1		All	FILLER, Deck Opng. Rr. Bumper Center (Paint As Req.)
8					SCREW (Not Serviced)
	4206 338	AR		All	SUPPORT, Rr. Bumper Filler Lip Edge Repair (Not Ill.)

MODEL CODES

B = GRAN FURY/CARAVELLE	P = RELIANT
C = LEBARON/TOWN & COUNTRY	S = CORDOBA
D = ARIES	V = 400
F = NEW YORKER	X = MIRADA
G = DIPLOMAT	Y = IMPERIAL
M = HORIZON/TC3/SCAMP	Z = OMNI/O24/RAMPAGE

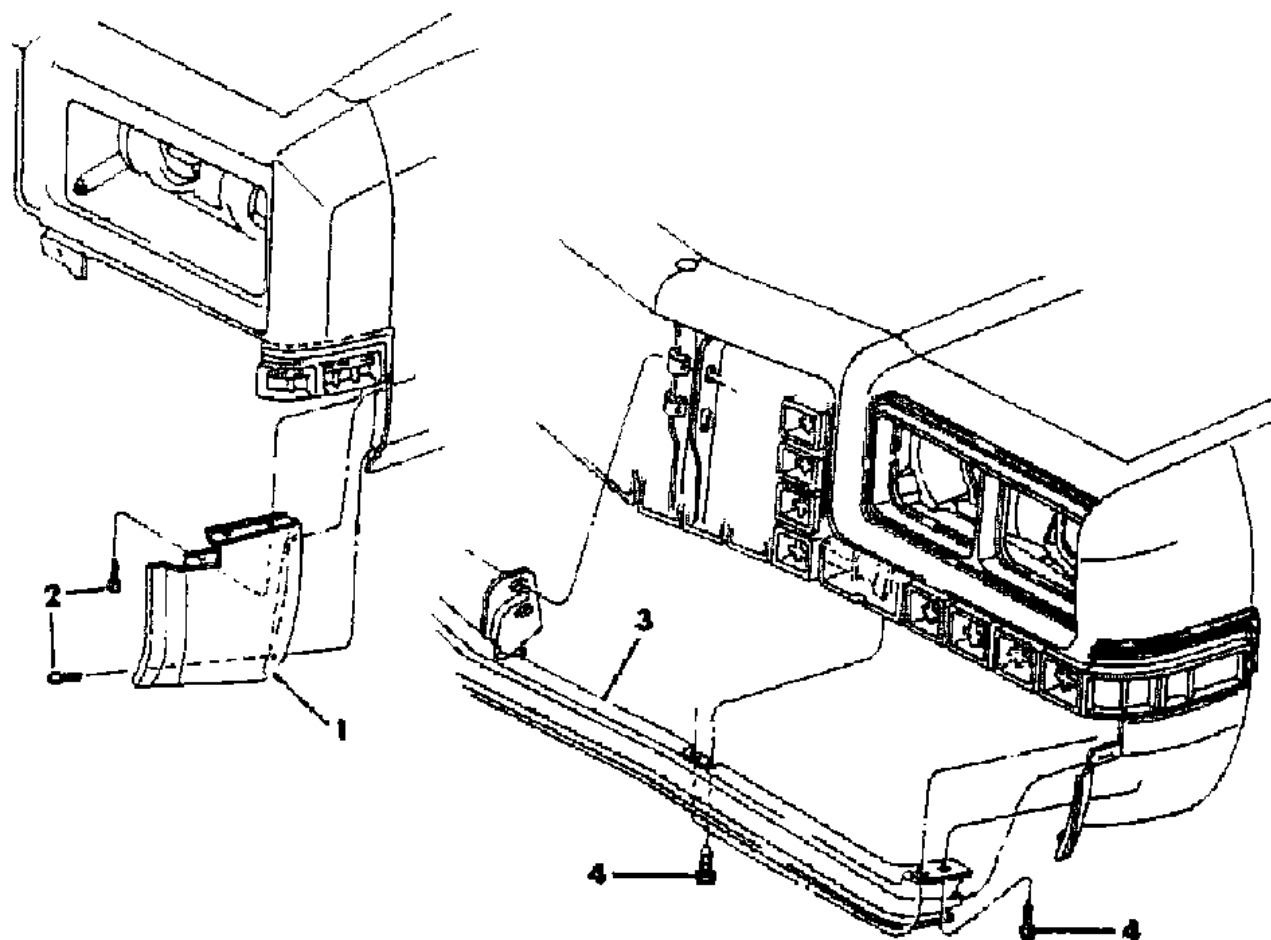
BODY STYLES

21 = 2-DOOR SEDAN	28 = FWD PICKUP
22 = 2-DOOR SPECIAL COUPE	41 = 4-DOOR SEDAN
24 = 2-DOOR HATCHBACK	44 = 4-DOOR HATCHBACK
27 = 2-DOOR CONVERTIBLE	45 = 2-SEAT STATION WAGON

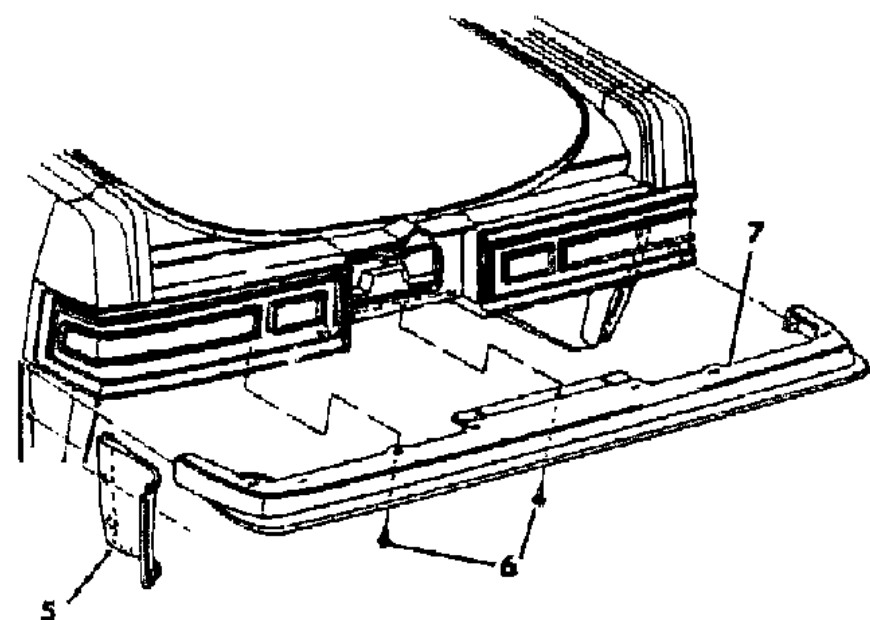
AR = Use as Required - = Non Illustrated Part P.A.R. = Paint as Required

FILLER, BUMPER B,G  
Figure 13-2200

13 2200



ITEM	PART NUMBER	QTY	BODY	MODEL	DESCRIPTION
1	#X532-3 TT1	1		All	FILLER, Fender Bumper Side, (Paint As Req.)
2		AR		All	SCREW (Not Serviced)
3	#X522 VT5	1		All	Filler, Bumper Frt., (Paint As Req.)
4		AR		All	SCREW (Not Serviced)
	4074 501	AR		All	SUPPORT, Frt. Bumper Filler Edge Repair (Not Ill.)
	6031 939	AR		All	CLIP, Supt. (Not Ill.)
5	X536-7 VW3	1		All	FILLER, Qtr. O/S Panel Bumper Rr.(Paint As Req.)
		AR		All	SCREW (Not Serviced)
7	#X539 VT5	1		All	FILLER, Deck Opng. Bumper Rr., (Paint As Req.)
	4206 338	AR		All	SUPPORT, Rr. Bumper Filler Lip Edge Repair (Not Ill.)



MODEL CODES

B = GRAN FURY/CARAVELLE	P = RELIANT
C = LEBARON/TOWN & COUNTRY	S = CORDOBA
D = ARIES	V = 400
F = NEW YORKER	X = MIRADA
G = DIPLOMAT	Y = IMPERIAL
M = HORIZON/TC3/SCAMP	Z = OMNI/O24/RAMPAGE

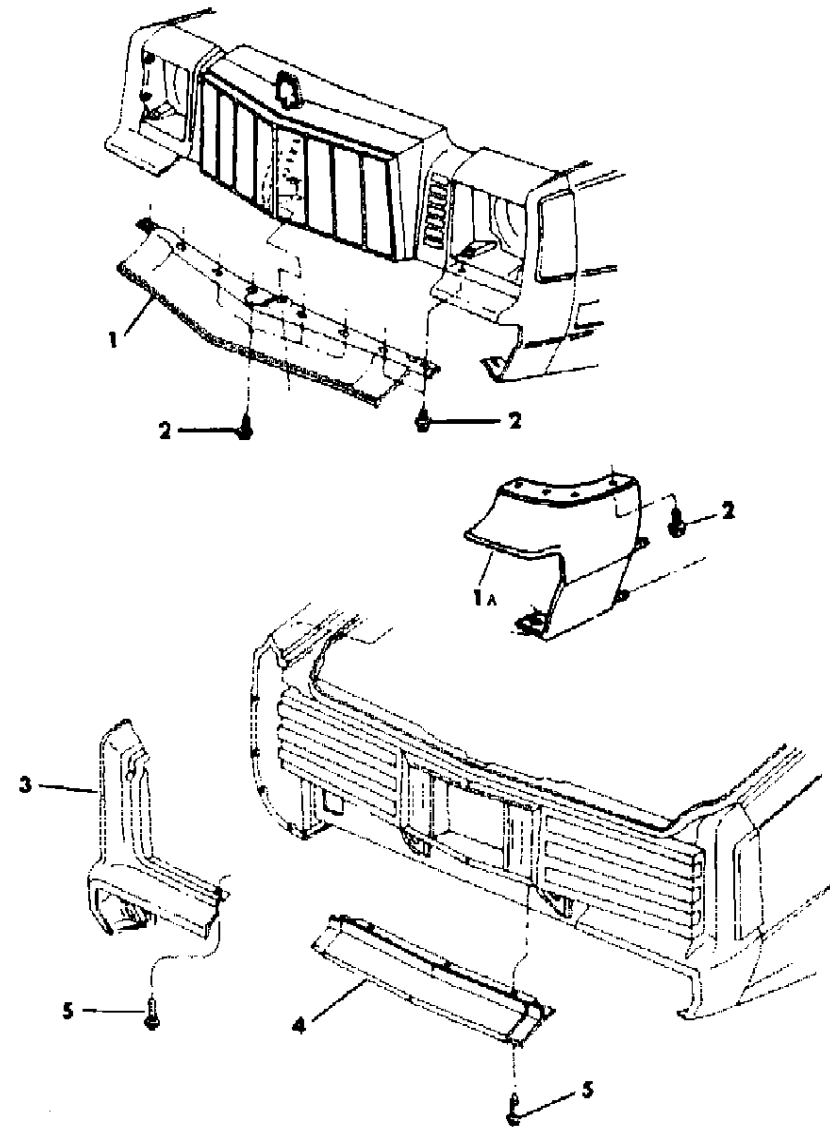
BODY STYLES

21 = 2-DOOR SEDAN	28 = FWD PICKUP
22 = 2-DOOR SPECIAL COUPE	41 = 4-DOOR SEDAN
24 = 2-DOOR HATCHBACK	44 = 4-DOOR HATCHBACK
27 = 2-DOOR CONVERTIBLE	45 = 2-SEAT STATION WAGON

AR = Use as Required - = Non Illustrated Part P.A.R. = Paint as Required

FILLER, BUMPER X,S  
Figure 13-2300

2113 2300



ITEM	PART NUMBER	QTY	BODY	MODEL	DESCRIPTION
1	#X578 AW3	1		S	FILLER, Rad. Grill Bumper Frt.(Paint As Req.)
1A	#X576-7 AW3	1		S-P	FILLER, Fender Bumper Side (Paint As Req.)
	4194 082	2		S	RETAINER, Fender Bumper Filler To Frt. Bumper (Not Ill.)
2		AR		All	SCREW (Not Serviced)
3					EXTENSION, Qtr. O/S Panel (See Ill. Gp.23)
4	X535 VW3	1		S	FILLER, Deck Opng. Lower Panel Bumper Rr.(Paint As Req.)
	X534 VW3	1		X	(Paint As Req.)
5		AR		All	SCREW (Not Serviced)

MODEL CODES

B = GRAN FURY/CARAVELLE	P = RELIANT
C = LEBARON/TOWN & COUNTRY	S = CORDOBA
D = ARIES	V = 400
F = NEW YORKER	X = MIRADA
G = DIPLOMAT	Y = IMPERIAL
M = HORIZON/TC3/SCAMP	Z = OMNI/O24/RAMPAGE

BODY STYLES

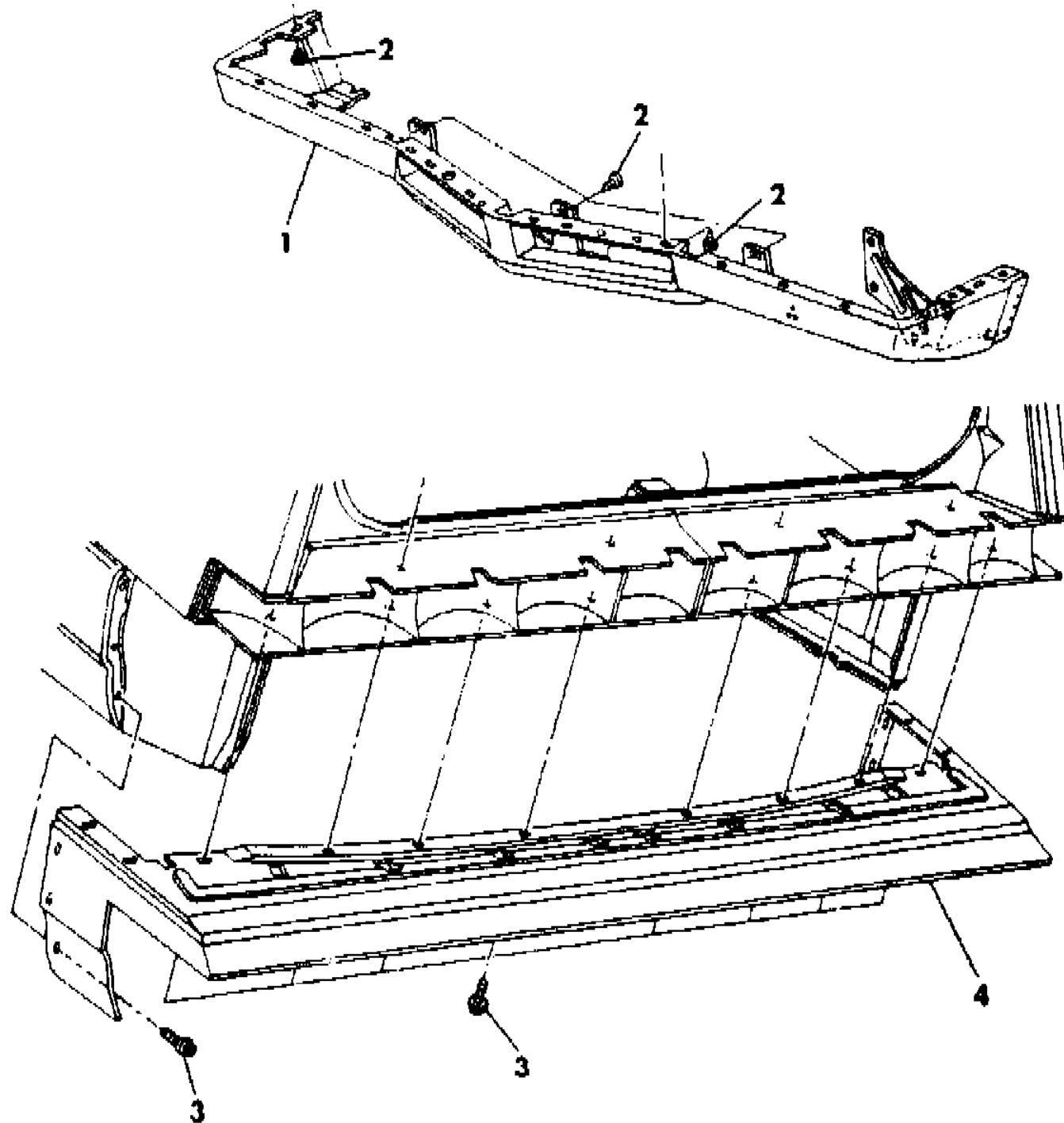
21 = 2-DOOR SEDAN	28 = FWD PICKUP
22 = 2-DOOR SPECIAL COUPE	41 = 4-DOOR SEDAN
24 = 2-DOOR HATCHBACK	44 = 4-DOOR HATCHBACK
27 = 2-DOOR CONVERTIBLE	45 = 2-SEAT STATION WAGON

AR = Use as Required - = Non Illustrated Part P.A.R. = Paint as Required



**FILLER, BUMPER Y**  
**Figure 13-2350**

2113 2350



ITEM	PART NUMBER	QTY	BODY	MODEL	DESCRIPTION
1	4240 534	1		All	FILLER, Bumper Frt. Lower (Paint As Req.)
2	6030 538	AR		All	RETAINER, Filler
	4194 090	2		All	RETAINER, Fender Bumper Filler To Frt.Bumper (Not Ill.)
3					SCREW (Not Serviced)
4	#4206 842	1		All	FILLER, Bumper Rr. To Tail Lamp (Paint As Req.)
	4206 728	1		All	SUPPORT, Rr. Bumper Filler Lip Edge (Not Ill.)

ontrol or High Altitude Emission Control. lications specified in this document.  
cars sold in the State of California. lications specified in this document.  
Feet elevation lications specified in this document.  
alytic Exhaust System. Unleaded Fuel is required. lications specified in this document.

**MODEL CODES**

B = GRAN FURY/CARAVELLE	P = RELIANT
C = LEBARON/TOWN & COUNTRY	S = CORDOBA
D = ARIES	V = 400
F = NEW YORKER	X = MIRADA
G = DIPLOMAT	Y = IMPERIAL
M = HORIZON/TC3/SCAMP	Z = OMNI/O24/RAMPAGE

**BODY STYLES**

21 = 2-DOOR SEDAN	28 = FWD PICKUP
22 = 2-DOOR SPECIAL COUPE	41 = 4-DOOR SEDAN
24 = 2-DOOR HATCHBACK	44 = 4-DOOR HATCHBACK
27 = 2-DOOR CONVERTIBLE	45 = 2-SEAT STATION WAGON

AR = Use as Required - = Non Illustrated Part P.A.R. = Paint as Required

**GROUP 14 - FUEL**

**ILLUSTRATION NOT AVAILABLE AT TIME OF PUBLICATION**

<b>ILLUSTRATION TITLE</b>	<b>GROUP-FIG. NO.</b>
FRESH AIR INLET SYSTEM .....	Fig. 14-100
FRESH AIR INLET SYSTEM - M,Z,P,D,C,V .....	Fig. 14-125
AIR CLEANER - W/1.7 LITER ENGINE .....	Fig. 14-200
AIR CLEANER - W/2.2 LITER ENGINE .....	Fig. 14-300
AIR CLEANER - W/2.6 LITER ENGINE .....	Fig. 14-400
AIR CLEANER, w/225 ENGINE .....	Fig. 14-500
AIR CLEANER, w/318-2BBL ENGINE .....	Fig. 14-600
AIR CLEANER, w/318-4BBL ENGINE .....	Fig. 14-700
AIR CLEANER - E.F.I.-W/318 (E43) ENGINE .....	Fig. 14-800
HOLLY 1BBL. CARBURETOR and COMPONENT PARTS .....	Fig. 14-900
HOLLEY 2BBL. CARBURETOR and COMPONENT PARTS .....	Fig. 14-1000
HOLLEY SOLENOID CROSS REFERANCE .....	Fig. 14-1100
CARTER - 2BBL CARBURETOR and COMPONENT PARTS .....	Fig. 14-1200
CARTER - 4BBL CARBURETOR and COMPONENT PARTS .....	Fig. 14-1300
CARBURETOR COMPONENT PARTS - W/2.6 LITRE ENGINE .....	Fig. 14-1400
CARBURETOR - W/2.6 LITER ENGINE .....	Fig. 14-1500
FUEL CONTROLER - E.F.I.-W/318 (E43) ENGINE .....	Fig. 14-1600
THROTTLE BODY-E.F.I.- W/318 (E43) ENGINE .....	Fig. 14-1700
CARBURETOR HEAT SHIELD - FUEL FILTER AND RELATED PARTS .....	Fig. 14-1800
FUEL FILTER-E.F.I.- W/318 (E43) ENGINE .....	Fig. 14-1900
THROTTLE CONTROLS - M,Z W/1.7 LITER ENGINE .....	Fig. 14-2000
THROTTLE CONTROLS - M,Z W/2.2 LITER ENGINE .....	Fig. 14-2100
THROTTLE CONTROLS - P,D,C,V W/2.2 LITER ENGINE .....	Fig. 14-2200
THROTTLE CONTROLS- P,D,C,V W/2.6 LITER ENGINE .....	Fig. 14-2300
THROTTLE CONTROLS W/225- 1BBL ENGINE AUTO TRANS. ....	Fig. 14-2400
THROTTLE CONTROLS W/225- 2BBL ENGINE AUTO TRANS. ....	Fig. 14-2500
THROTTLE CONTROLS W/318 - 2BBL AUTO TRANS. F,G,X,S,B .....	Fig. 14-2600
THROTTLE CONTROLS W/318 - 4BBL ENGINE w/AUTO TRANS. F,G,X,S,B .....	Fig. 14-2700
THROTTLE CONTROL, E.F.I.- W/318 (E43) ENGINE .....	Fig. 14-2800
SPEED CONTROL-M,Z .....	Fig. 14-2900
SPEED CONTROL-P,D,C,V W/2.2 LITER ENGINE .....	Fig. 14-3000
SPEED CONTROL-P,D,C,V W/2.6 LITER ENGINE .....	Fig. 14-3100
SPEED CONTROL, F,G,X,S,Y,B .....	Fig. 14-3200
ACCELERATOR PEDAL-M,Z,P,D,C,V .....	Fig. 14-3300
ACCELERATOR PEDAL, Except M,Z,P,D,C,V .....	Fig. 14-3400
FUEL PUMP AND FUEL FILTER - W/2.6 LITER ENGINE .....	Fig. 14-3500
FUEL PUMP .....	Fig. 14-3600
FUEL PUMP AND SENDING UNIT E.F.I. - W/318 (E43) ENGINE .....	Fig. 14-3700

---

**GROUP 14 - FUEL**

**ILLUSTRATION TITLE**

**GROUP-FIG. NO.**

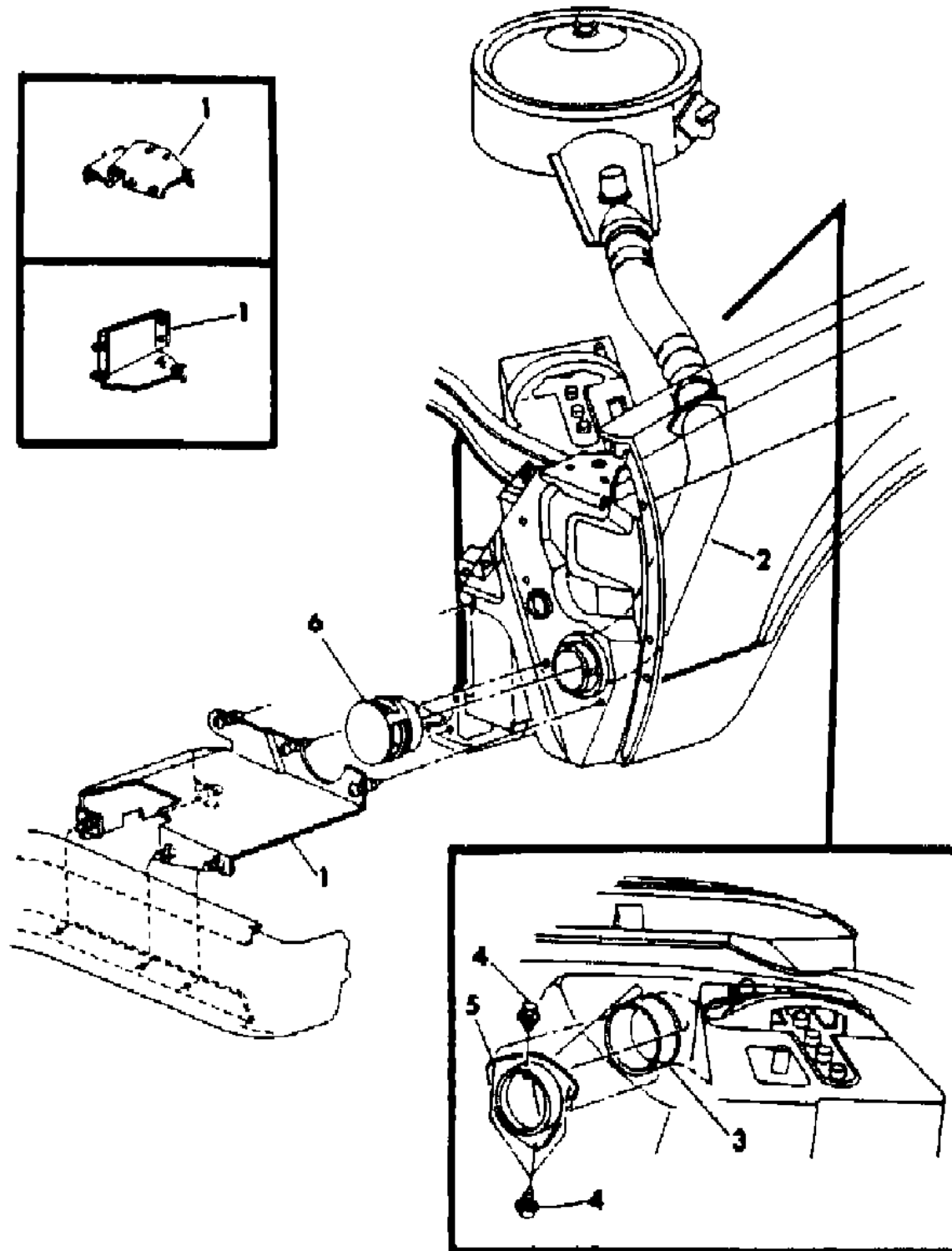
**INSULATOR CHARTS (Continued)**

FUEL PUMP AND SENDING UNIT E.F.I. - W/318 (E43) ENGINE .....	Fig. 14-3700
FUEL LINES - M,Z .....	Fig. 14-3800
FUEL LINES - P,D,C,V .....	Fig. 14-3900
FUEL LINES - F,G,X,S,B .....	Fig. 14-4000
FUEL LINES - Y .....	Fig. 14-4100
FUEL TANK AND FUEL FILLER TUBES - M,Z .....	Fig. 14-4200
FUEL TANK AND FILLER TUBES-P,D,C,V .....	Fig. 14-4300
FUEL TANK AND FUEL FILLER TUBES - F,G,X,S,Y,B .....	Fig. 14-4400

# FRESH AIR INLET SYSTEM

Figure 14-100

3114 100



ITEM	PART NUMBER	QTY	BODY	MODEL	DESCRIPTION
1					BAFFLE, Engine Air
	4074 745	1		F,G,B	
	4074 690	1		X,S-S	
	4074 827	1		S-H,S-P	
2	3868 689				DUCT, Engine Air
3	3868 920	1			SEAL, Air Duct
4		2			SCREW (not serviced)
5	3868 552	1			COLLAR, Air Duct
6	3868 957	1		BFG,XS	DEFLECTOR and ADAPTER, Air Intake Duct
	4074 977	1		Y	
	6031 299	AR			RETAINER, Engine Air Baffle

NOTE: The following items are not illustrated locations specified in this document.

MODEL CODES

B = GRAN FURY/CARAVELLE	P = RELIANT
C = LEBARON/TOWN & COUNTRY	S = CORDOBA
D = ARIES	V = 400
F = NEW YORKER	X = MIRADA
G = DIPLOMAT	Y = IMPERIAL
M = HORIZON/TC3/SCAMP	Z = OMNI/O24/RAMPAGE

BODY STYLES

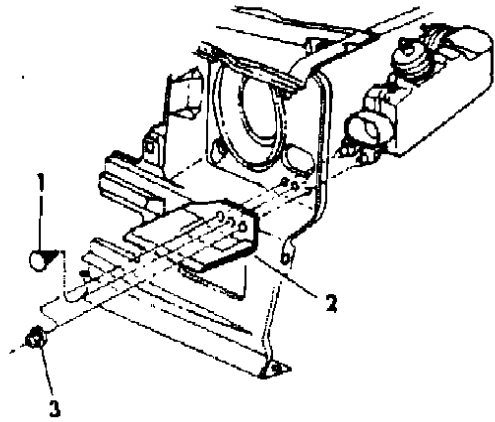
21 = 2-DOOR SEDAN	28 = FWD PICKUP
22 = 2-DOOR SPECIAL COUPE	41 = 4-DOOR SEDAN
24 = 2-DOOR HATCHBACK	44 = 4-DOOR HATCHBACK
27 = 2-DOOR CONVERTIBLE	45 = 2-SEAT STATION WAGON

AR = Use as Required - = Non Illustrated Part P.A.R. = Paint as Required

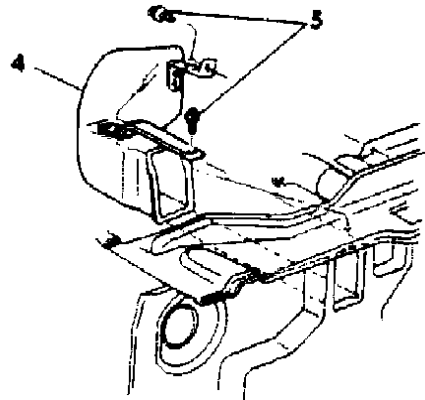
FRESH AIR INLET SYSTEM - M,Z,P,D,C,V

Figure 14-125

3114 125

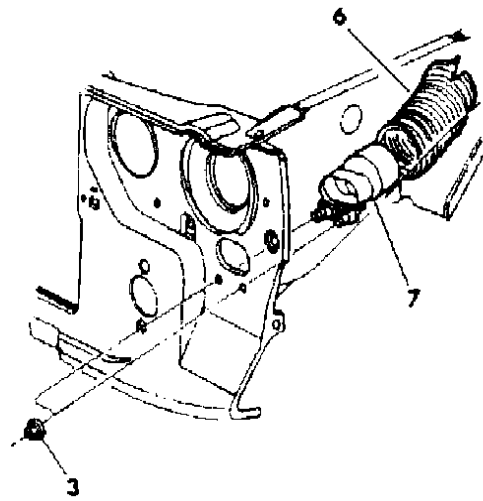


M,Z

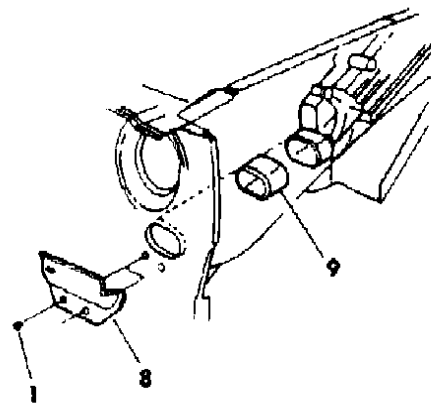


P,D,C,V - W/2.6L ENGINE

ITEM	PART NUMBER	QTY	BODY	MODEL	DESCRIPTION
1	6031 299	AR			RETAINER
2	5201 395	1		M,Z	SHIELD, Air Inlet Closure Panel
3	6029 471	AR			NUT
4	4266 164	1		P,D,C,V	DUCT, Carburetor Air
5					SCREW (not serviced)
6	4240 164	1		P,D,C,V	DUCT, Air Cleaner
7	5201 394	1		P,D,C,V	ADAPTER, Air Inlet
8	4103 277	1		P,D,C,V	BAFFLE, Air Inlet
9	4103 182	1		P,D,C,V	DUCT, Panel to E.S.A. Housing



P,D,C,V - W/2.6L ENGINE



P,D,C,V - W/2.2L ENGINE

MODEL CODES

B = GRAN FURY/CARAVELLE	P = RELIANT
C = LEBARON/TOWN & COUNTRY	S = CORDOBA
D = ARIES	V = 400
F = NEW YORKER	X = MIRADA
G = DIPLOMAT	Y = IMPERIAL
M = HORIZON/TC3/SCAMP	Z = OMNI/O24/RAMPAGE

BODY STYLES

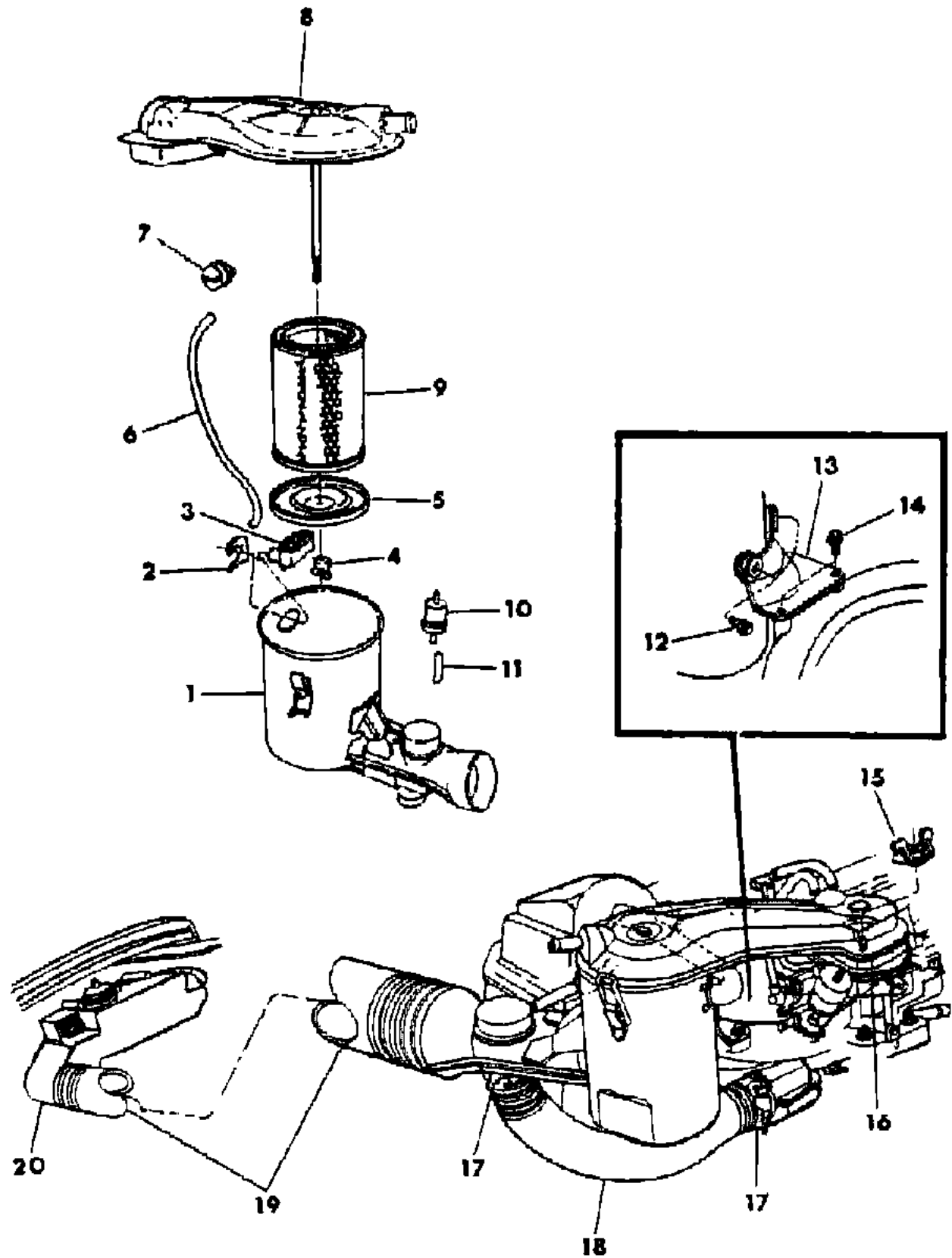
21 = 2-DOOR SEDAN	28 = FWD PICKUP
22 = 2-DOOR SPECIAL COUPE	41 = 4-DOOR SEDAN
24 = 2-DOOR HATCHBACK	44 = 4-DOOR HATCHBACK
27 = 2-DOOR CONVERTIBLE	45 = 2-SEAT STATION WAGON

AR = Use as Required - = Non Illustrated Part P.A.R. = Paint as Required

AIR CLEANER - W/1.7 LITER ENGINE

Figure 14-200

2774 200



ITEM	PART NUMBER	QTY	BODY	MODEL	DESCRIPTION
1	5214 432	1			BODY, Air Cleaner
2					CLAMP, See Group 9
3					FILTER, See Group 9
4	5240 734	1			NUT, Filter Wing
5	5240 651	1			RETAINER
6	4026 511	AR			HOSE
7	4131 147	1			SENSOR, Temp.
8	5214 437	1			COVER, Air Cleaner
9	5240 668				FILTER, Air
10	4201 385	1			VALVE, Heated Air Delay
11	4026 511	AR			HOSE
12	6100 277	2			SCREW, w/ WASHER, Support to Air Cleaner
13	5240 633	1			SUPPORT, Air Cleaner
14	6100 276	2			SCREW, w/ WASHER, Support Mounting
15	5240 734	2			WING NUT, Air Cleaner
16	5214 058	1			GASKET, Air Cleaner to Carburetor
17	3683 824	2			CLAMP
18					CONNECTOR, Carburetor Air Heater to Air Cleaner Snorkel
	5214 401	1			Up to 12-1-81
	4241 993	1			After 12-1-81
19	4240 074	1			DUCT, Air Cleaner Fresh Air
20					CONTROL (Ref. to Group 8)

NOTE: The following items are not illustrated locations specified in this document.

5214 781	1	DIAPHRAGM, Air Cleaner Snorkel Vacuum
4179 921	1	HEATER, Carburetor Air
4179 438	1	Canada
4201 111	1	CAP, Clean Air Nipple, w/(SC-N92)
2448 761	1	CLAMP, Clean Air Nipple Cap, w/(SC-N92)

MODEL CODES

B = GRAN FURY/CARAVELLE	P = RELIANT
C = LEBARON/TOWN & COUNTRY	S = CORDOBA
D = ARIES	V = 400
F = NEW YORKER	X = MIRADA
G = DIPLOMAT	Y = IMPERIAL
M = HORIZON/TC3/SCAMP	Z = OMNI/O24/RAMPAGE

BODY STYLES

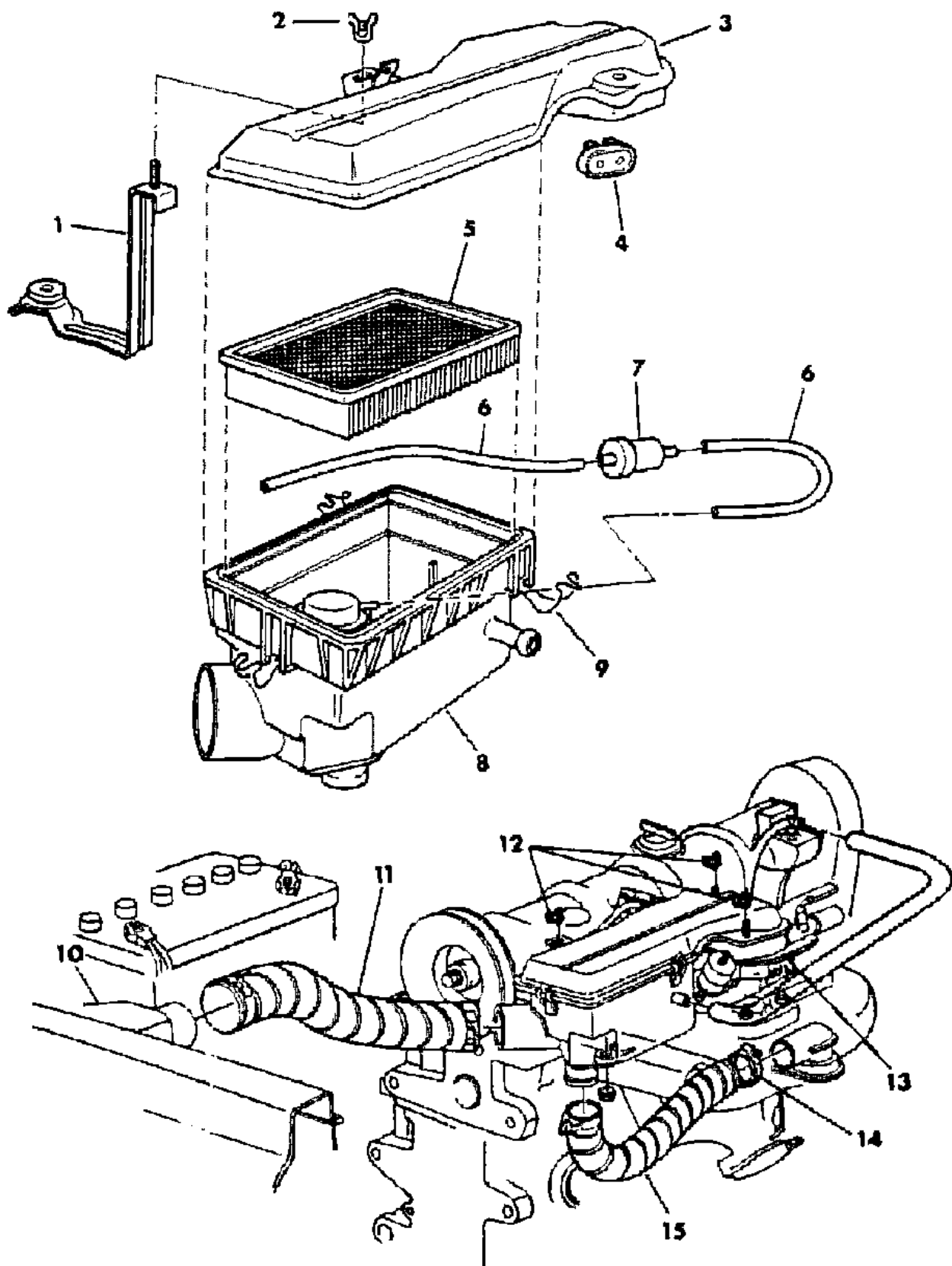
21 = 2-DOOR SEDAN	28 = FWD PICKUP
22 = 2-DOOR SPECIAL COUPE	41 = 4-DOOR SEDAN
24 = 2-DOOR HATCHBACK	44 = 4-DOOR HATCHBACK
27 = 2-DOOR CONVERTIBLE	45 = 2-SEAT STATION WAGON

AR = Use as Required - = Non Illustrated Part P.A.R. = Paint as Required

AIR CLEANER - W/2.2 LITER ENGINE

Figure 14-300

2114 300



ITEM	PART NUMBER	QTY	BODY	MODEL	DESCRIPTION
1	4268 551	1			BRACKET, Air Cleaner Support
2	5240 734	3			WINGNUT, Air Cleaner Attaching
3	4227 085	1			COVER, Air Cleaner Up to 5-25-82
	4275 724	1			After 5-25-82
4	4131 147	1			SENSOR, Air Cleaner Temp.
5	4227 087	1			FILTER, Air Cleaner
6	4026 511	AR			HOSE
7	4201 385	1			VALVE, Heated Air Delay
8	4271 914	1			BODY, Air Cleaner Up to 8-25-82
	4275 723	1			After 8-25-82
9	4227 053	3			LATCH, Air Cleaner Cover
10					CONTROL (Ref. to Group 8)
11					DUCT, Air Cleaner Fresh Air
	4240 165	1		P,D,C,V	
	4240 074	1		M,Z	
12	5240 734	3			WING NUT, Air Cleaner
13	5214 058	1			GASKET, Air Cleaner to Carburetor
14	3683 824	1			CLAMP
15	4271 913	1			CONNECTOR, Carburetor Air Heater to Air Cleaner

NOTE: The following items are not illustrated locations specified in this document.

5203 338	1				HEATER, Carburator Air
----------	---	--	--	--	------------------------

MODEL CODES

B = GRAN FURY/CARAVELLE	P = RELIANT
C = LEBARON/TOWN & COUNTRY	S = CORDOBA
D = ARIES	V = 400
F = NEW YORKER	X = MIRADA
G = DIPLOMAT	Y = IMPERIAL
M = HORIZON/TC3/SCAMP	Z = OMNI/O24/RAMPAGE

BODY STYLES

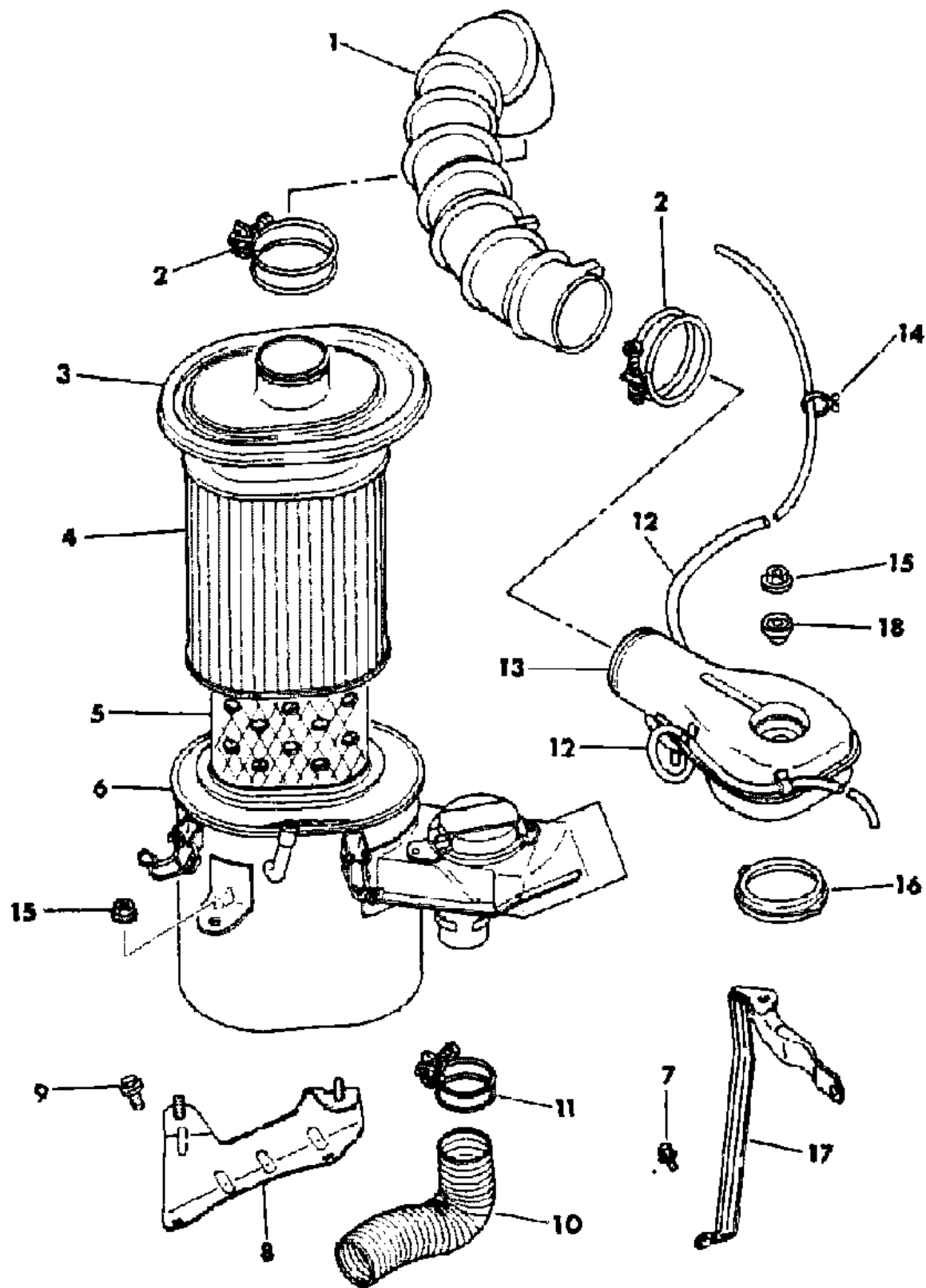
21 = 2-DOOR SEDAN	28 = FWD PICKUP
22 = 2-DOOR SPECIAL COUPE	41 = 4-DOOR SEDAN
24 = 2-DOOR HATCHBACK	44 = 4-DOOR HATCHBACK
27 = 2-DOOR CONVERTIBLE	45 = 2-SEAT STATION WAGON

AR = Use as Required - = Non Illustrated Part P.A.R. = Paint as Required

AIR CLEANER - W/2.6 LITER ENGINE

Figure 14-400

211A 400



ITEM	PART NUMBER	QTY	BODY	MODEL	DESCRIPTION
1	MD02 5188	1			HOSE, Air Intake
2	MF66 1034	2			CLAMP, Hose
3	MD60 3339	1			COVER, Air Cleaner
	MD60 3388	1			Canada
4	MD60 3340	1			ELEMENT, Air Cleaner
5	MD60 3341	1			ELEMENT, Carbon
6	MD60 3338	1			BODY, Air Cleaner
7	MF24 3649	1			BOLT w/WASHER
8	MD02 5507	1			BRACKET, Air Cleaner
	MD02 7671	1			Canada
9	MD02 5178	2			BOLT, Flange
10	MD02 5185	1			DUCT, Heat
	MD02 6672	1			Canada
11	MF66 1023	2			CLAMP, Hose
12	MD03 0216	2			Hose
13	MD02 5187	1			HORN, Air
14	MS47 0362	1			CLIP, Snap
15	MB13 3765	1			NUT
16	MD02 5181	1			GASKET, Air Cleaner
17	MD02 7508	1			STAY, Air Cleaner
18	MD60 3366	1			WASHER, Seal
	MD60 3386	1			FILTER, Crankcase Vent (not illustrated)

MODEL CODES

B = GRAN FURY/CARAVELLE	P = RELIANT
C = LEBARON/TOWN & COUNTRY	S = CORDOBA
D = ARIES	V = 400
F = NEW YORKER	X = MIRADA
G = DIPLOMAT	Y = IMPERIAL
M = HORIZON/TC3/SCAMP	Z = OMNI/O24/RAMPAGE

BODY STYLES

21 = 2-DOOR SEDAN	28 = FWD PICKUP
22 = 2-DOOR SPECIAL COUPE	41 = 4-DOOR SEDAN
24 = 2-DOOR HATCHBACK	44 = 4-DOOR HATCHBACK
27 = 2-DOOR CONVERTIBLE	45 = 2-SEAT STATION WAGON

AR = Use as Required - = Non Illustrated Part P.A.R. = Paint as Required



# AIR CLEANER, w/225 ENGINE

## Figure 14-500

2114 500

ITEM	PART NUMBER	QTY	BODY	MODEL	DESCRIPTION
1					BODY, Air Cleaner
	4241 419	1			w/E24,E25 w/(SC-N98)
	4241 442	1			w/E26,E27 w/(SC-N98)
	4241 505	1			w/E24,E25 w/(SC-N95)
	4241 443	1			w/E26,E27 w/(SC-N93)
2	4240 062	1			SENSOR, Air Cleaner Temp.
3	4201 103	1			FILTER, Air Cleaner
4	4041 654	1			COVER, Air Cleaner
5	0118 614	1			WINGNUT, Air Cleaner
6	4026 511	AR			HOSE, Air Cleaner
7					TEE
	2857 908	1			w/E24,E25 w/(SC-N98)
	2857 908	2			w/E24,E25 w/(SC-N95)
8					VALVE, Heated Air Delay
	4201 385	2			w/E24,E25 w/(SC-N95)
	4201 385	1			w/E24,E25,E26,E27 w/(SC-N98,N93)
9					DUCT, Air Cleaner
	4049 348	1			w/(SC N98)
	4241 810	1			w/(SC N94,N95)
10	4041 310	1			CONNECTOR
11	0181 084	2			SCREW, w/ WASHER
12	4104 520	1			HEATER, Carburetor Air

NOTE: The following items are not illustrated. Locations specified in this document.

	4100 432	1			DIAPHRAGM, Air Cleaner Snorkel Vacuum
	4071 681	1			NIPPLE, Air Cleaner Body to Asperator Hose, w/E26,E27 w/(SC-N98)
	4071 703	1			GASKET, Air Cleaner Cover
	2951 394	1			CLAMP, Air Cleaner w/E24,E25 w/(SC-N95,N98)
	2951 393	1			w/E26,E27 w/(SC-N93,N98)
	1947 797	1			GASKET, Air Cleaner to Carb. w/E24,E25 w/(SC-N95,N98)
	2536 626	1			w/E26,E27 w/(SC-N93,N98)
	4213 633	1			ADAPTER, Snorkel to Fresh Air Duct

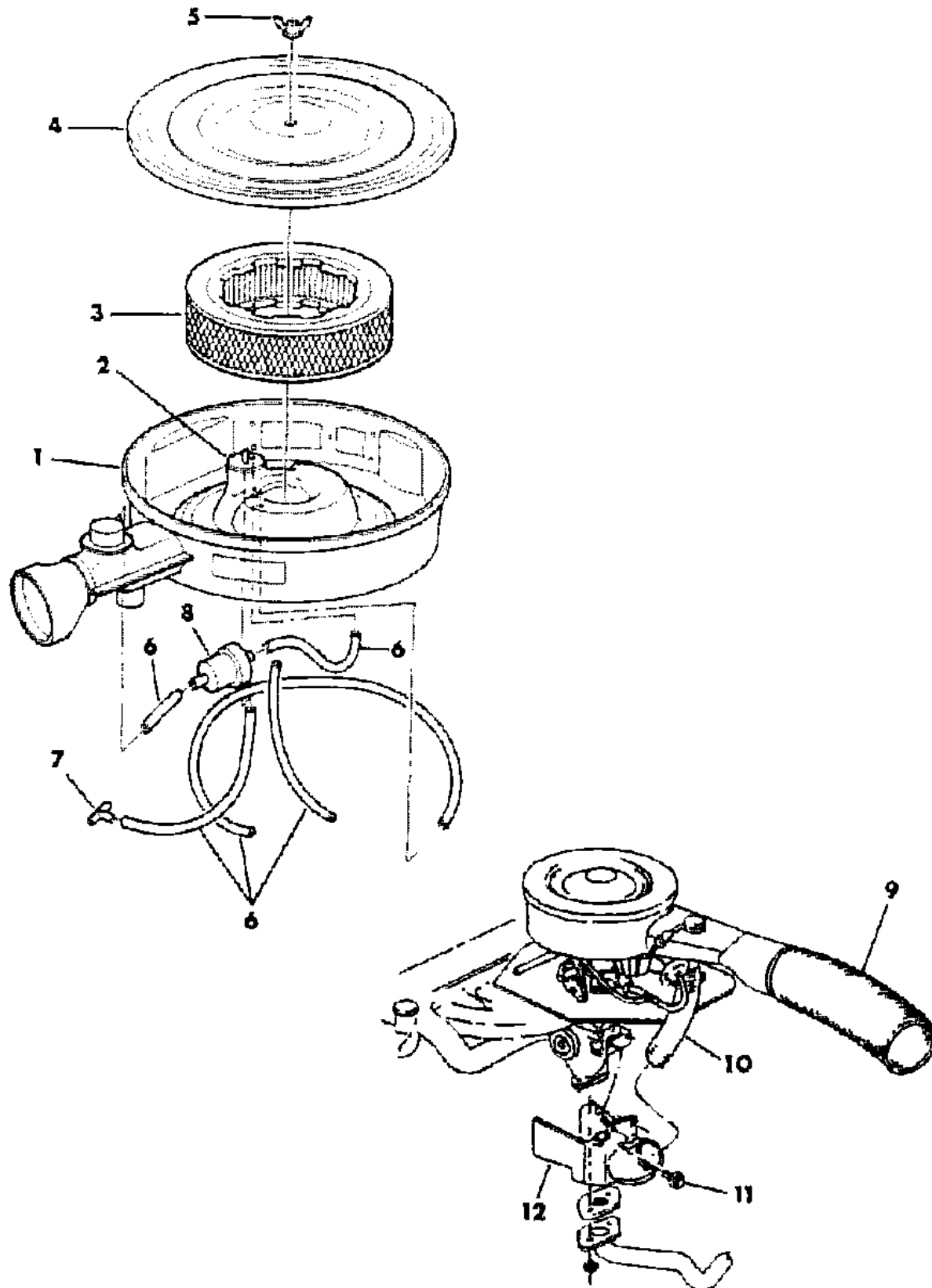
**MODEL CODES**

B = GRAN FURY/CARAVELLE	P = RELIANT
C = LEBARON/TOWN & COUNTRY	S = CORDOBA
D = ARIES	V = 400
F = NEW YORKER	X = MIRADA
G = DIPLOMAT	Y = IMPERIAL
M = HORIZON/TC3/SCAMP	Z = OMNI/O24/RAMPAGE

**BODY STYLES**

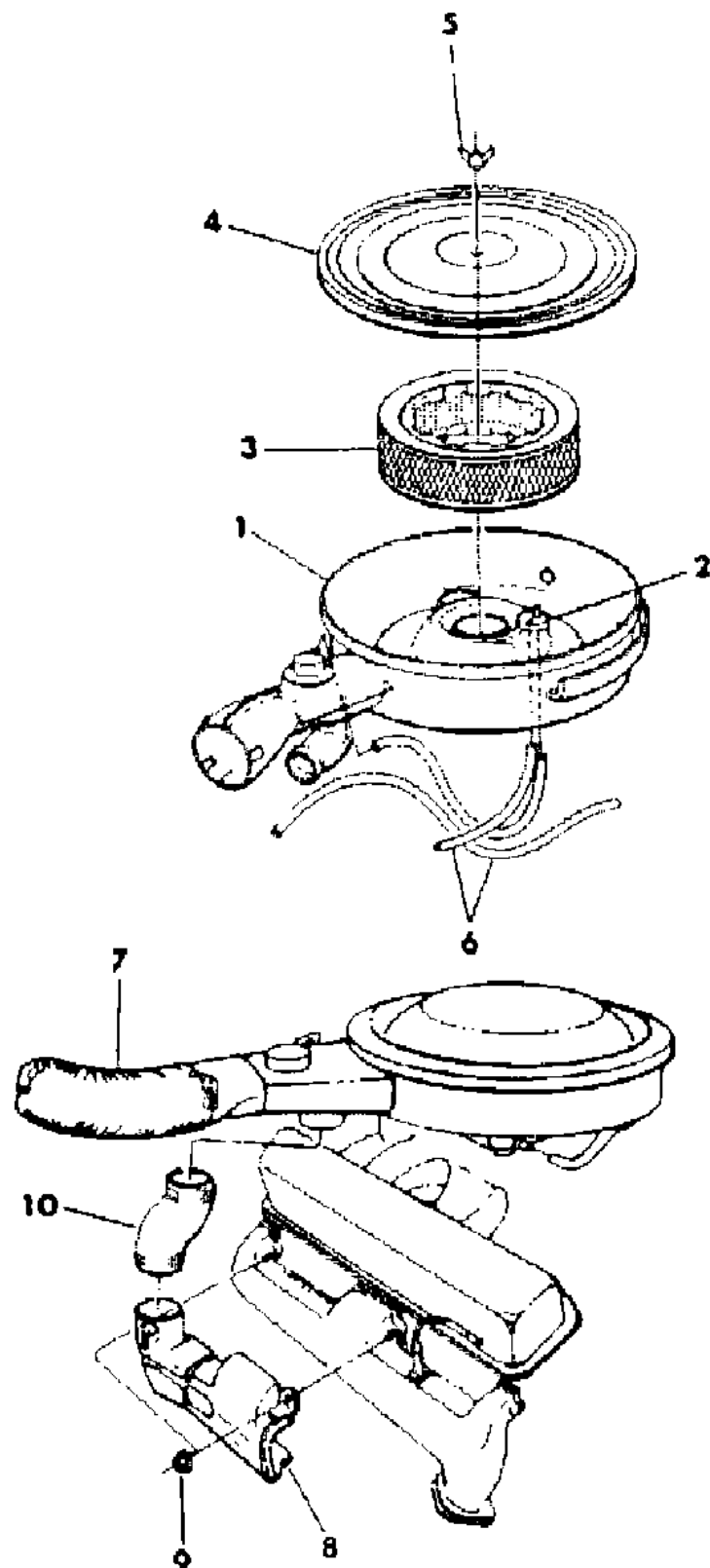
21 = 2-DOOR SEDAN	28 = FWD PICKUP
22 = 2-DOOR SPECIAL COUPE	41 = 4-DOOR SEDAN
24 = 2-DOOR HATCHBACK	44 = 4-DOOR HATCHBACK
27 = 2-DOOR CONVERTIBLE	45 = 2-SEAT STATION WAGON

AR = Use as Required - = Non Illustrated Part P.A.R. = Paint as Required



**AIR CLEANER, w/318-2BBL ENGINE**  
**Figure 14-600**

2114 600



ITEM	PART NUMBER	QTY	BODY	MODEL	DESCRIPTION
1					BODY, Air Cleaner
	4227 075	1			w/E45 w/(SC-N94,N95)
	4227 093	1			w/E45,E44 w/(SC-N92)
	4227 092	1			w/E45 w/(SC-N94),Canada
2	4240 062	1			SENSOR, Air Cleaner Temp.
3					FILTER, Air Cleaner
	4201 103	1			w/E45 w/(SC-N94,N95)
	1739 547	1			w/E45,E44 w/(SC-N92)
	1739 547	1			w/E45 w/(SC-N94), Canada
4	4041 654	1			COVER, Air Cleaner
5	0118 614	1			WINGNUT, Air Cleaner
6	4026 511	AR			HOSE, Air Cleaner
7					DUCT, Air Cleaner to Bodyside
	4049 348	1		F,G,X,S	
8	4227 981	1			HEATER, Carburetor Air
9	6025 004	2			NUT, w/ WASHER
10	4241 310	1			CONNECTOR, Carburetor Air Heater to Air Cleaner Snorkel
NOTE: The following items are not illustrated. Locations specified in this document.					
	2951 393	1			CLAMP, Air Cleaner
	2536 626	1			GASKET, Air Cleaner to Carb.
	4100 432	1			DIAPHRAGM, Air Cleaner Snorkel Vacuum
	4071 703	1			GASKET, Air Cleaner Cover
	4213 633	1			ADAPTER

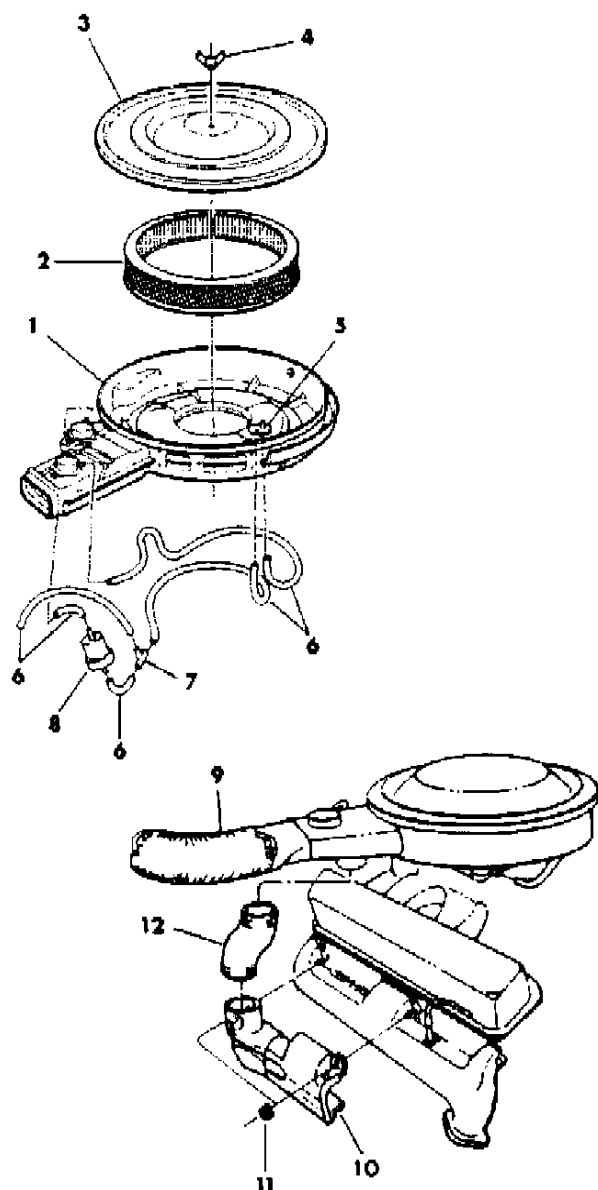
MODEL CODES  
 B = GRAN FURY/CARAVELLE      P = RELIANT  
 C = LEBARON/TOWN & COUNTRY      S = CORDOBA  
 D = ARIES      V = 400  
 F = NEW YORKER      X = MIRADA  
 G = DIPLOMAT      Y = IMPERIAL  
 M = HORIZON/TC3/SCAMP      Z = OMNI/O24/RAMPAGE

BODY STYLES  
 21 = 2-DOOR SEDAN      28 = FWD PICKUP  
 22 = 2-DOOR SPECIAL COUPE      41 = 4-DOOR SEDAN  
 24 = 2-DOOR HATCHBACK      44 = 4-DOOR HATCHBACK  
 27 = 2-DOOR CONVERTIBLE      45 = 2-SEAT STATION WAGON

AR = Use as Required - = Non Illustrated Part P.A.R. = Paint as Required

**AIR CLEANER, w/318-4BBL ENGINE**  
**Figure 14-700**

3114 700



ITEM	PART NUMBER	QTY	BODY	MODEL	DESCRIPTION
1	4227 099	1			BODY, Air Cleaner w/E46,E48 w/(SC-N92)
	4105 944	1			w/E46,E48 w/(SC-N94,N95)
2	2863 349	1			FILTER, Air Cleaner
3	2951 757	1			COVER, Air Cleaner
4	6031 609	1			WINGNUT, Air Cleaner
5	4240 062	1			SENSOR, Air Cleaner Temp.
6	4206 511	AR			HOSE,Air Cleaner
7					TEE
	2857 908	1			w/E46,E48 w/(SC-N92)
	3671 410	1			w/E46,E48 w/(SC-N94,N95)
8	4201 385	1			VALVE, Heated Air Delay
9					DUCT, Air Cleaner to Bodyside
	4049 348	1			w/ (SC-N92)
	4179 789	1			w/ (SC-N94,N95)
10	4227 981	1			HEATER, Carburetor Air
11	6025 004	2			NUT, w/ WASHER
12	4241 310	1			CONNECTOR, Carburetor Air Heater to Air Cleaner Snorkel
NOTE: The following items are not illustrated. Locations specified in this document.					
					DIAPHRAGM, Air Cleaner Snorkel Vacuum
	4100 432	1			w/E46,E48 w/(SC-N92)
	4201 010	1			w/E46,E48 w/(SC-N94,N95)
	4071 703	1			GASKET, Air Cleaner Cover
	1826 286	1			STUD, Air Cleaner to Carb.
	4100 602	1			GASKET, Air Cleaner to Carb.
					ADAPTER, Snorkel to Fresh Air Duct
	4213 632	1			w/(SC N92,N94)
	4213 633	1			w/(SC N95)

**MODEL CODES**

B = GRAN FURY/CARAVELLE	P = RELIANT
C = LEBARON/TOWN & COUNTRY	S = CORDOBA
D = ARIES	V = 400
F = NEW YORKER	X = MIRADA
G = DIPLOMAT	Y = IMPERIAL
M = HORIZON/TC3/SCAMP	Z = OMNI/O24/RAMPAGE

**BODY STYLES**

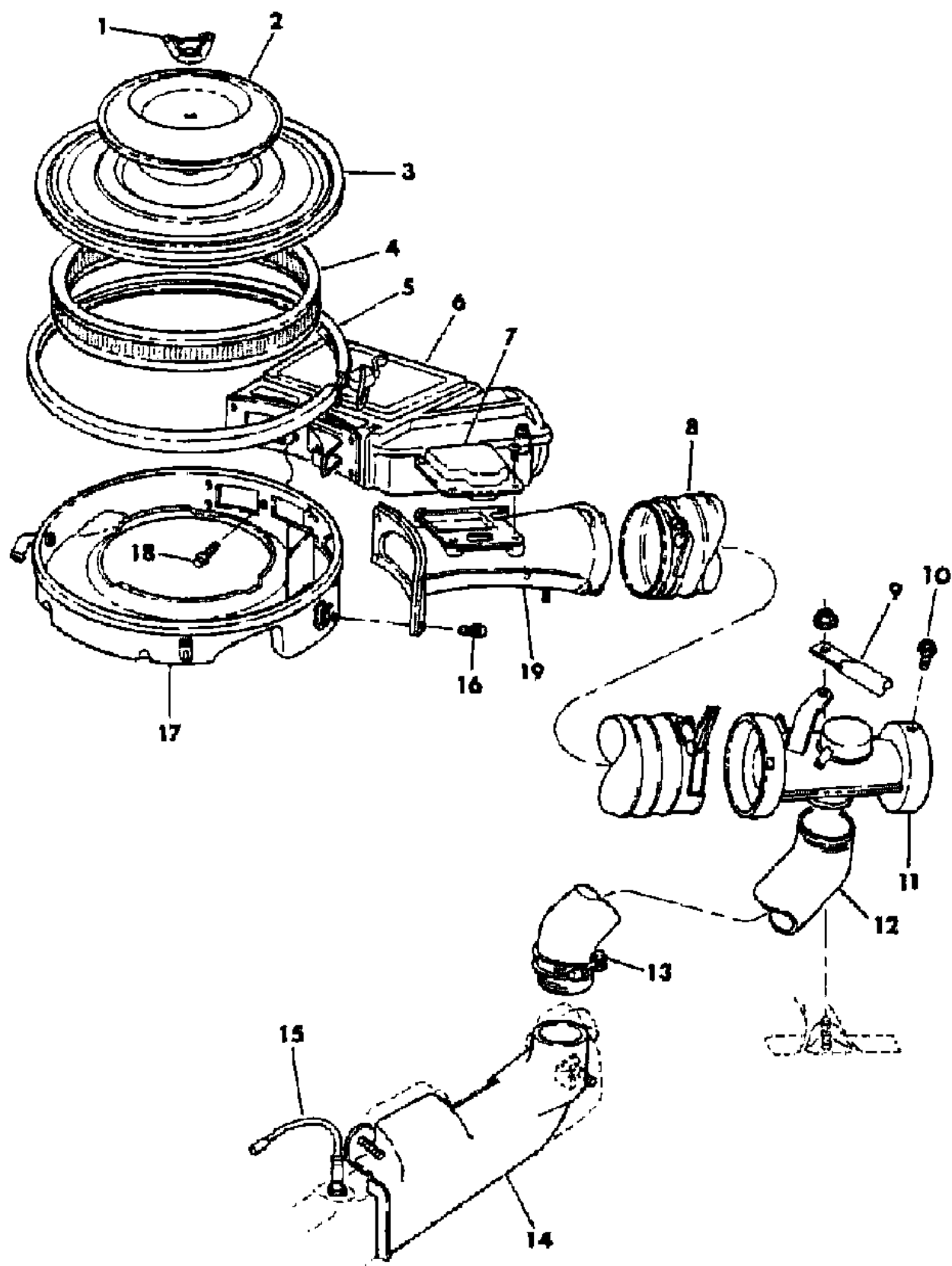
21 = 2-DOOR SEDAN	28 = FWD PICKUP
22 = 2-DOOR SPECIAL COUPE	41 = 4-DOOR SEDAN
24 = 2-DOOR HATCHBACK	44 = 4-DOOR HATCHBACK
27 = 2-DOOR CONVERTIBLE	45 = 2-SEAT STATION WAGON

AR = Use as Required - = Non Illustrated Part P.A.R. = Paint as Required

AIR CLEANER - E.F.I.-W/318 (E43) ENGINE

Figure 14-800

2114 600



ITEM	PART NUMBER	QTY	BODY	MODEL	DESCRIPTION
1	0219 462	1			WINGNUT
2		1			PLATE, Engine Ident. Name (not serviced)
3	4268 160	1			COVER, Air Cleaner
	4071 703	1			GASKET, Air Cleaner Cover (not illustrated)
4	2863 349	1			FILTER, Air Cleaner
5	4241 700	1			CLAMP, Air Cleaner Cover Retaining
6					CONTROL ASSY. (refer to Group 8)
7	4267 128	1			FLOWMETER, Air
	4091 325	1			GASKET, Flowmeter Air Cleaner
	4091 326	1			GASKET, Flowmeter Cover
8	4201 145	1			DUCT, Fresh Air
9					STRUT, Battery Hold Down (refer to Group 13)
10		1			SCREW (not serviced)
11	4179 431	1			ADAPTOR, Heated Air
12	4241 310	1			CONNECTOR
13		1			CLAMP (not serviced)
14	4173 186	1			HEATER, Carburetor Air
15					SENSOR, Oxygen (refer to Group 25)
16		4			SCREW (not serviced)
17	4173 119	1			BODY, Air Cleaner
18		5			SCREW (not serviced)
19	4267 127	1			SNORKEL

MODEL CODES

B = GRAN FURY/CARAVELLE	P = RELIANT
C = LEBARON/TOWN & COUNTRY	S = CORDOBA
D = ARIES	V = 400
F = NEW YORKER	X = MIRADA
G = DIPLOMAT	Y = IMPERIAL
M = HORIZON/TC3/SCAMP	Z = OMNI/O24/RAMPAGE

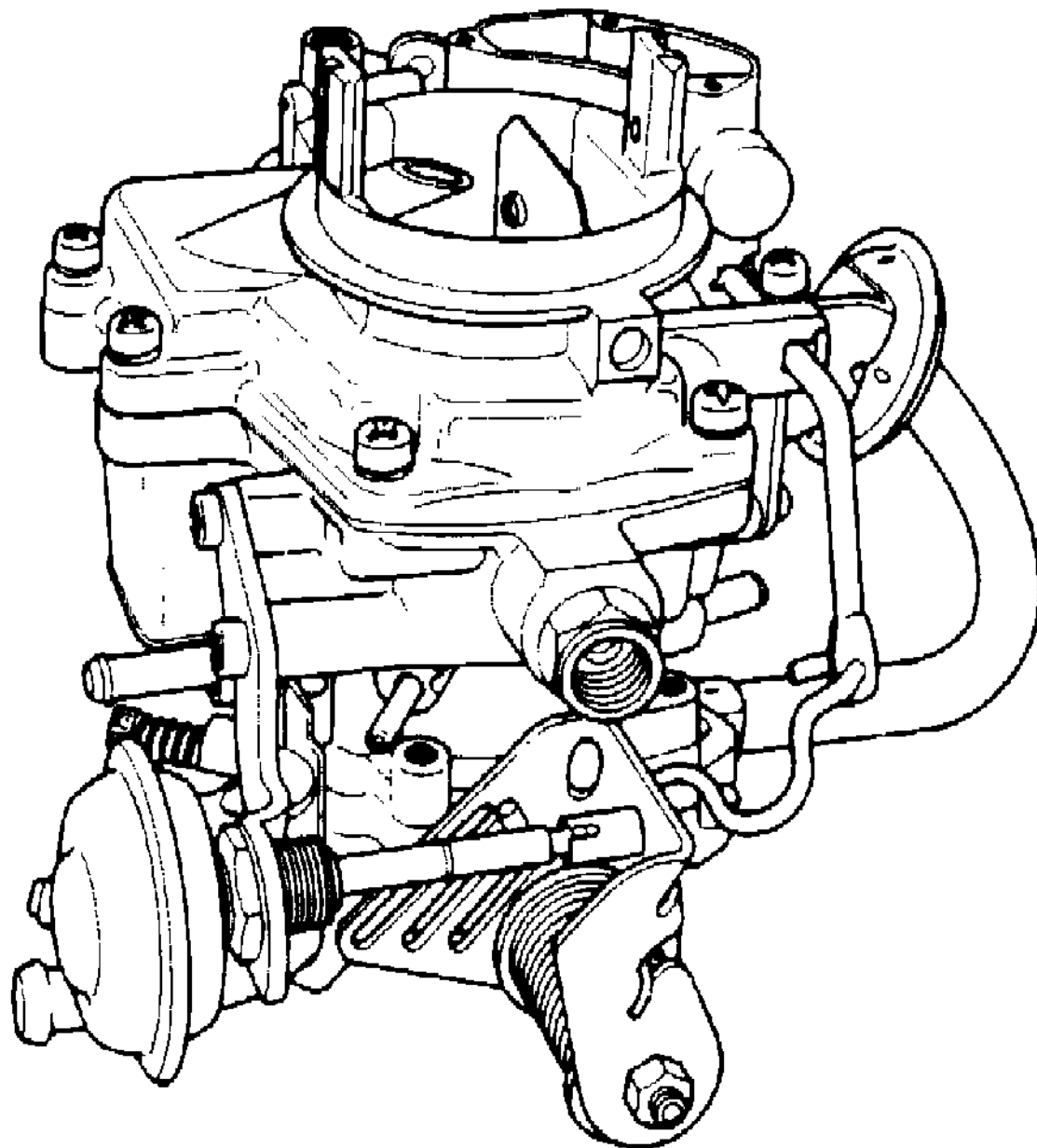
BODY STYLES

21 = 2-DOOR SEDAN	28 = FWD PICKUP
22 = 2-DOOR SPECIAL COUPE	41 = 4-DOOR SEDAN
24 = 2-DOOR HATCHBACK	44 = 4-DOOR HATCHBACK
27 = 2-DOOR CONVERTIBLE	45 = 2-SEAT STATION WAGON

AR = Use as Required - = Non Illustrated Part P.A.R. = Paint as Required

HOLLY 1BBL. CARBURETOR and COMPONENT PARTS  
Figure 14-900

2114 900



ITEM	PART NUMBER	QTY	BODY	MODEL	DESCRIPTION
	4227 257				B,F,G,X,S w/(SC_N98)   225/A NR9627 N4227257 Y4227257 N1
	4227 258				B,F,G,X,S w/(SC-N96)   225/A NR9628 N4227258 Y4227258 N2
	4179 181				B,F,G,X,S w/(SC-N95)   225/A NR9760 N4179181 Y4179181 N3
	4227 275				B,F,G,X,S, w/(SC-N95)   225/A NR9936 N4227275 Y4227275 N4
	4287 024				B,F,G,X,S w/(SC-N98)   225/A NR9944 N4287024 Y4287024 N5
	4287 040				B,F,G,X,S w/(SC-N96)   225/A NR9628-1 N4287040 Y4287040 N6
	4287 041				B,F,G,X,S w/(SC-N95)   225/A NR9936-1 N4287041 Y4287041 N7
	4071 983				GASKET, Flange Y4071983 Y4071983 Y4071983 Y4071983
	4267 120				KIT, Repair Y4267120 N4267241 N4267155 N4267155
	4267 241				KIT, Repair N4267120 Y4267241 N4267155 N4267155
	4267 155				KIT, Repair N4267120 N4267241 Y4267155 Y4267155
	4267 173				SET, Gasket Y4267173 N4267172 N4267154 N4267154
	4267 172				SET, Gasket N4267173 Y4267172 N4267154 N4267154
	4267 154				SET, Gasket N4267173 N4267172 Y4267154 Y4267154
	4026 259				NEEDLE and SEAT Y4026259 Y4026259 Y4026259 Y4026259
	4094 859				CUP and PLUNGER, Accel. Pump Y4094859 Y4094859 Y4094859 Y4094859
	4186 146				GASKET, Air Horn Y4186146 N4267239 N4267151 N4267151
	4267 239				GASKET, Air Horn N4186146 Y4267239 N4267151 N4267151
	4267 151				GASKET, Air Horn N4186146 N4267239 Y4267151 Y4267151
	4213 715				CHOKE Y4213715 Y4213715 Y4213715 Y4213715
	4240 001				JET, Main Y4240001 N4186131 N4240178 N4240178
	4186 131				JET, Main N4240001 Y4186131 N4240178 N4240178
	4240 178				JET, Main N4240001 N4186131 Y4240178 Y4240178
	4186 308				SOLENOID, Vent Switch Y4186308 Y4186308 Y4186308 Y4186308
	4186 313				VALVE, Power Vacuum Y4186313 N4049220 N4267186 N4267186
	4049 220				VALVE, Power Vacuum N4186313 Y4049220 N4267186 N4267186

MODEL CODES

B = GRAN FURY/CARAVELLE	P = RELIANT
C = LEBARON/TOWN & COUNTRY	S = CORDOBA
D = ARIES	V = 400
F = NEW YORKER	X = MIRADA
G = DIPLOMAT	Y = IMPERIAL
M = HORIZON/TC3/SCAMP	Z = OMNI/O24/RAMPAGE

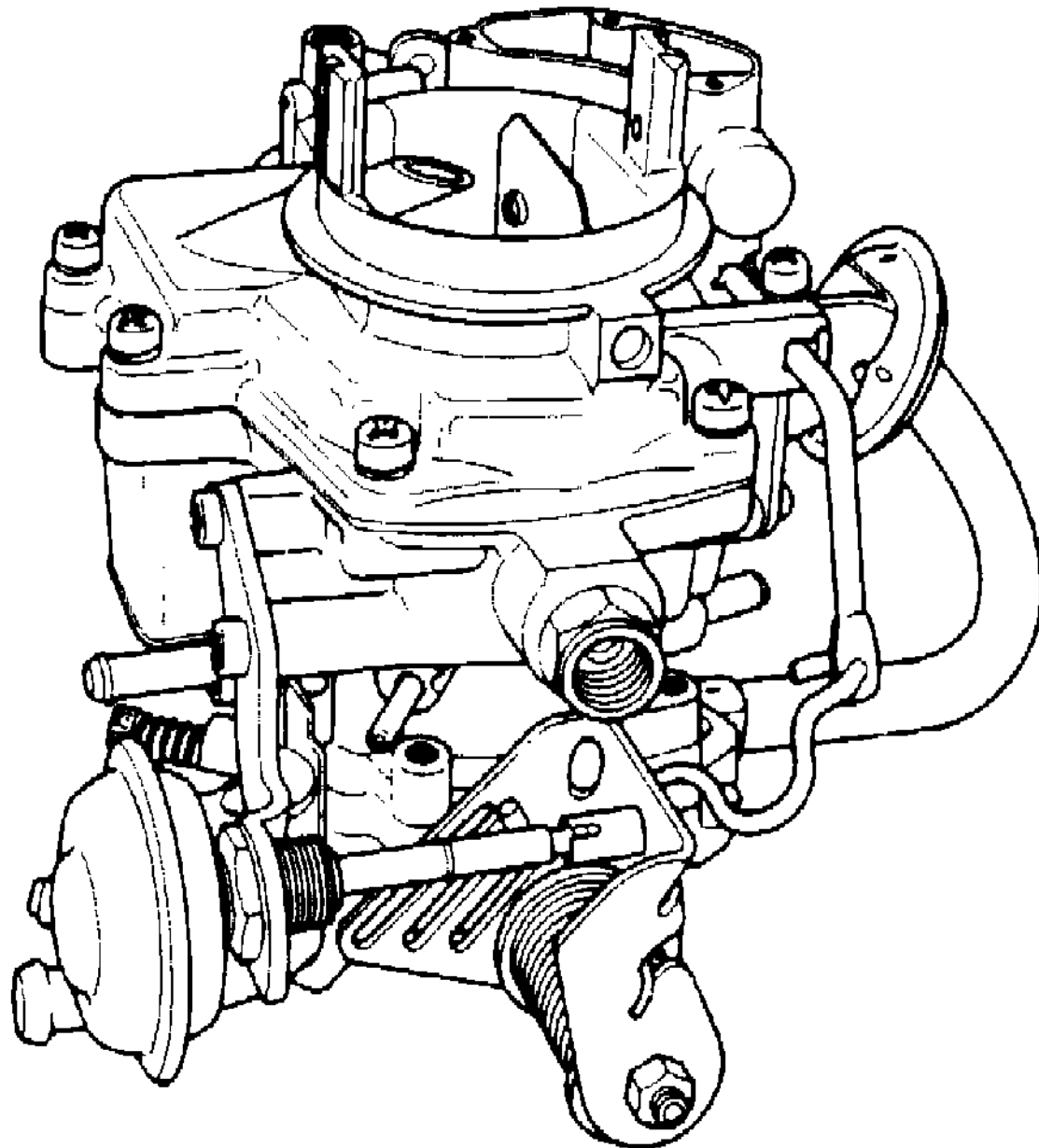
BODY STYLES

21 = 2-DOOR SEDAN	28 = FWD PICKUP
22 = 2-DOOR SPECIAL COUPE	41 = 4-DOOR SEDAN
24 = 2-DOOR HATCHBACK	44 = 4-DOOR HATCHBACK
27 = 2-DOOR CONVERTIBLE	45 = 2-SEAT STATION WAGON

AR = Use as Required - = Non Illustrated Part P.A.R. = Paint as Required

HOLLY 1BBL. CARBURETOR and COMPONENT PARTS  
Figure 14-900

2114 900



ITEM	PART NUMBER	QTY	BODY	MODEL	DESCRIPTION
	4267 186				VALVE, Power Vacuum N4186313 N4049220 Y4267186 Y4267186
	4240 005				VALVE, Power Mechanical Y4240005 Y4240005 N0 N
	4240 035				SCREW, Solenoid Idle Adjusting Y4240035 Y4240035 Y4240035 Y4240035
	4267 140				PLUG, Idle Needle Y4267140 Y4267140 Y4267140 Y4267140
	4240 042				FLOAT Y4240042 Y4240042 Y4240042 Y4240042
	4186 294				CONNECTOR, 3-Way Y4186294 Y4186294 Y4186294 Y4186294
	4131 115				DIAPHRAGM, w/ STEM, Power Valve Y4131115 N0 N0 N
	3514 734				PIN, Idle Needle Roll Y3514734 Y3514734 N0 N
	4186 147				STEM, Piston Cup Y4186147 Y4186147 N0 N
	4271 918				DIAPHRAGM, w/ LINK, Choke Y4271918 N4271915 N4271915 N4271915
	4271 915				DIAPHRAGM, w/ LINK, Choke N4271918 Y4271915 Y4271915 Y4271915
	4267 240				SOLENOID Y4267240 Y4267240 N0 N
	4271 973				SCREW, Choke Diaphragm Adjusting Y4271973 Y4271973 N4271916 Y4271973
	4271 916				SCREW, Choke Diaphragm Adjusting N4271973 N4271973 Y4271916 N4271973
	4271 917				PLUG, Choke Diaphragm N0 N0 Y4271917 N
	4267 142				PUMP, Accel. N N Y4267142 Y4267142
	4267 219				SOLENOID, Duty-Cycle N N Y4267219 Y4267219
	4267 240				SOLENOID, Air Cond. N N Y4267240 Y4267240
	4071 983				GASKET, Flange Y4071983 Y4071983 Y4071983 Y4071983
	4267 120				KIT, Repair Y4267120 N4267241 N4267155 Y4267120
	4267 241				KIT, Repair N4267120 Y4267241 N4267155 N4267120
	4267 155				KIT, Repair N4267120 N4267241 Y4267155 N4267120
	4267 173				SET, Gasket Y4267173 N4267172 N4267154 Y4267173
	4267 172				SET, Gasket N4267173 Y4267172 N4267154 N4267173
	4267 154				SET, Gasket N4267173 N4267172 Y4267154 N4267173
	4026 259				NEEDLE and SEAT Y4026259 Y4026259 Y4026259 Y4026259
	4094 859				CUP and PLUNGER, Accel. Pump Y4094859 Y4094859 Y4094859 Y4094859
	4267 142				PUMP, Accel. N N Y4267142 N
	4186 146				GASKET, Air Horn Y4186146 N4267239 N4267151 Y4186146

MODEL CODES

B = GRAN FURY/CARAVELLE	P = RELIANT
C = LEBARON/TOWN & COUNTRY	S = CORDOBA
D = ARIES	V = 400
F = NEW YORKER	X = MIRADA
G = DIPLOMAT	Y = IMPERIAL
M = HORIZON/TC3/SCAMP	Z = OMNI/O24/RAMPAGE

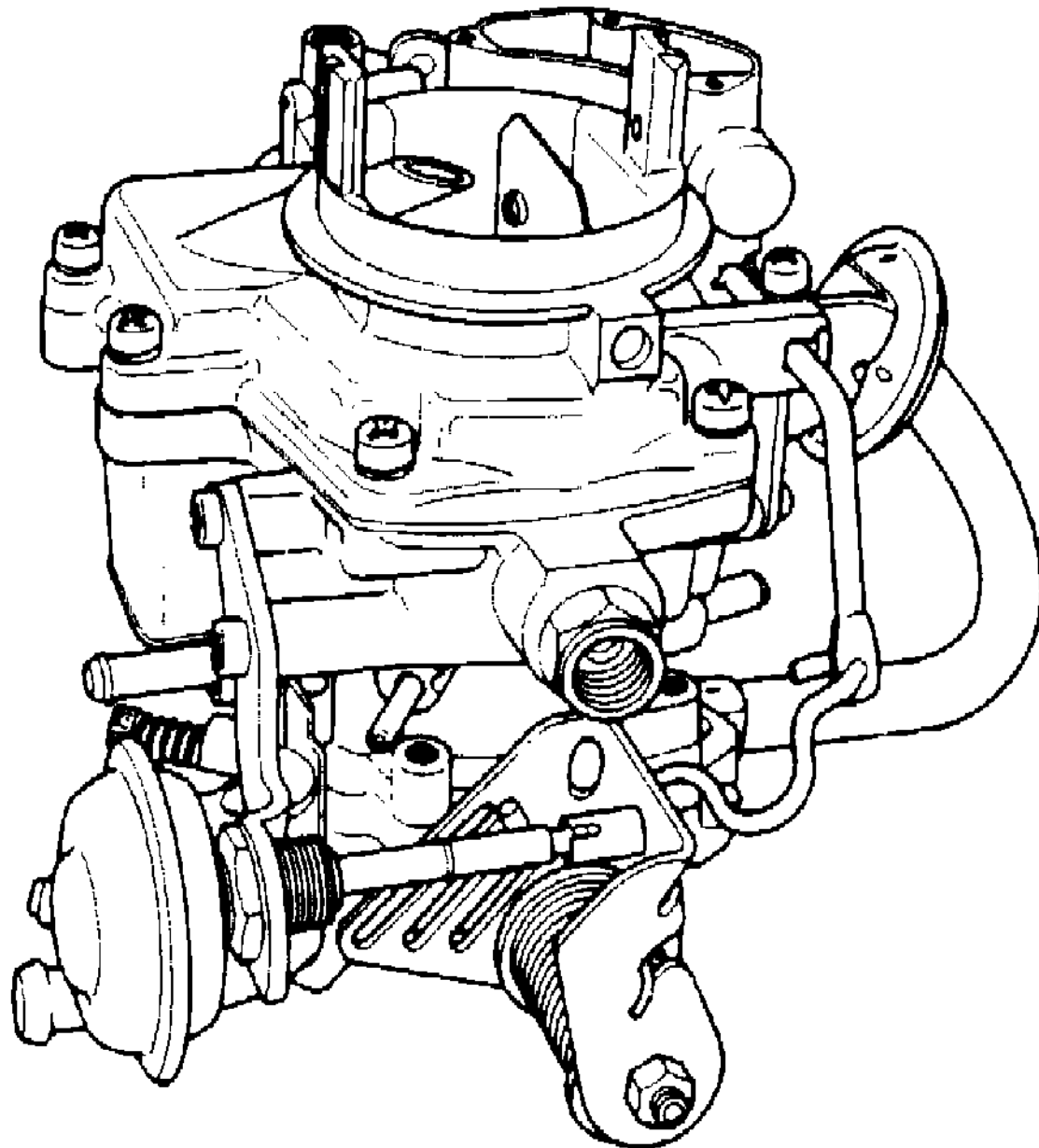
BODY STYLES

21 = 2-DOOR SEDAN	28 = FWD PICKUP
22 = 2-DOOR SPECIAL COUPE	41 = 4-DOOR SEDAN
24 = 2-DOOR HATCHBACK	44 = 4-DOOR HATCHBACK
27 = 2-DOOR CONVERTIBLE	45 = 2-SEAT STATION WAGON

AR = Use as Required - = Non Illustrated Part P.A.R. = Paint as Required

**HOLLY 1BBL. CARBURETOR and COMPONENT PARTS**  
**Figure 14-900**

2114 900



ITEM	PART NUMBER	QTY	BODY	MODEL	DESCRIPTION
	4267 239				GASKET, Air Horn N4186146 Y4267239 N4267151 N4186146
	4267 151				GASKET, Air Horn N4186146 N4267239 Y4267151 N4186146
	4213 715				CHOKE Y4213715 Y4213715 Y4213715 Y4213715
	4240 001				JET, Main Y4240001 N4186131 N4240178 Y4240001
	4186 131				JET, Main N4240001 Y4186131 N4240178 N4240001
	4240 178				JET, Main N4240001 N4186131 Y4240178 N4240001
	4186 308				SOLENOID, Vent Switch Y4186308 Y4186308 Y4186308
	4186 313				VALVE, Power Vacuum Y4186313 N4049220 N4267186
	4049 220				VALVE, Power Vacuum N4186313 Y4049220 N4267186
	4267 186				VALVE, Power Vacuum N4186313 N4049220 Y4267186
	4240 005				VALVE, Power Mechanical Y4240005 Y4240005 N Y4240005
	4240 035				SCREW, Solenoid Idle Adjusting Y4240035 Y4240035
	4267 140				PLUG, Idle Needle Y4267140 Y4267140 Y4267140 Y4267140
	4240 042				FLOAT Y4240042 Y4240042 Y4240042 Y4240042
	4186 294				CONNECTOR, 3-Way Y4186294 N N N
	4131 115				DIAPHRAGM, w/ Stem, Power Valve Y4131115 N N Y4131115
	4186 147				STEM, Piston Cup Y4186147 Y4186147 N Y4186147
	4271 918				DIAPHRAGM, w/LINK, Choke Y4271918 N4271950 N4271950
	4271 950				DIAPHRAGM, w/LINK, Choke N4271918 Y4271950 Y4271950
	4271 951				DIAPHRAGM, w/LINK, Choke N4271918 N4271950 N4271950
	4267 240				SOLENOID, Air Cond. Y4267240 Y4267240 Y4267240
	4267 219				SOLENOID, Duty-Cycle N N Y4267219 N
	4271 973				SCREW, Choke Diaphragm Adjusting Y4271973 N0 N0 N0
	4071 983				GASKET, Flange Y4071983 N N N
	4267 155				KIT, Repair Y4267155 N N N
	4267 154				SET, Gasket Y4267154 N N N
	4026 259				NEEDLE and SEAT Y4026259 N N N
	4094 859				CUP and PLUNGER, Accel Pump Y4094859 N N N

**MODEL CODES**

B = GRAN FURY/CARAVELLE	P = RELIANT
C = LEBARON/TOWN & COUNTRY	S = CORDOBA
D = ARIES	V = 400
F = NEW YORKER	X = MIRADA
G = DIPLOMAT	Y = IMPERIAL
M = HORIZON/TC3/SCAMP	Z = OMNI/O24/RAMPAGE

**BODY STYLES**

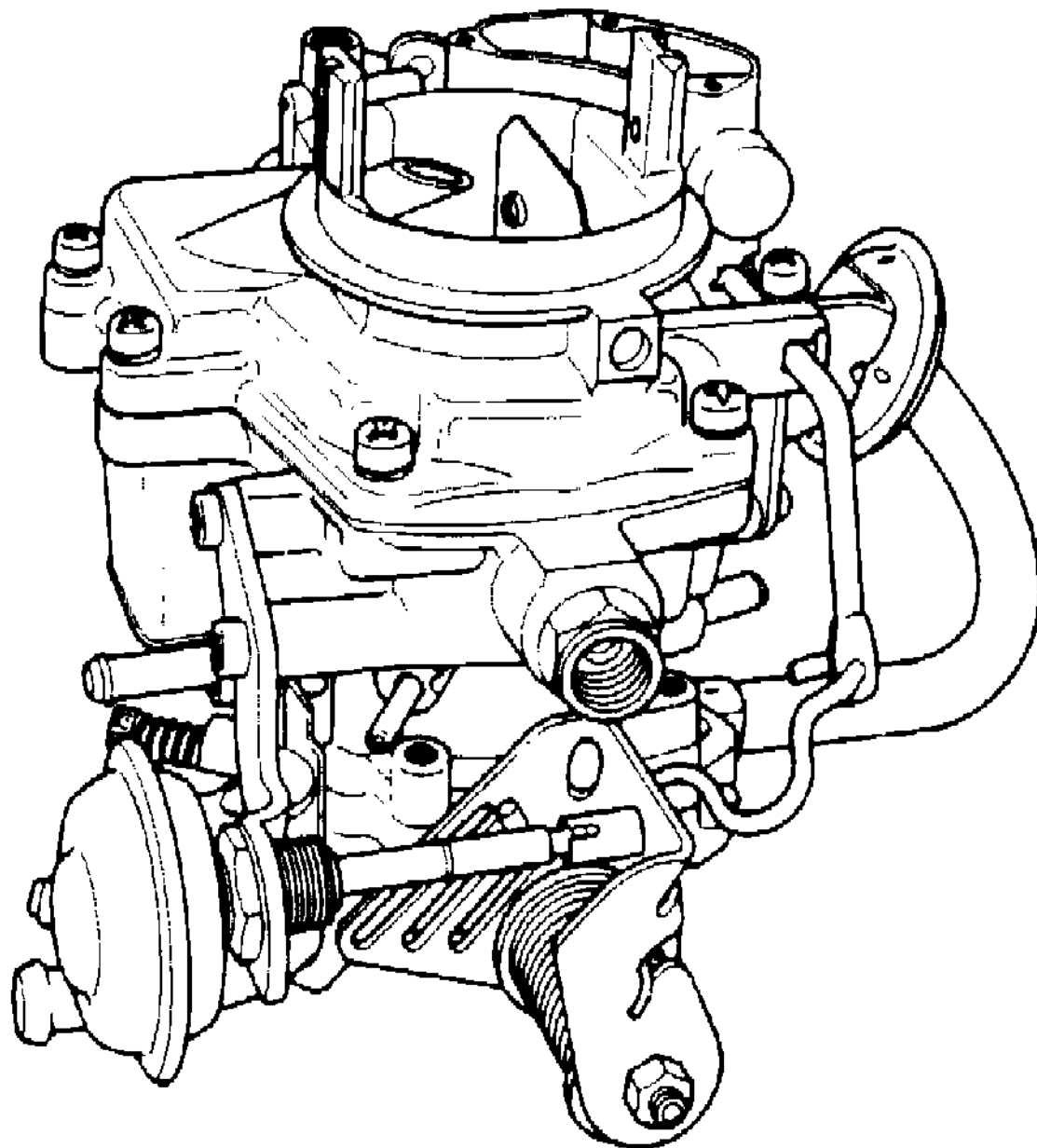
21 = 2-DOOR SEDAN	28 = FWD PICKUP
22 = 2-DOOR SPECIAL COUPE	41 = 4-DOOR SEDAN
24 = 2-DOOR HATCHBACK	44 = 4-DOOR HATCHBACK
27 = 2-DOOR CONVERTIBLE	45 = 2-SEAT STATION WAGON

AR = Use as Required - = Non Illustrated Part P.A.R. = Paint as Required

HOLLY 1BBL. CARBURETOR and COMPONENT PARTS

Figure 14-900

2114 900



ITEM	PART NUMBER	QTY	BODY	MODEL	DESCRIPTION
	4267 142				PUMP, Accel Y4267142 N N N
	4267 151				GASKET, Air Horn Y4267151 N N N
	4213 715				CHOKE Y4213715 N N N
	4240 178				JET, Main Y4240178 N N N
	4186 308				SOLENOID, Vent Switch Y4186308 N N N
	4267 186				VALVE, Power Y4267186 N N N
	4240 035				SCREW, Solenoid Idle Adjusting Y4240035 N N N
	4267 140				PLUG, Idle Needle Y4267140 N N N
	4240 042				FLOAT Y4240042 N N N
	4267 240				SOLENOID, Air Cond. Y4267240 N N N
	4267 219				SOLENOID, Duty-Cycle Y4267219 N N N
	4271 916				SCREW, Choke Diaphragm Adjusting Y4271916 N N N
	4271 950				DIAPHRAGM, w/LINK, Choke Y4271950 N N N

MODEL CODES

B = GRAN FURY/CARAVELLE	P = RELIANT
C = LEBARON/TOWN & COUNTRY	S = CORDOBA
D = ARIES	V = 400
F = NEW YORKER	X = MIRADA
G = DIPLOMAT	Y = IMPERIAL
M = HORIZON/TC3/SCAMP	Z = OMNI/O24/RAMPAGE

BODY STYLES

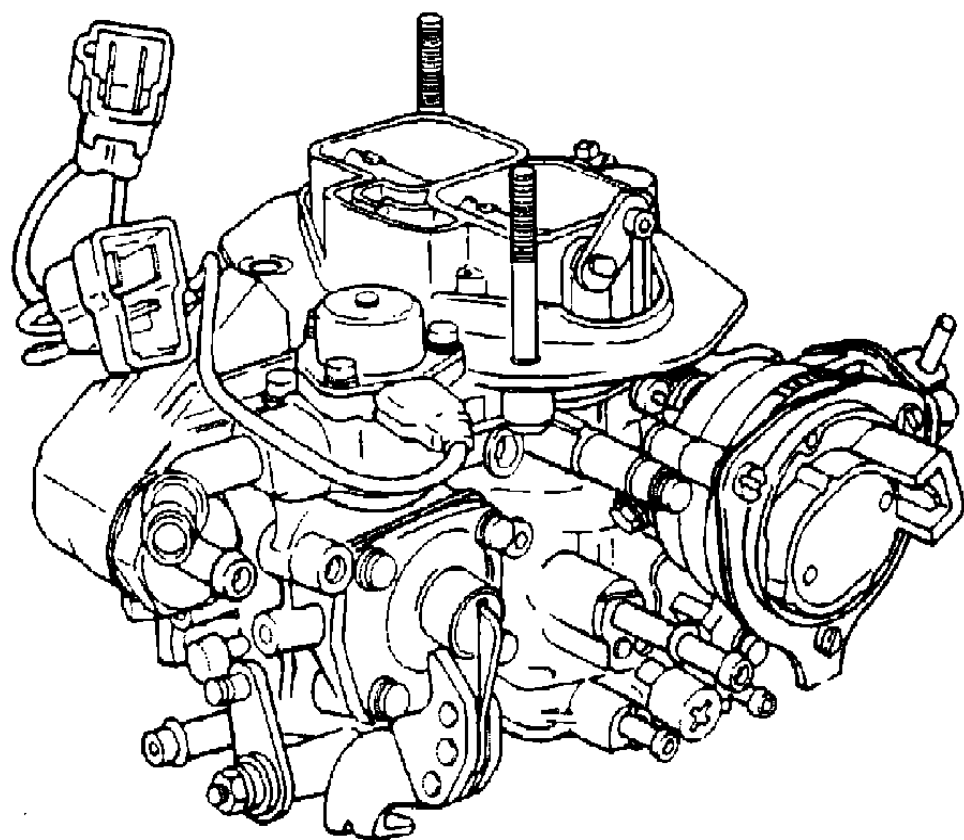
21 = 2-DOOR SEDAN	28 = FWD PICKUP
22 = 2-DOOR SPECIAL COUPE	41 = 4-DOOR SEDAN
24 = 2-DOOR HATCHBACK	44 = 4-DOOR HATCHBACK
27 = 2-DOOR CONVERTIBLE	45 = 2-SEAT STATION WAGON

AR = Use as Required - = Non Illustrated Part P.A.R. = Paint as Required



**HOLLEY 2BBL. CARBURETOR and COMPONENT PARTS**  
**Figure 14-1000**

2114 1060



ITEM	PART NUMBER	QTY	BODY	MODEL	DESCRIPTION
	4213 719				M,Z w/(SC-N94) w/o Air Cond.   1.7L/M NR9822 N4213719 Y4213719 N1
	4213 728				M,Z w/(SC-N94) w/ Air Cond.   1.7L/M NR9823 N4213728 Y4213728 N2
	4213 729				M,Z w/(SC-N94) w/o Air Cond.   1.7L/A NR9824 N4213729 Y4213729 N3
	4227 208				M,Z w/(SC-N96) w/o Air Cond.   1.7L/A NR9497 N4227208 Y4227208 N4
	4227 210				M,Z w/(SC-N62) w/o Air Cond.   1.7L/M NR9499 N4227210 Y4227210 N5
	4287 038				M,Z w/(SC-N62) w/o Air Cond.   1.7L/M NR9959 N4287038 Y4287038 N29
	4179 183				M,Z w/(SC-N62) w/o Air Cond.   1.7L/A NR9820 N4179183 Y4179183 N6
	4287 022				M,Z w/(SC-N94,N96) w/o Air Cond.   1.7/A NR9938 N4287022 Y4287022 N28
	4287 021				M,Z w/(SC-N94,N96) w/ Air Cond.   1.7/A NR9937 N4287021 Y4287021 N27
	4227 214				M,Z,P,D,C,V w/(SC-N94) w/o Air Cond.   2.2L/M NR9503 N4227214 Y4227214 N7
	4227 214				W w/(SC-N95,N61) w/o Air Cond.   2.2L/M NR9503 N4227214 Y4227214 N7
	4227 215				M,Z,P,D,C,V w/(SC-N94) w/ Air Cond.   2.2L/M NR9504 N4227215 Y4227215 N8
	4227 215				W w/(SC-N95,N61) w/ Air Cond.   2.2L/M NR9504 N4227215 Y4227215 N8
	4227 216				M,Z,P,D,C,V w/(SC-N94) w/o Air Cond.   2.2L/A NR9505 N4227216 Y4227216 N9
	4227 216				W w/(SC-N95,N61) w/o Air Cond.   2.2L/A NR9505 N4227216 Y4227216 N9
	4227 217				M,Z,P,D,C,V w/(SC-N94) w/ Air Cond.   2.2L/A NR9506 N4227217 Y4227217 N10
	4227 217				W w/(SC-N95,N61) w/ Air Cond.   2.2L/A NR9506 N4227217 Y4227217 N10
	4227 260				M,Z,P,D,C,V w/(SC-N96) w/o Air Cond.   2.2L/M NR9750 N4227260 Y4227260 N11

**MODEL CODES**

B = GRAN FURY/CARAVELLE	P = RELIANT
C = LEBARON/TOWN & COUNTRY	S = CORDOBA
D = ARIES	V = 400
F = NEW YORKER	X = MIRADA
G = DIPLOMAT	Y = IMPERIAL
M = HORIZON/TC3/SCAMP	Z = OMNI/O24/RAMPAGE

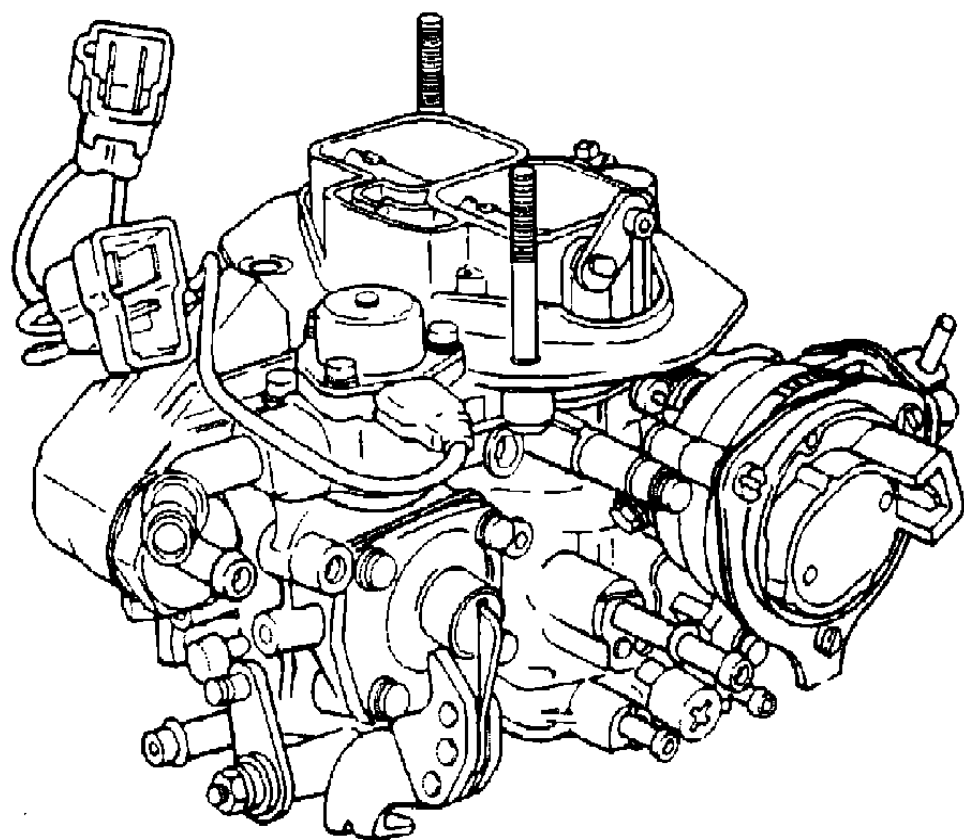
**BODY STYLES**

21 = 2-DOOR SEDAN	28 = FWD PICKUP
22 = 2-DOOR SPECIAL COUPE	41 = 4-DOOR SEDAN
24 = 2-DOOR HATCHBACK	44 = 4-DOOR HATCHBACK
27 = 2-DOOR CONVERTIBLE	45 = 2-SEAT STATION WAGON

AR = Use as Required - = Non Illustrated Part P.A.R. = Paint as Required

**HOLLEY 2BBL. CARBURETOR and COMPONENT PARTS**  
**Figure 14-1000**

2114 1060



ITEM	PART NUMBER	QTY	BODY	MODEL	DESCRIPTION
	4227 261				M,Z,P,D,C,V w/(SC-N96) w/ Air Cond.   2.2L/M NR9751 N4227261 Y4227261 N12
	4227 262				M,Z,P,D,C,V w/(SC-N96) w/o Air Cond.   2.2L/A NR9752 N4227262 Y4227262 N13
	4227 263				M,Z,P,D,C,V w/(SC-N96) w/ Air Cond.   2.2L/A NR9753 N4227263 Y4227263 N14
	4227 218				M,Z,P,D,C,V w/(SC-N95,N61) w/o Air Cond.   2.2L/M NR9507 N4227218 Y4227218 N15
	4227 219				M,Z,P,D,C,V w/(SC-N95,N61) w/ Air Cond.   2.2L/M NR9508 N4227219 Y4227219 N16
	4227 220				M,Z,P,D,C,V w/(SC-N95,N61) w/o Air Cond.   2.2L/A NR9509 N4227220 Y4227220 N17
	4227 221				M,Z,P,D,C,V w/(SC-N95,N61) w/ Air Cond.   2.2L/A NR9510 N4227221 Y4227221 N18
	4227 234				W w/(SC-N94) w/o Air Cond.   2.2L/M NR9582 N4227234 Y4227234 N19
	4227 235				W w/(SC-N94) w/ Air Cond.   2.2L/M NR9583 N4227235 Y4227235 N20
	4227 236				W w/(SC-N94) w/o Air Cond.   2.2L/A NR9584 N4227236 Y4227236 N21
	4227 237				W w/(SC-N94) w/ Air Cond.   2.2L/A NR9585 N4227237 Y4227237 N22
	4227 222				M,Z,P,D,C,V w/(SC-N62) w/o Air Cond.   2.2L/M NR9511 N4227222 Y4227222 N23
	4227 223				M,Z,P,D,C,V w/(SC-N62) w/ Air Cond.   2.2L/M NR9512 N4227223 Y4227223 N24
	4227 224				M,Z,P,D,C,V w/(SC-N62) w/o Air Cond.   2.2L/A NR9513 N4227224 Y4227224 N25
	4227 225				M,Z,P,D,C,V w/(SC-N62) w/ Air Cond.   2.2L/A NR9514 N4227225 Y4227225 N26
	4287 034				M,Z,P,D,C,V w/(SC-N62) w/o Air Cond.   2.2L/M NR9955 N4287034 Y4287034 N30
	4287 035				M,Z,P,D,C,V w/(SC-N62) w/ Air Cond.   2.2L/M NR9956 N4287035 Y4287035 N31
	4287 036				M,Z,P,D,C,V w/(SC-N62) w/o Air Cond.   2.2L/A NR9957 N4287036 Y4287036 N32

**MODEL CODES**

B = GRAN FURY/CARAVELLE	P = RELIANT
C = LEBARON/TOWN & COUNTRY	S = CORDOBA
D = ARIES	V = 400
F = NEW YORKER	X = MIRADA
G = DIPLOMAT	Y = IMPERIAL
M = HORIZON/TC3/SCAMP	Z = OMNI/O24/RAMPAGE

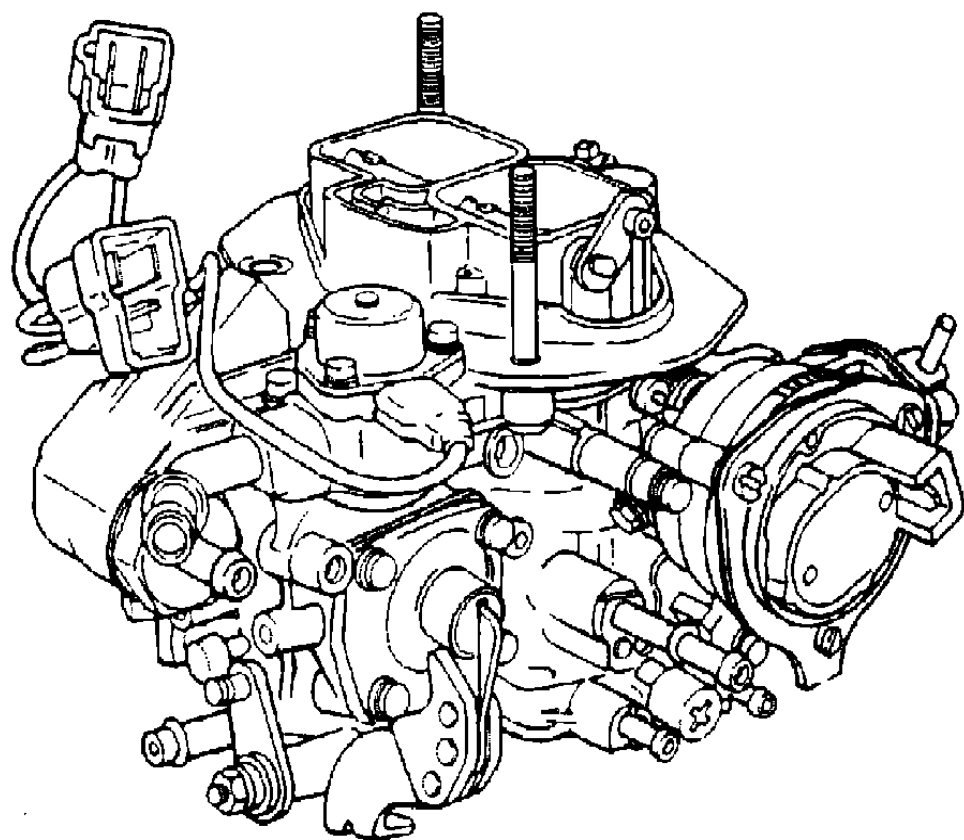
**BODY STYLES**

21 = 2-DOOR SEDAN	28 = FWD PICKUP
22 = 2-DOOR SPECIAL COUPE	41 = 4-DOOR SEDAN
24 = 2-DOOR HATCHBACK	44 = 4-DOOR HATCHBACK
27 = 2-DOOR CONVERTIBLE	45 = 2-SEAT STATION WAGON

AR = Use as Required - = Non Illustrated Part P.A.R. = Paint as Required

**HOLLEY 2BBL. CARBURETOR and COMPONENT PARTS**  
**Figure 14-1000**

2114 1060



ITEM	PART NUMBER	QTY	BODY	MODEL	DESCRIPTION
	4287 037				M,Z,P,D,C,V w/(SC-N62) w/ Air Cond.   2.2L/A NR9958 N4287037 Y4287037 N33
	4227 291				M,Z,P,D,C,V w/(SC-N94) w/o Air Cond   2.2L/M NR9897 N4227291 Y4227291 N34
	4227 292				M,Z,P,D,C,V w/(SC-N94) w/ Air Cond   2.2L/M NR9898 N4227292 Y4227292 N35
	4227 293				M,Z,P,D,C,V w/(SC-N94) w/o Air Cond   2.2L/A NR9919 N4227293 Y4227293 N36
	4227 294				M,Z,P,D,C,V w/(SC-N94) w/ Air Cond   2.2L/A NR9920 N4227294 Y4227294 N37
	4227 295				M,Z,P,D,C,V w/(SC-N96) w/o Air Cond   2.2L/M NR9940 N4227295 Y4227295 N38
	4227 296				M,Z,P,D,C,V w/(SC-N96) w/ Air Cond   2.2L/M NR9941 N4227296 Y4227296 N39
	4227 297				M,Z,P,D,C,V w/(SC-N96) w/o Air Cond   2.2L/A NR9942 N4227297 Y4227297 N40
	4227 298				M,Z,P,D,C,V w/(SC-N96) w/ Air Cond   2.2L/A NR9943 N4227298 Y4227298 N41
	4179 302				INSULATOR Y4179302 Y4179302 Y4179302 Y4179302
	5214 345				ISOLATOR Y5214345 Y5214345 Y5214345 Y5214345
	4268 820				SPACER, Manifold to Carburetor Y4268820 Y4268820 Y4268820 Y4268820
	4186 302				KIT, Repair Y4186302 Y4186302 Y4186302 Y4186302
	4267 174				SET, Gasket Y4267174 Y4267174 Y4267174 Y4267174
	4131 116				NEEDLE and SEAT Y4131116 Y4131116 Y4131116 Y4131116
	4186 329				GASKET, Air Horn Y4186329 Y4186329 Y4186329 Y4186329
	4271 885				TRANSDUCER, Throttle Position N0 N0 N0 Y4271885
	4271 889				JET, Primary Y4271889 Y4271889 Y4271889 Y4271889
	4271 905				JET, Secondary Y4271905 Y4271905 Y4271905 N4240006
	4240 006				JET, Secondary N4271905 N4271905 N4271905 Y4240006
	4271 882				SOLENOID, Anti-Diesel Y4271882 N0 Y4271882 Y4271882
	4271 937				SOLENOID, Air Cond. N0 Y4271937 N0 N0
	4267 112				SOLENOID, Duty-Cycle Y4267112 N4267114 Y4267112 Y4267112
	4267 114				SOLENOID, Duty-Cycle N4267112 Y4267114 N4267112 N4267112
	4267 100				SWITCH, w/ CONNECTOR, Air Cond. N0 Y4267100 N0 N0

**MODEL CODES**

B = GRAN FURY/CARAVELLE	P = RELIANT
C = LEBARON/TOWN & COUNTRY	S = CORDOBA
D = ARIES	V = 400
F = NEW YORKER	X = MIRADA
G = DIPLOMAT	Y = IMPERIAL
M = HORIZON/TC3/SCAMP	Z = OMNI/O24/RAMPAGE

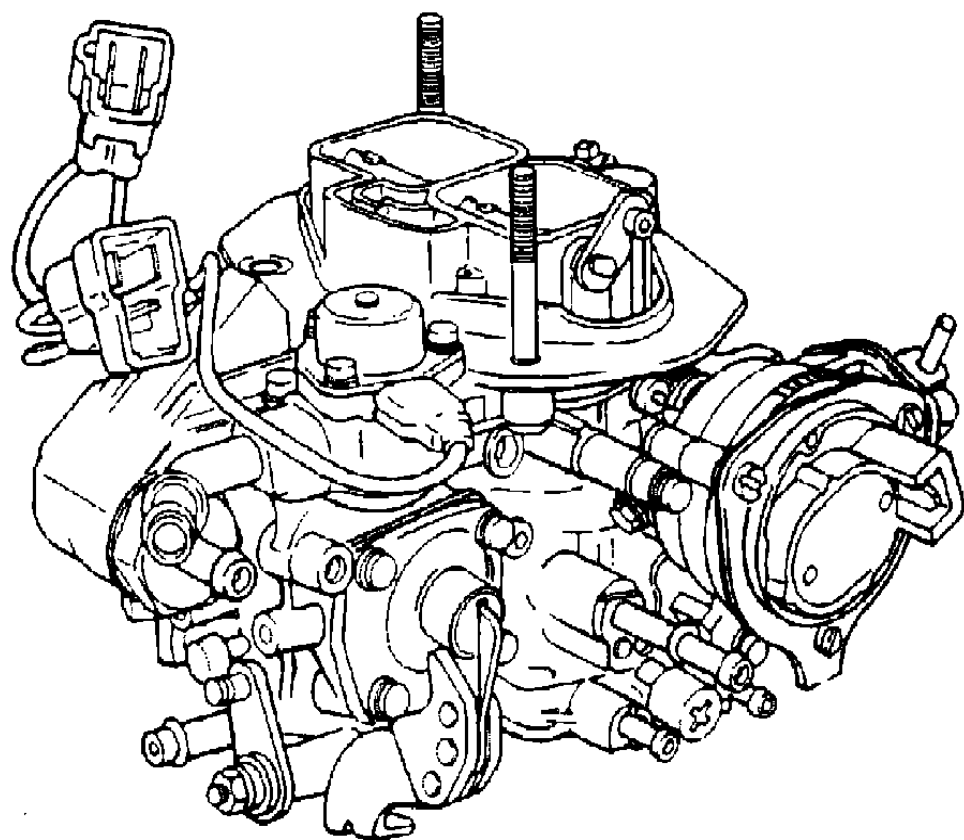
**BODY STYLES**

21 = 2-DOOR SEDAN	28 = FWD PICKUP
22 = 2-DOOR SPECIAL COUPE	41 = 4-DOOR SEDAN
24 = 2-DOOR HATCHBACK	44 = 4-DOOR HATCHBACK
27 = 2-DOOR CONVERTIBLE	45 = 2-SEAT STATION WAGON

AR = Use as Required - = Non Illustrated Part P.A.R. = Paint as Required

**HOLLEY 2BBL. CARBURETOR and COMPONENT PARTS**  
**Figure 14-1000**

2114 1000



ITEM	PART NUMBER	QTY	BODY	MODEL	DESCRIPTION
	4240 035				SCREW, Solenoid Idle Adjusting N0 Y4240035 N0 N0
	4267 169				SCREW, Choke Diaphragm Cover Y4267169 Y4267169 Y4267169 N0
	4267 140				PLUG, Idle Needle Y4267140 Y4267140 Y4267140 Y4267140
	4271 866				SCREW, w/Lock WASHER N0 N0 N0 Y4271866
	4131 131				BUSHING, Choke Shaft Y4131131 Y4131131 Y4131131 Y4131131
	4186 291				TUBE, Main Well Y4186291 Y4186291 Y4186291 Y4186291
	4186 293				FLOAT Y4186293 Y4186293 Y4186293 Y4186293
	4267 107				BLEED, Hi-Speed Primary Y4267107 Y4267107 Y4267107 Y4267107
	4131 128				BLEED, Hi-Speed Secondary Y4131128 Y4131128 Y4131128 Y4131128
	4271 938				RIVET, Thermostat Ring Y4271938 Y4271938 Y4271938 Y4271938
	4271 919				HOUSING, w/DIAPHRAGM, Choke Y4271919 Y4271919 N4271890 N4271890
	4271 890				HOUSING, w/DIAPHRAGM, Choke N4271919 N4271919 Y4271890 Y4271890
	4131 121				DIAPHRAGM, Pump Y4131121 Y4131121 Y4131121 Y4131121
	4131 210				DIAPHRAGM, w/SHAFT Y4131210 Y4131210 Y4131210 Y4131210
	4271 971				SCREW, Choke Diaphragm Adjusting Y4271971 Y4271971 Y4271971 Y4271971
	4131 114				RETAINER, Rod Y4131114 Y4131114 Y4131114 Y4131114
	4267 096				HOUSING, Thermostat Y4267096 Y4267096 Y4267096 Y4267096
	4186 295				THERMOSTAT, w/CAP, Choke Y4186295 Y4186295 Y4186295 Y4186295
	4179 302				INSULATOR Y4179302 Y4179302 Y4179302 Y4179302
	5214 345				ISOLATOR Y5214345 Y5214345 Y5214345 Y5214345
	4268 820				SPACER, Manifold to Carburetor Y4268820 Y4268820 Y4268820 Y4268820
	4271 881				KIT, Repair Y4271881 N4267097 N4240199 N4240199
	4267 097				KIT, Repair N4271881 Y4267097 N4240199 N4240199
	4240 199				KIT, Repair N4271881 N4267097 Y4240199 Y4240199

MODEL CODES

B = GRAN FURY/CARAVELLE	P = RELIANT
C = LEBARON/TOWN & COUNTRY	S = CORDOBA
D = ARIES	V = 400
F = NEW YORKER	X = MIRADA
G = DIPLOMAT	Y = IMPERIAL
M = HORIZON/TC3/SCAMP	Z = OMNI/O24/RAMPAGE

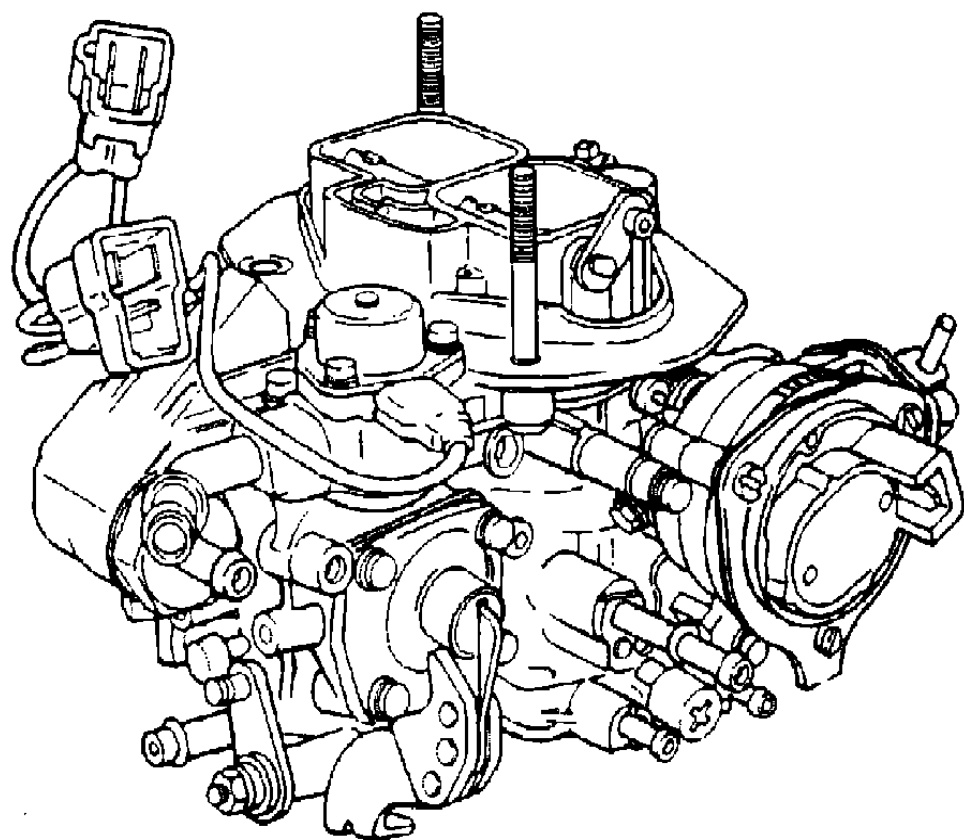
BODY STYLES

21 = 2-DOOR SEDAN	28 = FWD PICKUP
22 = 2-DOOR SPECIAL COUPE	41 = 4-DOOR SEDAN
24 = 2-DOOR HATCHBACK	44 = 4-DOOR HATCHBACK
27 = 2-DOOR CONVERTIBLE	45 = 2-SEAT STATION WAGON

AR = Use as Required - = Non Illustrated Part P.A.R. = Paint as Required

**HOLLEY 2BBL. CARBURETOR and COMPONENT PARTS**  
**Figure 14-1000**

2114 1060



ITEM	PART NUMBER	QTY	BODY	MODEL	DESCRIPTION
	4271 880				SET, Gasket Y4271880 N4267181 N4267174 N4267174
	4267 181				SET, Gasket N4271880 Y4267181 N4267174 N4267174
	4267 174				SET, Gasket N4271880 N4267181 Y4267174 Y4267174
	4131 116				NEEDLE and SEAT Y4131116 Y4131116 Y4131116 Y4131116
	4271 877				GASKET, Air Horn Y4271877 N4131129 N4186329 N4186329
	4131 129				GASKET, Air Horn N4271877 Y4131129 N4186329 N4186329
	4186 329				GASKET, Air Horn N4271877 N4131129 Y4186329 Y4186329
	4131 115				DIAPHRAGM, Power Valve Stem Y4131115 Y4131115 N0 N0
	4131 138				JET, Primary Y4131138 N4131172 N4271901 N4271901
	4131 172				JET, Primary N4131138 Y4131172 N4271901 N4271901
	4271 901				JET, Primary N4131138 N4131172 Y4271901 Y4271901
	4271 920				JET, Secondary Y4271920 N4131125 N4271902 N4271902
	4131 125				JET, Secondary N4271920 Y4131125 N4271902 N4271902
	4271 902				JET, Secondary N4271920 N4131125 Y4271902 Y4271902
	4271 937				SOLENOID, Air Cond. N0 N0 N0 Y4271937
	4271 882				SOLENOID, Anti-Diesel Y4271882 N4267235 Y4271882 N0
	4267 235				SOLENOID, Anti-Diesel N4271882 Y4267235 N4271882 N0
	4267 100				SWITCH, w/ CONNECTOR, Air Cond. N0 N0 N0 Y4267100
	4271 886				SOLENOID, Duty-Cycle N0 N0 Y4271886 N4271887
	4271 887				SOLENOID, Duty-Cycle N0 N0 N4271886 Y4271887
	4131 168				VALVE, Power Y4131168 Y4131168 N0 N0
	4240 035				SCREW, Solenoid Idle Adjusting N0 N0 N0 Y4240035
	4267 140				PLUG, Idle Needle Y4267140 Y4267140 Y4267140 Y4267140
	4271 866				SCREW, w/Lock WASHER, Choke Diaphragm Y4271866 N0 Y4271866 Y4271866
	4271 866				SCREW, w/Lock WASHER, Diaphragm Cover, ESC Y4271866 Y4271866 N0 N0
	4131 131				BUSHING, Choke Shaft Y4131131 Y4131131 Y4131131 Y4131131
	4186 291				TUBE, Main Well Y4186291 Y4186291 Y4186291 Y4186291
	4240 081				FLOAT Y4240081 Y4240081 N4186293 N4186293
	4186 293				FLOAT N4240081 N4240081 Y4186293 Y4186293
	4131 127				BLEED, Hi-Speed Primary Y4131127 Y4131127 Y4131127 Y4131127
	4131 128				BLEED, Hi-Speed Secondary Y4131128 Y4131128 Y4131128 Y4131128

MODEL CODES

B = GRAN FURY/CARAVELLE	P = RELIANT
C = LEBARON/TOWN & COUNTRY	S = CORDOBA
D = ARIES	V = 400
F = NEW YORKER	X = MIRADA
G = DIPLOMAT	Y = IMPERIAL
M = HORIZON/TC3/SCAMP	Z = OMNI/O24/RAMPAGE

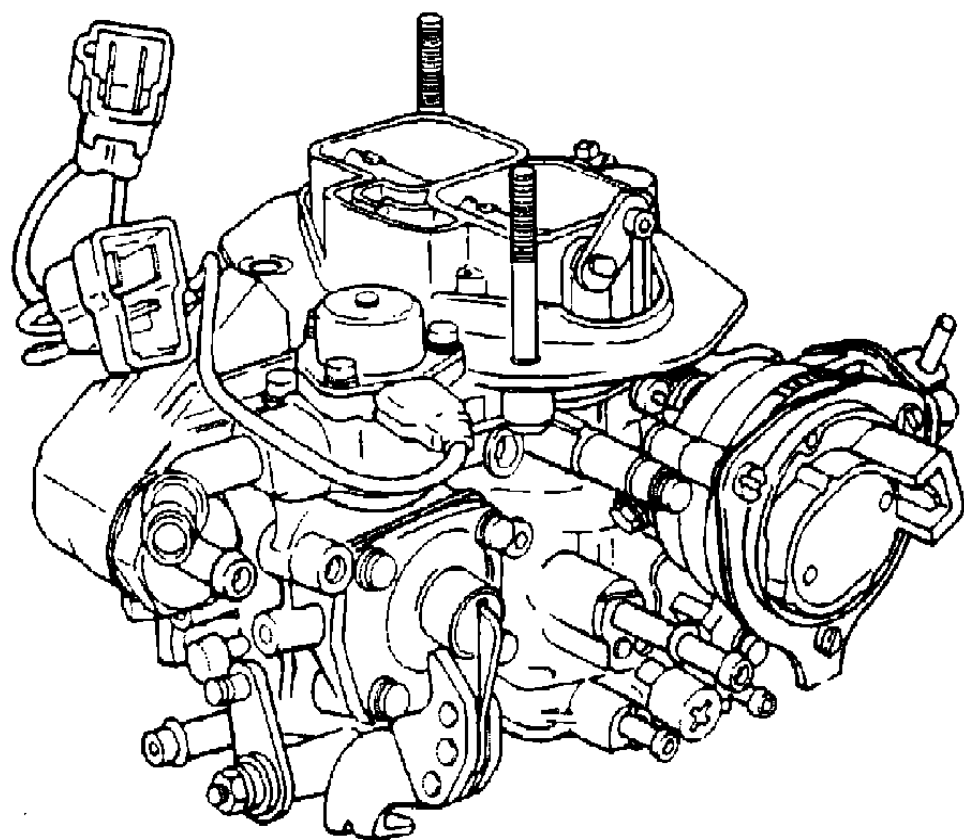
BODY STYLES

21 = 2-DOOR SEDAN	28 = FWD PICKUP
22 = 2-DOOR SPECIAL COUPE	41 = 4-DOOR SEDAN
24 = 2-DOOR HATCHBACK	44 = 4-DOOR HATCHBACK
27 = 2-DOOR CONVERTIBLE	45 = 2-SEAT STATION WAGON

AR = Use as Required - = Non Illustrated Part P.A.R. = Paint as Required

**HOLLEY 2BBL. CARBURETOR and COMPONENT PARTS**  
**Figure 14-1000**

2114 1060



ITEM	PART NUMBER	QTY	BODY	MODEL	DESCRIPTION
	4271 938				RIVET, Thermostat Ring Y4271938 N4267167 Y4271938 Y4271938
	4267 167				RIVET, Thermostat Ring N4271938 Y4267167 N4271938 N4271938
	4271 922				HOUSING, w/DIAPHRAGM, Choke Y4271922 N4240107 N4271900 N4271900
	4240 107				HOUSING, w/DIAPHRAGM, Choke N4271922 Y4240107 N4271900 N4271900
	4271 900				HOUSING, w/DIAPHRAGM, Choke N4271922 N4240107 Y4271900 Y4271900
	4131 121				DIAPHRAGM, Pump Y4131121 Y4131121 Y4131121 Y4131121
	4131 210				DIAPHRAGM, w/SHAFT Y4131210 Y4131210 N4240198 N4240198
	4240 198				DIAPHRAGM, w/SHAFT N4131210 N4131210 Y4240198 Y4240198
	4267 230				COVER, Choke Diaphragm N0 N0 Y4267230 Y4267230
	4131 114				RETAINER, Rod HAFT Y4131114 Y4131114 Y4131114 Y4131114
	4267 096				HOUSING, Thermostat Y4267096 Y4267096 Y4267096 Y4267096
	4186 295				THERMOATAT, w/CAP, Choke Y4186295 Y4186295 Y4186295 Y4186295
	4131 187				CONNECTOR, 4-Way Y4131187 Y4131187 N0 N0
	4271 971				SCREW, Choke Diaphragm Adjusting N0 N0 Y4271971 Y4271971
	4179 302				INSULATOR Y4179302 Y4179302 Y4179302 Y4179302
	5214 345				ISOLATOR Y5214345 Y5214345 Y5214345 Y5214345
	4268 820				SPACER, Manifold to Carburetor Y4268820 Y4268820 Y4268820 Y4268820
	4267 177				KIT, Repair Y4267177 N4240199 N4240199 N4240199
	4240 199				KIT, Repair N4267177 Y4240199 Y4240199 Y4240199
	4267 174				SET, Gasket Y4267174 Y4267174 Y4267174 Y4267174
	4131 116				NEEDLE and SEAT Y4131116 Y4131116 Y4131116 Y4131116
	4186 329				GASKET, Air Horn Y4186329 Y4186329 Y4186329 Y4186329
	4271 901				JET, Primary Y4271901 Y4271901 N4271899 N4271899
	4271 899				JET, Primary N4271901 N4271901 Y4271899 Y4271899

**MODEL CODES**

B = GRAN FURY/CARAVELLE	P = RELIANT
C = LEBARON/TOWN & COUNTRY	S = CORDOBA
D = ARIES	V = 400
F = NEW YORKER	X = MIRADA
G = DIPLOMAT	Y = IMPERIAL
M = HORIZON/TC3/SCAMP	Z = OMNI/O24/RAMPAGE

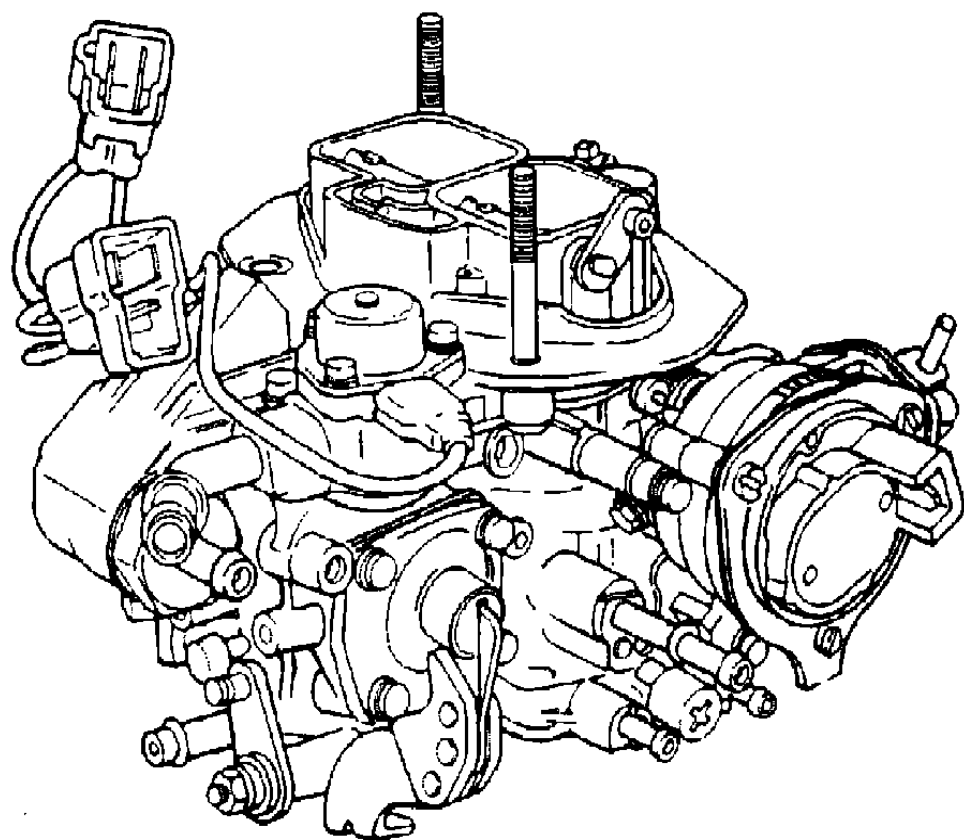
**BODY STYLES**

21 = 2-DOOR SEDAN	28 = FWD PICKUP
22 = 2-DOOR SPECIAL COUPE	41 = 4-DOOR SEDAN
24 = 2-DOOR HATCHBACK	44 = 4-DOOR HATCHBACK
27 = 2-DOOR CONVERTIBLE	45 = 2-SEAT STATION WAGON

AR = Use as Required - = Non Illustrated Part P.A.R. = Paint as Required

**HOLLEY 2BBL. CARBURETOR and COMPONENT PARTS**  
**Figure 14-1000**

2114 1000



ITEM	PART NUMBER	QTY	BODY	MODEL	DESCRIPTION
	4271 902				JET, Secondary Y4271902 Y4271902 N4186127 N4186127
	4186 127				JET, Secondary N4271902 N4271902 Y4186127 Y4186127
	4271 937				SOLENOID, Air Cond. N0 Y4271937 N0 Y4271937
	4271 882				SOLENOID, Anti-Diesel Y4271882 N0 Y4271882 N0
	4271 886				SOLENOID, Duty-Cycle Y4271886 N4271887 N4267113
					N4271887
	4271 887				SOLENOID, Duty-Cycle N4271886 Y4271887 N4267113
					Y4271887
	4267 113				SOLENOID, Duty-Cycle N4271886 N4271887 Y4267113
					N4271887
	4267 100				SWITCH, w/ CONNECTOR, Air Cond. N0 Y4267100 N0
					Y4267100
	4240 035				SCREW, Solenoid Idle Adjusting N0 Y4240035 N0 Y4240035
	4267 140				PLUG, Idle Needle Y4267140 Y4267140 Y4267140 Y4267140
	4131 131				BUSHING, Choke Shaft Y4131131 Y4131131 Y4131131
					Y4131131
	4271 866				SCREW, w/Lock WASHER Y4271866 Y4271866 Y4271866
					Y4271866
	4186 291				TUBE, Main Well Y4186291 Y4186291 Y4186291 Y4186291
	4186 293				FLOAT Y4186293 Y4186293 Y4186293 Y4186293
	4131 127				BLEED, Hi-Speed Primary Y4131127 Y4131127 Y4131127
					Y4131127
	4131 128				BLEED, Hi-Speed Secondary Y4131128 Y4131128 Y4131128
					Y4131128
	4271 938				RIVET, Thermostat Ring Y4271938 Y4271938 Y4271938
					Y4271938
	4267 176				HOUSING, w/ DIAPHRAGM, Choke Y4267176 Y4267176
					N4271900 N4271900
	4271 900				HOUSING, w/ DIAPHRAGM, Choke N4267176 N4267176
					Y4271900 Y4271900
	4131 121				DIAPHRAGM, Pump Y4131121 Y4131121 Y4131121
					Y4131121
	4267 178				DIAPHRAGM, w/SHAFT Y4267178 N4240198 N4240198
					N4240198
	4240 198				DIAPHRAGM, w/SHAFT N4267178 Y4240198 Y4240198
					Y4240198
	4131 114				RETAINER, Rod Y4131114 Y4131114 Y4131114 Y4131114

MODEL CODES

B = GRAN FURY/CARAVELLE	P = RELIANT
C = LEBARON/TOWN & COUNTRY	S = CORDOBA
D = ARIES	V = 400
F = NEW YORKER	X = MIRADA
G = DIPLOMAT	Y = IMPERIAL
M = HORIZON/TC3/SCAMP	Z = OMNI/O24/RAMPAGE

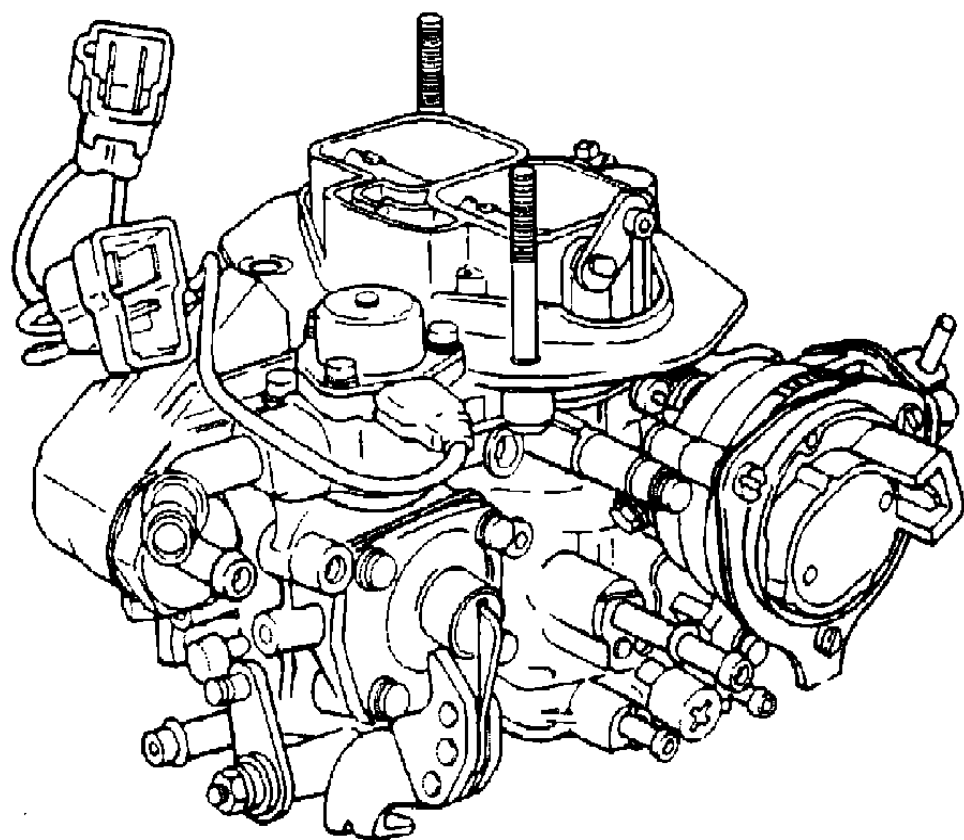
BODY STYLES

21 = 2-DOOR SEDAN	28 = FWD PICKUP
22 = 2-DOOR SPECIAL COUPE	41 = 4-DOOR SEDAN
24 = 2-DOOR HATCHBACK	44 = 4-DOOR HATCHBACK
27 = 2-DOOR CONVERTIBLE	45 = 2-SEAT STATION WAGON

AR = Use as Required - = Non Illustrated Part P.A.R. = Paint as Required

## HOLLEY 2BBL. CARBURETOR and COMPONENT PARTS Figure 14-1000

2114 1060



ITEM	PART NUMBER	QTY	BODY	MODEL	DESCRIPTION
	4186 294				CONNECTOR, 3-Way N0 N0 Y4186294 Y4186294
	4271 971				SCREW, Choke Diaphragm Adjusting Y4271971 Y4271971 Y4271971 Y4271971
	4267 096				HOUSING, Thermostat Y4267096 Y4267096 Y4267096 Y4267096
	4186 295				THERMOSTAT, w/CAP, Choke Y4186295 Y4186295 Y4186295 Y4186295
	4179 302				INSULATOR Y4179302 Y4179302 Y4179302 Y4179302
	5214 345				ISOLATOR Y5214345 Y5214345 Y5214345 Y5214345
	4268 820				SPACER, Manifold to Carburetor Y4268820 Y4268820 Y4268820 Y4268820
	4240 199				KIT, Repair Y4240199 Y4240199 N4267177 N4267177
	4267 177				KIT, Repair N4240199 N4240199 Y4267177 Y4267177
	4267 174				SET, Gasket Y4267174 Y4267174 Y4267174 Y4267174
	4131 116				NEEDLE and SEAT Y4131116 Y4131116 Y4131116 Y4131116
	4186 329				GASKET, Air Horn Y4186329 Y4186329 Y4186329 Y4186329
	4271 899				JET, Primary Y4271899 Y4271899 N4267108 N4267108
	4267 108				JET, Primary N4271899 N4271899 Y4267108 Y4267108
	4186 127				JET, Secondary Y4186127 Y4186127 N4271903 N4271903
	4271 903				JET, Secondary N4186127 N4186127 Y4271903 Y4271903
	4271 937				SOLENOID, Air Cond. N0 Y4271937 N0 Y4271937
	4271 882				SOLENOID, Anti-Diesel Y4271882 N0 Y4271882 N0
	4267 113				SOLENOID, Duty-Cycle Y4267113 N4267115 N4271886 N4271887
	4267 115				SOLENOID, Duty-Cycle N4267113 Y4267115 N4271886 N4271887
	4271 886				SOLENOID, Duty-Cycle N4267113 N4267115 Y4271886 N4271887
	4271 887				SOLENOID, Duty-Cycle N4267113 N4267115 N4271886 Y4271887
	4240 035				SCREW, Solenoid Idle Adjusting N0 Y4240035 N0 Y4240035
	4271 866				SCREW, w/Lock WASHER Y4271866 Y4271866 Y4271866 Y4271866
	4267 140				PLUG, Idle Needle Y4267140 Y4267140 Y4267140 Y4267140
	4131 131				BUSHING, Choke Shaft Y4131131 Y4131131 Y4131131 Y4131131
	4186 291				TUBE, Main Well Y4186291 Y4186291 Y4186291 Y4186291

**MODEL CODES**

B = GRAN FURY/CARAVELLE	P = RELIANT
C = LEBARON/TOWN & COUNTRY	S = CORDOBA
D = ARIES	V = 400
F = NEW YORKER	X = MIRADA
G = DIPLOMAT	Y = IMPERIAL
M = HORIZON/TC3/SCAMP	Z = OMNI/O24/RAMPAGE

**BODY STYLES**

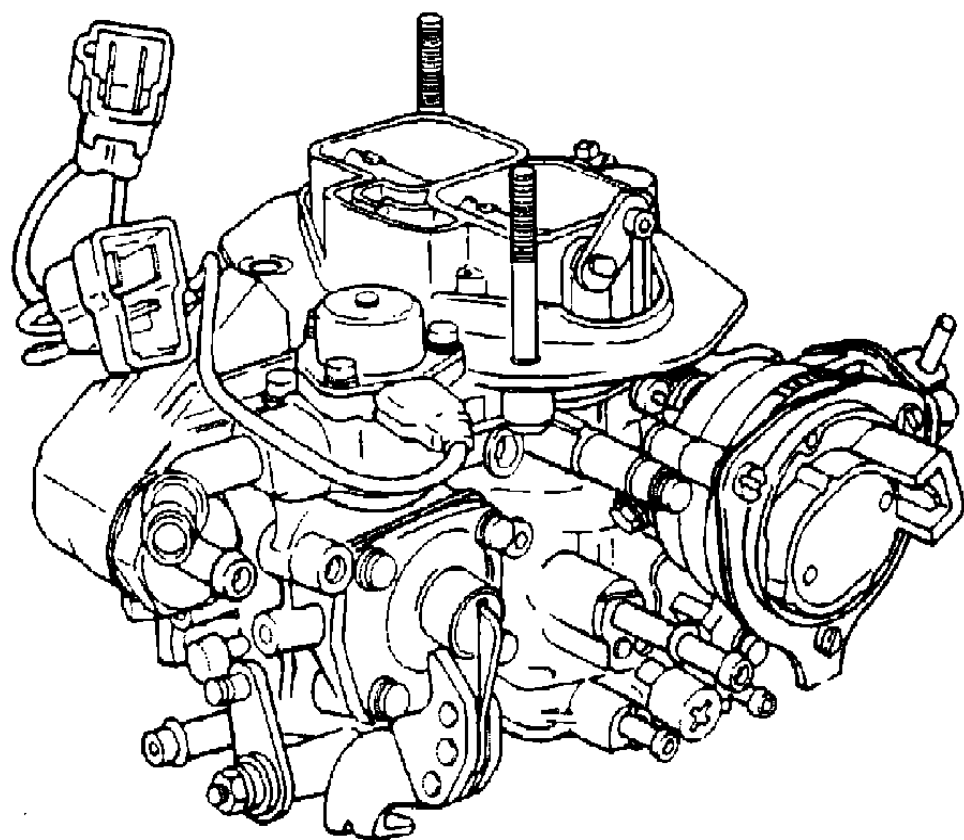
21 = 2-DOOR SEDAN	28 = FWD PICKUP
22 = 2-DOOR SPECIAL COUPE	41 = 4-DOOR SEDAN
24 = 2-DOOR HATCHBACK	44 = 4-DOOR HATCHBACK
27 = 2-DOOR CONVERTIBLE	45 = 2-SEAT STATION WAGON

AR = Use as Required - = Non Illustrated Part P.A.R. = Paint as Required



**HOLLEY 2BBL. CARBURETOR and COMPONENT PARTS**  
**Figure 14-1000**

2114 1060



ITEM	PART NUMBER	QTY	BODY	MODEL	DESCRIPTION
	4186 293				FLOAT Y4186293 Y4186293 Y4186293 Y4186293
	4131 127				BLEED, Hi-Speed Primary Y4131127 Y4131127 Y4131127 Y4131127
	4131 128				BLEED, Hi-Speed Secondary Y4131128 Y4131128 Y4131128 Y4131128
	4271 938				RIVET, Thermostat Ring Y4271938 Y4271938 Y4271938 Y4271938
	4271 900				HOUSING, w/DIAPHRAGM, Choke Y4271900 Y4271900 N4271904 N4271904
	4271 904				HOUSING, w/DIAPHRAGM, Choke N4271900 N4271900 Y4271904 Y4271904
	4131 121				DIAPHRAGM, Pump Y4131121 Y4131121 Y4131121 Y4131121
	4240 198				DIAPHRAGM, w/SHAFT Y4240198 Y4240198 N4267178 N4267178
	4267 178				DIAPHRAGM, w/SHAFT N4240198 N4240198 Y4267178 Y4267178
	4271 971				SCREW, Choke Diaphragm Adjusting Y4271971 Y4271971 Y4271971 Y4271971
	4131 114				RETAINER, Rod Y4131114 Y4131114 Y4131114 Y4131114
	4267 096				HOUSING, Thermostat Y4267096 Y4267096 Y4267096 Y4267096
	4186 295				THERMOSTAT, w/CAP, Choke Y4186295 Y4186295 Y4186295 Y4186295
	4179 302				INSULATOR Y4179302 Y4179302 Y4179302 Y4179302
	5214 345				ISOLATOR Y5214345 Y5214345 Y5214345 Y5214345
	4268 820				SPACER, Manifold to Carburetor Y4268820 Y4268820 Y4268820 Y4268820
	4267 177				KIT, Repair Y4267177 Y4267177 N4271876 N4271876
	4271 876				KIT, Repair N4267177 N4267177 Y4271876 Y4271876
	4267 174				SET, Gasket Y4267174 Y4267174 N4271875 N4271875
	4271 875				SET, Gasket N4267174 N4267174 Y4271875 Y4271875
	4131 116				NEEDLE and SEAT Y4131116 Y4131116 Y4131116 Y4131116
	4186 329				GASKET, Air Horn Y4186329 Y4186329 N4271869 N4271869
	4271 869				GASKET, Air Horn N4186329 N4186329 Y4271869 Y4271869
	4131 115				DIAPHRAGM, Power Valve Stem N0 N0 Y4131115 Y4131115

MODEL CODES

B = GRAN FURY/CARAVELLE	P = RELIANT
C = LEBARON/TOWN & COUNTRY	S = CORDOBA
D = ARIES	V = 400
F = NEW YORKER	X = MIRADA
G = DIPLOMAT	Y = IMPERIAL
M = HORIZON/TC3/SCAMP	Z = OMNI/O24/RAMPAGE

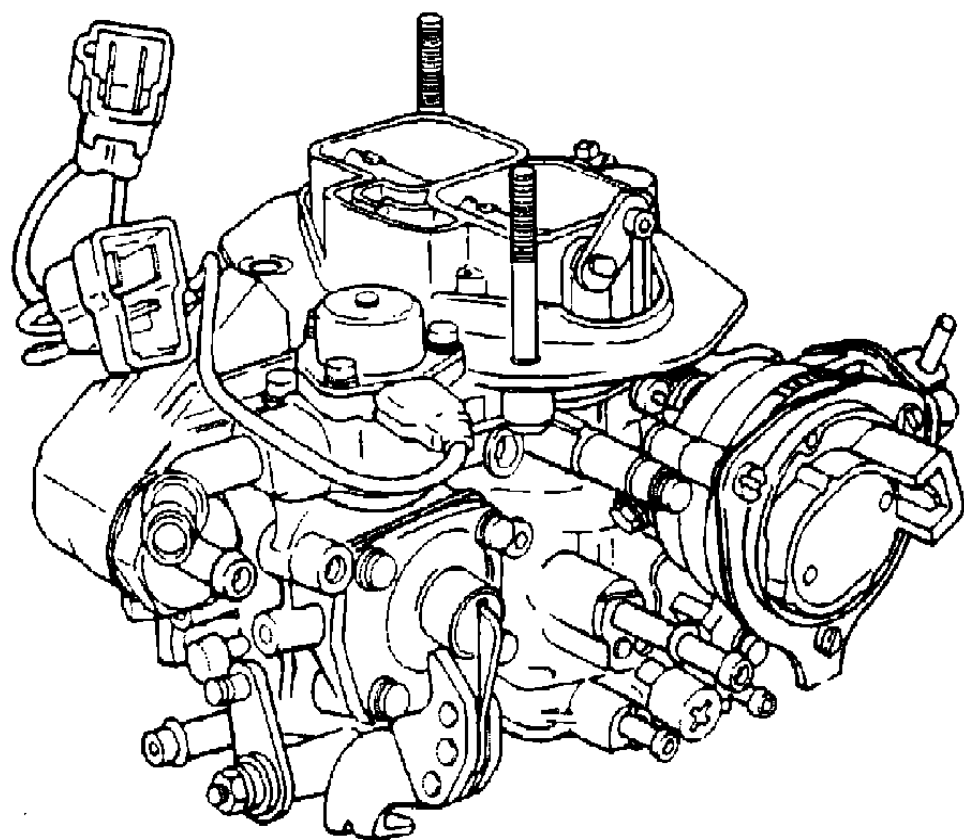
BODY STYLES

21 = 2-DOOR SEDAN	28 = FWD PICKUP
22 = 2-DOOR SPECIAL COUPE	41 = 4-DOOR SEDAN
24 = 2-DOOR HATCHBACK	44 = 4-DOOR HATCHBACK
27 = 2-DOOR CONVERTIBLE	45 = 2-SEAT STATION WAGON

AR = Use as Required - = Non Illustrated Part P.A.R. = Paint as Required

**HOLLEY 2BBL. CARBURETOR and COMPONENT PARTS**  
**Figure 14-1000**

2114 1000



ITEM	PART NUMBER	QTY	BODY	MODEL	DESCRIPTION
	4267 100				SWITCH, w/CONNECTOR, Air Cond. N0 Y4267100 N0 Y4267100
	4267 108				JET, Primary Y4267108 Y4267108 N4186127 N4186127
	4186 127				JET, Primary N4267108 N4267108 Y4186127 Y4186127
	4271 903				JET, Secondary Y4271903 Y4271903 N4271902 N4271902
	4271 902				JET, Secondary N4271903 N4271903 Y4271902 Y4271902
	4271 937				SOLENOID, Air Cond. N0 Y4271937 N0 N4271936
	4271 936				SOLENOID, Air Cond. N0 N4271937 N0 Y4271936
	4271 882				SOLENOID, Anti-Diesel Y4271882 N0 Y4271882 N0
	4271 886				SOLENOID, Duty-Cycle Y4271886 N4271887 N0 N0
	4271 887				SOLENOID, Duty-Cycle N4271886 Y4271887 N0 N0
	4131 168				VALVE, Power N0 N0 Y4131168 Y4131168
	4240 035				SCREW, Solenoid Idle Adjusting N0 Y4240035 N0 Y4240035
	4271 866				SCREW, w/Lock WASHER Y4271866 Y4271866 Y4271866 Y4271866
	4267 169				SCREW, Choke Diaphragm Cover N0 N0 N0 Y4267169
	4267 140				PLUG, Idle Needle Y4267140 Y4267140 Y4267140 Y4267140
	4131 131				BUSHING, Choke Shaft Y4131131 Y4131131 Y4131131 Y4131131
	4186 291				TUBE, Main Well Y4186291 Y4186291 Y4186291 Y4186291
	4186 293				FLOAT Y4186293 Y4186293 N4240081 N4240081
	4240 081				FLOAT N4186293 N4186293 Y4240081 Y4240081
	4131 127				BLEED, Hi-Speed Primary Y4131127 Y4131127 N4131128 N4131128
	4131 128				BLEED, Hi-Speed Primary N4131127 N4131127 Y4131128 Y4131128
	4131 128				BLEED, Hi-Speed Secondary Y4131128 Y4131128 Y4131128 Y4131128
	4271 938				RIVET, Thermostat Ring Y4271938 Y4271938 Y4271938 Y4271938
	4267 176				HOUSING, w/DIAPHRAGM, Choke Y4267176 Y4267176 N4271923 N4271923
	4271 923				HOUSING, w/DIAPHRAGM, Choke N4267176 N4267176 Y4271923 Y4271923
	4131 121				DIAPHRAGM, Pump Y4131121 Y4131121 Y4131121 Y4131121

MODEL CODES

B = GRAN FURY/CARAVELLE	P = RELIANT
C = LEBARON/TOWN & COUNTRY	S = CORDOBA
D = ARIES	V = 400
F = NEW YORKER	X = MIRADA
G = DIPLOMAT	Y = IMPERIAL
M = HORIZON/TC3/SCAMP	Z = OMNI/O24/RAMPAGE

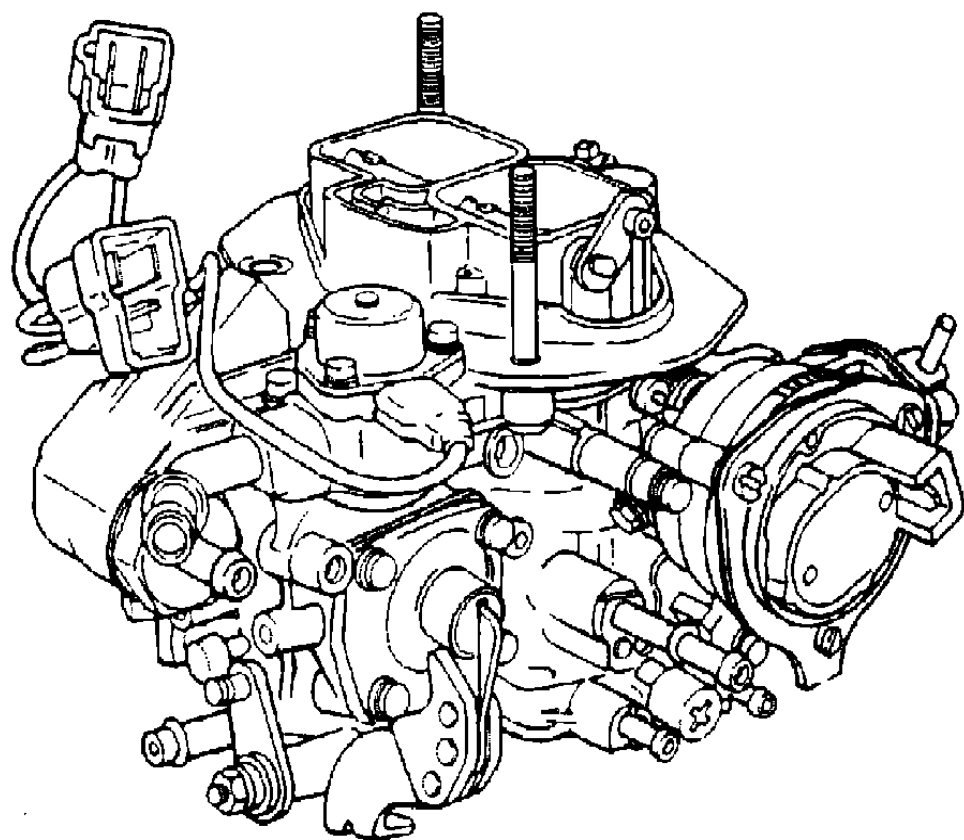
BODY STYLES

21 = 2-DOOR SEDAN	28 = FWD PICKUP
22 = 2-DOOR SPECIAL COUPE	41 = 4-DOOR SEDAN
24 = 2-DOOR HATCHBACK	44 = 4-DOOR HATCHBACK
27 = 2-DOOR CONVERTIBLE	45 = 2-SEAT STATION WAGON

AR = Use as Required - = Non Illustrated Part P.A.R. = Paint as Required

**HOLLEY 2BBL. CARBURETOR and COMPONENT PARTS**  
**Figure 14-1000**

2114 1060



ITEM	PART NUMBER	QTY	BODY	MODEL	DESCRIPTION
	4267 178				DIAPHRAGM, w/SHAFT Y4267178 Y4267178 N4131210 N4131210
	4131 210				DIAPHRAGM, w/SHAFT N4267178 N4267178 Y4131210 Y4131210
	4131 114				RETAINER, Rod Y4131114 Y4131114 Y4131114 Y4131114
	4267 096				HOUSING, Thermostat Y4267096 Y4267096 Y4267096 Y4267096
	4271 971				SCREW, Choke Diaphragm Adjusting Y4271971 Y4271971 N4267238 N4267238
	4267 238				SCREW, Choke Diaphragm Adjusting N4271971 N4271971 Y4267238 Y4267238
	4186 295				THERMOSTAT, w/CAP, Choke Y4186295 Y4186295 Y4186295 Y4186295
	4179 302				INSULATOR Y4179302 Y4179302 Y4179302 Y4179302
	5214 345				ISOLATOR Y5214345 Y5214345 Y5214345 Y5214345
	4268 820				SPACER, Manifold to Carburetor Y4268820 Y4268820 Y4268820 Y4268820
	4271 949				KIT, Repair Y4271949 Y4271949 N4271881 N4271881
	4271 881				KIT, Repair N4271949 N4271949 Y4271881 Y4271881
	4271 875				SET, Gasket Y4271875 Y4271875 N4271880 N4271880
	4271 880				SET, Gasket N4271875 N4271875 Y4271880 Y4271880
	4131 116				NEEDLE and SEAT Y4131116 Y4131116 Y4131116 Y4131116
	4271 869				GASKET, Air Horn Y4271869 Y4271869 N4271877 N4271877
	4271 877				GASKET, Air Horn N4271869 N4271869 Y4271877 Y4271877
	4131 115				DIAPHRAGM, Power Valve Stem Y4131115 Y4131115 Y4131115 Y4131115
	4267 100				SWITCH, w/CONNECTOR, Air Cond. N0 Y4267100 N0 Y4267100
	4132 241				JET, Primary Y4132241 Y4132241 N4186127 N4186127
	4186 127				JET, Primary N4132241 N4132241 Y4186127 Y4186127
	4271 902				JET, Secondary Y4271902 Y4271902 N4271924 N4271924
	4271 924				JET, Secondary N4271902 N4271902 Y4271924 Y4271924
	4271 936				SOLENOID, Air Cond. N0 Y4271936 N0 Y4271936
	4271 882				SOLENOID, Anti-Diesel Y4271882 N0 Y4271882 N0
	4131 120				VALVE, Power Y4131120 Y4131120 N4131168 N4131168
	4131 168				VALVE, Power N4131120 N4131120 Y4131168 Y4131168
	4240 035				SCREW, Solenoid Idle Adjusting N0 Y4240035 N0 Y4240035

**MODEL CODES**

B = GRAN FURY/CARAVELLE	P = RELIANT
C = LEBARON/TOWN & COUNTRY	S = CORDOBA
D = ARIES	V = 400
F = NEW YORKER	X = MIRADA
G = DIPLOMAT	Y = IMPERIAL
M = HORIZON/TC3/SCAMP	Z = OMNI/O24/RAMPAGE

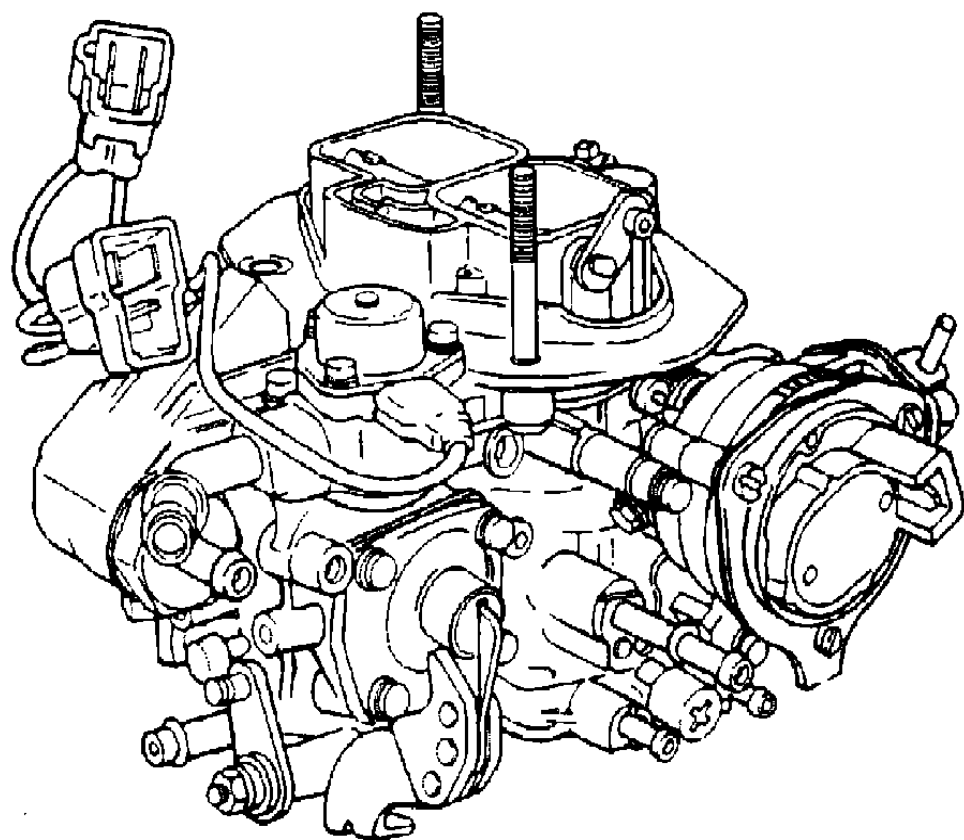
**BODY STYLES**

21 = 2-DOOR SEDAN	28 = FWD PICKUP
22 = 2-DOOR SPECIAL COUPE	41 = 4-DOOR SEDAN
24 = 2-DOOR HATCHBACK	44 = 4-DOOR HATCHBACK
27 = 2-DOOR CONVERTIBLE	45 = 2-SEAT STATION WAGON

AR = Use as Required - = Non Illustrated Part P.A.R. = Paint as Required

**HOLLEY 2BBL. CARBURETOR and COMPONENT PARTS**  
**Figure 14-1000**

2114 1060



ITEM	PART NUMBER	QTY	BODY	MODEL	DESCRIPTION
	4271 866				SCREW, w/Lock WASHER Y4271866 Y4271866 Y4271866 Y4271866
	4267 140				PLUG, Idle Needle Y4267140 Y4267140 Y4267140 Y4267140
	4131 131				BUSHING, Choke Shaft Y4131131 Y4131131 Y4131131 Y4131131
	4186 291				TUBE, Main Well Y4186291 Y4186291 Y4186291 Y4186291
	4240 081				FLOAT Y4240081 Y4240081 Y4240081 Y4240081
	4131 128				BLEED, Hi-Speed Primary Y4131128 N4131127 N4271925 N4271925
	4131 127				BLEED, Hi-Speed Primary N4131128 Y4131127 N4271925 N4271925
	4271 925				BLEED, Hi-Speed Primary N4131128 N4131127 Y4271925 Y4271925
	4131 128				BLEED, Hi-Speed Secondary Y4131128 Y4131128 N4271925 N4271925
	4271 925				BLEED, Hi-Speed Secondary N4131128 N4131128 Y4271925 Y4271925
	4271 938				RIVET, Thermostat Ring Y4271938 Y4271938 Y4271938 Y4271938
	4271 923				HOUSING, w/DIAPHRAGM, Choke Y4271923 Y4271923 N4271922 N4271922
	4271 922				HOUSING, w/DIAPHRAGM, Choke N4271923 N4271923 Y4271922 Y4271922
	4131 121				DIAPHRAGM, Pump Y4131121 Y4131121 Y4131121 Y4131121
	4131 210				DIAPHRAGM, w/SHAFT Y4131210 Y4131210 Y4131210 Y4131210
	4131 114				RETAINER, Rod Y4131114 Y4131114 Y4131114 Y4131114
	4267 096				HOUSING, Thermostat Y4267096 Y4267096 Y4267096 Y4267096
	4186 295				THERMOSTAT, w/CAP, Choke Y4186295 Y4186295 Y4186295 Y4186295
	4267 238				SCREW, Choke Diaphragm Cover Y4267238 Y4267238 N0 N0
	4179 302				INSULATOR Y4179302 Y4179302 Y4179302 Y4179302
	5214 345				ISOLATOR Y5214345 Y5214345 Y5214345 Y5214345
	4268 820				SPACER, Manifold to Carburetor Y4268820 Y4268820 Y4268820 Y4268820

**MODEL CODES**

B = GRAN FURY/CARAVELLE	P = RELIANT
C = LEBARON/TOWN & COUNTRY	S = CORDOBA
D = ARIES	V = 400
F = NEW YORKER	X = MIRADA
G = DIPLOMAT	Y = IMPERIAL
M = HORIZON/TC3/SCAMP	Z = OMNI/O24/RAMPAGE

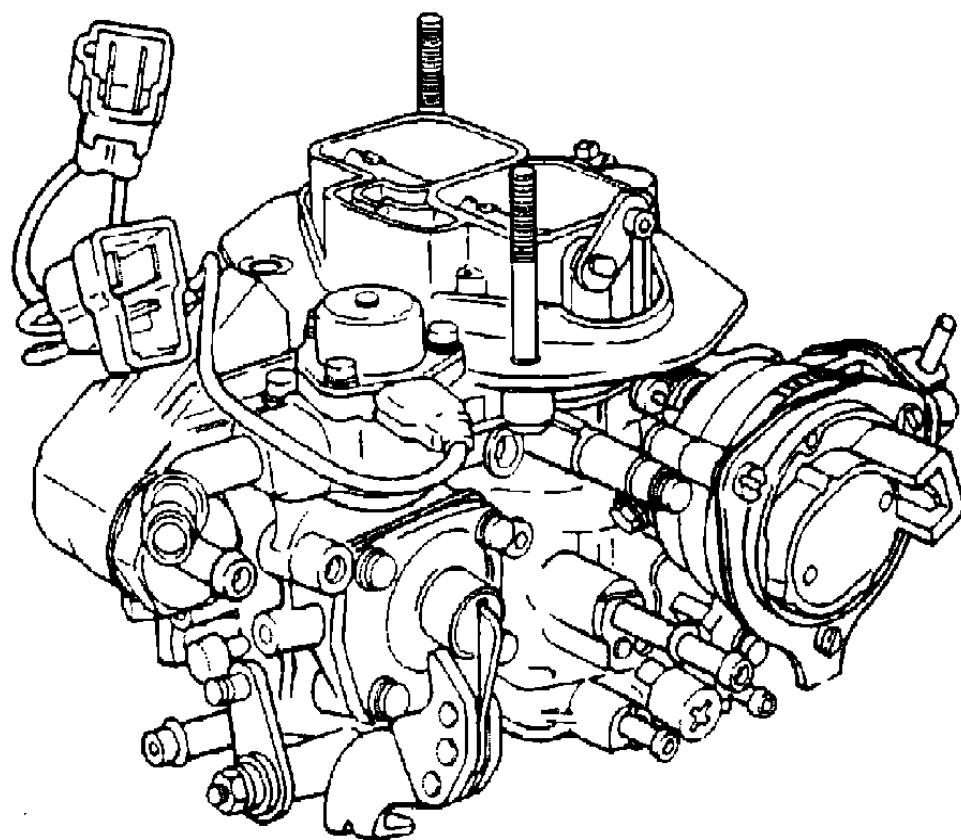
**BODY STYLES**

21 = 2-DOOR SEDAN	28 = FWD PICKUP
22 = 2-DOOR SPECIAL COUPE	41 = 4-DOOR SEDAN
24 = 2-DOOR HATCHBACK	44 = 4-DOOR HATCHBACK
27 = 2-DOOR CONVERTIBLE	45 = 2-SEAT STATION WAGON

AR = Use as Required - = Non Illustrated Part P.A.R. = Paint as Required

**HOLLEY 2BBL. CARBURETOR and COMPONENT PARTS**  
**Figure 14-1000**

2114 1060



ITEM	PART NUMBER	QTY	BODY	MODEL	DESCRIPTION
	4271 881				KIT, Repair Y4271881 Y4271881 N4186302 N4186302
	4186 302				KIT, Repair N4271881 N4271881 Y4186302 Y4186302
	4271 880				SET, Gasket Y4271880 Y4271880 N4267174 N4267174
	4267 174				SET, Gasket N4271880 N4271880 Y4267174 Y4267174
	4131 116				NEEDLE and SEAT Y4131116 Y4131116 Y4131116 Y4131116
	4271 877				GASKET, Air Horn Y4271877 Y4271877 N4186329 N4186329
	4186 329				GASKET, Air Horn N4271877 N4271877 Y4186329 Y4186329
	4131 115				DIAPHRAGM, Power Valve Stem Y4131115 Y4131115 N0 N0
	4267 100				SWITCH, w/CONNECTOR, Air Cond. N0 Y4267100 Y4267100
					N0
	4131 169				JET, Primary Y4131169 Y4131169 N4271889 N4271889
	4271 889				JET, Primary N4131169 N4131169 Y4271889 Y4271889
	4271 902				JET, Secondary Y4271902 Y4271902 N4271905 N4271905
	4271 905				JET, Secondary N4271902 N4271902 Y4271905 Y4271905
	4267 114				SOLENOID, Duty-Cycle N0 N0 Y4267114 N4267112
	4267 112				SOLENOID, Duty-Cycle N0 N0 N4267114 Y4267112
	4271 882				SOLENOID, Anti-Diesel Y4271882 N0 N0 Y4271882
	4271 936				SOLENOID, Air Cond. N0 Y4271936 N4271937 N0
	4271 937				SOLENOID, Air Cond. N0 N4271936 Y4271937 N0
	4131 168				VALVE, Power Y4131168 Y4131168 N0 N0
	4240 035				SCREW, Solenoid Idle Adjusting N0 Y4240035 Y4240035 N0
	4267 140				PLUG, Idle Needle Y4267140 Y4267140 Y4267140 Y4267140
	4131 131				BUSHING, Choke Shaft Y4131131 Y4131131 Y4131131
					Y4131131
	4186 291				TUBE, Main Well Y4186291 Y4186291 Y4186291 Y4186291
	4240 081				FLOAT Y4240081 Y4240081 N4186293 N4186293
	4186 293				FLOAT N4240081 N4240081 Y4186293 Y4186293
	4271 866				SCREW, w/Lock WASHER Y4271866 Y4271866 N0 N0
	4271 921				BLEED, Hi-Speed Primary Y4271921 Y4271921 N4267107
					N4267107
	4267 107				BLEED, Hi-Speed Primary N4271921 N4271921 Y4267107
					Y4267107
	4131 128				BLEED, Hi-Speed Secondary Y4131128 Y4131128 Y4131128
					Y4131128
	4271 938				RIVET, Thermostat Ring Y4271938 Y4271938 Y4271938
					Y4271938

MODEL CODES

B = GRAN FURY/CARAVELLE	P = RELIANT
C = LEBARON/TOWN & COUNTRY	S = CORDOBA
D = ARIES	V = 400
F = NEW YORKER	X = MIRADA
G = DIPLOMAT	Y = IMPERIAL
M = HORIZON/TC3/SCAMP	Z = OMNI/O24/RAMPAGE

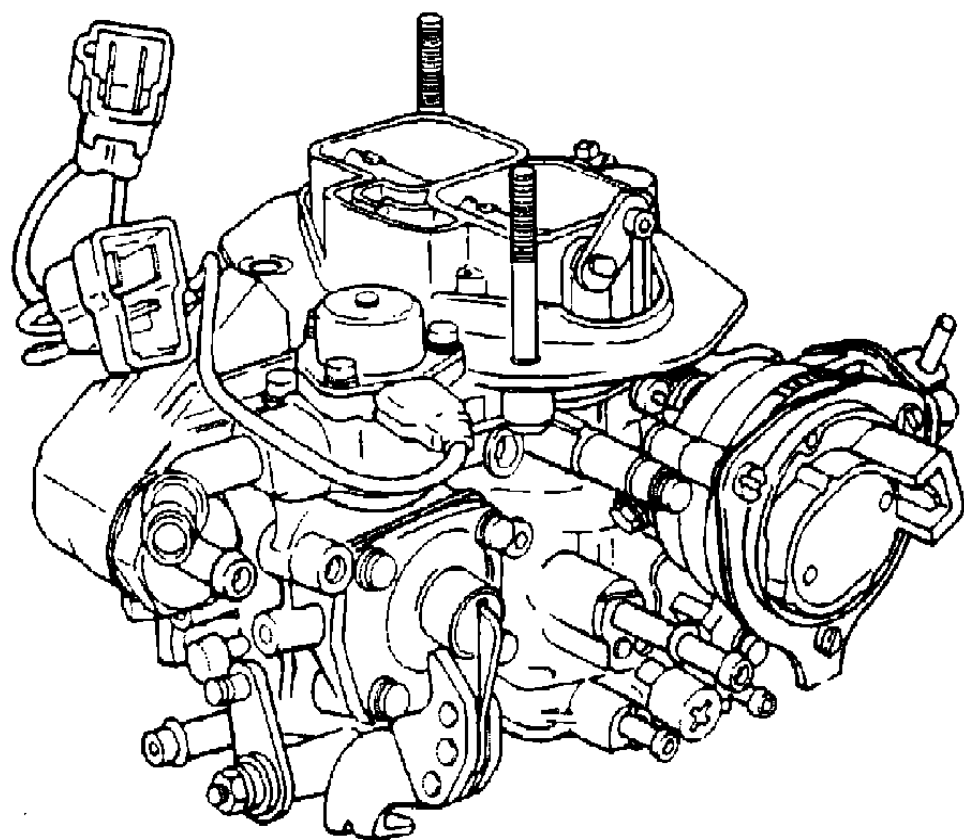
BODY STYLES

21 = 2-DOOR SEDAN	28 = FWD PICKUP
22 = 2-DOOR SPECIAL COUPE	41 = 4-DOOR SEDAN
24 = 2-DOOR HATCHBACK	44 = 4-DOOR HATCHBACK
27 = 2-DOOR CONVERTIBLE	45 = 2-SEAT STATION WAGON

AR = Use as Required - = Non Illustrated Part P.A.R. = Paint as Required

**HOLLEY 2BBL. CARBURETOR and COMPONENT PARTS**  
**Figure 14-1000**

2114 1060



ITEM	PART NUMBER	QTY	BODY	MODEL	DESCRIPTION
	4271 923				HOUSING, w/DIAPHRAGM, Choke Y4271923 Y4271923 N4271952 N4271952
	4271 952				HOUSING, w/DIAPHRAGM, Choke N4271923 N4271923 Y4271952 Y4271952
	4271 971				SCREW, Choke Diaphragm Adjusting N0 N0 Y4271971 Y4271971
	4131 121				DIAPHRAGM, Pump Y4131121 Y4131121 Y4131121 Y4131121
	4131 210				DIAPHRAGM, w/SHAFT Y4131210 Y4131210 Y4131210 Y4131210
	4131 114				RETAINER, Rod Y4131114 Y4131114 Y4131114 Y4131114
	4267 096				HOUSING, Thermostat Y4267096 Y4267096 Y4267096 Y4267096
	4186 295				THERMOSTAT, w/CAP, Choke Y4186295 Y4186295 Y4186295 Y4186295
	4179 302				INSULATOR Y4179302 Y4179302 Y4179302 Y4179302
	5214 345				ISOLATOR Y5214345 Y5214345 Y5214345 Y5214345
	4268 820				SPACER, Manifold to Carburetor Y4268820 Y4268820 Y4268820 Y4268820
	4271 881				KIT, Repair Y4271881 Y4271881 Y4271881 Y4271881
	4271 880				SET, Gasket Y4271880 Y4271880 Y4271880 Y4271880
	4131 116				NEEDLE and SEAT Y4131116 Y4131116 Y4131116 Y4131116
	4271 877				GASKET, Air Horn Y4271877 Y4271877 Y4271877 Y4271877
	4131 115				DIAPHRAGM, Power Valve Stem Y4131115 Y4131115 Y4131115 Y4131115
	4267 100				SWITCH, w/CONNECTOR, Air Cond. N0 N0 Y4267100 N0
	4131 138				JET, Primary Y4131138 N4186127 N4186127 N4131169
	4186 127				JET, Primary N4131138 Y4186127 Y4186127 N4131169
	4131 169				JET, Primary N4131138 N4186127 N4186127 Y4131169
	4271 920				JET, Secondary Y4271920 N4271924 N4271924 N4271902
	4271 924				JET, Secondary N4271920 Y4271924 Y4271924 N4271902
	4271 902				JET, Secondary N4271920 N4271924 N4271924 Y4271902
	4271 936				SOLENOID, Air Cond. N0 N0 Y4271936 N0
	4271 882				SOLENOID, Anti-Diesel Y4271882 Y4271882 N0 Y4271882
					SOLENOID, Duty-Cycle N0 N0 N0 N0
	4131 168				VALVE, Power Y4131168 Y4131168 Y4131168 Y4131168
	4240 035				SCREW, Solenoid Idle Adjusting N0 N0 Y4240035 N0

MODEL CODES

B = GRAN FURY/CARAVELLE	P = RELIANT
C = LEBARON/TOWN & COUNTRY	S = CORDOBA
D = ARIES	V = 400
F = NEW YORKER	X = MIRADA
G = DIPLOMAT	Y = IMPERIAL
M = HORIZON/TC3/SCAMP	Z = OMNI/O24/RAMPAGE

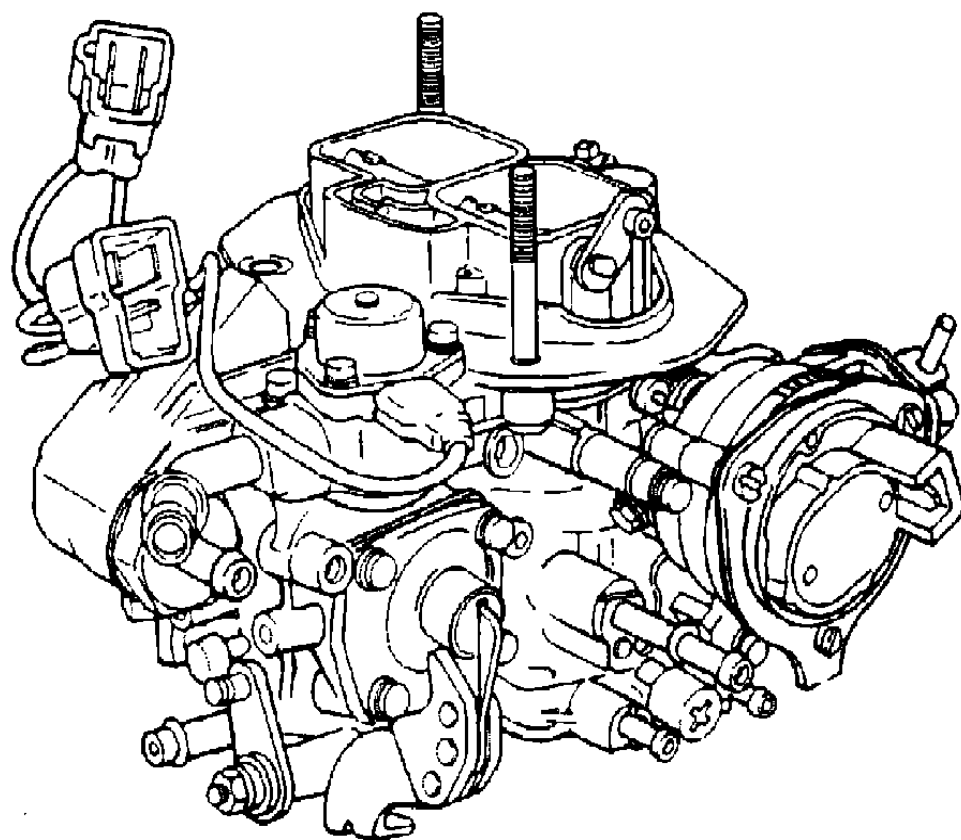
BODY STYLES

21 = 2-DOOR SEDAN	28 = FWD PICKUP
22 = 2-DOOR SPECIAL COUPE	41 = 4-DOOR SEDAN
24 = 2-DOOR HATCHBACK	44 = 4-DOOR HATCHBACK
27 = 2-DOOR CONVERTIBLE	45 = 2-SEAT STATION WAGON

AR = Use as Required - = Non Illustrated Part P.A.R. = Paint as Required

**HOLLEY 2BBL. CARBURETOR and COMPONENT PARTS**  
**Figure 14-1000**

2114 1060



ITEM	PART NUMBER	QTY	BODY	MODEL	DESCRIPTION
	4271 866				SCREW, w/Lock WASHER Y4271866 Y4271866 Y4271866 Y4271866
	4271 866				SCREW, Choke Diaphragm Cover Y4271866 Y4271866 Y4271866 Y4271866
	4267 140				PLUG, Idle Needle Y4267140 Y4267140 Y4267140 Y4267140
	4131 131				BUSHING, Choke Shaft Y4131131 Y4131131 Y4131131 Y4131131
	4186 291				TUBE, Main Well Y4186291 Y4186291 Y4186291 Y4186291
	4240 081				FLOAT Y4240081 Y4240081 Y4240081 Y4240081
	4131 127				BLEED, Hi-Speed Primary Y4131127 N4271925 N4271925 N4271921
	4271 925				BLEED, Hi-Speed Primary N4131127 Y4271925 Y4271925 N4271921
	4271 921				BLEED, Hi-Speed Primary N4131127 N4271925 N4271925 Y4271921
	4131 128				BLEED, Hi-Speed Secondary Y4131128 N4271925 N4271925 Y4131128
	4271 925				BLEED, Hi-Speed Secondary N4131128 Y4271925 Y4271925 N4131128
	4271 938				RIVET, Thermostat Ring Y4271938 Y4271938 Y4271938 Y4271938
	4271 922				HOUSING, w/DIAPHRAGM, Choke Y4271922 Y4271922 Y4271922 N4271923
	4271 923				HOUSING, w/DIAPHRAGM, Choke N4271922 N4271922 N4271922 Y4271923
	4131 121				DIAPHRAGM, Pump Y4131121 Y4131121 Y4131121 Y4131121
	4131 210				DIAPHRAGM, w/SHAFT Y4131210 Y4131210 Y4131210 Y4131210
	4131 187				COVER, Choke Diaphragm N0 N0 N0 N0
	4131 114				CONNECTOR, 4-Way Y4131187 N0 N0 N0
	4271 971				RETAINER, Rod Y4131114 Y4131114 Y4131114 Y4131114
	4267 096				SCREW, Choke Diaphragm Adjusting Y4271971 Y4271971 Y4271971 Y4271971
					HOUSING, Thermostat Y4267096 Y4267096 Y4267096 Y4267096

MODEL CODES

B = GRAN FURY/CARAVELLE	P = RELIANT
C = LEBARON/TOWN & COUNTRY	S = CORDOBA
D = ARIES	V = 400
F = NEW YORKER	X = MIRADA
G = DIPLOMAT	Y = IMPERIAL
M = HORIZON/TC3/SCAMP	Z = OMNI/O24/RAMPAGE

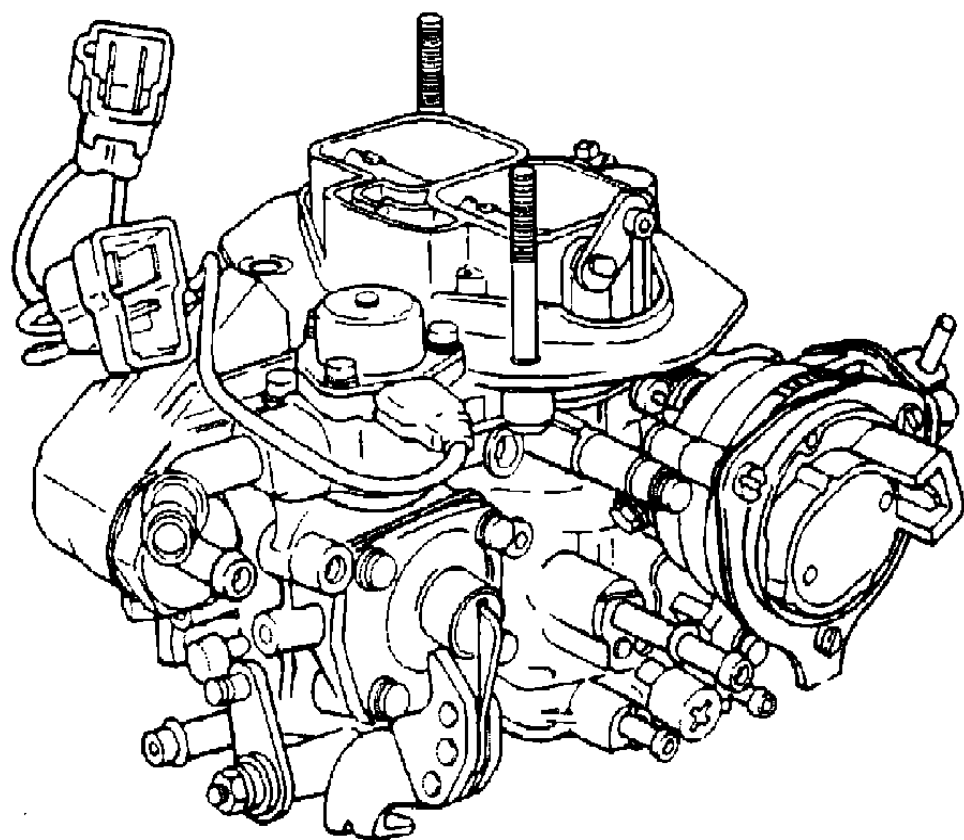
BODY STYLES

21 = 2-DOOR SEDAN	28 = FWD PICKUP
22 = 2-DOOR SPECIAL COUPE	41 = 4-DOOR SEDAN
24 = 2-DOOR HATCHBACK	44 = 4-DOOR HATCHBACK
27 = 2-DOOR CONVERTIBLE	45 = 2-SEAT STATION WAGON

AR = Use as Required - = Non Illustrated Part P.A.R. = Paint as Required

**HOLLEY 2BBL. CARBURETOR and COMPONENT PARTS**  
**Figure 14-1000**

2114 1000



ITEM	PART NUMBER	QTY	BODY	MODEL	DESCRIPTION
	4186 295				THERMOSTAT, w/CAP, Choke Y4186295 Y4186295 Y4186295 Y4186295
	4179 302				INSULATOR Y4179302 Y4179302 Y4179302 Y4179302
	5214 345				ISOLATOR Y5214345 Y5214345 Y5214345 Y5214345
	4268 820				SPACER, Manifold to Carburetor Y4268820 Y4268820 Y4268820 Y4268820
	4271 881				KIT, Repair Y4271881 N4240199 N4240199 N4267177
	4240 199				KIT, Repair N4271881 Y4240199 Y4240199 N4267177
	4267 177				KIT, Repair N4271881 N4240199 N4240199 Y4267177
	4271 880				SET, Gasket Y4271880 N4267174 N4267174 N4267174
	4267 174				SET, Gasket N4271880 Y4267174 Y4267174 Y4267174
	4131 116				NEEDLE and SEAT Y4131116 Y4131116 Y4131116 Y4131116
	4271 877				GASKET, Air Horn Y4271877 N4186329 N4186329 N4186239
	4186 329				GASKET, Air Horn N4271877 Y4186329 Y4186329 N4186239
	4186 239				GASKET, Air Horn N4271877 N4186329 N4186329 Y4186239
	4131 115				DIAPHRAGM, Power Valve Stem Y4131115 N0 N0 N0
	4267 100				SWITCH, w/CONNECTOR, Air Cond. Y4267100 Y4267100 N0 N0
	4131 169				JET, Primary Y4131169 N4271983 N4271983 N4293706
	4271 983				JET, Primary N4131169 Y4271983 Y4271983 N4293706
	4293 706				JET, Primary N4131169 N4271983 N4271983 Y4293706
	4271 902				JET, Secondary Y4271902 N4271984 N4271984 N4293707
	4271 984				JET, Secondary N4271902 Y4271984 Y4271984 N4293707
	4293 707				JET, Secondary N4271902 N4271984 N4271984 Y4293707
	4271 936				SOLENOID, Air Cond. Y4271936 N0 N0 N0
	4293 710				SOLENOID, Anti-Diesel N0 N0 N0 Y4293710
	4271 987				SOLENOID, Duty-Cycle N0 Y4271987 Y4271987 N4271986
	4271 986				SOLENOID, Duty-Cycle N0 N4271987 N4271987 Y4271986
	4131 168				VALVE, Power Y4131168 N0 N0 N0
	4240 035				SCREW, Solenoid Idle Adjusting Y4240035 N0 N0 N0
	4271 866				SCREW, w/Lock WASHER Y4271866 N0 N0 Y4271866
	4271 866				SCREW, Choke Diaphragm Cover Y4271866 N0 N0 N0
	4267 140				PLUG, Idle Needle Y4267140 Y4267140 Y4267140 Y4267140
	4131 131				BUSHING, Choke Shaft Y4131131 Y4131131 Y4131131 Y4131131
	4186 291				TUBE, Main Well Y4186291 Y4186291 Y4186291 Y4186291
	4240 081				FLOAT Y4240081 N4186293 N4186293 N4186293

MODEL CODES

B = GRAN FURY/CARAVELLE	P = RELIANT
C = LEBARON/TOWN & COUNTRY	S = CORDOBA
D = ARIES	V = 400
F = NEW YORKER	X = MIRADA
G = DIPLOMAT	Y = IMPERIAL
M = HORIZON/TC3/SCAMP	Z = OMNI/O24/RAMPAGE

BODY STYLES

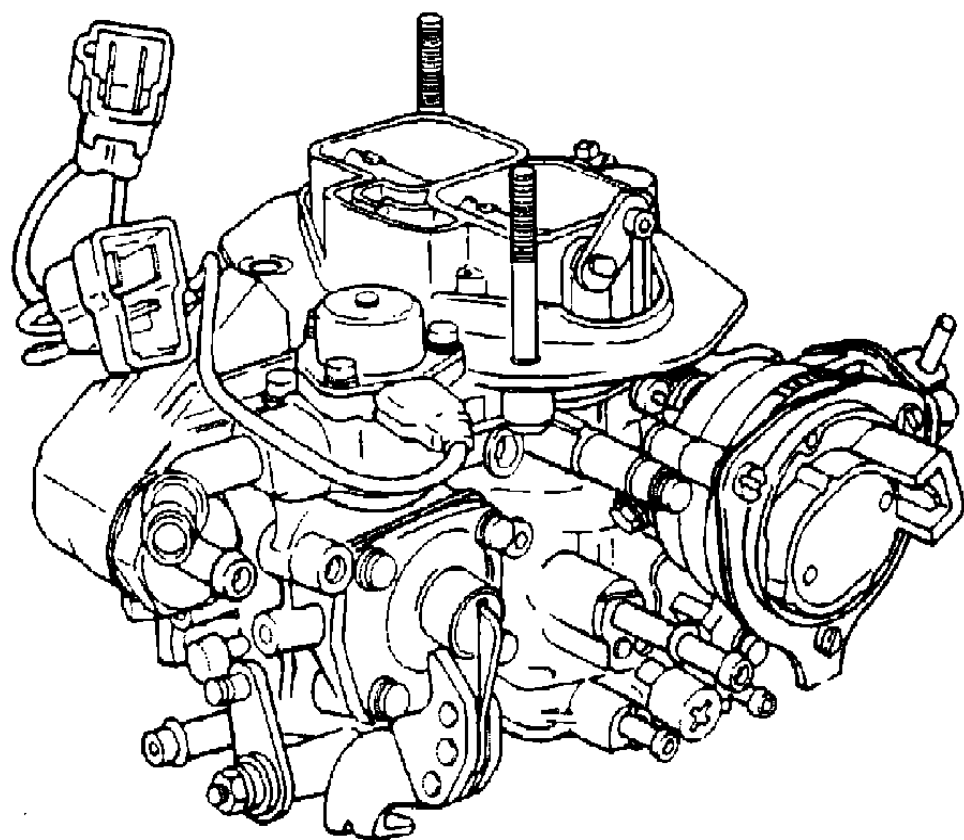
21 = 2-DOOR SEDAN	28 = FWD PICKUP
22 = 2-DOOR SPECIAL COUPE	41 = 4-DOOR SEDAN
24 = 2-DOOR HATCHBACK	44 = 4-DOOR HATCHBACK
27 = 2-DOOR CONVERTIBLE	45 = 2-SEAT STATION WAGON

AR = Use as Required - = Non Illustrated Part P.A.R. = Paint as Required



**HOLLEY 2BBL. CARBURETOR and COMPONENT PARTS**  
**Figure 14-1000**

2114 1060



ITEM	PART NUMBER	QTY	BODY	MODEL	DESCRIPTION
	4186 293				FLOAT N4240081 Y4186293 Y4186293 Y4186293
	4271 921				BLEED, Hi-Speed Primary Y4271921 N4271985 N4271985 N4293708
	4271 985				BLEED, Hi-Speed Primary N4271921 Y4271985 Y4271985 N4293708
	4293 708				BLEED, Hi-Speed Primary N4271921 N4271985 N4271985 Y4293708
	4131 128				BLEED, Hi-Speed Secondary Y4131128 N4131127 N4131127 N4131127
	4131 127				BLEED, Hi-Speed Secondary N4131128 Y4131127 Y4131127 Y4131127
	4271 938				RIVET, Thermostat Ring Y4271938 Y4271938 Y4271938 Y4271938
	4271 923				HOUSING, w/DIAPHRAGM, Choke Y4271923 N4271900 N4271900 N4267176
	4271 900				HOUSING, w/DIAPHRAGM, Choke N4271923 Y4271900 Y4271900 N4267176
	4267 176				HOUSING, w/DIAPHRAGM, Choke N4271923 N4271900 N4271900 Y4267176
	4271 971				SCREW, Choke Diaphragm Adjusting Y4271971 N0 N0 N0
	4131 121				DIAPHRAGM, Pump Y4131121 Y4131121 Y4131121 Y4131121
	4131 210				DIAPHRAGM, w/SHAFT Y4131210 N4240198 N4240198 N4267178
	4240 198				DIAPHRAGM, w/SHAFT N4131210 Y4240198 Y4240198 N4267178
	4267 178				DIAPHRAGM, w/SHAFT N4131210 N4240198 N4240198 Y4267178
					COVER, Choke Diaphragm N0 N0 N0 N0
					CONNECTOR, 4-Way N0 N0 N0 N0
	4271 975				SWITCH, w/BRACKET, Idle Ground N0 Y4271975 N0 N0
	4271 988				MODULATOR, Throttle N0 Y4271988 Y4271988 N0
	4131 114				RETAINER, Rod Y4131114 Y4131114 Y4131114 Y4131114
	4267 096				HOUSING, Thermostat Y4267096 Y4267096 Y4267096 Y4267096
	4186 295				THERMOSTAT, w/CAP, Choke Y4186295 Y4186295 Y4186295 Y4186295

MODEL CODES

B = GRAN FURY/CARAVELLE	P = RELIANT
C = LEBARON/TOWN & COUNTRY	S = CORDOBA
D = ARIES	V = 400
F = NEW YORKER	X = MIRADA
G = DIPLOMAT	Y = IMPERIAL
M = HORIZON/TC3/SCAMP	Z = OMNI/O24/RAMPAGE

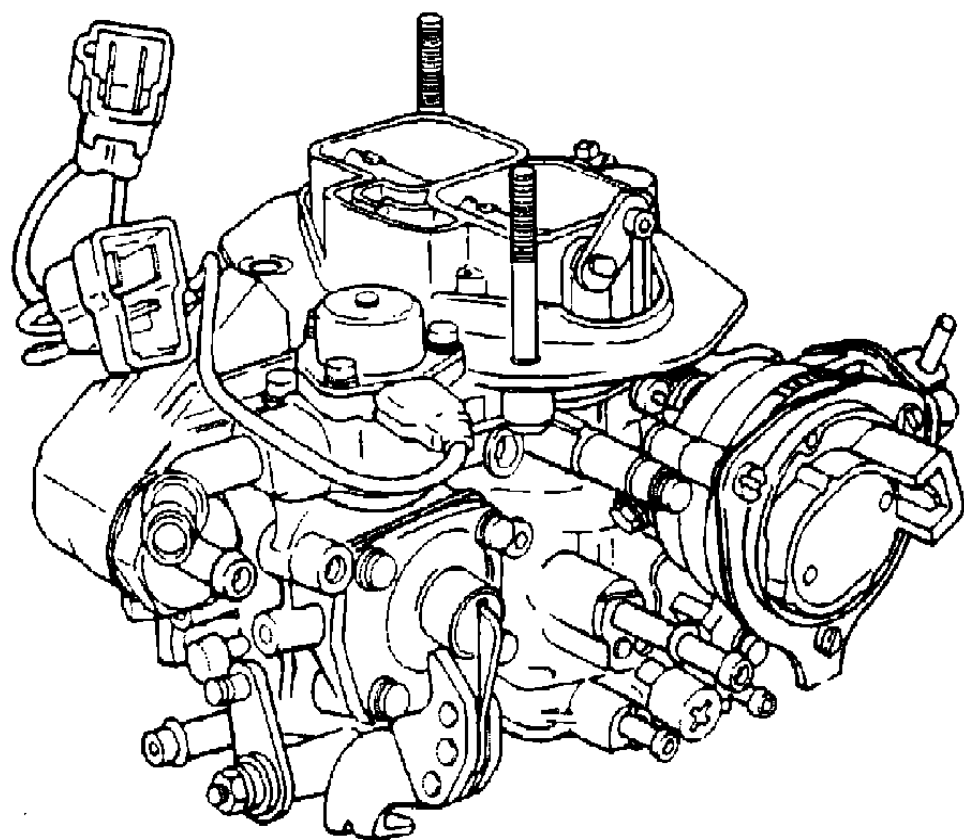
BODY STYLES

21 = 2-DOOR SEDAN	28 = FWD PICKUP
22 = 2-DOOR SPECIAL COUPE	41 = 4-DOOR SEDAN
24 = 2-DOOR HATCHBACK	44 = 4-DOOR HATCHBACK
27 = 2-DOOR CONVERTIBLE	45 = 2-SEAT STATION WAGON

AR = Use as Required - = Non Illustrated Part P.A.R. = Paint as Required

**HOLLEY 2BBL. CARBURETOR and COMPONENT PARTS**  
**Figure 14-1000**

2114 1000



ITEM	PART NUMBER	QTY	BODY	MODEL	DESCRIPTION
	4293 701				WIRE, w/CONNECTOR, Ground N0 Y4293701 Y4293701 N0
	4179 302				INSULATOR Y4179302 Y4179302 Y4179302 Y4179302
	5214 345				ISOLATOR Y5214345 Y5214345 Y5214345 Y5214345
	4268 820				SPACER, Manifold to Caruretor Y4268820 Y4268820 Y4268820 Y4268820
	4267 177				KIT, Reapair Y4267177 N4240199 N4240199 N4240199
	4240 199				KIT, Reapair N4267177 Y4240199 Y4240199 Y4240199
	4267 174				SET, Gasket Y4267174 Y4267174 Y4267174 Y4267174
	4131 116				NEEDLE and SEAT Y4131116 Y4131116 Y4131116 Y4131116
	4186 329				GASKET, Air Horn Y4186329 Y4186329 Y4186329 Y4186329
					DIAPHRAGM, Power Valve Stem N0 N0 N0 N0
	4267 100				SWITCH, w/CONNECTOR, Air Cond Y4267100 N0 Y4267100 N0
	4293 706				JET, Primary Y4293706 N4271899 N4271899 N4271899
	4271 899				JET, Primary N4293706 Y4271899 Y4271899 Y4271899
	4293 707				JET, Secondary Y4293707 N4293711 N4293711 N4293711
	4293 711				JET, Secondary N4293707 Y4293711 Y4293711 Y4293711
					SOLINOID, Air Cond N0 N0 N0 N0
	4293 710				SOLINOID, Anti-Diesel N0 Y4293710 N0 Y4293710
	4271 987				SOLINOID, Duty-Cycle Y4271987 N4293713 N4293713 N4293713
	4293 713				SOLINOID, Duty-Cycle N4271987 Y4293713 Y4293713 Y4293713
					VALVE, Power N0 N0 N0 N0
					SCREW, Solenoid Idle Adjusting N0 N0 N0 N0
	4271 866				SCREW, w/ Lock WASHER Y4271866 Y4271866 Y4271866 Y4271866
					SCREW, Choke Diaphragm Cover N0 N0 N0 N0
	4267 140				PLUG, Idle Needle Y4267140 Y4267140 Y4267140 Y4267140
	4131 131				BUSHING, Choke Shaft Y4131131 Y4131131 Y4131131 Y4131131
	4186 291				TUBE, Main Well Y4186291 Y4186291 Y4186291 Y4186291
	4186 293				FLOAT Y4186293 Y4186293 Y4186293 Y4186293
	4293 708				BLEED, Hi-Speed, Primary Y4293708 N4293712 N4293712 N4293712
	4293 712				BLEED, Hi-Speed, Primary N4293708 Y4293712 Y4293712 Y4293712

MODEL CODES

B = GRAN FURY/CARAVELLE	P = RELIANT
C = LEBARON/TOWN & COUNTRY	S = CORDOBA
D = ARIES	V = 400
F = NEW YORKER	X = MIRADA
G = DIPLOMAT	Y = IMPERIAL
M = HORIZON/TC3/SCAMP	Z = OMNI/O24/RAMPAGE

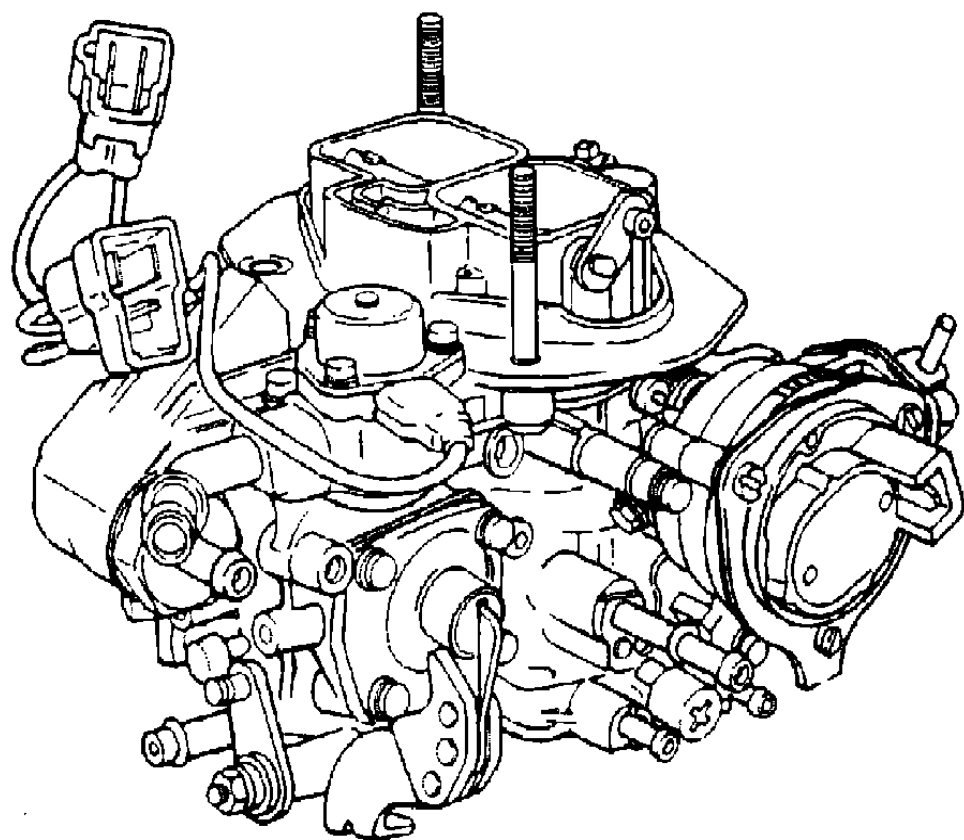
BODY STYLES

21 = 2-DOOR SEDAN	28 = FWD PICKUP
22 = 2-DOOR SPECIAL COUPE	41 = 4-DOOR SEDAN
24 = 2-DOOR HATCHBACK	44 = 4-DOOR HATCHBACK
27 = 2-DOOR CONVERTIBLE	45 = 2-SEAT STATION WAGON

AR = Use as Required - = Non Illustrated Part P.A.R. = Paint as Required

**HOLLEY 2BBL. CARBURETOR and COMPONENT PARTS**  
**Figure 14-1000**

2114 1000



ITEM	PART NUMBER	QTY	BODY	MODEL	DESCRIPTION
	4131 127				BLEED, Hi-Speed, Secondary Y4131127 N4131128 N4131128 N4131128
	4131 128				BLEED, Hi-Speed, Secondary N4131127 Y4131128 Y4131128 Y4131128
	4271 938				RIVET, Thermostat Ring Y4271938 Y4271938 Y4271938 Y4271938
	4267 176				HOUSING, w/DIAPHRAGM, Choke Y4267176 N4271900 N4271900 N4271900
	4271 900				HOUSING, w/DIAPHRAGM, Choke N4267176 Y4271900 Y4271900 Y4271900
	4131 121				DIAPHRAGM, Pump Y4131121 Y4131121 Y4131121 Y4131121
	4267 178				DIAPHRAGM, w/SHAFT Y4267178 N4240198 N4240198 N4240198
	4240 198				DIAPHRAGM, w/SHAFT N4267178 Y4240198 Y4240198 Y4240198
	4186 294				CONNECTOR, 3-Way Y4186294 Y4186294 Y4186294 Y4186294
	4131 114				RETAINER, Rod Y4131114 Y4131114 Y4131114 Y4131114
	4267 096				HOUSING, Thermostat Y4267096 Y4267096 Y4267096 Y4267096
	4186 295				THERMOSTAT, w/CAP, Choke Y4186295 Y4186295 Y4186295 Y4186295
	4271 988				MODULATOR, Throttle N0 N0 Y4271988 N0
	4293 701				WIRE, w/CONNECTOR, Ground Y4293701 N0 Y4293701 N0
	4179 302				INSULATOR Y4179302 N0 N0 N0
	5214 345				ISOLATOR Y5214345 N0 N0 N0
	4268 820				SPACER, Manifold to Carburetor Y4268820 N0 N0 N0
	4240 199				KIT, Repair Y4240199 N0 N0 N0
	4267 174				SET, Gasket Y4267174 N0 N0 N0
	4131 116				NEEDLE and SEAT Y4131116 N0 N0 N0
	4186 329				GASKET, Air Horn Y4186329 N0 N0 N0
	4267 100				DIAPHRAGM, Power Valve Stem N0 N0 N0 N0
	4271 899				SWITCH, w/CONNECTOR, Air Cond Y4267100 N0 N0 N0
	4293 711				JET, Primary Y4271899 N0 N0 N0
					JET, Secondary Y4293711 N0 N0 N0

MODEL CODES

B = GRAN FURY/CARAVELLE	P = RELIANT
C = LEBARON/TOWN & COUNTRY	S = CORDOBA
D = ARIES	V = 400
F = NEW YORKER	X = MIRADA
G = DIPLOMAT	Y = IMPERIAL
M = HORIZON/TC3/SCAMP	Z = OMNI/O24/RAMPAGE

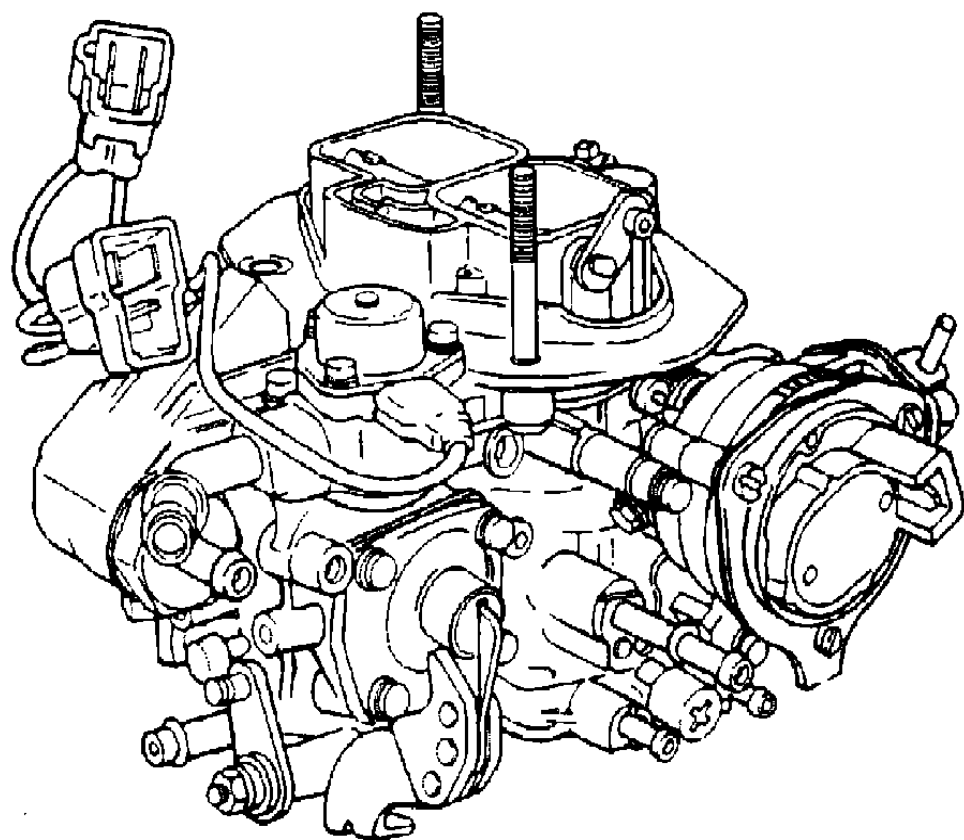
BODY STYLES

21 = 2-DOOR SEDAN	28 = FWD PICKUP
22 = 2-DOOR SPECIAL COUPE	41 = 4-DOOR SEDAN
24 = 2-DOOR HATCHBACK	44 = 4-DOOR HATCHBACK
27 = 2-DOOR CONVERTIBLE	45 = 2-SEAT STATION WAGON

AR = Use as Required - = Non Illustrated Part P.A.R. = Paint as Required

HOLLEY 2BBL. CARBURETOR and COMPONENT PARTS  
Figure 14-1000

2114 1060



ITEM	PART NUMBER	QTY	BODY	MODEL	DESCRIPTION
					SOLENOID, Air Cond N0 N0 N0 N0
					SOLENOID, Anit-Diesel N0 N0 N0 N0
	4293 714				SOLENOID, Duty-Cycle Y4293714 N0 N0 N0 VALVE, Power N0 N0 N0 N0 SCREW, Solenoid Idle Adjusting N0 N0 N0 N0
	4271 866				SCREW, w/Lock WASHER Y4271866 N0 N0 N0 SCREW, Choke Diaphragm Cover N0 N0 N0 N0
	4267 140				PLUG, Idle Needle Y4267140 N0 N0 N0
	4131 131				BUSHING, Choke Shaft Y4131131 N0 N0 N0
	4186 291				TUBE, Main Well Y4186291 N0 N0 N0
	4186 293				FLOAT Y4186293 N0 N0 N0
	4293 712				BLEED, Hi-Speed, Primary Y4293712 N0 N0 N0
	4131 128				BLEED, Hi-Speed, Secondary Y4131128 N0 N0 N0
	4271 938				RIVET, Thermostat Ring Y4271938 N0 N0 N0
	4271 900				HOUSING, w/DIAPHRAGM, Choke Y4271900 N0 N0 N0
	4131 121				DIAPHRAGM, Pump Y4131121 N0 N0 N0
	4240 198				DIAPHRAGM, w/SHAFT Y4240198 N0 N0 N0
	4186 294				COVER, Choke Diaphragm N0 N0 N0 N0
	4131 114				CONNECTOR 3-Way Y4186294 N0 N0 N0
	4267 096				RETAINER, Rod Y4131114 N0 N0 N0
	4186 295				HOUSING, Thermostat Y4267096 N0 N0 N0
	4293 701				THERMOATAT, w/CAP, Choke Y4186295 N0 N0 N0 WIRE, w/CONNECTOR, Ground Y4293701 N0 N0 N0

MODEL CODES

B = GRAN FURY/CARAVELLE	P = RELIANT
C = LEBARON/TOWN & COUNTRY	S = CORDOBA
D = ARIES	V = 400
F = NEW YORKER	X = MIRADA
G = DIPLOMAT	Y = IMPERIAL
M = HORIZON/TC3/SCAMP	Z = OMNI/O24/RAMPAGE

BODY STYLES

21 = 2-DOOR SEDAN	28 = FWD PICKUP
22 = 2-DOOR SPECIAL COUPE	41 = 4-DOOR SEDAN
24 = 2-DOOR HATCHBACK	44 = 4-DOOR HATCHBACK
27 = 2-DOOR CONVERTIBLE	45 = 2-SEAT STATION WAGON

AR = Use as Required - = Non Illustrated Part P.A.R. = Paint as Required

**HOLLEY SOLENOID CROSS REFERANCE**  
**Figure 14-1100**

ILLUSTRATION NOT AVAILABLE AT TIME OF PUBLICATION

ITEM	PART NUMBER	QTY	BODY	MODEL	DESCRIPTION
					Vent N283R-204A N4186308 N N
					Anti-Diesel N300R-204AS N4186308 N N
					Duty-Cycle N300R-262-2ASN4267153 N N
					Duty-Cycle N300R-308-1ASN4267112 N N
					Duty-Cycle N300R-308-2ASN4267113 N N
					Duty-Cycle N300R-308-3ASN4271886 N N
					Duty-Cycle N300R-308-6ASN4271986 N N
					Solenoid N300R-323AS N4267121 N N
					Duty-Cycle N300R-338-1ASN4267114 N N
					Duty-Cycle N300R-338-2ASN4267115 N N
					Duty-Cycle N300R-338-3ASN4271887 N N
					Duty-Cycle N300R-338-6ASN4271987 N N
					Anti-Diesel N300R-346A N4267101 N N
					A/C Speed-Up N300R-347AS N4267102 N N
					A/C Speed-Up N300R-347-1ASN4267188 N N
					Vent N300R-351AS N4267162 N N
					Solenoid N300R-379AS N4267240 N N
					A/C Speed-Up N300R-379-1ASN4271862 N N
					A/C Speed-Up N300R-382AS N4267220 N N
					Duty-Cycle N300R-383-1ASN4267219 N N
					Anti-Diesel N300R-385A N4267235 N N
					Anti-Diesel N300R-386A N4271882 N N
					A/C Speed-Up N300R-388AS N4267237 N N
					A/C Speed-Up N300R-388-1ASN4271865 N N
					A/C Speed-Up N300R-396-1ASN4271937 N N
					A/C Speed-Up N300R-396-2ASN4271936 N N

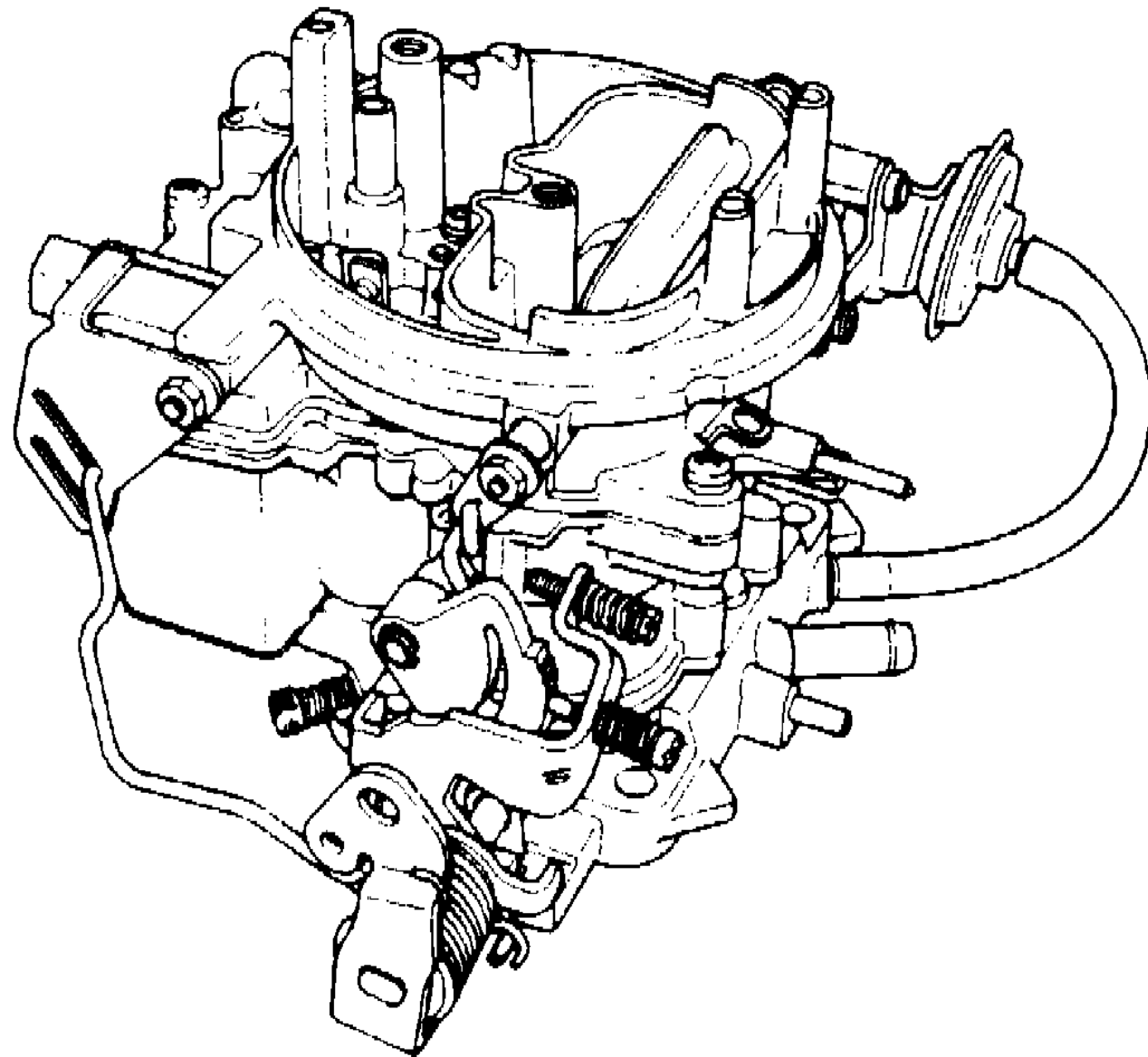
MODEL CODES  
 B = GRAN FURY/CARAVELLE      P = RELIANT  
 C = LEBARON/TOWN & COUNTRY    S = CORDOBA  
 D = ARIES                            V = 400  
 F = NEW YORKER                    X = MIRADA  
 G = DIPLOMAT                       Y = IMPERIAL  
 M = HORIZON/TC3/SCAMP          Z = OMNI/O24/RAMPAGE

BODY STYLES  
 21 = 2-DOOR SEDAN                28 = FWD PICKUP  
 22 = 2-DOOR SPECIAL COUPE    41 = 4-DOOR SEDAN  
 24 = 2-DOOR HATCHBACK        44 = 4-DOOR HATCHBACK  
 27 = 2-DOOR CONVERTIBLE      45 = 2-SEAT STATION WAGON

AR = Use as Required - = Non Illustrated Part P.A.R. = Paint as Required

**CARTER - 2BBL CARBURETOR and COMPONENT PARTS**  
**Figure 14-1200**

2114 1200



ITEM	PART NUMBER	QTY	BODY	MODEL	DESCRIPTION
	4179 128				F,G,X,S,B w/(SC-N93,N98)   225/A NBBD8290 N4179128 Y4179128 N1
	4179 129				F,G,X,S w/(SC-N94)   318/A NBBD8291 N4179129 Y4179129 N2
	4179 130				F,G,X,S w/(SC-N92,N94)   318/A NBBD8292 N4179130 Y4179130 N3
	4287 023				F,G,X,S,B w/(SC-N92,N94)   318/A NBBD8369 N4287023 Y4287023 N4
	4095 970				GASKET, Flange Y4095970 Y4095970 Y4095970 Y4095970
	4267 213				KIT, Repair Y4267213 N4267163 N4271962 N4271962
	4267 163				KIT, Repair N4267213 Y4267163 N4271962 N4271962
	4271 962				KIT, Repair N4267213 N4267163 Y4271962 Y4271962
	4049 319				SET, Gasket Y4049319 N4267214 N4267214 N4271942
	4267 214				SET, Gasket N4049319 Y4267214 Y4267214 N4271942
	4271 942				SET, Gasket N4049319 N4267214 N4267214 Y4271942
	2933 042				NEEDLE and SEAT Y2933042 Y2933042 Y2933042 Y2933042
	4094 866				CUP, Accel. Pump Y4094866 Y4094866 Y4094866 Y4094866
	4094 867				PLUNGER, Accel. Pump Y4094867 Y4094867 Y4094867 N
	4240 135				GASKET, Air Horn Y4240135 N4267198 Y4240135 Y4240135
	4267 198				GASKET, Air Horn N4240135 Y4267198 N4240135 N4240135
	4095 337				CHOKE Y4095337 N4095338 N4095329 N4095329
	4095 338				CHOKE N4095337 Y4095338 N4095329 N4095329
	4095 329				CHOKE N4095337 N4095338 Y4095329 Y4095329
	4049 777				CONTROL, Choke Y4049777 Y4049777 Y4049777 Y4049777
	3879 841				DIAPHRAGM, Choke Y3879841 N3879842 N4271956 N
	3879 842				DIAPHRAGM, Choke N3879841 Y3879842 N4271956 N
	4271 956				DIAPHRAGM, Choke N3879841 N3879842 Y4271956 N
	4267 130				DIAPHRAGM, w/BRACKET, Choke N Y4267130 N4271956 N4271956
	4271 956				DIAPHRAGM, w/BRACKET, Choke N N4267130 Y4271956 Y4271956
	2933 008				JET, Main Y2933008 Y2933008 N2809305 N2809305
	2809 305				JET, Main N2933008 N2933008 Y2809305 Y2809305
	4186 190				ROD, Metering Y4186190 N4267217 N4267218 N4267218
	4267 217				ROD, Metering N4186190 Y4267217 N4267218 N4267218
	4267 218				ROD, Metering N4186190 N4267217 Y4267218 Y4267218
	4267 142				SOLENOID Y4267142 N4186227 N N

MODEL CODES

B = GRAN FURY/CARAVELLE	P = RELIANT
C = LEBARON/TOWN & COUNTRY	S = CORDOBA
D = ARIES	V = 400
F = NEW YORKER	X = MIRADA
G = DIPLOMAT	Y = IMPERIAL
M = HORIZON/TC3/SCAMP	Z = OMNI/O24/RAMPAGE

BODY STYLES

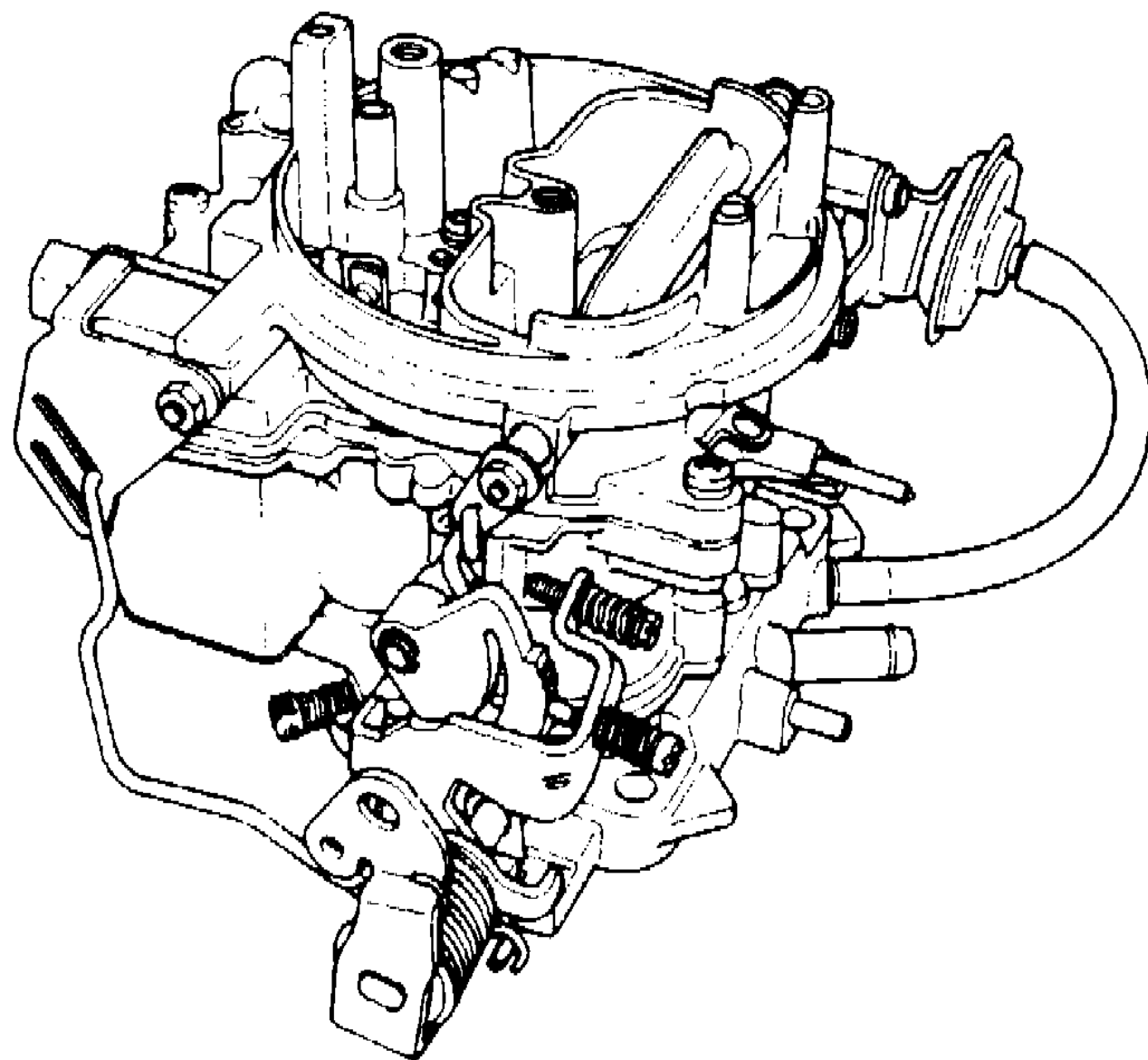
21 = 2-DOOR SEDAN	28 = FWD PICKUP
22 = 2-DOOR SPECIAL COUPE	41 = 4-DOOR SEDAN
24 = 2-DOOR HATCHBACK	44 = 4-DOOR HATCHBACK
27 = 2-DOOR CONVERTIBLE	45 = 2-SEAT STATION WAGON

AR = Use as Required - = Non Illustrated Part P.A.R. = Paint as Required

**CARTER - 2BBL CARBURETOR and COMPONENT PARTS**  
**Figure 14-1200**

2114 1200

ITEM	PART NUMBER	QTY	BODY	MODEL	DESCRIPTION
	4186 227				SOLENOID N4267142 Y4186227 N N
	4240 136				WIRE and BRACKET, Ground N N Y4240136 Y4240136
	3481 274				FLOAT Y3481274 Y3481274 Y3481274 Y3481274
	4049 198				TRANSDUCER, E.S.A. N Y4049198 N N
	4240 040				SOLENOID, Bowl Vent N Y4240040 N N
	C394 0189				SOLENOID, Pulsing N YC3940189 N N
	4267 146				SOLENOID, w/BRACKET N Y4267146 N N
	4267 166				POP RIVETS, Tamper Resist Y4267166 Y4267166 Y4267166 N
	4271 855				PLUG, Idle Mix Y4271855 N4267191 Y4271855 Y4271855
	4267 191				PLUG, Idle Mix N4271855 Y4267191 N4271855 N4271855
	4267 192				ROLL PIN, Tamper Resist Y4267192 Y4267192 Y4267192 N



**MODEL CODES**

B = GRAN FURY/CARAVELLE	P = RELIANT
C = LEBARON/TOWN & COUNTRY	S = CORDOBA
D = ARIES	V = 400
F = NEW YORKER	X = MIRADA
G = DIPLOMAT	Y = IMPERIAL
M = HORIZON/TC3/SCAMP	Z = OMNI/O24/RAMPAGE

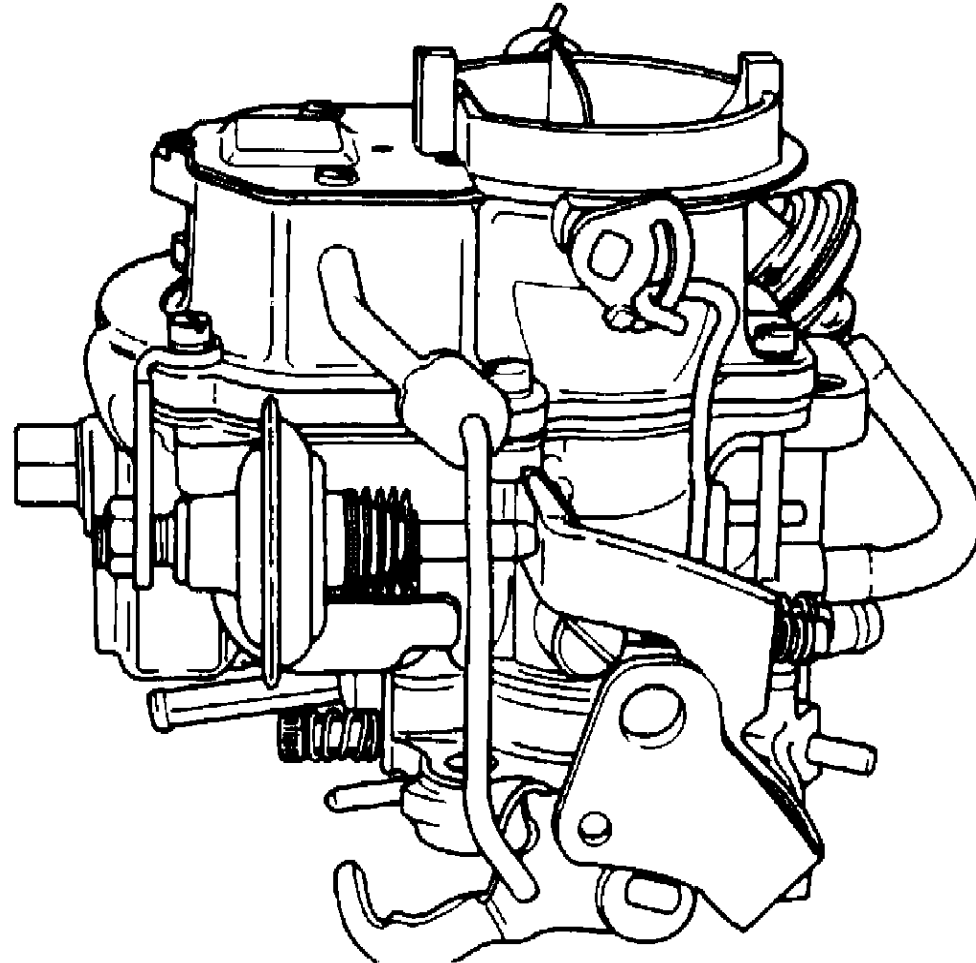
**BODY STYLES**

21 = 2-DOOR SEDAN	28 = FWD PICKUP
22 = 2-DOOR SPECIAL COUPE	41 = 4-DOOR SEDAN
24 = 2-DOOR HATCHBACK	44 = 4-DOOR HATCHBACK
27 = 2-DOOR CONVERTIBLE	45 = 2-SEAT STATION WAGON

AR = Use as Required - = Non Illustrated Part P.A.R. = Paint as Required

**CARTER - 4BBL CARBURETOR and COMPONENT PARTS**  
**Figure 14-1300**

2114 1300



ITEM	PART NUMBER	QTY	BODY	MODEL	DESCRIPTION
	4179 179				B,F,G w/(SC-N94)   318/A NTQ9372 N4179179 Y4179179 N1
	4179 179				F,G w/(SC-N95)   318/A NTQ9372 N4179179 Y4179179 N1
	4179 179				F,X,S w/(SC-N61)   318/A NTQ9372 N4179179 Y4179179 N1
	4179 177				B,F,G w/(SC-N92)   318/A NTQ9364 N4179177 Y4179177 N2
	4287 051				B,F,G,X,S w/(SC-N94,N95,N61)   318/A NTQ9385 N4287051 Y4287051 N4
	3698 365				GASKET, Flange Y3698365 Y3698365 Y3698365 Y3698365
	4240 070				KIT, Repair Y4240070 N4271945 N4271945 N
	4271 945				KIT, Repair N4240070 Y4271945 Y4271945 N
	4267 212				SET, Gasket Y4267212 Y4267212 Y4267212 Y4267212
	3621 161				NEEDLE and SEAT Y3621161 Y3621161 N Y3621161
	4094 867				CUP or PLUNGER, Accel. Pump Y4094867 Y4094867 Y4094867 N
	4186 236				GASKET, Air Horn Y4186236 Y4186236 Y4186236 Y4186236
	4095 984				CHOKE Y4095984 Y4095984 N N
	4267 133				DIAPHRAGM, Choke Y4267133 N4131250 Y4267133 Y4267133
	4131 250				DIAPHRAGM, Choke N4267133 Y4131250 N4267133 N4267133
	4026 269				JET, Primary Y4026269 N3683905 Y4026269 Y4026269
	3683 905				JET, Primary N4026269 Y3683905 N4026269 N4026269
	4049 189				JET, Secondary Y4049189 Y4049189 Y4049189 Y4049189
	4267 132				ROD, Metering Y4267132 N4131177 N4271999 Y4267132
	4131 177				ROD, Metering N4267132 Y4131177 N4271999 N4267132
	4271 999				ROD, Metering N4267132 N4131177 Y4271999 N4267132
	4240 185				SOLENOID, Bowl Vent Y4240185 N4267136 Y4240185 N
	4267 136				SOLENOID, Bowl Vent N4240185 Y4267136 N4240185 N
	3780 155				FLOAT Y3780155 Y3780155 Y3780155 Y3780155
	4271 855				PLUG, Idle Needle N0 Y4271855 N N
	4267 138				GROUND WIRE and BRACKET N0 Y4267138 N N
	4267 135				SOLENOID, Pulsing Y4267135 N0 Y4267135 N
	4267 134				SOLENOID, w/BRACKET N0 N0 Y4267134 N

**MODEL CODES**

B = GRAN FURY/CARAVELLE	P = RELIANT
C = LEBARON/TOWN & COUNTRY	S = CORDOBA
D = ARIES	V = 400
F = NEW YORKER	X = MIRADA
G = DIPLOMAT	Y = IMPERIAL
M = HORIZON/TC3/SCAMP	Z = OMNI/O24/RAMPAGE

**BODY STYLES**

21 = 2-DOOR SEDAN	28 = FWD PICKUP
22 = 2-DOOR SPECIAL COUPE	41 = 4-DOOR SEDAN
24 = 2-DOOR HATCHBACK	44 = 4-DOOR HATCHBACK
27 = 2-DOOR CONVERTIBLE	45 = 2-SEAT STATION WAGON

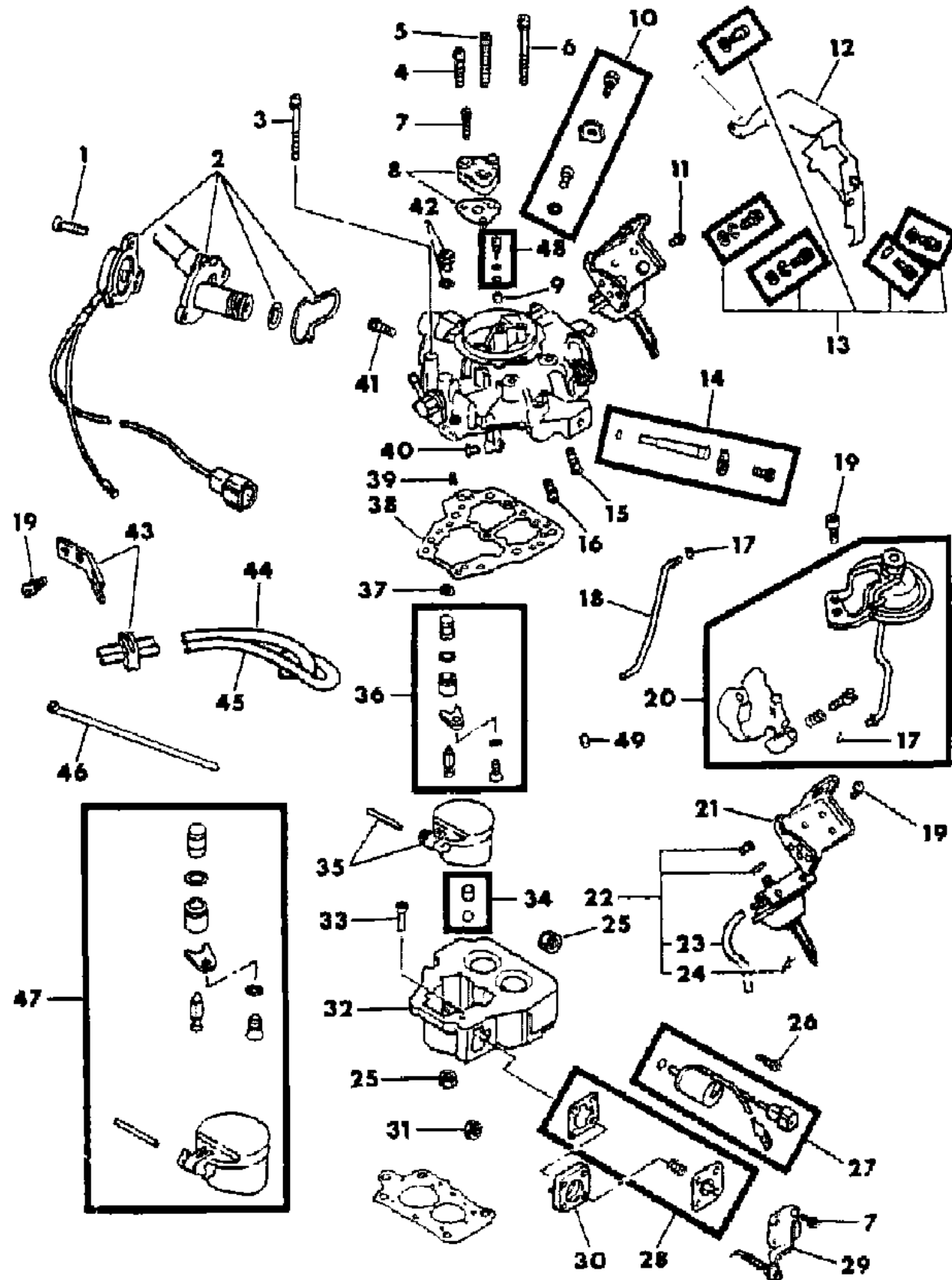
AR = Use as Required - = Non Illustrated Part P.A.R. = Paint as Required



# CARBURETOR COMPONENT PARTS - W/2.6 LITRE ENGINE

Figure 14-1400

2114 1400



ITEM	PART NUMBER	QTY	BODY	MODEL	DESCRIPTION
1	MF35 0029	4			SCREW, w/WASHER
	MF35 0023	4			Canada
2	MD60 6945	1			VALVE, Bowl Vent
3	MD60 6984	1			SCREW, w/WASHER
4	MF35 0056	2			SCREW, w/WASHER
5	MF35 0061	1			SCREW, w/WASHER
6	MD60 6865	2			SCREW, w/WASHER
7	MF35 0031	6			SCREW, w/WASHER
8	MD60 6933	1			BODY, Enrichment Valve
9	MD60 8162	1			JET SET, Main Air
	MD60 6984	1			Canada
10	MD60 6982	1			JET SET, Pilot Secondary
11	MF35 0048	1			SCREW, w/WASHER
12	MD60 6932	1			COVER, Choke
13	MD60 6977	1			SCREW KIT, Choke Cover
14	MD60 6935	1			JET SET, Pilot Primary
15	MF35 0032	1			SCREW, w/WASHER
16	MF35 0026	2			SCREW, w/WASHER
17	MD60 0213	3			RING, Snap
18	MD60 6854	1			ROD, Choke
19	MF35 0047	9			SCREW, w/WASHER
20	MD60 6942	1			THROTTLE KIT, Opener
21	MD60 6949	1			BRACKET, Cable
22	MD60 8163	1			BODY, Depression Chamber
	MD60 8164	1			Canada
23	MD60 6951	1			HOSE, Vaccum
24	MD60 6527	1			RETAINER, Snap
25	MF43 0003	4			NUT
26	MF35 0050	1			SCREW, w/WASHER
27	MD60 6943	1			VALVE, Solenoid
28	MD60 6849	1			DIAPHRAGM KIT, Pump
29	MD60 6850	1			COVER, Pump
	MD60 6972	1			Canada
30	MD60 6851	1			BODY, Pump
31	MF43 0002	4			NUT
32	MD60 8165	1			BODY, Mixing
					Exc. Calif.

MODEL CODES

B = GRAN FURY/CARAVELLE	P = RELIANT
C = LEBARON/TOWN & COUNTRY	S = CORDOBA
D = ARIES	V = 400
F = NEW YORKER	X = MIRADA
G = DIPLOMAT	Y = IMPERIAL
M = HORIZON/TC3/SCAMP	Z = OMNI/O24/RAMPAGE

BODY STYLES

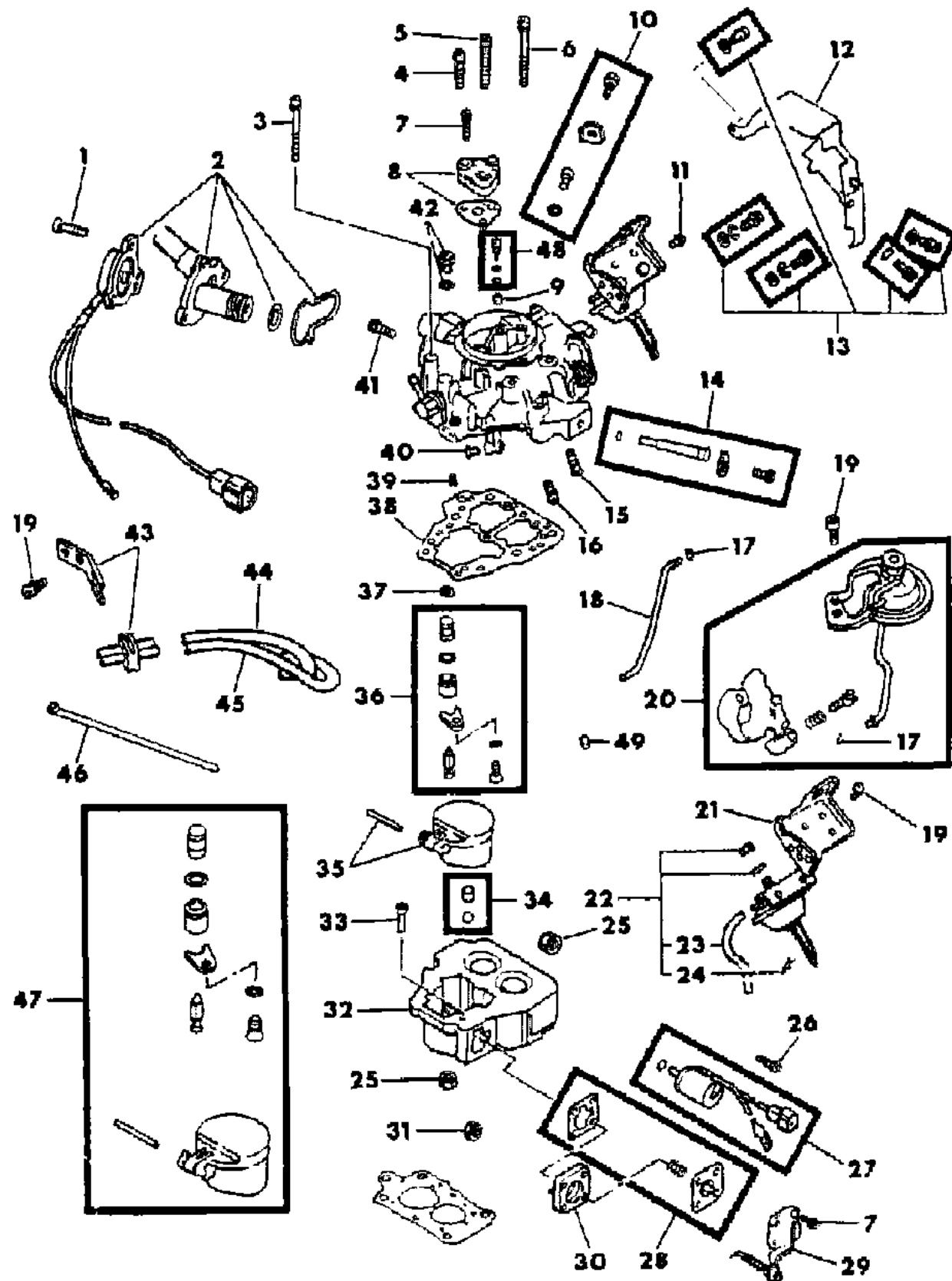
21 = 2-DOOR SEDAN	28 = FWD PICKUP
22 = 2-DOOR SPECIAL COUPE	41 = 4-DOOR SEDAN
24 = 2-DOOR HATCHBACK	44 = 4-DOOR HATCHBACK
27 = 2-DOOR CONVERTIBLE	45 = 2-SEAT STATION WAGON

AR = Use as Required - = Non Illustrated Part P.A.R. = Paint as Required

# CARBURETOR COMPONENT PARTS - W/2.6 LITRE ENGINE

Figure 14-1400

2114 1400



ITEM	PART NUMBER	QTY	BODY	MODEL	DESCRIPTION
	MD60 8166	1			Caif.
	MD60 6947	1			Canada
33	MD60 6983	1			JET SET, Enrichment
34	MD60 6852	1			CHECK VALVE KIT, Pump
35	MD60 6844	1			FLOAT and PIN KIT
36	MD60 6931	1			VALVE KIT, Needle
37	MD60 6952	1			SHIM KIT
38	MD60 8135	1			GASKET, Float Chamber Cover
39	MD60 6980	1			JET SET, Main Secondary
40	MD60 8161	1			JET SET, Main Primary
	MD60 6950	1			Canada
41	MF35 0049	3			SCREW, w/WASHER
42	MD60 6956	1			SCREW, w/WASHER
43	MD60 6953	1			JOINT KIT
44	MD03 0204	1			HOSE, Vacuum
45	MD03 1102	1			HOSE, Vacuum
45	MD03 0241	1			CANADA
46	MD60 6222	1			CLIP
47	MD60 6946	1			FLOAT and NEEDLE VALVE KIT
48	MD60 8125	1			SCREW KIT
49	MD60 8126	1			CAP, Rubber

MODEL CODES

B = GRAN FURY/CARAVELLE	P = RELIANT
C = LEBARON/TOWN & COUNTRY	S = CORDOBA
D = ARIES	V = 400
F = NEW YORKER	X = MIRADA
G = DIPLOMAT	Y = IMPERIAL
M = HORIZON/TC3/SCAMP	Z = OMNI/O24/RAMPAGE

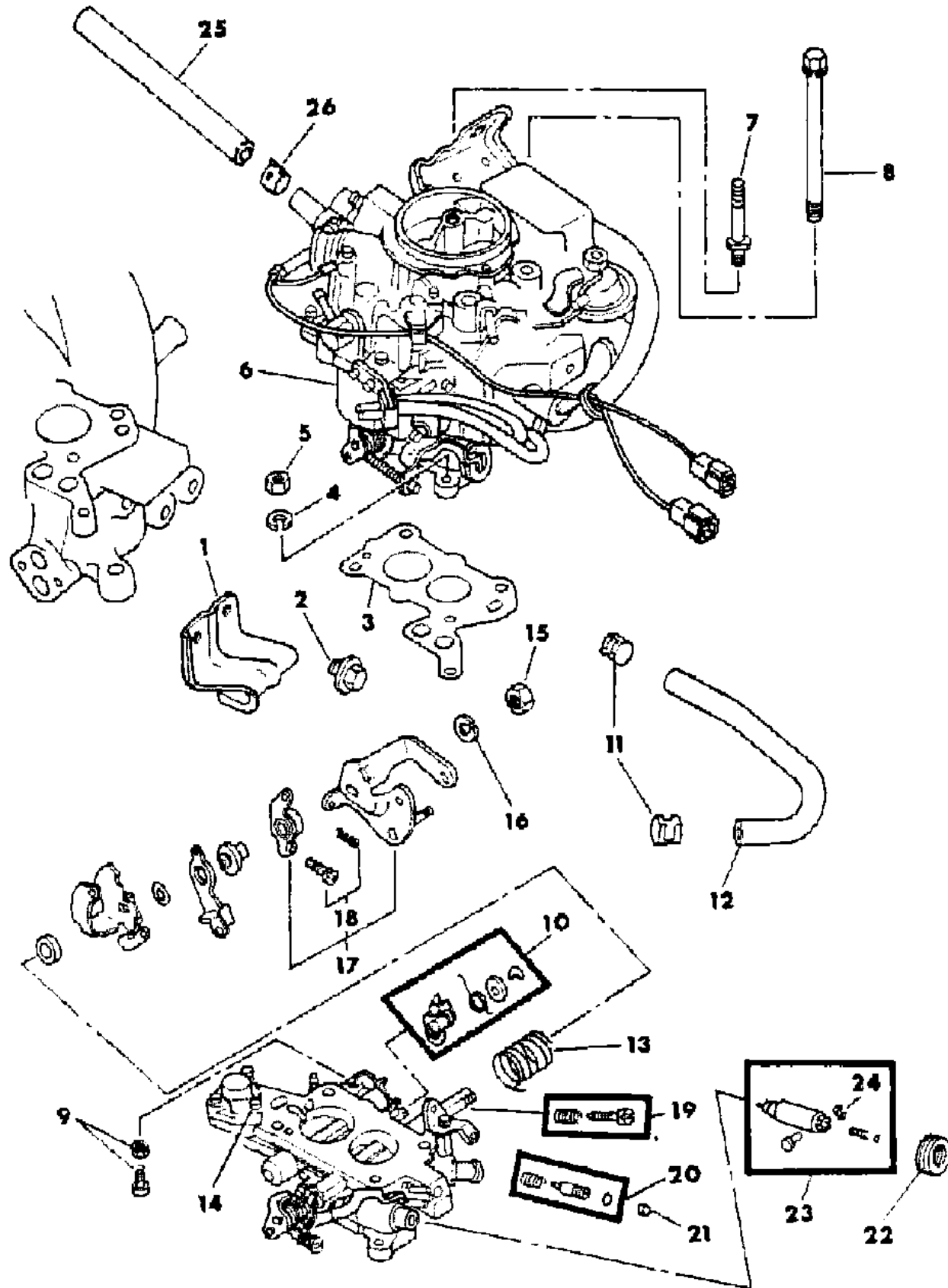
BODY STYLES

21 = 2-DOOR SEDAN	28 = FWD PICKUP
22 = 2-DOOR SPECIAL COUPE	41 = 4-DOOR SEDAN
24 = 2-DOOR HATCHBACK	44 = 4-DOOR HATCHBACK
27 = 2-DOOR CONVERTIBLE	45 = 2-SEAT STATION WAGON

AR = Use as Required - = Non Illustrated Part P.A.R. = Paint as Required

**CARBURETOR - W/2.6 LITER ENGINE**  
**Figure 14-1500**

2114 1500



ITEM	PART NUMBER	QTY	BODY	MODEL	DESCRIPTION
	MD60 8127	1			GASKET SET, Carburetor
	MD60 8128	1			Canada
1	MD02 5438	1			BRACKET
2	MF14 0021	2			BOLT, Flange
3					GASKET, Carburetor Flange
	MD02 5344	1			w/(SC N95,N98)
	MD02 5434	1			w/(SC N93)
4	MF45 0404	1			WASHER, Spring
5	MF43 0004	1			NUT
6					CARBURETOR
	MD02 6704	1			Exec. Caif.
	MD01 7066	1			Caif.
	MD02 5433	1			Canada
7	MD02 5402	1			STUD
8	MD02 5419	4			BOLT w/WASHER
9	MD60 6833	1			SCREW KIT, Secondary Adjusting
10	MD60 6938	1			SPRING KIT, Secondary
11	MS66 0164	2			CLIP, Hose
12	MD60 6941	1			HOSE and CLIPS, Water
13	MD60 6944	1			SPRING, Throttle
	MD60 8116	1			Canada
14	MF35 0027	3			SCREW, w/WASHER
15	MD60 0059	1			NUT
16	MF45 0405	1			WASHER, Spring
17	MD60 6937	1			LEVER, Throttle
18	MD60 6517	1			SCREW KIT, Fast Idle
19	MD60 6855	1			SCREW KIT, Speed Adjusting
20	MD60 6939	1			SCREW KIT, Mixture Adjusting
21	MD60 6954	1			PLUG KIT
22	MD60 6523	1			CAP, Rubber
23	MD60 6660	1			VALVE KIT, Sub E.G.R.
24	MD60 6522	1			RING, Snap
25	MD02 7365	1			HOSE, Vapor
26	MS66 0165	1			CLIP, Hose

**MODEL CODES**

B = GRAN FURY/CARAVELLE	P = RELIANT
C = LEBARON/TOWN & COUNTRY	S = CORDOBA
D = ARIES	V = 400
F = NEW YORKER	X = MIRADA
G = DIPLOMAT	Y = IMPERIAL
M = HORIZON/TC3/SCAMP	Z = OMNI/O24/RAMPAGE

**BODY STYLES**

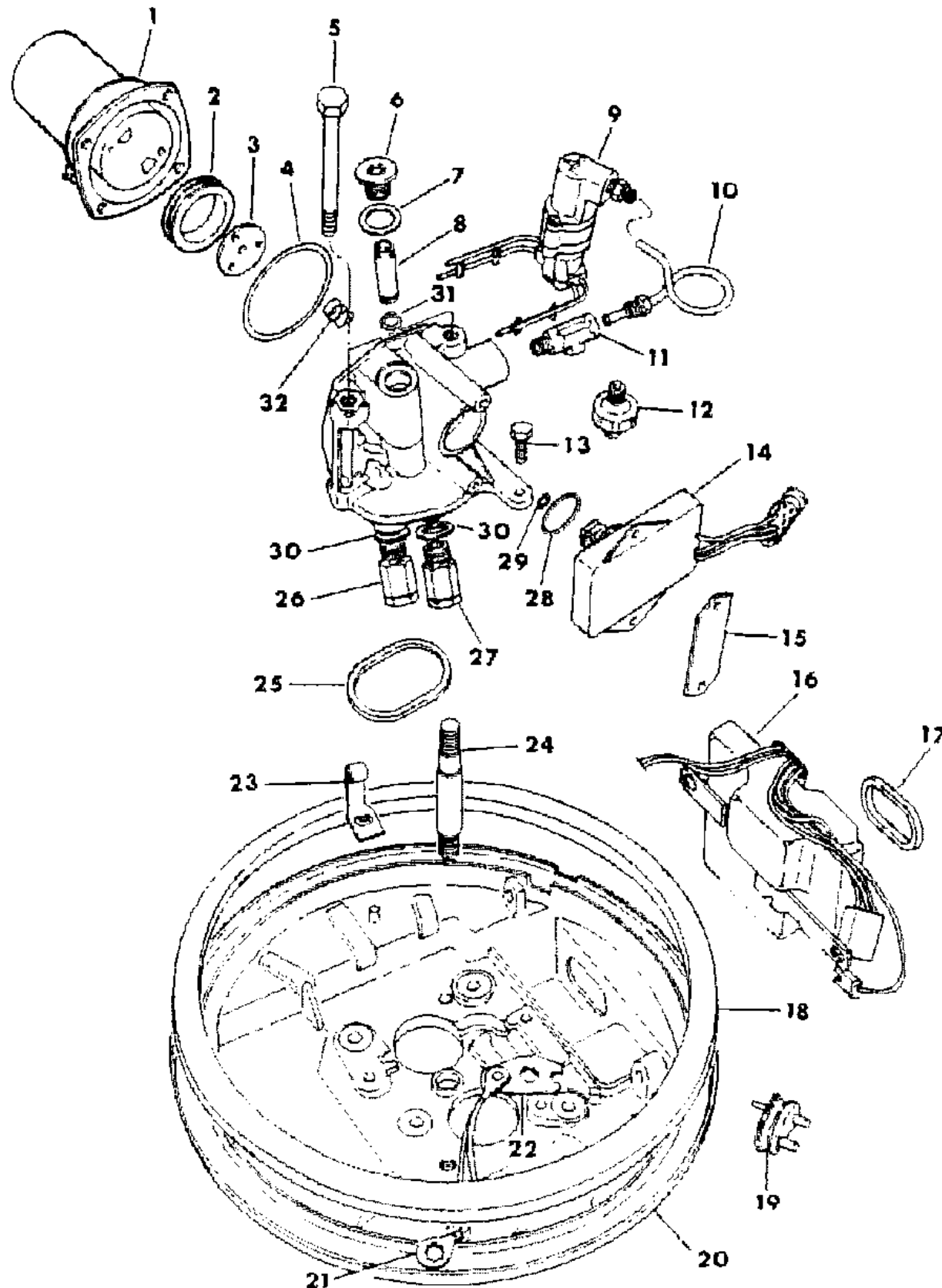
21 = 2-DOOR SEDAN	28 = FWD PICKUP
22 = 2-DOOR SPECIAL COUPE	41 = 4-DOOR SEDAN
24 = 2-DOOR HATCHBACK	44 = 4-DOOR HATCHBACK
27 = 2-DOOR CONVERTIBLE	45 = 2-SEAT STATION WAGON

AR = Use as Required - = Non Illustrated Part P.A.R. = Paint as Required

# FUEL CONTROLER - E.F.I.-W/318 (E43) ENGINE

Figure 14-1600

2114 1600



ITEM	PART NUMBER	QTY	BODY	MODEL	DESCRIPTION
	4267 193	1			CONTROL, Fuel Consists of Items 1-15,17-33 on illustration no 1500
1		1			PUMP
2		1			BOOT
3		1			PLATE
4		1			"O"-RING
5		2			BOLT
6		1			CAP, Regular
7		1			WASHER
8		1			VALVE, Pressure Regular
9		1			REGULATOR
10		1			TUBE
11		1			TEE, Fitting
12		1			SWITCH, Pressure
13		1			BOLT
14		1			FLOWMETER
15		1			BRACKET
16	4091 383	1			MODULE, Power
17		1			GASKET, Power Module
18	4111 042	1			GASKET, E.F.I. Air Cleaner
19	4240 147	1			SENSOR
20		1			PLATE
21		1			LEAD
22		1			PLATE, Ground
23		2			CLIP
24		1			STUD, Lever Mounting
25	4091 268	1			SEAL, Pump
26	4145 915	1			VALVE, Check
27	4145 119	1			FITTING
28		1			"O"-RING
29	6031 196	1			"O"-RING
30	4091 439	2			SEAL
31		1			"O"-RING
32		1			SPRING
33		1			BELLHOUSE
34					SEATS, Fuel Line to Metering Pump .120-.122 Dia.
	4145 071	1			

MODEL CODES

B = GRAN FURY/CARAVELLE	P = RELIANT
C = LEBARON/TOWN & COUNTRY	S = CORDOBA
D = ARIES	V = 400
F = NEW YORKER	X = MIRADA
G = DIPLOMAT	Y = IMPERIAL
M = HORIZON/TC3/SCAMP	Z = OMNI/O24/RAMPAGE

BODY STYLES

21 = 2-DOOR SEDAN	28 = FWD PICKUP
22 = 2-DOOR SPECIAL COUPE	41 = 4-DOOR SEDAN
24 = 2-DOOR HATCHBACK	44 = 4-DOOR HATCHBACK
27 = 2-DOOR CONVERTIBLE	45 = 2-SEAT STATION WAGON

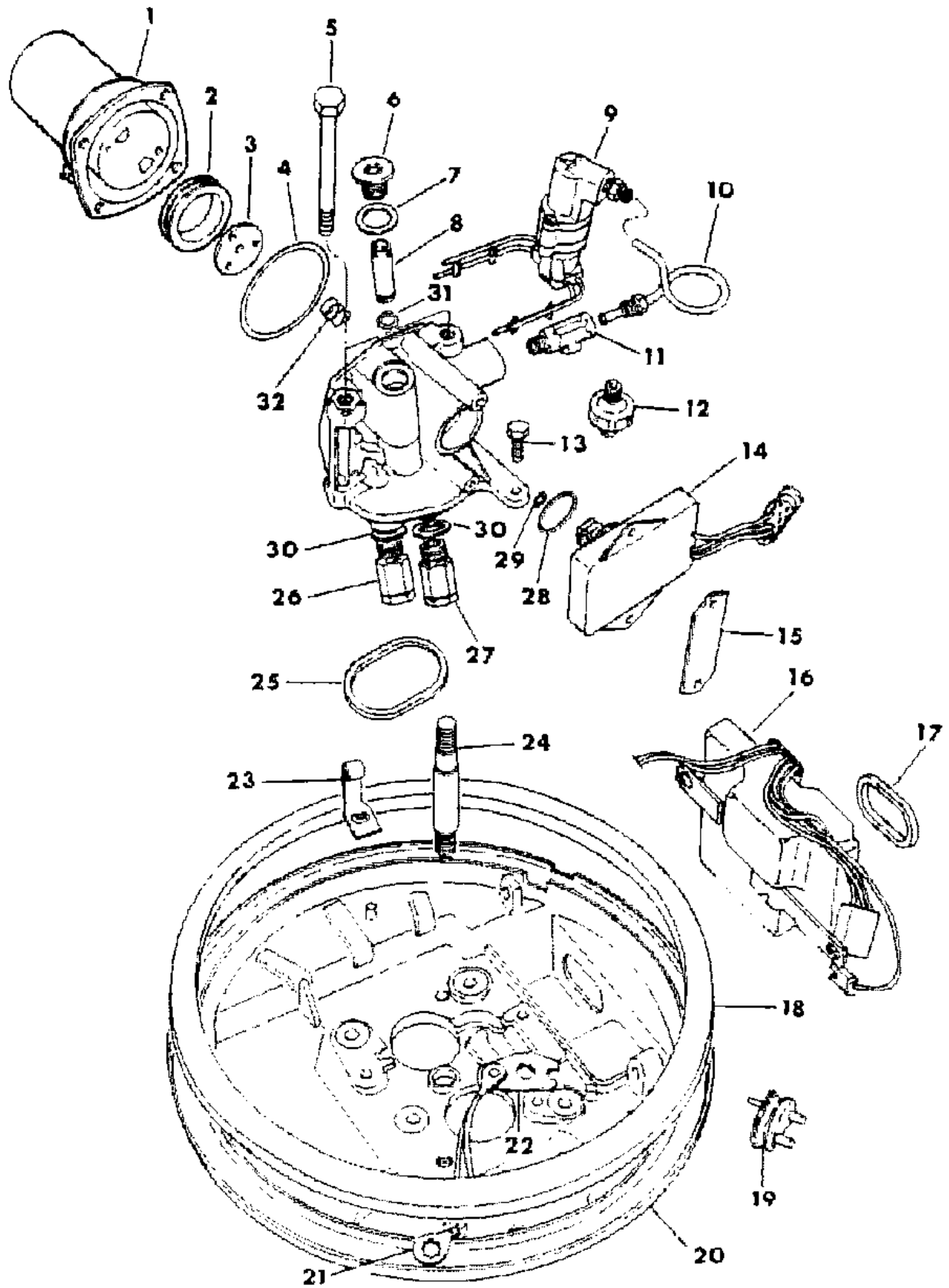
AR = Use as Required - = Non Illustrated Part P.A.R. = Paint as Required

FUEL CONTROLER - E.F.I.-W/318 (E43) ENGINE  
Figure 14-1600

2114 1600

ITEM	PART NUMBER	QTY	BODY	MODEL	DESCRIPTION
------	-------------	-----	------	-------	-------------

	4145 136	1			.248-.250 Dia.
	0120 392	1			WASHER, Throttle Body to Fuel Control
	4145 030	1			GASKET, Pump Support Plate



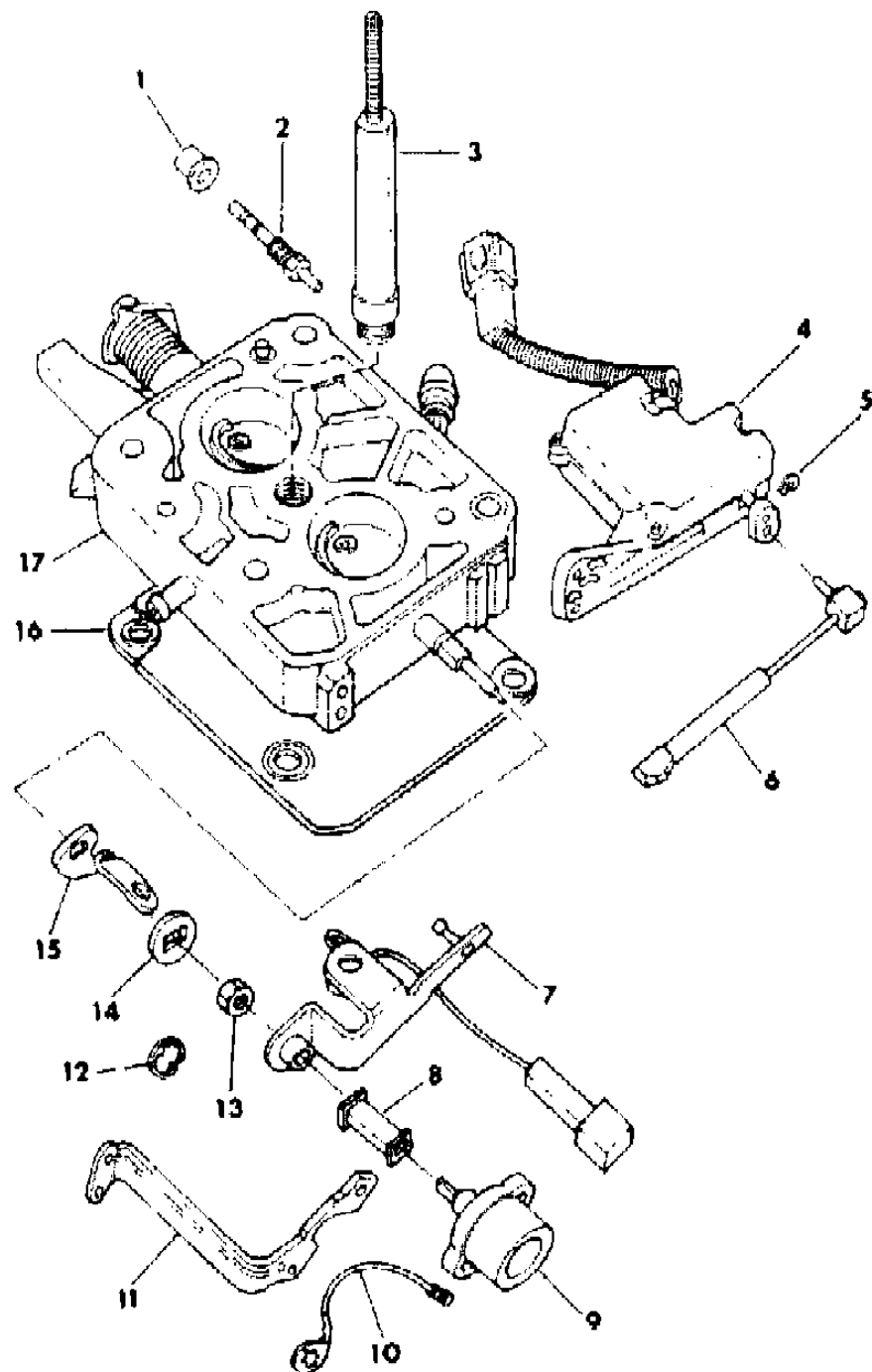
MODEL CODES  
 B = GRAN FURY/CARAVELLE      P = RELIANT  
 C = LEBARON/TOWN & COUNTRY      S = CORDOBA  
 D = ARIES      V = 400  
 F = NEW YORKER      X = MIRADA  
 G = DIPLOMAT      Y = IMPERIAL  
 M = HORIZON/TC3/SCAMP      Z = OMNI/O24/RAMPAGE

BODY STYLES  
 21 = 2-DOOR SEDAN      28 = FWD PICKUP  
 22 = 2-DOOR SPECIAL COUPE      41 = 4-DOOR SEDAN  
 24 = 2-DOOR HATCHBACK      44 = 4-DOOR HATCHBACK  
 27 = 2-DOOR CONVERTIBLE      45 = 2-SEAT STATION WAGON

AR = Use as Required - = Non Illustrated Part P.A.R. = Paint as Required

**THROTTLE BODY-E.F.I.- W/318 (E43) ENGINE**  
**Figure 14-1700**

2114 1700



ITEM	PART NUMBER	QTY	BODY	MODEL	DESCRIPTION
1		1			NUT
2		1			STUD
3	4145 063	1			RETAINER
4	4145 049	1			MOTOR, Automatic Speed Control
5		1			E-RING
6	4145 037	1			ROD, Adjust
7		1			ARM,w/CABLE
8	4145 056	1			COUPLING
9	4267 126	1			POTENTIOMETER, Throttle Position
10		1			LEAD
11		1			BRACKET
12		1			E-RING
13		1			NUT
14		1			WASHER
15		1			FOLLOWER
16	4145 070	1			SPACER
17	4145 061	1			BODY, Throttle
18	6031 796	1			STUD

**MODEL CODES**

B = GRAN FURY/CARAVELLE	P = RELIANT
C = LEBARON/TOWN & COUNTRY	S = CORDOBA
D = ARIES	V = 400
F = NEW YORKER	X = MIRADA
G = DIPLOMAT	Y = IMPERIAL
M = HORIZON/TC3/SCAMP	Z = OMNI/O24/RAMPAGE

**BODY STYLES**

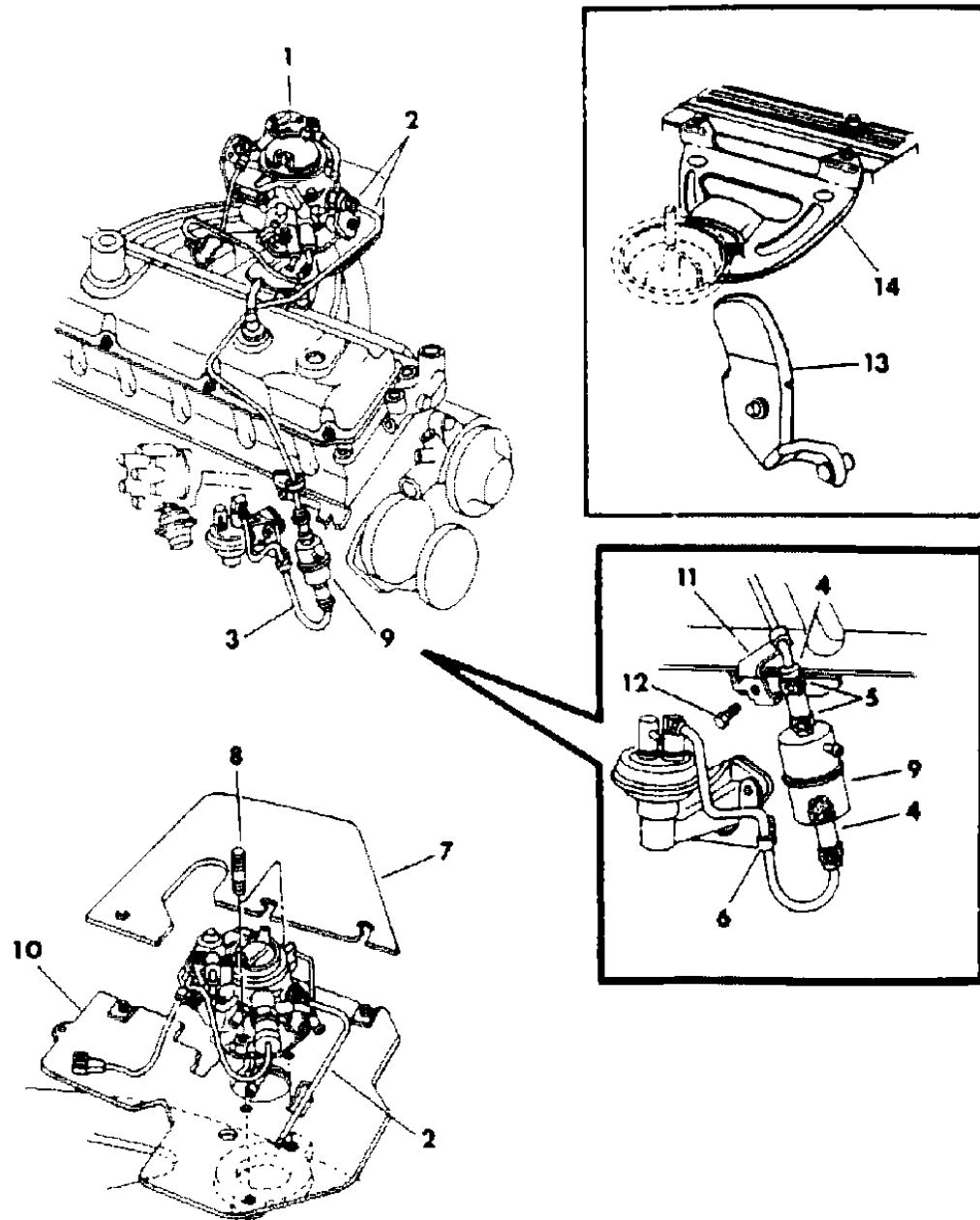
21 = 2-DOOR SEDAN	28 = FWD PICKUP
22 = 2-DOOR SPECIAL COUPE	41 = 4-DOOR SEDAN
24 = 2-DOOR HATCHBACK	44 = 4-DOOR HATCHBACK
27 = 2-DOOR CONVERTIBLE	45 = 2-SEAT STATION WAGON

AR = Use as Required - = Non Illustrated Part P.A.R. = Paint as Required

## CARBURETOR HEAT SHIELD - FUEL FILTER AND RELATED PARTS Figure 14-1800

2114 1800

ITEM	PART NUMBER	QTY	BODY	MODEL	DESCRIPTION
Note: For Y-w/318 E.F.I. (E43) Engine see illustration 14-1900. Locations specified in this document.					
Note: For P,D,C,V, w/2.6 Liter Engine see Illustration 14-3500. Locations specified in this document.					
1					CARBURETOR, See Carburetor Charts
2	1843 253	AR			TUBE, Fuel Filter Hose to Carburetor (serviced in 50' roll)
3					TUBE, Fuel Pump to Fuel Filter
	1843 253	AR			w/225 Eng.
	4027 122	AR			w/318 Eng.
4	4203 316	AR			HOSE, Fuel Filter
5	2448 761	AR			CLAMP
6					CLIP, Fuel Pump to Fuel Filter Hose (not serviced)
7	4105 070	1			EXTENSION, Carburetor Heat, w/225 Eng.
8					STUD, Carburetor Attaching
	0152 535	2			w/225-1 BBL Eng.
	0152 535	4			w/225-2 BBL Eng.
	0152 535	2			w/318 Eng. Front
	6031 221	2			w/318 Eng. Rear
9					FILTER, Fuel
	4186 209	1			w/1.7 Liter Engine
	4240 102	1			w/2.2 Liter Engine
	4049 224	1			w/225 Engine
	4049 224	1			w/318 (E44,E45) Engine
	4106 001	1			w/318 (E48) Engine
	2084 467	1		Y	w/318 (E46) Engine
	2084 467	1			w/318 Engine, Export
10	5214 558	1			SHIELD, Carburetor Heat, w/225 Eng.
11	4179 975	1			CLIP, Fuel Filter Hose to Carburetor Hose Tube, w/225 Eng.
12	6028 370	1			SCREW w/WASHER
13	4241 239	1			BLOCKER, Front Impact, w/2.6L Eng. (E72)
14	MD02 7418	1			BLOCKER, Rear Impact, w/2.6L Eng. (E72)



**MODEL CODES**

B = GRAN FURY/CARAVELLE	P = RELIANT
C = LEBARON/TOWN & COUNTRY	S = CORDOBA
D = ARIES	V = 400
F = NEW YORKER	X = MIRADA
G = DIPLOMAT	Y = IMPERIAL
M = HORIZON/TC3/SCAMP	Z = OMNI/O24/RAMPAGE

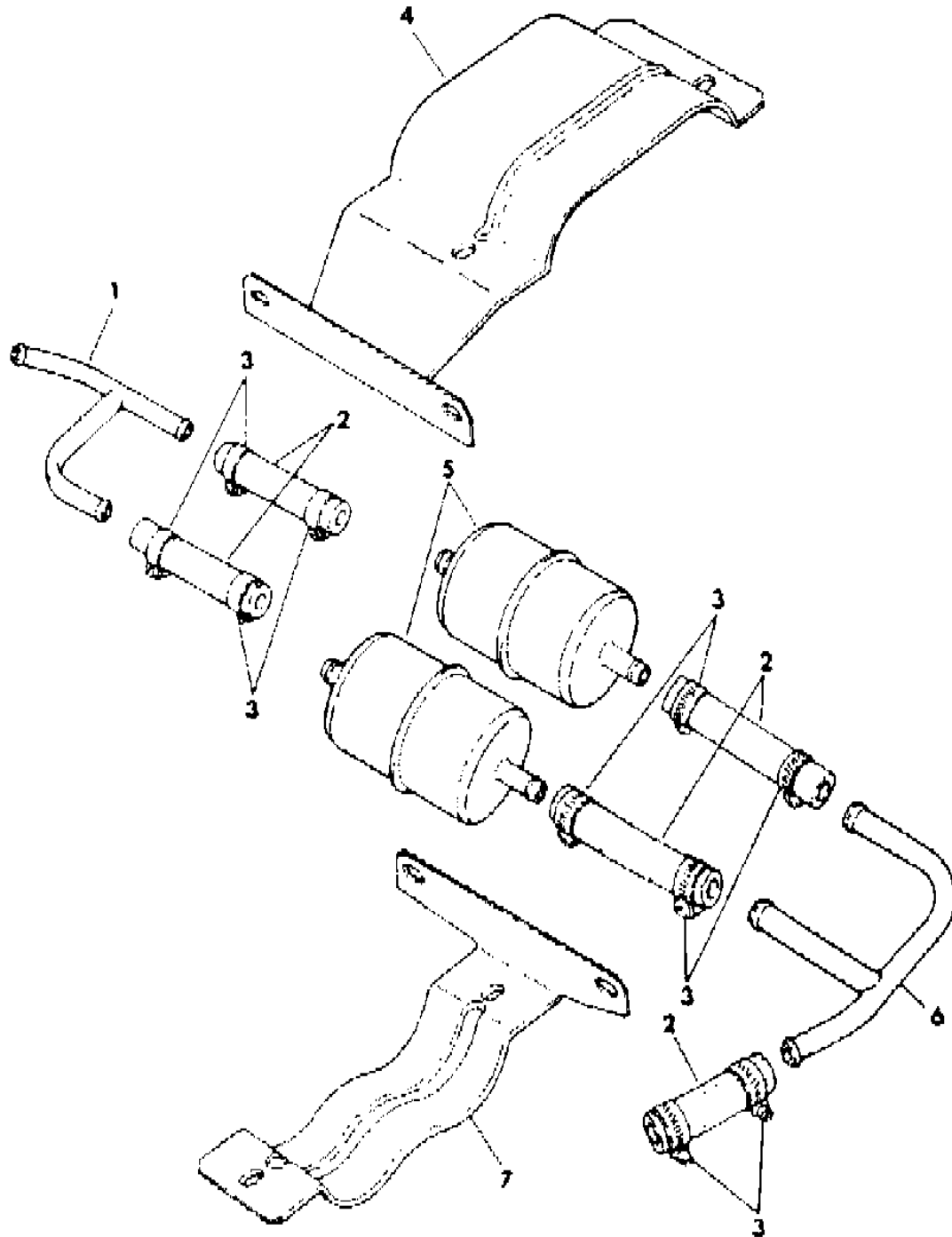
**BODY STYLES**

21 = 2-DOOR SEDAN	28 = FWD PICKUP
22 = 2-DOOR SPECIAL COUPE	41 = 4-DOOR SEDAN
24 = 2-DOOR HATCHBACK	44 = 4-DOOR HATCHBACK
27 = 2-DOOR CONVERTIBLE	45 = 2-SEAT STATION WAGON

AR = Use as Required - = Non Illustrated Part P.A.R. = Paint as Required

FUEL FILTER-E.F.I.- W/318 (E43) ENGINE  
Figure 14-1900

7114 1900



ITEM	PART NUMBER	QTY	BODY	MODEL	DESCRIPTION
	4240 170	1			FILTER PACKAGE, Fuel
1	4185 338	1			TUBE, Fuel Extension Front
2	4185 500	AR			HOSE
3	0153 456	AR			CLAMP
4	4185 366	1			BRACKET, Lower
5	4131 201	2			FILTER PACKAGE, Fuel
6	4185 339	1			TUBE, Fuel Extension Rear
7	4185 367	1			BRACKET, Upper

MODEL CODES

B = GRAN FURY/CARAVELLE	P = RELIANT
C = LEBARON/TOWN & COUNTRY	S = CORDOBA
D = ARIES	V = 400
F = NEW YORKER	X = MIRADA
G = DIPLOMAT	Y = IMPERIAL
M = HORIZON/TC3/SCAMP	Z = OMNI/O24/RAMPAGE

BODY STYLES

21 = 2-DOOR SEDAN	28 = FWD PICKUP
22 = 2-DOOR SPECIAL COUPE	41 = 4-DOOR SEDAN
24 = 2-DOOR HATCHBACK	44 = 4-DOOR HATCHBACK
27 = 2-DOOR CONVERTIBLE	45 = 2-SEAT STATION WAGON

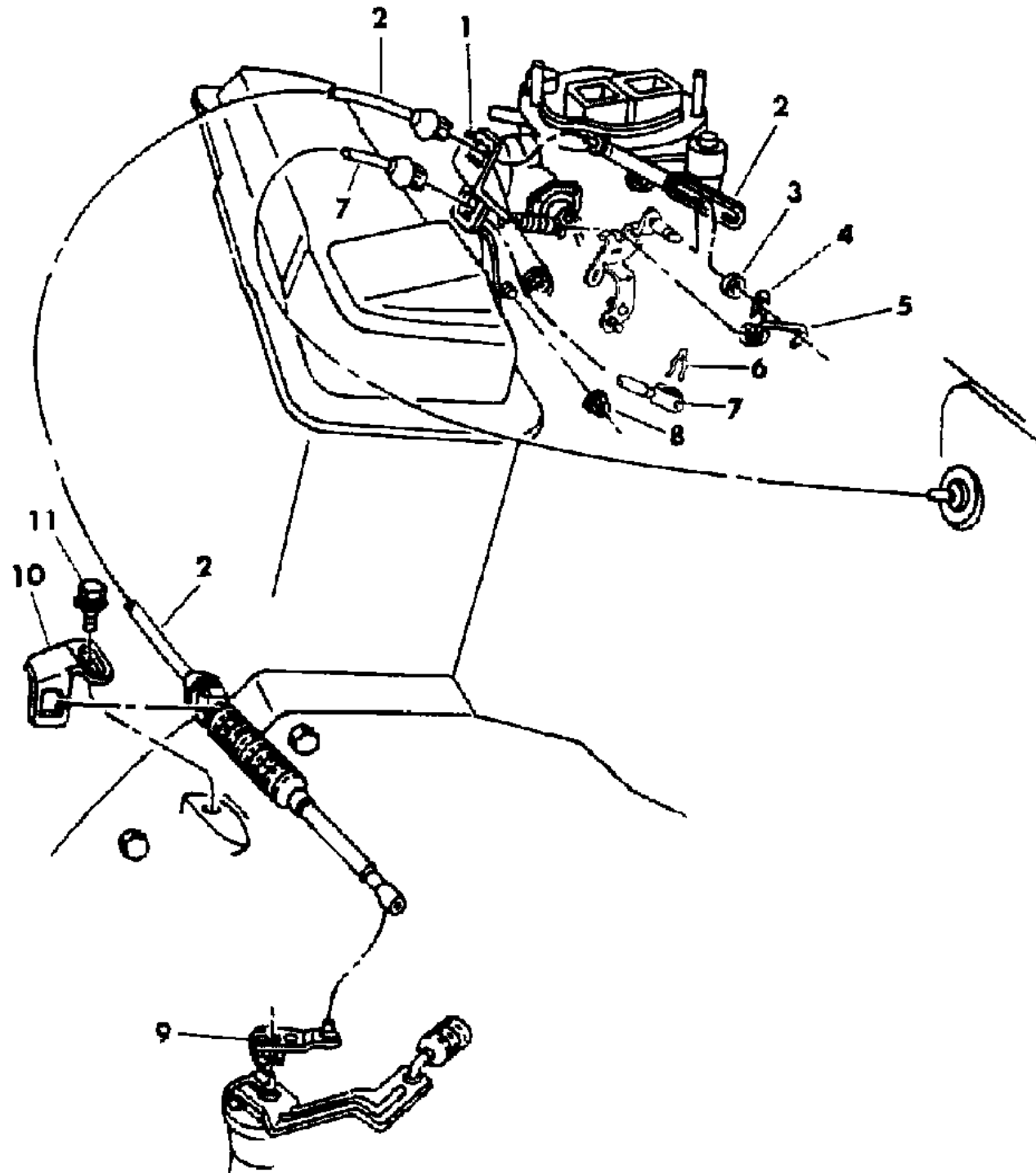
AR = Use as Required - = Non Illustrated Part P.A.R. = Paint as Required



THROTTLE CONTROLS - M,Z W/1.7 LITER ENGINE  
Figure 14-2000

2114 2000

ITEM	PART NUMBER	QTY	BODY	MODEL	DESCRIPTION
1					BRACKET, Cable Mounting
	4268 830	1			w/Manual Trans.
	4268 829	1			w/Auto Trans.
2	5214 059	1			CABLE, Auto Trans.
3		1			WASHER (not serviced)
4	6031 511	1			CLIP, Carburetor Lever Stud, w/Auto Trans.
5					SPRING, Accel. Pedal Return
	5214 123	1			w/Manual Trans.
	5214 048	1			w/Auto Trans.
6	6031 628	1			CLIP, Throttle Control Cable
7	5214 732	1			CABLE, Throttle Control
8	6100 047	2			NUT w/WASHER
9	5240 826	1			LEVER, Auto Trans. Throttle Control
10	5214 346	1			BRACKET, Auto Trans. Cable Mounting
11	6100 264	1			SCREW w/WASHER
	5214 081	1			SPRING, Auto Trans Cable



MODEL CODES

B = GRAN FURY/CARAVELLE	P = RELIANT
C = LEBARON/TOWN & COUNTRY	S = CORDOBA
D = ARIES	V = 400
F = NEW YORKER	X = MIRADA
G = DIPLOMAT	Y = IMPERIAL
M = HORIZON/TC3/SCAMP	Z = OMNI/O24/RAMPAGE

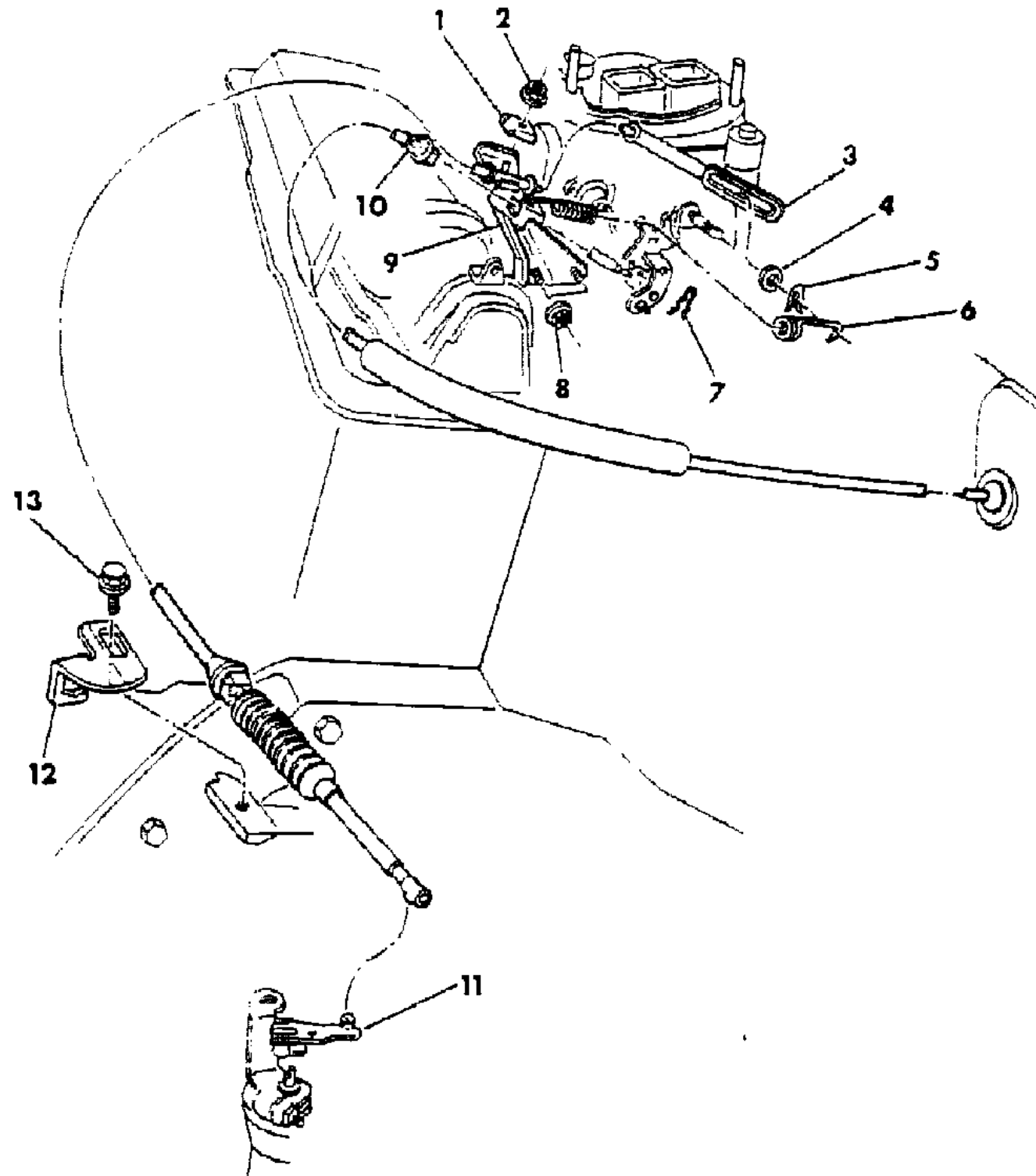
BODY STYLES

21 = 2-DOOR SEDAN	28 = FWD PICKUP
22 = 2-DOOR SPECIAL COUPE	41 = 4-DOOR SEDAN
24 = 2-DOOR HATCHBACK	44 = 4-DOOR HATCHBACK
27 = 2-DOOR CONVERTIBLE	45 = 2-SEAT STATION WAGON

AR = Use as Required - = Non Illustrated Part P.A.R. = Paint as Required

THROTTLE CONTROLS - M,Z W/2.2 LITER ENGINE  
Figure 14-2100

2114 2100



ITEM	PART NUMBER	QTY	BODY	MODEL	DESCRIPTION
1	2402 210	1			CLIP, Auto Trans. Cable Mounting
2	0219 462	1			NUT w/WASHER
3	4241 214	1			CABLE, Auto Trans. Up to 12-1-81
	4268 843	1			After 12-1-81
4		1			WASHER, Carburetor Lever Stud, Auto Trans. (not serviced)
5	6031 511	1			CLIP, Carburetor Lever Stud, Auto Trans.
6	5214 123	1			SPRING, Accel. Pedel Return w/Manual Trans.
	5214 048	1			w/Auto Trans.
7	6031 628	1			CLIP, Throttle Control Cable
8	6100 047	2			NUT w/WASHER
9	5214 702	1			BRACKET, Cable Mounting
10	4268 822	1			CABLE, Throttle Control
11	5240 826	1			LEVER, Auto Trans. Throttle Control
12	5214 346	1			BRACKET, Atuo Trans. Cable Mounting
13	6100 264	1			SCREW w/WASHER
	5214 081	1			SPRING, Auto Trans Cable

MODEL CODES

B = GRAN FURY/CARAVELLE	P = RELIANT
C = LEBARON/TOWN & COUNTRY	S = CORDOBA
D = ARIES	V = 400
F = NEW YORKER	X = MIRADA
G = DIPLOMAT	Y = IMPERIAL
M = HORIZON/TC3/SCAMP	Z = OMNI/O24/RAMPAGE

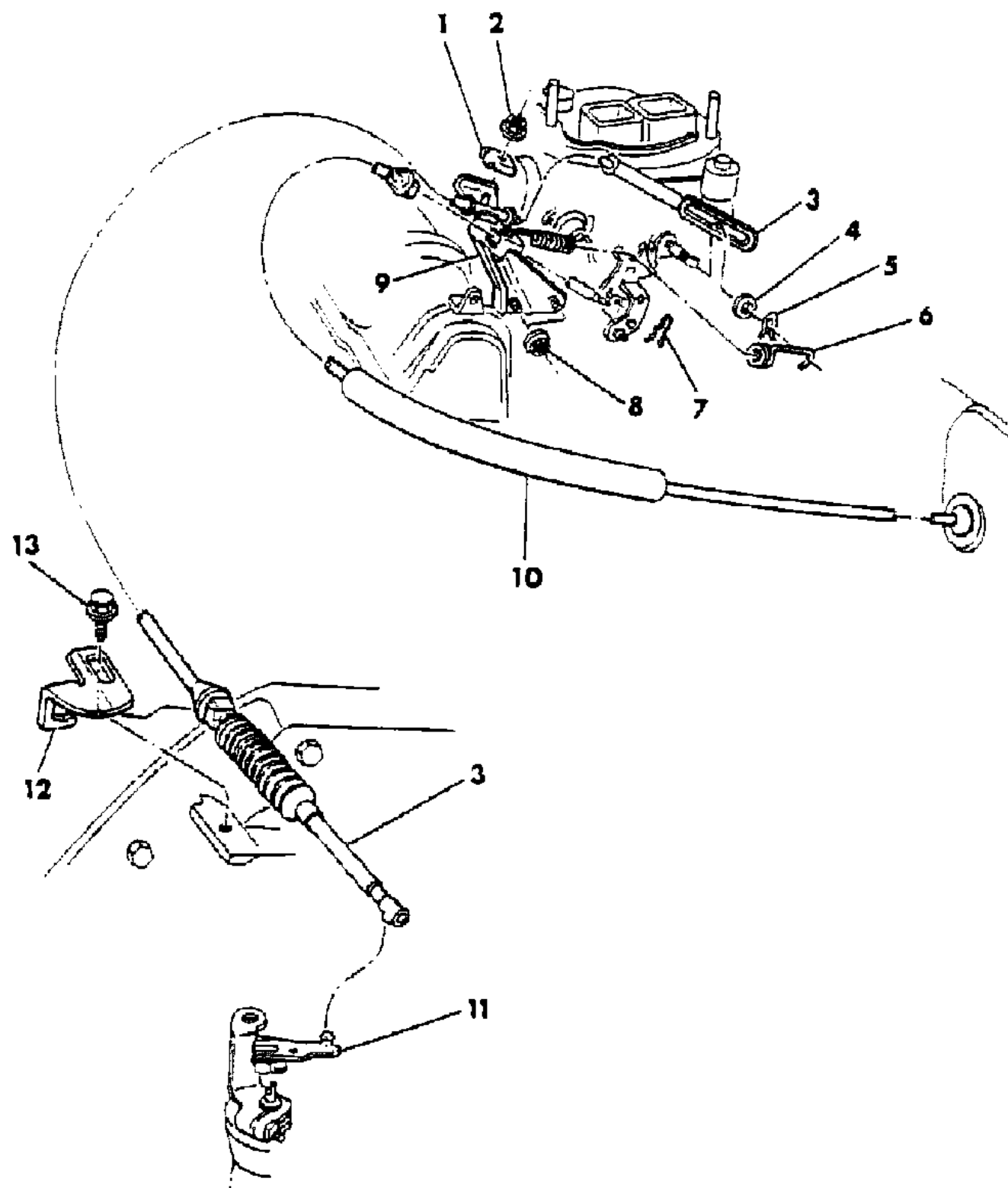
BODY STYLES

21 = 2-DOOR SEDAN	28 = FWD PICKUP
22 = 2-DOOR SPECIAL COUPE	41 = 4-DOOR SEDAN
24 = 2-DOOR HATCHBACK	44 = 4-DOOR HATCHBACK
27 = 2-DOOR CONVERTIBLE	45 = 2-SEAT STATION WAGON

AR = Use as Required - = Non Illustrated Part P.A.R. = Paint as Required

THROTTLE CONTROLS - P,D,C,V W/2.2 LITER ENGINE  
Figure 14-2200

2114 2200



ITEM	PART NUMBER	QTY	BODY	MODEL	DESCRIPTION
1	2402 210	1			CLIP, Auto Trans. Cable Mounting
2	0120 375	1			NUT w/WASHER
3	4241 210	1			CABLE, Auto Trans. Up to 12-1-81
	4268 842	1			After 12-1-81
4		1			WASHER (not serviced)
5	6031 511	1			CLIP, Carburetor Lever Stud Auto Trans.
6	5214 123	1			SPRING, Accel. Pedel Return w/Manual Trans.
	5214 048	1			w/Auto Trans.
7	6031 628	1			CLIP, Throttle Control Cable Pin
8	6100 047	2			NUT w/WASHER
9	5214 702	1			BRACKET, Cable Mounting
10	4268 821	1			CABLE, Throttle Control
11	5240 826	1			LEVER, Auto Trans. Throttle Control
12	5214 346	1			BRACKET, Auto Trans. Cable Mounting
13	6100 264	1			SCREW w/WASHER
	5214 081	1			SPRING, Auto Trans Cable

MODEL CODES

B = GRAN FURY/CARAVELLE	P = RELIANT
C = LEBARON/TOWN & COUNTRY	S = CORDOBA
D = ARIES	V = 400
F = NEW YORKER	X = MIRADA
G = DIPLOMAT	Y = IMPERIAL
M = HORIZON/TC3/SCAMP	Z = OMNI/O24/RAMPAGE

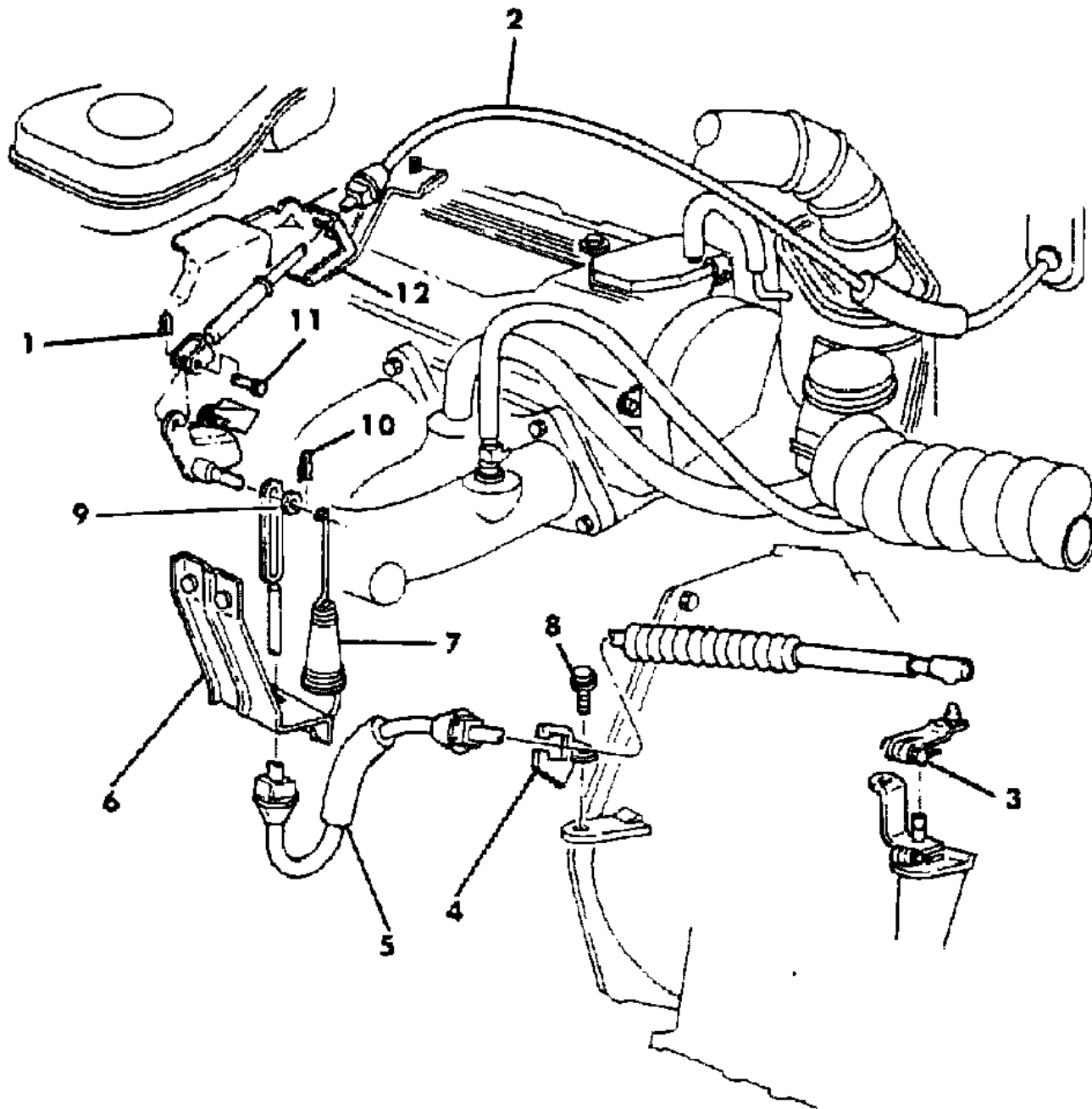
BODY STYLES

21 = 2-DOOR SEDAN	28 = FWD PICKUP
22 = 2-DOOR SPECIAL COUPE	41 = 4-DOOR SEDAN
24 = 2-DOOR HATCHBACK	44 = 4-DOOR HATCHBACK
27 = 2-DOOR CONVERTIBLE	45 = 2-SEAT STATION WAGON

AR = Use as Required - = Non Illustrated Part P.A.R. = Paint as Required

THROTTLE CONTROLS- P,D,C,V W/2.6 LITER ENGINE  
Figure 14-2300

2114 2300



ITEM	PART NUMBER	QTY	BODY	MODEL	DESCRIPTION
1	6023 285	1			CLIP, Throttle Control Cable
2	4241 205	1			CABLE, Throttle Control
3	5240 826	1			LEVER, Throttle Control
4	5214 344	1			BRACKET
5	4241 207	1			CABLE, Auto Trans
6					BRACKET
7	5214 579	1			SPRING, Accelerator Return
8	6100 264	1			SCREW, w/WASHER
9		1			WASHER (not serviced)
10	6031 511	1			CLIP, Carb Lever Stud
11	2264 706	1			PIN, Throttle Control Cable
12	MD60 6949	1			BRACKET, Throttle Control Cable
	5214 081	1			SPRING, Auto Trans Cable

MODEL CODES

B = GRAN FURY/CARAVELLE	P = RELIANT
C = LEBARON/TOWN & COUNTRY	S = CORDOBA
D = ARIES	V = 400
F = NEW YORKER	X = MIRADA
G = DIPLOMAT	Y = IMPERIAL
M = HORIZON/TC3/SCAMP	Z = OMNI/O24/RAMPAGE

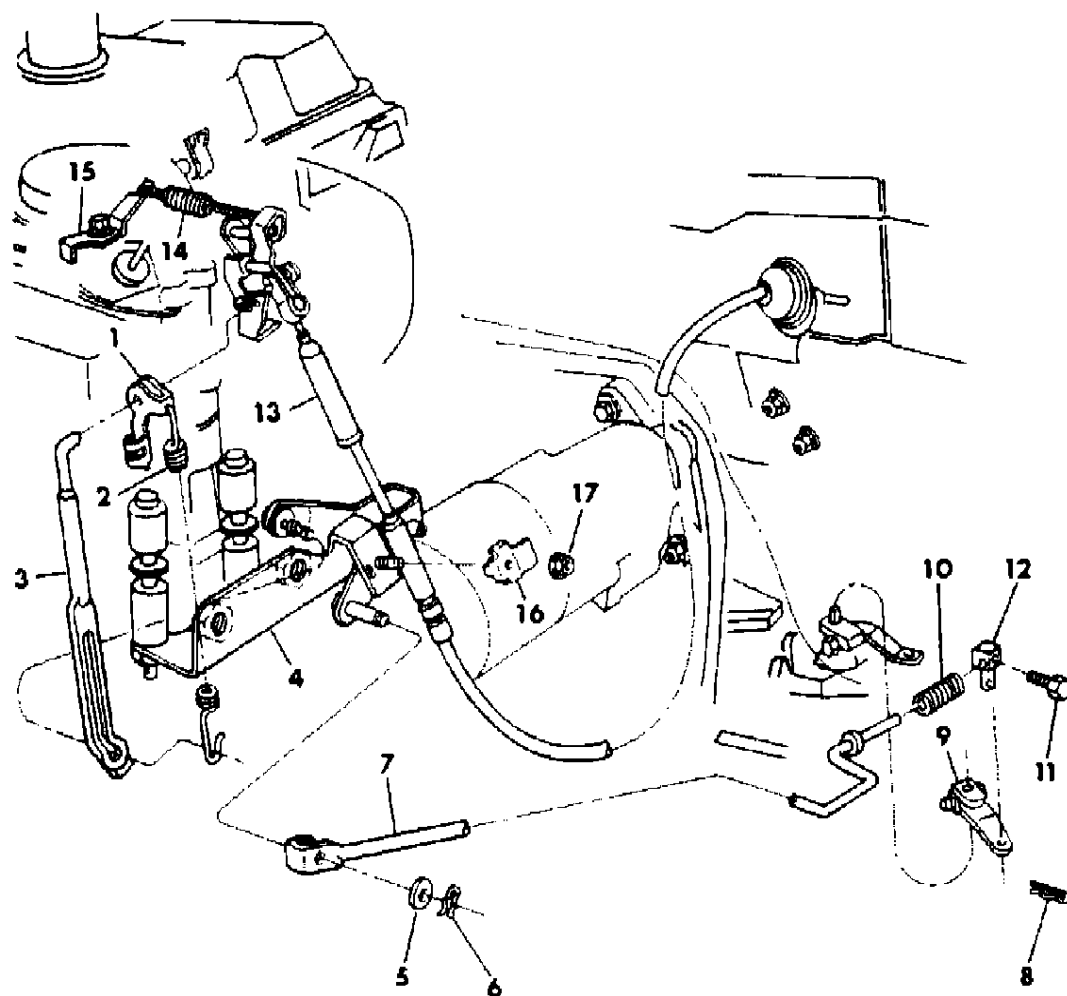
BODY STYLES

21 = 2-DOOR SEDAN	28 = FWD PICKUP
22 = 2-DOOR SPECIAL COUPE	41 = 4-DOOR SEDAN
24 = 2-DOOR HATCHBACK	44 = 4-DOOR HATCHBACK
27 = 2-DOOR CONVERTIBLE	45 = 2-SEAT STATION WAGON

AR = Use as Required - = Non Illustrated Part P.A.R. = Paint as Required

THROTTLE CONTROLS W/225- 1BBL ENGINE AUTO TRANS.  
Figure 14-2400

2114 2400



ITEM	PART NUMBER	QTY	BODY	MODEL	DESCRIPTION
1	3870 699	1			CLIP
2	4027 590	1			SPRING
3	4095 175	1			ROD
4	4095 995	1			BRACKET
5		1			WASHER (not serviced)
6	6026 776	1			CLIP
7	4095 994	1			ROD, Bell Crank to Trans.
8	6025 867	1			CLIP
9	4071 980	1			LEVER, Auto Trans.
10	3769 198	1			SPRING
11	0181 082	1			SCREW
12	4027 374	1			SWIVEL
13					CABLE, Throttle Control
	4095 176	1		F,G,B	
	4173 437	1		X,S	
14					SPRING
	4075 317	1			Inner
	4075 318	1			Outer
15	4104 266	1			BRACKET
16	2402 210	1			CLIP
17	0120 375	1			NUT w/WASHER

NOTE: The following items are not illustrated. Locations specified in this document.

6031 628	1			CLIP, Throttle Control Pin
----------	---	--	--	----------------------------

NOTE: The following items are used with the Fast Idle Throttle Control locations specified in this document.

2536 847	1	B,F,G	COLLAR, Cable Adjusting
4041 547	1	B,F,G	LEVER, Fast Idle Adjusting
4041 545	1	B,F,G	CABLE, Fast Idle
4041 546	1	B,F,G	BRACKET, Fast Idle Cable

MODEL CODES

B = GRAN FURY/CARAVELLE	P = RELIANT
C = LEBARON/TOWN & COUNTRY	S = CORDOBA
D = ARIES	V = 400
F = NEW YORKER	X = MIRADA
G = DIPLOMAT	Y = IMPERIAL
M = HORIZON/TC3/SCAMP	Z = OMNI/O24/RAMPAGE

BODY STYLES

21 = 2-DOOR SEDAN	28 = FWD PICKUP
22 = 2-DOOR SPECIAL COUPE	41 = 4-DOOR SEDAN
24 = 2-DOOR HATCHBACK	44 = 4-DOOR HATCHBACK
27 = 2-DOOR CONVERTIBLE	45 = 2-SEAT STATION WAGON

AR = Use as Required - = Non Illustrated Part P.A.R. = Paint as Required

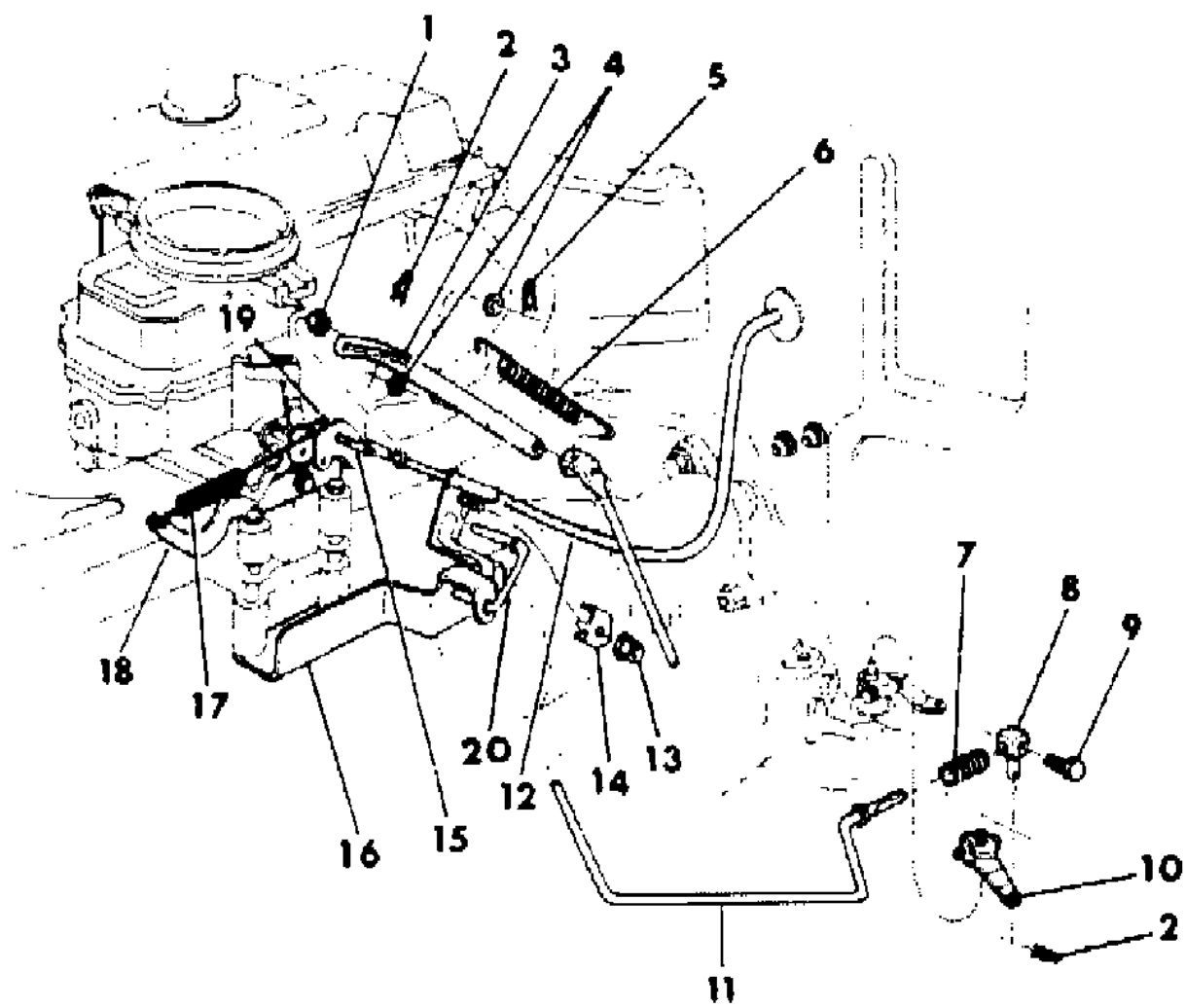
**THROTTLE CONTROLS W/225- 2BBL ENGINE AUTO TRANS.  
Figure 14-2500**

2114 2500

ITEM	PART NUMBER	QTY	BODY	MODEL	DESCRIPTION
1	6028 699	1			NUT
2	6025 867	2			CLIP
3	4041 501	1			LINK
4		2			WASHER (not serviced)
5	6026 776	1			CLIP
6	4027 590	1			SPRING, Rod Return
7	3769 198	1			SPRING
8	4027 374	1			SWIVEL
9	0181 082	1			SCREW
10		1			LEVER, See Group 21
11	4104 267	1			ROD, Carburetor to Trans.
12	4095 320	1			CABLE, Throttle Control
13	0120 375	1			NUT w/WASHER
14	2402 210	1			CLIP, Cable Mounting
15	3418 900	1			STUD
16	4027 397	1			BRACKET
17	4095 811	1			SPRING, Pedel Return
18	4041 504	1			BRACKET, Pedel Return Spring w/o Air Cond.
19	6023 285	1			CLIP
20	3418 807	1			STABILIZER, Trans Rod

NOTE: The following items are used with the Fast Idle Throttle Control locations specified in this document.

2536 847	1	B,F,G	COLLAR, Cable Adjusting
4041 547	1	B,F,G	LEVER, Fast Idle Adjusting
4041 545	1	B,F,G	CABLE, Fast Idle
4041 546	1	B,F,G	BRACKET, Fast Idle Cable



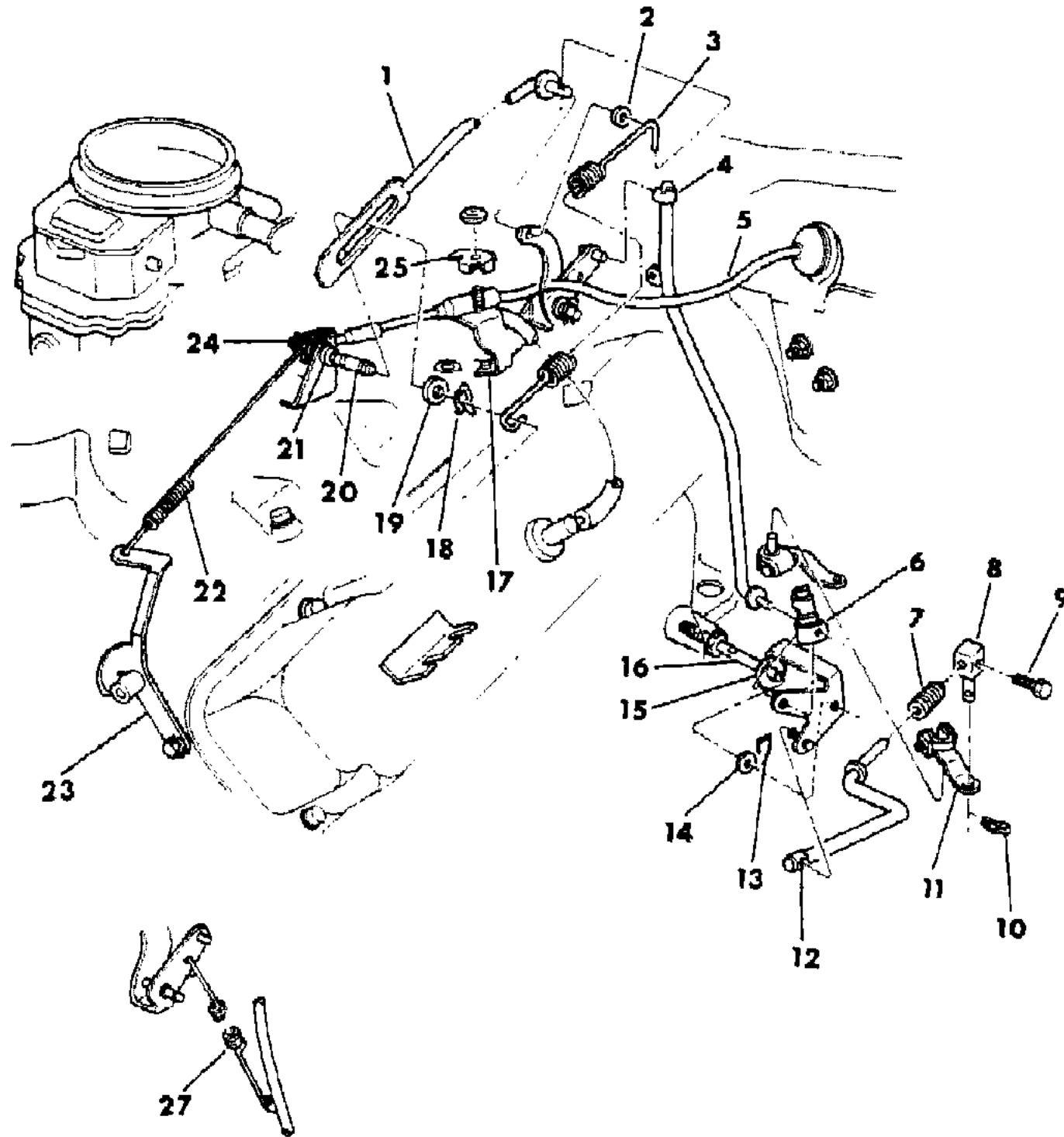
MODEL CODES  
 B = GRAN FURY/CARAVELLE      P = RELIANT  
 C = LEBARON/TOWN & COUNTRY      S = CORDOBA  
 D = ARIES      V = 400  
 F = NEW YORKER      X = MIRADA  
 G = DIPLOMAT      Y = IMPERIAL  
 M = HORIZON/TC3/SCAMP      Z = OMNI/O24/RAMPAGE

BODY STYLES  
 21 = 2-DOOR SEDAN      28 = FWD PICKUP  
 22 = 2-DOOR SPECIAL COUPE      41 = 4-DOOR SEDAN  
 24 = 2-DOOR HATCHBACK      44 = 4-DOOR HATCHBACK  
 27 = 2-DOOR CONVERTIBLE      45 = 2-SEAT STATION WAGON

AR = Use as Required - = Non Illustrated Part P.A.R. = Paint as Required

THROTTLE CONTROLS W/318 - 2BBL AUTO TRANS. F,G,X,S,B  
Figure 14-2600

2114 260J



ITEM	PART NUMBER	QTY	BODY	MODEL	DESCRIPTION
1	3769 872	1			ROD
2	0120 393	1			WASHER
3	3870 696	1			SPRING
4					ROD
	4041 509	1			w/A904 Trans.
	4041 520	1			w/A727 Trans.
5	4027 358	1			CABLE
6	2899 361	1			CLIP
7	3769 198	1			SPRING
8	4027 374	1			SWIVEL
9	0181 082	1			SCREW
10	6025 867	1			CLIP
11					LEVER, Trans. See Group 21
12					ROD
	4071 978	1			w/904 Trans.
	4027 383	1			w/727 Trans.
13	6027 983	1			CLIP
14	0120 394	1			WASHER
15					BELLCRANK
	3751 529	1			w/A904 Trans.
	3751 535	1			w/A727 Trans.
16	3751 531	1			STUD, Trans. Bellcrank
17	3870 670	1			BRACKET, Cable Mounting
18	6026 776	1			CLIP
19					WASHER (not serviced)
20	3418 900	1			STUD
21	6030 607	1			NUT
22	3870 659	1			SPRING
23					BRACKET, See Group 25
24	6023 285	1			CLIP
25	2402 210	1			CLIP
26	0120 375	1			NUT w/WASHER
27	3870 666	1			SPRING, Linkage Assist
NOTE: The following items are used with the Fast Idle Throttle Control locations specified in this document.					
	2536 847	1			COLLAR, Cable Adjusting
	4041 547	1			LEVER, Fast Idle Adjusting
	4041 545	1			CABLE, Fast Idle

MODEL CODES

B = GRAN FURY/CARAVELLE	P = RELIANT
C = LEBARON/TOWN & COUNTRY	S = CORDOBA
D = ARIES	V = 400
F = NEW YORKER	X = MIRADA
G = DIPLOMAT	Y = IMPERIAL
M = HORIZON/TC3/SCAMP	Z = OMNI/O24/RAMPAGE

BODY STYLES

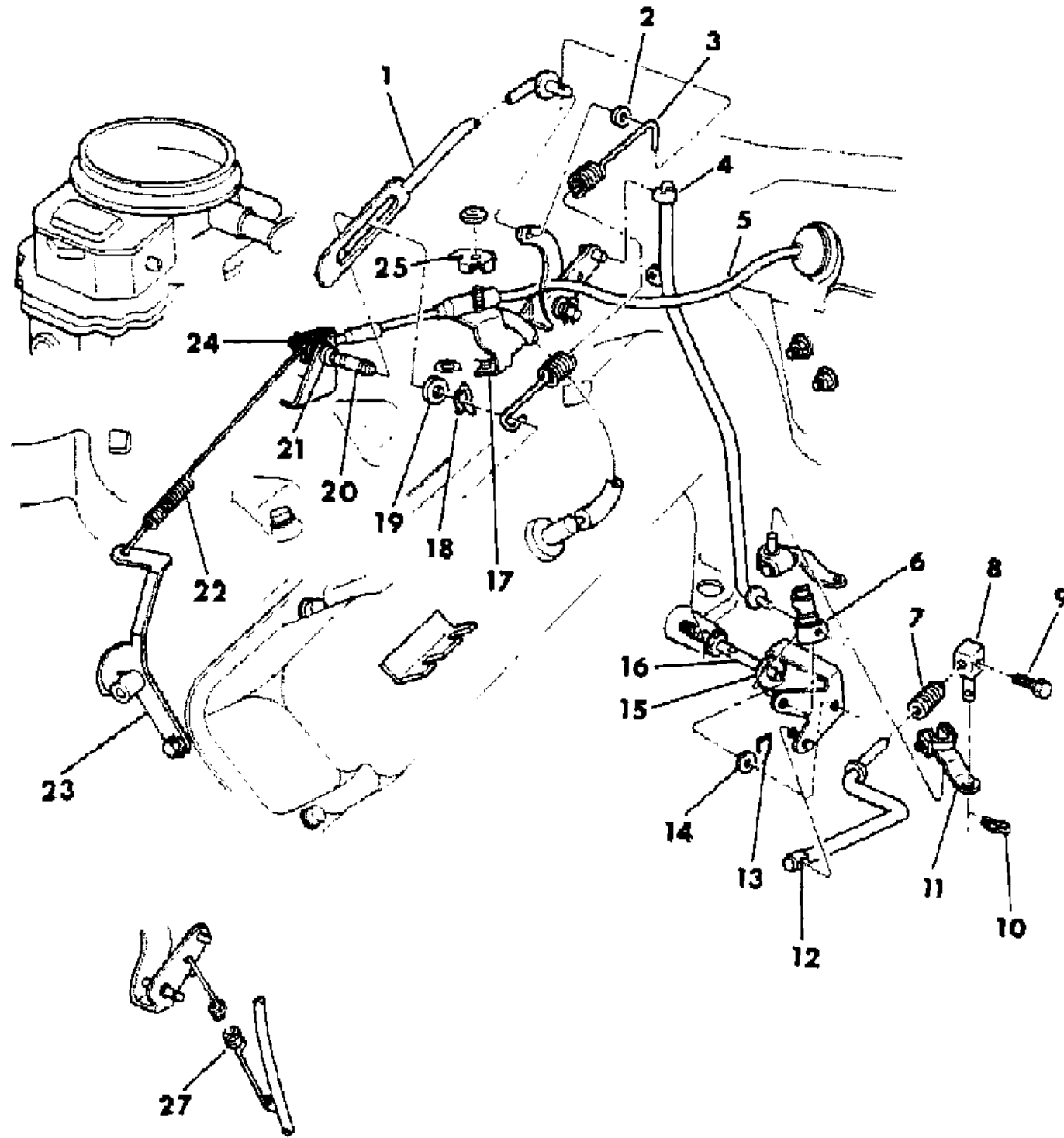
21 = 2-DOOR SEDAN	28 = FWD PICKUP
22 = 2-DOOR SPECIAL COUPE	41 = 4-DOOR SEDAN
24 = 2-DOOR HATCHBACK	44 = 4-DOOR HATCHBACK
27 = 2-DOOR CONVERTIBLE	45 = 2-SEAT STATION WAGON

AR = Use as Required - = Non Illustrated Part P.A.R. = Paint as Required

THROTTLE CONTROLS W/318 - 2BBL AUTO TRANS. F,G,X,S,B  
Figure 14-2600

2114 260J

ITEM	PART NUMBER	QTY	BODY	MODEL	DESCRIPTION
	4041 546	1			BRACKET, Fast Idle Cable



MODEL CODES

- |                            |                      |
|----------------------------|----------------------|
| B = GRAN FURY/CARAVELLE    | P = RELIANT          |
| C = LEBARON/TOWN & COUNTRY | S = CORDOBA          |
| D = ARIES                  | V = 400              |
| F = NEW YORKER             | X = MIRADA           |
| G = DIPLOMAT               | Y = IMPERIAL         |
| M = HORIZON/TC3/SCAMP      | Z = OMNI/O24/RAMPAGE |

BODY STYLES

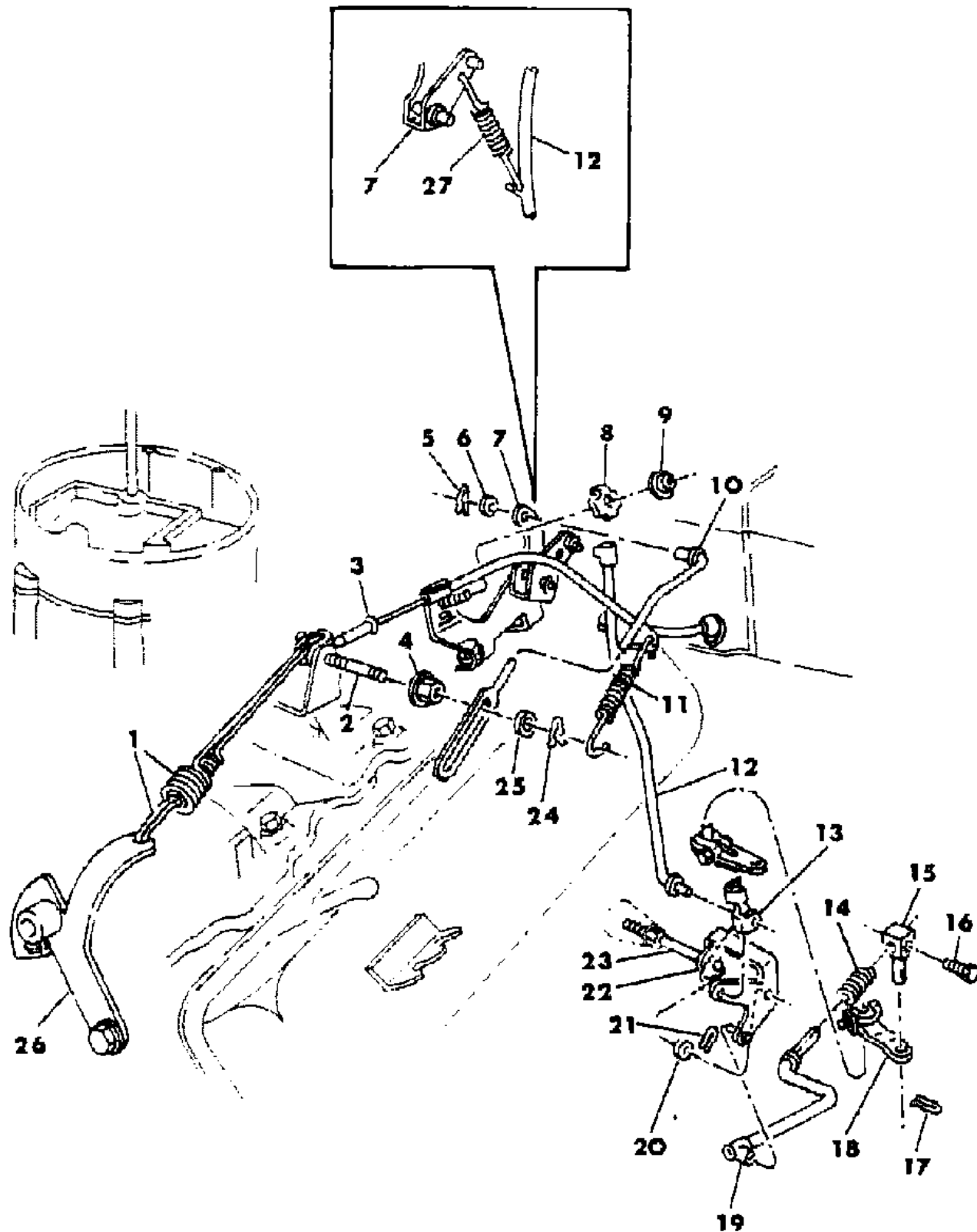
- |                           |                           |
|---------------------------|---------------------------|
| 21 = 2-DOOR SEDAN         | 28 = FWD PICKUP           |
| 22 = 2-DOOR SPECIAL COUPE | 41 = 4-DOOR SEDAN         |
| 24 = 2-DOOR HATCHBACK     | 44 = 4-DOOR HATCHBACK     |
| 27 = 2-DOOR CONVERTIBLE   | 45 = 2-SEAT STATION WAGON |

AR = Use as Required - = Non Illustrated Part P.A.R. = Paint as Required



THROTTLE CONTROLS W/318 - 4BBL ENGINE w/AUTO TRANS. F,G,X,S,B  
Figure 14-2700

3114 2700



ITEM	PART NUMBER	QTY	BODY	MODEL	DESCRIPTION
1					SPRING
	3870 659	1			Inner
	3870 660	1			Outer
2	3418 900	1			STUD
3	4027 355	1			CABLE, Throttle Control
4	6030 607	1			NUT
5	6025 867	1			CLIP
6	0120 393	1			WASHER
7	4027 101	1			BRACKET, Cable Mounting
8	2402 210	1			CLIP
9	0120 375	1			NUT w/WASHER
10	4041 548	1			ROD
11	4027 590	1			SPRING
12					ROD
	4041 509	1			w/A904 Trans.
	4041 520	1			w/A727 Trans.
13	2899 361	1			CLIP
14	3769 198	1			SPRING
15	4027 374	1			SWIVEL
16	0181 082	1			SCRRW
17	6025 867	1			CLIP
18					LEVER, See Group 21
19					ROD
	4071 978	1			w/A904 Trans.
	4173 225	1			w/A727 Trans.
20	0120 394	1			WASHER
21	6027 983	1			CLIP
22					BELLCRANK
	3751 529	1			w/A904 Trans.
	3751 535	1			w/A727 Trans.
23	3751 531	1			STUD
24	6026 776	1			CLIP
25		1			WASHER (not serviced)
26					BRACKET, See Group 25
27	3870 666	1			SPRING, Linkage Assist
NOTE: The following items are used with the Fast Idle Throttle Control locations specified in this document.					
	2536 847	1	B,F,G		COLLAR, Cable Adjusting

MODEL CODES

B = GRAN FURY/CARAVELLE	P = RELIANT
C = LEBARON/TOWN & COUNTRY	S = CORDOBA
D = ARIES	V = 400
F = NEW YORKER	X = MIRADA
G = DIPLOMAT	Y = IMPERIAL
M = HORIZON/TC3/SCAMP	Z = OMNI/O24/RAMPAGE

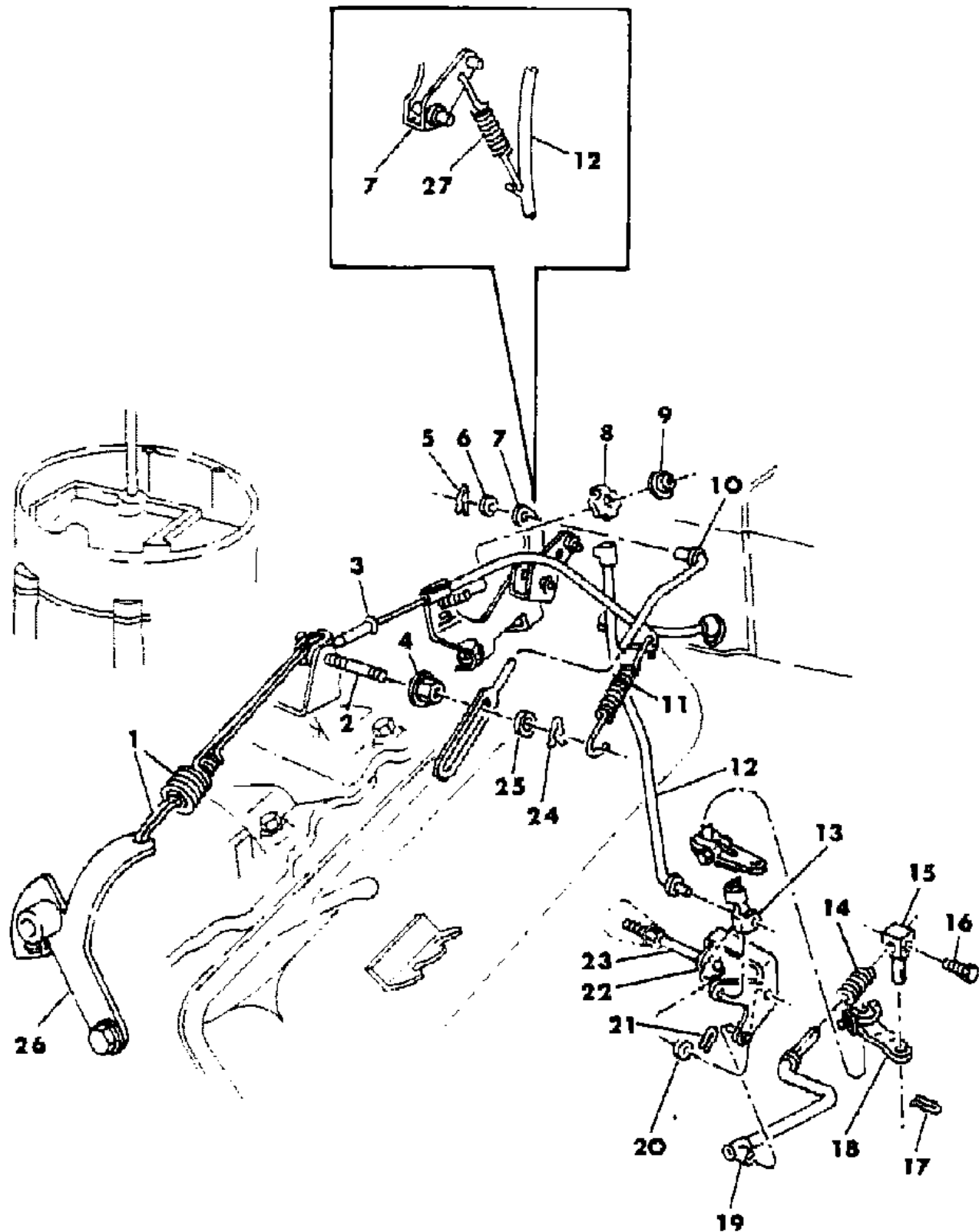
BODY STYLES

21 = 2-DOOR SEDAN	28 = FWD PICKUP
22 = 2-DOOR SPECIAL COUPE	41 = 4-DOOR SEDAN
24 = 2-DOOR HATCHBACK	44 = 4-DOOR HATCHBACK
27 = 2-DOOR CONVERTIBLE	45 = 2-SEAT STATION WAGON

AR = Use as Required - = Non Illustrated Part P.A.R. = Paint as Required

THROTTLE CONTROLS W/318 - 4BBL ENGINE w/AUTO TRANS. F,G,X,S,B  
Figure 14-2700

3114 2700



ITEM	PART NUMBER	QTY	BODY	MODEL	DESCRIPTION
------	-------------	-----	------	-------	-------------

	4041 547	1		B,F,G	LEVER, Fast Idle Adjusting
	4041 545	1		B,F,G	CABLE, Fast Idle
	4041 546	1		B,F,G	BRACKET, Fast Idle Cable

MODEL CODES

B = GRAN FURY/CARAVELLE	P = RELIANT
C = LEBARON/TOWN & COUNTRY	S = CORDOBA
D = ARIES	V = 400
F = NEW YORKER	X = MIRADA
G = DIPLOMAT	Y = IMPERIAL
M = HORIZON/TC3/SCAMP	Z = OMNI/O24/RAMPAGE

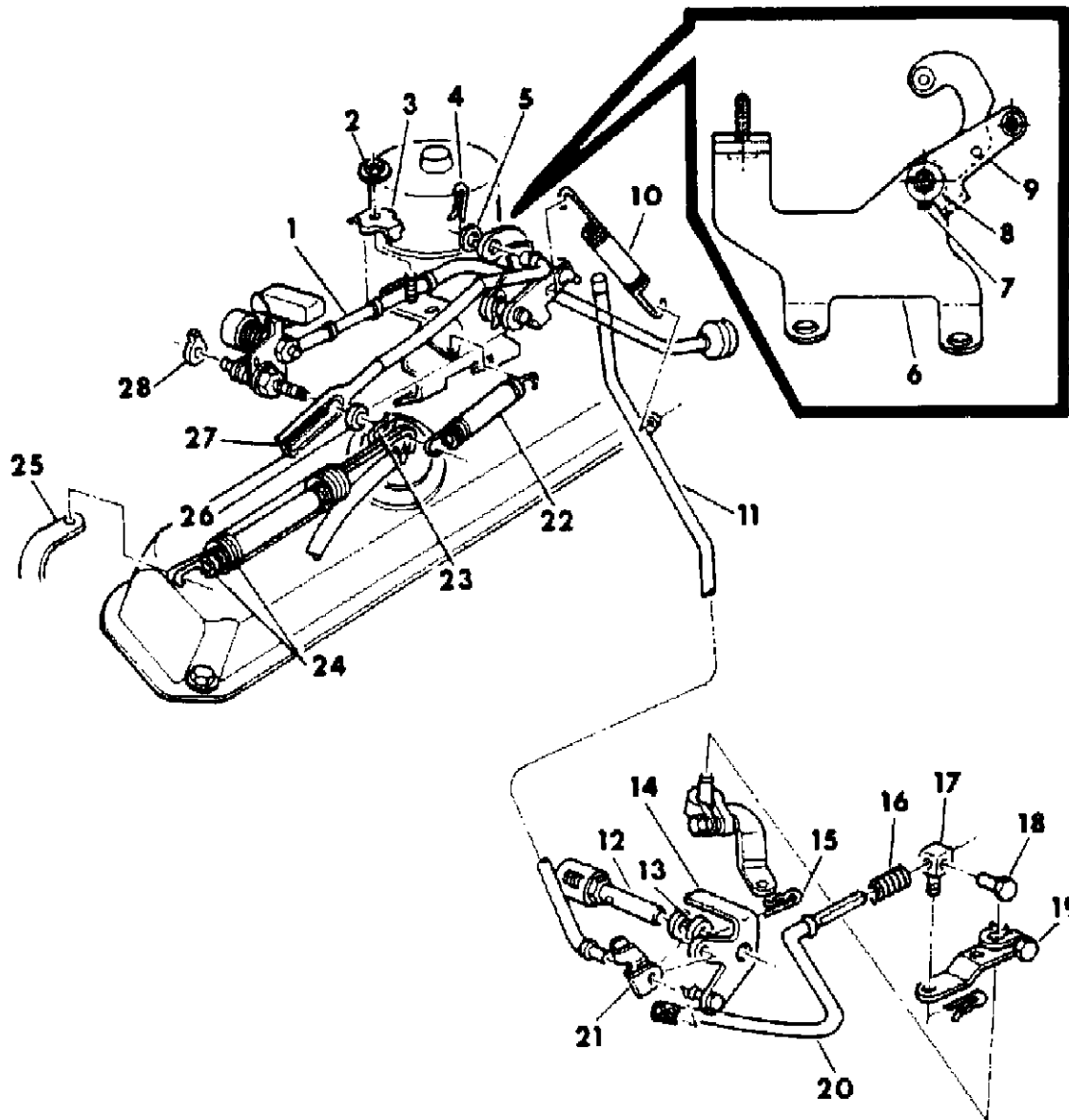
BODY STYLES

21 = 2-DOOR SEDAN	28 = FWD PICKUP
22 = 2-DOOR SPECIAL COUPE	41 = 4-DOOR SEDAN
24 = 2-DOOR HATCHBACK	44 = 4-DOOR HATCHBACK
27 = 2-DOOR CONVERTIBLE	45 = 2-SEAT STATION WAGON

AR = Use as Required - = Non Illustrated Part P.A.R. = Paint as Required

THROTTLE CONTROL, E.F.I.- W/318 (E43) ENGINE  
Figure 14-2800

2114 2800



ITEM	PART NUMBER	QTY	BODY	MODEL	DESCRIPTION
1	5214 343	1			CABLE, Throttle Control
2	0120 375	1			NUT w/WASHER, Cable Mounting
3	2402 210	1			CLIP, Cable Mounting
4	6025 867	2			CLIP
5	0120 393	1			WASHER, Throttle Body to Cable
6	4104 339	1			BRACKET, Cable Mounting
7	6027 983	1			PIN, Roll
8	0120 394	1			WASHER
9	3870 685	1			LEVER, Cable Mounting Bracket
10	3870 666	1			SPRING, Linkage Assist
11	4071 929	1			ROD, Cable Mounting Bracket Lever to Trans. Bellcrank
12	3751 531	1			STUD, Trans. Bellcrank
13	0120 394	1			WASHER, Trans. Bellcrank Stud
14	4104 343	1			BELLCRANK
15	6027 983	1			CLIP, Trans. Bellcrank Stud
16	3769 198	1			SPRING, Trans. Rod
17	4027 374	1			SWIVEL, Trans. Rod
18	0181 082	1			SCREW, Swivel
19					LEVER, see Group 21
20	4241 222	1			ROD, Bellcrank to Trans.
21	2899 361	1			CLIP, Rod End
22	4027 590	1			SPRING, Trans. Rod Return
23	6026 776	1			CLIP, Throttle Body Lever Stud
24					SPRING
	4104 349	1			Inner
	4104 350	1			Outer
25					BRACKET, see Group 25
26					WASHER, (not serviced)
27	4095 998	1			ROD, Throttle Body to Cable Mounting Bracket Lever
28	4095 162	1			CLIP, Throttle Cable to Throttle Stud Attaching er

MODEL CODES

B = GRAN FURY/CARAVELLE	P = RELIANT
C = LEBARON/TOWN & COUNTRY	S = CORDOBA
D = ARIES	V = 400
F = NEW YORKER	X = MIRADA
G = DIPLOMAT	Y = IMPERIAL
M = HORIZON/TC3/SCAMP	Z = OMNI/O24/RAMPAGE

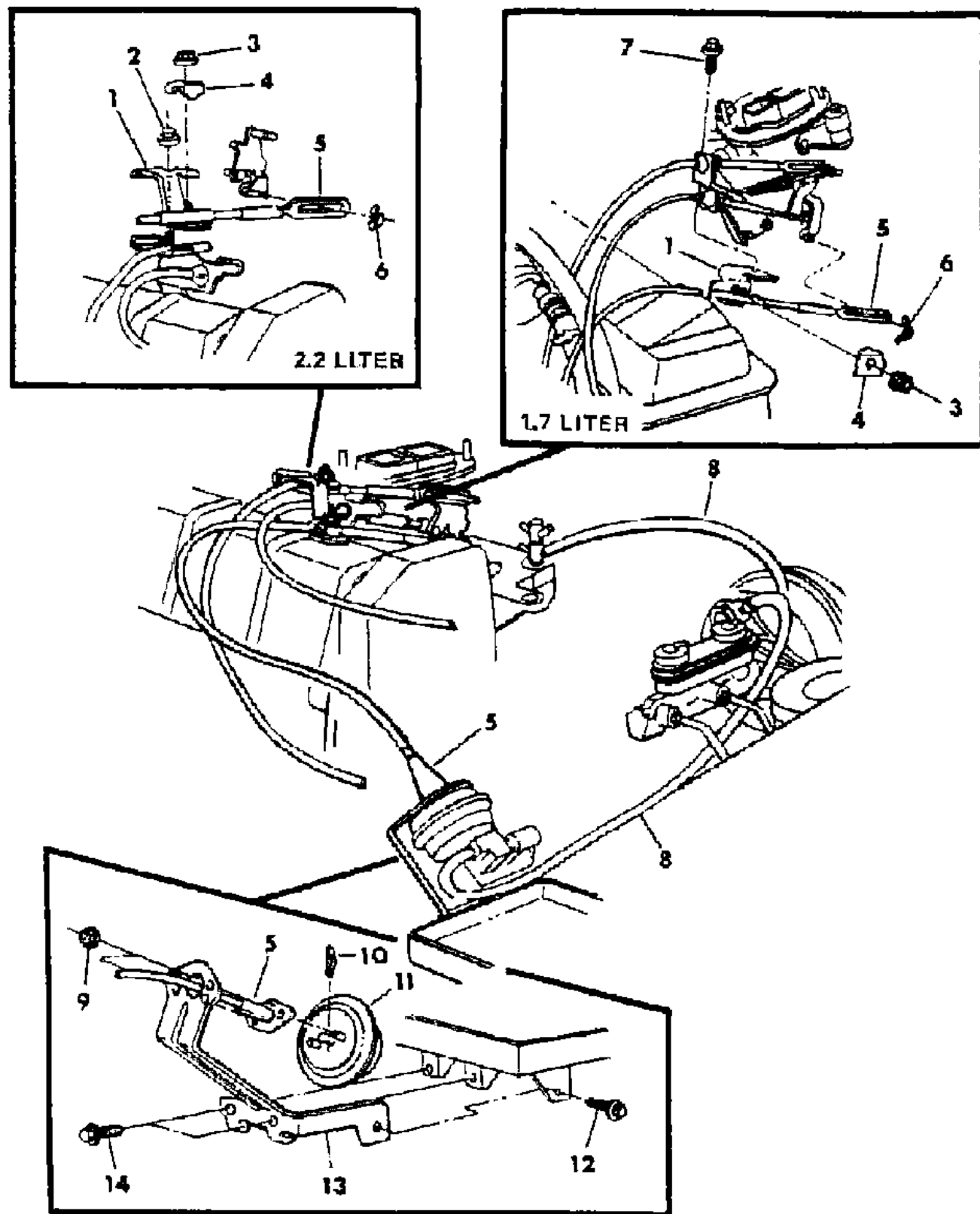
BODY STYLES

21 = 2-DOOR SEDAN	28 = FWD PICKUP
22 = 2-DOOR SPECIAL COUPE	41 = 4-DOOR SEDAN
24 = 2-DOOR HATCHBACK	44 = 4-DOOR HATCHBACK
27 = 2-DOOR CONVERTIBLE	45 = 2-SEAT STATION WAGON

AR = Use as Required - = Non Illustrated Part P.A.R. = Paint as Required

**SPEED CONTROL-M,Z**  
**Figure 14-2900**

2114 2900



ITEM	PART NUMBER	QTY	BODY	MODEL	DESCRIPTION
SPEED CONTROL PACKAGE					
	4205 880	1			w/1.7L Engine (see note)
	4205 881	1			w/2.2L Engine (see note)
1	5214 599	1			BRACKET, Speed Control Cable Mounting w/1.7L Eng.
	5214 349	1			w/2.2L Eng., w/Manual Trans.
	5214 710	1			w/2.2L Eng., w/Auto Trans.
2	0219 462	1			NUT, w/WASHER
3	0219 462	1			NUT, w/WASHER
4	2402 210	1			CLIP, Cable Mounting
5					CABLE, Speed Control
	5214 342	1			w/1.7L Eng.
	4275 707	1			w/2.2L Eng.
6	6031 629	1			CLIP, Cable to Carb.
7	0219 462	1			SCREW, w/WASHER, Cable Mounting Bracket Attaching
8	3744 933	AR			HOSE
9	0152 360	2			NUT, w/WASHER
10	6025 867	1			CLIP, Cable to Servo
11	4241 243	1			SERVO, Speed Control
12	6500 300	1			SCREW, Bracket to Battery Tray Mounting, Inner
13					BRACKET, Servo Mounting
	5214 590	1			Up to 5-10-82
	4275 904	1			After 5-10-82
14	6100 304	2			SCREW, Bracket to Battery Tray

NOTE: For vehicles which are not equipped with Intermittant Windshield Wipers you must also specify part no. 4205874 Intermittant Wiper Conversion Pkg. as specified in this document.

MODEL CODES

B = GRAN FURY/CARAVELLE	P = RELIANT
C = LEBARON/TOWN & COUNTRY	S = CORDOBA
D = ARIES	V = 400
F = NEW YORKER	X = MIRADA
G = DIPLOMAT	Y = IMPERIAL
M = HORIZON/TC3/SCAMP	Z = OMNI/O24/RAMPAGE

BODY STYLES

21 = 2-DOOR SEDAN	28 = FWD PICKUP
22 = 2-DOOR SPECIAL COUPE	41 = 4-DOOR SEDAN
24 = 2-DOOR HATCHBACK	44 = 4-DOOR HATCHBACK
27 = 2-DOOR CONVERTIBLE	45 = 2-SEAT STATION WAGON

AR = Use as Required - = Non Illustrated Part P.A.R. = Paint as Required

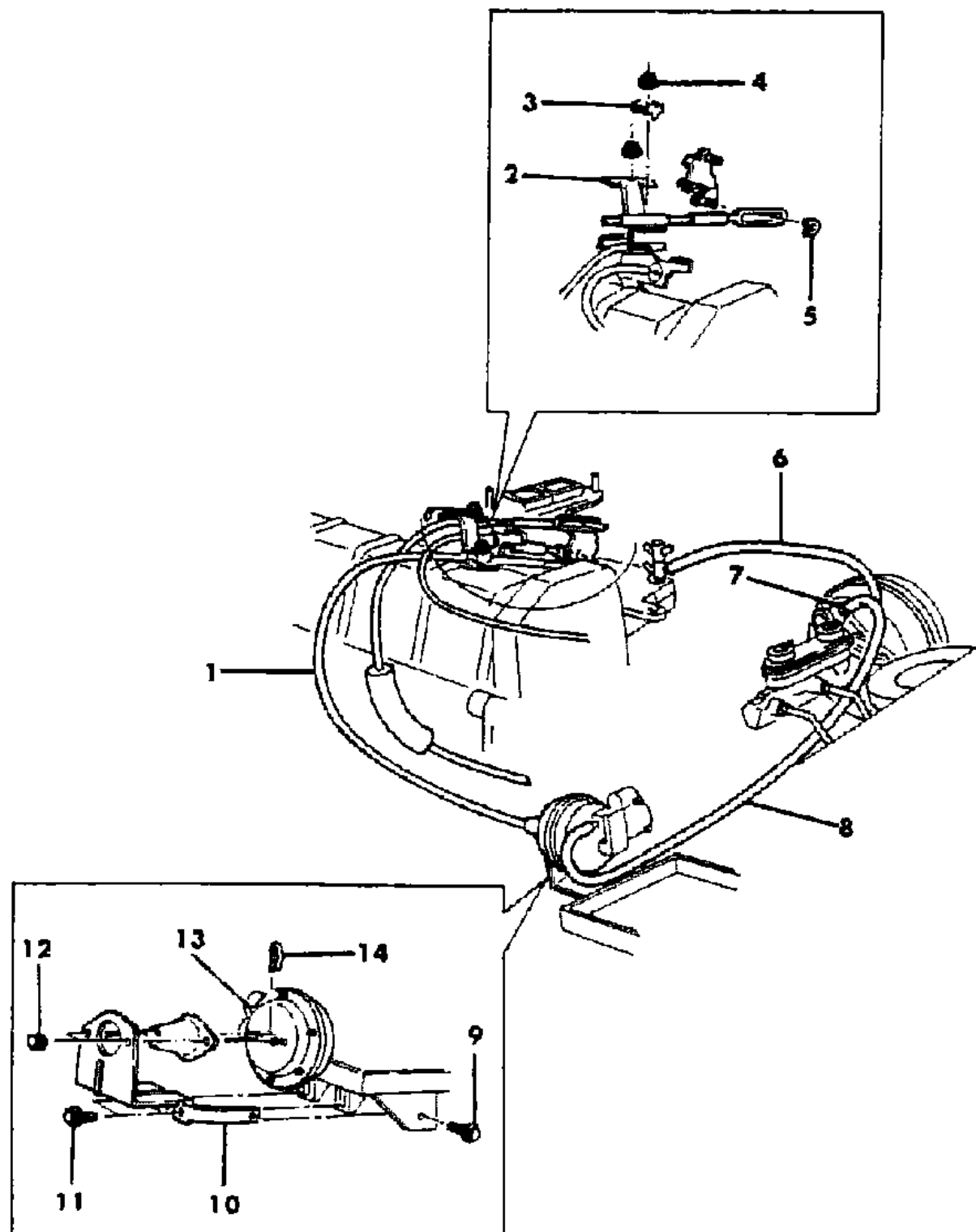
**SPEED CONTROL-P,D,C,V W/2.2 LITER ENGINE**  
**Figure 14-3000**

2114 3000

ITEM	PART NUMBER	QTY	BODY	MODEL	DESCRIPTION
	4205 882	1			SPEED CONTROL PACKAGE (see note 1,2)
1	5214 709	1			CABLE, Speed Control
2	5214 349	1			BRACKET, Cable Mounting w/Manual Trans
	5214 710	1			w/Auto Trans
3	2402 210	1			CLIP, Cable Mounting
4	0219 462	1			NUT, w/WASHER
5		1			CLIP, Cable to Carb
6		AR			HOSE, w/Manual Brakes (not serviced)
7		1			CLAMP (not serviced)
8	3744 953	AR			HOSE, w/Power Brakes
9	6500 300	1			SCREW
10	5214 708	1			BRACKET, Servo Mounting
11	6100 304	2			SCREW, w/WASHER
12	0152 360	2			NUT
13	4241 243	1			SERVO, Speed Control
14	6025 867	1			CLIP

NOTE 1: Units equipped with a Tilt Steering Wheel also specify part no. 3747881 Lever. Lever which is in the package may be returned for credit with an offsetting order for part no. 3747881

NOTE 2: For vehicles which are not equipped with Intermittant Wipers you must also specify part no. 4176122 Intermittant Wiper Conversion Pkg. an offsetting order for part no. 3747881



- MODEL CODES
- |                            |                      |
|----------------------------|----------------------|
| B = GRAN FURY/CARAVELLE    | P = RELIANT          |
| C = LEBARON/TOWN & COUNTRY | S = CORDOBA          |
| D = ARIES                  | V = 400              |
| F = NEW YORKER             | X = MIRADA           |
| G = DIPLOMAT               | Y = IMPERIAL         |
| M = HORIZON/TC3/SCAMP      | Z = OMNI/O24/RAMPAGE |

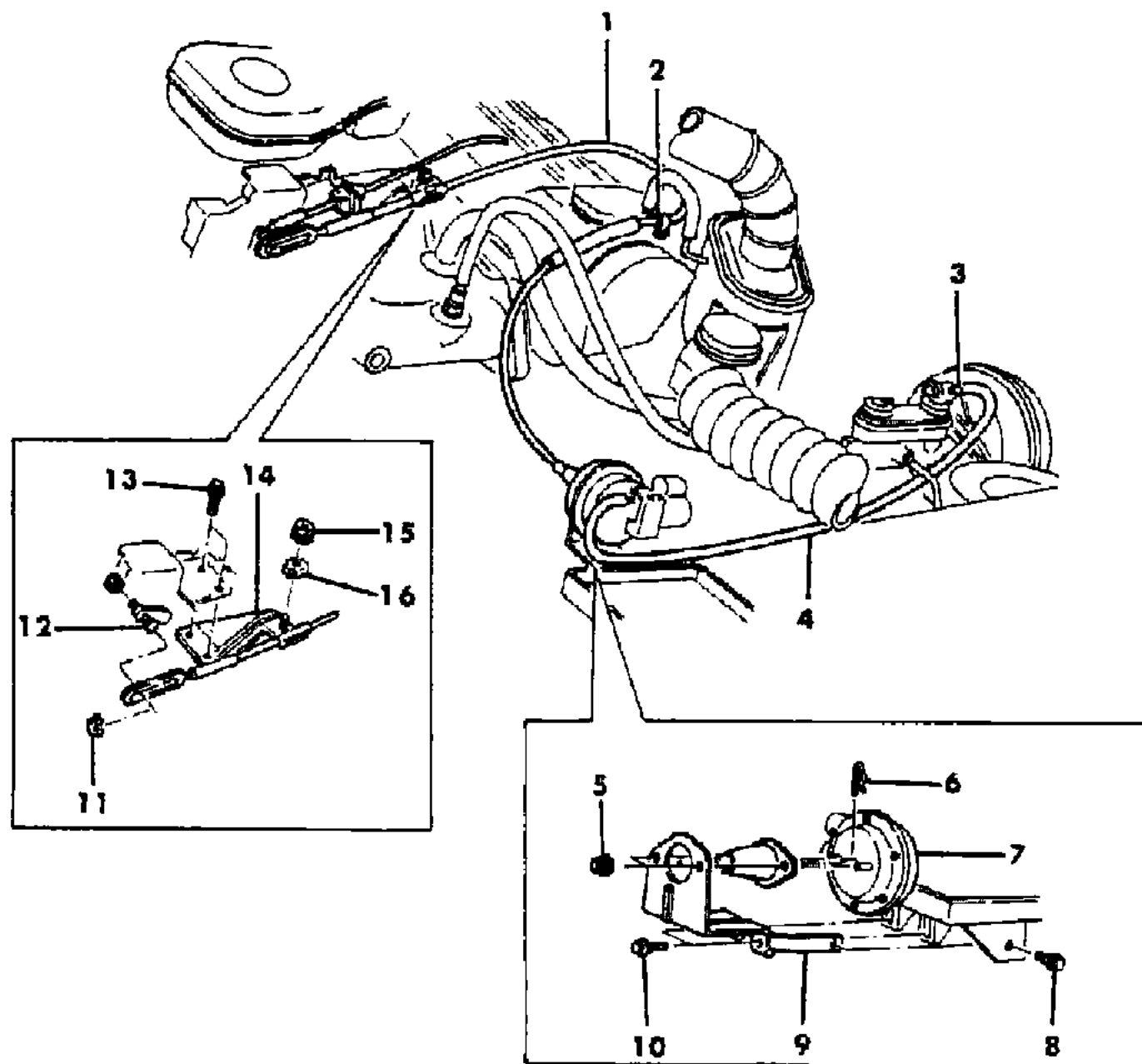
- BODY STYLES
- |                           |                           |
|---------------------------|---------------------------|
| 21 = 2-DOOR SEDAN         | 28 = FWD PICKUP           |
| 22 = 2-DOOR SPECIAL COUPE | 41 = 4-DOOR SEDAN         |
| 24 = 2-DOOR HATCHBACK     | 44 = 4-DOOR HATCHBACK     |
| 27 = 2-DOOR CONVERTIBLE   | 45 = 2-SEAT STATION WAGON |

AR = Use as Required - = Non Illustrated Part P.A.R. = Paint as Required

SPEED CONTROL-P,D,C,V W/2.6 LITER ENGINE

Figure 14-3100

2114 3160



ITEM	PART NUMBER	QTY	BODY	MODEL	DESCRIPTION
	4205 883	1			SPEED CONTROL PACKAGE, (see note 1,2)
1	4241 215	1			CABLE, Speed Control
2	5214 591	1			CLIP
3		1			CLAMP (not serviced)
4	3744 933	AR			HOSE
5	0152 360	2			NUT
6	6025 867	1			CLIP
7	4241 243	1			SERVO, Speed Control
8	6500 300	1			SCREW
9	5214 708	1			BRACKET, Servo Mounting
10	6100 304	2			SCREW, w/WASHER
11	0219 462	1			CLIP
12	5214 596	1			STUD, Carb Lever
13	6100 239	1			SCREW, w/WASHER
14	5214 594	1			BRACKET, Cable Mounting
15	0120 375	1			NUT, w/WASHER
16	2402 210	1			CLIP, Cable Mounting

NOTE 1: Units equipped with a Tilt Steering Wheel also specify part no. 3747881 Lever. Lever which is in the package may be returned for credit with an offsetting order for part no. 3747881

NOTE 2: For vehicles which are not equipped with Intermittant Wipers you must also specify part no. 4176122 Intermittant Wiper Conversion Pkg. an offsetting order for part no. 3747881

MODEL CODES

B = GRAN FURY/CARAVELLE	P = RELIANT
C = LEBARON/TOWN & COUNTRY	S = CORDOBA
D = ARIES	V = 400
F = NEW YORKER	X = MIRADA
G = DIPLOMAT	Y = IMPERIAL
M = HORIZON/TC3/SCAMP	Z = OMNI/O24/RAMPAGE

BODY STYLES

21 = 2-DOOR SEDAN	28 = FWD PICKUP
22 = 2-DOOR SPECIAL COUPE	41 = 4-DOOR SEDAN
24 = 2-DOOR HATCHBACK	44 = 4-DOOR HATCHBACK
27 = 2-DOOR CONVERTIBLE	45 = 2-SEAT STATION WAGON

AR = Use as Required - = Non Illustrated Part P.A.R. = Paint as Required

**SPEED CONTROL, F,G,X,S,Y,B**  
**Figure 14-3200**

2114 3200

ITEM	PART NUMBER	QTY	BODY	MODEL	DESCRIPTION
1	4205 879	1			SPEED CONTROL PACKAGE (see note 1,2)
1	4095 071	1	F,G,X,S		LINK, Lost Motion w/225-1BBL Eng.
	4027 798	1	F,G,X,S		w/225-2BBL Eng.
	3769 261	1	F,G,X,S		w/318-360 Eng.
2					CLIP
2	6030 479	2	F,G,X,S		w/225-1BBL.
	6030 479	1	F,G,X,S		w/225-2BBL.
	6030 479	1	F,G,X,S		w/318
3					BRACKET
3	2899 376	1	F,G,X,S		w/318-2BBL.
	3830 868	1	F,G,X,S		w/318-4BBL.
4	2402 210	1	F,G,X,S		CLIP
5	0120 375	1	F,G,X,S		NUT, w/WASHER
6					BRACKET, Cable Routing
6	4173 480	1	F,G,X,S		w/318
	4241 221	1	Y		w/318-E.F.I.
7					NUT
7	0124 824	1	F,G,X,S		w/318
	6025 004	1	Y		w/318-E.F.I.
8					CABLE
8	5214 339	1	F,G,X,S		w/318-2BBL.
	4241 249	1	F,G,X,S		w/318-4BBL.
9					PIN, Lost Motion Link
9	6029 629	1	F,G,X,S		w/225-2BBL.
	6029 629	1	F,G,X,S		w/318
10	3830 871	1			PIN, Pivot and Spring Anchor, w/225-1BBL.
11	0272 776	AR			CLAMP
12	3744 933	AR			HOSE
13	0120 375	3			NUT, w/WASHER
14	4104 323	1			BRACKET
15	4241 243	1			SERVO
16	0152 360	2			NUT
17	6025 867	1			CLIP
18					CABLE
18	4104 331	1	F,G,X,S		w/225-1BBL.
	4104 330	1	F,G,X,S		w/225-2BBL.

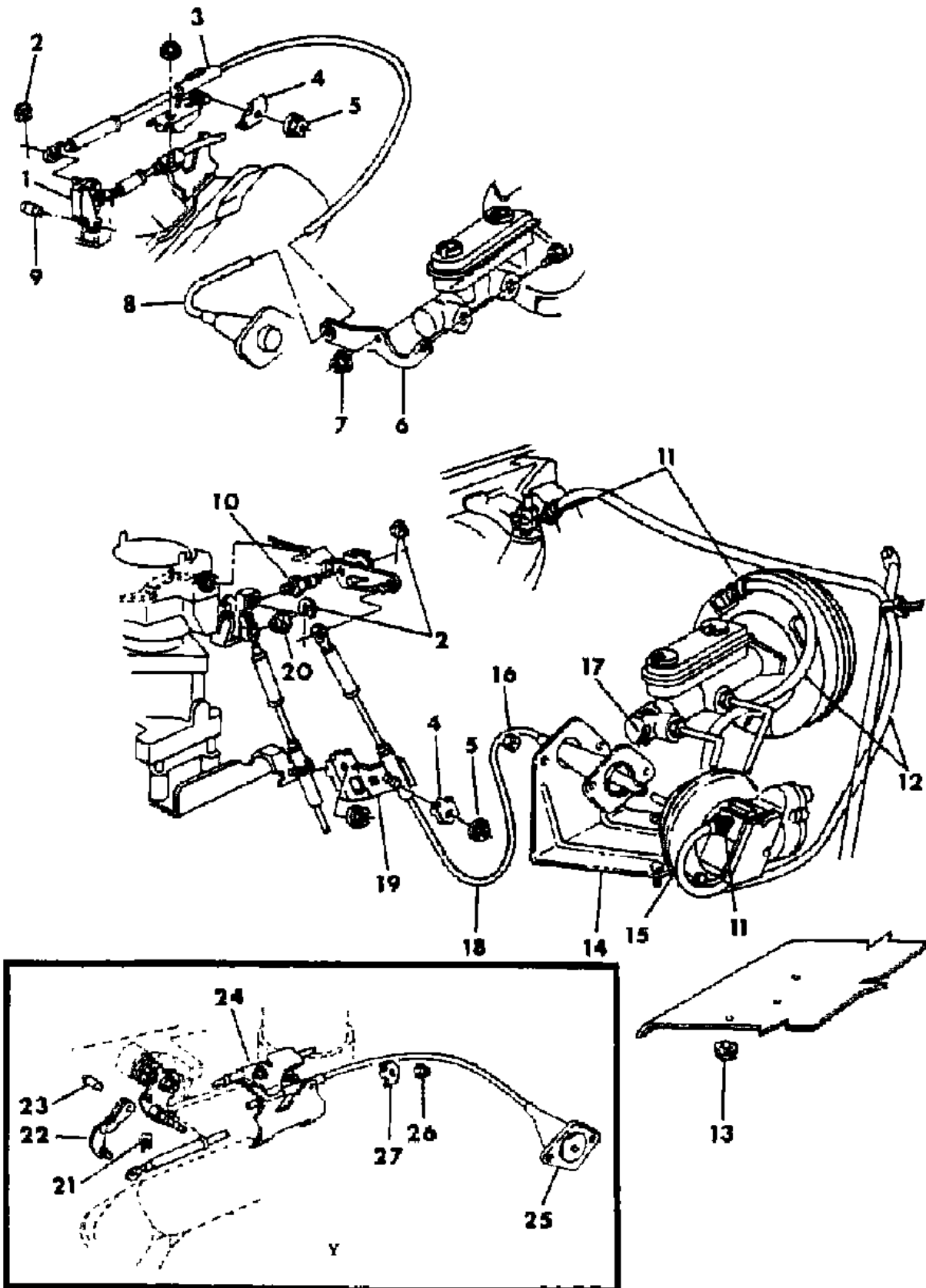
**MODEL CODES**

B = GRAN FURY/CARAVELLE	P = RELIANT
C = LEBARON/TOWN & COUNTRY	S = CORDOBA
D = ARIES	V = 400
F = NEW YORKER	X = MIRADA
G = DIPLOMAT	Y = IMPERIAL
M = HORIZON/TC3/SCAMP	Z = OMNI/O24/RAMPAGE

**BODY STYLES**

21 = 2-DOOR SEDAN	28 = FWD PICKUP
22 = 2-DOOR SPECIAL COUPE	41 = 4-DOOR SEDAN
24 = 2-DOOR HATCHBACK	44 = 4-DOOR HATCHBACK
27 = 2-DOOR CONVERTIBLE	45 = 2-SEAT STATION WAGON

AR = Use as Required - = Non Illustrated Part P.A.R. = Paint as Required

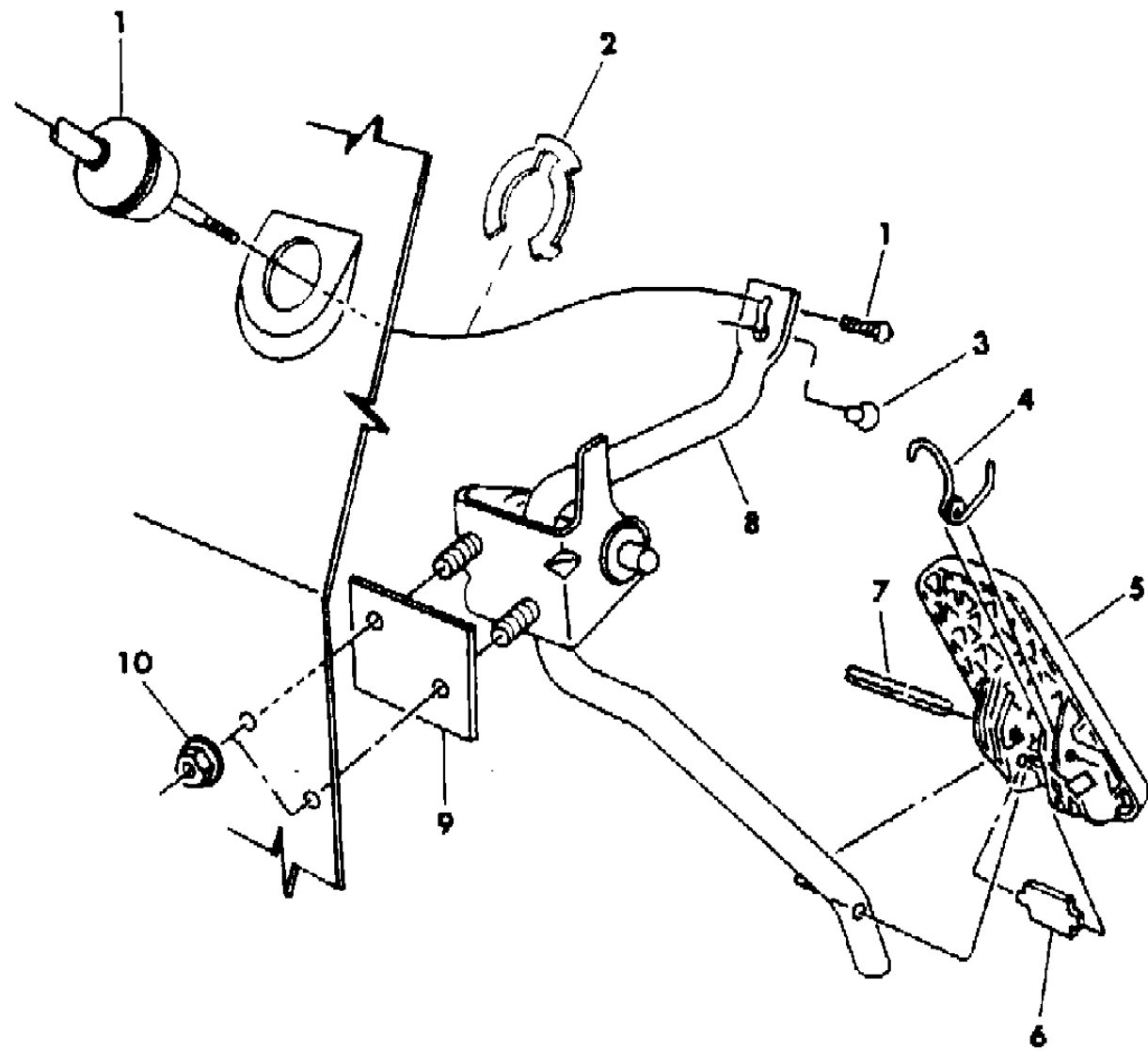






**ACCELERATOR PEDAL-M,Z,P,D,C,V**  
**Figure 14-3300**

2114 3300



ITEM	PART NUMBER	QTY	BODY	MODEL	DESCRIPTION
1					CABLE, Throttle Control, see Throttle Control Illustration
2	5214 613	1			CLIP, Retainer
3	2465 483	1			PLUG
4	2899 354	1			SPRING
5	3769 053	1			PEDAL, Accelerator
6	2899 342	1			PAD
7	9429 032	1			PIN, Spring
8					BRACKET and SHAFT, Accelerator
	5214 184	1		M,Z	
	4201 377	1		P,D,C,V	
9	4201 048	1			SEAL, Bracket Mounting
10	6100 048	2			NUT w/WASHER
	3769 054	1		P,D,C,V	BEZEL, Accel Pedal
	5214 416	1		P,D,C,V	GROMMET, Throttle Control (not illustrated)

**MODEL CODES**

B = GRAN FURY/CARAVELLE	P = RELIANT
C = LEBARON/TOWN & COUNTRY	S = CORDOBA
D = ARIES	V = 400
F = NEW YORKER	X = MIRADA
G = DIPLOMAT	Y = IMPERIAL
M = HORIZON/TC3/SCAMP	Z = OMNI/O24/RAMPAGE

**BODY STYLES**

21 = 2-DOOR SEDAN	28 = FWD PICKUP
22 = 2-DOOR SPECIAL COUPE	41 = 4-DOOR SEDAN
24 = 2-DOOR HATCHBACK	44 = 4-DOOR HATCHBACK
27 = 2-DOOR CONVERTIBLE	45 = 2-SEAT STATION WAGON

AR = Use as Required - = Non Illustrated Part P.A.R. = Paint as Required

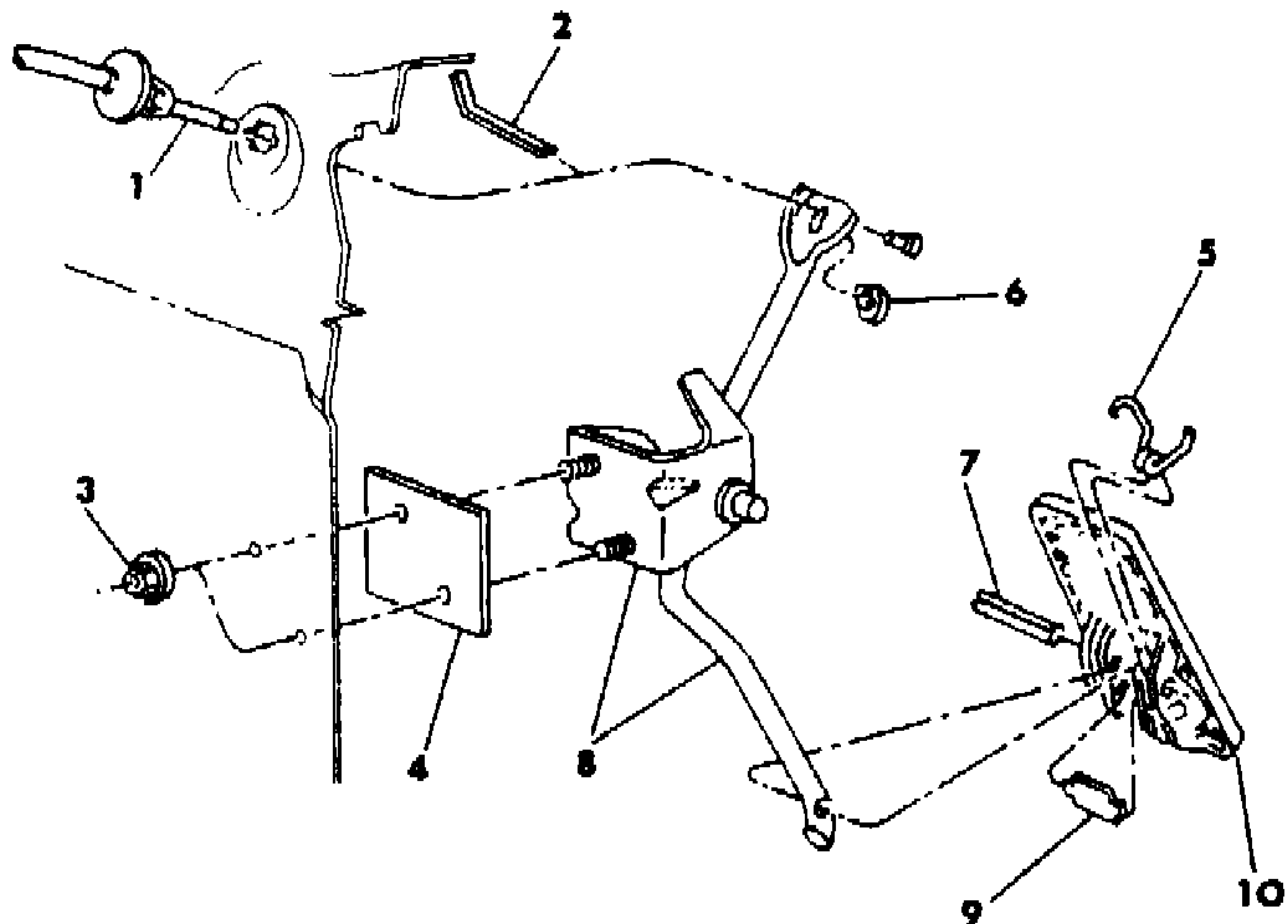
**ACCELERATOR PEDAL, Except M,Z,P,D,C,V**  
**Figure 14-3400**

2114 3400

ITEM	PART NUMBER	QTY	BODY	MODEL	DESCRIPTION
1					CABLE, Throttle Control, see Throttle Control Illustration
2	3462 725	1			RETAINER
3	0120 375	2			NUT w/WASHER
4	4201 048	1			SEAL
5	2899 354	1			SPRING
6	2465 483	1			PLUG
7	9429 032	1			PIN, Spring
8					BRACKET, Accelerator Shaft
	3870 689	1		F,G,B	
	4241 329	1		X,S,Y	
9	2899 342	1			PAD
10	4105 073	1			PEDAL, Acceleator

NOTE: The following items are not illustrated an offsetting order for part no. 3747881

4241 256	1				SPACER, Accel Pedal Bracket
2129 856	1				SPACER, Accel Pedal Bracket Spacer, w/318 Engine
3769 054	1				BEZEL, Accel Pedal



MODEL CODES  
 B = GRAN FURY/CARAVELLE      P = RELIANT  
 C = LEBARON/TOWN & COUNTRY      S = CORDOBA  
 D = ARIES      V = 400  
 F = NEW YORKER      X = MIRADA  
 G = DIPLOMAT      Y = IMPERIAL  
 M = HORIZON/TC3/SCAMP      Z = OMNI/O24/RAMPAGE

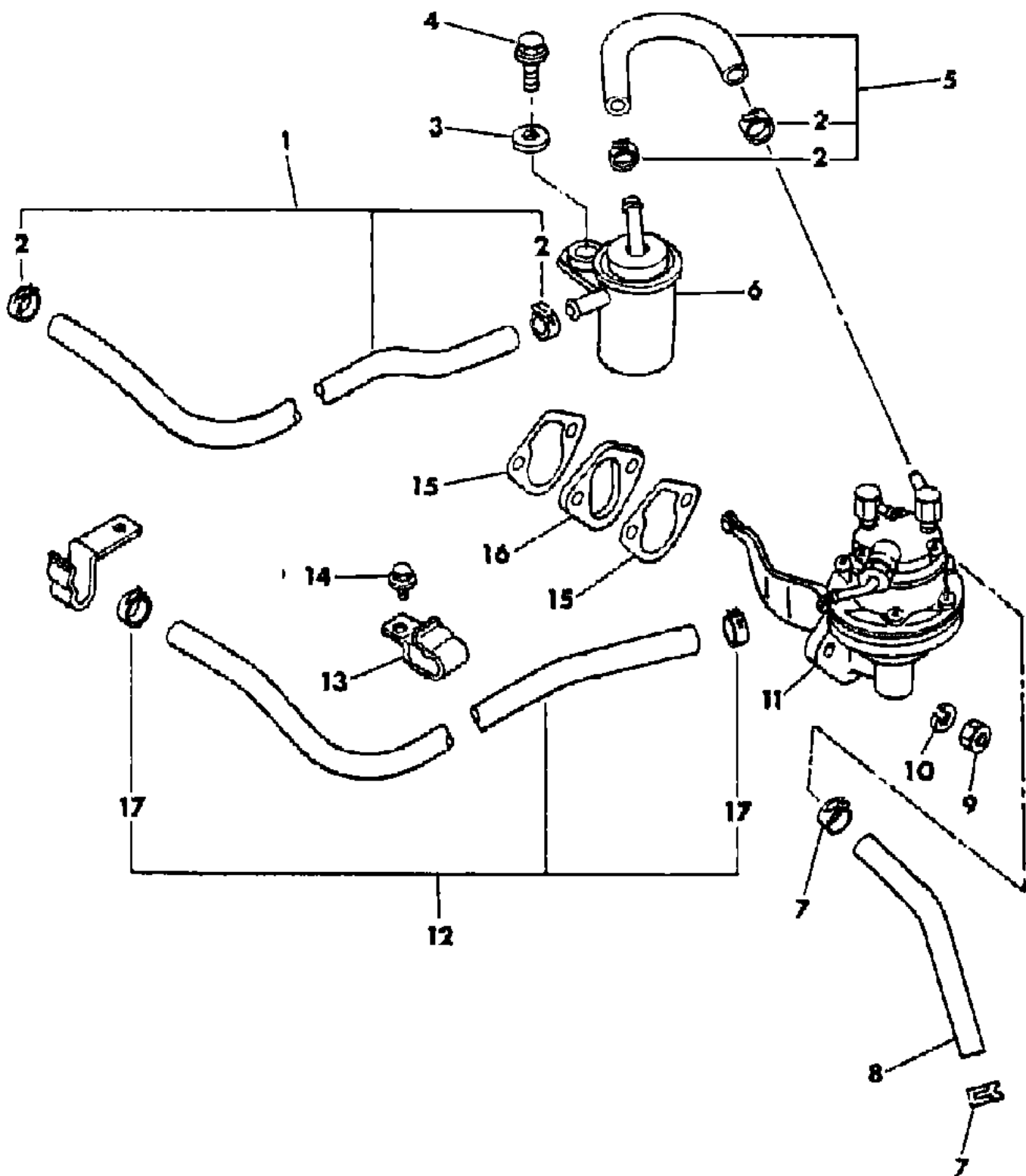
BODY STYLES  
 21 = 2-DOOR SEDAN      28 = FWD PICKUP  
 22 = 2-DOOR SPECIAL COUPE      41 = 4-DOOR SEDAN  
 24 = 2-DOOR HATCHBACK      44 = 4-DOOR HATCHBACK  
 27 = 2-DOOR CONVERTIBLE      45 = 2-SEAT STATION WAGON

AR = Use as Required - = Non Illustrated Part P.A.R. = Paint as Required

# FUEL PUMP AND FUEL FILTER - W/2.6 LITER ENGINE

Figure 14-3500

2114 3500



ITEM	PART NUMBER	QTY	BODY	MODEL	DESCRIPTION
1	MD02 6605	1			HOSE and CLIPS, Fuel
2	MS66 0164	4			CLIP, Hose
3	MD00 1521	1			WASHER, Plain
4	MF14 0027	1			BOLT, Flange
5	MD02 6606	1			HOSE and CLIPS, Fuel
6	MD02 6581	1			FILTER, Fuel
7	MS66 0162	1			CLIP, Hose
8	MD02 6607	1			HOSE and CLIPS, Fuel
9	MF43 0005	2			NUT
10	MF45 0405	2			WASHER, Spring
11	MD02 6591	1			PUMP, Fuel
12	MD02 6608	1			HOSE and CLIPS, Fuel
13	MD02 6604	1			CLAMP, Fuel Hose
14	MF14 0202	1			BOLT, Flange
15	MD02 3388	2			GASKET, Fuel Pump
16	MD02 3389	1			INSULATOR, Fuel Pump
17	MD66 0162	2			CLIP, Hose

MODEL CODES

- |                            |                      |
|----------------------------|----------------------|
| B = GRAN FURY/CARAVELLE    | P = RELIANT          |
| C = LEBARON/TOWN & COUNTRY | S = CORDOBA          |
| D = ARIES                  | V = 400              |
| F = NEW YORKER             | X = MIRADA           |
| G = DIPLOMAT               | Y = IMPERIAL         |
| M = HORIZON/TC3/SCAMP      | Z = OMNI/O24/RAMPAGE |

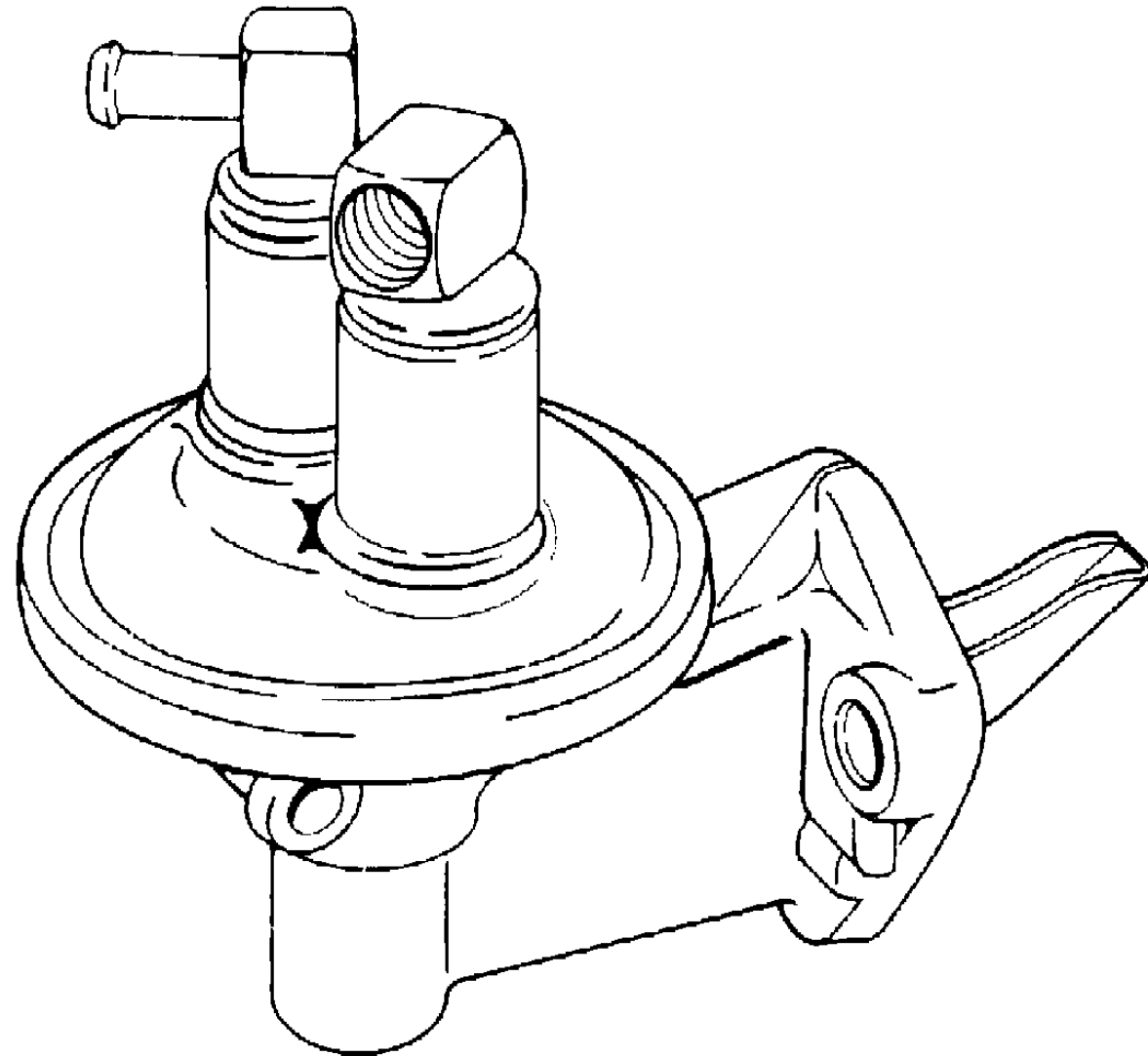
BODY STYLES

- |                           |                           |
|---------------------------|---------------------------|
| 21 = 2-DOOR SEDAN         | 28 = FWD PICKUP           |
| 22 = 2-DOOR SPECIAL COUPE | 41 = 4-DOOR SEDAN         |
| 24 = 2-DOOR HATCHBACK     | 44 = 4-DOOR HATCHBACK     |
| 27 = 2-DOOR CONVERTIBLE   | 45 = 2-SEAT STATION WAGON |

AR = Use as Required - = Non Illustrated Part P.A.R. = Paint as Required

**FUEL PUMP**  
**Figure 14-3600**

2114 3600



ITEM	PART NUMBER	QTY	BODY	MODEL	DESCRIPTION
NOTE: For Y Model- w/E.F.I.-318 (E43) Engine see illustration 14-3700 an offsetting order for part no. 3747881					
NOTE: For P,D,C,V Model w/2.6 Liter Engine see Illustration 14-3500. an offsetting order for part no. 3747881					
					FUEL PUMP
	4271 891	1			w/1.7 Liter Engine
	4271 892	1			w/2.2 Liter Engine
	4271 893	1		F,G,X,S	w/225 Engine
	4271 894	1		F,G,X,S	w/318 Engine
	5240 332	1			GASKET, Fuel Pump Flange w/1.7 Liter Engine
	5214 680	1			w/2.2 Liter Engine
	3577 870	1			w/225,318 Engine
	6023 526	2			BOLT, Fuel Pump Attaching w/225,318 Engine

MODEL CODES

B = GRAN FURY/CARAVELLE	P = RELIANT
C = LEBARON/TOWN & COUNTRY	S = CORDOBA
D = ARIES	V = 400
F = NEW YORKER	X = MIRADA
G = DIPLOMAT	Y = IMPERIAL
M = HORIZON/TC3/SCAMP	Z = OMNI/O24/RAMPAGE

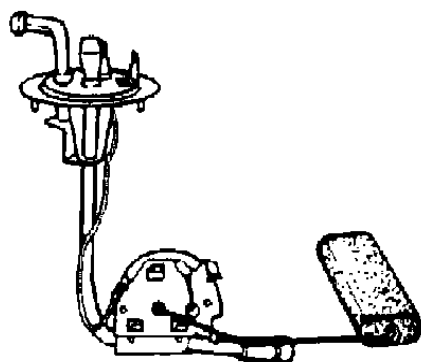
BODY STYLES

21 = 2-DOOR SEDAN	28 = FWD PICKUP
22 = 2-DOOR SPECIAL COUPE	41 = 4-DOOR SEDAN
24 = 2-DOOR HATCHBACK	44 = 4-DOOR HATCHBACK
27 = 2-DOOR CONVERTIBLE	45 = 2-SEAT STATION WAGON

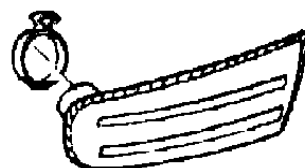
AR = Use as Required - = Non Illustrated Part P.A.R. = Paint as Required

FUEL PUMP AND SENDING UNIT E.F.I. - W/318 (E43) ENGINE  
Figure 14-3700

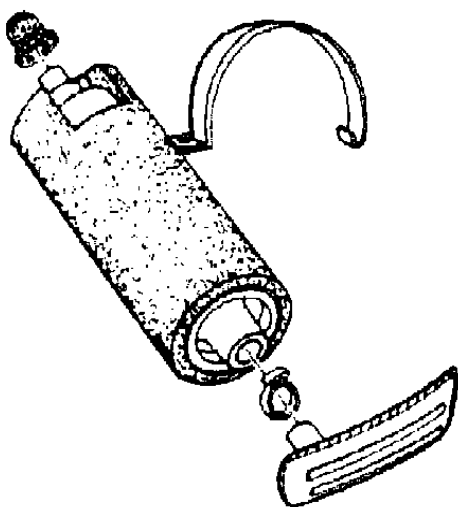
2114 3700A



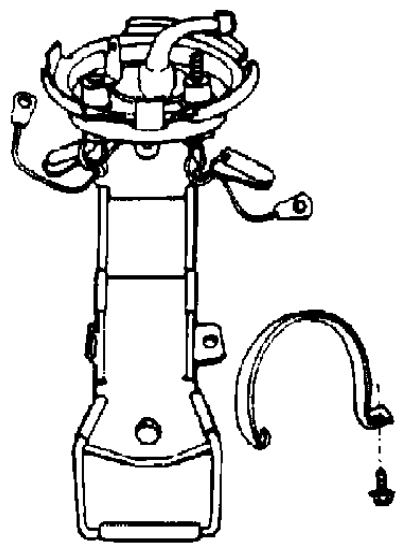
1



2



3



4

ITEM	PART NUMBER	QTY	BODY	MODEL	DESCRIPTION
1	4051 674	1			UNIT PACKAGE, Fuel Sending
	1948 757	1			SEAL, Fuel Level (not illustrated)
	1730 095	1			RETAINER, Fuel Unit (not illustrated)
2	4051 587	1			FILTER PACKAGE, Fuel Pump
	4051 583	1			PUMP PACKAGE, Fuel
4	6031 475	1			SEAL, Fuel Pump (not illustrated)
	4002 490	1			RETAINER, Fuel Pump (not illustrated)
	4051 586	1			MOUNTING PACKAGE, Fuel Pump
NOTE: The following items are not illustrated an offsetting order for part no. 3747881					
	4071 951	1			COVER, Fuel Pump Pad
	3577 870	1			GASKET, Fuel Pump Pad Cover
	4267 088	1			VALVE, Check

MODEL CODES

B = GRAN FURY/CARAVELLE	P = RELIANT
C = LEBARON/TOWN & COUNTRY	S = CORDOBA
D = ARIES	V = 400
F = NEW YORKER	X = MIRADA
G = DIPLOMAT	Y = IMPERIAL
M = HORIZON/TC3/SCAMP	Z = OMNI/O24/RAMPAGE

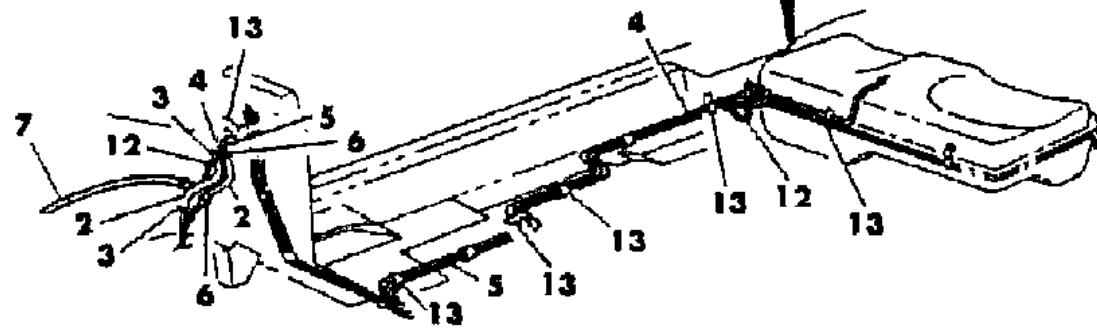
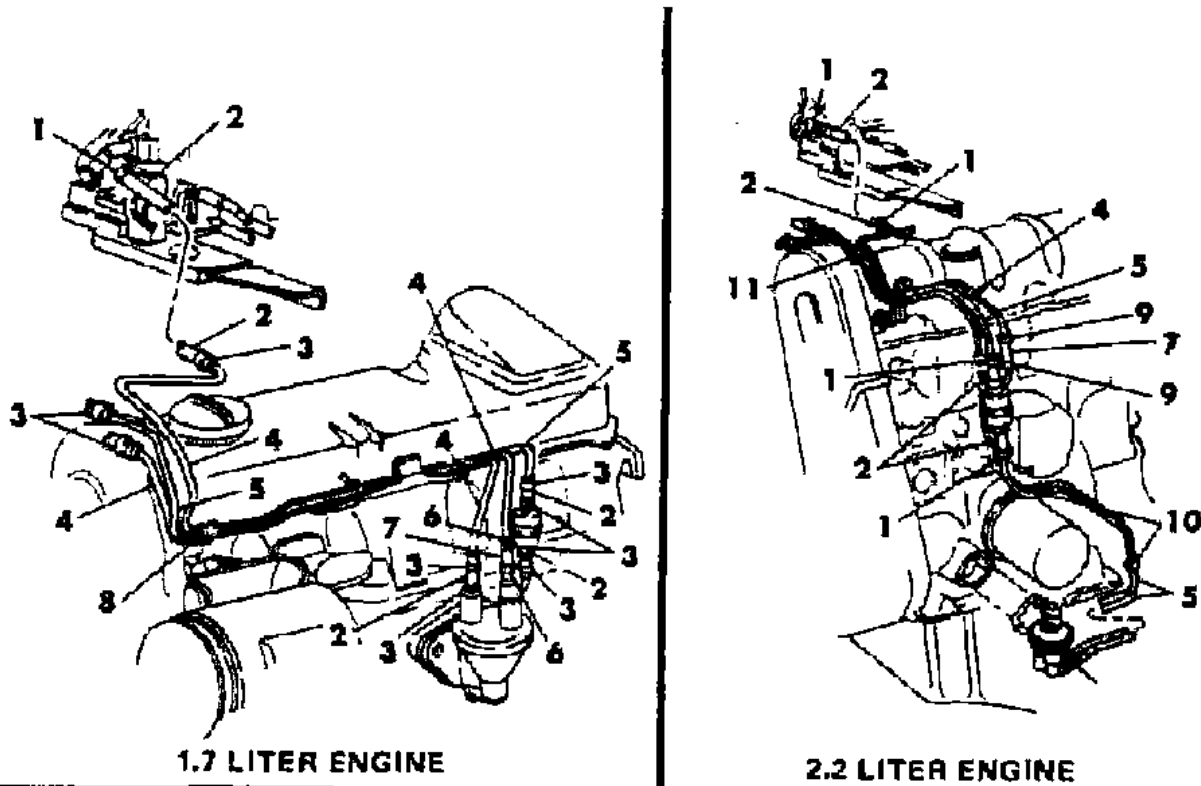
BODY STYLES

21 = 2-DOOR SEDAN	28 = FWD PICKUP
22 = 2-DOOR SPECIAL COUPE	41 = 4-DOOR SEDAN
24 = 2-DOOR HATCHBACK	44 = 4-DOOR HATCHBACK
27 = 2-DOOR CONVERTIBLE	45 = 2-SEAT STATION WAGON

AR = Use as Required - = Non Illustrated Part P.A.R. = Paint as Required

FUEL LINES - M,Z  
Figure 14-3800

2114 J800



ITEM	PART NUMBER	QTY	BODY	MODEL	DESCRIPTION
1	2463 937	AR			CLAMP
2	4203 316	AR			HOSE, (50 ft. roll) 5/16 I.D. Carb. to Fuel Tube Fuel Filter Fuel Pump
3	2448 761	AR			Return Tube Front to Engine Fuel Return Tube
4	1843 253	AR			Fuel Tube Front to Engine Fuel Pump Tube Fuel Tube Rear to Fuel Tank
5	1843 252	AR			CLAMP TUBE, (25 ft. roll) 5/16 I.D. Fuel Filter Hose to Carb. Hose Fuel Pump to Fuel Tank Tube Hose Fuel
6		AR			TUBE, (25 ft. roll) 1/4 O.D. Fuel Vapor Return Fuel Pump to Filter Hose Fuel Pump to Fuel Tank Tube Hose
7	4203 211	AR			Fuel Vapor Return Fuel Return CLAMP (not serviced) HOSE, (50 ft. roll) 1/4 I.D. Fuel Pump Fuel Filter to Fuel Vapor Return Tube Vapor Tube Front to Canister Fuel Return Tube Rear to Fuel Tank
8	5214 412	AR			CLIP, Fuel Tubes
9		AR			CLAMP (not serviced)
10	2925 705	AR			CLIP
11	2530 700	AR			CLIP
12	1843 251	AR			TUBE, (25 ft. roll) 3/16 O.D. Fuel Vapor
13		AR			CLIP (not serviced)

MODEL CODES

B = GRAN FURY/CARAVELLE	P = RELIANT
C = LEBARON/TOWN & COUNTRY	S = CORDOBA
D = ARIES	V = 400
F = NEW YORKER	X = MIRADA
G = DIPLOMAT	Y = IMPERIAL
M = HORIZON/TC3/SCAMP	Z = OMNI/O24/RAMPAGE

BODY STYLES

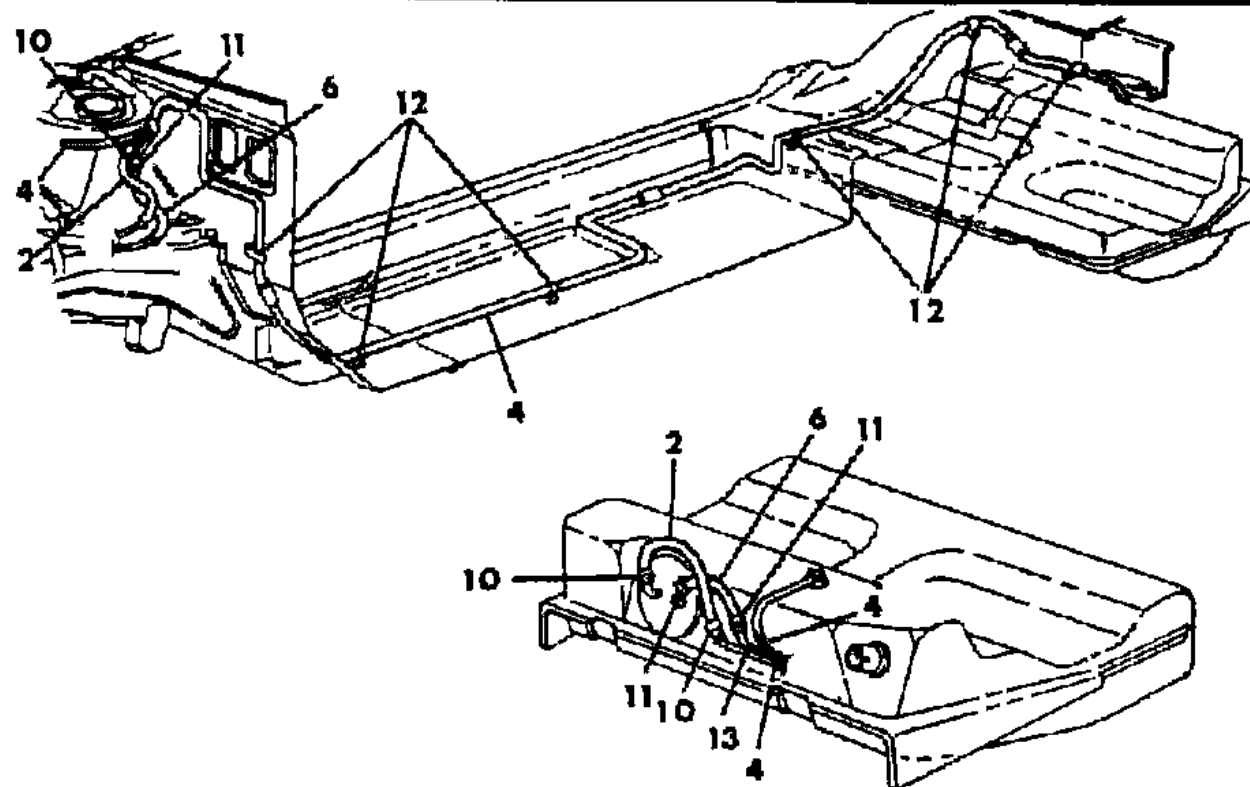
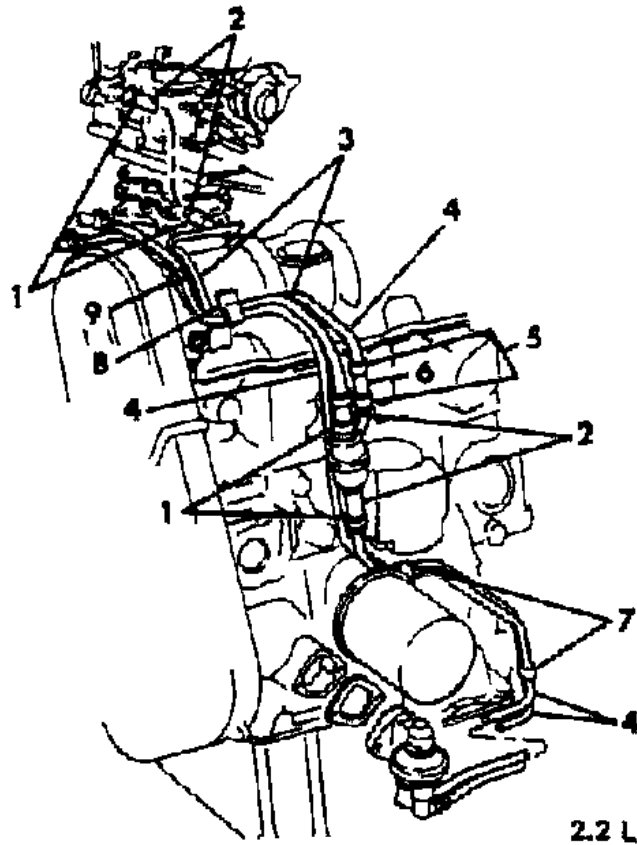
21 = 2-DOOR SEDAN	28 = FWD PICKUP
22 = 2-DOOR SPECIAL COUPE	41 = 4-DOOR SEDAN
24 = 2-DOOR HATCHBACK	44 = 4-DOOR HATCHBACK
27 = 2-DOOR CONVERTIBLE	45 = 2-SEAT STATION WAGON

AR = Use as Required - = Non Illustrated Part P.A.R. = Paint as Required

FUEL LINES - P,D,C,V  
Figure 14-3900

2114 3900

ITEM	PART NUMBER	QTY	BODY	MODEL	DESCRIPTION
1	2463 937	AR			CLAMP
2	4203 316	AR			HOSE, (50 ft. roll) 5/16 I.D. Fuel Filter Hose Tube to Carb. Fuel Filter Hose Fuel Tube Front to Fuel Pump Fuel Tube Rear to Fuel Tank
3	1843 253	AR			TUBE, (25 ft. roll) 5/16 O.D. Fuel Filter Hose to Carb. Hose
4	1843 252	AR			TUBE, (25 ft. roll) 1/4 O.D. Fuel Vapor Return Fuel Pump to Filter Hose Fuel Pump to Fuel Tank Tube Hose Fuel Fuel Vapor
5		AR			CLAMP (not serviced)
6	4203 211	AR			HOSE, (50 ft. roll) 1/4 I.D. Fuel Filter to Fuel Vapor Return Tube Fuel Return Front to Engine Fuel Return Rear to Fuel Tank
7	2825 705	2			CLIP
8		AR			CLIP (not serviced)
9	2530 700	1			CLIP
10	2448 761	AR			CLAMP
11		AR			CLAMP (not serviced)
12		AR			CLIP (not serviced)
13	4185 262	1			TUBE, Fuel Return



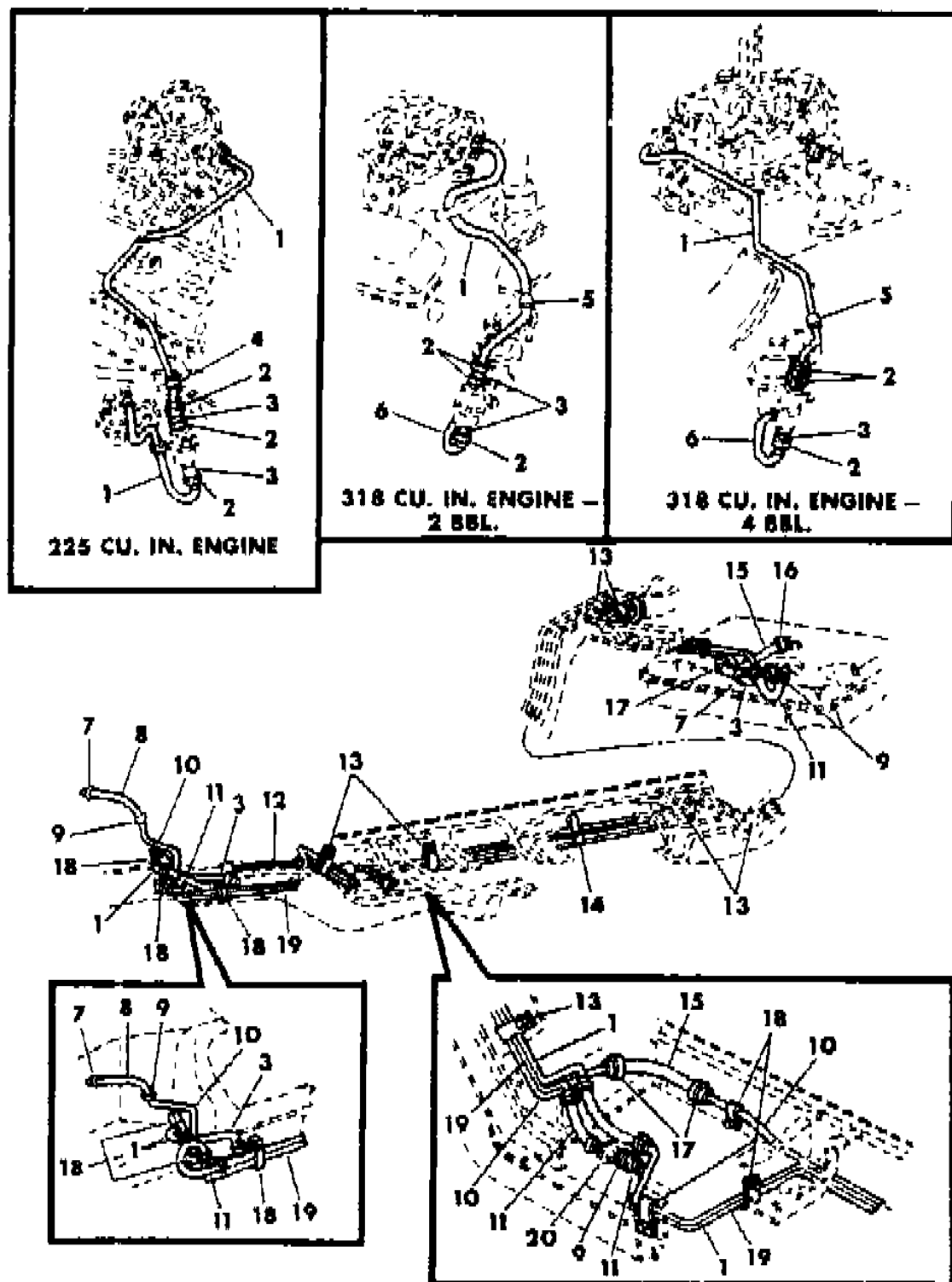
MODEL CODES  
 B = GRAN FURY/CARAVELLE      P = RELIANT  
 C = LEBARON/TOWN & COUNTRY      S = CORDOBA  
 D = ARIES      V = 400  
 F = NEW YORKER      X = MIRADA  
 G = DIPLOMAT      Y = IMPERIAL  
 M = HORIZON/TC3/SCAMP      Z = OMNI/O24/RAMPAGE

BODY STYLES  
 21 = 2-DOOR SEDAN      28 = FWD PICKUP  
 22 = 2-DOOR SPECIAL COUPE      41 = 4-DOOR SEDAN  
 24 = 2-DOOR HATCHBACK      44 = 4-DOOR HATCHBACK  
 27 = 2-DOOR CONVERTIBLE      45 = 2-SEAT STATION WAGON

AR = Use as Required - = Non Illustrated Part P.A.R. = Paint as Required

FUEL LINES - F,G,X,S,B  
Figure 14-4000

2114 4000



ITEM	PART NUMBER	QTY	BODY	MODEL	DESCRIPTION
1	1843 253	AR			TUBE, (25 ft. roll) 5/16 O.D. Fuel Filter Hose to Carb. Fuel Pump to Fuel Filter Hose Fuel Front Fuel Rear
2	2463 937	AR			CLAMP
3	4203 316	AR			HOSE, (50 ft. roll) 5/16 Fuel Filter Fuel Pump
4	4179 975	1			Fuel Tube Rear to Tank Front Fuel to Rear CLIP, Fuel Filter Hose to Carb. Tube
5	4179 759	1			CLIP, Fuel Tube Locating
6	4027 122	1			TUBE, Fuel Pump to Fuel Filter Hose
7	2448 761	AR			CLAMP
8	4210 989	1			HOSE, Vapor Canister to Fuel Tank Vapor Tube Front
9		AR			CLAMP (not serviced)
10	1843 251	AR			TUBE, (25 ft. roll) 3/16 O.D. Fuel Vapor Front Fuel Vapor Rear
11	4203 211	AR			HOSE, (50 ft. roll) 1/4 I.D. Fuel Return Tube Front to Filter Separator Fuel Return Tube Rear to Tank Fuel Return Check Valve to Fuel Return Tube Rear 6 Cyl. Fuel Return Check Valve to Fuel Return Tube Front 6 Cyl.
12	4185 242	1			Fuel Return Tube Front to Fuel Return Tube Rear PLATE, Fuel Tube Cover
13	3583 483	AR			CLIP
14		AR			CLIP, Fuel Vapor Tube Sill Push-On (not serviced)
15	4203 106	AR			HOSE, (50 ft. roll) 3/16 I.D. Fuel Vapor Tube Rear to Tank Fuel Vapor Tube Front To Fuel Vapor Tube Rear
16		AR			CLAMP (not serviced)
17	0153 456	AR			CLAMP
18		AR			CLIP (not serviced)
19	1843 252	AR			TUBE, (25 ft. roll) 1/4 O.D. Fuel Return Front

MODEL CODES

B = GRAN FURY/CARAVELLE	P = RELIANT
C = LEBARON/TOWN & COUNTRY	S = CORDOBA
D = ARIES	V = 400
F = NEW YORKER	X = MIRADA
G = DIPLOMAT	Y = IMPERIAL
M = HORIZON/TC3/SCAMP	Z = OMNI/O24/RAMPAGE

BODY STYLES

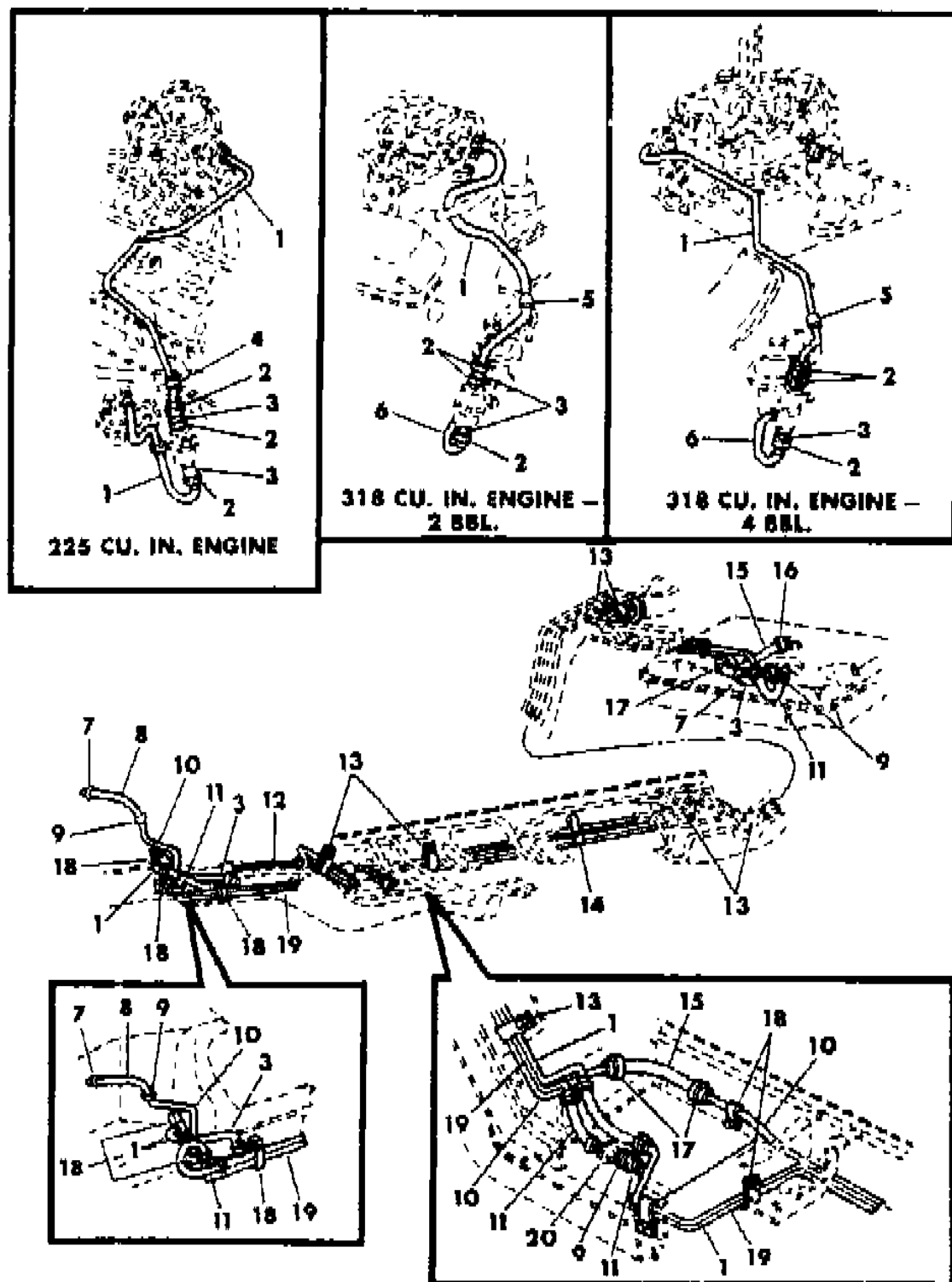
21 = 2-DOOR SEDAN	28 = FWD PICKUP
22 = 2-DOOR SPECIAL COUPE	41 = 4-DOOR SEDAN
24 = 2-DOOR HATCHBACK	44 = 4-DOOR HATCHBACK
27 = 2-DOOR CONVERTIBLE	45 = 2-SEAT STATION WAGON

AR = Use as Required - = Non Illustrated Part P.A.R. = Paint as Required



FUEL LINES - F,G,X,S,B  
Figure 14-4000

2114 4000



ITEM	PART NUMBER	QTY	BODY	MODEL	DESCRIPTION
------	-------------	-----	------	-------	-------------

20	4185 363	1			Fuel Return Rear VALVE, Fuel Return Flow Check 6 Cyl.
----	----------	---	--	--	---

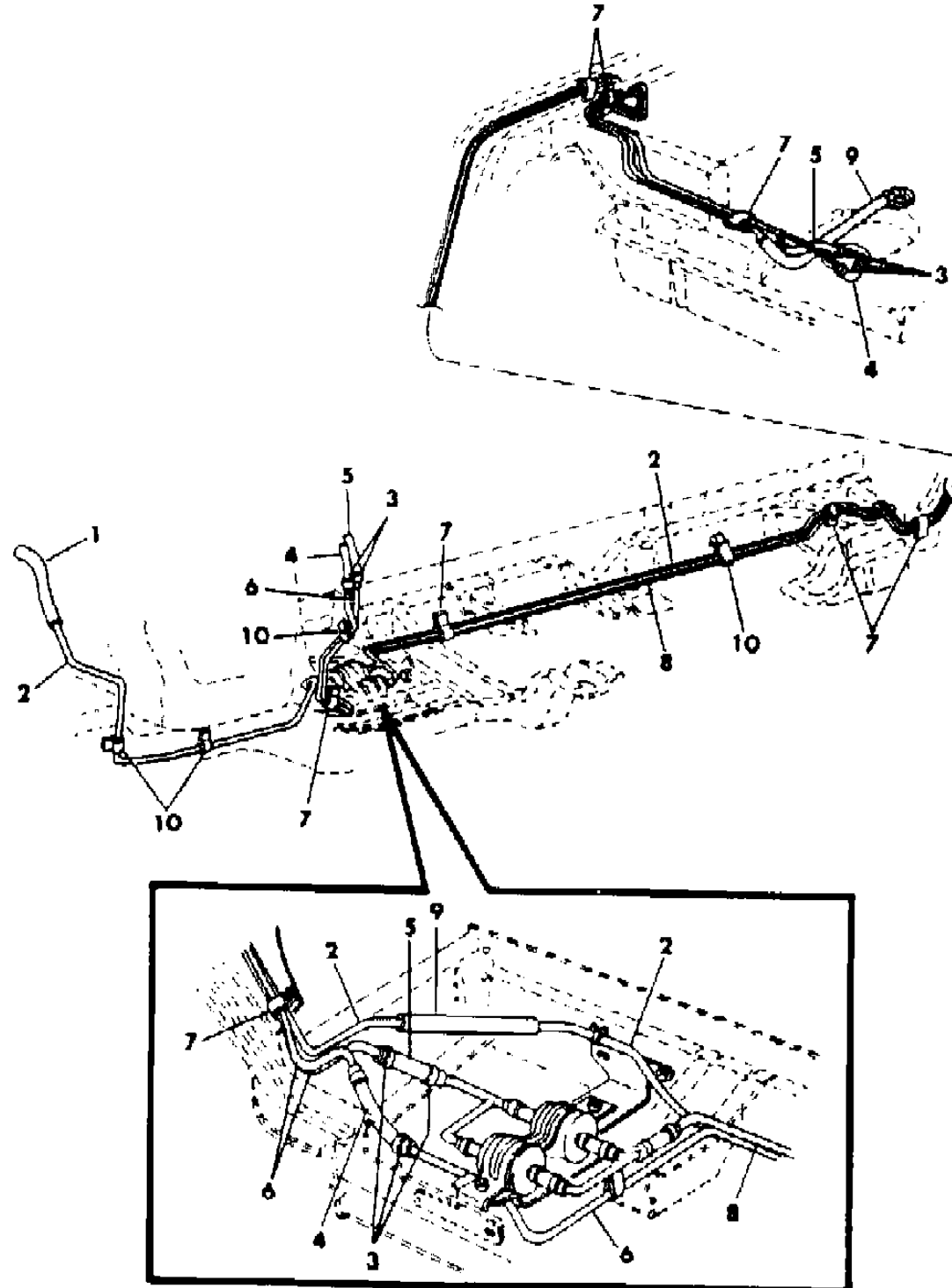
MODEL CODES  
 B = GRAN FURY/CARAVELLE  
 C = LEBARON/TOWN & COUNTRY  
 D = ARIES  
 F = NEW YORKER  
 G = DIPLOMAT  
 M = HORIZON/TC3/SCAMP  
 P = RELIANT  
 S = CORDOBA  
 V = 400  
 X = MIRADA  
 Y = IMPERIAL  
 Z = OMNI/O24/RAMPAGE

BODY STYLES  
 21 = 2-DOOR SEDAN  
 22 = 2-DOOR SPECIAL COUPE  
 24 = 2-DOOR HATCHBACK  
 27 = 2-DOOR CONVERTIBLE  
 28 = FWD PICKUP  
 41 = 4-DOOR SEDAN  
 44 = 4-DOOR HATCHBACK  
 45 = 2-SEAT STATION WAGON

AR = Use as Required - = Non Illustrated Part P.A.R. = Paint as Required

FUEL LINES - Y  
Figure 14-4100

2114 4100



ITEM	PART NUMBER	QTY	BODY	MODEL	DESCRIPTION
	4210 989	1			HOSE, Vapoe Canister to Fuel Tank Vapor Tube
	1843 251	1			TUBE, (25 ft roll) 3/16 O.D. Fuel Vapor Front Fuel Vapor Rear
3	6032 054	AR			CLAMP
4	4185 499	AR			HOSE, (50ft roll) 5/16 I.D. Fuel Return Tube Front to Mod. Tube Fuel Return Tube Front to Return Tube Rear Fuel Return Tube Rear to Fuel Tank
5	4185 500	AR			HOSE, (50ft roll) 3/8 I.D. Fuel Tube Front to Mod. Fuel Tube Front to Fuel Filter Fuel Return Tube Rear to Fuel Tank
6	1843 252	AR			TUBE, (25ft roll) 1/4 O.D. Fuel Front Fuel Return Fuel Return Rear
7	6031 303	7			CLIP
8	1843 254	AR			TUBE, (25ft roll) 3/8 O.D. Fuel Rear
9	4203 106	AR			HOSE, (50ft roll) 3/16 I.D. Fuel Vapor Tube Rear to Fuel Tank Fuel Vapor Tube Front to Fuel Vapor Tube Rear
10					CLIP (not serviced)

MODEL CODES

B = GRAN FURY/CARAVELLE	P = RELIANT
C = LEBARON/TOWN & COUNTRY	S = CORDOBA
D = ARIES	V = 400
F = NEW YORKER	X = MIRADA
G = DIPLOMAT	Y = IMPERIAL
M = HORIZON/TC3/SCAMP	Z = OMNI/O24/RAMPAGE

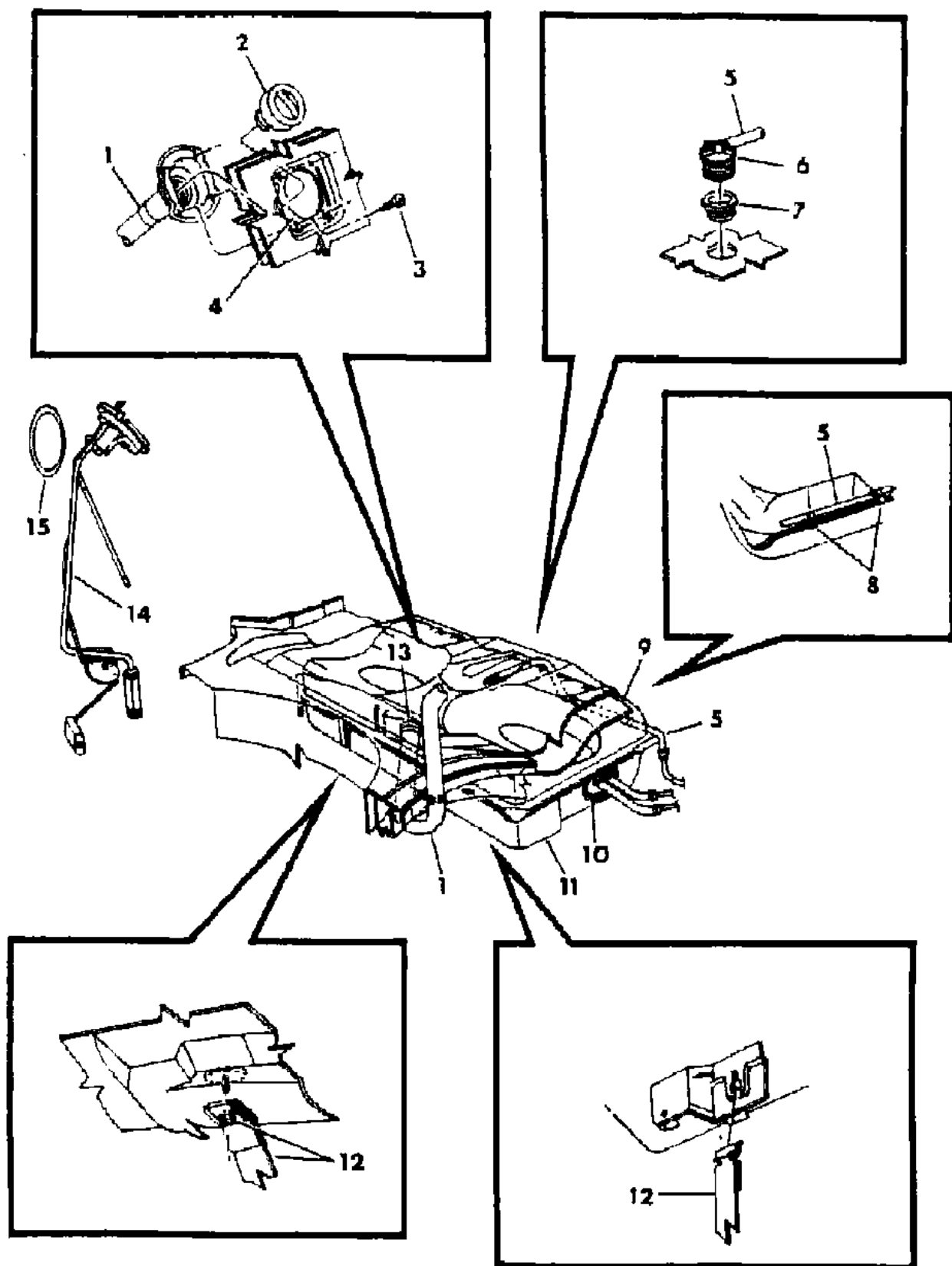
BODY STYLES

21 = 2-DOOR SEDAN	28 = FWD PICKUP
22 = 2-DOOR SPECIAL COUPE	41 = 4-DOOR SEDAN
24 = 2-DOOR HATCHBACK	44 = 4-DOOR HATCHBACK
27 = 2-DOOR CONVERTIBLE	45 = 2-SEAT STATION WAGON

AR = Use as Required - = Non Illustrated Part P.A.R. = Paint as Required

## FUEL TANK AND FUEL FILLER TUBES - M,Z Figure 14-4200

2114 4200



ITEM	PART NUMBER	QTY	BODY	MODEL	DESCRIPTION
1					TUBE, Fuel Tank Filler
	4185 378	1	44		w/Unleaded Gas
	4185 376	1	24		w/Unleaded Gas
	4279 217	1	28		w/Unleaded Gas
	4279 218	1	28		w/Leaded Gas, Canada & Export
	4185 379	1	44		w/Leaded Gas, Canada & Export
	4185 377	1	24		w/Leaded Gas, Canada & Export
2	4279 075	1	28		w/Leaded Gas, Canada & Export
					CAP, Gas
	4186 237	1	44,28		Non Locking
	5217 677	1	24		Non Locking
3	4185 483	1	44,28		Locking
	5217 646	1	24		Locking
		AR			SCREW (not serviced)
	4	5200 436	1	24	GASKET
5	4203 106	AR		HOSE, Vapor Tube Rear to Rollover Valve	
6	4185 254	1		VALVE, Rollover and Vapor Separator	
7	4002 149	1		GROMMET, Valve	
8	5217 564	AR		CLIP, Vapor Hose to Fuel Tank	
9	5217 516	2		INSULATOR, Fuel Tank	
10	4002 490	1		RETAINER, Fuel Gauge	
11	5217 670	1		TANK, Fuel	
12	4185 520-1	1		STRAP, Fuel Tank Support	
13	5217 578	1		GROMMET, Tank to Tube	
14	5211 383	1		GAUGE, Tank Unit	
15	6031 475	1		SEAL, "O"-Ring	
NOTE: The following items are not illustrated an offsetting order for part no. 3747881					
	3792 550	1			LABEL, Unleaded Fuel Only
	3791 699	1			French/English

**MODEL CODES**

B = GRAN FURY/CARAVELLE	P = RELIANT
C = LEBARON/TOWN & COUNTRY	S = CORDOBA
D = ARIES	V = 400
F = NEW YORKER	X = MIRADA
G = DIPLOMAT	Y = IMPERIAL
M = HORIZON/TC3/SCAMP	Z = OMNI/O24/RAMPAGE

**BODY STYLES**

21 = 2-DOOR SEDAN	28 = FWD PICKUP
22 = 2-DOOR SPECIAL COUPE	41 = 4-DOOR SEDAN
24 = 2-DOOR HATCHBACK	44 = 4-DOOR HATCHBACK
27 = 2-DOOR CONVERTIBLE	45 = 2-SEAT STATION WAGON

AR = Use as Required - = Non Illustrated Part P.A.R. = Paint as Required

FUEL TANK AND FILLER TUBES-P,D,C,V  
Figure 14-4300

2114 4300

ITEM	PART NUMBER	QTY	BODY	MODEL	DESCRIPTION
1	4185 490-1	1			STRAP, Fuel Tank Support
2	4185 409	1			TUBE, Fuel Tank Filler w/ Unleaded Gas
	4185 410	1			w/ Leaded Gas, Canada & Export
3					GASKET, Filler Tube to Panel (serviced in Tube)
4					CAP, Gas Non Locking
	4186 237	1			Locking
	4185 483	1			
5		4			SCREW, Filler tube to Panel (not serviced)
6	4185 334	1			TANK, Fuel
7	4185 254	1			VALVE, Rollover
8	4002 149	1			GROMMET, Rollover Valve
9					GAUGE, Tank Unit w/o Warning Signals
	4051 331	1		P,D	
	4051 464	1		C,V	w/ Warning Signals
10	1670 694	1			FILTER, Tank Unit Gauge
11	4185 408	1			SEAL, Tank Unit Gauge
NOTE: The following items are not illustrated an offsetting order for part no. 3747881					
	5217 578	1			GROMMET, Fuel Tank to Filler Tube
	3792 550	1			LABEL, Unleaded Gas
	4185 506	1			PAD, Fuel Tank Positioning

NOTE: The following items are not illustrated an offsetting order for part no. 3747881

	5217 578	1			GROMMET, Fuel Tank to Filler Tube
	3792 550	1			LABEL, Unleaded Gas
	4185 506	1			PAD, Fuel Tank Positioning

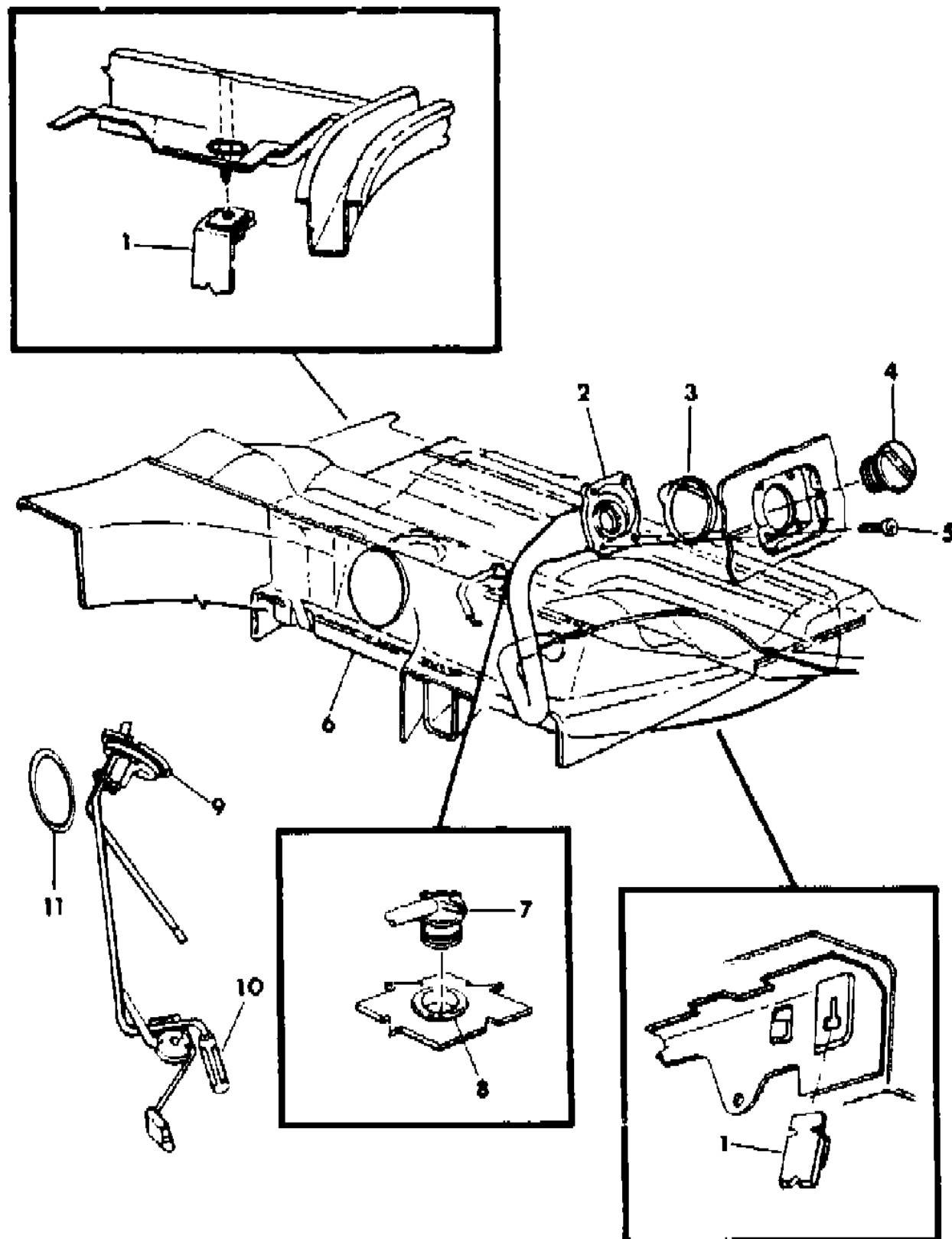
MODEL CODES

B = GRAN FURY/CARAVELLE	P = RELIANT
C = LEBARON/TOWN & COUNTRY	S = CORDOBA
D = ARIES	V = 400
F = NEW YORKER	X = MIRADA
G = DIPLOMAT	Y = IMPERIAL
M = HORIZON/TC3/SCAMP	Z = OMNI/O24/RAMPAGE

BODY STYLES

21 = 2-DOOR SEDAN	28 = FWD PICKUP
22 = 2-DOOR SPECIAL COUPE	41 = 4-DOOR SEDAN
24 = 2-DOOR HATCHBACK	44 = 4-DOOR HATCHBACK
27 = 2-DOOR CONVERTIBLE	45 = 2-SEAT STATION WAGON

AR = Use as Required - = Non Illustrated Part P.A.R. = Paint as Required



FUEL TANK AND FUEL FILLER TUBES - F,G,X,S,Y,B  
Figure 14-4400

2114 4400

ITEM	PART NUMBER	QTY	BODY	MODEL	DESCRIPTION
1	4185 449	1		F,G,X,S	SHIELD, Fuel Tank to Floor Pan Splash
	4002 677	1			
	4185 593	1		Y	
	4002 490	1		F,G,X,S	RETAINER, Fuel Gauge
	1730 095	1		Y	
2	4002 252	1			VALVE, Rollover
	4				TUBE, Fuel Tank Filler
		4185 309	1		F,G,B
	4185 312	1		F,G,B	Leaded Gas
	4185 311	1		X,S	Unleaded Gas
	4185 310	1		X,S	Leaded Gas
	4185 120	1		Y	Unleaded Gas
	4185 143	1		Y	Leaded Gas
5					HOUSING, Filler Tube
	4185 019	1		F,G,X,S	
	4185 129	1		Y	
6					GASKET, Filler Tube to Wheel House Panel
	4185 037	1		F,G,B	
	4185 037	1		X,S	
	4185 118	1		Y	
	9414 722	4		Y	SCREW, Housing to Body Panel
7					(not serviced)
	9414 722	3		F,G,X,S	SCREW, Housing to Filler Tube
	9414 722	3		F,G,X,S	Except 45
8					CAP, Filler Tube
	4186 237	1		F,G,B	Non Locking
	4185 483	1		F,G,B	Locking
	4186 237	1		X,S	Non Locking
	4185 483	1		X,S	Locking
	4185 483	1		Y	w/318 Eng., w/(SC-E46)
	4185 544	1		Y	w/E.F.I.
	4002 010	1			GROMMET, Fuel Tank to Filler Tube
9	4279 004	1		F,G,X,S	TANK, Fuel
	4185 578	1		Y	
10					STRAP, Fuel Tank Mounting
	4185 450	1			Right
	4185 451	1			Left

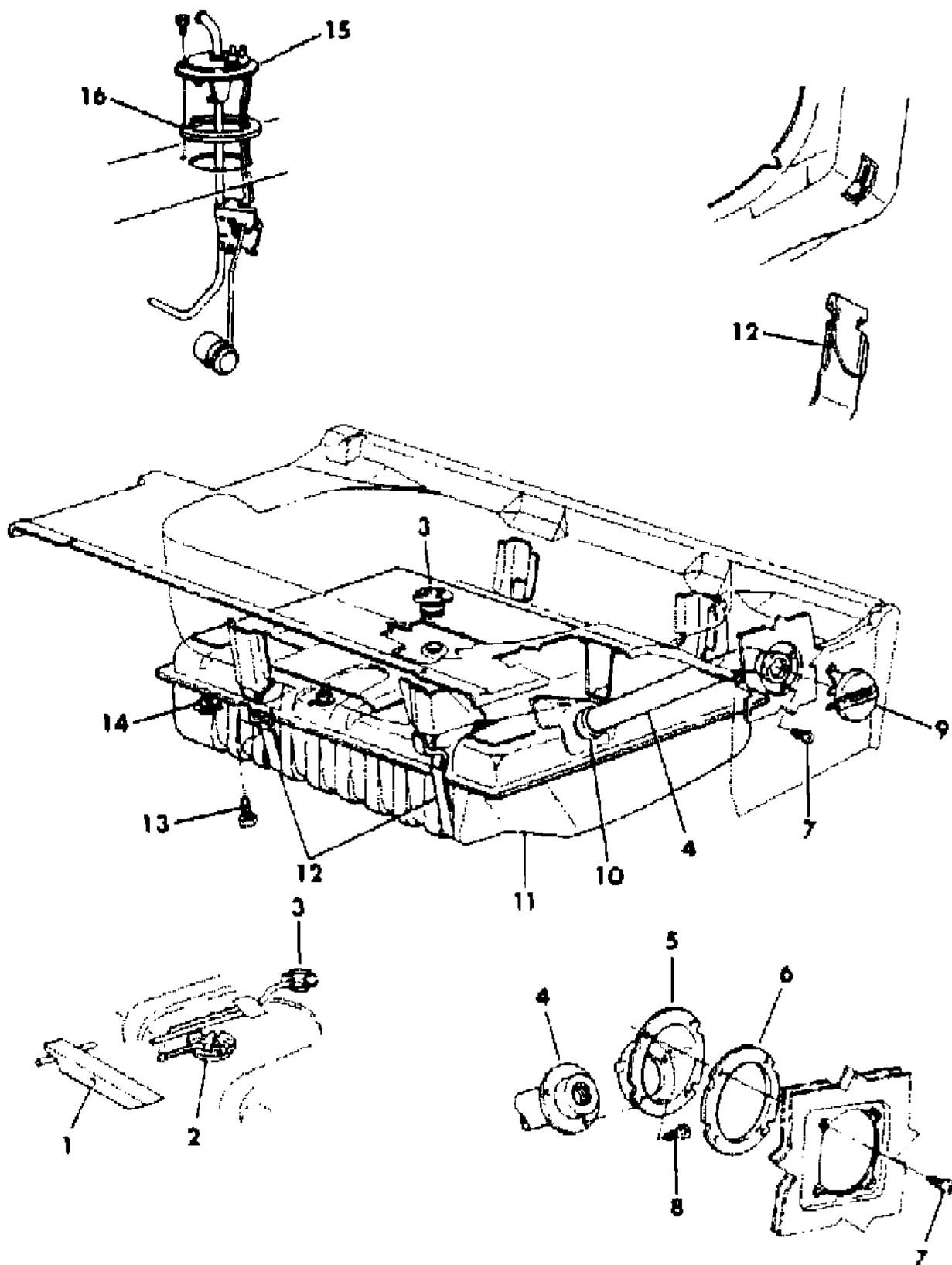
MODEL CODES

B = GRAN FURY/CARAVELLE	P = RELIANT
C = LEBARON/TOWN & COUNTRY	S = CORDOBA
D = ARIES	V = 400
F = NEW YORKER	X = MIRADA
G = DIPLOMAT	Y = IMPERIAL
M = HORIZON/TC3/SCAMP	Z = OMNI/O24/RAMPAGE

BODY STYLES

21 = 2-DOOR SEDAN	28 = FWD PICKUP
22 = 2-DOOR SPECIAL COUPE	41 = 4-DOOR SEDAN
24 = 2-DOOR HATCHBACK	44 = 4-DOOR HATCHBACK
27 = 2-DOOR CONVERTIBLE	45 = 2-SEAT STATION WAGON

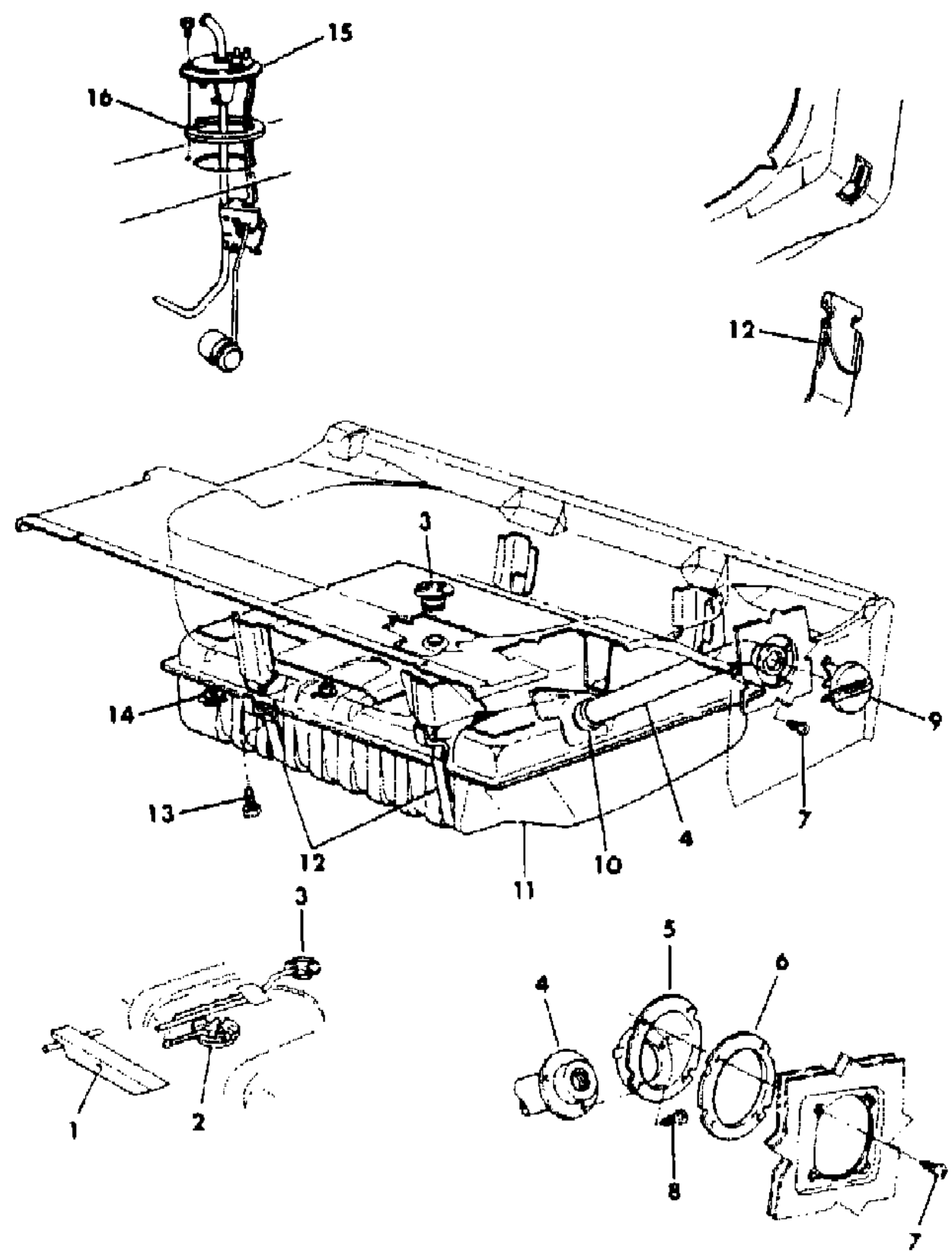
AR = Use as Required - = Non Illustrated Part P.A.R. = Paint as Required



FUEL TANK AND FUEL FILLER TUBES - F,G,X,S,Y,B  
Figure 14-4400

2114 4400

ITEM	PART NUMBER	QTY	BODY	MODEL	DESCRIPTION
13	6031 706	2			BOLT
14		2			U-NUT (not serviced)
15					GAUGE, Tank Unit
	4051 398	1		F,G,B	
	4051 399	1		X,S	
	4051 415	1		Y	w/318 (E46) Engine, Export
For the "Y" body see the Fuel Pump and Sending Unit illustration 14-3700 an offsetting order for part no. 3747881					
16	6031 475	1		F,G,X,S	SEAL, Fuel Tank Gauge
	1948 757	1		Y	
	4002 149	1			GROMMET, Rollover Valve



MODEL CODES  
 B = GRAN FURY/CARAVELLE      P = RELIANT  
 C = LEBARON/TOWN & COUNTRY      S = CORDOBA  
 D = ARIES      V = 400  
 F = NEW YORKER      X = MIRADA  
 G = DIPLOMAT      Y = IMPERIAL  
 M = HORIZON/TC3/SCAMP      Z = OMNI/O24/RAMPAGE

BODY STYLES  
 21 = 2-DOOR SEDAN      28 = FWD PICKUP  
 22 = 2-DOOR SPECIAL COUPE      41 = 4-DOOR SEDAN  
 24 = 2-DOOR HATCHBACK      44 = 4-DOOR HATCHBACK  
 27 = 2-DOOR CONVERTIBLE      45 = 2-SEAT STATION WAGON

AR = Use as Required - = Non Illustrated Part P.A.R. = Paint as Required

---

**GROUP 16 - PROP. SHAFT & UNIV JT.**

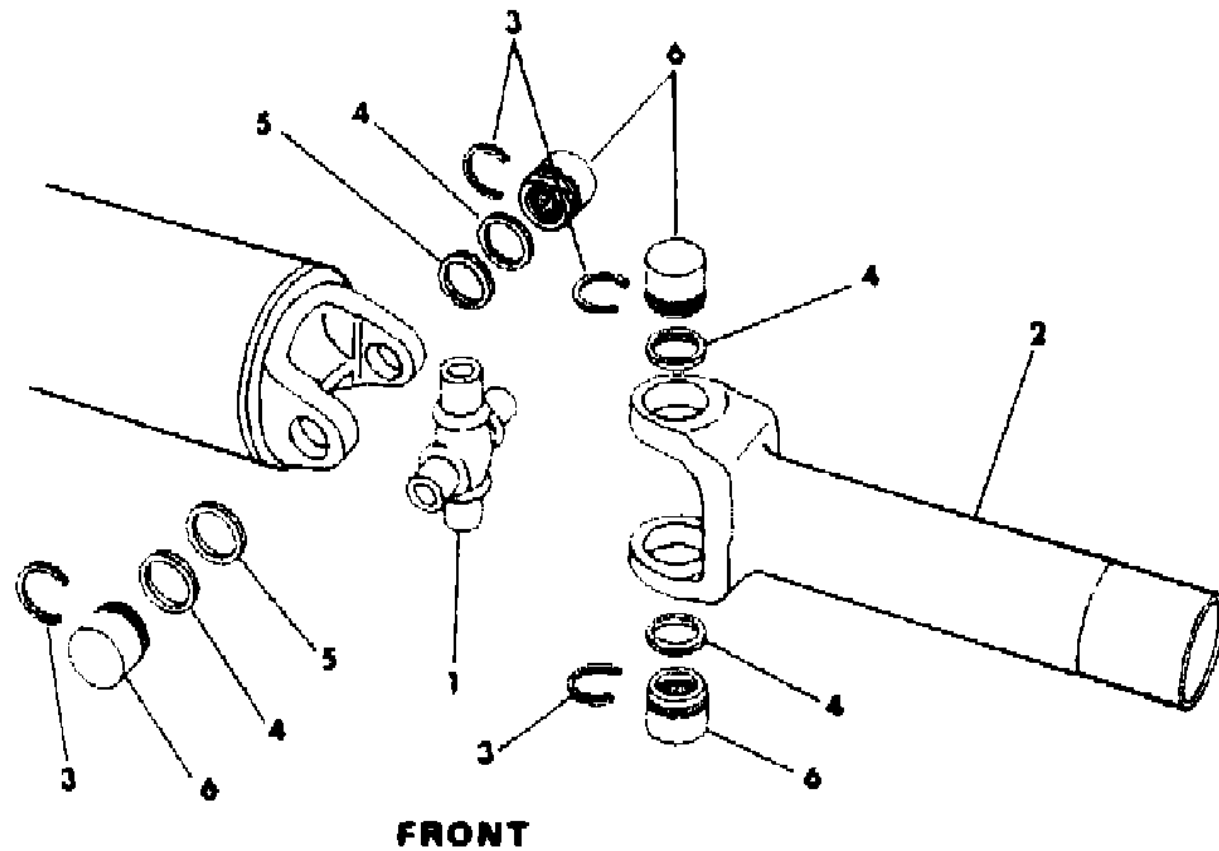
<b>ILLUSTRATION TITLE</b>	<b>GROUP-FIG. NO.</b>
PROPELLER SHAFT .....	Fig. 16-100
PROPELLER SHAFT IDENTIFICATION-7260 .....	Fig. 16-200

**ILLUSTRATION NOT AVAILABLE AT TIME OF PUBLICATION**

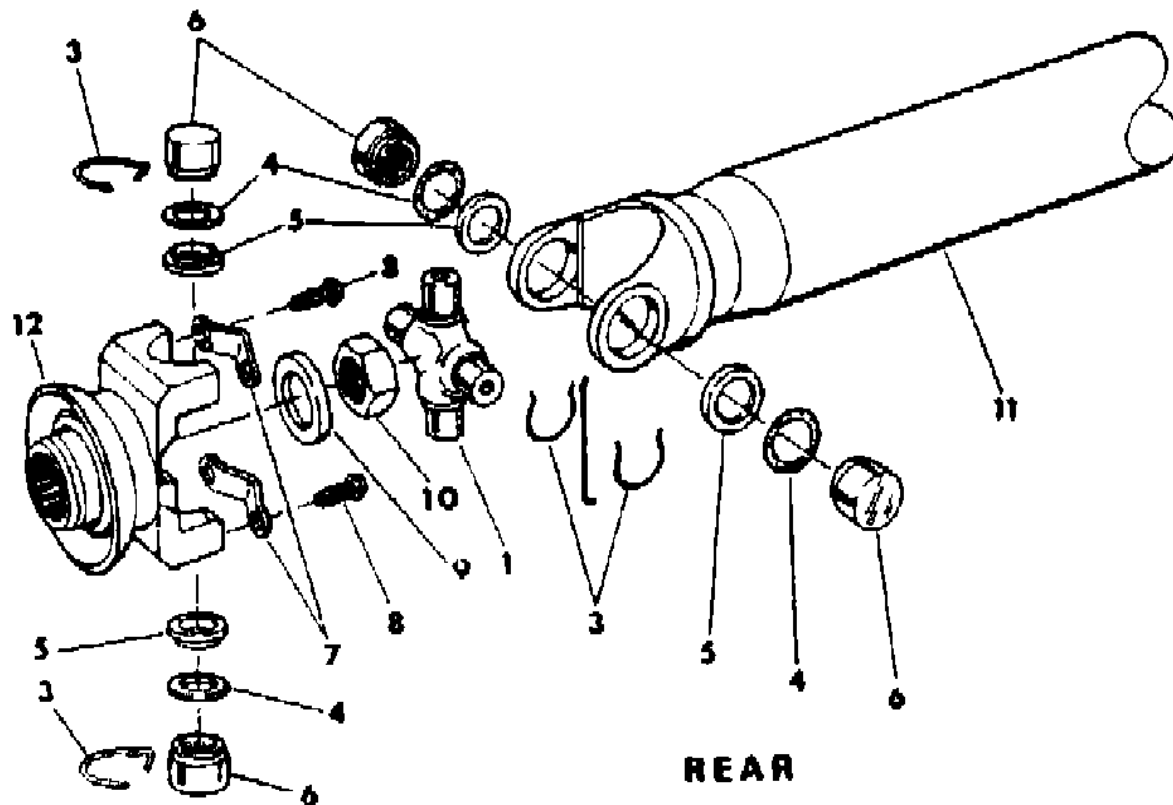
---

**PROPELLER SHAFT**  
Figure 16-100

1116 100



**FRONT**



**REAR**

ITEM	PART NUMBER	QTY	BODY	MODEL	DESCRIPTION
	3780 250	1		All	CROSS and Roller BUSHING PKG., Consists of: 4- ---- Cross Roller and Bushing 1- ---- Cross 4- 858006 Retainer
1	3780 250	1		All	CROSS PKG.
2	3578 223	1		All	YOKE, Assy., U/Jnt. Slip Spline, 8.03 Lgh., 29 Tooth Spline, w/ 727 Auto. Trans.
	3578 220	1		All	6.86 Lgh., 25 Tooth Spline, all except 727 Auto. Trans.
3	0858 006	AR		All	RETAINER, U/Jnt. Cross Roller Bushing
	3516 517	AR		All	(Oversize)
	1739 909	AR		All	RETAINER, U/Jnt. Cross Roller
	3516 517	AR		All	RETAINER, U/Jnt. Cross Roller Bushing
4	0857 999	AR		All	SEAL
5	1739 912	AR		All	RETAINER, Roller Dust Shield
6		AR		All	ROLLER and BUSHING (Serviced in above Pkg.)
7	1828 824	2		All	CLAMP
8	6029 562	4		All	SCREW
9	2070 117	1		All	WASHER
10	6028 041	1		All	NUT
11		1		All	SHAFT (See Chart)
12	3723 251	1		All	YOKE, Assy. Axle Drive Pinion, w/7-1/4", 8-1/4" Axle

**MODEL CODES**

B = GRAN FURY/CARAVELLE	P = RELIANT
C = LEBARON/TOWN & COUNTRY	S = CORDOBA
D = ARIES	V = 400
F = NEW YORKER	X = MIRADA
G = DIPLOMAT	Y = IMPERIAL
M = HORIZON/TC3/SCAMP	Z = OMNI/O24/RAMPAGE

**BODY STYLES**

21 = 2-DOOR SEDAN	28 = FWD PICKUP
22 = 2-DOOR SPECIAL COUPE	41 = 4-DOOR SEDAN
24 = 2-DOOR HATCHBACK	44 = 4-DOOR HATCHBACK
27 = 2-DOOR CONVERTIBLE	45 = 2-SEAT STATION WAGON

AR = Use as Required - = Non Illustrated Part P.A.R. = Paint as Required



PROPELLER SHAFT IDENTIFICATION-7260

Figure 16-200

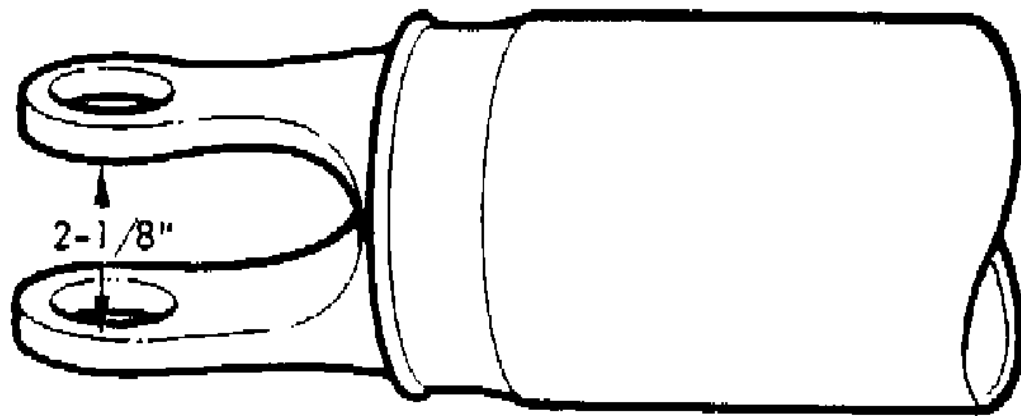
2116 200

ITEM	PART NUMBER	QTY	BODY	MODEL	DESCRIPTION
------	-------------	-----	------	-------	-------------

NOTE: The Following Trans. Sale Codes are Defined. an offsetting order for part no. 3747881

- w/(S/C-D09 = all Man. Trans) an offsetting order for part no. 3747881
- w/(S/C-D10 = all 3 speed Man. Trans.) an offsetting order for part no. 3747881
- w/(S/C-D30 = all Auto. Trans.) an offsetting order for part no. 3747881
- w/(S/C-D31 = A904 Auto Trans.) an offsetting order for part no. 3747881
- w/(S/C-D32 = A998 Auto Trans.) an offsetting order for part no. 3747881
- w/(S/C-D33 = A999 Auto Trans.) an offsetting order for part no. 3747881
- w/(S/C-D36 = A727 Auto Trans.) an offsetting order for part no. 3747881
- w/(S/C-D38 = A904 H. D. Auto Trans.) an offsetting order for part no. 3747881

PROPELLER SHAFT TYPE IDENTIFICATION  
CAN BE DETERMINED BY  
INSIDE MEASUREMENT  
OF YOKE AREA AS FOLLOWS:



TYPE 7260  
2-1/8" INSIDE YOKE

					F,G,- 22,29; w/7.25 axle All ND10,D30 N50.45 N2 1/2 N3578131
					F,G,- 22,29; w/8.25 Axle All ND31,D33,D38 N48.89 N3 N2996157
					F,G,- 22,29; w/8.25 Axle All ND36 N44.74 N3 N3467590
					F,G,- 41, w/7.25 Axle All N41 N54.35 N3 N3467570
					F,G,- 41,45; w/8.25 Axle All ND31,D33,D38 N52.70 N3 N3467155
					X,S, w/8.25 Axle All ND31,D33 N52.70 N3 N#3578245
					Y, w/8.25 Axle All ND31,D33 N52.70 N3 N3578227
					F,G, w/41,45, w/8.25 axle All ND36 N48.60 N3 1/4 N3578372
					X,S,Y, w/8.25 Axle All ND36 N48.60 N3 1/4 N3578372

MODEL CODES

- |                            |                      |
|----------------------------|----------------------|
| B = GRAN FURY/CARAVELLE    | P = RELIANT          |
| C = LEBARON/TOWN & COUNTRY | S = CORDOBA          |
| D = ARIES                  | V = 400              |
| F = NEW YORKER             | X = MIRADA           |
| G = DIPLOMAT               | Y = IMPERIAL         |
| M = HORIZON/TC3/SCAMP      | Z = OMNI/O24/RAMPAGE |

BODY STYLES

- |                           |                           |
|---------------------------|---------------------------|
| 21 = 2-DOOR SEDAN         | 28 = FWD PICKUP           |
| 22 = 2-DOOR SPECIAL COUPE | 41 = 4-DOOR SEDAN         |
| 24 = 2-DOOR HATCHBACK     | 44 = 4-DOOR HATCHBACK     |
| 27 = 2-DOOR CONVERTIBLE   | 45 = 2-SEAT STATION WAGON |

AR = Use as Required - = Non Illustrated Part P.A.R. = Paint as Required

---

**GROUP 17 - SPRINGS**

<b>ILLUSTRATION TITLE</b>	<b>GROUP-FIG. NO.</b>
REAR SUSPENSION - M,Z-24,44 .....	Fig. 17-100
REAR SUSPENSION - M,Z-28 .....	Fig. 17-125
REAR SUSPENSION - P,D,V,C .....	Fig. 17-150
REAR SUSPENSION - B,F,G,X,S,Y .....	Fig. 17-200
FRONT SWAY BAR - B,F,G,X,S,Y .....	Fig. 17-400
REAR SWAY BAR - B,F,G,X,S,Y .....	Fig. 17-600

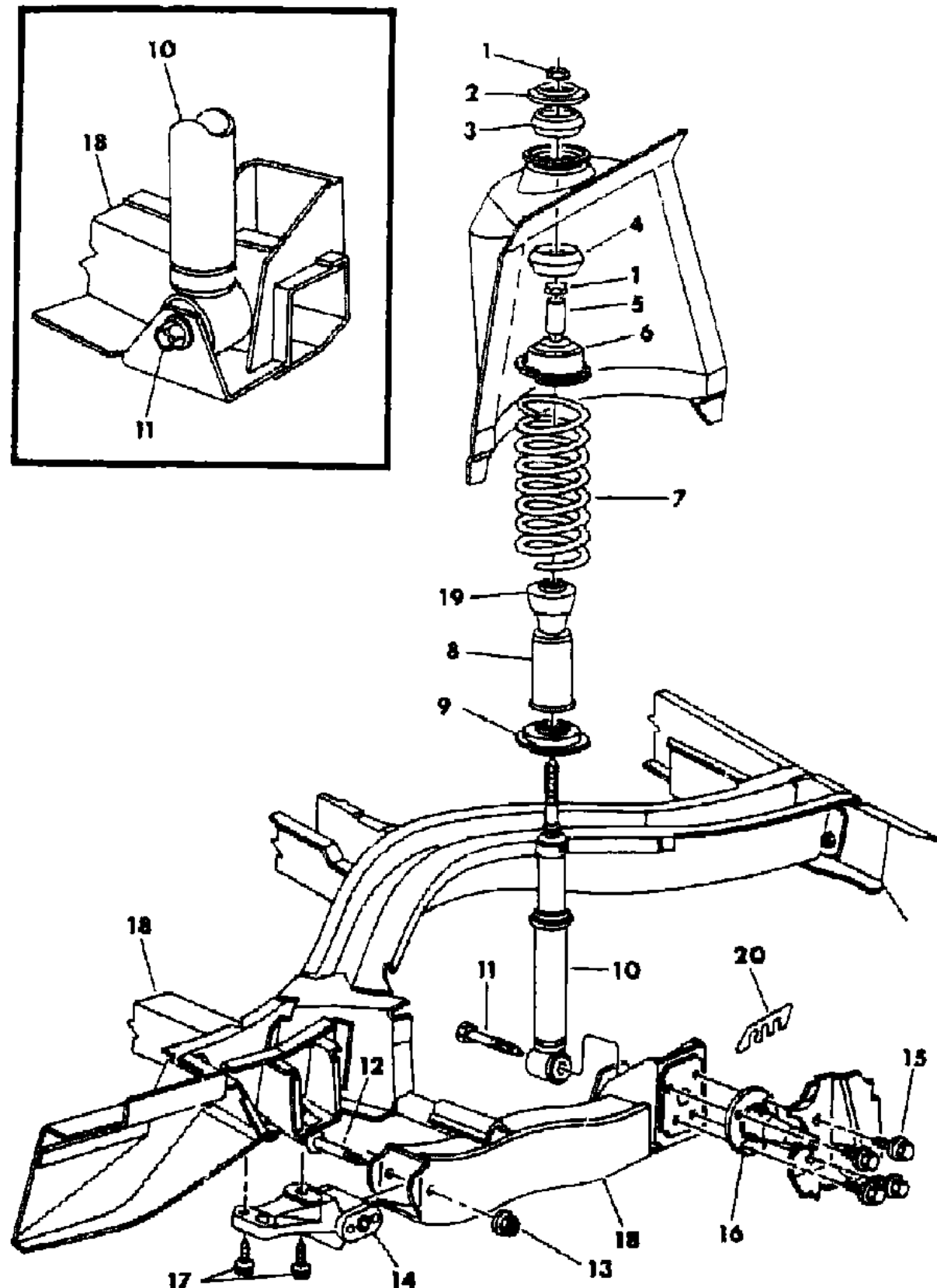
**ILLUSTRATION NOT AVAILABLE AT TIME OF PUBLICATION**

---

REAR SUSPENSION - M,Z-24,44

Figure 17-100

2117 100



ITEM	PART NUMBER	QTY	BODY	MODEL	DESCRIPTION
1	6100 219	4	All		NUT, Shock Mtg.
2	5205 032	2	All		RETAINER, Upper
3	5204 969	2	All		ISOLATOR, Upper
4	5204 932	2	All		ISOLATOR, Lower
5	5204 939	2	All		SLEEVE, Seat
6	5205 185	2	All		SEAT, Upper
7	5205 154	2	All		COIL-SPRING, Rear Std.
8	5205 174	2	All		H.D. Or w/Firm Feel Susp.
9	5204 937	2	All		DUST-SHIELD
10	5205 186	2	All		SEAT, Lower
11	#5205 192	2	44		SHOCK ABSORBER, Rear, Std.
12	5205 193	2	24		STD.
13	5205 191	2	24		H.D.
14	5205 189	2	44		H.D.
15	6500 115	2	All		BOLT, Shock Mtg. Lower
16	6100 986	2	All		BOLT, Hanger To Cont. Arm
17	6100 518	2	All		NUT, Bolt
18	5205 097	2	All		HANGER, w/Bushing, Rear Pivot
19	5205 142	2	24		w/Firm Feel Suspension
20	6500 113	8	All		BOLT, Spindle
21	#4228 076	2	All		SPINDLE, Rear Wheel Mtg.
22	6500 200	4	All		SCREW,w/WASHER, Rear Hanger Mtg.
23	5205 038	1	All		CONTROL ARM & C/MEMBER, Rear Suspension Lower, w/o Sway Bar Shaft, Std.
24	5205 149	1	24		w/Sway Bar Shaft, w/Firm Feel Suspension
25	5205 182	2	All		BUMPER, Jounce
26	5208 884	2	All		INSULATOR,Rear Shock (In Rear Wheel Well Area) (Not Ill.)
27	5208 537	2	All		COVER,Rear Shock (In Rear Wheel Well Area) (Not Ill.)
28	5205 114	AR	All		SHIM, Rear Wheel Alignment
29	5205 125	2	24		COVER, Insulator Sound (Not Ill.)
30	5205 126	2	24		RETAINER, Cover Insulator Sound (Not Ill.)

MODEL CODES

B = GRAN FURY/CARAVELLE  
 C = LEBARON/TOWN & COUNTRY  
 D = ARIES  
 F = NEW YORKER  
 G = DIPLOMAT  
 M = HORIZON/TC3/SCAMP  
 P = RELIANT  
 S = CORDOBA  
 V = 400  
 X = MIRADA  
 Y = IMPERIAL  
 Z = OMNI/O24/RAMPAGE

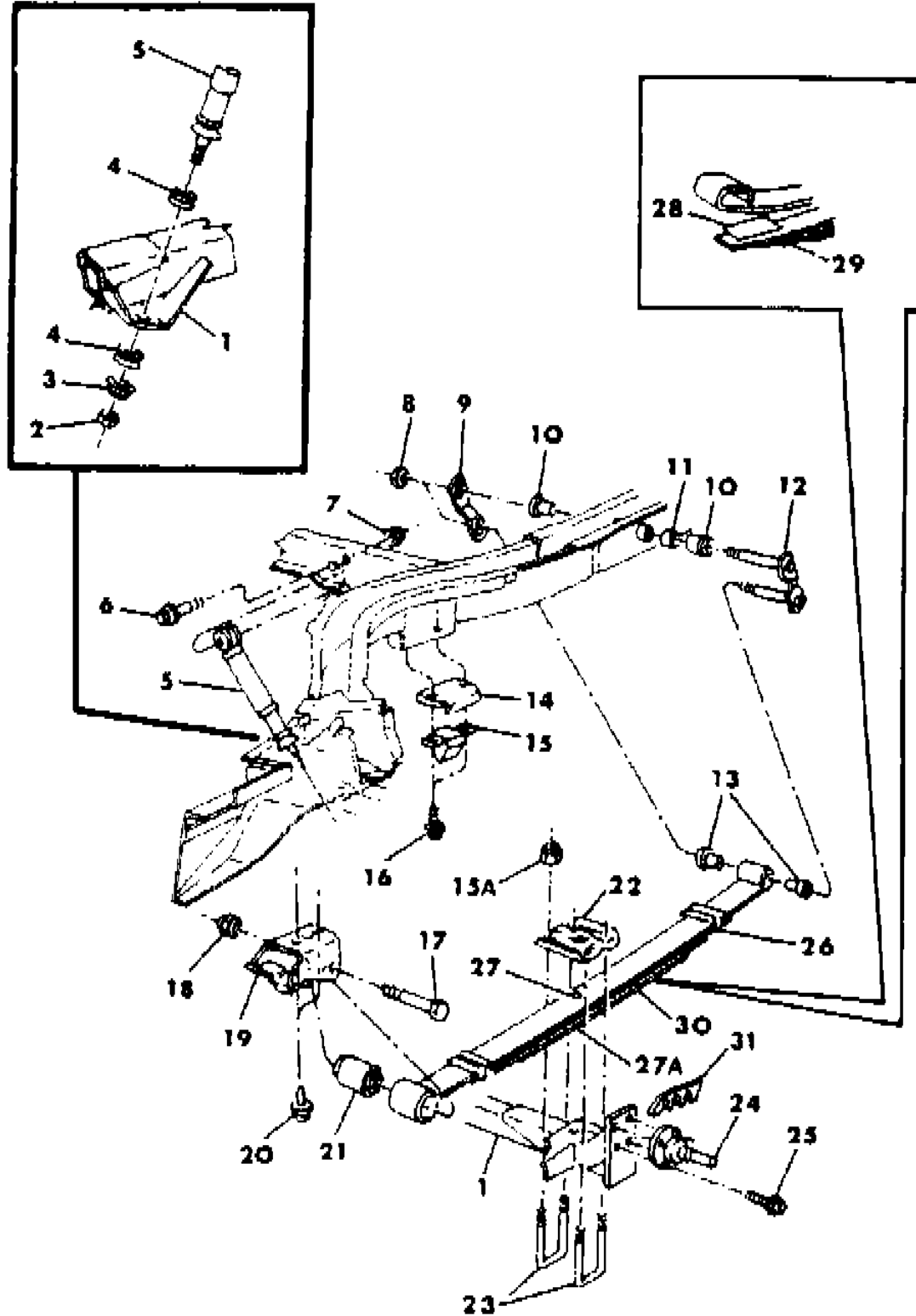
BODY STYLES

21 = 2-DOOR SEDAN  
 22 = 2-DOOR SPECIAL COUPE  
 24 = 2-DOOR HATCHBACK  
 27 = 2-DOOR CONVERTIBLE  
 28 = FWD PICKUP  
 41 = 4-DOOR SEDAN  
 44 = 4-DOOR HATCHBACK  
 45 = 2-SEAT STATION WAGON

AR = Use as Required - = Non Illustrated Part P.A.R. = Paint as Required

REAR SUSPENSION - M,Z-28  
Figure 17-125

2117 125



ITEM	PART NUMBER	QTY	BODY	MODEL	DESCRIPTION
1	#4228 002	1		All	AXLE-TUBE, Rear, Up To 1-20-82
	4228 061	1		All	After 1-20-82
2	#6100 219	2		All	NUT, Shock
3		2		All	RETAINER (Not Serviced)
4	3643 891	4		All	BUSHING, Shock Lower
5	#4271 393	2		All	SHOCK ABSORBER PKG., Rear
					Consists Of:
					1 ----- Shock
					2 - 3643891 Bushing
					1 ----- Retainer
					1 -6100219 Nut
6	#6101 272	2		All	BOLT, Shock, Upper
7	#6500 197	2		All	NUT, Bolt
8	#0271 502	4		All	NUT, Shackle
9	#4014 703	2		All	PLATE, Shackle, Loose
10	3643 989	8		All	BUSHING, Shackle
11	3780 513	2		All	INSERT, Shackle Bushing
12	4094 060	2		All	SHACKLE,w/PIN
13	3643 989	8		All	BUSHING, Shackle
14	#4228 043	2		All	BRACKET, Jounce Bumper Stop
15	#4228 044	2		All	BUMPER, Axle Jounce
15A	#6500 480	8		All	NUT, Clip
16		4		All	SCREW,w/WASHER (Not Serviced)
17	6100 470	2		All	BOLT, Pivot Frt. Bushing, Up To 5-03-82
	6500 767	2		All	After 5-03-82
18	#6100 502	2		All	NUT,Bolt Pivot
19	#4228 012-3	1		All	HANGER, Spring Frt.
20	#6500 200	4		All	BOLT, Hanger Frt. Att.
21	3815 221	2		All	BUSHING, Spring Frt. Pivot
22	#4228 040	2		All	PLATE, Clip
23	#4228 042	4		All	CLIP, Spring
24	#4228 076	2		All	SPINDLE, Wheel Mtg.
25	6500 113	8		All	BOLT, Spindle Mtg.
26	2808 399	AR		All	CLIP And CLAMP PKG.
					Consists Of:
					1----- Insulator
					1----- Clip

MODEL CODES

B = GRAN FURY/CARAVELLE	P = RELIANT
C = LEBARON/TOWN & COUNTRY	S = CORDOBA
D = ARIES	V = 400
F = NEW YORKER	X = MIRADA
G = DIPLOMAT	Y = IMPERIAL
M = HORIZON/TC3/SCAMP	Z = OMNI/O24/RAMPAGE

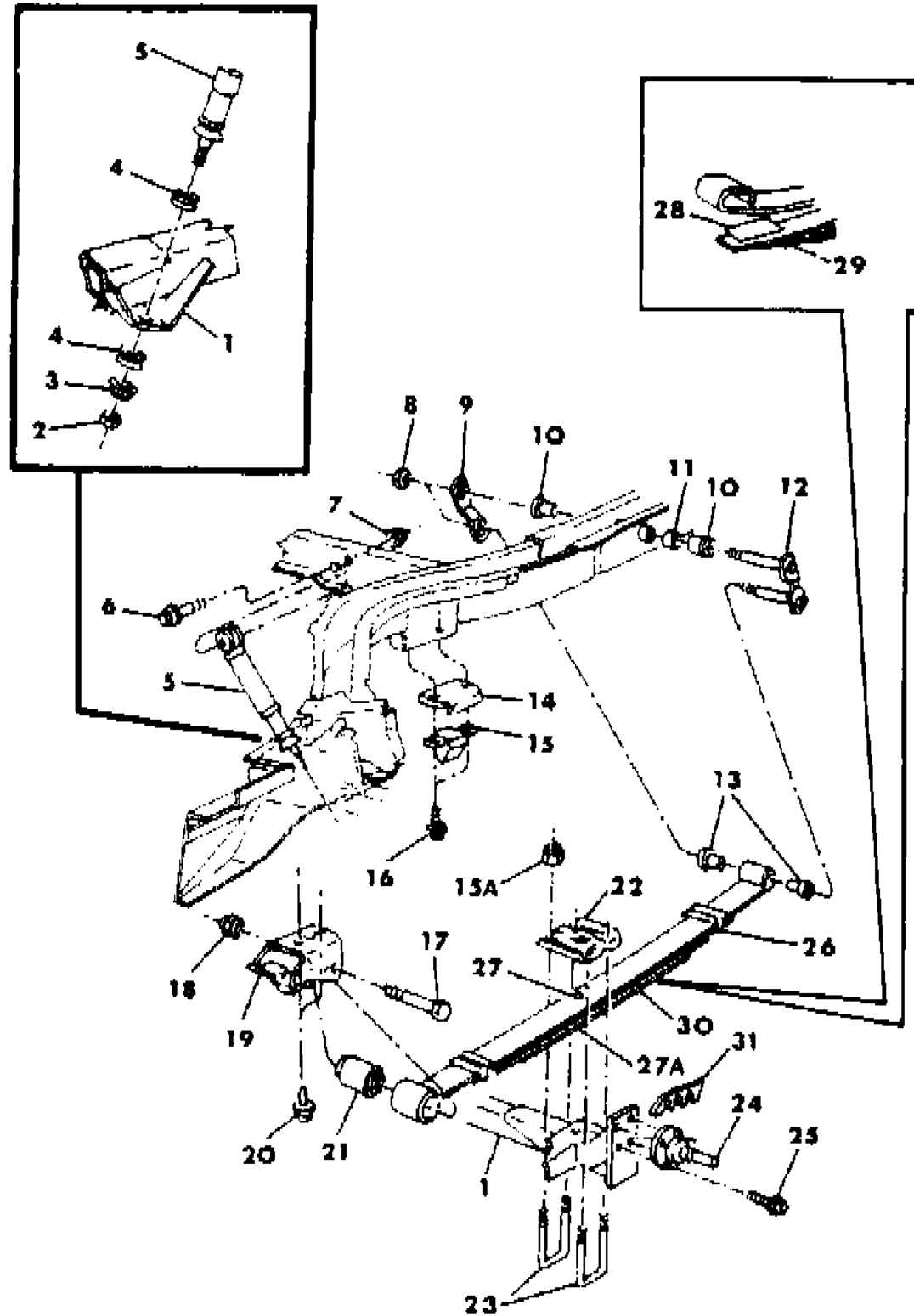
BODY STYLES

21 = 2-DOOR SEDAN	28 = FWD PICKUP
22 = 2-DOOR SPECIAL COUPE	41 = 4-DOOR SEDAN
24 = 2-DOOR HATCHBACK	44 = 4-DOOR HATCHBACK
27 = 2-DOOR CONVERTIBLE	45 = 2-SEAT STATION WAGON

AR = Use as Required - = Non Illustrated Part P.A.R. = Paint as Required

REAR SUSPENSION - M,Z-28  
Figure 17-125

2117 125



ITEM	PART NUMBER	QTY	BODY	MODEL	DESCRIPTION
					1----- Clamp
27	#2961 233	2	All	All	BOLT, Spring Center
27A	0114 942	2	All	All	NUT, Bolt
28	1948 396	AR	All	All	INTERLINER
29	2539 512	AR	All	All	INTERLEAF
30	#4228 025	2	All	All	SPRING, Rear, Std.Or H.D.
31	5205 114	AR	All	All	SHIM, Rr. Wheel Alignment

MODEL CODES

B = GRAN FURY/CARAVELLE	P = RELIANT
C = LEBARON/TOWN & COUNTRY	S = CORDOBA
D = ARIES	V = 400
F = NEW YORKER	X = MIRADA
G = DIPLOMAT	Y = IMPERIAL
M = HORIZON/TC3/SCAMP	Z = OMNI/O24/RAMPAGE

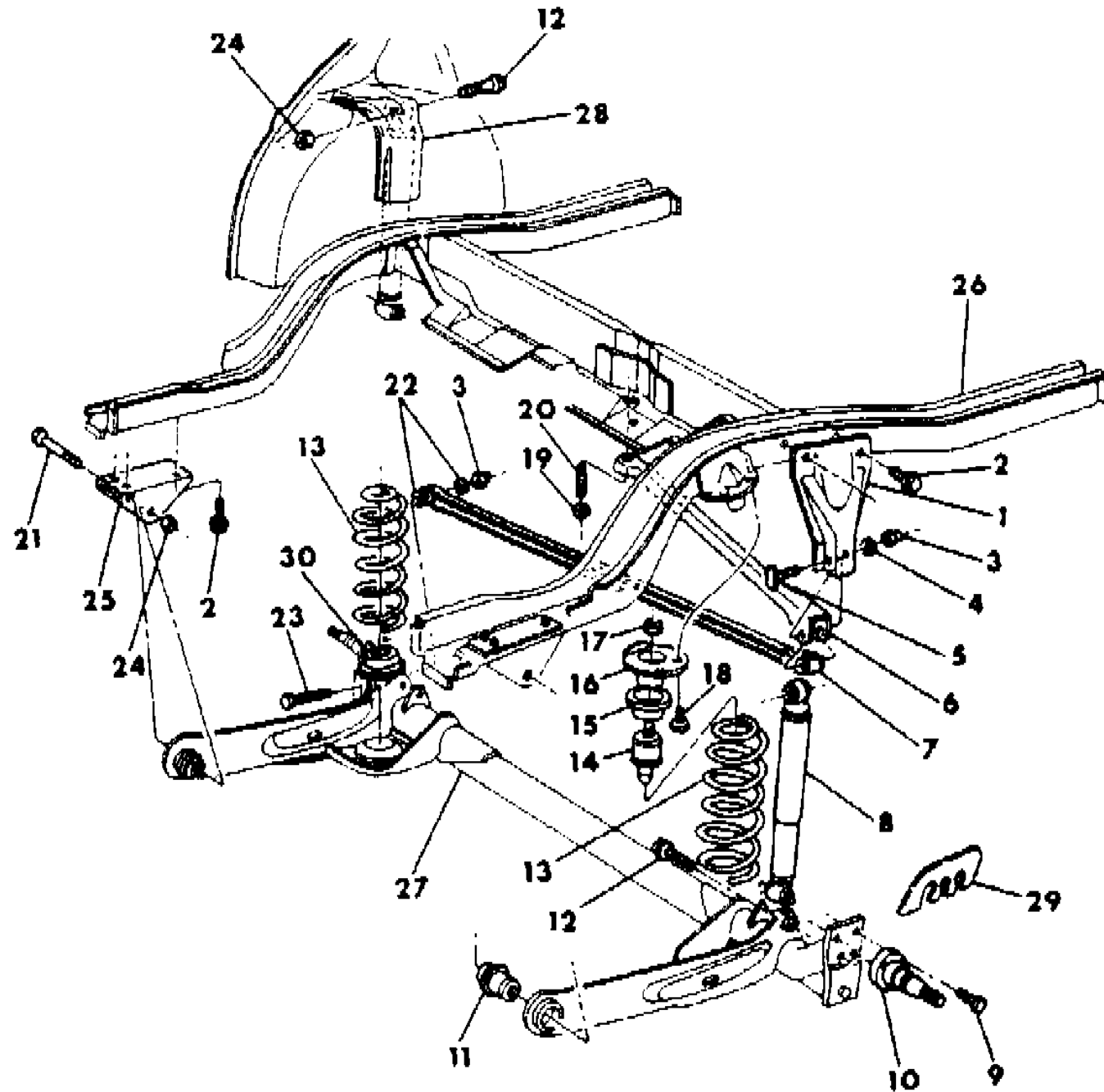
BODY STYLES

21 = 2-DOOR SEDAN	28 = FWD PICKUP
22 = 2-DOOR SPECIAL COUPE	41 = 4-DOOR SEDAN
24 = 2-DOOR HATCHBACK	44 = 4-DOOR HATCHBACK
27 = 2-DOOR CONVERTIBLE	45 = 2-SEAT STATION WAGON

AR = Use as Required - = Non Illustrated Part P.A.R. = Paint as Required

REAR SUSPENSION - P,D,V,C  
Figure 17-150

2117 150A



ITEM	PART NUMBER	QTY	BODY	MODEL	DESCRIPTION
	4271 374	1		All	ASSIST PACKAGE, Rear Suspension (S/C-S53) Consists Of: 1- 4147921 Tubing, w/Tee & Valve 2- 4147922 Cylinder 2- 4147937 Sleeve 2- 6032174 Clamp 1----- Label (English) 1----- Label (French) 1----- Label (Spanish) 2-4147936 Valve-Cap 11----- Strap 1----- Instruction Sheet
1	#4147 851	1		All	BRACKET, Track Bar Mtg.
2	6101 271	8		All	BOLT, Brkt.
3	6500 480	1		All	NUT, Pivot Bolt
4	6100 132	1		All	WASHER, Pivot Bolt
5	6500 415	1		All	PIVOT-BOLT
6	#4147 852	1		All	BRACE, Track Bar Mtg.
7	#4271 370	1		All	TRACK-BAR, PKG. Consists Of: ----- Track-Bar 1-6500631 Bolt 2-6500632 Washer
8	#4147 842 4147 845 4147 844	2 2 2	P,D V,C All		SHOCK ABSORBER, w/Bushing, Std. Std. H.D.
9	6500 113	8		All	BOLT, Spindle
10	#4228 076	2		All	SPINDLE, Rear Wheel Mtg.
11	#4147 857 4147 917	2 2		All	BUSHING, Cont. Arm Pivot use w/H.D. Service Pkg.(S/C F57)
12	6101 272	4		All	BOLT, Shock Mtg.
13	4147 824 4147 834 4147 827 4147 836 4147 824 4147 824	2 2 2 2 2 2	P,D,21, P,D,21, P,D,45 P,D,45 V,C,22, V,C,41		COIL-SPRING, Std. H.D. Std. H.D. STD. STD.

MODEL CODES

B = GRAN FURY/CARAVELLE	P = RELIANT
C = LEBARON/TOWN & COUNTRY	S = CORDOBA
D = ARIES	V = 400
F = NEW YORKER	X = MIRADA
G = DIPLOMAT	Y = IMPERIAL
M = HORIZON/TC3/SCAMP	Z = OMNI/O24/RAMPAGE

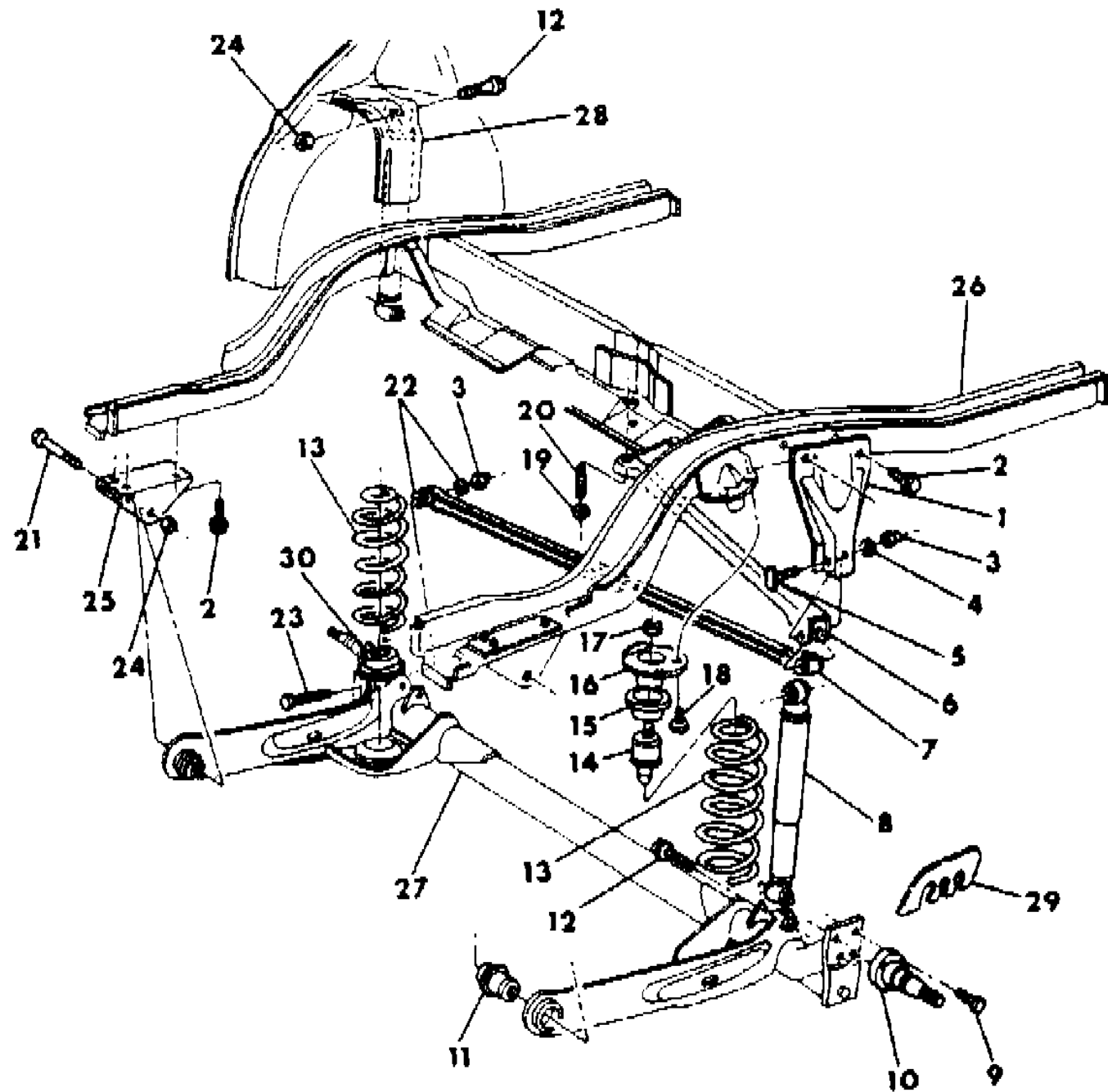
BODY STYLES

21 = 2-DOOR SEDAN	28 = FWD PICKUP
22 = 2-DOOR SPECIAL COUPE	41 = 4-DOOR SEDAN
24 = 2-DOOR HATCHBACK	44 = 4-DOOR HATCHBACK
27 = 2-DOOR CONVERTIBLE	45 = 2-SEAT STATION WAGON

AR = Use as Required - = Non Illustrated Part P.A.R. = Paint as Required

REAR SUSPENSION - P,D,V,C  
Figure 17-150

2117 150A



ITEM	PART NUMBER	QTY	BODY	MODEL	DESCRIPTION
	4147 827	2		C,45	STD.
14	4147 708	2	All		BUMPER, Jounce
15	4147 759	2	All		ISOLATOR, Spring Upper
16	4147 747	2	All		CUP, Jounce Bumper, Use w/13" Wheels
	4147 752	2	All		Use w/14" Wheels
17	6100 518	2	All		NUT, Bumper
18			All		SCREW (Not Serviced)
19	6500 436	1	All		NUT, Stud
	6500 691	1	All		Use w/H.D. Service Pkg. (S/C F57)
20	6500 437	1	All		STUD, Brace
	6500 690	1	All		Use w/H.D. Service Pkg. (S/C F57)
21	6100 412	1	All		BOLT, Hanger
22	6500 547	2	All		WASHER, Pivot Bolt
23	6500 481	1	All		PIVOT-BOLT
24	6500 197	3	All		NUT, Bolt
25	4147 793	2	All		HANGER, Frt. Pivot
26			All		FRAME ( Ref.)
27	#4271 373	1	All		CONTROL-ARM, w/AXLE CHANNEL, Rear Axle And Park Brake Cable Pkg. Consists Of: 1- 4147811 Cont.Arm, w/Axle Channel 1- 3880317 Cable, Park Brake Rr. Rt. 1- 3880318 Cable, Park Brake Rr. Lt.
	4147 901	1	All		CONTROL-ARM, w/Axle Channel, Use w/H.D. Service Pkg. (S/C F57)
28			All		REINF. w/House (Ref.)
29	5205 114	AR	All		SHIM, Rear Wheel Alignment
30	#4147 853	2	All		ISOLATOR, Spring Lower
	4147 916	1	All		DAMPER, Axle Torque Shaft, use w/H.D. Service Pkg.(S/C F57) (Not Ill.)

MODEL CODES

B = GRAN FURY/CARAVELLE	P = RELIANT
C = LEBARON/TOWN & COUNTRY	S = CORDOBA
D = ARIES	V = 400
F = NEW YORKER	X = MIRADA
G = DIPLOMAT	Y = IMPERIAL
M = HORIZON/TC3/SCAMP	Z = OMNI/O24/RAMPAGE

BODY STYLES

21 = 2-DOOR SEDAN	28 = FWD PICKUP
22 = 2-DOOR SPECIAL COUPE	41 = 4-DOOR SEDAN
24 = 2-DOOR HATCHBACK	44 = 4-DOOR HATCHBACK
27 = 2-DOOR CONVERTIBLE	45 = 2-SEAT STATION WAGON

AR = Use as Required - = Non Illustrated Part P.A.R. = Paint as Required

REAR SUSPENSION - B,F,G,X,S,Y  
Figure 17-200

2117 200

ITEM	PART NUMBER	QTY	BODY	MODEL	DESCRIPTION
1	3643 989	8	All		BUSHING, Shackle Pivot
2	4014 634-5	1	All		HANGER, Rear,Std. Or H.D. w/o Rear Sway Bar
	4014 704-5	1	All		w/Rear Sway Bar
3	6030 876	4	All		BOLT, Hanger
4	0271 502	4	All		NUT, Shackle
5	3780 515	2	All		SHACKLE AND BUSHING PKG., STD. Or H.D. w/o Rear Sway Bar
					Consists of:
					1 - ---- Shackle w/Pin
					1 - ---- Plate
					4 - 3643 989 Bushing
					2 - 271 502 Nut
	4094 060	2	All		SHACKLE AND BUSHING PKG., w/7 1/4 Or 8 1/4" Axle, w/ Rear Sway Bar
					Consists of:
					1 - ---- Shackle w/Pin
					1 - 4014 703 Plate
					4 - 3643 989 Bushing
					2 - 271 502 Nut
6	4026 817	2	B,F,G,X		SPRING,w/BUSHING, Std. (4 Leaf)
	4267 332	2	Y		
	4131 332	2	B,F,G		H.D. Police Cars Only (5 Leaf)
	4186 001	2	All		H.D. (5 Leaf)
6A	1829 929	AR	All		INSULATOR, Alignment Clip
7	3643 558	2	All		BOLT, Rear Spring Center
	3600 618	2	All		Extra Duty
8	0152 370	2	All		NUT, Bolt Pivot
9	0433 179	2	All		LT, Bushing Pivot
10	6025 011	8	All		NUT, Hanger, Frt.
11	4052 205	2	All		HANGER, Frt.
12	2403 247	8	All		BOLT, Hanger, Frt.
13	3815 210	2	All		BUSHING, Frt. Pivot
	4052 125	2	All		w/Extra Duty Susp.
13A	1948 396	AR	B,F,G,X		INTERLINER
	4147 674	AR	Y		
13B	2539 512	AR	All		INTERLEAF
14	0181 173	2	All		Bolt, Rear Shock Upper Mtg.

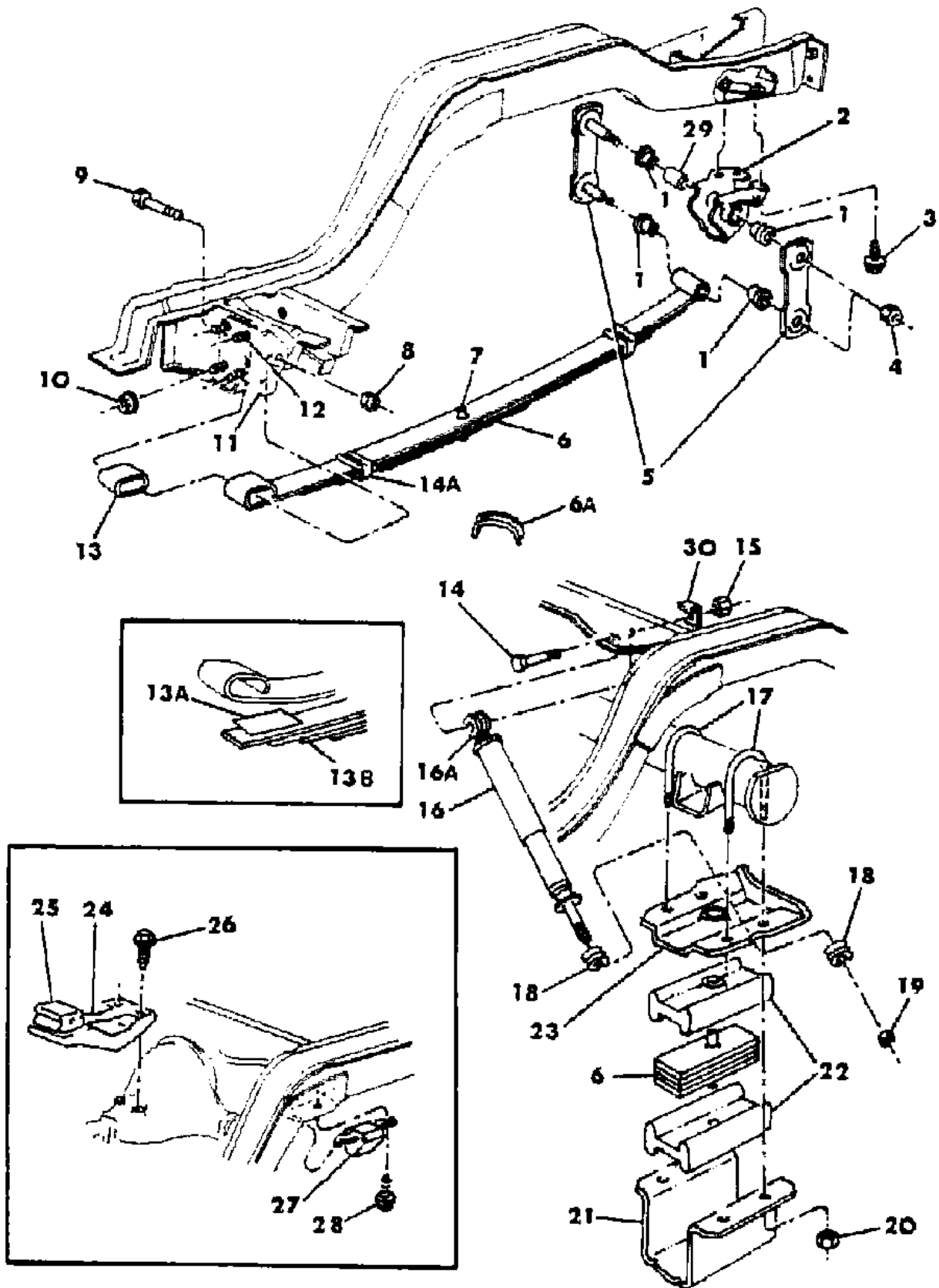
MODEL CODES

B = GRAN FURY/CARAVELLE	P = RELIANT
C = LEBARON/TOWN & COUNTRY	S = CORDOBA
D = ARIES	V = 400
F = NEW YORKER	X = MIRADA
G = DIPLOMAT	Y = IMPERIAL
M = HORIZON/TC3/SCAMP	Z = OMNI/O24/RAMPAGE

BODY STYLES

21 = 2-DOOR SEDAN	28 = FWD PICKUP
22 = 2-DOOR SPECIAL COUPE	41 = 4-DOOR SEDAN
24 = 2-DOOR HATCHBACK	44 = 4-DOOR HATCHBACK
27 = 2-DOOR CONVERTIBLE	45 = 2-SEAT STATION WAGON

AR = Use as Required - = Non Illustrated Part P.A.R. = Paint as Required





REAR SUSPENSION - B,F,G,X,S,Y  
Figure 17-200

2117 200

ITEM	PART NUMBER	QTY	BODY	MODEL	DESCRIPTION
14A	2808 399	AR		All	CLIP AND CLAMP PKG. Consists of: 1 - ---- Insulator 1 - ---- Clip 1 - ---- Clamp
15	0152 348	2		All	NUT, Bolt
16	4267 310	2		Y	SHOCK, Rear, Std.
	4026 825	2		B,F,G,X	Std.
	4026 826	2		All	H.D., 1" Dia.
	4057 094	2		B,F,G	H.D., 1-3/8" Dia.
16A	1319 902	2		All	BUSHING, Rear Shock Upper Mtg., 1"Dia. Std.Or H.D.
17	3845 262	4		All	CLIP, 4-1/8" Lgh., 7/16-20 Thd.
	3845 264	4		All	4-3/8" Lgh., 7/16-20 Thd.
18	3643 891	4		All	BUSHING, Lower Mtg.
19	0272 235	2		All	NUT, Lower Mtg.
20	0152 347	8		All	NUT, Clip
21	3815 206	2		All	CLAMP, Spring Isolator, Std.
	3815 309	2		All	H.D. Or Firm Feel Susp.
22	3815 207	4		All	ISOLATOR
23	3845 168-9	1		All	SPRING-PLATE, 7-1/4" Axle w/o Rear Sway Bar
	3845 128-9	1		All	8-1/4" Axle, w/o Rear Sway Bar
	4014 710-1	1		All	7-1/4" Or 8-1/4" Axle w/Sway Bar
24	3845 241	1		All	SUPPORT, Pinion Carrier Bumper, w/7-1/4" Axle
	3845 249	1		All	w/8-1/4"
25	3845 139	1		All	BUMPER, w/o Support
26	0181 086	2		All	SCREW,w/WASHER, Support Mtg.Std.
	0181 112	2		All	H.D.
27	3845 988	2		All	BUMPER, w/Support Side Rail, Std. Or H.D., w/o Rear Sway Bar
	4014 503	2		All	w/Support, w/Rear Sway Bar
	2834 767	2		All	w/o Support, w/Rear Sway Bar
28		2		All	SCREW,w/WASHER, Side Rail Att.(Not Serv.)
	2403 462	4		All	SPACER, Spring Center Bolt (Not Shown)
	4014 703	2		All	PLATE, Spring Shackle, Loose, w/Rear Sway Bar (Not Ill.)
29	3780 513	2		All	INSERT, w/Rear Sway Bar

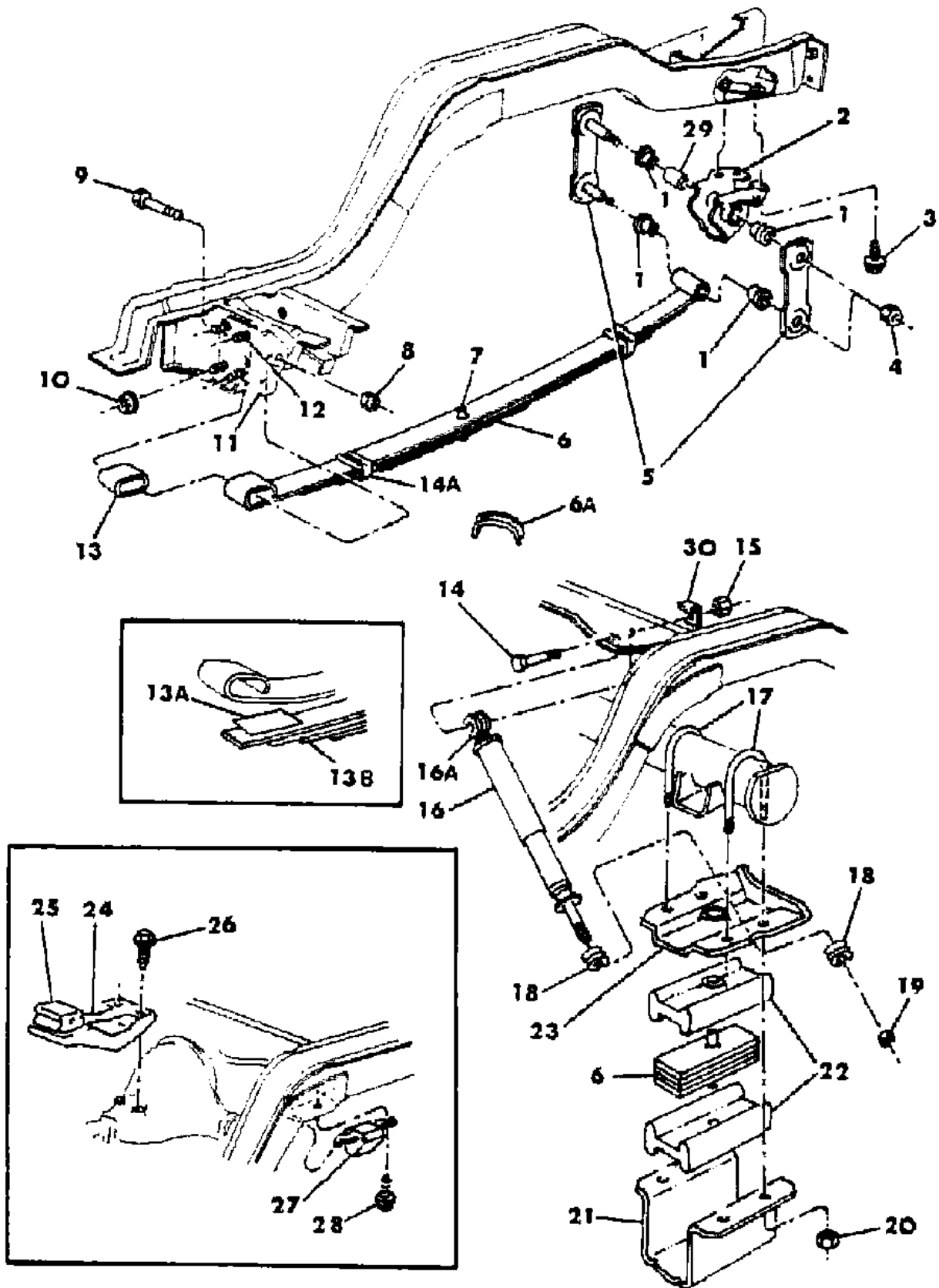
MODEL CODES

B = GRAN FURY/CARAVELLE	P = RELIANT
C = LEBARON/TOWN & COUNTRY	S = CORDOBA
D = ARIES	V = 400
F = NEW YORKER	X = MIRADA
G = DIPLOMAT	Y = IMPERIAL
M = HORIZON/TC3/SCAMP	Z = OMNI/O24/RAMPAGE

BODY STYLES

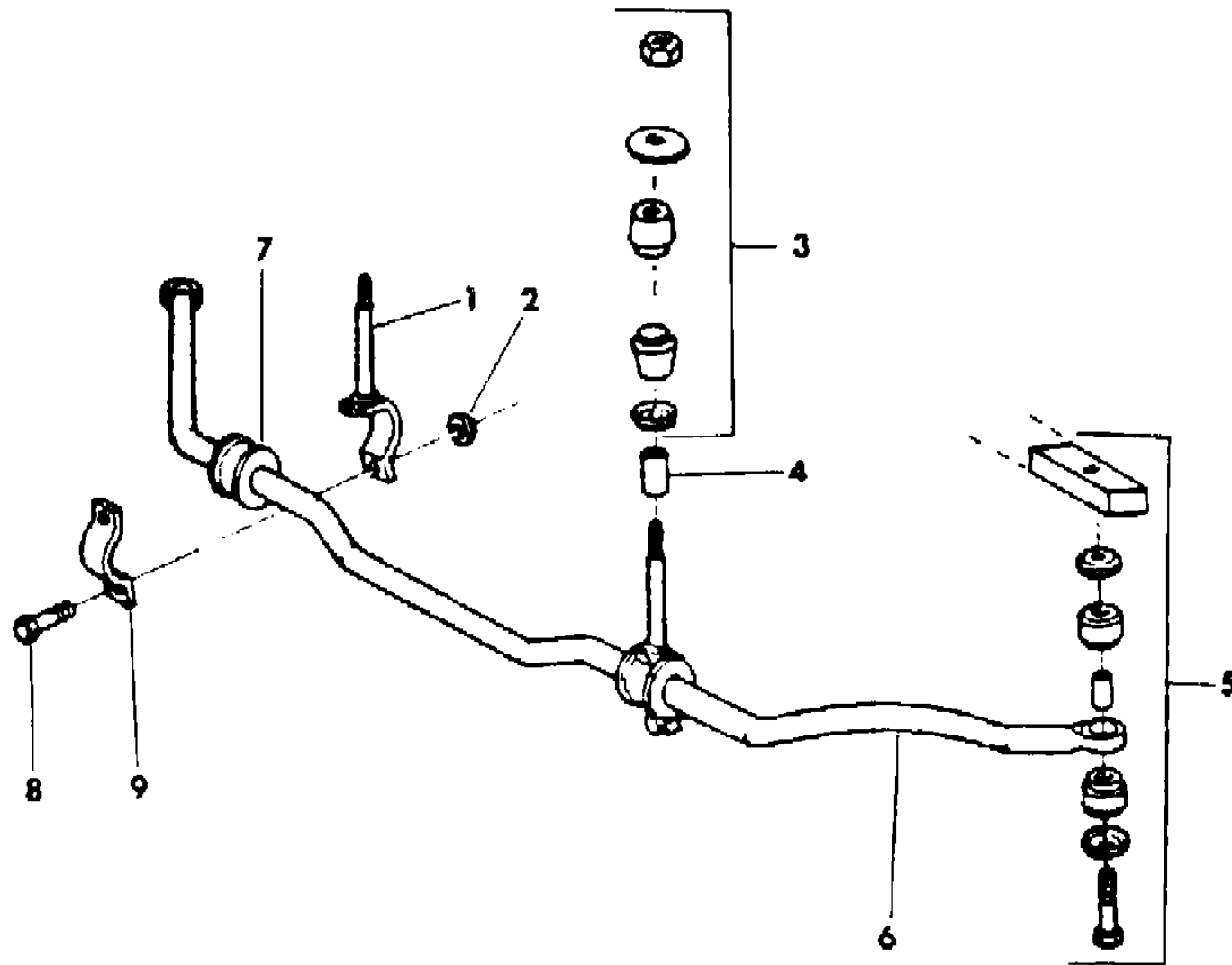
21 = 2-DOOR SEDAN	28 = FWD PICKUP
22 = 2-DOOR SPECIAL COUPE	41 = 4-DOOR SEDAN
24 = 2-DOOR HATCHBACK	44 = 4-DOOR HATCHBACK
27 = 2-DOOR CONVERTIBLE	45 = 2-SEAT STATION WAGON

AR = Use as Required - = Non Illustrated Part P.A.R. = Paint as Required



**FRONT SWAY BAR - B,F,G,X,S,Y**  
**Figure 17-400**

2117 400



ITEM	PART NUMBER	QTY	BODY	MODEL	DESCRIPTION
1	3815 669	2		All	LINK, Shaft Bush., Std. Or H.D.
	4014 078	2		All	Extra Duty, Or Firm Feel Susp.
2	6025 405	2		All	NUT, Strap Bolt
3	4106 161	2		All	ATTACHING PKG., Sway Bar
					Consists of:
					1 - 181 116 Bolt
					1 - 118 615 Nut
					2 - ---- Retainer
					2 - ---- Insulator
					1 - 118 614 Nut
					1 - 6027 880 Screw w/Washer
					1 - 6025 405 Nut
4	3815 668	2		All	SLEEVE, Shaft Insulator Link
5	4267 328	2		All	ATTACHING PKG.,Front Sway Bar Shaft End
					Consists Of:
					2----- Cushion
					2----- Retainer
					2-4014023 Nut
					1----- Sleeve
					1-9425686 Link
6	4014 033	1		All	SHAFT, Sway Bar, Std. Or H.D.
	4014 126	1		All	Extra Duty
7	#4014 035	2		All	BUSHING, Std. Or H.D.
	4014 341	2		All	Extra Duty Or Firm Feel Susp.
8	9425 686	2		All	BOLT, Strap
9	3815 720	2		All	STRAP, Bush. Retainer, Std.Or H.D.
	4014 080	2		All	Extra Duty, Or Firm Feel Susp.

**MODEL CODES**

B = GRAN FURY/CARAVELLE	P = RELIANT
C = LEBARON/TOWN & COUNTRY	S = CORDOBA
D = ARIES	V = 400
F = NEW YORKER	X = MIRADA
G = DIPLOMAT	Y = IMPERIAL
M = HORIZON/TC3/SCAMP	Z = OMNI/O24/RAMPAGE

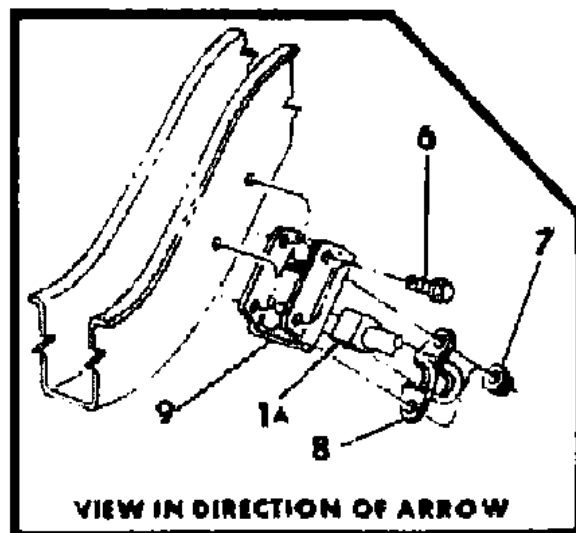
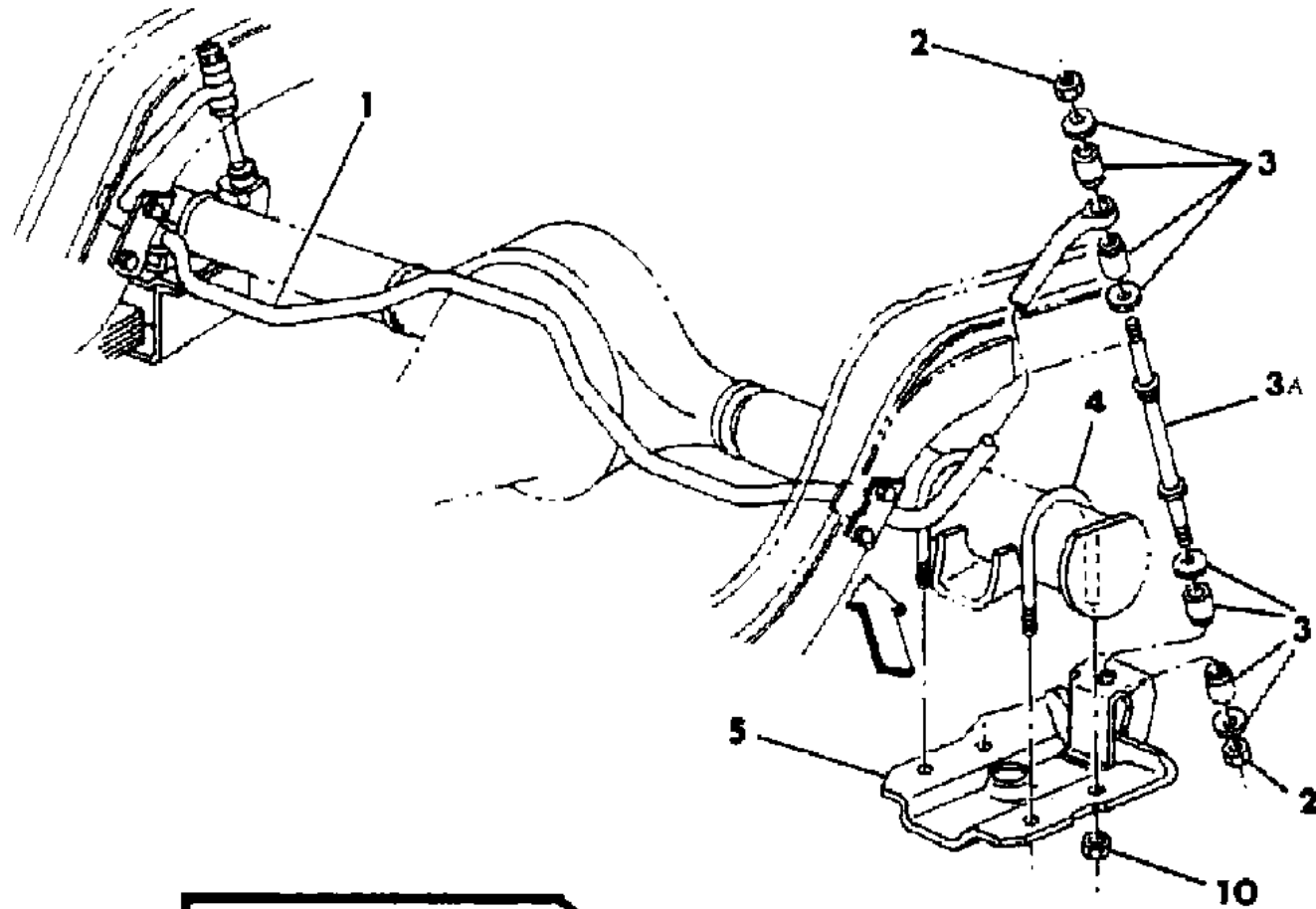
**BODY STYLES**

21 = 2-DOOR SEDAN	28 = FWD PICKUP
22 = 2-DOOR SPECIAL COUPE	41 = 4-DOOR SEDAN
24 = 2-DOOR HATCHBACK	44 = 4-DOOR HATCHBACK
27 = 2-DOOR CONVERTIBLE	45 = 2-SEAT STATION WAGON

AR = Use as Required - = Non Illustrated Part P.A.R. = Paint as Required

REAR SWAY BAR - B,F,G,X,S,Y  
Figure 17-600

2117 600



ITEM	PART NUMBER	QTY	BODY	MODEL	DESCRIPTION
1	4014 714	1		All	SHAFT, Sway Bar, Rear
1A	3722 992	1		All	BUSHING, Shaft
2	0118 614	4		All	NUT, Link
3	3879 212	2		All	ATTACHING PKG.,Sway Bar Rear Consists of: 2 - ---- --- Insulator 1 - 118 614 Nut 2 - ---- --- Retainer
3A	4057 086	2		All	LINK AND INSULATOR PKG. Consists of: 1 - ---- --- Link 4 - ---- --- Insulator 2 - 118 614 Nut
4	3845 262	4		All	CLIP, 4-1/8" Lgh., 7/16-20 Thd.
	3845 264	4		All	4-3/8" Lgh., 7/16-20 Thd.
5	4014 710-1	2		All	PLATE, Shaft
6	6030 466	8		All	SCREW, Brkt. Att.
7	6028 727	8		All	NUT, Brkt.
8	3643 506	2		All	STRAP, Shaft Brkt.
9	4014 708-9	1		All	BRACKET, Shaft
10	6023 018	8		All	NUT, CLIP

MODEL CODES

B = GRAN FURY/CARAVELLE	P = RELIANT
C = LEBARON/TOWN & COUNTRY	S = CORDOBA
D = ARIES	V = 400
F = NEW YORKER	X = MIRADA
G = DIPLOMAT	Y = IMPERIAL
M = HORIZON/TC3/SCAMP	Z = OMNI/O24/RAMPAGE

BODY STYLES

21 = 2-DOOR SEDAN	28 = FWD PICKUP
22 = 2-DOOR SPECIAL COUPE	41 = 4-DOOR SEDAN
24 = 2-DOOR HATCHBACK	44 = 4-DOOR HATCHBACK
27 = 2-DOOR CONVERTIBLE	45 = 2-SEAT STATION WAGON

AR = Use as Required - = Non Illustrated Part P.A.R. = Paint as Required

---

**GROUP 19 - STEERING**

<b>ILLUSTRATION TITLE</b>	<b>GROUP-FIG. NO.</b>
3 SPOKE STEERING WHEEL W/COLUMN ATTACHING STUD, BOLT, COVER, SEAL M,Z	Fig. 19-100
4 SPOKE STEERING WHEEL, M,Z	Fig. 19-200
STEERING WHEEL 2 SPOKE w/HORN CAP, P,D	Fig. 19-400
STEERING WHEEL 4 SPOKE SPORT P,D,V,C,X,S	Fig. 19-500
STEERING WHEEL W/TWO SPOKE W/RIM INLAY OR LEATHER WRAPED W/SPOKE SWITCH P,D,C,V,B, F,G,X,S,Y	Fig. 19-600
STEERING COLUMN, JACKET, SHAFT AND COUPLING ASSY. M,Z	Fig. 19-800
STEERING COLUMN (Upper)(Except Tilt Strg.) P,D,V,C,B,F,G,X,S	Fig. 19-900
STEERING COLUMN (Lower) Except Tilt Strg. B,F,G,X,S	Fig. 19-1000
STEERING COLUMN (LOWER) & RELATED PARTS w/ or w/o Tilt Strg. P,D,V,C	Fig. 19-1050
TILT STEERING COLUMN (UPPER) P,D,V,C,B,F,G,X,S,Y	Fig. 19-1100
TILT STEERING COLUMN (LOWER) P,D,V,C,B,F,G,X,S,Y	Fig. 19-1200
RACK AND PINION MANUAL STEERING GEAR AND ATTACHING PARTS M,Z,P,D,V,C	Fig. 19-1300
RACK AND PINION POWER STEERING GEAR AND ATTACHING PARTS M,Z	Fig. 19-1400
RACK AND PINION POWER STEERING GEAR AND ATTACHING PARTS P,D,V,C	Fig. 19-1500
POWER STEERING GEAR CHUCK ASSEMBLY B,F,G,X,S,Y	Fig. 19-1600
POWER STEERING PUMP AND ATTACHING PARTS M,Z,P,D,V,C	Fig. 19-1700
POWER STEERING PUMP, PULLEY, BRACKETS, OIL COOLER B,F,G,X,S,Y	Fig. 19-1800
POWER STEERING PUMP ENGINE BRACKETS B,F,G,X,S,Y	Fig. 19-1900
POWER STEERING PUMP HOSE CHART, M,Z,P,D,V,C	Fig. 19-2000
POWER STEERING PUMP HOSE CHART, B,F,G,X,S,Y	Fig. 19-2100

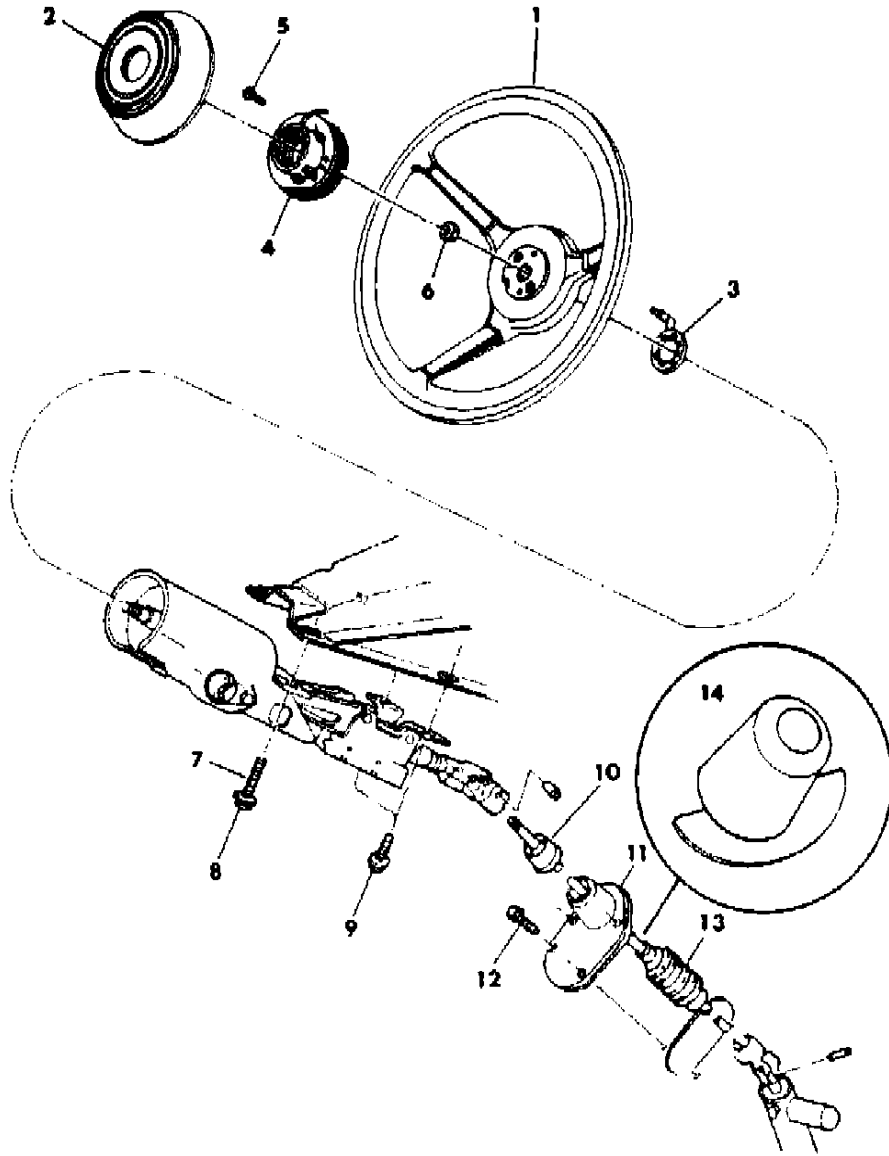
**ILLUSTRATION NOT AVAILABLE AT TIME OF PUBLICATION**

---

**3 SPOKE STEERING WHEEL W/COLUMN ATTACHING STUD, BOLT, COVER, SEAL M,Z**  
**Figure 19-100**

2119 100A

ITEM	PART NUMBER	QTY	BODY	MODEL	DESCRIPTION
1	4267 305	1			WHEEL, Strg. w/o Spoke Inlay, w/horn switch, Blue
	4267 306	1			RED
	4267 307	1			TAN
	4367 308	1			Black
2	P162 TB2	1			CAP, Steering Wheel w/o Spoke Inlay, Blue
	P162 TM6	1			Red
	P162 ST6	1			Tan
	P162 RX9	1			Black
3	3747 086	1			RING, Horn Switch Contact, Assy.
4	4221 016	1			SWITCH, Horn
5	6100 903	3			SCREW, Horn Switch Attaching
6	6500 126	1			NUT, Strg. Wheel
7	6500 240	2			STUD, Strg. Col. Attaching
8	6100 047	2			NUT, Strg. Column Attaching Stud
9	6100 558	2			SCREW, w/Washer, Strg. Column Attaching
10	5206 038	1			SEAL, Strg. Shaft
11	5206 041	1			COVER, w/Seal, Strg. Column Dash
12		4			SCREW, Strg. Column Dash Cover (Not Serviced)
13	4188 636	1			SHIELD, Strg. Column Intermediate Shaft Coupling
14	#5231 212	1			LINER, Dash Strg. Col. Cover



**MODEL CODES**

B = GRAN FURY/CARAVELLE	P = RELIANT
C = LEBARON/TOWN & COUNTRY	S = CORDOBA
D = ARIES	V = 400
F = NEW YORKER	X = MIRADA
G = DIPLOMAT	Y = IMPERIAL
M = HORIZON/TC3/SCAMP	Z = OMNI/O24/RAMPAGE

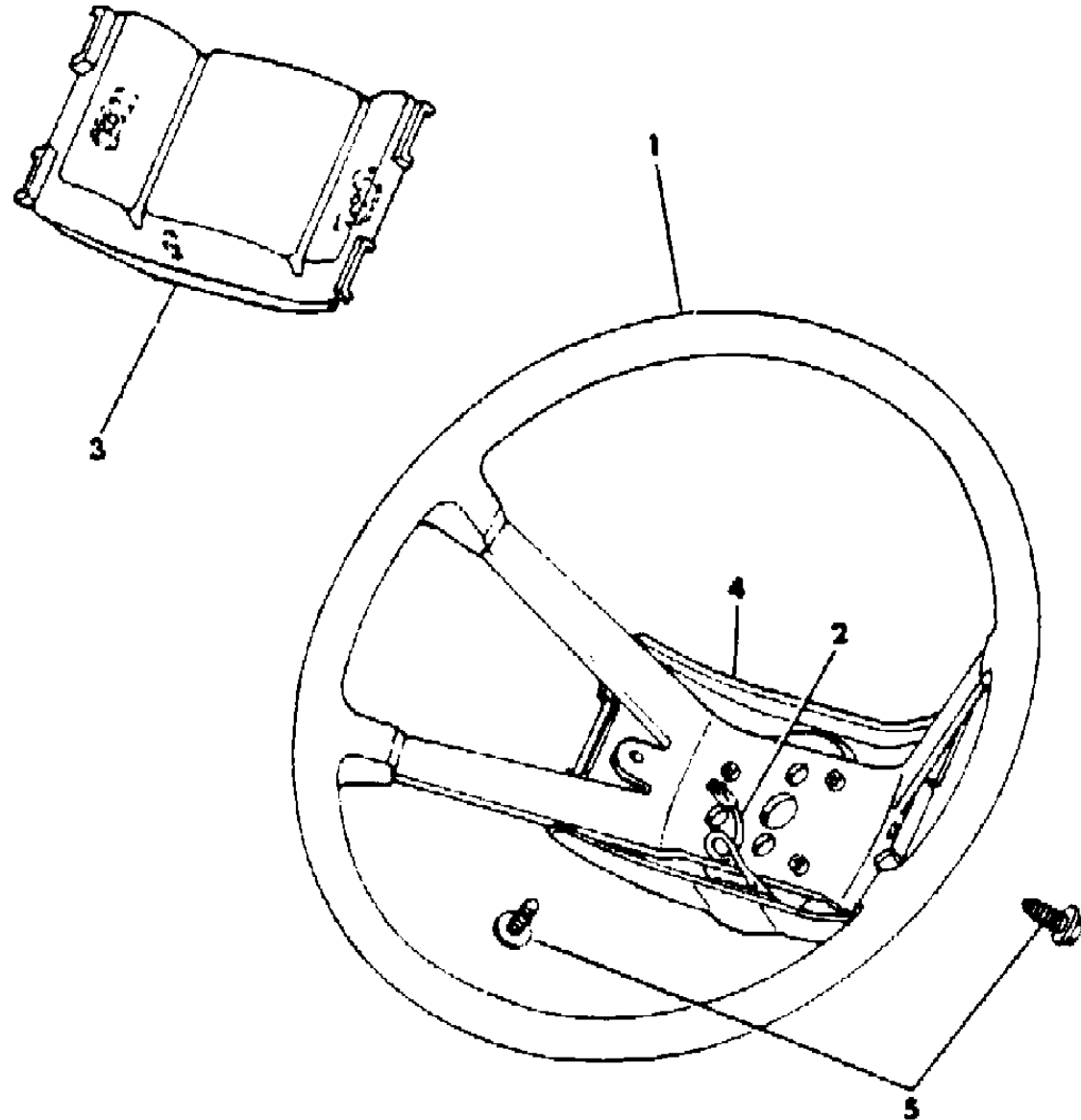
**BODY STYLES**

21 = 2-DOOR SEDAN	28 = FWD PICKUP
22 = 2-DOOR SPECIAL COUPE	41 = 4-DOOR SEDAN
24 = 2-DOOR HATCHBACK	44 = 4-DOOR HATCHBACK
27 = 2-DOOR CONVERTIBLE	45 = 2-SEAT STATION WAGON

AR = Use as Required - = Non Illustrated Part P.A.R. = Paint as Required

**4 SPOKE STEERING WHEEL, M,Z**  
**Figure 19-200**

2119 200A



ITEM	PART NUMBER	QTY	BODY	MODEL	DESCRIPTION
1	#P059 AB2	1			WHEEL, Strg. 4 Spoke, Blue
	P059 AM6	1			Red
	P059 AT6	1			Tan
	P059 AA7	1			Silver
	P059 AX9	1			Black
2	5209 989	1			RING, Horn Contact
3	#P203 AB2	1			PAD, Assy. Strg. Wheel Horn, Blue
	P203 AM6	1			Red
	P203 AT6	1			Tan
	P203 AA7	1			Silver
4	P203 AX9	1			Black
	P058 AB2	1			SHROUD, Strg. Wheel Hub, Blue
	P058 AM6	1			Red
	P058 AT6	1			Tan
	P058 AA7	1			Silver
	P058 AX9	1			Black
	5	6031 652	2		SCREW, Strg. Wheel Horn Pad

MODEL CODES

B = GRAN FURY/CARAVELLE	P = RELIANT
C = LEBARON/TOWN & COUNTRY	S = CORDOBA
D = ARIES	V = 400
F = NEW YORKER	X = MIRADA
G = DIPLOMAT	Y = IMPERIAL
M = HORIZON/TC3/SCAMP	Z = OMNI/O24/RAMPAGE

BODY STYLES

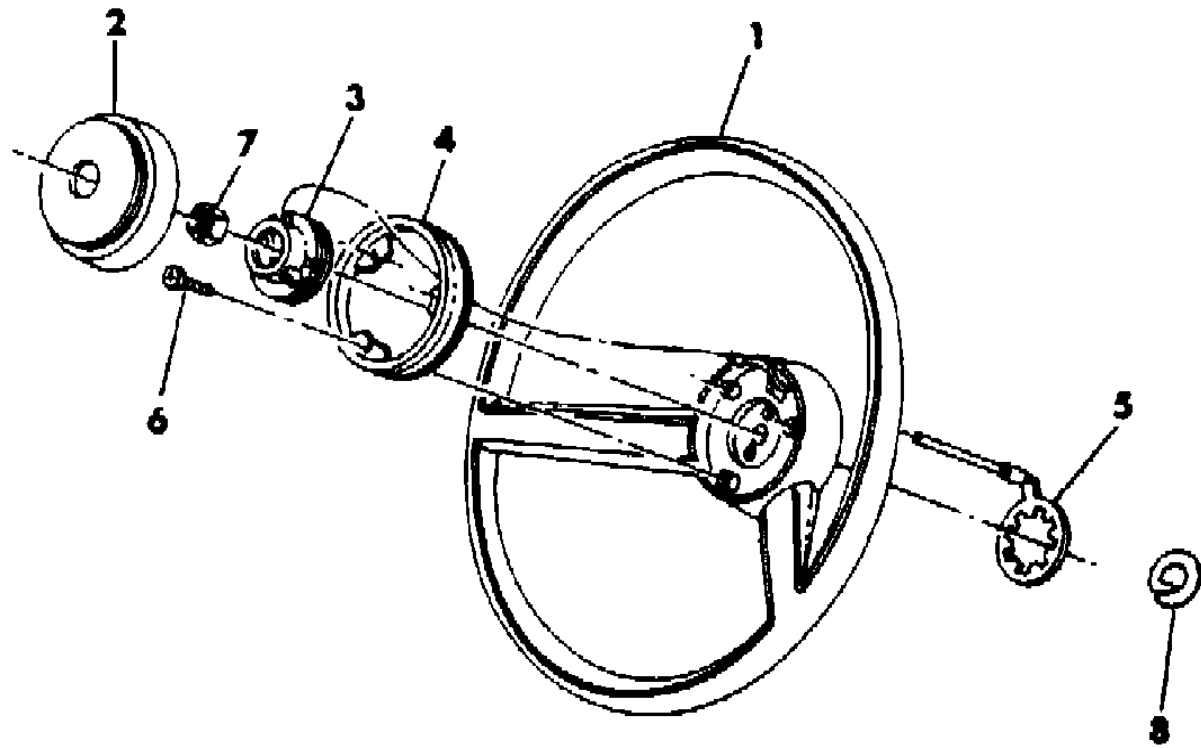
21 = 2-DOOR SEDAN	28 = FWD PICKUP
22 = 2-DOOR SPECIAL COUPE	41 = 4-DOOR SEDAN
24 = 2-DOOR HATCHBACK	44 = 4-DOOR HATCHBACK
27 = 2-DOOR CONVERTIBLE	45 = 2-SEAT STATION WAGON

AR = Use as Required - = Non Illustrated Part P.A.R. = Paint as Required

**STEERING WHEEL 2 SPOKE w/HORN CAP, P,D**  
**Figure 19-400**

2119 400

ITEM	PART NUMBER	QTY	BODY	MODEL	DESCRIPTION
1	P042 VB2	1			WHELL ASSY. Strg., Blue
	P042 VF5	1			Green
	P042 VM6	1			Red
	P042 VT6	1			Tan
2	#P196 VB2	1			CAP ASSY., Horn, Blue
	P196 VF5	1			Green
	P196 VM6	1			Red
	P196 VT6	1			Tan
3	#4221 016	1			SWITCH, Horn
4	5211 990	1			BEZEL, Strg. Wheel Trim
	3747 907	1			RING ASSY. Horn Contact
6		3			SCREW, Trim Bezel (Not Serviced)
7	6500 126	1			NUT, Strg. Wheel
8	3747 899	1			CAM, Turn Signal Cancelling



MODEL CODES

B = GRAN FURY/CARAVELLE	P = RELIANT
C = LEBARON/TOWN & COUNTRY	S = CORDOBA
D = ARIES	V = 400
F = NEW YORKER	X = MIRADA
G = DIPLOMAT	Y = IMPERIAL
M = HORIZON/TC3/SCAMP	Z = OMNI/O24/RAMPAGE

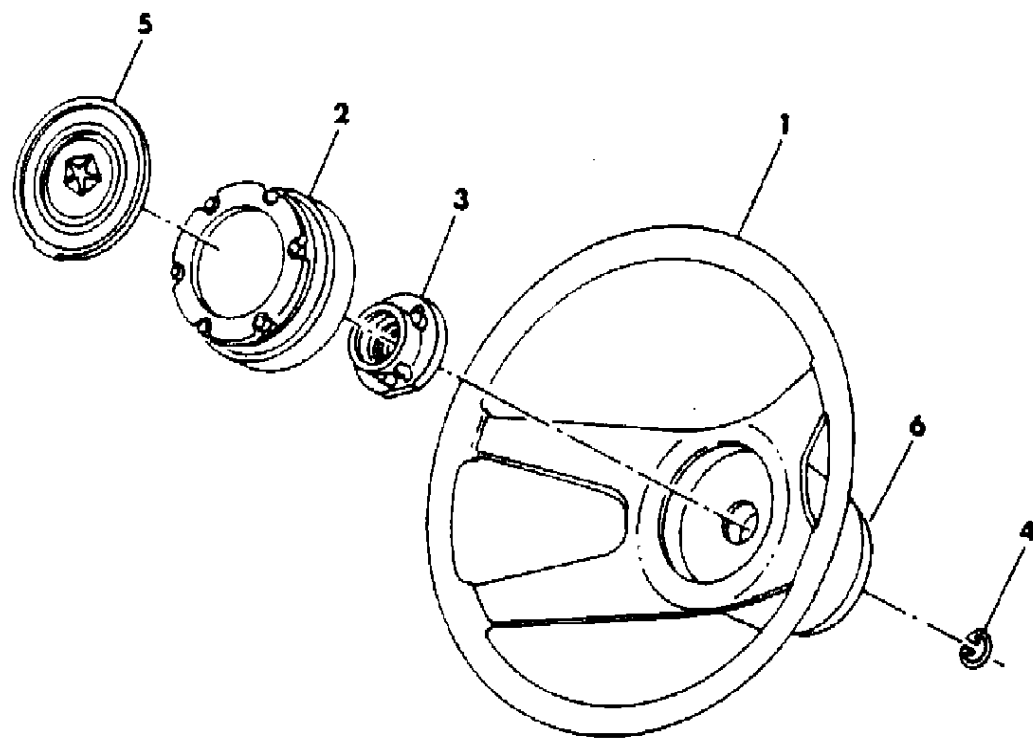
BODY STYLES

21 = 2-DOOR SEDAN	28 = FWD PICKUP
22 = 2-DOOR SPECIAL COUPE	41 = 4-DOOR SEDAN
24 = 2-DOOR HATCHBACK	44 = 4-DOOR HATCHBACK
27 = 2-DOOR CONVERTIBLE	45 = 2-SEAT STATION WAGON

AR = Use as Required - = Non Illustrated Part P.A.R. = Paint as Required

**STEERING WHEEL 4 SPOKE SPORT P,D,V,C,X,S**  
**Figure 19-500**

2119 500



ITEM	PART NUMBER	QTY	BODY	MODEL	DESCRIPTION	
1	#P055 AB2	1		P,D,V,C	WHEEL, Strg. w/4 Spoke, Blue	
	P055 AC7	1			Blue	
	P055 AF5	1			Green	
	P055 AM6	1			Red	
	P055 AT6	1			Tan	
	P055 AA7	1			Silver	
	P055 AH9	1			Auburn	
	2	#P207 AB2	1		P,D,V,C	PAD, Strg. Wheel Horn, Blue
		P207 AC7	1			Blue
P207 AF5		1			Green	
P207 AM6		1			Red	
P207 AT6		1			Tan	
P207 AA7		1			Silver	
P207 AH9		1			Auburn	
3		4221 016	1			SWITCH, Horn
4		3747 899	1			CAM, Turn Signal Cancelling
5	#4188 643	1			ORNAMENT, Strg. Wheel Horn Pad	
6	#P201 AB2	1		P,D,V,C	SHROUD, Strg. Wheel Hub, Blue	
	P201 AC9	1			Blue	
	P201 AF5	1			Green	
	P201 AM6	1			Red	
	P201 AT6	1			Tan	
	P201 AA7	1			Silver	
	P201 AH9	1			Auburn	

**MODEL CODES**

B = GRAN FURY/CARAVELLE	P = RELIANT
C = LEBARON/TOWN & COUNTRY	S = CORDOBA
D = ARIES	V = 400
F = NEW YORKER	X = MIRADA
G = DIPLOMAT	Y = IMPERIAL
M = HORIZON/TC3/SCAMP	Z = OMNI/O24/RAMPAGE

**BODY STYLES**

21 = 2-DOOR SEDAN	28 = FWD PICKUP
22 = 2-DOOR SPECIAL COUPE	41 = 4-DOOR SEDAN
24 = 2-DOOR HATCHBACK	44 = 4-DOOR HATCHBACK
27 = 2-DOOR CONVERTIBLE	45 = 2-SEAT STATION WAGON

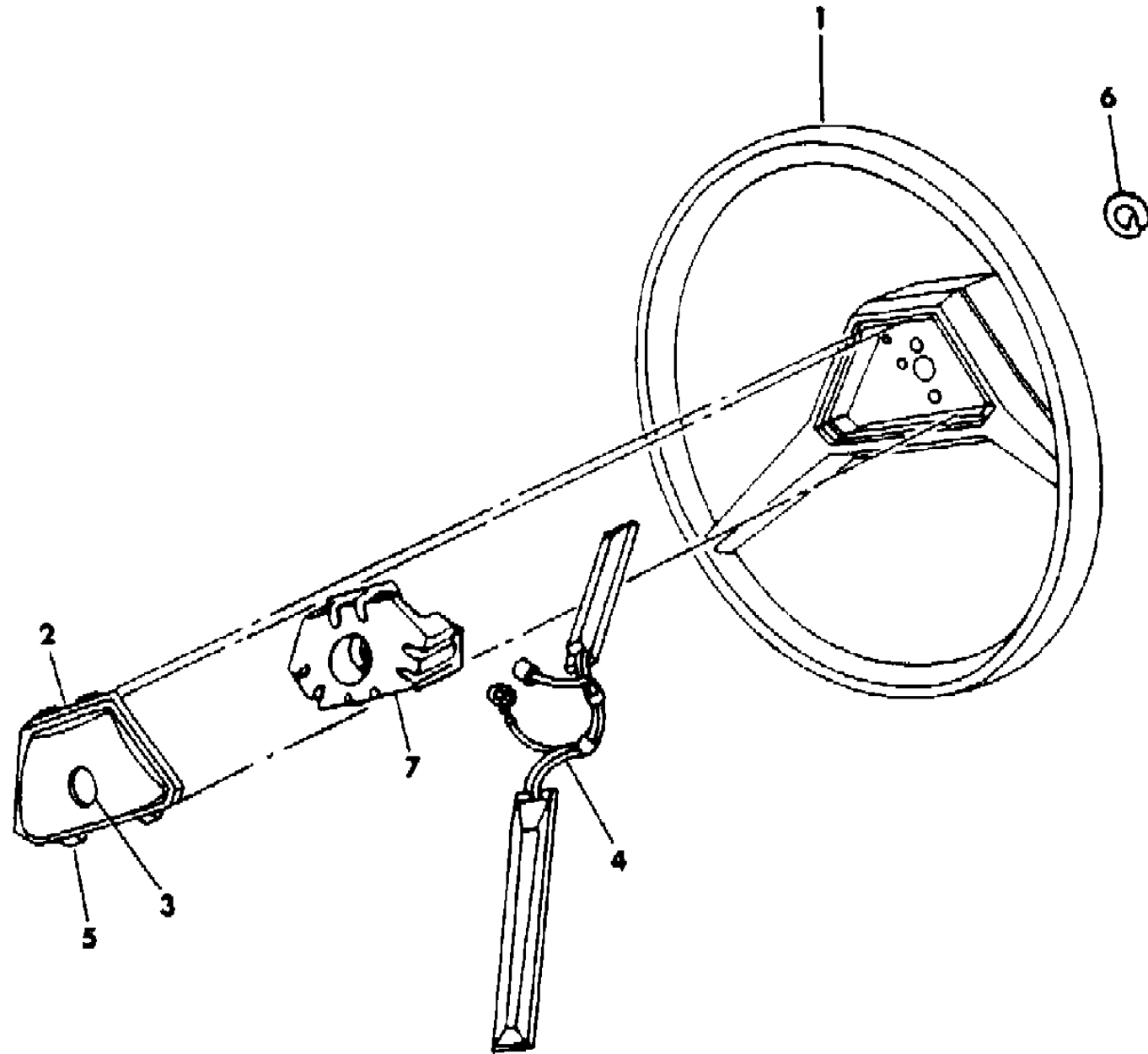
AR = Use as Required - = Non Illustrated Part P.A.R. = Paint as Required



STEERING WHEEL W/TWO SPOKE W/RIM INLAY OR LEATHER WRAPED W/SPOKE SWITCH P,D,C,V,B,F,G,X,S,Y

Figure 19-600

2119 600A



ITEM	PART NUMBER	QTY	BODY	MODEL	DESCRIPTION
1	P047 VC7	1			WHEEL, Strg. w/Rim Inlay, Blue (up to 11-2-81)
	P052 AC7	1			(after 11-2-81)
	P047 VB2	1		P,D,C,V	Blue (up to 11-2-81)
	P052 AB2	1		P,D,C,V	(after 11-2-81)
	P047 AA7	1			Silver (up to 11-2-81)
	P052 AA7	1			(after 11-2-81)
	P047 VF5	1			Green (up to 11-2-81)
	P052 AF5	1			(after 11-2-81)
	P047 VH9	1			Auburn (up to 11-2-81)
	P052 AH9	1			(after 11-2-81)
	P047 VM6	1			Red (up to 11-2-81)
	P052 AM6	1			(after 11-2-81)
	P047 VT6	1			Tan (up to 11-2-81)
	P052 AT6	1			(after 11-2-81)
	P048 VC7	1			WHEEL ASSY.,Strg. w/Leather Wrapped, Blue (up to 11-2-81)
	P053 AC7	1			(after 11-2-81)
	P048 VB2	1			Blue (up to 11-2-81)
	P053 AB2	1			(after 11-2-81)
	P048 VF5	1			Green (up to 11-2-81)
	P053 AF5	1			(after 11-2-81)
	P048 VH9	1			Auburn (up to 11-2-81)
	P053 AH9	1			(after 11-2-81)
	P048 VM6	1			Red (up to 11-2-81)
	P053 AM6	1			(after 11-2-81)
	P048 VT6	1			Tan (up to 11-2-81)
	P053 AT6	1			(after 11-2-81)
	P048 AA7	1			Silver (up to 11-2-81)
	P053 AA7	1			(after 11-2-81)
2	P180 VB2	1		P,D,C,V	PAD, Strg. Wheel (For a Round Shape Ornament) Blue
	P180 VC7	1		Except	Blue
	P180 AA7	1		Except	Silver
	P180 VF5	1		Except	Green
	P180 VH9	1		Except	Auburn
	P180 VM6	1		Except	Red
	P180 VT6	1		Except	Tan
	P181 VC7	1		Y	PAD, Strg. Wheel (For a Pentagon Shape Ornament) Blue
	P181 VB2	1		Y	Blue

MODEL CODES

B = GRAN FURY/CARAVELLE	P = RELIANT
C = LEBARON/TOWN & COUNTRY	S = CORDOBA
D = ARIES	V = 400
F = NEW YORKER	X = MIRADA
G = DIPLOMAT	Y = IMPERIAL
M = HORIZON/TC3/SCAMP	Z = OMNI/O24/RAMPAGE

BODY STYLES

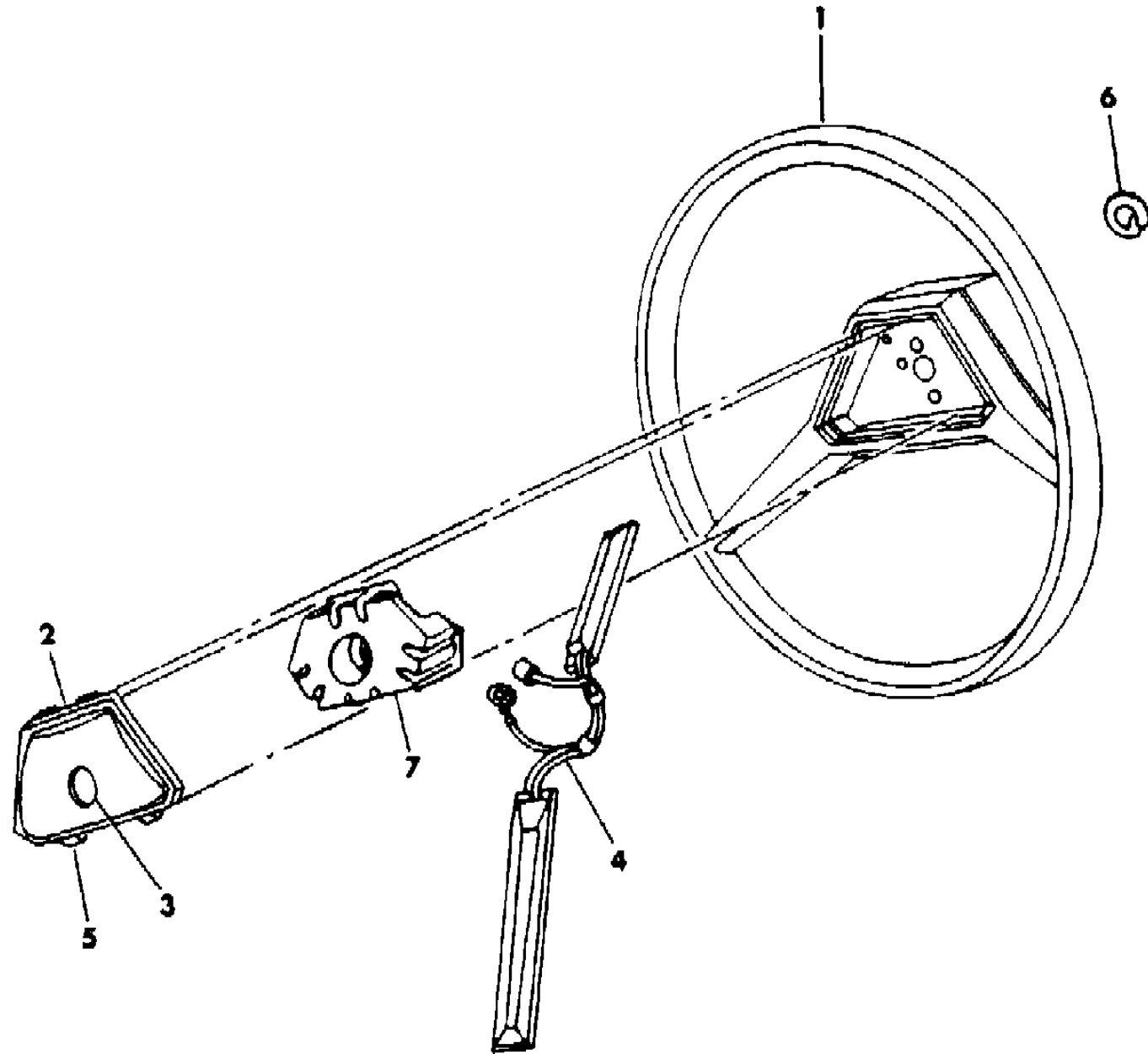
21 = 2-DOOR SEDAN	28 = FWD PICKUP
22 = 2-DOOR SPECIAL COUPE	41 = 4-DOOR SEDAN
24 = 2-DOOR HATCHBACK	44 = 4-DOOR HATCHBACK
27 = 2-DOOR CONVERTIBLE	45 = 2-SEAT STATION WAGON

AR = Use as Required - = Non Illustrated Part P.A.R. = Paint as Required

STEERING WHEEL W/TWO SPOKE W/RIM INLAY OR LEATHER WRAPED W/SPOKE SWITCH P,D,C,V,B,F,G,X,S,Y

Figure 19-600

2119 600A



ITEM	PART NUMBER	QTY	BODY	MODEL	DESCRIPTION
	P181 AA7	1		Y	Silver
	P181 VF5	1		Y	Green
	P181 VH9	1		Y	Auburn
	P181 VM6	1		Y	Red
	P181 VT6	1		Y	Tan
3	#4267 339	1		Except	ORNAMENT, Strg. Wheel
	4188 347	1		Y	
4	#3747 918	1			SWITCH, Horn (w/2 Spoke) (W/RT., Lt. Crome Button)(up to 11-2-81)
	4221 120	1			(after 11-2-81)
5	4188 259	1			BASE, Strg. Wheel Pad
6	3747 899	1			CAM, Turn Signal Cancelling
7	#4188 731	1		P,D,C,V	DAMPER, Strg. Wheel

MODEL CODES

B = GRAN FURY/CARAVELLE	P = RELIANT
C = LEBARON/TOWN & COUNTRY	S = CORDOBA
D = ARIES	V = 400
F = NEW YORKER	X = MIRADA
G = DIPLOMAT	Y = IMPERIAL
M = HORIZON/TC3/SCAMP	Z = OMNI/O24/RAMPAGE

BODY STYLES

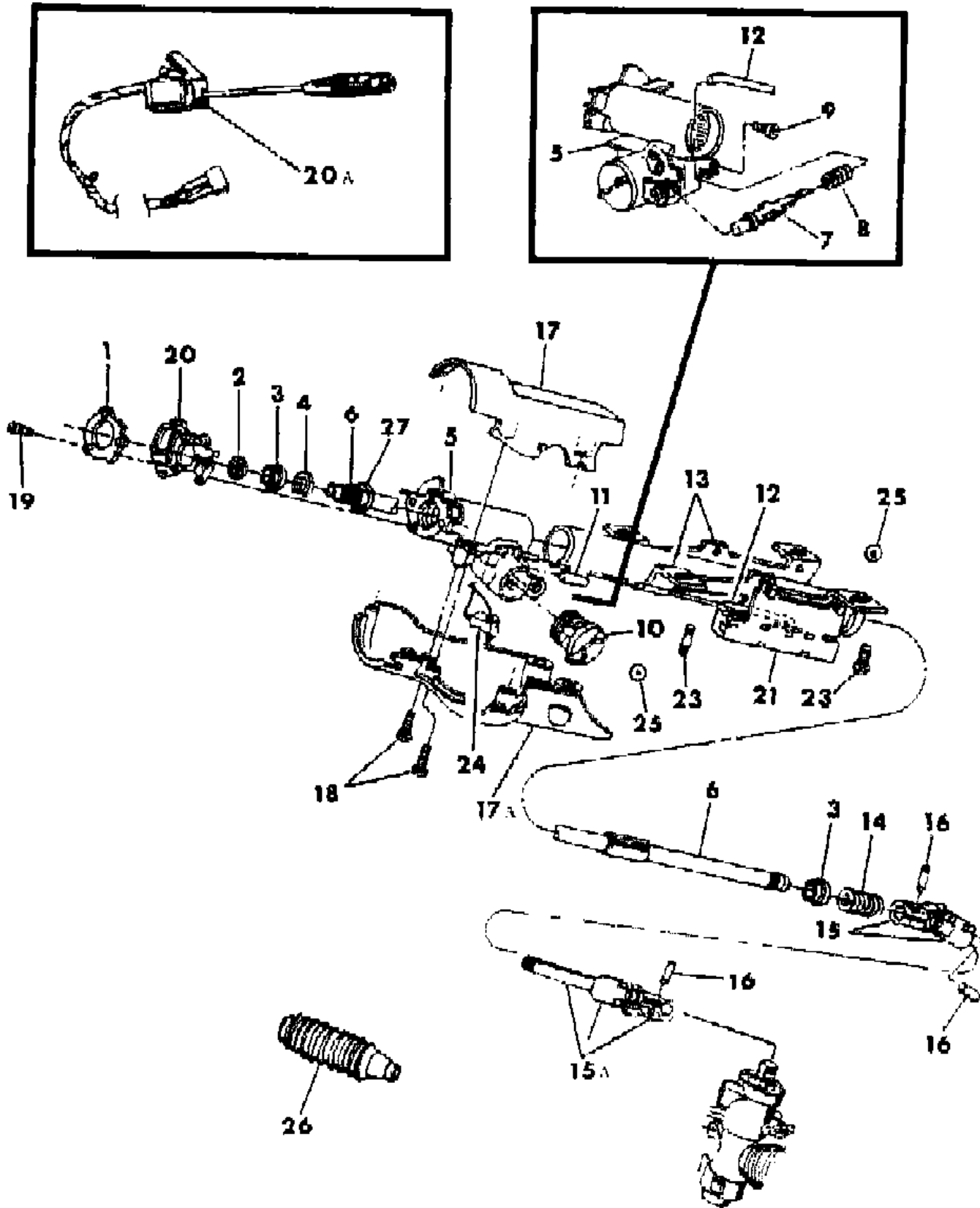
21 = 2-DOOR SEDAN	28 = FWD PICKUP
22 = 2-DOOR SPECIAL COUPE	41 = 4-DOOR SEDAN
24 = 2-DOOR HATCHBACK	44 = 4-DOOR HATCHBACK
27 = 2-DOOR CONVERTIBLE	45 = 2-SEAT STATION WAGON

AR = Use as Required - = Non Illustrated Part P.A.R. = Paint as Required

# STEERING COLUMN, JACKET, SHAFT AND COUPLING ASSY. M,Z

## Figure 19-800

2119 800A



ITEM	PART NUMBER	QTY	BODY	MODEL	DESCRIPTION
1	4019 293	1			PLATE, Strg. Column Shaft Bearing Retainer
1A		3			SCREW, Strg. Column Shaft Bearing Retainer Plate (Not Serviced)
2	6024 333	1			SNAP RING, Strg. Column Shaft Bearing, Upper
3	5211 820	2			BEARING, Strg. Shaft Shift
4	6023 045	1			SNAP RING, Strg. Column Shaft Bearing, Lower
5	5206 012	1			HOUSING, Strg. Lock, Assy.
6	#4188 795	1			SHAFT, Strg., Upper, Assy.
7	5206 177	1			LEVER, Lock Inhibitor, Assy.
8	5206 010	1			SPRING, Lock Inhibitor Lever
8	5206 070	1			SPRING, Lock Bolt
9		1			SCREW, Lock Inhibitor Lever (Not Serviced)
10		1			LOCK, Ignition (See Cylinder and Key Illustration in Body Section)
11	6100 685	1			PIN, Ignition Lock Cylinder Spring
12	5206 025	1			ACTUATOR, Ignition Switch
13	5211 963	1			JACKET, Strg. Column, Assy.,w/4Door
	5211 956	1			w/2Door
14	5206 183	1			SPRING, Strg. Column Lower Bearing
15	5206 191	1			COUPLING, Upper Strg. Shaft
15A	5206 055	1			COUPLING, w/Lower Strg. Shaft (w/Man. Strg.)
	5206 189	1			(w/Power Strg.)
16	6500 148	3			PIN, Strg. Shaft Coupling Spring
17	#P678 VX9	1			SHROUD, Strg. Column, Upper
17A	#P679 VX9	1			SHROUD, Strg. Column, Lower
18	9414 716	4			SCREW, Strg. Column Shroud
19		3			SCREW, Strg. Column Shaft Bearing Retainer Plate (Not Serviced)
20		1			SWITCH, Turn Signal And Hazzard Warning (See Group 8)
20A		1			LEVER, Turn Signal, w/W/S Wiper and Washer Switch (See Group 8)
21		1			SWITCH, Ignition And Starter (SEE GROUP 8)
22					
23	6500 240	2			STUD, Col. Mounting
	6100 558	2			SCREW, Col. Mounting
24	5209 903	1			SWITCH, Ignition Key Buzzer
25	6100 047	2			NUT, w/Coned Washer, Col. Mounting
26	#4188 636	1			SHIELD, Strg. Col. Intermediate Shaft Coupling

**MODEL CODES**

B = GRAN FURY/CARAVELLE	P = RELIANT
C = LEBARON/TOWN & COUNTRY	S = CORDOBA
D = ARIES	V = 400
F = NEW YORKER	X = MIRADA
G = DIPLOMAT	Y = IMPERIAL
M = HORIZON/TC3/SCAMP	Z = OMNI/O24/RAMPAGE

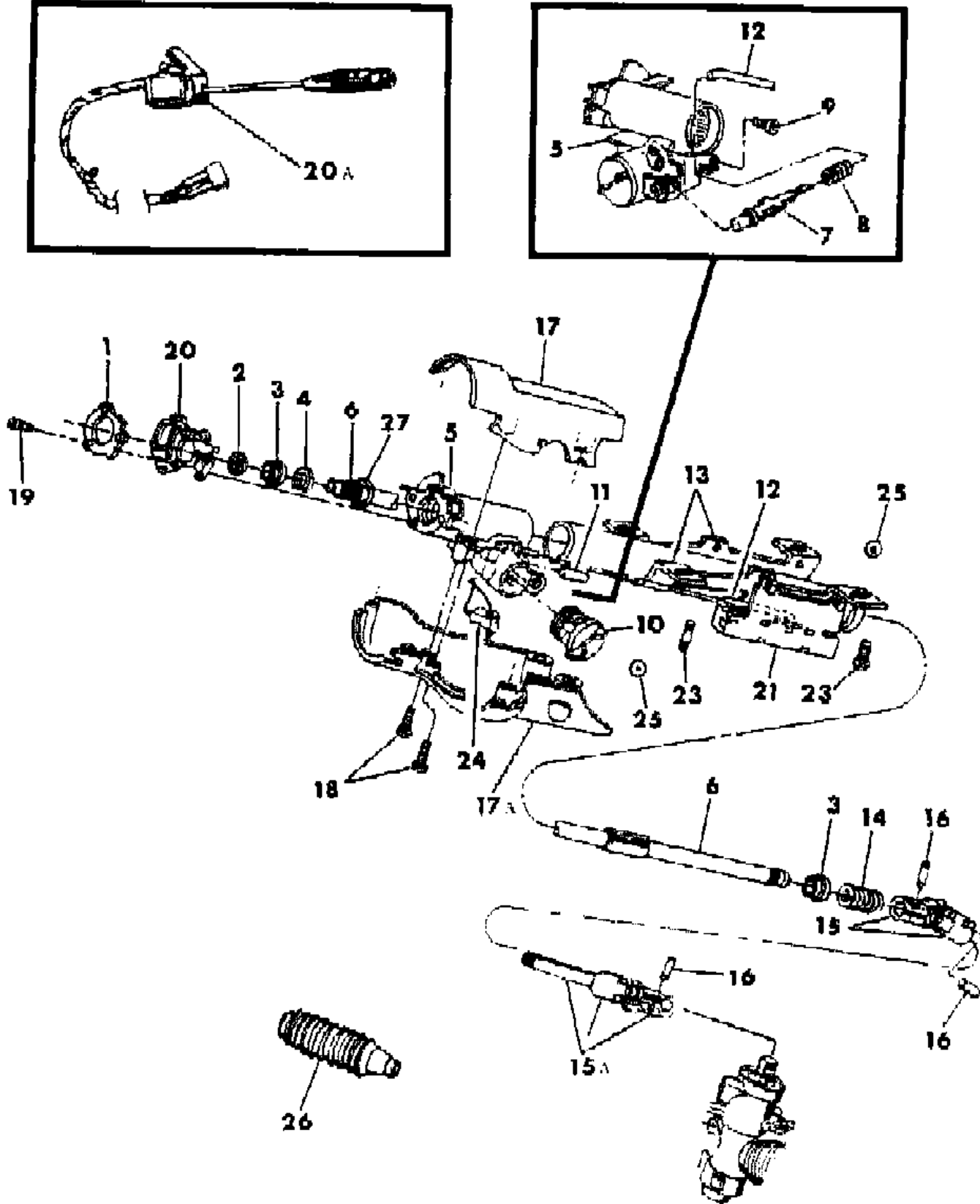
**BODY STYLES**

21 = 2-DOOR SEDAN	28 = FWD PICKUP
22 = 2-DOOR SPECIAL COUPE	41 = 4-DOOR SEDAN
24 = 2-DOOR HATCHBACK	44 = 4-DOOR HATCHBACK
27 = 2-DOOR CONVERTIBLE	45 = 2-SEAT STATION WAGON

AR = Use as Required - = Non Illustrated Part P.A.R. = Paint as Required

STEERING COLUMN, JACKET, SHAFT AND COUPLING ASSY. M,Z  
Figure 19-800

2119 800A



ITEM	PART NUMBER	QTY	BODY	MODEL	DESCRIPTION
------	-------------	-----	------	-------	-------------

27	#6030 655	2			"O"RING, Strg. Col. Shaft
----	-----------	---	--	--	---------------------------

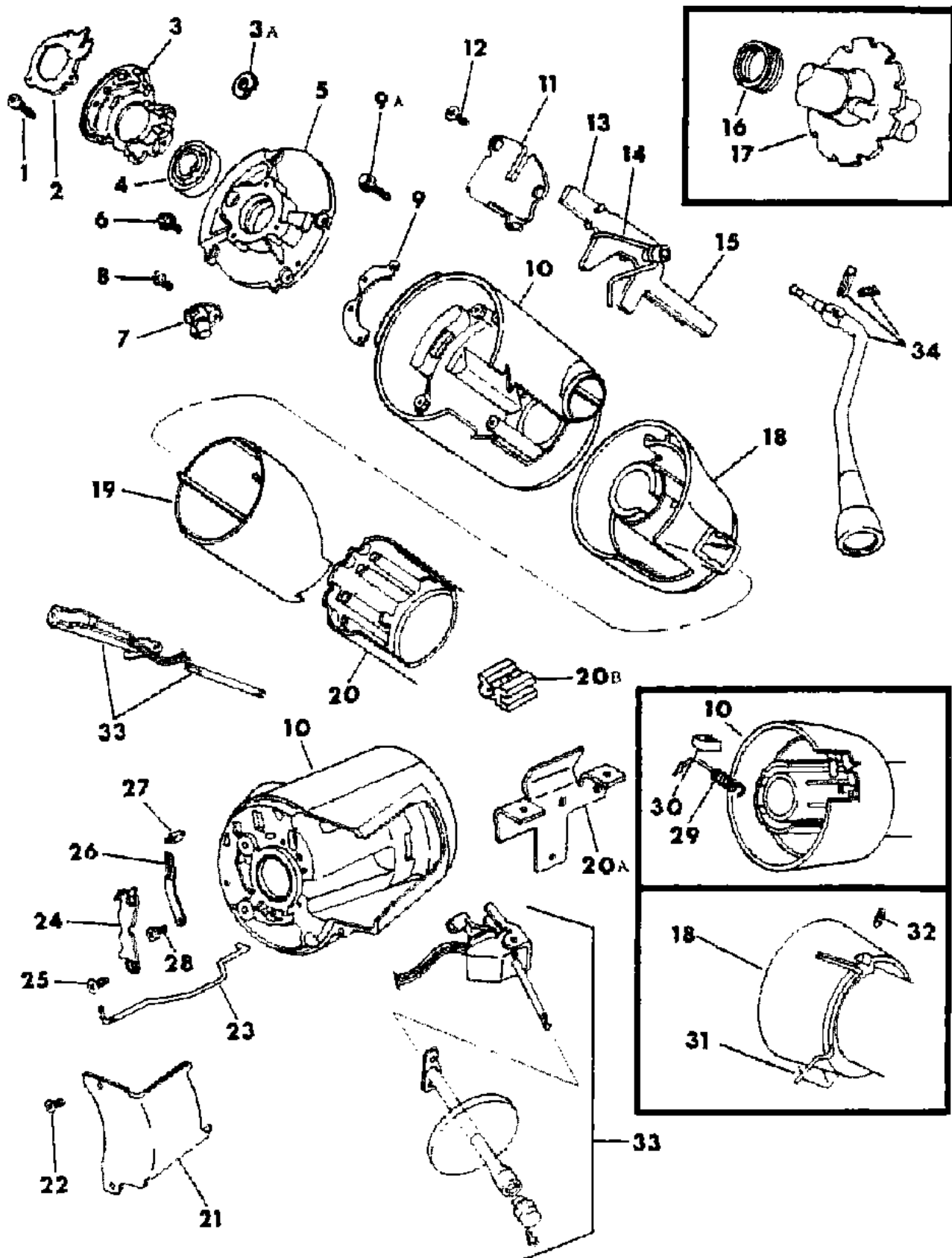
MODEL CODES  
 B = GRAN FURY/CARAVELLE      P = RELIANT  
 C = LEBARON/TOWN & COUNTRY      S = CORDOBA  
 D = ARIES      V = 400  
 F = NEW YORKER      X = MIRADA  
 G = DIPLOMAT      Y = IMPERIAL  
 M = HORIZON/TC3/SCAMP      Z = OMNI/O24/RAMPAGE

BODY STYLES  
 21 = 2-DOOR SEDAN      28 = FWD PICKUP  
 22 = 2-DOOR SPECIAL COUPE      41 = 4-DOOR SEDAN  
 24 = 2-DOOR HATCHBACK      44 = 4-DOOR HATCHBACK  
 27 = 2-DOOR CONVERTIBLE      45 = 2-SEAT STATION WAGON

AR = Use as Required - = Non Illustrated Part P.A.R. = Paint as Required

**STEERING COLUMN (Upper)(Except Tilt Strg.) P,D,V,C,B,F,G,X,S**  
**Figure 19-900**

2119 900



ITEM	PART NUMBER	QTY	BODY	MODEL	DESCRIPTION
1		1			SCREW, Strg. Column Shaft Brg. Retainer(NOT Serviced)
2	4188 025	1			PLATE, Strg. Column Shaft Brg. Retainer (up to 5/15/82)
	4188 907	1			(after 5/3/82)
3					(See Group 8)
3A	6024 333	1			SNAP RING, Bearing
4	2265 656	1			BEARING, Strg. Col. Upper Shaft
5	4019 621	1			HOUSING, Strg. Col. Shaft Bearing (up to 5/3/82)
	4188 908	1			(after 5/3/82)
6		1			SCREW, Bearing Housing (Not Serviced)
7					(See Group 8)
8					(See Group 8)
9	4188 076	1			PLATE, Strg. Col. Lock Housing
9A	6030 122	4			SCREW, Plate
10	4019 875	1			HOUSING, Strg. Column Lock
11	4188 063	1			BELLCRANK, Ignition Switch, Assy.
12		4			SCREW, Bellcrank (Not Serviced)
13	2950 840	1			LEVER, Strg. Col. Shaft Lock
14	2996 858	1			SPRING, Strg. Col. Lock
15	2950 844	1			LEVER, Strg. Col. Gearshift Housing Lock Assy.
16	4019 549	1			SPRING, Strg. Column Shaft Lock Plate
17	4019 612	1			PLATE, Strg. Col. Shaft Lock
18	4188 190	1		Except	HOUSING, Strg. Col. Gearshift, w/Auto Trans., (Col. Shift)
	4019 493	1		X,S	w/Auto. Trans.,(Col. Shift)
	2996 799	1			SUPPORT, Strg. Col. Gearshift Housing (Floor Shift)
18A	4188 075	1			HOUSING, Strg. Col. Lock Control (Floor Shift)
19	4019 640	1		X,S	EXTENSION, Strg. Col. Gear Shift Housing (Col. Shift)
	4188 064	1		X,S	SHROUD, Strg. Col. Jacket (Floor Shift)
20	4019 897	1		B,F,G	JACKET, Strg. Col.
	4188 288	1		P,D,C,V	
	4019 872	1		X,S	w/Auto. Trans. Col. Gearshift
	4188 006	1		X,S	w/Floor Shift
20A	4019 759	1		B,F,G,X	PLATE, Strg. Col. Switch Mounting
	4188 283	1		P,D,C,V	
20B	3748 492	1			SPACER, Strg. Col. Support Bracket
21	4188 297	1			COVER, Strg. Col. Lock
22		2			SCREW, Cover (Not Serviced)
23	4019 902	1		B,F,G	ACTUATOR, Ignition Switch

**MODEL CODES**

B = GRAN FURY/CARAVELLE	P = RELIANT
C = LEBARON/TOWN & COUNTRY	S = CORDOBA
D = ARIES	V = 400
F = NEW YORKER	X = MIRADA
G = DIPLOMAT	Y = IMPERIAL
M = HORIZON/TC3/SCAMP	Z = OMNI/O24/RAMPAGE

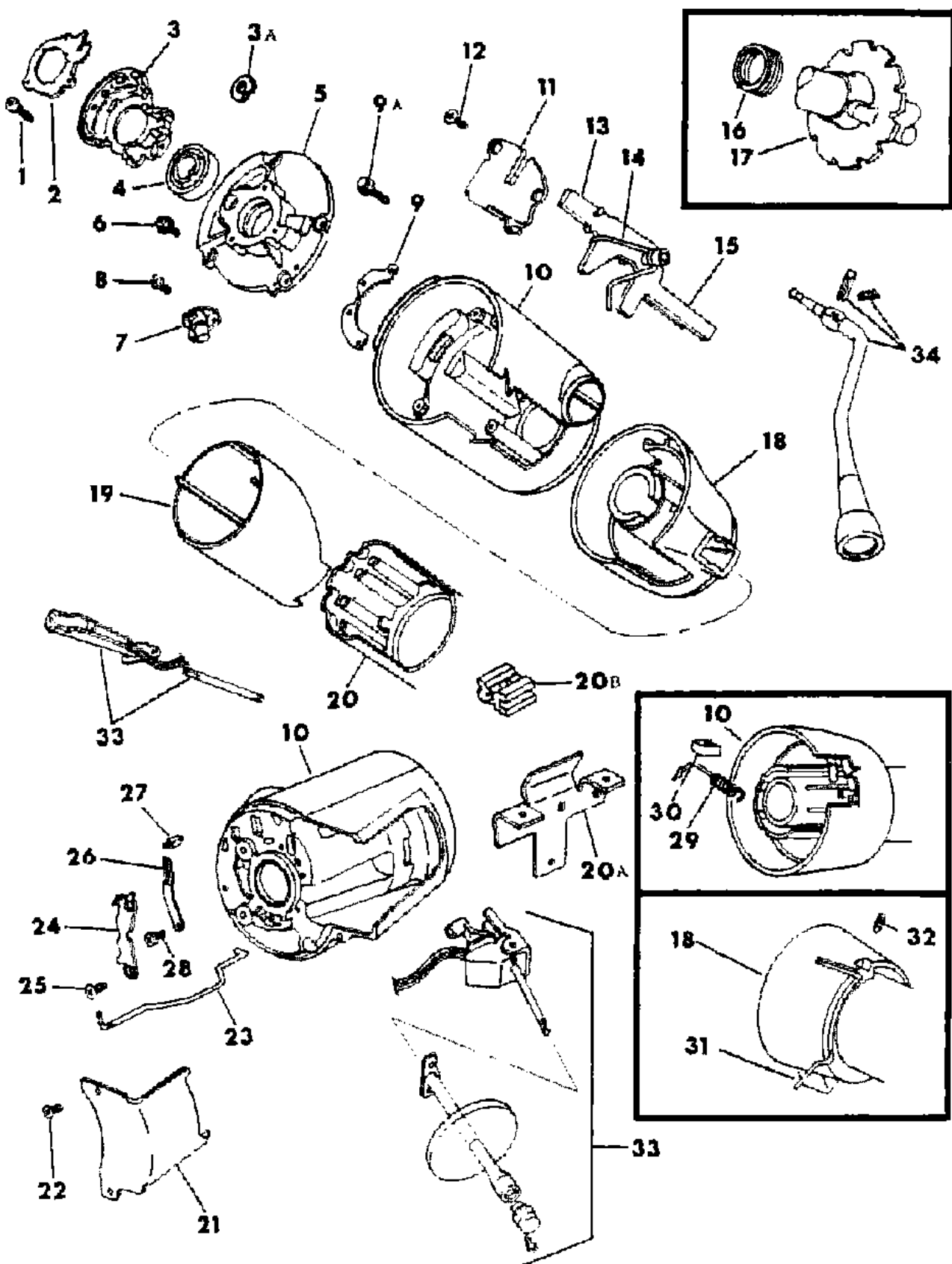
**BODY STYLES**

21 = 2-DOOR SEDAN	28 = FWD PICKUP
22 = 2-DOOR SPECIAL COUPE	41 = 4-DOOR SEDAN
24 = 2-DOOR HATCHBACK	44 = 4-DOOR HATCHBACK
27 = 2-DOOR CONVERTIBLE	45 = 2-SEAT STATION WAGON

AR = Use as Required - = Non Illustrated Part P.A.R. = Paint as Required

STEERING COLUMN (Upper)(Except Tilt Strg.) P,D,V,C,B,F,G,X,S  
Figure 19-900

2119 900



ITEM	PART NUMBER	QTY	BODY	MODEL	DESCRIPTION
	4019 901	1		X,S	
	4188 291	1		P,D,C,V	
24	4188 572	1			GATE, Col. Gearshift Lever
25					Screw (Not Serviced)
26	4019 588	1			SPRING, Lock Cylinder Retainer
27	4019 548	1			PLUNGER, Lock Cylinder Retainer
28					Screw (Not Serviced)
29	3575 256	1			SPRING, Strg. Col. Lock Control Housing (Floor Shift)
30	3575 257	1			BUMPER, Strg. Col. Lock Control Housing (Floor Shift)
31		1			POINTER, Gear Selector Indicator (See Group 21)
32	0125 735	1			Screw, Set, Col. Shift
33					SEE Group 8 Electrical
34					LEVER, Assy. Strg. Col. Gearshift (See Group 21)

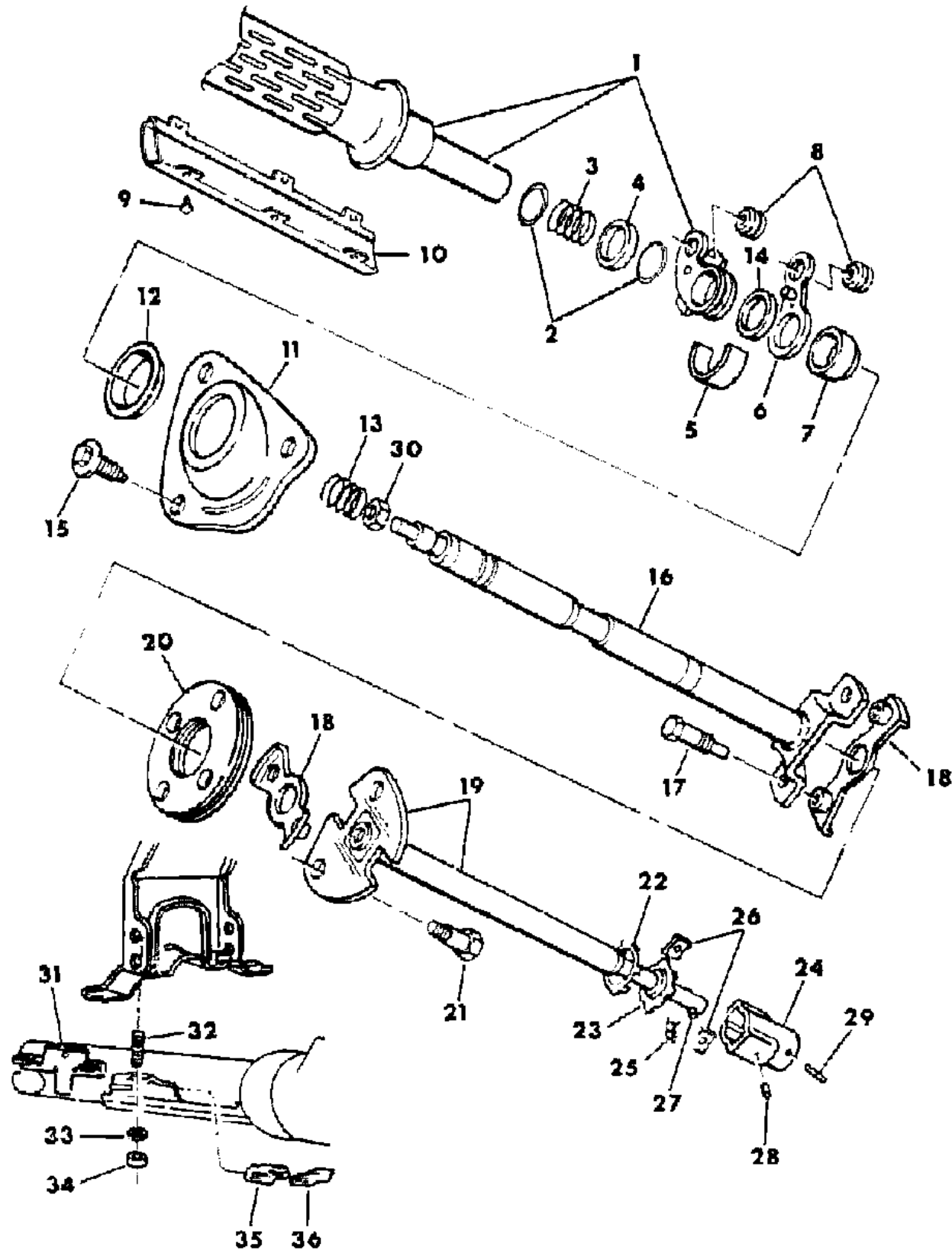
MODEL CODES  
 B = GRAN FURY/CARAVELLE      P = RELIANT  
 C = LEBARON/TOWN & COUNTRY      S = CORDOBA  
 D = ARIES      V = 400  
 F = NEW YORKER      X = MIRADA  
 G = DIPLOMAT      Y = IMPERIAL  
 M = HORIZON/TC3/SCAMP      Z = OMNI/O24/RAMPAGE

BODY STYLES  
 21 = 2-DOOR SEDAN      28 = FWD PICKUP  
 22 = 2-DOOR SPECIAL COUPE      41 = 4-DOOR SEDAN  
 24 = 2-DOOR HATCHBACK      44 = 4-DOOR HATCHBACK  
 27 = 2-DOOR CONVERTIBLE      45 = 2-SEAT STATION WAGON

AR = Use as Required - = Non Illustrated Part P.A.R. = Paint as Required

**STEERING COLUMN (Lower) Except Tilt Strg. B,F,G,X,S**  
**Figure 19-1000**

2119 1000



ITEM	PART NUMBER	QTY	BODY	MODEL	DESCRIPTION
1	3748 247	1		B,F,G	TUBE, Strg. Col. Gearshift, w/Auto. Trans., w/Col.Shift
	4019 854	1		X,S	w/Auto. Trans. Col. Shift
2		2			WASHER, Tube Retainer (Serviced in Tube Assy.)
3		1			SPRING, Tube Retainer (Serviced in Tube Assy.)
4	3748 241	1			BEARING, Strg. Col. Shaft
5	3575 082	1			SEAL, Strg. Col. Jacket to Tube
6		1			
7	3748 229	1		B,F,G,X	SUPPORT, Shaft Bearing (Floor Shift)
8					
9	6015 925	4			RETAINER, Wiring Trough
10	6015 925	4		ALL	RETAINER, Wiring Trough
11	3748 802	1		B,F,G	PLATE, Jacket Support
	4019 856	1		X,S	
12	3748 634	1			GROMMET, Strg. Col.
13	3748 242	1			SPRING, Strg. Col. Lower Bearing
15	0181 088	3			SCREW and WASHER, Jacket Support Plate
16	4094 080	1		B,F,G	SHAFT, Strg. Col. Upper,
	4019 858	1		X,S	
17	6031 801	2		ALL	BOLT, Strg. Col. Shaft Coupling
18	4186 826	2		ALL	STRAP PKG., Steering Col. Coupling, w/Bolts
19	3748 649	1		B,F G	SHAFT, Strg. Col. Coupling, Intermediate, w/Power Strg.
20	3748 310	1			COUPLING, Strg. Col. Shaft
21	6031 802	2		ALL	BOLT, Strg. Col. Shaft Coupling
22	2530 538	1		ALL	COVER, Shaft Coupling Body
23	4019 278	1		ALL	SEAL, Shaft Coupling Body
24	3837 669	1		ALL	BODY, Strg. Col. Shaft Coupling, w/Power Strg.
25	2925 492	1		ALL	SPRING, Shaft Coupling Body
26	2800 738	2		ALL	SHOE, Strg. Col. Shaft Coupling Body
27	2266 743	1		ALL	PIN, Strg. Col. Intermediate Shaft Coupling
28	6029 951	1		ALL	PIN, Coupling Body
29	6028 750	1		ALL	PIN, Spring Coupling
30	6500 126	1		ALL	NUT, Steering Wheel
31	4019 759	1			PLATE, Strg. Col. Switch Mounting
32	6027 947	2			STUD, Strg. Col. Mounting
33	6027 404	2			WASHER, Stud
34	6027 403	2			Nut, Stud
35	4019 028	1			CLIP, Strg. Col. Ground

**MODEL CODES**

B = GRAN FURY/CARAVELLE	P = RELIANT
C = LEBARON/TOWN & COUNTRY	S = CORDOBA
D = ARIES	V = 400
F = NEW YORKER	X = MIRADA
G = DIPLOMAT	Y = IMPERIAL
M = HORIZON/TC3/SCAMP	Z = OMNI/O24/RAMPAGE

**BODY STYLES**

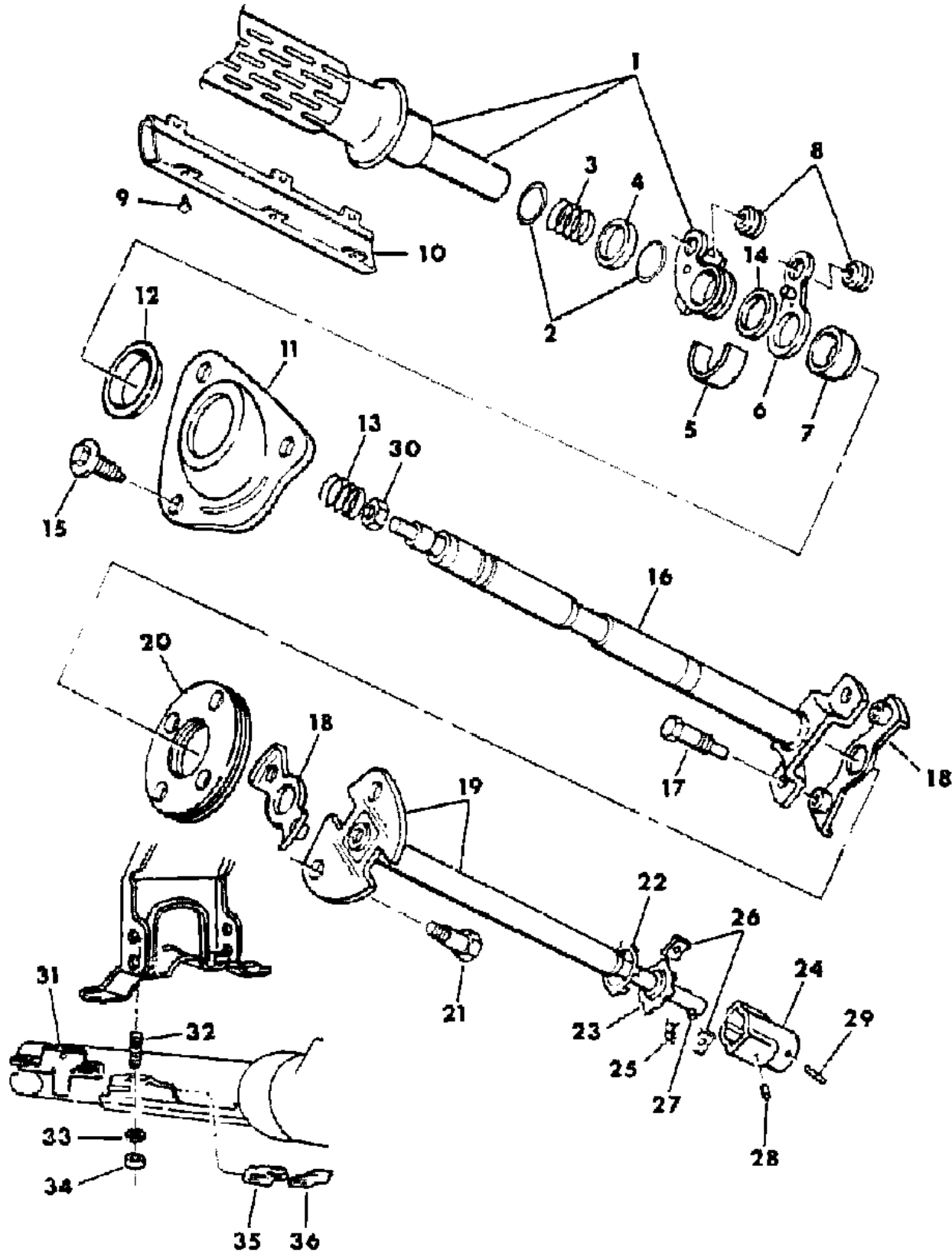
21 = 2-DOOR SEDAN	28 = FWD PICKUP
22 = 2-DOOR SPECIAL COUPE	41 = 4-DOOR SEDAN
24 = 2-DOOR HATCHBACK	44 = 4-DOOR HATCHBACK
27 = 2-DOOR CONVERTIBLE	45 = 2-SEAT STATION WAGON

AR = Use as Required - = Non Illustrated Part P.A.R. = Paint as Required

STEERING COLUMN (Lower) Except Tilt Strg. B,F,G,X,S  
Figure 19-1000

2119 1000

ITEM	PART NUMBER	QTY	BODY	MODEL	DESCRIPTION
36	3748 492	2			SPACER, Strg. Col. Ground Clip



MODEL CODES

- |                            |                      |
|----------------------------|----------------------|
| B = GRAN FURY/CARAVELLE    | P = RELIANT          |
| C = LEBARON/TOWN & COUNTRY | S = CORDOBA          |
| D = ARIES                  | V = 400              |
| F = NEW YORKER             | X = MIRADA           |
| G = DIPLOMAT               | Y = IMPERIAL         |
| M = HORIZON/TC3/SCAMP      | Z = OMNI/O24/RAMPAGE |

BODY STYLES

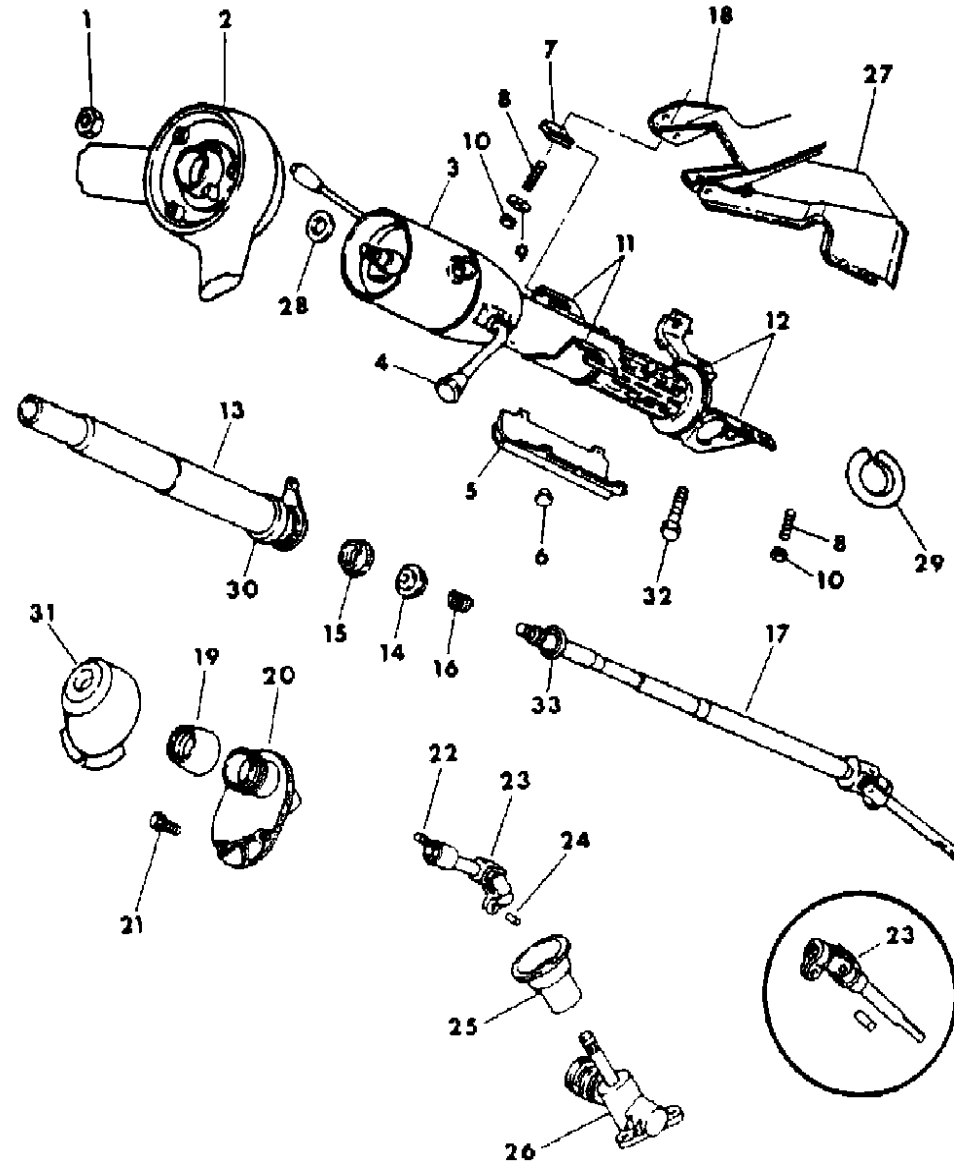
- |                           |                           |
|---------------------------|---------------------------|
| 21 = 2-DOOR SEDAN         | 28 = FWD PICKUP           |
| 22 = 2-DOOR SPECIAL COUPE | 41 = 4-DOOR SEDAN         |
| 24 = 2-DOOR HATCHBACK     | 44 = 4-DOOR HATCHBACK     |
| 27 = 2-DOOR CONVERTIBLE   | 45 = 2-SEAT STATION WAGON |

AR = Use as Required - = Non Illustrated Part P.A.R. = Paint as Required



**STEERING COLUMN (LOWER) & RELATED PARTS w/ or w/o Tilt Strg. P,D,V,C**  
**Figure 19-1050**

3116 1050A



ITEM	PART NUMBER	QTY	BODY	MODEL	DESCRIPTION
1	6500 126	1			NUT, Strg. Wheel
2					WHEEL, Strg. (See Strg. Wheels)
3					STEERING COLUMN (See Strg. Column Upper)
4					LEVER, Gear Shift (See Group 21)
5	5211 997	1			TROUGH, Strg. Col. Wiring
6	6015 925	4			RETAINER, Trough
7	3748 492	2			SPACER, Strg. Col. Support Bracket
8	6500 240	5			STUD, Strg. Col. Mounting
9					WASHER (Not Serviced)
10	6500 512	5			NUT, Strg. Col. Mounting Stud
11		1			BRACKET, Strg. Col. Support Upper (Serviced in Jacket Assy.)
12		1			BRACKET, Strg. Col. Support Lower (Serviced in Jacket Assy.) w/o Tilt Strg.
	4188 284	1			w/Tilt Strg.
13	4188 295	1			TUBE, Strg. Col. Gearshift, w/Auto. Trans. Col. Shift
14	3748 241	1			BEARING, Strg. Col. Shaft (Col Shift), w/o Tilt Strg.
	4188 307	1			w/Tilt Strg.
15	3748 229	1			SUPPORT, Strg. Col. Shaft Bearing (Floor Shift), w/o Tilt Strg.
	4188 314	1			RETAINER, Bearing, w/Tilt Strg.
16	3748 242	1			SPRING, Strg. Col. Lower Bearing
17	4188 275	1			SHAFT, Strg. Col. Upper, (Except Tilt Strg.)
	4188 273	1			(Tilt Strg. only)
18		1			BRACKET, Strg. Col. Support (See Brake Group 5)
19	#4188 794	1			SEAL, Strg. Shaft
20	5212 000	1			COVER, Dash Seal
21					SCREW, Dash Seal Cover (Not Serviced)
22	4188 296	1			SPRING, Strg. Shaft Coupling
23	4188 280	1			COUPLING ASSY. Lower Strg. Shaft (Man. Strg.)
	4188 281	1			(Power Strg.)
24	6500 148	1			PIN, Strg. Shaft Coupling
25	4188 335	1			SHIELD, Strg. Shaft Coupling (Man. Strg.)
	4188 336	1			(Power Strg.)
26					GEAR ASSY. (See Strg. Gear)
27					BRACKET, Brake Pedal (See Brake Group 5)
28	6024 333	1			SNAP RING, Strg. Col. Shaft Bearing Upper
29	#P446 AT6	1			SHIELD, Instrument Panel to Steering Column (Paint as required)
	P429 VT6	1			Tan

**MODEL CODES**

B = GRAN FURY/CARAVELLE	P = RELIANT
C = LEBARON/TOWN & COUNTRY	S = CORDOBA
D = ARIES	V = 400
F = NEW YORKER	X = MIRADA
G = DIPLOMAT	Y = IMPERIAL
M = HORIZON/TC3/SCAMP	Z = OMNI/O24/RAMPAGE

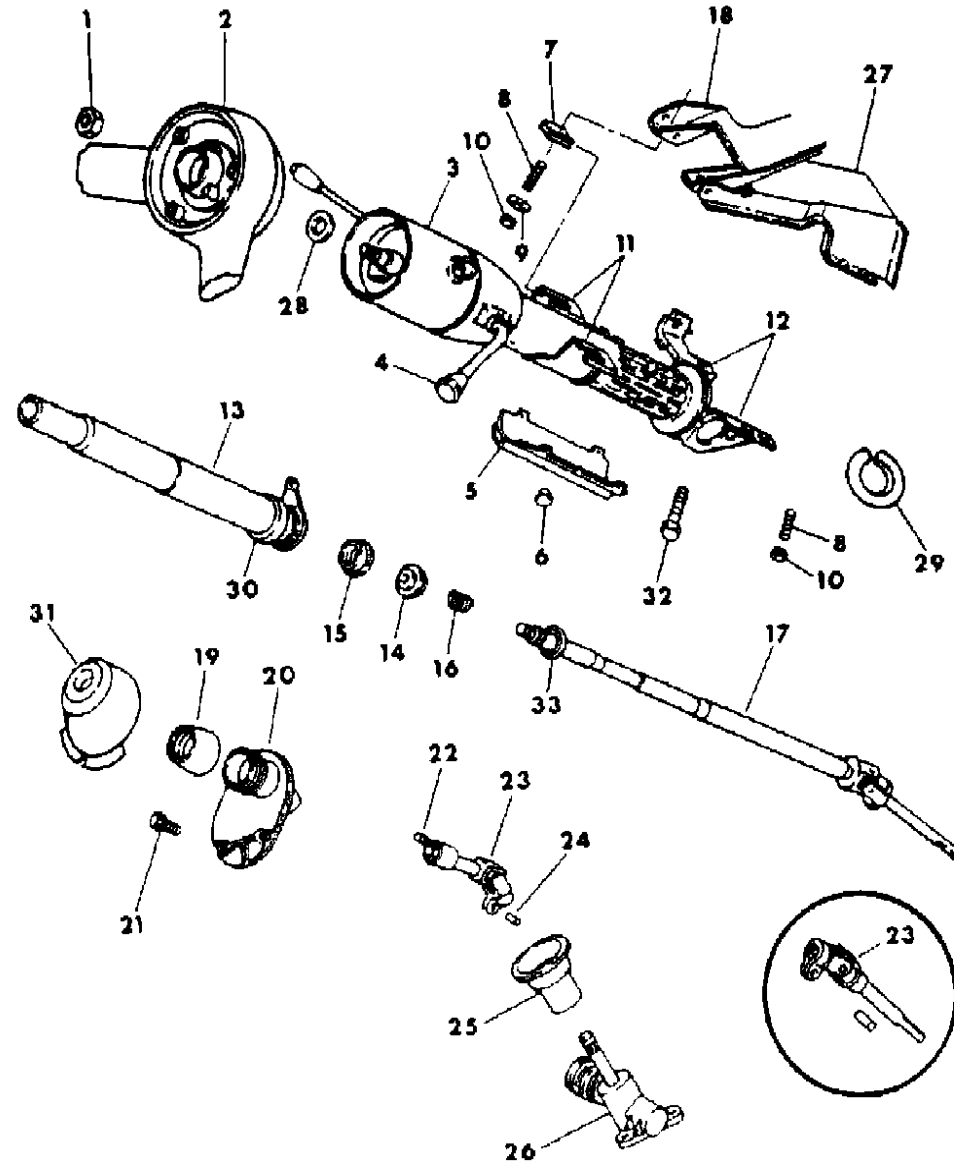
**BODY STYLES**

21 = 2-DOOR SEDAN	28 = FWD PICKUP
22 = 2-DOOR SPECIAL COUPE	41 = 4-DOOR SEDAN
24 = 2-DOOR HATCHBACK	44 = 4-DOOR HATCHBACK
27 = 2-DOOR CONVERTIBLE	45 = 2-SEAT STATION WAGON

AR = Use as Required - = Non Illustrated Part P.A.R. = Paint as Required

**STEERING COLUMN (LOWER) & RELATED PARTS w/ or w/o Tilt Strg. P,D,V,C**  
**Figure 19-1050**

3116 1050A



ITEM	PART NUMBER	QTY	BODY	MODEL	DESCRIPTION
30	#3575 082	1			SEAL, Strg. Col. Jacket to Tube
31	#4206 432	1			COVER, Dash, Strg. Col.
32	#6101 221	2			BOLT, Strg. Col. Support Bracket, w/Tilt Strg.
33	#6030 655	1			"O"RING, Strg. Col. Shaft

**MODEL CODES**

B = GRAN FURY/CARAVELLE	P = RELIANT
C = LEBARON/TOWN & COUNTRY	S = CORDOBA
D = ARIES	V = 400
F = NEW YORKER	X = MIRADA
G = DIPLOMAT	Y = IMPERIAL
M = HORIZON/TC3/SCAMP	Z = OMNI/O24/RAMPAGE

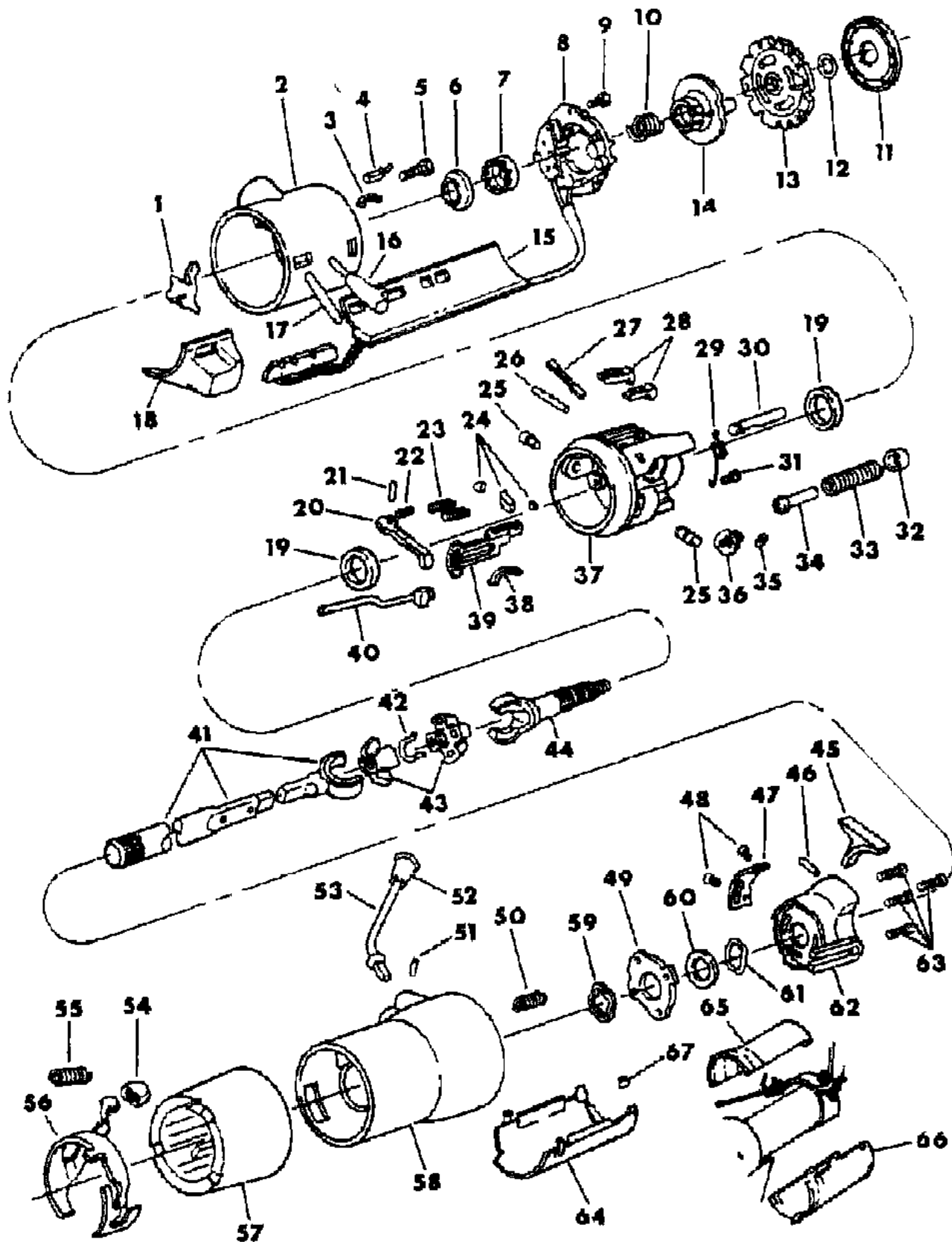
**BODY STYLES**

21 = 2-DOOR SEDAN	28 = FWD PICKUP
22 = 2-DOOR SPECIAL COUPE	41 = 4-DOOR SEDAN
24 = 2-DOOR HATCHBACK	44 = 4-DOOR HATCHBACK
27 = 2-DOOR CONVERTIBLE	45 = 2-SEAT STATION WAGON

AR = Use as Required - = Non Illustrated Part P.A.R. = Paint as Required

TILT STEERING COLUMN (UPPER) P,D,V,C,B,F,G,X,S,Y  
Figure 19-1100

2119 1100



ITEM	PART NUMBER	QTY	BODY	MODEL	DESCRIPTION
1	4019 778	1			SHIELD, Tilt Lever Opening
2	4188 481	1		P,D,V,C	COVER, Lock Housing
	4188 480	1		X,S,Y	
3	4019 793	1			CLIP, Buzzer Switch Retaining
4	3488 432	1			SWITCH, Ignition Key Buzzer
5	3467 402	2			SCREW, Oval Head Cross Recess
6	2781 675	1			RACE, Inner
7	3575 980	1			SEAT, Upper Bearing Inner Race
8		1			SWITCH, Turn Signal and Hazzard Warning (See group8)
9	3467 814	3			SCREW, Binding Head Cross Recess
10	3575 981	1			SPRING, Upper Bearing
11		1			COVER, Shaft Lock
12	2925 062	1			RING, Retainer
13	4019 336	1			LOCK, Shaft
14	4188 484	1			CAM, Turn Signal Switch Cancelling
15	4188 202	1		B,F,G,X	TROUGH, Strg. Column Wiring
	5211 997	1		P,D,V,C	
16		1			LEVER, Turn Signal Indicator, (See Group 8)
17	4019 909	1			LEVER, Strg. Col. Release Lock
18	4188 482	1			CAP, End Cover
19	2950 549	2			BEARING, Strg. Shaft Upper
20	4188 478	1			LEVER, Shoe Release
21	2880 259	1			PIN, Shoe Release Lever
22	2880 262	1			SPRING, Shoe Release Lever
23	3467 392	2			SPRING, Shoe
24	3467 378	3			BUMPER
25	3467 823	2			PIN, Pivot
26	3467 382	1			PIN, Dowel
27	3467 817	1			SHAFT, Drive
28	3467 388	1			SHOE, Strg. Wheel Lock, w/3 Position
	4019 785	1			w/4 Position
29	3467 390	1			SPRING, Lock Bolt
30	3467 377	1			BOLT, Lock
31	3467 431	1			SCREW, Hex. Washer Head
	3467 385	1			SCREW, Hex. Washer Head
32	2880 367	1			RETAINER, Spring
33	3575 695	1			SPRING, Wheel Tilt

MODEL CODES

B = GRAN FURY/CARAVELLE	P = RELIANT
C = LEBARON/TOWN & COUNTRY	S = CORDOBA
D = ARIES	V = 400
F = NEW YORKER	X = MIRADA
G = DIPLOMAT	Y = IMPERIAL
M = HORIZON/TC3/SCAMP	Z = OMNI/O24/RAMPAGE

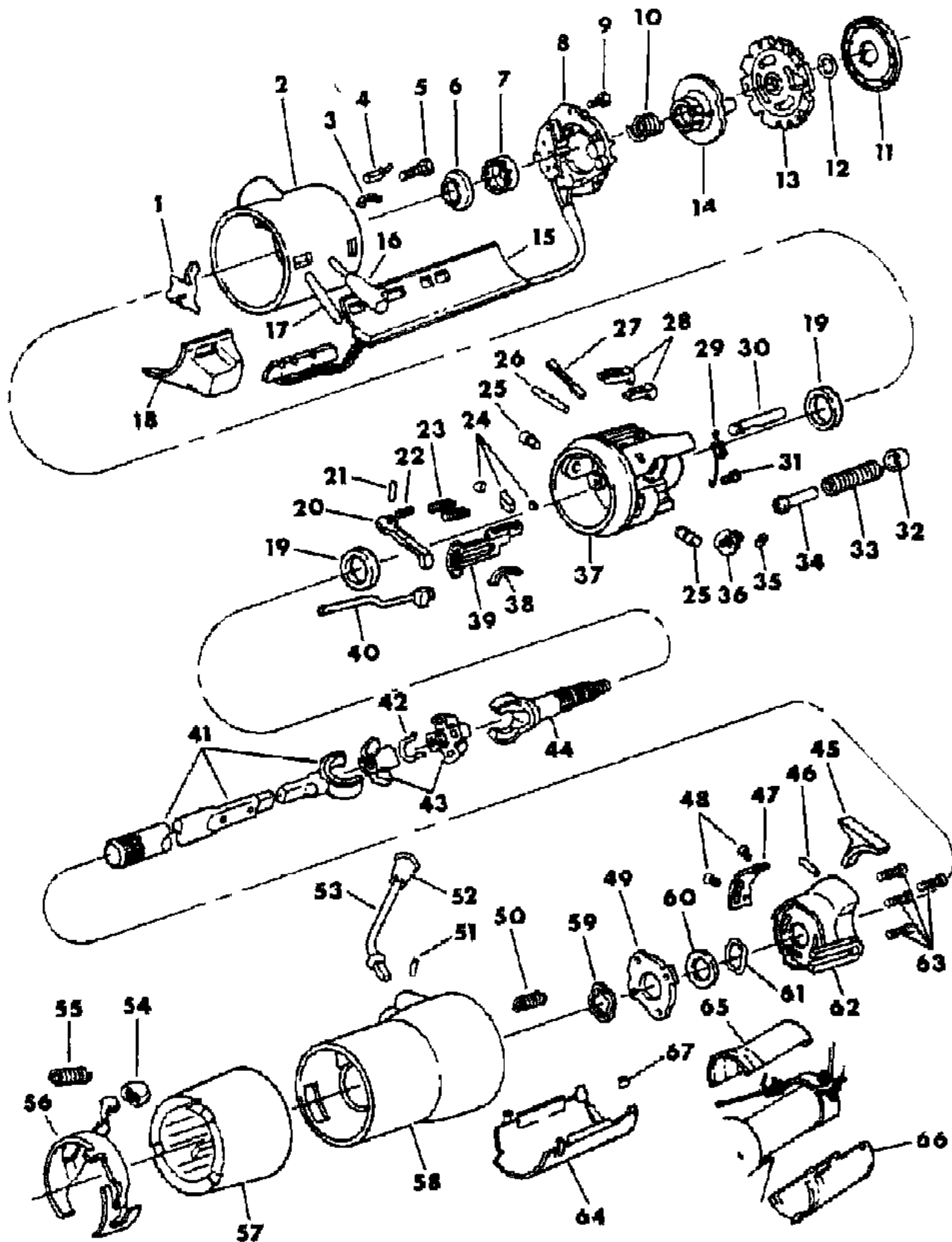
BODY STYLES

21 = 2-DOOR SEDAN	28 = FWD PICKUP
22 = 2-DOOR SPECIAL COUPE	41 = 4-DOOR SEDAN
24 = 2-DOOR HATCHBACK	44 = 4-DOOR HATCHBACK
27 = 2-DOOR CONVERTIBLE	45 = 2-SEAT STATION WAGON

AR = Use as Required - = Non Illustrated Part P.A.R. = Paint as Required

TILT STEERING COLUMN (UPPER) P,D,V,C,B,F,G,X,S,Y  
Figure 19-1100

2119 1100



ITEM	PART NUMBER	QTY	BODY	MODEL	DESCRIPTION
34	2880 361	1			GUIDE, Spring
35	3467 384	1			RING, Retaining
36	4019 781	1			SECTOR, Switch Actuator
37	4188 479	1			HOUSING, Steering Col. Shaft, Upper Bearing
38	3467 391	1			SPRING, Rack Preload
39	4019 786	1			RACK, Switch Actuator
40	4188 486	1	B,F,G,X		ACTUATOR, Switch w/o Console
	4188 716	1	P,D,V,C		w/o Console
	4188 487	1	B,F,G,X		w/Console
	4188 717	1	P,D,V,C		w/Console
41	4188 315	1	B,F,G		SHAFT ASSY. Strg. Column
	4188 317	1	X,S,Y		
	4188 316	1	P,D,V,C		
	4188 476	1	B,F,G		SHAFT ASSY., Lower
	4188 322	1	P,D,V,C		SHAFT ASSY., Lower
	4188 477	1	X,S Y		SHAFT ASSY., Lower
42		1			SPRING, (Service in 3514995 Kit)
43	3514 995	1			SPHERE, and Spring, Service Kit
44	4094 094	1			SHAFT, Upper w/Race, Strg. Column
44A	3748 501	1	B,F,G,X		SPACER, Upper Strg. Shaft (Col. Shift)
	4188 485	1	P,D,V,C		SPACER, Lower Strg. Shaft
45	4019 296	1			PLATE, Shroud Retaing, w/Floor Shift
46	2880 259	1			PIN, Release Lever
47	3748 497	1			GATE, Shift Lever
48	3467 402	2			SCREW, Oval Head Cross Recess
49	3748 498	1			PLATE, Lock
50	2880 284	1			SPRING, Strg. Column Shift Lever
51	0152 233	1			PIN, Lever Spring
52	2883 402	1			KNOB, Column Shift Lever
53	4188 197	1		Except	LEVER W/Knob, Column GearshiFt
	4188 304	1	F-S,Y		
54	4019 619	1			PAD, Key Release Lever, w/Floor Shift
55	4019 298	1			SPRING, Key Release, w/Floor Shift
56	4019 297	1			LEVER, Key Release, w/Floor Shift
57	4188 325	1			SHROUD, Col. Housing, w/Floor Shift
58	4188 638	1		Except	BOWL, Gearshift Lever, w/Col. Shift
	4188 639	1	X,S,Y		

MODEL CODES

B = GRAN FURY/CARAVELLE	P = RELIANT
C = LEBARON/TOWN & COUNTRY	S = CORDOBA
D = ARIES	V = 400
F = NEW YORKER	X = MIRADA
G = DIPLOMAT	Y = IMPERIAL
M = HORIZON/TC3/SCAMP	Z = OMNI/O24/RAMPAGE

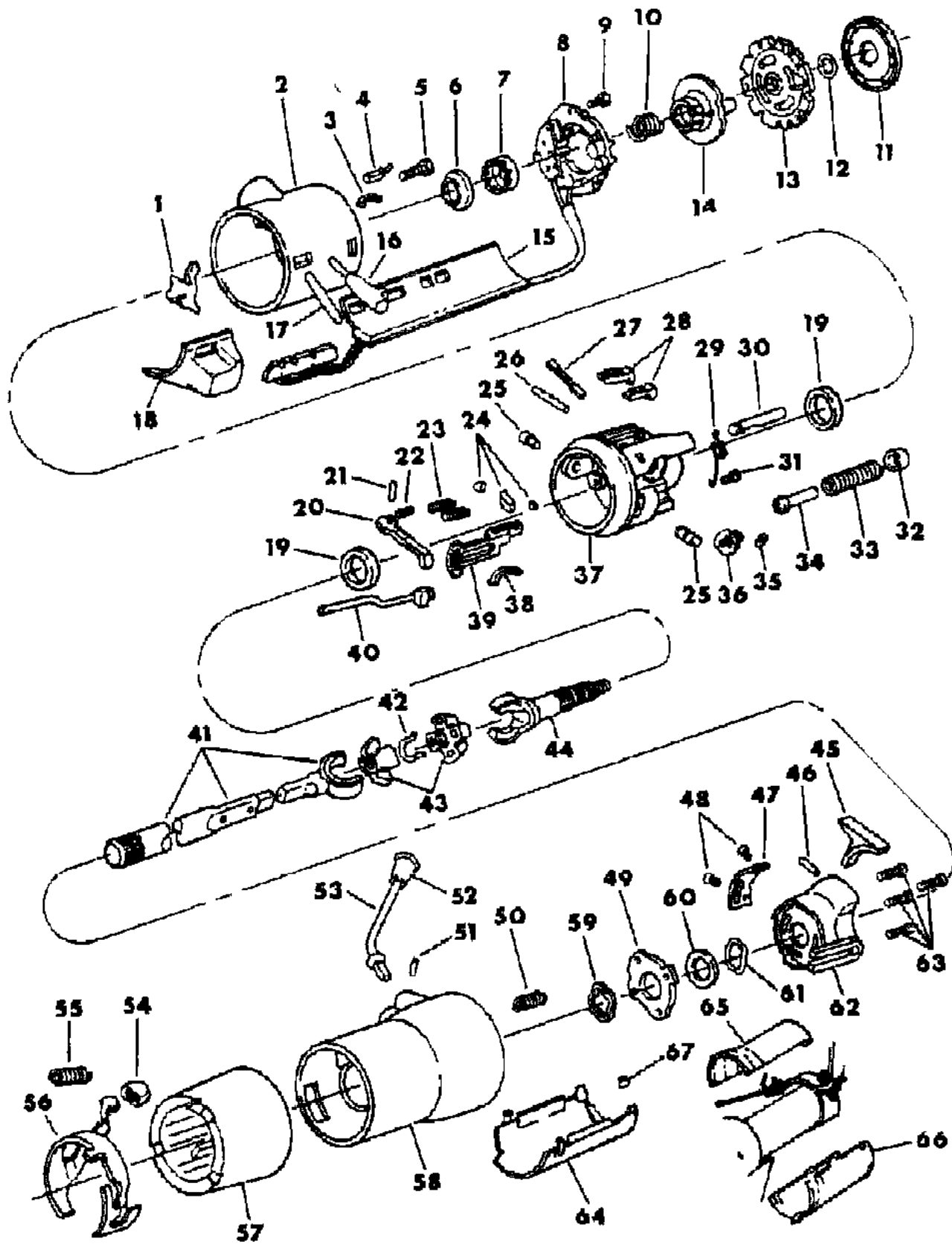
BODY STYLES

21 = 2-DOOR SEDAN	28 = FWD PICKUP
22 = 2-DOOR SPECIAL COUPE	41 = 4-DOOR SEDAN
24 = 2-DOOR HATCHBACK	44 = 4-DOOR HATCHBACK
27 = 2-DOOR CONVERTIBLE	45 = 2-SEAT STATION WAGON

AR = Use as Required - = Non Illustrated Part P.A.R. = Paint as Required

TILT STEERING COLUMN (UPPER) P,D,V,C,B,F,G,X,S,Y  
Figure 19-1100

2119 1100



ITEM	PART NUMBER	QTY	BODY	MODEL	DESCRIPTION
59	3748 592	1			WASHER, Wave (Col. Shift)
60	3467 423	1			WASHER, Thrust
61	3467 415	1			RING, Shift Tube Retainer
62	4019 780	1			SUPPORT, Bearing Housing, w/o Console
	4188 036	1		H,N,X,S	w/Console
63	3748 500	4			SCREW, Support
64	4188 203	1		X,S,Y	COVER, Gearshift Bowl, w/Col. Shift
65	4188 032	1		X,S	EXTENSION, Strg. Col. Shroud, Upper, w/Floor Shift
66	4188 033	1		X,S	EXTENSION, Strg. Col. Shroud, Lower, w/Floor Shift
67	6015 925	4			RETAINER, Strg. Col. Wiring Trough
68	4188 492	1			SPRING PIN, Preload
69	4188 318	1			SEAL, Strg. Shaft, w/Floor Shift
70	#6500 126	1			NUT, Strg. Wheel

MODEL CODES

B = GRAN FURY/CARAVELLE	P = RELIANT
C = LEBARON/TOWN & COUNTRY	S = CORDOBA
D = ARIES	V = 400
F = NEW YORKER	X = MIRADA
G = DIPLOMAT	Y = IMPERIAL
M = HORIZON/TC3/SCAMP	Z = OMNI/O24/RAMPAGE

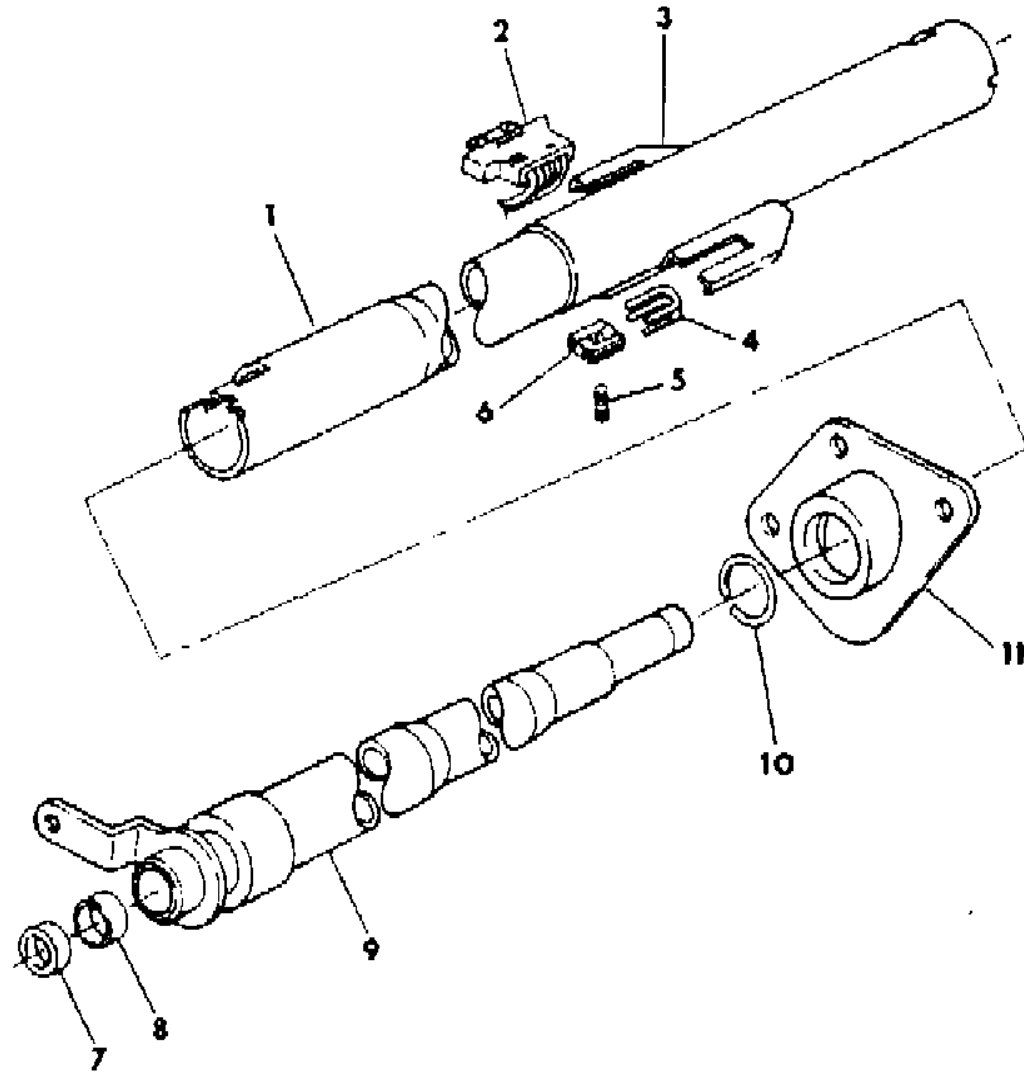
BODY STYLES

21 = 2-DOOR SEDAN	28 = FWD PICKUP
22 = 2-DOOR SPECIAL COUPE	41 = 4-DOOR SEDAN
24 = 2-DOOR HATCHBACK	44 = 4-DOOR HATCHBACK
27 = 2-DOOR CONVERTIBLE	45 = 2-SEAT STATION WAGON

AR = Use as Required - = Non Illustrated Part P.A.R. = Paint as Required

**TILT STEERING COLUMN (LOWER) P,D,V,C,B,F,G,X,S,Y**  
**Figure 19-1200**

2119 1200



ITEM	PART NUMBER	QTY	BODY	MODEL	DESCRIPTION
1	4188 308	1		B,F,G	JACKET ASSY. Strg. Col., w/ Col. Shift (Early Production)
	4188 830	1		B,F,G	(Late Production)
	4188 490	1		X,S	w/Floor Shift (Early Production)
	4188 834	1		X,S	(Late Production)
	4188 312	1		P,D,V,C	w/Floor Shift
	4188 309	1		X,S,Y	w/Col. Shift (Early Production)
	4188 831	1		X,S,Y	(Late Production)
	4188 311	1		P,D,V,C	w/Col. Shift
	4200 020	1		P,D,V,C	JACKET, w/Extension, w/Floor Shift
	4200 021	1		P,D,V,C	JACKET, w/Extension, w/Rivets, w/Floor Shift
	4200 022	1		P,D,V,C	JACKET, w/Switch Plate, w/Floor Shift
4200 023	1		P,D,V,C	JACKET, w/Upper Support, w/Floor Shift	
2					(See Group 8)
3	4019 271	1		B,F,G	BRACKET, Strg. Col. Support
	4188 284	1		P,D,V,C	Lower Jacket
	4019 028	1			CLIP, Strg. Col. Ground
4	6500 127	4		B,F,G	SCREW, w/Washer, Bracket To Strg. Col.
	6027 947	2		B,F,G,X	STUD, Strg. Col. Mounting
6	3748 492	2			SPACER, Strg. Col. Support Bracket
	4019 501	1		B,F,G,X	BEARING, Strg. Shaft, Lower, w/Col. Shift
7	4019 294	1		F,G,X,S	w/Floor Shift
	2530 566	1			INSULATOR, Bearing (Col, Shift)
9	4188 319	1		B,F,G	TUBE, Strg. Col. Gearshift, w/o Console
	4188 321	1		X,S,Y	w/o Console
	4188 320	1		P,D,V,C	w/o Console
10	3748 400	1		B,F,G,X	GROMMET, Strg. Col.
	4019 274	1		B,F,G,X	PLATE, Strg. Col. Jacket Support
12	2266 743	1		B,F,G,X	PIN, Strg. Col. Shaft Lower Coupling
13	3837 669	1		B,F,G,X	Body, Strg. Col. Shaft Coupling
14	2800 738	2		B,F,G,X	SHOE, Coupling Body
15	2530 538	1		B,F,G,X	COVER, Coupling Body
16	4106 199	1		B,F,G,X	STRAP PACKAGE, Strg. Col. Coupling, w/Bolts
17	6030 999	2			BOLT, Coupling
18	4106 154	1		B,F,G,X	FLANGE, Strg. Col. Shaft Coupling
19	3748 263	1		B,F,G,X	COUPLING, Strg. Col. Shaft
20	4019 262	1		B,F,G,X	SHAFT, Strg. Col. Coupling Intermediate, 6.34" Lgh
21	6031 168	2		B,F,G,X	BOLT, Coupling

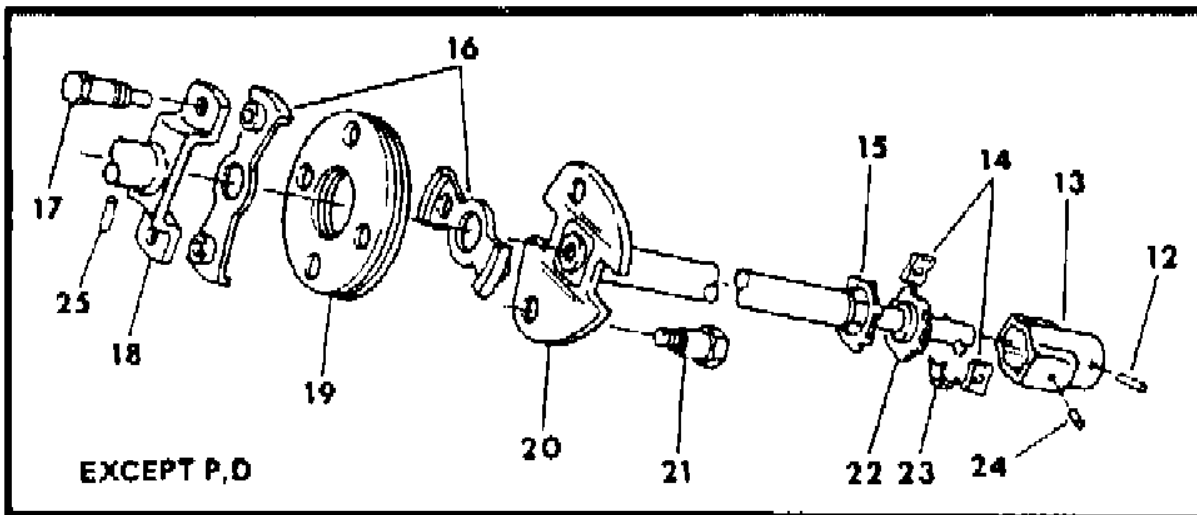
**MODEL CODES**

B = GRAN FURY/CARAVELLE	P = RELIANT
C = LEBARON/TOWN & COUNTRY	S = CORDOBA
D = ARIES	V = 400
F = NEW YORKER	X = MIRADA
G = DIPLOMAT	Y = IMPERIAL
M = HORIZON/TC3/SCAMP	Z = OMNI/O24/RAMPAGE

**BODY STYLES**

21 = 2-DOOR SEDAN	28 = FWD PICKUP
22 = 2-DOOR SPECIAL COUPE	41 = 4-DOOR SEDAN
24 = 2-DOOR HATCHBACK	44 = 4-DOOR HATCHBACK
27 = 2-DOOR CONVERTIBLE	45 = 2-SEAT STATION WAGON

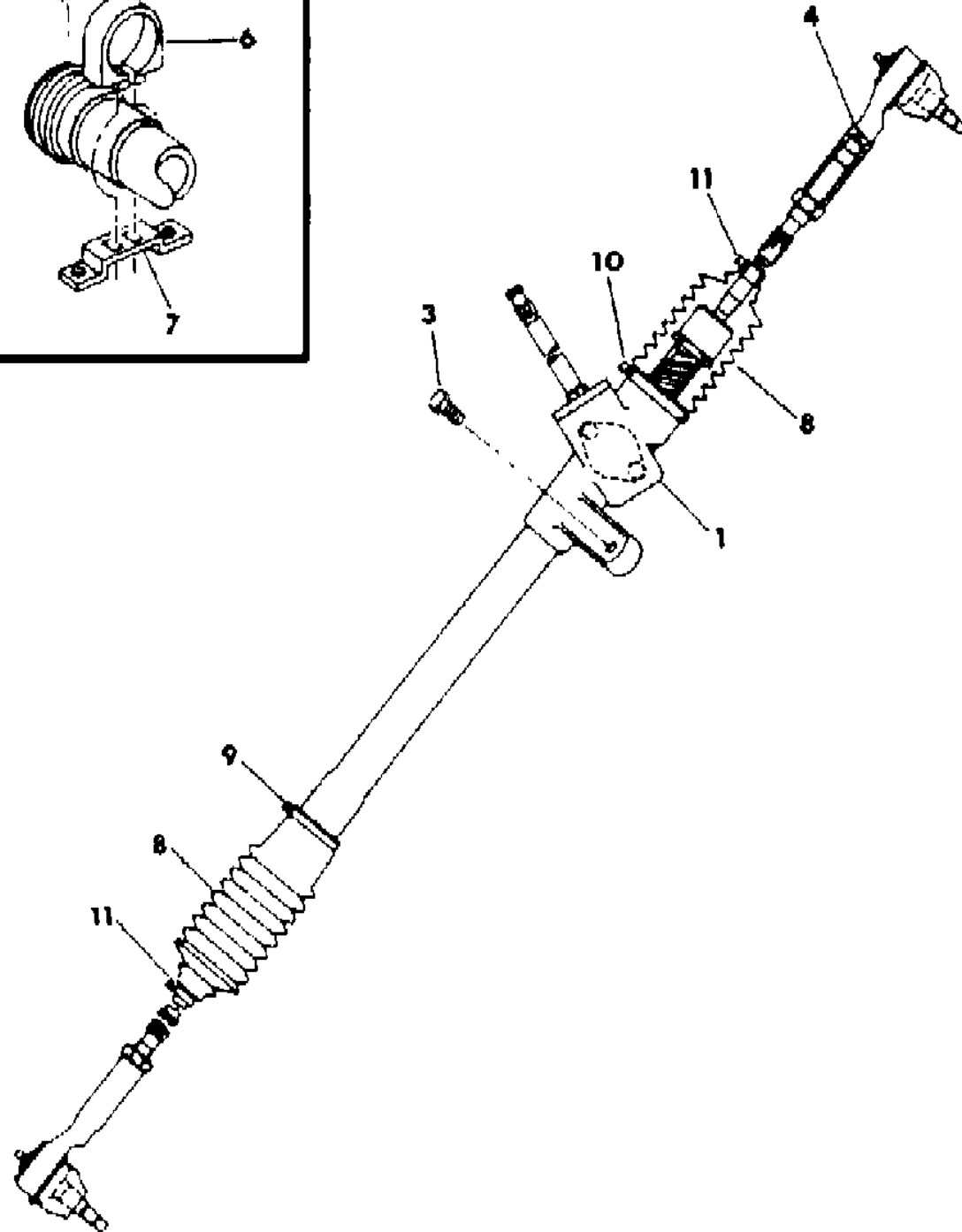
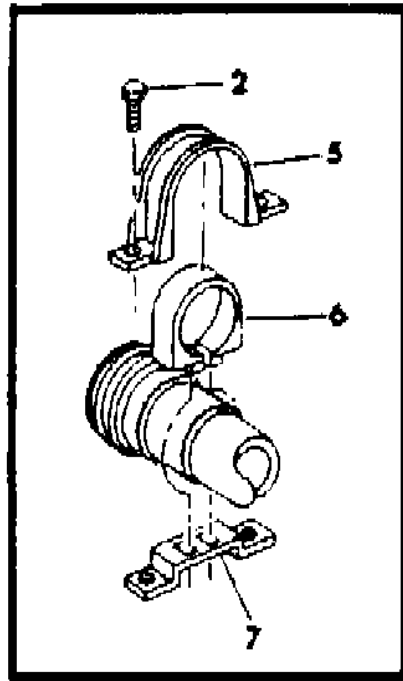
AR = Use as Required - = Non Illustrated Part P.A.R. = Paint as Required





**RACK AND PINION MANUAL STEERING GEAR AND ATTACHING PARTS M,Z,P,D,V,C**  
**Figure 19-1300**

2119 1300



ITEM	PART NUMBER	QTY	BODY	MODEL	DESCRIPTION
1	3815 801	1		M,Z	GEAR, Rack and Pinion (Manual Strg.)
	3643 360	1		P,D,V,C	
2	6100 576	2			BOLT, Rack and Pinion Strg. Gear, Rt.
3	6101 265	2			BOLT, Rack and Pinion Strg. Gear, Lt.
4	4106 180	2			TIE ROD, Strg. Gear, Outer End
5	5205 225	1			BRACKET, Rack Pinion Strg. Gear Mounting Outer
6	5205 227	1			BUSHING, Rack and Pinion Strg. Gear Mounting
7	5205 226	1			BRACKET, Rack and Pinion Strg. Gear Mounting Inner
8	4131 348	1			SERVICE KIT, Boot and Clamp, Rt. Consists of: 1 - ----- Boot, Tie Rod to Rack Tube, Rt. 1 - 5205313 Clamp, Boot to Tie Rod 1 - 5205315 Clamp, Boot to Tube, Rt.
	4131 349	1			SERVICE KIT, Boot and Clamp, Lt. Consists of: 1 - ----- Boot, Tie Rod to Housing, Lt. 1 - 5205313 Clamp, Boot to Tie Rod 1 - 5205314 Clamp, Boot to Casting, Lt.
9	3815 816	1			CLAMP, Boot to Tube, Rt.
10	3815 811	1			CLAMP, Boot to Tube, Lt. (Gear Housing)
11	5205 313	2			CLAMP, Boot to Tie Rod

**MODEL CODES**

B = GRAN FURY/CARAVELLE	P = RELIANT
C = LEBARON/TOWN & COUNTRY	S = CORDOBA
D = ARIES	V = 400
F = NEW YORKER	X = MIRADA
G = DIPLOMAT	Y = IMPERIAL
M = HORIZON/TC3/SCAMP	Z = OMNI/O24/RAMPAGE

**BODY STYLES**

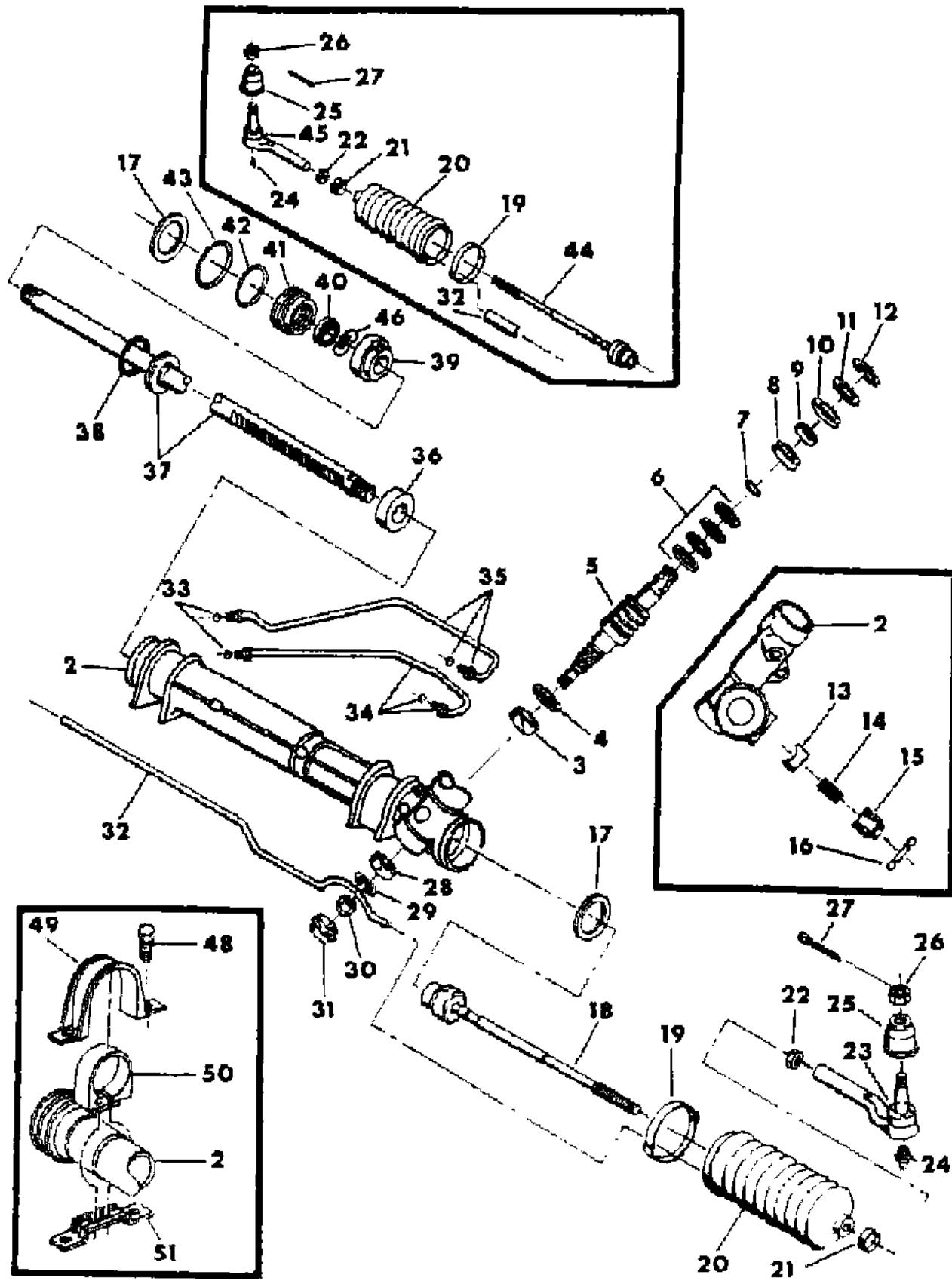
21 = 2-DOOR SEDAN	28 = FWD PICKUP
22 = 2-DOOR SPECIAL COUPE	41 = 4-DOOR SEDAN
24 = 2-DOOR HATCHBACK	44 = 4-DOOR HATCHBACK
27 = 2-DOOR CONVERTIBLE	45 = 2-SEAT STATION WAGON

AR = Use as Required - = Non Illustrated Part P.A.R. = Paint as Required



RACK AND PINION POWER STEERING GEAR AND ATTACHING PARTS M,Z  
Figure 19-1400

2119 1400



ITEM	PART NUMBER	QTY	BODY	MODEL	DESCRIPTION
	4106 180	2			PACKAGE, Tie Rod, Outer Consists of: 1 ----- Tie Rod, Outer 1- 6500121 Nut 1 ----- Pin, Cotter
	5205 328	1			SERVICE KIT, Valve Pinion, Assy., w/Normal Duty Suspension w/(S/C-S12)
	5205 336	1			w/Firm Feel Suspension w/(S/C-S14) Consists of: 1 ----- Bushing, Upper Pinion 1 ----- Seal, Rack and Pinion 1 ----- Valve Assy. w/Pinion 4 ----- Ring, Valve Body
	5205 290	2			1- 5205288 Ring, Retaining, Spool Shaft 1 ----- Seal, Stub Shaft 1 ----- Seal, Stub Shaft Dust SERVICE KIT, Boot Consists, of: 1 ----- Boot, Rack and Pinion 1- 5205277 Clamp, Boot
	5205 291	2			SERVICE KIT, Inner Tie Rod, Assy. Consists of: 1- 5205287 Ring, Shock Dampener 1- 5205277 Clamp, Boot 1- 5205275 Nut, Hex Jam
	3815 813	1			SERVICE KIT, Bulkhead, Assy. Consists, of: 1- 5205277 Clamp, Boot 1 ----- Bulkhead, Cylinder Inner 1 ----- Seal, Rack and Pinion (Bulkhead) 1 ----- Seal, "O"Ring 1 ----- Bulkhead, Cylinder Outer 1 ----- Ring, Bulkhead Retaining
	5205 293	1			1 ----- Tie Rod, Assy., Inner 1 ----- Spring, Wave Washer SERVICE KIT, Seal Consists of:

MODEL CODES

B = GRAN FURY/CARAVELLE	P = RELIANT
C = LEBARON/TOWN & COUNTRY	S = CORDOBA
D = ARIES	V = 400
F = NEW YORKER	X = MIRADA
G = DIPLOMAT	Y = IMPERIAL
M = HORIZON/TC3/SCAMP	Z = OMNI/O24/RAMPAGE

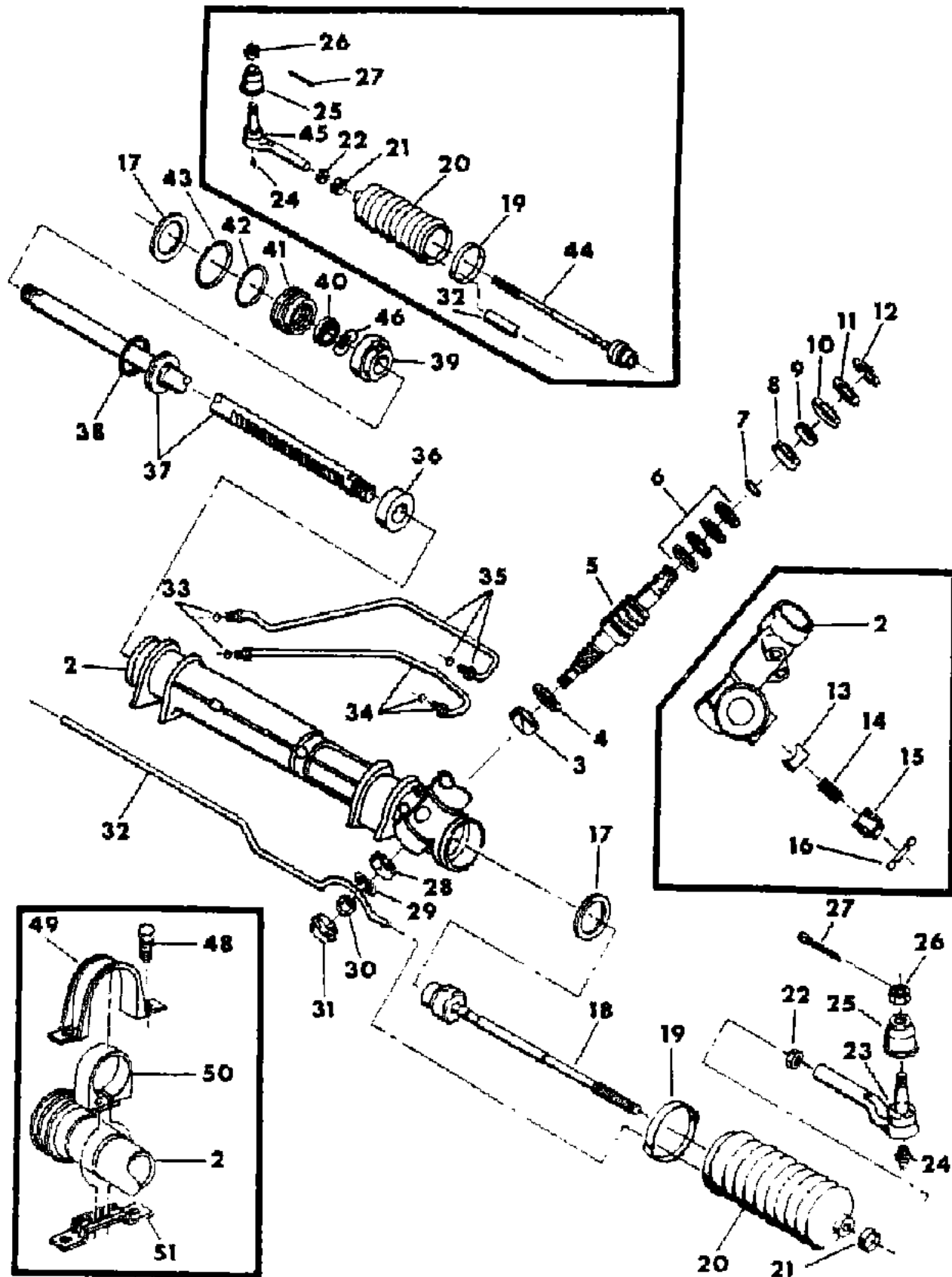
BODY STYLES

21 = 2-DOOR SEDAN	28 = FWD PICKUP
22 = 2-DOOR SPECIAL COUPE	41 = 4-DOOR SEDAN
24 = 2-DOOR HATCHBACK	44 = 4-DOOR HATCHBACK
27 = 2-DOOR CONVERTIBLE	45 = 2-SEAT STATION WAGON

AR = Use as Required - = Non Illustrated Part P.A.R. = Paint as Required

RACK AND PINION POWER STEERING GEAR AND ATTACHING PARTS M,Z  
Figure 19-1400

2119 1400



ITEM	PART NUMBER	QTY	BODY	MODEL	DESCRIPTION
					1- 5205277 Clamp, Boot
					1 ----- Seal, Inner Rack
					1 ----- Ring, Piston
					1 ----- Seal, Rack and Pinion (Bulkhead)
					1 ----- Seal, "O"Ring
					1 ----- Ring, Bulkhead Retaining
5205 295		1			SERVICE KIT, Pinion Bearing Consists of: 1 ----- Seal, Rack and Pinion
					1 ----- Seal, Stub Shaft
					1- 5205278 Ring, Seal Retaining
					1 ----- Seal, Stub Shaft Dust
					1 ----- Bearing, Ball, Assy.
5205 297		1			SERVICE KIT, Valve Ring Seal . Consists of: 4 ----- Ring, Valve Body
					1 ----- Seal, Stub Shaft
					1 ----- Seal, Stub Shaft Dust
5205 298		1			SERVICE KIT, Pinion and Shaft Seal Consists of: 1 ----- Bushing Upper Pinion
					1 ----- Seal, Rack and Pinion
					1 ----- Seal, Stub Shaft
					1 ----- Seal, Stub Shaft Dust
5205 299		1			SERVICE KIT, Spool Shaft Bearing, Assy. Consists of: 1 ----- Seal, Rack and Pinion
					1 ----- Annulus, Stub Shaft Bearing
					1 ----- Bearing, Needle
					1 ----- Seal, Stub Shaft
					1 ----- Seal, Stub Shaft Dust
1-46	3815 833	1		28,44	GEAR, Assy. Rack and Pinion
	3815 833	1		24	w/(S/C-S12) Normal Suspension
	3815 834	1		24	w/(S/C-S14) Firm Feel Suspension
2	3818 887	1			HOUSING, Assy.
3		1			Bushing, Upper Pinion (Served in 5205328, 5205298)
4		1			SEAL, Rack and Pinion (Served in 5205328, 5205298, 5205299)

MODEL CODES

B = GRAN FURY/CARAVELLE	P = RELIANT
C = LEBARON/TOWN & COUNTRY	S = CORDOBA
D = ARIES	V = 400
F = NEW YORKER	X = MIRADA
G = DIPLOMAT	Y = IMPERIAL
M = HORIZON/TC3/SCAMP	Z = OMNI/O24/RAMPAGE

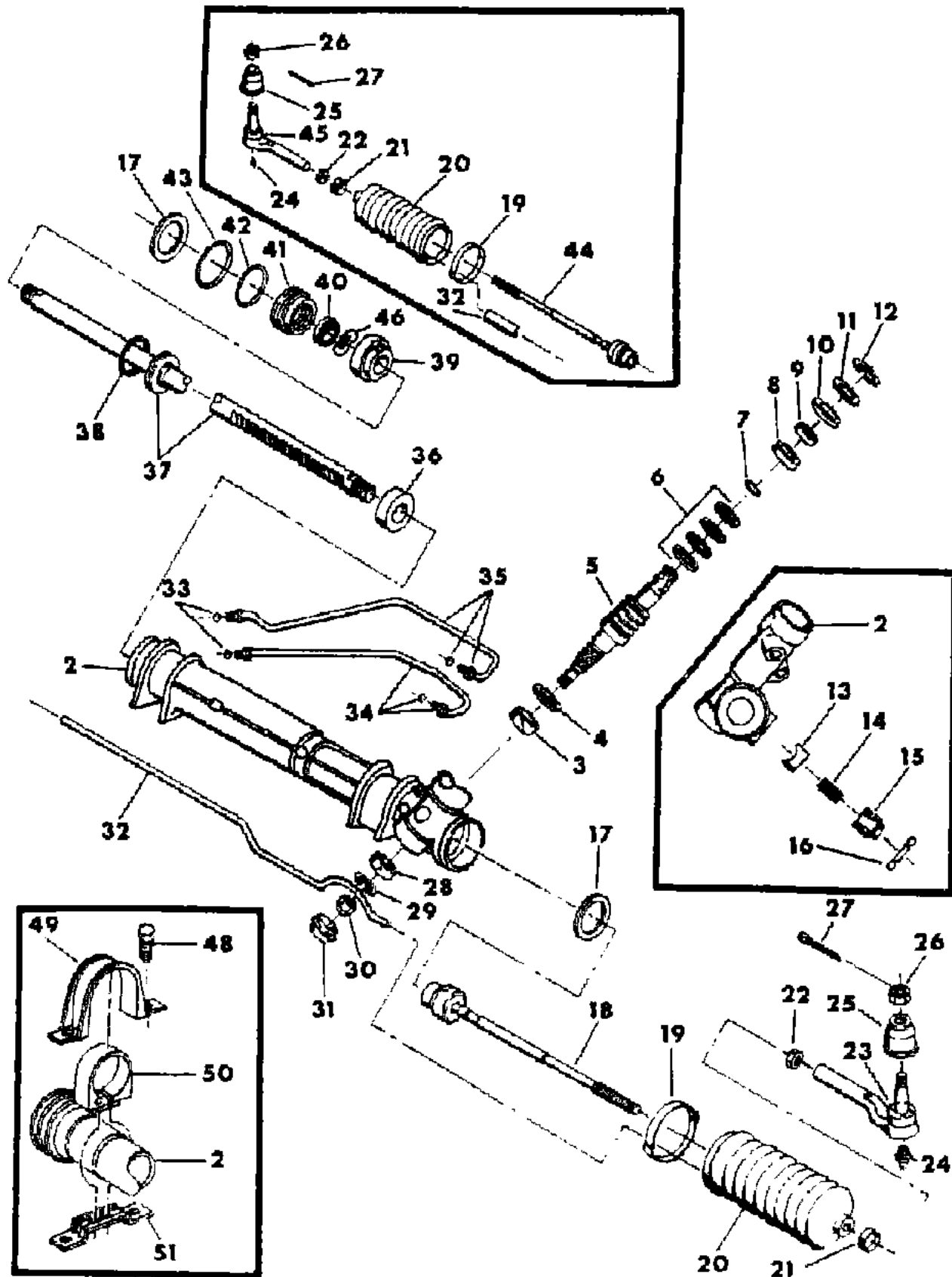
BODY STYLES

21 = 2-DOOR SEDAN	28 = FWD PICKUP
22 = 2-DOOR SPECIAL COUPE	41 = 4-DOOR SEDAN
24 = 2-DOOR HATCHBACK	44 = 4-DOOR HATCHBACK
27 = 2-DOOR CONVERTIBLE	45 = 2-SEAT STATION WAGON

AR = Use as Required - = Non Illustrated Part P.A.R. = Paint as Required

RACK AND PINION POWER STEERING GEAR AND ATTACHING PARTS M,Z  
Figure 19-1400

2119 1400



ITEM	PART NUMBER	QTY	BODY	MODEL	DESCRIPTION
5		1			PINION, w/Valve Assy. (Serviced in 5205328 or 5205336)
6		4			RING, Valve Body (Serviced in 5205328, 5205297)
7	5205 288	1			RING, Spool Shaft Retaining (Also Serviced in 5205328)
8		1			ANNULUS, Stub Shaft Bearing (Serviced in 5205299)
9		1			BEARING, Needle, Assy. (Serviced in 5205299)
10		1			SEAL, Stub Shaft (Serviced in 5205328, 5205295, 5205298, 5205299)
11		1			SEAL, Stub Shaft Dust (Serviced in 5205328, 5205295, 5205297, 5205298, 5205299)
12	5205 278	1			RING, Seal Retaining (Also Serviced in 5205295)
13	5205 282	1			BEARING, Rack
14	5205 280	1			SPRING, Adjuster
15	5205 286	1			PLUG, Adjuster
16	5205 285	1			NUT, Adjuster Plug Lock
17	5205 287	2			RING, Shock Dampener (Also Serviced in 5205291)
18		1			TIE ROD, Assy. Inner (Serviced in 5205291)
19	5205 277	2			CLAMP, Boot (Also Serviced in 5205290, 5205291)
20		2			BOOT, Rack and Pinion (Serviced in 5205290)
21	5205 283	2			CLAMP, Boot (Tie Rod End)
22	5205 275	2			NUT, Hex Jam (Also serviced in 5205291)
23		1			TIE ROD, Outer, Left (Serviced in 4106180)
24		2			FITTING, Lubrication (Not Serviced)
25		2			SEAL, Tie Rod (Serviced in 4106180)
26	6500 121	2			NUT, Outer Tie Rod
27		2			PIN, Cotter (Not Serviced)
28		1			BEARING, Ball, Assy. (Serviced in 5205295)
29	5205 279	1			RING, Pinion Bearing Retaining
30	5205 268	1			NUT, Hex Lock
31	5205 284	1			COVER, Dust
32	3815 888	1			TUBE, Breather
33	#3815 859	4			SEAL, Cylinder Oil Line "O"Ring
34	3815 819	1			KIT, Cylinder Oil Line, Left, w/"O"Ring Seal
35	3815 818	1			KIT, Cylinder Oil Line, Right w/"O"Ring Seal
36		1			SEAL, Inner Rack (Serviced in 5205293)
37	5205 270	1			RACK, Assy. w/Piston, Strg.
38		1			RING, Piston (Serviced in 5205293)
39		1			BULKHEAD, Cylinder Inner (Serviced in 3815813)

MODEL CODES

B = GRAN FURY/CARAVELLE	P = RELIANT
C = LEBARON/TOWN & COUNTRY	S = CORDOBA
D = ARIES	V = 400
F = NEW YORKER	X = MIRADA
G = DIPLOMAT	Y = IMPERIAL
M = HORIZON/TC3/SCAMP	Z = OMNI/O24/RAMPAGE

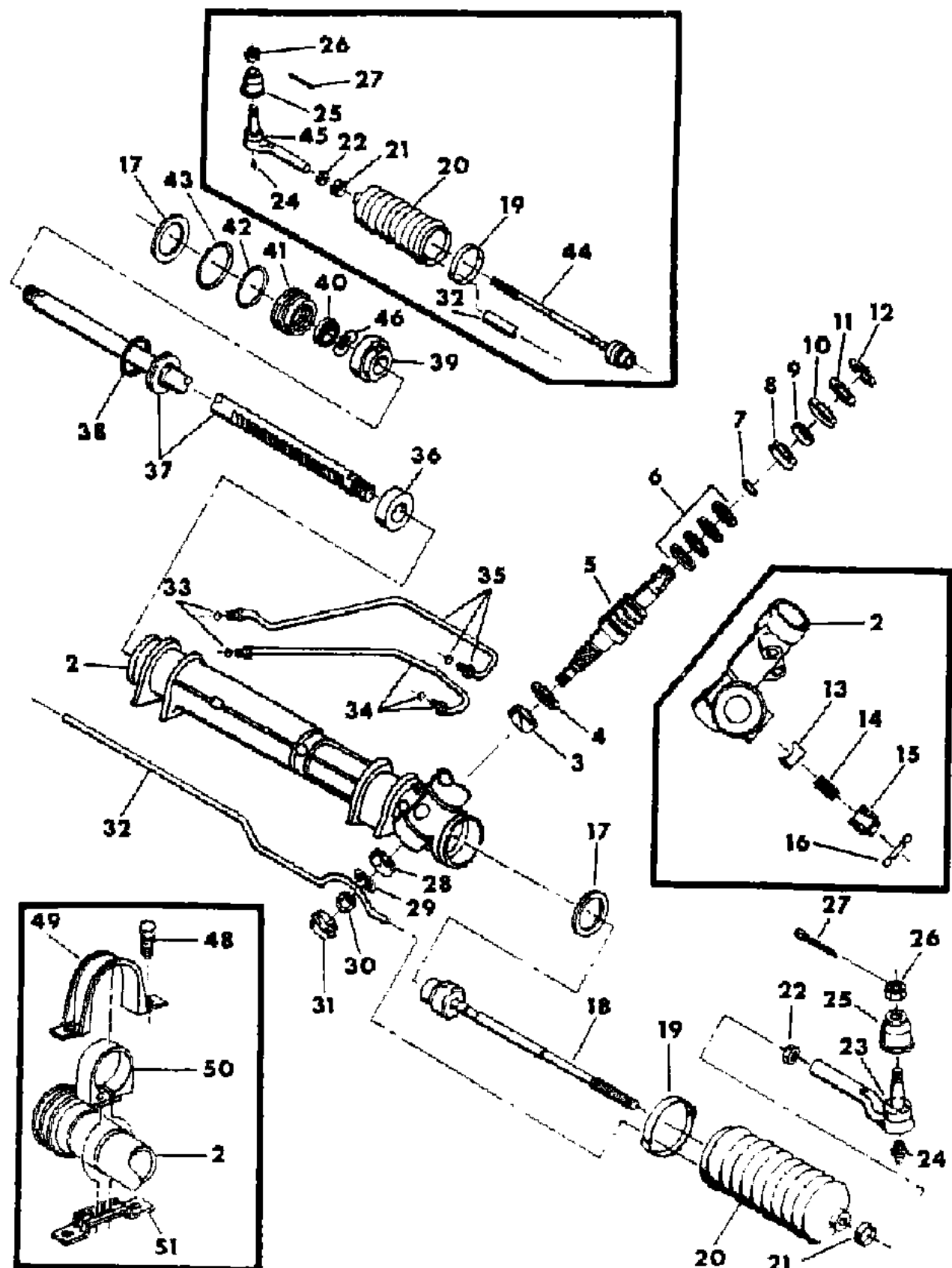
BODY STYLES

21 = 2-DOOR SEDAN	28 = FWD PICKUP
22 = 2-DOOR SPECIAL COUPE	41 = 4-DOOR SEDAN
24 = 2-DOOR HATCHBACK	44 = 4-DOOR HATCHBACK
27 = 2-DOOR CONVERTIBLE	45 = 2-SEAT STATION WAGON

AR = Use as Required - = Non Illustrated Part P.A.R. = Paint as Required

RACK AND PINION POWER STEERING GEAR AND ATTACHING PARTS M,Z  
Figure 19-1400

2119 1400



ITEM	PART NUMBER	QTY	BODY	MODEL	DESCRIPTION
40		1			SEAL, Rack and Pinion (Bulkhead) (Serviced in 3815813, 5205293)
41		1			Bulkhead, Cylinder Outer (Serviced in 3815813)
42		1			SEAL, "O"Ring (Serviced in 3815813, 5205293)
43		1			RING, Bulkhead Retaining (Serviced in 3815813, 5205293)
44		1			TIE ROD, Assy., Inner, Right (Serviced in 5205291)
45		1			TIE ROD, Assy., Outer, Right (Serviced in 4106180)
46		1			SPRING, Wave Washer (Serviced in 3815813)
47	6100 576	2			BOLT, Rack and Pinion Strg. Gear Mounting, Left
48	6100 576	2			BOLT, Rack and Pinion Strg. Gear Mounting, Right
49	3643 424	1			BRACKET, Rack and Pinion Strg. Gear Mounting, Outer, Left
	3643 421	1			Right
50	3643 425	1			BUSHING, Rack and Pinion Strg. Gear, Left
	3643 422	1			Right
51	3643 423	1			BRACKET, Rack and Pinion Strg. Gear Mounting, Inner, Left
	3643 419	1			Right

MODEL CODES

B = GRAN FURY/CARAVELLE	P = RELIANT
C = LEBARON/TOWN & COUNTRY	S = CORDOBA
D = ARIES	V = 400
F = NEW YORKER	X = MIRADA
G = DIPLOMAT	Y = IMPERIAL
M = HORIZON/TC3/SCAMP	Z = OMNI/O24/RAMPAGE

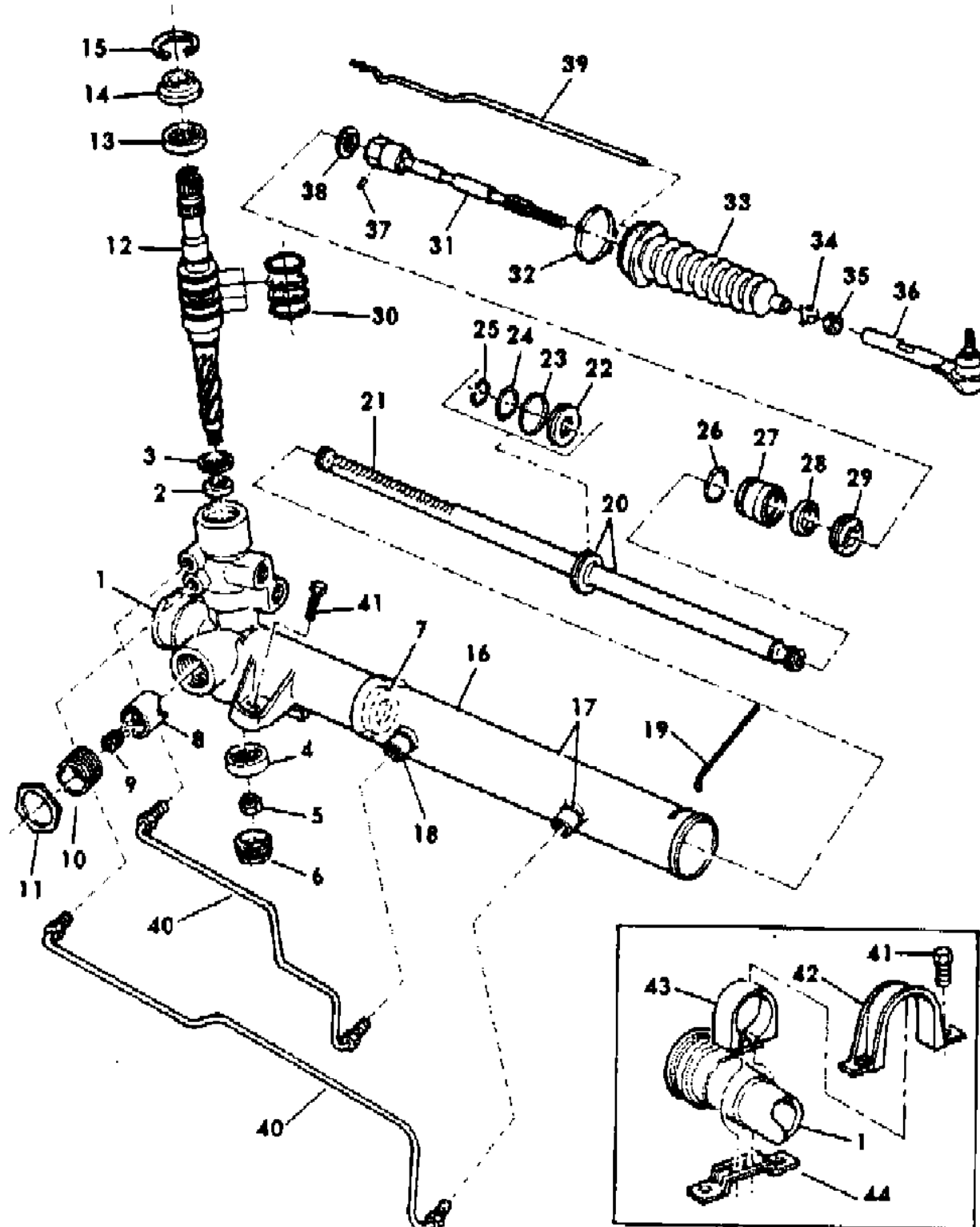
BODY STYLES

21 = 2-DOOR SEDAN	28 = FWD PICKUP
22 = 2-DOOR SPECIAL COUPE	41 = 4-DOOR SEDAN
24 = 2-DOOR HATCHBACK	44 = 4-DOOR HATCHBACK
27 = 2-DOOR CONVERTIBLE	45 = 2-SEAT STATION WAGON

AR = Use as Required - = Non Illustrated Part P.A.R. = Paint as Required

**RACK AND PINION POWER STEERING GEAR AND ATTACHING PARTS P,D,V,C**  
**Figure 19-1500**

2119 1500



ITEM	PART NUMBER	QTY	BODY	MODEL	DESCRIPTION
	4106 180	2			PACKAGE, Tie Rod Outer Consists of: 1 ----- Tie Rod Outer 1-6500121 Nut 1 ----- Pin Cotter
	3815 865	1			SERVICE KIT, Yoke Consists of: 1 ----- Bearing, Yoke 1 ----- Spring, Yoke
	3815 866	1			SERVICE KIT, Yoke Plug Consists of: 1 ----- Plug 1 ----- Locknut
	3815 874	2			SERVICE RING KIT, Shock Dampner Consists of: 1 ----- Dampner, Shock 1-3815885 Spring Pin, Inner Tie Rod
	3815 875	1			SERVICE KIT, Valve Consists of: 1 ----- Valve Assy. 4 ----- Valve Rings
	3815 876	1			SERVICE KIT, Seal, Pinion and Shaft Consists of: 1 ----- Seal, Input Shaft 1 ----- Seal, Upper Pinion 1 ----- Ring, Retaining 4 ----- Rings, Valve
	3815 878	1			SERVICE KIT, Rack Seal Consists of: 1 ----- Seal, Rack 1 ----- Seal, Rack 1 ----- "O"Ring 1 ----- "O"Ring
	3815 879	2			1 ----- Ring, Piston SERVICE KIT, Tie Rod, Inner Consists of: 1 ----- Horizontal Socket, Assy.

**MODEL CODES**

B = GRAN FURY/CARAVELLE	P = RELIANT
C = LEBARON/TOWN & COUNTRY	S = CORDOBA
D = ARIES	V = 400
F = NEW YORKER	X = MIRADA
G = DIPLOMAT	Y = IMPERIAL
M = HORIZON/TC3/SCAMP	Z = OMNI/O24/RAMPAGE

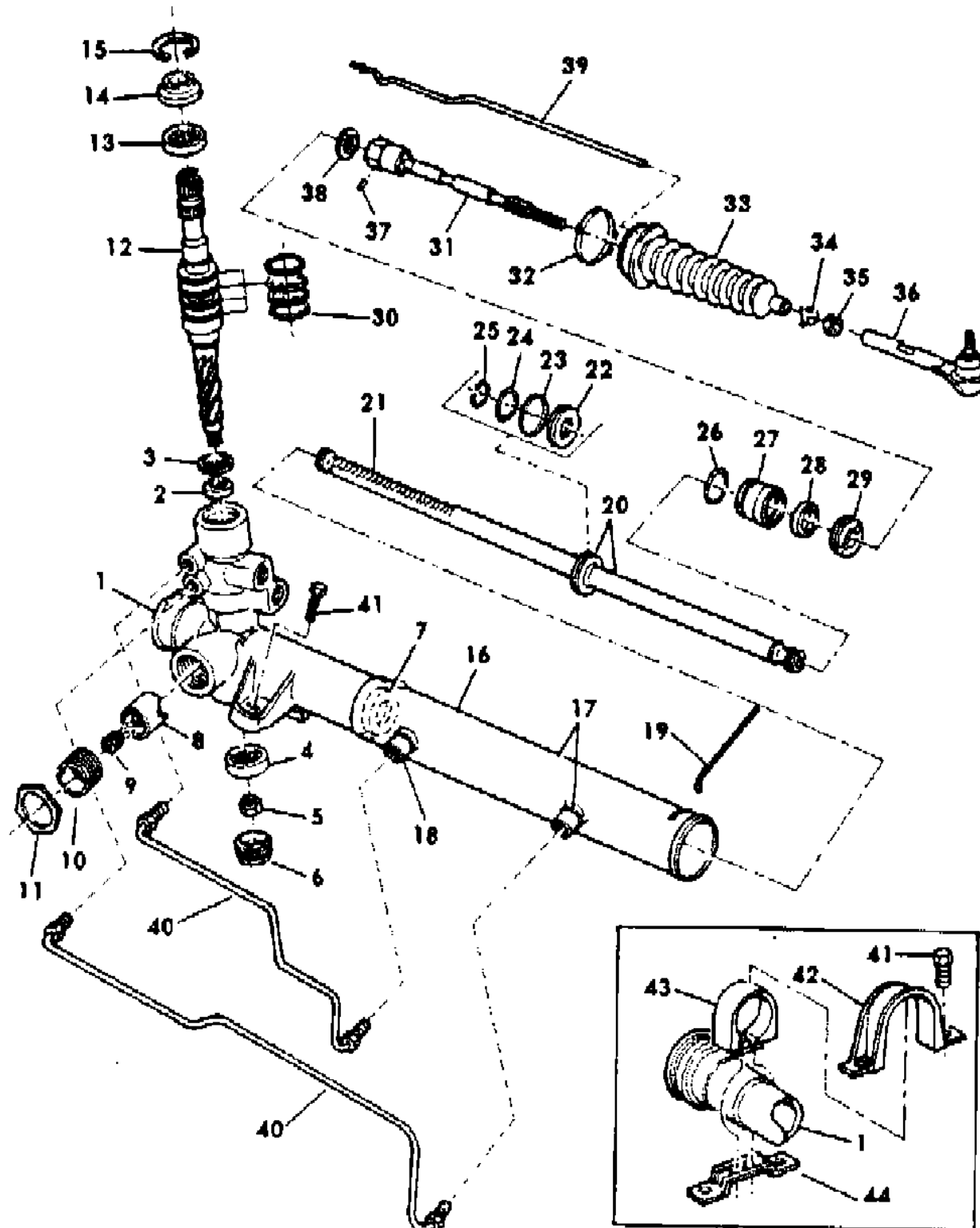
**BODY STYLES**

21 = 2-DOOR SEDAN	28 = FWD PICKUP
22 = 2-DOOR SPECIAL COUPE	41 = 4-DOOR SEDAN
24 = 2-DOOR HATCHBACK	44 = 4-DOOR HATCHBACK
27 = 2-DOOR CONVERTIBLE	45 = 2-SEAT STATION WAGON

AR = Use as Required - = Non Illustrated Part P.A.R. = Paint as Required

**RACK AND PINION POWER STEERING GEAR AND ATTACHING PARTS P,D,V,C**  
**Figure 19-1500**

2119 1500



ITEM	PART NUMBER	QTY	BODY	MODEL	DESCRIPTION
					1- 3815885 Pin, Spring
	3815 880	2			SERVICE KIT, Boot 1- 3815863 Clamp, Inboard 1 ----- Bellows
	3815 881	1			SERVICE KIT, Bushing Rack Consists of: 1 ----- Bushing 1 ----- "O"Ring 1 ----- Seal
	3815 882	1			SERVICE KIT, Pinion Shaft Bearing Consists of: 1 ----- Bearing 1 ----- Bushing 1 ----- Seal 1 ----- Seal
1-38	3643 475	1			GEAR ASSY., Power Strg. Rack and Pinion
1	3815 862	1			HOUSING, Power Strg. Rack and Pinion
2		1			BUSHING, Pinion (Serviced in 3815882, 3815862)
3		1			SEAL (Serviced in 3815876, 3815862, 3815882)
4	3815 868	1			BEARING Assy., Pinion (also Serviced in 3815862)
5	3815 869	1			LOCKNUT, Pinion
6	3815 870	1			PLUG, Pinion
7		1			SEAL (Serviced in 3815878, 3815862)
8		1			BEARING YOKE (Serviced in 3815865)
9		1			SPRING (Serviced in 3815865)
10		1			PLUG (Serviced in 3815866)
11		1			LOCKNUT (Serviced in 3815866)
12	3815 875	1			VALVE ASSY. KIT
13		1			BEARING (Serviced in 3815882)
14	3815 877	1			SEAL, Shaft (Also Serviced in 3815882, 3815876)
15	3815 886	1			RETAINING RING (Also Serviced in 3815876)
16		1			TUBE ASSY. (Serviced in 3815862)
17		1			TUBE RACK (Serviced in 3815862)
18		1			WELD STUD (Serviced in 3815862)
19	3815 884	1			RETAINING WIRE, Lock Ring
20	3815 861	1			RACK ASSY.
21		1			RACK (Serviced in 3815861 Rack Assy.)

**MODEL CODES**

B = GRAN FURY/CARAVELLE	P = RELIANT
C = LEBARON/TOWN & COUNTRY	S = CORDOBA
D = ARIES	V = 400
F = NEW YORKER	X = MIRADA
G = DIPLOMAT	Y = IMPERIAL
M = HORIZON/TC3/SCAMP	Z = OMNI/O24/RAMPAGE

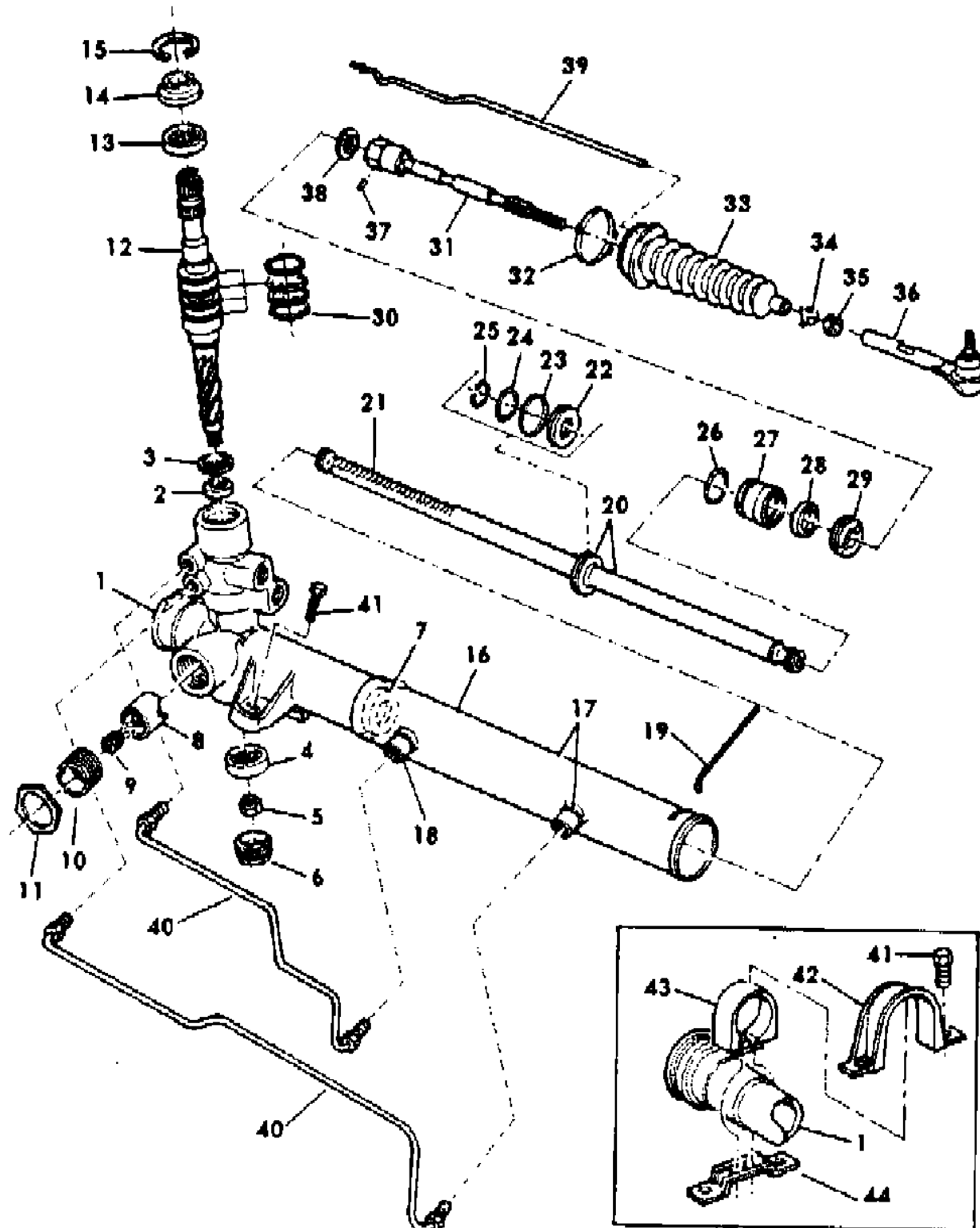
**BODY STYLES**

21 = 2-DOOR SEDAN	28 = FWD PICKUP
22 = 2-DOOR SPECIAL COUPE	41 = 4-DOOR SEDAN
24 = 2-DOOR HATCHBACK	44 = 4-DOOR HATCHBACK
27 = 2-DOOR CONVERTIBLE	45 = 2-SEAT STATION WAGON

AR = Use as Required - = Non Illustrated Part P.A.R. = Paint as Required

**RACK AND PINION POWER STEERING GEAR AND ATTACHING PARTS P,D,V,C**  
**Figure 19-1500**

2119 1500



ITEM	PART NUMBER	QTY	BODY	MODEL	DESCRIPTION
22		1			PISTON (Serviced in 3815861 Rack Assy.)
23		1			PISTON RING (Serviced in 3815878, 3815861)
24		1			"O"RING (Serviced in 3815878, 3815861)
25		1			RETAINING RING (Serviced in 3815861)
26		1			"O"RING, Bushing (Serviced in 3815878, 3815881)
27		1			BUSHING, Rack (Serviced in 3815881)
28		1			SEAL (Serviced in 3815878, 3815881)
29	3815 883	1			LOCK RING, Bushing
30		4			VALVE RINGS (Serviced in 3815876)
31		1			HORIZONTAL SOCKET ASSY. (Serviced in 3815879)
32	3815 863	2			INBOARD CLAMP (Also Serviced in 3815880)
33		1			BELLOWS (Serviced in 3815880)
34	3815 864	2			OUTBOARD CLAMP
35	3815 867	2			LOCK NUT
36		2			VERTICAL SOCKET ASSY. (Serviced in 4106180 Tie Rod Outer Pkg.)
37	3815 885	2			SPRING PIN, Inner Tie Rod (Also Serviced in 3815874, 3815879)
38		2			SHOCK DAMPER (Serviced in 3815874 Kit)
39	3815 871	1			BREATHER TUBE, Rack
40	3815 872	1			LINE ASSY., Cylinder, Left
	3815 873	1			Right
41	6100 576	2			BOLT, Rack and Pinion Power Strg. Gear Mounting, Rt.
	6101 265	2			Lt.
42	3643 470	1			BRACKET, Rack and Pinion Power Strg. Gear Mounting, Outer Rt.
43	3643 471	1			BUSHING, Rack and Pinion Power Strg. Gear Mounting
44	3643 469	1			BRACKET, Rack and Pinion Power Strg. Gear Mounting, Inner RT.

**MODEL CODES**

B = GRAN FURY/CARAVELLE	P = RELIANT
C = LEBARON/TOWN & COUNTRY	S = CORDOBA
D = ARIES	V = 400
F = NEW YORKER	X = MIRADA
G = DIPLOMAT	Y = IMPERIAL
M = HORIZON/TC3/SCAMP	Z = OMNI/O24/RAMPAGE

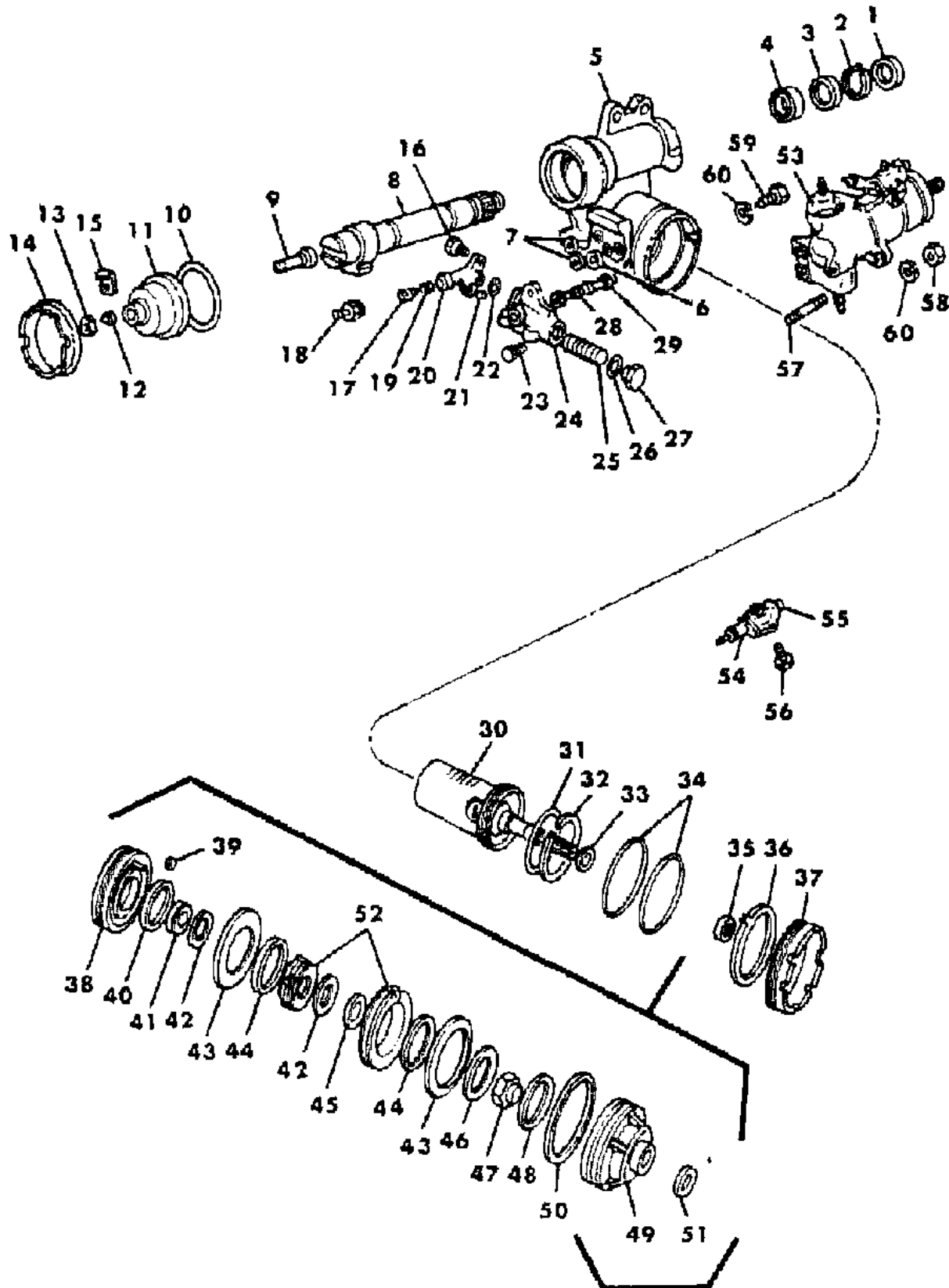
**BODY STYLES**

21 = 2-DOOR SEDAN	28 = FWD PICKUP
22 = 2-DOOR SPECIAL COUPE	41 = 4-DOOR SEDAN
24 = 2-DOOR HATCHBACK	44 = 4-DOOR HATCHBACK
27 = 2-DOOR CONVERTIBLE	45 = 2-SEAT STATION WAGON

AR = Use as Required - = Non Illustrated Part P.A.R. = Paint as Required

POWER STEERING GEAR CHUCK ASSEMBLY B,F,G,X,S,Y  
Figure 19-1600

2119 1600



ITEM	PART NUMBER	QTY	BODY	MODEL	DESCRIPTION
	3879 921	1			PACKAGE, Strg. Gear Lower Sector Seal Consists of: 1 - Seal, Strg. Gear Shaft Oil 1 - Seal, Strg. Gear Shaft Dust
	3879 920	1			PACKAGE, Strg. Gear Sector Cover Seal Consists of: 1 - "O" Ring, Gear Shaft Cvr. 1 - "O" Ring, Gear Shaft Cvr. 1 - "O" Ring, Gear Shaft Cvr.
	4057 085	1			1 - Seal, Adj. Screw PACKAGE, Valve and "O" Ring, Strg. Gear Consists of: 1 - 3643281 Valve, Gear Pressure
	3879 919	1			1 - 6030655 "O" Ring, Gear Valve Hsg. 1 - 6030656 "O" Ring, Gear Pressure Control Valve 1 - Sleeve, Hose Return PACKAGE, Strg. Valve Body Seal Consists of: 1 - 6030655 "O" Ring, Gear Valve Hsg. 1 - 6030656 "O" Ring, Gear Press. Control Valve 2 - 6030657 "O" Ring, Gear Hsg. Port
	3879 924	1			1 - 6030658 "O" Ring, Hsg. to Valve PACKAGE, Strg. Gear Power Train Consists of: 1 - Ring, Strg. Gear Ferrule 2 - "O" Ring, Strg. Gear Cyl. Head 1 - Seal, Strg. Gear Reaction Upper 1 - 1733602 "O" Ring, Strg. Gear Hsg. Head 1 - Seal, Worm Sleeve 1 - Ring, Worm Seal 1 - Ring, Gear Reaction Lwr. 1 - "O" Ring, Gear Piston Ring 1 - Ring, Gear Piston
	4057 088	1			1 - Washer, Gear Hsg. Head Nut PACKAGE, Strg. Gear Valve Housing and Seal Consists of: 1 - Housing, Strg. Gear Valve Assy.

MODEL CODES

B = GRAN FURY/CARAVELLE	P = RELIANT
C = LEBARON/TOWN & COUNTRY	S = CORDOBA
D = ARIES	V = 400
F = NEW YORKER	X = MIRADA
G = DIPLOMAT	Y = IMPERIAL
M = HORIZON/TC3/SCAMP	Z = OMNI/O24/RAMPAGE

BODY STYLES

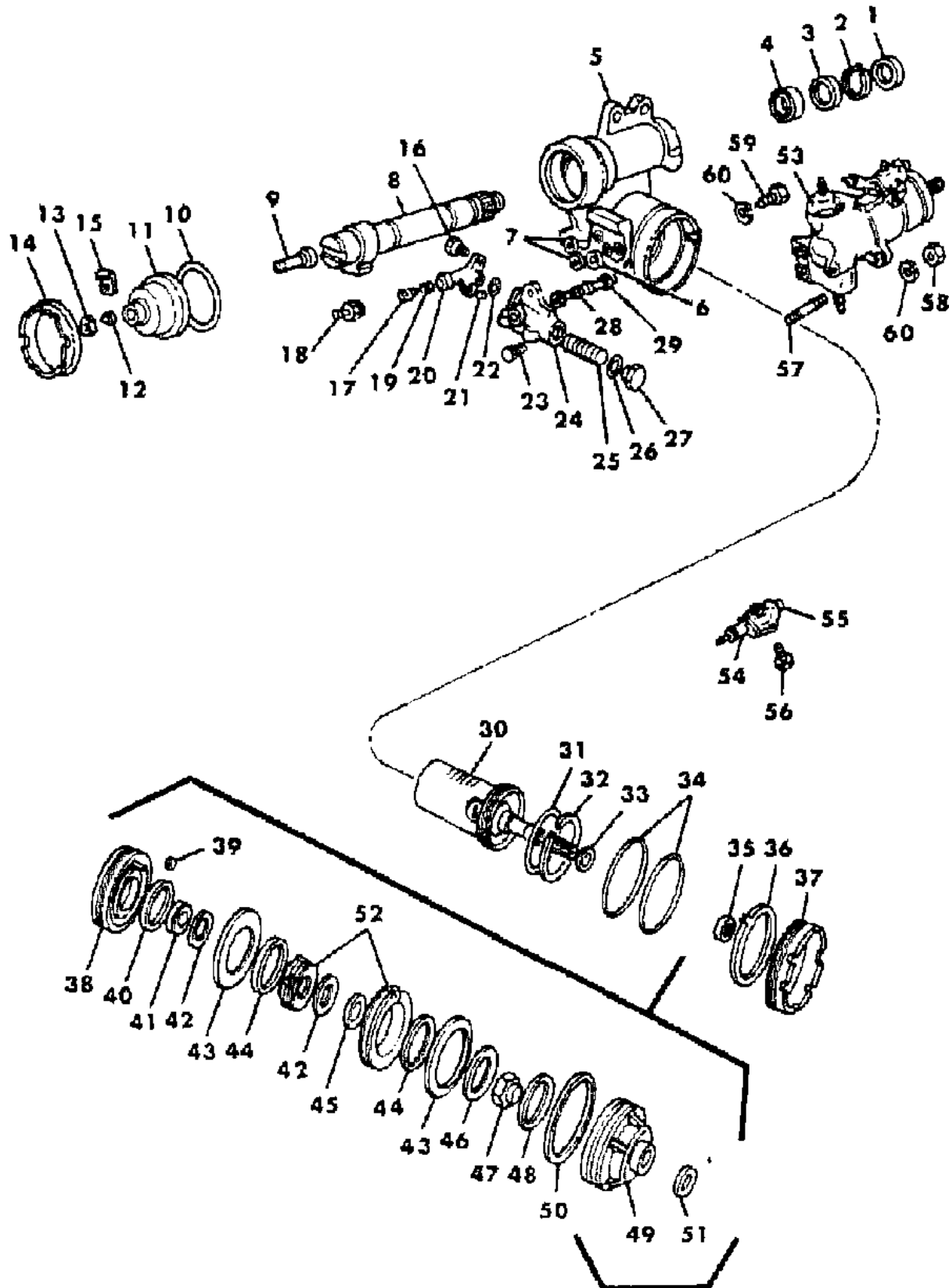
21 = 2-DOOR SEDAN	28 = FWD PICKUP
22 = 2-DOOR SPECIAL COUPE	41 = 4-DOOR SEDAN
24 = 2-DOOR HATCHBACK	44 = 4-DOOR HATCHBACK
27 = 2-DOOR CONVERTIBLE	45 = 2-SEAT STATION WAGON

AR = Use as Required - = Non Illustrated Part P.A.R. = Paint as Required



**POWER STEERING GEAR CHUCK ASSEMBLY B,F,G,X,S,Y**  
**Figure 19-1600**

2119 1600



ITEM	PART NUMBER	QTY	BODY	MODEL	DESCRIPTION
					1 - 3879919 Package, Strg. Gear Valve Seal
1		1			DUST SEAL, Strg. Gear Shaft (Serviced in Pkg. 3879921)
2	2127 049	1			SNAP RING, Strg. Gear Shaft Dust Seal
3	1670 356	1			RETAINER, Strg. Gear Shaft Seal
4		1			OIL SEAL, Strg. Gear Shaft (Serviced in Pkg. 3879921)
5	3643 317	1			HOUSING, Strg. Gear
6	6030 658	1			"O" RING, Gear Housing to Valve (also serviced in 3879919)
7	6030 657	2			"O" RING, Gear Housing Port (also Serviced in 3879919)
8	3643 302	1			SHAFT, Strg. Gear
9	2948 857	1			SCREW, Gear Shaft Adjusting
10		1			"O" RING, Strg. Gear Shaft Cover (Serviced in Pkg.3879920)
11	3643 301	1			COVER, Strg. Gear Shaft
12	3643 274	1			BUTTON, Strg. Gear Identification Tester
13	6028 983	1			Nut, Strg. Gear Shaft Adjusting Screw
14	1733 627	1			Nut, Strg. Gear Shaft Cover
15		1			GASKET, Strg. Shaft Adj. Screw Nut (Serviced in Pkg. 3879920)
16	9408 948	2			SCREW, Pressure Control Valve Att.
17		1			PISTON, Pressure Control Valve (Serviced in 4057085 Valve)
18		1			ADAPTER, Strg. Gear Return Hose (Serviced in Pkg. 4057085)
19		1			SPRING, Pressure Control Valve (Serviced in Pkg. 4057085)
20		1			BODY, Pressure Control Valve (Serviced in Pkg. 4057085)
21	#6030 656	1			"O" RING, Strg. Gear Pressure Control Valve (also serviced in Pkg. 3879919)
22	6030 655	1			"O" RING, Strg. Gear Valve Housing (also serviced in Pkg. 3879919)
23		1			PLUG, Strg. Gear Valve (Serviced in Housing and Seal Pkg. 3643280)
24		1			HOUSING, Strg. Gear Valve (Serviced in Housing and Seal Pkg. 3643280)
25		1			PISTON, Strg. Gear Valve (Serviced in Housing and Seal Pkg. 3643280)
26	1733 724	1			GASKET, Strg. Gear Valve Plug
27		1			PLUG, Strg. Gear Valve (Serviced in Valve 3643280)
28	1823 151	1			SPRING, Strg. Gear Valve
29	1822 380	1			LEVER, Strg. Gear Valve
30	2948 855	1		Except,	WORM w/PISTON, Strg. Gear
	3815 854	1		Y	

MODEL CODES

B = GRAN FURY/CARAVELLE	P = RELIANT
C = LEBARON/TOWN & COUNTRY	S = CORDOBA
D = ARIES	V = 400
F = NEW YORKER	X = MIRADA
G = DIPLOMAT	Y = IMPERIAL
M = HORIZON/TC3/SCAMP	Z = OMNI/O24/RAMPAGE

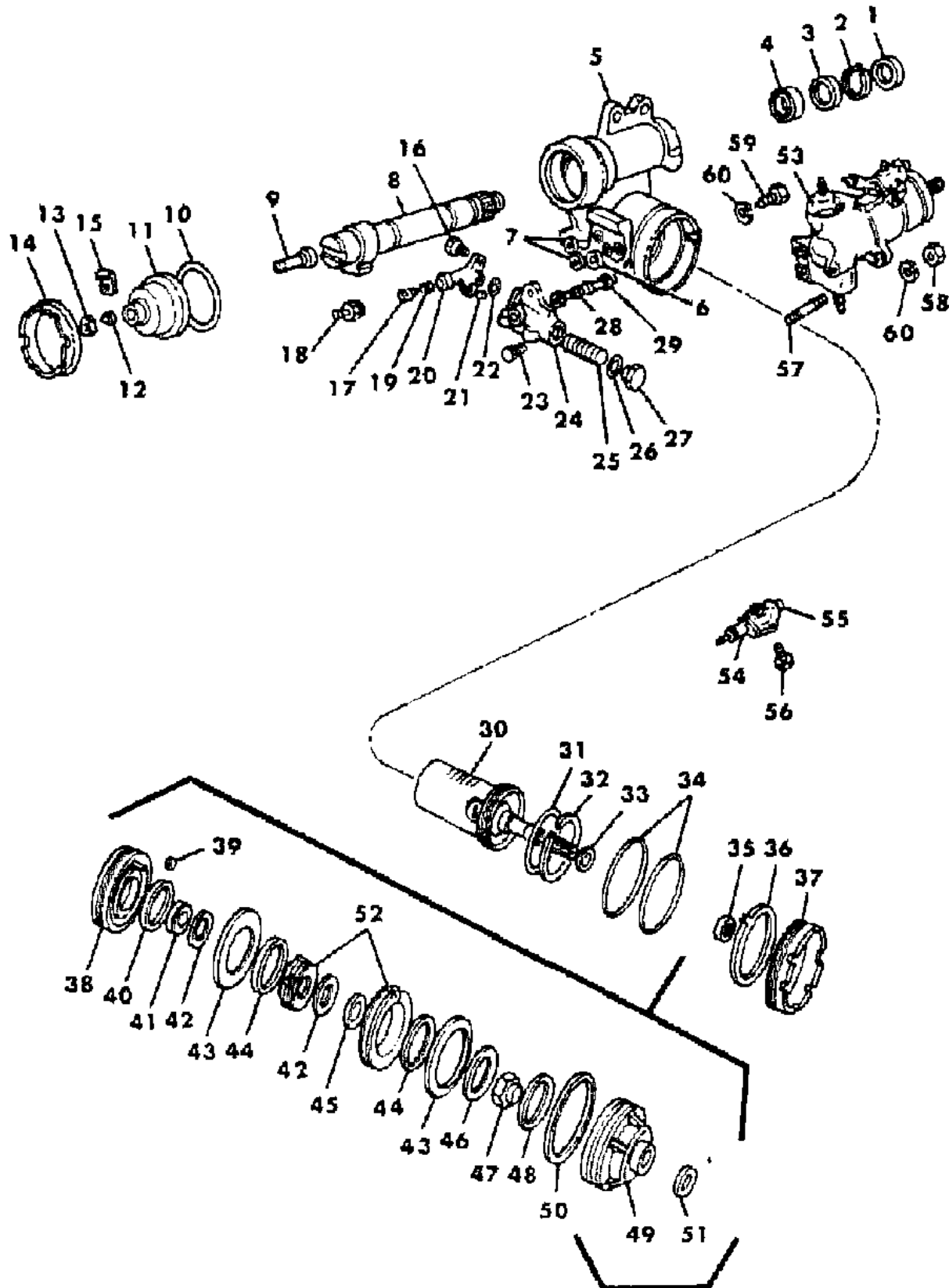
BODY STYLES

21 = 2-DOOR SEDAN	28 = FWD PICKUP
22 = 2-DOOR SPECIAL COUPE	41 = 4-DOOR SEDAN
24 = 2-DOOR HATCHBACK	44 = 4-DOOR HATCHBACK
27 = 2-DOOR CONVERTIBLE	45 = 2-SEAT STATION WAGON

AR = Use as Required - = Non Illustrated Part P.A.R. = Paint as Required

POWER STEERING GEAR CHUCK ASSEMBLY B,F,G,X,S,Y  
Figure 19-1600

2119 1600



ITEM	PART NUMBER	QTY	BODY	MODEL	DESCRIPTION
31		1			RING, Strg. Gear Piston (Serviced in Pkg. 3879924)
32		1			RING, Strg. Gear Piston Sealing (Serviced in Pkg. 3879924)
33	1822 406	1			RING, Strg. Gear Worm Seal
34	1733 562	2			"O" RING, Strg. Gear Cyl. Head (Serviced in Pkg. 3879924)
35	2537 796	1			BEARING, Strg. Gear Worm
36		1			WASHER, Strg. Gear Hsg. Head Nut (Serviced in Pkg. 3879924)
37	1733 625	1			NUT, Strg. Gear Hsg. Head
38	3643 173	1			HEAD, Strg. Gear Cylinder
39	1486 206	1			"O" RING, Strg. Gear Ferruel
40		1			"O" RING, Strg. Gear Reaction (Serviced in Pkg. 3879924)
41	1856 292	1			RACE, Strg. Gear Thrust Brg., Inner
42	1822 158	2			BEARING, Strg. Gear Thrust
43	3643 129	2		ALL	SPRING, Strg. Gear Reaction (Exc. Police Cars)
	3643 169	2			(Police Cars)
44	1822 150	2			RING, Strg. Gear Reaction
45	1822 156	1			RACE, Strg. Gear Thrust Bearing, Outer
46	1733 790	1			WASHER, Strg. Gear Reaction
47	1822 157	1			NUT, Strg. Gear Thrust Bearing
48	1822 151	1			SEAL, Strg. Gear Reaction Upper
49	3643 315	1			HEAD, Strg. Gear Housing
50	1733 602	1			"O" RING, Strg. Gear Hsg. Head
51	3643 321	1			SEAL, Strg. Gear Worm Shaft
52	1822 390	1			SPACER, w/Center Race, Strg. Gear
53	4026 481	1		Except	CHUCK, Power Strg. Gear, Exc. Police Cars (Remanufactured Part)
	3815 853	1		Y	(Police Cars)
	3643 334	1			(Police Cars)
54	4057 085	1			VALVE and "O"Ring PKg., Strg. Gear
55	3643 280	1			VALVE, Strg. Gear Assy. (Includes Valve 3643281)
56	0220 800	2			SCREW, Strg. Gear Valve Mounting
57	6030 443	1			STUD, Strg. Gear Mounting
58	0219 467	1			Nut
59	6031 732	2			BOLT, Strg. Gear Mounting
60	6027 224	AR			BOLT, Strg. Gear Mounting
61	1822 321	1			SNAP RING, Strg. Gear Cyl. Head
62	1822 320	1			SLEEVE, Strg. Gear Worm
63	1822 151	1			SEAL, Strg. Gear Reaction, Upper

MODEL CODES

B = GRAN FURY/CARAVELLE	P = RELIANT
C = LEBARON/TOWN & COUNTRY	S = CORDOBA
D = ARIES	V = 400
F = NEW YORKER	X = MIRADA
G = DIPLOMAT	Y = IMPERIAL
M = HORIZON/TC3/SCAMP	Z = OMNI/O24/RAMPAGE

BODY STYLES

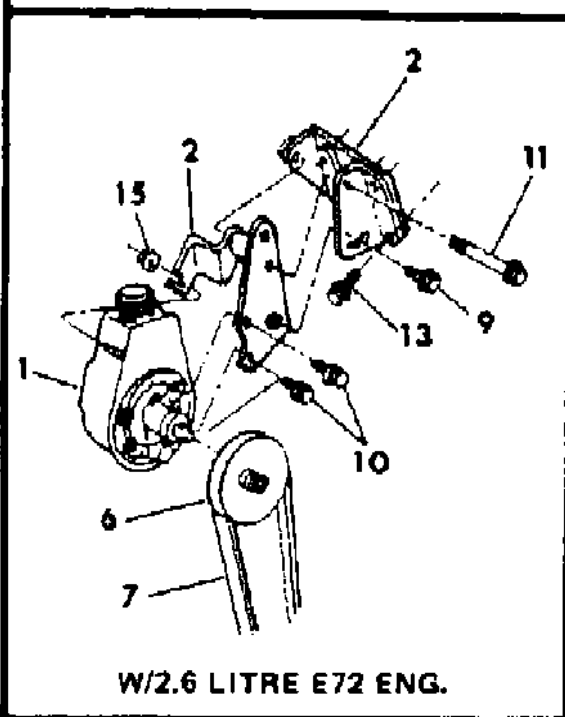
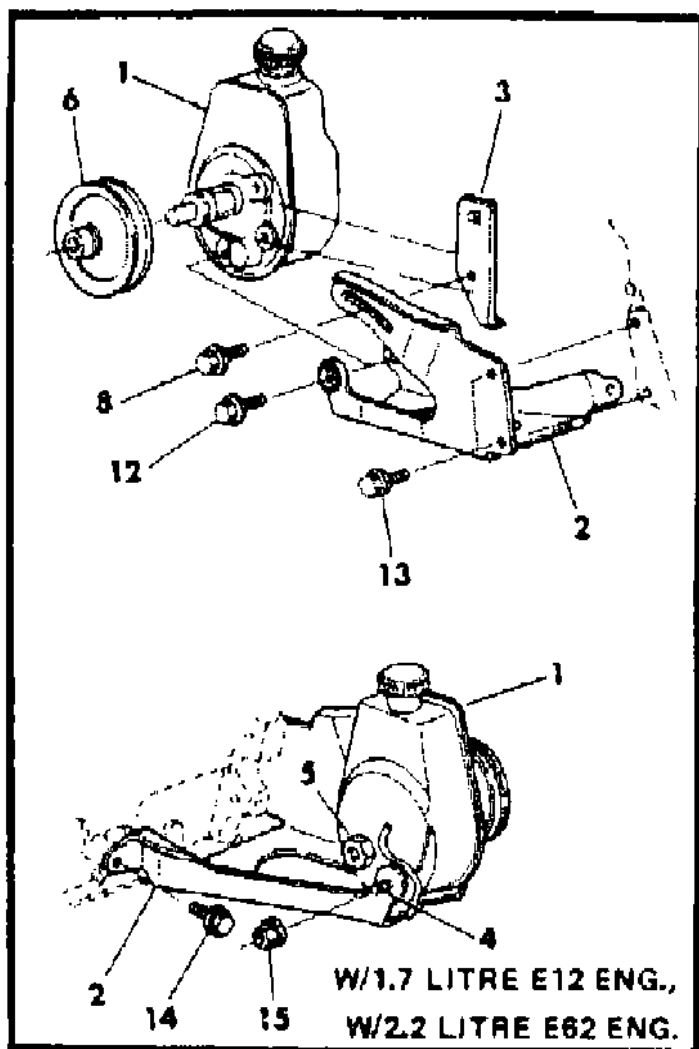
21 = 2-DOOR SEDAN	28 = FWD PICKUP
22 = 2-DOOR SPECIAL COUPE	41 = 4-DOOR SEDAN
24 = 2-DOOR HATCHBACK	44 = 4-DOOR HATCHBACK
27 = 2-DOOR CONVERTIBLE	45 = 2-SEAT STATION WAGON

AR = Use as Required - = Non Illustrated Part P.A.R. = Paint as Required



POWER STEERING PUMP AND ATTACHING PARTS M,Z,P,D,V,C  
Figure 19-1700

2119 1700



ITEM	PART NUMBER	QTY	BODY	MODEL	DESCRIPTION
	2537 838	1			SERVICE KIT, Seal Consists of: 1 ----- Magnet 1 ----- Seal, Drive Shaft 1 ----- Seal, "O"Ring
	3815 961	1			SERVICE KIT, Retaining Ring and Drive Shaft Consists of: 1 ----- Ring, Shaft Retaining 1 ----- Shaft, Drive
	3815 960				SERVICE KIT, Ring Retaining
	4031 303	1			SERVICE KIT, Rotor, Vane and Ring Consists of: 1 ----- Ring, Pump 1 ----- Ring, Shaft Retaining 1 ----- Rotor, Pump 10 ----- Vane, Pump
	3643 453	1			SERVICE KIT, Pump Reservoir Consists of: 1 ----- Reservoir 1 ----- Seal, "O"Ring 1 ----- Seal, "O"Ring 2 ----- Seal, "O"Ring
1	#3815 956	1			PUMP, Power Strg., Assy.
2	5214 608	1		M,Z	BRACKET, Power Strg. Pump Mounting, w/(E12 Eng.)
	5214 491	1			w/(E62 Eng.)
	4105 054	1		P,D,V,C	BRACKET, Power Strg. Mounting, Pump Side, w/(E72 Eng.)
	4173 238	1		P,D,V,C	BRACKET, Power Strg. Mounting, Eng. Side, w/(E72 Eng.)
3	5203 743	1			BRACKET, Power Strg. Pump Adjusting, w/(E12, E62 Eng.)
4	3643 466				STUD, Power Strg. Pump Mounting
5	5205 269				STUD, Power Strg. Pump Mounting
6	5214 796	1		M,Z	PULLEY, Power Strg. Pump, w/(E12 Eng.)
	5214 734	1			w/(E62 Eng.)
	4173 230	1		P,D	w/(E72 Eng.)

MODEL CODES

B = GRAN FURY/CARAVELLE	P = RELIANT
C = LEBARON/TOWN & COUNTRY	S = CORDOBA
D = ARIES	V = 400
F = NEW YORKER	X = MIRADA
G = DIPLOMAT	Y = IMPERIAL
M = HORIZON/TC3/SCAMP	Z = OMNI/O24/RAMPAGE

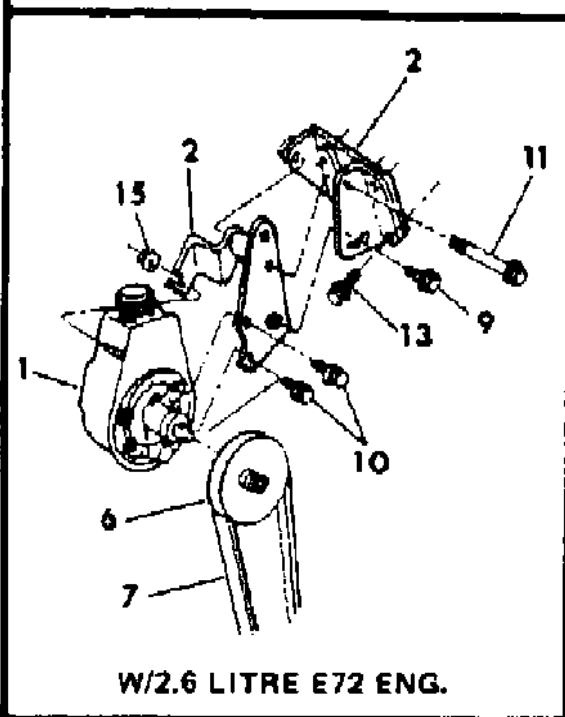
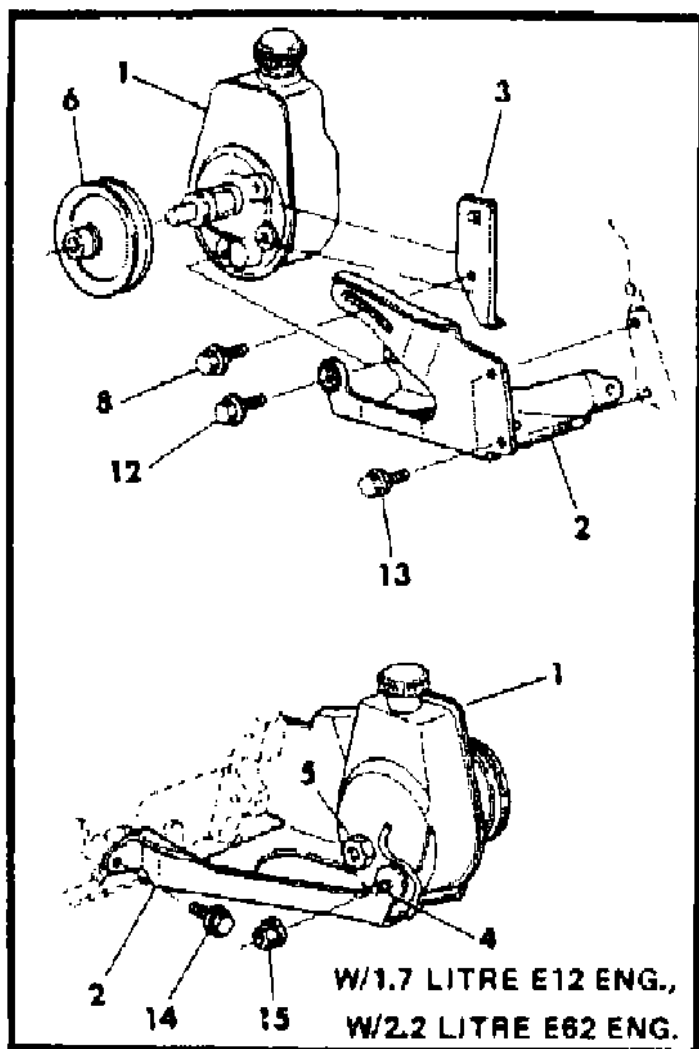
BODY STYLES

21 = 2-DOOR SEDAN	28 = FWD PICKUP
22 = 2-DOOR SPECIAL COUPE	41 = 4-DOOR SEDAN
24 = 2-DOOR HATCHBACK	44 = 4-DOOR HATCHBACK
27 = 2-DOOR CONVERTIBLE	45 = 2-SEAT STATION WAGON

AR = Use as Required - = Non Illustrated Part P.A.R. = Paint as Required

**POWER STEERING PUMP AND ATTACHING PARTS M,Z,P,D,V,C**  
**Figure 19-1700**

2119 1700



ITEM	PART NUMBER	QTY	BODY	MODEL	DESCRIPTION
7	5214 756	1		M,Z	BELT, Power Strg. Pump, Drive w/(E12 Eng.)
	4268 272	1			w/(E62 Eng.)
	4106 203	1		P,D,V,C	w/(E72 Eng.)
8	6500 416	1			SCREW, w/Washer, Mounting Bracket To Cylinder Block
9	6500 158	1		P,D	SCREW, w/Washer, Power Strg. Pump Adjusting Slot w/(E72 Eng.)
	6500 416			M,Z	w/(E12, E62 Eng.)
	6500 416			P,D,V,C	w/(E62 Eng.)
10	6500 267	1		P,D,V,C	SCREW, w/Washer, Engine Side Bracket To Pump w/(E72 Eng.)
11	6500 438	1		P,D,V,C	SCREW, w/Washer, Pump Pivot w/(E72 Eng.)
12	6500 399	1			SCREW, w/Washer, Power Strg. Pump Mounting Bracket To Power Strg. Pump
13	6500 253	1			SCREW, w/Washer, Power Strg. Bracket To Block w/(E12, E62 Eng.)
	6500 253	4		P,D,V,C	SCREW, w/Washer, Power Strg. Bracket To Cyl. Head w/(E72 Eng.)
14	6500 399	1			SCREW, w/Washer, Power Strg. Pump Mounting Bracket To Block
15	6100 518	1			NUT, Power Strg. Pump Mounting Stud
16		10			VANE, (Serviced in 4031303 Repair Kit)
17	#3815 914	1			PLATE, Pump Thrust
18		1			ROTOR, Pump (Serviced in 3815964 Repair Kit)
19	2891 166	1			RING, Pump Drive Shaft Retaining
20		1			RING, Pump (Serviced in 4031303 Repair Kit)
21	#3815 967	1			PLATE, Pump Pressure
22	#3815 966	1			SPRING, Pump Pressure Plate
23	2537 820	1			PLATE, Pump End
24	2537 823	1			RING, End Plate Retaining
25	#4219 036	1			CAP, Oil Pump Reservoir
26	3643 453	1			SERVICE KIT, Reservoir
27	#3815 915	1			STUD, Pump Mounting
28	#3815 915	1			STUD, Pump Mounting
29	#5205 267	1			FITTING, Union Assy.
30	2537 838	1			SERVICE Kit, Seal
31	#3815 961	1			SERVICE Kit, Pump Drive Shaft and Retaining Ring
	3815 960	1			SERVICE Kit, Ring Retaining
32	2537 819	2			PIN, Pump Ring Dowel
33	2537 838	1			SERVICE KIT, Seal

**MODEL CODES**

B = GRAN FURY/CARAVELLE	P = RELIANT
C = LEBARON/TOWN & COUNTRY	S = CORDOBA
D = ARIES	V = 400
F = NEW YORKER	X = MIRADA
G = DIPLOMAT	Y = IMPERIAL
M = HORIZON/TC3/SCAMP	Z = OMNI/O24/RAMPAGE

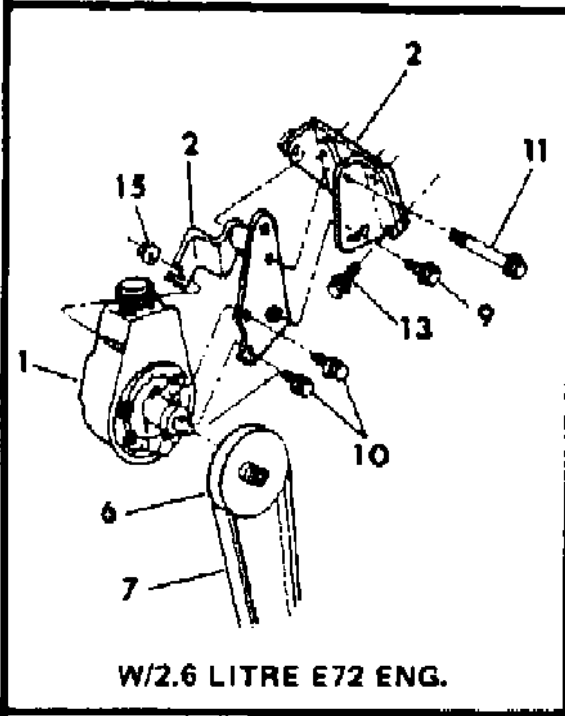
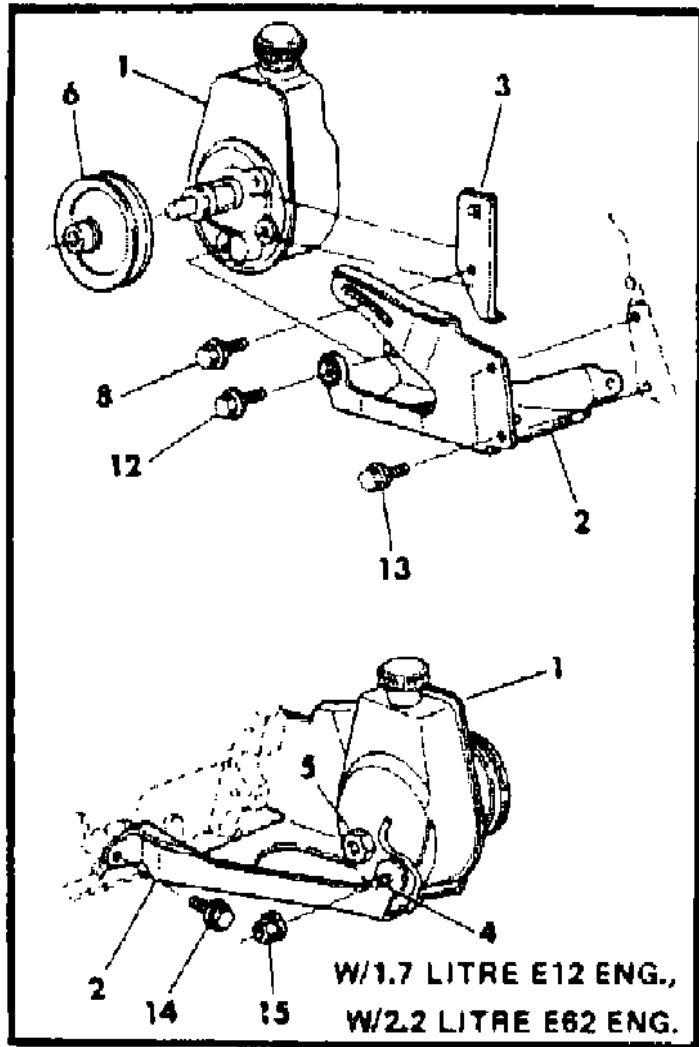
**BODY STYLES**

21 = 2-DOOR SEDAN	28 = FWD PICKUP
22 = 2-DOOR SPECIAL COUPE	41 = 4-DOOR SEDAN
24 = 2-DOOR HATCHBACK	44 = 4-DOOR HATCHBACK
27 = 2-DOOR CONVERTIBLE	45 = 2-SEAT STATION WAGON

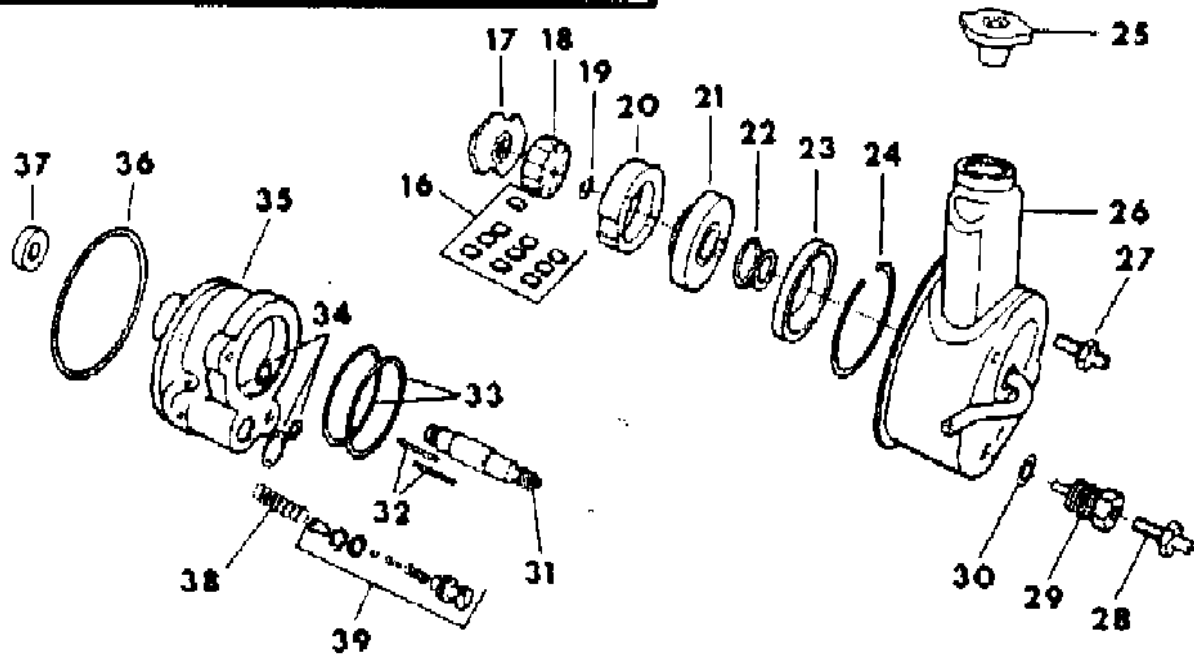
AR = Use as Required - = Non Illustrated Part P.A.R. = Paint as Required

POWER STEERING PUMP AND ATTACHING PARTS M,Z,P,D,V,C  
Figure 19-1700

2119 1700



ITEM	PART NUMBER	QTY	BODY	MODEL	DESCRIPTION
34	2537 838	1			SERVICE KIT, Seal
35		1			HOUSING, Assy. Pump (Serviced in Pump Assy. # 3643431)
36	2537 828	1			SEAL, Pump Reservoir "O"Ring
	3815 908	1			SEAL, Pump Reservoir "O"Ring
37	2537 899	1			SEAL, Pump Drive Shaft
38	2537 833	1			SPRING, Pump Flow Control
39	#3815 965	1			VALVE, Pump Flow Control, Assy.



MODEL CODES

B = GRAN FURY/CARAVELLE	P = RELIANT
C = LEBARON/TOWN & COUNTRY	S = CORDOBA
D = ARIES	V = 400
F = NEW YORKER	X = MIRADA
G = DIPLOMAT	Y = IMPERIAL
M = HORIZON/TC3/SCAMP	Z = OMNI/O24/RAMPAGE

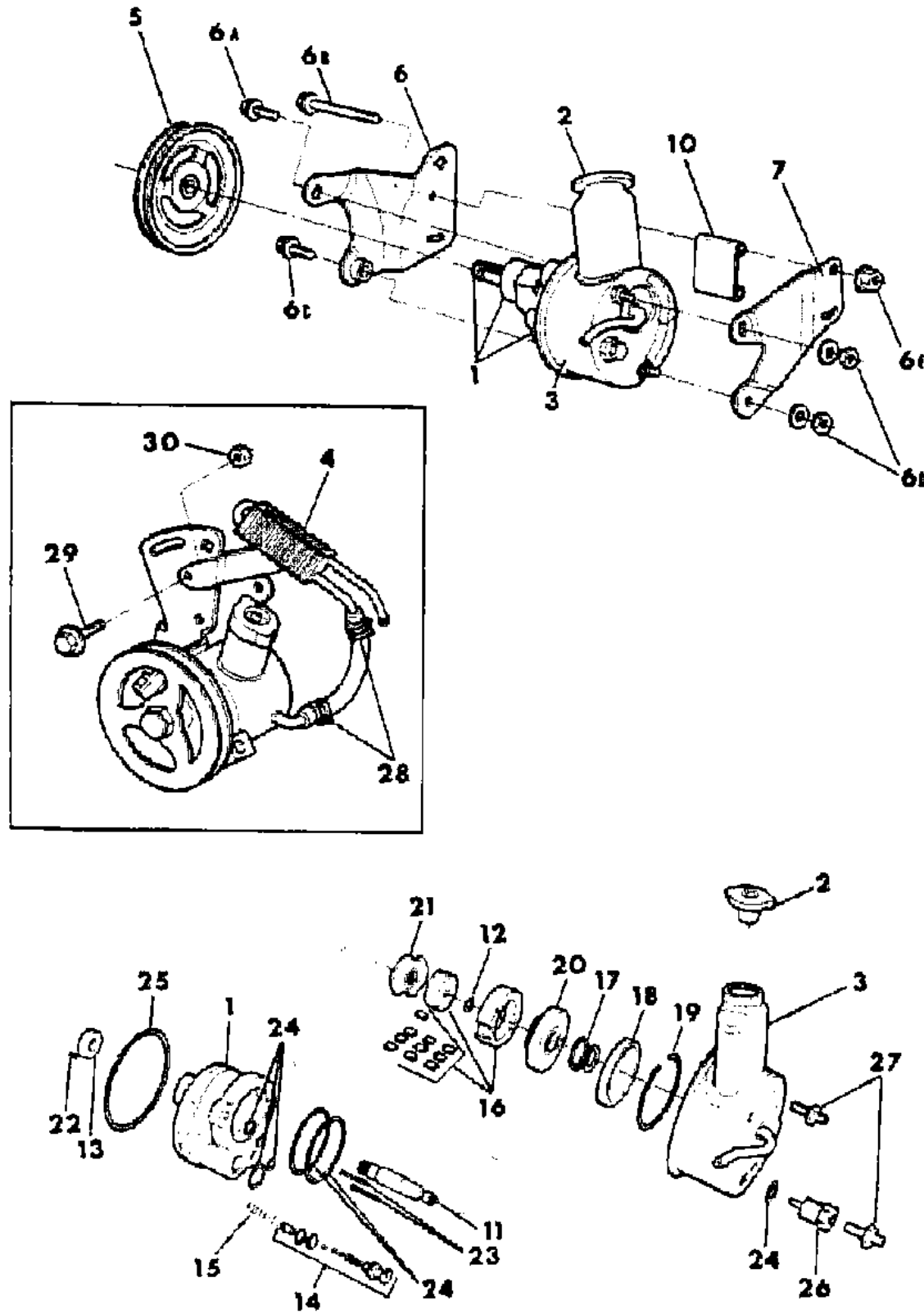
BODY STYLES

21 = 2-DOOR SEDAN	28 = FWD PICKUP
22 = 2-DOOR SPECIAL COUPE	41 = 4-DOOR SEDAN
24 = 2-DOOR HATCHBACK	44 = 4-DOOR HATCHBACK
27 = 2-DOOR CONVERTIBLE	45 = 2-SEAT STATION WAGON

AR = Use as Required - = Non Illustrated Part P.A.R. = Paint as Required

**POWER STEERING PUMP, PULLEY, BRACKETS, OIL COOLER B,F,G,X,S,Y**  
**Figure 19-1800**

2119 1800



ITEM	PART NUMBER	QTY	BODY	MODEL	DESCRIPTION
1	#3815 949	1		Except	OIL PUMP, Power Strg. (Early Type)
	3815 950	1		Y	(Early Type)
	3815 971	1		All	(Late Type)
2	#4219 036	1			CAP, Oil Pump Reservoir
3	2891 741	1			RESERVOIR, Power Strg. Oil Pump
4	3643 482	1			COOLER, Power Strg. Pump Oil
NOTE: Steering pump pulleys can be identified by the Part No. stamped on the Pulley, the last 2 digits are twice the size of the first 5 digits. an offsetting order for part no. 3747881					
5	4041 015	1			PULLEY, Strg. Pump w/225 Eng. (See Note)
	3870 089	1			w/318,360 Eng.
6	4179 685	1			BRACKET, Power Strg. Pump, Front, w/225 Eng.
	4179 736	1			Front, w/318, 360, Eng.
6A	6101 052	1			BOLT, Pump Mounting Bracket
6B	6101 050	1			BOLT, Pump Mounting Bracket Spacer
6C	0433 105	1			BOLT, Pump Mounting Bracket, w/318, 360 Eng.
6D	6100 525	2			NUT, Bolt Mounting Bracket
6E	0152 344	1			NUT, Bolt Mounting Bracket Spacer, w/225 Eng.
7	4179 682	1			BRACKET, Power Strg. Pump Rear, w/225 Eng.
	4179 738	1			BRACKET, Power Strg. Pump Rear, Pump, w/318, 360 Eng.
10	6029 507	1			SPACER, Pump Mounting Bracket, w/318, 360 Eng.
	6028 609	1			w/225 Eng.
11	#3815 961	1			SHAFT and Retaining RING PACKAGE, Pump
	3815 960	1			SERVICE KIT, Ring Retaining
12	2891 166	1			RING, Pump Drive Shaft Retaining
13	2537 899	1			SEAL, Pump Drive Shaft
14	#2891 460	1			VALVE, Pump Flow Control Pressure Relief
15	2537 833	1			SPRING, Pump Flow Control
16	#3815 962	1			REPAIR KIT, Pump Ring and Rotor Vane (Early TYPE)
	3815 974	1			(Late TYPE)
17	2537 834	1		Except	SPRING, Pump Pressure Plate (Early Type)
	3815 898	1		Y	
	3815 966	1		All	(Late Type)
18	2537 820	1			PLATE, Pump End
19	2537 823	1			RING, Pump End Plate Retainer
20	#2537 821	1		Except	PLATE, Pump Pressure (Early Type)
	3815 967	1		ALL	(Late Type)
	3815 963	1		Y	SERVICE KIT, Plate Pressure and Thrust (Early Type)

**MODEL CODES**

B = GRAN FURY/CARAVELLE	P = RELIANT
C = LEBARON/TOWN & COUNTRY	S = CORDOBA
D = ARIES	V = 400
F = NEW YORKER	X = MIRADA
G = DIPLOMAT	Y = IMPERIAL
M = HORIZON/TC3/SCAMP	Z = OMNI/O24/RAMPAGE

**BODY STYLES**

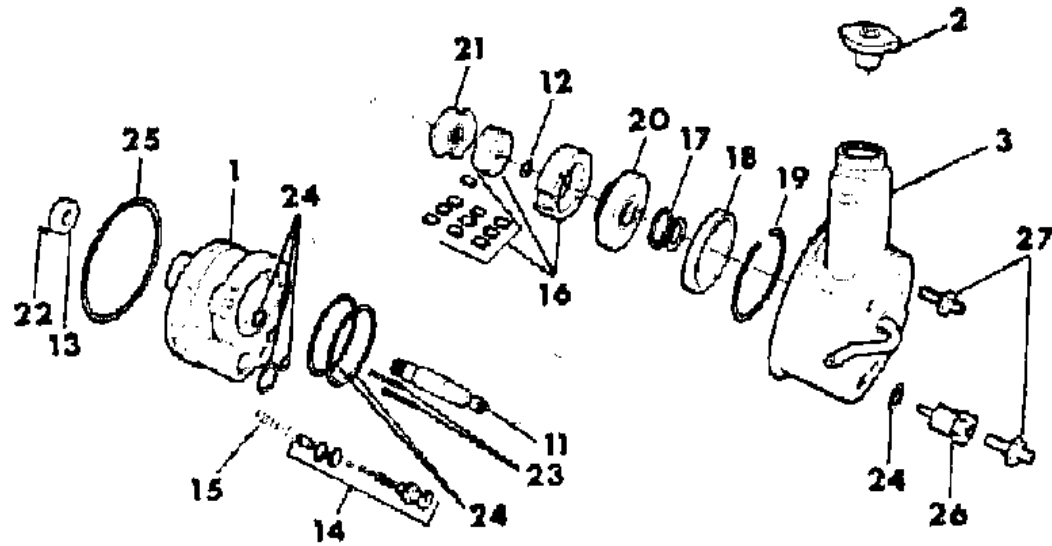
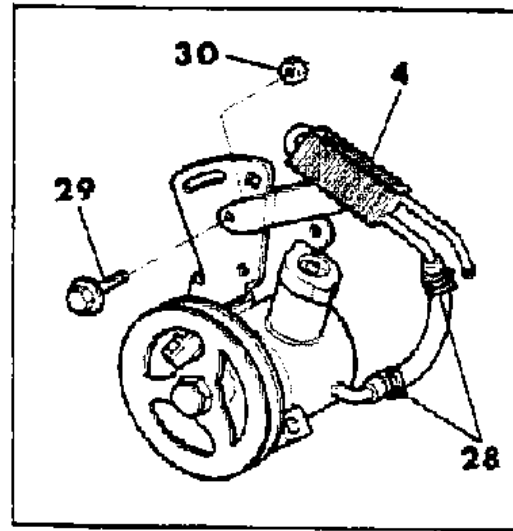
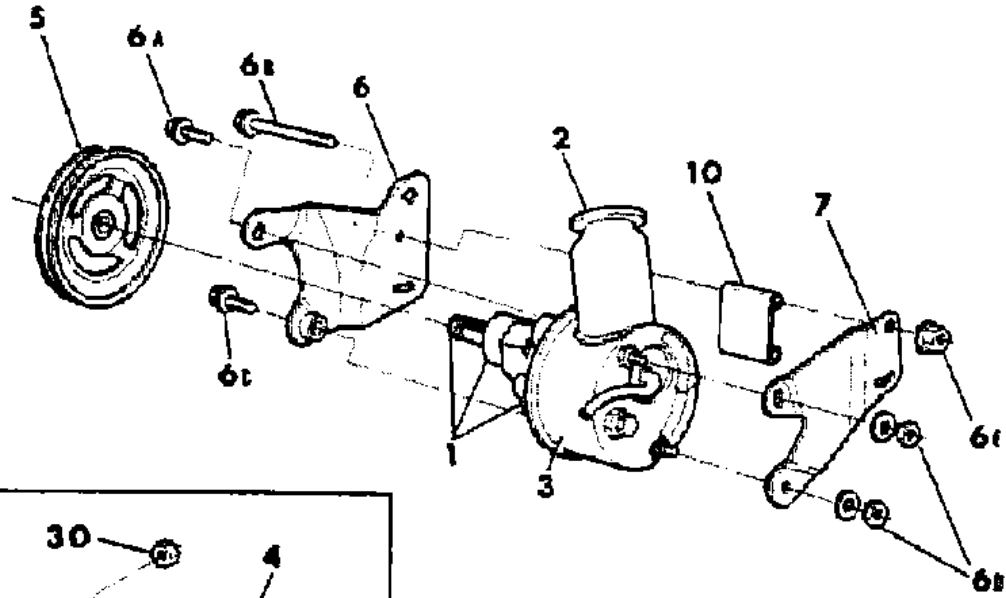
21 = 2-DOOR SEDAN	28 = FWD PICKUP
22 = 2-DOOR SPECIAL COUPE	41 = 4-DOOR SEDAN
24 = 2-DOOR HATCHBACK	44 = 4-DOOR HATCHBACK
27 = 2-DOOR CONVERTIBLE	45 = 2-SEAT STATION WAGON

AR = Use as Required - = Non Illustrated Part P.A.R. = Paint as Required

POWER STEERING PUMP, PULLEY, BRACKETS, OIL COOLER B,F,G,X,S,Y  
Figure 19-1800

2119 1800

ITEM	PART NUMBER	QTY	BODY	MODEL	DESCRIPTION
	3815 967	1		All	(Late Type)
21	#3815 914	1		Except	PLATE, Pump Thrust
22	2537 818	1			KEY, Pump Drive Shaft
23	2537 819	2			PIN, Pump Ring Dowel
24	2537 838	1			SEAL Kit, Pump
25	2537 828	1			SEAL, Oil Pump Reservoir
	3815 908	1			O RING, Oil Pump Reservoir
26	3643 493	1			FITTING, Pump Discharge
27	3643 466	2			STUD, Pump Mounting
28	0448 797	AR			Clamp, Oil Cooler Hose
29	6029 802	1			BOLT, Oil Cooler Mounting
30	6025 020	1			NUT, Oil Cooler Mounting
31	5205 254	1			O RING, Power Strg. Pressure Hose (Pump End)



MODEL CODES

B = GRAN FURY/CARAVELLE	P = RELIANT
C = LEBARON/TOWN & COUNTRY	S = CORDOBA
D = ARIES	V = 400
F = NEW YORKER	X = MIRADA
G = DIPLOMAT	Y = IMPERIAL
M = HORIZON/TC3/SCAMP	Z = OMNI/O24/RAMPAGE

BODY STYLES

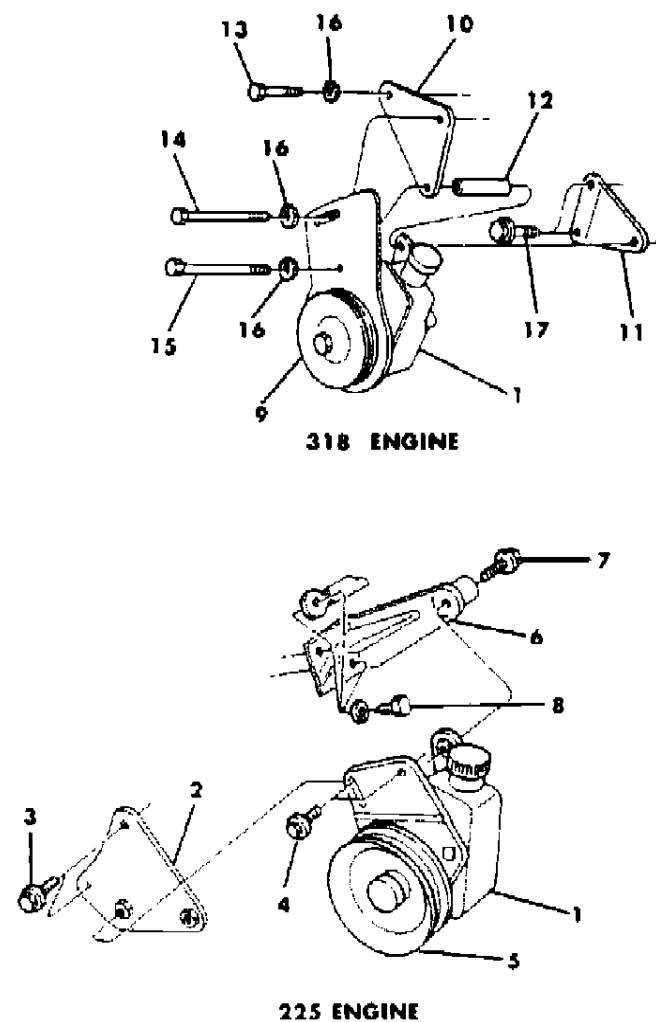
21 = 2-DOOR SEDAN	28 = FWD PICKUP
22 = 2-DOOR SPECIAL COUPE	41 = 4-DOOR SEDAN
24 = 2-DOOR HATCHBACK	44 = 4-DOOR HATCHBACK
27 = 2-DOOR CONVERTIBLE	45 = 2-SEAT STATION WAGON

AR = Use as Required - = Non Illustrated Part P.A.R. = Paint as Required



**POWER STEERING PUMP ENGINE BRACKETS B,F,G,X,S,Y**  
**Figure 19-1900**

2110 1900



ITEM	PART NUMBER	QTY	BODY	MODEL	DESCRIPTION
1	#3815 949	1		Except	OIL PUMP, Power Strg.
	3815 950	1		Y	
2	4179 937	1			BRACKET, Power Strg. Pump Mounting Front, w/o Air cond., w/ Air Pump, w/225 Eng.
2	4179 937	1			w/o Air Cond., w/o Air Pump, w/225 Eng.
3	6022 266	2			SCREW w/Washer, Pump Mounting to Water Pump, 225 Eng.
4	0181 112	2			SCREW, Pump Mounting and Pivot, 225 Eng.
5	4041 015	1			PULLEY, Power Strg. Pump, 225 Eng.
6	4173 139	1			BRACKET, Pump to Eng. Side, 225 Eng.
7	6027 877	1			SCREW, Pump Mounting Pivot, Rear, 225 Eng.
8		2			BOLT, (NOT Serviced), 225 Eng.
9	3870 089	1			PULLEY, Power Strg. Pump, 318,360 Eng.
10	2951 747	1			BRACKET, Power Strg. Pump Engine, Front w/318 Eng.
11	2951 852	1			BRACKET, Pump Engine, Rear w/318 Eng.
12	6029 507	1			SPACER, Power Strg. Pump Mounting Bracket
13	9420 892	1			BOLT, Water Pump
14	6028 166	1			BOLT, Water Pump
15	0433 105	1			BOLT, Power Strg. Pump Mounting Bracket, w/318 Eng.
16		3			WASHER (Not Serviced)
17	1672 550	1			SCREW, Rear Bracket, Upper
	0181 112	1			SCREW, Rear Bracket, Lower

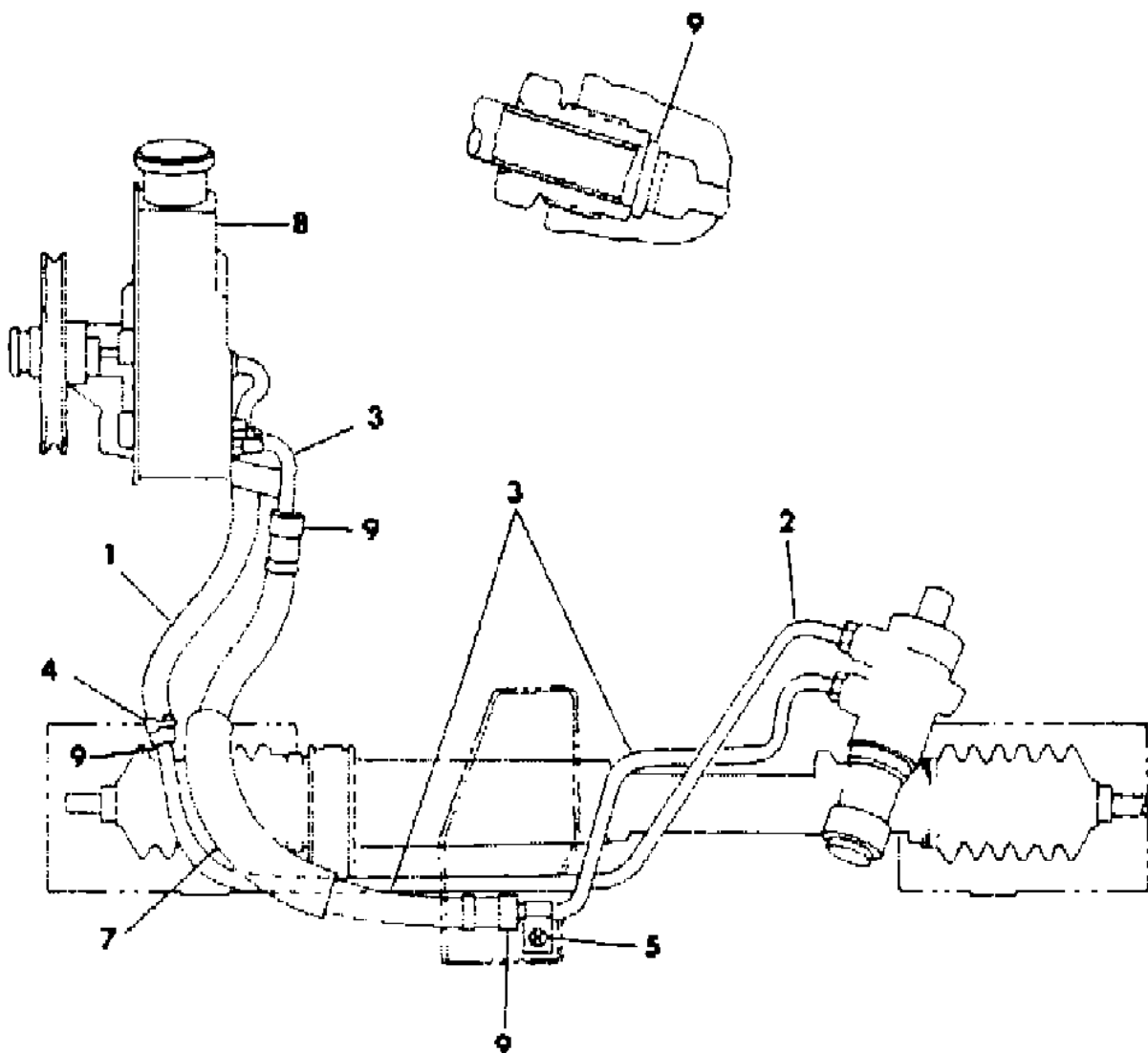
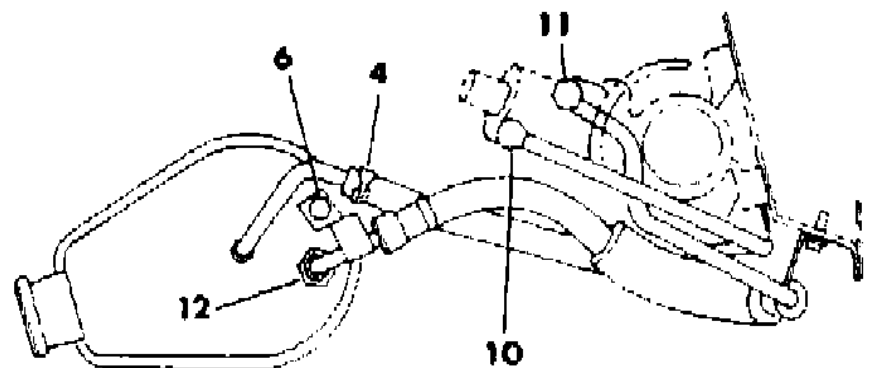
MODEL CODES  
 B = GRAN FURY/CARAVELLE      P = RELIANT  
 C = LEBARON/TOWN & COUNTRY      S = CORDOBA  
 D = ARIES      V = 400  
 F = NEW YORKER      X = MIRADA  
 G = DIPLOMAT      Y = IMPERIAL  
 M = HORIZON/TC3/SCAMP      Z = OMNI/O24/RAMPAGE

BODY STYLES  
 21 = 2-DOOR SEDAN      28 = FWD PICKUP  
 22 = 2-DOOR SPECIAL COUPE      41 = 4-DOOR SEDAN  
 24 = 2-DOOR HATCHBACK      44 = 4-DOOR HATCHBACK  
 27 = 2-DOOR CONVERTIBLE      45 = 2-SEAT STATION WAGON

AR = Use as Required - = Non Illustrated Part P.A.R. = Paint as Required

**POWER STEERING PUMP HOSE CHART, M,Z,P,D,V,C**  
**Figure 19-2000**

2119 2000



ITEM	PART NUMBER	QTY	BODY	MODEL	DESCRIPTION
NOTE 1: Part No. 3879925 Consists of a 50' Foot Roll use as required an offsetting order for part no. 3747881					
1		1			HOSE, Return, Power Strg. Pump (Cut to 11" From Part No. 3879925 See Note 1)
2	3815 848	1	M,Z		TUBE w/Nut, Power Strg. Pump Return Hose, w/(1.7 Litre Eng.)
	3815 846	1	M,Z		w/(2.2 Litre Eng.)
	3815 847	1	P,D,V,C		w/(2.2 and 2.6 Litre Eng's)
3	3815 841	1	M,Z		HOSE, Pressure, Strg. Pump, w/(1.7 Litre Eng.)
	3815 839	1	M,Z		w/(2.2 Litre Eng.)
	3815 840	1	P,D,V,C		w/(2.2 and 2.6 Litre Eng's)
4	0448 797	2			CLAMP, Power Strg. Pump Return Hose
5	6100 295	1	M,Z		SCREW, Power Strg. Pump Pressure Hose Clamp To Frame
6	0118 615	1			NUT, Pressure Hose Clamp To Power Strg. Pump
7		1			SLEEVE, Power Strg. Pump Pressure Hose (Service in Pressure Hose)
8	3643 431	1			PUMP, Power Strg.
9	5205 254	3			"O"Ring, Power Strg. Hose
10		1			NUT, Power Strg. Pump Return Hose Strg. Gear End (Serviced in Tube Assy.)
11		1			NUT, Power Strg. Pump Pressure Hose, Strg. Gear End (Serviced in Pressure Hose )
12		1			NUT, Power Strg. Pump Pressure Hose, Pump End (Serviced in Pressure Hose )

**MODEL CODES**

B = GRAN FURY/CARAVELLE	P = RELIANT
C = LEBARON/TOWN & COUNTRY	S = CORDOBA
D = ARIES	V = 400
F = NEW YORKER	X = MIRADA
G = DIPLOMAT	Y = IMPERIAL
M = HORIZON/TC3/SCAMP	Z = OMNI/O24/RAMPAGE

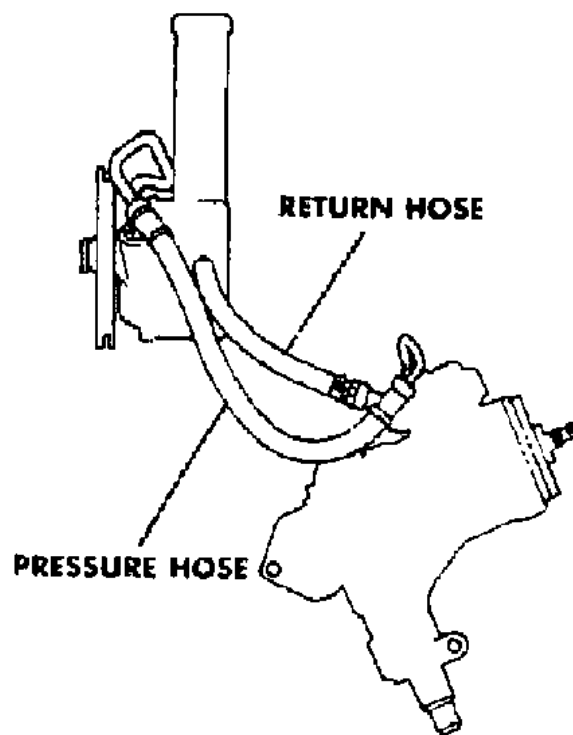
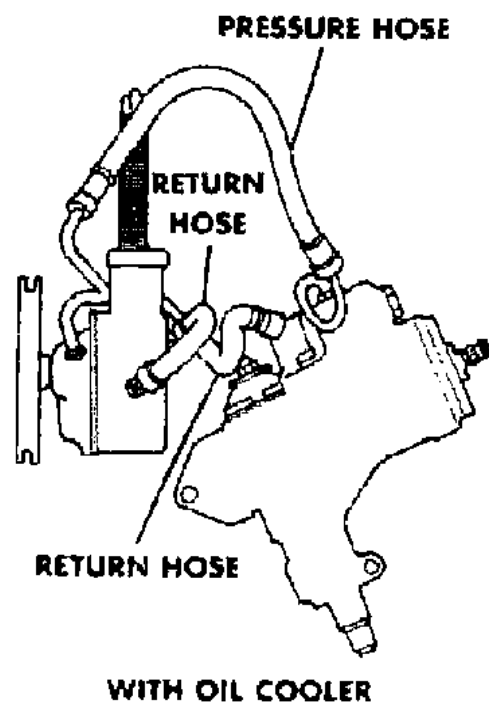
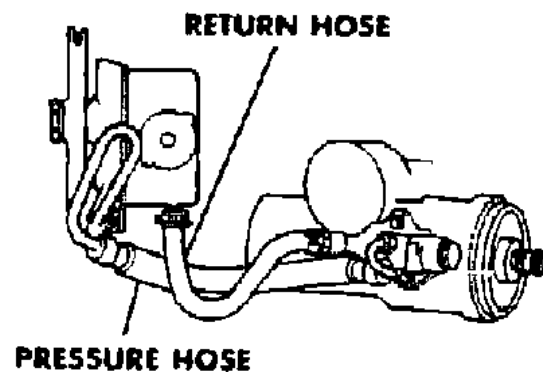
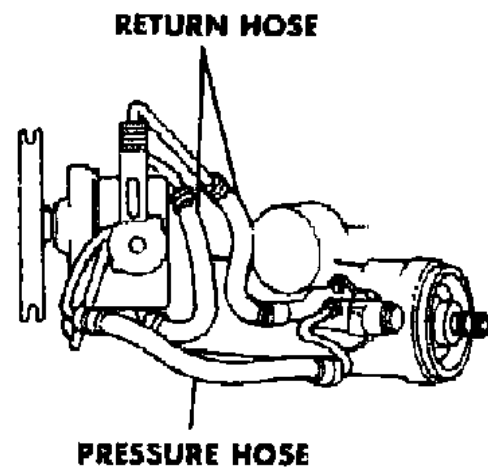
**BODY STYLES**

21 = 2-DOOR SEDAN	28 = FWD PICKUP
22 = 2-DOOR SPECIAL COUPE	41 = 4-DOOR SEDAN
24 = 2-DOOR HATCHBACK	44 = 4-DOOR HATCHBACK
27 = 2-DOOR CONVERTIBLE	45 = 2-SEAT STATION WAGON

AR = Use as Required - = Non Illustrated Part P.A.R. = Paint as Required

**POWER STEERING PUMP HOSE CHART, B,F,G,X,S,Y**  
**Figure 19-2100**

2119 2100



**SEE CHART  
FOR QUANTITY  
AND PART NUMBERS**

ITEM	PART NUMBER	QTY	BODY	MODEL	DESCRIPTION
------	-------------	-----	------	-------	-------------

NOTE A - Hose Return Power Steering Pump, 50 ft.Roll - Part No. 3879925 Cut To Length Shown an offsetting order for part no. 3747881

3643 477	w/225 Eng. N10 of Note N N Y3643477
3643 477	w/318 Eng. w/o Oil Cooler (See Note A) N10 of Note N N Y3643477

w/318 Eng. w/Oil Cooler (See Note A) N N10 of Note N2-3/4 of A N3643477

rior to specifying parts. M,Z,P,D,C,V, w/2.2 Liter Engine uses only Chrysler A460 Transaxle. an offsetting order for part no. 3747881

**MODEL CODES**

B = GRAN FURY/CARAVELLE	P = RELIANT
C = LEBARON/TOWN & COUNTRY	S = CORDOBA
D = ARIES	V = 400
F = NEW YORKER	X = MIRADA
G = DIPLOMAT	Y = IMPERIAL
M = HORIZON/TC3/SCAMP	Z = OMNI/O24/RAMPAGE

**BODY STYLES**

21 = 2-DOOR SEDAN	28 = FWD PICKUP
22 = 2-DOOR SPECIAL COUPE	41 = 4-DOOR SEDAN
24 = 2-DOOR HATCHBACK	44 = 4-DOOR HATCHBACK
27 = 2-DOOR CONVERTIBLE	45 = 2-SEAT STATION WAGON

AR = Use as Required - = Non Illustrated Part P.A.R. = Paint as Required

---

**GROUP 21M - TRANSMISSION, MANUAL**

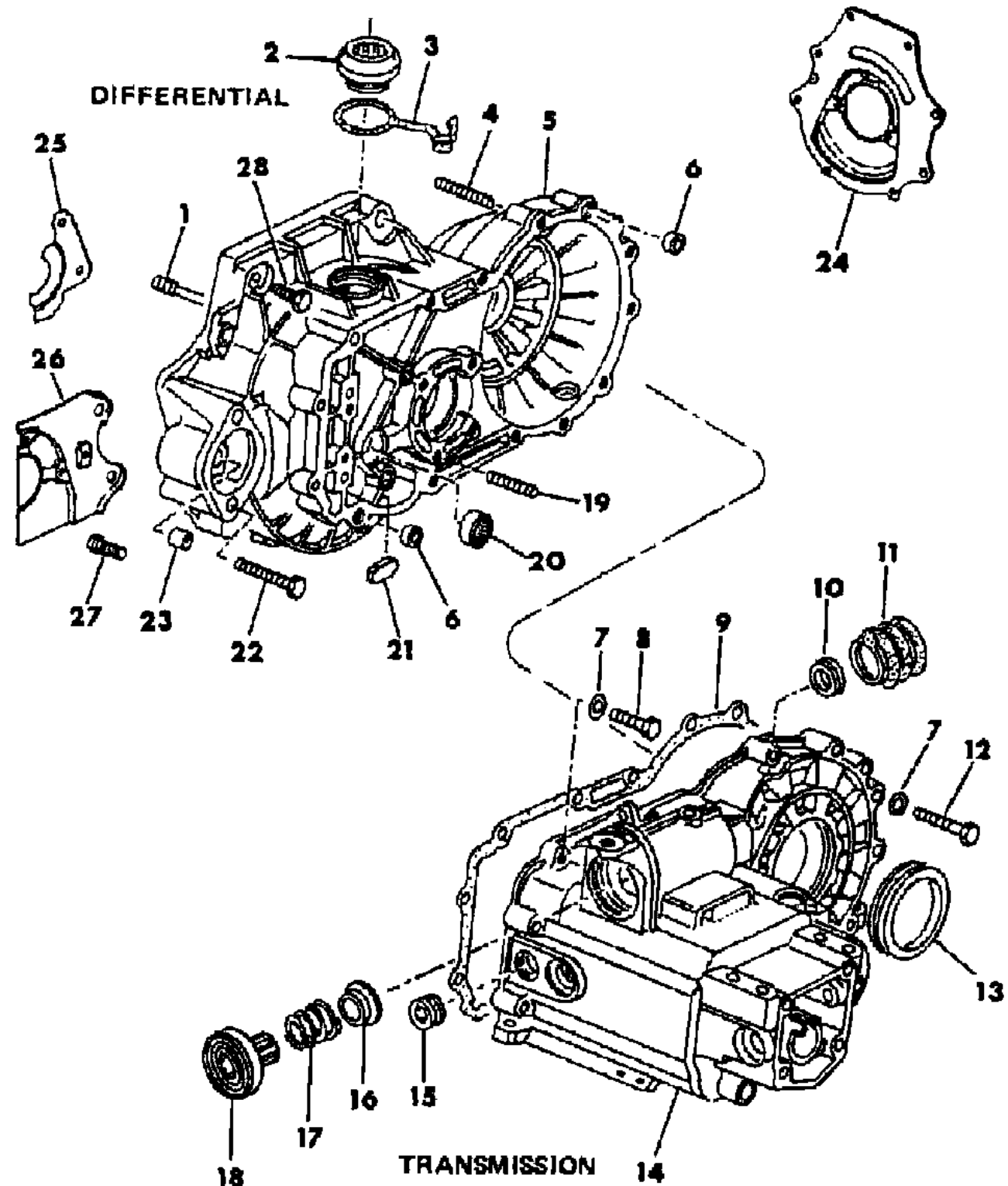
<b>ILLUSTRATION TITLE</b>	<b>GROUP-FIG. NO.</b>
MANUAL 4 SPEED TRANSAXLE A-412 DIFFERENTIAL CARRIER AND CLUTCH HOUSING M,Z . . . . .	Fig. 21M-100
GEARS AND SHAFTS MANUAL 4 SPEED TRANSMISSION-A412 M,Z . . . . .	Fig. 21M-200
DIFFERENTIAL MANUAL 4 SPEED TRANSMISSION A412 M,Z . . . . .	Fig. 21M-300
SHIFT ROD, SELECTOR SHAFT AND SELECTOR FORKS MANUAL 4 SPEED TRANSMISSION A412 M,Z . .	Fig. 21M-400
CHRYSLER-A460 TRANSAXLE CASE . . . . .	Fig. 21M-500
CHRYSLER-A460 TRANSAXLE GEAR TRAIN . . . . .	Fig. 21M-600
CHRYSLER-A460 TRANSAXLE-INTERNAL CONTROLS . . . . .	Fig. 21M-700
CHRYSLER-A460 TRANSAXLE DIFFERENTIAL . . . . .	Fig. 21M-800
GEARSHIFT CONTROLS - P,D,C,V W/2.2 LITER ENGINE . . . . .	Fig. 21M-900
GEARSHIFT CONTROLS - M,Z W/ CHRYSLER A460 TRANSAXLE . . . . .	Fig. 21M-1000
GEARSHIFT CONTROLS - M,Z W/ A412 TRANSAXLE . . . . .	Fig. 21M-1100
SPEEDOMETER CABLES . . . . .	Fig. 21M-1200
SPEEDOMETER CABLE AND DRIVE PINION . . . . .	Fig. 21M-1300
TRANSAXLE MOUNTING CHRYSLER A-460 . . . . .	Fig. 21M-1400

**ILLUSTRATION NOT AVAILABLE AT TIME OF PUBLICATION**

---

**MANUAL 4 SPEED TRANSAXLE A-412 DIFFERENTIAL CARRIER AND CLUTCH HOUSING M,Z**  
**Figure 21M-100**

2121 100



ITEM	PART NUMBER	QTY	BODY	MODEL	DESCRIPTION
NOTE: The Transaxle Part Number is stamped on the lower part of the Transaxle. an offsetting order for part no. 3747881					
	5240 048	1			TRANSAXLE
	4186 097	1			SEAL and GASKET REPAIR PACKAGE, Transmission, Complete
					Consists of:
					1-5240061 Gasket, Clutch Link. Cover
					1-4094828 Seal, Clutch Lever Shaft
					2-4094829 Seal(Axle)
					1-5240106 Gasket, Case To Clutch Housing
					1-4094830 Seal, Shift Shaft
					1-5240121 Washer, Seal
					1-5240126 Seal, Detent Nut
					1-5240127 Seal, Shift Shaft, Outer
					1-4186099 Bushing Assembly, Clutch Rel. Rod
					1-4094831 Seal, Input Shaft
					2-5240174 Seal, Bearing Ret. Sc.
					2-4094834 Seal, Flange O/S
					1-4057046 Seal, Speedo. Drive Pinion
					1-5240166 Seal, Pinion Adapter
1	6101 129	1			SCREW,w/WASHER, Cyl. Block to Trans.
2	5240 163	1			RETAINER, Probe
3	5240 164	1			PLUG, Probe Retainer
4	5240 018	3			STUD, Mount
5	5240 092	1			HOUSING, Diff. Carrier and Clutch
6	5240 100	2			DOWEL
7		14			WASHER, Case to Clutch Hsg. Screws(Not Service)
8	5222 924	2			SCREW, Case to Clutch Hsg.
9	5240 106	1			GASKET, Case to Clutch Hsg.
10	4094 830	1			SEAL, Shift Shaft, Inner
11	5240 127	1			SEAL or BOOT, Shift Shaft, Outer
12	5222 925	12			SCREW, Case to Clutch Hsg.
13	4094 829	2			SEAL ASSEMBLY, Frt. Axle Lip
14	5240 088	1			CASE, Transmission, Partial
15	5240 096	1			PLUG, Fill or Drain
16	5240 111	1			SLINGER, Shift Shaft
17	5240 110	1			SPRING, Shift
18	5240 113	1			HOUSING, Shift Shaft

MODEL CODES

B = GRAN FURY/CARAVELLE	P = RELIANT
C = LEBARON/TOWN & COUNTRY	S = CORDOBA
D = ARIES	V = 400
F = NEW YORKER	X = MIRADA
G = DIPLOMAT	Y = IMPERIAL
M = HORIZON/TC3/SCAMP	Z = OMNI/O24/RAMPAGE

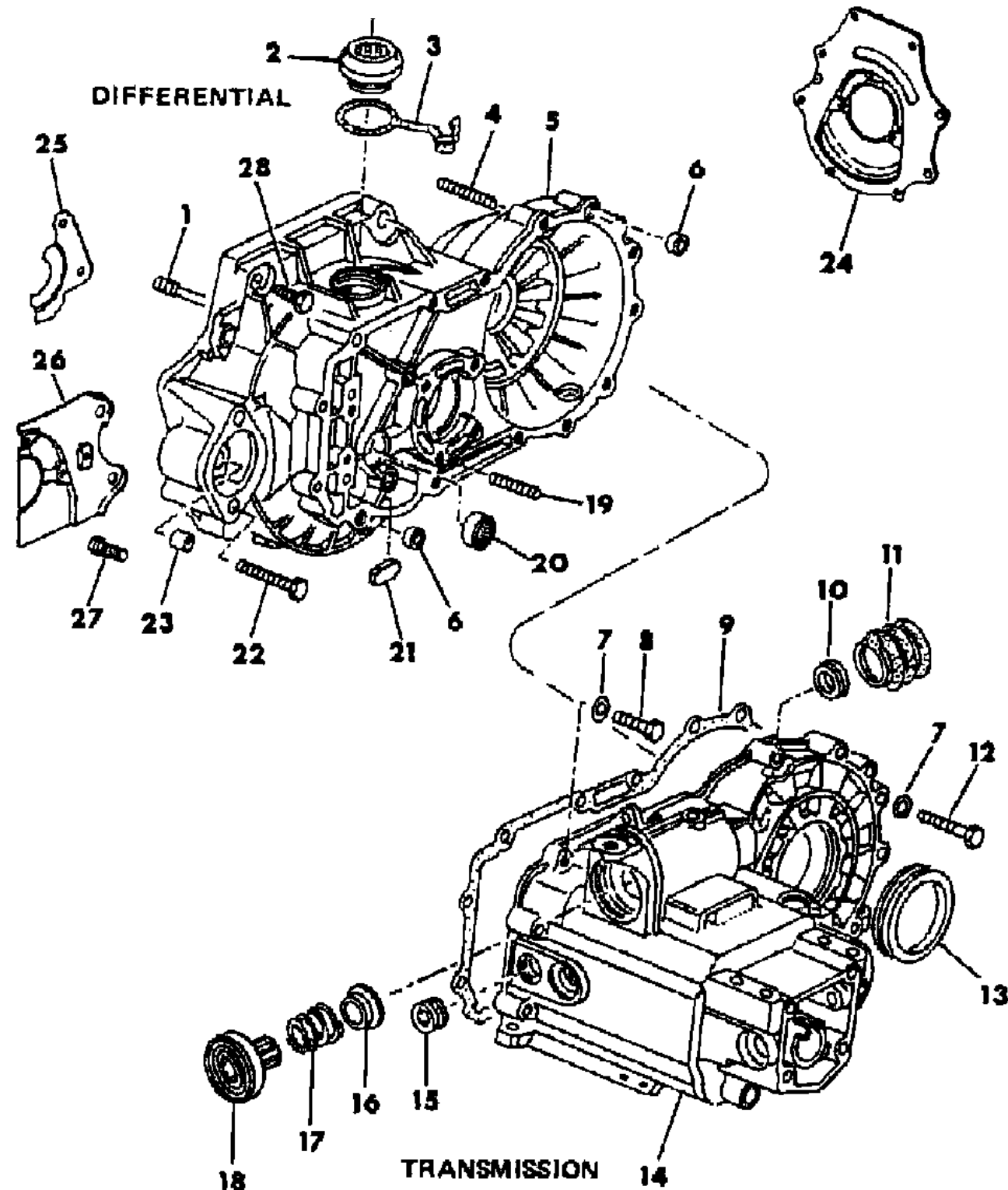
BODY STYLES

21 = 2-DOOR SEDAN	28 = FWD PICKUP
22 = 2-DOOR SPECIAL COUPE	41 = 4-DOOR SEDAN
24 = 2-DOOR HATCHBACK	44 = 4-DOOR HATCHBACK
27 = 2-DOOR CONVERTIBLE	45 = 2-SEAT STATION WAGON

AR = Use as Required - = Non Illustrated Part P.A.R. = Paint as Required

**MANUAL 4 SPEED TRANSAXLE A-412 DIFFERENTIAL CARRIER AND CLUTCH HOUSING M,Z**  
**Figure 21M-100**

2121 100



ITEM	PART NUMBER	QTY	BODY	MODEL	DESCRIPTION
19		4			STUD
20	5240 150	1			BEARING, Drive Shaft Needle
21	5240 099	1			MAGNET, Chip Collector
22	6500 220	2			STUD, Starter
23	5240 101	1			BUSHING, Starter Pilot
24	5222 836	1			COVER, Engine/Trans. Dust, Large
25	5222 839	1			COVER, Engine/Trans. Dust, Small
26	5222 836	1			COVER ASSEMBLY, Eng./Trans. Dust, Large
27	6100 988	4			SCREW,w/WASHER, Small Dust Cover Hex
	6500 190	3			Large Dust Cover Hex
28	6100 346	2			SCREW,w/WASHER
29		1			SWITCH, Back-Up Light(Not Shown)(See Group 8 Starter)

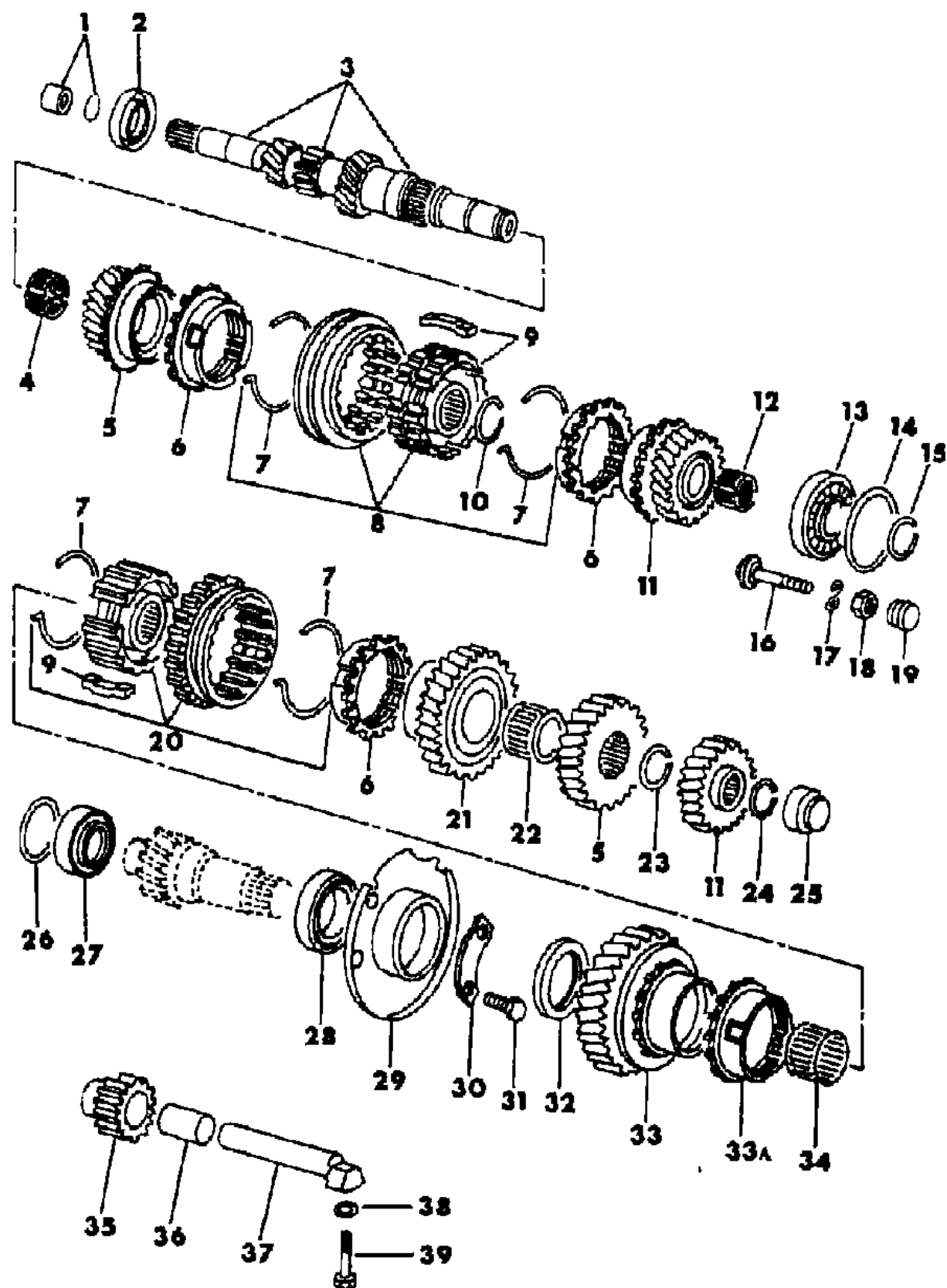
MODEL CODES  
 B = GRAN FURY/CARAVELLE      P = RELIANT  
 C = LEBARON/TOWN & COUNTRY      S = CORDOBA  
 D = ARIES      V = 400  
 F = NEW YORKER      X = MIRADA  
 G = DIPLOMAT      Y = IMPERIAL  
 M = HORIZON/TC3/SCAMP      Z = OMNI/O24/RAMPAGE

BODY STYLES  
 21 = 2-DOOR SEDAN      28 = FWD PICKUP  
 22 = 2-DOOR SPECIAL COUPE      41 = 4-DOOR SEDAN  
 24 = 2-DOOR HATCHBACK      44 = 4-DOOR HATCHBACK  
 27 = 2-DOOR CONVERTIBLE      45 = 2-SEAT STATION WAGON

AR = Use as Required - = Non Illustrated Part P.A.R. = Paint as Required

**GEARS AND SHAFTS MANUAL 4 SPEED TRANSMISSION-A412 M,Z**  
**Figure 21M-200**

2121 200



ITEM	PART NUMBER	QTY	BODY	MODEL	DESCRIPTION
1	4186 099	1			BUSHING,w/SEAL, Clutch Release Rod
	4186 098	1			SEAL, w/ Installing Cap
2	4094 831	1			SEAL ASSEMBLY, Input or Main Shaft Lip
3	4202 770	1			SHAFT ASSEMBLY,Input or Main
4	5240 213	1			BEARING, Needle
5	5240 195	1			GEAR SET, 3rd Speed
6	5240 199	3			RING, Synchronizer 2nd, 3rd and 4th
7	5240 204	5			SPRING, Synchronizer 1st, 2nd, 3rd and 4th
8	5240 202	1			SYNCHRONIZER ASSEMBLY, 3rd and 4th
9	5240 208	6			STRUT, Synch. 1st, 2nd and 3rd
10	5240 210	1			SNAP RING
11	5240 218	1			GEAR SET, 4th Speed
12	4094 832	1			BEARING, 4 th Gear Needle
13	4186 095	1			BEARING ASSEMBLY, Trans. Input or Main Shaft,Rr. Ball
14	5240 284	AR			SHIM, Diff. Case, .015" Thk.
	5240 285	AR			SHIM, .030" Thk.
	5240 287	AR			SHIM, .060" Thk.
	5240 288	AR			SHIM, .070" Thk.
	5240 289	AR			SHIM, .080" Thk.
15	5222 902	1			SNAP RING, Ball Bearing, Inner
16	5222 884	3			SCREW ASSEMBLY, Ball Brg. Retainer
17	5240 015	3			WASHER, Ball Brg. Retainer Wave
18	5240 011	3			NUT, Ball Brg. Retainer Screw
19	5240 174	3			SEAL, Brg. Retaining Screw
20	5240 191	1			SYNCHRONIZER ASSEMBY, 1st and 2nd
21	5240 194	1			GEAR, 2nd Countershaft,35T.
22	5240 190	1			BEARING and RACE ASSEMBLY, Needle 2nd Gear
23	5240 221	AR			SNAP RING, 2.5 mm
	5240 222	AR			SNAP RING, 2.6
	5240 223	AR			SNAP RING, 2.7
	5240 224	AR			SNAP RING, 2.8
	5240 225	AR			SNAP RING, 2.9
	5240 226	AR			SNAP RING, 3.0
24	5240 198	1			SNAP RING, 4th Gear
25	4202 546	1			BEARING ASSEMBLY, Trans. Countershaft Rr. Needle
26	5240 227	AR			SHIM, Countershaft,0.75
	5240 228	AR			SHIM, 0.80

**MODEL CODES**

B = GRAN FURY/CARAVELLE	P = RELIANT
C = LEBARON/TOWN & COUNTRY	S = CORDOBA
D = ARIES	V = 400
F = NEW YORKER	X = MIRADA
G = DIPLOMAT	Y = IMPERIAL
M = HORIZON/TC3/SCAMP	Z = OMNI/O24/RAMPAGE

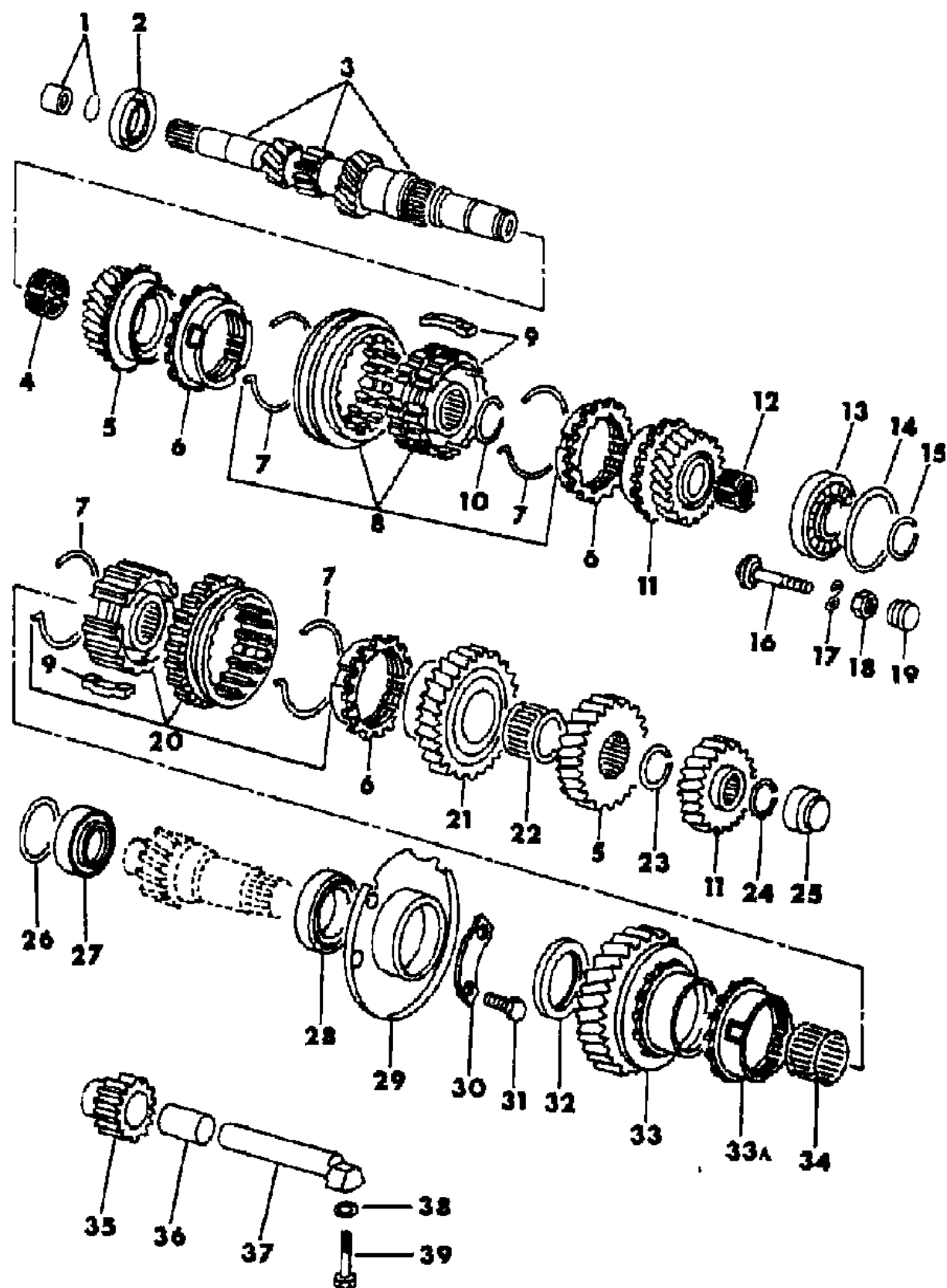
**BODY STYLES**

21 = 2-DOOR SEDAN	28 = FWD PICKUP
22 = 2-DOOR SPECIAL COUPE	41 = 4-DOOR SEDAN
24 = 2-DOOR HATCHBACK	44 = 4-DOOR HATCHBACK
27 = 2-DOOR CONVERTIBLE	45 = 2-SEAT STATION WAGON

AR = Use as Required - = Non Illustrated Part P.A.R. = Paint as Required

GEARS AND SHAFTS MANUAL 4 SPEED TRANSMISSION-A412 M,Z  
Figure 21M-200

2121 200



ITEM	PART NUMBER	QTY	BODY	MODEL	DESCRIPTION
	5240 229	AR			SHIM, 0.85
	5240 230	AR			SHIM, 0.90
	5240 231	AR			SHIM, 0.95
	5240 232	AR			SHIM, 1.00
	5240 233	AR			SHIM, 1.05
	5240 234	AR			SHIM, 1.10
	5240 235	AR			SHIM, 1.15
	5240 236	AR			SHIM, 1.20
	5240 237	AR			SHIM, 1.25
	5240 238	AR			SHIM, 1.30
	5240 239	AR			SHIM, 1.35
	5240 240	AR			SHIM, 1.40
	5240 241	AR			SHIM, 0.65
	5240 242	AR			SHIM, 0.70
27	5240 260	AR			BEARING or RACE, Countershaft, Inner Outer
	5240 264	1			
28	5222 801	1			BEARING ASSEMBLY, Trans. Countershaft, Small
29	4057 048	1			PLATE, Countershaft Brg.
30		2			PLATE, Brg. Retainer Locking(Not Needed)
31	5240 026	4			SCREW, Brg. Locking Plate
32	5240 188	1			WASHER, Thrust 1st Gear Countershaft
33	5240 193	1			GEAR, Countershaft 1st,33T.
33A	5222 828	1			RING, Synch. 1st
34	5240 184	1			BEARING ASSEMBLY, 1st Gear Countershaft Needle
35	5222 900	1			GEAR,w/BUSHING, Reverse Idler
36	5240 247	1			BUSHING, Reverse Idler Gear
37	5240 245	1			SHAFT, Reverse Idler Gear
38	5240 022	1			WASHER, Sealing,Alum.
39	5222 883	1			SCREW, Reverse Idler Shaft

MODEL CODES

B = GRAN FURY/CARAVELLE	P = RELIANT
C = LEBARON/TOWN & COUNTRY	S = CORDOBA
D = ARIES	V = 400
F = NEW YORKER	X = MIRADA
G = DIPLOMAT	Y = IMPERIAL
M = HORIZON/TC3/SCAMP	Z = OMNI/O24/RAMPAGE

BODY STYLES

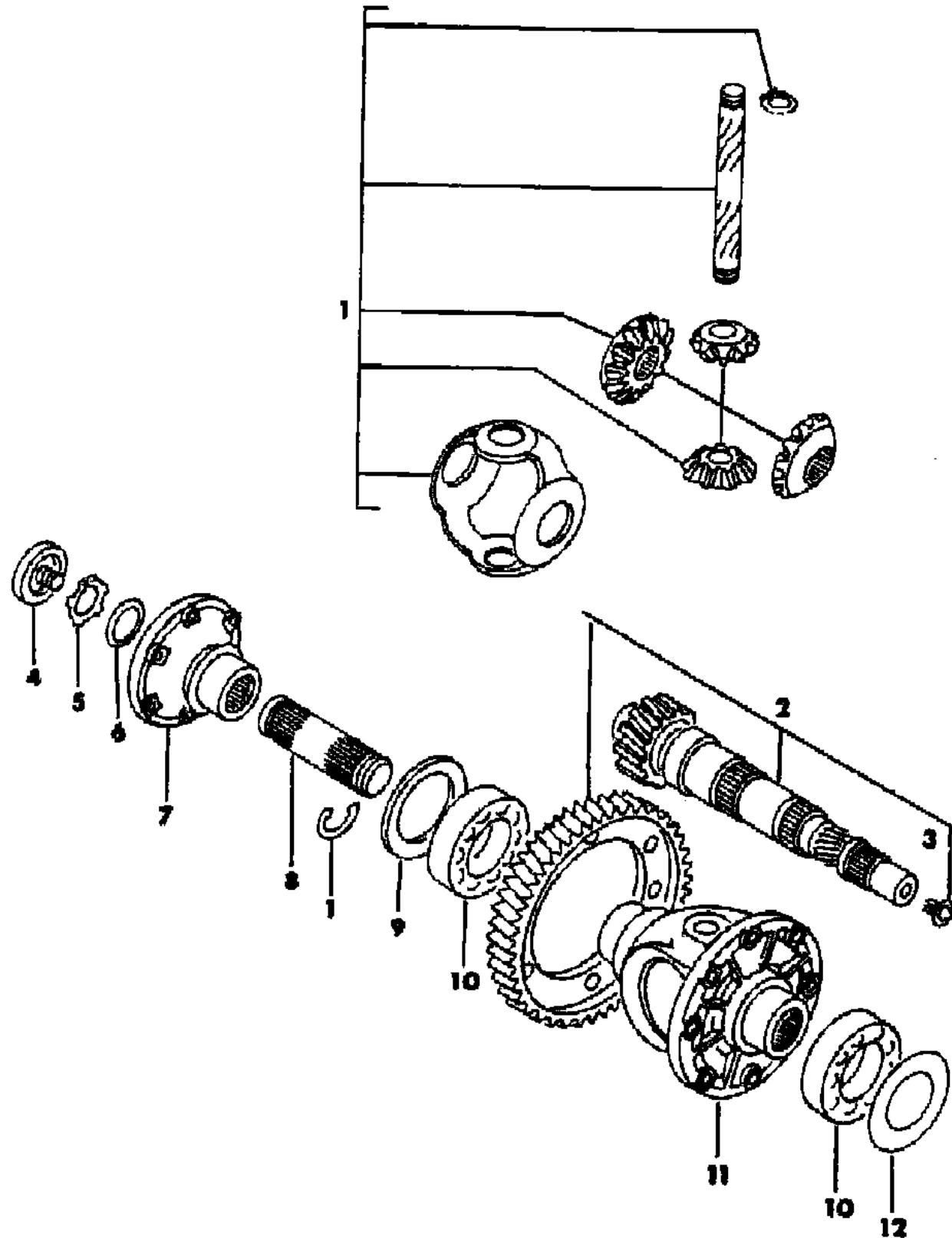
21 = 2-DOOR SEDAN	28 = FWD PICKUP
22 = 2-DOOR SPECIAL COUPE	41 = 4-DOOR SEDAN
24 = 2-DOOR HATCHBACK	44 = 4-DOOR HATCHBACK
27 = 2-DOOR CONVERTIBLE	45 = 2-SEAT STATION WAGON

AR = Use as Required - = Non Illustrated Part P.A.R. = Paint as Required



**DIFFERENTIAL MANUAL 4 SPEED TRANSMISSION A412 M,Z**  
**Figure 21M-300**

2121 300



ITEM	PART NUMBER	QTY	BODY	MODEL	DESCRIPTION
1	4094 835	1			PINION AND CROSS SHAFT PACKAGE, Trans. Differential Consists of: 2 - ----- Pinion, Large 2 - ----- Pinion, Side, Small 1 - ----- Washer, Pinion 1 - ----- Cross Shaft, Diff. 2 - ----- C-Ring 2 - ----- C-Ring 2 - 5240021 Snap Ring
2	4057 394	1			GEAR SET,w/STUDS,NUTS and LOCK PLATE,Used w/ 5240048 Trans.
	4057 049	1			DRIVE GEAR SET ATTACHING PARTS PACKAGE Consists of: 8 - ----- STUD, Shoulder 8 - ----- NUT, Diff. Case 4 - ----- PLATE, Lock
3	4202 545	1			PLUG, Bearing
4	4094 834	2			SEAL, Flange
5	5240 292	2			SNAP RING, Flange
6	5240 291	2			WASHER, Spring
7	4202 773	2			FLANGE,w/SLINGER
8	5240 290	2			SHAFT, Output
9	5240 293	2			SPACER, Brg.
10	5222 819	2			RACE, Trans. Diff.
	5222 823	2			BEARING
11	5240 271	1			CASE or HOUSING, Trans. Diff.
	4094 835	1			WASHER, Diff. Case
	5240 021	2			SNAP RING, Diff. Case Cross Shaft
12	5240 284	AR			SHIM, Diff. Case, 0.15
	5240 285	AR			SHIM, 0.30
	5240 287	AR			SHIM, 0.60
	5240 288	AR			SHIM, 0.70
	5240 289	AR			SHIM, 0.80

MODEL CODES

B = GRAN FURY/CARAVELLE	P = RELIANT
C = LEBARON/TOWN & COUNTRY	S = CORDOBA
D = ARIES	V = 400
F = NEW YORKER	X = MIRADA
G = DIPLOMAT	Y = IMPERIAL
M = HORIZON/TC3/SCAMP	Z = OMNI/O24/RAMPAGE

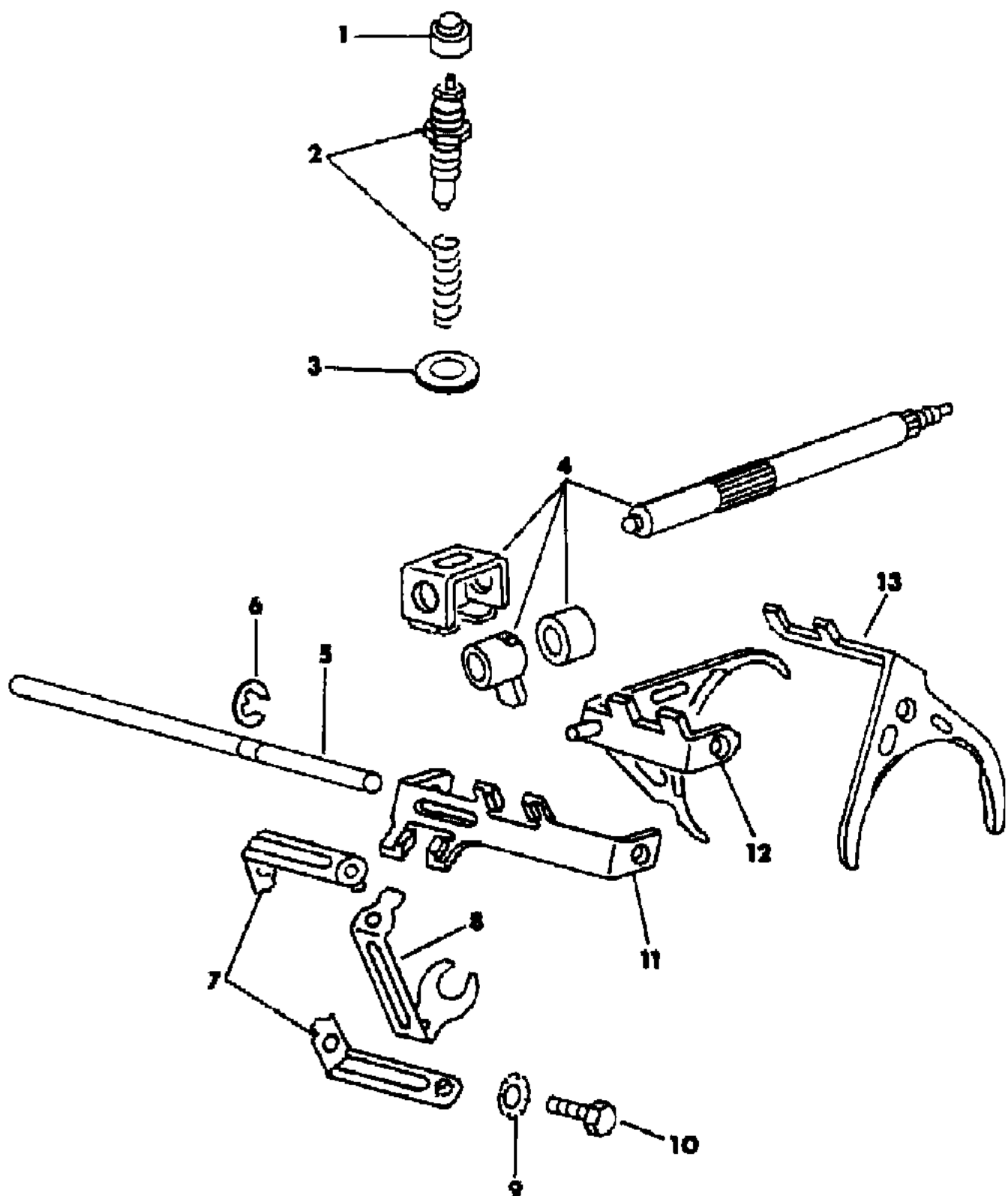
BODY STYLES

21 = 2-DOOR SEDAN	28 = FWD PICKUP
22 = 2-DOOR SPECIAL COUPE	41 = 4-DOOR SEDAN
24 = 2-DOOR HATCHBACK	44 = 4-DOOR HATCHBACK
27 = 2-DOOR CONVERTIBLE	45 = 2-SEAT STATION WAGON

AR = Use as Required - = Non Illustrated Part P.A.R. = Paint as Required

SHIFT ROD, SELECTOR SHAFT AND SELECTOR FORKS MANUAL 4 SPEED TRANSMISSION A412 M,Z  
Figure 21M-400

2121 400



ITEM	PART NUMBER	QTY	BODY	MODEL	DESCRIPTION
1	5240 126	1			SEAL, Detent Nut
2	5240 119	1			DETENT ASSEMBLY, Shift Shaft
	5240 012	1			NUT, Detent
3	5240 121	1			WASHER, Detent Nut Sealing
4	5222 911	1			SHAFT ASSEMBLY, Shift
5	5240 124	1			SHAFT, Shift Fork
6	5240 251	2			E-RING, Shift Shaft Fork
7	5240 128	2			BRACKET, Reverse Gear Shifter
8	4202 549	1			SHIFTER, Reverse Gear
	4202 548	1			PAD, Reverse Gear Shifter (not illustrated)
9		2			WASHER, Lock(Do Not Service)
10		2			BOLT, Hex(Do Not Service)
11	5240 253	1			FORK, Reverse Gear Shift
12	5240 248	1			FORK, Selector 1st and 2nd
13	5240 252	1			FORK, Selector 3rd and 4th

MODEL CODES

B = GRAN FURY/CARAVELLE	P = RELIANT
C = LEBARON/TOWN & COUNTRY	S = CORDOBA
D = ARIES	V = 400
F = NEW YORKER	X = MIRADA
G = DIPLOMAT	Y = IMPERIAL
M = HORIZON/TC3/SCAMP	Z = OMNI/O24/RAMPAGE

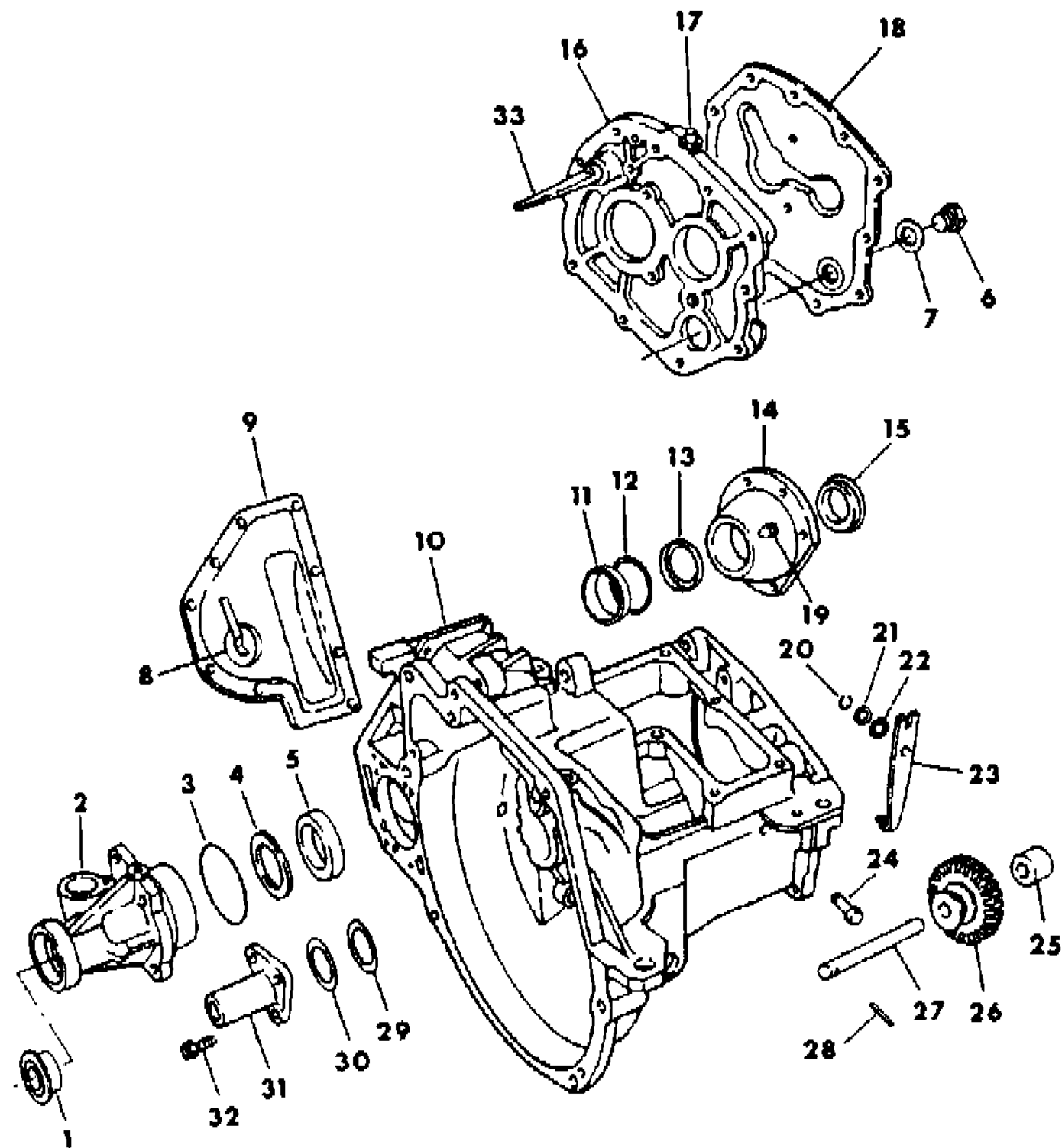
BODY STYLES

21 = 2-DOOR SEDAN	28 = FWD PICKUP
22 = 2-DOOR SPECIAL COUPE	41 = 4-DOOR SEDAN
24 = 2-DOOR HATCHBACK	44 = 4-DOOR HATCHBACK
27 = 2-DOOR CONVERTIBLE	45 = 2-SEAT STATION WAGON

AR = Use as Required - = Non Illustrated Part P.A.R. = Paint as Required

**CHRYSLER-A460 TRANSAXLE CASE**  
**Figure 21M-500**

2121 500A



ITEM	PART NUMBER	QTY	BODY	MODEL	DESCRIPTION
NOTE: The Transaxle Part No. is stamped on a Tag that is attached to an End Cover an offsetting order for part no. 3747881					
					TRANSAXLE
	4269 167	1		M,Z	w/1.7 Liter Engine, w/2.69 Overall Ratio
	4269 165	1		M,Z	w/2.2 Liter Engine, w/2.69 Overall Ratio
	4269 165	1		P,D,C,V	w/2.2 Liter Engine, w/2.69 Overall Ratio
	4269 168	1		M,Z	w/2.2 Liter Engine, w/3.13 Overall Ratio
	4269 168	1		P,D,C,V	w/2.2 Liter Engine, w/3.13 Overall Ratio
1	5205 591	1			SEAL, Trans Extension
2	5222 784	1			EXTENSION w/BUSHING, Transaxle
3	6500 111	1			"O"-Ring, Trans Extension
4	5222 255	1			RETAINER, Trans Extension Oil
5	5222 259	1			CUP, Trans Retainer Diff.
6	4202 535	2			PLUG, Drain and Fill
7	2070 122	2			GASKET, Drain and Fill Plug
8	3681 601	1			MAGNET, Trans Chip Collector
9	5222 787	1			PAN, Trans Diff Oil
10					CASE, Transaxle
	4269 128	1			w/4269167 Trans
	4269 127	1			w/4269165,168 Trans
11	5222 259	1			CUP, Diff Retainer Bearing
12					SPACER, Trans Final Drive
	4207 134	1			0.50mm (.020")
	4207 135	1			0.55mm (.022")
	4207 136	1			0.60mm (.024")
	4207 137	1			0.65mm (.026")
	4207 138	1			0.70mm (.027")
	4207 139	1			0.75mm (.029")
	4207 140	1			0.80mm (.031")
	4207 141	1			0.85mm (.033")
	4207 142	1			0.90mm (.035")
	4207 143	1			0.95mm (.037")
	4207 144	1			1.00mm (.039")
	4207 145	1			1.05mm (.041")
13	5222 256	1			BAFFLE, Oil Feed
14	5222 781	1			RETAINER, Diff Bearing
15	5205 591	1			SEAL, Bearing Retainer
16	5222 698	1			PLATE, Trans Bearing Retainer

MODEL CODES

B = GRAN FURY/CARAVELLE	P = RELIANT
C = LEBARON/TOWN & COUNTRY	S = CORDOBA
D = ARIES	V = 400
F = NEW YORKER	X = MIRADA
G = DIPLOMAT	Y = IMPERIAL
M = HORIZON/TC3/SCAMP	Z = OMNI/O24/RAMPAGE

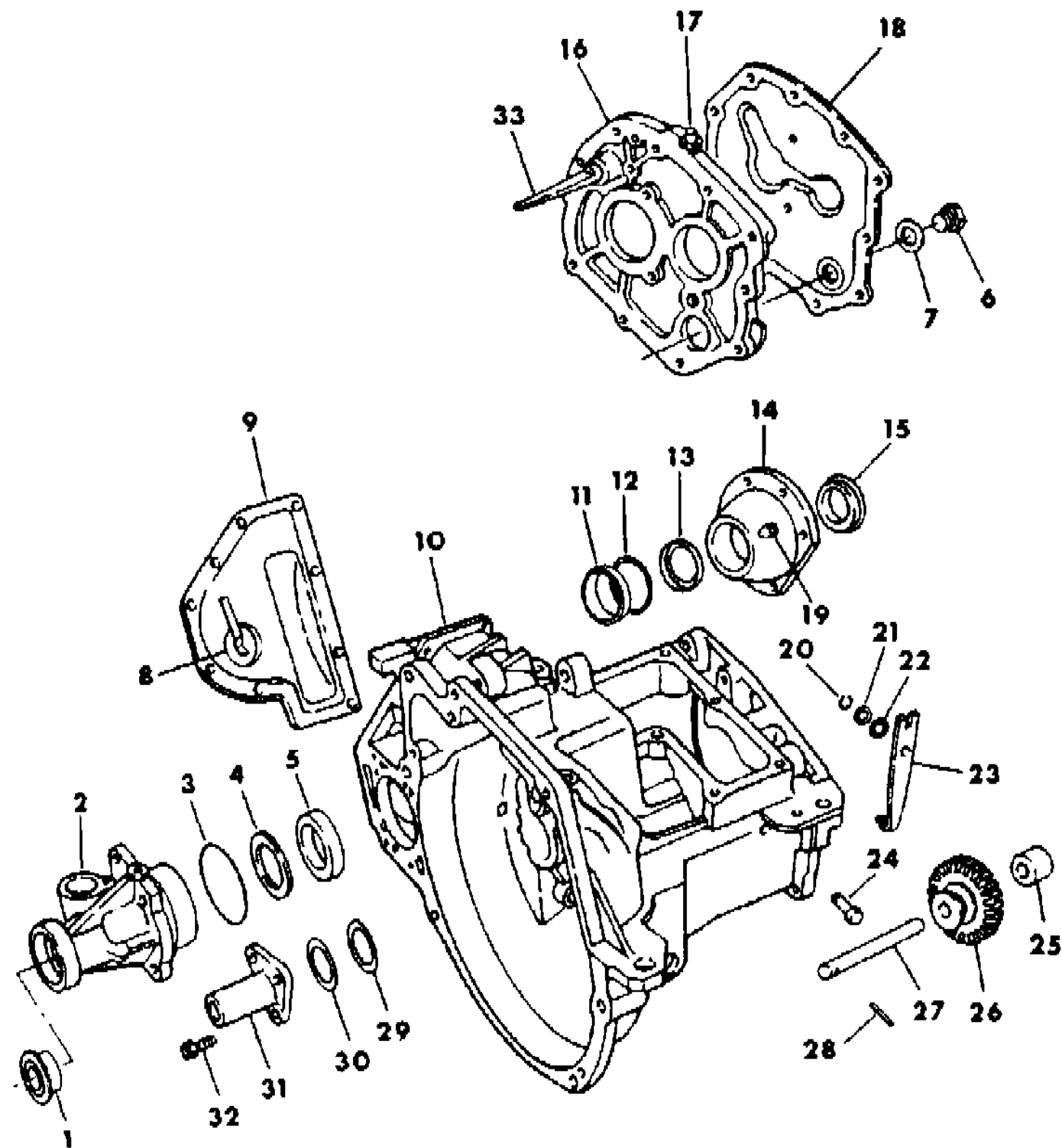
BODY STYLES

21 = 2-DOOR SEDAN	28 = FWD PICKUP
22 = 2-DOOR SPECIAL COUPE	41 = 4-DOOR SEDAN
24 = 2-DOOR HATCHBACK	44 = 4-DOOR HATCHBACK
27 = 2-DOOR CONVERTIBLE	45 = 2-SEAT STATION WAGON

AR = Use as Required - = Non Illustrated Part P.A.R. = Paint as Required

CHRYSLER-A460 TRANSAXLE CASE  
Figure 21M-500

2121 500A



ITEM	PART NUMBER	QTY	BODY	MODEL	DESCRIPTION
17	2124 715	1			VENT, Trans
18	4269 258	1			COVER Rear
19		1			PIN, Trans Oil Feed
20	6026 125	1			E-CLIP, Reverse Lever Povit
21	0391 888	1			WASHER, Spring Wave
22	5205 609	1			WASHER, Reverse Lever Povit
23	5222 656	1			LEVER, Gearshift Reverse
24	5205 625	1			PIN, Reverse Lever Clevis
25	4202 367	1			SPACER, Reverse Idler
26	5222 651	1			GEAR, Reverse Idler
27	5222 654	1			SHAFT, Reverse Idler
28	6100 234	1			ROLL PIN, Reverse Idler
29					SPACER, Input Shaft
	4202 751	1			0.62mm (.024")
	4202 301	1			0.66mm (.026")
	4202 302	1			0.70mm (.028")
	4202 303	1			0.74mm (.029")
	4202 304	1			0.78mm (.031")
	4202 305	1			0.82mm (.032")
	4202 306	1			0.86mm (.034")
	4202 307	1			0.90mm (.035")
	4202 308	1			0.94mm (.037")
	4202 309	1			0.98mm (.039")
	4202 310	1			1.02mm (.040")
	4202 311	1			1.06mm (.042")
	4202 312	1			1.10mm (.043")
	4202 313	1			1.14mm (.045")
	4202 314	1			1.18mm (.046")
	4202 315	1			1.22mm (.048")
	4202 316	1			1.26mm (.050")
	4202 317	1			1.30mm (.051")
	4202 318	1			1.34mm (.053")
	4202 319	1			1.38mm (.054")
	4202 320	1			1.42mm (.056")
	4202 321	1			1.46mm (.057")
	4202 322	1			1.50mm (.059")
	4202 323	1			1.54mm (.061")

MODEL CODES

B = GRAN FURY/CARAVELLE	P = RELIANT
C = LEBARON/TOWN & COUNTRY	S = CORDOBA
D = ARIES	V = 400
F = NEW YORKER	X = MIRADA
G = DIPLOMAT	Y = IMPERIAL
M = HORIZON/TC3/SCAMP	Z = OMNI/O24/RAMPAGE

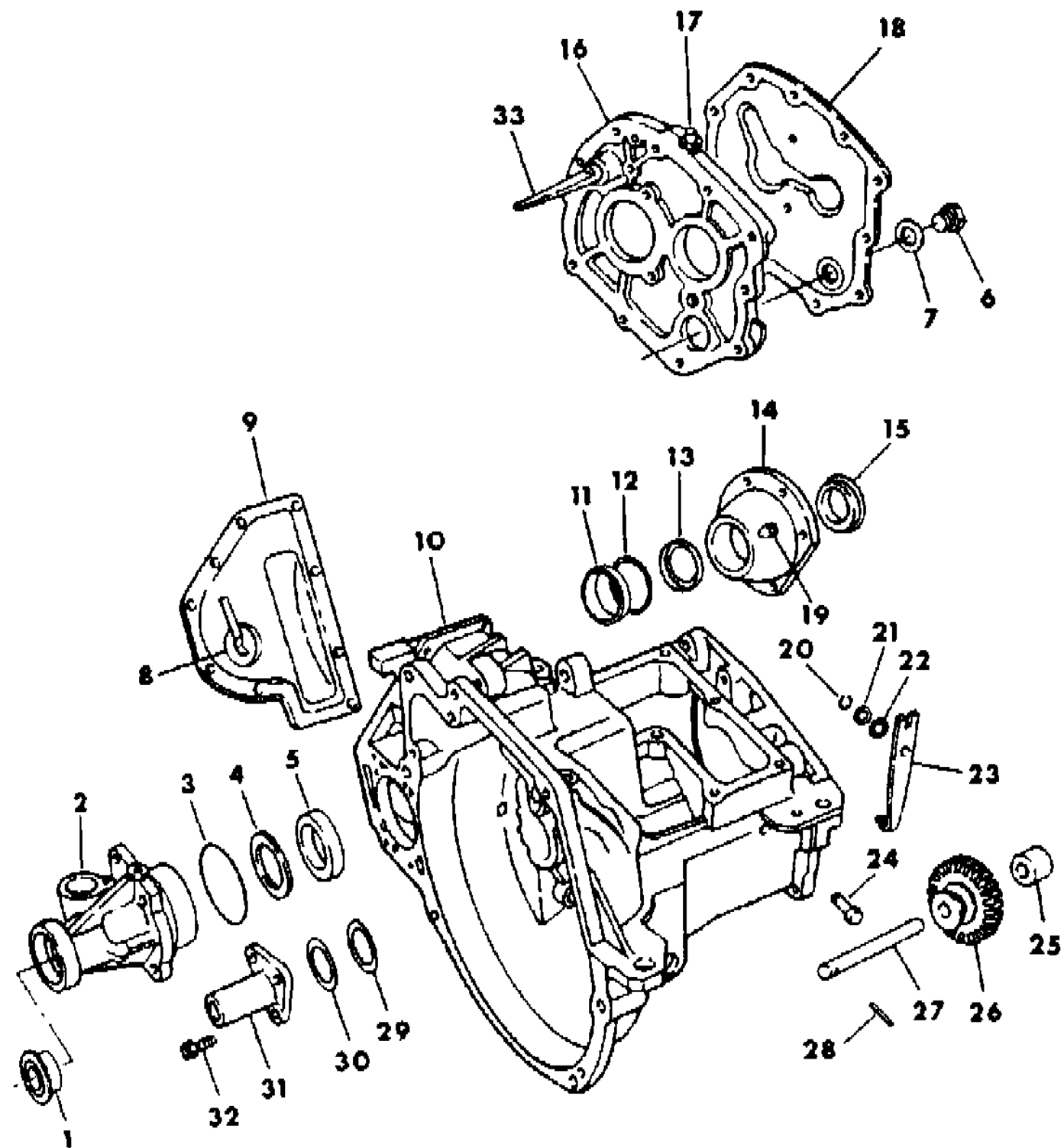
BODY STYLES

21 = 2-DOOR SEDAN	28 = FWD PICKUP
22 = 2-DOOR SPECIAL COUPE	41 = 4-DOOR SEDAN
24 = 2-DOOR HATCHBACK	44 = 4-DOOR HATCHBACK
27 = 2-DOOR CONVERTIBLE	45 = 2-SEAT STATION WAGON

AR = Use as Required - = Non Illustrated Part P.A.R. = Paint as Required

CHRYSLER-A460 TRANSAXLE CASE  
Figure 21M-500

2121 500A



ITEM	PART NUMBER	QTY	BODY	MODEL	DESCRIPTION
	4202 324	1			1.58mm (.062")
	4202 325	1			1.62mm (.064")
	4202 326	1			1.66mm (.065")
	4202 752	1			1.70mm (.067")
	4202 753	1			1.74mm (.069")
	4202 754	1			1.78mm (.070")
30	5222 721	1			SEAL, Trans Input Shaft
31	4202 068	1			RETAINER, Trans Bearing Pilot and Seal
	4202 093	1			STRAP, Trans. Bearing Retainer
32	6500 318	3			BOLT, Retainer to Case
33	4202 499	1			OIL SCOOP, Trans Bearing Rear
NOTE: The following items are not illustrated an offsetting order for part no. 3747881					
	0106 959	1			PLUG, Expansion
	4202 205	1			COVER, Timing Window w/4269167 Trans
	5222 723	1			w/4269165,168 Trans
	5222 757	1			DOWEL, Case to Bearing Retainer

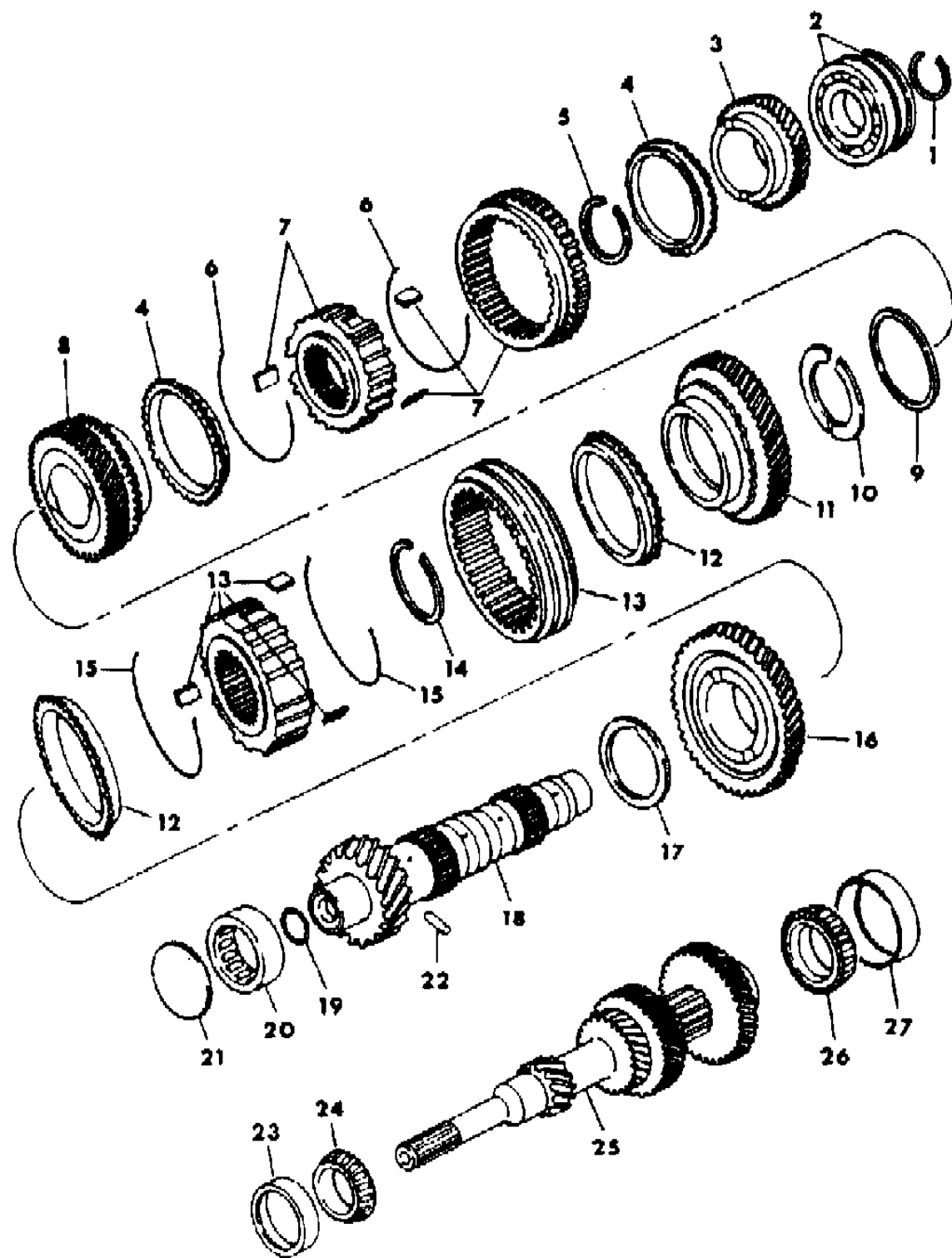
MODEL CODES  
 B = GRAN FURY/CARAVELLE      P = RELIANT  
 C = LEBARON/TOWN & COUNTRY      S = CORDOBA  
 D = ARIES      V = 400  
 F = NEW YORKER      X = MIRADA  
 G = DIPLOMAT      Y = IMPERIAL  
 M = HORIZON/TC3/SCAMP      Z = OMNI/O24/RAMPAGE

BODY STYLES  
 21 = 2-DOOR SEDAN      28 = FWD PICKUP  
 22 = 2-DOOR SPECIAL COUPE      41 = 4-DOOR SEDAN  
 24 = 2-DOOR HATCHBACK      44 = 4-DOOR HATCHBACK  
 27 = 2-DOOR CONVERTIBLE      45 = 2-SEAT STATION WAGON

AR = Use as Required - = Non Illustrated Part P.A.R. = Paint as Required

CHRYSLER-A460 TRANSAXLE GEAR TRAIN  
Figure 21M-600

2121 600



ITEM	PART NUMBER	QTY	BODY	MODEL	DESCRIPTION
1	6500 315	1			SNAP RING, Inter Shaft Inner
2	4202 524	1			BEARING, Inter Shaft Rear
3	4269 066	1			GEAR, Fourth Speed
4	4269 234	2			RING, Fourth Speed Synchronizer Stop
5	6500 316	1			SNAP RING, Third and Fourth Gear, Inner
6	4202 124	2			SPRING, Third and Fourth Gear Synchroizer
7	4269 388	1			SYCHRONIZER, Third and Fourth Gear
8	4269 065	1			GEAR, Third Speed
9	5222 749	1			RING, Washer Retaining
10	4202 533	2			WASHER, Split Thrust
11	4269 064	1			GEAR, Second Speed
12	4269 234	2			RING, First and Second Synchronizer Stop
13	4269 386	1			SYNCHRONIZER, First and Second Speed
14	6024 131	1			SNAP RING, First and Second Speed Gear, Inner
15	4202 124	2			SPRING, First and Second Speed Gear Synchrozier
16	4269 063	1			GEAR, First Speed
17	4202 534	1			WASHER, Low Gear Thrust
18					SHAFT, Intermediate
	4202 110	1			w/4269165,167 Trans
	4202 112	1			w/4269168 Trans
19	5222 959	1			RING, Inter Shaft Oil Retaining
20	4202 590	1			BEARING, Inter Shaft Roller
21	5222 957	1			FEEDER, Inter Shaft Inner Oil
22	5222 738	1			PIN, Thrust Washer Retainer
23	5205 564	1			CUP, Input Shaft Bearing, Front
24	5205 565	1			CONE BEARING, Input Shaft, Front
25	4269 139	1			SHAFT, Input
26	5205 568	1			CONE BEARING, Input Shaft, Rear
27	5205 567	1			CUP, Input Shaft Rear Bearing

MODEL CODES

B = GRAN FURY/CARAVELLE	P = RELIANT
C = LEBARON/TOWN & COUNTRY	S = CORDOBA
D = ARIES	V = 400
F = NEW YORKER	X = MIRADA
G = DIPLOMAT	Y = IMPERIAL
M = HORIZON/TC3/SCAMP	Z = OMNI/O24/RAMPAGE

BODY STYLES

21 = 2-DOOR SEDAN	28 = FWD PICKUP
22 = 2-DOOR SPECIAL COUPE	41 = 4-DOOR SEDAN
24 = 2-DOOR HATCHBACK	44 = 4-DOOR HATCHBACK
27 = 2-DOOR CONVERTIBLE	45 = 2-SEAT STATION WAGON

AR = Use as Required - = Non Illustrated Part P.A.R. = Paint as Required

CHRYSLER-A460 TRANSAXLE-INTERNAL CONTROLS  
Figure 21M-700

2121 700

ITEM	PART NUMBER	QTY	BODY	MODEL	DESCRIPTION
1	4202 486	1			BOOT
2	5222 798	1			SEAL, Trans Gearshift Housing
3	4130 874	1			HOUSING
4	5222 638	1			PIN, Gearshift
5	3488 270	1			SWITCH, Back-up Light
6	1302 807	1			GASKET, Back-up Light Switch
7	4205 856	1			PLATE, Gearshift Fork Stop
8	6500 417	2			BOLT, Stop Plate to Fork
9	4130 888	1			PIN, Selector Stop
	6032 156	1			RING, Selector Stop Pin
10	4267 342	1			LEVER PKG., G/Shift Operating
	6100 517	1			NUT, Hex Flange Lock (not illustrated)
11	4130 883	1			SHAFT, Gearshift Selector
12	4269 080	1			SELECTOR, Gearshift Detent w/Two Teeth
	4293 166	1			SELECTOR & BLOCKER PKG., G/Shift Detent, w/Three Teeth
13					E-CLIP, Gearshift
	6500 019	1			Rear
	6500 328	1			Front
14	4202 471	1			WASHER, Crossover Spring
15	4202 922	1			SPRING, Crossover
16	5222 799	1			LEVER, Reverse Shift
17	4269 363	1			BLOCKER, Gearshift
18		1			DETENT, Manual Valve Lever (serv. in blocker)
19	5222 688	1			RAIL, Trans Gearshift
20	4269 192	2			FORK Trans Gearshift
21	2514 621	4			INSERT, Gearshift Fork
NOTE: The following items are not illustrated an offsetting order for part no. 3747881					
	6100 929	2			BOLT, Gearshift Housing to Case
	6500 313	2			
	6500 318	2			
	6100 887	1			WASHER, Gearshift

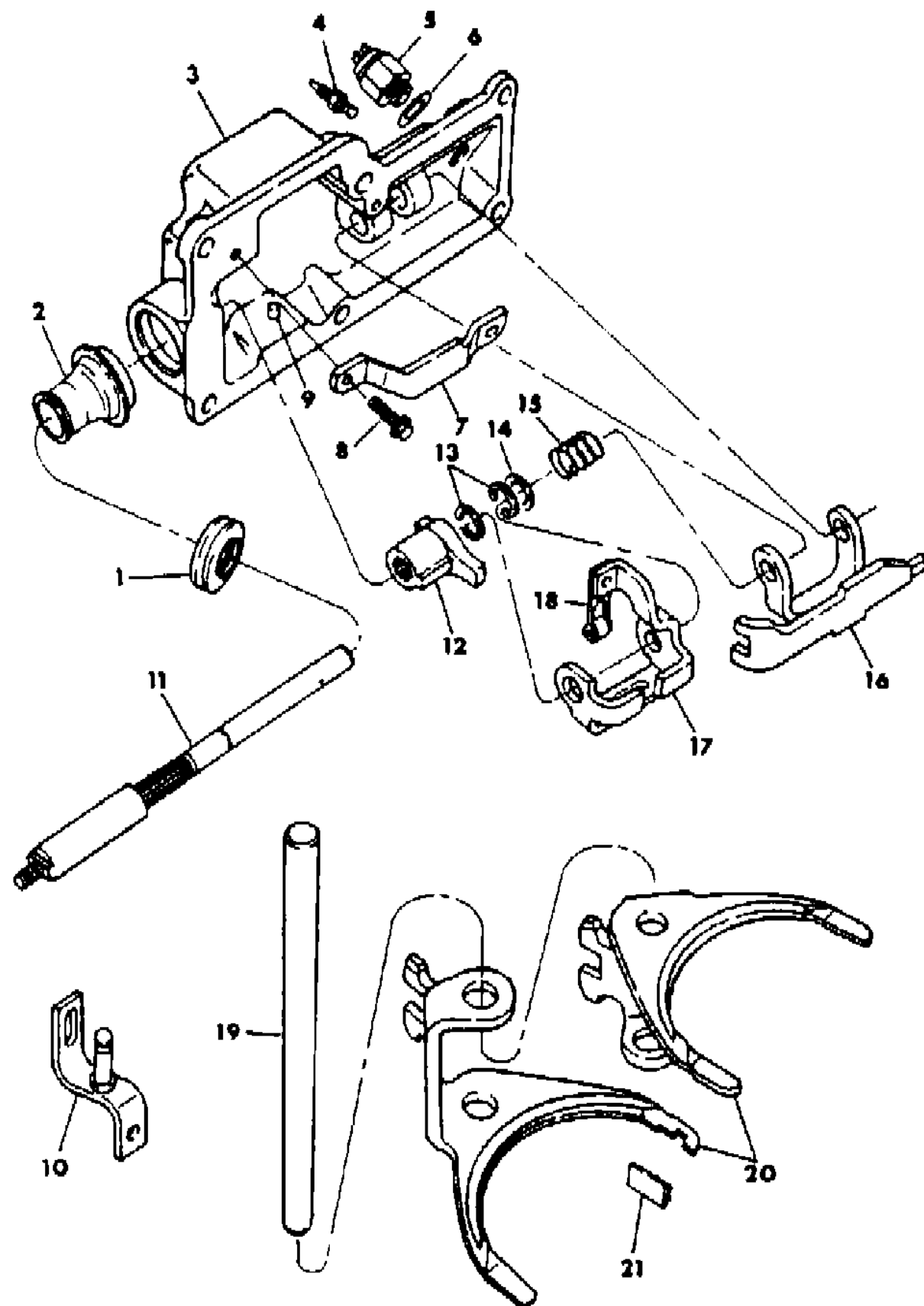
MODEL CODES

B = GRAN FURY/CARAVELLE	P = RELIANT
C = LEBARON/TOWN & COUNTRY	S = CORDOBA
D = ARIES	V = 400
F = NEW YORKER	X = MIRADA
G = DIPLOMAT	Y = IMPERIAL
M = HORIZON/TC3/SCAMP	Z = OMNI/O24/RAMPAGE

BODY STYLES

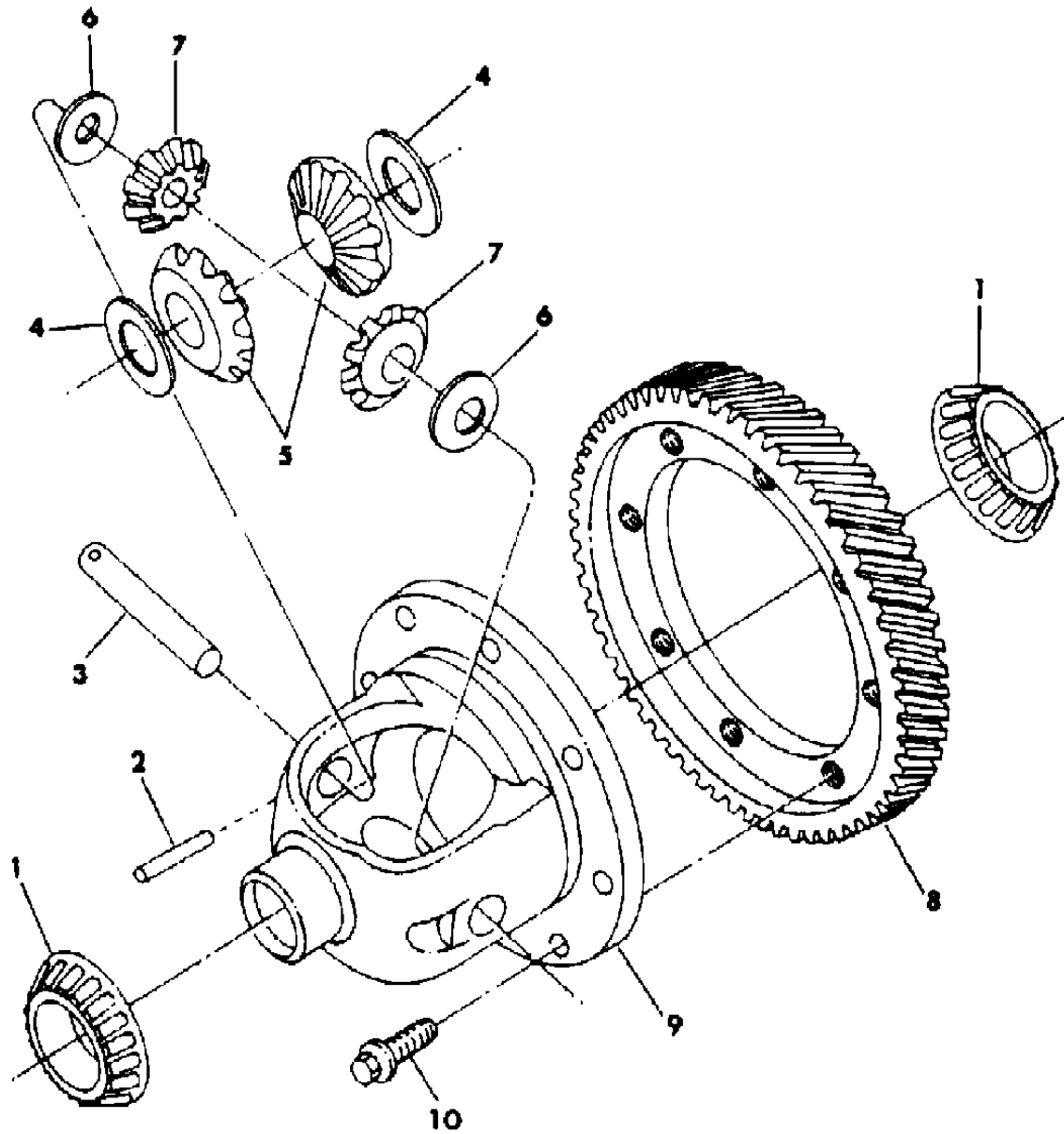
21 = 2-DOOR SEDAN	28 = FWD PICKUP
22 = 2-DOOR SPECIAL COUPE	41 = 4-DOOR SEDAN
24 = 2-DOOR HATCHBACK	44 = 4-DOOR HATCHBACK
27 = 2-DOOR CONVERTIBLE	45 = 2-SEAT STATION WAGON

AR = Use as Required - = Non Illustrated Part P.A.R. = Paint as Required



**CHRYSLER-A460 TRANSAXLE DIFFERENTIAL**  
**Figure 21M-800**

2121 800



ITEM	PART NUMBER	QTY	BODY	MODEL	DESCRIPTION
1	5224 301	2			CONE BEARING, Differential
2	6500 638	1			PIN, Differential Roll
3	4207 073	1			SHAFT, Differential
4	5212 212	2			WASHER, Differential Side Gear, Flat
5	4186 887	1			SIDE GEAR and PINION PACKAGE, Differential
6	5212 211	2			WASHER, Pinion, Spherical
7	5212 209	2			PINION, Differential
8					GEAR, Final Drive
	5222 772	1			w/4269165,167 Trans., 7 1/2" Dia.
	5222 774	1			w/4269168 Trans., 7 3/4" Dia.
9	5222 775	1			CASE, Differential
10	6500 353	8			BOLT, Drive Gear to Case

**MODEL CODES**

B = GRAN FURY/CARAVELLE	P = RELIANT
C = LEBARON/TOWN & COUNTRY	S = CORDOBA
D = ARIES	V = 400
F = NEW YORKER	X = MIRADA
G = DIPLOMAT	Y = IMPERIAL
M = HORIZON/TC3/SCAMP	Z = OMNI/O24/RAMPAGE

**BODY STYLES**

21 = 2-DOOR SEDAN	28 = FWD PICKUP
22 = 2-DOOR SPECIAL COUPE	41 = 4-DOOR SEDAN
24 = 2-DOOR HATCHBACK	44 = 4-DOOR HATCHBACK
27 = 2-DOOR CONVERTIBLE	45 = 2-SEAT STATION WAGON

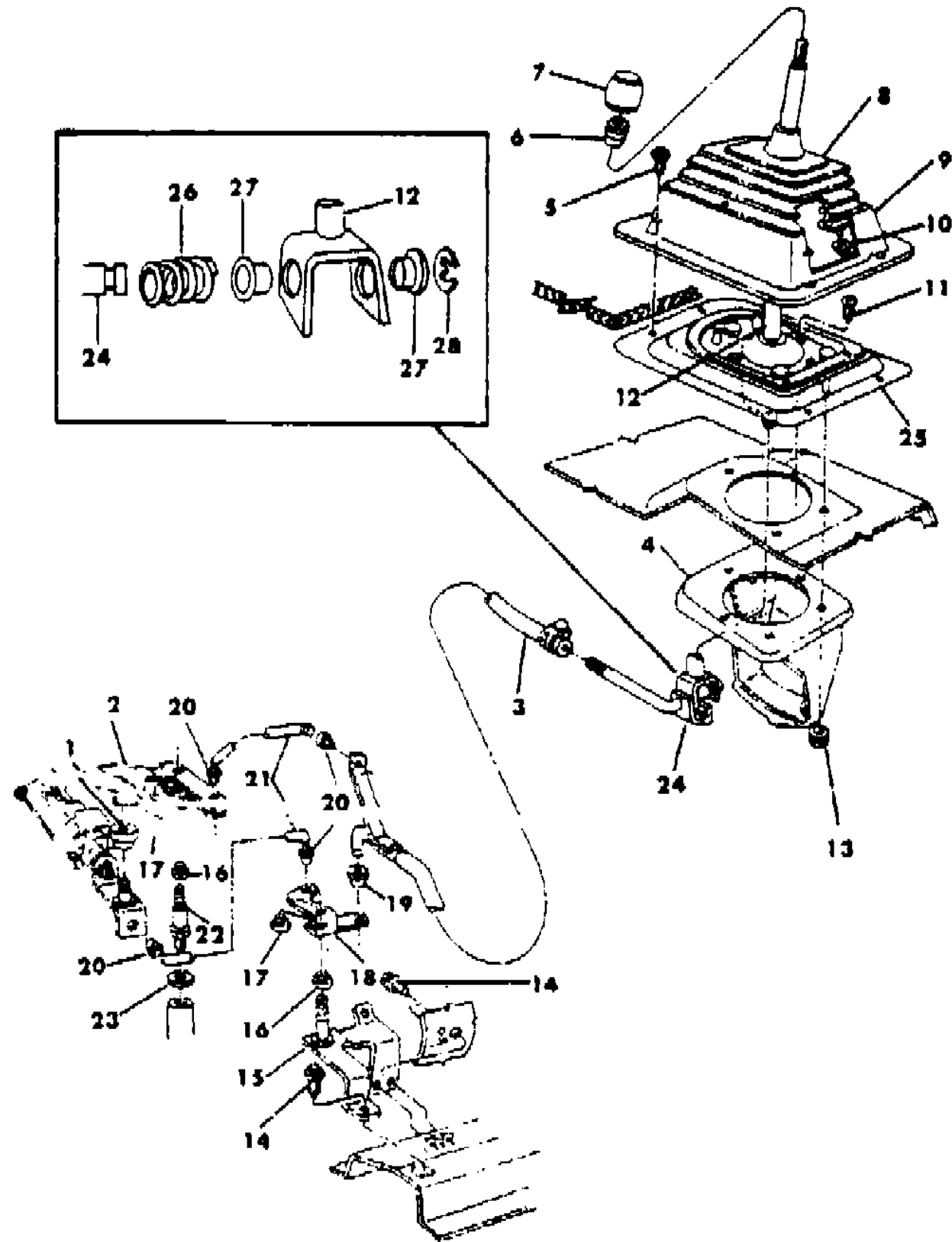
AR = Use as Required - = Non Illustrated Part P.A.R. = Paint as Required



# GEARSHIFT CONTROLS - P,D,C,V W/2.2 LITER ENGINE

## Figure 21M-900

21M 900A



ITEM	PART NUMBER	QTY	BODY	MODEL	DESCRIPTION
1	4188 456	1			BALL
2	4019 934	1			LEVER
3	4188 451	1			TUBE, Control Selector
4	5206 097	1			CLAMP, Tube to Connector
4	4188 356	1			BRACKET, Reverse Lock-Out
5		4			SCREW, w/o Console (not serviced)
6	5206 167	1			NUT, w/o Console
7					KNOB, Gearshift Lever
	5206 166	1			w/o Console
	4188 409	1			w/ Console
	4188 444	1			DECAL w/RETAINER, w/Console
	4188 445	1			WASHER, Lever Knob, w/Console
8					BOOT, Gearshift
	4188 418	1			w/Bench Seats
	4188 431	1			w/ Bucket Seats
	4188 413	1			w/Console
9	F236 VB2	1			BASE, Gearshift Boot
10	6100 839	4			NUT, Push On
11	9436 676	2			SCREW
12					MECHANISM, Gearshift Control
	4269 401	1			w/ Bench Seats
	4269 426	1			w/ Bucket Seats
	4188 410	1			w/ Console
13	6100 050	3			NUT, w/WASHER
14		3			SCREW, w/ WASHER (not serviced)
15	4188 375	1			BRACKET, Gearshift Linkage Pivot
16	5206 161	2			BUSHING
17	5211 845	2			GROMMET
18	4188 453	1			LEVER
19	3467 791	1			Grommet
20	5211 845	4			GROMMET
21	4188 463	2			ROD
22	4019 933	1			STUD
23	6100 132	1			WASHER
24	4019 993	1			CONNECTOR, Gearshift Control Tube to Mechanism
25	5206 154	1			BOOT, Gearshift Mechanism Lower
26	4188 472	1			SPRING

### MODEL CODES

B = GRAN FURY/CARAVELLE	P = RELIANT
C = LEBARON/TOWN & COUNTRY	S = CORDOBA
D = ARIES	V = 400
F = NEW YORKER	X = MIRADA
G = DIPLOMAT	Y = IMPERIAL
M = HORIZON/TC3/SCAMP	Z = OMNI/O24/RAMPAGE

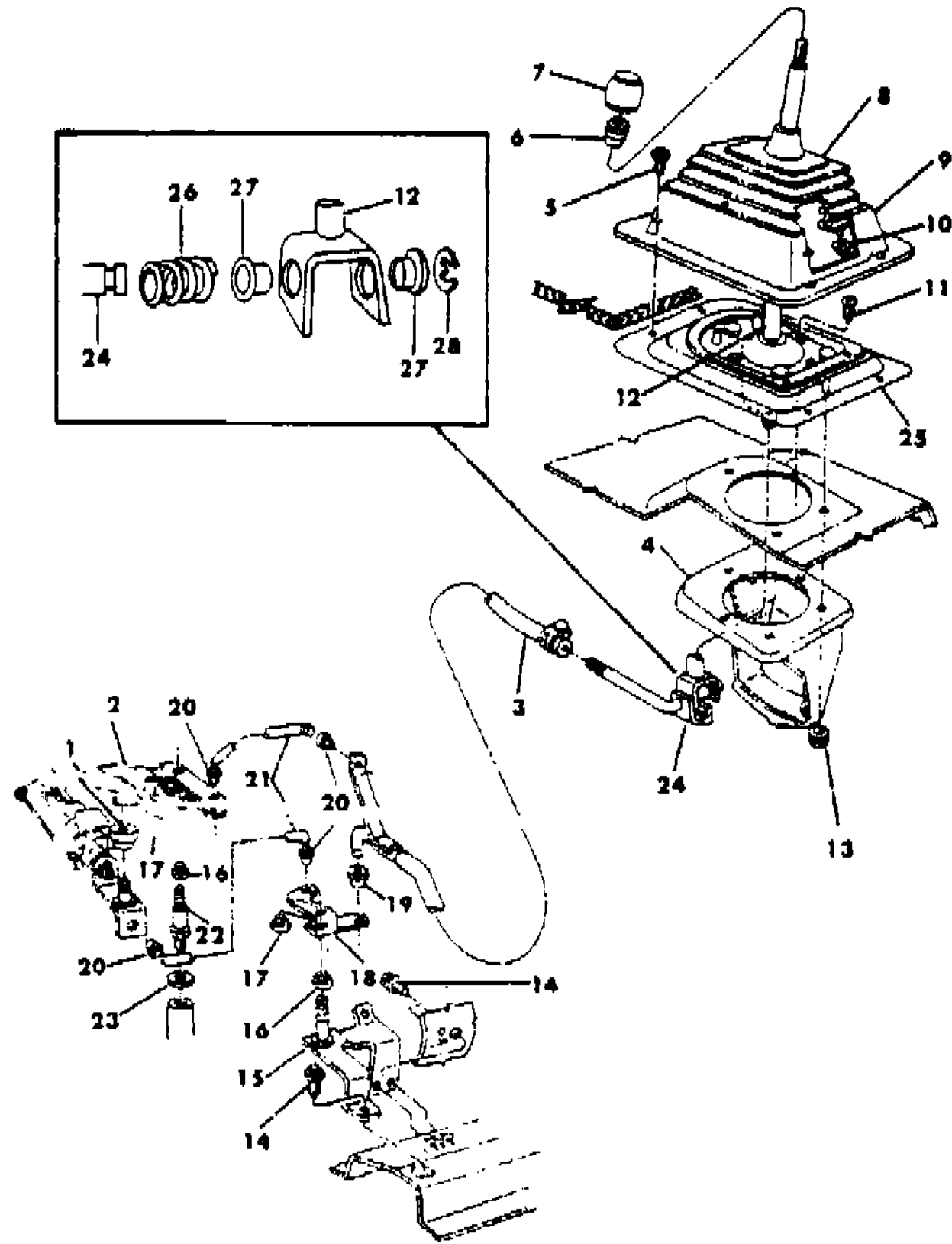
### BODY STYLES

21 = 2-DOOR SEDAN	28 = FWD PICKUP
22 = 2-DOOR SPECIAL COUPE	41 = 4-DOOR SEDAN
24 = 2-DOOR HATCHBACK	44 = 4-DOOR HATCHBACK
27 = 2-DOOR CONVERTIBLE	45 = 2-SEAT STATION WAGON

AR = Use as Required - = Non Illustrated Part P.A.R. = Paint as Required

**GEARSHIFT CONTROLS - P,D,C,V W/2.2 LITER ENGINE**  
**Figure 21M-900**

21M 900A



ITEM	PART NUMBER	QTY	BODY	MODEL	DESCRIPTION
27	4269 405	2			BUSHING
28	6030 913	1			RING
	4188 356	1			RENIFORCEMENT, Reverse Lock-Out Bracket

**MODEL CODES**

B = GRAN FURY/CARAVELLE	P = RELIANT
C = LEBARON/TOWN & COUNTRY	S = CORDOBA
D = ARIES	V = 400
F = NEW YORKER	X = MIRADA
G = DIPLOMAT	Y = IMPERIAL
M = HORIZON/TC3/SCAMP	Z = OMNI/O24/RAMPAGE

**BODY STYLES**

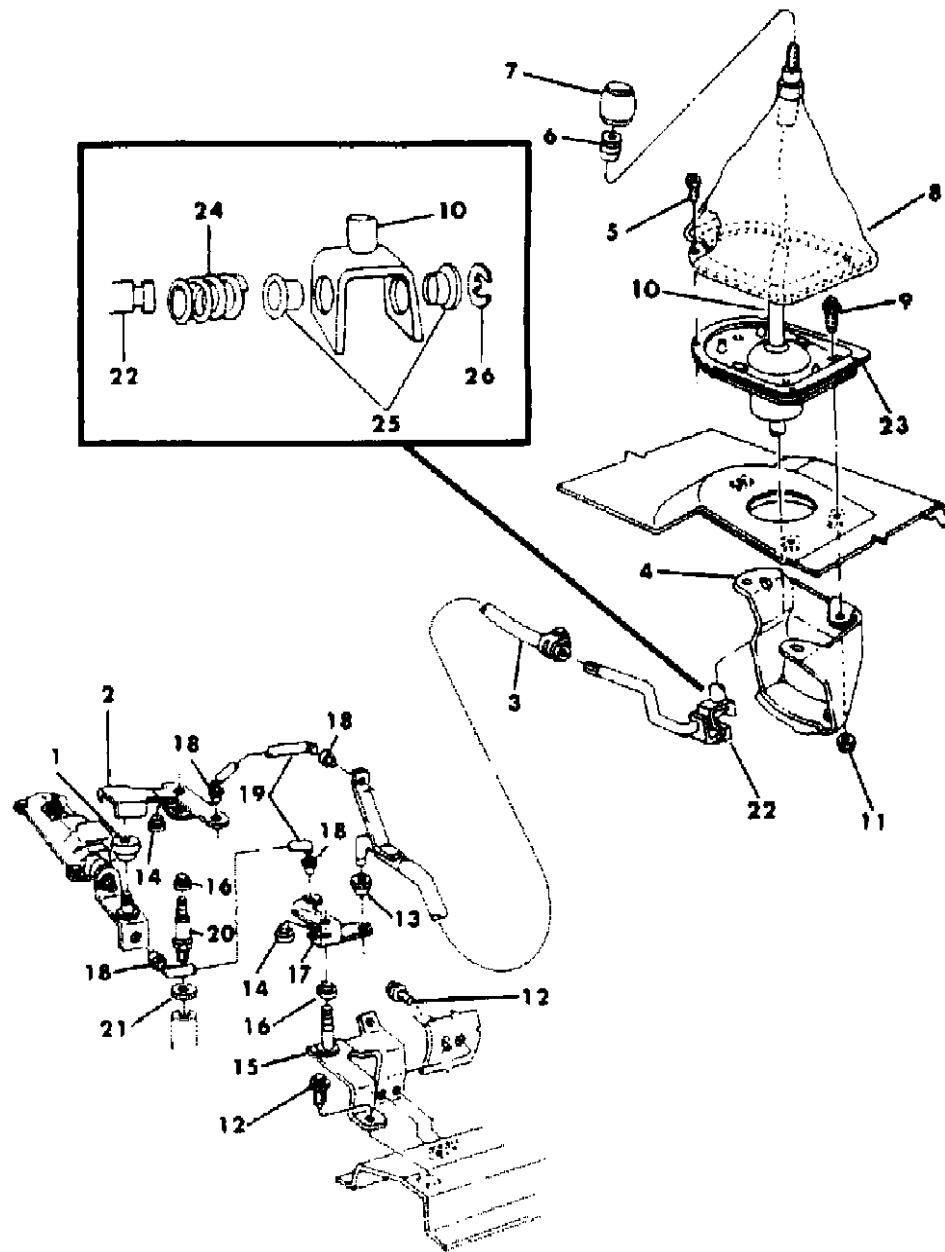
21 = 2-DOOR SEDAN	28 = FWD PICKUP
22 = 2-DOOR SPECIAL COUPE	41 = 4-DOOR SEDAN
24 = 2-DOOR HATCHBACK	44 = 4-DOOR HATCHBACK
27 = 2-DOOR CONVERTIBLE	45 = 2-SEAT STATION WAGON

AR = Use as Required - = Non Illustrated Part P.A.R. = Paint as Required

# GEARSHIFT CONTROLS - M,Z W/ CHRYSLER A460 TRANSAXLE

## Figure 21M-1000

2127 1000A



ITEM	PART NUMBER	QTY	BODY	MODEL	DESCRIPTION
1	4188 456	1			BALL
2	4019 934	1			LEVER, Crossover
3					TUBE, Control Selector
	4188 458	1			w/1.7 Liter Engine, Up to 3-1-82
	4269 827	1			w/1.7 Liter Engine, After 3-1-82
	4188 452	1			w/2.2 Liter Engine
4	5206 097	1			CLAMP, Tube to Connector
5	5211 922	1			BRACKET, Reverse Lock-Out
		4			SCREW (not serviced)
6	5206 167	1			NUT
7	5206 166	1			KNOB, Gearshift Lever
8	5206 142	1			BOOT, Gearshift
9	6100 577	3			SCREW, w/WASHER
10	4269 404	1			MECHANISM, Gearshift Control
11	6100 050	3			NUT, w/WASHER
12		3			SCREW, w/ WASHER (not serviced)
13	3467 791	1			GROMMET
14	5211 845	2			GROMMET
15					BRACKET, Gearshift Linkage Pivot
	4188 381	1			w/ 1.7 Liter Engine
	4188 375	1			w/ 2.2 Liter Engine
16	5206 161	2			BUSHING
17					CLEVIS, Crossmember Lever
	4188 417	1			w/ 1.7 Liter Engine
	4188 453	1			w/ 2.2 Liter Engine
18	5211 845	4			GROMMET
19					ROD
	4188 462	1			w/ 1.7 Liter Engine, Gearshift Control Selector
	4188 461	1			w/ 1.7 Liter Engine, Gearshift Control Crossover
	4188 464	2			w/ 2.2 Liter Engine
20	4019 933	1			STUD, Gearshift Pivot
21	6100 132	1			WASHER, Coned
22	4188 366	1			CONNECTOR, Gearshift Control Tube to Mechanism
23	5206 154	1			BOOT, Gearshift Mechanism Lower
24	4188 472	1			SPRING
25	4269 405	2			BUSHING
26	6030 913	1			RING

**MODEL CODES**

B = GRAN FURY/CARAVELLE	P = RELIANT
C = LEBARON/TOWN & COUNTRY	S = CORDOBA
D = ARIES	V = 400
F = NEW YORKER	X = MIRADA
G = DIPLOMAT	Y = IMPERIAL
M = HORIZON/TC3/SCAMP	Z = OMNI/O24/RAMPAGE

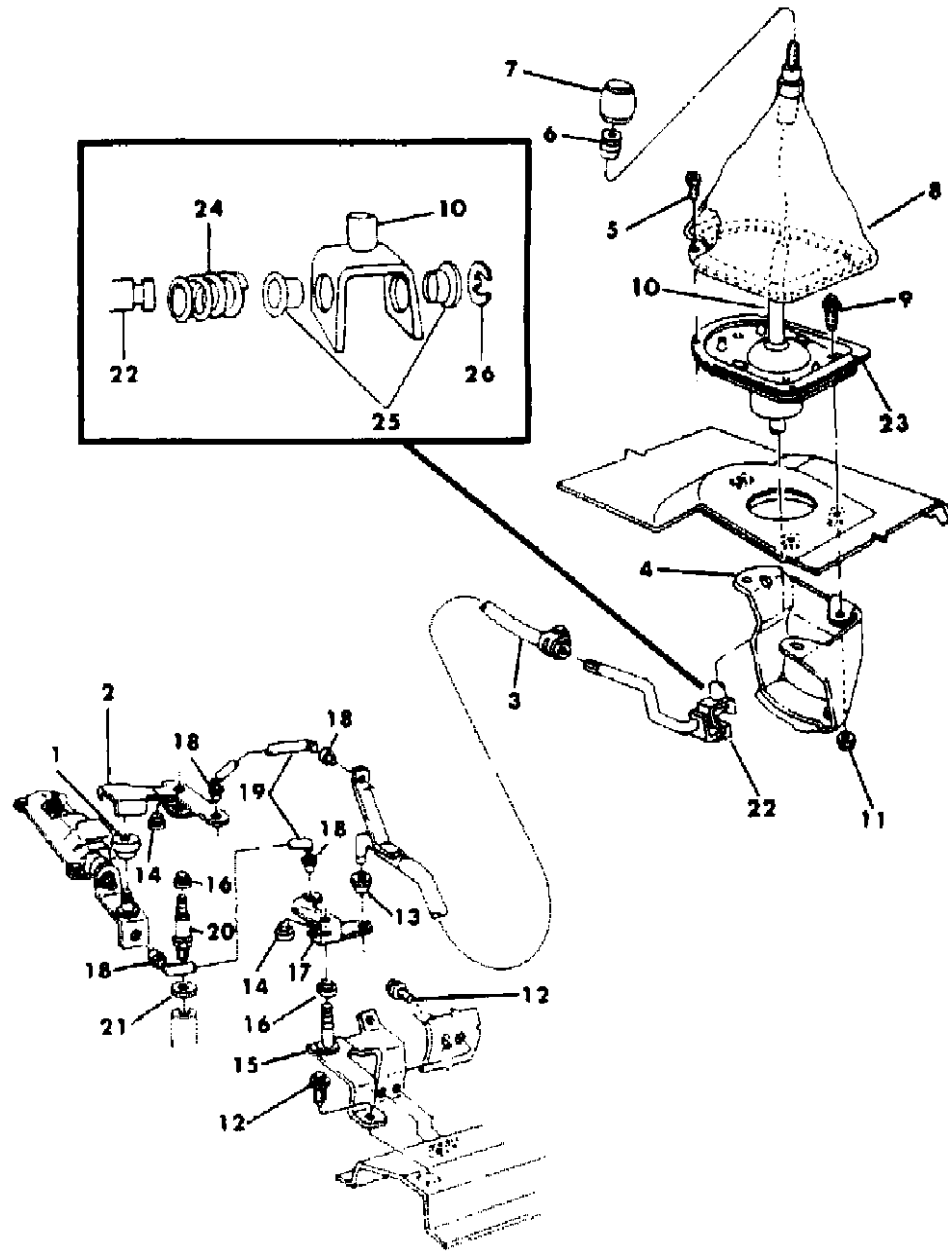
**BODY STYLES**

21 = 2-DOOR SEDAN	28 = FWD PICKUP
22 = 2-DOOR SPECIAL COUPE	41 = 4-DOOR SEDAN
24 = 2-DOOR HATCHBACK	44 = 4-DOOR HATCHBACK
27 = 2-DOOR CONVERTIBLE	45 = 2-SEAT STATION WAGON

AR = Use as Required - = Non Illustrated Part P.A.R. = Paint as Required

**GEARSHIFT CONTROLS - M,Z W/ CHRYSLER A460 TRANSAXLE**  
**Figure 21M-1000**

2127 1000A



ITEM	PART NUMBER	QTY	BODY	MODEL	DESCRIPTION
------	-------------	-----	------	-------	-------------

NOTE: The following items are not illustrated an offsetting order for part no. 3747881

	6026 334	1			PUSHNUT
	6500 562	1			BOLT, Shoulder
	6100 499	1			NUT

**MODEL CODES**

B = GRAN FURY/CARAVELLE	P = RELIANT
C = LEBARON/TOWN & COUNTRY	S = CORDOBA
D = ARIES	V = 400
F = NEW YORKER	X = MIRADA
G = DIPLOMAT	Y = IMPERIAL
M = HORIZON/TC3/SCAMP	Z = OMNI/O24/RAMPAGE

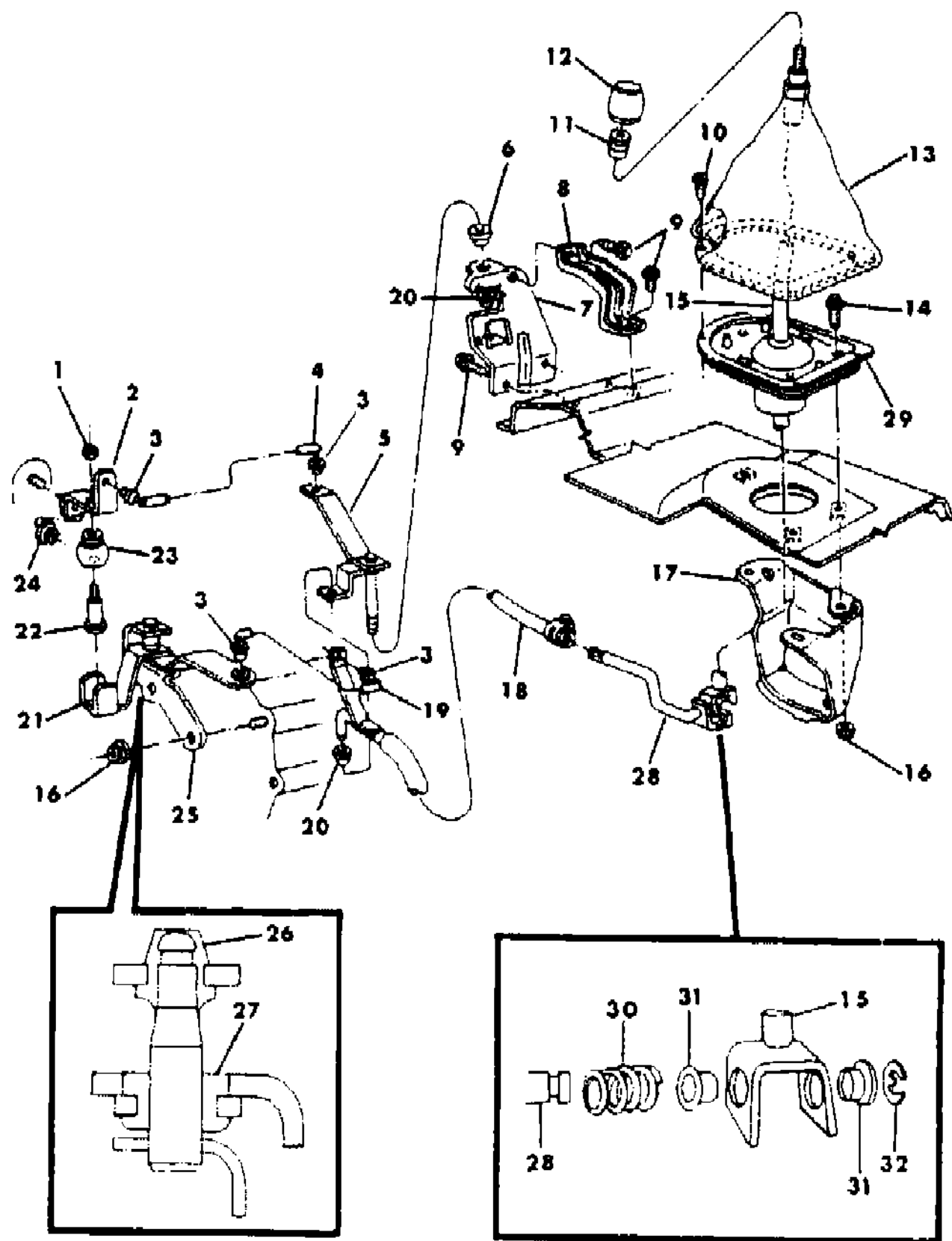
**BODY STYLES**

21 = 2-DOOR SEDAN	28 = FWD PICKUP
22 = 2-DOOR SPECIAL COUPE	41 = 4-DOOR SEDAN
24 = 2-DOOR HATCHBACK	44 = 4-DOOR HATCHBACK
27 = 2-DOOR CONVERTIBLE	45 = 2-SEAT STATION WAGON

AR = Use as Required - = Non Illustrated Part P.A.R. = Paint as Required

**GEARSHIFT CONTROLS - M,Z W/ A412 TRANSAXLE**  
**Figure 21M-1100**

2121 1100A



ITEM	PART NUMBER	QTY	BODY	MODEL	DESCRIPTION
1	6100 499	1			NUT, Ball Pivot
2	5206 163	1			LEVER, Gearshift Control
3	5211 845	4			GROMMET
4	5206 148	1			ROD, Gearshift Gear Selector
5	5206 128	1			LEVER, Gearshift Linkage
6	5206 161	1			BUSHING
7	4186 829	1			BRACKET, Linkage Pivot
8	5211 893	1			BRACKET, Pivot Support
9	6101 264	4			SCREW, w/WASHER
10		4			SCREW (not serviced)
11	5206 167	1			NUT
12	5206 166	1			KNOB, Gearshift Lever
	4229 380	1			w/ DETOMASO PKG.
13	5206 142	1			BOOT, Gearshift
14	6100 577	3			SCREW, w/WASHER
15	4269 404	1			MECHANISM, Gearshift Control
16	6100 050	5			NUT, w/WASHER
17	5211 922	1			BRACKET, Reverse Lock-Out
18	4188 455	1			TUBE, Gearshift Selector
	5206 097	1			CLAMP, Tube to Connector
19	5211 864	1			ROD, Gearshift Crossover
20	5211 845	2			GROMMET
21	5211 862	1			LEVER
22	6500 067	1			SCREW, Ball Povit Shoulder
23	5206 162	1			PIVOT, Ball
24	6100 052	1			NUT, w/WASHER
25	5206 156	1			LEVER, w/ STUD
26	5211 845	1			GROMMET
27	5206 161	1			BUSHING
28	4188 366	1			CONNECTOR, Gearshift Control Tube Mechanism
29	5206 154	1			BOOT, Gearshift Mechanism Lower
30	4188 472	1			SPRING
31	4269 405	2			BUSHING
32	6030 913	1			RING

**MODEL CODES**

B = GRAN FURY/CARAVELLE	P = RELIANT
C = LEBARON/TOWN & COUNTRY	S = CORDOBA
D = ARIES	V = 400
F = NEW YORKER	X = MIRADA
G = DIPLOMAT	Y = IMPERIAL
M = HORIZON/TC3/SCAMP	Z = OMNI/O24/RAMPAGE

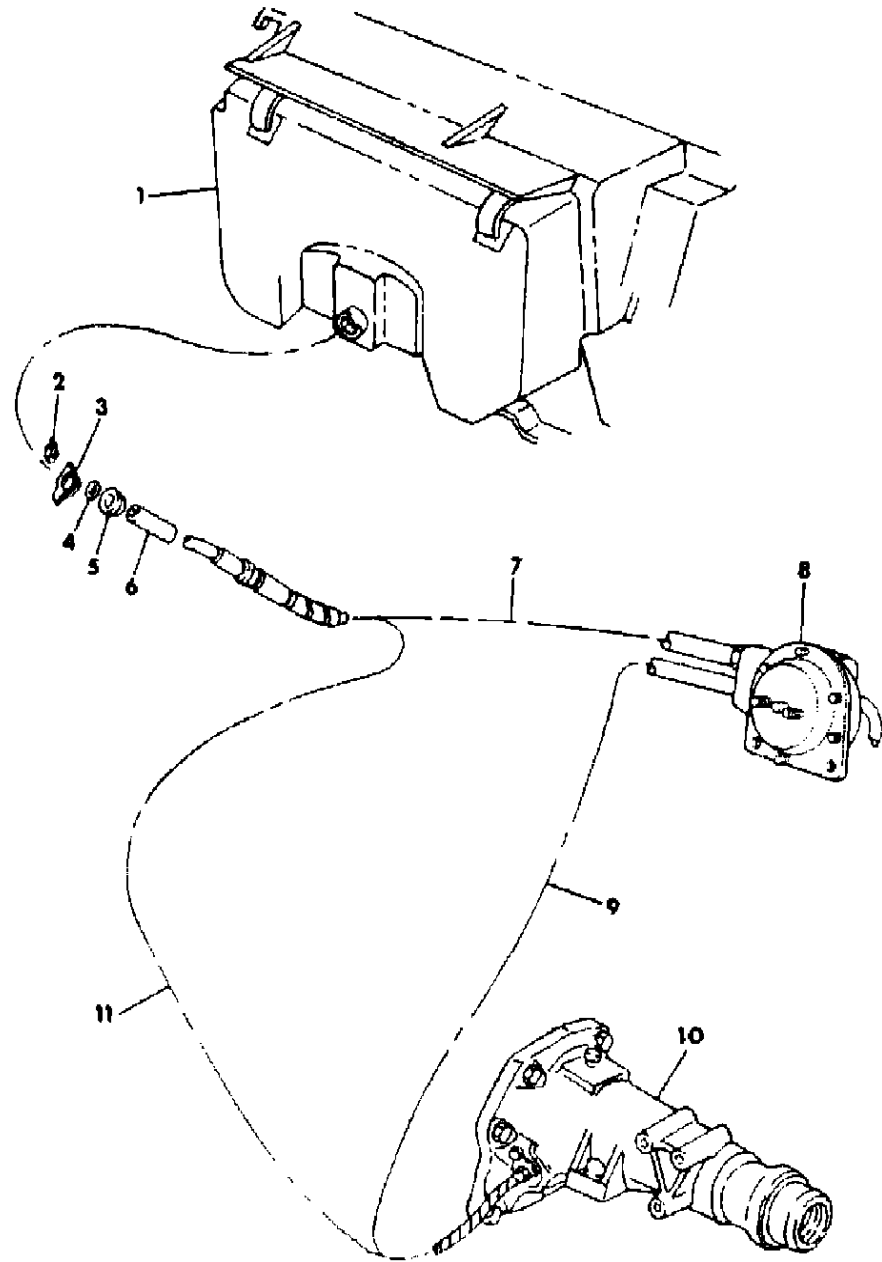
**BODY STYLES**

21 = 2-DOOR SEDAN	28 = FWD PICKUP
22 = 2-DOOR SPECIAL COUPE	41 = 4-DOOR SEDAN
24 = 2-DOOR HATCHBACK	44 = 4-DOOR HATCHBACK
27 = 2-DOOR CONVERTIBLE	45 = 2-SEAT STATION WAGON

AR = Use as Required - = Non Illustrated Part P.A.R. = Paint as Required

**SPEEDOMETER CABLES**  
Figure 21M-1200

2121 1200



ITEM	PART NUMBER	QTY	BODY	MODEL	DESCRIPTION
1					SPEEDOMETER (Ref.)
2	0152 490	1			"U" NUT, Cable Retainer
3	3593 310	1			RETAINER, Speedo Cable to Speedo
4	6030 656	1			"O" RING, Speedo Cable Shaft, Lower
5	3593 460	1			GROMMET, Speedo Cable Dash
6	4057 046	1			RETAINERS, SEALS, and RINGS PACKAGE, Speedo Pinion
7					CABLE, Speedometer to Speed Control
	4047 769	1		M,Z	40" Long
	4047 757	1		P,D,C,V	41" Long
8					SPEED CONTROL (Ref.)
9					CABLE, Speed Control to Transmission
	5209 789	1		M,Z	w/A412 Trans., 19" Long
	4047 761	1		M,Z	w/A460 Trans., 31" Long
	4047 770	1		P,D,C,V	w/2.2 Liter Engine, 35" Long
	4047 771	1		P,D,C,V	w/2.6 Liter Engine, 26" Long
10					TRANSMISSION (Ref.)
11					CABLE, Speedometer to Transmission
	5209 504	1		M,Z	w/A412 Trans., 37" Long
	4220 338	1		M,Z	w/1.7 Liter Engine, w/A460 Trans., 41" Long
					w/2.2 Liter Engine
	4047 769	1		M,Z	40" Long, Upper, w/A460 Trans.
	4047 765	1		M,Z	25" Long, Lower, w/A460 Trans.
	4047 757	1		P,D,C,V	41" Long, Upper
	4047 765	1		P,D,C,V	25" Long, Lower
					SHAFT, Cable Drive, Univerisal Drive Type (not illustrated)
	2448 294	1			80" Long
	2448 295	1			113" Long

MODEL CODES

B = GRAN FURY/CARAVELLE	P = RELIANT
C = LEBARON/TOWN & COUNTRY	S = CORDOBA
D = ARIES	V = 400
F = NEW YORKER	X = MIRADA
G = DIPLOMAT	Y = IMPERIAL
M = HORIZON/TC3/SCAMP	Z = OMNI/O24/RAMPAGE

BODY STYLES

21 = 2-DOOR SEDAN	28 = FWD PICKUP
22 = 2-DOOR SPECIAL COUPE	41 = 4-DOOR SEDAN
24 = 2-DOOR HATCHBACK	44 = 4-DOOR HATCHBACK
27 = 2-DOOR CONVERTIBLE	45 = 2-SEAT STATION WAGON

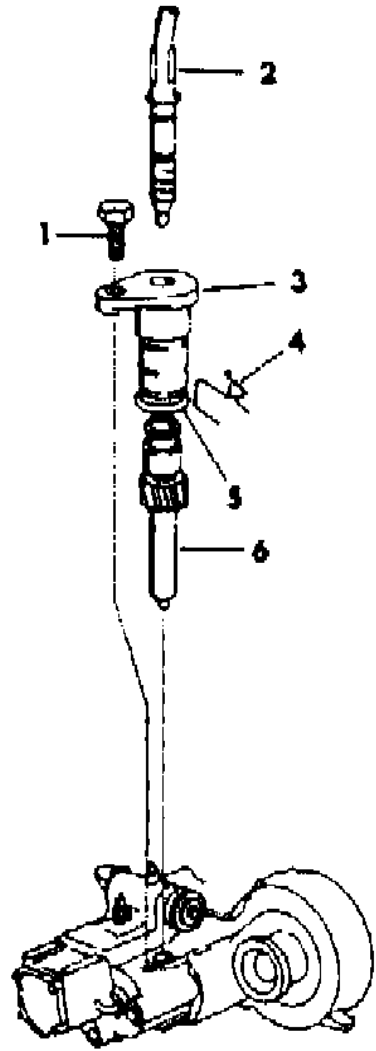
AR = Use as Required - = Non Illustrated Part P.A.R. = Paint as Required

# SPEEDOMETER CABLE AND DRIVE PINION

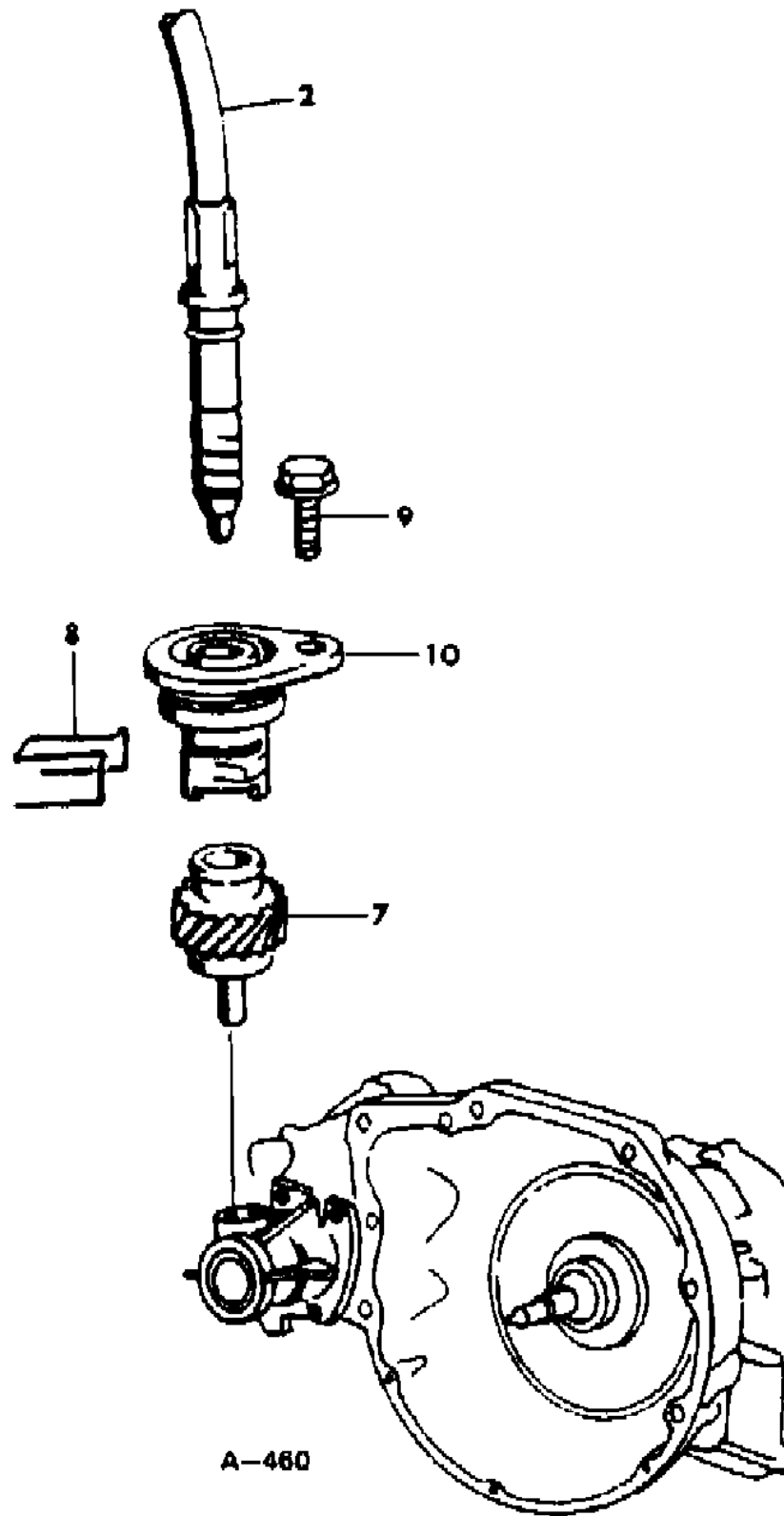
Figure 21M-1300

2121 1300

ITEM	PART NUMBER	QTY	BODY	MODEL	DESCRIPTION
1	6500 065	1		M,Z	BOLT, Speedo Pinion Adapter
2					CABLE, w/HOUSING, see Speedometer Cable Illustration
3	5240 143	1		M,Z	ADAPTER, Speedo Drive Pinion
4	5240 145	1		M,Z	CLIP, Retainer
5	5240 166	1		M,Z	SEAL, Pinion Adapter
6	5240 206	1		M,Z	PINION, Speedo Drive
7					PINION, Speedo Drive
	5222 390	1			20 Tooth
	5222 388	1			21 Tooth
8	5222 006	1			RETAINER, Speedo Cable
9	6500 137	1			SCREW, w/WASHER, Pinion Adapter
10	5222 005	1			ADAPTER, Speedo Drive Pinion
	5212 152	1			"O" RING, Pinion Adapter



A-412



A-460

**MODEL CODES**

B = GRAN FURY/CARAVELLE	P = RELIANT
C = LEBARON/TOWN & COUNTRY	S = CORDOBA
D = ARIES	V = 400
F = NEW YORKER	X = MIRADA
G = DIPLOMAT	Y = IMPERIAL
M = HORIZON/TC3/SCAMP	Z = OMNI/O24/RAMPAGE

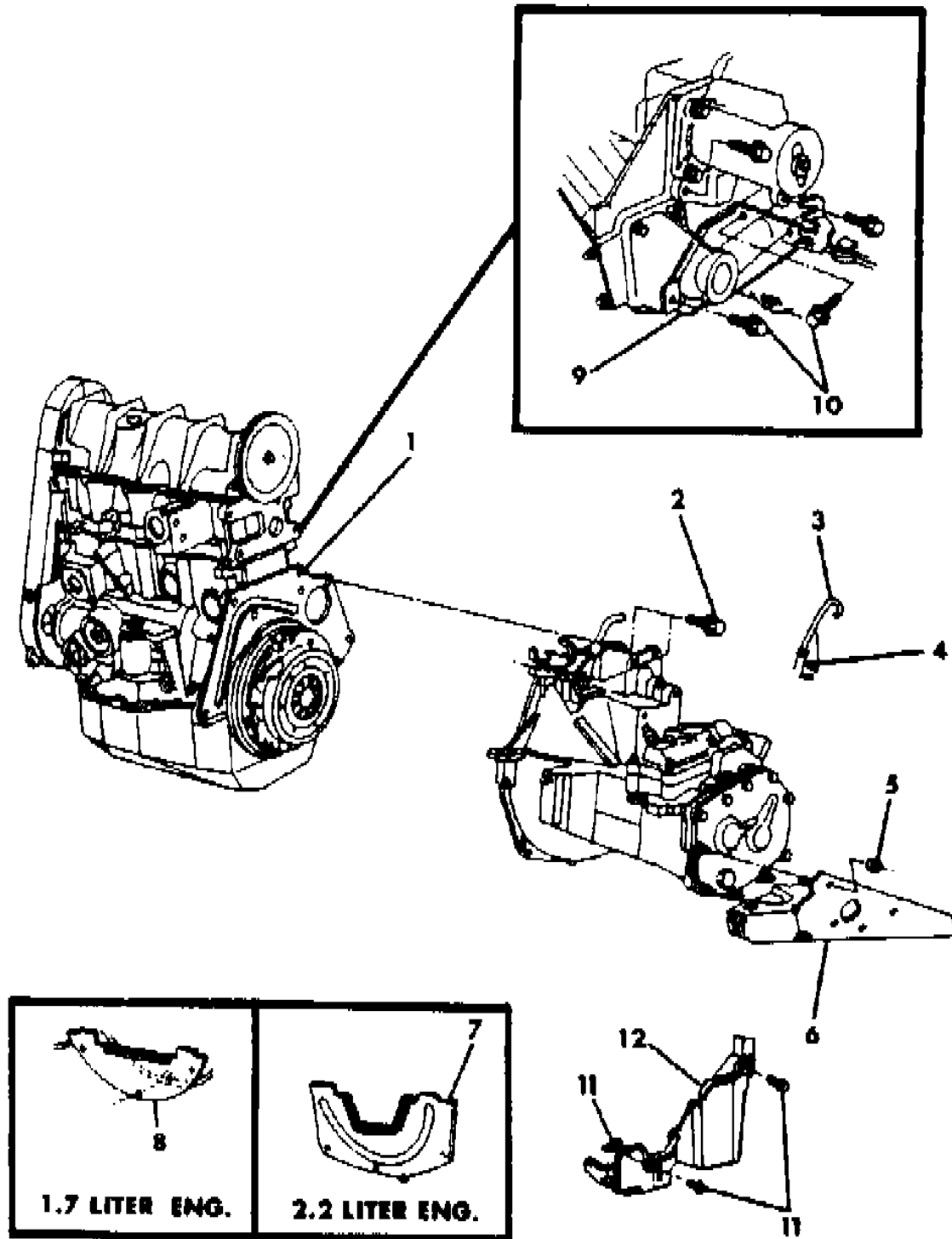
**BODY STYLES**

21 = 2-DOOR SEDAN	28 = FWD PICKUP
22 = 2-DOOR SPECIAL COUPE	41 = 4-DOOR SEDAN
24 = 2-DOOR HATCHBACK	44 = 4-DOOR HATCHBACK
27 = 2-DOOR CONVERTIBLE	45 = 2-SEAT STATION WAGON

AR = Use as Required - = Non Illustrated Part P.A.R. = Paint as Required

**TRANSAXLE MOUNTING CHRYSLER A-460**  
**Figure 21M-1400**

2121 1400.



ITEM	PART NUMBER	QTY	BODY	MODEL	DESCRIPTION
1	5222 454	1			COVER, Case Upper, w/2.2 Liter Eng.
	5224 086	1			w/1.7 Liter Eng.
2	6100 952	2			SCREW, Trans to Cyl Block
3					
4					
5	6100 517	4		P,D,C,V	NUT
6	4202 712	1		P,D,C,V	BUMPER, Trans to Rail
7	5222 453	1			COVER, Case Lower, w/2.2 Liter Engine
8	5212 143	1		M,Z	COVER, Case Lower, w/1.7 Liter Engine
9	5224 214	1			STRUT, Trans to Cyl Block
10	6100 324	AR			SCREW, w/WASHER, Trans to Cyl Block
11					SCREW, w/WASHER (not serviced)
12					SHIELD, Trans Appearance
	4191 565	1		P,D,C,V	
	5202 625	1		M,Z	
	4269 527	1		P,D,C,V	BRACKET, Bumper to Front Suspension Crossmember Trans to Restrict (not illustrated)

ontrol or High Altitude Emission Control. an offsetting order for part no. 3747881

cars sold in the State of California. an offsetting order for part no. 3747881

alytic Exhaust System. Unleaded Fuel is required. an offsetting order for part no. 3747881

**MODEL CODES**

B = GRAN FURY/CARAVELLE	P = RELIANT
C = LEBARON/TOWN & COUNTRY	S = CORDOBA
D = ARIES	V = 400
F = NEW YORKER	X = MIRADA
G = DIPLOMAT	Y = IMPERIAL
M = HORIZON/TC3/SCAMP	Z = OMNI/O24/RAMPAGE

**BODY STYLES**

21 = 2-DOOR SEDAN	28 = FWD PICKUP
22 = 2-DOOR SPECIAL COUPE	41 = 4-DOOR SEDAN
24 = 2-DOOR HATCHBACK	44 = 4-DOOR HATCHBACK
27 = 2-DOOR CONVERTIBLE	45 = 2-SEAT STATION WAGON

AR = Use as Required - = Non Illustrated Part P.A.R. = Paint as Required



---

**GROUP 21A - TRANSMISSION, AUTO.**

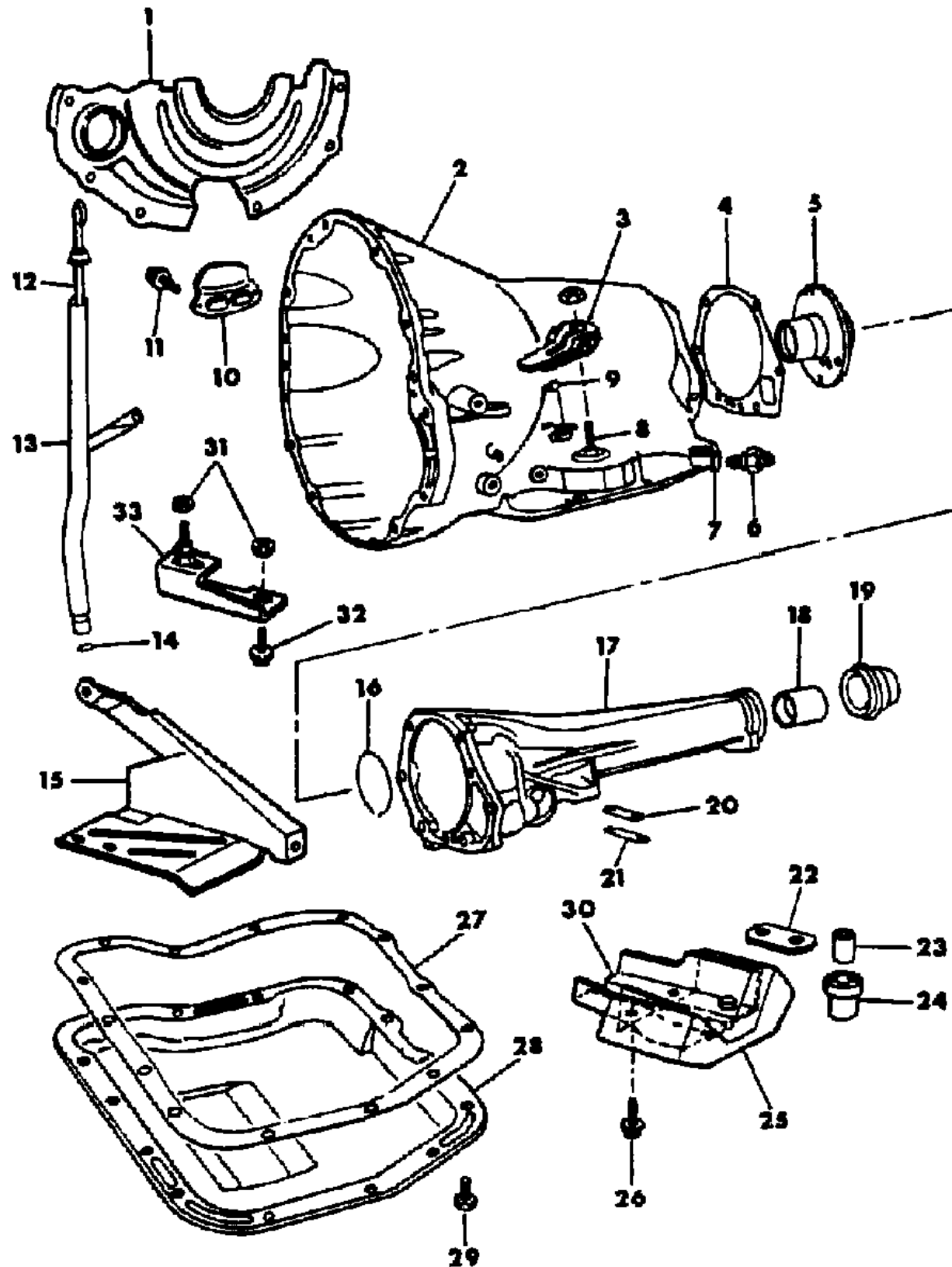
<b>ILLUSTRATION TITLE</b>	<b>GROUP-FIG. NO.</b>
A727 AND A904 3 SPEED AUTOMATIC TRANSMISSION CASE AND EXTENSION .....	Fig. 21A-100
A727 AND A904 3 SPEED AUTOMATIC TRANSMISSION GOVERNOR AND PARKING LOCK .....	Fig. 21A-200
A727 AND A904 3 SPEED AUTOMATIC TRANSMISSION SERVOS, ACCUMULATOR PISTON AND SPRING .....	Fig. 21A-300
A727 AND A904 3 SPEED AUTOMATIC TRANSMISSION REVERSE AND KICKDOWN BAND AND LINKAGE .....	Fig. 21A-400
A727 AND A904 3 SPEED AUTOMATIC TRANSMISSION VALVE BODY .....	Fig. 21A-500
A727 3 SPEED AUTOMATIC TRANSMISSION CLUTCH-FRONT AND REAR GEAR TRAIN .....	Fig. 21A-600
A904 3 SPEED AUTOMATIC TRANSMISSION CLUTCH - FRONT AND REAR GEAR TRAIN .....	Fig. 21A-700
A727 3 SPEED AUTOMATIC TRANSMISSION SUN GEAR, ANNULUS GEAR, PLANET PINION AND OUTPUT SHAFT .....	Fig. 21A-800
A904 3 SPEED AUTOMATIC TRANSMISSION SUN GEAR, ANNULUS GEAR, PLANET PINION AND OUTPUT SHAFT .....	Fig. 21A-900
A727 AND A904 3 SPEED AUTOMATIC TRANSMISSION OIL PUMP AND REACTION SHAFT SUPPORT ..	Fig. 21A-1000
GEARSHIFT CONTROL AUTOMATIC TRANSMISSION COLUMN SHIFT F,G,X,S,Y .....	Fig. 21A-1100
GEARSHIFT CONTROL - AUTOMATIC TRANSMISSION FLOOR SHIFT F,G,X,S,B .....	Fig. 21A-1200
SHIFT LEVER AND INDICATOR .....	Fig. 21A-1300
AUTOMATIC TRANSAXLE .....	Fig. 21A-1400
AUTOMATIC TRANSAXLE CASE, EXTENSION AND RETAINER .....	Fig. 21A-1500
AUTOMATIC TRANSAXLE OIL PUMP AND REACTION SHAFT .....	Fig. 21A-1600
AUTOMATIC TRANSAXLE VALVE BODY .....	Fig. 21A-1700
AUTOMATIC TRANSAXLE SERVOS, ACCUMULATOR PISTON AND SPRING .....	Fig. 21A-1800
AUTOMATIC TRANSAXLE GOVERNOR .....	Fig. 21A-1900
AUTOMATIC TRANSAXLE PARKING SPRAG, KICKDOWN BAND AND REVERSE BAND .....	Fig. 21A-2000
AUTOMATIC TRANSAXLE TRANSFER SHAFT .....	Fig. 21A-2100
AUTOMATIC TRANSAXLE FRONT CLUTCH .....	Fig. 21A-2200
AUTOMATIC TRANSAXLE REAR CLUTCH AND INPUT SHAFT .....	Fig. 21A-2300
AUTOMATIC TRANSAXLE FRONT ANNULUS AND SUN GEAR .....	Fig. 21A-2350
AUTOMATIC TRANSAXLE OUTPUT SHAFT, REAR CARRIER, REVERSE DRUM AND OVERRUNNING CLUTCH .....	Fig. 21A-2400
AUTOMATIC TRANSAXLE DIFFERENTIAL .....	Fig. 21A-2500
GEARSHIFT CONTROLS-AUTOMATIC TRANSMISSION FLOOR SHIFT, M,Z .....	Fig. 21A-2600
GEARSHIFT CONTROLS - AUTOMATIC TRANSMISSION FLOOR SHIFT - P,D,C,V .....	Fig. 21A-2700
GEARSHIFT CONTROLS - AUTOMATIC TRANSMISSION COLUMN SHIFT - P,D,C,V .....	Fig. 21A-2800
SPEEDOMETER CABLES AUTOMATIC TRANSMISSION .....	Fig. 21A-2900
SPEEDOMETER CABLE AND DRIVE PINION AUTOMATIC TRANSAXLE M,Z,P,D,C,V .....	Fig. 21A-3000
SPEEDOMETER DRIVE PINION AND RELATED PARTS F,G,X,S,Y,B .....	Fig. 21A-3100

**ILLUSTRATION NOT AVAILABLE AT TIME OF PUBLICATION**

---

**A727 AND A904 3 SPEED AUTOMATIC TRANSMISSION CASE AND EXTENSION**  
**Figure 21A-100**

3151 100



ITEM	PART NUMBER	QTY	BODY	MODEL	DESCRIPTION
------	-------------	-----	------	-------	-------------

NOTE: The seven digit Transmission Assembly Part Number is stamped on the left side of the Transmisson Oil Pan Rail. an offsetting order for part no. 3747881

TRANSMISSION CROSS REFERENCE CHART  
 PROD. SERV.  
 ASSY. ASSY.

The following are for Model A904:

4202662 4202662  
 4202663 4202663  
 4202664 4202664

4058383 4058383  
 4202675 4202675  
 4058398 4058398  
 4202729 4202729

The following are for Model A727:

4202571 4202571

	4186 862	1	All		SEAL and GASKET PACKAGE, Compleete Trans., A904
	4186 864	1	ALL		SEAL and GASKET PACKAGE, Compleete Trans., A727
					THE FOLLOWING TRANSMISSIONS LISTED ARE A904
	4202 662	1	F,G,B		w/225 Eng. (E24 & E26)
	4202 662	1	X,S		w/225 Eng.
	4202 663	1	F,G,X,S		w/225 Eng., w/(SC E24 & E26), CANADA
	4202 664	1	F,G,B		w/225 Eng., w/(SC E25)
	4058 383	1	F,G,B		w/225 Eng., w/(SC E26 & E27), CANADA
	4202 675	1	F,G,B		w/318 Eng., w/(SC E44 & E46)
	4202 675	1	X,S		w/318 Eng., w/(SC E44 & E46)
	4058 398	1	F,G,X,S		w/318 Eng., w/(SC E45)
	4202 729	1	Y		w/318 Eng., w/(SC E43), E.F.I.
					THE FOLLOWING TRANSMISSION LISTED ARE A727
	4202 571	1	F,G,B		w/318
1	4130 503	1	All		SHIELD, Case Torque Converter, w/318 Eng., A727
	1949 767	1	All		w/225 Eng., A904
	4130 502	1	All		w/318 and 360 Eng., A904
2	4130 379	1	All		CASE,Trans., A727
	4202 047	1	All		w/4058383 Trans. A904
	4202 777	1	All		w/4202662,663,664 Trans., A904
	4130 977	1	All		w/4202675,729,4058398 Trans., A904
	3681 601	1	All		MAGNET, Case Chip Collector

MODEL CODES

B = GRAN FURY/CARAVELLE	P = RELIANT
C = LEBARON/TOWN & COUNTRY	S = CORDOBA
D = ARIES	V = 400
F = NEW YORKER	X = MIRADA
G = DIPLOMAT	Y = IMPERIAL
M = HORIZON/TC3/SCAMP	Z = OMNI/O24/RAMPAGE

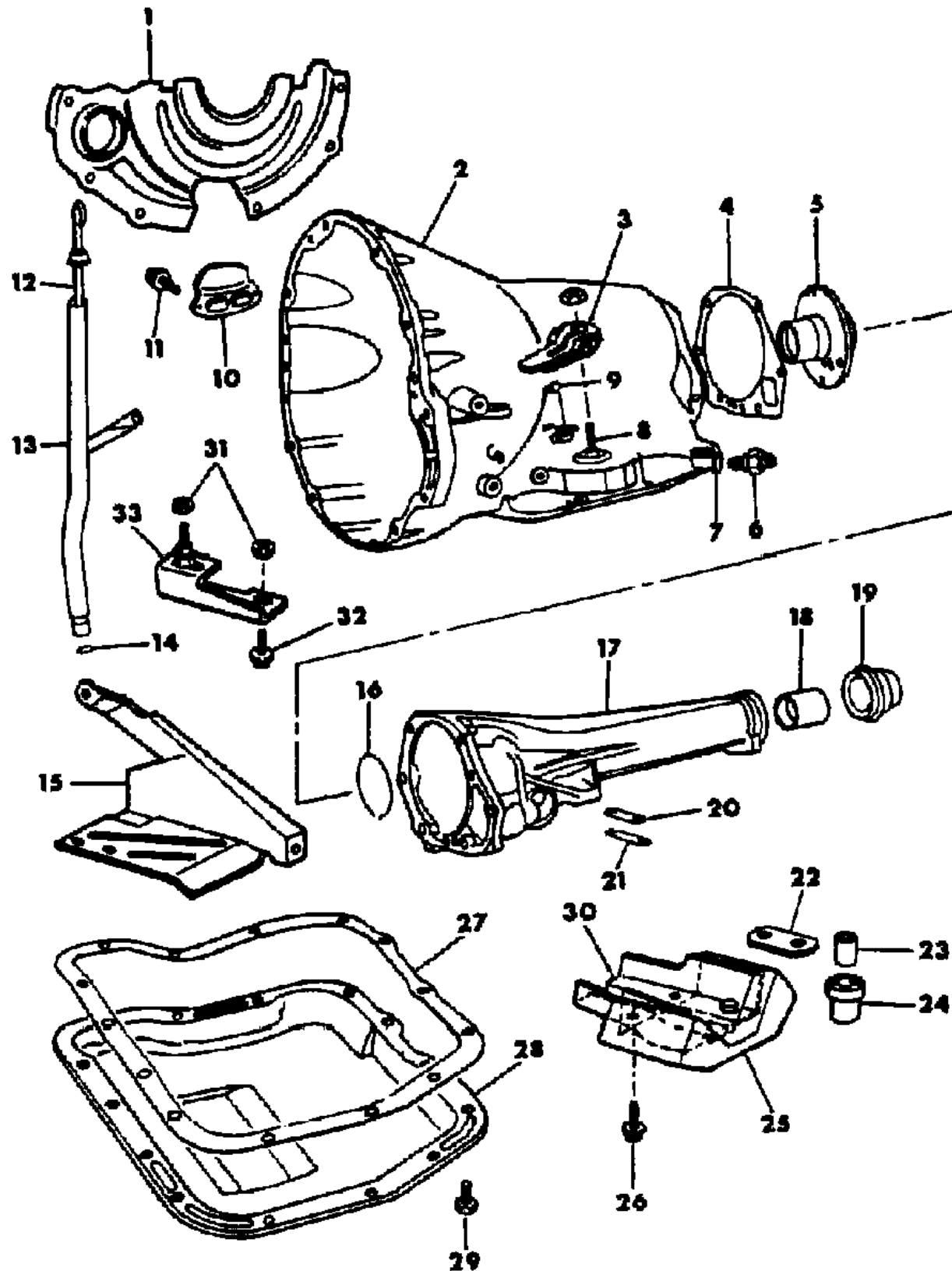
BODY STYLES

21 = 2-DOOR SEDAN	28 = FWD PICKUP
22 = 2-DOOR SPECIAL COUPE	41 = 4-DOOR SEDAN
24 = 2-DOOR HATCHBACK	44 = 4-DOOR HATCHBACK
27 = 2-DOOR CONVERTIBLE	45 = 2-SEAT STATION WAGON

AR = Use as Required - = Non Illustrated Part P.A.R. = Paint as Required

**A727 AND A904 3 SPEED AUTOMATIC TRANSMISSION CASE AND EXTENSION**  
**Figure 21A-100**

3151 100



ITEM	PART NUMBER	QTY	BODY	MODEL	DESCRIPTION
	6024 863	AR		All	SCREW, Cyl. Block to Trans. Case, 7/16"-14 x 2-1/8"
	6024 473	AR		All	7/16"-14 X 1-7/8"
	6024 864	AR		All	3/8"-16 X 1-7/8"
	6027 865	AR		All	Case to Cyl. Block, 3/8"-16 x 1-3/8
	6027 252	3		All	3/8"-16 x 2-5/8"ck, 3/8"-16 x 1-3/8
3	2899 370	1	X,S		LEVER, Throttle Control, w/o Bolt and Nut, w/3 Holes, Straight Type, 2.61" Lgh. Center to Center of Large Holes, A727
	4095 310	1	F,G,B		A727
	3751 551	1	All		Throttle Control, w/3 Holes, Straight Type, 2.40" Lgh. Center to Center of Large Holes, Blue
	4071 980	1	Y		
	4071 947	1	X,S		Throttle Control, w/3 Holes, Straight Type, 2.40" Lgh. Center to Center of Large Holes, Red, A727
	2801 828	1	X,S		Manual Control, w/Console, A727
	3743 891	1	All		Manual Control, w/o Console, A727
	2538 064	1	X,S		Manual Control, w/Console, w/ 1/4" Hole at Rod End, A904
	4028 727	1	All		Manual Control, w/15/32" Hole at Rod End, A904
4	2466 954	1	All		GASKET, Trans. Extension
5	2466 882	1	All		SUPPORT, Output Shaft, A727
	2466 881	1	All		A904
6	4057 750	1	All		SWITCH, Trans. Neutral Starter and Back-Up Light, w/3 Prongs
7	2408 143	1	All		WASHER, Switch Mounting
8	3878 447	1	All		SEAL, Manual Valve Shaft
9	2400 389	1	All		SCREW, Kickdown Band Adjusting, A727
	1942 477	1	All		A904
	0124 934	1	All		NUT, Lock, 1/2"-20
10	2204 728	1	All		COVER, Torque Converter Drain, w/318 Eng., A727
	2464 551	1	All		w/318 Eng., A904
11	6023 092	3	All		SCREW, w/WASHER
12	4202 953	1			INDICATOR, Oil Level
13	4028 308	1	All		TUBE, Oil Pan Oil Filler, w/318 Eng., A727
	4028 182	1	All		w/225 Eng.
	4028 181	1	All		w/318 Eng., A904
14	1316 815	1	All		SEAL, Oil Filler Tube
15	1949 701	1	All		STRUT, Trans. to Cyl. Block, w/225 Eng., Lt.
	4071 089	1	All		Trans. to Cyl. Block, w/318 Eng., Lt.
	4058 479	1	All		Trans. to Cyl. Block, w/Heat Shield, w/318 Eng., 4 Bbl., Lt.

**MODEL CODES**

B = GRAN FURY/CARAVELLE	P = RELIANT
C = LEBARON/TOWN & COUNTRY	S = CORDOBA
D = ARIES	V = 400
F = NEW YORKER	X = MIRADA
G = DIPLOMAT	Y = IMPERIAL
M = HORIZON/TC3/SCAMP	Z = OMNI/O24/RAMPAGE

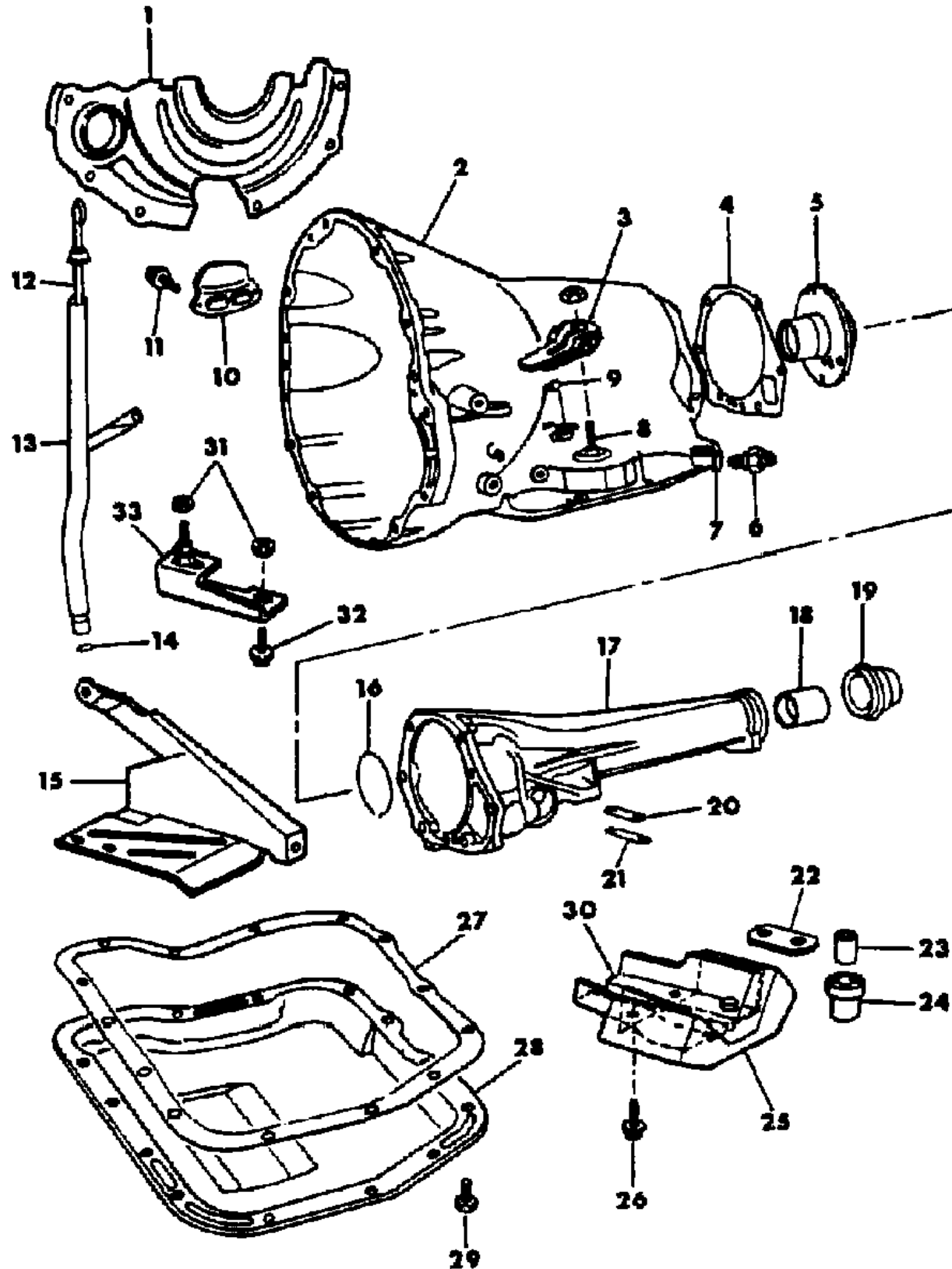
**BODY STYLES**

21 = 2-DOOR SEDAN	28 = FWD PICKUP
22 = 2-DOOR SPECIAL COUPE	41 = 4-DOOR SEDAN
24 = 2-DOOR HATCHBACK	44 = 4-DOOR HATCHBACK
27 = 2-DOOR CONVERTIBLE	45 = 2-SEAT STATION WAGON

AR = Use as Required - = Non Illustrated Part P.A.R. = Paint as Required

**A727 AND A904 3 SPEED AUTOMATIC TRANSMISSION CASE AND EXTENSION**  
**Figure 21A-100**

3151 100



ITEM	PART NUMBER	QTY	BODY	MODEL	DESCRIPTION
	4130 693	1		All	Trans. to Cyl. Block,w/318 Eng.,Rt.
	4058 478	1		All	Trans. to Cyl. Block,w/Heat Shield,w/318 Eng.,Lt., A94-1
	6023 143	2		All	SCREW, Strut to Cyl. Block,7/16"-14 x 1-1/8"
	1801 223	2		All	Strut to Cyl. Block
	6024 473	1		All	Strut to Case,Lt.,7/16"-14 x 2"
	6023 143	AR		All	Strut to Case,7/16"-14 x 1-1/8"
	1801 223	2		All	Strut to Case
16	2400 320	1		All	SNAP RING, Output Shaft Brg., Outer, 2-11/16" I.D.,A727
	2400 185	1		All	A904
17	4028 190	1		All	EXTENSION,w/BUSHING, Trans. Extension, A727
	3780 230	1		All	EXTENSION, Case, A904
	6027 150	4		All	SCREW, 1-1/8" Lgh.
	6031 229	2		All	STUD
18	2801 724	1		All	BUSHING, Trans. Extension, A727
	2801 726	1		All	A904
19	3515 383	1		All	SEAL, Yoke, 2-1/2" O.D., A727
	3515 384	1		All	A904
20	2801 398	1		All	GASKET, Output Shaft Brg., Inspection Cover
21	2466 957	1		All	COVER, Output Shaft Brg., Inspection
	6028 022	2		All	SCREW
22	3681 614	1	F,G,B		PLATE, Damper Weight, A904
23	3681 189	2	All		SPACER, Damper Weight
24	3681 513	2	X,S		INSULATOR,Damper Weight,Orange, A727
	4058 014	2	E,T		A727 Police
	3681 514	2	F,G,B		Yellow, A904
	3681 512	2	X,S		Red,A904
25	3681 463	1	X,S		WEIGHT,w/SPACER and INSULATOR, Trans. Extension Damper, A727
	3681 464	1	X,S		WEIGHT, A727
	3681 564	1	X,S		w/225,318 Eng,w/o Hi-Perf., A904
	4028 383	1	F,G,B		WEIGHT,w/SPACERS and INSULATORS, A904
	3743 669	1	X,S		WEIGHT,w/SUPPORT,INSULATORS,SPACERS,BOLTS,NUTS andWASHERS, A904
26	9422 041	2	X,S		BOLT, Damper Weight
27	2464 324	1	All		GASKET, Trans. Oil Pan, A727
	2205 299	1	All		A904
28	4058 997	1	All		PAN,w/PLUG, Trans. Oil, A727

**MODEL CODES**

B = GRAN FURY/CARAVELLE	P = RELIANT
C = LEBARON/TOWN & COUNTRY	S = CORDOBA
D = ARIES	V = 400
F = NEW YORKER	X = MIRADA
G = DIPLOMAT	Y = IMPERIAL
M = HORIZON/TC3/SCAMP	Z = OMNI/O24/RAMPAGE

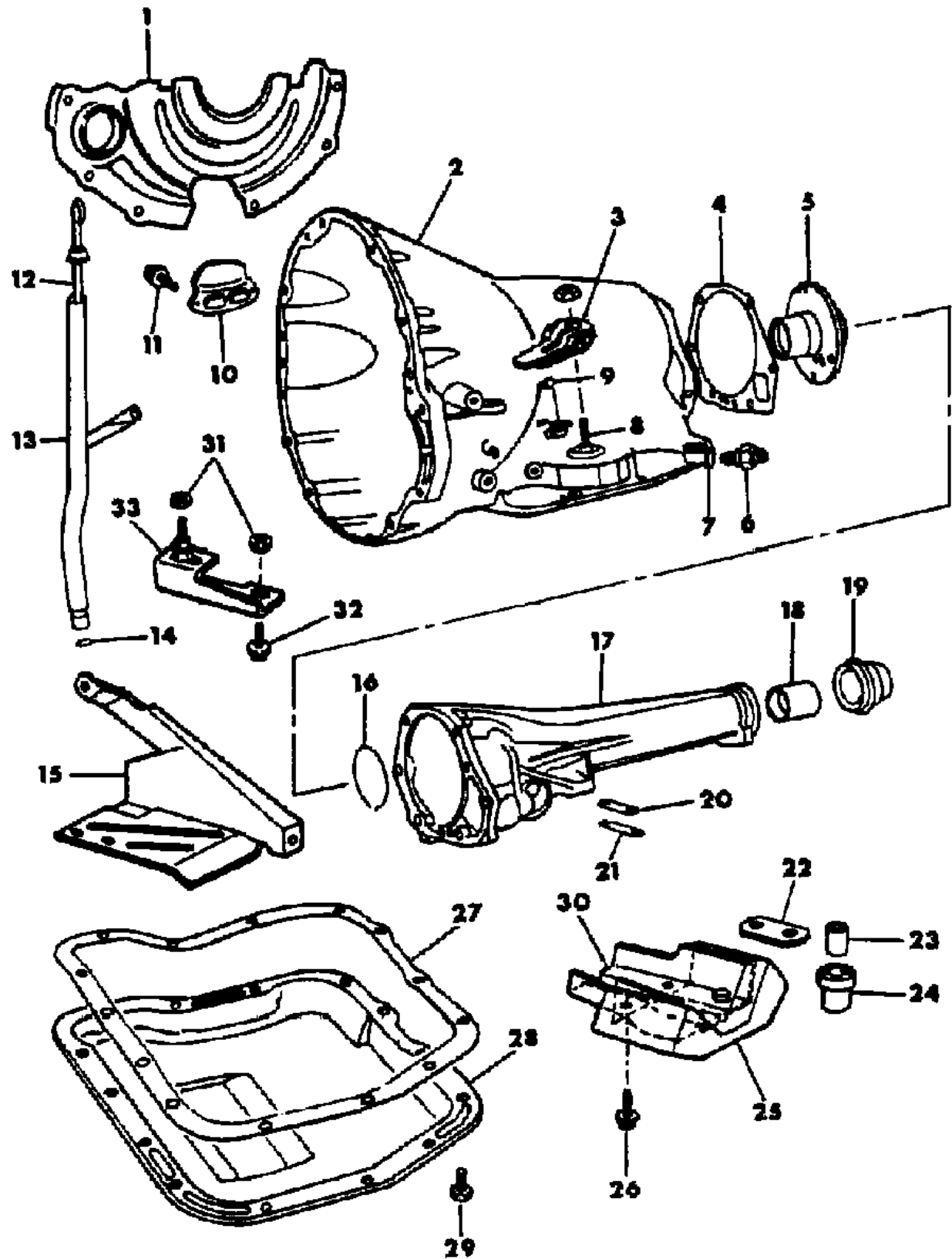
**BODY STYLES**

21 = 2-DOOR SEDAN	28 = FWD PICKUP
22 = 2-DOOR SPECIAL COUPE	41 = 4-DOOR SEDAN
24 = 2-DOOR HATCHBACK	44 = 4-DOOR HATCHBACK
27 = 2-DOOR CONVERTIBLE	45 = 2-SEAT STATION WAGON

AR = Use as Required - = Non Illustrated Part P.A.R. = Paint as Required

**A727 AND A904 3 SPEED AUTOMATIC TRANSMISSION CASE AND EXTENSION**  
**Figure 21A-100**

3151 100



ITEM	PART NUMBER	QTY	BODY	MODEL	DESCRIPTION
	4202 005	1		All	A904
29	6023 355	14		All	SCREW, 5/16"-18 x 5/8"
30	3743 246	1	X,S		SUPPORT, Damper Weight, A904
31	3681 189	2	All		SPACER
32	0181 088	2	All		SCREW,w/WASHER
33	4028 635	1			BRACKET, Trans. Manual Low Blockout

**MODEL CODES**

B = GRAN FURY/CARAVELLE	P = RELIANT
C = LEBARON/TOWN & COUNTRY	S = CORDOBA
D = ARIES	V = 400
F = NEW YORKER	X = MIRADA
G = DIPLOMAT	Y = IMPERIAL
M = HORIZON/TC3/SCAMP	Z = OMNI/O24/RAMPAGE

**BODY STYLES**

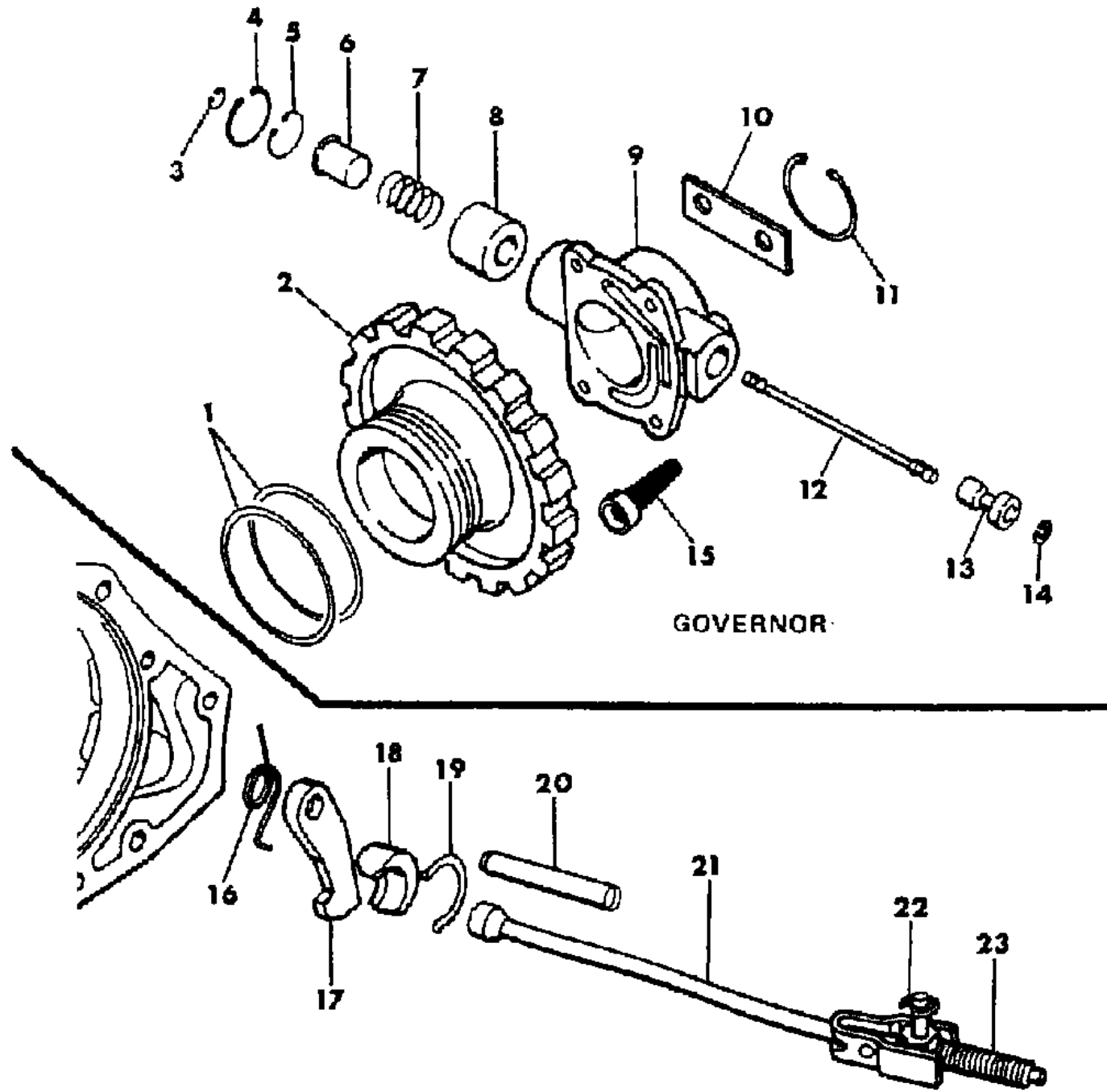
21 = 2-DOOR SEDAN	28 = FWD PICKUP
22 = 2-DOOR SPECIAL COUPE	41 = 4-DOOR SEDAN
24 = 2-DOOR HATCHBACK	44 = 4-DOOR HATCHBACK
27 = 2-DOOR CONVERTIBLE	45 = 2-SEAT STATION WAGON

AR = Use as Required - = Non Illustrated Part P.A.R. = Paint as Required

A727 AND A904 3 SPEED AUTOMATIC TRANSMISSION GOVERNOR AND PARKING LOCK

Figure 21A-200

2151 300



GOVERNOR

PARKING LOCK

ITEM	PART NUMBER	QTY	BODY	MODEL	DESCRIPTION
NOTE: The Seven Digit Transmission Assembly Part Number is Stamped on the Left Side of the Transmission Oil Pan. an offsetting order for part no. 3747881					
	4106 557	1			SEALS,GASKET and FILTER PACKAGE, A727 Consists of: 1 - ----- Speedo. Pinion Small Parts Pkg. 1 - ----- Filter, Gov. 1 - ----- Seal, Yoke(Large) 1 - ----- Gasket, Extension 1 - ----- Gasket, Output Shaft Brg. Cover
	4106 556	1			SEALS,GASKET and FILTER PACKAGE, Governor, A904 Consists of: 1 - ----- Speedo. Pinion Small Parts Pkg. 1 - ----- Filter, Governor 1 - ----- Seal, Yoke(Small) 1 - ----- Gasket, Extension 1 - ----- Gasket, Output Shaft Brg. Cover 1 - ----- Seal, Oil Filter Tube 2 - ----- RING SEAL, Governor Support
	4202 658	1			WEIGHT PACKAGE,Governor Consists of: 1- ----- WEIGHT, Inner 1- ----- WEIGHT, Outer 1- ----- SPRING
	4130 892	1			WEIGHT PACKAGE, Governor Consists of: 1- ----- WEIGHT, Inner 1- ----- WEIGHT, Outer 1- ----- SPRING
1	1942 109	2	All		RING, Gov. Support Seal,Frt. and Rr.
2	3743 517	1	All		SUPPORT, Gov., A727 .
	3743 518	1	All		A904 .
3	1638 461	2	All		SNAP RING, Gov. Valve Shaft
4	6025 031	1	All		SNAP RING, Gov. Weight, Outer
5	1636 464	1	All		SNAP RING, Gov. Weight, Inner
6					WEIGHT, Gov., Inner

MODEL CODES

B = GRAN FURY/CARAVELLE	P = RELIANT
C = LEBARON/TOWN & COUNTRY	S = CORDOBA
D = ARIES	V = 400
F = NEW YORKER	X = MIRADA
G = DIPLOMAT	Y = IMPERIAL
M = HORIZON/TC3/SCAMP	Z = OMNI/O24/RAMPAGE

BODY STYLES

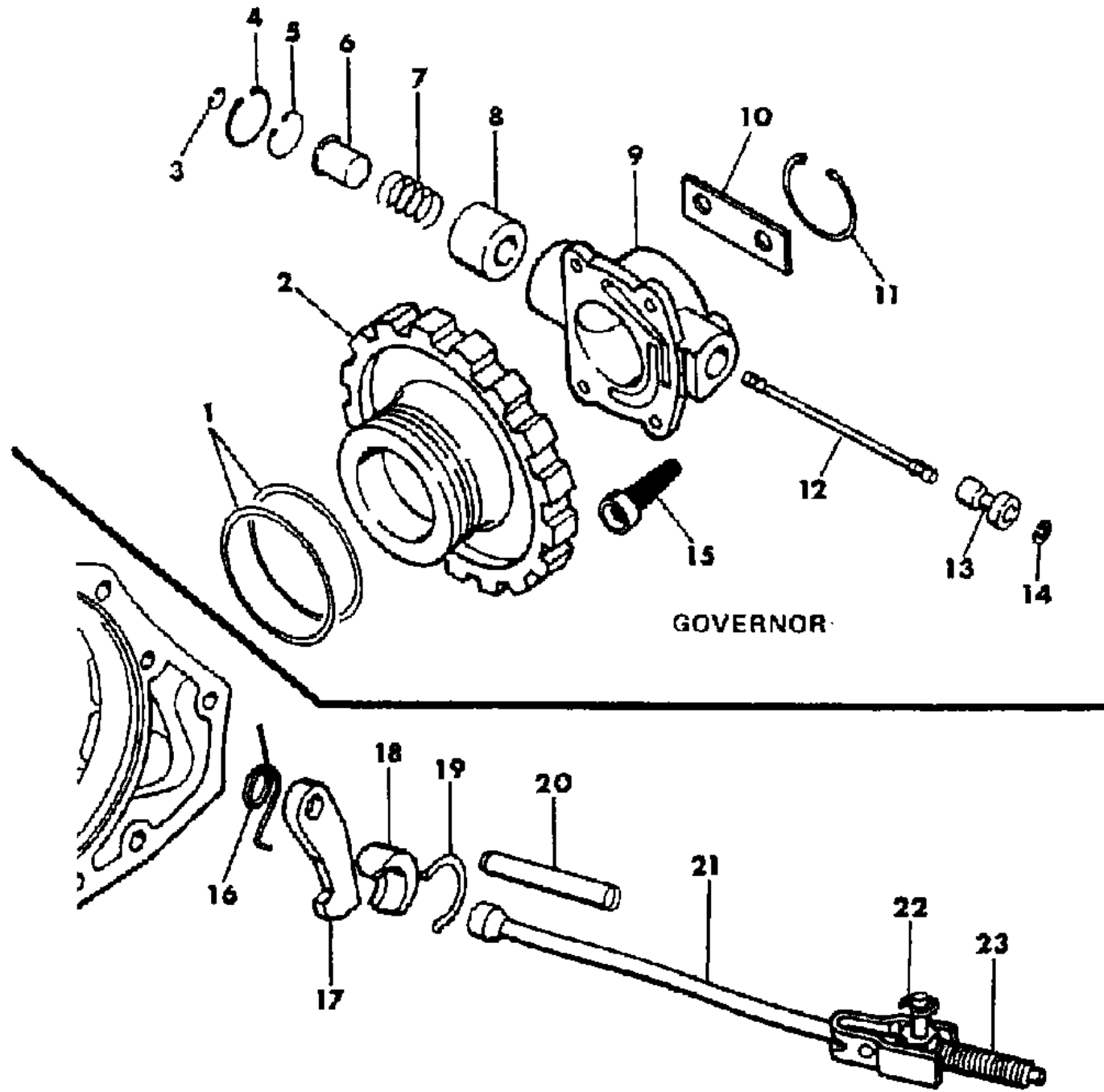
21 = 2-DOOR SEDAN	28 = FWD PICKUP
22 = 2-DOOR SPECIAL COUPE	41 = 4-DOOR SEDAN
24 = 2-DOOR HATCHBACK	44 = 4-DOOR HATCHBACK
27 = 2-DOOR CONVERTIBLE	45 = 2-SEAT STATION WAGON

AR = Use as Required - = Non Illustrated Part P.A.R. = Paint as Required

A727 AND A904 3 SPEED AUTOMATIC TRANSMISSION GOVERNOR AND PARKING LOCK

Figure 21A-200

2151 300



ITEM	PART NUMBER	QTY	BODY	MODEL	DESCRIPTION
		1		ALL	A727 Trans., (Serviced in Weight Package 4130892)
		1		ALL	A904 Trans., (Serviced in Weight Package 4202658)
7					SPRING, Gov. Weight
		1		ALL	A727 Trans., (Serviced in Weight Package 4130892)
		1		ALL	A904 Trans., (Serviced in Weight Package 4202658)
8					WEIGHT, Trans. Governor, Outer
		1		All	A727 Trans., (Serviced in Weight Package 4130892)
		1		All	A904 Trans., (Serviced in Weight Package 4202658)
9					BODY, Governor
	4186 875	1		All	A727 Trans.
	4186 874	1		All	A904 Trans.
	6031 613	4		All	BOLT, Trans. Governor Body
10	3743 520	2		All	LOCK, Gov. Body Bolt, Off-Set Type
11	6022 817	1		All	SNAP RING, Gov. Body, A727
	6027 271	1		All	A904
12	1556 082	1		All	SHAFT, Gov. Valve
13	3515 479	1		All	VALVE, Gov.
14	1638 461	2		All	SNAP RING, Gov. Valve Shaft
15	3743 519	1		All	FILTER, Trans. Governor
16	2466 909	1		All	SPRING, Trans. Parking Sprag
17	2801 157	1		All	SPRAG, Trans. Parking
18	2538 042	1		All	PLUG, Parking, Sprag Reaction
	9417 504	1		All	PIN, Parking Sprag Reaction Plug
19	2538 034	1		All	SNAP RING, Parking Sprag Reaction Plug
20	2466 892	1		All	SHAFT, Trans. Parking Sprag
21	2466 894	1		All	ROD ASSEMBLY, Parking Sprag, A727
	2466 906	1		All	A904
22	1626 749	1		All	E-RING, Rod Stud,
23		1		All	SPRING, Parking Rod(Serviced in Parking Sprag Rod Assy.)

MODEL CODES

B = GRAN FURY/CARAVELLE	P = RELIANT
C = LEBARON/TOWN & COUNTRY	S = CORDOBA
D = ARIES	V = 400
F = NEW YORKER	X = MIRADA
G = DIPLOMAT	Y = IMPERIAL
M = HORIZON/TC3/SCAMP	Z = OMNI/O24/RAMPAGE

BODY STYLES

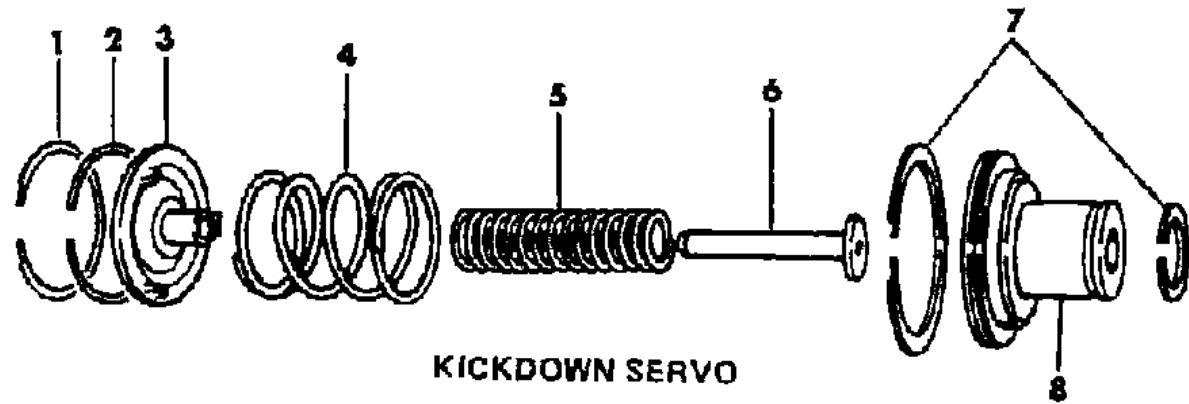
21 = 2-DOOR SEDAN	28 = FWD PICKUP
22 = 2-DOOR SPECIAL COUPE	41 = 4-DOOR SEDAN
24 = 2-DOOR HATCHBACK	44 = 4-DOOR HATCHBACK
27 = 2-DOOR CONVERTIBLE	45 = 2-SEAT STATION WAGON

AR = Use as Required - = Non Illustrated Part P.A.R. = Paint as Required

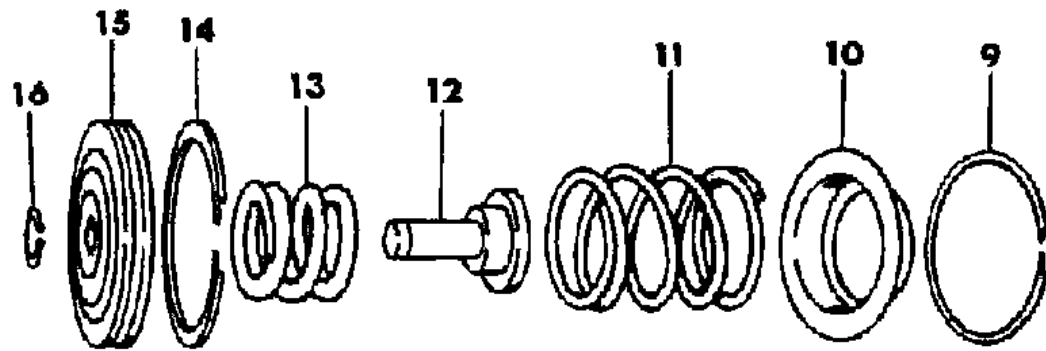
A727 AND A904 3 SPEED AUTOMATIC TRANSMISSION SERVOS, ACCUMULATOR PISTON AND SPRING

Figure 21A-300

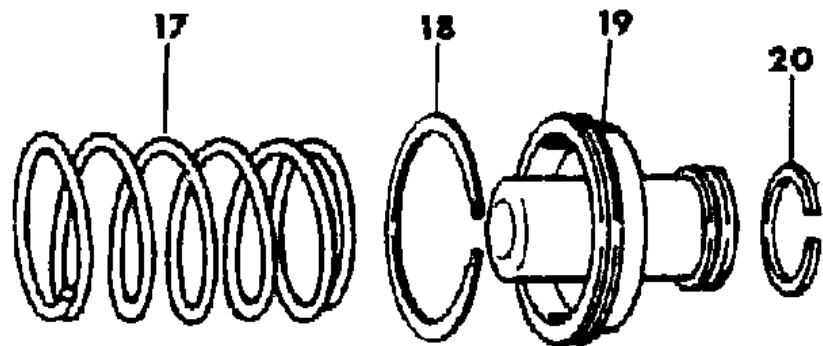
2151 300



KICKDOWN SERVO



LOW AND REVERSE SERVO



ACCUMULATOR PISTON AND SPRING

ITEM	PART NUMBER	QTY	BODY	MODEL	DESCRIPTION
NOTE: The seven digit Transmission Assembly part number is stamped on the left side of the Transmissin Oil Pan Rail. an offsetting order for part no. 3747881					
1	1942 130	1		All	SNAP RING, Kickdown Servo Guide, A727
	1942 486	1		All	2-1/4" I.D., A904
	6028 863	1		All	2-3/8" I.D., A904
2	1942 123	1		All	RING, Kickdown Servo Guide Seal, A727
	1636 470	1		All	2-1/8" O.D., A904
	3410 372	1		All	2-3/8" O.D., A904
3	3410 441	1		All	GUIDE, Kickdown Servo, A727
	1942 485	1		All	w/4202662,663,664 Trans. A904
	3410 332	1		All	w/4202675,729,4058383,398 Trans., A904
4	3410 518	1		All	SPRING, Kickdown Servo Piston, Outer,5 Coils,1-19/64" Lgh., A727
	4058 885	1		All	4.5 Coils, 1-3/4" O.D., w/4202675,729,4058398 Trans., A904
	4058 945	1		All	4.6 Coils, 1-5/8" O.D., w/4202662,663,664 Trans. A904
	4202 653	1		All	w/4058383 Trans., A904
	3410 444	1		All	SPRING, Kickdown Servo Piston, Inner, 6 Coils, A727
6		1		All	ROD, Kickdown Servo Piston,(Serviced in 3410445 Piston Assy.), A727
	4058 780	1		All	w/4202675,729,4053383,398 Trans., A904
	4058 943	1		All	w/4202662,663,664 Trans. A904
	2124 851	1		All	RING, Kickdown Servo Piston Seal, Small, A727
	1942 123	1		All	Large, A727
7	1824 541	1		All	Small, 1-1/4" O.D., A904
	3410 374	1		All	Small, 1" O.D., A904
	1636 470	1		All	Large, 2-1/8" O.D., A904
	3410 372	1		All	Large, 2-3/8" OD., A904
	3410 440	1		All	PISTON, Trans. Kickdown Servo, A727
	3410 445	1		All	Inner,w/Rod and Seal, A727
	4058 942	1		All	w/4202662,663,664 Trans. A904
	4058 777	1		All	w/4202675,729,4058383,398 Trans., A904
	3410 437	1		All	RETAINER, Kickdown Piston, Inner, A727
	6028 864	1		All	SEAL, Inner, 15/16" x 1-1/8" x 3/32", A727
8	6028 864	1		All	15/16"-1 x 3/32", A904
	6031 410	1		All	13/16"-1" x 3/32", A904
	6024 336	1		All	SNAP RING, Inner, 1-1/8" I.D., A727
	6024 336	1		All	w/4202675,729,4058383,398 Trans., A904

MODEL CODES

B = GRAN FURY/CARAVELLE	P = RELIANT
C = LEBARON/TOWN & COUNTRY	S = CORDOBA
D = ARIES	V = 400
F = NEW YORKER	X = MIRADA
G = DIPLOMAT	Y = IMPERIAL
M = HORIZON/TC3/SCAMP	Z = OMNI/O24/RAMPAGE

BODY STYLES

21 = 2-DOOR SEDAN	28 = FWD PICKUP
22 = 2-DOOR SPECIAL COUPE	41 = 4-DOOR SEDAN
24 = 2-DOOR HATCHBACK	44 = 4-DOOR HATCHBACK
27 = 2-DOOR CONVERTIBLE	45 = 2-SEAT STATION WAGON

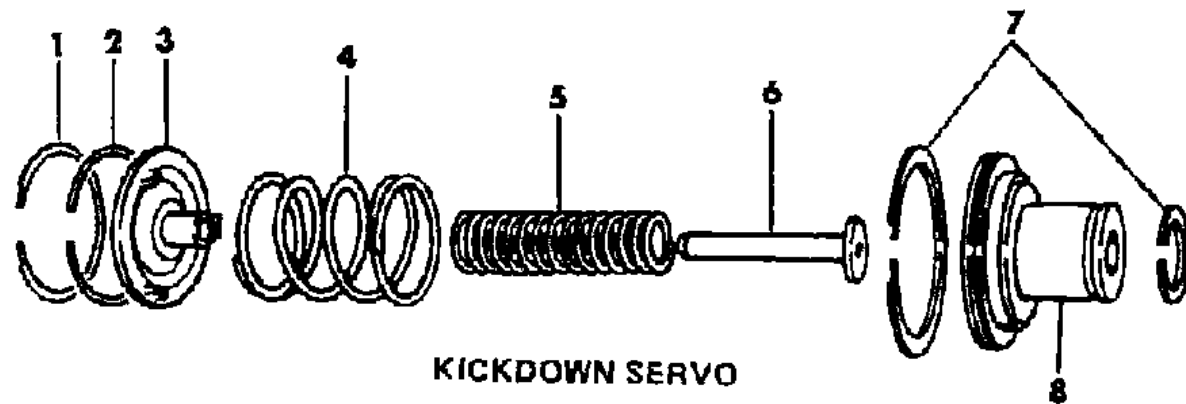
AR = Use as Required - = Non Illustrated Part P.A.R. = Paint as Required



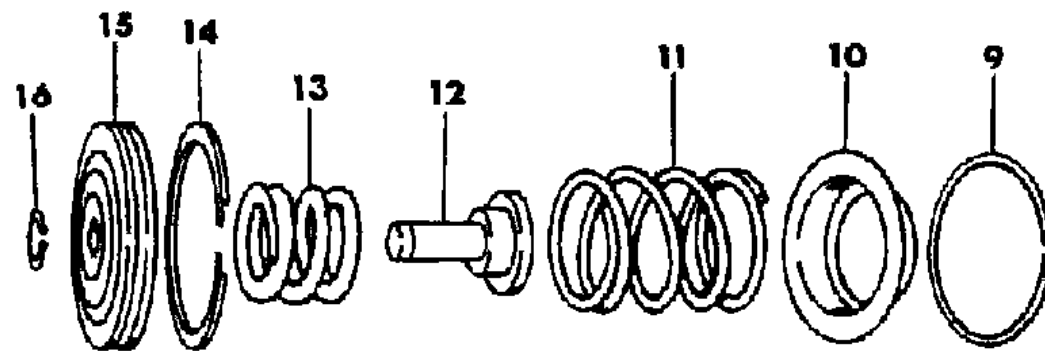
A727 AND A904 3 SPEED AUTOMATIC TRANSMISSION SERVOS, ACCUMULATOR PISTON AND SPRING

Figure 21A-300

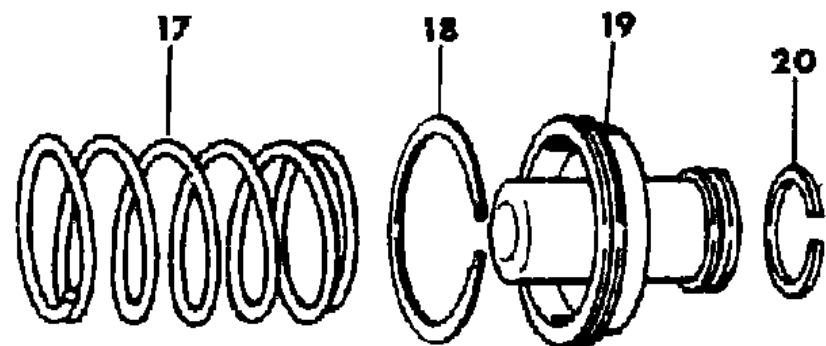
2151 300



KICKDOWN SERVO



LOW AND REVERSE SERVO



ACCUMULATOR PISTON AND SPRING

ITEM	PART NUMBER	QTY	BODY	MODEL	DESCRIPTION
	6025 031	1		All	w/4202662,663,664 Trans., A904
9	1942 130	1		All	SNAP RING, Reverse Servo Piston Spring Retainer, A727
	2464 464	1		All	A904
10	1942 150	1		All	RETAINER, Reverse Servo Piston, A727
	2464 463	1		All	A904
11	2801 241	1		All	SPRING, Reverse Servo Piston, A727
	2801 274	1		All	A904
12	3743 353	1		All	PLUG, Reverse Servo Piston, A727
	3780 281	1		All	w/4202662,663,664 Trans. A904
	3743 353	1		All	w/4202675,729,4058383,398 Trans., A904
13	3743 580	1		All	SPRING, Reverse Servo Cushion, A727
	3743 580	1		All	w/4202662,663,664 Trans., A904
	4130 824	1		All	w/4202675,729,4058383,398 Trans., A904
14	4058 741	1		All	SEAL, Reverse Servo Piston, A727
	4202 864	1		All	A904
15	2801 281	1		All	Piston, Reverse Servo, A727
	2801 271	1		All	A904
16	6027 153	1		All	RING, Reverse Servo Piston Plug, 7/16" I.D., A727
	6027 153	1		All	A904
17	3515 079	1		All	SPRING, Accumulator, Lower, A727
	3515 079	1		All	7 Coils, 1-3/64", A904
18	1315 158	1		All	RING, Accumulator Piston Seal, Large
19	3410 908	1		All	PISTON, Trans. Accumulator
20	1401 221	1		All	RING, Accumulator Piston Seal, Small

MODEL CODES

B = GRAN FURY/CARAVELLE	P = RELIANT
C = LEBARON/TOWN & COUNTRY	S = CORDOBA
D = ARIES	V = 400
F = NEW YORKER	X = MIRADA
G = DIPLOMAT	Y = IMPERIAL
M = HORIZON/TC3/SCAMP	Z = OMNI/O24/RAMPAGE

BODY STYLES

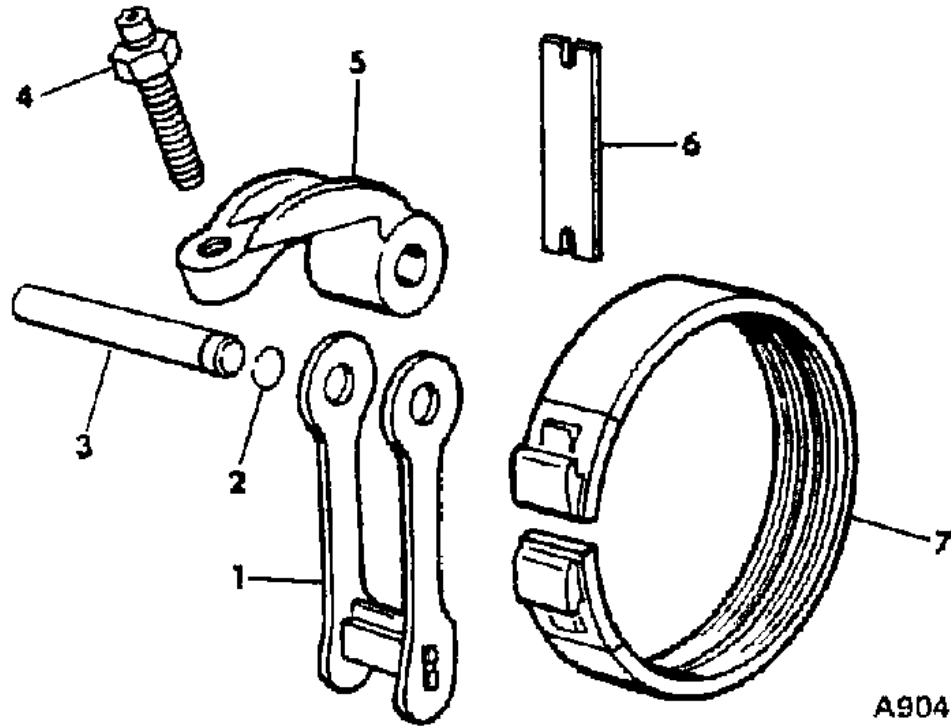
21 = 2-DOOR SEDAN	28 = FWD PICKUP
22 = 2-DOOR SPECIAL COUPE	41 = 4-DOOR SEDAN
24 = 2-DOOR HATCHBACK	44 = 4-DOOR HATCHBACK
27 = 2-DOOR CONVERTIBLE	45 = 2-SEAT STATION WAGON

AR = Use as Required - = Non Illustrated Part P.A.R. = Paint as Required

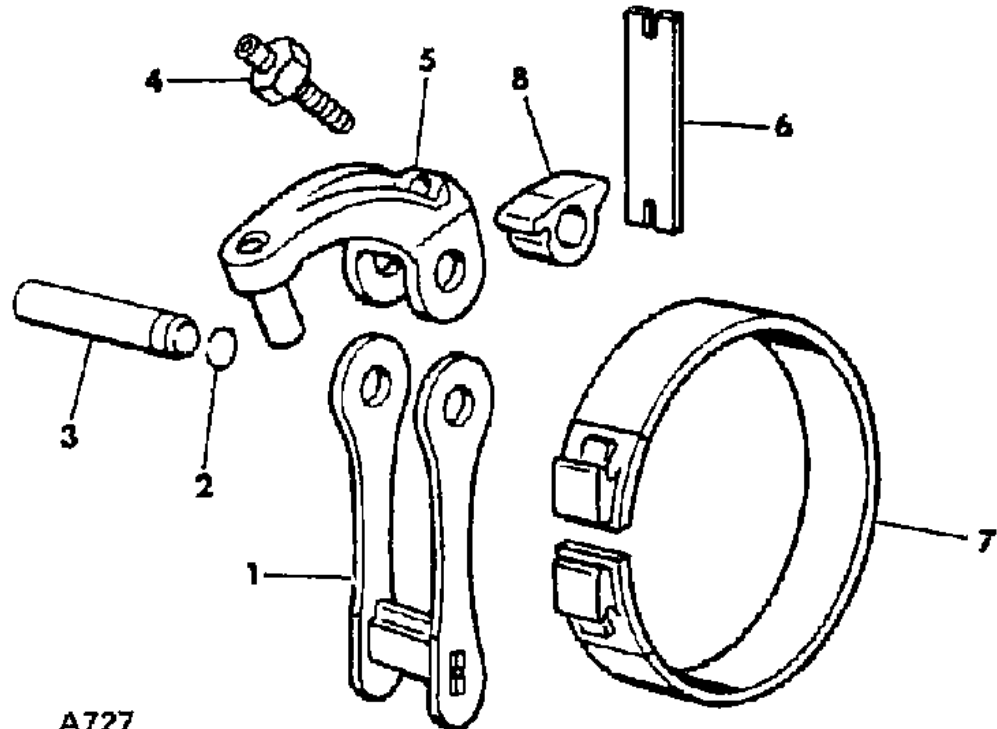
A727 AND A904 3 SPEED AUTOMATIC TRANSMISSION REVERSE AND KICKDOWN BAND AND LINKAGE

Figure 21A-400

2151 400



A904



A727

ITEM	PART NUMBER	QTY	BODY	MODEL	DESCRIPTION
NOTE: The seven digit Transmission Assembly part number is stamped on the left side of the Transmission Oil Pan Rail. an offsetting order for part no. 3747881					
1	2464 439	1		All	LINK,w/ANCHOR, Reverse Band,w/4202662,663,664 Trans., A904
	2204 820	1		All	A727
2	3879 919	1		All	SEAL, Reverse Band Shaft, A904
	6030 651	1		All	Reverse Band Reaction Shaft, A904
	6030 910	1		All	"O" RING, Reverse Band Shaft, A727
3	3410 102	1		All	SHAFT, Reverse Band Lever, A904
	3410 102	1		All	Reverse Band Reaction,w/4202675,729,4058383,398 Trans., A904
	2124 857	1		All	Reverse Band, A727
	1942 132	1		All	Kickdown
4	6030 704	1		All	SCREW, Reverse Band Adj., 7/16"-20 x 2" Lgh.,A904
	2538 472	1		All	3/8"-24, A904
	1942 141	1		All	A727
	1942 477	1		All	Kickdown Band Adj., A904
	2400 389	1		All	A727
	0272 235	1		All	NUT, Reverse Band Adj. Screw Lock, 7/16"-20
	0114 942	1		All	3/8"-24, A904
	0124 934	1		All	Kickdown
5	3681 139	1		All	LEVER,Reverse Band,w/4202662,663,664 Trans., A904
	2801 815	1		All	w/STEM,w/4202675,729,4058383,398 Trans., A904
	1942 137	1		All	A727
6	3515 084	1		All	STRUT, Kickdown Band, A904
	2124 848	1		All	A727
	3515 589	1		All	Reverse Band,w/4202662,663,664 Trans., A904
	2204 823	1		All	A727
7	4058 863	1		All	BAND, Trans. Kickdown, A904
	3621 491	1		All	A727
	4130 981	1		All	Reverse, w/4202675,729,4058383,398 Trans., A904
	4202 040	1		All	w/4202662,663,664 Trans., A904
	1942 133	1		All	A727
8	2204 952	1		All	LEVER, Kickdown Band,(2.9 Ratio stamped on part),A904 and A727
	2124 666	1		All	(3.2 Ratio stamped on part), w/4202675,729,Trans., A904

MODEL CODES

B = GRAN FURY/CARAVELLE	P = RELIANT
C = LEBARON/TOWN & COUNTRY	S = CORDOBA
D = ARIES	V = 400
F = NEW YORKER	X = MIRADA
G = DIPLOMAT	Y = IMPERIAL
M = HORIZON/TC3/SCAMP	Z = OMNI/O24/RAMPAGE

BODY STYLES

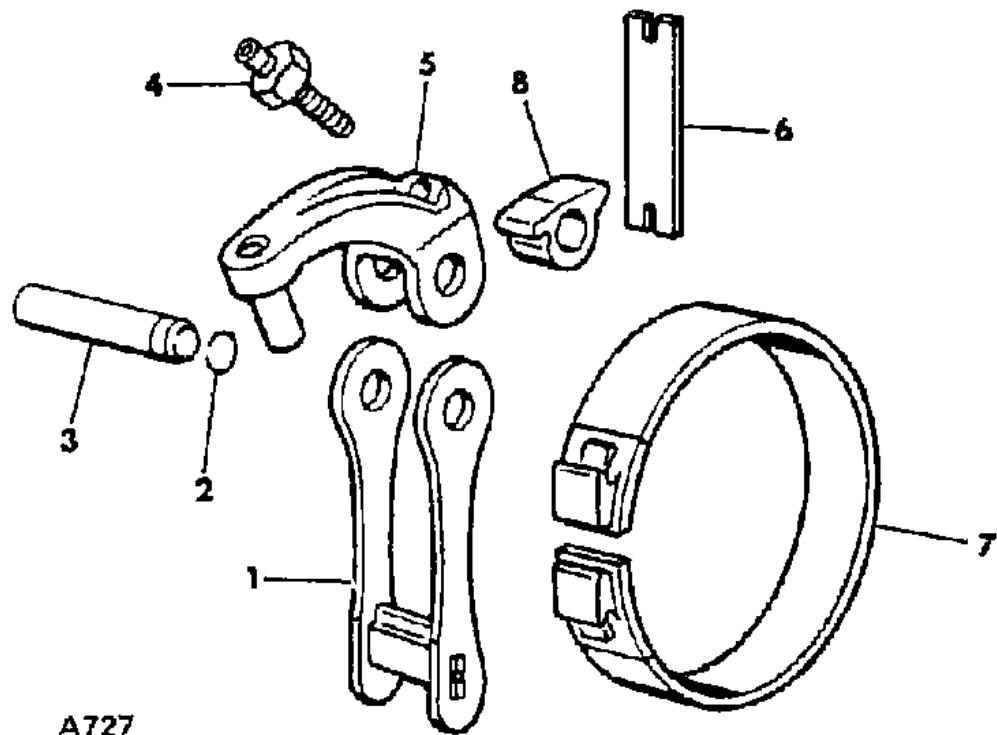
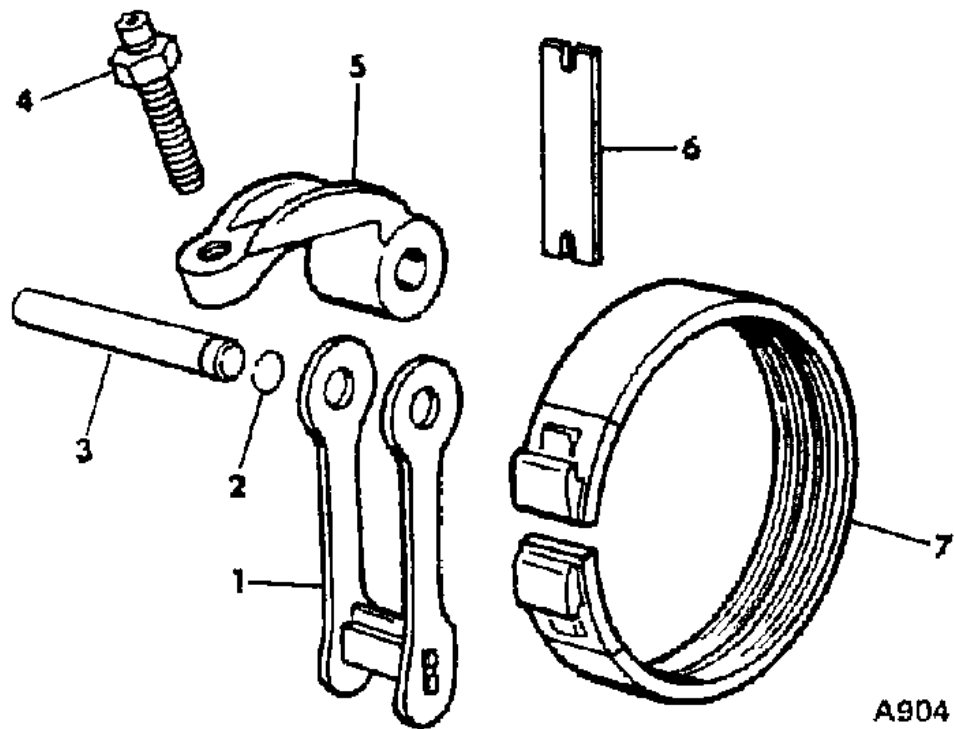
21 = 2-DOOR SEDAN	28 = FWD PICKUP
22 = 2-DOOR SPECIAL COUPE	41 = 4-DOOR SEDAN
24 = 2-DOOR HATCHBACK	44 = 4-DOOR HATCHBACK
27 = 2-DOOR CONVERTIBLE	45 = 2-SEAT STATION WAGON

AR = Use as Required - = Non Illustrated Part P.A.R. = Paint as Required

A727 AND A904 3 SPEED AUTOMATIC TRANSMISSION REVERSE AND KICKDOWN BAND AND LINKAGE

Figure 21A-400

2151 400



ITEM	PART NUMBER	QTY	BODY	MODEL	DESCRIPTION
	2125 067	1		All	(3.8 Ratio stamped on part), w/4202662,663,4058398Trans., A904
	2124 579	1		All	(4.2 Ratio stamped on part), w/4202664 Trans., A904
	3515 116	1		All	w/4058383 Trans., A904
	3515 347	1		All	Reverse Band, Short, A727
	3743 338	1		All	ANCHOR, Kickdown Band, A727 (not illustrated)

MODEL CODES

- |                            |                      |
|----------------------------|----------------------|
| B = GRAN FURY/CARAVELLE    | P = RELIANT          |
| C = LEBARON/TOWN & COUNTRY | S = CORDOBA          |
| D = ARIES                  | V = 400              |
| F = NEW YORKER             | X = MIRADA           |
| G = DIPLOMAT               | Y = IMPERIAL         |
| M = HORIZON/TC3/SCAMP      | Z = OMNI/O24/RAMPAGE |

BODY STYLES

- |                           |                           |
|---------------------------|---------------------------|
| 21 = 2-DOOR SEDAN         | 28 = FWD PICKUP           |
| 22 = 2-DOOR SPECIAL COUPE | 41 = 4-DOOR SEDAN         |
| 24 = 2-DOOR HATCHBACK     | 44 = 4-DOOR HATCHBACK     |
| 27 = 2-DOOR CONVERTIBLE   | 45 = 2-SEAT STATION WAGON |

AR = Use as Required - = Non Illustrated Part P.A.R. = Paint as Required

**A727 AND A904 3 SPEED AUTOMATIC TRANSMISSION VALVE BODY**  
**Figure 21A-500**

2151 500

ITEM	PART NUMBER	QTY	BODY	MODEL	DESCRIPTION
------	-------------	-----	------	-------	-------------

NOTE: The seven digit Transmission Assembly Part Number is stamped on the left side of the Transmission Oil Pan Rail. an offsetting order for part no. 3747881

	4057 013	1			SEALS and GASKET PACKAGE, Valve Body and Servo, A727 Consists of: 1 - ----- Screen, Reg. Valve 1 - ----- Seal, Manual Valve Shaft 1 - ----- Seal, Kickdown Inner Piston 1 - ----- Seal, Reverse Band Lever Shaft 1 - ----- Seal, Reverse Servo Piston 1 - ----- Seal, Throttle Lever Shaft 1 - ----- Gasket, Oil Pan 1 - ----- Ring Seal, Kickdown Servo Piston, Small 2 - ----- Ring Seal, Kickdown Servo Piston and Guide 1 - ----- Ring Seal, Accumulator Piston, Small 1 - ----- Ring Seal, Accumulator Piston, Large 1 - ----- Filter, Oil
	4057 018	1			SEALS and GASKET PACKAGE, Valve Body and Servo, A904 Consists of: 1 - ----- Screen, Reg. Valve 1 - ----- Seal, Manual Valve Shaft 1 - ----- Seal, Reverse Band Lever Shaft 1 - ----- Seal, Reverse Servo Piston 1 - ----- Seal, Throttle Lever Shaft 1 - ----- Gasket, Oil Pan 1 - ----- Ring Seal, Kickdown Servo Piston, Small 1 - ----- Ring Seal, Kickdown Servo Piston, Small 2 - ----- Ring Seal, Kickdown Servo Piston, Large 2 - ----- Ring Seal, Kickdown Servo Piston, Large 1 - ----- Ring Seal, Accumulator, Small 1 - ----- Ring Seal, Accumulator, Large 1 - ----- Filter, Oil
1	4202 578	1	All		VALVE BODY, w/TRANSFER PLATE w/A727 Trans.
	4202 635	1	All		w/4202675,729 Trans., A904
	4202 634	1	All		w/4058398 Trans., A904
	4202 637	1	All		w/4202662,664, Trans., A904
	4202 781	1	All		w/4202663 Trans., A904

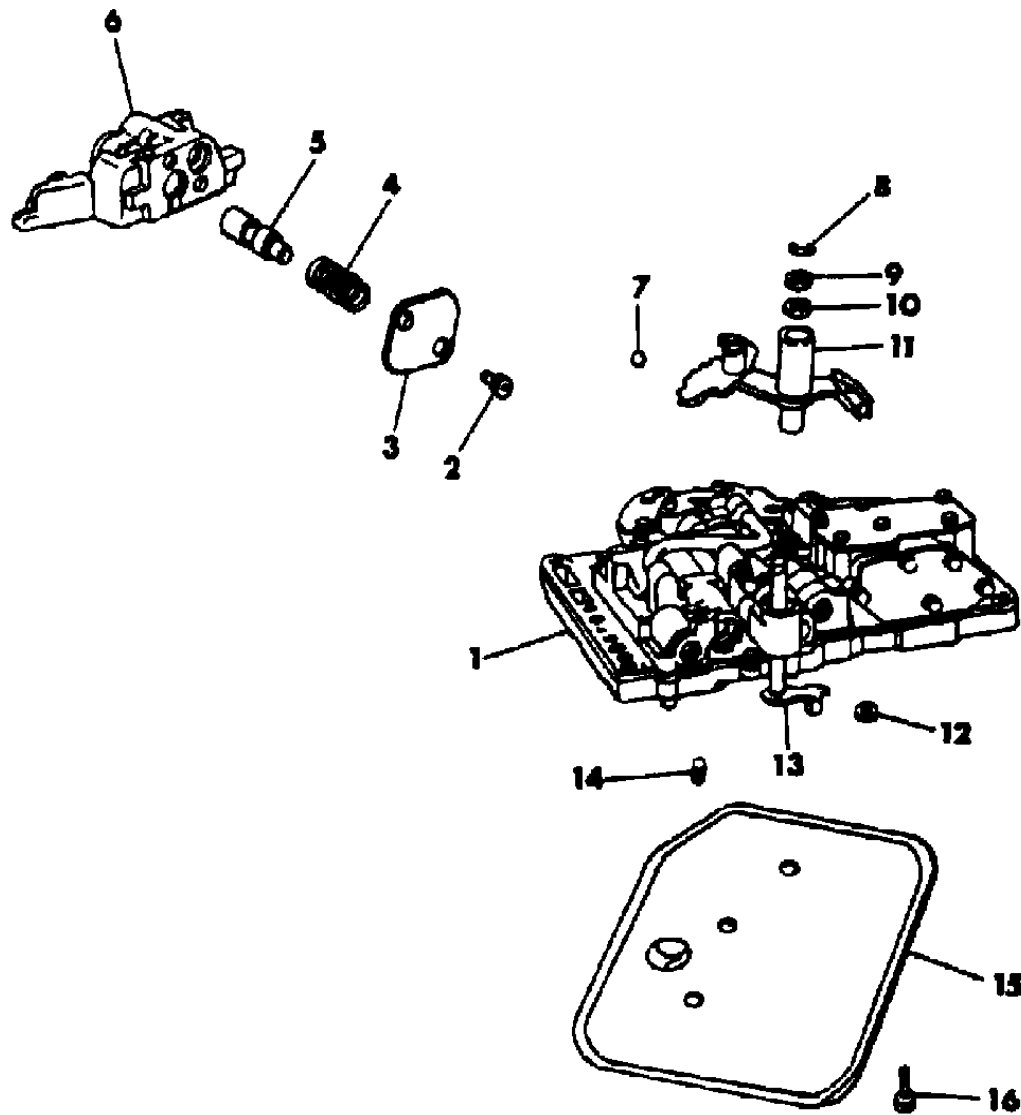
MODEL CODES

B = GRAN FURY/CARAVELLE	P = RELIANT
C = LEBARON/TOWN & COUNTRY	S = CORDOBA
D = ARIES	V = 400
F = NEW YORKER	X = MIRADA
G = DIPLOMAT	Y = IMPERIAL
M = HORIZON/TC3/SCAMP	Z = OMNI/O24/RAMPAGE

BODY STYLES

21 = 2-DOOR SEDAN	28 = FWD PICKUP
22 = 2-DOOR SPECIAL COUPE	41 = 4-DOOR SEDAN
24 = 2-DOOR HATCHBACK	44 = 4-DOOR HATCHBACK
27 = 2-DOOR CONVERTIBLE	45 = 2-SEAT STATION WAGON

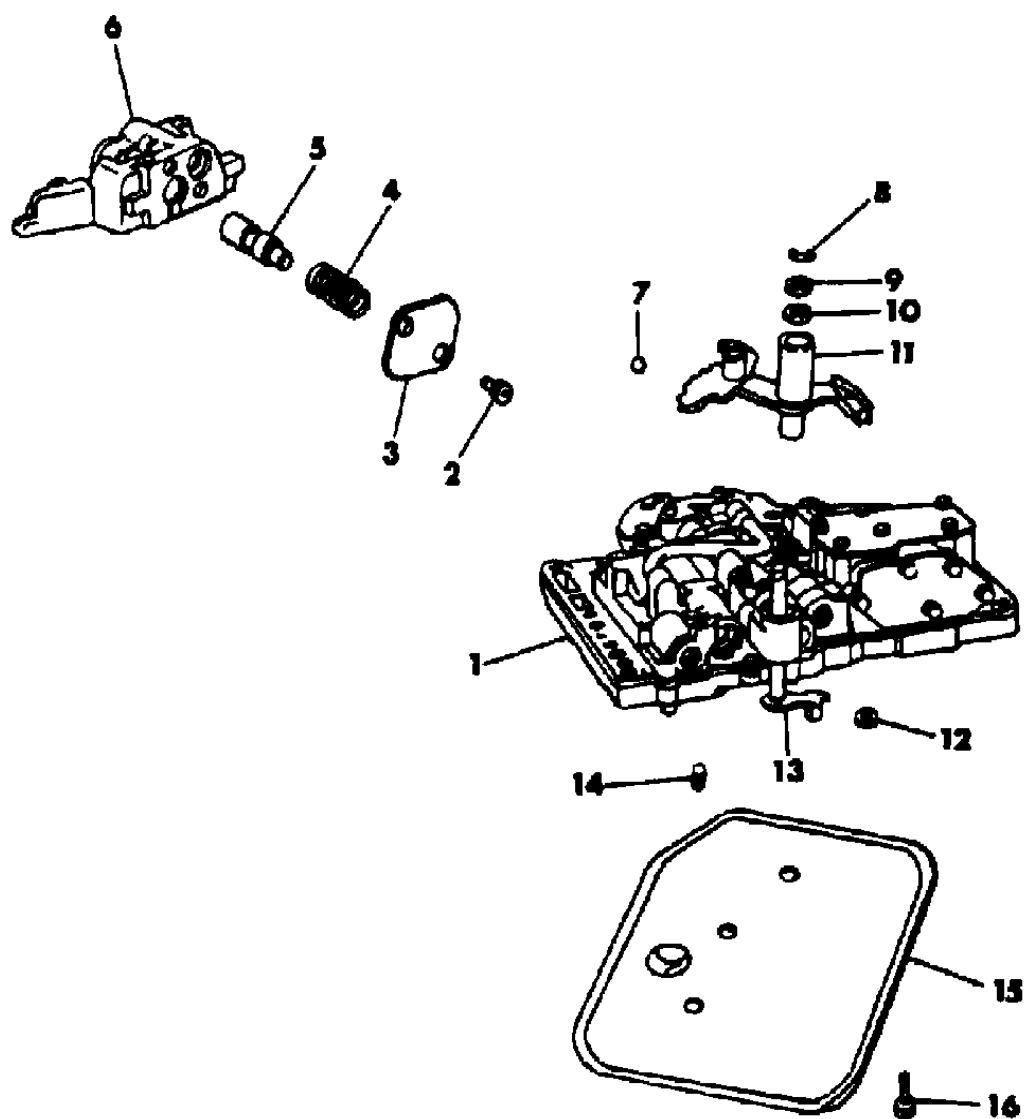
AR = Use as Required - = Non Illustrated Part P.A.R. = Paint as Required



**A727 AND A904 3 SPEED AUTOMATIC TRANSMISSION VALVE BODY**  
**Figure 21A-500**

2151 500

ITEM	PART NUMBER	QTY	BODY	MODEL	DESCRIPTION
	4202 636	1		All	w/4058383 Trans., A904
2	6030 888	2		All	SCREW, Lock Up Valve Body Cover
3				All	COVER (serviced in Valve Body)
4	4202 672	1		All	SPRING, Trans. Lock Up Valve A904
5	4202 474	1		All	VALVE, Trans. Switch
6					BODY, (serviced in Valve Body)
7					BALL
8	6025 857	1		All	"E" RING, Throttle Valve Lever Shaft
9	2538 062	1		All	WASHER, Throttle Valve Lever Shaft
10	2466 548	1		All	SEAL, Throttle Valve Lever Shaft
11	3410 484	1		All	LEVER, w/ INSULATOR, Manual Valve
12	3878 447	1		All	SEAL, Manual Valve Shaft
13	3681 227	1		All	LEVER, Throttle Valve
14	3878 313	1		All	SCREEN, Regulator Valve
15	3515 996	1		All	FILTER or STRAINER, Trans. Oil
16	6030 895	AR		All	SCREW, Oil Filter



MODEL CODES  
 B = GRAN FURY/CARAVELLE      P = RELIANT  
 C = LEBARON/TOWN & COUNTRY      S = CORDOBA  
 D = ARIES      V = 400  
 F = NEW YORKER      X = MIRADA  
 G = DIPLOMAT      Y = IMPERIAL  
 M = HORIZON/TC3/SCAMP      Z = OMNI/O24/RAMPAGE

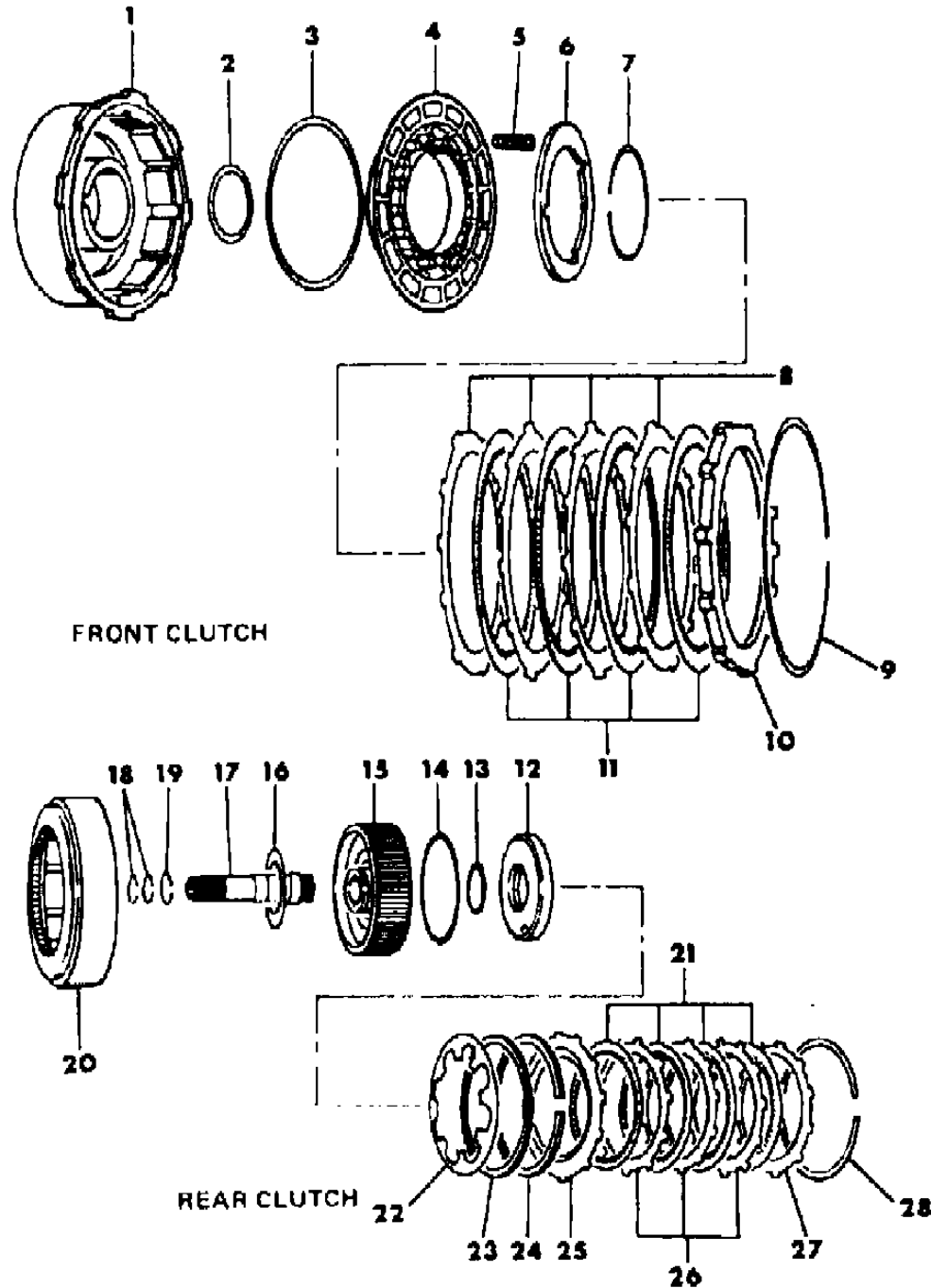
BODY STYLES  
 21 = 2-DOOR SEDAN      28 = FWD PICKUP  
 22 = 2-DOOR SPECIAL COUPE      41 = 4-DOOR SEDAN  
 24 = 2-DOOR HATCHBACK      44 = 4-DOOR HATCHBACK  
 27 = 2-DOOR CONVERTIBLE      45 = 2-SEAT STATION WAGON

AR = Use as Required - = Non Illustrated Part P.A.R. = Paint as Required

A727 3 SPEED AUTOMATIC TRANSMISSION CLUTCH-FRONT AND REAR GEAR TRAIN

Figure 21A-600

2151 600



ITEM	PART NUMBER	QTY	BODY	MODEL	DESCRIPTION
NOTE: The seven digit Transmission Assembly Part Number is stamped on the left side of the Transmission Oil Pan Rail. an offsetting order for part no. 3747881					
	4106 590	1			SEALS and WASHER PACKAGE, Frt. and Rr. Clutch
1	4058 648	1	All		RETAINER,w/BUSHING, Frt. Clutch,
	4058 647	1	All		BUSHING, Frt. Clutch Retainer
2	3410 226	1	All		SEAL, Frt. Clutch Piston, Inner
3	4058 484	1	All		SEAL, Frt. Clutch Piston, Outer
4	2464 651	1	All		PISTON, Frt. Clutch
	0147 483	1	All		BALL, 3/16"
5	2801 243	AR	All		SPRING, Frt. Clutch Piston
6	2801 949	1	All		RETAINER, Frt. Clutch Piston Spring .
	0147 483	1	All		BALL, 3/16" .
7	2124 824	1	All		SNAP RING, Frt. Clutch, Inner, .060" Thk., 3" I.D..
8	2124 826	3	All		PLATE, Frt. Clutch
9	3410 570	1	All		SNAP RING, Frt. Clutch, .050" Thk., 7-8/64" O.D.
10	2801 961	1	All		PLATE, Trans. Frt. Clutch Pressure
11	2801 167	AR	All		DISC, Trans. Frt. Clutch
12	3743 624	1	All		PISTON, Rear Clutch
	0147 483	1	All		BALL, 3/16"
13	1942 054	1	All		SEAL, Rr. Clutch Piston, Inner
14	2124 835	1	All		SEAL, Rr. Clutch Piston, Outer
15	4028 299	1	All		RETAINER, Rr. Clutch Piston
	4058 443	1	All		SEAL, Ring
16	2204 622	1	All		WASHER, Frt. Clutch Thrust, Rr.
17	4058 035	1	All		SHAFT, Trans. Input
	3681 709	1	All		BUSHING
	0147 488	1	All		BALL, 11/32"
18	2801 054	2	All		SEAL, Input Shaft
19	2124 872	1	All		SNAP RING, Rr. Clutch Piston Retainer, 1-31/64" O.D., .060" Thk.
20	3743 622	1	All		RETAINER, Rear Clutch
21	2801 992	4	All		DISC, Rear Clutch
22	3743 621	1	All		SPRING, Rear Clutch Piston
23	3515 077	1	All		SPACER, Rr. Clutch Piston Spring, Plastic, 6-13/16" O.D.
24	2466 806	1	All		SPRING, Rear Clutch Wave
25	2466 803	1	All		PLATE, Rear Clutch Pressure, Frt.
26	2124 826	3	All		PLATE, Rear Clutch

MODEL CODES

B = GRAN FURY/CARAVELLE	P = RELIANT
C = LEBARON/TOWN & COUNTRY	S = CORDOBA
D = ARIES	V = 400
F = NEW YORKER	X = MIRADA
G = DIPLOMAT	Y = IMPERIAL
M = HORIZON/TC3/SCAMP	Z = OMNI/O24/RAMPAGE

BODY STYLES

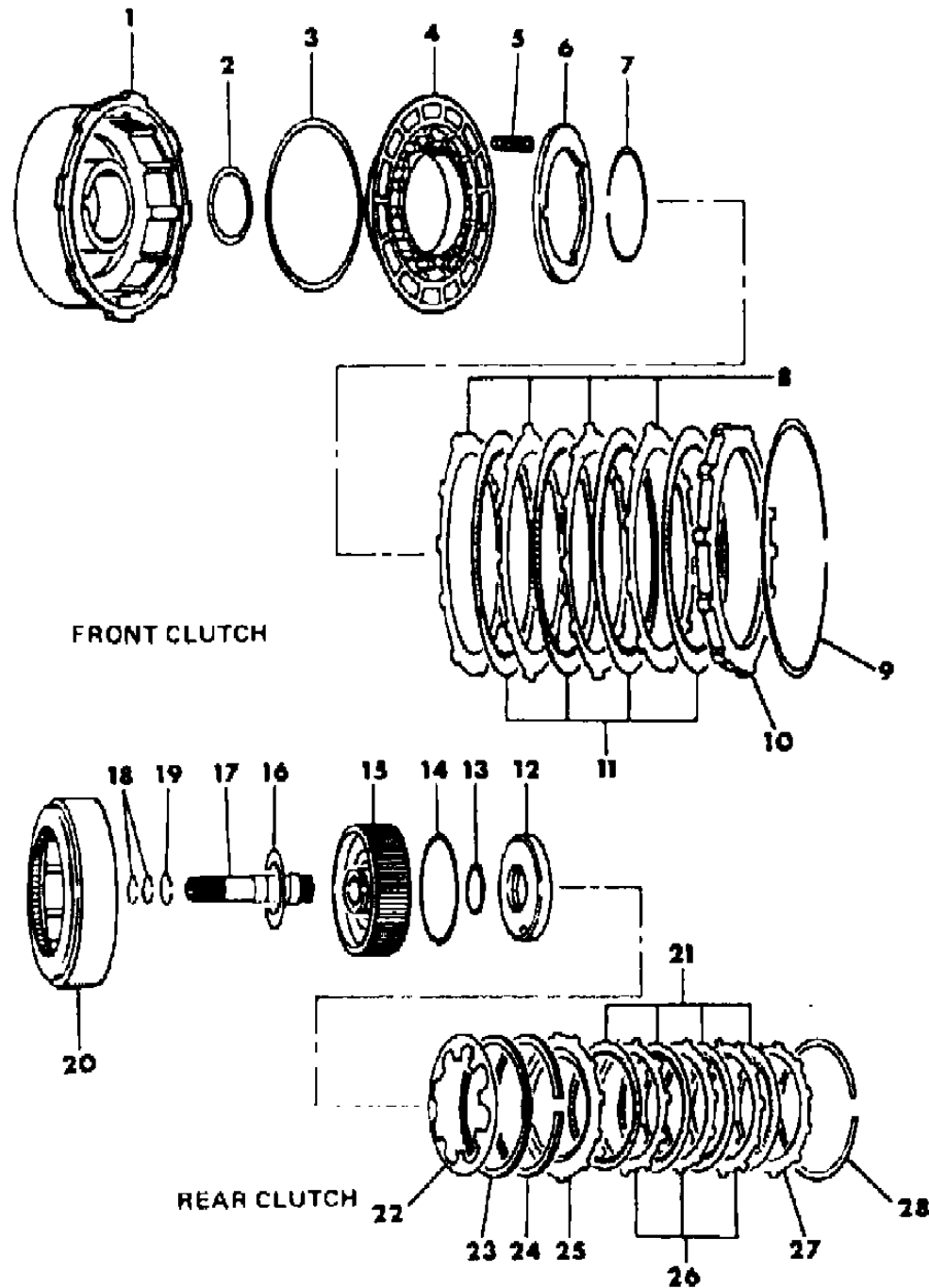
21 = 2-DOOR SEDAN	28 = FWD PICKUP
22 = 2-DOOR SPECIAL COUPE	41 = 4-DOOR SEDAN
24 = 2-DOOR HATCHBACK	44 = 4-DOOR HATCHBACK
27 = 2-DOOR CONVERTIBLE	45 = 2-SEAT STATION WAGON

AR = Use as Required - = Non Illustrated Part P.A.R. = Paint as Required

A727 3 SPEED AUTOMATIC TRANSMISSION CLUTCH-FRONT AND REAR GEAR TRAIN

Figure 21A-600

2151 600



ITEM	PART NUMBER	QTY	BODY	MODEL	DESCRIPTION
27	2801 961	1		All	PLATE, Rear Clutch Pressure, Rr.
28	1942 063	AR		All	SNAP RING, Rr. Clutch Retainer, 7" O.D., .060" Thk.
	1942 064	AR		All	.074" Thk.
	1942 065	AR		All	.088" Thk.
	2466 811	AR		All	.106" Thk.

MODEL CODES

- |                            |                      |
|----------------------------|----------------------|
| B = GRAN FURY/CARAVELLE    | P = RELIANT          |
| C = LEBARON/TOWN & COUNTRY | S = CORDOBA          |
| D = ARIES                  | V = 400              |
| F = NEW YORKER             | X = MIRADA           |
| G = DIPLOMAT               | Y = IMPERIAL         |
| M = HORIZON/TC3/SCAMP      | Z = OMNI/O24/RAMPAGE |

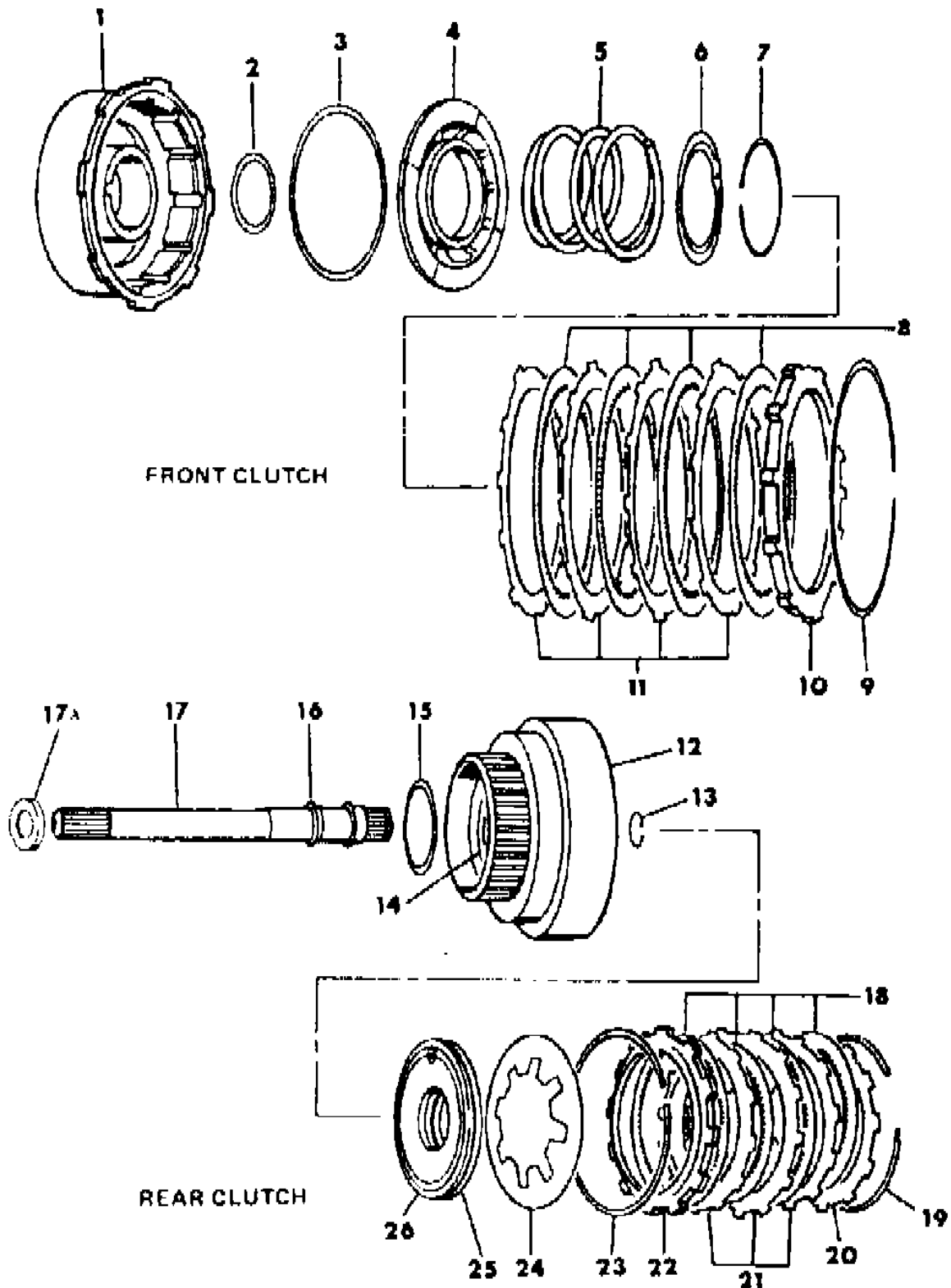
BODY STYLES

- |                           |                           |
|---------------------------|---------------------------|
| 21 = 2-DOOR SEDAN         | 28 = FWD PICKUP           |
| 22 = 2-DOOR SPECIAL COUPE | 41 = 4-DOOR SEDAN         |
| 24 = 2-DOOR HATCHBACK     | 44 = 4-DOOR HATCHBACK     |
| 27 = 2-DOOR CONVERTIBLE   | 45 = 2-SEAT STATION WAGON |

AR = Use as Required - = Non Illustrated Part P.A.R. = Paint as Required

**A904 3 SPEED AUTOMATIC TRANSMISSION CLUTCH - FRONT AND REAR GEAR TRAIN**  
**Figure 21A-700**

2151 700



ITEM	PART NUMBER	QTY	BODY	MODEL	DESCRIPTION
NOTE: The seven digit Transmission Assembly part number is stamped on the left side of the Transmission Oil Pan Rail. an offsetting order for part no. 3747881					
	4186 058				SEALS and WASHERS PACKAGE, Frt. and Rr. Clutch Consists of: 1 - ----- Seal, Frt. Clutch Piston, Inner 1 - ----- Seal, Frt. Clutch Piston, Outer 1 - ----- Seal, Rear Clutch Piston, Inner 1 - ----- Seal, Rear Clutch Piston, Outer AR- ----- Washer, Output Shaft Thrust AR- ----- Washer, Output Shaft Thrust Flat and Notched
1	3743 382	1		All	RETAINER,w/BUSHING, Frt. Clutch,w/4202675,729,4058398 Trans.
	3621 476	1		All	w/4202662,663,664,4058383 Trans.
	2801 727	1		All	BUSHING, Frt. Clutch Retainer
2	3515 176	1		All	SEAL, Frt. Clutch Piston, Rubber, Inner
3	4058 487	1		All	SEAL, Frt. Clutch Piston, Outer
4	3743 090	1		All	PISTON, Frt. Clutch, w/4202662,663,664,4058383 Trans.
	3743 384	1		All	w/4202675,729,4058398 Trans.
	0147 483	1		All	BALL,3/16"
5	3515 054	1		All	SPRING, Frt. Clutch Piston,3.25 Coils,3.38" O.D.,.273" Wire, Yellow
	2801 844	1		All	3.8 Coils,3.36" O.D.,.263" Wire,Orange
6	1942 399	1		All	RETAINER, Frt, Clutch Piston Spring
	0147 483	1		All	BALL,Check Valve,3/16"
7	1942 400	1		All	SNAP RING,Frnt. Clutch,2-7/16" O.D.,.060" Thk.,Inner
8					DISC, Frt. Clutch
	2205 203	4		All	w/4202662,663,664,4058383 Trans.
	2205 203	5		All	w/4202675,729,4058398 Trans.
9	3410 571	1		All	SNAP RING, Frt. Clutch, Outer
10	2801 969	1		All	PLATE, Clutch Pressure
11					PLATE, Frt. Clutch
	1942 403	4		All	w/4202662,663,664,4058383 Trans.
	1942 403	5		All	w/4202675,729,4058398 Trans.
12	4186 879	1		All	RETAINER, Rr. Clutch
	0147 483	1		All	BALL, Check Valve,3/16"
13	6022 859	1		All	SNAP RING, Input Shaft,57/64,.059" Thk.
14	2538 695	1		All	SEAL, Rr. Clutch Piston, Rubber, Outer.

MODEL CODES

B = GRAN FURY/CARAVELLE	P = RELIANT
C = LEBARON/TOWN & COUNTRY	S = CORDOBA
D = ARIES	V = 400
F = NEW YORKER	X = MIRADA
G = DIPLOMAT	Y = IMPERIAL
M = HORIZON/TC3/SCAMP	Z = OMNI/O24/RAMPAGE

BODY STYLES

21 = 2-DOOR SEDAN	28 = FWD PICKUP
22 = 2-DOOR SPECIAL COUPE	41 = 4-DOOR SEDAN
24 = 2-DOOR HATCHBACK	44 = 4-DOOR HATCHBACK
27 = 2-DOOR CONVERTIBLE	45 = 2-SEAT STATION WAGON

AR = Use as Required - = Non Illustrated Part P.A.R. = Paint as Required

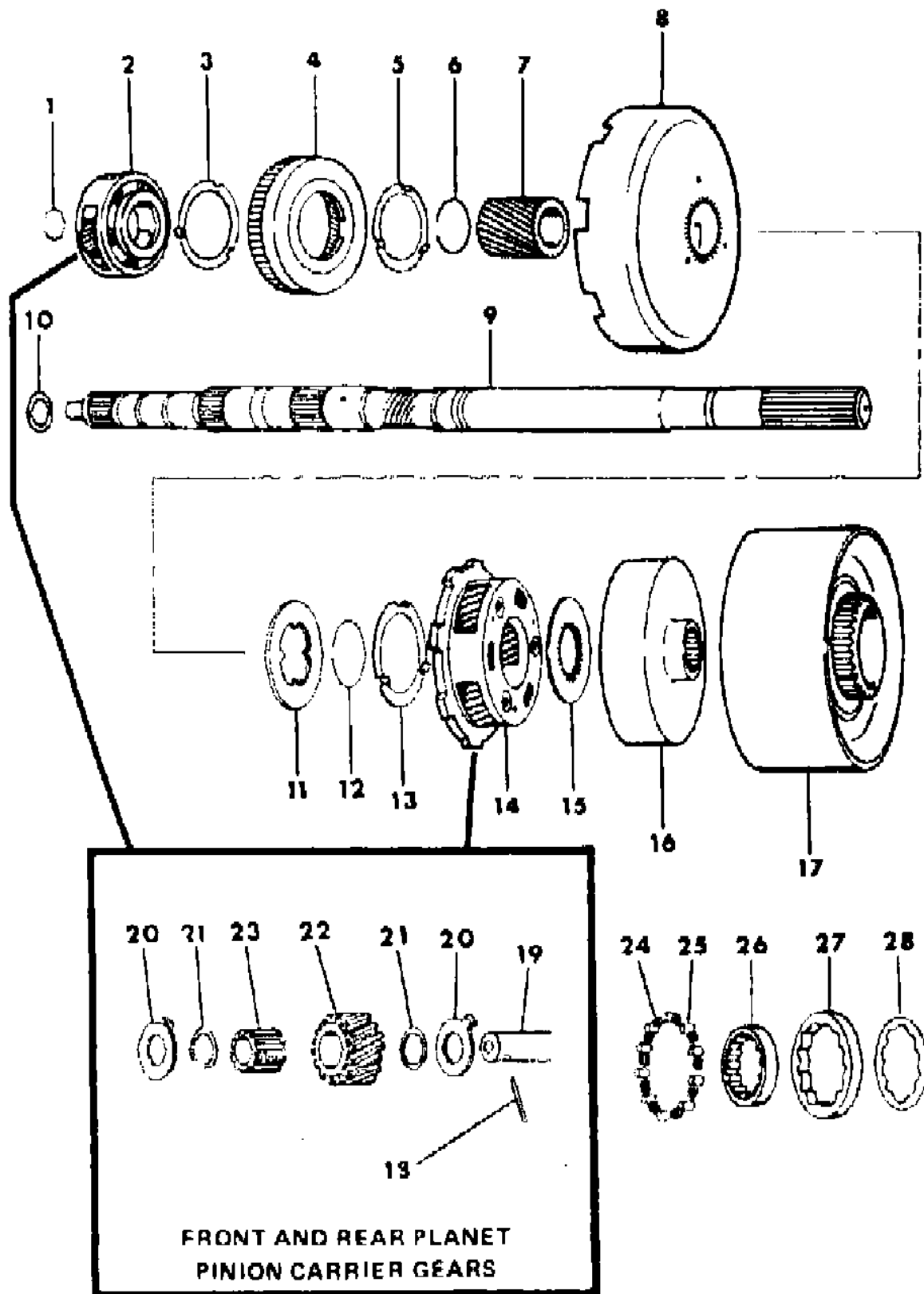




A727 3 SPEED AUTOMATIC TRANSMISSION SUN GEAR, ANNULUS GEAR, PLANET PINION AND OUTPUT SHAFT

Figure 21A-800

2151 800



ITEM	PART NUMBER	QTY	BODY	MODEL	DESCRIPTION
NOTE: The seven digit Transmission Assembly part number is stamped on the left side of the Trans. Oil Pan Rail. an offsetting order for part no. 3747881					
	2808 673	1			ROLLER and SPRING PACKAGE, "O" Running Clutch Consists of: 12 - ----- Roller
	3420 100	1			12 - 1942187 Spring RACE, ROLLER and SPRING PACKAGE Consists of: 1 - ----- Race, "O" Running Clutch 12 - ----- Roller, "O" Running Clutch 12 - 1942187 Spring, "O" Running Clutch
1	6025 570	2	All		SNAP RING, Output Shaft Brg., 1-1/4" I.D.
2	4028 120	1	All		CARRIER,w/PINION AND WASHER, Trans. Frt. Planet Pinion
3	2801 060	1	All		WASHER, Frt. Carrier Thrust
4	2892 656	1	All		GEAR,w/SUPPORT, Frt. Annulus, 2-1/2" I.D. Center Hole
5	1942 081	1	All		WASHER, Sun Gear Driving Shell Thrust,w/3 Outside Tabs
6	1736 521	1	All		RING, Sun Gear Driving Shell Lock
7	2801 311	1	All		GEAR,w/BUSHING, Sun
8	2400 662	1	All		SHELL, Sun Gear Driving
9	4106 594	1	All		SHAFT, Trans. Output
	2466 882	1	All		SUPPORT, Output Shaft(Not Shown)(See Fig. 21A-100)
	2466 224	1	All		BEARING, Trans. Output Shaft
	2400 320	1	All		SNAP RING, Brg.,Outer
	4058 946	1	All		PLATE, Thrust
	6030 982	AR	All		SNAP RING, Output Shaft,.048" Thk.
	6024 311	AR	All		SNAP RING,.055" Thk.
	6024 312	AR	All		SNAP RING,.062" Thk.
10	3681 688	1	All		WASHER, Output Shaft Thrust, 1-5/64" O.D., .062" Thk.
11	1942 080	1	All		PLATE, Sun Gear Driving Shell Thrust,w/4 Inside Tabs
12	1736 521	1	All		RING, Sun Gear Driving Shell Lock
13	1942 081	1	All		WASHER, Rear Carrier Thrust
14	2466 539	1	All		CARRIER,w/PINIONS,ROLLERS,RINGS,SHAFT,PIN and WASHERS, Rr. Planet Pinion
15	2400 580	1	All		PLATE, Rr. Annulus Gear Thrust,w/31 Inside Teeth,3-23/64" O.D.
16	2538 185	1	All		GEAR,w/SUPPORT, Rr. Annulus, 3-1/2" I.D. Center Hole
17	3515 451	1	All		DRUM, Trans. Reverse,(Also specify 1 of 3420100 Race Pkg.)
18	6024 666	AR	All		PIN, Frt. and Rr. Planet Pinion Shaft

MODEL CODES

B = GRAN FURY/CARAVELLE	P = RELIANT
C = LEBARON/TOWN & COUNTRY	S = CORDOBA
D = ARIES	V = 400
F = NEW YORKER	X = MIRADA
G = DIPLOMAT	Y = IMPERIAL
M = HORIZON/TC3/SCAMP	Z = OMNI/O24/RAMPAGE

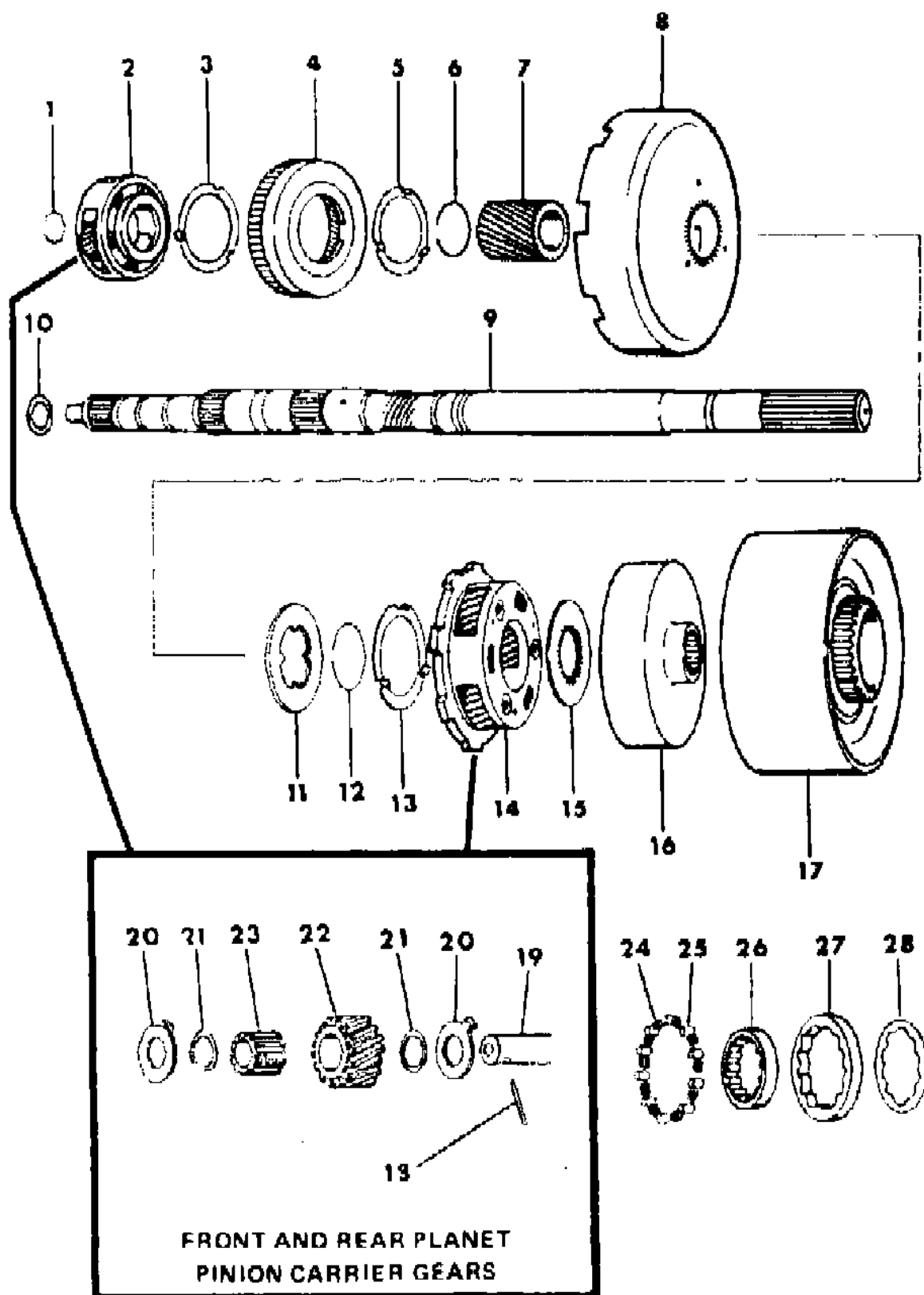
BODY STYLES

21 = 2-DOOR SEDAN	28 = FWD PICKUP
22 = 2-DOOR SPECIAL COUPE	41 = 4-DOOR SEDAN
24 = 2-DOOR HATCHBACK	44 = 4-DOOR HATCHBACK
27 = 2-DOOR CONVERTIBLE	45 = 2-SEAT STATION WAGON

AR = Use as Required - = Non Illustrated Part P.A.R. = Paint as Required

**A727 3 SPEED AUTOMATIC TRANSMISSION SUN GEAR, ANNULUS GEAR, PLANET PINION AND OUTPUT SHAFT**  
**Figure 21A-800**

2151 800



ITEM	PART NUMBER	QTY	BODY	MODEL	DESCRIPTION
19	2464 178	4		All	SHAFT, Frt. Planet Pinion
	2464 178	3		All	Rr.
20	2801 315	8		All	WASHER, Frt. Planet Pinion
	2801 315	6		All	Rr.
21	2204 649	8		All	RING, Frt. Pinion Roller Thrust
	2204 649	6		All	Rr.
22	2400 667	4		All	PINION, Frt. Planet
	2400 667	3		All	Rr.
23	2204 647	92		All	ROLLER, Frt. Pinion
	2204 647	69		All	Rr.
24	2808 673	1		All	SPRING PACKAGE, "O" Running Clutch Roller
25	2808 673	1		All	ROLLER and SPRING PACKAGE, "O" Running Clutch
26	3420 100	1		All	RACE, ROLLER and SPRING PACKAGE, "O" Running Clutch, 26T.
27	1942 095	1		All	CAM, "O" Running Clutch
28	2801 426	1		All	RETAINER, "O" Running Clutch Spring

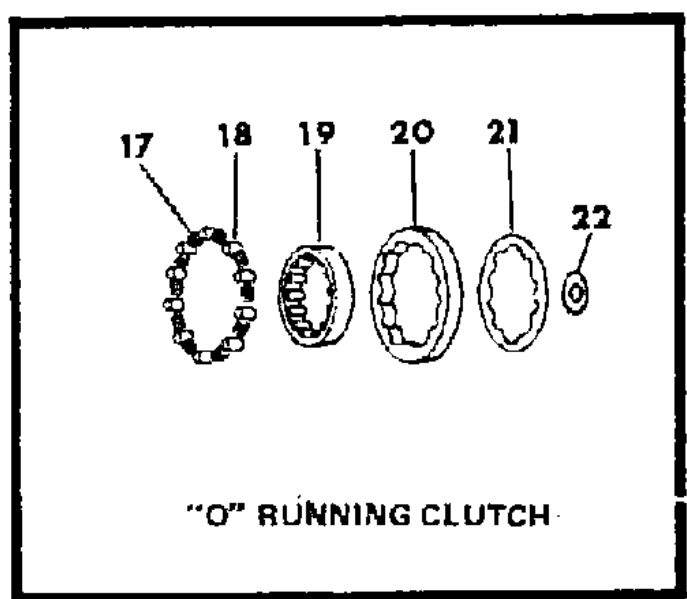
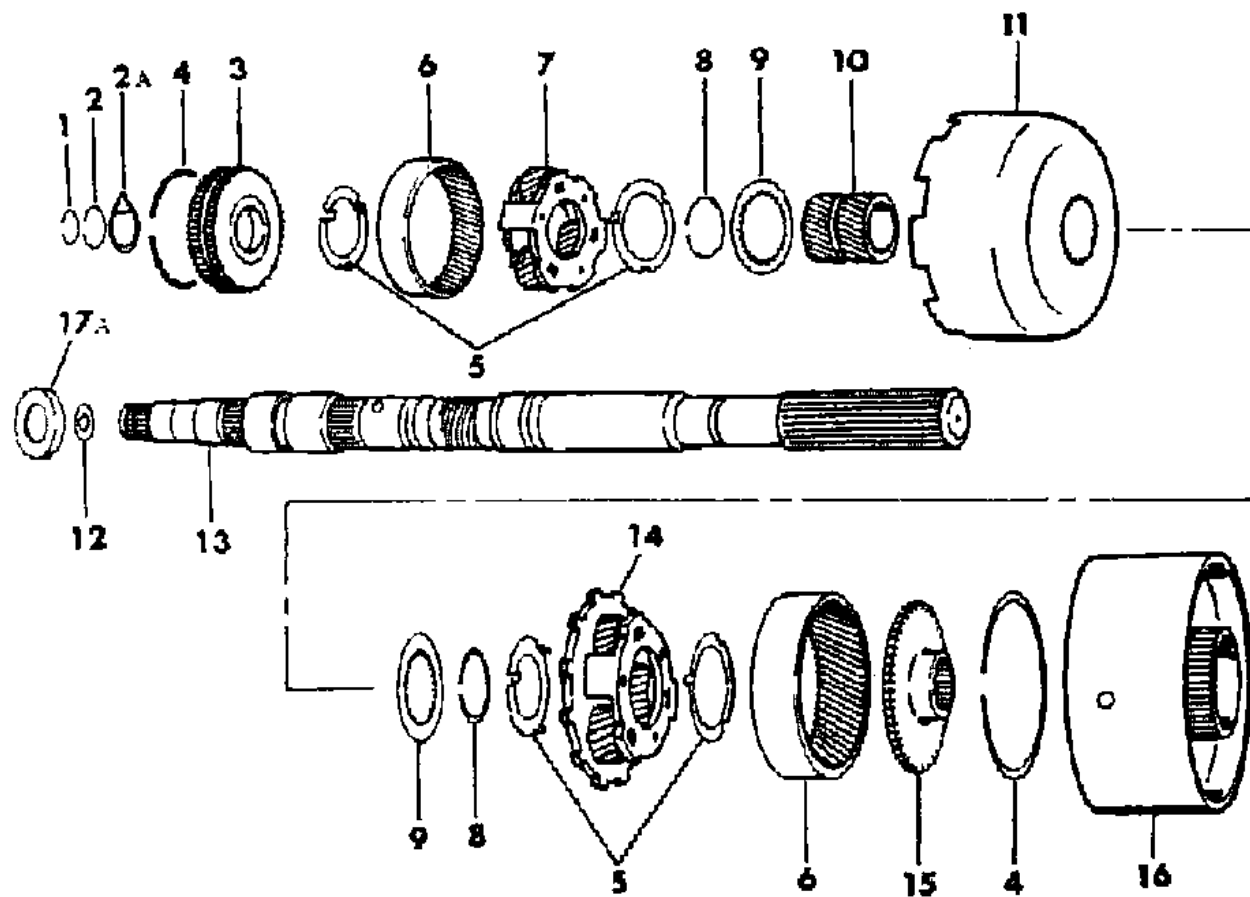
MODEL CODES  
 B = GRAN FURY/CARAVELLE      P = RELIANT  
 C = LEBARON/TOWN & COUNTRY      S = CORDOBA  
 D = ARIES      V = 400  
 F = NEW YORKER      X = MIRADA  
 G = DIPLOMAT      Y = IMPERIAL  
 M = HORIZON/TC3/SCAMP      Z = OMNI/O24/RAMPAGE

BODY STYLES  
 21 = 2-DOOR SEDAN      28 = FWD PICKUP  
 22 = 2-DOOR SPECIAL COUPE      41 = 4-DOOR SEDAN  
 24 = 2-DOOR HATCHBACK      44 = 4-DOOR HATCHBACK  
 27 = 2-DOOR CONVERTIBLE      45 = 2-SEAT STATION WAGON

AR = Use as Required - = Non Illustrated Part P.A.R. = Paint as Required

**A904 3 SPEED AUTOMATIC TRANSMISSION SUN GEAR, ANNULUS GEAR, PLANET PINION AND OUTPUT SHAFT**  
**Figure 21A-900**

3151 900



ITEM	PART NUMBER	QTY	BODY	MODEL	DESCRIPTION
NOTE: The seven digit Transmission Assembly part number is stamped on the left side of the Transmission Oil Pan Rail. an offsetting order for part no. 3747881					
	3420 023	1			RACE, ROLLER and SPRING PACKAGE, "O" Running Clutch Consists of: 1 - ----- Race 10 - ----- Roller 10 - ----- Spring
	3780 221	1			CAM, RETAINER, SCREW and WASHER PACKAGE, "O" Running Clutch Consists of: 1 - ----- Retainer, Trans. "O" Running Clutch Spring 1 - ----- Cam, "O" Running Clutch 7 - ----- Screw, Trans. "O" Running Clutch Cam 7 - ----- Washer, Trans. "O" Running Clutch Screw
1	6026 289	AR		All	SNAP RING, Output Shaft, .946" I.D., .040" Thk.
	6030 938	AR		All	.910" I.D., .062" Thk., Green
	6030 404	AR		All	.906" I.D., .084" Thk., White
2	6030 576	1		All	SNAP RING, Frt. Annulus Gear Support
2A	3681 969	1		All	WASHER, Frt. Annulus Gear Support Thrust,w/Lip,Steel Backed Bronze,2-1/8" O.D.
3	4130 510	1		All	SUPPORT,w/BUSHING, Frt. Annulus Gear
	6030 576	1		All	SNAP RING, Frt., 1-3/8" I.D., Brown
4	4130 513	1		ALL	Front
	1942 444	1		ALL	Rear
5	4130 518	2		ALL	WASHER, Frt. and Rr. Planet Pinion Carrier Thrust Front
	3681 935	2		ALL	Rear, w/4202664,675,729,4058383,398 Trans.
	3743 027	2		ALL	w/4202662,663 Trans.
	3681 949	8			RING, Plant Pinion Roller Thrust, Front
	3681 949	6		ALL	Rear, w/4202662,663 Trans.
	3681 949	8		ALL	Rear, w/4202664,675,729,4058383,398 Trans.
6					GEAR, Annuls
	4130 512	1		ALL	Front
	3743 184	1		ALL	Rear
7	4130 514	1		All	CARRIER,w/PINIONS,SHAFTS,ROLLERS,RINGS,PINS and WASHERS, Frt. Planet Pinion

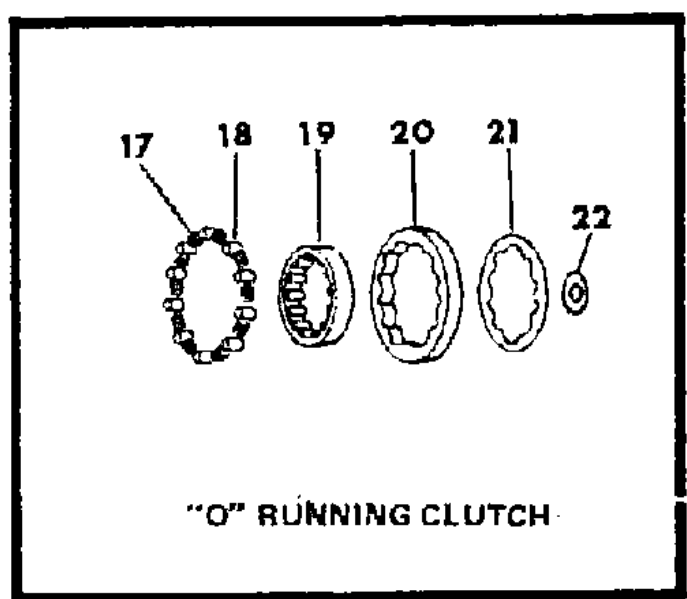
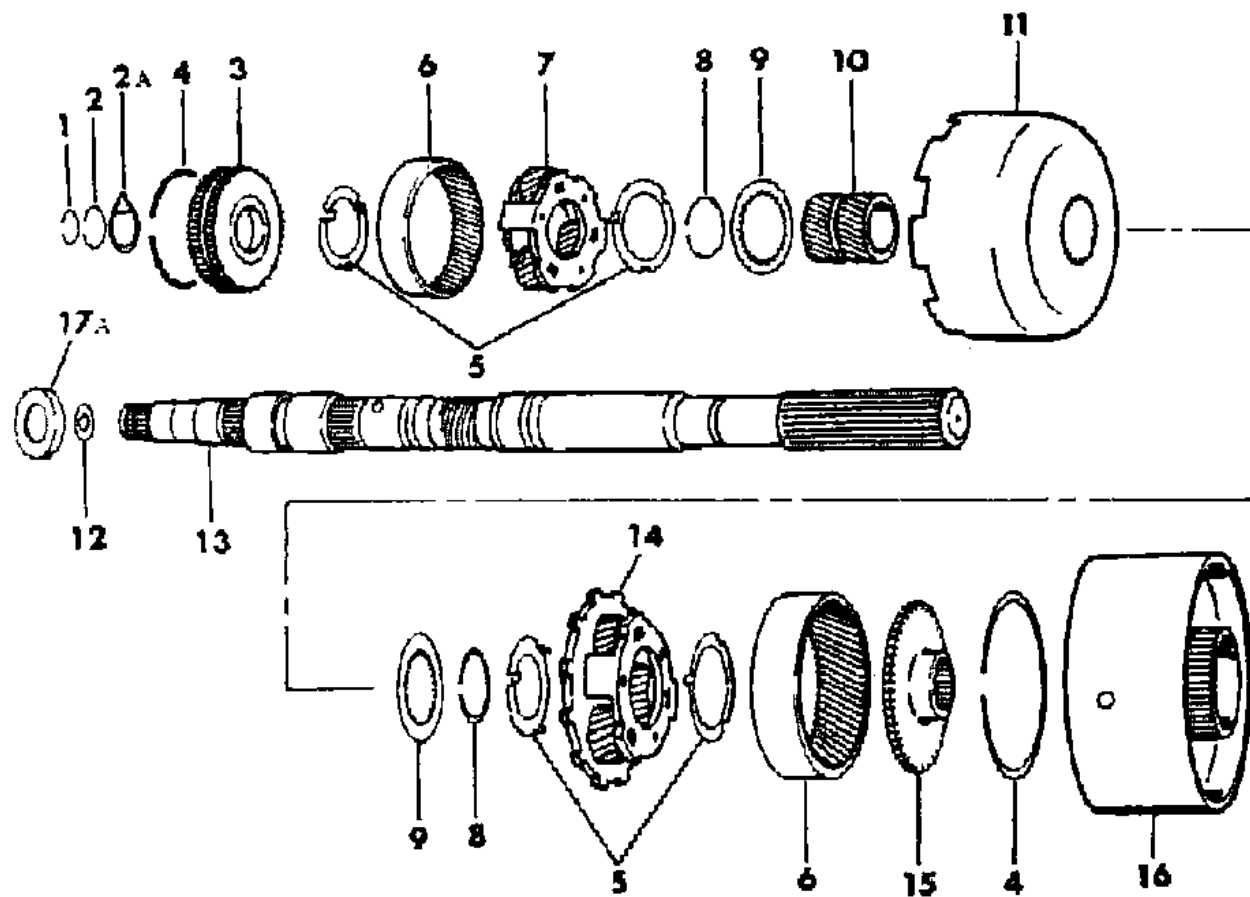
MODEL CODES  
 B = GRAN FURY/CARAVELLE      P = RELIANT  
 C = LEBARON/TOWN & COUNTRY      S = CORDOBA  
 D = ARIES      V = 400  
 F = NEW YORKER      X = MIRADA  
 G = DIPLOMAT      Y = IMPERIAL  
 M = HORIZON/TC3/SCAMP      Z = OMNI/O24/RAMPAGE

BODY STYLES  
 21 = 2-DOOR SEDAN      28 = FWD PICKUP  
 22 = 2-DOOR SPECIAL COUPE      41 = 4-DOOR SEDAN  
 24 = 2-DOOR HATCHBACK      44 = 4-DOOR HATCHBACK  
 27 = 2-DOOR CONVERTIBLE      45 = 2-SEAT STATION WAGON

AR = Use as Required - = Non Illustrated Part P.A.R. = Paint as Required

**A904 3 SPEED AUTOMATIC TRANSMISSION SUN GEAR, ANNULUS GEAR, PLANET PINION AND OUTPUT SHAFT**  
**Figure 21A-900**

3151 900



ITEM	PART NUMBER	QTY	BODY	MODEL	DESCRIPTION
8	1942 439	AR		All	RING, Sun Driving Shell Lock, Steel, 1-41/64" O.D.
9	4130 600	2		ALL	PLATE, Sun Gear Driving Shell
10	4130 685	1		ALL	GEAR,w/BUSHING, Trans. Sun
	4130 736	1		All	SPACER, Sun Gear
11	4130 509	1			SHELL, Sun Gear Driving
12	4130 077	AR		All	WASHER, Output Shaft Thrust,7/8" O.D.,.052" Thk.,Steel Backed Bronze
	4130 078	AR		All	.068" Thk.
	4130 079	AR		All	.083" Thk.
13	4186 093	1		All	SHAFT,w/PLUG, Output
	2466 881	1		All	SUPPORT. Output Shaft(Not Shown)(See Fig. 21A-100)
	4130 088	1		All	PLUG, Output Shaft
	3410 465	1		All	BEARING
	6029 675	1		All	SNAP RING, Brg., 1-37/64" O.D.
	2400 185	1		All	Brg.,Outer
14	3743 022	1		All	CARRIER,w/PINIONS, SHAFTS, ROLLERS and WASHERS, Rr. Planet Pinion,w/4202662,663 Trans.
	3681 988	1		All	w/4202664,675,729,4058383,398 Trans.
15	3515 501	1		All	SUPPORT, Rr. Annulus Gear, 62T., 28T., 4" O.D.
16	4130 867	1		All	DRUM, Reverse
17	2464 446	10		All	SPRING, "O" Running Clutch Roller
17A	4058 982	1		All	PLATE, Input Shaft Thrust
18	2464 888	10		All	ROLLER, "O" Running Clutch
19	3420 023	1		All	RACE, ROLLER and SPRING PACKAGE, "O" Running Clutch, 24T.
20	3780 221	1		All	CAM, RETAINER, SCREW and WASHER PACKAGE, "O" Running Clutch
21		1		All	RETAINER (Serviced in Pkg.)
22	1559 489	7		All	WASHER, "O" Running Clutch Cam Screw, 7/16" O.D.

**MODEL CODES**  
 B = GRAN FURY/CARAVELLE      P = RELIANT  
 C = LEBARON/TOWN & COUNTRY      S = CORDOBA  
 D = ARIES      V = 400  
 F = NEW YORKER      X = MIRADA  
 G = DIPLOMAT      Y = IMPERIAL  
 M = HORIZON/TC3/SCAMP      Z = OMNI/O24/RAMPAGE

**BODY STYLES**  
 21 = 2-DOOR SEDAN      28 = FWD PICKUP  
 22 = 2-DOOR SPECIAL COUPE      41 = 4-DOOR SEDAN  
 24 = 2-DOOR HATCHBACK      44 = 4-DOOR HATCHBACK  
 27 = 2-DOOR CONVERTIBLE      45 = 2-SEAT STATION WAGON

AR = Use as Required - = Non Illustrated Part P.A.R. = Paint as Required

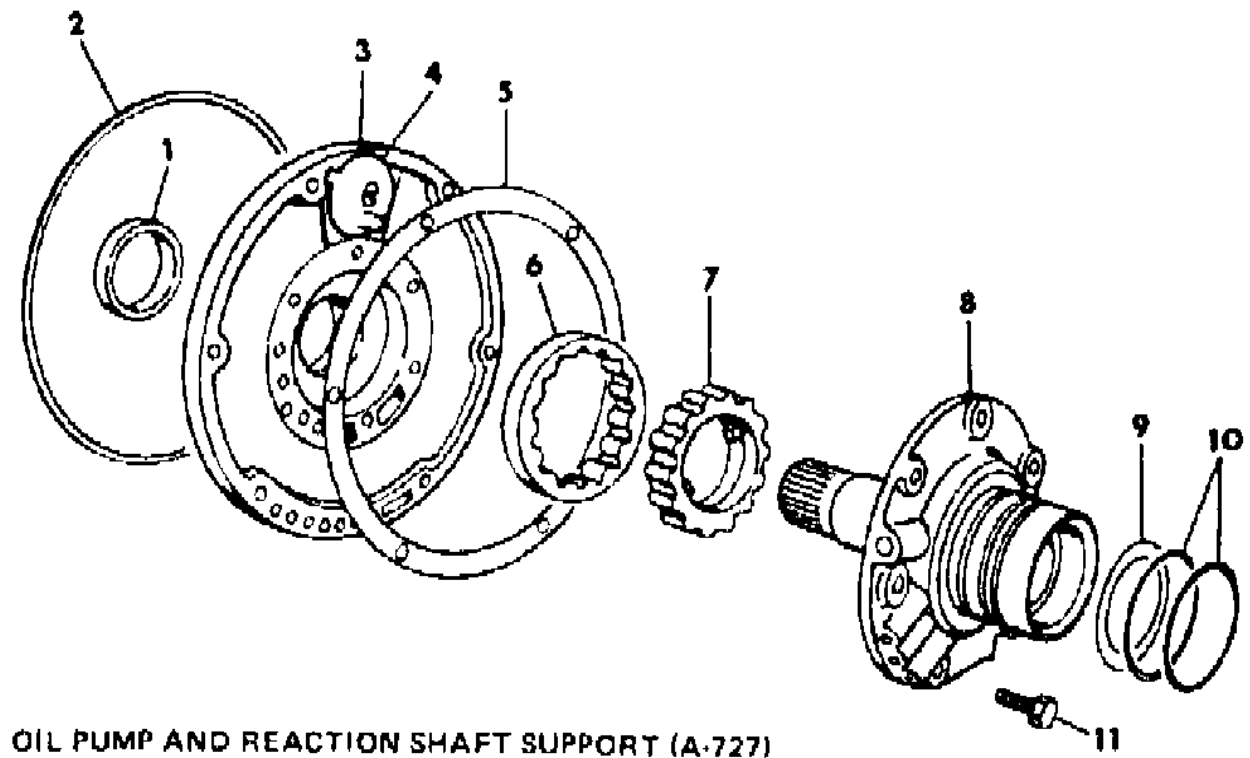
A727 AND A904 3 SPEED AUTOMATIC TRANSMISSION OIL PUMP AND REACTION SHAFT SUPPORT

Figure 21A-1000

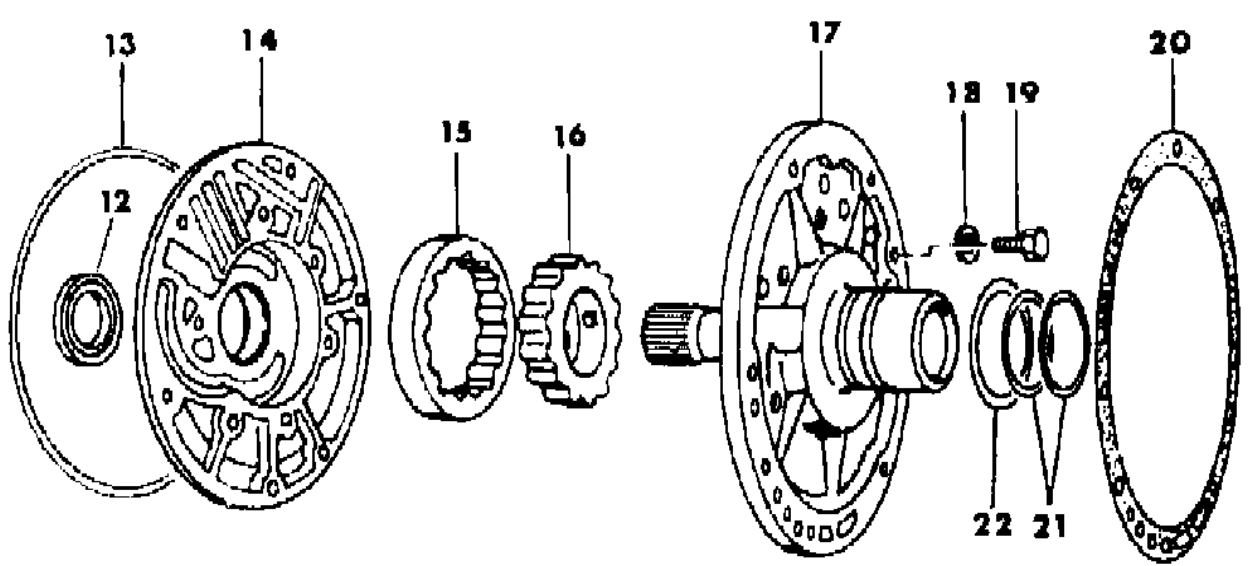
2151 1000

ITEM	PART NUMBER	QTY	BODY	MODEL	DESCRIPTION
------	-------------	-----	------	-------	-------------

NOTE: The seven digit Transmission Assembly Part Number is stamped on the left side of the Transmission Oil Pan Rail. an offsetting order for part no. 3747881



OIL PUMP AND REACTION SHAFT SUPPORT (A727)



OIL PUMP AND REACTION SHAFT SUPPORT DISASSEMBLED  
A904

	3780 239	1			ROTOR PACKAGE, Frt. Oil Pump, A727 Consists of: 1 - ----- Rotor; Frt. Oil Pump, Inner
	4057 014	1			1 - ----- Rotor; Frt. Oil Pump, Outer SEAL and GASKET PACKAGE, Frt. Pump, A727 Consists of: 1 - ----- Seal, T/C Impeller Hub 1 - ----- Seal, Oil Pump Hsg. 1 - ----- Gasket, Oil Pump Hsg. 2 - ----- Ring Seal, Input Shaft 2 - ----- Ring Seal, Reaction Shaft Support
	4131 042	1			2 - ----- Ring Seal, Reaction Shaft Support 1 - Sheet, Instruction SEAL and GASKET PACKAGE, Frt. Pump, A904 Consists of: 1 - ----- Seal, T/C Impeller Hub 1 - ----- Seal, Oil Pump 1 - ----- Gasket, T/C Reaction Shaft Support 2 - ----- Ring Seal, Reaction Shaft Support
					1 - ----- Ring Seal, Input Shaft, Frt. 1 - ----- Ring Seal, Rr. Clutch Retainer 1 - ----- Ring Seal, Rr. Clutch Retainer 1 - ----- Sheet, Instruction
1	2466 324	1	ALL		BUSHING, Frt. Pump Housing, A727
2	1942 021	1	ALL		SEAL, Frt. Pump Housing, A727
3	4130 193	1	ALL		HOUSING,w/BUSHING,ROTORS,BAFFLE and PLUG, Frt. Pump, A727
4	3420 087	1	ALL		BAFFLE,w/NAIL, Frt. Pump Housing Vent, A727
	0179 815	6	ALL		BOLT, Oil Pump Housing, A727
5	4028 377	1	ALL		GASKET, Trans. Frt. Pump Housing,.019"-.023" Thk., A727
6		1	ALL		ROTOR, Frt. Oil Pump(Serviced in Rotor Package No. 3780239), A727
7		1	ALL		ROTOR, Frt. Oil Pump(Serviced in Rotor Package No. 3780239), A727
8	4028 273	1	ALL		SHAFT,w/SUPPORT, Trans. Reaction, A727 Trans.

MODEL CODES  
 B = GRAN FURY/CARAVELLE  
 C = LEBARON/TOWN & COUNTRY  
 D = ARIES  
 F = NEW YORKER  
 G = DIPLOMAT  
 M = HORIZON/TC3/SCAMP  
 P = RELIANT  
 S = CORDOBA  
 V = 400  
 X = MIRADA  
 Y = IMPERIAL  
 Z = OMNI/O24/RAMPAGE

BODY STYLES  
 21 = 2-DOOR SEDAN  
 22 = 2-DOOR SPECIAL COUPE  
 24 = 2-DOOR HATCHBACK  
 27 = 2-DOOR CONVERTIBLE  
 28 = FWD PICKUP  
 41 = 4-DOOR SEDAN  
 44 = 4-DOOR HATCHBACK  
 45 = 2-SEAT STATION WAGON

AR = Use as Required - = Non Illustrated Part P.A.R. = Paint as Required

A727 AND A904 3 SPEED AUTOMATIC TRANSMISSION OIL PUMP AND REACTION SHAFT SUPPORT

Figure 21A-1000

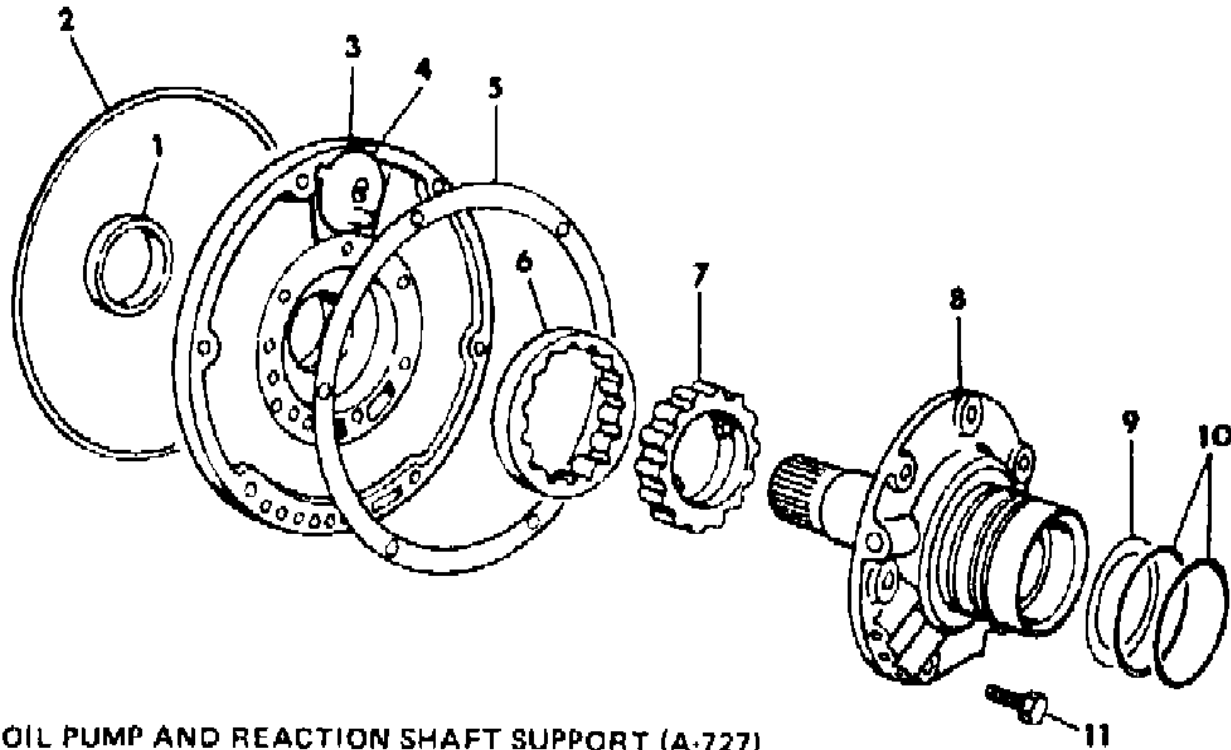
2151 1000

ITEM	PART NUMBER	QTY	BODY	MODEL	DESCRIPTION
	2801 348	1		ALL	BUSHING, Reaction Shaft, A727
	0114 861	AR		ALL	BALL, Support, A727
9	2204 622	AR		ALL	WASHER, Frt. Clutch Thrust, Frt., Green, 3-21/64" O.D., .061" Thk., A727
	2204 623	AR		ALL	Red, .084" Thk., A727
	2400 284	AR		ALL	Yellow, .102" Thk., A727
10	3743 689	2		ALL	RING, Reaction Shaft Support Seal, A727
11	6023 943	7		ALL	SCREW, Housing, 5/16"-18 x 1-3/8", A727
12	2466 796	1		All	BUSHING, Frt. Pump Housing, A904
13	2204 709	1		All	SEAL, Frt. Pump Housing, 8-17/64" O.D., A904
14	4130 192	1		All	HOUSING,w/BUSHING, ROTORS and SEAL, Frt. Pump, A904
	4202 089	1		ALL	HOUSING,w/SUPPORT & Reaction SHAFT w/4202663,675,729,4058383,398 Trans.
	4202 298	1		All	w/ 4202662,664 Trans.
	6023 943	6		All	SCREW, w/WASHER, Oil Pump Housing
15		1		All	ROTOR(Serviced in Housing Assy.)
16		1		All	ROTOR(Serviced in Housing Assy.)
17					SHAFT,w/SUPPORT, Reaction
	4058 413	1		ALL	w/4202663,675,729,4058383,398 Trans.
	4058 941	1		All	w/4202662,664 Trans.
	4058 635	1		All	BUSHING, Reaction Shaft, A904
	0104 918	AR		All	BALL, A904
18		AR		All	LOCKWASHER(Not Serviced), A904
19	0179 815	6		All	SCREW,w/WASHER, A904
20	4028 364	1		All	GASKET, Reaction Shaft Support, A904
21	1942 389	2		All	RING, Reaction Shaft Support Seal, 2-1/16" I.D., A904
22	3410 572	1		All	WASHER, Clutch Thrust, 2.60 " O.D., A904

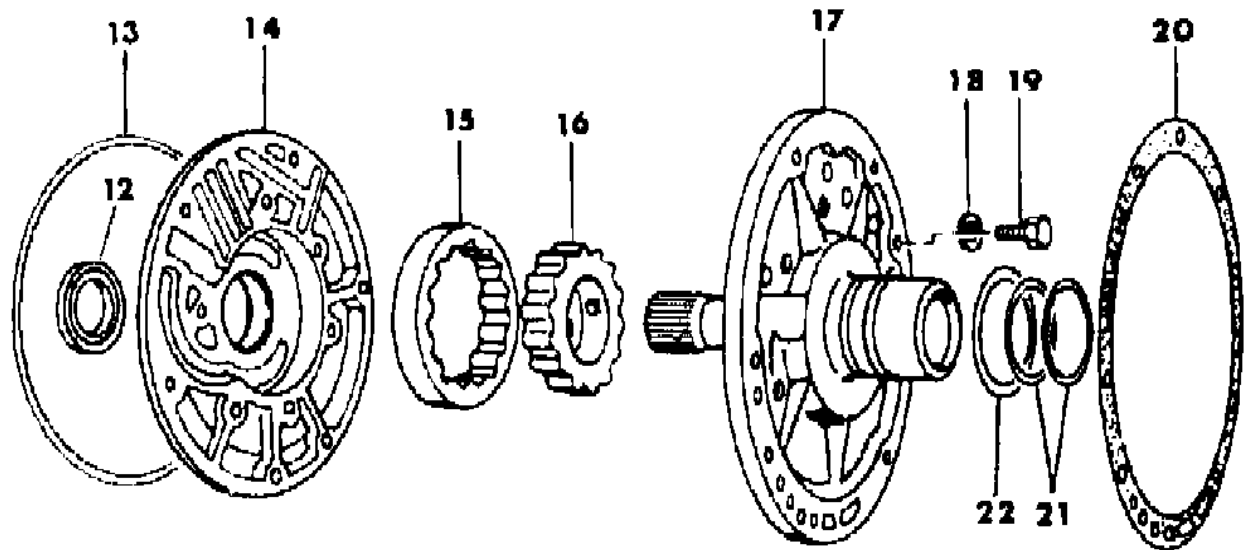
MODEL CODES  
 B = GRAN FURY/CARAVELLE      P = RELIANT  
 C = LEBARON/TOWN & COUNTRY      S = CORDOBA  
 D = ARIES      V = 400  
 F = NEW YORKER      X = MIRADA  
 G = DIPLOMAT      Y = IMPERIAL  
 M = HORIZON/TC3/SCAMP      Z = OMNI/O24/RAMPAGE

BODY STYLES  
 21 = 2-DOOR SEDAN      28 = FWD PICKUP  
 22 = 2-DOOR SPECIAL COUPE      41 = 4-DOOR SEDAN  
 24 = 2-DOOR HATCHBACK      44 = 4-DOOR HATCHBACK  
 27 = 2-DOOR CONVERTIBLE      45 = 2-SEAT STATION WAGON

AR = Use as Required - = Non Illustrated Part P.A.R. = Paint as Required



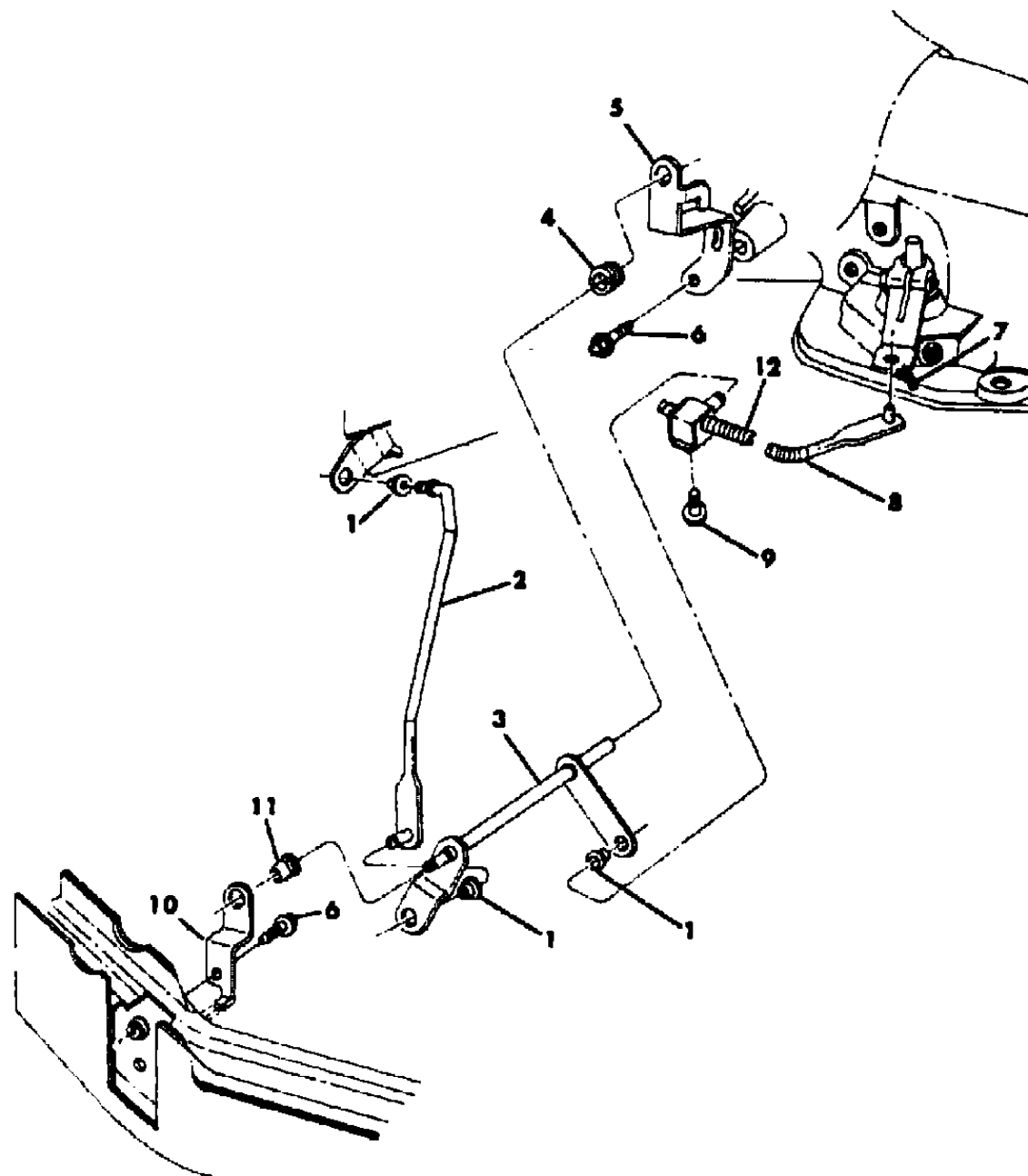
OIL PUMP AND REACTION SHAFT SUPPORT (A727)



OIL PUMP AND REACTION SHAFT SUPPORT DISASSEMBLED  
 A904

**GEARSHIFT CONTROL AUTOMATIC TRANSMISSION COLUMN SHIFT F,G,X,S,Y**  
**Figure 21A-1100**

2151 1100



ITEM	PART NUMBER	QTY	BODY	MODEL	DESCRIPTION
1	3575 333	3			GROMMET
2	4188 469	1		F,G,X,S	ROD, Gear Shift Control Front
	4019 228	1		Y	
3					SHAFT, Torque
	4019 962	1		Y	
	4188 446	1		F,G,X,S	
4	3575 434	1			BUSHING, Torque Shaft Bracket
5					BRACKET, Torque Shaft
	4019 234	1			w/A904 Trans.
	4019 237	1			w/A727 Trans.
6	0181 088	2			SCREW, w/WASHER
7	6027 983	1			CLIP
8					ROD, Gear Shift, Rear
	4019 960	1		Y	
	4188 429	1		F,G,X,S	
	4188 437	1		F,G,X,S	SWIVEL, Gear Shift Rod (not illustrated)
	3575 334	1		Y	
9	0181 082	1			SCREW
10	4019 233	1			BRACKET, Torque Shaft Frame
11	5211 845	1			GROMMET, Torque Shaft Frame Bracket
12	3575 354	1		Y,F,G,B	SPRING, Control Rod Adjusting

**MODEL CODES**

B = GRAN FURY/CARAVELLE	P = RELIANT
C = LEBARON/TOWN & COUNTRY	S = CORDOBA
D = ARIES	V = 400
F = NEW YORKER	X = MIRADA
G = DIPLOMAT	Y = IMPERIAL
M = HORIZON/TC3/SCAMP	Z = OMNI/O24/RAMPAGE

**BODY STYLES**

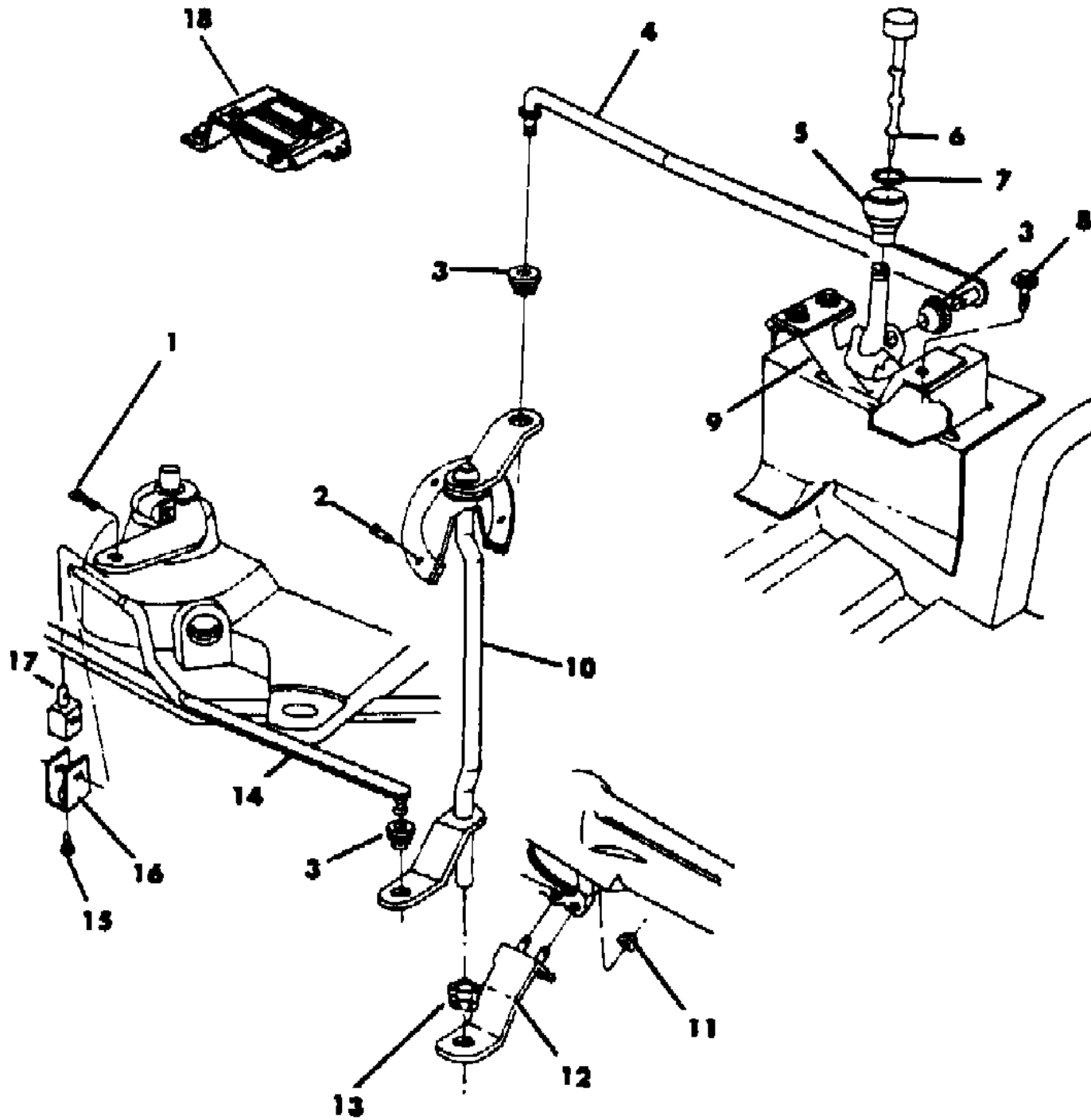
21 = 2-DOOR SEDAN	28 = FWD PICKUP
22 = 2-DOOR SPECIAL COUPE	41 = 4-DOOR SEDAN
24 = 2-DOOR HATCHBACK	44 = 4-DOOR HATCHBACK
27 = 2-DOOR CONVERTIBLE	45 = 2-SEAT STATION WAGON

AR = Use as Required - = Non Illustrated Part P.A.R. = Paint as Required



**GEARSHIFT CONTROL - AUTOMATIC TRANSMISSION FLOOR SHIFT F,G,X,S,B**  
**Figure 21A-1200**

2161 1200



ITEM	PART NUMBER	QTY	BODY	MODEL	DESCRIPTION
1	6027 983	1			CLIP
2	0163 226	3			SCREW
3	3575 333	3			GROMMET
4	4019 249	1			ROD, Upper
5	5206 117	1			KNOB
6	4019 991	1			BUTTON
7	5211 832	1			CLIP
8	6024 067	3			SCREW, w/WASHER
9	4019 245	1			ACTUATOR
10	4188 420	1			SHAFT, Torque
11	0118 614	2			NUT, w/WASHER
12	4019 123	1			BRACKET
13	3575 434	1			BUSHING
14	4188 419	1			ROD, Lower
15	0181 082	1			SCREW
16	2204 274	1			CLAMP
17	3467 665	1			SWIVEL
18	3747 943	1		X,S	LAMP, w/ POINTER, Gear Shift Selector

MODEL CODES  
 B = GRAN FURY/CARAVELLE      P = RELIANT  
 C = LEBARON/TOWN & COUNTRY      S = CORDOBA  
 D = ARIES      V = 400  
 F = NEW YORKER      X = MIRADA  
 G = DIPLOMAT      Y = IMPERIAL  
 M = HORIZON/TC3/SCAMP      Z = OMNI/O24/RAMPAGE

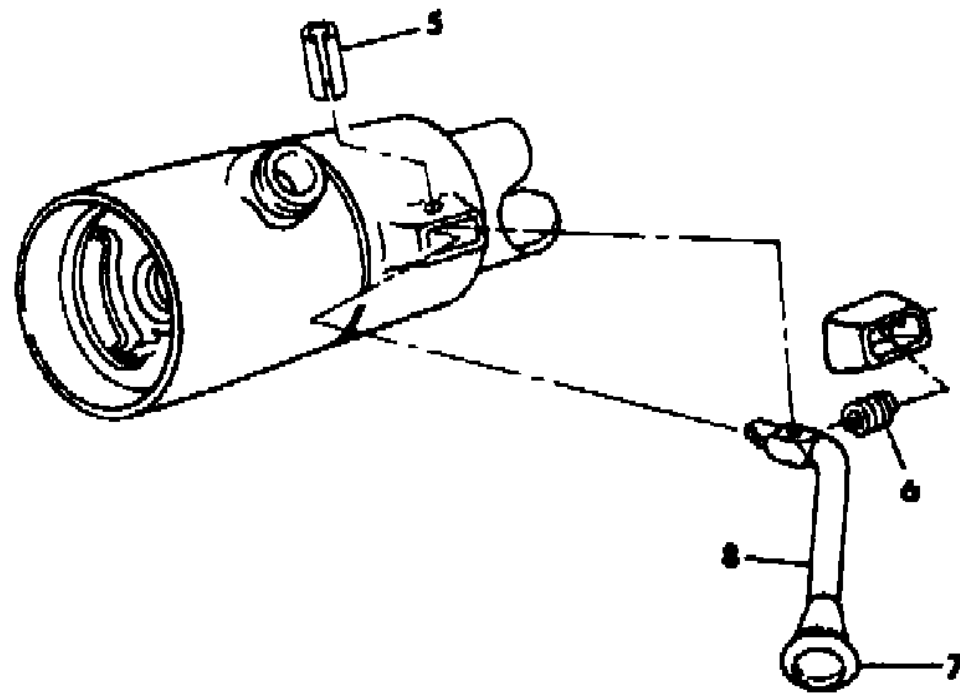
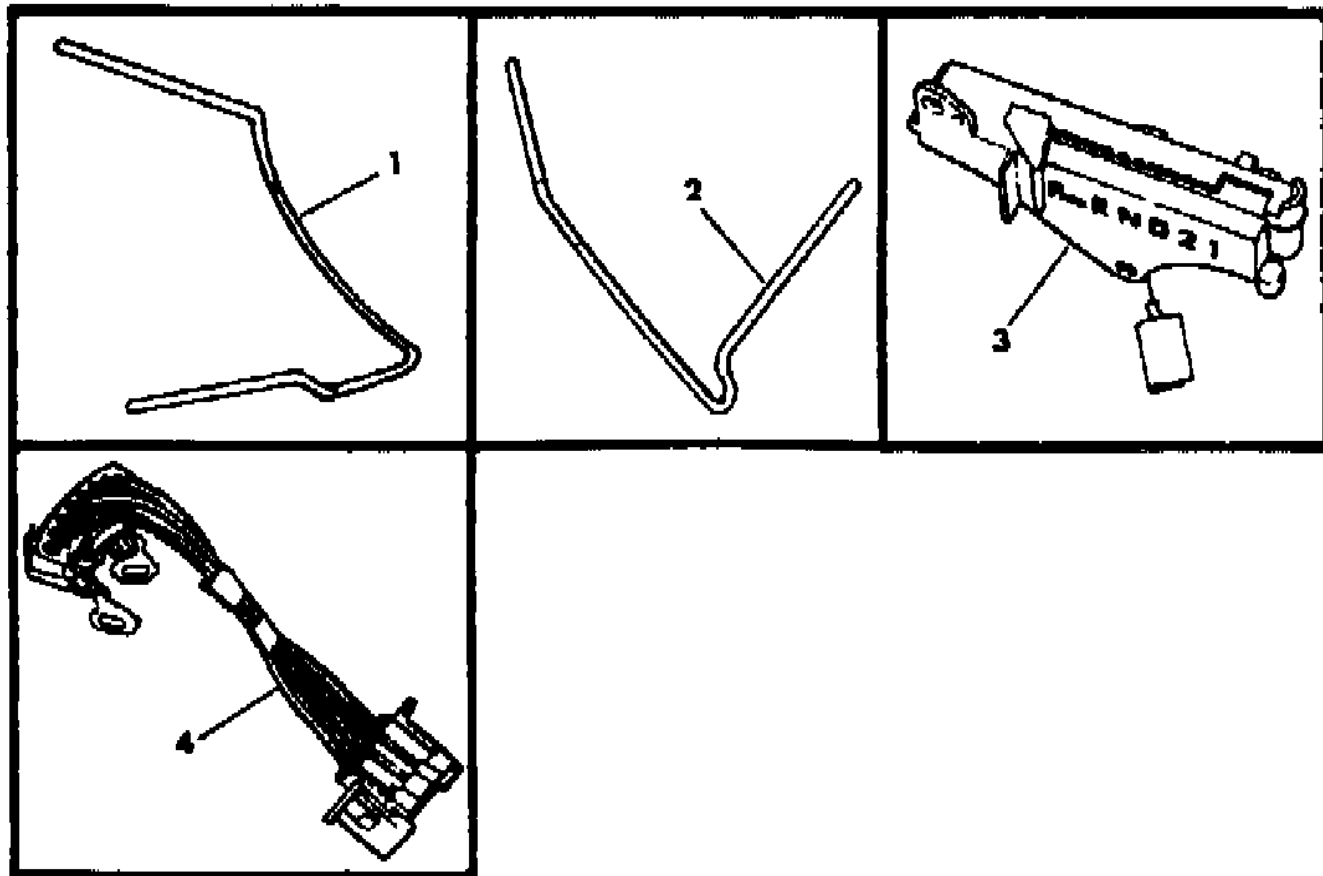
BODY STYLES  
 21 = 2-DOOR SEDAN      28 = FWD PICKUP  
 22 = 2-DOOR SPECIAL COUPE      41 = 4-DOOR SEDAN  
 24 = 2-DOOR HATCHBACK      44 = 4-DOOR HATCHBACK  
 27 = 2-DOOR CONVERTIBLE      45 = 2-SEAT STATION WAGON

AR = Use as Required - = Non Illustrated Part P.A.R. = Paint as Required

# SHIFT LEVER AND INDICATOR

## Figure 21A-1300

2151 1300



ITEM	PART NUMBER	QTY	BODY	MODEL	DESCRIPTION
1					POINTER, Gearshift Indicator
	4047 964	1		P,D,C,V	w/o Tilt
	4047 965	1		P,D,C,V	w/Tilt
2					POINTER, Gearshit Indicator
	3591 595	1		F,G,B	w/o Tilt
	4047 722	1		F,G,B	w/Tilt
3					INDICATOR, Gearshift Selector
	4047 563	1		X,S	w/o Console
4	3837 185	1		Y	INDICATOR, Gearshift
5					PIN, Spring
	9412 281	1			w/o Tilt
	0152 233	1			w/Tilt
6					SPRING
	2996 786	1			w/o Tilt
	2880 284	1			w/Tilt
7	2883 402	1			KNOB, Gearshift Lever, w/Tilt
8					LEVER, Gearshift
	4188 570	1			w/o Tilt
	4188 197	1			w/Tilt
	4188 304	1		F,Y	w/Tilt

**MODEL CODES**

B = GRAN FURY/CARAVELLE	P = RELIANT
C = LEBARON/TOWN & COUNTRY	S = CORDOBA
D = ARIES	V = 400
F = NEW YORKER	X = MIRADA
G = DIPLOMAT	Y = IMPERIAL
M = HORIZON/TC3/SCAMP	Z = OMNI/O24/RAMPAGE

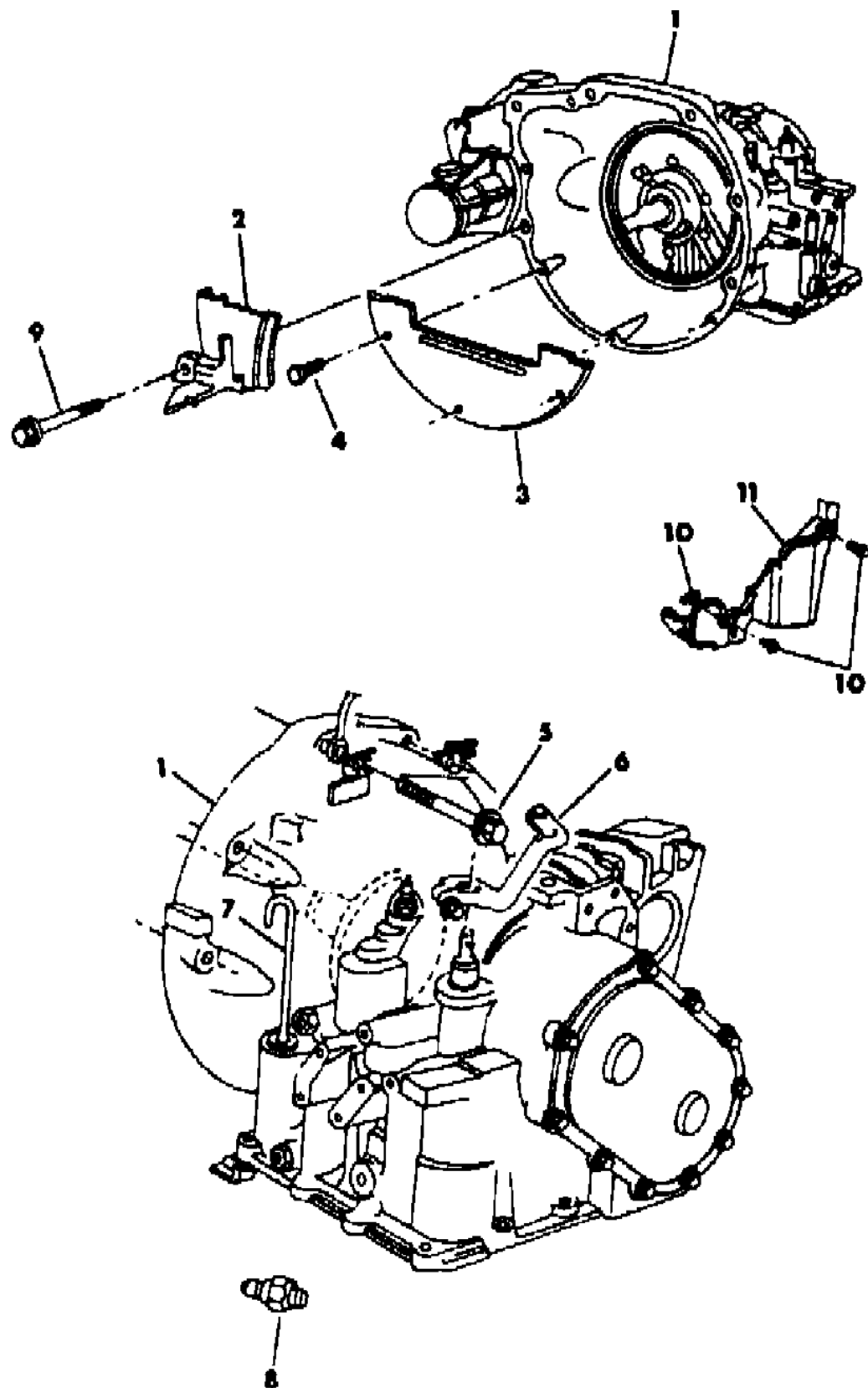
**BODY STYLES**

21 = 2-DOOR SEDAN	28 = FWD PICKUP
22 = 2-DOOR SPECIAL COUPE	41 = 4-DOOR SEDAN
24 = 2-DOOR HATCHBACK	44 = 4-DOOR HATCHBACK
27 = 2-DOOR CONVERTIBLE	45 = 2-SEAT STATION WAGON

AR = Use as Required - = Non Illustrated Part P.A.R. = Paint as Required

**AUTOMATIC TRANSAXLE**  
Figure 21A-1400

3131 1400



ITEM	PART NUMBER	QTY	BODY	MODEL	DESCRIPTION
	4205 900	1			GASKETS,SEALS,BUSHING,FILTERS and SCREEN REPAIR PACKAGE, Transaxle TRANSMISSION CROSS REFERENCE CHART PROD. SERV. REMAN. ASSY. ASSY. ASSY.
	4207293 4207293				
	4295231 4295231				
	4207294 4207294				
	4207296 4207296				
	4269544 4269544				
	4269651 4269651				
NOTE: The Transaxle Assembly Part Number is stamped on the Oil Pan Rail. an offsetting order for part no. 3747881					
1					TRANSAXLE ASSEMBLY
	4207 293	1		M,Z	w/1.7L Eng.
	4207 294	1			w/2.2L Eng., Except Hi-Alt.
	4269 544	1			w/2.2L Eng., w/ Hi-Alt.
	4269 651	1			w/2.2L Eng., w/ Hi-Alt.
	4207 296	1		P,D,C,V	w/2.6L Eng.
2	5222 454	1			COVER, Case,Upper
	6100 988	3			SCREW, Case Cover, Upper
3	5222 453	1			COVER, Case,Lower
4	6100 149	3			SCREW, Case Cover,Lower
5	6100 989	3			BOLT,w/WASHER, Case To Block
6	5224 266	1			LEVER, Manual Control
	5240 826				Throttle Control
	6100 279	1			BOLT,w/NUT
	5212 384	1			NUT
7	4202 971	1			INDICATOR ASSEMBLY, Trans. Fluid
8	4057 750	1			SWITCH, Neutral Starter and Back-Up Light, A404
	2408 143	1			WASHER, Neutral Starter and Back-Up Light, A404
9	6100 989	3			BOLT,w/WASHER, Transaxle Case to Cylinder Block
10					SCREW, w/WASHER (not serviced)
11	4191 565	1		P,D,C,V	SHIELD, Trans Apperance
	5202 625	1		M,Z	
	5224 214	1			STRUT, Trans. Hsg. to Cyl. Blk. RR. Below Starter, w/2.2 Liter Eng.

MODEL CODES

B = GRAN FURY/CARAVELLE	P = RELIANT
C = LEBARON/TOWN & COUNTRY	S = CORDOBA
D = ARIES	V = 400
F = NEW YORKER	X = MIRADA
G = DIPLOMAT	Y = IMPERIAL
M = HORIZON/TC3/SCAMP	Z = OMNI/O24/RAMPAGE

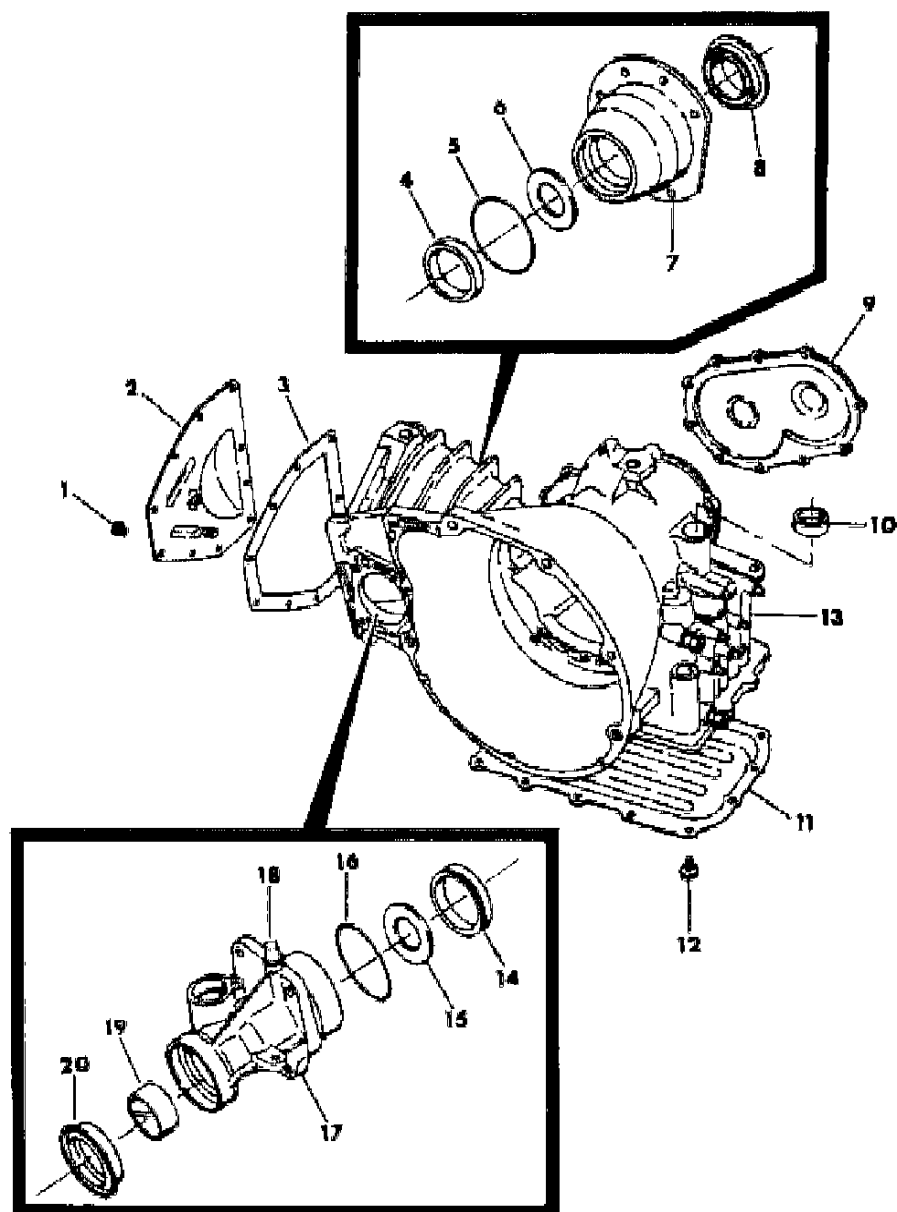
BODY STYLES

21 = 2-DOOR SEDAN	28 = FWD PICKUP
22 = 2-DOOR SPECIAL COUPE	41 = 4-DOOR SEDAN
24 = 2-DOOR HATCHBACK	44 = 4-DOOR HATCHBACK
27 = 2-DOOR CONVERTIBLE	45 = 2-SEAT STATION WAGON

AR = Use as Required - = Non Illustrated Part P.A.R. = Paint as Required

**AUTOMATIC TRANSAXLE CASE, EXTENSION AND RETAINER**  
**Figure 21A-1500**

2182 1500



ITEM	PART NUMBER	QTY	BODY	MODEL	DESCRIPTION
NOTE: The Transaxle Assembly Part Number is stamped on the Oil Pan Rail. an offsetting order for part no. 3747881					
1					PLUG, Diff. Oil Pan
	4202 535	1			FILL, Up to 1-4-82
	4269 632	1			FILL, After 1-4-82
	4095 544	1			Drain
	2070 122	1			GASKET, Fill Plug
	3769 935	1			GASKET, Drain Plug
2					PAN, Transaxle Diff. Oil, Up to 1-4-82
	4207 256	1			After 1-4-82
	4269 631	1			SCREW,w/WASHER, Diff. Oil Pan to Case
	6100 294	10			w/4207293,294,4269544 Trans
	6500 559	2			w/4207296 Trans.
	6100 294	8			w/4207296 Trans.
3					GASKET, Trans. Diff. Oil Pan (Use RTV Sealer)
4	5222 259	1			CUP, Diff.
5					SPACER, Trans. Final Drive
	4207 134	AR			0.50mm(.020")
	4207 135	AR			0.55mm(.022")
	4207 136	AR			0.60mm(.024")
	4207 137	AR			0.65mm(.026")
	4207 138	AR			0.70mm(.027")
	4207 139	AR			0.75mm(.029")
	4207 140	AR			0.80mm(.031")
	4207 141	AR			0.85mm(.033")
	4207 142	AR			0.90mm(.035")
	4207 143	AR			0.95mm(.037")
	4207 144	AR			1.00mm(.039")
	4207 145	AR			1.05mm(.041")
6	5222 256	1			RETAINER, Trans. Diff. Oil
7	4205 855	1			RETAINER, Trans. Diff. Brg.
	6500 210	1			SCREW, (M8 x 1.25 x 28)
8	5205 591	1			SEAL, Trans. Diff. Brg. Retainer, Rubber and Metal
9	5224 153	1			COVER,Trans. End,Rr.
					Gasket(Use Silicone Adhesive)
	6100 294	10			SCREW,w/WASHER, End Cover
10	3878 447	1			SEAL, Manual Valve Lever Shaft
11	5224 349	1			PAN, Transaxle Oil

**MODEL CODES**

B = GRAN FURY/CARAVELLE	P = RELIANT
C = LEBARON/TOWN & COUNTRY	S = CORDOBA
D = ARIES	V = 400
F = NEW YORKER	X = MIRADA
G = DIPLOMAT	Y = IMPERIAL
M = HORIZON/TC3/SCAMP	Z = OMNI/O24/RAMPAGE

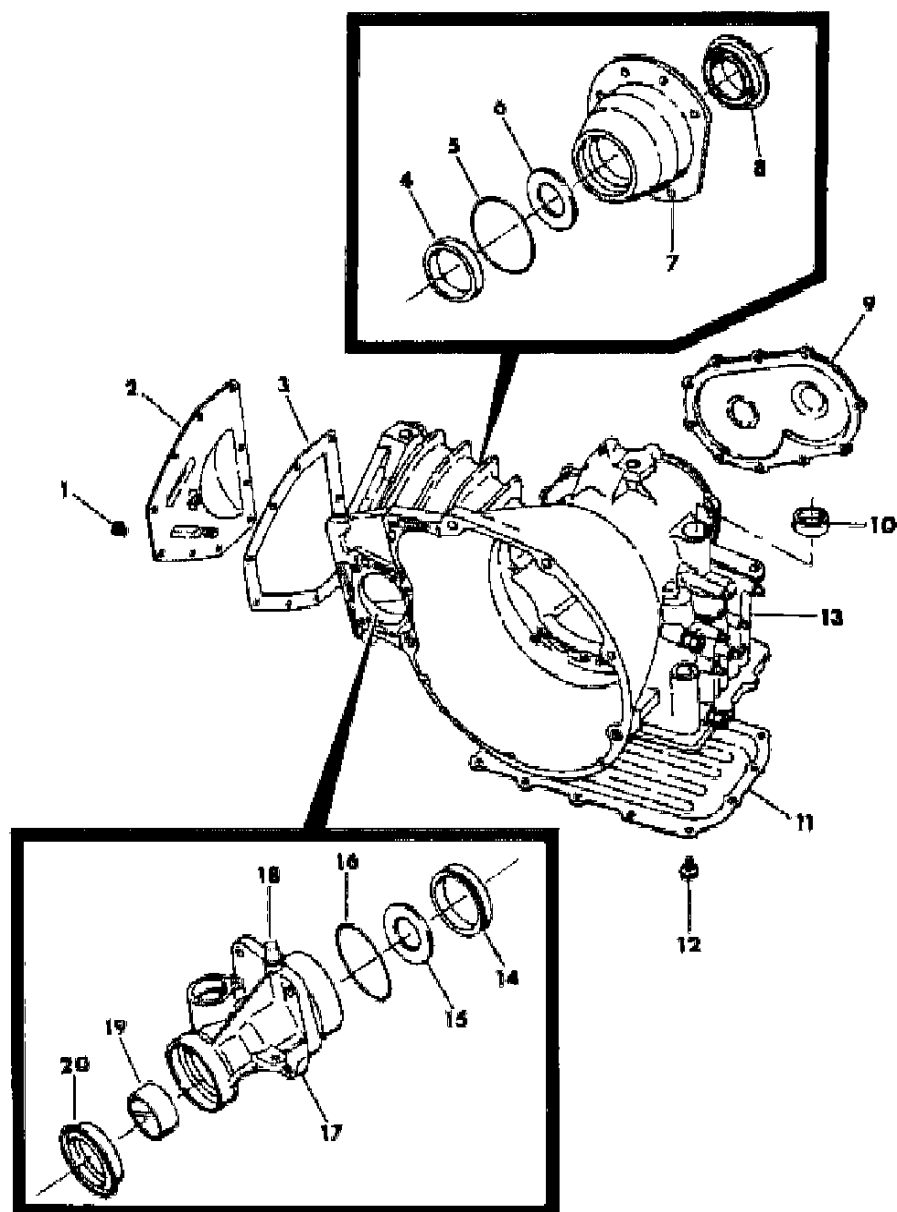
**BODY STYLES**

21 = 2-DOOR SEDAN	28 = FWD PICKUP
22 = 2-DOOR SPECIAL COUPE	41 = 4-DOOR SEDAN
24 = 2-DOOR HATCHBACK	44 = 4-DOOR HATCHBACK
27 = 2-DOOR CONVERTIBLE	45 = 2-SEAT STATION WAGON

AR = Use as Required - = Non Illustrated Part P.A.R. = Paint as Required

**AUTOMATIC TRANSAXLE CASE, EXTENSION AND RETAINER**  
**Figure 21A-1500**

2182 1500



ITEM	PART NUMBER	QTY	BODY	MODEL	DESCRIPTION
	3681 601	1			MAGNET, Case Chip Collector
					GASKET(Use Silicone Adhesive)
12	6100 294	14			SCREW,w/WASHER, Trans. Oil Pan to Case
13					CASE ASSEMBLY, Transaxle
	5224 431	1			w/4207293 Trans
	5224 199	1			w/4207294,4269544,651 Trans.
	5224 189	1			w/4207296 Trans.
	6100 994	1			PIN, Dowel
	6030 035	7			PLUG
14	5222 259	1			CUP, Extension
15	5222 255	1			RETAINER, Trans. Extension Oil
16	6500 111	1			"O" RING, Trans. Extension
17	5222 123	1			EXTENSION w/BUSHING, Transaxle
	6500 511	4			SCREW, Ext. to Case
18	2124 715	1			VENT, Trans. Extension
19		1			BUSHING, Trans. Extension(Serviced in Extension)
20	5205 591	1			SEAL, Trans. Extension, Rubber and Metal)

**MODEL CODES**

B = GRAN FURY/CARAVELLE	P = RELIANT
C = LEBARON/TOWN & COUNTRY	S = CORDOBA
D = ARIES	V = 400
F = NEW YORKER	X = MIRADA
G = DIPLOMAT	Y = IMPERIAL
M = HORIZON/TC3/SCAMP	Z = OMNI/O24/RAMPAGE

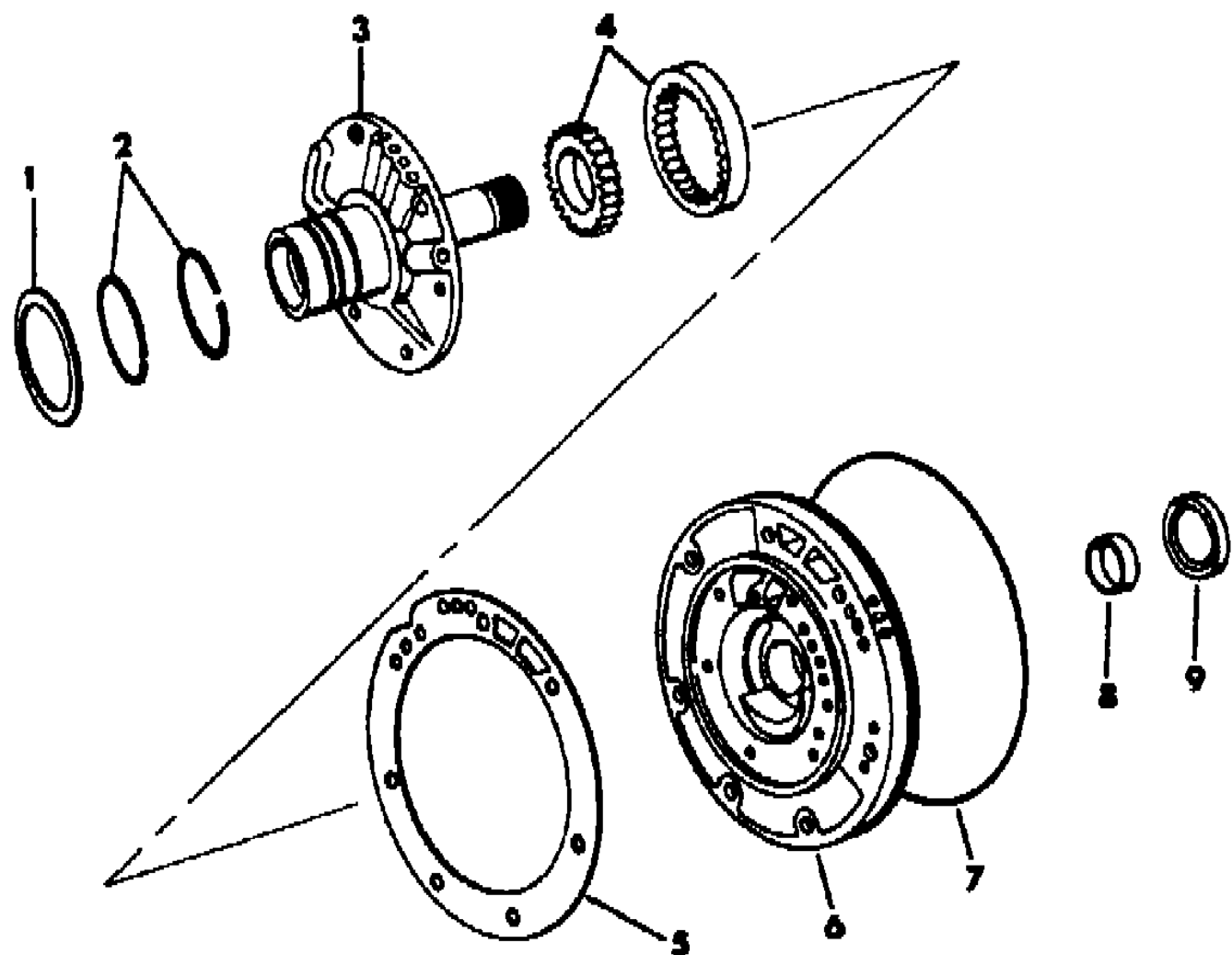
**BODY STYLES**

21 = 2-DOOR SEDAN	28 = FWD PICKUP
22 = 2-DOOR SPECIAL COUPE	41 = 4-DOOR SEDAN
24 = 2-DOOR HATCHBACK	44 = 4-DOOR HATCHBACK
27 = 2-DOOR CONVERTIBLE	45 = 2-SEAT STATION WAGON

AR = Use as Required - = Non Illustrated Part P.A.R. = Paint as Required

**AUTOMATIC TRANSAXLE OIL PUMP AND REACTION SHAFT**  
**Figure 21A-1600**

2151 1600



ITEM	PART NUMBER	QTY	BODY	MODEL	DESCRIPTION
	4186 885	1			SEAL and GASKET PACKAGE,Trans. Front Pump
1	5205 679	1			WASHER, Frt. Clutch Thrust, Frt., Plastic, 71.5 O.D.
2	5212 305	2			SEAL, Trans. Reaction Shaft Support Ring
3	5222 412	1			SHAFT,w/SUPPORT, Trans. Reaction
	6500 211	6			BOLT
	0104 919	6			BALL
	0104 918	2			BALL
4		1			ROTOR or GEAR,Oil Pump,(Serviced in Hsg.)
5	5212 306	1			GASKET, Transaxle Oil Pump Housing
6	4207 217	1			HOUSING,w/BUSHING and ROTORS, Trans. Oil Pump
	5212 263	7			SCREW,w/WASHER, Oil Pump to Case
7	5205 660	1			SEAL, Trans. Oil Pump Housing, Rubber
8		1			BUSHING, Trans. Oil Pump Housing (Serv. in Housing)
9	3515 138	1			SEAL, Torque Converter Impeller Hub, Rubber and Steel)

MODEL CODES

B = GRAN FURY/CARAVELLE	P = RELIANT
C = LEBARON/TOWN & COUNTRY	S = CORDOBA
D = ARIES	V = 400
F = NEW YORKER	X = MIRADA
G = DIPLOMAT	Y = IMPERIAL
M = HORIZON/TC3/SCAMP	Z = OMNI/O24/RAMPAGE

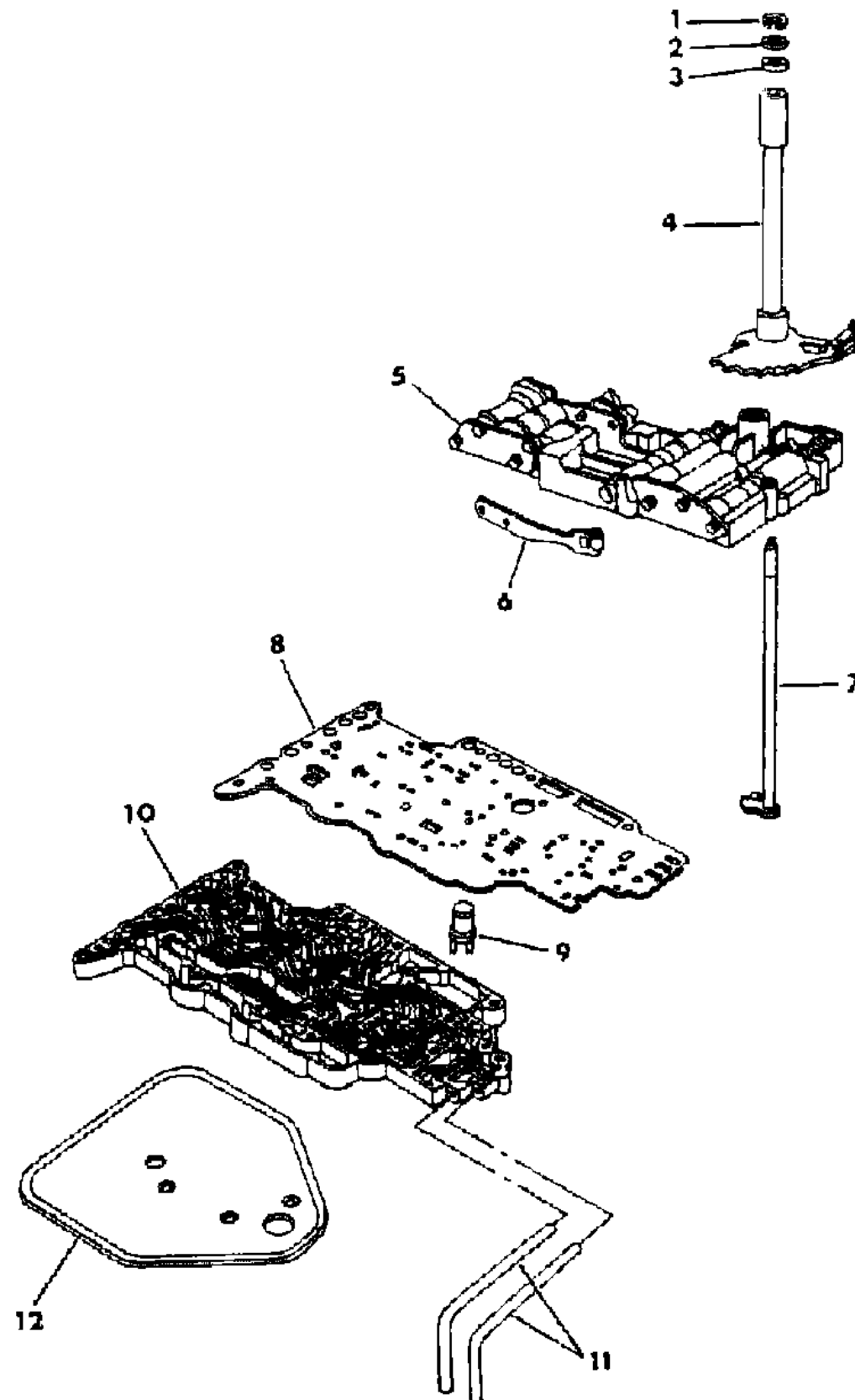
BODY STYLES

21 = 2-DOOR SEDAN	28 = FWD PICKUP
22 = 2-DOOR SPECIAL COUPE	41 = 4-DOOR SEDAN
24 = 2-DOOR HATCHBACK	44 = 4-DOOR HATCHBACK
27 = 2-DOOR CONVERTIBLE	45 = 2-SEAT STATION WAGON

AR = Use as Required - = Non Illustrated Part P.A.R. = Paint as Required

**AUTOMATIC TRANSAXLE VALVE BODY**  
**Figure 21A-1700**

2151 1700B



ITEM	PART NUMBER	QTY	BODY	MODEL	DESCRIPTION
1	6025 857	1			SNAP RING, Throttle Valve Lever Shaft
2	2538 062	1			WASHER, Throttle Valve Lever Shaft
3	2466 548	1			SEAL, Throttle Shaft
4	4207 093	1			LEVER w/INSULATOR, Manual Valve
	0118 514	1			RIVET
5	4269 550	1			VALVE BODY,w/TRANSFER PLATE, Transaxle w/4207293 Trans.
	4269 552	1			w/4207294,296,4269544,651 Trans.
	6100 994	1			PIN, Valve Body to Case Dowel
6	4269 584	1			DETENT ASSEMBLY, Manual Valve Lever
7	5212 244	1			SHAFT ASSEMBLY, Throttle Valve Lever
8	6500 215	15			PLATE, Valve Body(Serviced in Valve Body) SCREW,w/WASHER, Valve Body to Transfer Plate
9	3878 313	1			SCREEN, Regulator Valve
10	6100 155	7			PLATE, Transfer(Serviced in Valve Body) SCREW, Transfer Plate to Case
11	5222 020	2			TUBE, Governor Oil
12	4207 219	1			FILTER, Transaxle Oil
	6500 216	3			SCREW,w/WASHER, Oil Filter to Valve Body(M5 x 0.8 x 30)

MODEL CODES

B = GRAN FURY/CARAVELLE	P = RELIANT
C = LEBARON/TOWN & COUNTRY	S = CORDOBA
D = ARIES	V = 400
F = NEW YORKER	X = MIRADA
G = DIPLOMAT	Y = IMPERIAL
M = HORIZON/TC3/SCAMP	Z = OMNI/O24/RAMPAGE

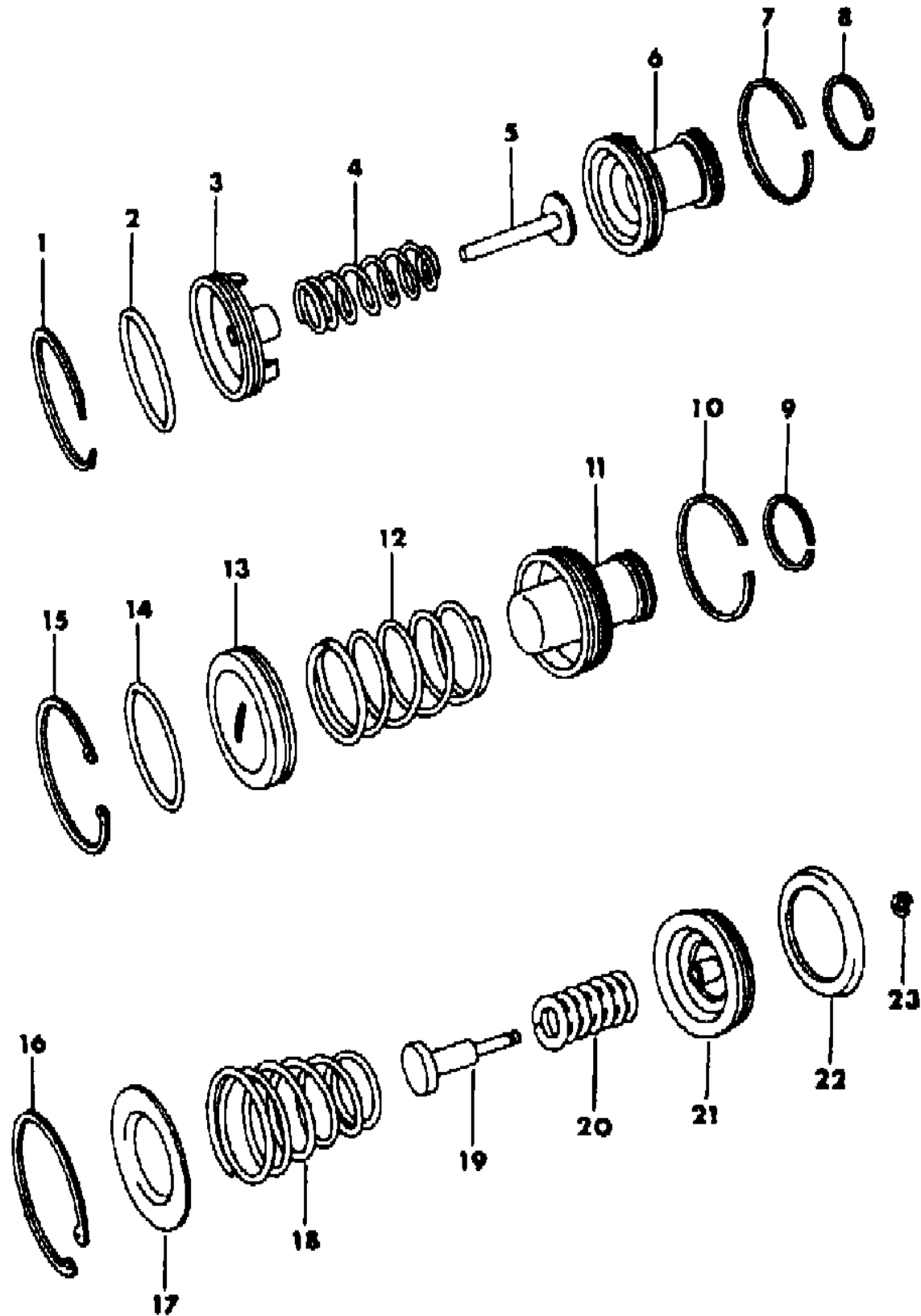
BODY STYLES

21 = 2-DOOR SEDAN	28 = FWD PICKUP
22 = 2-DOOR SPECIAL COUPE	41 = 4-DOOR SEDAN
24 = 2-DOOR HATCHBACK	44 = 4-DOOR HATCHBACK
27 = 2-DOOR CONVERTIBLE	45 = 2-SEAT STATION WAGON

AR = Use as Required - = Non Illustrated Part P.A.R. = Paint as Required

**AUTOMATIC TRANSAXLE SERVOS, ACCUMULATOR PISTON AND SPRING**  
**Figure 21A-1800**

2151 1800



ITEM	PART NUMBER	QTY	BODY	MODEL	DESCRIPTION
1	6031 765	1			SNAP RING, Kickdown Servo
2	6031 545	1			"O" RING, Kickdown Servo Guide
3	5224 344	1			GUIDE, Kickdown Servo
4	4207 229	1			SPRING, Kickdown Servo Piston
5	4058 943	1			ROD, Kickdown Servo Piston
6	4269 524	1			Piston, Transaxle Kickdown Servo
	6025 031	1			SNAP RING, Inner
	6031 410	1			SEAL, Kickdown Servo Inner Piston
7	1636 470	1			RING, Kickdown Servo Piston, Large
8	3410 374	1			RING, Kickdown Servo Piston, Seal, Small
9	3743 010	1			SEAL, Accumulator Piston Ring, Small
10	1315 158	1			SEAL, Accumulator Piston Ring, Large
11	3410 908	1			PISTON, Accumulator
12					SPRING, Accumulator
	4207 095	1			w/4207293 Trans
	4207 211	1			w/4207294,296,4269544,651 Trans.
13	4205 857	1			PLATE, Accumulator
14	6031 545	1			SEAL, Accumulator Plate Ring
15	5212 252	1			SNAP RING, Accumulator
	4205 854	1			REVERSE SERVO PKG., (Consists of Items 16,17,18,19,20,22, 23)
16	6031 909	1			SNAP RING, Reverse Servo Piston Spring Retainer
17		1			RETAINER, Reverse Servo Piston Spring (Serv. In Pkg.)
18	3681 434	1			SPRING, Reverse Servo Piston
19		1			PLUG, Reverse Servo Piston
	4205 854	1			Up to 11-23-81 (Serv. In Pkg.)
	4269 707	1			After 11-23-81
20		1			SPRING, Reverse Servo Cushion (Serv. In Pkg.)
21	3743 898	1			PISTON, Reverse Servo
22	3681 433	1			SEAL, Reverse Servo Piston, Rubber
23	1638 461	1			RING, Reverse Servo Plug

**MODEL CODES**

B = GRAN FURY/CARAVELLE	P = RELIANT
C = LEBARON/TOWN & COUNTRY	S = CORDOBA
D = ARIES	V = 400
F = NEW YORKER	X = MIRADA
G = DIPLOMAT	Y = IMPERIAL
M = HORIZON/TC3/SCAMP	Z = OMNI/O24/RAMPAGE

**BODY STYLES**

21 = 2-DOOR SEDAN	28 = FWD PICKUP
22 = 2-DOOR SPECIAL COUPE	41 = 4-DOOR SEDAN
24 = 2-DOOR HATCHBACK	44 = 4-DOOR HATCHBACK
27 = 2-DOOR CONVERTIBLE	45 = 2-SEAT STATION WAGON

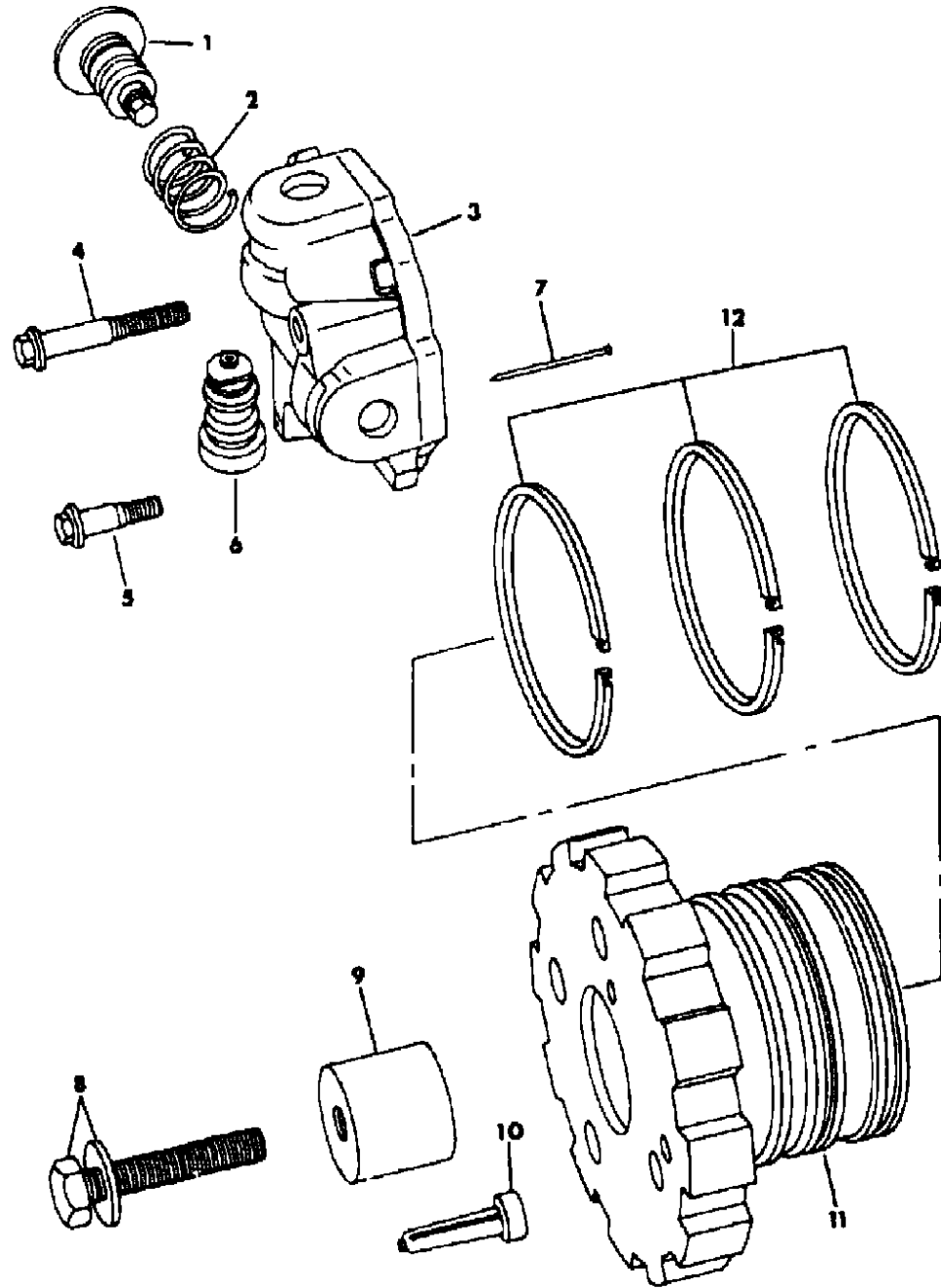
AR = Use as Required - = Non Illustrated Part P.A.R. = Paint as Required



# AUTOMATIC TRANSAXLE GOVERNOR

## Figure 21A-1900

2151 1900



ITEM	PART NUMBER	QTY	BODY	MODEL	DESCRIPTION
CAUTION: THERE ARE NO GOVERNOR REPAIR PACKAGES FOR THE 1982 TRANSAXLES. an offsetting order for part no. 3747881					
1	4207 185	1			VALVE, Gov. Secondary w/4207294,296 Trans.
	4207 183	1			w/4207293,4269544,651 Trans.
2	4207 194	1			SPRING, Gov. Valve w/4269544,651 Trans.
	4207 193	1			w/4207293,294,296 Trans.
3	4207 055	1			BODY, Governor
4	6500 209	1			SCREW, Gov. Body,(M5x 0.8x 37)
5	6500 208	1			SCREW, Gov. Body,(M5x 0.8x 20)
6	4269 568	1			Valve, Gov. Primary, w/4269544 Trans.
	4207 186	1			w/4207293,294,296 Trans.
	4269 641	1			w/4269651 Trans.
7		1			PIN, Gov. Weight Retaining(Do Not Service)
8	6100 306	1			SCREW,w/WASHER, Counterweight to Gov. Support
9	5212 265	1			COUNTERWEIGHT, Gov.
10	5205 839	1			FILTER, Transaxle Governor
11	5212 249	1			SUPPORT, Gov.
12	5212 092	3			RING, Gov. Support Seal

**MODEL CODES**

B = GRAN FURY/CARAVELLE	P = RELIANT
C = LEBARON/TOWN & COUNTRY	S = CORDOBA
D = ARIES	V = 400
F = NEW YORKER	X = MIRADA
G = DIPLOMAT	Y = IMPERIAL
M = HORIZON/TC3/SCAMP	Z = OMNI/O24/RAMPAGE

**BODY STYLES**

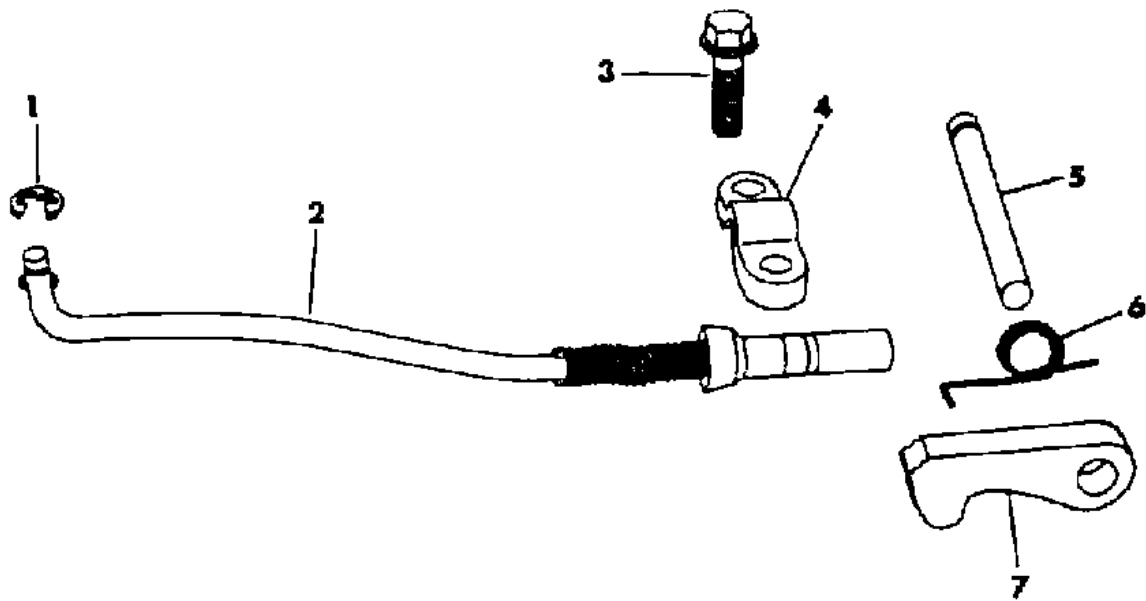
21 = 2-DOOR SEDAN	28 = FWD PICKUP
22 = 2-DOOR SPECIAL COUPE	41 = 4-DOOR SEDAN
24 = 2-DOOR HATCHBACK	44 = 4-DOOR HATCHBACK
27 = 2-DOOR CONVERTIBLE	45 = 2-SEAT STATION WAGON

AR = Use as Required - = Non Illustrated Part P.A.R. = Paint as Required

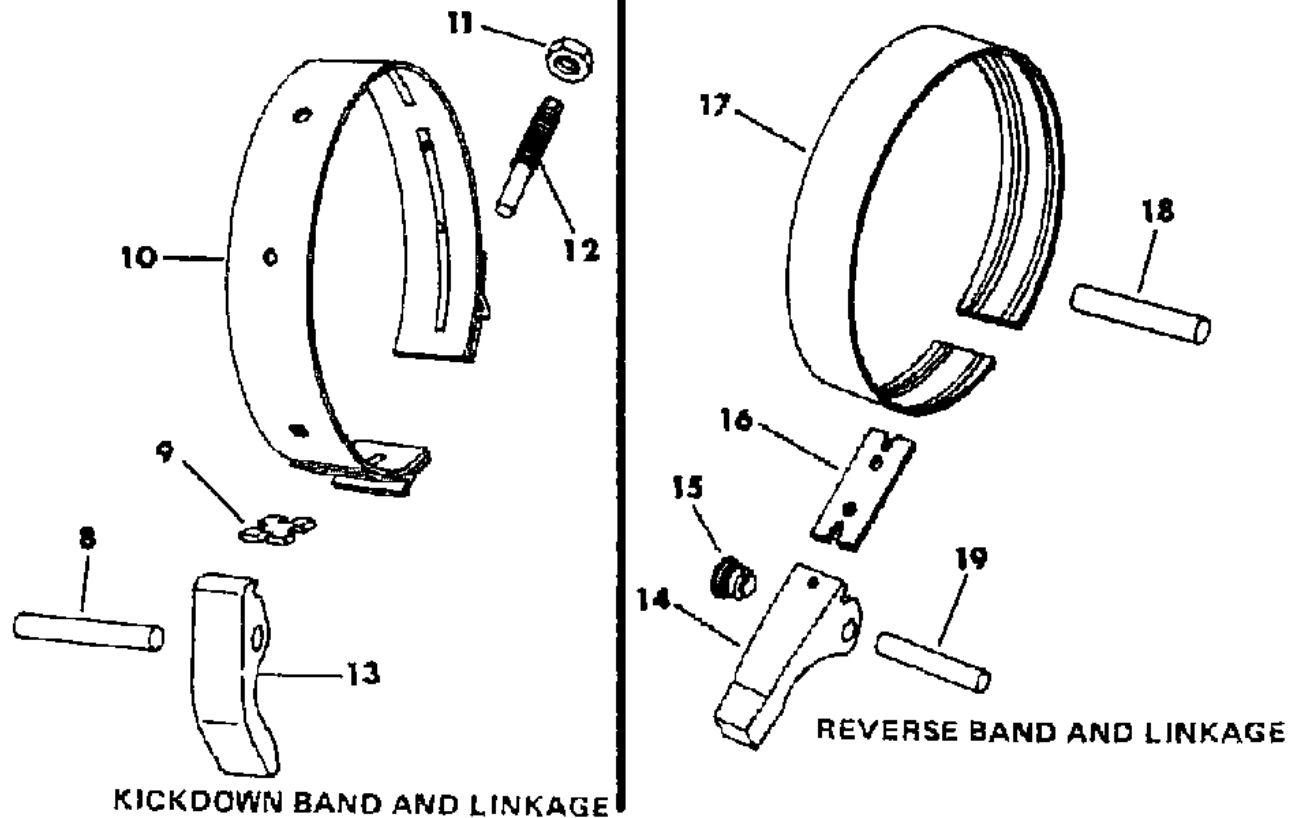
**AUTOMATIC TRANSAXLE PARKING SPRAG, KICKDOWN BAND AND REVERSE BAND**  
**Figure 21A-2000**

2151 2000

ITEM	PART NUMBER	QTY	BODY	MODEL	DESCRIPTION
1	1626 749	1			E-RING, Parking Sprag Rod Retainer
2	4207 130	1			ROD, w/SPRING, SLEEVE and END, Parking Sprag
3	6500 368	2			BOLT, Parking Sprag Support Attaching
4	5212 296	1			SUPPORT, Parking Sprag Rod
5	5212 010	1			SHAFT, Parking Sprag
6	5222 244	1			SPRING, Parking Sprag Pawl
7	4205 851	1			PAWL, Parking Sprag
8	5212 047	1			SHAFT, Kickdown Band Lever
9	5212 343	1			STRUT, Kickdown Band
10	4207 264	1			BAND, Transaxle Kickdown
11	5212 206	1			NUT, Kickdown Band Adjusting Screw Lock
12	5212 255	1			SCREW, Kickdown Band Adjusting
13					LEVER, w/PIN, Kickdown Band
	4207 091	1			w/4207293 Trans
	4207 009	1			w/4207294,296,4269544,651 Trans.
14	5222 075	1			LEVER, w/PIN and STEM, Reverse Band, w/4207293 Trans.
	5224 203	1			SHORT, w/4207294,296,4269544,651 Trans.
	4207 182	1			INTERGAL, w/4207294,296,4269544,651 Trans.
	5222 076	1			STEM, Reverse Band Lever, w/4207293 Trans.
15		1			PLUG, Trans. Pipe (1/4"-18)(Do Not Serv.)
16	5212 345	1			STRUT, Reverse Band, w/4207293 Trans.
	5224 264	1			w/4207294,296,4269544,651 Trans.
17	5205 765	1			BAND, Transaxle Reverse
	5224 140	1			SCREW, Reverse Band Adjusting, w/4207294,296,4269544,651 Trans.
18	5212 344	1			ANCHOR, Reverse Band
19	5222 090	1			SHAFT, Reverse Band Lever



**PARKING SPRAG**



**KICKDOWN BAND AND LINKAGE**

**REVERSE BAND AND LINKAGE**

**MODEL CODES**

B = GRAN FURY/CARAVELLE	P = RELIANT
C = LEBARON/TOWN & COUNTRY	S = CORDOBA
D = ARIES	V = 400
F = NEW YORKER	X = MIRADA
G = DIPLOMAT	Y = IMPERIAL
M = HORIZON/TC3/SCAMP	Z = OMNI/O24/RAMPAGE

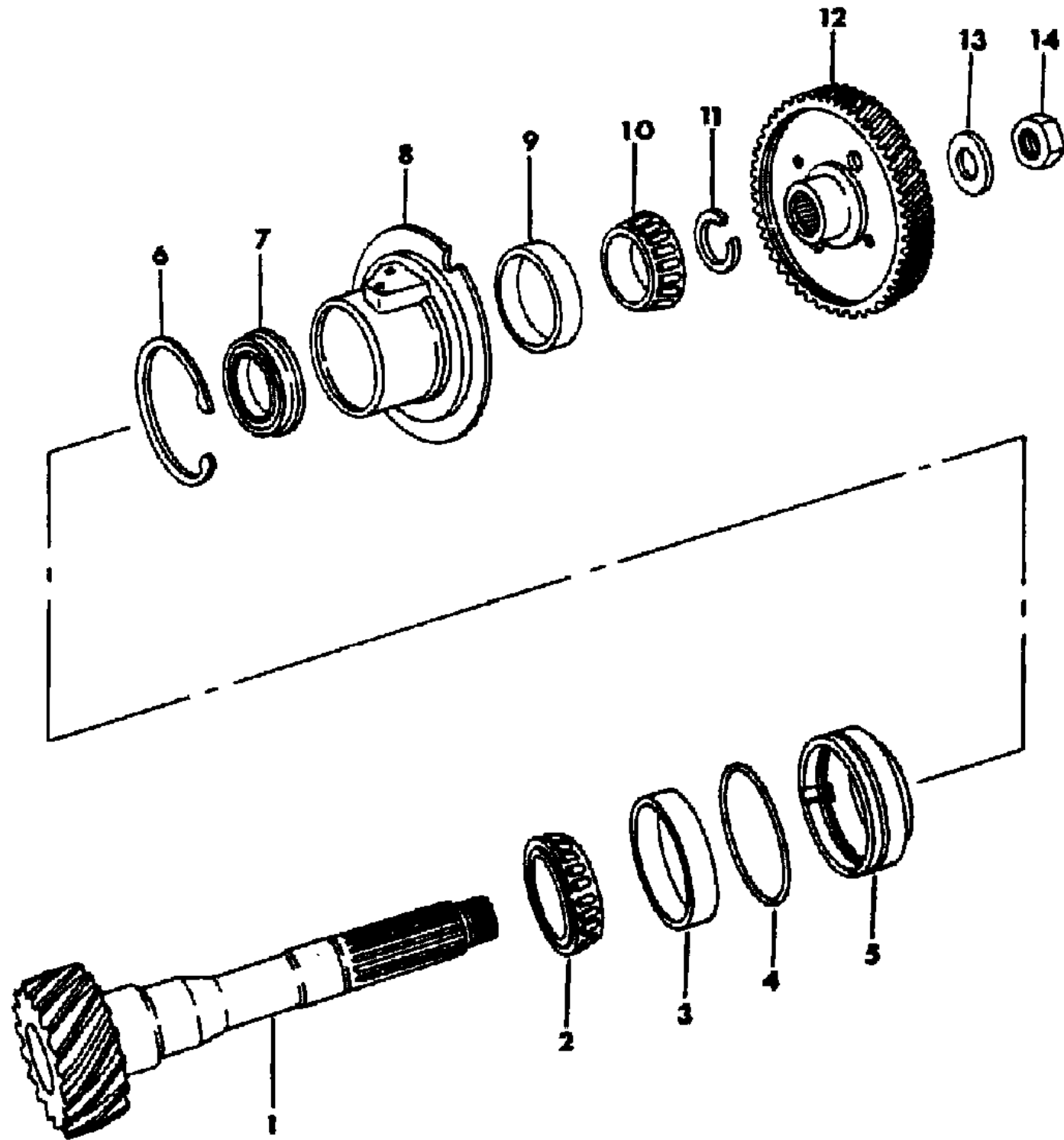
**BODY STYLES**

21 = 2-DOOR SEDAN	28 = FWD PICKUP
22 = 2-DOOR SPECIAL COUPE	41 = 4-DOOR SEDAN
24 = 2-DOOR HATCHBACK	44 = 4-DOOR HATCHBACK
27 = 2-DOOR CONVERTIBLE	45 = 2-SEAT STATION WAGON

AR = Use as Required - = Non Illustrated Part P.A.R. = Paint as Required

**AUTOMATIC TRANSAXLE TRANSFER SHAFT**  
**Figure 21A-2100**

2151 2100



ITEM	PART NUMBER	QTY	BODY	MODEL	DESCRIPTION
1					TRANSFER SHAFT,DRIVE GEAR and SCREWS SET, Transaxle
	4131 049	1			w/4207293 Trans.
	4186 873	1			w/4207296,4269544,651 Trans.
	4205 868	1			w/4207294 Trans.
2	5224 301	1			CONE, Transfer Shaft
3	5222 259	1			CUP, Transfer Shaft
4	6500 169	2			"O" RING, Transfer Shaft Brg. Retainer
5	4205 899	1			RETAINER PACKAGE, Transfer Shaft Bearing
6	5212 353	1			SNAP RING, Transfer Shaft Brg. Retainer
7	5222 015	1			SEAL, Transfer Shaft Oil
8	5212 371	1			RETAINER, Trans. Governor Support
9	5222 259	1			CUP, Transfer Shaft Gear
10	5224 301	1			CONE, Transfer Shaft Gear
11					SPACER, Transfer Shaft Brg.
	4207 166	AR			0.94mm(.037")
	4207 167	AR			0.99mm(.039")
	4207 168	AR			1.04mm(.041")
	4207 169	AR			1.09mm(.043")
	4207 170	AR			1.14mm(.045")
	4207 171	AR			1.19mm(.047")
	4207 172	AR			1.20mm(.051")
	4207 173	AR			1.29mm
	4207 174	AR			1.35mm(.053")
	4207 175	AR			1.39mm(.055")
	4207 176	AR			1.84mm(.072")
	4207 177	AR			2.29mm(.090")
12					GEAR SET, Output Shaft and Transfer Shaft
	4186 889	1			w/4207293 Trans.
	4205 871	1			w/4269544,651 Trans.
	4186 871	1			w/4207294,296 Trans.
13	5222 010	1			WASHER, Transfer Shaft Nut
14	5222 009	1			NUT, Transfer Shaft Gear(M20 x 1.5)

**MODEL CODES**

B = GRAN FURY/CARAVELLE	P = RELIANT
C = LEBARON/TOWN & COUNTRY	S = CORDOBA
D = ARIES	V = 400
F = NEW YORKER	X = MIRADA
G = DIPLOMAT	Y = IMPERIAL
M = HORIZON/TC3/SCAMP	Z = OMNI/O24/RAMPAGE

**BODY STYLES**

21 = 2-DOOR SEDAN	28 = FWD PICKUP
22 = 2-DOOR SPECIAL COUPE	41 = 4-DOOR SEDAN
24 = 2-DOOR HATCHBACK	44 = 4-DOOR HATCHBACK
27 = 2-DOOR CONVERTIBLE	45 = 2-SEAT STATION WAGON

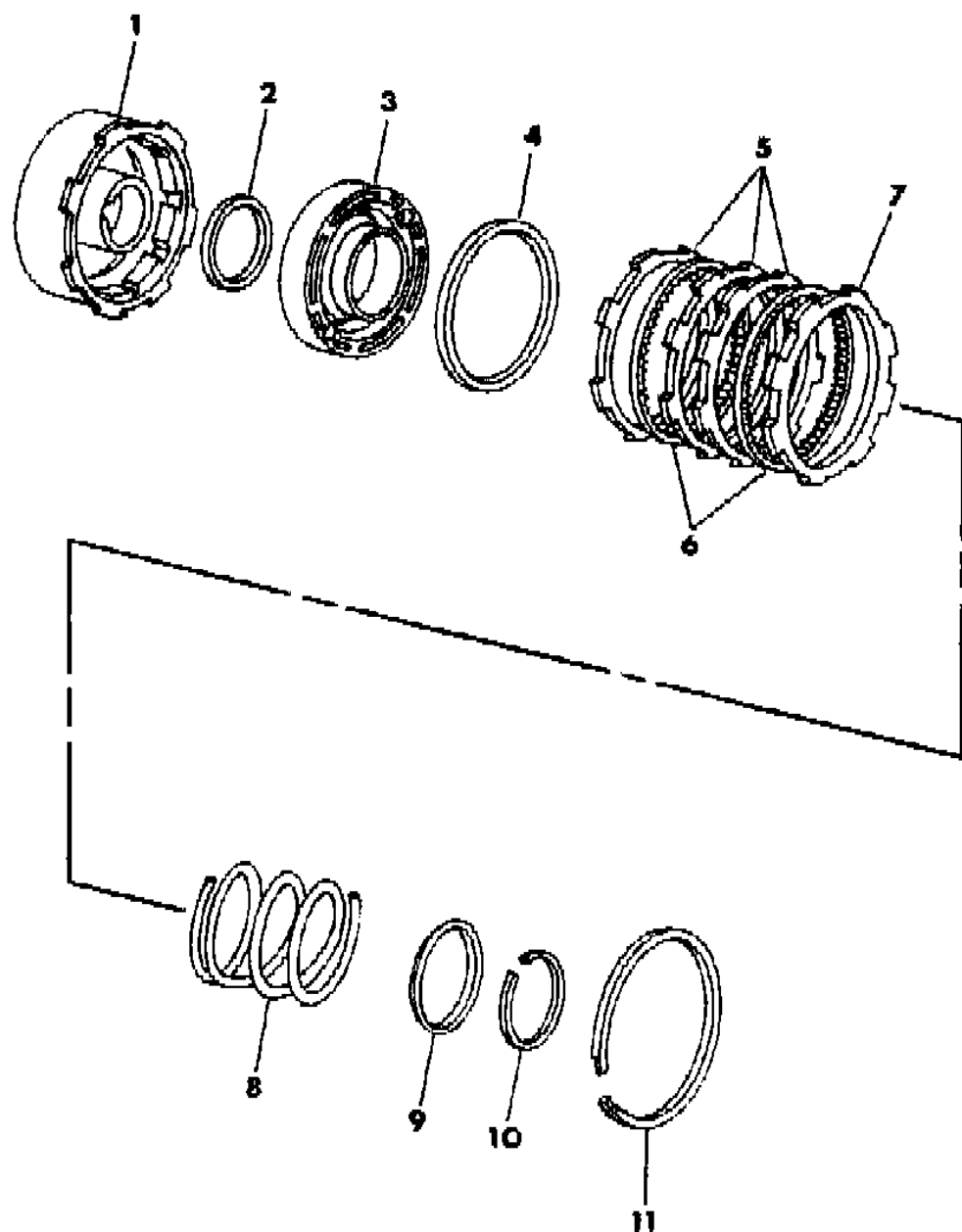
AR = Use as Required - = Non Illustrated Part P.A.R. = Paint as Required

# AUTOMATIC TRANSAXLE FRONT CLUTCH

## Figure 21A-2200

ITEM	PART NUMBER	QTY	BODY	MODEL	DESCRIPTION
1					RETAINER,w/BUSHINGS,Front Clutch
	5224 169	1			w/4207293 Trans
	5224 316	1			w/4207294,296,4269544,651 Trans.
2	5205 670	1			SEAL,Frt.Clutch Piston,Inner
3	5224 171	1			PISTON,Frt.Clutch
4	4058 487	1			SEAL,Frt.Clutch Piston,Outer
5	4207 208	3			PLATE,Frt.Clutch
6					DISC, Transaxle Frt. Clutch
	5205 675	2			w/4207293 Trans
	5205 675	3			w/4207294,296,4269544,651 Trans.
7	4207 209	1			PLATE,Frt.Clutch Reaction
8	5224 144	1			SPRING,Frt.Clutch Piston
9	5205 673	1			RETAINER,Frt.Clutch Spring
10	5205 674	1			SNAP RING,Frt.Clutch Inner
11	5212 096	1			SNAP RING,Frt.Clutch,Outer,Steel

2151 2200A



**MODEL CODES**

B = GRAN FURY/CARAVELLE	P = RELIANT
C = LEBARON/TOWN & COUNTRY	S = CORDOBA
D = ARIES	V = 400
F = NEW YORKER	X = MIRADA
G = DIPLOMAT	Y = IMPERIAL
M = HORIZON/TC3/SCAMP	Z = OMNI/O24/RAMPAGE

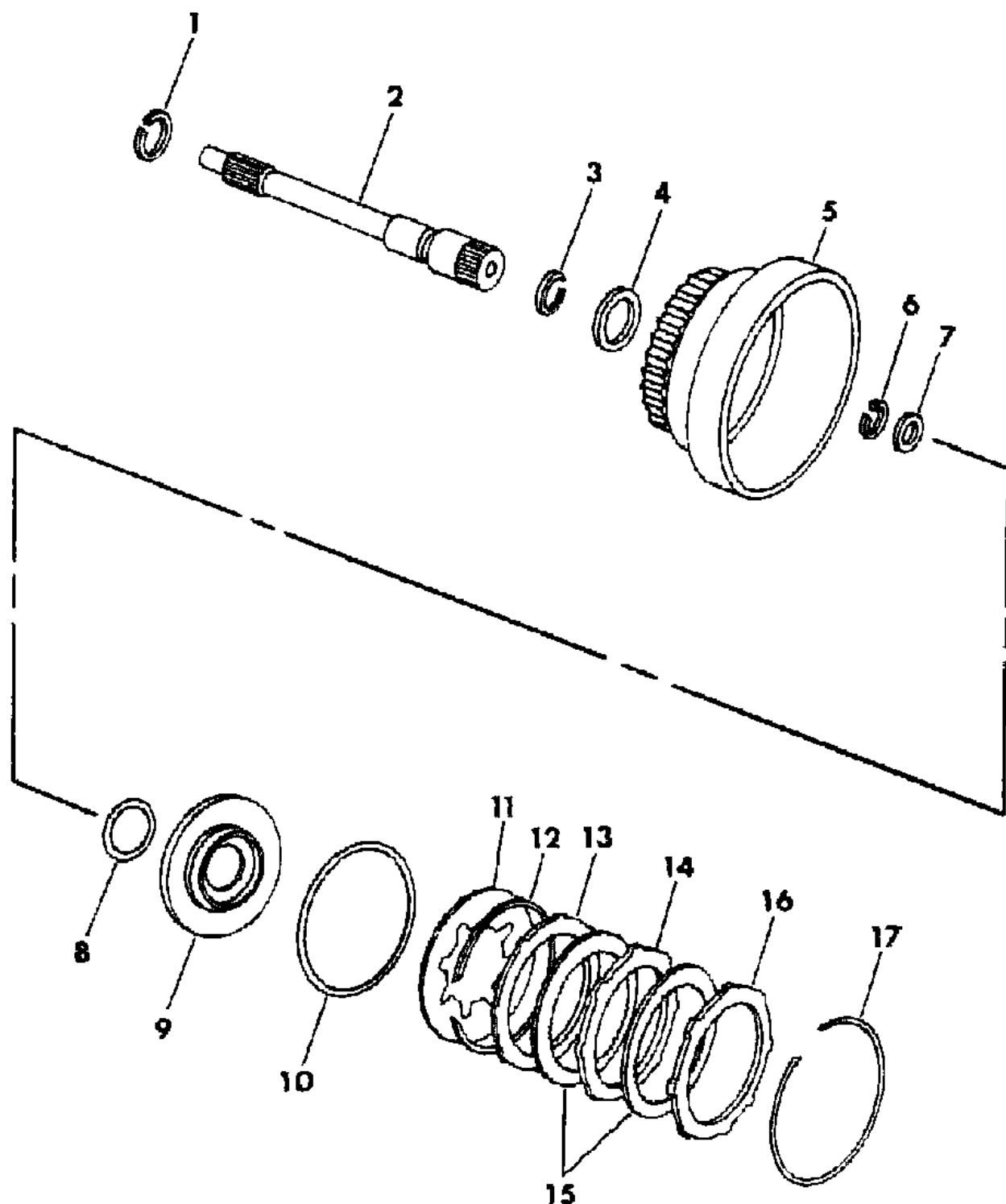
**BODY STYLES**

21 = 2-DOOR SEDAN	28 = FWD PICKUP
22 = 2-DOOR SPECIAL COUPE	41 = 4-DOOR SEDAN
24 = 2-DOOR HATCHBACK	44 = 4-DOOR HATCHBACK
27 = 2-DOOR CONVERTIBLE	45 = 2-SEAT STATION WAGON

AR = Use as Required - = Non Illustrated Part P.A.R. = Paint as Required

**AUTOMATIC TRANSAXLE REAR CLUTCH AND INPUT SHAFT**  
**Figure 21A-2300**

2151 2300A



ITEM	PART NUMBER	QTY	BODY	MODEL	DESCRIPTION
1	1401 221	1			RING, Input Shaft Seal, 1" Strong O.D.
2	5222 400	1			SHAFT, Input
3	5205 697	1			RING, Rr. Clutch Retainer Seal Lock, 1 3/4"
4	5205 680	1			WASHER, Frt. Clutch Thrust, Rr., Plastic, 63.5 O.D.
5	5222 435	1			RETAINER, Rear Clutch
6	5205 691	1			SNAP RING, Input Shaft, 7/8"
7	5224 039	1			WASHER, Output Shaft Thrust, 1.98-2.03
	5224 040	1			2.16-2.21
	5224 041	1			2.34-2.39
8	5212 373	1			SEAL, Rr. Clutch Piston, Inner, Rubber
9	4207 202	1			PISTON, Rr. Clutch
10	5205 701	1			SEAL, Rr. Clutch Piston, Outer Rubber
11	4207 246	1			SPRING, Rr. Clutch Piston
12	4207 265	1			SPRING, Rr. Clutch Wave
13	5224 072	1			PLATE, Rr. Clutch Reaction
14	5224 073	2			PLATE, Rr. Clutch Plate
15	5224 084	3			DISC, Rr. Clutch
16	4207 181	1			PLATE, Rr. Clutch Pressure
17					SNAP RING, Rr. Clutch Retainer
	1942 421	AR			
	1942 423	AR			
	5224 439	AR			

MODEL CODES  
 B = GRAN FURY/CARAVELLE      P = RELIANT  
 C = LEBARON/TOWN & COUNTRY      S = CORDOBA  
 D = ARIES      V = 400  
 F = NEW YORKER      X = MIRADA  
 G = DIPLOMAT      Y = IMPERIAL  
 M = HORIZON/TC3/SCAMP      Z = OMNI/O24/RAMPAGE

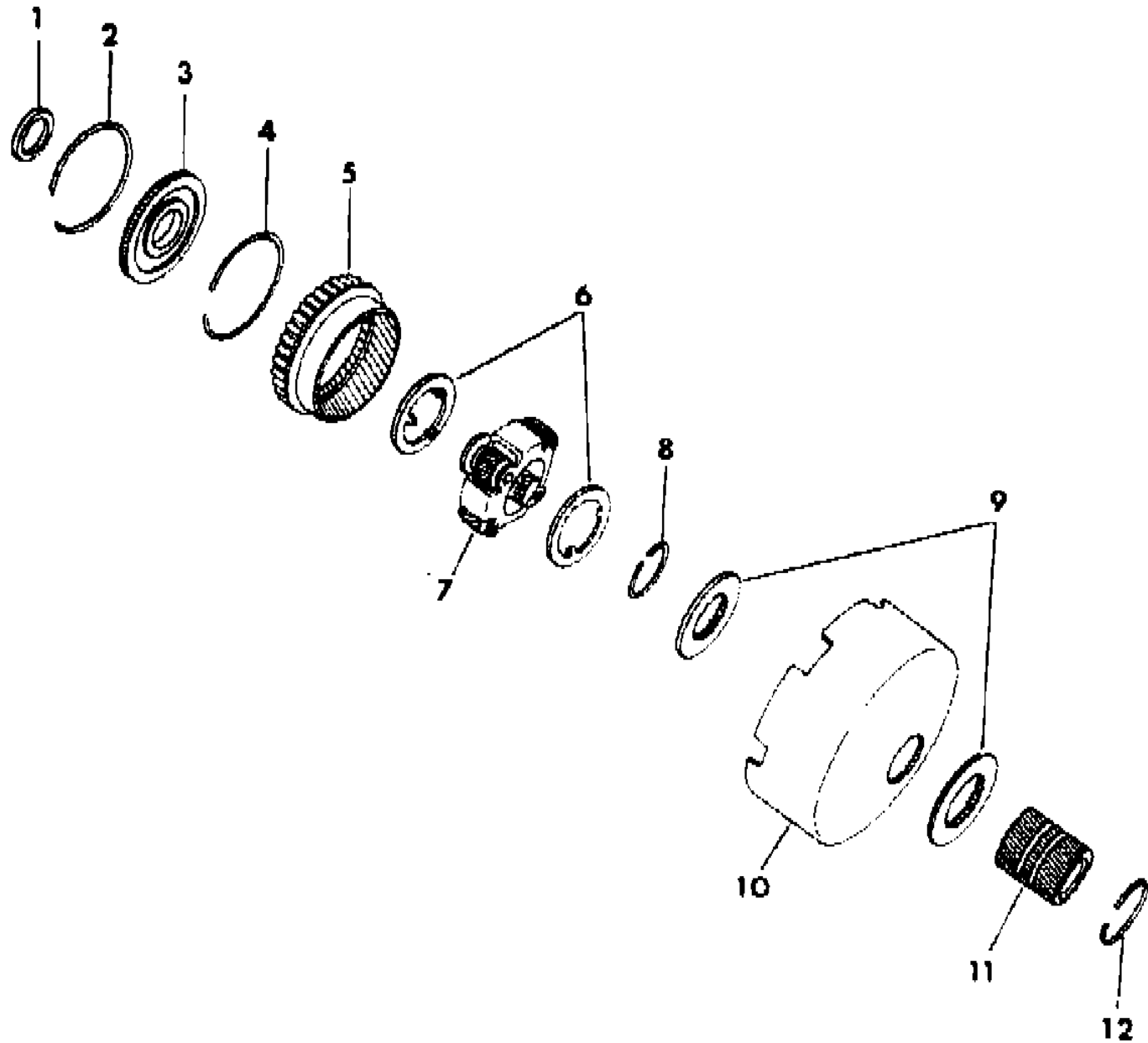
BODY STYLES  
 21 = 2-DOOR SEDAN      28 = FWD PICKUP  
 22 = 2-DOOR SPECIAL COUPE      41 = 4-DOOR SEDAN  
 24 = 2-DOOR HATCHBACK      44 = 4-DOOR HATCHBACK  
 27 = 2-DOOR CONVERTIBLE      45 = 2-SEAT STATION WAGON

AR = Use as Required - = Non Illustrated Part P.A.R. = Paint as Required

# AUTOMATIC TRANSAXLE FRONT ANNULUS AND SUN GEAR

## Figure 21A-2350

2151 2350



ITEM	PART NUMBER	QTY	BODY	MODEL	DESCRIPTION
1	5222 493	1			WASHER,Frnt. Annulus Gear Thrust
2	5224 079	2			SNAP RING,Frnt. Annulus,Outer
3	5224 070	1			SUPPORT,w/BUSHING,Frnt. Annulus Gear
4	5222 022	1			SNAP RING,Frnt. Annulus,Inner, 1" Dia.
5	5224 310	1			GEAR, Transaxle Frt. Annulus
6	5224 066	2			WASHER,Frnt. Planet Pinion Carrier Thrust
7	5224 081	1			CARRIER,w/HUB,CUP,PLATE,PINION,SHAFT,ROLLERS and WASHERS, Transaxle Frt. Planet Pinion
8	5205 739	1			RING,Sun Gear Driving Shell Lock
9	5205 737	1			PLATE,Sun Gear Driving Shell Thrust
10	5224 236	1			SPACER, Sun Gear Plate
11	4207 195	1			SHELL,Sun Gear Driving
12	5224 192	1			GEAR,w/BUSHING, Transaxle Sun
	5205 739	1			RING,Sun Gear Driving Shell Lock

**MODEL CODES**

B = GRAN FURY/CARAVELLE	P = RELIANT
C = LEBARON/TOWN & COUNTRY	S = CORDOBA
D = ARIES	V = 400
F = NEW YORKER	X = MIRADA
G = DIPLOMAT	Y = IMPERIAL
M = HORIZON/TC3/SCAMP	Z = OMNI/O24/RAMPAGE

**BODY STYLES**

21 = 2-DOOR SEDAN	28 = FWD PICKUP
22 = 2-DOOR SPECIAL COUPE	41 = 4-DOOR SEDAN
24 = 2-DOOR HATCHBACK	44 = 4-DOOR HATCHBACK
27 = 2-DOOR CONVERTIBLE	45 = 2-SEAT STATION WAGON

AR = Use as Required - = Non Illustrated Part P.A.R. = Paint as Required

**AUTOMATIC TRANSAXLE OUTPUT SHAFT, REAR CARRIER, REVERSE DRUM AND OVERRUNNING CLUTCH**

**Figure 21A-2400**

ITEM	PART NUMBER	QTY	BODY	MODEL	DESCRIPTION
1	4269 599	1			SHAFT, Transaxle Output
	5205 691	1			SNAP RING, Output Shaft
2	5205 724	2			WASHER, Rr. Planet Pinion Carrier
3	5205 740	1			CARRIER,w/PINION,PLATE,SHAFT,ROLLERS and WASHERS, Rear Planet Pinion
4	5222 047	1			GEAR, Rr. Annulus
5	4207 117	1			DRUM,w/CAM, Low and Reverse
	5222 137	1			BUSHING, Low and Reverse Drum
6	4186 886	1			SPRING and ROLLER PACKAGE, "O" Running Clutch
	5212 355	8			SPRING, "O" Running Clutch Roller
7					ROLLER, "O" Running Clutch Serviced in Spring and Roller Package
8	5205 772	1			WASHER, "O" Running Clutch Cam Thrust
9	5224 300	2			CONE, Transaxle Output Shaft
10	5224 299	2			CUP PACKAGE
11					SPACER, Output Shaft Brg.
	4207 162	1			12.65
	4207 163	1			13.15
	4207 164	1			13.65
12					GEAR SET, Output Shaft and Transfer Shaft
	4186 889	1			w/4207293 Trans.
	4186 871	1			w/4207294,296 Trans.
	4205 871	1			w/4269544,651 Trans.
13	5222 010	1			WASHER,Output Shaft Gear Nut
14	5222 009	1			NUT,Output Shaft Gear (M20x1.5)

**MODEL CODES**

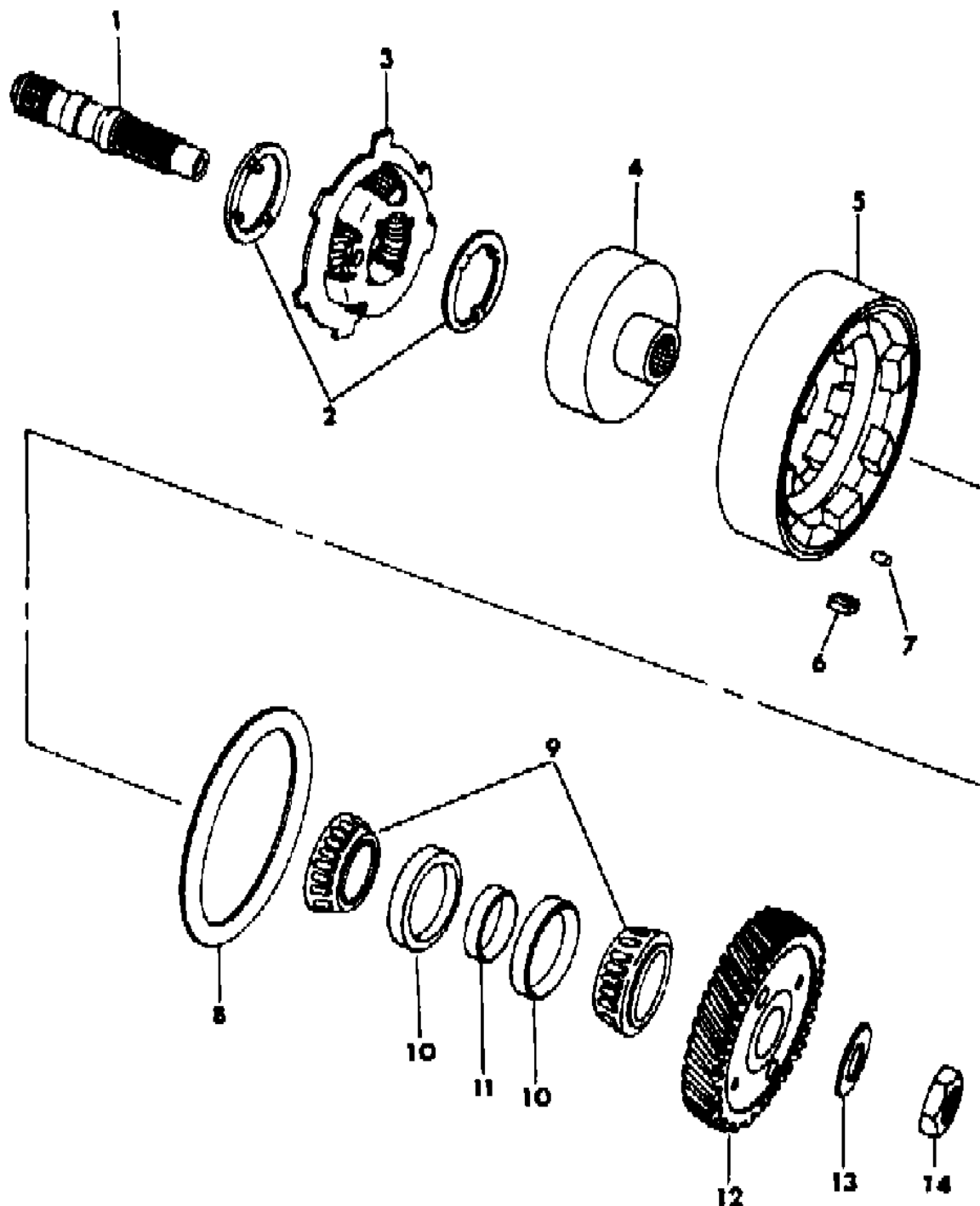
B = GRAN FURY/CARAVELLE	P = RELIANT
C = LEBARON/TOWN & COUNTRY	S = CORDOBA
D = ARIES	V = 400
F = NEW YORKER	X = MIRADA
G = DIPLOMAT	Y = IMPERIAL
M = HORIZON/TC3/SCAMP	Z = OMNI/O24/RAMPAGE

**BODY STYLES**

21 = 2-DOOR SEDAN	28 = FWD PICKUP
22 = 2-DOOR SPECIAL COUPE	41 = 4-DOOR SEDAN
24 = 2-DOOR HATCHBACK	44 = 4-DOOR HATCHBACK
27 = 2-DOOR CONVERTIBLE	45 = 2-SEAT STATION WAGON

AR = Use as Required - = Non Illustrated Part P.A.R. = Paint as Required

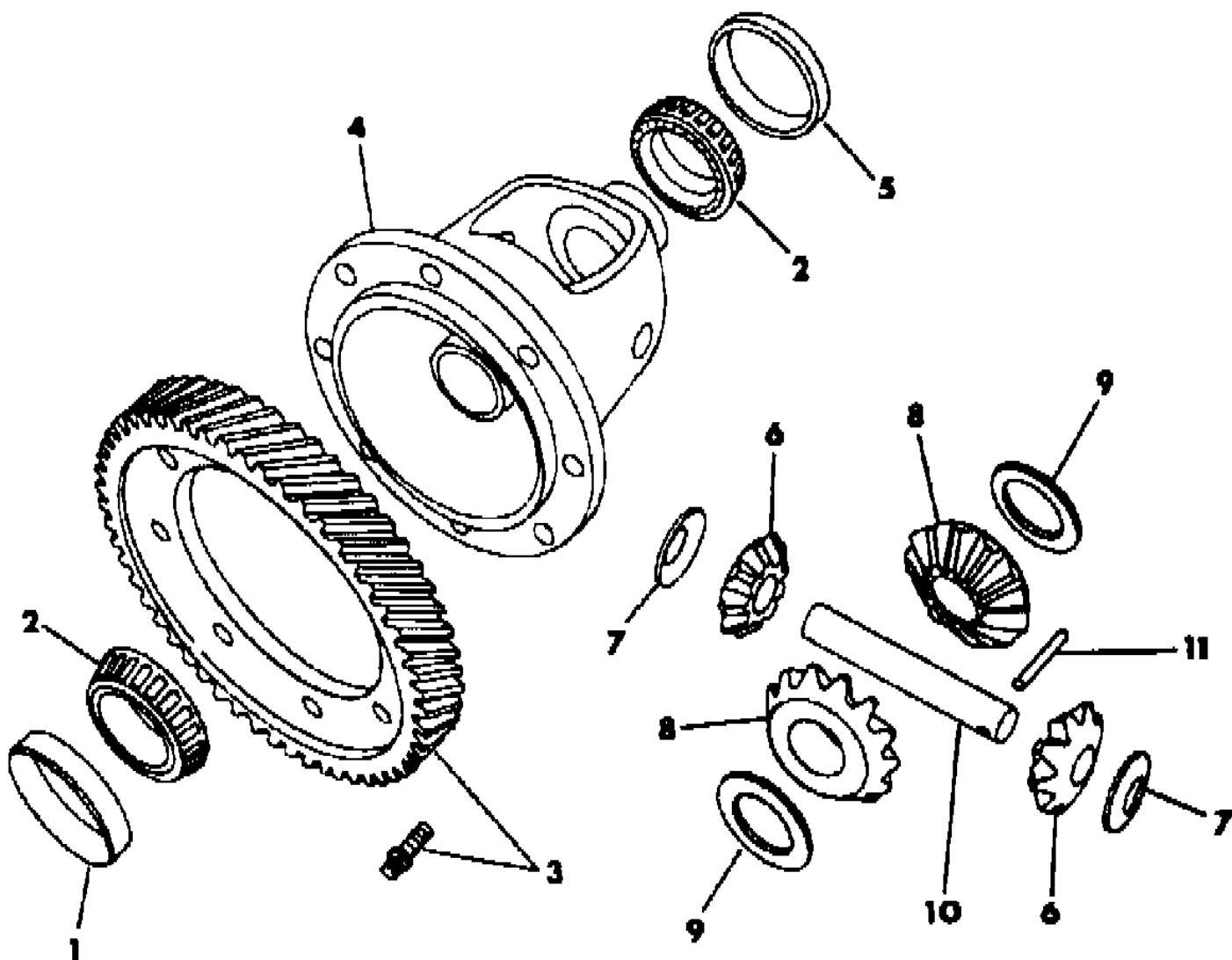
2151 2400



**AUTOMATIC TRANSAXLE DIFFERENTIAL**  
**Figure 21A-2500**

2151 2500

ITEM	PART NUMBER	QTY	BODY	MODEL	DESCRIPTION
1	5222 259	1			CUP, Transaxle Extension
2	5224 301	2			CONE, Transaxle Differential
3					SHAFT, DRIVE GEAR and SCREWS SET, Transfer
	4131 049	1			w/4207293 Trans.
	4186 873	1			w/4207296,4269544,651 Trans.
	4205 868	1			w/4207294 Trans.
	6500 353	8			SCREW,Diff.Ring Gear to Diff.
4	4186 888	1			CASE, Transaxle Differential
5	5222 259	1			CUP,Differential
6	5212 209	2			PINION, Differential
7	5212 211	2			WASHER, Diff. Pinion Thrust, Spherical
8	4186 887	1			GEAR and PINION PACKAGE
9	5212 212	2			WASHER, Diff. Side Gear Thrust, Flat
10	4207 073	1			SHAFT
11	6101 284	1			PIN,Diff.Roll



**MODEL CODES**

B = GRAN FURY/CARAVELLE	P = RELIANT
C = LEBARON/TOWN & COUNTRY	S = CORDOBA
D = ARIES	V = 400
F = NEW YORKER	X = MIRADA
G = DIPLOMAT	Y = IMPERIAL
M = HORIZON/TC3/SCAMP	Z = OMNI/O24/RAMPAGE

**BODY STYLES**

21 = 2-DOOR SEDAN	28 = FWD PICKUP
22 = 2-DOOR SPECIAL COUPE	41 = 4-DOOR SEDAN
24 = 2-DOOR HATCHBACK	44 = 4-DOOR HATCHBACK
27 = 2-DOOR CONVERTIBLE	45 = 2-SEAT STATION WAGON

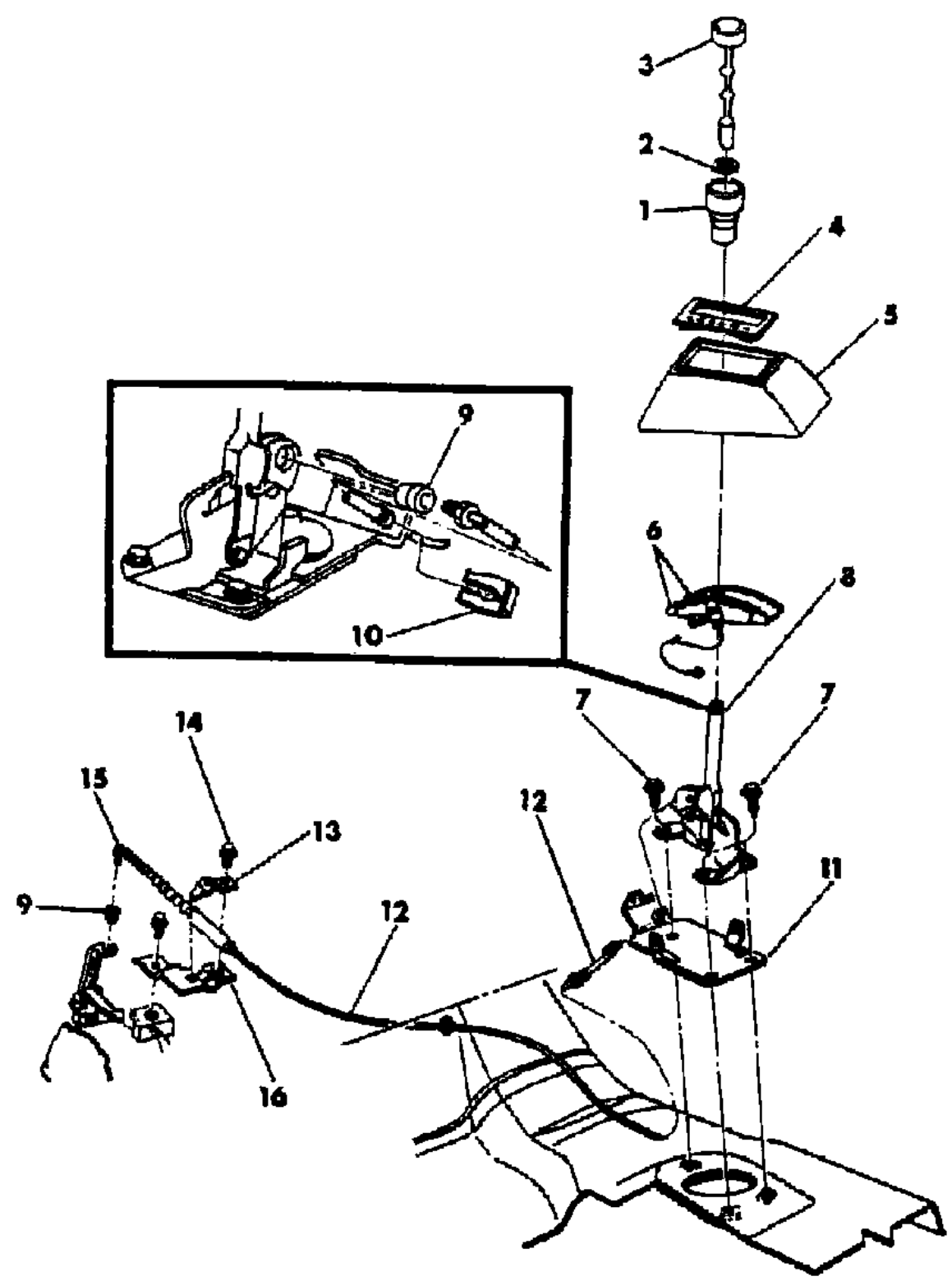
AR = Use as Required - = Non Illustrated Part P.A.R. = Paint as Required



**GEARSHIFT CONTROLS-AUTOMATIC TRANSMISSION FLOOR SHIFT, M,Z**  
**Figure 21A-2600**

2151 2500

ITEM	PART NUMBER	QTY	BODY	MODEL	DESCRIPTION
1	5206 117	1			KNOB, Gear Shift
2	5211 832	1			CLIP, Gear Shift Knob
3	4019 991	1			BUTTON, Gear Shift Knob
4	5209 966	1			LENS, Console Gear Selector Indicator
5					CONSOLE, Mini, (Refer to Group 23T)
6	5209 967	1			BRACKET, w/SLIDE, LAMP and CLIP, Console Gear Shift Selector Indicator
7	6100 577	3			SCREW, w/WASHER
8	5211 920	1			ACTUATOR, Gear Shift Control
9	3575 333	2			GROMMET
10	5211 884	1			CLIP, Gear Shift Control Cable
11	5211 875	1			BRACKET, Gear Shift Control Mounting
12	5211 914	1			CABLE, Gear Shift Control
13	5211 887	1			CLAMP, Gear Shift Control
14	6100 560	1			BOLT, Cable Mounting Front
15	6100 315	1			SCREW, w/WASHER, Bracket Mounting Front
16	5211 885	1			BRACKET, Gear Shift Control Cable Mounting Front



MODEL CODES  
 B = GRAN FURY/CARAVELLE      P = RELIANT  
 C = LEBARON/TOWN & COUNTRY    S = CORDOBA  
 D = ARIES                            V = 400  
 F = NEW YORKER                    X = MIRADA  
 G = DIPLOMAT                       Y = IMPERIAL  
 M = HORIZON/TC3/SCAMP        Z = OMNI/O24/RAMPAGE

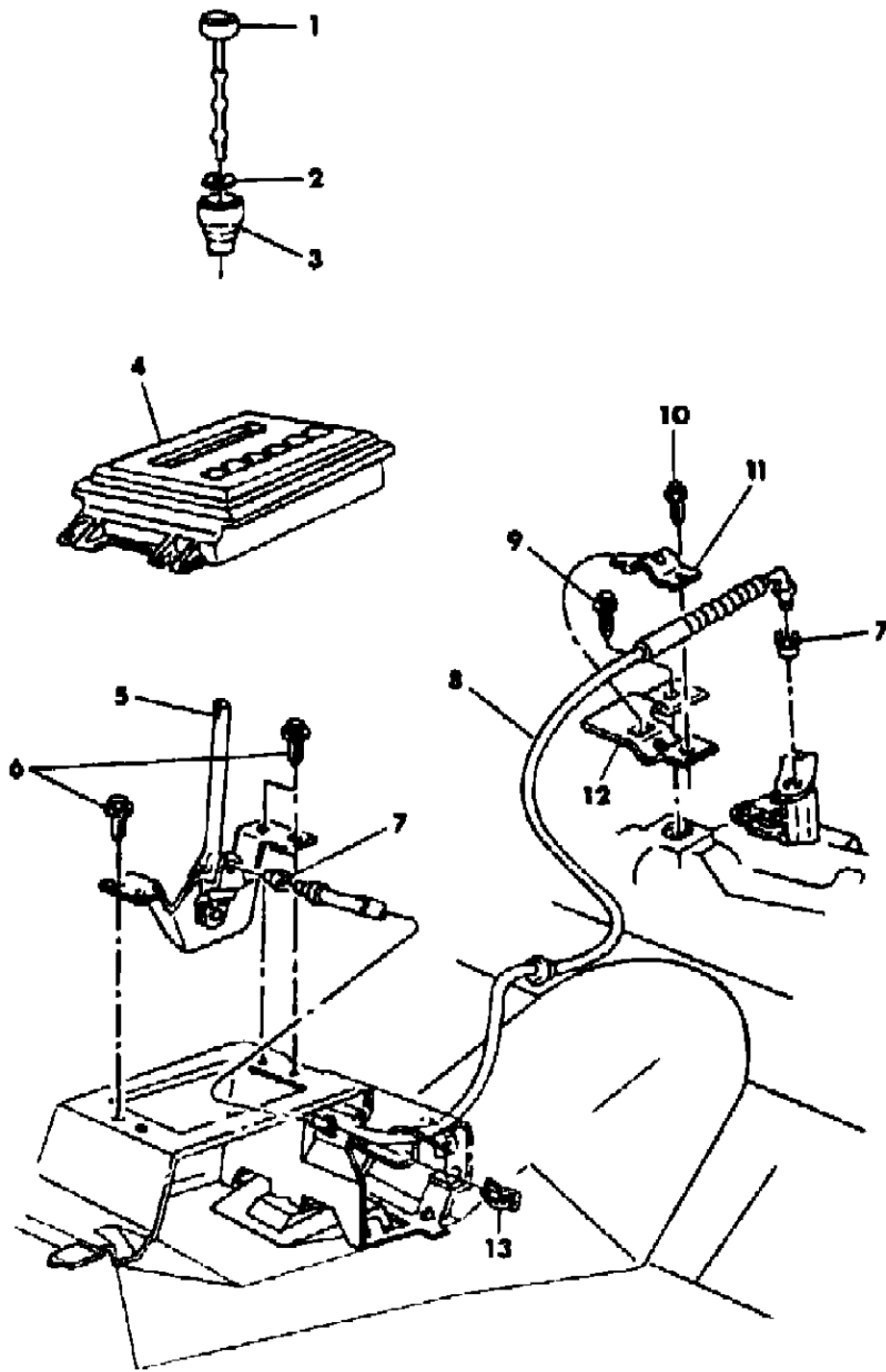
BODY STYLES  
 21 = 2-DOOR SEDAN                28 = FWD PICKUP  
 22 = 2-DOOR SPECIAL COUPE    41 = 4-DOOR SEDAN  
 24 = 2-DOOR HATCHBACK        44 = 4-DOOR HATCHBACK  
 27 = 2-DOOR CONVERTIBLE       45 = 2-SEAT STATION WAGON

AR = Use as Required - = Non Illustrated Part P.A.R. = Paint as Required

**GEARSHIFT CONTROLS - AUTOMATIC TRANSMISSION FLOOR SHIFT - P,D,C,V**  
**Figure 21A-2700**

2153 2700

ITEM	PART NUMBER	QTY	BODY	MODEL	DESCRIPTION
1	4019 991	1			BUTTON, Gearshift Control Knob
2	5211 832	1			CLIP, Gearshift Knob
3	5206 117	1			KNOB, Gearshift
4	3747 856	1			INDICATOR, w/LAMP, Gear Selector
5	4019 926	1			ACTUATOR, Gearshift
6	6100 539	3			SCREW, w/ WASHER, Gearshift Actuator
7	3575 333	2			GROMMET
8	4269 880	1			CABLE, Gerashift
9	6100 315	1			SCREW w/ WASHER
10	6100 560	1			BOLT
11	5211 887	1			CLAMP
12	5211 885	1			BRACKET, Gearshift Cable
13	5211 884	1			CLIP, Cable Mounting



**MODEL CODES**

B = GRAN FURY/CARAVELLE	P = RELIANT
C = LEBARON/TOWN & COUNTRY	S = CORDOBA
D = ARIES	V = 400
F = NEW YORKER	X = MIRADA
G = DIPLOMAT	Y = IMPERIAL
M = HORIZON/TC3/SCAMP	Z = OMNI/O24/RAMPAGE

**BODY STYLES**

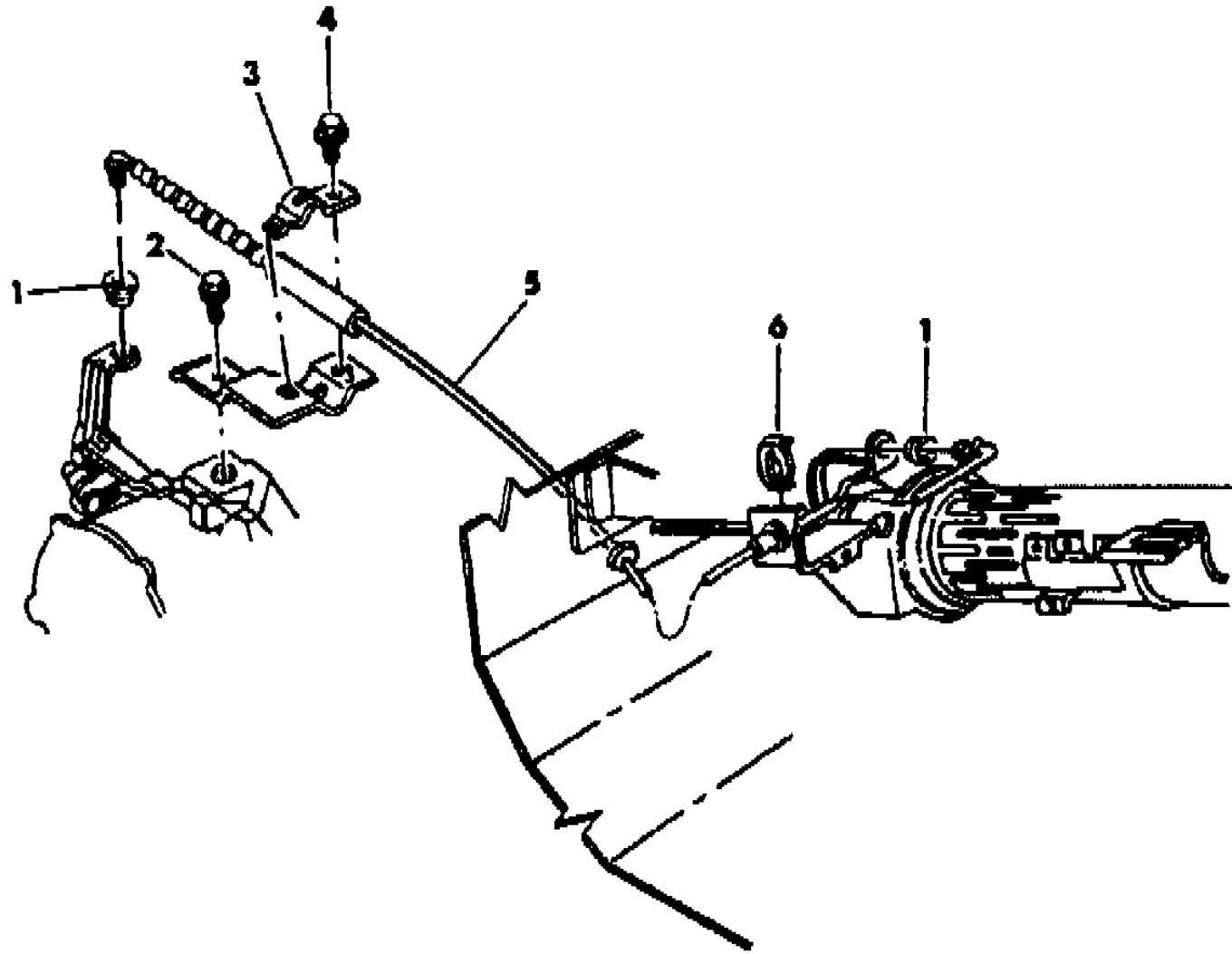
21 = 2-DOOR SEDAN	28 = FWD PICKUP
22 = 2-DOOR SPECIAL COUPE	41 = 4-DOOR SEDAN
24 = 2-DOOR HATCHBACK	44 = 4-DOOR HATCHBACK
27 = 2-DOOR CONVERTIBLE	45 = 2-SEAT STATION WAGON

AR = Use as Required - = Non Illustrated Part P.A.R. = Paint as Required

**GEARSHIFT CONTROLS - AUTOMATIC TRANSMISSION COLUMN SHIFT - P,D,C,V**  
**Figure 21A-2800**

2151 2800

ITEM	PART NUMBER	QTY	BODY	MODEL	DESCRIPTION
1	3575 333	2			GROMMET
2	6100 315	1			SCREW w/ WASHER, Bracket Mounting Front
3	5211 887	1			CLAMP, Control Cable Mounting Front
4	6100 560	1			BOLT, Cable Mounting Clamp
5	5211 915	1			CABLE, Gearshift Control
6	5211 884	1			CLIP
7	5211 885	1			BRACKET, Cable Mounting Front



**MODEL CODES**

B = GRAN FURY/CARAVELLE	P = RELIANT
C = LEBARON/TOWN & COUNTRY	S = CORDOBA
D = ARIES	V = 400
F = NEW YORKER	X = MIRADA
G = DIPLOMAT	Y = IMPERIAL
M = HORIZON/TC3/SCAMP	Z = OMNI/O24/RAMPAGE

**BODY STYLES**

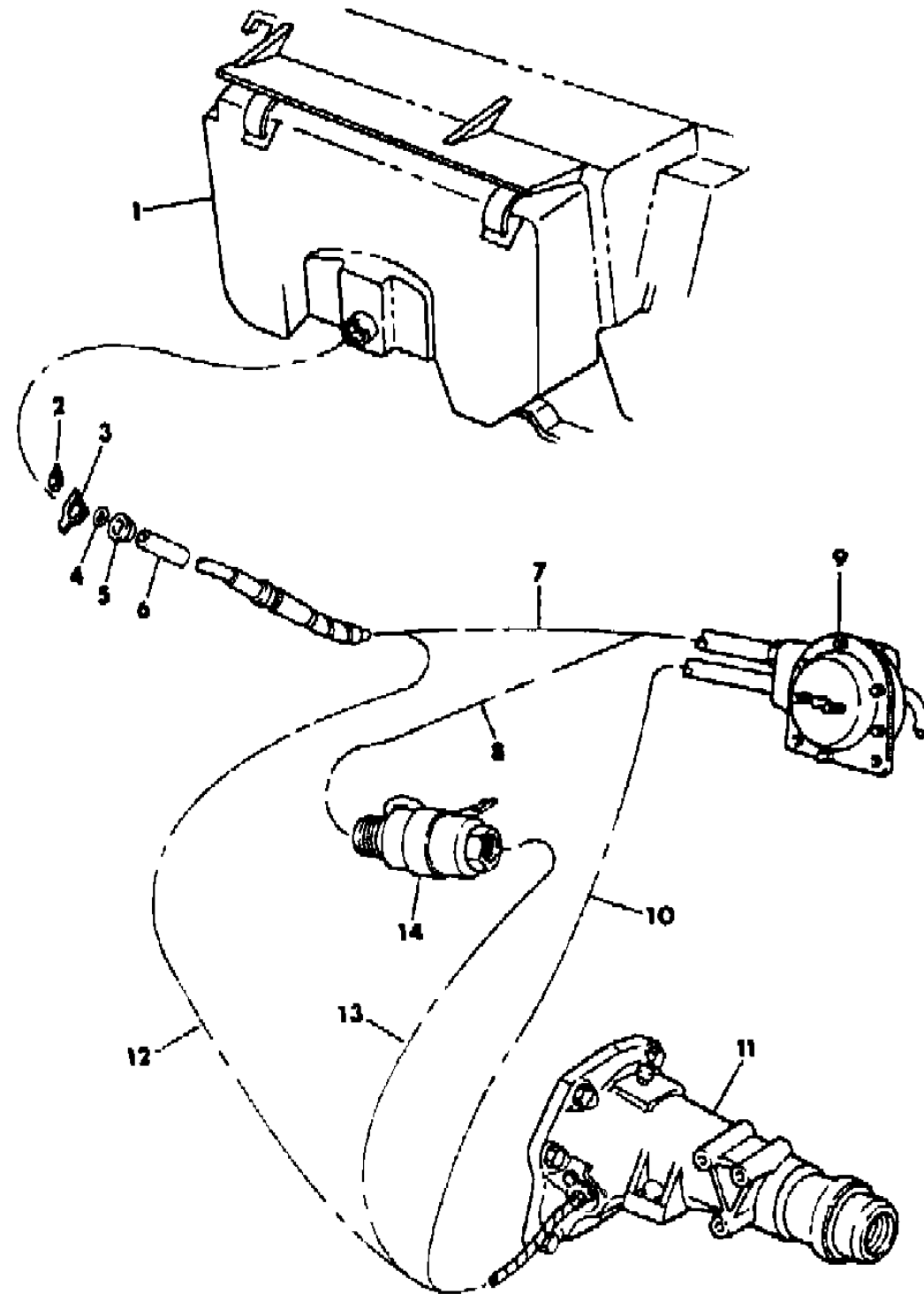
21 = 2-DOOR SEDAN	28 = FWD PICKUP
22 = 2-DOOR SPECIAL COUPE	41 = 4-DOOR SEDAN
24 = 2-DOOR HATCHBACK	44 = 4-DOOR HATCHBACK
27 = 2-DOOR CONVERTIBLE	45 = 2-SEAT STATION WAGON

AR = Use as Required - = Non Illustrated Part P.A.R. = Paint as Required

# SPEEDOMETER CABLES AUTOMATIC TRANSMISSION

Figure 21A-2900

2151 2900



ITEM	PART NUMBER	QTY	BODY	MODEL	DESCRIPTION
1					SPEEDOMETER (Ref.)
2	0152 490	1			"U" NUT, Cable Retainer
3	3593 310	1			RETAINER, Speedo Cable to Speedo
4	1536 268	1			"O" RING, Speedo Cable Shaft Lower
5	3593 460	1			GROMMET, Speedo Cable Dash
6	4057 046	1			RETAINER, SEALS and RINGS PACKAGE, Speedometer Pinion
7					CABLE, SPEEDOMETER TO SPEED CONTROL
	4047 769	1		M,Z	40" Long
	4047 757	1		P,D,C,V	41" Long
	3591 907	1		F,G,B	35" Long
	4047 773	1		X,S	34" Long
8	4047 774	1		Y	CABLE, SPEED CONTROL TO SPEED SENSOR SWIYCH, 4" Long
9					CONTROL, Speed (Ref.)
10					CABLE, SPEED CONTROL TO TRANSMISSION
	4047 771	1		M,Z	w/ 1.7 Liter Engine, 26" Long
	4047 761	1		M,Z	w/ 2.2 Liter Engine, 31" Long
	4047 761	1		P,D,C,V	w/ 2.2 Liter Engine, 31" Long
	4047 771	1		P,D,C,V	w/ 2.6 Liter Engine, 26" Long
	3591 615	1		F,G,B	52" Long
	3591 615	1		X,S	52" Long
11					TRANSMISSION (Ref.)
12					CABLE, SPEEDOMETER TO TRANSMISSION
	5209 504	1		M,Z	37" Long
	4047 755	1		P,D,C,V	51" Long
	3591 624	1		F,G,B	59" Long
	3591 614	1		X,S	w/ 225 Engine, 59" Long
	3591 189	1		X,S	w/ 318 Engine, 59" Long
				G,B	CABLE And CONNECTOR, Two Piece With 5/8 Fitting (Fleet Cars)
	4196 235	1		G,B	10" Long, Upper (Fleet Cars)
	4196 137	1		G,B	47" Long, Lower (Fleet Cars)
13	4047 775	1		Y	CABLE, SPEED SENSOR SWITCH TO TRANSMISSION, 46" Long
14	4085 919	1		Y	SWITCH, Speed Sensor
	2448 294	1			SHAFT, Cable Drive, Universal Drive Type (not illustrated) 80" Long

**MODEL CODES**

B = GRAN FURY/CARAVELLE	P = RELIANT
C = LEBARON/TOWN & COUNTRY	S = CORDOBA
D = ARIES	V = 400
F = NEW YORKER	X = MIRADA
G = DIPLOMAT	Y = IMPERIAL
M = HORIZON/TC3/SCAMP	Z = OMNI/O24/RAMPAGE

**BODY STYLES**

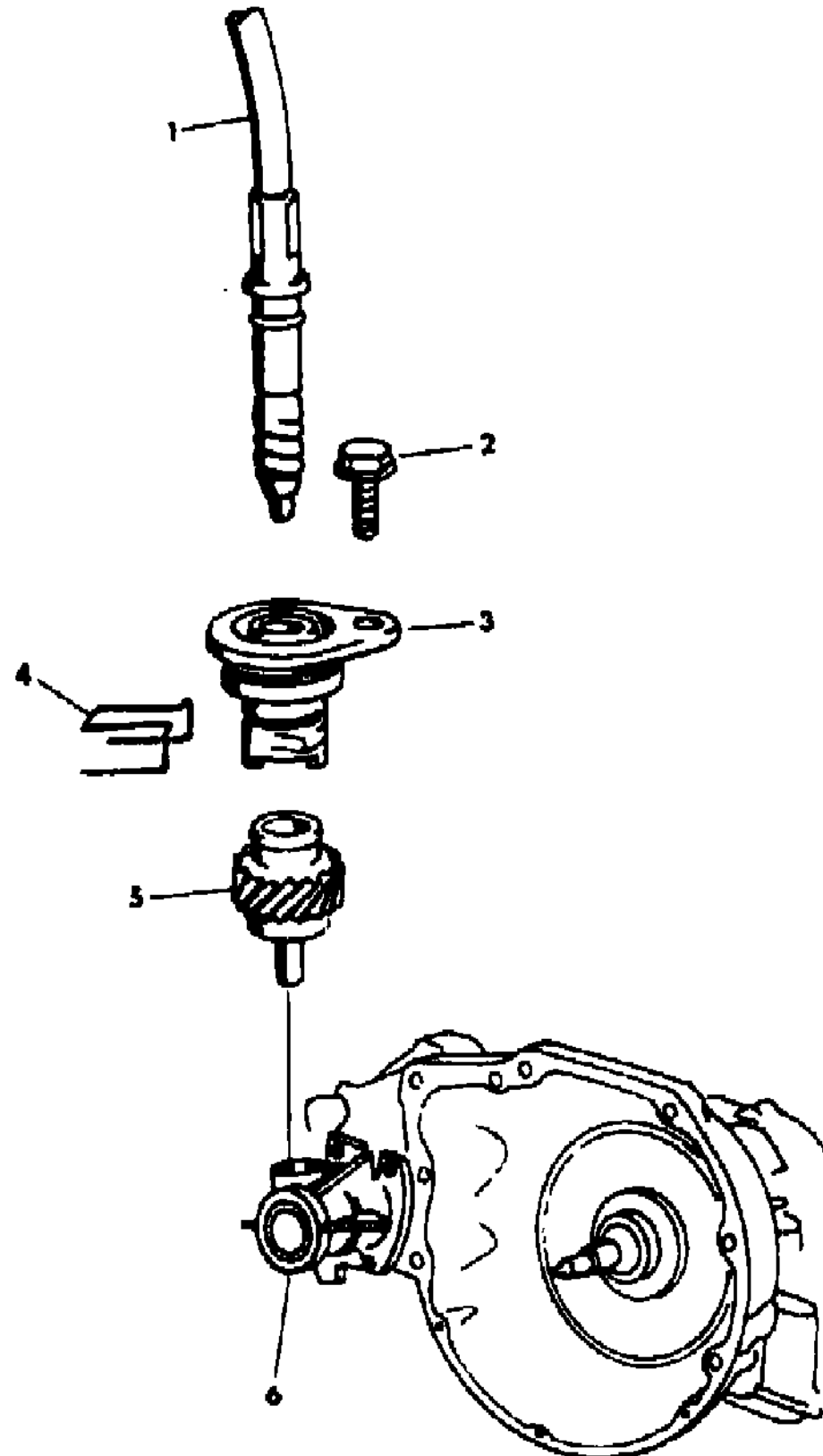
21 = 2-DOOR SEDAN	28 = FWD PICKUP
22 = 2-DOOR SPECIAL COUPE	41 = 4-DOOR SEDAN
24 = 2-DOOR HATCHBACK	44 = 4-DOOR HATCHBACK
27 = 2-DOOR CONVERTIBLE	45 = 2-SEAT STATION WAGON

AR = Use as Required - = Non Illustrated Part P.A.R. = Paint as Required



**SPEEDOMETER CABLE AND DRIVE PINION AUTOMATIC TRANSAXLE M,Z,P,D,C,V**  
**Figure 21A-3000**

2151 3000



ITEM	PART NUMBER	QTY	BODY	MODEL	DESCRIPTION
1					CABLE,w/HOUSING, see Speedometer Cable Illustration
2	6500 137	1			SCREW,w/WASHER, Speedo. Pinion Adapter
3	5222 005	1			ADAPTER, Speedo. Drive Pinion
	5212 152	1			"O" RING, Adapter,Rubber,26.49-26.80" I.D.
4	5222 006	1			RETAINER, Speedo.
5					PINION, Trans. Speedo. Drive
	5222 390	1			20 Tooth
	5222 388	1			21 Tooth
	4186 884	1			SEAL PACKAGE, Pinion Adapter,Steel,29/64" O.D.
6		1			EXTENSION, Trans.(See Fig. 2100)

**MODEL CODES**

B = GRAN FURY/CARAVELLE	P = RELIANT
C = LEBARON/TOWN & COUNTRY	S = CORDOBA
D = ARIES	V = 400
F = NEW YORKER	X = MIRADA
G = DIPLOMAT	Y = IMPERIAL
M = HORIZON/TC3/SCAMP	Z = OMNI/O24/RAMPAGE

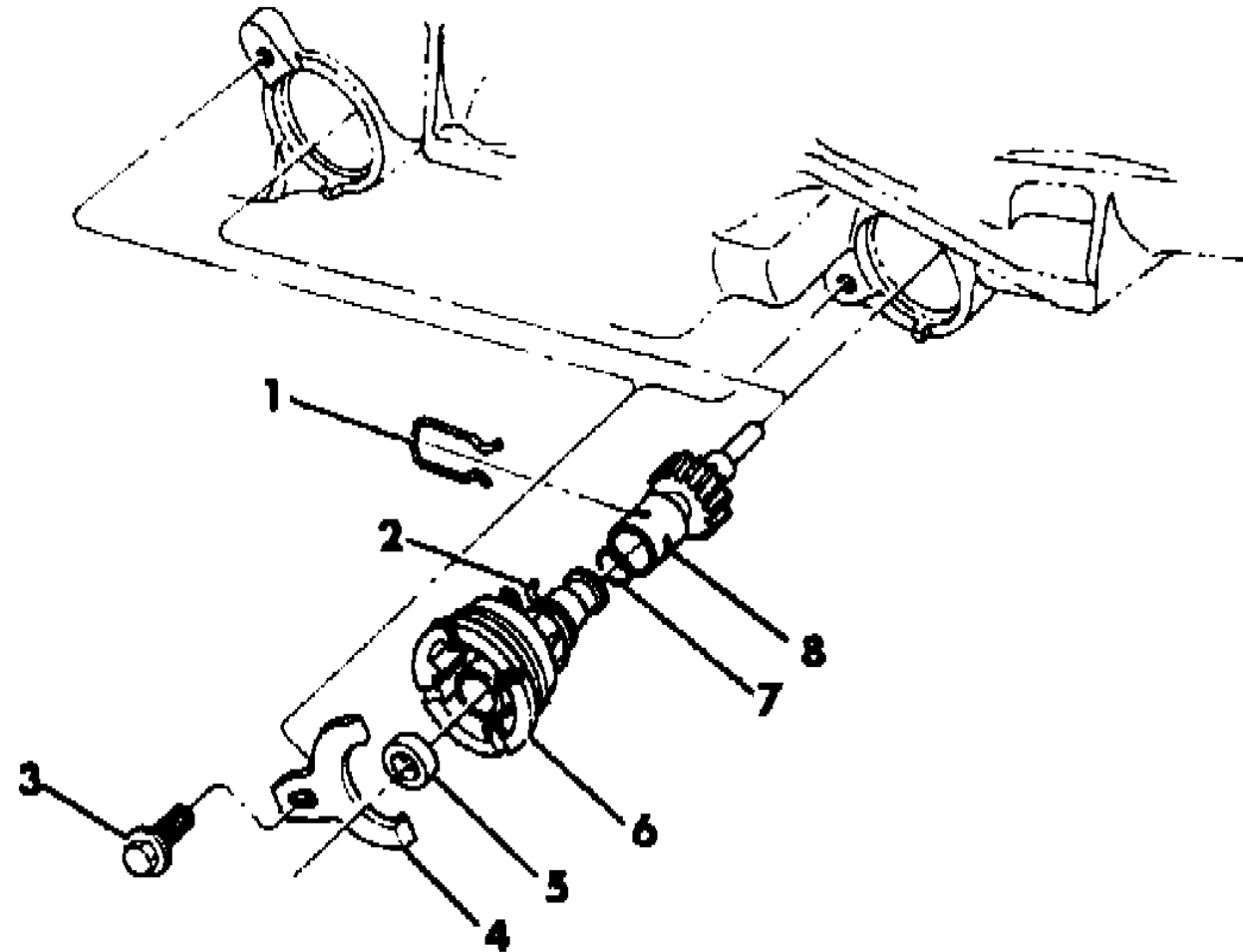
**BODY STYLES**

21 = 2-DOOR SEDAN	28 = FWD PICKUP
22 = 2-DOOR SPECIAL COUPE	41 = 4-DOOR SEDAN
24 = 2-DOOR HATCHBACK	44 = 4-DOOR HATCHBACK
27 = 2-DOOR CONVERTIBLE	45 = 2-SEAT STATION WAGON

AR = Use as Required - = Non Illustrated Part P.A.R. = Paint as Required

**SPEEDOMETER DRIVE PINION AND RELATED PARTS F,G,X,S,Y,B**  
**Figure 21A-3100**

2151 3100



ITEM	PART NUMBER	QTY	BODY	MODEL	DESCRIPTION
NOTE: Items 1 thru 7 are common to all Rear Axles an offsetting order for part no. 3747881					
COLOR OF PINIONS: G = Green; R = Red; W = White; B = Blue; Y = Yellow; BL = Black; O = Orange an offsetting order for part no. 3747881					
NOTE: PG = Glass, PS = Steel, PA = Aramid, PR = Rayon an offsetting order for part no. 3747881					
1					RETAINER, Speedo Drive Pinion (Prod. only-Not required for service) N N N N
2					RETAINER, Speedo Cable N4058156 N N N
3					SCREW, Clamp N180077 N N N
4					CLAMP N2892399 N N N
5					RETAINER, SEALS and RINGS PACKAGE, Speedometer Pinion N4057046 N N N
6					ADAPTER, Speedo Drive Pinion N N N N
	4202 923				22-25 Tooth Pinion Y4202923 N N N
	4202 924				26-33 Tooth Pinion Y4202924 N N N
7					"O" RING, Adapter N6031370 N N N
8					PINION, Drive N N N N
					P195/75xR15-PG N4058123/23R N4058123/23R N4058125/25B N
					P205/75xR15-PS N4058122/22G N4058122/22G N4058124/24W N
					P205/75xR15-PG N4058122/22G N4058122/22G N4058124/24W N
					P205/75xR15-PS N4058122/22G N4058122/22G N4058124/24W N
					P215/70xR15-PR N4058122/22G N4058123/23R N4058124/24W N
					P215/70xR15-PS N4058122/22G N4058123/23R N4058125/25B N
					P195/75xR15-PG N4058128/28B N4058130/30Y N N
					P205/75xR15-PS N4058127/27W N4058129/29BLN N
					P205/75xR15-PG N4058127/27W N4058129/29BLN N
					P205/75xR15-PS N4058127/27W N4058129/29BLN N
					P215/75xR15-PR N4058127/27W N4058129/29BLN N
					P215/75xR15-PS N4058128/28B N4058129/29BLN N

MODEL CODES  
 B = GRAN FURY/CARAVELLE      P = RELIANT  
 C = LEBARON/TOWN & COUNTRY      S = CORDOBA  
 D = ARIES      V = 400  
 F = NEW YORKER      X = MIRADA  
 G = DIPLOMAT      Y = IMPERIAL  
 M = HORIZON/TC3/SCAMP      Z = OMNI/O24/RAMPAGE

BODY STYLES  
 21 = 2-DOOR SEDAN      28 = FWD PICKUP  
 22 = 2-DOOR SPECIAL COUPE      41 = 4-DOOR SEDAN  
 24 = 2-DOOR HATCHBACK      44 = 4-DOOR HATCHBACK  
 27 = 2-DOOR CONVERTIBLE      45 = 2-SEAT STATION WAGON

AR = Use as Required - = Non Illustrated Part P.A.R. = Paint as Required

---

**GROUP 22 - WHEELS**

<b>ILLUSTRATION TITLE</b>	<b>GROUP-FIG. NO.</b>
TIRE CHART .....	Fig. 22-50
WHEEL COVER CHART .....	Fig. 22-200
WHEEL COVER CHART .....	Fig. 22-225
WHEEL COVER CHART .....	Fig. 22-240
WHEEL COVER, WIRE P,D,C,V .....	Fig. 22-300
WHEEL COVER, WIRE F,G,B,X,S,Y .....	Fig. 22-425
WHEEL CHART M,Z .....	Fig. 22-500
TEN SPOKE ALUMINUM WHEEL F,G,B,X,S .....	Fig. 22-600
TWENTY SPOKE FORGED ALUMINUM WHEEL F,G,B,X,S .....	Fig. 22-625
WHEEL CHART .....	Fig. 22-670
WHEEL, WEIGHTS, STEMS, AND EXTENSIONS .....	Fig. 22-700
REAR WHEEL BRAKE DRUM - M,Z,P,D,C,V .....	Fig. 22-800
REAR WHEEL BRAKE DRUM F,G,B,X,S,Y .....	Fig. 22-900
FRONT WHEEL BEARING M,Z,P,D,C,V .....	Fig. 22-1000
CONE AND ROLLERS (WITH DISC BRAKES) F,G,B,X,S,Y .....	Fig. 22-1100
SPARE TIRE AND JACK STOWAGE M,Z .....	Fig. 22-1200
SPARE TIRE AND JACK STOWAGE M,Z, 28 .....	Fig. 22-1225
SPARE TIRE AND JACK STOWAGE P,D,C,V, EXCEPT WAGON .....	Fig. 22-1250
SPARE TIRE AND JACK STOWAGE P,D,C, WAGON 45 .....	Fig. 22-1275
SPARE TIRE AND JACK STOWAGE F, G, B, .....	Fig. 22-1300
SPARE TIRE AND JACK STOWAGE X,S,Y .....	Fig. 22-1500

**ILLUSTRATION NOT AVAILABLE AT TIME OF PUBLICATION**



**TIRE CHART**  
**Figure 22-50**

ITEM	PART NUMBER	QTY	BODY	MODEL	DESCRIPTION
					TIRE WHEEL
			M,Z		P165/75R13 13x5.0 P195/60R14 14x5.5
			P,D		P175/75R13 13x5.0 P185/70R13 13x5.0
			F,G,B		P185/70R14 14x5.5 T105/80D13 13x4.0 P195/75R15 15x5.5 P195/75R15 15x7.0
			C,V		P205/75R15 15x7.0 P215/70R15 15x7.0 T125/70D15 15x4.0 P185/70R14 14x5.5
			X,S		T115/70D14 14x4.0 P195/75R15 15x5.5 P195/75R15 15x7.0 P205/75R15 15x7.0
			Y		P205/75R15 15x6.5 P215/70R15 15x7.0 T115/70D15 15x4.0 P205/75R15 15x7.0
			Y		T125/70D15 15x7.0

ILLUSTRATION NOT AVAILABLE AT TIME OF PUBLICATION

MODEL CODES

B = GRAN FURY/CARAVELLE	P = RELIANT
C = LEBARON/TOWN & COUNTRY	S = CORDOBA
D = ARIES	V = 400
F = NEW YORKER	X = MIRADA
G = DIPLOMAT	Y = IMPERIAL
M = HORIZON/TC3/SCAMP	Z = OMNI/O24/RAMPAGE

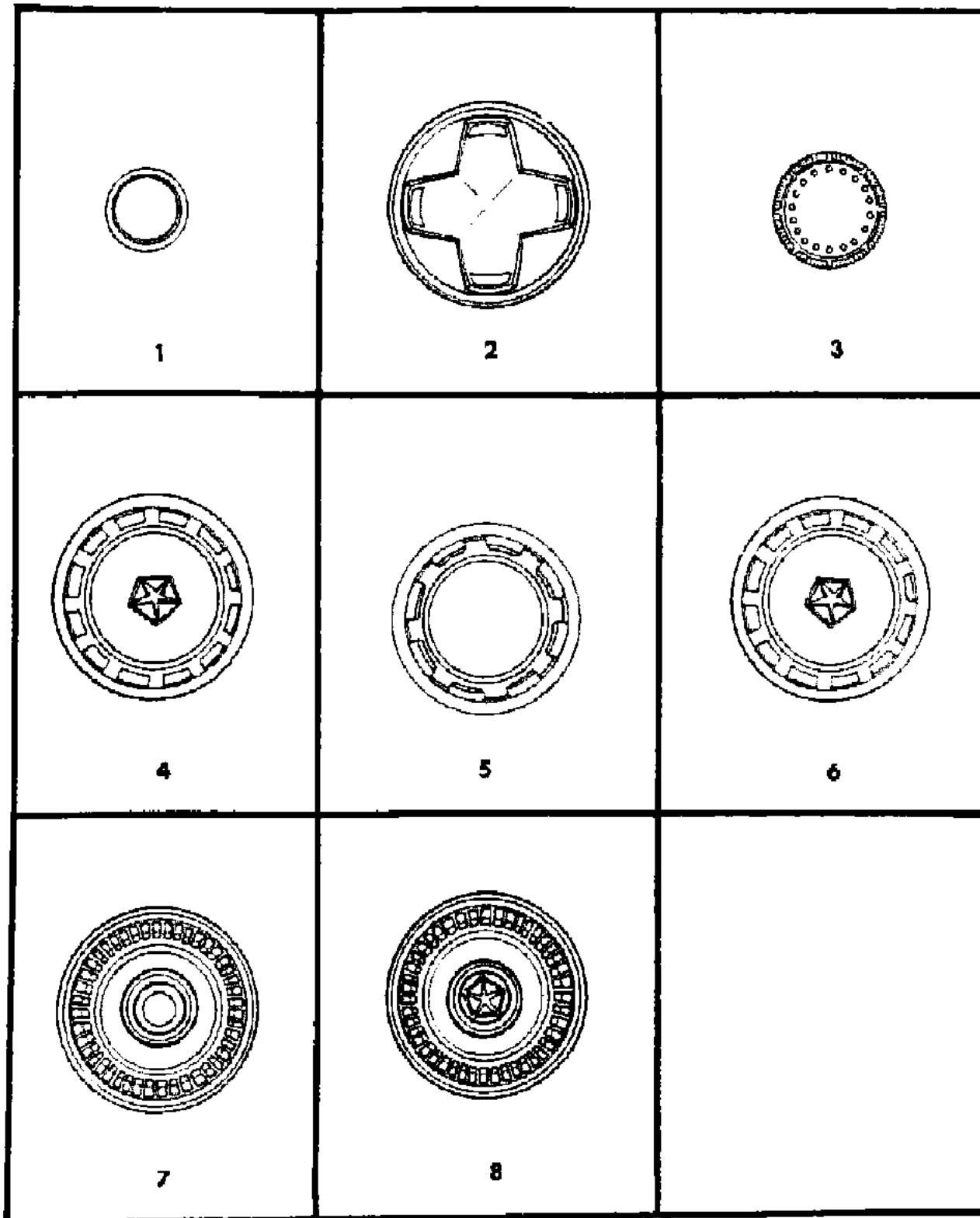
BODY STYLES

21 = 2-DOOR SEDAN	28 = FWD PICKUP
22 = 2-DOOR SPECIAL COUPE	41 = 4-DOOR SEDAN
24 = 2-DOOR HATCHBACK	44 = 4-DOOR HATCHBACK
27 = 2-DOOR CONVERTIBLE	45 = 2-SEAT STATION WAGON

AR = Use as Required - = Non Illustrated Part P.A.R. = Paint as Required

**WHEEL COVER CHART**  
Figure 22-200

2122 200A



ITEM	PART NUMBER	QTY	BODY	MODEL	DESCRIPTION
1	4126 766	4		P,D,C,V	COVER
2	4126 940	4		M,Z	COVER
3	3699 152	4		F,G,B	COVER
4	4238 526	4		C,V	COVER (chrome) up to 4-19-82
	4284 064	4		C,V	after 4-19-82 w/Decal
	4238 524	4		C,V	DECAL
5	4126 751	4		P,D,C,V	COVER, 13"
6	X315 AA1	4		P,D,C,V	COVER, Sterling Silver up to 7-12-81 (w/Decal)
	X318 AA1	4		P,D,C,V	COVER, Sterling Silver after 7-12-81 (w/Decal)
	X315 AA9	4			DARK SILVER up to 6-15-82 (w/Decal)
	X318 AA9	4			DARK SILVER after 6-15-82 (w/Decal)
	X315 AC1	4			LIGHT BLUE
	X315 AC9	4			NIGHT WATCH BLUE up to 6-15-82 (w/Decal)
	X318 AC9	4			NIGHT WATCH BLUE after 6-15-82 (w/Decal)
	X315 AH9	4			MAHOGANY up to 6-15-82 (w/Decal)
	X318 AH9	4			MAHOGANY after 6-15-82 (w/Decal)
	X315 AK8	4			SPICE TAN up to 6-15-82 (w/Decal)
	X318 AK8	4			SPICE TAN after 6-15-82 (w/Decal)
	X315 AM8	4			MOROCCO RED up to 6-15-82 (w/Decal)
	X318 AM8	4			MOROCCO RED after 6-15-82 (w/Decal)
	X315 AT3	4			MEDIUM TAN
	X315 AW3	4			WHITE up to 6-15-82 (w/Decal)
	X318 AW3	4			WHITE after 6-15-82 (w/Decal)
	X315 AX9	4			BLACK up to 6-15-82 (w/Decal)
	X318 AX9	4			BLACK after 6-15-82 (w/Decal)
	X315 AT7	4			GOLDEN MET. TAN up to 6-15-82 (w/Decal)
	X318 AT7	4			GOLDEN MET. TAN after 6-15-82 (w/Decal)
	4238 524	4		P,D,C,V	DECAL, for all X318 Covers use #4238524
				P,D,C,V	DECAL, for all X315 Covers Serviced in Assembly
	X315 AT7	4			GOLDEN MET. TAN
7	#5204 430	4		M,Z	COVER (Red Center)
8	#4284 044	4		M,Z	COVER (Penastar Center)

MODEL CODES

B = GRAN FURY/CARAVELLE	P = RELIANT
C = LEBARON/TOWN & COUNTRY	S = CORDOBA
D = ARIES	V = 400
F = NEW YORKER	X = MIRADA
G = DIPLOMAT	Y = IMPERIAL
M = HORIZON/TC3/SCAMP	Z = OMNI/O24/RAMPAGE

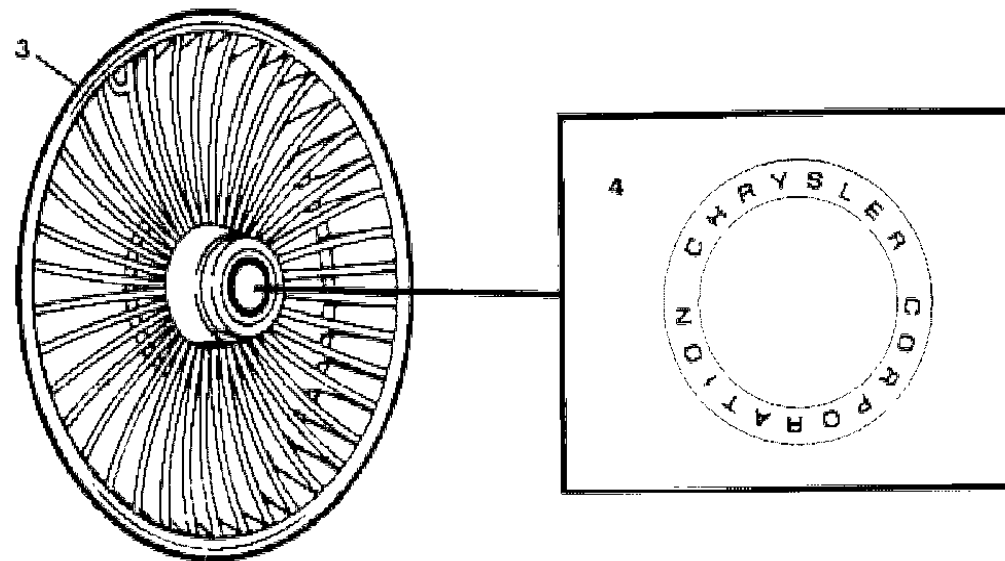
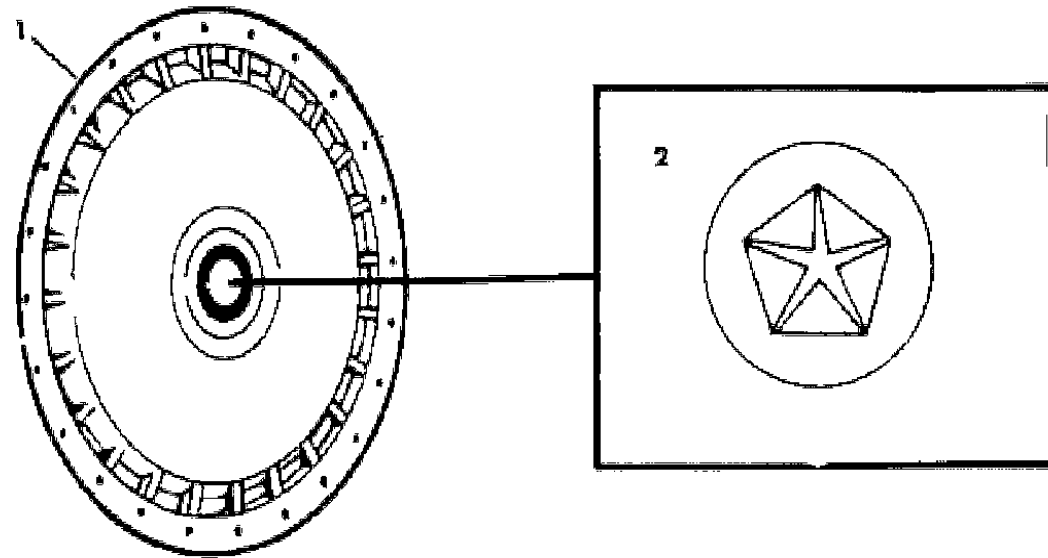
BODY STYLES

21 = 2-DOOR SEDAN	28 = FWD PICKUP
22 = 2-DOOR SPECIAL COUPE	41 = 4-DOOR SEDAN
24 = 2-DOOR HATCHBACK	44 = 4-DOOR HATCHBACK
27 = 2-DOOR CONVERTIBLE	45 = 2-SEAT STATION WAGON

AR = Use as Required - = Non Illustrated Part P.A.R. = Paint as Required

**WHEEL COVER CHART**  
Figure 22-200

1122 225



ITEM	PART NUMBER	QTY	BODY	MODEL	DESCRIPTION
1	#4126 626	4		X,S,Y	COVER w/o Decal
2	#4126 946	4		X,S,Y	DECAL
3	#4126 697	4		F,G,B,X	COVER, w/o Decal
4	4126 519	4		F,G,B,X	DECAL

**MODEL CODES**

B = GRAN FURY/CARAVELLE	P = RELIANT
C = LEBARON/TOWN & COUNTRY	S = CORDOBA
D = ARIES	V = 400
F = NEW YORKER	X = MIRADA
G = DIPLOMAT	Y = IMPERIAL
M = HORIZON/TC3/SCAMP	Z = OMNI/O24/RAMPAGE

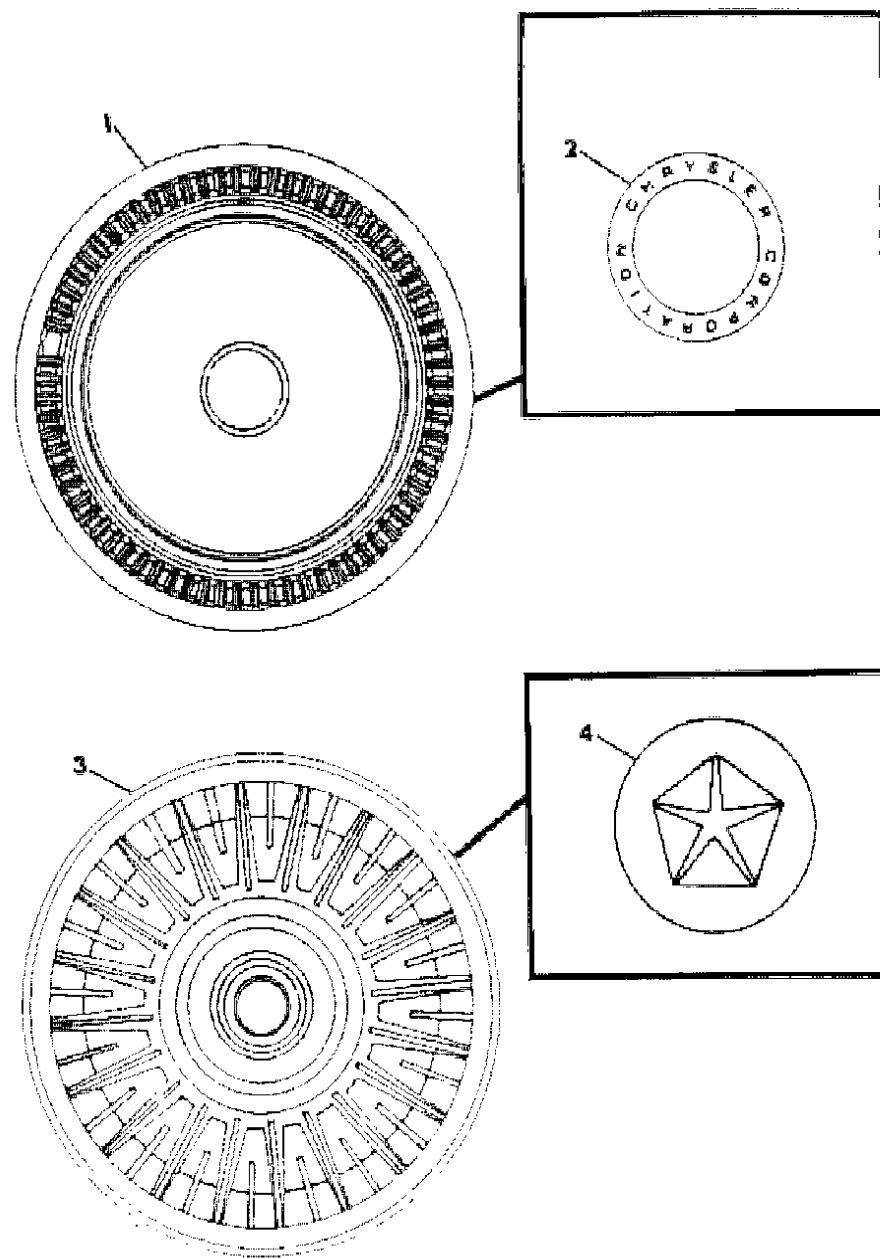
**BODY STYLES**

21 = 2-DOOR SEDAN	28 = FWD PICKUP
22 = 2-DOOR SPECIAL COUPE	41 = 4-DOOR SEDAN
24 = 2-DOOR HATCHBACK	44 = 4-DOOR HATCHBACK
27 = 2-DOOR CONVERTIBLE	45 = 2-SEAT STATION WAGON

AR = Use as Required - = Non Illustrated Part P.A.R. = Paint as Required

**WHEEL COVER CHART**  
Figure 22-200

2122 240



ITEM	PART NUMBER	QTY	BODY	MODEL	DESCRIPTION
1	3880 966	4		F,G,B	
2	4126 519	4		F,G,B	
3	#4284 016	4		P,D	COVER w/Decal, 14" up to 5-3-82
4	4126 946			P,D	DECAL
	4284 067	4		P,D,V	COVER w/Decal, 14" after 5-3-82
	X072 AR4	4		P,D,C,V	COVER w/Decal, 14" Red
	X072 AT4	4		P,D,C,V	COVER w/Decal, 14" Tan

MODEL CODES

B = GRAN FURY/CARAVELLE	P = RELIANT
C = LEBARON/TOWN & COUNTRY	S = CORDOBA
D = ARIES	V = 400
F = NEW YORKER	X = MIRADA
G = DIPLOMAT	Y = IMPERIAL
M = HORIZON/TC3/SCAMP	Z = OMNI/O24/RAMPAGE

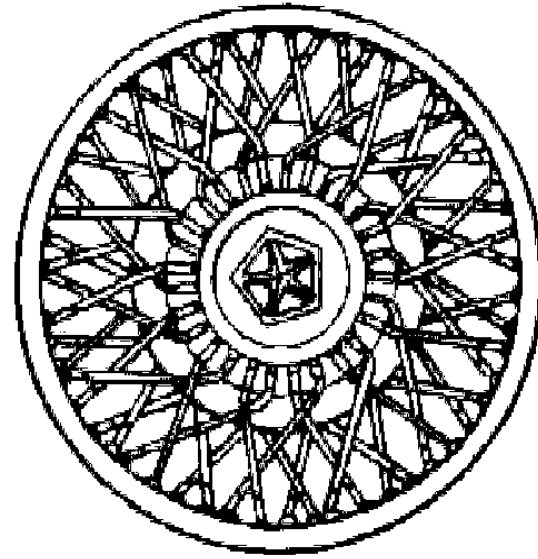
BODY STYLES

21 = 2-DOOR SEDAN	28 = FWD PICKUP
22 = 2-DOOR SPECIAL COUPE	41 = 4-DOOR SEDAN
24 = 2-DOOR HATCHBACK	44 = 4-DOOR HATCHBACK
27 = 2-DOOR CONVERTIBLE	45 = 2-SEAT STATION WAGON

AR = Use as Required - = Non Illustrated Part P.A.R. = Paint as Required

**WHEEL COVER, WIRE P,D,C,V**  
**Figure 22-300**

2122 300



ITEM	PART NUMBER	QTY	BODY	MODEL	DESCRIPTION
	4126 964	4			COVER, Wire Parital 14"
	4126 954	4			CAP
	4126 539	4			BOLT, Cover Lock
	4126 966	4			RETAINER
	6029 190	16			SCREW, Hex Flange
	4126 556	1			KEY, Wrench
	4238 502	4			CLIP, Wire
	4126 869	4			WHEEL, 14x5.5
	6500 526	16			NUT, Wheel Mtg. Std.
	4284 026	4			SPOKE up to 2-15-82
	4284 052	4			after 2-15-82

**MODEL CODES**

B = GRAN FURY/CARAVELLE	P = RELIANT
C = LEBARON/TOWN & COUNTRY	S = CORDOBA
D = ARIES	V = 400
F = NEW YORKER	X = MIRADA
G = DIPLOMAT	Y = IMPERIAL
M = HORIZON/TC3/SCAMP	Z = OMNI/O24/RAMPAGE

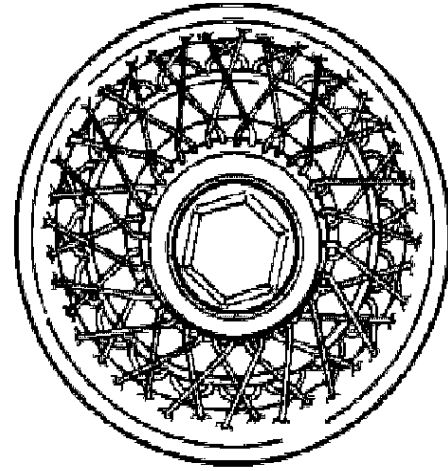
**BODY STYLES**

21 = 2-DOOR SEDAN	28 = FWD PICKUP
22 = 2-DOOR SPECIAL COUPE	41 = 4-DOOR SEDAN
24 = 2-DOOR HATCHBACK	44 = 4-DOOR HATCHBACK
27 = 2-DOOR CONVERTIBLE	45 = 2-SEAT STATION WAGON

AR = Use as Required - = Non Illustrated Part P.A.R. = Paint as Required

**WHEEL COVER, WIRE F,G,B,X,S,Y**  
**Figure 22-425**

2122 425



ITEM	PART NUMBER	QTY	BODY	MODEL	DESCRIPTION
	4126 537	4		All	COVER, Partial
	4126 536	4		F,G,B,X	CAP, (Hex Center)
	4126 539	4		All	LOCK, Bolt
	4126 541	4		All	RETAINER
	4126 556	1		All	WRENCH, Key
	6031 712	12		All	SCREW
	4126 747	5		All	WHEEL, 15-5.5
	4126 692	4		All	ADAPTER, Lock Bolt
	4126 825	4		Y	CAP, w/o Medallion (Not Hex Center)
	4126 822	4		Y	MEDALLION Imperial (Not Shown)
	4238 500	12		F,G,B,X	CLIP, Cover Cap (Not Shown)
	4238 501	12		Y	CLIP, Cover Cap (Not Shown)
	4284 027	4		All	SPOKE

**MODEL CODES**

B = GRAN FURY/CARAVELLE	P = RELIANT
C = LEBARON/TOWN & COUNTRY	S = CORDOBA
D = ARIES	V = 400
F = NEW YORKER	X = MIRADA
G = DIPLOMAT	Y = IMPERIAL
M = HORIZON/TC3/SCAMP	Z = OMNI/O24/RAMPAGE

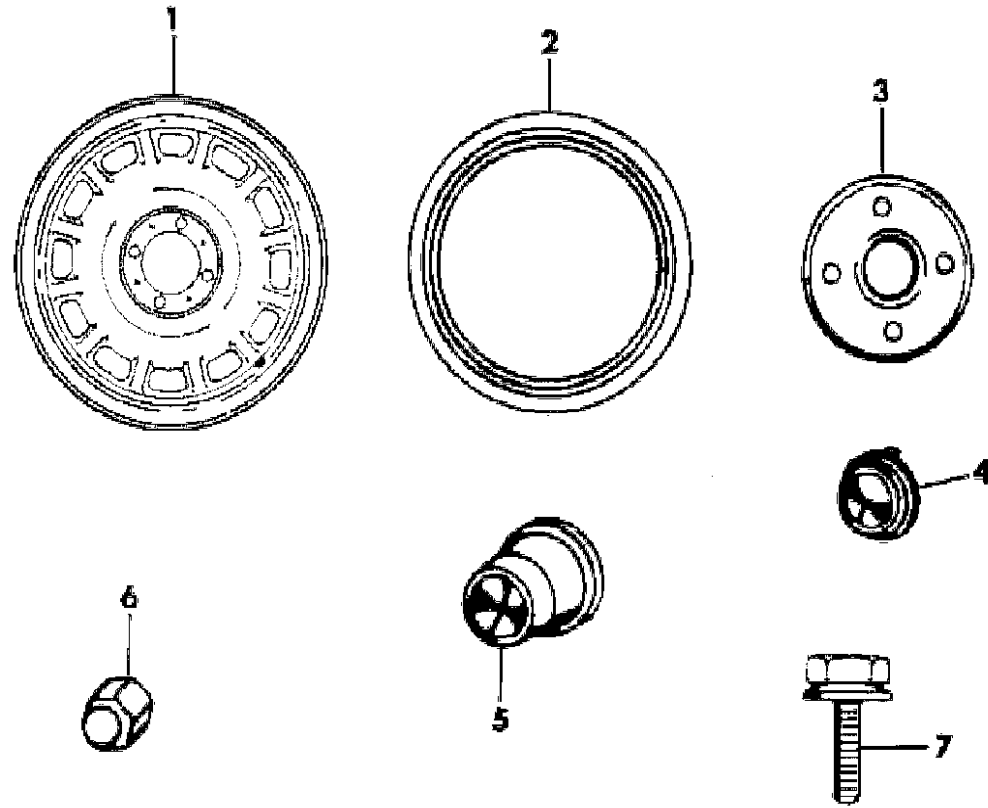
**BODY STYLES**

21 = 2-DOOR SEDAN	28 = FWD PICKUP
22 = 2-DOOR SPECIAL COUPE	41 = 4-DOOR SEDAN
24 = 2-DOOR HATCHBACK	44 = 4-DOOR HATCHBACK
27 = 2-DOOR CONVERTIBLE	45 = 2-SEAT STATION WAGON

AR = Use as Required - = Non Illustrated Part P.A.R. = Paint as Required

**WHEEL CHART M,Z**  
**Figure 22-500**

2122 500



ITEM	PART NUMBER	QTY	BODY	MODEL	DESCRIPTION
1	#4267 346	4			WHEEL, 13-4.5 (Argent)
	4284 055	4			WHEEL, 13-5.0 (Argent)
	4284 056	4			WHEEL, 13-5.0 (Black)
2	#4126 981	4			RING, Trim
3	#5204 012	4			DOME
4	5204 013	4			CAP, Dome
5	#5204 447	4			CAP, w/Applique
6	6500 294	16			NUT, Cap Style
7	6029 190	16			SCREW Hex Flange

**MODEL CODES**

B = GRAN FURY/CARAVELLE	P = RELIANT
C = LEBARON/TOWN & COUNTRY	S = CORDOBA
D = ARIES	V = 400
F = NEW YORKER	X = MIRADA
G = DIPLOMAT	Y = IMPERIAL
M = HORIZON/TC3/SCAMP	Z = OMNI/O24/RAMPAGE

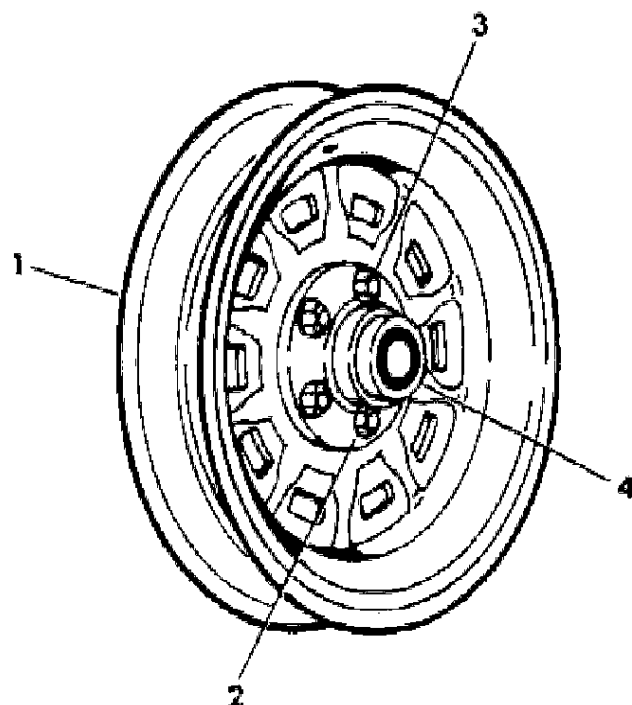
**BODY STYLES**

21 = 2-DOOR SEDAN	28 = FWD PICKUP
22 = 2-DOOR SPECIAL COUPE	41 = 4-DOOR SEDAN
24 = 2-DOOR HATCHBACK	44 = 4-DOOR HATCHBACK
27 = 2-DOOR CONVERTIBLE	45 = 2-SEAT STATION WAGON

AR = Use as Required - = Non Illustrated Part P.A.R. = Paint as Required

TEN SPOKE ALUMINUM WHEEL F,G,B,X,S  
Figure 22-600

2122 600



ITEM	PART NUMBER	QTY	BODY	MODEL	DESCRIPTION
1	X181 VA4	4			WHEEL 15-7.0, (Cast) Sliver
2	6031 535	20			NUT 1/2" Thd., Cap Style
3	3699 011	4			DOMES
4	4126 620	4			CAP
	4213 416	4			DECAL (Not Shown)
	0181 064	16			SCREW, Dome to Wheel (Not Shown)

MODEL CODES

B = GRAN FURY/CARAVELLE	P = RELIANT
C = LEBARON/TOWN & COUNTRY	S = CORDOBA
D = ARIES	V = 400
F = NEW YORKER	X = MIRADA
G = DIPLOMAT	Y = IMPERIAL
M = HORIZON/TC3/SCAMP	Z = OMNI/O24/RAMPAGE

BODY STYLES

21 = 2-DOOR SEDAN	28 = FWD PICKUP
22 = 2-DOOR SPECIAL COUPE	41 = 4-DOOR SEDAN
24 = 2-DOOR HATCHBACK	44 = 4-DOOR HATCHBACK
27 = 2-DOOR CONVERTIBLE	45 = 2-SEAT STATION WAGON

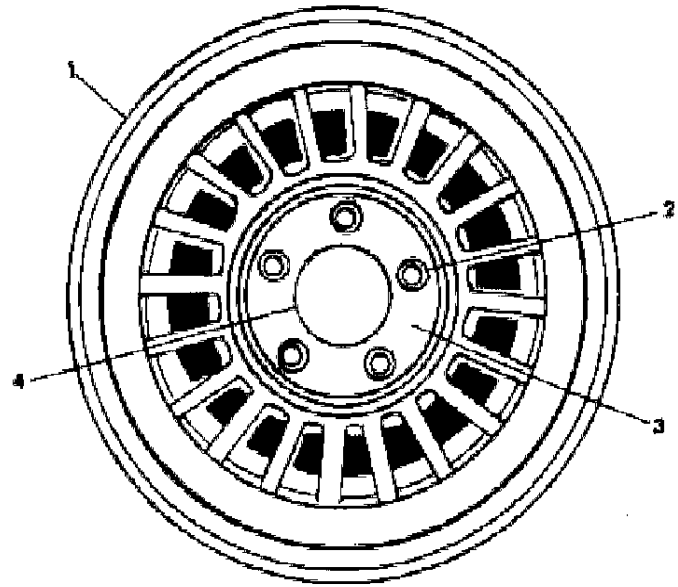
AR = Use as Required - = Non Illustrated Part P.A.R. = Paint as Required



**TWENTY SPOKE FORGED ALUMINUM WHEEL F,G,B,X,S**

**Figure 22-625**

2122 025



ITEM	PART NUMBER	QTY	BODY	MODEL	DESCRIPTION
1	4126 826	4			WHEEL 15-7.0, Forged Aluminum
2	6031 535	20			NUT 1/2" Thd. Cap Style
3	3699 011	4			DOME
4	4126 620	4			CAP
	4213 416	4			DECAL, Chrysler Corp. (Not Shown)
	0181 064	16			SCREW, Dome to Wheel (Not Shown)

**MODEL CODES**

B = GRAN FURY/CARAVELLE	P = RELIANT
C = LEBARON/TOWN & COUNTRY	S = CORDOBA
D = ARIES	V = 400
F = NEW YORKER	X = MIRADA
G = DIPLOMAT	Y = IMPERIAL
M = HORIZON/TC3/SCAMP	Z = OMNI/O24/RAMPAGE

**BODY STYLES**

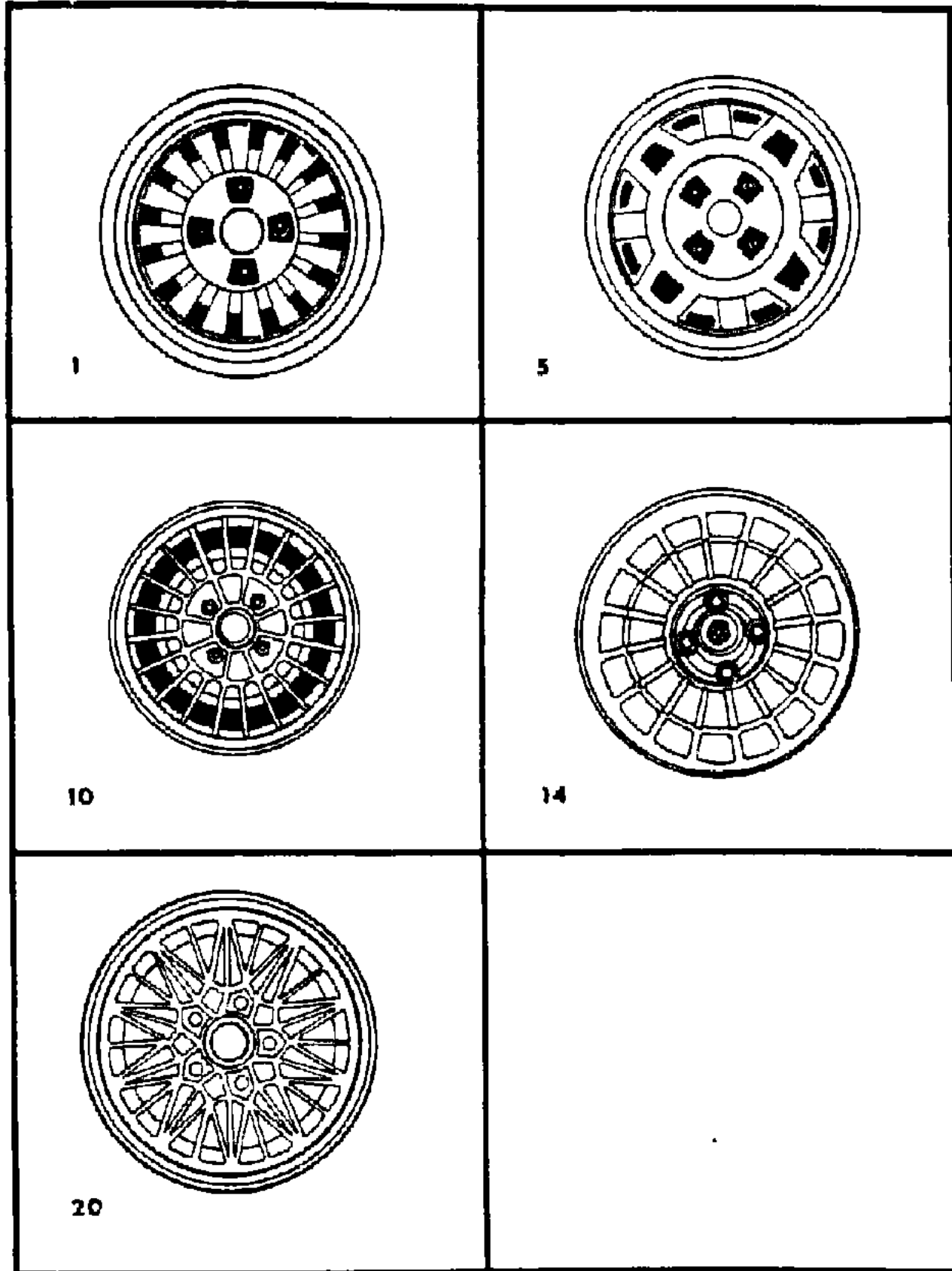
21 = 2-DOOR SEDAN	28 = FWD PICKUP
22 = 2-DOOR SPECIAL COUPE	41 = 4-DOOR SEDAN
24 = 2-DOOR HATCHBACK	44 = 4-DOOR HATCHBACK
27 = 2-DOOR CONVERTIBLE	45 = 2-SEAT STATION WAGON

AR = Use as Required - = Non Illustrated Part P.A.R. = Paint as Required

# WHEEL CHART

## Figure 22-670

2122 670



ITEM	PART NUMBER	QTY	BODY	MODEL	DESCRIPTION
1	4126 685	4		P,D,C,V	WHEEL 13-5.0 (Argent)
					CONSISTS of:
2	#4126 792	4			DOME
3	#4126 981	4			TRIM RING
4	6029 190	AR			SCREW Hex Flange
5	#4284 057	4		M,Z,P,D	WHEEL 14-5.5 (Argent)
	4284 058	4		M,Z,P,D	WHEEL 14-5.5 (Black)
					CONSISTS OF:
6	4126 767	4			TRIM RING
7	4126 792	4			DOME
8	4205 863	16			DECAL
9	6029 190	AR			SCREW Hex Flange
10	#4284 062	4		M,Z	WHEEL 14-5.5 Cast Aluminum
					CONSISTS of:
11	5204 449	4			CAP, w/Applique
13	6500 294	16			NUT, Cap
14	#4126 934	4		P,D,C,V	WHEEL, 14-5.5 Cast Aluminun up to 4-21-82
	4284 017	4		P,D,C,V	after 4-21-82
					CONSISTS of
15	#4126 988	4			DOME w/Medallion
16	#4126 987	1			MEDALLION
17	6029 190	4			SCREW
18	6500 294	4			NUT, Cap
20	4126 694	4		Y	WHEEL 15-7.0 Cast Aluminum
					CONSISTS of:
21	X259 VRR	4			CAP, Red
	X259 VDD	4			CAP, Clear
22	6031 535	20			NUT, Cap
23	X258 VRR	4			MEDALLION, Red
	X258 VDD	4			MEDALLION, Clear

**MODEL CODES**

B = GRAN FURY/CARAVELLE	P = RELIANT
C = LEBARON/TOWN & COUNTRY	S = CORDOBA
D = ARIES	V = 400
F = NEW YORKER	X = MIRADA
G = DIPLOMAT	Y = IMPERIAL
M = HORIZON/TC3/SCAMP	Z = OMNI/O24/RAMPAGE

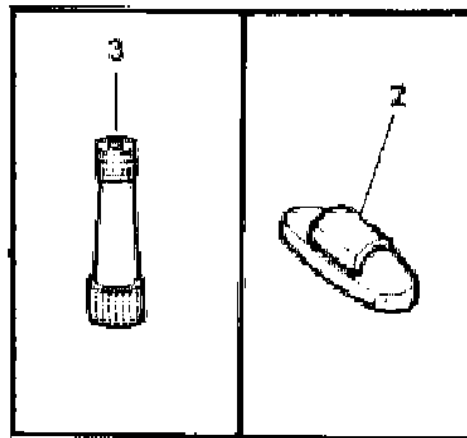
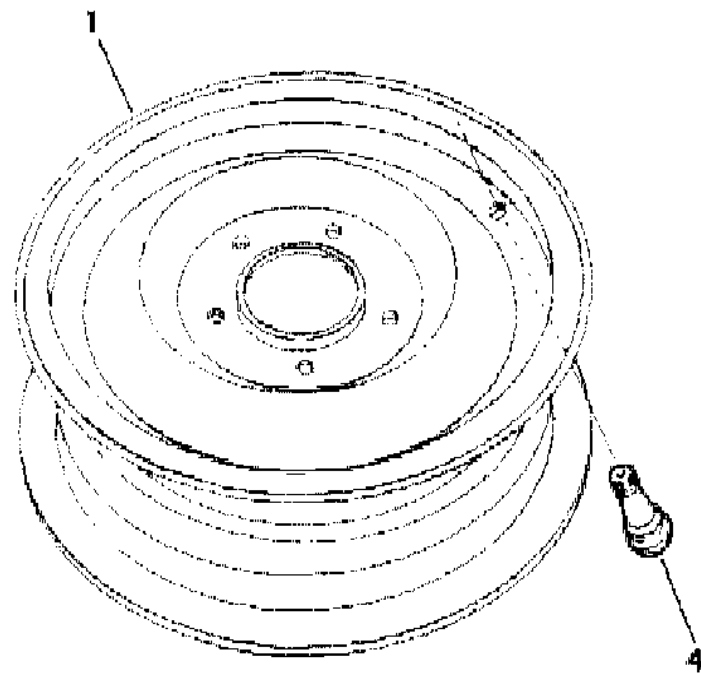
**BODY STYLES**

21 = 2-DOOR SEDAN	28 = FWD PICKUP
22 = 2-DOOR SPECIAL COUPE	41 = 4-DOOR SEDAN
24 = 2-DOOR HATCHBACK	44 = 4-DOOR HATCHBACK
27 = 2-DOOR CONVERTIBLE	45 = 2-SEAT STATION WAGON

AR = Use as Required - = Non Illustrated Part P.A.R. = Paint as Required

**WHEEL, WEIGHTS, STEMS, AND EXTENSIONS**  
**Figure 22-700**

2122 700



ITEM	PART NUMBER	QTY	BODY	MODEL	DESCRIPTION
1	4126 887	1		P,D	13-4.00 Spare, w/Decal Hi Pressure
	4126 685	4		P,D,C,V	13-5.00 Semi-Styled
	4238 515	1		P,D,C,V	14-4.00 Spare, w/Decal Hi Pressure
	4284 057	4		M,Z,P,D	14-5.50 Semi-Styled, (Argent)
	4284 058	4		M,Z,P,D	14-5.50 Semi-Styled, (Black)
	4126 869	4		P,D,V,C	14-5.50 for 14" Wire Wheel Cvr.
	4238 510	4		P,D	14-6.00 Semi Styled Heavy Duty
	3880 940	1		F,G,B,X	15-4.00 Spare w/Decal Hi Pressure use w/14" Wheels
	3880 933	1		F,G,B,X	15-4.00 Spare Hi Pressure use w/14" Wheels
	4126 747	5		F,G,B,Y X,S	15-5.50 Painted
	4126 960	5		X,S,Y	15-6.50 Painted
	3766 077	5		F,G,B,X	15-7.00 Painted, Heavy Duty, also Police
	2	4126 675	5		F,G,B,X
1615 349		AR		All	WEIGHT, 1/2 oz.
1615 350		AR		All	1 oz.
1615 351		AR		All	1-1/2 oz.
1615 352		AR		All	2 oz.
1615 353		AR		All	2-1/2 oz.
3	1615 354	AR		All	3 oz.
	2660 315	1		All	EXTENSION PKG., Valve Stem, 1/2" lgh.
	2401 840	1		All	3/4" lgh.
4	3461 079	1		All	1" lgh.
	2073 355	5		All	VALVE STEM, 1-1/4" lgh.

**MODEL CODES**

B = GRAN FURY/CARAVELLE	P = RELIANT
C = LEBARON/TOWN & COUNTRY	S = CORDOBA
D = ARIES	V = 400
F = NEW YORKER	X = MIRADA
G = DIPLOMAT	Y = IMPERIAL
M = HORIZON/TC3/SCAMP	Z = OMNI/O24/RAMPAGE

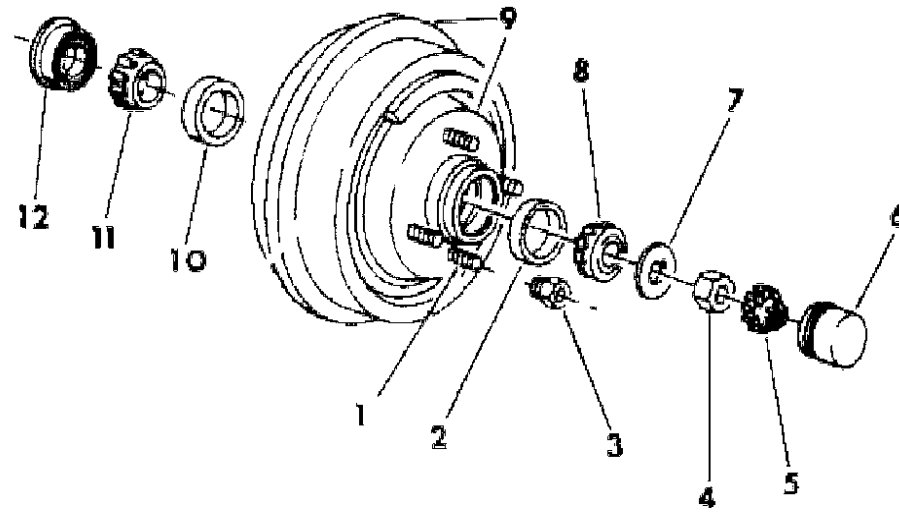
**BODY STYLES**

21 = 2-DOOR SEDAN	28 = FWD PICKUP
22 = 2-DOOR SPECIAL COUPE	41 = 4-DOOR SEDAN
24 = 2-DOOR HATCHBACK	44 = 4-DOOR HATCHBACK
27 = 2-DOOR CONVERTIBLE	45 = 2-SEAT STATION WAGON

AR = Use as Required - = Non Illustrated Part P.A.R. = Paint as Required

**REAR WHEEL BRAKE DRUM - M,Z,P,D,C,V**  
**Figure 22-800**

2122 800



ITEM	PART NUMBER	QTY	BODY	MODEL	DESCRIPTION
1	5204 272	8			STUD, Wheel
2	1671 465	2			CUP OUTER (Pkg.)
3	6500 526	8			NUT, Std.
4	6029 692	2			NUT
5	1673 324	2			LOCK, Cap
6	3580 894	2			CAP
7	0600 194	2			WASHER
8	1671 465	2			CONE and Roller, Outer (Pkg.), Wheel
9	5204 419	2		Except,	HUB and Drum, Rear (up to 1-15-82)
	4238 649	2		All	(after 1-15-82)
	4238 649	2		28	
10	2203 353	2			CUP, Inner
11	2203 352	2			CONE and ROLLER, Inner
12	4126 893	2			SEAL, Dust

**MODEL CODES**

B = GRAN FURY/CARAVELLE	P = RELIANT
C = LEBARON/TOWN & COUNTRY	S = CORDOBA
D = ARIES	V = 400
F = NEW YORKER	X = MIRADA
G = DIPLOMAT	Y = IMPERIAL
M = HORIZON/TC3/SCAMP	Z = OMNI/O24/RAMPAGE

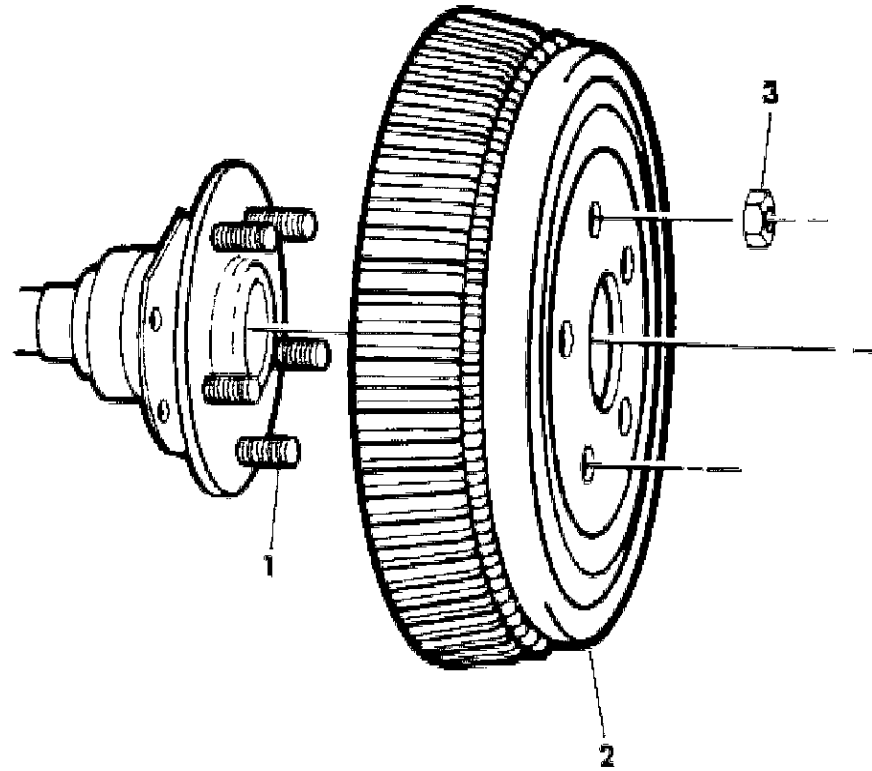
**BODY STYLES**

21 = 2-DOOR SEDAN	28 = FWD PICKUP
22 = 2-DOOR SPECIAL COUPE	41 = 4-DOOR SEDAN
24 = 2-DOOR HATCHBACK	44 = 4-DOOR HATCHBACK
27 = 2-DOOR CONVERTIBLE	45 = 2-SEAT STATION WAGON

AR = Use as Required - = Non Illustrated Part P.A.R. = Paint as Required

**REAR WHEEL BRAKE DRUM F,G,B,X,S,Y**  
**Figure 22-900**

2122 900



ITEM	PART NUMBER	QTY	BODY	MODEL	DESCRIPTION
1	3432 698	10		All	STUD
2	4049 661	2		All	DRUM, w/10" Brakes
	3780 537	2		F,G,B	W/11" Brakes, w/Taxi Lining
3	2409 826	AR		All	NUT, 1/2" Thd. Std.

**MODEL CODES**

B = GRAN FURY/CARAVELLE	P = RELIANT
C = LEBARON/TOWN & COUNTRY	S = CORDOBA
D = ARIES	V = 400
F = NEW YORKER	X = MIRADA
G = DIPLOMAT	Y = IMPERIAL
M = HORIZON/TC3/SCAMP	Z = OMNI/O24/RAMPAGE

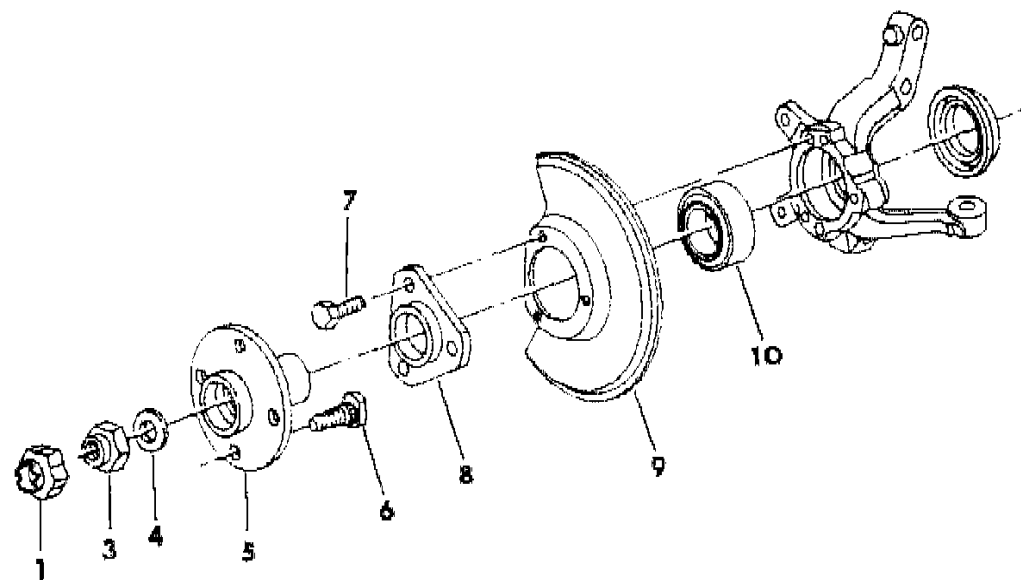
**BODY STYLES**

21 = 2-DOOR SEDAN	28 = FWD PICKUP
22 = 2-DOOR SPECIAL COUPE	41 = 4-DOOR SEDAN
24 = 2-DOOR HATCHBACK	44 = 4-DOOR HATCHBACK
27 = 2-DOOR CONVERTIBLE	45 = 2-SEAT STATION WAGON

AR = Use as Required - = Non Illustrated Part P.A.R. = Paint as Required

**FRONT WHEEL BEARING M,Z,P,D,C,V**  
**Figure 22-1000**

2122 1000



ITEM	PART NUMBER	QTY	BODY	MODEL	DESCRIPTION
1	5212 525	2			LOCK, Hub Nut
3	6500 298	2			NUT, Hub
4	6500 299	2			WASHER
5	5212 521	2			HUB
6	6500 352	8			BOLT, Wheel
7	6500 544	6			BOLT, Wheel Brg. Retainer
	5212 548	2		M,Z	RETAINER, Wheel Brg. (not shown)
	5212 547	2		P,D,C,V	RETAINER, Bearing (not shown)
10	#4271 389	2			BEARING
	5212 550	2			GASKET, Brg. Ret. (not shown)

**MODEL CODES**

B = GRAN FURY/CARAVELLE	P = RELIANT
C = LEBARON/TOWN & COUNTRY	S = CORDOBA
D = ARIES	V = 400
F = NEW YORKER	X = MIRADA
G = DIPLOMAT	Y = IMPERIAL
M = HORIZON/TC3/SCAMP	Z = OMNI/O24/RAMPAGE

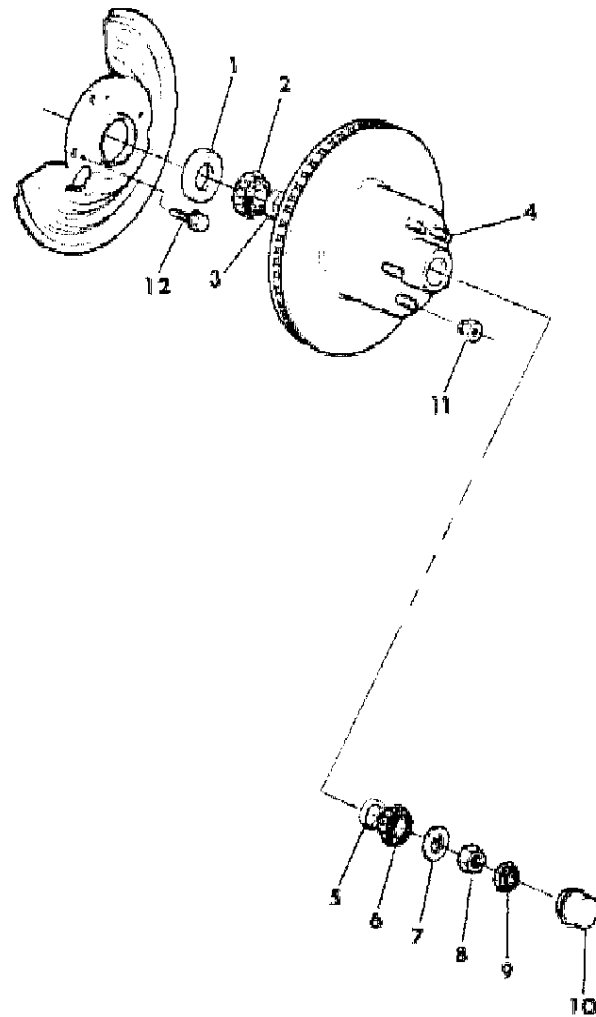
**BODY STYLES**

21 = 2-DOOR SEDAN	28 = FWD PICKUP
22 = 2-DOOR SPECIAL COUPE	41 = 4-DOOR SEDAN
24 = 2-DOOR HATCHBACK	44 = 4-DOOR HATCHBACK
27 = 2-DOOR CONVERTIBLE	45 = 2-SEAT STATION WAGON

AR = Use as Required - = Non Illustrated Part P.A.R. = Paint as Required

**CONE AND ROLLERS (WITH DISC BRAKES) F,G,B,X,S,Y**  
**Figure 22-1100**

2127 1100



ITEM	PART NUMBER	QTY	BODY	MODEL	DESCRIPTION
	1671 465	2		All	BEARING PACKAGE, Frt. Whl., Outer, w/Disc Brakes Consists of: 1- --- --- Cone, Frt. Whl. Outer Brg. 1- --- --- Cup, Frt. Whl. Outer Brg.
1	3580 723	2		All	SEAL, Dust
2	#3683 975	2		All	CONE and Roller, Inner
3	#3683 975	2		All	CUP, Inner
4	3580 728	10		All	STUD, w/Motor Wheel, 1/2"-20 w/Kelsey Hayes, 1/2"-20
5	1671 465	2		All	CUP, Outer (Pkg.)
6	1671 465	2		All	CONE and Roller, Outer (Pkg.)
7	0600 194	2		All	WASHER
8	6029 692	2		All	NUT
9	1673 324	2		All	LOCK CAP
10	3580 894	2		All	CAP
11	2409 826	20		All	NUT, 1/2" thd., Std.
12	0181 084	2		All	SCREW

**MODEL CODES**

B = GRAN FURY/CARAVELLE	P = RELIANT
C = LEBARON/TOWN & COUNTRY	S = CORDOBA
D = ARIES	V = 400
F = NEW YORKER	X = MIRADA
G = DIPLOMAT	Y = IMPERIAL
M = HORIZON/TC3/SCAMP	Z = OMNI/O24/RAMPAGE

**BODY STYLES**

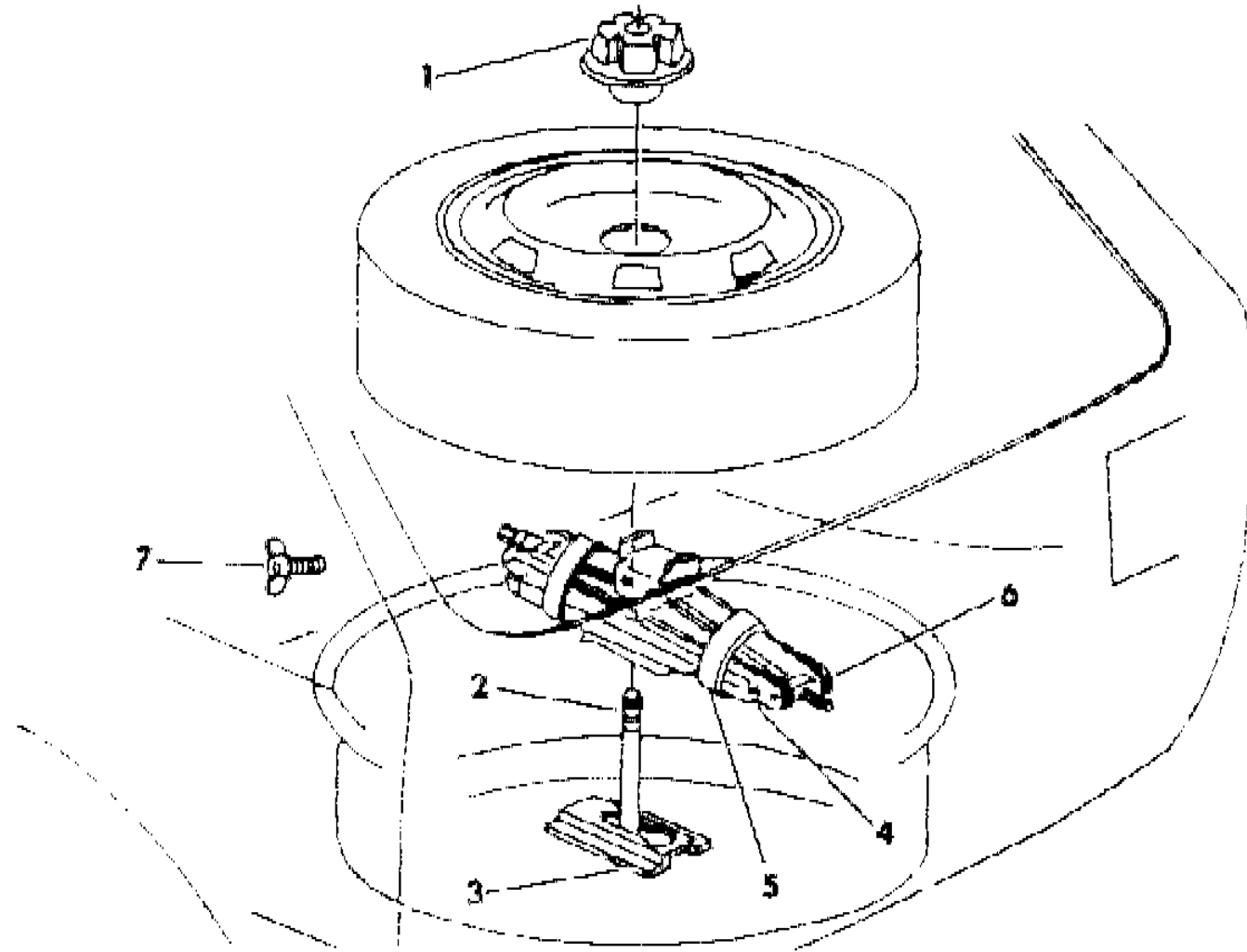
21 = 2-DOOR SEDAN	28 = FWD PICKUP
22 = 2-DOOR SPECIAL COUPE	41 = 4-DOOR SEDAN
24 = 2-DOOR HATCHBACK	44 = 4-DOOR HATCHBACK
27 = 2-DOOR CONVERTIBLE	45 = 2-SEAT STATION WAGON

AR = Use as Required - = Non Illustrated Part P.A.R. = Paint as Required

**SPARE TIRE AND JACK STOWAGE M,Z**  
**Figure 22-1200**

2122 1200

ITEM	PART NUMBER	QTY	BODY	MODEL	DESCRIPTION
1	4206 200	1			NUT, Tire Anchor (up to 1-4-82)
1	#4278 272	1			(after 1-4-82)
2	6031 811	1			BOLT (up to 1-4-82)
	6032 172	1			(after 1-4-81)
3	3791 040	1			BRACKET
4	5216 018	1			HANDLE, Jack (Lug Wrench)
5		2			BANDS, Rubber (Not Serviced)
6	5216 020	1			JACK, Scissors
7	6031 833	1			WING Screw
	4206 747	1			RETAINER, Jack (not shown)



**MODEL CODES**

B = GRAN FURY/CARAVELLE	P = RELIANT
C = LEBARON/TOWN & COUNTRY	S = CORDOBA
D = ARIES	V = 400
F = NEW YORKER	X = MIRADA
G = DIPLOMAT	Y = IMPERIAL
M = HORIZON/TC3/SCAMP	Z = OMNI/O24/RAMPAGE

**BODY STYLES**

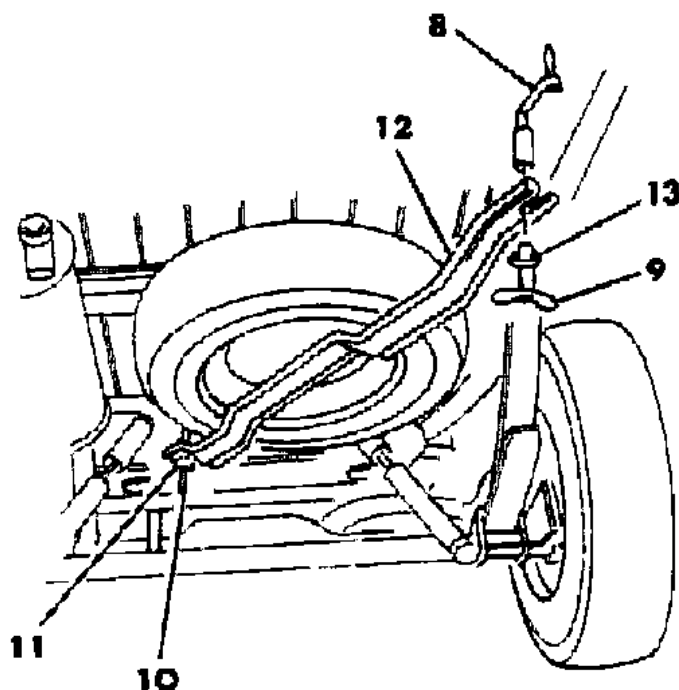
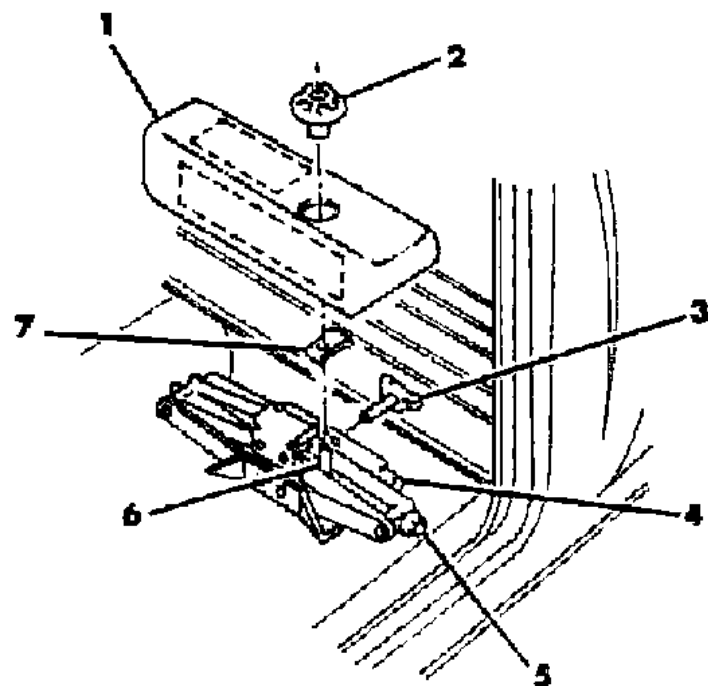
21 = 2-DOOR SEDAN	28 = FWD PICKUP
22 = 2-DOOR SPECIAL COUPE	41 = 4-DOOR SEDAN
24 = 2-DOOR HATCHBACK	44 = 4-DOOR HATCHBACK
27 = 2-DOOR CONVERTIBLE	45 = 2-SEAT STATION WAGON

AR = Use as Required - = Non Illustrated Part P.A.R. = Paint as Required



SPARE TIRE AND JACK STOWAGE M,Z, 28  
Figure 22-1225

2122 1225A



ITEM	PART NUMBER	QTY	BODY	MODEL	DESCRIPTION
1	#W818 AM6	1			COVER, Jack Stowage Red
	W818 AT6	1			TAN
	W818 AX9	1			BLACK
2	#4206 200	1			NUT
3	6031 833	1			WING, Screw
4	5216 018	1			HANDLE, Jack
5	5216 020	1			JACK, Sissors
6	#6032 224	1			BOLT up to 3-11-82
	6032 267	1			after 3-11-82
7	4206 747	1			RETAINER
8	6032 132	1			SLEEVE w/Hook
9	6032 129	1			WING w/Bolt up to 3-15-82
	6032 298	1			after 3-15-82
10	4206 785	1			BOLT, J
11	6025 011	1			NUT /Washer
12	4206 782	1			HANGER
13	#6032 199	1			WASHER
	4296 088	1			LABEL, Jack Instr. (Not Shown)
	4296 089	1			LABEL, Jack, Tire Stowage (Not Shown)

MODEL CODES

B = GRAN FURY/CARAVELLE	P = RELIANT
C = LEBARON/TOWN & COUNTRY	S = CORDOBA
D = ARIES	V = 400
F = NEW YORKER	X = MIRADA
G = DIPLOMAT	Y = IMPERIAL
M = HORIZON/TC3/SCAMP	Z = OMNI/O24/RAMPAGE

BODY STYLES

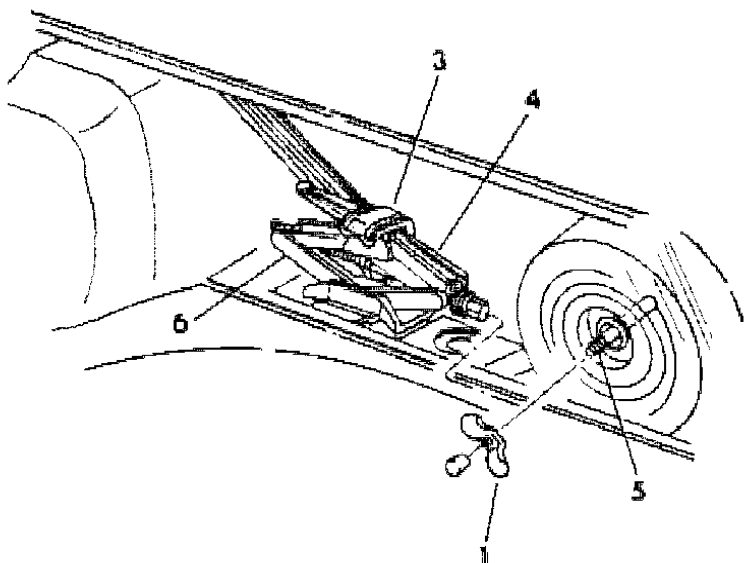
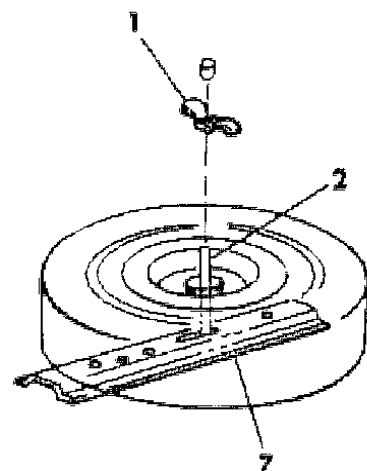
21 = 2-DOOR SEDAN	28 = FWD PICKUP
22 = 2-DOOR SPECIAL COUPE	41 = 4-DOOR SEDAN
24 = 2-DOOR HATCHBACK	44 = 4-DOOR HATCHBACK
27 = 2-DOOR CONVERTIBLE	45 = 2-SEAT STATION WAGON

AR = Use as Required - = Non Illustrated Part P.A.R. = Paint as Required

**SPARE TIRE AND JACK STOWAGE P,D,C,V, EXCEPT WAGON**  
**Figure 22-1250**

2122 1250

ITEM	PART NUMBER	QTY	BODY	MODEL	DESCRIPTION
1	6032 004	1			WING NUT
2	6031 994	1			BOLT up to 6-1-82
	6032 266	1			after 6-1-82
3	#4206 037	1			BRACKET Jack Mtg.
4	5216 018	1			HANDLE Jack
5					BOLT (Not Serviced)
6	4194 172	1			JACK, Scissors
7	4206 247	1			BRACKET, Tire Stowage
	4200 811	1			BRACKET, Reinf. Tire Storage (not shown)
	4223 730	1			COVER, Conventional Spare (not shown)
	4278 523	1			LABEL, Jack, Tire w/Trunk Dress up (not shown)
	4296 078	1			up to 6-1-82
	4296 078	1			after 6-1-82
	4278 521	1			w/o Trunk Dress up (not shown) up to 6-1-82
	4296 076	1			after 6-1-82
	4206 628	1			BRACKET, F/Flr. Pan Jack (Not Shown)



**MODEL CODES**

B = GRAN FURY/CARAVELLE	P = RELIANT
C = LEBARON/TOWN & COUNTRY	S = CORDOBA
D = ARIES	V = 400
F = NEW YORKER	X = MIRADA
G = DIPLOMAT	Y = IMPERIAL
M = HORIZON/TC3/SCAMP	Z = OMNI/O24/RAMPAGE

**BODY STYLES**

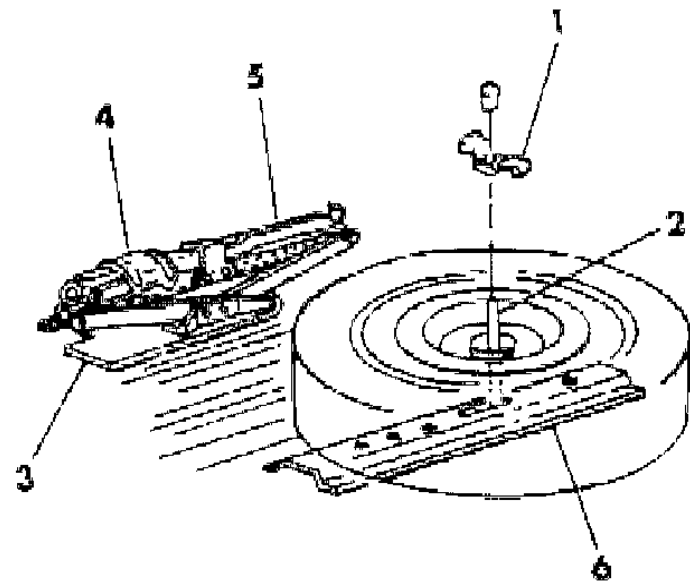
21 = 2-DOOR SEDAN	28 = FWD PICKUP
22 = 2-DOOR SPECIAL COUPE	41 = 4-DOOR SEDAN
24 = 2-DOOR HATCHBACK	44 = 4-DOOR HATCHBACK
27 = 2-DOOR CONVERTIBLE	45 = 2-SEAT STATION WAGON

AR = Use as Required - = Non Illustrated Part P.A.R. = Paint as Required

**SPARE TIRE AND JACK STOWAGE P,D,C, WAGON 45**  
**Figure 22-1275**

2122 1275

ITEM	PART NUMBER	QTY	BODY	MODEL	DESCRIPTION
1	6032 004	1			WING NUT
2	6031 994	1			BOLT up to 6-1-82
	6032 226	1			after 6-1-82
3	4194 172	1			JACK, Scissors
4	4206 071	1			BRACKET, Jack Mtg.
5	5216 018	1			HANDLE, Jack
6	4206 247	1			BRACKET, Tire Stowage
	4278 521	1			LABEL, Jack, Tire (not shown) up to 6-1-82
	4296 076	1			after 6-1-82
	4206 629	1			BRACKET, R/Flr. Pan Jack (Not Shown)



**MODEL CODES**

B = GRAN FURY/CARAVELLE	P = RELIANT
C = LEBARON/TOWN & COUNTRY	S = CORDOBA
D = ARIES	V = 400
F = NEW YORKER	X = MIRADA
G = DIPLOMAT	Y = IMPERIAL
M = HORIZON/TC3/SCAMP	Z = OMNI/O24/RAMPAGE

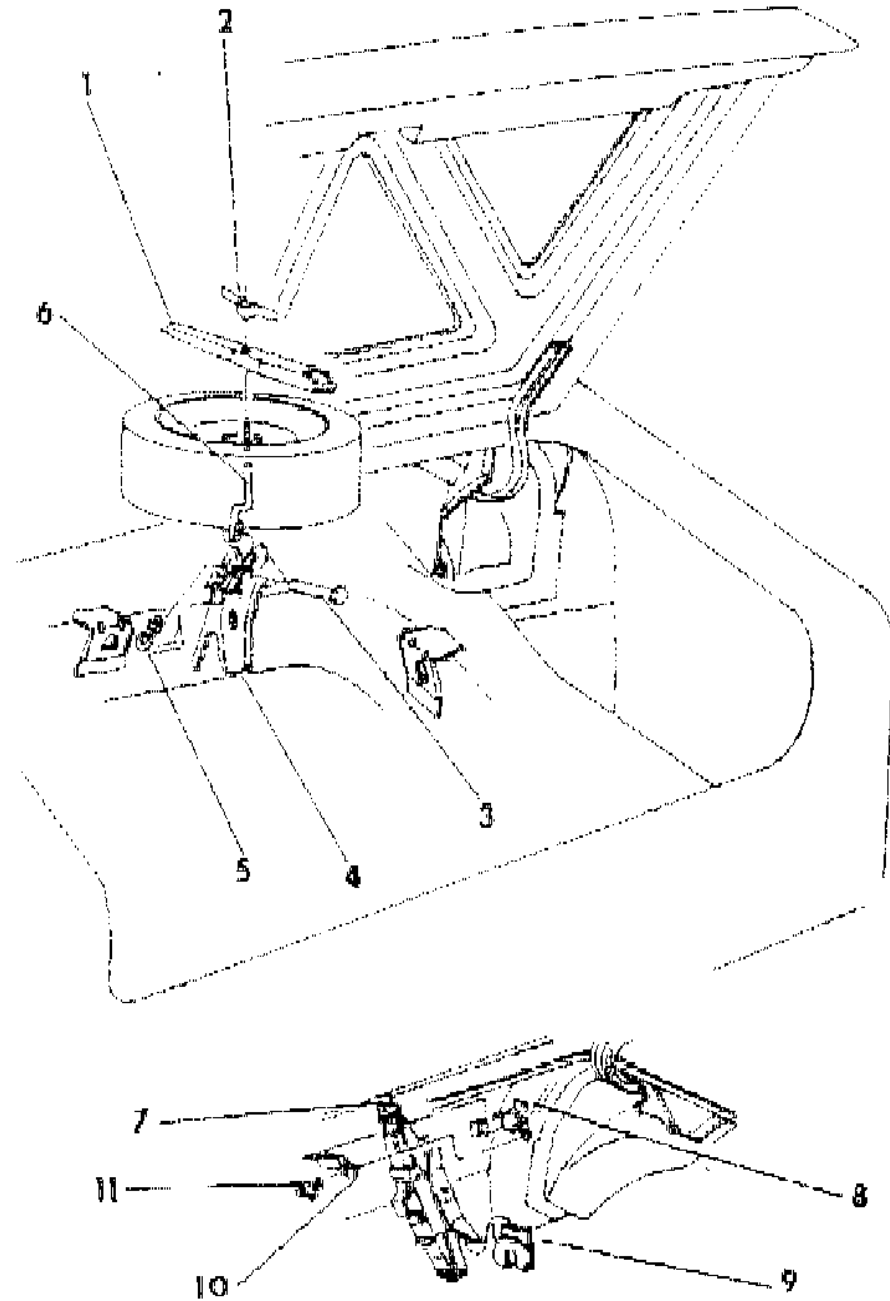
**BODY STYLES**

21 = 2-DOOR SEDAN	28 = FWD PICKUP
22 = 2-DOOR SPECIAL COUPE	41 = 4-DOOR SEDAN
24 = 2-DOOR HATCHBACK	44 = 4-DOOR HATCHBACK
27 = 2-DOOR CONVERTIBLE	45 = 2-SEAT STATION WAGON

AR = Use as Required - = Non Illustrated Part P.A.R. = Paint as Required

**SPARE TIRE AND JACK STOWAGE F, G, B,  
Figure 22-1300**

2122 1300



ITEM	PART NUMBER	QTY	BODY	MODEL	DESCRIPTION
1	5216 018	1		All	HANDLE
2	6032 004	1		All	WING Nut
3					PIN (not serviced)
4	4134 408	1		All	BRACKET Anchor Bolt
5	6027 983	1		All	CLIP
6	4134 409	1		All	ROD
7	4110 232	1		All	JACK
10	4134 926	1			CLAMP
11	6031 833	1		ALL	WING Screw

**MODEL CODES**

B = GRAN FURY/CARAVELLE	P = RELIANT
C = LEBARON/TOWN & COUNTRY	S = CORDOBA
D = ARIES	V = 400
F = NEW YORKER	X = MIRADA
G = DIPLOMAT	Y = IMPERIAL
M = HORIZON/TC3/SCAMP	Z = OMNI/O24/RAMPAGE

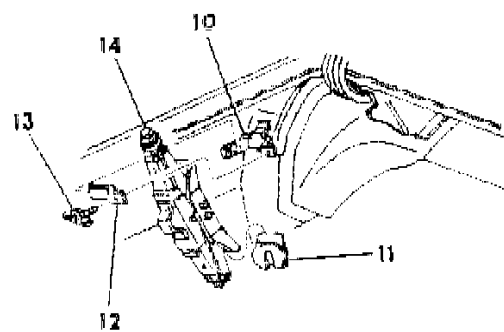
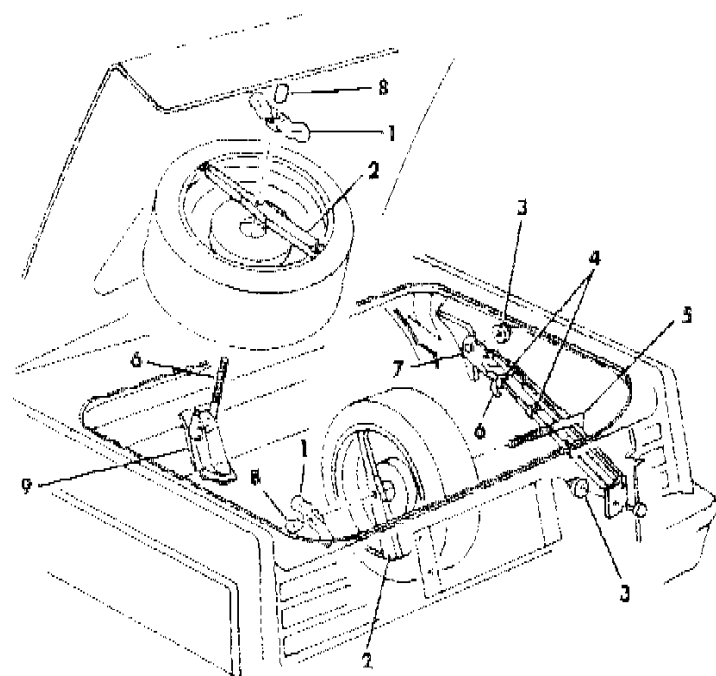
**BODY STYLES**

21 = 2-DOOR SEDAN	28 = FWD PICKUP
22 = 2-DOOR SPECIAL COUPE	41 = 4-DOOR SEDAN
24 = 2-DOOR HATCHBACK	44 = 4-DOOR HATCHBACK
27 = 2-DOOR CONVERTIBLE	45 = 2-SEAT STATION WAGON

AR = Use as Required - = Non Illustrated Part P.A.R. = Paint as Required

**SPARE TIRE AND JACK STOWAGE X,S,Y**  
**Figure 22-1500**

2122 1500



ITEM	PART NUMBER	QTY	BODY	MODEL	DESCRIPTION
1	6032 004	1		All	WING Nut
2	5216 018	1		All	HANDLE Jack
3	0219 462	2		All	NUT w/Washer
4		2		All	CLIP (not serviced)
5	4206 058	1		All	ROD Wheel Anchor
6	4206 058	1		All	ROD Wheel Anchor
7	4134 903	1		X,S	BRACE Tie Down w/Compact Spare
	4206 177	1		Y	
8					TIP (not serviced)
9	4134 909	1		All	BRACKET, Tire Hold Down
10	4134 584	1		All	BRACKET, Jack Upper
11	4134 583	1		All	BRACKET
12	4134 926	1		All	CLAMP
13	6031 833	1		All	WING Screw
14	4110 071	1		All	JACK
	4206 344	1		Y	ROD, Whl. Anch. w/Compact Spare (Not Shown)
	4134 912	1		X,S	LABEL, Jack, Tire Stowage (Not Shown)

**MODEL CODES**

B = GRAN FURY/CARAVELLE	P = RELIANT
C = LEBARON/TOWN & COUNTRY	S = CORDOBA
D = ARIES	V = 400
F = NEW YORKER	X = MIRADA
G = DIPLOMAT	Y = IMPERIAL
M = HORIZON/TC3/SCAMP	Z = OMNI/O24/RAMPAGE

**BODY STYLES**

21 = 2-DOOR SEDAN	28 = FWD PICKUP
22 = 2-DOOR SPECIAL COUPE	41 = 4-DOOR SEDAN
24 = 2-DOOR HATCHBACK	44 = 4-DOOR HATCHBACK
27 = 2-DOOR CONVERTIBLE	45 = 2-SEAT STATION WAGON

AR = Use as Required - = Non Illustrated Part P.A.R. = Paint as Required

**GROUP 23 - BODY EXTERIOR ORNMENTATION**

ILLUSTRATION TITLE	GROUP-FIG. NO.
MOULDINGS,W/SHIELD M,Z .....	Fig. 23-100
EXTERIOR VIEW PLYMOUTH HORIZON TC3 - 2 DOOR HATCHBACK .....	Fig. 23-200
EXTERIOR VIEW PLYMOUTH SCAMP - M28 .....	Fig. 23-300
EXTERIOR VIEW PLYMOUTH HORIZON - 4 DOOR HATCHBACK .....	Fig. 23-400
EXTERIOR VIEW - TAPE STRIPES PLYMOUTH HORIZON - 2 DOOR,4 DOOR .....	Fig. 23-500
EXTERIOR VIEW TAPE STRIPES - PLYMOUTH SCAMP - M-28 .....	Fig. 23-550
EXTERIOR VIEW DODGE OMNI 024 - 2 DOOR HATCHBACK .....	Fig. 23-600
EXTERIOR VIEW DODGE OMNI 024 (CHARGER 2.2) .....	Fig. 23-700
EXTERIOR VIEW DODGE RAMPAGE - Z28 .....	Fig. 23-800
EXTERIOR VIEW DODGE OMNI - 4 DOOR HATCHBACK .....	Fig. 23-900
EXTERIOR VIEW - TAPE STRIPES DODGE OMNI - 2 DOOR,4 DOOR .....	Fig. 23-1000
EXTERIOR VIEW TAPE STRIPES - DODGE RAMPAGE - Z-28 .....	Fig. 23-1050
MOULDINGS,W/SHIELD AND REAR WINDOW OUTSIDE P,D,V,C .....	Fig. 23-1100
EXTERIOR VIEW PLYMOUTH RELIANT 2 DOOR .....	Fig. 23-1200
EXTERIOR VIEW PLYMOUTH RELIANT 2 DOOR (SIMULATED CONV. A82 PKG.) .....	Fig. 23-1250
EXTERIOR VIEW PLYMOUTH RELIANT 4 DOOR .....	Fig. 23-1300
EXTERIOR VIEW PLYMOUTH RELIANT SUBURBAN .....	Fig. 23-1400
EXTERIOR VIEW - TAPE STRIPES PLYMOUTH RELIANT 2 DOOR - 4 DOOR - SUBURBAN .....	Fig. 23-1500
EXTERIOR VIEW DODGE ARIES - 2 DOOR .....	Fig. 23-1600
EXTERIOR VIEW DODGE ARIES 2 DOOR (SIMULATED CONV. A82 PKG.) .....	Fig. 23-1650
EXTERIOR VIEW DODGE ARIES - 4 DOOR .....	Fig. 23-1700
EXTERIOR VIEW DODGE ARIES - SUBURBAN .....	Fig. 23-1800
EXTERIOR VIEW - TAPE STRIPES DODGE ARIES - 2 DOOR - 4 DOOR - SUBURBAN .....	Fig. 23-1900
EXTERIOR VIEW DODGE 400 - V-22,27 .....	Fig. 23-2000
EXTERIOR VIEW DODGE 400 - 4 DOOR - V .....	Fig. 23-2025
EXTERIOR VIEW - TAPE STRIPES DODGE 400 - V .....	Fig. 23-2100
EXTERIOR VIEW CHRYSLER LEBARON - C 22,27 .....	Fig. 23-2200
EXTERIOR VIEW CHRYSLER LEBARON 4 DOOR - C .....	Fig. 23-2300
EXTERIOR VIEW CHRYSLER TOWN AND COUNTRY - C .....	Fig. 23-2400
EXTERIOR VIEW - TAPE STRIPES CHRYSLER - C .....	Fig. 23-2500
MOULDINGS,WINDSHIELD AND REAR WDO. OUTSIDE B,F,G .....	Fig. 23-2600
EXTERIOR VIEW CHRYSLER NEW YORKER .....	Fig. 23-2700
EXTERIOR VIEW - TAPE STRIPES CHRYSLER NEW YORKER .....	Fig. 23-2800
EXTERIOR VIEW DODGE DIPLOMAT .....	Fig. 23-2900
EXTERIOR VIEW - TAPE STRIPES DODGE DIPLOMAT .....	Fig. 23-3000
EXTERIOR VIEW PLYMOUTH GRAN FURY .....	Fig. 23-3100
EXTERIOR VIEW - TAPE STRIPES PLYMOUTH GRAN FURY .....	Fig. 23-3200
MOULDINGS,WINDSHIELD AND REAR WDO. OUTSIDE X,S .....	Fig. 23-3300

**ILLUSTRATION NOT AVAILABLE AT TIME OF PUBLICATION**

---

**GROUP 23 - BODY EXTERIOR ORNMENTATION**

**ILLUSTRATION TITLE**

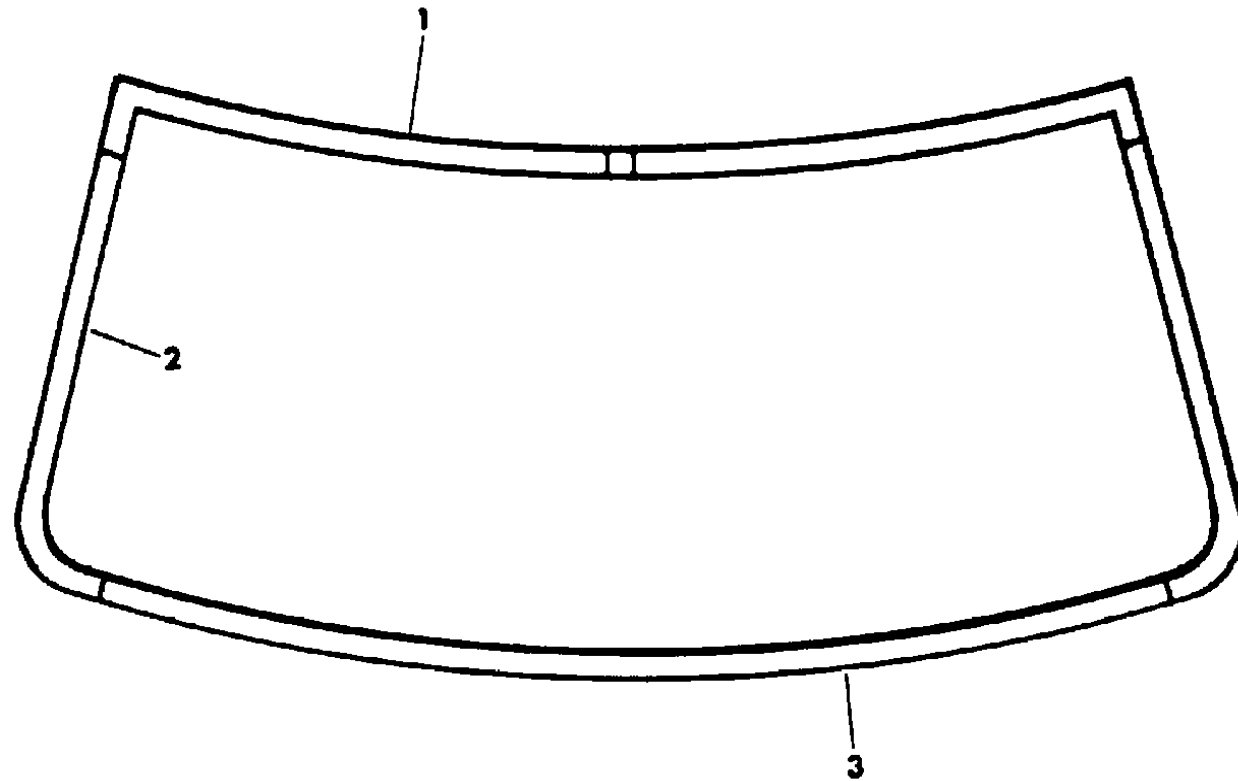
**GROUP-FIG. NO.**

**INSULATOR CHARTS (Continued)**

MOULDINGS,WINDSHIELD AND REAR WDO. OUTSIDE X,S .....	Fig. 23-3300
EXTERIOR VIEW DODGE MIRADA .....	Fig. 23-3400
EXTERIOR VIEW - TAPE STRIPES DODGE MIRADA .....	Fig. 23-3500
EXTERIOR VIEW CHRYSLER CORDOBA .....	Fig. 23-3600
EXTERIOR VIEW - TAPE STRIPES CHRYSLER CORDOBA .....	Fig. 23-3700
MOULDINGS,WINDSHIELD AND REAR WINDOW OUTSIDE Y .....	Fig. 23-3800
EXTERIOR VIEW CHRYSLER IMPERIAL .....	Fig. 23-3900
EXTERIOR VIEW - TAPE STRIPES CHRYSLER IMPERIAL .....	Fig. 23-4000

**MOULDINGS,W/SHIELD M,Z**  
**Figure 23-100**

2168 100



ITEM	PART NUMBER	QTY	BODY	MODEL	DESCRIPTION
1	5230 622-3	1		24,28	MOULDING,W/Shield,Upr.,Bright
	5230 628-9	1		24,28	MOULDING,W/Shield,Upr.,Black
	6003 409	AR		24,28	RETAINER
	5209 166-7	1		44	MOULDING,W/Shield,Upr.,Bright
	5209 212-3	1		44	MOULDING,W/Shield,Upr.,Black
2	6003 409	AR		44	RETAINER
	5230 624-5	1		24,28	MOULDING,W/Shield,Side,Bright
	5230 630-1	1		24,28	MOULDING,W/Shield,Side,Black
	6003 409	AR		24,28	RETAINER
	5209 168-9	1		44	MOULDING,W/Shield,Side,Bright
	5209 216-7	1		44	MOULDING,W/Shield,Side,Black
3	6003 409	AR		44	RETAINER
	5230 626	1		24,28	MOULDING,W/Shield,Lwr.,Bright
	5230 632	1		24,28	MOULDING,W/Shield,Lwr.,Black
	6003 409	AR		24,28	RETAINER
	5209 170	1		44	MOULDING,W/Shield,Lwr.,Bright
	5209 220	1		44	MOULDING,W/Shield,Lwr.,Black
	6003 409	AR		44	RETAINER

**MODEL CODES**

B = GRAN FURY/CARAVELLE	P = RELIANT
C = LEBARON/TOWN & COUNTRY	S = CORDOBA
D = ARIES	V = 400
F = NEW YORKER	X = MIRADA
G = DIPLOMAT	Y = IMPERIAL
M = HORIZON/TC3/SCAMP	Z = OMNI/O24/RAMPAGE

**BODY STYLES**

21 = 2-DOOR SEDAN	28 = FWD PICKUP
22 = 2-DOOR SPECIAL COUPE	41 = 4-DOOR SEDAN
24 = 2-DOOR HATCHBACK	44 = 4-DOOR HATCHBACK
27 = 2-DOOR CONVERTIBLE	45 = 2-SEAT STATION WAGON

AR = Use as Required - = Non Illustrated Part P.A.R. = Paint as Required



EXTERIOR VIEW PLYMOUTH HORIZON TC3 - 2 DOOR HATCHBACK

Figure 23-200

2168 200A

ITEM	PART NUMBER	QTY	BODY	MODEL	DESCRIPTION
1	5230 510-1	1			MOULDING, Fndr. W/Opng.
	6028 674	7			SCREW
2	E590 LX9	2			MOULDING, Fndr., Black
3	5230 514-5	1			MOULDING, Body Side Sill
	6003 634	6			RETAINER
5	E590 LX9	2			MOULDING, Door, Black
6	5230 690	1			MOULDING, Door Belt,Rt.,Use w/Mirror
	5230 691	1			MOULDING,Door Belt,Lt.,Use w/o European Mkt. Req.
	5230 771	1			MOULDING,Door Belt,Lt.,Use w/European Mkt. Req.
	5230 674	1			MOULDING,Door Belt,Rt.,Use w/o Mirror
	5230 764-5	1			MOULDING,Door Belt,Black,Use w/Mirror
	5230 708	1			MOULDING,Door Belt,Rt.,Black,Use w/o Mirror
7	E590 LX9	2			MOULDING, Qtr. Pnl., Black
8	5230 512-3	1			MOULDING, Qtr. W/Opng.
	6028 674	6			SCREW
9	5230 782-3	1			MOULDING, Qtr. Belt,Bright,Use w/o Louvers
	5230 766-7	1			Black,Use w/o Louvers
	5230 592-3	1			Black,Use w/Louvers
	5230 688-9	1			Chrome,Use w/Louvers
	9420 486	2			SCREW
12	5230 532-3	1			MOULDING, Roof Drain Trough
	5230 654-5	1			Black
14	X050-1 AA3	1			FRAME,Qtr. Wdo.,Frt.
	X050-1 AB5	1			Burnish Silver
	X050-1 AC3	1			Ensign Blue
	X050-1 AF7	1			Daystar Blue
	X050-1 AW3	1			Green
	X050-1 AW3	1			Pearl White
	X050-1 AK8	1			Spice Tan
	X050-1 AT3	1			Med. Tan
	X050-1 AM8	1			Morocco Red
	X050-1 AR4	1			Graphic Red
	X050-1 AY5	1			Graphic Yellow
	X050-1 AC8	1			Navy Blue
	X050-1 AX9	1			Black
	X050-1 AA9	1			Dark Silver
	5230 661	2			RETAINER, Qtr. Wdo. Frame or Louver

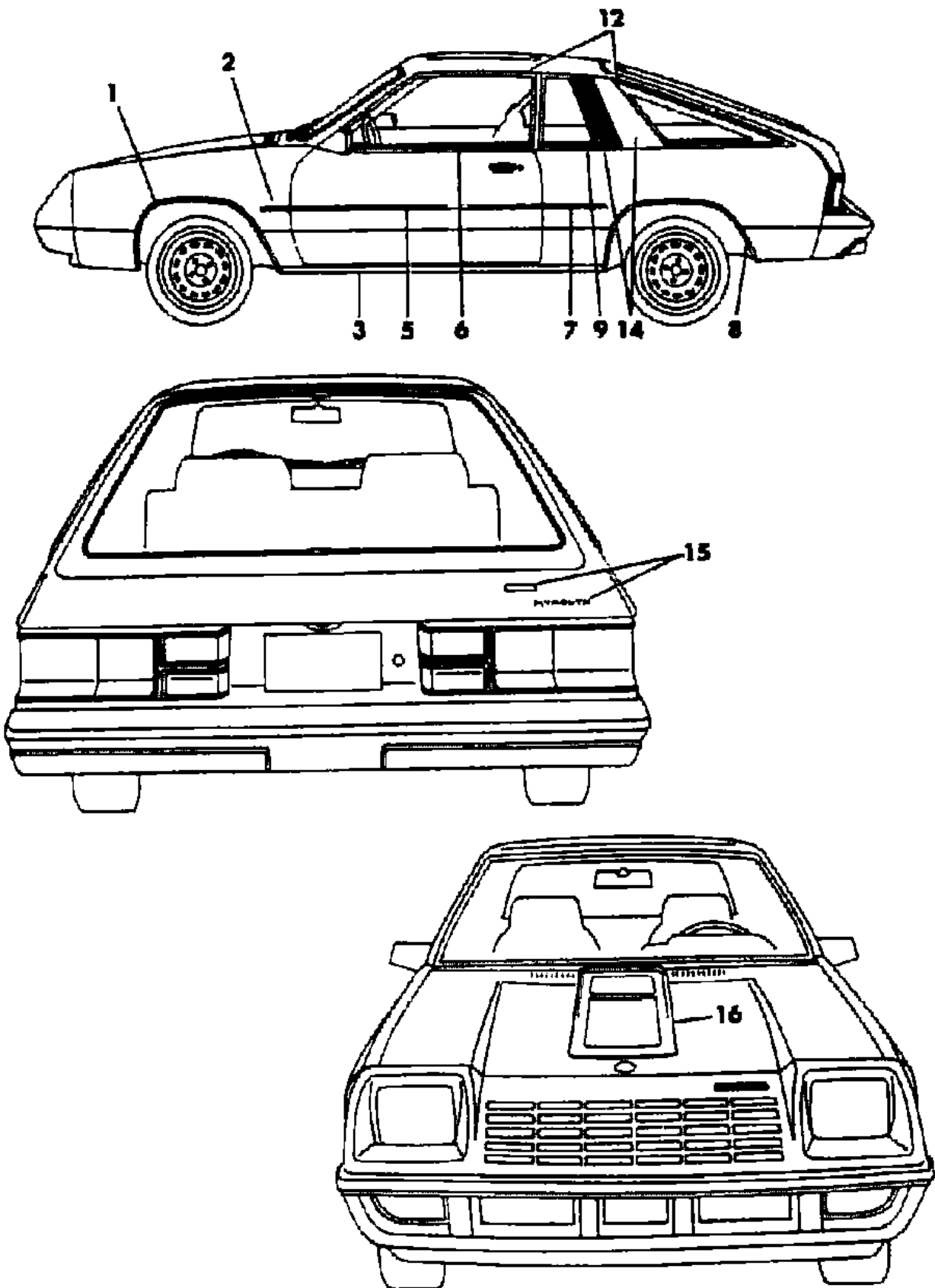
MODEL CODES

B = GRAN FURY/CARAVELLE  
 C = LEBARON/TOWN & COUNTRY  
 D = ARIES  
 F = NEW YORKER  
 G = DIPLOMAT  
 M = HORIZON/TC3/SCAMP  
 P = RELIANT  
 S = CORDOBA  
 V = 400  
 X = MIRADA  
 Y = IMPERIAL  
 Z = OMNI/O24/RAMPAGE

BODY STYLES

21 = 2-DOOR SEDAN  
 22 = 2-DOOR SPECIAL COUPE  
 24 = 2-DOOR HATCHBACK  
 27 = 2-DOOR CONVERTIBLE  
 28 = FWD PICKUP  
 41 = 4-DOOR SEDAN  
 44 = 4-DOOR HATCHBACK  
 45 = 2-SEAT STATION WAGON

AR = Use as Required - = Non Illustrated Part P.A.R. = Paint as Required

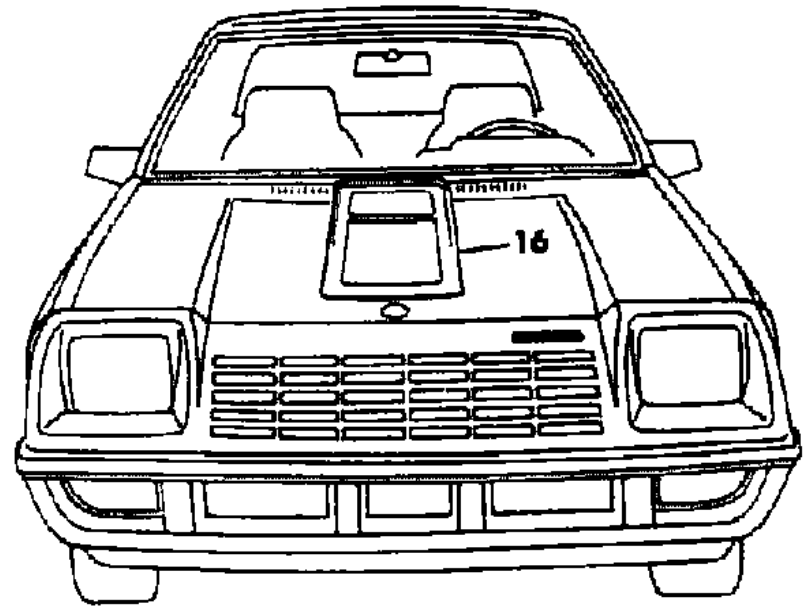
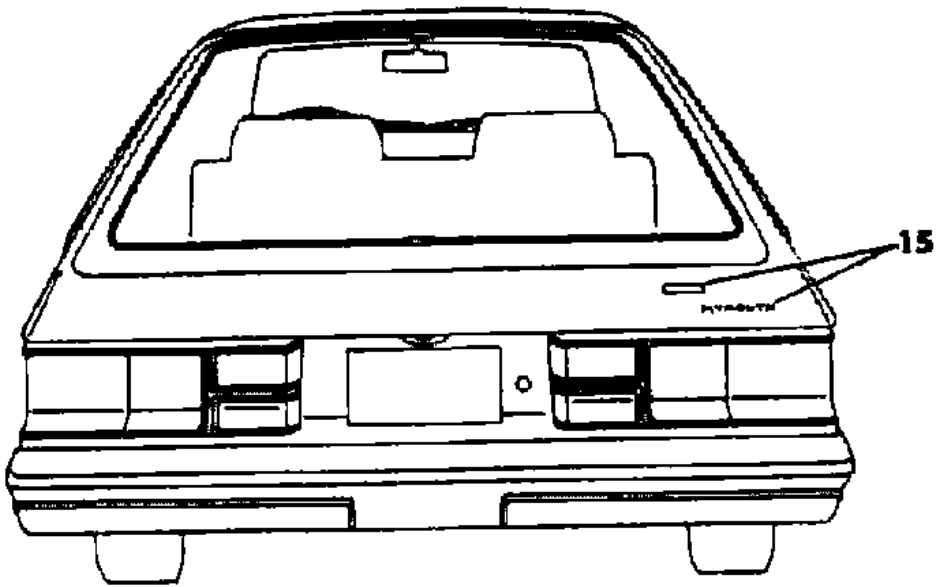
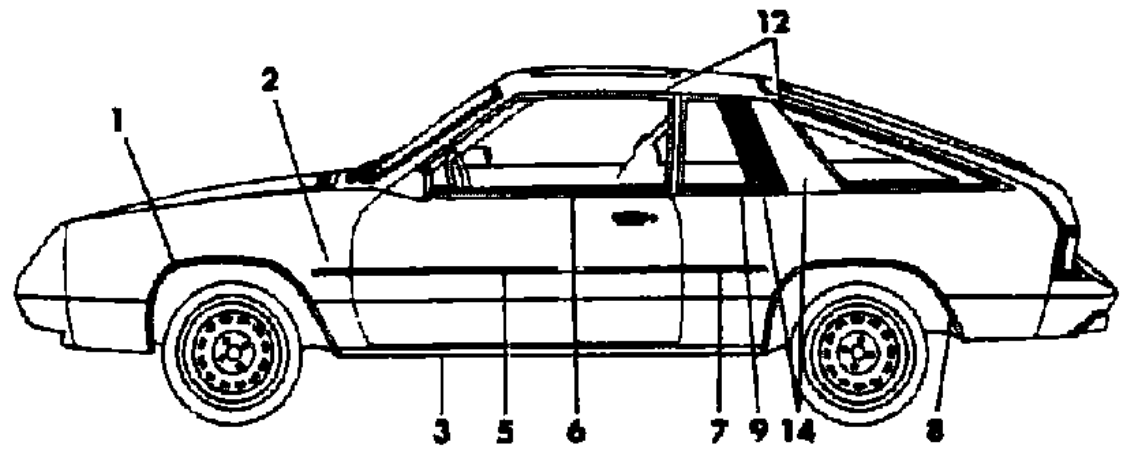


EXTERIOR VIEW PLYMOUTH HORIZON TC3 - 2 DOOR HATCHBACK

Figure 23-200

2168 200A

ITEM	PART NUMBER	QTY	BODY	MODEL	DESCRIPTION
	6028 674	1			SCREW
	9420 867	3			NUT
	0153 365	2			SCREW
15	3749 326	1			NAME PLATE, L/Gate,"PLYMOUTH"
	3749 326	1			w/Rear Air Spoiler, "Plymouth"
	5230 669	1			NAMEPLATE,L/Gate and L/Gate Spoiler,"TC3"
	5230 614	1			BASE,L/Gate and L/Gate Spoiler Nameplate,TC3
16	X593 VW3	1			PACKAGE,Hood Scoop (Paint as Req.)
	4276 129	3			SPACER,Hood Scoop
	6025 004	AR			NUT



MODEL CODES  
 B = GRAN FURY/CARAVELLE      P = RELIANT  
 C = LEBARON/TOWN & COUNTRY    S = CORDOBA  
 D = ARIES                            V = 400  
 F = NEW YORKER                    X = MIRADA  
 G = DIPLOMAT                       Y = IMPERIAL  
 M = HORIZON/TC3/SCAMP        Z = OMNI/O24/RAMPAGE

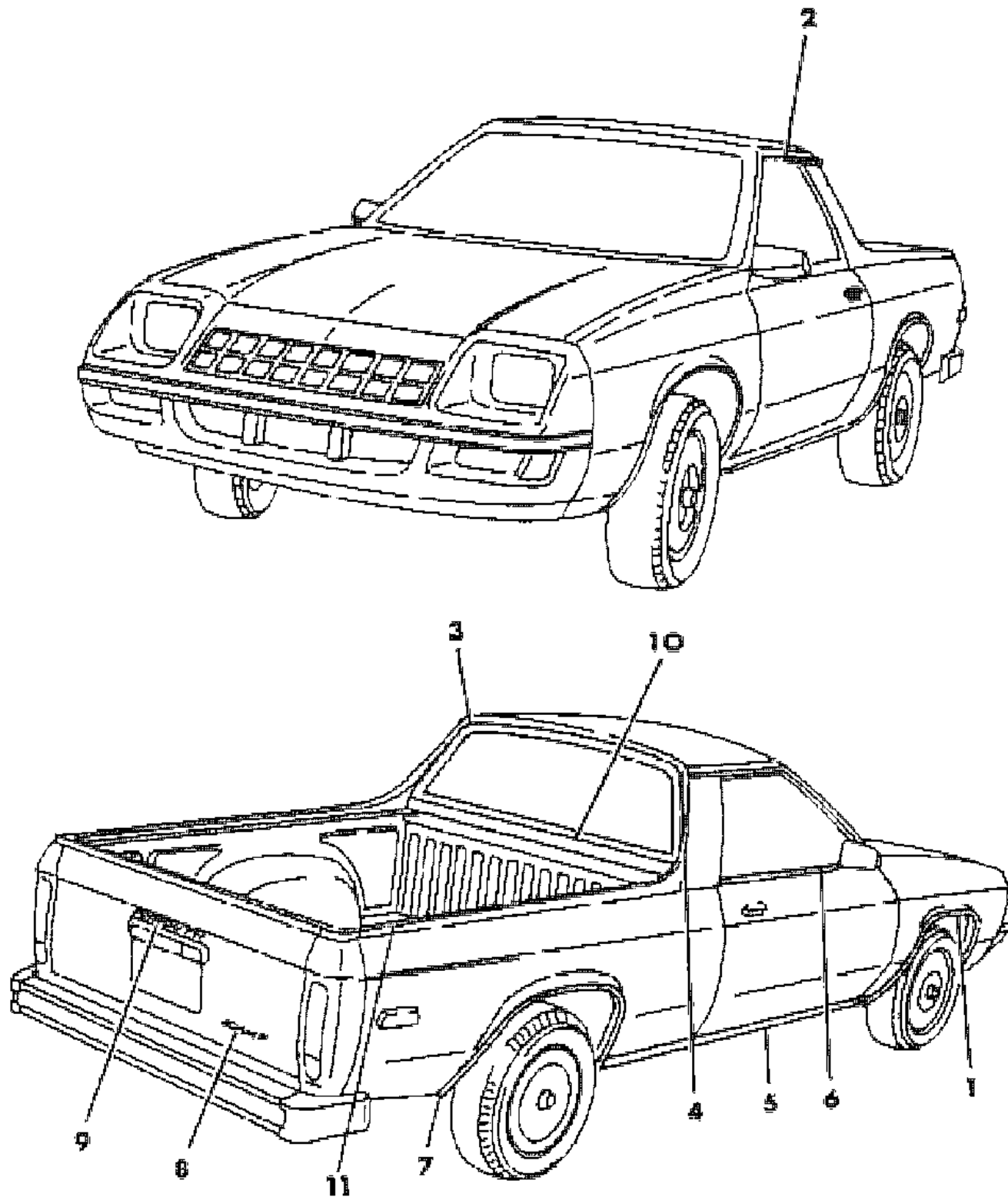
BODY STYLES  
 21 = 2-DOOR SEDAN                28 = FWD PICKUP  
 22 = 2-DOOR SPECIAL COUPE    41 = 4-DOOR SEDAN  
 24 = 2-DOOR HATCHBACK        44 = 4-DOOR HATCHBACK  
 27 = 2-DOOR CONVERTIBLE      45 = 2-SEAT STATION WAGON

AR = Use as Required - = Non Illustrated Part P.A.R. = Paint as Required

EXTERIOR VIEW PLYMOUTH SCAMP - M28

Figure 23-300

2168 300A



ITEM	PART NUMBER	QTY	BODY	MODEL	DESCRIPTION
1	5230 510-1	1			MOULDING,Fndr. Wheel Opng. SCREW (Not Serv.)
2	5230 654-5	1			MOULDING,Roof Side Drain Trough,Black
	5230 738-9	1			MOULDING,Roof Side Drain Trough,Repair
3	X800 AT3	1			MOULDING,Roof Rear (Paint as Req.)
	4267 919	AR			RETAINER PKG. WELD STUD (Not Serv.)
4	X802-3 AT3	1			MOULDING,Body Side Aper. Pnl. Upr. Frt. (Paint as Req.)
	4057 555	AR			RETAINER PKG.
	4267 915	AR			RETAINER PKG.,Red
	4267 916	AR			RETAINER PKG.,Black
	4267 917	AR			RETAINER PKG.,Grey
	4267 918	AR			RETAINER PKG.,Green
	9420 294	AR			NUT SEAL (Not Serv.)
5	5230 682-3	1			MOULDING,Body Side Sill,Bright
	6003 634	AR			RETAINER
	6028 674	AR			SCREW
6	5230 764-5	1			MOULDING,Door Belt,Black,Use w/Mirror
	5230 708	1			MOULDING,Door Belt,Rt.,Black,Use w/o Mirror
7	5230 680-1	1			MOULDING,Qtr. Wheel Opng. SCREW (Not Serv.)
8	5230 778	1			NAMEPLATE,T/Gate,"SCAMP"
9	5230 779	1			NAMEPLATE,T/Gate,"PLYMOUTH"
10	5230 758	1			MOULDING,Back Pnl. Glass,Lwr.
	6003 818	7			RETAINER,Back Pnl. Glass,Lwr. Mldg. WELD STUD (Not Serv.)
11	X806-7 AA3	1			MOULDING,Cargo Box Trim
	4057 555	AR			RETAINER PKG.

MODEL CODES

B = GRAN FURY/CARAVELLE	P = RELIANT
C = LEBARON/TOWN & COUNTRY	S = CORDOBA
D = ARIES	V = 400
F = NEW YORKER	X = MIRADA
G = DIPLOMAT	Y = IMPERIAL
M = HORIZON/TC3/SCAMP	Z = OMNI/O24/RAMPAGE

BODY STYLES

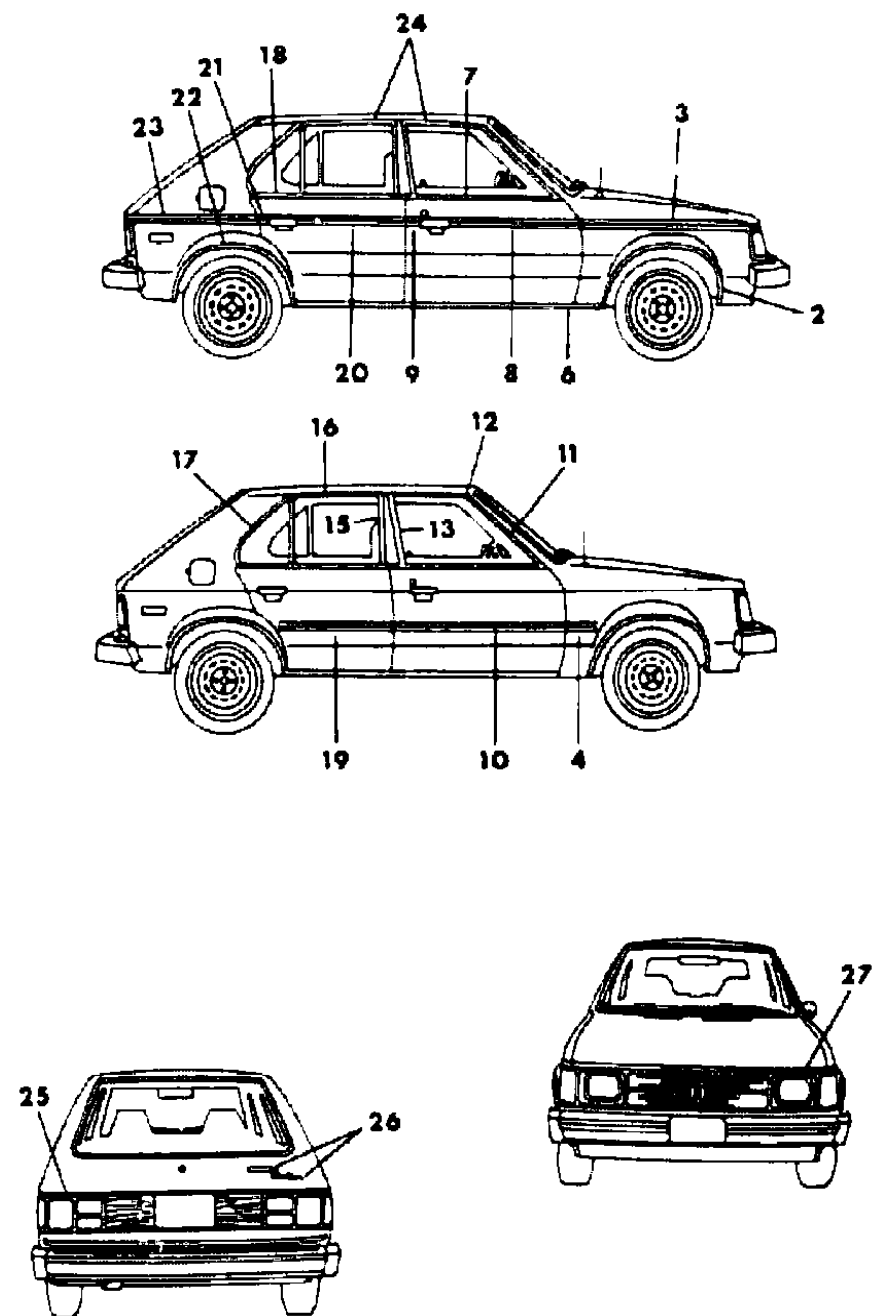
21 = 2-DOOR SEDAN	28 = FWD PICKUP
22 = 2-DOOR SPECIAL COUPE	41 = 4-DOOR SEDAN
24 = 2-DOOR HATCHBACK	44 = 4-DOOR HATCHBACK
27 = 2-DOOR CONVERTIBLE	45 = 2-SEAT STATION WAGON

AR = Use as Required - = Non Illustrated Part P.A.R. = Paint as Required

EXTERIOR VIEW PLYMOUTH HORIZON - 4 DOOR HATCHBACK

Figure 23-400

2168 400



ITEM	PART NUMBER	QTY	BODY	MODEL	DESCRIPTION
2	5209 030-1	1			MOULDING, Fndr. W/Opng.
	6028 674	6			SCREW
3	4106 314-5	1			MOULDING PKG., Fndr., w/Black Paint Insert
	3780 450				RETAINER PKG.
	4057 555				RETAINER PKG.
4	E590 LX9	2			MOULDING, Fndr., w/Black Insert
6	5209 034	2			MOULDING, Body Side Sill
	6003 634	6			RETAINER
7	5216 590-1	1			MOULDING w/WEATHERSTRIP, Frt. Door Belt,Outer
	5216 728-9	1			MOULDING w/WEATHERSTRIP, Frt. Door Belt,Outer,Black
	5216 594-5	1			WEATHERSTRIP w/o MLDG., Frt. Door Belt,Outer
8	4176 620-1	1			MOULDING PKG., Frt. Door, Frt.,w/Black Paint Insert
	4057 555	1			RETAINER PKG.
	3780 450				RETAINER PKG.
9	5209 150	2			MOULDING, Frt. Door, Rear,w/Black Paint Insert
	3780 450				RETAINER PKG.
	6026 523	1			NUT
	6001 716	1			RETAINER
10	E590 LX9	2			MOULDING, Frt. Door, w/Black Insert
11	5209 010-1	1			MOULDING, Frt. Door Wdo. Opng. Frame, Frt.
12	5209 012-3	1			MOULDING, Frt. Door Wdo. Opng. Frame, Upr.
13	5209 014-5	1			MOULDING, Frt. Door Wdo. Opng. Frame, Rear
15	5209 016-7	1			MOULDING, Rear Door Wdo. Opng. Frame, Frt.
16	5209 018-9	1			MOULDING, Rear Door Wdo. Opng. Frame, Upr.
17	5209 020-1	1			MOULDING, Rear Door Wdo. Opng. Frame, Rear
18	5208 640-1	1			MOULDING w/WEATHERSTRIP, Rear Door Belt,Outer
	5216 732-3	1			MOULDING w/WEATHERSTRIP, Rear Door Belt,Outer,Black
	5208 642-3	1			WEATHERSTRIP w/o MLDG., Rear Door Belt,Outer
19	E590 LX9	2			MOULDING, Rear Door, w/Black Insert
20	4176 622-3	1			MOULDING PKG., Rear Door, Frt.,w/Black Paint Insert
	4057 555				RETAINER PKG.
	3780 450				RETAINER PKG.
21	5209 156-7	1			MOULDING, Rear Door, Rear,w/Black Paint Insert
	3780 450				RETAINER PKG.
22	5209 032-3	1			MOULDING, Qtr. Pnl. W/Opng.
	6028 674	5			SCREW
23	4106 320-1	1			MOULDING PKG., Qtr. Pnl., w/Black Paint Insert

MODEL CODES

B = GRAN FURY/CARAVELLE	P = RELIANT
C = LEBARON/TOWN & COUNTRY	S = CORDOBA
D = ARIES	V = 400
F = NEW YORKER	X = MIRADA
G = DIPLOMAT	Y = IMPERIAL
M = HORIZON/TC3/SCAMP	Z = OMNI/O24/RAMPAGE

BODY STYLES

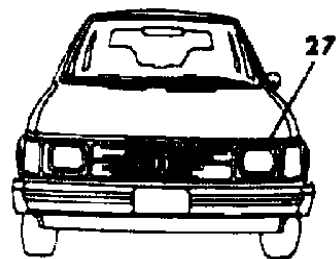
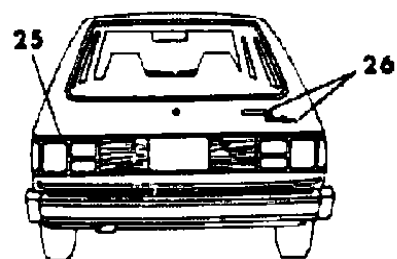
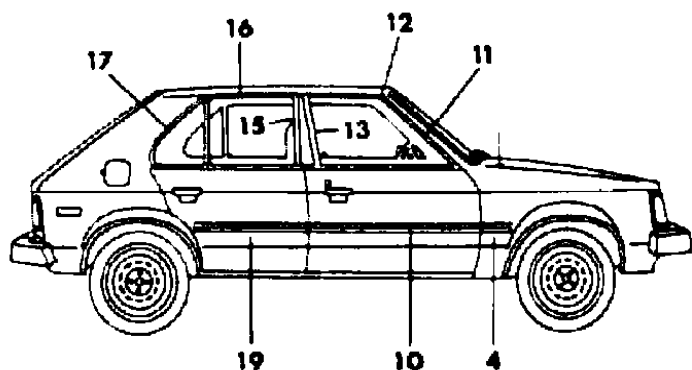
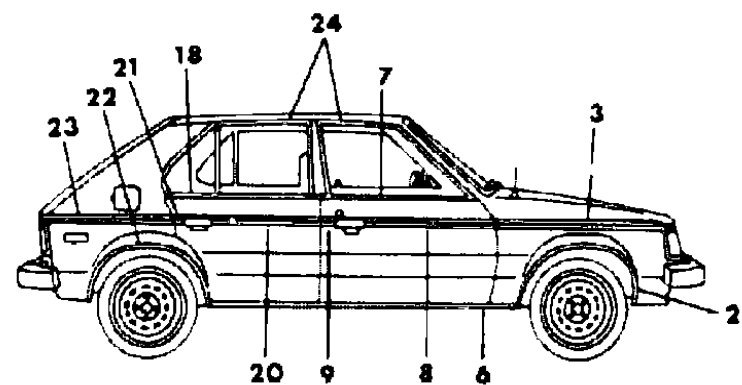
21 = 2-DOOR SEDAN	28 = FWD PICKUP
22 = 2-DOOR SPECIAL COUPE	41 = 4-DOOR SEDAN
24 = 2-DOOR HATCHBACK	44 = 4-DOOR HATCHBACK
27 = 2-DOOR CONVERTIBLE	45 = 2-SEAT STATION WAGON

AR = Use as Required - = Non Illustrated Part P.A.R. = Paint as Required

EXTERIOR VIEW PLYMOUTH HORIZON - 4 DOOR HATCHBACK

Figure 23-400

2168 400



ITEM	PART NUMBER	QTY	BODY	MODEL	DESCRIPTION
	3780 450	4			RETAINER PKG.
	6026 523	1			NUT
	4057 555				RETAINER PKG.
24	5209 036	2			MOULDING, Roof Side Drain Trough
	5209 222	2			MOULDING, Roof Side Drain Trough,Black,Use on Euro Sedan
25	4106 311	1			MOULDING PKG., L/Gate
	6026 523	3			NUT
					RETAINER
	3780 450				RETAINER PKG.
26	5230 580	1			NAME PLATE, L/Gate,"Horizon"
	3811 445	1			BASE,L/Gate Nameplate Plymouth
	5209 129	1			INSERT,L/Gate Nameplate Plymouth
27	3444 927	1			NAME PLATE, Hood, "Plymouth"

MODEL CODES

B = GRAN FURY/CARAVELLE	P = RELIANT
C = LEBARON/TOWN & COUNTRY	S = CORDOBA
D = ARIES	V = 400
F = NEW YORKER	X = MIRADA
G = DIPLOMAT	Y = IMPERIAL
M = HORIZON/TC3/SCAMP	Z = OMNI/O24/RAMPAGE

BODY STYLES

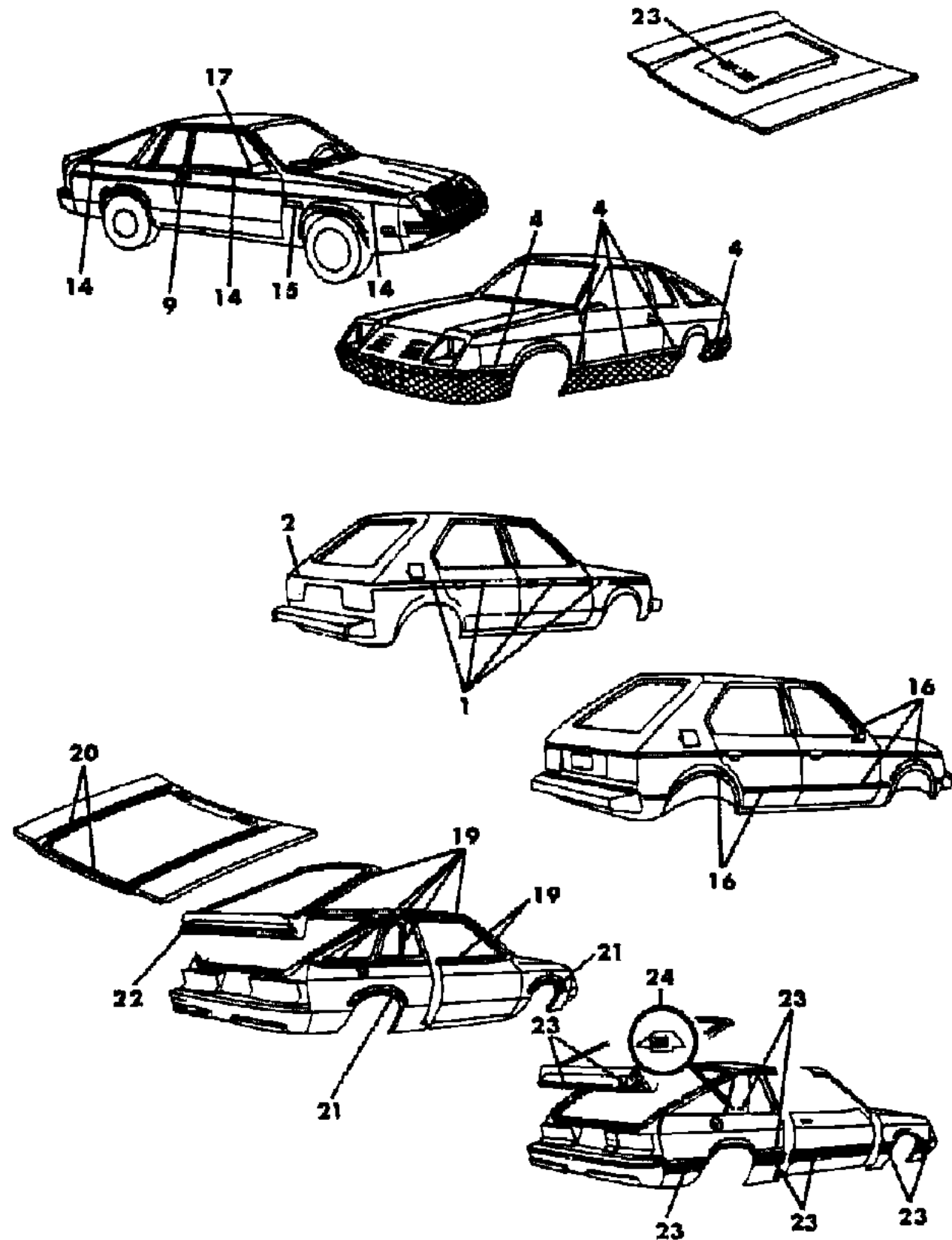
21 = 2-DOOR SEDAN	28 = FWD PICKUP
22 = 2-DOOR SPECIAL COUPE	41 = 4-DOOR SEDAN
24 = 2-DOOR HATCHBACK	44 = 4-DOOR HATCHBACK
27 = 2-DOOR CONVERTIBLE	45 = 2-SEAT STATION WAGON

AR = Use as Required - = Non Illustrated Part P.A.R. = Paint as Required

EXTERIOR VIEW - TAPE STRIPES PLYMOUTH HORIZON - 2 DOOR,4 DOOR

Figure 23-500

2168 500B



ITEM	PART NUMBER	QTY	BODY	MODEL	DESCRIPTION
1	4106 280-1	1		44	TAPE SET,Fndr.Door,Qtr.Pnl.,Red (K1R)
	4106 282-3	1		44	Gold (K1Y)
	4271 716-7	1		44	Silver (K1A)
2	E314 RE5	1		44	TAPE,L/Gate,Red (K1R)
	E314 RY1	1		44	Gold (K1Y)
4	E314 AA2	1		44	Silver (K1A)
	T354-5 S1R	1		24	TAPE,Qtr. Rear,Reflective Red
	4271 630-1	1		24	TAPE SET,Fndr.,Door,Qtr.,White and Red,Use on Two Tone Paint Pkg. (K1M)
	4271 632-3	1		24	Dark Blue and Light Blue Met. (K1C)
	4271 634-5	1		24	Manila Cream and Cashmere Tan (K1T)
4	4271 636-7	1		24	Charcoal and Silver (K1D)
	4271 626-7	1		24	TAPE SET,Fndr.,Door,Qtr.Silver and Flat Black,Use on Appearance Group A77 Pkg.
5230	798	1		24	TAPE,Frt. Fascia,Use on Two Tone Paint and Appearance Group Pkgs.
	4267 914	AR		24	TAPE,Rear Fascia,Dark Silver (Serv. in 7' Roll)
4267	911	AR		24	Manila Cream
	000	AR		24	Dark Blue
	641	AR		24	White
	5209 223	2		24,44	TAPE,Door Handle
14	4240 574-5	1		24	TAPE SET,Fndr.,Door,Qtr.,Red (K9R)
	4271 552-3	1		24	Silver (K9A)
	4205 626-7	1		24	Gold (K9Y)
15	T774 AA2	2		24	DECAL,Fndr. Side,"Turismo TC3",Silver (K2A)
	T774 TY1	2		24	Gold (K2Y)
	T774 VE5	2		24	Red (K2R)
16	T859 VE5	2		44	TAPE,Side View Mirror,Red (K8R)
	T859 VY1	2		44	Gold (K8Y)
	T859 AA2	2		44	Silver (K8A)
4240	912-3	1		44	TAPE SET,Fndr.,Door,Qtr.,Red (K8R)
	914-5	1		44	Gold (K8Y)
	4271 554-5	1		44	SILVER (K8A)
	17	T470-1 AE5	1		24
T470-1 AY1		1		24	Gold (K2Y)
T470-1 AA2		1		24	Silver (K2A)

MODEL CODES

B = GRAN FURY/CARAVELLE  
 C = LEBARON/TOWN & COUNTRY  
 D = ARIES  
 F = NEW YORKER  
 G = DIPLOMAT  
 M = HORIZON/TC3/SCAMP  
 P = RELIANT  
 S = CORDOBA  
 V = 400  
 X = MIRADA  
 Y = IMPERIAL  
 Z = OMNI/O24/RAMPAGE

BODY STYLES

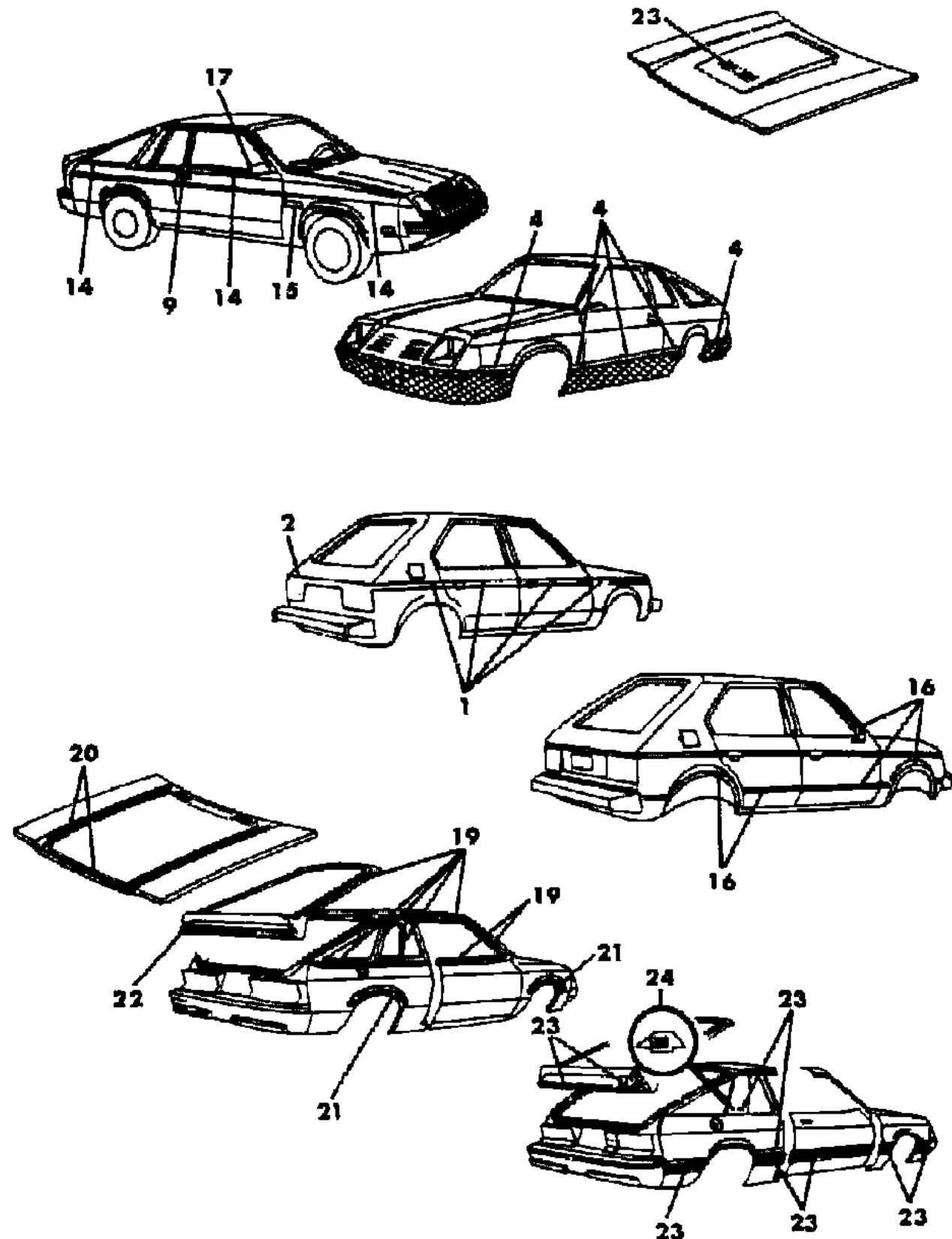
21 = 2-DOOR SEDAN  
 22 = 2-DOOR SPECIAL COUPE  
 24 = 2-DOOR HATCHBACK  
 27 = 2-DOOR CONVERTIBLE  
 28 = FWD PICKUP  
 41 = 4-DOOR SEDAN  
 44 = 4-DOOR HATCHBACK  
 45 = 2-SEAT STATION WAGON

AR = Use as Required - = Non Illustrated Part P.A.R. = Paint as Required

EXTERIOR VIEW - TAPE STRIPES PLYMOUTH HORIZON - 2 DOOR,4 DOOR

Figure 23-500

2168 500B



ITEM	PART NUMBER	QTY	BODY	MODEL	DESCRIPTION
19	4271 572-3	1		24	TAPE SET,"A" Pillar,Door Belt and Fndr.,Qtr. Wdo. Frt. and Rear and Belt,Roof Side,L/Gate to Roof,Silver,(K2A)
	4271 574-5	1		24	Red (K2R)
	4271 576-7	1		24	Gold (K2Y)
20	4271 578	1		24	TAPE SET,Hood,Complete,Silver (K2A)
	4271 579	1		24	Red (K2R)
	4271 580	1		24	Gold (K2Y)
21	4271 581	1		24	TAPE SET,W/Opng.,Silver (K2A)
	4271 582	1		24	Red (K2R)
	4271 583	1		24	Gold (K2Y)
22	T463 AA2	1		24	TAPE,L/Gate Spoiler,Silver (K2A)
	T463 AE5	1		24	Red (K2R)
	T463 AY1	1		24	Gold (K2Y)
23	4271 670-1	1		M-P	TAPE SET,Fndr.,Door,Qtr.,Orange and Red (K8E)
	4271 672-3	1		M-P	Light Gray and Charcoal (K8S)
	4271 674-5	1		M-P	Silver and Black (K8D)
	4271 676-7	1		M-P	Light and Dark Gold (K8K)
	T040 AA2	1		M-P	DECAL,Hood Scoop "Turismo 2.2" (K8D)
	T040 AA5	1		M-P	Light Gray (K8S)
	T040 AV3	1		M-P	Orange (K8E)
	T040 AY6	1		M-P	Light Gold (K8K)
	T040 AA2	1		M-P	DECAL,Rear Spoiler "Turismo 2.2",Silver (K8D)
	T040 AA5	1		M-P	Light Gray (K8S)
	T040 AV3	1		M-P	Orange (K8E)
	T040 AY6	1		M-P	Light Gold (K8K)
	T041 AA2	2		M-P	DECAL,Qtr. Wdo. Applique "2.2",Silver (K8D)
	T041 AA5	2		M-P	Light Gray (K8S)
	T041 AV3	2		M-P	Orange (K8E)
	T041 AY6	2		M-P	Light Gold (K8K)
	T042 AA2	2		M-P	DECAL,Qtr. Frt."Turismo",Silver K8D)
	T042 AA5	2		M-P	Light Gray (K8S)
	T042 AV3	2		M-P	Orange (K8E)
	T042 AY6	2		M-P	Light Gold (K8K)
	T574 ABA	1		M-P	TAPE,Rear Spoiler,Orange and Red (K8E)
	T574 ABB	1		M-P	Light Gray and Charcoal (K8S)
	T574 ABC	1		M-P	Silver and Black (K8D)
	T574 ABD	1		M-P	Light and Dark Gold (K8K)

MODEL CODES

B = GRAN FURY/CARAVELLE  
 C = LEBARON/TOWN & COUNTRY  
 D = ARIES  
 F = NEW YORKER  
 G = DIPLOMAT  
 M = HORIZON/TC3/SCAMP  
 P = RELIANT  
 S = CORDOBA  
 V = 400  
 X = MIRADA  
 Y = IMPERIAL  
 Z = OMNI/O24/RAMPAGE

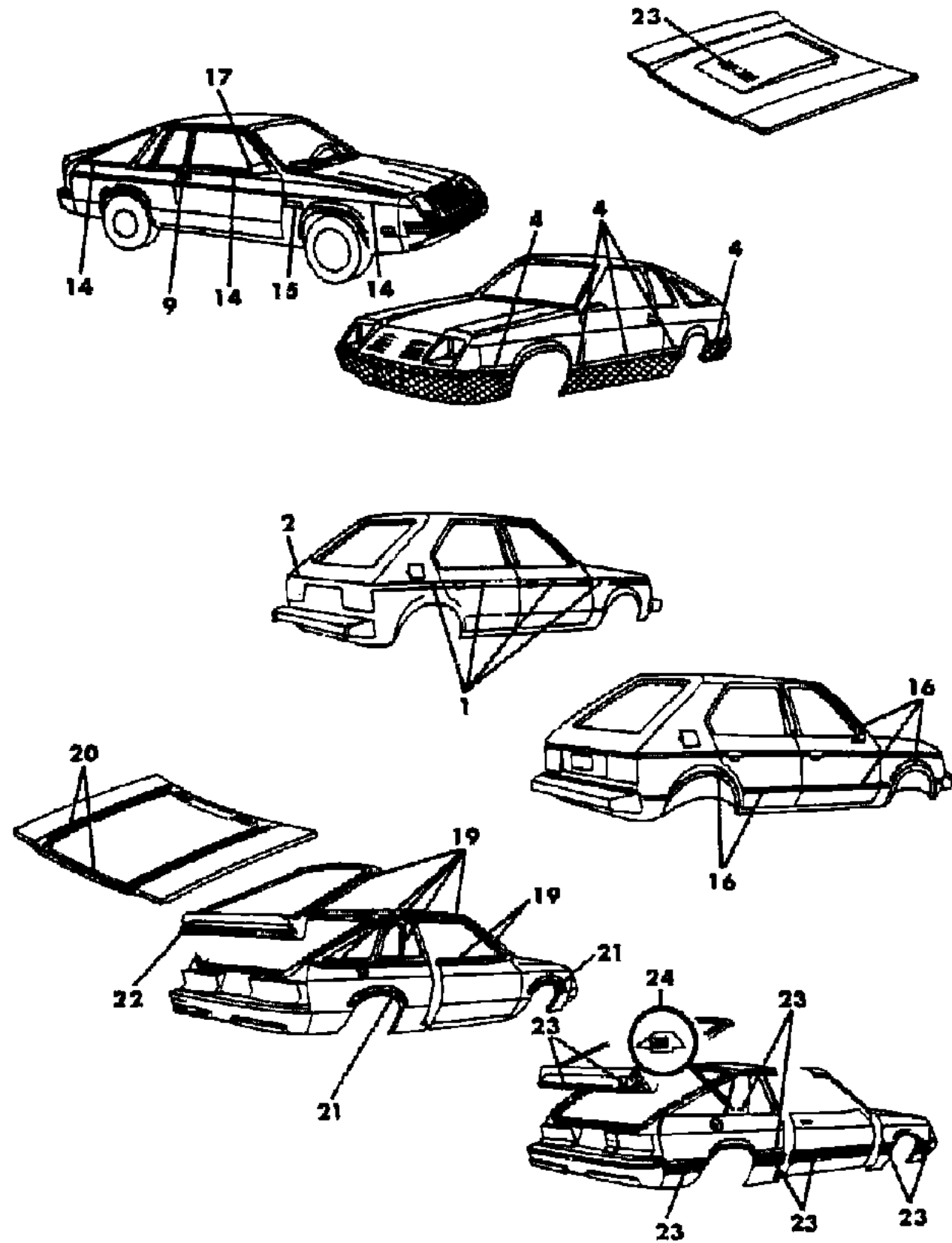
BODY STYLES

21 = 2-DOOR SEDAN  
 22 = 2-DOOR SPECIAL COUPE  
 24 = 2-DOOR HATCHBACK  
 27 = 2-DOOR CONVERTIBLE  
 28 = FWD PICKUP  
 41 = 4-DOOR SEDAN  
 44 = 4-DOOR HATCHBACK  
 45 = 2-SEAT STATION WAGON

AR = Use as Required - = Non Illustrated Part P.A.R. = Paint as Required

EXTERIOR VIEW - TAPE STRIPES PLYMOUTH HORIZON - 2 DOOR,4 DOOR  
Figure 23-500

2168 500B



ITEM	PART NUMBER	QTY	BODY	MODEL	DESCRIPTION
24	5230 719	2		M-H	DECAL,Qtr. Wdo.Frt. Frame "TC3"
	5230 719	1		M-H	DECAL,L/Gate,L/Gate Spoiler "TC3"

MODEL CODES  
 B = GRAN FURY/CARAVELLE      P = RELIANT  
 C = LEBARON/TOWN & COUNTRY      S = CORDOBA  
 D = ARIES      V = 400  
 F = NEW YORKER      X = MIRADA  
 G = DIPLOMAT      Y = IMPERIAL  
 M = HORIZON/TC3/SCAMP      Z = OMNI/O24/RAMPAGE

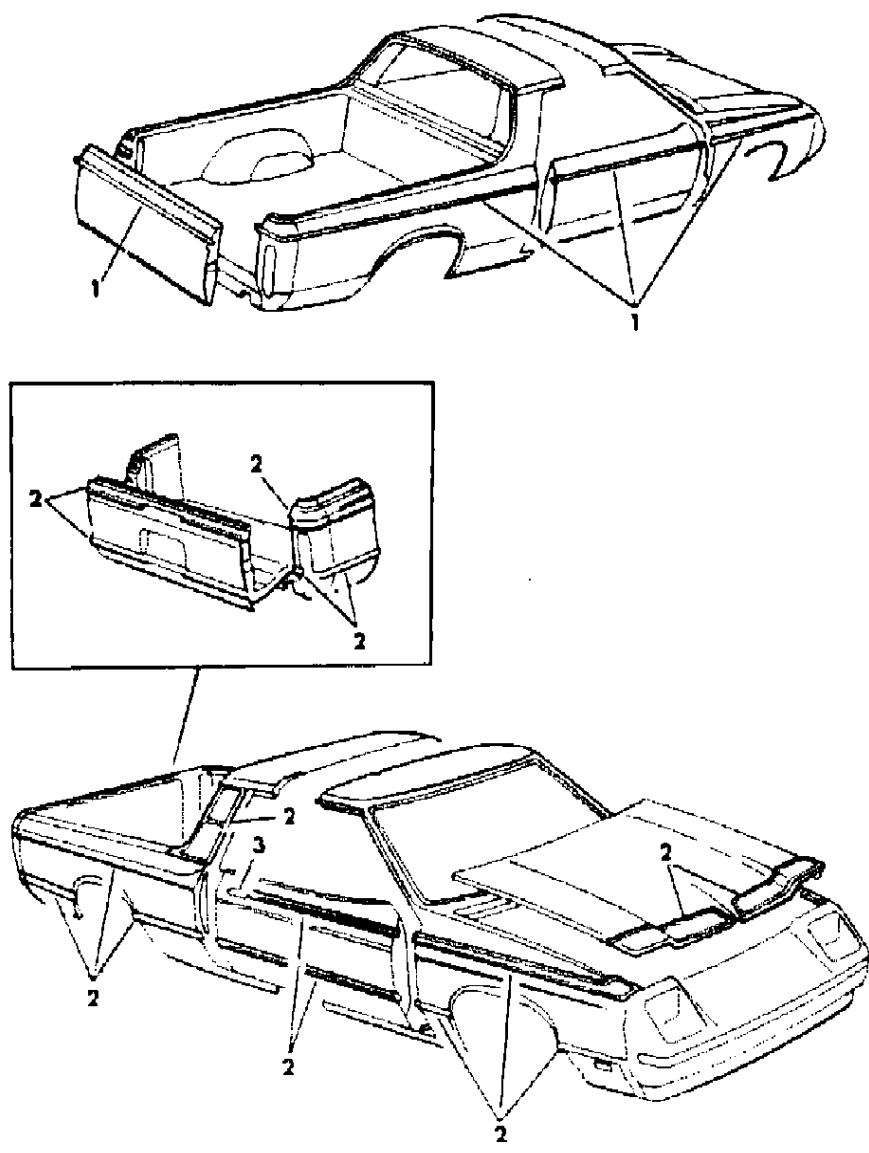
BODY STYLES  
 21 = 2-DOOR SEDAN      28 = FWD PICKUP  
 22 = 2-DOOR SPECIAL COUPE      41 = 4-DOOR SEDAN  
 24 = 2-DOOR HATCHBACK      44 = 4-DOOR HATCHBACK  
 27 = 2-DOOR CONVERTIBLE      45 = 2-SEAT STATION WAGON

AR = Use as Required - = Non Illustrated Part P.A.R. = Paint as Required



**EXTERIOR VIEW TAPE STRIPES - PLYMOUTH SCAMP - M-28**  
**Figure 23-550**

2108-350



ITEM	PART NUMBER	QTY	BODY	MODEL	DESCRIPTION
1	4271 718-9	1		28	TAPE SET,Fndr.,Door,Qtr.,Red (K3R)
	4271 720-1	1		28	Gold (K3Y)
	4271 780-1	1		28	Black (K3X)
	T441 AE5	1		28	TAPE,Tailgate,Red (K3R)
	T441 AY1	1		28	Gold (K3Y)
2	T441 AX9	1		28	Black (K3X)
	4271 712	1		28	TAPE SET,Hood,Bright Red and Orange (K1V)
	4271 713	1		28	Black and Charcoal Met. (K1S)
	4271 708-9	1		28	TAPE SET,Body Side,Bright Red and Orange (K1V)
	4271 710-1	1		28	Black and Charcoal Met. (K1S)
3	4271 714	1		28	TAPE SET,Tailgate,Bright Red and Orange (K1V)
	4271 715	1		28	Black and Charcoal Met. (K1S)
	5209 223	2		28	TAPE,Door Handle

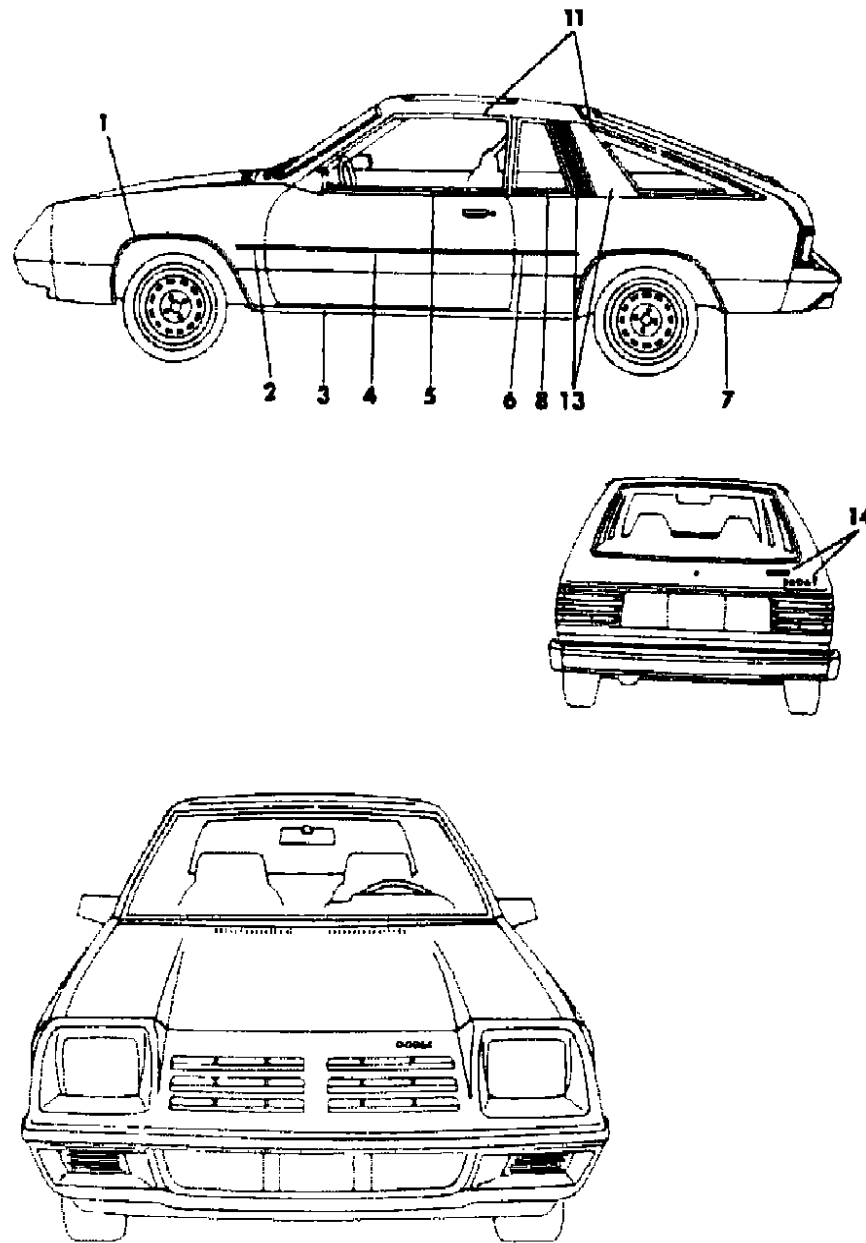
MODEL CODES  
 B = GRAN FURY/CARAVELLE      P = RELIANT  
 C = LEBARON/TOWN & COUNTRY      S = CORDOBA  
 D = ARIES      V = 400  
 F = NEW YORKER      X = MIRADA  
 G = DIPLOMAT      Y = IMPERIAL  
 M = HORIZON/TC3/SCAMP      Z = OMNI/O24/RAMPAGE

BODY STYLES  
 21 = 2-DOOR SEDAN      28 = FWD PICKUP  
 22 = 2-DOOR SPECIAL COUPE      41 = 4-DOOR SEDAN  
 24 = 2-DOOR HATCHBACK      44 = 4-DOOR HATCHBACK  
 27 = 2-DOOR CONVERTIBLE      45 = 2-SEAT STATION WAGON

AR = Use as Required - = Non Illustrated Part P.A.R. = Paint as Required

EXTERIOR VIEW DODGE OMNI 024 - 2 DOOR HATCHBACK  
Figure 23-600

2168 BDU



ITEM	PART NUMBER	QTY	BODY	MODEL	DESCRIPTION
1	5230 510-1	1			MOULDING, Fndr. W/Opng.
	6028 674	7			SCREW
2	E590 LX9	2			MOULDING, Fndr., Black
3	5230 514-5	1			MOULDING, Body Side Sill
	6003 634	6			RETAINER
4	E590 LX9	2			MOULDING, Door, Black
5	5230 690	1			MOULDING, Door Belt, Rt., Use w/Mirror
	5230 691	1			MOULDING, Door Belt, Lt., Use w/o European Mkt. Req.
	5230 771	1			MOULDING, Door Belt, Lt., Use w/European Mkt. Req.
	5230 674	1			MOULDING, Door Belt, Rt., Use w/o Mirror
	5230 708	1			MOULDING, Door Belt, Rt., Black, Use w/o Mirror
	5230 540-1	1		Z-P	MOULDING, Door Belt, Black
	5230 764-5	1			MOULDING, Door Belt, Black, Use w/Mirror
6	E590 LX9	2			MOULDING, Qtr. Pnl., Black
7	5230 512-3	1			MOULDING, Qtr. W/Opng.
	6028 674	6			SCREW
8	5230 782-3	1			MOULDING, Qtr. Belt, Bright, Use w/o Louvers
	5230 766-7	1			Black, Use w/o Louvers
	5230 592-3	1			Black, Use w/Louvers
	5230 688-9	1			Chrome, Use w/Louvers
	9420 486	2			SCREW
11	5230 532-3	1			MOULDING, Roof Side Drain Trough
	5230 654-5	1			MOULDING, Roof Side Drain Trough, Black
13	X050-1 AA3	1			FRAME, Qtr. Wdo., Frt.
	X050-1 AB5	1			Burnish Silver
	X050-1 AY5	1			Ensign Blue
	X050-1 AC3	1			Graphic Yellow
	X050-1 AW3	1			Daystar Blue
	X050-1 AX9	1			Pearl White
	X050-1 AC8	1			Black
	X050-1 AF7	1			Navy blue
	X050-1 AK8	1			Green
	X050-1 AM8	1			Spice Tan
	X050-1 AR4	1			Morocco Red
	X050-1 AA9	1			Graphic Red
	X050-1 AT3	1			Dark Silver
					Med. Tan

MODEL CODES

B = GRAN FURY/CARAVELLE  
C = LEBARON/TOWN & COUNTRY  
D = ARIES  
F = NEW YORKER  
G = DIPLOMAT  
M = HORIZON/TC3/SCAMP  
P = RELIANT  
S = CORDOBA  
V = 400  
X = MIRADA  
Y = IMPERIAL  
Z = OMNI/O24/RAMPAGE

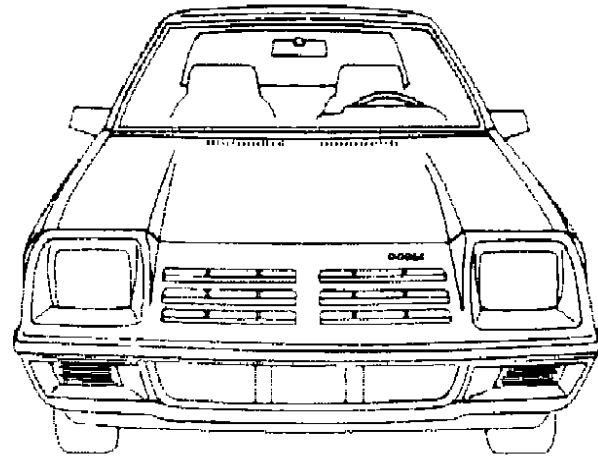
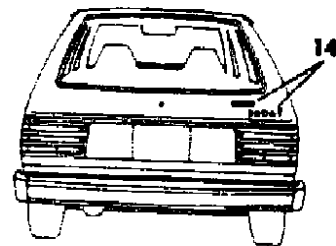
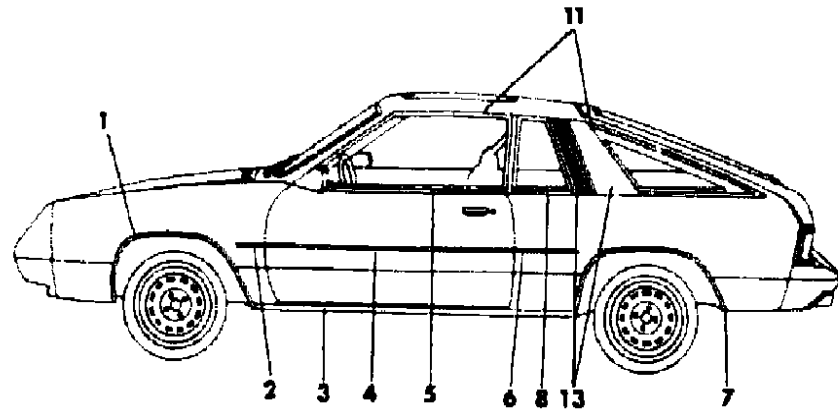
BODY STYLES

21 = 2-DOOR SEDAN  
22 = 2-DOOR SPECIAL COUPE  
24 = 2-DOOR HATCHBACK  
27 = 2-DOOR CONVERTIBLE  
28 = FWD PICKUP  
41 = 4-DOOR SEDAN  
44 = 4-DOOR HATCHBACK  
45 = 2-SEAT STATION WAGON

AR = Use as Required - = Non Illustrated Part P.A.R. = Paint as Required

EXTERIOR VIEW DODGE OMNI 024 - 2 DOOR HATCHBACK  
Figure 23-600

2168 BDU



ITEM	PART NUMBER	QTY	BODY	MODEL	DESCRIPTION
	5230 661	2			RETAINER, Qtr. Wdo. Frame or Louver
	6028 674	1			SCREW
	9420 867	3			NUT
					SCREW
14	4229 779	1			NAME PLATE, L/Gate and L/Gate Spoiler, "Dodge"
	5230 781	1			"024"

MODEL CODES

B = GRAN FURY/CARAVELLE	P = RELIANT
C = LEBARON/TOWN & COUNTRY	S = CORDOBA
D = ARIES	V = 400
F = NEW YORKER	X = MIRADA
G = DIPLOMAT	Y = IMPERIAL
M = HORIZON/TC3/SCAMP	Z = OMNI/O24/RAMPAGE

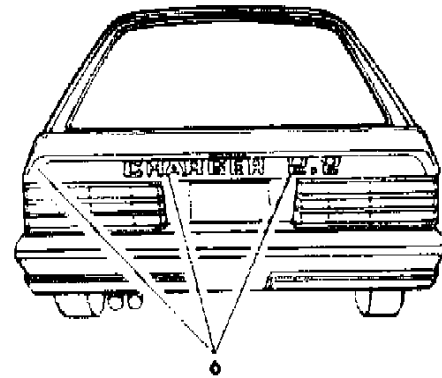
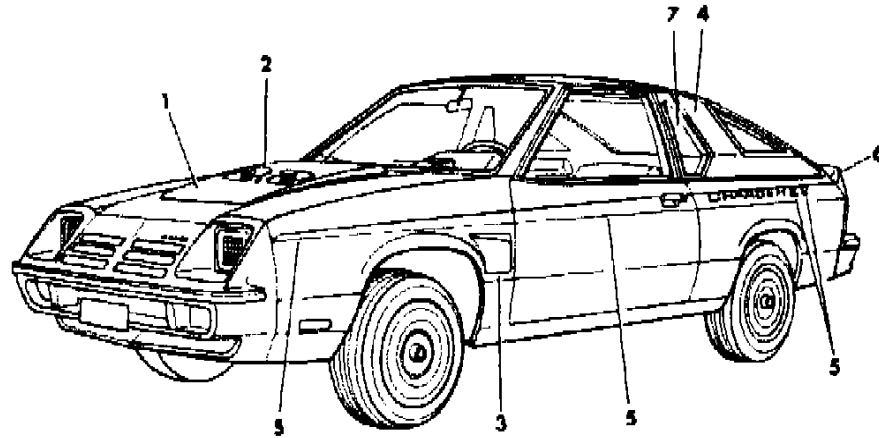
BODY STYLES

21 = 2-DOOR SEDAN	28 = FWD PICKUP
22 = 2-DOOR SPECIAL COUPE	41 = 4-DOOR SEDAN
24 = 2-DOOR HATCHBACK	44 = 4-DOOR HATCHBACK
27 = 2-DOOR CONVERTIBLE	45 = 2-SEAT STATION WAGON

AR = Use as Required - = Non Illustrated Part P.A.R. = Paint as Required

**EXTERIOR VIEW DODGE OMNI 024 (CHARGER 2.2)**  
**Figure 23-700**

2168 700A



ITEM	PART NUMBER	QTY	BODY	MODEL	DESCRIPTION
1	X593 VW3	1			PACKAGE,Hood Scoop (Paint as Req.)
	4276 129	3			SPACER,Hood Scoop
	6025 004	AR			NUT
2	T410 VE5	1			TAPE,Hood Scoop,Red (K4R)
	T410 AX1	1			Black (K4X)
	T410 VY1	1			Gold (K4Y) Use Up to 9-21-81
	T410 AY5	1			Graphic Yellow (K4Y) Use After 9-21-81
3	X588-9 VW3	1			PACKAGE,Fndr. Exhauster (Paint as Req.)
4	X596-7 VW3	1			APPLIQUE,Qtr. Wdo. (Paint as Req.)
	5230 661	AR			RETAINER PKG.
	4057 555	AR			RETAINER PKG.
	9420 867	AR			NUT
					SCREW (Not Serv.)
5	4271 538-9	1			TAPE SET,Body Side,Red (K4R)
	4271 550-1	1			Black (K4X)
	4271 542-3	1			Gold (K4Y) Use Up to 9-21-81
	4271 740-1	1			Graphic Yellow (K4Y) Use After 9-21-81
6	4271 544	1			TAPE SET,L/Gate Spoiler,Red (K4R)
	4271 547	1			Black (K4X)
	4271 546	1			Gold (K4Y) Use Up to 9-21-81
	4271 742	1			Graphic Yellow (K4Y) Use After 9-21-81
7	5230 428-9	1			TAPE,Frnt. Qtr. Wdo. Black Out
	5230 430-1	1			TAPE,Rear Qtr. Wdo. Black Out

NOTE: See Illus. Page 1000 for Additional Tape Stripes an offsetting order for part no. 3747881

**MODEL CODES**

B = GRAN FURY/CARAVELLE	P = RELIANT
C = LEBARON/TOWN & COUNTRY	S = CORDOBA
D = ARIES	V = 400
F = NEW YORKER	X = MIRADA
G = DIPLOMAT	Y = IMPERIAL
M = HORIZON/TC3/SCAMP	Z = OMNI/O24/RAMPAGE

**BODY STYLES**

21 = 2-DOOR SEDAN	28 = FWD PICKUP
22 = 2-DOOR SPECIAL COUPE	41 = 4-DOOR SEDAN
24 = 2-DOOR HATCHBACK	44 = 4-DOOR HATCHBACK
27 = 2-DOOR CONVERTIBLE	45 = 2-SEAT STATION WAGON

AR = Use as Required - = Non Illustrated Part P.A.R. = Paint as Required

EXTERIOR VIEW DODGE RAMPAGE - Z28

Figure 23-800

2168 800A

ITEM	PART NUMBER	QTY	BODY	MODEL	DESCRIPTION
1	5230 510-1	1			MOULDING,Fndr. Wheel Opng. SCREW (Not Serv.)
2	5230 654-5	1			MOULDING,Roof Side Drain Trough,Black
	5230 738-9	1			MOULDING,Roof Side Drain Trough,Repair
3	X800 AT3	1			MOULDING,Roof Rear (Paint as Req.)
	4267 919	AR			RETAINER PKG. WELD STUD (Not Serv.)
4	X802-3 AT3	1			MOULDING,Body Side Aper. Pnl. Upr. Frt. (Paint as Req.)
	4057 555	AR			RETAINER PKG.
	4267 915	AR			RETAINER PKG.,Red
	4267 916	AR			RETAINER PKG.,Black
	4267 917	AR			RETAINER PKG.,Grey
	4267 918	AR			RETAINER PKG.,Green
	9420 294	AR			NUT SEAL (Not Serv.)
5	5230 682-3	1			MOULDING,Body Side Sill,Bright
	6003 634	AR			RETAINER
	6028 674	AR			SCREW
	5230 744-5	1			MOULDING,Body Side Sill Repair,Black
	6003 634	AR			RETAINER WELD STUD (Not Serv.)
6	5230 764-5	1			MOULDING,Door Belt,Black,Use w/Mirror
	5230 708	1			MOULDING,Door Belt,Rt.,Black,Use w/o Mirror
7	5230 680-1	1			MOULDING,Qtr. Wheel Opng. SCREW (Not Serv.)
8	5230 777	1			NAMEPLATE,T/Gate,"RAMPAGE"
9	5230 780	1			NAMEPLATE,T/Gate,"DODGE"
10	5230 758	1			MOULDING,Back Pnl. Glass,Lwr.
	6003 818	7			RETAINER,Back Pnl. Glass,Lwr. Mldg. WELD STUD (Not Serv.)
11	X806-7 AA3	1			MOULDING,Cargo Box Trim
	4057 555	AR			RETAINER PKG.

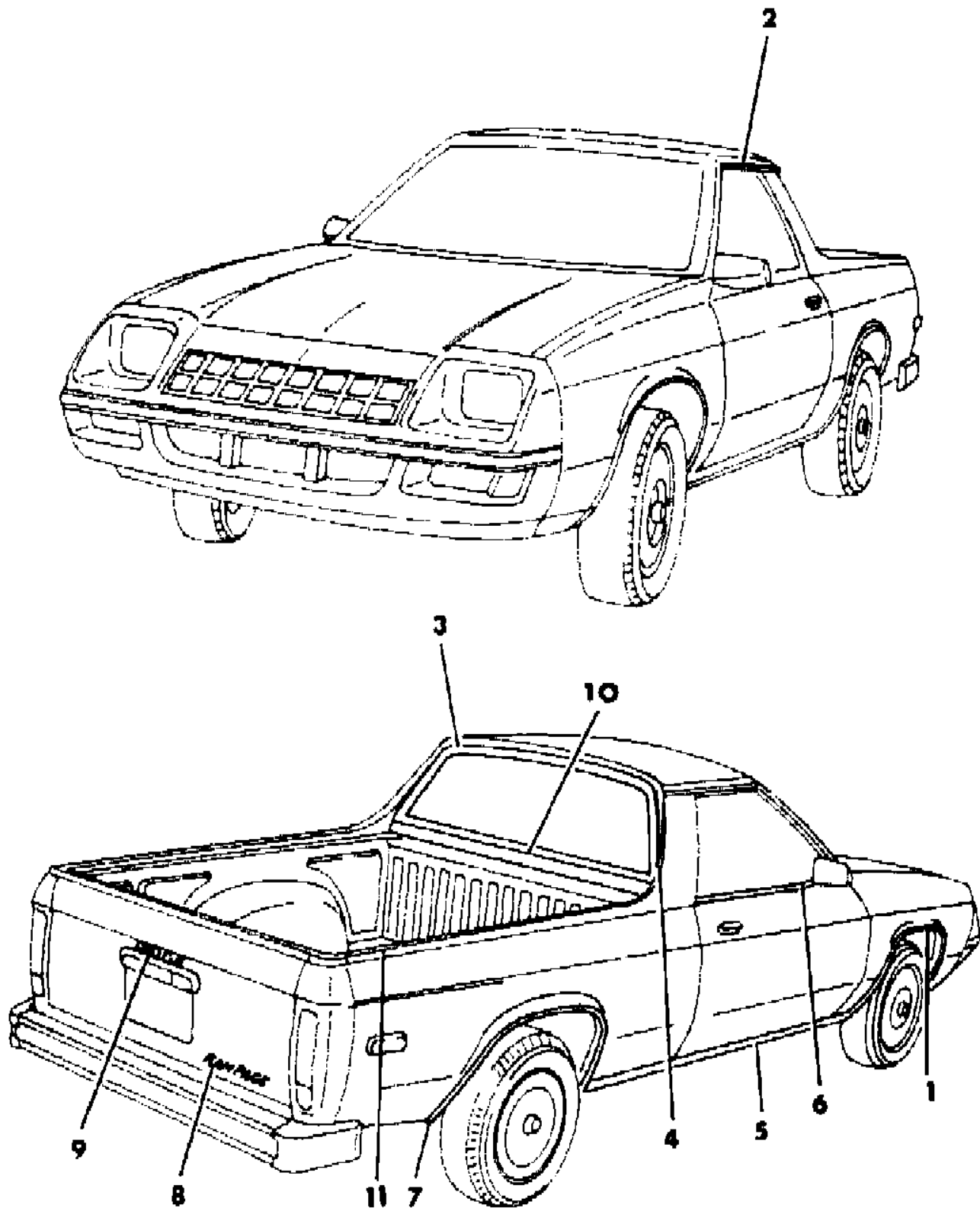
MODEL CODES

B = GRAN FURY/CARAVELLE	P = RELIANT
C = LEBARON/TOWN & COUNTRY	S = CORDOBA
D = ARIES	V = 400
F = NEW YORKER	X = MIRADA
G = DIPLOMAT	Y = IMPERIAL
M = HORIZON/TC3/SCAMP	Z = OMNI/O24/RAMPAGE

BODY STYLES

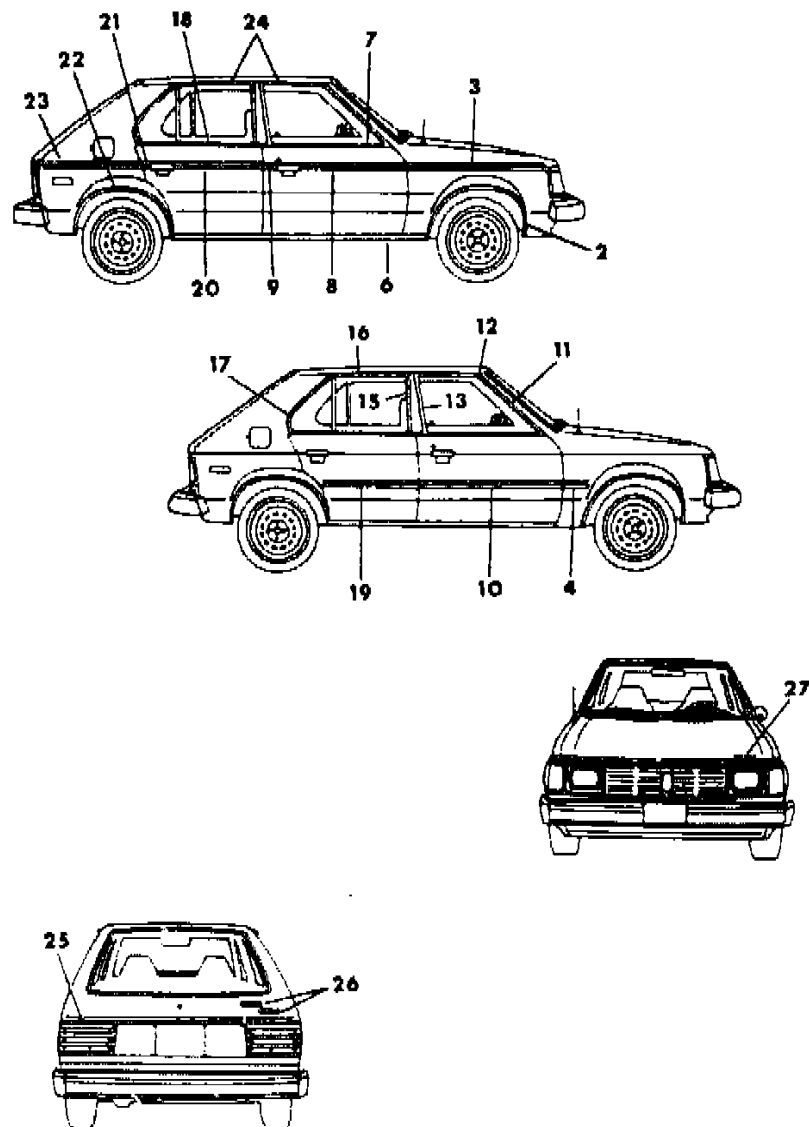
21 = 2-DOOR SEDAN	28 = FWD PICKUP
22 = 2-DOOR SPECIAL COUPE	41 = 4-DOOR SEDAN
24 = 2-DOOR HATCHBACK	44 = 4-DOOR HATCHBACK
27 = 2-DOOR CONVERTIBLE	45 = 2-SEAT STATION WAGON

AR = Use as Required - = Non Illustrated Part P.A.R. = Paint as Required



**EXTERIOR VIEW DODGE OMNI - 4 DOOR HATCHBACK**  
**Figure 23-900**

2166 900



ITEM	PART NUMBER	QTY	BODY	MODEL	DESCRIPTION
2	5209 030-1	1			MOULDING, Fndr. W/Opng.
	6028 674	6			SCREW
3	4106 314-5	1			MOULDING PKG., Fndr., w/Black Paint Insert
	3780 450				RETAINER PKG.
	4057 555				RETAINER PKG.
4	E590 LX9	2			MOULDING, Fndr., w/Black Insert
6	5209 034	2			MOULDING, Body Side Sill
	6003 634	6			RETAINER
7	5216 590-1	1			MOULDING w/WEATHERSTRIP, Frt. Door Belt,Outer
	5216 728-9	1			Black
	5216 594-5	1			WEATHERSTRIP w/o MLDG., Frt. Door Belt,Outer
8	4176 620-1	1			MOULDING PKG., Frt. Door, Frt.,w/Black Paint Insert
	4057 555				RETAINER PKG.
	3780 450				RETAINER PKG.
9	5209 150	2			MOULDING, Frt. Door, Rear,w/Black Paint Insert
	3780 450	1			RETAINER PKG.
	6026 523	1			NUT
					RETAINER
10	E590 LX9	2			MOULDING, Frt. Door, w/Black Insert
11	5209 010-1	1			MOULDING, Frt. Door Wdo. Opng. Frame, Frt.
12	5209 012-3	1			MOULDING, Frt. Door Wdo. Opng. Frame, Upr.
13	5209 014-5	1			MOULDING, Frt. Door Wdo. Opng. Frame, Rear
15	5209 016-7	1			MOULDING, Rear Door Wdo. Opng. Frame, Frt.
16	5209 018-9	1			MOULDING, Rear Door Wdo. Opng. Frame, Upr.
17	5209 020-1	1			MOULDING, Rear Door Wdo. Opng. Frame, Rear
18	5208 640-1	1			MOULDING w/WEATHERSTRIP, Rear Door Belt,Outer
	5216 732-3	1			Black
	5208 642-3	1			WEATHERSTRIP w/o MLDG., Rear Door Belt,Outer
19	E590 LX9	2			MOULDING, Rear Door, w/Black Insert
20	4176 622-3	1			MOULDING PKG., Rear Door, Frt.,w/Black Paint Insert
	4057 555				RETAINER PKG.
	3780 450				RETAINER PKG.
21	5209 156-7	1			MOULDING, Rear Door, Rear,w/Black Paint Insert
	3780 450				RETAINER PKG.
22	5209 032-3	1			MOULDING, Qtr. Pnl. W/Opng.
	6028 674	5			SCREW
23	4106 320-1	1			MOULDING PKG., Qtr. Pnl., w/Black Paint Insert

**MODEL CODES**

B = GRAN FURY/CARAVELLE	P = RELIANT
C = LEBARON/TOWN & COUNTRY	S = CORDOBA
D = ARIES	V = 400
F = NEW YORKER	X = MIRADA
G = DIPLOMAT	Y = IMPERIAL
M = HORIZON/TC3/SCAMP	Z = OMNI/O24/RAMPAGE

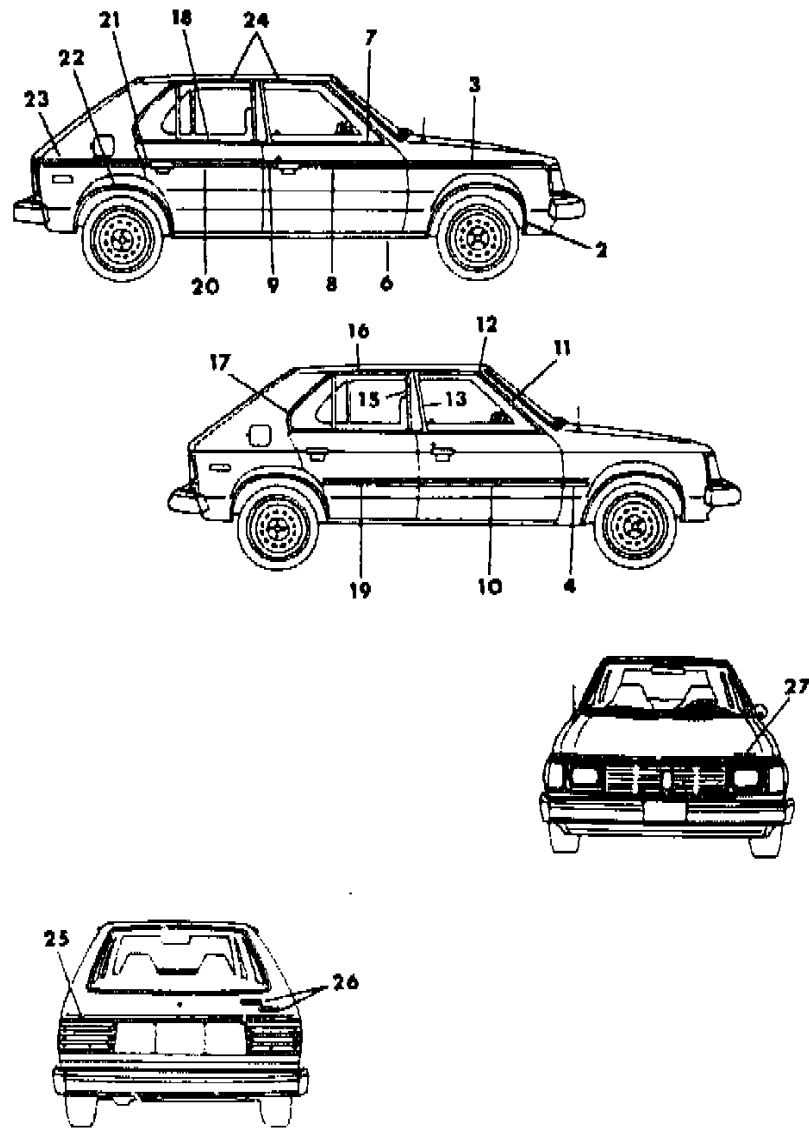
**BODY STYLES**

21 = 2-DOOR SEDAN	28 = FWD PICKUP
22 = 2-DOOR SPECIAL COUPE	41 = 4-DOOR SEDAN
24 = 2-DOOR HATCHBACK	44 = 4-DOOR HATCHBACK
27 = 2-DOOR CONVERTIBLE	45 = 2-SEAT STATION WAGON

AR = Use as Required - = Non Illustrated Part P.A.R. = Paint as Required

**EXTERIOR VIEW DODGE OMNI - 4 DOOR HATCHBACK**  
**Figure 23-900**

2166 900



ITEM	PART NUMBER	QTY	BODY	MODEL	DESCRIPTION
	3780 450				RETAINER PKG.
	6026 523	1			NUT
					RETAINER
24	5209 036	2			MOULDING, Roof Side Drain Trough
	5209 222	2			Black,Use on Euro Sedan
25	4106 311	1			MOULDING PKG., L/Gate
	6026 523	3			NUT
	3780 450				RETAINER PKG.
					RETAINER
26					NAME PLATE, L/Gate
	4229 779	1			"Dodge"
	5209 099	1			"Omni"
27	5209 238	1			NAME PLATE, Hood, "Dodge"

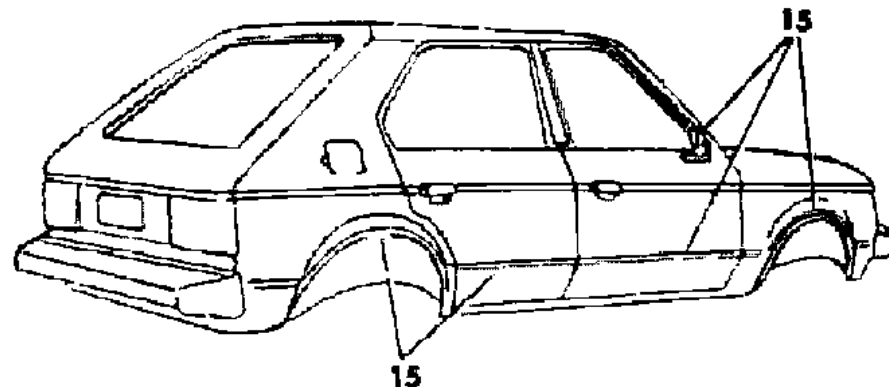
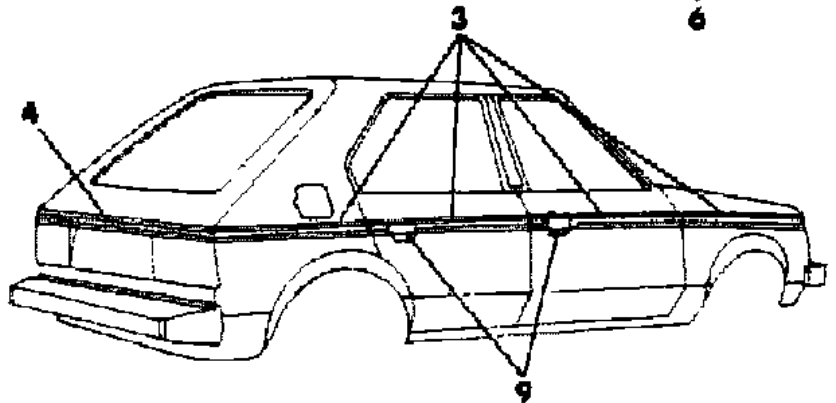
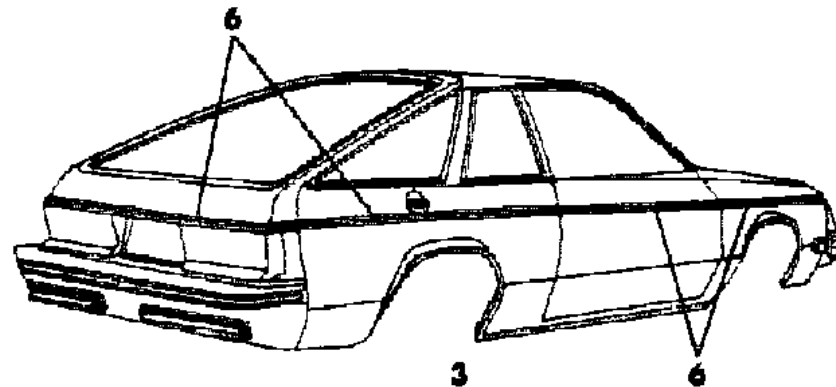
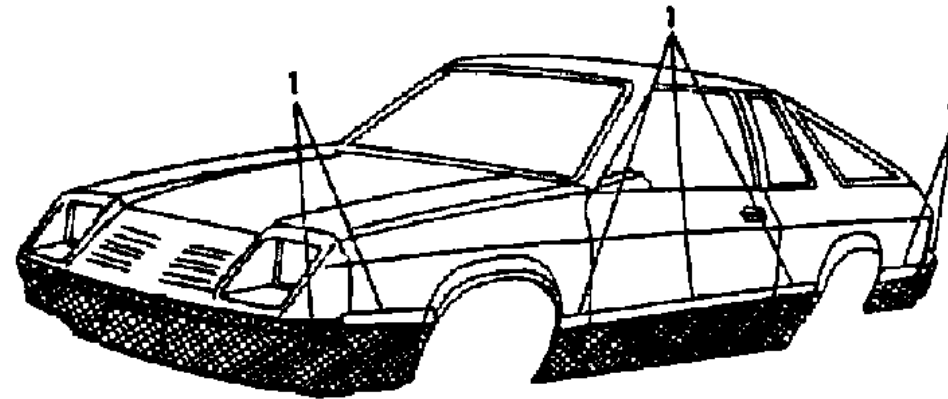
MODEL CODES  
 B = GRAN FURY/CARAVELLE      P = RELIANT  
 C = LEBARON/TOWN & COUNTRY      S = CORDOBA  
 D = ARIES      V = 400  
 F = NEW YORKER      X = MIRADA  
 G = DIPLOMAT      Y = IMPERIAL  
 M = HORIZON/TC3/SCAMP      Z = OMNI/O24/RAMPAGE

BODY STYLES  
 21 = 2-DOOR SEDAN      28 = FWD PICKUP  
 22 = 2-DOOR SPECIAL COUPE      41 = 4-DOOR SEDAN  
 24 = 2-DOOR HATCHBACK      44 = 4-DOOR HATCHBACK  
 27 = 2-DOOR CONVERTIBLE      45 = 2-SEAT STATION WAGON

AR = Use as Required - = Non Illustrated Part P.A.R. = Paint as Required

**EXTERIOR VIEW - TAPE STRIPES DODGE OMNI - 2 DOOR,4 DOOR**  
**Figure 23-1000**

2168 1000



ITEM	PART NUMBER	QTY	BODY	MODEL	DESCRIPTION	
1	4271 618-9	1		24	TAPE SET,Fndr.,Door,Qtr.,White and Red,Use on Two Tone Paint Pkg. (K1M)	
	4271 628-9	1		24	TAPE SET,Fndr.,Door,Qtr.,Silver and Flat Black,(K7X),Use on Appearance Group A77 Pkg.	
2	4271 620-1	1		24	Dark Blue and Light Blue Met. (K1C)	
	4271 622-3	1		24	Manila Cream and Cashmere Tan (K1T)	
	4271 624-5	1		24	Charcoal and Silver (K1D)	
	4240 641	AR		24	TAPE,Frt and Rear Fascia,White (Serv. in 7' Roll)	
	4267 911	AR		24	Manila Cream	
	4267 914	AR		24	Dark Silver	
3	4268 000	AR		24	Dark Blue	
	4106 280-1	1		44	TAPE SET,Fndr.,Door,Qtr.Pnl.,Red (K1R)	
4	4106 282-3	1		44	Gold (K1Y)	
	4271 716-7	1		44	Silver (K1A)	
	E314 RE5	1		44	TAPE,L/Gate,Red (K1R)	
	E314 RY1	1		44	Gold (K1Y)	
6	E314 AA2	1		44	Silver (K1A)	
	4240 562-3	1		24	TAPE SET,Fndr.,Door,Qtr.Pnl.,Red (K3R)	
	4131 744-5	1		24	Gold (K3Y)	
9	4271 548-9	1		24	Silver (K3A)	
	4240 564	1		24	TAPE,L/Gate,Use w/o Spoiler,Red (K3R)	
	4131 747	1		24	Gold (K3Y)	
	4271 501	1		24	Silver (K3A)	
	4240 565	1		24	TAPE,L/Gate,Use w/Spoiler,Red (K3R)	
	4186 662	1		24	Gold (K3Y)	
	4267 700	1		24	Silver (K3A)	
	5209 223	2		24,44	TAPE,Door Handle	
	15	T859 VE5	2		44	TAPE,Side View Mirror,Red (K8R)
		T859 VY1	2		44	Gold (K8Y)
T859 AA2		2		44	Silver (K8A)	
4240 912-3		1		44	TAPE SET,Fndr.,Door,Qtr.,Red (K8R)	
4240 914-5		1		44	Gold (K8Y)	
	4271 554-5	1		44	Silver (K8A)	

**MODEL CODES**

B = GRAN FURY/CARAVELLE	P = RELIANT
C = LEBARON/TOWN & COUNTRY	S = CORDOBA
D = ARIES	V = 400
F = NEW YORKER	X = MIRADA
G = DIPLOMAT	Y = IMPERIAL
M = HORIZON/TC3/SCAMP	Z = OMNI/O24/RAMPAGE

**BODY STYLES**

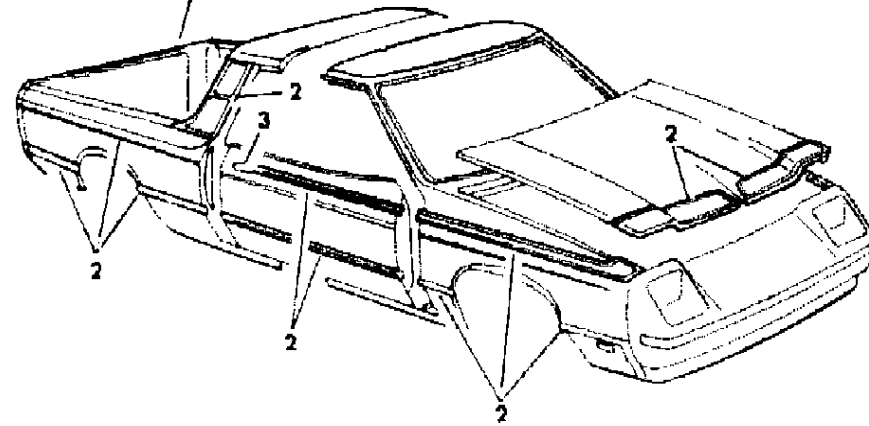
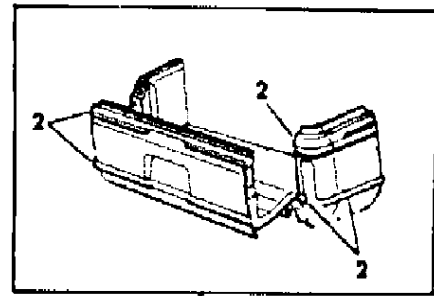
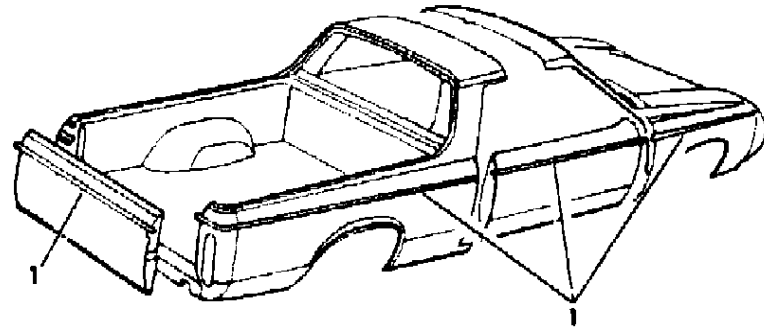
21 = 2-DOOR SEDAN	28 = FWD PICKUP
22 = 2-DOOR SPECIAL COUPE	41 = 4-DOOR SEDAN
24 = 2-DOOR HATCHBACK	44 = 4-DOOR HATCHBACK
27 = 2-DOOR CONVERTIBLE	45 = 2-SEAT STATION WAGON

AR = Use as Required - = Non Illustrated Part P.A.R. = Paint as Required



**EXTERIOR VIEW TAPE STRIPES - DODGE RAMPAGE - Z-28**  
**Figure 23-1050**

2168 1050



ITEM	PART NUMBER	QTY	BODY	MODEL	DESCRIPTION
1	4271 718-9	1		28	TAPE SET,Fndr.,Door,Qtr.,Red (K3R)
	4271 720-1	1		28	Gold (K3Y)
	4271 780-1	1		28	Black (K3X)
	T441 AE5	1		28	TAPE,Tailgate,Red (K3R)
	T441 AY1	1		28	Gold (K3Y)
	T441 AX9	1		28	Black (K3X)
2	4271 712	1		28	TAPE SET,Hood,Bright Red and Orange (K1V)
	4271 713	1		28	Black and Charcoal Met. (K1S)
	4271 708-9	1		28	TAPE SET,Body Side,Bright Red and Orange (K1V)
	4271 710-1	1		28	Black and Charcoal Met. (K1S)
	4271 714	1		28	TAPE SET,Tailgate,Bright Red and Orange (K1V)
3	4271 715	1		28	Black and Charcoal Met. (K1S)
	5209 223	2		28	TAPE,Door Handle

**MODEL CODES**

B = GRAN FURY/CARAVELLE	P = RELIANT
C = LEBARON/TOWN & COUNTRY	S = CORDOBA
D = ARIES	V = 400
F = NEW YORKER	X = MIRADA
G = DIPLOMAT	Y = IMPERIAL
M = HORIZON/TC3/SCAMP	Z = OMNI/O24/RAMPAGE

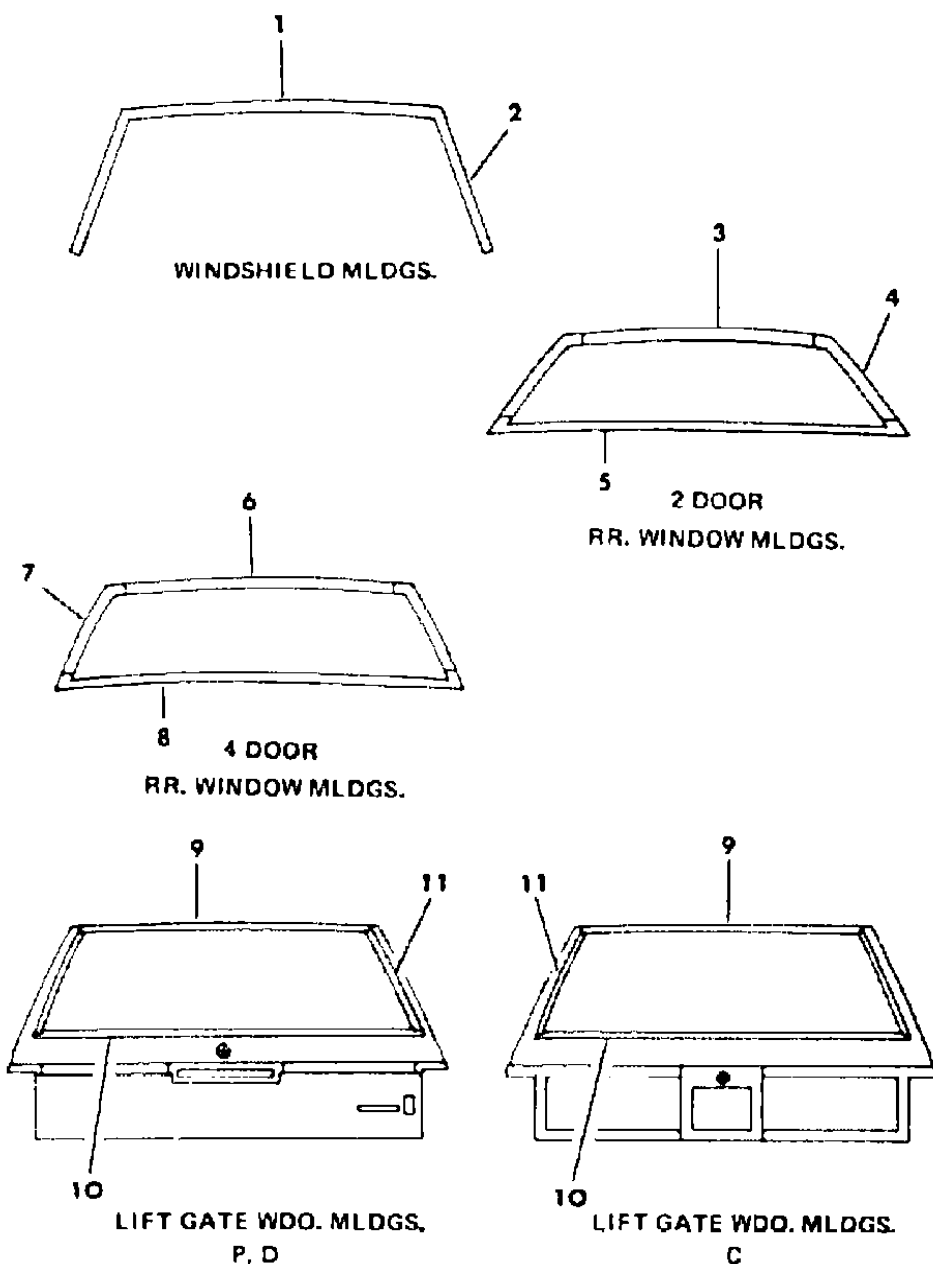
**BODY STYLES**

21 = 2-DOOR SEDAN	28 = FWD PICKUP
22 = 2-DOOR SPECIAL COUPE	41 = 4-DOOR SEDAN
24 = 2-DOOR HATCHBACK	44 = 4-DOOR HATCHBACK
27 = 2-DOOR CONVERTIBLE	45 = 2-SEAT STATION WAGON

AR = Use as Required - = Non Illustrated Part P.A.R. = Paint as Required

**MOULDINGS,W/SHIELD AND REAR WINDOW OUTSIDE P,D,V,C**  
**Figure 23-1100**

2168 1100



ITEM	PART NUMBER	QTY	BODY	MODEL	DESCRIPTION
1	4229 769	1		Except	MOULDING,W/Shield,Upr.
	4305 069	1		27	MOULDING,W/Shield,Upr.,Use Up to 7-12-82
	4305 100	1		27	MOULDING,W/Shield,Upr.,Use After 7-12-82
	4097 522-3	1		27	MOULDING,W/Shield,Upr.Corner,Use Up to 4-5-82
	4305 016	2		27	CAP,W/Shield Ext.,Use After 4-5-82
2	6003 409	AR		Except	RETAINER,W/Shield,Upr. Mldg.
	4229 772-3	1		Except	MOULDING,W/Shield,Side
	4097 520-1	1		27	MOULDING,W/Shield,Side,Use Up to 4-5-82
	4097 772-3	1		27	MOULDING,W/Shield,Side,Use After 4-5-82
	6003 409	AR		Except	RETAINER,W/Shield,Side Mldg.
3	6003 756	AR		Except	RETAINER,W/Shield,Side Mldg.,Use Up to 11-16-81
	6003 830	AR		Except	RETAINER,W/Shield,Side Mldg.,Use After 11-16-81
	4175 188	1		P,D,21	MOULDING,Rear Wdo.,Upr.
	4175 190-1	1		P,D,21	MOULDING,Rear Wdo.,Side,Use Up to 4-7-82
	4276 634-5	1		P,D,21	MOULDING,Rear Wdo.,Side w/Spacer,Use After 4-7-82
4	4276 636	2		P,D,21	SPACER,Rear Wdo.,Side,Use w/Mldgs. 4276634-5
	6003 756	AR		P,D,21	RETAINER,Rear Wdo.,Side,Use Up to 11-16-81
	6003 830	AR		P,D,21	RETAINER,Rear Wdo.,Side,Use After 11-16-81
	4175 192-3	1		P,D,21	MOULDING,Rear Wdo.,Lwr.
	4175 566	1		41	MOULDING,Rear Wdo.,Upr.
5	4175 568-9	1		41	MOULDING,Rear Wdo.,w/o Spacer,Side,Use Up to Below Dates
	4276 632-3	1		41	MOULDING,Rear Wdo.,w/Spacer,Use After 2-19-82 Newark Assy.,After 3-1-82 Jeff. Assy.
	4276 631	2		41	SPACER,Rear Wdo.,Side,Use w/Mldgs. 4175568-9
	6003 756	AR		41	RETAINER,Rear Wdo.,Side,Use Up to 11-16-81
	6003 830	AR		41	RETAINER,Rear Wdo.,Side,Use After 11-16-81
8	4175 570-1	1		41	MOULDING,Rear Wdo.,Lwr.
9	4175 930	1		P,D,C	MOULDING,L/Gate,Upr.
10	4175 931	1		P,D,C	MOULDING,L/Gate,Lwr.
11	4175 932-3	1		P,D,C	MOULDING,L/Gate,Side

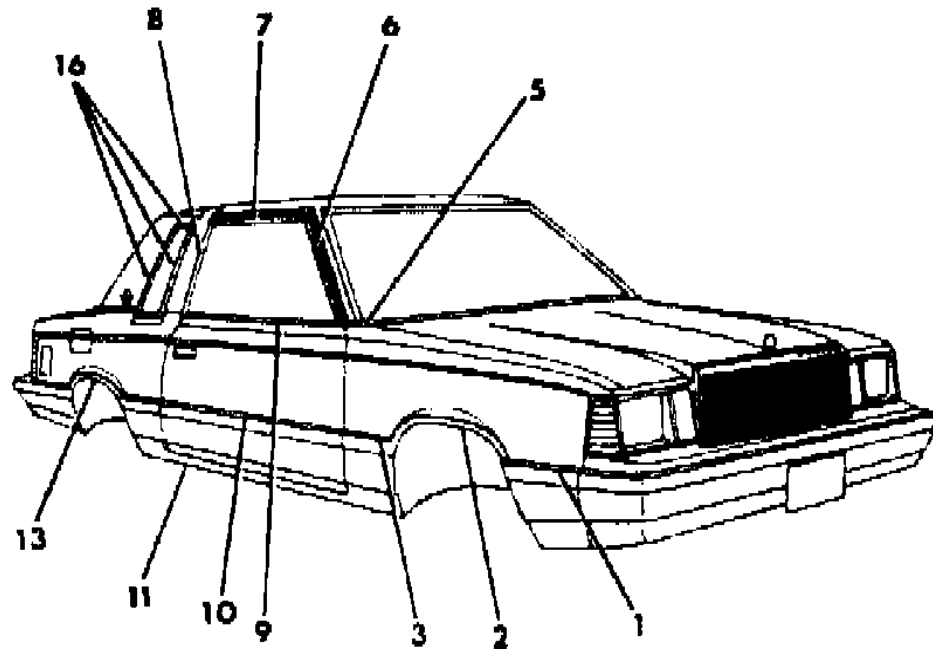
MODEL CODES  
 B = GRAN FURY/CARAVELLE      P = RELIANT  
 C = LEBARON/TOWN & COUNTRY      S = CORDOBA  
 D = ARIES      V = 400  
 F = NEW YORKER      X = MIRADA  
 G = DIPLOMAT      Y = IMPERIAL  
 M = HORIZON/TC3/SCAMP      Z = OMNI/O24/RAMPAGE

BODY STYLES  
 21 = 2-DOOR SEDAN      28 = FWD PICKUP  
 22 = 2-DOOR SPECIAL COUPE      41 = 4-DOOR SEDAN  
 24 = 2-DOOR HATCHBACK      44 = 4-DOOR HATCHBACK  
 27 = 2-DOOR CONVERTIBLE      45 = 2-SEAT STATION WAGON

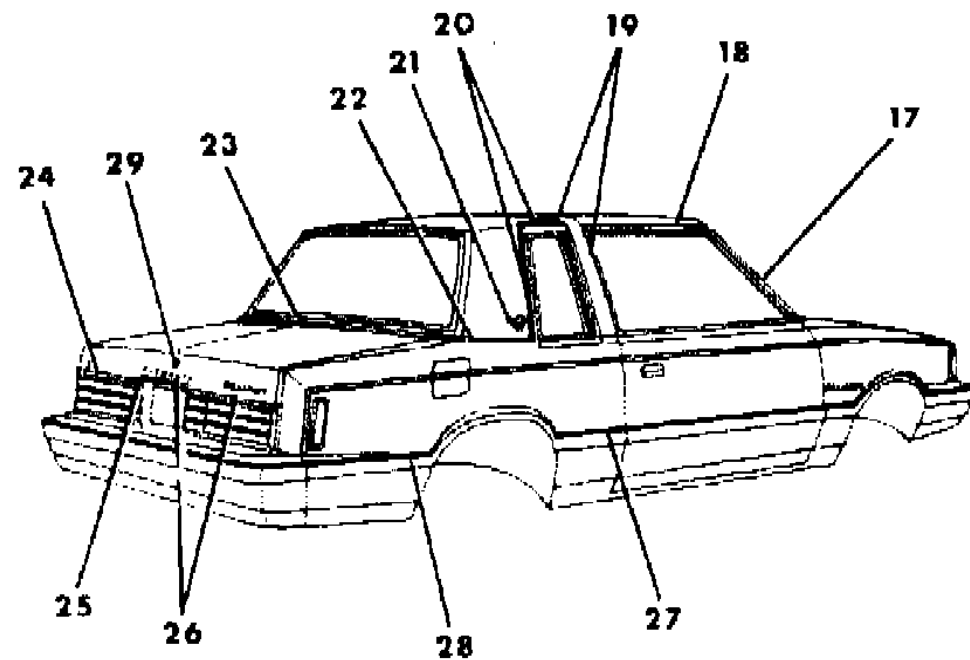
AR = Use as Required - = Non Illustrated Part P.A.R. = Paint as Required

EXTERIOR VIEW PLYMOUTH RELIANT 2 DOOR  
Figure 23-1200

2168 1200



ITEM	PART NUMBER	QTY	BODY	MODEL	DESCRIPTION
1	4240 886-7	1			MOULDING PACKAGE,Fndr. Frt.,Burnish Silver
	4240 888-9	1			Blue
	4240 890-1	1			Seaspray Green
	4267 758-9	1			Red
	4240 894-5	1			Med. Tan
	4240 896-7	1			Pearl White
	4240 898-9	1			Black
	4267 756-7	1			Dark Tan
	4267 760-1	1			Med. Cashmere
	4057 569				RETAINER PKG.
6027 625				NUT	
2	4175 756-7	1			MOULDING,Fndr. Wheel Opng.
					SCREW (Not Serviced)
3	4240 952-3	1			MOULDING PACKAGE,Fndr. Rear,Burnish Silver
	4240 954-5	1			Blue
	4240 956-7	1			Seaspray Green
	4267 752-3	1			Red
	4240 960-1	1			Med. Tan
	4240 962-3	1			Pearl White
	4240 964-5	1			Black
	4267 750-1	1			Dark Tan
	4267 754-5	1			Med. Cashmere
	4205 636				RET. PKG.
				STUD (Not Serviced)	
				SCREW (Not Serviced)	
5	4229 280-1	1			MOULDING,Fndr. Rear Edge Belt
6	4175 617	1			MOULDING,Door Wdo. Opng. Frame Frt.,Lt.(Wide Mldg.)Use Up to 1-15-82
	4276 063	1			MOULDING,Door Wdo. Opng. Frame Frt.,Lt.(Narrow Mldg.)Use After 1-15-82
	4175 622	1			MOULDING,Door Wdo. Opng. Frame Frt.,Rt.(Wide Mldg.)Use Up to 1-15-82
	4276 158	1			MOULDING,Door Wdo. Opng. Frame Frt.,Rt.(Narrow Mldg.)Use w/o Mirror,After 1-15-82
	4276 062	1			MOULDING,Door Wdo. Opng. Frame Frt.,Rt.(Narrow Mldg.)Use w/Mirror,After 1-15-82



MODEL CODES

B = GRAN FURY/CARAVELLE	P = RELIANT
C = LEBARON/TOWN & COUNTRY	S = CORDOBA
D = ARIES	V = 400
F = NEW YORKER	X = MIRADA
G = DIPLOMAT	Y = IMPERIAL
M = HORIZON/TC3/SCAMP	Z = OMNI/O24/RAMPAGE

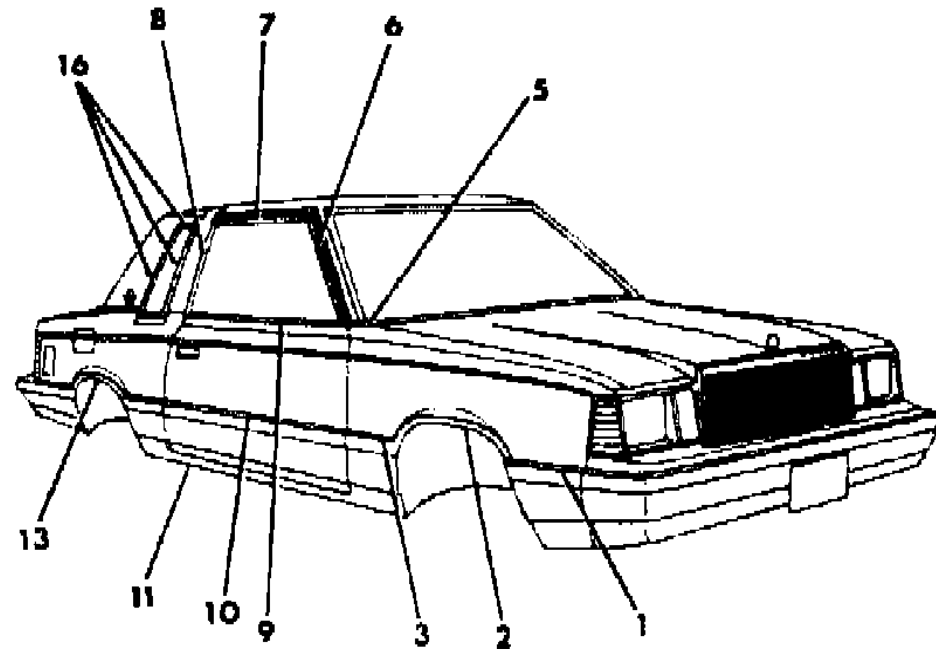
BODY STYLES

21 = 2-DOOR SEDAN	28 = FWD PICKUP
22 = 2-DOOR SPECIAL COUPE	41 = 4-DOOR SEDAN
24 = 2-DOOR HATCHBACK	44 = 4-DOOR HATCHBACK
27 = 2-DOOR CONVERTIBLE	45 = 2-SEAT STATION WAGON

AR = Use as Required - = Non Illustrated Part P.A.R. = Paint as Required

**EXTERIOR VIEW PLYMOUTH RELIANT 2 DOOR**  
**Figure 23-1200**

2168 1200



ITEM	PART NUMBER	QTY	BODY	MODEL	DESCRIPTION
7	4175 618-9	1			MOULDING,Door Wdo. Opng. Frame Up.(Wide Mldg.)Use up to 1-15-82
	4276 232-3	1			MOULDING,Door Wdo. Opng. Frame Up.(Narrow Mldg.)Use After 1-15-82
8	4229 474-5	1			MOULDING,Door Wdo. Opng. Frame Rear(Wide Mldg.)Use up to 1-15-82
	4276 234-5	1			MOULDING,Door Wdo. Opng. Frame Rear(Narrow Mldg.) Use After 1-15-82
9	4205 646-7	1			MOULDING,Door Belt,w/Mirror
	4205 651	1			MOULDING,Door Belt Rt.,w/o Mirror
	6003 781				RET.
	6003 627				RET.
	4205 634				RET. PKG.
10	4240 804-5	1			MOULDING PACKAGE,Door,Burnish Silver
	4240 806-7	1			Blue
	4240 808-9	1			Seaspray Green
	4267 716-7	1			Red
	4240 812-3	1			Med. Tan
	4240 814-5	1			Pearl White
	4240 816-7	1			Black
	4267 714-5	1			Dark Tan
	4267 718-9	1			Med. Cashmere
	4205 636				RET. PKG.
					STUD (Not Serviced)
	4057 555				RET. PKG.
11	4205 652-3	1			MOULDING PACKAGE,Body Side Sill
	6003 777				RET.
					STUD (Not Serviced)
					SCREW (Not Serviced)
13	4175 770-1	1			MOULDING,Qtr. Wheel Opng.
					SCREW (Not Serviced)
16	X238-9 VA3	1			MOULDING,Qtr. Opera Wdo.,Louvered,Burnish Silver
	X238-9 AA9	1			Dark Silver
	X238-9 AC9	1			Night Watch Blue
	X238-9 VC3	1			Daystar Blue
	X238-9 VF2	1			Seaspray Green
	X238-9 AF7	1			Med. Seaspray Green

**MODEL CODES**

B = GRAN FURY/CARAVELLE	P = RELIANT
C = LEBARON/TOWN & COUNTRY	S = CORDOBA
D = ARIES	V = 400
F = NEW YORKER	X = MIRADA
G = DIPLOMAT	Y = IMPERIAL
M = HORIZON/TC3/SCAMP	Z = OMNI/O24/RAMPAGE

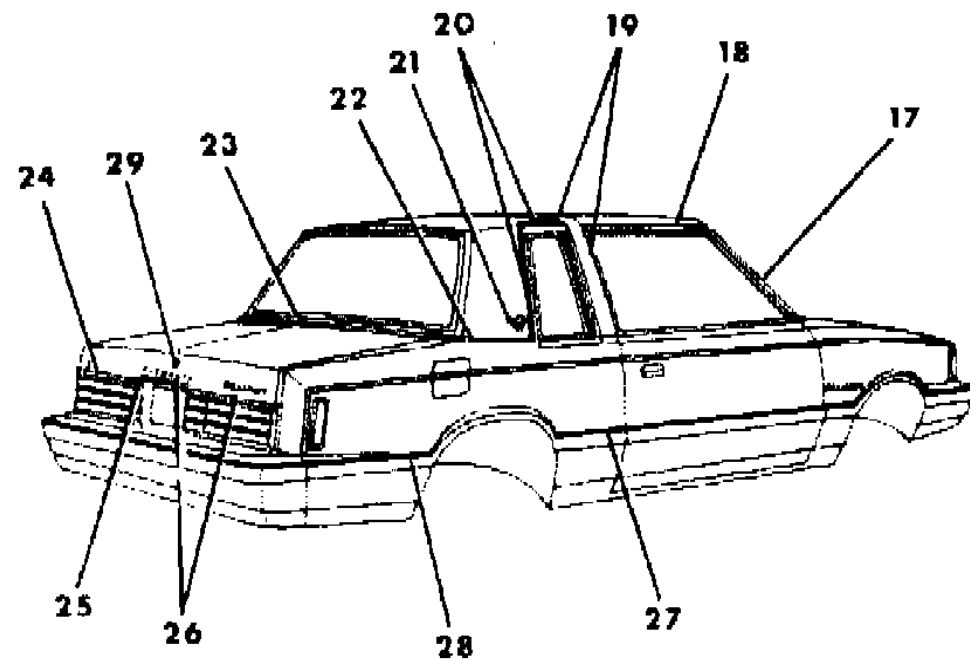
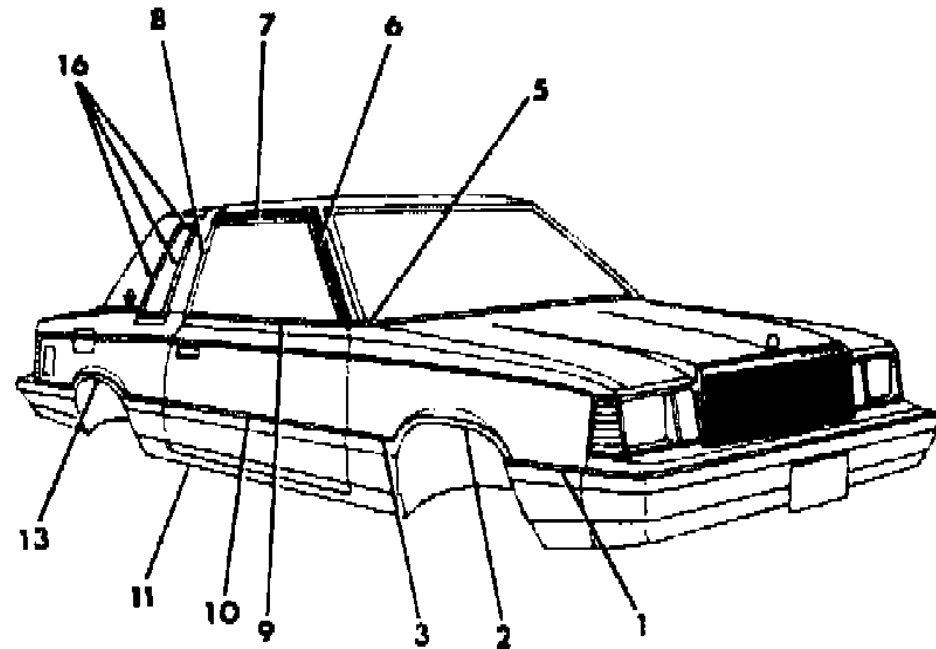
**BODY STYLES**

21 = 2-DOOR SEDAN	28 = FWD PICKUP
22 = 2-DOOR SPECIAL COUPE	41 = 4-DOOR SEDAN
24 = 2-DOOR HATCHBACK	44 = 4-DOOR HATCHBACK
27 = 2-DOOR CONVERTIBLE	45 = 2-SEAT STATION WAGON

AR = Use as Required - = Non Illustrated Part P.A.R. = Paint as Required

EXTERIOR VIEW PLYMOUTH RELIANT 2 DOOR  
Figure 23-1200

2168 1200



ITEM	PART NUMBER	QTY	BODY	MODEL	DESCRIPTION
	X238-9 VW3	1			Pearl White
	X238-9 VK8	1			Spice Tan
	X238-9 AT3	1			Med. Tan
	X238-9 VT4	1			Natural Suede Tan
	X238-9 AX9	1			Black
	X238-9 AM8	1			Red
	4229 130-1	1		P-L	MOULDING,Qtr. Wdo.,Bright,w/o Louvers
	4175 604-5	1		P-H,P-P	MOULDING,Qtr. Wdo.,Black,w/Padded Landau Roof
	6003 770				RET.
	6003 627				RET.
17	4175 580-1	1			NUT (Not Serviced) MOULDING,Body Frt. Pillar Drain Trough,Use w/o Spec. Sound Insul.,C15 Pkg.
	4229 762-3	1			MOULDING and SEAL,Body Frt. Pillar Drain Trough,Use w/o Spec. Sound Insul.,C15 Pkg.
	4276 416-7	1			MOULDING,Body Frt. Pillar Drain Trough,Use w/Spec. Sound Insul.,C15 Pkg.
	4229 766-7	1			MOULDING and SEAL,Body Frt. Pillar Drain Trough,Use w/ Spec. Sound Insul.,C15 Pkg.
	4276 090-1	1			SEAL,Body Frt. Pillar Drain Trough Mldg.,Outer,Use w/or w/o Spec. Sound Insul.,C15 Pkg.
	4229 764-5	1			SEAL,Body Frt. Pillar Drain Trough Mldg.,Inner,Use w/Spec. Sound Insul.,C15 Pkg. SCREW (Not Serviced)
18	4229 684-5	1			MOULDING,Roof Side Drain Trough,w/Padded Landau Roof
	4229 688-9	1			w/o Padded Landau Roof
19	X210-1 VC2	1			MOULDING,Roof Transverse,w/Padded Landau Roof,Frost Blue
	X210-1 VF2	1			Seaspray Green
	X210-1 AM8	1			Red
	X210-1 VT3	1			Med. Tan
	X210-1 VW3	1			Pearl White
	X210-1 AA3	1			Silver
	X210-1 VX9	1			Black
	6002 013				RET.
					NUT (Not Serviced)
20	4175 678-9	1			MOULDING,Qtr. Wdo Opng.,w/Padded Landau Roof
	6003 770				RET.

MODEL CODES

B = GRAN FURY/CARAVELLE	P = RELIANT
C = LEBARON/TOWN & COUNTRY	S = CORDOBA
D = ARIES	V = 400
F = NEW YORKER	X = MIRADA
G = DIPLOMAT	Y = IMPERIAL
M = HORIZON/TC3/SCAMP	Z = OMNI/O24/RAMPAGE

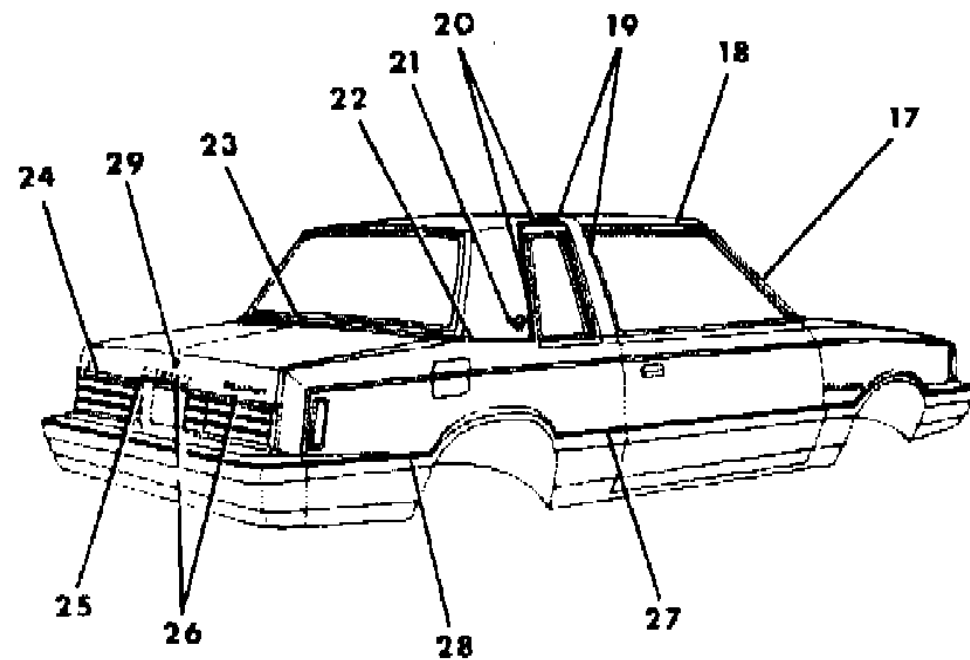
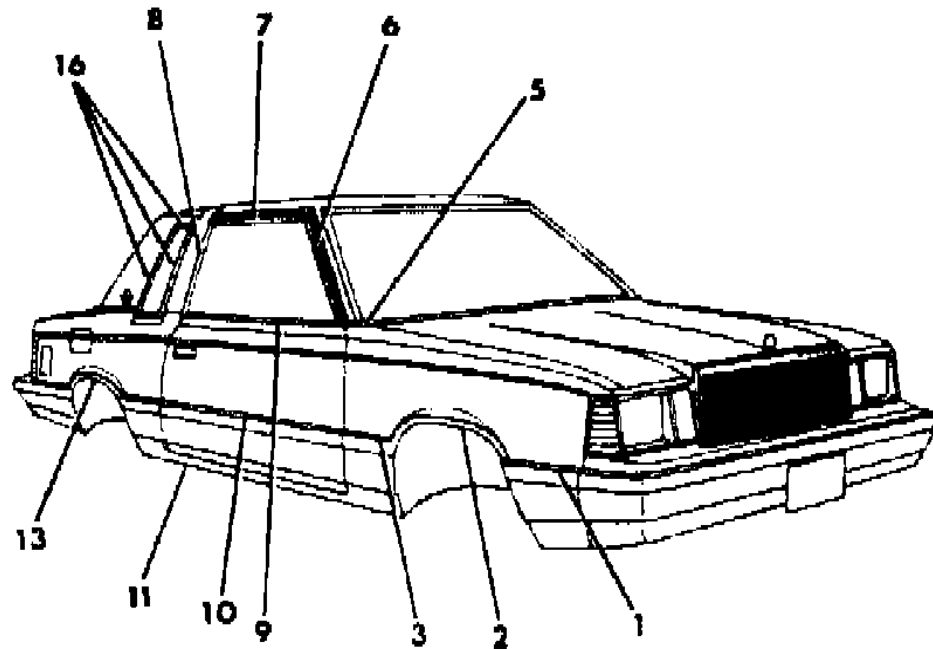
BODY STYLES

21 = 2-DOOR SEDAN	28 = FWD PICKUP
22 = 2-DOOR SPECIAL COUPE	41 = 4-DOOR SEDAN
24 = 2-DOOR HATCHBACK	44 = 4-DOOR HATCHBACK
27 = 2-DOOR CONVERTIBLE	45 = 2-SEAT STATION WAGON

AR = Use as Required - = Non Illustrated Part P.A.R. = Paint as Required

EXTERIOR VIEW PLYMOUTH RELIANT 2 DOOR  
Figure 23-1200

2168 1200



ITEM	PART NUMBER	QTY	BODY	MODEL	DESCRIPTION
	6003 627				RET.
21	4229 783	2		P-P	MEDALLION,Qtr. Pnl., "SE"
	6003 627				RET.
22	4205 656-7	1			MOULDING PACKAGE,Qtr. Belt,w/Padded Landau Roof
	3744 671				RET. PKG.
	6003 627				RET.
23	4205 654-5	1			MOULDING PACKAGE,Deck Opng.Upr.Pnl.,Use on Two Tone Paint,Full Unpadded or Padded Landau Roof
	6003 607				RET.
					SCREW (Not Serviced)
24	4175 894-5	1			MOULDING,Deck Lid Lwr. Side
	6028 674				SCREW
25	4175 694	1			MOULDING,Deck Lid Lwr. Center
	6028 674				SCREW
26	4276 305	1			NAME PLATE,Deck Lid,"Reliant"
	4276 304	1			"Aries",Export
	3749 326	1			"Plymouth"
27	4240 968-9	1			MOULDING PACKAGE,Qtr. Frt.,Burnish Silver
	4240 970-1	1			Blue
	4240 972-3	1			Seaspray Green
	4267 740-1	1			Red
	4240 976-7	1			Med. Tan
	4240 978-9	1			Pearl White
	4240 980-1	1			Black
	4267 738-9	1			Dark Tan
	4267 742-3	1			Med. Cashmere
	4205 636				RET. PKG.
28	4240 870-1	1			MOULDING PACKAGE,Qtr. Rear,Burnish Silver
	4240 872-3	1			Blue
	4240 874-5	1			Seaspray Green
	4267 764-5	1			Red
	4240 878-9	1			Med. Tan
	4240 880-1	1			Pearl White
	4240 882-3	1			Black
	4267 762-3	1			Dark Tan
	4267 766-7	1			Med. Cashmere
	4205 636				RET. PKG.

MODEL CODES

B = GRAN FURY/CARAVELLE	P = RELIANT
C = LEBARON/TOWN & COUNTRY	S = CORDOBA
D = ARIES	V = 400
F = NEW YORKER	X = MIRADA
G = DIPLOMAT	Y = IMPERIAL
M = HORIZON/TC3/SCAMP	Z = OMNI/O24/RAMPAGE

BODY STYLES

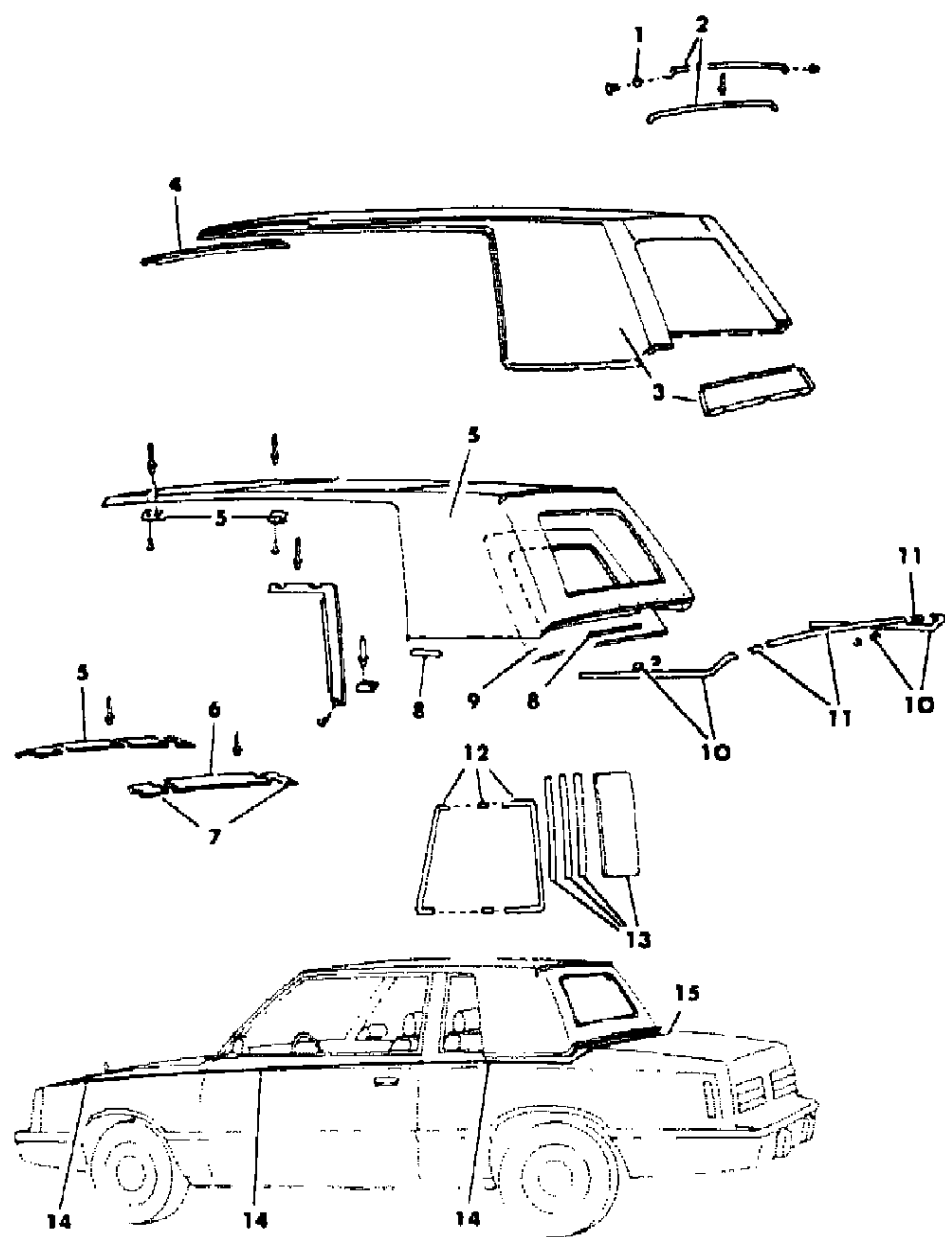
21 = 2-DOOR SEDAN	28 = FWD PICKUP
22 = 2-DOOR SPECIAL COUPE	41 = 4-DOOR SEDAN
24 = 2-DOOR HATCHBACK	44 = 4-DOOR HATCHBACK
27 = 2-DOOR CONVERTIBLE	45 = 2-SEAT STATION WAGON

AR = Use as Required - = Non Illustrated Part P.A.R. = Paint as Required



**EXTERIOR VIEW PLYMOUTH RELIANT 2 DOOR (SIMULATED CONV. A82 PKG.)**  
**Figure 23-1250**

2168 1250



ITEM	PART NUMBER	QTY	BODY	MODEL	DESCRIPTION
1	4078 616	2			CAP,Bow F/Strip End
2	4276 272	1			BOW,F/Strip Assy.,White
	4276 273	1			Tan
	4276 274	1			Blue
	4276 275	1			Black
	4276 383	1			Red
3	4276 262	1			COVER and B/LITE LWR. ASSY.,White
	4276 263	1			Tan
	4276 264	1			Blue
	4276 265	1			Black
	4276 386	1			Red
4	4276 267	1			WELT ASSY.,W/Shield Header,White
	4276 268	1			Tan
	4276 269	1			Blue
	4276 270	1			Black
	4276 380	1			Red
5	4276 261	1			CAP ASSY.,Fiber Glass,Complete
6	4078 610	1			RETAINER,Frnt. Cap,Center
7	4078 611	1			RETAINER,Frnt. Cap,Outer
8					TAPE (Not Serviced)
9	4247 240	1			MOULDING ASSY.,Rear Wdo. Inside Garnish,Blue
	4247 241	1			Green
	4247 242	1			Red
	4247 243	1			Cashmere
	4276 381	1			Silver
10	4276 278-9	1			MOULDING ASSY.,Belt w/Insert
	4229 803	AR			RETAINER
	4057 555	AR			NUT
11	4276 277	1			MOULDING ASSY.,Upr. Deck Pnl.,w/Insert
12	4276 280-1	1			MOULDING ASSY.,Qtr. Wdo.
13	4247 232-3	1			MOULDING ASSY.,Qtr.Wdo. Inside,Blue
	4247 234-5	1			Green
	4247 236-7	1			Red
	4247 238-9	1			Cashmere
	4276 378-9	1			Silver
14	4276 282-3	1			TAPE,Body Side,Blue
	4276 286-7	1			Red

**MODEL CODES**

B = GRAN FURY/CARAVELLE	P = RELIANT
C = LEBARON/TOWN & COUNTRY	S = CORDOBA
D = ARIES	V = 400
F = NEW YORKER	X = MIRADA
G = DIPLOMAT	Y = IMPERIAL
M = HORIZON/TC3/SCAMP	Z = OMNI/O24/RAMPAGE

**BODY STYLES**

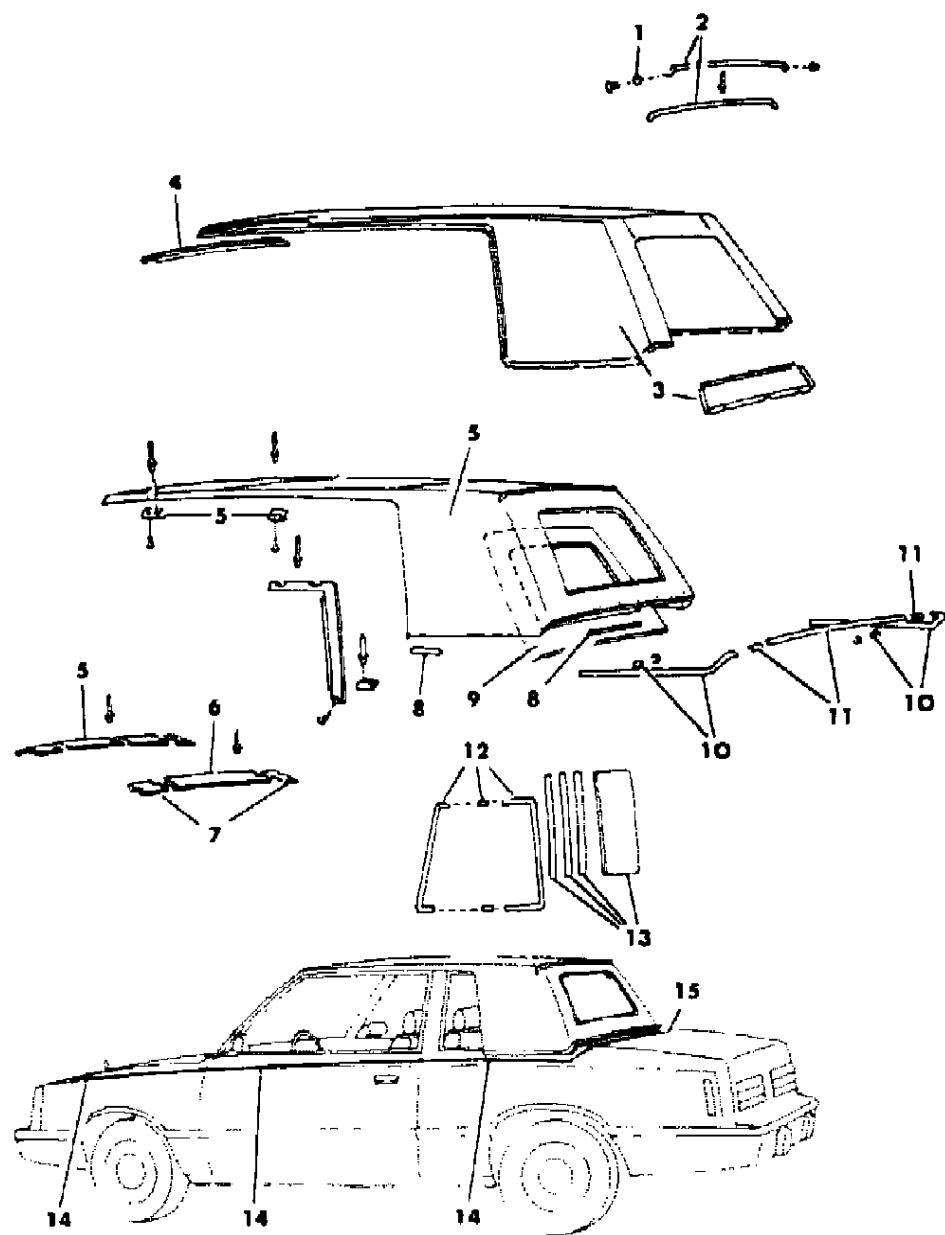
21 = 2-DOOR SEDAN	28 = FWD PICKUP
22 = 2-DOOR SPECIAL COUPE	41 = 4-DOOR SEDAN
24 = 2-DOOR HATCHBACK	44 = 4-DOOR HATCHBACK
27 = 2-DOOR CONVERTIBLE	45 = 2-SEAT STATION WAGON

AR = Use as Required - = Non Illustrated Part P.A.R. = Paint as Required



EXTERIOR VIEW PLYMOUTH RELIANT 2 DOOR (SIMULATED CONV. A82 PKG.)  
Figure 23-1250

2168 1250



ITEM	PART NUMBER	QTY	BODY	MODEL	DESCRIPTION
	4276 346-7	1			White
	4276 348-9	1			Silver
	4276 288-9	1			Tan
	4276 290-1	1			Gold
15	4276 340	1			TAPE,Deck Lid Upr. Pnl.,Blue
	4276 342	1			Red
	4276 343	1			Tan
	4276 344	1			Gold
	4276 384	1			White
	4276 385	1			Silver

MODEL CODES

B = GRAN FURY/CARAVELLE	P = RELIANT
C = LEBARON/TOWN & COUNTRY	S = CORDOBA
D = ARIES	V = 400
F = NEW YORKER	X = MIRADA
G = DIPLOMAT	Y = IMPERIAL
M = HORIZON/TC3/SCAMP	Z = OMNI/O24/RAMPAGE

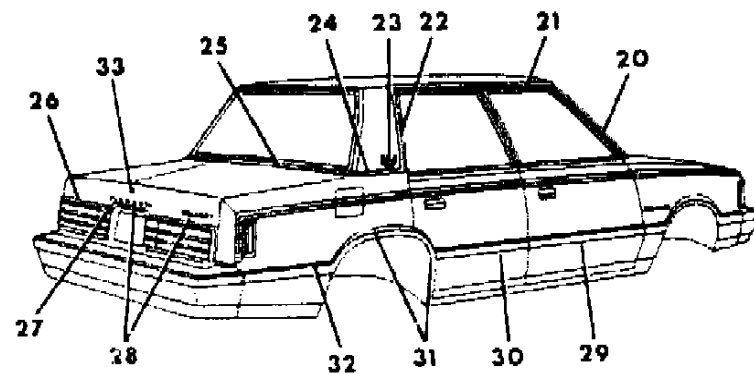
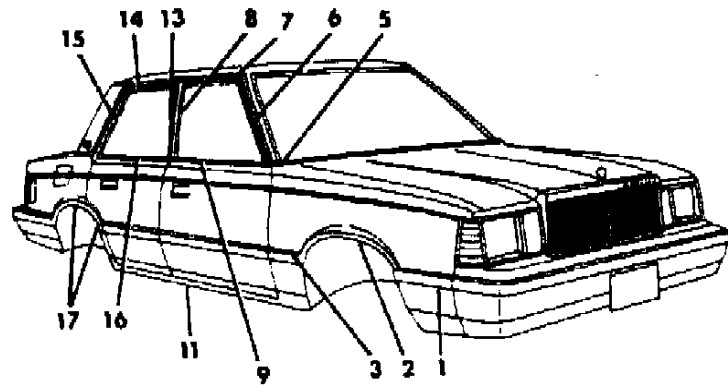
BODY STYLES

21 = 2-DOOR SEDAN	28 = FWD PICKUP
22 = 2-DOOR SPECIAL COUPE	41 = 4-DOOR SEDAN
24 = 2-DOOR HATCHBACK	44 = 4-DOOR HATCHBACK
27 = 2-DOOR CONVERTIBLE	45 = 2-SEAT STATION WAGON

AR = Use as Required - = Non Illustrated Part P.A.R. = Paint as Required

**EXTERIOR VIEW PLYMOUTH RELIANT 4 DOOR**  
**Figure 23-1300**

2368 1300



ITEM	PART NUMBER	QTY	BODY	MODEL	DESCRIPTION
1	4240 886-7	1			MOULDING PACKAGE,Fndr. Frt.,Burnish Silver
	4240 888-9	1			Blue
	4240 890-1	1			Seaspray Green
	4267 758-9	1			Red
	4240 894-5	1			Med. Tan
	4240 896-7	1			Pearl White
	4240 898-9	1			Black
	4267 756-7	1			Dark Tan
	4267 760-1	1			Med. Cashmere
	4057 569				RET. PKG.
2	6027 625				NUT
					SCREW (Not Serviced)
3	4175 756-7	1			MOULDING,Fndr. Wheel Opng.
					SCREW (Not Serviced)
5	4240 952-3	1			MOULDING PACKAGE,Fndr. Rear,Burnish Silver
	4240 954-5	1			Blue
	4240 956-7	1			Seaspray Green
	4267 752-3	1			Red
	4240 960-1	1			Med. Tan
	4240 962-3	1			Pearl White
	4240 964-5	1			Black
	4267 750-1	1			Dark Tan
	4267 754-5	1			Med. Cashmere
	4205 636				RET. PKG.
6					STUD (Not Serviced)
					SCREW (Not Serviced)
5	4229 280-1	1			MOULDING,Fndr. Rear Edge Belt
6	4175 617	1			MOULDING,Door Wdo. Opng. Frame Frt.,Lt.(Wide Mldg.)Use Up to 1-15-82
	4276 063	1			MOULDING,Door Wdo. Opng. Frame Frt.,Lt.(Narrow Mldg.)Use After 1-15-82
	4175 622	1			MOULDING,Door Wdo. Opng. Frame Frt.,Rt.(Wide Mldg.)Use Up to 1-15-82
	4276 158	1			MOULDING,Door Wdo. Opng. Frame Frt.,Rt.(Narrow Mldg.)Use w/o Mirror,Use After 1-15-82
	4276 062	1			MOULDING,Door Wdo. Opng. Frame Frt.,Rt.(Narrow Mldg.)Use w/ Mirror,Use After 1-15-82

**MODEL CODES**

B = GRAN FURY/CARAVELLE	P = RELIANT
C = LEBARON/TOWN & COUNTRY	S = CORDOBA
D = ARIES	V = 400
F = NEW YORKER	X = MIRADA
G = DIPLOMAT	Y = IMPERIAL
M = HORIZON/TC3/SCAMP	Z = OMNI/O24/RAMPAGE

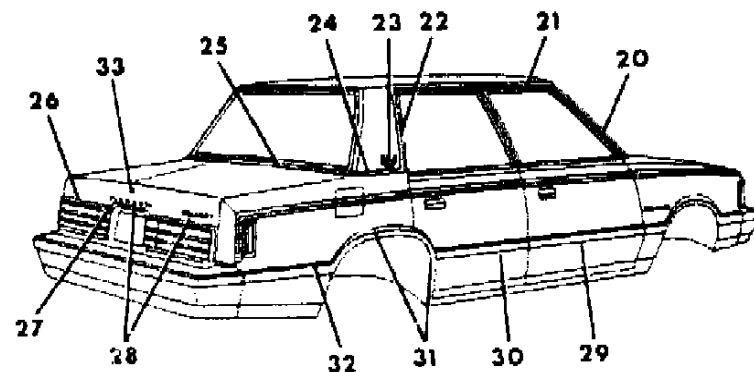
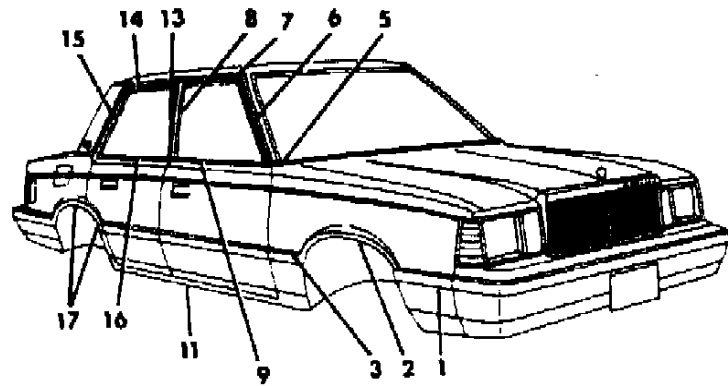
**BODY STYLES**

21 = 2-DOOR SEDAN	28 = FWD PICKUP
22 = 2-DOOR SPECIAL COUPE	41 = 4-DOOR SEDAN
24 = 2-DOOR HATCHBACK	44 = 4-DOOR HATCHBACK
27 = 2-DOOR CONVERTIBLE	45 = 2-SEAT STATION WAGON

AR = Use as Required - = Non Illustrated Part P.A.R. = Paint as Required

**EXTERIOR VIEW PLYMOUTH RELIANT 4 DOOR**  
**Figure 23-1300**

2368 1300



ITEM	PART NUMBER	QTY	BODY	MODEL	DESCRIPTION
7	4175 624-5	1			MOULDING,Door Wdo. Opng. Frame Upr.(Wide Mldg.)Use Up to 1-15-82
	4276 064-5	1			MOULDING,Door Wdo. Opng. Frame Upr.(Narrow Mldg.)Use After 1-15-82
8	4229 476-7	1			MOULDING,Door Wdo. Opng. Frame Rear(Wide Mldg.)Use Up to 1-15-82
	4276 066-7	1			MOULDING,Door Wdo. Opng. Frame Rear(Narrow Mldg.)Use After 1-15-82
9	4205 644-5	1			MOULDING PACKAGE,Frt Door Belt,w/Mirror
	4205 650	1			MOULDING PACKAGE,Frt Door Belt,Rt.,w/o Mirror
	4205 634				RET. PKG.
	6003 627				RET.
11	6003 781				RET.
	4205 652-3	1			MOULDING PACKAGE,Body Side Sill
	6003 777				RET. STUD (Not Serviced) SCREW (Not Serviced)
13	4229 478-9	1			MOULDING,Rear Door Wdo Opng Frame,Frt.(Wide Mldg.)Use Up to 1-15-82
	4276 068-9	1			MOULDING,Rear Door Wdo Opng Frame,Frt.(Narrow Mldg.) Use After 1-15-82
14	4229 116-7	1			MOULDING,Rear Door Wdo Opng Frame,Upr.(Wide Mldg.)Use Up to 1-15-82
	4276 220-1	1			MOULDING,Rear Door Wdo Opng Frame,Upr.(Narrow Mldg.) Use After 1-15-82
15	4229 112-3	1			MOULDING,Rear Door Wdo Opng Frame,Rear(Wide Mldg.)Use Up to 1-15-82
	4276 224-5	1			MOULDING,Rear Door Wdo Opng Frame,Rear(Narrow Mldg.) Use After 1-15-82
16	4205 648-9	1			MOULDING PACKAGE,Rear Door Belt
	4205 634				RET. PKG.
	6003 627				RET.
17	4175 770-1	1			MOULDING,Qtr.Wheel Opng.,Bright Finish
					SCREW (Not Serviced)
20	4175 580-1	1			MOULDING,Body Frt. Pillar Drain Trough,Use w/o Spec. Sound Insul.,C15 Pkg.

**MODEL CODES**

B = GRAN FURY/CARAVELLE	P = RELIANT
C = LEBARON/TOWN & COUNTRY	S = CORDOBA
D = ARIES	V = 400
F = NEW YORKER	X = MIRADA
G = DIPLOMAT	Y = IMPERIAL
M = HORIZON/TC3/SCAMP	Z = OMNI/O24/RAMPAGE

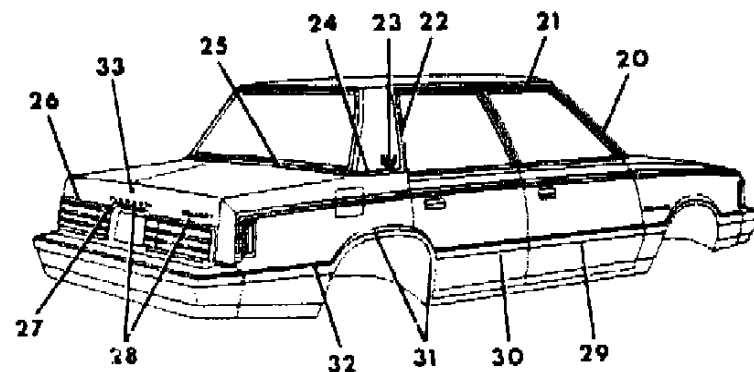
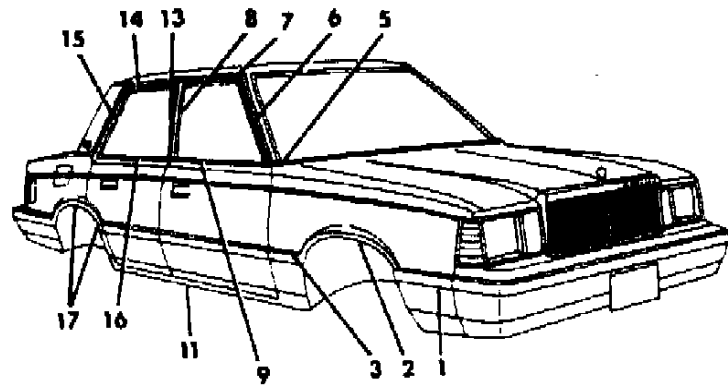
**BODY STYLES**

21 = 2-DOOR SEDAN	28 = FWD PICKUP
22 = 2-DOOR SPECIAL COUPE	41 = 4-DOOR SEDAN
24 = 2-DOOR HATCHBACK	44 = 4-DOOR HATCHBACK
27 = 2-DOOR CONVERTIBLE	45 = 2-SEAT STATION WAGON

AR = Use as Required - = Non Illustrated Part P.A.R. = Paint as Required

**EXTERIOR VIEW PLYMOUTH RELIANT 4 DOOR**  
**Figure 23-1300**

2368 1300



ITEM	PART NUMBER	QTY	BODY	MODEL	DESCRIPTION
	4229 762-3	1			MOULDING and Seal,Body Frt.Pillar Drain Trough,Use w/o Spec. Sound Insul.,C15 Pkg.
	4276 416-7	1			MOULDING,Body Frt. Pillar Drain Trough,Use w/Spec. Sound Insul.,C15 Pkg.
	4229 766-7	1			MOULDING and Seal,Body Frt.Pillar Drain Trough,Use w/Spec. Sound Insul.,C15 Pkg.
	4276 090-1	1			SEAL,Body Frt. Pillar Drain Trough Mldg.,Outer,Use w/or w/o Spec. Sound Insul.,C15 Pkg.
	4229 764-5	1			SEAL,Body Frt. Pillar Drain Trough Mldg.,Inner,Use w/Spec. Sound Insul.,C15 Pkg.
21	4229 680-1	1			MOULDING,Roof Side Drain Trough,Frnt.,w/o Vinyl Roof
	4229 682-3	1			w/ Vinyl Roof
22	4175 592-3	1			MOULDING,Roof Drain Trough,Rear,w/Vinyl Roof
23	4229 783	2		P-P	MEDALLION,Qtr. Pnl., "SE"
	6003 627				RET.
24	4205 658-9	1			MOULDING,Qtr. Belt,w/Vinyl Roof
	3744 671				RET. PKG.
25	4205 654-5	1			MOULDING PACKAGE,Deck Opng. Upr. Pnl.,Use on Two Tone Paint,Full Unpadded or Padded Landau Roof
	6003 607				SCREW (Not Serviced) RET.
26	4175 894-5	1			MOULDING,Deck Lid Lwr. Side
	6028 674				SCREW
27	4175 694	1			MOULDING,Deck Lid Lwr. Center
	6028 674				SCREW
28	4276 305	1			NAME PLATE,Deck Lid,"Reliant"
	4276 304	1			"Aries",Export
	3749 326	1			"Plymouth"
29	4240 820-1	1			MOULDING PACKAGE,Frnt. Door,Burnish Silver
	4240 822-3	1			Blue
	4240 824-5	1			Seaspray Green
	4267 728-9	1			Red
	4240 828-9	1			Med. Tan
	4240 830-1	1			Pearl White
	4240 832-3	1			Black
	4267 726-7	1			Dark Tan
	4267 730-1	1			Med. Cashmere

**MODEL CODES**

B = GRAN FURY/CARAVELLE	P = RELIANT
C = LEBARON/TOWN & COUNTRY	S = CORDOBA
D = ARIES	V = 400
F = NEW YORKER	X = MIRADA
G = DIPLOMAT	Y = IMPERIAL
M = HORIZON/TC3/SCAMP	Z = OMNI/O24/RAMPAGE

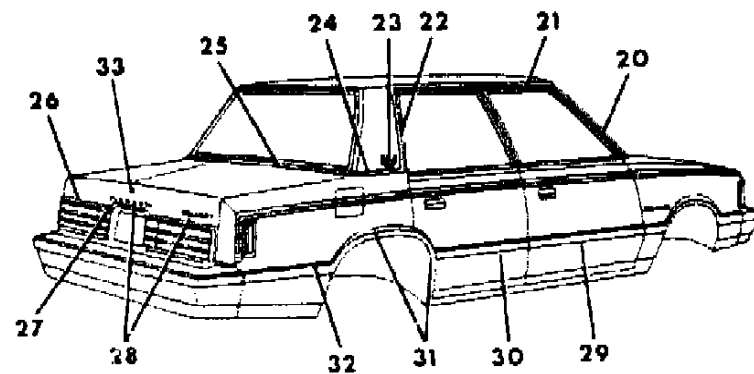
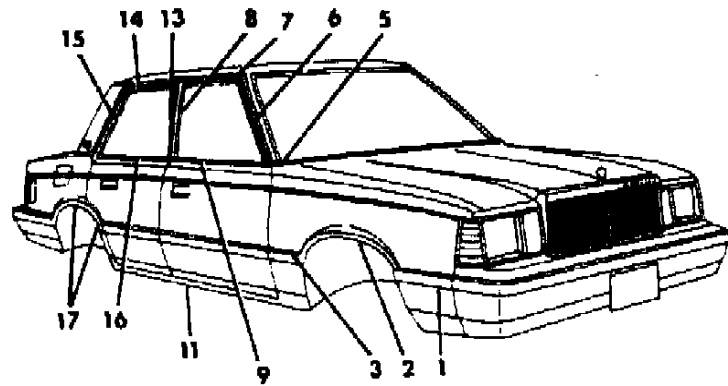
**BODY STYLES**

21 = 2-DOOR SEDAN	28 = FWD PICKUP
22 = 2-DOOR SPECIAL COUPE	41 = 4-DOOR SEDAN
24 = 2-DOOR HATCHBACK	44 = 4-DOOR HATCHBACK
27 = 2-DOOR CONVERTIBLE	45 = 2-SEAT STATION WAGON

AR = Use as Required - = Non Illustrated Part P.A.R. = Paint as Required

**EXTERIOR VIEW PLYMOUTH RELIANT 4 DOOR**  
**Figure 23-1300**

2368 1300



ITEM	PART NUMBER	QTY	BODY	MODEL	DESCRIPTION
	4057 555				RET. PKG.
	4205 636				RET. PKG.
					STUD (Not Serviced)
30	4240 836-7	1			MOULDING PACKAGE,Rear Door,Burnish Silver
	4240 838-9	1			Blue
	4240 840-1	1			Seaspray Green
	4271 660-1	1			Red
	4240 844-5	1			Med. Tan
	4240 846-7	1			Pearl White
	4240 848-9	1			Black
	4271 658-9	1			Dark Tan
	4267 768-9	1			Med. Cashmere
	4057 555				RET. PKG.
	4205 636				RET. PKG.
					STUD (Not Serviced)
31	X224-5 VA3	1			MOULDING,Qtr.Frt. and Wheel Opng.,Burnish Silver
	X224-5 VC2	1			Blue
	X224-5 VF2	1			Seaspray Green
	X224-5 AM8	1			Red
	X224-5 VT3	1			Med. Tan
	X224-5 VW3	1			Pearl White
	X224-5 VX9	1			Black
	X224-5 AK7	1			Dark Tan
	X224-5 AT2	1			Med. Cashmere
					SCREW (Not Serviced)
32	4240 870-1	1			MOULDING PACKAGE,Qtr. Rear,Burnish Silver
	4240 872-3	1			Blue
	4240 874-5	1			Seaspray Green
	4267 764-5	1			Red
	4240 878-9	1			Med. Tan
	4240 880-1	1			Pearl White
	4240 882-3	1			Black
	4267 762-3	1			Dark Tan
	4267 766-7	1			Med. Cashmere
	4205 636				RET. PKG.
					STUD (Not Serviced)
					SCREW (Not Serviced)

**MODEL CODES**

B = GRAN FURY/CARAVELLE	P = RELIANT
C = LEBARON/TOWN & COUNTRY	S = CORDOBA
D = ARIES	V = 400
F = NEW YORKER	X = MIRADA
G = DIPLOMAT	Y = IMPERIAL
M = HORIZON/TC3/SCAMP	Z = OMNI/O24/RAMPAGE

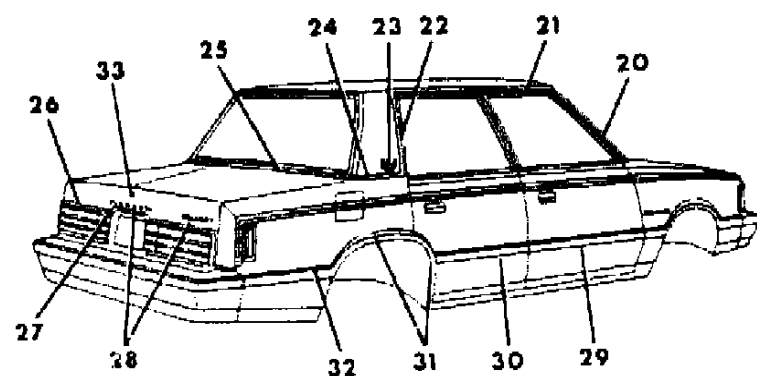
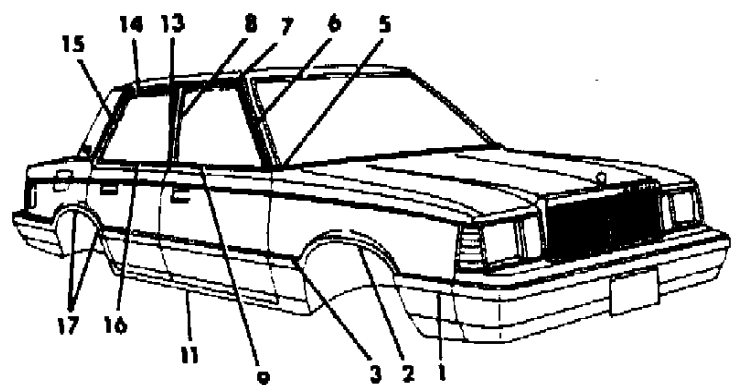
**BODY STYLES**

21 = 2-DOOR SEDAN	28 = FWD PICKUP
22 = 2-DOOR SPECIAL COUPE	41 = 4-DOOR SEDAN
24 = 2-DOOR HATCHBACK	44 = 4-DOOR HATCHBACK
27 = 2-DOOR CONVERTIBLE	45 = 2-SEAT STATION WAGON

AR = Use as Required - = Non Illustrated Part P.A.R. = Paint as Required

**EXTERIOR VIEW PLYMOUTH RELIANT 4 DOOR**  
**Figure 23-1300**

2368 1300



ITEM	PART NUMBER	QTY	BODY	MODEL	DESCRIPTION
33	X590 AA3	1			MEDALLION,Deck Lid Lock Cyl.,Bright Silver
	X590 AA9	1			Dark Silver
	X590 AH9	1			Mahogany
	X590 AM8	1			Red
	X590 AT3	1			Med. Tan
	X590 AT4	1			Natural Suede Tan
	X590 AW3	1			White
	X590 AX9	1			Black

NOTE: The Colored Medallion Used is Determined by the Exterior Paint of Car an offsetting order for part no. 3747881

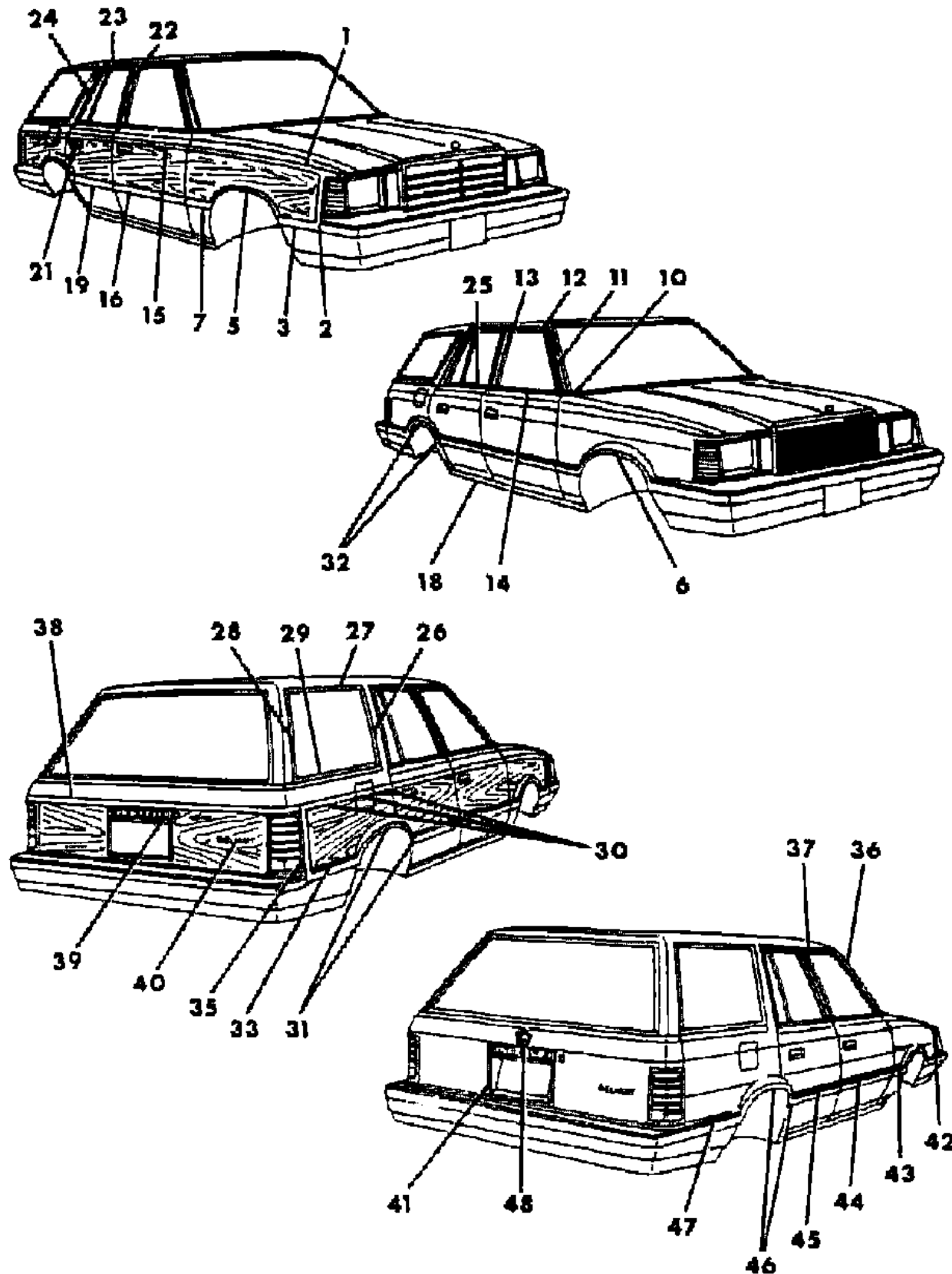
MODEL CODES  
 B = GRAN FURY/CARAVELLE      P = RELIANT  
 C = LEBARON/TOWN & COUNTRY      S = CORDOBA  
 D = ARIES      V = 400  
 F = NEW YORKER      X = MIRADA  
 G = DIPLOMAT      Y = IMPERIAL  
 M = HORIZON/TC3/SCAMP      Z = OMNI/O24/RAMPAGE

BODY STYLES  
 21 = 2-DOOR SEDAN      28 = FWD PICKUP  
 22 = 2-DOOR SPECIAL COUPE      41 = 4-DOOR SEDAN  
 24 = 2-DOOR HATCHBACK      44 = 4-DOOR HATCHBACK  
 27 = 2-DOOR CONVERTIBLE      45 = 2-SEAT STATION WAGON

AR = Use as Required - = Non Illustrated Part P.A.R. = Paint as Required

EXTERIOR VIEW PLYMOUTH RELIANT SUBURBAN  
Figure 23-1400

4700 18V44



ITEM	PART NUMBER	QTY	BODY	MODEL	DESCRIPTION
1	4205 700-1	1			MOULDING PACKAGE,Fndr. Upr.,Woodgrain
	4205 640				RET. PKG.
	4057 555				RET. PKG.
	4205 641				RET. PKG.
	4205 698-9	1			MOULDING PACKAGE,Fndr. Frt.,Woodgrain
2	4205 638				RET. PKG.
	4057 555				RET. PKG.
	4205 639				RET. PKG.
	4267 862-3	1			MOULDING,Fndr. Lwr. Frt.,Woodgrain
3	4057 569				RET. PKG.
	6027 625				NUT SCREW (Not Serviced)
	4175 722-3	1			MOULDING,Fndr. Wheel Opng.,Woodgrain
5	4175 722-3	1			SCREW (Not Serviced)
	4175 756-7	1			MOULDING,Fndr. Wheel Opng.,Bright Finish
6	4175 756-7	1			SCREW (Not Serviced)
	4205 668-9	1			MOULDING PACKAGE,Fndr. Lwr. Rear,Woodgrain
7	4205 636				RET. PKG.
					STUD (Not Serviced)
					SCREW (Not Serviced)
10	4229 280-1	1			MOULDING,Fndr. Rear Edge Belt
11	4175 617	1			MOULDING,Door Wdo Opng. Frame Frt.,Lt.(Wide Mldg.)Use Up to 1-15-82
	4276 063	1			MOULDING,Door Wdo Opng. Frame Frt.,Lt.(Narrow Mldg.)Use After 1-15-82
	4175 622	1			MOULDING,Door Wdo Opng. Frame Frt.,Rt.(Wide Mldg.)Use Up to 1-15-82
	4276 158	1			MOULDING,Door Wdo Opng. Frame Frt.,Rt.(Narrow Mldg.)w/o Mirror,Use After 1-15-82
	4276 062	1			MOULDING,Door Wdo Opng. Frame Frt.,Rt.(Narrow Mldg.)w/ Mirror,Use After 1-15-82
12	4175 624-5	1			MOULDING,Door Wdo Opng. Frame Upr.(Wide Mldg.)Use Up to 1-15-82
	4276 064-5	1			MOULDING,Door Wdo Opng. Frame Upr.(Narrow Mldg.)Use After 1-15-82
13	4229 476-7	1			MOULDING,Door Wdo Opng. Frame Rear(Wide Mldg.)Use Up to 1-15-82

MODEL CODES

B = GRAN FURY/CARAVELLE	P = RELIANT
C = LEBARON/TOWN & COUNTRY	S = CORDOBA
D = ARIES	V = 400
F = NEW YORKER	X = MIRADA
G = DIPLOMAT	Y = IMPERIAL
M = HORIZON/TC3/SCAMP	Z = OMNI/O24/RAMPAGE

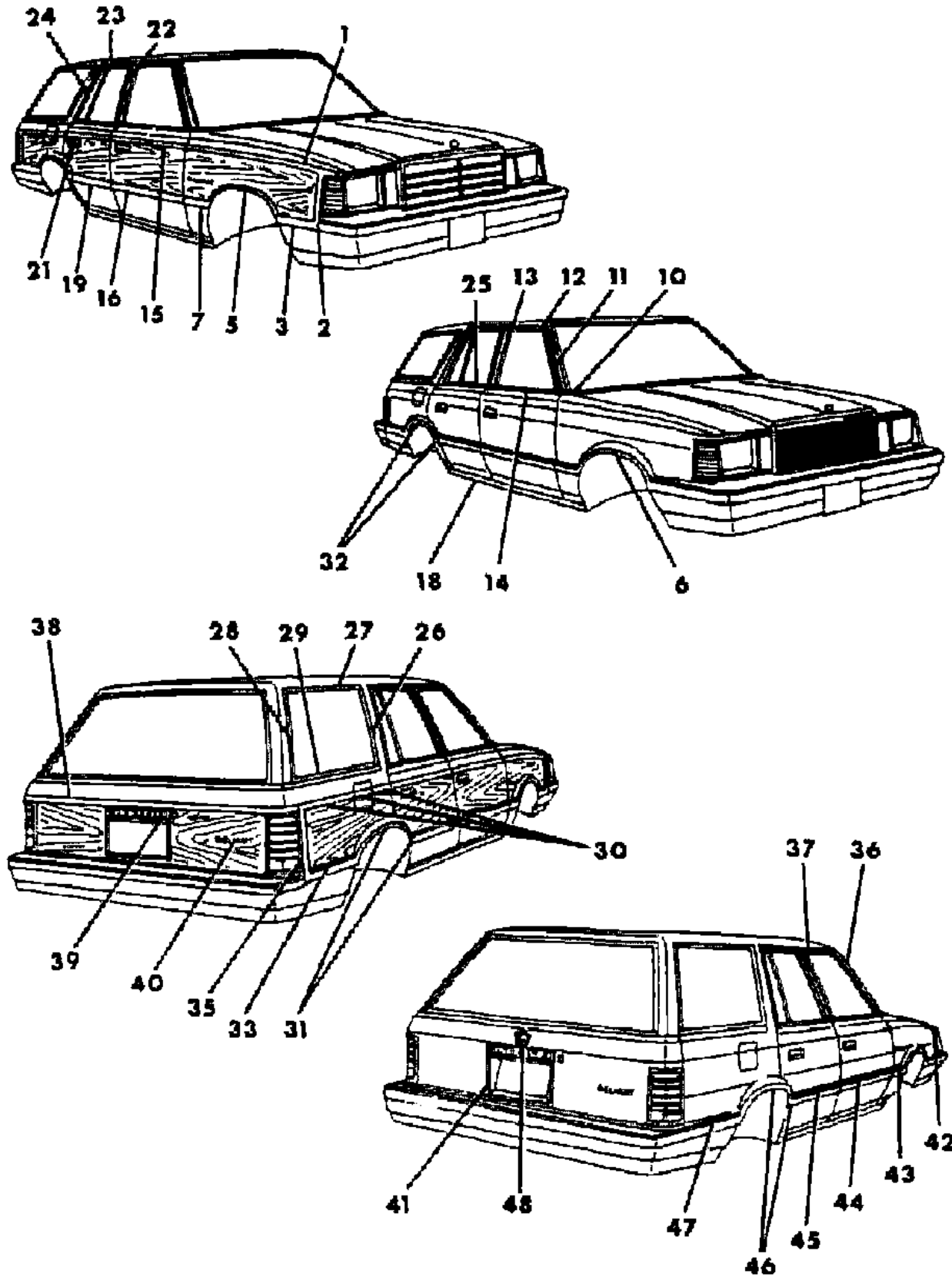
BODY STYLES

21 = 2-DOOR SEDAN	28 = FWD PICKUP
22 = 2-DOOR SPECIAL COUPE	41 = 4-DOOR SEDAN
24 = 2-DOOR HATCHBACK	44 = 4-DOOR HATCHBACK
27 = 2-DOOR CONVERTIBLE	45 = 2-SEAT STATION WAGON

AR = Use as Required - = Non Illustrated Part P.A.R. = Paint as Required

EXTERIOR VIEW PLYMOUTH RELIANT SUBURBAN  
Figure 23-1400

4700 18VW4



ITEM	PART NUMBER	QTY	BODY	MODEL	DESCRIPTION
	4276 066-7	1			MOULDING,Door Wdo Opng. Frame Rear(Narrow Mldg.)Use After 1-15-82
14	4205 644-5	1			MOULDING PACKAGE,Frt. Door Belt,w/Mirror
	4205 650	1			MOULDING PACKAGE,Frt. Door Belt Rt.,w/o Mirror
	6003 781				RET. PKG.
	6003 627				RET.
	4205 634				RET. PKG.
15	4205 672-3	1			MOULDING PACKAGE,Frt. Door Up.,Woodgrain
	4205 637				RET. PKG.
16	4240 984-5	1			MOULDING,Frt. Door Lwr.,Woodgrain
	4205 636				RET. PKG.
	4057 555				RET. PKG.
18	4205 652-3	1			MOULDING PACKAGE,Body Side Sill
	6003 777				RET. PKG.
19	4240 986-7	1			MOULDING,Rear Door Lwr.,Woodgrain
	4205 636				RET. PKG.
	4057 555				RET. PKG.
21	4205 674-5	1			MOULDING PACKAGE,Rear Door Up.,Woodgrain
	4205 637				RET. PKG.
22	4229 478-9	1			MOULDING,Rear Door Wdo. Opng. Frame,Frt.(Wide Mldg.)Use Up to 1-15-82
	4276 068-9	1			MOULDING,Rear Door Wdo. Opng. Frame,Frt.(Narrow Mldg.) Use After 1-15-82
23	4175 634-5	1			MOULDING,Rear Door Wdo. Opng. Frame,Up.(Wide Mldg.)Use Up to 1-15-82
	4276 222-3	1			MOULDING,Rear Door Wdo. Opng. Frame,Up.(Narrow Mldg.) Use After 1-15-82
24	4175 636-7	1			MOULDING,Rear Door Wdo. Opng. Frame,Rear(Wide Mldg.)Use Up to 1-15-82
	4276 226-7	1			MOULDING,Rear Door Wdo. Opng. Frame,Rear(Narrow Mldg.) Use After 1-15-82
25	4205 648-9	1			MOULDING PACKAGE,Rear Door Belt
	4205 634				RET. PKG.
	6003 627				RET.
26	4175 936-7	1			MOULDING,Qtr. Wdo. Frt.
	6003 753				RET.
27	4175 938-9	1			MOULDING,Qtr. Wdo. Up.

MODEL CODES

B = GRAN FURY/CARAVELLE	P = RELIANT
C = LEBARON/TOWN & COUNTRY	S = CORDOBA
D = ARIES	V = 400
F = NEW YORKER	X = MIRADA
G = DIPLOMAT	Y = IMPERIAL
M = HORIZON/TC3/SCAMP	Z = OMNI/O24/RAMPAGE

BODY STYLES

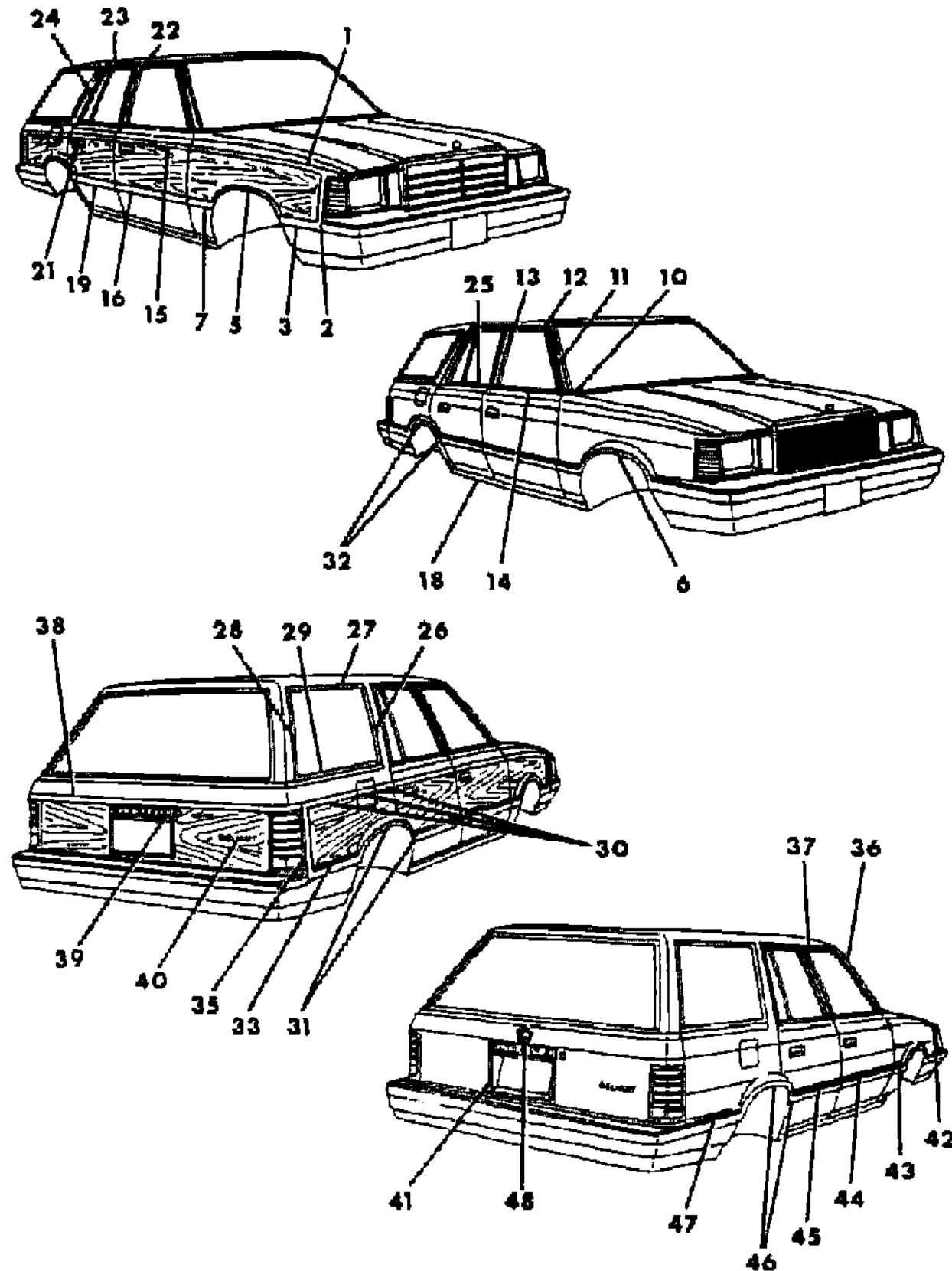
21 = 2-DOOR SEDAN	28 = FWD PICKUP
22 = 2-DOOR SPECIAL COUPE	41 = 4-DOOR SEDAN
24 = 2-DOOR HATCHBACK	44 = 4-DOOR HATCHBACK
27 = 2-DOOR CONVERTIBLE	45 = 2-SEAT STATION WAGON

AR = Use as Required - = Non Illustrated Part P.A.R. = Paint as Required



EXTERIOR VIEW PLYMOUTH RELIANT SUBURBAN  
Figure 23-1400

4700 18744



ITEM	PART NUMBER	QTY	BODY	MODEL	DESCRIPTION
	6003 753				RET.
28	4175 940-1	1			MOULDING,Qtr. Wdo. Rear
29	4175 942-3	1			MOULDING,Qtr. Wdo. Lwr.
	6003 753				RET.
30	4205 676	1			MOULDING PACKAGE,Qtr. Upr. Frt.,Rt.,Woodgrain
	4205 677	1			MOULDING PACKAGE,Qtr. Upr.,Lt.,Woodgrain
	4205 678	1			MOULDING PACKAGE,Qtr. Upr.,Rear,Rt.,Woodgrain
	4205 679	1			MOULDING PACKAGE,Qtr. Fuel Filler Door,Woodgrain
	4205 637				RET. PKG.
31	4175 730-1	1			MOULDING,Qtr. Lwr. Frt. and Wheel Opng.,Woodgrain
					SCREW (Not Serviced)
32	4175 770-1	1			MOULDING,Qtr. Wheel Opng.,Bright
					SCREW (Not Serviced)
33	4267 864-5	1			MOULDING PACKAGE,Qtr. Lwr.,Rear,Woodgrain
	4205 636				RET. PKG.
					STUD (Not Serviced)
					SCREW (Not Serviced)
35	4205 696-7	1			MOULDING PACKAGE,Qtr. Rear,Woodgrain
	4205 638				RET. PKG.
	4057 555				RET. PKG.
	6003 779				RET.
36	4175 580-1	1			MOULDING,Body Frt. Pillar Drain Trough,Use w/o Spec. Sound Insul.,C15 Pkg.
	4229 762-3	1			MOULDING and SEAL,Body Frt. Pillar Drain Trough,Use w/o Spec. Sound Insul.,C15 Pkg.
	4276 416-7	1			MOULDING,Body Frt. Pillar Drain Trough,Use w/Spec. Sound Insul.,C15 Pkg.
	4229 766-7	1			MOULDING and SEAL,Body Frt. Pillar Drain Trough,Use w/ Spec. Sound Insul.,C15 Pkg.
	4276 090-1	1			SEAL,Body Frt. Pillar Drain Trough Mldg.,Outer,Use w/or w/o Spec. Sound Insul.,C15 Pkg.
	4229 764-5	1			SEAL,Body Frt. Pillar Drain Trough Mldg.,Inner,Use w/Spec. Sound Insul.,C15 Pkg.
37	4229 972-3	1			MOULDING,Roof Side Drain Trough,Fr.,w/o Vinyl Roof
38	4205 670-1	1			MOULDING PACKAGE,L/Gate,Woodgrain
	4205 637				RET. PKG.
39	4175 744	1			HANDLE and MOULDING,L/Gate,Woodgrain

MODEL CODES

B = GRAN FURY/CARAVELLE	P = RELIANT
C = LEBARON/TOWN & COUNTRY	S = CORDOBA
D = ARIES	V = 400
F = NEW YORKER	X = MIRADA
G = DIPLOMAT	Y = IMPERIAL
M = HORIZON/TC3/SCAMP	Z = OMNI/O24/RAMPAGE

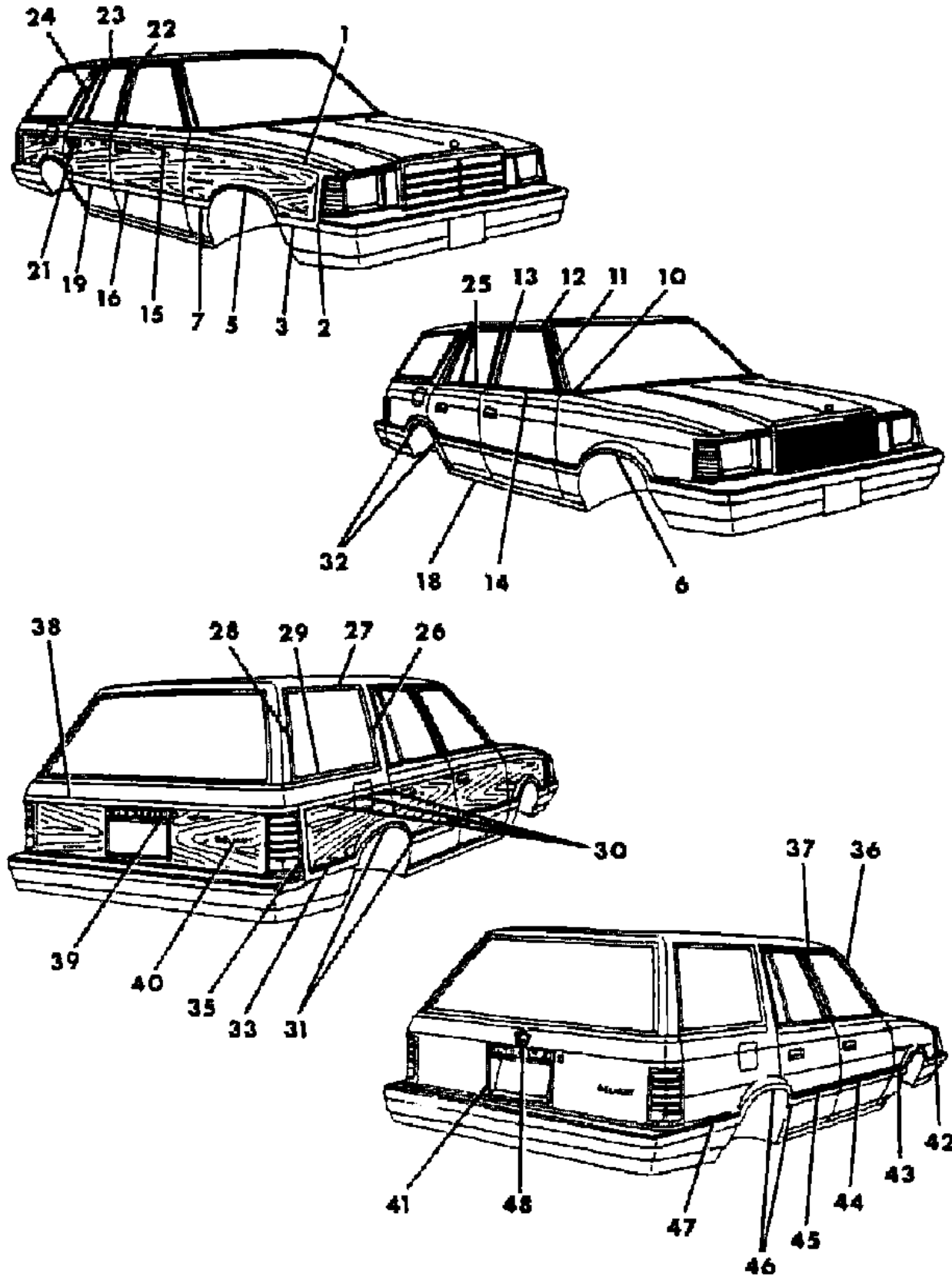
BODY STYLES

21 = 2-DOOR SEDAN	28 = FWD PICKUP
22 = 2-DOOR SPECIAL COUPE	41 = 4-DOOR SEDAN
24 = 2-DOOR HATCHBACK	44 = 4-DOOR HATCHBACK
27 = 2-DOOR CONVERTIBLE	45 = 2-SEAT STATION WAGON

AR = Use as Required - = Non Illustrated Part P.A.R. = Paint as Required

EXTERIOR VIEW PLYMOUTH RELIANT SUBURBAN  
Figure 23-1400

4700 18V44



ITEM	PART NUMBER	QTY	BODY	MODEL	DESCRIPTION
	0152 284				NUT w/Wa.
	4229 118	1			HANDLE and GASKET,L/Gate
40	4276 305	1			NAME PLATE,L/Gate,"Reliant"
	4276 304	1			"Aries",Export
41	4175 749	1			MOULDING,L/Gate Lic. Plate Periphery
42	4240 886-7	1			MOULDING PACKAGE,Fndr. Frt.,Burnish Silver
	4240 888-9	1			Blue
	4240 890-1	1			Seaspray Green
	4267 758-9	1			Red
	4240 894-5	1			Med. Tan
	4240 896-7	1			Pearl White
	4240 898-9	1			Black
	4267 756-7	1			Dark Tan
	4267 760-1	1			Med. Cashmere
	4057 569				RET. PKG.
	6027 625				NUT
					SCREW (Not Serviced)
43	4240 952-3	1			MOULDING PACKAGE,Fndr. Rear,Burnish Silver
	4240 954-5	1			Blue
	4240 956-7	1			Seaspray Green
	4267 752-3	1			Red
	4240 960-1	1			Med. Tan
	4240 962-3	1			Pearl White
	4240 964-5	1			Black
	4267 750-1	1			Dark Tan
	4267 754-5	1			Med. Cashmere
	4205 636				RET. PKG.
					STUD (Not Serviced)
					SCREW (Not Serviced)
44	4240 820-1	1			MOULDING PACKAGE,Frnt. Door,Burnish Silver
	4240 822-3	1			Blue
	4240 824-5	1			Seaspray Green
	4267 728-9	1			Red
	4240 828-9	1			Med. Tan
	4240 830-1	1			Pearl White
	4240 832-3	1			Black
	4267 726-7	1			Dark Tan

MODEL CODES

B = GRAN FURY/CARAVELLE	P = RELIANT
C = LEBARON/TOWN & COUNTRY	S = CORDOBA
D = ARIES	V = 400
F = NEW YORKER	X = MIRADA
G = DIPLOMAT	Y = IMPERIAL
M = HORIZON/TC3/SCAMP	Z = OMNI/O24/RAMPAGE

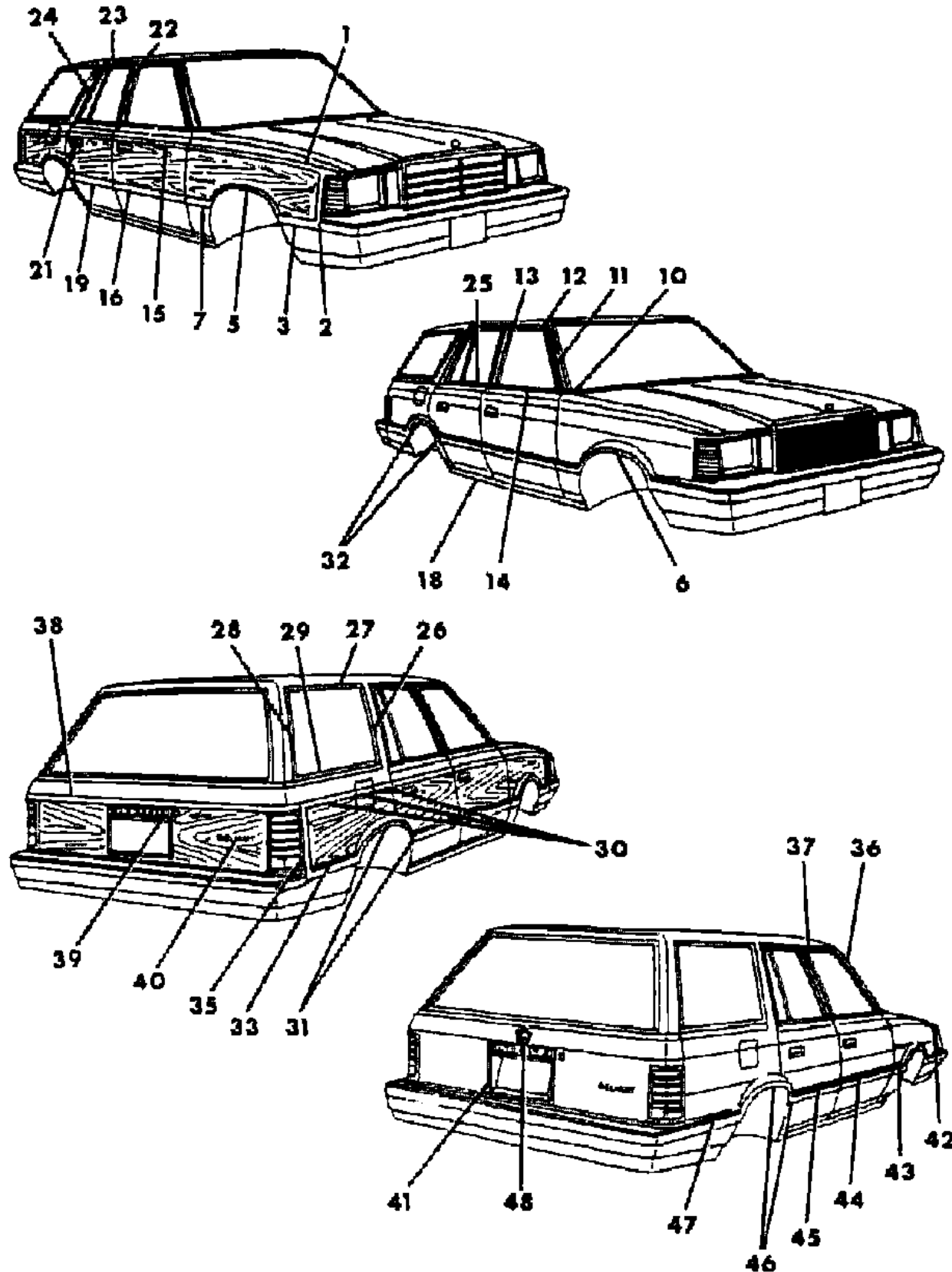
BODY STYLES

21 = 2-DOOR SEDAN	28 = FWD PICKUP
22 = 2-DOOR SPECIAL COUPE	41 = 4-DOOR SEDAN
24 = 2-DOOR HATCHBACK	44 = 4-DOOR HATCHBACK
27 = 2-DOOR CONVERTIBLE	45 = 2-SEAT STATION WAGON

AR = Use as Required - = Non Illustrated Part P.A.R. = Paint as Required

EXTERIOR VIEW PLYMOUTH RELIANT SUBURBAN  
Figure 23-1400

4700 18V44



ITEM	PART NUMBER	QTY	BODY	MODEL	DESCRIPTION
	4267 730-1	1			Med. Cashmere
	4205 636				RET. PKG.
	4057 555				RET. PKG.
45	4240 836-7	1			MOULDING PACKAGE,Rear Door,Burnish Silver
	4240 838-9	1			Blue
	4240 840-1	1			Seaspray Green
	4271 660-1	1			Red
	4240 844-5	1			Med. Tan
	4240 846-7	1			Pearl White
	4240 848-9	1			Black
	4271 658-9	1			Dark Tan
	4267 768-9	1			Med. Cashmere
	4205 636				RET. PKG.
	4057 555				RET. PKG.
46	X224-5 VA3	1			MOULDING,Qtr.Frt. and Wheel Opng.,Burnish Silver
	X224-5 VC2	1			Blue
	X224-5 VF2	1			Seaspray Green
	X224-5 AM8	1			Red
	X224-5 VT3	1			Med. Tan
	X224-5 VW3	1			Pearl White
	X224-5 VX9	1			Black
	X224-5 AK7	1			Dark Tan
	X224-5 AT2	1			Med. Cashmere
					SCREW (Not Serviced)
47	4205 680-1	1			MOULDING and EXT.PACKAGE,Qtr.Rear,Burnish Silver
	4205 682-3	1			Blue
	4205 684-5	1			Seaspray Green
	4267 704-5	1			Red
	4205 688-9	1			Med. Tan
	4205 690-1	1			Pearl White
	4205 692-3	1			Black
	4267 702-3	1			Dark Tan
	4267 706-7	1			Med. Cashmere
	4205 636				RET. PKG.
					STUD (Not Serviced)
					SCREW (Not Serviced)
48	X263 AA3	1			MEDALLION,L/Gate,Bright Silver

MODEL CODES

B = GRAN FURY/CARAVELLE	P = RELIANT
C = LEBARON/TOWN & COUNTRY	S = CORDOBA
D = ARIES	V = 400
F = NEW YORKER	X = MIRADA
G = DIPLOMAT	Y = IMPERIAL
M = HORIZON/TC3/SCAMP	Z = OMNI/O24/RAMPAGE

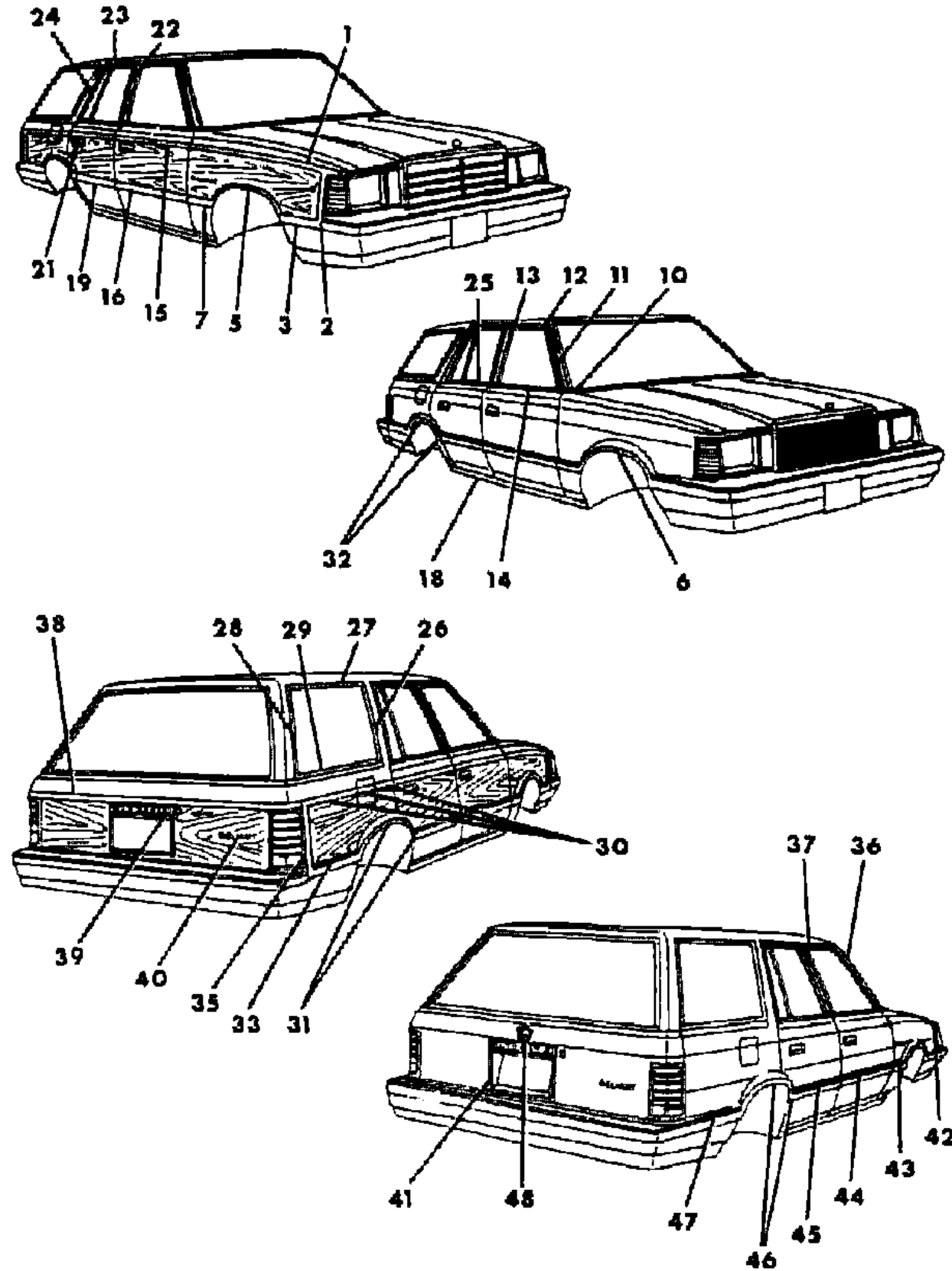
BODY STYLES

21 = 2-DOOR SEDAN	28 = FWD PICKUP
22 = 2-DOOR SPECIAL COUPE	41 = 4-DOOR SEDAN
24 = 2-DOOR HATCHBACK	44 = 4-DOOR HATCHBACK
27 = 2-DOOR CONVERTIBLE	45 = 2-SEAT STATION WAGON

AR = Use as Required - = Non Illustrated Part P.A.R. = Paint as Required

EXTERIOR VIEW PLYMOUTH RELIANT SUBURBAN  
Figure 23-1400

4700 18V44



ITEM	PART NUMBER	QTY	BODY	MODEL	DESCRIPTION
	X263 AA9	1			Dark Silver
	X263 AH9	1			Mahogany
	X263 AM8	1			Red
	X263 AT3	1			Med. Tan
	X263 AT4	1			Natural Suede Tan
	X263 AW3	1			White
	X263 AX9	1			Black

NOTE: The Colored Medallion Used is Determined by the Exterior Paint of Car an offsetting order for part no. 3747881

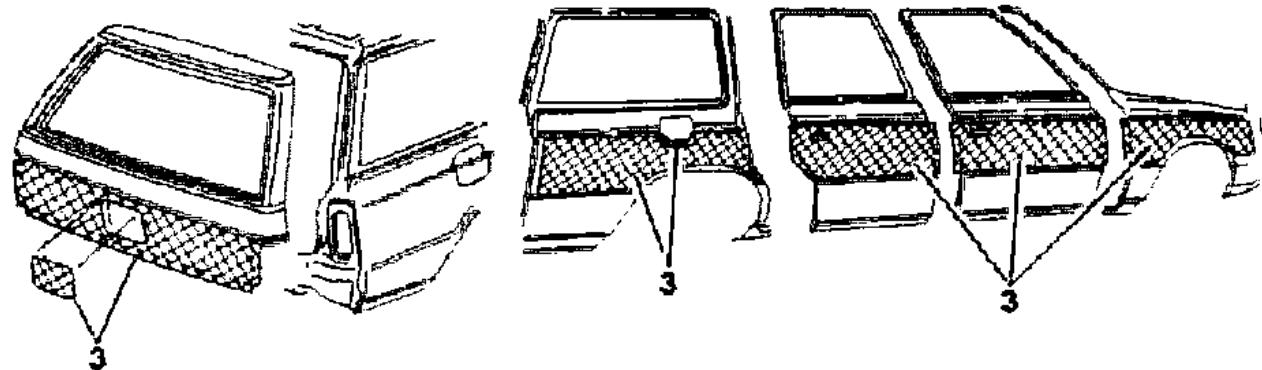
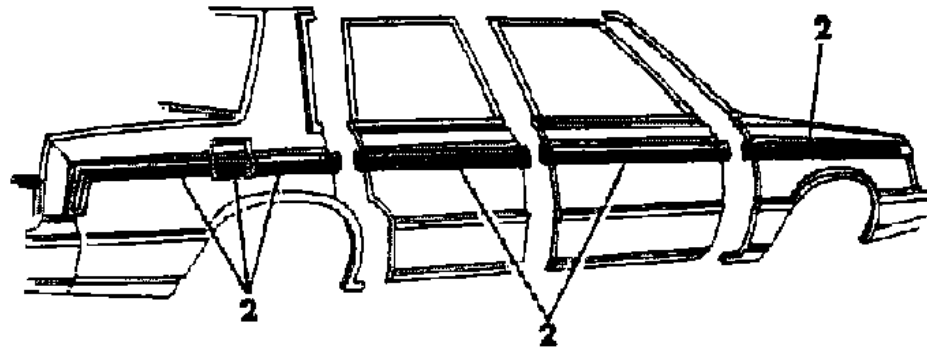
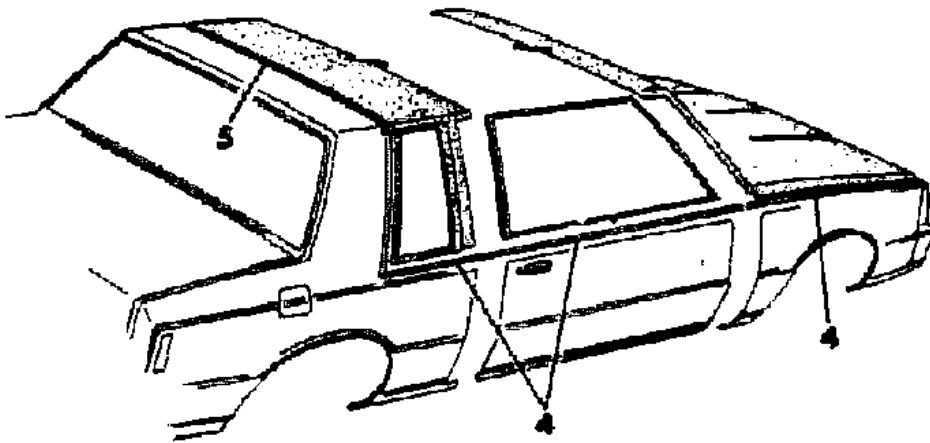
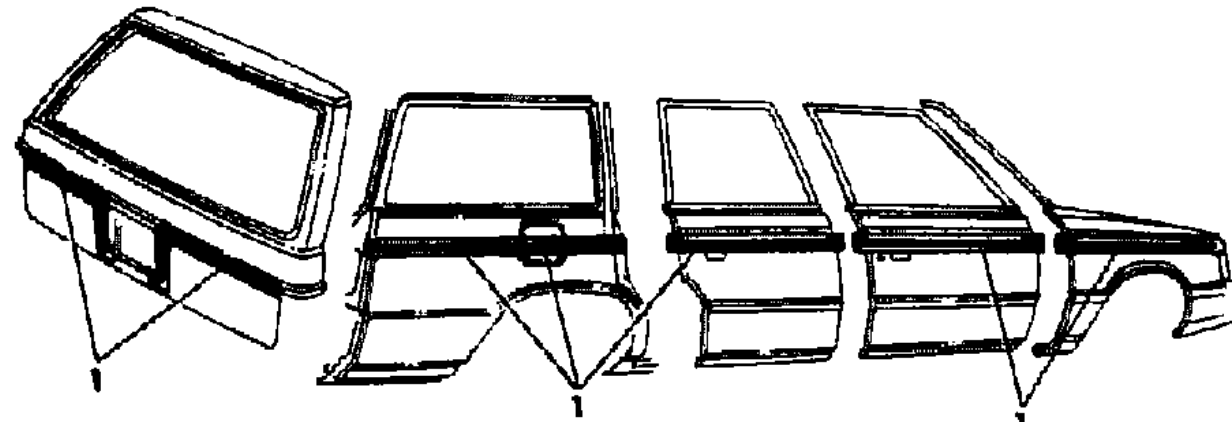
MODEL CODES  
 B = GRAN FURY/CARAVELLE  
 C = LEBARON/TOWN & COUNTRY  
 D = ARIES  
 F = NEW YORKER  
 G = DIPLOMAT  
 M = HORIZON/TC3/SCAMP  
 P = RELIANT  
 S = CORDOBA  
 V = 400  
 X = MIRADA  
 Y = IMPERIAL  
 Z = OMNI/O24/RAMPAGE

BODY STYLES  
 21 = 2-DOOR SEDAN  
 22 = 2-DOOR SPECIAL COUPE  
 24 = 2-DOOR HATCHBACK  
 27 = 2-DOOR CONVERTIBLE  
 28 = FWD PICKUP  
 41 = 4-DOOR SEDAN  
 44 = 4-DOOR HATCHBACK  
 45 = 2-SEAT STATION WAGON

AR = Use as Required - = Non Illustrated Part P.A.R. = Paint as Required

EXTERIOR VIEW - TAPE STRIPES PLYMOUTH RELIANT 2 DOOR - 4 DOOR - SUBURBAN  
Figure 23-1500

168 1500A



ITEM	PART NUMBER	QTY	BODY	MODEL	DESCRIPTION
1	4267 652-3	1		45	TAPE SET,Fndr.,Door,Qtr.,Blue (K3B)
	4267 654-5	1		45	Red (K3R)
	4267 656-7	1		45	Gold (K3Y)
	4267 658-9	1		45	Cashmere (K3T)
	4267 692-3	1		45	Silver (K3A)
	4267 662-3	1		45	White (K3W)
	4267 664	1		45	TAPE SET,Lift Gate,Blue (K3B)
	4267 665	1		45	Red (K3R)
	4267 666	1		45	Gold (K3Y)
	4267 667	1		45	Cashmere (K3T)
2	4267 694	1		45	Silver (K3A)
	4267 669	1		45	White (K3W)
	4240 742-3	1		21	TAPE SET,Fndr.,Door,Qtr.,Red (K3R)
	4240 744-5	1		21	Gold (K3Y)
	4240 746-7	1		21	Cashmere (K3T)
	4240 748-9	1		21	Blue (K3B)
	4267 698-9	1		21	Silver (K3A)
	4240 752-3	1		21	White (K3W)
	4240 754-5	1		41	Red (K3R)
	4240 756-7	1		41	Gold (K3Y)
3	4240 758-9	1		41	Cashmere (K3T)
	4240 760-1	1		41	Blue (K3B)
	4267 682-3	1		41	Silver (K3A)
	4240 764-5	1		41	White (K3W)
	4229 013	1		45	OVERLAY,Fndr. Door,Qtr.,Filler Door,L/Gate,L/Gate Lic. Plate Depr.
4	4271 746-7	1		21	TAPE SET,Fndr.,Door,Qtr.Wdo.,Blue and White (K1C)
	4271 748-9	1		21	Red and Silver (K1E)
	4271 750-1	1		21	Tan and White (K1K)
5	T540 AAT	1		21	TAPE,Roof Transverse,Blue and White (K1C),Use Up to 4-12-82
	T540 ABE	1		21	TAPE,Roof Transverse,Blue and White (K1C),Use After 4-12-82
	T540 AAV	1		21	Red and Silver (K1E),Use Up to 3-31-82
	T540 ABF	1		21	Red and Silver (K1E),Use After 3-31-82
	T540 AAW	1		21	Tan and White (K1K),Use Up to 4-12-82
	T540 ABG	1		21	Tan and White (K1K),Use After 4-12-82

MODEL CODES

B = GRAN FURY/CARAVELLE  
C = LEBARON/TOWN & COUNTRY  
D = ARIES  
F = NEW YORKER  
G = DIPLOMAT  
M = HORIZON/TC3/SCAMP  
P = RELIANT  
S = CORDOBA  
V = 400  
X = MIRADA  
Y = IMPERIAL  
Z = OMNI/O24/RAMPAGE

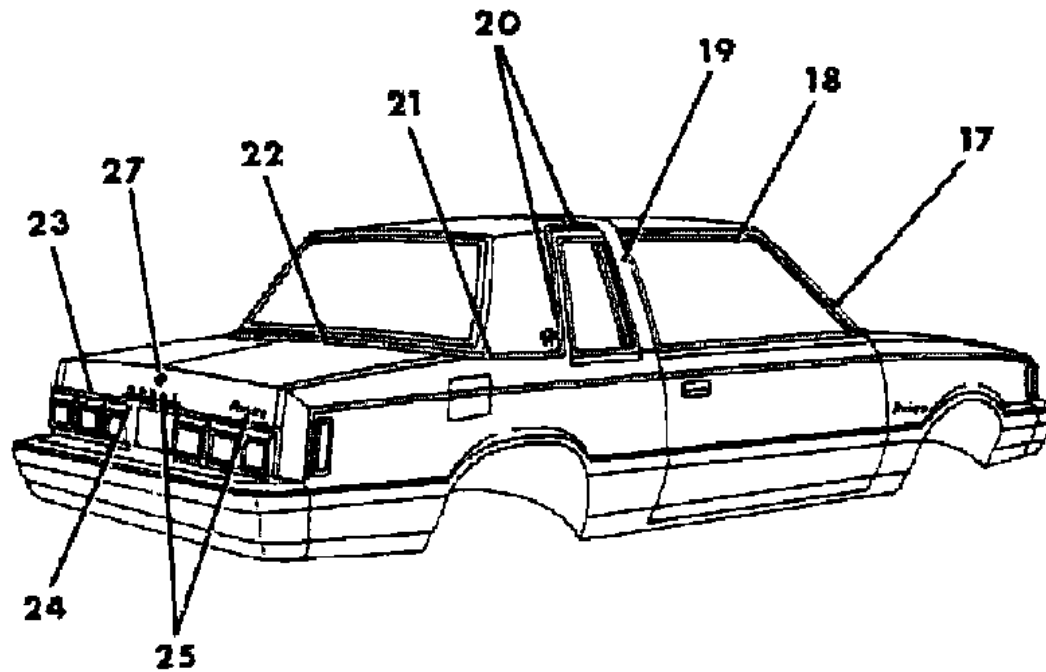
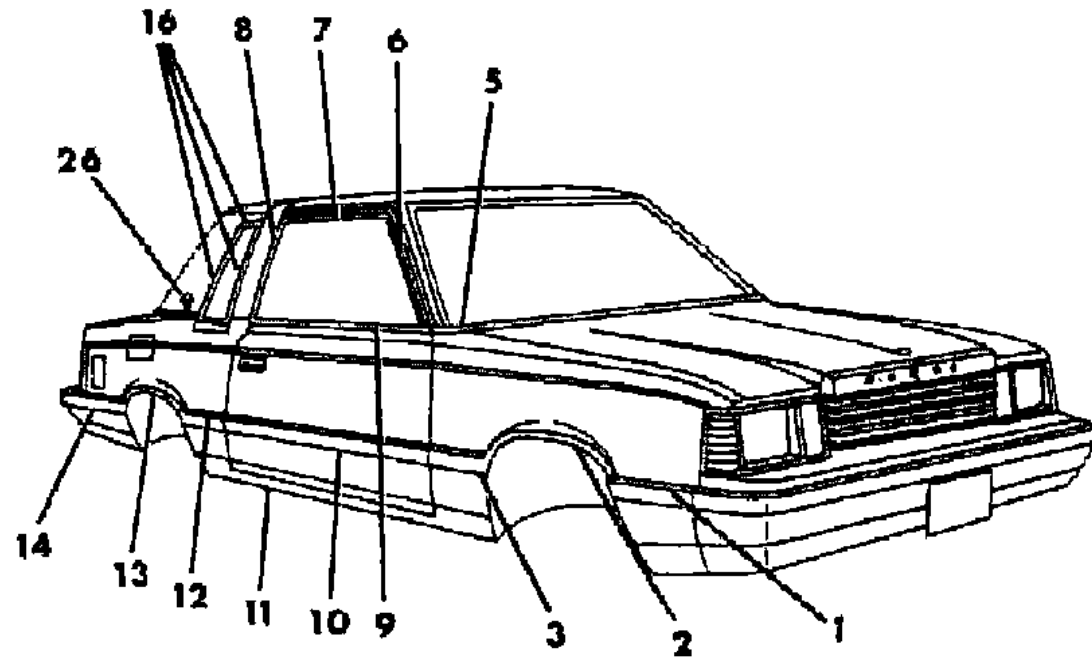
BODY STYLES

21 = 2-DOOR SEDAN  
22 = 2-DOOR SPECIAL COUPE  
24 = 2-DOOR HATCHBACK  
27 = 2-DOOR CONVERTIBLE  
28 = FWD PICKUP  
41 = 4-DOOR SEDAN  
44 = 4-DOOR HATCHBACK  
45 = 2-SEAT STATION WAGON

AR = Use as Required - = Non Illustrated Part P.A.R. = Paint as Required

EXTERIOR VIEW DODGE ARIES - 2 DOOR  
Figure 23-1600

2168 1600



ITEM	PART NUMBER	QTY	BODY	MODEL	DESCRIPTION
1	4240 886-7	1			MOULDING PACKAGE,Fndr.,Frt.,Burnish Silver
	4240 888-9	1			Blue
	4240 890-1	1			Seaspray Green
	4267 758-9	1			Red
	4240 894-5	1			Med. Tan
	4240 896-7	1			Pearl White
	4240 898-9	1			Black
	4267 756-7	1			Dark Tan
	4267 760-1	1			Med. Cashmere
	4057 569				RET. PKG.
2	6027 625				NUT
					SCREW (Not Serviced)
2	4175 756-7	1			MOULDING,Fndr. Wheel Opng.
					SCREW (Not Serviced)
3	4240 952-3	1			MOULDING PACKAGE,Fndr. Rear,Burnish Silver
	4240 954-5	1			Blue
	4240 956-7	1			Seaspray Green
	4267 752-3	1			Red
	4240 960-1	1			Med. Tan
	4240 962-3	1			Pearl White
	4240 964-5	1			Black
	4267 750-1	1			Dark Tan
	4267 754-5	1			Med. Cashmere
	4205 636				RET. PKG.
				STUD (Not Serviced)	
				SCREW (Not Serviced)	
5	4229 280-1	1			MOULDING,Fndr. Rear Edge Belt
6	4175 617	1			MOULDING,Door Wdo Opng. Frame Frt.,Lt.(Wide Mldg.)Use Up to 1-15-82
	4276 063	1			MOULDING,Door Wdo Opng. Frame Frt.,Lt.(Narrow Mldg.)Use After 1-15-82
	4175 622	1			MOULDING,Door Wdo Opng. Frame Frt.,Rt.(Wide Mldg.)Use Up to 1-15-82
	4276 158	1			MOULDING,Door Wdo Opng. Frame Frt.,Rt.(Narrow Mldg.)w/o Mirror,Use After 1-15-82
	4276 062	1			MOULDING,Door Wdo Opng. Frame Frt.,Rt.(Narrow Mldg.)w/ Mirror,Use After 1-15-82

MODEL CODES

B = GRAN FURY/CARAVELLE	P = RELIANT
C = LEBARON/TOWN & COUNTRY	S = CORDOBA
D = ARIES	V = 400
F = NEW YORKER	X = MIRADA
G = DIPLOMAT	Y = IMPERIAL
M = HORIZON/TC3/SCAMP	Z = OMNI/O24/RAMPAGE

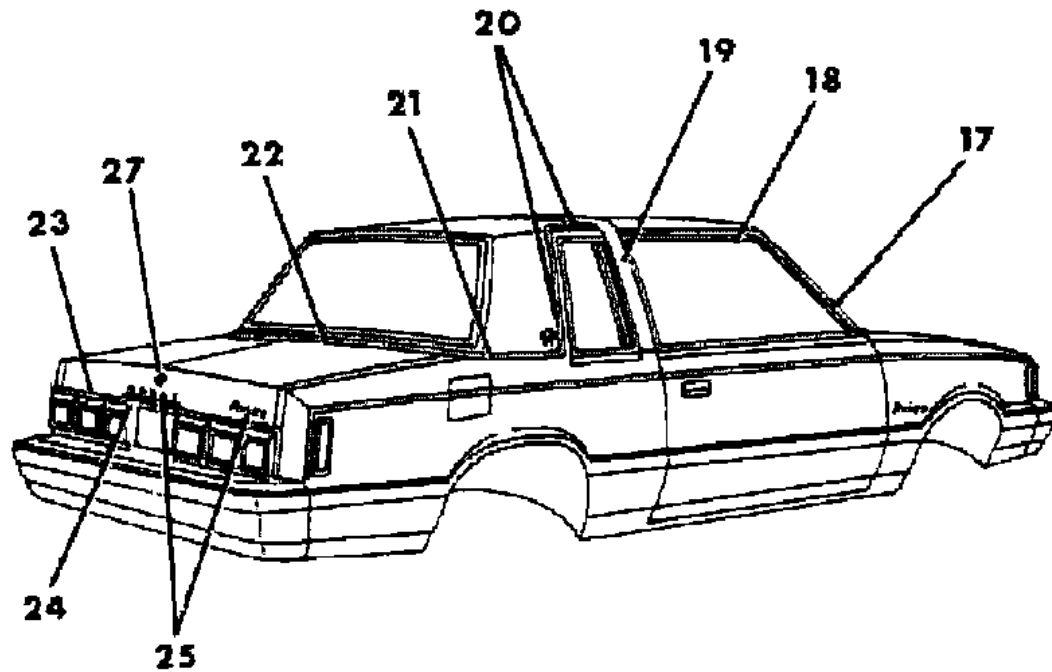
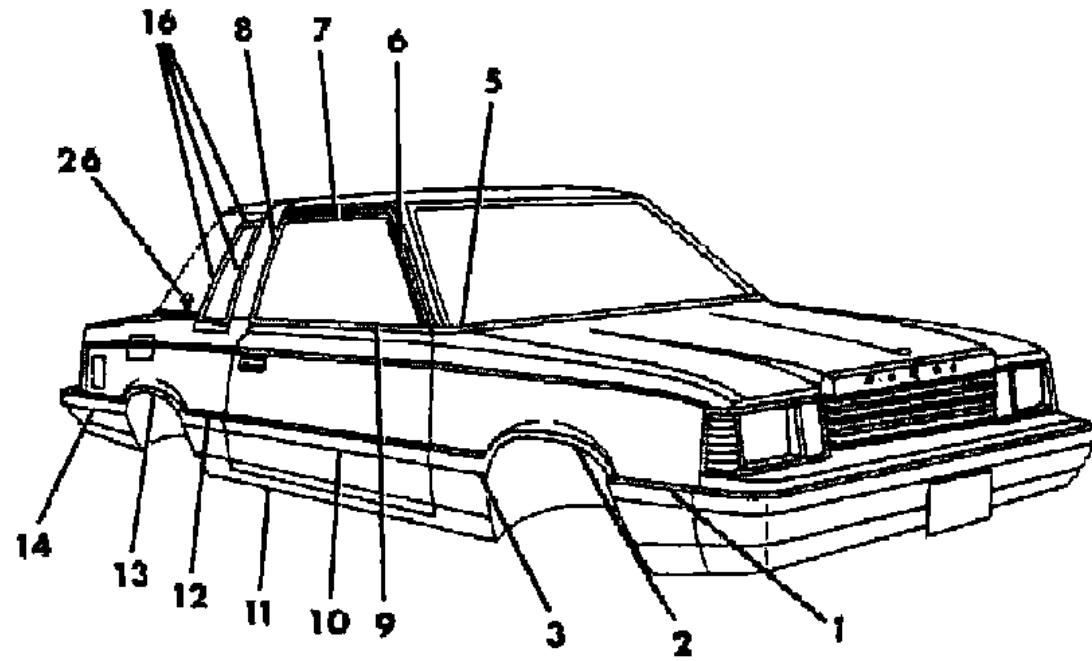
BODY STYLES

21 = 2-DOOR SEDAN	28 = FWD PICKUP
22 = 2-DOOR SPECIAL COUPE	41 = 4-DOOR SEDAN
24 = 2-DOOR HATCHBACK	44 = 4-DOOR HATCHBACK
27 = 2-DOOR CONVERTIBLE	45 = 2-SEAT STATION WAGON

AR = Use as Required - = Non Illustrated Part P.A.R. = Paint as Required

EXTERIOR VIEW DODGE ARIES - 2 DOOR  
Figure 23-1600

2168 1600



ITEM	PART NUMBER	QTY	BODY	MODEL	DESCRIPTION
7	4175 618-9	1			MOULDING,Door Wdo Opng. Frame Up.(Wide Mldg.)Use up to 1-15-82
	4276 232-3	1			MOULDING,Door Wdo Opng. Frame Up.(Narrow Mldg.)Use After 1-15-82
8	4229 474-5	1			MOULDING,Door Wdo Opng. Frame Rear(Wide Mldg.)Use Up to 1-15-82
	4276 234-5	1			MOULDING,Door Wdo Opng. Frame Rear(Narrow Mldg.)Use After 1-15-82
9	4205 646-7	1			MOULDING PACKAGE,Door Belt,w/Mirror
	4205 651	1			MOULDING PACKAGE,Door Belt,Rt.,w/o Mirror
	6003 781				RET.
	6003 627				RET.
	4205 634				RET. PKG.
10	4240 804-5	1			MOULDING PACKAGE,Door,Burnish Silver
	4240 806-7	1			Blue
	4240 808-9	1			Seaspray Green
	4267 716-7	1			Red
	4240 812-3	1			Med. Tan
	4240 814-5	1			Pearl White
	4240 816-7	1			Black
	4267 714-5	1			Dark Tan
	4267 718-9	1			Med. Cashmere
	4205 636				RET. PKG. STUD (Not Serviced)
	4057 555				RET. PKG.
11	4205 652-3	1			MOULDING PACKAGE,Body Side Sill
	6003 777				RET. STUD (Not Serviced) SCREW (Not Serviced)
12	4240 968-9	1			MOULDING PACKAGE,Qtr. Frt.,Burnish Silver
	4240 970-1	1			Blue
	4240 972-3	1			Seaspray Green
	4267 740-1	1			Red
	4240 976-7	1			Med. Tan
	4240 978-9	1			Pearl White
	4240 980-1	1			Black
	4267 738-9	1			Dark Tan

MODEL CODES

B = GRAN FURY/CARAVELLE	P = RELIANT
C = LEBARON/TOWN & COUNTRY	S = CORDOBA
D = ARIES	V = 400
F = NEW YORKER	X = MIRADA
G = DIPLOMAT	Y = IMPERIAL
M = HORIZON/TC3/SCAMP	Z = OMNI/O24/RAMPAGE

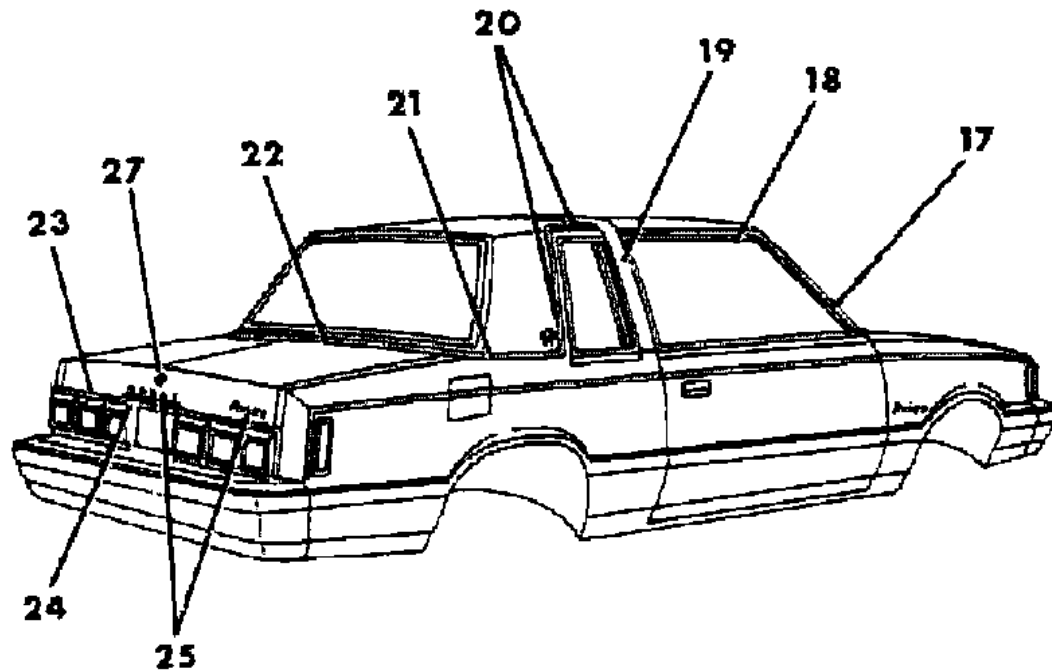
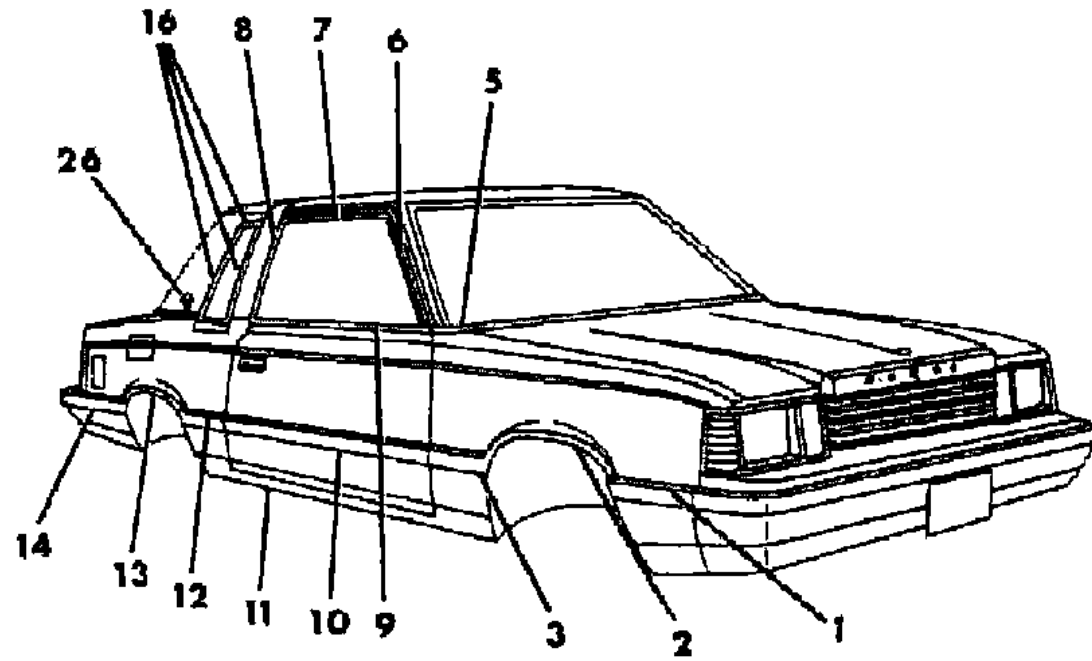
BODY STYLES

21 = 2-DOOR SEDAN	28 = FWD PICKUP
22 = 2-DOOR SPECIAL COUPE	41 = 4-DOOR SEDAN
24 = 2-DOOR HATCHBACK	44 = 4-DOOR HATCHBACK
27 = 2-DOOR CONVERTIBLE	45 = 2-SEAT STATION WAGON

AR = Use as Required - = Non Illustrated Part P.A.R. = Paint as Required

EXTERIOR VIEW DODGE ARIES - 2 DOOR  
Figure 23-1600

2168 1600



ITEM	PART NUMBER	QTY	BODY	MODEL	DESCRIPTION
	4267 742-3	1			Med. Cashmere
	4205 636				RET. PKG. STUD (Not Serviced) SCREW (Not Serviced)
13	4175 770-1	1			MOULDING,Qtr. Wheel Opng. SCREW (Not Serviced)
14	4240 870-1	1			MOULDING PACKAGE,Qtr. Rear,Burnish Silver
	4240 872-3	1			Blue
	4240 874-5	1			Seaspray Green
	4267 764-5	1			Red
	4240 878-9	1			Med. Tan
	4240 880-1	1			Pearl White
	4240 882-3	1			Black
	4267 762-3	1			Dark Tan
	4267 766-7	1			Med. Cashmere
	4205 636				RET. PKG. STUD (Not Serviced) SCREW (Not Serviced)
16	X238-9 VA3	1			MOULDING,Qtr. Opera Wdo.,Louvered,Burnished Silver
	X238-9 AA9	1			Dark Silver
	X238-9 VC3	1			Day Star Blue
	X238-9 AC9	1			Night Watch Blue
	X238-9 VF2	1			Seaspray Green
	X238-9 AF7	1			Med. Seaspray Green
	X238-9 VW3	1			Pearl White
	X238-9 AX9	1			Black
	X238-9 VK8	1			Spice Tan
	X238-9 AT3	1			Med. Tan
	X238-9 VT4	1			Natural Suede Tan
	X238-9 AM8	1			Red
	4229 130-1	1		D-L	MOULDING,Qtr. Wdo.,Bright,w/o Louvers
	4175 604-5	1		D-H,D-P	MOULDING,Qtr. Wdo.,Black,w/Padded Landau Roof
	6003 770				RET.
	6003 627				RET. NUT (Not Serviced)
17	4175 580-1	1			MOULDING,Body Frt. Pillar Drain Trough,Use w/o Spec. Sound Insul.,C15 Pkg.

MODEL CODES

B = GRAN FURY/CARAVELLE	P = RELIANT
C = LEBARON/TOWN & COUNTRY	S = CORDOBA
D = ARIES	V = 400
F = NEW YORKER	X = MIRADA
G = DIPLOMAT	Y = IMPERIAL
M = HORIZON/TC3/SCAMP	Z = OMNI/O24/RAMPAGE

BODY STYLES

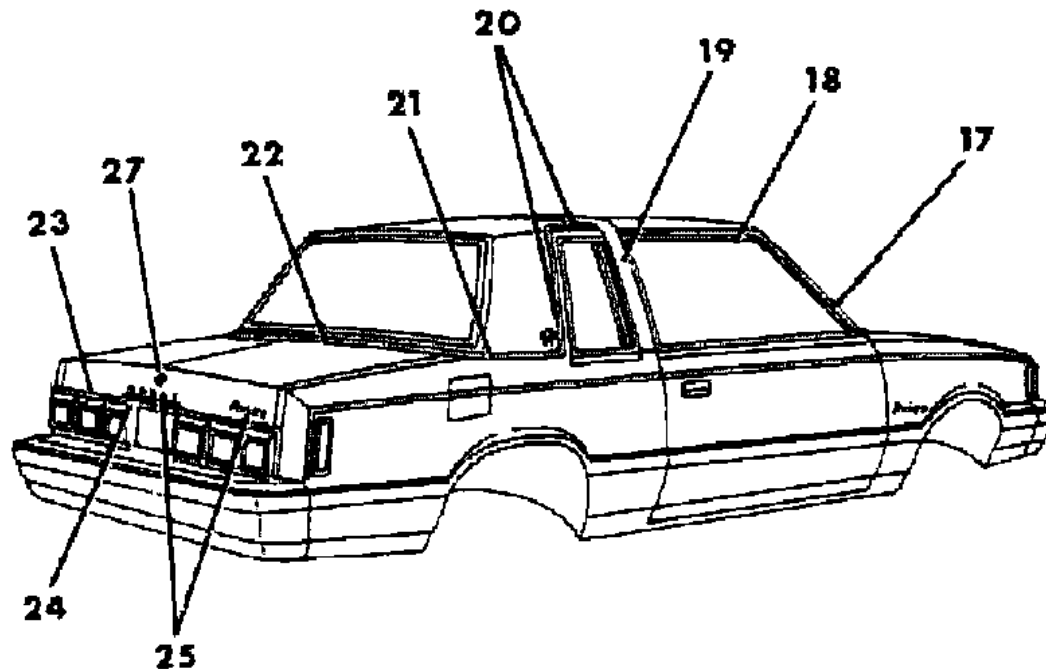
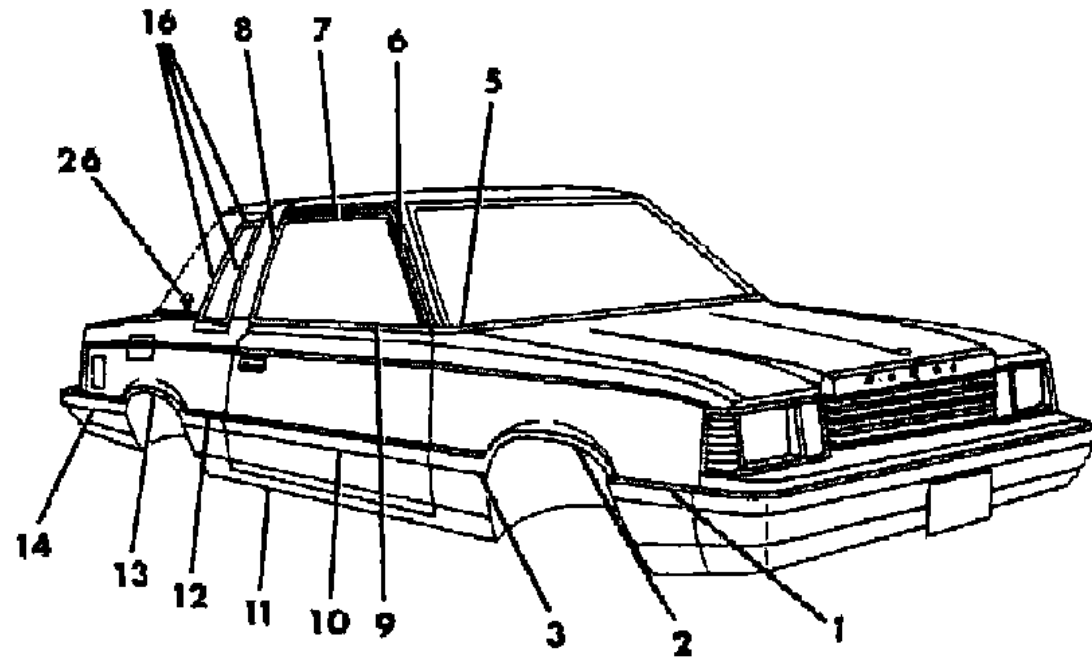
21 = 2-DOOR SEDAN	28 = FWD PICKUP
22 = 2-DOOR SPECIAL COUPE	41 = 4-DOOR SEDAN
24 = 2-DOOR HATCHBACK	44 = 4-DOOR HATCHBACK
27 = 2-DOOR CONVERTIBLE	45 = 2-SEAT STATION WAGON

AR = Use as Required - = Non Illustrated Part P.A.R. = Paint as Required



EXTERIOR VIEW DODGE ARIES - 2 DOOR  
Figure 23-1600

2168 1600



ITEM	PART NUMBER	QTY	BODY	MODEL	DESCRIPTION
	4229 762-3	1			MOULDING and SEAL,Body Frt. Pillar Drain Trough,Use w/o Spec. Sound Insul.,C15 Pkg.
	4276 416-7	1			MOULDING,Body Frt. Pillar Drain Trough,Use w/Spec. Sound Insul.,C15 Pkg.
	4229 766-7	1			MOULDING and SEAL,Body Frt. Pillar Drain Trough,Use w/ Spec. Sound Insul.,C15 Pkg.
	4276 090-1	1			SEAL,Body Frt. Pillar Drain Trough Mldg.,Outer,Use w/or w/o Spec. Sound Insul.,C15 Pkg.
	4229 764-5	1			SEAL,Body Frt. Pillar Drain Trough Mldg.,Inner,Use w/Spec. Sound Insul.,C15 Pkg.
18	4229 684-5	1			MOULDING,Roof Side Drain Trough,w/Padded Landau Roof
	4229 688-9	1			w/o Padded Landau Roof
19	X210-1 VC2	1			MOULDING,Roof Transverse,w/Padded Landau Roof,Frost Blue
	X210-1 VF2	1			Seaspray Green
	X210-1 AM8	1			Red
	X210-1 VT3	1			Med. Tan
	X210-1 VW3	1			Pearl White
	X210-1 AA3	1			Silver
	X210-1 VX9	1			Black
	6001 617				RET.
	6002 013				RET.
20	4175 678-9	1			MOULDING,Qtr. Wdo. Opng.,w/Padded Landau Roof
	6003 770				RET.
	6003 627				RET.
21	4205 656-7	1			MOULDING PACKAGE,Qtr. Belt,w/Padded Landau Roof
	3744 671				RET. PKG.
	6003 627				RET.
22	4205 654-5	1			MOULDING PACKAGE,Deck Opng. Upr. Pnl.,Use on Two Tone Paint,Full Unpadded or Padded Landau Roof
	6003 607				RET.
					SCREW (Not Serviced)
23	4175 894-5	1			MOULDING,Deck Lid Lwr. Side
	6028 674				SCREW
24	4175 694	1			MOULDING,Deck Lid Lwr. Center
	6028 674				SCREW

MODEL CODES

B = GRAN FURY/CARAVELLE	P = RELIANT
C = LEBARON/TOWN & COUNTRY	S = CORDOBA
D = ARIES	V = 400
F = NEW YORKER	X = MIRADA
G = DIPLOMAT	Y = IMPERIAL
M = HORIZON/TC3/SCAMP	Z = OMNI/O24/RAMPAGE

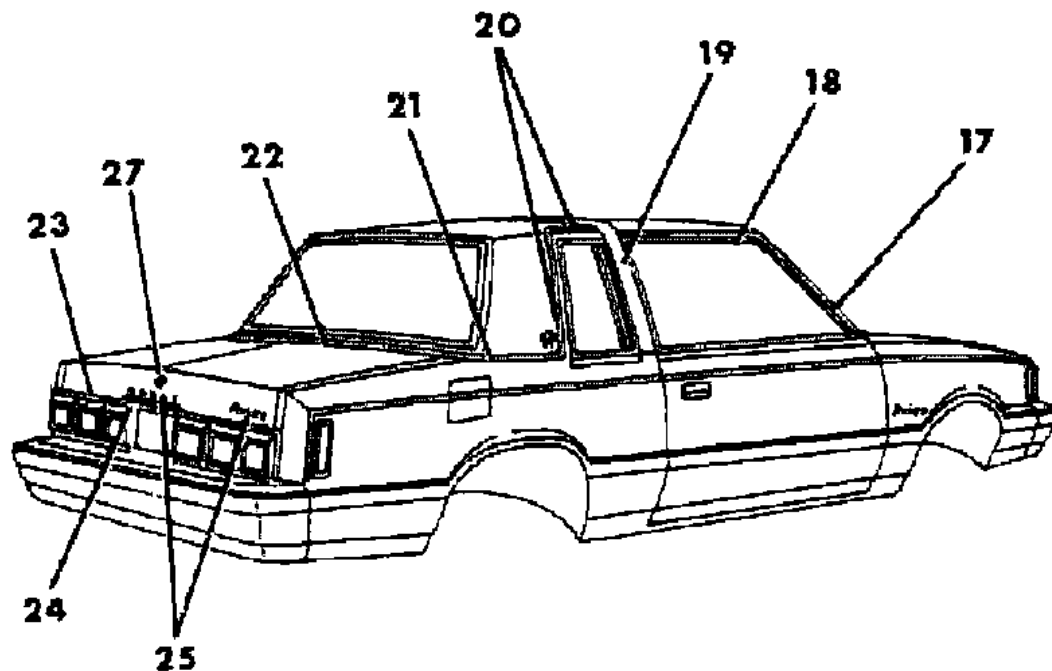
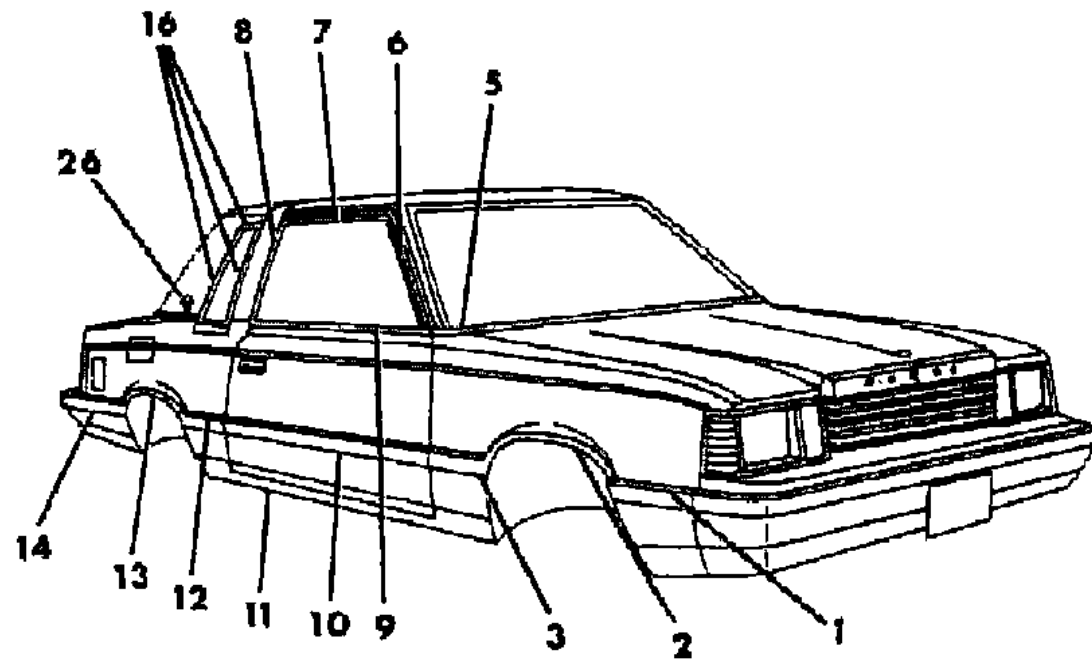
BODY STYLES

21 = 2-DOOR SEDAN	28 = FWD PICKUP
22 = 2-DOOR SPECIAL COUPE	41 = 4-DOOR SEDAN
24 = 2-DOOR HATCHBACK	44 = 4-DOOR HATCHBACK
27 = 2-DOOR CONVERTIBLE	45 = 2-SEAT STATION WAGON

AR = Use as Required - = Non Illustrated Part P.A.R. = Paint as Required

EXTERIOR VIEW DODGE ARIES - 2 DOOR  
Figure 23-1600

2168 1600



ITEM	PART NUMBER	QTY	BODY	MODEL	DESCRIPTION
25	4276 304	1			NAME PLATE,Deck Lid,"Aries"
	4229 779	2			NAMEPLATE,Deck Lid,"DODGE"
26	4229 783	2		D-P	MEDALLION,Qtr. Pnl., "SE"
	6003 627				RETAINER
27	X590 AA3	1			MEDALLION,Deck Lid Lock Cyl.,Bright Silver
	X590 AA9	1			Dark Silver
	X590 AH9	1			Mahogany
	X590 AM8	1			Red
	X590 AT3	1			Med. Tan
	X590 AT4	1			Natural Suede Tan
	X590 AW3	1			White
	X590 AX9	1			Black

NOTE: The Colored Medallion Used is Determined by the Exterior Paint of Car an offsetting order for part no. 3747881

MODEL CODES

B = GRAN FURY/CARAVELLE	P = RELIANT
C = LEBARON/TOWN & COUNTRY	S = CORDOBA
D = ARIES	V = 400
F = NEW YORKER	X = MIRADA
G = DIPLOMAT	Y = IMPERIAL
M = HORIZON/TC3/SCAMP	Z = OMNI/O24/RAMPAGE

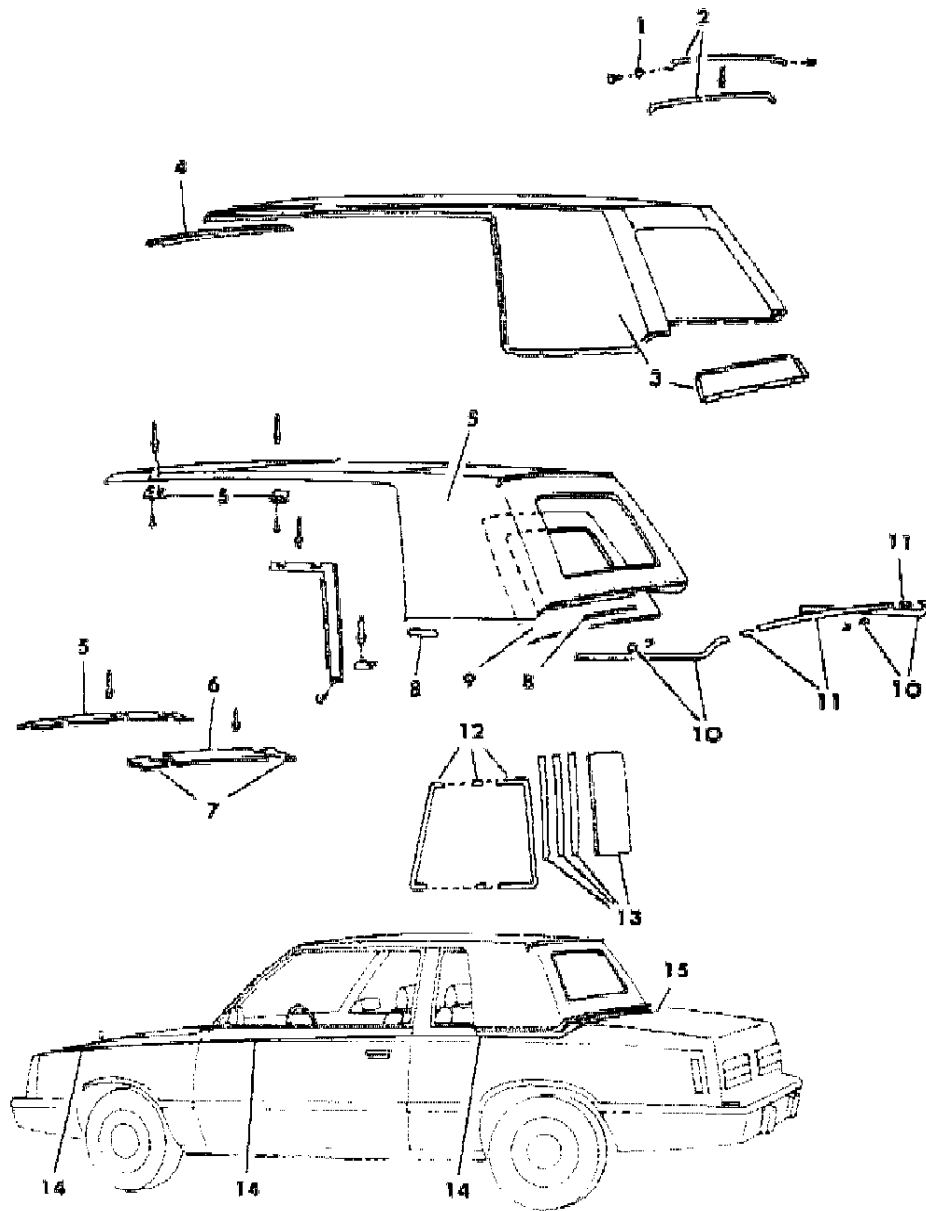
BODY STYLES

21 = 2-DOOR SEDAN	28 = FWD PICKUP
22 = 2-DOOR SPECIAL COUPE	41 = 4-DOOR SEDAN
24 = 2-DOOR HATCHBACK	44 = 4-DOOR HATCHBACK
27 = 2-DOOR CONVERTIBLE	45 = 2-SEAT STATION WAGON

AR = Use as Required - = Non Illustrated Part P.A.R. = Paint as Required

**EXTERIOR VIEW DODGE ARIES 2 DOOR (SIMULATED CONV. A82 PKG.)  
Figure 23-1650**

23-1650



ITEM	PART NUMBER	QTY	BODY	MODEL	DESCRIPTION
1	4078 616	2			CAP,Bow F/Strip End
2	4276 272	1			BOW,F/Strip Assy.,White
	4276 273	1			Tan
	4276 274	1			Blue
	4276 275	1			Black
	4276 383	1			Red
3	4276 262	1			COVER and B/LITE LWR. ASSY.,White
	4276 263	1			Tan
	4276 264	1			Blue
	4276 265	1			Black
4	4276 386	1			Red
	4276 267	1			WELT ASSY.,W/Shield Header,White
	4276 268	1			Tan
	4276 269	1			Blue
	4276 270	1			Black
	4276 380	1			Red
	4276 261	1			CAP ASSY.,Fiber Glass,Complete
6	4078 610	1			RETAINER,Frnt. Cap,Center
7	4078 611	1			RETAINER,Frnt. Cap,Outer
8					TAPE (Not Serviced)
9	4247 240	1			MOULDING ASSY.,Rear Wdo. Inside Garnish,Blue
	4247 241	1			Green
	4247 242	1			Red
	4247 243	1			Cashmere
	4276 381	1			Silver
10	4276 278-9	1			MOULDING ASSY.,Belt w/Insert
	4229 803	AR			RETAINER
	4057 555	AR			NUT
11	4276 277	1			MOULDING ASSY.,Upr. Deck Pnl.,w/Insert
12	4276 280-1	1			MOULDING ASSY.,Qtr. Wdo.
13	4247 232-3	1			MOULDING ASSY.,Qtr. Wdo. Inside,Blue
	4247 234-5	1			Green
	4247 236-7	1			Red
	4247 238-9	1			Cashmere
14	4276 378-9	1			Silver
	4276 282-3	1			TAPE,Body Side,Blue
	4276 286-7	1			Red

**MODEL CODES**

B = GRAN FURY/CARAVELLE	P = RELIANT
C = LEBARON/TOWN & COUNTRY	S = CORDOBA
D = ARIES	V = 400
F = NEW YORKER	X = MIRADA
G = DIPLOMAT	Y = IMPERIAL
M = HORIZON/TC3/SCAMP	Z = OMNI/O24/RAMPAGE

**BODY STYLES**

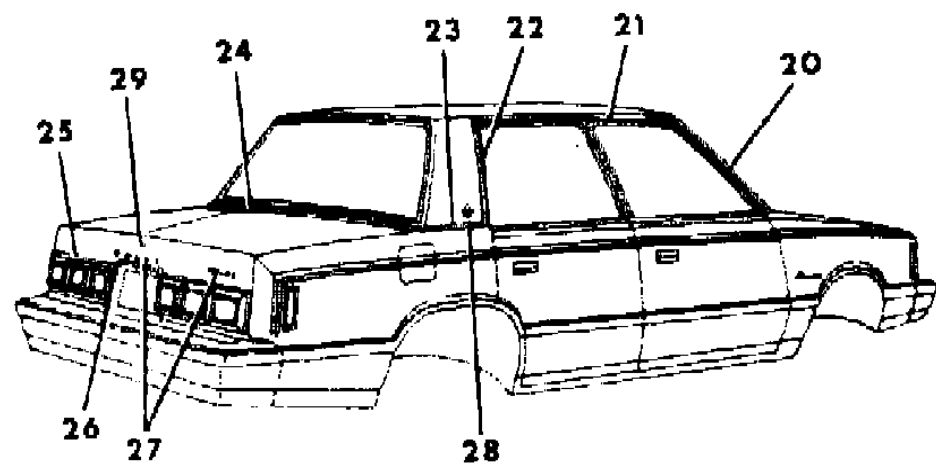
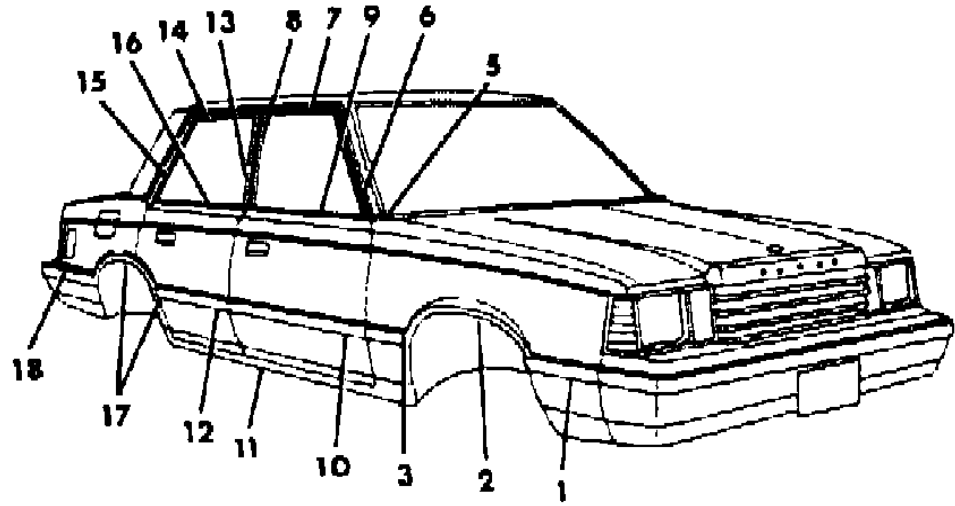
21 = 2-DOOR SEDAN	28 = FWD PICKUP
22 = 2-DOOR SPECIAL COUPE	41 = 4-DOOR SEDAN
24 = 2-DOOR HATCHBACK	44 = 4-DOOR HATCHBACK
27 = 2-DOOR CONVERTIBLE	45 = 2-SEAT STATION WAGON

AR = Use as Required - = Non Illustrated Part P.A.R. = Paint as Required



EXTERIOR VIEW DODGE ARIES - 4 DOOR  
Figure 23-1700

2168 1700



ITEM	PART NUMBER	QTY	BODY	MODEL	DESCRIPTION
1	4240 886-7	1			MOULDING PACKAGE,Fndr.,Frt.,Burnish Silver
	4240 888-9	1			Blue
	4240 890-1	1			Seaspray Green
	4267 758-9	1			Red
	4240 894-5	1			Med. Tan
	4240 896-7	1			Pearl White
	4240 898-9	1			Black
	4267 756-7	1			Dark Tan
	4267 760-1	1			Med. Cashmere
		4057 569			
	6027 625				NUT
2	4175 756-7	1			MOULDING,Fndr. Wheel Opng.
					SCREW (Not Serviced)
3	4240 952-3	1			MOULDING PACKAGE,Fndr. Rear,Burnish Silver
	4240 954-5	1			Blue
	4240 956-7	1			Seaspray Green
	4267 752-3	1			Red
	4240 960-1	1			Med. Tan
	4240 962-3	1			Pearl White
	4240 964-5	1			Black
	4267 750-1	1			Dark Tan
	4267 754-5	1			Med. Cashmere
		4205 636			
					STUD (Not Serviced)
					SCREW (Not Serviced)
5	4229 280-1	1			MOULDING,Fndr. Rear Edge Belt
6	4175 617	1			MOULDING,Door Wdo. Opng. Frame Frt.,Lt.(Wide Mldg.)Up to 1-15-82
	4276 063	1			MOULDING,Door Wdo. Opng. Frame Frt.,Lt.(Narrow Mldg.)Use After 1-15-82
	4175 622	1			MOULDING,Door Wdo. Opng. Frame Frt.,Rt.(Wide Mldg.)Use Up to 1-15-82
	4276 158	1			MOULDING,Door Wdo. Opng. Frame Frt.,Rt.(Narrow Mldg.)w/o Mirror,Use After 1-15-82
	4276 062	1			MOULDING,Door Wdo. Opng. Frame Frt.,Rt.(Narrow Mldg.)w/ Mirror,Use After 1-15-82

MODEL CODES

B = GRAN FURY/CARAVELLE	P = RELIANT
C = LEBARON/TOWN & COUNTRY	S = CORDOBA
D = ARIES	V = 400
F = NEW YORKER	X = MIRADA
G = DIPLOMAT	Y = IMPERIAL
M = HORIZON/TC3/SCAMP	Z = OMNI/O24/RAMPAGE

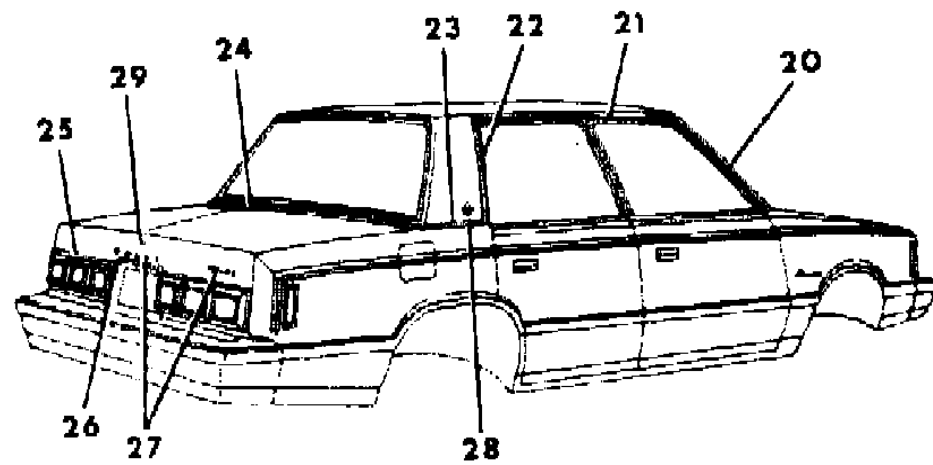
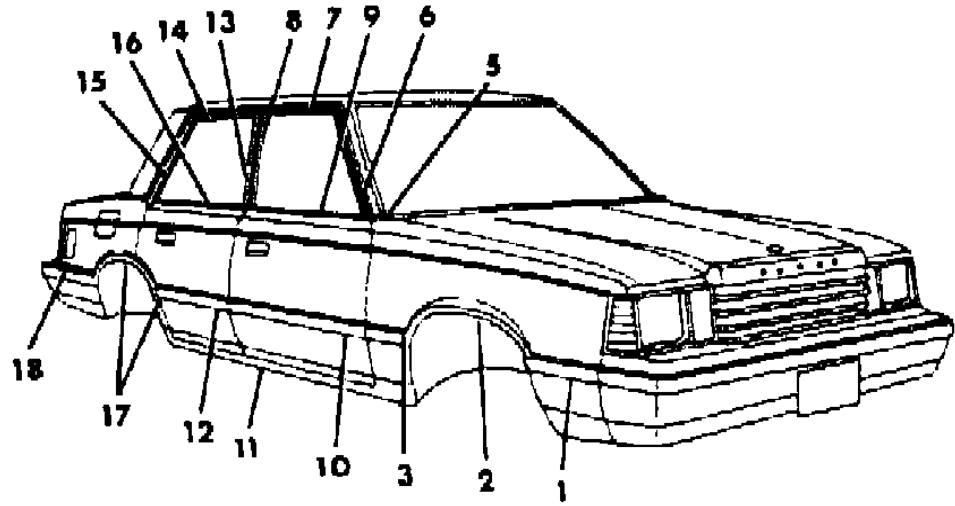
BODY STYLES

21 = 2-DOOR SEDAN	28 = FWD PICKUP
22 = 2-DOOR SPECIAL COUPE	41 = 4-DOOR SEDAN
24 = 2-DOOR HATCHBACK	44 = 4-DOOR HATCHBACK
27 = 2-DOOR CONVERTIBLE	45 = 2-SEAT STATION WAGON

AR = Use as Required - = Non Illustrated Part P.A.R. = Paint as Required

EXTERIOR VIEW DODGE ARIES - 4 DOOR  
Figure 23-1700

2168 1700



ITEM	PART NUMBER	QTY	BODY	MODEL	DESCRIPTION
7	4175 624-5	1			MOULDING,Door Wdo. Opng. Frame Up.(Wide Mldg.)Use Up to 1-15-82
	4276 064-5	1			MOULDING,Door Wdo. Opng. Frame Up.(Narrow Mldg.)Use After 1-15-82
8	4229 476-7	1			MOULDING,Door Wdo. Opng. Frame Rear(Wide Mldg.)Use Up to 1-15-82
	4276 066-7	1			MOULDING,Door Wdo. Opng. Frame Rear(Narrow Mldg.)Use After 1-15-82
9	4205 644-5	1			MOULDING PACKAGE,Frnt. Door Belt,w/Mirror
	4205 650	1			MOULDING PACKAGE,Frnt. Door Belt,Rt.,w/o Mirror
	4205 634				RET. PKG.
	6003 627				RET.
	6003 781				RET.
10	4240 820-1	1			MOULDING PACKAGE,Frnt. Door,Burnish Silver
	4240 822-3	1			Blue
	4240 824-5	1			Seaspray Green
	4267 728-9	1			Red
	4240 828-9	1			Med. Tan
	4240 830-1	1			Pearl White
	4240 832-3	1			Black
	4267 726-7	1			Dark Tan
	4267 730-1	1			Med. Cashmere
	4057 555				RET. PKG.
	4205 636				RET. PKG.
					STUD (Not Serviced)
11	4205 652-3	1			MOULDING PACKAGE,Body Side Sill
	6003 777				RET.
					STUD (Not Serviced)
12	4240 836-7	1			MOULDING PACKAGE,Rear Door,Burnish Silver
	4240 838-9	1			Blue
	4240 840-1	1			Seaspray Green
	4271 660-1	1			Red
	4240 844-5	1			Med. Tan
	4240 846-7	1			Pearl White
	4240 848-9	1			Black
	4271 658-9	1			Dark Tan
	4267 768-9	1			Med. Cashmere

MODEL CODES

B = GRAN FURY/CARAVELLE	P = RELIANT
C = LEBARON/TOWN & COUNTRY	S = CORDOBA
D = ARIES	V = 400
F = NEW YORKER	X = MIRADA
G = DIPLOMAT	Y = IMPERIAL
M = HORIZON/TC3/SCAMP	Z = OMNI/O24/RAMPAGE

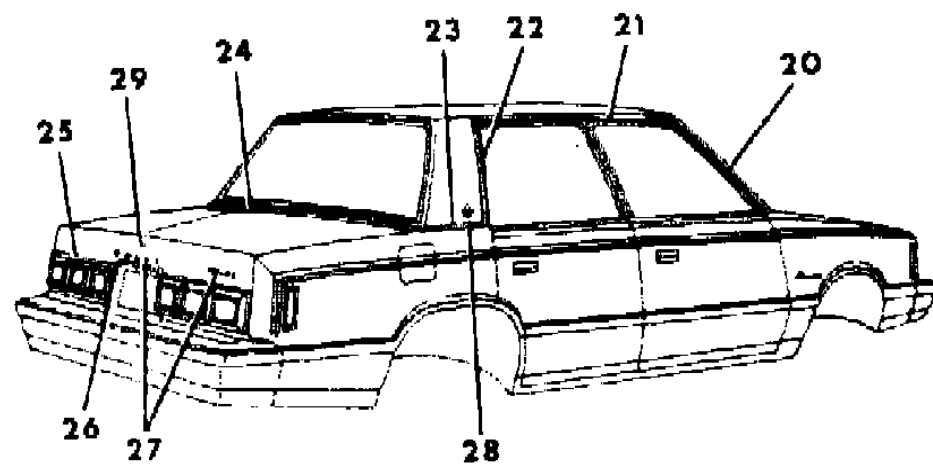
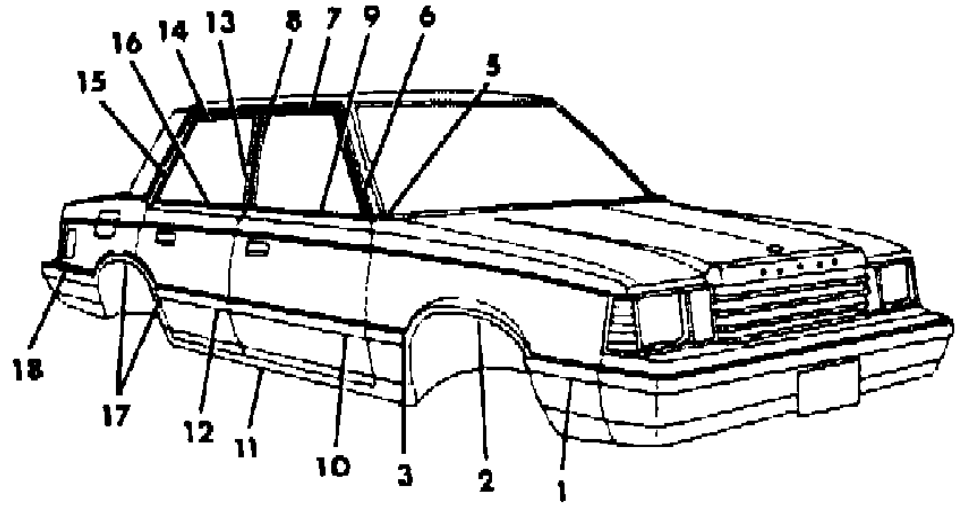
BODY STYLES

21 = 2-DOOR SEDAN	28 = FWD PICKUP
22 = 2-DOOR SPECIAL COUPE	41 = 4-DOOR SEDAN
24 = 2-DOOR HATCHBACK	44 = 4-DOOR HATCHBACK
27 = 2-DOOR CONVERTIBLE	45 = 2-SEAT STATION WAGON

AR = Use as Required - = Non Illustrated Part P.A.R. = Paint as Required

EXTERIOR VIEW DODGE ARIES - 4 DOOR  
Figure 23-1700

2168 1700



ITEM	PART NUMBER	QTY	BODY	MODEL	DESCRIPTION
	4057 555				RET. PKG.
	4205 636				RET. PKG.
13	4229 478-9	1			STUD (Not Serviced) MOULDING,Rear Door Wdo. Opng. Frame,Fr.(Wide Mldg.)Use Up to 1-15-82
	4276 068-9	1			MOULDING,Rear Door Wdo. Opng. Frame,Fr.(Narrow Mldg.) Use After 1-15-82
14	4229 116-7	1			MOULDING,Rear Door Wdo. Opng. Frame,Upr.(Wide Mldg.)Use Up to 1-15-82
	4276 220-1	1			MOULDING,Rear Door Wdo. Opng. Frame,Upr.(Narrow Mldg.) Use After 1-15-82
15	4229 112-3	1			MOULDING,Rear Door Wdo. Opng. Frame,Rear(Wide Mldg.)Use Up to 1-15-82
	4276 224-5	1			MOULDING,Rear Door Wdo. Opng. Frame,Rear(Narrow Mldg.) Use After 1-15-82
16	4205 648-9	1			MOULDING PACKAGE,Rear Door Belt
	4205 634				RET. PKG.
	6003 627				RET.
17	4175 770-1	1			MOULDING,Qtr. Wheel Opng.,Bright Finish
	X224-5 VA3	1			MOULDING,Qtr. Frt. and Wheel Opng.,Burnish Silver
	X224-5 VC2	1			Blue
	X224-5 VF2	1			Seaspray Green
	X224-5 AM8	1			Red
	X224-5 VT3	1			Med. Tan
	X224-5 VW3	1			Pearl White
	X224-5 VX9	1			Black
	X224-5 AK7	1			Dark Tan
	X224-5 AT2	1			Med. Cashmere
					SCREW (Not Serviced)
18	4240 870-1	1			MOULDING PACKAGE,Qtr. Rear,Burnish Silver
	4240 872-3	1			Blue
	4240 874-5	1			Seaspray Green
	4267 764-5	1			Red
	4240 878-9	1			Med. Tan
	4240 880-1	1			Pearl White
	4240 882-3	1			Black
	4267 762-3	1			Dark Tan

MODEL CODES

B = GRAN FURY/CARAVELLE	P = RELIANT
C = LEBARON/TOWN & COUNTRY	S = CORDOBA
D = ARIES	V = 400
F = NEW YORKER	X = MIRADA
G = DIPLOMAT	Y = IMPERIAL
M = HORIZON/TC3/SCAMP	Z = OMNI/O24/RAMPAGE

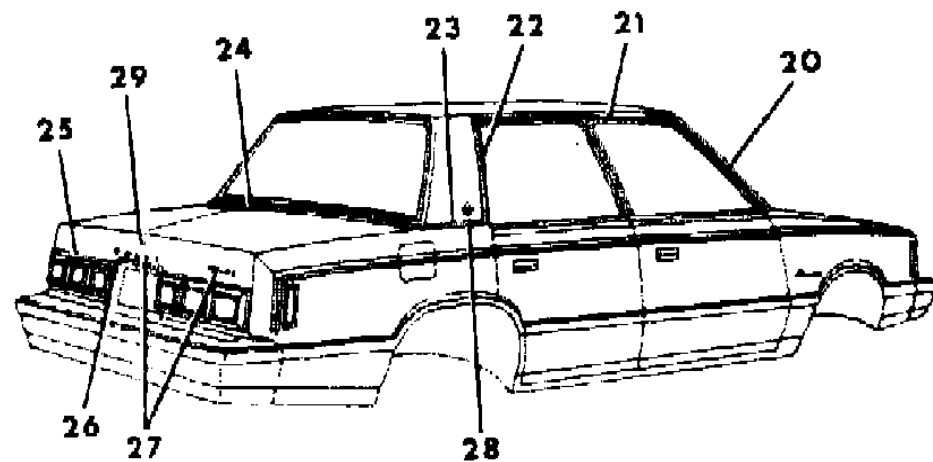
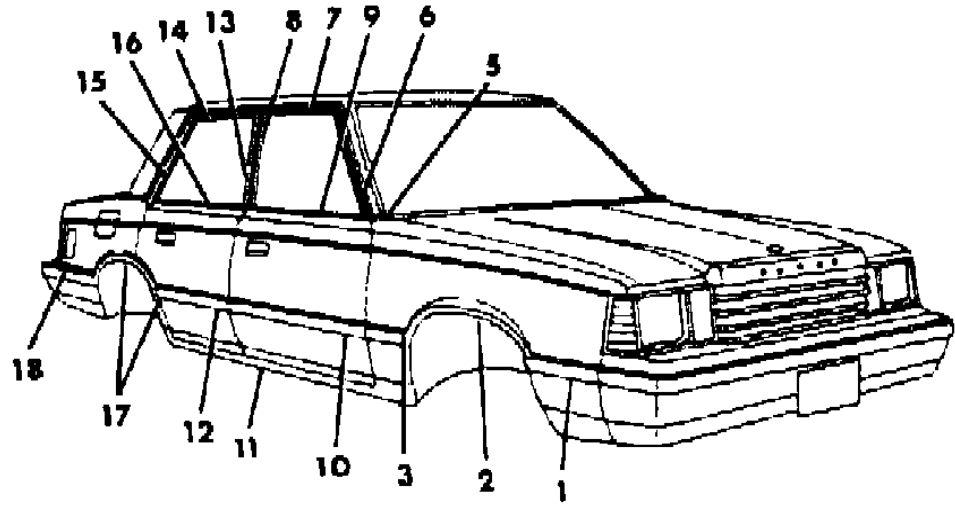
BODY STYLES

21 = 2-DOOR SEDAN	28 = FWD PICKUP
22 = 2-DOOR SPECIAL COUPE	41 = 4-DOOR SEDAN
24 = 2-DOOR HATCHBACK	44 = 4-DOOR HATCHBACK
27 = 2-DOOR CONVERTIBLE	45 = 2-SEAT STATION WAGON

AR = Use as Required - = Non Illustrated Part P.A.R. = Paint as Required

EXTERIOR VIEW DODGE ARIES - 4 DOOR  
Figure 23-1700

2168 1700



ITEM	PART NUMBER	QTY	BODY	MODEL	DESCRIPTION
	4267 766-7	1			Med. Cashmere
	4205 636				RET. PKG. STUD (Not Serviced) SCREW (Not Serviced)
20	4175 580-1	1			MOULDING,Body Frt. Pillar Drain Trough,Use w/o Spec. Sound Insul.,C15 Pkg.
	4229 762-3	1			MOULDING and SEAL,Body Frt. Pillar Drain Trough,Use w/o Spec. Sound Insul.,C15 Pkg.
	4276 416-7	1			MOULDING,Body Frt. Pillar Drain Trough,Use w/Spec. Sound Insul.,C15 Pkg.
	4229 766-7	1			MOULDING and SEAL,Body Frt. Pillar Drain Trough,Use w/ Spec. Sound Insul.,C15 Pkg.
	4276 090-1	1			SEAL,Body Frt. Pillar Drain Trough Mldg.,Outer,Use w/or w/o Spec. Sound Insul.,C15 Pkg.
	4229 764-5	1			SEAL,Body Frt. Pillar Drain Trough Mldg.,Inner,Use w/Spec. Sound Insul.,C15 Pkg.
21	4229 680-1	1			MOULDING,Roof Side Drain Trough,Frnt.,w/o Vinyl Roof
	4229 682-3	1			w/ Vinyl Roof
22	4175 592-3	1			MOULDING,Roof Drain Trough Rear,w/Vinyl Roof
23	4205 658-9	1			MOULDING,Qtr. Belt,w/Vinyl Roof
	3744 671				RET. PKG.
	6003 627				RET.
24	4205 654-5	1			MOULDING PACKAGE,Deck Opng. Upr. Pnl.,Use on Two Tone Paint,Full Unpadded or Padded Landau Roof
	6003 607				RET.
					SCREW (Not Serviced)
25	4175 894-5	1			MOULDING,Deck Lid Lwr. Side
	6028 674				SCREW
26	4175 694	1			MOULDING,Deck Lid Lwr. Center
	6028 674				SCREW
27	4276 304	1			NAME PLATE,Deck Lid,"Aries"
	4229 779	1			NAMEPLATE,Deck Lid,"DODGE"
28	4229 783	2		D-P	MEDALLION,Qtr. Pnl.,"SE"
	6003 627				RETAINER
29	X590 AA3	1			MEDALLION,Deck Lid Lock Cyl.,Bright Silver
	X590 AA9	1			Dark Silver
	X590 AH9	1			Mahogany

MODEL CODES

B = GRAN FURY/CARAVELLE	P = RELIANT
C = LEBARON/TOWN & COUNTRY	S = CORDOBA
D = ARIES	V = 400
F = NEW YORKER	X = MIRADA
G = DIPLOMAT	Y = IMPERIAL
M = HORIZON/TC3/SCAMP	Z = OMNI/O24/RAMPAGE

BODY STYLES

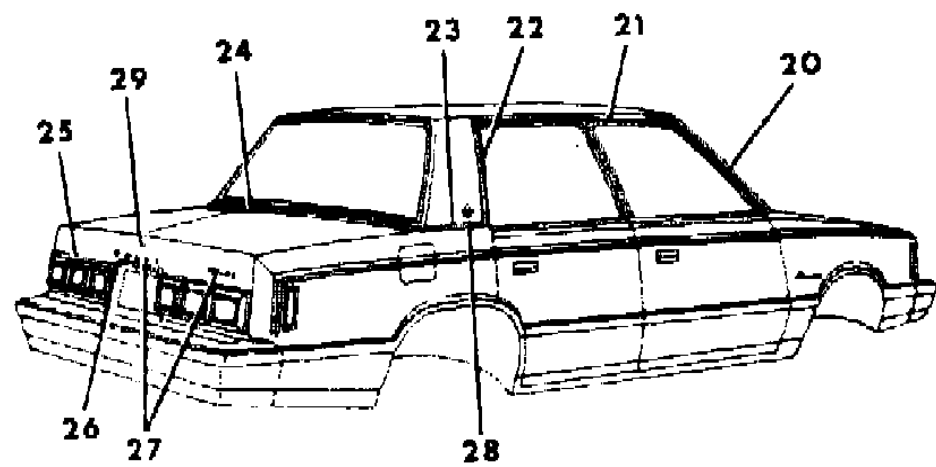
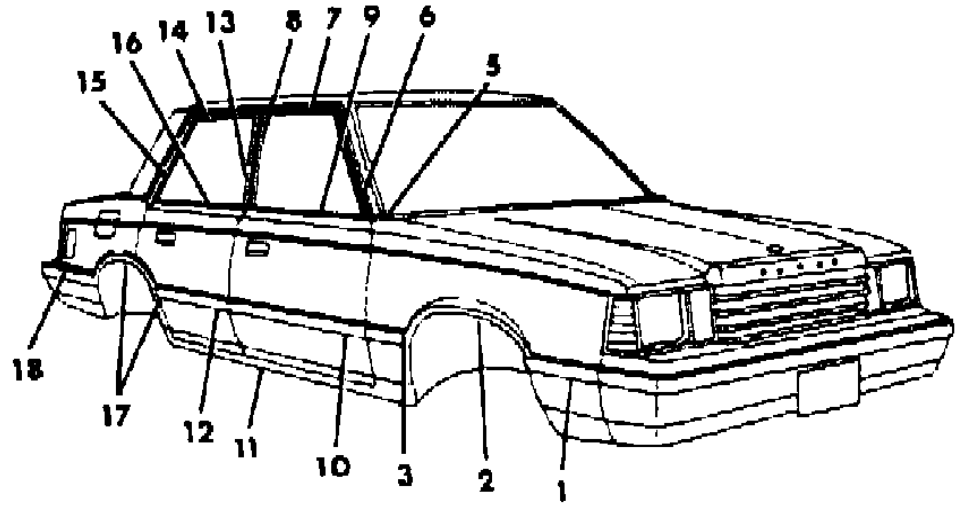
21 = 2-DOOR SEDAN	28 = FWD PICKUP
22 = 2-DOOR SPECIAL COUPE	41 = 4-DOOR SEDAN
24 = 2-DOOR HATCHBACK	44 = 4-DOOR HATCHBACK
27 = 2-DOOR CONVERTIBLE	45 = 2-SEAT STATION WAGON

AR = Use as Required - = Non Illustrated Part P.A.R. = Paint as Required



EXTERIOR VIEW DODGE ARIES - 4 DOOR  
Figure 23-1700

2168 1700



ITEM	PART NUMBER	QTY	BODY	MODEL	DESCRIPTION
	X590 AM8	1			Red
	X590 AT3	1			Med. Tan
	X590 AT4	1			Natural Suede Tan
	X590 AW3	1			White
	X590 AX9	1			Black

NOTE: The Colored Medallion Used is Determined by the Exterior Paint of Car an offsetting order for part no. 3747881

MODEL CODES

B = GRAN FURY/CARAVELLE	P = RELIANT
C = LEBARON/TOWN & COUNTRY	S = CORDOBA
D = ARIES	V = 400
F = NEW YORKER	X = MIRADA
G = DIPLOMAT	Y = IMPERIAL
M = HORIZON/TC3/SCAMP	Z = OMNI/O24/RAMPAGE

BODY STYLES

21 = 2-DOOR SEDAN	28 = FWD PICKUP
22 = 2-DOOR SPECIAL COUPE	41 = 4-DOOR SEDAN
24 = 2-DOOR HATCHBACK	44 = 4-DOOR HATCHBACK
27 = 2-DOOR CONVERTIBLE	45 = 2-SEAT STATION WAGON

AR = Use as Required - = Non Illustrated Part P.A.R. = Paint as Required

EXTERIOR VIEW DODGE ARIES - SUBURBAN  
Figure 23-1800

ITEM	PART NUMBER	QTY	BODY	MODEL	DESCRIPTION
1	4205 700-1	1			MOULDING PACKAGE,Fndr. Upr.,Woodgrain
	4205 640				RET. PKG.
	4057 555				RET. PKG.
	4205 641				RET. PKG.
	4205 698-9	1			MOULDING PACKAGE,Fndr. Frt.,Woodgrain
2	4205 638				RET. PKG.
	4057 555				RET. PKG.
	4205 639				RET. PKG.
	4267 862-3	1			MOULDING,Fndr. Lwr. Frt.,Woodgrain
3	4057 569				RET. PKG.
	6027 625				NUT
					SCREW (Not Serviced)
4	4240 886-7	1			MOULDING PACKAGE,Fndr. Frt.,Burnish Silver
	4240 888-9	1			Blue
	4240 890-1	1			Seaspray Green
	4267 758-9	1			Red
	4240 894-5	1			Med. Tan
	4240 896-7	1			Pearl White
	4240 898-9	1			Black
	4267 756-7	1			Dark Tan
	4267 760-1	1			Med. Cashmere
	4057 569				RET. PKG.
	6027 625				NUT
5	4175 722-3	1			MOULDING,Fndr. Wheel Opng.,Woodgrain
					SCREW (Not Serviced)
6	4175 756-7	1			MOULDING,Fndr. Wheel Opng.,Bright Finish
					SCREW (Not Serviced)
7	4205 668-9	1			MOULDING PACKAGE,Fndr. Lwr. Rear,Woodgrain
	4205 636				RET. PKG.
					STUD (Not Serviced)
8					SCREW (Not Serviced)
	4240 952-3	1			MOULDING PACKAGE,Fndr. Rear,Burnish Silver
	4240 954-5	1			Blue
	4240 956-7	1			Seaspray Green
	4267 752-3	1			Red
	4240 960-1	1			Med. Tan

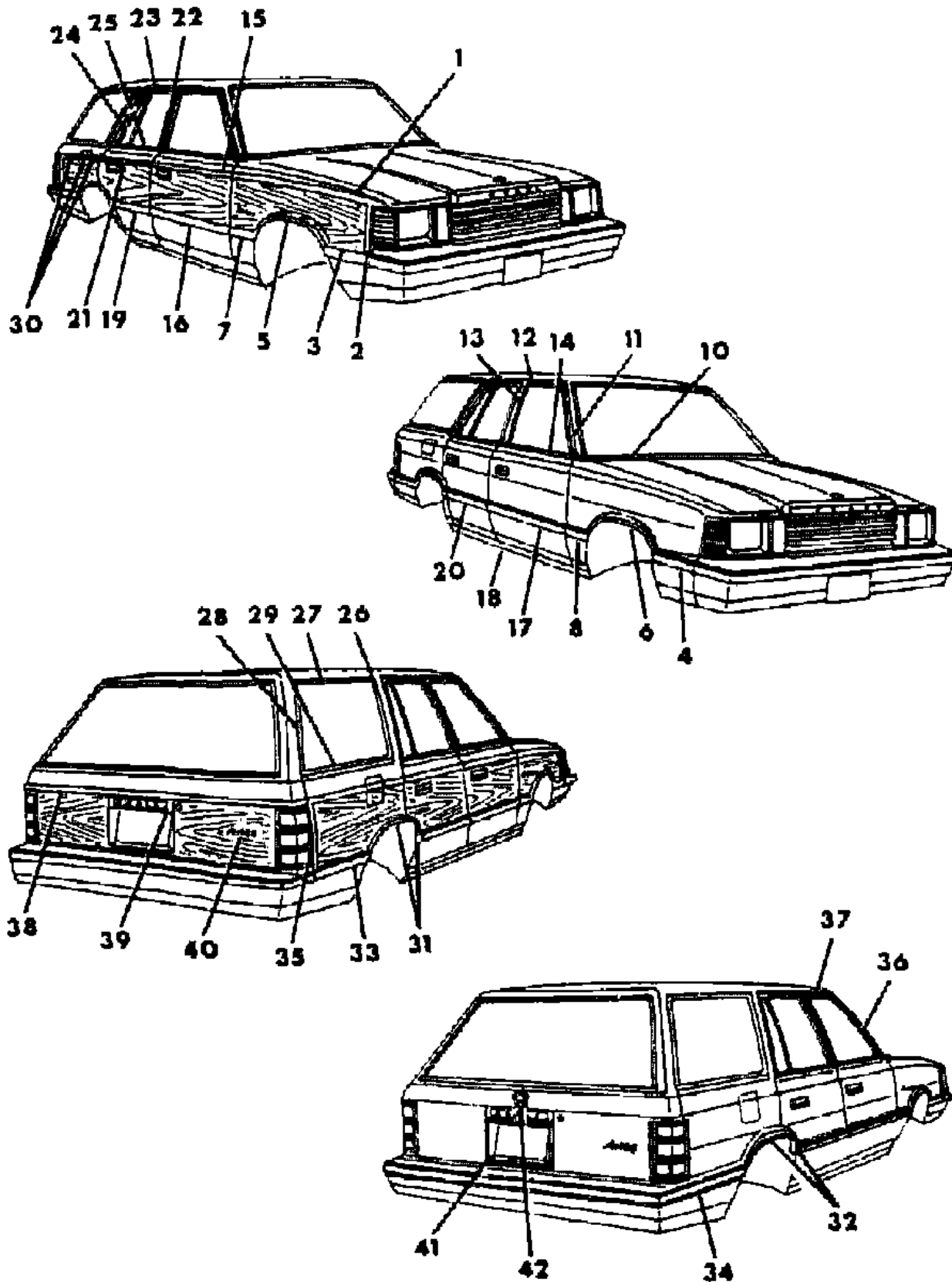
MODEL CODES

B = GRAN FURY/CARAVELLE	P = RELIANT
C = LEBARON/TOWN & COUNTRY	S = CORDOBA
D = ARIES	V = 400
F = NEW YORKER	X = MIRADA
G = DIPLOMAT	Y = IMPERIAL
M = HORIZON/TC3/SCAMP	Z = OMNI/O24/RAMPAGE

BODY STYLES

21 = 2-DOOR SEDAN	28 = FWD PICKUP
22 = 2-DOOR SPECIAL COUPE	41 = 4-DOOR SEDAN
24 = 2-DOOR HATCHBACK	44 = 4-DOOR HATCHBACK
27 = 2-DOOR CONVERTIBLE	45 = 2-SEAT STATION WAGON

AR = Use as Required - = Non Illustrated Part P.A.R. = Paint as Required



EXTERIOR VIEW DODGE ARIES - SUBURBAN  
Figure 23-1800

ITEM	PART NUMBER	QTY	BODY	MODEL	DESCRIPTION
	4240 962-3	1			Pearl White
	4240 964-5	1			Black
	4267 750-1	1			Dark Tan
	4267 754-5	1			Med. Cashmere
	4205 636				RET. PKG.
					STUD (Not Serviced)
					SCREW (Not Serviced)
10	4229 280-1	1			MOULDING,Fndr. Rear Edge Belt
11	4175 617	1			MOULDING,Frnt. Door Wdo. Opng. Frame Frnt. Lt.(Wide Mldg.)Use
					Up to 1-15-82
	4276 063	1			MOULDING,Frnt. Door Wdo. Opng. Frame Frnt. Lt.(Narrow Mldg.)
					Use After 1-15-82
	4175 622	1			MOULDING,Frnt. Door Wdo. Opng. Frame Frnt. Rt.(Wide Mldg.)
					Use Up to 1-15-82
	4276 158	1			MOULDING,Frnt. Door Wdo. Opng. Frame Frnt. Rt.(Narrow Mldg.)
					w/o Mirror,Use After 1-15-82
	4276 062	1			MOULDING,Frnt. Door Wdo. Opng. Frame Frnt. Rt.(Narrow Mldg.)
					w/Mirror,Use After 1-15-82
12	4175 624-5	1			MOULDING,Frnt. Door Wdo. Opng. Frame Upr.(Wide Mldg.)Use
					Up to 1-15-82
	4276 064-5	1			MOULDING,Frnt. Door Wdo. Opng. Frame Upr.(Narrow Mldg.)
					Use After 1-15-82
13	4229 476-7	1			MOULDING,Frnt. Door Wdo. Opng. Frame Rear(Wide Mldg.)Use
					Up to 1-15-82
	4276 066-7	1			MOULDING,Frnt. Door Wdo. Opng. Frame Rear(Narrow Mldg.)
					Use After 1-15-82
14	4205 644-5	1			MOULDING PACKAGE,Frnt. Door Belt,w/Mirror
	4205 650	1			MOULDING PACKAGE,Frnt. Door Belt,Rt.,w/o Mirror
	6003 781				RET.
	6003 627				RET.
	4205 634				RET. PKG.
15	4205 672-3	1			MOULDING PACKAGE,Frnt. Door Upr.,Woodgrain
	4205 637				RET. PKG.
16	4240 984-5	1			MOULDING,Frnt. Door Lwr.,Woodgrain
	4205 636				RET. PKG.
	4057 555				RET. PKG.
17	4240 820-1	1			MOULDING PACKAGE,Frnt.Door,Burnish Silver

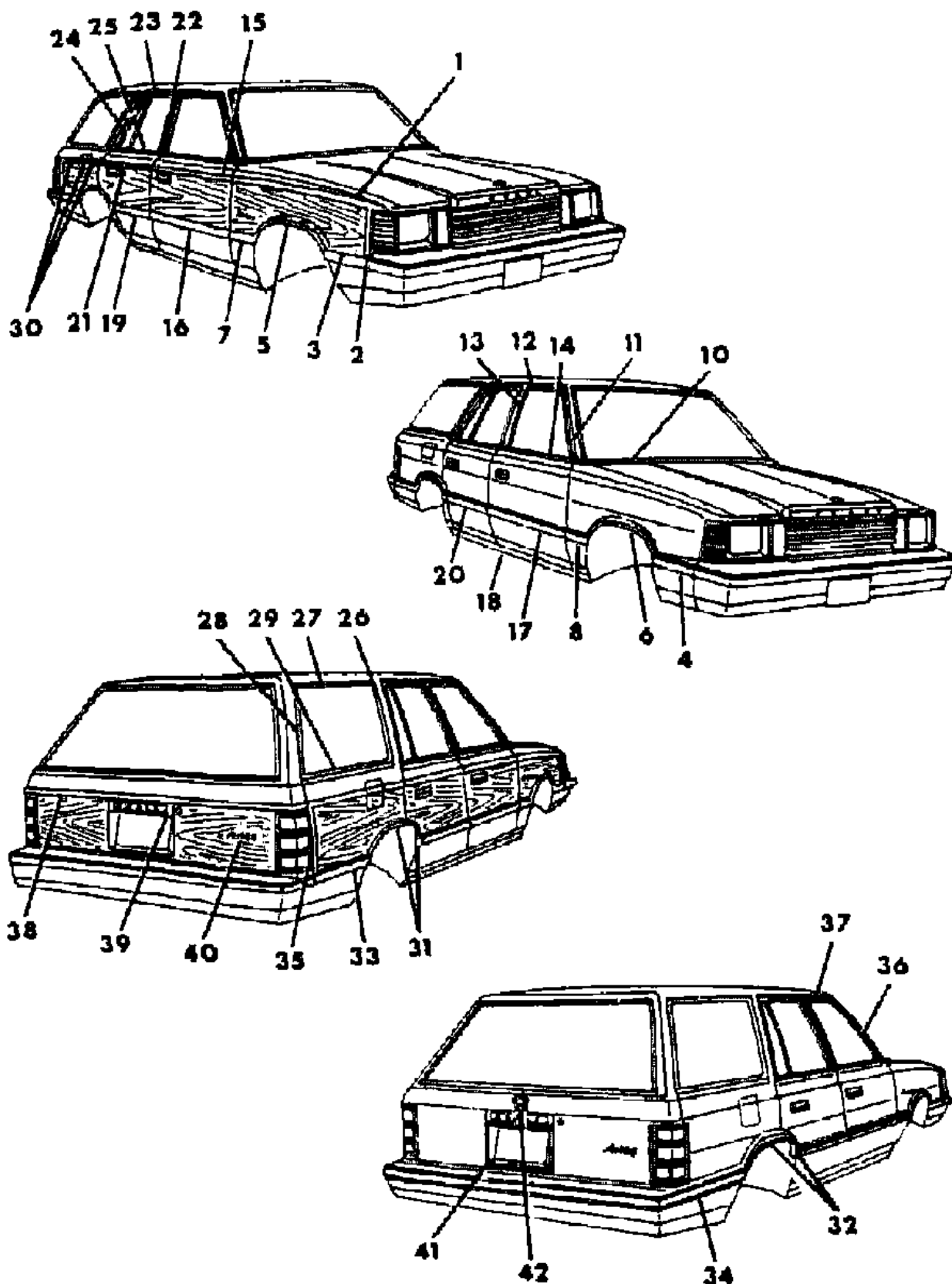
MODEL CODES

B = GRAN FURY/CARAVELLE	P = RELIANT
C = LEBARON/TOWN & COUNTRY	S = CORDOBA
D = ARIES	V = 400
F = NEW YORKER	X = MIRADA
G = DIPLOMAT	Y = IMPERIAL
M = HORIZON/TC3/SCAMP	Z = OMNI/O24/RAMPAGE

BODY STYLES

21 = 2-DOOR SEDAN	28 = FWD PICKUP
22 = 2-DOOR SPECIAL COUPE	41 = 4-DOOR SEDAN
24 = 2-DOOR HATCHBACK	44 = 4-DOOR HATCHBACK
27 = 2-DOOR CONVERTIBLE	45 = 2-SEAT STATION WAGON

AR = Use as Required - = Non Illustrated Part P.A.R. = Paint as Required



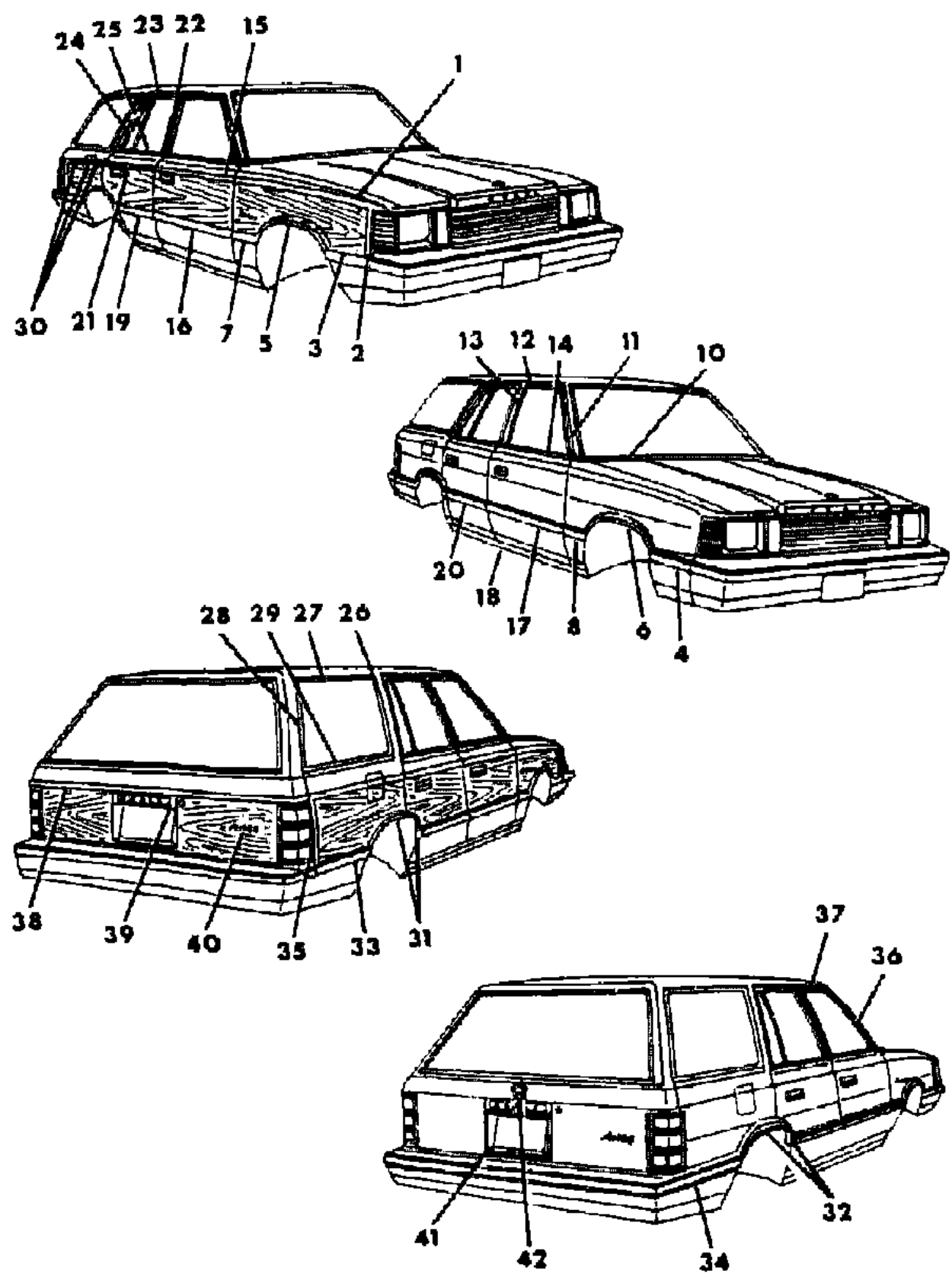
EXTERIOR VIEW DODGE ARIES - SUBURBAN  
Figure 23-1800

ITEM	PART NUMBER	QTY	BODY	MODEL	DESCRIPTION
	4240 822-3	1			Blue
	4240 824-5	1			Seaspray Green
	4267 728-9	1			Red
	4240 828-9	1			Med. Tan
	4240 830-1	1			Pearl White
	4240 832-3	1			Black
	4267 726-7	1			Dark Tan
	4267 730-1	1			Med. Cashmere
	4205 636				RET. PKG.
	4057 555				RET. PKG.
18	4205 652-3	1			MOULDING PACKAGE,Body Side Sill
	6003 777				RET.
19	4240 986-7	1			MOULDING,Rear Door Lwr.,Woodgrain
	3744 671				RET. PKG.
	4057 555				RET. PKG.
20	4240 836-7	1			MOULDING PACKAGE,Rear Door,Burnish Silver
	4240 838-9	1			Blue
	4240 840-1	1			Seaspray Green
	4271 660-1	1			Red
	4240 844-5	1			Med. Tan
	4240 846-7	1			Pearl White
	4240 848-9	1			Black
	4271 658-9	1			Dark Tan
	4267 768-9	1			Med. Cashmere
	4205 636				RET. PKG.
	4057 555				RET. PKG.
21	4205 674-5	1			MOULDING PACKAGE,Rear Door Up.,Woodgrain
	4205 637				RET. PKG.
22	4229 478-9	1			MOULDING,Rear Door Wdo. Opng. Frame,Fr.(Wide Mldg.)Use
					Up to 1-15-82
	4276 068-9	1			MOULDING,Rear Door Wdo. Opng. Frame,Fr.(Narrow Mldg.)
					Use After 1-15-82
23	4175 634-5	1			MOULDING,Rear Door Wdo. Opng. Frame,Up.(Wide Mldg.)Use
					Up to 1-15-82
	4276 222-3	1			MOULDING,Rear Door Wdo. Opng. Frame,Up.(Narrow Mldg.)
					Use After 1-15-82

MODEL CODES  
 B = GRAN FURY/CARAVELLE      P = RELIANT  
 C = LEBARON/TOWN & COUNTRY      S = CORDOBA  
 D = ARIES      V = 400  
 F = NEW YORKER      X = MIRADA  
 G = DIPLOMAT      Y = IMPERIAL  
 M = HORIZON/TC3/SCAMP      Z = OMNI/O24/RAMPAGE

BODY STYLES  
 21 = 2-DOOR SEDAN      28 = FWD PICKUP  
 22 = 2-DOOR SPECIAL COUPE      41 = 4-DOOR SEDAN  
 24 = 2-DOOR HATCHBACK      44 = 4-DOOR HATCHBACK  
 27 = 2-DOOR CONVERTIBLE      45 = 2-SEAT STATION WAGON

AR = Use as Required - = Non Illustrated Part P.A.R. = Paint as Required



EXTERIOR VIEW DODGE ARIES - SUBURBAN  
Figure 23-1800

ITEM	PART NUMBER	QTY	BODY	MODEL	DESCRIPTION
24	4175 636-7	1			MOULDING,Rear Door Wdo. Opng. Frame,Rear(Wide Mldg.)Use Up to 1-15-82
	4276 226-7	1			MOULDING,Rear Door Wdo. Opng. Frame,Rear(Narrow Mldg.) Use After 1-15-82
25	4205 648-9	1			MOULDING PACKAGE,Rear Door Belt
	4205 634				RET. PKG.
	6003 627				RET.
26	4175 936-7	1			MOULDING,Qtr. Wdo. Frt.
	6003 753				RET.
27	4175 938-9	1			MOULDING,Qtr. Wdo. Upr.
	6003 753				RET.
28	4175 940-1	1			MOULDING,Qtr. Wdo. Rear
29	4175 942-3	1			MOULDING,Qtr. Wdo. Lwr.
	6003 753				RET.
30	4205 676	1			MOULDING PACKAGE,Qtr. Upr. Frt.,Rt.,Woodgrain
	4205 677	1			MOULDING PACKAGE,Qtr. Upr.,Lt.,Woodgrain
	4205 678	1			MOULDING PACKAGE,Qtr. Upr. Rear,Rt.,Woodgrain
	4205 679	1			MOULDING PACKAGE,Qtr. Fuel Filler Door,Woodgrain
	4205 637				RET. PKG.
31	4175 730-1	1			MOULDING,Qtr. Lwr. and Wheel Opng.,Woodgrain
					SCREW (Not Serviced)
32	4175 770-1	1			MOULDING,Qtr. Wheel Opng.,Bright Finish
	X224-5 VA3	1			MOULDING PACKAGE,Qtr. Frt. and Wheel Opng.,Burnish Silver
	X224-5 VC2	1			Blue
	X224-5 VF2	1			Seaspray Green
	X224-5 AM8	1			Red
	X224-5 VT3	1			Med. Tan
	X224-5 VW3	1			Pearl White
	X224-5 VX9	1			Black
	X224-5 AK7	1			Dark Tan
	X224-5 AT2	1			Med. Cashmere
33	4267 864-5	1			MOULDING,Qtr. Lwr. Rear,Woodgrain
	4205 636				RET. PKG.
					STUD (Not Serviced) SCREW (Not Serviced)

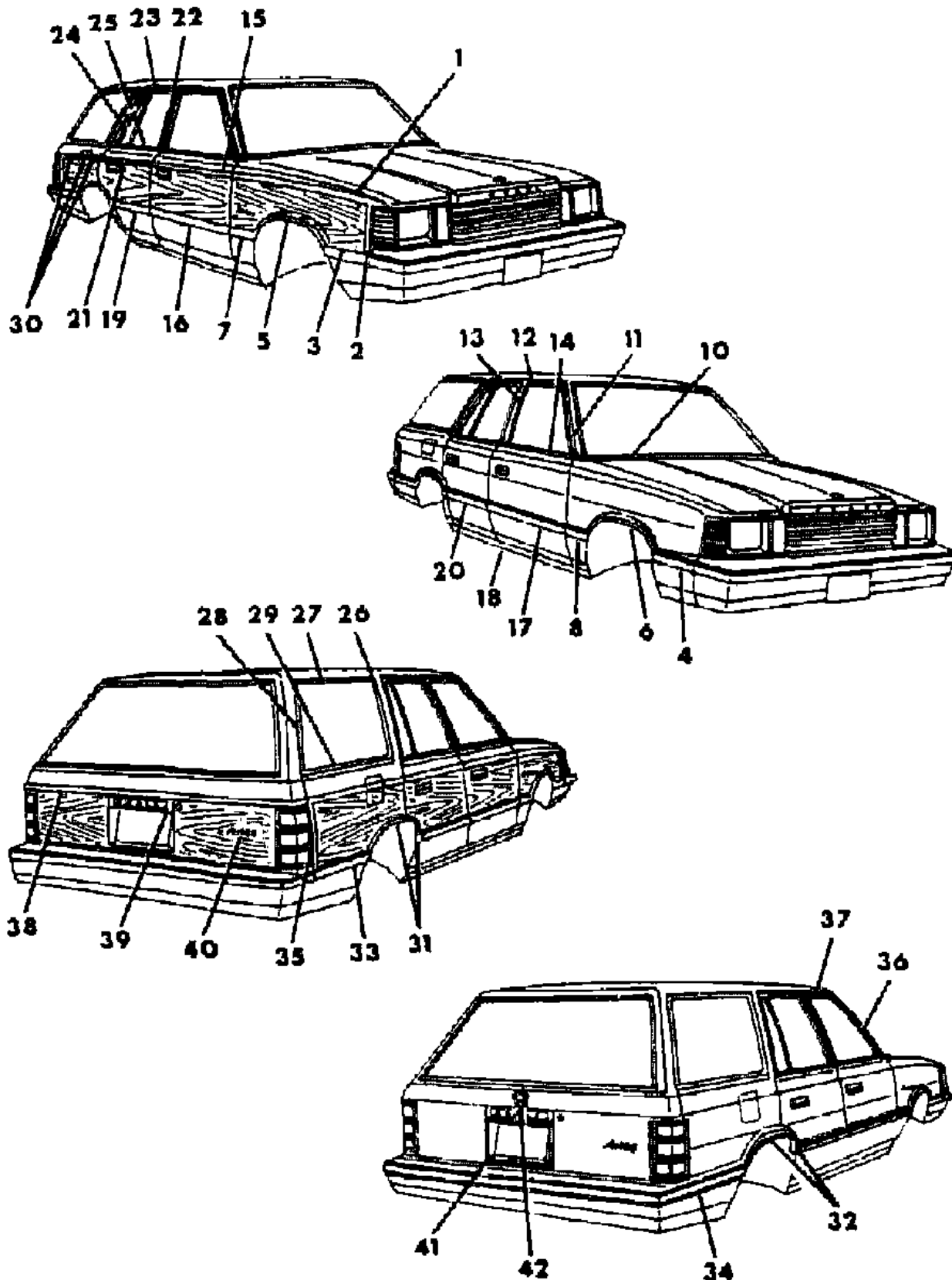
MODEL CODES

B = GRAN FURY/CARAVELLE	P = RELIANT
C = LEBARON/TOWN & COUNTRY	S = CORDOBA
D = ARIES	V = 400
F = NEW YORKER	X = MIRADA
G = DIPLOMAT	Y = IMPERIAL
M = HORIZON/TC3/SCAMP	Z = OMNI/O24/RAMPAGE

BODY STYLES

21 = 2-DOOR SEDAN	28 = FWD PICKUP
22 = 2-DOOR SPECIAL COUPE	41 = 4-DOOR SEDAN
24 = 2-DOOR HATCHBACK	44 = 4-DOOR HATCHBACK
27 = 2-DOOR CONVERTIBLE	45 = 2-SEAT STATION WAGON

AR = Use as Required - = Non Illustrated Part P.A.R. = Paint as Required



EXTERIOR VIEW DODGE ARIES - SUBURBAN  
Figure 23-1800

ITEM	PART NUMBER	QTY	BODY	MODEL	DESCRIPTION
34	4205 680-1	1			MOULDING and EXT. PACKAGE,Qtr. Rear,Burnish Silver
	4205 682-3	1			Blue
	4205 684-5	1			Seaspray Green
	4267 704-5	1			Red
	4205 688-9	1			Med. Tan
	4205 690-1	1			Pearl White
	4205 692-3	1			Black
	4267 702-3	1			Dark Tan
	4267 706-7	1			Med. Cashmere
	4205 636				RET. PKG. STUD (Not Serviced) SCREW (Not Serviced)
35	4205 696-7	1			MOULDING PACKAGE,Qtr. Rear,Woodgrain
	4205 638				RET. PKG.
	4057 555 6003 779				RET. PKG. RET.
36	4175 580-1	1			MOULDING,Body Frt. Pillar Drain Trough,Use w/o Spec. Sound Insul.,C15 Pkg.
	4229 762-3	1			MOULDING and SEAL,Body Frt. Pillar Drain Trough,Use w/o Spec. Sound Insul.,C15 Pkg.
	4276 416-7	1			MOULDING,Body Frt. Pillar Drain Trough,Use w/Spec. Sound Insul.,C15 Pkg.
	4229 766-7	1			MOULDING and SEAL,Body Frt. Pillar Drain Trough,Use w/ Spec. Sound Insul.,C15 Pkg.
	4276 090-1	1			SEAL,Body Frt. Pillar Drain Trough Mldg.,Outer,Use w/o Spec. Sound Insul.,C15 Pkg.
	4229 764-5	1			SEAL,Body Frt. Pillar Drain Trough Mldg.,Inner,Use w/Spec. Sound Insul.,C15 Pkg.
37	4229 972-3	1			MOULDING,Roof Drain Trough Frt.,w/o Vinyl Roof
	4229 972-3	1			MOULDING,Roof Drain Trough Frt.,w/o Vinyl Roof
38	4205 670-1	1			MOULDING PACKAGE,L/Gate,Woodgrain
	4205 637				RET. PKG.
39	4175 746	1			HANDLE and MOULDING,L/Gate,Woodgrain
	0152 284				NUT w/WA.
	4229 119	1			HANDLE and GASKET,L/Gate
40	4276 304	1			NAME PLATE,L/Gate,"Aries"
41	4175 749	1			MOULDING,L/Gate Lic. Plate Periphery

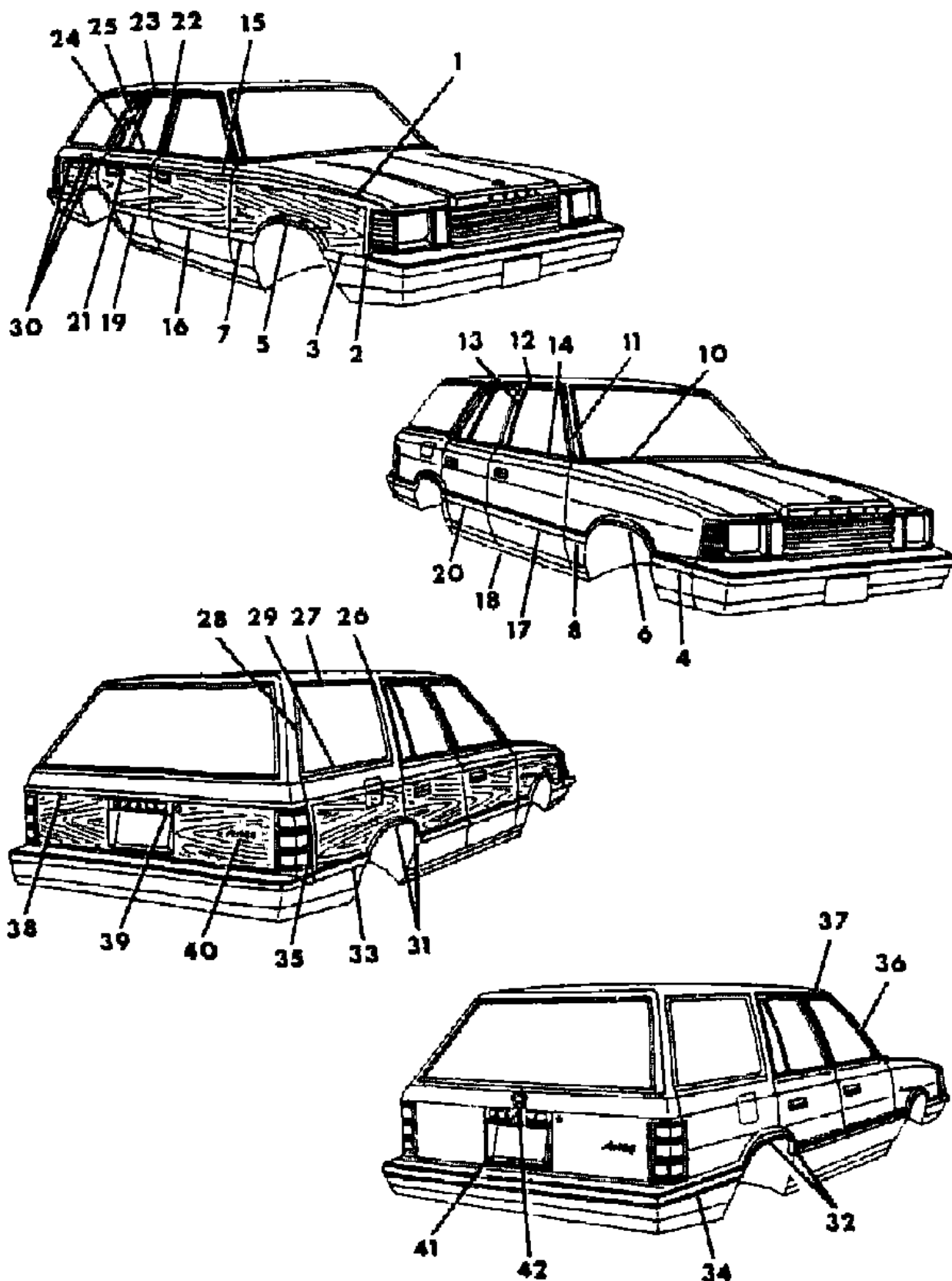
MODEL CODES

B = GRAN FURY/CARAVELLE	P = RELIANT
C = LEBARON/TOWN & COUNTRY	S = CORDOBA
D = ARIES	V = 400
F = NEW YORKER	X = MIRADA
G = DIPLOMAT	Y = IMPERIAL
M = HORIZON/TC3/SCAMP	Z = OMNI/O24/RAMPAGE

BODY STYLES

21 = 2-DOOR SEDAN	28 = FWD PICKUP
22 = 2-DOOR SPECIAL COUPE	41 = 4-DOOR SEDAN
24 = 2-DOOR HATCHBACK	44 = 4-DOOR HATCHBACK
27 = 2-DOOR CONVERTIBLE	45 = 2-SEAT STATION WAGON

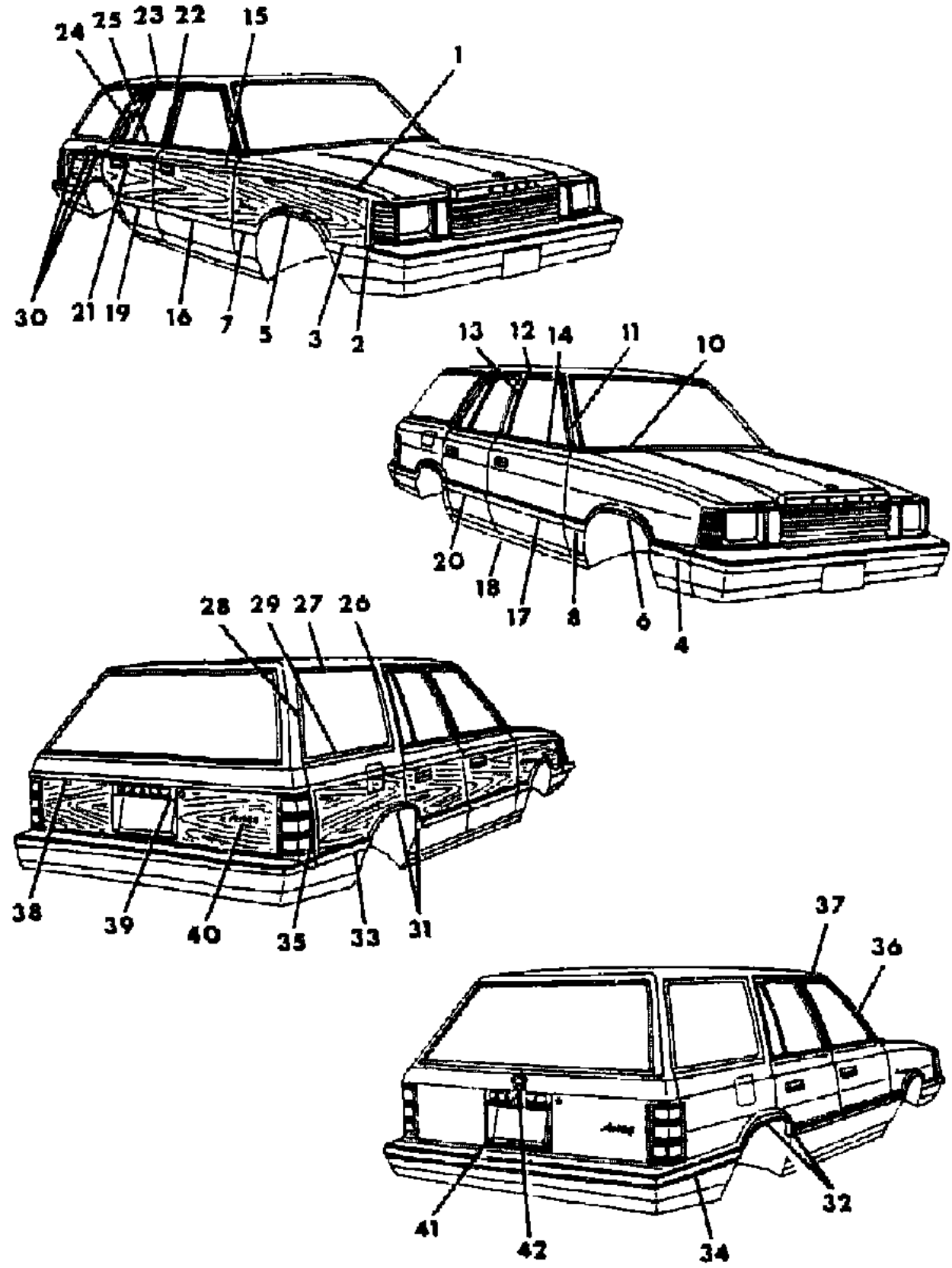
AR = Use as Required - = Non Illustrated Part P.A.R. = Paint as Required



EXTERIOR VIEW DODGE ARIES - SUBURBAN  
Figure 23-1800

ITEM	PART NUMBER	QTY	BODY	MODEL	DESCRIPTION
42	X263 AA3	1			MEDALLION,L/Gate,Bright Silver
	X263 AA9	1			Dark Silver
	X263 AH9	1			Mahogany
	X263 AM8	1			Red
	X263 AT3	1			Med. Red
	X263 AT4	1			Natural Suede Tan
	X263 AW3	1			White
	X263 AX9	1			Black

NOTE: The Colored Medallion Used is Determined by the Exterior Paint of Car an offsetting order for part no. 3747881



MODEL CODES  
 B = GRAN FURY/CARAVELLE      P = RELIANT  
 C = LEBARON/TOWN & COUNTRY      S = CORDOBA  
 D = ARIES      V = 400  
 F = NEW YORKER      X = MIRADA  
 G = DIPLOMAT      Y = IMPERIAL  
 M = HORIZON/TC3/SCAMP      Z = OMNI/O24/RAMPAGE

BODY STYLES  
 21 = 2-DOOR SEDAN      28 = FWD PICKUP  
 22 = 2-DOOR SPECIAL COUPE      41 = 4-DOOR SEDAN  
 24 = 2-DOOR HATCHBACK      44 = 4-DOOR HATCHBACK  
 27 = 2-DOOR CONVERTIBLE      45 = 2-SEAT STATION WAGON

AR = Use as Required - = Non Illustrated Part P.A.R. = Paint as Required

EXTERIOR VIEW - TAPE STRIPES DODGE ARIES - 2 DOOR - 4 DOOR - SUBURBAN  
Figure 23-1900

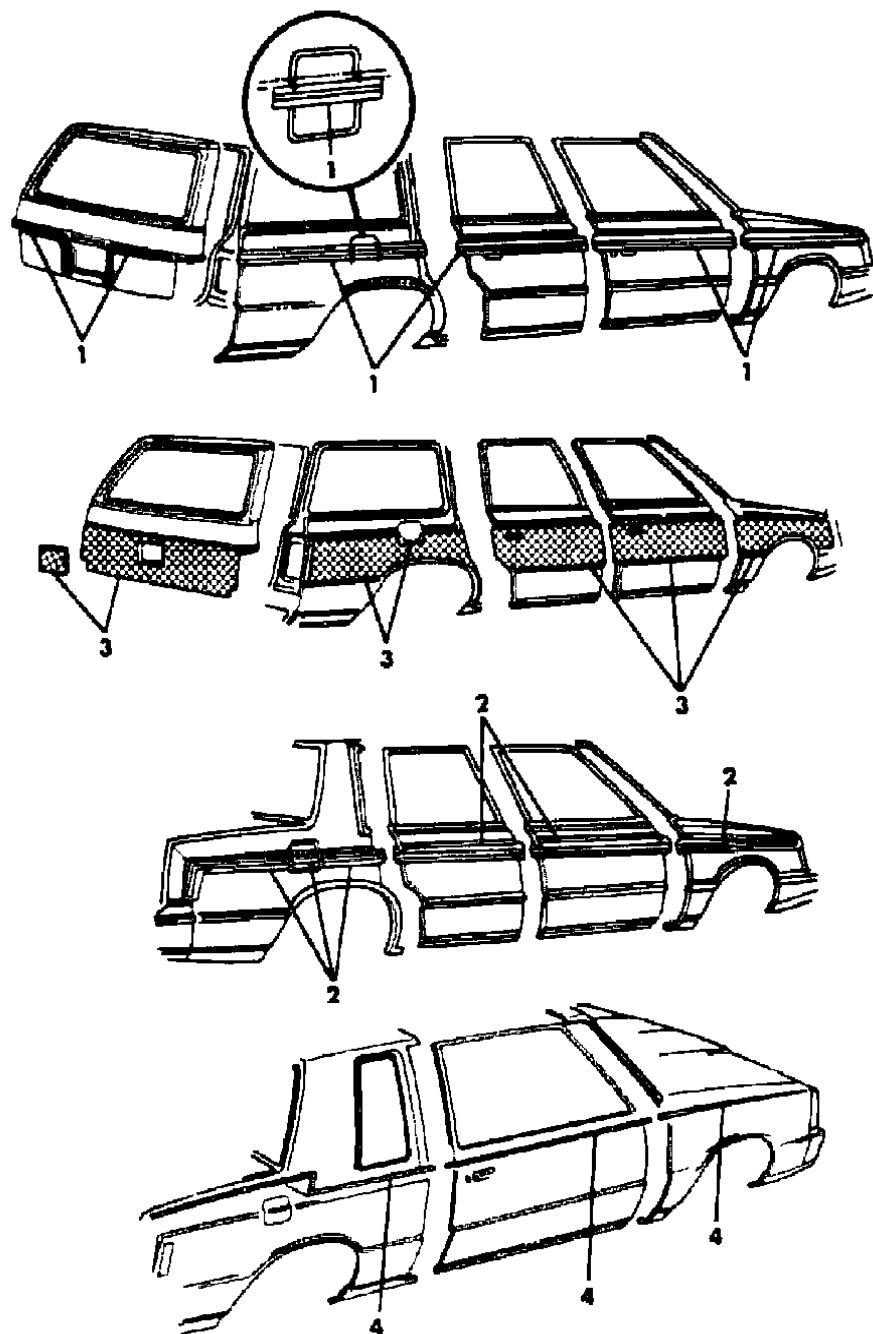
ITEM	PART NUMBER	QTY	BODY	MODEL	DESCRIPTION
1	4267 652-3	1		45	TAPE SET,Fndr.,Door,Qtr.,Blue (K3B)
	4267 654-5	1		45	Red (K3R)
	4267 656-7	1		45	Gold (K3Y)
	4267 658-9	1		45	Cashmere (K3T)
	4267 692-3	1		45	Silver (K3A)
	4267 662-3	1		45	White (K3W)
	4267 664	1		45	TAPE SET,Lift Gate,Blue (K3B)
	4267 665	1		45	Red (K3R)
	4267 666	1		45	Gold (K3Y)
	4267 667	1		45	Cashmere (K3T)
2	4267 694	1		45	Silver (K3A)
	4267 669	1		45	White (K3W)
	4240 742-3	1		21	TAPE SET,Fndr.,Door,Qtr.,Red (K3R)
	4240 744-5	1		21	Gold (K3Y)
	4240 746-7	1		21	Cashmere (K3T)
	4240 748-9	1		21	Blue (K3B)
	4267 698-9	1		21	Silver (K3A)
	4240 752-3	1		21	White (K3W)
	4240 754-5	1		41	Red (K3R)
	4240 756-7	1		41	Gold (K3Y)
	4240 758-9	1		41	Cashmere (K3T)
	4240 760-1	1		41	Blue (K3B)
	4267 682-3	1		41	Silver (K3A)
4240 764-5	1		41	White (K3W)	
3	4229 013	1		45	OVERLAY,Fndr.,Door,Qtr.,Filler Door,L/Gate,L/Gate Lic. Plate Depr.
	4271 766-7	1		D-H,21	TAPE SET,Fndr.,Door,Qtr.,Cashmere (K4T)
4	4271 768-9	1		D-H,21	Red (K4R)

MODEL CODES  
 B = GRAN FURY/CARAVELLE      P = RELIANT  
 C = LEBARON/TOWN & COUNTRY      S = CORDOBA  
 D = ARIES      V = 400  
 F = NEW YORKER      X = MIRADA  
 G = DIPLOMAT      Y = IMPERIAL  
 M = HORIZON/TC3/SCAMP      Z = OMNI/O24/RAMPAGE

BODY STYLES  
 21 = 2-DOOR SEDAN      28 = FWD PICKUP  
 22 = 2-DOOR SPECIAL COUPE      41 = 4-DOOR SEDAN  
 24 = 2-DOOR HATCHBACK      44 = 4-DOOR HATCHBACK  
 27 = 2-DOOR CONVERTIBLE      45 = 2-SEAT STATION WAGON

AR = Use as Required - = Non Illustrated Part P.A.R. = Paint as Required

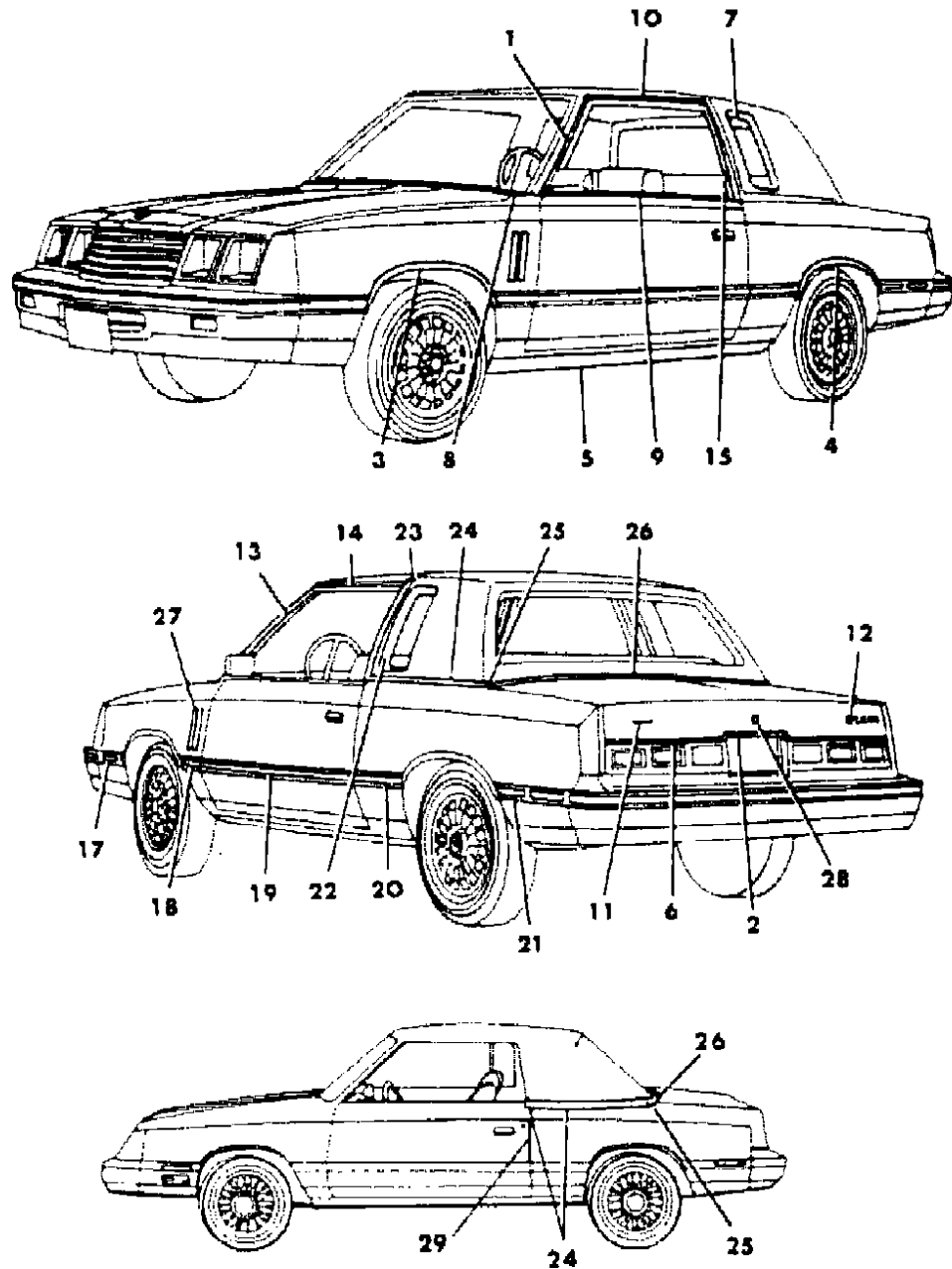
2168 1900A





EXTERIOR VIEW DODGE 400 - V-22,27  
Figure 23-2000

2160 7000B



ITEM	PART NUMBER	QTY	BODY	MODEL	DESCRIPTION
1	4175 580-1	1		22,27	MOULDING,Body Frt. Pillar Drain Trough,Use w/o Spec. Sound Insul.,C15 Pkg.
	4229 762-3	1		22,27	MOULDING and SEAL,Body Frt. Pillar Drain Trough,Use w/o Spec. Sound Insul.,C15 Pkg.
	4276 090-1	1		22,27	SEAL,Body Frt.Pillar Drain Trough Mldg.,Outer,Use w/or w/o Spec. Sound Insul.,C15 Pkg.
	4276 416-7	1		22,27	MOULDING,Body Frt. Pillar Drain Trough,Use w/Spec. Sound Insul.,C15 Pkg.
	4229 766-7	1		22,27	MOULDING and Seal,Body Frt. Pillar Drain Trough,Use w/ Spec. Sound Insul.,C15 Pkg.
	4229 764-5	1		22,27	SEAL,Body Frt.Pillar Drain Trough Mldg.,Inner,Use w/Spec. Sound Insul.,C15 Pkg. SCREW (Not Serv.)
2	4175 694	1		22,27	MOULDING,Deck Lid Lwr. Center
	6028 674	AR			SCREW
3	4175 756-7	1		22,27	MOULDING,Fndr. Wheel Opng. SCREW (Not Serv.)
4	4175 770-1	1		22,27	MOULDING,Qtr. Wheel Opng. SCREW (Not Serv.)
5	4205 652-3	1		22,27	MOULDING,Body Side Sill
	6003 777	AR			RETAINER SCREW (Not Serv.)
6	4175 894-5	1		22,27	MOULDING,Deck Lid Lwr. Side
	6028 674	AR			SCREW
7	X298-9 AA3	1		22	MOULDING,Qtr. Wdo.,Use w/Padded Landau,Silver (Paint as Req.)
8	4229 280-1	1		22,27	MOULDING,Fndr. Rear Edge Belt
9	4205 646	1		22,27	MOULDING,Door Belt,Rt.,Use w/Mirror
	4205 651	1		22,27	Rt.,Use w/o Mirror
	4205 647	1		22,27	Lt.
	4205 634	AR		22,27	RETAINER PKG.
	6003 627	AR		22,27	RETAINER
10	4229 684-5	1		22	MOULDING,Roof Side Drain Trough,Use w/Padded Landau
	4229 688-9	1		22	Use w/o Padded Landau ADHESIVE (Not Serv.)
11	4229 779	1		22,27	NAMEPLATE,Deck Lid,"DODGE"
12	4229 780	1		22,27	NAMEPLATE,Deck Lid,"400"

MODEL CODES

B = GRAN FURY/CARAVELLE	P = RELIANT
C = LEBARON/TOWN & COUNTRY	S = CORDOBA
D = ARIES	V = 400
F = NEW YORKER	X = MIRADA
G = DIPLOMAT	Y = IMPERIAL
M = HORIZON/TC3/SCAMP	Z = OMNI/O24/RAMPAGE

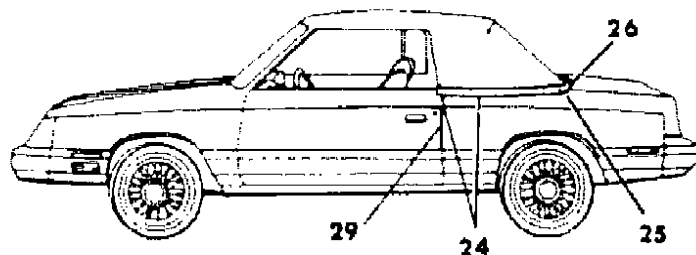
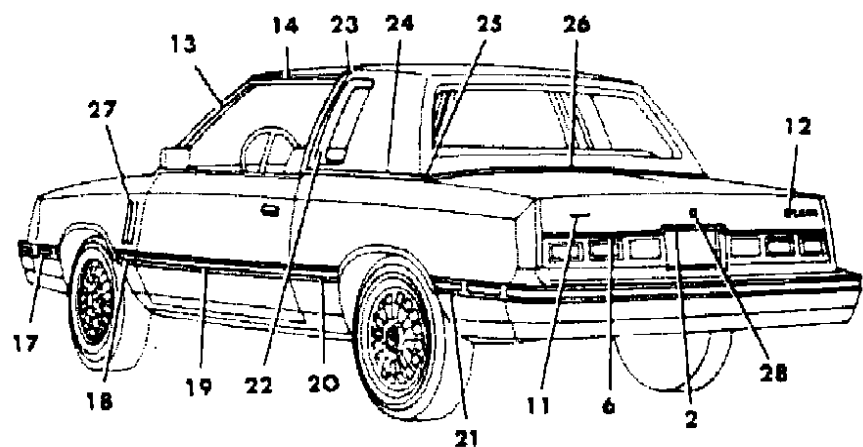
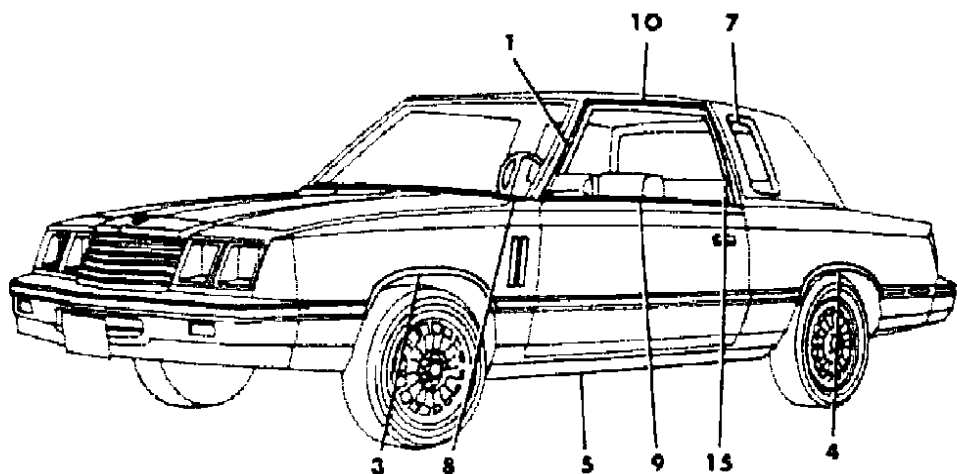
BODY STYLES

21 = 2-DOOR SEDAN	28 = FWD PICKUP
22 = 2-DOOR SPECIAL COUPE	41 = 4-DOOR SEDAN
24 = 2-DOOR HATCHBACK	44 = 4-DOOR HATCHBACK
27 = 2-DOOR CONVERTIBLE	45 = 2-SEAT STATION WAGON

AR = Use as Required - = Non Illustrated Part P.A.R. = Paint as Required

EXTERIOR VIEW DODGE 400 - V-22,27  
Figure 23-2000

2160 7000B



ITEM	PART NUMBER	QTY	BODY	MODEL	DESCRIPTION
13	4276 062-3	1		22	MOULDING,Frnt. Door Wdo. Opng. Frame,Frnt.
14	4276 232-3	1		22	MOULDING,Frnt. Door Wdo. Opng. Frame,Upr.
15	4276 234-5	1		22	MOULDING,Frnt. Door Wdo. Opng. Frame,Rear
17	4267 824-5	1		22,27	MOULDING,Fndr. Frnt.,Bright Silver
	4267 828-9	1		22,27	Light Blue
	4267 830-1	1		22,27	Night Watch Blue
	4267 832-3	1		22,27	Mahogany
	4267 834-5	1		22,27	Dark Tan
	4267 836-7	1		22,27	Red
	4267 838-9	1		22,27	Med. Cashmere
	4267 840-1	1		22,27	Med. Tan
	4267 842-3	1		22,27	White
	4267 844-5	1		22,27	Black
	4057 569	AR			RETAINER PKG. NUT (Not Serv.) SCREW (Not Serv.)
18	4240 952-3	1		22,27	MOULDING,Fndr. Rear,Bright Silver
	4240 954-5	1		22,27	Light Blue
	4240 960-1	1		22,27	Med. Tan
	4240 962-3	1		22,27	White
	4240 964-5	1		22,27	Black
	4267 746-7	1		22,27	Night Watch Blue
	4267 748-9	1		22,27	Mahogany
	4267 750-1	1		22,27	Dark Tan
	4267 752-3	1		22,27	Red
	4267 754-5	1		22,27	Med. Cashmere
	4205 636	AR			RETAINER PKG. SCREW (Not Serv.)
19	4240 804-5	1		22,27	MOULDING and RET.,Door,Bright Silver
	4240 806-7	1		22,27	Light Blue
	4240 812-3	1		22,27	Med. Tan
	4240 814-5	1		22,27	White
	4240 816-7	1		22,27	Black
	4267 710-1	1		22,27	Night Watch Blue
	4267 712-3	1		22,27	Mahogany
	4267 714-5	1		22,27	Dark Tan
	4267 716-7	1		22,27	Red

MODEL CODES

B = GRAN FURY/CARAVELLE	P = RELIANT
C = LEBARON/TOWN & COUNTRY	S = CORDOBA
D = ARIES	V = 400
F = NEW YORKER	X = MIRADA
G = DIPLOMAT	Y = IMPERIAL
M = HORIZON/TC3/SCAMP	Z = OMNI/O24/RAMPAGE

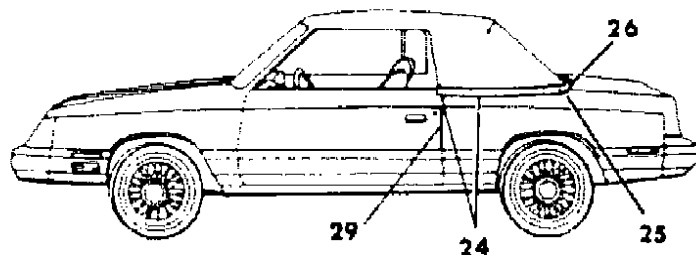
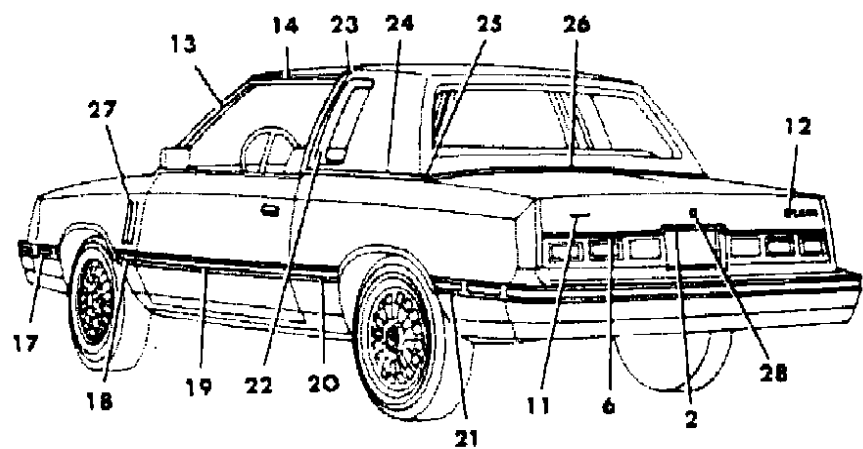
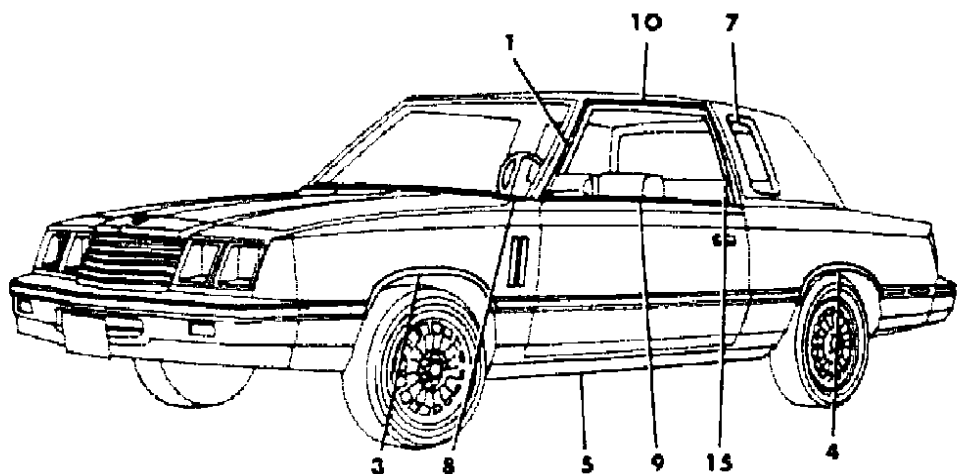
BODY STYLES

21 = 2-DOOR SEDAN	28 = FWD PICKUP
22 = 2-DOOR SPECIAL COUPE	41 = 4-DOOR SEDAN
24 = 2-DOOR HATCHBACK	44 = 4-DOOR HATCHBACK
27 = 2-DOOR CONVERTIBLE	45 = 2-SEAT STATION WAGON

AR = Use as Required - = Non Illustrated Part P.A.R. = Paint as Required

EXTERIOR VIEW DODGE 400 - V-22,27  
Figure 23-2000

2160 7000B



ITEM	PART NUMBER	QTY	BODY	MODEL	DESCRIPTION
	4267 718-9	1		22,27	Med. Cashmere
	4205 636	AR			RETAINER PKG.
	4057 555	AR			RETAINER PKG.
20	4240 968-9	1		22,27	MOULDING,Qtr. Frt.,Bright Silver
	4240 970-1	1		22,27	Light Blue
	4240 976-7	1		22,27	Med. Tan
	4240 978-9	1		22,27	White
	4240 980-1	1		22,27	Black
	4267 734-5	1		22,27	Night Watch Blue
	4267 736-7	1		22,27	Mahogany
	4267 738-9	1		22,27	Dark Tan
	4267 740-1	1		22,27	Red
	4267 742-3	1		22,27	Med. Cashmere
	4205 636	AR			RETAINER PKG. SCREW (Not Serv.)
21	4267 802-3	1		22,27	MOULDING,Qtr. Rear,Bright Silver
	4267 806-7	1		22,27	Light Blue
	4267 808-9	1		22,27	Night Watch Blue
	4267 810-1	1		22,27	Mahogany
	4267 812-3	1		22,27	Dark Tan
	4267 814-5	1		22,27	Red
	4267 816-7	1		22,27	Med. Cashmere
	4267 818-9	1		22,27	Med. Tan
	4267 820-1	1		22,27	White
	4267 822-3	1		22,27	Black
					SCREW (Not Serv.)
22	X298-9 AA3	1		22	MOULDING,Qtr. Wdo.,Use w/Padded Landau,Bright Silver (Paint as Req.)
23	X330-1 AA3	1		22	MOULDING,Roof Transverse,Use w/Padded Landau,Bright Silver (Paint as Req.)
	6003 818	AR			RETAINER
	6003 627	AR			RETAINER
	6003 821	AR			RETAINER
					WELD STUD (Not Serv.)
24	4267 846-7	1		22	MOULDING,Qtr. Belt,Use w/Padded Landau,Bright Silver
	4267 952-3	1		22	Light Blue
	4267 954-5	1		22	Night Watch Blue

MODEL CODES

B = GRAN FURY/CARAVELLE	P = RELIANT
C = LEBARON/TOWN & COUNTRY	S = CORDOBA
D = ARIES	V = 400
F = NEW YORKER	X = MIRADA
G = DIPLOMAT	Y = IMPERIAL
M = HORIZON/TC3/SCAMP	Z = OMNI/O24/RAMPAGE

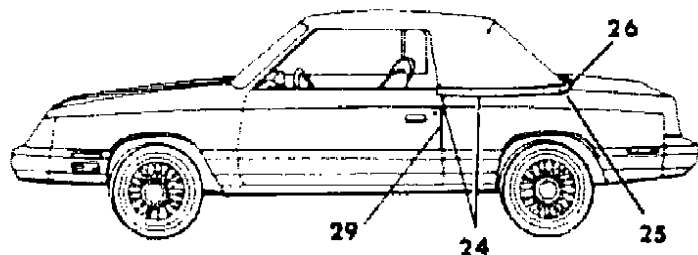
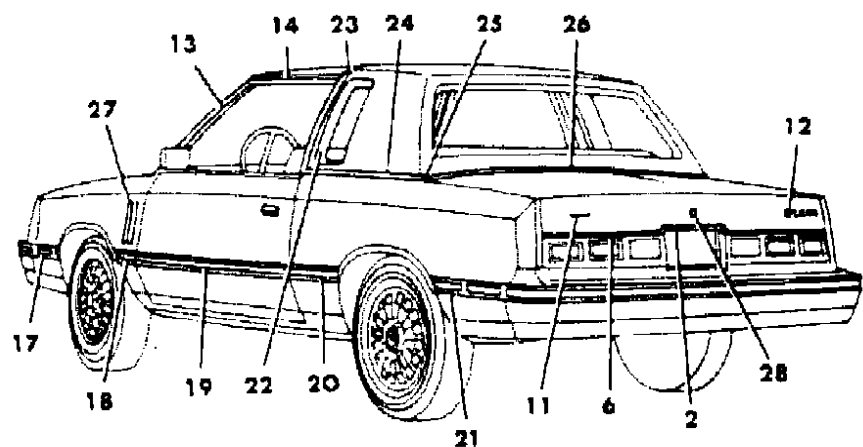
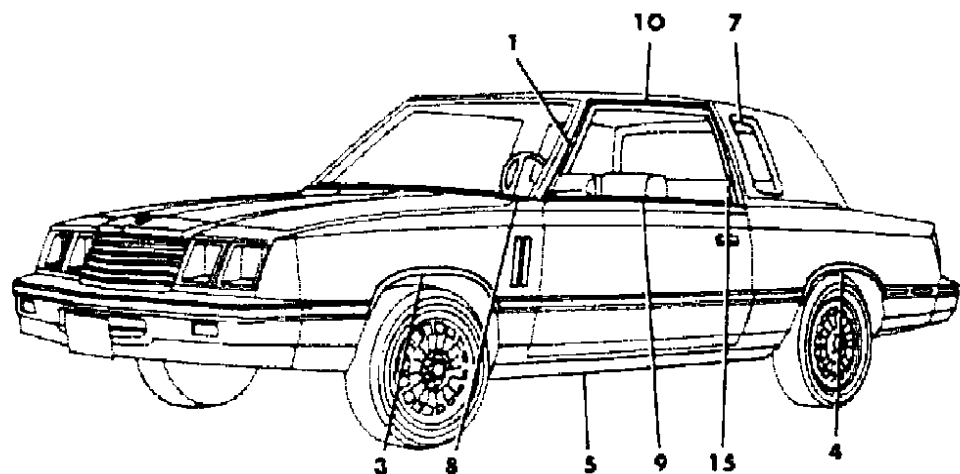
BODY STYLES

21 = 2-DOOR SEDAN	28 = FWD PICKUP
22 = 2-DOOR SPECIAL COUPE	41 = 4-DOOR SEDAN
24 = 2-DOOR HATCHBACK	44 = 4-DOOR HATCHBACK
27 = 2-DOOR CONVERTIBLE	45 = 2-SEAT STATION WAGON

AR = Use as Required - = Non Illustrated Part P.A.R. = Paint as Required

EXTERIOR VIEW DODGE 400 - V-22,27  
Figure 23-2000

2168 7000B



ITEM	PART NUMBER	QTY	BODY	MODEL	DESCRIPTION
	4267 956-7	1		22	Mahogany
	4267 958-9	1		22	Dark Tan
	4267 960-1	1		22	Red
	4267 962-3	1		22	Med. Cashmere
	4267 964-5	1		22	Med. Tan
	4267 966-7	1		22	White
	4267 968-9	1		22	Black
	4097 514-5	1		27	MOULDING,Qtr. Belt Reveal
	4305 101	1		27	SNAP PKG.,Belt Mldg.
	4097 776-7	1		27	MOULDING,"B" Pillar End Cap
	6003 819	AR			RETAINER
	3744 671	AR			RETAINER PKG. WELD STUD (Not Serv.)
25	X338-9 AA3	1		22	MOULDING,Qtr. Belt Rear Corner,Bright Silver
	X338-9 AC2	1		22	Light Blue
	X338-9 AC9	1		22	Night Watch Blue
	X338-9 AH9	1		22	Mahogany
	X338-9 AK7	1		22	Dark Tan
	X338-9 AM8	1		22	Red
	X338-9 AT2	1		22	Med. Cashmere
	X338-9 AT3	1		22	Med. Tan
	X338-9 AW3	1		22	White
	X338-9 AX9	1		22	Black
	4097 516-7	1		27	MOULDING,Qtr. Belt Corner Reveal
	4305 101	1		27	SNAP PKG.,Belt Mldg.
26	4267 786-7	1		22	MOULDING,Deck Opng. Upr. Pnl.,Use w/Padded Landau,Bright Silver
	4267 790-1	1		22	Light Blue
	4267 792-3	1		22	Night Watch Blue
	4267 794-5	1		22	Mahogany
	4267 796-7	1		22	Dark Tan
	4267 798-9	1		22	Red
	4267 800-1	1		22	Med. Cashmere
	4267 970-1	1		22	Med. Tan
	4267 972-3	1		22	White
	4267 974-5	1		22	Black
	3744 671	AR			RETAINER PKG.

MODEL CODES

B = GRAN FURY/CARAVELLE	P = RELIANT
C = LEBARON/TOWN & COUNTRY	S = CORDOBA
D = ARIES	V = 400
F = NEW YORKER	X = MIRADA
G = DIPLOMAT	Y = IMPERIAL
M = HORIZON/TC3/SCAMP	Z = OMNI/O24/RAMPAGE

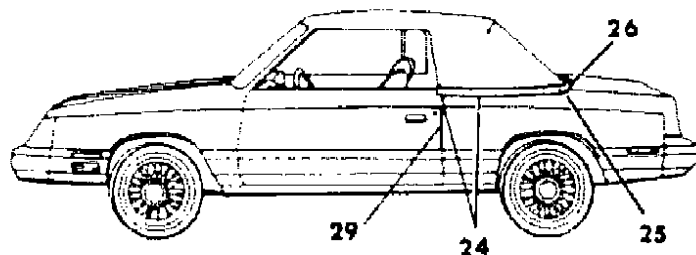
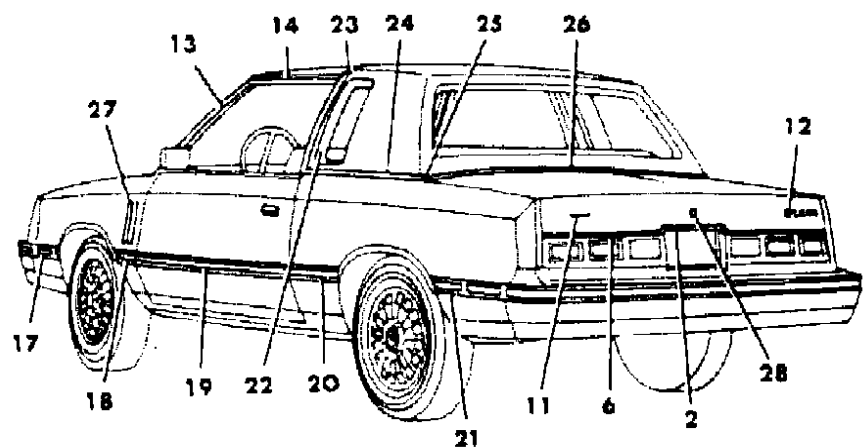
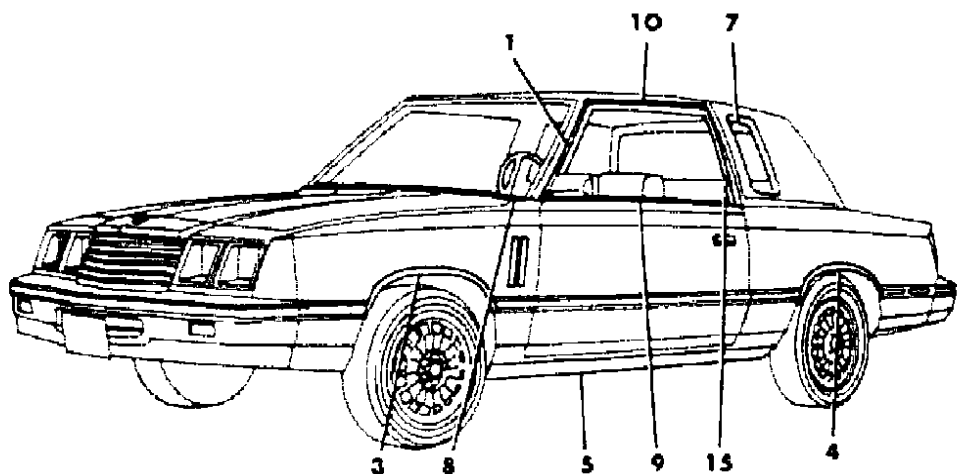
BODY STYLES

21 = 2-DOOR SEDAN	28 = FWD PICKUP
22 = 2-DOOR SPECIAL COUPE	41 = 4-DOOR SEDAN
24 = 2-DOOR HATCHBACK	44 = 4-DOOR HATCHBACK
27 = 2-DOOR CONVERTIBLE	45 = 2-SEAT STATION WAGON

AR = Use as Required - = Non Illustrated Part P.A.R. = Paint as Required

EXTERIOR VIEW DODGE 400 - V-22,27  
Figure 23-2000

2160 7000B



ITEM	PART NUMBER	QTY	BODY	MODEL	DESCRIPTION
					SCREW (Not Serv.)
	4097 519	1		27	MOULDING,Deck Opng. Upr. Pnl. Rear Reveal
	4305 101	1		27	SNAP PKG.,Belt Mldg.
27	X282-3 AA1	1		22,27	LOUVER,Fndr.,Sterling Silver
	X282-3 AA9	1		22,27	Dark Silver
	X282-3 ABB	1		22,27	Night Watch Blue
	X282-3 AC1	1		22,27	Light Blue
	X282-3 AH9	1		22,27	Mahogany
	X282-3 AK8	1		22,27	Dark Tan
	X282-3 AM8	1		22,27	Red
	X282-3 AT3	1		22,27	Med. Tan
	X282-3 AT7	1		22,27	Golden Tan
	X282-3 AW3	1		22,27	White
	X282-3 AXX	1		22,27	Black
					SCREW
28	X590 AA3	1		22,27	MEDALLION,Deck Lid Lock Cyl.,Bright Silver
	X590 AA9	1		22,27	Dark Silver
	X590 AH9	1		22,27	Mahogany
	X590 AM8	1		22,27	Red
	X590 AT3	1		22,27	Med. Tan
	X590 AT4	1		22,27	Natural Suede Tan
	X590 AW3	1		22,27	White
	X590 AX9	1		22,27	Black
					NOTE: The Colored Medallion Used is Determined by the Exterior Paint of Car an offsetting order for part no. 3747881
					RIVET (Not Serv.)
29	4097 774	2		27	MOULDING,Door Edge,Use After 4-5-82

MODEL CODES

B = GRAN FURY/CARAVELLE	P = RELIANT
C = LEBARON/TOWN & COUNTRY	S = CORDOBA
D = ARIES	V = 400
F = NEW YORKER	X = MIRADA
G = DIPLOMAT	Y = IMPERIAL
M = HORIZON/TC3/SCAMP	Z = OMNI/O24/RAMPAGE

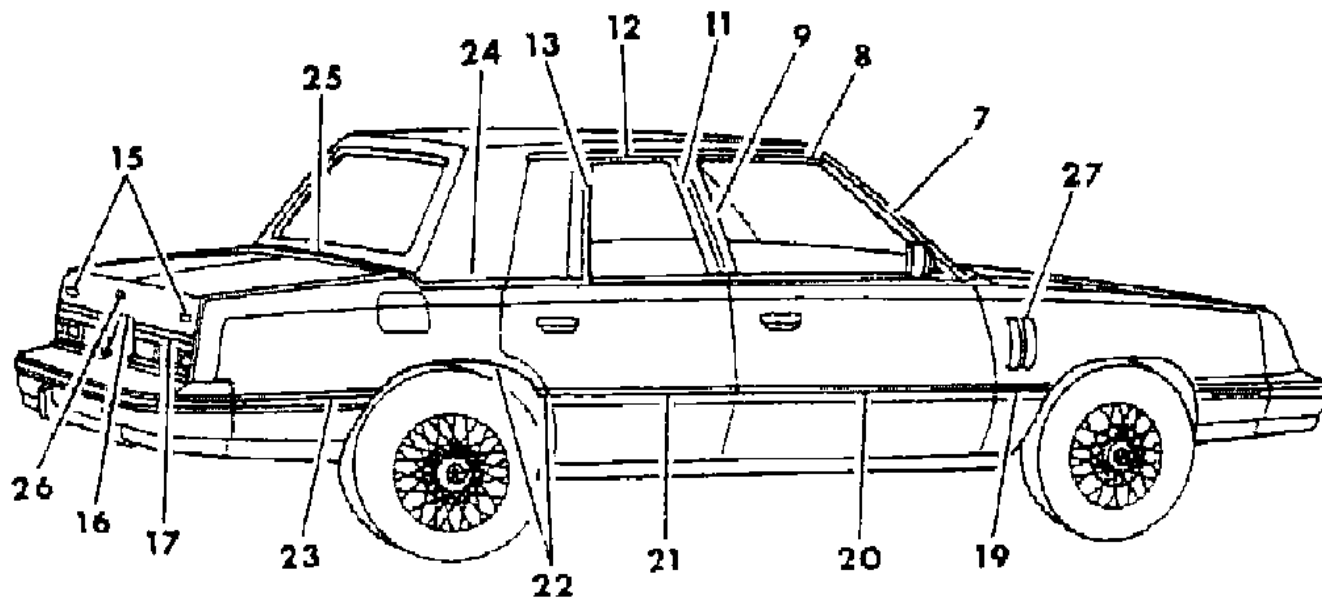
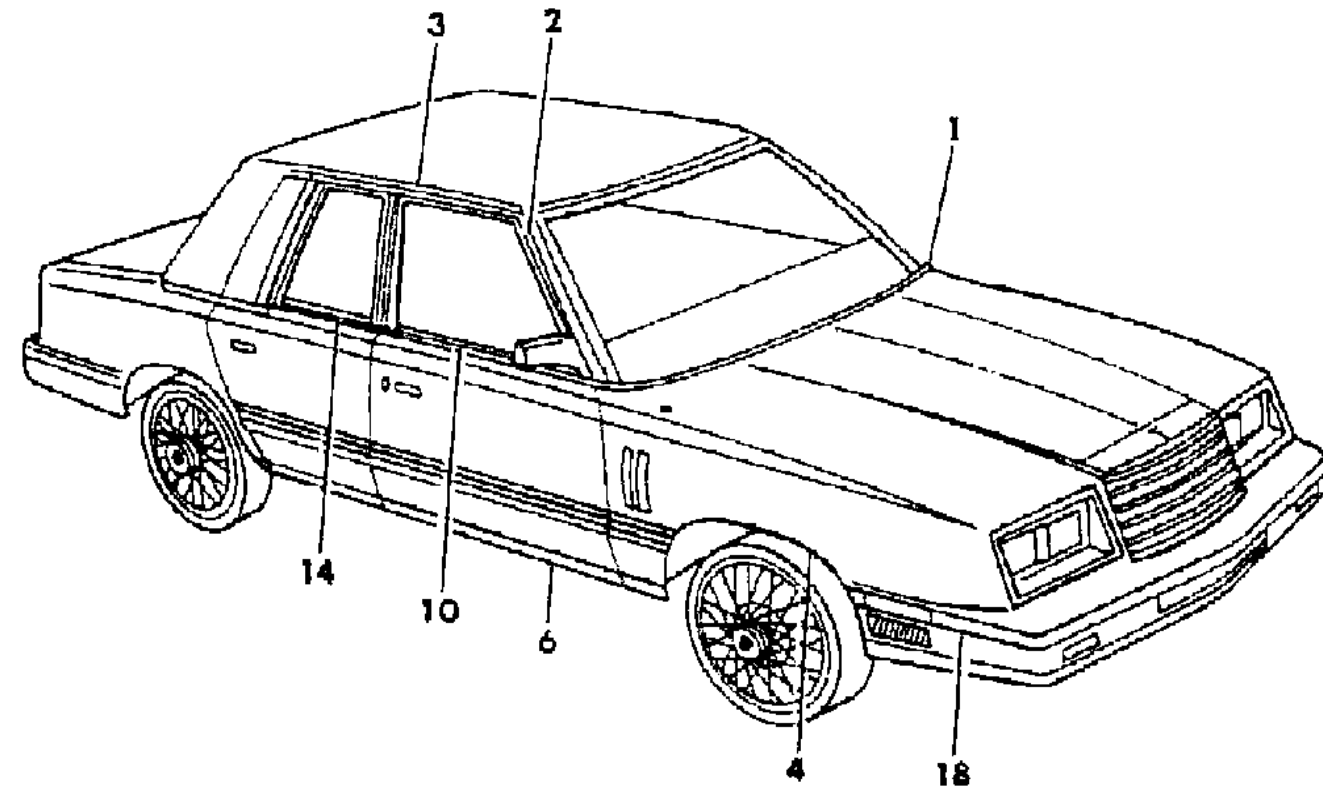
BODY STYLES

21 = 2-DOOR SEDAN	28 = FWD PICKUP
22 = 2-DOOR SPECIAL COUPE	41 = 4-DOOR SEDAN
24 = 2-DOOR HATCHBACK	44 = 4-DOOR HATCHBACK
27 = 2-DOOR CONVERTIBLE	45 = 2-SEAT STATION WAGON

AR = Use as Required - = Non Illustrated Part P.A.R. = Paint as Required

EXTERIOR VIEW DODGE 400 - 4 DOOR - V  
Figure 23-2025

2168 2025



ITEM	PART NUMBER	QTY	BODY	MODEL	DESCRIPTION
1	4229 280-1	1			MOULDING,Fndr. Rear Edge Belt
2	4175 580-1	1			MOULDING,Body Frt. Pillar Drain Trough,Use w/o Spec. Sound Insul.,C15 Pkg.
	4229 762-3	1			MOULDING and SEAL,Body Frt. Pillar Drain Trough,Use w/o Spec. Sound Insul.,C15 Pkg.
	4276 416-7	1			MOULDING,Body Frt. Pillar Drain Trough,Use w/Spec. Sound Insul.,C15 Pkg.
	4229 766-7	1			MOULDING and SEAL,Body Frt. Pillar Drain Trough,Use w/ Spec. Sound Insul.,C15 Pkg.
	4276 090-1	1			SEAL,Body Frt. Pillar Drain Trough Mldg.,Outer,Use w/or w/o Spec. Sound Insul.,C15 Pkg.
	4229 764-5	1			SEAL,Body Frt. Pillar Drain Trough Mldg.,Inner,Use w/Spec. Sound Insul.,C15 Pkg.
3	4229 680-1	1			SCREW (Not Serv.) MOULDING,Roof Side Drain Trough Frt.,Use w/o Padded Full Vinyl Roof
	X322-3 AW3	1			MOULDING,Roof Side Drain Trough,Use w/Padded Full Vinyl Roof (Paint as Req.)
					ADHESIVE (Not Serv.)
4	4175 756-7	1			MOULDING,Fndr. Wheel Opng. SCREW (Not Serv.)
6	4205 652-3	1			MOULDING,Body Side Sill SCREW (Not Serv.)
7	4276 062-3	1			MOULDING,Frt. Door Wdo. Opng. Frame,Frt.
8	4276 064-5	1			MOULDING,Frt. Door Wdo. Opng. Frame,Upr.
9	4276 066-7	1			MOULDING,Frt. Door Wdo. Opng. Frame,Rear
10	4205 644	1			MOULDING,Frt. Door Belt,Rt.,Use w/Mirror
	4205 645	1			MOULDING,Frt. Door Belt,Lt.
	6003 627	AR			RETAINER
11	4276 068-9	1			MOULDING,Rear Door Wdo. Opng. Frame,Frt.
12	4276 236-7	1			MOULDING,Rear Door Wdo. Opng. Frame,Upr.,Use w/Padded Full Vinyl Roof
	4276 220-1	1			MOULDING,Rear Door Wdo. Opng. Frame,Upr.,Use w/o Padded Full Vinyl Roof
13	4276 224-5	1			MOULDING,Rear Door Wdo. Opng. Frame,Rear,Use w/o Padded Full Vinyl Roof
14	4267 980-1	1			MOULDING,Rear Door Belt,Use w/Padded Full Vinyl Roof

MODEL CODES

B = GRAN FURY/CARAVELLE  
C = LEBARON/TOWN & COUNTRY  
D = ARIES  
F = NEW YORKER  
G = DIPLOMAT  
M = HORIZON/TC3/SCAMP  
P = RELIANT  
S = CORDOBA  
V = 400  
X = MIRADA  
Y = IMPERIAL  
Z = OMNI/O24/RAMPAGE

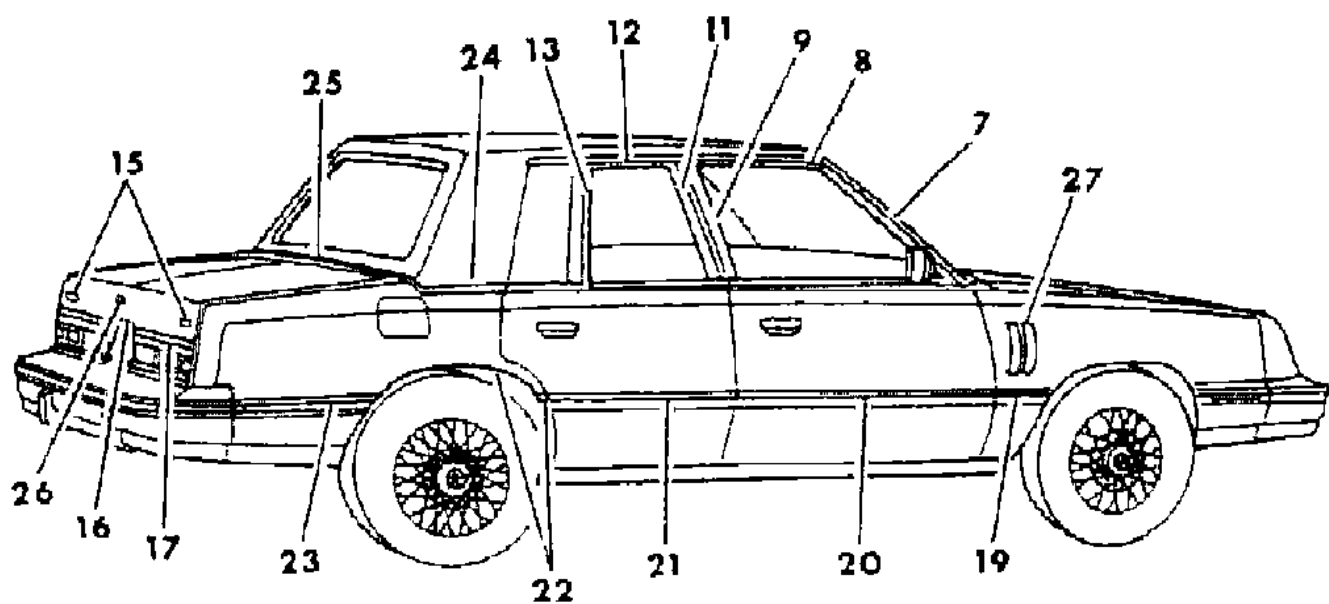
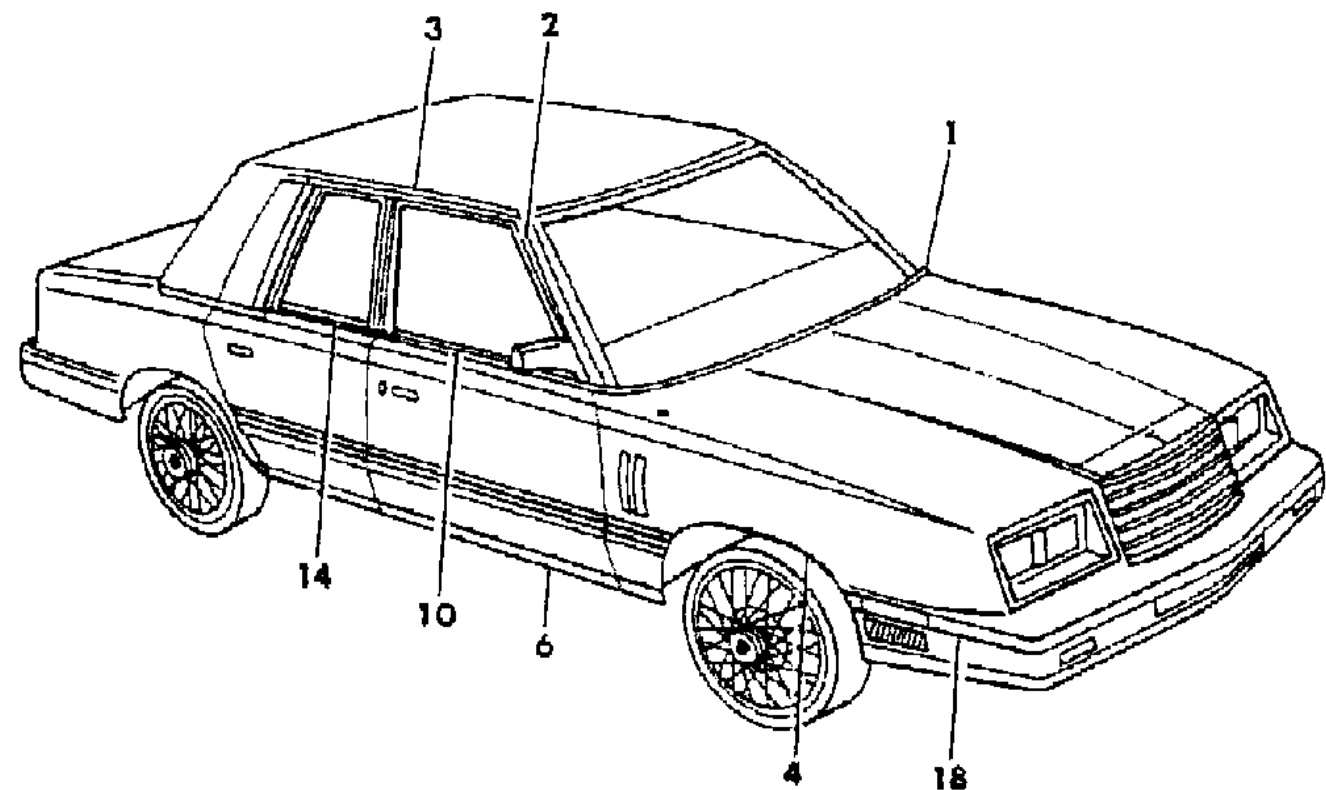
BODY STYLES

21 = 2-DOOR SEDAN  
22 = 2-DOOR SPECIAL COUPE  
24 = 2-DOOR HATCHBACK  
27 = 2-DOOR CONVERTIBLE  
28 = FWD PICKUP  
41 = 4-DOOR SEDAN  
44 = 4-DOOR HATCHBACK  
45 = 2-SEAT STATION WAGON

AR = Use as Required - = Non Illustrated Part P.A.R. = Paint as Required

EXTERIOR VIEW DODGE 400 - 4 DOOR - V  
Figure 23-2025

2168 2025



ITEM	PART NUMBER	QTY	BODY	MODEL	DESCRIPTION
	4205 648-9	1			MOULDING,Rear Door Belt,Use w/o Padded Full Vinyl Roof
	6003 627	AR			RETAINER
15	4229 779	1			NAMEPLATE,Deck Lid,"DODGE"
	4229 780	1			NAMEPLATE,Deck Lid,"400"
16	4175 694	1			MOULDING,Deck Lid Lwr. Center
	6028 674	AR			SCREW
17	4175 894-5	1			MOULDING,Deck Lid Lwr. Side
	6028 674	AR			SCREW
18	4267 824-5	1			MOULDING,Fndr. Frt.,Bright Silver
	4267 828-9	1			Light Blue
	4267 830-1	1			Night Watch Blue
	4267 832-3	1			Mahogany
	4267 834-5	1			Dark Tan
	4267 836-7	1			Red
	4267 838-9	1			Med. Cashmere
	4267 840-1	1			Med. Tan
	4267 842-3	1			White
	4267 844-5	1			Black
	4057 569	AR			RETAINER PKG.
	4057 555	AR			RETAINER PKG.
					NUT (Not Serv.)
19	4240 952-3	1			MOULDING,Fndr. Rear,Bright Silver
	4240 954-5	1			Light Blue
	4240 960-1	1			Med. Tan
	4240 962-3	1			White
	4240 964-5	1			Black
	4267 746-7	1			Night Watch Blue
	4267 748-9	1			Mahogany
	4267 750-1	1			Dark Tan
	4267 752-3	1			Red
	4267 754-5	1			Med. Cashmere
	4205 636	AR			RETAINER PKG.
					SCREW (Not Serv.)
20	4240 820-1	1			MOULDING,Frnt. Door,Bright Silver
	4240 822-3	1			Light Blue
	4240 828-9	1			Med. Tan
	4240 830-1	1			White

MODEL CODES

B = GRAN FURY/CARAVELLE	P = RELIANT
C = LEBARON/TOWN & COUNTRY	S = CORDOBA
D = ARIES	V = 400
F = NEW YORKER	X = MIRADA
G = DIPLOMAT	Y = IMPERIAL
M = HORIZON/TC3/SCAMP	Z = OMNI/O24/RAMPAGE

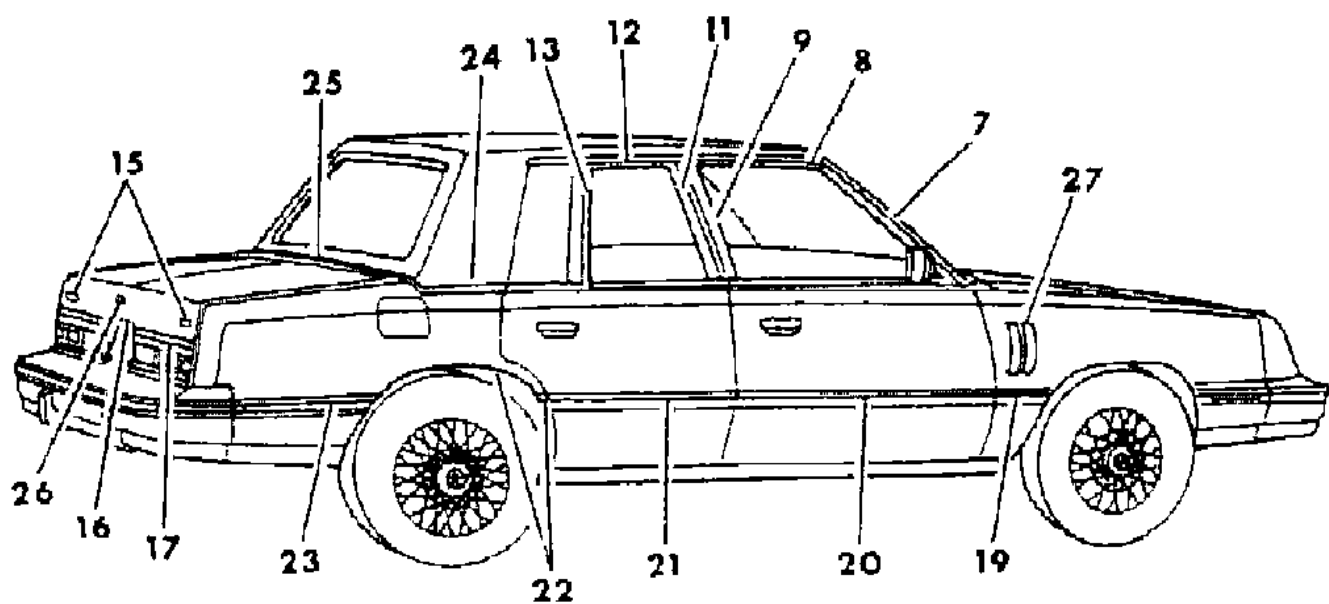
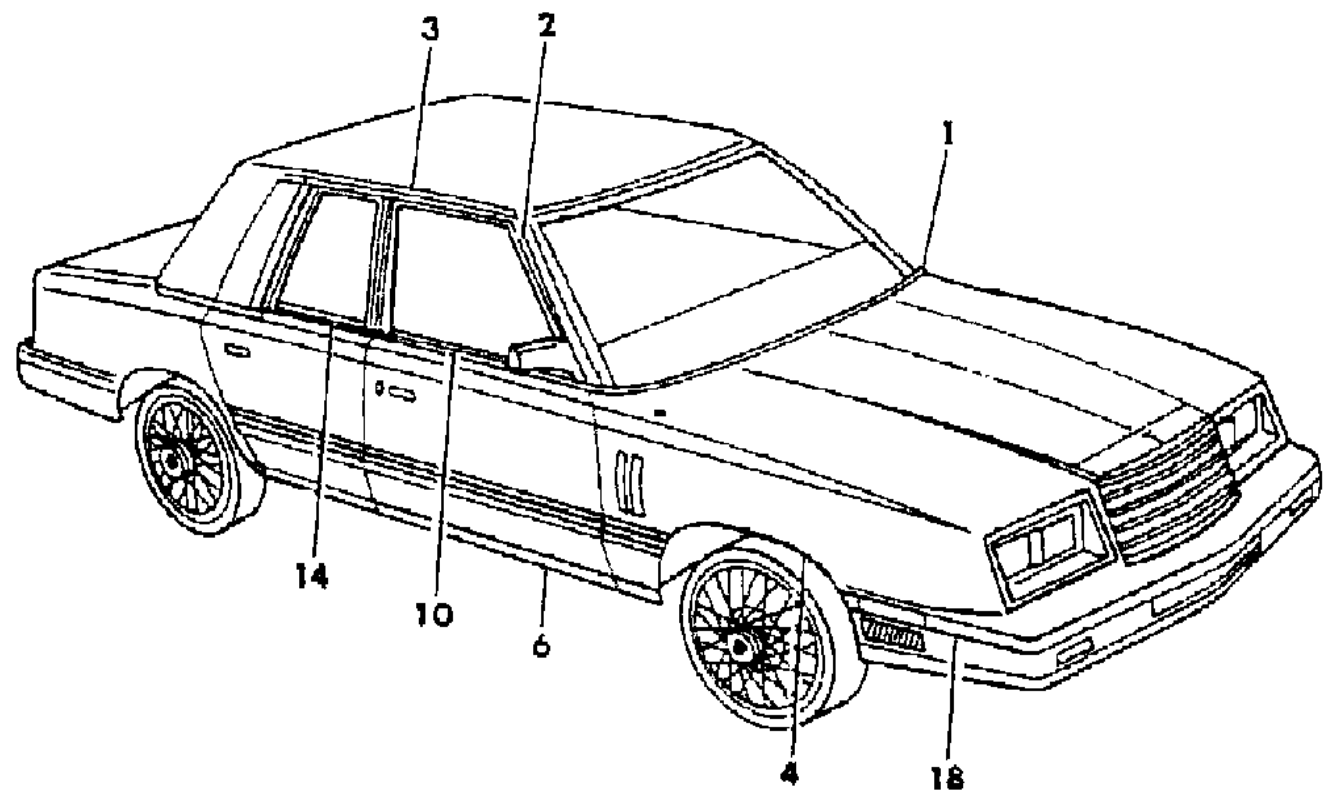
BODY STYLES

21 = 2-DOOR SEDAN	28 = FWD PICKUP
22 = 2-DOOR SPECIAL COUPE	41 = 4-DOOR SEDAN
24 = 2-DOOR HATCHBACK	44 = 4-DOOR HATCHBACK
27 = 2-DOOR CONVERTIBLE	45 = 2-SEAT STATION WAGON

AR = Use as Required - = Non Illustrated Part P.A.R. = Paint as Required

EXTERIOR VIEW DODGE 400 - 4 DOOR - V  
Figure 23-2025

2168 2025



ITEM	PART NUMBER	QTY	BODY	MODEL	DESCRIPTION
	4240 832-3	1			Black
	4267 722-3	1			Night Watch Blue
	4267 724-5	1			Mahogany
	4267 726-7	1			Dark Tan
	4267 728-9	1			Red
	4267 730-1	1			Med. Cashmere
	4205 636	AR			RETAINER PKG.
	4057 555	AR			RETAINER PKG.
21	4240 836-7	1			MOULDING and RET.,Rear Door,Bright Silver
	4240 838-9	1			Light Blue
	4240 844-5	1			Med. Tan
	4240 846-7	1			White
	4240 848-9	1			Black
	4271 654-5	1			Night Watch Blue
	4271 656-7	1			Mahogany
	4271 658-9	1			Dark Tan
	4271 660-1	1			Red
	4267 768-9	1			Med. Cashmere
	4205 636	AR			RETAINER PKG.
	4057 555	AR			RETAINER PKG.
22	X224-5 VA3	1			MOULDING,Qtr. Frt. and W/Opng.,Bright Silver
	X224-5 VC2	1			Light Blue
	X224-5 VT3	1			Med. Tan
	X224-5 VW3	1			White
	X224-5 VX9	1			Black
	X224-5 AC9	1			Night Watch Blue
	X224-5 AH9	1			Mahogany
	X224-5 AK7	1			Dark Tan
	X224-5 AM8	1			Red
	X224-5 AT2	1			Med. Cashmere
	4205 636	AR			RETAINER PKG. SCREW (Not Serv.)
23	4267 802-3	1			MOULDING,Qtr. Rear,Bright Silver
	4267 806-7	1			Light Blue
	4267 808-9	1			Night Watch Blue
	4267 810-1	1			Mahogany
	4267 812-3	1			Dark Tan

MODEL CODES

B = GRAN FURY/CARAVELLE	P = RELIANT
C = LEBARON/TOWN & COUNTRY	S = CORDOBA
D = ARIES	V = 400
F = NEW YORKER	X = MIRADA
G = DIPLOMAT	Y = IMPERIAL
M = HORIZON/TC3/SCAMP	Z = OMNI/O24/RAMPAGE

BODY STYLES

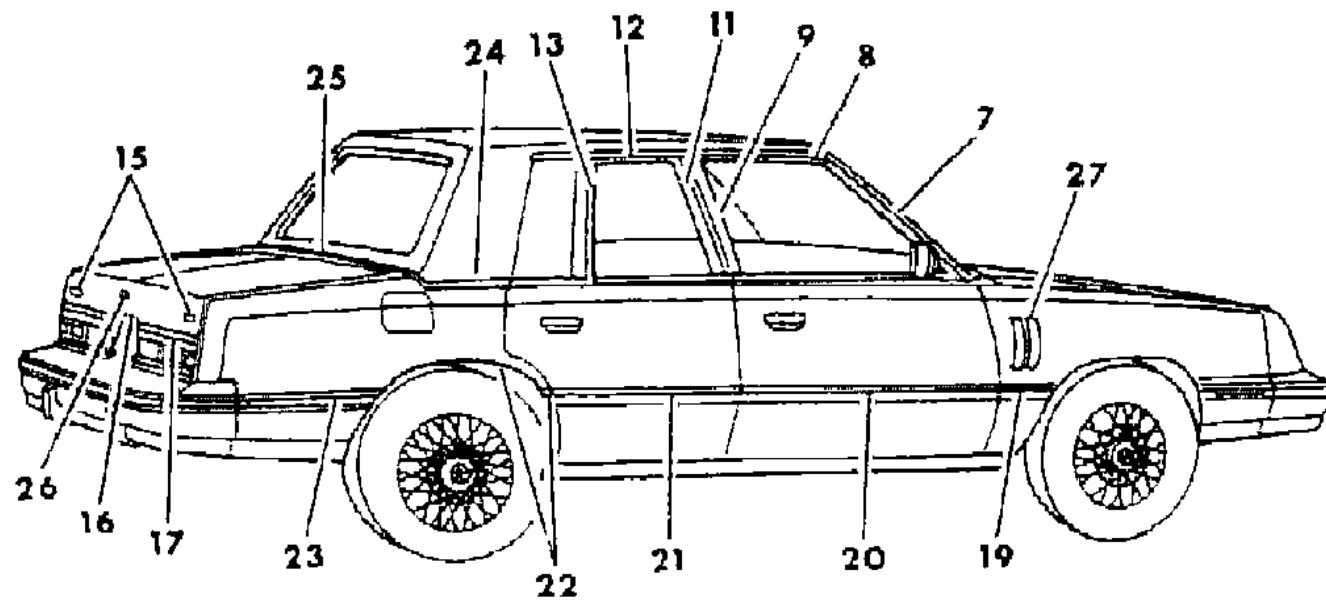
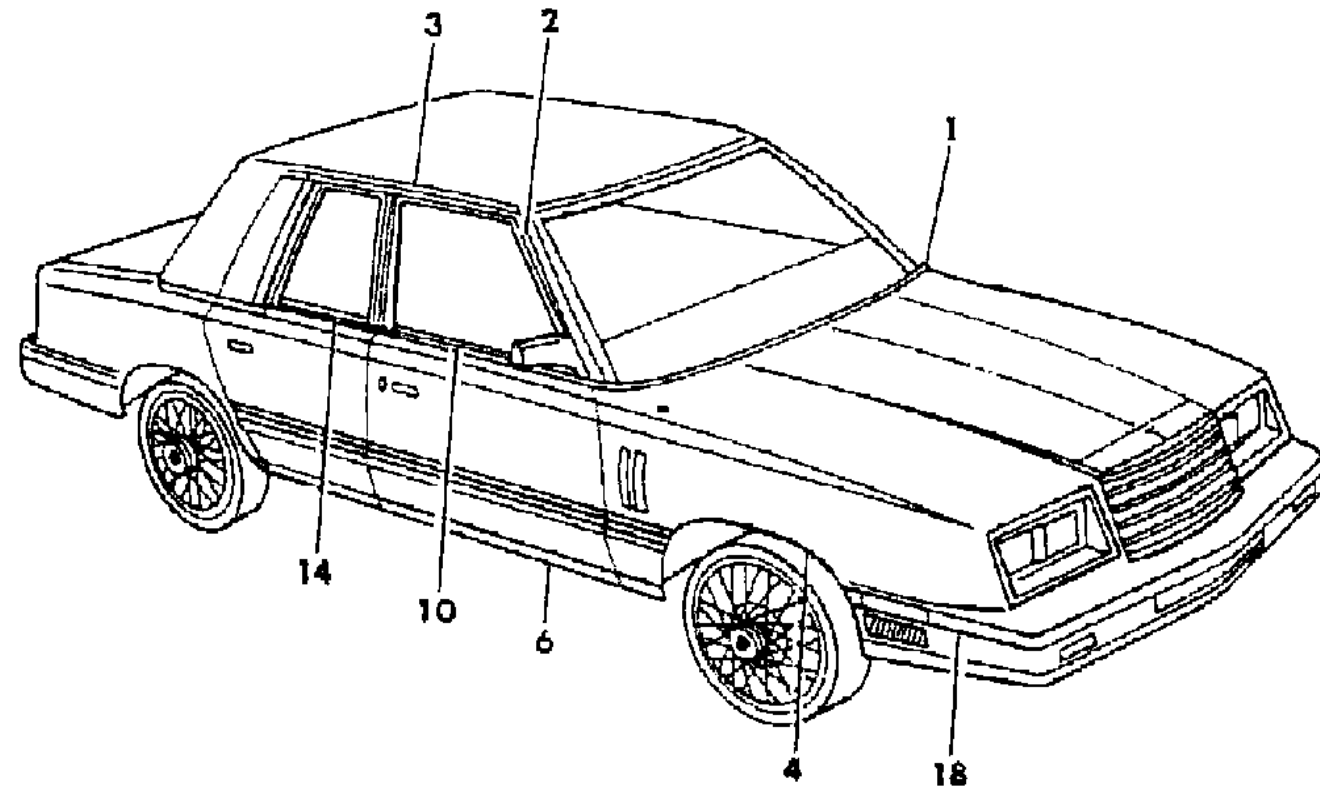
21 = 2-DOOR SEDAN	28 = FWD PICKUP
22 = 2-DOOR SPECIAL COUPE	41 = 4-DOOR SEDAN
24 = 2-DOOR HATCHBACK	44 = 4-DOOR HATCHBACK
27 = 2-DOOR CONVERTIBLE	45 = 2-SEAT STATION WAGON

AR = Use as Required - = Non Illustrated Part P.A.R. = Paint as Required



EXTERIOR VIEW DODGE 400 - 4 DOOR - V  
Figure 23-2025

2168 2025



ITEM	PART NUMBER	QTY	BODY	MODEL	DESCRIPTION
	4267 814-5	1			Red
	4267 816-7	1			Med. Cashmere
	4267 818-9	1			Med. Tan
	4267 820-1	1			White
	4267 822-3	1			Black
	4057 569	AR			RETAINER PKG. NUT (Not Serv.) SCREW (Not Serv.)
24	4267 982-3	1			MOULDING,Qtr. Belt,Use on Padded Full Vinyl Roof,Bright Silver
	4267 984-5	1			Light Blue
	4267 986-7	1			Night Watch Blue
	4267 988-9	1			Mahogany
	4267 990-1	1			Dark Tan
	4267 992-3	1			Red
	4267 994-5	1			Med. Cashmere
	4267 996-7	1			Med. Tan
	4267 998-9	1			White
	4267 912-3	1			Black WELD STUD (Not Serv.) RETAINER (Not Serv.)
25	4267 978-9	1			MOULDING,Deck Opng. Upr. Pnl.,Use on Padded Full Vinyl Roof (Paint as Req.)
	3744 671	1			RETAINER PKG. SCREW (Not Serv.)
26	X590 AA3	1			MEDALLION,Deck Lid Lock Cyl.,Bright Silver
	X590 AA9	1			Dark Silver
	X590 AH9	1			Mahogany
	X590 AM8	1			Red
	X590 AT3	1			Med. Tan
	X590 AT4	1			Natural Suede Tan
	X590 AW3	1			White
	X590 AX9	1			Black
NOTE: The Colored Medallion Used is Determined by the Exterior Paint of Car an offsetting order for part no. 3747881					
					RIVET (Not Serv.)
27	X282-3 AA1	1			LOUVER,Fndr.,Sterling Silver
	X282-3 AA9	1			Dark Silver
	X282-3 ABB	1			Night Watch Blue

MODEL CODES

B = GRAN FURY/CARAVELLE  
C = LEBARON/TOWN & COUNTRY  
D = ARIES  
F = NEW YORKER  
G = DIPLOMAT  
M = HORIZON/TC3/SCAMP  
P = RELIANT  
S = CORDOBA  
V = 400  
X = MIRADA  
Y = IMPERIAL  
Z = OMNI/O24/RAMPAGE

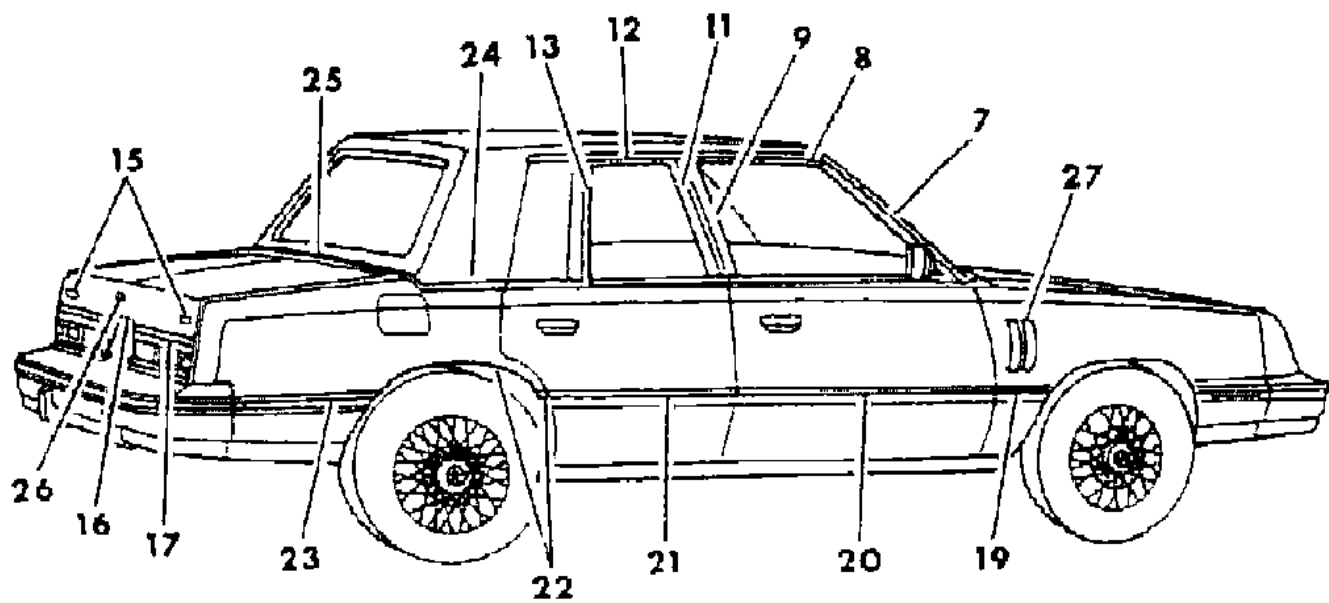
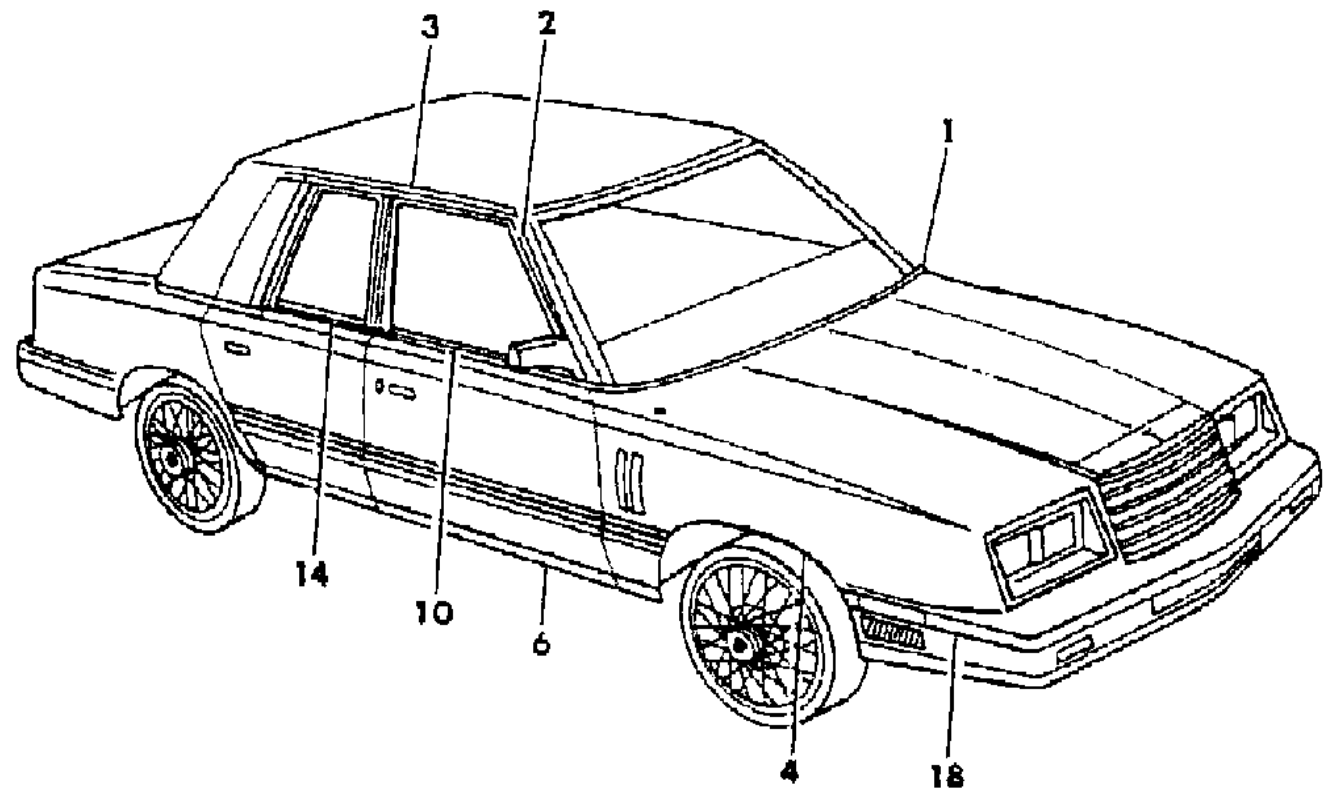
BODY STYLES

21 = 2-DOOR SEDAN  
22 = 2-DOOR SPECIAL COUPE  
24 = 2-DOOR HATCHBACK  
27 = 2-DOOR CONVERTIBLE  
28 = FWD PICKUP  
41 = 4-DOOR SEDAN  
44 = 4-DOOR HATCHBACK  
45 = 2-SEAT STATION WAGON

AR = Use as Required - = Non Illustrated Part P.A.R. = Paint as Required

EXTERIOR VIEW DODGE 400 - 4 DOOR - V  
Figure 23-2025

2168 2025



ITEM	PART NUMBER	QTY	BODY	MODEL	DESCRIPTION
	X282-3 AC1	1			Light Blue
	X282-3 AH9	1			Mahogany
	X282-3 AK8	1			Dark Tan
	X282-3 AM8	1			Red
	X282-3 AT3	1			Med. Tan
	X282-3 AT7	1			Golden Tan
	X282-3 AW3	1			White
	X282-3 AXX	1			Black
					SCREW

MODEL CODES

B = GRAN FURY/CARAVELLE	P = RELIANT
C = LEBARON/TOWN & COUNTRY	S = CORDOBA
D = ARIES	V = 400
F = NEW YORKER	X = MIRADA
G = DIPLOMAT	Y = IMPERIAL
M = HORIZON/TC3/SCAMP	Z = OMNI/O24/RAMPAGE

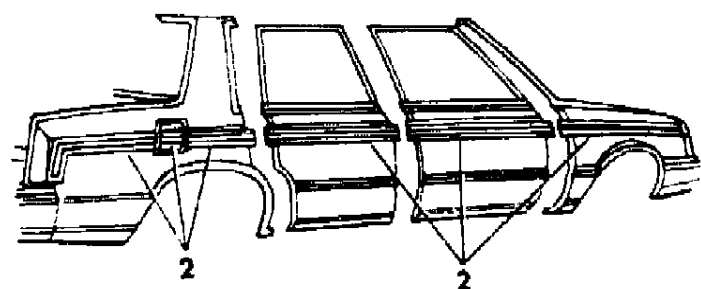
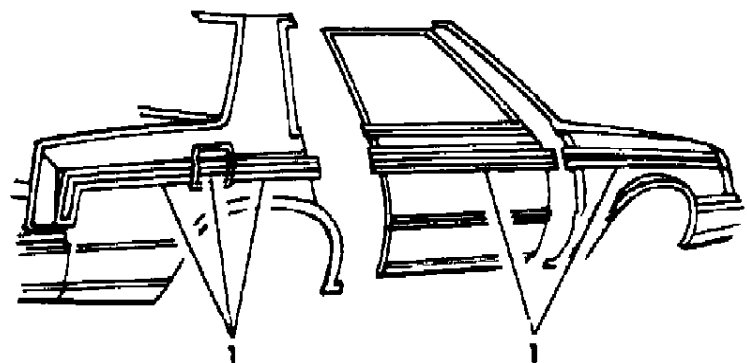
BODY STYLES

21 = 2-DOOR SEDAN	28 = FWD PICKUP
22 = 2-DOOR SPECIAL COUPE	41 = 4-DOOR SEDAN
24 = 2-DOOR HATCHBACK	44 = 4-DOOR HATCHBACK
27 = 2-DOOR CONVERTIBLE	45 = 2-SEAT STATION WAGON

AR = Use as Required - = Non Illustrated Part P.A.R. = Paint as Required

**EXTERIOR VIEW - TAPE STRIPES DODGE 400 - V**  
**Figure 23-2100**

3188 2100A



ITEM	PART NUMBER	QTY	BODY	MODEL	DESCRIPTION
1	4271 602-3	1		22,27	TAPE SET,Fndr.,Door,Qtr.,Silver (K3A)
	4271 604-5	1		22,27	Blue (K3B)
	4271 606-7	1		22,27	Red (K3E)
	4271 608-9	1		22,27	Light Auburn (K3H)
	4271 610-1	1		22,27	Orange (K3K)
	4271 612-3	1		22,27	Cashmere (K3T)
	4271 614-5	1		22,27	White (K3W)
	4271 616-7	1		22,27	Gold (K3Y)
	4271 738-9	1		22,27	Med. Tan (K3L)
	2	4271 586-7	1		41
4271 588-9		1		41	Blue (K3B)
4271 590-1		1		41	Red (K3E)
4271 592-3		1		41	Light Auburn (K3H)
4271 594-5		1		41	Orange (K3K)
4271 596-7		1		41	Cashmere (K3T)
4271 598-9		1		41	White (K3W)
4271 600-1		1		41	Gold (K3Y)

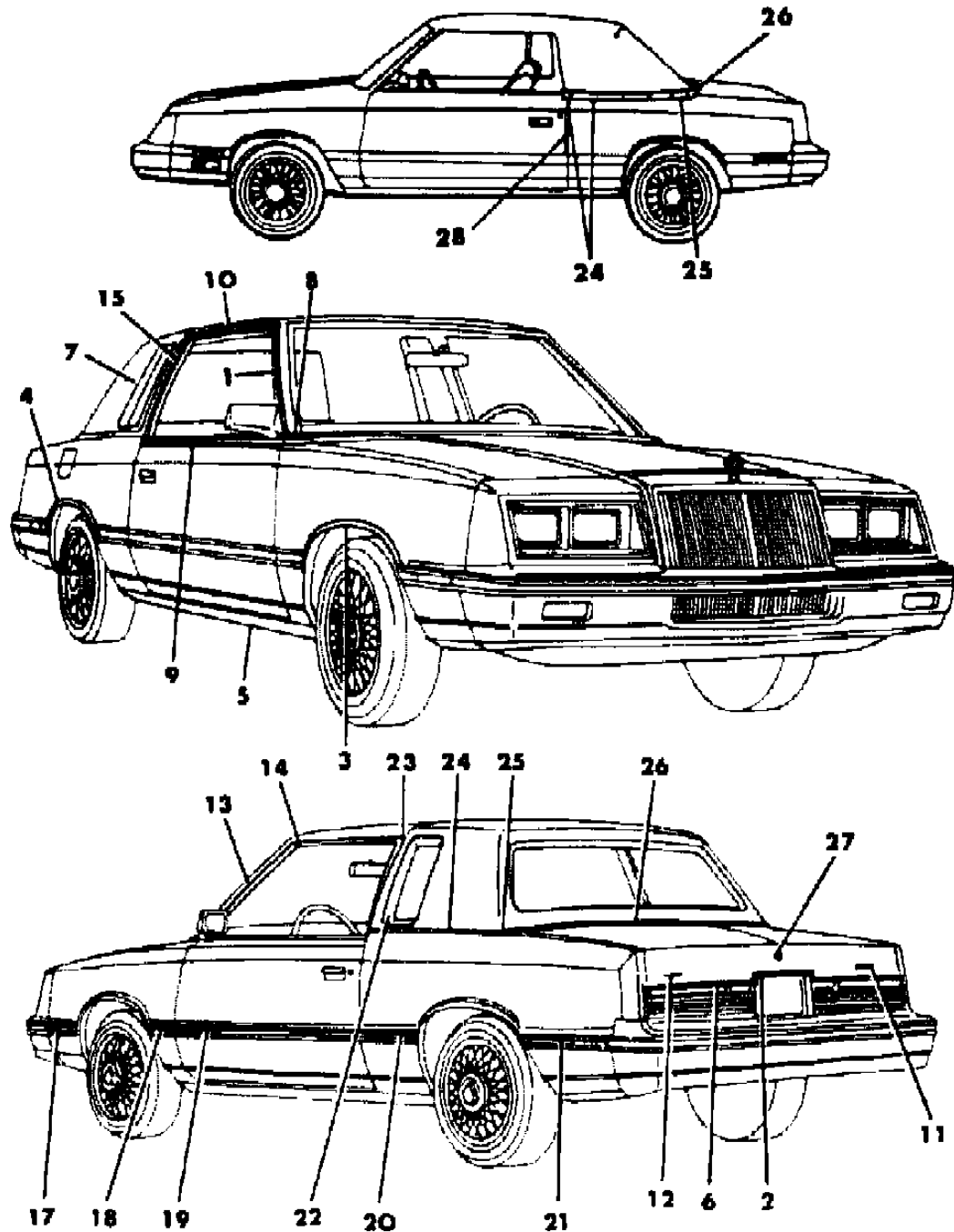
MODEL CODES  
 B = GRAN FURY/CARAVELLE      P = RELIANT  
 C = LEBARON/TOWN & COUNTRY      S = CORDOBA  
 D = ARIES      V = 400  
 F = NEW YORKER      X = MIRADA  
 G = DIPLOMAT      Y = IMPERIAL  
 M = HORIZON/TC3/SCAMP      Z = OMNI/O24/RAMPAGE

BODY STYLES  
 21 = 2-DOOR SEDAN      28 = FWD PICKUP  
 22 = 2-DOOR SPECIAL COUPE      41 = 4-DOOR SEDAN  
 24 = 2-DOOR HATCHBACK      44 = 4-DOOR HATCHBACK  
 27 = 2-DOOR CONVERTIBLE      45 = 2-SEAT STATION WAGON

AR = Use as Required - = Non Illustrated Part P.A.R. = Paint as Required

EXTERIOR VIEW CHRYSLER LEBARON - C 22,27  
Figure 23-2200

2168 2200B



ITEM	PART NUMBER	QTY	BODY	MODEL	DESCRIPTION
1	4175 580-1	1		22,27	MOULDING,Body Frt. Pillar Drain Trough,Use w/o Spec. Sound Insul.,C15 Pkg.
	4229 762-3	1		22,27	MOULDING and SEAL,Body Frt. Pillar Drain Trough,Use w/o Spec. Sound Insul.,C15 Pkg.
	4276 416-7	1		22,27	MOULDING,Body Frt. Pillar Drain Trough,Use w/Spec. Sound Insul.,C15 Pkg.
	4229 766-7	1		22,27	MOULDING and SEAL,Body Frt. Pillar Drain Trough,Use w/Spec. Sound Insul.,C15 Pkg.
	4276 090-1	1		22,27	SEAL,Body Frt. Pillar Drain Trough Mldg.,Outer,Use w/or w/o Spec. Sound Insul.,C15 Pkg.
	4239 764-5	1		22,27	SEAL,Body Frt. Pillar Drain Trough Mldg.,Inner,Use w/Spec. Sound Insul.,C15 Pkg. SCREW (Not Serv.)
2	4175 694	1		22,27	MOULDING,Deck Lid Center
	6028 674	AR			SCREW
3	4175 756-7	1		22,27	MOULDING,Fndr. Wheel Opng. SCREW (Not Serv.)
4	4175 770-1	1		22,27	MOULDING,Qtr. Wheel Opng. SCREW (Not Serv.)
5	4205 652-3	1		22,27	MOULDING,Body Side Sill
	6003 777	AR			RETAINER SCREW (Not Serv.)
6	4175 894-5	1		22,27	MOULDING,Deck Lid Lwr. Side
	6028 674	AR			SCREW
7	X298-9 AA3	1		22	MOULDING,Qtr. Wdo.,Use w/Padded Landau,Silver (Paint as Req.)
8	4229 280-1	1		22,27	MOULDING,Fndr. Rear Edge Belt
9	4205 646	1		22,27	MOULDING,Door Belt,Rt.,Use w/Mirror
	4205 651	1		22,27	Rt.,Use w/o Mirror
	4205 647	1		22,27	Lt.
	4205 634	AR		22,27	RETAINER PKG.
	6003 627	AR		22,27	RETAINER
10	4229 684-5	1		22	MOULDING,Roof Side Drain Trough,Use w/Padded Landau
	4229 688-9	1		22	Use w/o Padded Landau ADHESIVE (Not Serv.)
11	4229 781	1		22,27	NAMEPLATE,Deck Lid,"LEBARON"
12	4229 782	1		22,27	NAMEPLATE,Deck Lid,"CHRYSLER"

MODEL CODES

B = GRAN FURY/CARAVELLE	P = RELIANT
C = LEBARON/TOWN & COUNTRY	S = CORDOBA
D = ARIES	V = 400
F = NEW YORKER	X = MIRADA
G = DIPLOMAT	Y = IMPERIAL
M = HORIZON/TC3/SCAMP	Z = OMNI/O24/RAMPAGE

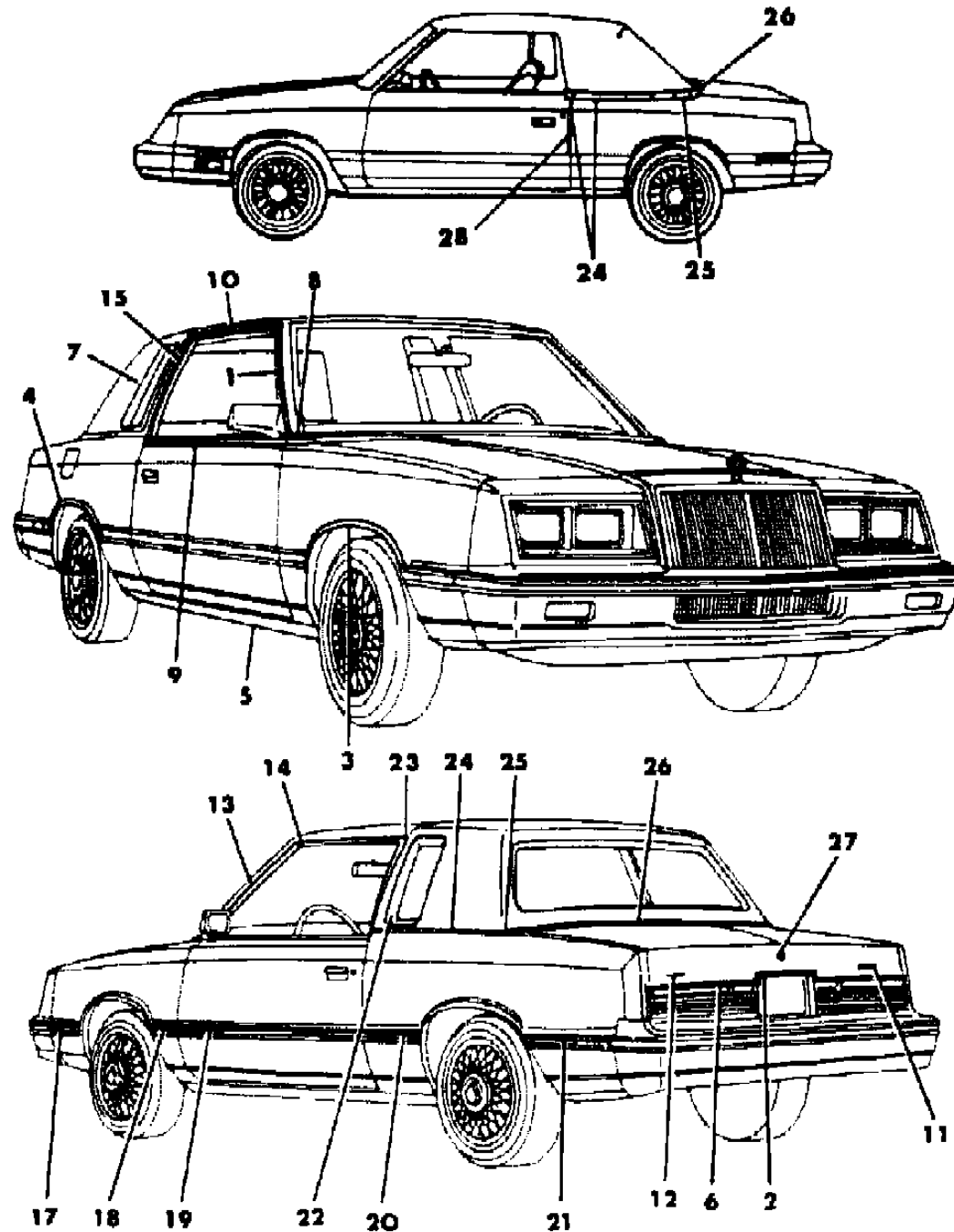
BODY STYLES

21 = 2-DOOR SEDAN	28 = FWD PICKUP
22 = 2-DOOR SPECIAL COUPE	41 = 4-DOOR SEDAN
24 = 2-DOOR HATCHBACK	44 = 4-DOOR HATCHBACK
27 = 2-DOOR CONVERTIBLE	45 = 2-SEAT STATION WAGON

AR = Use as Required - = Non Illustrated Part P.A.R. = Paint as Required

EXTERIOR VIEW CHRYSLER LEBARON - C 22,27  
Figure 23-2200

2168 2200B



ITEM	PART NUMBER	QTY	BODY	MODEL	DESCRIPTION
13	4276 062-3	1		22	MOULDING,Frnt. Door Wdo. Opng. Frame,Frnt.
14	4276 232-3	1		22	MOULDING,Frnt. Door Wdo. Opng. Frame,Upr.
15	4276 234-5	1		22	MOULDING,Frnt. Door Wdo. Opng. Frame,Rear
17	4267 824-5	1		22,27	MOULDING,Fndr. Frnt.,Bright Silver
	4267 828-9	1		22,27	Light Blue
	4267 830-1	1		22,27	Night Watch Blue
	4267 832-3	1		22,27	Mahogany
	4267 834-5	1		22,27	Dark Tan
	4267 836-7	1		22,27	Red
	4267 838-9	1		22,27	Med. Cashmere
	4267 840-1	1		22,27	Med. Tan
	4267 842-3	1		22,27	White
	4267 844-5	1		22,27	Black
	4057 569	AR			RETAINER PKG. NUT (Not Serv.) SCREW (Not Serv.)
18	4240 952-3	1		22,27	MOULDING,Fndr. Rear,Bright Silver
	4240 954-5	1		22,27	Light Blue
	4240 960-1	1		22,27	Med. Tan
	4240 962-3	1		22,27	White
	4240 964-5	1		22,27	Black
	4267 746-7	1		22,27	Night Watch Blue
	4267 748-9	1		22,27	Mahogany
	4267 750-1	1		22,27	Dark Tan
	4267 752-3	1		22,27	Red
	4267 754-5	1		22,27	Med. Cashmere
	4205 636	AR			RETAINER PKG. SCREW (Not Serv.)
19	4240 804-5	1		22,27	MOULDING and RET.,Door,Bright Silver
	4240 806-7	1		22,27	Light Blue
	4240 812-3	1		22,27	Med. Tan
	4240 814-5	1		22,27	White
	4240 816-7	1		22,27	Black
	4267 710-1	1		22,27	Night Watch Blue
	4267 712-3	1		22,27	Mahogany
	4267 714-5	1		22,27	Dark Tan
	4267 716-7	1		22,27	Red

MODEL CODES

B = GRAN FURY/CARAVELLE	P = RELIANT
C = LEBARON/TOWN & COUNTRY	S = CORDOBA
D = ARIES	V = 400
F = NEW YORKER	X = MIRADA
G = DIPLOMAT	Y = IMPERIAL
M = HORIZON/TC3/SCAMP	Z = OMNI/O24/RAMPAGE

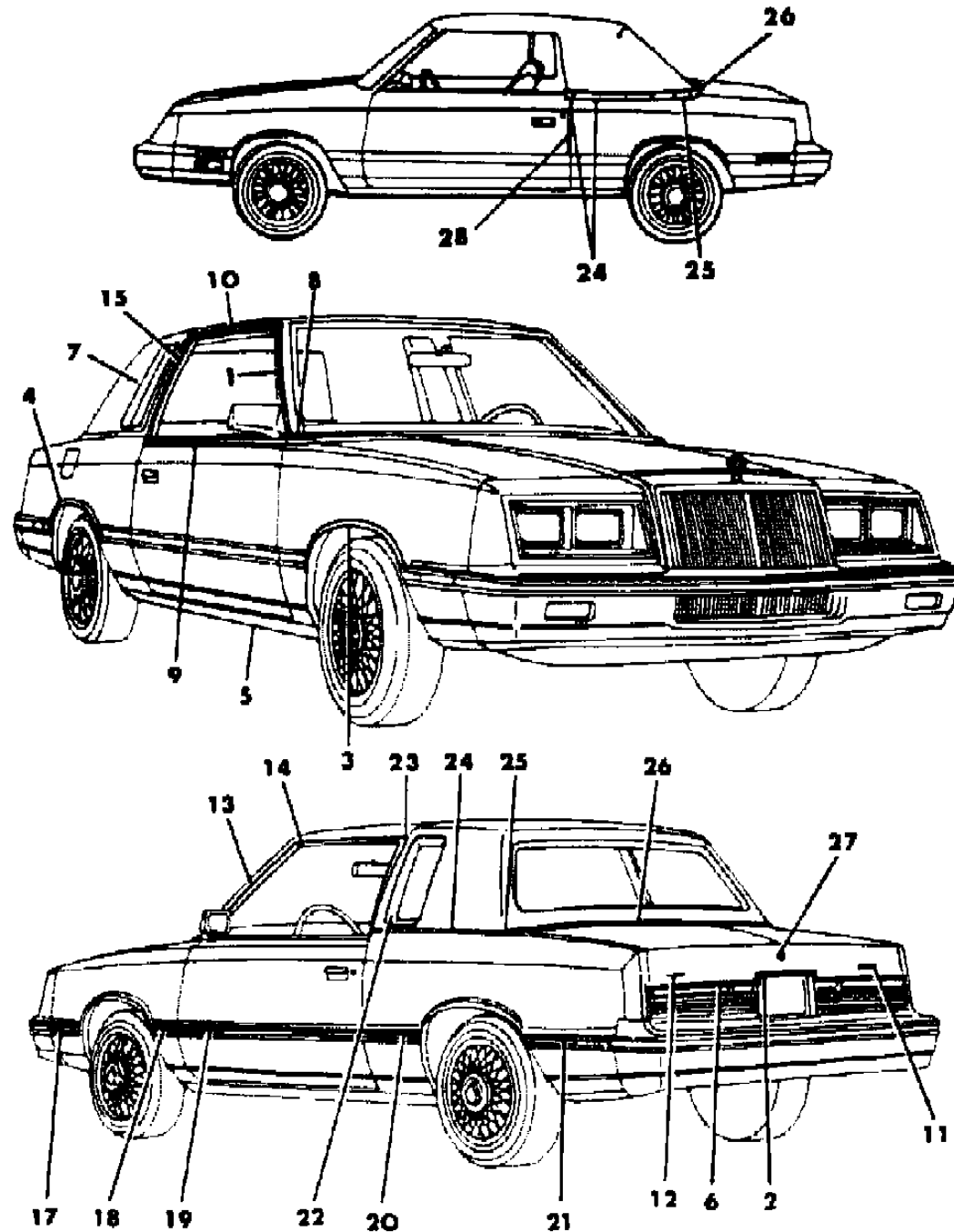
BODY STYLES

21 = 2-DOOR SEDAN	28 = FWD PICKUP
22 = 2-DOOR SPECIAL COUPE	41 = 4-DOOR SEDAN
24 = 2-DOOR HATCHBACK	44 = 4-DOOR HATCHBACK
27 = 2-DOOR CONVERTIBLE	45 = 2-SEAT STATION WAGON

AR = Use as Required - = Non Illustrated Part P.A.R. = Paint as Required

EXTERIOR VIEW CHRYSLER LEBARON - C 22,27  
Figure 23-2200

2168 2200B



ITEM	PART NUMBER	QTY	BODY	MODEL	DESCRIPTION
	4267 718-9	1		22,27	Med. Cashmere
	4205 636	AR			RETAINER PKG.
	4057 555	AR			RETAINER PKG.
20	4240 968-9	1		22,27	MOULDING,Qtr. Frt.,Bright Silver
	4240 970-1	1		22,27	Light Blue
	4240 976-7	1		22,27	Med. Tan
	4240 978-9	1		22,27	White
	4240 980-1	1		22,27	Black
	4267 734-5	1		22,27	Night Watch Blue
	4267 736-7	1		22,27	Mahogany
	4267 738-9	1		22,27	Dark Tan
	4267 740-1	1		22,27	Red
	4267 742-3	1		22,27	Med. Cashmere
	4205 636	AR			RETAINER PKG. SCREW (Not Serv.)
21	4267 802-3	1		22,27	MOULDING,Qtr. Rear,Bright Silver
	4267 806-7	1		22,27	Light Blue
	4267 808-9	1		22,27	Night Watch Blue
	4267 810-1	1		22,27	Mahogany
	4267 812-3	1		22,27	Dark Tan
	4267 814-5	1		22,27	Red
	4267 816-7	1		22,27	Med. Cashmere
	4267 818-9	1		22,27	Med. Tan
	4267 820-1	1		22,27	White
	4267 822-3	1		22,27	Black
					SCREW (Not Serv.)
22	X298-9 AA3	1		22	MOULDING,Qtr. Wdo.,Use w/Padded Landau,Bright Silver (Paint as Req.)
23	X330-1 AA3	1		22	MOULDING,Roof Transverse,Use w/Padded Landau,Bright Silver (Paint as Req.)
	6003 819	AR			RETAINER
	6003 627	AR			RETAINER
	6003 821	AR			RETAINER
					WELD STUD (Not Serv.)
24	4267 846-7	1		22	MOULDING,Qtr. Belt,Use w/Padded Landau,Bright Silver
	4267 952-3	1		22	Light Blue
	4267 954-5	1		22	Night Watch Blue

MODEL CODES

B = GRAN FURY/CARAVELLE	P = RELIANT
C = LEBARON/TOWN & COUNTRY	S = CORDOBA
D = ARIES	V = 400
F = NEW YORKER	X = MIRADA
G = DIPLOMAT	Y = IMPERIAL
M = HORIZON/TC3/SCAMP	Z = OMNI/O24/RAMPAGE

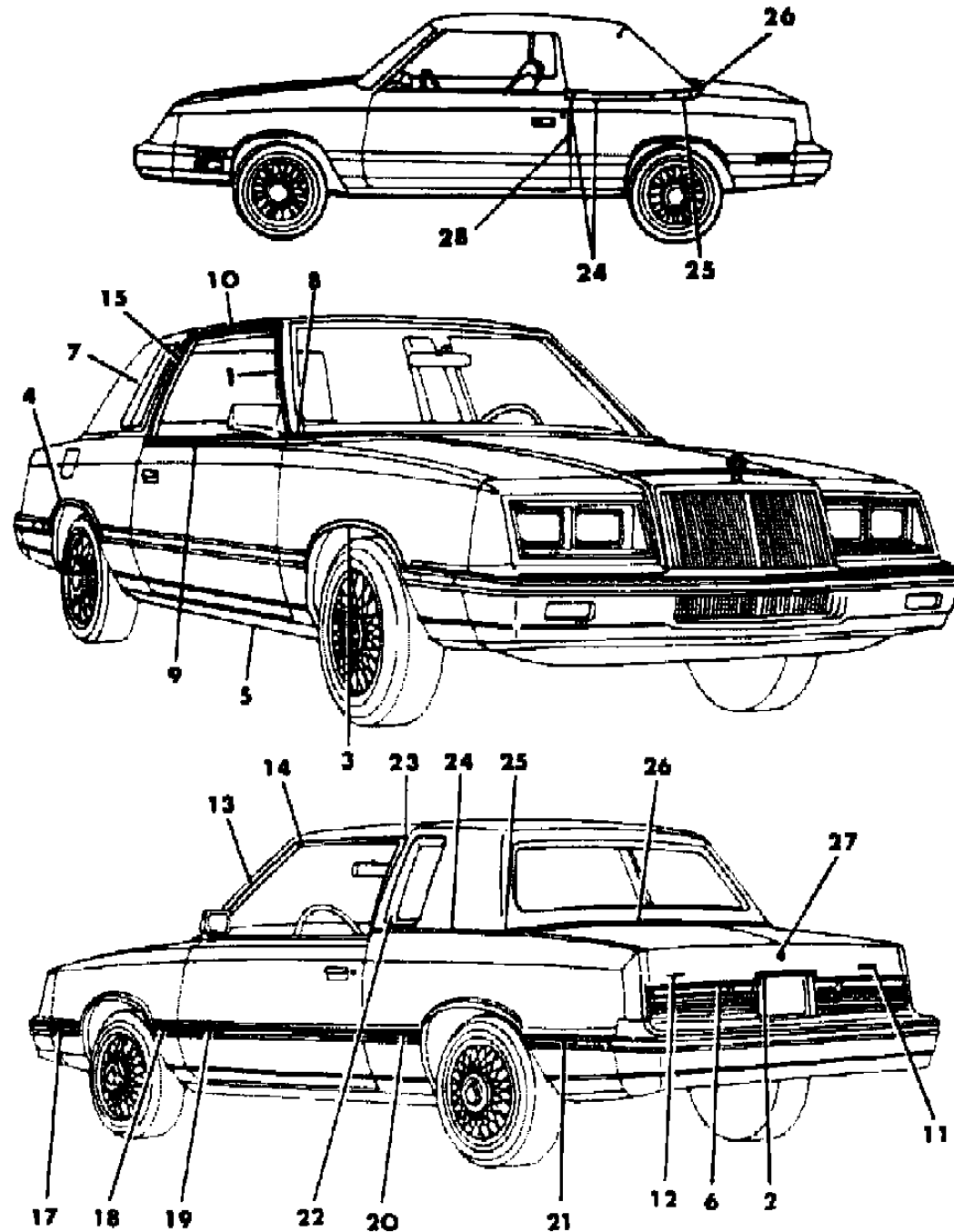
BODY STYLES

21 = 2-DOOR SEDAN	28 = FWD PICKUP
22 = 2-DOOR SPECIAL COUPE	41 = 4-DOOR SEDAN
24 = 2-DOOR HATCHBACK	44 = 4-DOOR HATCHBACK
27 = 2-DOOR CONVERTIBLE	45 = 2-SEAT STATION WAGON

AR = Use as Required - = Non Illustrated Part P.A.R. = Paint as Required

EXTERIOR VIEW CHRYSLER LEBARON - C 22,27  
Figure 23-2200

2168 2200B



ITEM	PART NUMBER	QTY	BODY	MODEL	DESCRIPTION
	4267 956-7	1		22	Mahogany
	4267 958-9	1		22	Dark Tan
	4267 960-1	1		22	Red
	4267 962-3	1		22	Med. Cashmere
	4267 964-5	1		22	Med. Tan
	4267 966-7	1		22	White
	4267 968-9	1		22	Black
	4097 514-5	1		27	MOULDING,Qtr. Belt Reveal
	4305 101	1		27	SNAP PKG.,Belt Mldg.
	4097 776-7	1		27	MOULDING,"B" Pillar End Cap
	6003 819	AR			RETAINER
	3744 671	AR			RETAINER PKG. WELD STUD (Not Serv.)
25	X338-9 AA3	1		22	MOULDING,Qtr. Belt Rear Corner,Bright Silver
	X338-9 AC2	1		22	Light Blue
	X338-9 AC9	1		22	Night Watch Blue
	X338-9 AH9	1		22	Mahogany
	X338-9 AK7	1		22	Dark Tan
	X338-9 AM8	1		22	Red
	X338-9 AT2	1		22	Med. Cashmere
	X338-9 AT3	1		22	Med. Tan
	X338-9 AW3	1		22	White
	X338-9 AX9	1		22	Black
	4097 516-7	1		27	MOULDING,Qtr. Belt Corner Reveal
	4305 101	1		27	SNAP PKG.,Belt Mldg.
26	4267 786-7	1		22	MOULDING,Deck Opng. Upr. Pnl.,Use w/Padded Landau,Bright Silver
	4267 790-1	1		22	Light Blue
	4267 792-3	1		22	Night Watch Blue
	4267 794-5	1		22	Mahogany
	4267 796-7	1		22	Dark Tan
	4267 798-9	1		22	Red
	4267 800-1	1		22	Med. Cashmere
	4267 970-1	1		22	Med. Tan
	4267 972-3	1		22	White
	4267 974-5	1		22	Black
	3744 671	AR			RETAINER PKG.

MODEL CODES

B = GRAN FURY/CARAVELLE	P = RELIANT
C = LEBARON/TOWN & COUNTRY	S = CORDOBA
D = ARIES	V = 400
F = NEW YORKER	X = MIRADA
G = DIPLOMAT	Y = IMPERIAL
M = HORIZON/TC3/SCAMP	Z = OMNI/O24/RAMPAGE

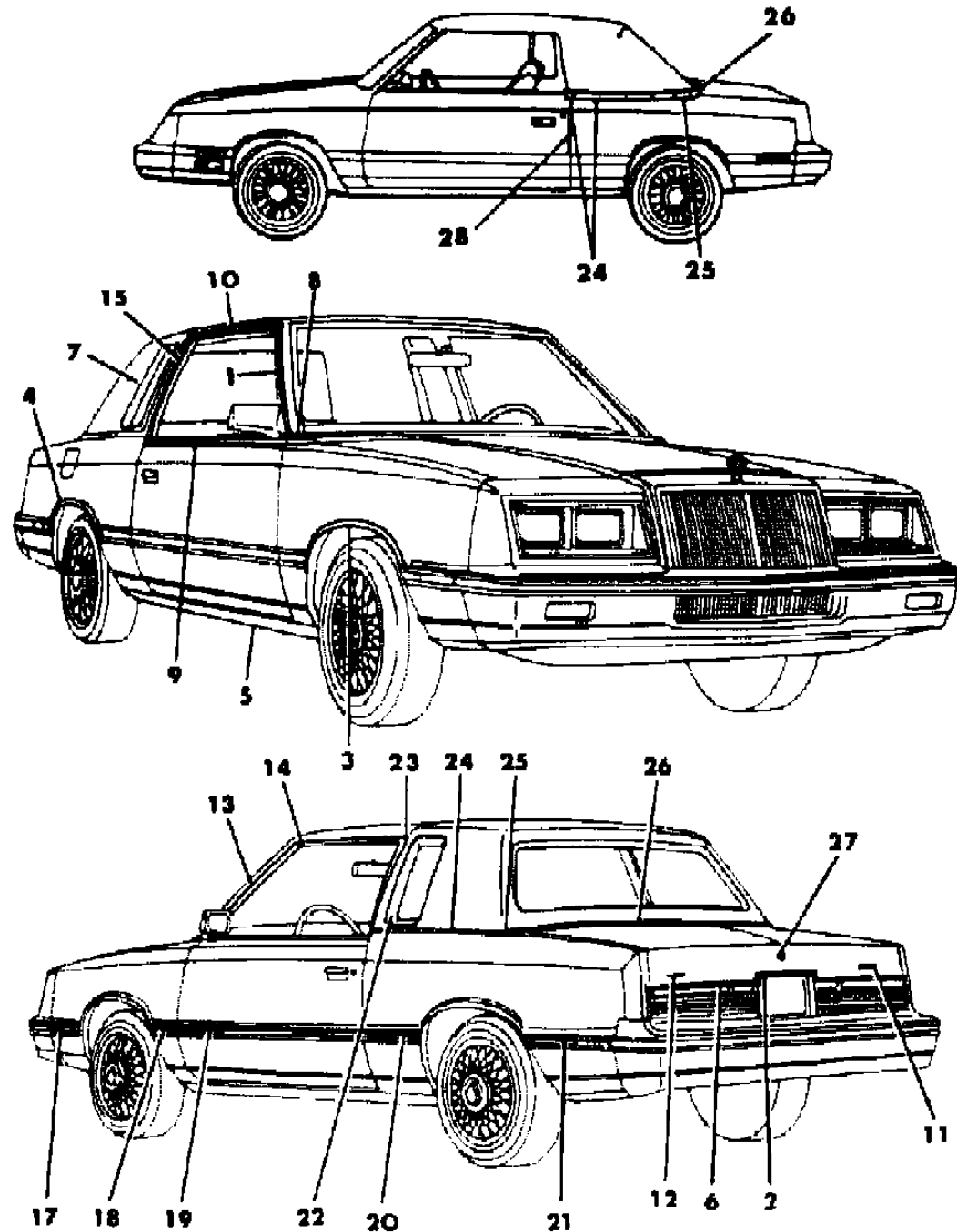
BODY STYLES

21 = 2-DOOR SEDAN	28 = FWD PICKUP
22 = 2-DOOR SPECIAL COUPE	41 = 4-DOOR SEDAN
24 = 2-DOOR HATCHBACK	44 = 4-DOOR HATCHBACK
27 = 2-DOOR CONVERTIBLE	45 = 2-SEAT STATION WAGON

AR = Use as Required - = Non Illustrated Part P.A.R. = Paint as Required

EXTERIOR VIEW CHRYSLER LEBARON - C 22,27  
Figure 23-2200

2168 2200B



ITEM	PART NUMBER	QTY	BODY	MODEL	DESCRIPTION
					SCREW (Not Serv.)
	4097 519	1		27	MOULDING,Deck Opng. Upr. Pnl. Rear Reveal
	4305 101	1		27	SNAP PKG.,Belt Mldg.
27	X590 AA3	1		22,27	MEDALLION,Deck Lid Lock Cyl.,Bright Silver
	X590 AA9	1		22,27	Dark Silver
	X590 AH9	1		22,27	Mahogany
	X590 AM8	1		22,27	Red
	X590 AT3	1		22,27	Med. Tan
	X590 AT4	1		22,27	Natural Suede Tan
	X590 AW3	1		22,27	White
	X590 AX9	1		22,27	Black
					NOTE: The Colored Medallion Used is Determined by the Exterior Paint of Car an offsetting order for part no. 3747881
					RIVET (Not Serv.)
28	4097 774	2		27	MOULDING,Door Edge,Use After 4-5-82

MODEL CODES

B = GRAN FURY/CARAVELLE	P = RELIANT
C = LEBARON/TOWN & COUNTRY	S = CORDOBA
D = ARIES	V = 400
F = NEW YORKER	X = MIRADA
G = DIPLOMAT	Y = IMPERIAL
M = HORIZON/TC3/SCAMP	Z = OMNI/O24/RAMPAGE

BODY STYLES

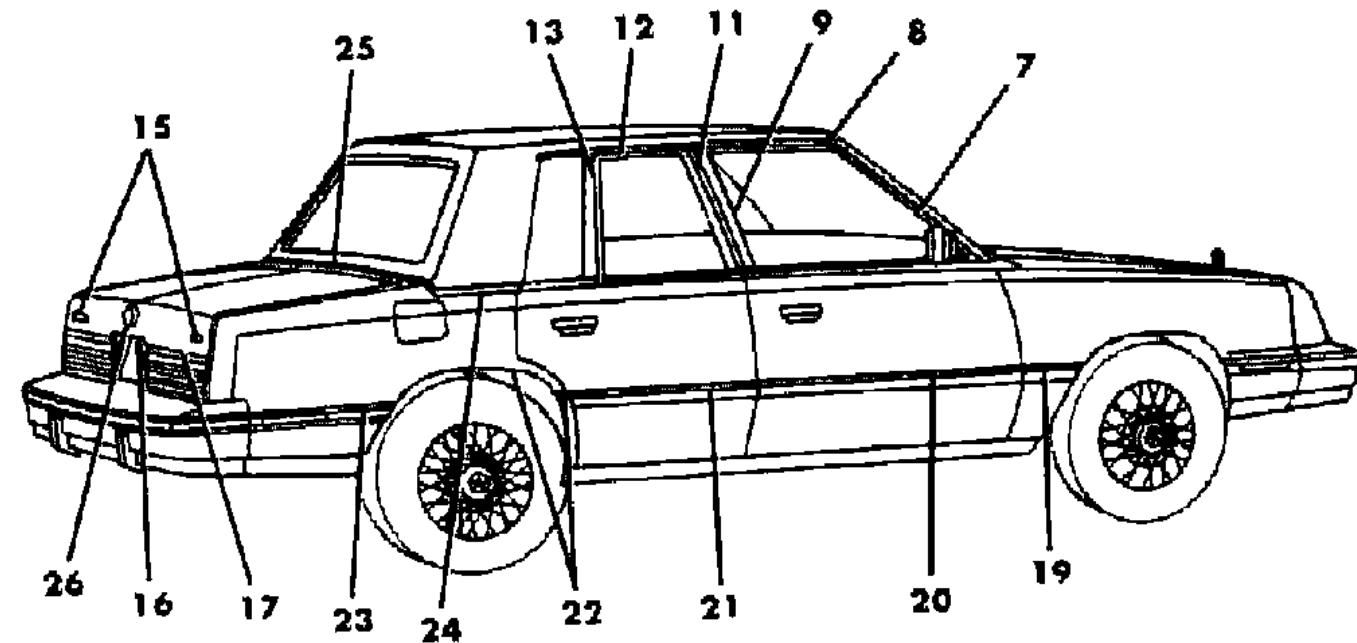
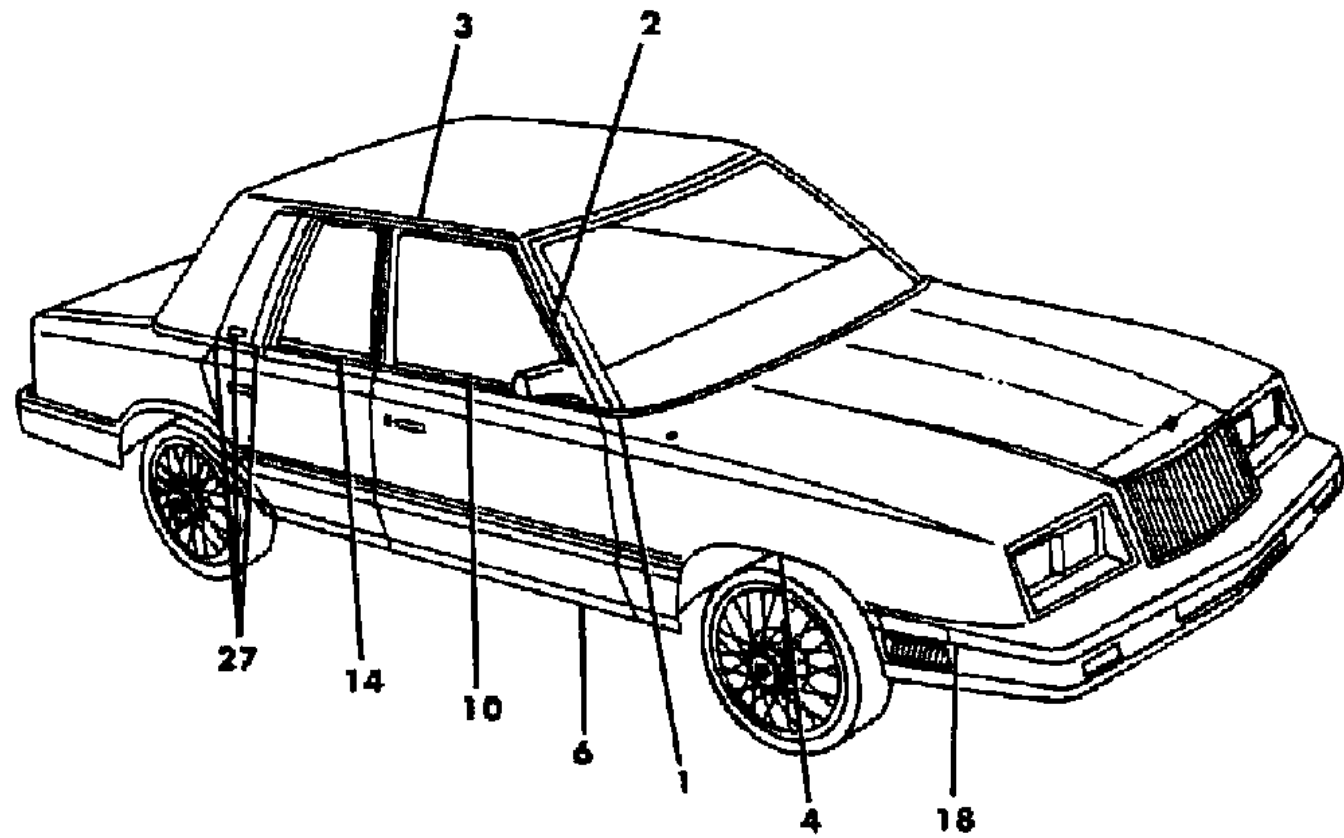
21 = 2-DOOR SEDAN	28 = FWD PICKUP
22 = 2-DOOR SPECIAL COUPE	41 = 4-DOOR SEDAN
24 = 2-DOOR HATCHBACK	44 = 4-DOOR HATCHBACK
27 = 2-DOOR CONVERTIBLE	45 = 2-SEAT STATION WAGON

AR = Use as Required - = Non Illustrated Part P.A.R. = Paint as Required



EXTERIOR VIEW CHRYSLER LEBARON 4 DOOR - C  
Figure 23-2300

1168 2300A



ITEM	PART NUMBER	QTY	BODY	MODEL	DESCRIPTION
1	4229 280-1	1			MOULDING,Fndr. Rear Edge Belt
2	4175 580-1	1			MOULDING,Body Frt. Pillar Drain Trough,Use w/o Spec. Sound Insul.,C15 Pkg.
	4229 762-3	1			MOULDING and SEAL,Body Frt. Pillar Drain Trough,Use w/o Spec. Sound Insul.,C15 Pkg.
	4276 416-7	1			MOULDING,Body Frt. Pillar Drain Trough,Use w/Spec. Sound Insul.,C15 Pkg.
	4229 766-7	1			MOULDING and SEAL,Body Frt. Pillar Drain Trough,Use w/ Spec. Sound Insul.,C15 Pkg.
	4276 090-1	1			SEAL,Body Frt. Pillar Drain Trough Mldg.,Outer,Use w/or w/o Spec. Sound Insul.,C15 Pkg.
	4229 764-5	1			SEAL,Body Frt. Pillar Drain Trough Mldg.,Inner,Use w/Spec. Sound Insul.,C15 Pkg.
3	4229 680-1	1			SCREW (Not Serv.) MOULDING,Roof Side Drain Trough Frt.,Use w/o Padded Full Vinyl Roof
	X322-3 AW3	1			MOULDING,Roof Side Drain Trough,Use w/Padded Full Vinyl Roof (Paint as Req.)
4	4175 756-7	1			ADHESIVE (Not Serv.)
					MOULDING,Fndr. Wheel Opng. SCREW (Not Serv.)
6	4205 652-3	1			MOULDING,Body Side Sill
					SCREW (Not Serv.)
7	4276 062-3	1			MOULDING,Frnt. Door Wdo. Opng. Frame,Frnt.
8	4276 064-5	1			MOULDING,Frnt. Door Wdo. Opng. Frame,Upr.
9	4276 066-7	1			MOULDING,Frnt. Door Wdo. Opng. Frame,Rear
10	4205 644	1			MOULDING,Frnt. Door Belt,Rt.,Use w/Mirror
	4205 645	1			MOULDING,Frnt. Door Belt,Lt.
	6003 627	AR			RETAINER
11	4276 068-9	1			MOULDING,Rear Door Wdo. Opng. Frame,Frnt.
12	4276 236-7	1			MOULDING,Rear Door Wdo. Opng. Frame,Upr.,Use w/Padded Full Vinyl Roof
	4276 220-1	1			MOULDING,Rear Door Wdo. Opng. Frame,Upr.,Use w/o Padded Full Vinyl Roof
13	4276 224-5	1			MOULDING,Rear Door Wdo. Opng. Frame,Rear,Use w/o Padded Full Vinyl Roof
14	4267 980-1	1			MOULDING,Rear Door Belt,Use w/Padded Full Vinyl Roof

MODEL CODES

B = GRAN FURY/CARAVELLE	P = RELIANT
C = LEBARON/TOWN & COUNTRY	S = CORDOBA
D = ARIES	V = 400
F = NEW YORKER	X = MIRADA
G = DIPLOMAT	Y = IMPERIAL
M = HORIZON/TC3/SCAMP	Z = OMNI/O24/RAMPAGE

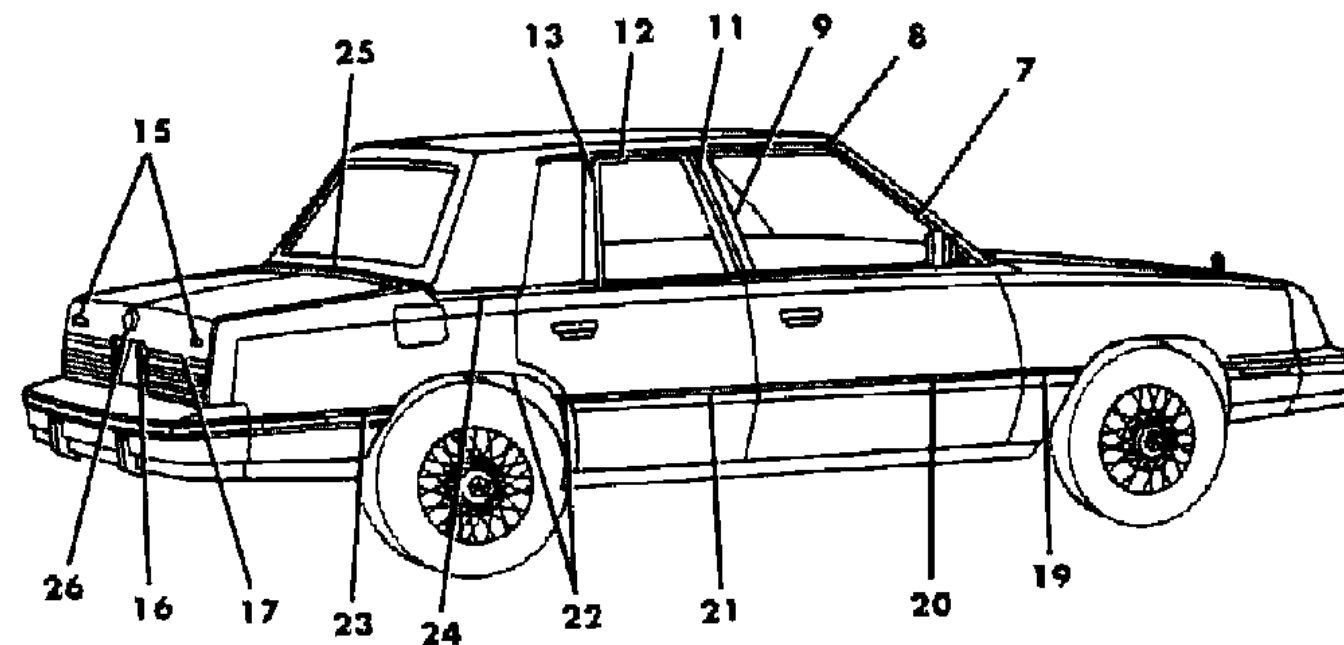
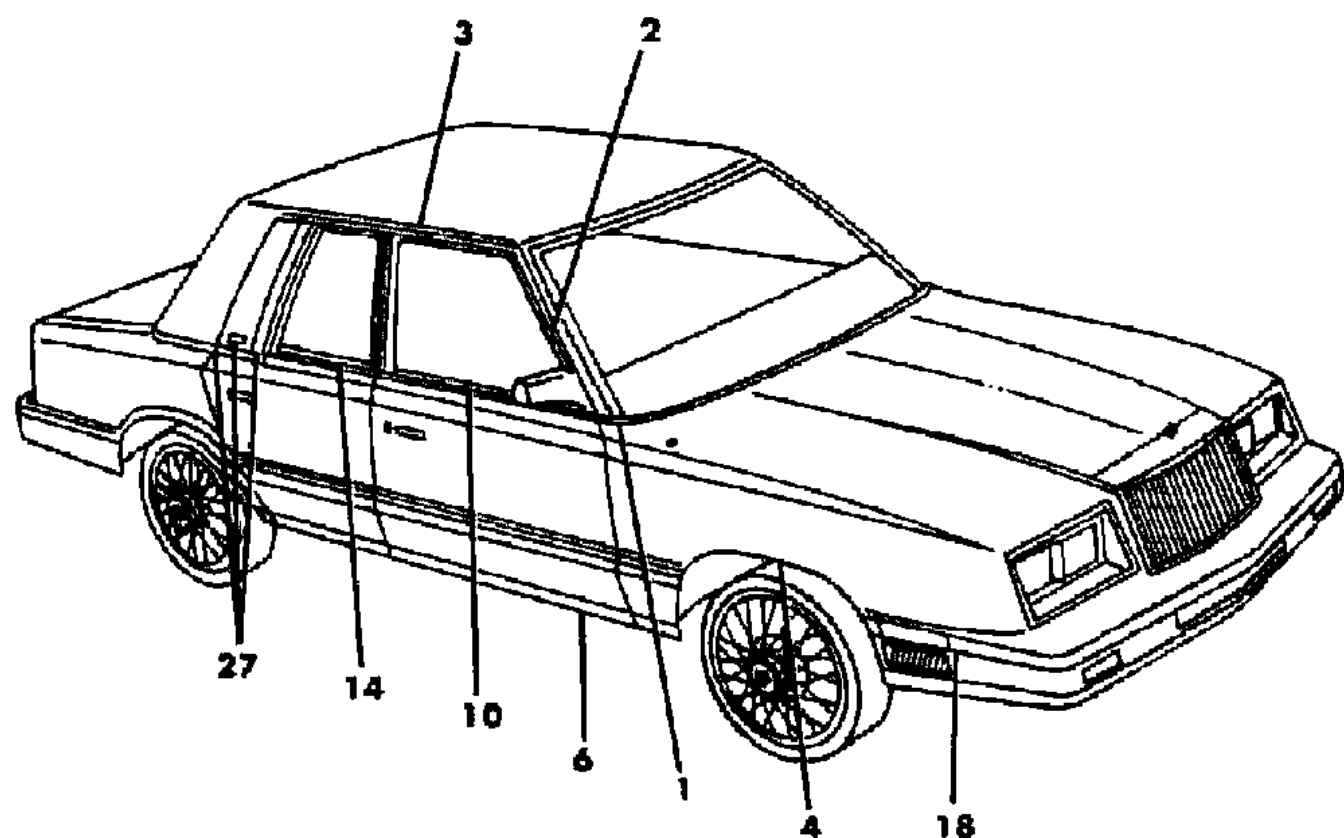
BODY STYLES

21 = 2-DOOR SEDAN	28 = FWD PICKUP
22 = 2-DOOR SPECIAL COUPE	41 = 4-DOOR SEDAN
24 = 2-DOOR HATCHBACK	44 = 4-DOOR HATCHBACK
27 = 2-DOOR CONVERTIBLE	45 = 2-SEAT STATION WAGON

AR = Use as Required - = Non Illustrated Part P.A.R. = Paint as Required

EXTERIOR VIEW CHRYSLER LEBARON 4 DOOR - C  
Figure 23-2300

1168 2300A



ITEM	PART NUMBER	QTY	BODY	MODEL	DESCRIPTION
	4205 648-9	1			MOULDING,Rear Door Belt,Use w/o Padded Full Vinyl Roof
	6003 627	AR			RETAINER
15	4229 781	1			NAMEPLATE,Deck Lid,"LEBARON"
	4229 782	1			NAMEPLATE,Deck Lid,"CHRYSLER"
16	4175 694	1			MOULDING,Deck Lid Lwr. Center
	6028 674	AR			SCREW
17	4175 894-5	1			MOULDING,Deck Lid Lwr.,Side
	6028 674	AR			SCREW
18	4267 824-5	1			MOULDING,Fndr. Frt.,Bright Silver
	4267 828-9	1			Light Blue
	4267 830-1	1			Night Watch Blue
	4267 832-3	1			Mahogany
	4267 834-5	1			Dark Tan
	4267 836-7	1			Red
	4267 838-9	1			Med. Cashmere
	4267 840-1	1			Med. Tan
	4267 842-3	1			White
	4267 844-5	1			Black
	4057 569	AR			RETAINER PKG.
	4057 555	AR			RETAINER PKG.
					NUT (Not Serv.)
19	4240 952-3	1			MOULDING,Fndr. Rear,Bright Silver
	4240 954-5	1			Light Blue
	4240 960-1	1			Med. Tan
	4240 962-3	1			White
	4240 964-5	1			Black
	4267 746-7	1			Night Watch Blue
	4267 748-9	1			Mahogany
	4267 750-1	1			Dark Tan
	4267 752-3	1			Red
	4267 754-5	1			Med. Cashmere
	4205 636	AR			RETAINER PKG.
					SCREW (Not Serv.)
20	4240 820-1	1			MOULDING,Frnt. Door,Bright Silver
	4240 822-3	1			Light Blue
	4240 828-9	1			Med. Tan
	4240 830-1	1			White

MODEL CODES

B = GRAN FURY/CARAVELLE	P = RELIANT
C = LEBARON/TOWN & COUNTRY	S = CORDOBA
D = ARIES	V = 400
F = NEW YORKER	X = MIRADA
G = DIPLOMAT	Y = IMPERIAL
M = HORIZON/TC3/SCAMP	Z = OMNI/O24/RAMPAGE

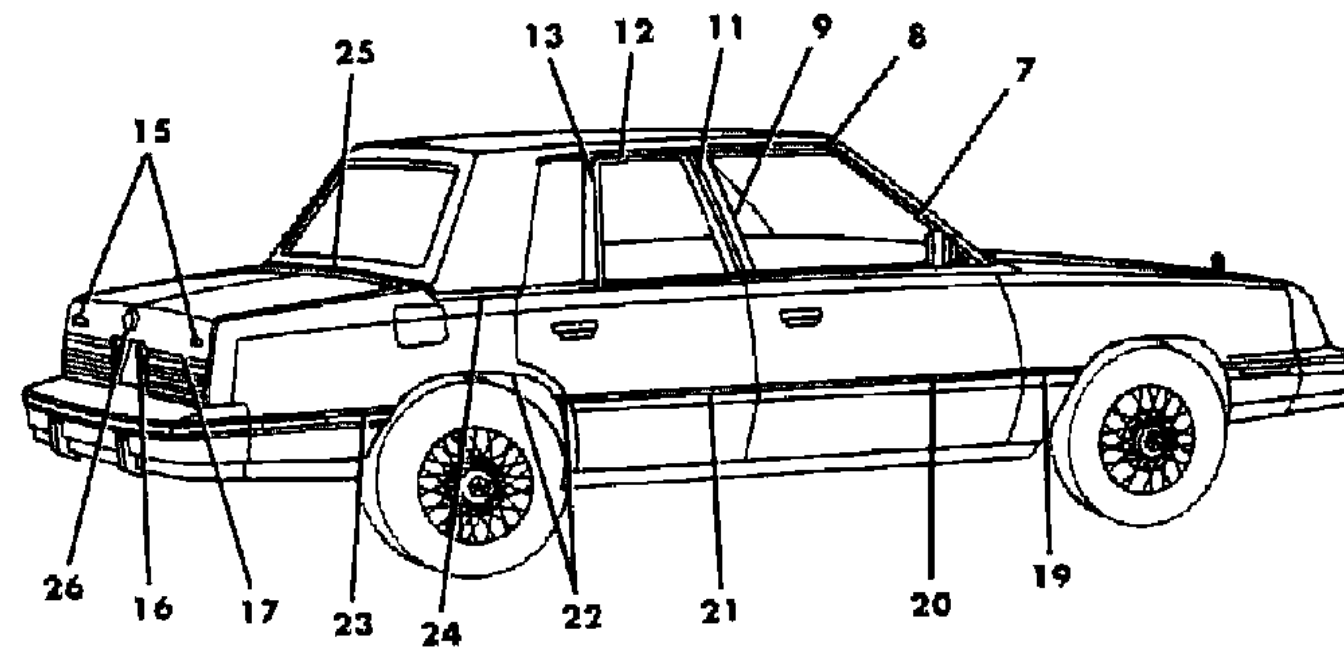
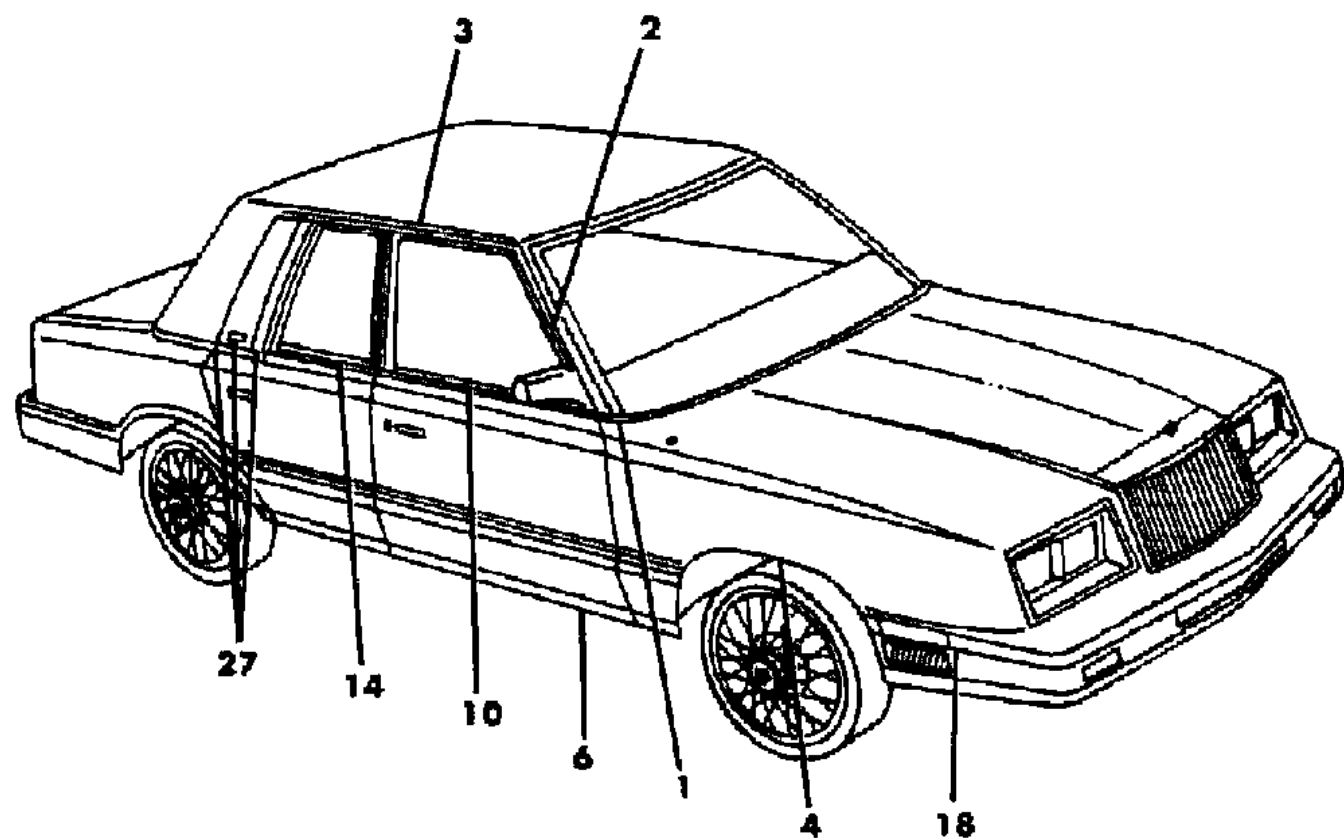
BODY STYLES

21 = 2-DOOR SEDAN	28 = FWD PICKUP
22 = 2-DOOR SPECIAL COUPE	41 = 4-DOOR SEDAN
24 = 2-DOOR HATCHBACK	44 = 4-DOOR HATCHBACK
27 = 2-DOOR CONVERTIBLE	45 = 2-SEAT STATION WAGON

AR = Use as Required - = Non Illustrated Part P.A.R. = Paint as Required

EXTERIOR VIEW CHRYSLER LEBARON 4 DOOR - C  
Figure 23-2300

1168 2300A



ITEM	PART NUMBER	QTY	BODY	MODEL	DESCRIPTION
	4240 832-3	1			Black
	4267 722-3	1			Night Watch Blue
	4267 724-5	1			Mahogany
	4267 726-7	1			Dark Tan
	4267 728-9	1			Red
	4267 730-1	1			Med. Cashmere
	4205 636	AR			RETAINER PKG.
	4057 555	AR			RETAINER PKG.
21	4240 836-7	1			MOULDING and RET.,Rear Door,Bright Silver
	4240 838-9	1			Light Blue
	4240 844-5	1			Med. Tan
	4240 846-7	1			White
	4240 848-9	1			Black
	4271 654-5	1			Night Watch Blue
	4271 656-7	1			Mahogany
	4271 658-9	1			Dark Tan
	4271 660-1	1			Red
	4267 768-9	1			Med. Cashmere
	4205 636	AR			RETAINER PKG.
	4057 555	AR			RETAINER PKG.
22	X224-5 VA3	1			MOULDING,Qtr. Frt. and W/Opng.,Bright Silver
	X224-5 VC2	1			Light Blue
	X224-5 VT3	1			Med. Tan
	X224-5 VW3	1			White
	X224-5 VX9	1			Black
	X224-5 AC9	1			Night Watch Blue
	X224-5 AH9	1			Mahogany
	X224-5 AK7	1			Dark Tan
	X224-5 AM8	1			Red
	X224-5 AT2	1			Med. Cashmere
	4205 636	AR			RETAINER PKG. SCREW (Not Serv.)
23	4267 802-3	1			MOULDING,Qtr.,Rear,Bright Silver
	4267 806-7	1			Light Blue
	4267 808-9	1			Night Watch Blue
	4267 810-1	1			Mahogany
	4267 812-3	1			Dark Tan

MODEL CODES

B = GRAN FURY/CARAVELLE	P = RELIANT
C = LEBARON/TOWN & COUNTRY	S = CORDOBA
D = ARIES	V = 400
F = NEW YORKER	X = MIRADA
G = DIPLOMAT	Y = IMPERIAL
M = HORIZON/TC3/SCAMP	Z = OMNI/O24/RAMPAGE

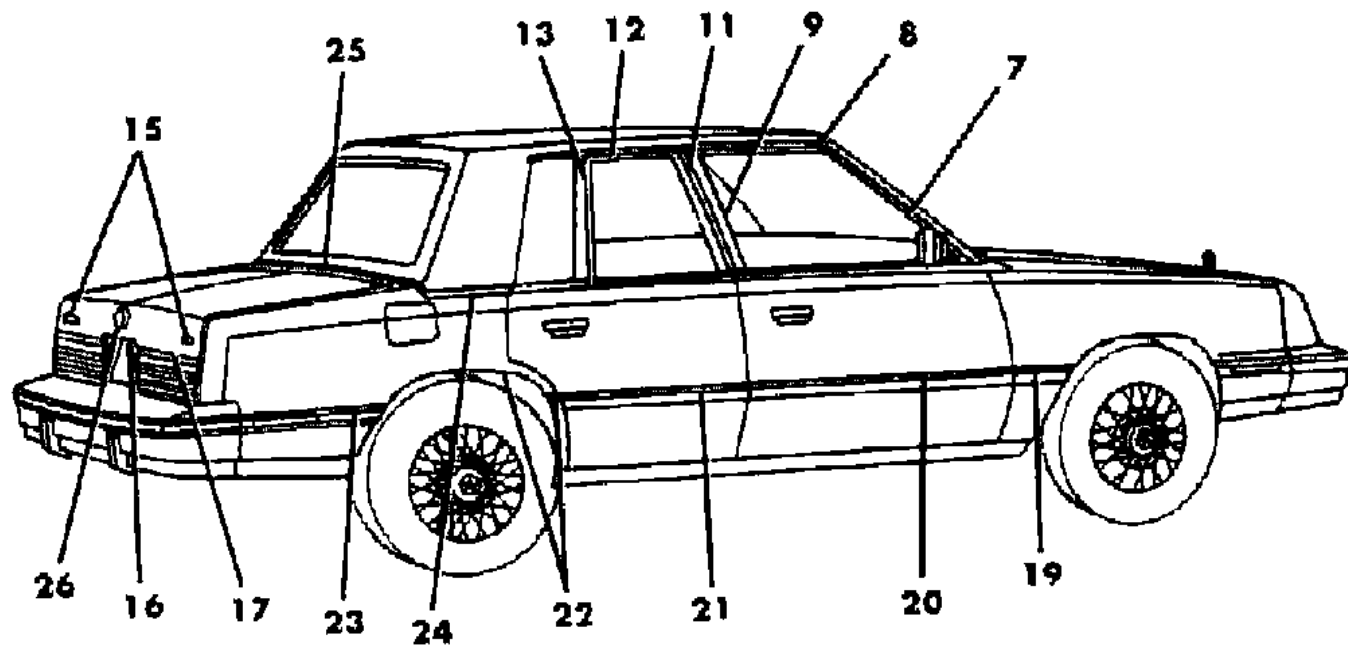
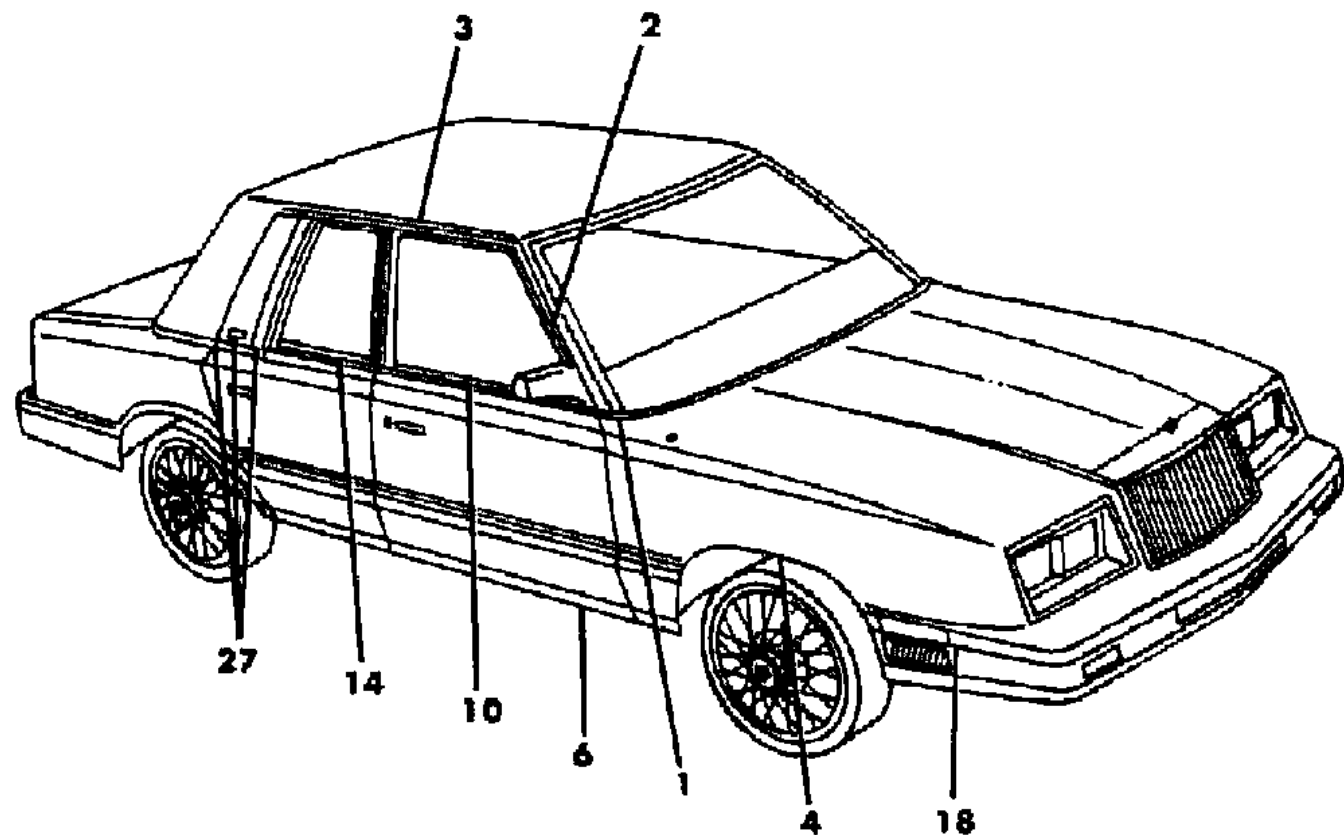
BODY STYLES

21 = 2-DOOR SEDAN	28 = FWD PICKUP
22 = 2-DOOR SPECIAL COUPE	41 = 4-DOOR SEDAN
24 = 2-DOOR HATCHBACK	44 = 4-DOOR HATCHBACK
27 = 2-DOOR CONVERTIBLE	45 = 2-SEAT STATION WAGON

AR = Use as Required - = Non Illustrated Part P.A.R. = Paint as Required

EXTERIOR VIEW CHRYSLER LEBARON 4 DOOR - C  
Figure 23-2300

1168 2300A



ITEM	PART NUMBER	QTY	BODY	MODEL	DESCRIPTION
	4267 814-5	1			Red
	4267 816-7	1			Med. Cashmere
	4267 818-9	1			Med. Tan
	4267 820-1	1			White
	4267 822-3	1			Black
	4057 569	AR			RETAINER PKG. NUT (Not Serv.) SCREW (Not Serv.)
24	4267 982-3	1			MOULDING,Qtr. Belt,Use on Padded Full Vinyl Roof,Bright Silver
	4267 984-5	1			Light Blue
	4267 986-7	1			Night Watch Blue
	4267 988-9	1			Mahogany
	4267 990-1	1			Dark Tan
	4267 992-3	1			Red
	4267 994-5	1			Med. Cashmere
	4267 996-7	1			Med. Tan
	4267 998-9	1			White
	4267 912-3	1			Black WELD STUD (Not Serv.) RETAINER (Not Serv.)
25	4267 978-9	1			MOULDING,Deck Opng. Upr. Pnl.,Use on Padded Full Vinyl Roof (Paint as Req.)
	3744 671	1			RETAINER PKG. SCREW (Not Serv.)
26	X590 AA3	1			MEDALLION,Deck Lid Lock Cyl.,Bright Silver
	X590 AA9	1			Dark Silver
	X590 AH9	1			Mahogany
	X590 AM8	1			Red
	X590 AT3	1			Med. Tan
	X590 AT4	1			Natural Suede Tan
	X590 AW3	1			White
	X590 AX9	1			Black
NOTE: The Colored Medallion Used is Determined by the Exterior Paint of Car an offsetting order for part no. 3747881					
27					RIVET (Not Serv.) See Interior Trim Illustration

MODEL CODES

B = GRAN FURY/CARAVELLE	P = RELIANT
C = LEBARON/TOWN & COUNTRY	S = CORDOBA
D = ARIES	V = 400
F = NEW YORKER	X = MIRADA
G = DIPLOMAT	Y = IMPERIAL
M = HORIZON/TC3/SCAMP	Z = OMNI/O24/RAMPAGE

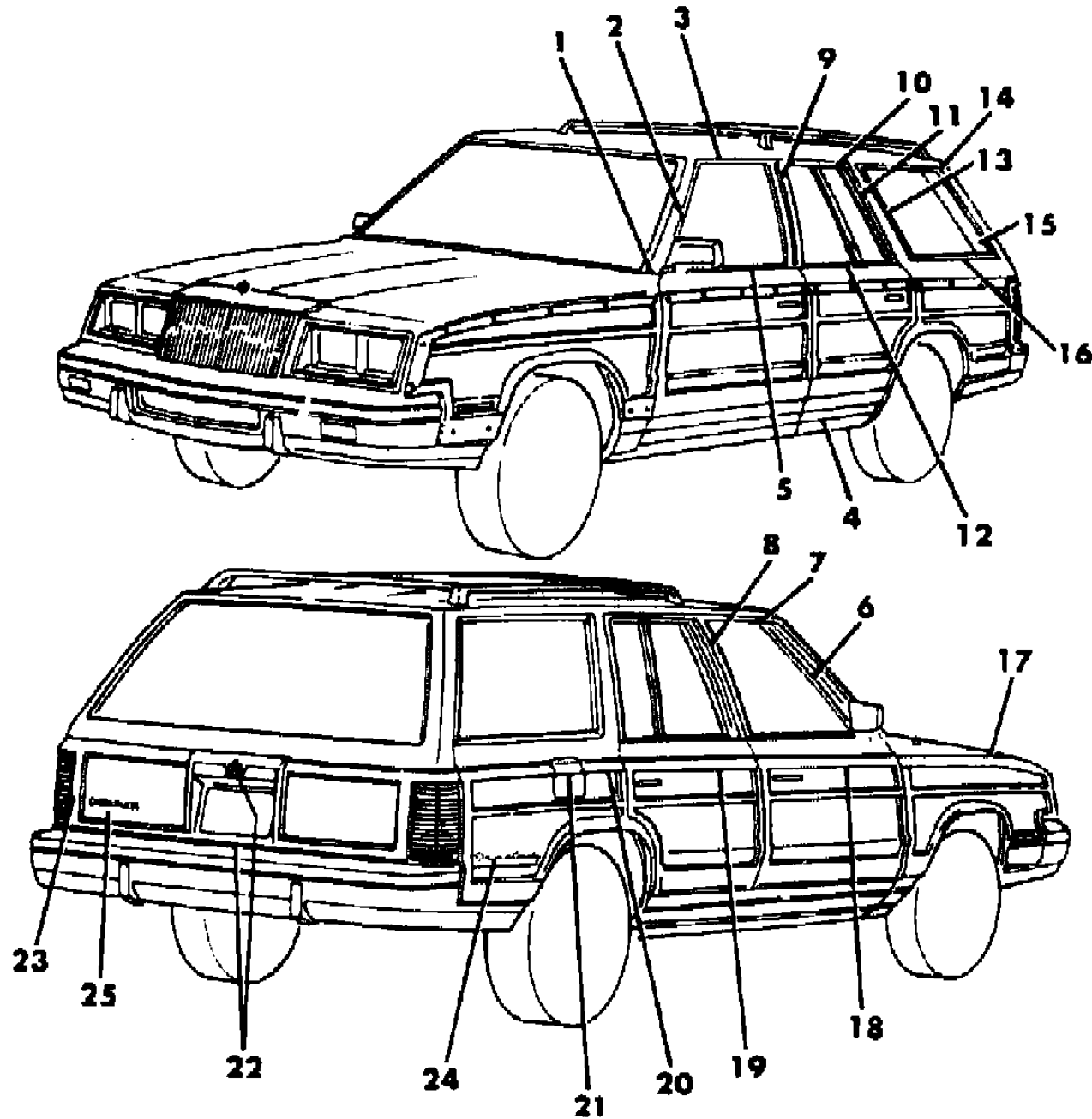
BODY STYLES

21 = 2-DOOR SEDAN	28 = FWD PICKUP
22 = 2-DOOR SPECIAL COUPE	41 = 4-DOOR SEDAN
24 = 2-DOOR HATCHBACK	44 = 4-DOOR HATCHBACK
27 = 2-DOOR CONVERTIBLE	45 = 2-SEAT STATION WAGON

AR = Use as Required - = Non Illustrated Part P.A.R. = Paint as Required

EXTERIOR VIEW CHRYSLER TOWN AND COUNTRY - C  
Figure 23-2400

2168 2400B



ITEM	PART NUMBER	QTY	BODY	MODEL	DESCRIPTION
1	4229 280-1	1			MOULDING,Fndr. Rear Edge Belt
2	4175 580-1	1			MOULDING,Body Frt. Pillar Drain Trough,Use w/o Spec. Sound Insul.,C15 Pkg.
	4229 762-3	1			MOULDING and SEAL,Body Frt. Pillar Drain Trough,Use w/o Spec. Sound Insul.,C15 Pkg.
	4276 416-7	1			MOULDING,Body Frt. Pillar Drain Trough,Use w/Spec. Sound Insul.,C15 Pkg.
	4229 766-7	1			MOULDING and SEAL,Body Frt. Pillar Drain Trough,Use w/ Spec. Sound Insul.,C15 Pkg.
	4276 090-1	1			SEAL,Body Frt. Pillar Drain Trough Mldg.,Outer,Use w/or w/o Spec. Sound Insul.,C15 Pkg.
	4229 764-5	1			SEAL,Body Frt. Pillar Drain Trough Mldg.,Inner,Use w/Spec. Sound Insul.,C15 Pkg.
3	4229 972-3	1			SCREW (Not Serv.) MOULDING,Roof Side Drain Trough
4	4205 652-3	1			MOULDING,Body Side Sill
	6003 777	AR			RETAINER SCREW (Not Serv.)
5	4205 644	1			MOULDING,Frnt. Door Belt,Rt.,w/Mirror
	4205 645	1			MOULDING,Frnt. Door Belt,Lt.
	6003 627	AR			RETAINER
6	4276 062-3	1			MOULDING,Frnt. Door Wdo. Opng Frame,Frnt.
7	4276 064-5	1			MOULDING,Frnt. Door Wdo. Opng Frame,Upr.
8	4276 066-7	1			MOULDING,Frnt. Door Wdo. Opng Frame,Rear
9	4276 068-9	1			MOULDING,Rear Door Wdo. Opng Frame,Frnt.
10	4276 222-3	1			MOULDING,Rear Door Wdo Opng. Frame,Upr.
11	4276 226-7	1			MOULDING,Rear Door Wdo Opng. Frame,Rear
12	4205 648-9	1			MOULDING,Rear Door Belt
	6003 627	AR			RETAINER
13	4175 936-7	1			MOULDING,Qtr. Wdo.,Frnt.
	6003 731	AR			RETAINER
14	4175 938-9	1			MOULDING,Qtr. Wdo.,Upr.
	6003 409	AR			RETAINER
15	4175 940-1	1			MOULDING,Qtr. Wdo.,Rear SCREW (Not Serv.)
16	4175 942-3	1			MOULDING,Qtr. Wdo.,Lwr.

MODEL CODES

B = GRAN FURY/CARAVELLE	P = RELIANT
C = LEBARON/TOWN & COUNTRY	S = CORDOBA
D = ARIES	V = 400
F = NEW YORKER	X = MIRADA
G = DIPLOMAT	Y = IMPERIAL
M = HORIZON/TC3/SCAMP	Z = OMNI/O24/RAMPAGE

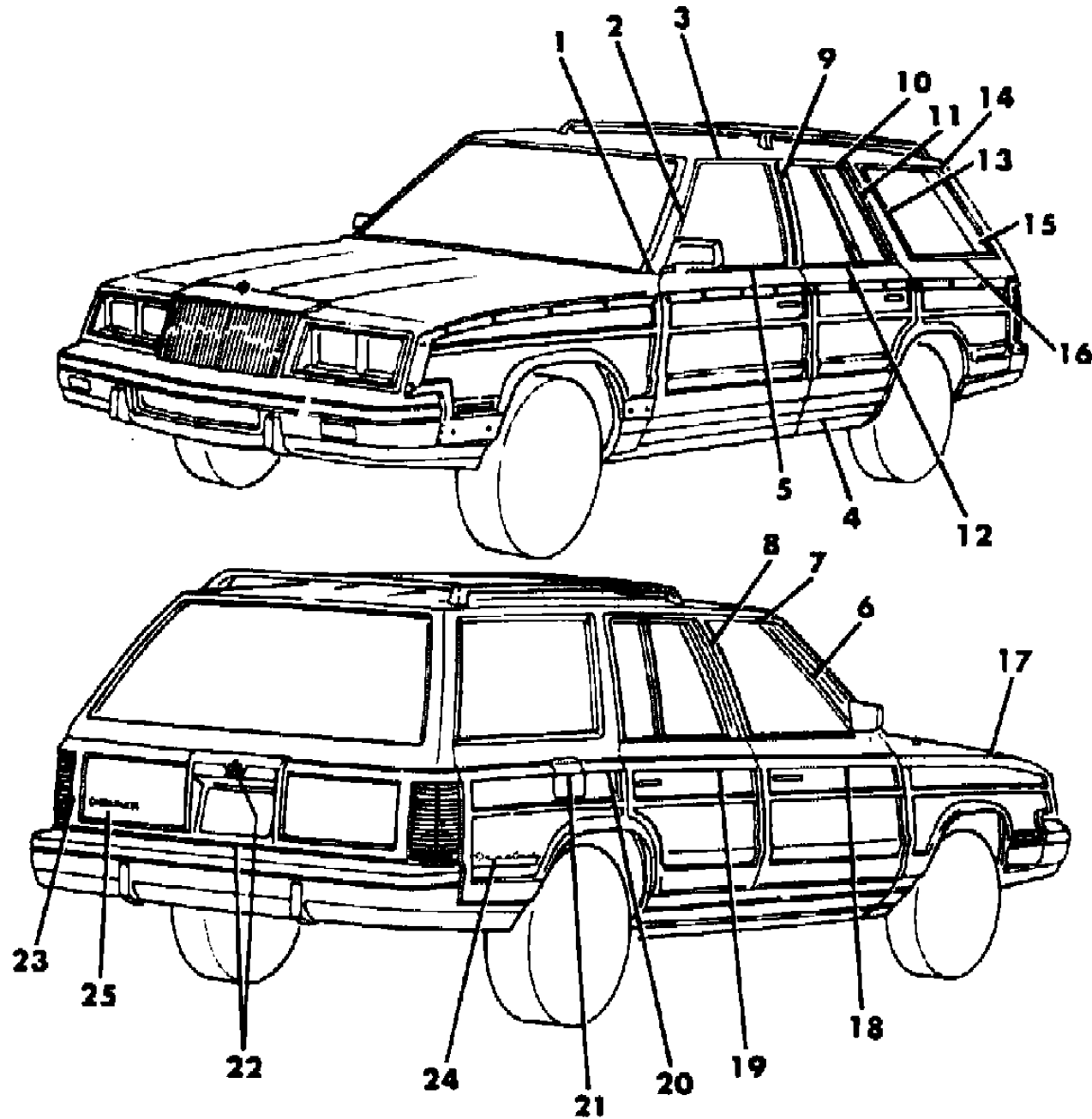
BODY STYLES

21 = 2-DOOR SEDAN	28 = FWD PICKUP
22 = 2-DOOR SPECIAL COUPE	41 = 4-DOOR SEDAN
24 = 2-DOOR HATCHBACK	44 = 4-DOOR HATCHBACK
27 = 2-DOOR CONVERTIBLE	45 = 2-SEAT STATION WAGON

AR = Use as Required - = Non Illustrated Part P.A.R. = Paint as Required

EXTERIOR VIEW CHRYSLER TOWN AND COUNTRY - C  
Figure 23-2400

2168 2400B



ITEM	PART NUMBER	QTY	BODY	MODEL	DESCRIPTION
	6003 409	AR			RETAINER
17	4276 012-3	1			MOULDING,Fndr. Side,Woodgrain
	4017 657	AR			COVER,Fndr. Side Mldg.,Attach.
	4022 878	AR			COVER,Fndr. Side Mldg.,Attach.
18	4276 016-7	1			MOULDING,Frt. Door,Woodgrain
	4017 657	AR			COVER,Frt. Door Mldg. Attach.
	4022 878	AR			COVER,Frt. Door Mldg. Attach.
19	4276 020-1	1			MOULDING,Rear Door,Woodgrain
	4017 657	AR			COVER,Rear Door Mldg.,Attach.
	4022 878	AR			COVER,Rear Door Mldg.,Attach.
20	4276 024-5	1			MOULDING,Qtr.,Woodgrain
	4017 657	AR			COVER,Qtr. Mldg.,Attach.
	4022 878	AR			COVER,Qtr. Mldg.,Attach.
21	4276 028	1			MOULDING,Qtr. Fuel Filler Door,Woodgrain
					WELD STUD (Not Serv.)
22	4276 002	1			MOULDING,L/Gate Center,Woodgrain
	4017 657	AR			COVER,L/Gate Center Mldg.,Attach.
	4022 878	AR			COVER,L/Gate Center Mldg.,Attach.
	4229 796	1			MEDALLION,L/Gate Ctr. Mldg.,Pentastar
23	4276 004-5	1			MOULDING,L/Gate Side,Woodgrain
	4017 657	AR			COVER,L/Gate Side Mldg.,Attach.
24	4276 328	2			NAMEPLATE,Qtr.,"Town and Country"
25	4229 782	1			NAMEPLATE,L/Gate,"Chrysler"

MODEL CODES

B = GRAN FURY/CARAVELLE	P = RELIANT
C = LEBARON/TOWN & COUNTRY	S = CORDOBA
D = ARIES	V = 400
F = NEW YORKER	X = MIRADA
G = DIPLOMAT	Y = IMPERIAL
M = HORIZON/TC3/SCAMP	Z = OMNI/O24/RAMPAGE

BODY STYLES

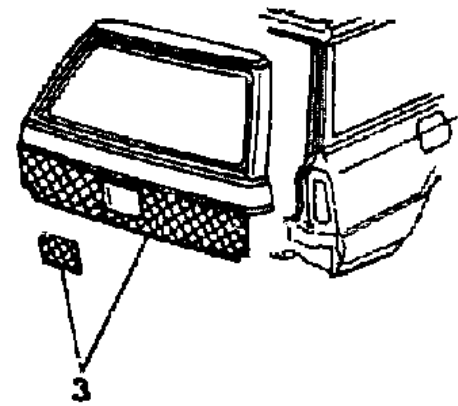
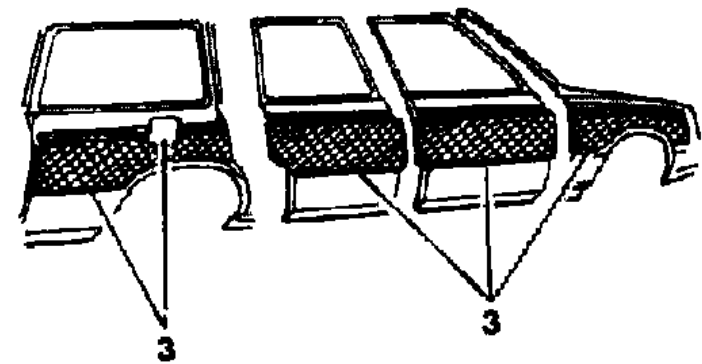
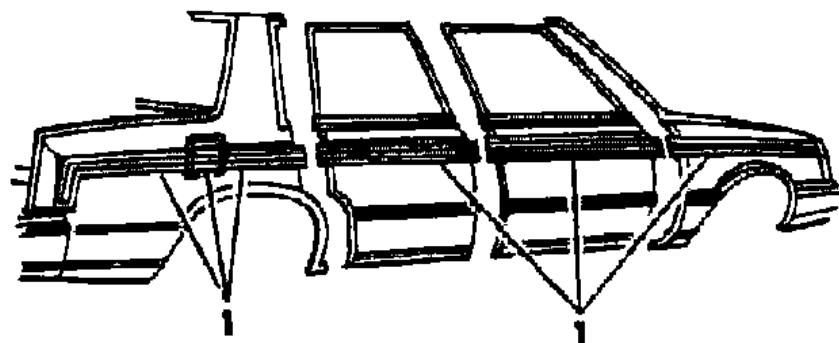
21 = 2-DOOR SEDAN	28 = FWD PICKUP
22 = 2-DOOR SPECIAL COUPE	41 = 4-DOOR SEDAN
24 = 2-DOOR HATCHBACK	44 = 4-DOOR HATCHBACK
27 = 2-DOOR CONVERTIBLE	45 = 2-SEAT STATION WAGON

AR = Use as Required - = Non Illustrated Part P.A.R. = Paint as Required

EXTERIOR VIEW - TAPE STRIPES CHRYSLER - C  
Figure 23-2500

2168 2500A

ITEM	PART NUMBER	QTY	BODY	MODEL	DESCRIPTION	
1	4271 602-3	1		22,27	TAPE SET,Fndr.,Door,Qtr.,Silver (K3A)	
	4271 604-5	1		22,27	Blue (K3B)	
	4271 606-7	1		22,27	Red (K3E)	
	4271 608-9	1		22,27	Light Auburn (K3H)	
	4271 610-1	1		22,27	Orange (K3K)	
	4271 612-3	1		22,27	Cashmere (K3T)	
	4271 614-5	1		22,27	White (K3W)	
	4271 616-7	1		22,27	Gold (K3Y)	
	4271 738-9	1		22,27	Med. Tan (K3L)	
		4271 600-1	1		41	TAPE SET,Fndr.,Door,Qtr.,Gold (K3Y)
4271 596-7		1		41	Cashmere (K3T)	
4271 588-9		1		41	Blue (K3B)	
4271 598-9		1		41	White (K3W)	
4271 586-7		1		41	Silver (K3A)	
4271 590-1		1		41	Red (K3E)	
4271 592-3		1		41	Light Auburn (K3H)	
4271 594-5		1		41	Orange (K3K)	
		4276 103	1		45	OVERLAY,Fndr.,Door,Qtr.,Filler Door,L/Gate,L/Gate Lic. Plate Depr.



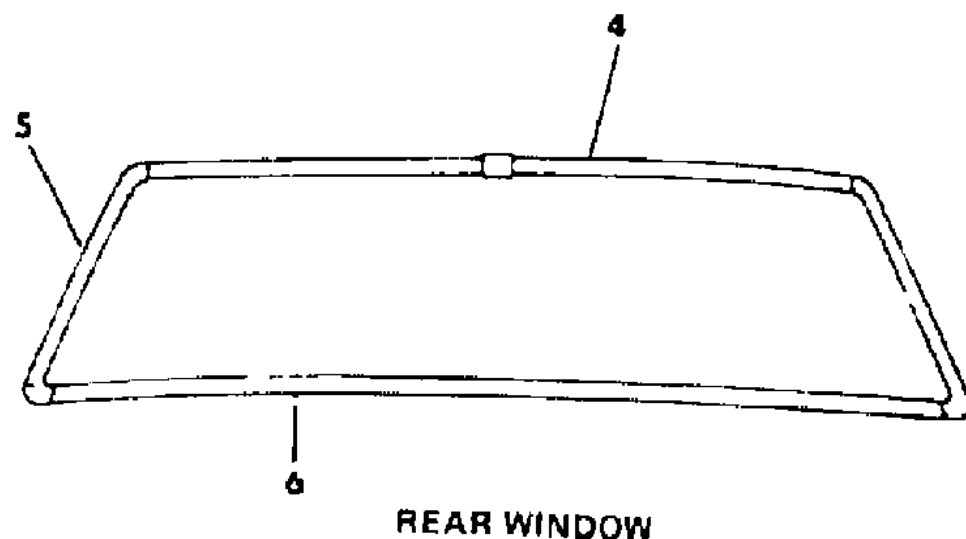
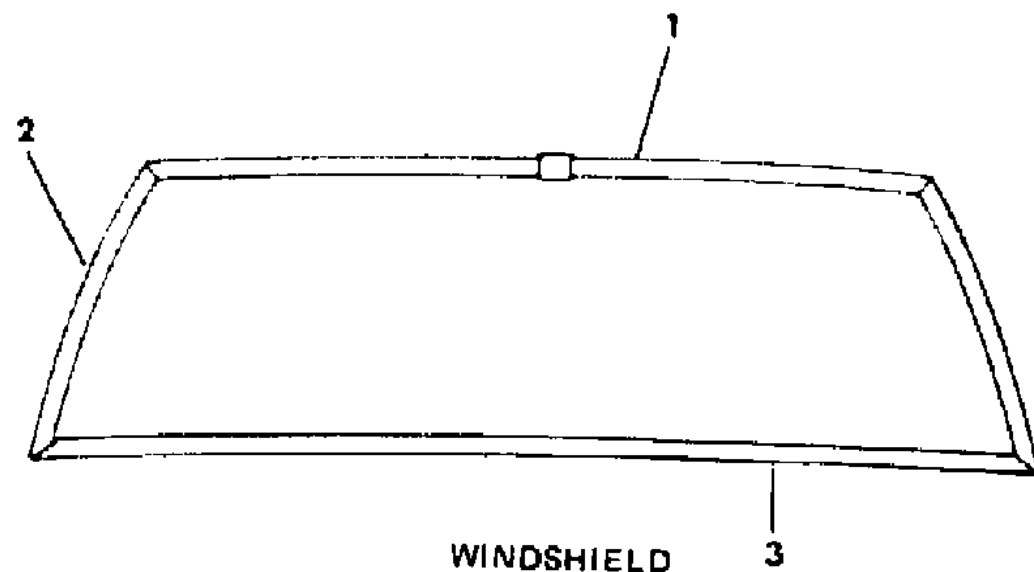
MODEL CODES  
 B = GRAN FURY/CARAVELLE      P = RELIANT  
 C = LEBARON/TOWN & COUNTRY    S = CORDOBA  
 D = ARIES                            V = 400  
 F = NEW YORKER                    X = MIRADA  
 G = DIPLOMAT                       Y = IMPERIAL  
 M = HORIZON/TC3/SCAMP        Z = OMNI/O24/RAMPAGE

BODY STYLES  
 21 = 2-DOOR SEDAN                28 = FWD PICKUP  
 22 = 2-DOOR SPECIAL COUPE    41 = 4-DOOR SEDAN  
 24 = 2-DOOR HATCHBACK        44 = 4-DOOR HATCHBACK  
 27 = 2-DOOR CONVERTIBLE      45 = 2-SEAT STATION WAGON

AR = Use as Required - = Non Illustrated Part P.A.R. = Paint as Required

**MOULDINGS,WINDSHIELD AND REAR WDO. OUTSIDE B,F,G**  
**Figure 23-2600**

2168 2600



ITEM	PART NUMBER	QTY	BODY	MODEL	DESCRIPTION
1	4022 712-3	1			MOULDING,W/Shield,Upr.
	6003 409	AR			RETAINER,Upr.
	6003 756	AR			RETAINER and SCREW,Upr.
	6003 753	AR			RETAINER,Upr. WELD NUT (Not Serv.)
2	4022 714-5	1			MOULDING,W/Shield,Side
	6003 409	AR			RETAINER,Side
	6003 756	AR			RETAINER and SCREW
	6003 753	AR			RETAINER WELD STUD (Not Serv.)
3	4022 707	1			MOULDING,W/Shield,Lwr.
	4022 706	AR			SPACER,Lwr.
	6003 753	AR			RETAINER
4	4175 054-5	1			MOULDING,Rear Wdo.,Upr.,Use w/o Padded Landau,Qtr. Plug
	6003 753	AR			RETAINER
	6003 756	AR			RETAINER and SCREW
	6003 409	AR			RETAINER
5	4175 052-3	1			MOULDING,Rear Wdo.,Side,Use w/o Padded Landau,Qtr. Plug
	6003 753	AR			RETAINER
	6003 756	AR			RETAINER and SCREW
	6003 409	AR			RETAINER
6	4175 050	1			MOULDING,Rear Wdo.,Lwr.,Use w/o Padded Landau,Qtr. Plug
	6003 753	AR			RETAINER
	6003 756	AR			RETAINER and SCREW
	6003 409	AR			RETAINER

MODEL CODES

B = GRAN FURY/CARAVELLE	P = RELIANT
C = LEBARON/TOWN & COUNTRY	S = CORDOBA
D = ARIES	V = 400
F = NEW YORKER	X = MIRADA
G = DIPLOMAT	Y = IMPERIAL
M = HORIZON/TC3/SCAMP	Z = OMNI/O24/RAMPAGE

BODY STYLES

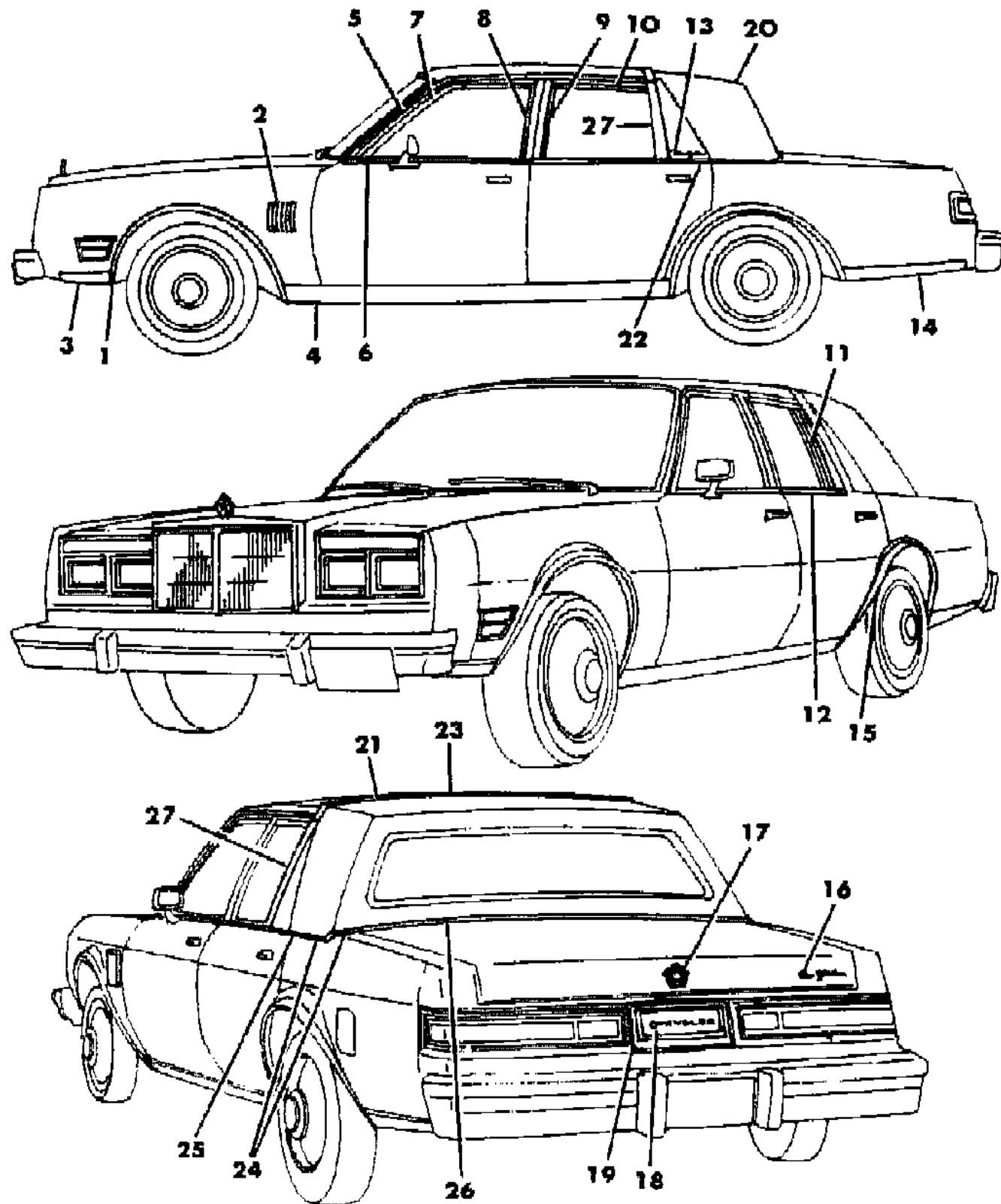
21 = 2-DOOR SEDAN	28 = FWD PICKUP
22 = 2-DOOR SPECIAL COUPE	41 = 4-DOOR SEDAN
24 = 2-DOOR HATCHBACK	44 = 4-DOOR HATCHBACK
27 = 2-DOOR CONVERTIBLE	45 = 2-SEAT STATION WAGON

AR = Use as Required - = Non Illustrated Part P.A.R. = Paint as Required



EXTERIOR VIEW CHRYSLER NEW YORKER  
Figure 23-2700

2168 2700C



ITEM	PART NUMBER	QTY	BODY	MODEL	DESCRIPTION
1	4175 286-7	1			MOULDING,Fndr. Wheel Opng. SCREW (Not Serv.)
2	X544 AA1	2			LOUVER,Fndr. Side,Sterling Silver
	X544 AA9	2			Dark Silver
	X544 AM8	2			Red
	X544 AT7	2			Golden Tan
	X544 TH9	2			Mahogany
	X544 TBB	2			Blue
	X544 TXX	2			Black
	X544 VW3	2			White
3	4175 314-5	1			NUT (Not Serv.) MOULDING,Fndr. Side
	6003 673	AR			RETAINER and STUD
	6003 726	AR			RETAINER
	9420 867	AR			NUT
	4175 451	2			PLATE,Fndr. Side Mldg. Attach.
4	4175 312-3	1			MOULDING,Body Side Sill
	6003 718	AR			RETAINER
	6028 674	AR			SCREW STUD (Not Serv.)
5	4276 154-5	1			MOULDING,Roof Side Drain Trough,Frt.,w/Spec. Sound Insul. SCREW (Not Serv.)
	4017 830-1	1			SEAL,Roof Side Drain Trough Mldg.,Use w/Spec. Sound Insul.
6	4175 318-9	1			MOULDING,Frt. Door Belt
	4229 468-9	1			INSERT,Frt. Door Belt Mldg.
7	4022 052-3	1			MOULDING,Frt. Door Wdo. Opng. Frame,Frt.
8	4022 056-7	1			MOULDING,Frt. Door Wdo. Opng. Frame,Rear
9	4022 056	1			MOULDING,Rear Door Wdo. Opng. Frame,Frt.,Lt.
	4022 057	1			MOULDING,Rear Door Wdo. Opng. Frame,Frt.,Rt.
10	4175 100-1	1			MOULDING,Rear Door Wdo. Opng. Frame,Upr.
11	4175 102-3	1			MOULDING,Rear Door Wdo. Opng. Frame,Rear
12	4229 758-9	1			MOULDING,Rear Door Belt
	4229 470-1	1			INSERT,Rear Door Belt Mldg.
13					NAMEPLATE,Rear Door Qtr. Wdo. Frame (See Interior Trim Illus.)
14	4175 316-7	1			MOULDING,Qtr. Pnl.
	6003 725	AR			RETAINER

MODEL CODES

B = GRAN FURY/CARAVELLE	P = RELIANT
C = LEBARON/TOWN & COUNTRY	S = CORDOBA
D = ARIES	V = 400
F = NEW YORKER	X = MIRADA
G = DIPLOMAT	Y = IMPERIAL
M = HORIZON/TC3/SCAMP	Z = OMNI/O24/RAMPAGE

BODY STYLES

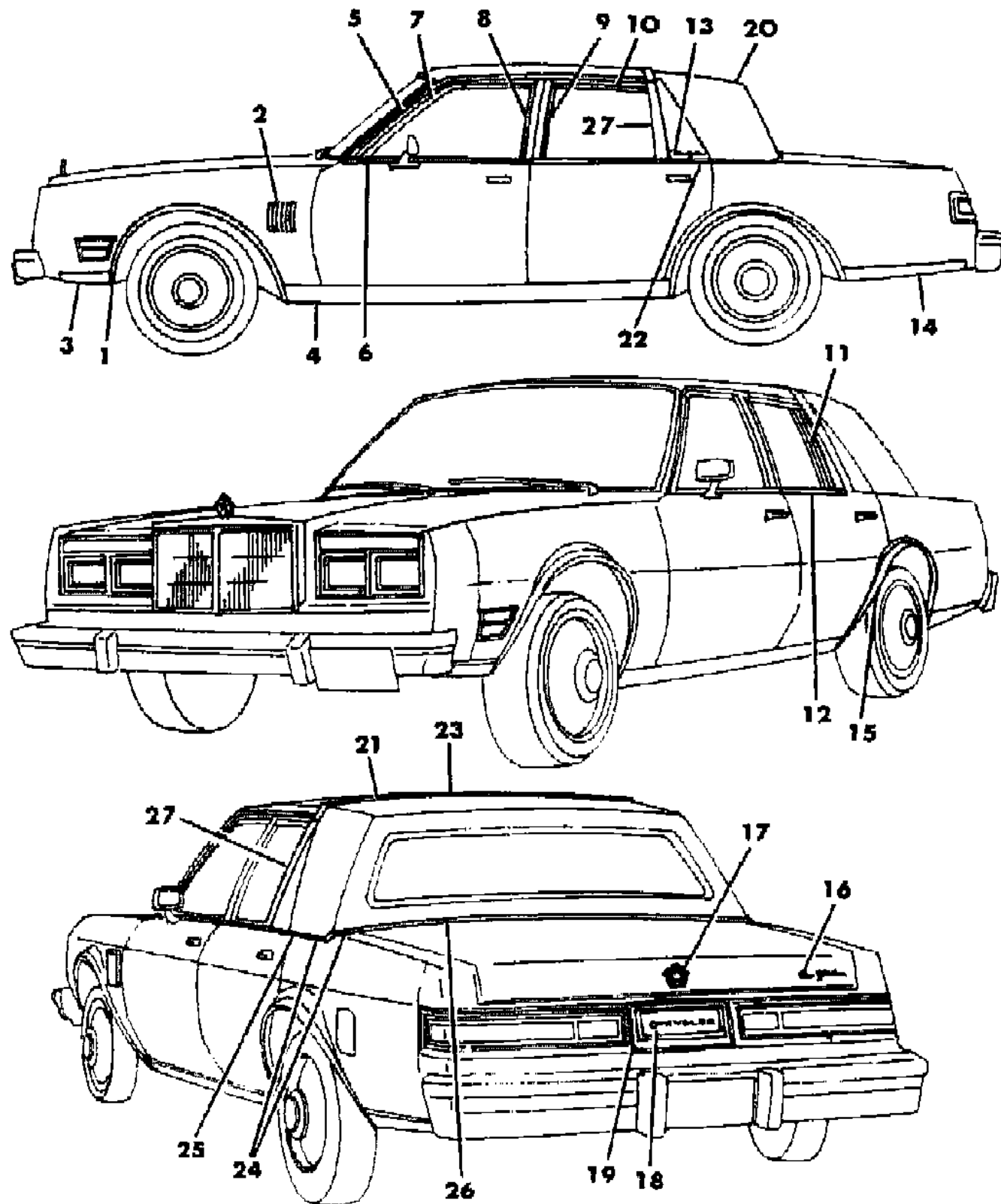
21 = 2-DOOR SEDAN	28 = FWD PICKUP
22 = 2-DOOR SPECIAL COUPE	41 = 4-DOOR SEDAN
24 = 2-DOOR HATCHBACK	44 = 4-DOOR HATCHBACK
27 = 2-DOOR CONVERTIBLE	45 = 2-SEAT STATION WAGON

AR = Use as Required - = Non Illustrated Part P.A.R. = Paint as Required

EXTERIOR VIEW CHRYSLER NEW YORKER

Figure 23-2700

2168 2700C



ITEM	PART NUMBER	QTY	BODY	MODEL	DESCRIPTION
	6003 719	AR			RETAINER
	6003 720	AR			RETAINER
	4175 450	2			PLATE,Qtr. Pnl. Mldg. Attach.
	9420 867	AR			NUT
	6001 927	AR			RETAINER and SEAL
15	4175 290-1	1			WELD STUD (Not Serv.) MOULDING,Qtr. Wheel Opng. SCREW (Not Serv.)
16	4229 472	1			NAMEPLATE,Deck Lid,"New Yorker"
17	X592 AA3	1			MEDALLION,Deck Lid Lock Cyl.,Bright Silver
	X592 AA9	1			Dark Silver
	X592 AH9	1			Mahogany
	X592 AM8	1			Red
	X592 AT3	1			Med. Tan
	X592 AT4	1			Natural Suede Tan
	X592 AW3	1			White
	X592 AX9	1			Black
NOTE: The Colored Medallion Used is Determined by the Exterior Paint of Car an offsetting order for part no. 3747881					
					RIVET (Not Serv.)
18	4229 654	1			INSERT,Deck Opng. Lwr. Pnl. Applique
19	4229 653	1			APPLIQUE,Deck Opng. Lwr. Pnl.
	4229 652	1			SUPPORT,Deck Opng. Lwr. Pnl. Applique
	6012 064	8			NUT
20					CAP,Roof Bonnet (See Interior Trim Illus.)
21	4229 996-7	1			MOULDING,Roof Transverse
	4276 814-5	1			MOULDING PKG.,Roof Transverse,Complete
	4276 306	6			RETAINER and STUD
	4229 755	2			RETAINER and STUD
					Nut and Seal (Not Serv.)
	4276 119	2			SPACER,Roof Transverse Mldg.
22	4276 316	2			MOULDING PKG.,Rear Door Belt,Rear
23	4276 296	1			CAP ASSY.,Roof Transverse Mldg.
24	4229 816	2			MOULDING,Qtr. Belt
	4229 818-9	1			MOULDING,Qtr. Belt,Corner
	4276 308-9	1			MOULDING PKG. ASSY.,Qtr. Belt and Corner
25	4229 814-5	1			CAP,Qtr Belt,Frnt.

MODEL CODES

B = GRAN FURY/CARAVELLE	P = RELIANT
C = LEBARON/TOWN & COUNTRY	S = CORDOBA
D = ARIES	V = 400
F = NEW YORKER	X = MIRADA
G = DIPLOMAT	Y = IMPERIAL
M = HORIZON/TC3/SCAMP	Z = OMNI/O24/RAMPAGE

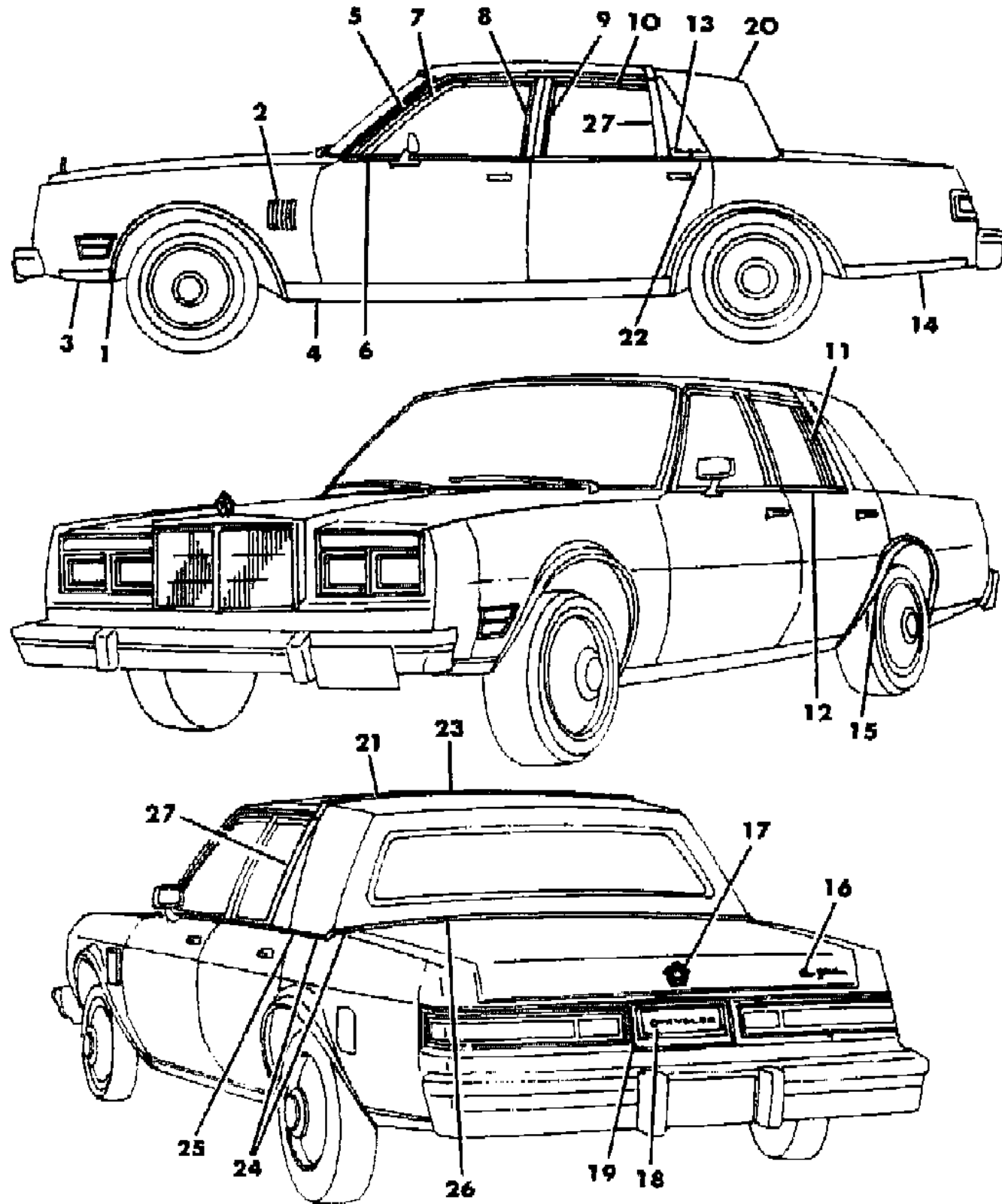
BODY STYLES

21 = 2-DOOR SEDAN	28 = FWD PICKUP
22 = 2-DOOR SPECIAL COUPE	41 = 4-DOOR SEDAN
24 = 2-DOOR HATCHBACK	44 = 4-DOOR HATCHBACK
27 = 2-DOOR CONVERTIBLE	45 = 2-SEAT STATION WAGON

AR = Use as Required - = Non Illustrated Part P.A.R. = Paint as Required

EXTERIOR VIEW CHRYSLER NEW YORKER  
Figure 23-2700

2168 2700C



ITEM	PART NUMBER	QTY	BODY	MODEL	DESCRIPTION
26	4276 310-1	1			MOULDING PKG. ASSY.,Deck Opng. Upr. Pnl.(NOTE: A Cap comes with the Rt. Side Mldg. Pkg. only)
	4057 555	AR			RETAINER PKG.
27	4276 462-3	1			MOULDING ASSY.,Rear Door Qtr. Wdo.
	4276 306	AR			RETAINER
-	3792 367	AR			NUT (Not Serviced) TAPE,Backlite Plug Ext. to Glass

MODEL CODES

B = GRAN FURY/CARAVELLE	P = RELIANT
C = LEBARON/TOWN & COUNTRY	S = CORDOBA
D = ARIES	V = 400
F = NEW YORKER	X = MIRADA
G = DIPLOMAT	Y = IMPERIAL
M = HORIZON/TC3/SCAMP	Z = OMNI/O24/RAMPAGE

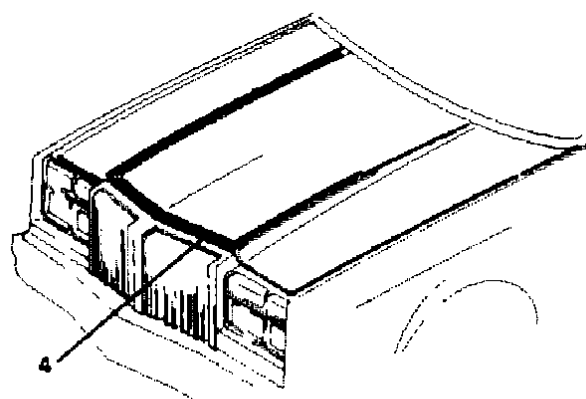
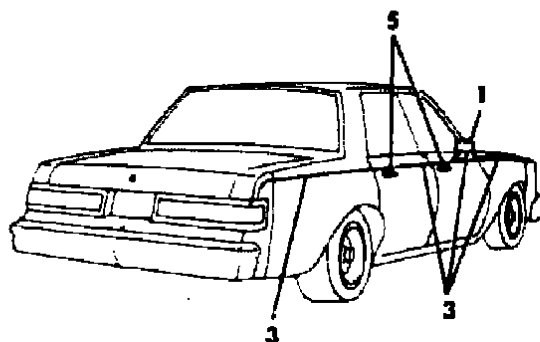
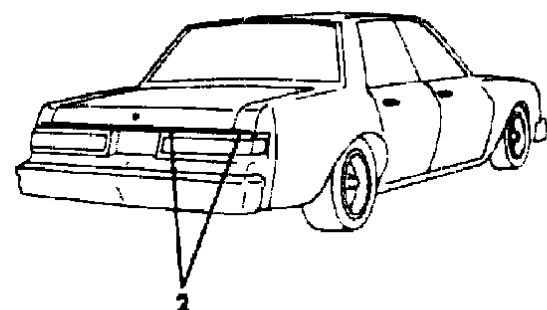
BODY STYLES

21 = 2-DOOR SEDAN	28 = FWD PICKUP
22 = 2-DOOR SPECIAL COUPE	41 = 4-DOOR SEDAN
24 = 2-DOOR HATCHBACK	44 = 4-DOOR HATCHBACK
27 = 2-DOOR CONVERTIBLE	45 = 2-SEAT STATION WAGON

AR = Use as Required - = Non Illustrated Part P.A.R. = Paint as Required

**EXTERIOR VIEW - TAPE STRIPES CHRYSLER NEW YORKER**  
**Figure 23-2800**

2168 2800



ITEM	PART NUMBER	QTY	BODY	MODEL	DESCRIPTION
1	E324-5 AA1	1			TAPE,Door Mirror,Sterling Silver
	E324-5 AA9	1			Dark Silver
	E324-5 AM8	1			Red
	E324-5 AT7	1			Golden Tan
	E324-5 AC9	1			Blue
	E324-5 AH9	1			Mahogany
	E324-5 AX9	1			Black
	E324-5 AW3	1			White
	2	T086 AE4	1		
T086 AU9		1			Tan (K9U)
T086 AY1		1			Gold (K9Y)
T086 AA2		1			Silver (K9A)
3	4271 564-5	1			TAPE SET,Fndr.,Doors,Qtr.,Dark Silver (K7A)
	4271 566-7	1			Gold (K7Y)
	4271 568-9	1			Red (K7E)
	4271 570-1	1			Tan (K7U)
	4271 584-5	1			Blue (K7B)
4	T088 AY1	1			TAPE SET,Hood,Gold (K2Y)
	T088 AE4	1			Red (K2E)
	T088 AU9	1			Tan (K2U)
	T088 AA2	1			Silver (K2A)
5	T360 AA1	AR			TAPE,Door Handle,Sterling Silver
	T360 AA9	AR			Charcoal Gray
	T360 AC9	AR			Blue
	T360 AH9	AR			Mahogany
	T360 AM8	AR			Red
	T360 AT7	AR			Tan
	T360 AX9	AR			Black
	T360 AW3	AR			White

**MODEL CODES**

B = GRAN FURY/CARAVELLE	P = RELIANT
C = LEBARON/TOWN & COUNTRY	S = CORDOBA
D = ARIES	V = 400
F = NEW YORKER	X = MIRADA
G = DIPLOMAT	Y = IMPERIAL
M = HORIZON/TC3/SCAMP	Z = OMNI/O24/RAMPAGE

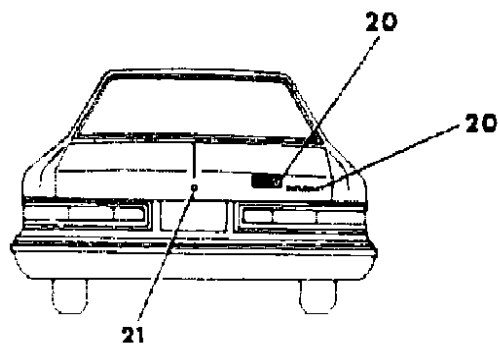
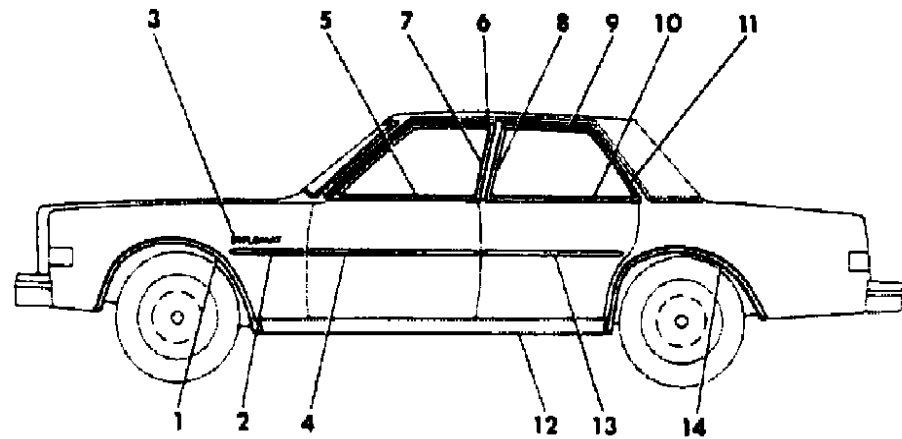
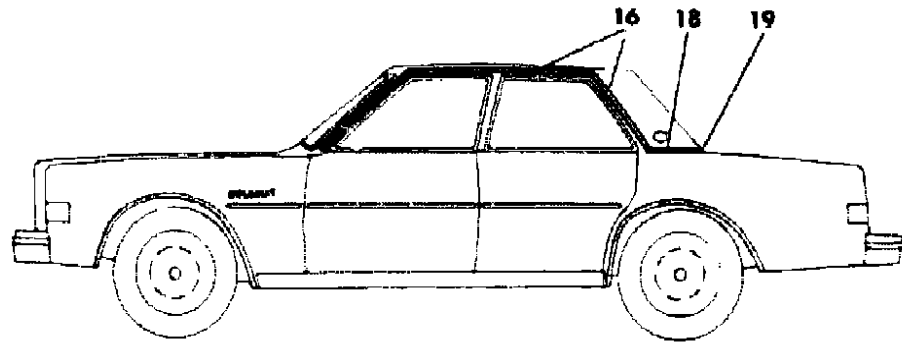
**BODY STYLES**

21 = 2-DOOR SEDAN	28 = FWD PICKUP
22 = 2-DOOR SPECIAL COUPE	41 = 4-DOOR SEDAN
24 = 2-DOOR HATCHBACK	44 = 4-DOOR HATCHBACK
27 = 2-DOOR CONVERTIBLE	45 = 2-SEAT STATION WAGON

AR = Use as Required - = Non Illustrated Part P.A.R. = Paint as Required

EXTERIOR VIEW DODGE DIPLOMAT  
Figure 23-2900

2168 2900



ITEM	PART NUMBER	QTY	BODY	MODEL	DESCRIPTION
1	4175 286-7	1			MOULDING,Fndr.Wheel Opening
					SCREW (Not Serv.)
2	X122 TC9	2			MOULDING,Fndr.Side,Night Watch Blue
	X122 TX9	2			Black
	X122 AM8	2			Red
	X122 VW3	2			Pearl White
	X122 AT2	2			Cashmere
	X122 AK7	2			Tan
3	4175 475	2			NAMEPLATE,Fndr.Side,"Diplomat",Use Up to 1-25-82
	4276 373	2			NAMEPLATE,Fndr.Side,"Diplomat",Use After 1-25-82
	4175 477	2			"Le Baron" (Export) Use Up to 1-25-82
	4229 781	2			"Le Baron" (Export) Use After 1-25-82
4	X123 TC9	2			MOULDING,Frt.Door,Night Watch Blue
	X123 TX9	2			Black
	X124 AM8	2			Red
	X124 AT2	2			Cashmere
	X124 AK7	2			Tan
	X123 VW3	2			Pearl White
5	3811 794-5	1			MOULDING,Frt. Door Belt
	3780 434				RETAINER w/SEAL PKG.
	3780 999	AR			RETAINER w/SEAL PKG.
6	4022 052-3	1			MOULDING,Frt.Door Wdo.Opng.Frame,Frt.
7	4022 056-7	1			MOULDING,Frt.Door Wdo.Opng.Frame,Rear
8	4022 056	1			MOULDING,Rear Door Wdo Opng.Frame,Frt.,Lt.
	4022 057	1			Rt.
9	4175 100-1	1			MOULDING,Rear Door Wdo.Opng.Frame,Upr.
10	3811 796-7	1			MOULDING,Rear Door Belt
	3780 999	AR			RETAINER w/SEAL PKG.
	3780 434	AR			RETAINER w/SEAL PKG.
11	4175 102-3	1			MOULDING,Rear Door Wdo.Opng.Frame,Rear
12	4175 312-3	1			MOULDING,Body Side Sill
	6003 718	AR			RETAINER
	6028 674	AR			SCREW
13	X125 TC9	2			MOULDING,Rear Door,Night Watch Blue
	X125 TX9	2			Black
	X125 AM8	2			Red
	X125 VW3	2			Pearl White

MODEL CODES

B = GRAN FURY/CARAVELLE  
C = LEBARON/TOWN & COUNTRY  
D = ARIES  
F = NEW YORKER  
G = DIPLOMAT  
M = HORIZON/TC3/SCAMP  
P = RELIANT  
S = CORDOBA  
V = 400  
X = MIRADA  
Y = IMPERIAL  
Z = OMNI/O24/RAMPAGE

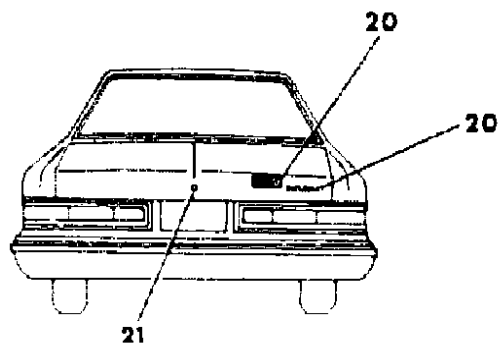
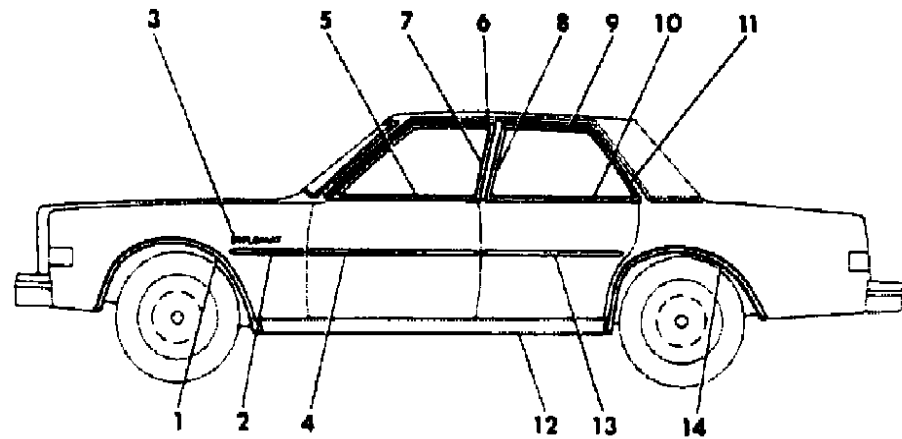
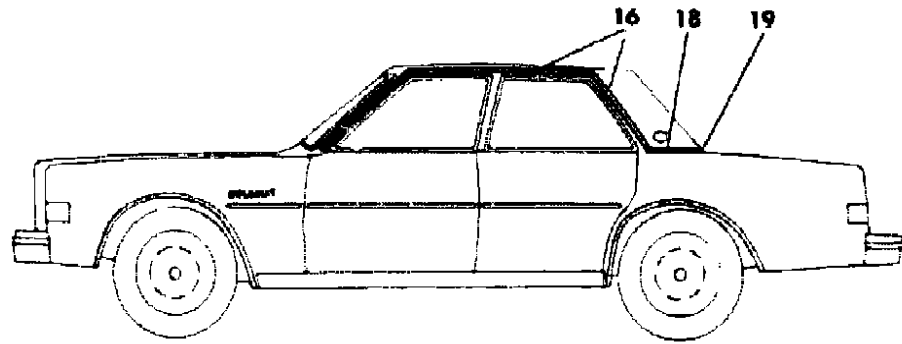
BODY STYLES

21 = 2-DOOR SEDAN  
22 = 2-DOOR SPECIAL COUPE  
24 = 2-DOOR HATCHBACK  
27 = 2-DOOR CONVERTIBLE  
28 = FWD PICKUP  
41 = 4-DOOR SEDAN  
44 = 4-DOOR HATCHBACK  
45 = 2-SEAT STATION WAGON

AR = Use as Required - = Non Illustrated Part P.A.R. = Paint as Required

EXTERIOR VIEW DODGE DIPLOMAT  
Figure 23-2900

3168 2900



ITEM	PART NUMBER	QTY	BODY	MODEL	DESCRIPTION
	X125 AT2	2			Cashmere
	X125 AK7	2			Tan
14	4175 290-1	1			MOULDING,Qtr.Pnl.Wheel Opening SCREW (Not Serv.)
16	4175 082-3	1			MOULDING,Roof Side Drain Trough Frt.,w/o Spec. Sound Insul.
	4229 984-5	1			MOULDING,Roof Side Drain Trough Frt.,w/Spec. Sound Insul. SCREW (Not Serv.)
	4175 086-7	1			MOULDING,Roof Side Drain Trough,Rear
	4017 830-1	1			SEAL,Roof Side Drain Trough Mldg.,Use w/ Spec. Sound Insul.
18	4240 996-7	1			MOULDING,Qtr Belt,Use w/Unpadded Full Vinyl Roof
	3744 367	AR			RETAINER PKG.
	4057 555	AR			RETAINER PKG.
	3744 671	AR			RETAINER PKG.
19	4186 533	1			MOULDING,Deck Opng.Upr.Pnl.,Use w/Unpadded Full Vinyl Roof
	3744 671	AR			RETAINER PKG.
20	4229 779	1			NAMEPLATE,Deck Lid,"Dodge"
	4175 475	1			"Diplomat",Use Up to 1-25-82
	4276 373	1			"Diplomat",Use After 1-25-82
	4175 477	1			"LeBaron" (Export) Use Up to 1-25-82
	4229 781	1			"LeBaron" (Export) Use After 1-25-82
21	X592 AA3	1			MEDALLION,Deck Lid Lock Cyl.,Bright Silver
	X592 AA9	1			Dark Silver
	X592 AH9	1			Mahogany
	X592 AM8	1			Red
	X592 AT3	1			Med. Tan
	X592 AT4	1			Natural Suede Tan
	X592 AW3	1			White
	X592 AX9	1			Black
					NOTE: The Colored Medallion Used is Determined by the Exterior Paint of Car an offsetting order for part no. 3747881
					RIVET (Not Serv.)

MODEL CODES

B = GRAN FURY/CARAVELLE      P = RELIANT  
 C = LEBARON/TOWN & COUNTRY      S = CORDOBA  
 D = ARIES      V = 400  
 F = NEW YORKER      X = MIRADA  
 G = DIPLOMAT      Y = IMPERIAL  
 M = HORIZON/TC3/SCAMP      Z = OMNI/O24/RAMPAGE

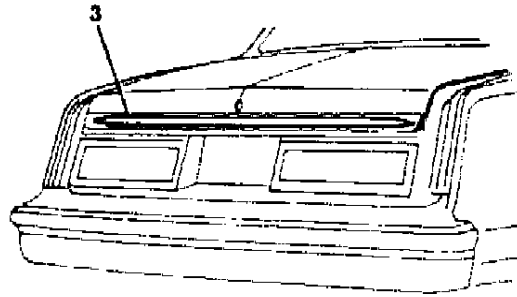
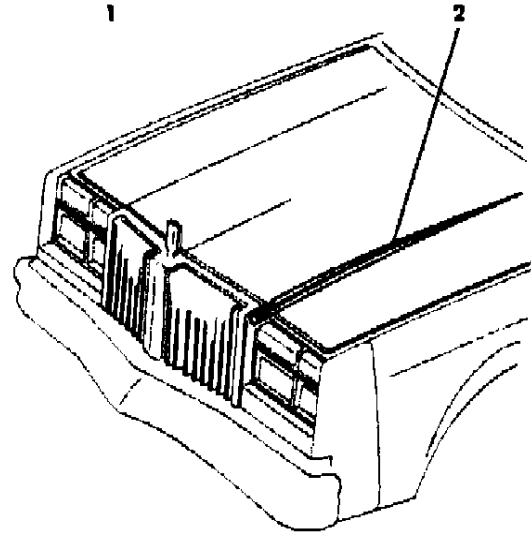
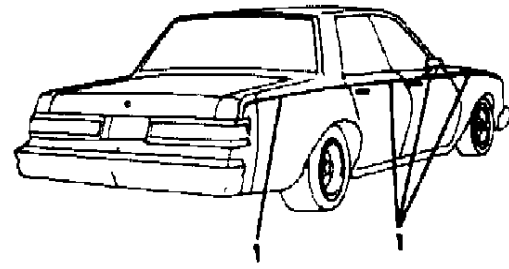
BODY STYLES

21 = 2-DOOR SEDAN      28 = FWD PICKUP  
 22 = 2-DOOR SPECIAL COUPE      41 = 4-DOOR SEDAN  
 24 = 2-DOOR HATCHBACK      44 = 4-DOOR HATCHBACK  
 27 = 2-DOOR CONVERTIBLE      45 = 2-SEAT STATION WAGON

AR = Use as Required - = Non Illustrated Part P.A.R. = Paint as Required

**EXTERIOR VIEW - TAPE STRIPES DODGE DIPLOMAT**  
**Figure 23-3000**

2108 3000



ITEM	PART NUMBER	QTY	BODY	MODEL	DESCRIPTION
1	4271 564-5	1			TAPE SET,Fndr.,Doors,Qtr.,Sterling Silver (K7A)
	4271 566-7	1			Gold (K7Y)
	4271 568-9	1			Red (K7E)
	4271 570-1	1			Tan (K7U)
	4271 584-5	1			Blue (K7B)
2	T039 TC6	1			TAPE SET,Hood,Blue (K3B)
	T039 TE4	1			Red (K3E)
	T039 TY1	1			Gold (K3Y)
	T039 AA2	1			Silver (K3A)
3	T591 TC6	1			TAPE,Deck Lid,Blue (K8B)
	T591 TE4	1			Red (K8E)
	T591 TY1	1			Gold (K8Y)
	T591 AA2	1			Silver (K8A)

**MODEL CODES**

B = GRAN FURY/CARAVELLE	P = RELIANT
C = LEBARON/TOWN & COUNTRY	S = CORDOBA
D = ARIES	V = 400
F = NEW YORKER	X = MIRADA
G = DIPLOMAT	Y = IMPERIAL
M = HORIZON/TC3/SCAMP	Z = OMNI/O24/RAMPAGE

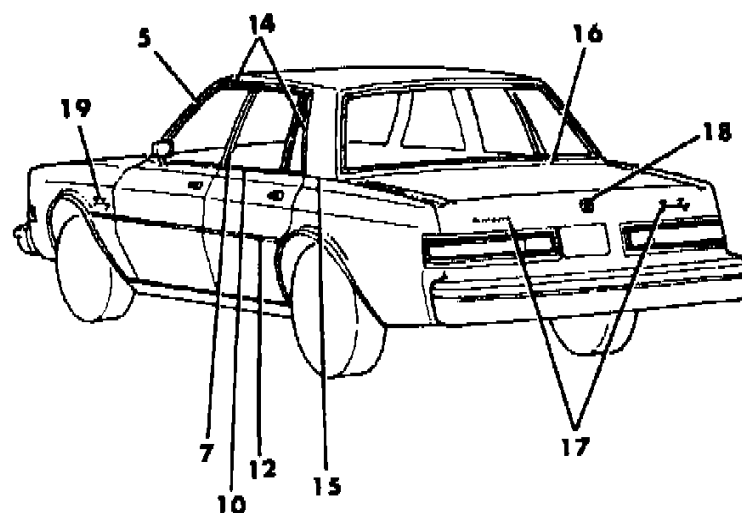
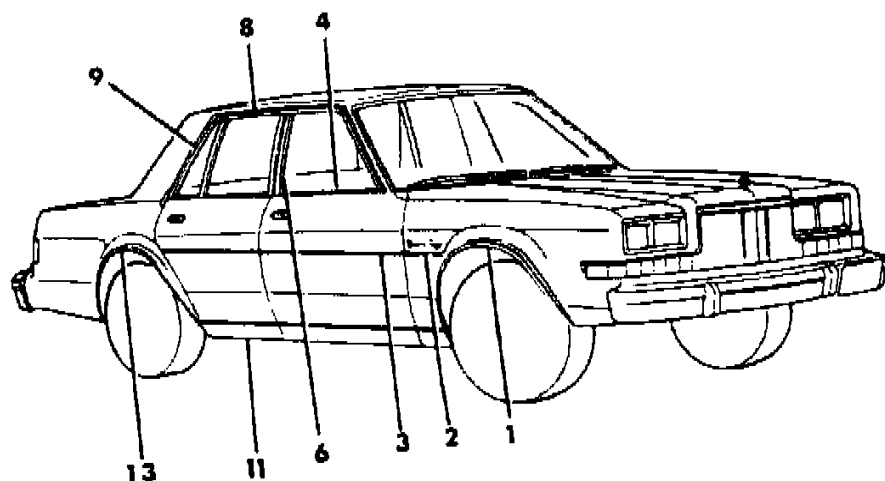
**BODY STYLES**

21 = 2-DOOR SEDAN	28 = FWD PICKUP
22 = 2-DOOR SPECIAL COUPE	41 = 4-DOOR SEDAN
24 = 2-DOOR HATCHBACK	44 = 4-DOOR HATCHBACK
27 = 2-DOOR CONVERTIBLE	45 = 2-SEAT STATION WAGON

AR = Use as Required - = Non Illustrated Part P.A.R. = Paint as Required

**EXTERIOR VIEW PLYMOUTH GRAN FURY**  
Figure 23-3100

2188 3100A



ITEM	PART NUMBER	QTY	BODY	MODEL	DESCRIPTION
1	4175 286-7	1			MOULDING,Fndr. Wheel Opng. SCREW (Not Serv.)
2	X122 TC9	2			MOULDING,Fndr. Side,Night Watch Blue
	X122 TX9	2			Black
	X122 AM8	2			Red
	X122 VW3	2			White
	X122 AT2	2			Cashmere
3	X122 AK7	2			Tan
	X123 TC9	2			MOULDING,Frt. Door,Night Watch Blue
	X123 TX9	2			Black
	X123 VW3	2			White
	X124 AK7	2			Tan
4	X124 AM8	2			Red
	X124 AT2	2			Cashmere
	3811 794-5	1			MOULDING,Frt. Door Belt
	3780 404	AR			RETAINER and SEAL PKG.
5	3780 909	AR			RETAINER and SEAL PKG.
	4022 052-3	1			MOULDING,Frt. Door Wdo.Opng. Frame,Frt.
	4022 056-7	1			MOULDING,Frt. Door Wdo.Opng. Frame,Rear
	-	1			MOULDING,Rear Door Wdo.Opng. Frame,Frt.,Lt.
6	4022 057	1			MOULDING,Rear Door Wdo.Opng. Frame,Frt.,Rt.
	4175 100-1	1			MOULDING,Rear Door Wdo.Opng. Frame,Upr.
8	4175 102-3	1			MOULDING,Rear Door Wdo.Opng. Frame,Rear
9	3811 796-7	1			MOULDING,Rear Door Belt
	3780 999	AR			RETAINER and SEAL PKG.
	3780 434	AR			RETAINER and SEAL PKG.
10	4175 312-3	1			MOULDING,Body Side Sill
	6003 718	AR			RETAINER
	6028 674	AR			SCREW
12					MOULDING,Rear Door
	X125 AK7	2			Tan
	X125 AM8	2			Red
	X125 AT2	2			Cashmere
	X125 TC9	2			Night Watch Blue
	X125 VW3	2			White
	X125 TX9	2			Black
13	4175 290-1	1			MOULDING,Qtr. Wheel Opng.

MODEL CODES

B = GRAN FURY/CARAVELLE	P = RELIANT
C = LEBARON/TOWN & COUNTRY	S = CORDOBA
D = ARIES	V = 400
F = NEW YORKER	X = MIRADA
G = DIPLOMAT	Y = IMPERIAL
M = HORIZON/TC3/SCAMP	Z = OMNI/O24/RAMPAGE

BODY STYLES

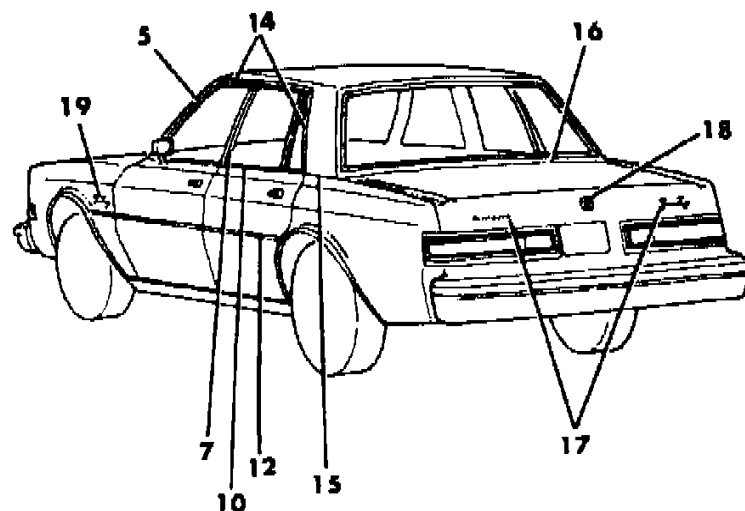
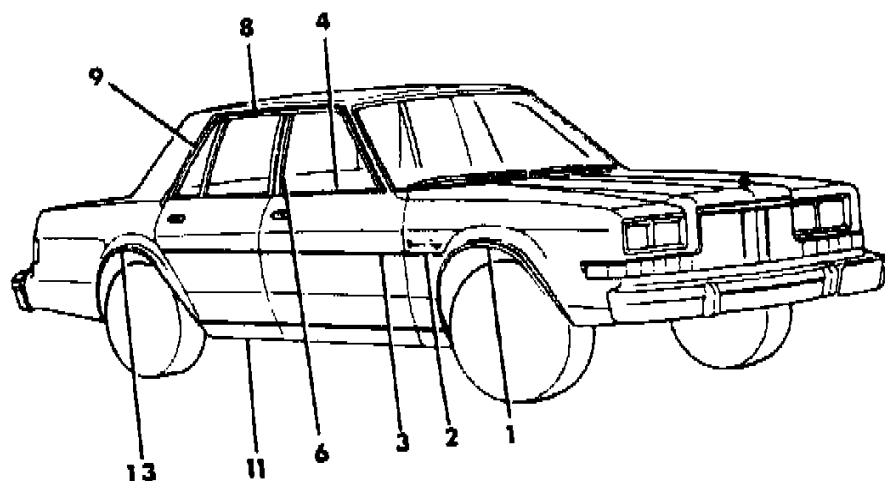
21 = 2-DOOR SEDAN	28 = FWD PICKUP
22 = 2-DOOR SPECIAL COUPE	41 = 4-DOOR SEDAN
24 = 2-DOOR HATCHBACK	44 = 4-DOOR HATCHBACK
27 = 2-DOOR CONVERTIBLE	45 = 2-SEAT STATION WAGON

AR = Use as Required - = Non Illustrated Part P.A.R. = Paint as Required



**EXTERIOR VIEW PLYMOUTH GRAN FURY**  
Figure 23-3100

2188 3100A



ITEM	PART NUMBER	QTY	BODY	MODEL	DESCRIPTION
					SCREW (Not Serv.)
14	4175 082-3	1			MOULDING,Roof Side Drain Trough,Frnt.,w/o Spec. Sound Insul.
	4229 984-5	1			MOULDING,Roof Side Drain Trough,Frnt.,w/Spec. Sound Insul.
	4175 086-7	1			MOULDING,Roof Side Drain Trough,Rear
					SCREW (Not Serv.)
15	4175 830-1	1			SEAL,Roof Side Drain Trough Mldg.,Use w/Spec. Sound Insul.
	4240 996-7	1			MOULDING,Qtr. Belt,Use w/Unpadded Full Vinyl Roof
	3744 367	AR			RETAINER PKG.
	4057 555	AR			RETAINER PKG.
16	3744 671	AR			RETAINER PKG.
	4186 533	1			MOULDING,Deck Opng. Upr. Pnl.,Use w/Unpadded Full Vinyl Roof
	3744 671	AR			RETAINER PKG.
17	3749 326	1			NAMEPLATE,Deck Lid,"PLYMOUTH"
	4175 397	1			NAMEPLATE,Deck Lid,"Gran Fury"
18	X592 AA3	1			MEDALLION,Deck Lid Lock Cyl.,Bright Silver
	X592 AA9	1			Dark Silver
	X592 AH9	1			Mahogany
	X592 AM8	1			Red
	X592 AT3	1			Med. Tan
	X592 AT4	1			Natural Suede Tan
	X592 AW3	1			White
X592 AX9	1			Black	
					NOTE: The Colored Medallion Used is Determined by the Exterior Paint of Car an offsetting order for part no. 3747881
19	4175 397	2			NAMEPLATE,Fndr. Side,"Gran Fury"

MODEL CODES

B = GRAN FURY/CARAVELLE	P = RELIANT
C = LEBARON/TOWN & COUNTRY	S = CORDOBA
D = ARIES	V = 400
F = NEW YORKER	X = MIRADA
G = DIPLOMAT	Y = IMPERIAL
M = HORIZON/TC3/SCAMP	Z = OMNI/O24/RAMPAGE

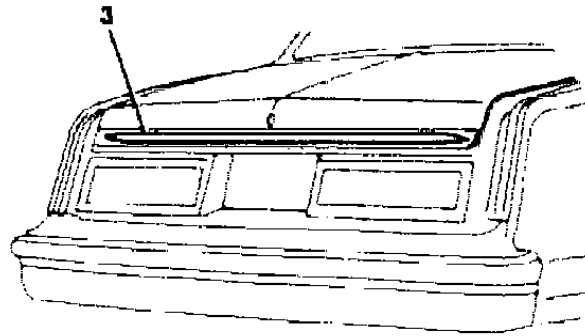
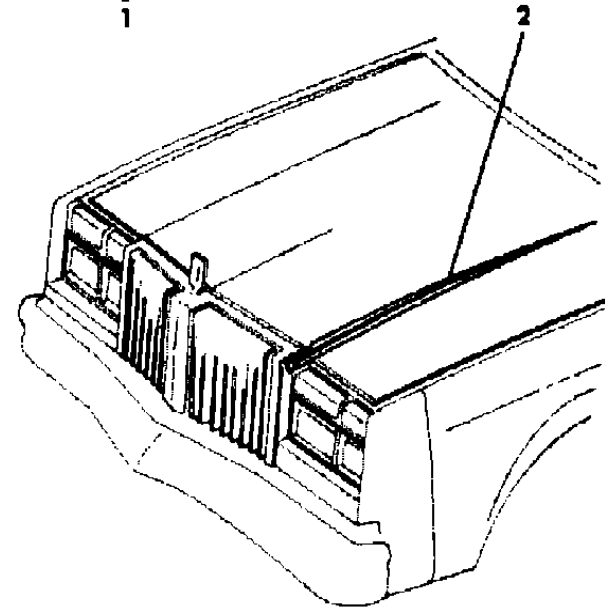
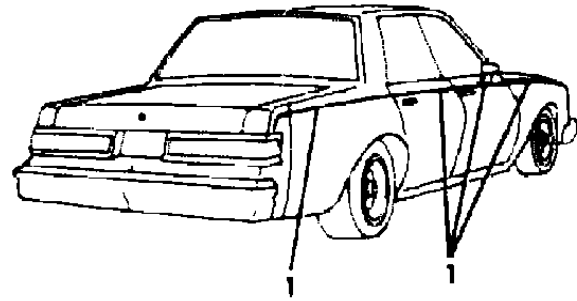
BODY STYLES

21 = 2-DOOR SEDAN	28 = FWD PICKUP
22 = 2-DOOR SPECIAL COUPE	41 = 4-DOOR SEDAN
24 = 2-DOOR HATCHBACK	44 = 4-DOOR HATCHBACK
27 = 2-DOOR CONVERTIBLE	45 = 2-SEAT STATION WAGON

AR = Use as Required - = Non Illustrated Part P.A.R. = Paint as Required

**EXTERIOR VIEW - TAPE STRIPES PLYMOUTH GRAN FURY**  
**Figure 23-3200**

2168 3200



ITEM	PART NUMBER	QTY	BODY	MODEL	DESCRIPTION
1	4271 564-5	1			TAPE SET,Fndr.,Doors,Qtr.,Silver (K7A)
	4271 566-7	1			Gold (K7Y)
	4271 568-9	1			Red (K7E)
	4271 570-1	1			Tan (K7U)
	4271 584-5	1			Blue (K7B)
2	T039 TC6	1			TAPE SET,Hood,Blue (K3B)
	T039 TE4	1			Red (K3E)
	T039 TY1	1			Gold (K3Y)
	T039 AA2	1			Silver (K3A)
3	T591 TC6	1			TAPE,Deck Lid,Blue (K8B)
	T591 TE4	1			Red (K8E)
	T591 TY1	1			Gold (K8Y)
	T591 AA2	1			Silver (K8A)

**MODEL CODES**

B = GRAN FURY/CARAVELLE	P = RELIANT
C = LEBARON/TOWN & COUNTRY	S = CORDOBA
D = ARIES	V = 400
F = NEW YORKER	X = MIRADA
G = DIPLOMAT	Y = IMPERIAL
M = HORIZON/TC3/SCAMP	Z = OMNI/O24/RAMPAGE

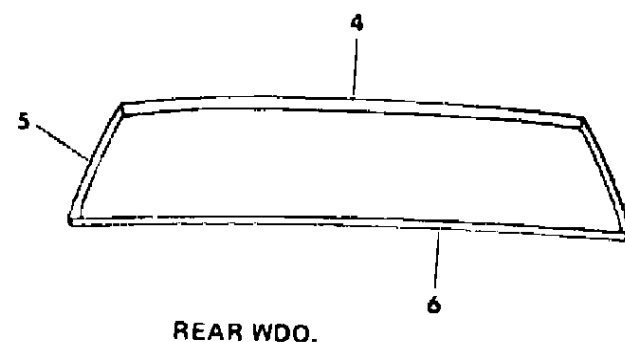
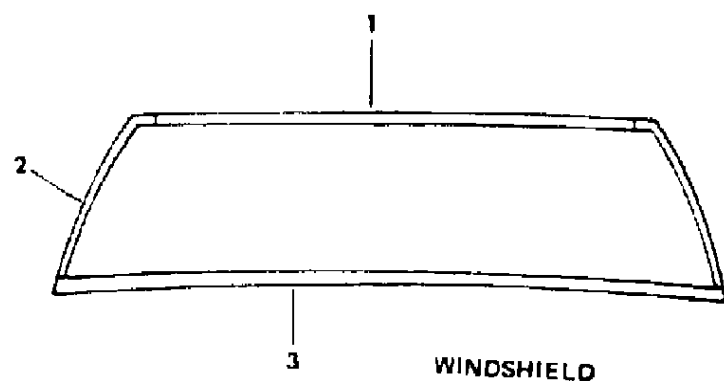
**BODY STYLES**

21 = 2-DOOR SEDAN	28 = FWD PICKUP
22 = 2-DOOR SPECIAL COUPE	41 = 4-DOOR SEDAN
24 = 2-DOOR HATCHBACK	44 = 4-DOOR HATCHBACK
27 = 2-DOOR CONVERTIBLE	45 = 2-SEAT STATION WAGON

AR = Use as Required - = Non Illustrated Part P.A.R. = Paint as Required

**MOULDINGS,WINDSHIELD AND REAR WDO. OUTSIDE X,S**  
**Figure 23-3300**

2168 3300



ITEM	PART NUMBER	QTY	BODY	MODEL	DESCRIPTION
1	4175 346	1			MOULDING,W/Shield,Upr.
	6003 409	AR			RETAINER WELD STUD (Not Serv.)
2	4175 344-5	1			MOULDING,W/Shield,Side
	6003 409	AR			RETAINER WELD STUD (Not Serv.)
3	4022 947	1			MOULDING,W/Shield,Lwr. SCREW (Not Serv.)
4	4175 008-9	1			MOULDING,Rear Wdo. Upr.,w/o Padded Landau Roof or Simulated Conv. Roof
	6003 409	AR			RETAINER WELD STUD (Not Serv.)
5	4175 006-7	1			MOULDING,Rear Wdo. Side,w/o Padded Landau Roof or Simulated Conv. Roof
	6003 409	AR			RETAINER WELD STUD (Not Serv.)
6	4022 956	1			MOULDING,Rear Wdo. Lwr.,w/o Padded Landau Roof or Simulated Conv. Roof
	6003 409	AR			RETAINER WELD STUD (Not Serv.)

**MODEL CODES**

B = GRAN FURY/CARAVELLE	P = RELIANT
C = LEBARON/TOWN & COUNTRY	S = CORDOBA
D = ARIES	V = 400
F = NEW YORKER	X = MIRADA
G = DIPLOMAT	Y = IMPERIAL
M = HORIZON/TC3/SCAMP	Z = OMNI/O24/RAMPAGE

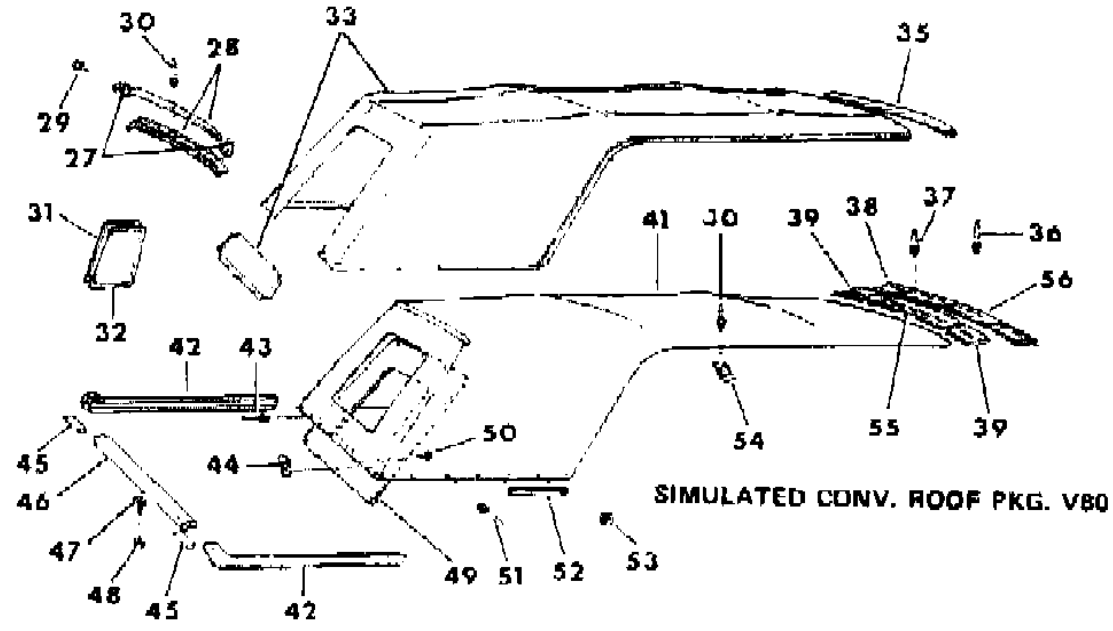
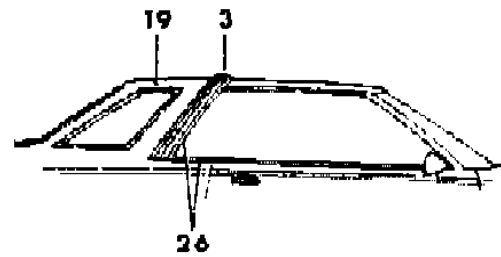
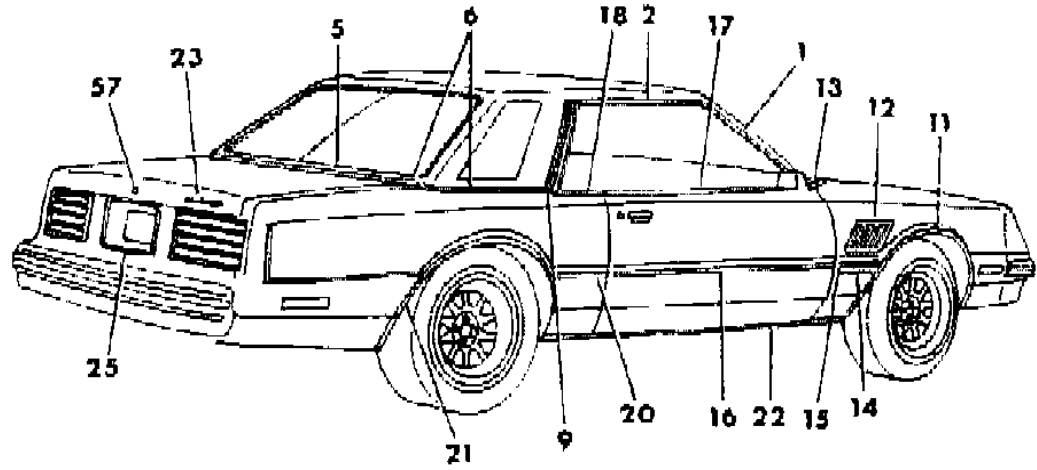
**BODY STYLES**

21 = 2-DOOR SEDAN	28 = FWD PICKUP
22 = 2-DOOR SPECIAL COUPE	41 = 4-DOOR SEDAN
24 = 2-DOOR HATCHBACK	44 = 4-DOOR HATCHBACK
27 = 2-DOOR CONVERTIBLE	45 = 2-SEAT STATION WAGON

AR = Use as Required - = Non Illustrated Part P.A.R. = Paint as Required

EXTERIOR VIEW DODGE MIRADA  
Figure 23-3400

2100-3400A



ITEM	PART NUMBER	QTY	BODY	MODEL	DESCRIPTION
1	4175 306-7	1			MOULDING,Body Frt.Pillar Drain Trough
2	4175 030-1	1			MOULDING,Roof Side Drain Trough,Use on Simulated Conv. Roof
	6003 591	AR			RETAINER
	4175 172-3	1			MOULDING,Roof Side Drain Trough,Not Used on Simulated Conv. Roof
3	X160-1 VX9	1			MOULDING,Roof Transverse,Black
	0152 284				NUT
	9420 867				NUT
5		1			MOULDING,Deck Opng.Upr.Pnl.,Use on Landau Roof
	X193 TT1	1			Light Cashmere
	4240 855	1			Dark Auburn
	4240 856	1			Tan
	4240 857	1			Pearl White
	3744 671				RETAINER PKG.
	6028 674				SCREW
6	4205 592-3	1			MOULDING,Qtr.Belt,Frt. and Rear,Use on Landau Roof,Paint as Req.
9	4175 424-5	1			BRACKET,Roof Transverse Mldg.Attaching
	0152 284				NUT
					SCREW
11	4175 130-1	1			MOULDING,Fndr.Wheel Opening
					SCREW
12	X092-3 TXX	1			LOUVER,Fndr.Side,Black
	4103 488	2			PLATE,Fndr.Side Pnl.Louver Mtg.
					NUT
13	4175 470-1	1			MOULDING,Fndr.,Rear Edge Belt
					SCREW
14	4175 549	2			NAMEPLATE,Fndr.Side."Mirada"
	4175 415	2			"CMX"
15	X134-5 TT3	1			MOULDING,Fndr.Side,Med. Tan
	X134-5 VA3	1			Burnish Silver
	X134-5 VH9	1			Dark Auburn
	X134-5 VK7	1			Tan
	X134-5 VW3	1			Pearl White
	X134-5 TC9	1			Night Watch Blue
	X134-5 AM8	1			Red

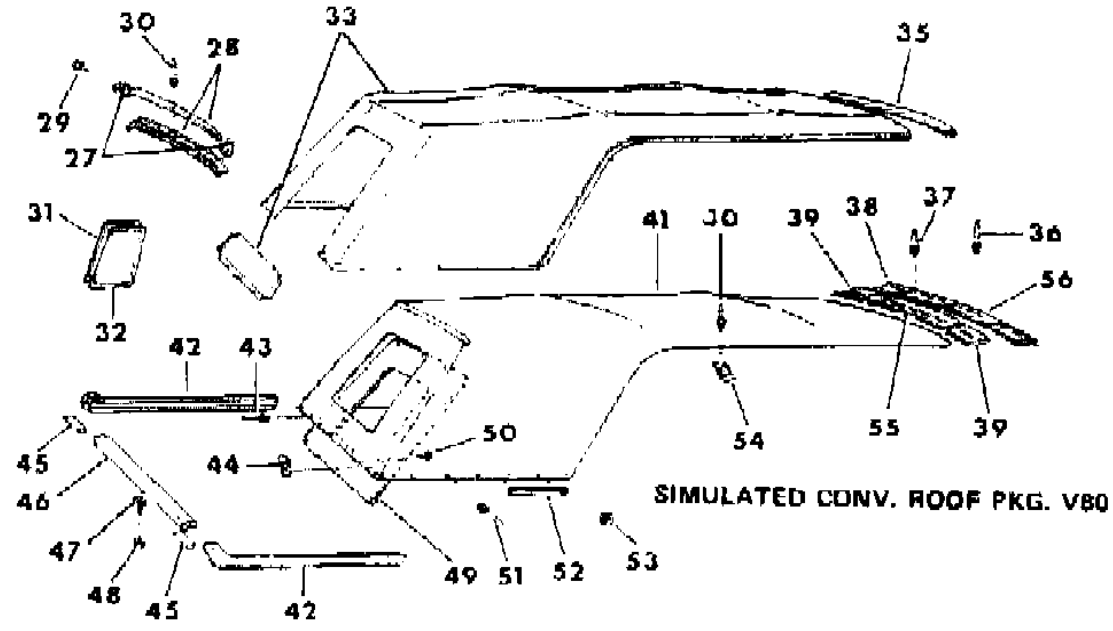
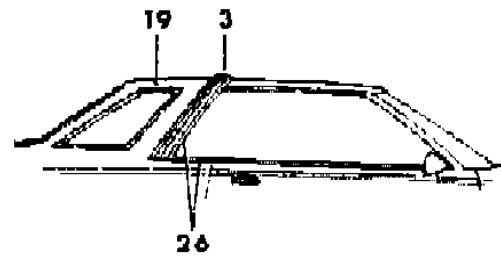
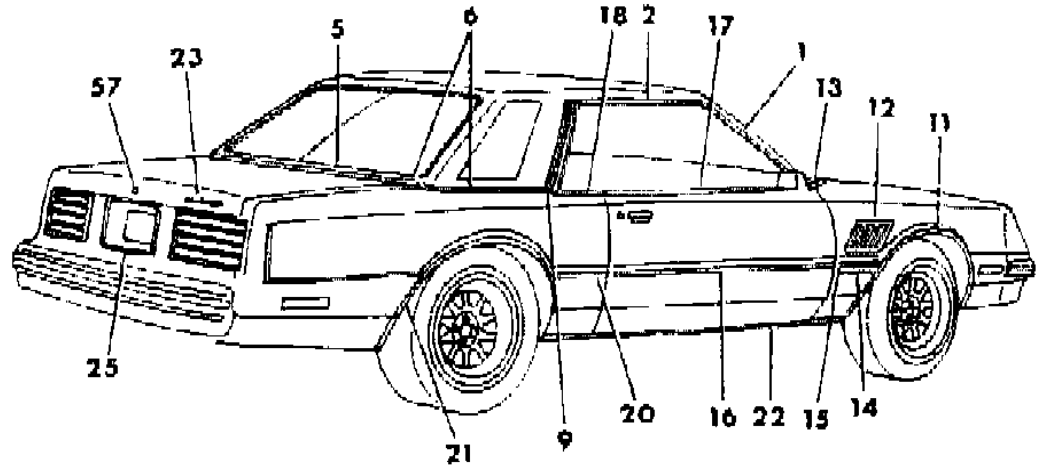
MODEL CODES  
 B = GRAN FURY/CARAVELLE  
 C = LEBARON/TOWN & COUNTRY  
 D = ARIES  
 F = NEW YORKER  
 G = DIPLOMAT  
 M = HORIZON/TC3/SCAMP  
 P = RELIANT  
 S = CORDOBA  
 V = 400  
 X = MIRADA  
 Y = IMPERIAL  
 Z = OMNI/O24/RAMPAGE

BODY STYLES  
 21 = 2-DOOR SEDAN  
 22 = 2-DOOR SPECIAL COUPE  
 24 = 2-DOOR HATCHBACK  
 27 = 2-DOOR CONVERTIBLE  
 28 = FWD PICKUP  
 41 = 4-DOOR SEDAN  
 44 = 4-DOOR HATCHBACK  
 45 = 2-SEAT STATION WAGON

AR = Use as Required - = Non Illustrated Part P.A.R. = Paint as Required

EXTERIOR VIEW DODGE MIRADA  
Figure 23-3400

2100-3400A



ITEM	PART NUMBER	QTY	BODY	MODEL	DESCRIPTION
	X134-5 AT2	1			Tan
	X134-5 TX9	1			Black
16	X128 TT3	2			MOULDING,Door,Med. Tan
	X128 VH9	2			Dark Auburn
	X128 TC9	2			Night Watch Blue
	X128 VK7	2			Tan
	X128 VW3	2			Pearl White
	X128 AM8	2			Red
	X128 VA3	2			Burnish Silver
17	X128 AT2	2			Tan
	X128 TX9	2			Black
17	4175 380-1	1			MOULDING,Door Belt,w/Mirror SCREW
18	4175 176-7	1			MOULDING,Qtr.Wdo.Belt,Use w/o Simulated Conv. Roof SCREW
19	4175 150-1	1			MOULDING,Qtr.Opera Wdo.,Use w/o Simulated Conv. Roof
20	X135 TT3	1			MOULDING,Qtr.,Rt.,Med. Tan
	X135 VA3	1			Burnish Silver
	X135 TC9	1			Night Watch Blue
	X135 VH9	1			Dark Auburn
	X135 VK7	1			Tan
	X135 AM8	1			Red
	X135 VW3	1			Pearl White
	X135 AT2	1			Tan
	X135 TX9	1			Black
		X134 TT3	1		
	X134 VA3	1			Burnish Silver
	X134 TC9	1			Night Watch Blue
	X134 VH9	1			Dark Auburn
	X134 VK7	1			Tan
	X134 AM8	1			Red
	X134 VW3	1			Pearl White
	X134 AT2	1			Tan
21	X134 TX9	1			Black
21	4175 132-3	1			MOULDING,Qtr.Wheel Opening SCREW
22	4175 128-9	1			MOULDING,Body Side Sill

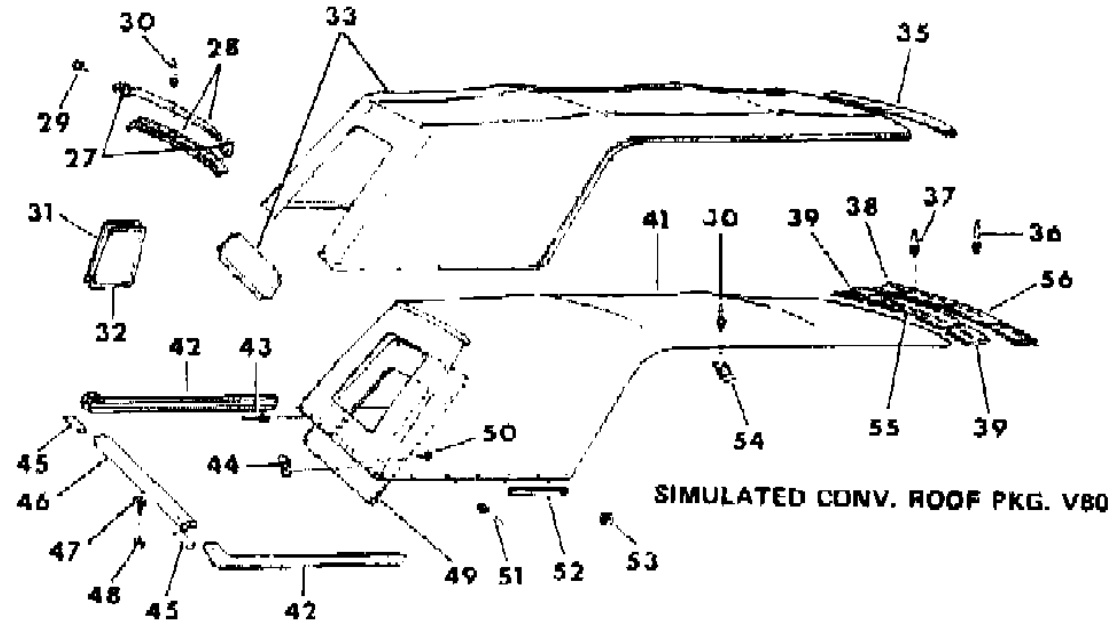
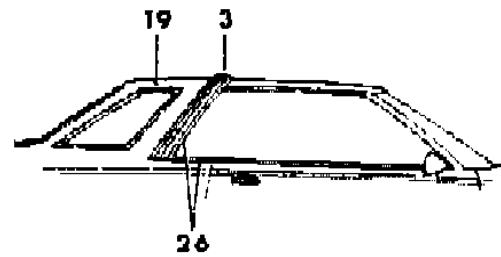
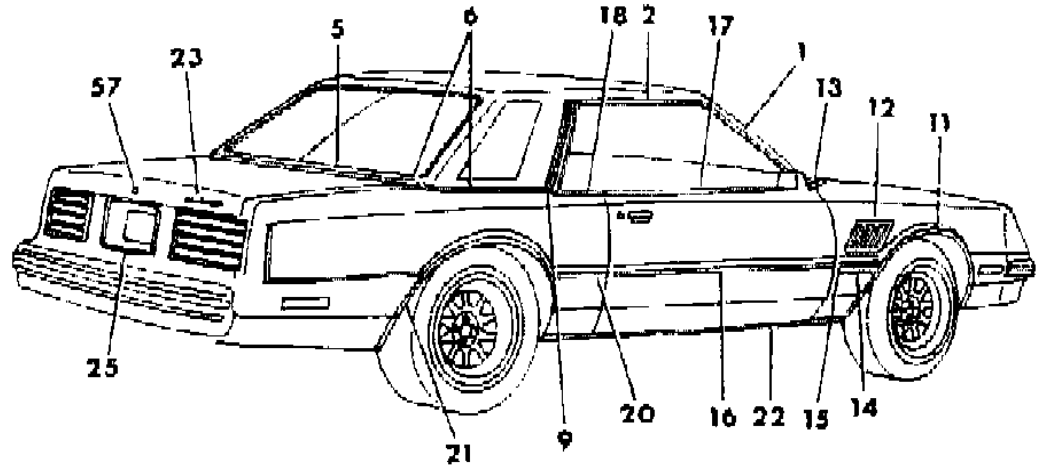
MODEL CODES  
 B = GRAN FURY/CARAVELLE      P = RELIANT  
 C = LEBARON/TOWN & COUNTRY      S = CORDOBA  
 D = ARIES      V = 400  
 F = NEW YORKER      X = MIRADA  
 G = DIPLOMAT      Y = IMPERIAL  
 M = HORIZON/TC3/SCAMP      Z = OMNI/O24/RAMPAGE

BODY STYLES  
 21 = 2-DOOR SEDAN      28 = FWD PICKUP  
 22 = 2-DOOR SPECIAL COUPE      41 = 4-DOOR SEDAN  
 24 = 2-DOOR HATCHBACK      44 = 4-DOOR HATCHBACK  
 27 = 2-DOOR CONVERTIBLE      45 = 2-SEAT STATION WAGON

AR = Use as Required - = Non Illustrated Part P.A.R. = Paint as Required

EXTERIOR VIEW DODGE MIRADA  
Figure 23-3400

2100-3400A



SIMULATED CONV. ROOF PKG. V80

ITEM	PART NUMBER	QTY	BODY	MODEL	DESCRIPTION
	6028 674				SCREW
	6003 715				RETAINER
23	4175 549	1			NAMEPLATE,Deck Lid,"Mirada"
	4229 779	1			NAMEPLATE,Deck Lid,"DODGE"
25	X515 TA3	1			MOULDING and PNL.,Deck Opng.Lwr.Lic.Plate Mtg.,Burnish
					Silver,Use on Monotone Paint Cars
26					MOULDING,Qtr. Drain Trough and Belt
	4175 018-9	1			Use w/Simulated Conv. Roof
27	4078 616	2			CAP,End
28	4276 361	1			BOW,F/Strip Assy.,Black
	4078 614	1			Cashmere
	4276 358	1			Blue
	4223 362	1			White
	4276 364	1			Red
29		AR			Screw (8-18x75)
30		AR			Rivet (1/8 x 46 Hd.)
31					TAPE,Foam
32	4078 626-7	1			APPLIQUE,Qtr. Upr.
33	4276 359	1			KIT COVER ASSY. and Back Lite Lwr.,Black
	4276 352	1			Cashmere
	4276 351	1			White
	4276 356	1			Blue
	4276 362	1			Red
35	4276 360	1			WELT ASSY.,W/Shield Header,Black
	4078 634	1			Cashmere
	4223 360	1			White
	4276 357	1			Blue
	4276 363	1			Red
36		AR			RIVET (1/8 x .328 Fl. Hd.)
37		AR			RIVET (1/8 x 42 s/s)
38					RETAINER,Cap Upr. Frt. Outer (Serv. in Cap Assy)
39	4078 611	2			RETAINER,Frnt. Cap Outer
40		AR			RIVET (1/8 x .328 Fl. Hd.)
41	4078 612	1			CAP ASSY,Fiber Glass,Complete
42	4078 620-1	1			MOULDING,Qtr. Pnl. Belt
43		AR			RIVET (1/8 x 46 Fl. Hd.)
44	4078 618	AR			SUPPORT,Back Lite Trim Pnl.

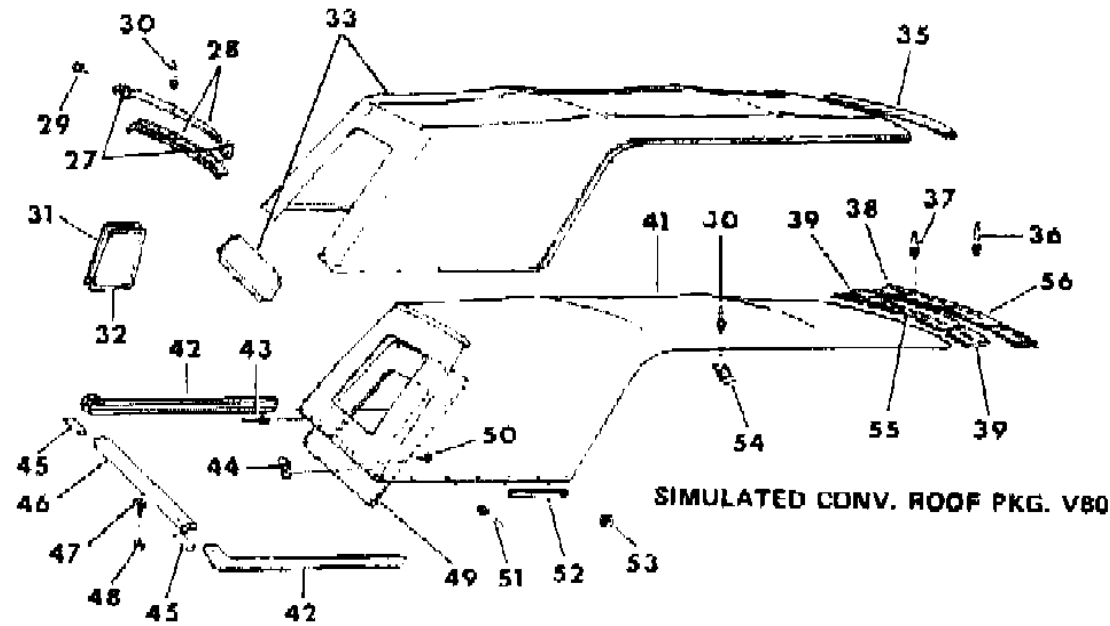
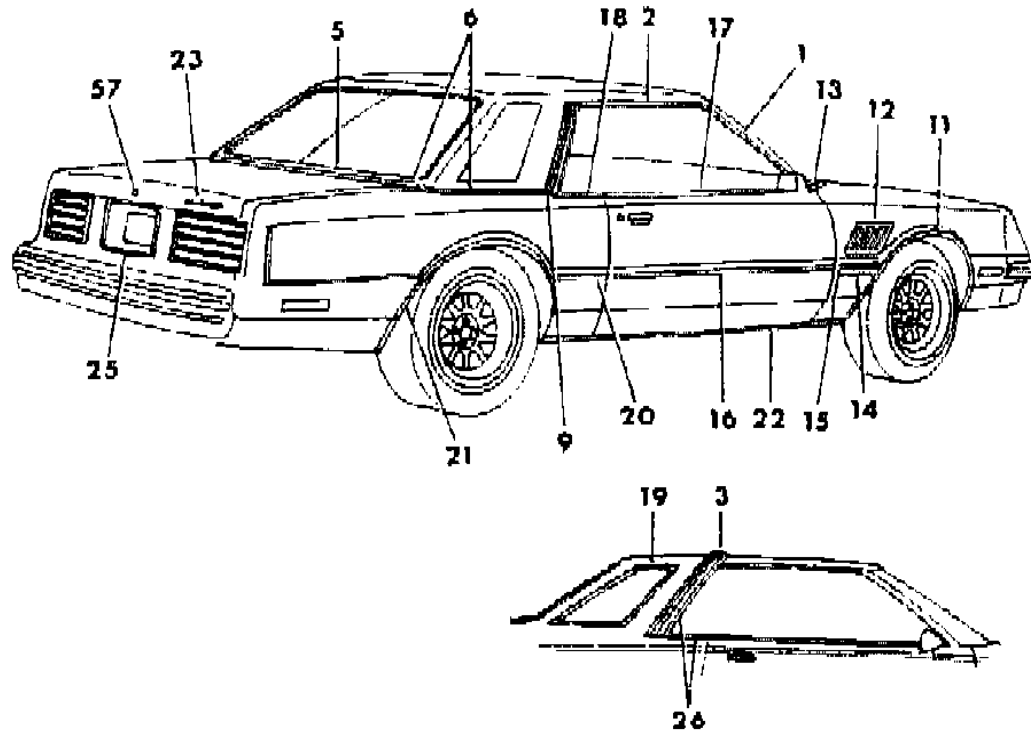
MODEL CODES  
 B = GRAN FURY/CARAVELLE      P = RELIANT  
 C = LEBARON/TOWN & COUNTRY      S = CORDOBA  
 D = ARIES      V = 400  
 F = NEW YORKER      X = MIRADA  
 G = DIPLOMAT      Y = IMPERIAL  
 M = HORIZON/TC3/SCAMP      Z = OMNI/O24/RAMPAGE

BODY STYLES  
 21 = 2-DOOR SEDAN      28 = FWD PICKUP  
 22 = 2-DOOR SPECIAL COUPE      41 = 4-DOOR SEDAN  
 24 = 2-DOOR HATCHBACK      44 = 4-DOOR HATCHBACK  
 27 = 2-DOOR CONVERTIBLE      45 = 2-SEAT STATION WAGON

AR = Use as Required - = Non Illustrated Part P.A.R. = Paint as Required

EXTERIOR VIEW DODGE MIRADA  
Figure 23-3400

2100-3400A



ITEM	PART NUMBER	QTY	BODY	MODEL	DESCRIPTION
45	4078 619	2			INSERT,Belt Mldg.
46	4078 622	1			MOULDING,Back Belt
47	4094 619	AR			RETAINER
48	4057 555	AR			NUT
49	4078 617	1			MOULDING,Back Lite Int. Raw
50		AR			SCREW
51		AR			RIVET (1/8 x 43 Fl. Hd.)
52		AR			TAPE (1/32 x 5/8)
53	4078 623	1			ORNAMENT, Rt. Side
54					BRACKET,Cap Ret. Side (Serv. in Cap Assy)
55	4078 610	1			RETAINER,Frnt. Cap Center
56		AR			RETAINER,Cap Up. Frt. Center
57	X592 AA3	1			MEDALLION,Deck Lid Lock Cyl.,Bright Silver
	X592 AA9	1			Dark Silver
	X592 AH9	1			Mahogany
	X592 AM8	1			Red
	X592 AT3	1			Med. Tan
	X592 AT4	1			Natural Suede Tan
	X592 AW3	1			White
	X592 AX9	1			Black

NOTE: The Colored Medallion Used is Determined by the Exterior Paint of Car an offsetting order for part no. 3747881

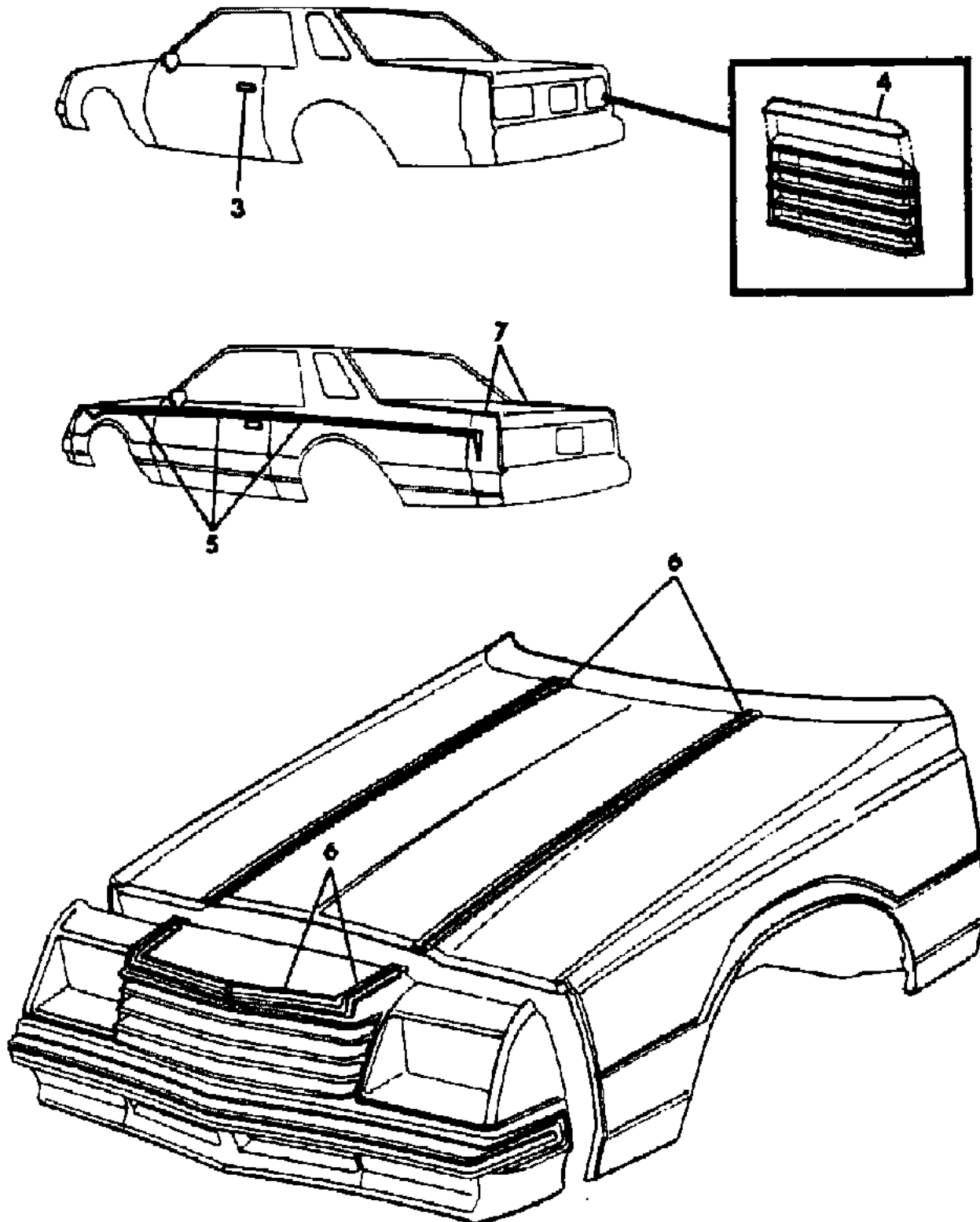
MODEL CODES  
 B = GRAN FURY/CARAVELLE      P = RELIANT  
 C = LEBARON/TOWN & COUNTRY    S = CORDOBA  
 D = ARIES                            V = 400  
 F = NEW YORKER                    X = MIRADA  
 G = DIPLOMAT                       Y = IMPERIAL  
 M = HORIZON/TC3/SCAMP        Z = OMNI/O24/RAMPAGE

BODY STYLES  
 21 = 2-DOOR SEDAN                28 = FWD PICKUP  
 22 = 2-DOOR SPECIAL COUPE    41 = 4-DOOR SEDAN  
 24 = 2-DOOR HATCHBACK        44 = 4-DOOR HATCHBACK  
 27 = 2-DOOR CONVERTIBLE       45 = 2-SEAT STATION WAGON

AR = Use as Required - = Non Illustrated Part P.A.R. = Paint as Required

EXTERIOR VIEW - TAPE STRIPES DODGE MIRADA  
Figure 23-3500

2168 3500A



ITEM	PART NUMBER	QTY	BODY	MODEL	DESCRIPTION
3	T751 VA3	2			TAPE,Door Handle,Burnish Silver
	T751 AA9	2			Dark Silver
	T751 VC9	2			Night Watch Blue
	T751 VC2	2			Frost Blue
	T751 VH9	2			Dark Auburn
	T751 VT3	2			Med. Tan
	T751 VM8	2			Red
	T751 VK7	2			Dark Tan
	T751 VW3	2			White
	T751 VX9	2			Black
4	T530-1 TA3	1			TAPE,Lwr.Deck Opng.Pnl.T/Sig.and B/up Lamps,Burnish Silver
	T530-1 AA9	1			Dark Silver
	T530-1 TC2	1			Frost Blue
	T530-1 TC9	1			Night Watch Blue
	T530-1 VH9	1			Dark Auburn
	T530-1 VK7	1			Tan
	T530-1 AM8	1			Red
	T530-1 AT3	1			Med. Tan
	T530-1 VW3	1			Pearl White
	T530-1 TX9	1			Black
5	4205 608-9	1			TAPE SET,Fndr.,Door,Qtr.,Blue (K7B)
	4271 516-7	1			Sterling Silver (K7A)
	4205 612-3	1			Red (K7E)
	4240 596-7	1			Pearl White (K7W)
	4205 622-3	1			Gold (K7Y)
6	4240 766	1			TAPE SET,Hood Outer Pnl.,Blue (K9B)
	4271 510	1			Sterling Silver (K9A)
	4271 511	1			Red (K9E)
	4240 771	1			Gold (K9Y)
	4240 772	1			White (K9W)
	4240 774	1			TAPE SET,Fascia,Blue (K9B)
	4267 695	1			Sterling Silver (K9A)
	4267 696	1			Red (K9E)
	4240 779	1			Gold (K9Y)
	4240 780	1			White (K9W)
7	T032 AC6	1			TAPE SET,Deck Lid,Blue (K9B)
	T032 AA2	1			Sterling Silver (K9A)

MODEL CODES

B = GRAN FURY/CARAVELLE	P = RELIANT
C = LEBARON/TOWN & COUNTRY	S = CORDOBA
D = ARIES	V = 400
F = NEW YORKER	X = MIRADA
G = DIPLOMAT	Y = IMPERIAL
M = HORIZON/TC3/SCAMP	Z = OMNI/O24/RAMPAGE

BODY STYLES

21 = 2-DOOR SEDAN	28 = FWD PICKUP
22 = 2-DOOR SPECIAL COUPE	41 = 4-DOOR SEDAN
24 = 2-DOOR HATCHBACK	44 = 4-DOOR HATCHBACK
27 = 2-DOOR CONVERTIBLE	45 = 2-SEAT STATION WAGON

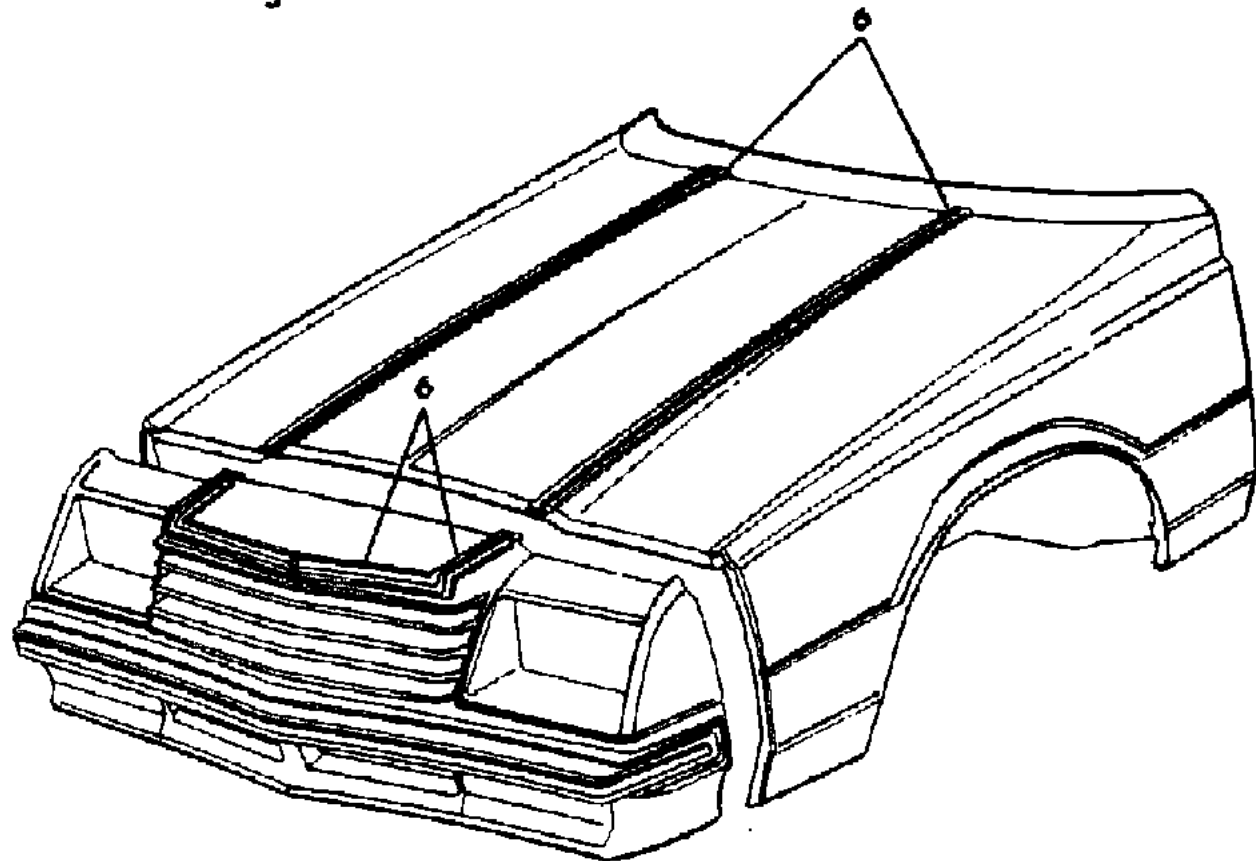
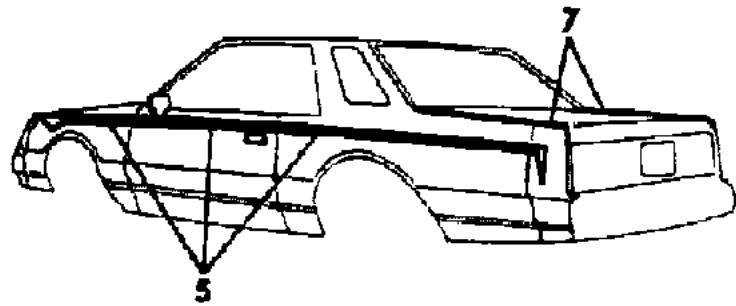
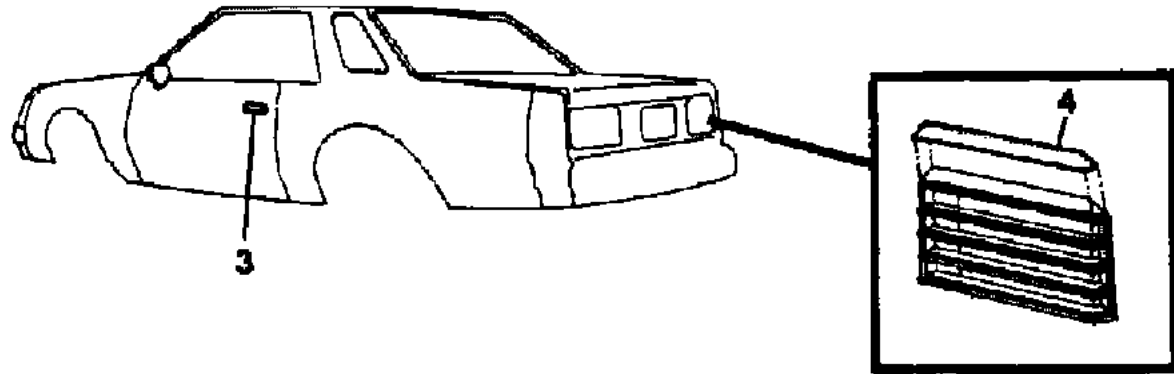
AR = Use as Required - = Non Illustrated Part P.A.R. = Paint as Required



EXTERIOR VIEW - TAPE STRIPES DODGE MIRADA  
Figure 23-3500

2168 3500A

ITEM	PART NUMBER	QTY	BODY	MODEL	DESCRIPTION
	T032 AE4	1			Red (K9E)
	T032 AY1	1			Gold (K9Y)
	T032 AW3	1			White (K9W)



MODEL CODES

B = GRAN FURY/CARAVELLE	P = RELIANT
C = LEBARON/TOWN & COUNTRY	S = CORDOBA
D = ARIES	V = 400
F = NEW YORKER	X = MIRADA
G = DIPLOMAT	Y = IMPERIAL
M = HORIZON/TC3/SCAMP	Z = OMNI/O24/RAMPAGE

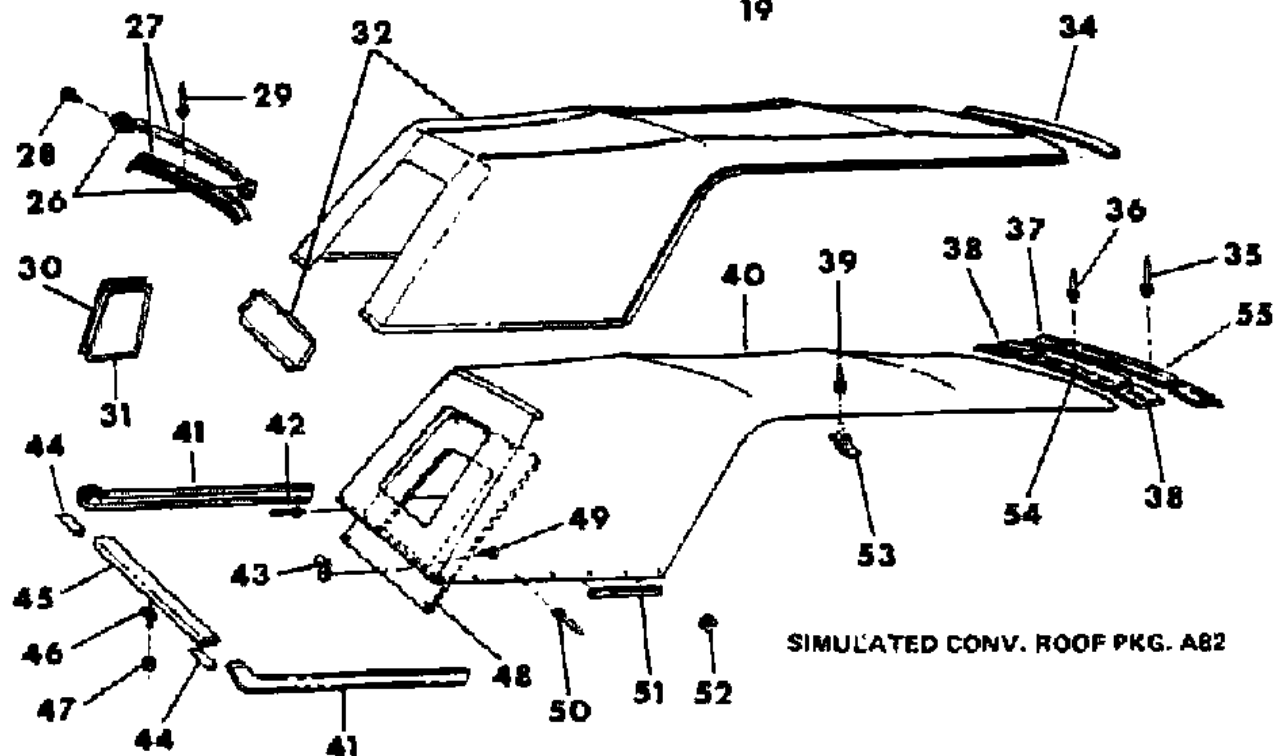
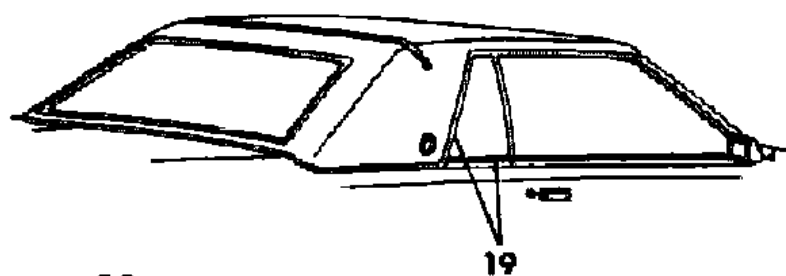
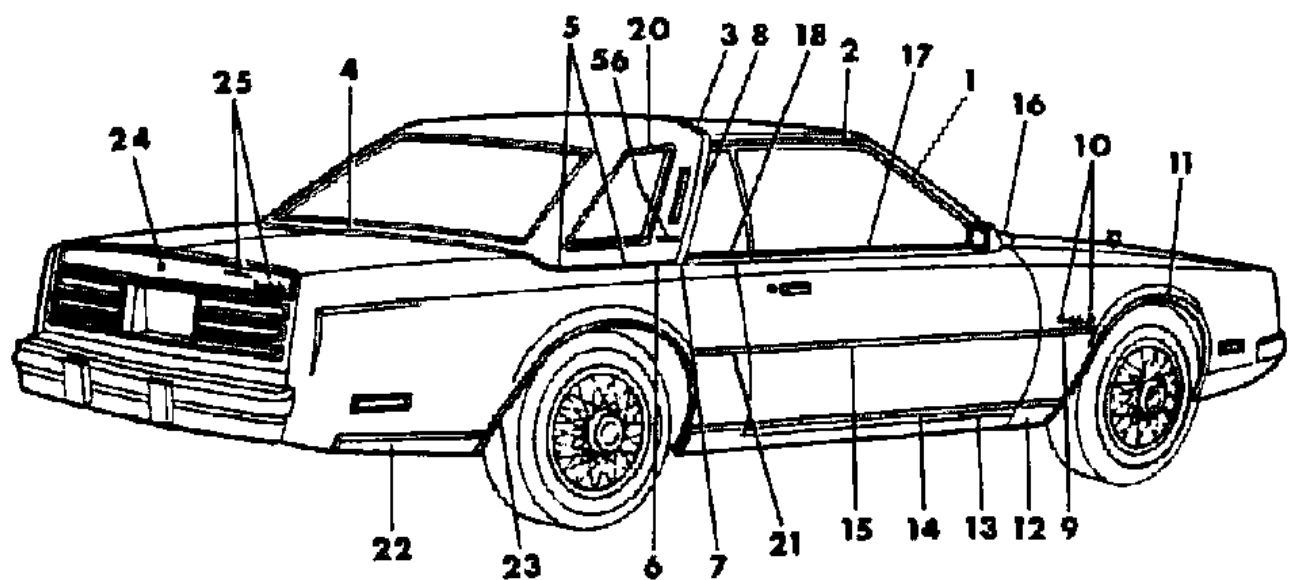
BODY STYLES

21 = 2-DOOR SEDAN	28 = FWD PICKUP
22 = 2-DOOR SPECIAL COUPE	41 = 4-DOOR SEDAN
24 = 2-DOOR HATCHBACK	44 = 4-DOOR HATCHBACK
27 = 2-DOOR CONVERTIBLE	45 = 2-SEAT STATION WAGON

AR = Use as Required - = Non Illustrated Part P.A.R. = Paint as Required

EXTERIOR VIEW CHRYSLER CORDOBA  
Figure 23-3600

2168 3600B



SIMULATED CONV. ROOF PKG. A82

ITEM	PART NUMBER	QTY	BODY	MODEL	DESCRIPTION
1	4175 306-7	1			MOULDING,Body Frt.Pillar Drain Trough
	6003 591	AR			RETAINER
2	4175 030-1	1			MOULDING,Roof Side Drain Trough,w/o Padded Landau Roof
	4175 418-9	1		S-P	w/Padded Landau Roof w/Qtr. Plug
3	X187 TT1	1		S-S	MOULDING,Roof Transverse,Use on Landau Roof,Light
					Cashmere
	4267 783	1		S-S	Dark Auburn
	4240 853	1		S-S	Dark Tan
	4267 784	1		S-S	Light Tan
	4240 854	1		S-S	Pearl White
	3744 671				RETAINER PKG.
	6028 674				SCREW
4	X193 TT1	1		S-S	MOULDING,Deck Opng.Upr.Pnl.,Use on Landau Roof,Light
					Cashmere
	4240 855	1		S-S	Dark Auburn
	4240 856	1		S-S	Tan
	4240 857	1		S-S	Pearl White
	3744 671				RETAINER PKG.
	6028 674				SCREW
5	X190-1 TT1	1		S-S	MOULDING PKG.,Qtr.Belt Center and Rear,Use on Landau Roof,Light
					Cashmere
	4267 778-9	1		S-S	Dark Auburn
	4240 866-7	1		S-S	Dark Tan
	4267 780-1	1		S-S	Light Tan
	4240 868-9	1		S-S	Pearl White
	3744 671				RETAINER PKG.
	6028 674				SCREW
	3744 367				RETAINER PKG.
6	X192 TT1	2		S-S	MOULDING,Qtr.Belt,Fr.,Use on Landau Roof,Light
	X192 VH9	2		S-S	Dark Auburn
	X192 VK7	2		S-S	Tan
	X192 VW3	2		S-S	Pearl White
7	X188-9 TT1	1		S-S	MOULDING,Roof Transverse to Qtr.Belt,Use on Landau Roof,Light
					Cashmere
	4267 772-3	1		S-S	Dark Auburn
	4240 860-1	1		S-S	Dark Tan
	4267 774-5	1		S-S	Light Tan

MODEL CODES

B = GRAN FURY/CARAVELLE  
C = LEBARON/TOWN & COUNTRY  
D = ARIES  
F = NEW YORKER  
G = DIPLOMAT  
M = HORIZON/TC3/SCAMP  
P = RELIANT  
S = CORDOBA  
V = 400  
X = MIRADA  
Y = IMPERIAL  
Z = OMNI/O24/RAMPAGE

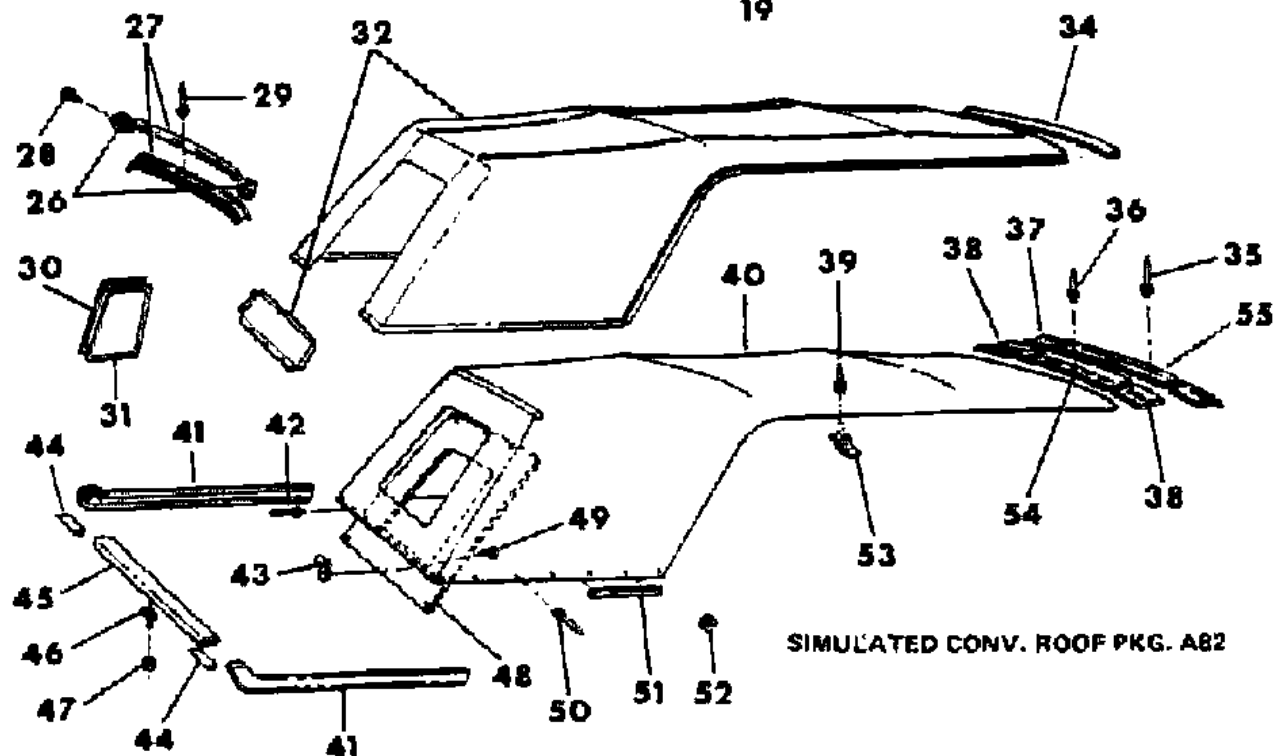
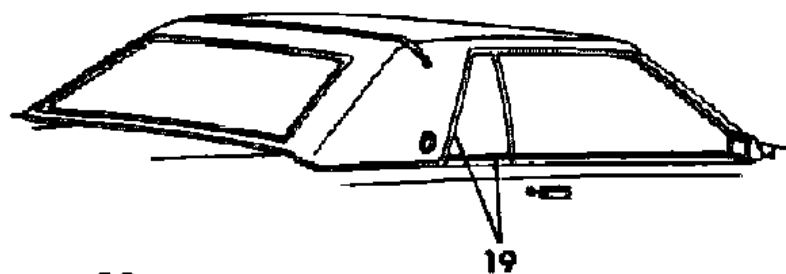
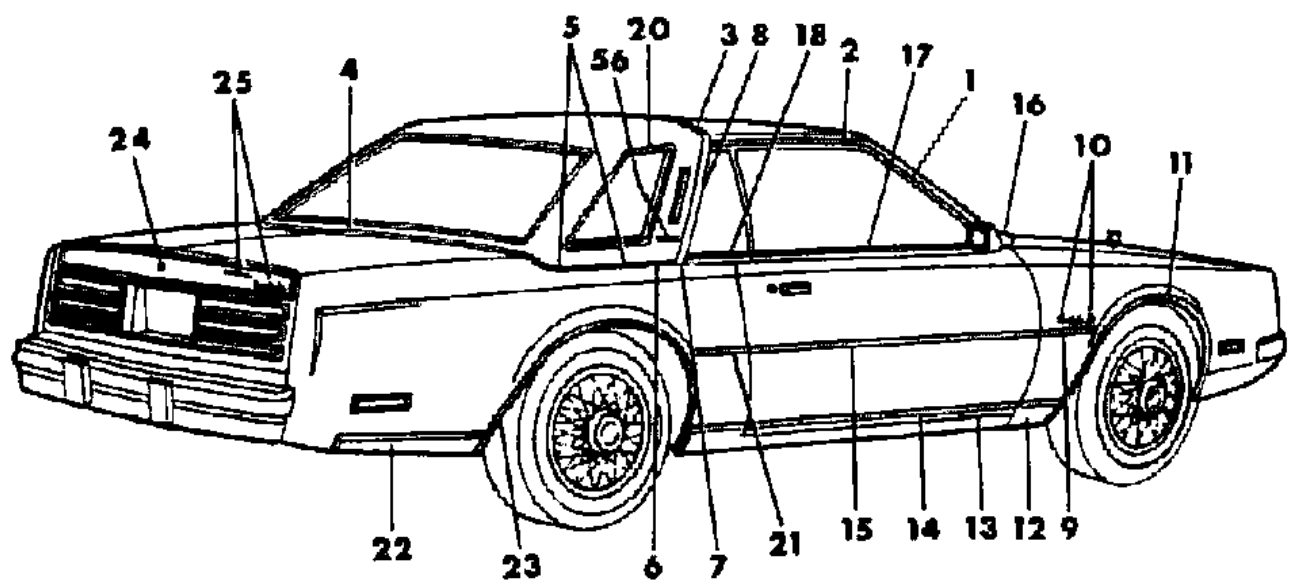
BODY STYLES

21 = 2-DOOR SEDAN  
22 = 2-DOOR SPECIAL COUPE  
24 = 2-DOOR HATCHBACK  
27 = 2-DOOR CONVERTIBLE  
28 = FWD PICKUP  
41 = 4-DOOR SEDAN  
44 = 4-DOOR HATCHBACK  
45 = 2-SEAT STATION WAGON

AR = Use as Required - = Non Illustrated Part P.A.R. = Paint as Required

EXTERIOR VIEW CHRYSLER CORDOBA  
Figure 23-3600

2168 3600B



SIMULATED CONV. ROOF PKG. A82

ITEM	PART NUMBER	QTY	BODY	MODEL	DESCRIPTION
	4240 862-3	1		S-S	Pearl White
	3744 671				RETAINER PKG.
	6028 674				SCREW
	3744 367				RETAINER PKG.
8	4175 170-1	1		S-P	MOULDING, Roof Transverse, Use on Padded Landau Roof w/Qtr.
					Plug
	6003 642				RETAINER
	9420 867				NUT
					SCREW
9	X134-5 TT3	1			MOULDING, Fndr. Side, Med. Tan
	X134-5 VA3	1			Burnish Silver
	X134-5 TC9	1			Night Watch Blue
	X134-5 AM8	1			Red
	X134-5 AT2	1			Tan
	X134-5 VK7	1			Spice Tan
	X134-5 VW3	1			Pearl White
	X134-5 TX9	1			Black
	X134-5 VH9	1			Dark Auburn
10	4175 897	2			NAMEPLATE, Fndr. Side, "Cordoba"
11	4175 130-1	1			MOULDING, Fndr. Wheel Opening
					SCREW
12	4175 196-7	1		S-P	MOULDING, Body Side Sill
	3780 999				RETAINER PKG.
	6003 763				RETAINER
	6028 674				SCREW
13	4175 128-9	1		S-S	MOULDING, Body Side Sill
	3780 999				RETAINER PKG.
	6028 674				SCREW
	6003 715				RETAINER
14	4175 146	2		S-P	MOULDING, Door
	6028 674				SCREW
	6026 523				NUT
	6001 927				RETAINER
15	X128 TT3	2			MOULDING, Door, Med. Tan
	X128 VH9	2			Dark Auburn
	X128 TC9	2			Night Watch Blue
	X128 VK7	2			Tan

MODEL CODES

B = GRAN FURY/CARAVELLE  
C = LEBARON/TOWN & COUNTRY  
D = ARIES  
F = NEW YORKER  
G = DIPLOMAT  
M = HORIZON/TC3/SCAMP  
P = RELIANT  
S = CORDOBA  
V = 400  
X = MIRADA  
Y = IMPERIAL  
Z = OMNI/O24/RAMPAGE

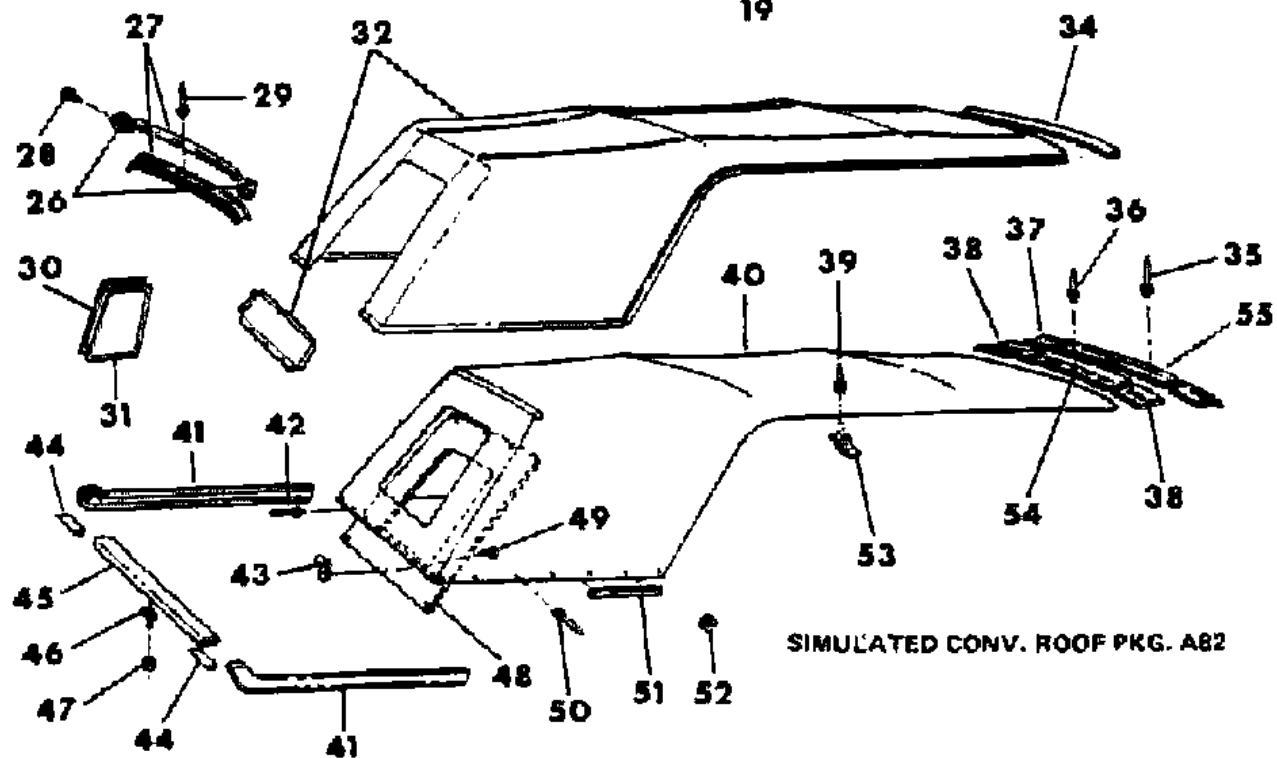
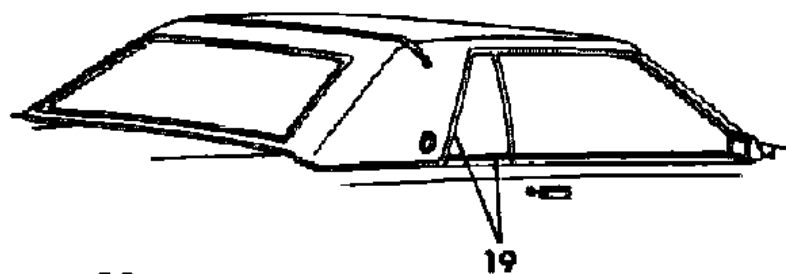
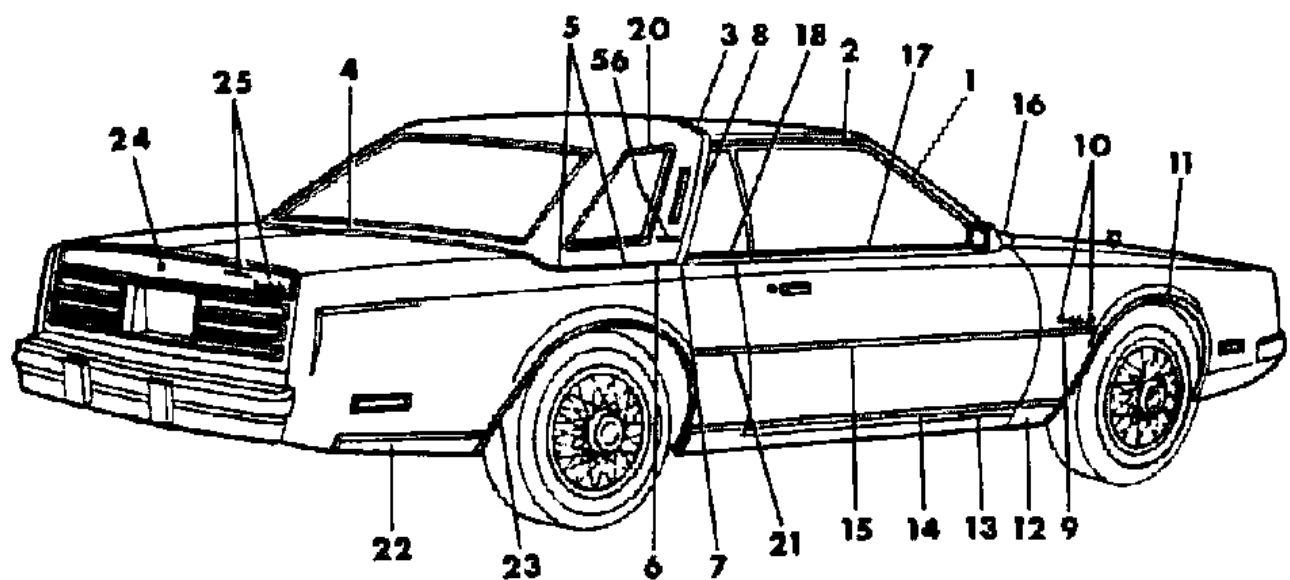
BODY STYLES

21 = 2-DOOR SEDAN  
22 = 2-DOOR SPECIAL COUPE  
24 = 2-DOOR HATCHBACK  
27 = 2-DOOR CONVERTIBLE  
28 = FWD PICKUP  
41 = 4-DOOR SEDAN  
44 = 4-DOOR HATCHBACK  
45 = 2-SEAT STATION WAGON

AR = Use as Required - = Non Illustrated Part P.A.R. = Paint as Required

EXTERIOR VIEW CHRYSLER CORDOBA  
Figure 23-3600

2168 3600B



SIMULATED CONV. ROOF PKG. A82

ITEM	PART NUMBER	QTY	BODY	MODEL	DESCRIPTION
	X128 VW3	2			Pearl White
	X128 AM8	2			Red
	X128 VA3	2			Burnish Silver
	X128 AT2	2			Tan
	X128 TX9	2			Black
16	4175 470-1	1			MOULDING,Fndr.,Rear Edge Belt SCREW
17	4175 134	1			MOULDING,Door Belt,w/o Mirror,Rt.
	4175 380-1	1			w/Mirror
18	4175 420-1	1		S-P	MOULDING,Qtr.Wdo.Belt,Use on Padded Landau Roof w/Qtr. Plug
19	4175 018-9	1		S-P,S-S	MOULDING,Qtr.Drain Trough and Belt,Use w/o Padded Landau Roof,w/o Qtr. Plug
20	4175 150-1	1		S-S	MOULDING,Qtr.Opera Wdo.,Use w/o Padded Landau Roof
21	X135 TT3	1			MOULDING,Qtr.,Rt.,Med. Tan
	X135 TC9	1			Night Watch Blue
	X135 AM8	1			Red
	X135 AT2	1			TAN
	X135 VK7	1			Spice Tan
	X135 VW3	1			Pearl White
	X135 TX9	1			Black
	X135 VH9	1			Dark Auburn
	X135 VA3	1			Burnish Silver
	X134 TT3	1			Lt.,Med. Tan
	X134 TC9	1			Night Watch Blue
	X134 AM8	1			Red
	X134 AT2	1			Tan
	X134 VK7	1			Spice Tan
	X134 VW3	1			Pearl White
	X134 TX9	1			Black
	X134 VH9	1			Dark Auburn
	X134 VA3	1			Burnish Silver
22	4205 532-3	1		S-P	MOULDING,Qtr.Pnl.
	6003 739				RETAINER
	6028 674				SCREW
	6003 333				RETAINER
	6002 794				RETAINER

MODEL CODES

B = GRAN FURY/CARAVELLE  
C = LEBARON/TOWN & COUNTRY  
D = ARIES  
F = NEW YORKER  
G = DIPLOMAT  
M = HORIZON/TC3/SCAMP  
P = RELIANT  
S = CORDOBA  
V = 400  
X = MIRADA  
Y = IMPERIAL  
Z = OMNI/O24/RAMPAGE

BODY STYLES

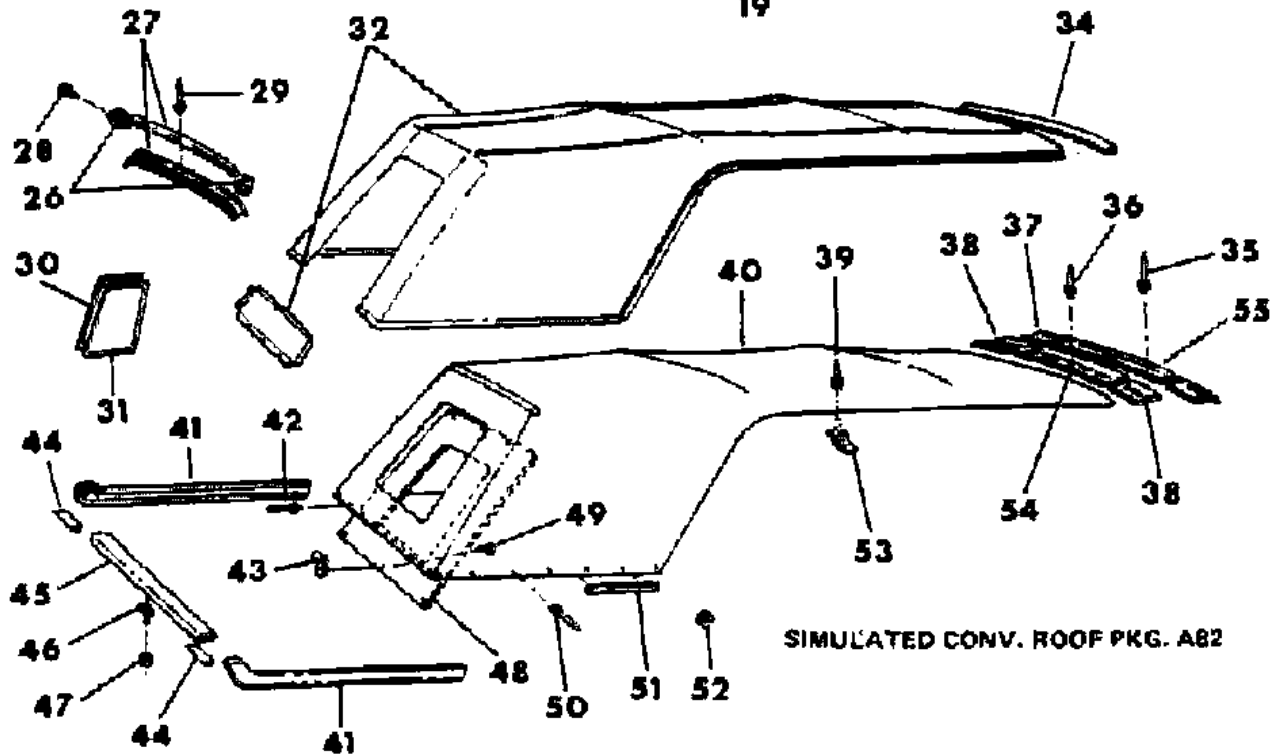
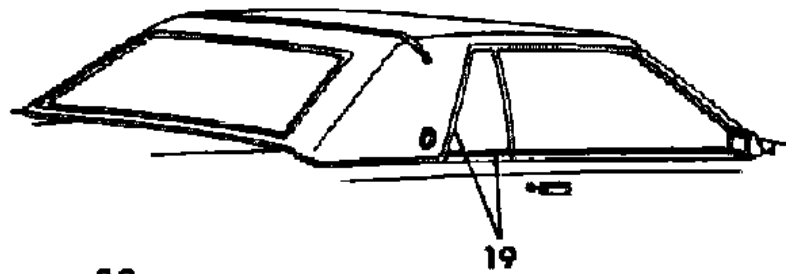
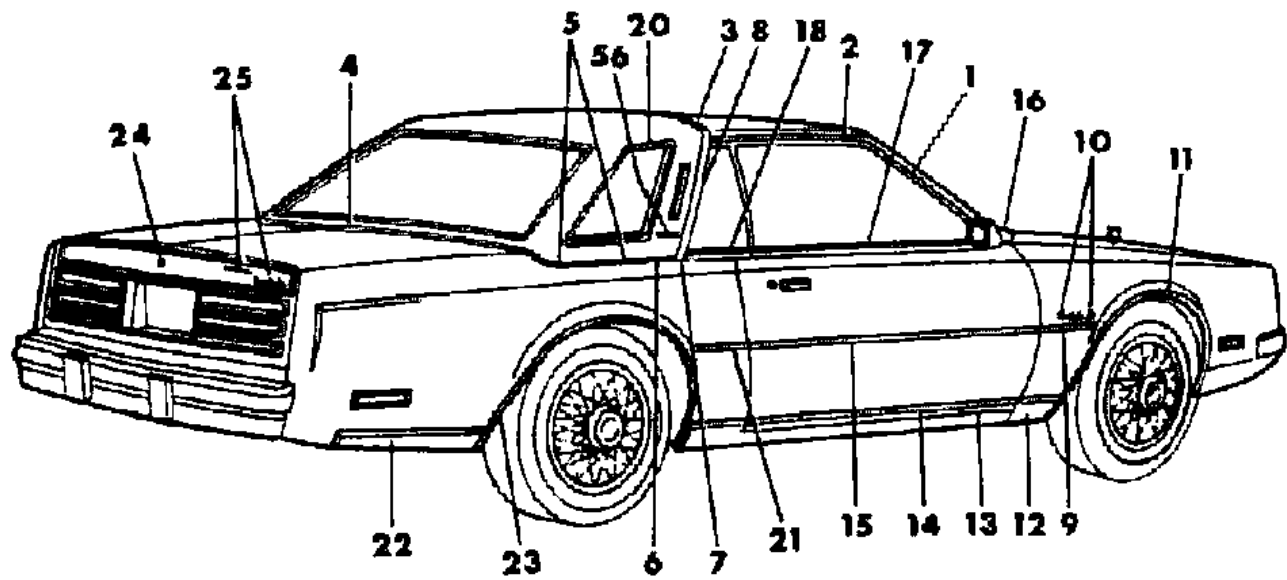
21 = 2-DOOR SEDAN  
22 = 2-DOOR SPECIAL COUPE  
24 = 2-DOOR HATCHBACK  
27 = 2-DOOR CONVERTIBLE  
28 = FWD PICKUP  
41 = 4-DOOR SEDAN  
44 = 4-DOOR HATCHBACK  
45 = 2-SEAT STATION WAGON

AR = Use as Required - = Non Illustrated Part P.A.R. = Paint as Required

EXTERIOR VIEW CHRYSLER CORDOBA

Figure 23-3600

2168 3600B



ITEM	PART NUMBER	QTY	BODY	MODEL	DESCRIPTION
					NUT
23	4175 132-3	1			MOULDING,Qtr.Wheel Opening
					SCREW
24		1			MEDALLION,Deck Lid Lock Cyl.
	X592 AA3	1			Bright Silver
	X592 AA9	1			Dark Silver
	X592 AH9	1			Mahogany
	X592 AM8	1			Red
	X592 AT3	1			Med. Tan
	X592 AT4	1			Natural Suede Tan
	X592 AW3	1			White
	X592 AX9	1			Black
NOTE: The Colored Medallion Used is Determined by the Exterior Paint of Car an offsetting order for part no. 3747881					
25	4175 495	1			NAMEPLATE,Deck Lid,"Cordoba"
	4229 782	1			"Chrysler"
26	4078 616	2			CAP,End
27	4276 361	1			BOW,F/Strip Assy.,Black
	4078 614	1			Cashmere
	4223 362	1			White
	4276 358	1			Blue
	4276 364	1			Red
28		AR			SCREW (8-18 x .75)
29		AR			RIVET (1/8 x 46 Fl. Hd.)
30					TAPE,Foam
31	4078 626-7	1			APPLIQUE,Qtr. Upr.
32	4276 359	1			KIT COVER ASSY. and Back Lite Lwr.,Black
	4276 352	1			Cashmere
	4276 351	1			White
	4276 356	1			Blue
	4276 362	1			Red
34	4276 360	1			WELT ASSY.,W/Shield Header,Black
	4078 634	1			Cashmere
	4223 360	1			White
	4276 357	1			Blue
	4276 363	1			Red
35		AR			RIVET (1/8 x .328 Fl. Hd.)
36		AR			RIVET (1/8 x 42 s/s)

MODEL CODES

B = GRAN FURY/CARAVELLE	P = RELIANT
C = LEBARON/TOWN & COUNTRY	S = CORDOBA
D = ARIES	V = 400
F = NEW YORKER	X = MIRADA
G = DIPLOMAT	Y = IMPERIAL
M = HORIZON/TC3/SCAMP	Z = OMNI/O24/RAMPAGE

BODY STYLES

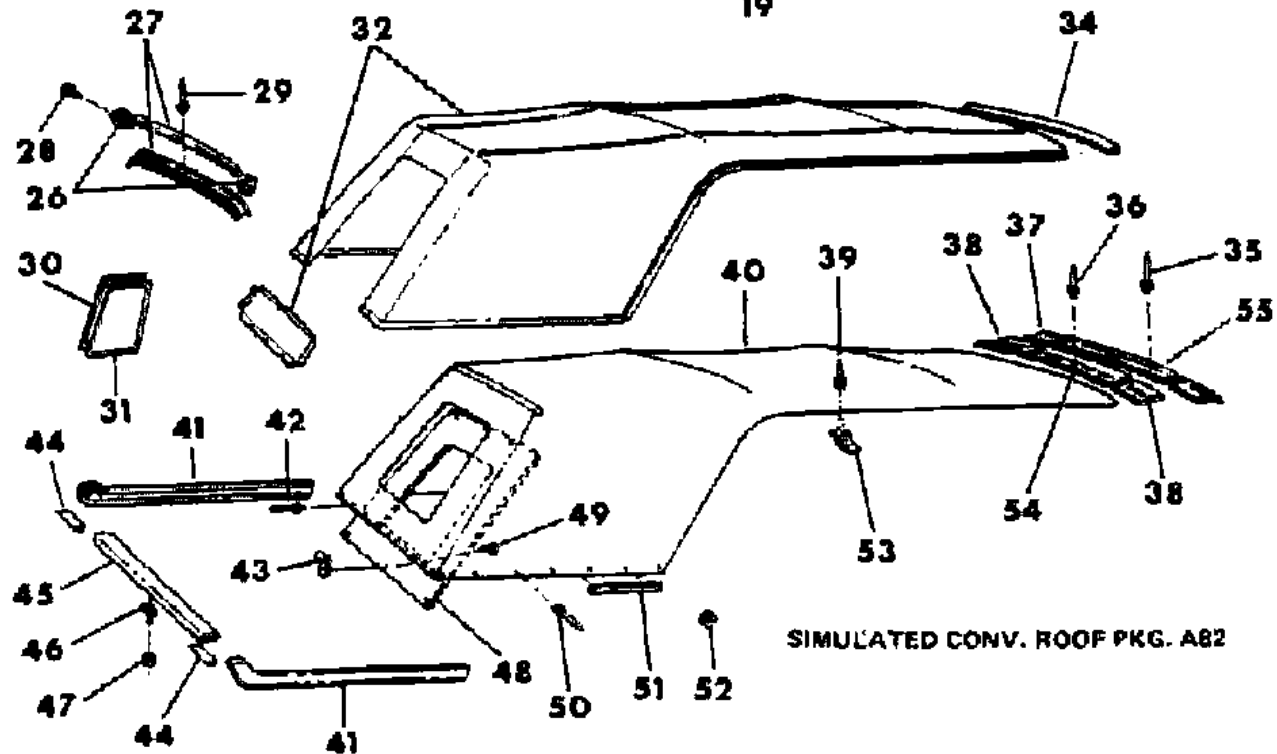
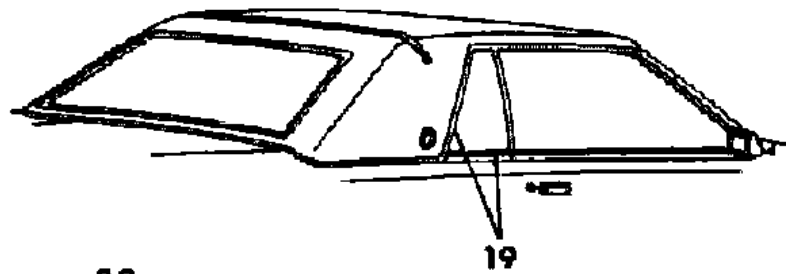
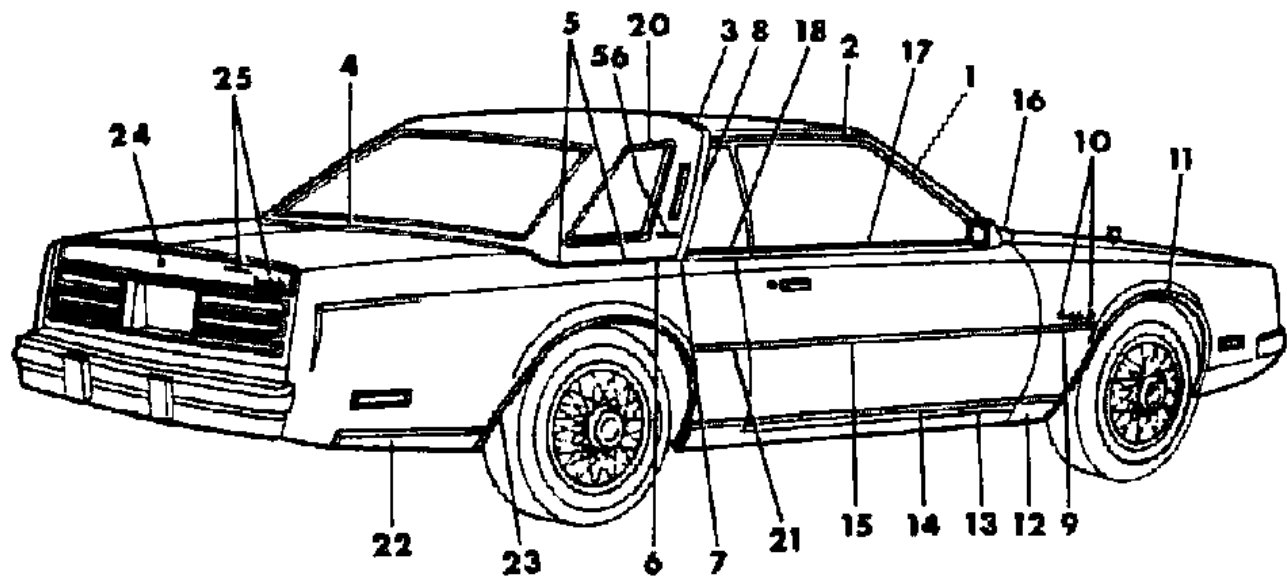
21 = 2-DOOR SEDAN	28 = FWD PICKUP
22 = 2-DOOR SPECIAL COUPE	41 = 4-DOOR SEDAN
24 = 2-DOOR HATCHBACK	44 = 4-DOOR HATCHBACK
27 = 2-DOOR CONVERTIBLE	45 = 2-SEAT STATION WAGON

AR = Use as Required - = Non Illustrated Part P.A.R. = Paint as Required

EXTERIOR VIEW CHRYSLER CORDOBA

Figure 23-3600

2168 3600B



SIMULATED CONV. ROOF PKG. A82

ITEM	PART NUMBER	QTY	BODY	MODEL	DESCRIPTION
37					RETAINER,Cap Upr. Frt. Outer (Serv. in Cap Assy)
38	4078 611	2			RETAINER,Frnt. Cap Outer
39		AR			RIVET (1/8 x .328 Fl. Hd.)
40	4078 612	1			CAP ASSY,Fiber Glass,Complete
41	4078 620-1	1			MOULDING,Qtr. Pnl Belt
42		AR			RIVET (1/8 x 46 Fl. Hd.)
43	4078 618	AR			SUPPORT,Back Lite Trim Pnl.
44	4078 619	2			INSERT,Belt Mldg.
45	4078 622	1			MOULDING,Back Lite
46	4094 619	AR			RETAINER
47	4057 555	AR			NUT
48	4078 617	AR			MOULDING,Back Lite Int. Raw
49		AR			SCREW
50		AR			RIVET (1/8 x 43 Fl. Hd.)
51		AR			TAPE (1/32 x 5/8)
52	4078 623	1			ORNAMENT,Rt. Side
53					BRACKET,Cap Retainer Side (Serv. in Cap Assy)
54	4078 610	1			RETAINER,Frnt. Cap Center
55		AR			RETAINER,Cap Upr. Frt. Center
56	4022 940-1	1		S-S	MEDALLION,Qtr. Pnl.
	6002 852			S-S	RETAINER
	4229 462	2		S-P	MEDALLION,Qtr.,Corinthian Edition

MODEL CODES

B = GRAN FURY/CARAVELLE  
 C = LEBARON/TOWN & COUNTRY  
 D = ARIES  
 F = NEW YORKER  
 G = DIPLOMAT  
 M = HORIZON/TC3/SCAMP  
 P = RELIANT  
 S = CORDOBA  
 V = 400  
 X = MIRADA  
 Y = IMPERIAL  
 Z = OMNI/O24/RAMPAGE

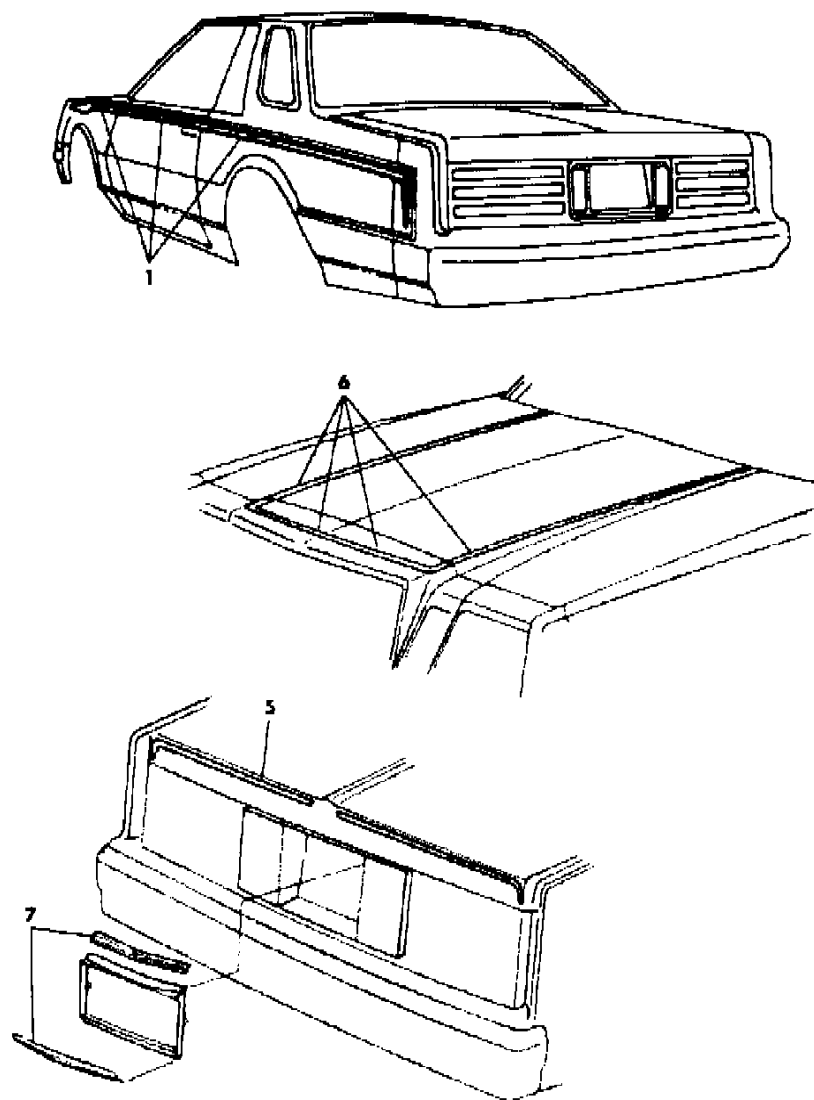
BODY STYLES

21 = 2-DOOR SEDAN  
 22 = 2-DOOR SPECIAL COUPE  
 24 = 2-DOOR HATCHBACK  
 27 = 2-DOOR CONVERTIBLE  
 28 = FWD PICKUP  
 41 = 4-DOOR SEDAN  
 44 = 4-DOOR HATCHBACK  
 45 = 2-SEAT STATION WAGON

AR = Use as Required - = Non Illustrated Part P.A.R. = Paint as Required

**EXTERIOR VIEW - TAPE STRIPES CHRYSLER CORDOBA**  
**Figure 23-3700**

2148 3700



ITEM	PART NUMBER	QTY	BODY	MODEL	DESCRIPTION
1	4186 684-5	1			TAPE SET,Fndr.,Door,Qtr.,Blue (K3B)
	4271 512-3	1			Sterling Silver (K3A)
	4186 688-9	1			Red (K3E)
	4240 592-3	1			Pearl White (K3W)
	4186 696-7	1			Gold (K3Y)
5	4240 590-1	1			Auburn Mist (K3H)
	T052 TC6	1		S-P	TAPE SET,Deck Lid,Blue,Use w/o Corinthian Edition Pkg.
	T052 TY1	1		S-P	Gold
	T052 AA2	1		S-P	Sterling Silver
	T052 TE4	1		S-P	Red
	T052 VW3	1		S-P	Pearl White
6	T052 VH5	1		S-P	Auburn Mist
	4205 570	1			TAPE SET,Hood,Otr.Pnl.,Blue (K2B)
	4271 520	1			Sterling Silver (K2A)
	4240 911	1			Auburn Mist (K2H)
	4205 572	1			Red (K2E)
	4240 584	1			White (K2W)
	4205 577	1			Gold (K2Y)
	T744 TC6	1			TAPE,Rad. Grille H/Lamp Mtg.,Blue (K2B)
	T744 AA2	1			Sterling Silver (K2A)
	T744 TE4	1			Red (K2E)
7	T744 VW3	1			Pearl White (K2W)
	T744 TY1	1			Gold (K2Y)
	T744 VH5	1			Auburn Mist (K2H)
	4205 932	1			TAPE SET,Upr. and Lwr. Deck Opng. Pnl. B/Up Lamp,Bright Silver
	4267 292	1			Glacier Blue
4205 934	1			Night Watch Blue	
4267 290	1			Sterling Silver	
4267 291	1			Dark Silver	
4267 010	1			Dark Auburn	
4267 293	1			Light Auburn	
4267 011	1			Tan	
4267 286	1			Royal Blue	
4267 287	1			Morocco Red	
4267 288	1			Med. Tan	
4267 289	1			Golden Tan	

**MODEL CODES**

B = GRAN FURY/CARAVELLE	P = RELIANT
C = LEBARON/TOWN & COUNTRY	S = CORDOBA
D = ARIES	V = 400
F = NEW YORKER	X = MIRADA
G = DIPLOMAT	Y = IMPERIAL
M = HORIZON/TC3/SCAMP	Z = OMNI/O24/RAMPAGE

**BODY STYLES**

21 = 2-DOOR SEDAN	28 = FWD PICKUP
22 = 2-DOOR SPECIAL COUPE	41 = 4-DOOR SEDAN
24 = 2-DOOR HATCHBACK	44 = 4-DOOR HATCHBACK
27 = 2-DOOR CONVERTIBLE	45 = 2-SEAT STATION WAGON

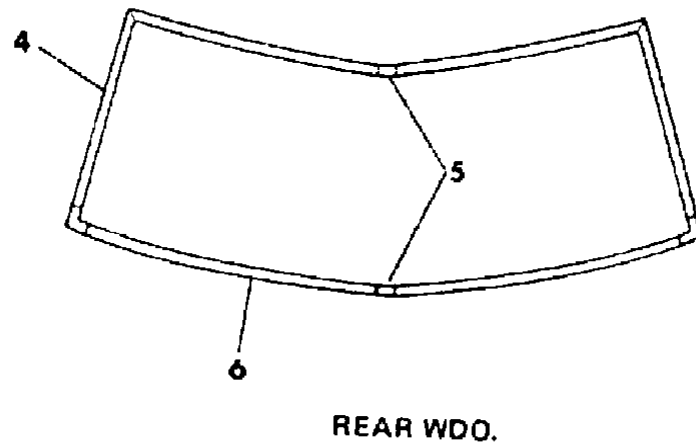
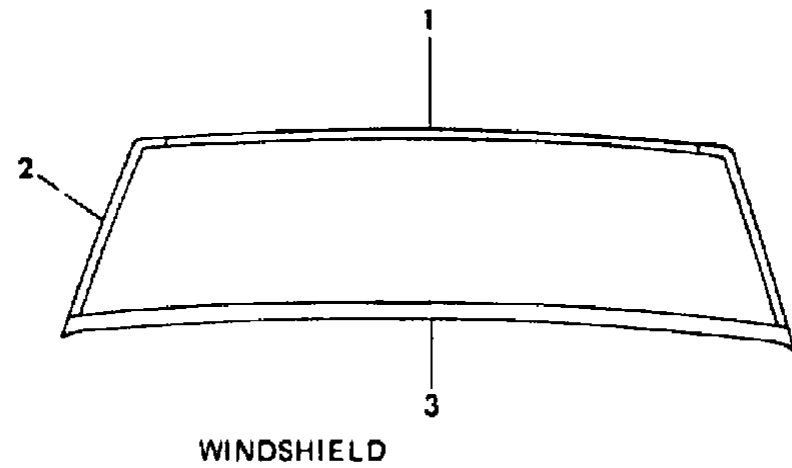
AR = Use as Required - = Non Illustrated Part P.A.R. = Paint as Required





**MOULDINGS,WINDSHIELD AND REAR WINDOW OUTSIDE Y**  
**Figure 23-3800**

2168 3800



ITEM	PART NUMBER	QTY	BODY	MODEL	DESCRIPTION
1	4229 140-1	1			MOULDING,W/Shield,Upr.
	6003 409	AR			RETAINER
2	4229 142-3	1			MOULDING,W/Shield,Side
	6003 409	AR			RETAINER
3	4022 947	1			MOULDING,W/Shield,Lwr.
4	4229 250-1	1			MOULDING,Rear Wdo.,Upr. and Side
	6003 428	AR			RETAINER
	6003 783	AR			RETAINER
	4229 968	AR			SPACER,Rear Wdo.,Upr.
	4229 968	AR			SPACER,Rear Wdo.,Side
5	4229 258	1			MOULDING,Rear Wdo.,Upr. Ctr.
	4229 259	1			MOULDING,Rear Wdo.,Lwr. Ctr.
6	4229 260-1	1			MOULDING,Rear Wdo.,Lwr.
	6003 426	AR			RETAINER

**MODEL CODES**

B = GRAN FURY/CARAVELLE	P = RELIANT
C = LEBARON/TOWN & COUNTRY	S = CORDOBA
D = ARIES	V = 400
F = NEW YORKER	X = MIRADA
G = DIPLOMAT	Y = IMPERIAL
M = HORIZON/TC3/SCAMP	Z = OMNI/O24/RAMPAGE

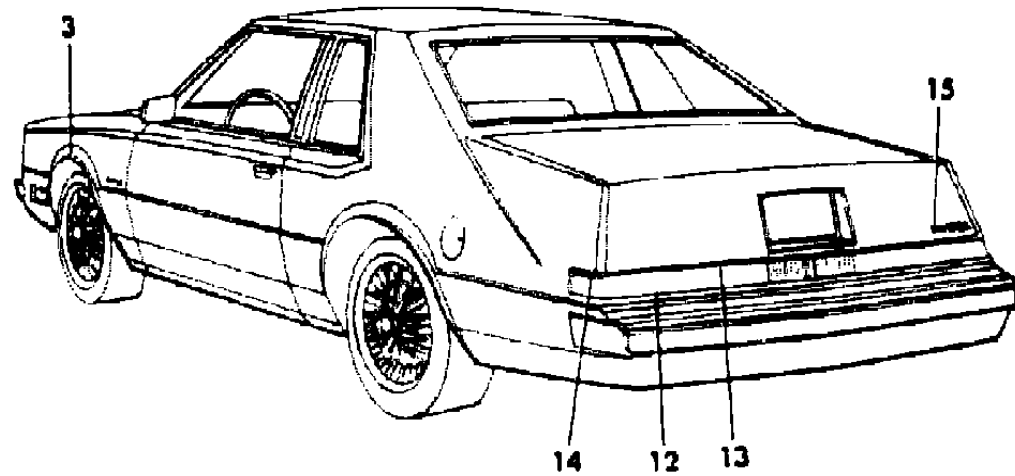
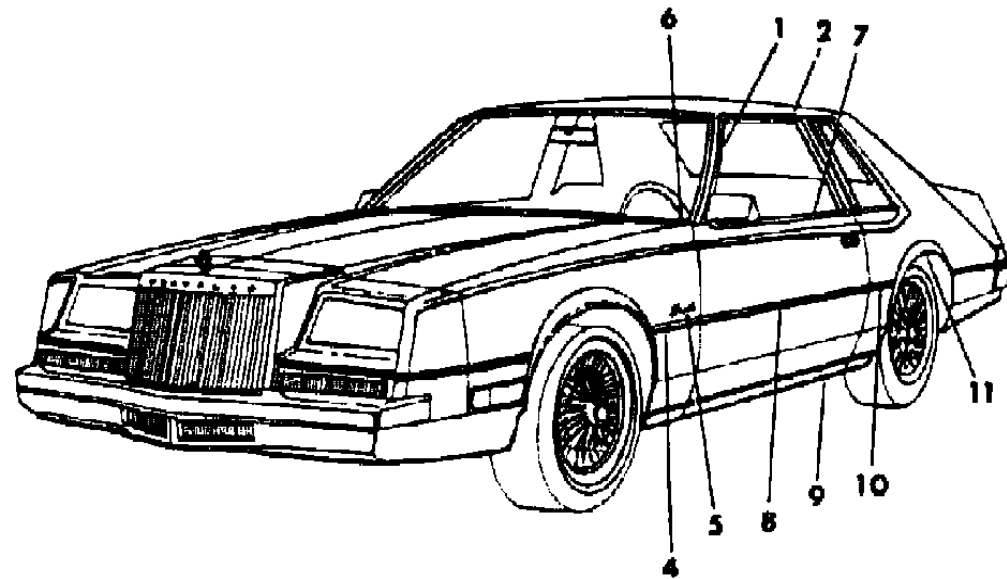
**BODY STYLES**

21 = 2-DOOR SEDAN	28 = FWD PICKUP
22 = 2-DOOR SPECIAL COUPE	41 = 4-DOOR SEDAN
24 = 2-DOOR HATCHBACK	44 = 4-DOOR HATCHBACK
27 = 2-DOOR CONVERTIBLE	45 = 2-SEAT STATION WAGON

AR = Use as Required - = Non Illustrated Part P.A.R. = Paint as Required

EXTERIOR VIEW CHRYSLER IMPERIAL  
Figure 23-3900

2168 3900



ITEM	PART NUMBER	QTY	BODY	MODEL	DESCRIPTION
1	4229 144-5	1			MOULDING,Body Frt. Pillar Drain Trough
					SCREW (Not Serv.)
2	4175 646-7	1			MOULDING,Roof Side Drain Trough
3	4175 130-1	1			MOULDING,Fndr. Wheel Opng.
					SCREW (Not Serv.)
4	X138-9 VA3	1			MOULDING,Fndr.,Burnish Silver
	X138-9 AA9	1			Dark Silver
	X138-9 VC4	1			Glacier Blue
	X138-9 VC9	1			Night Watch Blue
	X138-9 AT2	1			Med. Cashmere
	X138-9 VH9	1			Dark Auburn
	X138-9 AH1	1			Light Mahogany
	X138-9 VK7	1			Dark Tan
	X138-9 AM6	1			Red
	X138-9 AT7	1			Golden Tan
	X138-9 VW3	1			Pearl White
	X138-9 VX9	1			Black
5	4229 060	2			NAMEPLATE,Fndr. Side,"Imperial"
	4229 700	2			NAMEPLATE,Fndr. Side,"FS"
	4229 445	2			NAME PLATE,Fndr. Side,"Electronic Fuel Injection"
6	4175 470-1	1			MOULDING,Fndr. Rear Edge Belt
7	4229 674-5	1			MOULDING,Door Belt
					SCREW (Not Serv.)
8	X142 VA3	2			MOULDING,Door,Burnish Silver
	X142 AA9	2			Dark Silver
	X142 VC4	2			Glacier Blue
	X142 VC9	2			Night Watch Blue
	X142 AT2	2			Med. Cashmere
	X142 VH9	2			Dark Auburn
	X142 AH1	2			Light Mahogany
	X142 VK7	2			Dark Tan
	X142 AM6	2			Red
	X142 AT7	2			Golden Tan
	X142 VW3	2			Pearl White
	X142 VX9	2			Black
9	4175 128-9	1			MOULDING,Body Side Sill
	6003 715	AR			RETAINER

MODEL CODES

B = GRAN FURY/CARAVELLE	P = RELIANT
C = LEBARON/TOWN & COUNTRY	S = CORDOBA
D = ARIES	V = 400
F = NEW YORKER	X = MIRADA
G = DIPLOMAT	Y = IMPERIAL
M = HORIZON/TC3/SCAMP	Z = OMNI/O24/RAMPAGE

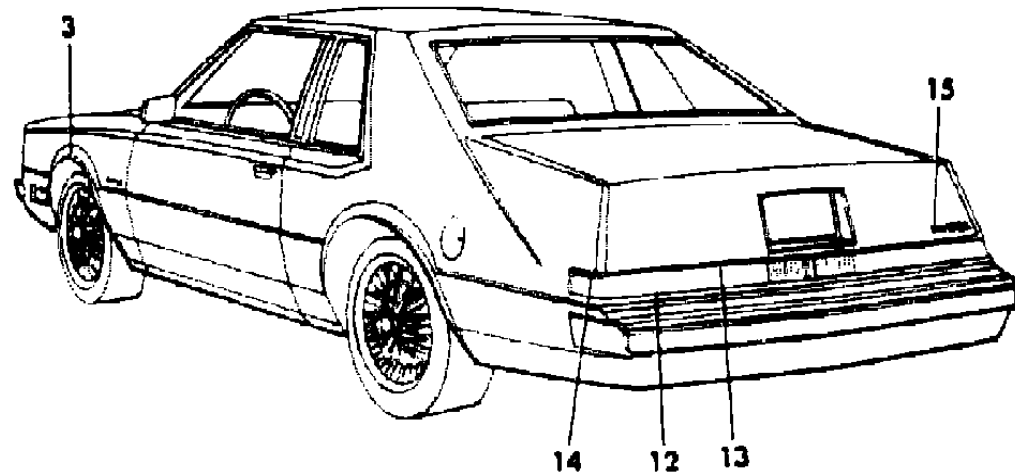
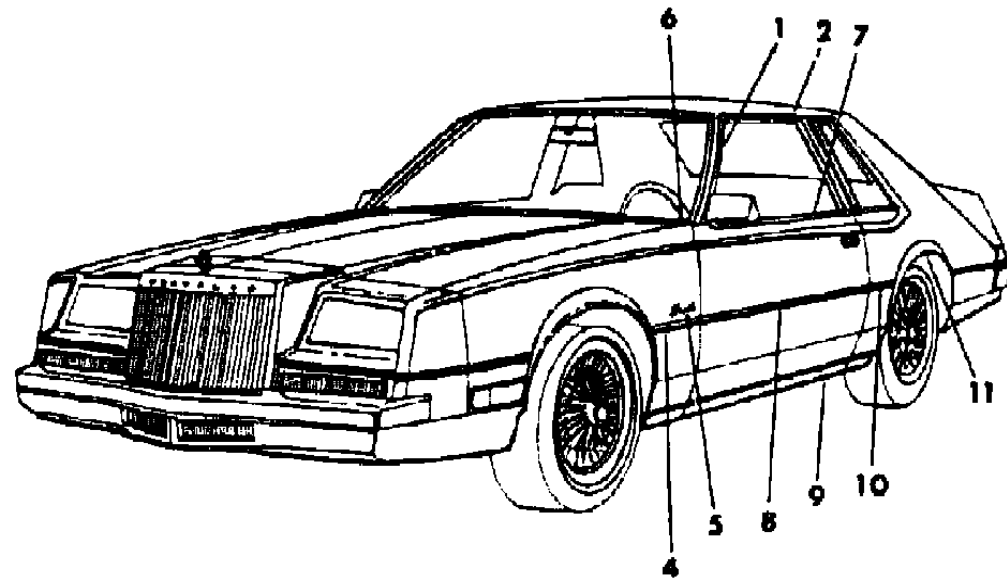
BODY STYLES

21 = 2-DOOR SEDAN	28 = FWD PICKUP
22 = 2-DOOR SPECIAL COUPE	41 = 4-DOOR SEDAN
24 = 2-DOOR HATCHBACK	44 = 4-DOOR HATCHBACK
27 = 2-DOOR CONVERTIBLE	45 = 2-SEAT STATION WAGON

AR = Use as Required - = Non Illustrated Part P.A.R. = Paint as Required

EXTERIOR VIEW CHRYSLER IMPERIAL  
Figure 23-3900

2168 3900



ITEM	PART NUMBER	QTY	BODY	MODEL	DESCRIPTION
					WELD STUD (Not Serv.)
					SCREW (Not Serv.)
10	X139 VA3	1			MOULDING,Qtr.,Rt.,Burnish Silver
	X139 AA9	1			Dark Silver
	X139 VC4	1			Glacier Blue
	X139 VC9	1			Night Watch Blue
	X139 AT2	1			Med. Cashmere
	X139 VH9	1			Dark Auburn
	X139 AH1	1			Light Mahogany
	X139 VK7	1			Dark Tan
	X139 AM6	1			Red
	X139 AT7	1			Golden Tan
	X139 VW3	1			Pearl White
	X139 VX9	1			Black
	X138 VA3	1			MOULDING,Qtr.,Lt.,Burnish Silver
	X138 AA9	1			Dark Silver
	X138 VC4	1			Glacier Blue
	X138 VC9	1			Night Watch Blue
	X138 AT2	1			Med. Cashmere
	X138 VH9	1			Dark Auburn
	X138 VK7	1			Dark Tan
	X138 AM6	1			Red
	X138 AT7	1			Golden Tan
	X138 VW3	1			Pearl White
	X138 VX9	1			Black
11	4175 366-7	1			MOULDING,Qtr. Wheel Opng. SCREW (Not Serv.)
12	4229 315	1			MOULDING,Deck Lid Opng. T/Lamp Cover SCREW (Not Serv.)
	4229 316	1			INSERT,Deck Lid Opng. T/Lamp Cover Mldg.
13	4229 691	1			MOULDING,Deck Lid Lwr.
	6028 674	AR			SCREW
14	4229 134-5	1			MOULDING,Qtr. End
	6028 674	AR			SCREW
	9420 867	AR			NUT
15	4229 061	1			NAMEPLATE,Deck Lid,"Imperial"
	4229 700	1			NAMEPLATE,Deck Lid,"FS"

MODEL CODES

B = GRAN FURY/CARAVELLE	P = RELIANT
C = LEBARON/TOWN & COUNTRY	S = CORDOBA
D = ARIES	V = 400
F = NEW YORKER	X = MIRADA
G = DIPLOMAT	Y = IMPERIAL
M = HORIZON/TC3/SCAMP	Z = OMNI/O24/RAMPAGE

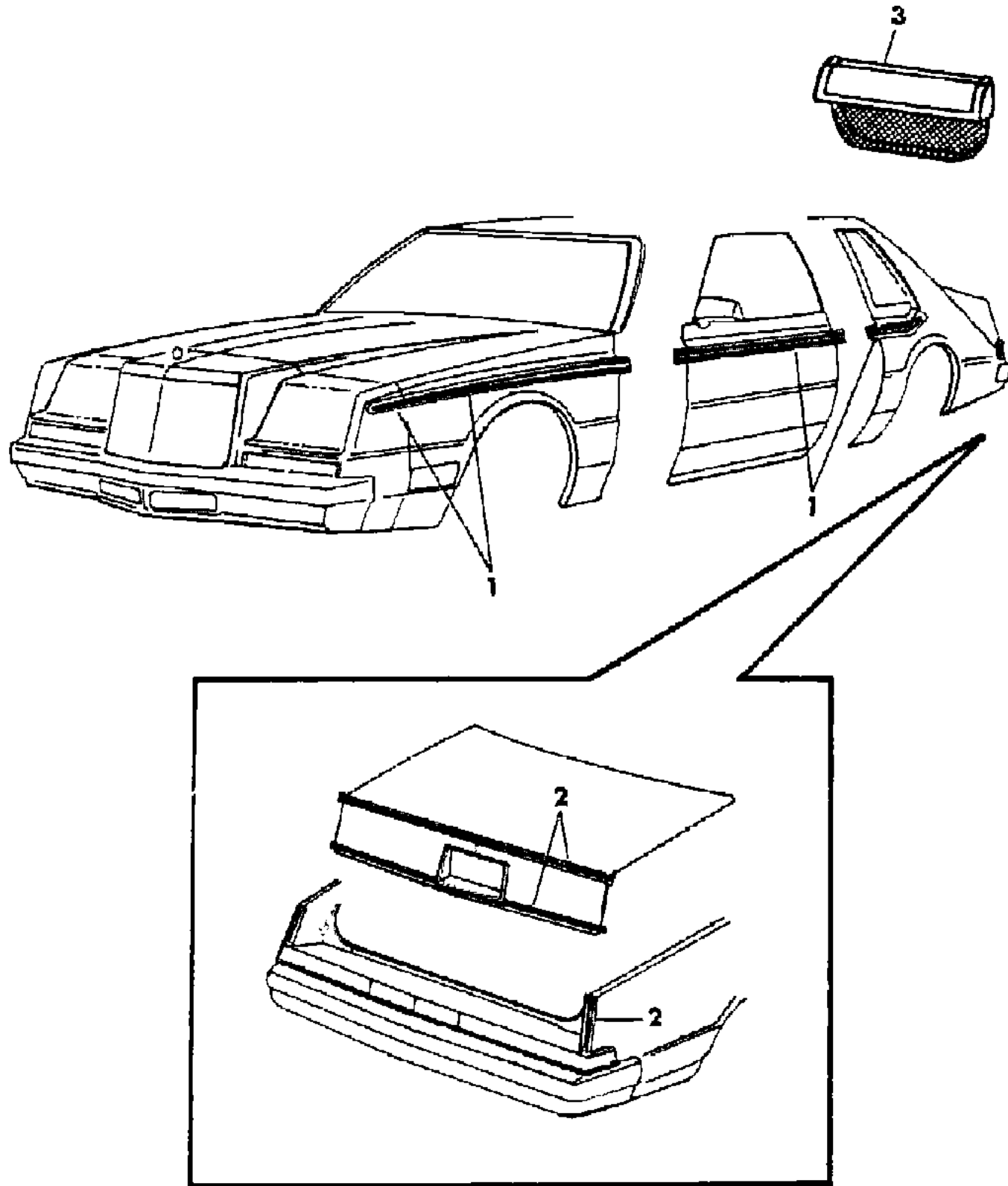
BODY STYLES

21 = 2-DOOR SEDAN	28 = FWD PICKUP
22 = 2-DOOR SPECIAL COUPE	41 = 4-DOOR SEDAN
24 = 2-DOOR HATCHBACK	44 = 4-DOOR HATCHBACK
27 = 2-DOOR CONVERTIBLE	45 = 2-SEAT STATION WAGON

AR = Use as Required - = Non Illustrated Part P.A.R. = Paint as Required

EXTERIOR VIEW - TAPE STRIPES CHRYSLER IMPERIAL  
Figure 23-4000

2168 4000



ITEM	PART NUMBER	QTY	BODY	MODEL	DESCRIPTION	
1	4240 728-9	1			TAPE SET,Fndr.,Door,Qtr.,Blue (K3B)	
	4240 732-3	1			Red (K3E)	
	4240 736-7	1			Auburn Mist (K3H)	
	4240 738-9	1			Gold (K3Y)	
	4271 556-7	1			Silver (K3A)	
	4240 740-1	1			Pearl White (K3W)	
	4271 558-9	1			Tan (K3U)	
	2	T073 VC6	1			TAPE SET,Deck Lid,Qtr.,Blue (K8B)
		T073 VE4	1			Red (K8E)
		T073 VH5	1			Auburn Mist (K8H)
T073 VW3		1			Pearl White (K8W)	
T073 AA2		1			Silver (K8A)	
T073 VY1		1			Gold (K8Y)	
T073 AU8		1			Tan (K8U)	
3		T751 AA1	2			TAPE,Door Handle,Sterling Silver Met.
		T751 AA9	2			Dark Silver
		T751 VC2	2			Frost Blue
	T751 VC9	2			Night Watch Blue	
	T751 AH2	2			Light Auburn	
	T751 VH9	2			Dark Auburn	
	T751 VK7	2			Tan	
	T751 AT7	2			Golden Tan	
	T751 AM6	2			Red	
	T751 VT3	2			Manilla Cream	
T751 VC4	2			Glacier Blue		
T751 VW3	2			Pearl White		
T751 VX9	2			Black		
T751 VC4	2			Glacier Blue		

MODEL CODES

B = GRAN FURY/CARAVELLE	P = RELIANT
C = LEBARON/TOWN & COUNTRY	S = CORDOBA
D = ARIES	V = 400
F = NEW YORKER	X = MIRADA
G = DIPLOMAT	Y = IMPERIAL
M = HORIZON/TC3/SCAMP	Z = OMNI/O24/RAMPAGE

BODY STYLES

21 = 2-DOOR SEDAN	28 = FWD PICKUP
22 = 2-DOOR SPECIAL COUPE	41 = 4-DOOR SEDAN
24 = 2-DOOR HATCHBACK	44 = 4-DOOR HATCHBACK
27 = 2-DOOR CONVERTIBLE	45 = 2-SEAT STATION WAGON

AR = Use as Required - = Non Illustrated Part P.A.R. = Paint as Required

Figure 23-4000

GROUP 23A - BODY SHEET METAL EXCEPT DOORS

ILLUSTRATION TITLE	GROUP-FIG. NO.
FLOOR PAN - M,Z	Fig. 23A-100
FLOOR PAN, REAR - M,Z 28	Fig. 23A-200
PLUGS, FLOOR PAN - M,Z	Fig. 23A-400
FENDER-M,Z	Fig. 23A-500
HOOD - M,Z	Fig. 23A-600
COWL AND DASH PANEL - M,Z	Fig. 23A-900
GLASS - WINDSHIELD - M,Z	Fig. 23A-1100
WASHER SYSTEM,WINDSHIELD - M,Z	Fig. 23A-1200
WIPER SYSTEM-WINDSHIELD - M,Z	Fig. 23A-1300
HINGE PILLAR BODY FRONT - M,Z,28	Fig. 23A-1400
PILLAR BODY SIDE APERTURE - M,Z,28	Fig. 23A-1500
PANEL BODY SIDE - M,Z,24	Fig. 23A-1600
PANEL BODY SIDE - M,Z,28	Fig. 23A-1700
PANEL BODY SIDE - M,Z,44	Fig. 23A-1800
PLUGS, PANEL BODY SIDE - M,Z	Fig. 23A-1900
QUARTER PANEL - M,Z,24	Fig. 23A-2000
PANEL, QUARTER INSIDE, WHEELHOUSE OUTER AND BACK PANEL-M,Z,28	Fig. 23A-2100
QUARTER PANEL - M,Z,44	Fig. 23A-2200
GLASS AND WEATHERSTRIPPING, QUARTER WINDOW M,Z 2 DOOR HATCHBACK	Fig. 23A-2300
ROOF - M,Z	Fig. 23A-2400
TILTING ROOF - M,Z	Fig. 23A-2500
ROOF LUGGAGE RACK - M,Z,44	Fig. 23A-2600
GLASS - REAR WINDOW - M,Z	Fig. 23A-2700
LIFT GATE OPENING LOWER - M,Z	Fig. 23A-2800
LIFT GATE - M,Z 2 DOOR HATCHBACK	Fig. 23A-2900
LIFT GATE - M,Z 4 DOOR HATCHBACK	Fig. 23A-3000
WEATHERSTRIPPING - LIFT GATE - M,Z	Fig. 23A-3100
WIPER AND WASHER SYSTEM - LIFT GATE M,Z 4 DOOR HATCHBACK	Fig. 23A-3200
TAILGATE - M,Z,28	Fig. 23A-3300
FLOOR PAN - P,D,V,C	Fig. 23A-3400
CONVERT. FOLDING TOP-FLR PAN & DECK OPEN UPR PNL V,C-27	Fig. 23A-3450
PLUGS, FLOOR PAN - P,D,V,C	Fig. 23A-3500
FENDER P,D,V,C	Fig. 23A-3600
BUMPERS AND PLUGS - FENDER, HOOD - P,D,V,C	Fig. 23A-3700
HOOD P,D,V,C	Fig. 23A-3800
REMOTE CONTROL HOOD RELEASE P,D,V,C	Fig. 23A-3900
COWL AND DASH PANEL - P,D,V,C	Fig. 23A-4000
PLUGS, COWL AND DASH - P,D,V,C	Fig. 23A-4100

ILLUSTRATION NOT AVAILABLE AT TIME OF PUBLICATION

Figure 23-4000

GROUP 23A - BODY SHEET METAL EXCEPT DOORS

GROUP 23A - BODY SHEET METAL EXCEPT DOORS

ILLUSTRATION TITLE	GROUP-FIG. NO.	ILLUSTRATION TITLE	GROUP-FIG. NO.
<b>INSULATOR CHARTS (Continued)</b>		<b>INSULATOR CHARTS (Continued)</b>	
PLUGS, COWL AND DASH - P,D,V,C	Fig. 23A-4100	BUMPERS - FENDER, HOOD - B,F,G	Fig. 23A-7300
GLASS - WINDSHIELD - P,D,V,C	Fig. 23A-4200	HOOD B,F,G	Fig. 23A-7400
WASHER SYSTEM, WINDSHIELD - P,D,V,C	Fig. 23A-4300	REMOTE CONTROL HOOD RELEASE B,F,G	Fig. 23A-7500
WIPER SYSTEM, WINDSHIELD - P,D,V,C	Fig. 23A-4400	COWL AND DASH PANEL - B,F,G	Fig. 23A-7600
HINGE PILLAR BODY FRONT - P,D,V,C	Fig. 23A-4500	PLUGS - COWL AND DASH - B,F,G	Fig. 23A-7700
PANEL - BODY OUTSIDE - P,D,V,C	Fig. 23A-4600	GLASS - WINDSHIELD - B,F,G	Fig. 23A-7800
PLUGS - PANEL BODY SIDE - P,D,V,C	Fig. 23A-4700	WASHER SYSTEM, WINDSHIELD - B,F,G	Fig. 23A-7900
PANEL BODY SIDE - P,D,V,C,21,22,27	Fig. 23A-4800	WIPER SYSTEM, WINDSHIELD - B,F,G	Fig. 23A-8000
PANEL BODY SIDE - P,D,V,C,41	Fig. 23A-4900	SIDE SILL AND CENTER PILLAR - B,F,G	Fig. 23A-8100
PANEL BODY SIDE - P,D,C,45	Fig. 23A-5000	PLUGS - SIDE SILL AND CENTER PILLAR - B,F,G	Fig. 23A-8200
SIDE SILL AND CENTER PILLAR - P,D,V,C	Fig. 23A-5100	QUARTER PANEL - B,F,G,41	Fig. 23A-8300
PANEL, QUARTER INSIDE AND WHEELHOUSE OUTER P,D,V,C,21,22,27	Fig. 23A-5200	ROOF PANEL - B,F,G	Fig. 23A-8400
PANEL, QUARTER INSIDE AND WHEELHOUSE OUTER P,D,V,C,41	Fig. 23A-5300	SUN ROOF, ELECTRIC B,F,G	Fig. 23A-8500
PANEL, QUARTER INSIDE AND WHEELHOUSE OUTER P,D,C,45	Fig. 23A-5400	SUN ROOF, ELECTRIC B,F,G	Fig. 23A-8600
GLASS, QUARTER WINDOW - P,D,V,C,21,22	Fig. 23A-5500	GLASS - REAR WINDOW - B,F,G	Fig. 23A-8700
GLASS, QUARTER WINDOW - P,D,C,45	Fig. 23A-5600	DECK OPENING UPPER AND LOWER PANEL - B,F,G	Fig. 23A-8800
ROOF PANEL - P,D,V,C	Fig. 23A-5700	DECK LID - B,F,G	Fig. 23A-8900
SUN ROOF - P,D,V,C	Fig. 23A-5800	BUMPERS AND PLUGS - DECK LID - B,F,G	Fig. 23A-9000
CONVERT. FOLDING TOP - V,C-27	Fig. 23A-5810	DECK LID, ELECTRIC - B,F,G	Fig. 23A-9100
CONVERT. FOLDING TOP - HEADER - V,C-27	Fig. 23A-5825	FLOOR PAN - X,S,Y	Fig. 23A-9200
ROOF LUGGAGE RACK - P,D,21,41	Fig. 23A-5900	PLUGS, FLOOR PAN - X,S,Y	Fig. 23A-9300
ROOF LUGGAGE RACK - P,D,C,45	Fig. 23A-6000	FENDER X,S,Y	Fig. 23A-9400
GLASS - REAR WINDOW - P,D,V,C	Fig. 23A-6100	BUMPERS - FENDER, HOOD - X,S,Y	Fig. 23A-9500
DECK OPENING UPPER AND LOWER PANEL - P,D,V,C	Fig. 23A-6200	HOOD X,S,Y	Fig. 23A-9600
LIFT GATE OPENING UPPER AND LOWER PANEL - P,D,C	Fig. 23A-6300	REMOTE CONTROL HOOD RELEASE X,S,Y	Fig. 23A-9700
DECK LID - P,D,V,C	Fig. 23A-6400	COWL,DASH AND WINDSHIELD PANELS - X,S,Y	Fig. 23A-9800
BUMPERS AND PLUGS - DECK LID - P,D,V,C	Fig. 23A-6500	PLUGS - COWL AND DASH - X,S,Y	Fig. 23A-9900
DECK LID - ELECTRIC - P,D,V,C	Fig. 23A-6600	GLASS - WINDSHIELD - X,S,Y	Fig. 23A-10000
LIFT GATE AND WEATHERSTRIPPING - P,D,C	Fig. 23A-6700	WASHER SYSTEM WINDSHIELD - X,S,Y	Fig. 23A-10100
PLUGS - LIFT GATE - P,D,C	Fig. 23A-6800	WIPER SYSTEM WINDSHIELD - X,S,Y	Fig. 23A-10200
WIPER AND WASHER SYSTEM - LIFT GATE - P,D,C	Fig. 23A-6900	SIDE SILL - X,S,Y	Fig. 23A-10300
FLOOR PAN - B,F,G	Fig. 23A-7000	QUARTER PANEL - X,S	Fig. 23A-10400
PLUGS, FLOOR PAN - B,F,G	Fig. 23A-7100	QUARTER PANEL - Y	Fig. 23A-10500
FENDER B,F,G	Fig. 23A-7200	GLASS AND WEATHERSTRIPPING, QUARTER WINDOW - X,S	Fig. 23A-10600
BUMPERS - FENDER, HOOD - B,F,G	Fig. 23A-7300	GLASS AND WEATHERSTRIPPING, QUARTER WINDOW - Y	Fig. 23A-10700

---

**GROUP 23A - BODY SHEET METAL EXCEPT DOORS**

**ILLUSTRATION TITLE**

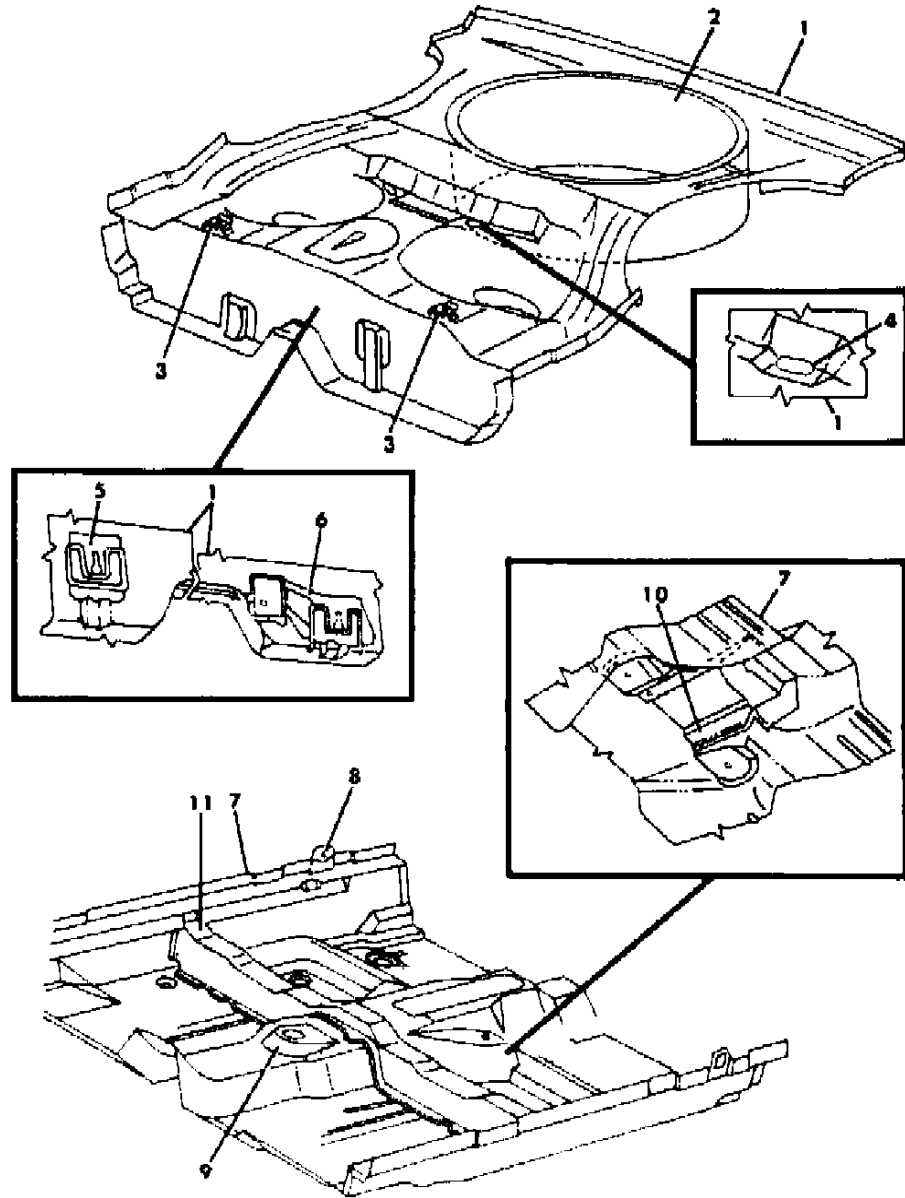
**GROUP-FIG. NO.**

**INSULATOR CHARTS (Continued)**

GLASS AND WEATHERSTRIPPING, QUARTER WINDOW - Y .....	Fig. 23A-10700
ROOF PANEL - X,S,Y .....	Fig. 23A-10800
WEATHERSTRIPPING,RETAINERS AND SEALS ROOF SIDE RAIL AND LOCK PILLAR X,S .....	Fig. 23A-10900
WEATHERSTRIPPING AND RETAINERS ROOF SIDE RAIL - Y .....	Fig. 23A-11000
T-BAR ROOF S,X .....	Fig. 23A-11100
GLASS - REAR WINDOW - X,S,Y .....	Fig. 23A-11200
DECK OPENING UPPER AND LOWER - X,S .....	Fig. 23A-11300
DECK OPENING UPPER AND LOWER - Y .....	Fig. 23A-11400
DECK,LID - X,S .....	Fig. 23A-11500
DECK LID - Y .....	Fig. 23A-11600
BUMPERS AND PLUGS - DECK LID - X,S,Y .....	Fig. 23A-11700
DECK LID, ELECTRIC - X,S,Y .....	Fig. 23A-11800

FLOOR PAN - M,Z  
Figure 23A-100

2169 100A



ITEM	PART NUMBER	QTY	BODY	MODEL	DESCRIPTION
1	5230 383	1		24	PAN, Rear Floor
	5230 387	1		44	
2	5200 334	1		24,44	PANEL, Rear Floor Pan, Tire Stowage
3	5200 388	2		24,44	RETAINER, Rear Floor Pan, Rear Seat Cushion
4	5200 402	2			REINFORCEMENT & BOLT, Rear Floor Pan, Fuel Tank Strap Mounting
5	5200 266	1			PLATE, Rear Floor Pan, Fuel Tank Strap Hanger
6	5200 390	1			PLATE & U/NUT, Rear Floor Pan, Fuel Tank Strap & Exhaust Hanger
7	5230 417	1		28,44	PAN, Front Floor
	5230 415	1		24	
8	5200 205	2		28,44	REINFORCEMENT & W/NUT, Front Floor Pan, Outer Seat Belt Anchor
9	5230 006	2		24	REINFORCEMENT & P/NUT, Front Floor Pan, Gearshift Mounting
	5200 207	1			
10	5230 421	1			REINFORCEMENT, Front Floor Pan, Hand Brake & Front Seat Rear Attaching
11	5230 314	1			CROSSMEMBER, Front Floor Pan, Seat Track Mounting

NOTE: See Illustration 23A-200 For Rear Floor Pan Parts Peculiar To The M,Z 28/FWD Pickup an offsetting order for part no. 3747881

MODEL CODES

B = GRAN FURY/CARAVELLE	P = RELIANT
C = LEBARON/TOWN & COUNTRY	S = CORDOBA
D = ARIES	V = 400
F = NEW YORKER	X = MIRADA
G = DIPLOMAT	Y = IMPERIAL
M = HORIZON/TC3/SCAMP	Z = OMNI/O24/RAMPAGE

BODY STYLES

21 = 2-DOOR SEDAN	28 = FWD PICKUP
22 = 2-DOOR SPECIAL COUPE	41 = 4-DOOR SEDAN
24 = 2-DOOR HATCHBACK	44 = 4-DOOR HATCHBACK
27 = 2-DOOR CONVERTIBLE	45 = 2-SEAT STATION WAGON

AR = Use as Required - = Non Illustrated Part P.A.R. = Paint as Required

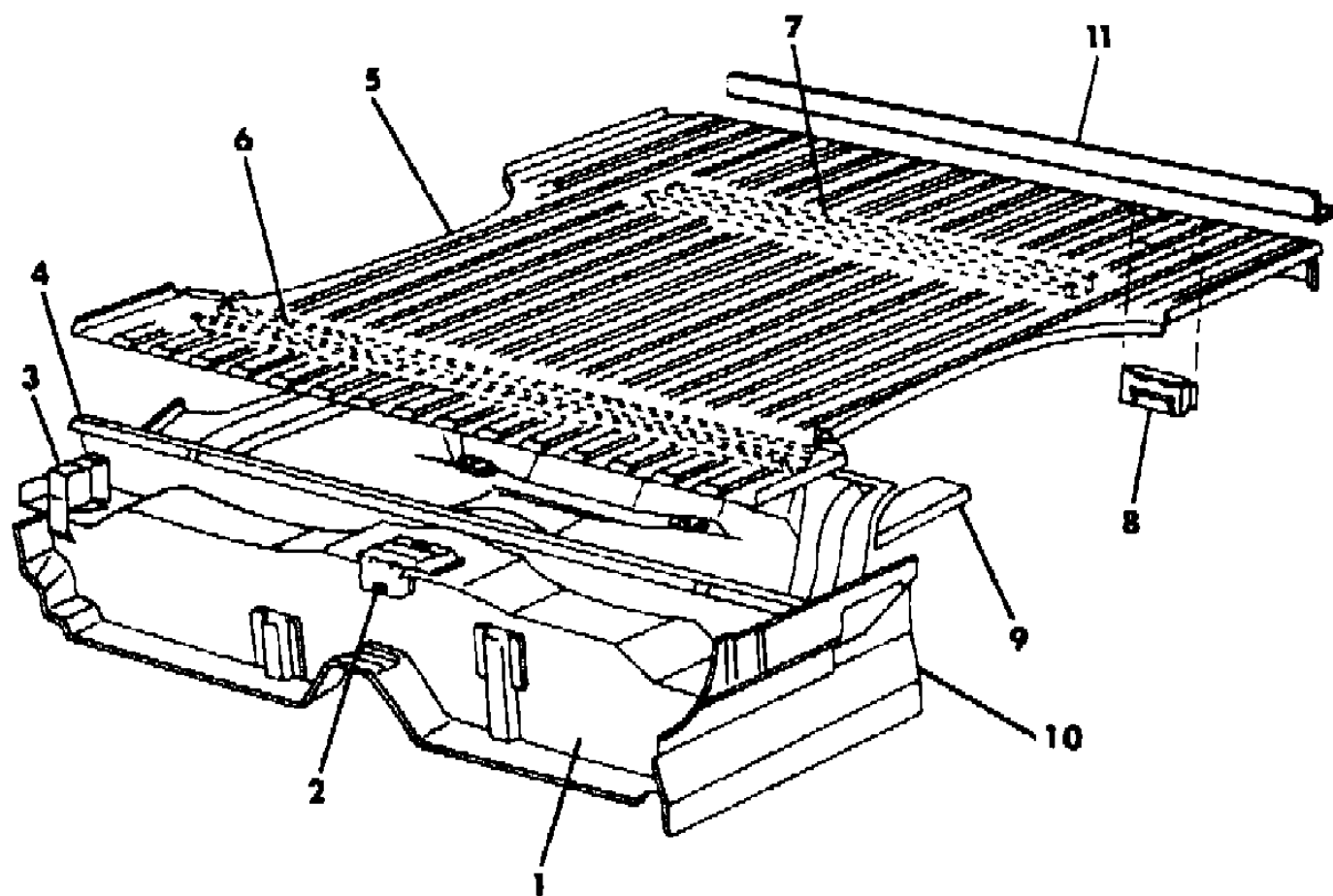


FLOOR PAN, REAR - M,Z 28  
Figure 23A-200

2169 200B

ITEM	PART NUMBER	QTY	BODY	MODEL	DESCRIPTION
1	4206 576	1			PAN, Rear Floor
2	4206 774	1			SUPPORT, Rear Floor Pan, Stowage Tray, Center
3	4206 772-3	1			SUPPORT, Rear Floor Pan, Stowage Tray, Outer
NOTE: See Quarter & Cab Back Panel Illustration In Group 23IT For Stowage Tray an offsetting order for part no. 3747881					
4	4206 590	1			SUPPORT, Rear Floor Pan, Back Panel
5	4206 579	1			PANEL, Cargo Floor
6	4278 709	1			CROSSMEMBER, Cargo Floor Panel, Front
7	4206 669	1			CROSSMEMBER, Cargo Floor Panel, Intermediate
8	4206 732	1			BRACKET, Cargo Floor Panel, Muffler Attaching, Rear
9					PANEL, Cargo Floor Panel, Wheelhouse Closure, (See Group 13 Illustrations-Serviced In Rear Side Rail Assembly)
10	4206 678-9	1			EXTENSION, Cargo Floor Panel, Front, Side
11	#4278 103	1			BRACKET, Rear Floor Pan to Tailgate Opening Lower Panel

NOTE: The Following Items Are Not Shown On Illustration. an offsetting order for part no. 3747881  
SEALER REPAIR KIT, Aperture to Cargo Floor Panel Side Extension an offsetting order for part no. 3747881



MODEL CODES

B = GRAN FURY/CARAVELLE	P = RELIANT
C = LEBARON/TOWN & COUNTRY	S = CORDOBA
D = ARIES	V = 400
F = NEW YORKER	X = MIRADA
G = DIPLOMAT	Y = IMPERIAL
M = HORIZON/TC3/SCAMP	Z = OMNI/O24/RAMPAGE

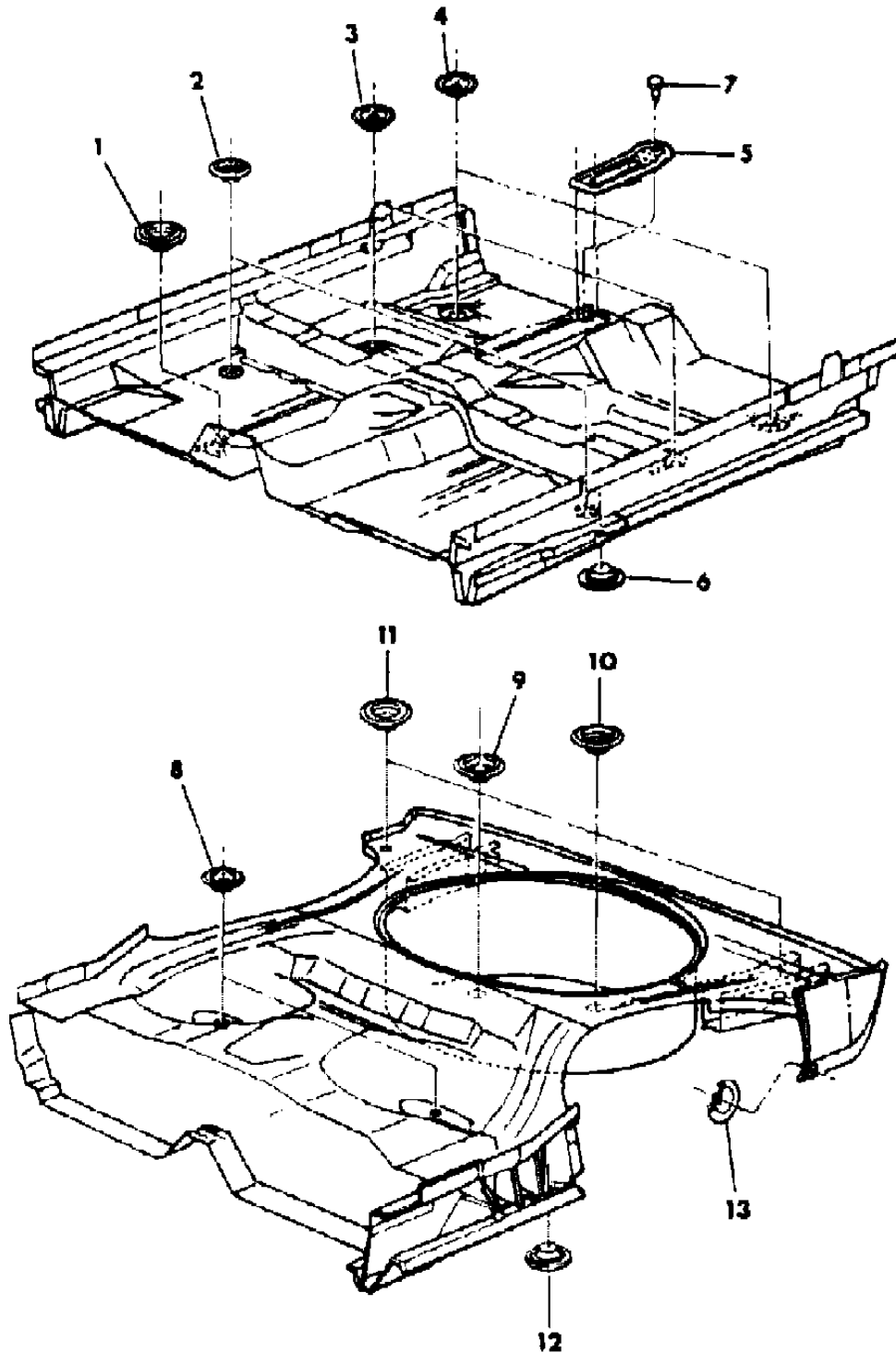
BODY STYLES

21 = 2-DOOR SEDAN	28 = FWD PICKUP
22 = 2-DOOR SPECIAL COUPE	41 = 4-DOOR SEDAN
24 = 2-DOOR HATCHBACK	44 = 4-DOOR HATCHBACK
27 = 2-DOOR CONVERTIBLE	45 = 2-SEAT STATION WAGON

AR = Use as Required - = Non Illustrated Part P.A.R. = Paint as Required

PLUGS, FLOOR PAN - M,Z  
Figure 23A-400

2165-400



ITEM	PART NUMBER	QTY	BODY	MODEL	DESCRIPTION
1	2424 864	1			PLUG, 44.5 mm (1.752" Diameter)
2	2480 957	2			PLUG, 25.4 mm (1" Diameter)
3	4073 485	2			PLUG, 38 mm (1.496" Diameter)
4	5200 456	2			PLUG, 70 mm (2.756" Diameter)
5	5200 384	1			SEAL, Front Floor Pan, Parking Brake Cable
6	1774 076	2			PLUG, 16 mm (.630" Diameter)
7	9414 722	3			SCREW
8	5200 474	2	24,44		PLUG, 21.3 mm (.838" Diameter)
9	5200 456	1	24,44		PLUG, 70 mm (2.756" Diameter)
10	2424 864	1	24,44		PLUG, 44.5 mm (1.752" Diameter)
11	2480 957	2	24,44		PLUG, 25.4 mm (1" Diameter)
12	1774 076	2	24,44		PLUG, 16 mm (.630" Diameter)
13	4073 485	2	24,44		PLUG, 38 mm (1.496" Diameter)

MODEL CODES

B = GRAN FURY/CARAVELLE	P = RELIANT
C = LEBARON/TOWN & COUNTRY	S = CORDOBA
D = ARIES	V = 400
F = NEW YORKER	X = MIRADA
G = DIPLOMAT	Y = IMPERIAL
M = HORIZON/TC3/SCAMP	Z = OMNI/O24/RAMPAGE

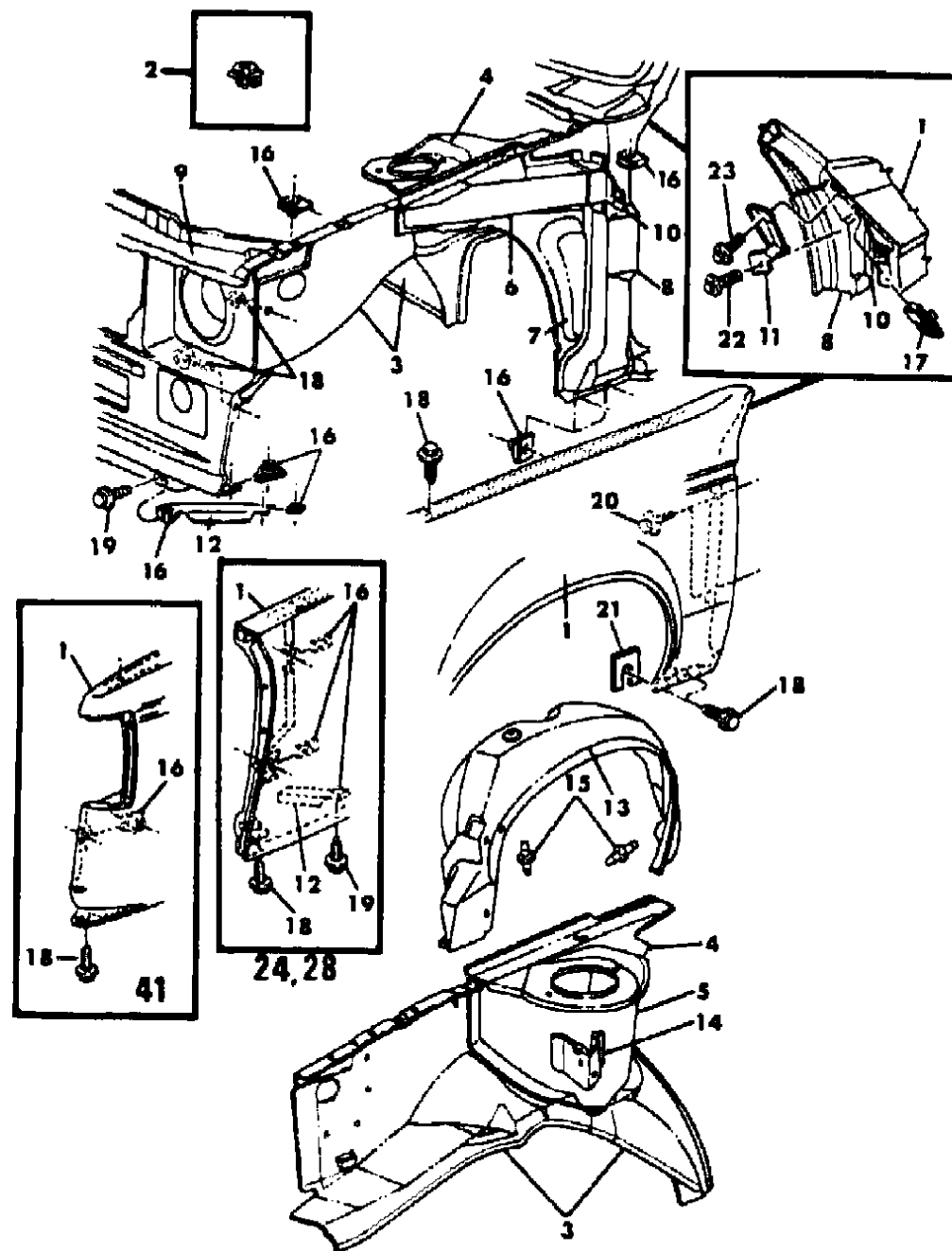
BODY STYLES

21 = 2-DOOR SEDAN	28 = FWD PICKUP
22 = 2-DOOR SPECIAL COUPE	41 = 4-DOOR SEDAN
24 = 2-DOOR HATCHBACK	44 = 4-DOOR HATCHBACK
27 = 2-DOOR CONVERTIBLE	45 = 2-SEAT STATION WAGON

AR = Use as Required - = Non Illustrated Part P.A.R. = Paint as Required

FENDER-M,Z  
Figure 23A-500

2189 500A



ITEM	PART NUMBER	QTY	BODY	MODEL	DESCRIPTION
1	4106 616-7	1		24,28	PANEL, Fender
	4103 668-9	1		44	
2	5211 168	1			PLUG, Fender Antenna Hole
3	5202 640	1			PANEL, Fender Shield, Right
	5202 643	1			Left
4	5202 634-5	1			REINFORCEMENT, Front Suspension Iso-Strut, Mounting Tower
5	5202 632-3	1			TOWER, Front Suspension Iso-Strut, Mounting
6	5200 804-5	1			SUPPORT, Cowl Side Panel to Iso-Strut Mounting Tower
7					PANEL, Cowl Side (See Cowl & Dash Panel Illustration)
8					PILLAR, Front Hinge (See Pillar & Side Sill Illustration)
9					PANEL, Fender Closure & Headlamp Mounting (See Group 7 Illustration)
10	5231 324-5	1		24,28	BRACKET & P/NUT, Front Hinge Pillar to Iso-Strut Tower Support
	5231 084-5	1		44	
11	4103 438-9	1		24,28	BRACKET, Fender Rear to Windshield Opening Frame
12				24,28	BRACE, Fender Closure & Headlamp Mounting Panel (See Group 7 Illustration)
13	5201 336-7	1		24,28	SHIELD, Fender Splash
	5201 152-3	1		44	
14	5202 615	1			BRACKET, Iso-Strut Tower, Coil Mounting
15	6031 390	AR			RETAINER, Drive Pin Type
16	6100 041	AR			U-NUT
17	6100 040	AR			U-NUT
18	6100 568	AR			SCREW & WASHER
19	6100 566	AR			SCREW & WASHER
20	6100 302	AR			SCREW & WASHER
21	6010 031	AR			SHIM
22		2		24,28	SCREW (Not Serviced)
23	6100 534	2		24,28	SCREW & WASHER

MODEL CODES

B = GRAN FURY/CARAVELLE	P = RELIANT
C = LEBARON/TOWN & COUNTRY	S = CORDOBA
D = ARIES	V = 400
F = NEW YORKER	X = MIRADA
G = DIPLOMAT	Y = IMPERIAL
M = HORIZON/TC3/SCAMP	Z = OMNI/O24/RAMPAGE

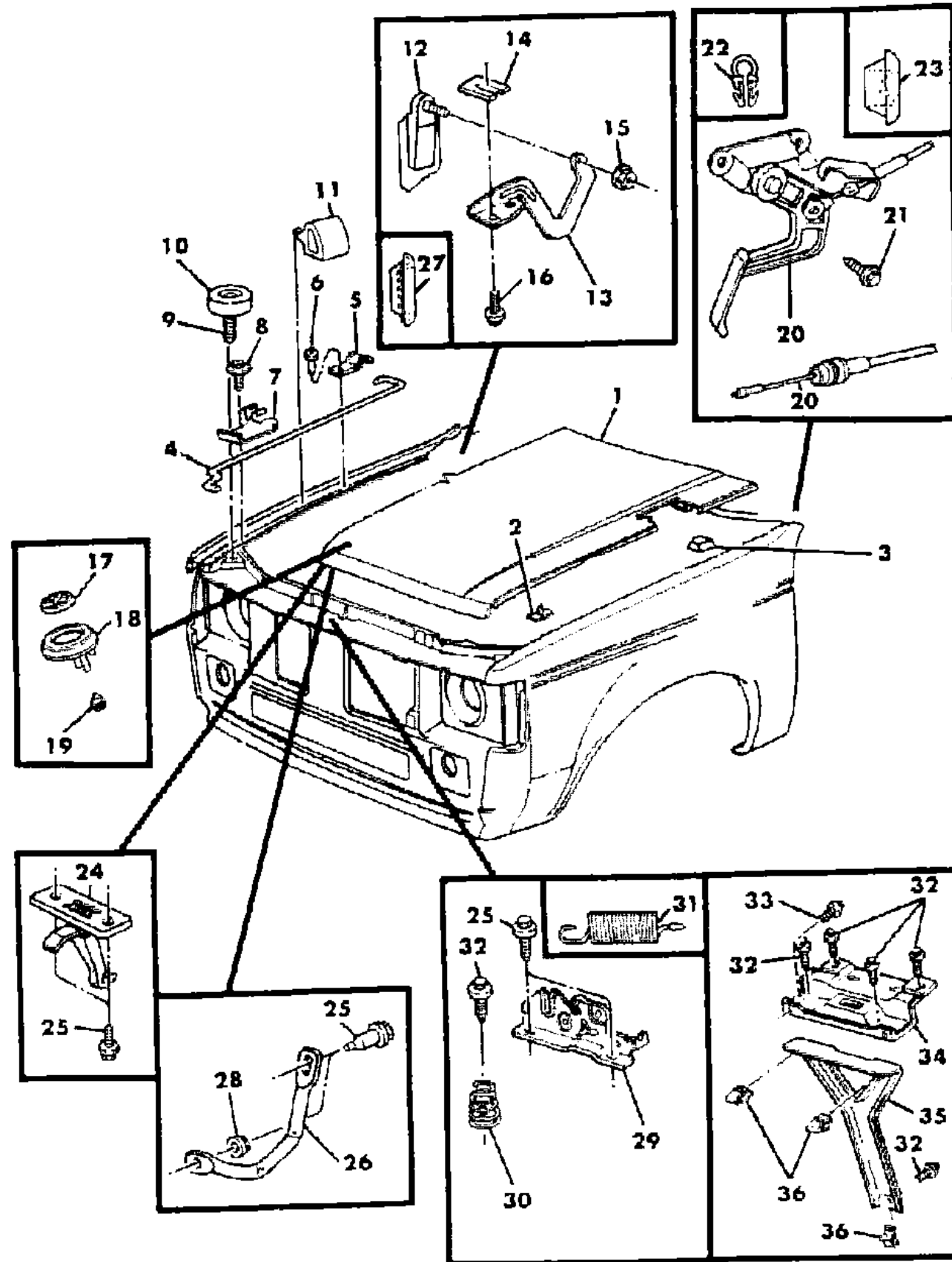
BODY STYLES

21 = 2-DOOR SEDAN	28 = FWD PICKUP
22 = 2-DOOR SPECIAL COUPE	41 = 4-DOOR SEDAN
24 = 2-DOOR HATCHBACK	44 = 4-DOOR HATCHBACK
27 = 2-DOOR CONVERTIBLE	45 = 2-SEAT STATION WAGON

AR = Use as Required - = Non Illustrated Part P.A.R. = Paint as Required

# HOOD - M,Z Figure 23A-600

2159 600A



ITEM	PART NUMBER	QTY	BODY	MODEL	DESCRIPTION
1	5218 001	1		24,28	PANEL, Hood
2	5218 184	1		44	FASTENER, Hood Panel Silencer SILENCER MATERIAL, Hood Panel, Cut to Fit, 90cm X 180cm (36" X 72")
	6003 351	AR			
3	4049 601	AR			SEAL, Hood Panel to Fender Ledge
	5201 342	2		24,28	
4	5201 146	2		44	ROD, Hood Panel Prop BRACKET, Hood Panel Prop Rod, Anchor
	5201 270	1			
5	5201 370	1			RIVET
6	6031 115	1			CLIP, Hood Panel Prop Rod, Stowage
7	5201 356	1			SCREW & WASHER
8	6100 568	1			SCREW, Hood Panel Front Bumper, Mounting
9	6023 531	2			BUMPER, Hood Panel, Front
10	3788 362	2			BUMPER, Hood Panel to Fender Ledge
11	5201 343	2		24,28	HINGE & SCREW, Hood Panel, Body Half
	5201 051	2		44	
12	5231 228-9	1			HINGE, Hood Panel, Hood Half
13	5201 084-5	1			SHIM
14	6010 031	AR			NUT & WASHER
15	6500 201	2			SCREW & WASHER (Not Serviced)
16		4			INSERT, Hood Ornament
17	4103 303	1		24,28	BASE, Hood Ornament
18	4229 721	1		24,28	NUT
19	6029 471	2		24,28	RELEASE ASSEMBLY, Inside Hood Latch
20	5207 049	1			SCREW
21	9421 073	3			CLIP (Not Serviced)
22		2			GROMMET, Inside Hood Latch, Release Cable
23	5207 294	1			CATCH, Hood Safety
24	5207 417	1			SCREW & WASHER
25	6100 557	AR			STRIKER, Hood Latch
26	5207 038	1			PLUG, Hood Hinge Hole Repair
27	2860 332	AR		44	NUT & WASHER
28	6100 047	AR			LATCH, Hood Inside Release
29	5232 057	1		24,28	SPRING, Hood Panel Pop-Up
	5207 088	1		44	
30	4240 535	1		24,28	
	4240 536	1		44	

**MODEL CODES**

B = GRAN FURY/CARAVELLE	P = RELIANT
C = LEBARON/TOWN & COUNTRY	S = CORDOBA
D = ARIES	V = 400
F = NEW YORKER	X = MIRADA
G = DIPLOMAT	Y = IMPERIAL
M = HORIZON/TC3/SCAMP	Z = OMNI/O24/RAMPAGE

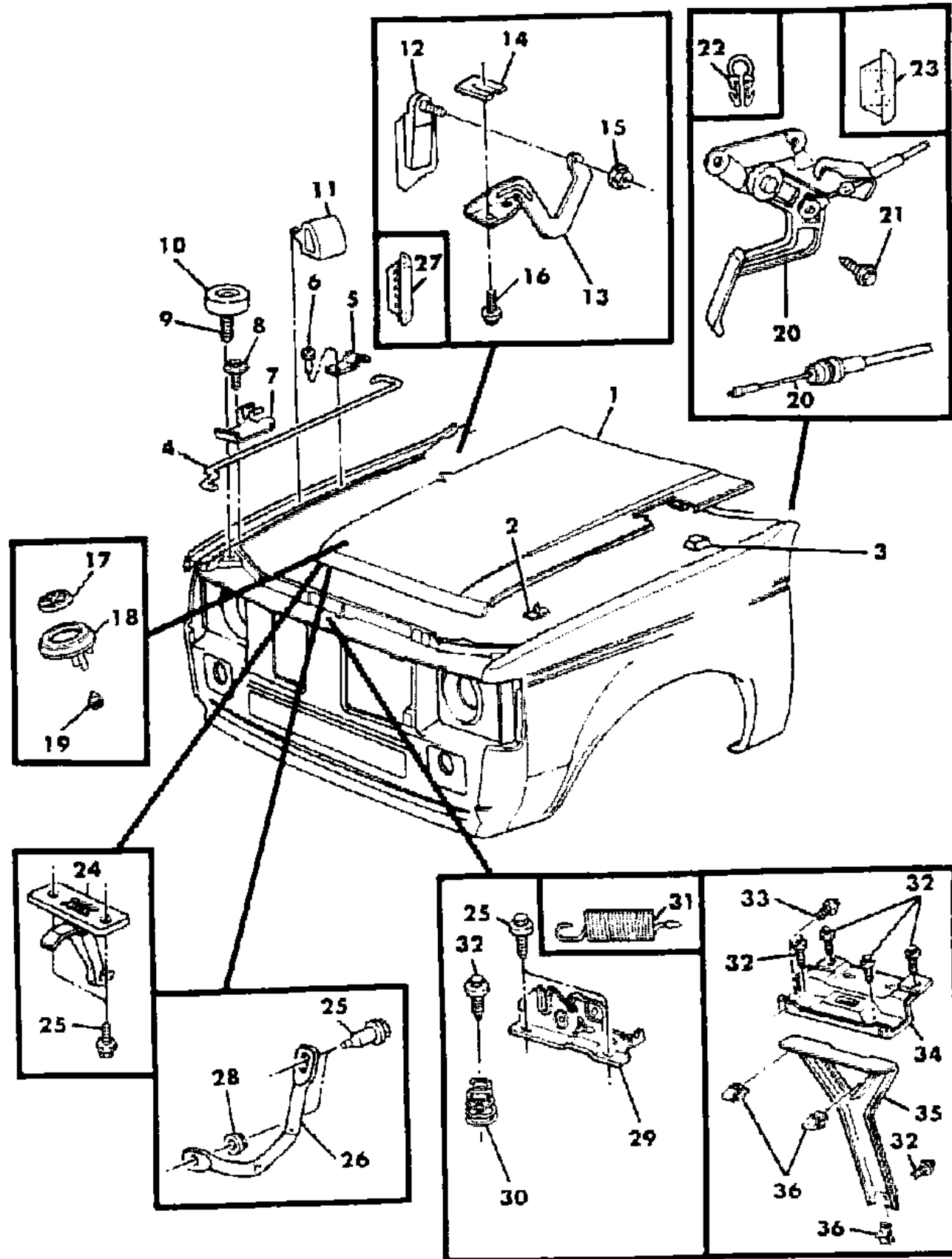
**BODY STYLES**

21 = 2-DOOR SEDAN	28 = FWD PICKUP
22 = 2-DOOR SPECIAL COUPE	41 = 4-DOOR SEDAN
24 = 2-DOOR HATCHBACK	44 = 4-DOOR HATCHBACK
27 = 2-DOOR CONVERTIBLE	45 = 2-SEAT STATION WAGON

AR = Use as Required - = Non Illustrated Part P.A.R. = Paint as Required

HOOD - M,Z  
Figure 23A-600

2159 600A



ITEM	PART NUMBER	QTY	BODY	MODEL	DESCRIPTION
31	5207 447	1			SPRING, Hood Panel Latch Lever
32	6100 566	AR			SCREW & WASHER
33		AR		24,28	SCREW & WASHER (Not Serviced)
34	5201 326	1		24,28	PLATE, Hood Lock Support
35	4103 221	1		24,28	SUPPORT, Hood Vertical Lock
36	6100 041	AR		24,28	U-NUT

MODEL CODES  
 B = GRAN FURY/CARAVELLE      P = RELIANT  
 C = LEBARON/TOWN & COUNTRY      S = CORDOBA  
 D = ARIES      V = 400  
 F = NEW YORKER      X = MIRADA  
 G = DIPLOMAT      Y = IMPERIAL  
 M = HORIZON/TC3/SCAMP      Z = OMNI/O24/RAMPAGE

BODY STYLES  
 21 = 2-DOOR SEDAN      28 = FWD PICKUP  
 22 = 2-DOOR SPECIAL COUPE      41 = 4-DOOR SEDAN  
 24 = 2-DOOR HATCHBACK      44 = 4-DOOR HATCHBACK  
 27 = 2-DOOR CONVERTIBLE      45 = 2-SEAT STATION WAGON

AR = Use as Required - = Non Illustrated Part P.A.R. = Paint as Required

**COWL AND DASH PANEL - M,Z**  
**Figure 23A-900**

2169 900A

ITEM	PART NUMBER	QTY	BODY	MODEL	DESCRIPTION
1	4136 326	1			PANEL & P/NUT ASSEMBLY, Dash w/A/C
	4136 327	1			w/o A/C
2	5210 228	1			SEAL, A/C Unit Coil to Dash
3		AR			SEAL, Heater or A/C Unit Mounting Stud (Not Serviced)
4	3593 446	1			GROMMET, Clutch Cable
5		1			SEAL, Bulkhead Connector (Not Serviced)
6	5207 294	1			GROMMET, Inside Hood Latch, Release Cable
7	5204 041	1			SEAL, Brake Master Cylinder, w/o Power Brakes
	5204 061	1			SEAL, Power Brake Booster
8	3593 446	1			GROMMET, Speedometer Cable
9	5206 041	1			SEAL & COVER ASSEMBLY, Dash
10		1			GROMMET, Throttle Cable (See Group 14 Illustration-Serviced In Throttle Cable Assembly)
11	5210 109	1			SEAL, Heater Core to Dash
12		1			SEAL, A/C Unit Drain (Not Serviced)
13	3445 939	1			PLUG, Dash Panel
14	5231 843	1			LINER ASSEMBLY, Dash
15	6031 630	3			STUD, Dash Liner to Dash Panel Attaching
16	4206 545	3			RETAINER, Dash Liner
17		4			SCREW w/WASHER & SEAL (Not Serviced)
18	5200 920	1			PANEL & P/NUT, Cowl Side, Right
	5231 777	1			Left
19	2860 332	1			PLUG, Cowl Side, Antenna Hole
20	5200 979	1			BRACKET, Cowl Side, Fuse & Relay Block, Mounting (Left Side Only)
21	5231 583	1			PANEL & W/SCREW, Cowl Plenum, w/o A/C
	5231 584	1			w/A/C
22		1			GROMMET, Windshield Wiper Wiring (Not Serviced)
23	4278 124	1			SUPPORT, Cowl Plenum, Steering Column Bracket
		2			U-NUT (Not Serviced)
24	5231 746	1			BRACKET, Steering Column Support to Cowl Plenum
25	3837 683	AR			SILENCER MATERIAL, Cowl Plenum, Cut to Fit, 60cm X 120cm (24" X 48")
26	5200 969	1			SUPPORT & P/NUT, Cowl Plenum to Cowl Top Panel
27		1			DEFLECTOR, Cowl Plenum Water, w/o A/C (Serviced in Item #21)
28	5210 147	1			SEAL, Heater Unit to Plenum

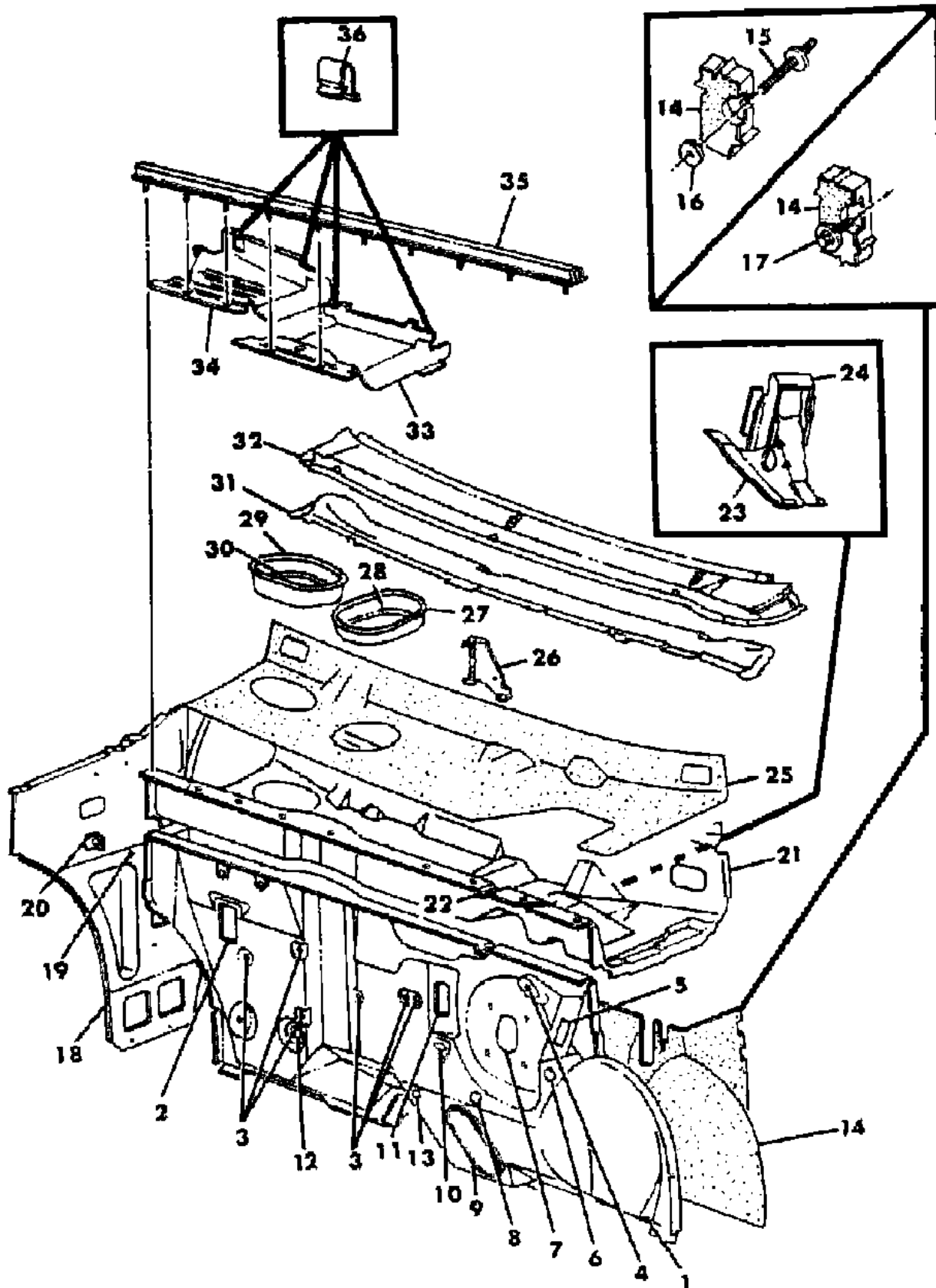
**MODEL CODES**

B = GRAN FURY/CARAVELLE	P = RELIANT
C = LEBARON/TOWN & COUNTRY	S = CORDOBA
D = ARIES	V = 400
F = NEW YORKER	X = MIRADA
G = DIPLOMAT	Y = IMPERIAL
M = HORIZON/TC3/SCAMP	Z = OMNI/O24/RAMPAGE

**BODY STYLES**

21 = 2-DOOR SEDAN	28 = FWD PICKUP
22 = 2-DOOR SPECIAL COUPE	41 = 4-DOOR SEDAN
24 = 2-DOOR HATCHBACK	44 = 4-DOOR HATCHBACK
27 = 2-DOOR CONVERTIBLE	45 = 2-SEAT STATION WAGON

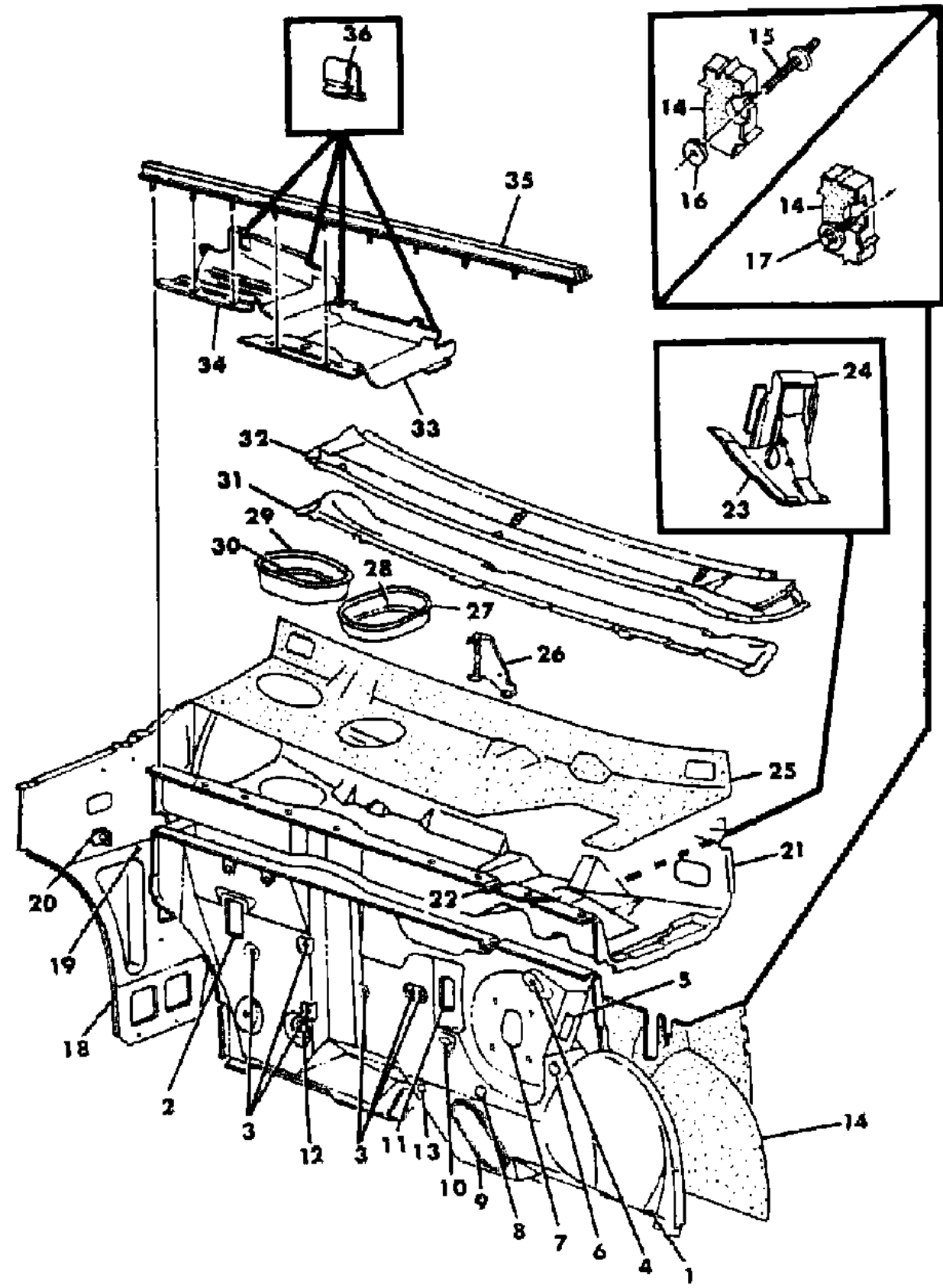
AR = Use as Required - = Non Illustrated Part P.A.R. = Paint as Required



**COWL AND DASH PANEL - M,Z**  
**Figure 23A-900**

2169 900A

ITEM	PART NUMBER	QTY	BODY	MODEL	DESCRIPTION
29		1			DEFLECTOR, Cowl Plenum Water, w/A/C (Serviced in Item #21)
30	5210 065	1			SEAL, A/C Unit to Plenum
31		1			REINFORCEMENT, Cowl Plenum to Cowl Top Panel (Serviced in Item #32)
32	4129 072	1		24,28	PANEL, Cowl Top Complete
	4050 342	1		44	
33	5231 168	1			COVER, Cowl Plenum Water Deflector, w/o A/C
34	5200 988	1			COVER, Cowl Plenum Water Deflector, w/A/C
35	5230 419	1			SEAL & RETAINERS, Cowl Plenum to Hood
	3759 944	10			RETAINER, Cowl Plenum to Hood Seal
36	5231 620	2			RETAINER, Cowl Plenum Water Deflector Cover



**MODEL CODES**

B = GRAN FURY/CARAVELLE	P = RELIANT
C = LEBARON/TOWN & COUNTRY	S = CORDOBA
D = ARIES	V = 400
F = NEW YORKER	X = MIRADA
G = DIPLOMAT	Y = IMPERIAL
M = HORIZON/TC3/SCAMP	Z = OMNI/O24/RAMPAGE

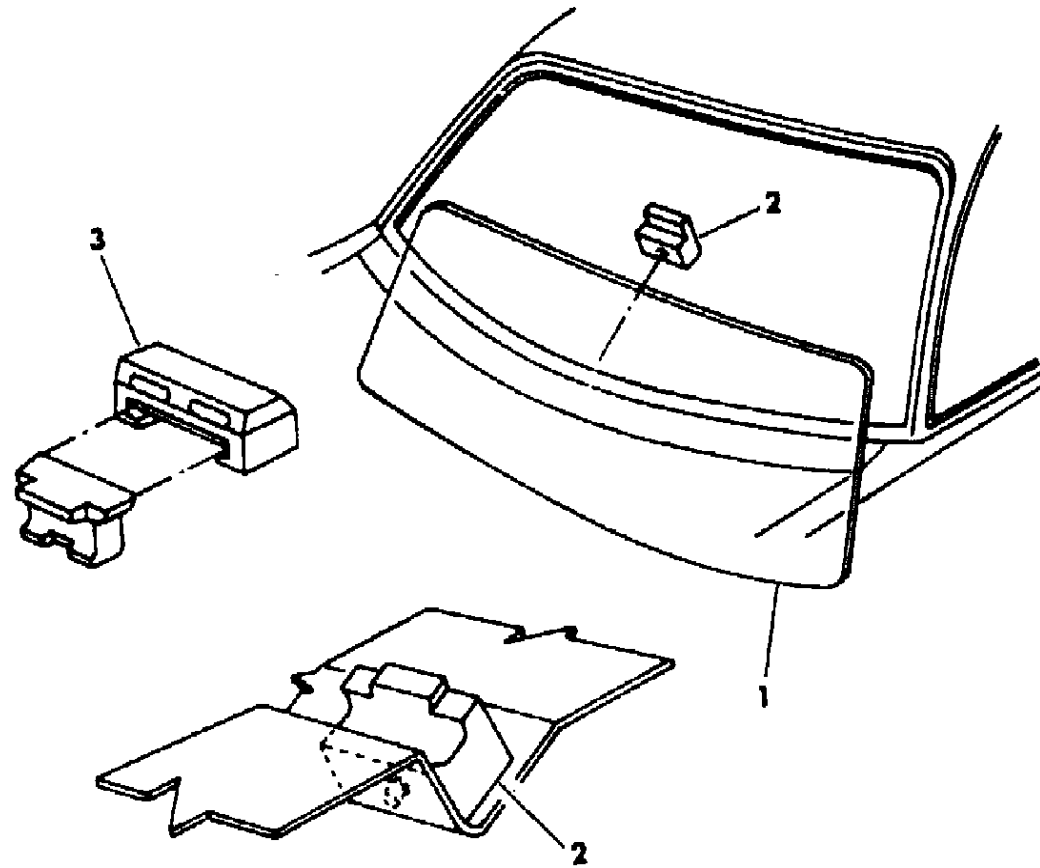
**BODY STYLES**

21 = 2-DOOR SEDAN	28 = FWD PICKUP
22 = 2-DOOR SPECIAL COUPE	41 = 4-DOOR SEDAN
24 = 2-DOOR HATCHBACK	44 = 4-DOOR HATCHBACK
27 = 2-DOOR CONVERTIBLE	45 = 2-SEAT STATION WAGON

AR = Use as Required - = Non Illustrated Part P.A.R. = Paint as Required

**GLASS - WINDSHIELD - M,Z**  
**Figure 23A-1100**

2169 1100



ITEM	PART NUMBER	QTY	BODY	MODEL	DESCRIPTION
------	-------------	-----	------	-------	-------------

NOTE: ORDER GLASS FROM YOUR LOCAL "MOPAR" GLASS DISTRIBUTOR an offsetting order for part no. 3747881

1	5231 242	1		24,28	GLASS, Windshield, Clear
	5231 243	1		24,28	Tinted
	5231 158	1		44	Clear
	5231 159	1		44	Tinted

2	3794 035	2			SPACER, Windshield Glass, Lower (.230" Thickness)
3	3767 767	AR			SHIM, Windshield Glass Spacer (.218" Thickness)

NOTE: The Following Items Are Not Shown On Illustration. an offsetting order for part no. 3747881

	4057 957	1			FIXED GLASS REPAIR PACKAGE, Windshield
CONSISTS OF:					
					1- ----- Tape,Butyl 171.00"
					1- ----- Primer,Glass
					1- ----- Primer,Fence
					2- 3674698 Spacer,Rubber,0.2"
					2- 3793290 Spacer,Rubber,0.3"
					2- 3767767 Shim,0.07"
					2- ----- Sponges,Disposable

**MODEL CODES**

B = GRAN FURY/CARAVELLE	P = RELIANT
C = LEBARON/TOWN & COUNTRY	S = CORDOBA
D = ARIES	V = 400
F = NEW YORKER	X = MIRADA
G = DIPLOMAT	Y = IMPERIAL
M = HORIZON/TC3/SCAMP	Z = OMNI/O24/RAMPAGE

**BODY STYLES**

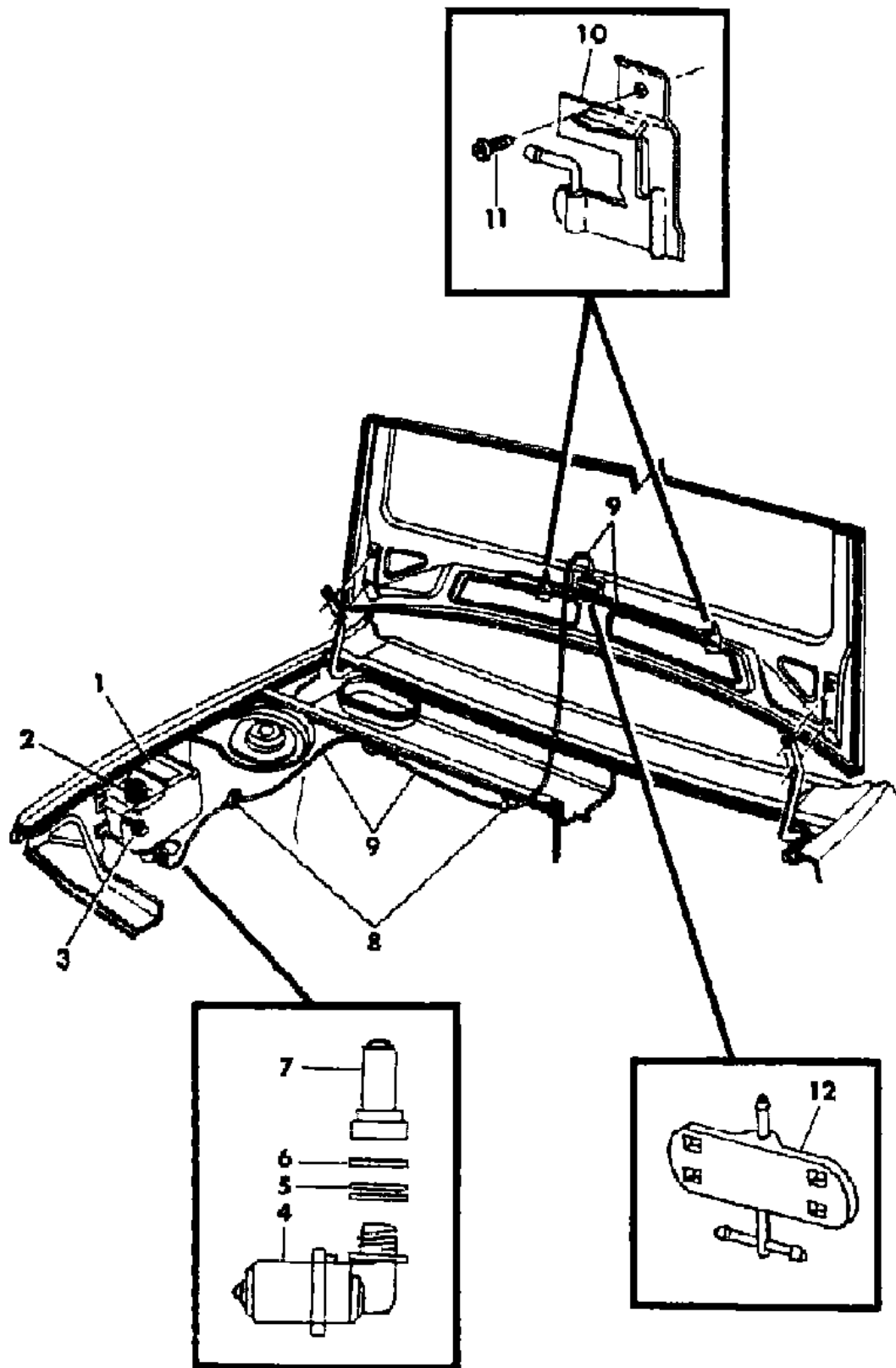
21 = 2-DOOR SEDAN	28 = FWD PICKUP
22 = 2-DOOR SPECIAL COUPE	41 = 4-DOOR SEDAN
24 = 2-DOOR HATCHBACK	44 = 4-DOOR HATCHBACK
27 = 2-DOOR CONVERTIBLE	45 = 2-SEAT STATION WAGON

AR = Use as Required - = Non Illustrated Part P.A.R. = Paint as Required



**WASHER SYSTEM, WINDSHIELD - M,Z**  
**Figure 23A-1200**

21G9 1200A



ITEM	PART NUMBER	QTY	BODY	MODEL	DESCRIPTION
1	5211 084	1			RESERVOIR & CAP, Windshield Washer
2	3799 174	1			CAP, Windshield Washer Reservoir
3	6031 951	2			SCREW
4	3799 090	1			PUMP & SEAL PACKAGE, Windshield Washer
5		1			SEAL, Windshield Washer Pump to Reservoir (Serviced in Item #4)
6		1			WASHER (Not Serviced)
7	3799 324	1			FILTER & NUT, Windshield Washer Pump
8		3			CLIP (Not Serviced)
9	3837 036	AR			HOSE, Windshield Washer, 1/8" I.D. X 50' Roll
	3780 798	AR			5/32" I.D. X 50' Roll
	4026 129	AR			1/4" I.D. X 50' Roll
10	4176 769	2			NOZZLE, BRACKET, & SCREW PACKAGE, Windshield Washer
11		2			SCREW (Not Serviced)
12	5211 126	1			TEE, Windshield Washer Hose Connector

**MODEL CODES**

B = GRAN FURY/CARAVELLE	P = RELIANT
C = LEBARON/TOWN & COUNTRY	S = CORDOBA
D = ARIES	V = 400
F = NEW YORKER	X = MIRADA
G = DIPLOMAT	Y = IMPERIAL
M = HORIZON/TC3/SCAMP	Z = OMNI/O24/RAMPAGE

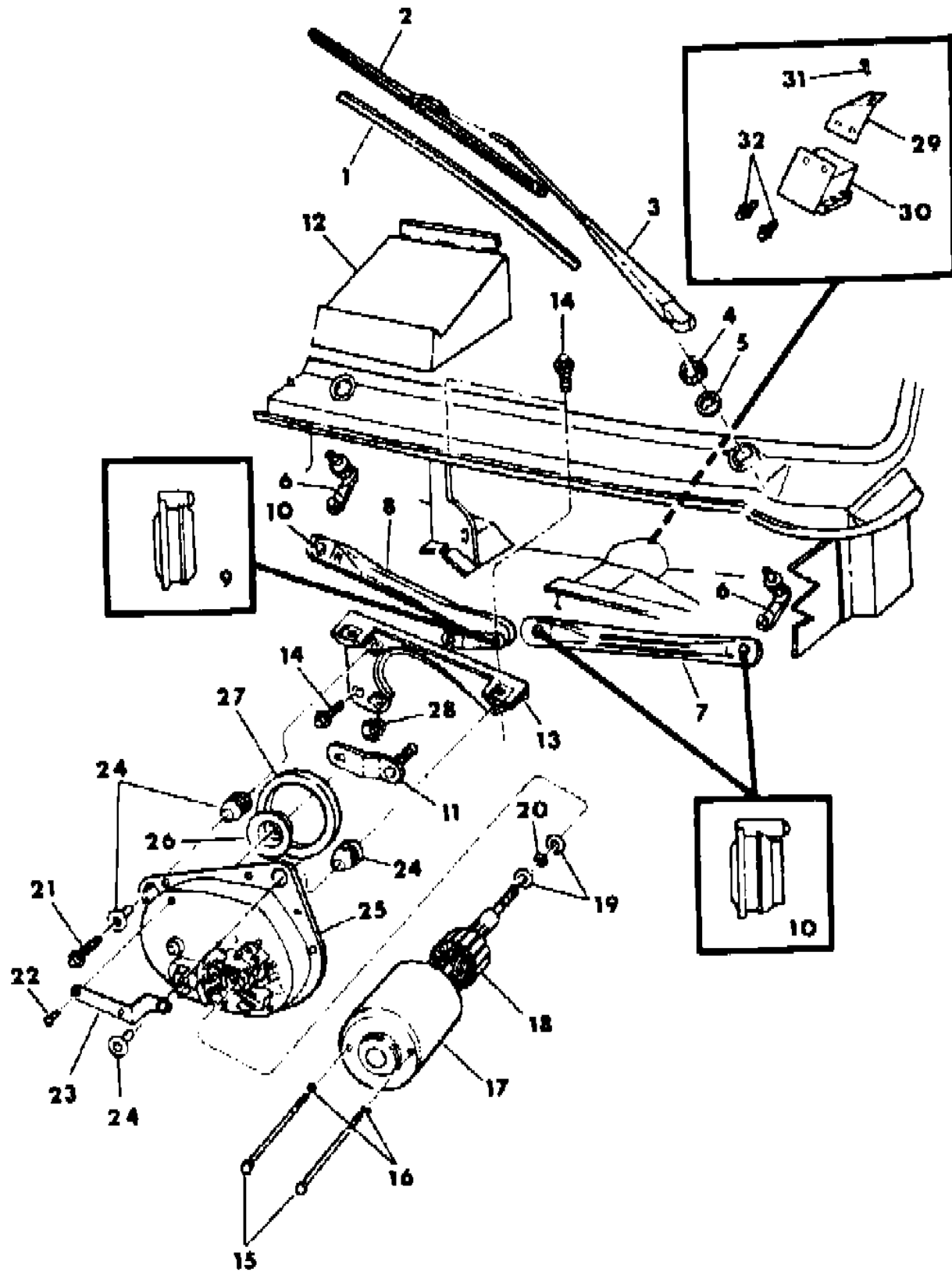
**BODY STYLES**

21 = 2-DOOR SEDAN	28 = FWD PICKUP
22 = 2-DOOR SPECIAL COUPE	41 = 4-DOOR SEDAN
24 = 2-DOOR HATCHBACK	44 = 4-DOOR HATCHBACK
27 = 2-DOOR CONVERTIBLE	45 = 2-SEAT STATION WAGON

AR = Use as Required - = Non Illustrated Part P.A.R. = Paint as Required

**WIPER SYSTEM-WINDSHIELD - M,Z**  
**Figure 23A-1300**

2169 1300A



ITEM	PART NUMBER	QTY	BODY	MODEL	DESCRIPTION
1	5211 078	2			REFILL, Wiper Blade, Anco (Use w/5211096 Blade)
	2889 857	2			Trico (Use w/5211097 Blade)
	5211 129	2			Anco (Use w/5211128 Blade)
	5211 132	2			Trico (Use w/5211127 Blade)
2	5211 096	2			BLADE & REFILL, Wiper, Anco
	5211 097	2			Trico
	5211 128	2			Anco, Black (Plastic)
	5211 127	2			Trico, Black (Plastic)
3	5211 095	2			ARM, Wiper (w/o Blade)
4	5211 098	2			NUT, Wiper Pivot Mounting
5	5211 099	2			WASHER, Wiper Pivot Mounting
6	5211 008-9	1			PIVOT, Windshield Wiper
7	5211 003	1			LINK, Wiper Drive, Left (w/Bushings)
8	5211 004	1			LINK & CRANK, Wiper Drive, Right (w/Bushings)
9	5211 015	1			BUSHING, Wiper Drive Link, Crank
10	3799 089	3			BUSHING, Wiper Drive Link
11		1			CRANK, Wiper Drive (Serviced in Item #8)
12	5211 062	1			COVER, Wiper Motor
13	5200 923	1			BRACKET & W/NUTS, Wiper Motor Mounting
14	6500 254	3			SCREW & WASHER
15		2			BOLT (Not Serviced)
16		2			WASHER (Not Serviced)
17	3799 275	1			HOUSING PACKAGE, Wiper Motor (Includes Items #19 & #20)
18	3799 087	1			ARMATURE PACKAGE, Wiper Motor (Includes Items #19 & #20)
19		2			WASHER, Flat (Serviced in Items #17 & #18)
20		1			WASHER, Spring (Serviced in Items #17 & #18)
21	6101 270	3			SCREW & WASHER
22		1			SCREW (Not Serviced)
23		1			STRAP, Ground (Serviced in Item #25)
24	2932 708	1			GROMMET & SPACER PACKAGE, Motor Mounting (Includes 3 each)
25	4205 954	1			GEARBOX & BRUSH HOLDER PACKAGE, Wiper Motor (Includes Items #23,24,26,27,28)
26	3431 974	1			SEAL, Wiper Motor, Output Shaft
27	2926 168	1			SEAL, Wiper Motor Housing to Dash (Not Used on M,Z Models)
28	6031 096	1			NUT & WASHER, Crank Mounting
29	4222 554	1			BRACKET, Intermittent Wipe Control

**MODEL CODES**

B = GRAN FURY/CARAVELLE	P = RELIANT
C = LEBARON/TOWN & COUNTRY	S = CORDOBA
D = ARIES	V = 400
F = NEW YORKER	X = MIRADA
G = DIPLOMAT	Y = IMPERIAL
M = HORIZON/TC3/SCAMP	Z = OMNI/O24/RAMPAGE

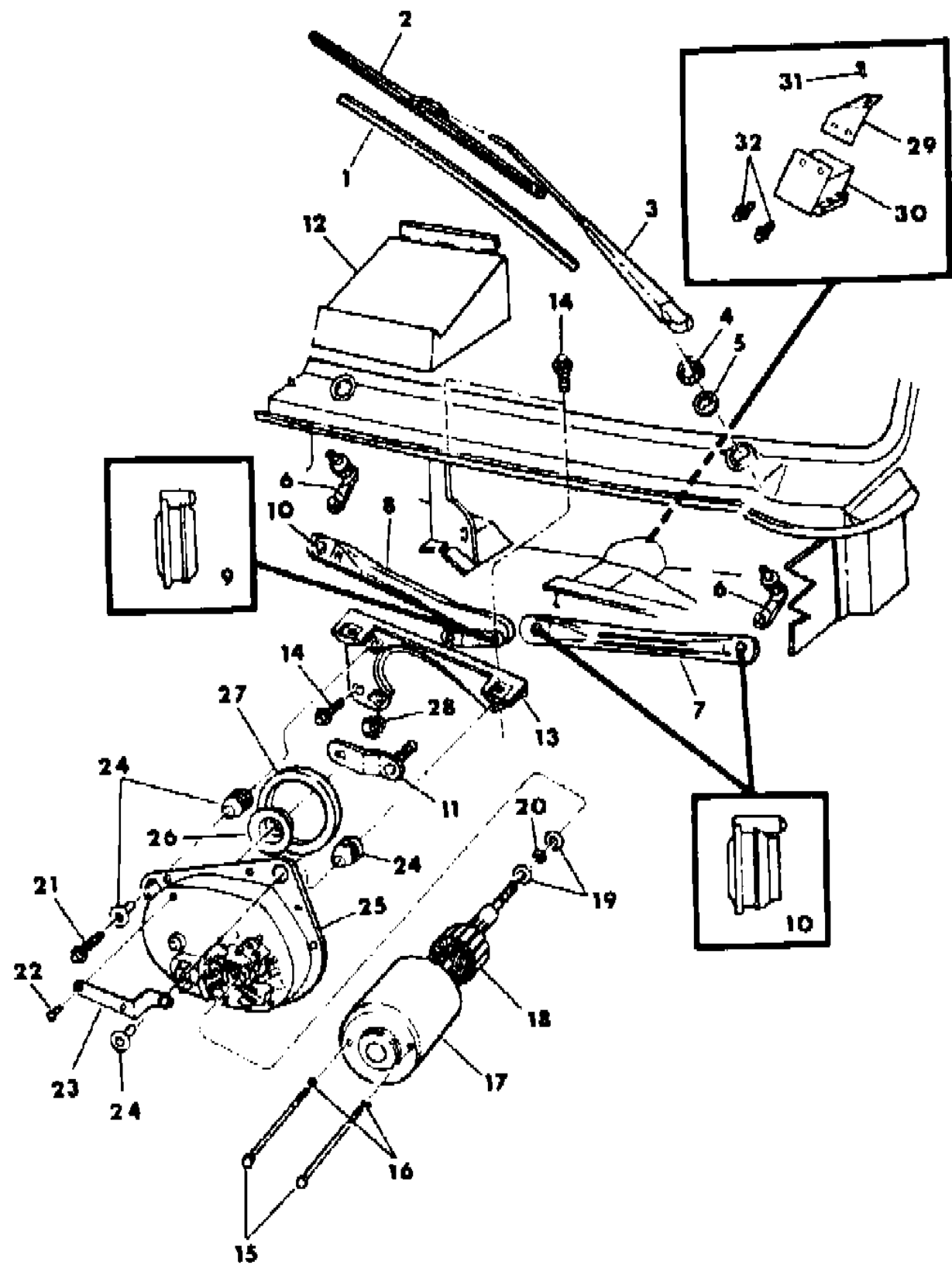
**BODY STYLES**

21 = 2-DOOR SEDAN	28 = FWD PICKUP
22 = 2-DOOR SPECIAL COUPE	41 = 4-DOOR SEDAN
24 = 2-DOOR HATCHBACK	44 = 4-DOOR HATCHBACK
27 = 2-DOOR CONVERTIBLE	45 = 2-SEAT STATION WAGON

AR = Use as Required - = Non Illustrated Part P.A.R. = Paint as Required

**WIPER SYSTEM-WINDSHIELD - M,Z**  
**Figure 23A-1300**

2169 1300A



ITEM	PART NUMBER	QTY	BODY	MODEL	DESCRIPTION
30	4222 060	1			CONTROL, Intermittent Wipe
31		1			SCREW (Not Serviced)
32		2			SCREW (Not Serviced)
NOTE: The Following Items Are Not Shown On Illustration an offsetting order for part no. 3747881					
	4205 951	1			MOTOR ASSEMBLY PACKAGE, Windshield Wiper (Includes Items #15-20 & 22-28 Above)

MODEL CODES  
 B = GRAN FURY/CARAVELLE      P = RELIANT  
 C = LEBARON/TOWN & COUNTRY      S = CORDOBA  
 D = ARIES      V = 400  
 F = NEW YORKER      X = MIRADA  
 G = DIPLOMAT      Y = IMPERIAL  
 M = HORIZON/TC3/SCAMP      Z = OMNI/O24/RAMPAGE

BODY STYLES  
 21 = 2-DOOR SEDAN      28 = FWD PICKUP  
 22 = 2-DOOR SPECIAL COUPE      41 = 4-DOOR SEDAN  
 24 = 2-DOOR HATCHBACK      44 = 4-DOOR HATCHBACK  
 27 = 2-DOOR CONVERTIBLE      45 = 2-SEAT STATION WAGON

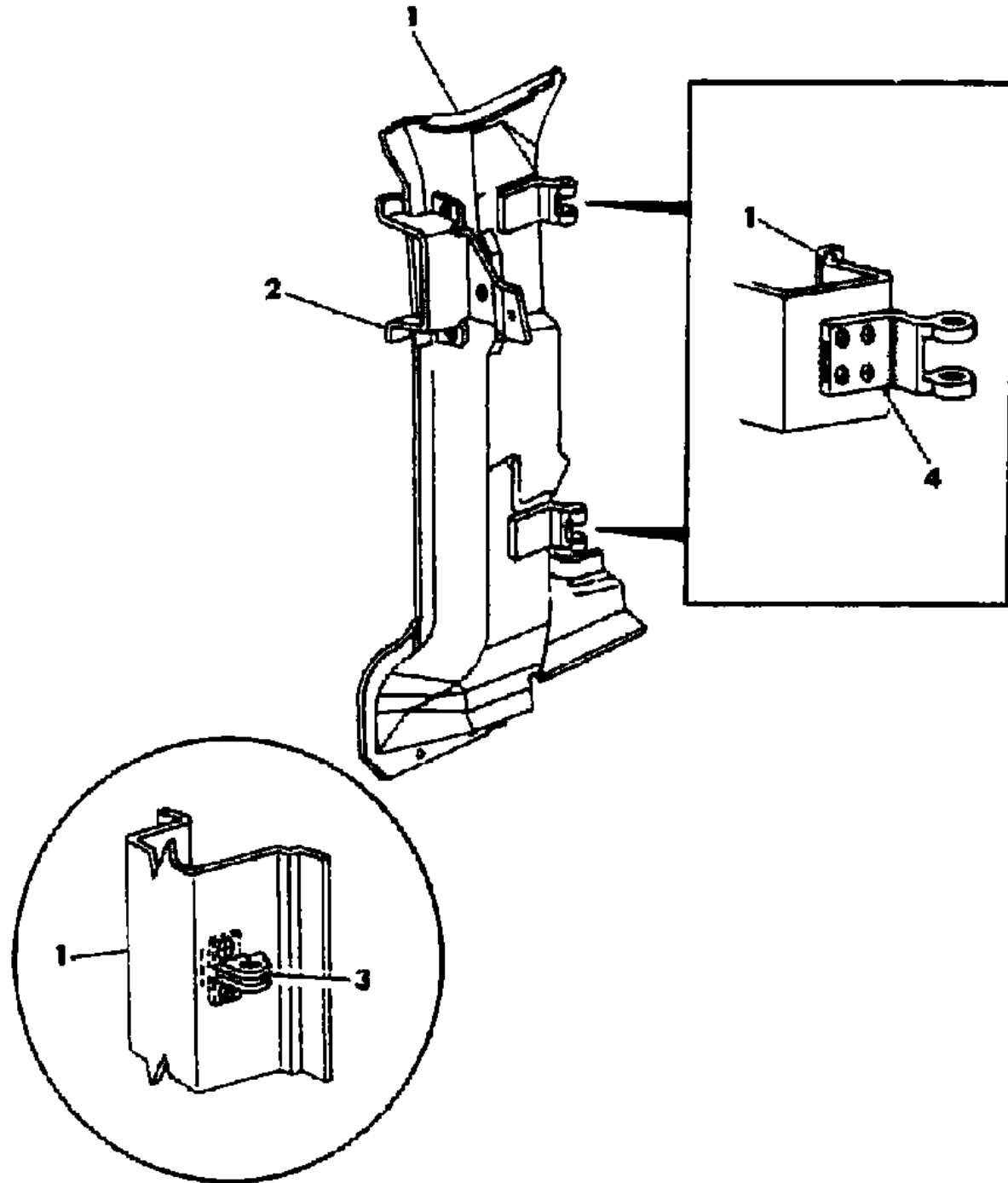
AR = Use as Required - = Non Illustrated Part P.A.R. = Paint as Required

# HINGE PILLAR BODY FRONT - M,Z,28

Figure 23A-1400

2169 1400

ITEM	PART NUMBER	QTY	BODY	MODEL	DESCRIPTION
1					PILLAR and CHECK STRAP PIVOT, Body Front Hinge
	5218 024-5	1			Up to 9/15/81
	5218 310-1	1			After 9/15/81
2	5231 324-5	1			BRACKET w/NUT, Body Front Pillar to Iso-Strut Tower Support
3	5231 576	2			BRACKET, Body Front Pillar Front Door Check Strap Pivot
4					HINGE (See Door Illustration)
NOTE: The Following Items Are Not Shown On Illustration. an offsetting order for part no. 3747881					
	4278 740-1	1			SUPPORT, Aperture to Cowl Side Panel Seal



**MODEL CODES**

B = GRAN FURY/CARAVELLE	P = RELIANT
C = LEBARON/TOWN & COUNTRY	S = CORDOBA
D = ARIES	V = 400
F = NEW YORKER	X = MIRADA
G = DIPLOMAT	Y = IMPERIAL
M = HORIZON/TC3/SCAMP	Z = OMNI/O24/RAMPAGE

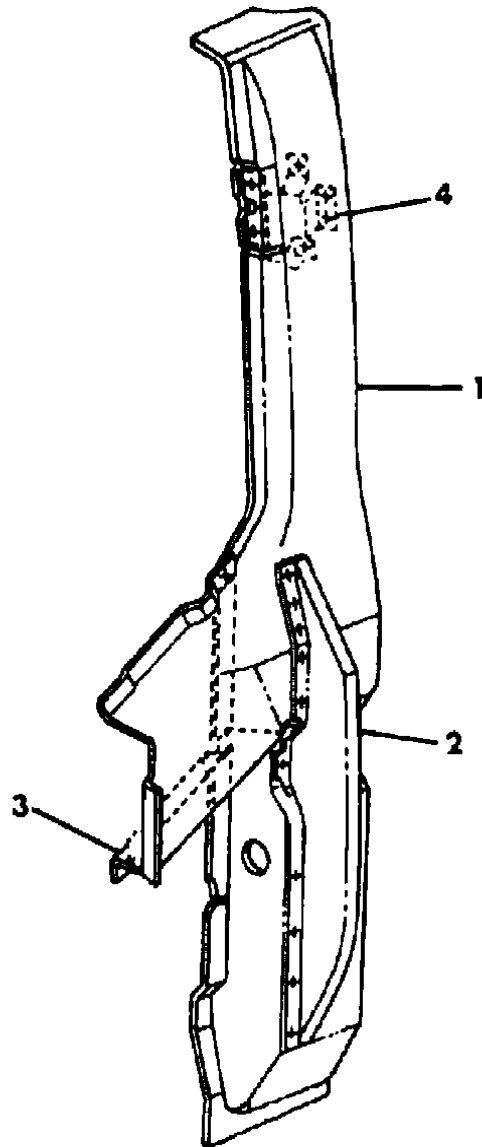
**BODY STYLES**

21 = 2-DOOR SEDAN	28 = FWD PICKUP
22 = 2-DOOR SPECIAL COUPE	41 = 4-DOOR SEDAN
24 = 2-DOOR HATCHBACK	44 = 4-DOOR HATCHBACK
27 = 2-DOOR CONVERTIBLE	45 = 2-SEAT STATION WAGON

AR = Use as Required - = Non Illustrated Part P.A.R. = Paint as Required

**PILLAR BODY SIDE APERTURE - M,Z,28**  
**Figure 23A-1500**

2169 1500



ITEM	PART NUMBER	QTY	BODY	MODEL	DESCRIPTION
1	#4200 712-3	1			PILLAR w/REINFORCEMENT, Qtr. Inner to Body Side Aperture
2	#4206 616-7	1			Filler, Qtr. Inner Pillar to Body Side Aperture
3	#4206 606-7	1			REINFORCEMENT, Qtr. Inner Pillar to W/House Outer
4		1			REINFORCEMENT w/NUT (Serviced In Item No. 1)
NOTE: The Following Items Are Not Shown On Illustration. an offsetting order for part no. 3747881					
	3759 944	10			RETAINER, Qtr. Inner Pillar to Aperture Panel Seal Attaching

MODEL CODES

B = GRAN FURY/CARAVELLE	P = RELIANT
C = LEBARON/TOWN & COUNTRY	S = CORDOBA
D = ARIES	V = 400
F = NEW YORKER	X = MIRADA
G = DIPLOMAT	Y = IMPERIAL
M = HORIZON/TC3/SCAMP	Z = OMNI/O24/RAMPAGE

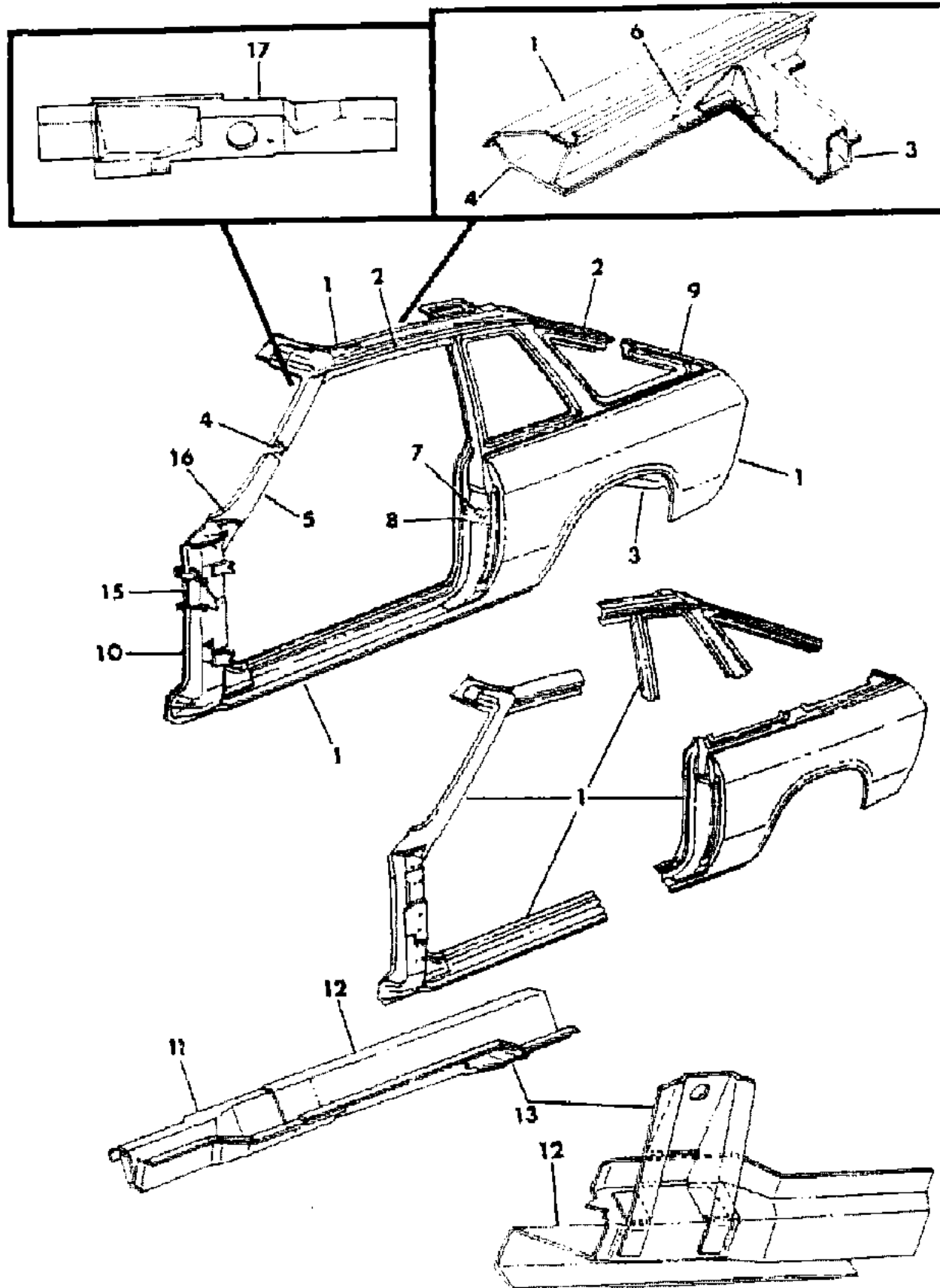
BODY STYLES

21 = 2-DOOR SEDAN	28 = FWD PICKUP
22 = 2-DOOR SPECIAL COUPE	41 = 4-DOOR SEDAN
24 = 2-DOOR HATCHBACK	44 = 4-DOOR HATCHBACK
27 = 2-DOOR CONVERTIBLE	45 = 2-SEAT STATION WAGON

AR = Use as Required - = Non Illustrated Part P.A.R. = Paint as Required

PANEL BODY SIDE - M,Z,24  
Figure 23A-1600

2169 1600



ITEM	PART NUMBER	QTY	BODY	MODEL	DESCRIPTION
1	5230 084-5	1			PANEL,Body Side Complete
	5230 368-9	1			PANEL, "A" Pillar and Body Side Sill Outer, Front
	5230 370-1	1			PANEL, Quarter Outside Windows, Upper
	5230 372-3	1			PANEL, Quarter Outside and Lower Lock Pillar
2	5231 024-5	1			TROUGH,Roof Side Drain
3	5230 180-1	1			PANEL,Wheelhouse Inner
4	5231 004-5	1			FRAME,Windshield Opening Side Inner
5	5231 008-9	1			FRAME,Windshield Opening Side Outer
6	5230 134-5	1			FILLER,Body Side Panel Door Opening Rear Upper
7	5200 366	2			RETAINER,Quarter Outside Panel Latch Stricker T/Plate
8	5200 368	2			PLATE,Quarter Outside Panel Latch Stricker Tapping
	5230 018	2			REINFORCEMENT, Body Side Aperture Door Latch Striker
9	5230 078-9	1			TROUGH,Quarter Lift Gate Side Drain
10					PILLAR,Check Strap,Body Front
	5218 024-5	1			Up to 9/15/81
	5218 310-1	1			After 9/15/81
11	5200 004-5	1			EXTENSION,Side Sill Lower Front
12	5230 076-7	1			SILL,Lower
	4050 466-7	1			REINFORCEMENT w/LOWER SILL,Front Seat Rear Outer Attaching
13	5200 176	2			REINFORCEMENT,Front Seat Rear Outer Attaching
15	5231 324-5	1			BRACKET and P/NUT,Body Front Pillar to Iso-strut Tower
16	5231 006-7	1			EXTENSION,Windshield Opening Side Inner Frame Lower
17	5231 614-5	1			EXTENSION,Windshield Opening Side Inner Frame Upper
The following items are not shown on illustration. an offsetting order for part no. 3747881					
	5230 144	2			RETAINER,Quarter Outside Panel Rear Bumper Fascia
	5231 576	2			BRACKET, Body Front Pillar Front Door Check Strap Pivot
	5200 312	2			BRACKET, Rear Sill, Lower Jacking
	5200 162-3	1			EXTENSION, Side Sill, Lower Rear

MODEL CODES

B = GRAN FURY/CARAVELLE	P = RELIANT
C = LEBARON/TOWN & COUNTRY	S = CORDOBA
D = ARIES	V = 400
F = NEW YORKER	X = MIRADA
G = DIPLOMAT	Y = IMPERIAL
M = HORIZON/TC3/SCAMP	Z = OMNI/O24/RAMPAGE

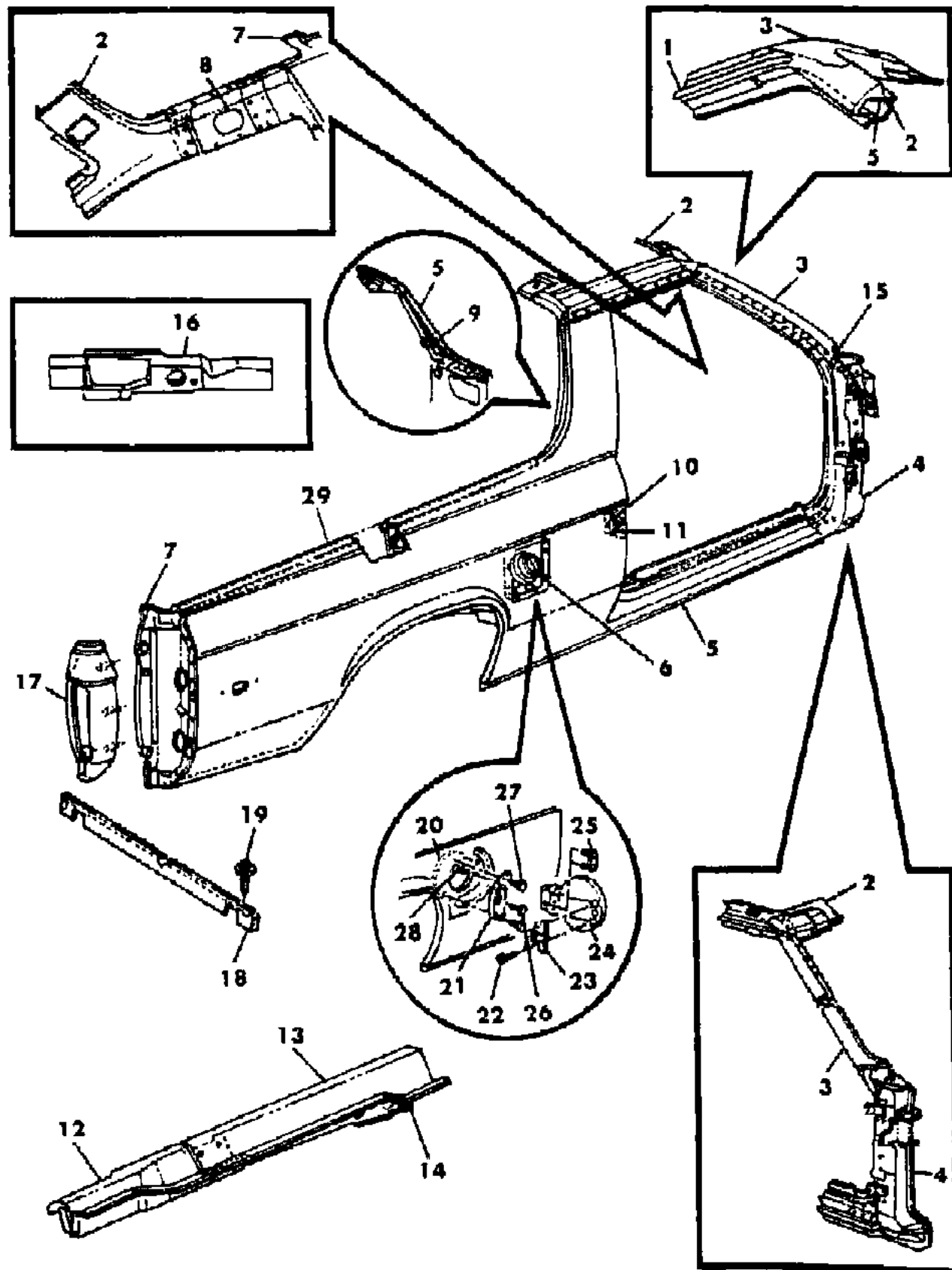
BODY STYLES

21 = 2-DOOR SEDAN	28 = FWD PICKUP
22 = 2-DOOR SPECIAL COUPE	41 = 4-DOOR SEDAN
24 = 2-DOOR HATCHBACK	44 = 4-DOOR HATCHBACK
27 = 2-DOOR CONVERTIBLE	45 = 2-SEAT STATION WAGON

AR = Use as Required - = Non Illustrated Part P.A.R. = Paint as Required

PANEL BODY SIDE - M,Z,28  
Figure 23A-1700

2189 1700A



ITEM	PART NUMBER	QTY	BODY	MODEL	DESCRIPTION
1	#4206 600-1	1			TROUGH, Roof Side Drain
2	#4206 630-1	1			FRAME, W/Shield Opening Side Inner
3	5231 008-9	1			FRAME, W/Shield Opening Side Outer
4					PILLAR (See Body Front Hinge Pillar Illustration)
5					PANEL, Body Side Aperture
	4278 874-5	1			Front
	4278 872-3	1			Rear, Upper
	4278 870-1	1			Rear, Lower
6	#4278 601	1			CUP, Qtr. Outside to Qtr. Inside and W/House Outer Fuel Filler
7					PANEL (See Qtr. Inner and W/House Outer Illustration)
8	#4206 602-3	1			RAIL, Roof Side Inner
9	#4206 598-9	1			FILLER, Body Side Aperture
10	5200 366	2			RETAINER, Qtr. Outside Panel Latch Striker Plate
11	5230 018	2			REINFORCEMENT, Body Side Aperture Door Latch Striker
12	5200 004-5	1			EXTENSION, Side Sill Lower Front
13	5200 006-7	1			PANEL, Body Side Sill Lower
	4050 466-7	1			REINFORCEMENT w/SILL, Lower Front Seat Rear Outer Attaching
14	5200 176	2			REINFORCEMENT, Front Seat Rear Outer Attaching
15	5231 006-7	1			EXTENSION, W/Shield Opening Side Inner Frame, Lower
16	5231 614-5	1			EXTENSION, W/Shield Opening Side Inner Frame, Upper
17					PANEL w/STUD, Body Side Aperture Rear Corner
	4206 752-3	1			Up to 11/24/81
	4278 652-3	1			From 11/24/81 To 2/26/82
	4278 848-9	1			After 2/26/82
	6027 422	6			NUT
		6			SCREW (Not Serviced)
18	#4206 677	1			PANEL, T/Gate Opening Lower
19		7			SCREW (Not Serviced)
20		AR			BEZEL, Qtr. Outside Panel Fuel Filler Door Opening Cup (Not Serviced)
21	#4172 464	1			STRIKER, Qtr. Panel Fuel Filler Door Latch
22		2			SCREW (Not Serviced)
23	#4246 463	1			LATCH, Qtr. Panel Fuel Filler Door
	4172 763	1			GASKET, Filler Door Latch
24	#4278 163	1			DOOR w/HINGE, Fuel Filler
25	#4206 750	1			PLATE w/SCREW

MODEL CODES

B = GRAN FURY/CARAVELLE	P = RELIANT
C = LEBARON/TOWN & COUNTRY	S = CORDOBA
D = ARIES	V = 400
F = NEW YORKER	X = MIRADA
G = DIPLOMAT	Y = IMPERIAL
M = HORIZON/TC3/SCAMP	Z = OMNI/O24/RAMPAGE

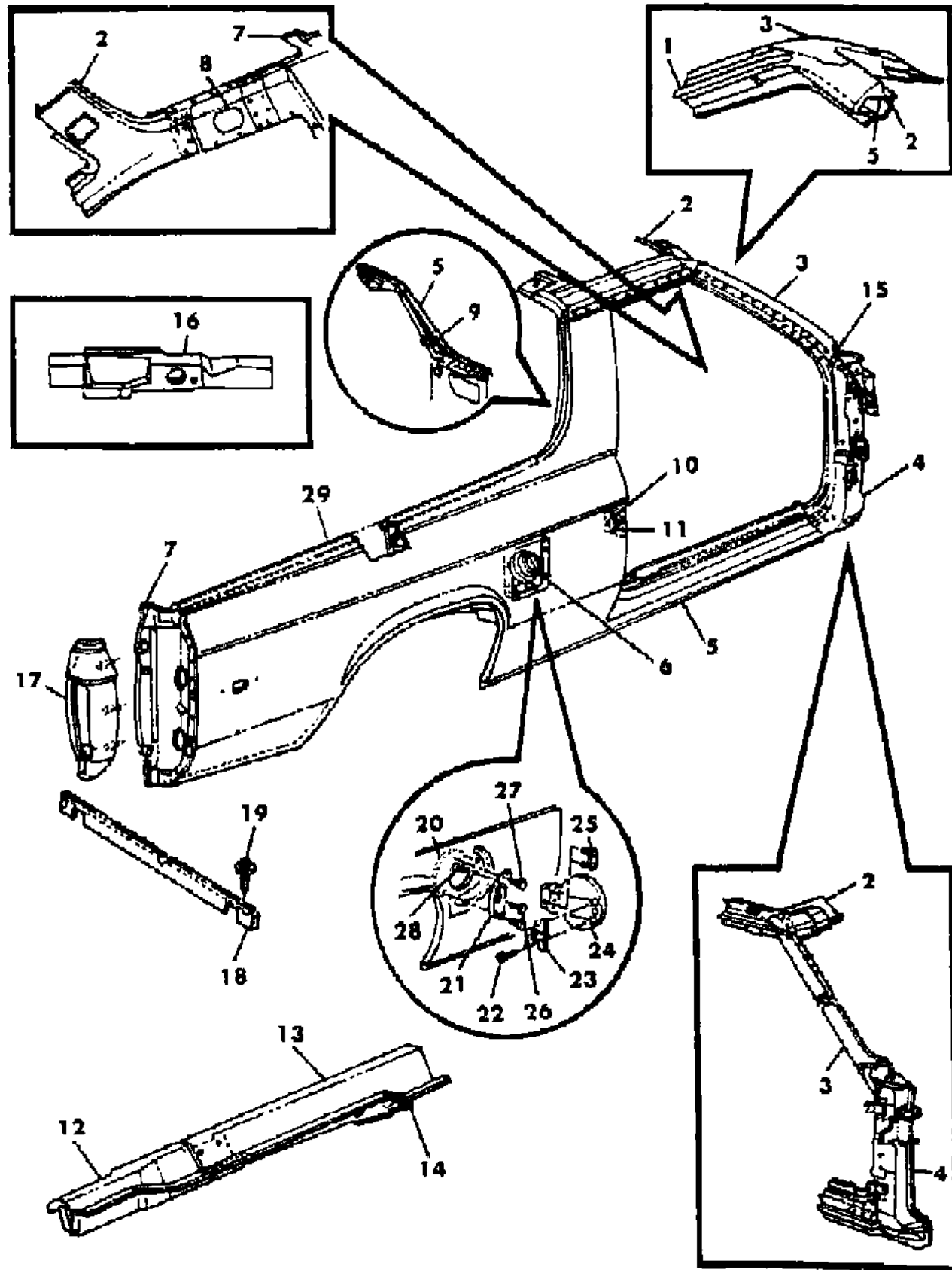
BODY STYLES

21 = 2-DOOR SEDAN	28 = FWD PICKUP
22 = 2-DOOR SPECIAL COUPE	41 = 4-DOOR SEDAN
24 = 2-DOOR HATCHBACK	44 = 4-DOOR HATCHBACK
27 = 2-DOOR CONVERTIBLE	45 = 2-SEAT STATION WAGON

AR = Use as Required - = Non Illustrated Part P.A.R. = Paint as Required

PANEL BODY SIDE - M,Z,28  
Figure 23A-1700

2189 1700A



ITEM	PART NUMBER	QTY	BODY	MODEL	DESCRIPTION
26	2811 139	2			BUMPER
27		2			SCREW (Not Serviced)
28	6025 002	2			NUT w/WASHER
29	X806-7 AA3	1			COVER, Body Side Aperture to Qtr. Inside Flange (Plastic)
	6032 151	18			FASTENER
	4057 555	1			RETAINER PACKAGE
NOTE: The Following Items Are Not Shown On Illustration. an offsetting order for part no. 3747881					
	5230 740	1			RAIL PACKAGE, Cargo Box Side (Complete)
	5230 742	4			RAIL, Cargo Box Side
	5230 710	1			PAD and SUPPORT PACKAGE, Cargo Box Side Rail End
	5230 711	1			PAD and SUPPORT PACKAGE, Cargo Box Side Rail Center
	5230 713	12			SCREW, Cargo Box Side Rail
	2094 869	12			NUT, Cargo Box Side Rail
	6030 441	2			RETAINER, Aperture Panel Hole Repair Plug
	5200 162-3	1			EXTENSION, Side Sill, Lower Rear
	5200 312	2			BRACKET, Rear Sill Lower, Jacking

MODEL CODES

B = GRAN FURY/CARAVELLE	P = RELIANT
C = LEBARON/TOWN & COUNTRY	S = CORDOBA
D = ARIES	V = 400
F = NEW YORKER	X = MIRADA
G = DIPLOMAT	Y = IMPERIAL
M = HORIZON/TC3/SCAMP	Z = OMNI/O24/RAMPAGE

BODY STYLES

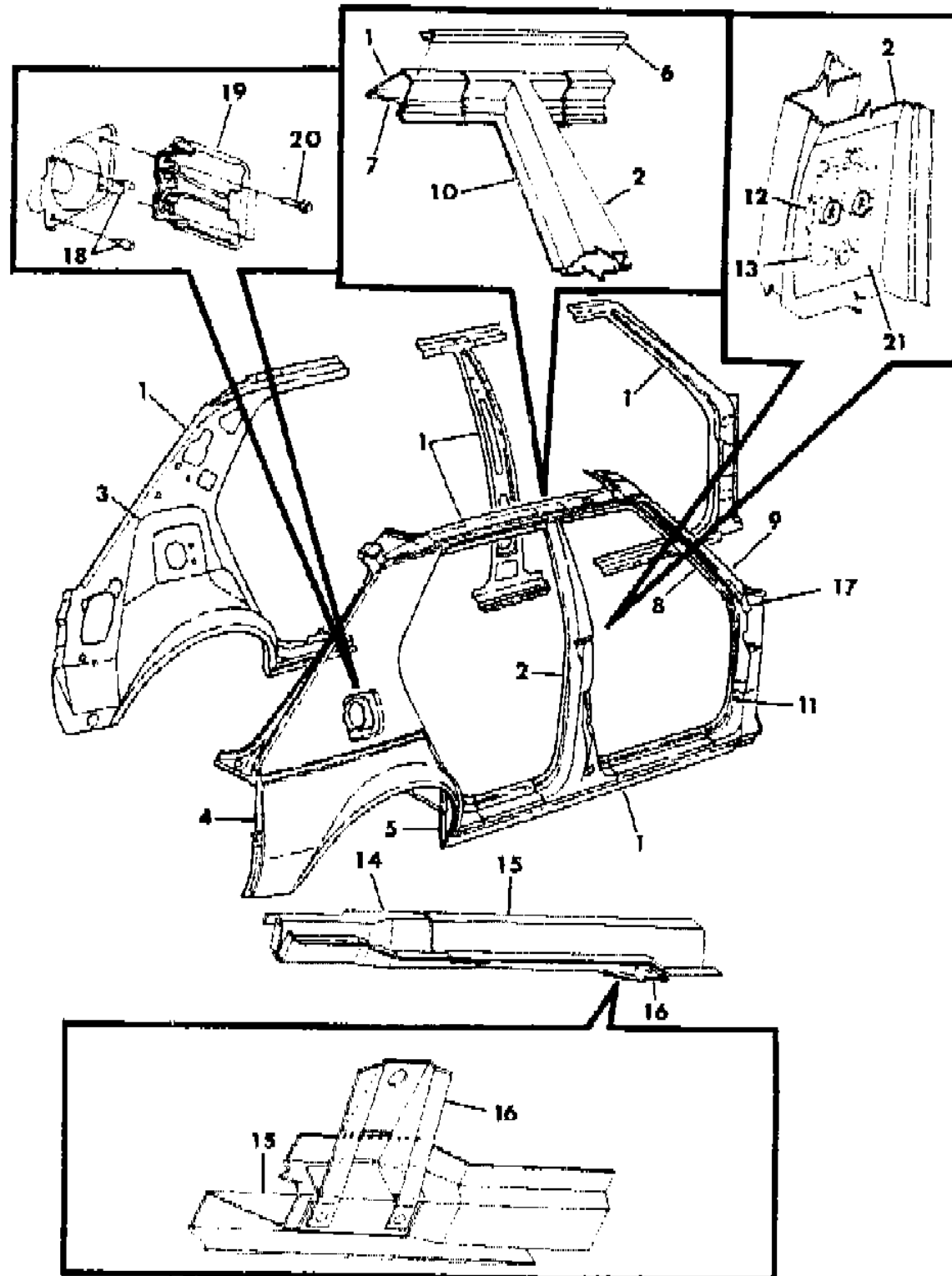
21 = 2-DOOR SEDAN	28 = FWD PICKUP
22 = 2-DOOR SPECIAL COUPE	41 = 4-DOOR SEDAN
24 = 2-DOOR HATCHBACK	44 = 4-DOOR HATCHBACK
27 = 2-DOOR CONVERTIBLE	45 = 2-SEAT STATION WAGON

AR = Use as Required - = Non Illustrated Part P.A.R. = Paint as Required



PANEL BODY SIDE - M,Z,44  
Figure 23A-1800

216H 1800



ITEM	PART NUMBER	QTY	BODY	MODEL	DESCRIPTION
1	5231 864-5	1			PANEL,Body Side Aperture,Front
	5231 866-7	1			Center
	5231 868-9	1			Rear
2	5218 140-1				PILLAR,Center Outer
3	5200 056-7	1			PANEL,Wheelhouse Inner
See illustration quarter panel for more details. an offsetting order for part no. 3747881					
4	5200 072-3	1			PANEL,Quarter Outside
5	5200 838-9	1			CAP,Body Side Panel to Sill Lower Rear Extension
6	5200 798-9	1			TROUGH,Roof Side Drain
7	5231 086-7	1			RAIL and P/NUT,Roof Side Inner
8	5200 900-1	1			FRAME,Windshield Opening Side Inner
9	5200 904-5	1			FRAME,Windshield Opening Side Outer
10	5231 102	2			REINFORCEMENT and W/NUT,Seat Belt Anchor
11					PILLAR and REINFORCEMENT,Door Check Strap
	4129 874-5	1			Up to 9/15/81
	5218 312-3	1			After 9/15/81
12	5200 366	2			RETAINER,Center Pillar Outer Latch Striker T/Plate
13	5200 368	2			T/PLATE, Center Pillar Outer Latch Striker
14	5200 004-5	1			EXTENSION,Side Sill Lower Front
15	5200 006-7	1			SILL,Lower
	4050 466-7	1			REINFORCEMENT w/LOWER SILL,Front Seat Rear Outer
					Attaching
16	5200 176	2			REINFORCEMENT,Front Seat Rear Outer Attaching
17	5200 902-3	1			EXTENSION,Windshield Opening Side Inner Frame Lower
18	5220 250	2			BUMPER,Fuel Filler Door
19	5215 891	1			DOOR,Fuel Filler
20		AR			SCREW(not serviced)
21	5215 294-5	1			REINFORCEMENT,Quarter Outside Panel Latch Striker
NOTE: The following items are not shown on illustration. an offsetting order for part no. 3747881					
	5208 863	2			BRACKET and P/NUT,Body Side Quarter Panel
	5231 576	2			BRACKET, Body Front Pillar Front Door Check Strap Pivot
	5200 162-3	1			EXTENSION, Side Sill, Lower Rear
	5200 312	2			BRACKET, Rear Sill, Lower Jacking

MODEL CODES

B = GRAN FURY/CARAVELLE	P = RELIANT
C = LEBARON/TOWN & COUNTRY	S = CORDOBA
D = ARIES	V = 400
F = NEW YORKER	X = MIRADA
G = DIPLOMAT	Y = IMPERIAL
M = HORIZON/TC3/SCAMP	Z = OMNI/O24/RAMPAGE

BODY STYLES

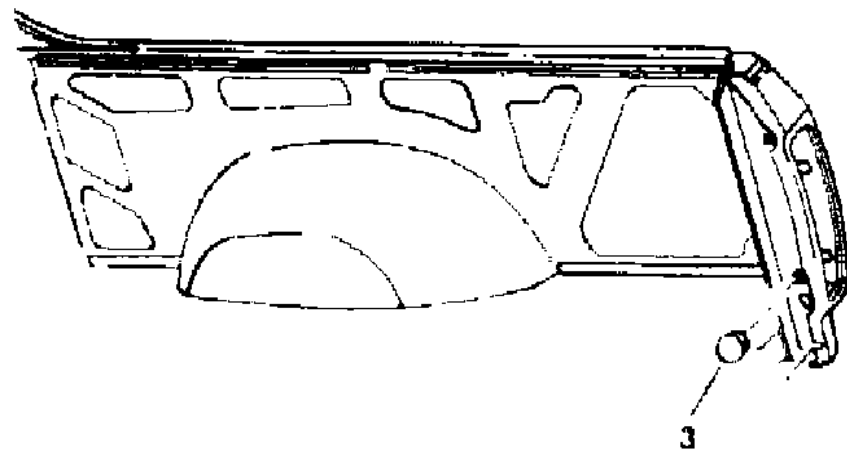
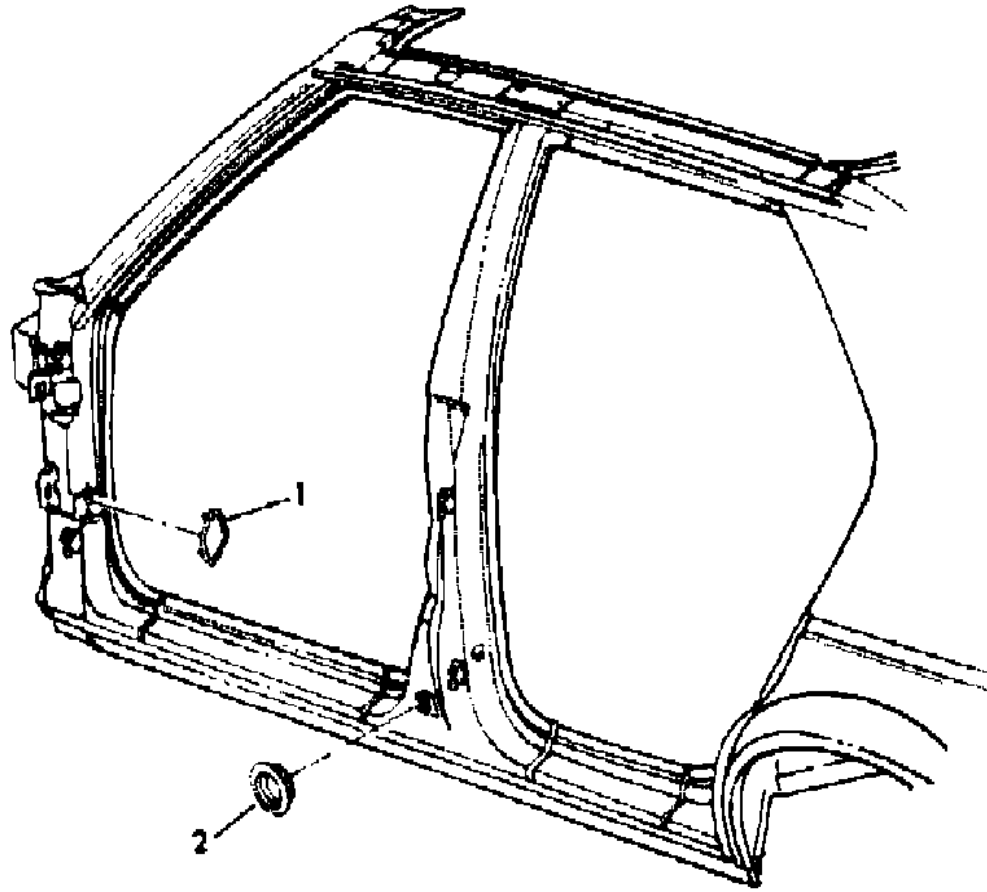
21 = 2-DOOR SEDAN	28 = FWD PICKUP
22 = 2-DOOR SPECIAL COUPE	41 = 4-DOOR SEDAN
24 = 2-DOOR HATCHBACK	44 = 4-DOOR HATCHBACK
27 = 2-DOOR CONVERTIBLE	45 = 2-SEAT STATION WAGON

AR = Use as Required - = Non Illustrated Part P.A.R. = Paint as Required

PLUGS, PANEL BODY SIDE - M,Z  
Figure 23A-1900

2169 1900A

ITEM	PART NUMBER	QTY	BODY	MODEL	DESCRIPTION
1	4172 612	2		24,28	PLUG
2	1774 076	2		44	PLUG
3	2480 957	2		28	PLUG



MODEL CODES

B = GRAN FURY/CARAVELLE	P = RELIANT
C = LEBARON/TOWN & COUNTRY	S = CORDOBA
D = ARIES	V = 400
F = NEW YORKER	X = MIRADA
G = DIPLOMAT	Y = IMPERIAL
M = HORIZON/TC3/SCAMP	Z = OMNI/O24/RAMPAGE

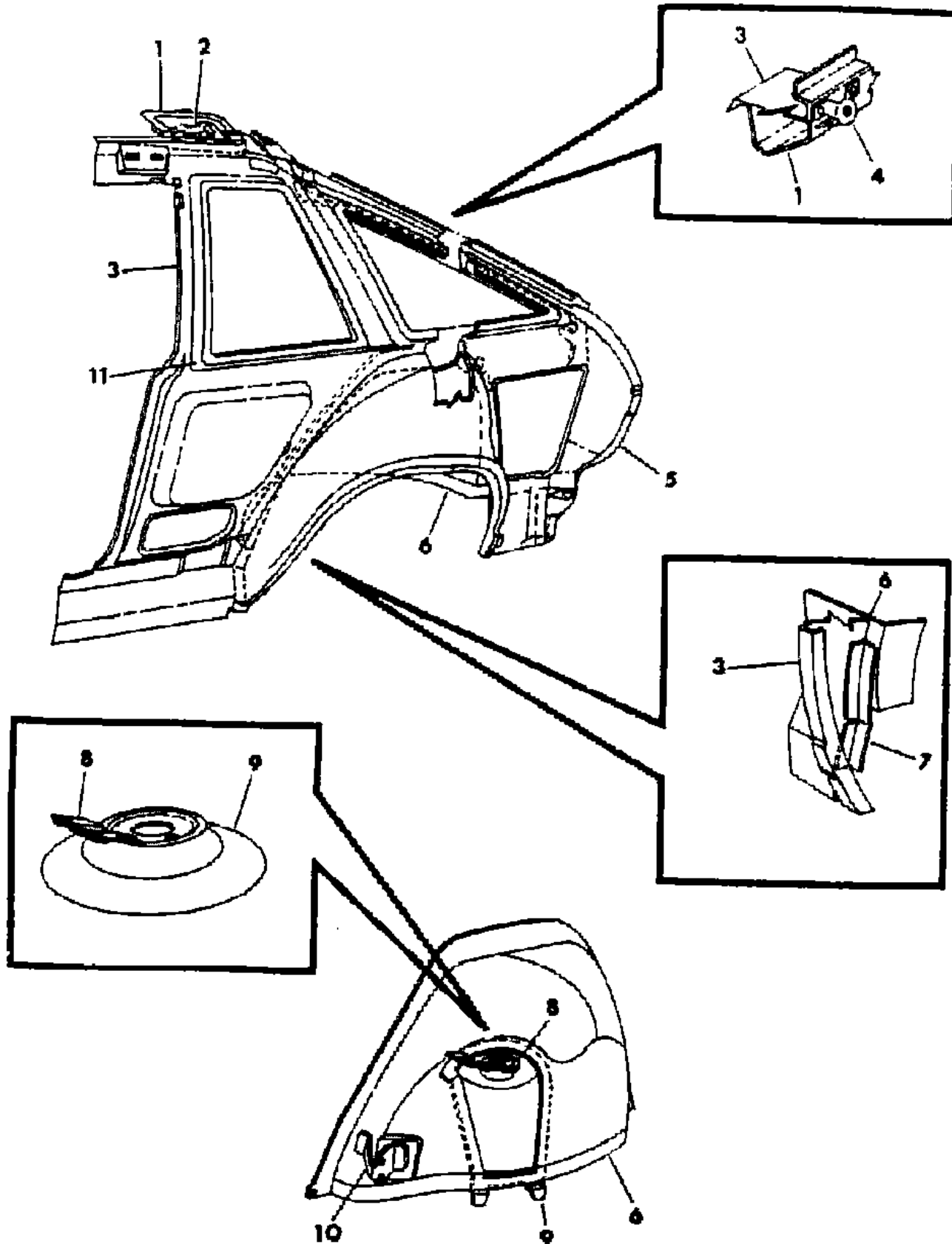
BODY STYLES

21 = 2-DOOR SEDAN	28 = FWD PICKUP
22 = 2-DOOR SPECIAL COUPE	41 = 4-DOOR SEDAN
24 = 2-DOOR HATCHBACK	44 = 4-DOOR HATCHBACK
27 = 2-DOOR CONVERTIBLE	45 = 2-SEAT STATION WAGON

AR = Use as Required - = Non Illustrated Part P.A.R. = Paint as Required

QUARTER PANEL - M,Z,24  
Figure 23A-2000

2169 2300



ITEM	PART NUMBER	QTY	BODY	MODEL	DESCRIPTION
1	5230 070-1	1			REINFORCEMENT, Qtr. Inside Panel L/Gate Opening Pillar
2		2			PLATE, L/Gate Opening Pillar Reinforcement Shoulder Belt Retractor (Not Serviced)
3	5230 136-7	1			PANEL, Qtr. Inside and W/House Outer
4	5230 164	2			BRACKET and W/NUt, L/Gate Opening Pillar Prop Att.
5	5230 130-1	1			EXTENSION, QTR. Inside Panel Rear
6	5230 180-1	1			PANEL, Wheelhouse Inner
7	5230 128-9	1			CAP, Qtr. Inside Panel to Sill Lower Rear
8	5218 032-3	1			BRACKET, and REINFORCEMENT, W/House Inner Panel Shock Abs. Mtg. and Rear Seat Attaching
9	4050 648-9	1			CUP w/REINFORCEMENT, Rear Suspension Insulator W/House Shock Absorber Mtg.
10	5230 344-5	1			BRACKET, Wheelhouse Inner Panel Rear Seat Back Hinge Pivot
	6500 624	2			J/NUT
11	5230 270-1	1			REINFORCEMENT, Qtr. Inside Panel at Belt
NOTE: THE FOLLOWING ITEMS ARE NOT SHOWN ON ILLUSTRATION. an offsetting order for part no. 3747881					
	5200 366	2			RETAINER, Qtr. Outside Panel Latch Striker T/Plate
	5200 368	2			T/PLATE, Qtr. Outside Panel Latch Striker
	5200 058-9	1			REINFORCEMENT, Shock Absorber Mtg.

MODEL CODES

B = GRAN FURY/CARAVELLE	P = RELIANT
C = LEBARON/TOWN & COUNTRY	S = CORDOBA
D = ARIES	V = 400
F = NEW YORKER	X = MIRADA
G = DIPLOMAT	Y = IMPERIAL
M = HORIZON/TC3/SCAMP	Z = OMNI/O24/RAMPAGE

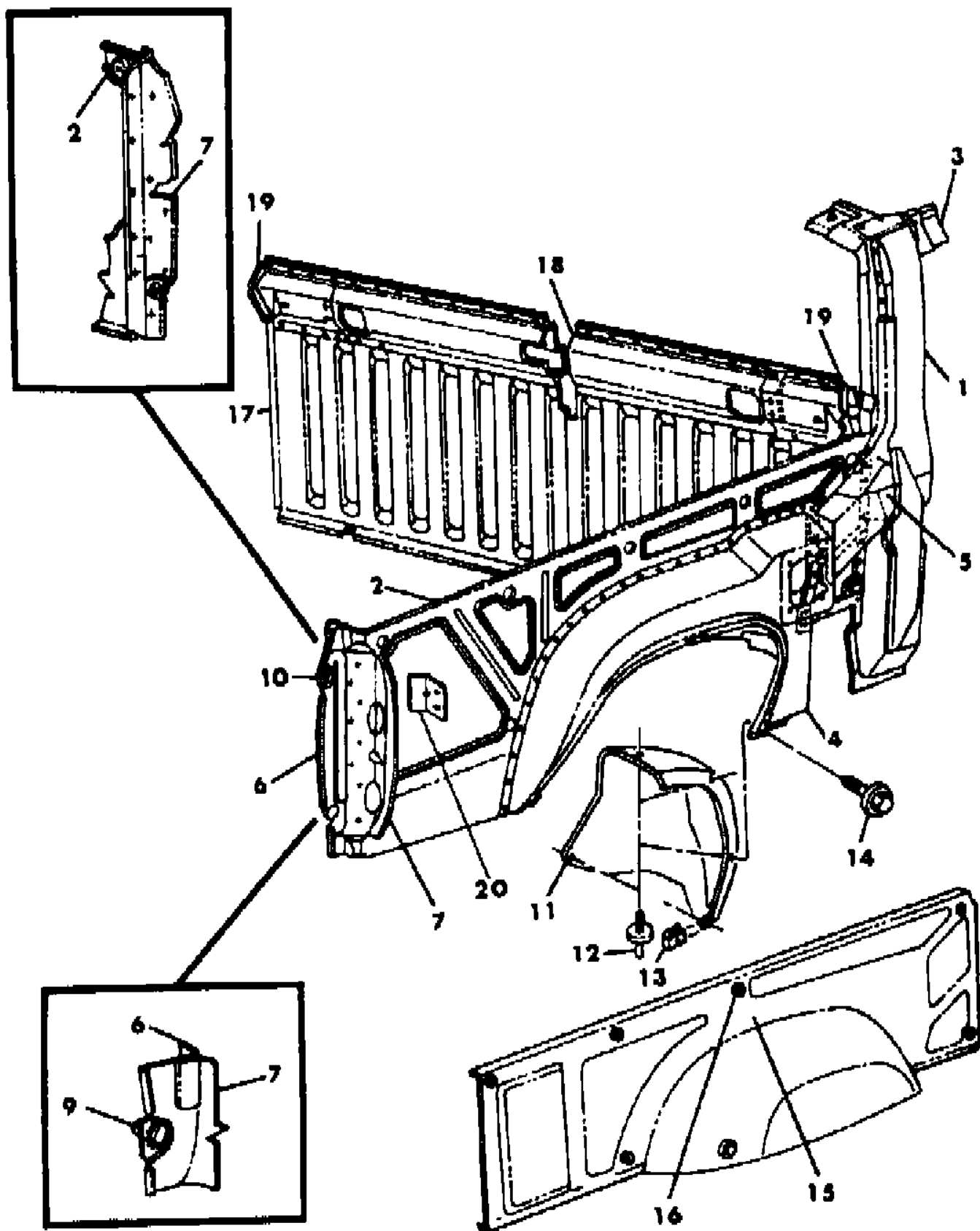
BODY STYLES

21 = 2-DOOR SEDAN	28 = FWD PICKUP
22 = 2-DOOR SPECIAL COUPE	41 = 4-DOOR SEDAN
24 = 2-DOOR HATCHBACK	44 = 4-DOOR HATCHBACK
27 = 2-DOOR CONVERTIBLE	45 = 2-SEAT STATION WAGON

AR = Use as Required - = Non Illustrated Part P.A.R. = Paint as Required

PANEL, QUARTER INSIDE, WHEELHOUSE OUTER AND BACK PANEL-M,Z,28  
Figure 23A-2100

2100 2100A



ITEM	PART NUMBER	QTY	BODY	MODEL	DESCRIPTION
1					PILLAR (See Pillar Body Side Aperture Illustration)
2	#4278 656-7	1			PANEL, Qtr. Inner and W/House Inner
3	#4206 604-5	1			PANEL, Qtr. Inner Upper
4	#4206 594-5	1			PANEL, W/House Outer
5	#4206 636-7	1			EXTENSION, W/House Outer to Sill Lower Rear
6	#4278 654-5	1			EXTENSION, Qtr. Inside Panel Rear Corner
7	#4200 722-3	1			REINFORCEMENT, Qtr. Inner Rear to Retainer Latch Striker
9	#4206 597	2			PIVOT, T/Gate (Body Half)
10					RETAINER (Serviced In Item No. 7)
11	#4278 134-5	1			SHIELD, Qtr. Inner and W/House Inner Panel
12	6030 538	8			RETAINER
13		2			U-NUT (Not Serviced)
14		2			SCREW (Not Serviced)
15	#4206 718-9	1			PANEL, Qtr. Inner Exterior Cover
16		26			SCREW (Not Serviced)
17	#4206 588	1			PANEL, Back
18	#4206 587	1			REINFORCEMENT, Back Panel Belt
		2			SCREW (Not Serviced)
19	#4206 686-7	1			EXTENSION, Back Panel Belt Reinforcement
20	#4278 719	2			BRACKET, Qtr. Inner Panel Rear Reinforcement to Qtr. Inner Panel

NOTE: The Following Items Are Not Shown On Illustration. an offsetting order for part no. 3747881

5200 368	2	TAPPING PLATE, Qtr. Outside Panel Latch Striker
4206 851	2	SEAL, Qtr. Inner Pillar to Aperture Panel
4206 849	16	SPACER, Qtr. Inner Panel to Exterior Cover
5200 365	2	BUTTON, Qtr. Inside Panel Rear Corner Extension Bumper
6032 058	20	GROMMET (PUSH-NUT), Rear Cargo Cover Panel, Inner

MODEL CODES

B = GRAN FURY/CARAVELLE	P = RELIANT
C = LEBARON/TOWN & COUNTRY	S = CORDOBA
D = ARIES	V = 400
F = NEW YORKER	X = MIRADA
G = DIPLOMAT	Y = IMPERIAL
M = HORIZON/TC3/SCAMP	Z = OMNI/O24/RAMPAGE

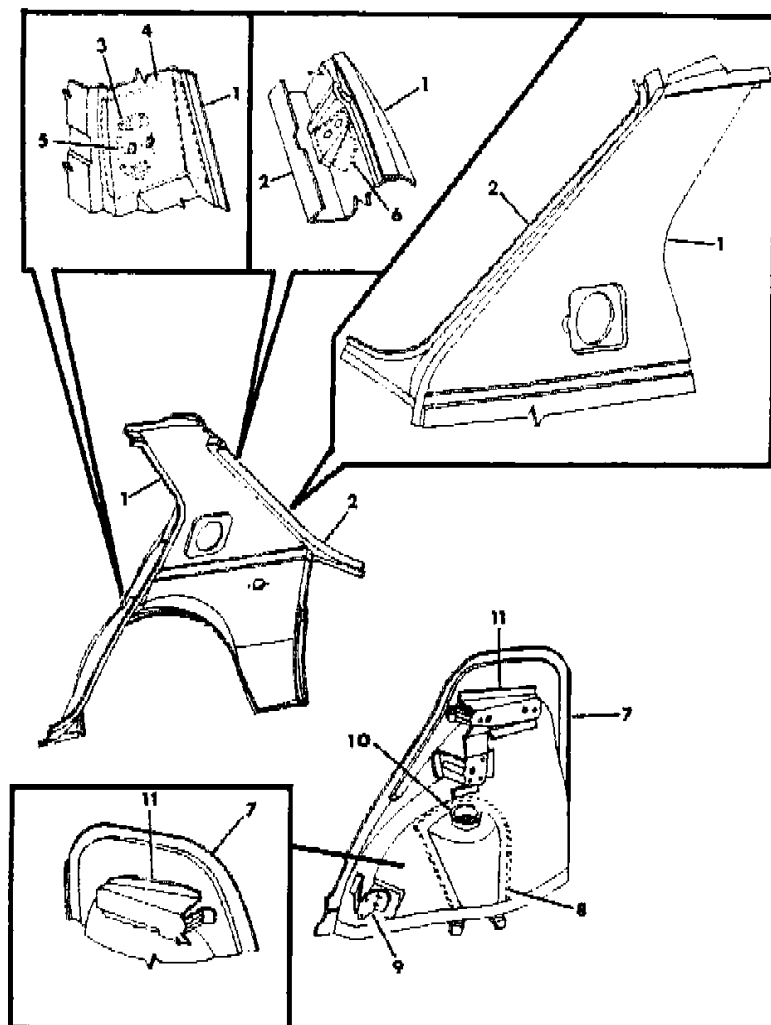
BODY STYLES

21 = 2-DOOR SEDAN	28 = FWD PICKUP
22 = 2-DOOR SPECIAL COUPE	41 = 4-DOOR SEDAN
24 = 2-DOOR HATCHBACK	44 = 4-DOOR HATCHBACK
27 = 2-DOOR CONVERTIBLE	45 = 2-SEAT STATION WAGON

AR = Use as Required - = Non Illustrated Part P.A.R. = Paint as Required

QUARTER PANEL - M,Z,44  
Figure 23A-2200

2189 2200



ITEM	PART NUMBER	QTY	BODY	MODEL	DESCRIPTION
1	5200 072-3	1			PANEL, Qtr. Outside
2	5220 194	1			TROUGH, Qtr. L/Gate Drain Side, Right
	5200 463	1			Left
3	5200 366	2			RETAINER, Qtr. Outside Panel Latch Striker T/Plate
4	5215 294-5	1			REINFORCEMENT, Qtr. Panel Latch Striker
5	5200 368	2			T/Plate, Qtr. Outside Panel Latch Striker
6	5200 380-1	1			REINFORCEMENT and P/Nut, Qtr. Side Drain Trough Prop
7	5200 056-7	1			PANEL, Rear W/House Inner
8	5200 058-9	1			REINFORCEMENT, Shock Absorber Mtg.
9	5230 344-5	1			BRACKET, Wheelhouse Rear Seat Back Hinge Pivot
	6500 624	2			J/NUT
10	4050 648-9	1			CUP w/REINFORCEMENT, Rear Suspension Insulator W/House Shock Absorber Mtg.
11	5200 298-9	1			SUPPORT and P/NUT, W/House Qtr. Trim Panel and Latch

MODEL CODES

B = GRAN FURY/CARAVELLE	P = RELIANT
C = LEBARON/TOWN & COUNTRY	S = CORDOBA
D = ARIES	V = 400
F = NEW YORKER	X = MIRADA
G = DIPLOMAT	Y = IMPERIAL
M = HORIZON/TC3/SCAMP	Z = OMNI/O24/RAMPAGE

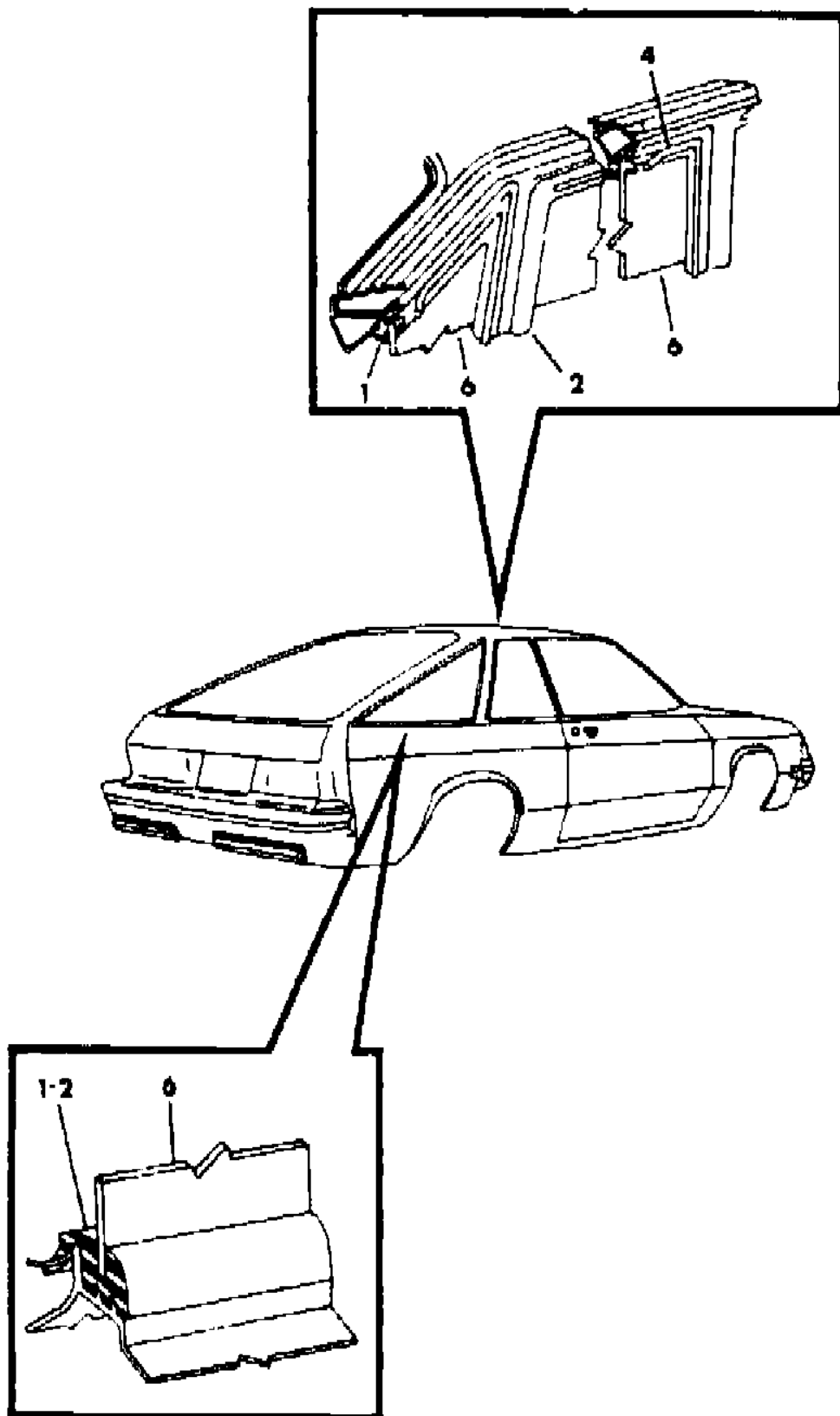
BODY STYLES

21 = 2-DOOR SEDAN	28 = FWD PICKUP
22 = 2-DOOR SPECIAL COUPE	41 = 4-DOOR SEDAN
24 = 2-DOOR HATCHBACK	44 = 4-DOOR HATCHBACK
27 = 2-DOOR CONVERTIBLE	45 = 2-SEAT STATION WAGON

AR = Use as Required - = Non Illustrated Part P.A.R. = Paint as Required

**GLASS AND WEATHERSTRIPPING, QUARTER WINDOW M,Z 2 DOOR HATCHBACK**  
**Figure 23A-2300**

2189 2300



ITEM	PART NUMBER	QTY	BODY	MODEL	DESCRIPTION
1	5230 436-7	1		M-E,Z-E	WEATHERSTRIP, Rear Qtr. Wdo., Black
	5230 410-1	1		M-H,M-P	
	5230 410-1	1		Z-H,Z-P	
	6031 913	2			RETAINER, Rear Qtr. Wdo Weatherstrip
2	5230 150-1	1			WEATHERSTRIP, Front Qtr. Wdo., Black
4		1			MOULDING, Front Qtr. Wdo. Weatherstrip Insert, Bright (See Exterior Illust.)
6	5230 402-3	1			GLASS, Qtr. Wdo. Front, Clear
	5230 404-5	1			Tinted, Use Up To 4/15/82
	5230 446-7	1			Tinted, Use After 4/15/82
	5230 446-7	1			Tinted, Ceramic Black Out (Use With Qtr. Wdo. Louvers)
	5230 104-5	1			Qtr. Wdo. Rear, Clear
	5230 106-7	1			Tinted

NOTE: THE FOLLOWING ITEMS ARE NOT SHOWN ON ILLUSTRATION. an offsetting order for part no. 3747881  
 4057 957 1  
 FIXED GLASS REPAIR PACKAGE, Qtr. Wdo.

- CONSISTS OF:
- 1- ----- Tape, Butyl, 171.00"
  - 1- ----- Primer, Glass
  - 1- ----- Primer, Fence
  - 2- 3674698 Spacer, Rubber, 0.2"
  - 2- 3793290 Spacer, Rubber, 0.3"
  - 2- 3767767 Shim, 0.07"
  - 2- ----- Sponges, Disposable

**MODEL CODES**

B = GRAN FURY/CARAVELLE	P = RELIANT
C = LEBARON/TOWN & COUNTRY	S = CORDOBA
D = ARIES	V = 400
F = NEW YORKER	X = MIRADA
G = DIPLOMAT	Y = IMPERIAL
M = HORIZON/TC3/SCAMP	Z = OMNI/O24/RAMPAGE

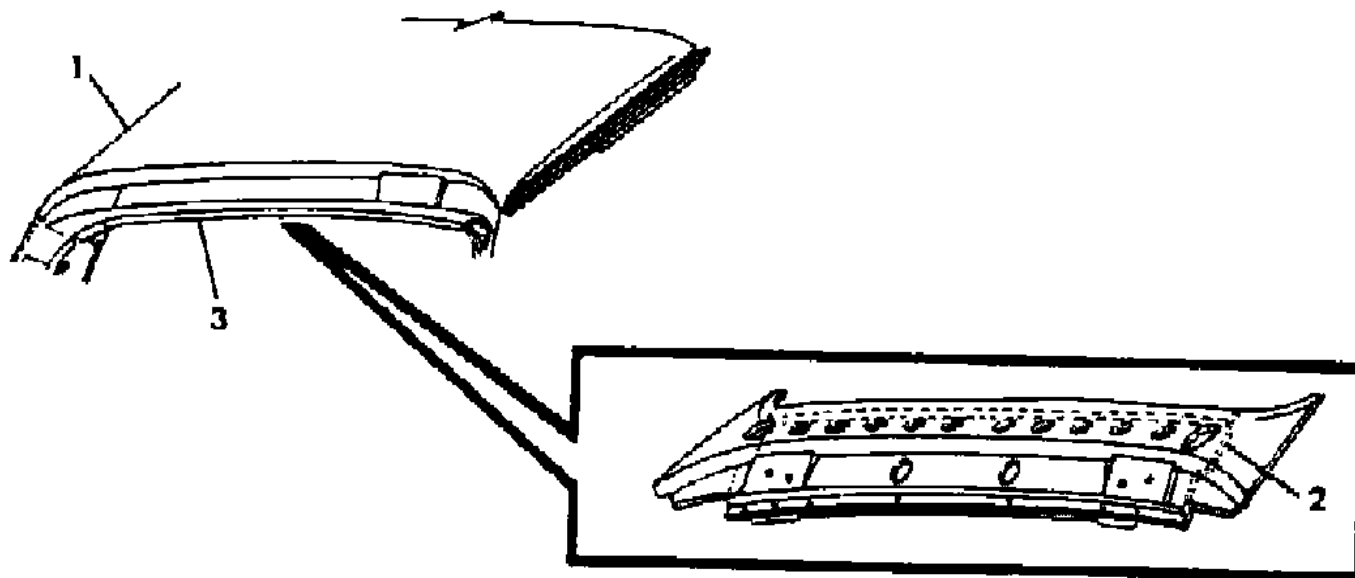
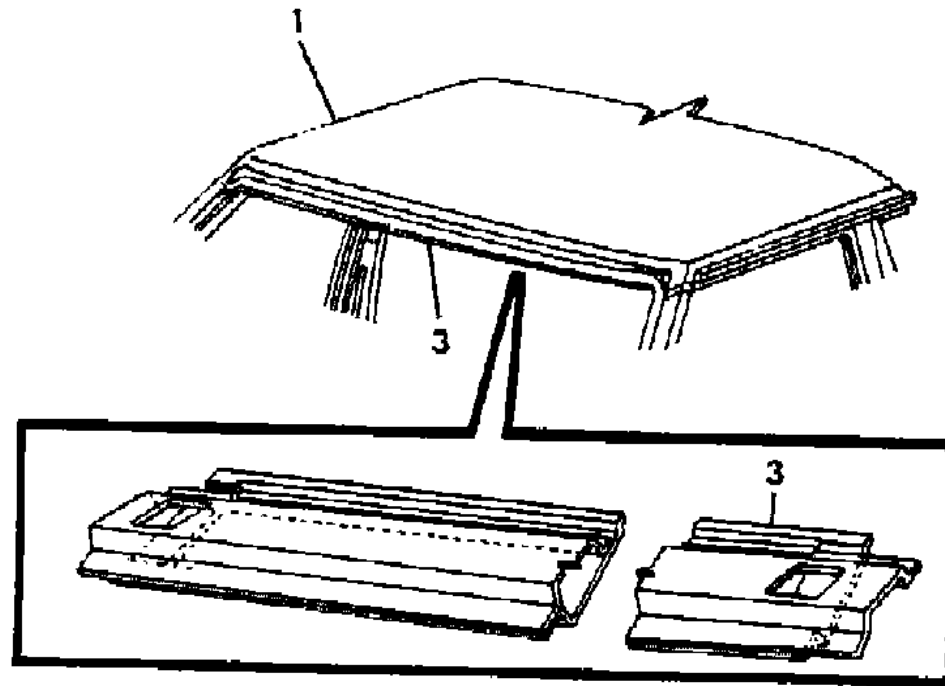
**BODY STYLES**

21 = 2-DOOR SEDAN	28 = FWD PICKUP
22 = 2-DOOR SPECIAL COUPE	41 = 4-DOOR SEDAN
24 = 2-DOOR HATCHBACK	44 = 4-DOOR HATCHBACK
27 = 2-DOOR CONVERTIBLE	45 = 2-SEAT STATION WAGON

AR = Use as Required - = Non Illustrated Part P.A.R. = Paint as Required

ROOF - M,Z  
Figure 23A-2400

2169 2400



ITEM	PART NUMBER	QTY	BODY	MODEL	DESCRIPTION
1	5200 922	1		44	PANEL, Roof Outer
	5231 026	1		24	
	4206 586	1		28	
2	4050 586	1		44	FRAME w/REINFORCEMENT, Rear Roof Opening Upper
	5218 009	1		24	
3	4050 529	1		44	FRAME w/REINFORCEMENT, W/Shield Opening Upper
	4050 977	1		24,28	
NOTE: The Following Items Are Not Shown On Illustration. an offsetting order for part no. 3747881					
	4206 618	1		28	HEADER, Roof Rear

MODEL CODES

B = GRAN FURY/CARAVELLE	P = RELIANT
C = LEBARON/TOWN & COUNTRY	S = CORDOBA
D = ARIES	V = 400
F = NEW YORKER	X = MIRADA
G = DIPLOMAT	Y = IMPERIAL
M = HORIZON/TC3/SCAMP	Z = OMNI/O24/RAMPAGE

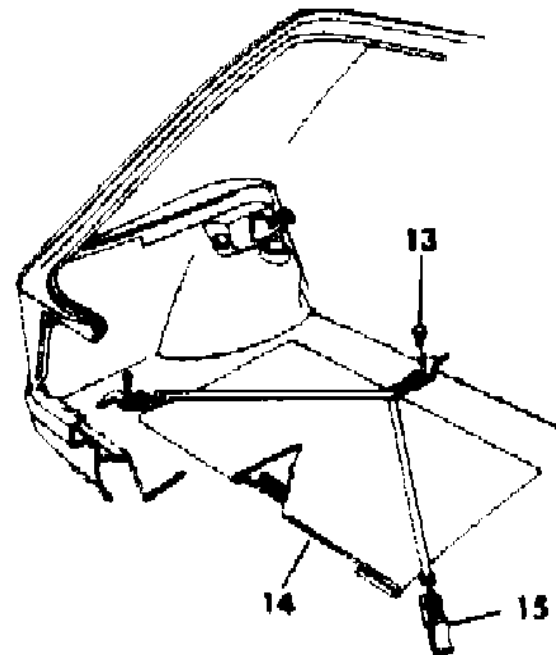
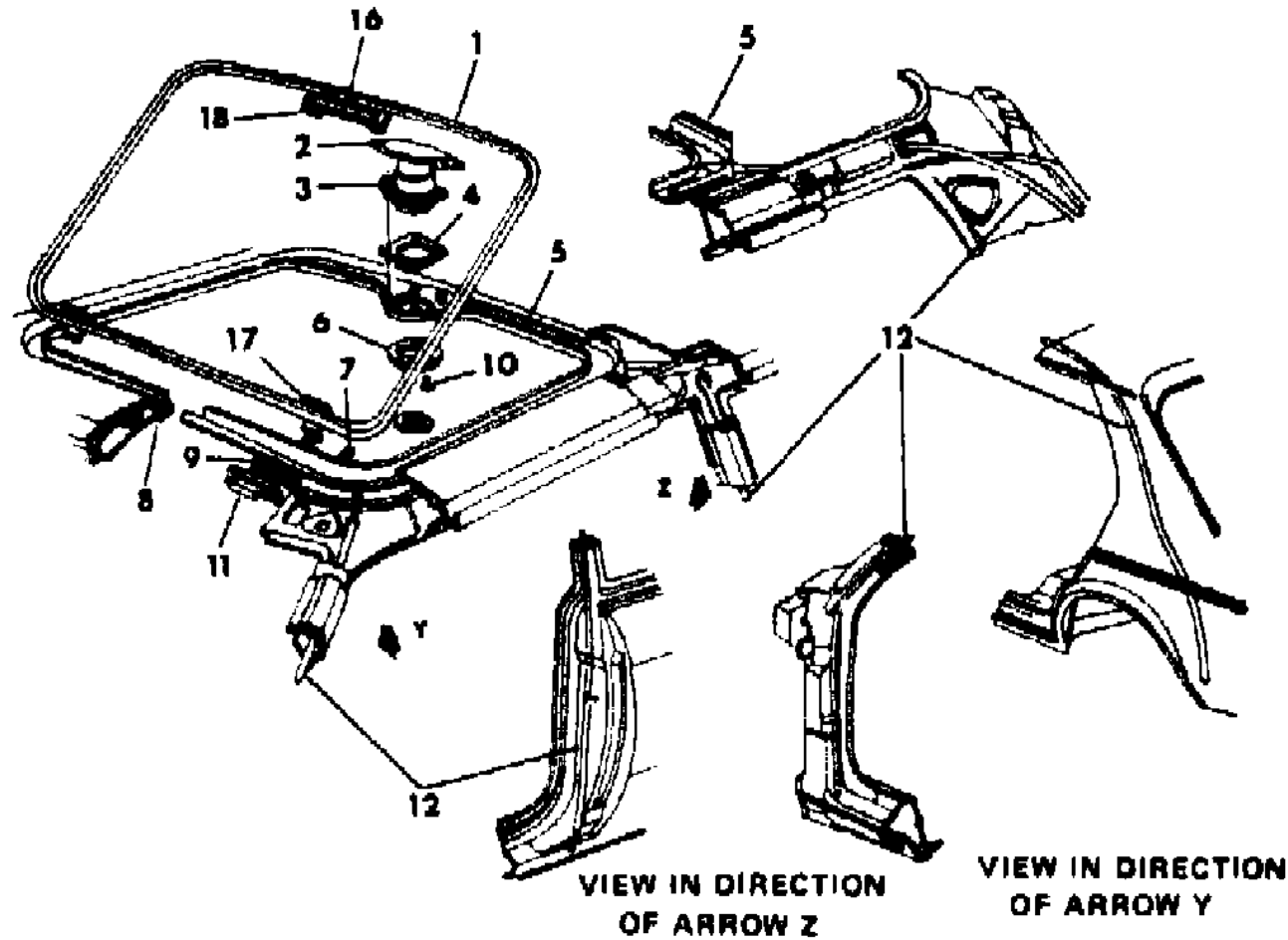
BODY STYLES

21 = 2-DOOR SEDAN	28 = FWD PICKUP
22 = 2-DOOR SPECIAL COUPE	41 = 4-DOOR SEDAN
24 = 2-DOOR HATCHBACK	44 = 4-DOOR HATCHBACK
27 = 2-DOOR CONVERTIBLE	45 = 2-SEAT STATION WAGON

AR = Use as Required - = Non Illustrated Part P.A.R. = Paint as Required

TILTING ROOF - M,Z  
Figure 23A-2500

7169 2500



ITEM	PART NUMBER	QTY	BODY	MODEL	DESCRIPTION
1	5232 068	1			GLASS w/FRAME, Tilting Roof
2	5207 329	1			ADJUSTER, Roof Panel Lock
3	6100 515	4			NUT
4	5232 052	1			GASKET
5	5231 524	1			PANEL and TROUGH, Roof
6	H808 SW1	1			HANDLE, Riser Control, White
7	6101 127	4			SCREW
8	H611 SW1	1			WELT, Headliner Opening, White
9	5232 050-1	1			GASKET
10	6031 171	4			SCREW
11	5207 374-5	1			HINGE RECEIVER, Roof Panel
12	4026 151	AR			HOSE, Drain (Rough Stock .375 - .03 I.D.)
13	9436 676	6			SCREW
14	E858 VX9	1			BAG, Stowage, Black
15	5216 587	3			BRACKET
16	5207 322	1			T/PLATE, Locking Latch
17	4106 874	2			HINGE and T/PLATE PACKAGE
					CONSISTS OF:
					1- ----- T/Plate
					1- ----- Spacer
					1- ----- Hinge
					2- ----- Gasket
					2- ----- Grommet
					2- ----- Screw
18	4106 872-3	1			HOUSING and LATCH PACKAGE
					CONSISTS OF:
					1- ----- Housing
					1- ----- Spring
					1- ----- Latch
					2- ----- Gasket
					2- ----- Screw
NOTE. THE FOLLOWING ITEMS ARE NOT SHOWN ON ILLUSTRATION. an offsetting order for part no. 3747881					
	5207 378	4			PLATE, Spring Hinge Retaining Nut
	5207 368	1			GASKET, Locking Latch T/Plate
	5207 319	1			SEAL, Weather/Primary (w/Vent Holes)
	5207 327	1			STRIKER, Roof Panel Lock
	5232 046	1			SEAL, Weather/Secondary (w/o Vent Holes)

MODEL CODES

B = GRAN FURY/CARAVELLE	P = RELIANT
C = LEBARON/TOWN & COUNTRY	S = CORDOBA
D = ARIES	V = 400
F = NEW YORKER	X = MIRADA
G = DIPLOMAT	Y = IMPERIAL
M = HORIZON/TC3/SCAMP	Z = OMNI/O24/RAMPAGE

BODY STYLES

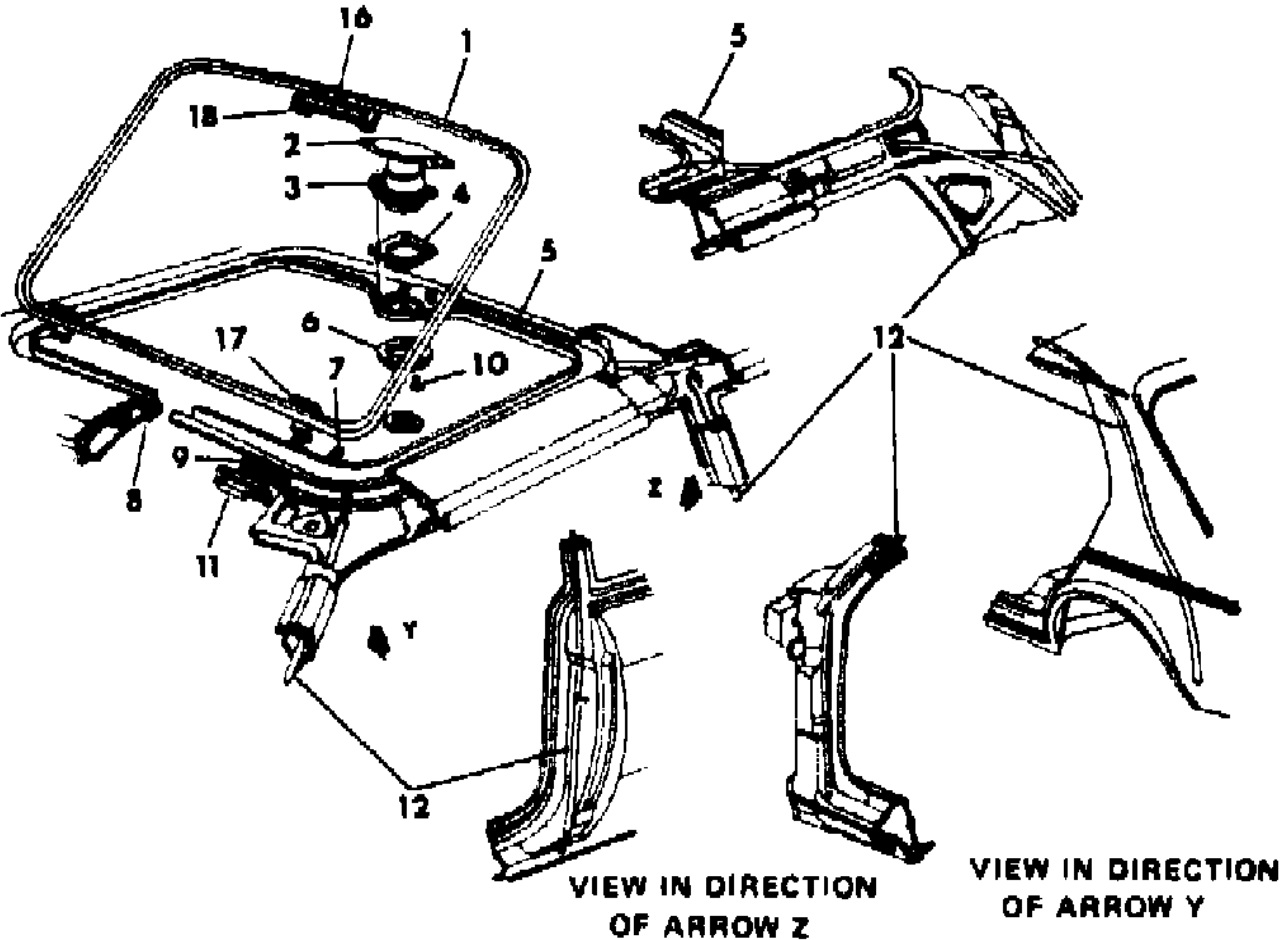
21 = 2-DOOR SEDAN	28 = FWD PICKUP
22 = 2-DOOR SPECIAL COUPE	41 = 4-DOOR SEDAN
24 = 2-DOOR HATCHBACK	44 = 4-DOOR HATCHBACK
27 = 2-DOOR CONVERTIBLE	45 = 2-SEAT STATION WAGON

AR = Use as Required - = Non Illustrated Part P.A.R. = Paint as Required



TILTING ROOF - M,Z  
Figure 23A-2500

7169 2500



ITEM	PART NUMBER	QTY	BODY	MODEL	DESCRIPTION
	5207 474	AR			PIN, Panel Glass Frame Connecting
	5232 094	1			WASHER, Roof Panel Lock Striker Stop
	5232 106	1			GASKET w/RETAINER, Roof Panel Lock Adjuster

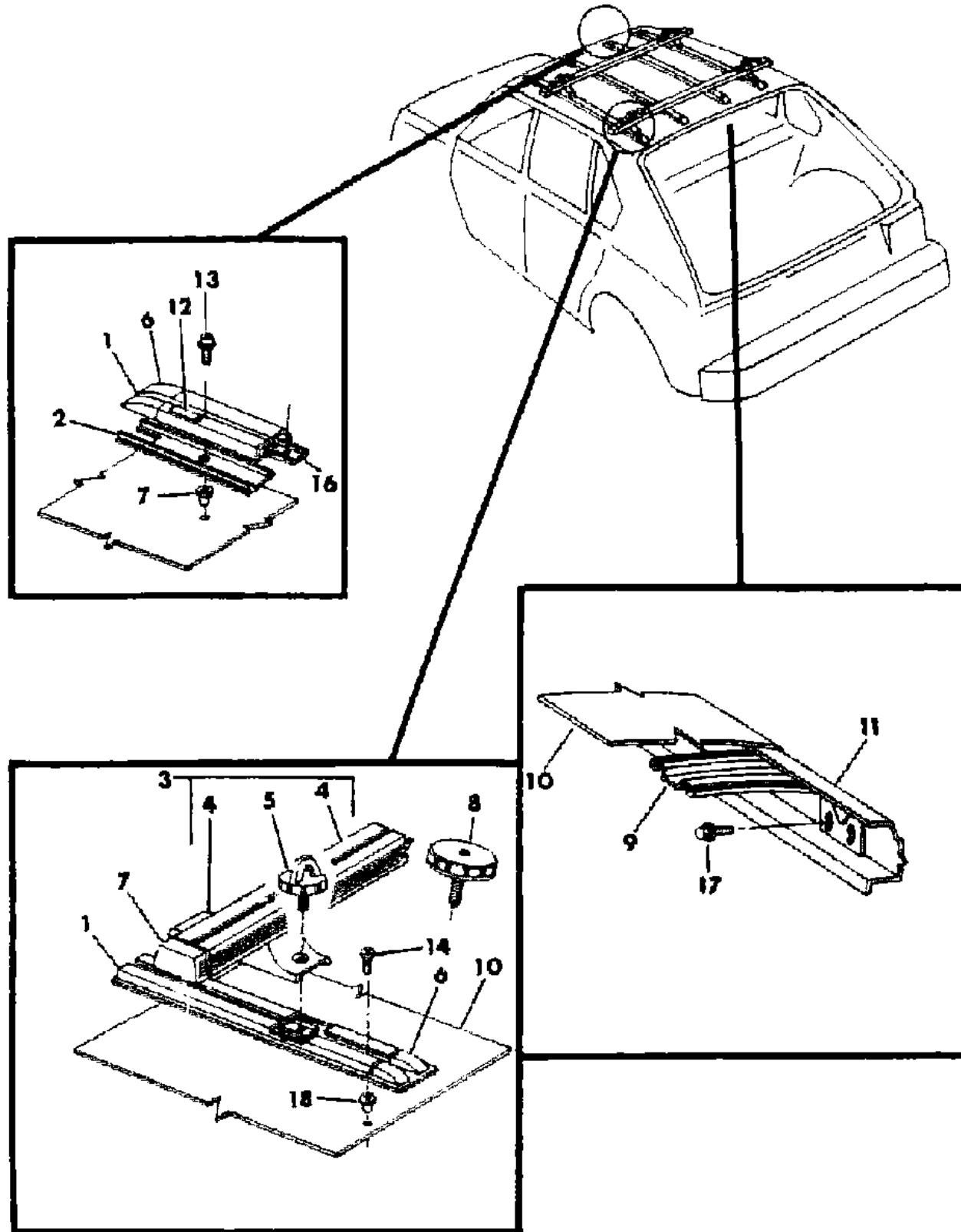
MODEL CODES  
 B = GRAN FURY/CARAVELLE      P = RELIANT  
 C = LEBARON/TOWN & COUNTRY      S = CORDOBA  
 D = ARIES      V = 400  
 F = NEW YORKER      X = MIRADA  
 G = DIPLOMAT      Y = IMPERIAL  
 M = HORIZON/TC3/SCAMP      Z = OMNI/O24/RAMPAGE

BODY STYLES  
 21 = 2-DOOR SEDAN      28 = FWD PICKUP  
 22 = 2-DOOR SPECIAL COUPE      41 = 4-DOOR SEDAN  
 24 = 2-DOOR HATCHBACK      44 = 4-DOOR HATCHBACK  
 27 = 2-DOOR CONVERTIBLE      45 = 2-SEAT STATION WAGON

AR = Use as Required - = Non Illustrated Part P.A.R. = Paint as Required

ROOF LUGGAGE RACK - M,Z,44  
Figure 23A-2600

2169 2600



ITEM	PART NUMBER	QTY	BODY	MODEL	DESCRIPTION
	4240 275	1			ROOF LUGGAGE RACK PACKAGE (Field Installed) M,Z,44
					CONSISTS OF:
					2- 5209074 Skid Strip w/Pad
					2- 5209079 Pad, Skid Strip
					4- 5209082 End Cap
					4- 5209076 Support
					2- 4240951 Cross Bar
					4- 5209078 Bracket, Tie Down
					22- 5209080 Tapping Plate
					4- 5209083 End Cap
					20- 6500189 Screw
					4- ----- Screw 10X24 (Not Serviced)
					3- 4241000 Cross Slat
					3- 4240950 Pad, Cross Slat
					6- 4186521 End Plug
					6- 4267851 Screw 1/4-14X1/2
					6- 4186525 Tie Down Adjuster
					4- ----- Screw, High Head (Not Serviced)
					4- 6031567 Screw, Low Head
					8- 2094869 Blind Nut
					14- 4186524 Retainer, Tapping Plate
1	5209 231	4			SKID STRIP w/PAD
	2094 869	2			NUT, Roof Luggage Rack Skid Strip
2					PAD, Skid Strip (Serviced In Item No. 1)
3	5230 750	2			BAR, Cross
4	4229 318	4			SUPPORT, Cross Bar
5	4229 334	4			LOOP, Cross Bar or Cross Strip
6	4229 317	8			CAP, Skid Strip End
7	4229 325	4			CAP, Cross Strip End
8	4229 320	8			KNOB, Cross Bar
9					BOW, Roof
10					ROOF, Panel
11					RAIL, Roof
12		4			LABEL(not serviced)
13	6031 341	4			SCREW
14	6031 567	4			SCREW
16	5209 080	8			T/PLATE, Skid Strip Tie Down Bracket

MODEL CODES

B = GRAN FURY/CARAVELLE	P = RELIANT
C = LEBARON/TOWN & COUNTRY	S = CORDOBA
D = ARIES	V = 400
F = NEW YORKER	X = MIRADA
G = DIPLOMAT	Y = IMPERIAL
M = HORIZON/TC3/SCAMP	Z = OMNI/O24/RAMPAGE

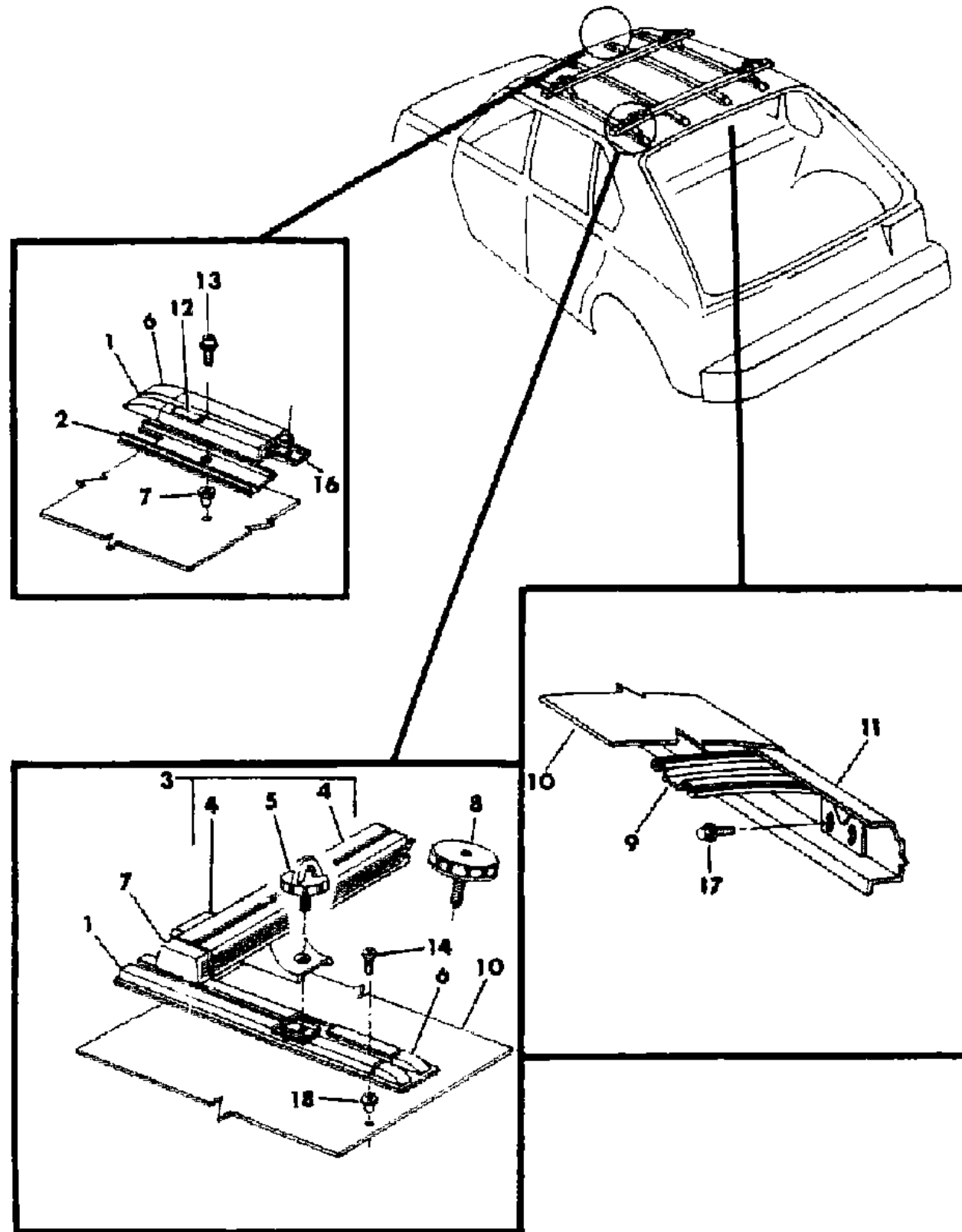
BODY STYLES

21 = 2-DOOR SEDAN	28 = FWD PICKUP
22 = 2-DOOR SPECIAL COUPE	41 = 4-DOOR SEDAN
24 = 2-DOOR HATCHBACK	44 = 4-DOOR HATCHBACK
27 = 2-DOOR CONVERTIBLE	45 = 2-SEAT STATION WAGON

AR = Use as Required - = Non Illustrated Part P.A.R. = Paint as Required

ROOF LUGGAGE RACK - M,Z,44  
Figure 23A-2600

2169 2600



ITEM	PART NUMBER	QTY	BODY	MODEL	DESCRIPTION
17	6100 565	8			SCREW and Washer
18	2094 869	16			NUT,Blind
NOTE: The Following Items Are Not Shown On Illustration. an offsetting order for part no. 3747881					
	5230 755	2			STRIP,Cross
	4229 322	4			RETAINER,Cross Bar Loop T/Plate
	4229 335	8			RETAINER,Skid Strip T/Plate
	4229 321	4			T/PLATE,Cross Bar Loop
	6032 069	4			SCREW,Cross Bar to Support
	6032 070	4			SCREW,Cross Strip End Cap

MODEL CODES

B = GRAN FURY/CARAVELLE	P = RELIANT
C = LEBARON/TOWN & COUNTRY	S = CORDOBA
D = ARIES	V = 400
F = NEW YORKER	X = MIRADA
G = DIPLOMAT	Y = IMPERIAL
M = HORIZON/TC3/SCAMP	Z = OMNI/O24/RAMPAGE

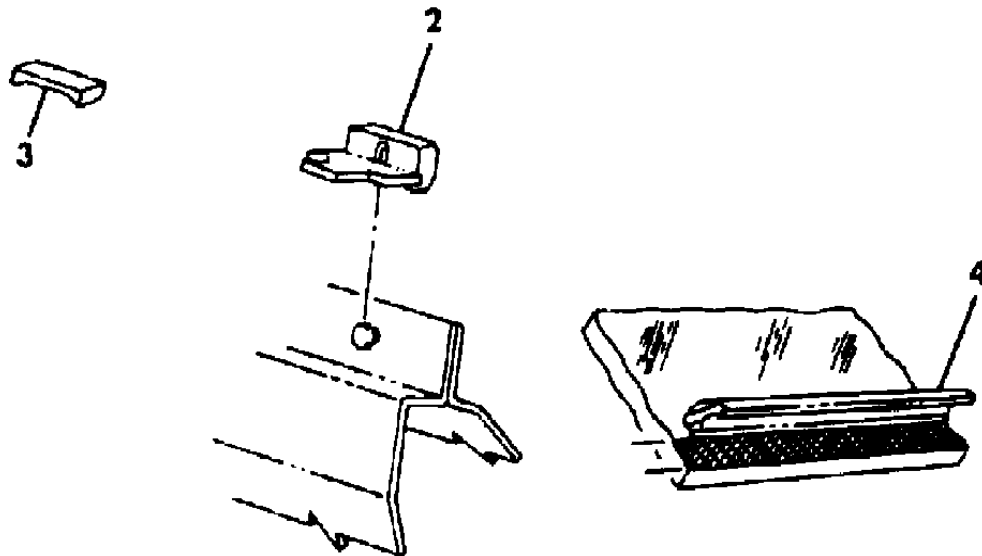
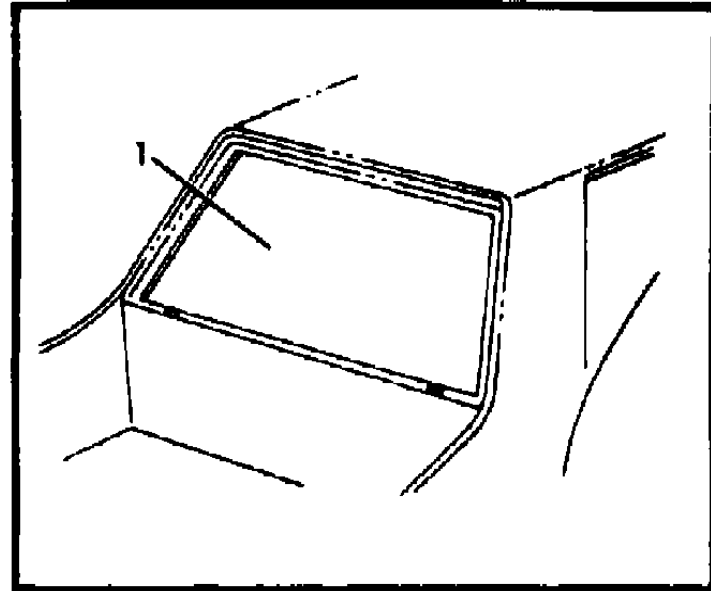
BODY STYLES

21 = 2-DOOR SEDAN	28 = FWD PICKUP
22 = 2-DOOR SPECIAL COUPE	41 = 4-DOOR SEDAN
24 = 2-DOOR HATCHBACK	44 = 4-DOOR HATCHBACK
27 = 2-DOOR CONVERTIBLE	45 = 2-SEAT STATION WAGON

AR = Use as Required - = Non Illustrated Part P.A.R. = Paint as Required

**GLASS - REAR WINDOW - M,Z**  
**Figure 23A-2700**

2169 2700



ITEM	PART NUMBER	QTY	BODY	MODEL	DESCRIPTION
------	-------------	-----	------	-------	-------------

NOTE: GLASS, REAR WINDOW - ORDER FROM YOUR LOCAL MOPAR GLASS DISTRIBUTOR. an offsetting order for part no.

	3747881				
1					GLASS, REAR WINDOW Tinted
	4206 591	1			
2	#4207 000	2			SPACER, Rear Wdo. Glass Lower
3					SHIM, Rear Wdo. Lower Spacer
	4278 076	AR			Approximately .1625" Thick
	4278 077	AR			Approximately .2187" Thick
	4278 511	AR			Approximately .2875" Thick
4	#4206 848	AR			DAM, Back Panel Glass Adhesive

NOTE: The Following Items Are Not Shown On Illustration. an offsetting order for part no. 3747881

	4278 003	1			RETAINER, Back Panel Glass, Upper and Side (3 Ribs)
	4278 642	AR			RETAINER, Back Panel Glass, Upper and Side (Repair-2 Ribs)
	4057 957	1			FIXED GLASS REPAIR PACKAGE, Rear Wdo. (Not Shown)
					CONSISTS OF:
					1- ----- Tape, Butyl, 171.00"
					1- ----- Primer, Glass
					1- ----- Primer, Fence
					2- 3674698 Spacer, Rubber,0.2"
					2- 3793290 Spacer, Rubber,0.3"
					2- 3767767 Shim, 0.07"
					2- ----- Sponges, Disposable

MODEL CODES

B = GRAN FURY/CARAVELLE	P = RELIANT
C = LEBARON/TOWN & COUNTRY	S = CORDOBA
D = ARIES	V = 400
F = NEW YORKER	X = MIRADA
G = DIPLOMAT	Y = IMPERIAL
M = HORIZON/TC3/SCAMP	Z = OMNI/O24/RAMPAGE

BODY STYLES

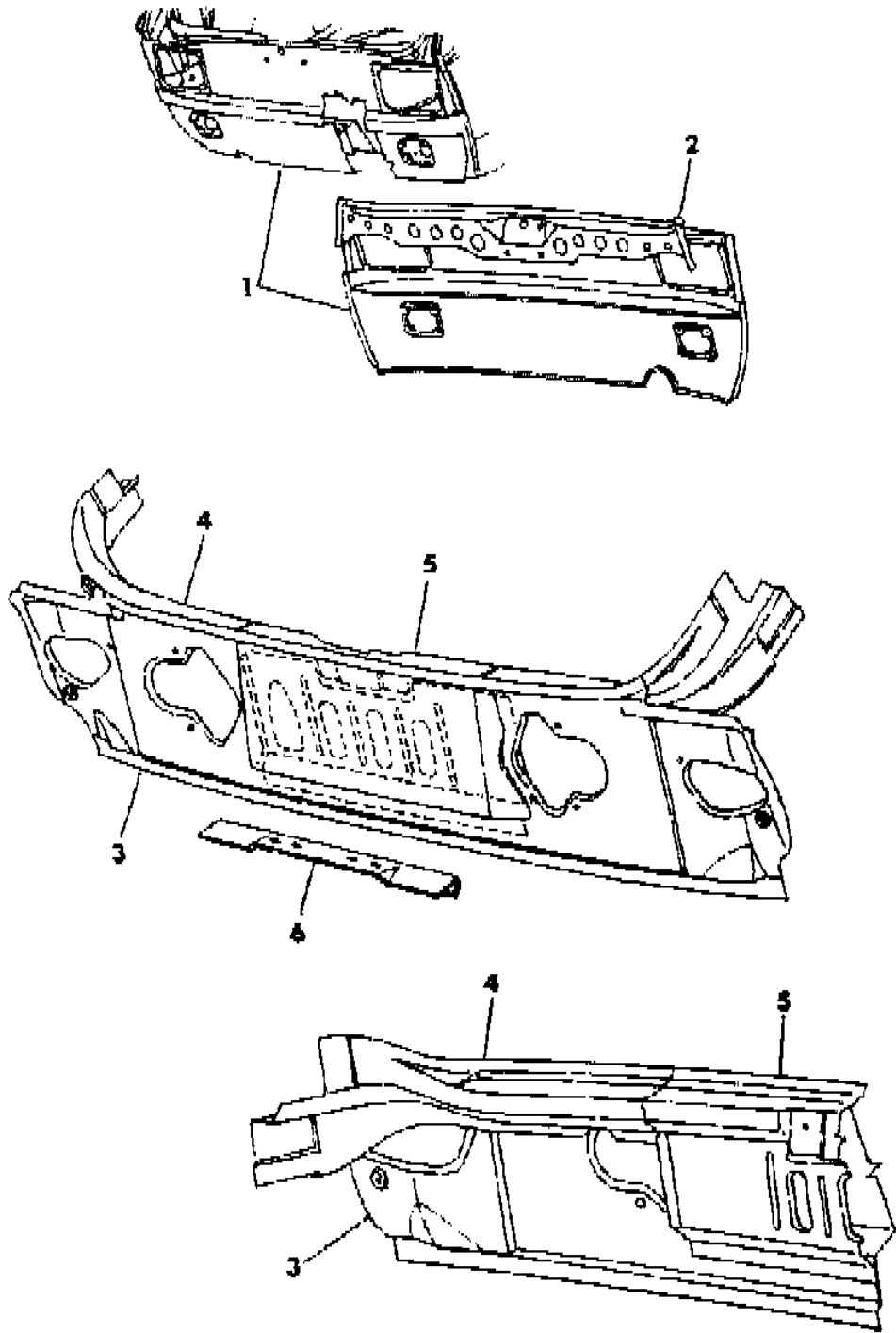
21 = 2-DOOR SEDAN	28 = FWD PICKUP
22 = 2-DOOR SPECIAL COUPE	41 = 4-DOOR SEDAN
24 = 2-DOOR HATCHBACK	44 = 4-DOOR HATCHBACK
27 = 2-DOOR CONVERTIBLE	45 = 2-SEAT STATION WAGON

AR = Use as Required - = Non Illustrated Part P.A.R. = Paint as Required

LIFT GATE OPENING LOWER - M,Z  
Figure 23A-2800

2169 2800

ITEM	PART NUMBER	QTY	BODY	MODEL	DESCRIPTION
1	5200 470	1		44	PANEL,Lift Gate Opening Lower
2	#5230 422	1		44	REINFORCEMENT and P/NUT,Lift Gate Opening Lower Panel
3	5230 021	1		24	PANEL,Lift Gate Opening Lower
4	5230 026-7	1		24	EXTENSION,Quarter Inside Panel to Lift Gate Opening Lower Panel Reninforcement
5	#5230 424	2		24	REINFORCEMENT and P/NUT,Lift Gate Opening Lower Panel
6		1		24	REINFORCEMENT,Lift Gate Opening Lower Panel Bumper Fascia Attaching (Not Serviced)
The following items are not shown on illustration. an offsetting order for part no. 3747881					
	5230 140	2		24	RETAINER,Lift Gate Opening Lower Panel Rear Bumper Fascia
	2423 737	2		All	PLUG,Lift Gate Opening Lower Panel License Plate Att. Sealing Nut
	3798 253	AR		All	TAPE,Deck Opening Lower Panel(Butyl)



MODEL CODES

B = GRAN FURY/CARAVELLE	P = RELIANT
C = LEBARON/TOWN & COUNTRY	S = CORDOBA
D = ARIES	V = 400
F = NEW YORKER	X = MIRADA
G = DIPLOMAT	Y = IMPERIAL
M = HORIZON/TC3/SCAMP	Z = OMNI/O24/RAMPAGE

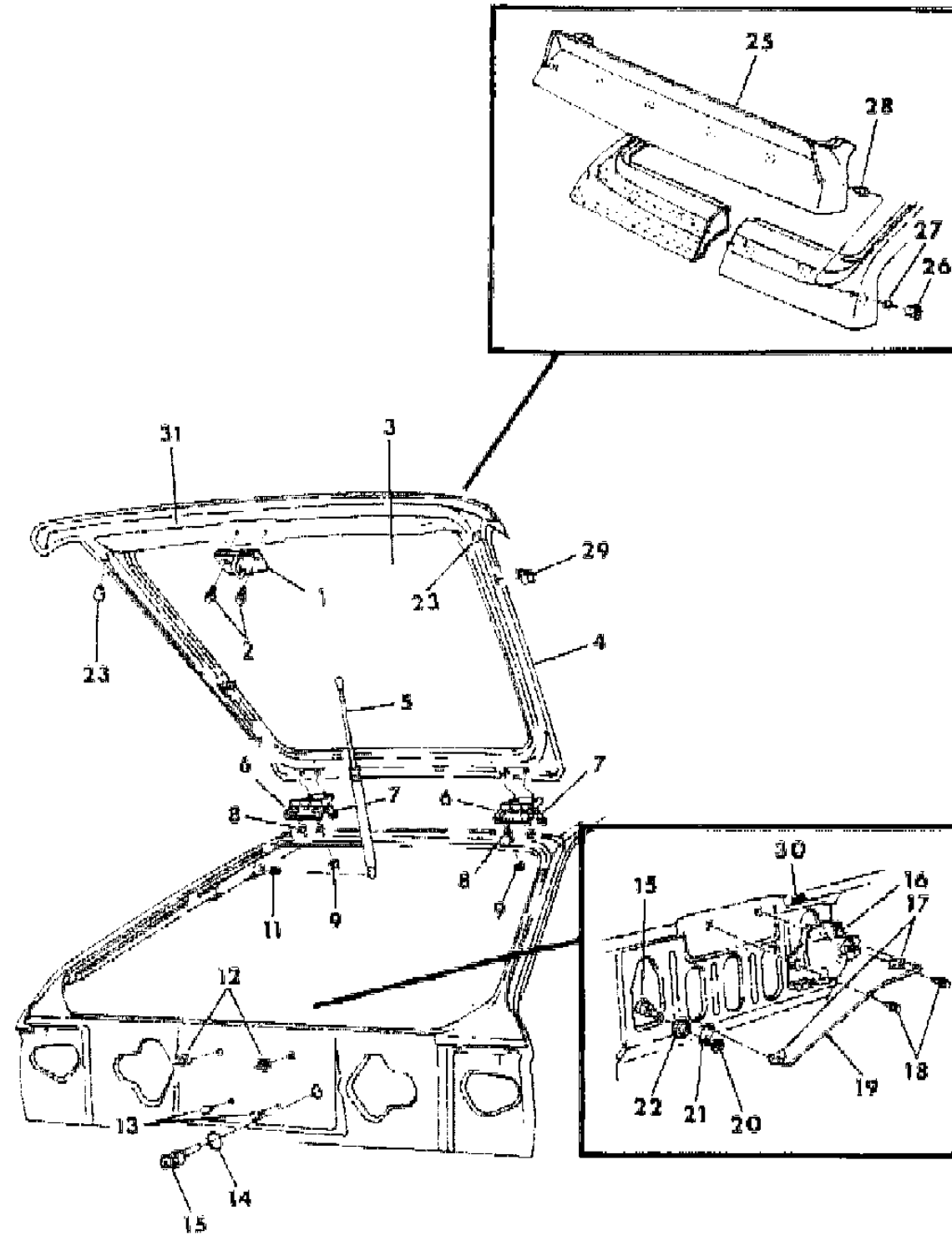
BODY STYLES

21 = 2-DOOR SEDAN	28 = FWD PICKUP
22 = 2-DOOR SPECIAL COUPE	41 = 4-DOOR SEDAN
24 = 2-DOOR HATCHBACK	44 = 4-DOOR HATCHBACK
27 = 2-DOOR CONVERTIBLE	45 = 2-SEAT STATION WAGON

AR = Use as Required - = Non Illustrated Part P.A.R. = Paint as Required

LIFT GATE - M,Z 2 DOOR HATCHBACK  
Figure 23A-2900

2189 2900



ITEM	PART NUMBER	QTY	BODY	MODEL	DESCRIPTION
1	5207 389	1			STRIKER,Lift Gate Latch
2	6101 255	2			SCREW w/WASHER
3	5230 047	1			GLASS,Lift Gate Tinted
	4198 980	1			Tinted(Electric Heated)
4	5218 146	1			LIFT GATE
5	4240 301	1			PROP,Lift Gate Hold Open,w/o Spoiler
	4240 302	1			w/Spoiler
6	5232 101	2			HINGE,Lift Gate
7	6100 275	4			SCREW w/WASHER
8	5231 207	4			SEALING WASHER,Lift Gate Hinge Body Half
9	6100 049	4			NUT w/WASHER
11		2			WASHER(not serviced)
12	6500 229	2			NUT w/SEAL
13	5200 365	2			BUMPER,Lower Panel License Plate
14					GASKET(see Cylinder and Key Illustration)
15					CYLINDER,Lock Lift Gate(see Cylinder and Key Illustration)
16	5207 345	1			LATCH,Lift Gate,Manual
	5207 346	1			Electric (Solenoid)
17	3454 221	2			CLIP,Lift Gate Link Attaching
18	6101 255	2			SCREW w/WASHER
19	5207 450	1			LINK,Lift Gate Latch Release
20					RETAINER(See Cylinder and Key Illustration)
21					LEVER(Serviced In Item 19)
22					NUT(See Cylinder and Key Illustration)
23	5230 376	2			BUMPER,Lift Gate Inner Panel
25	5230 382	1			SPOILER,Lift Gate,Primed
		6			NUT w/SEAL(not serviced)
26	2480 957	2			PLUG,Lift Gate Inside Panel Spoiler Access Hole(1'Dia. Hole)
27		6			NUT(not serviced)
28	6031 107	6			STUD
29	5207 475	2			BUMPER,Lift Gate Inner Panel Anti-Shuffle
30		AR			BUMPER,Lift Gate Latch Link Anti-Rattle (not serviced)
31					COVER,Lift Gate
	H429 TB2	1			Blue
	H429 TM6	1			Red
	H429 AA3	1			Silver

MODEL CODES

B = GRAN FURY/CARAVELLE	P = RELIANT
C = LEBARON/TOWN & COUNTRY	S = CORDOBA
D = ARIES	V = 400
F = NEW YORKER	X = MIRADA
G = DIPLOMAT	Y = IMPERIAL
M = HORIZON/TC3/SCAMP	Z = OMNI/O24/RAMPAGE

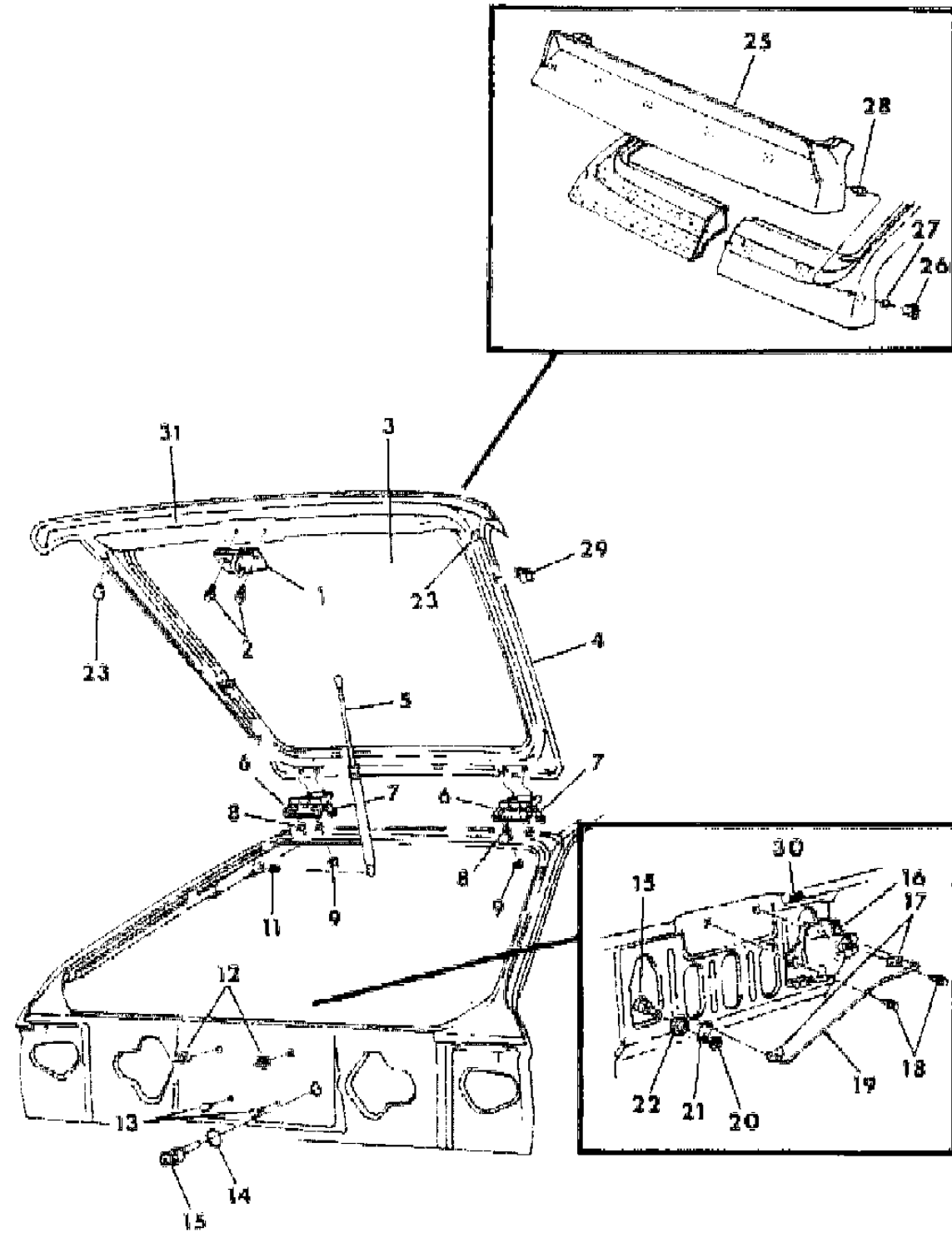
BODY STYLES

21 = 2-DOOR SEDAN	28 = FWD PICKUP
22 = 2-DOOR SPECIAL COUPE	41 = 4-DOOR SEDAN
24 = 2-DOOR HATCHBACK	44 = 4-DOOR HATCHBACK
27 = 2-DOOR CONVERTIBLE	45 = 2-SEAT STATION WAGON

AR = Use as Required - = Non Illustrated Part P.A.R. = Paint as Required

LIFT GATE - M,Z 2 DOOR HATCHBACK  
Figure 23A-2900

2189 2900



ITEM	PART NUMBER	QTY	BODY	MODEL	DESCRIPTION
	H429 ST4	1			Tan
	H429 SX9	1			Black
		3			SCREW(not serviced)
NOTE: The following items are not shown on illustration. an offsetting order for part no. 3747881					
	4106 356	1			ELECTRIC GRID REPAIR PACKAGE,Lift Gate Window
	4267 922	1			ELECTRIC GRID & PIGTAIL REPAIR PACKAGE
	6026 125	1			E-RING,Lift Gate Latch Cam
	5209 950	1			SWITCH,Lift Gate Release
	5209 955	1			BEZEL,Lift Gate Release Switch
	6028 976	AR			PUSH NUT,Lift Gate Latch Spring
	4172 829	1			CLEVIS,Lift Gate Prop End Fitting (Prop Rod)
	4172 830	1			(Tube End)
	6500 159	2			NUT w/WASHER,Lift Gate Prop Att.
	6500 183	2			SCREW,Lift Gate Prop to Body Att.

MODEL CODES

B = GRAN FURY/CARAVELLE	P = RELIANT
C = LEBARON/TOWN & COUNTRY	S = CORDOBA
D = ARIES	V = 400
F = NEW YORKER	X = MIRADA
G = DIPLOMAT	Y = IMPERIAL
M = HORIZON/TC3/SCAMP	Z = OMNI/O24/RAMPAGE

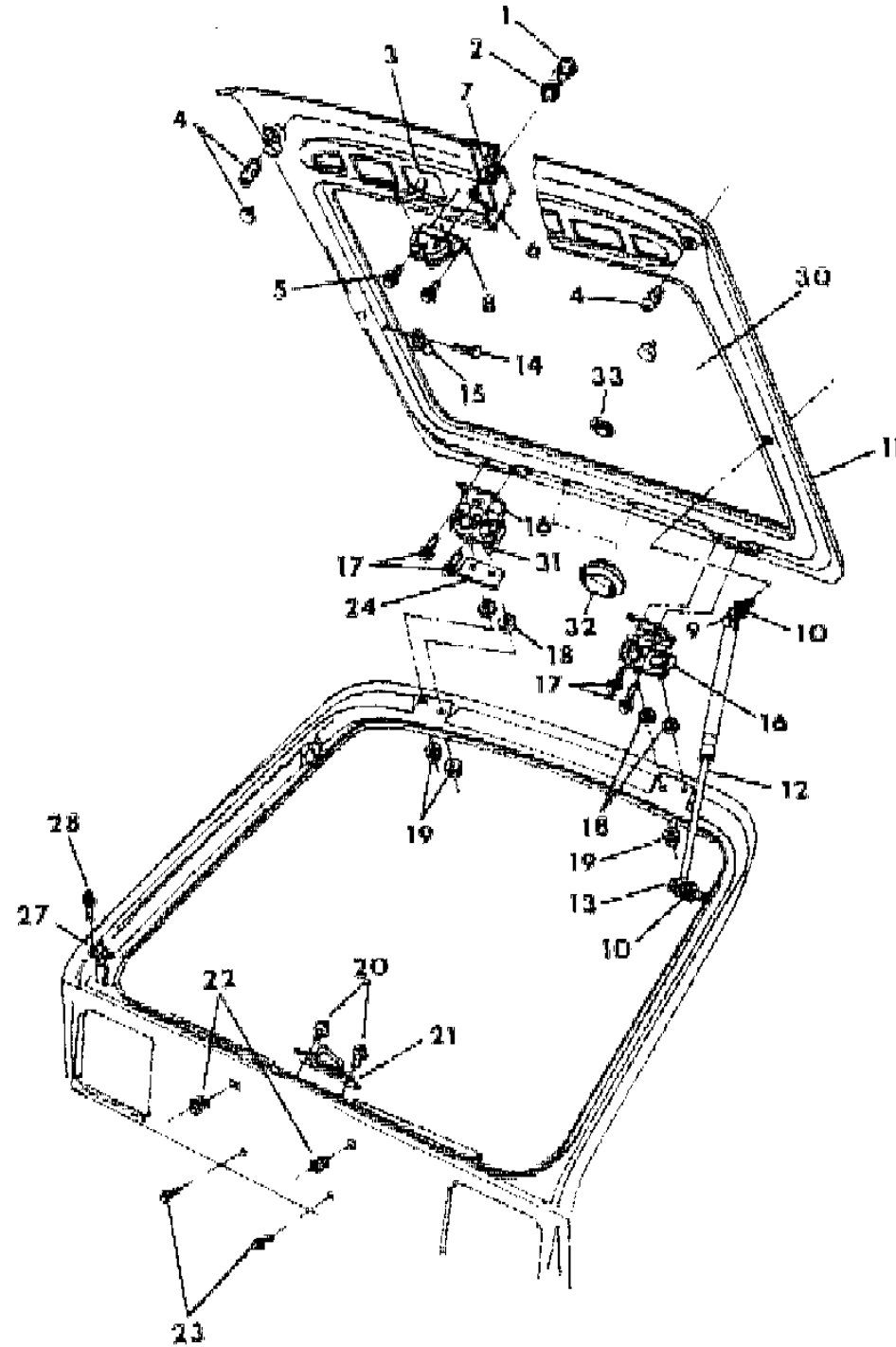
BODY STYLES

21 = 2-DOOR SEDAN	28 = FWD PICKUP
22 = 2-DOOR SPECIAL COUPE	41 = 4-DOOR SEDAN
24 = 2-DOOR HATCHBACK	44 = 4-DOOR HATCHBACK
27 = 2-DOOR CONVERTIBLE	45 = 2-SEAT STATION WAGON

AR = Use as Required - = Non Illustrated Part P.A.R. = Paint as Required

LIFT GATE - M,Z 4 DOOR HATCHBACK  
Figure 23A-3000

2168 3000A



ITEM	PART NUMBER	QTY	BODY	MODEL	DESCRIPTION
1					CYLINDER,Lock Lift Gate(see Cylinder and Key Illustration)
2					WASHER(see Cylinder and Key Illustration)
3	5207 244	1			BUMPER,Lift Gate Latch
4	5230 376	2			BUMPER,Lift Gate Inner Panel
5	6101 255	2			SCREW w/WASHER
6	5207 246	1			WATER SHIELD,Lift Gate Latch to Lock Cylinder
7	4054 202	1			NUT,Lift Gate Lock Retaining
8	5207 383	1			LATCH,Lift Gate
9	6500 142	2			SCREW
10	6500 159	4			NUT w/WASHER
11	5218 107	1			LIFT GATE
12	5207 121	2			PROP,Lift Gate Hold Open
13	6500 183	2			SCREW
14		2			SCREW(not serviced)
15	5200 311	2			BRACKET,Lift Gate Inner Panel Shelf Strap
16	5207 340-1	1			HINGE,Lift Gate
17	6100 275	4			SCREW w/WASHER,Lift Gate Hinge(Gate Half)
18	5231 207	4			SEALING WASHER,Lift Gate Hinge(Body Half)
19	6100 049	4			NUT w/WASHER
20	6101 255	2			SCREW w/WASHER
21	5207 184	1			STRIKER,Lift Gate Latch
22	6500 229	2			NUT w/SEAL,License Plate
23	5200 365	2			BUMPER,License Plate
24		4			SPACER(not serviced)
27	4221 023	1			SWITCH w/GASKET,Lift Gate Cargo Lamp
28		2			SCREW(not serviced)
30					GLASS,Lift Gate
	5231 924	1			Tinted
	4198 982	1			Tinted(Electric Heated)
31	6500 257	4			BOLT,Lift Gate Hinge(Body Half)
32	2574 792	2			PLUG,Lift Gate Inner Upper(3/4 Dia.)
33	6030 592	1			SPRING NUT,Lift Gate Latch Cam Retaining
NOTE: The following items are not shown on illustration. an offsetting order for part no. 3747881					
	4106 356	1			ELECTRIC GRID REPAIR PACKAGE,Lift Gate Window
	4267 922	1			ELECTRIC GRID & PIGTAIL REPAIR PACKAGE
	5200 438	1			CORD & CAP, Shelf Panel Rear Support, Rod End

MODEL CODES

B = GRAN FURY/CARAVELLE  
C = LEBARON/TOWN & COUNTRY  
D = ARIES  
F = NEW YORKER  
G = DIPLOMAT  
M = HORIZON/TC3/SCAMP  
P = RELIANT  
S = CORDOBA  
V = 400  
X = MIRADA  
Y = IMPERIAL  
Z = OMNI/O24/RAMPAGE

BODY STYLES

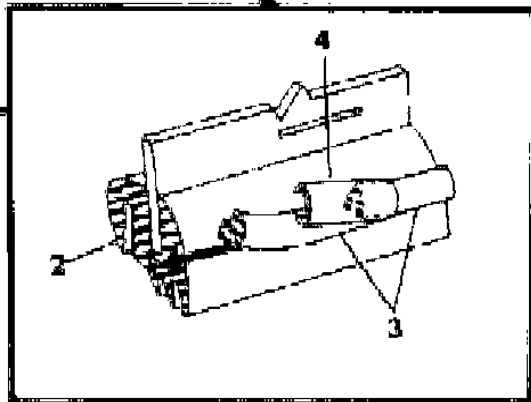
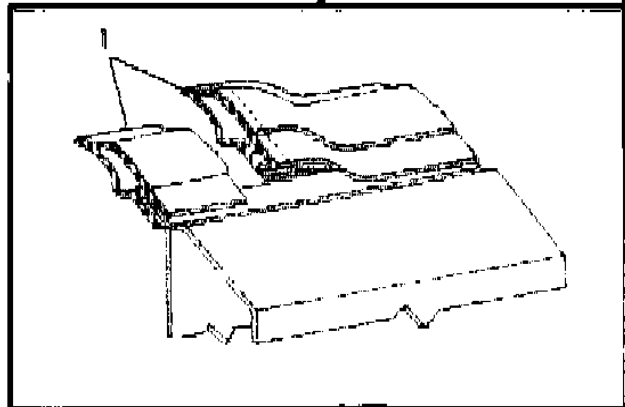
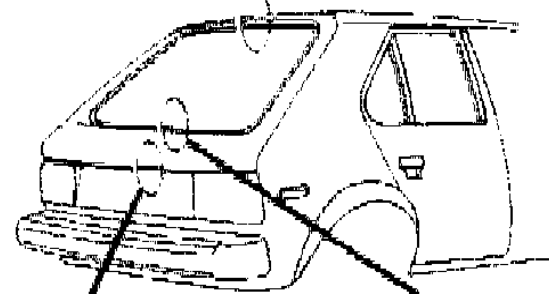
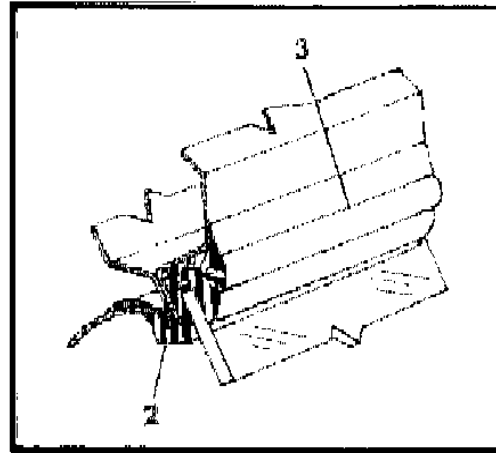
21 = 2-DOOR SEDAN  
22 = 2-DOOR SPECIAL COUPE  
24 = 2-DOOR HATCHBACK  
27 = 2-DOOR CONVERTIBLE  
28 = FWD PICKUP  
41 = 4-DOOR SEDAN  
44 = 4-DOOR HATCHBACK  
45 = 2-SEAT STATION WAGON

AR = Use as Required - = Non Illustrated Part P.A.R. = Paint as Required



**WEATHERSTRIPPING - LIFT GATE - M,Z**  
**Figure 23A-3100**

2169 3100



ITEM	PART NUMBER	QTY	BODY	MODEL	DESCRIPTION
1	#5231 926	1		24,44	WEATHERSTRIP,Lift Gate Opening
2	5230 226	1		24	WEATHERSTRIP,Lift Gate Glass, Bright
	5208 558	1		44	Lift Gate Glass,w/Locking Strip
3	5230 224	1		24	LOCKING STRIP,Lift Gate Glass Weatherstrip,Bright
	5230 302	1		24	Black
	5231 774	1		44	Black
	5208 602	1		44	Bright
4					CAP,Lift Gate Glass Weatherstrip Locking
	5208 603	1		44	Bright
	5231 778	1		44	Black
	5230 225	1		24	Bright
	5230 305	1		24	Black

**MODEL CODES**

B = GRAN FURY/CARAVELLE	P = RELIANT
C = LEBARON/TOWN & COUNTRY	S = CORDOBA
D = ARIES	V = 400
F = NEW YORKER	X = MIRADA
G = DIPLOMAT	Y = IMPERIAL
M = HORIZON/TC3/SCAMP	Z = OMNI/O24/RAMPAGE

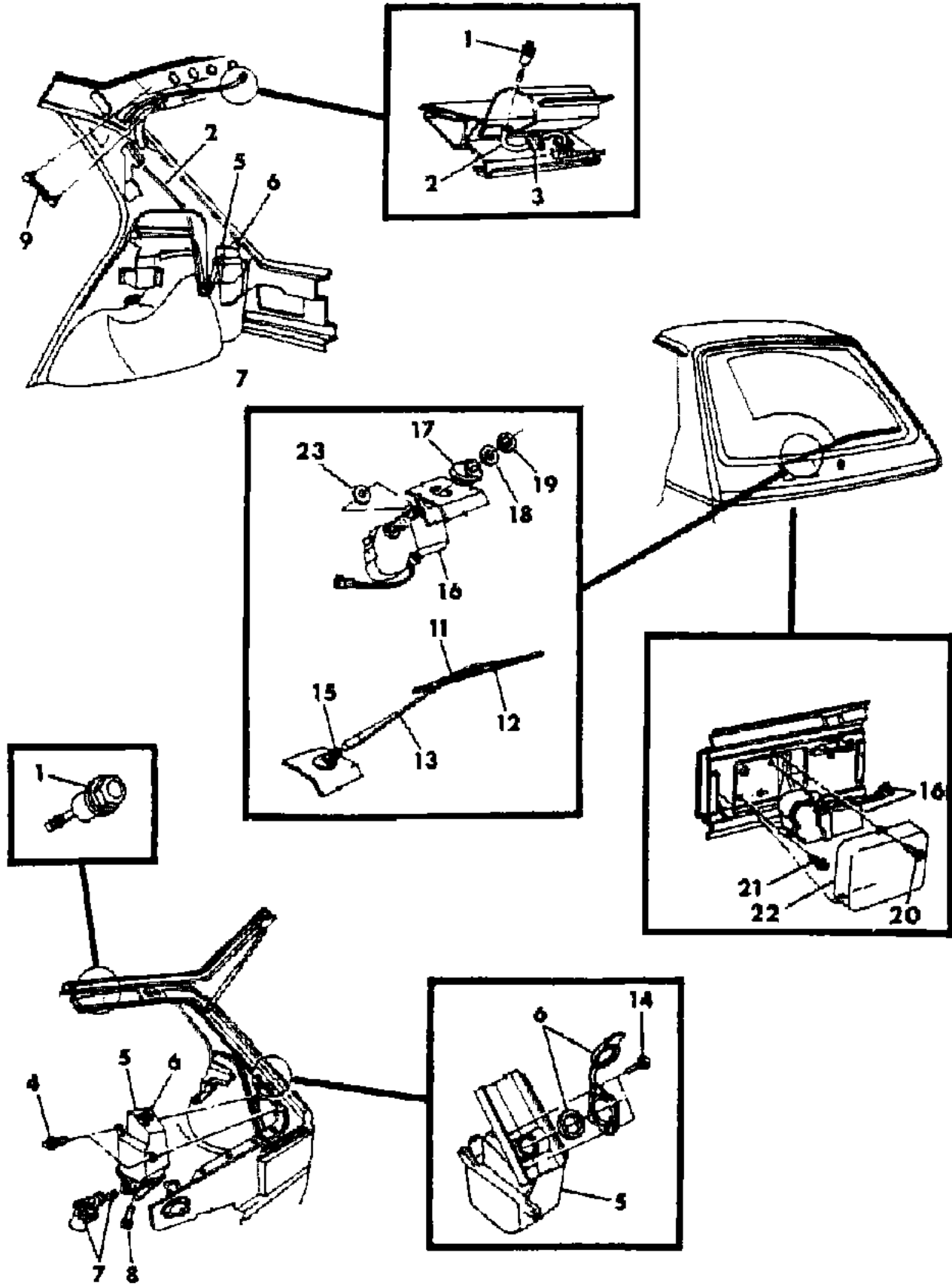
**BODY STYLES**

21 = 2-DOOR SEDAN	28 = FWD PICKUP
22 = 2-DOOR SPECIAL COUPE	41 = 4-DOOR SEDAN
24 = 2-DOOR HATCHBACK	44 = 4-DOOR HATCHBACK
27 = 2-DOOR CONVERTIBLE	45 = 2-SEAT STATION WAGON

AR = Use as Required - = Non Illustrated Part P.A.R. = Paint as Required

**WIPER AND WASHER SYSTEM - LIFT GATE M,Z 4 DOOR HATCHBACK**  
**Figure 23A-3200**

2169 3200



ITEM	PART NUMBER	QTY	BODY	MODEL	DESCRIPTION
1	3799 740	1			NOZZLE,Lift Gate Washer
	6028 008	1			WELL NUT, Lift Gate Washer Nozzle
2	4026 137	1			HOSE,Lift Gate Washer Reservoir to Nozzle,5/32" I.D. 50'Roll
3	5211 041	2			GROMMET,Lift Gate Washer Hose
4		2			SCREW(not serviced)
5	5211 087	1			RESERVOIR PACKAGE,Lift Gate Washer
6	5211 105	1			CAP w/GASKET,Lift Gate Washer Reservoir
7	3799 462	1			PUMP and Seal PACKAGE,Lift Gate Washer Reservoir
8	3799 324	1			FILTER,Lift Gate Washer Pump
9	6015 544	1			STRAP,Lift Gate Washer Rear Header Reinforcement Hose
11	#4169 537	1			BLADE w/REFILL,Lift Gate Wiper,Anco
	4169 536	1			Trico
12	#3799 654	1			REFILL,Lift Gate Wiper Blade,Anco
	3799 685	1			Trico
13	3799 736	1			ARM,Lift Gate Wiper
14		2			SCREW(not serviced)
15		1			PIVOT(serviced in item 16)
16	#4240 437	1			MOTOR,Lift Gate Wiper
17	3799 757	1			ESCUTCHEON,Lift Gate Wiper Pivot
18	5211 099	1			WASHER,Lift Gate Wiper Pivot Mounting
19	5211 098	1			NUT,Lift Gate Wiper Pivot Mounting
20		1			SCREW(not serviced)
21		2			SCREW(not serviced)
22	5208 536	1			COVER,Lift Gate Wiper Motor
23	6031 538	1			WASHER,Sealing

The following items are not shown on illustration. an offsetting order for part no. 3747881

		1			WIRING,Lift Gate Window Wiper and Washer Instrument Panel(not serviced)
	4209 343	1			WIRING,Electric Heated Rear Window and Rear Wiper Hatch
	5209 875	1			SWITCH,Lift Gate Window Wipe and Wash
	5209 876	1			BEZEL, Lift Gate Window Wipe and Wash
	6032 097	1			WASHER,Lift Gate Washer Nozzle
	4131 385	1			SWITCH PLATE REPAIR PACKAGE,Lift Gate Wiper Motor

CONSISTS OF:  
 1- ----- Switch Plate  
 1- ----- Gasket

**MODEL CODES**

B = GRAN FURY/CARAVELLE	P = RELIANT
C = LEBARON/TOWN & COUNTRY	S = CORDOBA
D = ARIES	V = 400
F = NEW YORKER	X = MIRADA
G = DIPLOMAT	Y = IMPERIAL
M = HORIZON/TC3/SCAMP	Z = OMNI/O24/RAMPAGE

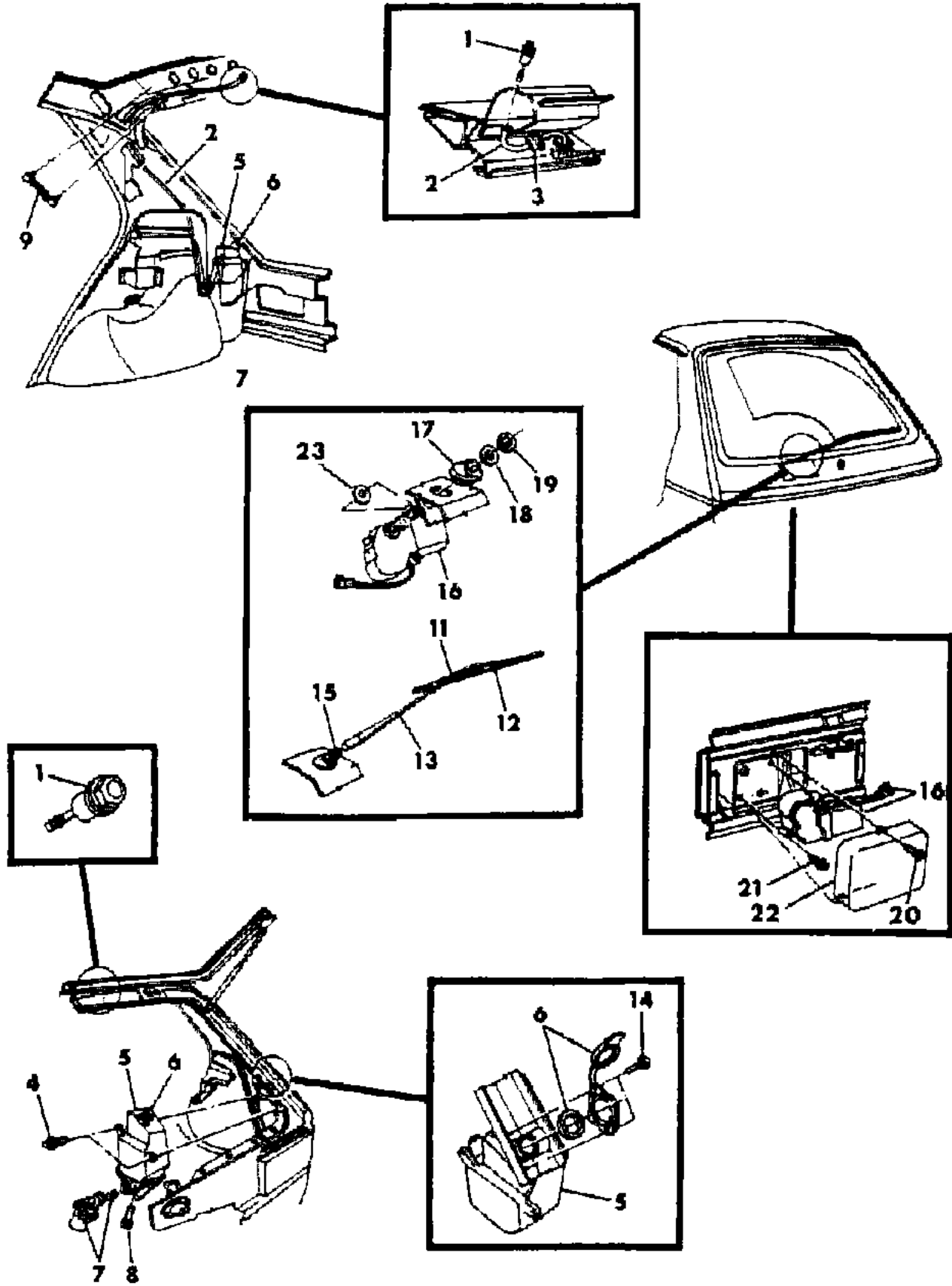
**BODY STYLES**

21 = 2-DOOR SEDAN	28 = FWD PICKUP
22 = 2-DOOR SPECIAL COUPE	41 = 4-DOOR SEDAN
24 = 2-DOOR HATCHBACK	44 = 4-DOOR HATCHBACK
27 = 2-DOOR CONVERTIBLE	45 = 2-SEAT STATION WAGON

AR = Use as Required - = Non Illustrated Part P.A.R. = Paint as Required

**WIPER AND WASHER SYSTEM - LIFT GATE M,Z 4 DOOR HATCHBACK**  
**Figure 23A-3200**

2169 3200



ITEM	PART NUMBER	QTY	BODY	MODEL	DESCRIPTION
	4131 386	1			GEAR and DRIVE PLATE REPAIR PACKAGE,Lift Gate Wiper Motor CONSISTS OF: 1- ----- Gear and Drive Plate 1- ----- Gasket
	4131 387	1			1- ----- Grease Package DRIVE SHAFT and LINK w/ARM REPAIR PACKAGE,Lift Gate Wiper Motor CONSISTS OF: 1- ----- Shaft Drive 1- ----- Link w/Arm 1- ----- Nut, Spanner Shaft Retaining 1- ----- Gasket 1- ----- Grease Package

**MODEL CODES**

B = GRAN FURY/CARAVELLE	P = RELIANT
C = LEBARON/TOWN & COUNTRY	S = CORDOBA
D = ARIES	V = 400
F = NEW YORKER	X = MIRADA
G = DIPLOMAT	Y = IMPERIAL
M = HORIZON/TC3/SCAMP	Z = OMNI/O24/RAMPAGE

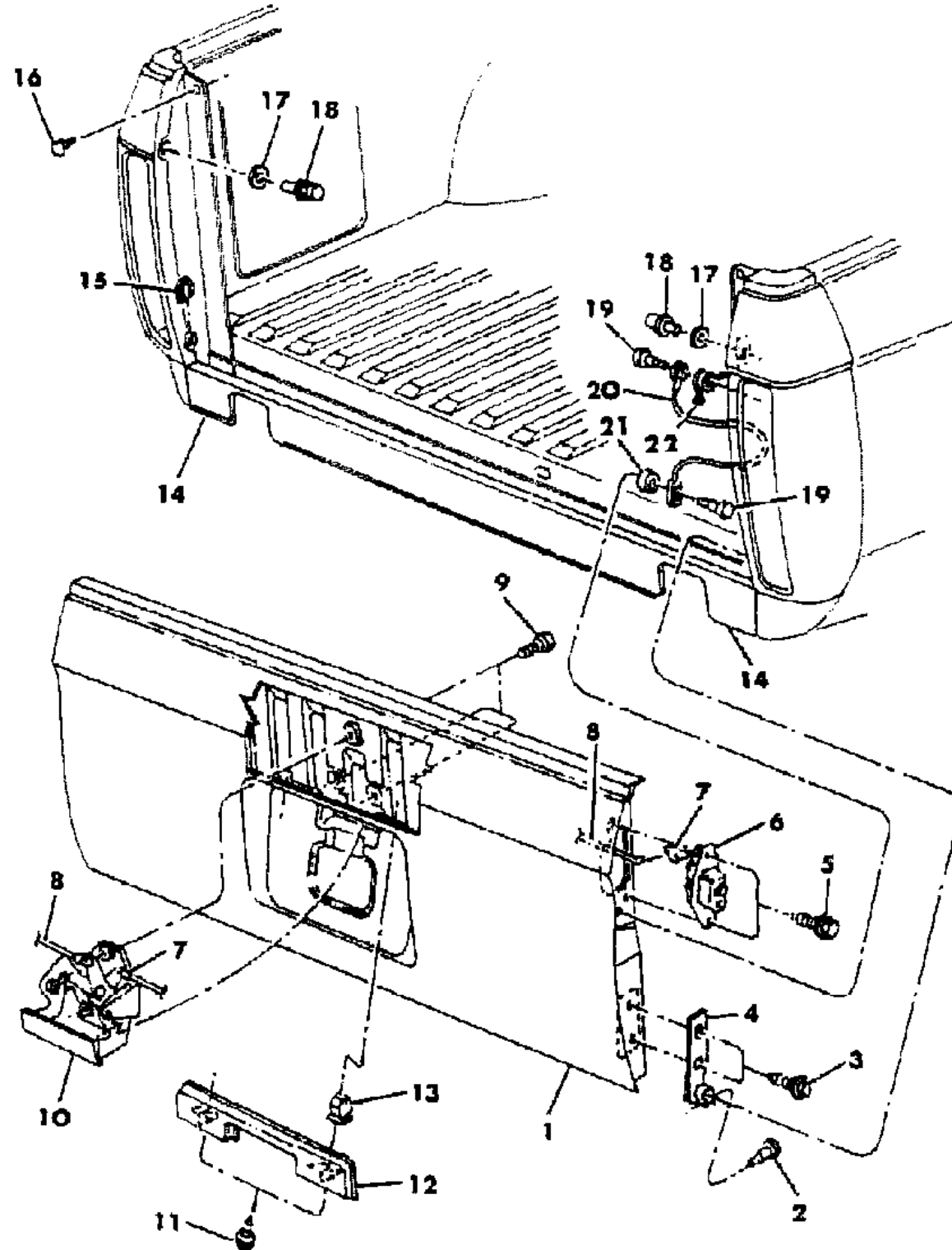
**BODY STYLES**

21 = 2-DOOR SEDAN	28 = FWD PICKUP
22 = 2-DOOR SPECIAL COUPE	41 = 4-DOOR SEDAN
24 = 2-DOOR HATCHBACK	44 = 4-DOOR HATCHBACK
27 = 2-DOOR CONVERTIBLE	45 = 2-SEAT STATION WAGON

AR = Use as Required - = Non Illustrated Part P.A.R. = Paint as Required

TAILGATE - M,Z,28  
Figure 23A-3300

2169 3300



ITEM	PART NUMBER	QTY	BODY	MODEL	DESCRIPTION
1	#4200 698	1			TAILGATE
2		1			SCREW (Not Serviced)
3	6500 715	4			SCREW w/WASHER
4	#4280 168-9	1			BRACKET, T/Gate Pivot
5	6500 715	4			SCREW w/WASHER
6	#4168 176-7	1			LATCH, T/Gate (Caliper Lock)
7	2945 108-9	1			CLIP, T/Gate Rod Retaining
8	4184 334	2			ROD, T/Gate Lock Release
9	6032 244	3			SCREW
10	#4184 332	1			HANDLE, T/Gate Latch Remote Control
11	6032 244	3			SCREW, T/Gate Handle Attaching
12	#4198 762	1			BEZEL w/GASKET, T/Gate Handle
	4280 158	1			SPACER, T/Gate Handle Bezel
13	6031 883	2			NUT
14	#4206 677	1			PANEL, T/Gate Opening Lower
15	#4280 079	AR			SPACER, T/Gate Pivot (Body Half)
16	5200 365	2			BUMPER
17	#6026 361	2			WASHER
18	#6031 954	2			STRIKER
19	#6500 711	4			BOLT, T/Gate Cable Attaching
20	#4198 502	2			CABLE, T/Gate Down Position Support
21	#6500 647	2			SPACER, T/Gate Cable
22	#4280 088-9	1			SPRING, T/Gate Support Cable Return
NOTE: The Following Items Are Not Shown On Illustration. an offsetting order for part no. 3747881					
	4206 597	2			PIVOT, T/Gate (Body Half)
	5216 050	2			BUTTON, T/Gate License Plate Mounting Bumper
	4212 877	2			STOP, T/Gate Caliper Latch
	6101 270	3			SCREW w/WASHER, Motor Mounting
	1943 547	2			BUMPER, Tailgate, License Plate Mounting

MODEL CODES

B = GRAN FURY/CARAVELLE	P = RELIANT
C = LEBARON/TOWN & COUNTRY	S = CORDOBA
D = ARIES	V = 400
F = NEW YORKER	X = MIRADA
G = DIPLOMAT	Y = IMPERIAL
M = HORIZON/TC3/SCAMP	Z = OMNI/O24/RAMPAGE

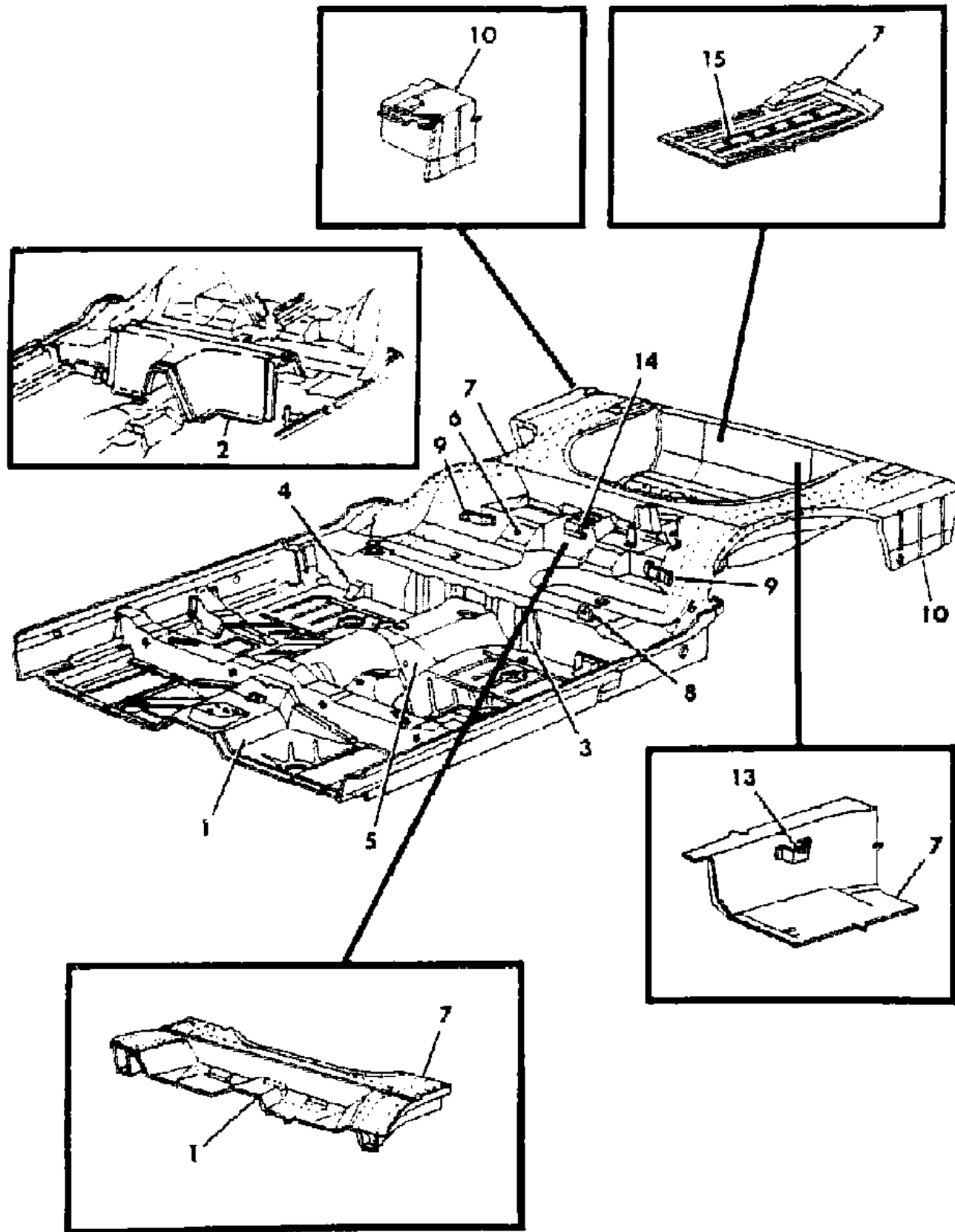
BODY STYLES

21 = 2-DOOR SEDAN	28 = FWD PICKUP
22 = 2-DOOR SPECIAL COUPE	41 = 4-DOOR SEDAN
24 = 2-DOOR HATCHBACK	44 = 4-DOOR HATCHBACK
27 = 2-DOOR CONVERTIBLE	45 = 2-SEAT STATION WAGON

AR = Use as Required - = Non Illustrated Part P.A.R. = Paint as Required

FLOOR PAN - P,D,V,C  
Figure 23A-3400

2159 3400A



ITEM	PART NUMBER	QTY	BODY	MODEL	DESCRIPTION
1	#4206 520	1			PAN, Front Floor
2	#4278 646	1		27	REINFORCEMENT, Front Floor Pan Tunnel Rear T
3	4134 870	1			PLATE, Front Floor Pan Fuel Tank Strap Exhaust Hanger
4	4206 342-3	1			BRACKET, Front Floor Pan Parking Brake Cable Guide Rear
5	#4206 954	2			REINFORCEMENT, Front Floor Pan Front Seat Belt Inner
6	#4206 954	2			REINFORCEMENT, Front Floor Pan Rear Seat Belt Inner
7	4134 601	1			PAN, Rear Floor
8	4134 647	2			RETAINER, Front Floor Pan Rear Seat Cushion
9	4134 938-9	1		21,22,2	BRACKET, Front Floor Pan Rear Seat Back Mtg.
10	4134 674-5	1			EXTENSION, Rear Floor Pan Side
12	4206 628	1		21,22,2	BRACKET, Front Floor Pan Jack Stowage, Upper and Lower
14	4206 216	1			SUPPORT, Front Floor Pan Seat Back Center
15	4206 247	1			Bracket, Spare Wheel Anchor Bolt

NOTE: The Following Items Are Not Shown On Illustration. an offsetting order for part no. 3747881

4200 830	1				CROSSMEMBER, Floor Pan Seat Track Mounting
3767 433	2				REINFORCEMENT, Front Seat Belt Outer Anchor
5200 402	2				REINFORCEMENT w/BOLT, Front Floor Pan Fuel Tank Strap Mounting Rear
4106 550	1				PLATE and U/NUT PACKAGE, Front Floor Pan Fuel Tank Strap
4278 520	2				TAPPING PLATE, Rear Floor Side Rail Suspension
4206 049	1				BRACKET, Rear Floor Pan Side Rail Exhaust Mounting Front, Lt.
4206 629	1		45		BRACKET, Rear Floor Pan Jack Stowage, Upper and Lower
4206 840-1	1				REINFORCEMENT, Front Floor Pan Front Seat Rear Outer Attaching
4206 768-9	1				REINFORCEMENT, Front Floor Pan Front Seat Rear Inner Attaching, w/BUCKET SEATS
4206 072-3	1				REINFORCEMENT, Front Floor Pan Rear Seat Belt Anchor Outer
4206 542	2				REINFORCEMENT w/NUT, Front Floor Pan Front Seat Crossmember
4278 574	2		41		PLATE, Front Floor Pan Front Seat Rear Outer Attaching Reinforcement (w/Heavy Service Pkg.)
4278 575	2		41		REINFORCEMENT, Front Floor Pan Seat Track Mounting Crossmember (w/Heavy Service Pkg.)

MODEL CODES

B = GRAN FURY/CARAVELLE	P = RELIANT
C = LEBARON/TOWN & COUNTRY	S = CORDOBA
D = ARIES	V = 400
F = NEW YORKER	X = MIRADA
G = DIPLOMAT	Y = IMPERIAL
M = HORIZON/TC3/SCAMP	Z = OMNI/O24/RAMPAGE

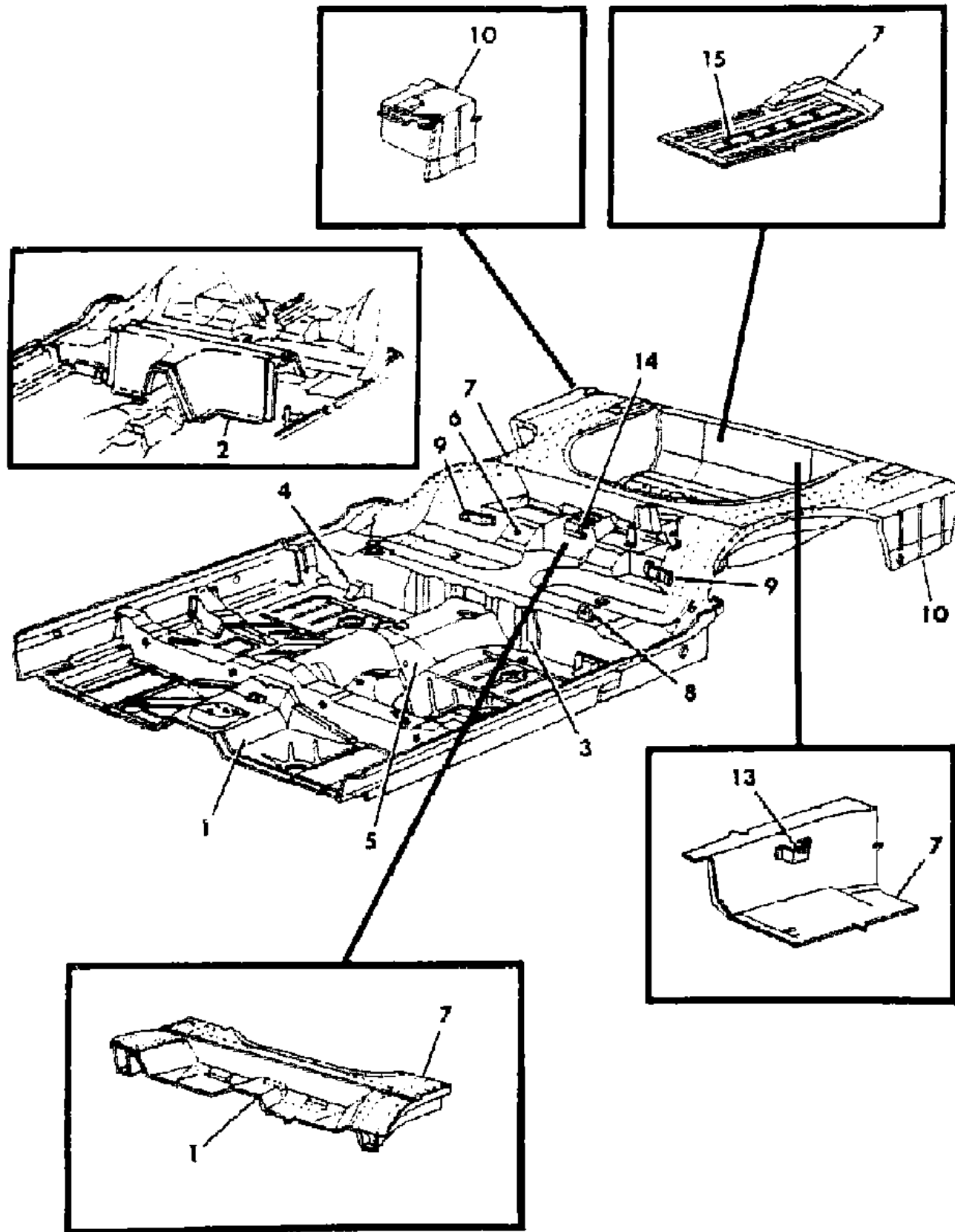
BODY STYLES

21 = 2-DOOR SEDAN	28 = FWD PICKUP
22 = 2-DOOR SPECIAL COUPE	41 = 4-DOOR SEDAN
24 = 2-DOOR HATCHBACK	44 = 4-DOOR HATCHBACK
27 = 2-DOOR CONVERTIBLE	45 = 2-SEAT STATION WAGON

AR = Use as Required - = Non Illustrated Part P.A.R. = Paint as Required

FLOOR PAN - P,D,V,C  
Figure 23A-3400

2169 3400A



ITEM	PART NUMBER	QTY	BODY	MODEL	DESCRIPTION
	4278 538-9	1		41	REINFORCEMENT, Rear Floor Pan Side Rail Suspension Mounting Lower (w/Heavy Service Pkg.)
	4278 606	1		41	REINFORCEMENT, Rear Floor Pan Rear Suspension Crossmember Track Bar Mounting (w/Heavy Service Pkg.)

MODEL CODES

B = GRAN FURY/CARAVELLE	P = RELIANT
C = LEBARON/TOWN & COUNTRY	S = CORDOBA
D = ARIES	V = 400
F = NEW YORKER	X = MIRADA
G = DIPLOMAT	Y = IMPERIAL
M = HORIZON/TC3/SCAMP	Z = OMNI/O24/RAMPAGE

BODY STYLES

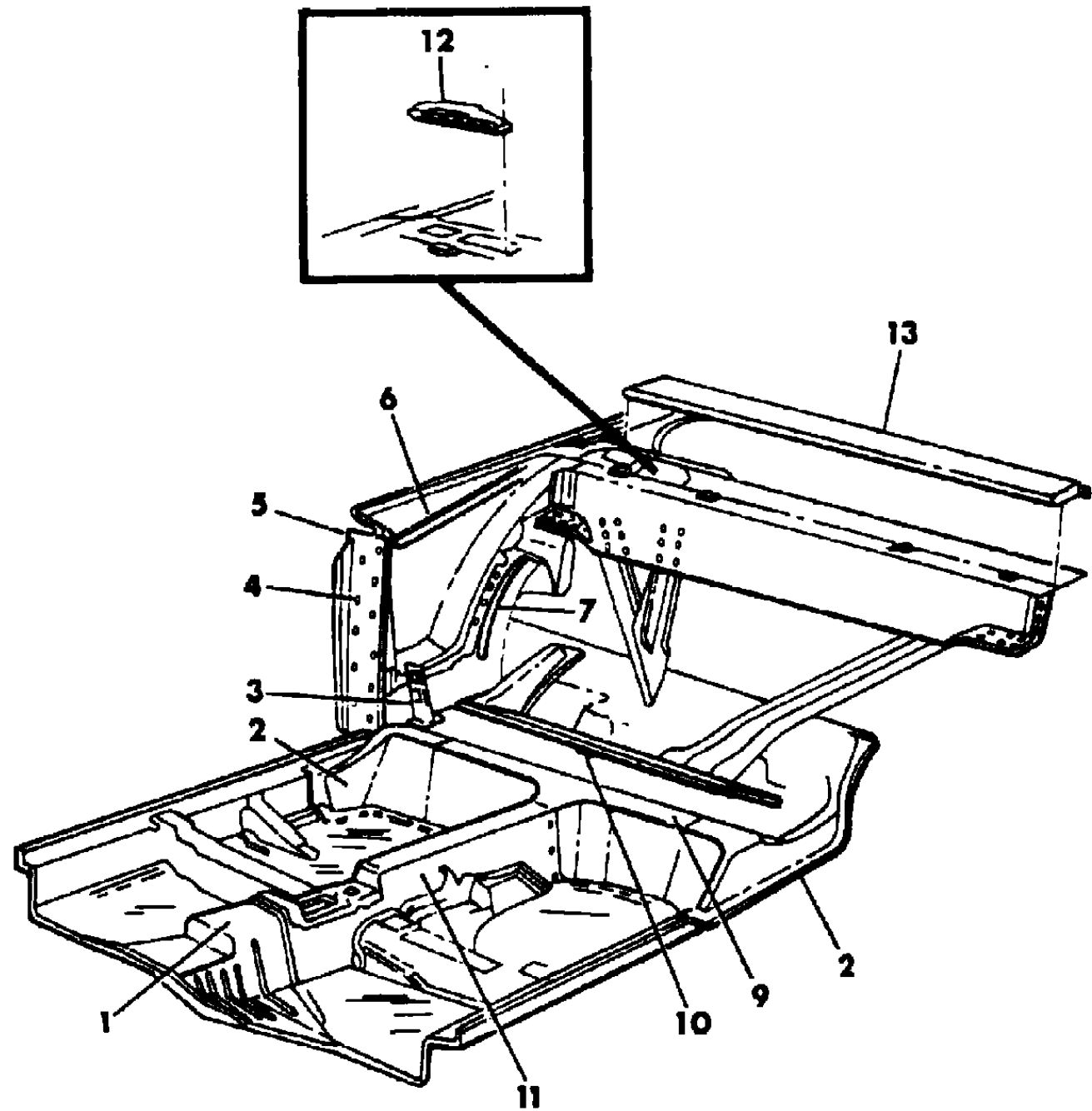
21 = 2-DOOR SEDAN	28 = FWD PICKUP
22 = 2-DOOR SPECIAL COUPE	41 = 4-DOOR SEDAN
24 = 2-DOOR HATCHBACK	44 = 4-DOOR HATCHBACK
27 = 2-DOOR CONVERTIBLE	45 = 2-SEAT STATION WAGON

AR = Use as Required - = Non Illustrated Part P.A.R. = Paint as Required

CONVERT. FOLDING TOP-FLR PAN & DECK OPEN UPR PNL V,C-27  
Figure 23A-3450

2169 3450A

ITEM	PART NUMBER	QTY	BODY	MODEL	DESCRIPTION
1	#4097 532	1			TUNNEL, Front Toe Board
2	#4097 530-1	1			EXTENSION, Tunnel Rear
3	#4097 682-3	1			REINFORCEMENT, Top Support Bracket
4	#4097 690-1	1			REINFORCEMENT, Qtr. Panel to Top Well
5	#4097 609	1			WEDGE PACKAGE, Front Door Pillar
6	#4097 526-7	1			PANEL, Qtr. Inner
	4305 004-5	1			SHIELD, Water Qtr. Inner
7	#4305 122	AR			WELT, Top Well Sling Mounting (Black Plastic)
9	#4278 646	1			REINFORCEMENT, Front Floor Pan Tunnel Rear T
11	#4097 533	1			TUNNEL, Console
12	#4097 588-9	1			PLATE, Drain Trough Deck Upper Panel Inner
13	#4097 518	1			PANEL, Deck Opening Upper
Note: The Following Items Are Not Shown On Illustration. an offsetting order for part no. 3747881					
	4097 788	1			PANEL, Rear Shelf Close
	4097 751	2			BRACKET, Rear Shelf Panel



MODEL CODES

B = GRAN FURY/CARAVELLE	P = RELIANT
C = LEBARON/TOWN & COUNTRY	S = CORDOBA
D = ARIES	V = 400
F = NEW YORKER	X = MIRADA
G = DIPLOMAT	Y = IMPERIAL
M = HORIZON/TC3/SCAMP	Z = OMNI/O24/RAMPAGE

BODY STYLES

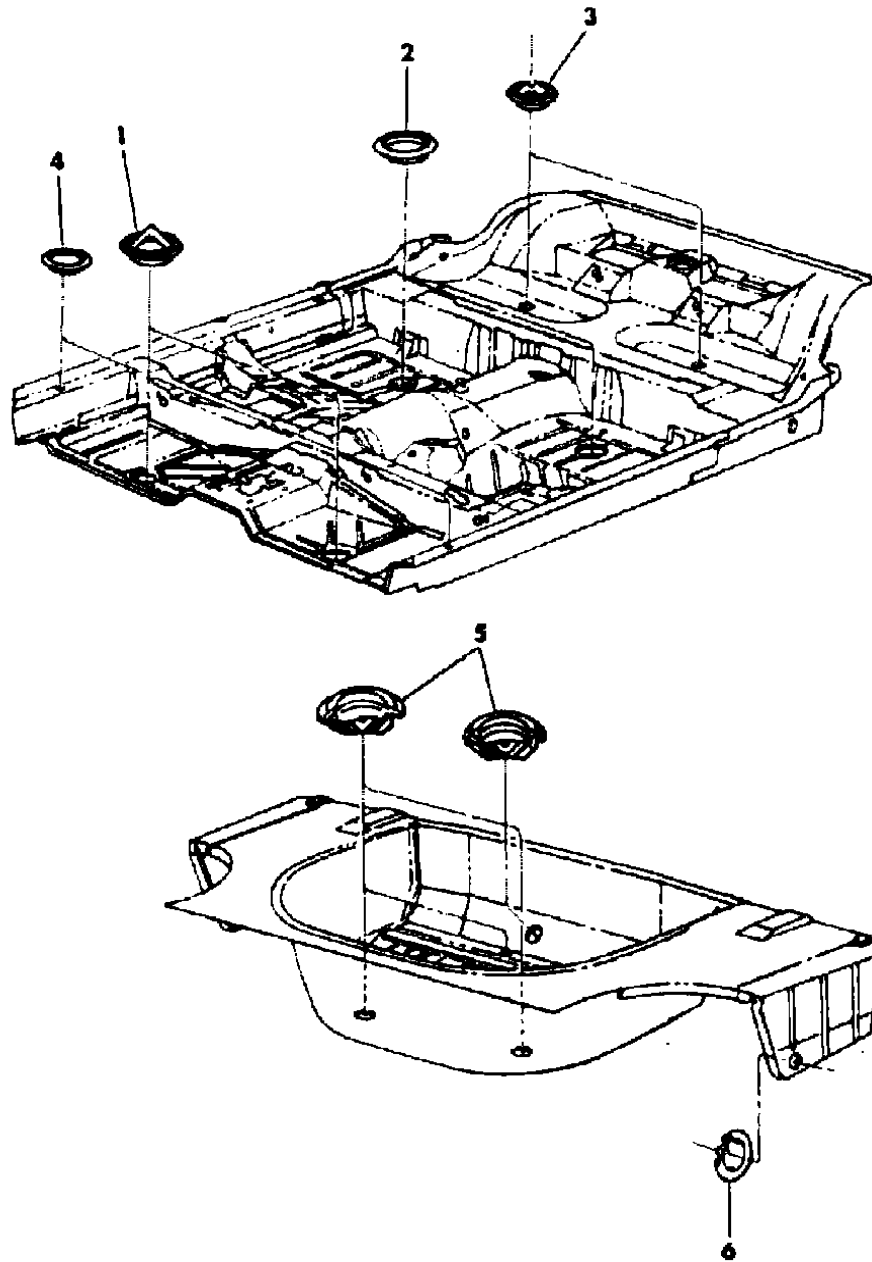
21 = 2-DOOR SEDAN	28 = FWD PICKUP
22 = 2-DOOR SPECIAL COUPE	41 = 4-DOOR SEDAN
24 = 2-DOOR HATCHBACK	44 = 4-DOOR HATCHBACK
27 = 2-DOOR CONVERTIBLE	45 = 2-SEAT STATION WAGON

AR = Use as Required - = Non Illustrated Part P.A.R. = Paint as Required

PLUGS, FLOOR PAN - P,D,V,C  
Figure 23A-3500

2189 3500

ITEM	PART NUMBER	QTY	BODY	MODEL	DESCRIPTION
1	5200 456	2			PLUG
2	2424 864	2			PLUG
3	4073 475	2			PLUG
4	2574 792	2			PLUG
5	6030 773	4			PLUG
6	4073 485	2			PLUG
NOTE: The Following Items Are Not Shown On Illustration an offsetting order for part no. 3747881					
	5200 384	1			SEAL, Parking Brake Cable
	9414 722	3			SCREW, Parking Brake Cable Seal



MODEL CODES

B = GRAN FURY/CARAVELLE	P = RELIANT
C = LEBARON/TOWN & COUNTRY	S = CORDOBA
D = ARIES	V = 400
F = NEW YORKER	X = MIRADA
G = DIPLOMAT	Y = IMPERIAL
M = HORIZON/TC3/SCAMP	Z = OMNI/O24/RAMPAGE

BODY STYLES

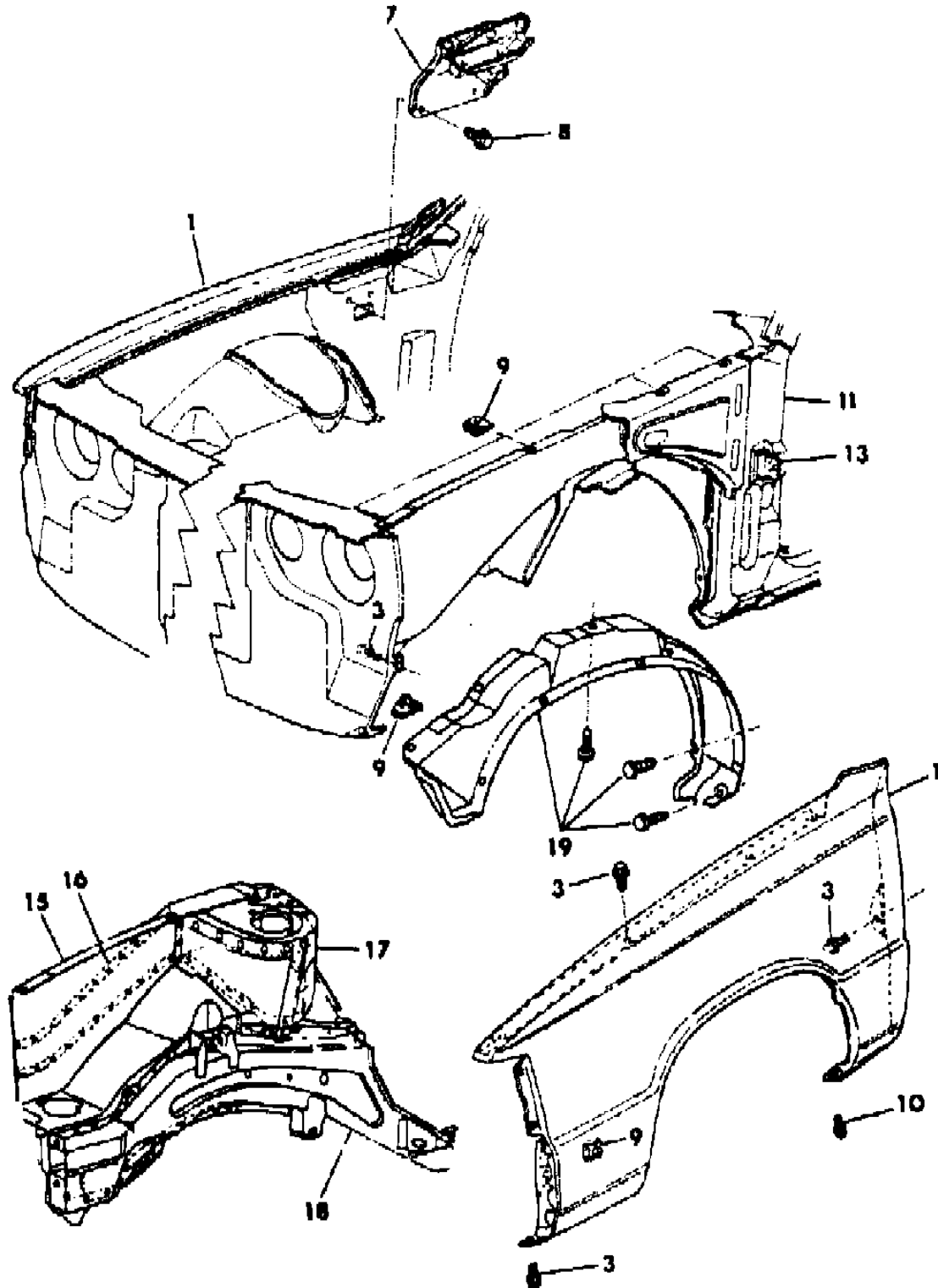
21 = 2-DOOR SEDAN	28 = FWD PICKUP
22 = 2-DOOR SPECIAL COUPE	41 = 4-DOOR SEDAN
24 = 2-DOOR HATCHBACK	44 = 4-DOOR HATCHBACK
27 = 2-DOOR CONVERTIBLE	45 = 2-SEAT STATION WAGON

AR = Use as Required - = Non Illustrated Part P.A.R. = Paint as Required



FENDER P,D,V,C  
Figure 23A-3600

2150 3601A



ITEM	PART NUMBER	QTY	BODY	MODEL	DESCRIPTION
1	#4271 416-7	1		P,D	FENDER
	4240 546-7	1		V	FENDER,w/Side Marker and Louver,w/o Cornering Lamp
	4240 548-9	1		V	FENDER,w/Side Marker Cornering Lamp
	4240 542-3	1		C	FENDER,w/Side Marker,w/o Cornering Lamp
	4240 544-5	1		C	FENDER,w/Side Marker,w/Cornering Lamp
7					HINGE,Hood (See Hood Illustration)
8		AR			Screw and Wa. (Not Serviced)
9	6100 041	AR			U-NUT
10					Screw and Wa.(Not Serviced)
11	4136 839	1			EXTENSION,Strut Tower to Body Frt. Hge. Pillar,Lt.,Use Up To 2/17/82
	4278 669	1			Use After 2/17/82
	4129 648	1			EXTENSION and Reinf.,Strut Tower to Body Frt. Hge. Pillar,Rt., Use Up To 2/17/82
	4297 024	1			Use After 2/17/82
13	4206 553	2			SUPPORT w/NUT,Body Frt. Hge. Pillar to Fndr.
15	4074 514	1			PANEL,Fndr. Shield,Rt., Use Up To 4/1/82
	4103 314	1			Use After 4/1/82
	4074 513	1			PANEL,Fndr. Shield,Lt., Use Up To 4/1/82
	4103 311	1			Use After 4/1/82
16	4191 516-7	1			BEAM,Fndr. Shield Up. Load Path Frt.
17	4191 510	1			TOWER,Frt. Susp. Iso-Strut Mtg.,Rt.
	4191 539	1			Lt.
	4191 558-9	1			TOWER and REINF.,Iso-Strut Mtg.
18					RAIL,Frt. Side (See Illus. in Group 13 Frame)
19					SHIELD,Fndr. Wheel House Splash
	4103 130-1	1		P,D	Up to 8/26/1
	4103 308-9	1		P,D	After 8/26/1
					SHIELD,Fndr. Wheel House Splash
	4103 756-7	1		V,C	Up to 8/26/1
	4103 782-3	1		V,C	After 8/26/1
	6030 441	AR			RETAINER, Fender Splash Shield to Front Side Shield Panel
NOTE: The Following Items Are Not Shown On Illustration. an offsetting order for part no. 3747881					
	4103 925	2			STABILIZER,Fender to Hood, Use Up To 4/12/82
	4103 947	2			Use After 4/12/82
	4270 121	2	41		PLATE,Iso-Strut Tower Inner Reinforcement (Fleet,Heavy Duty Package)

MODEL CODES

B = GRAN FURY/CARAVELLE	P = RELIANT
C = LEBARON/TOWN & COUNTRY	S = CORDOBA
D = ARIES	V = 400
F = NEW YORKER	X = MIRADA
G = DIPLOMAT	Y = IMPERIAL
M = HORIZON/TC3/SCAMP	Z = OMNI/O24/RAMPAGE

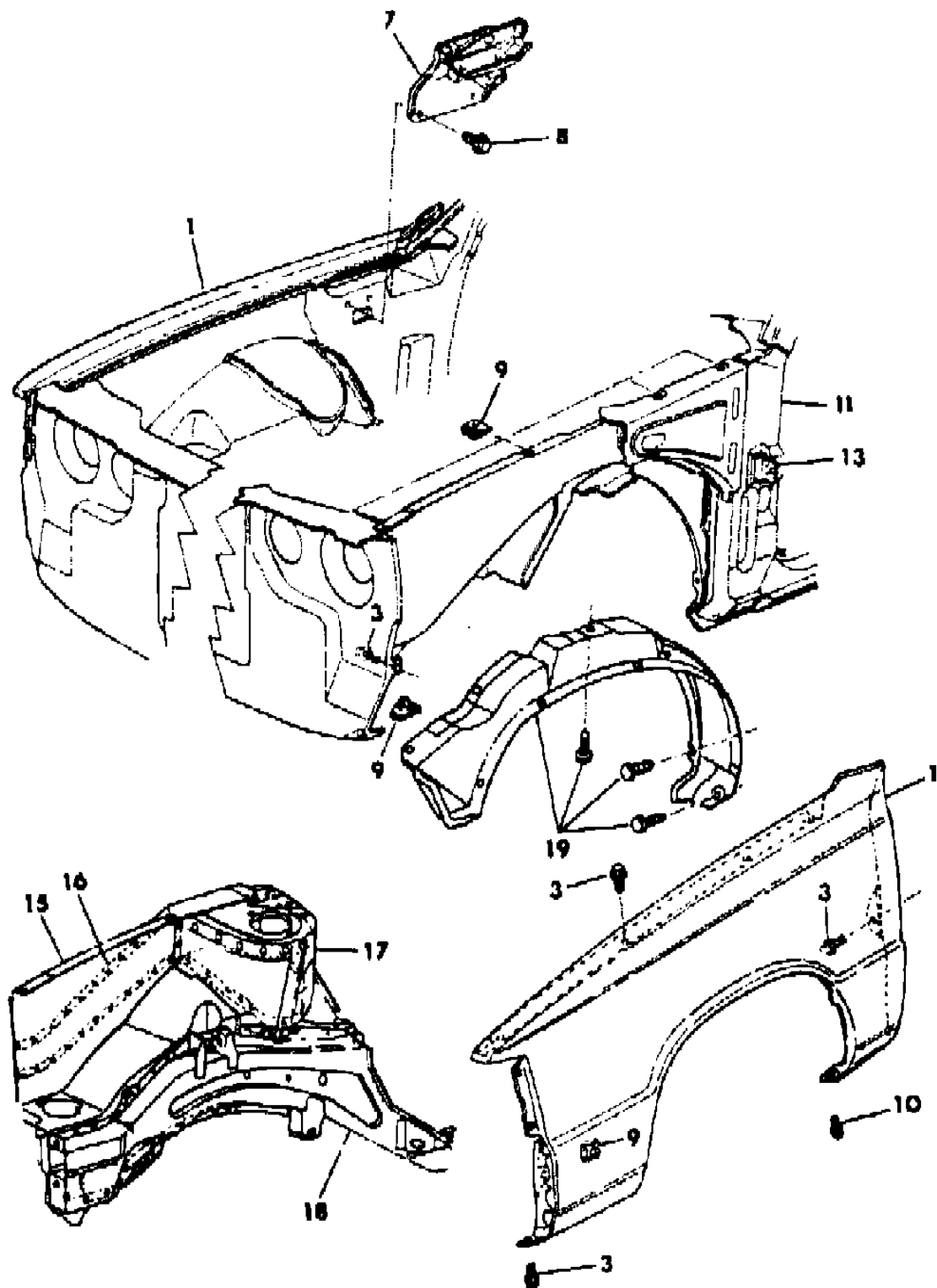
BODY STYLES

21 = 2-DOOR SEDAN	28 = FWD PICKUP
22 = 2-DOOR SPECIAL COUPE	41 = 4-DOOR SEDAN
24 = 2-DOOR HATCHBACK	44 = 4-DOOR HATCHBACK
27 = 2-DOOR CONVERTIBLE	45 = 2-SEAT STATION WAGON

AR = Use as Required - = Non Illustrated Part P.A.R. = Paint as Required

FENDER P,D,V,C  
Figure 23A-3600

2150 3601A



ITEM	PART NUMBER	QTY	BODY	MODEL	DESCRIPTION
	4270 122	1		41	REINFORCEMENT,Fender Side Shield Panel Battery Tray (Fleet, Heavy Duty Package)
	6100 568	4			SCREW w/WASHER,Fender to Front Fender Side Shield
	6100 568	4			SCREW w/WASHER,Fender to Cowl Side Panel

MODEL CODES

B = GRAN FURY/CARAVELLE	P = RELIANT
C = LEBARON/TOWN & COUNTRY	S = CORDOBA
D = ARIES	V = 400
F = NEW YORKER	X = MIRADA
G = DIPLOMAT	Y = IMPERIAL
M = HORIZON/TC3/SCAMP	Z = OMNI/O24/RAMPAGE

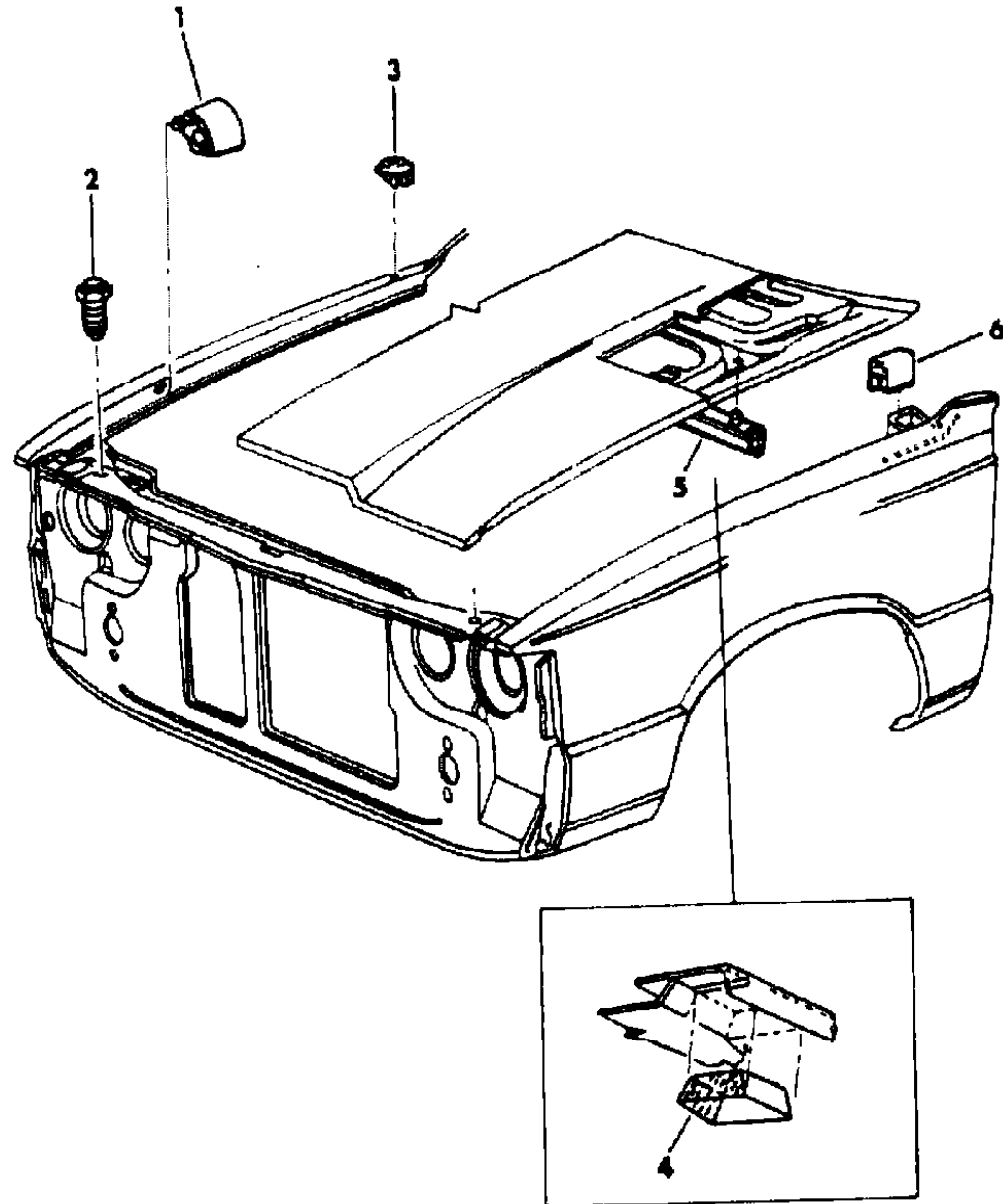
BODY STYLES

21 = 2-DOOR SEDAN	28 = FWD PICKUP
22 = 2-DOOR SPECIAL COUPE	41 = 4-DOOR SEDAN
24 = 2-DOOR HATCHBACK	44 = 4-DOOR HATCHBACK
27 = 2-DOOR CONVERTIBLE	45 = 2-SEAT STATION WAGON

AR = Use as Required - = Non Illustrated Part P.A.R. = Paint as Required

**BUMPERS AND PLUGS - FENDER, HOOD - P,D,V,C**  
**Figure 23A-3700**

2169 3700



ITEM	PART NUMBER	QTY	BODY	MODEL	DESCRIPTION
1	5201 343	2			BUMPER, Fender, Hood Side
2	4103 165	2			BUMPER, Crossmember to Hood
3	5211 168	1			PLUG, w/o Antenna
4	4103 134	2			SEAL, Hood to Cowl
5	4103 164	1			SEAL, Hood to Cowl Seal
6		2			BUMPER (Not Serviced)

**MODEL CODES**

B = GRAN FURY/CARAVELLE	P = RELIANT
C = LEBARON/TOWN & COUNTRY	S = CORDOBA
D = ARIES	V = 400
F = NEW YORKER	X = MIRADA
G = DIPLOMAT	Y = IMPERIAL
M = HORIZON/TC3/SCAMP	Z = OMNI/O24/RAMPAGE

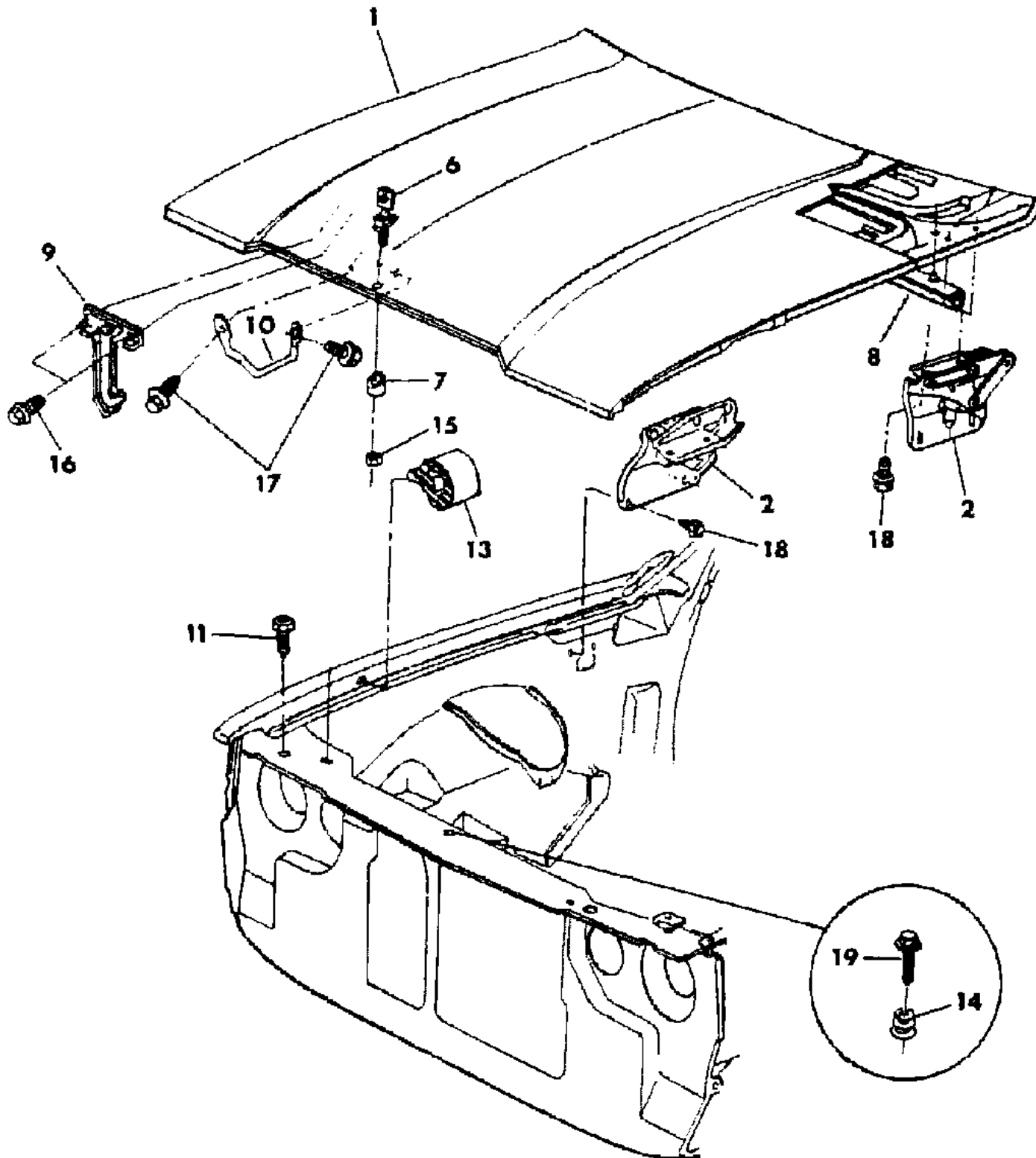
**BODY STYLES**

21 = 2-DOOR SEDAN	28 = FWD PICKUP
22 = 2-DOOR SPECIAL COUPE	41 = 4-DOOR SEDAN
24 = 2-DOOR HATCHBACK	44 = 4-DOOR HATCHBACK
27 = 2-DOOR CONVERTIBLE	45 = 2-SEAT STATION WAGON

AR = Use as Required - = Non Illustrated Part P.A.R. = Paint as Required

HOOD P,D,V,C  
Figure 23A-3800

2169 3800



ITEM	PART NUMBER	QTY	BODY	MODEL	DESCRIPTION
1	#4200 885	1		P,D	HOOD
	4200 706	1		V,C	HOOD
2	#4103 760-1	1			HINGE,Hood
	4270 152	2			SPRING,Hood Hinge
6	#4229 725	1		P,D	ORNAMENT,Hood "Pentastar" (Complete)
	4103 466	1		P,D	ORNAMENT,Hood "Pentastar"
	3672 672	1		P,D	SPRING,Hood Ornament
	3672 780	1		P,D	RETAINER,Hood Ornament Spring
7	4103 189	1		P,D	SPACER,Hood Ornament
8	4103 164	1			SEAL,Hood to Cowl Plenum
9	4103 194	1			CATCH,Hood Safety
10	4296 046	1			STRIKER,Hood Latch
11	4103 165	2			BUMPER,C/Member to Hood Adj.
13	5201 343	2			BUMPER,Fndr. Hood Side
14	4103 288	1			SPRING,Hood Pop-Up
15	6030 435	1		P,D	NUT
16	6100 566	AR			Screw and Wa.
17	6101 339	AR			Screw and Wa.
18	6500 515	AR			Screw and Wa.
19	6500 191	AR			Screw and Wa.

NOTE: The Following Items are not Shown on Illus. an offsetting order for part no. 3747881

4229 282	1				MOULDING,Hood Rear Edge
2860 332	1				PLUG,Dash Pnl. Hood Release Cable
4103 122	2				REINFORCEMENT,Cowl Side to Hood Hge.
4103 122	2				REINFORCEMENT,Hood Hge.,Hood Side .
4103 134	2				SEAL,Hood to Fndr. Ledge
4040 732	10				FASTENER, Hood Inner Pnl. to Cowl Plenum Seal
4198 305	2				SEAL,Cowl Side Pnl. to Cowl Plenum Pnl.
4296 014	1				SILENCER,Hood Inner Pnl.
6003 351	AR				FASTENER,Hood Inner Pnl. Silencer

MODEL CODES

B = GRAN FURY/CARAVELLE	P = RELIANT
C = LEBARON/TOWN & COUNTRY	S = CORDOBA
D = ARIES	V = 400
F = NEW YORKER	X = MIRADA
G = DIPLOMAT	Y = IMPERIAL
M = HORIZON/TC3/SCAMP	Z = OMNI/O24/RAMPAGE

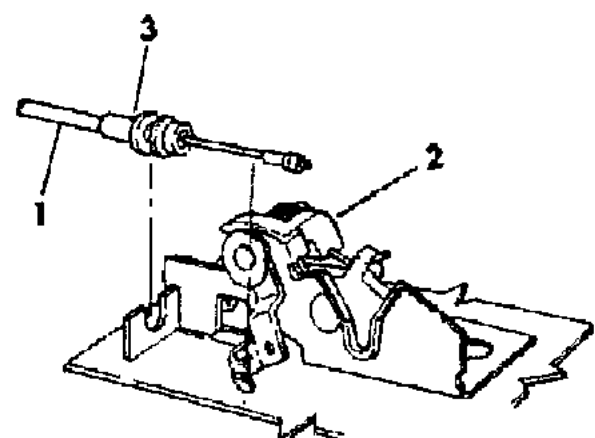
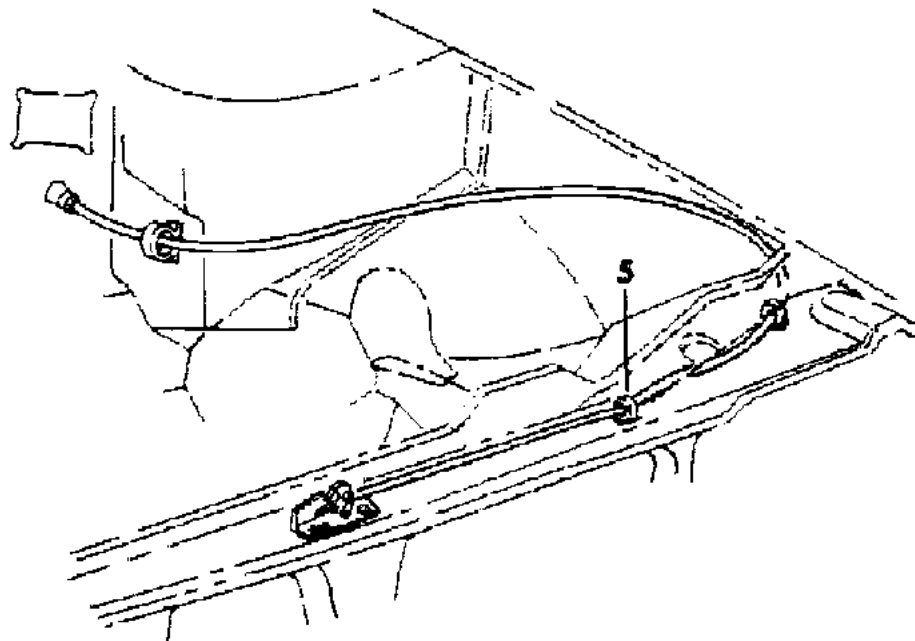
BODY STYLES

21 = 2-DOOR SEDAN	28 = FWD PICKUP
22 = 2-DOOR SPECIAL COUPE	41 = 4-DOOR SEDAN
24 = 2-DOOR HATCHBACK	44 = 4-DOOR HATCHBACK
27 = 2-DOOR CONVERTIBLE	45 = 2-SEAT STATION WAGON

AR = Use as Required - = Non Illustrated Part P.A.R. = Paint as Required

REMOTE CONTROL HOOD RELEASE P,D,V,C  
Figure 23A-3900

2169 3900



ITEM	PART NUMBER	QTY	BODY	MODEL	DESCRIPTION
1	4172 527	1			RELEASE,Inside Hood Latch
2	5232 057	1			LATCH,Hood Inside Release
	5207 447	1			SPRING,Hood Latch Inside Release Lever
3	5207 294	1			GROMMET,Inst. Pnl. Hood Latch Release Handle Cable
4					SCREW (Not Serviced)
5					CLIP (Not Serviced)

MODEL CODES

B = GRAN FURY/CARAVELLE	P = RELIANT
C = LEBARON/TOWN & COUNTRY	S = CORDOBA
D = ARIES	V = 400
F = NEW YORKER	X = MIRADA
G = DIPLOMAT	Y = IMPERIAL
M = HORIZON/TC3/SCAMP	Z = OMNI/O24/RAMPAGE

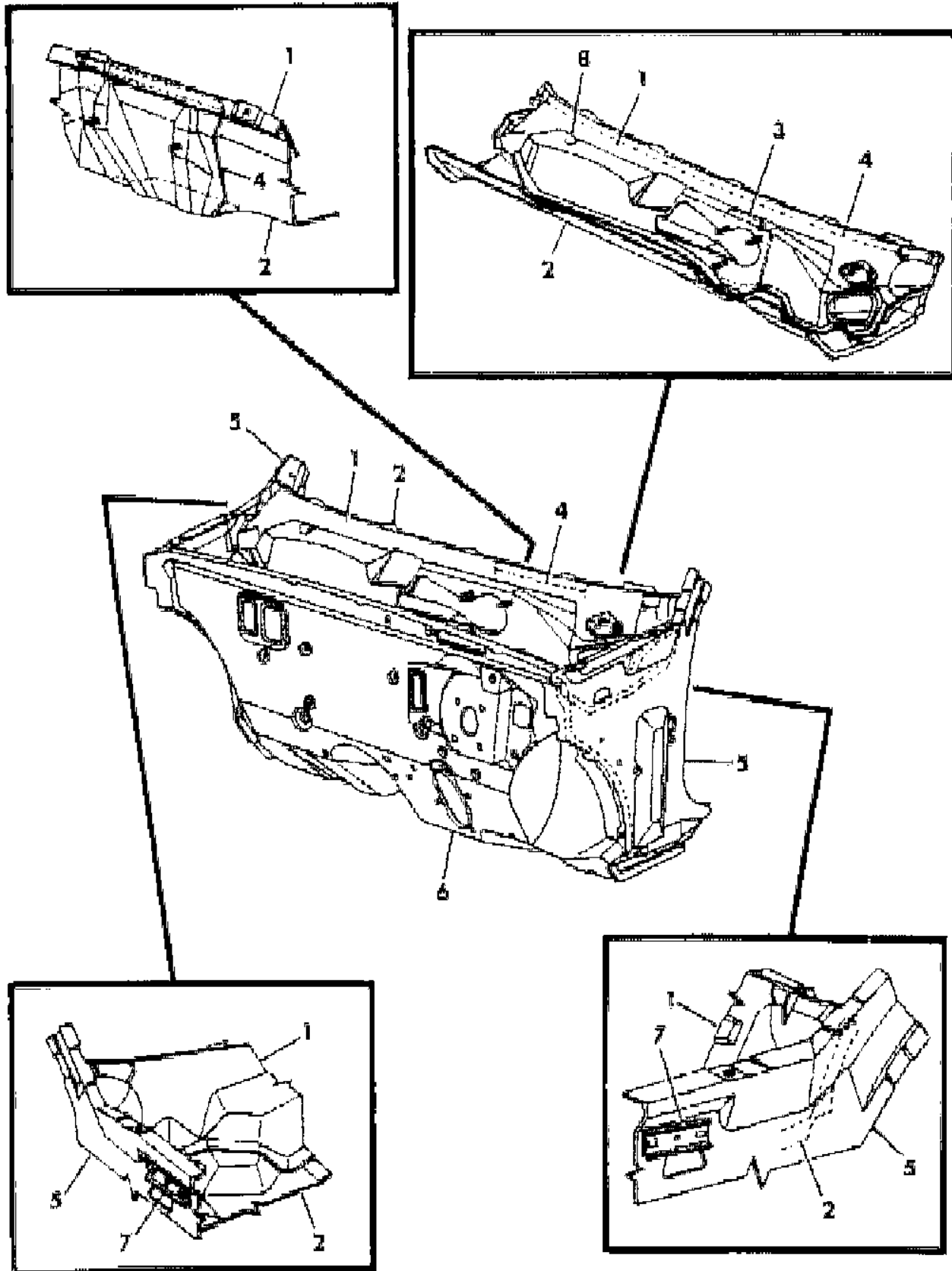
BODY STYLES

21 = 2-DOOR SEDAN	28 = FWD PICKUP
22 = 2-DOOR SPECIAL COUPE	41 = 4-DOOR SEDAN
24 = 2-DOOR HATCHBACK	44 = 4-DOOR HATCHBACK
27 = 2-DOOR CONVERTIBLE	45 = 2-SEAT STATION WAGON

AR = Use as Required - = Non Illustrated Part P.A.R. = Paint as Required

**COWL AND DASH PANEL - P,D,V,C**  
**Figure 23A-4000**

23A-4000



ITEM	PART NUMBER	QTY	BODY	MODEL	DESCRIPTION
1	4136 850	1			PANEL, Cowl Top
2	4136 841	1			PANEL, Cowl Plenum
3	4198 077	1			REINFORCEMENT w/STUD, Cowl Top Windshield Wiper Motor Mounting, Use Up To 2/15/82
	4278 639	1			Use After 2-15-82
4	4206 797	1			SUPPORT w/NUT, Cowl Plenum Panel Steering Column Bracket
5	#4206 960-1	1			PANEL, Cowl Side
6	#4278 430	1			PANEL, Dash w/A/C
	4278 429	1			w/o A/C
7		2			REINFORCEMENT, Hood Hinge (see Hood Illustration)
8	4198 380	1			STOP, Windshield Wiper Arm, Right
NOTE: The Following Items Are Not Shown On Illustration. an offsetting order for part no. 3747881					
	4206 551	1			BRACE, Dash Panel to Plenum Panel, Lt.
	4198 378	1			SCREEN, Cowl Plenum
	3759 944	4			RETAINER, Cowl Plenum Screen
	3445 939	1			GROMMET, Dash Panel
	4198 074	1			LINER, Dash
	4206 545	4			RETAINER, Dash Liner Attaching
	6032 020	4			STUD, Dash Liner to Dash Panel Attaching Collar
	4206 432	1			COVER w/SILENCER, Dash Steering Column
	4278 743	1			REINFORCEMENT, Heater or A/C Strap & Steering Column
					Brace Attaching
	4278 626	1			PLATE, Dash Panel Accelerator Reinforcement (w/Heavy Service Pkg.)

MODEL CODES

B = GRAN FURY/CARAVELLE	P = RELIANT
C = LEBARON/TOWN & COUNTRY	S = CORDOBA
D = ARIES	V = 400
F = NEW YORKER	X = MIRADA
G = DIPLOMAT	Y = IMPERIAL
M = HORIZON/TC3/SCAMP	Z = OMNI/O24/RAMPAGE

BODY STYLES

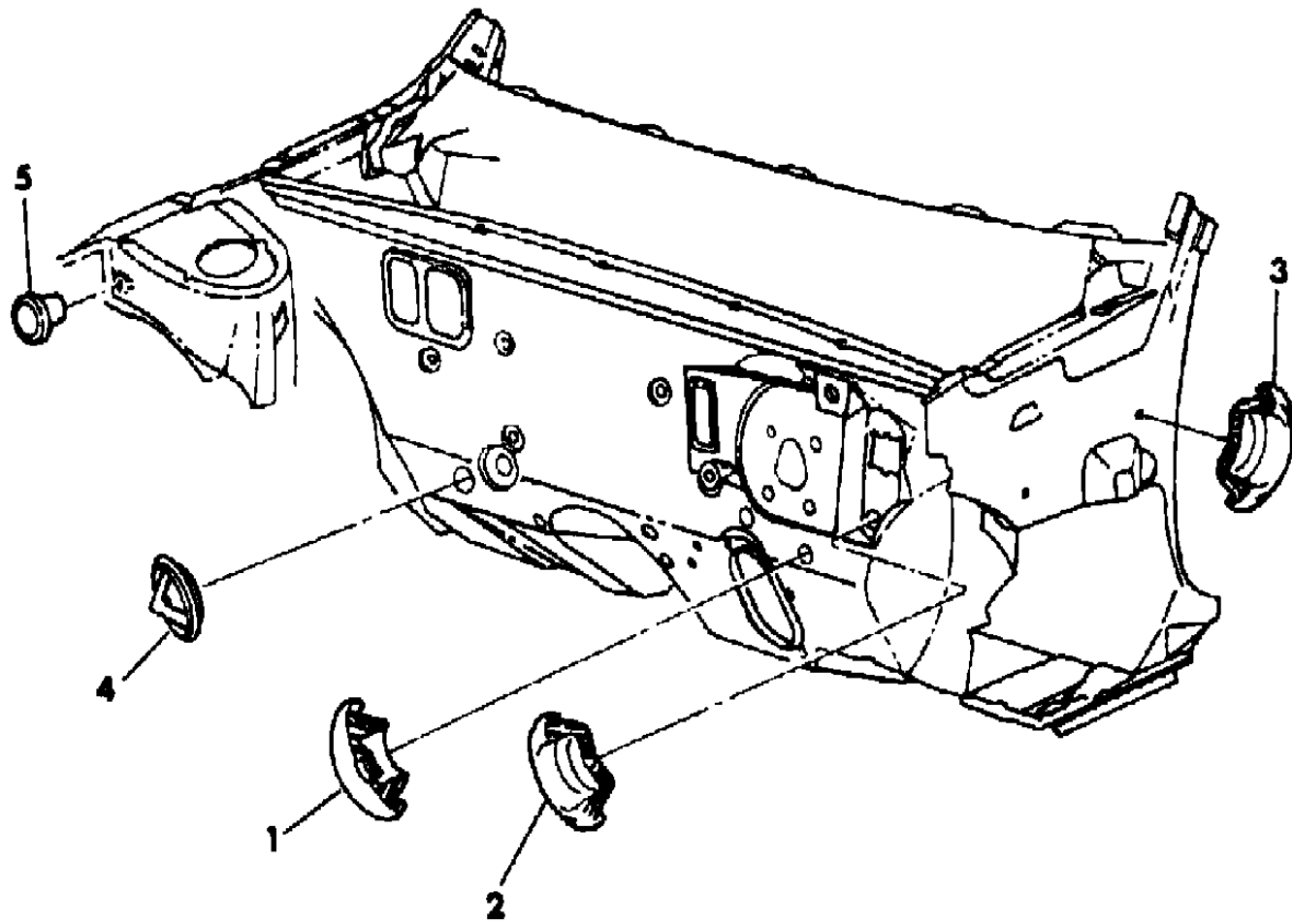
21 = 2-DOOR SEDAN	28 = FWD PICKUP
22 = 2-DOOR SPECIAL COUPE	41 = 4-DOOR SEDAN
24 = 2-DOOR HATCHBACK	44 = 4-DOOR HATCHBACK
27 = 2-DOOR CONVERTIBLE	45 = 2-SEAT STATION WAGON

AR = Use as Required - = Non Illustrated Part P.A.R. = Paint as Required

PLUGS, COWL AND DASH - P,D,V,C  
Figure 23A-4100

.169 4100

ITEM	PART NUMBER	QTY	BODY	MODEL	DESCRIPTION
1	3445 939	1			PLUG, Shift Cable Hole
2	2860 332	1			PLUG, Hood Release Cable
3	2860 332	1			PLUG, Antenna Hole
4	5200 456	1			PLUG, Drain Hole
5	2423 737	1			PLUG, Strut Mounting Tower



MODEL CODES

B = GRAN FURY/CARAVELLE	P = RELIANT
C = LEBARON/TOWN & COUNTRY	S = CORDOBA
D = ARIES	V = 400
F = NEW YORKER	X = MIRADA
G = DIPLOMAT	Y = IMPERIAL
M = HORIZON/TC3/SCAMP	Z = OMNI/O24/RAMPAGE

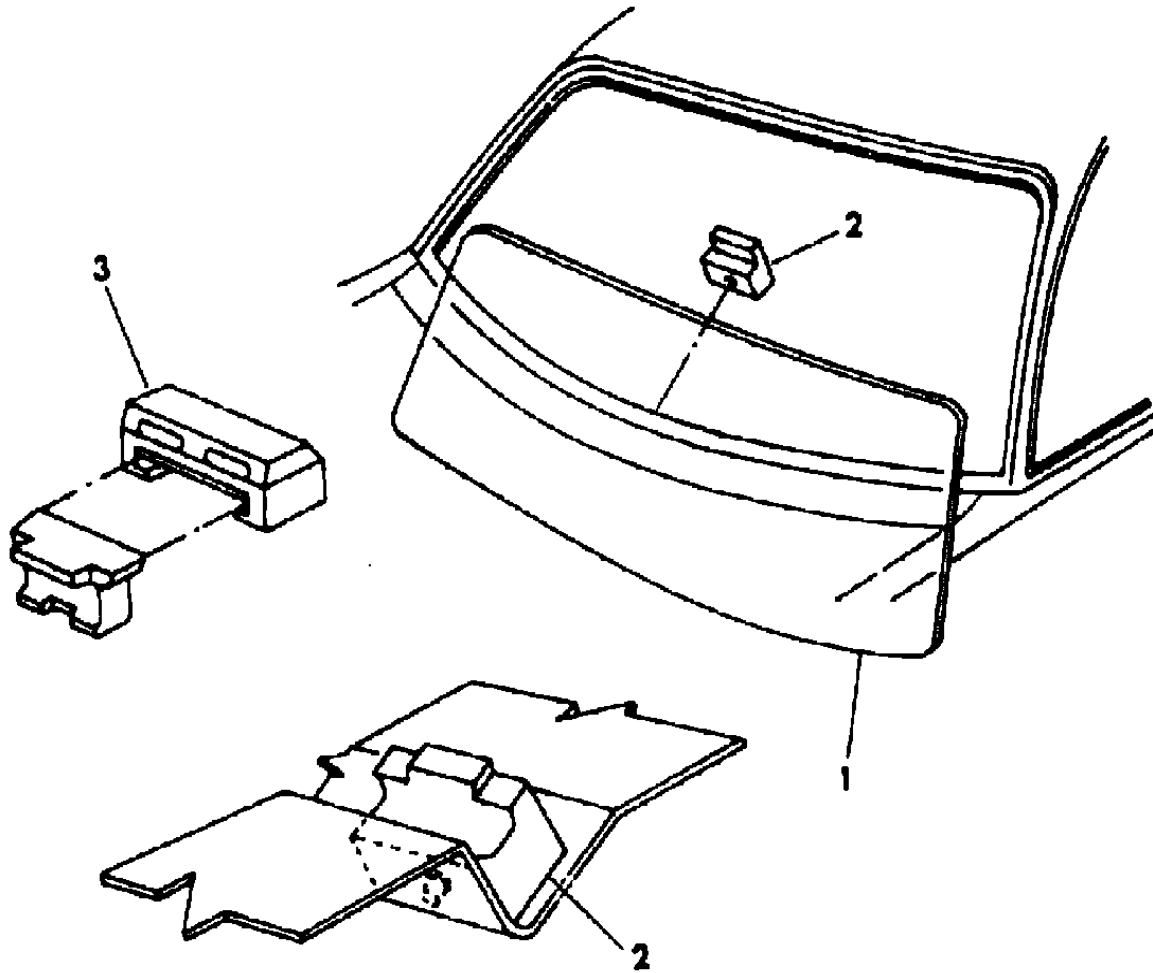
BODY STYLES

21 = 2-DOOR SEDAN	28 = FWD PICKUP
22 = 2-DOOR SPECIAL COUPE	41 = 4-DOOR SEDAN
24 = 2-DOOR HATCHBACK	44 = 4-DOOR HATCHBACK
27 = 2-DOOR CONVERTIBLE	45 = 2-SEAT STATION WAGON

AR = Use as Required - = Non Illustrated Part P.A.R. = Paint as Required

GLASS - WINDSHIELD - P,D,V,C  
Figure 23A-4200

2169 4200



ITEM	PART NUMBER	QTY	BODY	MODEL	DESCRIPTION
------	-------------	-----	------	-------	-------------

NOTE: GLASS, WINDSHIELD - ORDER FROM YOUR LOCAL MOPAR GLASS DISTRIBUTOR. an offsetting order for part no.

	3747881				
1					GLASS, Windshield
	4206 858	1		21,22,4	Clear
	4136 897	1		21,22,4	Tinted
	4097 507	1		27	Tinted
2	4206 543	2			SPACER, W/Shield Glass Lower
3	3767 767	AR			SHIM, W/Shield Glass Spacer, Lower (Approximately .218" Thick)
	3767 196	AR			(Approximately .106" Thick)
	4267 906				REPAIR PACKAGE, W/Shield Glass (Not Shown)
					CONSISTS OF:
					1- ----- Polyurethane, 11.5 Oz.
					1- ----- Primer, Fence, 1 Oz.
					1- ----- Primer, Wipe Off, 1 Oz.
					1- ----- Primer, Blackout 1 Oz.
					3- ----- Dabbers
					1- ----- Nozzle
					1- ----- Instruction Sheet
	4057 957	1			FIXED GLASS REPAIR PACKAGE, W/Shield Glass (Not Shown)
					CONSISTS OF:
					1- ----- Tape, Butyl, 171.00"
					1- ----- Primer, Glass
					1- ----- Primer, Fence
					2- 3674698 Spacer 0.2"
					2- 3793290 Spacer 0.3"
					2- 3667767 Shim 0.07"
					2- ----- Sponges Disposable
					1- ----- Instruction Sheet

MODEL CODES

B = GRAN FURY/CARAVELLE	P = RELIANT
C = LEBARON/TOWN & COUNTRY	S = CORDOBA
D = ARIES	V = 400
F = NEW YORKER	X = MIRADA
G = DIPLOMAT	Y = IMPERIAL
M = HORIZON/TC3/SCAMP	Z = OMNI/O24/RAMPAGE

BODY STYLES

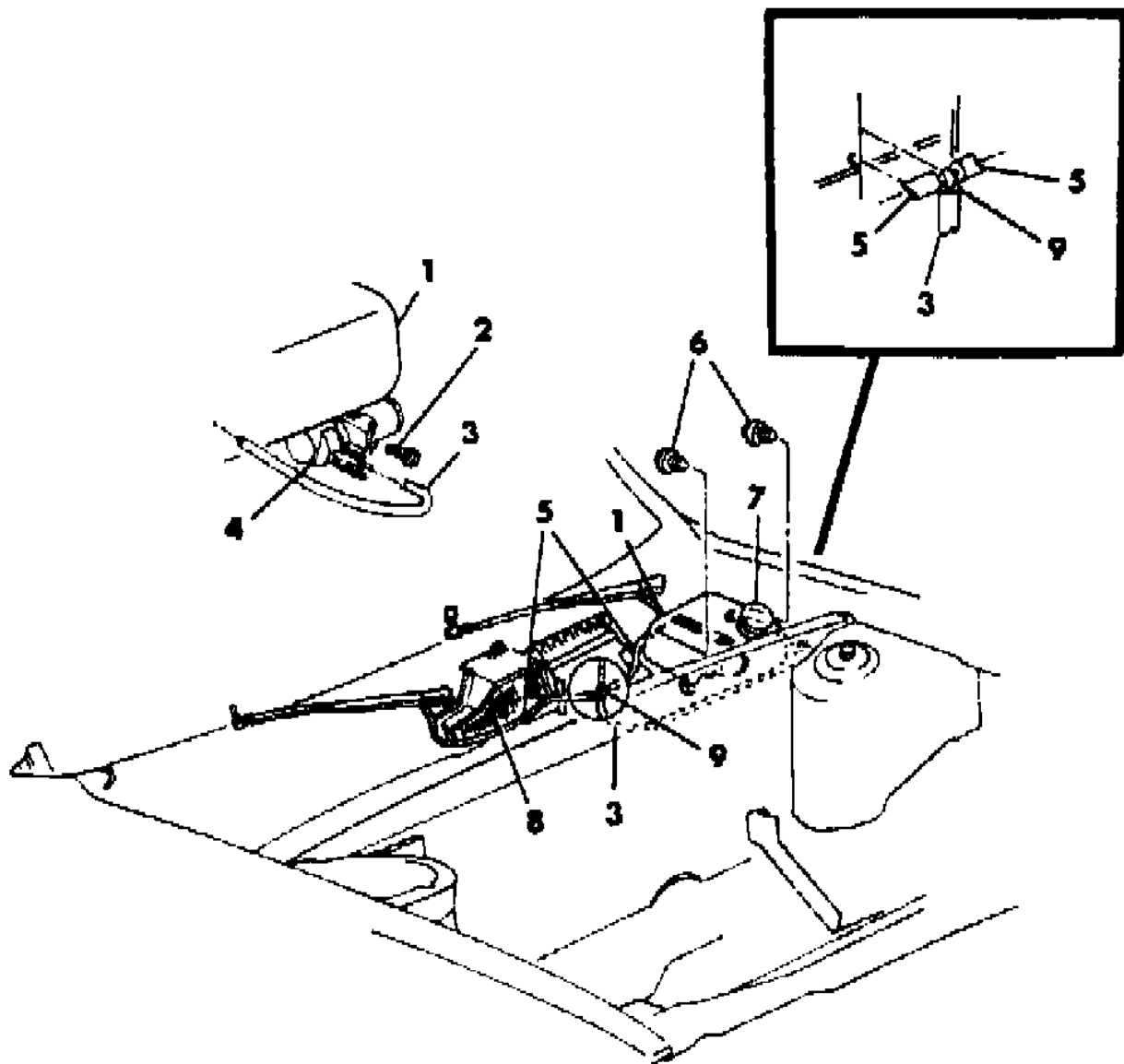
21 = 2-DOOR SEDAN	28 = FWD PICKUP
22 = 2-DOOR SPECIAL COUPE	41 = 4-DOOR SEDAN
24 = 2-DOOR HATCHBACK	44 = 4-DOOR HATCHBACK
27 = 2-DOOR CONVERTIBLE	45 = 2-SEAT STATION WAGON

AR = Use as Required - = Non Illustrated Part P.A.R. = Paint as Required



**WASHER SYSTEM, WINDSHIELD - P,D,V,C**  
**Figure 23A-4300**

2169 4300



ITEM	PART NUMBER	QTY	BODY	MODEL	DESCRIPTION
1	3799 713	1			RESERVOIR & CAP, Windshield Washer (Cut To Fit For Models With Sensor)
2	3799 324	1			FILTER, W/Shield Washer Pump
3	3780 798	AR			HOSE, W/Shield Washer, 5/32" I.D., 50' Roll
4	3799 090	1			PUMP and SEAL PACKAGE, W/Shield Washer
5	4026 130	AR			HOSE, Wiper Arm Nozzle, 3/32" I.D., 50' Roll
6	6031 951	2			SCREW
7	3799 174	1			CAP, Reservoir
8	4198 378	1			SCREEN, Cowl Plenum
9	3799 719	1			CONNECTOR, W/Shield Washer Hose Tee
NOTE: The Following Items Are Not Shown On Illustration. an offsetting order for part no. 3747881					
	4221 097	1		C,V	SENSOR, W/Shield Washer Fluid Level ("1982" Type)
	3799 814	1		C,V	SENSOR, W/Shield Washer Fluid Level ("1983" Type)

**MODEL CODES**

B = GRAN FURY/CARAVELLE	P = RELIANT
C = LEBARON/TOWN & COUNTRY	S = CORDOBA
D = ARIES	V = 400
F = NEW YORKER	X = MIRADA
G = DIPLOMAT	Y = IMPERIAL
M = HORIZON/TC3/SCAMP	Z = OMNI/O24/RAMPAGE

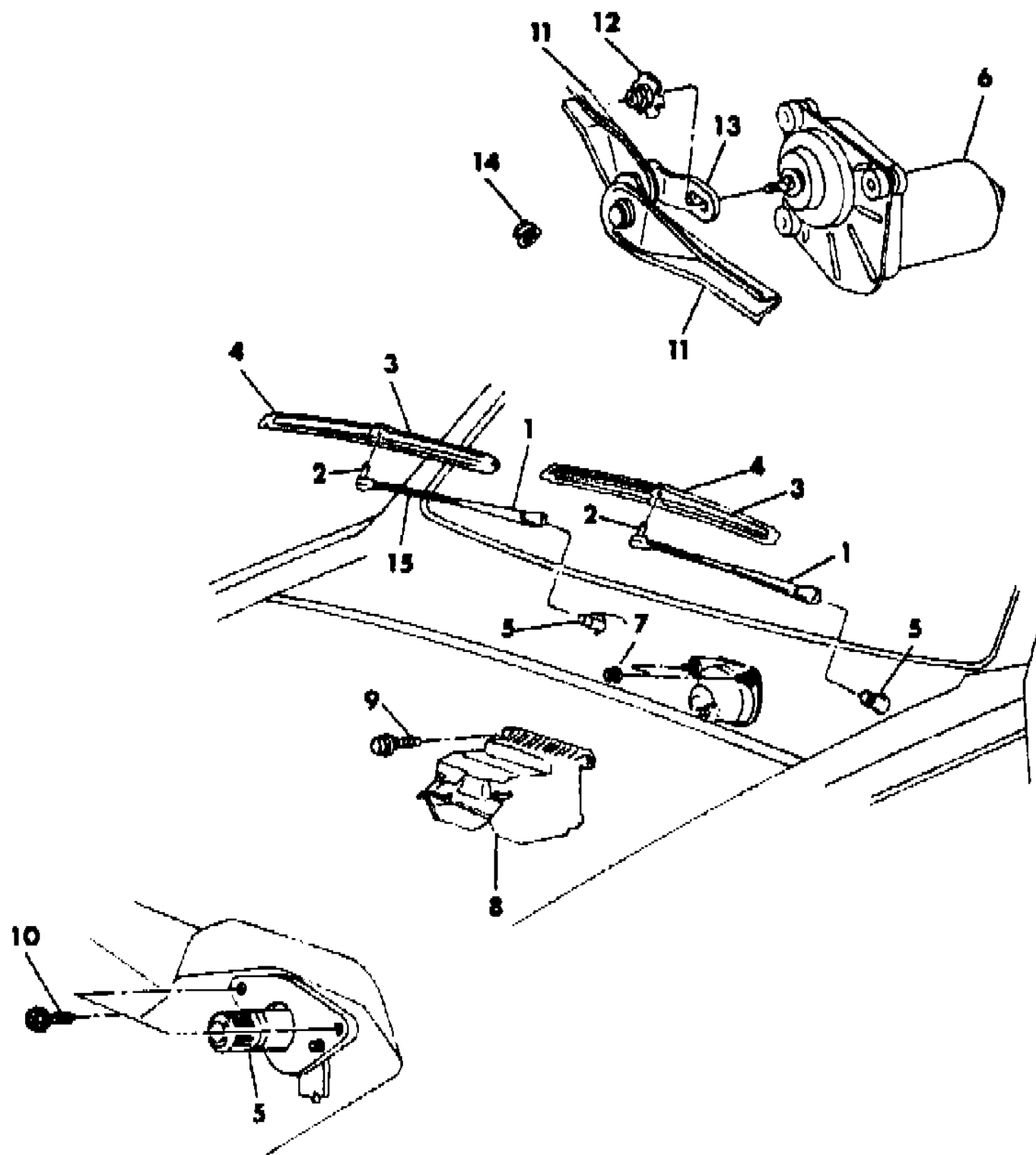
**BODY STYLES**

21 = 2-DOOR SEDAN	28 = FWD PICKUP
22 = 2-DOOR SPECIAL COUPE	41 = 4-DOOR SEDAN
24 = 2-DOOR HATCHBACK	44 = 4-DOOR HATCHBACK
27 = 2-DOOR CONVERTIBLE	45 = 2-SEAT STATION WAGON

AR = Use as Required - = Non Illustrated Part P.A.R. = Paint as Required

**WIPER SYSTEM, WINDSHIELD - P,D,V,C**  
**Figure 23A-4400**

2169 4400



ITEM	PART NUMBER	QTY	BODY	MODEL	DESCRIPTION
1	3799 694	2			ARM, w/o Blade
2	3799 695	2			NOZZLE, Wiper Arm
3	3799 653	2			BLADE w/REFILL, Anco
	3799 687	2			Trico
4	5211 129	2			REFILL, Anco, Use With 3799653 Blade
	5211 132	2			Trico, Use With 3799687 Blade
5					PIVOT
	4240 511	1			Rt.
	4240 512	1			Lt.
6	4205 951	1			MOTOR, 2 Speed
7	6500 502	3			NUT, Motor Mtg.
8	3799 715	1			COVER w/Seal, Wiper Motor
9	6031 951	2			SCREW, Cover Mtg.
10	6031 754	4			SCREW, Pivot Mtg.
11	3799 595	1			LINK w/BUSHING, Rt.
	3799 600	1			Lt.
12	6031 096	1			NUT, Crank Mtg.
13	3799 597	1			CRANK w/PIN, Wiper Drive
14	3799 089	1			BUSHING, Wiper Linkage, Rt.
	5211 015	1			Lt.
	3799 089	2			Lt.
15	3799 697	2			HOSE GUARD, Wiper Arm and Hose
NOTE: THE FOLLOWING ITEMS ARE NOT SHOWN ON ILLUSTRATION. an offsetting order for part no. 3747881					
	2932 708	1			GROMMET and SPACER PKG., Motor Mtg.
CONSISTS OF:					
					3- ----- Spacer
					3- ----- Grommet
	3431 974	1			SEAL, Wiper Motor Output Shaft
	3799 087	1			ARMATURE PACKAGE, Wiper Motor
	3747 914	1			SWITCH, W/Shield Wiper and Washer, 2 Speed w/o Intermittent Wipe
	4221 125	1			2 Speed w/Intermittent Wipe, w/o Tilt Steering Column
	4221 140	1			2 Speed w/Intermittent Wipe, w/Tilt Steering Column
	3747 923	1			KNOB w/Shaft, W/Shield Wiper or Washer Switch, 2 Speed w/o Intermittent Wipe
					KNOB, W/Shield Wiper or Washer Switch, 2 Speed w/ Intermittent Wipe (See Group 8)

MODEL CODES

B = GRAN FURY/CARAVELLE	P = RELIANT
C = LEBARON/TOWN & COUNTRY	S = CORDOBA
D = ARIES	V = 400
F = NEW YORKER	X = MIRADA
G = DIPLOMAT	Y = IMPERIAL
M = HORIZON/TC3/SCAMP	Z = OMNI/O24/RAMPAGE

BODY STYLES

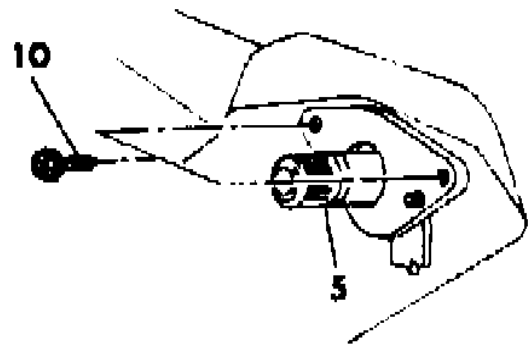
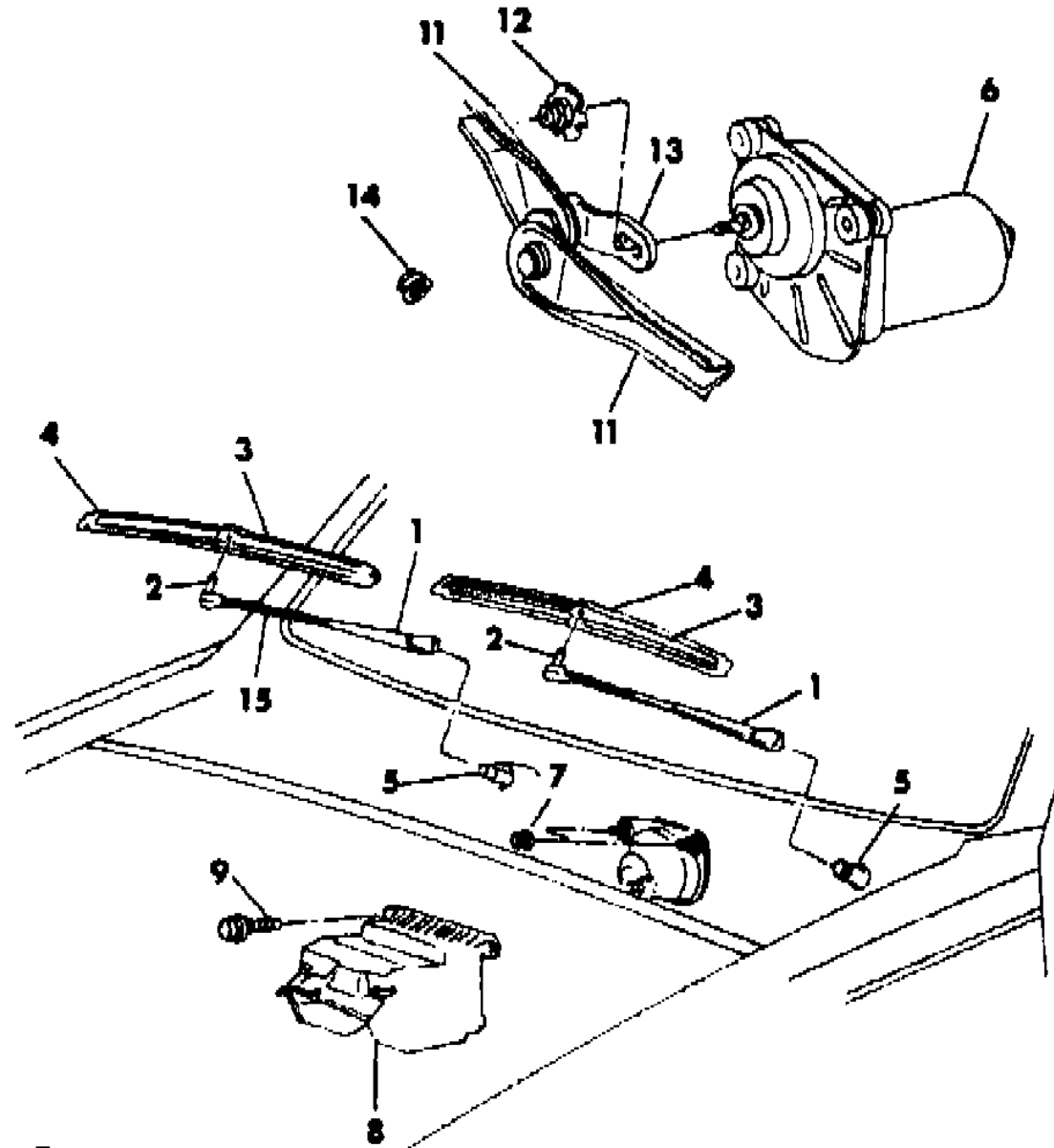
21 = 2-DOOR SEDAN	28 = FWD PICKUP
22 = 2-DOOR SPECIAL COUPE	41 = 4-DOOR SEDAN
24 = 2-DOOR HATCHBACK	44 = 4-DOOR HATCHBACK
27 = 2-DOOR CONVERTIBLE	45 = 2-SEAT STATION WAGON

AR = Use as Required - = Non Illustrated Part P.A.R. = Paint as Required

**WIPER SYSTEM, WINDSHIELD - P,D,V,C**  
**Figure 23A-4400**

2169 4400

ITEM	PART NUMBER	QTY	BODY	MODEL	DESCRIPTION
	3799 275	1			HOUSING PACKAGE, Wiper Motor, 2 Speed
	4205 954	1			GEAR, HOUSING and COVER, Wiper Motor, 2 Speed
	4222 060	1			CONTROL, 2 Speed w/Intermittent Wipe
	4048 952	1			BRACKET, 2 Speed w/Intermittent Wipe
	4198 380	1			STOP, W/Shield Wiper Arm, Rt.



**MODEL CODES**

B = GRAN FURY/CARAVELLE	P = RELIANT
C = LEBARON/TOWN & COUNTRY	S = CORDOBA
D = ARIES	V = 400
F = NEW YORKER	X = MIRADA
G = DIPLOMAT	Y = IMPERIAL
M = HORIZON/TC3/SCAMP	Z = OMNI/O24/RAMPAGE

**BODY STYLES**

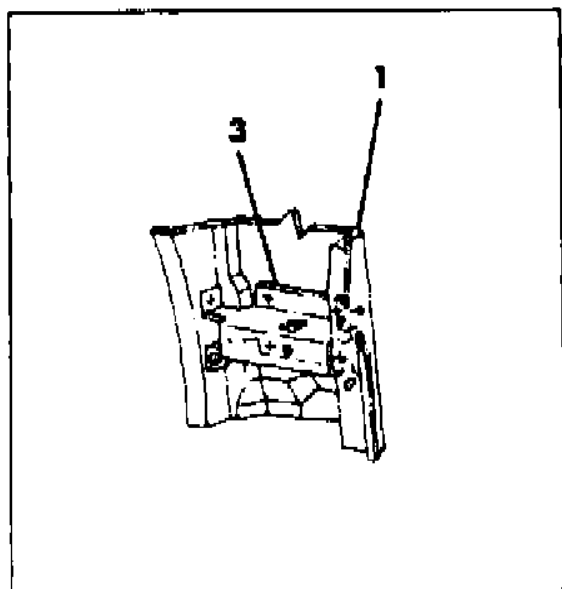
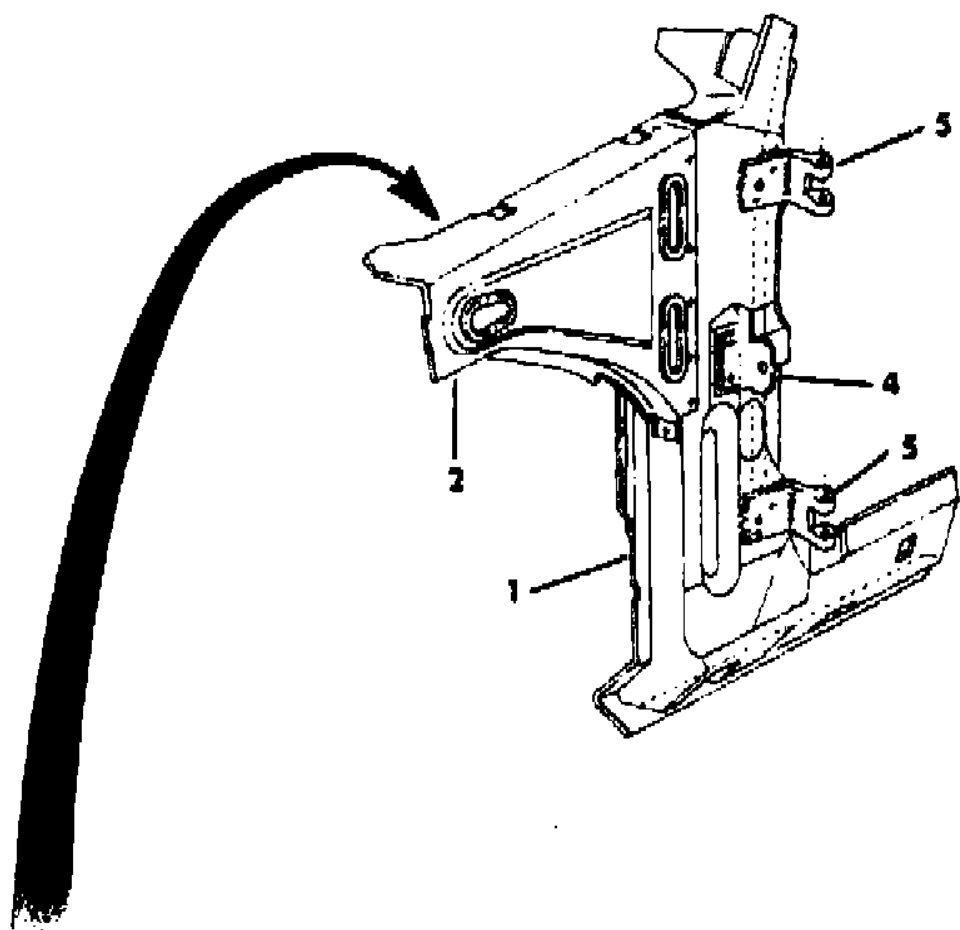
21 = 2-DOOR SEDAN	28 = FWD PICKUP
22 = 2-DOOR SPECIAL COUPE	41 = 4-DOOR SEDAN
24 = 2-DOOR HATCHBACK	44 = 4-DOOR HATCHBACK
27 = 2-DOOR CONVERTIBLE	45 = 2-SEAT STATION WAGON

AR = Use as Required - = Non Illustrated Part P.A.R. = Paint as Required

**HINGE PILLAR BODY FRONT - P,D,V,C**  
**Figure 23A-4500**

2169 4500

ITEM	PART NUMBER	QTY	BODY	MODEL	DESCRIPTION
1	#4278 226-7	1			PILLAR, Body Front Hinge
2	4129 648	1			EXTENSION, Strut Tower to Body Front Hinge Pillar Right
	4136 839	1			Left
3	4198 175	1			REINFORCEMENT, Pillar to Cowl Side Parking Brake Bracket, Lt.
4	4206 553	2			SUPPORT w/NUT, Body Front Hinge Pillar to Fender
5		2			HINGE (see Door Illustration)



**MODEL CODES**

B = GRAN FURY/CARAVELLE	P = RELIANT
C = LEBARON/TOWN & COUNTRY	S = CORDOBA
D = ARIES	V = 400
F = NEW YORKER	X = MIRADA
G = DIPLOMAT	Y = IMPERIAL
M = HORIZON/TC3/SCAMP	Z = OMNI/O24/RAMPAGE

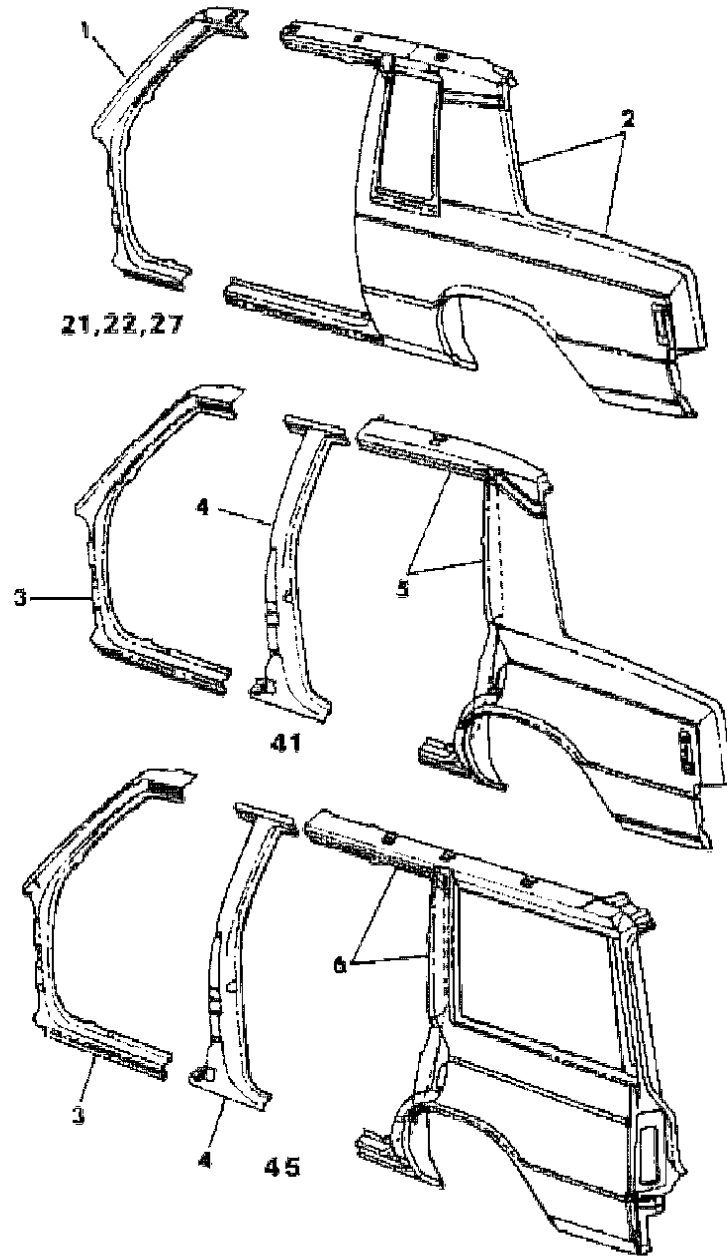
**BODY STYLES**

21 = 2-DOOR SEDAN	28 = FWD PICKUP
22 = 2-DOOR SPECIAL COUPE	41 = 4-DOOR SEDAN
24 = 2-DOOR HATCHBACK	44 = 4-DOOR HATCHBACK
27 = 2-DOOR CONVERTIBLE	45 = 2-SEAT STATION WAGON

AR = Use as Required - = Non Illustrated Part P.A.R. = Paint as Required

PANEL - BODY OUTSIDE - P,D,V,C  
Figure 23A-4600

2169 4600



ITEM	PART NUMBER	QTY	BODY	MODEL	DESCRIPTION
1					PANEL, Body Outside
	4206 470-1	1		21,22,2	Front
2	#4278 260-1	1		21	Rear
	4206 724-5	1		22,27	Rear
3	4206 460-1	1		41,45	Front
4	4206 462-3	1		41,45	Center
5	#4278 262-3	1		P,D,41	Rear
	4206 980-1	1		V,C,41	Rear
6	#4206 992-3	1		45	Rear

NOTE: For Related Components, See Figure 23A-4800, 23A-4900 and 23A-5000 an offsetting order for part no. 3747881

MODEL CODES

B = GRAN FURY/CARAVELLE	P = RELIANT
C = LEBARON/TOWN & COUNTRY	S = CORDOBA
D = ARIES	V = 400
F = NEW YORKER	X = MIRADA
G = DIPLOMAT	Y = IMPERIAL
M = HORIZON/TC3/SCAMP	Z = OMNI/O24/RAMPAGE

BODY STYLES

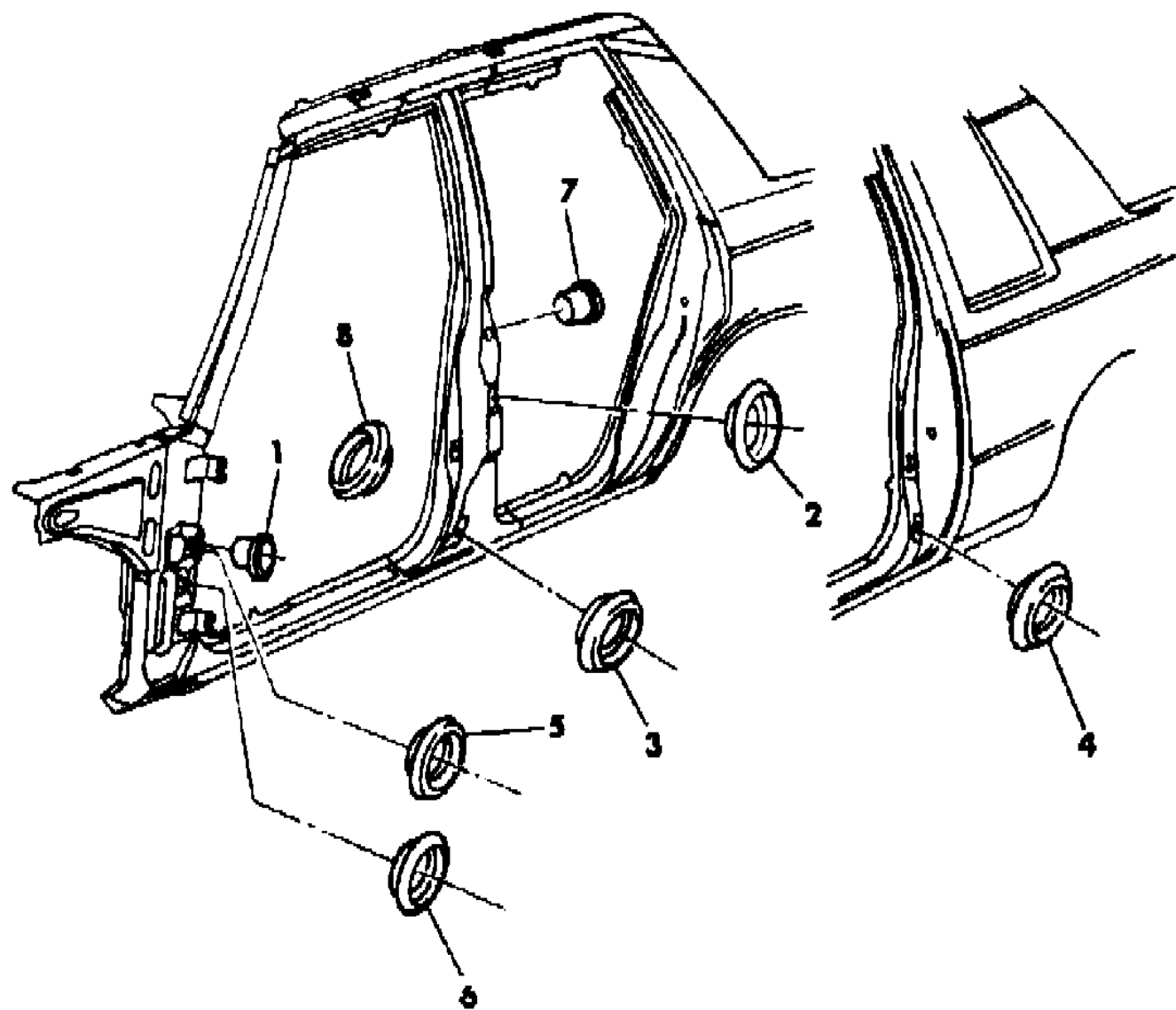
21 = 2-DOOR SEDAN	28 = FWD PICKUP
22 = 2-DOOR SPECIAL COUPE	41 = 4-DOOR SEDAN
24 = 2-DOOR HATCHBACK	44 = 4-DOOR HATCHBACK
27 = 2-DOOR CONVERTIBLE	45 = 2-SEAT STATION WAGON

AR = Use as Required - = Non Illustrated Part P.A.R. = Paint as Required

**PLUGS - PANEL BODY SIDE - P,D,V,C**  
**Figure 23A-4700**

2169 4700

ITEM	PART NUMBER	QTY	BODY	MODEL	DESCRIPTION
1	6025 871	1			PLUG
2	2480 957	2			PLUG
3	4172 862	2			PLUG
4	4172 862	2			PLUG
5	2860 332	1			PLUG
6		2			PLUG (Not Serviced)
7	6025 871	2			PLUG
8	2574 792	2			PLUG
NOTE: The Following Items Are Not Shown On Illustration. an offsetting order for part no. 3747881					
	6031 488	2			PLUG, Front or Rear Door Hinge Pillar Wiring Hole



**MODEL CODES**

B = GRAN FURY/CARAVELLE	P = RELIANT
C = LEBARON/TOWN & COUNTRY	S = CORDOBA
D = ARIES	V = 400
F = NEW YORKER	X = MIRADA
G = DIPLOMAT	Y = IMPERIAL
M = HORIZON/TC3/SCAMP	Z = OMNI/O24/RAMPAGE

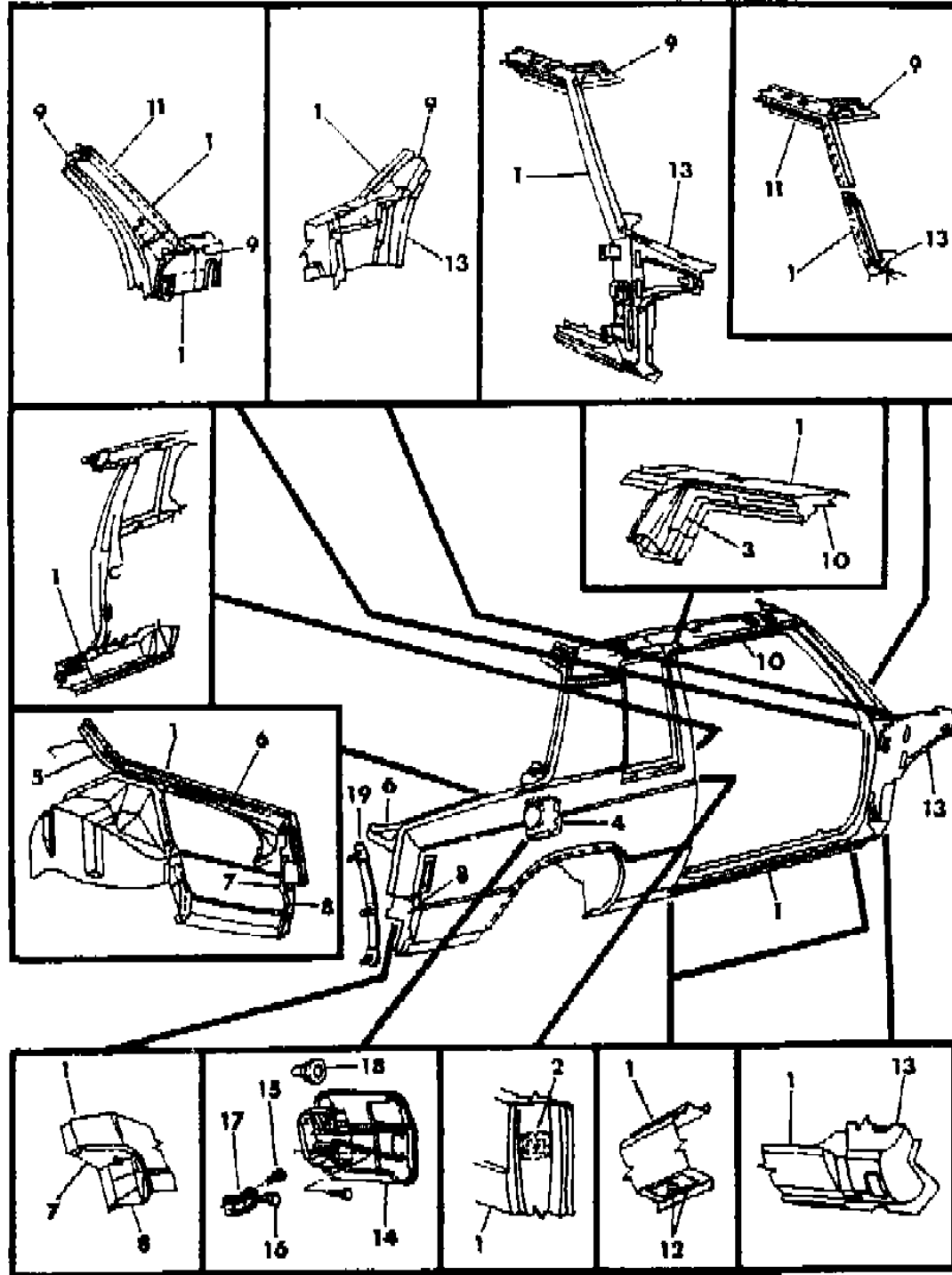
**BODY STYLES**

21 = 2-DOOR SEDAN	28 = FWD PICKUP
22 = 2-DOOR SPECIAL COUPE	41 = 4-DOOR SEDAN
24 = 2-DOOR HATCHBACK	44 = 4-DOOR HATCHBACK
27 = 2-DOOR CONVERTIBLE	45 = 2-SEAT STATION WAGON

AR = Use as Required - = Non Illustrated Part P.A.R. = Paint as Required

PANEL BODY SIDE - P,D,V,C,21,22,27  
Figure 23A-4800

2159 4800



ITEM	PART NUMBER	QTY	BODY	MODEL	DESCRIPTION
1					PANEL, Body Side Aperture
	4206 470-1	1			Front
	4278 260-1	1		P,D,21	Rear
	4206 724-5	1		V,C,22,	Rear
NOTE: For Body Side Service Replacement Panels, See Figure 23A-4600 an offsetting order for part no. 3747881					
2	4200 774-5	1			RETAINER, Body Side Aperture Panel Door Latch Striker Nut
3	4134 754-5	1			FILLER, Body Side Aperture Panel Door Opening Upper
4	4134 850	1			REINFORCEMENT, Body Side Aperture Fuel Filler Door Opening
5	4134 852-3	1			REINFORCEMENT, Aperture Panel Lower Corner Back Lite
Opening to Quarter Inside Panel					
6	#4278 294-5	1			TROUGH, Body Side Aperture Side Drain
7	#4278 296-7	1			EXTENSION, Deck Opening Lower Panel Side Drain Trough, Upper
8	4206 230-1	1			EXTENSION, Deck Opening Lower Panel Side Drain Trough, Lower
9	#4278 116-7	1			FRAME, Windshield Opening Side Inner
10	4136 944-5	1			TROUGH, Roof Panel Aperture Side Drain
11	4136 952-3	1			REINFORCEMENT, Windshield Opening Side Inner Frame Lower
12					PLATE, Body Side Aperture Jack Locator
	4206 308	4			Up to 5/1/82
	4278 494	4			After 5/1/82
13					PILLAR (See Body Front Hinge Pillar Illustration)
14	4134 948	1			DOOR w/HINGE and SPRING, Body Side Aperture Fuel Filler
	4206 746	1			BAND, Fuel Filler Door Hinge Spring Pin Noise Dampener
15		4			SCREW (not serviced)
16	5200 365	2			BUTTON, Body Side Aperture Fuel Filler Door Stop Bumper
17	4206 744	1			BRACKET, Body Side Aperture Fuel Filler Door Stop
18		2			NUT, Body Side Aperture Fuel Filler Door Attaching (Not Serviced)
19	#4206 955	2			RETAINER w/STUDS, Quarter Outside Panel Rear Bumper Fascia
NOTE: The following Items are not shown on illustration. an offsetting order for part no. 3747881					
	4206 958	1			SEAL, Body Side Aperture Fuel Filler Door Reinforcement
	4206 237	2			SEAL, Quarter Outside Aperture Panel to Back Lite Lower Corner Reinforcement
	4206 486	2			SEAL, Body Side Aperture to Lower Front Pillar
	4206 984	1			GASKET, Body Side Aperture Fuel Filler Opening

MODEL CODES

B = GRAN FURY/CARAVELLE	P = RELIANT
C = LEBARON/TOWN & COUNTRY	S = CORDOBA
D = ARIES	V = 400
F = NEW YORKER	X = MIRADA
G = DIPLOMAT	Y = IMPERIAL
M = HORIZON/TC3/SCAMP	Z = OMNI/O24/RAMPAGE

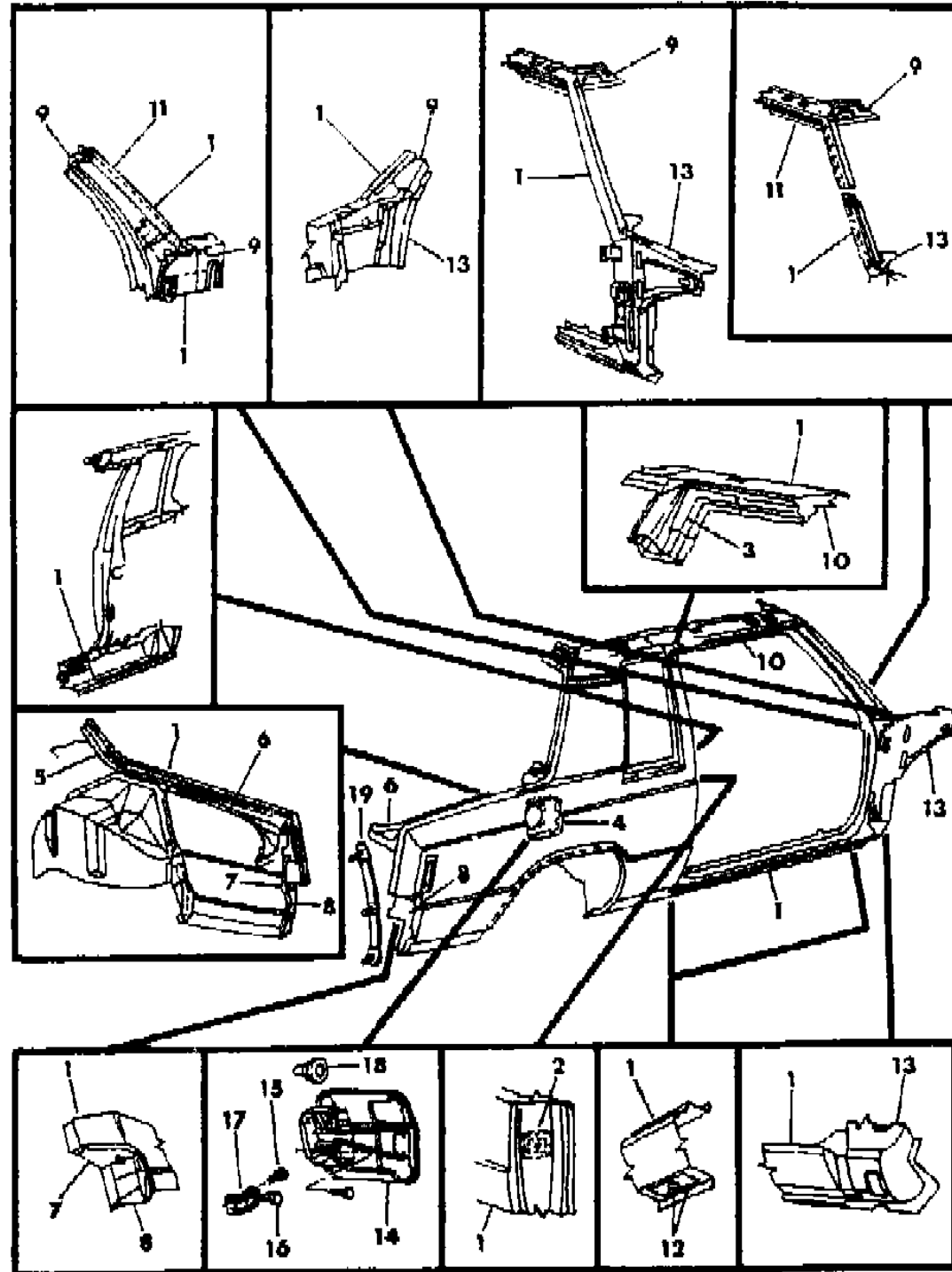
BODY STYLES

21 = 2-DOOR SEDAN	28 = FWD PICKUP
22 = 2-DOOR SPECIAL COUPE	41 = 4-DOOR SEDAN
24 = 2-DOOR HATCHBACK	44 = 4-DOOR HATCHBACK
27 = 2-DOOR CONVERTIBLE	45 = 2-SEAT STATION WAGON

AR = Use as Required - = Non Illustrated Part P.A.R. = Paint as Required

PANEL BODY SIDE - P,D,V,C,21,22,27  
Figure 23A-4800

2169 4800



ITEM	PART NUMBER	QTY	BODY	MODEL	DESCRIPTION
	4278 228	2		P,D,21	SHIM, Aperture Panel to Roof Panel
	4206 690-1	1		V,C,22,	REINFORCEMENT, Body Side Aperture Panel

MODEL CODES  
 B = GRAN FURY/CARAVELLE      P = RELIANT  
 C = LEBARON/TOWN & COUNTRY      S = CORDOBA  
 D = ARIES      V = 400  
 F = NEW YORKER      X = MIRADA  
 G = DIPLOMAT      Y = IMPERIAL  
 M = HORIZON/TC3/SCAMP      Z = OMNI/O24/RAMPAGE

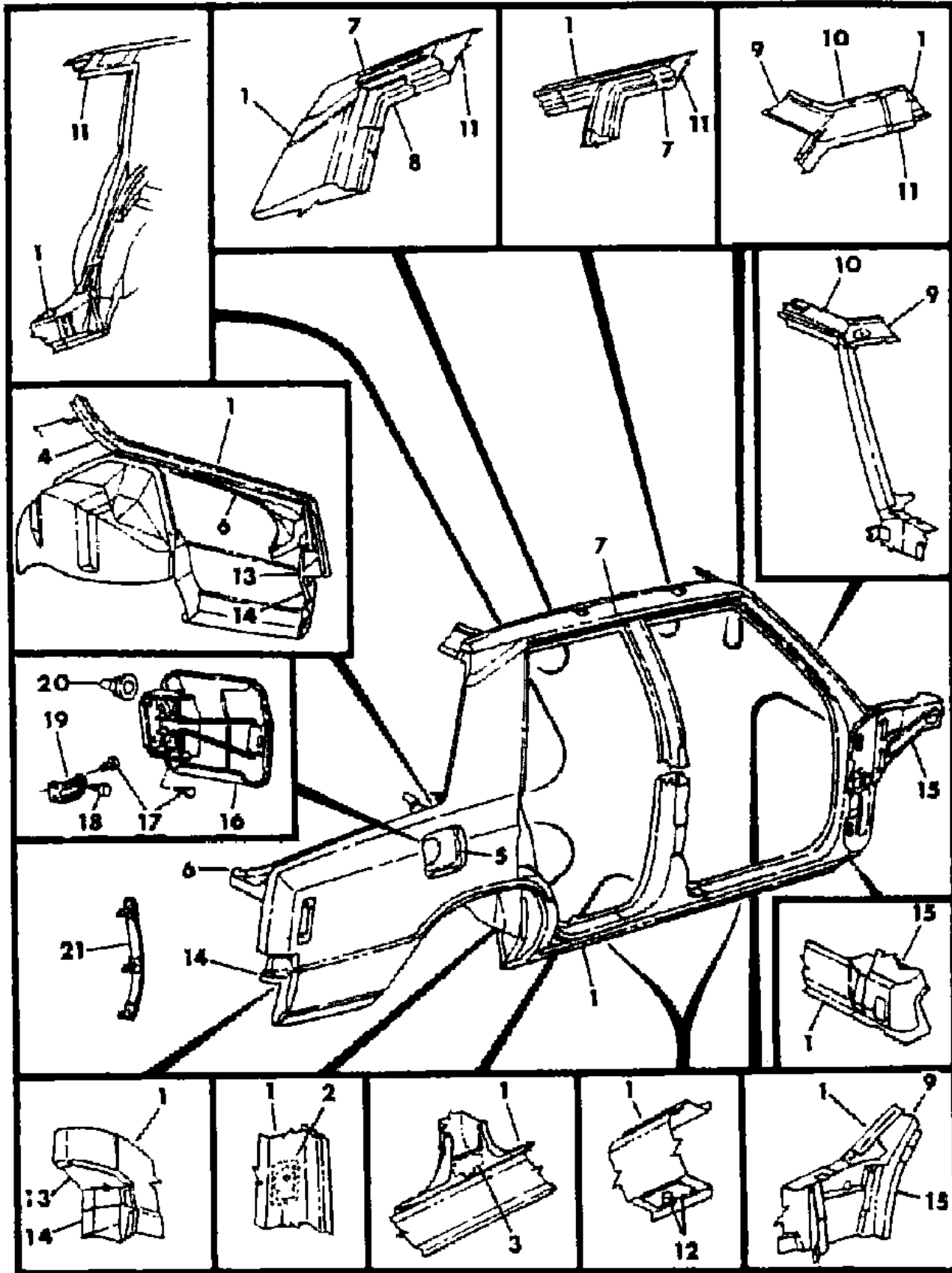
BODY STYLES  
 21 = 2-DOOR SEDAN      28 = FWD PICKUP  
 22 = 2-DOOR SPECIAL COUPE      41 = 4-DOOR SEDAN  
 24 = 2-DOOR HATCHBACK      44 = 4-DOOR HATCHBACK  
 27 = 2-DOOR CONVERTIBLE      45 = 2-SEAT STATION WAGON

AR = Use as Required - = Non Illustrated Part P.A.R. = Paint as Required



PANEL BODY SIDE - P,D,V,C,41  
Figure 23A-4900

2169 4900



ITEM	PART NUMBER	QTY	BODY	MODEL	DESCRIPTION
1					PANEL, Body Side Aperture
	4206 460-1	1			Front
	4206 462-3	1			Center
	4278 262-3	1		P,D	Rear
	4206 980-1	1		V,C	Rear
NOTE: For Body Side Service Replacement Panels, See Figure 23A-4600 an offsetting order for part no. 3747881					
2	4200 838	2			RETAINER, Body Side Aperture Panel Door Latch Striker Nut
3	4206 197	2			REINFORCEMENT, Body Side Aperture Panel Seat Belt Anchor, Lower
	4206 198-9	1			Upper
4	4134 830-1	1			REINFORCEMENT, Aperture Panel Lower Corner Back Lite to Quarter Inside Panel
5	4134 850	1			REINFORCEMENT, Body Side Aperture Fuel Filler Door Opening
	4206 410-1	1		P,D	REINFORCEMENT, Body Front Pillar (Spot Light) w/Police Pkg.
6	#4278 294-5	1			TROUGH, Body Side Aperture Side Drain
7	4136 946-7	1			TROUGH, Aperture Panel Roof Side Drain
8					FILLER (Not Used For 82 Models)
9	#4278 110-1	1			FRAME, Windshield Opening Side Inner
10	4136 902-3	1			REINFORCEMENT, Windshield Opening Side Aperture Upper
11	#4278 118-9	1			RAIL, Roof Side Inner
12					PLATE, Body Side Aperture Jack Locator
	4206 308	4			Up to 5/1/82
	4278 494	4			After 5/1/82
13	#4278 296-7	1			EXTENSION, Deck Opening Lower Panel Side Drain Trough, Upper
14	4206 230-1	1			EXTENSION, Deck Opening Lower Panel Side Drain Trough, Lower
15					PILLAR (see Body Front Hinge Pillar Illustration)
16	4134 949	1			DOOR w/HINGE and SPRING, Body Side Aperture Fuel Filler
	4206 746	1			BAND, Fuel Filler Door Hinge Spring Pin Noise Dampener
17		4			SCREW (not serviced)
18	5200 365	2			BUTTON, Body Side Aperture Fuel Filler Door Stop Bumper
19	4206 744	1			BRACKET, Body Side Aperture Fuel Filler Door Stop
20		2			NUT, Body Side Aperture Fuel Filler Door Attaching (Not Serviced)

MODEL CODES

B = GRAN FURY/CARAVELLE  
C = LEBARON/TOWN & COUNTRY  
D = ARIES  
F = NEW YORKER  
G = DIPLOMAT  
M = HORIZON/TC3/SCAMP  
P = RELIANT  
S = CORDOBA  
V = 400  
X = MIRADA  
Y = IMPERIAL  
Z = OMNI/O24/RAMPAGE

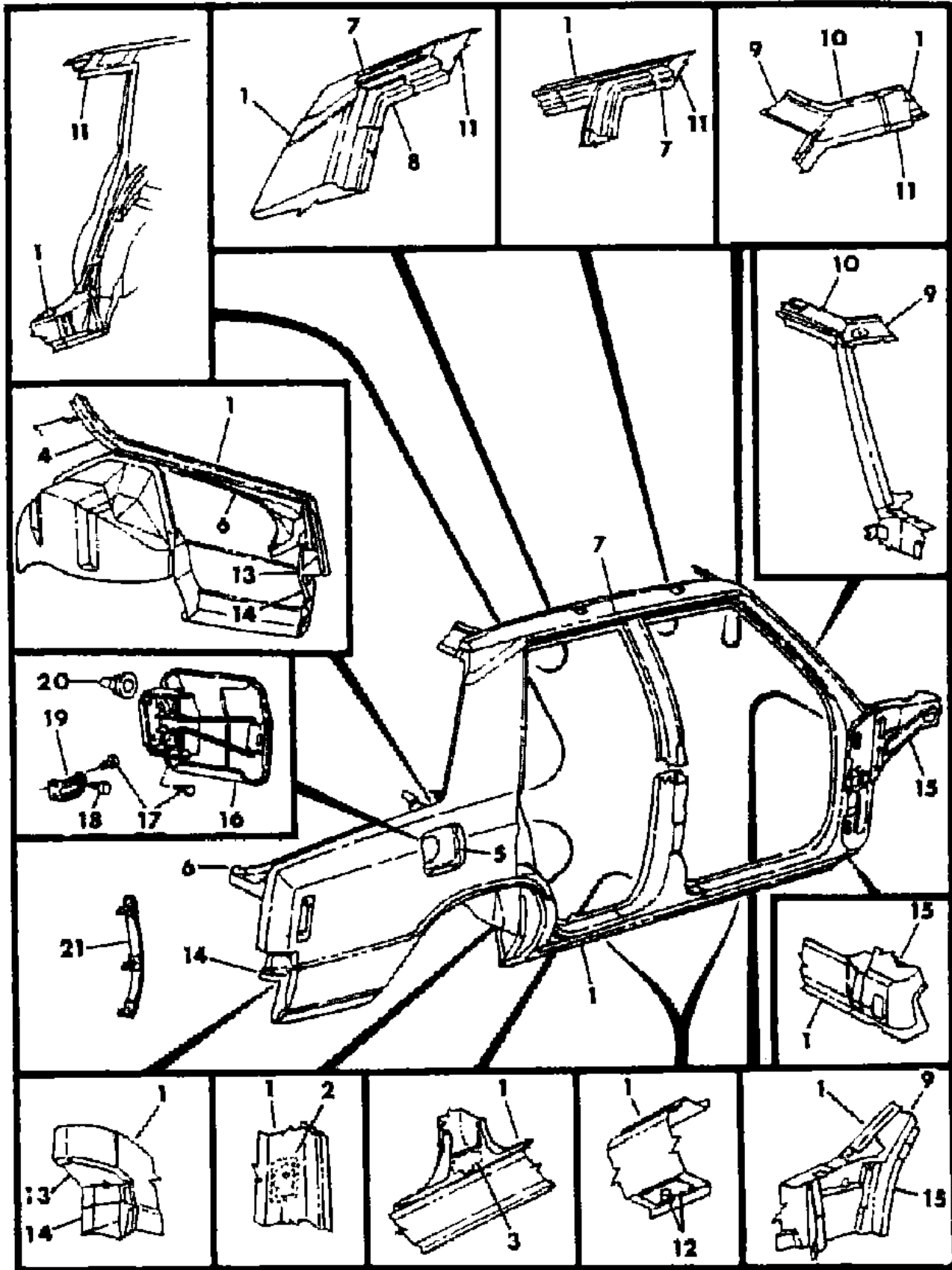
BODY STYLES

21 = 2-DOOR SEDAN  
22 = 2-DOOR SPECIAL COUPE  
24 = 2-DOOR HATCHBACK  
27 = 2-DOOR CONVERTIBLE  
28 = FWD PICKUP  
41 = 4-DOOR SEDAN  
44 = 4-DOOR HATCHBACK  
45 = 2-SEAT STATION WAGON

AR = Use as Required - = Non Illustrated Part P.A.R. = Paint as Required

PANEL BODY SIDE - P,D,V,C,41  
Figure 23A-4900

2169 4900



ITEM	PART NUMBER	QTY	BODY	MODEL	DESCRIPTION
21	#4206 955	2			RETAINER w/STUDS, Quarter Outside Panel Rear Bumper Fascia
NOTE: The following Items are not shown on illustration. an offsetting order for part no. 3747881					
	4206 958	1			SEAL, Body Side Aperture Fuel Filler Door Reinforcement
	4206 237	2			SEAL, Quarter Outside Aperture panel to Back Lite Lower Corner Reinforcement
	4206 984	1			GASKET, Body Side Aperture Fuel Filler Opening
	4206 486	2			SEAL, Body Side Aperture to Lower Front Pillar
	4206 487	2			SEAL, Center Pillar to Drain Trough
	4278 536-7	1			REINFORCEMENT, Body Side Aperture Panel Door Latch Striker (w/Heavy Service Pkg.)

MODEL CODES

B = GRAN FURY/CARAVELLE	P = RELIANT
C = LEBARON/TOWN & COUNTRY	S = CORDOBA
D = ARIES	V = 400
F = NEW YORKER	X = MIRADA
G = DIPLOMAT	Y = IMPERIAL
M = HORIZON/TC3/SCAMP	Z = OMNI/O24/RAMPAGE

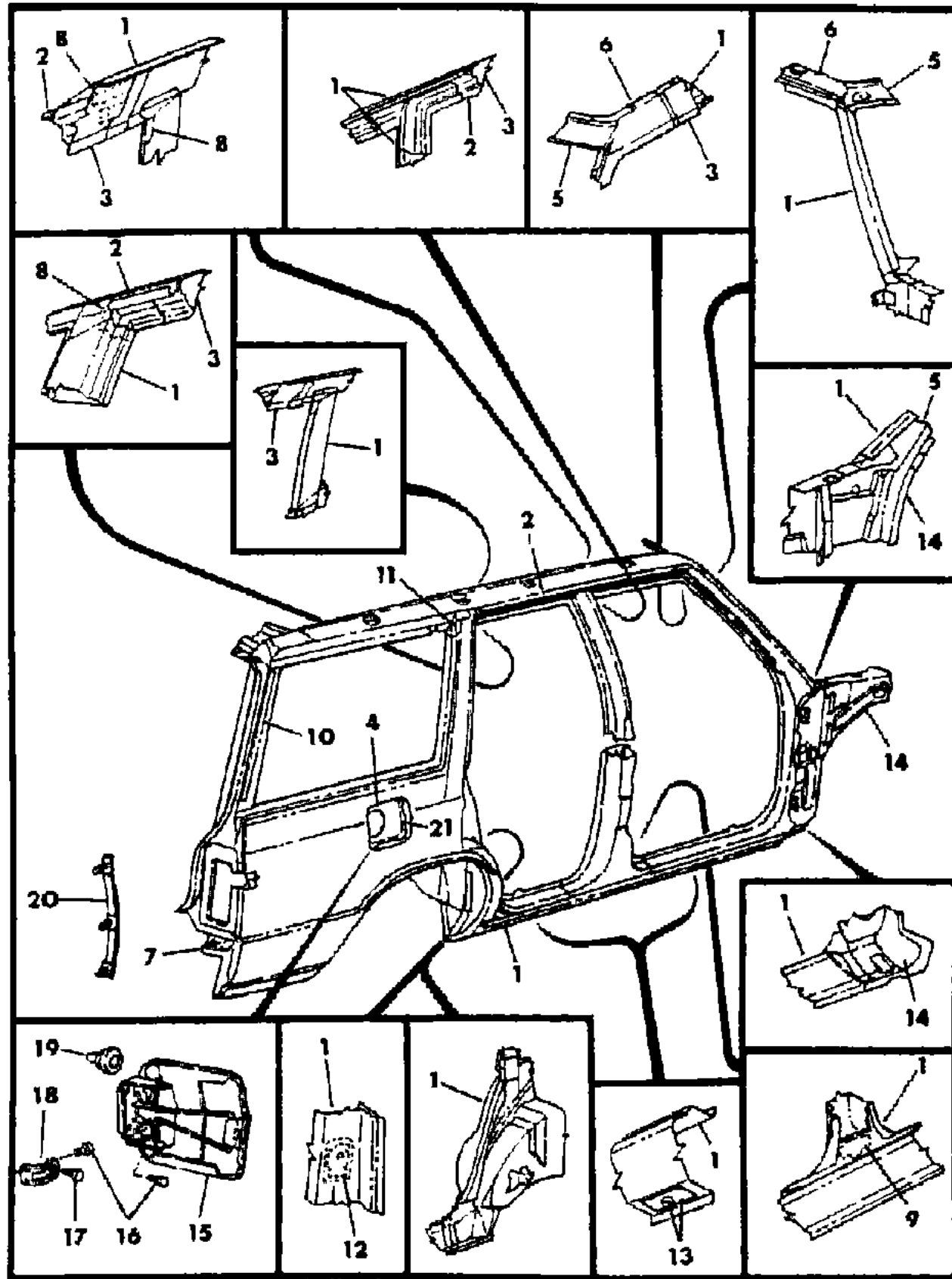
BODY STYLES

21 = 2-DOOR SEDAN	28 = FWD PICKUP
22 = 2-DOOR SPECIAL COUPE	41 = 4-DOOR SEDAN
24 = 2-DOOR HATCHBACK	44 = 4-DOOR HATCHBACK
27 = 2-DOOR CONVERTIBLE	45 = 2-SEAT STATION WAGON

AR = Use as Required - = Non Illustrated Part P.A.R. = Paint as Required

PANEL BODY SIDE - P,D,C,45  
Figure 23A-5000

2169 5000



ITEM	PART NUMBER	QTY	BODY	MODEL	DESCRIPTION
1					PANEL, Body Side Aperture
	4206 460-1	1			Front
	4206 462-3	1			Center
	4206 992-3	1			Rear
NOTE: For Body Side Service Replacement Panels, See Figure 23A-4600 an offsetting order for part no. 3747881					
2	#4206 952-3	1			TROUGH, Aperture Panel Roof Side Drain
3	#4278 122-3	1			RAIL, Roof Side Inner, Front
4	4134 850	1			REINFORCEMENT, Body Side Aperture Fuel Filler Door Opening
5	#4278 110-1	1			FRAME, Windshield Opening Side Inner
6	4136 902-3	1			REINFORCEMENT, Windshield Opening Side Aperture, Upper
7	4206 130-1	1			EXTENSION, Body Side Aperture Panel Lower Rear
8	4206 144-5	1			FILLER, Body Side Aperture Rear Door Opening, Upper Rear
9	4206 197	2			REINFORCEMENT, Body Side Aperture Panel Seat Belt Anchor, Lower
	4206 198-9	1			Upper
10	4206 248	2			SUPPORT, Aperture Panel Quarter Window Rear Moulding
11	4206 146-7	1			FILLER, Roof Panel Quarter Window Opening Upper Front
12	4200 838	2			RETAINER, Body Side Aperture Panel Door Latch Striker Nut
13					PLATE, Body Side Aperture Jack Locator
	4206 308	4			Up to 5/1/82
	4278 494	4			After 5/1/82
14					PILLAR (see Body Front Hinge Pillar Illustration)
15	4206 062	1			DOOR w/HINGE and SPRING, Body Side Aperture Fuel Filler
	4206 746	1			BAND, Fuel Filler Door Hinge Spring Pin Noise Dampener
16		4			SCREW (not serviced)
17	5200 365	2			BUTTON, Body Side Aperture Fuel Filler Door Stop Bumper
18	4206 744	1			BRACKET, Body Side Aperture Fuel Filler Door Stop
19		2			NUT, Body Side Aperture Fuel Filler Door Attaching (Not Serviced)
20	#4206 956	2			RETAINER w/STUDS, Quarter Outside Panel Rear Bumper Fascia
21	#4206 421	1			BEZEL, Fuel Filler Door Opening
NOTE: The following Items are not shown on illustration. an offsetting order for part no. 3747881					
	4206 958	1			SEAL, Body Side Aperture Fuel Filler Door Reinforcement
	4206 984	1			GASKET, Body Side Aperture Fuel Filler Opening
	4206 486	2			SEAL, Body Side Aperture to Lower Front Pillar
	4206 487	2			SEAL, Center Pillar to Drain Trough

MODEL CODES

B = GRAN FURY/CARAVELLE	P = RELIANT
C = LEBARON/TOWN & COUNTRY	S = CORDOBA
D = ARIES	V = 400
F = NEW YORKER	X = MIRADA
G = DIPLOMAT	Y = IMPERIAL
M = HORIZON/TC3/SCAMP	Z = OMNI/O24/RAMPAGE

BODY STYLES

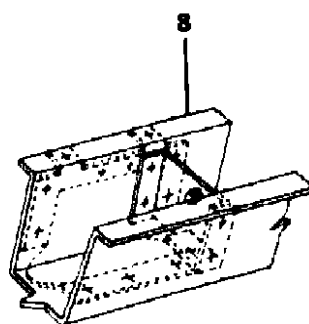
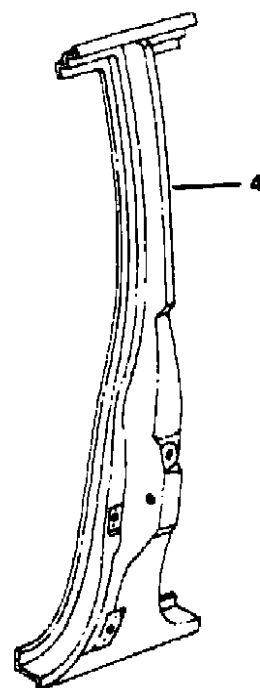
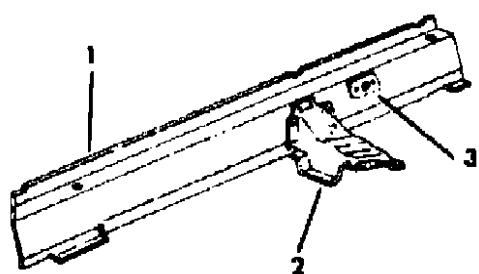
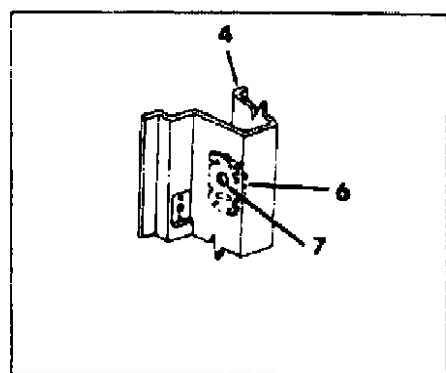
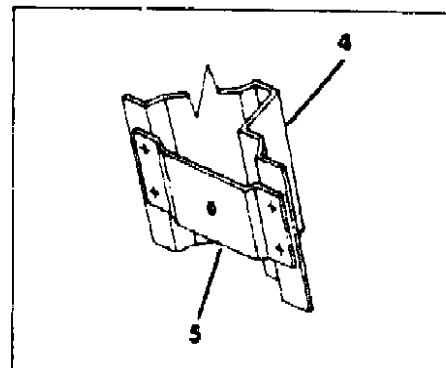
21 = 2-DOOR SEDAN	28 = FWD PICKUP
22 = 2-DOOR SPECIAL COUPE	41 = 4-DOOR SEDAN
24 = 2-DOOR HATCHBACK	44 = 4-DOOR HATCHBACK
27 = 2-DOOR CONVERTIBLE	45 = 2-SEAT STATION WAGON

AR = Use as Required - = Non Illustrated Part P.A.R. = Paint as Required

**SIDE SILL AND CENTER PILLAR - P,D,V,C**  
**Figure 23A-5100**

2189 5100

ITEM	PART NUMBER	QTY	BODY	MODEL	DESCRIPTION
1	4134 652-3	1			PANEL, Body Side Sill Inner
2	#4206 840-1	1			REINFORCEMENT w/NUT, Front Floor Pan Front Seat Rear Outer Attaching
3	3767 433	2			REINFORCEMENT w/NUT, Floor Pan Side Sill Inner, Front Seat Belt
4	4136 942-3	1		41,45	PILLAR, Body Center Outer
5	4206 198-9	1		41,45	REINFORCEMENT w/NUT, Body Side Aperture Seat Belt Anchor Upper
6	4134 972	2			RETAINER, Body Side Aperture Panel Door Lock Striker Nut
7	6500 483	2			NUT, Body Side Aperture Panel Door Lock Striker
8	4134 656-7	1			EXTENSION, Sill Inner Rear



**MODEL CODES**

B = GRAN FURY/CARAVELLE	P = RELIANT
C = LEBARON/TOWN & COUNTRY	S = CORDOBA
D = ARIES	V = 400
F = NEW YORKER	X = MIRADA
G = DIPLOMAT	Y = IMPERIAL
M = HORIZON/TC3/SCAMP	Z = OMNI/O24/RAMPAGE

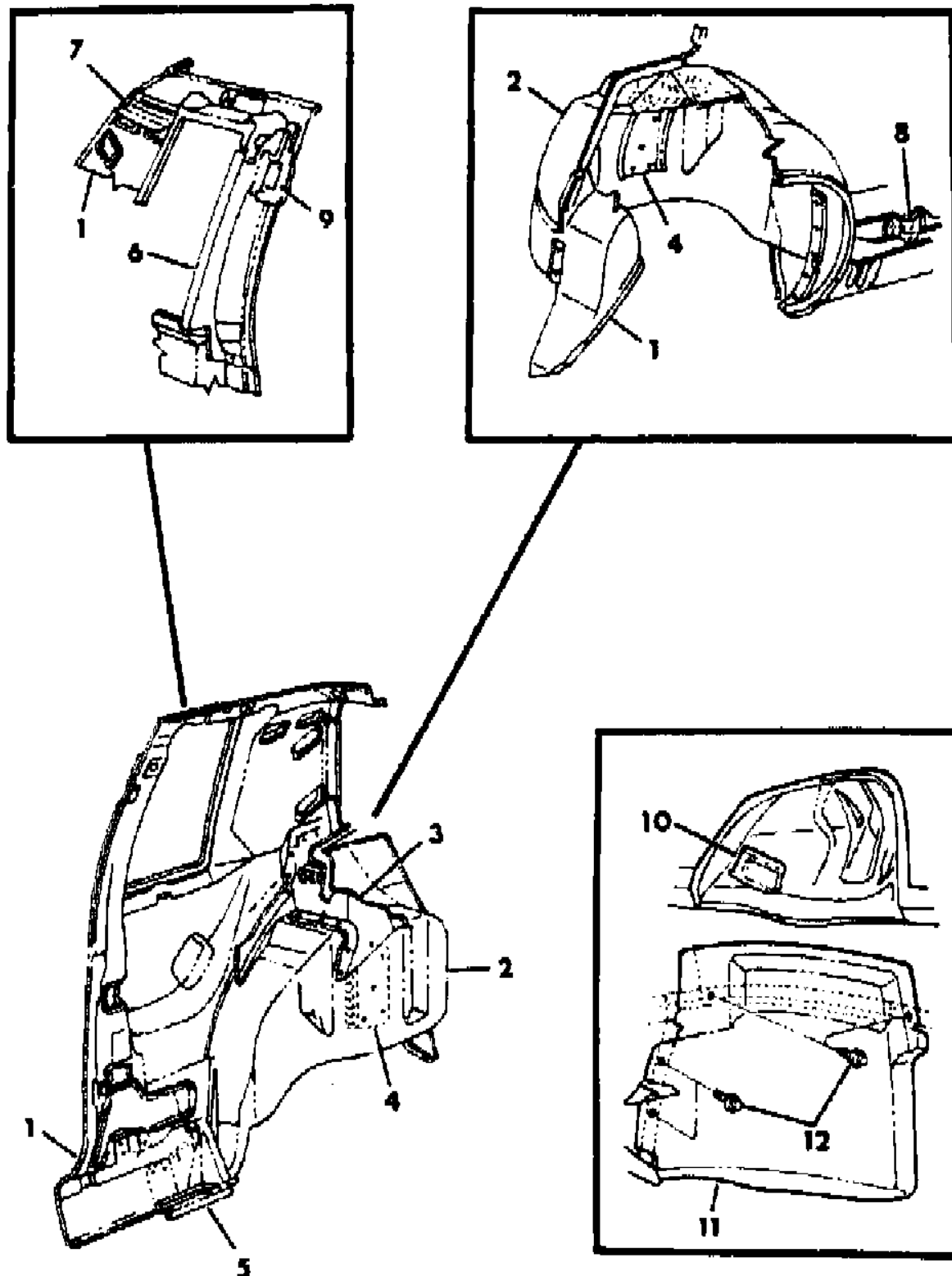
**BODY STYLES**

21 = 2-DOOR SEDAN	28 = FWD PICKUP
22 = 2-DOOR SPECIAL COUPE	41 = 4-DOOR SEDAN
24 = 2-DOOR HATCHBACK	44 = 4-DOOR HATCHBACK
27 = 2-DOOR CONVERTIBLE	45 = 2-SEAT STATION WAGON

AR = Use as Required - = Non Illustrated Part P.A.R. = Paint as Required

PANEL, QUARTER INSIDE AND WHEELHOUSE OUTER P,D,V,C,21,22,27  
Figure 23A-5200

2189 5200A



ITEM	PART NUMBER	QTY	BODY	MODEL	DESCRIPTION
1	#4278 104-5	1		21	PANEL, Quarter Inside and Wheelhouse Outer
	4206 742-3	1		22,27	
2	#4278 436-7	1			PANEL, Rear Wheelhouse Inner
3		1			EXTENSION, Shelf Panel (not serviced)
4	4134 686-7	1			REINFORCEMENT, W/House Inner Panel Shock Absorber Mounting
5	4206 156-7	1			REINFORCEMENT, Quarter Inner Panel Sill Jacking
6	4129 644-5	1			REINFORCEMENT, Quarter Inside Panel to Body Side Aperture Panel, Front
7	4134 894-5	1			SUPPORT, Quarter Inside and Wheelhouse Outer to Side Aperture Panel
8	4206 014	2			REINFORCEMENT, Quarter Inside and Wheelhouse Outer Panel Seat Belt Retractor
9	3767 433	2			REINFORCEMENT, Quarter Inside Panel Upper Shoulder Belt Anchor
10	4206 734	1		P,D	SHIELD, W/House Inner Panel Fuel Filler Tube, Rt.
11	#4278 370-1	1		V,C	SHIELD, Rear W/House Inner Panel Appearance
12		AR			SCREW (Not Serviced)
NOTE: The following Items are not shown on illustration. an offsetting order for part no. 3747881					
	4206 218	2			SEAL, Quarter Outside Panel to Deck Lower Panel Extension
	4206 243	1			PIN, W/House Inner to Deck Lid Hinge Restrainer Cable, Rt. Attaching
	4073 281	1			CAPLUG, W/House Inner to Deck Lid Hinge Restrainer Cable, Rt. Attaching Screw

MODEL CODES

B = GRAN FURY/CARAVELLE	P = RELIANT
C = LEBARON/TOWN & COUNTRY	S = CORDOBA
D = ARIES	V = 400
F = NEW YORKER	X = MIRADA
G = DIPLOMAT	Y = IMPERIAL
M = HORIZON/TC3/SCAMP	Z = OMNI/O24/RAMPAGE

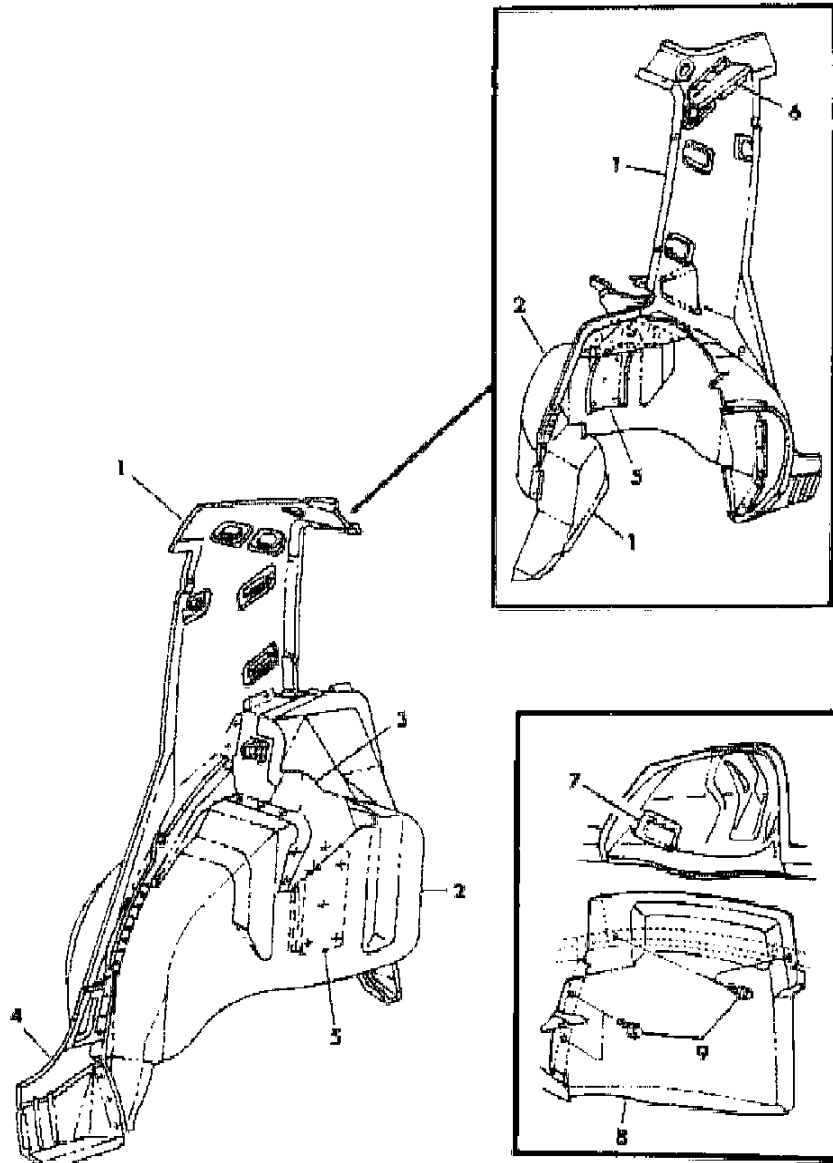
BODY STYLES

21 = 2-DOOR SEDAN	28 = FWD PICKUP
22 = 2-DOOR SPECIAL COUPE	41 = 4-DOOR SEDAN
24 = 2-DOOR HATCHBACK	44 = 4-DOOR HATCHBACK
27 = 2-DOOR CONVERTIBLE	45 = 2-SEAT STATION WAGON

AR = Use as Required - = Non Illustrated Part P.A.R. = Paint as Required

**PANEL, QUARTER INSIDE AND WHEELHOUSE OUTER P,D,V,C,41**  
**Figure 23A-5300**

2169 5300A



ITEM	PART NUMBER	QTY	BODY	MODEL	DESCRIPTION
1	#4278 108-9	1			PANEL, Quarter Inside and Wheelhouse Outer
2	#4278 436-7	1			PANEL, Rear Wheelhouse Inner
3		1			EXTENSION, Shelf Panel (not serviced)
4	4206 074-5	1			REINFORCEMENT, Quarter Inner Panel Sill Jacking
5	4134 686-7	1			REINFORCEMENT, W/House Inner Panel Shock Absorber Mounting
6	4134 896-7	1			SUPPORT, Quarter Inside and Wheelhouse Outer to Side Aperture Panel
7	4206 734	1		P,D	SHIELD, W/House Inner Panel Fuel Filler Tube, Rt.
8	#4278 370-1	1		V,C	SHIELD, Rear W/House Inner Panel Appearance
9		AR			SCREW (Not Serviced)
NOTE: The following Items are Not shown On Illustration. an offsetting order for part no. 3747881					
	4206 218	2			SEAL, Quarter Outside Panel to Deck Lower Panel Extension
	4206 243	1			PIN, W/House Inner to Deck Lid Hinge Restrainer Cable, Rt. Attaching
	4073 281	1			CAPLUG, W/House Inner to Deck Lid Hinge Restrainer Cable, Rt. Attaching Screw

**MODEL CODES**

B = GRAN FURY/CARAVELLE	P = RELIANT
C = LEBARON/TOWN & COUNTRY	S = CORDOBA
D = ARIES	V = 400
F = NEW YORKER	X = MIRADA
G = DIPLOMAT	Y = IMPERIAL
M = HORIZON/TC3/SCAMP	Z = OMNI/O24/RAMPAGE

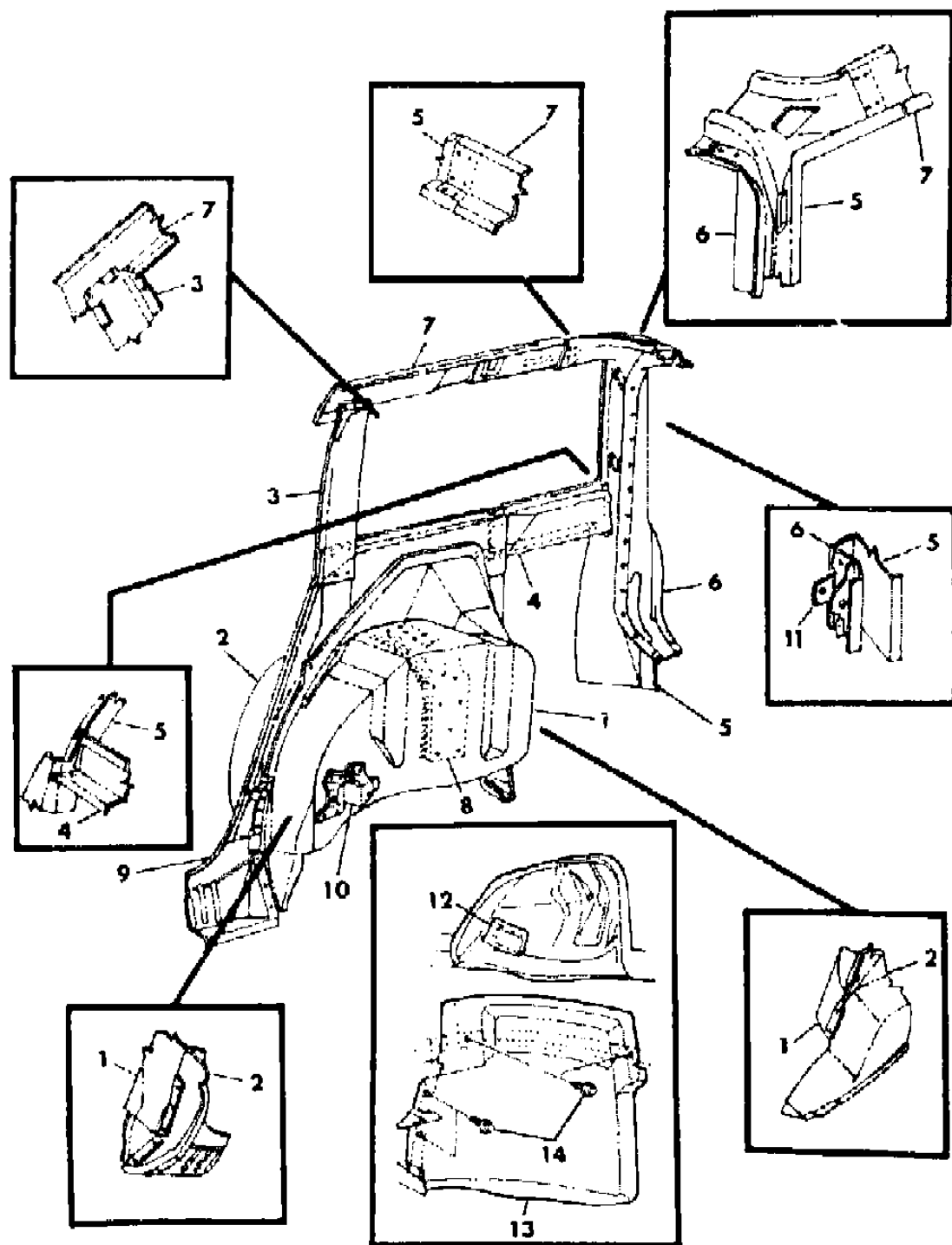
**BODY STYLES**

21 = 2-DOOR SEDAN	28 = FWD PICKUP
22 = 2-DOOR SPECIAL COUPE	41 = 4-DOOR SEDAN
24 = 2-DOOR HATCHBACK	44 = 4-DOOR HATCHBACK
27 = 2-DOOR CONVERTIBLE	45 = 2-SEAT STATION WAGON

AR = Use as Required - = Non Illustrated Part P.A.R. = Paint as Required

PANEL, QUARTER INSIDE AND WHEELHOUSE OUTER P,D,C,45  
Figure 23A-5400

2169 5400A



ITEM	PART NUMBER	QTY	BODY	MODEL	DESCRIPTION
1	#4278 436-7	1			PANEL, Rear Wheelhouse Inner
2	4134 816-7	1			PANEL, Quarter Inside and Wheelhouse Outer
3	4134 814-5	1			PANEL, Body Rear Lock Pillar Upper, Inner
4	4134 822-3	1			REINFORCEMENT, Quarter Panel Belt
5	4134 824-5	1			PILLAR, Quarter Outside Panel Lift Gate Opening, Front
6	4134 826-7	1			PILLAR, Quarter Outside Panel Lift Gate Opening, Rear
7	4206 150-1	1			RAIL, Roof Side Inner, Rear
8	4134 686-7	1			REINFORCEMENT, W/House Inner Panel Shock Absorber Mounting
9	4206 074-5	1			REINFORCEMENT, Quarter Inner Panel Sill Jacking
10	4206 220-1	1			BRACKET, Wheelhouse Inner Panel Rear, Folding Seat Back Hinge Mounting
11	4206 439	2			BRACKET, Lift Gate Opening Pillar Prop Attaching
12	4206 734	1		P,D	SHIELD, W/House Inner Panel Fuel Filler Tube, Rt.
13	#4278 370-1	1		V,C	SHIELD, Rear W/House Inner Panel Appearance
14		AR			SCREW (Not Serviced)

MODEL CODES

B = GRAN FURY/CARAVELLE	P = RELIANT
C = LEBARON/TOWN & COUNTRY	S = CORDOBA
D = ARIES	V = 400
F = NEW YORKER	X = MIRADA
G = DIPLOMAT	Y = IMPERIAL
M = HORIZON/TC3/SCAMP	Z = OMNI/O24/RAMPAGE

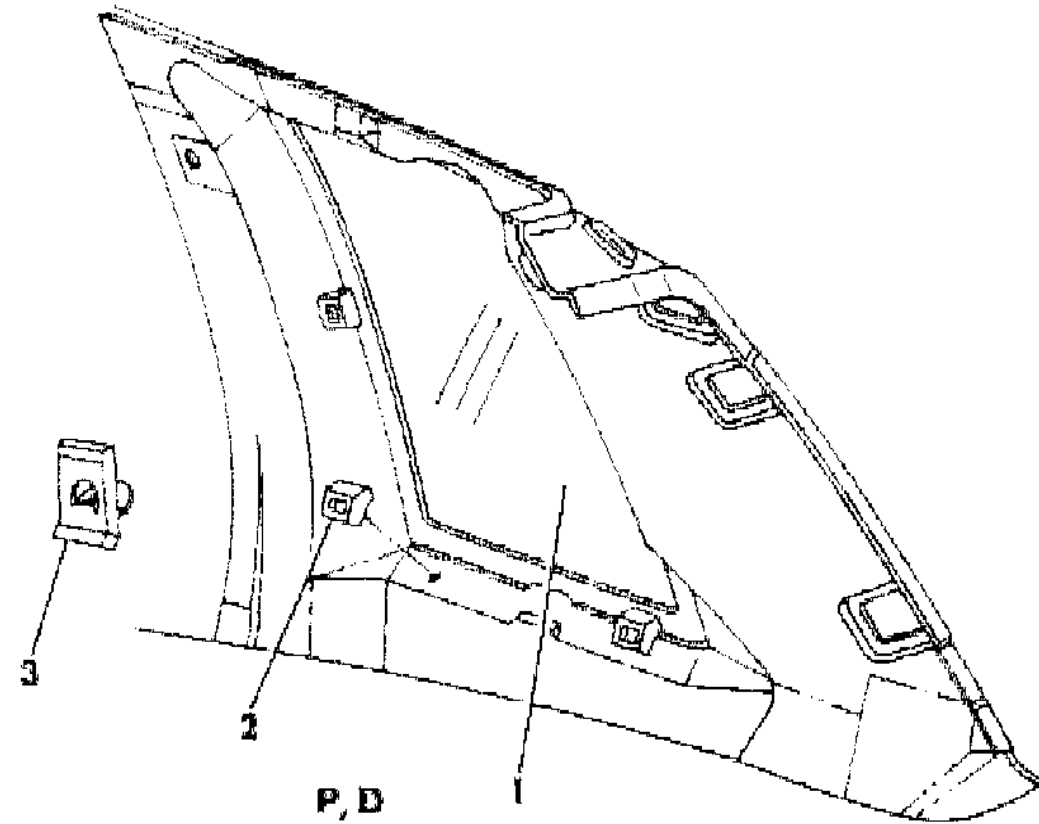
BODY STYLES

21 = 2-DOOR SEDAN	28 = FWD PICKUP
22 = 2-DOOR SPECIAL COUPE	41 = 4-DOOR SEDAN
24 = 2-DOOR HATCHBACK	44 = 4-DOOR HATCHBACK
27 = 2-DOOR CONVERTIBLE	45 = 2-SEAT STATION WAGON

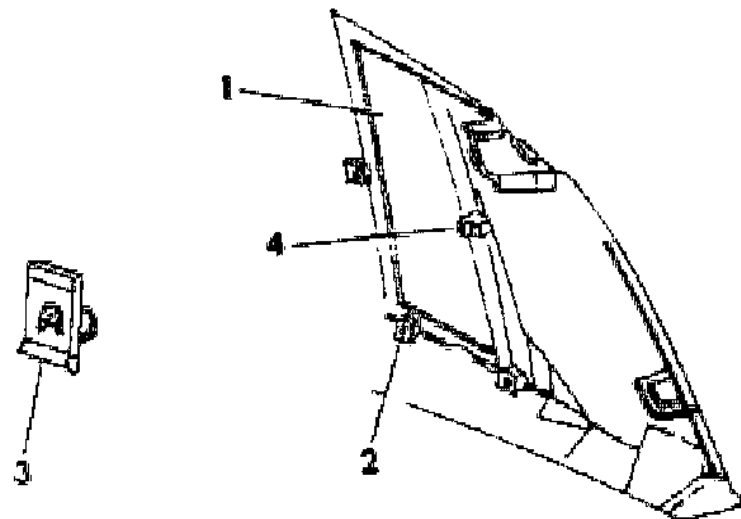
AR = Use as Required - = Non Illustrated Part P.A.R. = Paint as Required

**GLASS, QUARTER WINDOW - P,D,V,C,21,22**  
**Figure 23A-5500**

2159 5500



**P, D**



**V, C**

ITEM	PART NUMBER	QTY	BODY	MODEL	DESCRIPTION
1	4134 636-7	1		P,D	GLASS, Qtr. Wdo., Tinted
	4278 266-7	1		V	Tinted, Up to 10/30/81
	4278 672-3	1		V	Tinted, After 10/30/81
	4206 622-3	1		C	Tinted, Up to 10/21/81
	4278 670-1	1		C	Tinted, After 10/21/81
2	4206 362	AR		All	SPACER, Qtr. Wdo. Glass
3	4206 852	2		All	RETAINER, Qtr. Wdo. Glass (Upper)
	4206 852	2		All	(Lower)
4	#4278 162	2		V,C	SPACER, Qtr. Wdo. Glass, Rear

NOTE: THE FOLLOWING ITEMS ARE NOT SHOWN ON ILLUSTRATION. an offsetting order for part no. 3747881

4057 957	1		All		FIXED GLASS REPAIR PACKAGE, Qtr. Wdo.
CONSISTS OF:					
1- ----- Tape, Butyl, 171.00"					
1- ----- Primer, Glass					
1- ----- PRIMER, Fence					
2- 3674698 Spacer, Rubber, 0.2"					
2- 3793290 Spacer, Rubber, 0.3"					
2- 3767767 Shim, 0.07"					
2- ----- Sponges Disposable					

**MODEL CODES**

B = GRAN FURY/CARAVELLE	P = RELIANT
C = LEBARON/TOWN & COUNTRY	S = CORDOBA
D = ARIES	V = 400
F = NEW YORKER	X = MIRADA
G = DIPLOMAT	Y = IMPERIAL
M = HORIZON/TC3/SCAMP	Z = OMNI/O24/RAMPAGE

**BODY STYLES**

21 = 2-DOOR SEDAN	28 = FWD PICKUP
22 = 2-DOOR SPECIAL COUPE	41 = 4-DOOR SEDAN
24 = 2-DOOR HATCHBACK	44 = 4-DOOR HATCHBACK
27 = 2-DOOR CONVERTIBLE	45 = 2-SEAT STATION WAGON

AR = Use as Required - = Non Illustrated Part P.A.R. = Paint as Required



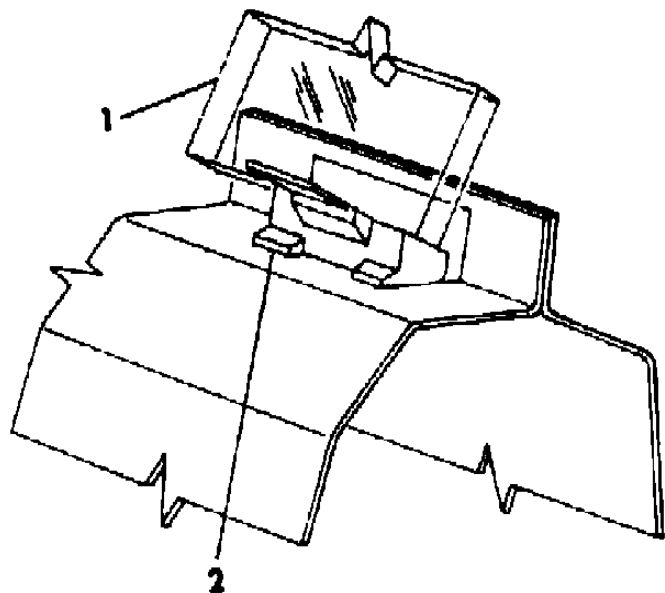
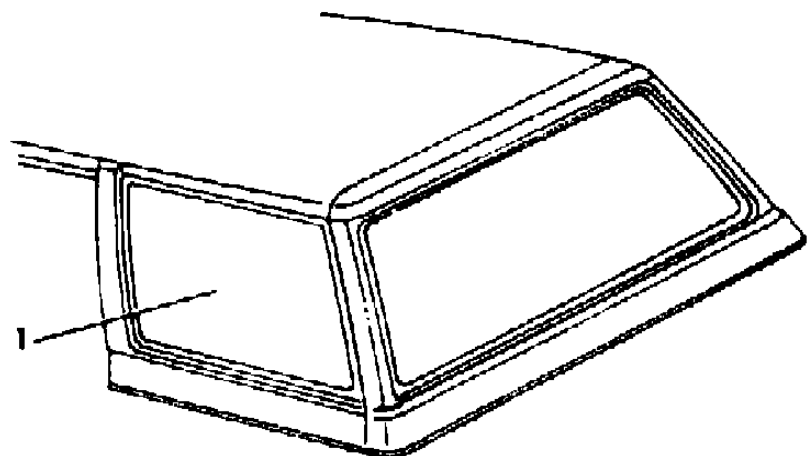
**GLASS, QUARTER WINDOW - P,D,C,45**  
**Figure 23A-5600**

2169 5000

ITEM	PART NUMBER	QTY	BODY	MODEL	DESCRIPTION
1	4206 170-1	1			GLASS, Qtr. Wdo., Clear
	4206 172-3	1			Tinted
2					SPACER, Qtr. Wdo. Glass
	4206 693	2			SPACER, Qtr. Wdo. Glass, Rear
	4206 517	4			SPACER, Qtr. Wdo. Glass, Lower (Plastic)

NOTE: THE FOLLOWING ITEMS ARE NOT SHOWN ON ILLUSTRATION. an offsetting order for part no. 3747881

4057 957	1				FIXED GLASS REPAIR PACKAGE, Qtr. Wdo. CONSISTS OF:
					1- ----- Tape, Butyl, 171.00"
					1- ----- Primer, Glass
					1- ----- PRIMER, Fence
					2- 3674698 Spacer, Rubber, 0.2"
					2- 3793290 Spacer, Rubber, 0.3"
					2- 3767767 Shim, 0.07"
					2- ----- Sponges Disposable



MODEL CODES

B = GRAN FURY/CARAVELLE	P = RELIANT
C = LEBARON/TOWN & COUNTRY	S = CORDOBA
D = ARIES	V = 400
F = NEW YORKER	X = MIRADA
G = DIPLOMAT	Y = IMPERIAL
M = HORIZON/TC3/SCAMP	Z = OMNI/O24/RAMPAGE

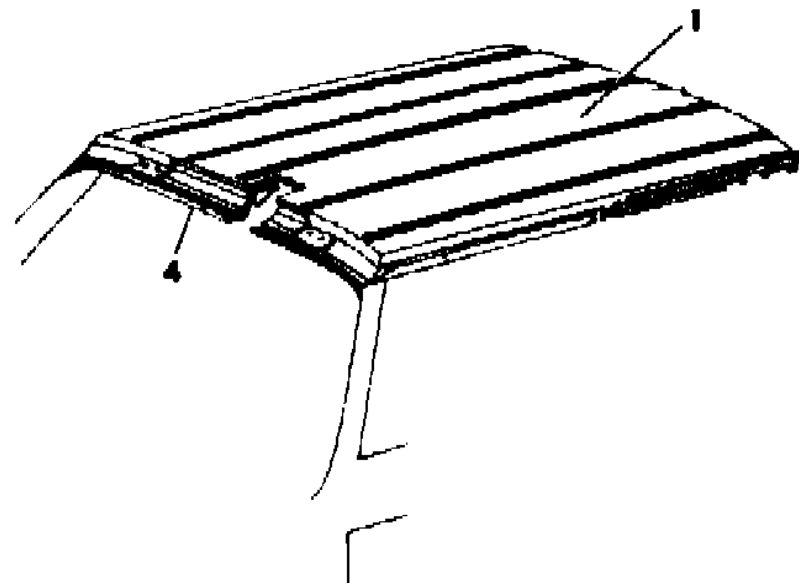
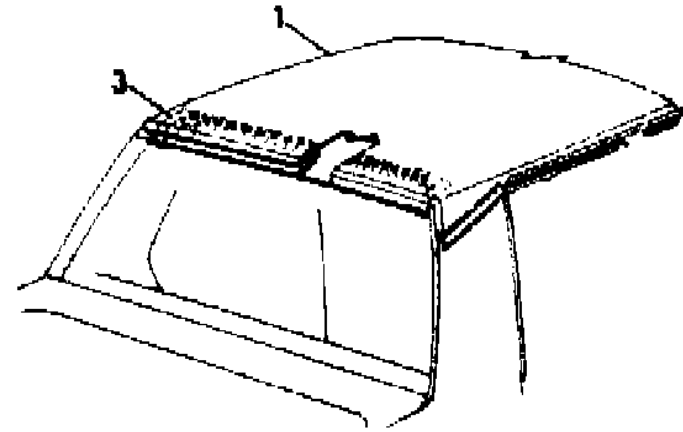
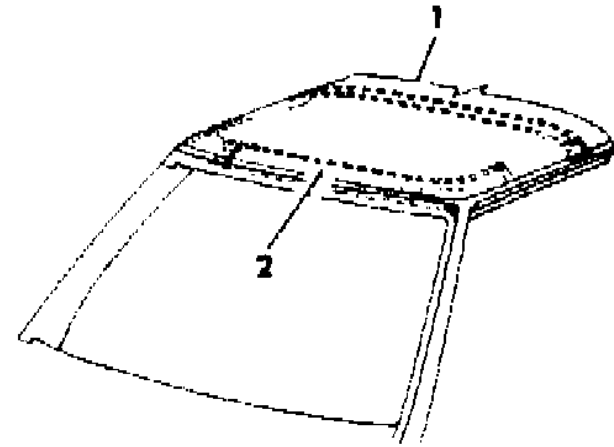
BODY STYLES

21 = 2-DOOR SEDAN	28 = FWD PICKUP
22 = 2-DOOR SPECIAL COUPE	41 = 4-DOOR SEDAN
24 = 2-DOOR HATCHBACK	44 = 4-DOOR HATCHBACK
27 = 2-DOOR CONVERTIBLE	45 = 2-SEAT STATION WAGON

AR = Use as Required - = Non Illustrated Part P.A.R. = Paint as Required

ROOF PANEL - P,D,V,C  
Figure 23A-5700

2169 5700



ITEM	PART NUMBER	QTY	BODY	MODEL	DESCRIPTION
1	4136 800	1		21,22	PANEL, Roof
	4136 801	1		41	
	4206 950	1		45	
2	#4278 137	1		21,22	FRAME, W/Shield Opening Upper
	4278 140	1		41,45	
3	4136 912	1		21,22	FRAME, Rear Wdo. Opening Upper
	4136 950	1		41	
4	4134 833	1		45	FRAME, Lift Gate Opening Upper
NOTE: The Following Items Are Not Shown On Illustration. an offsetting order for part no. 3747881					
	6003 423	AR			FASTENER, W/Shield Upper Frame to W/Shield Side Frame
	4136 853	2		21,22,4	BOW, Roof Panel
	4134 834	3		45	
	6100 582	AR			BOLT, Roof Panel Bow, Attaching

MODEL CODES

B = GRAN FURY/CARAVELLE	P = RELIANT
C = LEBARON/TOWN & COUNTRY	S = CORDOBA
D = ARIES	V = 400
F = NEW YORKER	X = MIRADA
G = DIPLOMAT	Y = IMPERIAL
M = HORIZON/TC3/SCAMP	Z = OMNI/O24/RAMPAGE

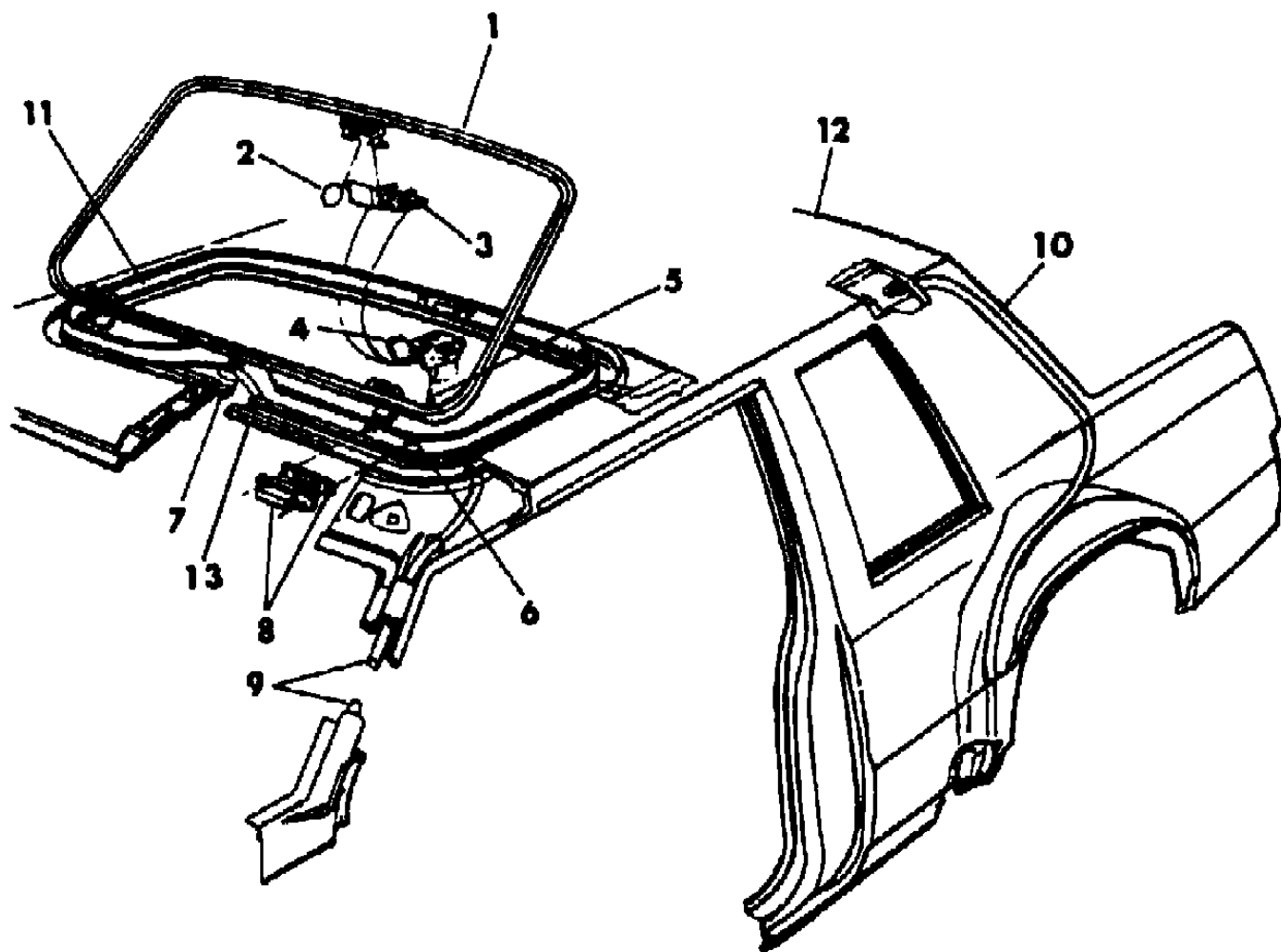
BODY STYLES

21 = 2-DOOR SEDAN	28 = FWD PICKUP
22 = 2-DOOR SPECIAL COUPE	41 = 4-DOOR SEDAN
24 = 2-DOOR HATCHBACK	44 = 4-DOOR HATCHBACK
27 = 2-DOOR CONVERTIBLE	45 = 2-SEAT STATION WAGON

AR = Use as Required - = Non Illustrated Part P.A.R. = Paint as Required

**SUN ROOF - P,D,V,C**  
**Figure 23A-5800**

2169 5800A



ITEM	PART NUMBER	QTY	BODY	MODEL	DESCRIPTION
1	4246 301	1			GLASS w/FRAME
2		1			DECAL (Not Serviced)
3					HANDLE
	H406 AX9	1			Black (Paint As Required)
	H406 VB2	1			Light Blue
	H406 AC7	1			Dark Blue
	H406 VF5	1			Green
	H406 AH9	1			Mahogany
	H406 VM6	1			Red
	H406 AA3	1			Silver
	H406 VT4	1			Tan
4					BASE, Handle
	H407 AX9	1			Black (Paint As Required)
	H407 VB2	1			Blue (Paint As Required)
5	6100 992	3			SCREW
6	6101 127	4			SCREW
7					WELT, Headlining Opening
	H174 VB2	1			Light Blue
	H174 AC7	1			Dark Blue
	H174 VF5	1			Green
	H174 AH9	1			Mahogany
	H174 VM6	1			Red
	H174 AA3	1			Silver
	H174 VT4	1			Tan
8	4172 966-7	1			HINGE RECEIVER w/GASKET
9	4246 206	2			HOSE, Drain Front
10	4026 152	AR			HOSE, Drain Rear
11	4198 375	1			SEAL (Primary)
					SEAL (Secondary)
	4172 849	1			w/o Vinyl Roof
	4172 965	1			w/Vinyl Roof
12	4200 714	1		21,22	PANEL and TROUGH, Roof
	4200 715	1		41	
13	4206 331				SEAL, Roof Glass Panel
NOTE: The Following Items Are Not Shown On Illustration. an offsetting order for part no. 3747881					
	5207 378	4			PLATE, Spring Hinge Retaining Nut
	4246 409	1			T/PLATE, Glass Panel Handle

MODEL CODES

B = GRAN FURY/CARAVELLE	P = RELIANT
C = LEBARON/TOWN & COUNTRY	S = CORDOBA
D = ARIES	V = 400
F = NEW YORKER	X = MIRADA
G = DIPLOMAT	Y = IMPERIAL
M = HORIZON/TC3/SCAMP	Z = OMNI/O24/RAMPAGE

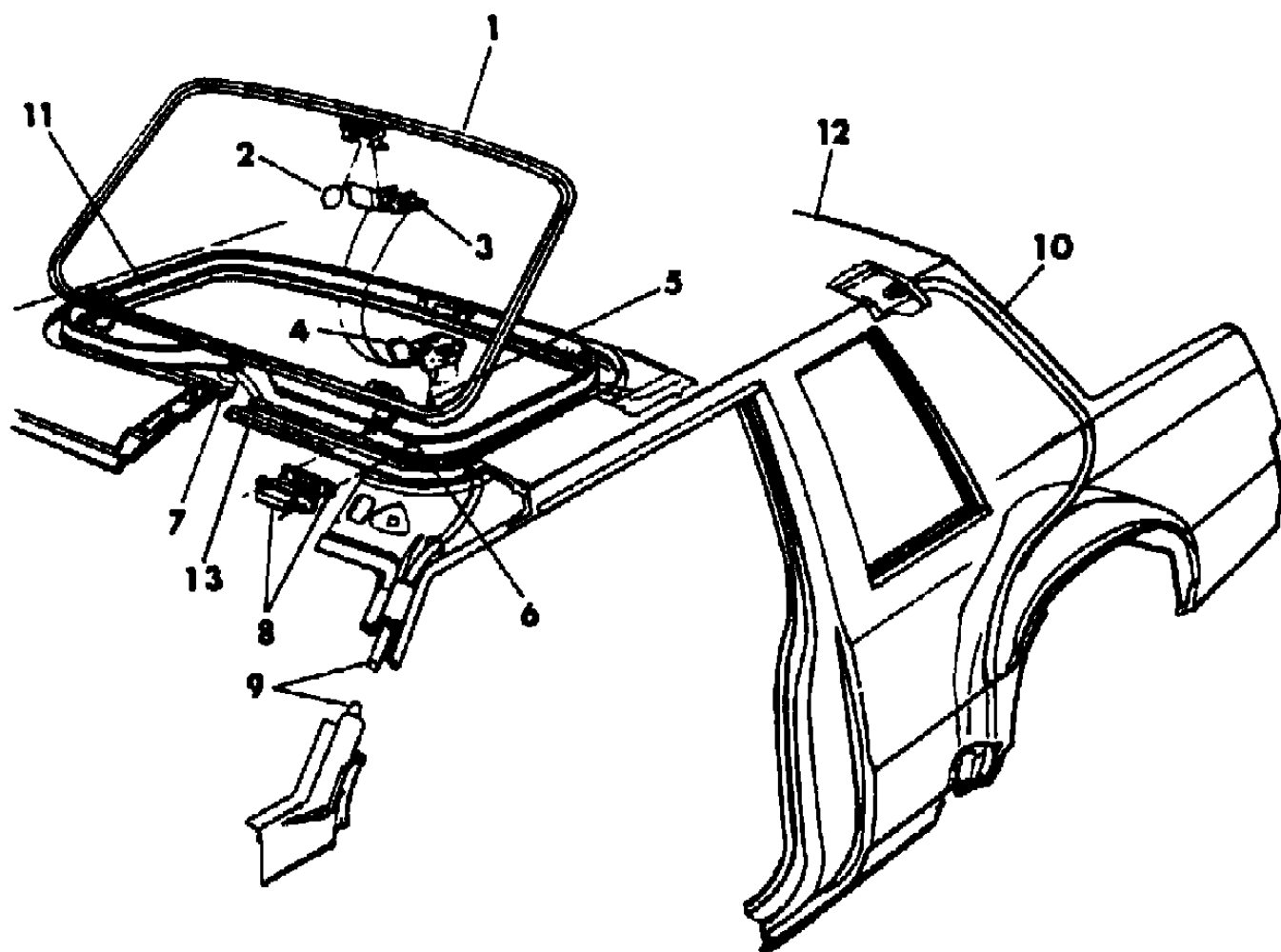
BODY STYLES

21 = 2-DOOR SEDAN	28 = FWD PICKUP
22 = 2-DOOR SPECIAL COUPE	41 = 4-DOOR SEDAN
24 = 2-DOOR HATCHBACK	44 = 4-DOOR HATCHBACK
27 = 2-DOOR CONVERTIBLE	45 = 2-SEAT STATION WAGON

AR = Use as Required - = Non Illustrated Part P.A.R. = Paint as Required

SUN ROOF - P,D,V,C  
Figure 23A-5800

2169 5800A



ITEM	PART NUMBER	QTY	BODY	MODEL	DESCRIPTION
	5207 474	2			PIN, Panel Glass Frame Connecting
					PANEL, Headliner (See Interior Trim Section)
	4223 506	1			BAG, Storage
	4246 302	2			HINGE PACKAGE
					Consists Of:
					1- ----- TAPPING PLATE, Latch
					1- ----- Gasket
					2- ----- Grommet
					1- ----- Spacer
					1- ----- Hinge
					2- ----- Washer
					2- ----- Screw
	4246 303	1			RETAINER PACKAGE
					Consists Of:
					1- ----- Tapping Plate Latch
					1- ----- Gasket
					2- ----- Grommet
					1- ----- Gasket
					1- ----- Retainer, Handle
					2- ----- Screw
					2- ----- PIN, Roll

MODEL CODES

B = GRAN FURY/CARAVELLE	P = RELIANT
C = LEBARON/TOWN & COUNTRY	S = CORDOBA
D = ARIES	V = 400
F = NEW YORKER	X = MIRADA
G = DIPLOMAT	Y = IMPERIAL
M = HORIZON/TC3/SCAMP	Z = OMNI/O24/RAMPAGE

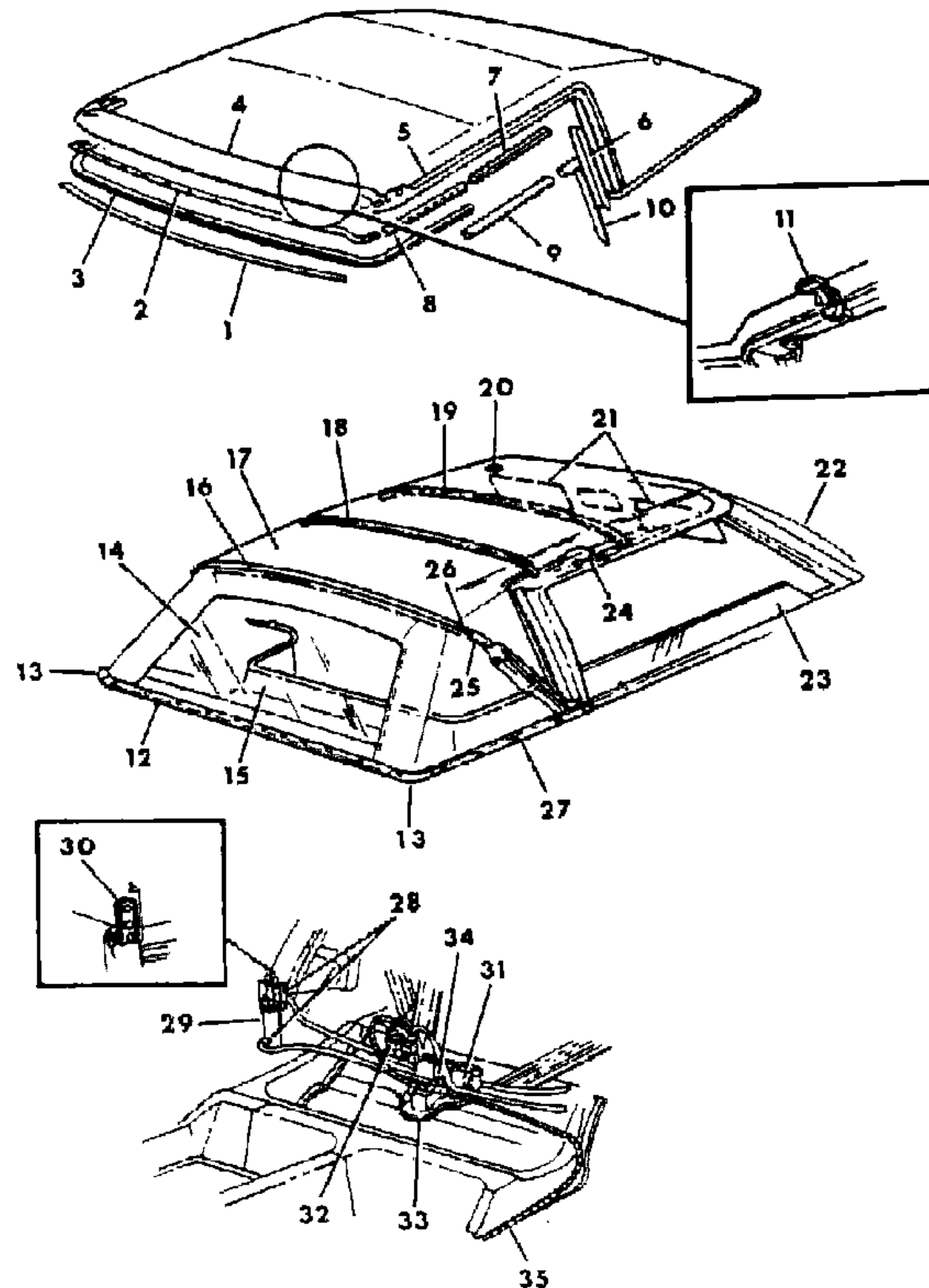
BODY STYLES

21 = 2-DOOR SEDAN	28 = FWD PICKUP
22 = 2-DOOR SPECIAL COUPE	41 = 4-DOOR SEDAN
24 = 2-DOOR HATCHBACK	44 = 4-DOOR HATCHBACK
27 = 2-DOOR CONVERTIBLE	45 = 2-SEAT STATION WAGON

AR = Use as Required - = Non Illustrated Part P.A.R. = Paint as Required

CONVERT. FOLDING TOP - V,C-27  
Figure 23A-5810

2169 5810



ITEM	PART NUMBER	QTY	BODY	MODEL	DESCRIPTION
1	#X368 AT3	1			WELT, Header, Cashmere
	X368 AX9	1			Black
	X368 AW3	1			White
	4305 122	AR			WELT, Header Pinchweld (Black Plastic U-Shaped)
2	#4097 652	1			RETAINER, Header
3	#4097 608	1			SEAL, Header
4	#4097 525	1			PANEL, Header
5	#4097 658	2			CABLE, Cover
	4305 067	2			GROMMET, Cable
6		2			SPRING (Not Serviced)
					RETAINER, Rear Rail Seal
	4097 644-5	1			Up to June 21, 1982
	4305 066	1			Rt., After June 21, 1982
7	4305 065	1			Lt., After June 21, 1982
	#4097 648-9	1			RETAINER, Center Rail Seal
					RETAINER, Rear Rail Seal Upper
	4305 008-9	1			Up to June 21, 1982
8	4305 066	1			Rt., After June 21, 1982
	4305 065	1			Lt., After June 21, 1982
9	#4097 646-7	1			RETAINER, Weatherstrip Front Rail
10	#4097 606-7	1			SEAL, Center Rail
11	#4097 604-5	1			SEAL, Rear Rail
12	#4097 659	2			LATCH, Header
13					MOULDING (See Exterior Illustration)
14					MOULDING (See Exterior Illustration)
	#T903 AW3	1			BACKLITE w/ZIPPER, White
	T903 AT3	1			Cashmere
	T903 AX9	1			Black
15	#4097 569	1			SLING, Top Well, Black
	3759 944	10			FASTENER, Sling
16	#4097 692	1			MOULDING, # 3 Bow Feature Strip, Cashmere
	4097 694	1			Black
	4097 695	1			White
17	#T902 AT3	1			COVER, Cashmere
	T902 AW3	1			White
	T902 AX9	1			Black
18	#4097 503	1			BOW, NO.2

MODEL CODES

B = GRAN FURY/CARAVELLE	P = RELIANT
C = LEBARON/TOWN & COUNTRY	S = CORDOBA
D = ARIES	V = 400
F = NEW YORKER	X = MIRADA
G = DIPLOMAT	Y = IMPERIAL
M = HORIZON/TC3/SCAMP	Z = OMNI/O24/RAMPAGE

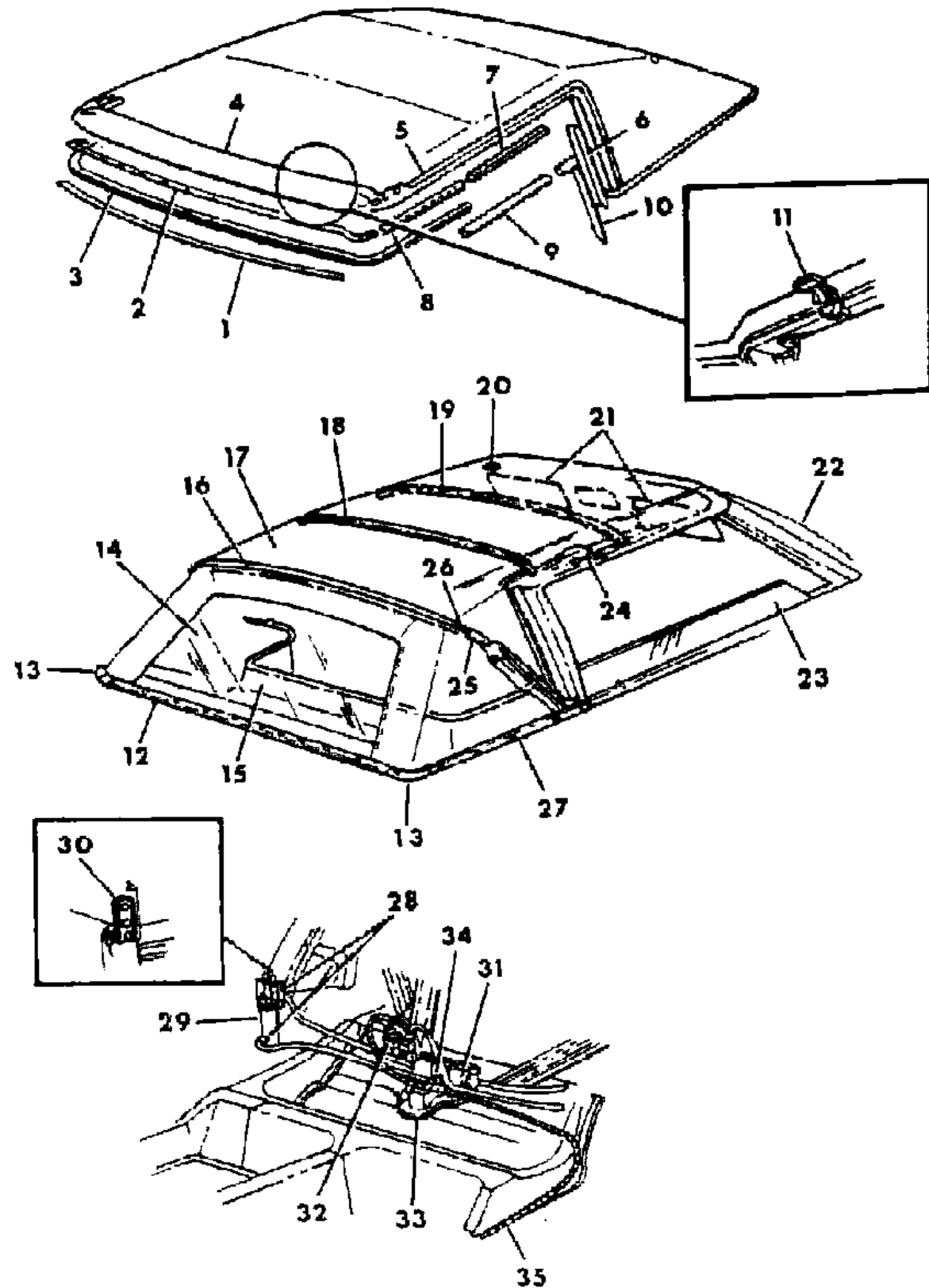
BODY STYLES

21 = 2-DOOR SEDAN	28 = FWD PICKUP
22 = 2-DOOR SPECIAL COUPE	41 = 4-DOOR SEDAN
24 = 2-DOOR HATCHBACK	44 = 4-DOOR HATCHBACK
27 = 2-DOOR CONVERTIBLE	45 = 2-SEAT STATION WAGON

AR = Use as Required - = Non Illustrated Part P.A.R. = Paint as Required

CONVERT. FOLDING TOP - V,C-27  
Figure 23A-5810

2169 5810



ITEM	PART NUMBER	QTY	BODY	MODEL	DESCRIPTION
19	#4097 502	1			BOW, NO.1
20					ARM, Windshield Sun Visor or Blade
	4097 630-1	1			Up to June 21, 1982
	4305 110-1	1			After June 21, 1982
21					VISOR or Blade
	4097 582	1			Right, Cashmere, Up to June 21, 1982
	4305 116	1			Right, Cashmere, After June 21, 1982
	4097 583	1			Left, Cashmere, Up to June 21, 1982
	4305 117	1			Left, Cashmere, After June 21, 1982
	4097 584	1			Right, Mahogany, Up to June 21, 1982
	4305 112	1			Right, Mahogany, After June 21, 1982
	4097 585	1			Left, Mahogany Up to June 21, 1982
	4305 113	1			Left, Mahogany After June 21, 1982
	4097 586	1			Right, Red, Up to June 21, 1982
	4305 114	1			Right, Red, After June 21, 1982
	4097 587	1			Left, Red, Up to June 21, 1982
	4305 115	1			Left, Red, After June 21, 1982
22	#4097 507	1			GLASS, Windshield, Tinted
23	#4097 512-3	1			GLASS, Front Door, Tinted
24	#4097 542-3	1			LINKAGE
	4305 094-5	1			PAD, Side Stay
	4305 096-7	1			PAD, Quarter Stay
25	#4097 504	1			BOW, No.3
	4305 022-3	1			CAP, No.3 Bow Control
26	#4097 591	2			CAP, Bow Feature Strip
27					MOULDING (See Exterior Illustration)
28	#4097 663	1			SEAL, Hydro Cylinder Connector Tube
29	#4097 640	2			CYLINDER, Hydro
30	#4097 613	2			BRACKET, Hydro Cylinder
31	#4097 653	1			MOTOR w/PUMP
					TUBE, Folding Top Hydraulic Motor and Pump
	4097 743	1			Upper
	4097 743	1			Lower
32	#3747 593	1			RELAY, Motor and Pump
33	#4097 614	1			BRACKET, Hydro Cylinder Motor Mounting
34	#4097 654	1			SEAL, Motor and Pump
35	#4097 612	1			WIRING, Control Switch

MODEL CODES

B = GRAN FURY/CARAVELLE	P = RELIANT
C = LEBARON/TOWN & COUNTRY	S = CORDOBA
D = ARIES	V = 400
F = NEW YORKER	X = MIRADA
G = DIPLOMAT	Y = IMPERIAL
M = HORIZON/TC3/SCAMP	Z = OMNI/O24/RAMPAGE

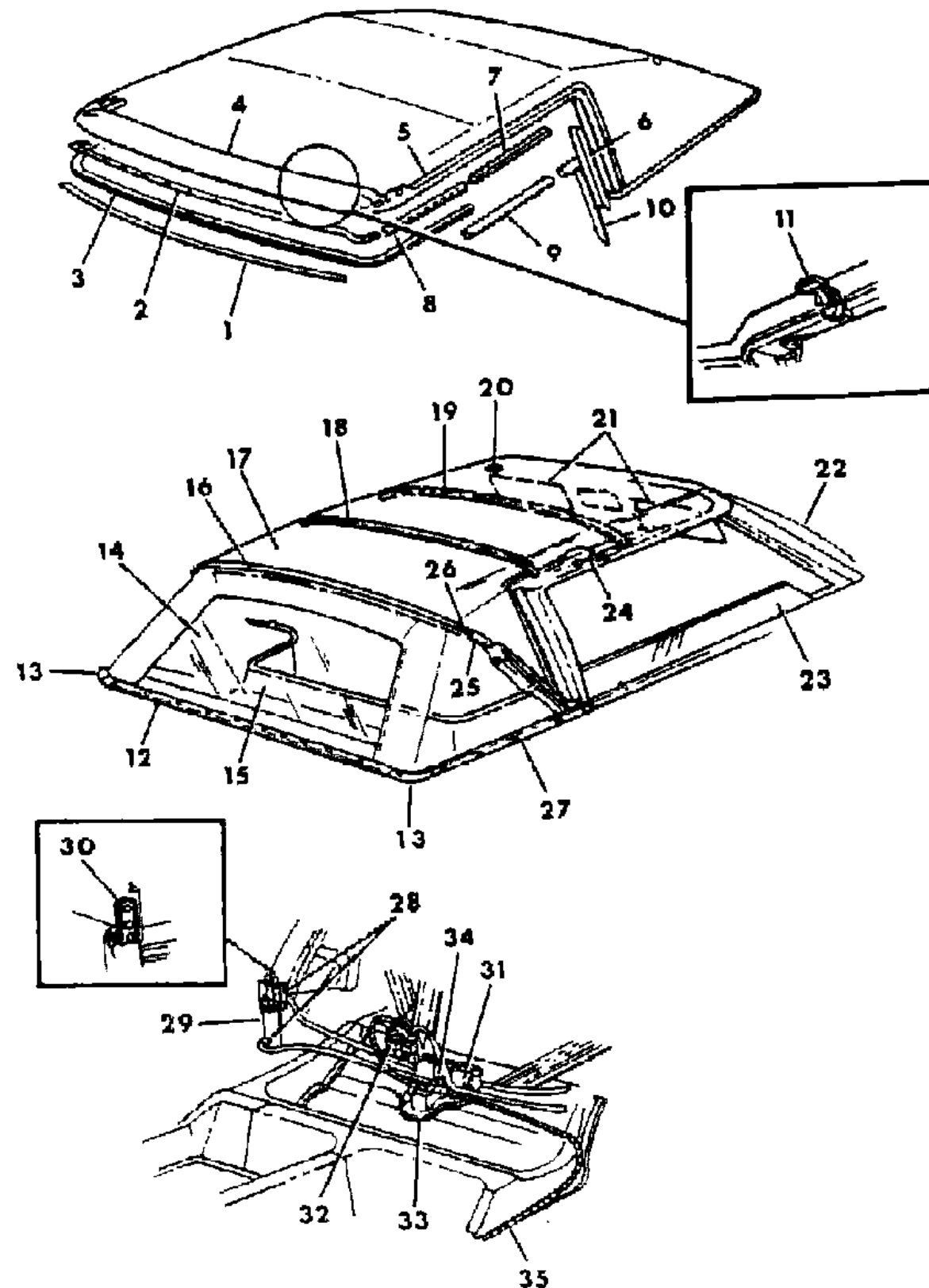
BODY STYLES

21 = 2-DOOR SEDAN	28 = FWD PICKUP
22 = 2-DOOR SPECIAL COUPE	41 = 4-DOOR SEDAN
24 = 2-DOOR HATCHBACK	44 = 4-DOOR HATCHBACK
27 = 2-DOOR CONVERTIBLE	45 = 2-SEAT STATION WAGON

AR = Use as Required - = Non Illustrated Part P.A.R. = Paint as Required

CONVERT. FOLDING TOP - V,C-27  
Figure 23A-5810

2169 5810



ITEM	PART NUMBER	QTY	BODY	MODEL	DESCRIPTION
NOTE: The Following Items Are Not Illustrated an offsetting order for part no. 3747881					
	4097 744	1			WIRING ASSEMBLY, Folding Top Well, Rear Speaker Jumper
	4097 747	7			RETAINER PACKAGE, Folding Top Well Sling
	4097 794	2			RETAINER, Top Listing
		6			SCREW, Retainer Top Listing (Not Serviced)
	4305 011	2			SPRING, Top Cable
	4097 790	2			REINFORCEMENT, Conv. Top
	4305 013	1			STRIP, Tacking Belt Rear
	4305 014-5	1			STRIP, Tacking Belt Rear Corner
					BOOT, Folding Top Cover
	T905 AT3	1			Cashmere
	T905 AK9	1			Saddle
	T905 AM6	1			Red
	4305 102	AR			SNAP PACKAGE, Boot to Belt Reveal Moulding (Female Half)
	4305 101	AR			SNAP PACKAGE, Boot to Belt Reveal Moulding (Male Half)
	4305 080	AR			SNAP PACKAGE, Boot to Closure Panel (Female Half)
	4305 105	AR			SNAP PACKAGE, Boot to Closure Panel (Male Half)
	4097 789	1			PANEL, Folding Top Well Center

MODEL CODES

B = GRAN FURY/CARAVELLE	P = RELIANT
C = LEBARON/TOWN & COUNTRY	S = CORDOBA
D = ARIES	V = 400
F = NEW YORKER	X = MIRADA
G = DIPLOMAT	Y = IMPERIAL
M = HORIZON/TC3/SCAMP	Z = OMNI/O24/RAMPAGE

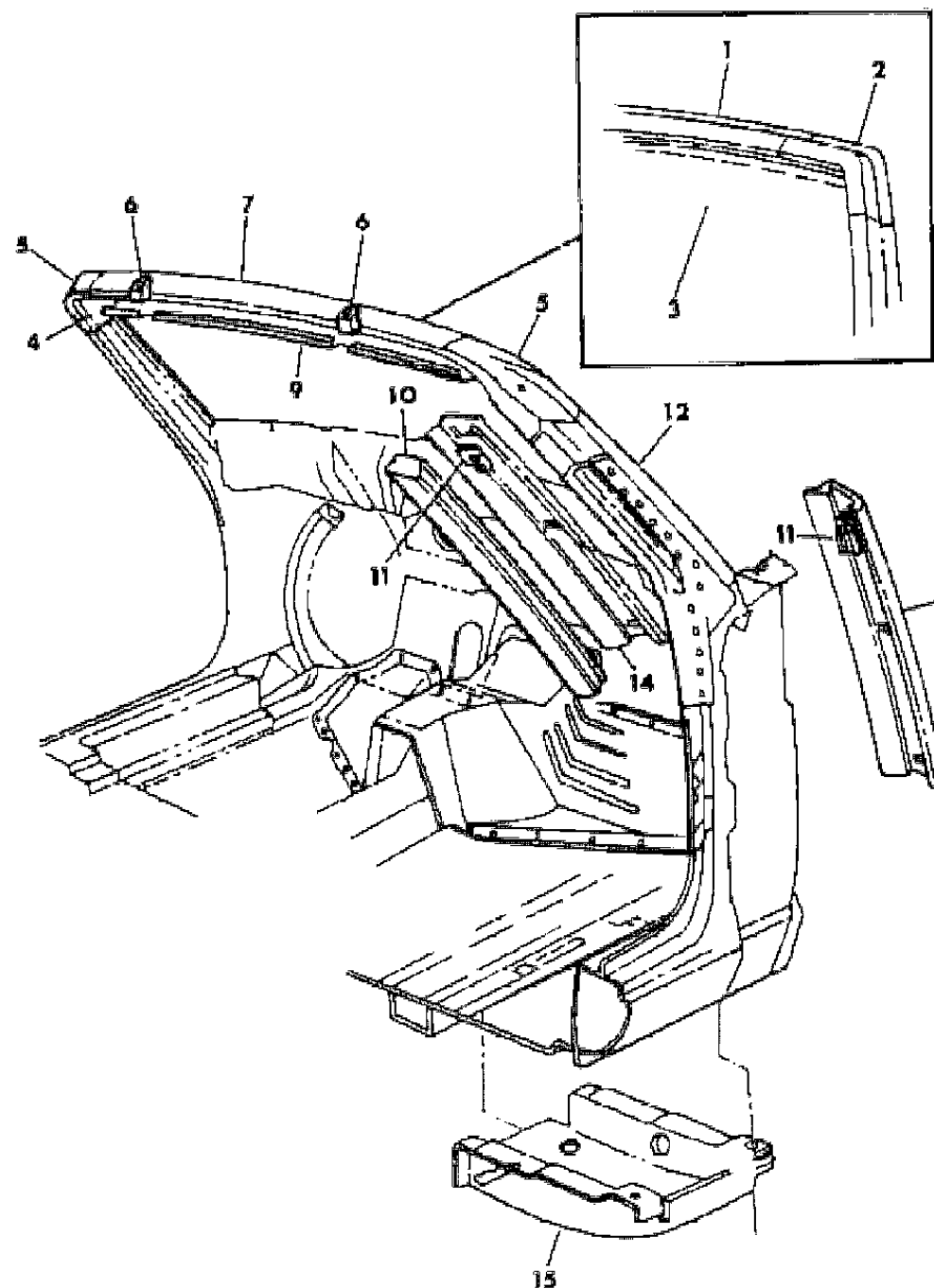
BODY STYLES

21 = 2-DOOR SEDAN	28 = FWD PICKUP
22 = 2-DOOR SPECIAL COUPE	41 = 4-DOOR SEDAN
24 = 2-DOOR HATCHBACK	44 = 4-DOOR HATCHBACK
27 = 2-DOOR CONVERTIBLE	45 = 2-SEAT STATION WAGON

AR = Use as Required - = Non Illustrated Part P.A.R. = Paint as Required

CONVERT. FOLDING TOP - HEADER - V,C-27  
Figure 23A-5825

2169 5825A



ITEM	PART NUMBER	QTY	BODY	MODEL	DESCRIPTION
1	#4097 655	1			HEADER, W/Shield
2	#4097 656-7	1			HEADER, W/Shield Outer
3	#4097 507	1			GLASS, W/Shield (Tinted)
4					MOULDING, W/Shield Header Garnish
	F162-3 AT4	1			Cashmere, Up to June 21, 1982
	F142-3 AT4	1			Cashmere, After June 21, 1982
	F162-3 AH9	1			Mahogany, Up to June 21, 1982
	F142-3 AH9	1			Mahogany, After June 21, 1982
	F162-3 AM6	1			Red, Up to June 21, 1982
	F142-3 AM6	1			Red, After June 21, 1982
5					MOULDING (See Exterior Illustration)
6	#4097 505	2			STRIKER, W/Shield Header Latch
7					MOULDING (See Exterior Illustration)
9	#F164 AT4	1			MOULDING w/VISOR BRACKET, W/Shield Center Garnish, Cashmere
	F164 AH9	1			Mahogany
	F164 AM6	1			Red
10	#4097 602-3	1			SEAL, Body Front Pillar
11	#4305 019	2			CLIP, Front Door Glass Retainer
12					MOULDING (See Exterior Illustration)
14	#4097 642-3	1			RETAINER, Body Front Pillar Weatherstrip
	3759 944	2			FASTENER, "A" Pillar W/Strip Lower Attaching
15	#4097 684-5	1			TORQUE BOX, Rail to Sill

MODEL CODES

B = GRAN FURY/CARAVELLE	P = RELIANT
C = LEBARON/TOWN & COUNTRY	S = CORDOBA
D = ARIES	V = 400
F = NEW YORKER	X = MIRADA
G = DIPLOMAT	Y = IMPERIAL
M = HORIZON/TC3/SCAMP	Z = OMNI/O24/RAMPAGE

BODY STYLES

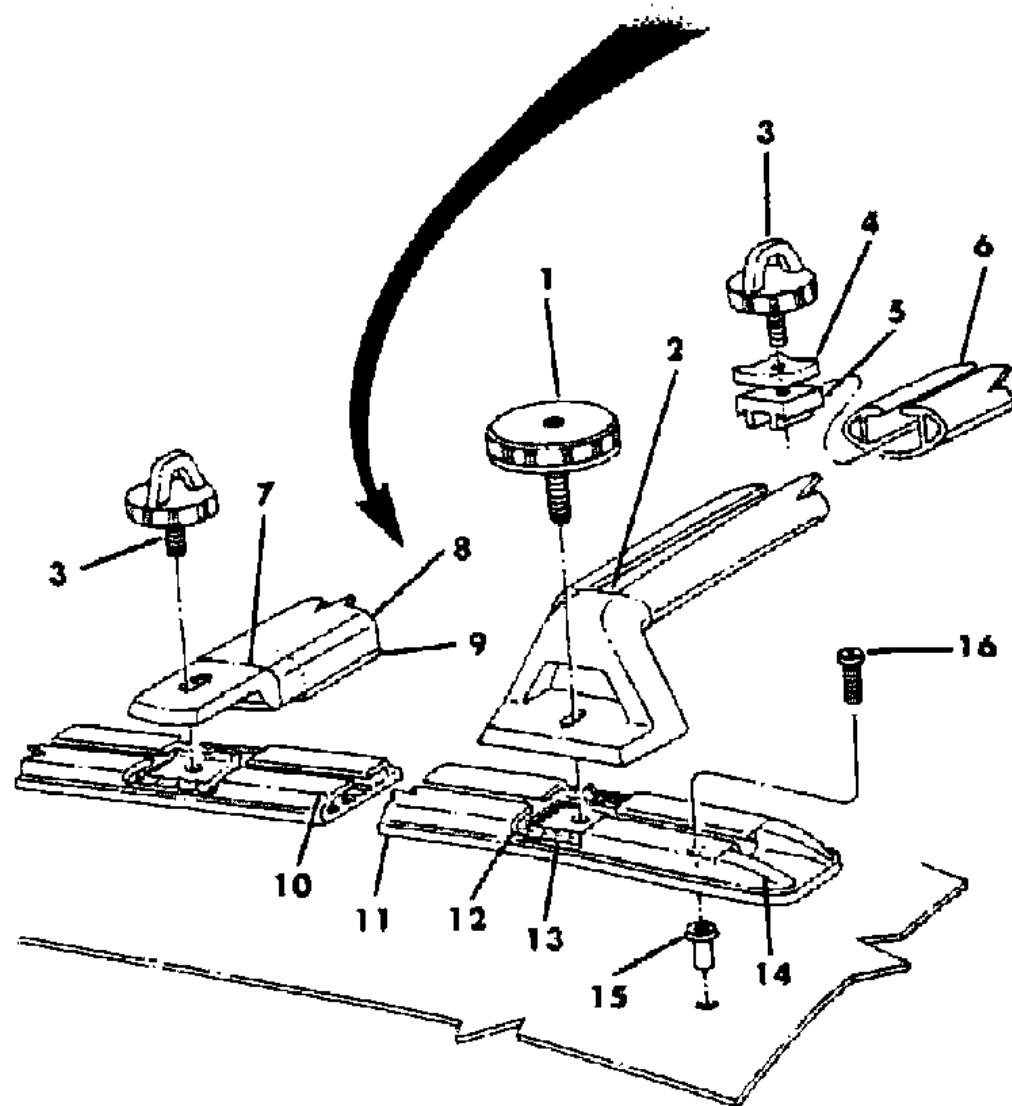
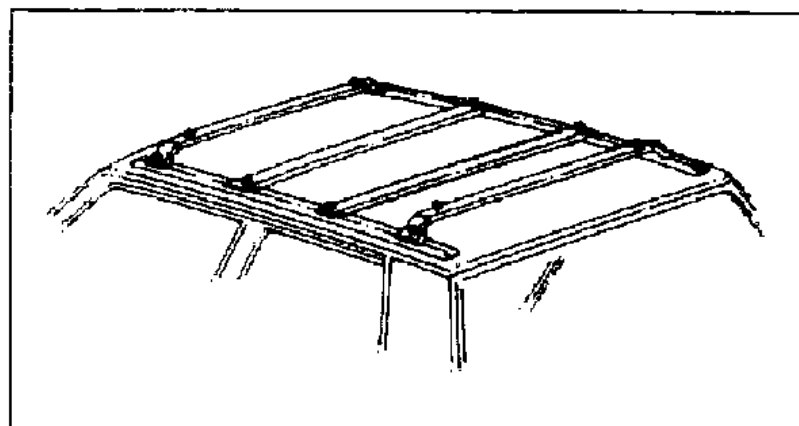
21 = 2-DOOR SEDAN	28 = FWD PICKUP
22 = 2-DOOR SPECIAL COUPE	41 = 4-DOOR SEDAN
24 = 2-DOOR HATCHBACK	44 = 4-DOOR HATCHBACK
27 = 2-DOOR CONVERTIBLE	45 = 2-SEAT STATION WAGON

AR = Use as Required - = Non Illustrated Part P.A.R. = Paint as Required



ROOF LUGGAGE RACK - P,D,21,41  
Figure 23A-5900

2169 5900



ITEM	PART NUMBER	QTY	BODY	MODEL	DESCRIPTION
	4240 275	1			ROOF LUGGAGE RACK PACKAGE (Field Installed) P,D,21,41
					CONSISTS OF:
					2- 5209074 Skid Strip w/Pad
					2- 5209079 Pad Skid Strip
					4- 5209082 End Cap
					4- 5209076 Support
					2- 4240951 Cross Bar
					4- 5209078 Bracket, Tie Down
					22- 5209080 Tapping Plate
					4- 5209083 End Cap
					20- 6500189 Screw
					4- ----- Screw 10X24 (Not Serviced)
					3- 4241000 Cross Slat
					3- 4240950 Pad, Cross Slat
					6- 4186521 End Plug
					6- 4267851 Screw 1/4-14X1/2
					6- 4186525 Tie Down Adjuster
					4- ----- Screw, High Head (Not Serviced)
					4- 6031567 Screw, Low Head
					8- 2094869 Blind Nut
					14- 4186524 Retainer, Tapping Plate
1	4229 320	4			KNOB, Cross Bar
2	4229 318	4			SUPPORT, Cross Bar
3	4229 334	8			LOOP, Cross Bar or Cross Strip
4	4229 321	4			T/PLATE, Cross Bar Loop
5	4229 322	4			RETAINER, Cross Bar Loop T/Plate
6	4229 319	2			CROSS BAR
7	4229 325	4			CAP, Cross Strip End
8	4229 323	2			CROSS STRIP
9	4229 324	2			PAD, Cross Strip
10	4229 326	2			SKID STRIP w/PAD
11					PAD, Skid Strip (Serviced In Item No. 10)
12	4229 335	8			RETAINER, Skid Strip T/Plate
13	5209 080	8			T/PLATE, Skid Strip
14	4229 317	4			CAP, Skid Strip End
15	2094 869	8			NUT, Skid Strip
16	6031 910	8			SCREW, Side Rail to Roof Panel

MODEL CODES

B = GRAN FURY/CARAVELLE	P = RELIANT
C = LEBARON/TOWN & COUNTRY	S = CORDOBA
D = ARIES	V = 400
F = NEW YORKER	X = MIRADA
G = DIPLOMAT	Y = IMPERIAL
M = HORIZON/TC3/SCAMP	Z = OMNI/O24/RAMPAGE

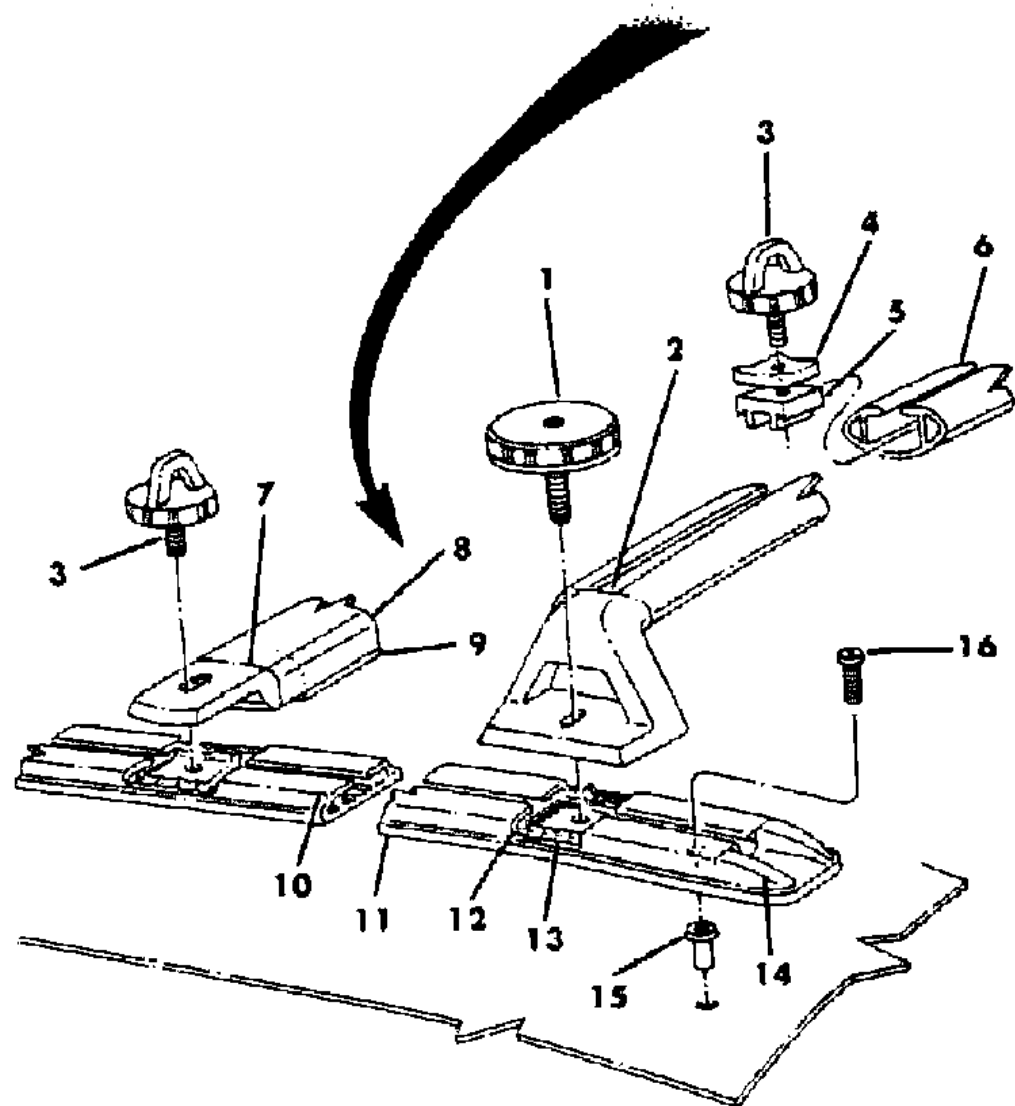
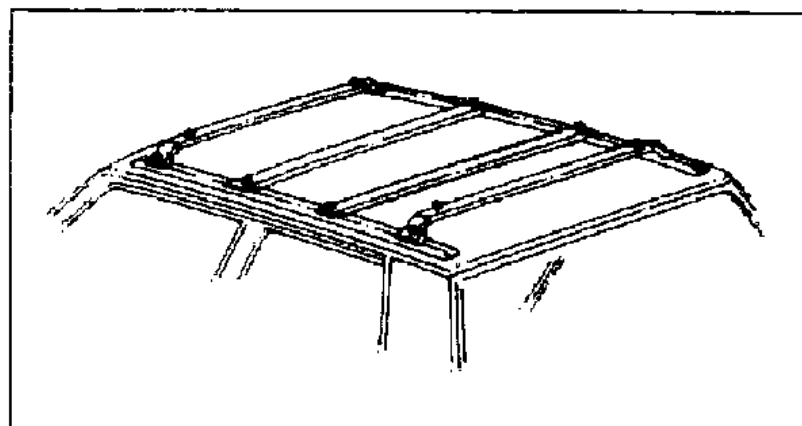
BODY STYLES

21 = 2-DOOR SEDAN	28 = FWD PICKUP
22 = 2-DOOR SPECIAL COUPE	41 = 4-DOOR SEDAN
24 = 2-DOOR HATCHBACK	44 = 4-DOOR HATCHBACK
27 = 2-DOOR CONVERTIBLE	45 = 2-SEAT STATION WAGON

AR = Use as Required - = Non Illustrated Part P.A.R. = Paint as Required

ROOF LUGGAGE RACK - P,D,21,41  
Figure 23A-5900

2169 5900



ITEM	PART NUMBER	QTY	BODY	MODEL	DESCRIPTION
------	-------------	-----	------	-------	-------------

NOTE: The Following Items Are Not Shown On Illustration. an offsetting order for part no. 3747881

	6032 069	4			SCREW, Cross Bar to Support
	6031 567	4			SCREW, Skid Strip
	6032 070	4			SCREW, Cross Strip End Cap

MODEL CODES

B = GRAN FURY/CARAVELLE	P = RELIANT
C = LEBARON/TOWN & COUNTRY	S = CORDOBA
D = ARIES	V = 400
F = NEW YORKER	X = MIRADA
G = DIPLOMAT	Y = IMPERIAL
M = HORIZON/TC3/SCAMP	Z = OMNI/O24/RAMPAGE

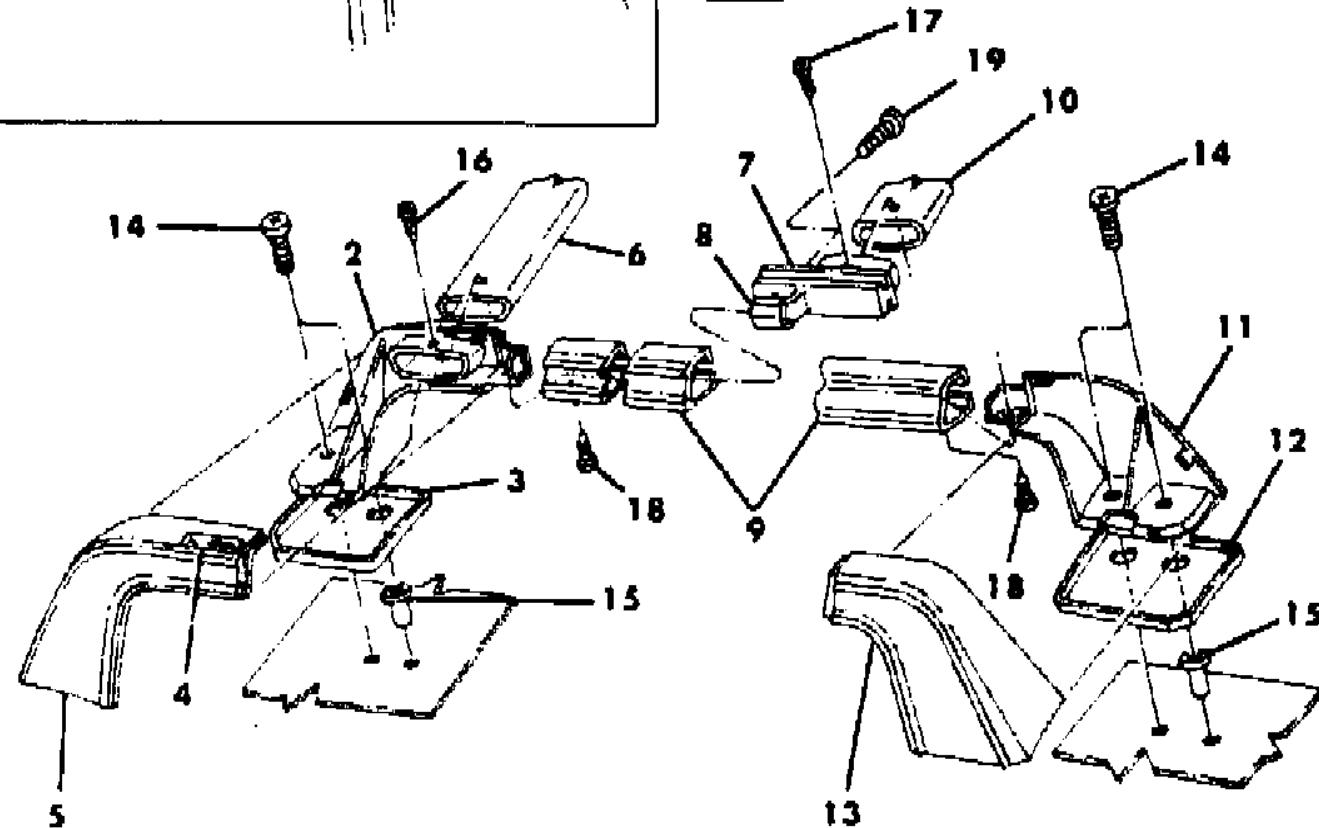
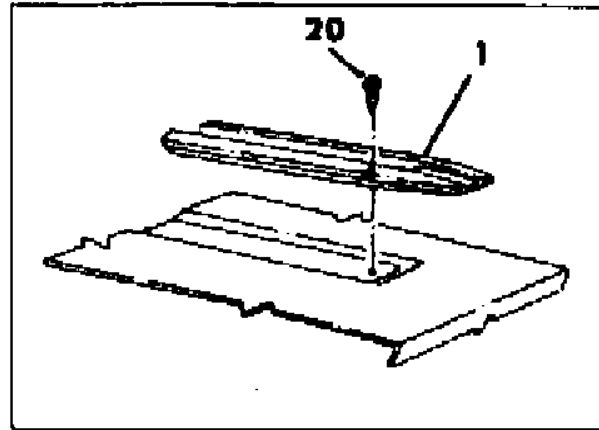
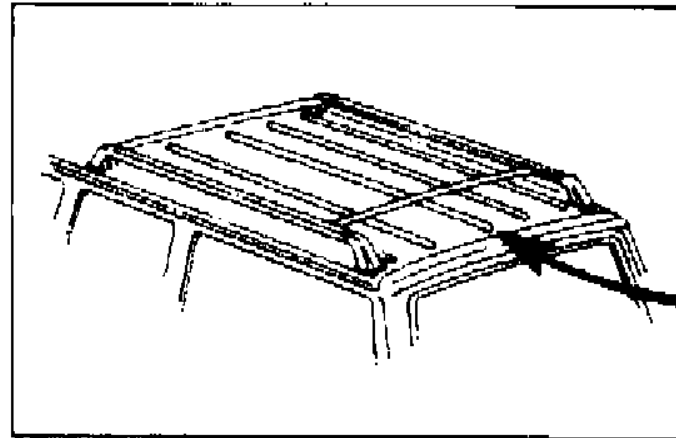
BODY STYLES

21 = 2-DOOR SEDAN	28 = FWD PICKUP
22 = 2-DOOR SPECIAL COUPE	41 = 4-DOOR SEDAN
24 = 2-DOOR HATCHBACK	44 = 4-DOOR HATCHBACK
27 = 2-DOOR CONVERTIBLE	45 = 2-SEAT STATION WAGON

AR = Use as Required - = Non Illustrated Part P.A.R. = Paint as Required

**ROOF LUGGAGE RACK - P,D,C,45**  
**Figure 23A-6000**

2169 6000



ITEM	PART NUMBER	QTY	BODY	MODEL	DESCRIPTION
	4229 330	1			ROOF LUGGAGE RACK PACKAGE (Field Installed) P,D,45 CONSISTS OF: 2- 4229034 Rail w/Overlay 1- 4229040-1 Support, Side Rail, Front 1- 4229042-3 Support, Side Rail, Rear 1- 4229052 Cross Bar, Front 1- 4229053 Cross Bar, Rear 1- 4229036-7 Bracket, Cross Bar 2- 4229038 Retainer, Side Rail Bracket 1- 4229048-9 Cover Cap, Side Rail Support, Front 1- 4229050-1 Cover Cap, Side Rail Support, Rear 1- 4229044-5 Spacer, Side Rail Support, Front 1- 4229046-7 Spacer, Side Rail Support, Rear 2- ----- Screw, Rear Cross Bar (Not Serviced) 2- 9414722 Screw, Front Cross Bar 8- 2094869 Blind Nut, Side Rail to Roof Panel 8- 6031910 Screw, Side Rail to Roof Panel 4- ----- Screw, Side Rail Support to Cap (Not Serviced) 5- 4229054 Skid Strip
	4276 093	1			ROOF LUGGAGE RACK PACKAGE (Field Installed) C,45 1- 4276094-5 Rail, Side 1- 4229052 Cross Bar, Front 1- 4229053 Cross Bar, Rear 1- 4276098-9 Cover Cap, Side Rail Support, Front 1- 4276100-1 Cover Cap, Side Rail Support, Rear 1- 4229044-5 Spacer, Side Rail Support, Front 1- 4229046-7 Spacer, Side Rail Support, Rear 2- ----- Screw, Cross Bar Rear (Not Serviced) 2- 9414722 Screw, Cross Bar Front 8- 2094869 Nut, Side Rail to Roof Panel 8- 6031910 Screw, Side Rail to Roof Panel 4- ----- Screw, Side Rail Support to Cap 5- 4267920 Skid Strip
1	#4229 983	5			SKID STRIP w/PAD
2	4229 040-1	1			SUPPORT, Side Rail, Front
3	4229 044-5	1			SPACER, Side Rail Support, Front
4		2			LABEL (Not Serviced)

**MODEL CODES**

B = GRAN FURY/CARAVELLE	P = RELIANT
C = LEBARON/TOWN & COUNTRY	S = CORDOBA
D = ARIES	V = 400
F = NEW YORKER	X = MIRADA
G = DIPLOMAT	Y = IMPERIAL
M = HORIZON/TC3/SCAMP	Z = OMNI/O24/RAMPAGE

**BODY STYLES**

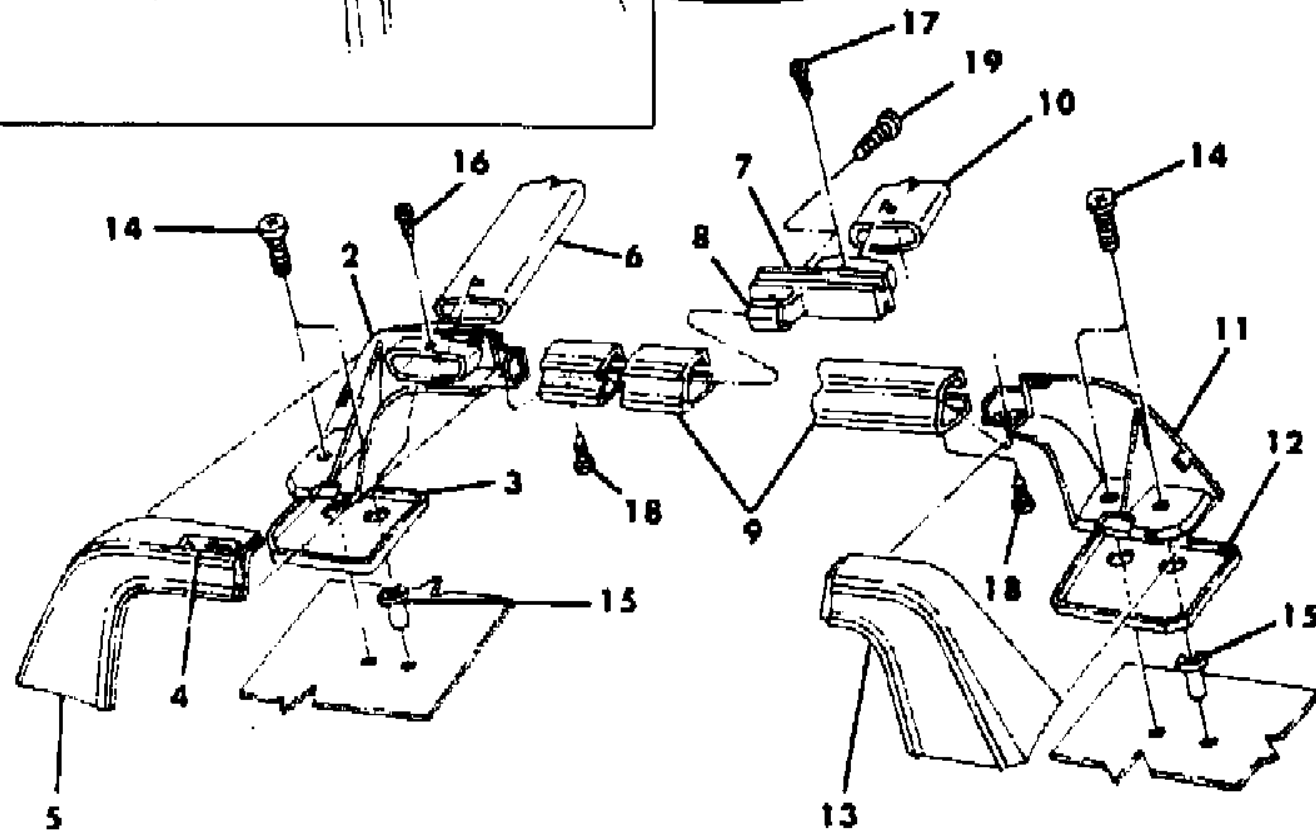
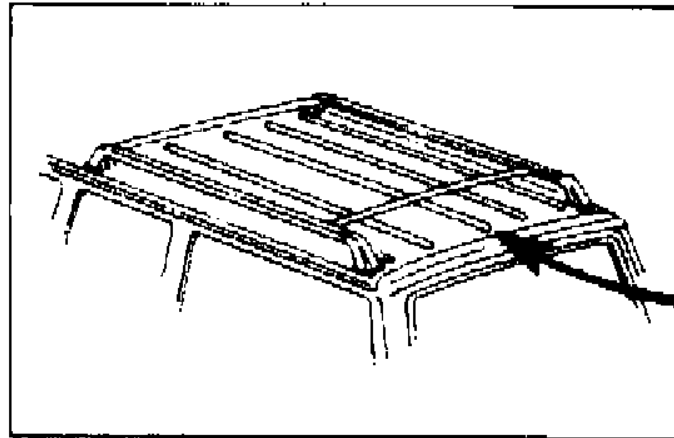
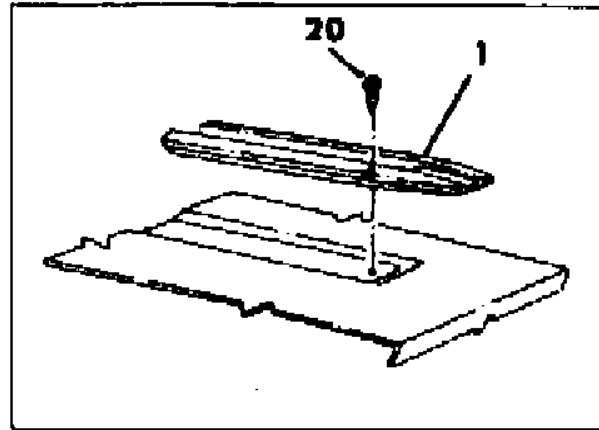
21 = 2-DOOR SEDAN	28 = FWD PICKUP
22 = 2-DOOR SPECIAL COUPE	41 = 4-DOOR SEDAN
24 = 2-DOOR HATCHBACK	44 = 4-DOOR HATCHBACK
27 = 2-DOOR CONVERTIBLE	45 = 2-SEAT STATION WAGON

AR = Use as Required - = Non Illustrated Part P.A.R. = Paint as Required

ROOF LUGGAGE RACK - P,D,C,45  
Figure 23A-6000

2169 6000

ITEM	PART NUMBER	QTY	BODY	MODEL	DESCRIPTION
5	4229 048-9	1		P,D	COVER CAP, Side Rail Support, Front
	4276 098-9	1		C	
6	4229 052	1			CROSS BAR, Front
7	4229 036-7	1			BRACKET, Cross Bar
8	4229 038	2			RETAINER, Side Rail Bracket
9	4229 034	2		P,D	RAIL w/OVERLAY, Side
	4276 094-5	2		C	
10	4229 053	1			CROSS BAR, Rear
11	4229 042-3	1			SUPPORT, Side Rail, Rear
12	4229 046-7	1			SPACER, Side Rail Support, Rear
13	4229 050-1	1		P,D	COVER CAP, Side Rail Support, Rear
	4276 100-1	1		C	
14	6031 910	8			SCREW
15	2094 869	8			NUT, Side Rail to Roof Panel
16	9414 722	2			SCREW, Cross Bar Front
17		2			SCREW (Not Serviced)
18		4			SCREW (Not Serviced)
19	6031 911	2			SCREW
20		15			SCREW (Not Serviced)



MODEL CODES

B = GRAN FURY/CARAVELLE	P = RELIANT
C = LEBARON/TOWN & COUNTRY	S = CORDOBA
D = ARIES	V = 400
F = NEW YORKER	X = MIRADA
G = DIPLOMAT	Y = IMPERIAL
M = HORIZON/TC3/SCAMP	Z = OMNI/O24/RAMPAGE

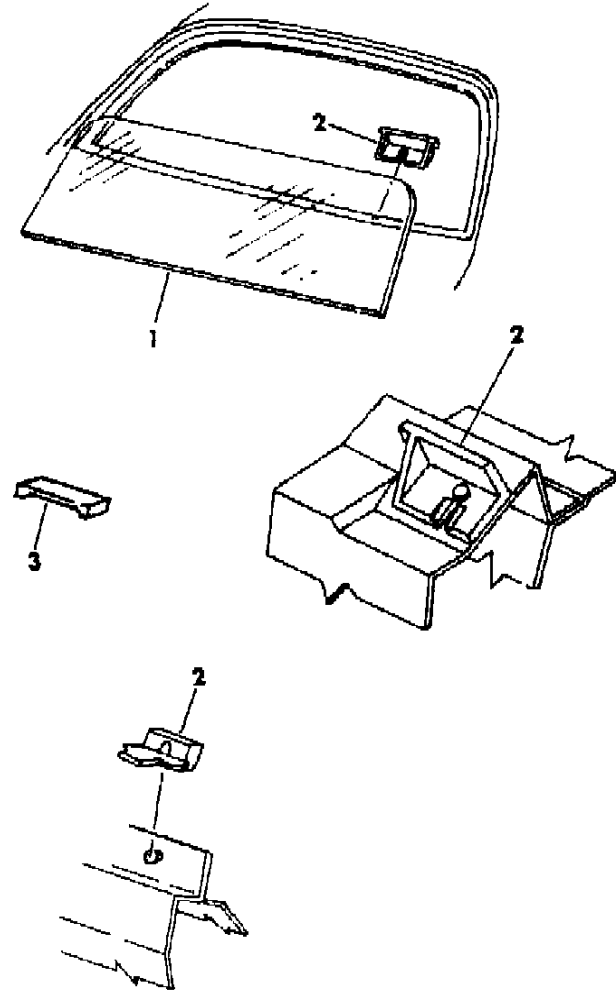
BODY STYLES

21 = 2-DOOR SEDAN	28 = FWD PICKUP
22 = 2-DOOR SPECIAL COUPE	41 = 4-DOOR SEDAN
24 = 2-DOOR HATCHBACK	44 = 4-DOOR HATCHBACK
27 = 2-DOOR CONVERTIBLE	45 = 2-SEAT STATION WAGON

AR = Use as Required - = Non Illustrated Part P.A.R. = Paint as Required

**GLASS - REAR WINDOW - P,D,V,C**  
**Figure 23A-6100**

2199 6100



ITEM	PART NUMBER	QTY	BODY	MODEL	DESCRIPTION
NOTE: GLASS, REAR WINDOW - ORDER FROM YOUR LOCAL MOPAR GLASS DISTRIBUTOR. an offsetting order for part no. 3747881					
1					GLASS, Rear Window
	4136 934	1		P,D,21	Clear
	4136 935	1		P,D,21	Tinted
	4278 210	1		P,D,21	Tinted (Electric Heated)
	4136 954	1		P,D,41	Clear
	4136 955	1		P,D,41	Tinted
	4136 957	1		P,D,41	Tinted (Electric Heated)
	4278 211	1		V,C,22	Clear
	4278 212	1		V,C,22	Tinted
	4278 214	1		V,C,22	Tinted (Electric Heated)
	4278 217	1		V,C,41	Clear, Use w/o Sales Code A32
	4278 218	1		V,C,41	Tinted, Use w/o Sales Code A32
	4136 954	1		V,C,41	Clear, Use w/Sales Code A32
	4136 955	1		V,C,41	Tinted, Use w/Sales Code A32
	4278 220	1		V,C,41	Tinted (Electric Heated) Use w/o Sales Code A32
	4278 216	1		V,C,41	Tinted (Electric Heated) Use w/Sales Code A32
NOTE: SALES CODE A32=FLEET NON-VINYL ROOF PACKAGE. an offsetting order for part no. 3747881					
2					SPACER, Rear Wdo. Glass, Lower
	4136 335	2		All	w/o Vinyl Roof
	4206 514	2		All	w/Vinyl Roof
3					SHIM, Rear Wdo. Lower Spacer
	3767 767	AR		All	Approximately .218" Thick
	3767 196	AR		All	Approximately .106" Thick
	4278 511	AR		V,C	Approximately .2875" Thick
	4278 077	AR		V,C	Approximately .2187" Thick
	4267 906	1		All	REPAIR PACKAGE, Rear Wdo. Glass (Not Shown)
CONSISTS OF:					
1- ----- Polyurethane, 11.5 Oz.					
1- ----- Primer, Fence, 1 Oz. .					
1- ----- Primer, Wipe Off, 1 Oz.					
1- ----- Primer, Blackout 1 Oz.					
3- ----- Dabbers					
1- ----- Nozzle					
1- ----- Instruction Sheet					
	4057 957	1		All	FIXED GLASS REPAIR PACKAGE,Rear Wdo. (Not Shown)

MODEL CODES

B = GRAN FURY/CARAVELLE	P = RELIANT
C = LEBARON/TOWN & COUNTRY	S = CORDOBA
D = ARIES	V = 400
F = NEW YORKER	X = MIRADA
G = DIPLOMAT	Y = IMPERIAL
M = HORIZON/TC3/SCAMP	Z = OMNI/O24/RAMPAGE

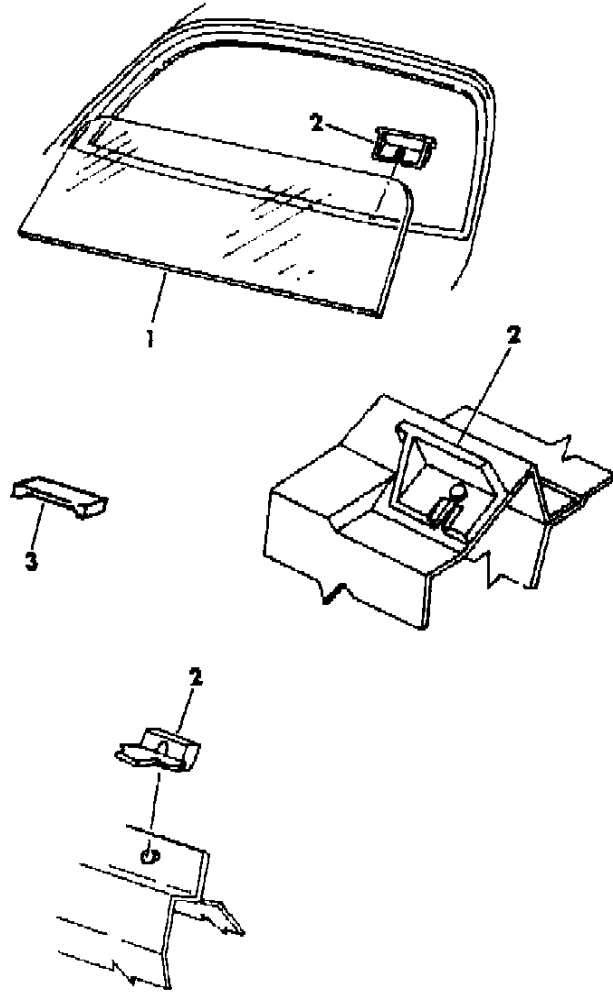
BODY STYLES

21 = 2-DOOR SEDAN	28 = FWD PICKUP
22 = 2-DOOR SPECIAL COUPE	41 = 4-DOOR SEDAN
24 = 2-DOOR HATCHBACK	44 = 4-DOOR HATCHBACK
27 = 2-DOOR CONVERTIBLE	45 = 2-SEAT STATION WAGON

AR = Use as Required - = Non Illustrated Part P.A.R. = Paint as Required

GLASS - REAR WINDOW - P,D,V,C  
Figure 23A-6100

2199 6100



ITEM	PART NUMBER	QTY	BODY	MODEL	DESCRIPTION
------	-------------	-----	------	-------	-------------

CONSISTS OF:

- 1- ----- Tape, Butyl, 171.00"
- 1- ----- Primer, Glass
- 1- ----- Primer, Fence
- 2- 3674698 Spacer, Rubber, 0.2"
- 2- 3793290 Spacer, Rubber, 0.3"
- 2- 3767767 Shim, 0.07"
- 2- ----- Sponges, Disposable

NOTE: The Following Items Are Not Shown On Illustration. an offsetting order for part no. 3747881

4106 356	1	All	ELECTRIC GRID REPAIR PACKAGE, Rear Wdo.
4267 922	1	All	ELECTRIC GRID & PIGTAIL REPAIR PACKAGE
4278 162	1	V,C	SPACER, Rear Wdo. Bracket to Glass

MODEL CODES

B = GRAN FURY/CARAVELLE	P = RELIANT
C = LEBARON/TOWN & COUNTRY	S = CORDOBA
D = ARIES	V = 400
F = NEW YORKER	X = MIRADA
G = DIPLOMAT	Y = IMPERIAL
M = HORIZON/TC3/SCAMP	Z = OMNI/O24/RAMPAGE

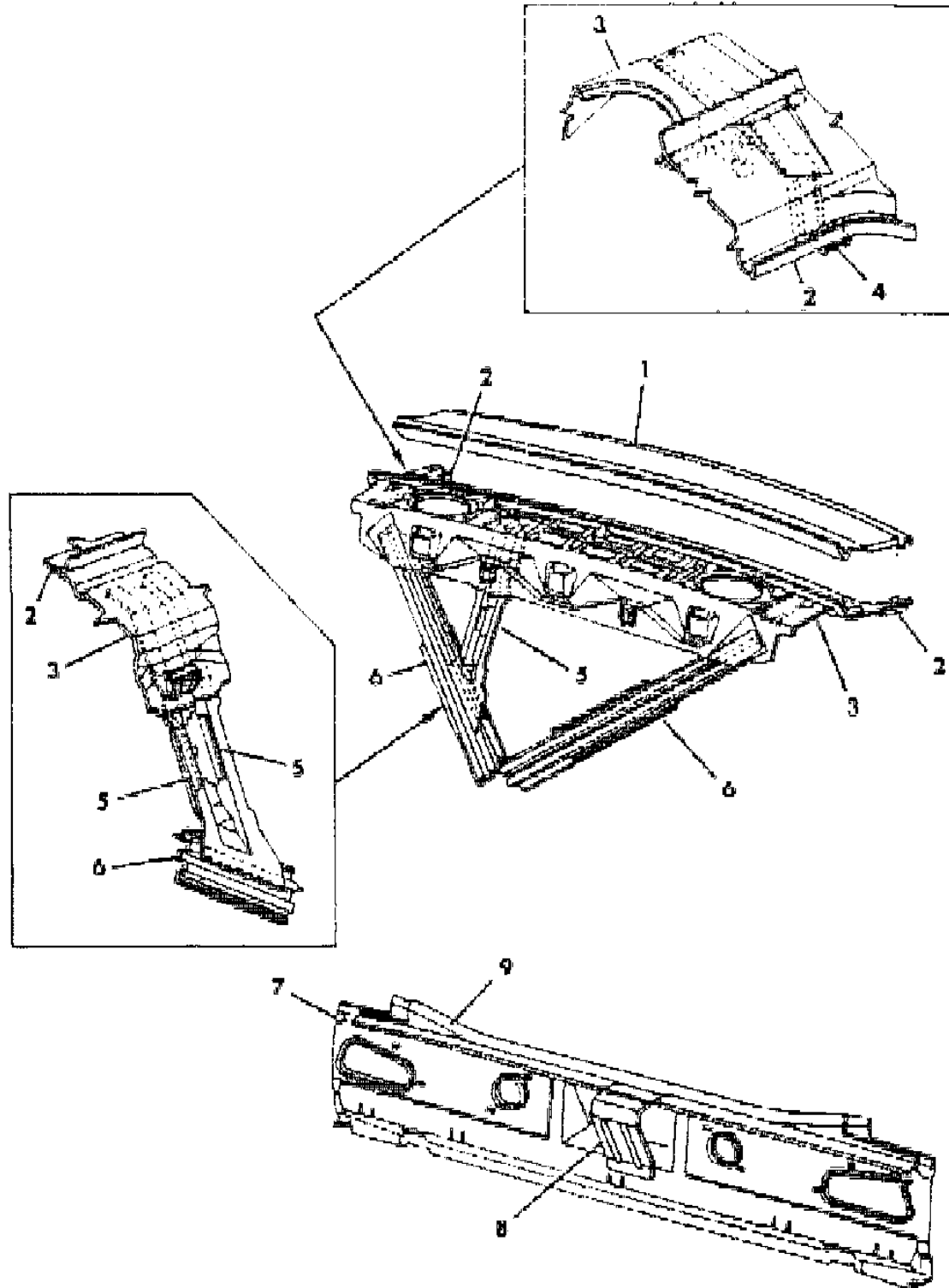
BODY STYLES

21 = 2-DOOR SEDAN	28 = FWD PICKUP
22 = 2-DOOR SPECIAL COUPE	41 = 4-DOOR SEDAN
24 = 2-DOOR HATCHBACK	44 = 4-DOOR HATCHBACK
27 = 2-DOOR CONVERTIBLE	45 = 2-SEAT STATION WAGON

AR = Use as Required - = Non Illustrated Part P.A.R. = Paint as Required

**DECK OPENING UPPER AND LOWER PANEL - P,D,V,C**  
**Figure 23A-6200**

2100 #2100



ITEM	PART NUMBER	QTY	BODY	MODEL	DESCRIPTION
1	4134 801	1		P,D,21,	PANEL, Deck Opening Upper
	4134 801	1		V,C,22,	
2	#4278 250	1			TROUGH, Deck Opening Upper Drain
3		1			PANEL, Shelf (Not Serviced)
4	4206 326-7	1			SUPPORT, Deck Opening Upper Trough Hinge
5	#4200 811	1			BRACKET w/REINFORCEMENT, Shelf Panel Spare Tire Stowage
6		2			BRACE, Shelf Panel to Floor Pan Diagonal (Not Serviced)
7	#4278 183	1		P,D,21,	PANEL, Deck Opening Lower
	4206 620	1		V,C,22,	
8	4206 357	1			SUPPORT, Deck Opening Lower Panel Striker
9	#4278 570	1			REINFORCEMENT, Deck Opening Lower Panel
NOTE: The Following Items Are Not Shown On Illustration. an offsetting order for part no. 3747881					
	4278 578	1		P,D,V,C	REINFORCEMENT, Shelf Panel to Floor Pan Diagonal Brace Lower (w/Fleet Service Pkg.)
	5200 365	2			BUTTON, Deck Opening Lower Panel License Plate Mtg. Bumper

**MODEL CODES**

B = GRAN FURY/CARAVELLE	P = RELIANT
C = LEBARON/TOWN & COUNTRY	S = CORDOBA
D = ARIES	V = 400
F = NEW YORKER	X = MIRADA
G = DIPLOMAT	Y = IMPERIAL
M = HORIZON/TC3/SCAMP	Z = OMNI/O24/RAMPAGE

**BODY STYLES**

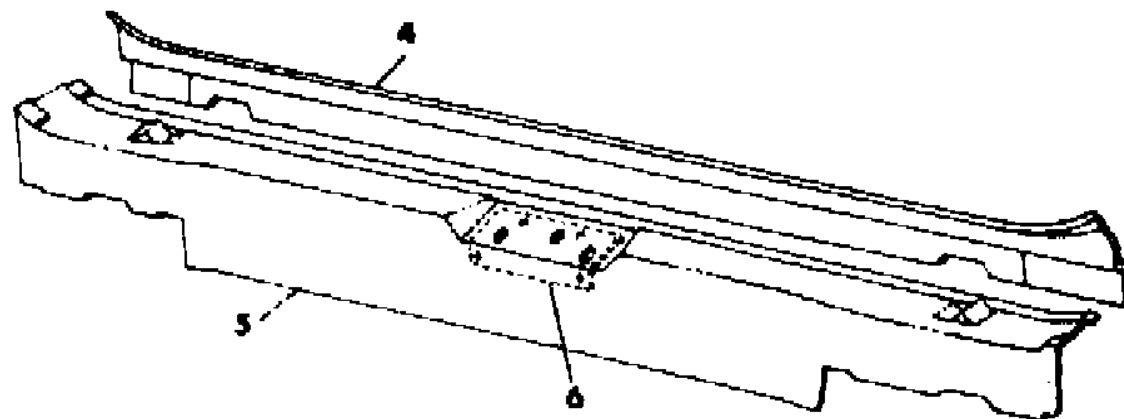
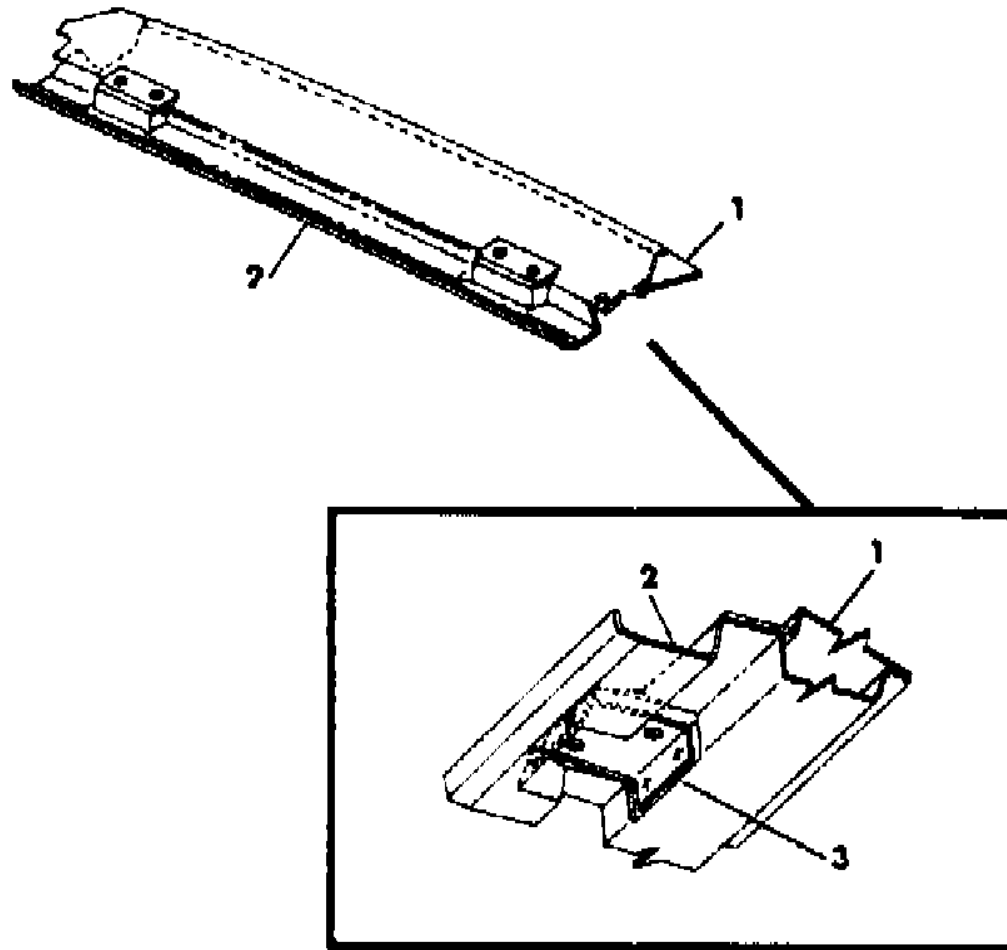
21 = 2-DOOR SEDAN	28 = FWD PICKUP
22 = 2-DOOR SPECIAL COUPE	41 = 4-DOOR SEDAN
24 = 2-DOOR HATCHBACK	44 = 4-DOOR HATCHBACK
27 = 2-DOOR CONVERTIBLE	45 = 2-SEAT STATION WAGON

AR = Use as Required - = Non Illustrated Part P.A.R. = Paint as Required

LIFT GATE OPENING UPPER AND LOWER PANEL - P,D,C  
Figure 23A-6300

16P 6300

ITEM	PART NUMBER	QTY	BODY	MODEL	DESCRIPTION
1	4134 832	1			REINFORCEMENT, Lift Gate Opening Upper Frame
2	4129 748	1			FRAME w/REINFORCEMENT, Lift Gate Opening Upper Hinge (Body Half)
3					REINFORCEMENT (Served In Item No.2)
4	4134 835	1			PANEL, Lift Gate Opening Lower
5	#4206 965	1			REINFORCEMENT, Lift Gate Opening Lower Panel
6	4206 209	1			REINFORCEMENT w/NUT, Lift Gate Latch Striker
NOTE: THE FOLLOWING ITEMS ARE NOT SHOWN ON ILLUSTRATION. an offsetting order for part no. 3747881					
	5200 365	2			BUTTON, Lift Gate Outer Panel License Plate Mounting Bumper



MODEL CODES

B = GRAN FURY/CARAVELLE	P = RELIANT
C = LEBARON/TOWN & COUNTRY	S = CORDOBA
D = ARIES	V = 400
F = NEW YORKER	X = MIRADA
G = DIPLOMAT	Y = IMPERIAL
M = HORIZON/TC3/SCAMP	Z = OMNI/O24/RAMPAGE

BODY STYLES

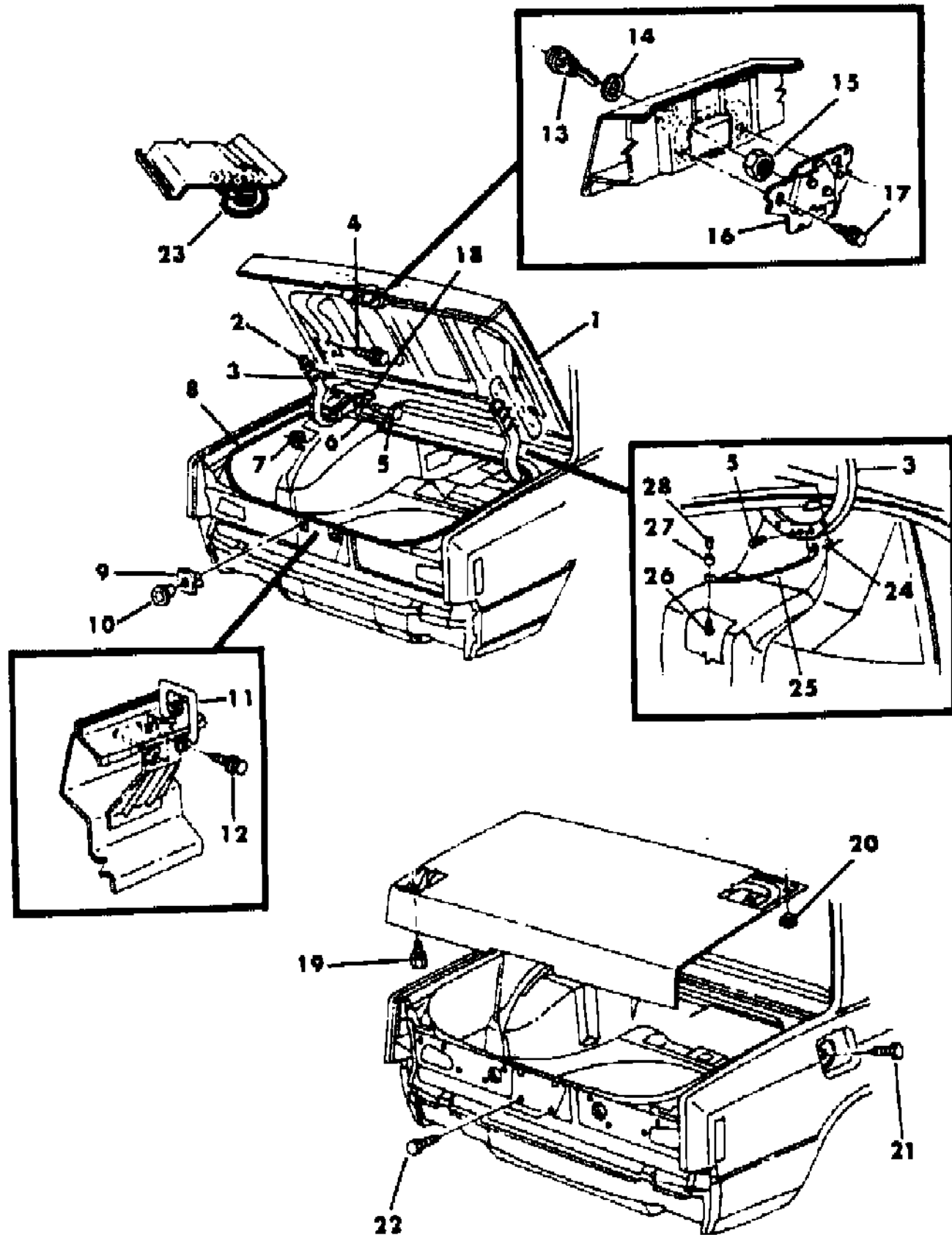
21 = 2-DOOR SEDAN	28 = FWD PICKUP
22 = 2-DOOR SPECIAL COUPE	41 = 4-DOOR SEDAN
24 = 2-DOOR HATCHBACK	44 = 4-DOOR HATCHBACK
27 = 2-DOOR CONVERTIBLE	45 = 2-SEAT STATION WAGON

AR = Use as Required - = Non Illustrated Part P.A.R. = Paint as Required



DECK LID - P,D,V,C  
Figure 23A-6400

169 6400



ITEM	PART NUMBER	QTY	BODY	MODEL	DESCRIPTION
1	4129 496	1			LID, Deck
2	#4206 244	2			TAPPING PLATE, Deck Lid Hinge
3	4206 240-1	1			HINGE, Deck Lid
4	6500 515	4			SCREW w/WASHER, Hinge Attaching
5	4206 243	2			PIN, Hinge Pivot
6	4134 808-9	1			BAR, Deck Lid Hinge Torsion
7	6022 149	2			NUT, Hinge Pivot Pin
8	#4278 176	1			WEATHERSTRIP, Deck Lid Opening
9	6500 524	2			NUT
10	2423 737	2			PLUG, License Plate Nut
11	4172 986	1			STRIKER, Deck Lid Latch
12	6101 339	2			SCREW w/WASHER
13					CYLINDER, Deck Lid (See Cylinder and Key Illustration)
14					GASKET (See Cylinder and Key Illustration)
15					NUT (See Cylinder and Key Illustration)
16	4054 825	1			LATCH, Deck Lid, Manual
	4054 962	1			Electric
17	6025 346	2			SCREW w/WASHER
18	4206 326-7	1			SUPPORT, Deck Opening Upper Trough Hinge
19	5230 376	2			BUMPER, Deck Lid Inside (Adjustable)
20	6029 939	2			PLUG, Deck Lid Inner Panel Drain Hole
21	1943 547	1			Button
22	5216 050	2			Button
23		1			RETAINER, Deck Lid Hinge Torsion Bar (Not Serviced)
24	6022 149	1			NUT,W/House Inner Deck Lid Hinge Restrainer Cable Attaching
25	4206 751	1			CABLE, W/House Inner to Deck Lid Hinge Restrainer, Rt.
26	6032 214	1			SCREW, Restrainer Cable Attaching
27	6032 057	1			NUT, Restrainer Cable Attaching
28	4073 281	1			CAPLUG, Restrainer Cable Attaching
NOTE: The Following Items Are Not Shown On Illustration. an offsetting order for part no. 3747881					
	4206 796	2			SLEEVE, Deck Lid Hinge to Torsion Bar
	4276 442	1		P,D,21	DECK LID LUGGAGE RACK PACKAGE
CONSISTS OF:					
					2- 4276434 Skid Strip, Outer
					2- 4276435 Skid Strip, Inner
					2- 4276437 Insert, Skid Strip Inner
					2- 4276437 Insert, Skid Strip Outer

MODEL CODES

B = GRAN FURY/CARAVELLE	P = RELIANT
C = LEBARON/TOWN & COUNTRY	S = CORDOBA
D = ARIES	V = 400
F = NEW YORKER	X = MIRADA
G = DIPLOMAT	Y = IMPERIAL
M = HORIZON/TC3/SCAMP	Z = OMNI/O24/RAMPAGE

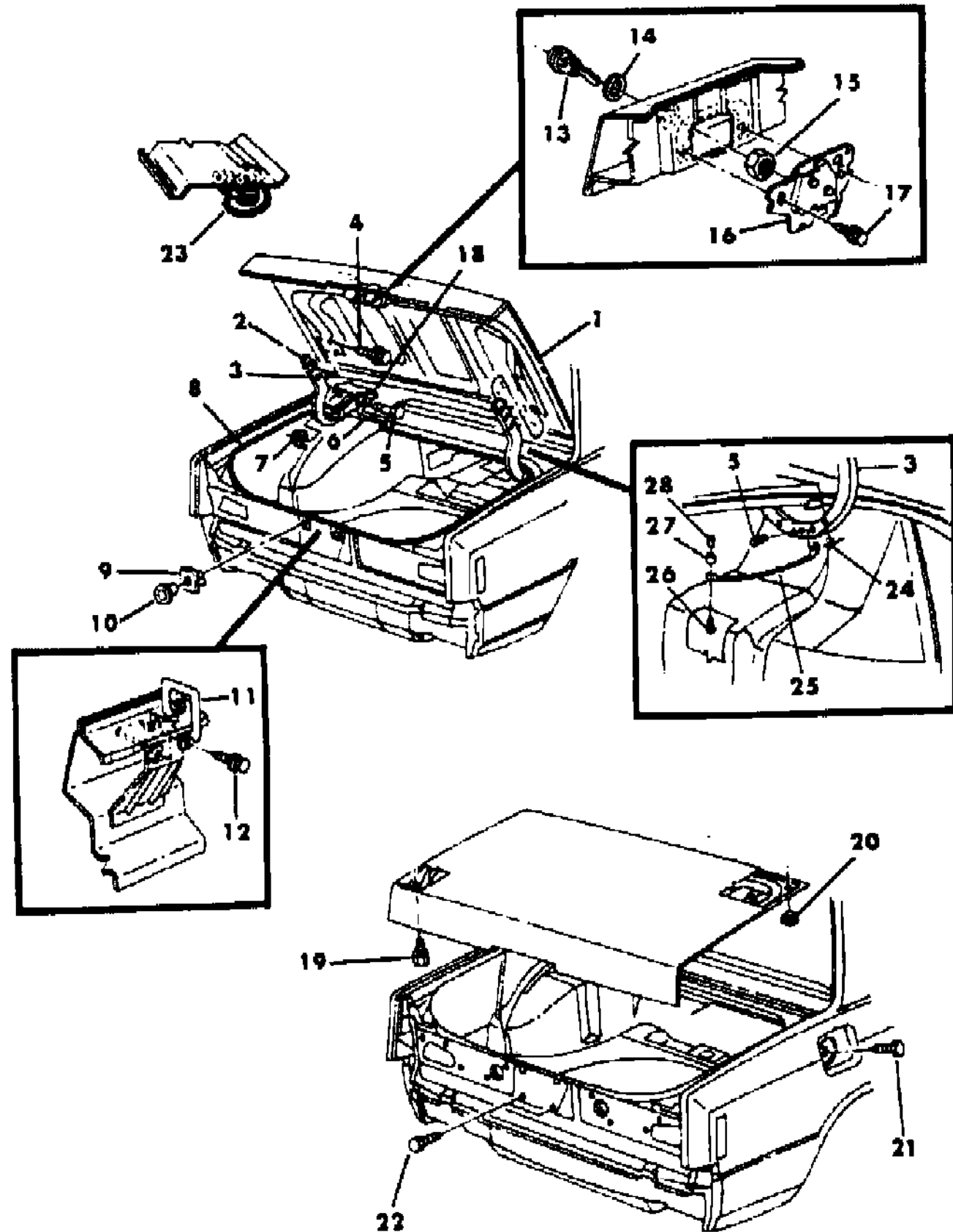
BODY STYLES

21 = 2-DOOR SEDAN	28 = FWD PICKUP
22 = 2-DOOR SPECIAL COUPE	41 = 4-DOOR SEDAN
24 = 2-DOOR HATCHBACK	44 = 4-DOOR HATCHBACK
27 = 2-DOOR CONVERTIBLE	45 = 2-SEAT STATION WAGON

AR = Use as Required - = Non Illustrated Part P.A.R. = Paint as Required

DECK LID - P,D,V,C  
Figure 23A-6400

169 6400



ITEM	PART NUMBER	QTY	BODY	MODEL	DESCRIPTION
------	-------------	-----	------	-------	-------------

- 1- 4276430 Cross Bar
- 6- 2094869 Nut, Skid Strip
- 6- 6031567 Screw, Skid, Strip
- 2- ----- Nut, Support Attaching (Not Serviced)
- 2- 6027941 Screw, Crossbar Support
- 2- 4276629 Cap Assy., Skid Strip Front, End

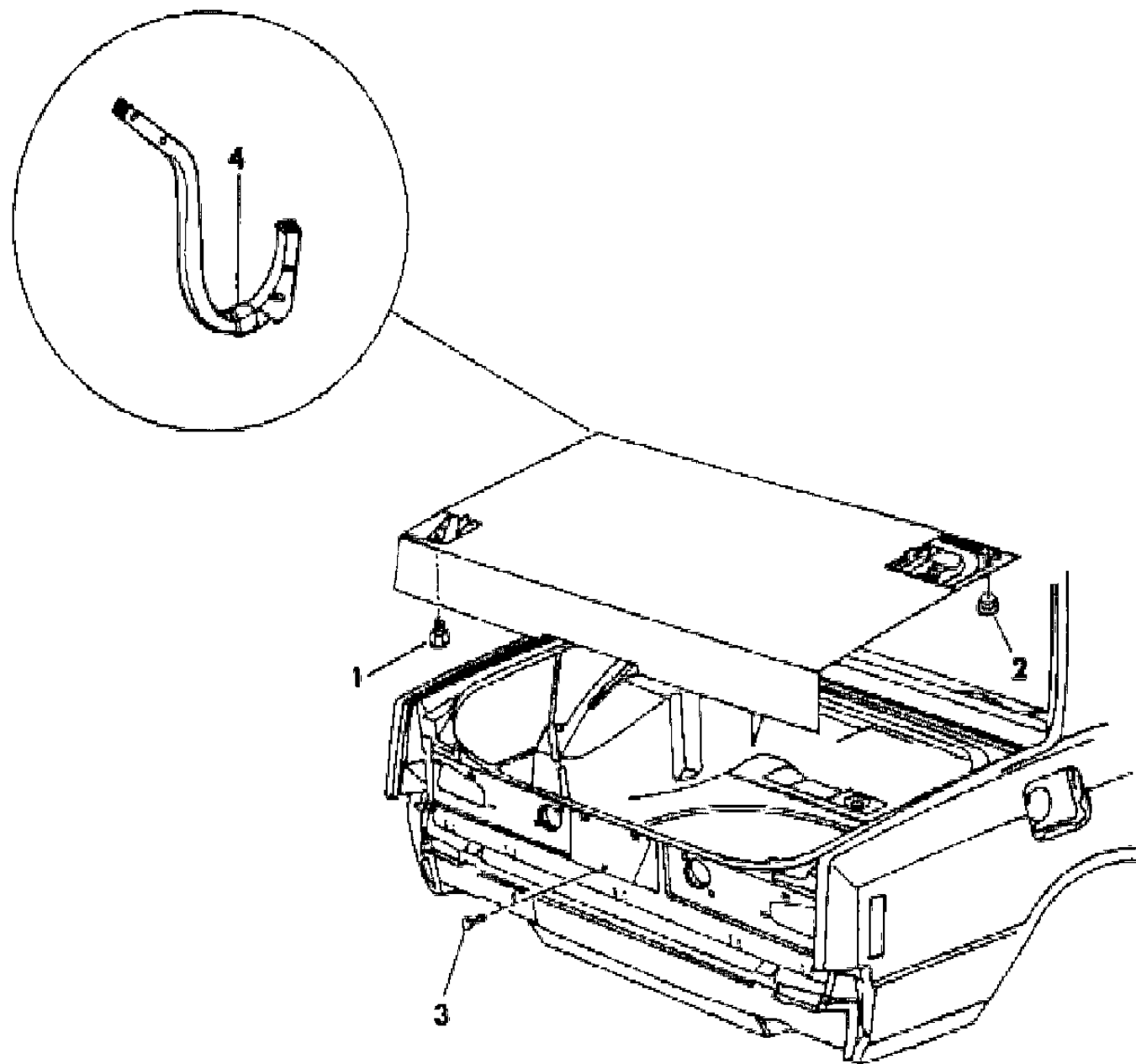
- MODEL CODES
- |                            |                      |
|----------------------------|----------------------|
| B = GRAN FURY/CARAVELLE    | P = RELIANT          |
| C = LEBARON/TOWN & COUNTRY | S = CORDOBA          |
| D = ARIES                  | V = 400              |
| F = NEW YORKER             | X = MIRADA           |
| G = DIPLOMAT               | Y = IMPERIAL         |
| M = HORIZON/TC3/SCAMP      | Z = OMNI/O24/RAMPAGE |

- BODY STYLES
- |                           |                           |
|---------------------------|---------------------------|
| 21 = 2-DOOR SEDAN         | 28 = FWD PICKUP           |
| 22 = 2-DOOR SPECIAL COUPE | 41 = 4-DOOR SEDAN         |
| 24 = 2-DOOR HATCHBACK     | 44 = 4-DOOR HATCHBACK     |
| 27 = 2-DOOR CONVERTIBLE   | 45 = 2-SEAT STATION WAGON |

AR = Use as Required - = Non Illustrated Part P.A.R. = Paint as Required

**BUMPERS AND PLUGS - DECK LID - P,D,V,C**  
**Figure 23A-6500**

1160 6500



ITEM	PART NUMBER	QTY	BODY	MODEL	DESCRIPTION
1	5230 376	2			BUMPER
2	6029 939	2			PLUG
3	5200 365	1			BUTTON
4	4206 746	2			BAND

**MODEL CODES**

B = GRAN FURY/CARAVELLE	P = RELIANT
C = LEBARON/TOWN & COUNTRY	S = CORDOBA
D = ARIES	V = 400
F = NEW YORKER	X = MIRADA
G = DIPLOMAT	Y = IMPERIAL
M = HORIZON/TC3/SCAMP	Z = OMNI/O24/RAMPAGE

**BODY STYLES**

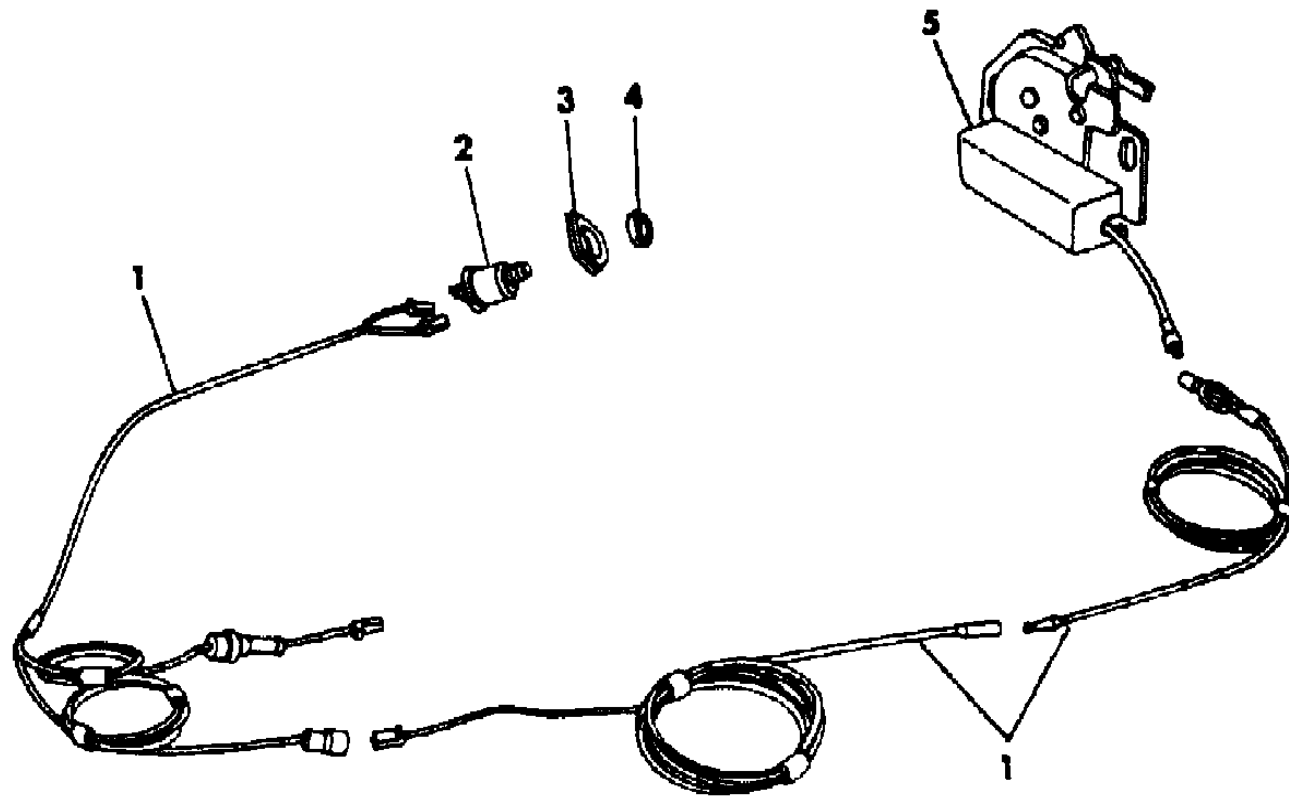
21 = 2-DOOR SEDAN	28 = FWD PICKUP
22 = 2-DOOR SPECIAL COUPE	41 = 4-DOOR SEDAN
24 = 2-DOOR HATCHBACK	44 = 4-DOOR HATCHBACK
27 = 2-DOOR CONVERTIBLE	45 = 2-SEAT STATION WAGON

AR = Use as Required - = Non Illustrated Part P.A.R. = Paint as Required

DECK LID - ELECTRIC - P,D,V,C  
Figure 23A-6600

2184 0600

ITEM	PART NUMBER	QTY	BODY	MODEL	DESCRIPTION
1					WIRING (See Group 8 Body Wiring)
2	3747 154	1			SWITCH, Remote Deck Lid Release or Instrument Panel Mtg.
3	3747 875	1			BEZEL, Electric Release Switch
4	6028 824	1			NUT, Electric Release Swich Mtg.
5	4054 962	1			LATCH, Electric Deck Lid
NOTE: The following items are not showm on illustration. an offsetting order for part no. 3747881					
	6028 976	AR			PUSH NUT, Electric Deck Lid Latch Spring



MODEL CODES

B = GRAN FURY/CARAVELLE	P = RELIANT
C = LEBARON/TOWN & COUNTRY	S = CORDOBA
D = ARIES	V = 400
F = NEW YORKER	X = MIRADA
G = DIPLOMAT	Y = IMPERIAL
M = HORIZON/TC3/SCAMP	Z = OMNI/O24/RAMPAGE

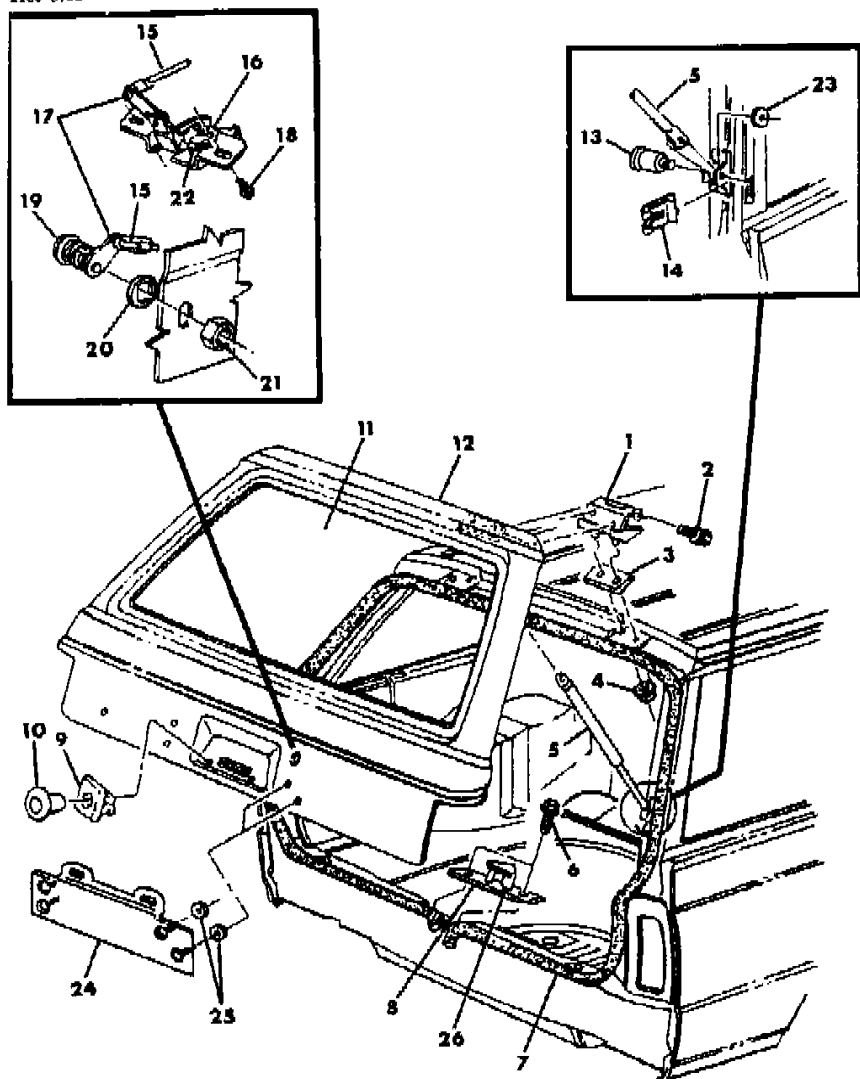
BODY STYLES

21 = 2-DOOR SEDAN	28 = FWD PICKUP
22 = 2-DOOR SPECIAL COUPE	41 = 4-DOOR SEDAN
24 = 2-DOOR HATCHBACK	44 = 4-DOOR HATCHBACK
27 = 2-DOOR CONVERTIBLE	45 = 2-SEAT STATION WAGON

AR = Use as Required - = Non Illustrated Part P.A.R. = Paint as Required

LIFT GATE AND WEATHERSTRIPPING - P,D,C  
Figure 23A-6700

2169 6700



ITEM	PART NUMBER	QTY	BODY	MODEL	DESCRIPTION
1	#4246 360	2			HINGE
2					SCREW w/WASHER (Not Serviced)
3	#4246 359	2			SHIM, Lift Gate Hinge (Body Half)
4	6100 049	4			NUT w/WASHER
5	4172 581	2		P,D	PROP w/Clevis, Hold Open
	4246 460	2		C	
6	6025 346	2			SCREW w/WASHER
7	#4206 896	1			WEATHERSTRIP
8	4246 310	1			STRIKER, Latch
9	6500 524	2			NUT
10	2423 737	2			PLUG
11	4198 837	1			GLASS, Clear
	4198 838	1			Tinted
	4198 955	1			Tinted, (Electric Heated)
	4078 959	AR			WELT, Lift Gate Trim
12	#4200 865	1			Lift Gate
13	4246 123	4			PIN, Prop End Attaching Bracket
14	6032 029	4			CLIP RETAINER, Prop Pin Attaching
15	4172 595	1			LINK, Latch Release
16	#4246 352	1			LATCH (Includes Cargo Lamp Switch) Manual
	4172 946	1			Electric
17	3454 220	2			CLIP, Latch Release Link Attaching
18	6025 346	2			SCREW w/WASHER
19		1			CYLINDER (See Cylinder and Key Illustration)
20		1			GASKET (See Cylinder and Key Illustration)
21	4054 202	1			NUT
22	4172 592	1			SPRING, Latch
23	4246 243	2			BUMPER or WASHER, Lift Gate Prop Anti-Rattle
24		1			BRACKET, Lift Gate License Plate Mtg. (Not Serviced)
25		4			SEAL, (Not Serviced)
26	4246 321	1			BUMPER, Lift Gate Latch Striker
NOTE: The Following Items Are Not Shown On Illustration. an offsetting order for part no. 3747881					
	4106 356	1			ELECTRIC GRID REPAIR PACKAGE, Lift Gate Window
	4267 922	1			ELECTRIC GRID & PIGTAIL REPAIR PACKAGE
	3747 299	1			RELAY, Lift Gate Release
	3747 154	1			SWITCH, Lift Gate Release
	3747 875	1			BEZEL, Lift Gate Release Switch

MODEL CODES

B = GRAN FURY/CARAVELLE	P = RELIANT
C = LEBARON/TOWN & COUNTRY	S = CORDOBA
D = ARIES	V = 400
F = NEW YORKER	X = MIRADA
G = DIPLOMAT	Y = IMPERIAL
M = HORIZON/TC3/SCAMP	Z = OMNI/O24/RAMPAGE

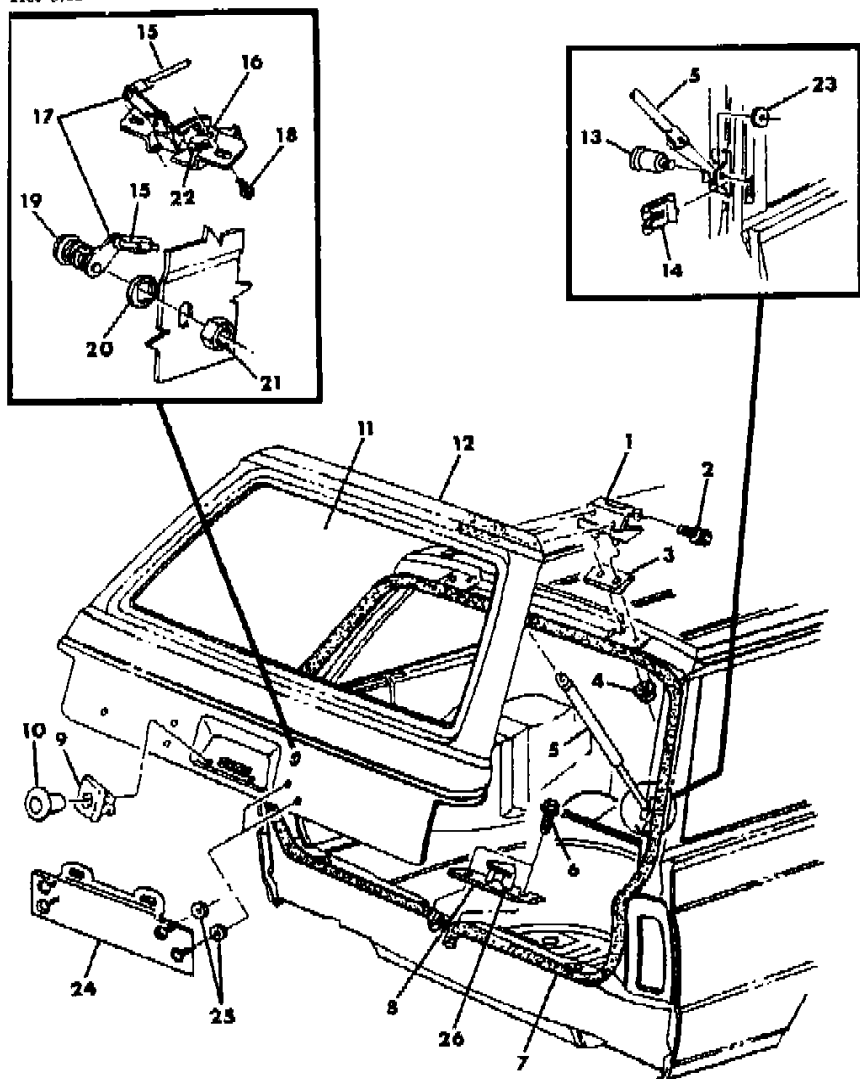
BODY STYLES

21 = 2-DOOR SEDAN	28 = FWD PICKUP
22 = 2-DOOR SPECIAL COUPE	41 = 4-DOOR SEDAN
24 = 2-DOOR HATCHBACK	44 = 4-DOOR HATCHBACK
27 = 2-DOOR CONVERTIBLE	45 = 2-SEAT STATION WAGON

AR = Use as Required - = Non Illustrated Part P.A.R. = Paint as Required

LIFT GATE AND WEATHERSTRIPPING - P,D,C  
Figure 23A-6700

2169 6700



ITEM	PART NUMBER	QTY	BODY	MODEL	DESCRIPTION
	4206 439	2			BRACKET, Lift Gate Opening Pillar Prop Attaching
	6028 976	AR			PUSH NUT, Lift Gate Latch Spring
	6028 824	1			NUT, Lift Gate Release Switch Mounting
	4198 396	2			SPACER, Lift Gate Glass Lower
	4220 088	1			SPACER, Lift Gate Anti-Rattle (1/2"X3 1/2"X 3 1/2")
	4220 091	1			(3/4"X1"X6")
	5230 376	2			BUMPER, Lift Gate Inner Panel (Adjustable)
	5200 365	2			BUTTON, Lift Gate Outer Panel License Plate Mtg. Bumper
	1774 076	1			PLUG, Lift Gate Opening Lower Panel
	2860 332	1			PLUG, Lift Gate Inner Washer Hose Hole
	2094 631	1			PLUG, Lift Gate Inner
	5231 207	4			SEALING WASHER, Lift Gate Hinge (Body Half)

MODEL CODES

B = GRAN FURY/CARAVELLE	P = RELIANT
C = LEBARON/TOWN & COUNTRY	S = CORDOBA
D = ARIES	V = 400
F = NEW YORKER	X = MIRADA
G = DIPLOMAT	Y = IMPERIAL
M = HORIZON/TC3/SCAMP	Z = OMNI/O24/RAMPAGE

BODY STYLES

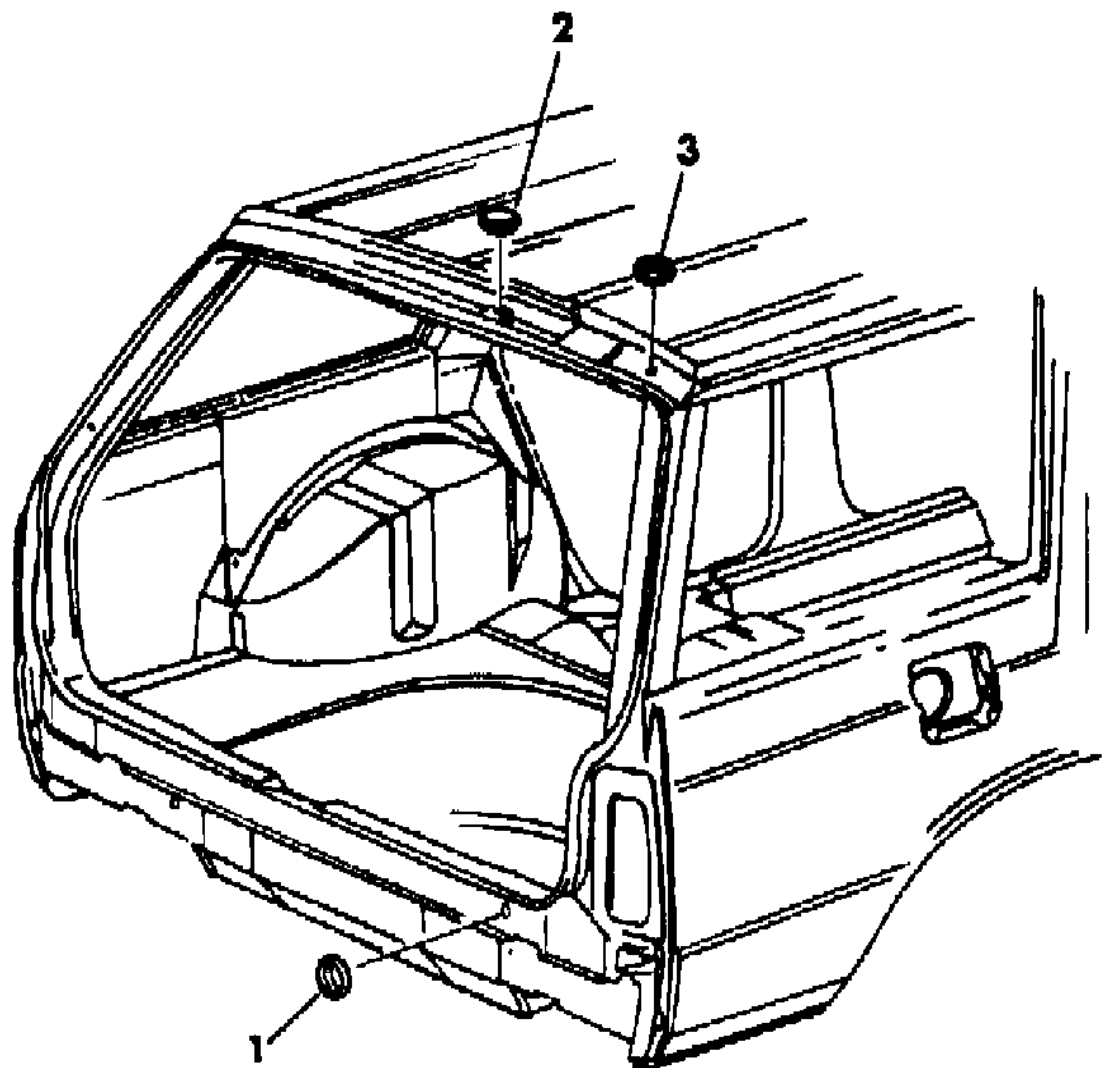
21 = 2-DOOR SEDAN	28 = FWD PICKUP
22 = 2-DOOR SPECIAL COUPE	41 = 4-DOOR SEDAN
24 = 2-DOOR HATCHBACK	44 = 4-DOOR HATCHBACK
27 = 2-DOOR CONVERTIBLE	45 = 2-SEAT STATION WAGON

AR = Use as Required - = Non Illustrated Part P.A.R. = Paint as Required

**PLUGS - LIFT GATE - P,D,C**  
**Figure 23A-6800**

1169 6800

ITEM	PART NUMBER	QTY	BODY	MODEL	DESCRIPTION
1	1774 076	1			PLUG
2	1774 076	1			PLUG
3	2574 792	1			PLUG



MODEL CODES  
 B = GRAN FURY/CARAVELLE      P = RELIANT  
 C = LEBARON/TOWN & COUNTRY      S = CORDOBA  
 D = ARIES      V = 400  
 F = NEW YORKER      X = MIRADA  
 G = DIPLOMAT      Y = IMPERIAL  
 M = HORIZON/TC3/SCAMP      Z = OMNI/O24/RAMPAGE

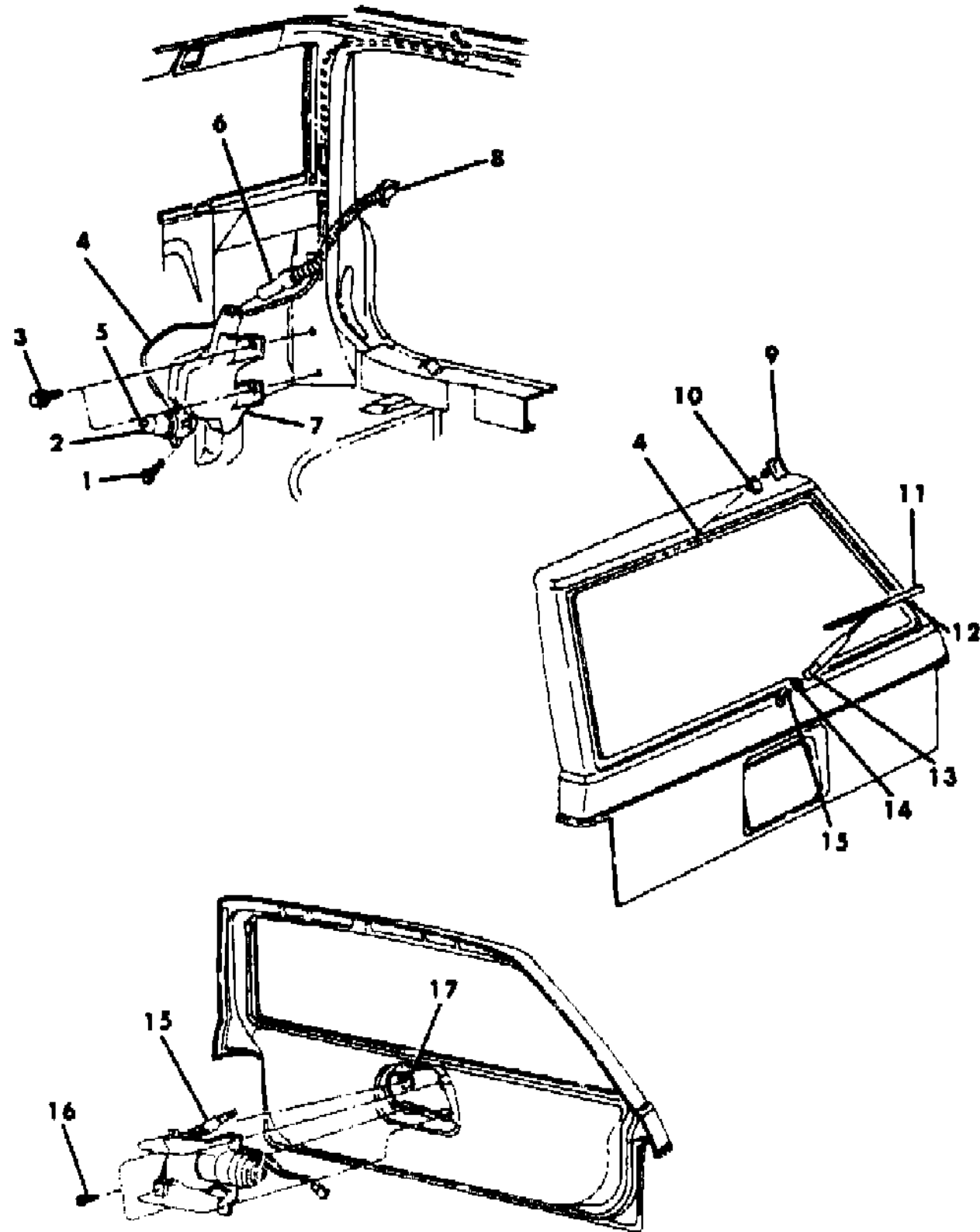
BODY STYLES  
 21 = 2-DOOR SEDAN      28 = FWD PICKUP  
 22 = 2-DOOR SPECIAL COUPE      41 = 4-DOOR SEDAN  
 24 = 2-DOOR HATCHBACK      44 = 4-DOOR HATCHBACK  
 27 = 2-DOOR CONVERTIBLE      45 = 2-SEAT STATION WAGON

AR = Use as Required - = Non Illustrated Part P.A.R. = Paint as Required

**WIPER AND WASHER SYSTEM - LIFT GATE - P,D,C**  
**Figure 23A-6900**

2159 6900

ITEM	PART NUMBER	QTY	BODY	MODEL	DESCRIPTION
1	3799 324	1			FILTER, Washer Pump
2	3799 090	1			PUMP and SEAL PACKAGE, Washer Reservoir
3	6031 951	2			SCREW
4	3780 798	1			HOSE, Washer Reservoir to Nozzle, 5/32" I.D., 50' Roll
5	5211 041	2			GROMMET, Washer Hose to Nozzle
	3799 520	1			GROMMET, Washer Hose to Reservoir
6	3799 679	1			TUBE, Washer Reservoir Filler
7	3799 684	1			RESERVOIR, Washer
8	3799 726	1			CAP, Washer Reservoir Filler
9	3799 682	1			NOZZLE, Washer Fluidic
10	3799 683	1			GROMMET, Washer Fluidic Nozzle
11	3799 671	1			BLADE w/REFILL, Black
12	3799 755				REFILL, Wiper Blade
13	3799 670	1			ARM, Wiper, Black
14	3799 675	1			TRIM RING, Wiper Moter Pivot
15	3799 672	1			MOTOR w/BRACKET
	3799 673	AR			SEAL, Wiper Motor
16		4			SCREW (not serviced)
17		4			U-NUT (not serviced)



**MODEL CODES**

B = GRAN FURY/CARAVELLE	P = RELIANT
C = LEBARON/TOWN & COUNTRY	S = CORDOBA
D = ARIES	V = 400
F = NEW YORKER	X = MIRADA
G = DIPLOMAT	Y = IMPERIAL
M = HORIZON/TC3/SCAMP	Z = OMNI/O24/RAMPAGE

**BODY STYLES**

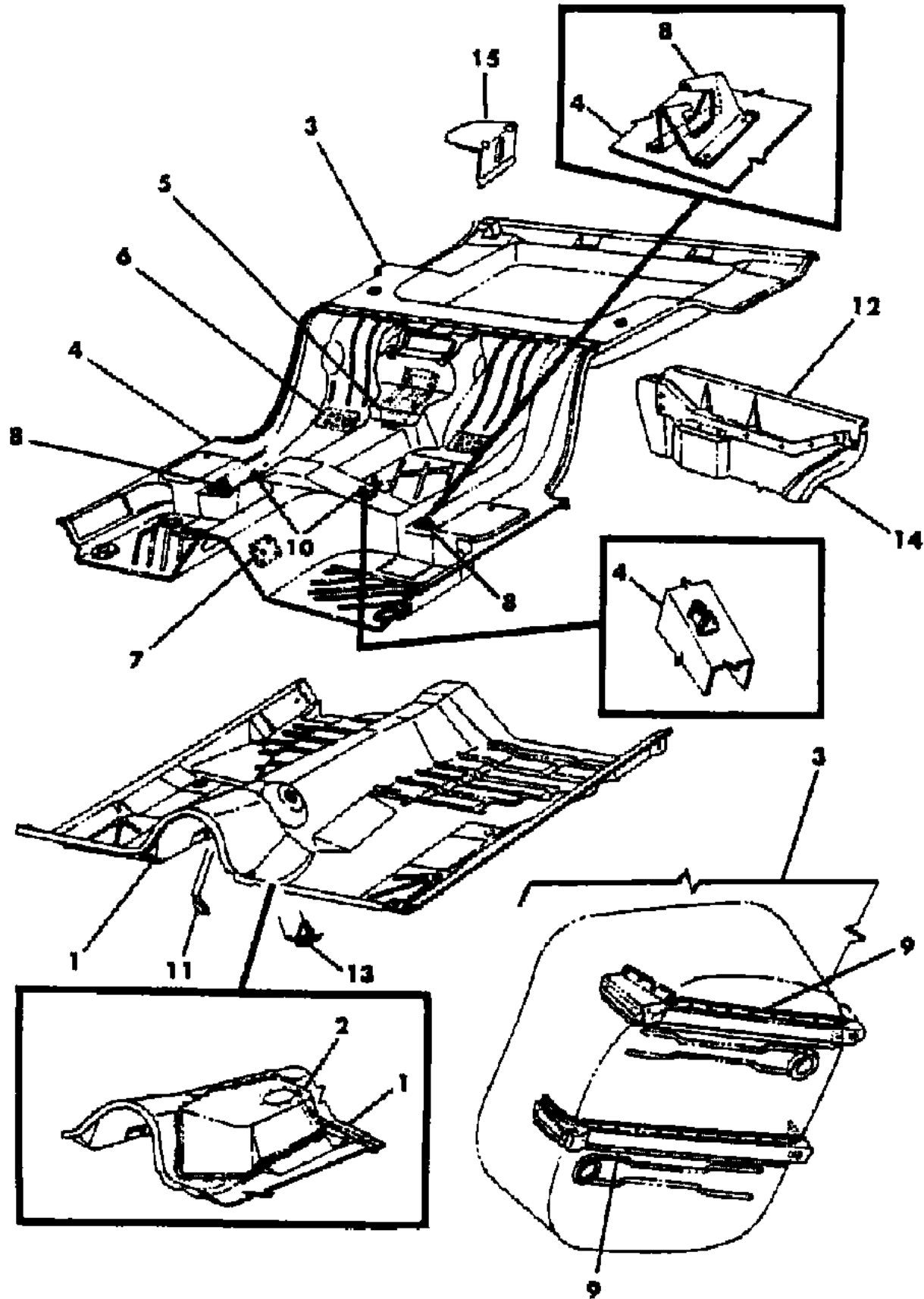
21 = 2-DOOR SEDAN	28 = FWD PICKUP
22 = 2-DOOR SPECIAL COUPE	41 = 4-DOOR SEDAN
24 = 2-DOOR HATCHBACK	44 = 4-DOOR HATCHBACK
27 = 2-DOOR CONVERTIBLE	45 = 2-SEAT STATION WAGON

AR = Use as Required - = Non Illustrated Part P.A.R. = Paint as Required



FLOOR PAN - B,F,G  
Figure 23A-7000

169 7000



ITEM	PART NUMBER	QTY	BODY	MODEL	DESCRIPTION
1	4206 424	1			PAN, Front Floor, w/Manual Trans., w/o Dual Exhaust
	4206 377	1			w/or w/o Cata. Exhaust w/o Dual Exhaust
	4206 423	1			w/Cata. Exhaust and w/Dual Exhaust
2	3791 296	1			COVER, Gearshift Opening
3	4134 910	1			PAN, Rear Floor
4	4134 292	1			PAN, Center Floor
5	4134 249	1			REINFORCEMENT w/NUT, Center Floor Pan Pinion Carrier Bumper
6	#4206 954	2			REINFORCEMENT, Center Floor Pan Rear Seat Belt Inner
7	#4206 764	2			REINFORCEMENT, Center Floor Pan Front Seat Belt Inner
8	3446 302	2			RETAINER, Center Floor Pan Rear Seat Cushion
9	3850 502	1			STRAINER w/REINFORCEMENT,Fuel Tank Front and Rear,Rt.
	3850 501	1			Lt.
11	4206 394-5	1			REINFORCEMENT, Seat Guide Front Outer
13	4206 396-7	1			REINFORCEMENT, Seat Guide Outer Rear
14	4134 906	1			EXTENSION, Rear Floor Pan Side, Rt.
	4015 233	1			Lt.
15	4134 424	1			SUPPORT, Rear Floor Pan Spare Wheel Side
Note: For PLUGS, SEE PLUG ILLUSTRATION. an offsetting order for part no. 3747881					
Note: The Following Items Are Not Shown On Illustration. an offsetting order for part no. 3747881					
	4200 001	1			CROSSMEMBER w/REINFORCEMENT, Front Floor Pan Anti-Seat Shake, w/60/40 Split Bench
	4015 634	2			REINFORCEMENT, Rear Floor Pan Rear Crossmember (w/S/C F58-Heavy Service Package X)
	4134 377	2			BRACKET, Center Floor Pan Rear Seat Cushion Mounting

MODEL CODES

B = GRAN FURY/CARAVELLE	P = RELIANT
C = LEBARON/TOWN & COUNTRY	S = CORDOBA
D = ARIES	V = 400
F = NEW YORKER	X = MIRADA
G = DIPLOMAT	Y = IMPERIAL
M = HORIZON/TC3/SCAMP	Z = OMNI/O24/RAMPAGE

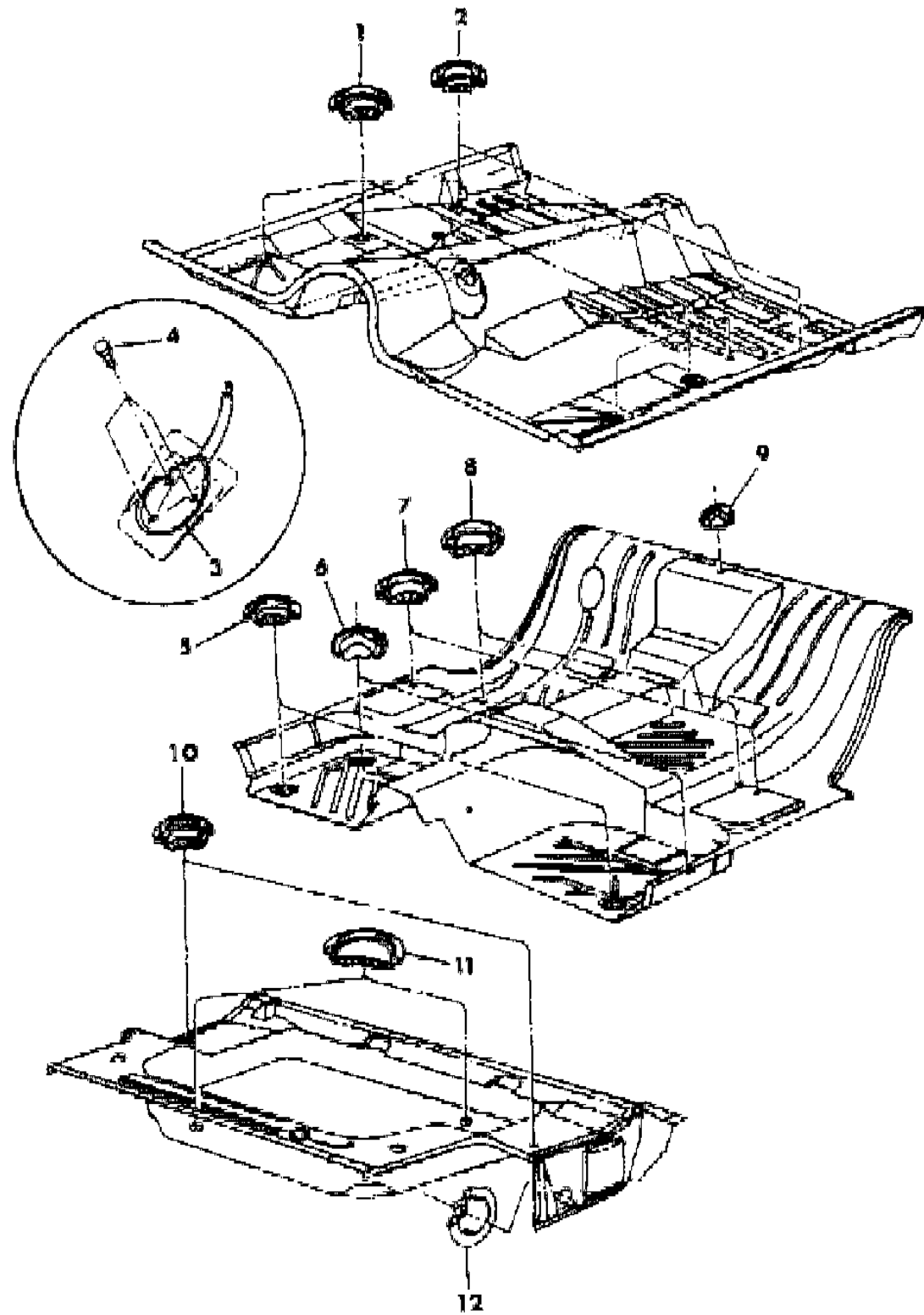
BODY STYLES

21 = 2-DOOR SEDAN	28 = FWD PICKUP
22 = 2-DOOR SPECIAL COUPE	41 = 4-DOOR SEDAN
24 = 2-DOOR HATCHBACK	44 = 4-DOOR HATCHBACK
27 = 2-DOOR CONVERTIBLE	45 = 2-SEAT STATION WAGON

AR = Use as Required - = Non Illustrated Part P.A.R. = Paint as Required

PLUGS, FLOOR PAN - B,F,G  
Figure 23A-7100

100 7100



ITEM	PART NUMBER	QTY	BODY	MODEL	DESCRIPTION
1	2480 957	6			PLUG
2	1774 076	2			PLUG
3	2259 118	1			SEAL, Parking Brake Cable
4		3			SCREW (Not Serviced)
5	6030 773	2			PLUG
6	4073 475	2			PLUG
7	2480 957	2			PLUG
8	2480 957	2			PLUG
9	4073 474	1			PLUG
10	2480 957	2			PLUG
11	6030 773	2			PLUG
12	4073 485	2			PLUG

MODEL CODES

B = GRAN FURY/CARAVELLE	P = RELIANT
C = LEBARON/TOWN & COUNTRY	S = CORDOBA
D = ARIES	V = 400
F = NEW YORKER	X = MIRADA
G = DIPLOMAT	Y = IMPERIAL
M = HORIZON/TC3/SCAMP	Z = OMNI/O24/RAMPAGE

BODY STYLES

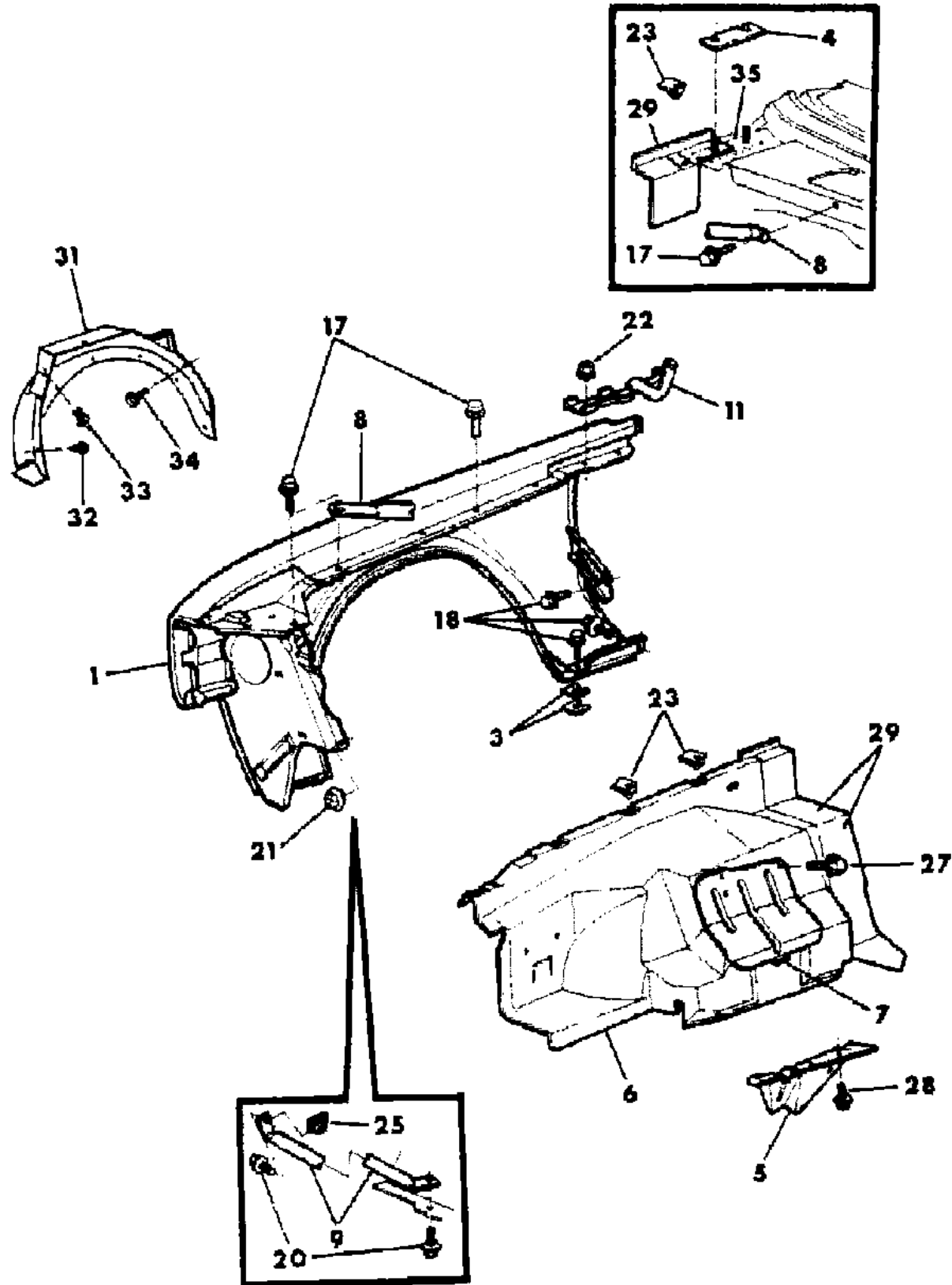
21 = 2-DOOR SEDAN	28 = FWD PICKUP
22 = 2-DOOR SPECIAL COUPE	41 = 4-DOOR SEDAN
24 = 2-DOOR HATCHBACK	44 = 4-DOOR HATCHBACK
27 = 2-DOOR CONVERTIBLE	45 = 2-SEAT STATION WAGON

AR = Use as Required - = Non Illustrated Part P.A.R. = Paint as Required

FENDER B,F,G  
Figure 23A-7200

1109 7200

ITEM	PART NUMBER	QTY	BODY	MODEL	DESCRIPTION
1	4106 626-7	1		B,G	FENDER
	4106 626-7	1		F	W/O Cornering Lamps
	4106 632-3	1		F	W/Cornering Lamps
3	6010 031	AR			SHIM
4	6010 031	AR			SHIM, Fender to Cowl Side
5	4005 081	1			SHIELD, Frt. Side Rail Lwr. Splash, Lt.
6	4237 012-3	1			PANEL, Fender Shield
7	4005 108	2			COVER, Fndr. Shield Pnl. Upr. Control Arm, Alum.
8	3868 634	1			STRUT, Fndr. Cowl Top,Rt.,Use w/o Heavy Service Pkg. F57
	3868 979	1			STRUT, Fndr. Cowl Top,Lt.,Use w/o Heavy Service Pkg. F57
	4103 066-7	1			Use w/Heavy Service Pkg. F57
9	3868 966-7	1			BRACE, Fndr. Lwr. Flange
11		1			HINGE and PROP, Hood Complete (See Hood Illus.)
17	9425 118	AR			SCREW and Washer
18					SCREW and WASHER (Not Serviced)
20					SCREW and WASHER (Not Serviced)
21	0118 614	AR			NUT and WASHER
22	0118 614	AR			NUT and WASHER
23					NUT (Not Serviced)
25	0152 454	AR			U-NUT
27					SCREW (Not Serviced)
28					SCREW and WASHER (Not Serviced)
29					SUPPORT, Dash Pnl. to Fndr. S/Shield Upr.(See Cowl Illus.)
31	3868 968-9	1			SHIELD,Fndr. W/House Splash
32		AR			Screw and Wa. (Not Serviced)
33	6031 390	AR			Retainer
34					Screw and Wa.(Not Serviced)
35	4136 191	2			REINFORCEMENT w/SCREW,Dash Pnl. Hood Hge.
NOTE: The Following Items Are Not Shown On Illustration. an offsetting order for part no. 3747881					
	6030 441	4			RETAINER, Fender Splash Shield to Front Side Shield Panel



MODEL CODES

B = GRAN FURY/CARAVELLE	P = RELIANT
C = LEBARON/TOWN & COUNTRY	S = CORDOBA
D = ARIES	V = 400
F = NEW YORKER	X = MIRADA
G = DIPLOMAT	Y = IMPERIAL
M = HORIZON/TC3/SCAMP	Z = OMNI/O24/RAMPAGE

BODY STYLES

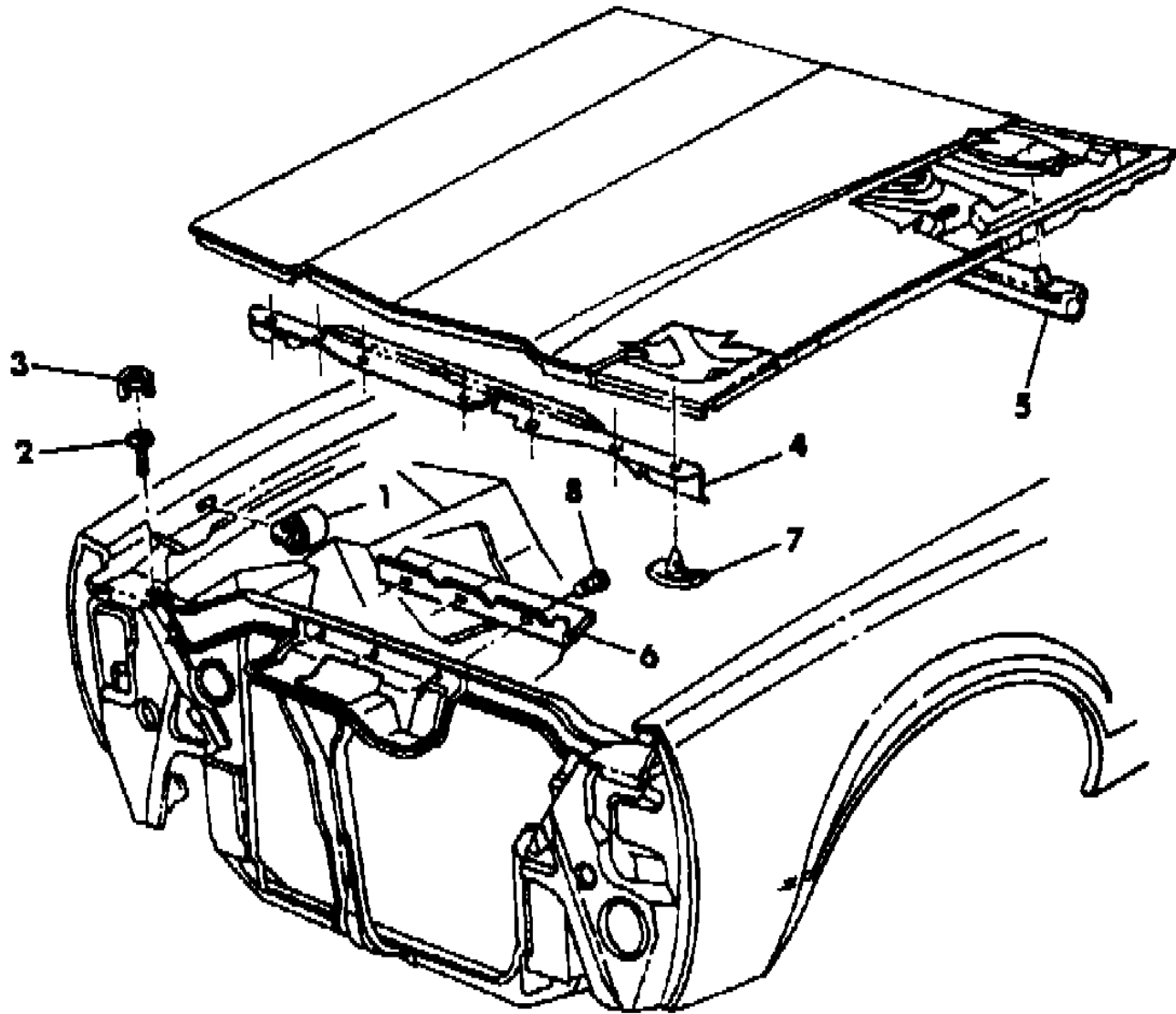
21 = 2-DOOR SEDAN	28 = FWD PICKUP
22 = 2-DOOR SPECIAL COUPE	41 = 4-DOOR SEDAN
24 = 2-DOOR HATCHBACK	44 = 4-DOOR HATCHBACK
27 = 2-DOOR CONVERTIBLE	45 = 2-SEAT STATION WAGON

AR = Use as Required - = Non Illustrated Part P.A.R. = Paint as Required

**BUMPERS - FENDER, HOOD - B,F,G**  
**Figure 23A-7300**

1169 7300

ITEM	PART NUMBER	QTY	BODY	MODEL	DESCRIPTION
1	3443 894	2			BUMPER, Fender, Hood
2	6023 531	2			SCREW
3	3788 362	2			BUMPER, Hood
4	4074 857	1			SEAL, Hood Yoke
5	3868 603	1			SEAL, Hood to Cowl
6	4103 056	1			SEAL, Radiator Yoke
7	6003 351	7			FASTENER
8	6030 538	3			RETAINER



**MODEL CODES**

B = GRAN FURY/CARAVELLE	P = RELIANT
C = LEBARON/TOWN & COUNTRY	S = CORDOBA
D = ARIES	V = 400
F = NEW YORKER	X = MIRADA
G = DIPLOMAT	Y = IMPERIAL
M = HORIZON/TC3/SCAMP	Z = OMNI/O24/RAMPAGE

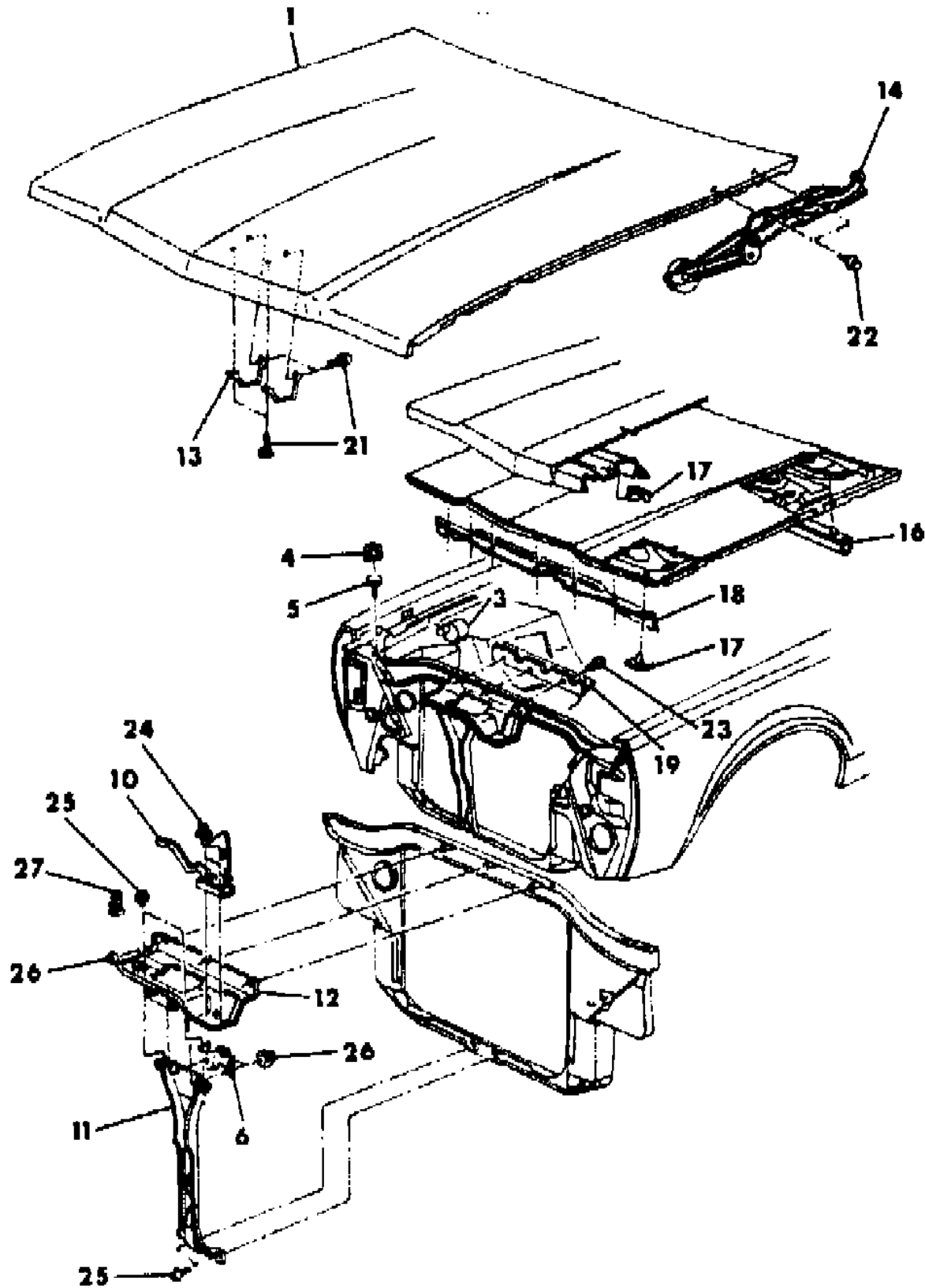
**BODY STYLES**

21 = 2-DOOR SEDAN	28 = FWD PICKUP
22 = 2-DOOR SPECIAL COUPE	41 = 4-DOOR SEDAN
24 = 2-DOOR HATCHBACK	44 = 4-DOOR HATCHBACK
27 = 2-DOOR CONVERTIBLE	45 = 2-SEAT STATION WAGON

AR = Use as Required - = Non Illustrated Part P.A.R. = Paint as Required

# HOOD B,F,G Figure 23A-7400

166 7400



ITEM	PART NUMBER	QTY	BODY	MODEL	DESCRIPTION
1	4129 313	1			HOOD
3	3443 894	AR			BUMPER, Fndr. Hood Side
4	3788 362	2			BUMPER, Fndr. Yoke Brkt. Hood Adj.
5	6023 531	AR			SCREW,Fndr. Flange Hood Adj. Bumper
6	3861 819	1			LATCH,Hood
10	4172 068	1			CATCH,Hood Safety,Complete
11	4074 810	1			SUPPORT,Hood Lock Vertical
12	4103 490	1			PLATE,Hood Lock
13	4054 003	1			STRIKER,Hood Safety Catch
	4054 003	1			STRIKER,Hood Latch
14	4103 428-9	1			HINGE and PROP,Hood Complete
16	3868 603	1			SEAL,Hood Cowl
17	6003 351	AR			FASTENER,Seal Hood to Yoke Seal
18	4074 857	1			SEAL,Hood Inner Pnl.to Yoke
19	4103 056	1			SEAL,Rad.Yoke C/Mbr. Rad.
21	0181 063	AR			SCREW and Wa.
22		AR			SCREW and Wa. (Not Serviced)
23	6030 538	3			RETAINER
24	0181 063	AR			SCREW and Wa.
25	9425 118	AR			SCREW and Wa.
26	0118 614	AR			NUT and Wa.
27	4240 535	1			SPRING PKG.,Hood Pop-Up,Eyelet Type
Note: The Following Items are not shown on Illustration an offsetting order for part no. 3747881					
	3875 949	2			SEAL,Cowl Top Pnl. to W/Shield Outer Frame
	6003 568	AR			FASTENER,Hood Cowl Seal
	4049 601	1			SILENCER,Hood Inner Pnl.
	6003 351	AR			FASTENER,Hood Inner Pnl.Silencer

**MODEL CODES**

B = GRAN FURY/CARAVELLE	P = RELIANT
C = LEBARON/TOWN & COUNTRY	S = CORDOBA
D = ARIES	V = 400
F = NEW YORKER	X = MIRADA
G = DIPLOMAT	Y = IMPERIAL
M = HORIZON/TC3/SCAMP	Z = OMNI/O24/RAMPAGE

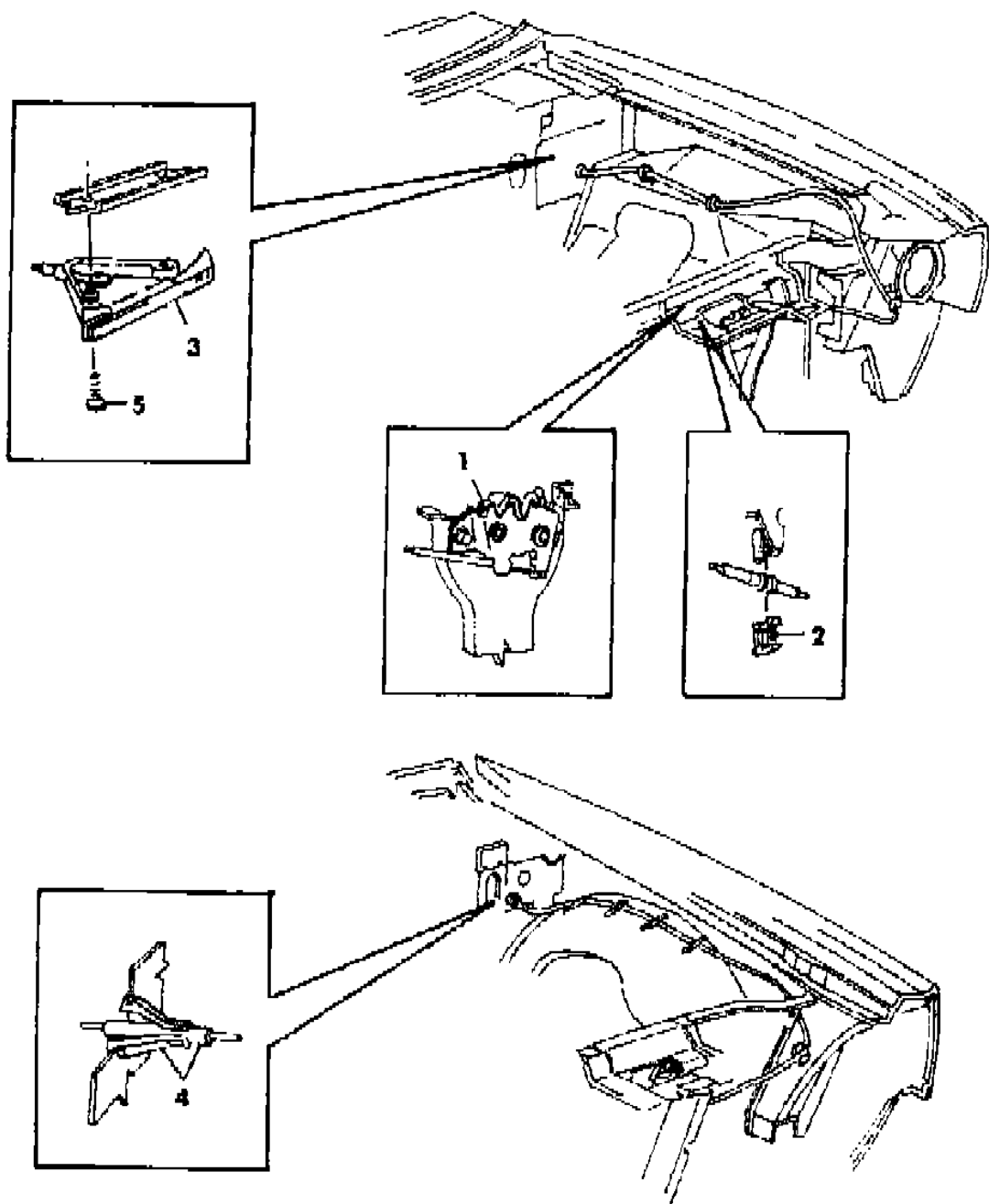
**BODY STYLES**

21 = 2-DOOR SEDAN	28 = FWD PICKUP
22 = 2-DOOR SPECIAL COUPE	41 = 4-DOOR SEDAN
24 = 2-DOOR HATCHBACK	44 = 4-DOOR HATCHBACK
27 = 2-DOOR CONVERTIBLE	45 = 2-SEAT STATION WAGON

AR = Use as Required - = Non Illustrated Part P.A.R. = Paint as Required

REMOTE CONTROL HOOD RELEASE B,F,G  
Figure 23A-7500

2169 7500



ITEM	PART NUMBER	QTY	BODY	MODEL	DESCRIPTION
1	3861 819	1			LATCH, Hood
2	3861 231	1			CLIP, Hood Latch Rel. Cable Ret.
3	3882 085	1			RELEASE, Inst. Pnl. Hood Latch
4	3695 100	1			GROMMET, Hood Latch Rel. Handle Cable
5					SCREW (Not Serviced)
NOTE: The following items are not shown on illus. an offsetting order for part no. 3747881					
	6024 203	1			PUSH NUT, Inst. Pnl. Hood Latch Rel. Handle Brkt. to Handle
	6031 147	1			S/NUT, Inst Pnl. Hood Latch Rel. Handle to Cable
	1774 076	1			PLUG, Hood Release Cable

MODEL CODES

B = GRAN FURY/CARAVELLE	P = RELIANT
C = LEBARON/TOWN & COUNTRY	S = CORDOBA
D = ARIES	V = 400
F = NEW YORKER	X = MIRADA
G = DIPLOMAT	Y = IMPERIAL
M = HORIZON/TC3/SCAMP	Z = OMNI/O24/RAMPAGE

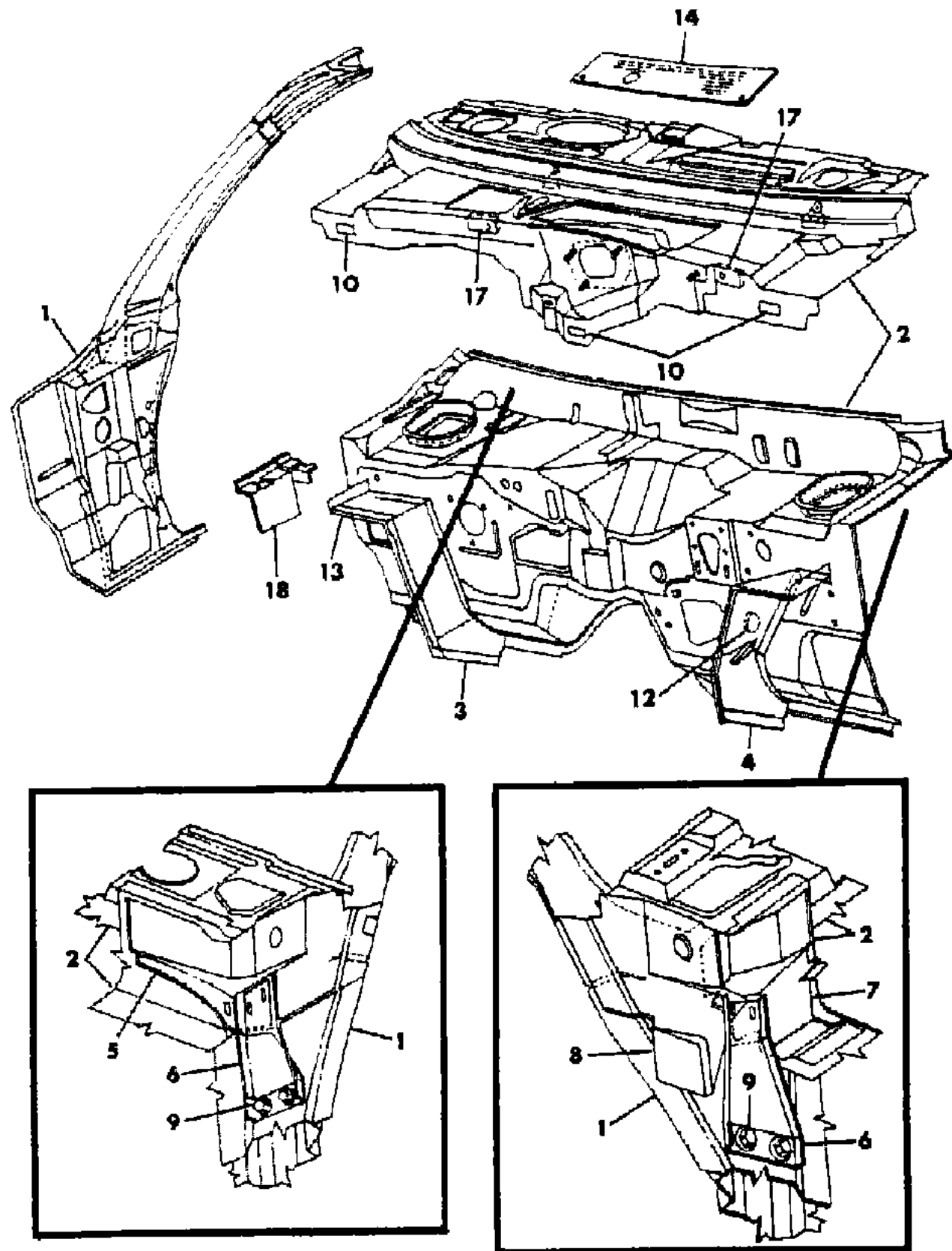
BODY STYLES

21 = 2-DOOR SEDAN	28 = FWD PICKUP
22 = 2-DOOR SPECIAL COUPE	41 = 4-DOOR SEDAN
24 = 2-DOOR HATCHBACK	44 = 4-DOOR HATCHBACK
27 = 2-DOOR CONVERTIBLE	45 = 2-SEAT STATION WAGON

AR = Use as Required - = Non Illustrated Part P.A.R. = Paint as Required

**COWL AND DASH PANEL - B,F,G**  
**Figure 23A-7600**

89 7800



ITEM	PART NUMBER	QTY	BODY	MODEL	DESCRIPTION
1	4200 680	1			PANEL,Cowl Side,Rt.
	4200 681	1			Lt.
2	4200 030	1			PANEL,Cowl Top and Dash,w/o A/C
	4200 032	1			w/A/C
3	4198 190	1			SUPPORT,Dash Panel to Fender Side Shield,Lower Rt.
4	4198 191	1			SUPPORT,Dash Panel to Fender Side Shield,Lower Lt.
5	4136 542	1			REINFORCEMENT,Dash Panel to Cowl Side Rt,
6	3793 882	1			BRACKET,Cowl Side to Windshield Lower Corner,Rt.
	4040 697	1			GUSSET,Lt.
7	3793 421	1			BRACKET,Dash Panel to Steering Column Reinforcement and Lower Corner Gusset
8	4136 543	1			GUSSET,Windshield Lower Corner Lt.
9	0181 086	4			BOLT
10	3794 032	3			SEAL,Cowl Top Drain Hole
12	2811 825	1			PLUG,Clutch Rod Hole
13	4198 188-9	1			BRACKET,Dash Panel to Fender Side Shield to Rail Support
14	3794 196	1			SCREEN,Cowl To Fresh Air Opening
17	4040 880-1	1			BRACKET,Cowl Top Panel to Fender Strut
18	4136 186-7	1			SUPPORT,Dash Panel to Fender Side Shield Upper
NOTE: The following items are not shown on illustration. an offsetting order for part no. 3747881					
	4136 334	1			LINNER,Dash
	3850 216-7	1			PILLAR,w/Outside Frame,Body Front
	6015 951	4			CLIP,Cowl Side Wiring
	4136 041	2			REINFORCEMENT,Dash Panel Accelerator Pedal Mounting
	4136 191	2			REINFORCEMENT,Dash Panel Hood Hinge
	4206 545	4			RETAINER,Dash Liner Attaching
	6031 630	4			STUD,Dash Liner to Dash Panel Attaching

MODEL CODES

B = GRAN FURY/CARAVELLE	P = RELIANT
C = LEBARON/TOWN & COUNTRY	S = CORDOBA
D = ARIES	V = 400
F = NEW YORKER	X = MIRADA
G = DIPLOMAT	Y = IMPERIAL
M = HORIZON/TC3/SCAMP	Z = OMNI/O24/RAMPAGE

BODY STYLES

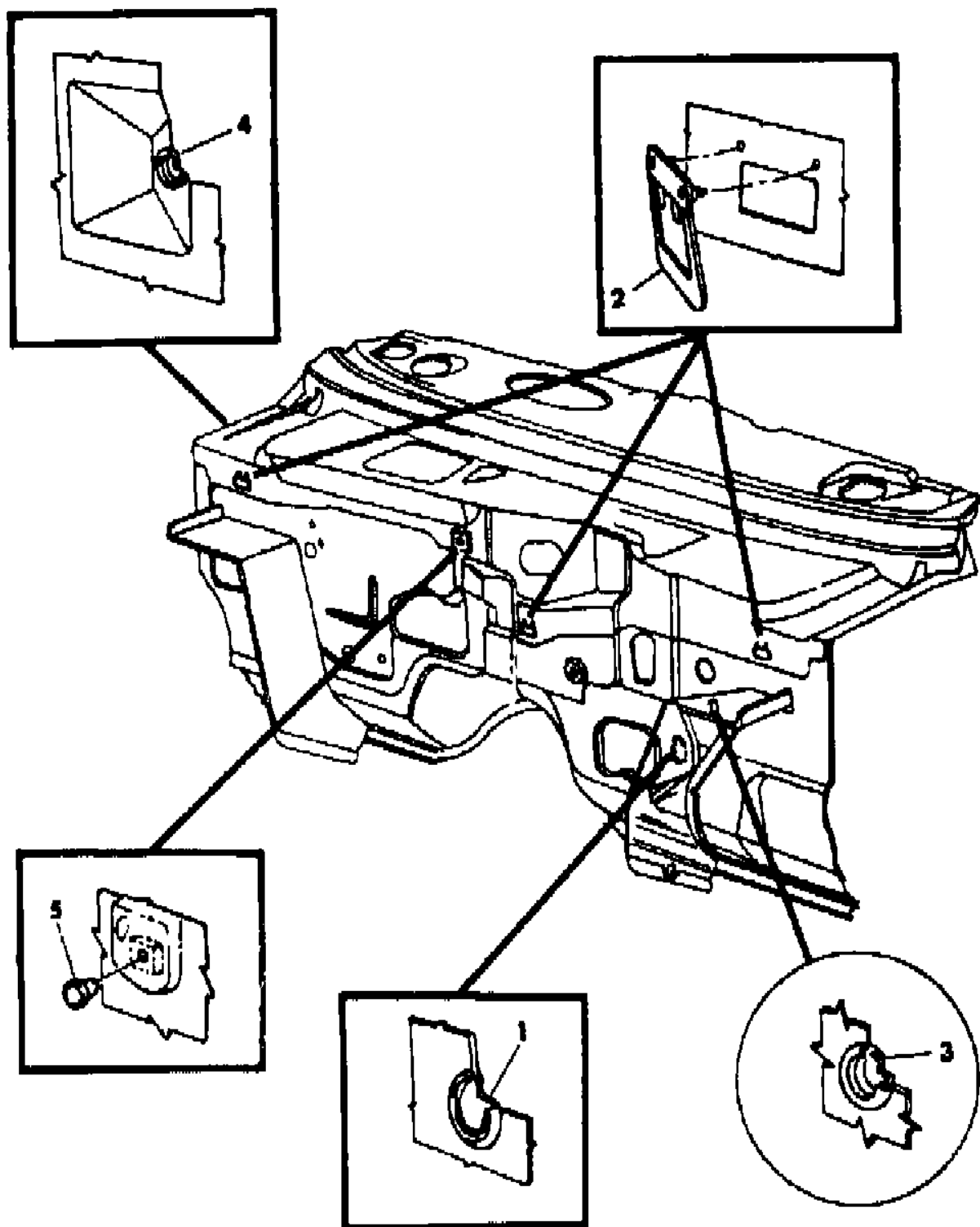
21 = 2-DOOR SEDAN	28 = FWD PICKUP
22 = 2-DOOR SPECIAL COUPE	41 = 4-DOOR SEDAN
24 = 2-DOOR HATCHBACK	44 = 4-DOOR HATCHBACK
27 = 2-DOOR CONVERTIBLE	45 = 2-SEAT STATION WAGON

AR = Use as Required - = Non Illustrated Part P.A.R. = Paint as Required

PLUGS - COWL AND DASH - B,F,G  
Figure 23A-7700

69 7700

ITEM	PART NUMBER	QTY	BODY	MODEL	DESCRIPTION
1		1			PLUG (Not Serviced)
2	3794 032	1			SEAL, Cowl Top
3	1774 076	1			PLUG, Hood Release Cable
4	2860 332	1			PLUG, Antenna Hole
5	2423 737	1			PLUG, Cowl Top



MODEL CODES

- |                            |                      |
|----------------------------|----------------------|
| B = GRAN FURY/CARAVELLE    | P = RELIANT          |
| C = LEBARON/TOWN & COUNTRY | S = CORDOBA          |
| D = ARIES                  | V = 400              |
| F = NEW YORKER             | X = MIRADA           |
| G = DIPLOMAT               | Y = IMPERIAL         |
| M = HORIZON/TC3/SCAMP      | Z = OMNI/O24/RAMPAGE |

BODY STYLES

- |                           |                           |
|---------------------------|---------------------------|
| 21 = 2-DOOR SEDAN         | 28 = FWD PICKUP           |
| 22 = 2-DOOR SPECIAL COUPE | 41 = 4-DOOR SEDAN         |
| 24 = 2-DOOR HATCHBACK     | 44 = 4-DOOR HATCHBACK     |
| 27 = 2-DOOR CONVERTIBLE   | 45 = 2-SEAT STATION WAGON |

AR = Use as Required - = Non Illustrated Part P.A.R. = Paint as Required



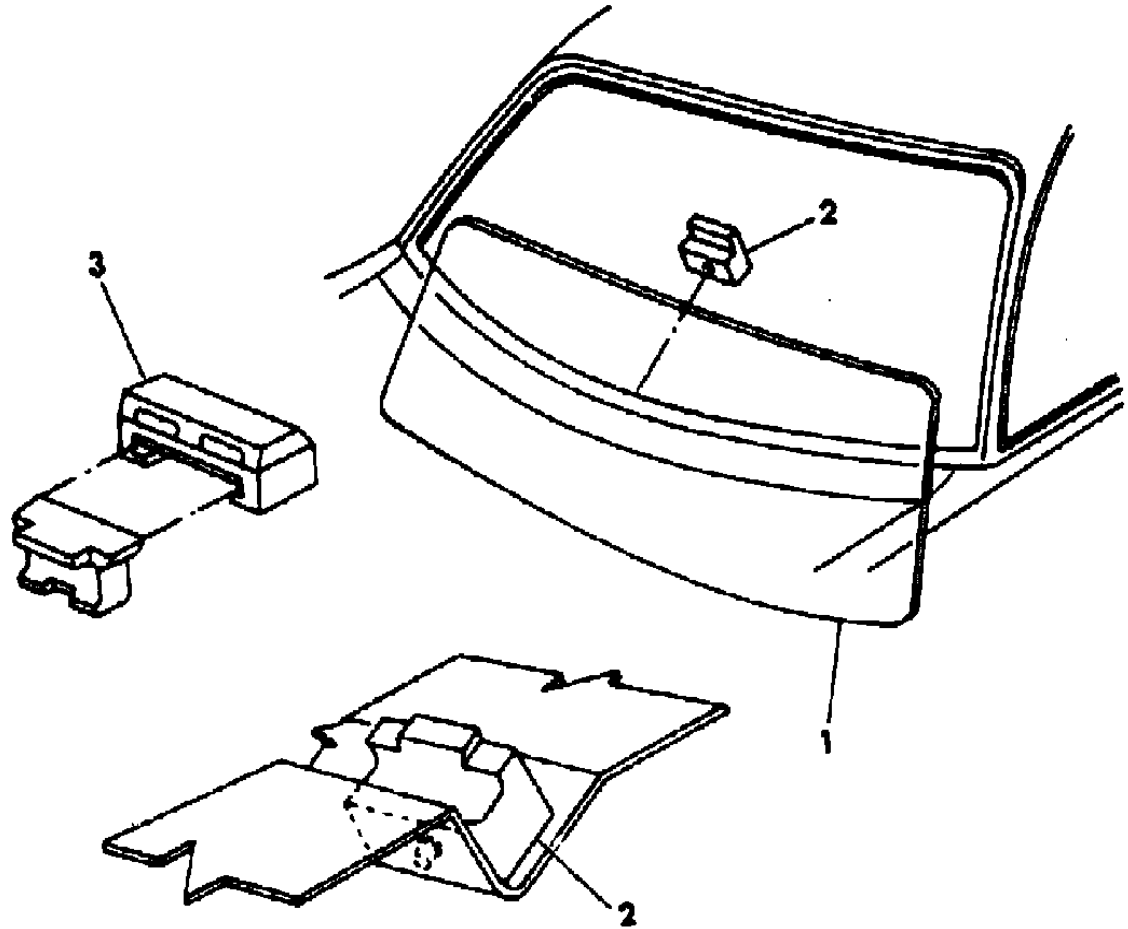
GLASS - WINDSHIELD - B,F,G  
Figure 23A-7800

!169 7800

ITEM	PART NUMBER	QTY	BODY	MODEL	DESCRIPTION
------	-------------	-----	------	-------	-------------

NOTE: GLASS, WINDSHIELD - ORDER FROM YOUR LOCAL MOPAR GLASS DISTRIBUTOR. an offsetting order for part no.

3747881					
1					GLASS, Windshield
	3795 694	1			Clear
	3795 695	1			Tinted
2	3794 035	2			SPACER, Windshield Glass Lower, Approximately .230" Thick
	3767 820	AR			Approximately .150" Thick
3	3767 767	AR			SHIM, Windshield Glass Spacer Lower, Approximately.218" Thick
	4057 957	1			FIXED GLASS REPAIR PACKAGE, W/Shield (Not Shown)
CONSISTS OF:					
1- ----- Tape, Butyl, 171.00"					
1- ----- Primer, Glass					
1- ----- Primer, Fence					
2- 3674698 Spacer, Rubber, 0.2"					
2- 3793290 Spacer, Rubber, 0.3"					
2- 3767767 Shim, 0.07"					
2- ----- Sponges, Disposable					



MODEL CODES

B = GRAN FURY/CARAVELLE	P = RELIANT
C = LEBARON/TOWN & COUNTRY	S = CORDOBA
D = ARIES	V = 400
F = NEW YORKER	X = MIRADA
G = DIPLOMAT	Y = IMPERIAL
M = HORIZON/TC3/SCAMP	Z = OMNI/O24/RAMPAGE

BODY STYLES

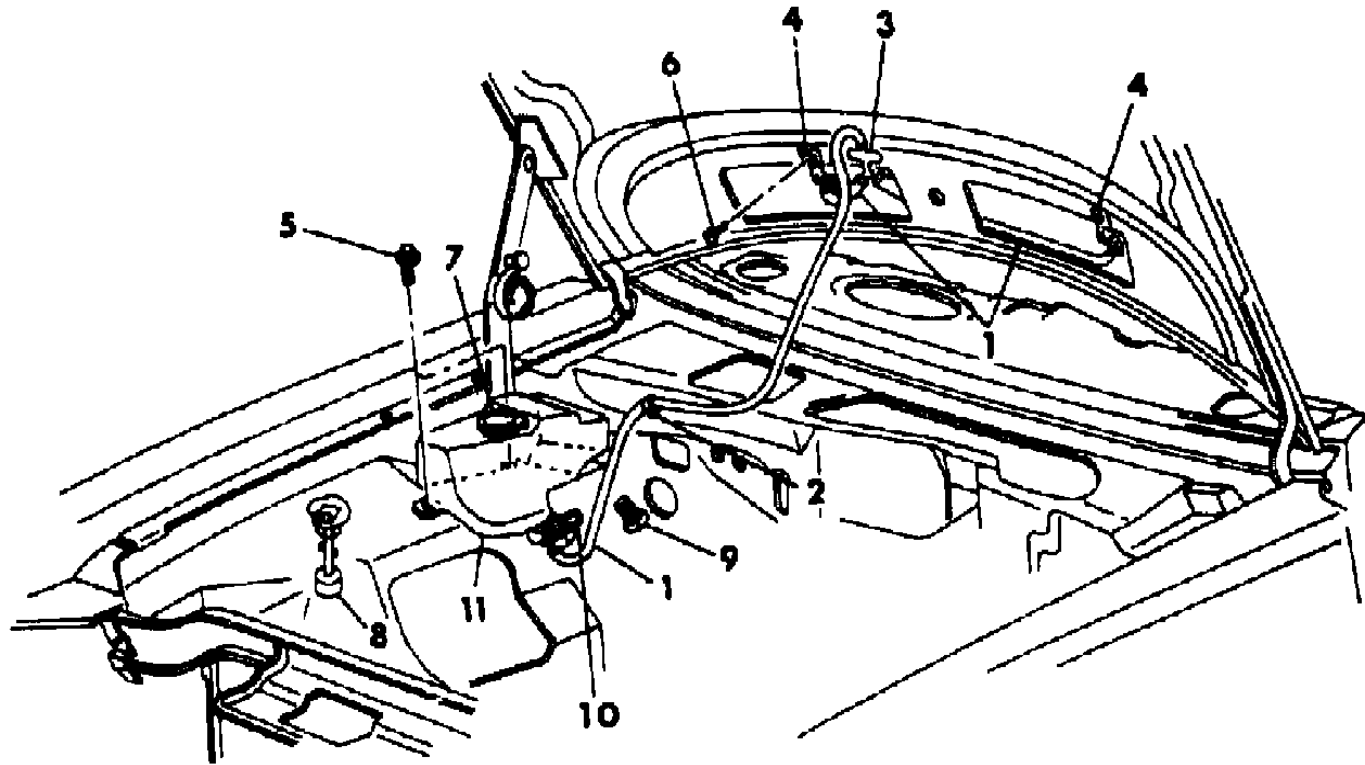
21 = 2-DOOR SEDAN	28 = FWD PICKUP
22 = 2-DOOR SPECIAL COUPE	41 = 4-DOOR SEDAN
24 = 2-DOOR HATCHBACK	44 = 4-DOOR HATCHBACK
27 = 2-DOOR CONVERTIBLE	45 = 2-SEAT STATION WAGON

AR = Use as Required - = Non Illustrated Part P.A.R. = Paint as Required

**WASHER SYSTEM, WINDSHIELD - B,F,G**  
**Figure 23A-7900**

:169 7900

ITEM	PART NUMBER	QTY	BODY	MODEL	DESCRIPTION
1	3780 798	1			HOSE, W/Shield Washer, 5/32" I.D., 50' Roll
	3837 036	1			1/8" I.D., 50'Roll
	4026 129	1			1/4" I.D., 50'Roll
2	6015 776	AR			CLIP
3	5211 126	1			CONNECTOR, W/Shield Washer Hose
4	3799 133	2			NOZZLE, W/Shield Washer
5		2			SCREW (Not Serviced)
6		2			SCREW (Not Serviced)
7	2497 500	1			CAP, W/Shield Washer Reservoir
8	3746 813	1			SENSOR, Washer Fluid Level
9	3799 324	1			FILTER, W/Shield Washer
10	3799 462	1			PUMP and SEAL PACKAGE, W/Shield Washer
11	3799 542	1			RESERVOIR PACKAGE, W/Shield Washer



**MODEL CODES**

B = GRAN FURY/CARAVELLE	P = RELIANT
C = LEBARON/TOWN & COUNTRY	S = CORDOBA
D = ARIES	V = 400
F = NEW YORKER	X = MIRADA
G = DIPLOMAT	Y = IMPERIAL
M = HORIZON/TC3/SCAMP	Z = OMNI/O24/RAMPAGE

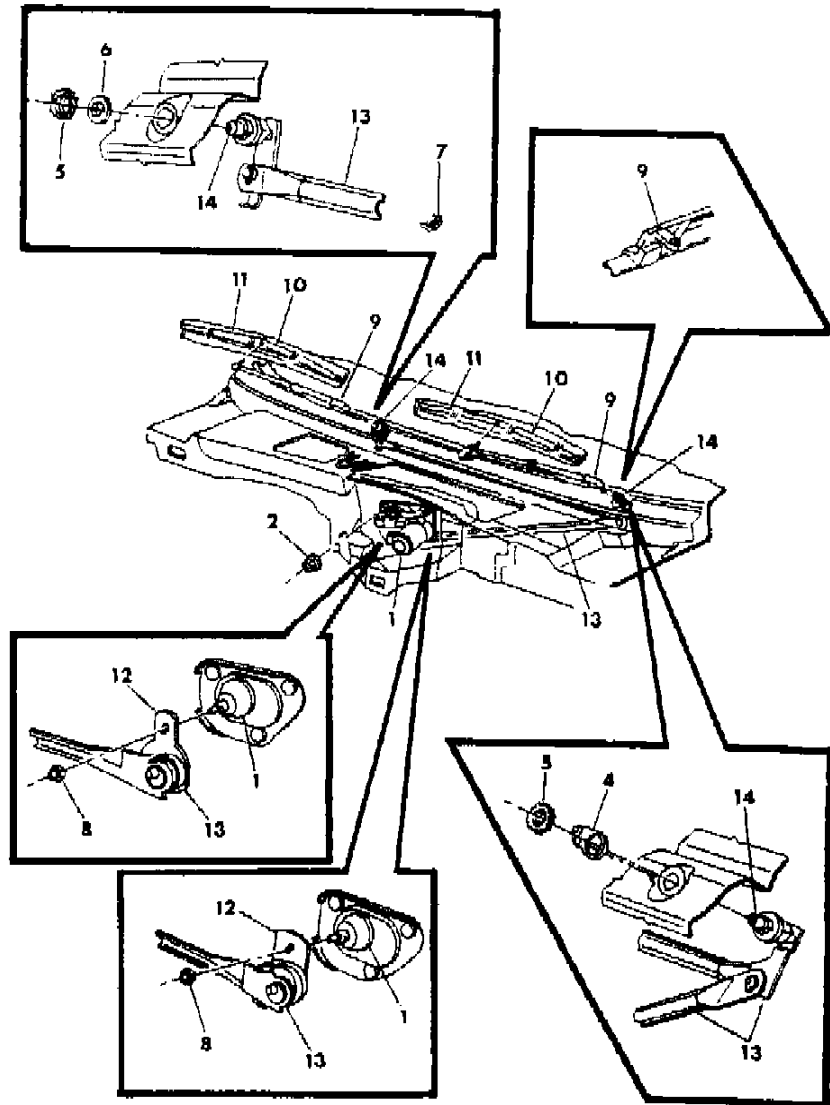
**BODY STYLES**

21 = 2-DOOR SEDAN	28 = FWD PICKUP
22 = 2-DOOR SPECIAL COUPE	41 = 4-DOOR SEDAN
24 = 2-DOOR HATCHBACK	44 = 4-DOOR HATCHBACK
27 = 2-DOOR CONVERTIBLE	45 = 2-SEAT STATION WAGON

AR = Use as Required - = Non Illustrated Part P.A.R. = Paint as Required

**WIPER SYSTEM, WINDSHIELD - B,F,G**  
**Figure 23A-8000**

2169 3000A



ITEM	PART NUMBER	QTY	BODY	MODEL	DESCRIPTION
1	4205 951	1			MOTOR, 2 Speed
2	6025 413	3			NUT, Motor Mounting
4	3799 258	1			PLATE, W/Shield Wiper Pivot Mtg., Lt.
5	3799 125	2			NUT, W/Shield Wiper Pivot Mtg.
6	3799 144	AR			WASHER, W/Shield Wiper Pivot Mtg.
7	3799 089	AR			BUSHING, W/Shield Wiper Linkage
8	6031 096	1			NUT, Crank Mtg.
9	3799 254-5	1			ARM, W/Shield Wiper w/o Blade
10					BLADE w/REFILL, Windshield Wiper
	3799 021	2			Trico
11					REFILL, Windshield Wiper Blade
	3799 060	2			Trico
12	3799 105	1			CRANK w/Pin, Wiper Drive
13	3799 101	1			LINK w/BUSHING, Wiper Pivot Connecting
	3799 103	1			Wiper Drive
14	4026 046	1			PIVOT, Rt.
	3799 479	1			Lt.
NOTE: THE FOLLOWING ITEMS ARE NOT SHOWN ON ILLUSTRATION. an offsetting order for part no. 3747881					
	2932 708	1			GROMMET and SPACER PKG., Motor Mtg.
CONSISTS OF:					
					3- ----- Spacer
					3- ----- Grommet
	2926 168	1			SEAL, W/Shield Wiper Motor Mtg.
	3431 974	1			W/Shield Wiper Motor Output Shaft
	3799 087	1			ARMATURE PKG. Wiper Motor, 2 Speed
	4222 060	1			CONTROL, 2 Speed w/Intermittent Wipe
	4048 579	1			BRACKET, 2 Speed w/Intermittent Wipe
	3799 275	1			HOUSING PKG. Wiper Motor, 2 Speed
	4205 954	1			GEAR, HOUSING and COVER, Wiper Motor, 2 Speed
	3747 653	1			SWITCH, W/Shield Wiper and Washer, 2 Speed w/o Intermittent Wipe
					2 Speed w/Intermittent Wipe, w/o Tilt Steering Column
	4221 042	1			2 Speed w/Intermittent Wipe, w/Tilt Steering Column
	4293 110	1			2 Speed w/Intermittent Wipe, w/Tilt Steering Column
	4221 002	1			KNOB, W/Shield Wiper or Washer Switch 2 Speed w/o Intermittent Wipe
					w/Intermittent Wipe (See Group 8)

MODEL CODES

B = GRAN FURY/CARAVELLE	P = RELIANT
C = LEBARON/TOWN & COUNTRY	S = CORDOBA
D = ARIES	V = 400
F = NEW YORKER	X = MIRADA
G = DIPLOMAT	Y = IMPERIAL
M = HORIZON/TC3/SCAMP	Z = OMNI/O24/RAMPAGE

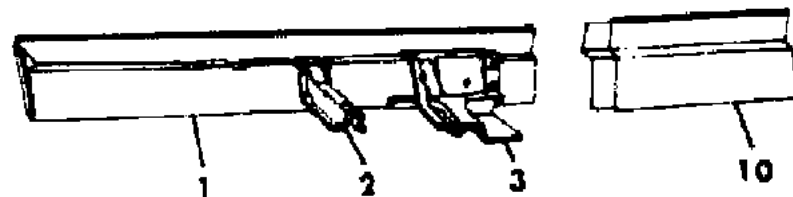
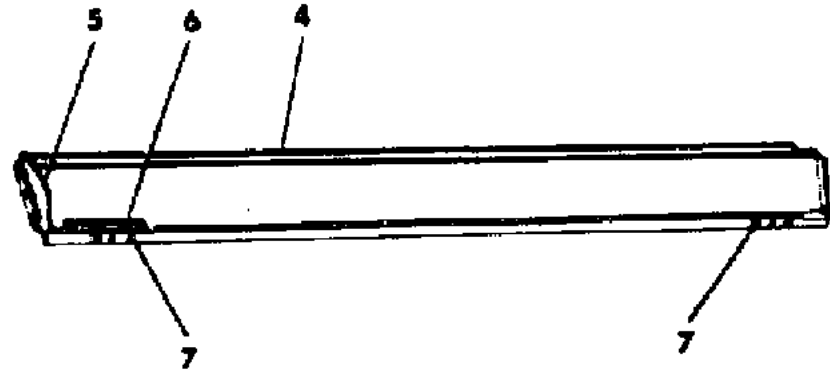
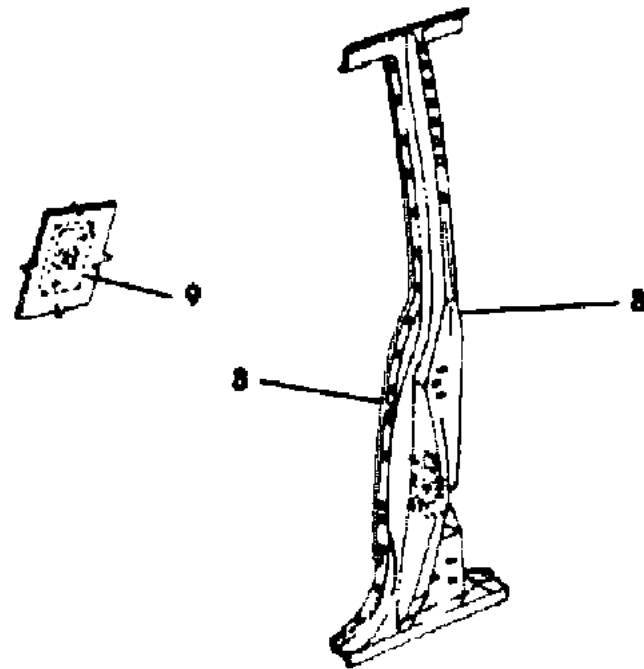
BODY STYLES

21 = 2-DOOR SEDAN	28 = FWD PICKUP
22 = 2-DOOR SPECIAL COUPE	41 = 4-DOOR SEDAN
24 = 2-DOOR HATCHBACK	44 = 4-DOOR HATCHBACK
27 = 2-DOOR CONVERTIBLE	45 = 2-SEAT STATION WAGON

AR = Use as Required - = Non Illustrated Part P.A.R. = Paint as Required

**SIDE SILL AND CENTER PILLAR - B,F,G**  
**Figure 23A-8100**

2169 8100



ITEM	PART NUMBER	QTY	BODY	MODEL	DESCRIPTION
1	4206 704-5	1			PANEL,Side Sill Inner,Front
2	4206 394-5	1			REINFORCEMENT,Front Floor Pan Seat Guide,Front Outer
3	4206 396-7	1			REINFORCEMENT,Front Floor Pan Seat Guide,Rear Outer
4	4015 558-9	1			PANEL,Side Sill Outer
5	3791 060-1	1			CAP,Side Sill Panel,Front
6	4134 534	2			REINFORCEMENT,Side Sill Outer Jacking,Front
7	4134 416	4			BRACKET,Outer Sill Jack Locator
8	4200 666-7	1			PILLAR,Body Center
9	3767 433	4			REINFORCEMENT,Body Center Pillar Seat Shoulder Belt Hanger
10	3791 018-9	1			PANEL,Side Sill Inner Rear
NOTE: The Following Items Are Not Shown On Illustration. an offsetting order for part no. 3747881					
	3445 952	2			TAPPING PLATE,Body Lock Pillar Lock Striker
	3752 366	2			REINFORCEMENT w/T/Plate,Body Center Pillar and Retainer

**MODEL CODES**

B = GRAN FURY/CARAVELLE	P = RELIANT
C = LEBARON/TOWN & COUNTRY	S = CORDOBA
D = ARIES	V = 400
F = NEW YORKER	X = MIRADA
G = DIPLOMAT	Y = IMPERIAL
M = HORIZON/TC3/SCAMP	Z = OMNI/O24/RAMPAGE

**BODY STYLES**

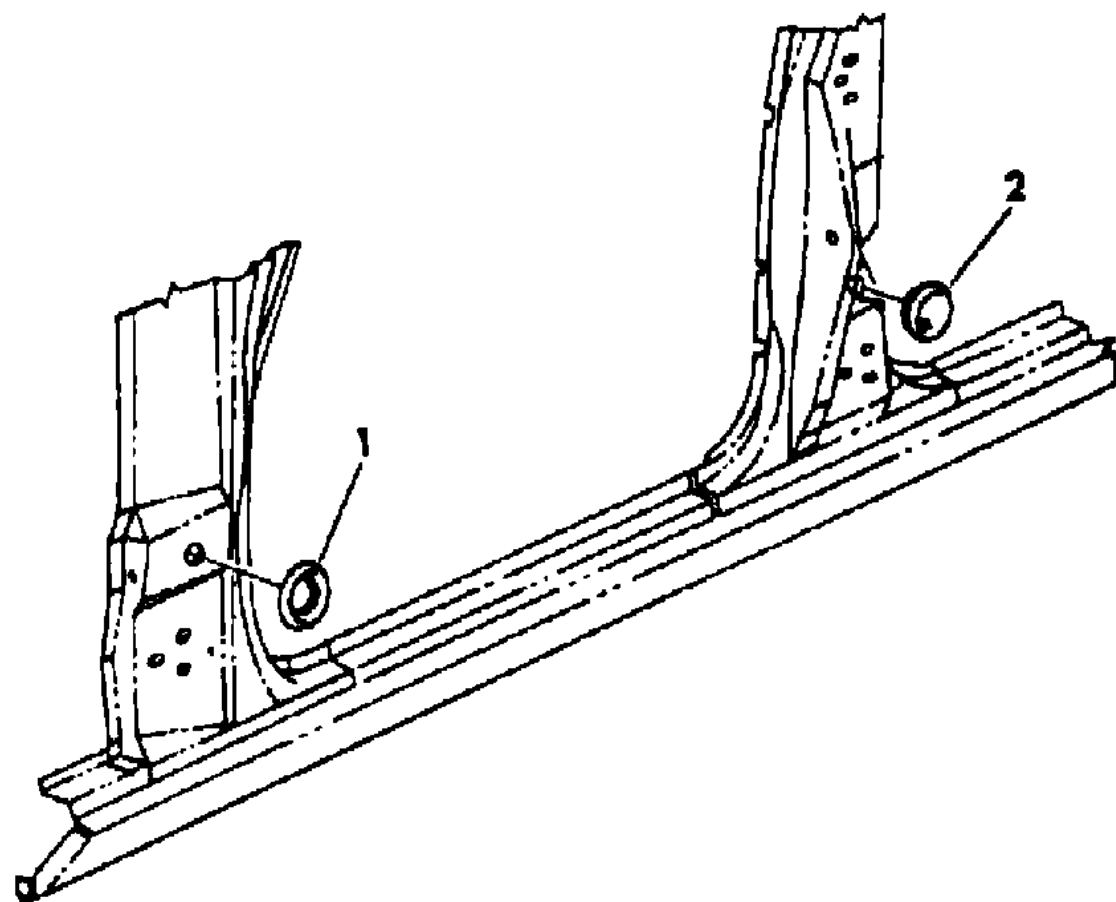
21 = 2-DOOR SEDAN	28 = FWD PICKUP
22 = 2-DOOR SPECIAL COUPE	41 = 4-DOOR SEDAN
24 = 2-DOOR HATCHBACK	44 = 4-DOOR HATCHBACK
27 = 2-DOOR CONVERTIBLE	45 = 2-SEAT STATION WAGON

AR = Use as Required - = Non Illustrated Part P.A.R. = Paint as Required

**PLUGS - SIDE SILL AND CENTER PILLAR - B,F,G**  
**Figure 23A-8200**

1189 8200

ITEM	PART NUMBER	QTY	BODY	MODEL	DESCRIPTION
1	6030 773	2			PLUG
2	2480 957	2			PLUG



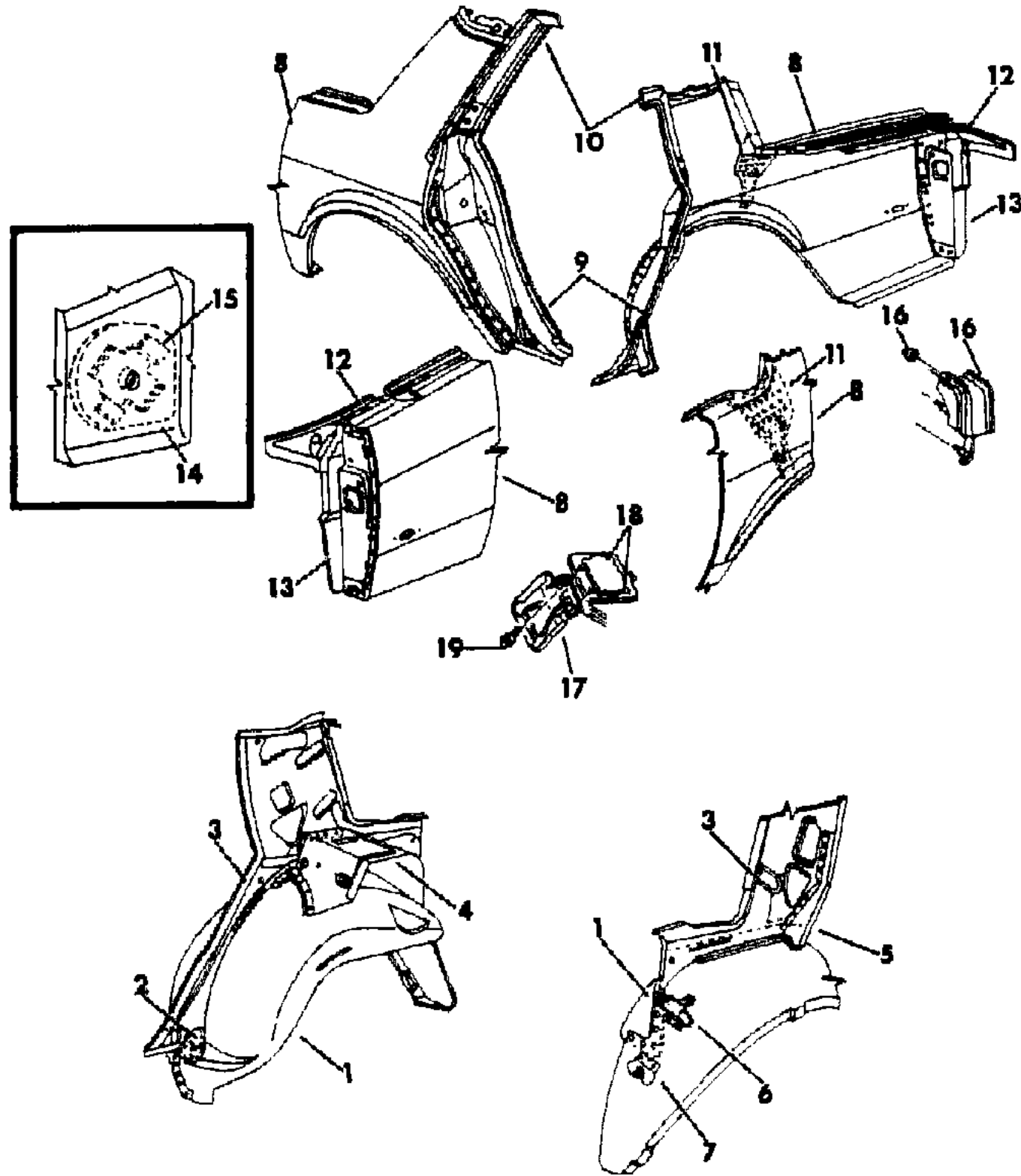
MODEL CODES  
 B = GRAN FURY/CARAVELLE      P = RELIANT  
 C = LEBARON/TOWN & COUNTRY      S = CORDOBA  
 D = ARIES      V = 400  
 F = NEW YORKER      X = MIRADA  
 G = DIPLOMAT      Y = IMPERIAL  
 M = HORIZON/TC3/SCAMP      Z = OMNI/O24/RAMPAGE

BODY STYLES  
 21 = 2-DOOR SEDAN      28 = FWD PICKUP  
 22 = 2-DOOR SPECIAL COUPE      41 = 4-DOOR SEDAN  
 24 = 2-DOOR HATCHBACK      44 = 4-DOOR HATCHBACK  
 27 = 2-DOOR CONVERTIBLE      45 = 2-SEAT STATION WAGON

AR = Use as Required - = Non Illustrated Part P.A.R. = Paint as Required

QUARTER PANEL - B,F,G,41  
Figure 23A-8300

2169 8300



ITEM	PART NUMBER	QTY	BODY	MODEL	DESCRIPTION
1	4134 064-5	1			PANEL, Qtr. W/House Inner
2	#4206 262-3	1			REINFORCEMENT, W/House Inner Panel Rear Seat Belt
3	4134 182-3	1			PANEL, Qtr. Inside and W/House Outer
4		1			EXTENSION, Shelf Panel (Not Serviced)
5	4134 420-1	1			SUPPORT, Body Lock Pillar to W/House
6	4134 921	1			BRACKET, Qtr. W/House Jack Stowage, Upper Lt.
7	4134 583	1			BRACKET, Qtr. W/House Jack Stowage, Lower Lt.
8					PANEL, Quarter Outside
	4206 312-3	1			
9	4134 190-1	1			PILLAR, Body Lock
10	4134 290-1	1			PILLAR, Qtr. Panel Body Lock Upper
11	4278 832-3	1			FILLER, Qtr. Outside Panel Rear Wdo, Lower Corner
12	4134 130-1	1			TROUGH, Qtr. Side Drain
13	4206 540-1	1			REINFORCEMENT, Qtr. Outside Panel End
14	3791 078	2			REINFORCEMENT, Body Lock Pillar Lock Striker
15		2			RETAINER (Not Serviced)
16	4134 260-1	1			EXTENSION, Qtr. Outside Panel End
		8			NUT (Not Serviced)
17	4134 147	1			DOOR, Qtr. Outside Panel Fuel Filler
18	5220 250	2			BUMPER, Qtr. Outside Panel Fuel Filler Door
19		2			SCREW (Not Serviced)

NOTE: THE FOLLOWING ITEMS ARE NOT SHOWN ON ILLUSTRATION. an offsetting order for part no. 3747881

4134 926	1	CLAMP, Qtr. W/House Jack Stowage
4206 302-3	1	REINFORCEMENT, Qtr. Outside Panel Towing

MODEL CODES

B = GRAN FURY/CARAVELLE	P = RELIANT
C = LEBARON/TOWN & COUNTRY	S = CORDOBA
D = ARIES	V = 400
F = NEW YORKER	X = MIRADA
G = DIPLOMAT	Y = IMPERIAL
M = HORIZON/TC3/SCAMP	Z = OMNI/O24/RAMPAGE

BODY STYLES

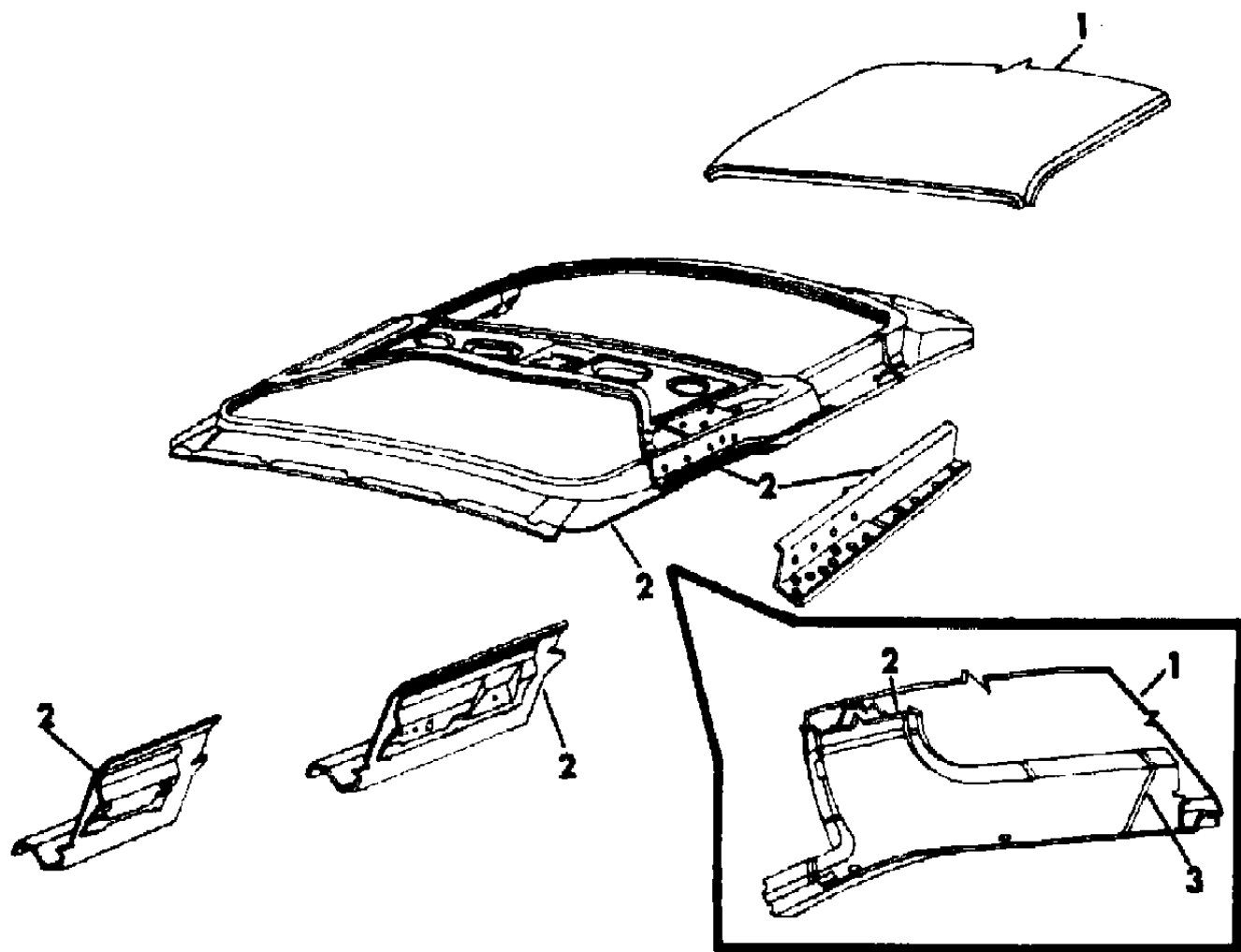
21 = 2-DOOR SEDAN	28 = FWD PICKUP
22 = 2-DOOR SPECIAL COUPE	41 = 4-DOOR SEDAN
24 = 2-DOOR HATCHBACK	44 = 4-DOOR HATCHBACK
27 = 2-DOOR CONVERTIBLE	45 = 2-SEAT STATION WAGON

AR = Use as Required - = Non Illustrated Part P.A.R. = Paint as Required

ROOF PANEL - B,F,G  
Figure 23A-8400

3189 8400

ITEM	PART NUMBER	QTY	BODY	MODEL	DESCRIPTION
1	4136 087	1			PANEL, Roof Outer
2	4136 082	1			PANEL, Roof Inner
3	3795 832-3	1			EXTENSION, W/Shield Opening Side Frame Upper Corner
NOTE: The Following Items Are Not Shown On Illustration. an offsetting order for part no. 3747881					
	4040 875	2		F-S	REINFORCEMENT, Roof Inner Panel Assist Strap, Front
	4136 296-7	1		F-S	REINFORCEMENT, Roof Inner Panel Assist Strap, Rear
	6031 160	AR		F-S	U-NUT, Roof Inner Panel Assist Strap Reinforcement Front or Rear
	4206 716	1			SUPPORT, Roof Panel Outside Flasher Light Or Siren



MODEL CODES

B = GRAN FURY/CARAVELLE	P = RELIANT
C = LEBARON/TOWN & COUNTRY	S = CORDOBA
D = ARIES	V = 400
F = NEW YORKER	X = MIRADA
G = DIPLOMAT	Y = IMPERIAL
M = HORIZON/TC3/SCAMP	Z = OMNI/O24/RAMPAGE

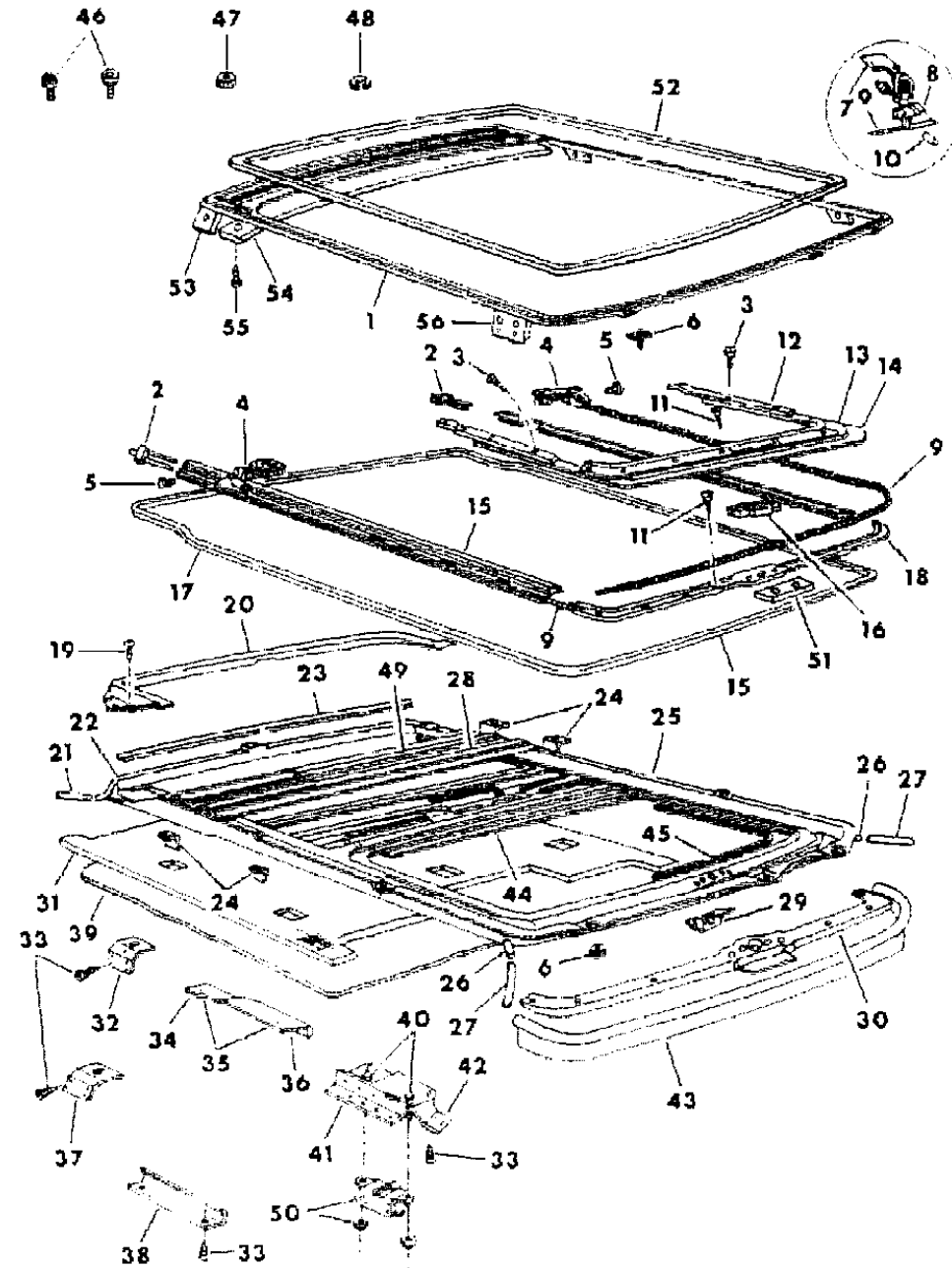
BODY STYLES

21 = 2-DOOR SEDAN	28 = FWD PICKUP
22 = 2-DOOR SPECIAL COUPE	41 = 4-DOOR SEDAN
24 = 2-DOOR HATCHBACK	44 = 4-DOOR HATCHBACK
27 = 2-DOOR CONVERTIBLE	45 = 2-SEAT STATION WAGON

AR = Use as Required - = Non Illustrated Part P.A.R. = Paint as Required

**SUN ROOF, ELECTRIC B,F,G**  
**Figure 23A-8500**

2169 850034



ITEM	PART NUMBER	QTY	BODY	MODEL	DESCRIPTION
1		1			REINFORCEMENT, Roof Panel Opening (not serviced)
2	4172 893	1			RETAINER, Track
3		AR			SCREW (8-18x.50 oval not serviced)
4	4172 896-7	1			GUIDE ASSY., Rear Rt. and Lt.
5		AR			SCREW(8x18x.31 long not serviced)
6		AR			NUT ASSY.(1/4-20 not serviced)
7		1			ADJUSTER (not serviced)
8		1			HOUSING ASSY., Rear Rt. and Lt.(not serviced)
9		1			CABLE ASSY., Flocked (Serviced in Item #4)
10		AR			PIN (not serviced)
11		AR			SCREW(8-18x.62 not serviced)
12	4246 023	1			CABLE SIDE COVER (paint as required)
13	4172 899	1			COVER, Front (paint as required)
14		AR			TAPE, Foam (.25x.38 not serviced)
15	4172 894-5	1			TRACK, Rt. and Lt.(paint as required)
16	4246 414	1			RETAINER, Cable Guide Lower
17		AR			TAPE, Foam (.40x.5 not serviced)
18	4246 412-3	1			GUIDE, Cable Front Lower
19		AR			SCREW (8-18x.38 not serviced)
20		AR			SPACER, Roof Sliding Panel Housing (not serviced)
21		AR			HOSE, Drain Rear (50" long not serviced)
22		AR			TUBE, Rear Drain (serviced in item 25)
23		AR			BRACKET, Track Retainer (serviced in item 25)
24		AR			BRACKET, Housing Mounting (serviced in item 25)
25	4246 432	1			HOUSING ASSY., Complete
26		1			TUBE, Front Drain (serviced in item 25)
27		1			HOSE, Drain Front (not serviced)
28	4172 903	1			REINFORCEMENT ASSY., Roof Upper
29		1			BRACKET, Switch Mounting (serviced in item 25)
30	4172 902	1			PAD, Front Safety
31		1			SILENCER, Housing (not serviced)
33		AR			SCREW(10-16x.50 not serviced)
37	4172 905	AR			BRACKET, Housing to Side Rail
38		AR			RETAINER, Headliner Center Pillar Upper (not serviced)
39					HEADLINER
	4172 911	1			Dark Blue, Up to 2/1/82
	4246 467	1			Dark Blue, After 2/1/82

**MODEL CODES**

B = GRAN FURY/CARAVELLE	P = RELIANT
C = LEBARON/TOWN & COUNTRY	S = CORDOBA
D = ARIES	V = 400
F = NEW YORKER	X = MIRADA
G = DIPLOMAT	Y = IMPERIAL
M = HORIZON/TC3/SCAMP	Z = OMNI/O24/RAMPAGE

**BODY STYLES**

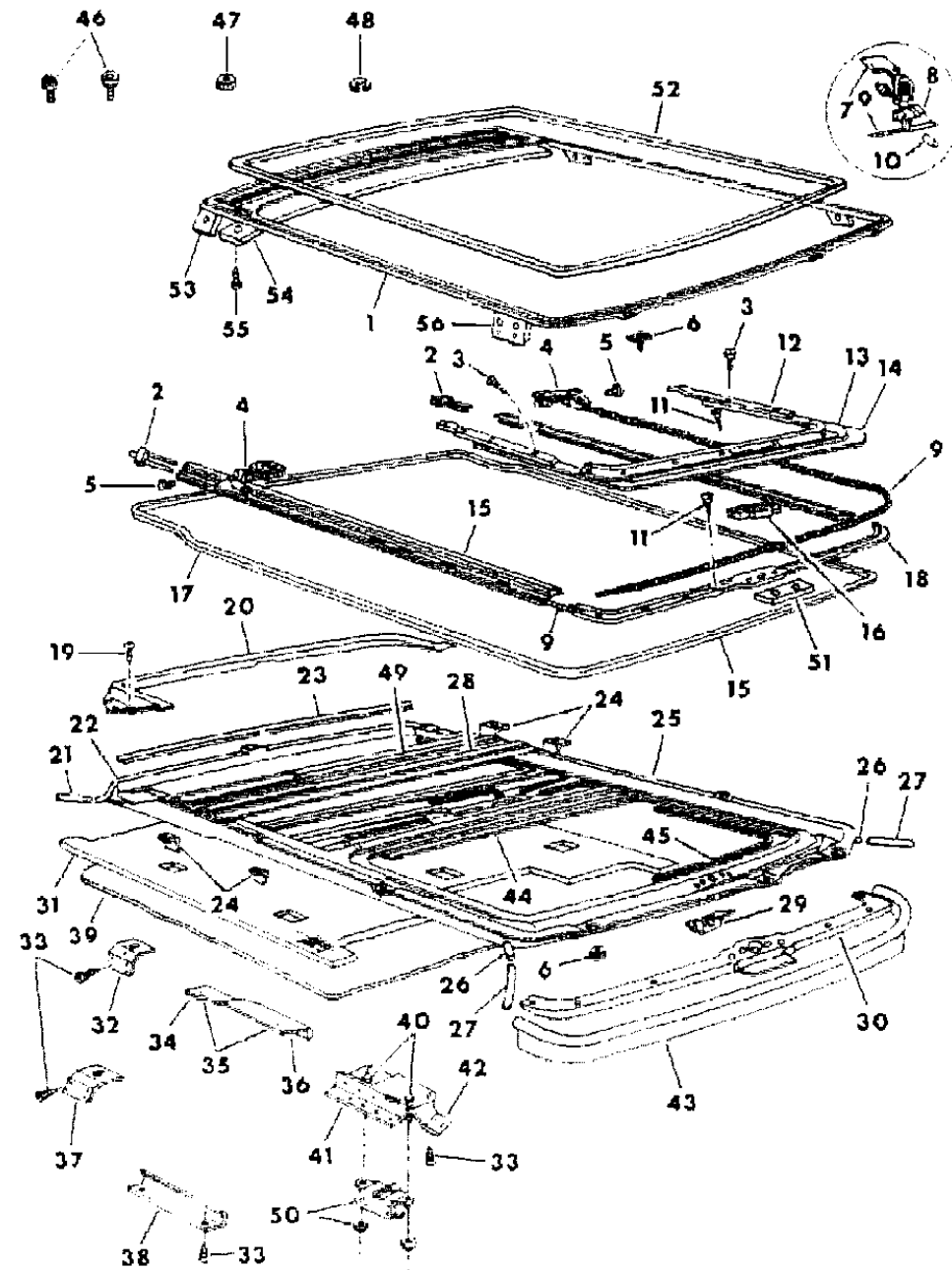
21 = 2-DOOR SEDAN	28 = FWD PICKUP
22 = 2-DOOR SPECIAL COUPE	41 = 4-DOOR SEDAN
24 = 2-DOOR HATCHBACK	44 = 4-DOOR HATCHBACK
27 = 2-DOOR CONVERTIBLE	45 = 2-SEAT STATION WAGON

AR = Use as Required - = Non Illustrated Part P.A.R. = Paint as Required



**SUN ROOF, ELECTRIC B,F,G**  
**Figure 23A-8500**

2169 850034



ITEM	PART NUMBER	QTY	BODY	MODEL	DESCRIPTION
	4246 007	1			Heather
	4246 008	1			Mt. Green
	4246 009	1			Dark Red, Up to 2/1/82
	4246 468	1			Dark Red, After 2/1/82
	4246 010	1			Light Cashmere, Up to 2/1/82
	4246 469	1			Light Cashmere, After 2/1/82
	4296 058	1			Silver
	4296 059	1			Mahogany
	4246 011	1			White
43					SEAL
	4054 484	AR			SEAL, Roof Glass Sliding Panel (4.5 mm)
	4246 416	AR			SEAL, Roof Glass Sliding Panel, Front (6.8 mm)
	4296 104	AR			SEAL, Panel, Rear (6.8 mm)
44		1			REINFORCEMENT, Housing Opening Lower (serviced in item 25)
45					WELT, Headlining Opening
	4172 913	1			Blue, Up to 2/1/82
	4246 424	1			Blue, After 2/1/82
	4246 018	1			Heather
	4246 426	1			Mt. Green
	4246 020	1			Dark Red, Up to 2/1/82
	4246 423	1			Dark Red, After 2/1/82
	4246 021	1			Light Cashmere, Up to 2/1/82
	4246 425	1			Light Cashmere, After 2/1/82
	4296 063	1			Silver
	4296 064	1			Mahogany
	4246 022	1			White
46	4172 801	AR			SCREW, Motor Clutch
47	3788 436	AR			GEAR, Drive Assy. Pinion
48	3788 435	AR			RETAINER, Drive Assy. Pinion
49		AR			TAPE(.25x1.00 not serviced)
50					(See Seat Belt Illust.)
51	4246 415	1			COVER, Lower Cable Guide Retaining
52	4296 100	1			MOULDING, Roof Opening Reveal
53	4296 103	1			BRACKET, Reinforcement to Rail
54	4296 101	1			SHIM, Rear Plate to Ring
55		AR			RIVET (Not Serviced)
56	4296 102	1			BRACKET, Housing to Header Mounting

MODEL CODES

B = GRAN FURY/CARAVELLE	P = RELIANT
C = LEBARON/TOWN & COUNTRY	S = CORDOBA
D = ARIES	V = 400
F = NEW YORKER	X = MIRADA
G = DIPLOMAT	Y = IMPERIAL
M = HORIZON/TC3/SCAMP	Z = OMNI/O24/RAMPAGE

BODY STYLES

21 = 2-DOOR SEDAN	28 = FWD PICKUP
22 = 2-DOOR SPECIAL COUPE	41 = 4-DOOR SEDAN
24 = 2-DOOR HATCHBACK	44 = 4-DOOR HATCHBACK
27 = 2-DOOR CONVERTIBLE	45 = 2-SEAT STATION WAGON

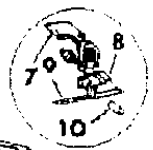
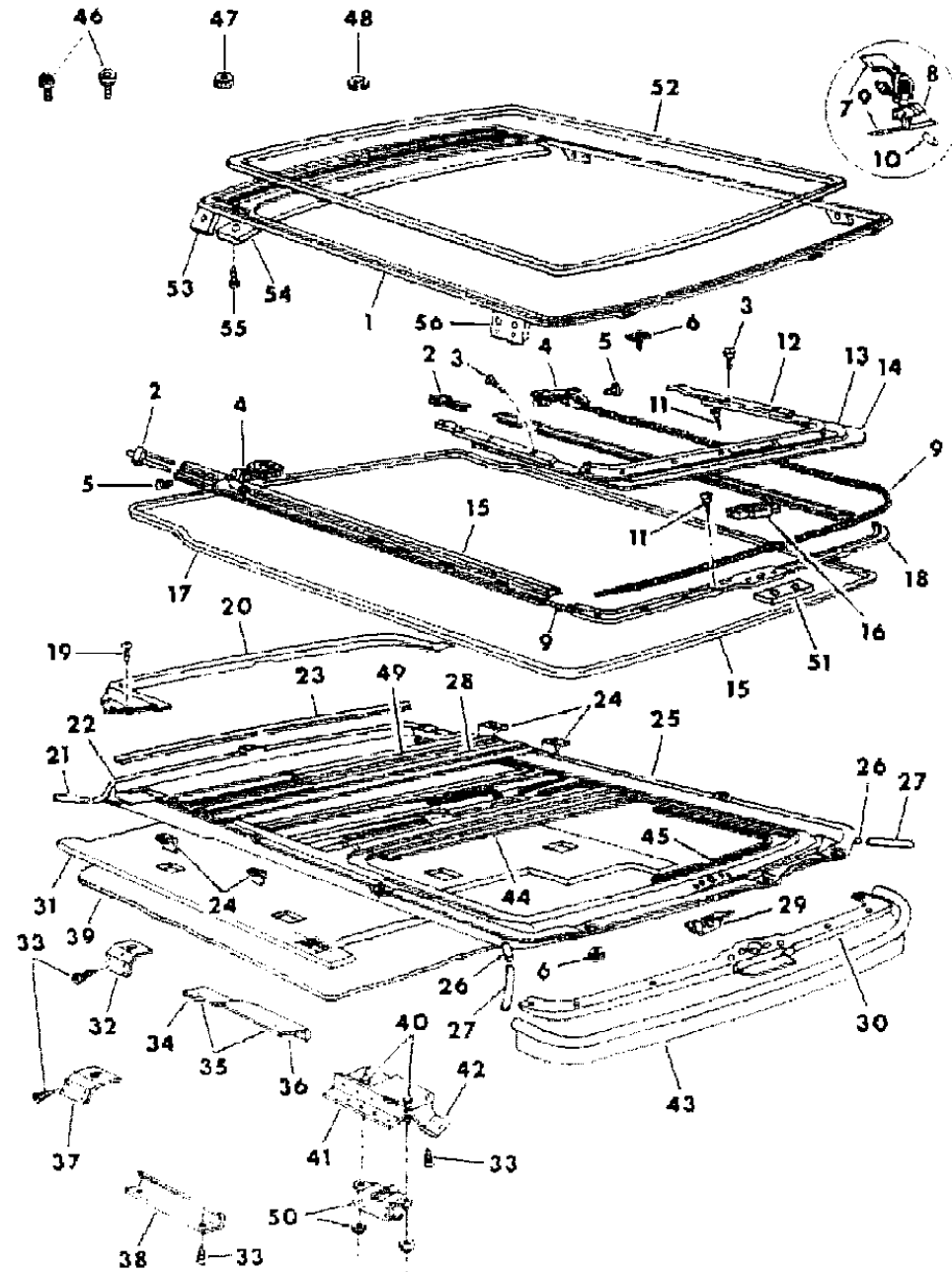
AR = Use as Required - = Non Illustrated Part P.A.R. = Paint as Required

SUN ROOF, ELECTRIC B,F,G  
Figure 23A-8500

ITEM	PART NUMBER	QTY	BODY	MODEL	DESCRIPTION
------	-------------	-----	------	-------	-------------

NOTE: For other parts see Illustration 23A 8600. an offsetting order for part no. 3747881

2169 85003



MODEL CODES

- |                            |                      |
|----------------------------|----------------------|
| B = GRAN FURY/CARAVELLE    | P = RELIANT          |
| C = LEBARON/TOWN & COUNTRY | S = CORDOBA          |
| D = ARIES                  | V = 400              |
| F = NEW YORKER             | X = MIRADA           |
| G = DIPLOMAT               | Y = IMPERIAL         |
| M = HORIZON/TC3/SCAMP      | Z = OMNI/O24/RAMPAGE |

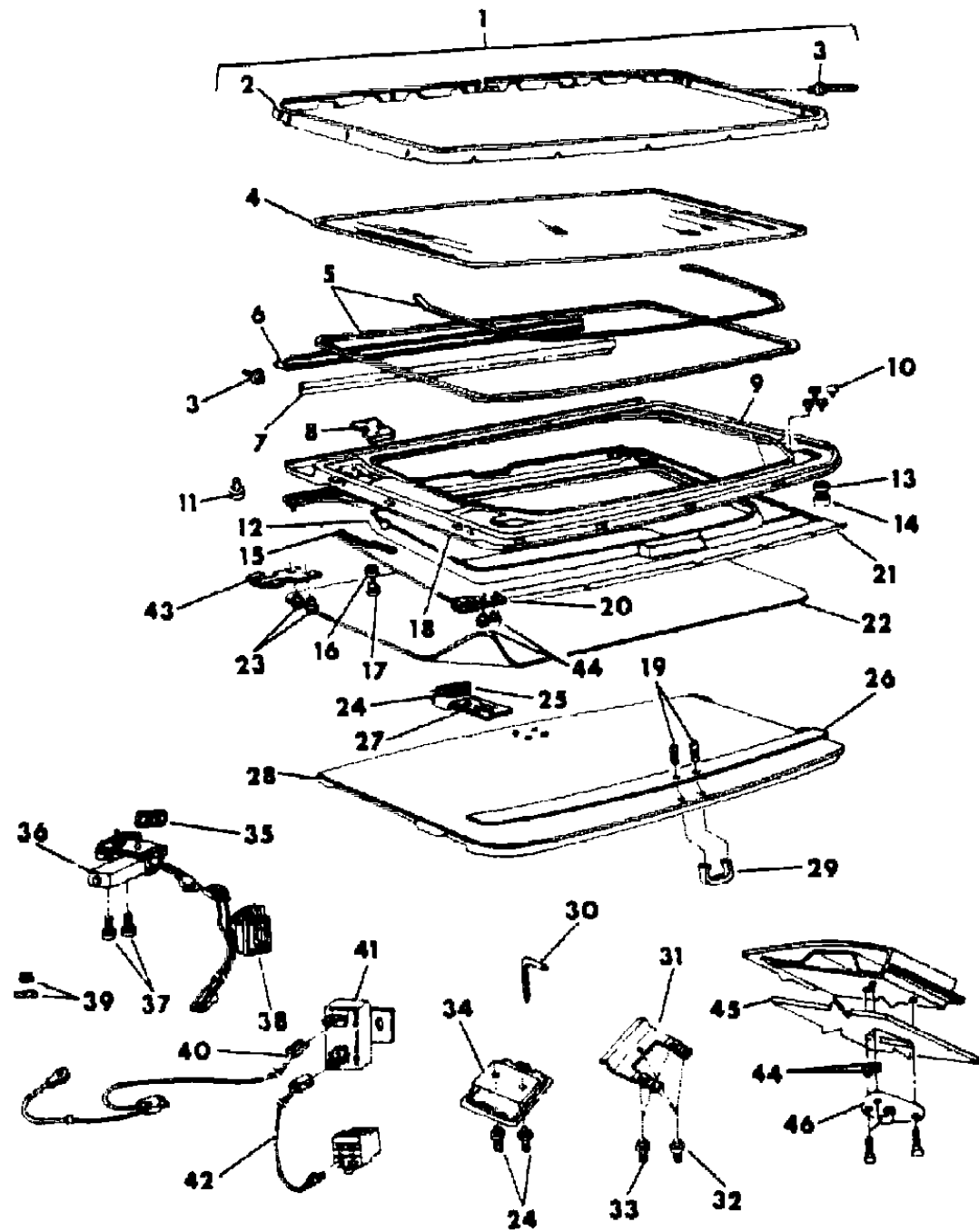
BODY STYLES

- |                           |                           |
|---------------------------|---------------------------|
| 21 = 2-DOOR SEDAN         | 28 = FWD PICKUP           |
| 22 = 2-DOOR SPECIAL COUPE | 41 = 4-DOOR SEDAN         |
| 24 = 2-DOOR HATCHBACK     | 44 = 4-DOOR HATCHBACK     |
| 27 = 2-DOOR CONVERTIBLE   | 45 = 2-SEAT STATION WAGON |

AR = Use as Required - = Non Illustrated Part P.A.R. = Paint as Required

SUN ROOF, ELECTRIC B,F,G  
Figure 23A-8500

2169 8600



ITEM	PART NUMBER	QTY	BODY	MODEL	DESCRIPTION
1					PANEL, Glass
	4172 907	1			Gray
2		1			MOULDING, Periphery (serviced in item 1)
3		AR			RIVET (1/8x.445 serviced in item 1)
4		1			GLASS, Roof Sliding Panel (serviced in item 1)
5		AR			SEALER, Butyl Tape (serviced in item 1)
6	4054 457	1			WEATHERSTRIP, Rear
7	4054 484	AR			SEAL, Panel Front (4.5 mm)
	4296 104	AR			SEAL, Panel Rear (6.8 mm)
8		1			PLATE, Rear Guide (serviced in item 1)
9		1			ARMATURE (serviced in item 1)
10		AR			RIVET (1/8x3/8 flat head,serviced in item 1)
11	3759 648	1			BUTTON, Slide
12		1			COVER, Opening Side Tab (not serviced)
13		AR			STUD, Front Adjuster (serviced in item 1)
14		AR			NUT, Front Adjuster (serviced in item 1)
15		AR			SPRING, Rear (serviced in item 1)
16		AR			WASHERS (8 flat, serviced in item 1)
17		AR			RIVET (11/64 x5/16 tub, serviced in item 1)
18		1			STIFFENER (not serviced)
19		AR			SCREW (8-32x562, serviced in item 28)
20	3795 595	1			GUIDE ASSY., Front
21	4172 908	1			HALO (paint as required)
22		1			LINING, Sun Screen (serviced in item 28)
23		AR			SCREW w/WASHER (8-32x.38 not serviced)
24		AR			RIVET (1/8x5/16 not serviced)
25	4054 467	1			CATCH, Sun Screen Magnet
26		1			REINFORCEMENT (serviced in item 28)
27	4172 877	1			BRACKET, Sun Screen Catch
28					SUN SCREEN ASSY.
	4246 012	1			Dark Blue, Up to 2/1/82
	4246 471	1			Dark Blue, After 2/1/82
	4246 013	1			Heather
	4246 014	1			Mt. Green
	4246 015	1			Dark Red, Up to 2/1/82
	4246 472	1			Dark Red, After 2/1/82
	4246 016	1			Light Cashmere, Up to 2/1/82

MODEL CODES

B = GRAN FURY/CARAVELLE  
C = LEBARON/TOWN & COUNTRY  
D = ARIES  
F = NEW YORKER  
G = DIPLOMAT  
M = HORIZON/TC3/SCAMP  
P = RELIANT  
S = CORDOBA  
V = 400  
X = MIRADA  
Y = IMPERIAL  
Z = OMNI/O24/RAMPAGE

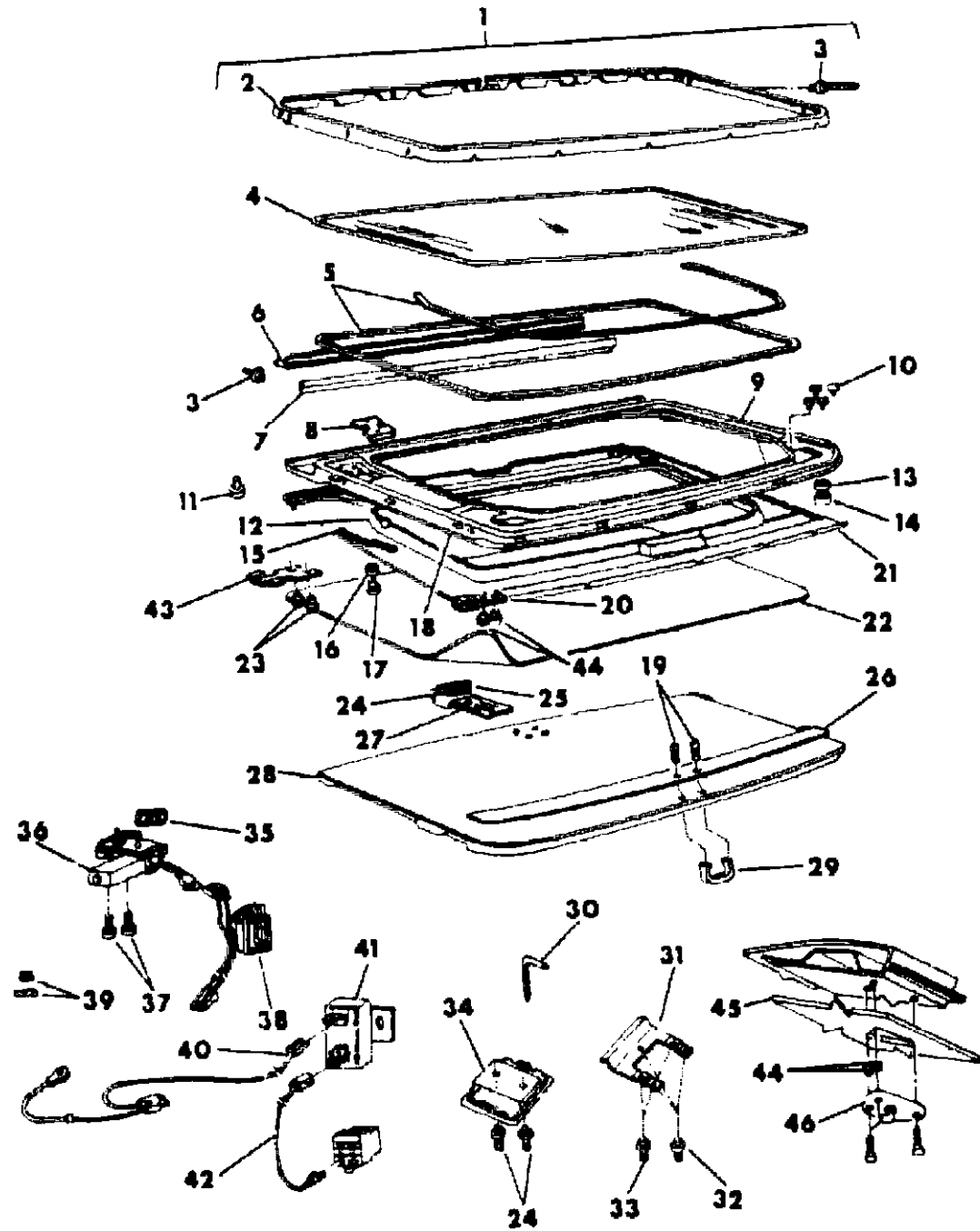
BODY STYLES

21 = 2-DOOR SEDAN  
22 = 2-DOOR SPECIAL COUPE  
24 = 2-DOOR HATCHBACK  
27 = 2-DOOR CONVERTIBLE  
28 = FWD PICKUP  
41 = 4-DOOR SEDAN  
44 = 4-DOOR HATCHBACK  
45 = 2-SEAT STATION WAGON

AR = Use as Required - = Non Illustrated Part P.A.R. = Paint as Required

**SUN ROOF, ELECTRIC B,F,G**  
**Figure 23A-8500**

2169 8600



ITEM	PART NUMBER	QTY	BODY	MODEL	DESCRIPTION
	4246 473	1			Light Cashmere, After 2/1/82
	4296 061	1			Silver
	4296 062	1			Mahogany
	4246 017	1			White
29	4172 909	1			HANDLE, Sun Screen
30	3788 431	1			HANDLE
31	4172 914	1			BRACKET, Dome Lamp Mounting
32		AR			RIVET (1/8x.40 not serviced)
33		AR			RIVET (3/16x64 not serviced)
34	4172 268	1			BRACKET ASSY., Dome Lamp Mounting
35	4172 243	1			SPACER, Drive Assy. to Housing
36	3795 592	1			DRIVE ASSY.
37		AR			SCREW w/WASHER (10-24x1.38 not serviced)
38	3795 589	1			SWITCH ASSY.
39	4054 445	1			BUTTON and COVER
40		1			WIRING ASSY.(not serviced)
41	3674 933	1			CIRCUIT BREAKER (15 amp)
42		1			WIRING ASSY. (not serviced)
43		AR			RETAINER, Rear Guide Plate (not serviced)
44		AR			WASHER, Flat (.125 thick not serviced)
45					HEADLINING, Ref.
46					VISOR ARM BRACKET and Screws, Ref.
47		AR			SCREW w/WASHERS (8-32x.62 not serviced)

NOTE: The Following Items Are Not Shown On Illustration an offsetting order for part no. 3747881

	4296 100	1			MOULDING, Roof Opening Reveal, Outer
	4296 101	1			SHIM, Rear Plate To Ring
	4296 102	1			BRACKET, Housing To Header Mounting
	4296 103	1			BRACKET, Reinforcement To Rail
	4296 104	1			SEAL, Panel Rear (6.8 mm)

NOTE: For other parts see Illustration 23A 8500. an offsetting order for part no. 3747881

**MODEL CODES**

B = GRAN FURY/CARAVELLE	P = RELIANT
C = LEBARON/TOWN & COUNTRY	S = CORDOBA
D = ARIES	V = 400
F = NEW YORKER	X = MIRADA
G = DIPLOMAT	Y = IMPERIAL
M = HORIZON/TC3/SCAMP	Z = OMNI/O24/RAMPAGE

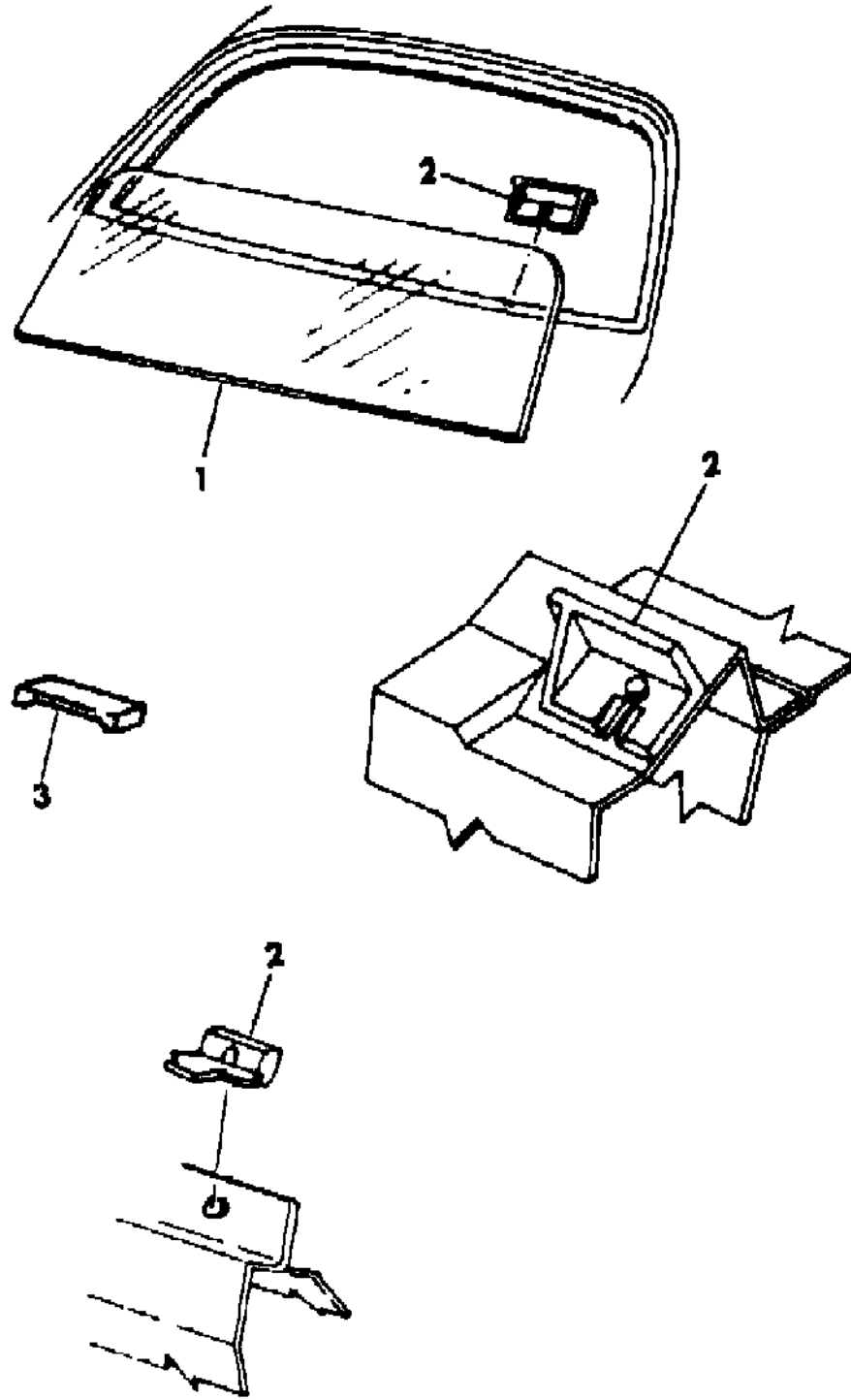
**BODY STYLES**

21 = 2-DOOR SEDAN	28 = FWD PICKUP
22 = 2-DOOR SPECIAL COUPE	41 = 4-DOOR SEDAN
24 = 2-DOOR HATCHBACK	44 = 4-DOOR HATCHBACK
27 = 2-DOOR CONVERTIBLE	45 = 2-SEAT STATION WAGON

AR = Use as Required - = Non Illustrated Part P.A.R. = Paint as Required

GLASS - REAR WINDOW - B,F,G  
Figure 23A-8700

1169 8700



ITEM	PART NUMBER	QTY	BODY	MODEL	DESCRIPTION
NOTE: GLASS, REAR WINDOW - ORDER FROM YOUR LOCAL MOPAR GLASS DISTRIBUTOR. an offsetting order for part no. 3747881					
1					GLASS, REAR WINDOW
	4136 303	1	B,G		Tinted
	4136 304	1	B,G		Tinted (Electric Heated)
	4229 801	1	F		Tinted (Electric Heated) w/Padded Landau Vinyl Roof w/Qtr. Plug
2	4136 335	2	All		SPACER, Rear Wdo, Glass, Lower
3	3767 196	AR	All		SHIM, Rear Wdo Lower Spacer
	4057 957	1	All		FIXED GLASS REPAIR PACKAGE, Rear Wdo. (Not Shown) CONSISTS OF: 1- ----- Tape, Butyl, 171.00" 1- ----- Primer, Glass 1- ----- Primer, Fence 2- 3674698 Spacer, Rubber, 0.2" 2- 3793290 Spacer, Rubber, 0.3" 2- 3767767 Shim, 0.07" 2- ----- Sponges, Disposable
	4106 356	1	All		ELECTRIC GRID REPAIR PACKAGE, Rear Wdo. (Not Shown)
	4267 922	1	All		ELECTRIC GRID & PIGTAIL REPAIR PACKAGE

MODEL CODES

B = GRAN FURY/CARAVELLE	P = RELIANT
C = LEBARON/TOWN & COUNTRY	S = CORDOBA
D = ARIES	V = 400
F = NEW YORKER	X = MIRADA
G = DIPLOMAT	Y = IMPERIAL
M = HORIZON/TC3/SCAMP	Z = OMNI/O24/RAMPAGE

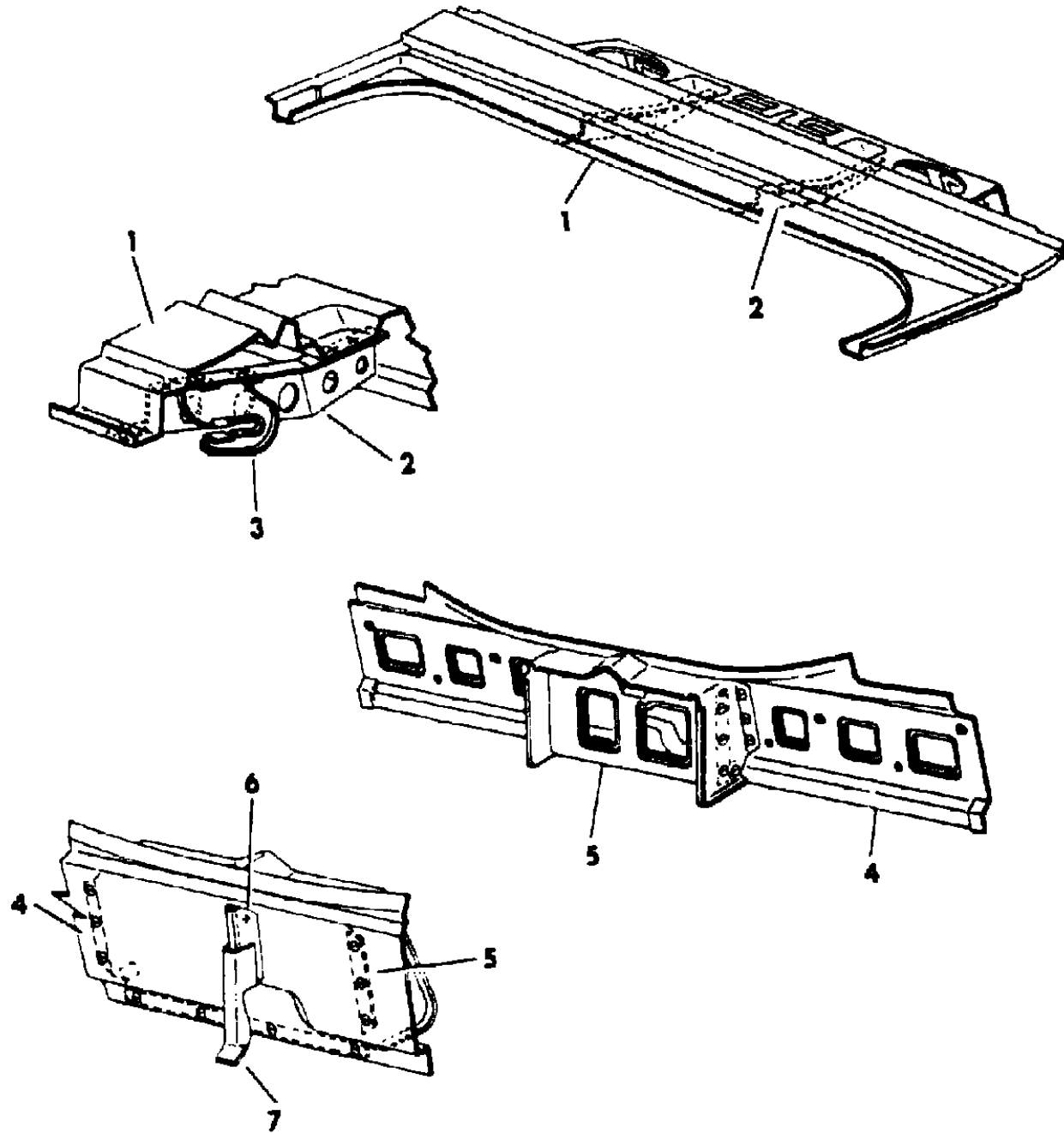
BODY STYLES

21 = 2-DOOR SEDAN	28 = FWD PICKUP
22 = 2-DOOR SPECIAL COUPE	41 = 4-DOOR SEDAN
24 = 2-DOOR HATCHBACK	44 = 4-DOOR HATCHBACK
27 = 2-DOOR CONVERTIBLE	45 = 2-SEAT STATION WAGON

AR = Use as Required - = Non Illustrated Part P.A.R. = Paint as Required

**DECK OPENING UPPER AND LOWER PANEL - B,F,G**  
**Figure 23A-8800**

2169 8800



ITEM	PART NUMBER	QTY	BODY	MODEL	DESCRIPTION
1	4134 463	1			PANEL,Deck Opening Upper,Drain Trough and Shelf
2		2			SUPPORT(not serviced)
3		1			RETAINER(not serviced)
4	4206 020	1			RENINFORCEMENT w/NUT,Deck Opening Lower Panel
5	4206 737	1			PANEL,Deck Opening lower Panel License Plate Mounting
6	4206 119	1			EXTENSION,Deck Lid Latch Striker Support
7	4134 166	1			SUPPORT,Deck Lid Latch Striker
NOTE: The following items are not shown on illustration. an offsetting order for part no. 3747881					
	3798 253	AR			TAPE,Deck Opening Lower Panel(Butyl)
	0432 396	2		F	PLUG,Deck Opening Lower Panel License Plate Mounting Panel Button

**MODEL CODES**

B = GRAN FURY/CARAVELLE	P = RELIANT
C = LEBARON/TOWN & COUNTRY	S = CORDOBA
D = ARIES	V = 400
F = NEW YORKER	X = MIRADA
G = DIPLOMAT	Y = IMPERIAL
M = HORIZON/TC3/SCAMP	Z = OMNI/O24/RAMPAGE

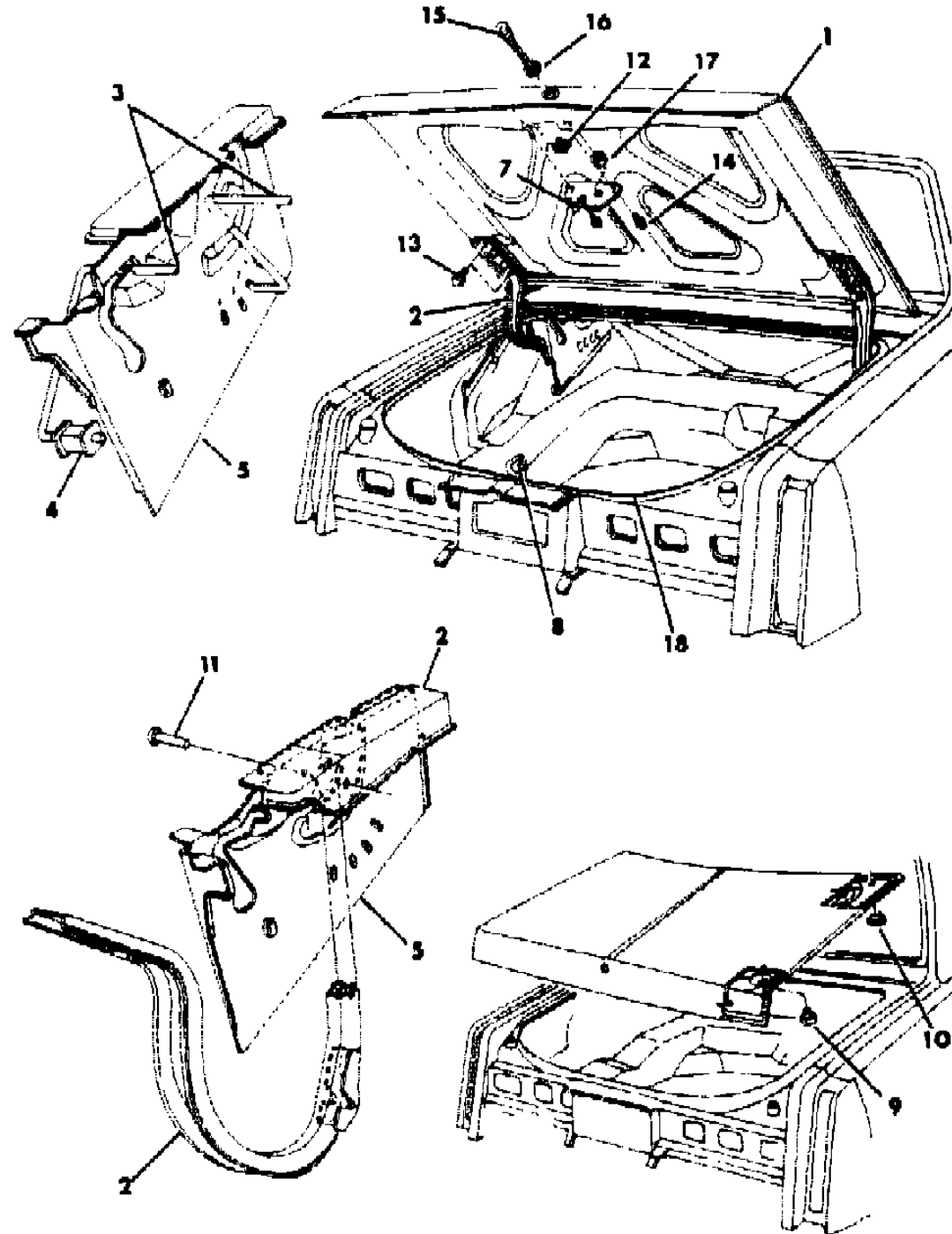
**BODY STYLES**

21 = 2-DOOR SEDAN	28 = FWD PICKUP
22 = 2-DOOR SPECIAL COUPE	41 = 4-DOOR SEDAN
24 = 2-DOOR HATCHBACK	44 = 4-DOOR HATCHBACK
27 = 2-DOOR CONVERTIBLE	45 = 2-SEAT STATION WAGON

AR = Use as Required - = Non Illustrated Part P.A.R. = Paint as Required

DECK LID - B,F,G  
Figure 23A-8900

2169 8900



ITEM	PART NUMBER	QTY	BODY	MODEL	DESCRIPTION
1	#4200 887	1		b,g	LID,Deck,Complete
	4200 733	1		F	
2	4134 518-9	1			HINGE,Deck Lid
	4129 804-5	1			HINGE w/CAM and SUPPORT,Deck Lid Upper Pivot Mounting
3	4134 520-1	1			BAR,Deck Lid Hinge Torsion
4	2480 230	2			SLIDE,Deck Lid Hinge Torsion Bar
5	4134 514-5	1			SUPPORT,Deck Lid Hinge,Upper
	4134 516-7	1			Lower
7	4054 825	1			LATCH,Deck Lid,Manual
	4054 962	1			LATCH PACKAGE,Electric Deck Lid,Complete w/Wiring
8	4172 676	1			STRIKER,Deck Lid Latch
9	3616 531	2			BUMPER,Deck Lid Inside Panel
10	6029 939	2			PLUG,Deck Lid Inner Panel Drain Hole
11		AR			RIVET,Deck Lid Hinge Pivot(not serviced)
12		AR			U/NUT(not serviced)
13		AR			SCREW and Washer(not serviced)
14	0181 086	2			SCREW and Washer
15					CYLINDER,Deck Lid(see Cylinder and Key Illustration)
16					GASKET,Deck Lid Cylinder(see Cylinder and Key Illustration)
17					NUT,Lock Cylinder(see Cylinder and Key Illustration)
18	#4278 176	1			WEATHERSTRIP,Deck Lid

NOTE: The following items are not shown on illustration. an offsetting order for part no. 3747881

	4134 166	1			SUPPORT,Deck Lid Latch Striker
	4206 119	1			EXTENSION,Deck Lid Latch Support
	4206 399	2			BUMPER, Deck Lid Hinge Noise Dampener

MODEL CODES

B = GRAN FURY/CARAVELLE	P = RELIANT
C = LEBARON/TOWN & COUNTRY	S = CORDOBA
D = ARIES	V = 400
F = NEW YORKER	X = MIRADA
G = DIPLOMAT	Y = IMPERIAL
M = HORIZON/TC3/SCAMP	Z = OMNI/O24/RAMPAGE

BODY STYLES

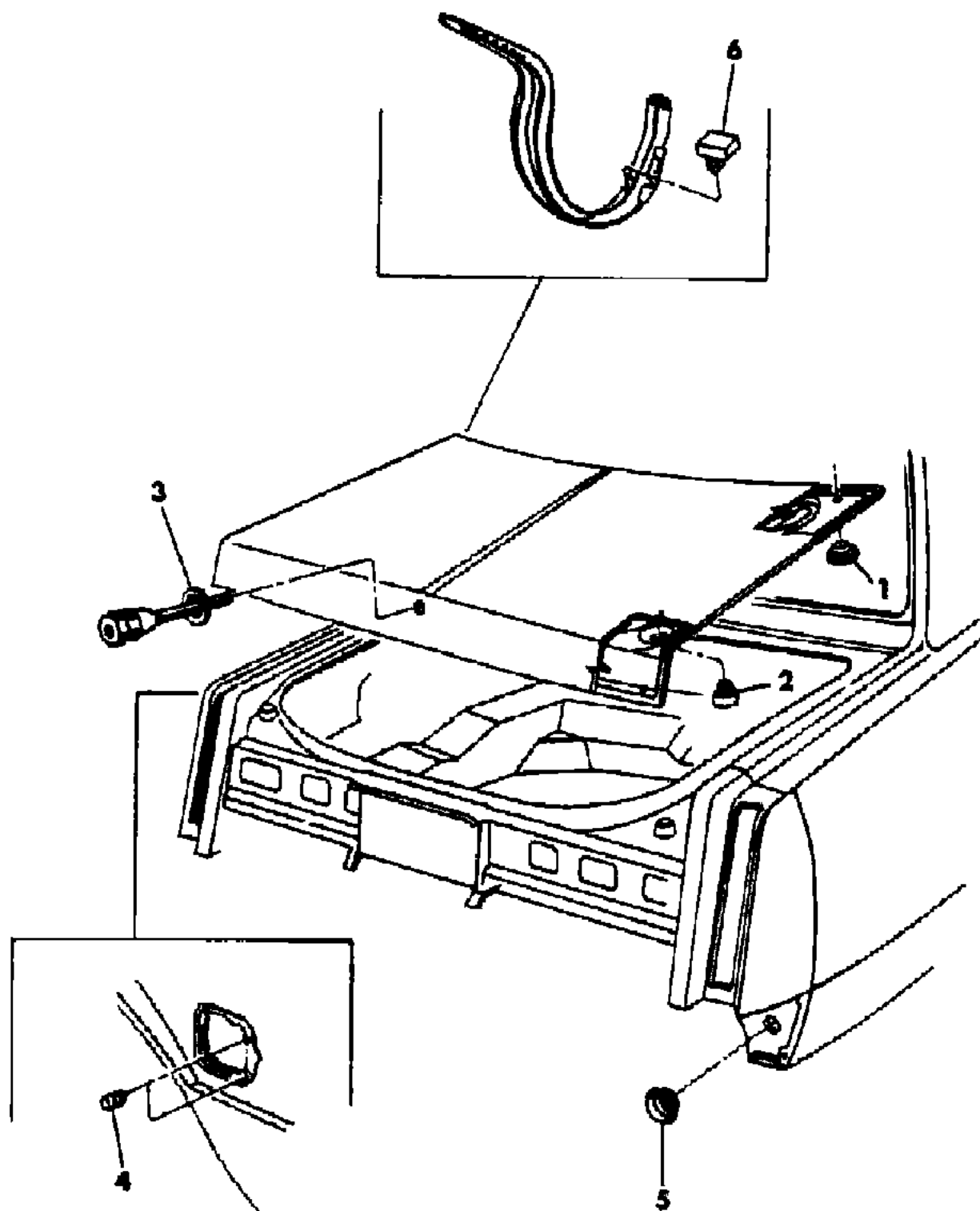
21 = 2-DOOR SEDAN	28 = FWD PICKUP
22 = 2-DOOR SPECIAL COUPE	41 = 4-DOOR SEDAN
24 = 2-DOOR HATCHBACK	44 = 4-DOOR HATCHBACK
27 = 2-DOOR CONVERTIBLE	45 = 2-SEAT STATION WAGON

AR = Use as Required - = Non Illustrated Part P.A.R. = Paint as Required

**BUMPERS AND PLUGS - DECK LID - B,F,G**  
**Figure 23A-9000**

2159 9000

ITEM	PART NUMBER	QTY	BODY	MODEL	DESCRIPTION
1	6029 939	2			PLUG
2	5230 376	2			BUMPER
3	3695 321	1			GASKET
4	5220 250	2			BUMPER
5	1774 076	2			PLUG
6	4206 399	2			BUMPER



**MODEL CODES**

- |                            |                      |
|----------------------------|----------------------|
| B = GRAN FURY/CARAVELLE    | P = RELIANT          |
| C = LEBARON/TOWN & COUNTRY | S = CORDOBA          |
| D = ARIES                  | V = 400              |
| F = NEW YORKER             | X = MIRADA           |
| G = DIPLOMAT               | Y = IMPERIAL         |
| M = HORIZON/TC3/SCAMP      | Z = OMNI/O24/RAMPAGE |

**BODY STYLES**

- |                           |                           |
|---------------------------|---------------------------|
| 21 = 2-DOOR SEDAN         | 28 = FWD PICKUP           |
| 22 = 2-DOOR SPECIAL COUPE | 41 = 4-DOOR SEDAN         |
| 24 = 2-DOOR HATCHBACK     | 44 = 4-DOOR HATCHBACK     |
| 27 = 2-DOOR CONVERTIBLE   | 45 = 2-SEAT STATION WAGON |

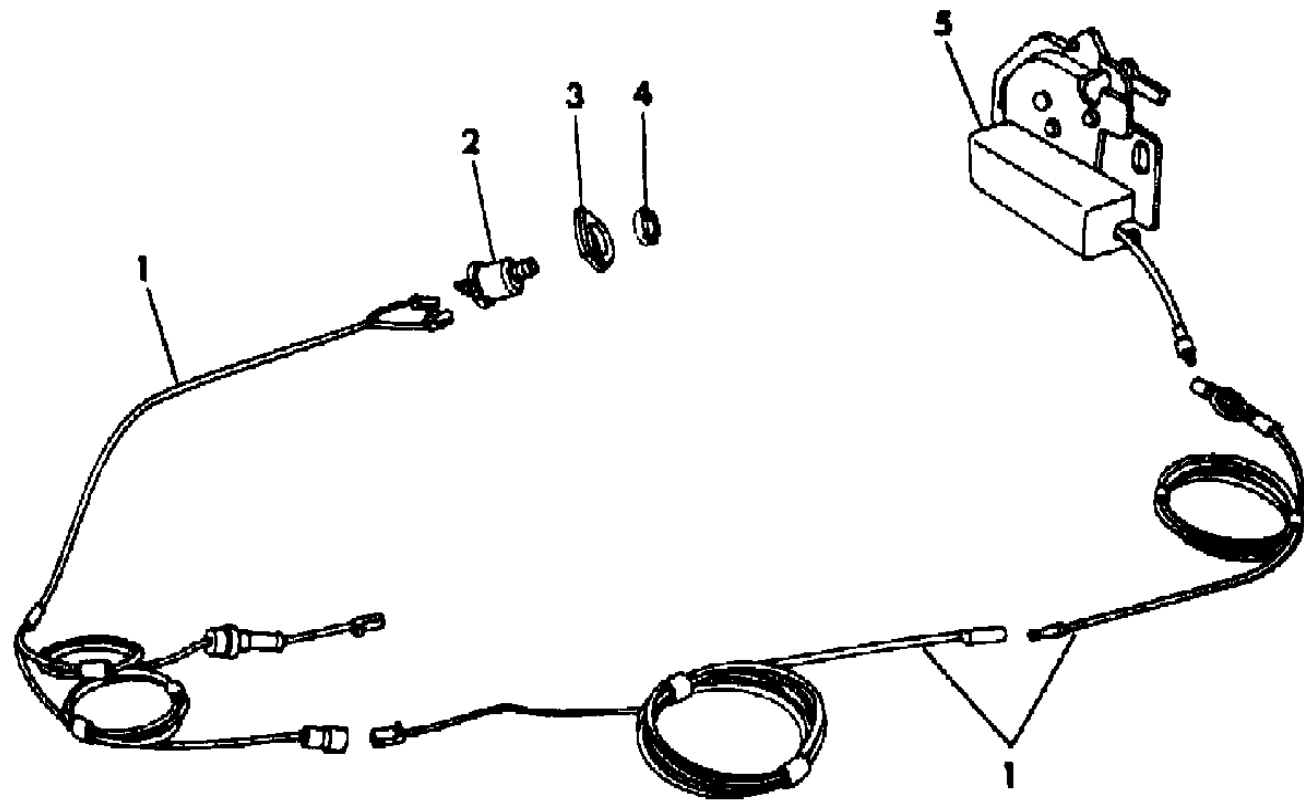
AR = Use as Required - = Non Illustrated Part P.A.R. = Paint as Required



DECK LID, ELECTRIC - B,F,G  
Figure 23A-9100

2169 9100

ITEM	PART NUMBER	QTY	BODY	MODEL	DESCRIPTION
1		1			WIRING (See Group 8 Body Wiring)
2	3747 154	1			SWITCH, Remote Deck Lid Release or Instrument Panel Mounting
3	3747 390	1			BEZEL, Electric Release Switch
4	6028 824	1			NUT, Electric Release Switch Mounting
5	4054 962	1			LATCH, Electric Deck Lid
NOTE: The Following Items Are Not Shown On Illustration. an offsetting order for part no. 3747881					
	6028 976	AR			PUSH NUT, Electric Deck Lid Latch Spring



MODEL CODES

B = GRAN FURY/CARAVELLE	P = RELIANT
C = LEBARON/TOWN & COUNTRY	S = CORDOBA
D = ARIES	V = 400
F = NEW YORKER	X = MIRADA
G = DIPLOMAT	Y = IMPERIAL
M = HORIZON/TC3/SCAMP	Z = OMNI/O24/RAMPAGE

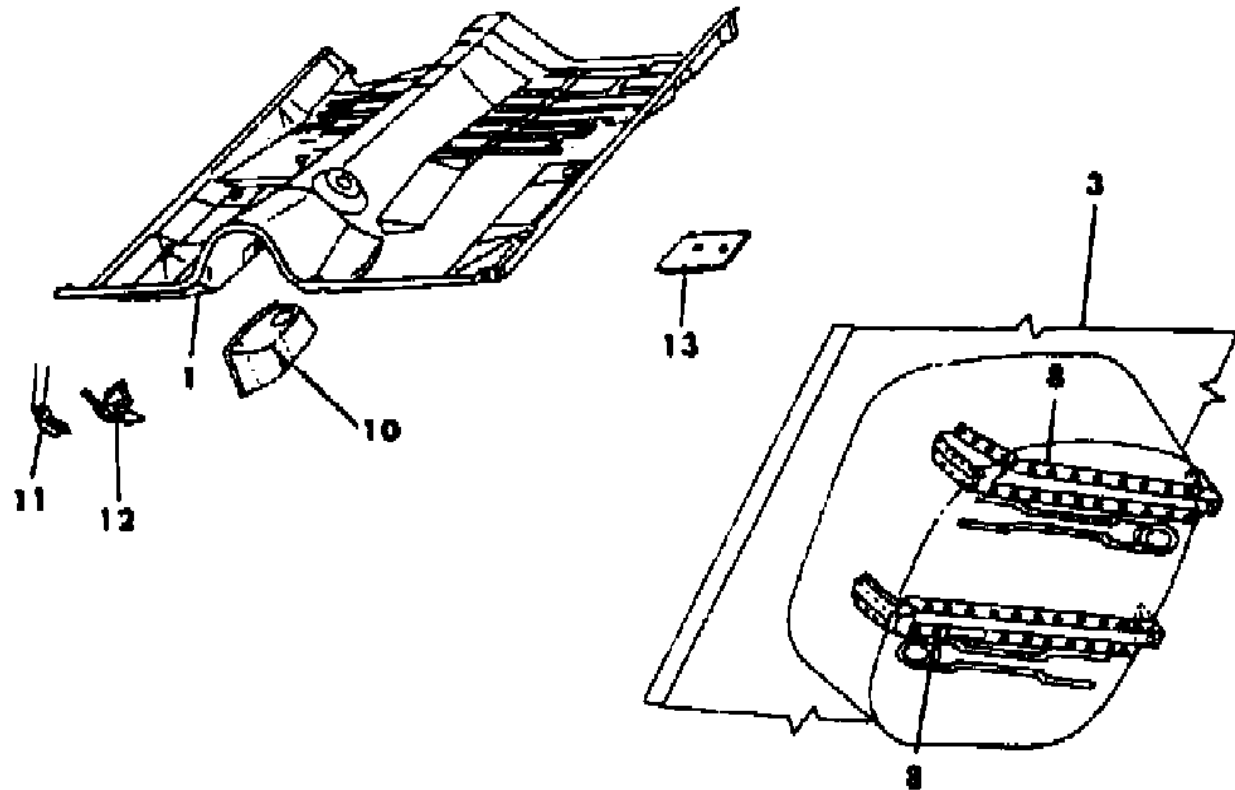
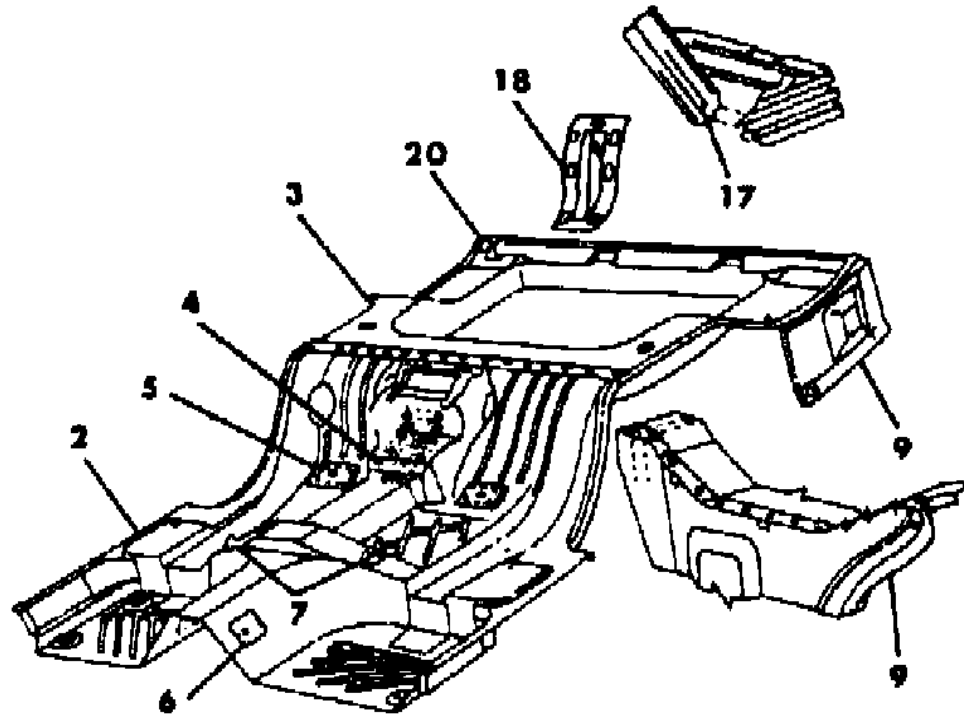
BODY STYLES

21 = 2-DOOR SEDAN	28 = FWD PICKUP
22 = 2-DOOR SPECIAL COUPE	41 = 4-DOOR SEDAN
24 = 2-DOOR HATCHBACK	44 = 4-DOOR HATCHBACK
27 = 2-DOOR CONVERTIBLE	45 = 2-SEAT STATION WAGON

AR = Use as Required - = Non Illustrated Part P.A.R. = Paint as Required

FLOOR PAN - X,S,Y  
Figure 23A-9200

169 9200



ITEM	PART NUMBER	QTY	BODY	MODEL	DESCRIPTION
1	4206 377	1			PAN, Front Floor
2	4134 292	1			PAN, Center Floor
3	4134 910	1			PAN, Rear Floor
4	4134 249	1			REINFORCEMENT, Center Floor Pan Pinion Carrier Bumper
5	#4206 954	1			REINFORCEMENT, Center Floor Pan Rear Seat Belt Inner
6	#4206 764	1			REINFORCEMENT, Center Floor Pan Front Seat Belt Inner
7	4134 377	1			BRACKET, Center Floor Pan Rear Seat Cushion Mtg.
8	3850 502	1			STRAINER w/REINFORCEMENT, Fuel Tank Front and Rear,Rt.
	3850 501	1			Lt.
9	#4134 966-7	1			EXTENSION, Rear Floor Pan Side
11	4206 394-5	1			REINFORCEMENT, Front Floor Pan Seat Guide Front Outer
12	4206 396-7	1			REINFORCEMENT, Front Floor Pan Seat Guide Outer Rear
13		4			REINFORCEMENT (Not Serviced)
17		2			BRACE (Not Serviced)
18	4134 909	1			BRACKET, Spare Wheel Anchor Rod
20	4134 842	1		Y	PANEL, Rear Floor Pan Deck Opening Sill
Note: For PLUGS, SEE PLUG ILLUSTRATION. an offsetting order for part no. 3747881					
NOTE: The Following Items Are Not Shown On Illustration. an offsetting order for part no. 3747881					
	4200 001	1			CROSSMEMBER w/REINFORCEMENT, Front Floor Pan Anti-Seat Shake, w/Bucket or 60/40 Split Bench

MODEL CODES

B = GRAN FURY/CARAVELLE	P = RELIANT
C = LEBARON/TOWN & COUNTRY	S = CORDOBA
D = ARIES	V = 400
F = NEW YORKER	X = MIRADA
G = DIPLOMAT	Y = IMPERIAL
M = HORIZON/TC3/SCAMP	Z = OMNI/O24/RAMPAGE

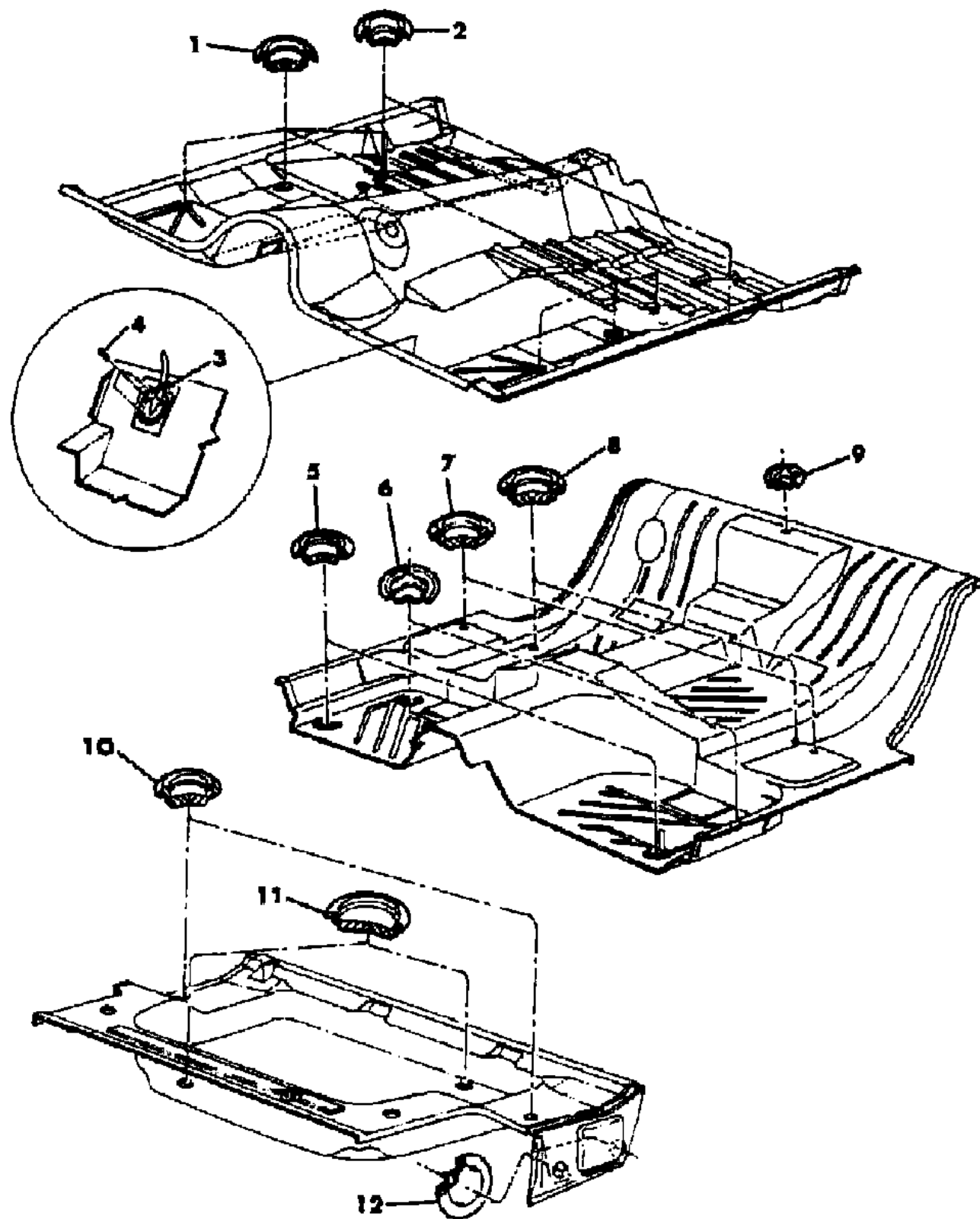
BODY STYLES

21 = 2-DOOR SEDAN	28 = FWD PICKUP
22 = 2-DOOR SPECIAL COUPE	41 = 4-DOOR SEDAN
24 = 2-DOOR HATCHBACK	44 = 4-DOOR HATCHBACK
27 = 2-DOOR CONVERTIBLE	45 = 2-SEAT STATION WAGON

AR = Use as Required - = Non Illustrated Part P.A.R. = Paint as Required

PLUGS, FLOOR PAN - X,S,Y  
Figure 23A-9300

169 8300



ITEM	PART NUMBER	QTY	BODY	MODEL	DESCRIPTION
1	2480 957	AR			PLUG
2	1774 076	AR			PLUG
3	2259 118	1			SEAL
4		3			SCREW (Not Serviced)
5	6030 773	2			PLUG
6	4073 475	AR			PLUG
7	2480 957	2			PLUG
8	2480 957	2			PLUG
9	4073 474	1			PLUG
10	2480 957	2			PLUG
11	6030 773	2			PLUG
12	4073 485	2			PLUG

MODEL CODES

B = GRAN FURY/CARAVELLE	P = RELIANT
C = LEBARON/TOWN & COUNTRY	S = CORDOBA
D = ARIES	V = 400
F = NEW YORKER	X = MIRADA
G = DIPLOMAT	Y = IMPERIAL
M = HORIZON/TC3/SCAMP	Z = OMNI/O24/RAMPAGE

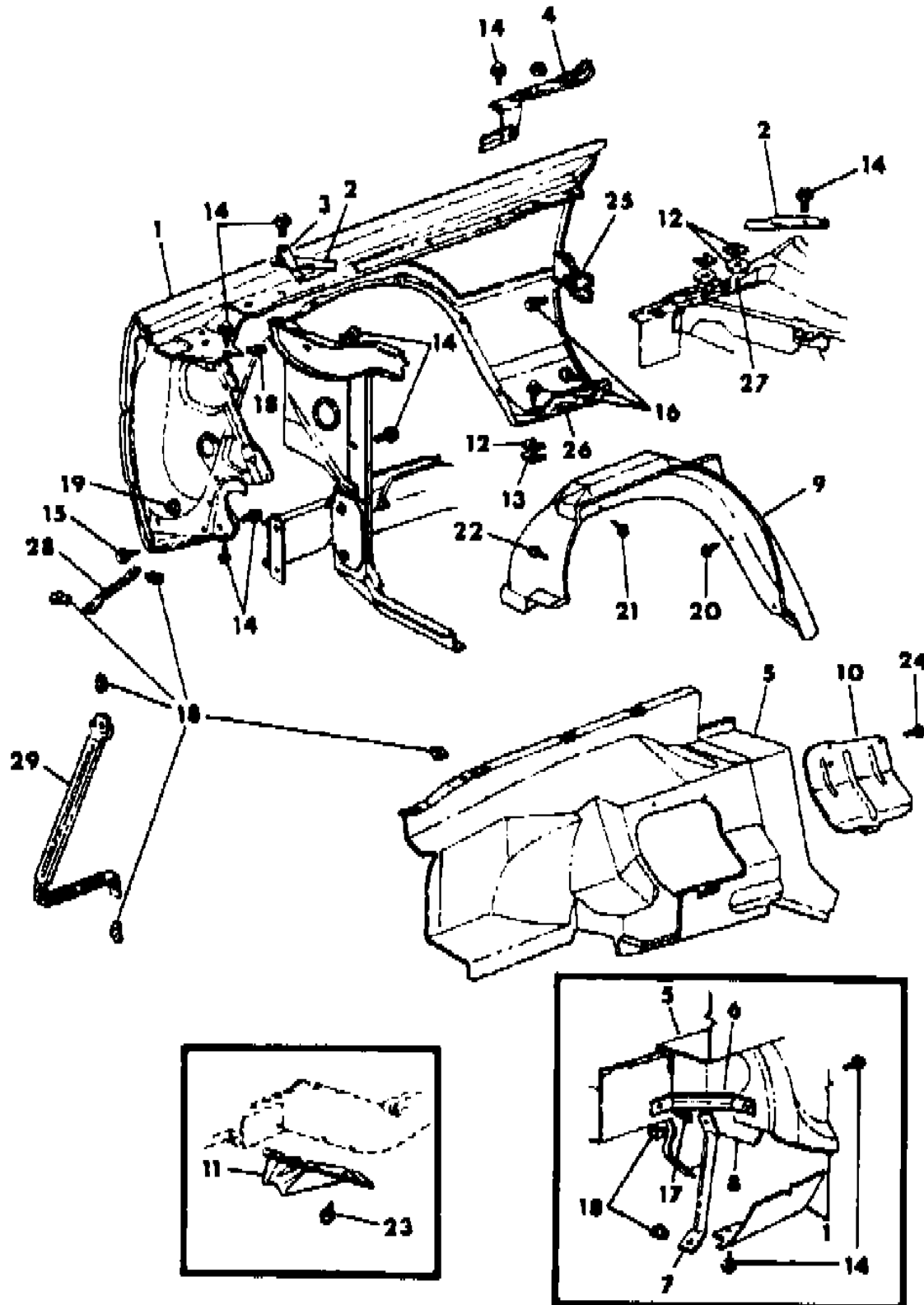
BODY STYLES

21 = 2-DOOR SEDAN	28 = FWD PICKUP
22 = 2-DOOR SPECIAL COUPE	41 = 4-DOOR SEDAN
24 = 2-DOOR HATCHBACK	44 = 4-DOOR HATCHBACK
27 = 2-DOOR CONVERTIBLE	45 = 2-SEAT STATION WAGON

AR = Use as Required - = Non Illustrated Part P.A.R. = Paint as Required

FENDER X,S,Y  
Figure 23A-9400

1189 9400



ITEM	PART NUMBER	QTY	BODY	MODEL	DESCRIPTION
1	4106 634-5	1		X	FENDER,Complete,W/Side Marker,W/Louvers
	4106 640-1	1		X	FENDER,Complete,W/Cornering Lamps
	4106 636-7	1		S-H	FENDER,Complete,W/O Cornering Lamps
	4106 638-9	1		S	FENDER,Complete,W/Cornering Lamps
	4106 644-5	1		Y	
2	4074 814-5	1		X,S,Y	STRUT,Fndr. Cowl
3	4005 182	1		X,S	STRUT,Battery Hold Down
	4005 185	1		X,S	SLEEVE,Battery Hold Down to Fndr. Strut
4				X,S,Y	HINGE and PROP,Hood (See Hood Illus.)
5	4237 012-3	1		X,S,Y	PANEL,Frt. Fndr. Shield
6	4074 884	2		X,S-S	BRACE,Fndr.Closure Side Rail Frame
7	4074 674-5	1		X,S	BRACE,Fndr.Lwr. Flange
8	4074 824	2		X,S-S	BRACKET,Fndr.Yoke Closure
9	4074 684-5	1		X,S,Y	SHIELD,Fndr.W/House Splash
10	4005 108	2		X,S,Y	COVER,Frt.Fndr.Shield Pnl.Upr. Control Arm (Alum.)
11	4005 081	1		X,S,Y	SHIELD,Frt. Side Rail Lwr. Splash,Lt.
12	6010 031	AR		X,S,Y	SHIM
13	6010 031	AR		X,S,Y	SHIM
14	9425 118	AR		X,S,Y	SCREW and Wa.
15	0181 088	AR		X,S,Y	SCREW and Wa.
16				X,S,Y	SCREW and Wa.(Not Serviced)
17				X,S,Y	SCREW (Not Serviced)
18				X,S,Y	U-NUT (Not Serviced)
19	0118 614	AR		X,S,Y	NUT and Wa.
20	6031 008	AR		X,S,Y	SCREW and Wa.
21	6030 441	AR		X,S,Y	RETAINER,Splash Shield
22				X,S,Y	Screw and Wa.(Not Serviced)
23				X,S,Y	Screw and Wa.(Not Serviced)
24				X,S,Y	Screw and Wa.(Not Serviced)
25		2			BRACKET,Fndr. Pillar (Serviced in Assy.)
26		1			BRACKET,Fndr. Sill (Serviced in Assy.)
27	4136 191	2		X,S,Y	REINFORCEMENT w/SCREW,Dash Pnl. Hood Hge.
28	4074 964	2		Y	STRUT,Fndr. Lwr. Flange to Frame Ext.
29					BRACE (See Illustration in Group 13)
NOTE: The Following Items Are Not Shown on Illustration) an offsetting order for part no. 3747881					
	4005 214	2		Y	PLATE,Fndr. Shield to Side Rail Strut
	4005 196-7	1		Y	STRUT,Fndr. Shield to Frt. Side Rail,Rear

MODEL CODES

B = GRAN FURY/CARAVELLE	P = RELIANT
C = LEBARON/TOWN & COUNTRY	S = CORDOBA
D = ARIES	V = 400
F = NEW YORKER	X = MIRADA
G = DIPLOMAT	Y = IMPERIAL
M = HORIZON/TC3/SCAMP	Z = OMNI/O24/RAMPAGE

BODY STYLES

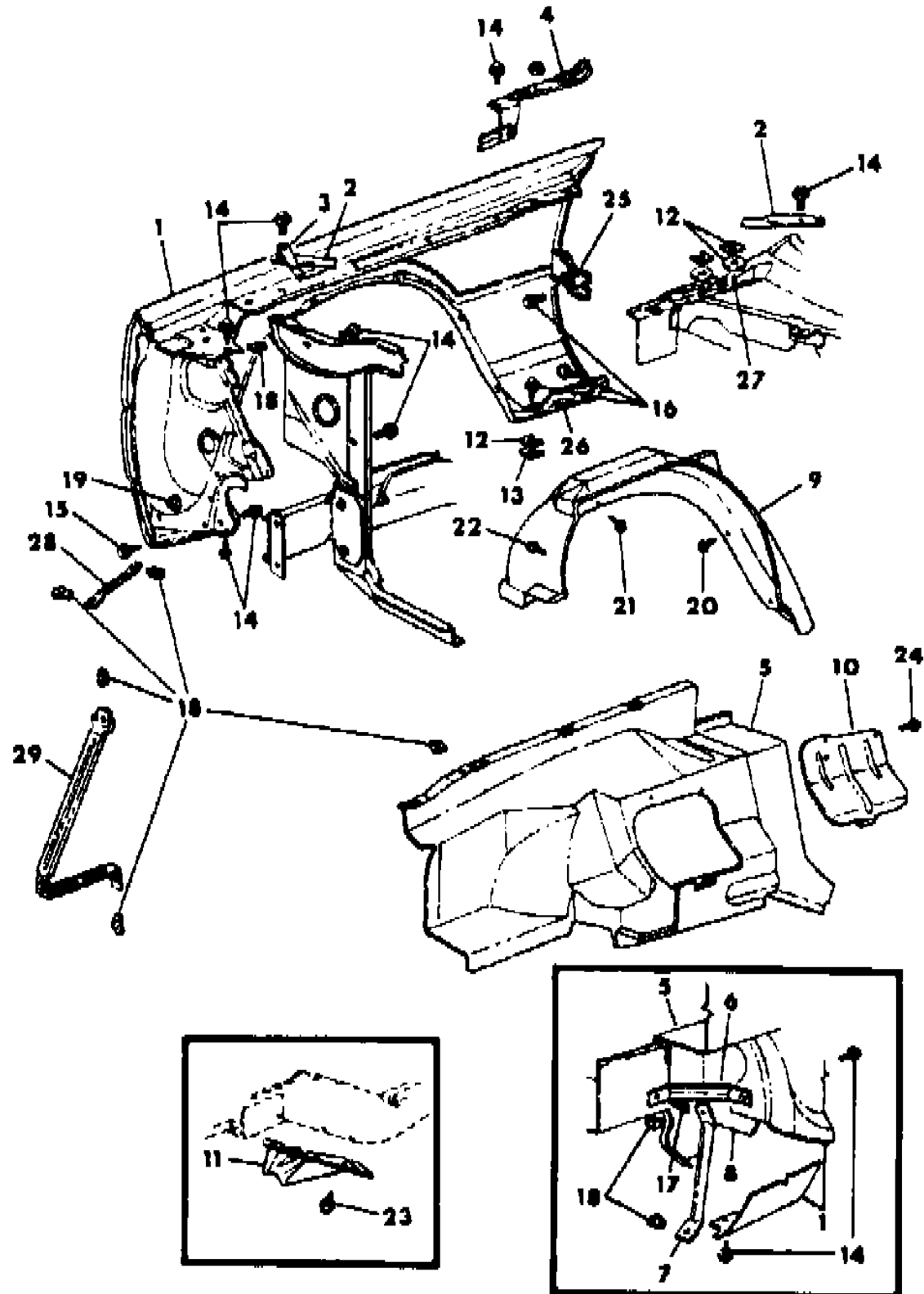
21 = 2-DOOR SEDAN	28 = FWD PICKUP
22 = 2-DOOR SPECIAL COUPE	41 = 4-DOOR SEDAN
24 = 2-DOOR HATCHBACK	44 = 4-DOOR HATCHBACK
27 = 2-DOOR CONVERTIBLE	45 = 2-SEAT STATION WAGON

AR = Use as Required - = Non Illustrated Part P.A.R. = Paint as Required

FENDER X,S,Y  
Figure 23A-9400

ITEM	PART NUMBER	QTY	BODY	MODEL	DESCRIPTION
	4237 028-9	1		Y	STRUT,Fndr. Shield to Frt. Side Rail,Frnt.

1189 9400



MODEL CODES

B = GRAN FURY/CARAVELLE	P = RELIANT
C = LEBARON/TOWN & COUNTRY	S = CORDOBA
D = ARIES	V = 400
F = NEW YORKER	X = MIRADA
G = DIPLOMAT	Y = IMPERIAL
M = HORIZON/TC3/SCAMP	Z = OMNI/O24/RAMPAGE

BODY STYLES

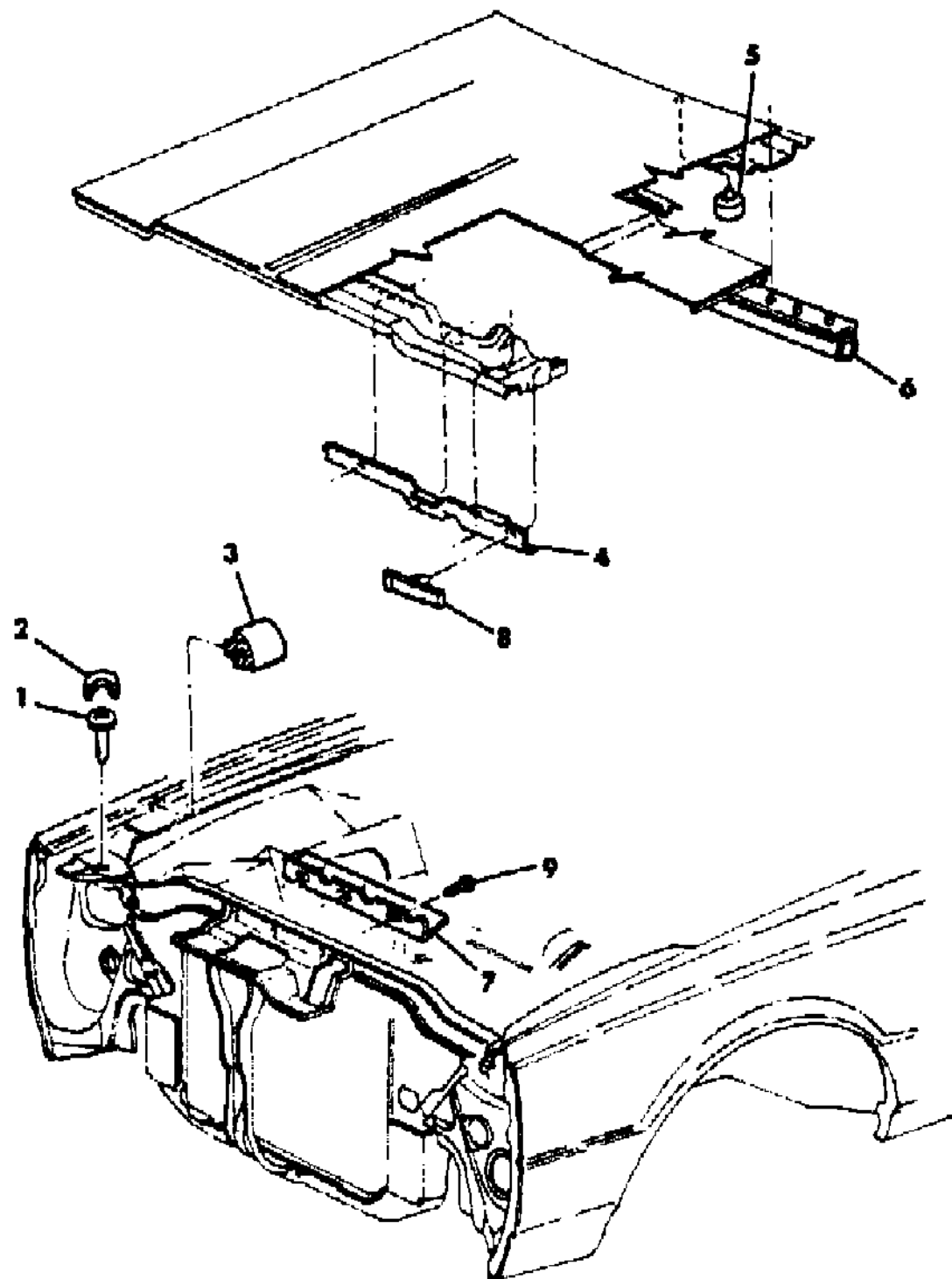
21 = 2-DOOR SEDAN	28 = FWD PICKUP
22 = 2-DOOR SPECIAL COUPE	41 = 4-DOOR SEDAN
24 = 2-DOOR HATCHBACK	44 = 4-DOOR HATCHBACK
27 = 2-DOOR CONVERTIBLE	45 = 2-SEAT STATION WAGON

AR = Use as Required - = Non Illustrated Part P.A.R. = Paint as Required

**BUMPERS - FENDER, HOOD - X,S,Y**  
**Figure 23A-9500**

169 9500

ITEM	PART NUMBER	QTY	BODY	MODEL	DESCRIPTION
1	6023 531	2			SCREW
2	3788 362	2			BUMPER
3	4016 214	2			BUMPER
4	4074 666	1			SEAL, Hood Yoke
5	2784 714	1			BUMPER, Hood Leveling
6	4074 789	1			SEAL, Hood Cowl
7	4103 056	1			SEAL, Radiator Yoke
8	6003 351	AR			FASTENER
9	6030 538	3			RETAINER



**MODEL CODES**

B = GRAN FURY/CARAVELLE	P = RELIANT
C = LEBARON/TOWN & COUNTRY	S = CORDOBA
D = ARIES	V = 400
F = NEW YORKER	X = MIRADA
G = DIPLOMAT	Y = IMPERIAL
M = HORIZON/TC3/SCAMP	Z = OMNI/O24/RAMPAGE

**BODY STYLES**

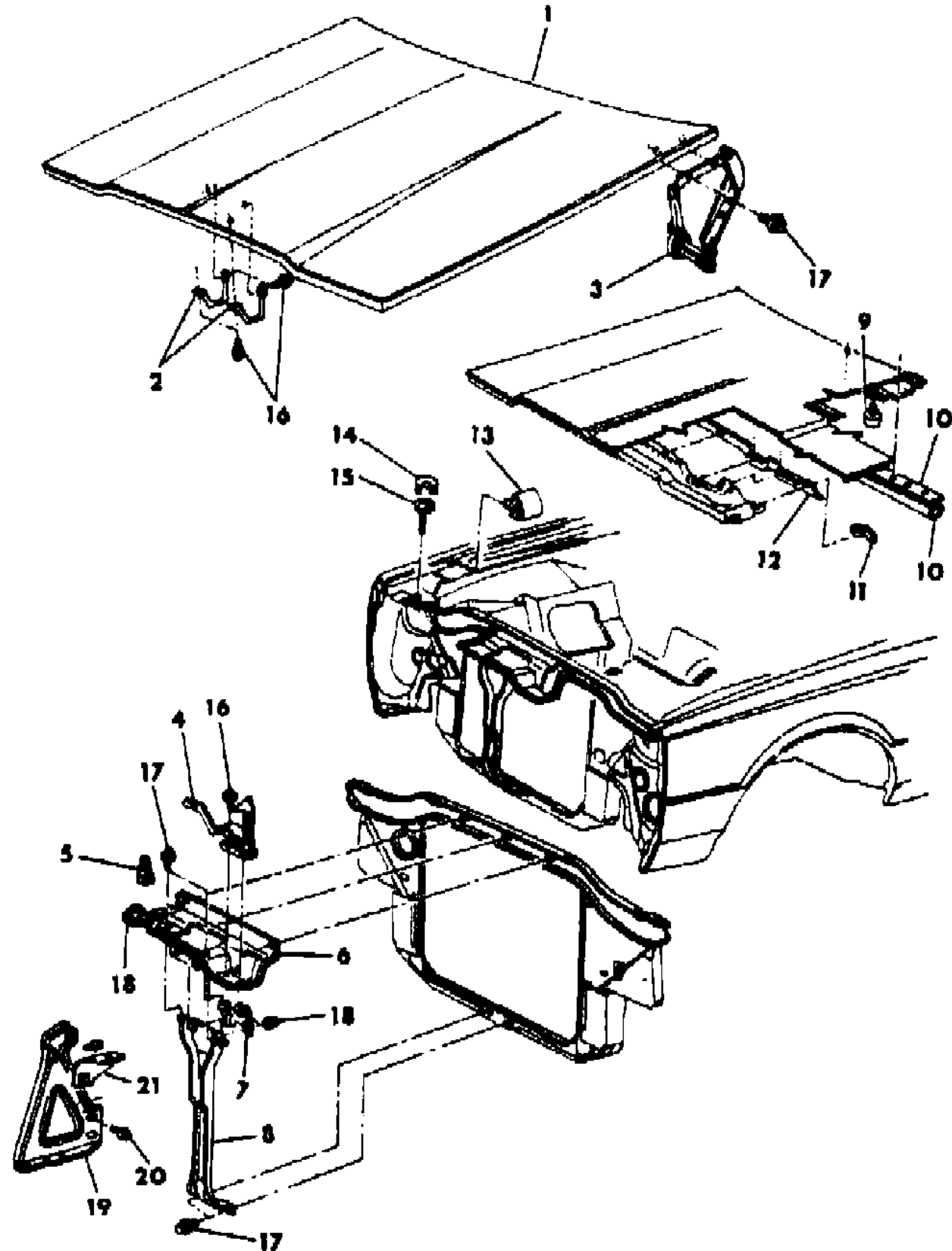
21 = 2-DOOR SEDAN	28 = FWD PICKUP
22 = 2-DOOR SPECIAL COUPE	41 = 4-DOOR SEDAN
24 = 2-DOOR HATCHBACK	44 = 4-DOOR HATCHBACK
27 = 2-DOOR CONVERTIBLE	45 = 2-SEAT STATION WAGON

AR = Use as Required - = Non Illustrated Part P.A.R. = Paint as Required

# HOOD X,S,Y

## Figure 23A-9600

1100 9600



ITEM	PART NUMBER	QTY	BODY	MODEL	DESCRIPTION
1	4129 151	1		X	HOOD
	4129 154	1		S-P	HOOD
	4129 151	1		S-S	HOOD
	4129 408	1		Y	HOOD
2	4054 003	1	X,S,Y		STRIKER,Hood Safety Catch
	4054 003	1	X,S,Y		STRIKER,Hood Latch
3	4103 904-5	1	X,S,Y		HINGE and PROP,Hood
4	4172 068	1	X,S,Y		CATCH,Hood Safety
5	4240 535	1	X,S,Y		SPRING PKG.,Hood Pop-Up,Eyelet Type
6	4103 490	1	X,S,Y		PLATE,Hood Lock
7	3861 819	1	X,S,Y		LATCH,Hood
8	4074 810	1	X,S,Y		SUPPORT,Hood Lock Vertical
9	2784 714	1	X,S,Y		BUMPER,Hood Rear Center
10	4074 789	1	X,S,Y		SEAL,Hood Inner Pnl.Cowl
	6003 568	12	X,S,Y		FASTENER,Hood Inner Pnl.Cowl Seal
11	6003 351	AR	X,S,Y		FASTENER
12	4074 666	1	X,S,Y		SEAL,Hood Inner Pnl.Yoke
13	4016 214	2	X,S,Y		BUMPER,Fndr. Hood Side
14	3788 362	2	X,S,Y		BUMPER,Fndr. Yoke Bracket Hood Adj.
15	6023 531	2	X,S,Y		SCREW,Fndr.Yoke Brkt.Hood Adj.Bumper
16	0181 063	AR	X,S,Y		Screw and Wa.
17	9425 118	AR	X,S,Y		Screw and Wa.
18	0118 614	AR	X,S,Y		Nut and Wa.
19	4074 851	1	S-P		BRACE,Rad. Grille H/Lamp Mtg. Pnl. Vert. Lock Support
20	0181 065	AR	X,S,Y		SCREW and WA.
21	4103 497	1	X,S,Y		BRACKET,Rad. Grille Vert. Lock Brace Plate Hood Lock
NOTE: The Following Items Are Not Shown on Illustration an offsetting order for part no. 3747881					
	3875 949	2	X,S,Y		SEAL,Cowl Top Pnl. to W/Shield Outer Frame
	4049 601	1	X,S,Y		SILENCER,Hood
	4074 293	16	X,S,Y		FASTENER,Hood Inner Pnl. Silencer
	4175 135	1	X,S,Y		MOULDING,Hood Rear Edge
	4103 056	1	X,S,Y		SEAL,Rad. Yoke C/Mbr. to Rad.

### MODEL CODES

B = GRAN FURY/CARAVELLE	P = RELIANT
C = LEBARON/TOWN & COUNTRY	S = CORDOBA
D = ARIES	V = 400
F = NEW YORKER	X = MIRADA
G = DIPLOMAT	Y = IMPERIAL
M = HORIZON/TC3/SCAMP	Z = OMNI/O24/RAMPAGE

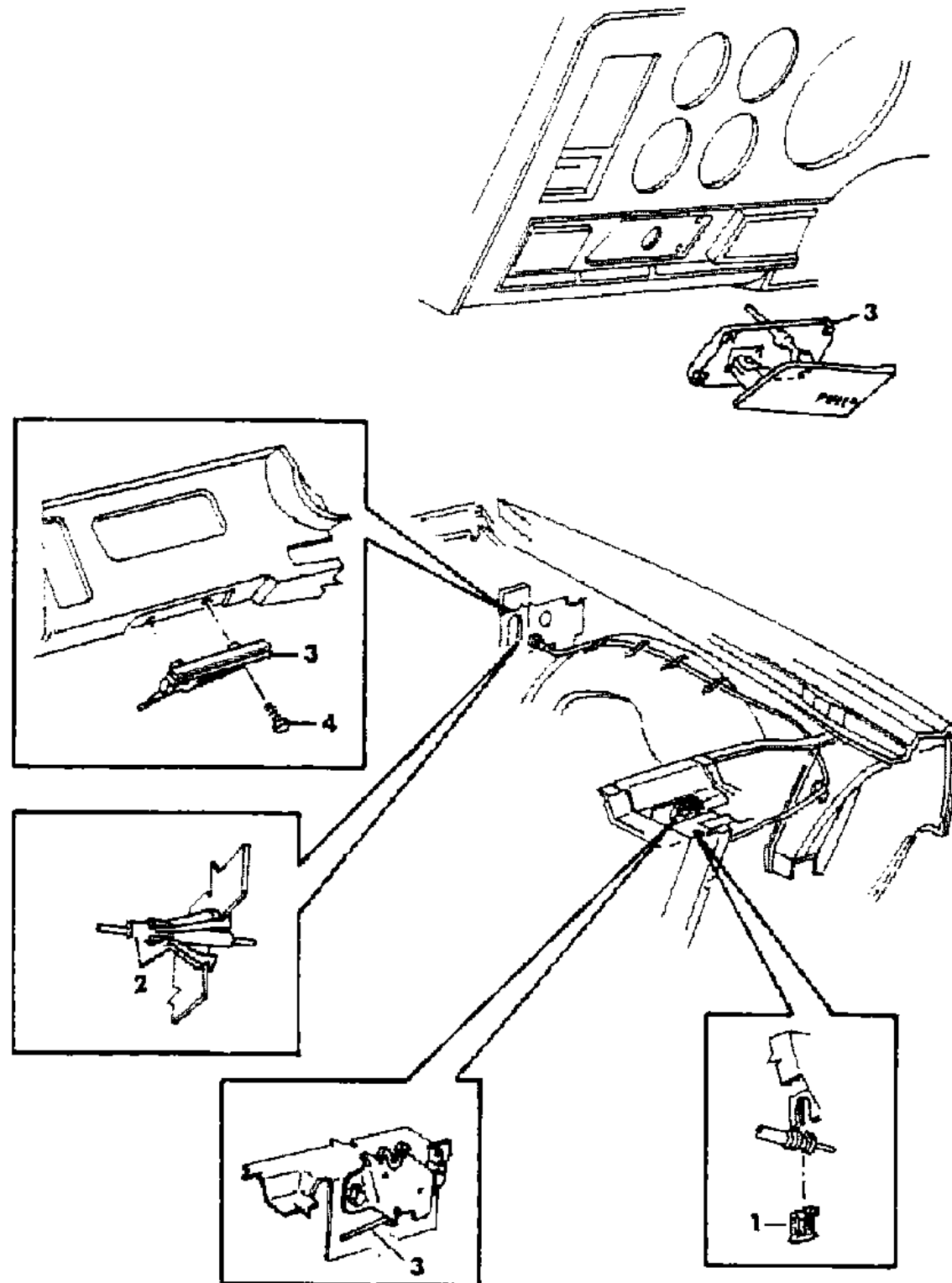
### BODY STYLES

21 = 2-DOOR SEDAN	28 = FWD PICKUP
22 = 2-DOOR SPECIAL COUPE	41 = 4-DOOR SEDAN
24 = 2-DOOR HATCHBACK	44 = 4-DOOR HATCHBACK
27 = 2-DOOR CONVERTIBLE	45 = 2-SEAT STATION WAGON

AR = Use as Required - = Non Illustrated Part P.A.R. = Paint as Required

REMOTE CONTROL HOOD RELEASE X,S,Y  
Figure 23A-9700

2169 9700



ITEM	PART NUMBER	QTY	BODY	MODEL	DESCRIPTION
1	3861 231	1			CLIP, Hood Latch Rel. Cable Ret.
2	3695 100	1			GROMMET, Hood Latch Rel. Handle Cable
3	4172 771	1		X.S	RELEASE, Inst. Pnl. Hood Latch
	5211 940	1		Y	RELEASE, Park Brake and Hood Latch Inst. Pnl.
	5211 950	1		Y	CABLE Assy., Hood Latch Release Handle
4					SCREW (Not Serviced)
NOTE: The Following Items Are Not Shown On Illus. an offsetting order for part no. 3747881					
	6031 147	1			S/NUT, Inst. Pnl. Hood Latch Rel. Handle Pivot Pin
	6031 147	1			S/NUT, Inst. Pnl. Hood Latch Rel. Handle to Cable
	4054 965	1			PIN, Hood Latch Release Cable Term.
	1774 076	1			PLUG, Hood Release Cable

MODEL CODES

B = GRAN FURY/CARAVELLE	P = RELIANT
C = LEBARON/TOWN & COUNTRY	S = CORDOBA
D = ARIES	V = 400
F = NEW YORKER	X = MIRADA
G = DIPLOMAT	Y = IMPERIAL
M = HORIZON/TC3/SCAMP	Z = OMNI/O24/RAMPAGE

BODY STYLES

21 = 2-DOOR SEDAN	28 = FWD PICKUP
22 = 2-DOOR SPECIAL COUPE	41 = 4-DOOR SEDAN
24 = 2-DOOR HATCHBACK	44 = 4-DOOR HATCHBACK
27 = 2-DOOR CONVERTIBLE	45 = 2-SEAT STATION WAGON

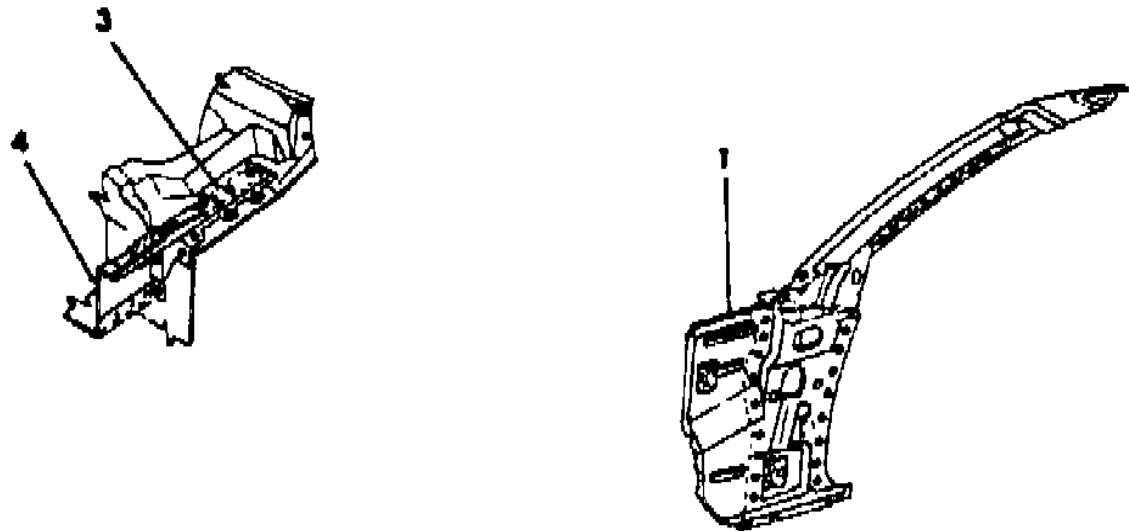
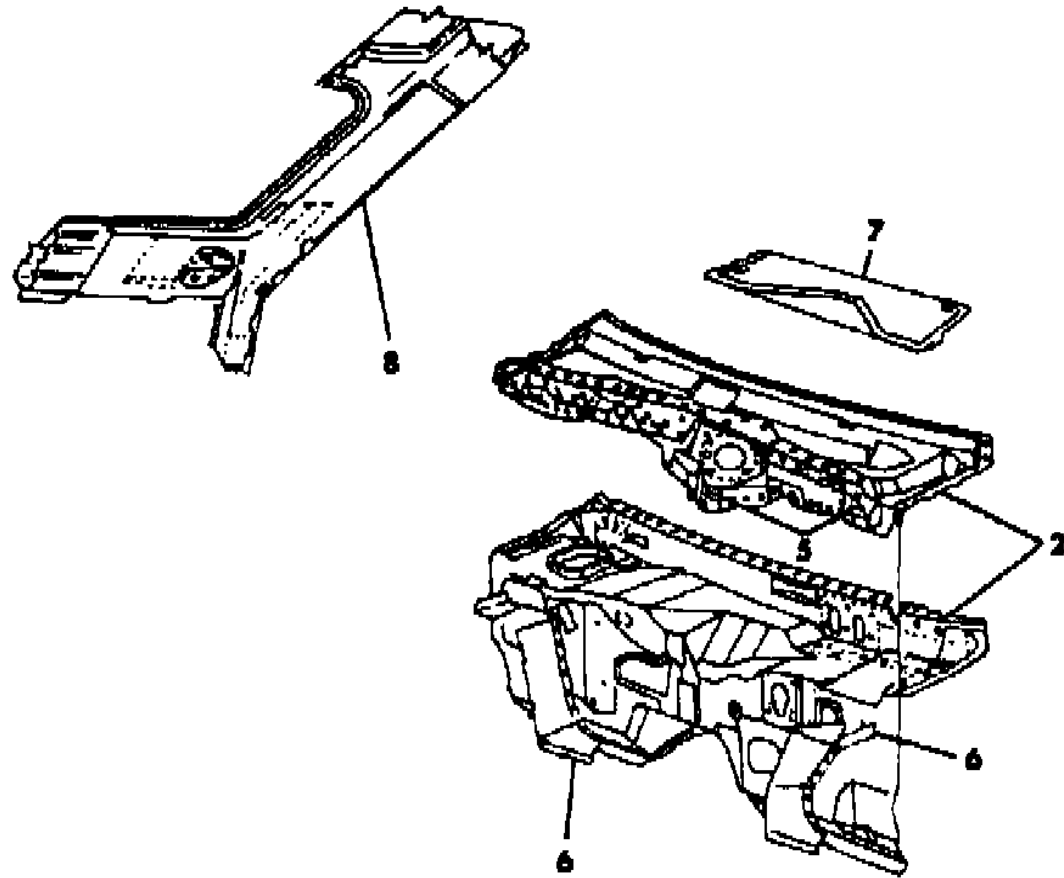
AR = Use as Required - = Non Illustrated Part P.A.R. = Paint as Required



**COWL,DASH AND WINDSHIELD PANELS - X,S,Y**  
**Figure 23A-9800**

2309 9800

ITEM	PART NUMBER	QTY	BODY	MODEL	DESCRIPTION
1	4129 200-1	1			PANEL,Cowl Side
2	4200 033	1			PANEL,Cowl Top and Dash Panel
3	4136 191	2			REINFORCEMENT and SCREW,Dash Panel Hood Hinge
4	4136 186-7	1			SUPPORT,Dash Panel to Fender Side Shield Upper
5	3794 032	3			SEAL,Cowl Top Panel Drain Hole
6	4198 190-1	1			SUPPORT,Dash Panel to Fender Side Shield Lower
7	4136 192	1			SCREEN,Cowl Top Fresh Air Opening,Rt.
	4136 151	1			Lt.
8	4136 010-1	1			EXTENSION,Windshield Side Frame Upper Corner
The following items are not shown on illustration. an offsetting order for part no. 3747881					
	4206 619	1		X,S	LINER,Dash
	4206 619	1		Y	
	4206 545	4			RETAINER,Dash Liner Attaching
	6032 020	4			STUD,Dash Liner to Dash Panel Attaching Collar
	4136 041	1			REINFORCEMENT,Dash Panel Accelerator Pedal Mounting
	4136 545	2			PAD,Cowl Side Inner



**MODEL CODES**

B = GRAN FURY/CARAVELLE	P = RELIANT
C = LEBARON/TOWN & COUNTRY	S = CORDOBA
D = ARIES	V = 400
F = NEW YORKER	X = MIRADA
G = DIPLOMAT	Y = IMPERIAL
M = HORIZON/TC3/SCAMP	Z = OMNI/O24/RAMPAGE

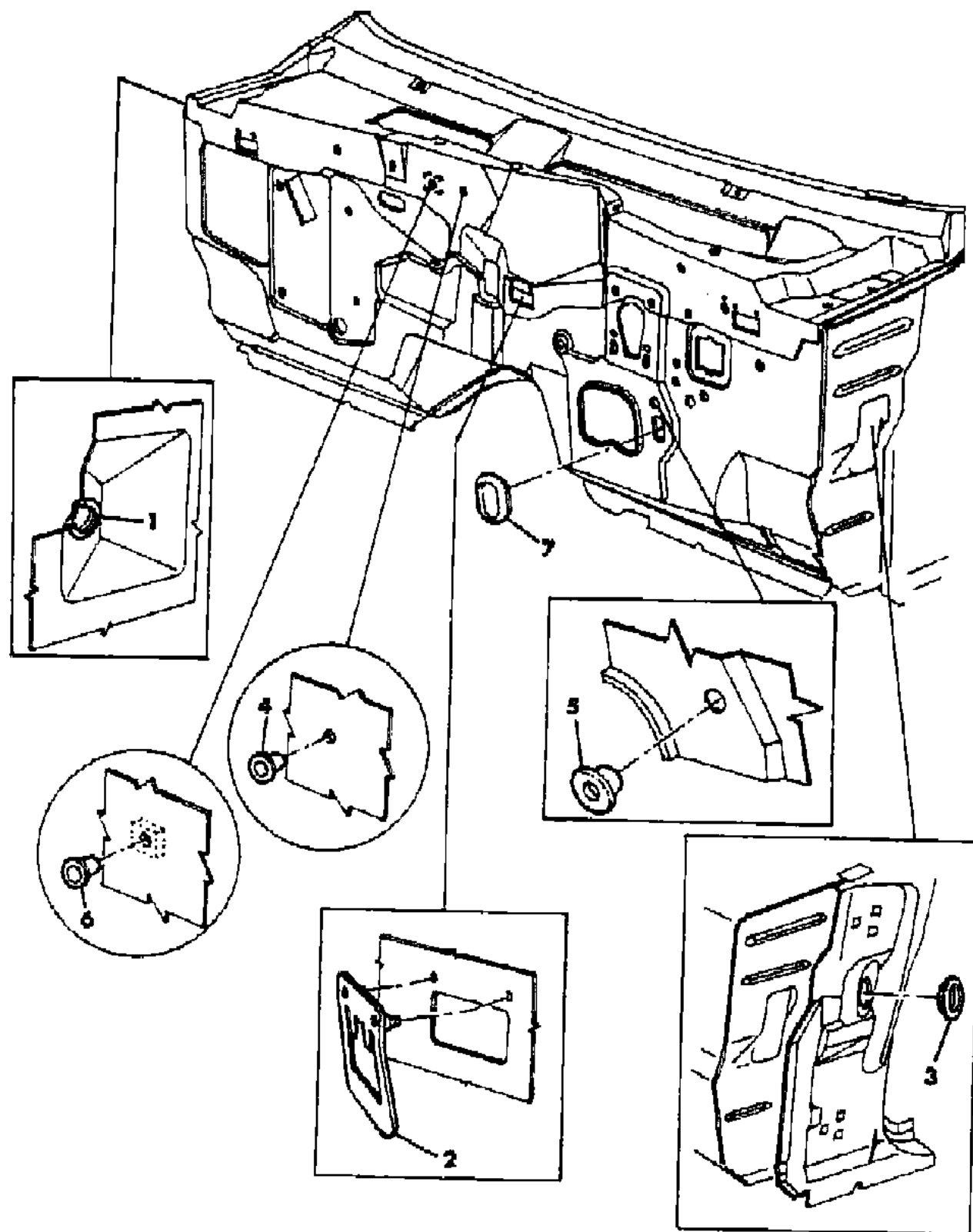
**BODY STYLES**

21 = 2-DOOR SEDAN	28 = FWD PICKUP
22 = 2-DOOR SPECIAL COUPE	41 = 4-DOOR SEDAN
24 = 2-DOOR HATCHBACK	44 = 4-DOOR HATCHBACK
27 = 2-DOOR CONVERTIBLE	45 = 2-SEAT STATION WAGON

AR = Use as Required - = Non Illustrated Part P.A.R. = Paint as Required

PLUGS - COWL AND DASH - X,S,Y  
Figure 23A-9900

2189 P906



ITEM	PART NUMBER	QTY	BODY	MODEL	DESCRIPTION
1	2860 332	1			PLUG, Antenna Hole
2	3794 032	3			SEAL, Cowl Top
3	6030 883	1			PLUG
4	2423 737	1			PLUG
5	3445 939	1			PLUG
6	2423 737	1			PLUG
7		1			PLUG (Not Serviced)

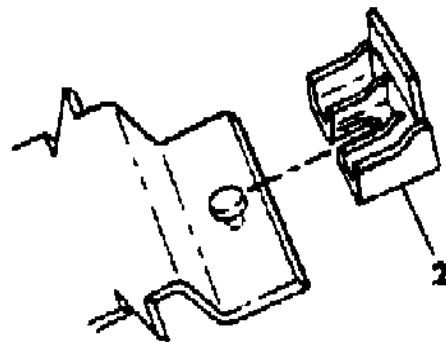
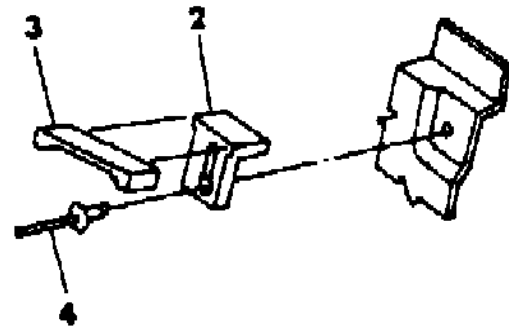
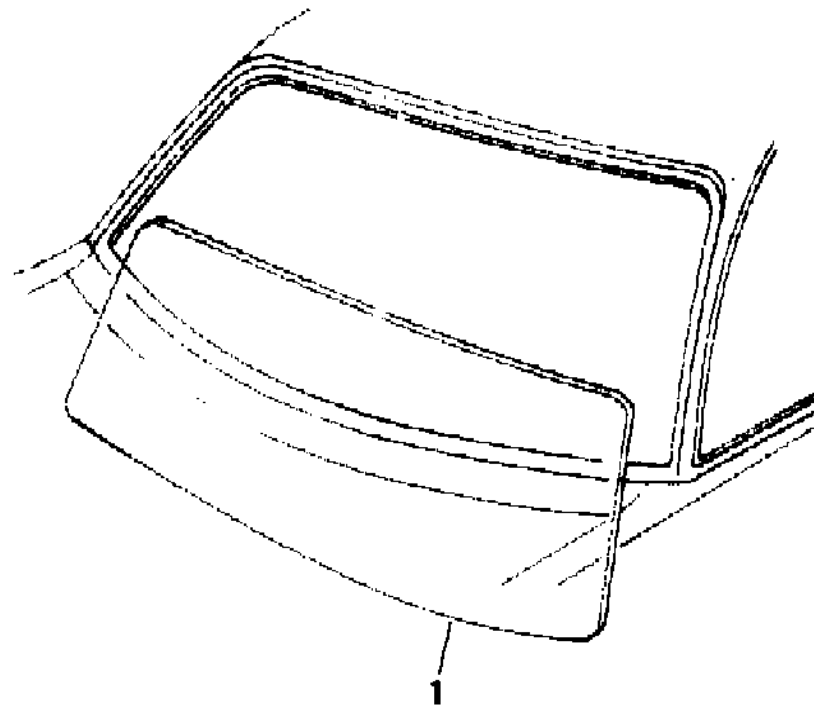
MODEL CODES  
 B = GRAN FURY/CARAVELLE      P = RELIANT  
 C = LEBARON/TOWN & COUNTRY      S = CORDOBA  
 D = ARIES      V = 400  
 F = NEW YORKER      X = MIRADA  
 G = DIPLOMAT      Y = IMPERIAL  
 M = HORIZON/TC3/SCAMP      Z = OMNI/O24/RAMPAGE

BODY STYLES  
 21 = 2-DOOR SEDAN      28 = FWD PICKUP  
 22 = 2-DOOR SPECIAL COUPE      41 = 4-DOOR SEDAN  
 24 = 2-DOOR HATCHBACK      44 = 4-DOOR HATCHBACK  
 27 = 2-DOOR CONVERTIBLE      45 = 2-SEAT STATION WAGON

AR = Use as Required - = Non Illustrated Part P.A.R. = Paint as Required

**GLASS - WINDSHIELD - X,S,Y**  
**Figure 23A-1000**

1169 10000



ITEM	PART NUMBER	QTY	BODY	MODEL	DESCRIPTION
------	-------------	-----	------	-------	-------------

NOTE: GLASS, WINDSHIELD - ORDER FROM YOUR LOCAL MOPAR GLASS DISTRIBUTOR. an offsetting order for part no.

3747881					
1					GLASS, Windshield
	4136 207	1	X,S		Clear
	4136 208	1	X,S		Tinted
	4206 794	1	Y		Clear
	4206 795	1	Y		Tinted
2	4206 543	2	All		SPACER, Windshield Glass Lower
3	3767 767	AR	All		SHIM, Windshield Glass Spacer, Lower
4		2	All		RIVET, Windshield Glass Spacer Retaining (Not Serviced)
	4057 957	1	All		FIXED GLASS REPAIR PACKAGE, W/Shield (Not Shown)
CONSISTS OF:					
1- ----- Tape, Butyl, 171.00"					
1- ----- Primer, Glass					
1- ----- Primer, Fence					
2- 3674698 Spacer, Rubber, 0.2"					
2- 3793290 Spacer, Rubber, 0.3"					
2- 3767767 Shim, 0.07"					
2- ----- Sponges, Disposable					

MODEL CODES

B = GRAN FURY/CARAVELLE	P = RELIANT
C = LEBARON/TOWN & COUNTRY	S = CORDOBA
D = ARIES	V = 400
F = NEW YORKER	X = MIRADA
G = DIPLOMAT	Y = IMPERIAL
M = HORIZON/TC3/SCAMP	Z = OMNI/O24/RAMPAGE

BODY STYLES

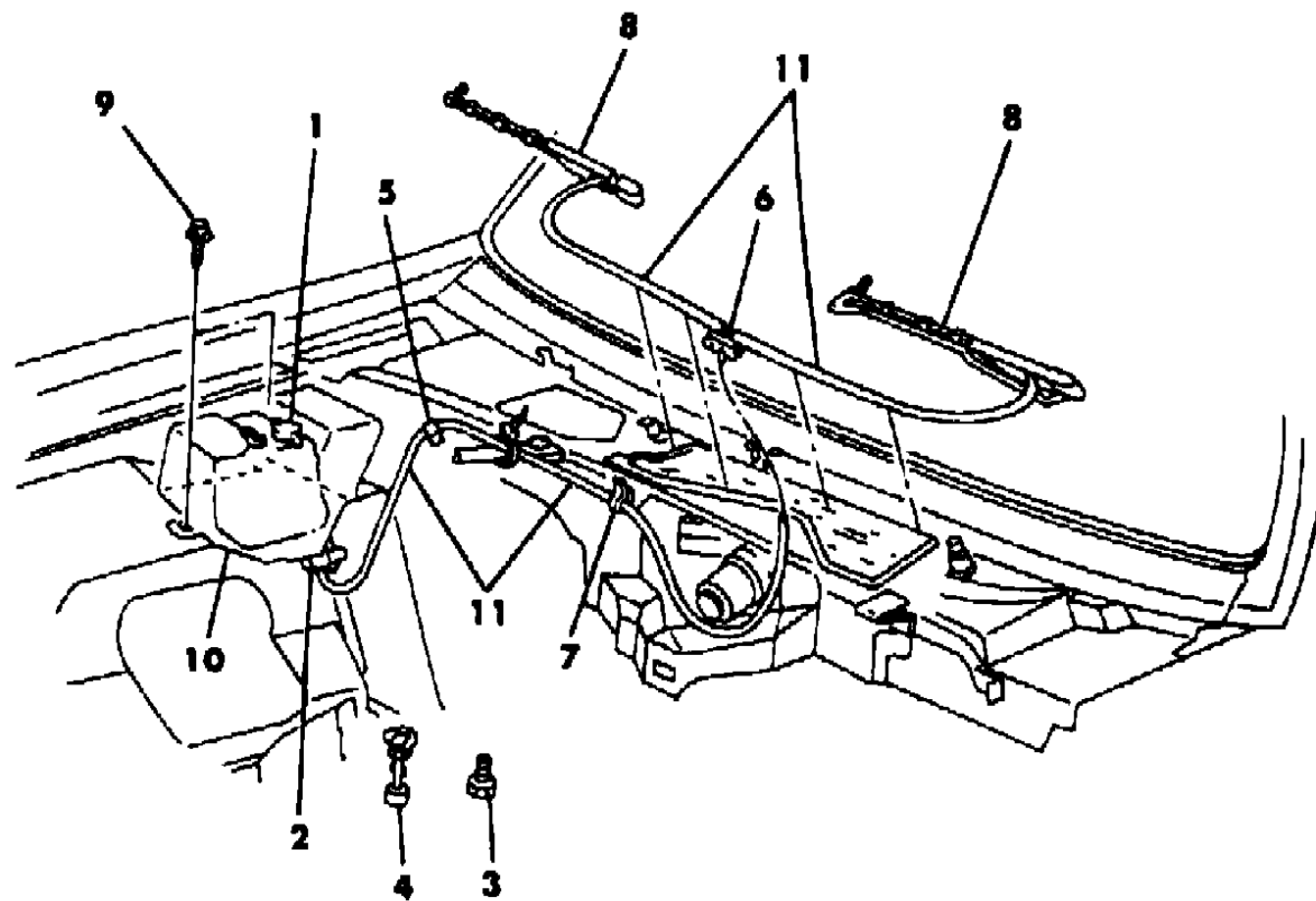
21 = 2-DOOR SEDAN	28 = FWD PICKUP
22 = 2-DOOR SPECIAL COUPE	41 = 4-DOOR SEDAN
24 = 2-DOOR HATCHBACK	44 = 4-DOOR HATCHBACK
27 = 2-DOOR CONVERTIBLE	45 = 2-SEAT STATION WAGON

AR = Use as Required - = Non Illustrated Part P.A.R. = Paint as Required

**WASHER SYSTEM WINDSHIELD - X,S,Y**  
**Figure 23A-1010**

!169 10100

ITEM	PART NUMBER	QTY	BODY	MODEL	DESCRIPTION
1	2497 500	1			CAP,Windshield Washer Reservoir
2	3799 462	1			PUMP and SEAL PACKAGE,Windshield Washer
3	3799 324	1			FILTER PACKAGE,Windshield Washer Pump
4	3746 813	1			SENSOR,Washer Fluid Level
5	6015 776	1			CLIP,Washer Hose
6	3799 532	1			CONNECTOR,Windshield Washer Hose Tee
7		1			CLIP(not serviced)
8					ARM,See Windshield Wiper Illustration
9		2			SCREW(not serviced)
10	3799 542	1			RESERVOIR,Windshield Washer
11					HOSE,Windshield Washer
	4026 130	1			3/32" I.D.,50'Roll
	3780 798	1			5/32" I.D.,50'Roll
	3837 036	1			1/8" I.D.,50' Roll
	4026 129	1			1/4" I.D.,50' Roll



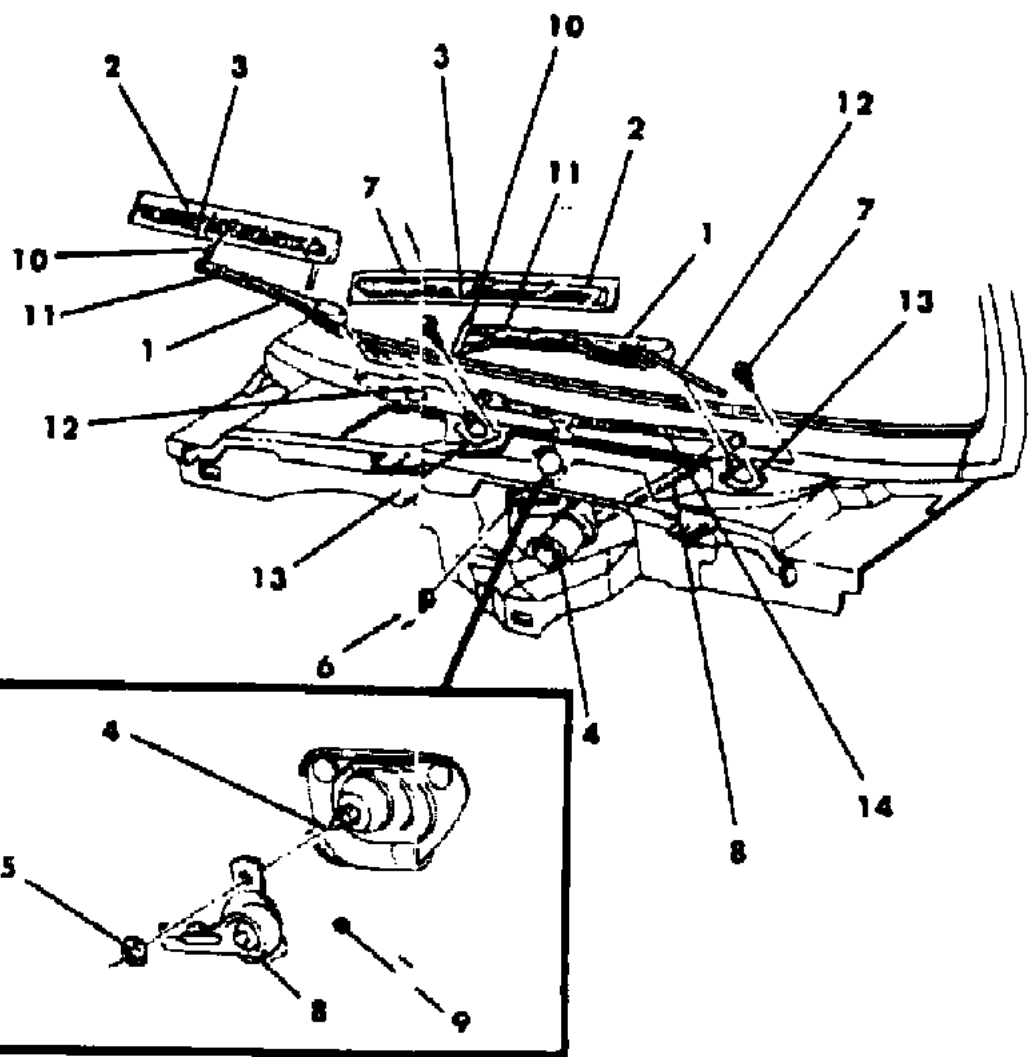
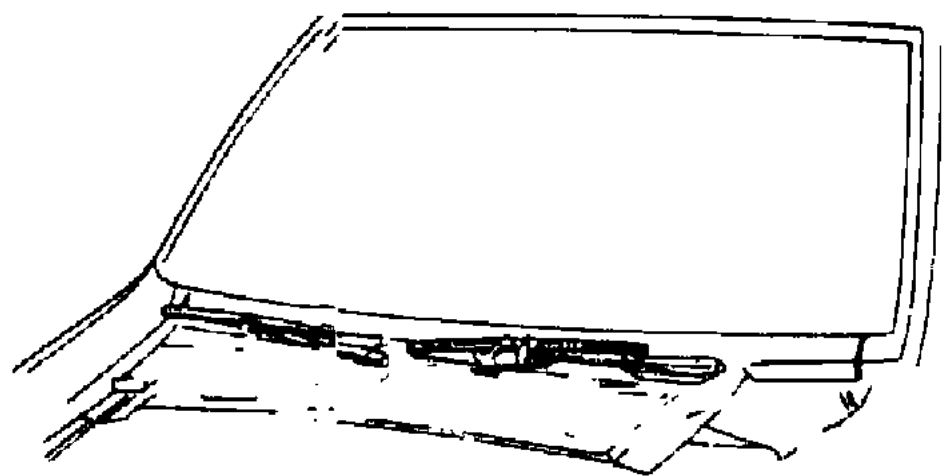
MODEL CODES  
 B = GRAN FURY/CARAVELLE      P = RELIANT  
 C = LEBARON/TOWN & COUNTRY      S = CORDOBA  
 D = ARIES      V = 400  
 F = NEW YORKER      X = MIRADA  
 G = DIPLOMAT      Y = IMPERIAL  
 M = HORIZON/TC3/SCAMP      Z = OMNI/O24/RAMPAGE

BODY STYLES  
 21 = 2-DOOR SEDAN      28 = FWD PICKUP  
 22 = 2-DOOR SPECIAL COUPE      41 = 4-DOOR SEDAN  
 24 = 2-DOOR HATCHBACK      44 = 4-DOOR HATCHBACK  
 27 = 2-DOOR CONVERTIBLE      45 = 2-SEAT STATION WAGON

AR = Use as Required - = Non Illustrated Part P.A.R. = Paint as Required

WIPER SYSTEM WINDSHIELD - X,S,Y  
Figure 23A-1020

2189 10200



ITEM	PART NUMBER	QTY	BODY	MODEL	DESCRIPTION
1	3799 545	1			ARM w/NOZZLE.Windshield Wiper w/o Blade,Rt.
	3799 698	1			Lt.
2	3799 646	2			BLADE w/REFILL,Windshield Wiper
	3799 369	2			Anco(Plastic)
	3799 645	2			Anco
	3799 417	2			Trico(Plastic)
	3799 417	2			Trico
3	3799 335	2			REFILL,Windshield Wiper Blade
	3799 654	2			Anco (use with 3799646 blade)
	3799 060	2			Trico
	3799 685	2			Trico(use with 3799645 blade)
4	4186 956	1		X,S	MOTOR w/JUMPER PACKAGE
	4240 528	1		Y	
5	6031 096	1			NUT,Crank Mounting
6	6025 413	3			NUT,Motor Mounting
7	6024 067	6			SCREW
8	3799 537	1			LINK ASSY.,Wiper Drive
					CONSISTS OF:
					1- ----- Link w/Bushing
					1- ----- Crank w/Pin
					1- ----- Cam
					1- ----- Spring
					1- ----- Release
					1- ----- Retainer
					1- 453632 Ball
					1- 1922183 Ring
9	3799 089	3			BUSHING,Windshield Wiper Linkage
10	3431 868	1			NOZZLE,Wiper Arm
	3431 865	1			Rt.
					Lt.
11	3799 058	1			RETAINER,Windshield Wiper Arm Nozzle and Hose
	3431 871	1			Rt.
					Lt.
12	4026 130	1			HOSE,Windshield Wiper Arm Nozzle,3/32" I.D.,50' Roll
13	3799 456	1			PIVOT
					Rt.

MODEL CODES

B = GRAN FURY/CARAVELLE	P = RELIANT
C = LEBARON/TOWN & COUNTRY	S = CORDOBA
D = ARIES	V = 400
F = NEW YORKER	X = MIRADA
G = DIPLOMAT	Y = IMPERIAL
M = HORIZON/TC3/SCAMP	Z = OMNI/O24/RAMPAGE

BODY STYLES

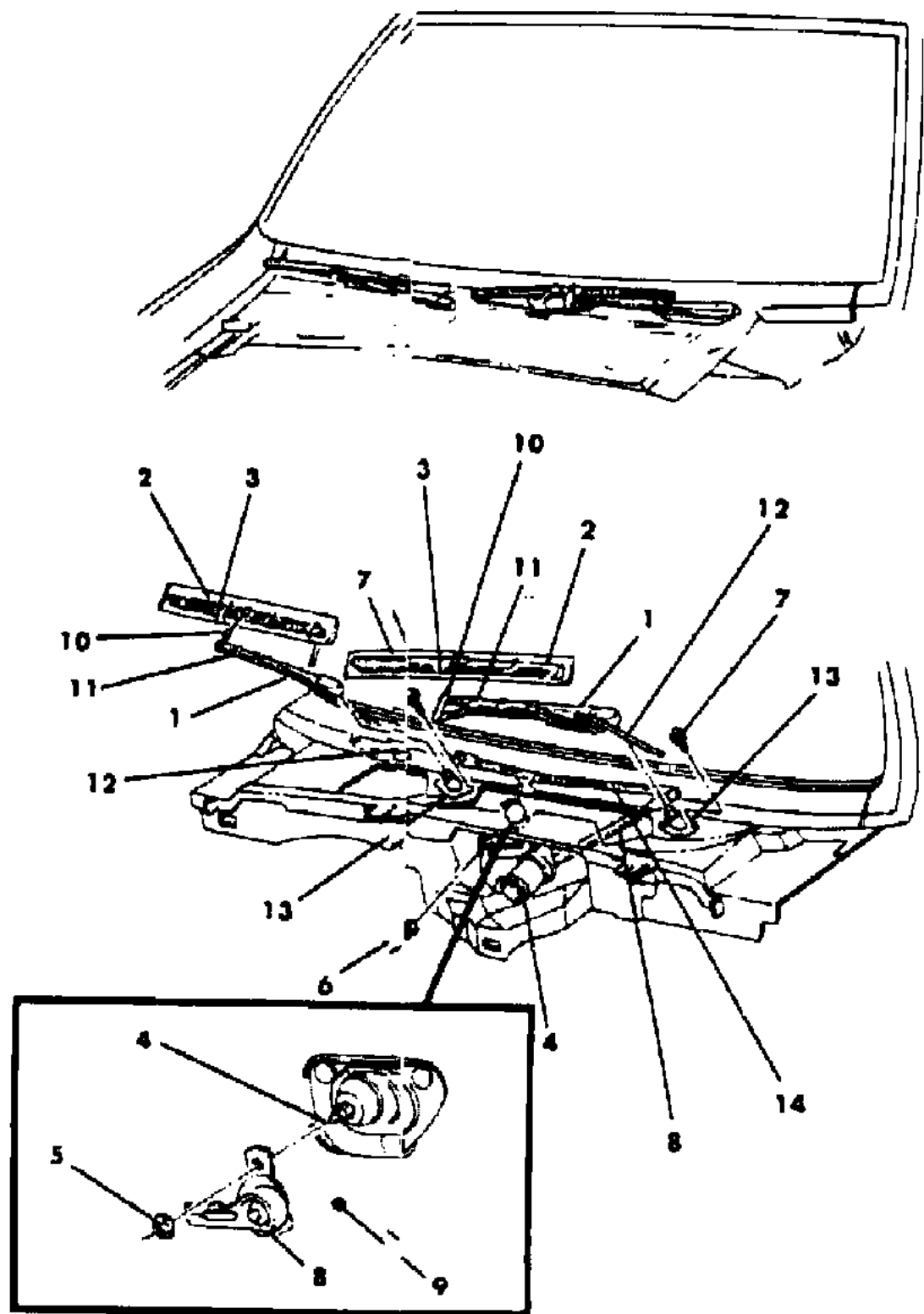
21 = 2-DOOR SEDAN	28 = FWD PICKUP
22 = 2-DOOR SPECIAL COUPE	41 = 4-DOOR SEDAN
24 = 2-DOOR HATCHBACK	44 = 4-DOOR HATCHBACK
27 = 2-DOOR CONVERTIBLE	45 = 2-SEAT STATION WAGON

AR = Use as Required - = Non Illustrated Part P.A.R. = Paint as Required

**WIPER SYSTEM WINDSHIELD - X,S,Y**  
**Figure 23A-1020**

2189 10200

ITEM	PART NUMBER	QTY	BODY	MODEL	DESCRIPTION
	3799 453	1			Lt.
14	3799 612	1			LINK w/BUSHING,Wiper Pivot Connecting
The following items are not shown on illustration. an offsetting order for part no. 3747881					
	2932 708	1			GROMMET and SPACER PACKAGE, Motor Mounting CONSISTS OF:
					3- ----- Spacer
					3- ----- Grommet
	3431 974	1			SEAL,Windshield Wiper Motor Output Shaft
	2926 168	1			SEAL,Wiper Motor Mounting
	3799 275	1			HOUSING PACKAGE,Wiper Motor
	4186 955	1			GEAR,HOUSING and COVER w/JUMPER,Wiper Motor
	4222 060	1			CONTROL,2 Speed w/Intermittent Wipe
	4048 645	1			BRACKET,2 Speed w/Intermittent Wipe
	3799 087	1			ARMATURE PACKAGE,Wiper Motor
	3799 618	1			DWELL SWITCH,Wiper Motor
	9415 464	2			SCREW, Dwell Switch Mounting
	0453 632	1			BALL,Windshield Wiper 2 Speed w/Intermittent Wipe
	1922 183	1			RING,Windshield Wiper Release Retaining,2 Speed w/ Intermittent Wipe
	3747 654	1			SWITCH,Windshield Wiper and Washer,2 Speed w/o Intermittent Wipe
	4293 111	1			2 Speed w/Intermittent Wipe w/Tilt Steering Column
	3747 495	1			2 Speed w/Intermittent Wipe w/o Tilt Steering Column
	4221 002	1			KNOB,Windshield Wiper or Washer Switch 2 Speed w/o Intermittent Wipe
	3799 722	2		Y	2 Speed w/Intermittent Wipe (See Group 8) BUMPER, Windshield Wiper Blade Stop



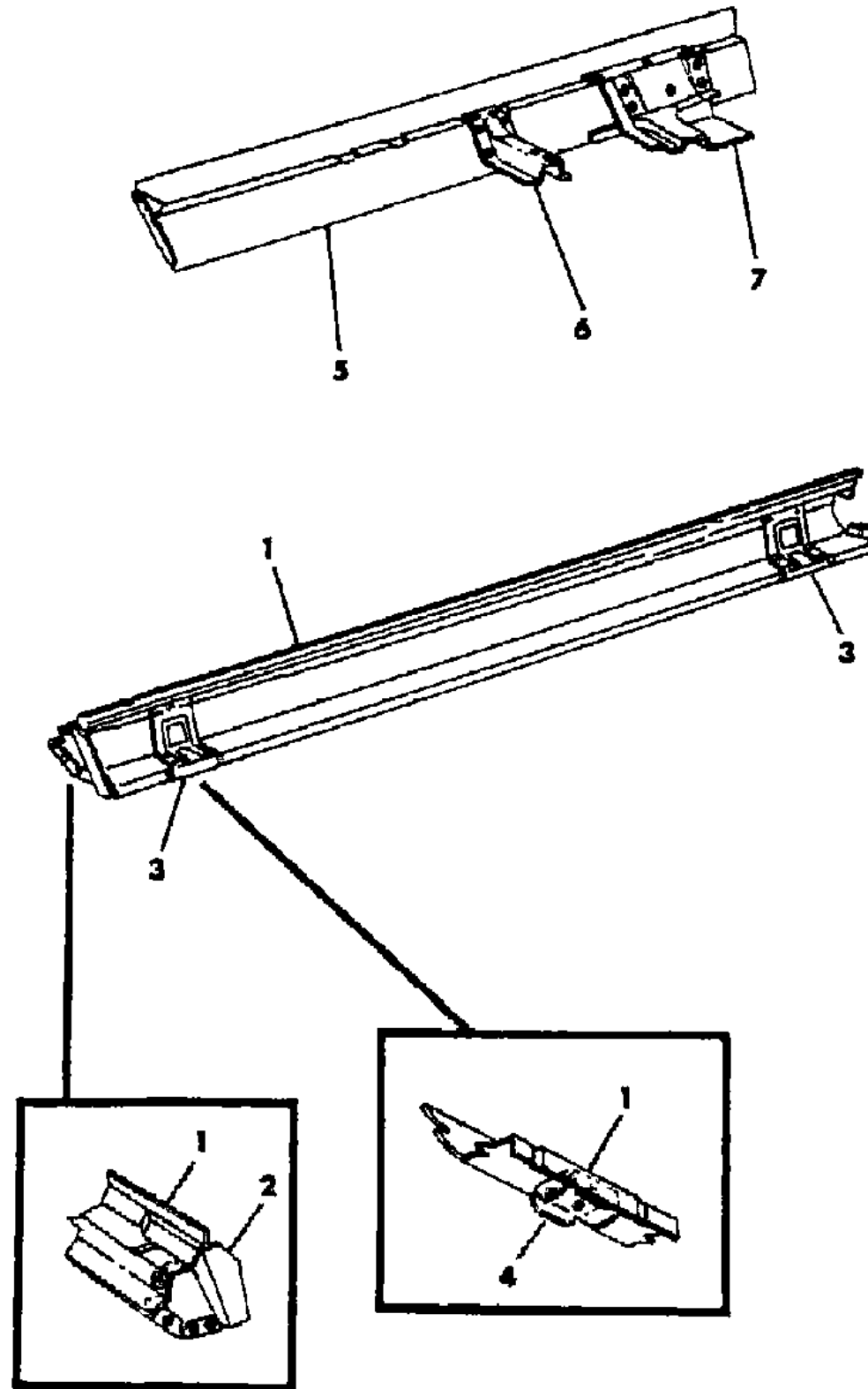
**MODEL CODES**  
 B = GRAN FURY/CARAVELLE      P = RELIANT  
 C = LEBARON/TOWN & COUNTRY    S = CORDOBA  
 D = ARIES                            V = 400  
 F = NEW YORKER                    X = MIRADA  
 G = DIPLOMAT                       Y = IMPERIAL  
 M = HORIZON/TC3/SCAMP         Z = OMNI/O24/RAMPAGE

**BODY STYLES**  
 21 = 2-DOOR SEDAN                28 = FWD PICKUP  
 22 = 2-DOOR SPECIAL COUPE    41 = 4-DOOR SEDAN  
 24 = 2-DOOR HATCHBACK        44 = 4-DOOR HATCHBACK  
 27 = 2-DOOR CONVERTIBLE       45 = 2-SEAT STATION WAGON

AR = Use as Required - = Non Illustrated Part P.A.R. = Paint as Required

SIDE SILL - X,S,Y  
Figure 23A-1030

2169 10300



ITEM	PART NUMBER	QTY	BODY	MODEL	DESCRIPTION
1	4134 208-9	1			PANEL,Side Sill Outer
2	4134 020-1	1			CAP,Body Side Sill Panel,Front
3	4134 545	4			REINFORCEMENT,Outer Sill Jacking
4	4073 302	4			BRACKET,Body Sill Outer Jacking
5	4206 704-5	1			PANEL,Side Sill Inner,Front
	3791 018-9	1			PANEL,Side Sill Inner,Rear
6	4206 394-5	1			REINFORCEMENT,Front Floor Pan Seat Guide Front Outer
7	4206 396-7	1			REINFORCEMENT,Front Floor Pan Seat Guide Outer Rear
NOTE: The Following Items Are Not Shown On Illustration. an offsetting order for part no. 3747881					
	3445 952	2			TAPPING PLATE,Body Lock Pillar Lock Striker

MODEL CODES

B = GRAN FURY/CARAVELLE	P = RELIANT
C = LEBARON/TOWN & COUNTRY	S = CORDOBA
D = ARIES	V = 400
F = NEW YORKER	X = MIRADA
G = DIPLOMAT	Y = IMPERIAL
M = HORIZON/TC3/SCAMP	Z = OMNI/O24/RAMPAGE

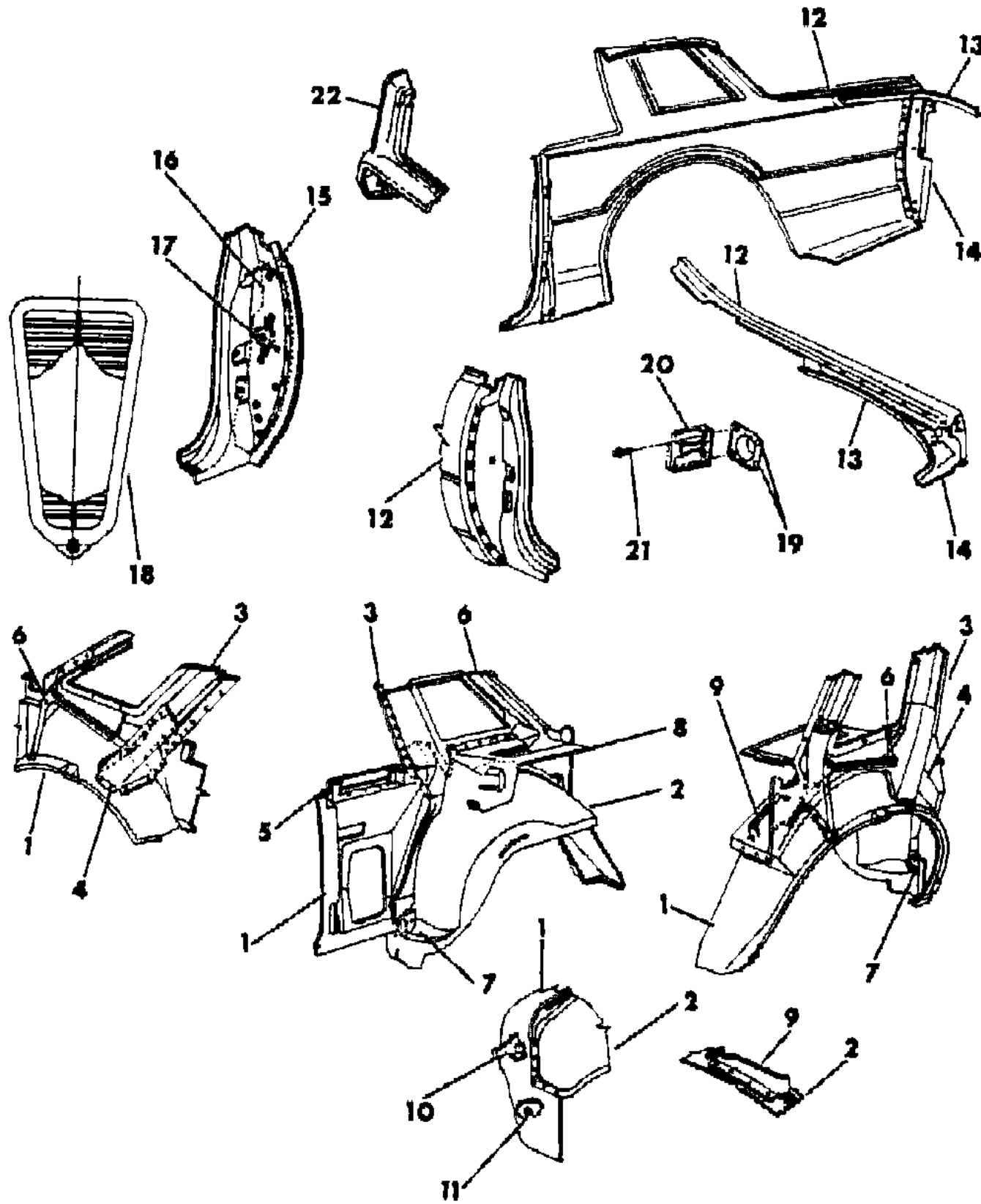
BODY STYLES

21 = 2-DOOR SEDAN	28 = FWD PICKUP
22 = 2-DOOR SPECIAL COUPE	41 = 4-DOOR SEDAN
24 = 2-DOOR HATCHBACK	44 = 4-DOOR HATCHBACK
27 = 2-DOOR CONVERTIBLE	45 = 2-SEAT STATION WAGON

AR = Use as Required - = Non Illustrated Part P.A.R. = Paint as Required

QUARTER PANEL - X,S  
Figure 23A-1040

2169 10400



ITEM	PART NUMBER	QTY	BODY	MODEL	DESCRIPTION
1	4134 028-9	1			PANEL, Qtr. Inside and W/House Outer
2	4134 358-9	1			PANEL, Qtr. W/House Inner
3	4134 254-5	1			PILLAR, Qtr. Wdo.
4	4206 564-5	1			SUPPORT, Qtr. Inside to W/House Outer Panel
5	4134 222-3	1			REINFORCEMENT, Qtr. Inside and W/House Outer to Qtr. Panel at Belt
6	4206 562-3	1			BAFFLE w/Reinforcement, Qtr. Inside W/House Outer Panel
7	4206 262-3	1			REINFORCEMENT, W/House Inner Panel Rear Seat Belt
8		1			EXTENSION, Shelf Panel (Not Serviced)
9	4134 532-3	1			SUPPORT, Deck Lid Hinge Lower
10	4134 584	1			BRACKET, Qtr. W/House Jack Stowage, Upper Lt.
11	4134 583	1			BRACKET, Qtr. W/House Jack Stowage, Lower Lt.
12	4134 026-7	1			PANEL, Quarter Outside
13	4134 040-1	1			TROUGH, Qtr. Panel Deck Opening Side Drain
14					REINFORCEMENT, Qtr. Outside Panel End
					Rt.
	4206 504	1			
	4206 379	1			Lt.
15	4134 022-3	1			PILLAR, Body Lock
16	4134 034-5	1			REINFORCEMENT, Body Lock Pillar
17		2			RETAINER (Not Serviced)
18	4206 129	2			VALVE, Body Lock Pillar Exhauster
		2			SCREW, (Not Serviced)
19	5220 250	2			BUMPER, Qtr. Outside Panel Fuel Filler Door HOUSING (See Group 14)
20	4134 147	1			DOOR, Qtr. Outside Panel Fuel Filler
21		2			SCREW (Not Serviced)
22					EXTENSION, Quarter Panel End (Paint As Required)
	4240 320-1	1		X	
	4240 318-9	1		S	

NOTE: THE FOLLOWING ITEMS ARE NOT SHOWN ON ILLUSTRATION. an offsetting order for part no. 3747881

4206 120-1	1				REINFORCEMENT, Qtr. Outside Deck Opening Upper
4134 926	1				CLAMP, Qtr. W/House Jack Stowage

MODEL CODES  
 B = GRAN FURY/CARAVELLE  
 C = LEBARON/TOWN & COUNTRY  
 D = ARIES  
 F = NEW YORKER  
 G = DIPLOMAT  
 M = HORIZON/TC3/SCAMP  
 P = RELIANT  
 S = CORDOBA  
 V = 400  
 X = MIRADA  
 Y = IMPERIAL  
 Z = OMNI/O24/RAMPAGE

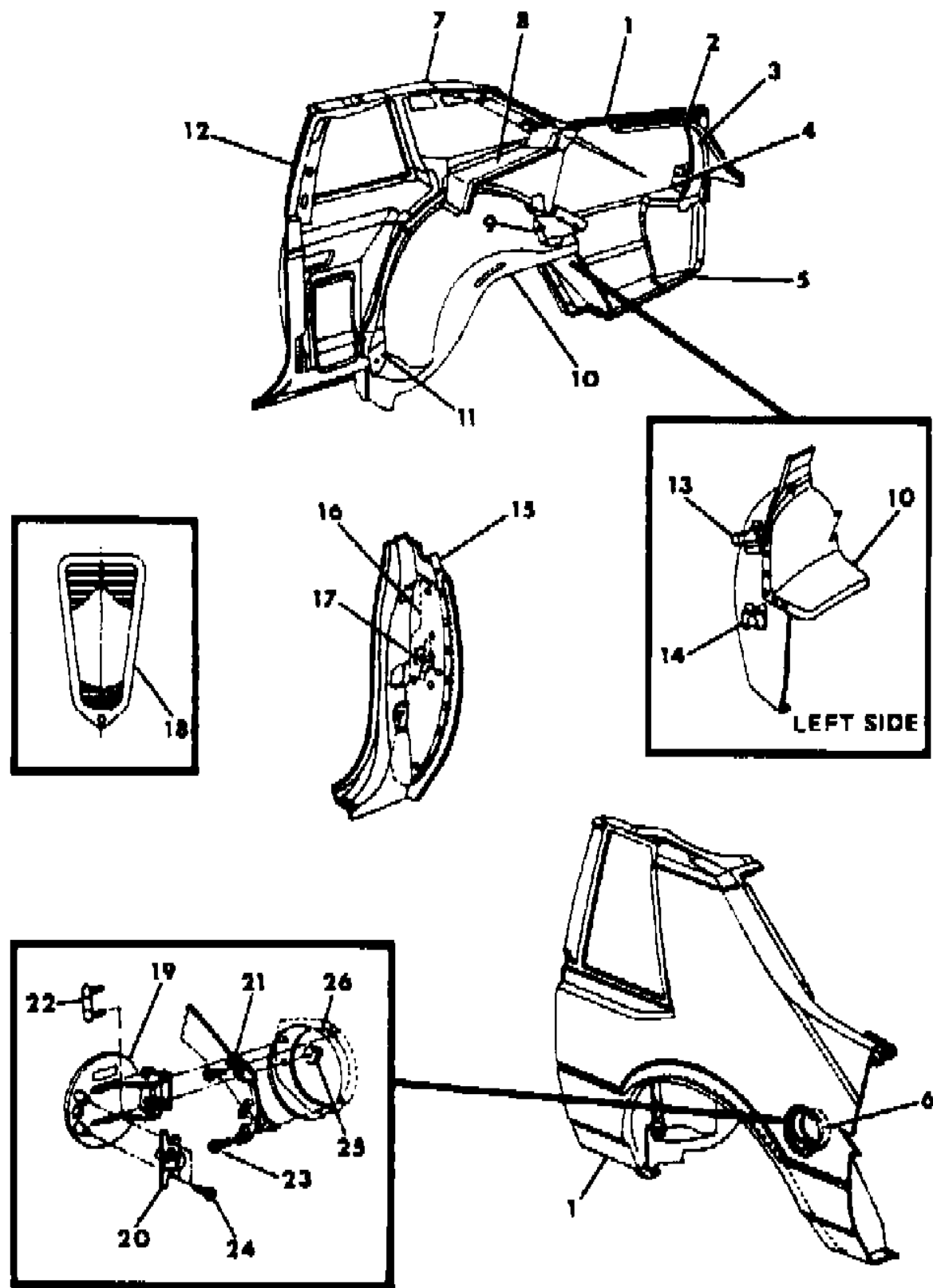
BODY STYLES  
 21 = 2-DOOR SEDAN  
 22 = 2-DOOR SPECIAL COUPE  
 24 = 2-DOOR HATCHBACK  
 27 = 2-DOOR CONVERTIBLE  
 28 = FWD PICKUP  
 41 = 4-DOOR SEDAN  
 44 = 4-DOOR HATCHBACK  
 45 = 2-SEAT STATION WAGON

AR = Use as Required - = Non Illustrated Part P.A.R. = Paint as Required



QUARTER PANEL - Y  
Figure 23A-1050

2169 10500



ITEM	PART NUMBER	QTY	BODY	MODEL	DESCRIPTION
1	4134 404-5	1			PANEL, Quarter Outside
2	4134 766-7	1			TROUGH, Quarter Panel Deck Opening Side Drain
3	4134 796-7	1			GUSSET, Quarter Outside Panel End Reinforcement
4	4134 340-1	1			REINFORCEMENT, Quarter Outside Panel End Upper
5	4206 132	1			REINFORCEMENT w/SCREW, Quarter Outside Panel End, Lower Right
	4134 795	1			Lower Left
6	4134 444	1			CUP, Quarter Outside to Quarter Inner and Wheelhouse Outer, Fuel Filler
7		1			PANEL, Quarter Inside Lower and Wheelhouse Outer Rt.
	4206 544	1			Lt.
	4134 765	1			
8		1			EXTENSION, Shelf Panel (not serviced)
9	4134 946-7	1			SUPPORT, Deck Lid Hinge Lower
10	4134 358-9	1			PANEL, Wheelhouse Inner
11	4206 262-3	1			REINFORCEMENT w/NUT, Wheelhouse Inner Panel Rear Seat Belt
12	4134 802-3	1			PANEL, Quarter Inside Upper, Front
13	4134 584	1			BRACKET w/NUT, Quarter Wheelhouse Jack Stowage, Upper Left
14	4134 583	1			BRACKET, Quarter Wheelhouse Jack Stowage, Lower Left
15	4134 768-9	1			PILLAR, Body Lock
16	4134 034-5	1			REINFORCEMENT, Body Lock Pillar
17		2			RETAINER (not serviced)
18	4206 129	1			VALVE, Body Lock Pillar Exhauster
19	4134 860	1			DOOR w/HINGE, Quarter Panel Fuel Filler
20	4172 465	1			LATCH, Quarter Panel Filler Door
21	4172 464	1			STRIKER, Quarter Panel Fuel Filler Door Latch
22	4206 750	1			PLATE w/SCREW, Fuel Filler Door And Hinge Attaching
23		2			SCREW (not serviced)
24		1			SCREW (not serviced)
25	6025 002	2			NUT w/WASHER
26		AR			BEZEL, Fuel Filler Door Opening Cup (Not Serviced)
NOTE: The Following Items are not shown on illustration. an offsetting order for part no. 3747881					
	4172 763	1			GASKET, Quarter Panel Fuel Filler Door Latch
	2811 139	2			BUMPER, Quarter Panel Fuel Filler Door Latch Striker
	4206 331	1			SEAL, Quarter Outside Panel Fuel Filler Door Cup

MODEL CODES

B = GRAN FURY/CARAVELLE	P = RELIANT
C = LEBARON/TOWN & COUNTRY	S = CORDOBA
D = ARIES	V = 400
F = NEW YORKER	X = MIRADA
G = DIPLOMAT	Y = IMPERIAL
M = HORIZON/TC3/SCAMP	Z = OMNI/O24/RAMPAGE

BODY STYLES

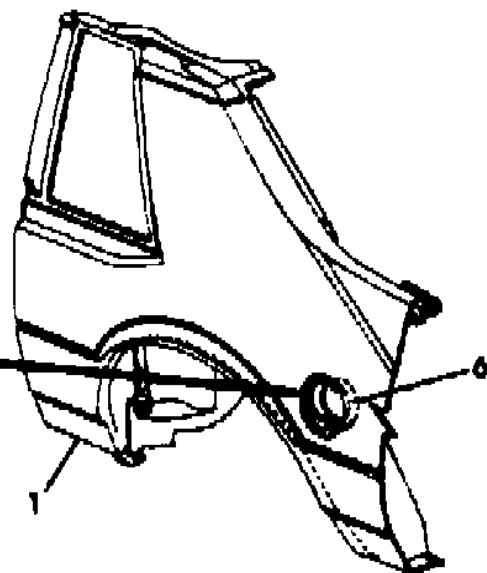
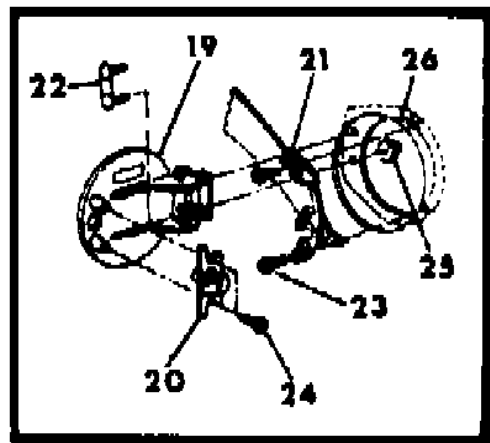
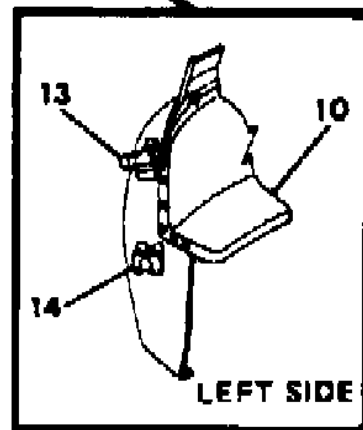
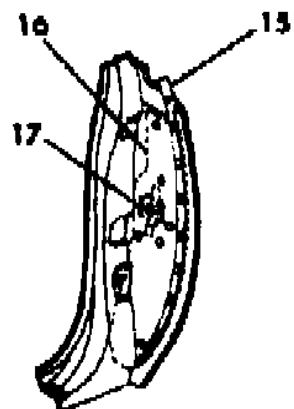
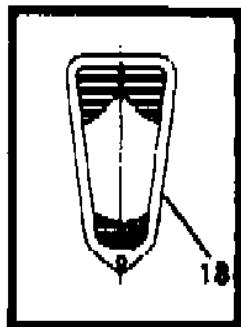
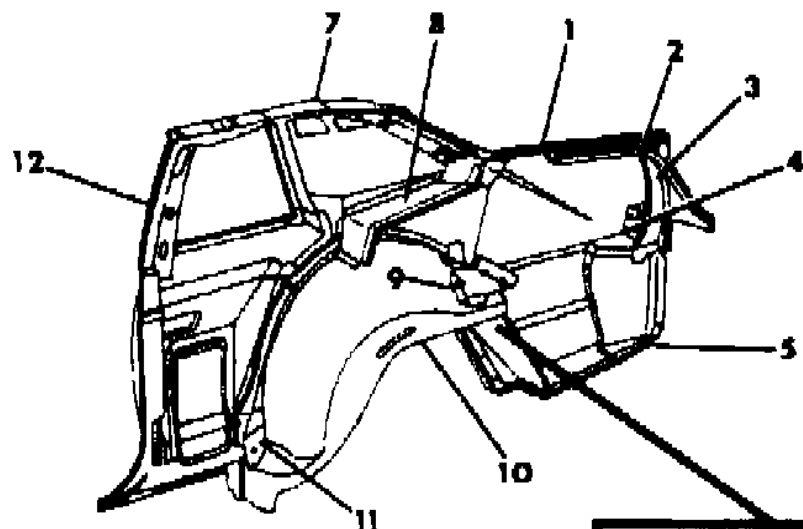
21 = 2-DOOR SEDAN	28 = FWD PICKUP
22 = 2-DOOR SPECIAL COUPE	41 = 4-DOOR SEDAN
24 = 2-DOOR HATCHBACK	44 = 4-DOOR HATCHBACK
27 = 2-DOOR CONVERTIBLE	45 = 2-SEAT STATION WAGON

AR = Use as Required - = Non Illustrated Part P.A.R. = Paint as Required

QUARTER PANEL - Y  
Figure 23A-1050

2169 10500

ITEM	PART NUMBER	QTY	BODY	MODEL	DESCRIPTION
	4206 117	2			SEAL, Quarter Outside Panel End Upper Reinforcement, Front
	4206 118	2			Rear
	4134 926	1			CLAMP, Quarter Wheelhouse Jack Stowage
	4206 123	1			GASKET, Quarter Outside Panel Fuel Filler Opening



MODEL CODES

B = GRAN FURY/CARAVELLE	P = RELIANT
C = LEBARON/TOWN & COUNTRY	S = CORDOBA
D = ARIES	V = 400
F = NEW YORKER	X = MIRADA
G = DIPLOMAT	Y = IMPERIAL
M = HORIZON/TC3/SCAMP	Z = OMNI/O24/RAMPAGE

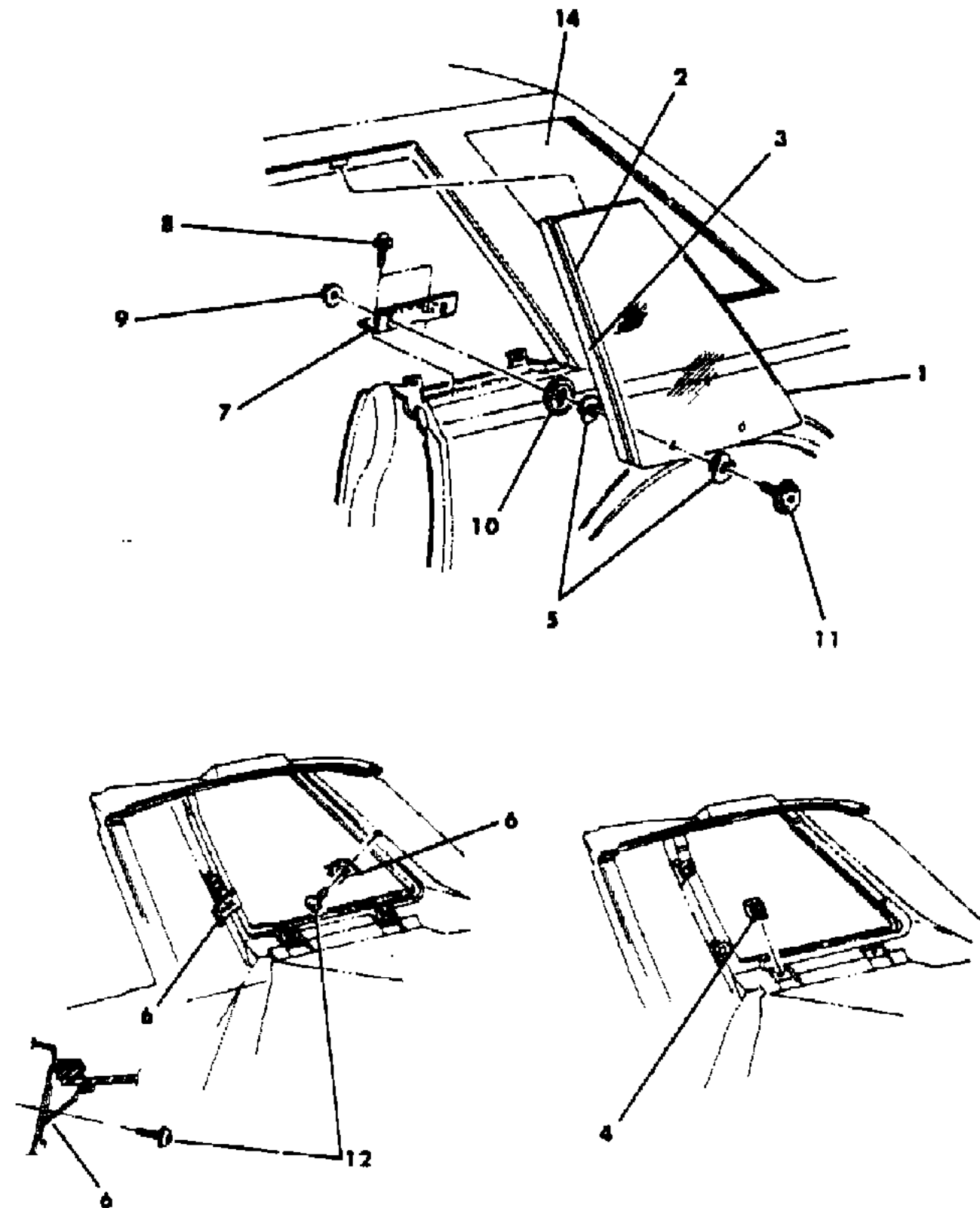
BODY STYLES

21 = 2-DOOR SEDAN	28 = FWD PICKUP
22 = 2-DOOR SPECIAL COUPE	41 = 4-DOOR SEDAN
24 = 2-DOOR HATCHBACK	44 = 4-DOOR HATCHBACK
27 = 2-DOOR CONVERTIBLE	45 = 2-SEAT STATION WAGON

AR = Use as Required - = Non Illustrated Part P.A.R. = Paint as Required

**GLASS AND WEATHERSTRIPPING, QUARTER WINDOW - X,S**  
**Figure 23A-1060**

116P 1060C



ITEM	PART NUMBER	QTY	BODY	MODEL	DESCRIPTION
1	4134 084-5	1			GLASS, Qtr. Wdo., Tinted
2	4136 196-7	1			RETAINER, Qtr. Wdo. Front Weatherstrip w/o Qtr. Wdo. Mounting Bracket
	4206 476-7	1			w/Qtr. Wdo. Mounting Bracket
3	4136 194-5	1			WEATHERSTRIP, Qtr. Wdo. Front
4	3791 350	6			SPACER, Qtr. Wdo. Glass
5					GASKET, Qtr. Wdo. Glass Att. Stud
	3788 004	8			Up to 1/11/82
	5231 769	8			After 1/11/82
6	4206 852	2			RETAINER, Qtr. Wdo. Glass (Upper)
	4206 852	2			(Lower)
7	4136 152	2			BRACKET, Qtr. Wdo. Glass Att.
8	6030 649	4			SCREW w/WASHER
9		4			NUT (Not Serviced)
10	6028 587	4			TEE-NUT
11	6029 998	4			WASHER w/STUD
12		4			SCREW (Not Serviced)
14	4134 428-9	1		X	Glass, Opera Wdo., Tinted
	4134 428-9	1		S	

NOTE: THE FOLLOWING ITEMS ARE NOT SHOWN ON ILLUSTRATION. an offsetting order for part no. 3747881

	4011 856-7	1			WEATHERSTRIP, Qtr. Wdo. Belt, Inner
	4136 274-5	1			Outer
	4206 323	AR			SEAL, Qtr. Wdo Glass
	4206 126	2			SEAL, Qtr. Inner Panel and Glass
	4057 957	1			FIXED GLASS REPAIR PACKAGE, Qtr. Wdo.

CONSISTS OF:

- 1- ----- Tape, Butyl, 171.00"
- 1- ----- Primer, Glass
- 1- ----- Primer, Fence
- 2- 3674698 Spacer, Rubber, 0.2"
- 2- 3793290 Spacer, Rubber, 0.3"
- 2- 3767767 Shim, 0.07"
- 2- ----- Sponges, Disposable

MODEL CODES

- |                            |                      |
|----------------------------|----------------------|
| B = GRAN FURY/CARAVELLE    | P = RELIANT          |
| C = LEBARON/TOWN & COUNTRY | S = CORDOBA          |
| D = ARIES                  | V = 400              |
| F = NEW YORKER             | X = MIRADA           |
| G = DIPLOMAT               | Y = IMPERIAL         |
| M = HORIZON/TC3/SCAMP      | Z = OMNI/O24/RAMPAGE |

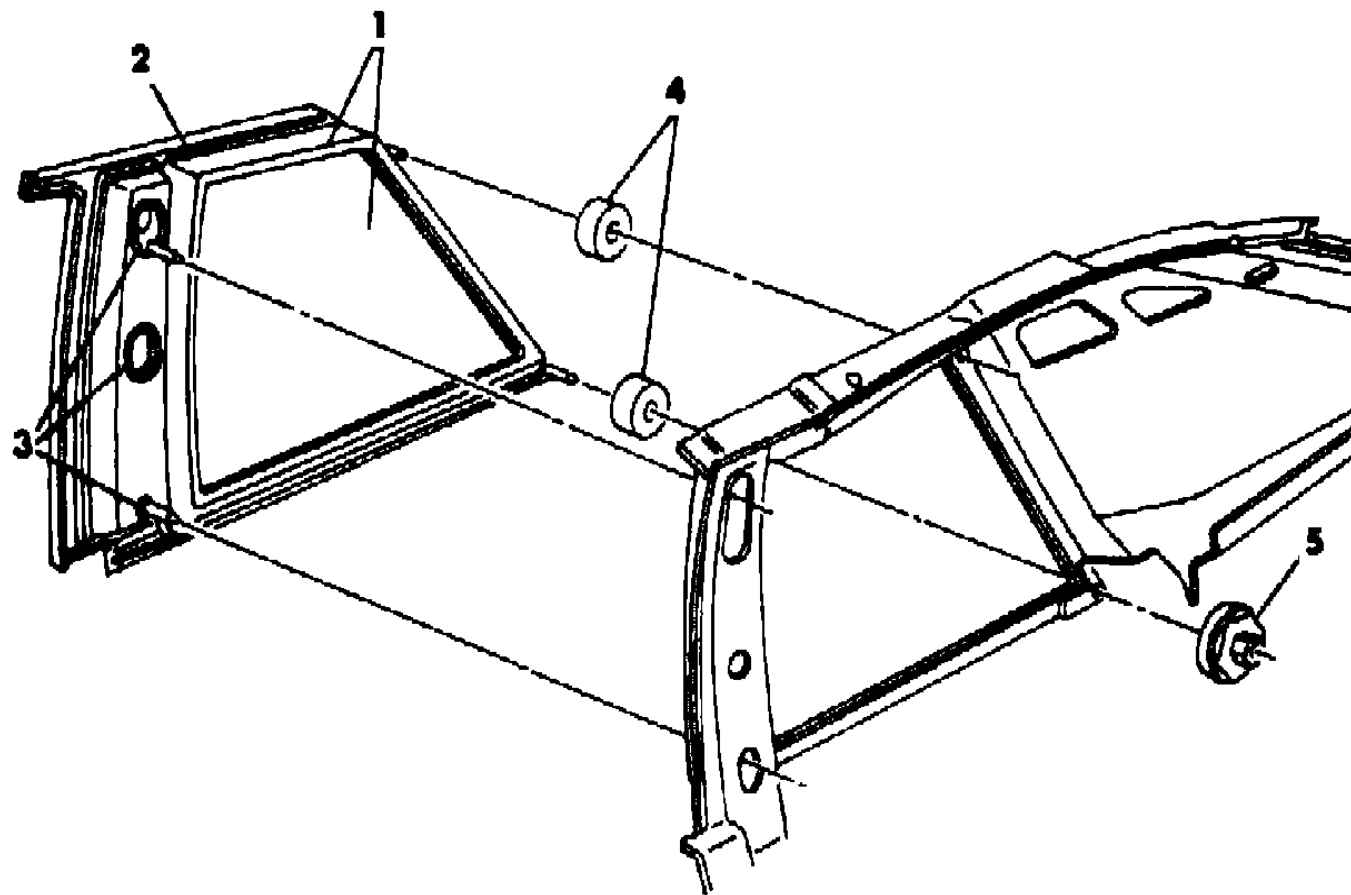
BODY STYLES

- |                           |                           |
|---------------------------|---------------------------|
| 21 = 2-DOOR SEDAN         | 28 = FWD PICKUP           |
| 22 = 2-DOOR SPECIAL COUPE | 41 = 4-DOOR SEDAN         |
| 24 = 2-DOOR HATCHBACK     | 44 = 4-DOOR HATCHBACK     |
| 27 = 2-DOOR CONVERTIBLE   | 45 = 2-SEAT STATION WAGON |

AR = Use as Required - = Non Illustrated Part P.A.R. = Paint as Required

**GLASS AND WEATHERSTRIPPING, QUARTER WINDOW - Y**  
**Figure 23A-1070**

2169 10700



ITEM	PART NUMBER	QTY	BODY	MODEL	DESCRIPTION
1	4134 758-9	1			GLASS w/FRAME, Qtr. Wdo., Tinted
2	4206 323	AR			SEAL, Qtr. Wdo. Glass Frame
3		4			Seal (Not Serviced)
4		4			SEALING WASHER (Not Serviced)
5	9420 294	8			NUT
NOTE: THE FOLLOWING ITEMS ARE NOT SHOWN ON ILLUSTRATION. an offsetting order for part no. 3747881					
	4057 957	1			FIXED GLASS REPAIR PACKAGE, Qtr. Wdo. CONSISTS OF: 1- ----- Tape, Butyl, 171.00" 1- ----- Primer, Glass 1- ----- PRIMER, Fence 2- 3674698 Spacer, Rubber, 0.2" 2- 3793290 Spacer, Rubber, 0.3" 2- 3767767 Shim, 0.07" 2- ----- Sponges Disposable
	4136 274-5	1			WEATHERSTRIP, Qtr. Wdo. Belt Outer
	3788 004	8			GASKET, Qtr. Wdo. Glass Attaching Stud

MODEL CODES

B = GRAN FURY/CARAVELLE	P = RELIANT
C = LEBARON/TOWN & COUNTRY	S = CORDOBA
D = ARIES	V = 400
F = NEW YORKER	X = MIRADA
G = DIPLOMAT	Y = IMPERIAL
M = HORIZON/TC3/SCAMP	Z = OMNI/O24/RAMPAGE

BODY STYLES

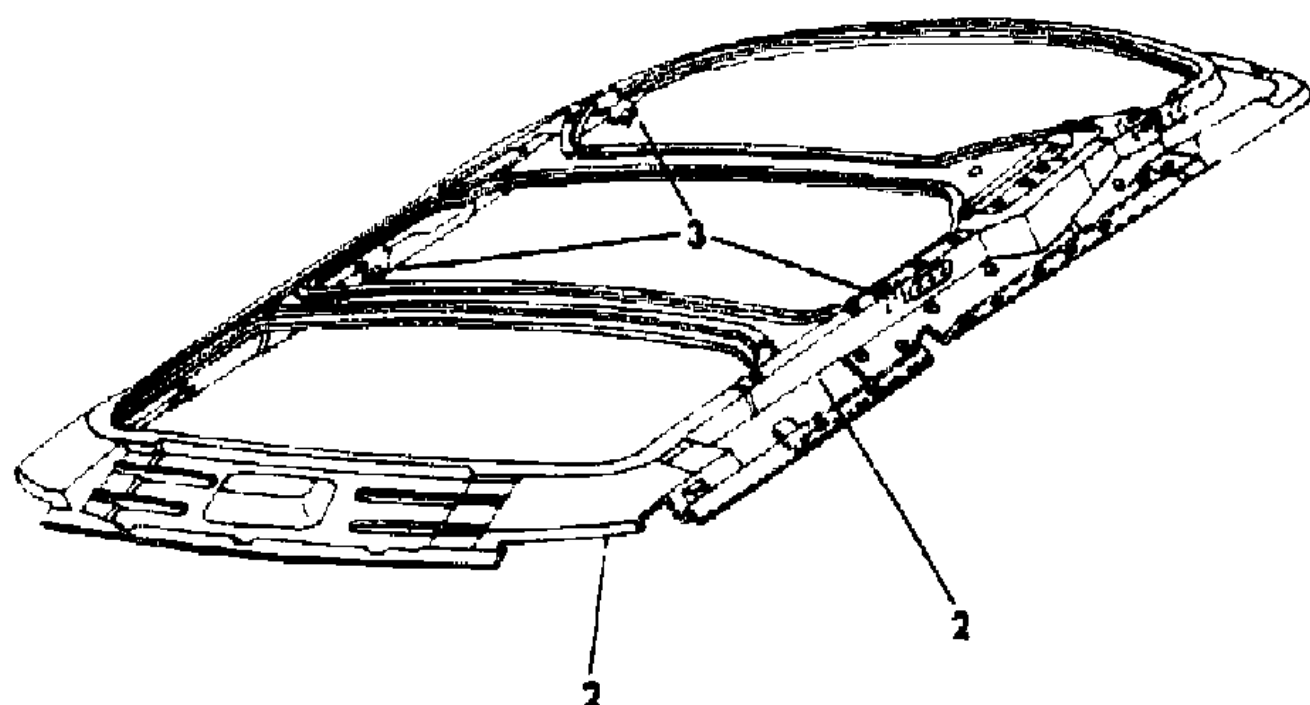
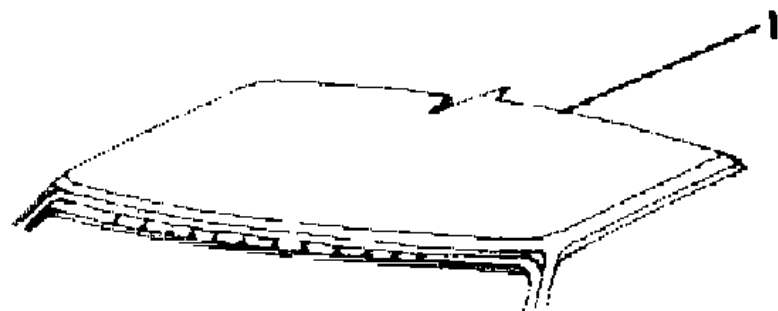
21 = 2-DOOR SEDAN	28 = FWD PICKUP
22 = 2-DOOR SPECIAL COUPE	41 = 4-DOOR SEDAN
24 = 2-DOOR HATCHBACK	44 = 4-DOOR HATCHBACK
27 = 2-DOOR CONVERTIBLE	45 = 2-SEAT STATION WAGON

AR = Use as Required - = Non Illustrated Part P.A.R. = Paint as Required

ROOF PANEL - X,S,Y  
Figure 23A-1080

2169 10800A

ITEM	PART NUMBER	QTY	BODY	MODEL	DESCRIPTION
1	4136 001	1		X,S	PANEL, Roof Outer
	4136 700	1		Y	
2	4129 367	1		X,S	PANEL, Roof Inner
	4129 522	1		Y	



MODEL CODES  
 B = GRAN FURY/CARAVELLE      P = RELIANT  
 C = LEBARON/TOWN & COUNTRY      S = CORDOBA  
 D = ARIES      V = 400  
 F = NEW YORKER      X = MIRADA  
 G = DIPLOMAT      Y = IMPERIAL  
 M = HORIZON/TC3/SCAMP      Z = OMNI/O24/RAMPAGE

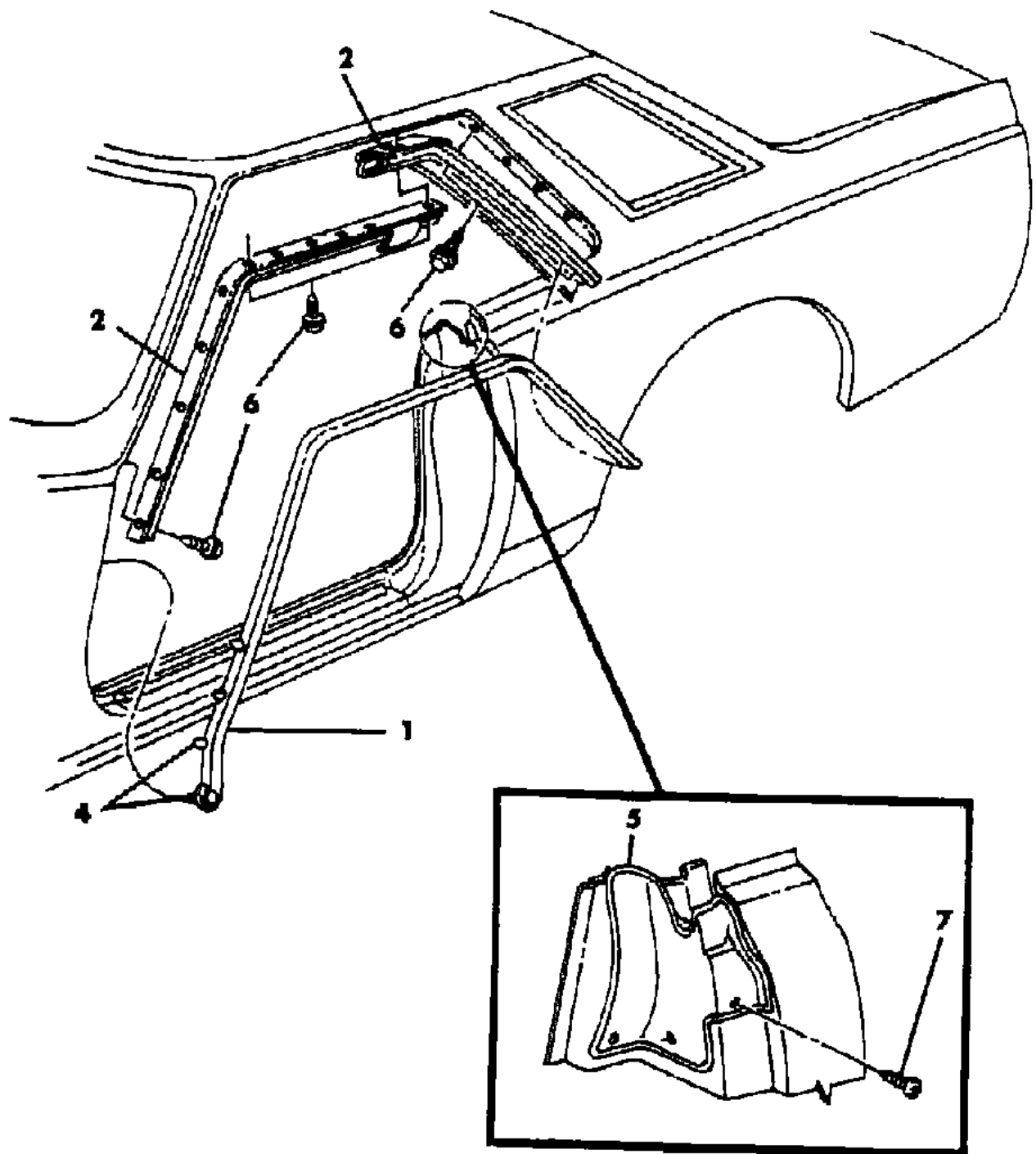
BODY STYLES  
 21 = 2-DOOR SEDAN      28 = FWD PICKUP  
 22 = 2-DOOR SPECIAL COUPE      41 = 4-DOOR SEDAN  
 24 = 2-DOOR HATCHBACK      44 = 4-DOOR HATCHBACK  
 27 = 2-DOOR CONVERTIBLE      45 = 2-SEAT STATION WAGON

AR = Use as Required - = Non Illustrated Part P.A.R. = Paint as Required

**WEATHERSTRIPPING,RETAINERS AND SEALS ROOF SIDE RAIL AND LOCK PILLAR X,S**  
**Figure 23A-1090**

2169 1090Q

ITEM	PART NUMBER	QTY	BODY	MODEL	DESCRIPTION
1	4136 536-7	1			WEATHERSTRIP,Roof Side Door Glass
2	4198 458-9	1			RETAINER,Roof Side Rail Weatherstrip,Front
	4136 216-7	1			Rear
4	3759 944	8			RETAINER,Roof Side Rail Weatherstrip Attaching
5	4136 282-3	1			SEAL,Quarter Panel Lock Pillar at Belt
6		30			SCREW(not serviced)
7		6			SCREW(not serviced)
NOTE: The following items are not shown on illustration. an offsetting order for part no. 3747881					
	3581 648	AR			SEAL,Roof Side Door Glass Weatherstrip,Front



MODEL CODES  
 B = GRAN FURY/CARAVELLE      P = RELIANT  
 C = LEBARON/TOWN & COUNTRY      S = CORDOBA  
 D = ARIES      V = 400  
 F = NEW YORKER      X = MIRADA  
 G = DIPLOMAT      Y = IMPERIAL  
 M = HORIZON/TC3/SCAMP      Z = OMNI/O24/RAMPAGE

BODY STYLES  
 21 = 2-DOOR SEDAN      28 = FWD PICKUP  
 22 = 2-DOOR SPECIAL COUPE      41 = 4-DOOR SEDAN  
 24 = 2-DOOR HATCHBACK      44 = 4-DOOR HATCHBACK  
 27 = 2-DOOR CONVERTIBLE      45 = 2-SEAT STATION WAGON

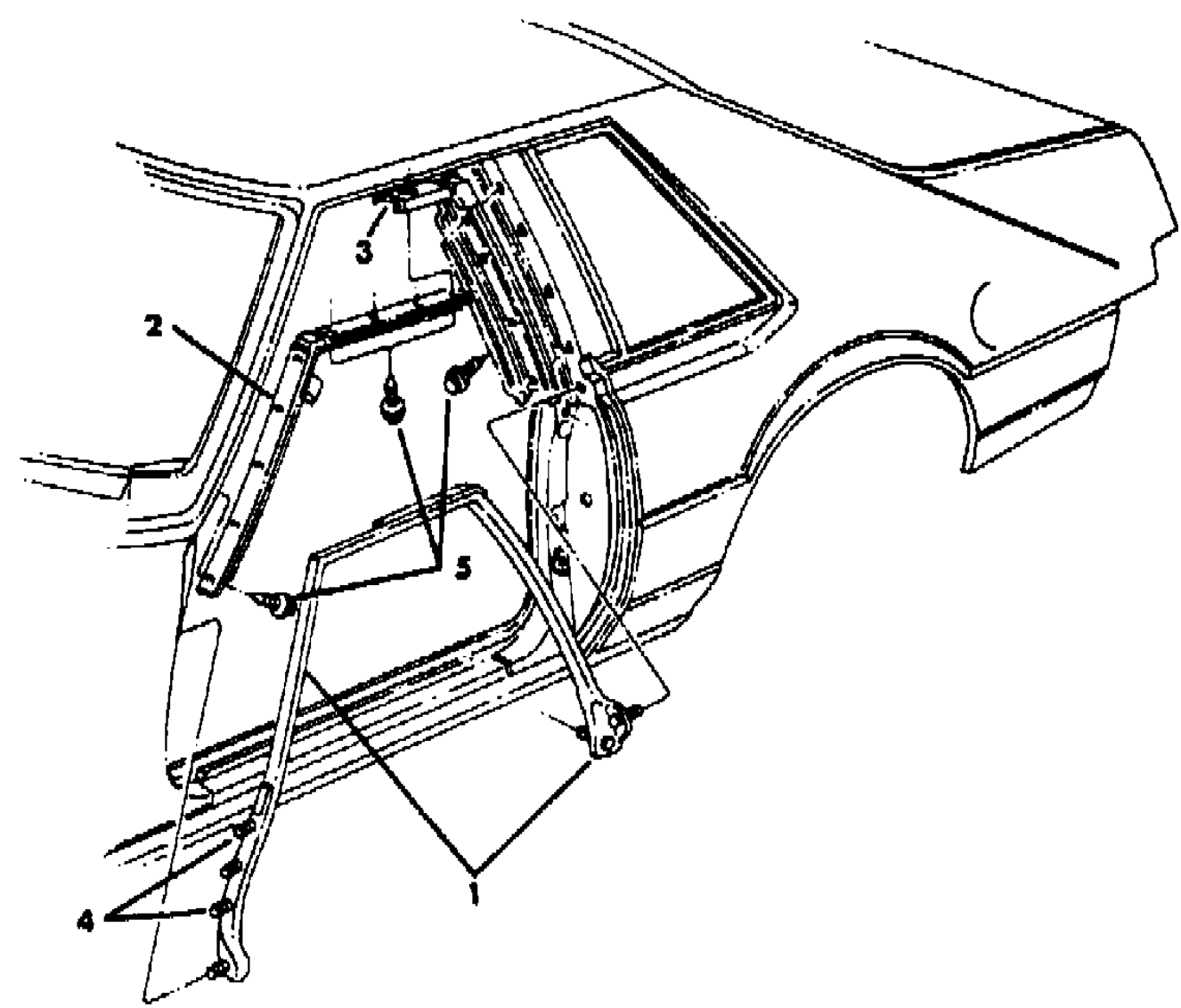
AR = Use as Required - = Non Illustrated Part P.A.R. = Paint as Required

**WEATHERSTRIPPING AND RETAINERS ROOF SIDE RAIL - Y**  
**Figure 23A-1100**

2169 11000

ITEM	PART NUMBER	QTY	BODY	MODEL	DESCRIPTION
1	4136 724-5	1			WEATHERSTRIP, Roof Rail Door Glass
2	4136 716-7	1			RETAINER, Roof Rail Weatherstrip, Front
3	4136 720-1	1			RETAINER, Roof Rail Weatherstrip, Rear
4	3759 944	12			RETAINER, Roof Rail Weatherstrip, Attaching
5		AR			SCREW (not serviced)

NOTE: The following Items are not shown on illustration. an offsetting order for part no. 3747881  
 3581 648 AR SEAL, Roof Side Door Glass Weatherstrip, Front



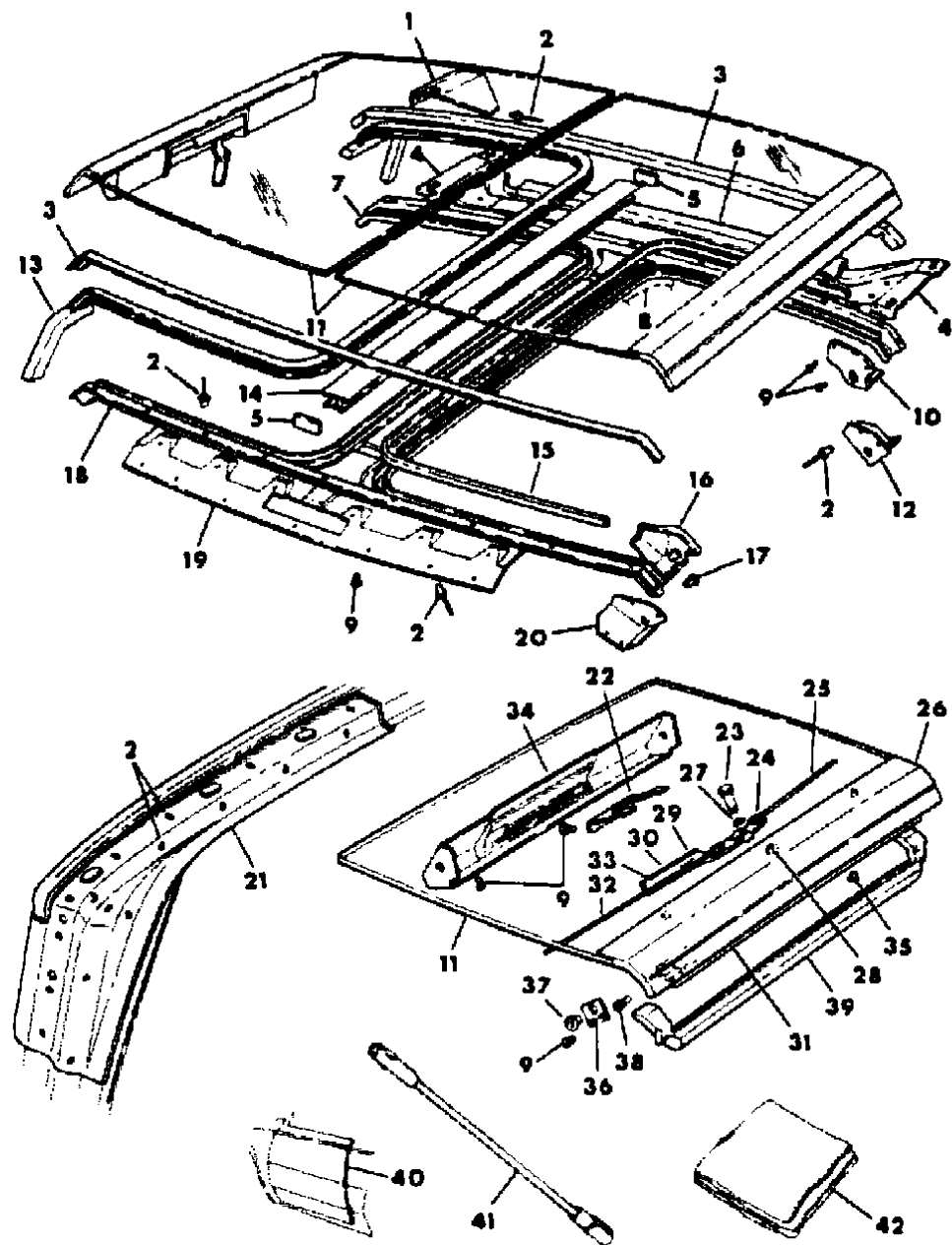
- MODEL CODES
- |                            |                      |
|----------------------------|----------------------|
| B = GRAN FURY/CARAVELLE    | P = RELIANT          |
| C = LEBARON/TOWN & COUNTRY | S = CORDOBA          |
| D = ARIES                  | V = 400              |
| F = NEW YORKER             | X = MIRADA           |
| G = DIPLOMAT               | Y = IMPERIAL         |
| M = HORIZON/TC3/SCAMP      | Z = OMNI/O24/RAMPAGE |

- BODY STYLES
- |                           |                           |
|---------------------------|---------------------------|
| 21 = 2-DOOR SEDAN         | 28 = FWD PICKUP           |
| 22 = 2-DOOR SPECIAL COUPE | 41 = 4-DOOR SEDAN         |
| 24 = 2-DOOR HATCHBACK     | 44 = 4-DOOR HATCHBACK     |
| 27 = 2-DOOR CONVERTIBLE   | 45 = 2-SEAT STATION WAGON |

AR = Use as Required - = Non Illustrated Part P.A.R. = Paint as Required

T-BAR ROOF S,X  
Figure 23A-1110

2169 11100



ITEM	PART NUMBER	QTY	BODY	MODEL	DESCRIPTION
1					EXTENSION, "B" Pillar End
	4246 026	1			Right
	4246 027	1			Left
2		AR			RIVET (not serviced)
3					MOULDING, Roof Outer
	4246 029	1			Front
	4246 034	1			Rear
4		1			REINFORCEMENT, "B" Pillar End Rt. and Lt. (not serviced)
5	4246 035	2			BUMPER, Center Frame
6		1			REINFORCEMENT, "B" Pillar (not serviced)
7		1			RETAINER, Seal Rt. and Lt. (not serviced)
8					PANEL, Headliner (see Interior Trim)
9		AR			SCREW (not serviced)
10					CAP, "B" Pillar
	4246 042	1			Right
	4246 043	1			Left
					CAP, "B" Pillar Moulding
	4246 196	1			Right
	4246 197	1			Left
11					WINDOW ASSY.
	4246 076	1			Right
	4246 077	1			Left
12					BRACKET, "B" Pillar Cap
	4246 032	1			Right
	4246 033	1			Left
13					SEAL, Weatherstrip Roof
	4246 036	1			Right
	4246 037	1			Left
14	4246 028	1			FRAME, Center
15	4246 044	2			MOULDING, Headliner Locking
16		1			CAP, "A" Pillar
	4246 040	1			Right
	4246 041	1			Left
17					CAP, "A" Pillar Moulding
	4246 136	1			Right
	4246 137	1			Left
18	4246 025	1			FRAME, w/Insert Panel

MODEL CODES

B = GRAN FURY/CARAVELLE	P = RELIANT
C = LEBARON/TOWN & COUNTRY	S = CORDOBA
D = ARIES	V = 400
F = NEW YORKER	X = MIRADA
G = DIPLOMAT	Y = IMPERIAL
M = HORIZON/TC3/SCAMP	Z = OMNI/O24/RAMPAGE

BODY STYLES

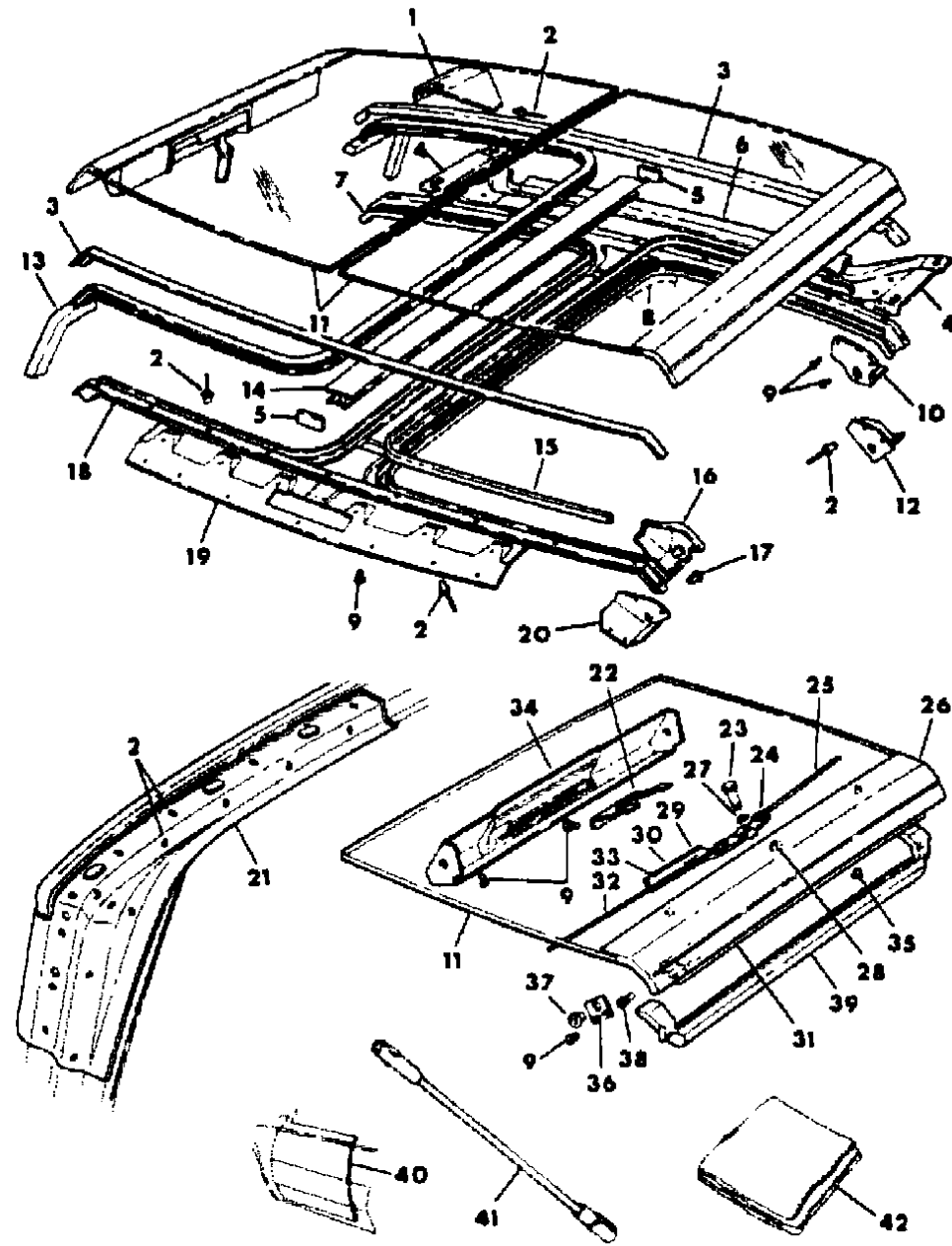
21 = 2-DOOR SEDAN	28 = FWD PICKUP
22 = 2-DOOR SPECIAL COUPE	41 = 4-DOOR SEDAN
24 = 2-DOOR HATCHBACK	44 = 4-DOOR HATCHBACK
27 = 2-DOOR CONVERTIBLE	45 = 2-SEAT STATION WAGON

AR = Use as Required - = Non Illustrated Part P.A.R. = Paint as Required



T-BAR ROOF S,X  
Figure 23A-1110

2169 11100



ITEM	PART NUMBER	QTY	BODY	MODEL	DESCRIPTION
19		1			REINFORCEMENT, Roof Inner (not serviced)
20					BRACKET, "A" Pillar Cap
	4246 030	1			Right
	4246 031	1			Left
21					REINFORCEMENT, Body Front Pillar
	4136 558	1			Right
	4136 559	1			Left
22					CLIP, Latch Retension
	4246 198	1			Right
	4246 199	1			Left
23	4246 049	2			BOLT, Shoulder
24		AR			RIVET, Tubular(not serviced)
25		AR			SPACER, Nylon (not serviced)
26					RAIL, (serviced in item 11))
27	4054 524	2			SPRING, Washer
28	4246 050	2			SPACER, Nylon
29					HANDLE ASSY.
	4246 046	1			Right
	4246 047	1			Left
30		2			HANDLE, Latch (serviced in item 29)
31		2			RAIL, Side (serviced in item 11)
32		2			ROD, Latch (serviced in item 29)
33		AR			DECAL (not serviced)
34					COVER, Latch
	4246 038	1			Right
	4246 039	1			Left
35		AR			PIN, Push (not serviced)
36	4246 045	AR			PLATE, Pin Latch
37	4246 048	4			GUIDE, Latch Rod
38		8			FASTENER, Zapsert (not serviced)
39					SEAL, Weatherstrip Rail
	4246 078	1			Right
	4246 079	1			Left
40		AR			EDGE Protector, Front Door (not serviced)
41		AR			WIRE, Extension Assy.
42	4054 536	2			BAG, Storage

MODEL CODES

B = GRAN FURY/CARAVELLE	P = RELIANT
C = LEBARON/TOWN & COUNTRY	S = CORDOBA
D = ARIES	V = 400
F = NEW YORKER	X = MIRADA
G = DIPLOMAT	Y = IMPERIAL
M = HORIZON/TC3/SCAMP	Z = OMNI/O24/RAMPAGE

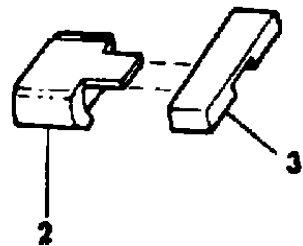
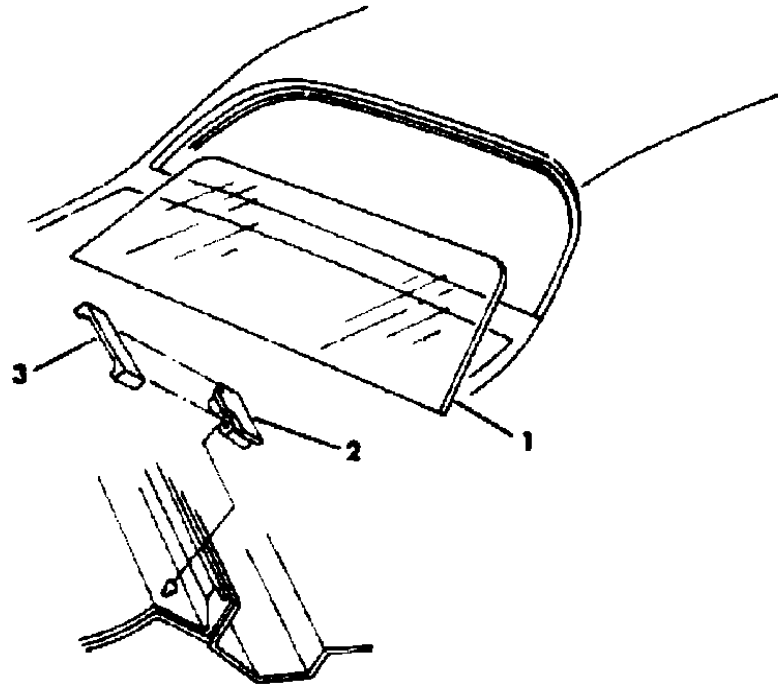
BODY STYLES

21 = 2-DOOR SEDAN	28 = FWD PICKUP
22 = 2-DOOR SPECIAL COUPE	41 = 4-DOOR SEDAN
24 = 2-DOOR HATCHBACK	44 = 4-DOOR HATCHBACK
27 = 2-DOOR CONVERTIBLE	45 = 2-SEAT STATION WAGON

AR = Use as Required - = Non Illustrated Part P.A.R. = Paint as Required

**GLASS - REAR WINDOW - X,S,Y**  
**Figure 23A-1120**

2160 11200



ITEM	PART NUMBER	QTY	BODY	MODEL	DESCRIPTION
NOTE: GLASS, REAR WINDOW - ORDER FROM YOUR LOCAL MOPAR GLASS DISTRIBUTOR. an offsetting order for part no. 3747881					
1	4206 569	1		X,S	GLASS, Rear Window, Tinted
	4206 574	1		X,S	Tinted (Electric Heated)
	4206 575	1		X,S	Tinted (Electric Heated) (Canada Only)
2	4136 704	1		Y	Tinted (Electric Heated)
	4136 335	2		X,S	SPACER, Rear Wdo. Glass, Lower
	4206 966	2		Y	
	4136 743	2		Y	SPACER, Rear Wdo., Side
3	3767 196	AR		All	SHIM, Rear Wdo. Lower Spacer
	4057 957	1		All	FIXED GLASS REPAIR PACKAGE, Rear Wdo. (Not Shown)
					CONSISTS OF:
					1- ----- Tape Butyl, 171.00"
					1- ----- Primer, Glass
					1- ----- Primer, Fence
					2- 3674698 Spacer, Rubber, 0.2"
					2- 3793290 Spacer, Rubber, 0.3"
					2- 3767767 Shim 0.07"
					2- ----- Sponges, Disposable
	4106 356	1		All	ELECTRIC GRID REPAIR PACKAGE, Rear Wdo. (Not Shown)
	4267 922	1		All	ELECTRIC GRID & PIGTAIL REPAIR PACKAGE

MODEL CODES

B = GRAN FURY/CARAVELLE	P = RELIANT
C = LEBARON/TOWN & COUNTRY	S = CORDOBA
D = ARIES	V = 400
F = NEW YORKER	X = MIRADA
G = DIPLOMAT	Y = IMPERIAL
M = HORIZON/TC3/SCAMP	Z = OMNI/O24/RAMPAGE

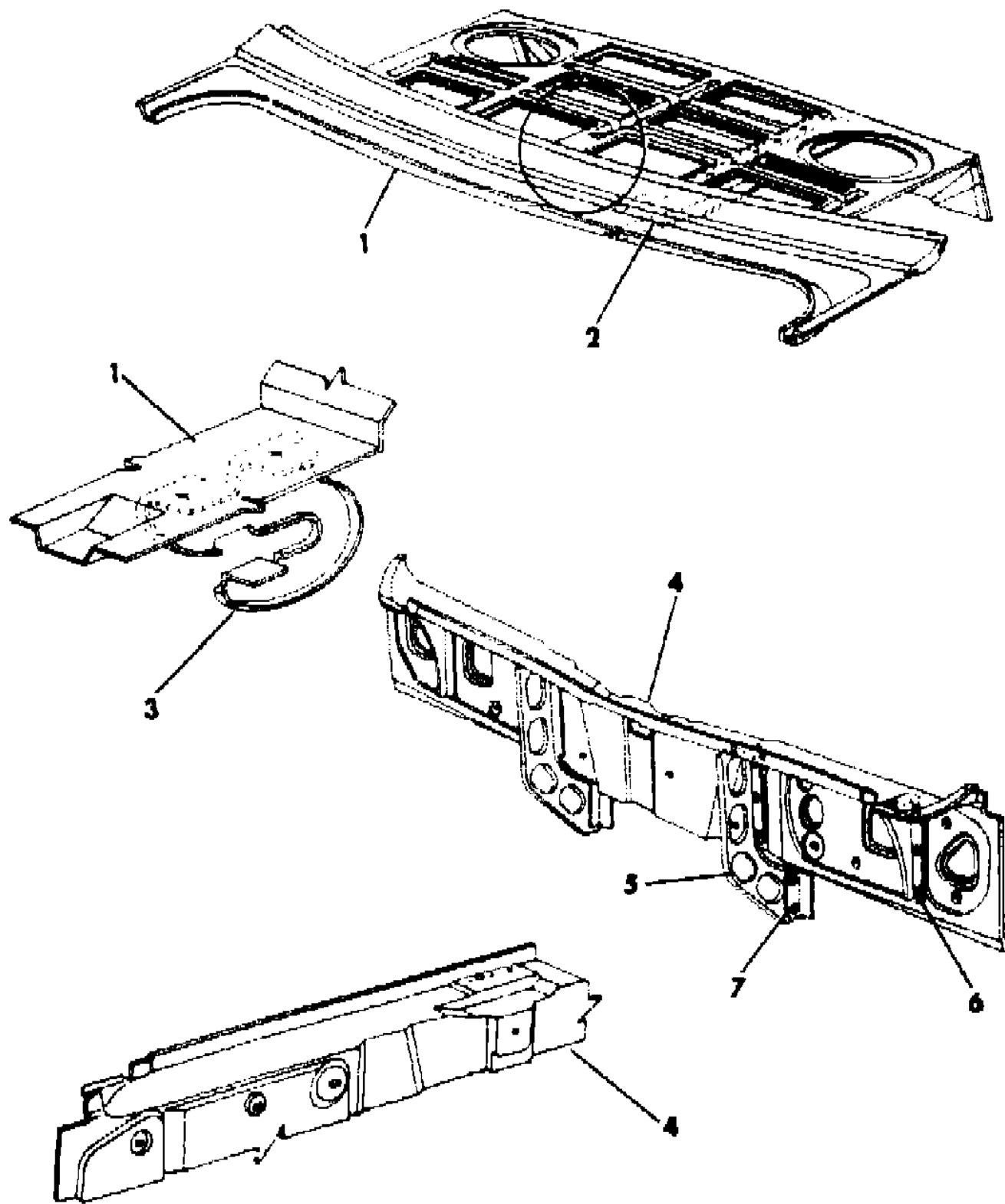
BODY STYLES

21 = 2-DOOR SEDAN	28 = FWD PICKUP
22 = 2-DOOR SPECIAL COUPE	41 = 4-DOOR SEDAN
24 = 2-DOOR HATCHBACK	44 = 4-DOOR HATCHBACK
27 = 2-DOOR CONVERTIBLE	45 = 2-SEAT STATION WAGON

AR = Use as Required - = Non Illustrated Part P.A.R. = Paint as Required

DECK OPENING UPPER AND LOWER - X,S  
Figure 23A-1130

2109 11300



ITEM	PART NUMBER	QTY	BODY	MODEL	DESCRIPTION
1					PANEL,Deck Opening Upper and Drain Trough
	4134 452	1			Up to 11/17/81
	4278 431	1			After 11/17/81
2	4134 262	2			SUPPORT,Deck Opening Upper Drain Trough
3		1			RETAINER(not serviced)
4	4134 247	1		X	REINFORCEMENT,Deck Opening Lower Panel
	4134 221	1		S	
5	4134 268	2			SUPPORT,Deck Opening Lower Panel Reinforcement Inner to Rear Crossmember
6	4134 270	2			SUPPORT,Deck Opening Lower Panel Reinforcement Outer
7		2			BRACKET(not serviced)
NOTE: The following items are not shown on illustration. an offsetting order for part no. 3747881					
	2664 681	2		X	BUMPER,Deck Opening Lower License Plate Mounting Panel
	5216 050	2		S	BUMPER,Lower Deck Opening Panel Back Up Lamp License Plate
	3798 253	AR			TAPE,Deck Opening Lower Panel(Butyl)

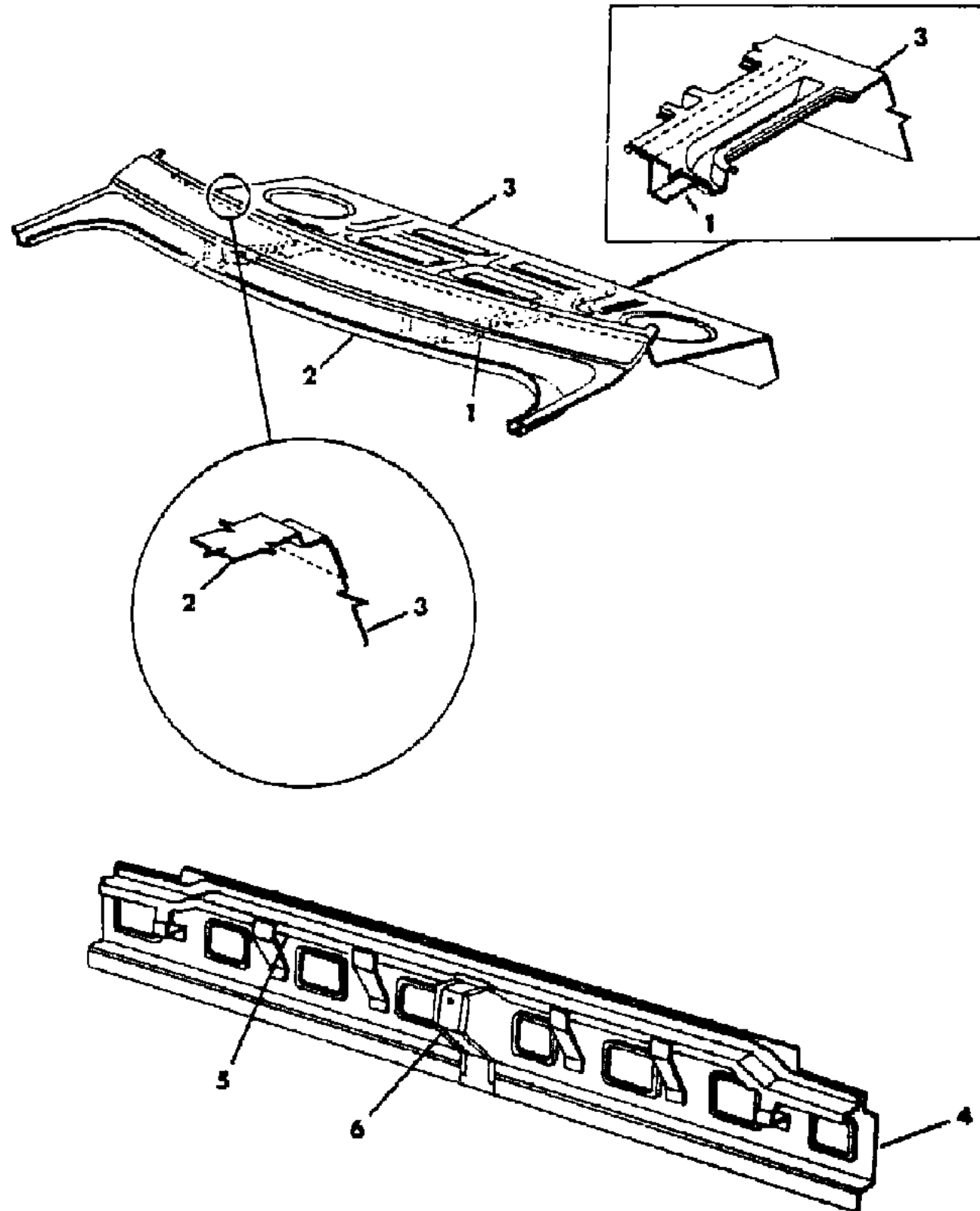
MODEL CODES  
 B = GRAN FURY/CARAVELLE      P = RELIANT  
 C = LEBARON/TOWN & COUNTRY      S = CORDOBA  
 D = ARIES      V = 400  
 F = NEW YORKER      X = MIRADA  
 G = DIPLOMAT      Y = IMPERIAL  
 M = HORIZON/TC3/SCAMP      Z = OMNI/O24/RAMPAGE

BODY STYLES  
 21 = 2-DOOR SEDAN      28 = FWD PICKUP  
 22 = 2-DOOR SPECIAL COUPE      41 = 4-DOOR SEDAN  
 24 = 2-DOOR HATCHBACK      44 = 4-DOOR HATCHBACK  
 27 = 2-DOOR CONVERTIBLE      45 = 2-SEAT STATION WAGON

AR = Use as Required - = Non Illustrated Part P.A.R. = Paint as Required

DECK OPENING UPPER AND LOWER - Y  
Figure 23A-1140

2169 11400



ITEM	PART NUMBER	QTY	BODY	MODEL	DESCRIPTION
1	4206 350-1	1			SUPPORT, Deck Opening Upper Drain Trough to Shelf Panel
2	4134 328	1			PANEL, Deck Opening Upper and Drain Trough
3		1			PANEL, Shelf (not serviced)
4	4134 772	1			PANEL, Deck Opening Lower
5	4134 335	1			REINFORCEMENT, Deck Opening Lower Panel
6	4134 962	1			SUPPORT w/NUT, Deck Lid Latch Striker
NOTE: The following Items are not shown on illustration. an offsetting order for part no. 3747881					
	4206 438	1			BRACE, Deck Lid Latch Striker Support to Rear Floor Pan
	5200 365	2			BUTTON, Deck Lid Outside Panel License Plate Mounting Panel Bumper

MODEL CODES

B = GRAN FURY/CARAVELLE	P = RELIANT
C = LEBARON/TOWN & COUNTRY	S = CORDOBA
D = ARIES	V = 400
F = NEW YORKER	X = MIRADA
G = DIPLOMAT	Y = IMPERIAL
M = HORIZON/TC3/SCAMP	Z = OMNI/O24/RAMPAGE

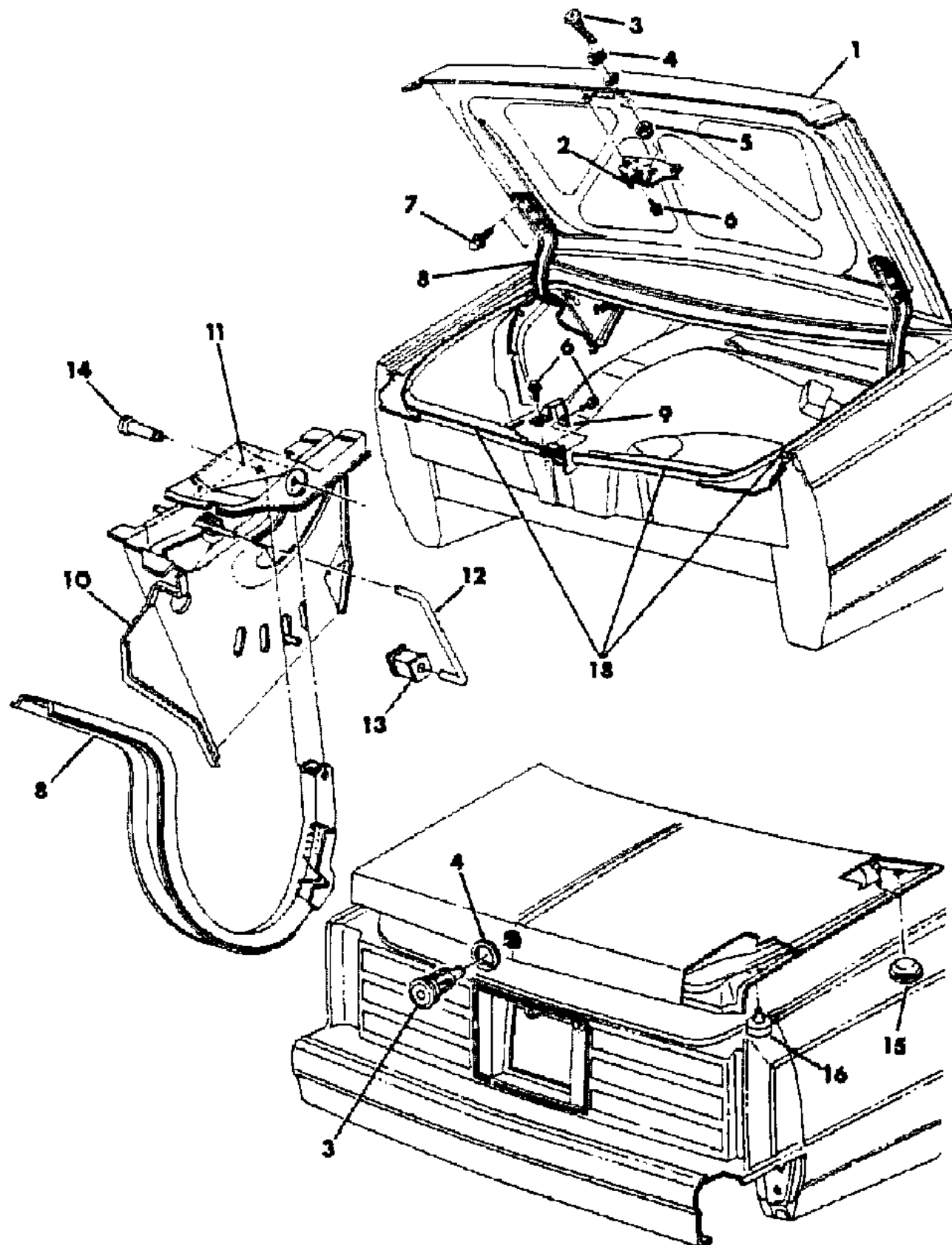
BODY STYLES

21 = 2-DOOR SEDAN	28 = FWD PICKUP
22 = 2-DOOR SPECIAL COUPE	41 = 4-DOOR SEDAN
24 = 2-DOOR HATCHBACK	44 = 4-DOOR HATCHBACK
27 = 2-DOOR CONVERTIBLE	45 = 2-SEAT STATION WAGON

AR = Use as Required - = Non Illustrated Part P.A.R. = Paint as Required

DECK,LID - X,S  
Figure 23A-1150

2169 11500



ITEM	PART NUMBER	QTY	BODY	MODEL	DESCRIPTION
1	#4200 889	1			LID,Deck
2	4054 825	1			LATCH,Deck Lid,Manual
	4054 962	1			LATCH PACKAGE,Electric Deck Lid,Complete w/Wiring
3					CYLINDER,Deck Lid(see Cylinder and Key Illustration)
4					GASKET,Deck Lid Cylinder(see Cylinder and Key Illustration)
5					NUT,Deck Lid Cylinder(see Cylinder and Key Illustration)
6	0181 086	AR			SCREW and WASHER
7	0181 088	AR			SCREW and WASHER
8	4134 518-9	1			HINGE,Deck Lid
	4129 808-9	1			HINGE and Cam and SUPPORT,Deck Lid Upper Pivot Mounting
9	4172 515	1			STRIKER,Deck Lid Latch
10	4134 530-1	1			SUPPORT,Deck Lid Hinge,Upper
	4134 532-3	1			Lower
11					SUPPORT,Deck Lid Hinge Pivot Mounting (Serviced In Item No. 8)
12	4134 524-5	1			BAR,Deck Lid Hinge Torsion
13	2480 230	2			SLIDE,Deck Lid Hinge Torsion Bar
14		AR			RIVET,Deck Lid Hinge Pivot(not serviced)
15	6029 939	AR			PLUG,Deck Lid Drain Hole
16	2842 869	2			BUMPER,Deck Lid
18	#4278 176	1			WEATHERSTRIP,Deck Lid Opening
	4206 399	2			BUMPER, Deck Lid Hinge Noise Dampener

NOTE:The Following Items Are Not Shown On Illustration an offsetting order for part no. 3747881

MODEL CODES

B = GRAN FURY/CARAVELLE	P = RELIANT
C = LEBARON/TOWN & COUNTRY	S = CORDOBA
D = ARIES	V = 400
F = NEW YORKER	X = MIRADA
G = DIPLOMAT	Y = IMPERIAL
M = HORIZON/TC3/SCAMP	Z = OMNI/O24/RAMPAGE

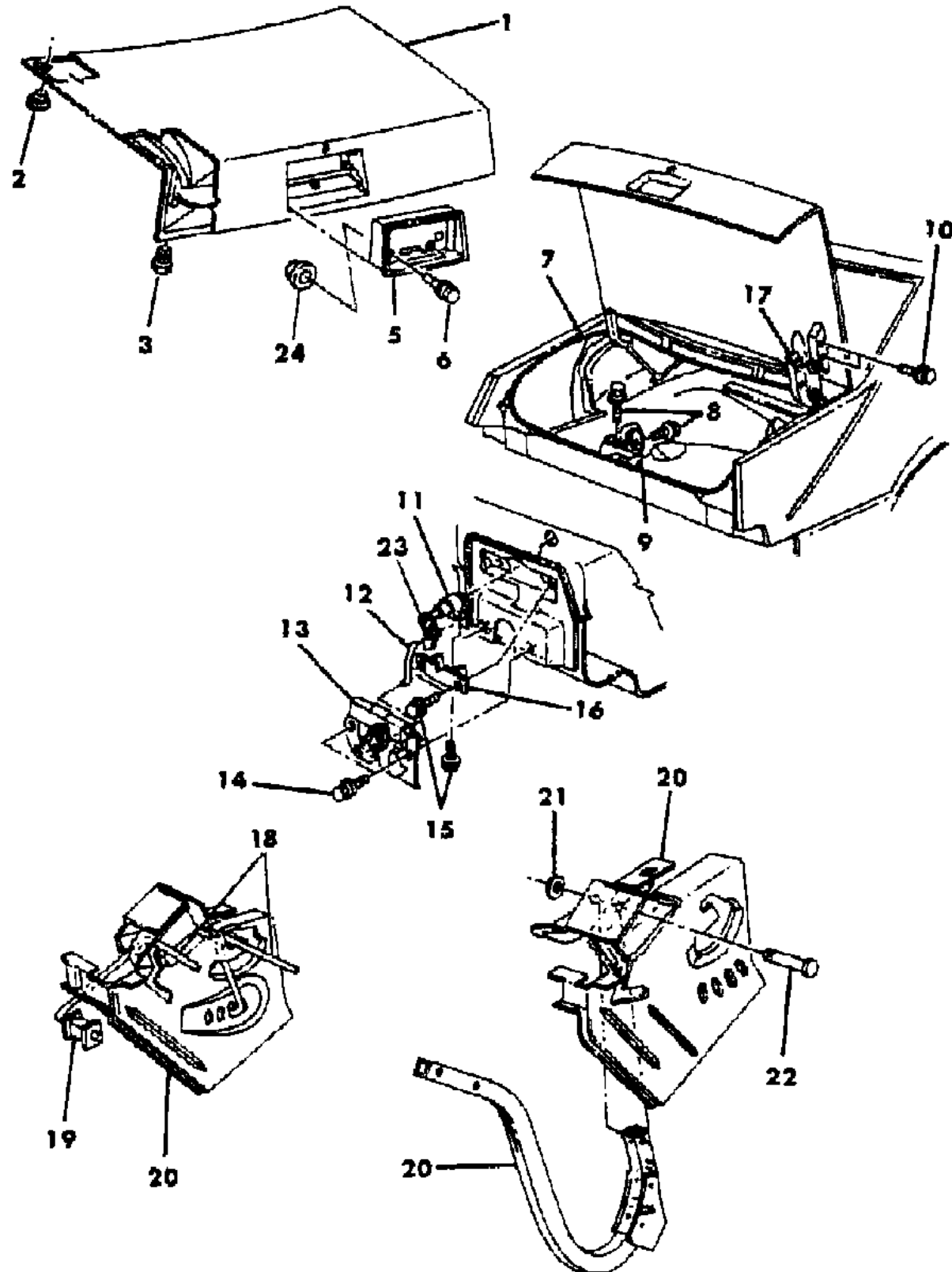
BODY STYLES

21 = 2-DOOR SEDAN	28 = FWD PICKUP
22 = 2-DOOR SPECIAL COUPE	41 = 4-DOOR SEDAN
24 = 2-DOOR HATCHBACK	44 = 4-DOOR HATCHBACK
27 = 2-DOOR CONVERTIBLE	45 = 2-SEAT STATION WAGON

AR = Use as Required - = Non Illustrated Part P.A.R. = Paint as Required

DECK LID - Y  
Figure 23A-1160

2159 11600



ITEM	PART NUMBER	QTY	BODY	MODEL	DESCRIPTION
1	4129 170	1			LID, Deck
2	6029 939	2			PLUG, Deck Lid Inner Panel Drain Hole
3	5230 376	2			BUMPER, Deck Lid (Adjustable)
5	4206 165	1			CUP w/FRAME, Deck Lid Panel License Plate Opening
	9420 262	4			NUT, Cup and Frame Attaching
6	5200 365	2			BUMPER, Deck Lid License Plate Mounting Panel
7	#4278 176	1			WEATHERSTRIP, Deck Lid
8	0181 086	2			SCREW w/WASHER
9	4172 515	1			STRIKER, Deck Lid Latch
10	0181 088	4			SCREW w/WASHER
11					CYLINDER, (See Cylinder and Key Illustration)
12	4172 822	1			LINK, Deck Lid Latch
13	4172 826	1			LATCH, Deck Lid, Electric
14	6025 346	2			SCREW w/WASHER
15	6024 067	4			SCREW w/WASHER
16	4206 293	1			BRACE, Deck Lid Lock to Deck Lid Inner Panel Mounting
17	4206 304	2			TAPPING PLATE, Deck Lid Hinge
18	4206 284-5	1			BAR, Deck Lid Hinge Torsion
19	2480 230	2			SLIDE, Deck Lid Hinge Torsion Bar
20	4129 638-9	1			CAM, HINGE and PIVOT, Deck Lid
21	6022 149	2			NUT
22	4206 243	2			PIN, Hinge Pivot
23	3454 220	2			CLIP, Deck Lid Latch Release Link Attaching
24		4			NUT, (Not Serviced)
NOTE: The Following Items Are Not Shown On Illustration. an offsetting order for part no. 3747881					
	4134 946-7	1			SUPPORT, Deck Lid Hinge Lower
	4134 962	1			SUPPORT w/NUT, Deck Lid Latch Striker
	4206 721	1			BUMPER, Deck Lid Hinge Stop
	4206 996	1			GASKET, Deck Lid Outside Panel License Plate Opening Cup and Frame
	0152 454	2			U-NUT, Deck Lid Hinge Upper Support
	0181 063	2			SCREW w/WASHER, Shelf Panel to Deck Lid Hinge Upper Support

MODEL CODES

B = GRAN FURY/CARAVELLE	P = RELIANT
C = LEBARON/TOWN & COUNTRY	S = CORDOBA
D = ARIES	V = 400
F = NEW YORKER	X = MIRADA
G = DIPLOMAT	Y = IMPERIAL
M = HORIZON/TC3/SCAMP	Z = OMNI/O24/RAMPAGE

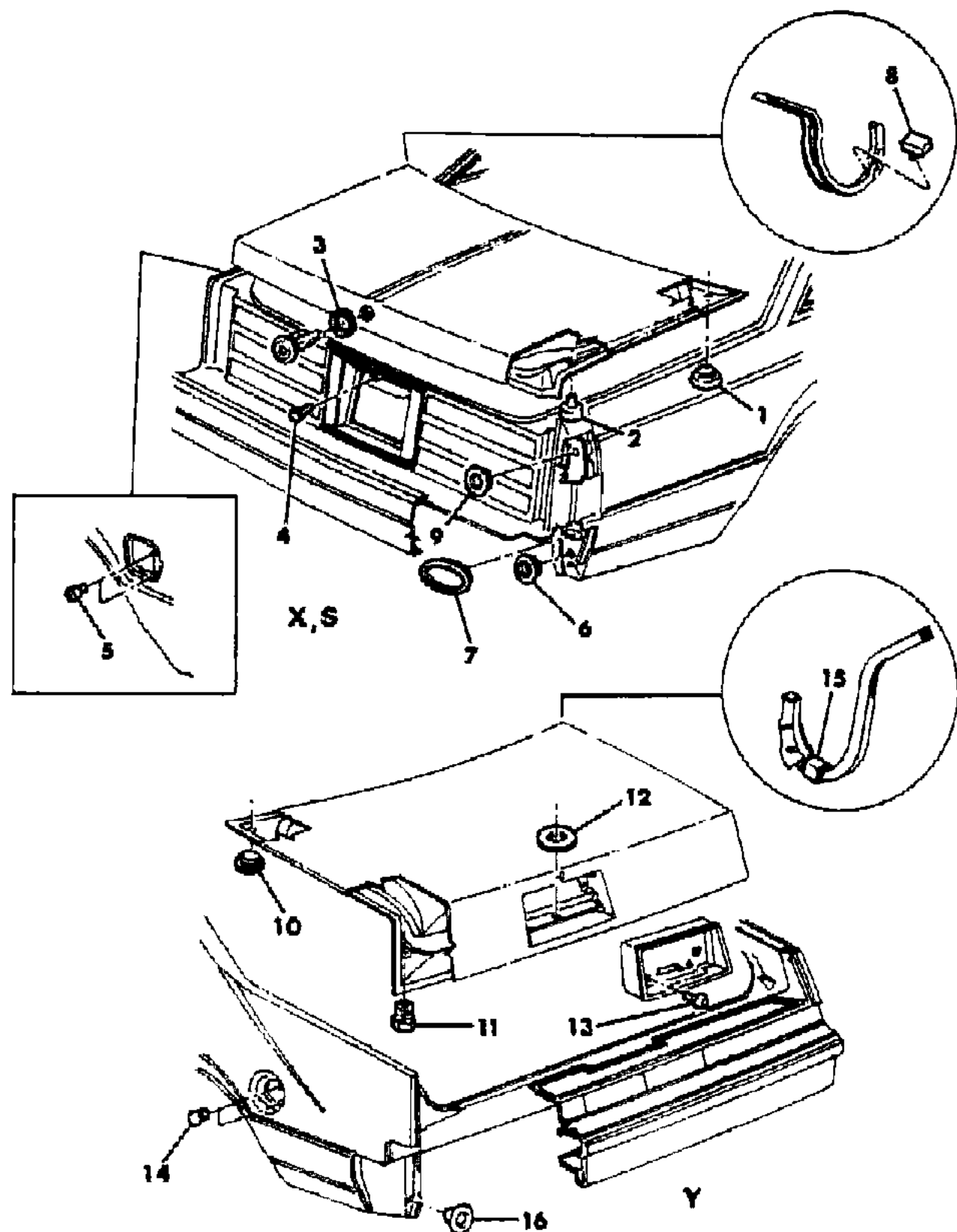
BODY STYLES

21 = 2-DOOR SEDAN	28 = FWD PICKUP
22 = 2-DOOR SPECIAL COUPE	41 = 4-DOOR SEDAN
24 = 2-DOOR HATCHBACK	44 = 4-DOOR HATCHBACK
27 = 2-DOOR CONVERTIBLE	45 = 2-SEAT STATION WAGON

AR = Use as Required - = Non Illustrated Part P.A.R. = Paint as Required

**BUMPERS AND PLUGS - DECK LID - X,S,Y**  
Figure 23A-1170

2160 11700



ITEM	PART NUMBER	QTY	BODY	MODEL	DESCRIPTION
1	6029 939	2			PLUG
2	2842 869	2			BUMPER
3	3695 321	1			GASKET
4	5216 050	2			BUMPER
5	5220 250	2			BUMPER
6	1774 076	2			PLUG
7	4206 720	2			PLUG
8	4206 399	2			BUMPER
9	6029 939	2			PLUG
10	6029 939	2			PLUG
11	5230 376	2			BUMPER
12	4206 238	1			WASHER
13	5200 365	2			BUMPER
14	2811 139	2			BUMPER
15	4206 746	2			BAND
16	4206 515	2			PLUG

MODEL CODES

B = GRAN FURY/CARAVELLE	P = RELIANT
C = LEBARON/TOWN & COUNTRY	S = CORDOBA
D = ARIES	V = 400
F = NEW YORKER	X = MIRADA
G = DIPLOMAT	Y = IMPERIAL
M = HORIZON/TC3/SCAMP	Z = OMNI/O24/RAMPAGE

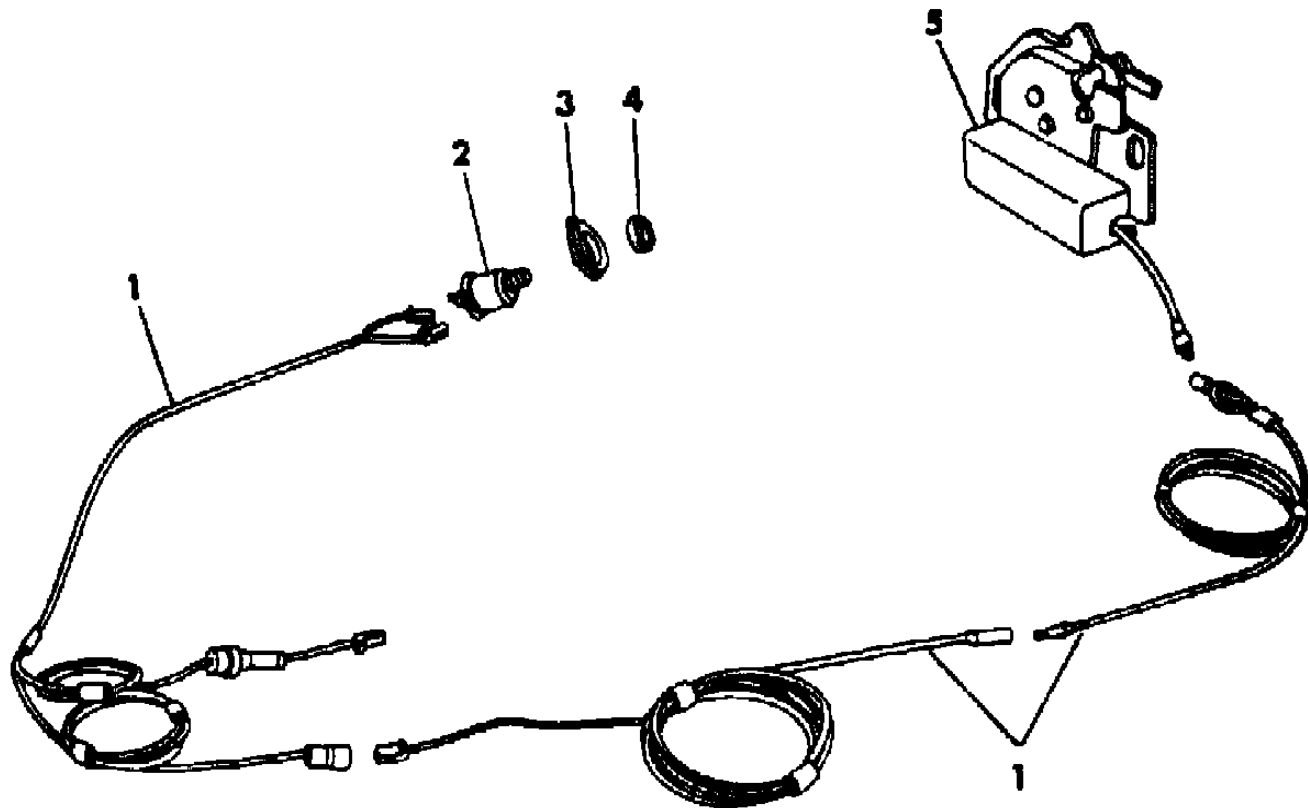
BODY STYLES

21 = 2-DOOR SEDAN	28 = FWD PICKUP
22 = 2-DOOR SPECIAL COUPE	41 = 4-DOOR SEDAN
24 = 2-DOOR HATCHBACK	44 = 4-DOOR HATCHBACK
27 = 2-DOOR CONVERTIBLE	45 = 2-SEAT STATION WAGON

AR = Use as Required - = Non Illustrated Part P.A.R. = Paint as Required

DECK LID, ELECTRIC - X,S,Y  
Figure 23A-1180

2169 11800



ITEM	PART NUMBER	QTY	BODY	MODEL	DESCRIPTION
1		1			WIRING (See Group 8 Body Wiring)
2	3747 608	1			SWITCH, Deck Lid Release
3	3747 704	1		X,S	BEZEL, Deck Lid Release Switch
	3747 825	1		Y	
4	6028 824	1			NUT, Electric Release Switch Mounting
5	4054 962	1		X,S	LATCH, Electric Deck Lid
	4172 826	1		Y	
	6026 125	1		Y	RETAINER, Deck Lid Latch Cam
NOTE: The Following Items Are Not Shown On Illustration. an offsetting order for part no. 3747881					
	6028 976	AR			PUSH NUT, Electric Deck Lid Latch Spring

MODEL CODES

B = GRAN FURY/CARAVELLE	P = RELIANT
C = LEBARON/TOWN & COUNTRY	S = CORDOBA
D = ARIES	V = 400
F = NEW YORKER	X = MIRADA
G = DIPLOMAT	Y = IMPERIAL
M = HORIZON/TC3/SCAMP	Z = OMNI/O24/RAMPAGE

BODY STYLES

21 = 2-DOOR SEDAN	28 = FWD PICKUP
22 = 2-DOOR SPECIAL COUPE	41 = 4-DOOR SEDAN
24 = 2-DOOR HATCHBACK	44 = 4-DOOR HATCHBACK
27 = 2-DOOR CONVERTIBLE	45 = 2-SEAT STATION WAGON

AR = Use as Required - = Non Illustrated Part P.A.R. = Paint as Required



---

**GROUP 23B - BODY INSTRUMENT PANEL**

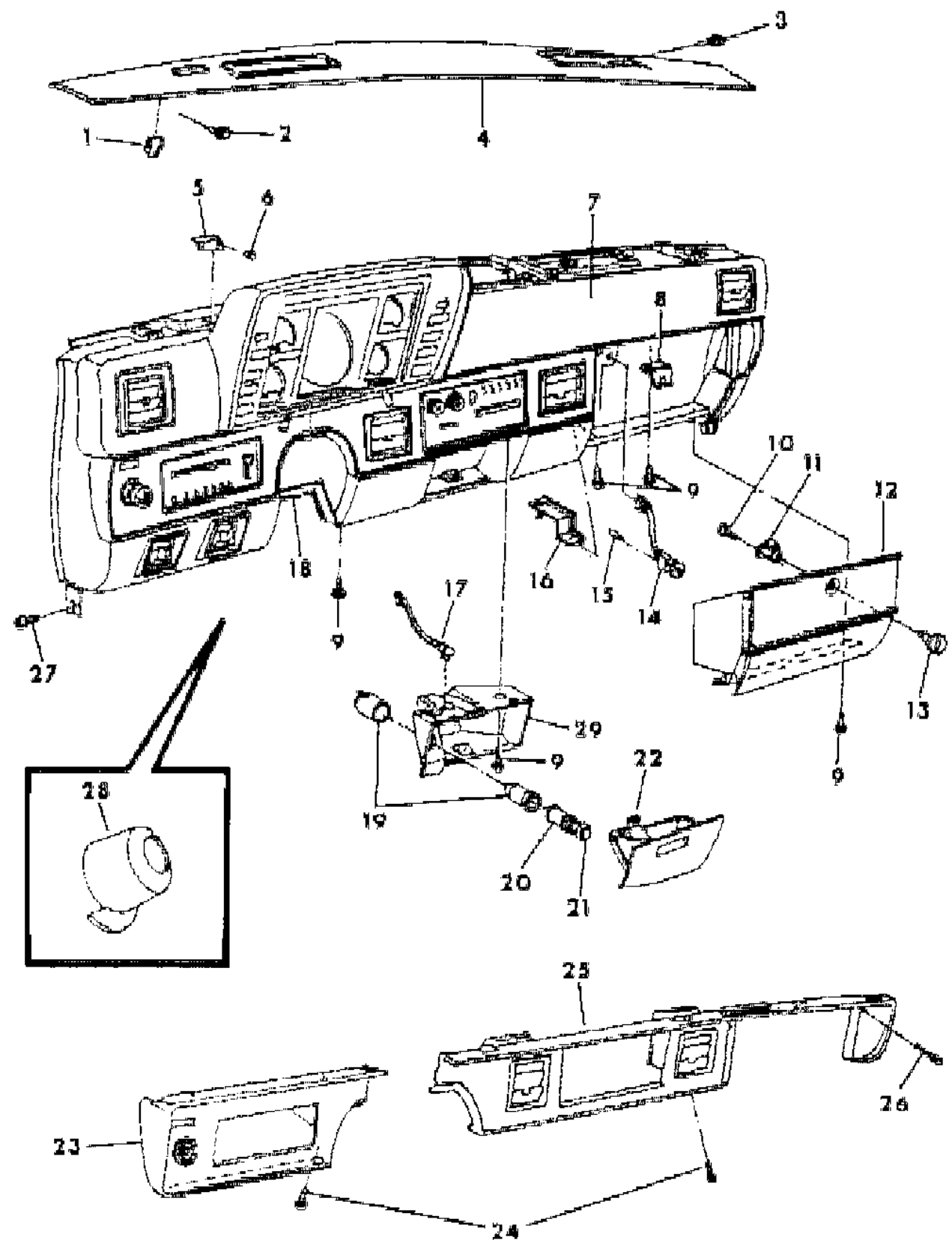
<b>ILLUSTRATION TITLE</b>	<b>GROUP-FIG. NO.</b>
INSTRUMENT PANEL - M,Z HATCHBACK .....	Fig. 23B-100
INSTRUMENT PANEL, CLUSTER & CONTROLS M,Z HATCHBACK .....	Fig. 23B-200
SPEEDO, GAUGES AND LENS - M-Z .....	Fig. 23B-300
INSTRUMENT PANEL WITH GLOVE BOX - P,D,C,V .....	Fig. 23B-400
INSTRUMENT PANEL WITH SWITCH AND CLOCK - P,D,C,V .....	Fig. 23B-500
INSTRUMENT PANEL WITH GLOVE BOX - B,F,G .....	Fig. 23B-600
INSTRUMENT PANEL - B,F,G .....	Fig. 23B-700
SPEEDOMETER, GAUGES AND LENS - B,F,G .....	Fig. 23B-800
INSTRUMENT CLUSTER - B,F,G .....	Fig. 23B-900
INSTRUMENT PANEL ASH RECEIVER AND MAP LIGHT X-S .....	Fig. 23B-1000
INSTRUMENT PANEL FACE PLATE AND CLUSTER X-S .....	Fig. 23B-1100
INSTRUMENT PANEL WITH GLOVE BOX -X,S .....	Fig. 23B-1200
INSTRUMENT PANEL WITH ASH RECEIVER -Y-IMPERIAL .....	Fig. 23B-1300
INSTRUMENT PANEL WITH GLOVE BOX - Y .....	Fig. 23B-1400
SPEEDO, GAUGES AND LENS - X-S .....	Fig. 23B-1500
RADIOS AND RELATED PARTS .....	Fig. 23B-1600
RADIO ANTENNA AND RELATED PARTS .....	Fig. 23B-1700
SPEAKERS AND RELATED PARTS .....	Fig. 23B-1800

**ILLUSTRATION NOT AVAILABLE AT TIME OF PUBLICATION**

---

# INSTRUMENT PANEL - M,Z HATCHBACK Figure 23B-100

2170 100



ITEM	PART NUMBER	QTY	BODY	MODEL	DESCRIPTION
1	3590 389	4			CLIP, Inst. Pnl. Top Cover
2					SCREW (Not Serviced)
3					SCREW (Not Serviced)
4	5209 707	1			COVER, Inst. Pnl. Top
5					PLATE (Not Serviced)
6					RIVET (Not Serviced)
7					PANEL & PAD, Inst. (See Trim Section)
8	5209 773	1			CATCH, Glove Box Door Lock
9					SCREW (Not Serviced)
10					SCREW (Not Serviced)
11	3508 886	1			LATCH, Glove Box Lock Cyl.
12	5209 719	1			BOX, Inst. Pnl. Glove DOOR & GLOVE BOX
					w/o Overlay
	P639 AA7				Silver
	P639 VB2				Blue
	P639 VM6				Red
	P639 ST6	1			Tan
	P639 RX9	1			Black (Paint As Req.) w/Overlay
	P669 AA7	1			Silver
	P669 TB2	1			Blue
	P669 TM6	1			Red
	P669 TX9	1			Black
	P669 TT6	1			Tan
	4229 495	1			NAME PLATE, Glove Box Detomaso (Silver)
	4229 371	1			NAME PLATE, Glove Box Detomaso (Red)
13					CYLINDER, Glove Box Door (See Cyl. and Key Illus.)
14	3747 079	1			SWITCH, Glove Box
15	0152 244	1			BULB
16	5209 782	1			BRACE, Inst. Pnl. to A/C and Htr. Brkt.
17	5209 892	1			LAMP, Ash Receiver
	3746 516	1			Socket
18	5209 754	1			SUPPORT, Inst. Pnl. to Pedal Brkt.
	6700 558	2			SCREW & WASHER, Support Brkt. to Pedal Brkt.
19	2808 912	1			SHELL & CLAMP, Cigar Lighter (w/Terminal)
20	3004 190	1			ELEMENT (Cigar Lighter)

**MODEL CODES**

B = GRAN FURY/CARAVELLE	P = RELIANT
C = LEBARON/TOWN & COUNTRY	S = CORDOBA
D = ARIES	V = 400
F = NEW YORKER	X = MIRADA
G = DIPLOMAT	Y = IMPERIAL
M = HORIZON/TC3/SCAMP	Z = OMNI/O24/RAMPAGE

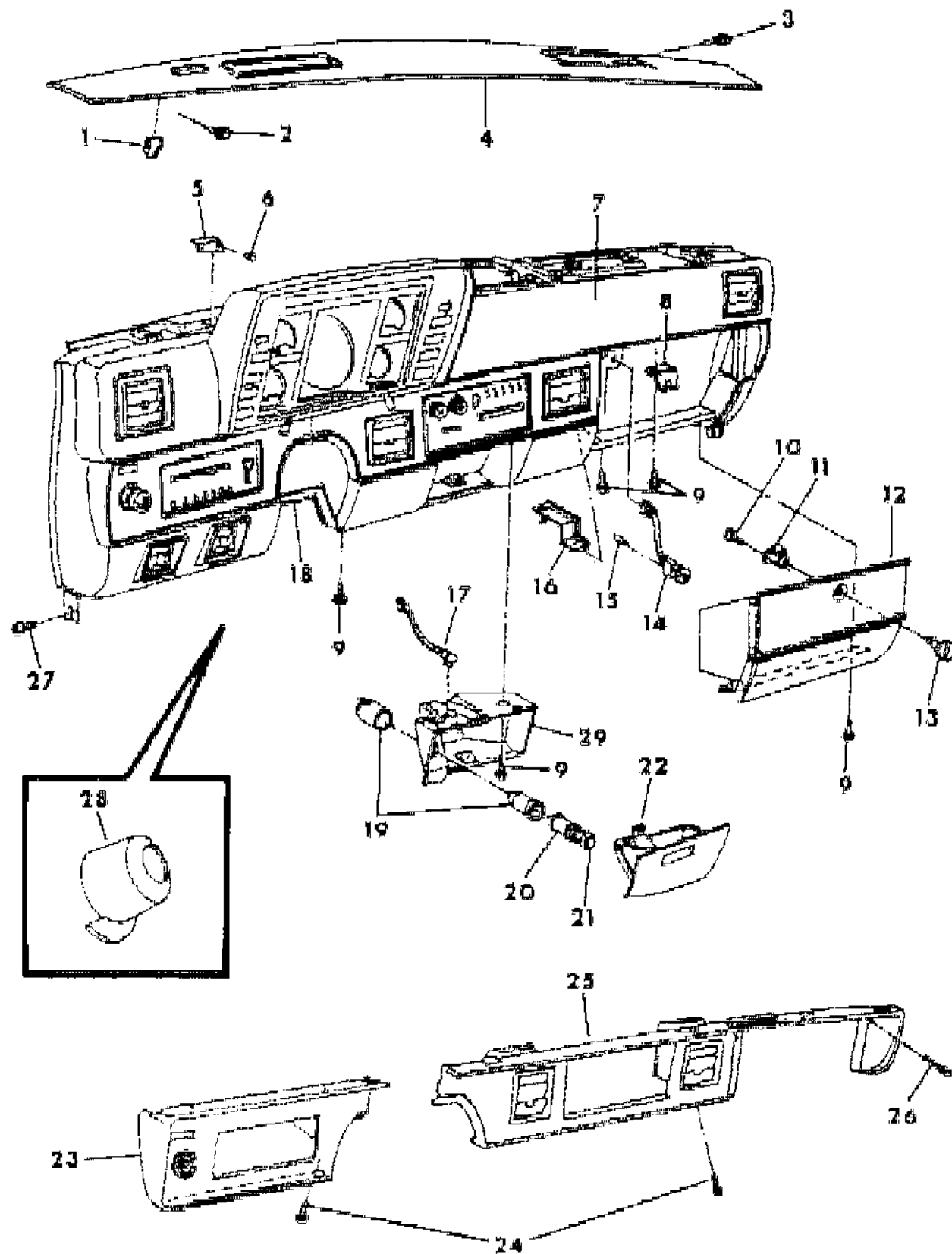
**BODY STYLES**

21 = 2-DOOR SEDAN	28 = FWD PICKUP
22 = 2-DOOR SPECIAL COUPE	41 = 4-DOOR SEDAN
24 = 2-DOOR HATCHBACK	44 = 4-DOOR HATCHBACK
27 = 2-DOOR CONVERTIBLE	45 = 2-SEAT STATION WAGON

AR = Use as Required - = Non Illustrated Part P.A.R. = Paint as Required

**INSTRUMENT PANEL - M,Z HATCHBACK**  
**Figure 23B-100**

2170 100



ITEM	PART NUMBER	QTY	BODY	MODEL	DESCRIPTION
21	3747 165	1			KNOB (Cigar Lighter)
22	P650 RX9	1			RECEPTACLE w/Face PLATE, Inst. Pnl. Ash Rec. (Paint As Req.)
23	5209 661	1			BEZEL, Inst. Pnl. Trim w/o Rallye Inst. Pnl. Lt.
	5209 651	1			w/Overlay, Lt.
24					SCREW (Not Serviced)
25	4047 847	1			BEZEL, Inst. Pnl. Trim, w/o Rallye Inst. Pnl., w/Radio, w/o A/Cond., Rt. (Black)
	4047 846	1			w/Overlay, w/Radio, w/o A/Cond., Rt. (Woodgrain)
	4047 843	1			w/o Rallye Inst. Pnl., w/Radio, w/A/Cond., Rt. (Black)
	4047 845	1			w/Overlay, w/Radio, w/A/Cond., Rt. (Woodgrain)
	5209 666	1			w/Ht. w/o Radio Rt. (Black) opt. w/4220224
	4047 723	1			PLATE, w/o Radio (Not Shown)(Up To 12-8-81)
	4220 482	1			PLATE, w/o Radio (Not Shown)(After 12-8-81)
26	3590 551	2			BUMPER, Inst. Pnl. to Glove Box Door
27	6100 558	2			BOLT & WASHER
28	5231 212	1			LINER, Dash Strg. Col. Cover
	5206 041	1			SEAL, Dash Strg. Col. Cover
	5209 778	1		24	SPACER, Inst. Pnl. Strg. Col.
29	5209 758	1			HOUSING, Inst. Pnl. Ash Rec.

NOTE: THE FOLLOWING ITEMS ARE NOT SHOWN ON ILLUSTRATION an offsetting order for part no. 3747881

	5209 780	1			BRACKET, Htr. to Inst. Pnl. Supt. Brace
	5209 781	1			A/C to Inst. Pnl. Supt. Brace
	6100 048	1			NUT & WASHER
	5211 400	1			COVER, Inst. Cluster Clock Hole
	5231 188	1			LINER, Dash w/or w/o A/Cond.
	6031 338	2			NUT, Dash Liner to Dash Pnl.
	6031 323	2			STUD, Dash Liner to Dash Pnl.
	2218 683				BUMPER, i/Pnl g/Box
	2985 816	1			Inst. Pnl. Ash Rec. Stop
	2985 624	1			Inst. Pnl. Ash Rec. Stop
	1839 301	2			Inst. Pnl. Ash Rec. to Hsg.

MODEL CODES

B = GRAN FURY/CARAVELLE	P = RELIANT
C = LEBARON/TOWN & COUNTRY	S = CORDOBA
D = ARIES	V = 400
F = NEW YORKER	X = MIRADA
G = DIPLOMAT	Y = IMPERIAL
M = HORIZON/TC3/SCAMP	Z = OMNI/O24/RAMPAGE

BODY STYLES

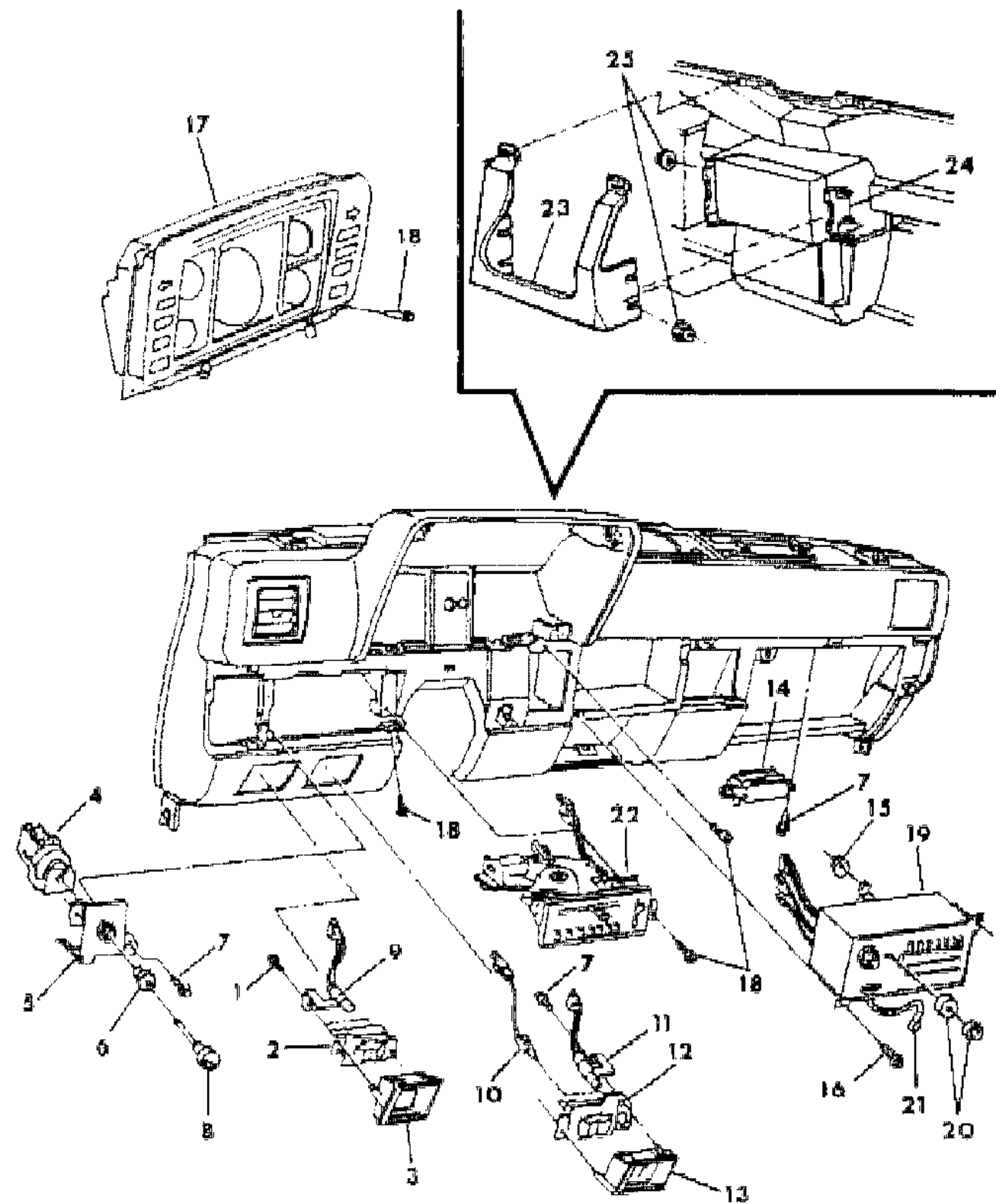
21 = 2-DOOR SEDAN	28 = FWD PICKUP
22 = 2-DOOR SPECIAL COUPE	41 = 4-DOOR SEDAN
24 = 2-DOOR HATCHBACK	44 = 4-DOOR HATCHBACK
27 = 2-DOOR CONVERTIBLE	45 = 2-SEAT STATION WAGON

AR = Use as Required - = Non Illustrated Part P.A.R. = Paint as Required

**INSTRUMENT PANEL, CLUSTER & CONTROLS M,Z HATCHBACK**  
**Figure 23B-200**

2170 200

ITEM	PART NUMBER	QTY	BODY	MODEL	DESCRIPTION
1		2			SCREW, (Not Serviced)
2	5209 875	1			SWITCH, Lift Gate Wdo. Wipe and Wash
3	5209 876	1			BEZEL, Lift Gate Wdo. Wipe and Wash
4	3747 189	1			SWITCH, H/Lamp, Inst. Lamp and Dome Lamp
5	5209 870	1			BRACKET, H/Lamp Switch Mtg.
6	3747 204	1			RETAINER, H/Lamp Switch Mtg.
7					SCREW, (Not Serviced)
8	5209 991	1			KNOB, SHAFT & INSERT, H/Lamp Switch
9	5209 988	1			LAMP, Acc. Switch Nomenclature, w/Rr. Wiper and Washer
10					LAMP, Rr. Heated Wdo. Ind. (Not Req.)
11	5209 988	1			LAMP, Acc. Switch Nomenclature, w/Rr. Heated Wdo. or Pwr. Deck Lid, L/Gate Release-Elect.
12	5209 985	1			SWITCH, Rr. Heated Window
	5209 950	1			SWITCH, Rr. Lift Gate
13	5209 983	1			BEZEL, Rr. Heated Window
	5209 955	1			BEZEL, Rr. Lift Gate
	5209 980	1			Cover, Rr. Heated Window
	4131 550	1			SWITCH, Rr. Defogger Pkg.
14	5209 545	1			LAMP, Map and Courtesy
	5209 556	1			LENS, Map and Courtesy Lamp
15	6023 205	1			NUT
16					SCREW (Not Serviced)
17	5211 397	1			HOUSING, Speed. and Inst. Cluster, w/o Clock, w/o Rallye Inst. Panel
	5211 395	1			w/Clock, w/o Rallye Inst. Panel
	5209 578	1	24		w/Rallye Inst. Panel
18					SCREW (Not Serviced)
19					RADIO, (See Radio Gr.)
20					KNOB (See Radio Gr.)
21					GROUND STRAP (Not Serviced)
22					CONTROL, Htr. (See Heater Gr.)
23	5209 764	1			BRACE, Inst. Pnl. Ctr. Support
24	5209 765	2			CLIP, Inst. Pnl. Ctr. Support Brace Att.
25	6023 205	4			NUT & WASHER
NOTE: THE FOLLOWING ITEMS ARE NOT SHOWN ON ILLUSTRATION an offsetting order for part no. 3747881					
	5211 400	1			COVER, Inst. Cluster Clock Hole
	6031 437	2			CLIP, Inst. Pnl. to Cluster, Attach.



MODEL CODES  
 B = GRAN FURY/CARAVELLE      P = RELIANT  
 C = LEBARON/TOWN & COUNTRY    S = CORDOBA  
 D = ARIES                            V = 400  
 F = NEW YORKER                    X = MIRADA  
 G = DIPLOMAT                       Y = IMPERIAL  
 M = HORIZON/TC3/SCAMP        Z = OMNI/O24/RAMPAGE

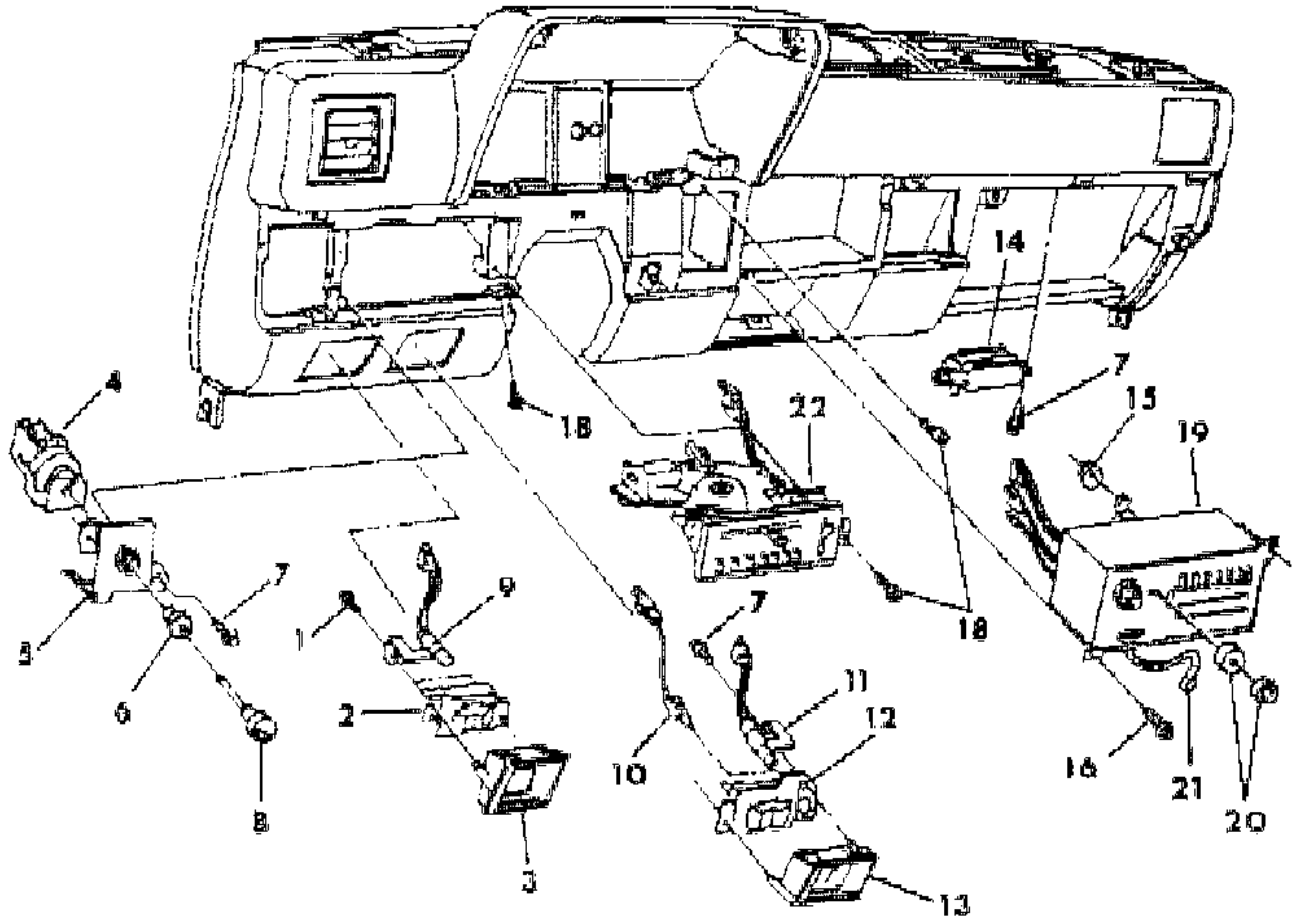
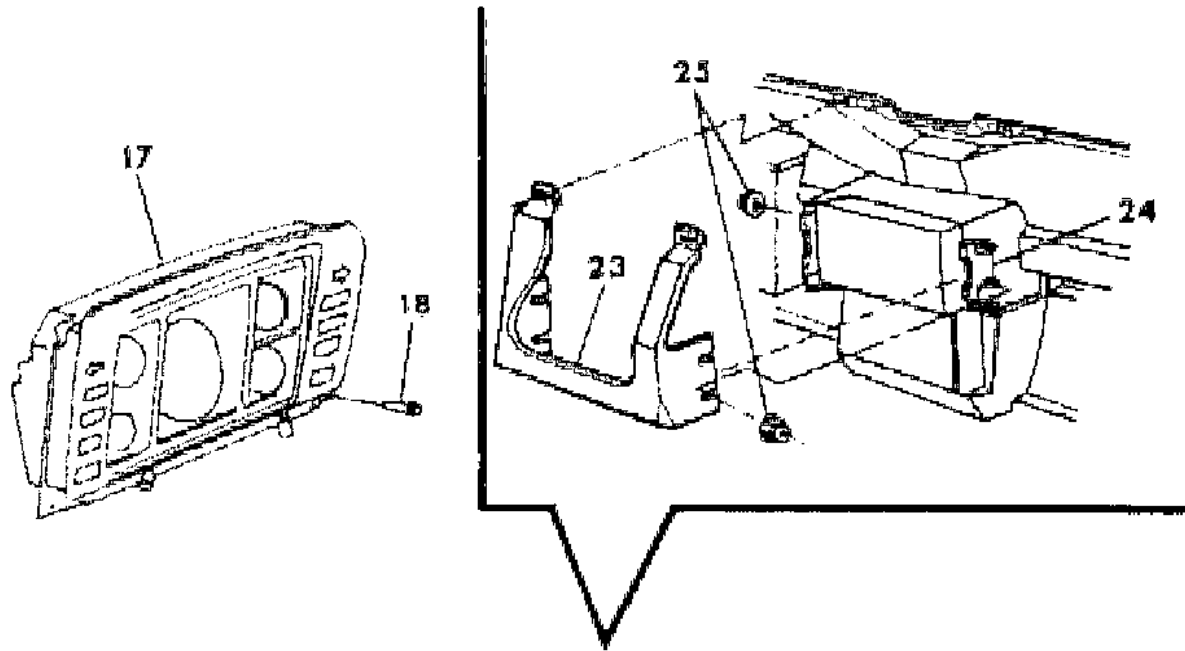
BODY STYLES  
 21 = 2-DOOR SEDAN                28 = FWD PICKUP  
 22 = 2-DOOR SPECIAL COUPE    41 = 4-DOOR SEDAN  
 24 = 2-DOOR HATCHBACK        44 = 4-DOOR HATCHBACK  
 27 = 2-DOOR CONVERTIBLE      45 = 2-SEAT STATION WAGON

AR = Use as Required - = Non Illustrated Part P.A.R. = Paint as Required

**INSTRUMENT PANEL, CLUSTER & CONTROLS M,Z HATCHBACK**  
**Figure 23B-200**

2170 200

ITEM	PART NUMBER	QTY	BODY	MODEL	DESCRIPTION
	2427 725	AR			CLIP, Inst. Gauge Terminal
	5211 395	1			w/Clock, w/o Rallye Inst. Panel SCREW,
	5211 368	1			Inst. Gauge Mtg., w/o Rallye Inst. Pnl.
	5211 368	1			Clock and Tach. Assy. Mtg., w/Rallye Inst. Panel
	4222 060	1			CONTROL, Intermittent Wipe
	5211 219	1			Bracket
	4075 042	1			GROMMET, Speed. to Hsg.
	5211 366	1			Clock Reset Panel
	2257 804	1			NUT, Clock Reset Knob Mtg.
	9415 969	1			BULB, Printed Circuit Board RELAY, Rr. Heated Window
	5211 363	AR			DIFFUSER, Inst. Lamp
	2209 215	2			SPACER, Speed. to Hsg. Mtg. Screw
	3780 458	1			BUZZER, Key in Warning and H/Lamp
	4049 059	1			Timed Seat Belt Warning
	5209 558				SEAL, Cluster Mask To Trim Pad



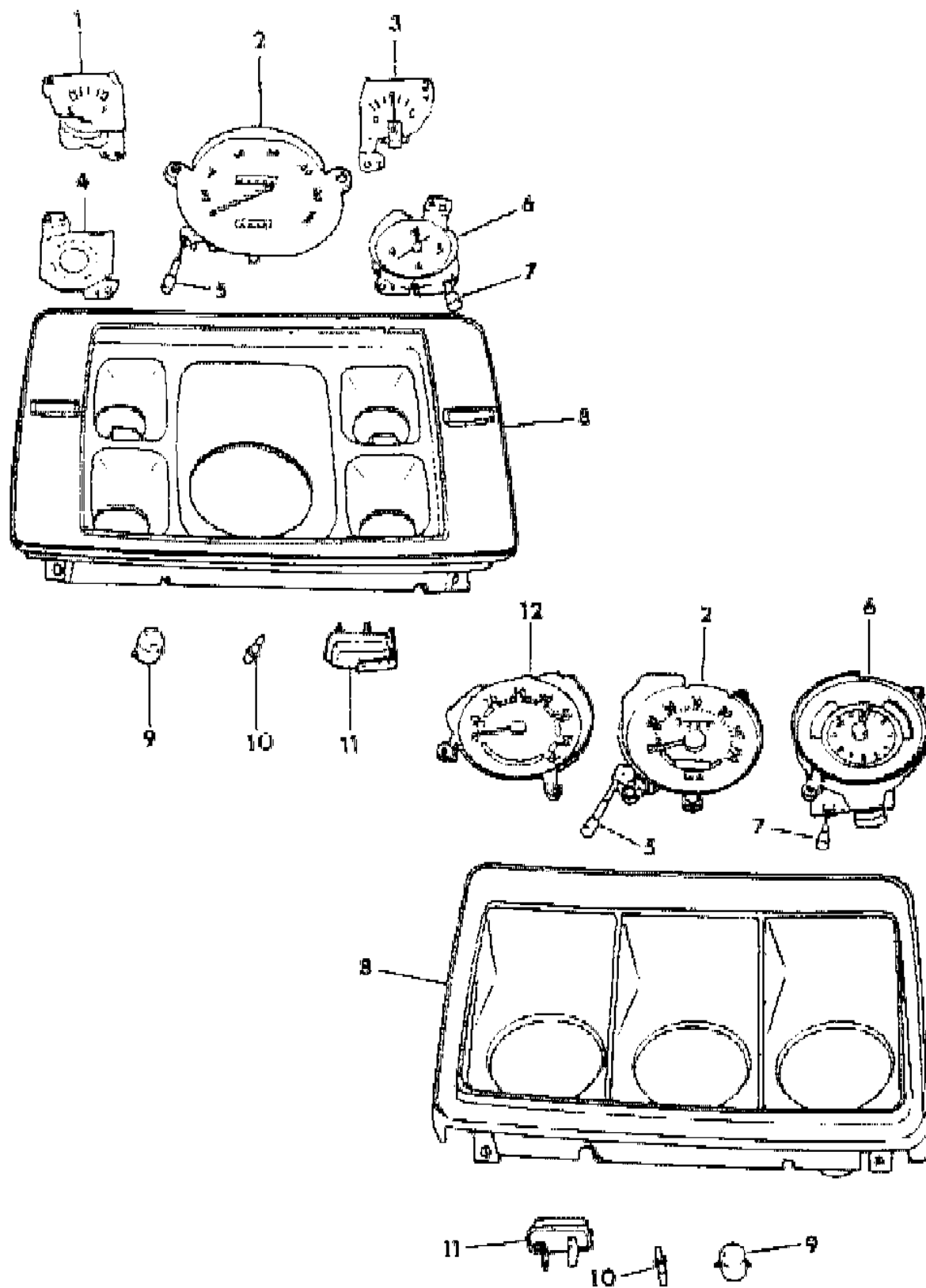
MODEL CODES  
 B = GRAN FURY/CARAVELLE      P = RELIANT  
 C = LEBARON/TOWN & COUNTRY      S = CORDOBA  
 D = ARIES      V = 400  
 F = NEW YORKER      X = MIRADA  
 G = DIPLOMAT      Y = IMPERIAL  
 M = HORIZON/TC3/SCAMP      Z = OMNI/O24/RAMPAGE

BODY STYLES  
 21 = 2-DOOR SEDAN      28 = FWD PICKUP  
 22 = 2-DOOR SPECIAL COUPE      41 = 4-DOOR SEDAN  
 24 = 2-DOOR HATCHBACK      44 = 4-DOOR HATCHBACK  
 27 = 2-DOOR CONVERTIBLE      45 = 2-SEAT STATION WAGON

AR = Use as Required - = Non Illustrated Part P.A.R. = Paint as Required

**SPEEDO, GAUGES AND LENS - M-Z**  
**Figure 23B-300**

3170 300



ITEM	PART NUMBER	QTY	BODY	MODEL	DESCRIPTION
1					GAUGE, Fuel
	5211 437	1			w/o Rallye Inst. Panel
	5209 694	1			w/Rallye Inst. Panel
2					SPEEDOMETER ASSY.
	4051 478	1			w/o Rallye Inst. Pnl., 140 Kilo (w/o Trip Odometer)
	4051 454	1			SPDO PKG. w/o EMR Switch, w/ Clock (85 Mile) w/o Rallye (w/ Trip Odometer)
	4051 455	1			SPDO PKG. w/o EMR Switch, w/o Clock (85 Mile) w/o Rallye (w/o Trip Odometer)
	4220 107	1			SPDO PKG. 85 Mile w/EMR Switch (w/Rallye)
	4220 106	1			SPDO PKG. (180 Kilo) (w/Rallye)
	4051 474	1			SPDO PKG. (180 Kilo) (w/o Rallye)
	4051 478	1			SPDO PKG. (140 Kilo) (w/o Clock)
	3592 750	1			LABEL, Spdo.
	4220 407	1			DIAL, Spdo. /180 Kilo w/Rallye
3					AMMETER, Gauge w/Rallye
	5211 438	1			w/o Rallye Inst. Pnl.
4	5211 439	1			DIAL ASSY., Engine Light Temp & Oil w/o Rallye Inst.
5					KNOB,
	5211 365	1			Knob, Odometer w/Rallye
	5211 403	1			Knob, Odometer w/o Rallye
	5211 448	1			Shaft, Reset
6					CLOCK ASSY., Inst. Cluster
	4051 576	1			w/o Rallye Inst. Panel
	4220 369	1			w/Rallye Inst. Panel
	4051 448	1			COVER, w/o Rallye Inst. Panel (Clock)
7	5211 366	1			KNOB, Clock Reset
8	5211 444	1			LENS w/MASK, Inst. Cluster
	5209 579	1			w/Rallye
	5211 363	AR			DIFFUSER, Inst. Lamp
9	5211 396	1			CHIMNEY, Engine Light, w/o Rallye Inst. Pnl.
	5209 611	1			CHIMNEY, Hi-Beam w/ Rallye Inst.
10	3591 814	2			PIN, PLASTIC, LENS and MASK RETAINER
11	2258 413	1			REGULATOR or LIMITER, Inst. Voltage
12	5209 682	1			TACHOMETER & WARNING LAMP ASSY., w/Rallye Panel
	5209 614	1			SEAL, TACH. and Warning Lamps, w/Rallye Inst. Pnl.

NOTE: THE FOLLOWING ITEMS ARE NOT SHOWN ON ILLUSTRATION an offsetting order for part no. 3747881  
 PRINTED CIRCUIT BOARD,

MODEL CODES

B = GRAN FURY/CARAVELLE	P = RELIANT
C = LEBARON/TOWN & COUNTRY	S = CORDOBA
D = ARIES	V = 400
F = NEW YORKER	X = MIRADA
G = DIPLOMAT	Y = IMPERIAL
M = HORIZON/TC3/SCAMP	Z = OMNI/O24/RAMPAGE

BODY STYLES

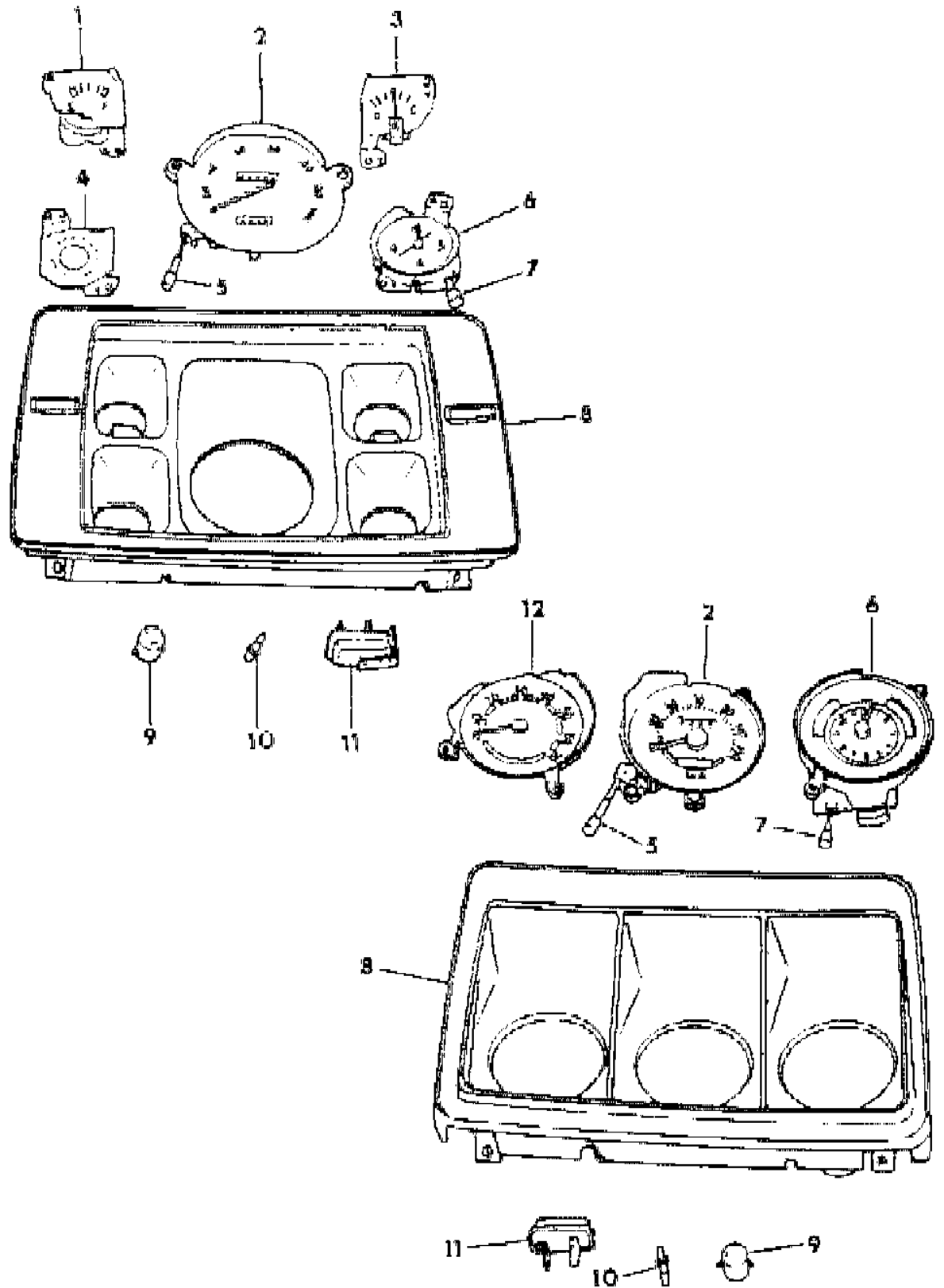
21 = 2-DOOR SEDAN	28 = FWD PICKUP
22 = 2-DOOR SPECIAL COUPE	41 = 4-DOOR SEDAN
24 = 2-DOOR HATCHBACK	44 = 4-DOOR HATCHBACK
27 = 2-DOOR CONVERTIBLE	45 = 2-SEAT STATION WAGON

AR = Use as Required - = Non Illustrated Part P.A.R. = Paint as Required

**SPEEDO, GAUGES AND LENS - M-Z**  
**Figure 23B-300**

2170 300

ITEM	PART NUMBER	QTY	BODY	MODEL	DESCRIPTION
	5209 616	1			w/Rallye Inst. Pnl.
	5211 415	1			w/o Rallye Inst. Pnl.
	3591 814	2			CLIP, Printed Circuit Board Ret.
	5211 368	2			SCREW, Printed Circuit Board
	3744 750				SOCKET, Printed Circuit Board



MODEL CODES  
 B = GRAN FURY/CARAVELLE      P = RELIANT  
 C = LEBARON/TOWN & COUNTRY      S = CORDOBA  
 D = ARIES      V = 400  
 F = NEW YORKER      X = MIRADA  
 G = DIPLOMAT      Y = IMPERIAL  
 M = HORIZON/TC3/SCAMP      Z = OMNI/O24/RAMPAGE

BODY STYLES  
 21 = 2-DOOR SEDAN      28 = FWD PICKUP  
 22 = 2-DOOR SPECIAL COUPE      41 = 4-DOOR SEDAN  
 24 = 2-DOOR HATCHBACK      44 = 4-DOOR HATCHBACK  
 27 = 2-DOOR CONVERTIBLE      45 = 2-SEAT STATION WAGON

AR = Use as Required - = Non Illustrated Part P.A.R. = Paint as Required

**INSTRUMENT PANEL WITH GLOVE BOX - P,D,C,V**  
**Figure 23B-400**

11-11-81

ITEM	PART NUMBER	QTY	BODY	MODEL	DESCRIPTION
1					INST. PNL. PAD (See Interior Trim Gr. 23)
2	4220 151			PH,PP,D	BEZEL, w/Two Switch Opening Lt. (Woodgrain)
	4220 149			PH,PP,D	w/One Switch Opening Lt. (Woodgrain)
	4220 135			PH,PP,D	w/o Switch Opening Lt. (Woodgrain)
	4220 153			C,V	w/o Switch Opening Lt.
	4220 155			C,V	w/One Switch Opening Lt.
	4220 373			C,V	w/Two Switch Opening Lt.
	P406 AB2			P,D-L-H	w/Two Switch Opening Lt. (Paint As Req.)
	P405 AB2			P,D-L-H	w/One Switch Opening Lt. (Paint As Req.)
	P402 AA7			P,D-L-H	w/o Switch Opening Lt. (Silver)
	P402 VB2			P,D-L-H	w/o Switch Opening Lt. (Blue)
	P402 VF5			P,D-L-H	w/o Switch Opening Lt. (Green)
	P402 VM6			P,D-L-H	w/o Switch Opening Lt. (Red)
	P402 VT6			P,D-L-H	w/o Switch Opening Lt. (Tan)
	6031 940				CLIP, Bezel Lt.
4047 991			All	Gasket, I/Pnl. Trim Bezel Lt. (Not Shown)	
6031 940			All	Clip, I/Pnl. Trim Bezel Lt. (Not Shown)	
3	4047 734				LAMP ASSY., Liftgate Warning Indic.
4	4047 424				CABLE, Glove Box Door Check
5	0153 372				SCREW
6	3508 886				LATCH ASSY., Glove Box
	4220 092				Catch Assy., Glove Box
7					GLOVE BOX & DOOR
	P675 AA7				Silver
	P675 AC7				Blue (Dark)
	P675 AH9				Brown (Dark)
	P675 VB2				Blue (Light)
	P675 VF5				Green
	P675 VM6				Red
	P675 VT6				Tan
2218 683					BUMPER, Glove Box Door
8					CYLINDER, Glove Box Lock (See Cyl. and Key Illus.)
9					SCREW (Not Serviced)
10	4220 222			P,D	BEZEL, Ctr. w/ or w/o a/Cond.
	4220 233			C,V	w/ or w/o a/Cond. (w/o Warning Signal)
	4220 235			C,V	w/ or w/o a/Cond. (w/ Warning Signal)
	4047 723				PLATE, w/o Radio (Not Shown)(Up To 1-11-81)

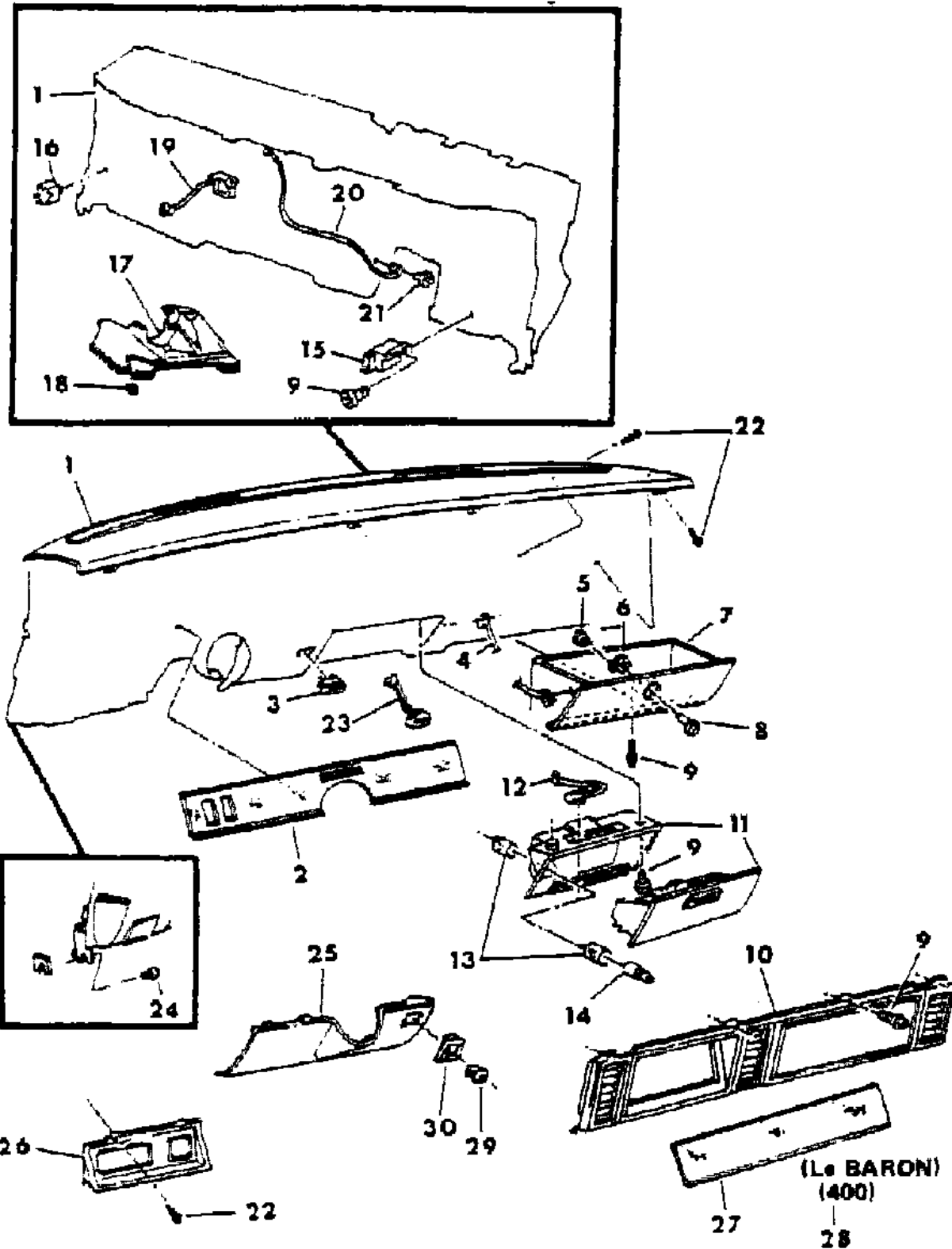
**MODEL CODES**

B = GRAN FURY/CARAVELLE	P = RELIANT
C = LEBARON/TOWN & COUNTRY	S = CORDOBA
D = ARIES	V = 400
F = NEW YORKER	X = MIRADA
G = DIPLOMAT	Y = IMPERIAL
M = HORIZON/TC3/SCAMP	Z = OMNI/O24/RAMPAGE

**BODY STYLES**

21 = 2-DOOR SEDAN	28 = FWD PICKUP
22 = 2-DOOR SPECIAL COUPE	41 = 4-DOOR SEDAN
24 = 2-DOOR HATCHBACK	44 = 4-DOOR HATCHBACK
27 = 2-DOOR CONVERTIBLE	45 = 2-SEAT STATION WAGON

AR = Use as Required - = Non Illustrated Part P.A.R. = Paint as Required





**INSTRUMENT PANEL WITH GLOVE BOX - P,D,C,V**  
**Figure 23B-400**

11-11-81

ITEM	PART NUMBER	QTY	BODY	MODEL	DESCRIPTION
	4220 482				PLATE, w/o Radio (Not Shown)(After 1-11-81)
11	4267 268				ASH RECEIVER & FACE PLATE (Paint As Req.)
	4047 230				Housing
	1839 301				Bumper Housing
	4220 887				BUMPER, Ash Receiver
	2661 690				BUMPER, Ash Housing Spring Stop
12	4221 094				LAMP, Ash Receiver
13	2808 912				SHELL & CLAMP, Opt. w/2932727
14	3747 165				KNOB (Cigar Lighter)
	3004 190				ELEMENT (Cigar Lighter)
15	4222 060				CONTROL, Intermittent Wiper
	4048 952				BRACKET, Wiper Control
16	3747 299				RELAY, Liftgate Release
17	4220 477				SILENCER ASSY., Inst. Pnl. Lt. Side w/A/Cond w/A/Trans.
	4047 868				SILENCER ASSY., Inst. Pnl. Lt. Side w/Heater w/A/Trans.
	4220 344				FASTENER, i/Pnl. Silencer to Bracket to Supt.
18	6100 048				NUT & WASHER
19	4048 784				COIL-AUDIO PWR. AMP.
20					SEE, Ref. Radio
21	9417 855				SCREW
22					SCREW (Not Serviced)
23	3747 874		P,D		SWITCH ASSY., Rr. Amplifier
	4221 203		C,V		SWITCH ASSY., Rr. Amplifier
	3747 750		C,V		Clip, Switch Rr. Amplifier
24	6101 241				SCREW & WASHER ASSY.
25					COVER ASSY. Inst. Pnl. Strg.
	P674 AA7				Silver
	P674 AC7				Blue (Dark)
	P674 VB2				Blue (Light)
	P674 VF5				Green
	P674 VM6				Red
	P674 VT6				Tan
	6500 442				Clip
26					BEZEL ASSY., Inst. Trim Heater or a/Cond
	4220 217		P,D		w/o Clock
	4220 218		ALL		w/ Clock
27	4220 458		P,D-P		BEZEL ASSY., Inst. Pnl. Trim Lwr. Rt.

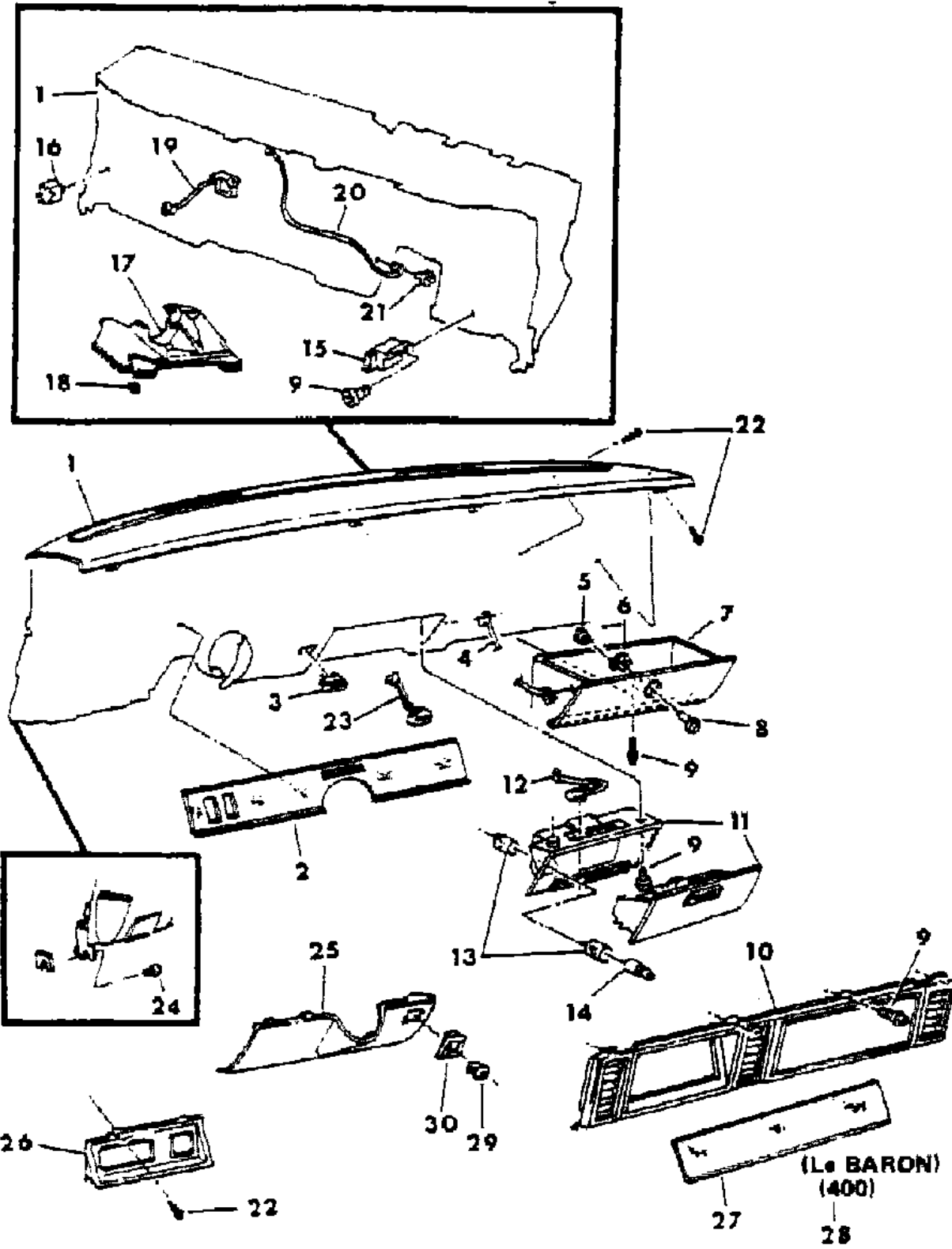
**MODEL CODES**

B = GRAN FURY/CARAVELLE	P = RELIANT
C = LEBARON/TOWN & COUNTRY	S = CORDOBA
D = ARIES	V = 400
F = NEW YORKER	X = MIRADA
G = DIPLOMAT	Y = IMPERIAL
M = HORIZON/TC3/SCAMP	Z = OMNI/O24/RAMPAGE

**BODY STYLES**

21 = 2-DOOR SEDAN	28 = FWD PICKUP
22 = 2-DOOR SPECIAL COUPE	41 = 4-DOOR SEDAN
24 = 2-DOOR HATCHBACK	44 = 4-DOOR HATCHBACK
27 = 2-DOOR CONVERTIBLE	45 = 2-SEAT STATION WAGON

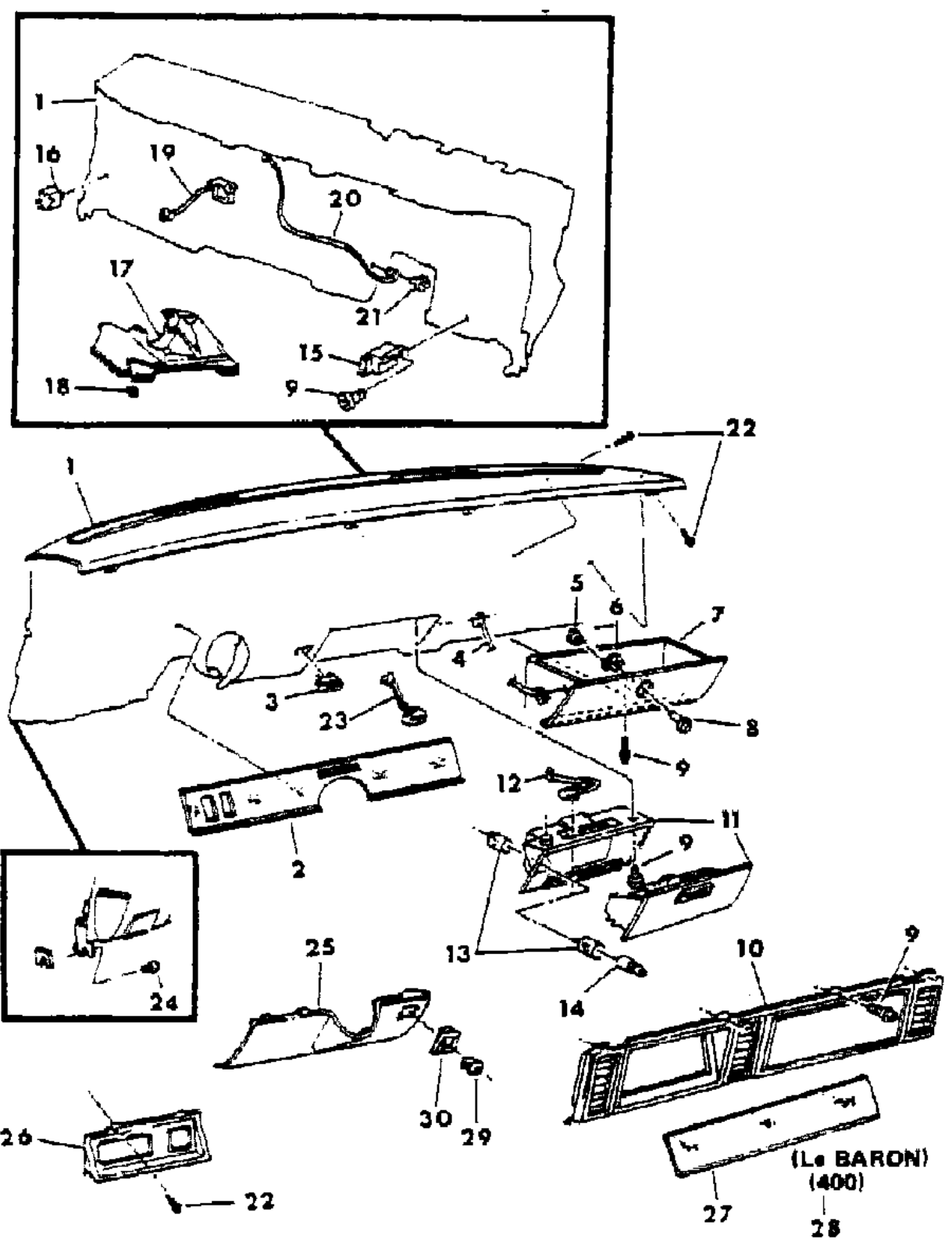
AR = Use as Required - = Non Illustrated Part P.A.R. = Paint as Required



**INSTRUMENT PANEL WITH GLOVE BOX - P,D,C,V**  
**Figure 23B-400**

11-2-81

ITEM	PART NUMBER	QTY	BODY	MODEL	DESCRIPTION
	P606 BT8			P,D-L-H	BEZEL ASSY., Inst. Pnl. Trim Lwr. Rt. (Paint as Req.)
	4220 402		C (22,4		BEZEL ASSY., Inst. Pnl. Trim Lwr. Rt. (Up To 11-2-81)
	4220 510		C (22,4		BEZEL ASSY., Inst. Pnl. Trim Lwr. Rt. (After 11-2-81)
	4220 514		C (45)		BEZEL ASSY., Inst. Pnl. Trim Lwr. Rt.
	4220 404		V		BEZEL ASSY., Inst. Pnl. Trim Lwr. Rt. (Up To 11-2-81)
	4220 512		V		BEZEL ASSY., Inst. Pnl. Trim Lwr. Rt. (After 11-2-81)
28	4220 403		C (22,4		NAME PLATE (Le Baron) (Up to 11-2-81)
	4220 511		C (22,4		NAME PLATE (Le Baron) (After 11-2-81)
	4220 515		C (45)		NAME PLATE (Town & Country)
	4220 405		V		NAME PLATE (400) (Up To 11-2-81)
	4220 513		V		NAME PLATE (400) (After 11-2-81)
29	4221 054				SWITCH, Rear Fog Lamp
30	4221 053				BEZEL, Rear Fog Lamp
	6030 925				CLIP, Cluster Bezel Assy. (Not Shown)
	6030 925				CLIP, Bezel Mtg. To Carrier (Not Shown)
	6031 940				CLIP, I/Pnl. Trim Bezel Lt. (Not Shown)
	6031 940				CLIP, I/Pnl. Lwr. Rt. Bezel (Not Shown)
	6500 442				CLIP, I/Pnl. Strg. Col. Cover (Not Shown)



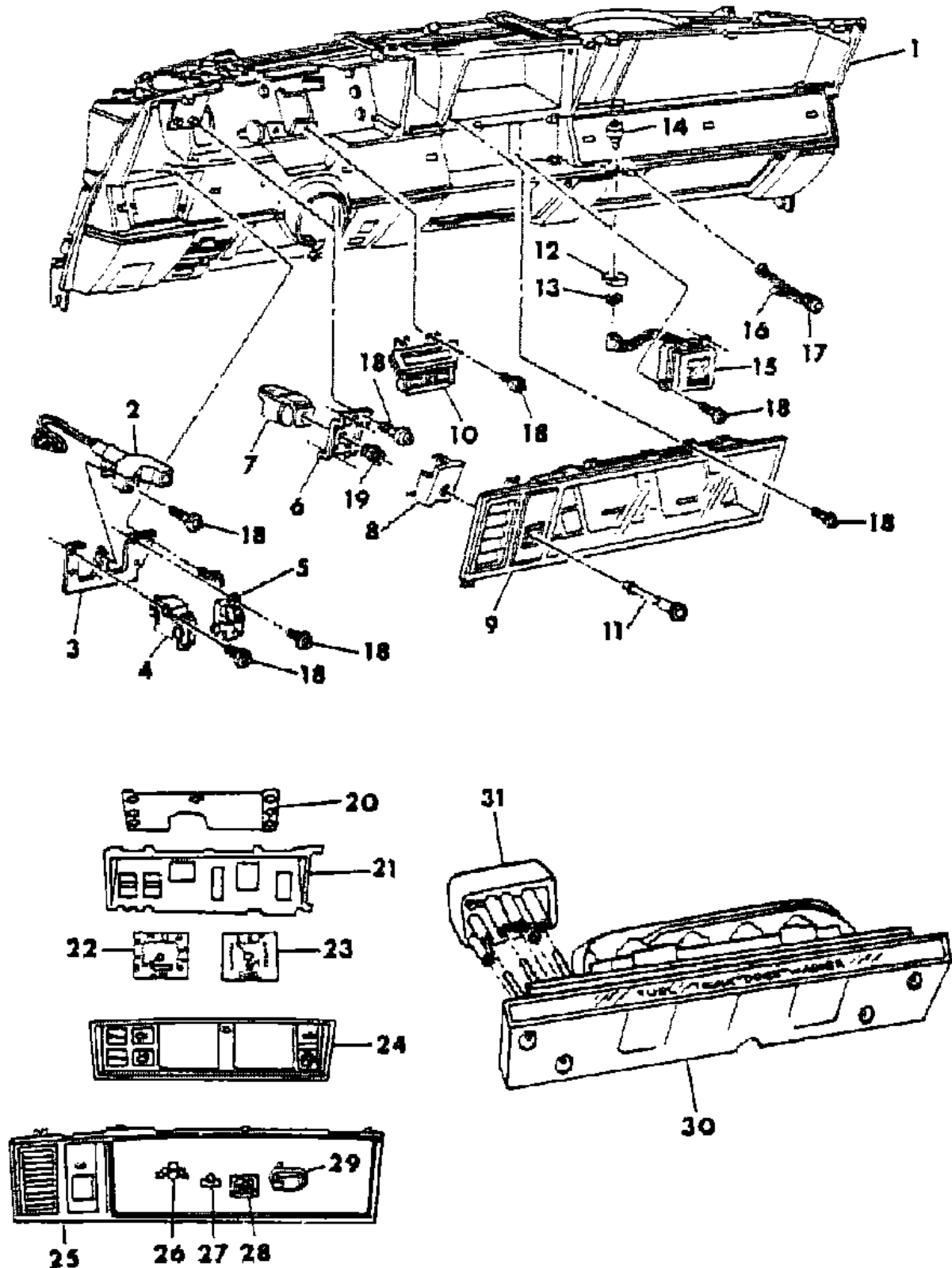
MODEL CODES  
 B = GRAN FURY/CARAVELLE      P = RELIANT  
 C = LEBARON/TOWN & COUNTRY      S = CORDOBA  
 D = ARIES      V = 400  
 F = NEW YORKER      X = MIRADA  
 G = DIPLOMAT      Y = IMPERIAL  
 M = HORIZON/TC3/SCAMP      Z = OMNI/O24/RAMPAGE

BODY STYLES  
 21 = 2-DOOR SEDAN      28 = FWD PICKUP  
 22 = 2-DOOR SPECIAL COUPE      41 = 4-DOOR SEDAN  
 24 = 2-DOOR HATCHBACK      44 = 4-DOOR HATCHBACK  
 27 = 2-DOOR CONVERTIBLE      45 = 2-SEAT STATION WAGON

AR = Use as Required - = Non Illustrated Part P.A.R. = Paint as Required

**INSTRUMENT PANEL WITH SWITCH AND CLOCK - P,D,C,V**  
**Figure 23B-500**

2170 500A



ITEM	PART NUMBER	QTY	BODY	MODEL	DESCRIPTION
1					INST. PNL. PAD (See Interior Trim Gr. 23)
2	4221 082				LAMP ASSY., One Switch
	4221 083				Two Switchs
3	3747 872				PLATE, Two Switchs
	4221 102				One Switch
4	4221 078				SWITCH ASSY., Ebl
5	4221 080				SWITCH ASSY., Rr. Wiper & Washer
6	3747 864				PLATE, h/Lamp
7	3747 189				SWITCH, h/Lamp & Dome
8	3747 863		P,D		ESCUTCHEON, h/Lamp Switch Mtg.
9					HOUSING AND BEZEL (See Item 21 Or 25)
10					INDICATOR ASSY., Gear Selector
NOTE: w/M/Trans. Or w/Console Order Decal 4047594 an offsetting order for part no. 3747881					
	4047 594	1			DECAL
	4220 096				INDICATOR ASSY., Gear Selector (w/o Decal w/A Trans.)
	4220 097				INDICATOR ASSY., Gear Selector (w/Decal w/M/trans. And w/ Console)
	4047 947				ESCUTCHEON, Gear Selector (Not Showm)
11	3747 760				KNOB and SHAFT, h/Lamp
12	3747 875				BEZEL, Deck Lid
13	6028 824				NUT
14	3747 154				SWITCH, Deck Lid Release
15	4047 721				CLOCK ASSY.
16	0152 244				BULB, Glove Box
17	4221 107				SWITCH, Glove Box
18					SCREW (DNS)
19	3747 204				RETAINER, h/Lamp
20	4051 579				P/CIRCUIT BOARD ASSY.
	9415 969				Bulb, p/Circuit Board
	3744 750				Socket, p/Circuit Board
21	4051 527				HOUSING & SEAL ASSY.
22					SPEEDO ASSY.
	4051 479		P,D		85 Mile Pkg.
	4051 481		C,V		85 Mile Pkg.
	4051 489		P,D		140 Kilo Assy.
	4051 499		C,V		140 Kilo Assy.
	4051 480		ALL		125 Mile (Cert.)

**MODEL CODES**

B = GRAN FURY/CARAVELLE	P = RELIANT
C = LEBARON/TOWN & COUNTRY	S = CORDOBA
D = ARIES	V = 400
F = NEW YORKER	X = MIRADA
G = DIPLOMAT	Y = IMPERIAL
M = HORIZON/TC3/SCAMP	Z = OMNI/O24/RAMPAGE

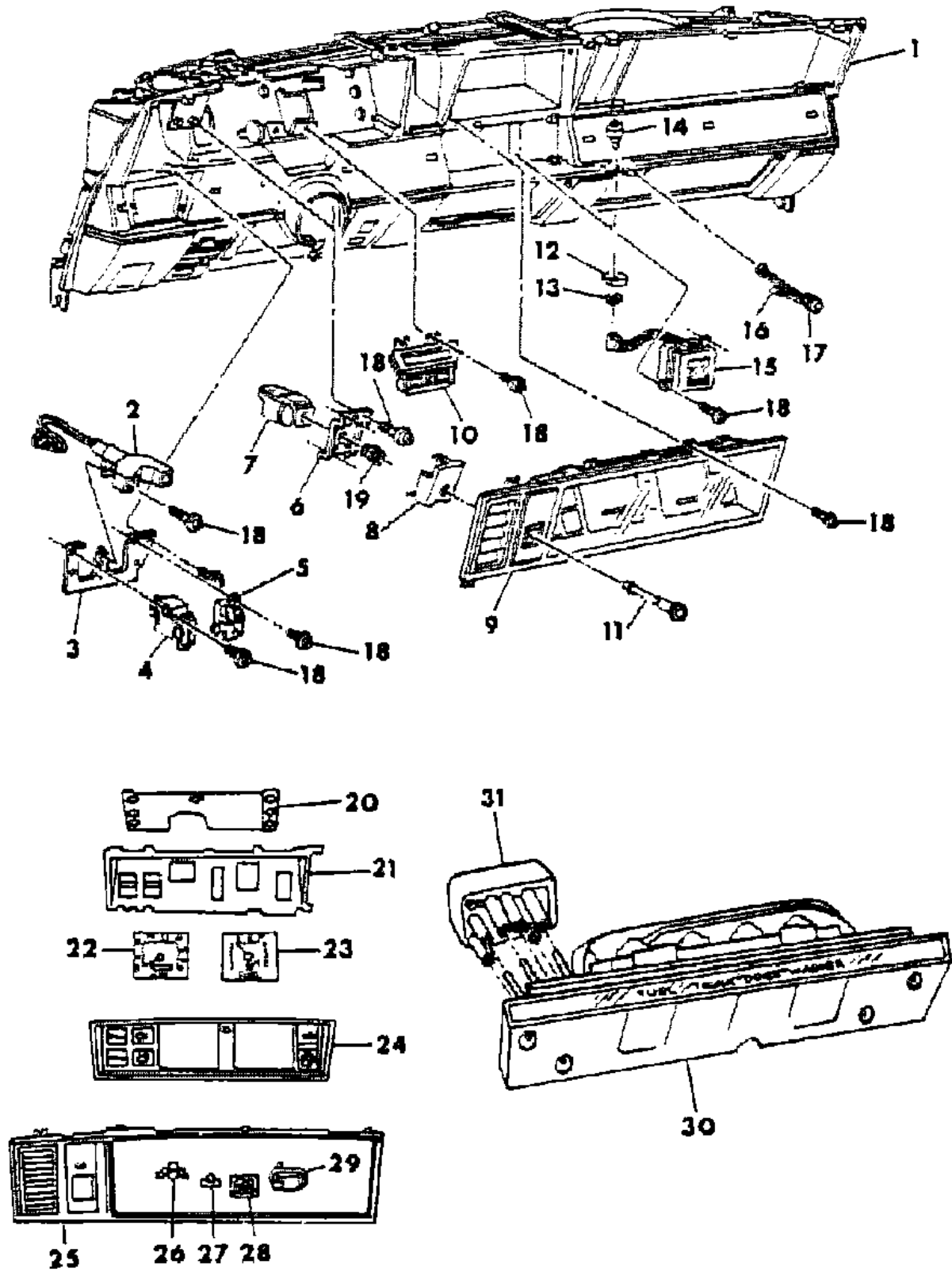
**BODY STYLES**

21 = 2-DOOR SEDAN	28 = FWD PICKUP
22 = 2-DOOR SPECIAL COUPE	41 = 4-DOOR SEDAN
24 = 2-DOOR HATCHBACK	44 = 4-DOOR HATCHBACK
27 = 2-DOOR CONVERTIBLE	45 = 2-SEAT STATION WAGON

AR = Use as Required - = Non Illustrated Part P.A.R. = Paint as Required

**INSTRUMENT PANEL WITH SWITCH AND CLOCK - P,D,C,V**  
**Figure 23B-500**

2170 500A



ITEM	PART NUMBER	QTY	BODY	MODEL	DESCRIPTION
	3592 750				Lable Speedo (Not Shown)
23					GAUGE FUEL
	4051 541			P,D	w/ Unleaded
	4051 542			P,D	w/ Leaded
	4051 569			C,V	w/ Leaded
	4051 568			C,V	w/ Unleaded
	4220 240				GAUGE, Oil, Temp. & Volt (Not Shown)
24	4051 577				MASK ASSY.
25	4051 548			P,D	BEZEL SPEEDO, w/Lens (Rosewood) w/Louver
	4051 526			P,D	BEZEL SPEEDO, w/Lens (Rosewood) w/o Louver
	4051 483			C,V	BEZEL SPEEDO, w/Lens
26	4085 191	4			DIFFUSER
	4051 529	3			DIFFUSER
27					CLIP (Not Serviced)
28	4051 400				VOLTAGE MONITOR
29	2258 413				REGULATOR or LIMITER, Inst. Voltage
30	4047 855			C,V (22	Lamp Module Assy., (Waring Signal)
	4220 342			C (45)	Lamp Module Assy., (Waring Signal)
31	3591 451				Relay, Low Fuel Warning Signal
	2209 215				SPACER, Speedo (Not Shown)
	4220 142				BRACKET Lwr. Rt.(Not Shown)

**MODEL CODES**

B = GRAN FURY/CARAVELLE	P = RELIANT
C = LEBARON/TOWN & COUNTRY	S = CORDOBA
D = ARIES	V = 400
F = NEW YORKER	X = MIRADA
G = DIPLOMAT	Y = IMPERIAL
M = HORIZON/TC3/SCAMP	Z = OMNI/O24/RAMPAGE

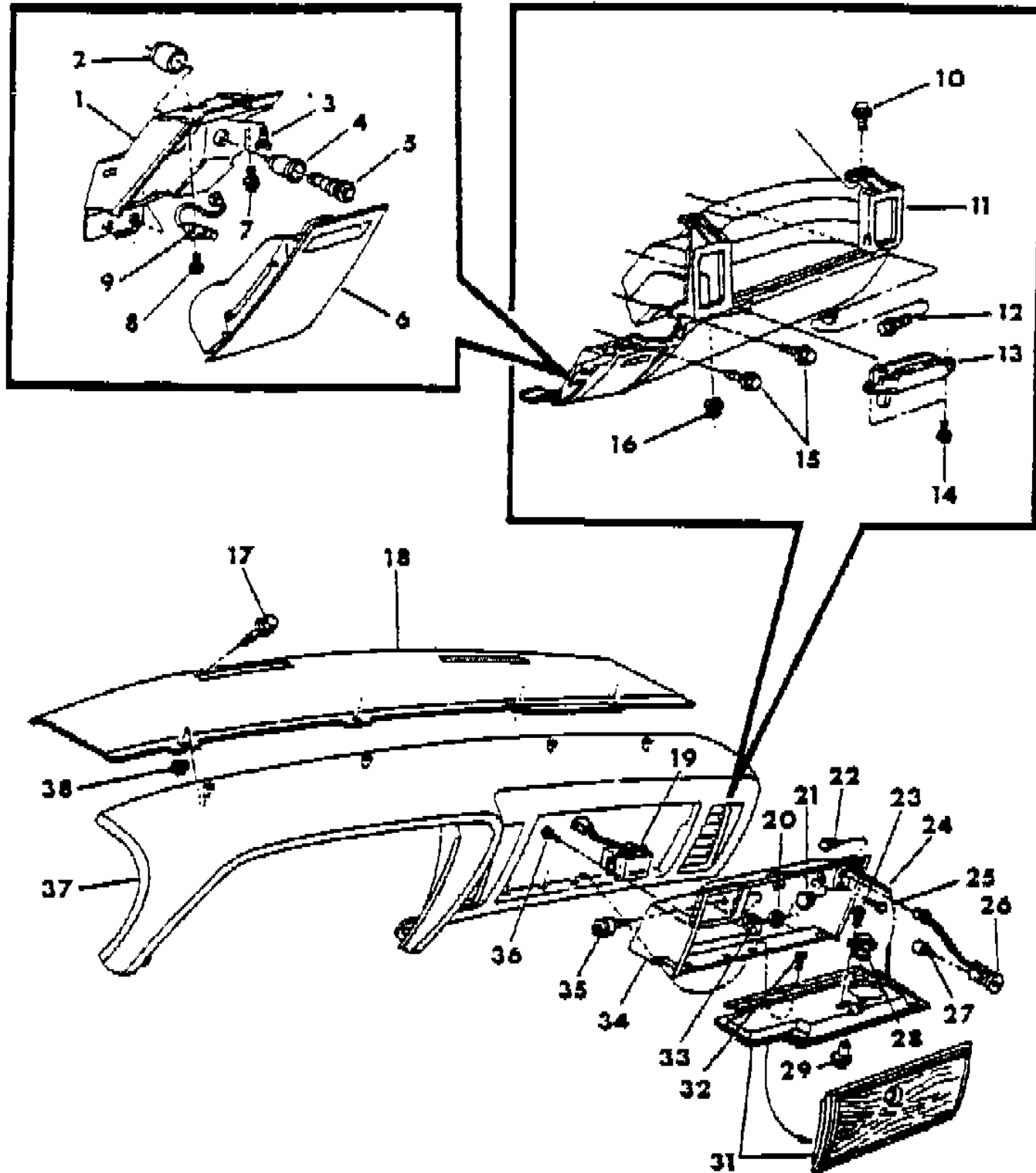
**BODY STYLES**

21 = 2-DOOR SEDAN	28 = FWD PICKUP
22 = 2-DOOR SPECIAL COUPE	41 = 4-DOOR SEDAN
24 = 2-DOOR HATCHBACK	44 = 4-DOOR HATCHBACK
27 = 2-DOOR CONVERTIBLE	45 = 2-SEAT STATION WAGON

AR = Use as Required - = Non Illustrated Part P.A.R. = Paint as Required

**INSTRUMENT PANEL WITH GLOVE BOX - B,F,G**  
**Figure 23B-600**

2170 600A



ITEM	PART NUMBER	QTY	BODY	MODEL	DESCRIPTION
1	3590 763	1			HOUSING, Inst. Pnl. Ash Receiver
2	2932 727	1			SHELL and CLAMP ASSY., Cigar Lighter
3	2661 690	1			BUMPER, Inst. Pnl. Ash Receiver Stop
4	2932 727	1			SHELL and CLAMP ASSY., Cigar Lighter
	3004 190	1			ELEMENT (Cigar Lighter)
	2947 219	1			CIGAR LIGHTER (Pkg.)
5	3747 165	1			KNOB (Cigar Lighter)
6	P632 MX9	1			RECEPTACLE w/FACE PLATE, Inst. Pnl. Ash Receiver
7					SCREW (Not Serviced)
8					SCREW (Not Serviced)
9	3747 089	1			LAMP, Ash Receiver
10					SCREW (Not Serviced)
11	P667 TT6	1			PANEL, Inst. Lower (Paint as Req.)
	P409 TT6	1			Insert (Paint As Req.)
12		AR			SCREW and WASHER (Not Serviced)
13					LAMP PKG., Map and Courtesy (Not Used In 1982)
14					SCREW (Not Serviced)
15					SCREW (Not Serviced)
16					NUT (Not Serviced)
17					SCREW (Not Serviced)
18					COVER, Inst. Pnl. Upr.
	3590 736	1			w/Stereo
	3590 734	1			w/o Stereo, w/Radio
19	3593 899	1			CLOCK, Elect. Digital
20					NUT, Deck Lid Release Mtg. (See Deck Lid Illus.)
21	2822 583	1			LENS, Glove Box
22	6030 538	1			RETAINER, Glove Box Door Check Strap
23					SCREW (Not Serviced)
24	3591 926	1			CABLE, Glove Box Door
25	2218 683	2			BUMPER, Inst. Pnl. to Glove Box Door
26	3747 079	1			SWITCH, Glove Box
	3747 223	1			LAMP and SWITCH PKG., Glove Box
	2822 583	1			Lens
27	0152 244	1			BULB, Glove Box
28	3508 886	1			LATCH, Glove Box Lock Cyl.
		1			CATCH, Glove Box Lock Cyl.(Serv.in Item #34)
29					CYLINDER, Glove Box Door (See Cyl. and Key Illus.)

**MODEL CODES**

B = GRAN FURY/CARAVELLE	P = RELIANT
C = LEBARON/TOWN & COUNTRY	S = CORDOBA
D = ARIES	V = 400
F = NEW YORKER	X = MIRADA
G = DIPLOMAT	Y = IMPERIAL
M = HORIZON/TC3/SCAMP	Z = OMNI/O24/RAMPAGE

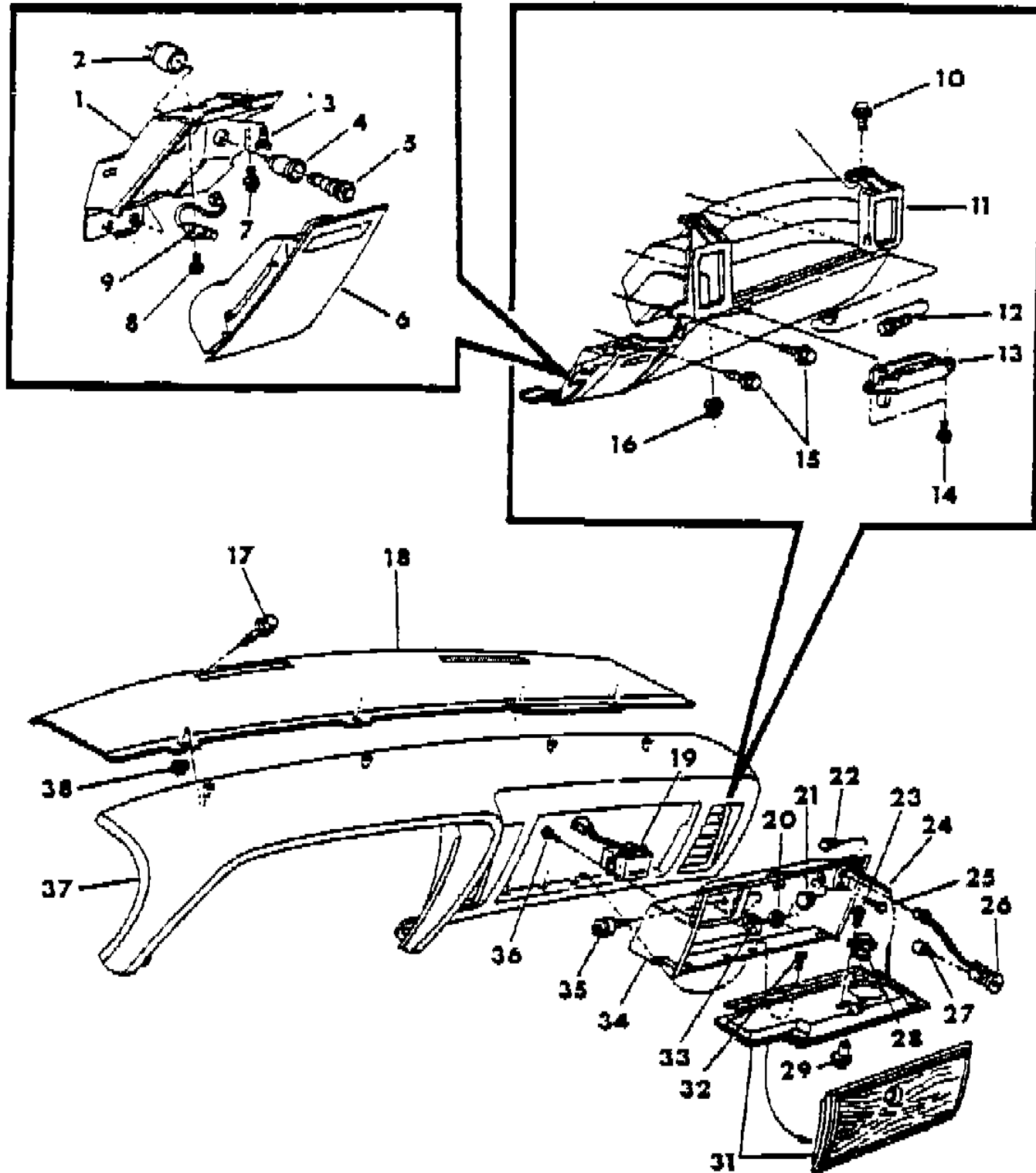
**BODY STYLES**

21 = 2-DOOR SEDAN	28 = FWD PICKUP
22 = 2-DOOR SPECIAL COUPE	41 = 4-DOOR SEDAN
24 = 2-DOOR HATCHBACK	44 = 4-DOOR HATCHBACK
27 = 2-DOOR CONVERTIBLE	45 = 2-SEAT STATION WAGON

AR = Use as Required - = Non Illustrated Part P.A.R. = Paint as Required

**INSTRUMENT PANEL WITH GLOVE BOX - B,F,G**  
**Figure 23B-600**

2170 600A



ITEM	PART NUMBER	QTY	BODY	MODEL	DESCRIPTION
31	4220 413		B,G		DOOR, Glove Box w/Digital Clock (Woodgrain)
	4220 410		B,G		w/o Clock (Woodgrain)
	4047 970		F-S		w/ Clock (Woodgrain)
32					SCREW (Not Serviced)
33					BEZEL, Deck Lid Release (See Deck Lid Illus.)
34					BOX, Glove, Inst. Pnl.
	3591 940	1			w/o Digital Clock
	3591 939	1			w/Digital Clock
35					SWITCH, Deck Lid Release (See Deck Lid Illus.)
36					SCREW (Not Serviced)
37					PAD, Inst. Pnl. Trim. (See Trim Section)
38	6030 301	AR			NUT
	3746 030				LAMP ASSY., Reverses Gear Indicator (m/Trans)

MODEL CODES

B = GRAN FURY/CARAVELLE	P = RELIANT
C = LEBARON/TOWN & COUNTRY	S = CORDOBA
D = ARIES	V = 400
F = NEW YORKER	X = MIRADA
G = DIPLOMAT	Y = IMPERIAL
M = HORIZON/TC3/SCAMP	Z = OMNI/O24/RAMPAGE

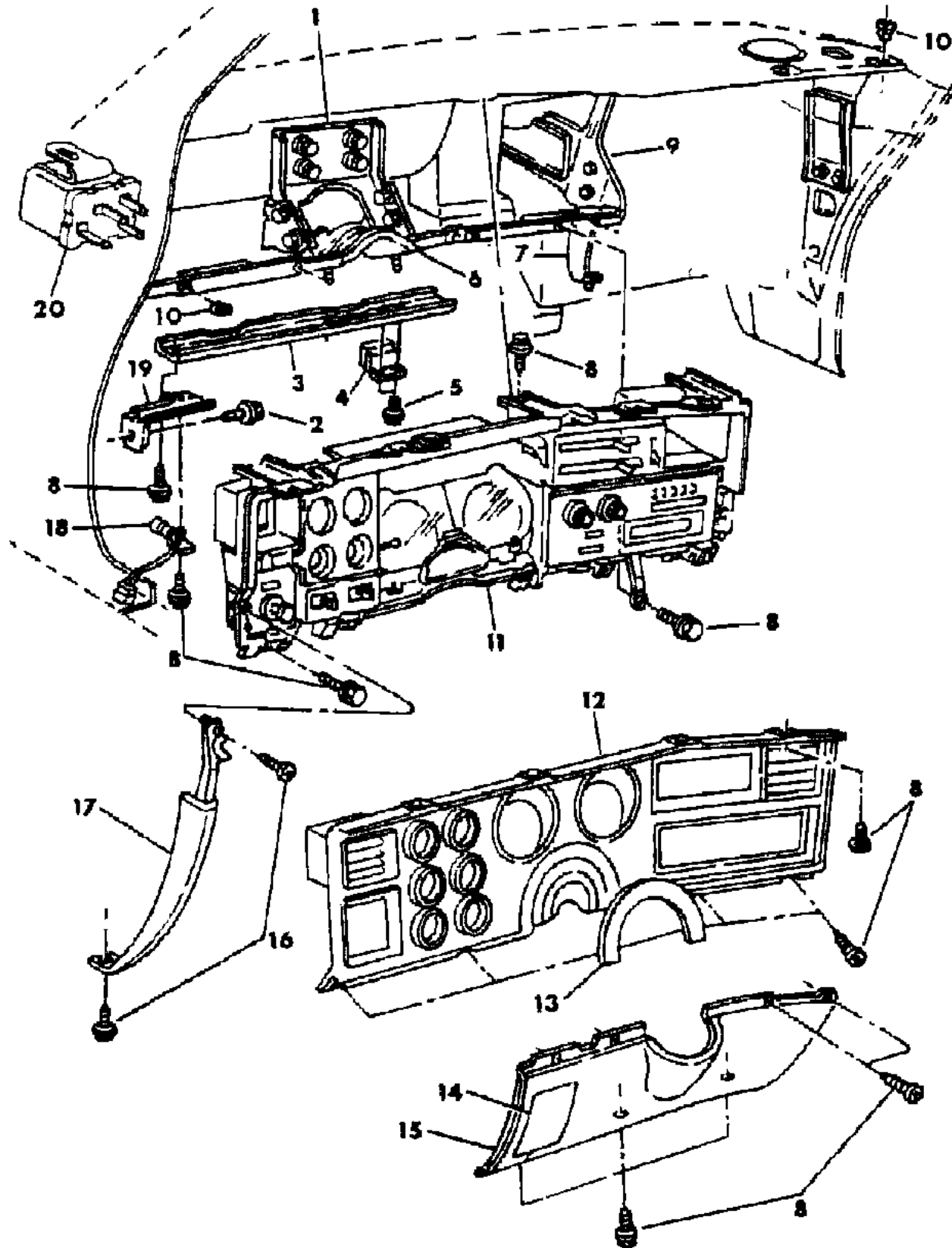
BODY STYLES

21 = 2-DOOR SEDAN	28 = FWD PICKUP
22 = 2-DOOR SPECIAL COUPE	41 = 4-DOOR SEDAN
24 = 2-DOOR HATCHBACK	44 = 4-DOOR HATCHBACK
27 = 2-DOOR CONVERTIBLE	45 = 2-SEAT STATION WAGON

AR = Use as Required - = Non Illustrated Part P.A.R. = Paint as Required

**INSTRUMENT PANEL - B,F,G**  
**Figure 23B-700**

2170 700



ITEM	PART NUMBER	QTY	BODY	MODEL	DESCRIPTION
1	3590 876	1			BRACKET
2		AR			SCREW (Not Serviced)
3	4047 295	1			REINFORCEMENT, Inst. Pnl. Lwr. Left
	4047 089	1			REINFORCEMENT, Inst. Pnl. Inter Left
4	4222 060	1			CONTROL, w/Intermittent Wipe
5		2			SCREW (Not Serviced)
6	4047 087	1			BRACKET, Strg. Col. Supt.
7	3591 878	1			SUPPORT, Inst. Pnl. Center to Lwr. Reinf.
8					SCREW (Not Serviced)
9	3590 772	1			SUPPORT, Inst. Pnl. Center to Cowl Top
10	6030 301	AR			NUT
11					HOUSING, Speedometer
	4051 072	1			Speedometer, Fuel Gauge
	4051 079	1			Amp., Temp., Washer, Brake/Oil
12					BEZEL, Speedometer
	4220 004		F-S		BEZEL, Speedometer & Inst. Cluster
	4047 129	1	B,G		w/A/Cond. w/o Radio
	4047 130	1	B,G		w/o A/Cond. w/Radio
	4047 131	1	B,G		w/A/Cond. w/Radio
	4220 482	1			PLATE, w/o Radio (Not Shown)
13	3593 888	1			COVER, Gearshift Indicator
14	P634 MX9	1			PLATE, Fuse Block Cover (Paint as Req.)
15	P635 TB2	1			COVER, Strg. Col. Opng. (Paint as Req.)
16					SCREW (Not Serviced)
17	P513 PX9	1			CAP, Inst. Pnl. (Paint as Req.)
18	3591 130	1			LAMP, Courtesy, Under Pnl., (Also refer to Dome & Courtesy Lamp Illus.), Assy.
19	3591 081	1			BRACKET
20	3879 696	1			RELAY w/BRACKET, Elect. Wdo. Lift
NOTE: The Following Items are not Illustrated an offsetting order for part no. 3747881					
	4075 042	1			GROMMET, Speedo to Hsg.
	4047 089	1			REINFORCEMENT, Inst. Pnl. Inter., Left
					PRINTED CIRCUIT BOARD
	4051 419	1			w/Major Gauge, w/Led.
	4051 180	1			w/Minor Gauge, w/Led.
		1			RELAY, Rear Heated Wdo. (Serviced in Switch assy.)
	4051 171	1			MASK, w/Minor Gauge

**MODEL CODES**

B = GRAN FURY/CARAVELLE	P = RELIANT
C = LEBARON/TOWN & COUNTRY	S = CORDOBA
D = ARIES	V = 400
F = NEW YORKER	X = MIRADA
G = DIPLOMAT	Y = IMPERIAL
M = HORIZON/TC3/SCAMP	Z = OMNI/O24/RAMPAGE

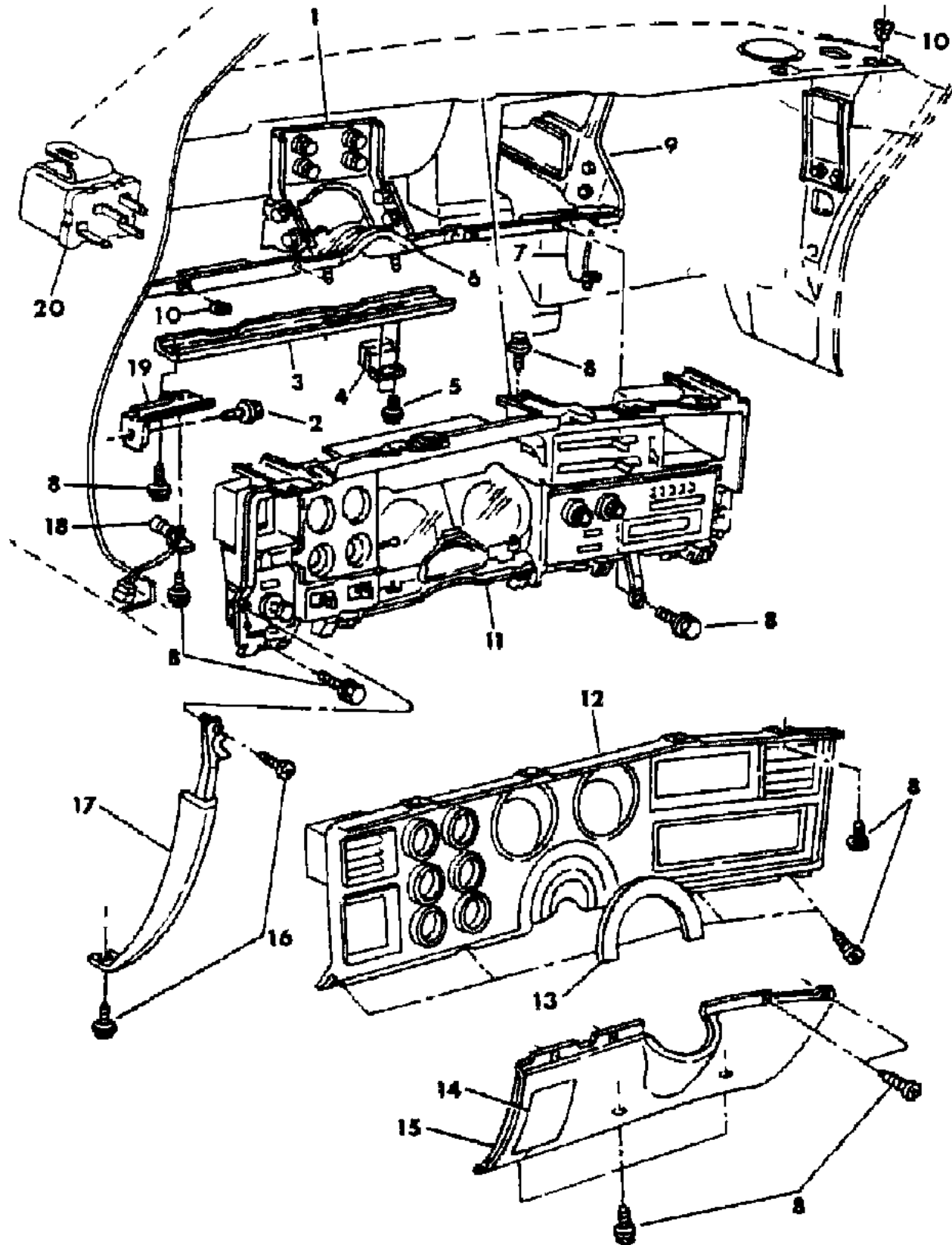
**BODY STYLES**

21 = 2-DOOR SEDAN	28 = FWD PICKUP
22 = 2-DOOR SPECIAL COUPE	41 = 4-DOOR SEDAN
24 = 2-DOOR HATCHBACK	44 = 4-DOOR HATCHBACK
27 = 2-DOOR CONVERTIBLE	45 = 2-SEAT STATION WAGON

AR = Use as Required - = Non Illustrated Part P.A.R. = Paint as Required

INSTRUMENT PANEL - B,F,G  
Figure 23B-700

2170 700



ITEM	PART NUMBER	QTY	BODY	MODEL	DESCRIPTION
	0152 490	2			U-NUT, Inst. Pnl. Lwr. to Att. Strg. Col. Cover
	0152 490	1			U-NUT, Inst. Pnl. Lwr. to Att. Ash Rec. Hsg.
	3591 543	1			LAMP, Elect. Feed Back Cont. System, Assy.
	3747 751	1			BUZZER WARNING, Key and H/Lamp
	3747 874	1			SWITCH, Rear Amplifier
	3747 750	1			Clip, Switch Rear Amplifier

MODEL CODES

- |                            |                      |
|----------------------------|----------------------|
| B = GRAN FURY/CARAVELLE    | P = RELIANT          |
| C = LEBARON/TOWN & COUNTRY | S = CORDOBA          |
| D = ARIES                  | V = 400              |
| F = NEW YORKER             | X = MIRADA           |
| G = DIPLOMAT               | Y = IMPERIAL         |
| M = HORIZON/TC3/SCAMP      | Z = OMNI/O24/RAMPAGE |

BODY STYLES

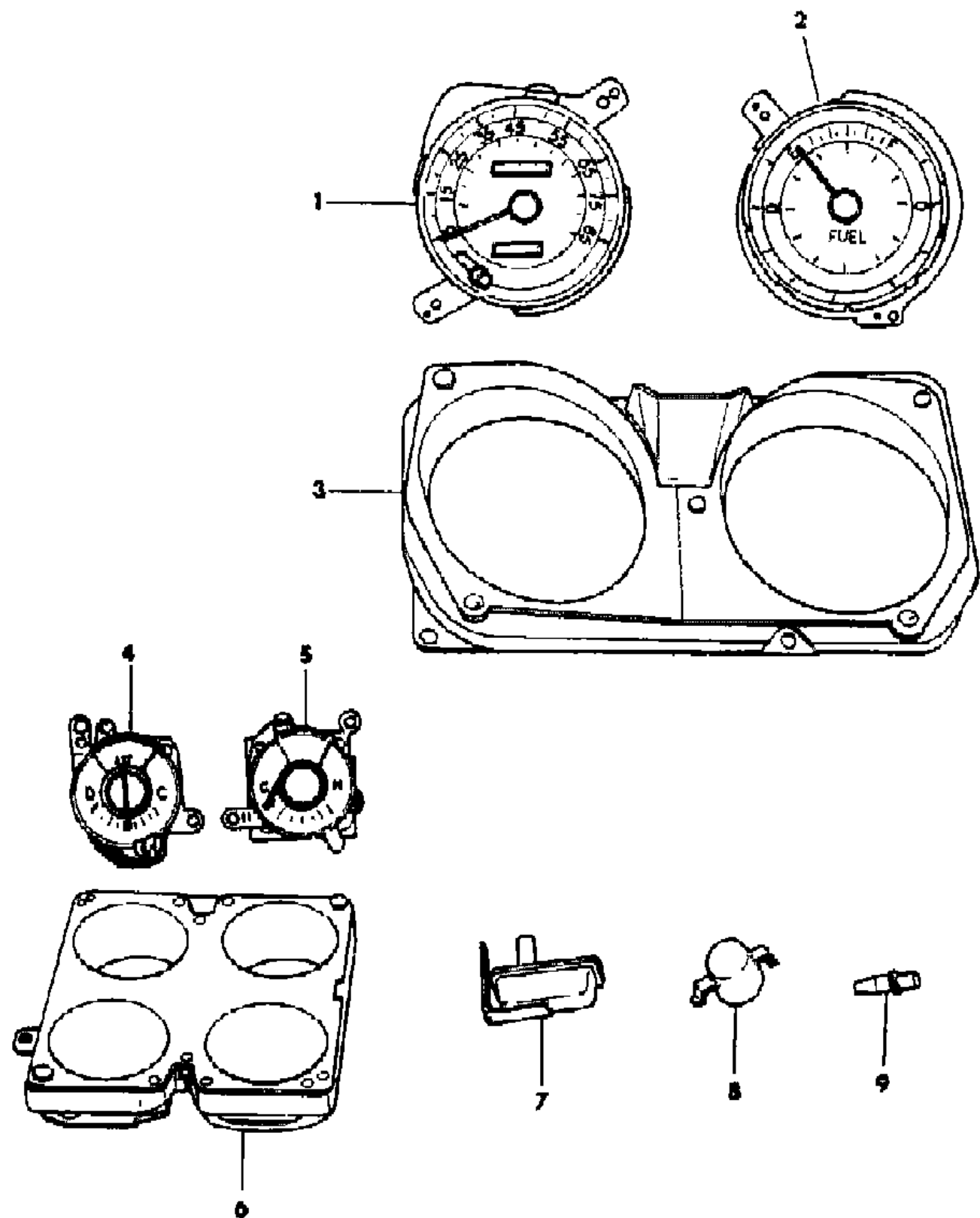
- |                           |                           |
|---------------------------|---------------------------|
| 21 = 2-DOOR SEDAN         | 28 = FWD PICKUP           |
| 22 = 2-DOOR SPECIAL COUPE | 41 = 4-DOOR SEDAN         |
| 24 = 2-DOOR HATCHBACK     | 44 = 4-DOOR HATCHBACK     |
| 27 = 2-DOOR CONVERTIBLE   | 45 = 2-SEAT STATION WAGON |

AR = Use as Required - = Non Illustrated Part P.A.R. = Paint as Required



**SPEEDOMETER, GAUGES AND LENS - B,F,G**  
**Figure 23B-800**

2170 800



ITEM	PART NUMBER	QTY	BODY	MODEL	DESCRIPTION
1					SPEEDOMETER ASSY.
	4051 512	1			140 Kilo, Pkg.
	4051 524	1			85 Mile, Pkg.
	4051 525	1			125 Cert., Pkg.
	4051 195	1			KNOB, Odometer Reset
	3592 750	1			Lable Speedometer
2					GAUGE, Fuel
	4051 388	1			w/Unleaded w/Led
	4051 389	1			w/Leaded w/Led
3	4051 027	1			LENS, w/Mask (Speedometer,Fuel Gauge)
4	4051 397				GAUGE, Ammeter w/Led
5	4051 348	1			GAUGE, Temperature
	4047 724	1			GAUGE, Oil Pressure
	4196 930	1			GAUGE, Oil Pressure (Police)
6	4051 339	1			LENS,w/MASK (Amp.,Temp.,Washer,Brake/Oil)
7	2258 413				REGULATOR OR LIMITED, Inst. Voltage
8	4085 191	AR			DIFFUSER, Inst. Lamp
9	3592 462	4			PIN, Lens Mtg. (Plastic)

**MODEL CODES**

B = GRAN FURY/CARAVELLE	P = RELIANT
C = LEBARON/TOWN & COUNTRY	S = CORDOBA
D = ARIES	V = 400
F = NEW YORKER	X = MIRADA
G = DIPLOMAT	Y = IMPERIAL
M = HORIZON/TC3/SCAMP	Z = OMNI/O24/RAMPAGE

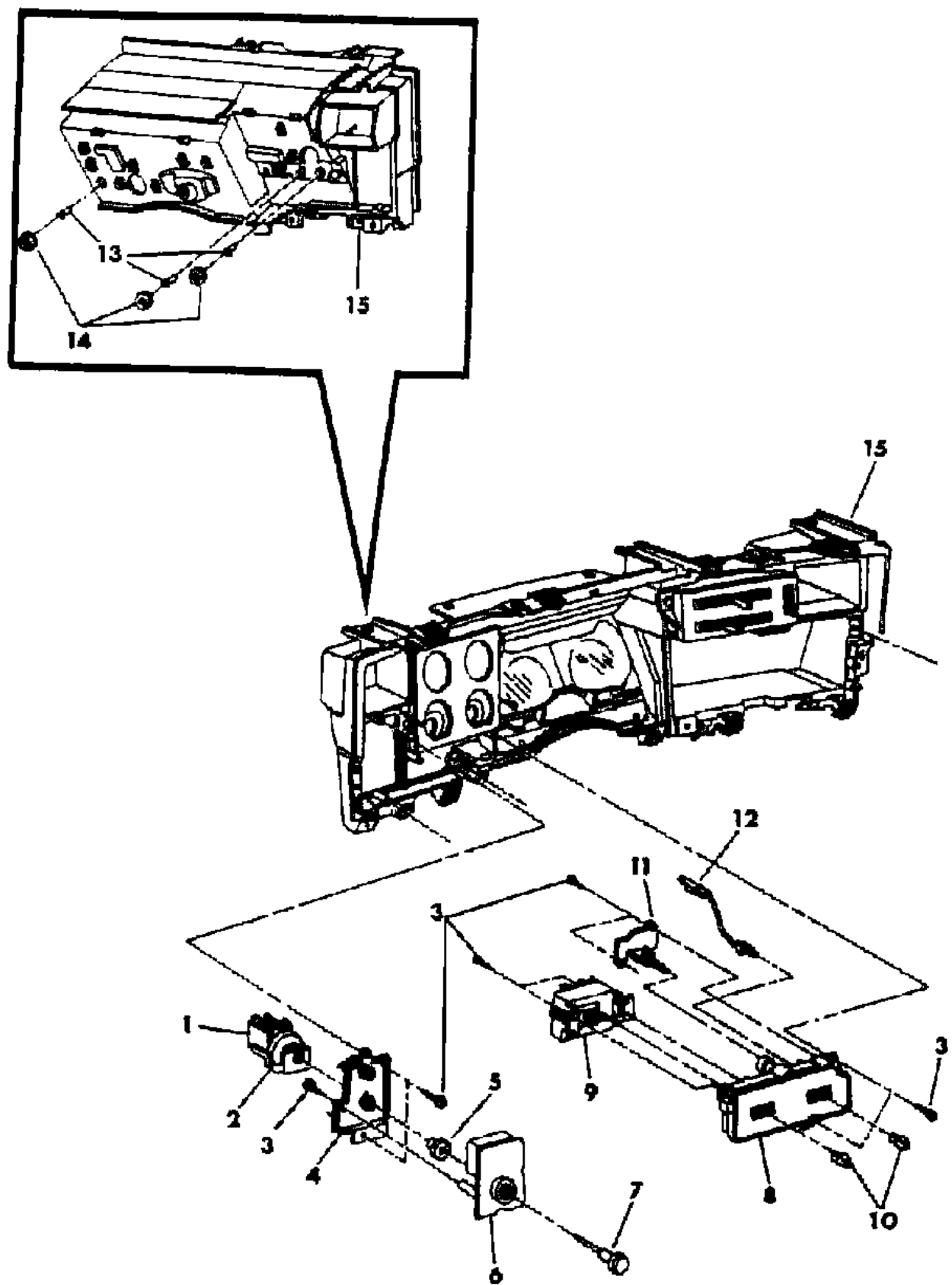
**BODY STYLES**

21 = 2-DOOR SEDAN	28 = FWD PICKUP
22 = 2-DOOR SPECIAL COUPE	41 = 4-DOOR SEDAN
24 = 2-DOOR HATCHBACK	44 = 4-DOOR HATCHBACK
27 = 2-DOOR CONVERTIBLE	45 = 2-SEAT STATION WAGON

AR = Use as Required - = Non Illustrated Part P.A.R. = Paint as Required

**INSTRUMENT CLUSTER - B,F,G**  
**Figure 23B-900**

2170 900



ITEM	PART NUMBER	QTY	BODY	MODEL	DESCRIPTION
1	3747 216	1			SWITCH, H/Lamp, Inst. Lamp and Dome Lamp
2	3747 258	1			RHEOSTAT, Head Lamp Switch, Pkg.
3					SCREW (Not Serviced)
4	3747 225	1			PLATE, Head Lamp Switch Mtg.
5	3747 204	1			RETAINER, Head Lamp Switch Mtg.
6	3747 968	1			BEZEL, Head Lamp Switch
	4221 092	1	F-S		BEZEL, Head Lamp Switch
7	3747 760	1			KNOB w/SHAFT, Head Lamp Switch
8	3747 974	1			BEZEL & MTG. PLATE, Rear Heated Window
	3747 973	1			Rear W/S Wiper
	3747 972	1			BEZEL, Rear Wiper w/Rear Heater Wdo.
	3488 815	1			BEZEL, Rear Defogger
	3747 675	1			PLATE, Rear Heater Window (Not Shown)
10	3747 244				KNOB, Acc. Switch
11	3747 641	1			SWITCH, Rear Heated Window
	2820 455	1			SWITCH, Rear Defogger
12					LAMP, Rear Heated Window Ind.
13	9415 969	AR			BULB
14	3744 750	AR			SOCKET
15	4051 021	1			CARRIER, Speedometer

MODEL CODES  
 B = GRAN FURY/CARAVELLE      P = RELIANT  
 C = LEBARON/TOWN & COUNTRY      S = CORDOBA  
 D = ARIES      V = 400  
 F = NEW YORKER      X = MIRADA  
 G = DIPLOMAT      Y = IMPERIAL  
 M = HORIZON/TC3/SCAMP      Z = OMNI/O24/RAMPAGE

BODY STYLES  
 21 = 2-DOOR SEDAN      28 = FWD PICKUP  
 22 = 2-DOOR SPECIAL COUPE      41 = 4-DOOR SEDAN  
 24 = 2-DOOR HATCHBACK      44 = 4-DOOR HATCHBACK  
 27 = 2-DOOR CONVERTIBLE      45 = 2-SEAT STATION WAGON

AR = Use as Required - = Non Illustrated Part P.A.R. = Paint as Required

**INSTRUMENT PANEL ASH RECEIVER AND MAP LIGHT X-S**  
**Figure 23B-1000**

2170 1000

ITEM	PART NUMBER	QTY	BODY	MODEL	DESCRIPTION
1					SCREW (Not Serviced)
2	4222 086				CHIMES
3	3747 528				HOUSING, Hood & Brake Rel.
4	9417 561				BULB
5	4085 191				DIFEUSER
6					INSTRUMENT PANEL (See Interior Trim)
7	3747 548				LAMP, Ash Receiver
	3746 516				Socket, Ash Receiver
	3747 452				LAMP, Inst Pnl. Cigar
	3746 515				Socket
	9415 969				Bulb
	3513 350				Insul.
	2983 409				Term.
8	3747 451				BEZEL, Cigar Lighter
9	3747 633				SHELL & CLAMP, Cigar Lighter
10	3747 629				BEZEL, Cigar Lighter
11	4047 647				LAMP, Map and Courtesy, Assy.
	3746 017				Lens
12	3004 190				ELEMENT, Cigar Lighter
	3747 763				Knob
13	3591 685				HOUSING, Ash Receiver
14	3591 863				RECEPTACLE, Inst. Pnl. Ash Rec. (Complete) Featherwood
	3591 864				RECEPTACLE, Inst. Pnl. Ash Rec. (Complete) Brushed Aluminum
	3591 692				Bumper
	3591 691				Spring
15					FACE PLATE
	4047 783				Brushed Aluminum
	3591 694				Featherwood
16					(Serviced In Wiring Assy.)
NOTE: The following items are not shown on illustration an offsetting order for part no. 3747881					
	2985 816				BUMPER, Inst Pnl. Ash. Stop
	4222 060				CONTROL, Intermittent Wiper

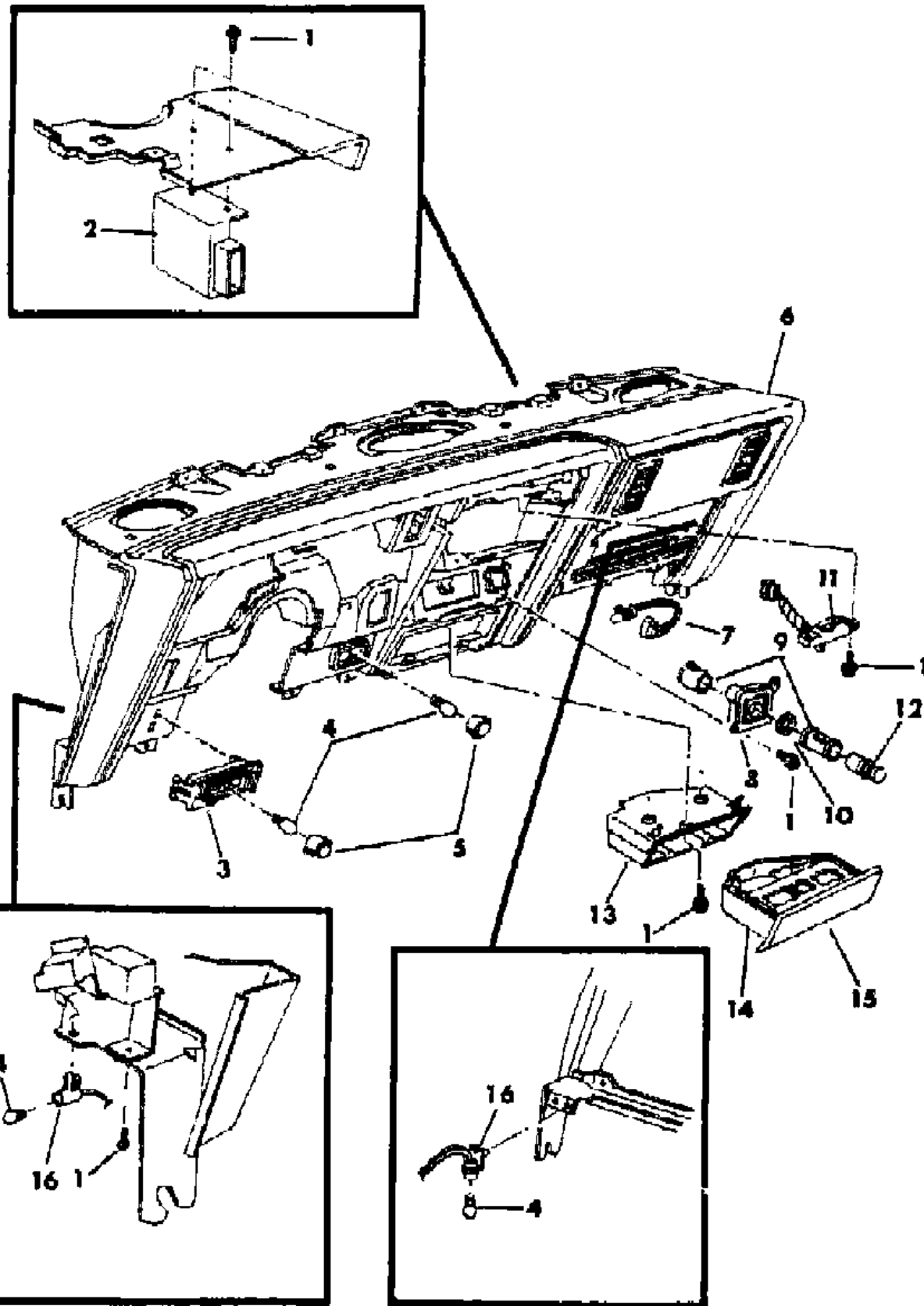
**MODEL CODES**

B = GRAN FURY/CARAVELLE	P = RELIANT
C = LEBARON/TOWN & COUNTRY	S = CORDOBA
D = ARIES	V = 400
F = NEW YORKER	X = MIRADA
G = DIPLOMAT	Y = IMPERIAL
M = HORIZON/TC3/SCAMP	Z = OMNI/O24/RAMPAGE

**BODY STYLES**

21 = 2-DOOR SEDAN	28 = FWD PICKUP
22 = 2-DOOR SPECIAL COUPE	41 = 4-DOOR SEDAN
24 = 2-DOOR HATCHBACK	44 = 4-DOOR HATCHBACK
27 = 2-DOOR CONVERTIBLE	45 = 2-SEAT STATION WAGON

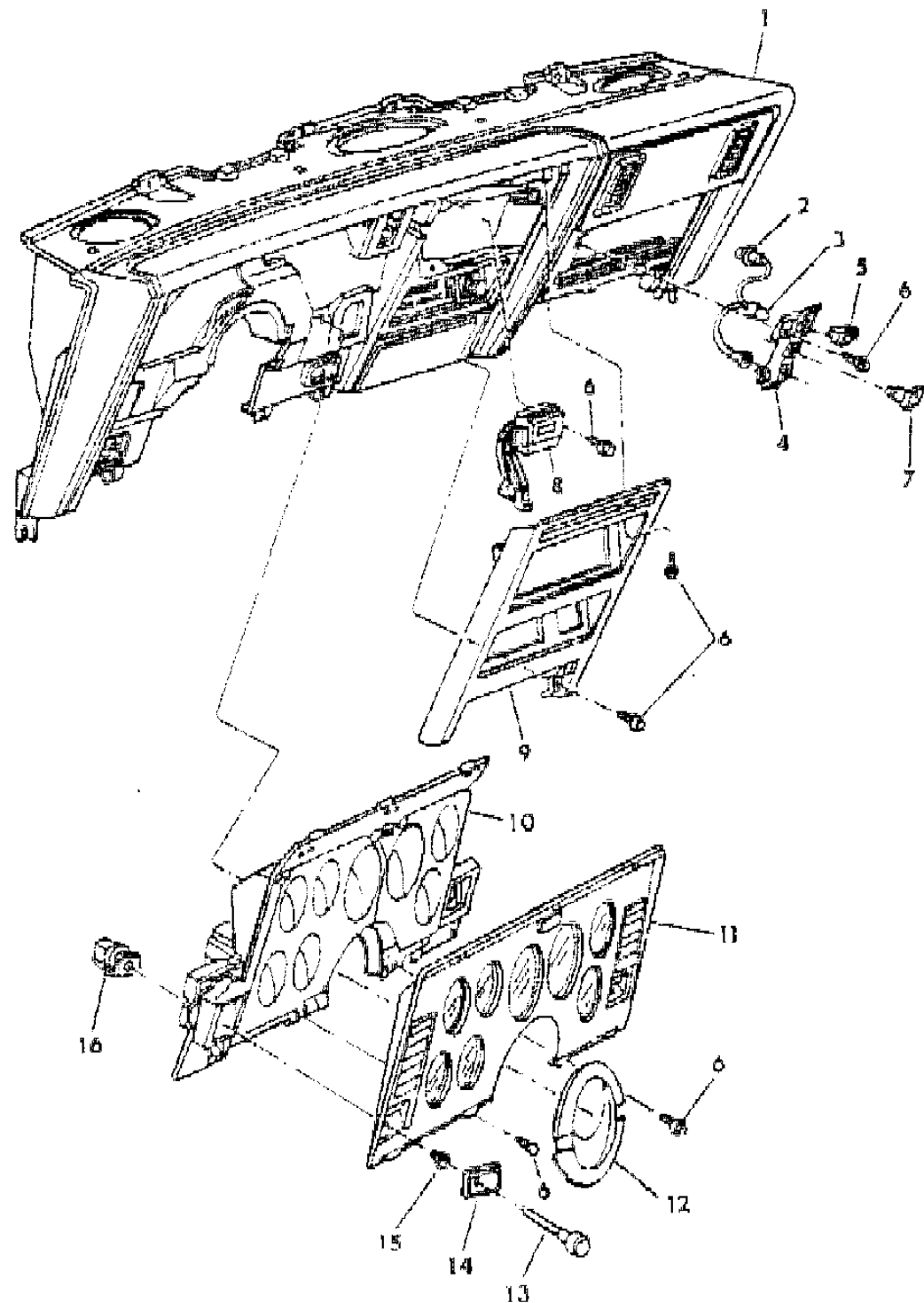
AR = Use as Required - = Non Illustrated Part P.A.R. = Paint as Required



# INSTRUMENT PANEL FACE PLATE AND CLUSTER X-S

## Figure 23B-1100

2170 :100A



ITEM	PART NUMBER	QTY	BODY	MODEL	DESCRIPTION
1					INSTRUMENT PANEL (Serviced in Interior Trim)
2	3747 513				SWITCH w/LAMP, Glove Box, Assy.
	3747 649				SWITCH, w/Lamp Glove Box Pkg. .
3	9415 969				BULB
4	3747 704				BEZEL, Glove Box Acc. Switch w/Clock, Assy.
	3747 703				Bezel, Glove Box Acc. Switch w/o Clock
	3747 711				Cover, Glove Box Acc. Switch
5	3747 501				SWITCH, Clock Reset
	3747 711				COVER, Glove Box Acc. Switch
6					SCREW (Not Serviced)
7	3747 608				SWITCH, Deck Lid Release
8	4220 094				CLOCK, Digital
9					BEZEL, Inst. Pnl. Ctr.
	3591 675				w/Radio w/Clock (Featherwood)
	3591 743				w/Radio w/o Clock (Featherwood)
	3591 747				w/o Radio w/o Clock (Featherwood)
	3591 745				w/o Radio w/Clock (Featherwood)
	3591 845				w/Radio w/Clock (Brushed Aluminum)
	3591 846				w/Radio w/o Clock (Brushed Aluminum)
	3591 843				w/o Radio w/Clock (Brushed Aluminum)
	3591 844				w/o Radio w/o Clock (Brushed Aluminum)
10	3591 995				HOUSING
	3591 814				PIN, Lens Mtg. (Plastic) Not Shown
11	3591 773				BEZEL, Speedometer (Featherwood), Assy.
	3591 779				Brushed Aluminum
12					SHIELD, Strg. & Inst. Cluster (Serviced in Bezel Assy.)
13	3747 761				KNOB w/SHAFT, Head Lamp Switch
14	4221 138				BEZEL, Head Lamp Switch, Assy.
15	3747 204				RETAINER, Head Lamp Switch
16	4221 223				SWITCH, Head Lamp and Dome Lamp
	3747 453				PLATE, Head Lamp
	NOTE: The following items are not shown on illustration an offsetting order for part no. 3747881				
	4075 042				GROMMET, Speed. to Hsg.,
	4047 715				BOARD, Printed Circuit

**MODEL CODES**

B = GRAN FURY/CARAVELLE	P = RELIANT
C = LEBARON/TOWN & COUNTRY	S = CORDOBA
D = ARIES	V = 400
F = NEW YORKER	X = MIRADA
G = DIPLOMAT	Y = IMPERIAL
M = HORIZON/TC3/SCAMP	Z = OMNI/O24/RAMPAGE

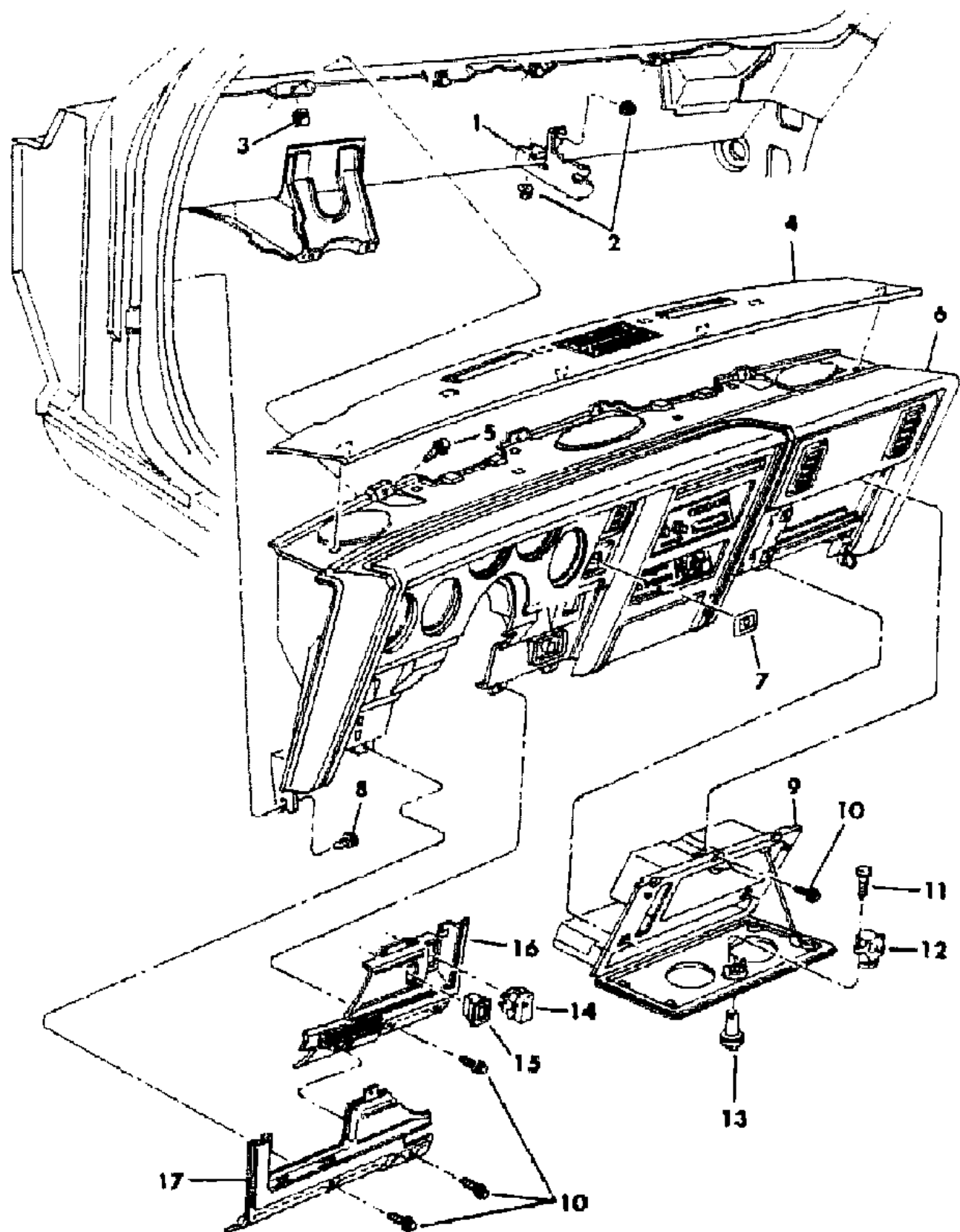
**BODY STYLES**

21 = 2-DOOR SEDAN	28 = FWD PICKUP
22 = 2-DOOR SPECIAL COUPE	41 = 4-DOOR SEDAN
24 = 2-DOOR HATCHBACK	44 = 4-DOOR HATCHBACK
27 = 2-DOOR CONVERTIBLE	45 = 2-SEAT STATION WAGON

AR = Use as Required - = Non Illustrated Part P.A.R. = Paint as Required

**INSTRUMENT PANEL WITH GLOVE BOX -X,S**  
**Figure 23B-1200**

2170 1200



ITEM	PART NUMBER	QTY	BODY	MODEL	DESCRIPTION
1	3591 792				BRACKET, Inst. Pnl. To Dash
2	0219 462				NUT & WASHER
3	6015 983				U-NUT
4	3590 389				COVER (See Interior Trim) CLIP, Cover
5	3591 459				SCREW (Not Serviced)
6	3591 242				INSTRUMENT PANEL (See Interior Trim)
7	3591 459				BEZEL, w/Remote Mirror
	3591 242				w/o Remote Mirror
8	6025 355				SCREW & WASHER
9	P657 AA7				GLOVE BOX AND DOOR Silver
	P657 TC7				Blue
	P657 TD2				Gray
	P657 VH9				Mahogany
	P657 TM6				Red
	P657 TT6				Tan
10					SCREW (Not Serviced)
11					SCREW (Not Serviced)
12	3508 886				LATCH, Glove Box, Assy.
	3591 674				Catch, Glove Box
	3591 874				CABLE, Glove Box
13					CYLINDER and KNOB ASSY. (See Cyl. and Key Illus)
14	4186 361				SWITCH, Electric Heated Rear Window, Assy.
15	3747 970				SWITCH, Moon Roof, Assy.
16	4047 750				BEZEL, Lower Rt. w/o Acc. Switch (Featherwood)
	4047 754				w/o Acc. Switch (Brushed Aluminum)
	4047 752				w/Acc. Switch (Featherwood)
	4047 756				w/Acc. Switch (Brushed Aluminum)
17	4047 751				BEZEL, Lower Lt. (Featherwood)
	4047 753				Brushed Aluminum
	4047 781				SILENCER, Inst. Pnl. Lt., Assy. (Not Shown)
	3590 551				BUMPER, g/Box

MODEL CODES

B = GRAN FURY/CARAVELLE	P = RELIANT
C = LEBARON/TOWN & COUNTRY	S = CORDOBA
D = ARIES	V = 400
F = NEW YORKER	X = MIRADA
G = DIPLOMAT	Y = IMPERIAL
M = HORIZON/TC3/SCAMP	Z = OMNI/O24/RAMPAGE

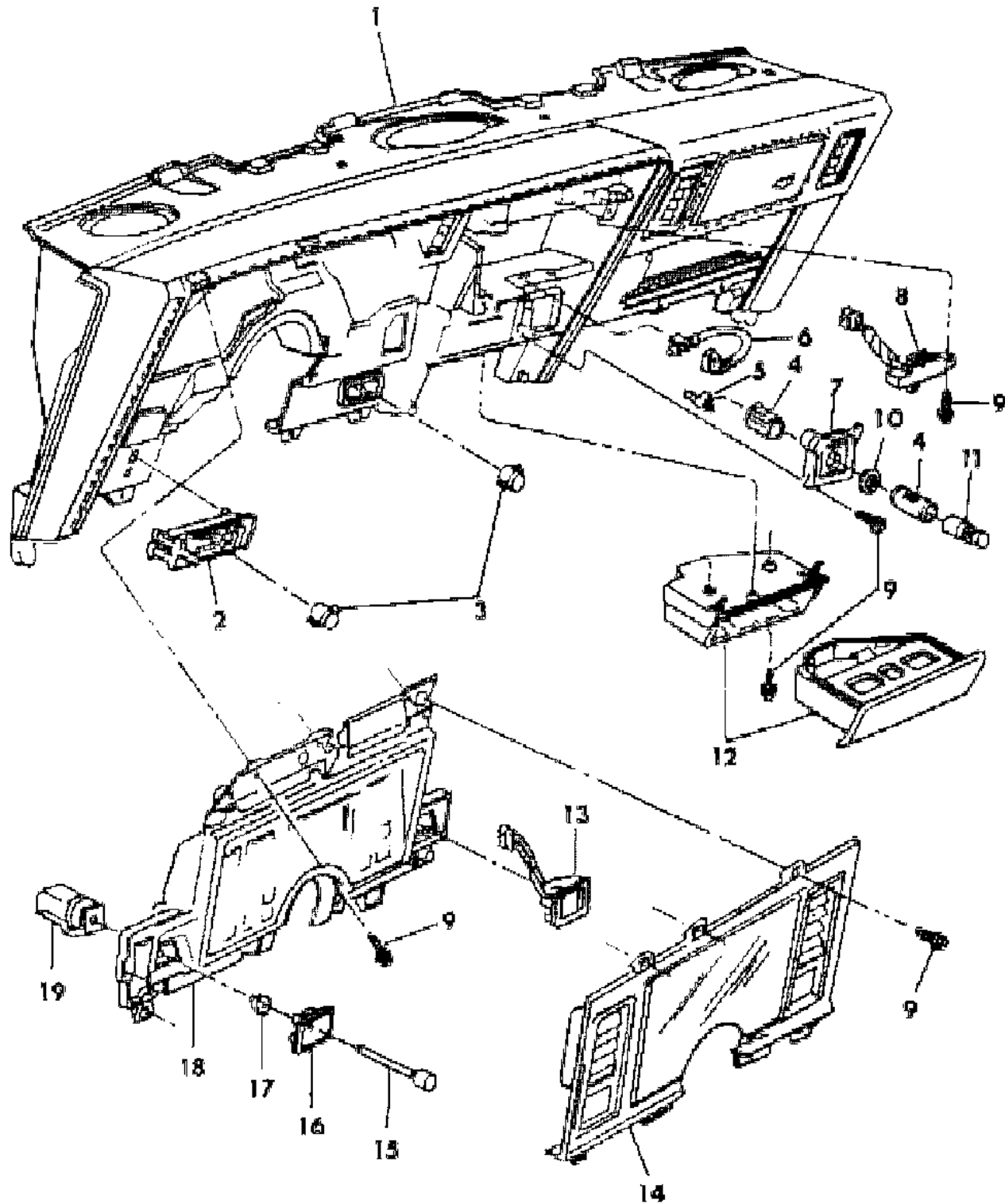
BODY STYLES

21 = 2-DOOR SEDAN	28 = FWD PICKUP
22 = 2-DOOR SPECIAL COUPE	41 = 4-DOOR SEDAN
24 = 2-DOOR HATCHBACK	44 = 4-DOOR HATCHBACK
27 = 2-DOOR CONVERTIBLE	45 = 2-SEAT STATION WAGON

AR = Use as Required - = Non Illustrated Part P.A.R. = Paint as Required

**INSTRUMENT PANEL WITH ASH RECEIVER -Y-IMPERIAL**  
**Figure 23B-1300**

2370 1300



ITEM	PART NUMBER	QTY	BODY	MODEL	DESCRIPTION
1					SEE (Interior Trim)
2	3747 528				HOUSING, Hood & Brake
3	4085 191				DIFFUSER, Hood & Brake Elec. Rr. Wdo. Switch
4	3747 633				SHELL & CLAMP
5	3747 452				LAMP, Cigar Lighter
6	3747 548				LAMP, Ash Receiver
	3746 516				Socket
	9415 969				Bulb
	3513 350				Insulator
	2983 409				Term.
7	4221 114				BEZEL, Cigar Lighter, Assy. (Chrome)
8	4047 647				LAMP, Map and Courtesy, Assy.
	3746 017				Lens
9					SCREW (Not Serviced)
10	3746 629				BEZEL, Cigar Lighter
11	3747 763				KNOB
	3004 190				ELEMENT, Cigar Lighter
12	4220 393				RECEIVER, Ash (Complete)
	4047 990				BUMPER, Ash Receiver
13	4221 060				SWITCH, Rear Amplifier
	4210 055				RELAY, Power Amplifier
14	4047 425				BEZEL
15	3747 761				KNOB w/SHAFT, Head Lamp Switch
16	4221 136				BEZEL, Head Lamp Switch, Assy. (Black Serviced By Chrome)
17	4221 064				RETAINER, Head Lamp Switch
18	4047 404				HOUSING
	3591 814				PIN, Lens Mtg. (Plastic) Not Shown
19	3747 216				SWITCH, Head Lamp w/ or w/o Buzzer
	3747 831				PLATE, H/Lamp Switch

**MODEL CODES**

B = GRAN FURY/CARAVELLE	P = RELIANT
C = LEBARON/TOWN & COUNTRY	S = CORDOBA
D = ARIES	V = 400
F = NEW YORKER	X = MIRADA
G = DIPLOMAT	Y = IMPERIAL
M = HORIZON/TC3/SCAMP	Z = OMNI/O24/RAMPAGE

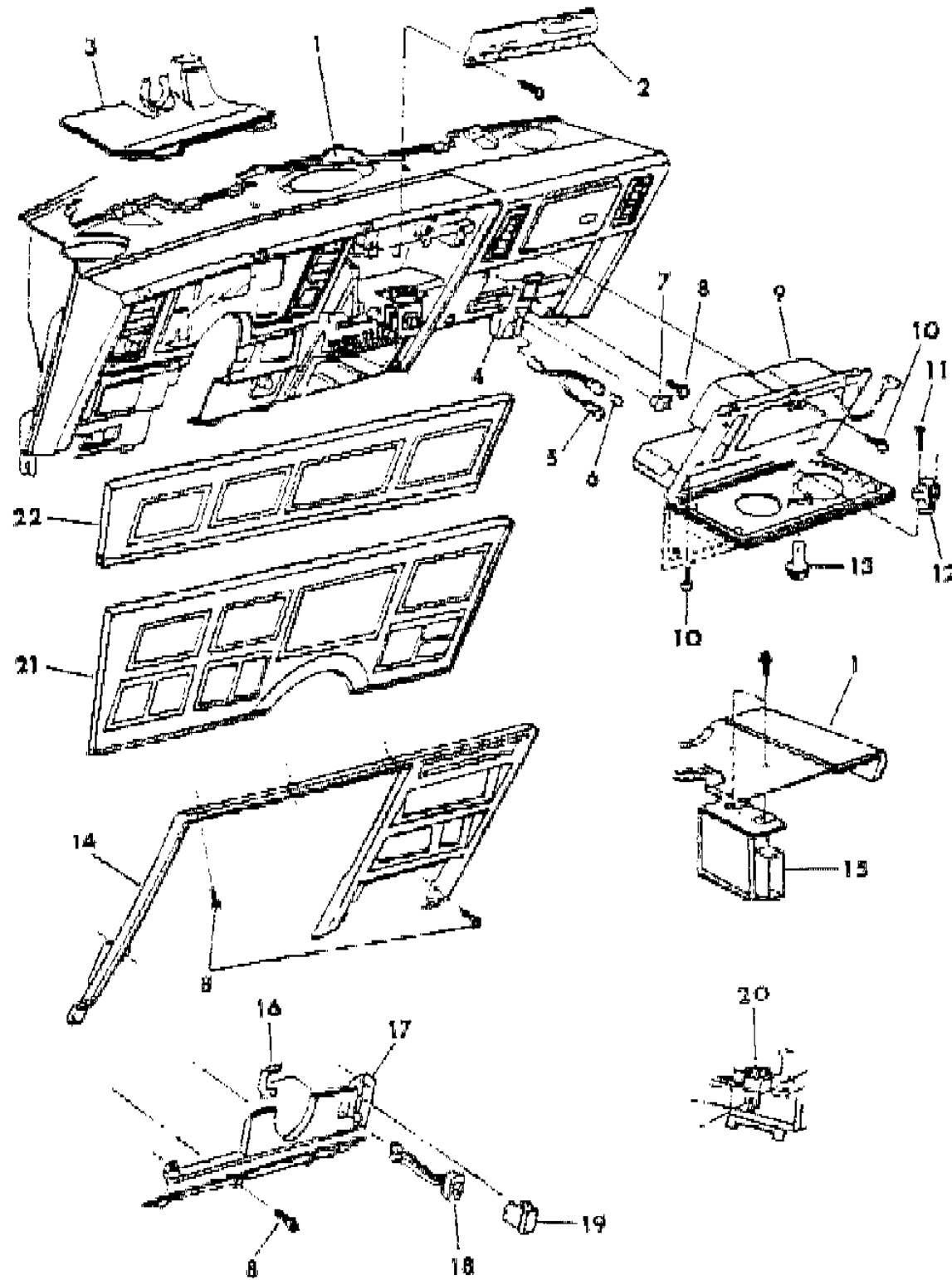
**BODY STYLES**

21 = 2-DOOR SEDAN	28 = FWD PICKUP
22 = 2-DOOR SPECIAL COUPE	41 = 4-DOOR SEDAN
24 = 2-DOOR HATCHBACK	44 = 4-DOOR HATCHBACK
27 = 2-DOOR CONVERTIBLE	45 = 2-SEAT STATION WAGON

AR = Use as Required - = Non Illustrated Part P.A.R. = Paint as Required

**INSTRUMENT PANEL WITH GLOVE BOX - Y**  
**Figure 23B-1400**

2110 1400B



ITEM	PART NUMBER	QTY	BODY	MODEL	DESCRIPTION
1					HOUSING (See Interior Trim)
2	3747 839				SWITCH, Module Assy. Elect.
3	4047 781				SILENCER, Inst. Pnl. Lt. Side, Assy.
4	3747 825				BEZEL, Glove Box Acc. Switch, Assy.
5	3747 513				SWITCH & LAMP, Glove Box, Assy.
6	9415 969				BULB
7	3747 608				SWITCH, Deck Lid Release
8					SCREW (Not Serviced)
9	4047 278				GLOVE BOX., w/o Door
	P602 VB2				GLOVE BOX, w/Door w/Pad
	P602 VC7				Blue (Light)
	P602 VD2				Blue
	P602 VF5				Heather
	P602 VH9				Green
	P602 VM6				Aubergine
	P602 VT6				Red
	P601 VB2				Tan
	P601 VC7				PAD, Glove Box
	P601 VD2				Blue (Light)
	P601 VF5				Blue
	P601 VH9				Heather
	P601 VM6				Green
	P601 VT6				Aubergine
	4047 659				Red
	0445 153				Tan
10	6031 694				NAME PLATE, Glove Box (Imperial)
11					NUT, Glove Box (Imperial)
12	3508 886				SCREW
13					SCREW (Not Serviced)
14	4220 051				LATCH, Glove Box, Assy.
15	4222 086				CYLINDER & KEY (See Cyl. & Key Illus.)
16	3747 750				BEZEL, w/Unleaded Fuel w/Decal
17	4047 429				BEZEL, w/o Unleaded Fuel w/o Decal
	6031 940				CONTROL, Chimes
					RETAINER
					BEZEL, Inst. Pnl. Trim Lower, Assy.
					Clip, Inst. Pnl. Trim Lower

**MODEL CODES**

B = GRAN FURY/CARAVELLE	P = RELIANT
C = LEBARON/TOWN & COUNTRY	S = CORDOBA
D = ARIES	V = 400
F = NEW YORKER	X = MIRADA
G = DIPLOMAT	Y = IMPERIAL
M = HORIZON/TC3/SCAMP	Z = OMNI/O24/RAMPAGE

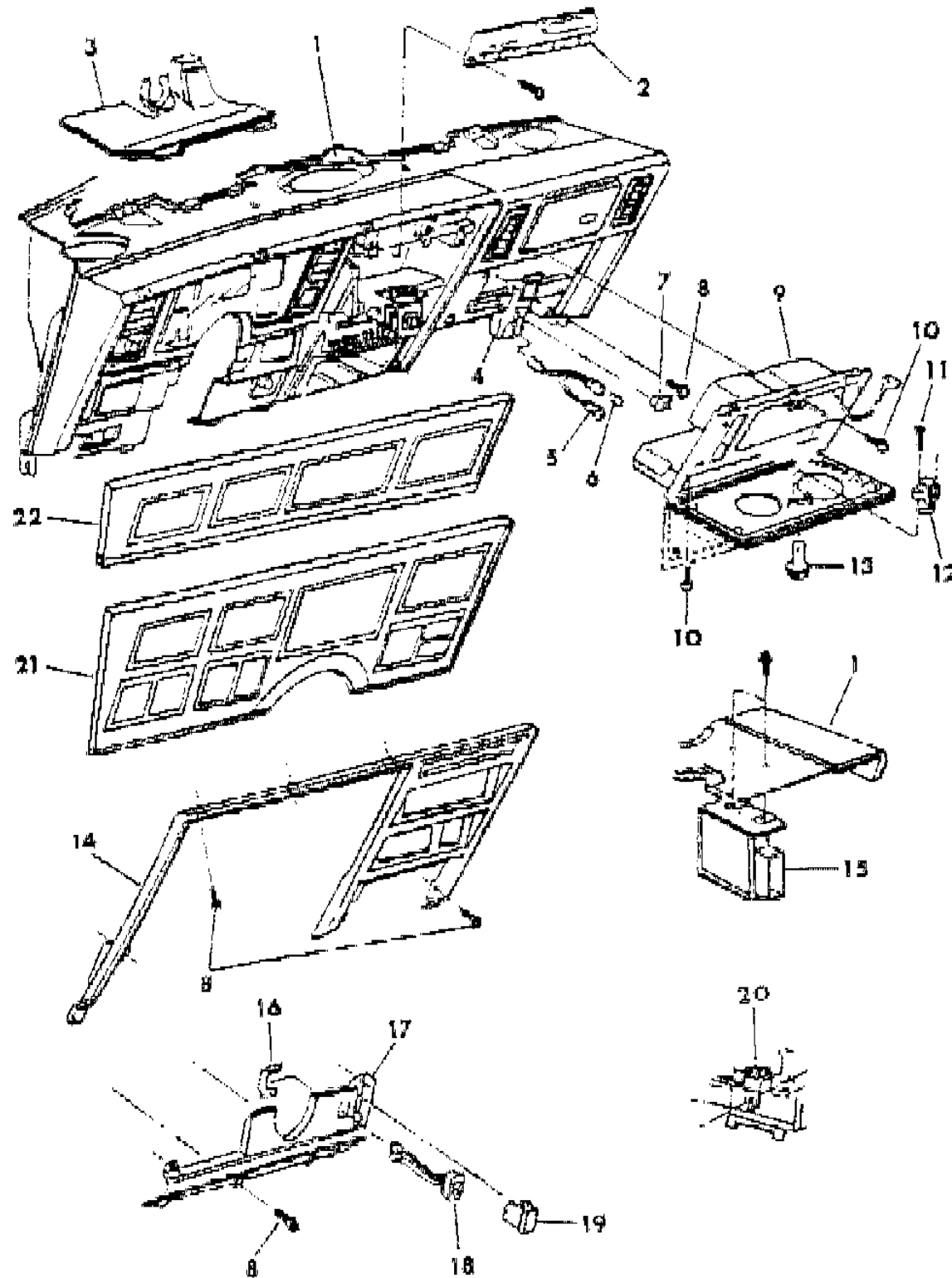
**BODY STYLES**

21 = 2-DOOR SEDAN	28 = FWD PICKUP
22 = 2-DOOR SPECIAL COUPE	41 = 4-DOOR SEDAN
24 = 2-DOOR HATCHBACK	44 = 4-DOOR HATCHBACK
27 = 2-DOOR CONVERTIBLE	45 = 2-SEAT STATION WAGON

AR = Use as Required - = Non Illustrated Part P.A.R. = Paint as Required

**INSTRUMENT PANEL WITH GLOVE BOX - Y**  
**Figure 23B-1400**

2110 1400B



ITEM	PART NUMBER	QTY	BODY	MODEL	DESCRIPTION
18	3747 970				SWITCH, Moon Roof, Assy.
19	4186 361				SWITCH, Electric Heated Rear Window, Assy.
20	4186 387				RELAY, Illuminated Entry
	3591 874				CABLE, Glove box
21					ELECTRONIC INST. CLUSTER MODULE
	4222 446				w/Efi
	4222 447				w/o Efi (US. and Canada)
22	4047 405				MASK & LENS ASSY.
NOTE: THE FOLLOWING ITEMS ARE NOT SHOWN ON ILLUSTRATION an offsetting order for part no. 3747881					
	4047 415				PRINTER CIRCUIT BOARD
	9421 330				BULB
					SOCKET
	3744 750				Change Oil
	3744 750				Fasten Belts
	3744 750				Oxygen Senson
	3744 750				Battery
	4047 651				DIFFUSER, Lamp (Dual)
	4047 652				DIFFUSER, Lamp
	3590 551				BUMPER, g/Box

**MODEL CODES**

B = GRAN FURY/CARAVELLE	P = RELIANT
C = LEBARON/TOWN & COUNTRY	S = CORDOBA
D = ARIES	V = 400
F = NEW YORKER	X = MIRADA
G = DIPLOMAT	Y = IMPERIAL
M = HORIZON/TC3/SCAMP	Z = OMNI/O24/RAMPAGE

**BODY STYLES**

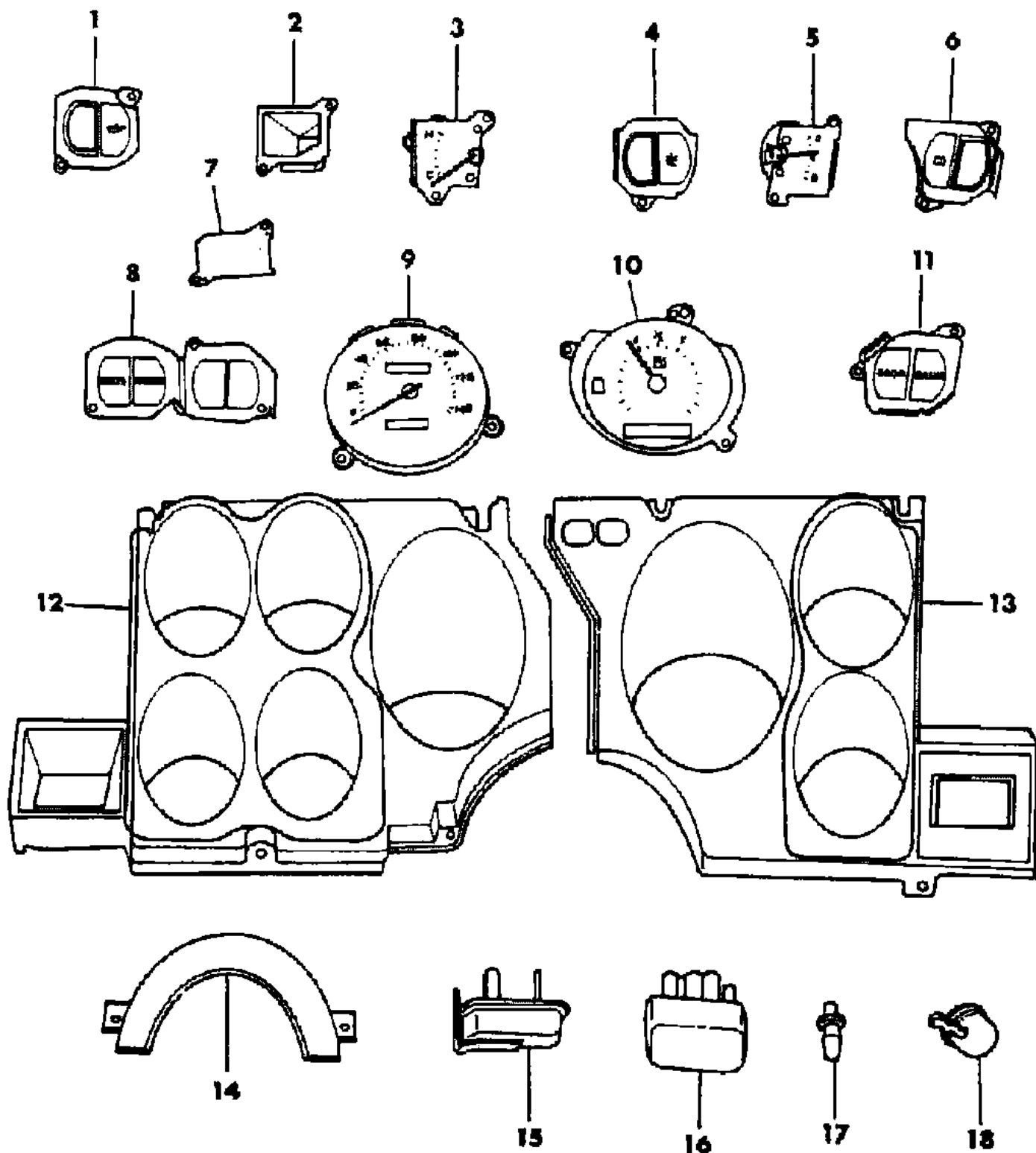
21 = 2-DOOR SEDAN	28 = FWD PICKUP
22 = 2-DOOR SPECIAL COUPE	41 = 4-DOOR SEDAN
24 = 2-DOOR HATCHBACK	44 = 4-DOOR HATCHBACK
27 = 2-DOOR CONVERTIBLE	45 = 2-SEAT STATION WAGON

AR = Use as Required - = Non Illustrated Part P.A.R. = Paint as Required



**SPEEDO, GAUGES AND LENS - X-S**  
**Figure 23B-1500**

2170 1500



ITEM	PART NUMBER	QTY	BODY	MODEL	DESCRIPTION
1					DIAL, Oil (Not Serviced)
2	3591 982	1			CHIMNEY, Warning Lamp (Serviced In Assy.) CHIMNEY, Warning Lamp Oil Warning Lamp Dual (Serviced In Assy.)
3	4047 511	1			GAUGE, Temp. w/o Led
	4047 512	1			Temp. w/ Led
4					DIAL, Temp. (Not Serviced)
5	4047 513	1			AMMETER GAUGE, w/o Led
	4047 514	1			w/ Led
6					AMMETER, Dail (Not serviced)
7		1			PLATE (Not Serviced)
8		1			CHIMNEY
	4047 527	1			Fasten Belts, Washer Fluid and Oxygen Sensor
	4047 525	1			Fasten Belts, Belts and Oxygen Sensor
	4047 711	1			Fasten Belts, Washer Fluid High Beam and Oxygen Sensor
	4047 730	1			Fasten Belts, Belts High Beam and Oxygen Sensor
9		1			SPEEDOMETER ASSY.
	4220 128	1			85 Mile
	4220 126	1			140 Kilo
		1			KNOB, Speedometer (Serviced In Assy.)
	4051 322	1			EMR SWITCH (Not Shown)
10		1			FUEL GAUGE ASSY.
	4047 534	1			w/o Console (Mile)
	4047 535	1			w/o Console (Kilo)
	4047 536	1			w/ Console (Kilo)
	4047 537	1			w/ Console (Mile)
11	4047 524	1			CHIMNEY, Door Ajar, Brake
	4047 526	1			Brake
12	3591 759	1			MASK and Lens, Lt. Oil, Temp. and Speedo
13	3591 758	1			MASK and Lens, Rt. Fuel, Ammeter
14					SEAL (Serviced in Bezel Assy.)
15	2258 413				REGULATOR or LIMITER, Inst. Voltage
16	3591 451				RELAY, Low Fuel Warning Signal
17	3591 814				PIN, Lens Mtg. (Plastic)
18	4085 191				DIFFUSER, Inst Pnl. Lamp
	NOTE: THE FOLLOWING ITEMS ARE NOT SHOWN ON ILLUSTRATION an offsetting order for part no. 3747881				
	3591 409				CHIMNEY, Low Fuel Indicator

**MODEL CODES**

B = GRAN FURY/CARAVELLE	P = RELIANT
C = LEBARON/TOWN & COUNTRY	S = CORDOBA
D = ARIES	V = 400
F = NEW YORKER	X = MIRADA
G = DIPLOMAT	Y = IMPERIAL
M = HORIZON/TC3/SCAMP	Z = OMNI/O24/RAMPAGE

**BODY STYLES**

21 = 2-DOOR SEDAN	28 = FWD PICKUP
22 = 2-DOOR SPECIAL COUPE	41 = 4-DOOR SEDAN
24 = 2-DOOR HATCHBACK	44 = 4-DOOR HATCHBACK
27 = 2-DOOR CONVERTIBLE	45 = 2-SEAT STATION WAGON

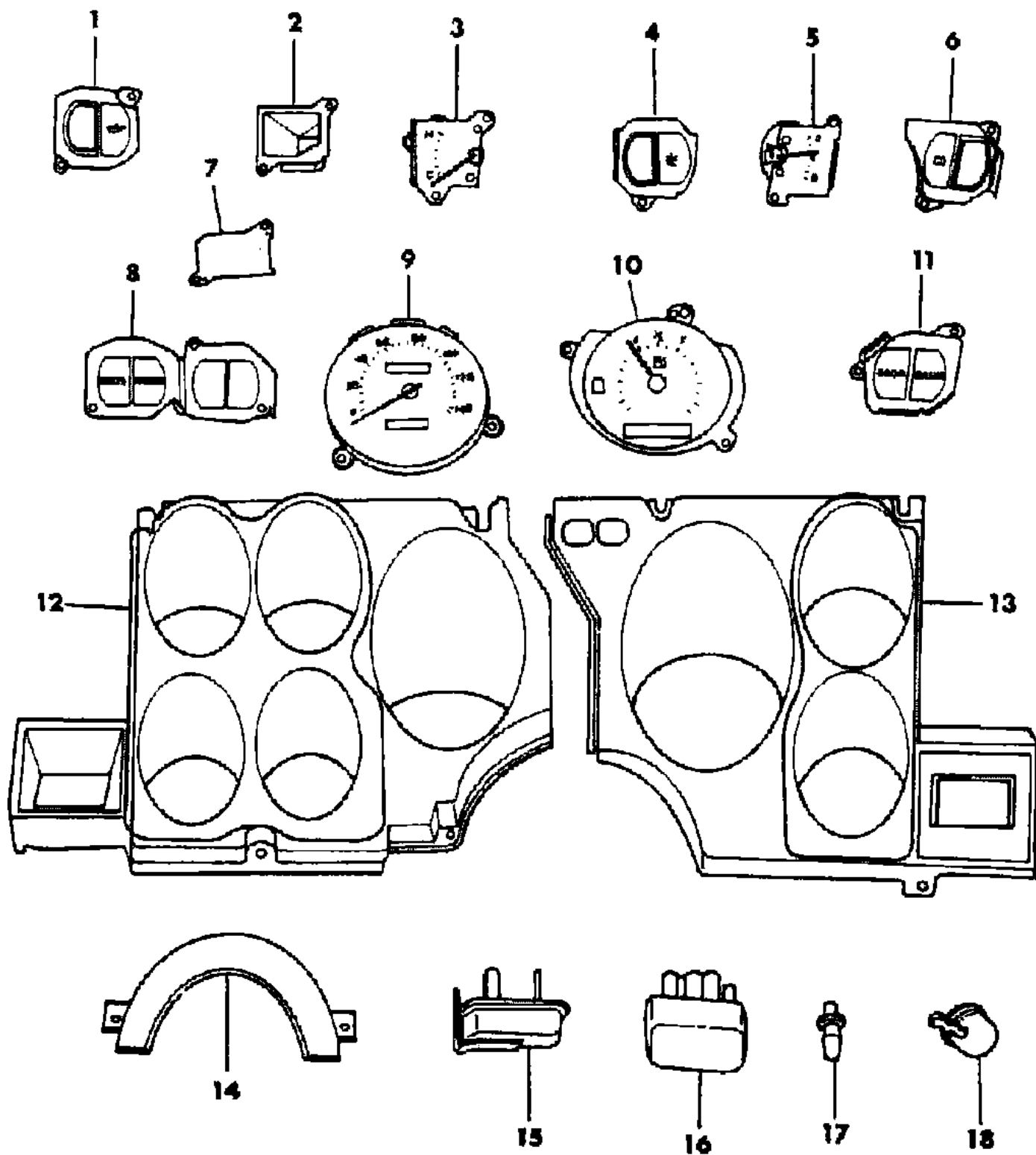
AR = Use as Required - = Non Illustrated Part P.A.R. = Paint as Required

**SPEEDO, GAUGES AND LENS - X-S**  
**Figure 23B-1500**

2170 1500

ITEM	PART NUMBER	QTY	BODY	MODEL	DESCRIPTION
------	-------------	-----	------	-------	-------------

	4085 519				LABLE, Unleaded Gas
	4047 715				PRINTED CIRCUIT BOARD
	3591 814				CLIP, Mask To Housing



**MODEL CODES**

B = GRAN FURY/CARAVELLE	P = RELIANT
C = LEBARON/TOWN & COUNTRY	S = CORDOBA
D = ARIES	V = 400
F = NEW YORKER	X = MIRADA
G = DIPLOMAT	Y = IMPERIAL
M = HORIZON/TC3/SCAMP	Z = OMNI/O24/RAMPAGE

**BODY STYLES**

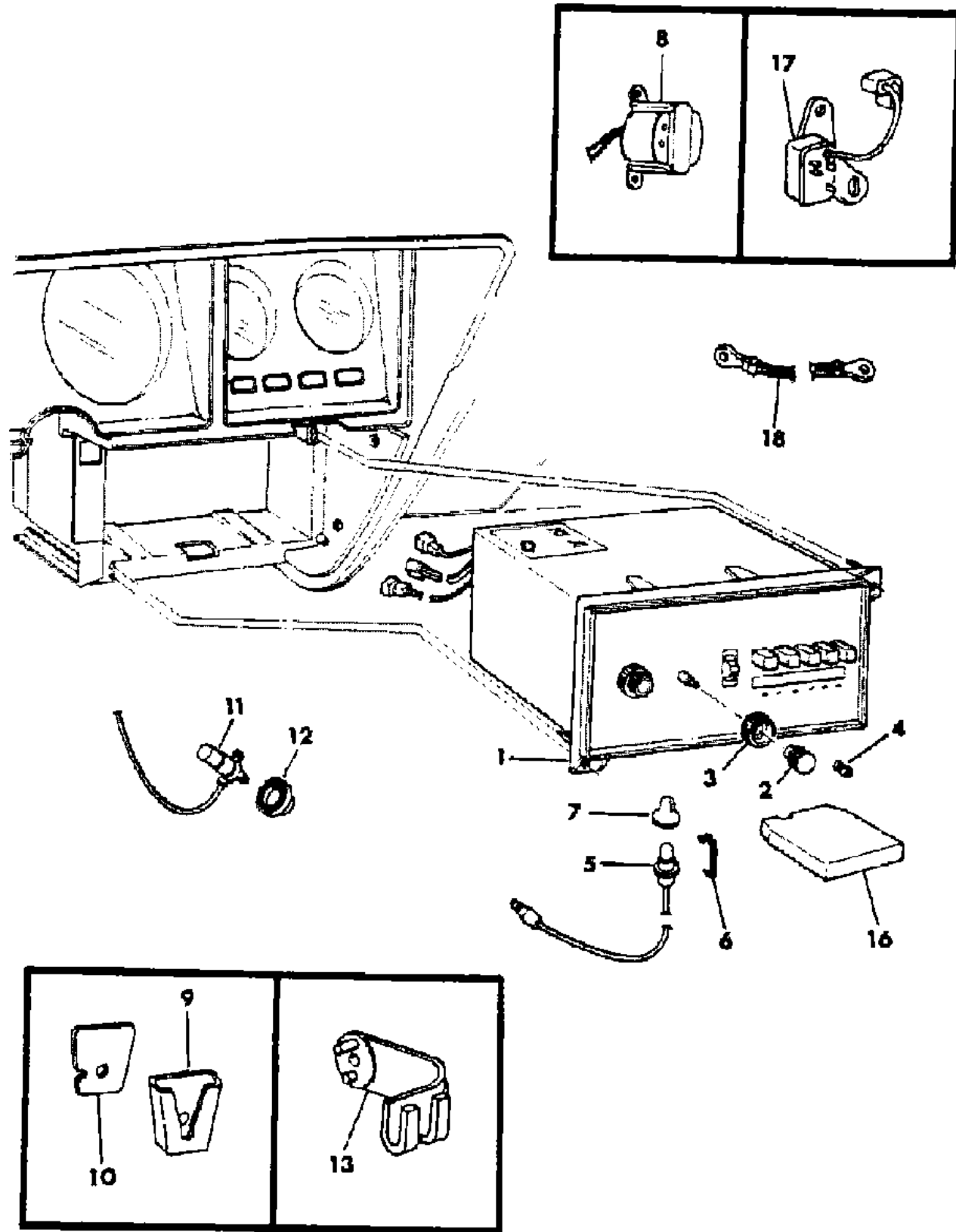
21 = 2-DOOR SEDAN	28 = FWD PICKUP
22 = 2-DOOR SPECIAL COUPE	41 = 4-DOOR SEDAN
24 = 2-DOOR HATCHBACK	44 = 4-DOOR HATCHBACK
27 = 2-DOOR CONVERTIBLE	45 = 2-SEAT STATION WAGON

AR = Use as Required - = Non Illustrated Part P.A.R. = Paint as Required

# RADIOS AND RELATED PARTS

## Figure 23B-1600

2170 1600



ITEM	PART NUMBER	QTY	BODY	MODEL	DESCRIPTION
------	-------------	-----	------	-------	-------------

NOTE: The Following Speaker Pkgs. Include All Parts Required To Install A Radio And Speaker System They Do Include The Radio

Or Antenna Mast Or Cable an offsetting order for part no. 3747881

NOTE: (Mtr) Manual Tune Radio an offsetting order for part no. 3747881

NOTE: (Etr) Electronic Tune Radio an offsetting order for part no. 3747881

					PACKAGE, Radio Installation w/ Speakers
					Consists Of
					Knob Primary
					Knob Secondary
					Capacitor, Ing. Coil Batt.
					Suppression Assy. (If Req.)
					Capacitor, Blower Motor
					Speaker or Speakers (As Req.)
					Grille (If Req.)
					Bracket, Radio and Speakers (If Req.)
					Seal
					Wirings Assy.
					Nut Bolt and Screw
					Control Assy. (If Req.)
					Bezel (If Req.)
					Lamp Assy. (If Req.)
					Installation Instruction Sheet
					PACKAGE, Radio Installation w/ Speaker All Monoral Radio
	4222 283	1		MZ,28,P	Front
	4222 278	1		B,F,G,X	Front
	4222 274	1		PD(21-4)	Rear
	4222 276	1		P,D,C (	Rear
	5211 215	1		M,Z	Rear
	4222 272	1		B,F,G	Rear
	4048 621	1		X,S	Rear
					PACKAGE, Radio Installation w/ Speaker All Stereo w/ Mtr. (Manual Tune Radio)
	4222 582	1		M,Z, 28	2 - Speakers
	4222 583	1		PD(21-4)	4 - Speakers
	4222 580	1		M,Z (21	4 - Speakers
	4222 585	1		P,D (45	4 - Speakers
	4222 587	1		B,F,G	4 - Speakers
	4222 589	1		X,S,Y	4 - Speakers

### MODEL CODES

B = GRAN FURY/CARAVELLE  
 C = LEBARON/TOWN & COUNTRY  
 D = ARIES  
 F = NEW YORKER  
 G = DIPLOMAT  
 M = HORIZON/TC3/SCAMP

P = RELIANT  
 S = CORDOBA  
 V = 400  
 X = MIRADA  
 Y = IMPERIAL  
 Z = OMNI/O24/RAMPAGE

### BODY STYLES

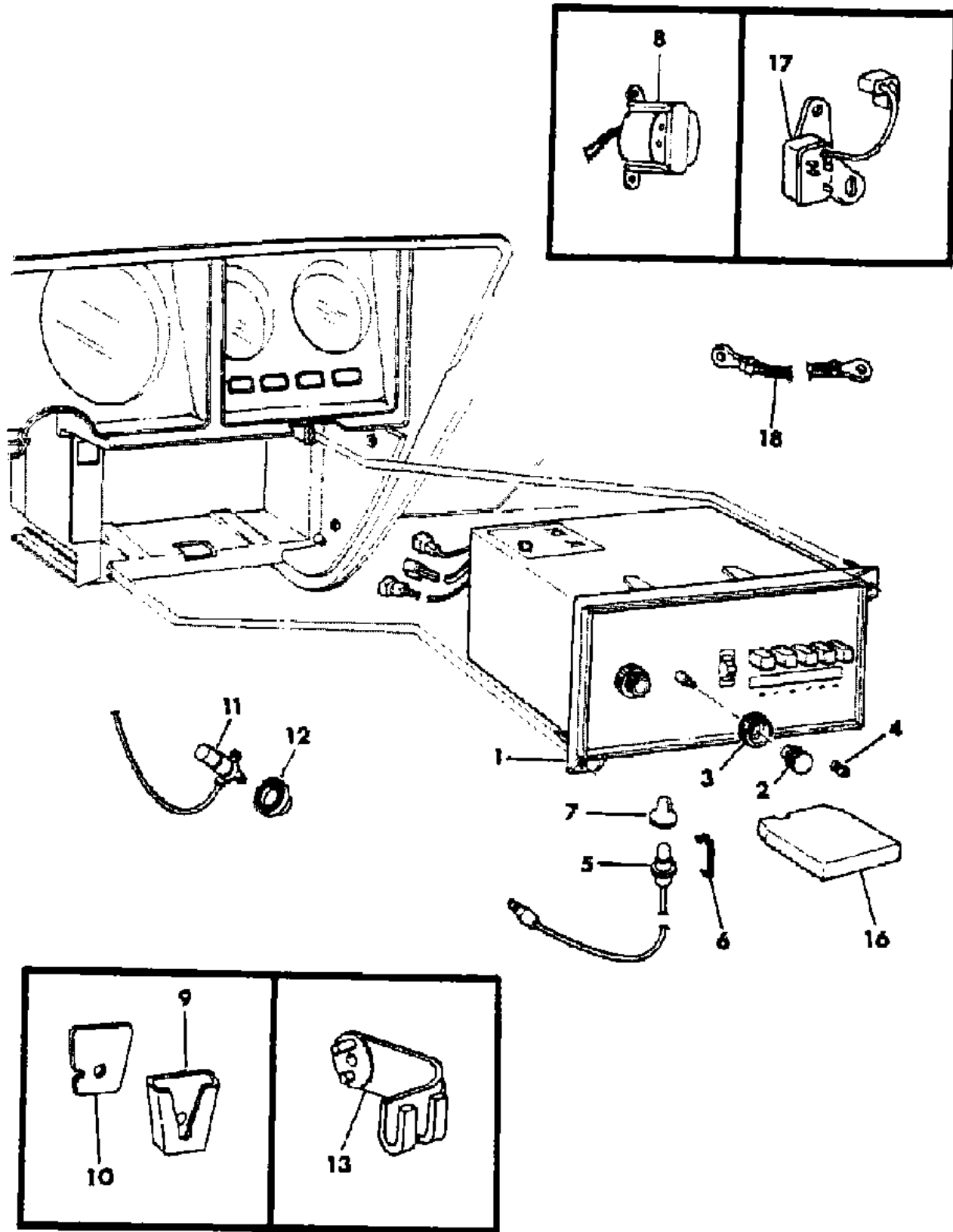
21 = 2-DOOR SEDAN  
 22 = 2-DOOR SPECIAL COUPE  
 24 = 2-DOOR HATCHBACK  
 27 = 2-DOOR CONVERTIBLE  
 28 = FWD PICKUP  
 41 = 4-DOOR SEDAN  
 44 = 4-DOOR HATCHBACK  
 45 = 2-SEAT STATION WAGON

AR = Use as Required - = Non Illustrated Part P.A.R. = Paint as Required

# RADIOS AND RELATED PARTS

## Figure 23B-1600

2170 1600



ITEM	PART NUMBER	QTY	BODY	MODEL	DESCRIPTION
					PACKAGE, Radio Installation w/ Speaker All Stereo w/ Etr. (Electronic Tune Radio)
	4222 582	1	M,Z		2 - Speakers
	4222 581	1	M,Z		4 - Speakers
	4222 584	1	PD,(21-		4 - Speakers
	4222 586	1	P,D (45		4 - Speakers
	4222 588	1	B,F,G		4 - Speakers
	4222 590	1	X,S,Y		4 - Speakers
NOTE: w/Etr (Electronic Tune Radio) an offsetting order for part no. 3747881					
NOTE: w/Mtr (Manual Tune Radio) an offsetting order for part no. 3747881					
1	4048 861	1	MZ,PD,B		RADIO PKG.,AM w/o Fader (Black Face) Except F-S41
	4048 901	1	C,V		AM,w/o Fader (Bright Face)
	4048 863	1	MZ,PD,B		AM,FM w/o Fader (Black Face) Excpet F-S41
	4222 565	1	MZ,PD,B		AM,FM Stereo (Mtr) (Black Face) Except F-S41
	4048 905	1	C,V		AM,FM Stero (Mtr) (Bright Face)
	4222 475	1	MZ,PD,B		AM,FM Stereo (Etr) (Black Face) Except F-S41
	4222 455	1	CV,F-S4		AM,FM Stereo (Etr) (Bright Face)
	4222 577	1	MZ,PD,B		AM,FM 8 Track (Mtr) (Black Face) Except F-S41
	4222 567	1	CV,F-S4		AM,FM 8 Track (Mtr) (Bright (Face)
	4222 569	1	MZ,PD,B		AM,FM Cassette (Mtr) (Black Face) Except F-S41
	4048 909	1	CV,F-S4		AM,FM Cassette (Mtr) (Bright Face)
	4222 479	1	MZ,PD,B		AM,FM Cassette (Etr) (Black Face) Excpet F-S41
	4222 459	1	CV,F-S4		AM,FM Cassette (Etr) (Bright Face)
	4222 574	1			AM,FM C/B (Mtr) (Bright Face) Except M,Z
	4222 570	1	M,Z		AM,FM C/B (Mtr) (Bright Face)
	4222 573	1			Search Tune (Etr) (Bright Face) Except M,Z
2	4048 537	2	All		KNOB,Primary (w/o Etr)
	4222 632	2	All		KNOB,Primary (w/ Etr)
	4048 510	1	All		Cassette Tape Ejection Switch
	4048 511	1	All		Dolby Cassette Switch
	4048 028	4	B,F,G,X		AM,FM,MX,Elect.Search Tune Cont.
	4048 898	1	All		Balance Cont.,AM,FM,MX,w/CB or Cassette
	4048 531	1	All		AM,w/8 Track,AM,FM,MX,w/8 Track,AM,FM,MX
	4048 120	2	All		Squelch and Channel Sel.,AM,FM,w/CB
	4048 533	1	All		Selector,AM/FM,AM/FM/MX
	4048 532	1	All		Selector, AM/FM/MX w/CB,AM/FM/MX w/8 Track
	4048 525	1	All		Selector,AM/FM/MX w/Cassette

### MODEL CODES

B = GRAN FURY/CARAVELLE	P = RELIANT
C = LEBARON/TOWN & COUNTRY	S = CORDOBA
D = ARIES	V = 400
F = NEW YORKER	X = MIRADA
G = DIPLOMAT	Y = IMPERIAL
M = HORIZON/TC3/SCAMP	Z = OMNI/O24/RAMPAGE

### BODY STYLES

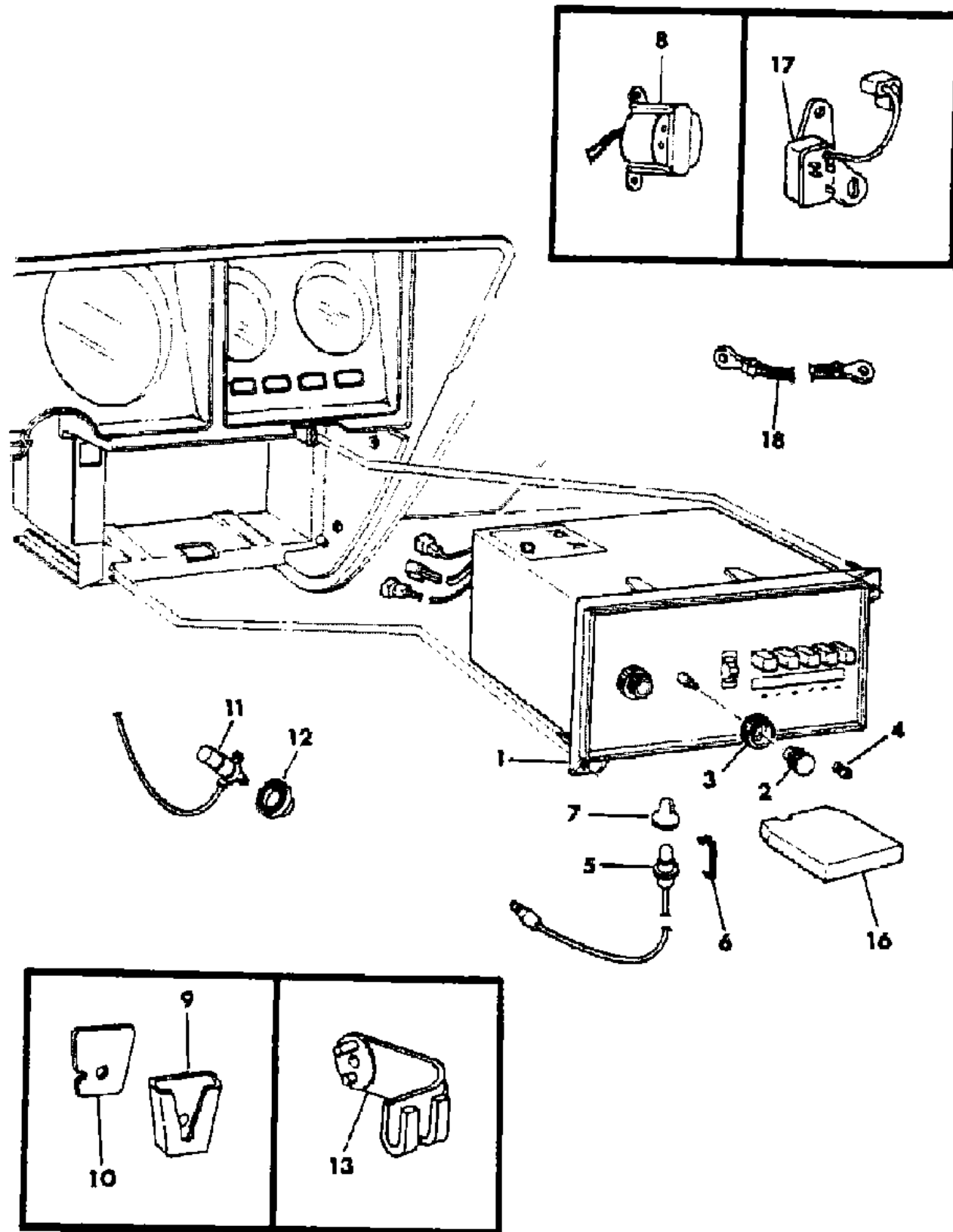
21 = 2-DOOR SEDAN	28 = FWD PICKUP
22 = 2-DOOR SPECIAL COUPE	41 = 4-DOOR SEDAN
24 = 2-DOOR HATCHBACK	44 = 4-DOOR HATCHBACK
27 = 2-DOOR CONVERTIBLE	45 = 2-SEAT STATION WAGON

AR = Use as Required - = Non Illustrated Part P.A.R. = Paint as Required

# RADIOS AND RELATED PARTS

## Figure 23B-1600

2170 1600



ITEM	PART NUMBER	QTY	BODY	MODEL	DESCRIPTION
3	4048 541	2	All		KNOB,Secondary (w/o Etr)
	4222 494	2	All		KNOB,Secondary (w/ Etr)
	4221 202		All		KNOB ASSY., Rr. Compt. Spkr. (Served In Pkg.)
4	3501 317	2	All		CLIP,Knob Retng.Primary
	4048 544	1	All		AM/FM/MX w/Cassette
5	4048 418	1	MZ,BFG,		LAMP,Illumination
	4222 249	1	P,D,C,V		LAMP,Illumination
6	3501 274	4	All		CLIP,Radio Escutcheon Mtg.
7	4222 560	3	All		DIFFUSER,Illum.Bulb (Etr)
	4048 505	1	All		AM/FM/MX w/Cassette (Mtr)
8	4048 499	1	B,F,G,X		CHOKE,A-Lead Filter w/100 Amp.Alt.
9	4048 136	1	P,D,B,F		CLIP,C/B Microphone Mtg.
	4048 467	1	X,S,Y		
10	4085 596		PD,BFG,		SPACER,C/B Microphone Mtg.Clip
11	2822 329	1	B,F,G,X		SWITCH,Foot Selector w/Cable
12	2292 474	1	B,F,G,X		GROMMET,Floor Selector Switch
13	4048 289	1	X,S,Y		BRACKET,C/B Microphone Mtg.
16	4222 572	1	All		CARTRIDGE,Stereo Tape Demonstration,8 Track
	4222 037	1	All		Cassette
17	4267 299	1	B,F,G,X		SUPPRESSION, W/S Wiper Motor (Radio Noise)
	4267 298	1	P,D,C,V		SUPPRESSION, W/S Wiper Motor (Radio Noise)
18	5211 210	1	M,Z,P,D		STRAP,Radio Supp.Gr'd. 6" Lgth. (A/C Evap. To Cowl)
	5211 211	2	M,Z,B,F		16" Lgth. (Eng. To Cowl)
	5211 212	1	M,Z,P,D		6" Lgth. (Eng. Mount)
	4048 929	1	B,F,G,X		13.50" Lgth.
	4048 926	1	B,F,G,X		17.00" Lgth., 225 Eng.
	4048 928	1	B,F,G,X		12.50" Lgth., 318 Eng.
	4048 927	1	B,F,G,X		6.50" Lgth., Frt. Suspension
3501 362	1	M,Z,P,D		STRAP,Radio Noise Supp. Guard	
4048 287	1	X,S,Y		STRAP,Radio Ground	
NOTE: The Following Items Are Not Illustrated an offsetting order for part no. 3747881					
4055 618	1	B,F,G			WIRING,Electronic S/Tune Radio Feed
4222 291	2	Y			CHOKE,Radio Noise Suppression,318 Eng.
4222 135	1	MZ,BFG,			CAPACITOR,Radio Noise Suppression (Blower Motor)
4222 712	1	P,D,C,V			CAPACITOR,Radio Noise Suppression (Blower Motor)
3501 915	1	M,Z			CAPACITOR,Radio Noise Suppression (Ign. Coil)
4222 103	1	P,D,C,V			CAPACITOR,Radio Noise Suppression (Ign. Coil)

### MODEL CODES

B = GRAN FURY/CARAVELLE	P = RELIANT
C = LEBARON/TOWN & COUNTRY	S = CORDOBA
D = ARIES	V = 400
F = NEW YORKER	X = MIRADA
G = DIPLOMAT	Y = IMPERIAL
M = HORIZON/TC3/SCAMP	Z = OMNI/O24/RAMPAGE

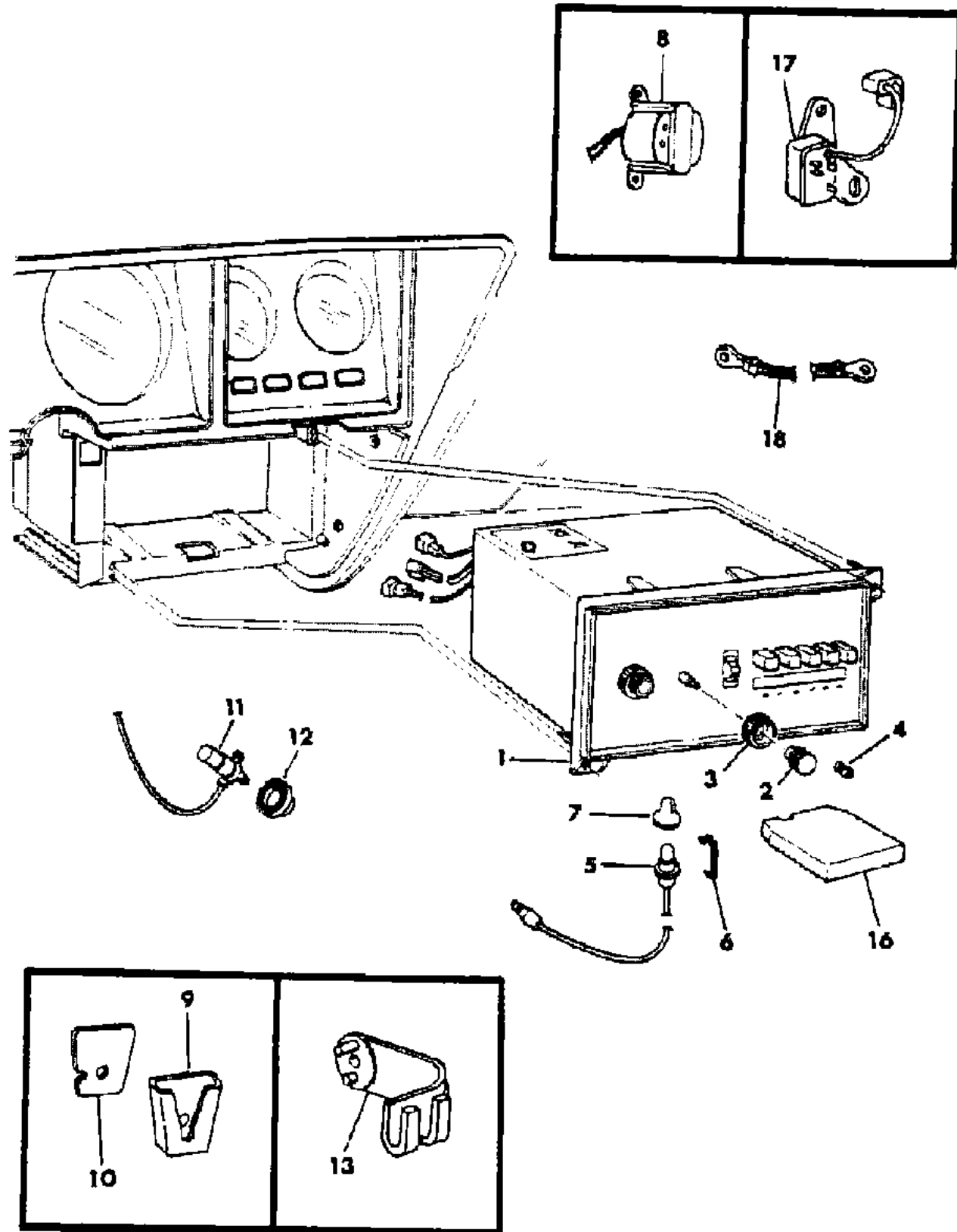
### BODY STYLES

21 = 2-DOOR SEDAN	28 = FWD PICKUP
22 = 2-DOOR SPECIAL COUPE	41 = 4-DOOR SEDAN
24 = 2-DOOR HATCHBACK	44 = 4-DOOR HATCHBACK
27 = 2-DOOR CONVERTIBLE	45 = 2-SEAT STATION WAGON

AR = Use as Required - = Non Illustrated Part P.A.R. = Paint as Required

## RADIOS AND RELATED PARTS Figure 23B-1600

2170 1600



ITEM	PART NUMBER	QTY	BODY	MODEL	DESCRIPTION
	4048 646	1	B,F,G,X		CAPACITOR, Radio Noise Suppression (Ign. Coil)
	6031 665	2	All		SCREW, Radio Mtg.(Tamper Proof)
	4222 637	1	PD,BFG,		MICROPHONE,CB Radio
	4222 596	1	B,F,G,X		AMPLIFIER,Audio Pwr. (Mtr)
	4222 592	1	B,F,G,X		AMPLIFIER,Audio Pwr. (Etr)
	4222 595	1	P,D,C,V		AMPLIFIER,Audio Pwr. (Mtr)
	4222 591	1	P,D,C,V		AMPLIFIER,Audio Pwr. (Etr)
	4048 784	1	PD,BFG,		COIL,Audio Pwr. Amp. A Line
	4220 482	1	MZ,PD,C		PLATE, w/o Radio
	4222 912	1	All		CAPASITOR, Radio Noise

**MODEL CODES**

B = GRAN FURY/CARAVELLE	P = RELIANT
C = LEBARON/TOWN & COUNTRY	S = CORDOBA
D = ARIES	V = 400
F = NEW YORKER	X = MIRADA
G = DIPLOMAT	Y = IMPERIAL
M = HORIZON/TC3/SCAMP	Z = OMNI/O24/RAMPAGE

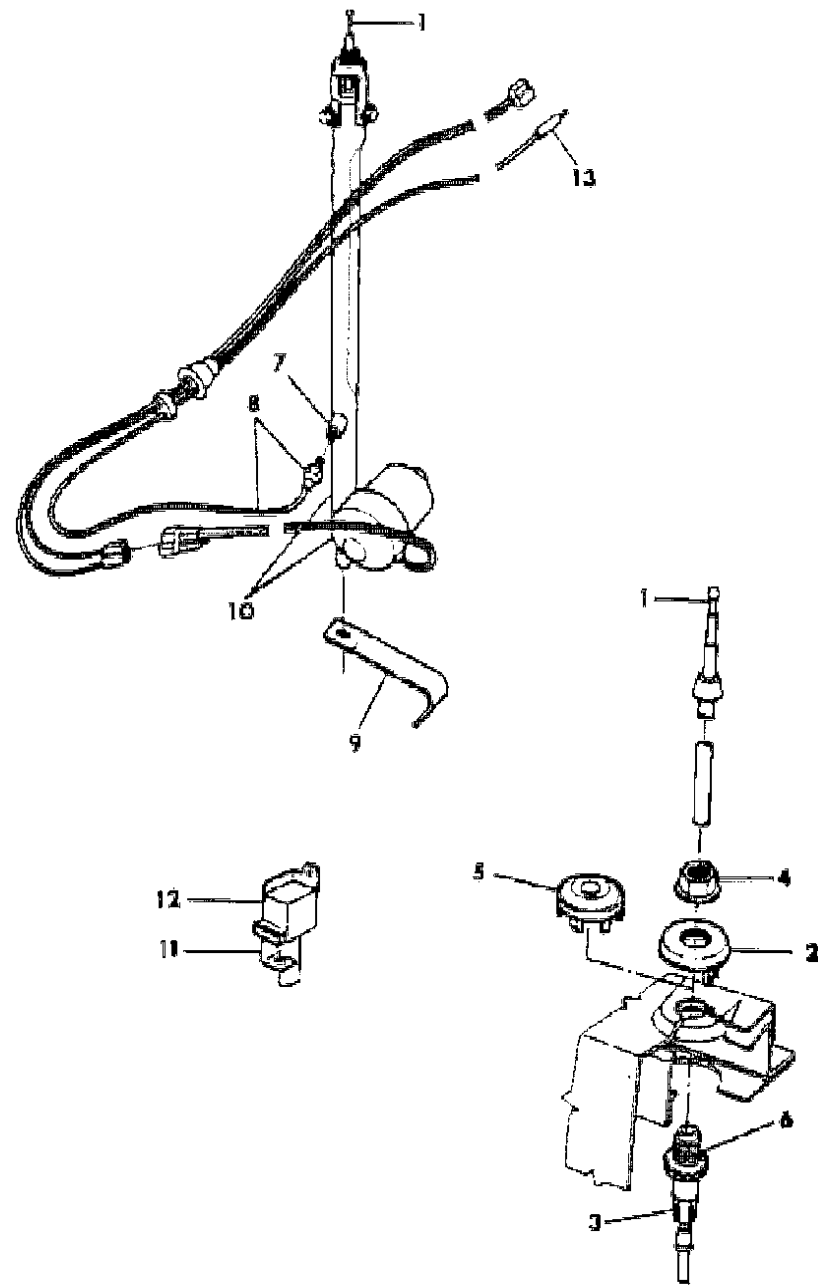
**BODY STYLES**

21 = 2-DOOR SEDAN	28 = FWD PICKUP
22 = 2-DOOR SPECIAL COUPE	41 = 4-DOOR SEDAN
24 = 2-DOOR HATCHBACK	44 = 4-DOOR HATCHBACK
27 = 2-DOOR CONVERTIBLE	45 = 2-SEAT STATION WAGON

AR = Use as Required - = Non Illustrated Part P.A.R. = Paint as Required

## RADIO ANTENNA AND RELATED PARTS Figure 23B-1700

23B-1700



ITEM	PART NUMBER	QTY	BODY	MODEL	DESCRIPTION
1	2889 934	1	All		MAST,Manual,76.5"
	4048 357	1	All		31"
	4048 472	1	PD,BFG,		Triband Ant.(Fixed Length)
2	3501 293	1	B,F,G		ADAPTER & GASKET,Antenna
	5211 170	1	MZPDCVX		
3	3501 294	1	All		BODY & CABLE
	4048 471	1	PD,BFG,		Triband Ant.(Fixed Length)
	4048 623	1	ALL		Triband Ant.(Fixed Length) (Pkg.)
4	3501 287	1	All		CAP NUT,Antenna Mtg.
5	3501 331	1	F,G		PLUG,Antenna Hole,w/o Radio
	5211 168	1	MZPDCVX		
6	3501 321	1	All		LOCKWASHER,Antenna Mtg.
	3501 321	1	PD,BFG,		Pwr.Antenna Mtg.
7			B,F,G,X		PIN & CONNECTOR PKG (Not Serviced)
8	4222 160	1	B,F,G,X		CABLE ASSY.,Pwr. Ant.
9	4222 297	1	B,F,G		BRACKET,Pwr. Ant. to Side Cowl,
10	4222 260	1	B,F,G,X		ANTENNA,Power
			M,Z,P,D		ANTENNA,Power n/A
11	4048 577	1	B,F,G		BRACKET,Pwr.Antenna Cont.Mtg.
	4048 645	1	X,S,Y		
12	4222 251	1	B,G,F,X		CONTROL,Pwr.Antenna Automatic
13	2580 065	1	X,S,Y		MOLD,Power Antenna
NOTE: The Following Parts Are Not Illustrated an offsetting order for part no. 3747881					
	4209 537	1	B,F,G		WIRING,Auto.Pwr.Ant.
	4209 541	1	X,S		WIRING ASSY., Pwr. Booster w/Pwr. Ant.
	4209 598	1	X,S,Y		

### MODEL CODES

B = GRAN FURY/CARAVELLE	P = RELIANT
C = LEBARON/TOWN & COUNTRY	S = CORDOBA
D = ARIES	V = 400
F = NEW YORKER	X = MIRADA
G = DIPLOMAT	Y = IMPERIAL
M = HORIZON/TC3/SCAMP	Z = OMNI/O24/RAMPAGE

### BODY STYLES

21 = 2-DOOR SEDAN	28 = FWD PICKUP
22 = 2-DOOR SPECIAL COUPE	41 = 4-DOOR SEDAN
24 = 2-DOOR HATCHBACK	44 = 4-DOOR HATCHBACK
27 = 2-DOOR CONVERTIBLE	45 = 2-SEAT STATION WAGON

AR = Use as Required - = Non Illustrated Part P.A.R. = Paint as Required

# SPEAKERS AND RELATED PARTS

## Figure 23B-1800

2170 1800

ITEM	PART NUMBER	QTY	BODY	MODEL	DESCRIPTION
1	3501 277	1		B,F,G,X	Speaker,Inst.Pnl.
	5211 151	1		M,Z,P,D	
	4222 532	2		B,F,G	Stereo
	4222 528	2		P,D,C,V	Stereo
	4222 534	2		X,S,Y	Stereo
	4222 526	2		M,Z	Stereo Frt.Door
	4222 153	2		P,D,C,V	SPEAKERS, Rr.Compt. (Monaural Radio)
	4222 153	2		B,F,G,X	SPEAKERS, Rr.Compt. (Monaural Radio)
	4222 536	AR		M,Z (24	Rr.Shelf Stereo (w/M.T.R.)
	4222 536	AR		X,S	Rr.Shelf Stereo (w/M.T.R.)
	4222 153	AR		PDCV,BF	Rr.Shelf Stereo (w/M.T.R.)
	4222 535	AR		M,Z,X,S	Rr.Shelf Stereo (w/E.T.R)
	4222 531	AR		PD,CV,B	Rr.Shelf Stereo (w/E.T.R)
	4240 202	2		X,S,Y	Use on Premium Spk. Pkg.
	4240 201	2		PD,CV,B	Use on Premium Spk. Pkg.
5211 154	2		C,V (27	SPEAKER, Radio (Convertible)	
5211 165	2		C,V (27	SHIELD, Water Speaker (Convertible)	
2	5211 165	2		M,Z	Stereo Spkr.Adapter Frt.Door
					GRILLE,Rr.Compt.Speaker
3	D472-3 AA7	1		M,Z (24	Silver
	D472-3 SX9	1		M,Z (24	Black
	D472-3 ST6	1		M,Z (24	Tan
	D472-3 TB2	1		M,Z (24	Blue
	D472-3 TM6	1		M,Z (24	Red
	W238 VT4	2		P,D,C (	Tan (Paint As Req)
	D460 ST6	2		M,Z	Frt.Door Stereo Speaker,Tan
	2947 484				BEZEL, Rr. Compt. Speaker
		AR			SCREW,(Not Serviced)
	6	4048 970	AR		P,D,C (
7	3746 737	1		All	CONTROL,Rr.Compt.Speaker
NOTE: The Following Items Are Not Illustrated an offsetting order for part no. 3747881					
	4048 984	AR		P,D,C (	CLIP,Rear Compt. Speaker Grille
	5211 717	2		M,Z	WIRING,Door Speaker Stereo
	5211 706	1		M,Z (24	WIRING,Floor Pan and Speaker Rr.
	4274 235	1		M,Z (24	WIRING,Floor Pan and Speaker
	4209 730	1		M,Z (28	WIRING,Stereo Speaker Inst. Pnl.
	4209 871	1		M,Z (24	WIRING,Flr. Pan & Rr. Spkr. (Etr)

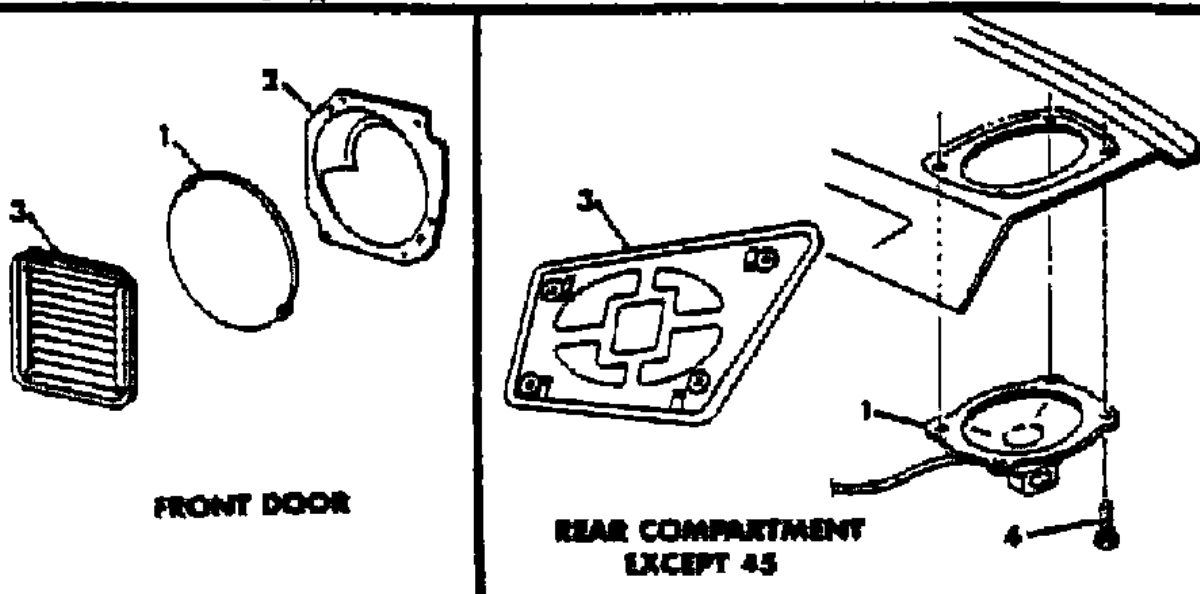
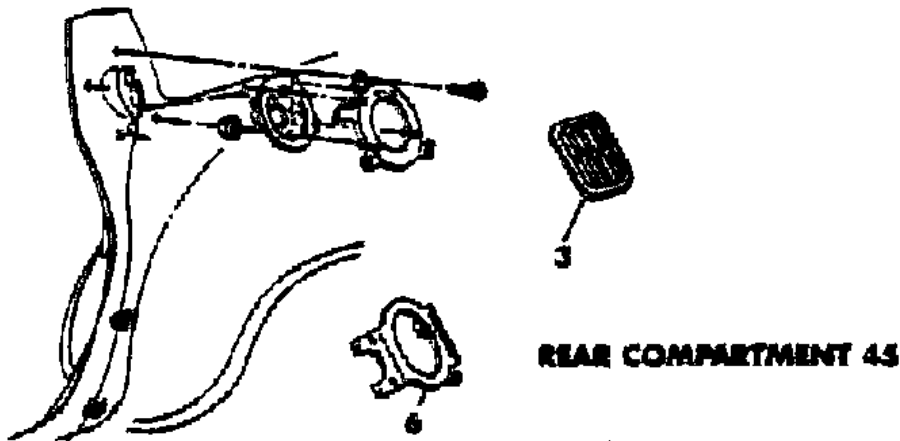
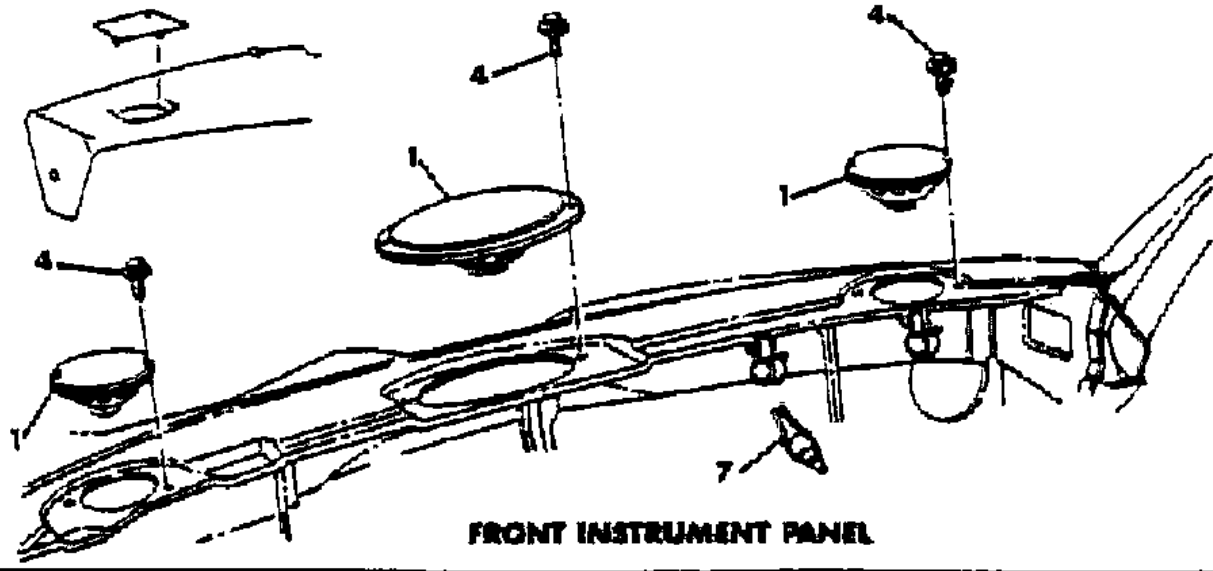
**MODEL CODES**

B = GRAN FURY/CARAVELLE	P = RELIANT
C = LEBARON/TOWN & COUNTRY	S = CORDOBA
D = ARIES	V = 400
F = NEW YORKER	X = MIRADA
G = DIPLOMAT	Y = IMPERIAL
M = HORIZON/TC3/SCAMP	Z = OMNI/O24/RAMPAGE

**BODY STYLES**

21 = 2-DOOR SEDAN	28 = FWD PICKUP
22 = 2-DOOR SPECIAL COUPE	41 = 4-DOOR SEDAN
24 = 2-DOOR HATCHBACK	44 = 4-DOOR HATCHBACK
27 = 2-DOOR CONVERTIBLE	45 = 2-SEAT STATION WAGON

AR = Use as Required - = Non Illustrated Part P.A.R. = Paint as Required





# SPEAKERS AND RELATED PARTS

## Figure 23B-1800

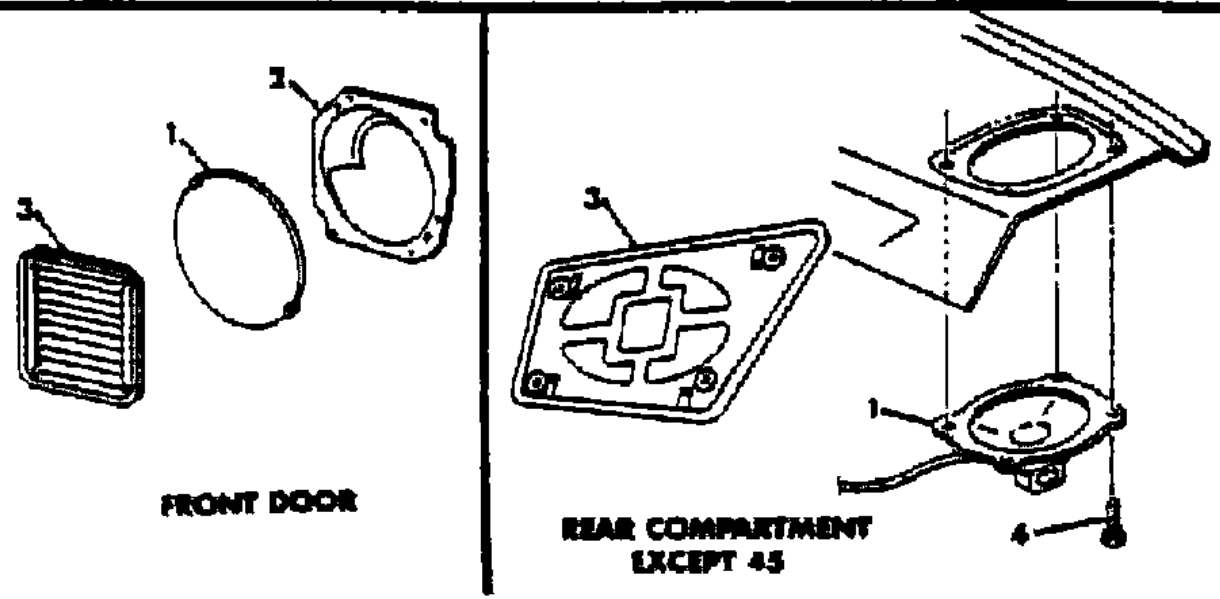
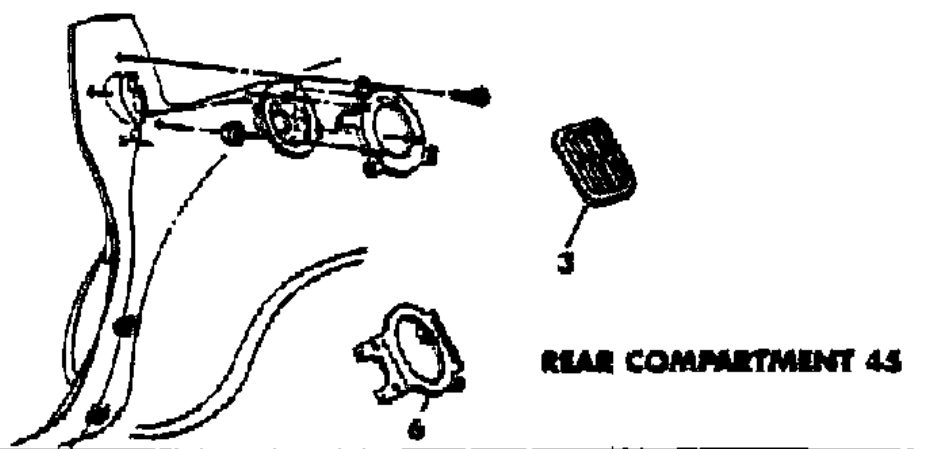
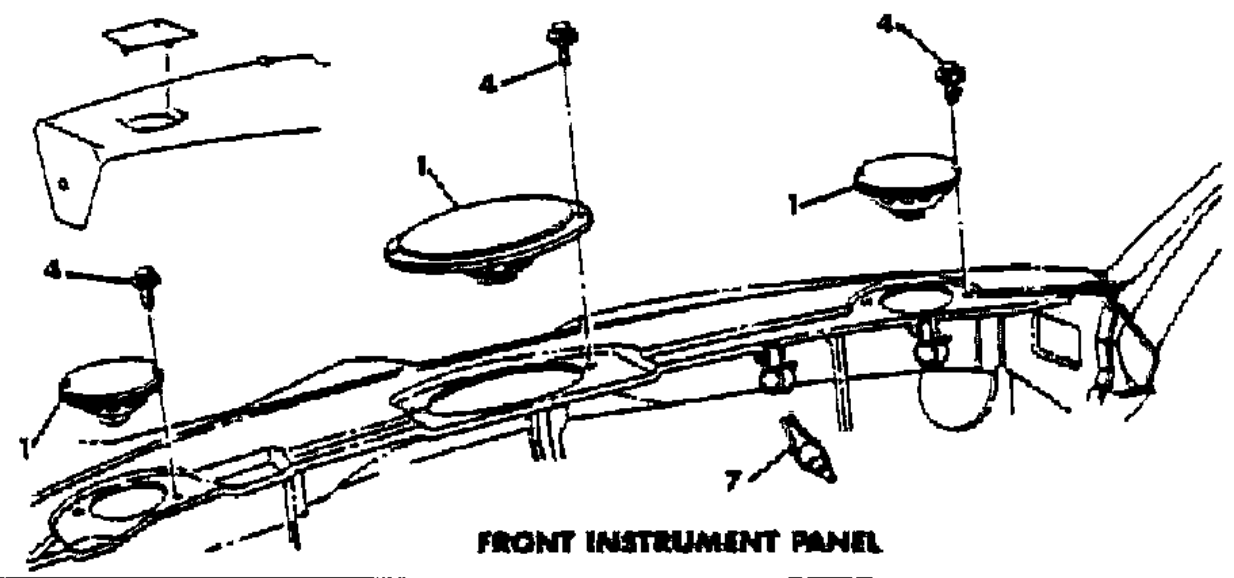
2170 1800

ITEM	PART NUMBER	QTY	BODY	MODEL	DESCRIPTION
	4209 731	1		M,Z (24	WIRING, Radio to Side Cowl
	4209 875	1		P,D,C,V	WIRING, Stereo Speaker
	4274 155	1		P,D,C,V	WIRING ASSY., Premium Speaker (Pkg.)
	4274 008	1		P,D,C,V	WIRING ASSY., Rr. Speaker (Dual)
	4209 743	1		P,D	WIRING ASSY., C.B Radio Jumper
	4274 175	1		ALL	WIRING ASSY., Stereo Jumper
	4209 010	1		P,D,C,V	WIRING, Side Cowl To Rr. Spkr.
	4274 014	1		P,D,C (	WIRING, Rt. Rr. Speaker (Etr)
	4274 127	1		P,D,C (	WIRING, Lt. Rr. Speaker (Etr)
	4209 098	1		P,D,C (	WIRING, Lt. Rr. Speaker
	4274 012	1		P,D,C (	WIRING, Rr. Speaker (Dual)
	4274 126	1		P,D,C (	WIRING ASSY., Rr. Speaker Premium
	4274 125	1		PD,CV(2	WIRING ASSY., Rr. Speaker Premium
	4209 885	1		B,F,G	WIRING ASSY., Radio Frt. & Rr. Spkr. (Etr.)
	4274 165	1		B,F,G	WIRING, Rr. Stereo
	4274 116	1		B,F,G	WIRING ASSY., Speaker Premium
	4274 117	1		X,S	WIRING ASSY., Rr. Speaker (Etr)
	4055 192	1		X,S	WIRING ASSY., Rr. Speaker (Dual)
	4209 438	1		X,S	WIRING, Rr. Speaker Stereo
	4209 904	1		Y	WIRING, Rr. Speaker Stereo
	3513 347	1		All	Insulator, Radio wiring
	3747 874	1		P,D,B,F	SWITCH, Rear Amplifier
	4221 203	1		C,V	SWITCH, Rear Amplifier
	4221 060	1		Y	SWITCH, Rear Amplifier
	3747 928	1		X,S	SWITCH, Rear Amplifier
	4222 133	2		Y	COVER, Rear Speaker Acoustic
	4222 061	1		All	CONTROL, Power Amp., w/Prem. Speaker Pkg.

MODEL CODES  
 B = GRAN FURY/CARAVELLE      P = RELIANT  
 C = LEBARON/TOWN & COUNTRY      S = CORDOBA  
 D = ARIES      V = 400  
 F = NEW YORKER      X = MIRADA  
 G = DIPLOMAT      Y = IMPERIAL  
 M = HORIZON/TC3/SCAMP      Z = OMNI/O24/RAMPAGE

BODY STYLES  
 21 = 2-DOOR SEDAN      28 = FWD PICKUP  
 22 = 2-DOOR SPECIAL COUPE      41 = 4-DOOR SEDAN  
 24 = 2-DOOR HATCHBACK      44 = 4-DOOR HATCHBACK  
 27 = 2-DOOR CONVERTIBLE      45 = 2-SEAT STATION WAGON

AR = Use as Required - = Non Illustrated Part P.A.R. = Paint as Required



**GROUP 23C - BODY DOORS AND RELATED PARTS**

**ILLUSTRATION NOT AVAILABLE AT TIME OF PUBLICATION**

ILLUSTRATION TITLE	GROUP-FIG. NO.
DOOR AND GLASS, M,Z - 24,28 .....	Fig. 23C-100
WEATHERSTRIP & RETAINER, DOOR & ROOF SIDE RAIL, M,Z - 24,28 .....	Fig. 23C-200
DOOR, FRONT- M,Z 44 .....	Fig. 23C-300
DOOR, FRONT, GLASS,REGULATORS & HANDLES M,Z 44 .....	Fig. 23C-400
DOOR,REAR - M,Z 44 .....	Fig. 23C-500
DOOR,REAR,WINDOW REGULATOR & HANDLES M,Z 44 .....	Fig. 23C-600
WEATHERSTRIPS AND RUNS,FRONT AND REAR DOORS M,Z - 44 .....	Fig. 23C-700
DOOR, FRONT P,D,C,V - 21,22 .....	Fig. 23C-800
CONVERTIBLE FRONT DOOR C,V 27 .....	Fig. 23C-850
DOOR, FRONT GLASS AND REGULATORS P,D,C,V - 21,22 .....	Fig. 23C-900
CONVERTIBLE FRONT DOOR GLASS AND REGULATORS C,V 27 .....	Fig. 23C-950
BEZELS, SWITCHES AND WIRING P,D,C,V 21,22,27 .....	Fig. 23C-1000
DOOR FRONT P,D,C,V - 41,45 .....	Fig. 23C-1100
DOOR FRONT GLASS AND REGULATORS P,D,C,V - 41,45 .....	Fig. 23C-1200
BEZELS, SWITCHES AND WIRING FRONT DOOR P,D, - 41,45 .....	Fig. 23C-1300
BEZELS, SWITCHES AND WIRING FRONT DOOR C,V - 41,45 .....	Fig. 23C-1325
DOOR REAR W/PUSH LOCK C,P,D - 41,45 .....	Fig. 23C-1400
DOOR REAR W/ROCKER LOCK P,D,C,V - 41,45 .....	Fig. 23C-1425
DOOR REAR GLASS AND REGULATOR W/ROLL DOWN WINDOW P,D,C,V - 41,45 .....	Fig. 23C-1450
BEZELS, SWITCHES AND WIRING REAR DOOR P,D,C, - 41,45 .....	Fig. 23C-1500
BEZELS, SWITCHES AND WIRING REAR DOOR P,D,C,V - 41,45 .....	Fig. 23C-1525
RUNS AND WEATHERSTRIPS, FRONT AND REAR DOORS P,D,C,V 21,22,41,45 .....	Fig. 23C-1600
CONVERTIBLE RUNS AND WEATHERSTRIPS C,V 27 .....	Fig. 23C-1650
DOOR,FRONT - B,F,G 41 .....	Fig. 23C-1700
REGULATOR AND HANDLE, FRONT DOOR B,F,G 41 .....	Fig. 23C-1800
BEZELS, SWITCHES AND WIRING - FRONT DOOR B,F,G 41 .....	Fig. 23C-1900
DOOR,REAR - B,F,G 41 .....	Fig. 23C-2000
REAR DOOR WINDOW REGULATORS - B,F,G 41 .....	Fig. 23C-2100
WEATHERSTRIPS AND RUNS, FRT. & RR. DOOR B,F,G 41 .....	Fig. 23C-2200
WEATHERSTRIP, FRONT & REAR DOOR OPENING B,F,G 41 .....	Fig. 23C-2300
BEZELS, SWITCHES AND WIRING - REAR DOOR B,F,G 41 .....	Fig. 23C-2400
DOOR - S,X,Y .....	Fig. 23C-2500
DOOR REGULATORS AND GLASS - S,X,Y .....	Fig. 23C-2600
WEATHERSTRIPS,FRONT DOOR - S,X,Y .....	Fig. 23C-2700
BEZELS, SWITCHES AND WIRING - FRONT DOOR X, S .....	Fig. 23C-2800
BEZELS, SWITCHES AND WIRING - FRONT DOOR Y .....	Fig. 23C-2900
CLIP CHART .....	Fig. 23C-3000
MIRROR, INSIDE REAR VIEW .....	Fig. 23C-3100

---

**GROUP 23C - BODY DOORS AND RELATED PARTS**

**ILLUSTRATION TITLE**

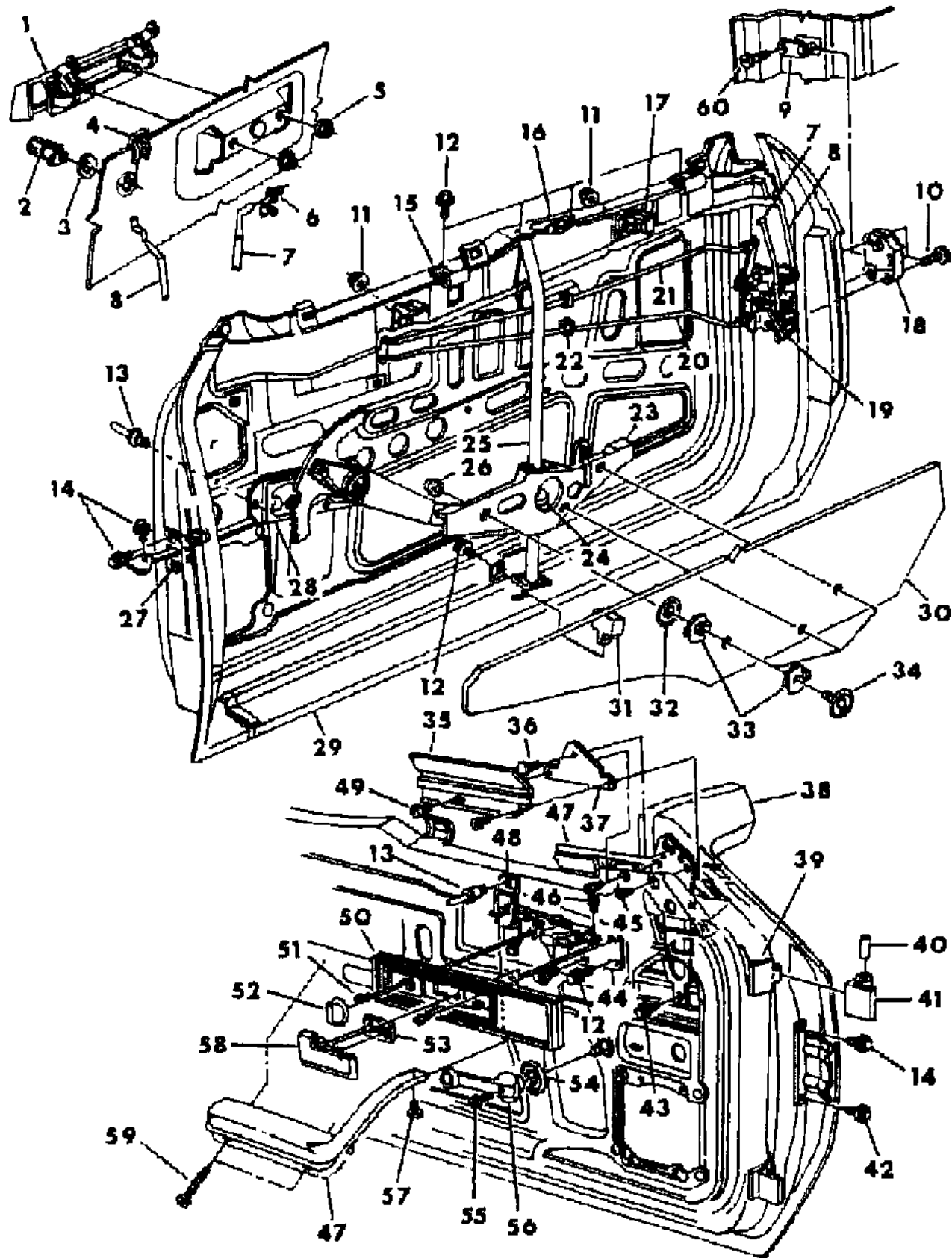
**GROUP-FIG. NO.**

**INSULATOR CHARTS (Continued)**

MIRROR, INSIDE REAR VIEW .....	Fig. 23C-3100
MIRRORS, MANUAL & REM. CONTROL M,Z 24,28 .....	Fig. 23C-3200
MIRROR, MANUAL AND REMOTE CONTROL - M,Z - 44 .....	Fig. 23C-3300
MIRRORS - MANUAL AND REMOTE CONTROL - P,D,C,V .....	Fig. 23C-3400
MIRROR, MANUAL AND REMOTE CONTROL - B,F,G .....	Fig. 23C-3500
MIRROR REMOTE CONTROL - X,S .....	Fig. 23C-3600
MIRROR - REMOTE CONTROL, ELECTRIC - Y .....	Fig. 23C-3700

DOOR AND GLASS, M,Z - 24,28  
Figure 23C-100

2171 100



ITEM	PART NUMBER	QTY	BODY	MODEL	DESCRIPTION
1	4184 226	2			HANDLE, Door Outside
2					CYLINDER, Door (See Cyl. & Key Illus.)
3					GASKET, Door Cyl. (See Cyl. & Key Illus.)
4					RETAINER, Door Cyl. (See Cyl. & Key Illus.)
5	6500 274	AR			NUT & WASHER
6					CLIP (See Clip Chart)
7	5231 466-7	1			LINK, Door Outside Handle to Latch
8	5231 468-9	1			LINK, Door Lock Key Cyl. to Latch
9	5200 875	2			STRIKER, Door Latch
	5231 564	AR			SPACER, Door Latch Striker
10	6100 866	AR			SCREW
11	6100 047	AR			NUT & WASHER
12	6500 144	AR			SCREW & WASHER
13	6031 115	AR			RIVET
14					SCREW & WASHER (Not Serviced)
15	4040 294	4			STABILIZER, Door Glass
16	5231 424	2			BRACKET & LINER, Door Glass Guide and Hook
17	5231 423	4			UP STOP, Door Glass, Complete
18					LATCH, Door Outside (serviced in item 19)
	5231 890	2			BUMPER, Door Outside Striker
19	4205 930-1	1			LATCH, Door Inside and Outside
20	5231 472-3	1			LINK w/SLEEVE, Door Latch R/Control to Latch
21	5231 474-5	1			LINK w/SLEEVE, Door Latch Locking Control to Latch
22					CLIP (See Clip Chart)
23	5231 416-7	1			PLATE & CHANNEL, Door Glass Lift
					GUIDE, Door Glass
	3696 433	4			Upper
	3788 273	2			Lower, Lift
24	3788 080	2			SLEEVE, Door Glass Track
25	5231 176-7	1			TRACK, Door Glass Guide, Complete
26					NUT (Not Serviced)
27	5231 658	2			ARM & BRACKET, Door Check, Complete
28	5231 046-7	1			REGULATOR, Door Manual Wdo.
	3882 758	2			SLIDE, Manual Regulator
29	5218 186-7	1			SHELL,Door
	4050 872-3	1			PANEL,Repair
30					GLASS, Door

MODEL CODES

B = GRAN FURY/CARAVELLE	P = RELIANT
C = LEBARON/TOWN & COUNTRY	S = CORDOBA
D = ARIES	V = 400
F = NEW YORKER	X = MIRADA
G = DIPLOMAT	Y = IMPERIAL
M = HORIZON/TC3/SCAMP	Z = OMNI/O24/RAMPAGE

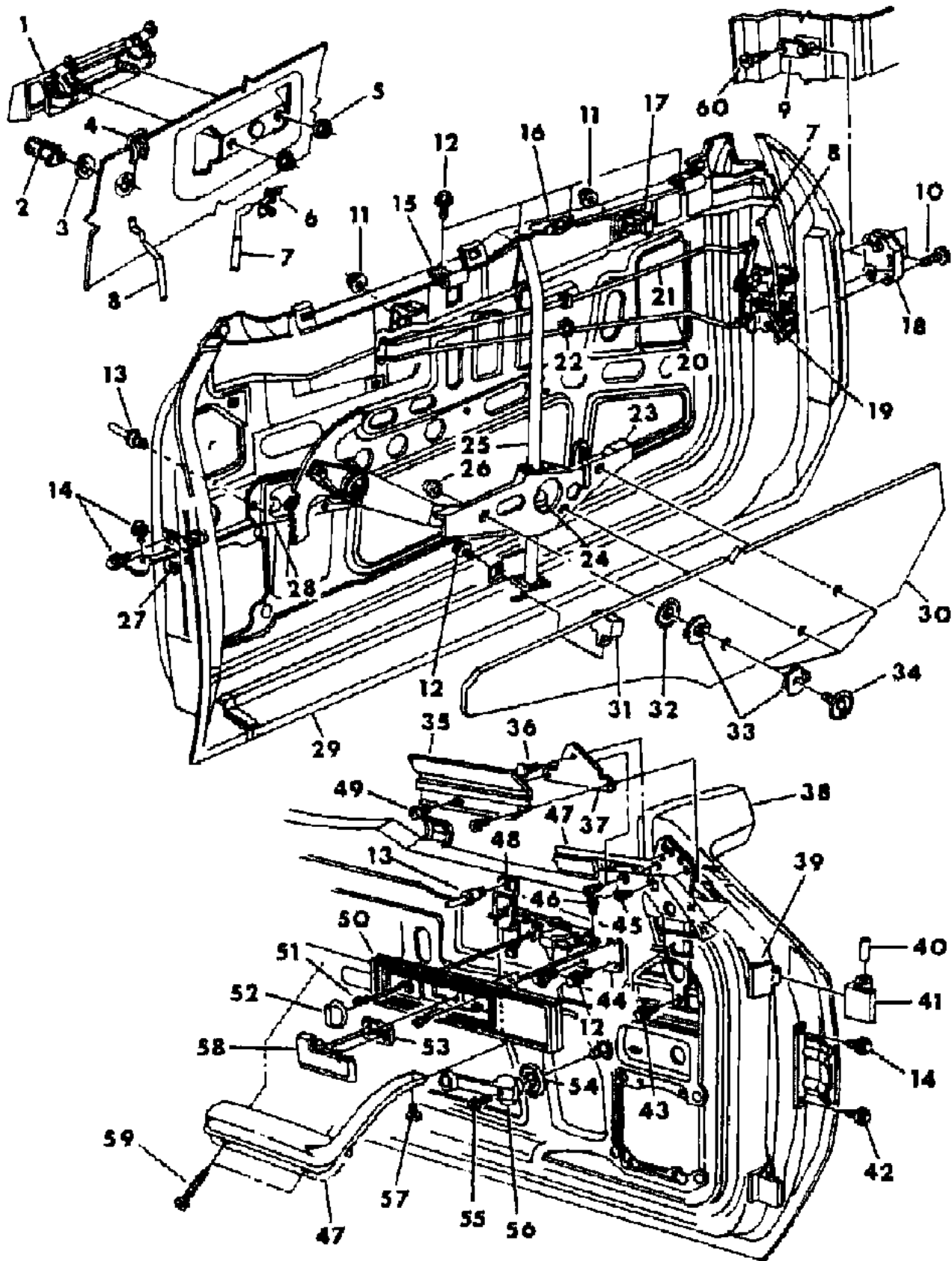
BODY STYLES

21 = 2-DOOR SEDAN	28 = FWD PICKUP
22 = 2-DOOR SPECIAL COUPE	41 = 4-DOOR SEDAN
24 = 2-DOOR HATCHBACK	44 = 4-DOOR HATCHBACK
27 = 2-DOOR CONVERTIBLE	45 = 2-SEAT STATION WAGON

AR = Use as Required - = Non Illustrated Part P.A.R. = Paint as Required

DOOR AND GLASS, M,Z - 24,28  
Figure 23C-100

2171 100



ITEM	PART NUMBER	QTY	BODY	MODEL	DESCRIPTION
	5231 070-1	1		24	Clear
	5231 072-3	1		24	Tinted
	4198 480-1	1		28	Clear
	4198 482-3	1		28	Tinted
31	5231 058	2			BUMPER, Door Glass Down Stop
32	6028 587	AR			TEE-NUT
33	3788 004	AR			GASKET, Door Glass Lift Channel Guide Plate
34	6029 998	AR			WASHER & STUD
35					WEATHERSTRIP, Door (See Weatherstrip Illus.)
36	3759 944	AR			RETAINER
37					COVER, Rear View Mirror Brkt. (See R/Control Mirror Illus.)
38					MIRROR (See Mirror Illus.)
39	5231 594	4			LEAF, Moving Hge., Door Half
40	6500 361	4			PIN, Door Hge.
41	5231 594	4			LEAF, Fixed Hge., Body Half
42	5231 368	2			STOP, Door
43					SCREW (Not Serviced)
44	5231 314-5	1			REMOTE CONTROL, Door Latch Locking
45					SCREW (Not Serviced)
46	6031 318	AR			SCREW
47					ARM REST, Door (See Trim Section)
48	5231 313	2			SUPPORT, Front Door Inside Pnl. Arm Rest
49					SCREW (Not Serviced)
50					BEZEL, Door R/Control Handle,
	5231 790	1			w/o Remote Control Mirror (wood grain)
	5231 918	1			w/Seal, w/Remote Control Mirror (woodgrain)
	5231 922	1			w/Seal, w/Remote Control Mirror (black)
	5231 925	1			w/o Mirror (black)
51	6100 903	AR			SCREW
52	5231 354-5	1			KNOB, Locking Control
53	5231 135	2			SEAL, Door Latch R/Control Handle
54	3882 767	2			SPACER, Door Manual Wdo. Reg. Handle
	2593 214	2		L-E,M-E	
55	6031 644	AR			SCREW
56	3882 764	2			HANDLE, Door Manual Wdo. Reg., Chrome
	5200 983	2			Black
	3882 764	2			w/Custom or Premium Interior Pkg.

MODEL CODES

B = GRAN FURY/CARAVELLE	P = RELIANT
C = LEBARON/TOWN & COUNTRY	S = CORDOBA
D = ARIES	V = 400
F = NEW YORKER	X = MIRADA
G = DIPLOMAT	Y = IMPERIAL
M = HORIZON/TC3/SCAMP	Z = OMNI/O24/RAMPAGE

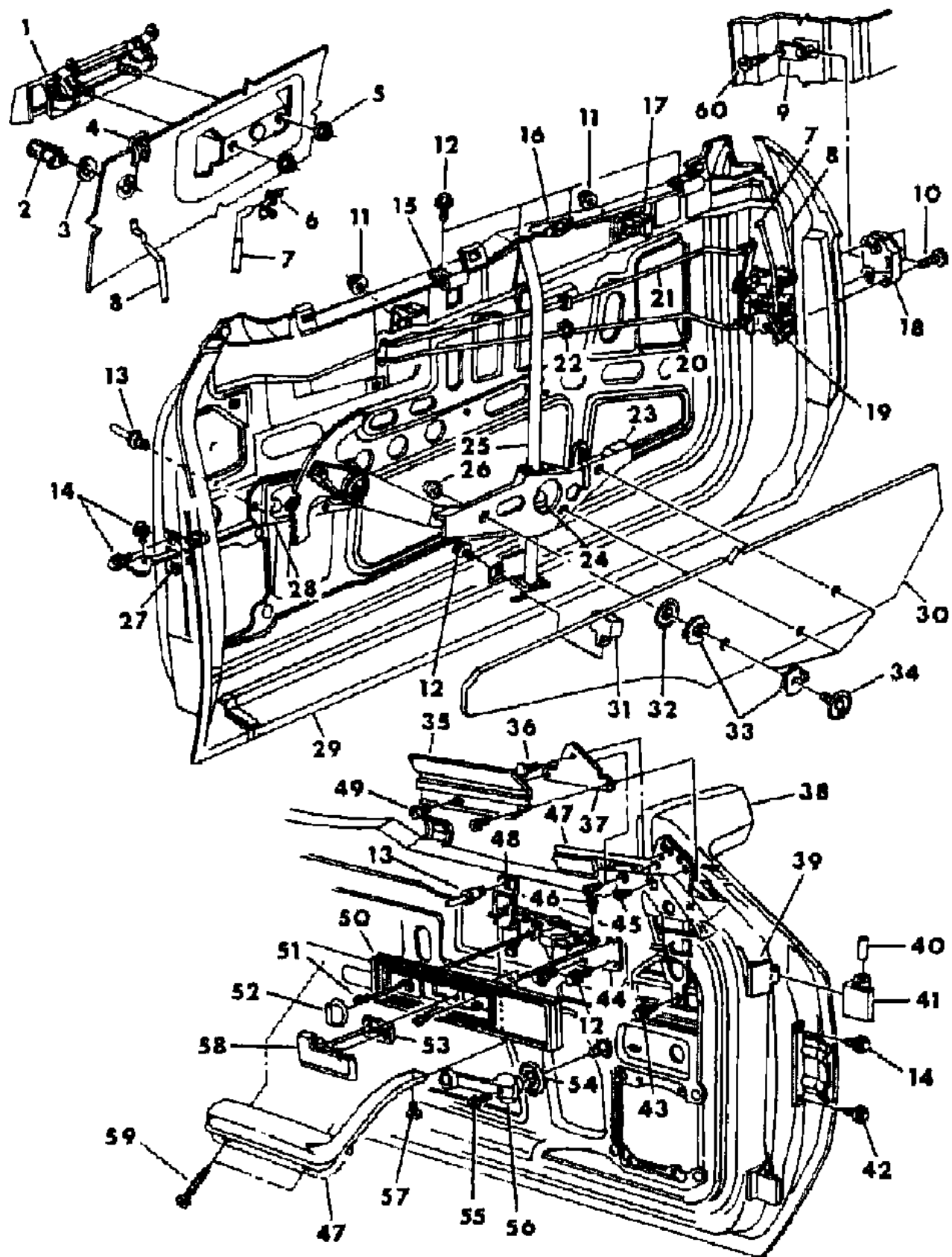
BODY STYLES

21 = 2-DOOR SEDAN	28 = FWD PICKUP
22 = 2-DOOR SPECIAL COUPE	41 = 4-DOOR SEDAN
24 = 2-DOOR HATCHBACK	44 = 4-DOOR HATCHBACK
27 = 2-DOOR CONVERTIBLE	45 = 2-SEAT STATION WAGON

AR = Use as Required - = Non Illustrated Part P.A.R. = Paint as Required

DOOR AND GLASS, M,Z - 24,28  
Figure 23C-100

2171 100



ITEM	PART NUMBER	QTY	BODY	MODEL	DESCRIPTION
	5200 983	2			w/o Custom or Premium Interior Pkg.
57	6500 141	AR			SCREW
58	5200 878-9	1			HANDLE, Door Latch R/Control
59					SCREW (Not Serviced)
60	6500 295	AR			SCREW
NOTE: The following items are not illustrated. an offsetting order for part no. 3747881					
	3760 506	2			SPRING, Manual Window Regulator Assit
	3882 620	AR			CLIP, Anti Rattle

MODEL CODES

B = GRAN FURY/CARAVELLE	P = RELIANT
C = LEBARON/TOWN & COUNTRY	S = CORDOBA
D = ARIES	V = 400
F = NEW YORKER	X = MIRADA
G = DIPLOMAT	Y = IMPERIAL
M = HORIZON/TC3/SCAMP	Z = OMNI/O24/RAMPAGE

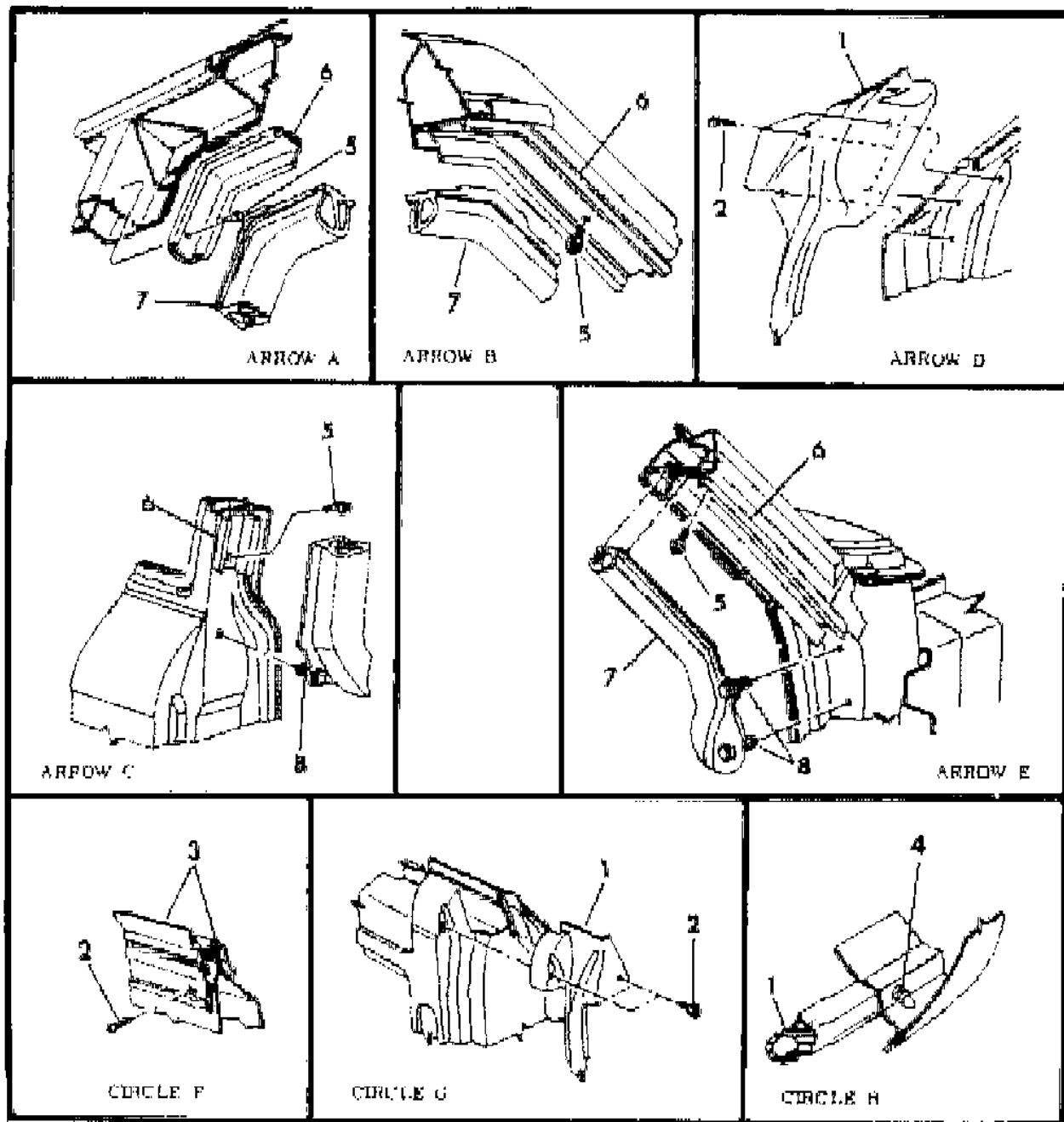
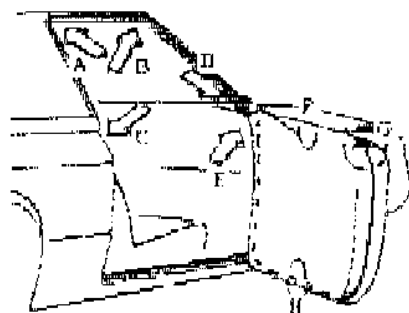
BODY STYLES

21 = 2-DOOR SEDAN	28 = FWD PICKUP
22 = 2-DOOR SPECIAL COUPE	41 = 4-DOOR SEDAN
24 = 2-DOOR HATCHBACK	44 = 4-DOOR HATCHBACK
27 = 2-DOOR CONVERTIBLE	45 = 2-SEAT STATION WAGON

AR = Use as Required - = Non Illustrated Part P.A.R. = Paint as Required

**WEATHERSTRIP & RETAINER, DOOR & ROOF SIDE RAIL, M,Z - 24,28**  
**Figure 23C-200**

2171 200



ITEM	PART NUMBER	QTY	BODY	MODEL	DESCRIPTION
1	5231 284-5	1			WEATHERSTRIP, on Front Door
2		AR			SCREW (Not Serviced)
3					WEATHERSTRIP, Wdo. Belt Front Door, Inner
	5208 832-3	1			Outer Rt., w/Remote Control Mirror
	5231 060	1			Outer Rt., w/o Remote Control Mirror
	4198 618	1			Outer Lt.
	4198 579	1			Outer Lt.
4	4040 732	AR			FASTENER, Door Weatherstrip
	4198 966-7	AR	28		Retainer Side Door Weatherstrip (black)
5		AR			SCREW (Not Serviced)
6					RETAINER, Roof Side Rail Weatherstrip, Black
	5231 260-1	1	24		Black
	4198 966-7	1	28		Black
7	5231 274-5	1	24		WEATHERSTRIP, Roof Side Rail
	4198 962-3	1	28		
8	3759 944	6			RETAINER, (Plastic) Roof Side Rail Weatherstrip Att.

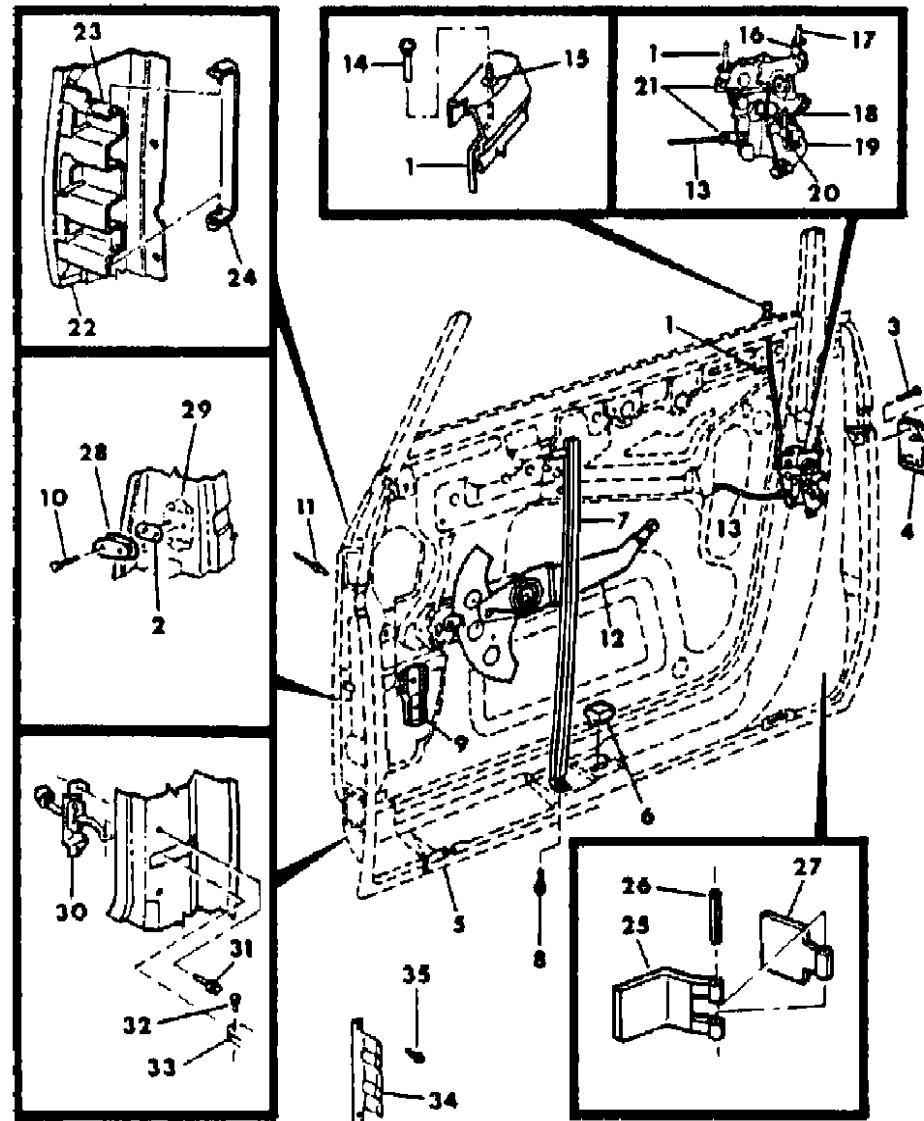
MODEL CODES  
 B = GRAN FURY/CARAVELLE      P = RELIANT  
 C = LEBARON/TOWN & COUNTRY      S = CORDOBA  
 D = ARIES      V = 400  
 F = NEW YORKER      X = MIRADA  
 G = DIPLOMAT      Y = IMPERIAL  
 M = HORIZON/TC3/SCAMP      Z = OMNI/O24/RAMPAGE

BODY STYLES  
 21 = 2-DOOR SEDAN      28 = FWD PICKUP  
 22 = 2-DOOR SPECIAL COUPE      41 = 4-DOOR SEDAN  
 24 = 2-DOOR HATCHBACK      44 = 4-DOOR HATCHBACK  
 27 = 2-DOOR CONVERTIBLE      45 = 2-SEAT STATION WAGON

AR = Use as Required - = Non Illustrated Part P.A.R. = Paint as Required

DOOR, FRONT- M,Z 44  
Figure 23C-300

2111 300



ITEM	PART NUMBER	QTY	BODY	MODEL	DESCRIPTION
1	5200 970	2			ROD, Door Latch Locking Control Push
2	5231 368	2			STOP, Door
3	6100 866	AR			SCREW
4					LATCH, Door Outside (serviced in item 19)
5	5218 100-1	1			SHELL,Door
6	5231 482-3	1			PANEL,Repair
7	3759 910	2			BUMPER, Glass Down Stop
8	5231 908-9	1			CHANNEL & BRACKET, Door Glass
9	6500 191	AR			SCREW
10					BRACKET, Mirror Control Mtg. (See Mirror Illus.)
11	6500 295	AR			SCREW
12	6031 115	AR			RIVET
13	5231 742-3	1			REGULATOR,Door Manual Window
14	3882 758	2			SLIDE, Manual Regulator
	3508 121	2			SPRING, Door Man. Wdo. Reg. Assist
15	5231 220-1	1			LINK w/SLEEVE, Door Latch Remote Control to Latch
16	4049 609	AR			KNOB PKG., Door Latch Locking Control, Chrome, w/o Pwr. Locks
17	3510 447	2			GROMMET, Door Trim Pnl. Lock Knob.
18	3760 130-1	AR			CLIP
19	5231 480-1	1			LINK, Door Lock Key Cyl. to Latch
20	5231 478-9	1			LINK, Door Outside Handle to Latch Actg.
21	4205 926-7	1			LATCH, Door Inside and Outside
22	2945 108-9	AR			CLIP
23	3454 220-1	AR			CLIP
24					PILLAR (Serviced in Door)
25					REINFORCEMENT (Serviced in Door)
26	5231 294	2			BUMPER & RETAINER, Door Impact Bar
27	5231 594	4			LEAF, Fixed Hinge, Body Half
28	6500 361	4			PIN, Door Hinge
29	5231 595	4			LEAF, Moving Hinge, Door Half
30	5200 875	2			STRIKER, Door Latch
31	5231 564	AR			SPACER, Door Latch Striker
32	5200 368	2			T/PLATE, Body Center Pillar Outer Latch Striker
33	4106 711	1			PACKAGE, Door Check Arm, Complete
34		AR			SCREW & WASHER (Not Serviced)
35					RIVET (Not Serviced)

MODEL CODES

B = GRAN FURY/CARAVELLE  
C = LEBARON/TOWN & COUNTRY  
D = ARIES  
F = NEW YORKER  
G = DIPLOMAT  
M = HORIZON/TC3/SCAMP  
P = RELIANT  
S = CORDOBA  
V = 400  
X = MIRADA  
Y = IMPERIAL  
Z = OMNI/O24/RAMPAGE

BODY STYLES

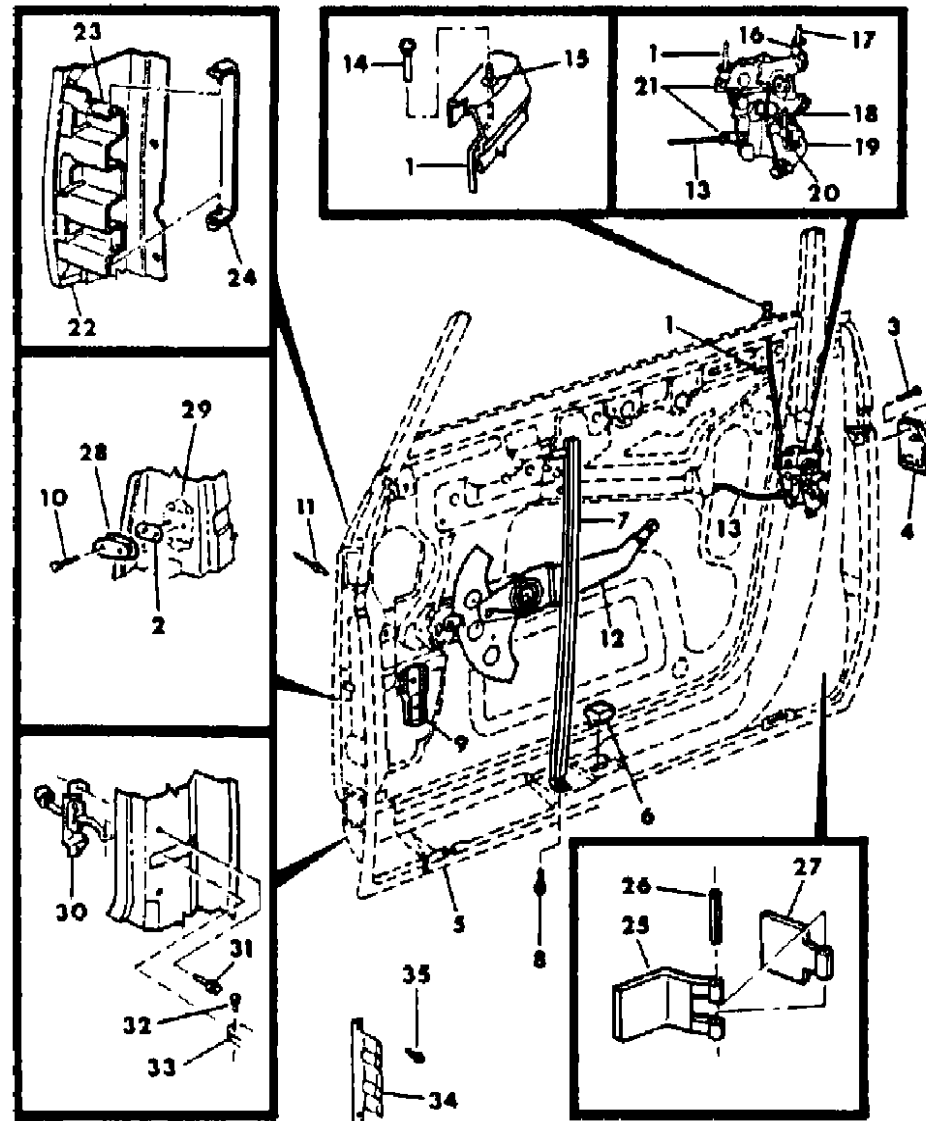
21 = 2-DOOR SEDAN  
22 = 2-DOOR SPECIAL COUPE  
24 = 2-DOOR HATCHBACK  
27 = 2-DOOR CONVERTIBLE  
28 = FWD PICKUP  
41 = 4-DOOR SEDAN  
44 = 4-DOOR HATCHBACK  
45 = 2-SEAT STATION WAGON

AR = Use as Required - = Non Illustrated Part P.A.R. = Paint as Required



DOOR, FRONT- M,Z 44  
Figure 23C-300

2111 300



ITEM	PART NUMBER	QTY	BODY	MODEL	DESCRIPTION
33					BRACKET, Check Arm (Serviced in Pillar)
34	5231 368	2			STOP, Front Door
35		4			SCREW (Not Serviced)
NOTE: THE FOLLOWING ITEMS ARE NOT SHOWN ON ILLUSTRATION an offsetting order for part no. 3747881					
	5231 343	2			BUMPER,Door Latch Striker
	4198 876-7	1			BRACKET, Glass Stabilizer
	4050 350-1	1			REINFORCEMENT, Latch Inside Panel
	4040 294	2			STABILIZER, Door Glass

MODEL CODES

B = GRAN FURY/CARAVELLE	P = RELIANT
C = LEBARON/TOWN & COUNTRY	S = CORDOBA
D = ARIES	V = 400
F = NEW YORKER	X = MIRADA
G = DIPLOMAT	Y = IMPERIAL
M = HORIZON/TC3/SCAMP	Z = OMNI/O24/RAMPAGE

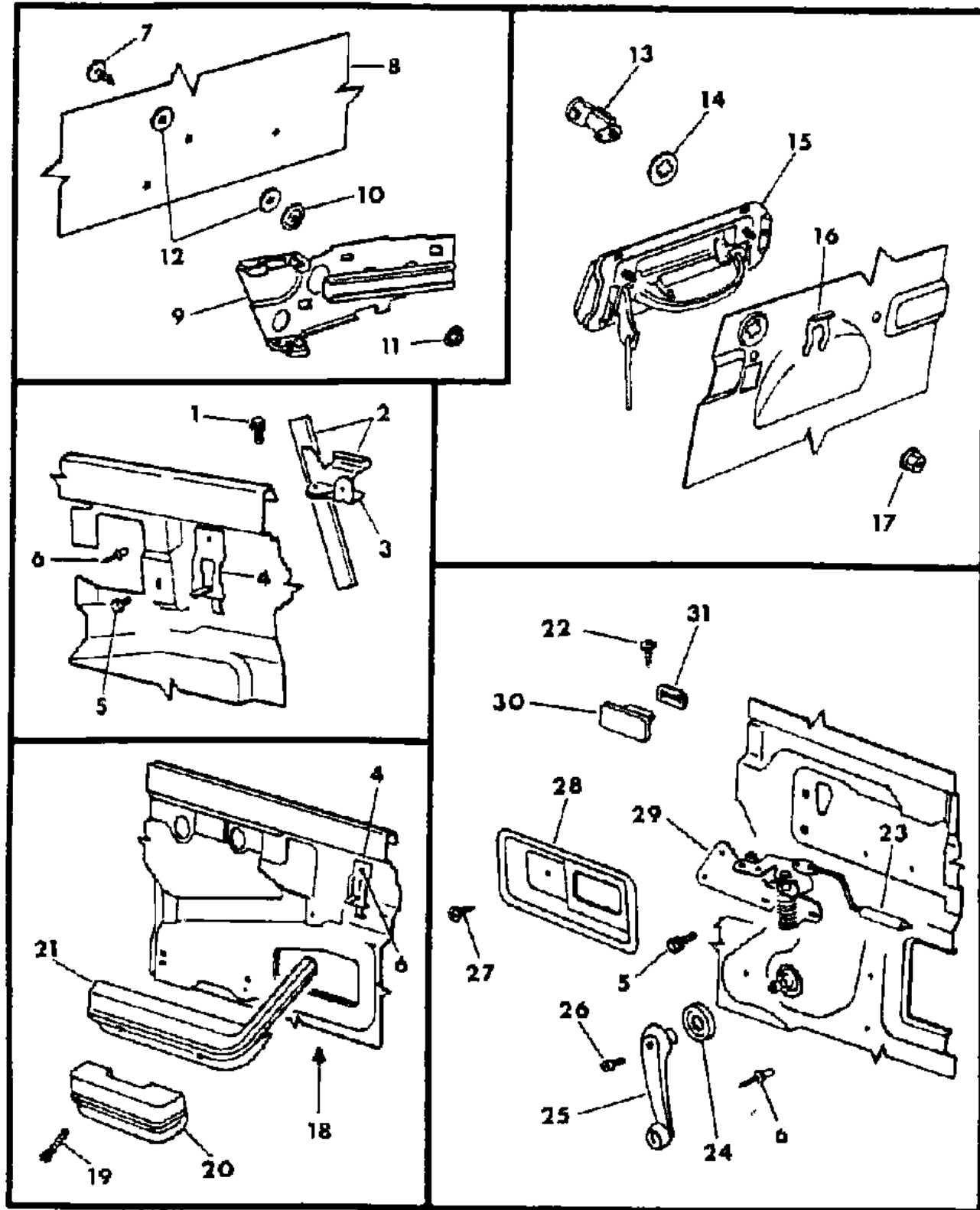
BODY STYLES

21 = 2-DOOR SEDAN	28 = FWD PICKUP
22 = 2-DOOR SPECIAL COUPE	41 = 4-DOOR SEDAN
24 = 2-DOOR HATCHBACK	44 = 4-DOOR HATCHBACK
27 = 2-DOOR CONVERTIBLE	45 = 2-SEAT STATION WAGON

AR = Use as Required - = Non Illustrated Part P.A.R. = Paint as Required

DOOR, FRONT, GLASS, REGULATORS & HANDLES M,Z 44  
Figure 23C-400

2171 400



ITEM	PART NUMBER	QTY	BODY	MODEL	DESCRIPTION
1	6500 191	AR			SCREW & WASHER
2	5231 908-9	1			CHANNEL & BRACKET, Door Glass
3					BRACKET & P/NUT, Door Glass Track Channel(Ser.in Item 2)
4	5231 114	2			SUPPORT, Door Inside Pnl. Arm Rest
5	6500 144	AR			SCREW & WASHER
6	6031 115	AR			RIVET
7	6029 998	AR			STUD & WASHER
8					GLASS, Door
	5200 778-9	1			Clear
	5200 780-1	1			Tinted
9	5231 912-3	1			PLATE & CHANNEL, Door Glass Track, w/Upper and Lower Guide
10		AR			TEE-NUT (not serviced)
11					NUT (Not Serviced)
12	3788 004	12			GASKET, Door Glass
13					CYLINDER (See Cyl. & Key Chart Illus.)
14					GASKET, (See Cyl. & Key Chart Illus.)
15	4184 226	2			HANDLE, Door Outside
16					RETAINER (See Cyl. & Key Chart Illus.)
17	6500 274	AR			NUT & WASHER
18	6500 141	AR			SCREW
19		AR			SCREW (Not Serviced)
20					ARM REST (See Trim Section)
21					ARM REST, Long (See Trim Section)
22	6031 318	AR			SCREW
23	5231 220-1	1			LINK w/SLEEVE, Door Latch Remote Control to Latch
24	3882 768	AR			SPACER, Door Manual Wdo. Reg. Handle
	2583 214	AR	L-E,M-E		
25	3882 764	2			HANDLE, Door Manual Window Regulator, Chrome
	5200 983	2			Black
26	6031 944	2			SCREW
27	6100 903	2			SCREW
28					BEZEL, Door Latch Remote Control Handle,
	D459 AA3	2			Silver
	D459 VB2	2			Blue
	D459 VM6	2			Red
	D459 VT4	2			Tan

MODEL CODES

B = GRAN FURY/CARAVELLE  
C = LEBARON/TOWN & COUNTRY  
D = ARIES  
F = NEW YORKER  
G = DIPLOMAT  
M = HORIZON/TC3/SCAMP  
P = RELIANT  
S = CORDOBA  
V = 400  
X = MIRADA  
Y = IMPERIAL  
Z = OMNI/O24/RAMPAGE

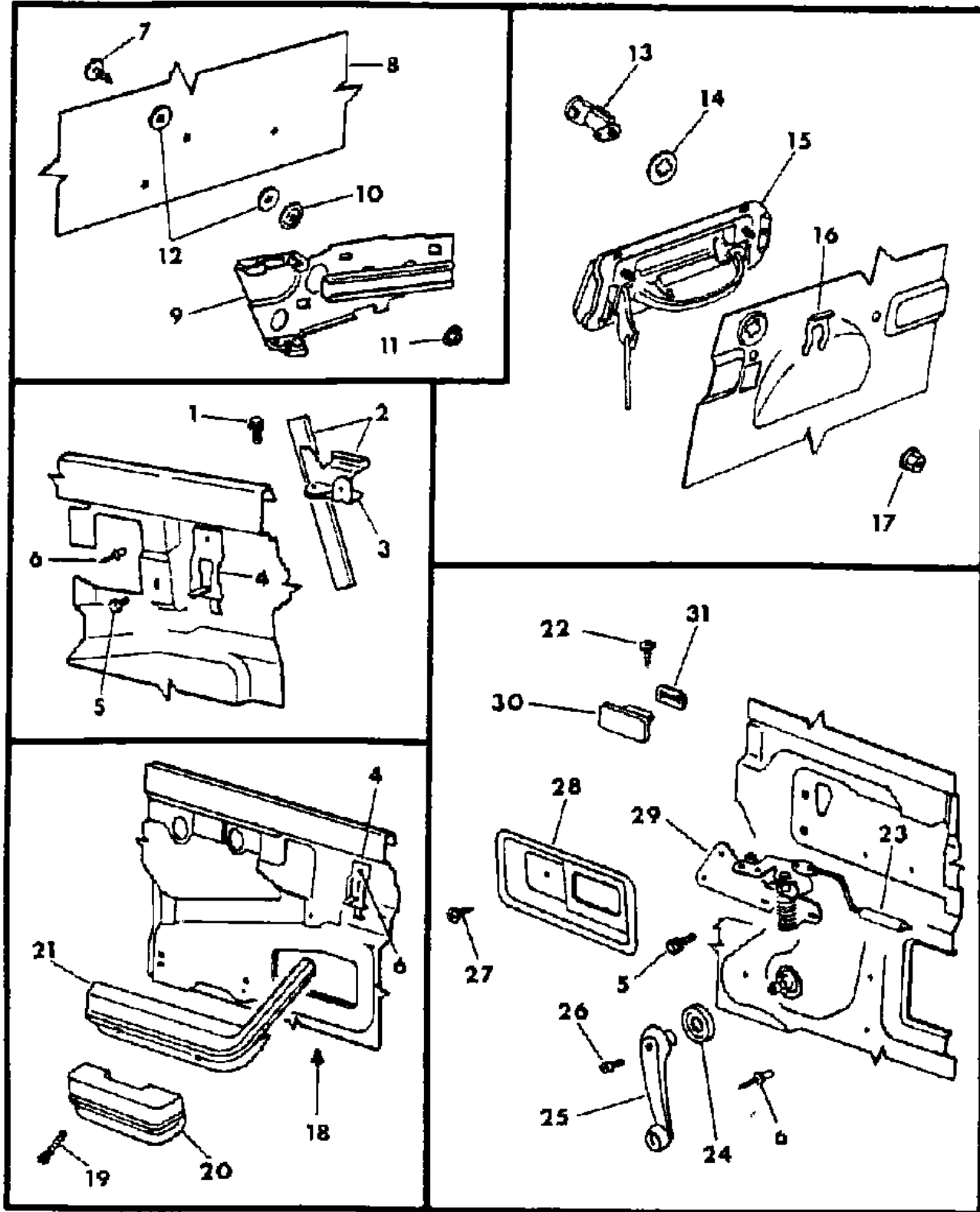
BODY STYLES

21 = 2-DOOR SEDAN  
22 = 2-DOOR SPECIAL COUPE  
24 = 2-DOOR HATCHBACK  
27 = 2-DOOR CONVERTIBLE  
28 = FWD PICKUP  
41 = 4-DOOR SEDAN  
44 = 4-DOOR HATCHBACK  
45 = 2-SEAT STATION WAGON

AR = Use as Required - = Non Illustrated Part P.A.R. = Paint as Required

DOOR, FRONT, GLASS, REGULATORS & HANDLES M,Z 44  
Figure 23C-400

2171 400



ITEM	PART NUMBER	QTY	BODY	MODEL	DESCRIPTION
	D459 VX9	2			Black
29	5231 930-1	1			REMOTE CONTROL, Door Latch
30	5200 878-9	1			HANDLE, Door Latch Remote Control
31	5231 135	2			SEAL, Door Latch Remote Control Handle

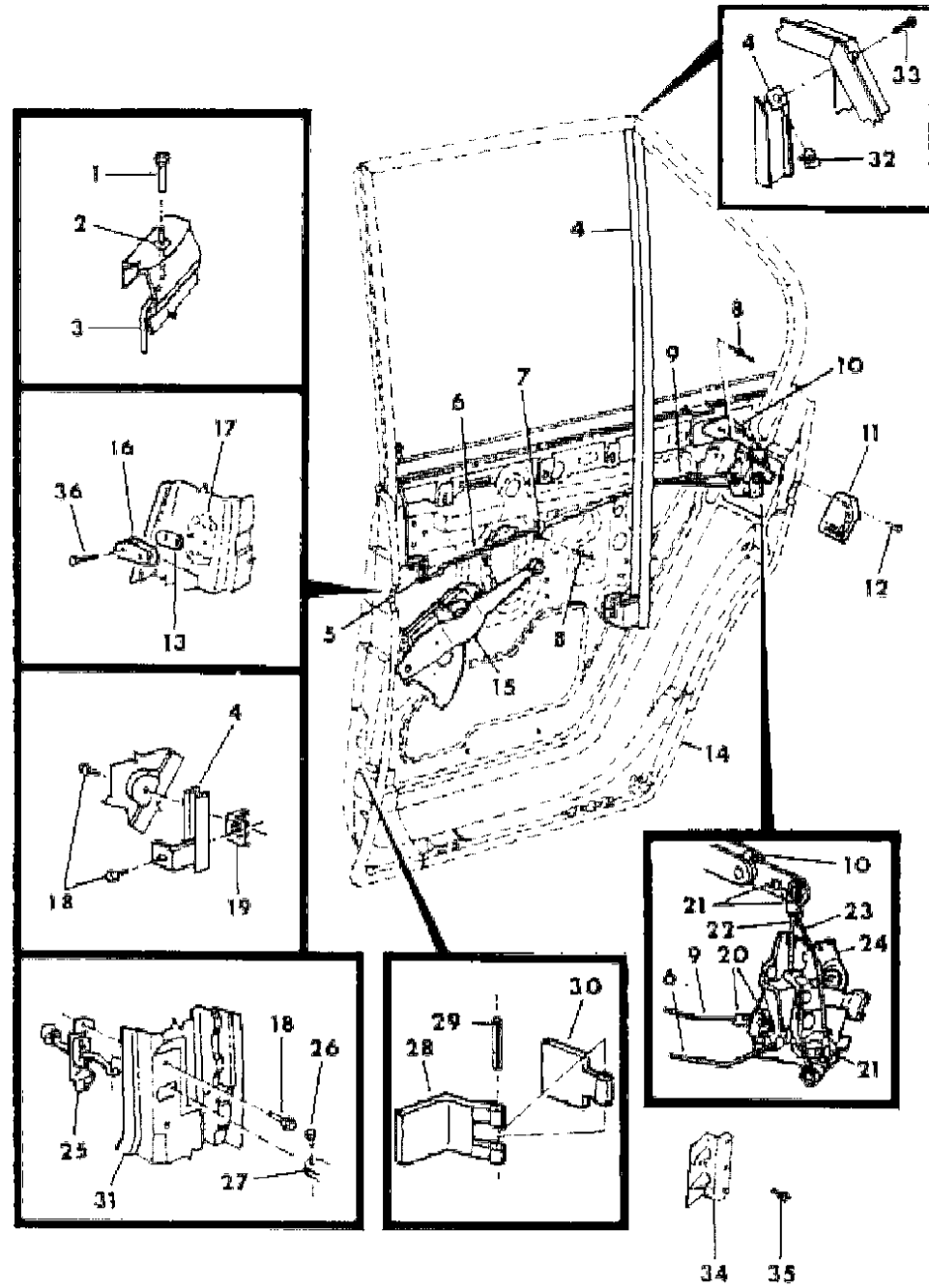
MODEL CODES  
 B = GRAN FURY/CARAVELLE      P = RELIANT  
 C = LEBARON/TOWN & COUNTRY      S = CORDOBA  
 D = ARIES      V = 400  
 F = NEW YORKER      X = MIRADA  
 G = DIPLOMAT      Y = IMPERIAL  
 M = HORIZON/TC3/SCAMP      Z = OMNI/O24/RAMPAGE

BODY STYLES  
 21 = 2-DOOR SEDAN      28 = FWD PICKUP  
 22 = 2-DOOR SPECIAL COUPE      41 = 4-DOOR SEDAN  
 24 = 2-DOOR HATCHBACK      44 = 4-DOOR HATCHBACK  
 27 = 2-DOOR CONVERTIBLE      45 = 2-SEAT STATION WAGON

AR = Use as Required - = Non Illustrated Part P.A.R. = Paint as Required

DOOR, REAR - M, Z 44  
Figure 23C-500

21:1 500



ITEM	PART NUMBER	QTY	BODY	MODEL	DESCRIPTION
1	4049 609	2			KNOB PKG., Door Latch Locking Control, w/o Pwr. Locks
2	3510 447	2			GROMMET, Door Trim Pnl. Lock Knob.
3	5200 909	2			ROD, Latch Locking Control Push
4	5231 734-5	1			CHANNEL w/BRACKET And Run Door Glass
5	3871 044	2			LEVER, Door Latch Locking Control
6	5231 563	2			LINK w/SLEEVE, Door Latch Locking Control to Latch
7	3882 620	AR			CLIP, Anti Rattle
8	6031 115	AR			RIVET
9	5231 222-3	1			LINK w/SLEEVE, Door Latch Remote Control to Latch
10	5231 768	2			BRACKET & LEVER, Door Latch Actg.
11					LATCH, Door Outside (serviced in item 24)
12	6100 866	AR			SCREW
13	5231 564	AR			SPACER, Door Striker
14	5218 144-5	1			SHELL, Door
	5231 510-1	1			PANEL, Repair
15	5200 722-3	1			REGULATOR, Door Manual Wdo.
	3882 758	2			SLIDE, Manual Regulator
16	5200 875	2			STRIKER, Door Latch
	5231 564	AR			SPACER, Door Latch Striker
17	5200 368	2			T/PLATE, Qtr. Latch Striker
18		AR			SCREW & WASHER (Not Serviced)
19	5231 136	2			BRACKET, Door Fixed Vent Wdo. Div. Channel Attach.
20	3454 220-1	AR			CLIP
21	2945 108-9	AR			CLIP
22	5231 884	2			LINK, Door Outside Handle to Actg. Lever.
23	5231 523	2			LINK, Door Latch to Actg. Lever
24	4205 928-9	1			LATCH, Door Inside and Outside
25	4106 712	2			ARM, Door Check, Complete
26					SCREW (Do Not Service)
27					BRACKET, Check Arm (Serviced in Pillar)
28	5231 594	4			LEAF, Door Fixed Hge., Body Half
29	6500 361	4			PIN, Door Hge.
30	5231 595	4			LEAF, Door Moving Hge., Door Half
31					PILLAR (Serviced in Door)
32		2			U-NUT (Not Serviced)
33					SCREW (Not Serviced)
34	5231 369	2			STOP, Rear Door

MODEL CODES

B = GRAN FURY/CARAVELLE  
C = LEBARON/TOWN & COUNTRY  
D = ARIES  
F = NEW YORKER  
G = DIPLOMAT  
M = HORIZON/TC3/SCAMP  
P = RELIANT  
S = CORDOBA  
V = 400  
X = MIRADA  
Y = IMPERIAL  
Z = OMNI/O24/RAMPAGE

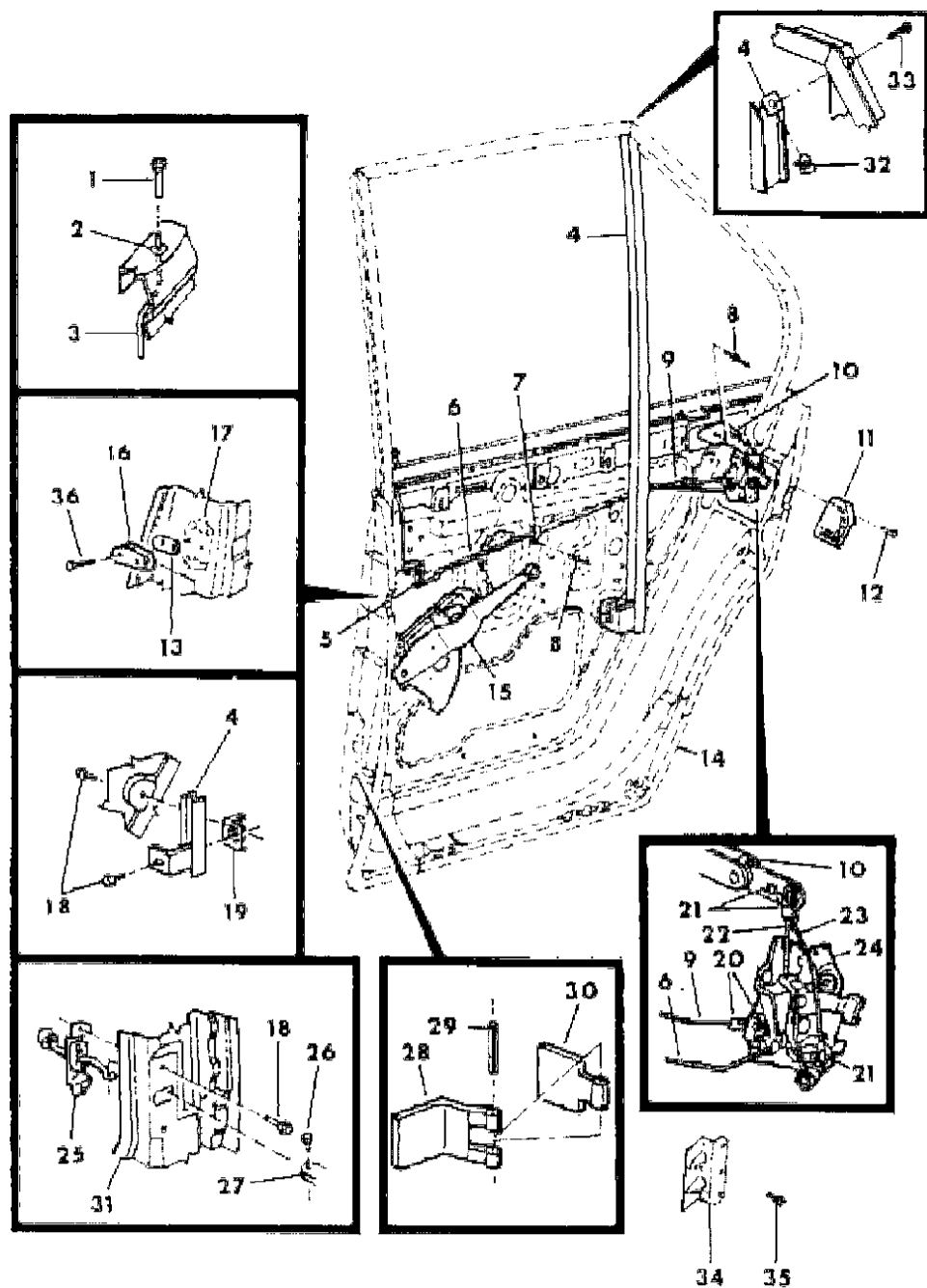
BODY STYLES

21 = 2-DOOR SEDAN  
22 = 2-DOOR SPECIAL COUPE  
24 = 2-DOOR HATCHBACK  
27 = 2-DOOR CONVERTIBLE  
28 = FWD PICKUP  
41 = 4-DOOR SEDAN  
44 = 4-DOOR HATCHBACK  
45 = 2-SEAT STATION WAGON

AR = Use as Required - = Non Illustrated Part P.A.R. = Paint as Required

DOOR, REAR - M, Z 44  
Figure 23C-500

21-11-500



ITEM	PART NUMBER	QTY	BODY	MODEL	DESCRIPTION
35		4			SCREW (Not Serviced)
36	6500 295	AR			SCREW
NOTE: THE FOLLOWING ITEMS ARE NOT SHOWN ON ILLUSTRATION an offsetting order for part no. 3747881					
	5231 343	2			BUMPER, Door Latch Striker
	4082 028	2			PLATE, Manual Window Regulator

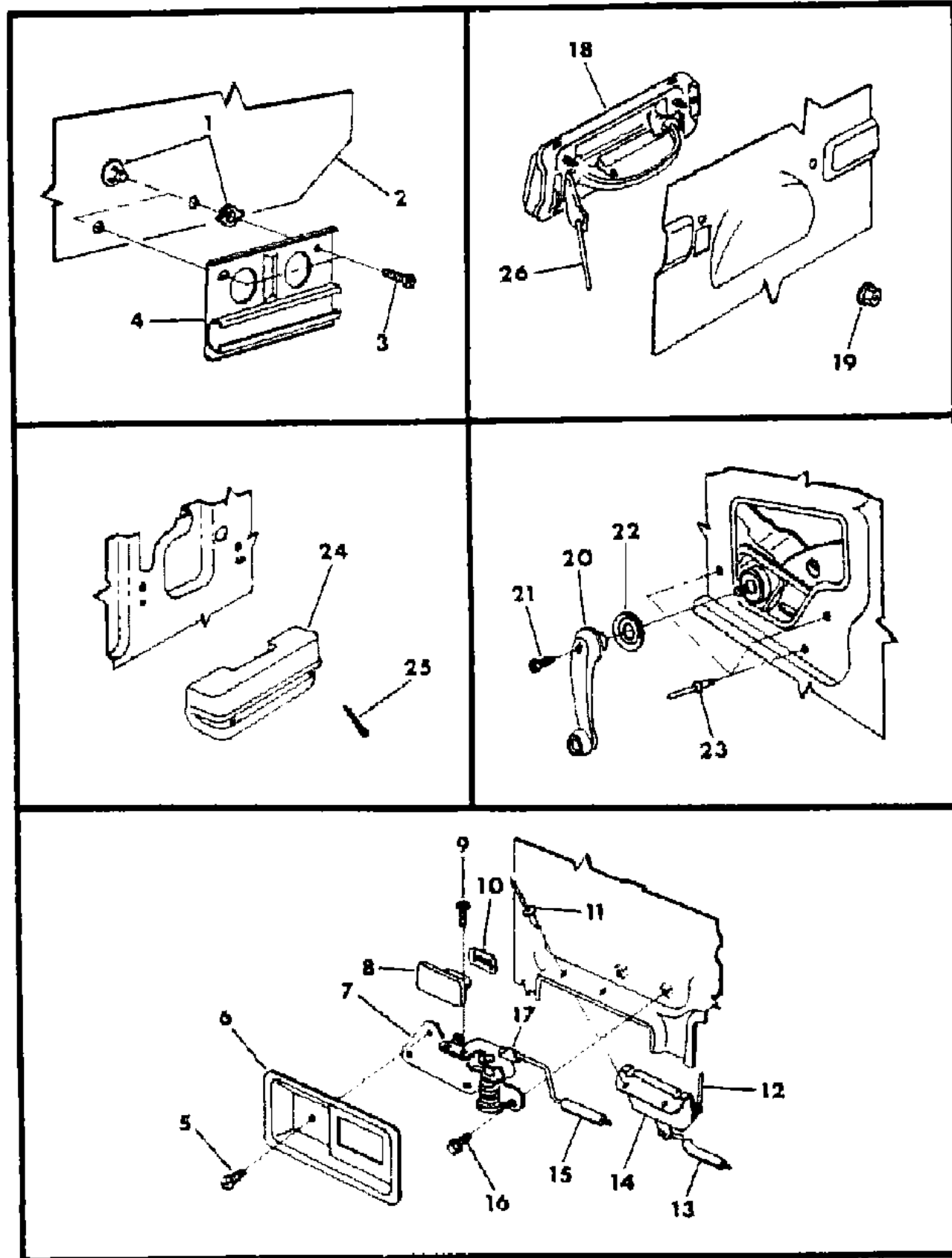
MODEL CODES  
 B = GRAN FURY/CARAVELLE      P = RELIANT  
 C = LEBARON/TOWN & COUNTRY      S = CORDOBA  
 D = ARIES      V = 400  
 F = NEW YORKER      X = MIRADA  
 G = DIPLOMAT      Y = IMPERIAL  
 M = HORIZON/TC3/SCAMP      Z = OMNI/O24/RAMPAGE

BODY STYLES  
 21 = 2-DOOR SEDAN      28 = FWD PICKUP  
 22 = 2-DOOR SPECIAL COUPE      41 = 4-DOOR SEDAN  
 24 = 2-DOOR HATCHBACK      44 = 4-DOOR HATCHBACK  
 27 = 2-DOOR CONVERTIBLE      45 = 2-SEAT STATION WAGON

AR = Use as Required - = Non Illustrated Part P.A.R. = Paint as Required

DOOR,REAR,WINDOW REGULATOR & HANDLES M,Z 44  
Figure 23C-600

2171 800



ITEM	PART NUMBER	QTY	BODY	MODEL	DESCRIPTION
1	3744 734	AR			BUSHING & FASTENER PKG., Door Glass Lift
2					GLASS,Door,Movable
	5231 730-1	1			Clear
	5231 732-3	1			Tinted
					Stationary,
	5231 894-5	1			Clear
	5231 896-7	1			Tinted
3	6030 182	AR			SCREW
4	5215 364	2			CHANNEL, Door Glass Track
5	6100 903	AR			SCREW
6					BEZEL, Door Latch Remote Control Handle,
	D459 AA3	2			Silver
	D459 VB2	2			Blue
	D459 VM6	2			Red
	D459 VT4	2			Tan
	D459 VX9	2			Black
7	5231 930-1	1			REMOTE CONTROL, Door Latch
8	5200 878-9	1			HANDLE, Door Latch Remote Control
9	6031 318	AR			SCREW
10	5231 135	2			SEAL, Door Latch Remote Control Handle
11	6031 115	AR			RIVET
12	5200 909	2			ROD, Door Latch Locking Control Push
13	5231 563	2			LINK w/SLEEVE, Door Latch Locking Control to Latch
14	5215 338-9	1			SUPPORT, Door Latch Locking Control Lever
15	5231 222-3	1			LINK w/SLEEVE, Door Latch Remote Control to Latch
16	6500 144	AR			SCREW & WASHER
17	2945 108-9	AR			CLIP
18	4184 226	2			HANDLE, Door Outside
19	6500 274	4			NUT & WASHER
20	3882 764	2			HANDLE, Door Manual Window Regulator, Chrome
21	6031 644	2			SCREW
22	3882 768	2			SPACER, Door Manual Wdo. Reg. Handle
	2583 214	2		L-E:M-E	
23	6031 115	AR			RIVET
24					ARM REST (See Soft Trim Catalog)
25		AR			SCREW (Not Serviced)
26	5231 523	2			LINK, Door Outside Handle to Actg. Lever

MODEL CODES

B = GRAN FURY/CARAVELLE	P = RELIANT
C = LEBARON/TOWN & COUNTRY	S = CORDOBA
D = ARIES	V = 400
F = NEW YORKER	X = MIRADA
G = DIPLOMAT	Y = IMPERIAL
M = HORIZON/TC3/SCAMP	Z = OMNI/O24/RAMPAGE

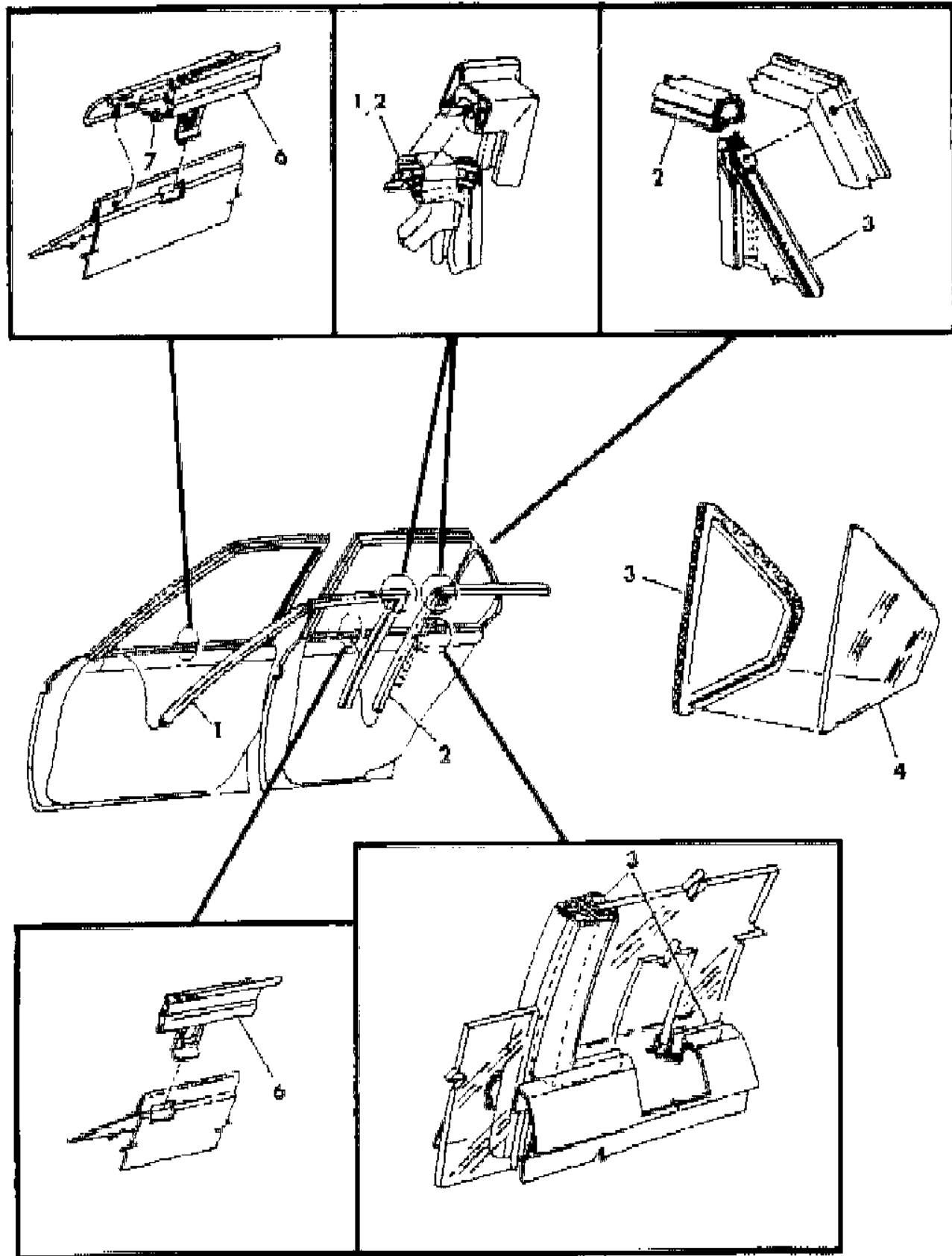
BODY STYLES

21 = 2-DOOR SEDAN	28 = FWD PICKUP
22 = 2-DOOR SPECIAL COUPE	41 = 4-DOOR SEDAN
24 = 2-DOOR HATCHBACK	44 = 4-DOOR HATCHBACK
27 = 2-DOOR CONVERTIBLE	45 = 2-SEAT STATION WAGON

AR = Use as Required - = Non Illustrated Part P.A.R. = Paint as Required

**WEATHERSTRIPS AND RUNS, FRONT AND REAR DOORS M,Z - 44**  
**Figure 23C-700**

2171 700



ITEM	PART NUMBER	QTY	BODY	MODEL	DESCRIPTION
1	5231 295	2			RUN w/CLIP, Front Door Glass
2	5231 367	2			RUN, Rear Door Glass
3	5200 770	2			WEATHERSTRIP, Rr. Door Fixed Vent Wdo.
4					GLASS, Rear Door Stationary, Clear
	5231 894-5	1			Tinted
6	5231 896-7	1			WEATHERSTRIP w/CLIPS, Window Belt Front Door
	5216 594-5	1			Outer, w/o Mldg.
	5216 590-1	1			Outer, w/Mldg.
	5231 886-7	1			Inner Rear Door
	5208 642-3	1			Outer, w/o Mldg.
	5208 640-1	1			Outer, w/Mldg.
	5208 624-5	1			Inner
7		AR			SCREW (Not Serviced)

NOTE: FRONT AND REAR DOOR OPENING WEATHERSTRIP. SEE TRIM SECTION, PINCHWELD W/WEATHERSTRIP BODY MOUNTED. an offsetting order for part no. 3747881

NOTE: THE FOLLOWING ITEM IS NOT ILLUSTRATED. an offsetting order for part no. 3747881

5208 891	2				CLIP, Rear Door Opening w/Strip.
----------	---	--	--	--	----------------------------------

**MODEL CODES**

B = GRAN FURY/CARAVELLE	P = RELIANT
C = LEBARON/TOWN & COUNTRY	S = CORDOBA
D = ARIES	V = 400
F = NEW YORKER	X = MIRADA
G = DIPLOMAT	Y = IMPERIAL
M = HORIZON/TC3/SCAMP	Z = OMNI/O24/RAMPAGE

**BODY STYLES**

21 = 2-DOOR SEDAN	28 = FWD PICKUP
22 = 2-DOOR SPECIAL COUPE	41 = 4-DOOR SEDAN
24 = 2-DOOR HATCHBACK	44 = 4-DOOR HATCHBACK
27 = 2-DOOR CONVERTIBLE	45 = 2-SEAT STATION WAGON

AR = Use as Required - = Non Illustrated Part P.A.R. = Paint as Required

DOOR, FRONT P,D,C,V - 21,22  
Figure 23C-800

2171 800

ITEM	PART NUMBER	QTY	BODY	MODEL	DESCRIPTION
1	6031 115	AR			RIVET
2	6100 274	4			SCREW
3	4184 252	2			PLATE, Door Latch Remote Control
4	4184 281	4			CLIP, Anti Rattle
5	4184 278-9	1			LINK and SLEEVE (use up to 12/1/81)
	4184 702-3	1			(use after 12/1/81)
6	4184 272-3	1			LINK and SLEEVE
7	3882 780	2			HANDLE, Outside
8					CYLINDER, Lock (refer to 23D)
9					GASKET, Cylinder (refer to 23D)
10	4271 402-3	1			PANEL, Door Shell
	4198 506-7				PANEL, Repair
11					RETAINER, Cylinder (refer to 23D)
12	4184 016-7	1			LINK, Cylinder to Latch
13	4184 024-5	1			LINK, Outside Handle to Latch
14	2945 108-9	1			CLIP
15	6025 004	4			NUT
16	6500 361	4			PIN, Door Hinge
17	4136 964	4			HINGE, Body Half
18		4			SCREW (not serviced)
19	4184 117	4			CHECK SPRING, Body Half
	4240 316	4			LEAF, Hinge Door Half
20	4184 282-3	1			HANDLE w/DOOR LOCK,Black w/Chrome Handle (Push & Locked)
	4267 948-9	1			(Lock Only)
	D406-7 AA3	1			Silver (Push & Locked)
	4267 934-5	1			Silver (Lock Only)
	D406-7 AB2	1			Blue, Light (Push & Locked)
	4267 936-7	1			Blue, Light (Lock Only)
	D406-7 AF5	1			Green (Push & Locked)
	4267 938-9	1			Green (Lock Only)
	D406-7 AM6	1			Red (Push & Locked)
	4267 940-1	1			Red (Lock Only)
	D406-7 AT4	1			Tan (Push & Locked)
	4267 942-3	1			Tan (Lock Only)
21	6031 488	2			PLUG
22	4184 244-5	1			CLIP

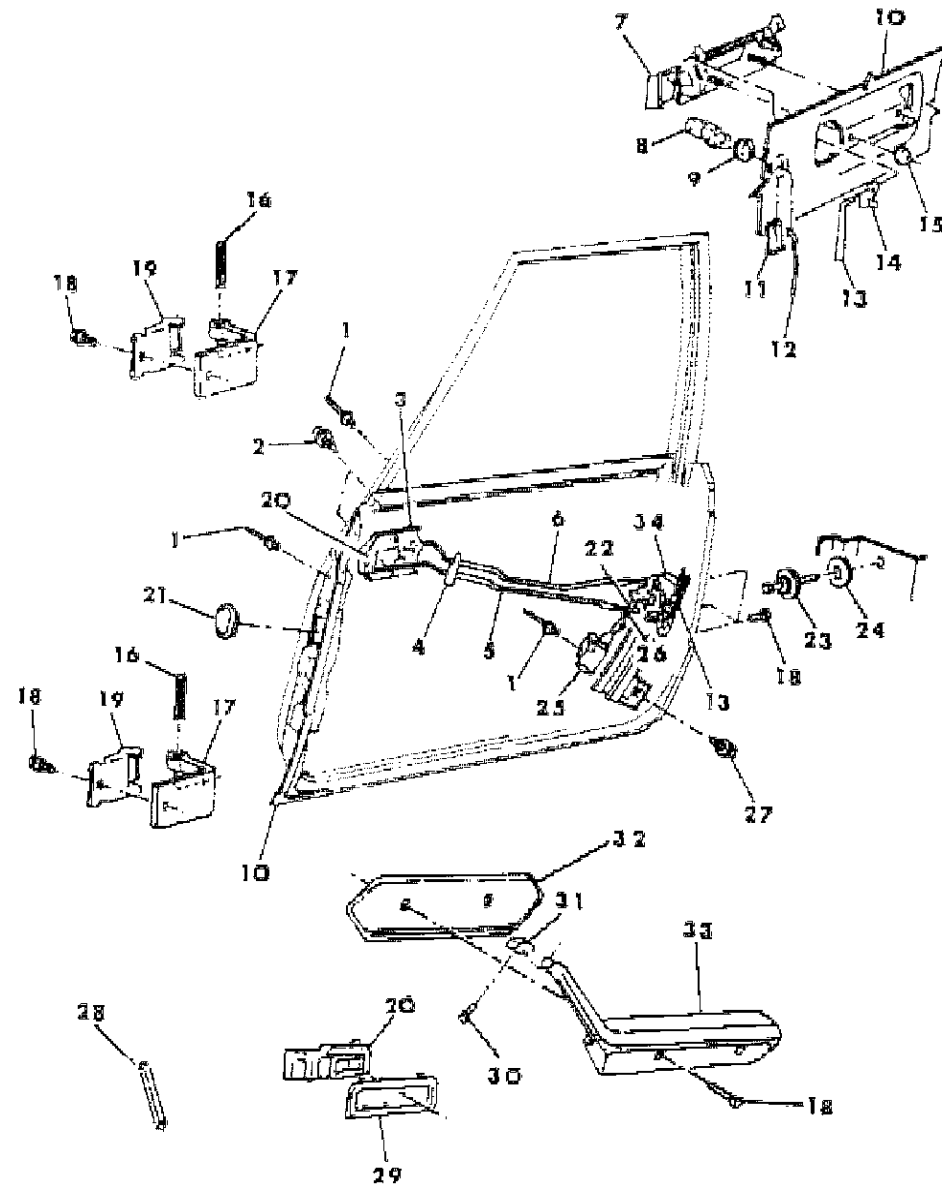
MODEL CODES

B = GRAN FURY/CARAVELLE	P = RELIANT
C = LEBARON/TOWN & COUNTRY	S = CORDOBA
D = ARIES	V = 400
F = NEW YORKER	X = MIRADA
G = DIPLOMAT	Y = IMPERIAL
M = HORIZON/TC3/SCAMP	Z = OMNI/O24/RAMPAGE

BODY STYLES

21 = 2-DOOR SEDAN	28 = FWD PICKUP
22 = 2-DOOR SPECIAL COUPE	41 = 4-DOOR SEDAN
24 = 2-DOOR HATCHBACK	44 = 4-DOOR HATCHBACK
27 = 2-DOOR CONVERTIBLE	45 = 2-SEAT STATION WAGON

AR = Use as Required - = Non Illustrated Part P.A.R. = Paint as Required

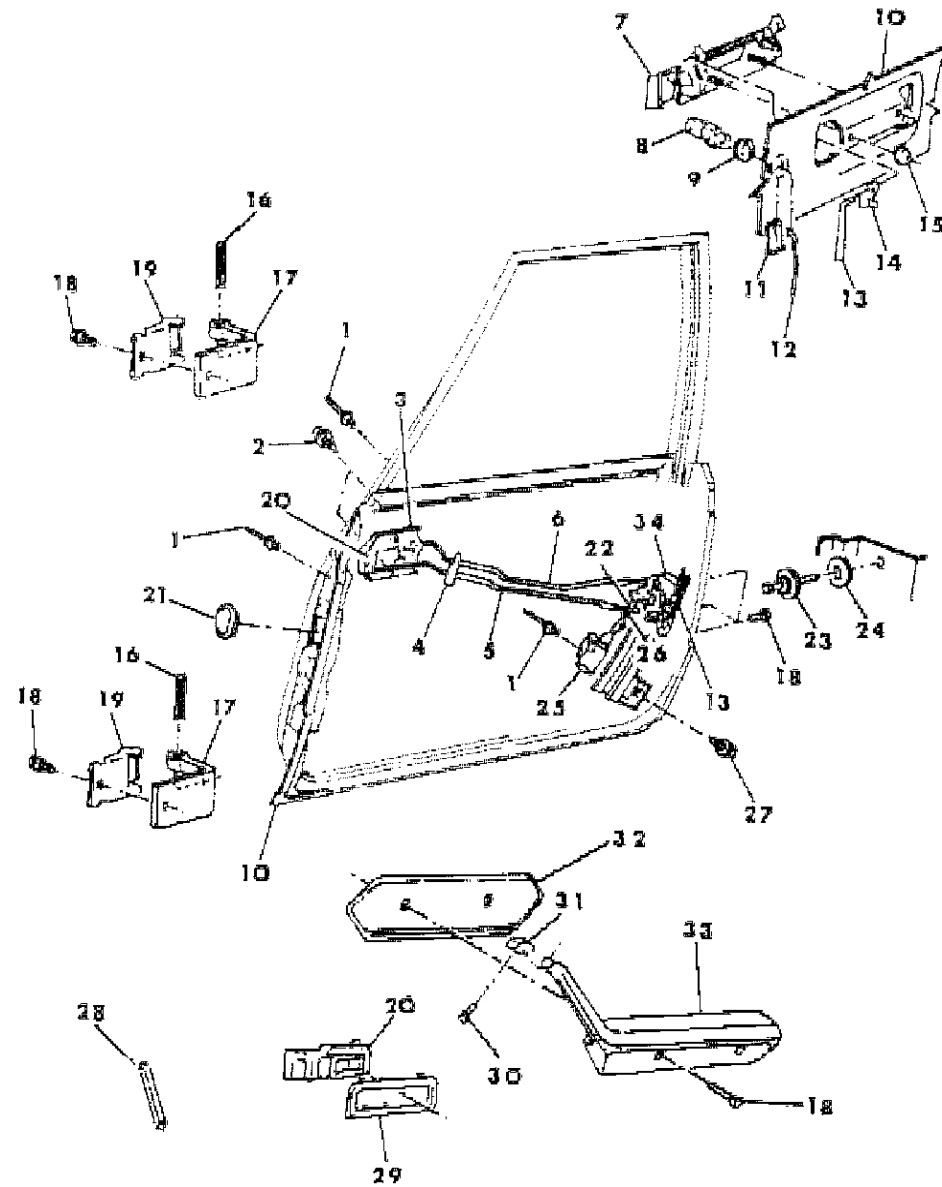




DOOR, FRONT P,D,C,V - 21,22  
Figure 23C-800

2171 800

ITEM	PART NUMBER	QTY	BODY	MODEL	DESCRIPTION
23	4184 040	2			STRICKER, Door
24	4184 105	AR			SPACER, Door
25	4184 156-7	1			MOTOR, Electric Lock
26	4184 072	2			LINK, Electric Motor to Latch
27	6100 565	2			SCREW and WASHER
28	4198 460	2			BUMPER and RETAINER
29					BEZEL
	D404 AA3	2		P,D-L-H	Silver
	D404 AB2	2		P,D-L-H	Blue, Light
	D404 AF5	2		P,D-L-H	Green
	D404 AM6	2		P,D-L-H	Red
	D404 AT4	2		P,D-L-H	Tan
	4184 254	2		P,D-P	
	4184 350-1	1		C,V	Chrome w/Finish Plate
	4184 356	1		C,V	APPLIQUE, Remote Control Bezel
30				P,D	BEZEL (refer to Trim)
31				P,D	SCREW (refer to Trim)
32	4077 894-5	1		P,D	PLATE, Arm Rest Back
33		1			ARM REST (refer to Trim)
34	4184 381	1			LATCH, Left (override) (use up to Jefferson 2/25/82; St. Louis 3/19/82; Newark 3/11/82)
	4184 371	1			(use after Jefferson 2/25/82; St. Louis 3/19/82; Newark 3/11/82)
	4184 382	1			Right (non override) (use up to Jefferson 3/2/82; St. Louis 4/1/82; Newark 4/8/82)
	4184 372	1			(use after Jefferson 3/2/82; St. Louis 4/1/82; Newark 4/8/82)



MODEL CODES

B = GRAN FURY/CARAVELLE	P = RELIANT
C = LEBARON/TOWN & COUNTRY	S = CORDOBA
D = ARIES	V = 400
F = NEW YORKER	X = MIRADA
G = DIPLOMAT	Y = IMPERIAL
M = HORIZON/TC3/SCAMP	Z = OMNI/O24/RAMPAGE

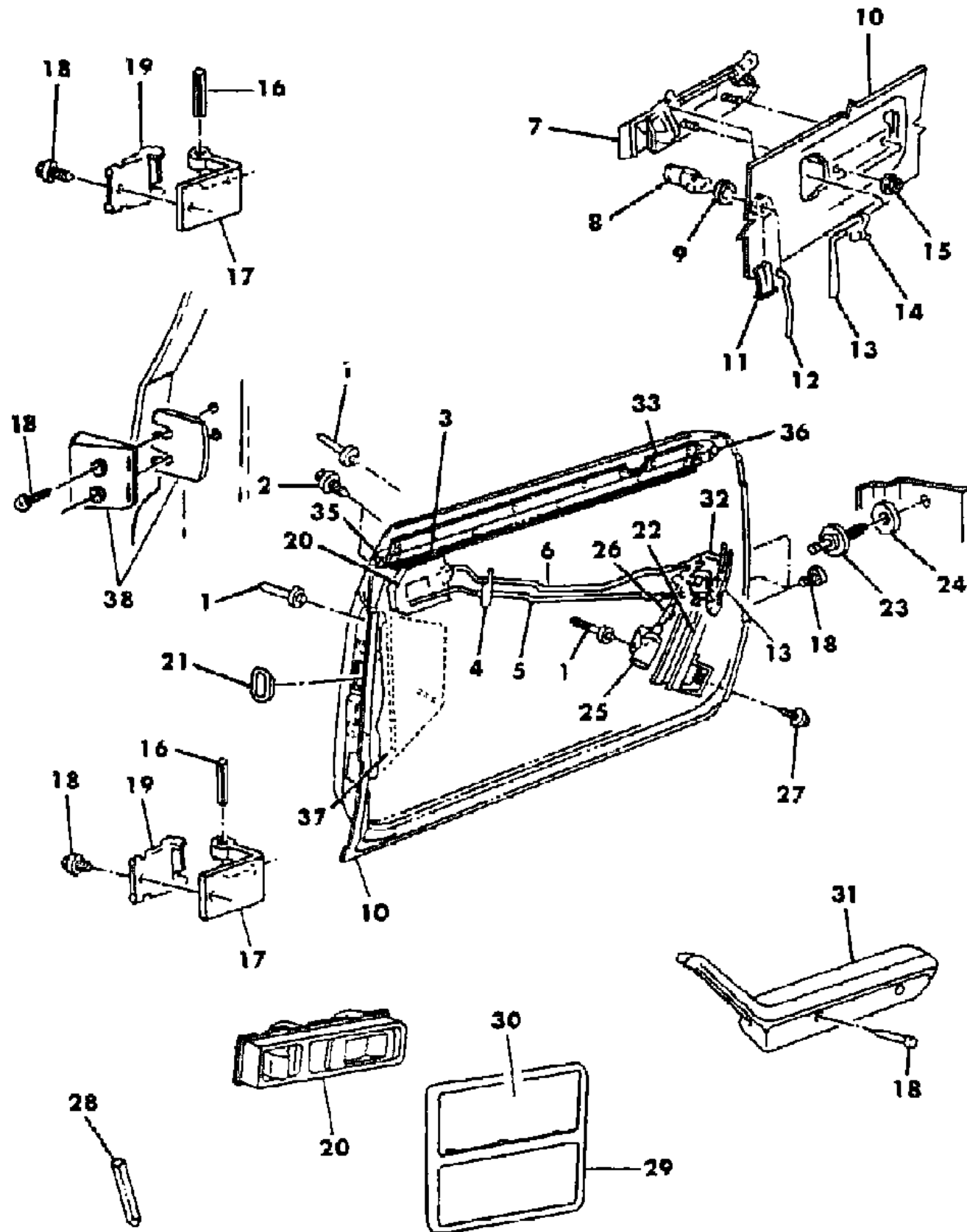
BODY STYLES

21 = 2-DOOR SEDAN	28 = FWD PICKUP
22 = 2-DOOR SPECIAL COUPE	41 = 4-DOOR SEDAN
24 = 2-DOOR HATCHBACK	44 = 4-DOOR HATCHBACK
27 = 2-DOOR CONVERTIBLE	45 = 2-SEAT STATION WAGON

AR = Use as Required - = Non Illustrated Part P.A.R. = Paint as Required

CONVERTIBLE FRONT DOOR C,V 27  
Figure 23C-850

2171 850A



ITEM	PART NUMBER	QTY	BODY	MODEL	DESCRIPTION
1	6031 115	AR			RIVET
2	6100 274	4			SCREW
3	4184 252	2			PLATE, Door Latch Remote Control
4	4184 281	4			CLIP, Anti Rattle
5	4184 278-9	1			LINK and SLEEVE
6	4184 272-3	1			LINK and SLEEVE
7	3882 780	2			HANDLE, Outside
8					CYLINDER, Lock (refer to 23D)
9					GASKET, Cylinder (refer to 23D)
10	4271 402-3	1			PANEL, Door Shell (rework required)
	4198 506-7	1			PANEL, Repair
11					RETAINER, Cylinder (refer to 23D)
12	4184 016-7	1			LINK, Cylinder to Latch
13	4184 024-5	1			LINK, Outside Handle to Latch
14	2945 108-9	1			CLIP
15	6025 004	4			NUT
16	6500 361	4			PIN, Door Hinge
17	4136 964	4			HINGE, Body Half
18		4			SCREW (not serviced)
19	4184 117	4			CHECK SPRING, Body Half
	4136 855	4			LEAF, Hinge Door Half
20	4184 282-3	1			HANDLE w/DOOR LOCK, Chrome
21	6031 488	2			PLUG
22	4184 244-5	1			CLIP
23	4184 040	2			STRICKER, Door
24	4184 105	AR			SPACER, Door
25	4184 156-7	1			MOTOR, Electric Lock
26	4184 072	2			LINK, Electric Motor to Latch
27	6100 565	2			SCREW and WASHER
28	4198 460	2			BUMPER and RETAINER
29	4184 350-1	1			BEZEL w/FINISH PLATE, Chrome
30	4184 356	2			APPLIQUE, Remote Control (woodgrain)
31					ARM REST (refer to Trim)
32	4184 381	1			LATCH, Left (override) (use up to Jefferson 2/25/82; St. Louis 3/19/82; Newark 3/11/82)
	4184 371	1			(use after Jefferson 2/25/82; St. Louis 3/19/82; Newark 3/11/82)

MODEL CODES

B = GRAN FURY/CARAVELLE	P = RELIANT
C = LEBARON/TOWN & COUNTRY	S = CORDOBA
D = ARIES	V = 400
F = NEW YORKER	X = MIRADA
G = DIPLOMAT	Y = IMPERIAL
M = HORIZON/TC3/SCAMP	Z = OMNI/O24/RAMPAGE

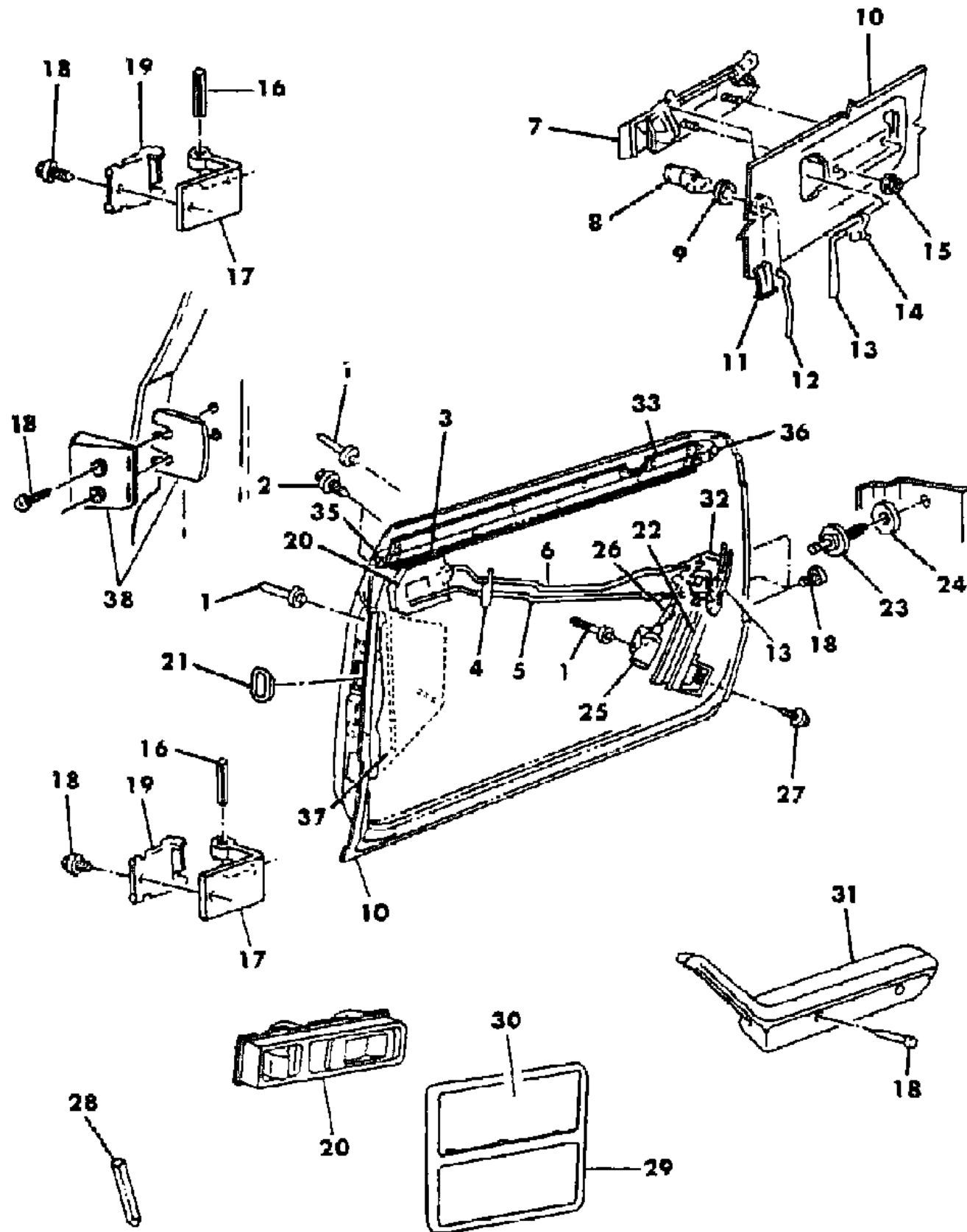
BODY STYLES

21 = 2-DOOR SEDAN	28 = FWD PICKUP
22 = 2-DOOR SPECIAL COUPE	41 = 4-DOOR SEDAN
24 = 2-DOOR HATCHBACK	44 = 4-DOOR HATCHBACK
27 = 2-DOOR CONVERTIBLE	45 = 2-SEAT STATION WAGON

AR = Use as Required - = Non Illustrated Part P.A.R. = Paint as Required

CONVERTIBLE FRONT DOOR C,V 27  
Figure 23C-850

2171 850A



ITEM	PART NUMBER	QTY	BODY	MODEL	DESCRIPTION
	4184 382	1			Right (non override) (use up to Jefferson 3/2/82; St. Louis 4/1/82; Newark 4/8/82)
	4184 372	1			(use after Jefferson 3/2/82; St. Louis 4/1/82; Newark 4/8/82)
33	4097 622-3	1			REINFORCEMENT, Upper
35	4097 958-9	1			SEAL, Window, Front
36	4097 600-1	1			SEAL, Window, Rear
37	4097 702-3	1			REINFORCEMENT, Outer Panel Impact Bar
38	4097 606	4			WEDGE, Door
	4097 609	AR			SHIM PKG., Wedge

MODEL CODES

B = GRAN FURY/CARAVELLE	P = RELIANT
C = LEBARON/TOWN & COUNTRY	S = CORDOBA
D = ARIES	V = 400
F = NEW YORKER	X = MIRADA
G = DIPLOMAT	Y = IMPERIAL
M = HORIZON/TC3/SCAMP	Z = OMNI/O24/RAMPAGE

BODY STYLES

21 = 2-DOOR SEDAN	28 = FWD PICKUP
22 = 2-DOOR SPECIAL COUPE	41 = 4-DOOR SEDAN
24 = 2-DOOR HATCHBACK	44 = 4-DOOR HATCHBACK
27 = 2-DOOR CONVERTIBLE	45 = 2-SEAT STATION WAGON

AR = Use as Required - = Non Illustrated Part P.A.R. = Paint as Required

DOOR, FRONT GLASS AND REGULATORS P,D,C,V - 21,22  
Figure 23C-900

2171 900

ITEM	PART NUMBER	QTY	BODY	MODEL	DESCRIPTION
1		6			NUT and WASHER (not serviced)
2	4136 926-7	1			PLATE and CHANNEL, Glass Lift
3	6028 587	6			T/NUT
4	5231 769	12			GASKET, Glass Isolator
5					GLASS
	4136 918	1		P,D	Clear Right
	4198 401	1			Clear Left
	4136 920	1		P,D	Tinted Right
	4198 403	1			Tinted Left
	4198 400	1			Clear Right w/Mirror
	4198 402	1			Tinted Right w/Mirror
6	6029 998	6			WASHER and STUD
7	6100 049	4			NUT and WASHER
8	3788 079	2			SLEEVE, Glass Track Lower
9	6500 144	4			SCREW and WASHER (use up to 2/9/82)
	6100 566	4			(use after 2/9/82)
10	4198 029	2			RETAINER
11	4184 018-9	1			REGULATOR, Manual
	4040 265	1			GUIDE, Sector Manual Regulator
	3760 506	2			SPRING, Manual Regulator Assist
	3882 758	2			SLIDE, Manual Regulator
12	3882 768	AR			SPACER, Regulator Handle
13	3882 764	2			HANDLE, Regulator
14	6027 221	2			SCREW
15	6031 114	AR			RIVET
16	4280 436-7	1			REGULATOR, Electric
	4280 423	2			SUPPORT and P/NUT
	3548 637	2			SPRING, Electric Regulator Assist
	2999 467	2			SPACER, Electric Regulator
	3882 758	2			SLIDE, Electric Regulator Driving Arm
17	4280 640-1	1			MOTOR
	2932 973	2			GEAR and SEAL PACKAGE
18	3759 910	AR			BUMPER, Glass Down Stop Electric
19	4198 926	1			BRACKET and W/NUT
20	6031 115	2			SCREW and WASHER
21	6100 566	2			SCREW and WASHER
22	4198 048-9	1			CHANNEL and BRACKET, Glass Run Rear

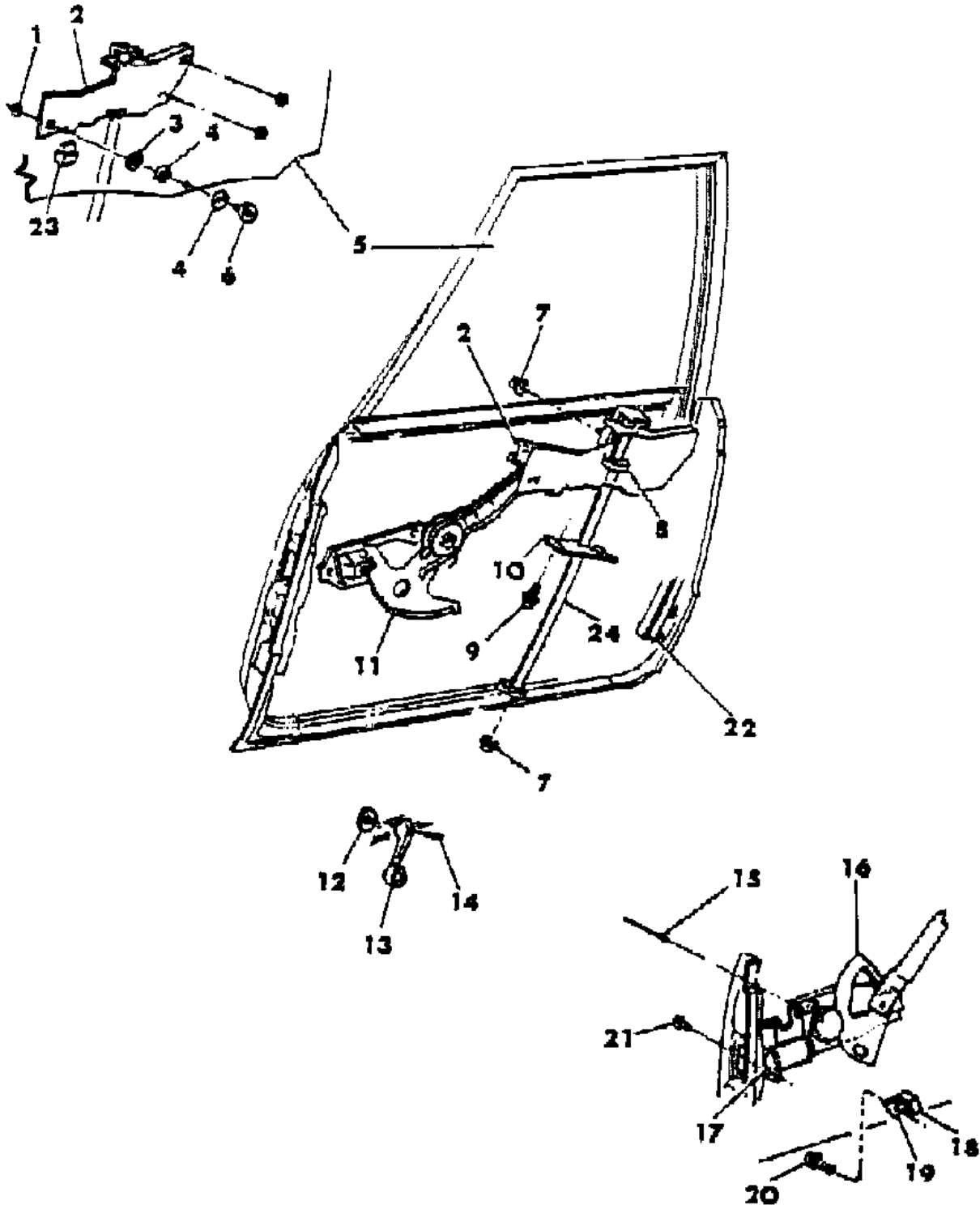
MODEL CODES

B = GRAN FURY/CARAVELLE	P = RELIANT
C = LEBARON/TOWN & COUNTRY	S = CORDOBA
D = ARIES	V = 400
F = NEW YORKER	X = MIRADA
G = DIPLOMAT	Y = IMPERIAL
M = HORIZON/TC3/SCAMP	Z = OMNI/O24/RAMPAGE

BODY STYLES

21 = 2-DOOR SEDAN	28 = FWD PICKUP
22 = 2-DOOR SPECIAL COUPE	41 = 4-DOOR SEDAN
24 = 2-DOOR HATCHBACK	44 = 4-DOOR HATCHBACK
27 = 2-DOOR CONVERTIBLE	45 = 2-SEAT STATION WAGON

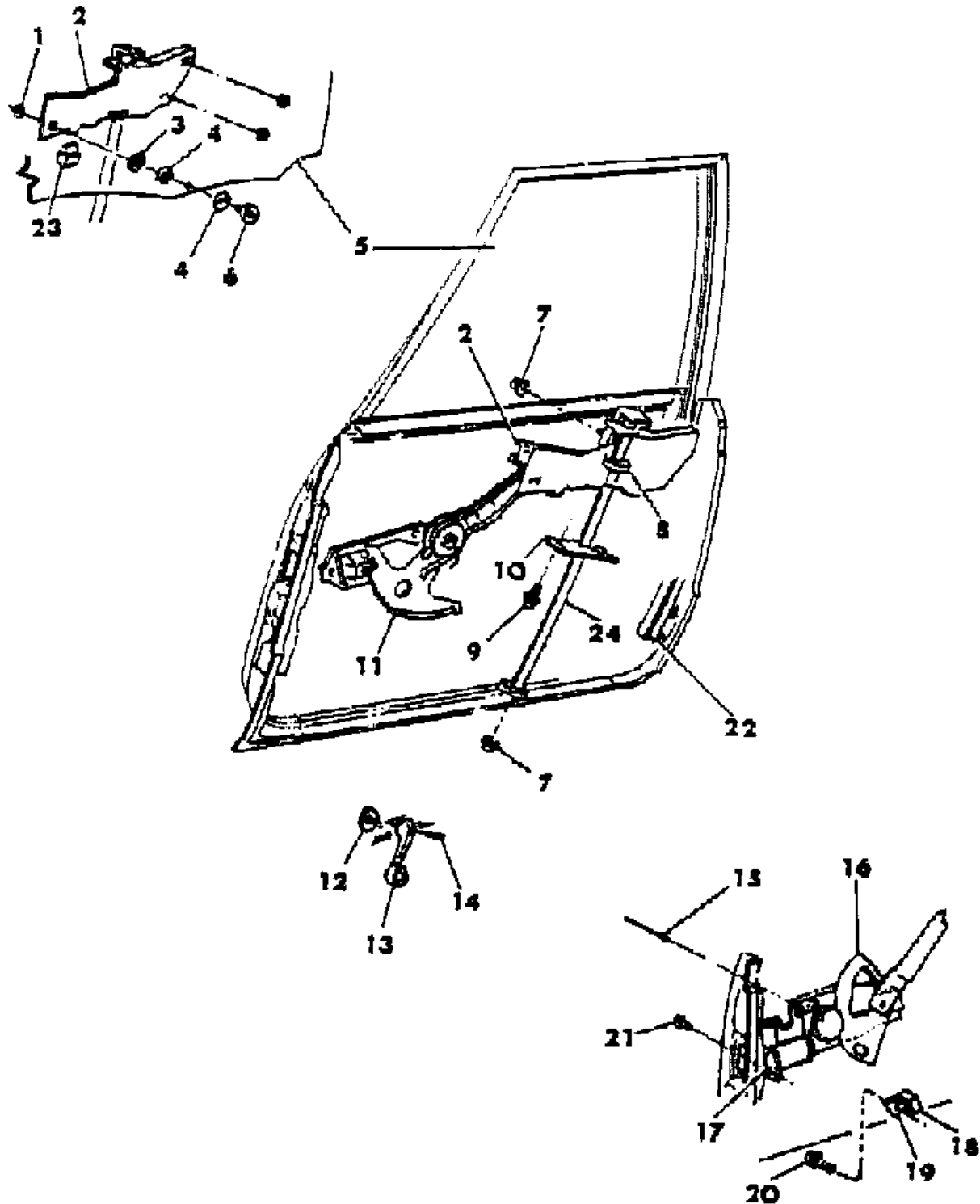
AR = Use as Required - = Non Illustrated Part P.A.R. = Paint as Required



DOOR, FRONT GLASS AND REGULATORS P,D,C,V - 21,22  
Figure 23C-900

2171 900

ITEM	PART NUMBER	QTY	BODY	MODEL	DESCRIPTION
23	3759 566	2			BUMPER, Down Stop
	6100 144	2			SCREW and WASHER
24	4136 924	2			TRACK and BRACKET, Glass
The following parts are not illustrated. an offsetting order for part no. 3747881					
	0137 204	2			COTTER PIN, Electric Window Up Stop
	4136 914	2			GUIDE, Front Door Glass



MODEL CODES

B = GRAN FURY/CARAVELLE	P = RELIANT
C = LEBARON/TOWN & COUNTRY	S = CORDOBA
D = ARIES	V = 400
F = NEW YORKER	X = MIRADA
G = DIPLOMAT	Y = IMPERIAL
M = HORIZON/TC3/SCAMP	Z = OMNI/O24/RAMPAGE

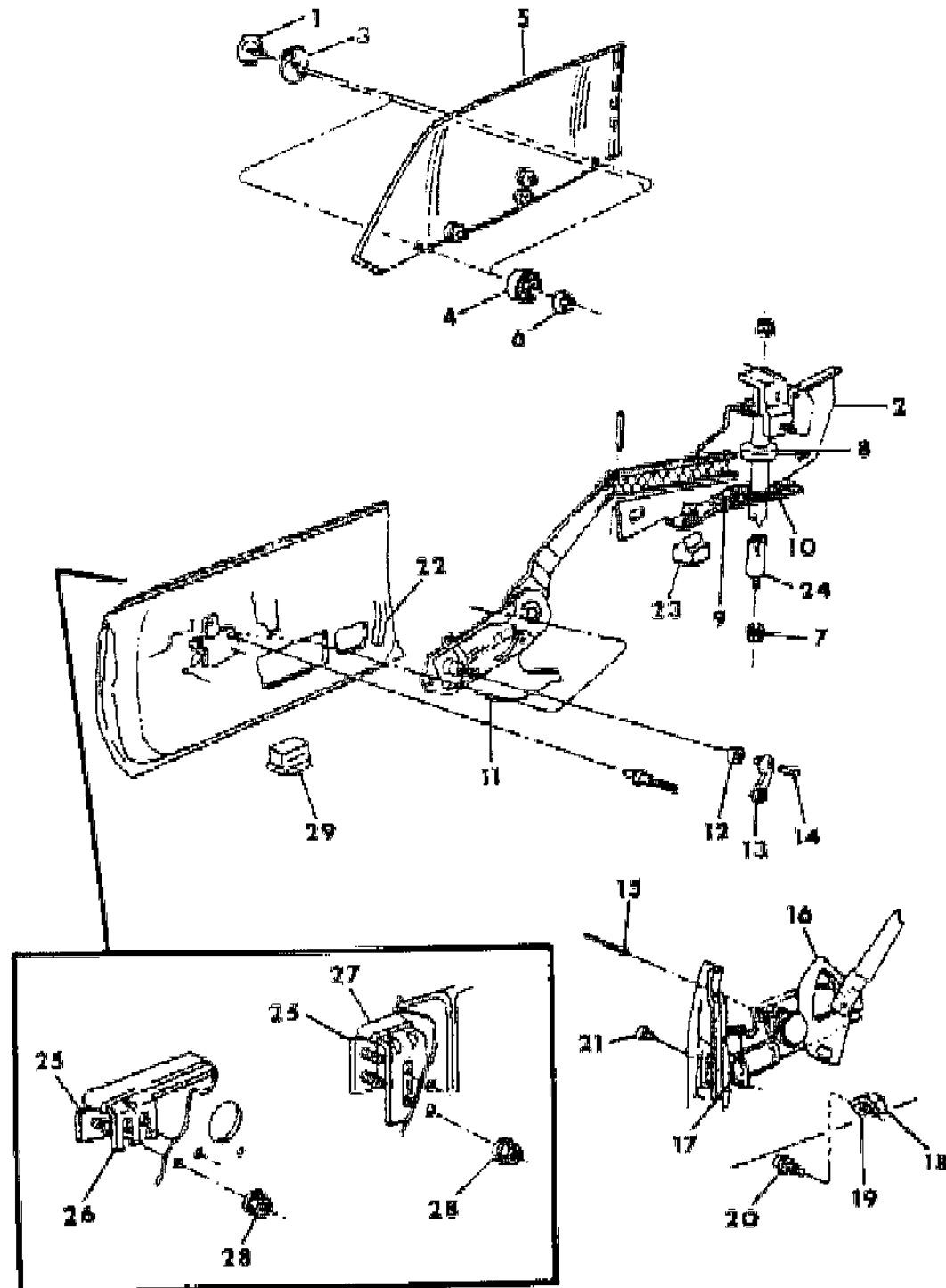
BODY STYLES

21 = 2-DOOR SEDAN	28 = FWD PICKUP
22 = 2-DOOR SPECIAL COUPE	41 = 4-DOOR SEDAN
24 = 2-DOOR HATCHBACK	44 = 4-DOOR HATCHBACK
27 = 2-DOOR CONVERTIBLE	45 = 2-SEAT STATION WAGON

AR = Use as Required - = Non Illustrated Part P.A.R. = Paint as Required

**CONVERTIBLE FRONT DOOR GLASS AND REGULATORS C,V 27**  
**Figure 23C-950**

3171 9508



ITEM	PART NUMBER	QTY	BODY	MODEL	DESCRIPTION
1	6022 998	4			STUD & WASHER, Glass Upstop
2	4136 926-7	1			PLATE and CHANNEL, Glass Lift
3	5231 769	4			GASKET, Glass Upstop
4		4			STOP, Glass Upper
5	4097 512-3	1			GLASS, Tinted
6	6025 004	4			NUT, Glass Upstop
7	6100 049	4			NUT and WASHER
8	3788 079	2			SLEEVE, Glass Track, Lower
9	6500 144	4			SCREW and WASHER (use up to 2/9/82)
	6100 566	4			(use after 2/9/82)
10	4198 029	2			RETAINER
11	4184 018-9	1			REGULATOR, Manual
	4040 265	1			GUIDE, Sector Manual Regulator
	3760 506	2			SPRING, Manual Regulator Assist
	3882 758	2			SLIDE, Manual Regulator
12	3882 768	AR			SPACER, Regulator Handle
13	3882 764	2			HANDLE, Regulator, Chrome
14	6027 221	2			SCREW
15	6031 114	AR			RIVET
16	4280 436-7	1			REGULATOR, Electric
	3548 637	2			SPRING, Electric Regulator Assist
	2999 467	AR			SPACER, Electric Regulator
	4280 423	2			SUPPORT and P/NUT
	3882 758	2			SLIDE, Electric Regulator Driving Arm
17	4280 640-1	1			MOTOR
	2932 973	2			GEAR and SEAL PACKAGE
18	3759 910	AR			BUMPER, Glass Down Stop Electric
19	4198 926	1			BRACKET and W/NUT
20	6031 115	2			SCREW and WASHER
21	6100 566	2			SCREW and WASHER
22	4198 048-9	1			CHANNEL and BRACKET, Glass Run, Rear
23	3759 566	2			BUMPER, Down Stop
	6100 144	2			SCREW and WASHER
24	4136 924	2			TRACK and BRACKET, Glass
25	4097 641	AR			PLATE, Glass Upstop Stud
26	4097 752	2			BRACKET, Glass Upstop, Front
27	4097 752	2			BRACKET, Glass Upstop, Rear

**MODEL CODES**

B = GRAN FURY/CARAVELLE	P = RELIANT
C = LEBARON/TOWN & COUNTRY	S = CORDOBA
D = ARIES	V = 400
F = NEW YORKER	X = MIRADA
G = DIPLOMAT	Y = IMPERIAL
M = HORIZON/TC3/SCAMP	Z = OMNI/O24/RAMPAGE

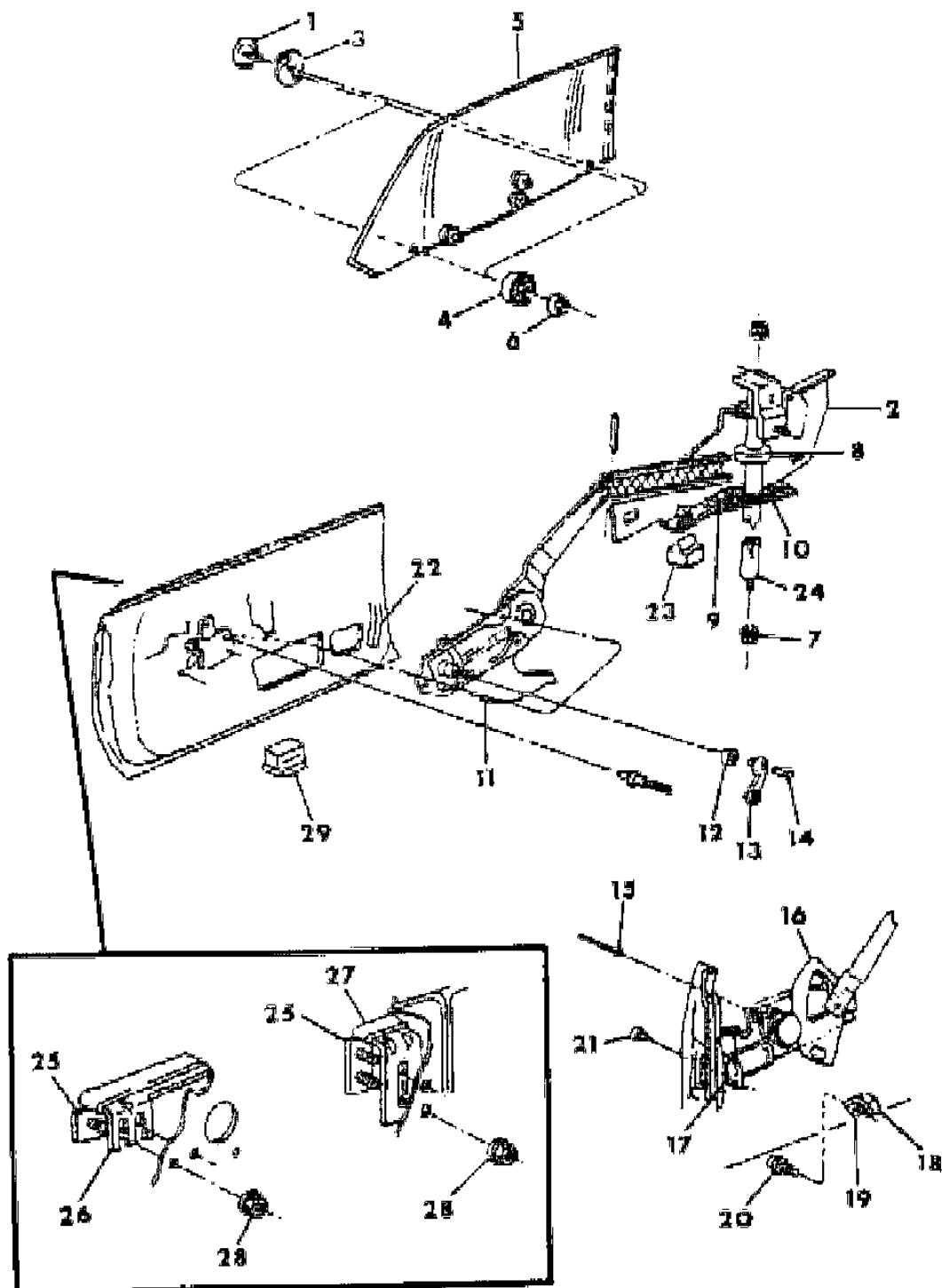
**BODY STYLES**

21 = 2-DOOR SEDAN	28 = FWD PICKUP
22 = 2-DOOR SPECIAL COUPE	41 = 4-DOOR SEDAN
24 = 2-DOOR HATCHBACK	44 = 4-DOOR HATCHBACK
27 = 2-DOOR CONVERTIBLE	45 = 2-SEAT STATION WAGON

AR = Use as Required - = Non Illustrated Part P.A.R. = Paint as Required

**CONVERTIBLE FRONT DOOR GLASS AND REGULATORS C,V 27**  
**Figure 23C-950**

3171 0508



ITEM	PART NUMBER	QTY	BODY	MODEL	DESCRIPTION
28	6031 029	AR			NUT and WASHER
29	4305 039	2			BRACKET, Glass Down Stop
The following parts are not illustrated. an offsetting order for part no. 3747881					
	0137 204	2			COTTER PIN, Electric Window Up Stop
	4136 914	2			GUIDE, Door Glass
	4305 019	AR			CLIP, Door Glass Blow Out

**MODEL CODES**

B = GRAN FURY/CARAVELLE	P = RELIANT
C = LEBARON/TOWN & COUNTRY	S = CORDOBA
D = ARIES	V = 400
F = NEW YORKER	X = MIRADA
G = DIPLOMAT	Y = IMPERIAL
M = HORIZON/TC3/SCAMP	Z = OMNI/O24/RAMPAGE

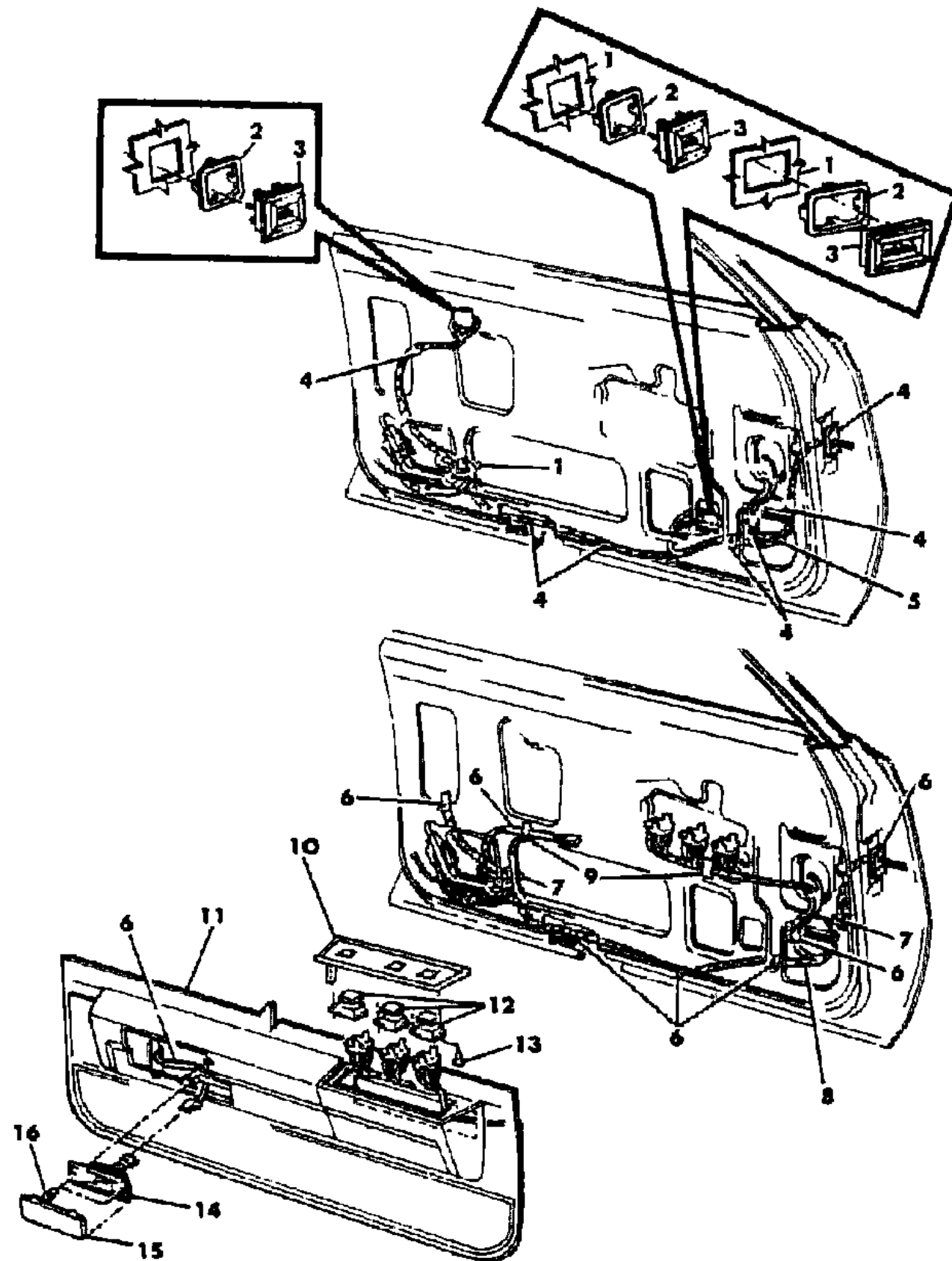
**BODY STYLES**

21 = 2-DOOR SEDAN	28 = FWD PICKUP
22 = 2-DOOR SPECIAL COUPE	41 = 4-DOOR SEDAN
24 = 2-DOOR HATCHBACK	44 = 4-DOOR HATCHBACK
27 = 2-DOOR CONVERTIBLE	45 = 2-SEAT STATION WAGON

AR = Use as Required - = Non Illustrated Part P.A.R. = Paint as Required

**BEZELS, SWITCHES AND WIRING P,D,C,V 21,22,27**  
**Figure 23C-1000**

2171 1000



ITEM	PART NUMBER	QTY	BODY	MODEL	DESCRIPTION
1				P,D	DOOR TRIM PANEL, Reference
2				P,D	REINFORCEMENT, Window Lift, Door Lock Switch
	4221 145	1		P,D	Single
	4221 146	1		P,D	Double
3				P,D	SWITCH, Window Lift, Door Lock
	4221 141	1		P,D	Single
	4221 142	1		P,D	Double
4				P,D	Parts contained in wiring assy.
5				P,D	WIRING, Door
	4274 178-9	1		P,D	w/Window Lift
	4274 176-7	1		P,D	w/Door Lock
	4274 180-1	1		P,D	w/Window Lift and w/Door Lock
6				C,V	Parts are contained in wiring assy.
7				C,V	CLIP, Snap (not serviced)
8				C,V	WIRING, Door
	4274 188-9	1		C,V	w/Window Lift (use up to 11/23/81)
	4274 326-7	1		C,V	(use after 11/23/81)
	4274 190-1	1		C,V	w/Window Lift and w/Door Lock (use up to 10/26/81)
	4274 328-9	1		C,V	(use after 10/26/81)
	4274 192	1		C,V	w/Courtesy Lamp
9		AR		C,V	TAPE (not serviced)
10					BEZEL
	4223 650-1	1		C,V	w/Power Windows and Door Locks
	4223 648-9	1		C,V	w/Power Windows, w/o Power Door Locks
11				C,V	DOOR TRIM PANEL, Reference
12	3747 935	AR		C,V	SWITCH, Single
13		AR		C,V	SCREW (not serviced)
14	3591 803	2		C,V	COURTESY LAMP
15	3488 995	2		C,V	LENS, Courtesy Lamp
16	9414 712	4		C,V	SCREW
The following parts are not illustrated. an offsetting order for part no. 3747881					
					CONNECTOR and COVER
	4274 094				2 Gang
	4274 095				1 Gang

**MODEL CODES**

B = GRAN FURY/CARAVELLE	P = RELIANT
C = LEBARON/TOWN & COUNTRY	S = CORDOBA
D = ARIES	V = 400
F = NEW YORKER	X = MIRADA
G = DIPLOMAT	Y = IMPERIAL
M = HORIZON/TC3/SCAMP	Z = OMNI/O24/RAMPAGE

**BODY STYLES**

21 = 2-DOOR SEDAN	28 = FWD PICKUP
22 = 2-DOOR SPECIAL COUPE	41 = 4-DOOR SEDAN
24 = 2-DOOR HATCHBACK	44 = 4-DOOR HATCHBACK
27 = 2-DOOR CONVERTIBLE	45 = 2-SEAT STATION WAGON

AR = Use as Required - = Non Illustrated Part P.A.R. = Paint as Required



DOOR FRONT P,D,C,V - 41,45  
Figure 23C-1100

2171 1100

ITEM	PART NUMBER	QTY	BODY	MODEL	DESCRIPTION
1		2			SCREW and WASHER (not serviced)
2	6031 115	AR			RIVET
3	4184 282-3	1			HOUSING, Door Latch Remote,Black w/Chrome Handle (Push & Locked)
	4267 948-9	1			(Lock Only)
	D406-7 AA3	1			Silver (Push & Locked)
	4267 934-5	1			Silver (Lock Only)
	D406-7 AB2	1			Blue, Light (Push & Locked)
	4267 936-7	1			Blue, Light (Lock Only)
	D406-7 AF5	1			Green (Push & Locked)
	4267 938-9	1			Green (Lock Only)
	D406-7 AM6	1			Red (Push & Locked)
	4267 940-1	1			Red (Lock Only)
	D406-7 AT4	1			Tan (Push & Locked)
	4267 942-3	1			Tan (Lock Only)
4	4184 268-9	1			LINK and ANTI RATTLE
5	4184 274-5	1			LINK and SLEEVE
6	4184 280	AR			CLIP, Anti Rattle
7	4184 244-5	1			CLIP
8	4184 072	1			LINK, Motor to Latch
9					LATCH
	4184 381	1			Left (override) (use up to Jefferson 2/25/82; St. Louis 3/19/82; Newark 3/11/82)
	4184 371	1			(use after Jefferson 2/25/82; St. Louis 3/19/82; Newark 3/11/82)
	4184 382	1			Right (non override) (use up to Jefferson 3/2/82; St. Louis 4/1/82; Newark 4/8/82)
	4184 372	1			(use after Jefferson 3/2/82; St. Louis 4/1/82; Newark 4/8/82)
10	4184 016-7	1			LINK, Cylinder to Latch
11	4184 024-5	1			LINK, Handle
12		AR			SCREW (not serviced)
13	4184 040	2			STRIKER, Door
14	4184 105	AR			SPACER, Door
15	3882 780	2			HANDLE, Door Outside
16					CYLINDER (refer to 23D)
17					GASKET (refer to 23D)
18	4271 404-5	1			PANEL, Door Shell
	4198 508-9	1			PANEL, Repair

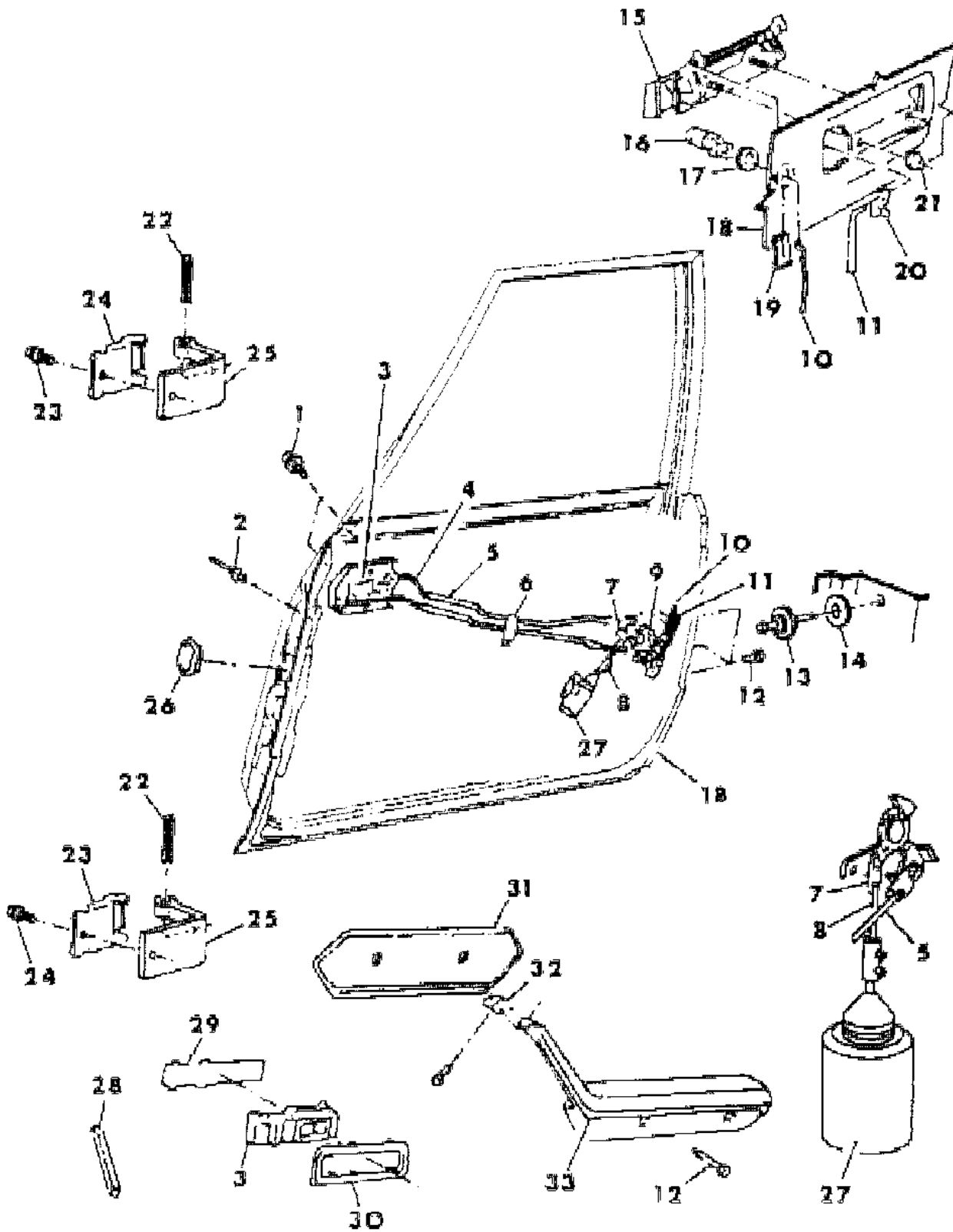
MODEL CODES

B = GRAN FURY/CARAVELLE	P = RELIANT
C = LEBARON/TOWN & COUNTRY	S = CORDOBA
D = ARIES	V = 400
F = NEW YORKER	X = MIRADA
G = DIPLOMAT	Y = IMPERIAL
M = HORIZON/TC3/SCAMP	Z = OMNI/O24/RAMPAGE

BODY STYLES

21 = 2-DOOR SEDAN	28 = FWD PICKUP
22 = 2-DOOR SPECIAL COUPE	41 = 4-DOOR SEDAN
24 = 2-DOOR HATCHBACK	44 = 4-DOOR HATCHBACK
27 = 2-DOOR CONVERTIBLE	45 = 2-SEAT STATION WAGON

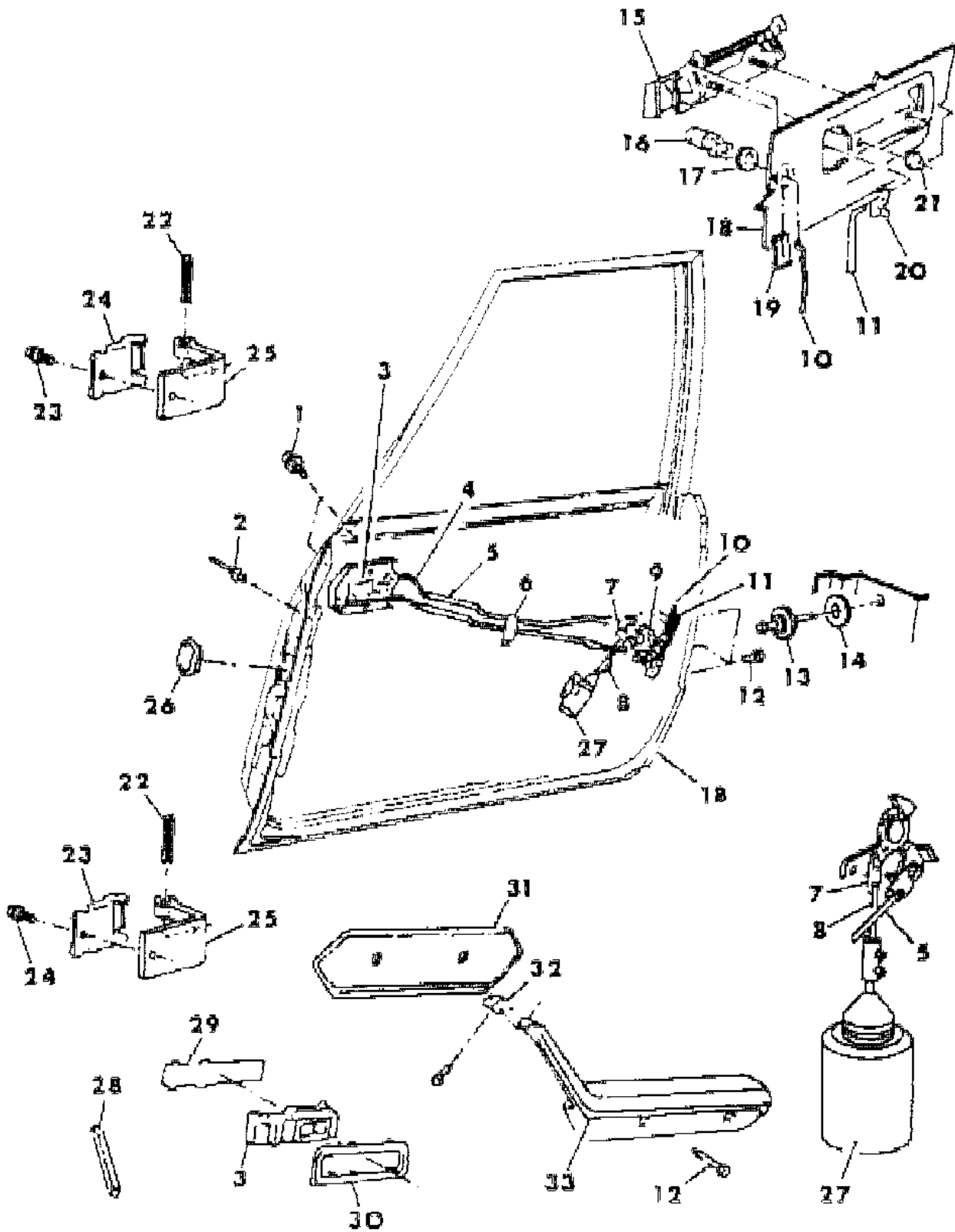
AR = Use as Required - = Non Illustrated Part P.A.R. = Paint as Required



DOOR FRONT P,D,C,V - 41,45  
Figure 23C-1100

2171 1100

ITEM	PART NUMBER	QTY	BODY	MODEL	DESCRIPTION
19					RETAINER (refer to 23D)
20	2845 108-9	1			CLIP
21	6025 004	2			NUT
22	6500 361	4			PIN
23	6100 275	4			SCREW and WASHER
24	4184 117	4			CHECK SPRING, Body Half
	4240 316	4			LEAF HINGE, Door Half
25	4240 315	4			HINGE, Body Half
26	6031 488	2			PLUG
27	4184 156-7	1			MOTOR, Electric Lock
28	4198 460	2			BUMPER and RETAINER
29	4184 252	2			PLATE, Door Latch
30					BEZEL, Door Latch Remote Control
	4184 352-3	1		C,V	Chrome w/Finish Plate
	4184 354-5	1		C,V	APPLIQUE, Remote Control Bezel
	4184 254	2		P,D- P	
	D404 AA3	2		P,D- L,	Silver
	D404 AB2	2		P,D- L,	Blue, Light
	D404 AF5	2		P,D- L,	Green
	D404 AM6	2		P,D- L,	Red
	D404 AT4	2		P,D- L,	Tan
31	4077 894-5	1		P,D	PLATE, Arm Rest Back
32					BEZEL (refer to Trim)
33					ARM REST (refer to Trim)



MODEL CODES

B = GRAN FURY/CARAVELLE	P = RELIANT
C = LEBARON/TOWN & COUNTRY	S = CORDOBA
D = ARIES	V = 400
F = NEW YORKER	X = MIRADA
G = DIPLOMAT	Y = IMPERIAL
M = HORIZON/TC3/SCAMP	Z = OMNI/O24/RAMPAGE

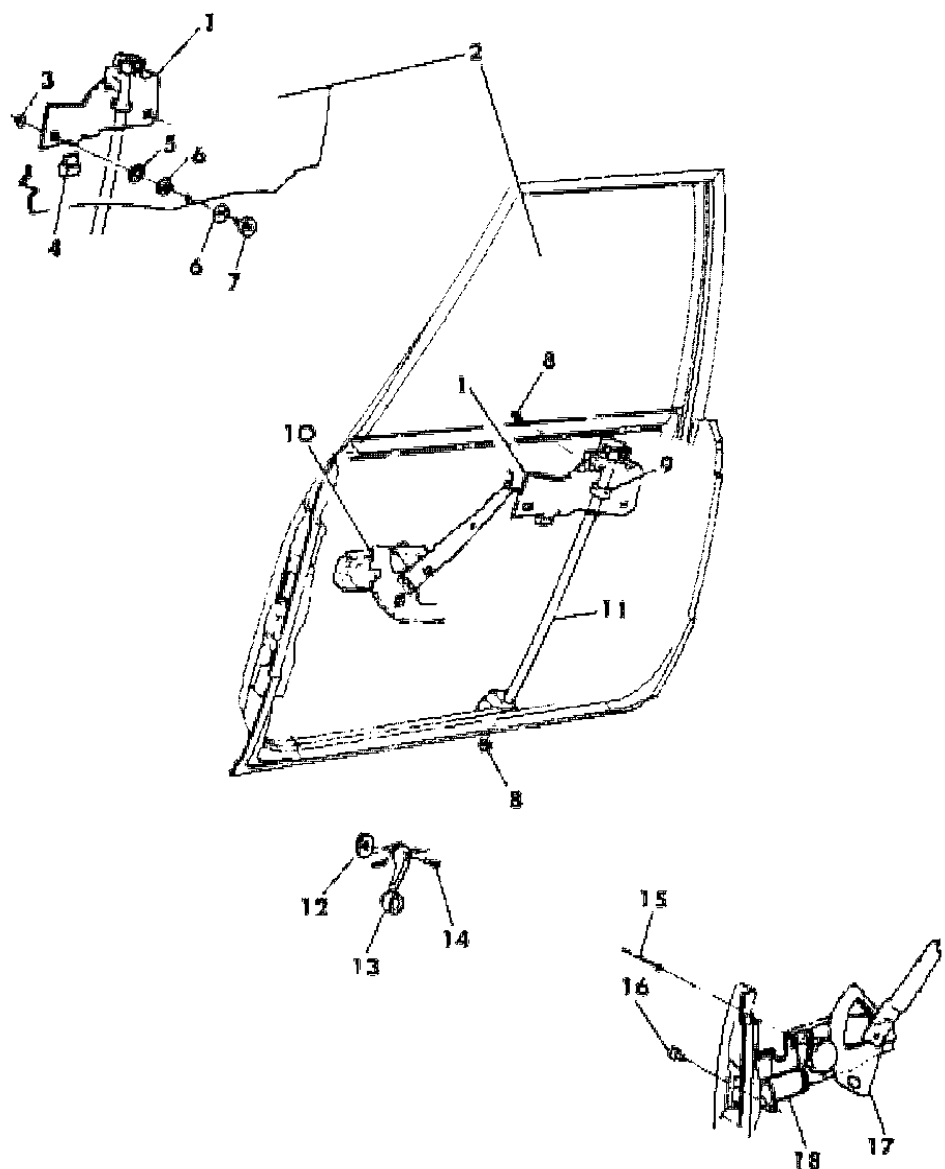
BODY STYLES

21 = 2-DOOR SEDAN	28 = FWD PICKUP
22 = 2-DOOR SPECIAL COUPE	41 = 4-DOOR SEDAN
24 = 2-DOOR HATCHBACK	44 = 4-DOOR HATCHBACK
27 = 2-DOOR CONVERTIBLE	45 = 2-SEAT STATION WAGON

AR = Use as Required - = Non Illustrated Part P.A.R. = Paint as Required

**DOOR FRONT GLASS AND REGULATORS P,D,C,V - 41,45**  
**Figure 23C-1200**

2171 1200



ITEM	PART NUMBER	QTY	BODY	MODEL	DESCRIPTION
1	4198 120-1	1			PLATE and CHANNEL, Glass Lift (use up to 1/8/82)
1	4280 212-3	1			(use after 1/8/82)
2					GLASS
	4280 562	1			Clear Right w/o Mirror
	4280 566	1			Clear Right w/Mirror
	4280 567	1			Clear Left
	4280 564	1			Tinted Right w/o Mirror
	4280 568	1			Tinted Right w/Mirror
	4280 569	1			Tinted Left
3		AR			NUT and Washer (not serviced)
4	3759 566	AR			BUMPER, Glass Down Stop
5	6028 587	6			T/NUT
6	5231 769	12			GASKET, Glass Isolator
7	6029 998	6			WASHER and STUD
8	6100 049	4			NUT and WASHER
9	3788 079	2			SLEEVE, Track Lower (felt)
10	4184 060-1	1			REGULATOR, Manual
	3882 758	2			SLIDE, Manual Regulator
11	4198 158	2			TRACK and BRACKET
12	3882 768	AR			SPACER, Regulator Handle
13	3882 764	2			HANDLE, Regulator
14	6027 221	2			SCREW
15	6031 115	AR			RIVET
16	6100 566	2			SCREW
17	4280 432-3	1			REGULATOR, Electric
	2999 467	2			SPACER, Electric Regulator
	3882 758	2			SLIDE, Electric Regulator Driving Arm
	4280 423	2			SUPPORT and P/NUT, Electric Regulator Attaching
18	4280 640-1	1			MOTOR
	2932 973	2			GEAR and SEAL PACKAGE
The following parts are not illustrated. an offsetting order for part no. 3747881					
	0137 204	2			COTTER PIN, Electric Window Up Stop
	4136 914	2			GUIDE, Door Glass
	4198 926	2			BRACKET and W/NUT, Electric Window Downstop
	3759 910	2			BUMPER, Electric Window Downstop
	4040 710	4			PAD, Glass Guide Plate
	4136 914	2			GUIDE, Front Door Glass

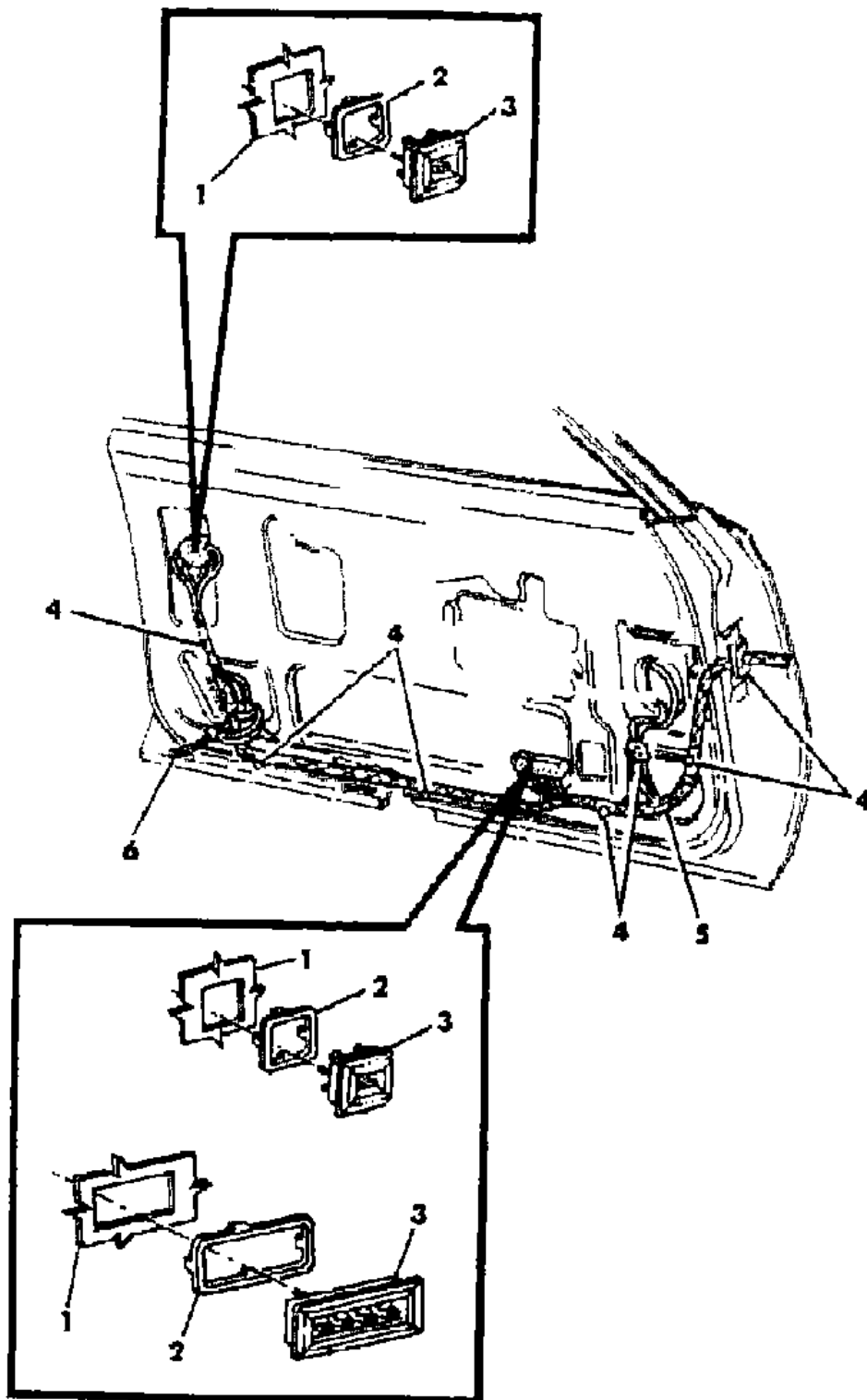
MODEL CODES  
 B = GRAN FURY/CARAVELLE      P = RELIANT  
 C = LEBARON/TOWN & COUNTRY      S = CORDOBA  
 D = ARIES      V = 400  
 F = NEW YORKER      X = MIRADA  
 G = DIPLOMAT      Y = IMPERIAL  
 M = HORIZON/TC3/SCAMP      Z = OMNI/O24/RAMPAGE

BODY STYLES  
 21 = 2-DOOR SEDAN      28 = FWD PICKUP  
 22 = 2-DOOR SPECIAL COUPE      41 = 4-DOOR SEDAN  
 24 = 2-DOOR HATCHBACK      44 = 4-DOOR HATCHBACK  
 27 = 2-DOOR CONVERTIBLE      45 = 2-SEAT STATION WAGON

AR = Use as Required - = Non Illustrated Part P.A.R. = Paint as Required

**BEZELS, SWITCHES AND WIRING FRONT DOOR P,D, - 41,45**  
**Figure 23C-1300**

2171 1300



ITEM	PART NUMBER	QTY	BODY	MODEL	DESCRIPTION
1					DOOR TRIM PANEL, Reference
2	4221 145	1			REINFORCEMENT, Window Lift, Door Lock Switch Single
	4221 147	1			4 Gang
3	4221 141	1			SWITCH, Window Lift, Door Lock Single
	4221 144	1			4 Gang
4					Parts are contained in wiring assy.
5					WIRING, Door
	4274 178	1			w/Window Lift w/o Door Locks, Rught
	4274 182	1			w/Door Lock, Left
	4274 182	1			w/Door Lock, Right
	4274 135	1			w/Window Lift and w/o Door Locks, Left
	4274 186	1			w/Window Lift and w/Door Lock, Right
	4274 187	1			w/Window Lift and w/Door Lock, Left (use up to 11/1/81)
	4274 137	1			(use after 11/1/81)
6	2945 704	AR			TIE WRAP

**MODEL CODES**

B = GRAN FURY/CARAVELLE	P = RELIANT
C = LEBARON/TOWN & COUNTRY	S = CORDOBA
D = ARIES	V = 400
F = NEW YORKER	X = MIRADA
G = DIPLOMAT	Y = IMPERIAL
M = HORIZON/TC3/SCAMP	Z = OMNI/O24/RAMPAGE

**BODY STYLES**

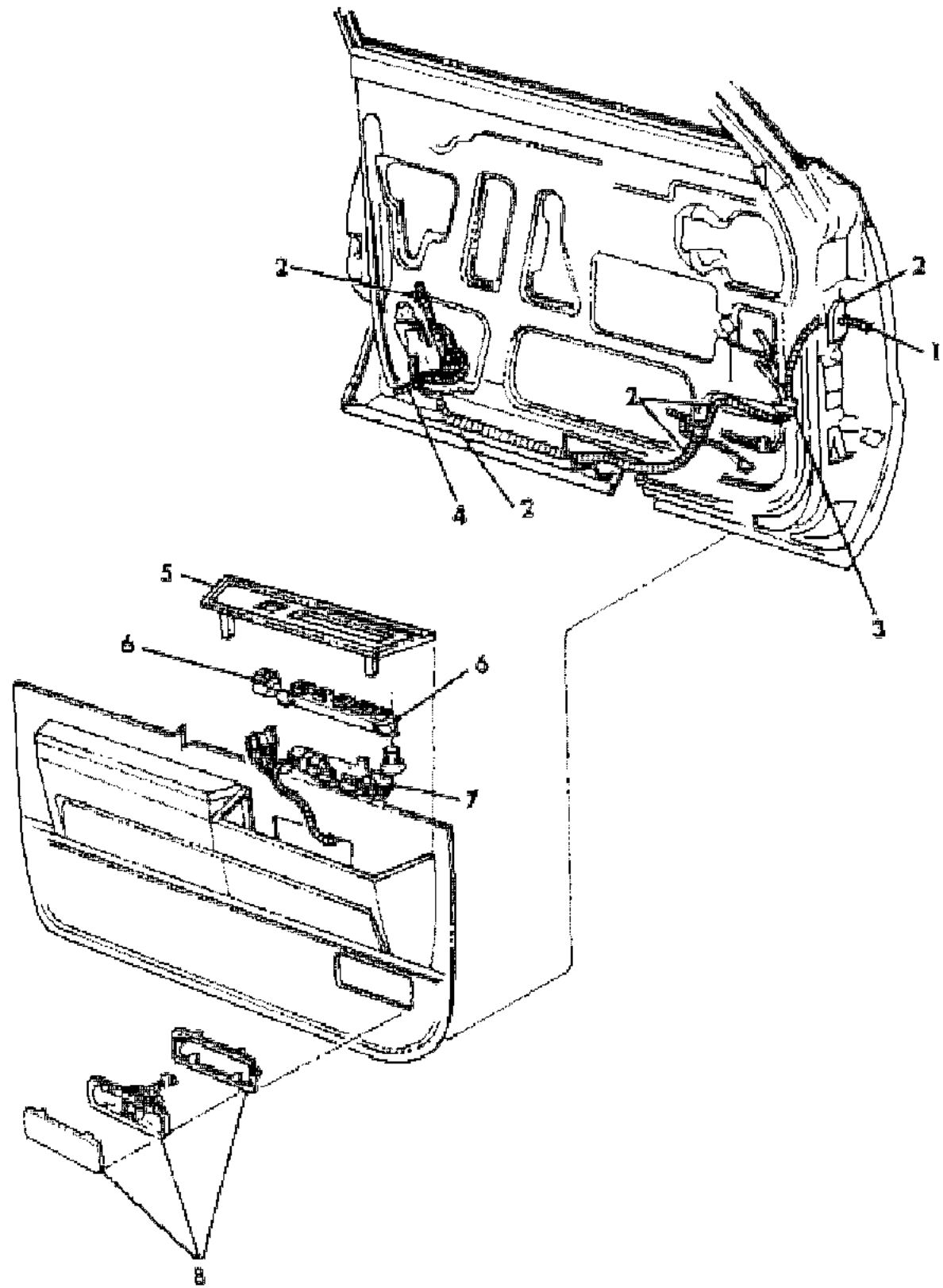
21 = 2-DOOR SEDAN	28 = FWD PICKUP
22 = 2-DOOR SPECIAL COUPE	41 = 4-DOOR SEDAN
24 = 2-DOOR HATCHBACK	44 = 4-DOOR HATCHBACK
27 = 2-DOOR CONVERTIBLE	45 = 2-SEAT STATION WAGON

AR = Use as Required - = Non Illustrated Part P.A.R. = Paint as Required

BEZELS, SWITCHES AND WIRING FRONT DOOR C,V - 41,45

Figure 23C-1325

177 1325



ITEM	PART NUMBER	QTY	BODY	MODEL	DESCRIPTION
1					WIRING, Door
	4274 144	1			w/Window Lift Right (use up to 2/1/82)
	4274 145	1			w/Window Lift Left
	4274 330	1			w/Window Lift Right (use after 2/1/82)
	4274 146	1			w/Window Lift and Door Lock Right (use up to 11/13/81)
	4274 332	1			Right (use after 11/13/81)
	4274 147	1			Left (use up to 11/5/81)
	4274 333	1			Left (use after 11/5/81)
2					Parts are contained in wiring assy.
3		AR			CLIP, Snap (not serviced)
4	2945 704	AR			TIE WRAP
5					BEZEL and FINISH PLATE
	4223 648	1			Right w/Power Windows
	4223 650	1			Right w/Power Windows and Door Locks
	4223 927	1			Left w/Power Windows and w/o Door Locks
	4223 929	1			Left w/Power Windows and Door Locks
6					SWITCHES
	3747 935	AR			Single
	4221 133	AR			5 Gang
7		AR			SCREW (not serviced)
8					Refer to Group 8

MODEL CODES

B = GRAN FURY/CARAVELLE	P = RELIANT
C = LEBARON/TOWN & COUNTRY	S = CORDOBA
D = ARIES	V = 400
F = NEW YORKER	X = MIRADA
G = DIPLOMAT	Y = IMPERIAL
M = HORIZON/TC3/SCAMP	Z = OMNI/O24/RAMPAGE

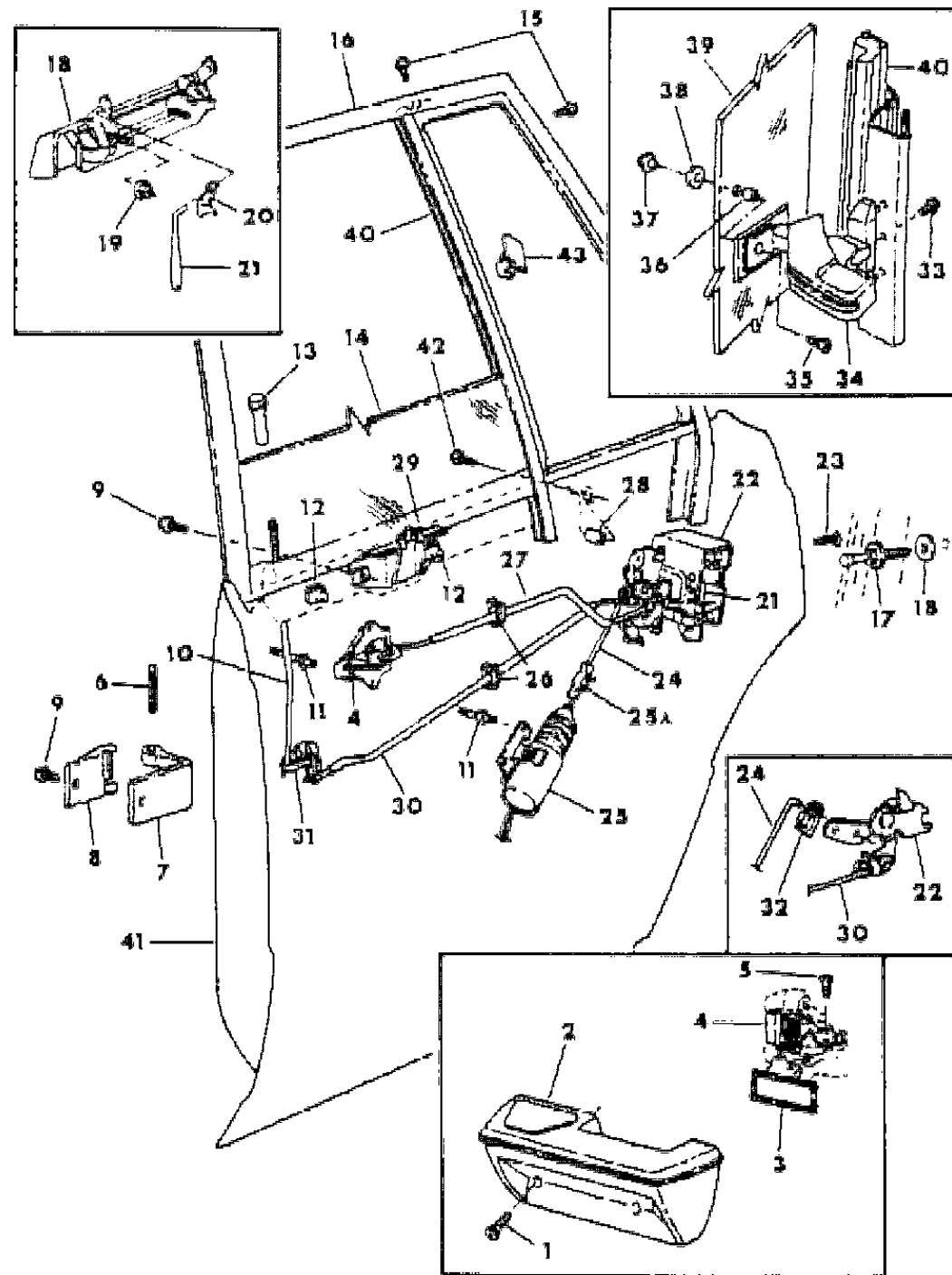
BODY STYLES

21 = 2-DOOR SEDAN	28 = FWD PICKUP
22 = 2-DOOR SPECIAL COUPE	41 = 4-DOOR SEDAN
24 = 2-DOOR HATCHBACK	44 = 4-DOOR HATCHBACK
27 = 2-DOOR CONVERTIBLE	45 = 2-SEAT STATION WAGON

AR = Use as Required - = Non Illustrated Part P.A.R. = Paint as Required

DOOR REAR W/PUSH LOCK C,P,D - 41,45  
Figure 23C-1400

2111 1400



ITEM	PART NUMBER	QTY	BODY	MODEL	DESCRIPTION
1		AR			SCREW (not serviced)
2		2			ARMREST (refer to Trim)
3	4184 128-9	1			HANDLE, Remote Control
	4184 130-1	1		PP,DP	
4	4184 124-5	1			CONTROL, Latch Remote
5	6032 079	2			SCREW
6	6500 361	4			PIN, Hinge
7	4240 315	4			HINGE, Body Half
8	4184 117	2			CHECK SPRING, Door Hinge
	4240 316	4			LEAF, Hinge Door Half
9	6100 557	AR			SCREW and WASHER
10	4184 046	2			ROD, Locking Knob
11	6031 115	AR			RIVET
12	6100 041	4			U-NUT
13	4049 609	2			KNOB, Locking
14	4198 362-3	1		41	GLASS, (clear)
	4198 364-5	1		41	(tinted)
	4198 412-3	1		45	(clear)
	4198 414-5	1		45	(tinted)
15		AR			SCREW (not serviced)
16	4240 310-1	1		41	DOOR, Shell
	4240 312-3	1		45	
	4198 616-7	1		41.45	PANEL, Repair
17	4184 040	2			STRICKER, Door
	4184 105	AR			SPACER, Stricker
18	3882 780	2			HANDLE, Outside
19	6025 004	4			NUT, Outside Handle
20	2946 108-9	1			CLIP
21	4184 118	2			LINK, Outside Handle to Latch
22	4184 384-5	1			LATCH, Door
23		6			SCREW (not serviced)
24	4184 286	2			LINK, Motor to Latch
25	4184 156-7	1			MOTOR, Power Door Lock, w/Clip
25A	4184 172	2			CLIP
26	3882 620	2			CLIP, Anti Rattle
27	4184 058	1			LINK and SLEEVE, Remote Control to Latch
28	4198 295	2			SPACER, Inside Panel

MODEL CODES

B = GRAN FURY/CARAVELLE	P = RELIANT
C = LEBARON/TOWN & COUNTRY	S = CORDOBA
D = ARIES	V = 400
F = NEW YORKER	X = MIRADA
G = DIPLOMAT	Y = IMPERIAL
M = HORIZON/TC3/SCAMP	Z = OMNI/O24/RAMPAGE

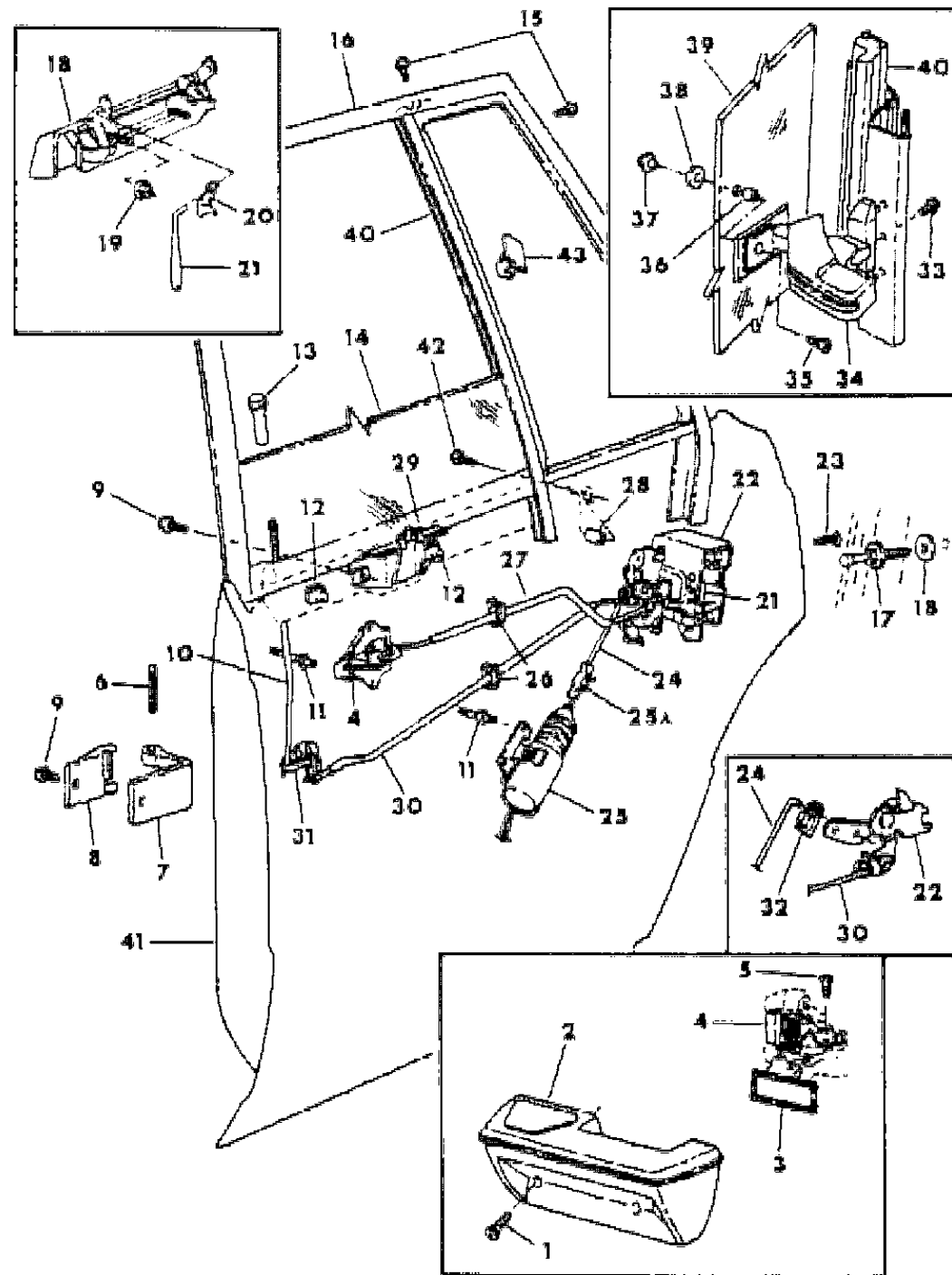
BODY STYLES

21 = 2-DOOR SEDAN	28 = FWD PICKUP
22 = 2-DOOR SPECIAL COUPE	41 = 4-DOOR SEDAN
24 = 2-DOOR HATCHBACK	44 = 4-DOOR HATCHBACK
27 = 2-DOOR CONVERTIBLE	45 = 2-SEAT STATION WAGON

AR = Use as Required - = Non Illustrated Part P.A.R. = Paint as Required

DOOR REAR W/PUSH LOCK C,P,D - 41,45  
Figure 23C-1400

2111 1400



ITEM	PART NUMBER	QTY	BODY	MODEL	DESCRIPTION
29	4198 062	2			BRACKET, Fixed Window Support
30	4184 052-3	1			LINK and SLEEVE, Locking Lever to Latch
31	3871 044	2			LEVER, Latch Locking Control
32	3454 220-1	1			CLIP, Link to Latch
33		2			SCREW (not serviced)
34	4198 486-7	1			LATCH, Rear Vent CONSISTS OFF: 1----- Bracket, Attaching 1----- Handle 1----- Link 1----- Bracket, Pivot 3----- Pin, Spring
35		2			SCREW (not serviced)
36	3759 081	2			SPACER
37	5230 238	2			RETAINER
38	3759 079	2			GASKET
39	4198 392-3	1			GLASS ASSY. CONSISTS OFF: 1----- Seal 1----- Retainer 1----- Glass
40	4198 390-1	1			FRAME ASSY. CONSISTS OFF: 1----- Bracket and Pierce Nut 16----- Rivets 4----- Brackets 1----- Channel 1----- Retainer
41	4198 616-7	1			PANEL, Repair
42	6100 560	2			SCREW
43	4198 588	2			CLIP, Vent Window Hinge Retainer
The following parts are not illustrated. an offsetting order for part no. 3747881					
	4078 198-9	1			BEZEL, Remote Control Handle
	6031 488	2			PLUG, Hinge Pillar
	4198 430-1	1			COVER, Rear Door Hinge Upper
	X164-5 VW3	1			COVER, Complete (paint as required)
	4229 956	1			DECAL, Rear Door Glass

MODEL CODES

B = GRAN FURY/CARAVELLE	P = RELIANT
C = LEBARON/TOWN & COUNTRY	S = CORDOBA
D = ARIES	V = 400
F = NEW YORKER	X = MIRADA
G = DIPLOMAT	Y = IMPERIAL
M = HORIZON/TC3/SCAMP	Z = OMNI/O24/RAMPAGE

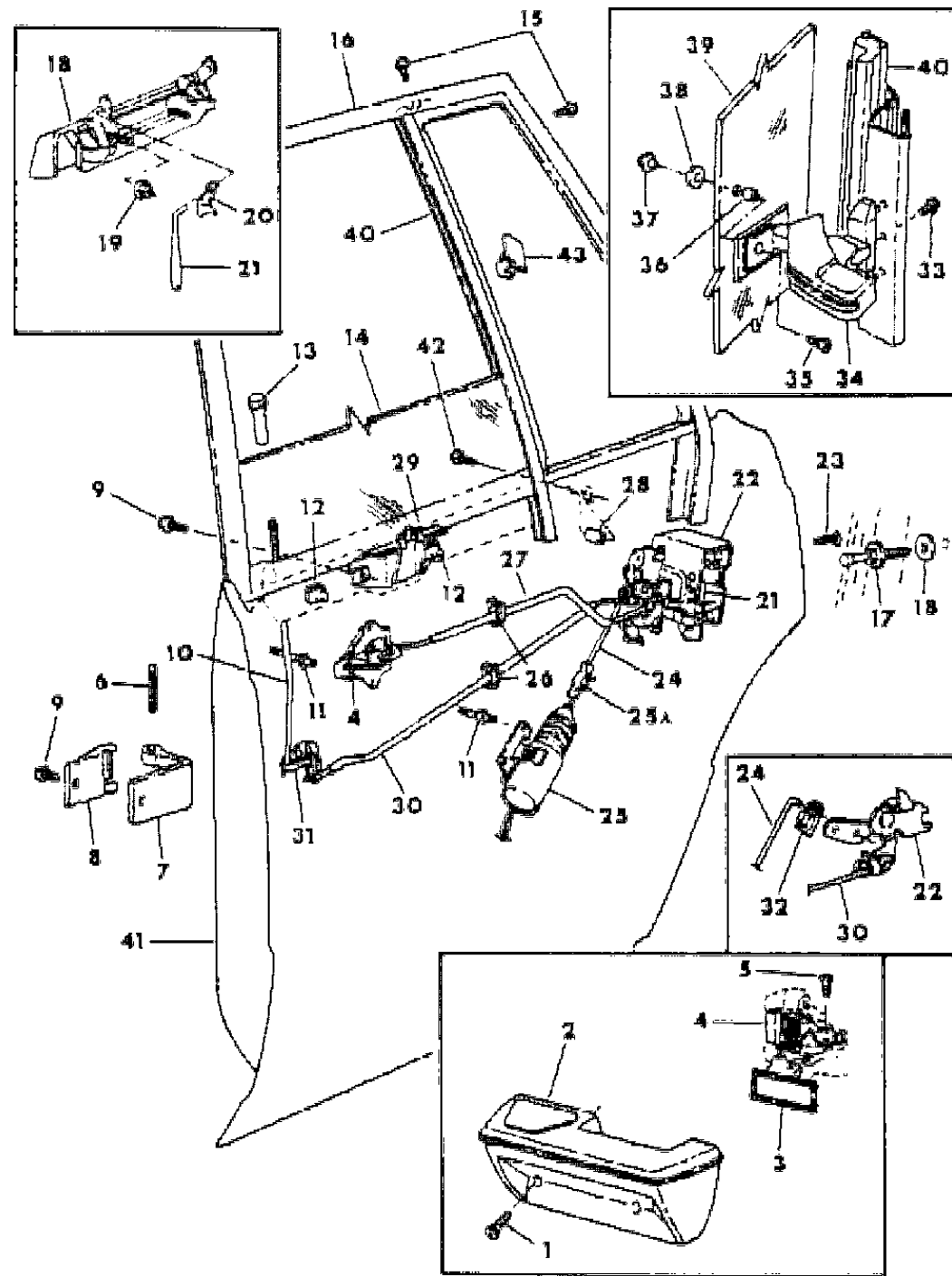
BODY STYLES

21 = 2-DOOR SEDAN	28 = FWD PICKUP
22 = 2-DOOR SPECIAL COUPE	41 = 4-DOOR SEDAN
24 = 2-DOOR HATCHBACK	44 = 4-DOOR HATCHBACK
27 = 2-DOOR CONVERTIBLE	45 = 2-SEAT STATION WAGON

AR = Use as Required - = Non Illustrated Part P.A.R. = Paint as Required

DOOR REAR W/PUSH LOCK C,P,D - 41,45  
Figure 23C-1400

2111 1400



ITEM	PART NUMBER	QTY	BODY	MODEL	DESCRIPTION
					Canada Only
	4229 957	1			CLIP, Latch Locking Push Rod Retaining
	2999 985	2			GROMMET, Lock Knob
	3510 447	2			PLATE, Armrest Backing
	4077 896	2			GASKET, Rear Door Glass Attaching
	3788 004	4			CLIP, Latch to Motor Link
	4184 244-5	1			

MODEL CODES

B = GRAN FURY/CARAVELLE	P = RELIANT
C = LEBARON/TOWN & COUNTRY	S = CORDOBA
D = ARIES	V = 400
F = NEW YORKER	X = MIRADA
G = DIPLOMAT	Y = IMPERIAL
M = HORIZON/TC3/SCAMP	Z = OMNI/O24/RAMPAGE

BODY STYLES

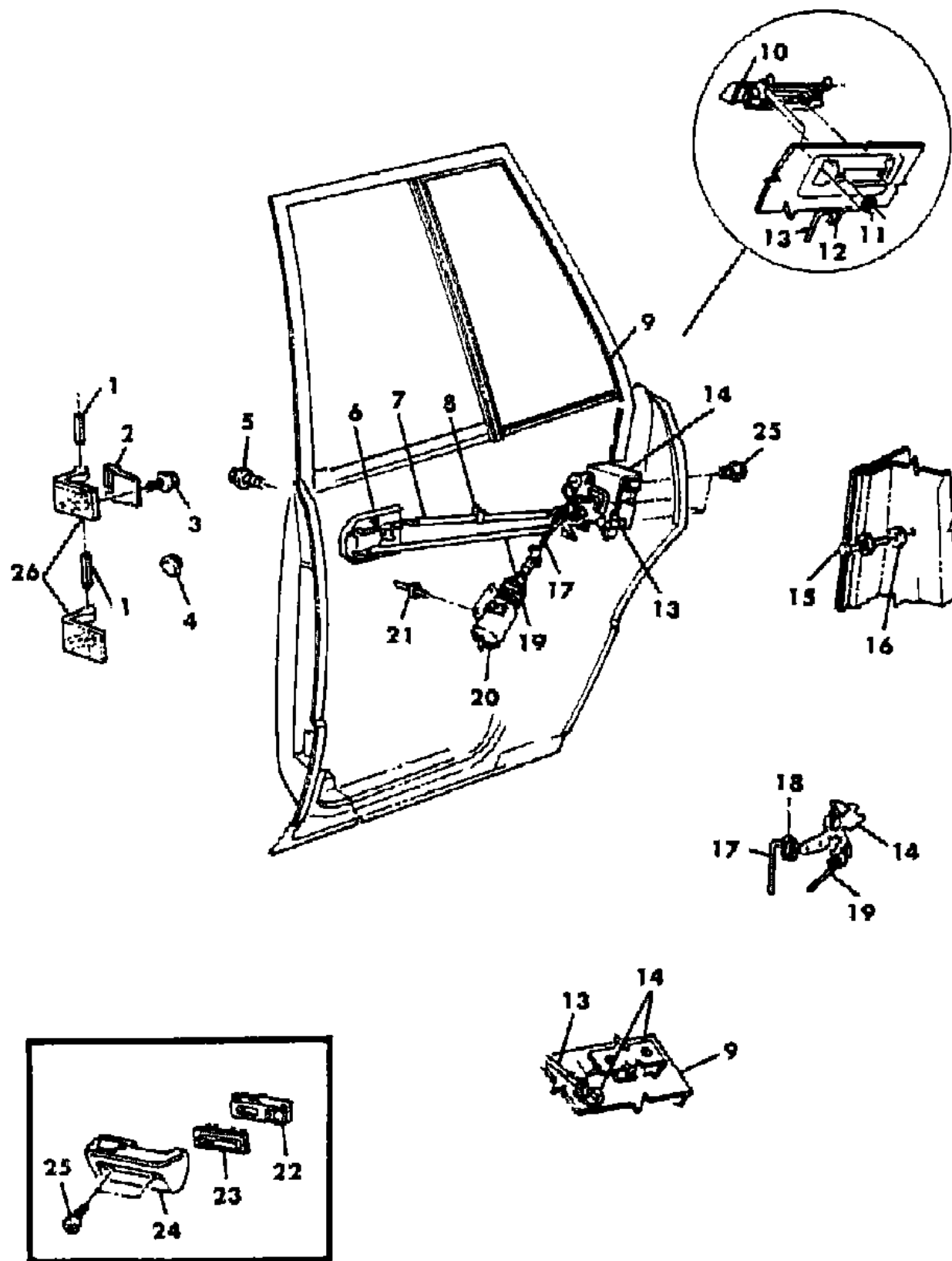
21 = 2-DOOR SEDAN	28 = FWD PICKUP
22 = 2-DOOR SPECIAL COUPE	41 = 4-DOOR SEDAN
24 = 2-DOOR HATCHBACK	44 = 4-DOOR HATCHBACK
27 = 2-DOOR CONVERTIBLE	45 = 2-SEAT STATION WAGON

AR = Use as Required - = Non Illustrated Part P.A.R. = Paint as Required



DOOR REAR W/ROCKER LOCK P,D,C,V - 41,45  
Figure 23C-1425

2171 1425



ITEM	PART NUMBER	QTY	BODY	MODEL	DESCRIPTION
1	6500 361	2			PIN, Hinge
2	4184 117	1			CHECK SPRING
3	6100 557	2			SCREW and WASHER
4	4198 524	2			PLUG
5	6100 274	2			SCREW
6	4184 252	2			PLATE and P/NUT, Mounting
7	4184 270-1	1			LINK and SLEEVE
8	3882 620	2			CLIP, Anti Rattle
9					PANEL, Door
	4271 412-3	1		41	Shell (use up to 2/17/82)
	4271 442-3	1		41	(use after 2/17/82)
	4271 414-5	1		45	(use up to 2/17/82)
	4271 444-5	1		45	(use after 2/17/82)
	4198 616-7	1			Repair
10	3882 780	2			HANDLE, Outside
11	6025 004	2			NUT
12	3882 762	2			CLIP, Link to Handle
13	4184 118	2			LINK, Outside Handle to Latch
14	4184 384-5	1			LATCH (use up to 4/1/82)
	4184 376-7	1			(use after 4/1/82)
15	4184 040	2			STRIKER
16	4184 105	AR			SPACER
17	4184 286	2			LINK, Electric Latch to Motor
18	4184 244-5	1			CLIP, Latch to Electric Motor Link
19	4184 276-7	1			LINK and SLEEVE (use up to 1/4/82)
	4184 698-9	1			(use after 1/4/82)
20	4184 156	2			MOTOR, Electric Door Lock
21	6031 115	AR			Rivet
22	4184 282-3	1			HOUSING, Latch, Black w/Chrome Handle (Push & Locked)
	4267 948-9	1			(Lock Only)
	D406-7 AA3	1			Silver (Push & Locked)
	4267 934-5	1			Silver (Lock Only)
	D406-7 AB2	1			Blue, Light (Push & Locked)
	4267 936-7	1			Blue, Light (Lock Only)
	D406-7 AF5	1			Green (Push & Locked)
	4264 938-9	1			Green (Lock Only)
	D406-7 AM6	1			Red (Push & Locked)

MODEL CODES

B = GRAN FURY/CARAVELLE	P = RELIANT
C = LEBARON/TOWN & COUNTRY	S = CORDOBA
D = ARIES	V = 400
F = NEW YORKER	X = MIRADA
G = DIPLOMAT	Y = IMPERIAL
M = HORIZON/TC3/SCAMP	Z = OMNI/O24/RAMPAGE

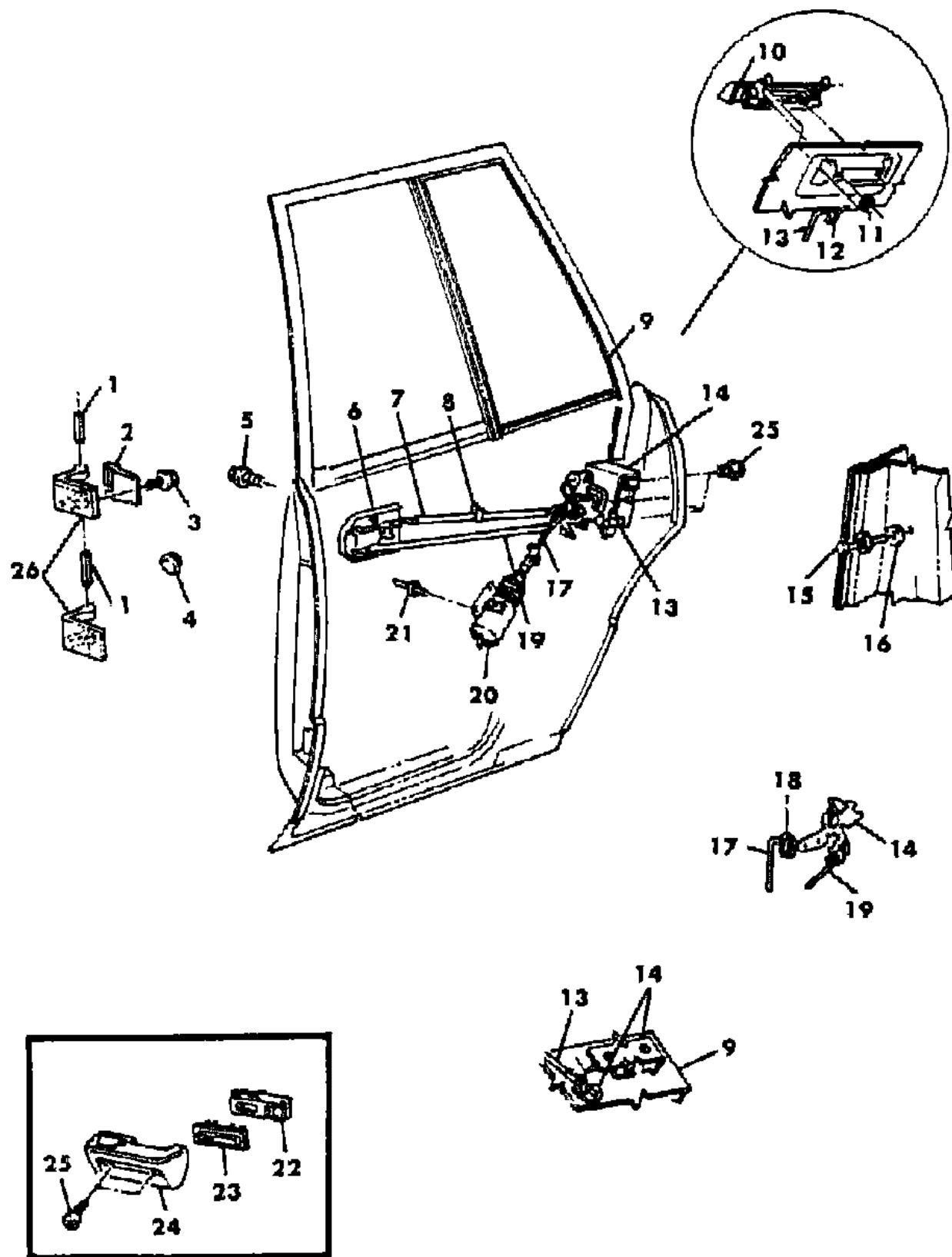
BODY STYLES

21 = 2-DOOR SEDAN	28 = FWD PICKUP
22 = 2-DOOR SPECIAL COUPE	41 = 4-DOOR SEDAN
24 = 2-DOOR HATCHBACK	44 = 4-DOOR HATCHBACK
27 = 2-DOOR CONVERTIBLE	45 = 2-SEAT STATION WAGON

AR = Use as Required - = Non Illustrated Part P.A.R. = Paint as Required

DOOR REAR W/ROCKER LOCK P,D,C,V - 41,45  
Figure 23C-1425

2171 1425



ITEM	PART NUMBER	QTY	BODY	MODEL	DESCRIPTION
	4267 940-1	1			Red (Lock Only)
	D406-7 AT4	1			Tan (Push & Locked)
	4267 942-3	1			Tan (Lock Only)
23					BEZEL
	D404 AA3	2		P,D-L-H	Silver
	D404 AB2	2		P,D-L-H	Blue, Light
	D404 AF5	2		P,D-L-H	Green
	D404 AM6	2		P,D-L-H	Red
	D404 AT4	2		P,D-L-H	Tan
	4184 254	2		P,D-P	
	4184 350-1	1		C,V	Chrome w/Finish Plate
	4184 356	1		C,V	APPLIQUE, Remote Control Bezel
24					See Interior Trim
25		AR			SCREW (not serviced)
26	4240 315	4			HINGE, Body Half

MODEL CODES

B = GRAN FURY/CARAVELLE	P = RELIANT
C = LEBARON/TOWN & COUNTRY	S = CORDOBA
D = ARIES	V = 400
F = NEW YORKER	X = MIRADA
G = DIPLOMAT	Y = IMPERIAL
M = HORIZON/TC3/SCAMP	Z = OMNI/O24/RAMPAGE

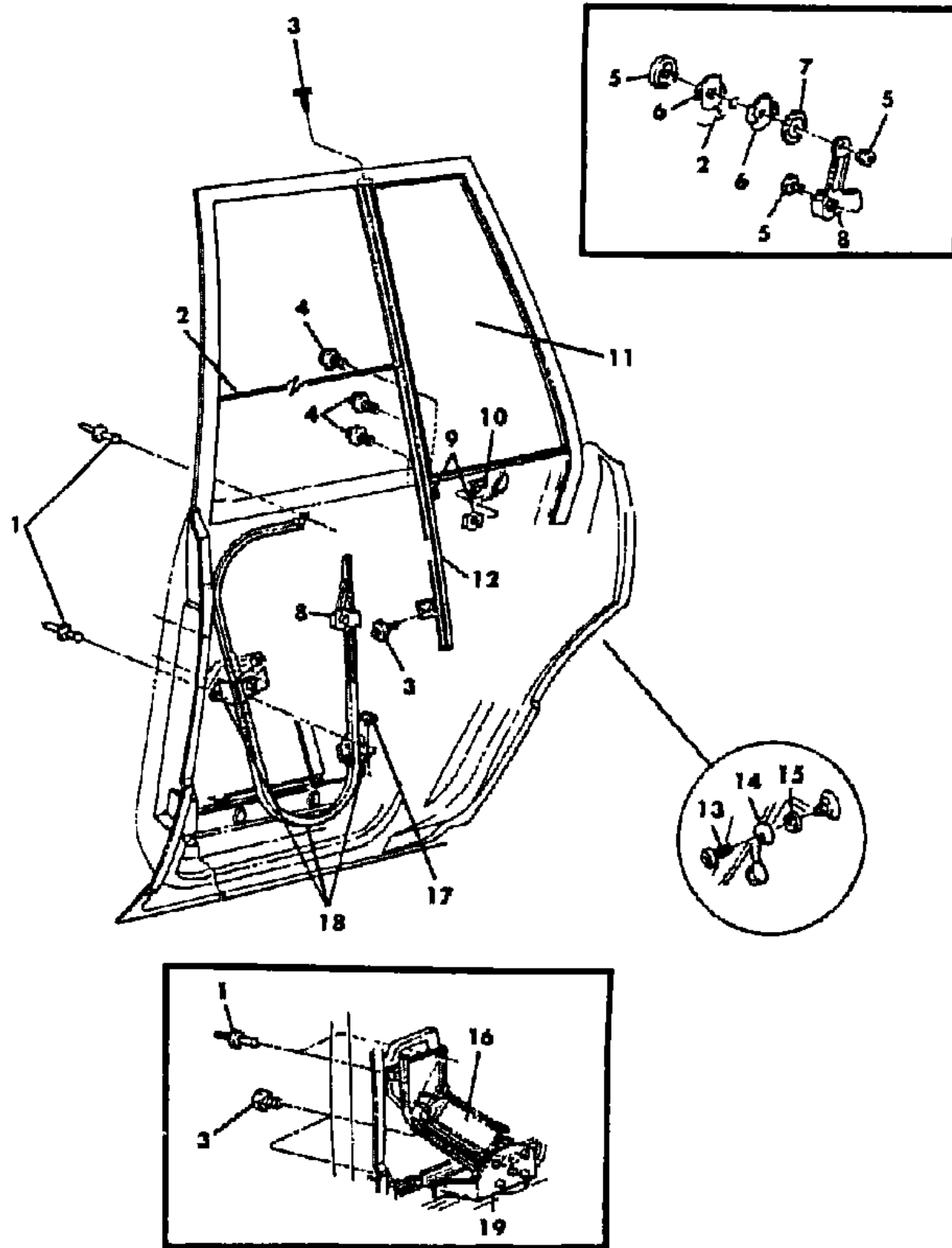
BODY STYLES

21 = 2-DOOR SEDAN	28 = FWD PICKUP
22 = 2-DOOR SPECIAL COUPE	41 = 4-DOOR SEDAN
24 = 2-DOOR HATCHBACK	44 = 4-DOOR HATCHBACK
27 = 2-DOOR CONVERTIBLE	45 = 2-SEAT STATION WAGON

AR = Use as Required - = Non Illustrated Part P.A.R. = Paint as Required

**DOOR REAR GLASS AND REGULATOR W/ROLL DOWN WINDOW P,D,C,V - 41,45**  
**Figure 23C-1450**

2171 1450A



ITEM	PART NUMBER	QTY	BODY	MODEL	DESCRIPTION
1	6031 115	AR			RIVET
2					GLASS
	4198 756-7	1			Clear
	4198 758-9	1			Tinted
3	6100 566	AR			SCREW
4	6100 274	AR			SCREW
5	4267 907	AR			HARDWARE PACKAGE
6	5231 769	4			GASKET
7	6028 587	AR			NUT-TEE
8	4184 610-1	1			ARM and W/NUT, Regulator Drive
9	6100 041	AR			U/NUT
10	4198 639	2			BRACKET, Vent Window Support
11					GLASS
	4198 854-5	1		41	
	4198 642-3	1		45	
12	4198 732-3	1			CHANNEL, Divisional Glass
13	6027 221	AR			SCREW
14	3882 764	2			HANDLE, Manual Window Regulator
15	3882 767	AR			SPACER
16	4184 548-9	1			MOTOR and MECHANISM, Electric Window
17	4184 575	AR			BUMPER, Down Stop
18					REGULATOR
	4184 566-7	1			Manual
	4184 616-7	1			Electric
19	4184 596-7	1			BRACKET, Motor Mounting

The following parts are not illustrated. an offsetting order for part no. 3747881

4198 748-9	1	BRACKET, Channel to Panel
4198 744-5	1	BRACKET and W/NUT, Channel Lower

MODEL CODES  
 B = GRAN FURY/CARAVELLE      P = RELIANT  
 C = LEBARON/TOWN & COUNTRY      S = CORDOBA  
 D = ARIES      V = 400  
 F = NEW YORKER      X = MIRADA  
 G = DIPLOMAT      Y = IMPERIAL  
 M = HORIZON/TC3/SCAMP      Z = OMNI/O24/RAMPAGE

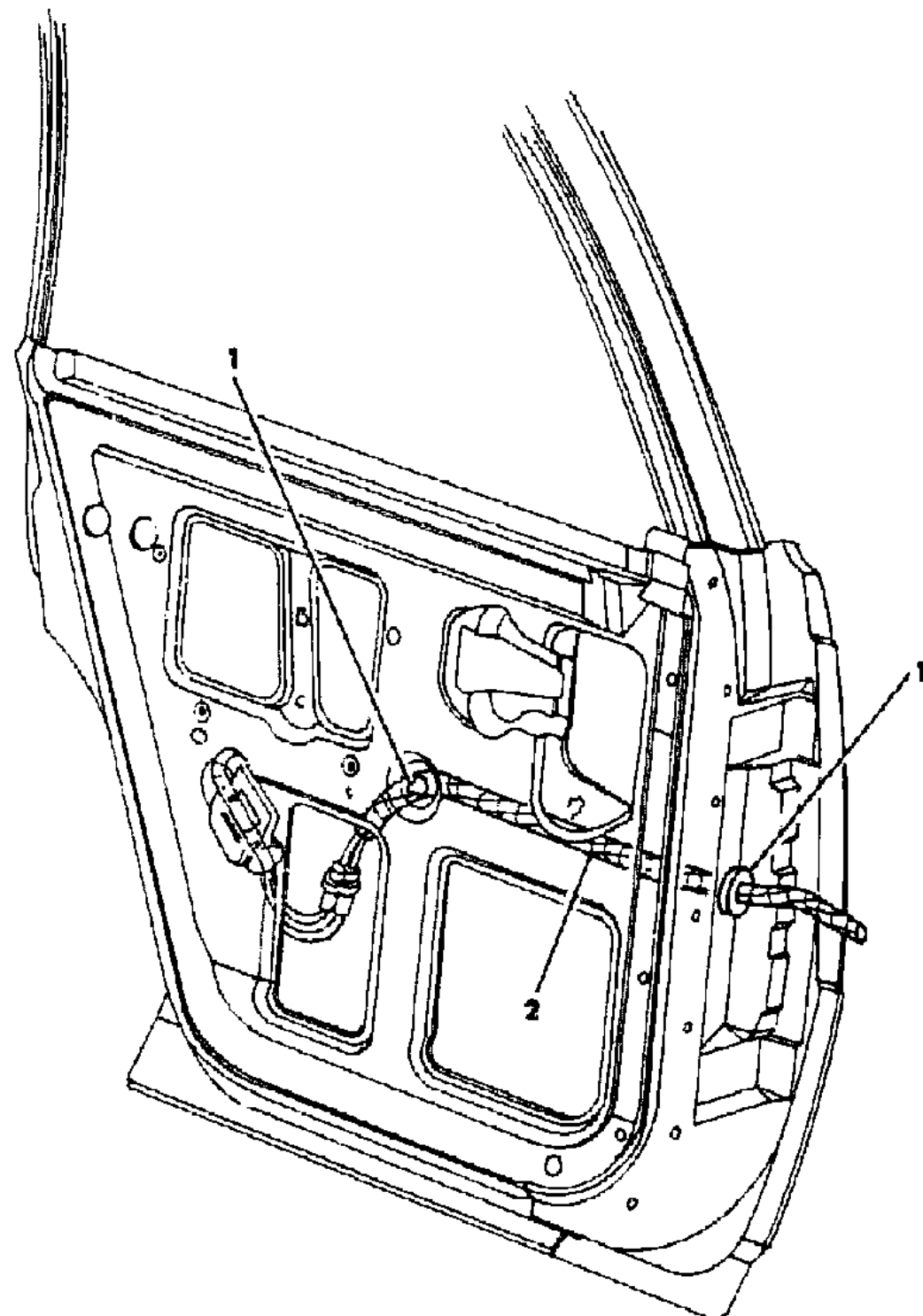
BODY STYLES  
 21 = 2-DOOR SEDAN      28 = FWD PICKUP  
 22 = 2-DOOR SPECIAL COUPE      41 = 4-DOOR SEDAN  
 24 = 2-DOOR HATCHBACK      44 = 4-DOOR HATCHBACK  
 27 = 2-DOOR CONVERTIBLE      45 = 2-SEAT STATION WAGON

AR = Use as Required - = Non Illustrated Part P.A.R. = Paint as Required

**BEZELS, SWITCHES AND WIRING REAR DOOR P,D,C, - 41,45**  
**Figure 23C-1500**

2171 1500

ITEM	PART NUMBER	QTY	BODY	MODEL	DESCRIPTION
1					Parts are contained in wiring assy.
2	4274 193	2			WIRING, Door Lock (use up to 1/4/82) (use after 1/4/82) make locally
The following parts are not illustrated. an offsetting order for part no. 3747881					
	4198 524	2			PLUG, Hinge Pillar Wiring Hole



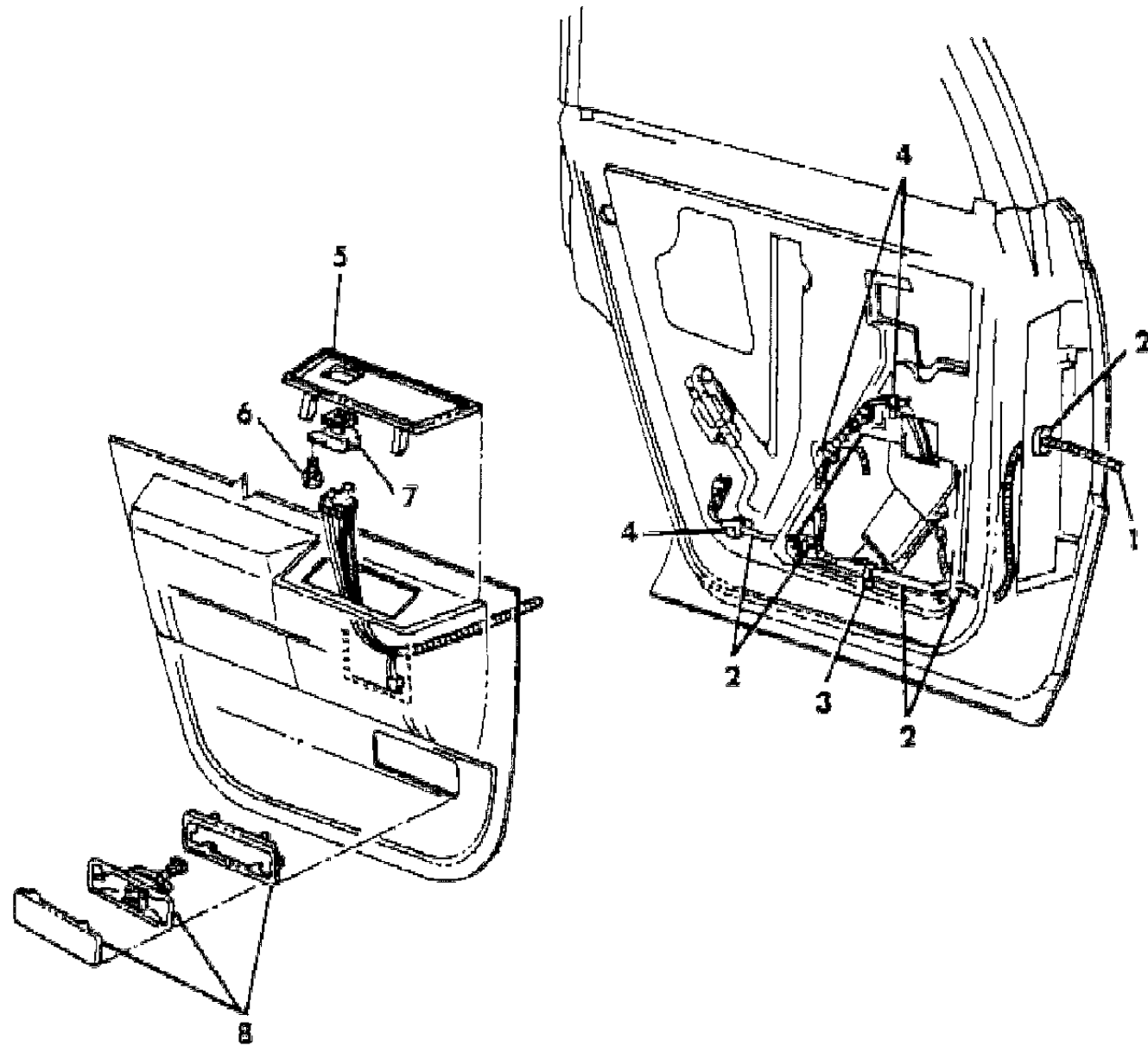
MODEL CODES  
 B = GRAN FURY/CARAVELLE      P = RELIANT  
 C = LEBARON/TOWN & COUNTRY      S = CORDOBA  
 D = ARIES      V = 400  
 F = NEW YORKER      X = MIRADA  
 G = DIPLOMAT      Y = IMPERIAL  
 M = HORIZON/TC3/SCAMP      Z = OMNI/O24/RAMPAGE

BODY STYLES  
 21 = 2-DOOR SEDAN      28 = FWD PICKUP  
 22 = 2-DOOR SPECIAL COUPE      41 = 4-DOOR SEDAN  
 24 = 2-DOOR HATCHBACK      44 = 4-DOOR HATCHBACK  
 27 = 2-DOOR CONVERTIBLE      45 = 2-SEAT STATION WAGON

AR = Use as Required - = Non Illustrated Part P.A.R. = Paint as Required

**BEZELS, SWITCHES AND WIRING REAR DOOR P,D,C,V - 41,45**  
**Figure 23C-1525**

2171 1525



ITEM	PART NUMBER	QTY	BODY	MODEL	DESCRIPTION
1					WIRING
	4274 133	2			w/Courtesy Lamp
	4274 132	2			w/Window Lift and w/Door Lock
	4274 136	2			w/Courtesy Lamp, Window Lift and Door Lock (use up to 11/30/81)
	4274 339	2			(use after 11/30/81)
2					Parts are contained in wiring assy.
3	2945 704	AR			TIE WRAP
4		AR			CLIP, Snap (not serviced)
5	4223 932-3	1			BEZEL and FINISH PLATE
6		AR			SCREW (not serviced)
7	3747 935	2			SWITCH, Single
8					Refer to Group 8

**MODEL CODES**

B = GRAN FURY/CARAVELLE	P = RELIANT
C = LEBARON/TOWN & COUNTRY	S = CORDOBA
D = ARIES	V = 400
F = NEW YORKER	X = MIRADA
G = DIPLOMAT	Y = IMPERIAL
M = HORIZON/TC3/SCAMP	Z = OMNI/O24/RAMPAGE

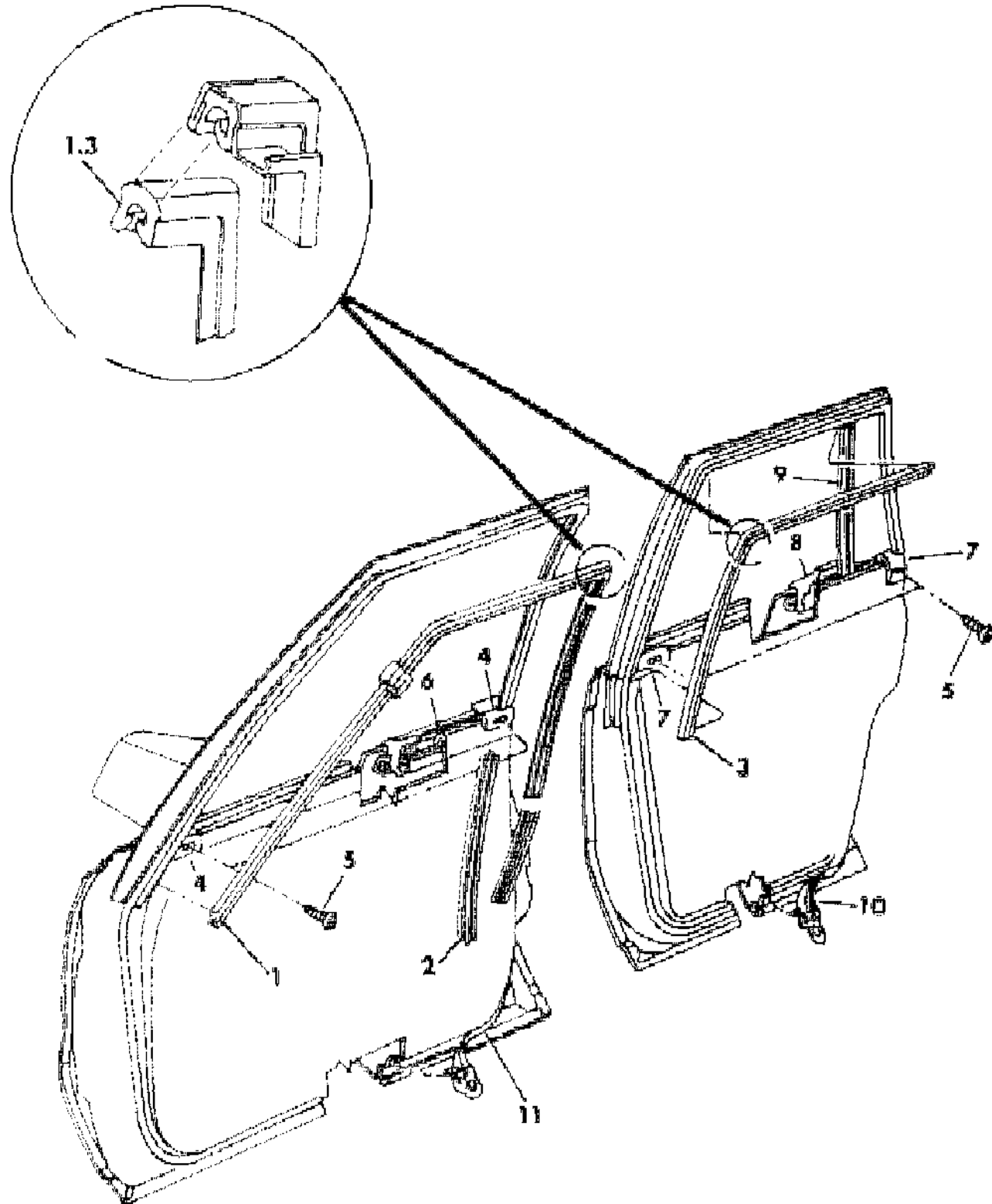
**BODY STYLES**

21 = 2-DOOR SEDAN	28 = FWD PICKUP
22 = 2-DOOR SPECIAL COUPE	41 = 4-DOOR SEDAN
24 = 2-DOOR HATCHBACK	44 = 4-DOOR HATCHBACK
27 = 2-DOOR CONVERTIBLE	45 = 2-SEAT STATION WAGON

AR = Use as Required - = Non Illustrated Part P.A.R. = Paint as Required

**RUNS AND WEATHERSTRIPS, FRONT AND REAR DOORS P,D,C,V 21,22,41,45**  
**Figure 23C-1600**

23C-1600



ITEM	PART NUMBER	QTY	BODY	MODEL	DESCRIPTION
1					RUN, Front Door Glass
	4198 230	1		21,22	Right w/o Mirror
	4198 238-9	1		21,22	w/Mirror
	4198 232	1		41,45	Right w/o Mirror
	4198 236-7	1		41,45	w/Mirror
	4198 724	2			CLIP, Glass Run Roll-off
2				21,22	CHANNEL, Front Door (refer to Door Illustration)
3	4198 426-7	1		41,45	RUN, Rear Door Glass w/Vent Window
	4198 898-9	1		41,45	w/o Vent Window
4	4198 382-3	1			SEAL, Front Door Belt, Front
	4198 384-5	1			Rear
5		2			SCREW (not serviced)
6	4198 512-3	1		21,22	WEATHERSTRIP, Front Door Belt, Outer
	4198 514-5	1		41,45	Inner, Serviced in Door Trim Panel or on Garnish Moulding
7	4198 386-7	1		P,D 41,	SEAL, Rear Door Belt, Front
	4280 134-5	1		C 41,45	
	4198 388-9	1		41,45	Rear
8	4198 520-1	1		41,45	WEATHERSTRIP, Rear Door Belt, Outer w/Vent Window
	4198 914-5	1		41,45	w/o Vent Window
9	4198 026-7	1		41,45	WEATHERSTRIP, Rear Door Vent Window
	4198 856-7	1		41,45	w/o Vent Window
	4198 644-5	1		41,45	For Stationary Vent Window
10	4198 020-1	1		41,45	WEATHERSTRIP, Rear Door
11	4280 172-3	1		21,22	WEATHERSTRIP, Front Door
	4136 876-7	1		41,45	
NOTE: The following items are not illustrated. an offsetting order for part no. 3747881					
	2217 508	AR			CLIP, Outer Weatherstrip Attaching
	4040 732	AR			RETAINER, Door Opening Weatherstrip Attaching
	2861 744	4		41,45	PIN, Divisional Channel Weatherstrip Retaining
	4198 752	AR		41,45	RETAINER, Rear Door Glass Divisional Channel
	4198 750-1	1		41,45	WEATHERSTRIP, Rear Divisional Channel
	4280 458-9	1		41,45	SEAL, Rear Door Rear Stationary Window Sound (vinyl)

**MODEL CODES**

B = GRAN FURY/CARAVELLE	P = RELIANT
C = LEBARON/TOWN & COUNTRY	S = CORDOBA
D = ARIES	V = 400
F = NEW YORKER	X = MIRADA
G = DIPLOMAT	Y = IMPERIAL
M = HORIZON/TC3/SCAMP	Z = OMNI/O24/RAMPAGE

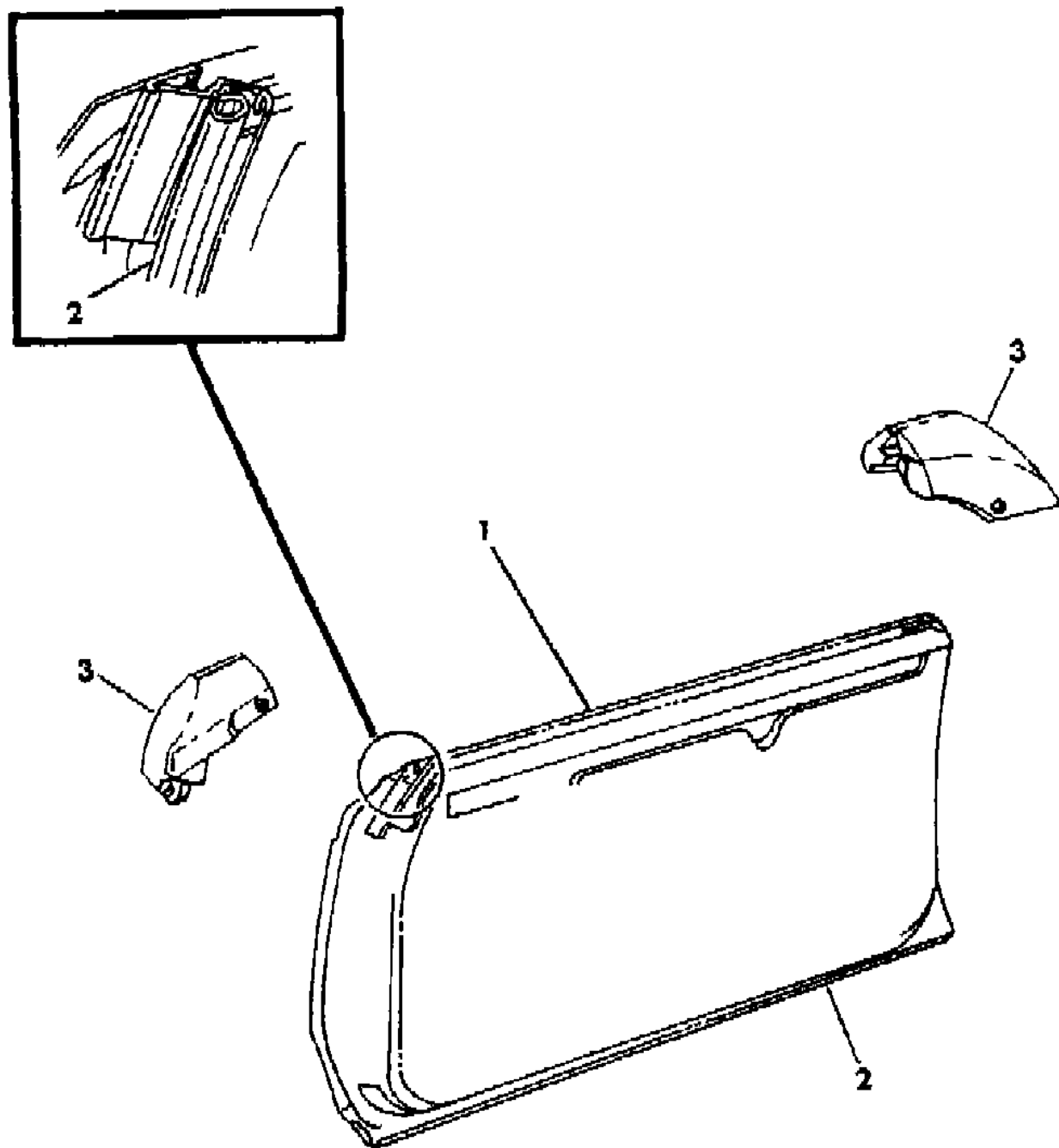
**BODY STYLES**

21 = 2-DOOR SEDAN	28 = FWD PICKUP
22 = 2-DOOR SPECIAL COUPE	41 = 4-DOOR SEDAN
24 = 2-DOOR HATCHBACK	44 = 4-DOOR HATCHBACK
27 = 2-DOOR CONVERTIBLE	45 = 2-SEAT STATION WAGON

AR = Use as Required - = Non Illustrated Part P.A.R. = Paint as Required

**CONVERTIBLE RUNS AND WEATHERSTRIPS C,V 27**  
**Figure 23C-1650**

2171 1650A



ITEM	PART NUMBER	QTY	BODY	MODEL	DESCRIPTION
1	4198 512-3	1			WEATHERSTRIP, Belt Outer (cut to fit)
2	4280 172-3	1			WEATHERSTRIP, Front (cut to fit)
3					SEAL, Door
	4097 598-9	1			Front
	4097 600-1	1			Rear
The following parts are not illustrated. an offsetting order for part no. 3747881					
	2217 508	AR			CLIP, Outer Weatherstrip Attaching
	4040 732	AR			RETAINER, Door Opening Weatherstrip Attaching

**MODEL CODES**

B = GRAN FURY/CARAVELLE	P = RELIANT
C = LEBARON/TOWN & COUNTRY	S = CORDOBA
D = ARIES	V = 400
F = NEW YORKER	X = MIRADA
G = DIPLOMAT	Y = IMPERIAL
M = HORIZON/TC3/SCAMP	Z = OMNI/O24/RAMPAGE

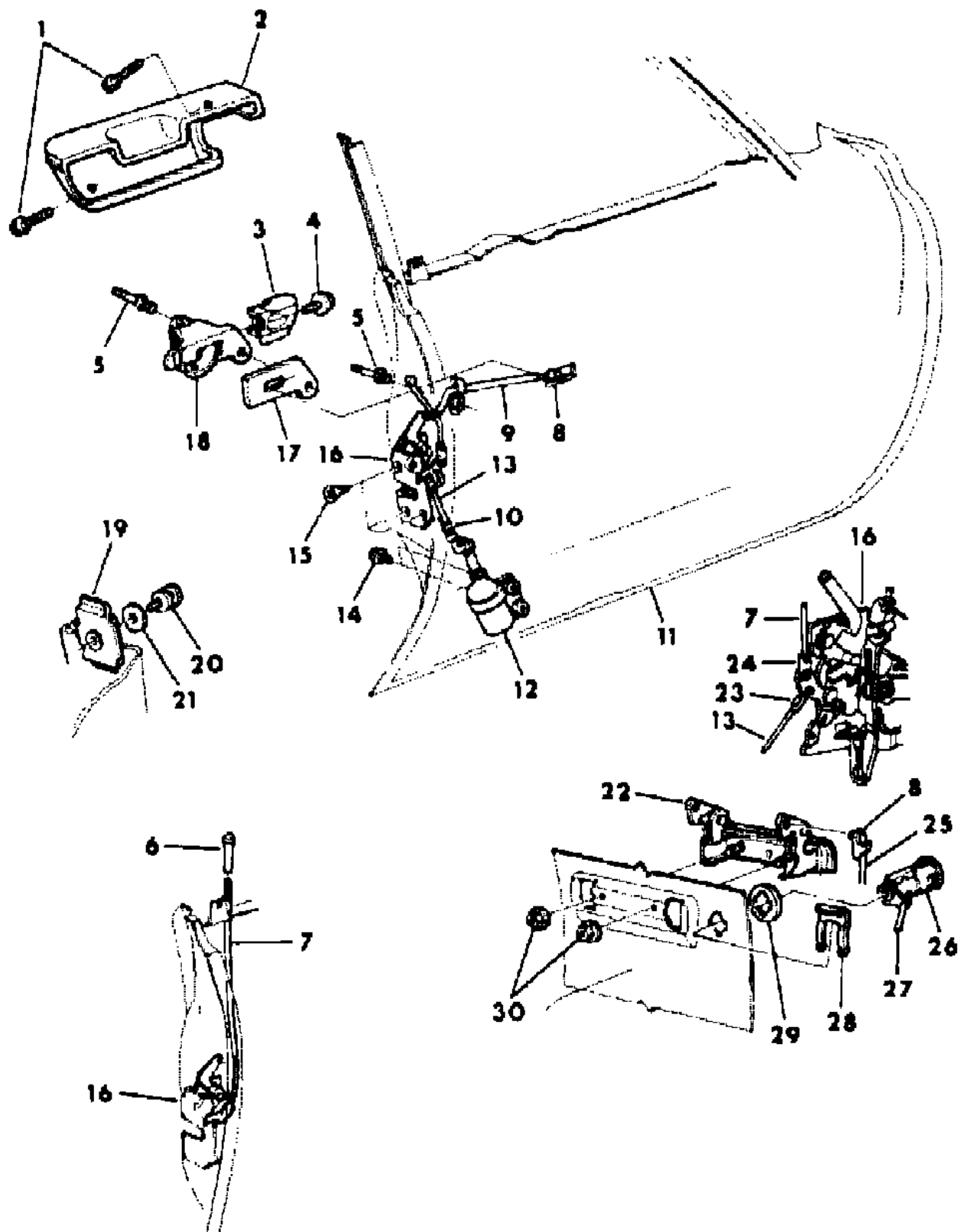
**BODY STYLES**

21 = 2-DOOR SEDAN	28 = FWD PICKUP
22 = 2-DOOR SPECIAL COUPE	41 = 4-DOOR SEDAN
24 = 2-DOOR HATCHBACK	44 = 4-DOOR HATCHBACK
27 = 2-DOOR CONVERTIBLE	45 = 2-SEAT STATION WAGON

AR = Use as Required - = Non Illustrated Part P.A.R. = Paint as Required

DOOR,FRONT - B,F,G 41  
Figure 23C-1700

2171 1700



ITEM	PART NUMBER	QTY	BODY	MODEL	DESCRIPTION
1		AR			SCREW (Not Serviced)
2					ARM REST (See Soft Trim Section)
3	4184 140-1	1			HANDLE, Door Latch R/Control
4	0181 063	AR			NUT & WASHER
5	6031 115	AR			RIVET
6	4049 609	2			KNOB PKG,Door Latch Locking Control
7	3882 414-5	1			ROD, Door Latch Locking Push
8					CLIP, Door Latch Outside Handle to Latch, Right
	2945 109	AR			Left
	2945 108	AR			Left
9	3871 038-9	1			LINK w/SLEEVE, Door Latch R/Control to Latch
10					CLIP, Door Elect. Latch Solenoid Link, Right
	0629 792	AR			Left
	6027 371	AR			Left
11	4200 868-9	1			SHELL, Door
	3875 010-1	1			PANEL,Repair
12	4184 156-7	1			MOTOR, Power Door Lock, w/Clip
12A	4184 172	2			CLIP
13	4184 161	2			LINK, Door Elect. Latch Solenoid to Latch
14	6030 186	AR			SCREW and WASHER
15	0166 412	AR			SCREW
16					LATCH, Frt. Door, Right (non override) Left (override) SHIELD,Frnt.Dr.Latch
	3882 800	1			Right (non override)
	3882 805	1			Left (override)
	3882 816-7	1			SHIELD,Frnt.Dr.Latch
17	3871 322-3	1			SEAL, Door Latch R/Control Inside Pnl.
18	3871 274-5	1			REMOTE CONTROL, Door Latch
19	3752 366	2			REINFORCEMENT w/T/PLATE, Ctr. Plr. Retainer
20	4184 222	2			STRIKER, Door Latch
21	6026 361	AR			WASHER, Door Latch Striker
22	3882 621	2			HANDLE, Door Outside
23	4181 244-5	1			CLIP, Door Elect. Lock Solenoid Link to Latch
24	4184 244-5	1			CLIP, Door Latch Locking Push Rod to Latch
25	3871 140-1	1			LINK, Door Latch to Outside Handle to Latch
26					CYLINDER, Door (See Cyl. Illus.)
27	3871 030-1	1			LINK, Door Lock Key Cyl.
28					RETAINER, Door Lock Cyl. (See Cyl. Illus.)

MODEL CODES

B = GRAN FURY/CARAVELLE	P = RELIANT
C = LEBARON/TOWN & COUNTRY	S = CORDOBA
D = ARIES	V = 400
F = NEW YORKER	X = MIRADA
G = DIPLOMAT	Y = IMPERIAL
M = HORIZON/TC3/SCAMP	Z = OMNI/O24/RAMPAGE

BODY STYLES

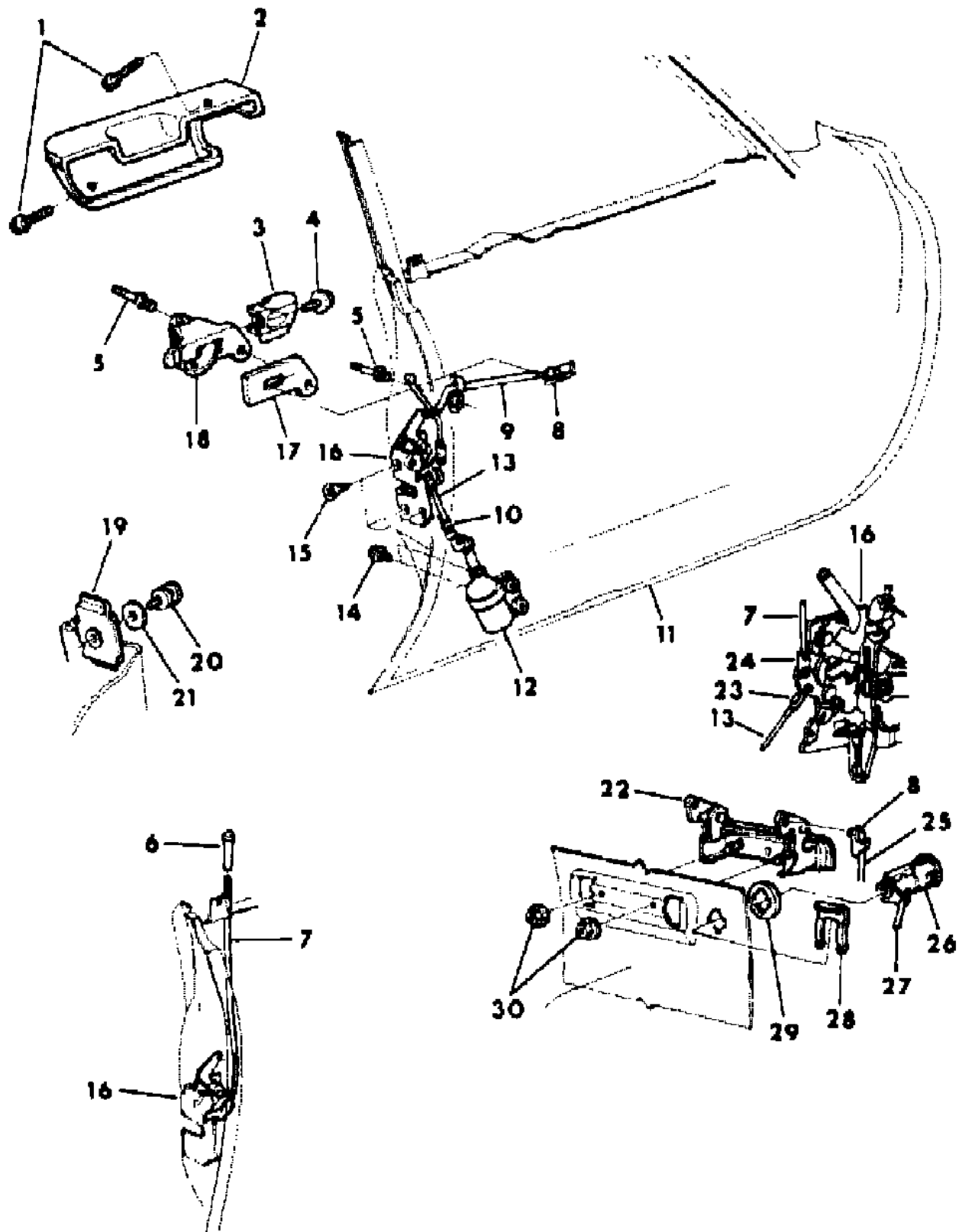
21 = 2-DOOR SEDAN	28 = FWD PICKUP
22 = 2-DOOR SPECIAL COUPE	41 = 4-DOOR SEDAN
24 = 2-DOOR HATCHBACK	44 = 4-DOOR HATCHBACK
27 = 2-DOOR CONVERTIBLE	45 = 2-SEAT STATION WAGON

AR = Use as Required - = Non Illustrated Part P.A.R. = Paint as Required



DOOR,FRONT - B,F,G 41  
Figure 23C-1700

2171 1700



ITEM	PART NUMBER	QTY	BODY	MODEL	DESCRIPTION
29					GASKET, Door Lock Cyl. (See Cyl. Illus.)
30	6025 004	AR			NUT & WASHER
Note: The Following Items Are Not Illustrated an offsetting order for part no. 3747881					
	0166 294	2			SCREW,Front Door Electric Window Regulator Mechanism Housing
	9416 992	2			LOCK-NUT,Frnt.Door Electric Window Regulator Mechanism Set Screw
	4184 172	2			CLIP,Electric Locking Motor
	4184 161	2			LINK,Locking Motor To Latch
	3454 220-1	1			CLIP, Latch Inside Release Lever
	3454 572	4			GASKET, Handle Base Outside
	3510 447	2			GROMMET, Lock Knob

MODEL CODES

B = GRAN FURY/CARAVELLE	P = RELIANT
C = LEBARON/TOWN & COUNTRY	S = CORDOBA
D = ARIES	V = 400
F = NEW YORKER	X = MIRADA
G = DIPLOMAT	Y = IMPERIAL
M = HORIZON/TC3/SCAMP	Z = OMNI/O24/RAMPAGE

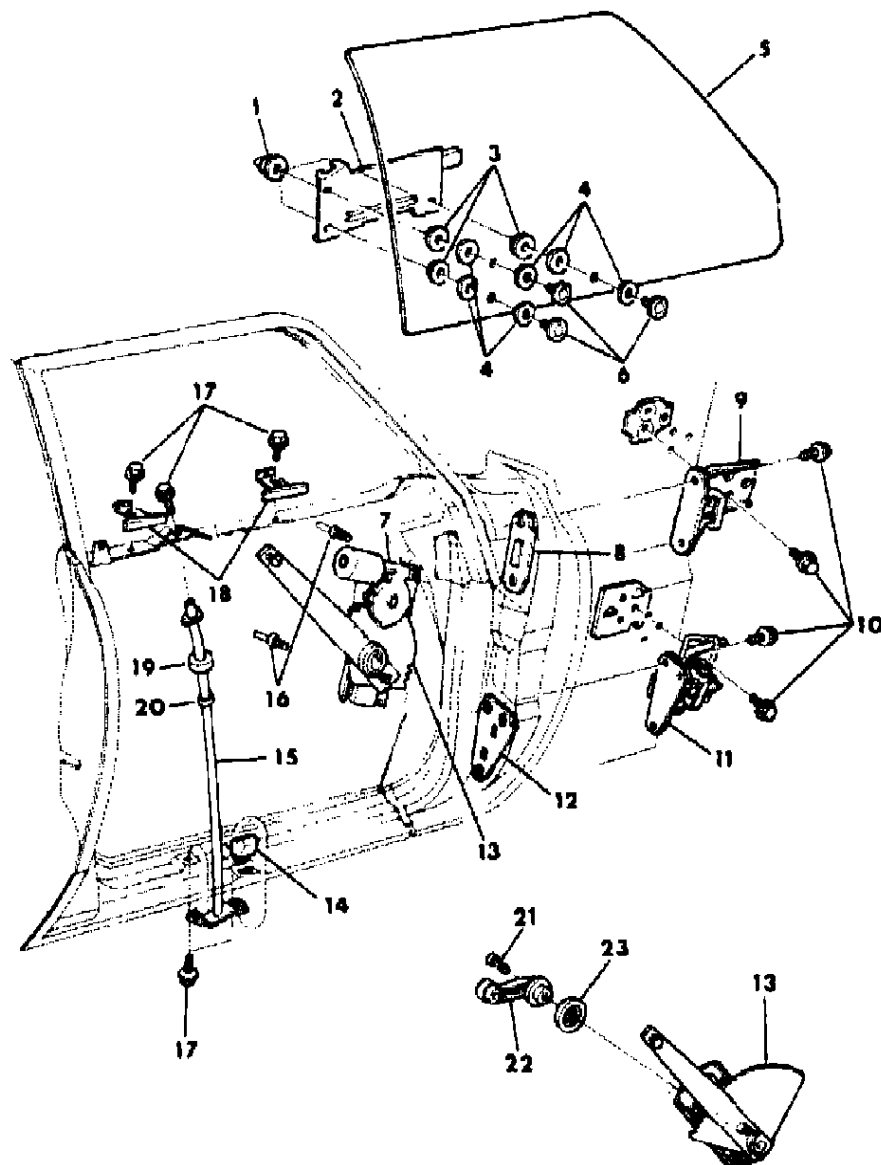
BODY STYLES

21 = 2-DOOR SEDAN	28 = FWD PICKUP
22 = 2-DOOR SPECIAL COUPE	41 = 4-DOOR SEDAN
24 = 2-DOOR HATCHBACK	44 = 4-DOOR HATCHBACK
27 = 2-DOOR CONVERTIBLE	45 = 2-SEAT STATION WAGON

AR = Use as Required - = Non Illustrated Part P.A.R. = Paint as Required

**REGULATOR AND HANDLE, FRONT DOOR B,F,G 41**  
**Figure 23C-1800**

2171 1800



ITEM	PART NUMBER	QTY	BODY	MODEL	DESCRIPTION
1	6031 115	AR			RIVET
2	4136 440-1	1			PLATE w/CHANNEL, Door Glass Guide
	4040 710	4			PAD, Door Glass Guide Plate
3	6028 587	AR			TEE NUT
4	3788 004	12			GASKET, Door Glass Guide Brkt. to Glass
5					GLASS,
	4136 432-3	1			Clear
	4136 434-5	1			Tinted
6	6029 998	AR			WASHER and STUD
7					MOTOR and MECHANISM, Elec. Wdo. Lift,
	4240 519	1			Right
	4240 520	1			Left
	2932 973	AR			GEAR and SEAL PKGE.
8					T/PLATE (Serviced in Door)
9	4040 576-7	1			HINGE, Door Upr.
10	6031 069	AR			SCREW and WASHER
11	4040 578-9	1			HINGE, Door Lwr., w/Integral Check
	3875 350-1	1			BAR, Door Lwr. Hge. Torsion
12					T/PLATE (Serviced in Door)
13					REGULATOR,
	3882 274-5	1			Manual
	3882 350-1	1			Electric
	3875 678	2			SPRING, Manual Regulator Assist
14	3875 974	2			BUMPER, Door Glass Downstop
15	3875 428-9	1			TRACK, Door Glass Guide Tube
16	6031 115	AR			RIVET
17	6030 649	AR			SCREW and WASHER
18	4040 663	4			STABILIZER, Door Glass
19	3788 080	2			SLEEVE, Glass Track Tube
20	3788 273	2			GUIDE, Door Glass Lift Lower
21	6027 221	AR			SCREW
22	3882 764	2			HANDLE, Door Manual Wdo. Regulator
23	3882 768	2			SPACER, Door Manual Wdo. Regulator Handle
NOTE: THE FOLLOWING ITEMS ARE NOT SHOWN ON ILLUSTRATION an offsetting order for part no. 3747881					
	3788 114	AR			BUMPER, Door
	3454 572	2			GASKET, Door Outside Handle Base
	3871 282-3	1			SPRING, Door Latch R/Control Lever Ret.

MODEL CODES

B = GRAN FURY/CARAVELLE	P = RELIANT
C = LEBARON/TOWN & COUNTRY	S = CORDOBA
D = ARIES	V = 400
F = NEW YORKER	X = MIRADA
G = DIPLOMAT	Y = IMPERIAL
M = HORIZON/TC3/SCAMP	Z = OMNI/O24/RAMPAGE

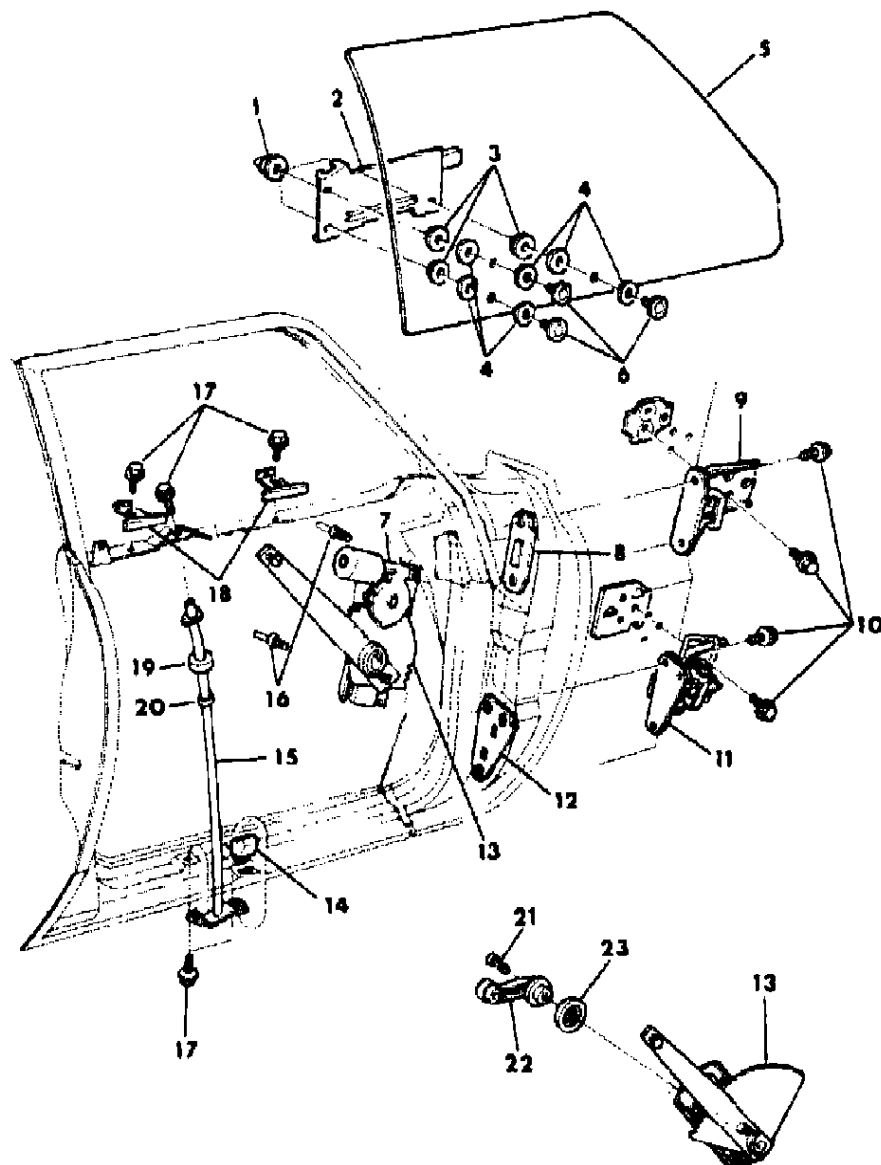
BODY STYLES

21 = 2-DOOR SEDAN	28 = FWD PICKUP
22 = 2-DOOR SPECIAL COUPE	41 = 4-DOOR SEDAN
24 = 2-DOOR HATCHBACK	44 = 4-DOOR HATCHBACK
27 = 2-DOOR CONVERTIBLE	45 = 2-SEAT STATION WAGON

AR = Use as Required - = Non Illustrated Part P.A.R. = Paint as Required

REGULATOR AND HANDLE, FRONT DOOR B,F,G 41  
Figure 23C-1800

2171 1800



ITEM	PART NUMBER	QTY	BODY	MODEL	DESCRIPTION
	3882 758	2			SLIDE, Regulator
	3510 447	2			GROMMET, Door Trim Pnl. Lock Knob
	1316 863	2			O-RING, Electric Wdo. Reg. Mechanism
	3747 593	1			RELAY, Elect. Door Lock
	2999 467	2			SPACER, Electric Wdo. Regulator Mechanism Locking
	4040 710	4			PAD, Glass Guide Plate

MODEL CODES

B = GRAN FURY/CARAVELLE	P = RELIANT
C = LEBARON/TOWN & COUNTRY	S = CORDOBA
D = ARIES	V = 400
F = NEW YORKER	X = MIRADA
G = DIPLOMAT	Y = IMPERIAL
M = HORIZON/TC3/SCAMP	Z = OMNI/O24/RAMPAGE

BODY STYLES

21 = 2-DOOR SEDAN	28 = FWD PICKUP
22 = 2-DOOR SPECIAL COUPE	41 = 4-DOOR SEDAN
24 = 2-DOOR HATCHBACK	44 = 4-DOOR HATCHBACK
27 = 2-DOOR CONVERTIBLE	45 = 2-SEAT STATION WAGON

AR = Use as Required - = Non Illustrated Part P.A.R. = Paint as Required

**BEZELS, SWITCHES AND WIRING - FRONT DOOR B,F,G 41**  
**Figure 23C-1900**

2171 1900

ITEM	PART NUMBER	QTY	BODY	MODEL	DESCRIPTION
1	3747 819	2			SWITCH w/WIRING, Illuminated Entry
2	3591 902	2			BRACKET
3	3591 894	2			HOUSING, Lamp
4	9415 969	2			BULB
5	3513 686	2			SOCKET
6	6031 234	AR			NUT, Switch Mounting
7		AR			CLIP (not serviced)
8		AR			SCREW (not serviced)
9	4172 675	AR			CABLE
10		AR			CLIP (not serviced)
11	2945 704	AR			STRAP
12		AR			RETAINER (not serviced)
13		AR			TAPE (not serviced)
14					WIRING, Door
	4209 482	1			w/Illuminated Entry and Courtesy Lamp
	4209 971	1			w/Power Windows, Illuminated Entry, w/ or w/o Power Door Locks
	4274 088	1			w/Door Lock (use up to 3/1/82)
	4274 340	1			(use after 3/1/82)
15					BEZEL and FINISH PLATE, Armrest
	4078 346-7	1			w/o Power Windows and Door Locks
	4078 352-3	1			w/Power Door Lock
	4078 339	1			w/Remote Mirror, Left
	4078 348	1			w/Power Window, w/o Power Door Locks
	4078 349	1			w/Power Window, w/o Power Door Locks
	4078 350-1	1			w/Power Window and Power Door Locks
	4223 416-7	1	F-S		w/Power Window, Power Door Locks and Remote Mirror
	4078 321	1			w/Power Window and Illuminated Entry
	4078 327	1			w/Remote Mirror and Power Door Locks
	4078 329	1			w/Remote Mirror, Power Windows and Door Locks, Left
	4078 325	1			w/Remote Mirror And Power Windows
16	4131 377	1			SWITCH, 5 Gang
17	4131 376	AR			SWITCH, Single
18		AR			SCREW (not serviced)
19	4209 468	1			WIRING, Armrest w/Power Windows and Door Locks Right (use up to 11/5/81)
	4274 342	1			Right (use after 11/5/81)

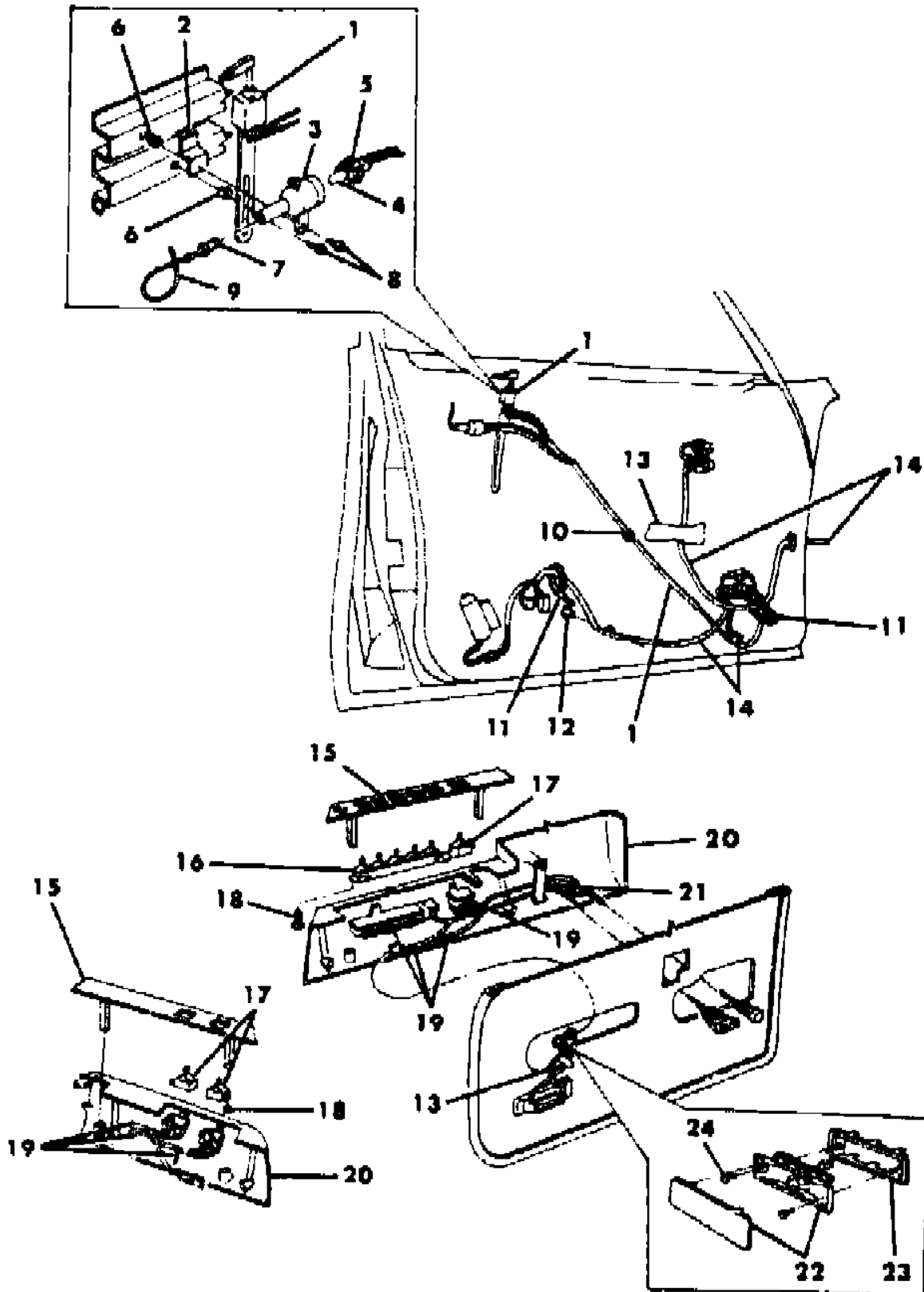
**MODEL CODES**

B = GRAN FURY/CARAVELLE	P = RELIANT
C = LEBARON/TOWN & COUNTRY	S = CORDOBA
D = ARIES	V = 400
F = NEW YORKER	X = MIRADA
G = DIPLOMAT	Y = IMPERIAL
M = HORIZON/TC3/SCAMP	Z = OMNI/O24/RAMPAGE

**BODY STYLES**

21 = 2-DOOR SEDAN	28 = FWD PICKUP
22 = 2-DOOR SPECIAL COUPE	41 = 4-DOOR SEDAN
24 = 2-DOOR HATCHBACK	44 = 4-DOOR HATCHBACK
27 = 2-DOOR CONVERTIBLE	45 = 2-SEAT STATION WAGON

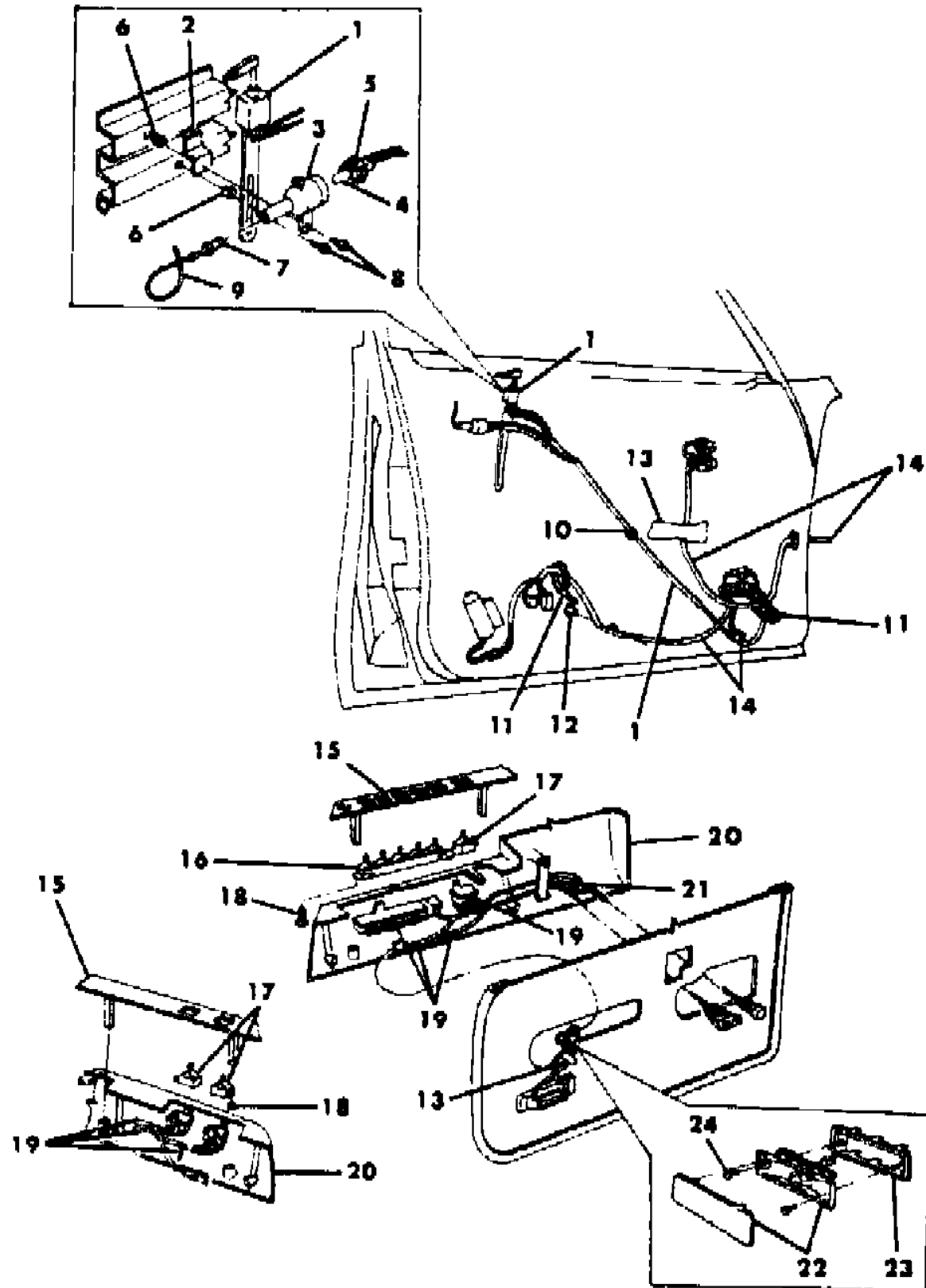
AR = Use as Required - = Non Illustrated Part P.A.R. = Paint as Required



**BEZELS, SWITCHES AND WIRING - FRONT DOOR B,F,G 41**  
**Figure 23C-1900**

2171 1900

ITEM	PART NUMBER	QTY	BODY	MODEL	DESCRIPTION
	4209 469	1			Left (use up to 11/11/81)
	4274 343	1			Left (use after 11/11/81)
	4274 344	1			w/Power Windows, w/Power Door Locks Right
	4274 341	1			w/Power Windows, w/o Power Door Locks Left
20					ARMREST (refer to Trim Section)
21		AR			CLIP (not serviced)
22	3591 802	2			LAMP, Courtesy
23	3591 126	2			BRACKET, Lamp Mounting
24	9414 712	4			SCREW



**MODEL CODES**

B = GRAN FURY/CARAVELLE	P = RELIANT
C = LEBARON/TOWN & COUNTRY	S = CORDOBA
D = ARIES	V = 400
F = NEW YORKER	X = MIRADA
G = DIPLOMAT	Y = IMPERIAL
M = HORIZON/TC3/SCAMP	Z = OMNI/O24/RAMPAGE

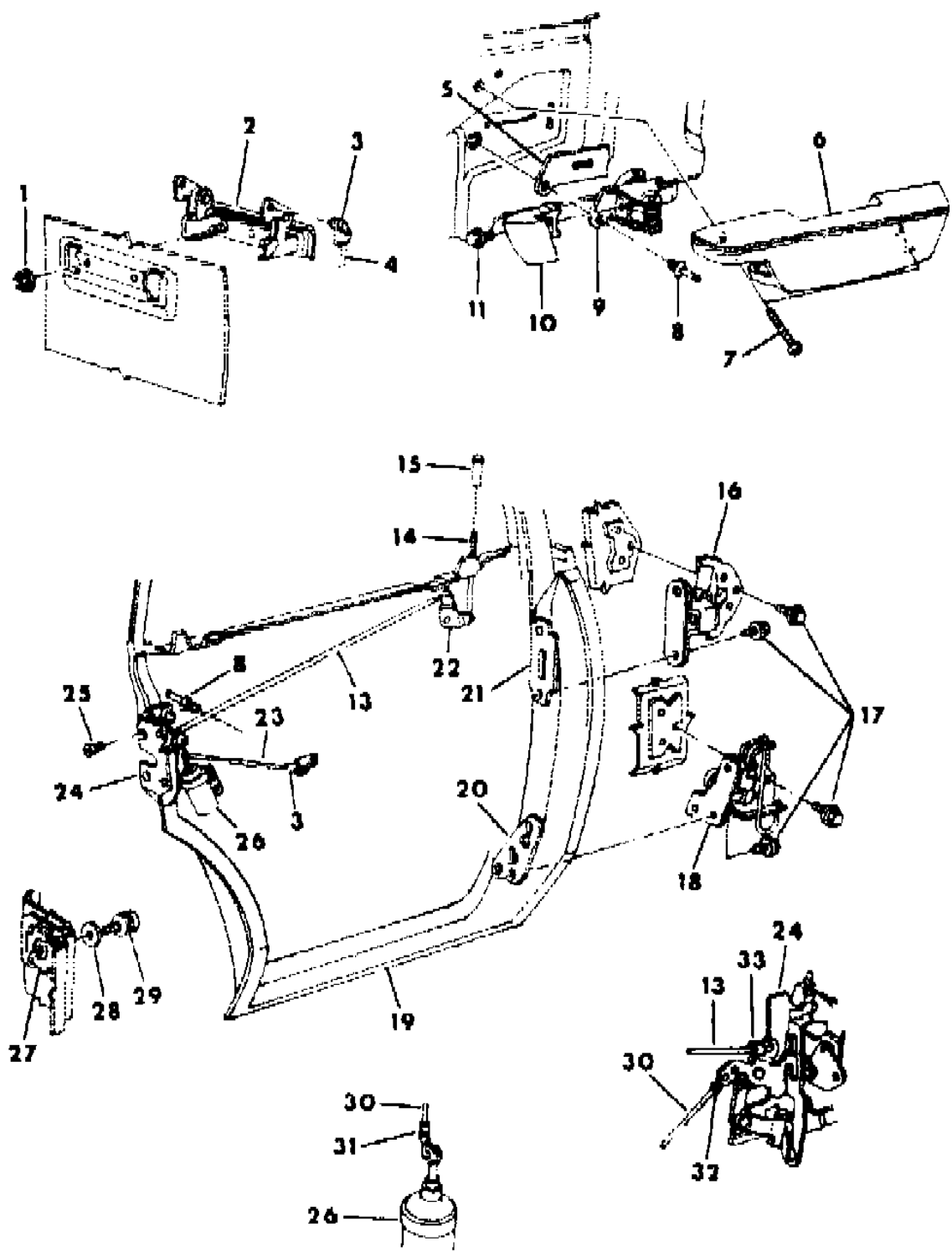
**BODY STYLES**

21 = 2-DOOR SEDAN	28 = FWD PICKUP
22 = 2-DOOR SPECIAL COUPE	41 = 4-DOOR SEDAN
24 = 2-DOOR HATCHBACK	44 = 4-DOOR HATCHBACK
27 = 2-DOOR CONVERTIBLE	45 = 2-SEAT STATION WAGON

AR = Use as Required - = Non Illustrated Part P.A.R. = Paint as Required

DOOR, REAR - B, F, G 41  
Figure 23C-2000

2171 2000



ITEM	PART NUMBER	QTY	BODY	MODEL	DESCRIPTION
1	6025 004	AR			Nut & Washer
2	3882 621	2			HANDLE, Rear Door Outside
3	2945 108-9	AR			CLIP, Door Latch R/Control Lever
4	3882 418-9	1			LINK, Door Latch To Outside Handle
5	3871 322-3	1			SEAL, Door Latch R/Control Inside Pnl.
6					ARM REST (See Soft Trim Section)
7		AR			SCREW (Not Serviced)
8	6031 115	AR			RIVET
9	3871 274-5	1			REMOTE CONTROL, Rr. Dr. Latch
10	4184 140-1	1			HANDLE, Rr. Dr. Latch R/Control
11	0181 063	AR			SCREW & WASHER
13	3871 188	2			LINK w/SLEEVE, Door Latch Locking Control
14	3882 301	2			ROD, Door Latch Locking Control Push
15	4049 609	AR			KNOB PKG., Door Latch Locking Control, w/o Pwr. Locks
16	4040 530-1	1			HINGE, Rr. Dr. Upr.
17	6031 069	AR			SCREW & WASHER
18	4040 528-9	1			HINGE, Rr. Dr. Lwr.
	3875 344-5	1			BAR, Door Lwr. Hge. Torsion
19	4200 004-5	1			SHELL, Door
	3875 044-5	1			PANEL, Repair
20					T/Plate (Serviced In Door)
21					T/Plate (Serviced In Door)
22	3871 044	2			LEVER, Door Latch Locking Control
23	3871 060-1	1			LINK w/SLEEVE, Door Latch R/Control
24	3882 808-9	1			LATCH, Rr. Door. (use up to 4/19/82)
	4184 710-1	1			(use after 4/19/82)
25	0166 412	AR			SCREW
26	4184 156-7	1			MOTOR, Power Door Lock, w/Clip
27	3445 952	2			T/PLATE, Body Lock Pillar Lock Striker
28	6026 361	AR			WASHER, Door Latch Striker
29	4184 222	2			STRIKER, Rr. Dr. Latch
30	4184 072	2			LINK, Door Elect. Solenoid To Latch (use up to 4/19/82)
	4184 712	2			(use after 4/19/82)
31	4184 172	2			CLIP, Door Elect. Locking Motor
32	4184 244-5	1			CLIP, Door Elect. Lock Sol. Link To Latch
33	4184 244-5	1			CLIP, Door Latch Locking Link To Latch
NOTE: THE FOLLOWING ITEMS ARE NOT ILLUSTRATED. an offsetting order for part no. 3747881					
	3788 114	AR			BUMPER, Rr. Door

MODEL CODES

B = GRAN FURY/CARAVELLE	P = RELIANT
C = LEBARON/TOWN & COUNTRY	S = CORDOBA
D = ARIES	V = 400
F = NEW YORKER	X = MIRADA
G = DIPLOMAT	Y = IMPERIAL
M = HORIZON/TC3/SCAMP	Z = OMNI/O24/RAMPAGE

BODY STYLES

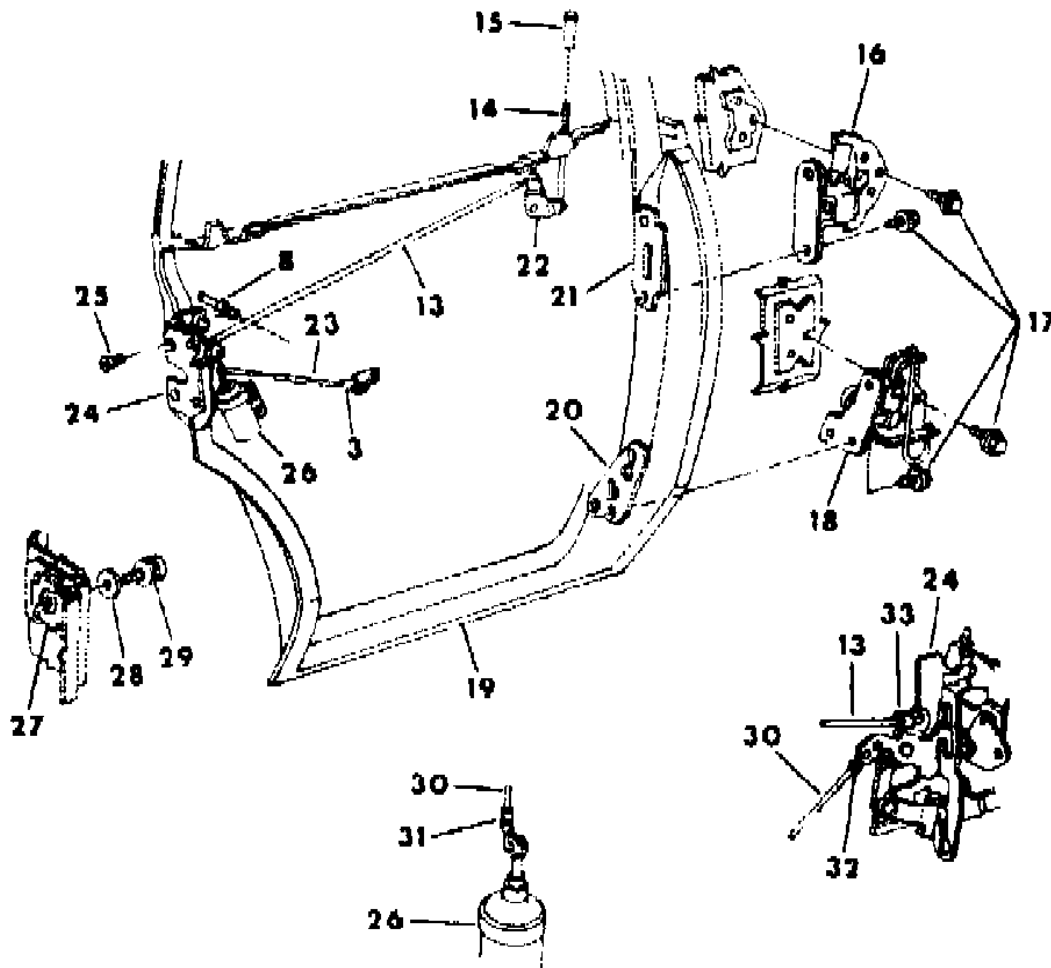
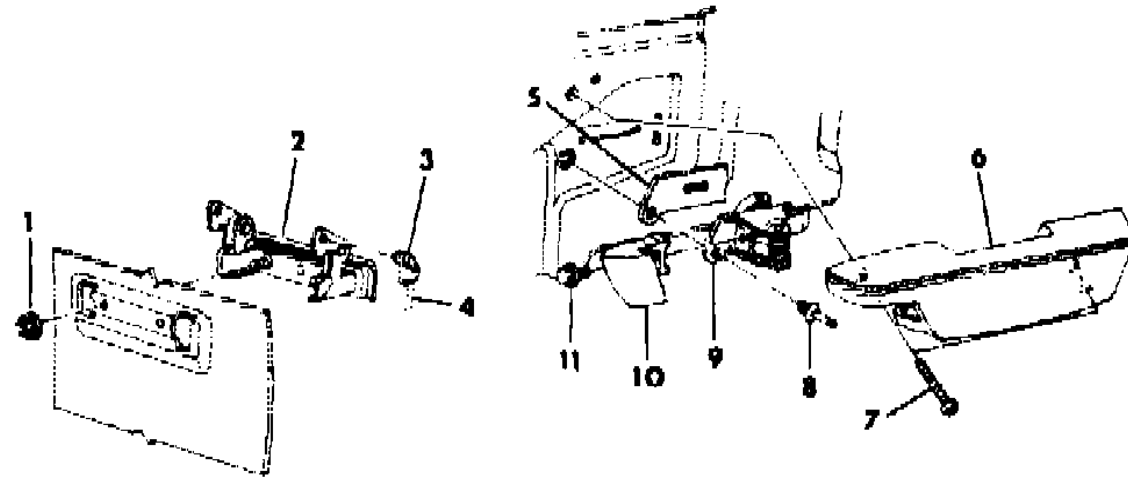
21 = 2-DOOR SEDAN	28 = FWD PICKUP
22 = 2-DOOR SPECIAL COUPE	41 = 4-DOOR SEDAN
24 = 2-DOOR HATCHBACK	44 = 4-DOOR HATCHBACK
27 = 2-DOOR CONVERTIBLE	45 = 2-SEAT STATION WAGON

AR = Use as Required - = Non Illustrated Part P.A.R. = Paint as Required

DOOR, REAR - B, F, G 41  
Figure 23C-2000

ITEM	PART NUMBER	QTY	BODY	MODEL	DESCRIPTION
	3871 282-3	2			SPRING, Door Latch R/Control Lever Ret.
	3510 447	2			GROMMET, Door Trim Pnl. Lock Knob
	3454 572	2			GASKET, Rr. Dr. Outside Handle Base

2171 2000



MODEL CODES

B = GRAN FURY/CARAVELLE	P = RELIANT
C = LEBARON/TOWN & COUNTRY	S = CORDOBA
D = ARIES	V = 400
F = NEW YORKER	X = MIRADA
G = DIPLOMAT	Y = IMPERIAL
M = HORIZON/TC3/SCAMP	Z = OMNI/O24/RAMPAGE

BODY STYLES

21 = 2-DOOR SEDAN	28 = FWD PICKUP
22 = 2-DOOR SPECIAL COUPE	41 = 4-DOOR SEDAN
24 = 2-DOOR HATCHBACK	44 = 4-DOOR HATCHBACK
27 = 2-DOOR CONVERTIBLE	45 = 2-SEAT STATION WAGON

AR = Use as Required - = Non Illustrated Part P.A.R. = Paint as Required

## REAR DOOR WINDOW REGULATORS - B,F,G 41 Figure 23C-2100

2171 2100

ITEM	PART NUMBER	QTY	BODY	MODEL	DESCRIPTION
1	3882 768	2			SPACER, Door Manual Wdo. Regulator Handle
2	3882 764	2			HANDLE, Rear Door Window Regulator, Chrome
3	6027 221	AR			SCREW
4					GLASS, Rr. Door
	4136 330-1	1			Clear
	4136 332-3	1			Tinted
5	3582 315	8			RETAINER, Door Glass Rear Edge
6	2861 744	4			PIN, Door Glass Rear Edge Slide
7	4136 166	1			WEATHERSTRIP PACKAGE, On Rear Edge Of Glass
8	3744 734	1			BUSHING & FASTENER PACKAGE, Door Glass Lift
					Consists of:
					3696 693 Bushing
					3759 193 Fastener
9	3875 083	2			CHANNEL, Door Wdo. Glass Lift
10	6030 182	AR			SCREW
11	6030 649	AR			SCREW & WASHER
12	4040 663	2			STABILIZER, Door Glass
13	6031 115	AR			RIVET
14	0180 020	2			SCREW
15	4136 160-1	1			WEATHERSTRIP, Rear Stationary Glass
16					GLASS, Rr. Dr. Stationary,
	4136 098-9	1			Clear
	4136 180-1	1			Tinted
17	4136 170-1	1			CHANNEL, Door Glass Division
	4198 848-9	1	F-S		
18	3875 442	2			BRACKET, Door Inside Pnl. To Div. Channel
19	0152 454	AR			U-NUT
20	3440 270	2			BUMPER, Door Glass Down Stop
21					REGULATOR, Rr. Dr. Window,
	3882 290-1	1			Manual
	3882 350-1	1			Electric
22					MOTOR & MECHANISM, Elec. Wdo. Lift,
	4240 519	1			Right
	4240 520	1			Left
	2932 973	AR			GEAR & SEAL PACKAGE
NOTE: THE FOLLOWING ITEMS ARE NOT ILLUSTRATED. an offsetting order for part no. 3747881					
	2999 467	AR			SPACER, Electric Wdo. Regulator Mechanism Locking

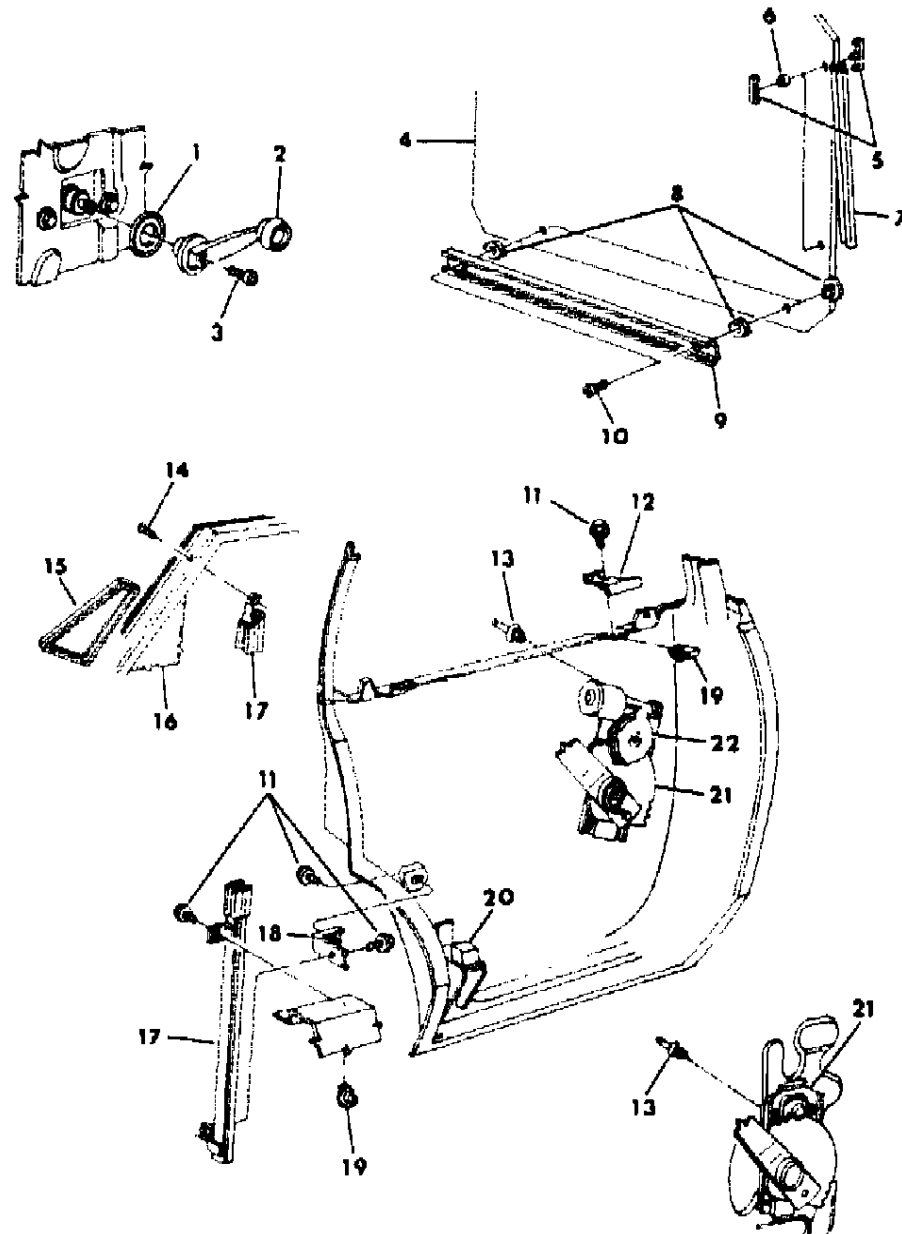
**MODEL CODES**

B = GRAN FURY/CARAVELLE	P = RELIANT
C = LEBARON/TOWN & COUNTRY	S = CORDOBA
D = ARIES	V = 400
F = NEW YORKER	X = MIRADA
G = DIPLOMAT	Y = IMPERIAL
M = HORIZON/TC3/SCAMP	Z = OMNI/O24/RAMPAGE

**BODY STYLES**

21 = 2-DOOR SEDAN	28 = FWD PICKUP
22 = 2-DOOR SPECIAL COUPE	41 = 4-DOOR SEDAN
24 = 2-DOOR HATCHBACK	44 = 4-DOOR HATCHBACK
27 = 2-DOOR CONVERTIBLE	45 = 2-SEAT STATION WAGON

AR = Use as Required - = Non Illustrated Part P.A.R. = Paint as Required

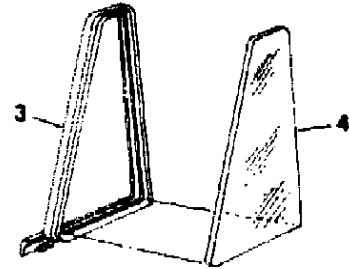
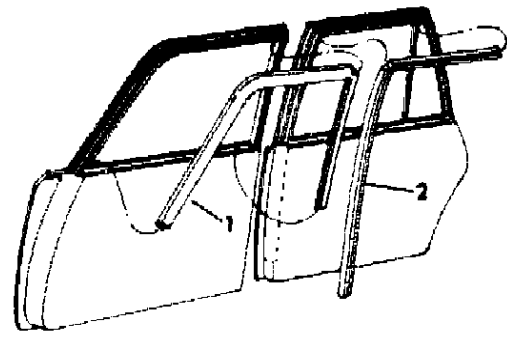




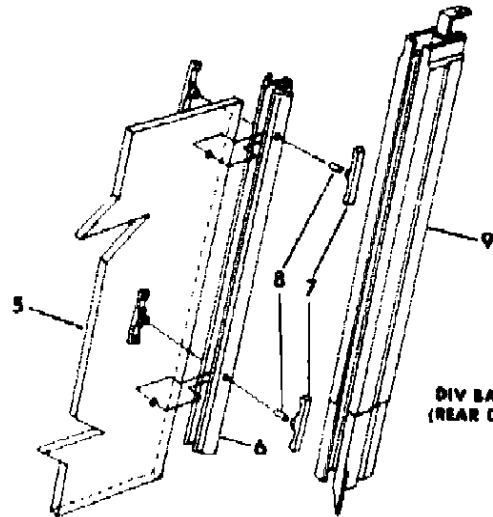


**WEATHERSTRIPS AND RUNS, FRT. & RR. DOOR B,F,G 41**  
**Figure 23C-2200**

2111 2200



**WEATHERSTRIP & GLASS  
REAR DOOR (STATIONARY)**



**DIV BAR & GLASS  
(REAR DOOR WDO)**

ITEM	PART NUMBER	QTY	BODY	MODEL	DESCRIPTION
1	4198 637	2			RUN, Front Glass
2	4198 638	2			RUN, Rear Glass
3	4136 160-1	1			WEATHERSTRIP, Rr. Door Rr. Stationary Glass
4	4136 098-9	1			GLASS, Rr. Wdo. Stationary, Clear
	4136 180-1	1			Tinted
5	4136 330-1	1			GLASS, Rr. Dr. Wdo., Clear
	4136 332-3	1			Tinted
6-8	4136 166	2			WEATHERSTRIP PACKAGE, Rear Door, On Rear Edge Of Glass
7	3582 315	8			RETAINER, Rear Door Glass Rear Edge
8	2861 744	4			PIN, Rear Door Glass Rear Edge Slide
9					DIVISIONAL CHANNEL (See Rear Door Illustration)

**MODEL CODES**

B = GRAN FURY/CARAVELLE	P = RELIANT
C = LEBARON/TOWN & COUNTRY	S = CORDOBA
D = ARIES	V = 400
F = NEW YORKER	X = MIRADA
G = DIPLOMAT	Y = IMPERIAL
M = HORIZON/TC3/SCAMP	Z = OMNI/O24/RAMPAGE

**BODY STYLES**

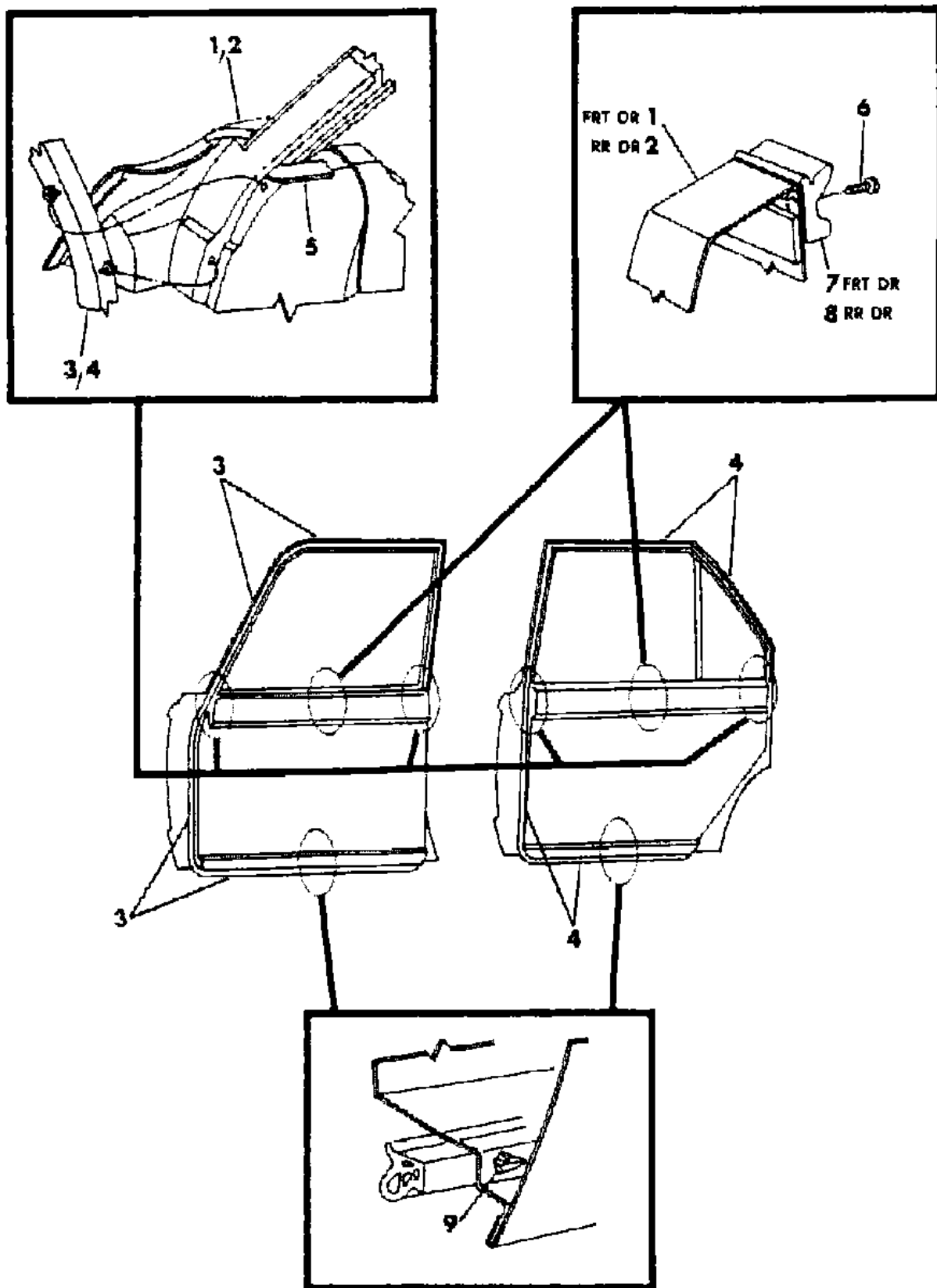
21 = 2-DOOR SEDAN	28 = FWD PICKUP
22 = 2-DOOR SPECIAL COUPE	41 = 4-DOOR SEDAN
24 = 2-DOOR HATCHBACK	44 = 4-DOOR HATCHBACK
27 = 2-DOOR CONVERTIBLE	45 = 2-SEAT STATION WAGON

AR = Use as Required - = Non Illustrated Part P.A.R. = Paint as Required

WEATHERSTRIP, FRONT & REAR DOOR OPENING B,F,G 41  
Figure 23C-2300

2171 2300

ITEM	PART NUMBER	QTY	BODY	MODEL	DESCRIPTION
1					DOOR SHELL, Front(See Door Illus.)
2					DOOR SHELL, Rear(See Door Illus.)
3	3875 392-3	1			WEATHERSTRIP, On Front Door
4	4136 290-1	1			WEATHERSTRIP, On Rear Door
5					SEAL, Door Wdo. Frame to Inner Panel, Front and Rear (Not Serviced)
6					SCREW (Not Serviced)
7	3875 396-7	1			WEATHERSTRIP, Wdo. Belt Frt. Door, Outer
	3831 284	2			Inner (Cut to Length)
8	3875 422-3	1			WEATHERSTRIP, Wdo. Belt Rr. Door, Outer
	3831 284	2			Inner (Cut to Length)
9	4040 732	AR			FASTENER, Frt. or Rr. Door to Inside Panel



MODEL CODES

B = GRAN FURY/CARAVELLE	P = RELIANT
C = LEBARON/TOWN & COUNTRY	S = CORDOBA
D = ARIES	V = 400
F = NEW YORKER	X = MIRADA
G = DIPLOMAT	Y = IMPERIAL
M = HORIZON/TC3/SCAMP	Z = OMNI/O24/RAMPAGE

BODY STYLES

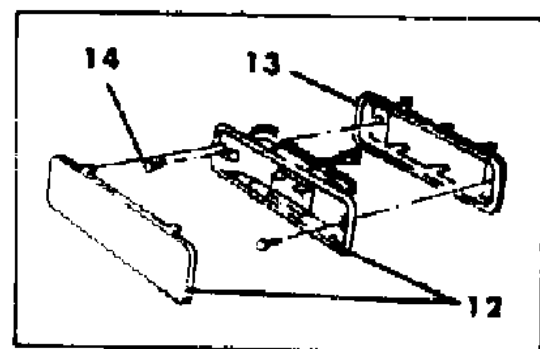
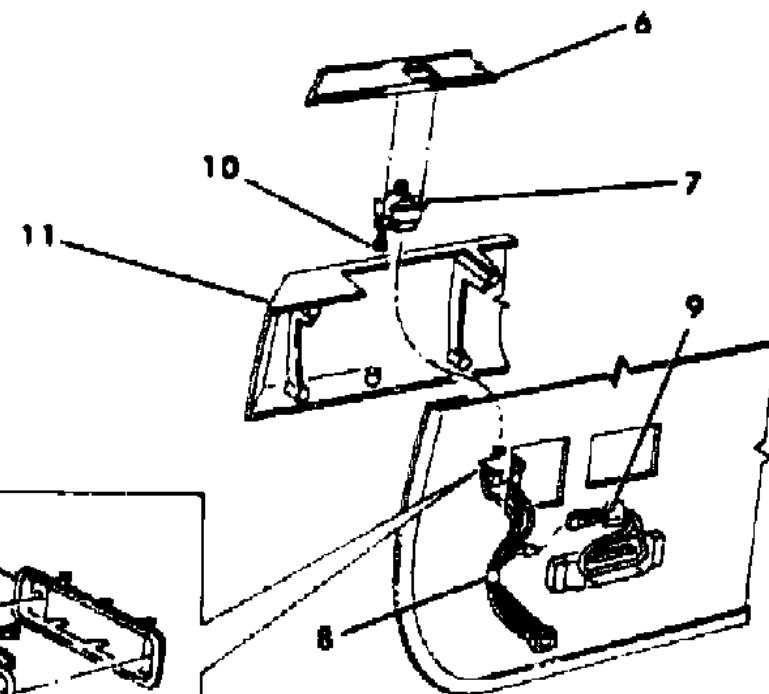
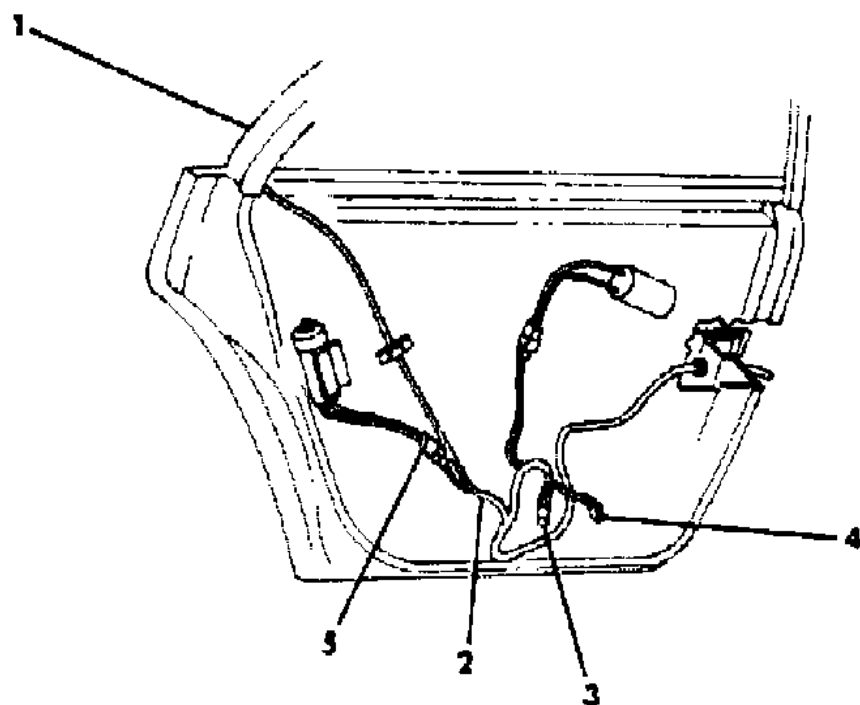
21 = 2-DOOR SEDAN	28 = FWD PICKUP
22 = 2-DOOR SPECIAL COUPE	41 = 4-DOOR SEDAN
24 = 2-DOOR HATCHBACK	44 = 4-DOOR HATCHBACK
27 = 2-DOOR CONVERTIBLE	45 = 2-SEAT STATION WAGON

AR = Use as Required - = Non Illustrated Part P.A.R. = Paint as Required

**BEZELS, SWITCHES AND WIRING - REAR DOOR B,F,G 41**  
**Figure 23C-2400**

7171 7400

ITEM	PART NUMBER	QTY	BODY	MODEL	DESCRIPTION
1	4209 471	2			WIRING, w/Opera Lamp
2	4209 213	2			WIRING, w/Power Locks and Courtesy Lamp
3	4209 214	2			WIRING, w/Power Windows and Door Locks
4	4209 907	2			WIRING, w/Power Door Locks and Courtesy Lamp
5	2945 704	AR			STRAP
6					BEZEL and FINISH PLATE, Armrest
	4078 382-3	1			w/Ash Receiver, w/o Power windows
	4078 384-5	1			w/Ash Receiver, w/Power Windows
	4223 426-7	1		F-S	w/Ash Receiver, w/Power Windows
7	4131 376	2			SWITCH, Single
8	4209 470	2			WIRING, w/Power Windows (use up to 12/1/81)
	4274 345	2			(use after 12/1/81)
9		AR			TAPE (not serviced)
10		AR			SCREW (not serviced)
11					ARMREST (refer to Trim Section)
12	3591 802	2			LAMP, Courtesy
13	3591 126	2			BRACKET, lamp Mounting
14	9414 712	4			SCREW



**MODEL CODES**

B = GRAN FURY/CARAVELLE	P = RELIANT
C = LEBARON/TOWN & COUNTRY	S = CORDOBA
D = ARIES	V = 400
F = NEW YORKER	X = MIRADA
G = DIPLOMAT	Y = IMPERIAL
M = HORIZON/TC3/SCAMP	Z = OMNI/O24/RAMPAGE

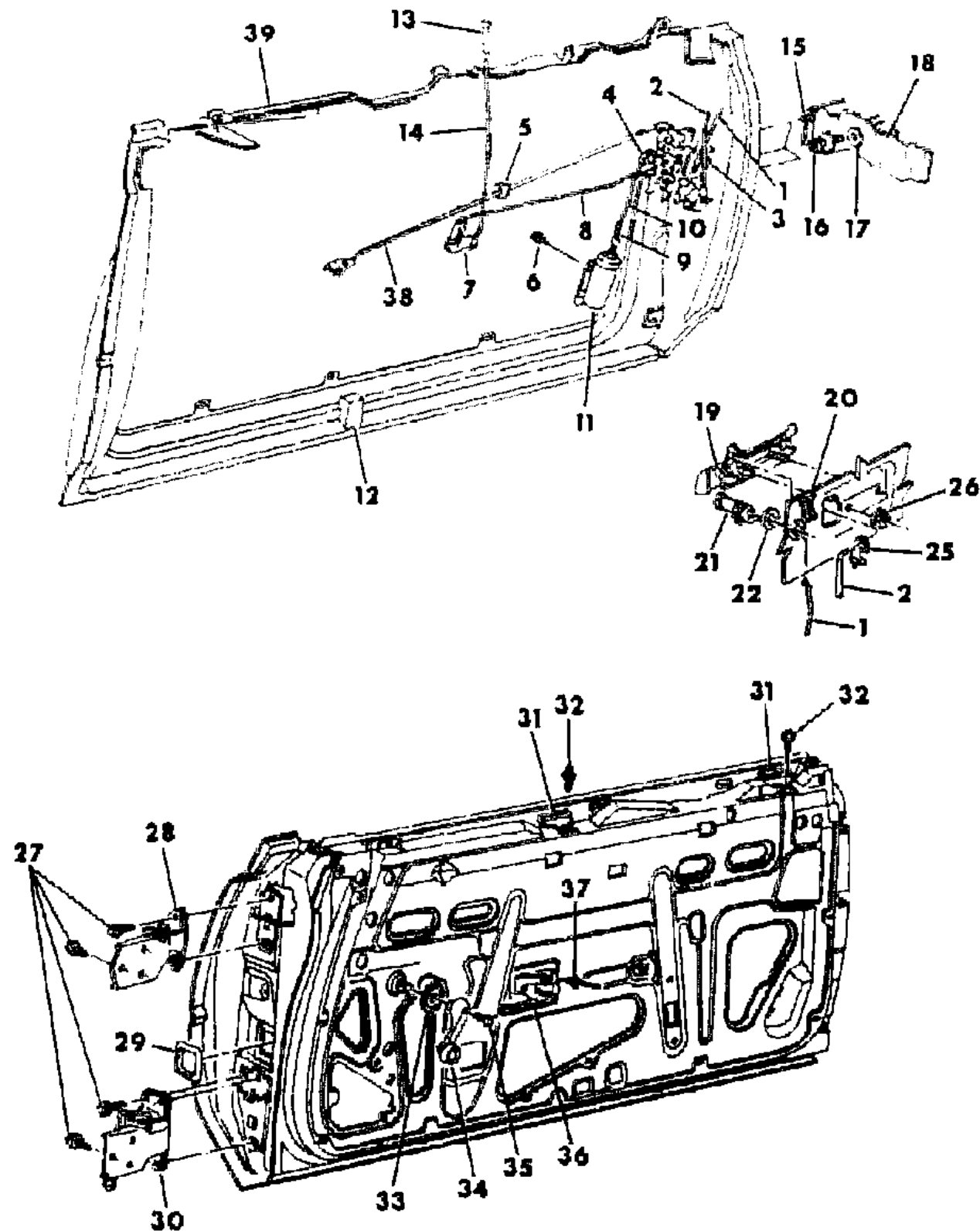
**BODY STYLES**

21 = 2-DOOR SEDAN	28 = FWD PICKUP
22 = 2-DOOR SPECIAL COUPE	41 = 4-DOOR SEDAN
24 = 2-DOOR HATCHBACK	44 = 4-DOOR HATCHBACK
27 = 2-DOOR CONVERTIBLE	45 = 2-SEAT STATION WAGON

AR = Use as Required - = Non Illustrated Part P.A.R. = Paint as Required

DOOR - S,X,Y  
Figure 23C-2500

2171 2500



ITEM	PART NUMBER	QTY	BODY	MODEL	DESCRIPTION
1	3882 642-3	1			LINK, Door Latch Key Cylinder To Latch
2	3882 656-7	1			LINK, Door Latch To Outside Handle
3	3882 800	1			LATCH, Door Right (non override)
	3882 805	1			Left (override)
	3882 816-7	1			SHIELD, Frt. Dr. Latch
4	4184 244-5	1			CLIP
5	3882 620	2			CLIP, Anti-Rattle
6	6030 186	AR			SCREW & WASHER
7	3871 044	2		X,S	LEVER, Door Latch Locking Control
8	3882 737	2		X,S	LINK, Door Locking Lever To Latch
9	4184 172	2			CLIP, Door Locking Motor
10	4184 162	2			LINK, Door Electric Latch, Solenoid To Latch
11	4184 156-7	1			MOTOR, Power Door Lock, w/Clip
12	4136 242	2			BUMPER, Door Glass Down Stop
13	4049 609	1			KNOB, Door Locking Pkg. w/o Power Locks
	3882 257	1			Pkg. w/Power Locks
14	3882 646	2		X,S	ROD, Door Latch Locking Control Push
	4184 196-7	1		Y	
15	0166 412	AR			SCREW
16	4184 222	2			STRIKER, Door Latch
17	6026 361	AR			SPACER
18	3445 952	2			T/PLATE, Body Lock Pillar, Lock Striking
19	3882 780	2			HANDLE, Door Outside.
20					RETAINER, Door Cylinder, (see cyl. & key illus.)
21					CYLINDER, Door (see cyl. & key illus.)
22					GASKET, Door Cylinder, (see cyl. & key illus.)
25					CLIP Right
	2945 109	1			Left
	2945 108	1			
26	6025 004	AR			NUT & WASHER
27	6031 069	AR			SCREW & WASHER
28	3875 026-7	1			HINGE, Door Upper
29	4136 308	2			PLUG, Hinge Pillar Wiring Access Hole
	3445 939	1			PLUG, Hinge Pillar Mirror Access Hole
30	3875 028-9	1			HINGE, Door Lower, w/Intregal Check

MODEL CODES

B = GRAN FURY/CARAVELLE	P = RELIANT
C = LEBARON/TOWN & COUNTRY	S = CORDOBA
D = ARIES	V = 400
F = NEW YORKER	X = MIRADA
G = DIPLOMAT	Y = IMPERIAL
M = HORIZON/TC3/SCAMP	Z = OMNI/O24/RAMPAGE

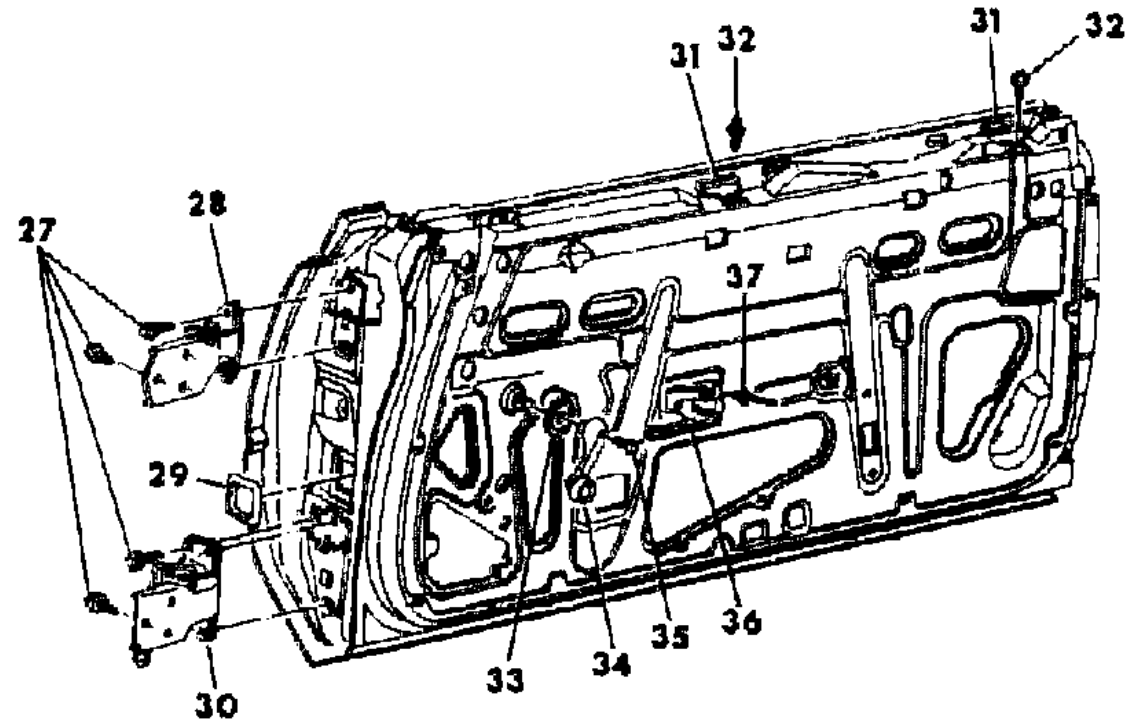
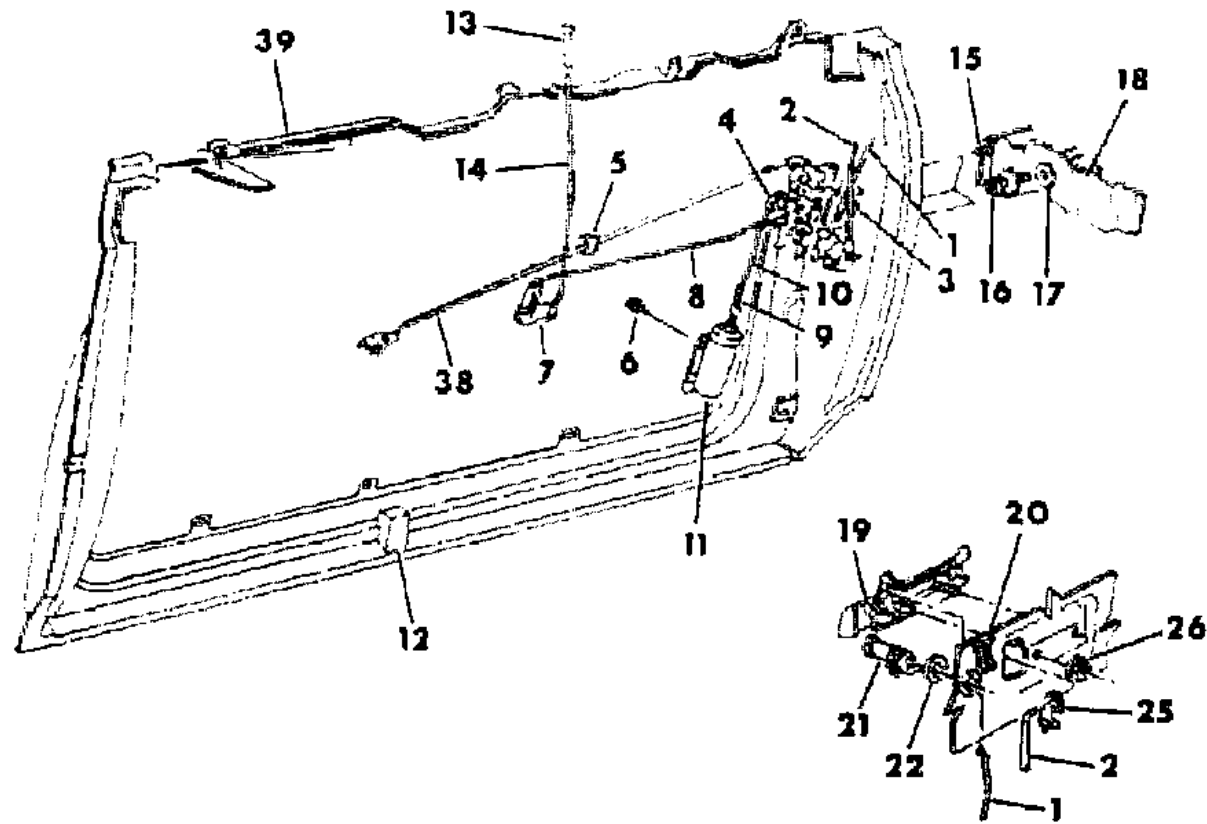
BODY STYLES

21 = 2-DOOR SEDAN	28 = FWD PICKUP
22 = 2-DOOR SPECIAL COUPE	41 = 4-DOOR SEDAN
24 = 2-DOOR HATCHBACK	44 = 4-DOOR HATCHBACK
27 = 2-DOOR CONVERTIBLE	45 = 2-SEAT STATION WAGON

AR = Use as Required - = Non Illustrated Part P.A.R. = Paint as Required

DOOR - S,X,Y  
Figure 23C-2500

2171 2500



ITEM	PART NUMBER	QTY	BODY	MODEL	DESCRIPTION
	3875 350-1	1			BAR, Door Lower Hinge Tension
31	4040 294	4			STABILIZER, Door Glass
32	6030 649	AR			SCREW & WASHER
33	3882 768	2			SPACER, Door Manual Window Regulator Handle
34	3882 764	2		X,S	HANDLE, Door Manual Regulator, Chrome
35	6027 221	AR			SCREW
36	3882 776-7	1			CONTROL, w/Handle, Door Latch Remote
37	6031 115	AR			RIVET
38	3882 726-7	1			LINK & SLEEVE, Door Remote Control To Latch
39	4129 880-1	1		X,S	SHELL,Door
	4129 882-3	1		Y	
	4129 288-9	1		X,S	PANEL,Repair
	4129 734-5	1		Y	

MODEL CODES

B = GRAN FURY/CARAVELLE	P = RELIANT
C = LEBARON/TOWN & COUNTRY	S = CORDOBA
D = ARIES	V = 400
F = NEW YORKER	X = MIRADA
G = DIPLOMAT	Y = IMPERIAL
M = HORIZON/TC3/SCAMP	Z = OMNI/O24/RAMPAGE

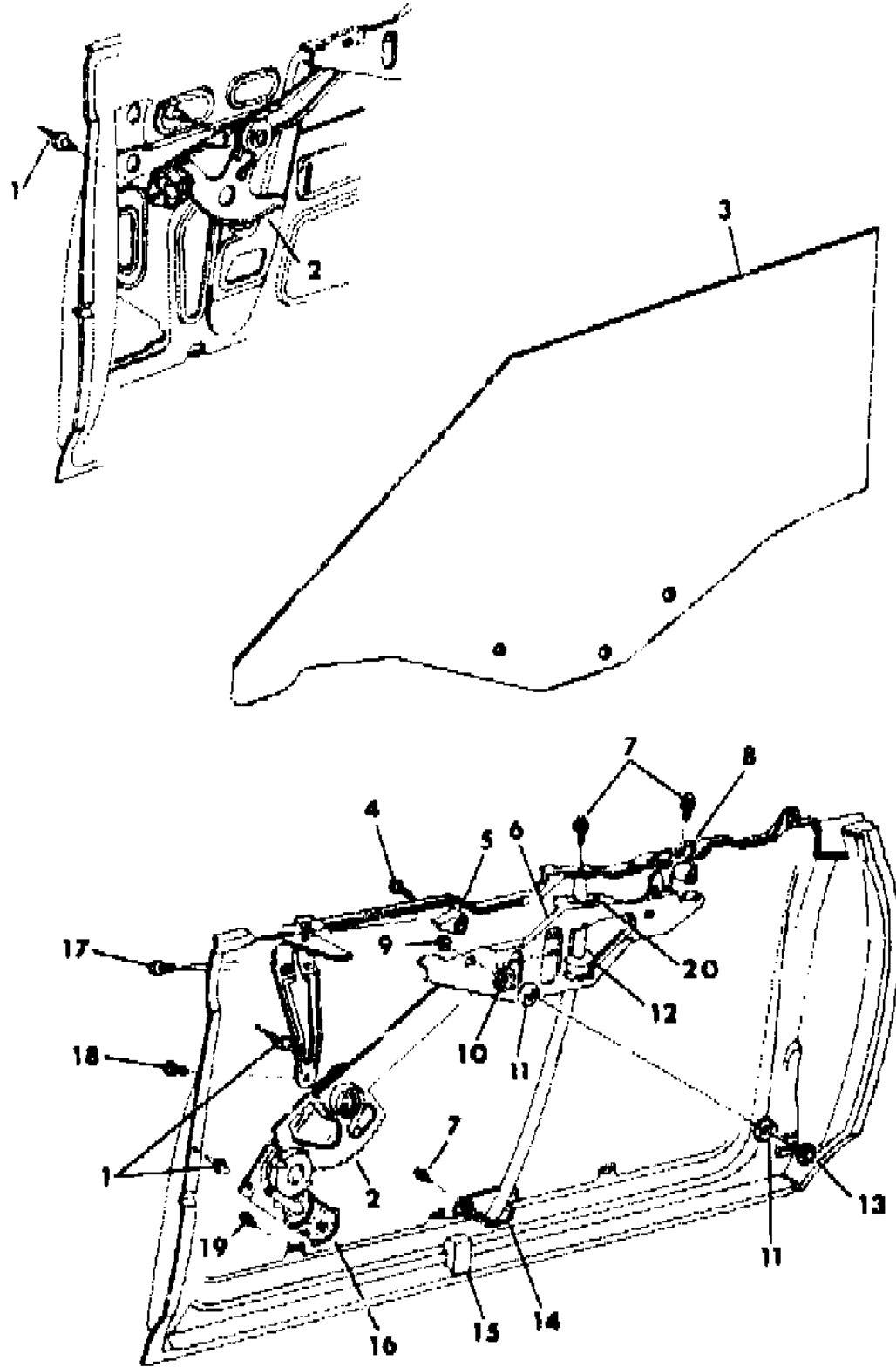
BODY STYLES

21 = 2-DOOR SEDAN	28 = FWD PICKUP
22 = 2-DOOR SPECIAL COUPE	41 = 4-DOOR SEDAN
24 = 2-DOOR HATCHBACK	44 = 4-DOOR HATCHBACK
27 = 2-DOOR CONVERTIBLE	45 = 2-SEAT STATION WAGON

AR = Use as Required - = Non Illustrated Part P.A.R. = Paint as Required

**DOOR REGULATORS AND GLASS - S,X,Y**  
**Figure 23C-2600**

2171 2600



ITEM	PART NUMBER	QTY	BODY	MODEL	DESCRIPTION
1	6031 115	AR			RIVET
2	3882 648-9	1			REGULATOR Manual
	3882 742-3	1			Electric
3	4136 734-5	1		X,S,Y	GLASS, Door, Tinted
4					SCREW & WASHER (not serviced)
5	4040 734	4			BRACKET & P/NUT, Door Glass Up Stop
6	4136 106-7	1			PLATE & CHANNEL, Door Glass Lift, Complete
7	6030 649	AR			SCREW & WASHER
8	5231 424	2			BRACKET, Door Glass Guide And Hook
9					NUT (not serviced)
10	6028 587	AR			T/NUT
11	3788 004	12			GASKET, Door Glass Lift Plate To Glass Attaching
12	3788 080	2			SLEEVE, Door Glass Track - Lube
13	6029 998	AR			WASHER & STUD
14	4136 130-1	1			TRACK, Door Glass Guide
15	4136 242	2			BUMPER, Door Glass Down Stop
16	4240 516	1			MOTOR & MECHANISM, Electric Window Regulator,Right
	4240 515	1			Left
	2932 973	2			Gear & Seal Package
	1316 863	2			O-Ring, Electric Window Regulator Mechanism & Motor
	2999 467	2			Spacer, Electric Window Regulator Mechanism Locking
17	0181 065	AR			SCREW & WASHER
18					SCREW (not serviced)
19	6030 186	AR			SCREW & WASHER
20					GUIDE, Door Glass Lift Plate Track
	3788 273	2			Lower
Note: The Following Items Are Not Illustrated an offsetting order for part no. 3747881					
	9416 992	2			LOCK-NUT, Front Door Electric Window Regulator Mechanism
					Set Screw
	0166 294	2			SCREW, Front Door Electric Window Regulator Mechanism Housing
	0219 462	2			NUT, Front Door Electric Window Regulator Mechanism & Motor Mounting Bracket
	4136 575	4			BUMPER & RET.ASSY,Frnt.Dr.Glass Impact Bar.
	2520 556	2			SPRING, Manual Regulator Assit
	3510 447	2			GROMMET,Frnt. Dr.Locking Knob

**MODEL CODES**

B = GRAN FURY/CARAVELLE	P = RELIANT
C = LEBARON/TOWN & COUNTRY	S = CORDOBA
D = ARIES	V = 400
F = NEW YORKER	X = MIRADA
G = DIPLOMAT	Y = IMPERIAL
M = HORIZON/TC3/SCAMP	Z = OMNI/O24/RAMPAGE

**BODY STYLES**

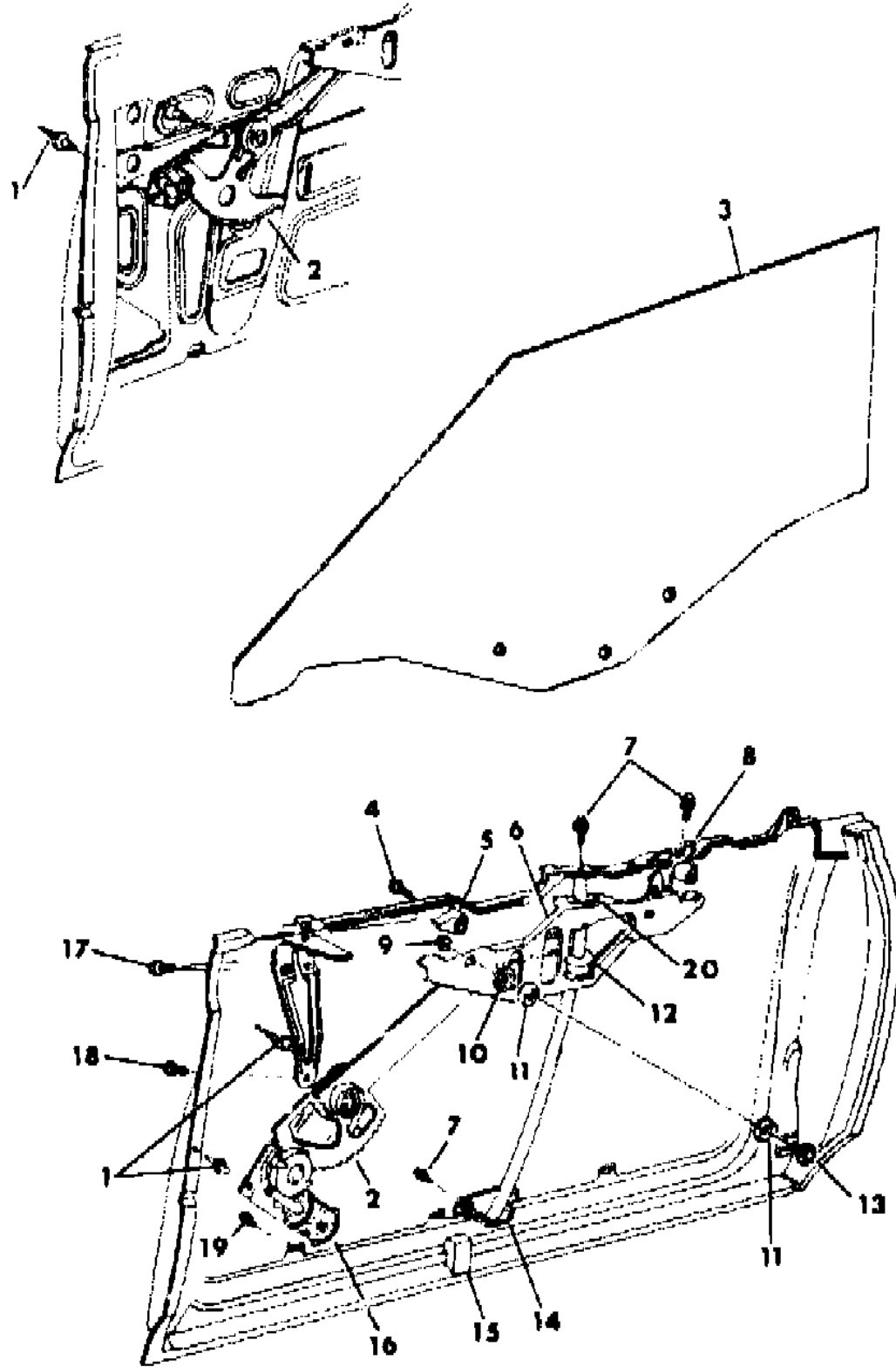
21 = 2-DOOR SEDAN	28 = FWD PICKUP
22 = 2-DOOR SPECIAL COUPE	41 = 4-DOOR SEDAN
24 = 2-DOOR HATCHBACK	44 = 4-DOOR HATCHBACK
27 = 2-DOOR CONVERTIBLE	45 = 2-SEAT STATION WAGON

AR = Use as Required - = Non Illustrated Part P.A.R. = Paint as Required

**DOOR REGULATORS AND GLASS - S,X,Y**  
**Figure 23C-2600**

2171 2600

ITEM	PART NUMBER	QTY	BODY	MODEL	DESCRIPTION
	2999 467	2			SPACER, Electric Regulator
	3882 758	2			SLIDE, Regulator
	3696 433	4			GUIDE, Lift Plate Track Upper



**MODEL CODES**

B = GRAN FURY/CARAVELLE	P = RELIANT
C = LEBARON/TOWN & COUNTRY	S = CORDOBA
D = ARIES	V = 400
F = NEW YORKER	X = MIRADA
G = DIPLOMAT	Y = IMPERIAL
M = HORIZON/TC3/SCAMP	Z = OMNI/O24/RAMPAGE

**BODY STYLES**

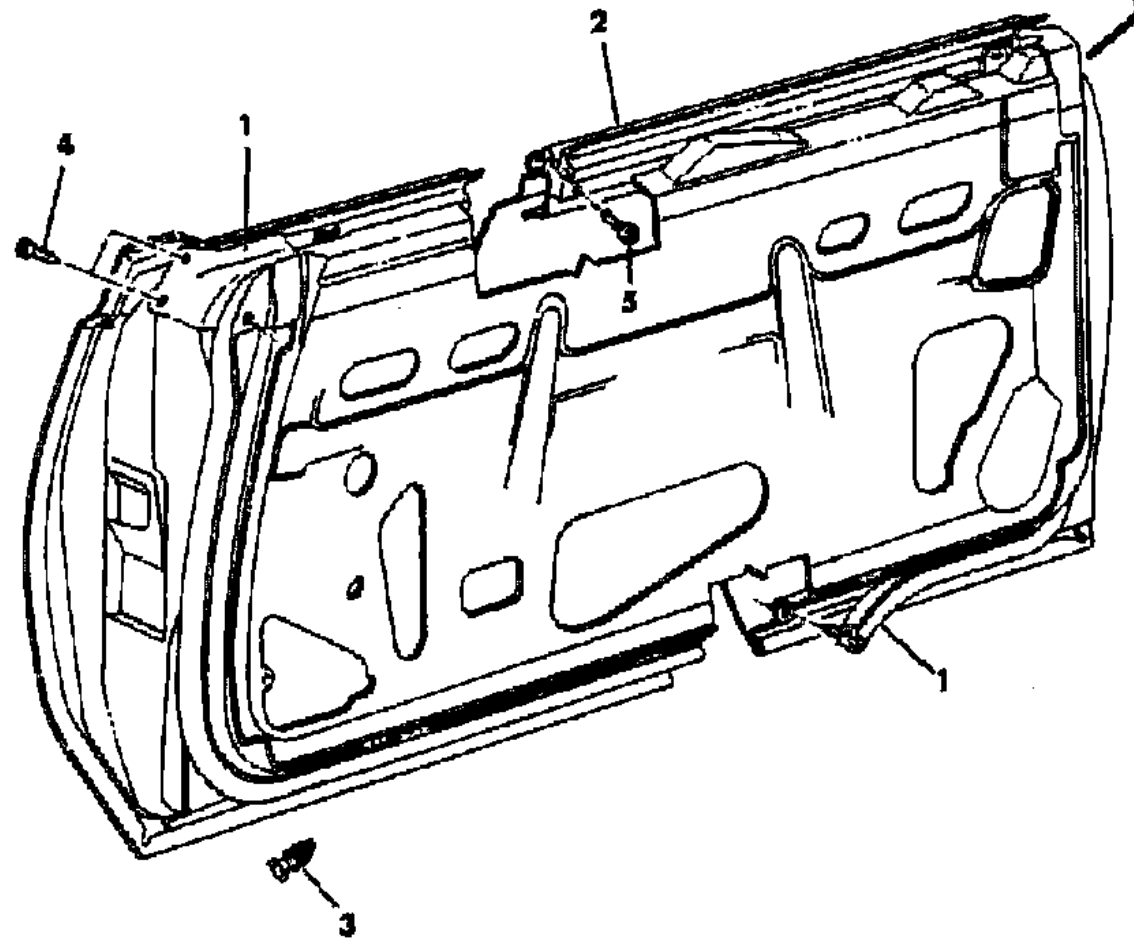
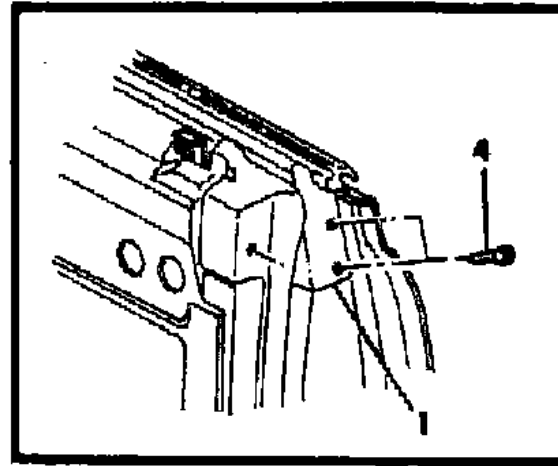
21 = 2-DOOR SEDAN	28 = FWD PICKUP
22 = 2-DOOR SPECIAL COUPE	41 = 4-DOOR SEDAN
24 = 2-DOOR HATCHBACK	44 = 4-DOOR HATCHBACK
27 = 2-DOOR CONVERTIBLE	45 = 2-SEAT STATION WAGON

AR = Use as Required - = Non Illustrated Part P.A.R. = Paint as Required



WEATHERSTRIPS,FRONT DOOR - S,X,Y  
Figure 23C-2700

2171 2700



ITEM	PART NUMBER	QTY	BODY	MODEL	DESCRIPTION
1	4136 226-7	1			WEATHERSTRIP,Front Door
2	4136 744-5	1		X,S	WEATHERSTRIP,Window Belt Front Door,Outer.
	4136 746-7	1		Y	
	4011 858-9	1		X,S	Inner
	4247 500-1	1		Y	
3	4040 732	AR			FASTENER,Front Door Weatherstrip to Inside Panel
4		12			SCREW (Not Serviced)
5		22			SCREW (Not Serviced)

MODEL CODES

B = GRAN FURY/CARAVELLE	P = RELIANT
C = LEBARON/TOWN & COUNTRY	S = CORDOBA
D = ARIES	V = 400
F = NEW YORKER	X = MIRADA
G = DIPLOMAT	Y = IMPERIAL
M = HORIZON/TC3/SCAMP	Z = OMNI/O24/RAMPAGE

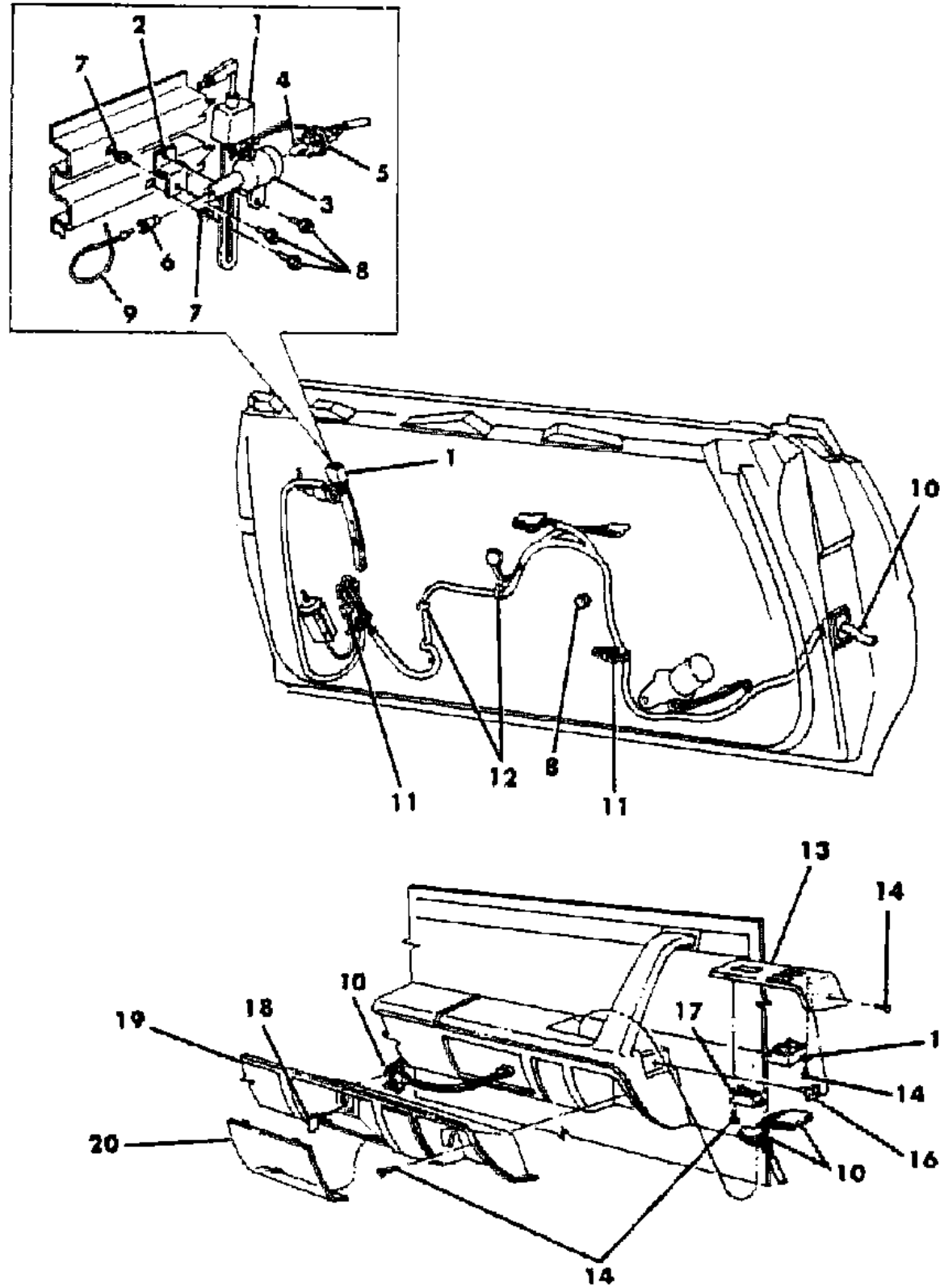
BODY STYLES

21 = 2-DOOR SEDAN	28 = FWD PICKUP
22 = 2-DOOR SPECIAL COUPE	41 = 4-DOOR SEDAN
24 = 2-DOOR HATCHBACK	44 = 4-DOOR HATCHBACK
27 = 2-DOOR CONVERTIBLE	45 = 2-SEAT STATION WAGON

AR = Use as Required - = Non Illustrated Part P.A.R. = Paint as Required

**BEZELS, SWITCHES AND WIRING - FRONT DOOR X, S**  
**Figure 23C-2800**

2111 2800



ITEM	PART NUMBER	QTY	BODY	MODEL	DESCRIPTION
1	3747 819	2			SWITCH w/WIRING, Illuminated Entry
2	3591 902	2			BRACKET
3	3591 894	2			HOUSING
4	9415 969	2			BULB
5	3513 686	2			SOCKET
6		AR			CLIP (not serviced)
7	6031 234	AR			NUT
8		AR			SCREW (not serviced)
9	4172 675	AR			CABLE
10	4209 420-1	1			WIRING, w/Power Windows, Door Locks, Illuminated Entry and Courtesy Lamp
11	2945 704	AR			STRAP
12		4			CLIP (not serviced)
13					SWITCH PLATE, Armrest
	4011 664-5	1			w/Power Windows & Door Lock
	4077 144-5	1			w/o Power Windows w/Power Door Locks
	4077 142-3	1			w/Power Windows w/o Power Door Locks
14		AR			SCREW (not serviced)
15	3747 935-6	1			SWITCH, Window Lift
16	6031 456	2			NUT
17	3747 935	2			SWITCH, Door Lock
18	9431 808	2			BULB, Lamp
19					BEZEL, Remote Handle
	4077 088-9	1			
	4011 674-5	1			Featherwood
	9416 824	2			SCREW, Bezel
20	3591 818	2			LENS, Lamp

MODEL CODES

B = GRAN FURY/CARAVELLE	P = RELIANT
C = LEBARON/TOWN & COUNTRY	S = CORDOBA
D = ARIES	V = 400
F = NEW YORKER	X = MIRADA
G = DIPLOMAT	Y = IMPERIAL
M = HORIZON/TC3/SCAMP	Z = OMNI/O24/RAMPAGE

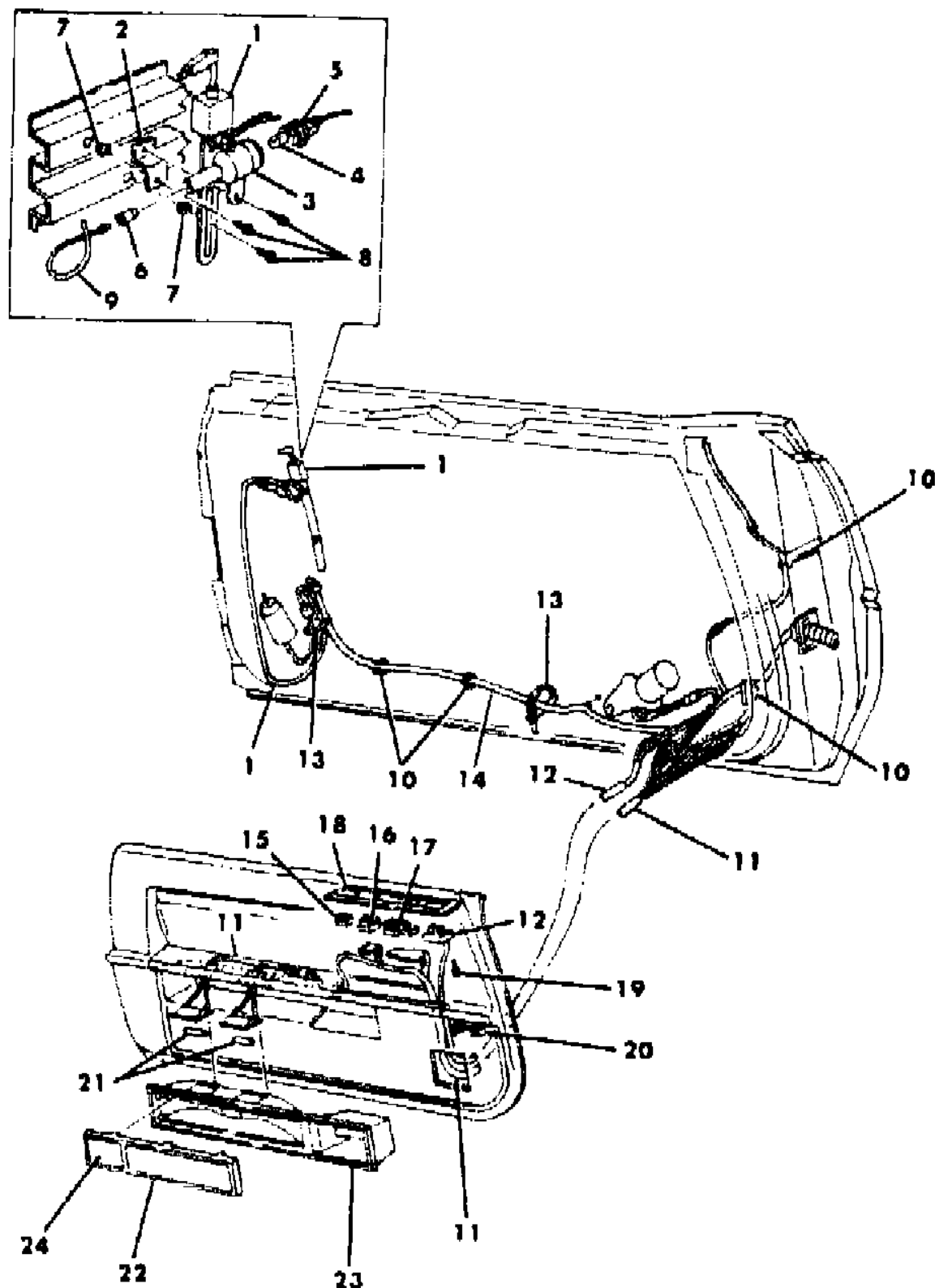
BODY STYLES

21 = 2-DOOR SEDAN	28 = FWD PICKUP
22 = 2-DOOR SPECIAL COUPE	41 = 4-DOOR SEDAN
24 = 2-DOOR HATCHBACK	44 = 4-DOOR HATCHBACK
27 = 2-DOOR CONVERTIBLE	45 = 2-SEAT STATION WAGON

AR = Use as Required - = Non Illustrated Part P.A.R. = Paint as Required

**BEZELS, SWITCHES AND WIRING - FRONT DOOR Y**  
**Figure 23C-2900**

2171 2800



ITEM	PART NUMBER	QTY	BODY	MODEL	DESCRIPTION
1	3747 819	2			SWITCH w/WIRING, Illuminated Entry
2	3591 902	2			BRACKET
3	3591 894	2			HOUSING
4	9415 969	2			BULB
5	3513 686	2			SOCKET
6		AR			CLIP (not serviced)
7	6031 234	AR			NUT
8		AR			SCREW (not serviced)
9	4172 675	AR			CABLE
10					CLIP (not serviced)
11	4209 910-1	2			WIRING, w/Power Windows, Door Locks and Power Seat Jumper
12	3747 813	1			SWITCH, Dual Mirror Control
13	2945 704	AR			STRAP
14	4209 902-3	1			WIRING, Right and Left Door Feed
15	3747 935	2			SWITCH, Door Lock
16	3747 935-6	1			SWITCH, Window Lift
17	3747 814-5	1			SWITCH, Seat Adjuster
18					SWITCH, Plate
	4078 020-1	1			w/Power Windows, Door Locks and Power Seats
19		AR			SCREW (not serviced)
20	6016 041	AR			CLIP, Wiring Door Trim Spanner
21	9431 809	AR			BULB, Lamp
22	4047 294	2			LENS, Lamp
23	4077 492-3	1			BEZEL, Remote Handle
24	4077 472-3	1			TRIM PLATE, Remote Handle

NOTE: The following items are not illustrated. an offsetting order for part no. 3747881  
 4078 096-7 1 INSERT, Switch Plate Mounting

**MODEL CODES**

B = GRAN FURY/CARAVELLE	P = RELIANT
C = LEBARON/TOWN & COUNTRY	S = CORDOBA
D = ARIES	V = 400
F = NEW YORKER	X = MIRADA
G = DIPLOMAT	Y = IMPERIAL
M = HORIZON/TC3/SCAMP	Z = OMNI/O24/RAMPAGE

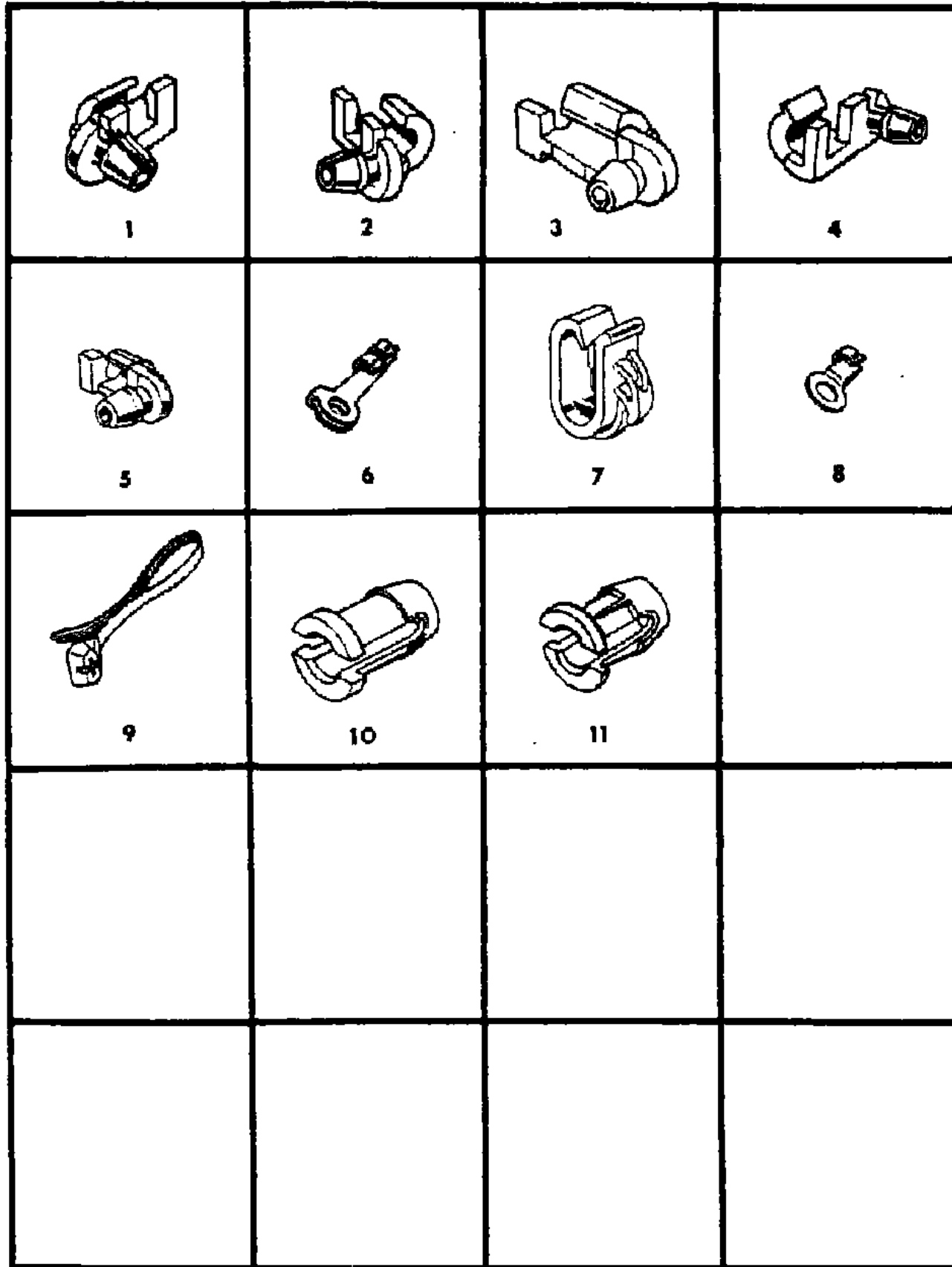
**BODY STYLES**

21 = 2-DOOR SEDAN	28 = FWD PICKUP
22 = 2-DOOR SPECIAL COUPE	41 = 4-DOOR SEDAN
24 = 2-DOOR HATCHBACK	44 = 4-DOOR HATCHBACK
27 = 2-DOOR CONVERTIBLE	45 = 2-SEAT STATION WAGON

AR = Use as Required - = Non Illustrated Part P.A.R. = Paint as Required

**CLIP CHART**  
Figure 23C-3000

2171 3000



ITEM	PART NUMBER	QTY	BODY	MODEL	DESCRIPTION
1	2945 108	AR			CLIP, White
2	3454 220	AR			CLIP, Pink
3	3760 130	AR			CLIP, Light Blue
	3760 131	AR			Yellow
4	2945 109	AR			CLIP, Black
5	3454 221	AR			CLIP, Light Green
6	0629 792	AR			CLIP, Black Metal
7	3882 620	AR			CLIP, White
8	2862 758	AR			CLIP, Black Metal
9	2945 704	AR			STRAP, White
10	3882 762	AR			CLIP, Black
11	2862 585	AR			CLIP, Black

MODEL CODES

B = GRAN FURY/CARAVELLE	P = RELIANT
C = LEBARON/TOWN & COUNTRY	S = CORDOBA
D = ARIES	V = 400
F = NEW YORKER	X = MIRADA
G = DIPLOMAT	Y = IMPERIAL
M = HORIZON/TC3/SCAMP	Z = OMNI/O24/RAMPAGE

BODY STYLES

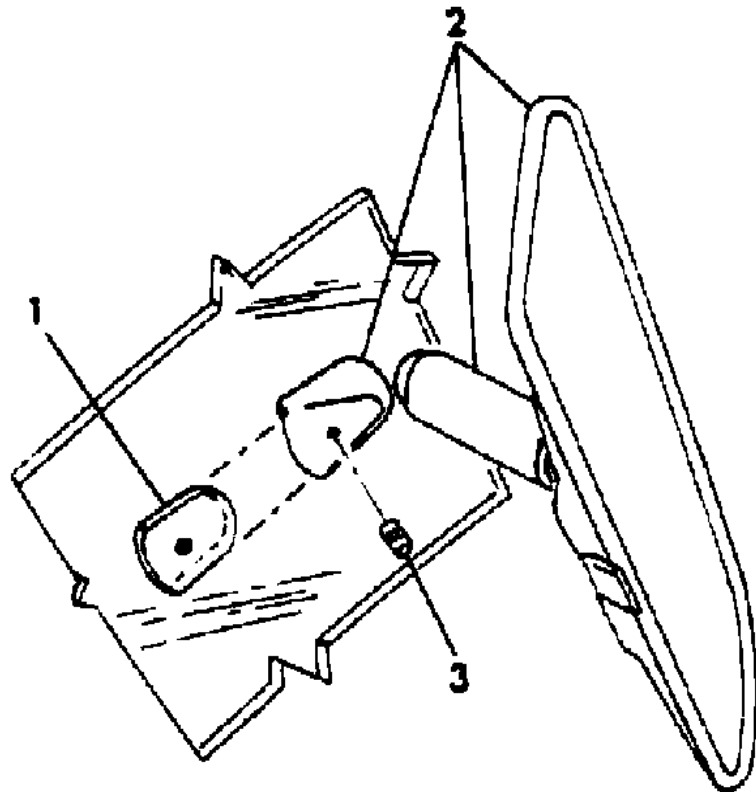
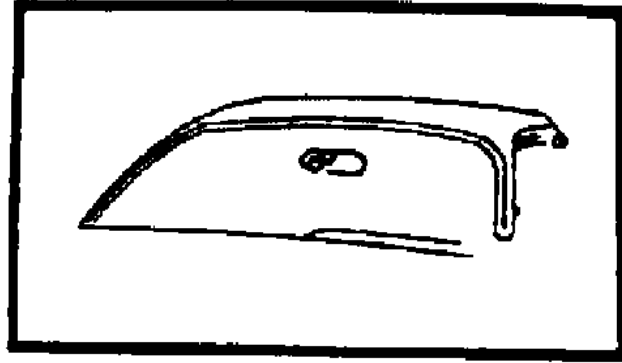
21 = 2-DOOR SEDAN	28 = FWD PICKUP
22 = 2-DOOR SPECIAL COUPE	41 = 4-DOOR SEDAN
24 = 2-DOOR HATCHBACK	44 = 4-DOOR HATCHBACK
27 = 2-DOOR CONVERTIBLE	45 = 2-SEAT STATION WAGON

AR = Use as Required - = Non Illustrated Part P.A.R. = Paint as Required

MIRROR, INSIDE REAR VIEW  
Figure 23C-3100

2171 3100

ITEM	PART NUMBER	QTY	BODY	MODEL	DESCRIPTION
1	4054 099	1			BUTTON PACKAGE, Inside Rr. View Mirror
2	4082 199	1		Exc.M,Z	MIRROR, Inside Rear View,
	5207 117	1		M,Z	Prismatic, 10 Inch w/Prismatic
3	6031 094	1			SCREW



MODEL CODES

B = GRAN FURY/CARAVELLE	P = RELIANT
C = LEBARON/TOWN & COUNTRY	S = CORDOBA
D = ARIES	V = 400
F = NEW YORKER	X = MIRADA
G = DIPLOMAT	Y = IMPERIAL
M = HORIZON/TC3/SCAMP	Z = OMNI/O24/RAMPAGE

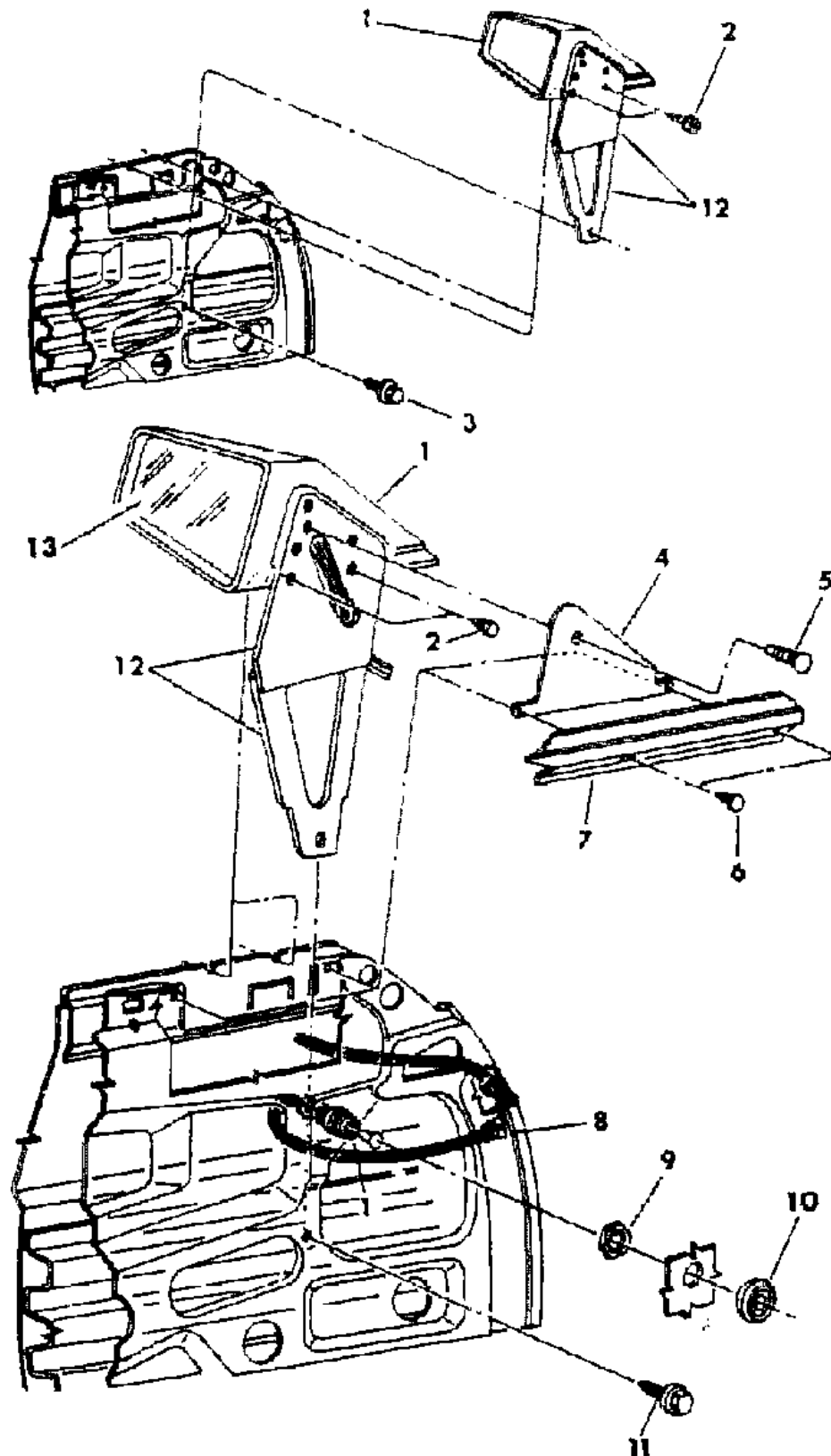
BODY STYLES

21 = 2-DOOR SEDAN	28 = FWD PICKUP
22 = 2-DOOR SPECIAL COUPE	41 = 4-DOOR SEDAN
24 = 2-DOOR HATCHBACK	44 = 4-DOOR HATCHBACK
27 = 2-DOOR CONVERTIBLE	45 = 2-SEAT STATION WAGON

AR = Use as Required - = Non Illustrated Part P.A.R. = Paint as Required

MIRRORS, MANUAL & REM. CONTROL M,Z 24,28  
Figure 23C-3200

2171 3200



ITEM	PART NUMBER	QTY	BODY	MODEL	DESCRIPTION
1	5232 116	1			MIRROR PKG.Door Remote Control,Racing(Pntd Convex)Rt.
	5232 117	1			MIRROR PKG.Door Remote Control,Racing(Pntd) Lt.
	5232 183	1	28		Round Remote Control, Black
2		AR			SCREW (Not Serviced)
3		AR			SCREW (Not Serviced)
4	5207 356-7	1			COVER, Door Outside Remote Control Mirror Mtg. Brkt.
5	3759 944	2			RETAINER, Plastic
6					SCREW (Not Serviced)
7					WEATHERSTRIP (See Door W/Srip Illus.)
8					CLIP (Not Serviced)
9	6030 356	2			NUT, Control Index
10	5207 280	2			NUT,Door Remote Control Mirror Control Attach.
11					SCREW (Not Serviced)
12					BRACKET w/SUPPORT,
	5207 362	1			Door Remote Control Mirror, Rt.
	5207 363	1			Door Manual or Remote Control Mirror, Lt.
The following parts are not illustrated. an offsetting order for part no. 3747881					
	4054 132	1			GASKET, Outside Mirror Right
	6031 869	1			GROMMET, Door Reinforcement
13	4267 868-9	1			MIRROR PACKAGE, Replacement Glass

MODEL CODES

B = GRAN FURY/CARAVELLE	P = RELIANT
C = LEBARON/TOWN & COUNTRY	S = CORDOBA
D = ARIES	V = 400
F = NEW YORKER	X = MIRADA
G = DIPLOMAT	Y = IMPERIAL
M = HORIZON/TC3/SCAMP	Z = OMNI/O24/RAMPAGE

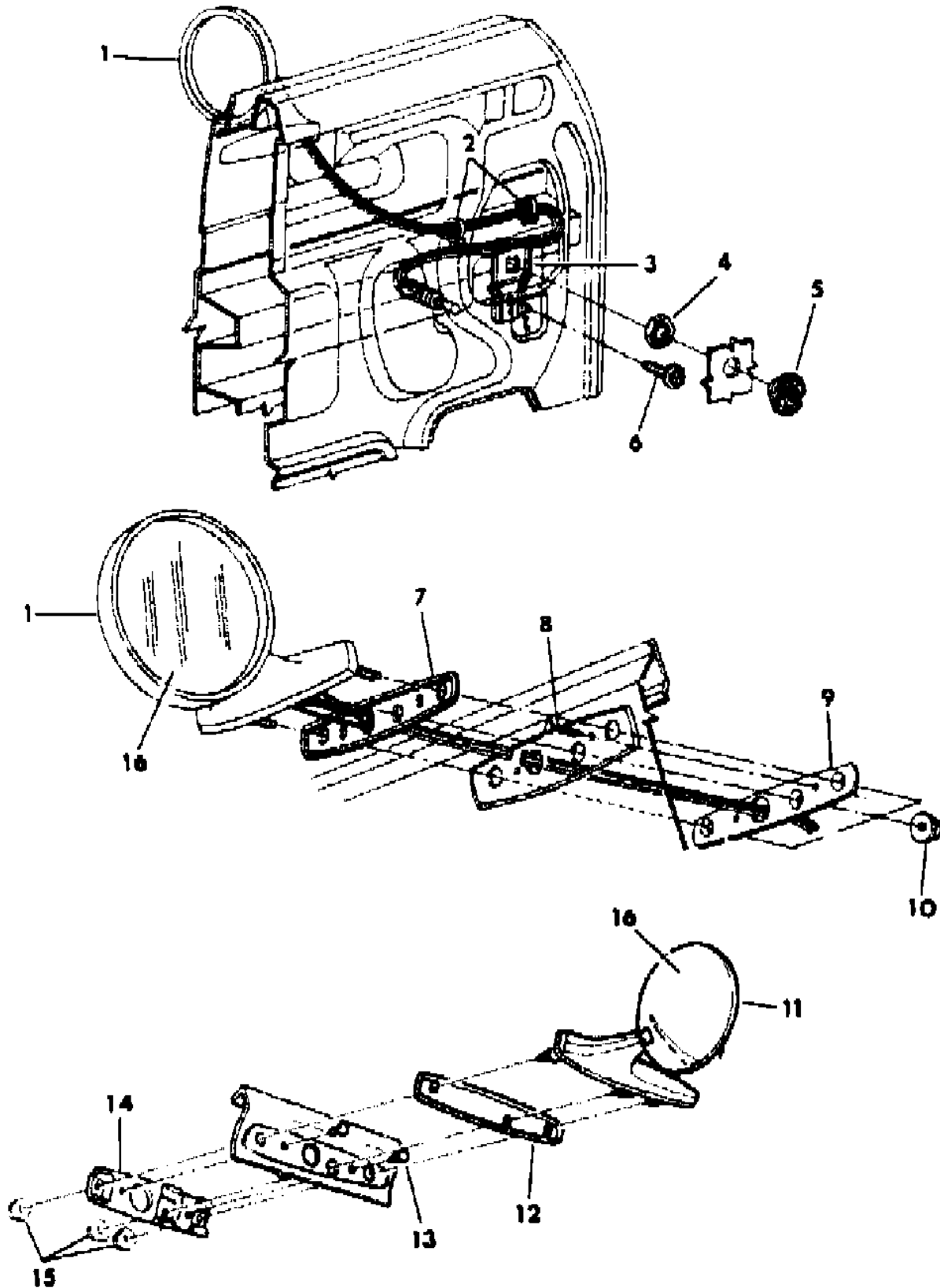
BODY STYLES

21 = 2-DOOR SEDAN	28 = FWD PICKUP
22 = 2-DOOR SPECIAL COUPE	41 = 4-DOOR SEDAN
24 = 2-DOOR HATCHBACK	44 = 4-DOOR HATCHBACK
27 = 2-DOOR CONVERTIBLE	45 = 2-SEAT STATION WAGON

AR = Use as Required - = Non Illustrated Part P.A.R. = Paint as Required

MIRROR, MANUAL AND REMOTE CONTROL - M,Z - 44  
Figure 23C-3300

2171 3300



ITEM	PART NUMBER	QTY	BODY	MODEL	DESCRIPTION
1					MIRROR ASSY., Remote Control
	5232 115	1			Right, Chrome Round
	5207 113	1			Left, Chrome Round
	5232 182-3	1			Round Remote Control, Black
	5232 117	1			Racing, Left (paint as required)
2					CLIP (serviced in Mirror Assy.)
3	5207 214	AR			BRACKET, Door Remote Control Mounting, Right and Left
4	6030 356	AR			NUT, Contrl Index
5	2999 001	1			BEZEL, Door Remote Control Mirror Control Attaching
6		AR			SCREW (not serviced)
7	4054 132	1			GASKET, Door Remote Control Mirror, Right
8		AR			RETAINER (not serviced)
9	3861 804-5	1			REINFORCEMENT, Mirror
	3861 467	1			Right, Black
10	6025 001	AR			NUT
11	3882 071	1			MIRROR PKG., Manual Round Chrome, Left
	4267 927	1			Right
12					GASKET (serviced in Package)
13	3759 944	AR			RETAINER CLIP, Mirror Mounting Reinforcement
14	3861 805	1			REINFORCEMENT, Mirror
15	6025 001	AR			NUT and WASHER
16	4267 870-1	1			MIRROR PACKAGE, Replacement Glass
	4267 884	1			Manual Glass

MODEL CODES

B = GRAN FURY/CARAVELLE	P = RELIANT
C = LEBARON/TOWN & COUNTRY	S = CORDOBA
D = ARIES	V = 400
F = NEW YORKER	X = MIRADA
G = DIPLOMAT	Y = IMPERIAL
M = HORIZON/TC3/SCAMP	Z = OMNI/O24/RAMPAGE

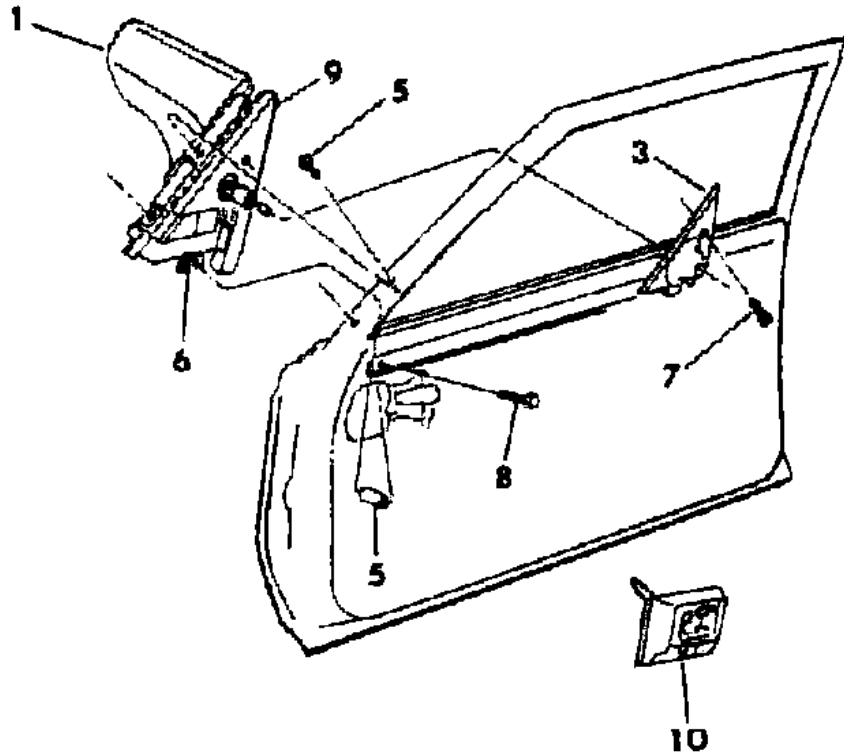
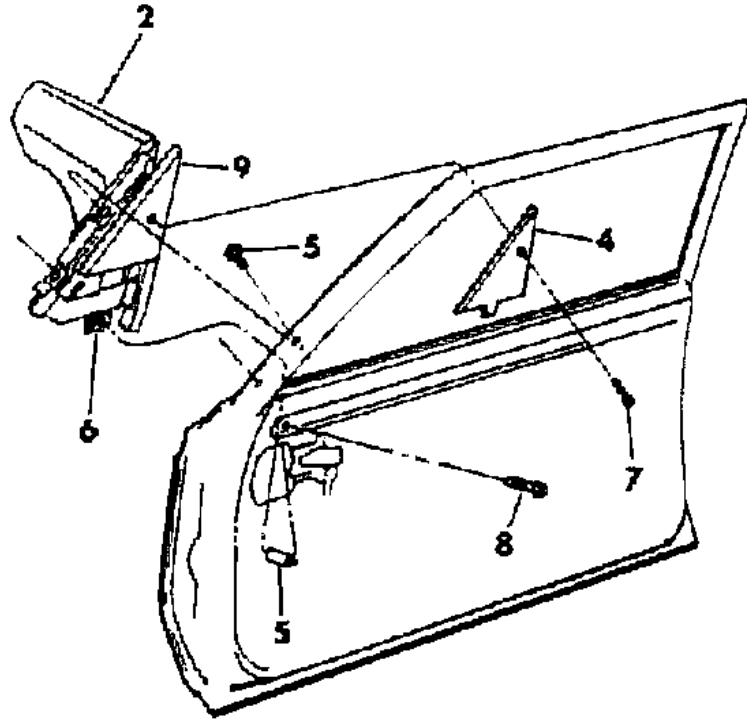
BODY STYLES

21 = 2-DOOR SEDAN	28 = FWD PICKUP
22 = 2-DOOR SPECIAL COUPE	41 = 4-DOOR SEDAN
24 = 2-DOOR HATCHBACK	44 = 4-DOOR HATCHBACK
27 = 2-DOOR CONVERTIBLE	45 = 2-SEAT STATION WAGON

AR = Use as Required - = Non Illustrated Part P.A.R. = Paint as Required

MIRRORS - MANUAL AND REMOTE CONTROL - P,D,C,V  
Figure 23C-3400

2171 3400B



ITEM	PART NUMBER	QTY	BODY	MODEL	DESCRIPTION
------	-------------	-----	------	-------	-------------

NOTE: RIGHT MIRROR IS FOR REPLACEMENT OF FACTORY INSTALLED ORIGINAL EQUIPMENT ONLY. an offsetting order for part no. 3747881

1	4246 178-9	1			MIRROR, Door Retangular Remote Control, Chrome
	4246 176-7	1			Rectangular, Remote Control (paint as required)
	4097 632-3	1		C,V 27	MIRROR,Remote Control,Painted
2	4267 872-3	1			PACKAGE,Door Mirror Glass Replacement
	4246 175	1			MIRROR, Door Manual Left (paint as required)
	4246 396	1			Right, Chrome
	4246 361	1			Left, Chrome
	4267 872-3	1			PACKAGE,Door Mirror Glass Replacement
3	4246 157	1			BEZEL, Manual Mirror Inside Lt.
4	4172 790-1	1			BEZEL, Remote Control Mirror
5	4198 111	1			SPACER, Outside Mirror Bracket Attaching, Lower (use up to 10/19/81)
	4246 464	1			(use after 10/19/81)
6	6100 041	1			U/NUT, Outside Mirror Bracket Attaching, Lower
7		AR			SCREW (not serviced)
8		AR			SCREW (not serviced)
9	4246 214-5	1			BRACKET and CHANNEL
	4097 678-9	1		C,V 27	
10	4097 701	1		C,V 27	BEZEL, Remote Control, Front Door, Right
	4097 761	1		C,V 27	Left
The following parts sre not illustrated. an offsetting order for part no. 3747881					
	4246 204-5	1			SEAL, Mirror Bracket Inner Bezel
	4246 189	1			SEAL, Bracket Outer Channel
	4246 406	1			BEZEL, Manual Right Outside
	5207 356-7	1		C,V 27	COVER, Outside Mirror
	4097 792	2		C,V 27	PLATE, o/s Mirror
	4299 042	AR			SEAL, Sound Abatement
	4305 002-3	1		C,V 27	SEAL, Door

MODEL CODES

B = GRAN FURY/CARAVELLE	P = RELIANT
C = LEBARON/TOWN & COUNTRY	S = CORDOBA
D = ARIES	V = 400
F = NEW YORKER	X = MIRADA
G = DIPLOMAT	Y = IMPERIAL
M = HORIZON/TC3/SCAMP	Z = OMNI/O24/RAMPAGE

BODY STYLES

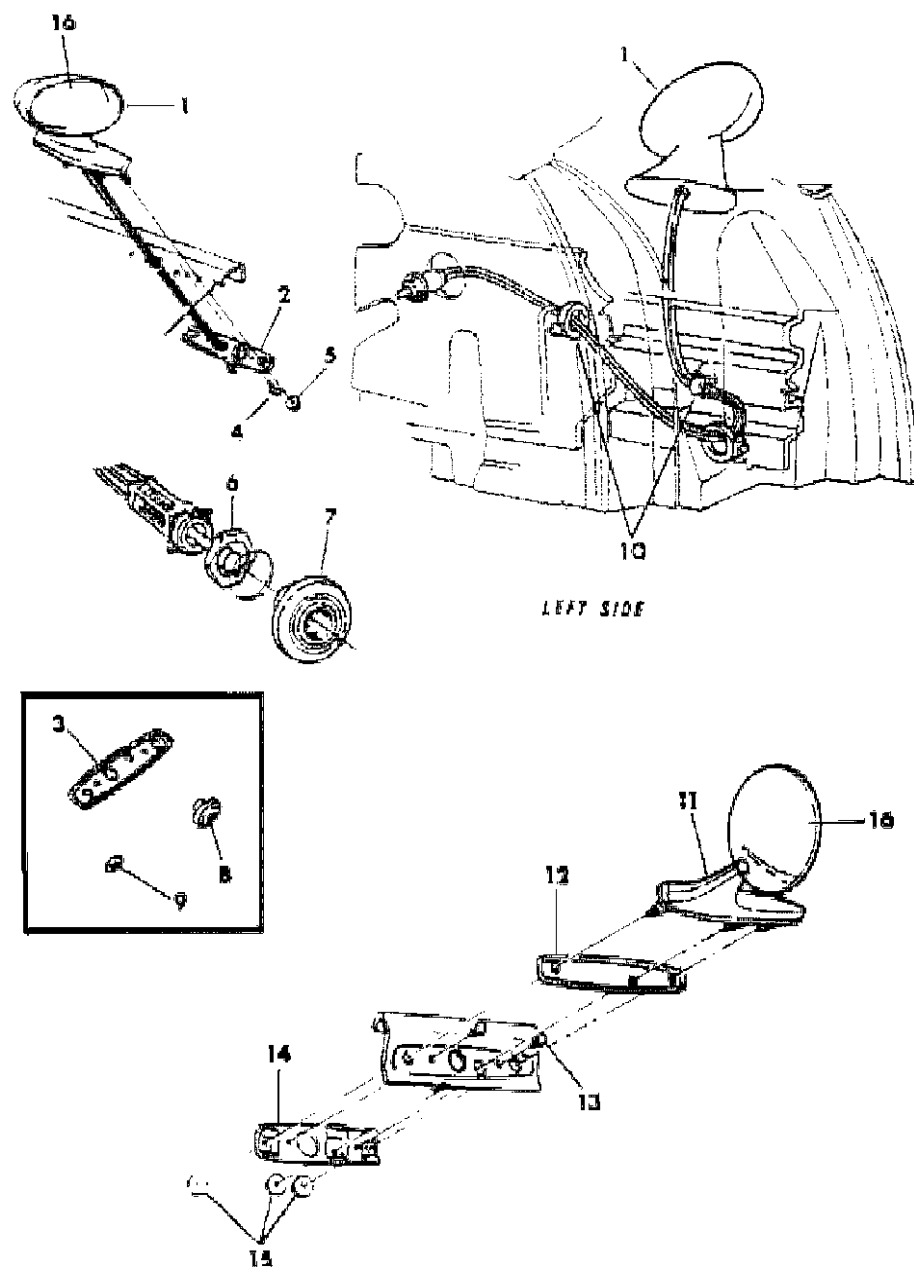
21 = 2-DOOR SEDAN	28 = FWD PICKUP
22 = 2-DOOR SPECIAL COUPE	41 = 4-DOOR SEDAN
24 = 2-DOOR HATCHBACK	44 = 4-DOOR HATCHBACK
27 = 2-DOOR CONVERTIBLE	45 = 2-SEAT STATION WAGON

AR = Use as Required - = Non Illustrated Part P.A.R. = Paint as Required



MIRROR, MANUAL AND REMOTE CONTROL - B,F,G  
Figure 23C-3500

2171 3500



ITEM	PART NUMBER	QTY	BODY	MODEL	DESCRIPTION
1					MIRROR PKG,Door Remote Control
	4246 180	1			Lt., Rectangular, Chrome
	4246 362	1			Rt., Rectangular, Chrome
2					REINFORCEMENT, Door Rem. Control Mirror, Rt.
	3861 806	1			
	3861 805	1			Lt.
3					GASKET, Door Remote Control Mirror, Right,w/Racing Mirror
	3861 321	1			
	4054 149	1			Right,w/Conv.Mirror
					Lt. (Serviced in Mirror Pkg.)
4	3759 944	2			RETAINER CLIP, Mirror Mtg. Reinf.
5	6025 001	AR			NUT and WASHER
6	6030 356	AR			NUT, Door Rem. Control Mirror, Index Lt. or Rt.
7	3760 795	1			NUT, Door Rem. Control Mirror, Lt.
8	P631 MX9	1			BEZEL, Door Rem. Control Mirror, Rt.
9					NUT (Not Serviced)
10					CLIP, (Not Serviced,Purch.in Mirror Assy)
11	4054 191	1			MIRROR PKG., Manual Retangular Chrome, Left
12					GASKET, Door Rear Veiw Mirror (serviced in Mirror Pkg.)
13	3759 944	AR			RETAINER CLIP, Mirror Mounting Reinforcement
14	3861 805	1			REINFORCEMENT, Mirror
15	6025 001	AR			NUT and WASHER
16					PACKAGE, Mirror Replacement Glass
	4267 874-5	1			Remote Control, Rectangular
	4267 883	1			Manual, Rectangular

The following parts are not illustrated. an offsetting order for part no. 3747881  
3861 318 1 REINFORCEMENT, Outside Remote Control Right Chrome

MODEL CODES  
 B = GRAN FURY/CARAVELLE P = RELIANT  
 C = LEBARON/TOWN & COUNTRY S = CORDOBA  
 D = ARIES V = 400  
 F = NEW YORKER X = MIRADA  
 G = DIPLOMAT Y = IMPERIAL  
 M = HORIZON/TC3/SCAMP Z = OMNI/O24/RAMPAGE

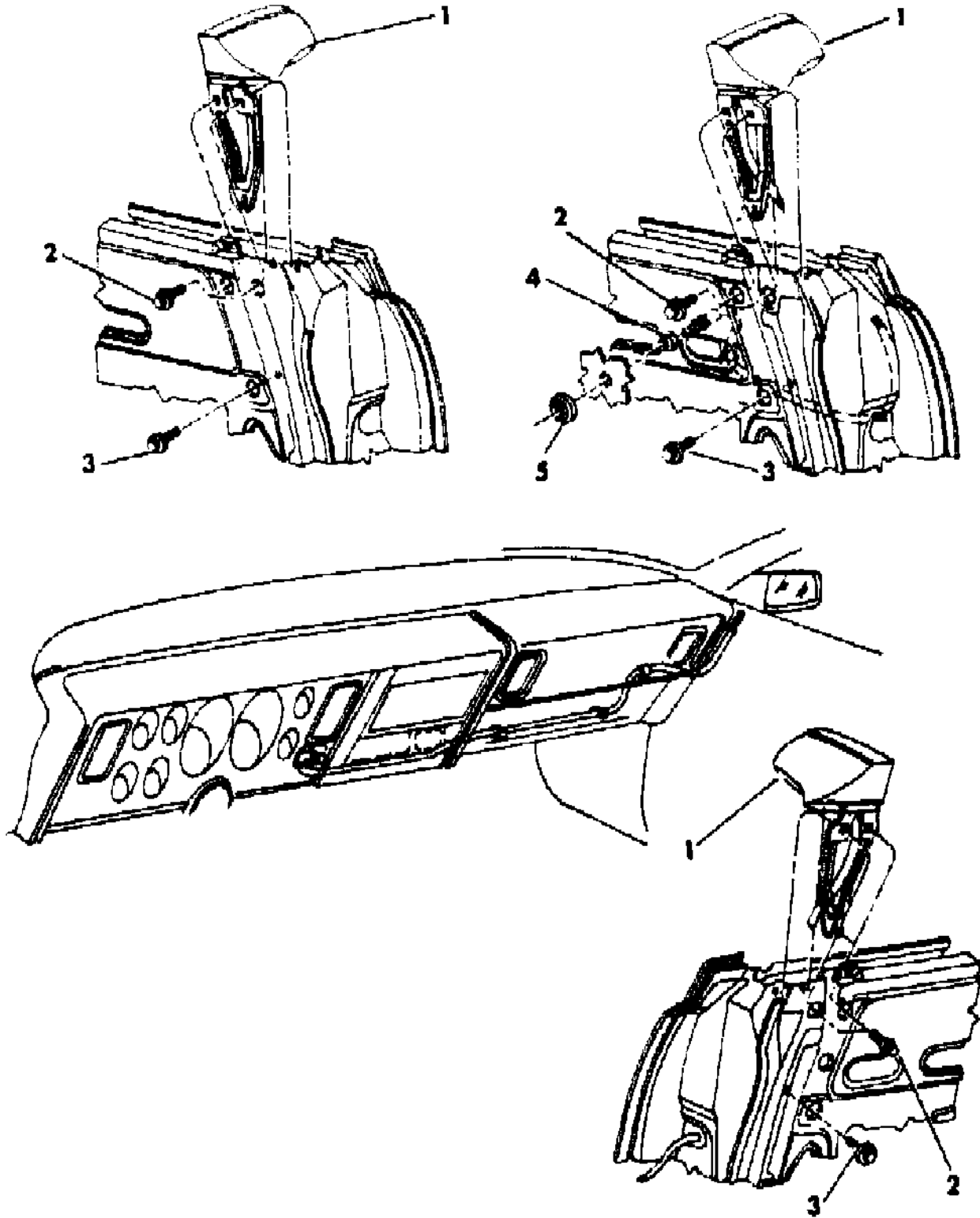
BODY STYLES  
 21 = 2-DOOR SEDAN 28 = FWD PICKUP  
 22 = 2-DOOR SPECIAL COUPE 41 = 4-DOOR SEDAN  
 24 = 2-DOOR HATCHBACK 44 = 4-DOOR HATCHBACK  
 27 = 2-DOOR CONVERTIBLE 45 = 2-SEAT STATION WAGON

AR = Use as Required - = Non Illustrated Part P.A.R. = Paint as Required

MIRROR REMOTE CONTROL - X,S  
Figure 23C-3600

2171 3600

ITEM	PART NUMBER	QTY	BODY	MODEL	DESCRIPTION
1					MIRROR PACKAGE
	4172 732-3	1			Remote Control, Chrome
2		AR			SCREW and WASHER (not serviced)
3		AR			SCREW (not serviced)
4	6030 356	AR			NUT
5	2999 001	1			BEZEL, Remote Control Mirror Control Attaching, Left
NOTE: The following items are not illustrated. an offsetting order for part no. 3747881					
	3591 242	1			BEZEL, Trim w/o Remote Control Mirror, Right
	3591 459	1			w/Remote Control Mirror, Right
	4054 880	1			NUT, Remote Contrl Mirror Control, Right
	4172 704	1			RETAINER, Remote Control Mirror, Right
	6031 869	1			GROMMET, Mirror Attaching
	4267 878-9	1			MIRROR PACKAGE, Replacement Glass



MODEL CODES

B = GRAN FURY/CARAVELLE	P = RELIANT
C = LEBARON/TOWN & COUNTRY	S = CORDOBA
D = ARIES	V = 400
F = NEW YORKER	X = MIRADA
G = DIPLOMAT	Y = IMPERIAL
M = HORIZON/TC3/SCAMP	Z = OMNI/O24/RAMPAGE

BODY STYLES

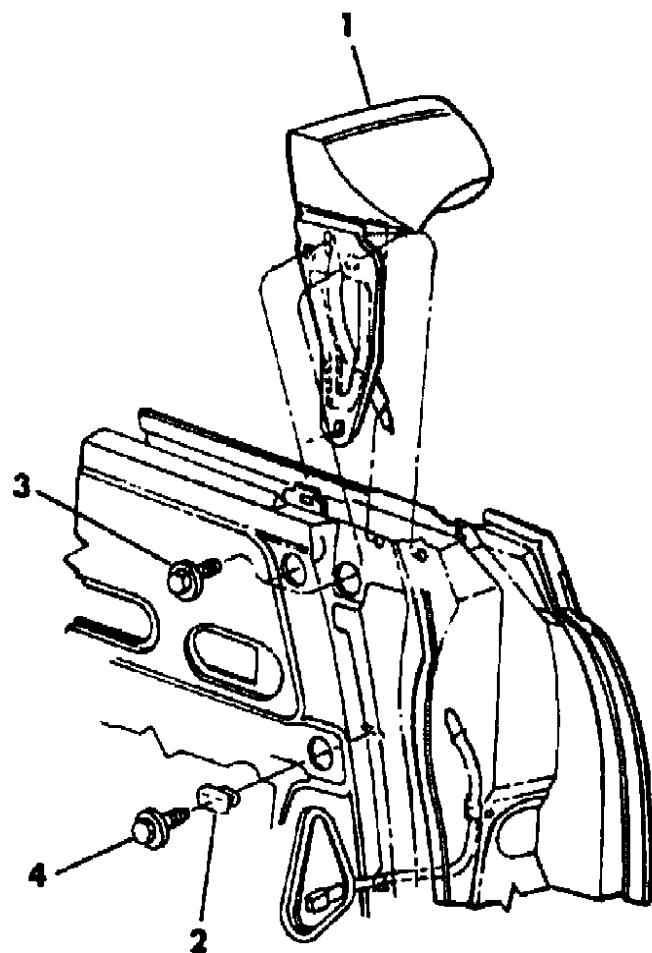
21 = 2-DOOR SEDAN	28 = FWD PICKUP
22 = 2-DOOR SPECIAL COUPE	41 = 4-DOOR SEDAN
24 = 2-DOOR HATCHBACK	44 = 4-DOOR HATCHBACK
27 = 2-DOOR CONVERTIBLE	45 = 2-SEAT STATION WAGON

AR = Use as Required - = Non Illustrated Part P.A.R. = Paint as Required

MIRROR - REMOTE CONTROL, ELECTRIC - Y  
Figure 23C-3700

2371 3700

ITEM	PART NUMBER	QTY	BODY	MODEL	DESCRIPTION
1	4246 184-5	1			MIRROR PACKAGE, Remote Control
2	6031 869	2			GROMMET, Mirror Attaching
3	0181 065	4			SCREW and WASHER, Mirror Attaching
4		AR			SCREW (not serviced)
5	4267 888-9	1			MIRROR PACKAGE, Replacement Glass



MODEL CODES

B = GRAN FURY/CARAVELLE	P = RELIANT
C = LEBARON/TOWN & COUNTRY	S = CORDOBA
D = ARIES	V = 400
F = NEW YORKER	X = MIRADA
G = DIPLOMAT	Y = IMPERIAL
M = HORIZON/TC3/SCAMP	Z = OMNI/O24/RAMPAGE

BODY STYLES

21 = 2-DOOR SEDAN	28 = FWD PICKUP
22 = 2-DOOR SPECIAL COUPE	41 = 4-DOOR SEDAN
24 = 2-DOOR HATCHBACK	44 = 4-DOOR HATCHBACK
27 = 2-DOOR CONVERTIBLE	45 = 2-SEAT STATION WAGON

AR = Use as Required - = Non Illustrated Part P.A.R. = Paint as Required

---

**GROUP 23D - BODY MISCELLANEOUS**

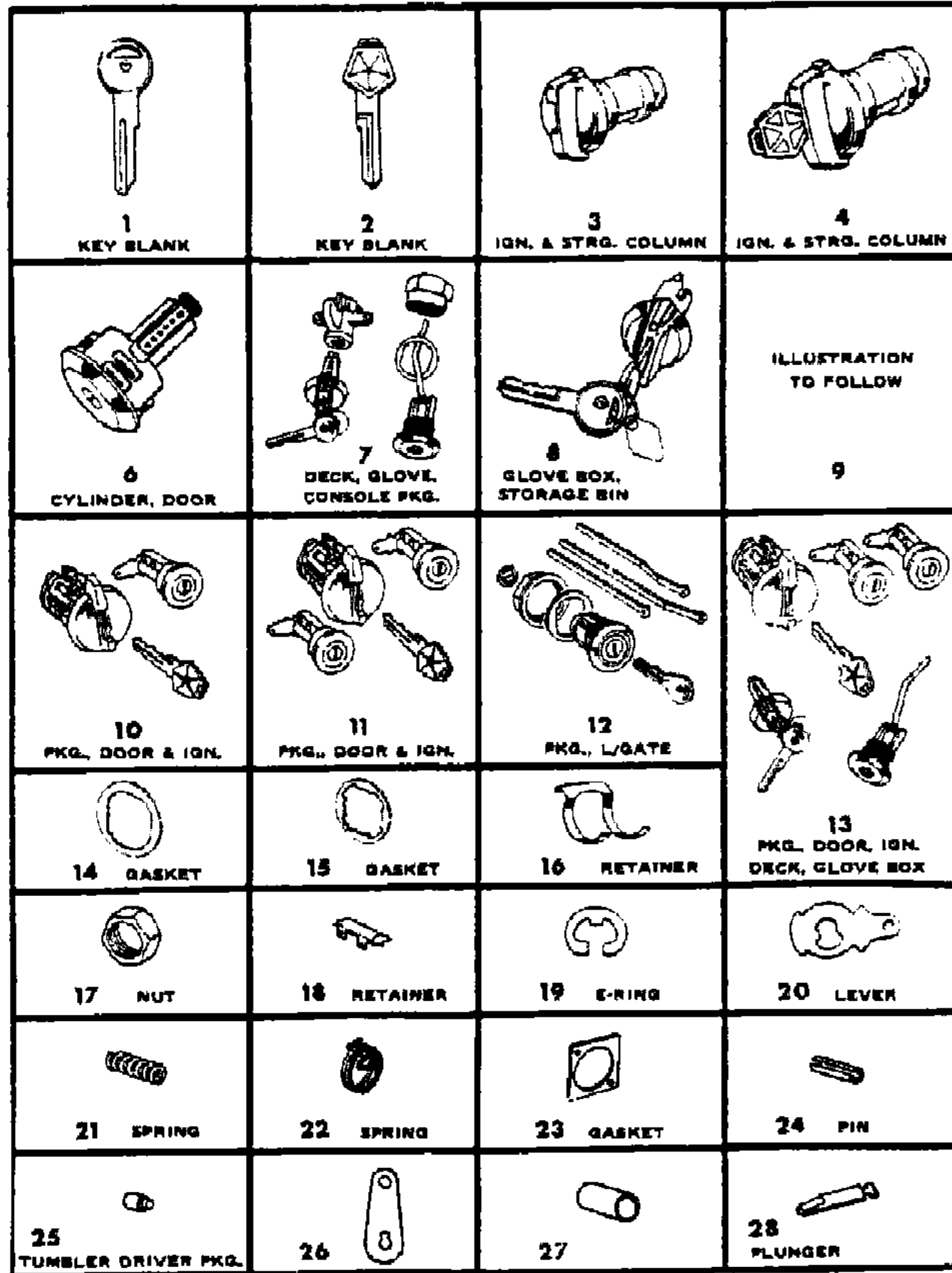
<b>ILLUSTRATION TITLE</b>	<b>GROUP-FIG. NO.</b>
LOCK CYLINDERS,KEYS & PACKAGES .....	Fig. 23D-100

**ILLUSTRATION NOT AVAILABLE AT TIME OF PUBLICATION**

---

## LOCK CYLINDERS, KEYS & PACKAGES Figure 23D-100

2172 100A



ITEM	PART NUMBER	QTY	BODY	MODEL	DESCRIPTION
1	2999 041	2		M,Z,44	KEY, Deck Lid and Glove Box
	2999 041	2		PDVC21,	KEY, Deck Lid and Glove Box
	2999 041	2		B,G,F,X	KEY, Deck Lid and Glove Box
	2999 041	2		P,D,45	KEY, Glove box and Stowage Bin Lock Cyl.
	2999 041	1		M,Z,24	KEY, Glove box and Stowage Bin Lock Cyl.
2	3454 327	2		All	KEY, Door Cyl.
	3454 493	2		B,G,41	KEY, Door and Ign. Lock Cyl., Single and Univ. Single Key
	4271 220	1		Y	CRYSTAL KEY, Door and Ign.
3	5207 206	1		M,Z	PACKAGE, Ign. and Strg. Column Lock Cyl. and Keys
	4054 878	1		PDVCBFG	PACKAGE, Ign. and Strg. Column Lock Cyl. and Keys, w/o Tilt Strg.
4	3861 793	1		PDVCBFG	PACKAGE, Ign. and Strg. Column Lock Cyl. and Keys, w/ Tilt Strg.
6	4172 674	2		BFGXSY	CYLINDER, Door Lock, Illuminated, Uncoded
	4106 738	1		BFGXSY	PACKAGE, Door Lock Cyl. and Key, Illuminated, Coded, Complete
	4106 399	1		All	PACKAGE, Door Lock Cyl.
7	4267 850	1		B,F,G,X	PACKAGE, Deck and Glove Box Lock Cyl. and Keys
	4267 850	1		MZ44,P,	PACKAGE, Deck and Glove Box Lock Cyl. and Keys
	4172 983	1		PDVC21,	PACKAGE, Deck and Glove Box Lock Cyl. and Keys
	4172 663	1		Y	PACKAGE, Deck and Glove Box Lock Cyl. and Keys
	4246 401	1		Y	PACKAGE, Deck, Glove Box, Console Lock Cyl. and Keys
	4172 982	1		PDVC21,	PACKAGE, Deck Lid Lock Cyl. and Keys.
	4106 353	1		M,Z,44	PACKAGE, L/Gate and Glove Box Lock Cyl.
8	4054 081	1		M,Z,24	PACKAGE, Glove Box Lock Cyl. and Key
	4054 081	1		P,D,45	PACKAGE, Glove Box Lock Cyl. and Key
	4054 081	1		All	PACKAGE, Glove Box and Storage Bin Lock Cyl and Keys
10	5207 203	1		M,Z,28,	PACKAGE, Door and Ign. Cyl. Lock
11	4054 805	1		PDVC21,	PACKAGE, Door and Ign. Cyl. and Keys, w/o Tilt Strg.
	4054 805	1		B,F,G,4	PACKAGE, Door and Ign. Cyl. and Keys, w/o Tilt Strg.
	4054 805	1		X,S	PACKAGE, Door and Ign. Cyl. and Keys, w/o Tilt Strg.
	3548 955	1		PDVCBFG	PACKAGE, Door and Ign. Cyl. and Keys, w/ Tilt Strg., w/o Illuminated Entry
	4172 348	1		B,F,G,4	PACKAGE, Door and Ign. Cyl. and Keys, w/ Illuminated Intry, w/o Tilt Strg.
	4172 348	1		X,S	PACKAGE, Door and Ign. Cyl. and Keys, w/ Illuminated Intry, w/o Tilt Strg.
	4172 305	1		B,F,G,4	PACKAGE, Door and Ign. Cyl. and Keys, w/ Illuminated Intry, w/ Tilt Strg.

**MODEL CODES**

B = GRAN FURY/CARAVELLE	P = RELIANT
C = LEBARON/TOWN & COUNTRY	S = CORDOBA
D = ARIES	V = 400
F = NEW YORKER	X = MIRADA
G = DIPLOMAT	Y = IMPERIAL
M = HORIZON/TC3/SCAMP	Z = OMNI/O24/RAMPAGE

**BODY STYLES**

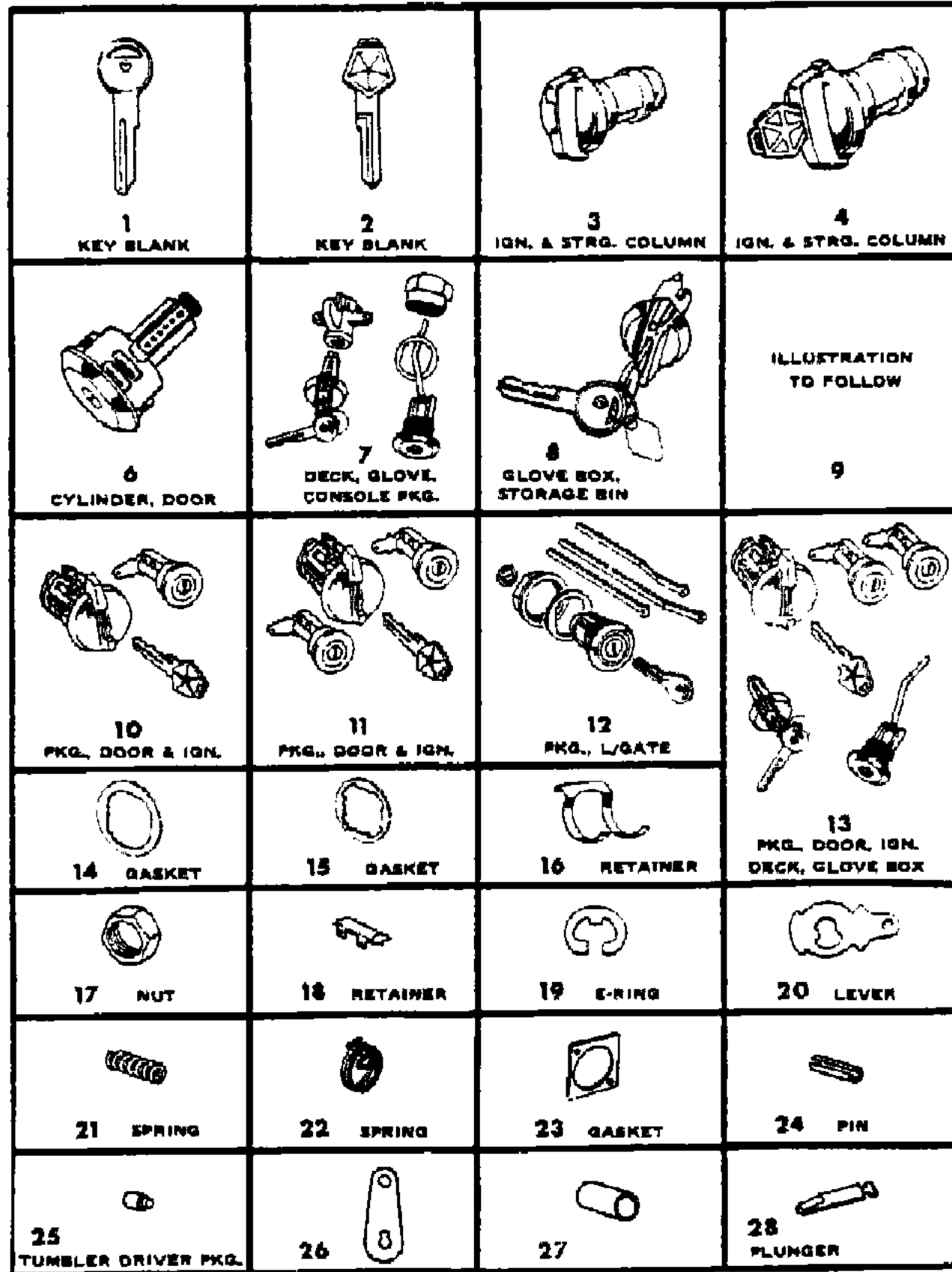
21 = 2-DOOR SEDAN	28 = FWD PICKUP
22 = 2-DOOR SPECIAL COUPE	41 = 4-DOOR SEDAN
24 = 2-DOOR HATCHBACK	44 = 4-DOOR HATCHBACK
27 = 2-DOOR CONVERTIBLE	45 = 2-SEAT STATION WAGON

AR = Use as Required - = Non Illustrated Part P.A.R. = Paint as Required

## LOCK CYLINDERS, KEYS & PACKAGES

### Figure 23D-100

2172 100A



ITEM	PART NUMBER	QTY	BODY	MODEL	DESCRIPTION
	4172 305	1		X,S,Y	PACKAGE,Door and Ign.Cyl. and Keys,w/Illuminated Intry,w/Tilt Strg.
12	5207 386	1		MZ,24,P	PACKAGE,L/Gate Lock Cyl. and Key
	4132 000	1		M,Z,44	PACKAGE,L/Gate Lock Cyl. and Key
13	4172 957	1		B,G,41	PACKAGE,Ign.,Door,Deck,Glove,w/Single Key,w/o Tilt Strg.(Police and Taxi)
	4246 338	1		P,D,41	PACKAGE,Ign.,Door,Deck,Glove,w/Single Key,w/o Tilt Strg. (Police and Taxi)
	4246 339	1		B,G,41	PACKAGE,Ign.,Door,Deck,Glove,w/Universal Single Key,w/o Tilt Strg.(Police and Taxi)
	4246 337	1		P,D,41	PACKAGE,Ign.,Door,Deck,Glove,w/Universal Single Key,w/o Tilt Strg.(Police and Taxi)
	4196 393	1		P,D,21,	PACKAGE,Ign.,Door,Deck,Glove Cyl. and Key,w/Universal Single Key,w/Tilt Strg. (Police and Taxi)
	4196 394	1		P,D,21,	PACKAGE,Ign.,Door,Deck,Glove Cyl. and Key,w/Single Key,w/Tilt Strg. (Police and Taxi)
	4196 392	1		B,G	PACKAGE,Ign.,Door,Deck,Glove Cyl. and Key,w/Universal Single Key,w/Tilt Strg. (Police and Taxi)
	4196 182	1		B,G	PACKAGE,Ign.,Door,Deck,Glove Cyl. and Key,w/Single Key,w/Tilt Strg. (Police and Taxi)
	4196 402	1		P,D,45	PACKAGE,Ign.,Door,Glove,L/Gate,Cyl. & Key,w/Universal Single Key,w/o Tilt Strg.(Police & Taxi)
	4196 403	1		P,D,45	PACKAGE,Ign.,Door,Glove,L/Gate,Cyl. and Key,w/Single Key, w/o Tilt Strg. (Police and Taxi)
14	3695 321	1		PDVCBFG	GASKET,Deck Lid Lock Cyl.
	3695 321	1		MZ24,44	GASKET,L/Gate Lock Cyl.
15	2583 860	2		All	GASKET,Door Lock Cyl.
16	2583 377	2		All	RETAINER,Door Lock Cyl.
17	4054 202	1		BFGXSY	NUT,Deck Lid Lock Cyl.Retainer
	4054 202	1		M,Z,P,D	NUT,L/Gate Lock Cyl Retainer
18	2765 069	2		All	RETAINER,Door Lock Cyl.Tumbler,w/or w/o Tilt Strg.
19	6026 125	2		All	RETAINER,Lock Cyl.Lever,w/ or w/o TiltStrg.
	6026 125	1		M,Z,24	RETAINER,L/Gate Lock Cyl. Lever
	6032 107	1		P,D,C,4	CLIP,L/Gate Lock Cyl. Lever Ret.
	6026 125	1		Y	RETAINER,L/Gate,Lock Cyl. Lever
	6026 125	1		M,Z,24	RETAINER,Elect. L/Gate Latch Cam
20	2802 124	2		All	LEVER,Door Lock Cyl.,w/ or w/o Tilt Strg.

**MODEL CODES**

B = GRAN FURY/CARAVELLE  
 C = LEBARON/TOWN & COUNTRY  
 D = ARIES  
 F = NEW YORKER  
 G = DIPLOMAT  
 M = HORIZON/TC3/SCAMP

P = RELIANT  
 S = CORDOBA  
 V = 400  
 X = MIRADA  
 Y = IMPERIAL  
 Z = OMNI/O24/RAMPAGE

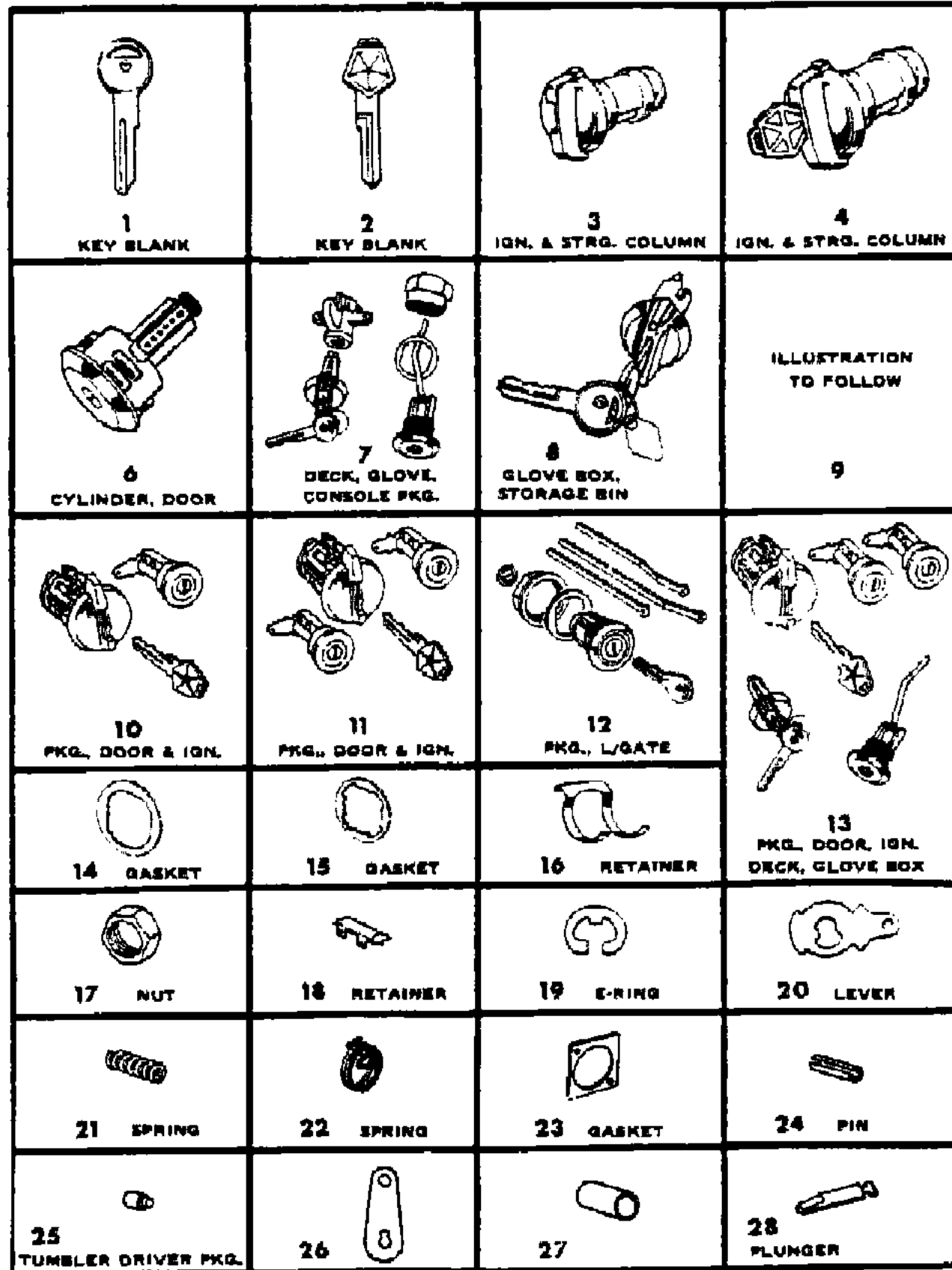
**BODY STYLES**

21 = 2-DOOR SEDAN  
 22 = 2-DOOR SPECIAL COUPE  
 24 = 2-DOOR HATCHBACK  
 27 = 2-DOOR CONVERTIBLE  
 28 = FWD PICKUP  
 41 = 4-DOOR SEDAN  
 44 = 4-DOOR HATCHBACK  
 45 = 2-SEAT STATION WAGON

AR = Use as Required - = Non Illustrated Part P.A.R. = Paint as Required

## LOCK CYLINDERS, KEYS & PACKAGES Figure 23D-100

2372 100A



ITEM	PART NUMBER	QTY	BODY	MODEL	DESCRIPTION
	2802 124	2		BFGXSY	LEVER, Illuminated Door Lock Cyl., w/or w/o Tilt Strg.
21	2765 073	AR	All		SPRING, Door, Deck, L/Gate Lock Cyl. Tumbler
22	3861 746	1	B, F, G, X		SPRING, Deck Lid Lock Cyl. Shaft Retaining
23	4229 713	1	PDVCBFG		GASKET, Deck Lid Lock Cyl. Medallion
24	9423 246	1	PDVCBFG		PIN, Ign. and Strg. Column Lock Cyl. Ret.
25	4094 448	1	All		TUMBLER DRIVER PKG., Lock Cyl., Code 1
	4094 449	1	All		Code 2
	4106 348	1	All		Code 3
	4106 349	1	All		Code 4
	4106 350	1	All		Code 5
	4106 351	1	All		Code 6
26	4246 496	1	P, D, C, 4		LEVER, L/Gate Lock Cyl.
27	3454 517	1	All		RETAINER, Ign. and Strg. Col. Lock Cyl. Actr. Arm Spring
28	4019 548	1	PDVCBFG		PLUNGER, Lock Cyl. Ret., w/o Tilt Strg.

**MODEL CODES**

B = GRAN FURY/CARAVELLE	P = RELIANT
C = LEBARON/TOWN & COUNTRY	S = CORDOBA
D = ARIES	V = 400
F = NEW YORKER	X = MIRADA
G = DIPLOMAT	Y = IMPERIAL
M = HORIZON/TC3/SCAMP	Z = OMNI/O24/RAMPAGE

**BODY STYLES**

21 = 2-DOOR SEDAN	28 = FWD PICKUP
22 = 2-DOOR SPECIAL COUPE	41 = 4-DOOR SEDAN
24 = 2-DOOR HATCHBACK	44 = 4-DOOR HATCHBACK
27 = 2-DOOR CONVERTIBLE	45 = 2-SEAT STATION WAGON

AR = Use as Required - = Non Illustrated Part P.A.R. = Paint as Required

**GROUP 24 - HEATER AND AIR CONDITIONING**

<b>ILLUSTRATION TITLE</b>	<b>GROUP-FIG. NO.</b>
HEATER M,Z .....	Fig. 24-100
HEATER P,D,V,C .....	Fig. 24-200
HEATER B,G .....	Fig. 24-300
HEATER X,S .....	Fig. 24-400
HEATER CONTROLS M,Z,P,D,V,C,B,G,X,S .....	Fig. 24-500
HEATER PLUMBING M,Z .....	Fig. 24-600
HEATER PLUMBING P,D,V,C .....	Fig. 24-700
HEATER PLUMBING B,G,X,S .....	Fig. 24-800
DEFOGGER PACKAGE BASIC REAR WINDOW B,F,G .....	Fig. 24-900
AIR CONDITIONING SYSTEM M,Z .....	Fig. 24-1000
AIR CONDITIONING SYSTEM P,D,V,C .....	Fig. 24-1100
AIR CONDITIONING SYSTEM B,F,G .....	Fig. 24-1200
AIR CONDITIONING SYSTEM X,S,Y .....	Fig. 24-1300
AIR CONDITIONING AIR DUCT M,Z .....	Fig. 24-1400
AIR CONDITIONER, AIR OUTLETS M,Z,B,F,G .....	Fig. 24-1500
INST.PANEL AIR CONDITIONING AIR OUTLETS X,S,Y .....	Fig. 24-1600
AIR CONDITIONING CUT OFF M,Z,P,D,V,C .....	Fig. 24-1700
AIR CONDITIONING COMPRESSOR (C-171) ALL MODELS .....	Fig. 24-1800
AIR CONDITIONING COMPRESSOR MOUNTING M,Z,P,D,V,C .....	Fig. 24-1900
AIR CONDITIONING COMPRESSOR AND SUPPORTS TO ENGINE(225 ENGINE) .....	Fig. 24-2000
AIR CONDITIONING COMPRESSOR AND SUPPORTS TO ENGINE(318 ENGINE) .....	Fig. 24-2100
AIR COND. CONTROL MTG CABLE & VACUUM HOSE ROUTING M,Z,P,D,V,C,B,F,G .....	Fig. 24-2200
AIR CONDITIONING CONTROL X,S,Y .....	Fig. 24-2300
AIR CONDITIONING AND HEATER PLUMBING M,Z,P,D,V,C .....	Fig. 24-2400
AIR CONDITIONING AND HEATER PLUMBING B,F,G,X,S,Y .....	Fig. 24-2500

**ILLUSTRATION NOT AVAILABLE AT TIME OF PUBLICATION**



# HEATER M,Z Figure 24-100

2124 100

ITEM	PART NUMBER	QTY	BODY	MODEL	DESCRIPTION
1	5210 035	1		All	DUCT,Htr. Defr.
2	5210 182-3	1		All	ADAPTER,Vent
4	4205 843	1		All	CORE,Htr.
	4240 448	1		All	CORE and SEAL PKG.,Htr.
5	5210 147	1		All	COVER,Htr.Top
6	4057 933	1		All	MOTOR,Htr.Blower
7	2485 429	1		All	GASKET,Htr.Blower Mtr.Mtg.
8	5210 152	1		All	BACK PLATE,Htr.Motor
9	5210 001	1		All	WHEEL,Htr.Blower Motor
10	2837 680	1		All	CLAMP,Htr.Blower Mtr.Wheel
11	5210 136	1		All	HOUSING,Htr.
12	5210 169	1		All	DUCT,Htr.Air Handling
13	5210 168	1		All	DUCT,Knob & Door,Htr.Air Handling
14	5210 188	1		All	KNOB,Htr.Dr.Vent Cont.
15	5210 140	1		All	DOOR & SEAL,Htr.Temp..
16	5210 251	1		All	DUCT,Htr.Outlet Lt.
17	5210 040	1		All	ADAPTER,Htr.Defr.Duct.
18	6006 065	4		All	WASHER,Htr.Blower Mtr.Mtg.
19	5210 190	1		All	COVER,Htr.Rr.
20	5210 215	1		All	DOOR & SEAL,Htr.Mode
21	5210 316	1		All	CLAMP,Htr.Mode Door
22		1		All	SHAFT,Htr.Mode Door (Not Serviced)
23	5210 135	1		All	STRAP,Htr. Support
24	5210 365	1		All	RESISTOR,Htr.Blower Motor
25	5210 176	1		All	CRANK,Htr.Temp.Door
26	5210 193	1		All	DUCT,Htr.Distribution
27	5210 002-3	1		All	OUTLET,Htr. Vent w/Door
28	5210 018	4		All	CLIP,Htr. Vent Hsg. Mtg.
29	3502 905	2		All	LOUVER ASSY.,Vent Outlet

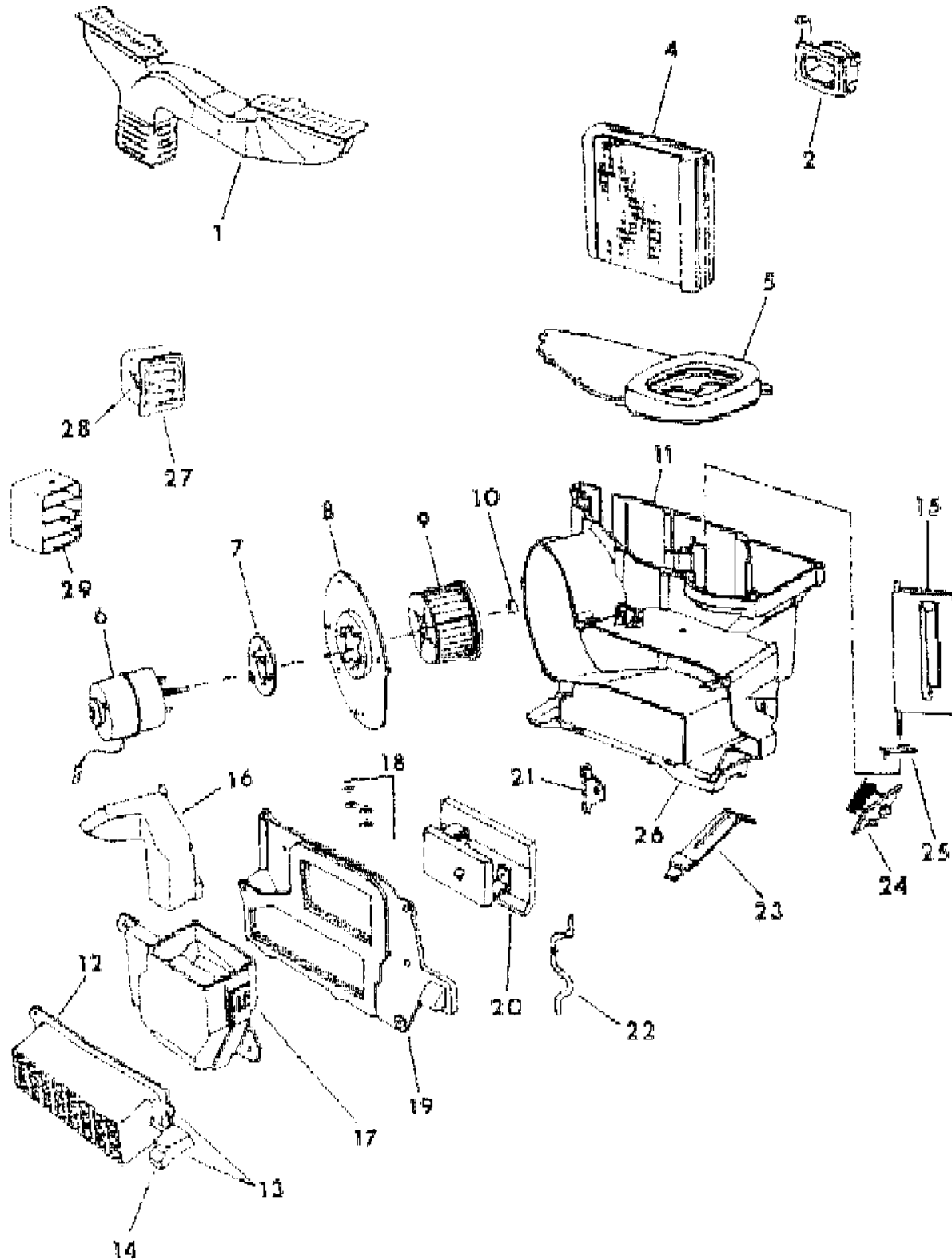
**MODEL CODES**

B = GRAN FURY/CARAVELLE	P = RELIANT
C = LEBARON/TOWN & COUNTRY	S = CORDOBA
D = ARIES	V = 400
F = NEW YORKER	X = MIRADA
G = DIPLOMAT	Y = IMPERIAL
M = HORIZON/TC3/SCAMP	Z = OMNI/O24/RAMPAGE

**BODY STYLES**

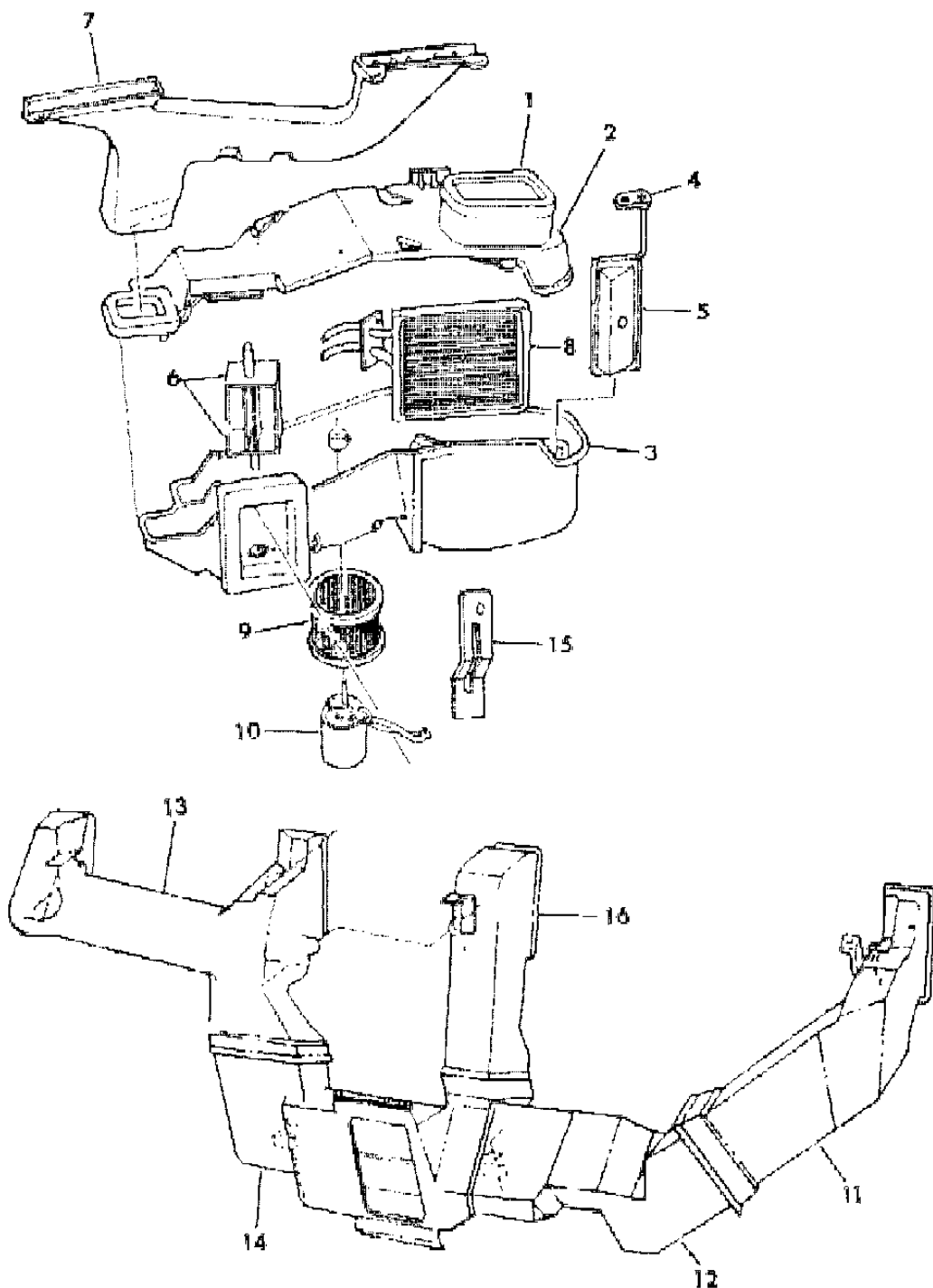
21 = 2-DOOR SEDAN	28 = FWD PICKUP
22 = 2-DOOR SPECIAL COUPE	41 = 4-DOOR SEDAN
24 = 2-DOOR HATCHBACK	44 = 4-DOOR HATCHBACK
27 = 2-DOOR CONVERTIBLE	45 = 2-SEAT STATION WAGON

AR = Use as Required - = Non Illustrated Part P.A.R. = Paint as Required



HEATER P,D,V,C  
Figure 24-200

2174 700



ITEM	PART NUMBER	QTY	BODY	MODEL	DESCRIPTION
1	3847 549	1			SEAL,Heater Cover to Plenum
2	3847 676	1			COVER,Heater Hsg.
3	3847 674	1			HOUSING,Heater
4	3847 697	1			LEVER,Mode Door Slave
5	3847 633	1			DOOR,Heater Temp.,Complete
6	3847 695	1			DOOR,Heater Mode
7	3848 009	1			DUCT,Htr. Defroster,w/Upr. Level Vent.
8	4205 838	1			CORE and SEAL,Htr.
	3848 093	1		P,D	SEAL,Htr. Core
	3847 681	1			SEAL,Htr. Core End
9	3847 687	1			WHEEL,Htr. Blower
10	4240 426	1			MOTOR,Htr. Blower,w/Upr. Level Vent,U.S.
	3847 717	1			MOTOR,Htr. Blower,w/Upr. Level Vent,Canada
11	3847 569	1			DUCT,Htr Vent,w/Upr. Level Vent.,Lt.
12	3847 574	1			DUCT,Htr Vent over Strg. Column,w/Upr. Level Vent.
13	3847 562	1			DUCT,Htr Vent Rt.
14	3847 744	1			DUCT,Htr Vent Dist.
15	3848 008	1			BRACE,Htr. Support,w/Upr. Level Vent.
16	3847 563	1			DUCT,Htr. Vent Lt. Ctr. (Canada Only)
NOTE: The Following Items Are Not Shown on Illustration an offsetting order for part no. 3747881					
	3847 989	1			PAD,Defroster Duct
	3848 014	1			SEAL,Htr. Mode Door to Cover
	2837 680	1			CLAMP,Htr. Blower Mtg. Wheel
	3847 575	2		P,D	LOUVER,Htr.Vent Outlet,w/Upr. Level Vent,(U.S. Only)
	3847 950	3		V,C	LOUVER,Htr.Vent Outlet,w/Upr. Level Vent,(U.S. Only)
	3847 575	2		P,D	LOUVER,Htr.Vent Outlet,w/Upr. Level Vent(Canada Only)
	3847 950	3		V,C	LOUVER,Htr.Vent Outlet,w/Upr. Level Vent(Canada Only)
	3847 749	1			COVER,Htr. Blower
	3847 679	1			SEAL,Htr. Hsg. to Cover Rear
	3847 718	1			RESISTOR,Htr. Blower Mtr.
	3847 301	1			LEVER w/PIN,Htr. Temp. Door

MODEL CODES

B = GRAN FURY/CARAVELLE	P = RELIANT
C = LEBARON/TOWN & COUNTRY	S = CORDOBA
D = ARIES	V = 400
F = NEW YORKER	X = MIRADA
G = DIPLOMAT	Y = IMPERIAL
M = HORIZON/TC3/SCAMP	Z = OMNI/O24/RAMPAGE

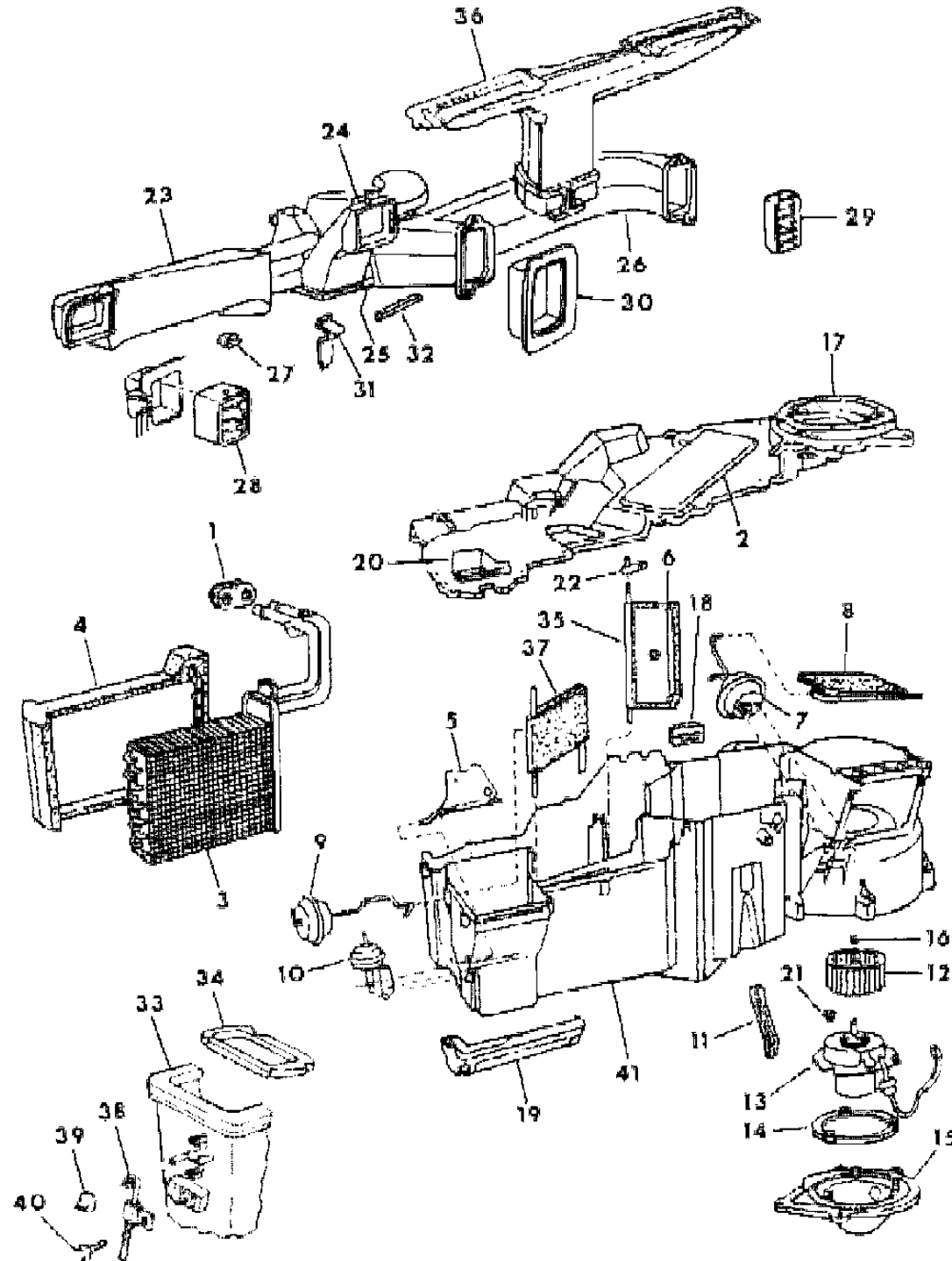
BODY STYLES

21 = 2-DOOR SEDAN	28 = FWD PICKUP
22 = 2-DOOR SPECIAL COUPE	41 = 4-DOOR SEDAN
24 = 2-DOOR HATCHBACK	44 = 4-DOOR HATCHBACK
27 = 2-DOOR CONVERTIBLE	45 = 2-SEAT STATION WAGON

AR = Use as Required - = Non Illustrated Part P.A.R. = Paint as Required

## HEATER B,G Figure 24-300

2124 300B



ITEM	PART NUMBER	QTY	BODY	MODEL	DESCRIPTION
1	3846 740	1			SEAL,Htr. to Dash (At Htr. Core Tubes)
2	3847 282	1			COVER,Htr. Hsg.
3	3847 600	1			CORE and Seal,Htr.
4	3846 773	1			SEAL,Htr. Core to Hsg.
5	3847 478	1			DOOR,Htr. Defr. Door, Complete
6	3847 945	1			DOOR,Htr. Temp., Complete
7	3847 216	1			ACTUATOR,Htr. Shut Off Door
8	3847 217	1			DOOR,Htr. Shut Off, Complete
9	3847 230	1			ACTUATOR,Htr. Mode Door, Upr.
10	3847 211	1			ACTUATOR,Htr. Defr.
11	3847 202	1			BRACE,Htr. Mtg., Lt. (to Plenum)
12	3503 037	1			WHEEL,Htr. Blower Mtr. Mtg.
13	4240 425	1			MOTOR,Htr. Blower
14	3847 476	1			SEAL,Htr. Blower Mtr. (to Scroll)
15	3847 207	1			COVER,Htr. Blower Scroll
16	2837 680	1			CLAMP,Htr. Blower Mtr. Wheel
17	3847 243	1			SEAL,Htr. Unit to Plenum
18	3847 910	1			RESISTOR,Htr. Blower Mtr.
19	3847 297	1			DUCT,Htr. Dist.
20	3503 999	1			SEAL,Htr. Cover to Defr. Duct
21	6031 694	AR			SCREW and WASHER,Htr. Blower Mtr. Mtg.
22	3847 301	1			LEVER,Htr. Temp. Control
23	3846 421	1			DUCT,Htr. Air Outlet Lt., Spot Cooler Mtg.
24	3847 401	1			DUCT,Htr. Bi-Level Air Outlet, Lt., Center
25	3847 404	1			DUCT,Htr. Air Outlet, Rt., Center
26	3846 418	1			DUCT,Htr. Air Outlet, Rt., Spot Cooler
27	0152 490	2			U-NUT
28	3502 905	2			LOUVER,Htr. Air Outlet
29	3502 934	2			LOUVER,Htr. Air Outlet
30	3846 422	2			BEZEL,Htr. Air Outlet
31	3846 412	4			CLIP,Htr. U.L.V. Air Outlet Bezel Ret.
32	3593 396	2			SEAL
33	3846 462	1			HOUSING,Vent. Lt., Complete
34	3846 465	1			SEAL,Vent Hsg., Mtg., Lt.
35	3847 225	1			DEFLECTOR,Htr. Temp Door
36	3503 863	1			DUCT,Htr. Defr.
37	3847 420	1			DOOR,Htr. Mode, Complete

**MODEL CODES**

B = GRAN FURY/CARAVELLE	P = RELIANT
C = LEBARON/TOWN & COUNTRY	S = CORDOBA
D = ARIES	V = 400
F = NEW YORKER	X = MIRADA
G = DIPLOMAT	Y = IMPERIAL
M = HORIZON/TC3/SCAMP	Z = OMNI/O24/RAMPAGE

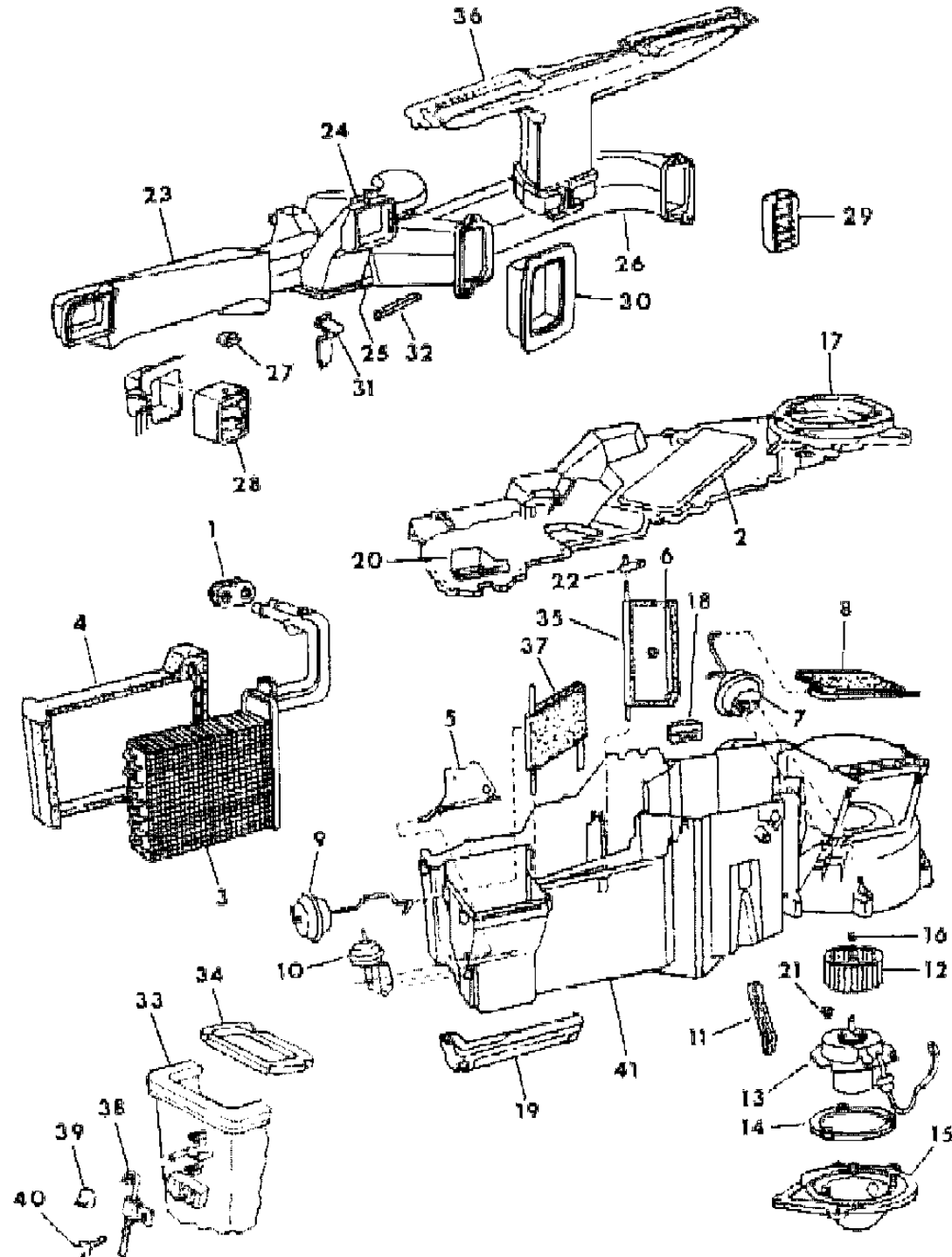
**BODY STYLES**

21 = 2-DOOR SEDAN	28 = FWD PICKUP
22 = 2-DOOR SPECIAL COUPE	41 = 4-DOOR SEDAN
24 = 2-DOOR HATCHBACK	44 = 4-DOOR HATCHBACK
27 = 2-DOOR CONVERTIBLE	45 = 2-SEAT STATION WAGON

AR = Use as Required - = Non Illustrated Part P.A.R. = Paint as Required

# HEATER B,G Figure 24-300

2124 300B



ITEM	PART NUMBER	QTY	BODY	MODEL	DESCRIPTION
38	3846 071	1			CABLE,Lt. Vent Control to Htr.
39	2076 405	1			RETAINER, Vent Hsg. Door,Lt.
40					SCREW (Not Serv.)
41	3847 519	1			HOUSING and STUD,Htr.
NOTE: The Following Items Are Not Shown On Illustration. an offsetting order for part no. 3747881					
	6015 778	1			CLIP,Htr. Vac. Harness Mtg.
	3847 205	1			SEAL,Htr. Cover to Scroll
	3773 192	1			SEAL,Htr. Blower Scroll Cover to Hsg.
	1279 332	1			BUMPER,Htr. Defr. Door
	3846 771	1			TANK,Htr. Core

**MODEL CODES**

B = GRAN FURY/CARAVELLE	P = RELIANT
C = LEBARON/TOWN & COUNTRY	S = CORDOBA
D = ARIES	V = 400
F = NEW YORKER	X = MIRADA
G = DIPLOMAT	Y = IMPERIAL
M = HORIZON/TC3/SCAMP	Z = OMNI/O24/RAMPAGE

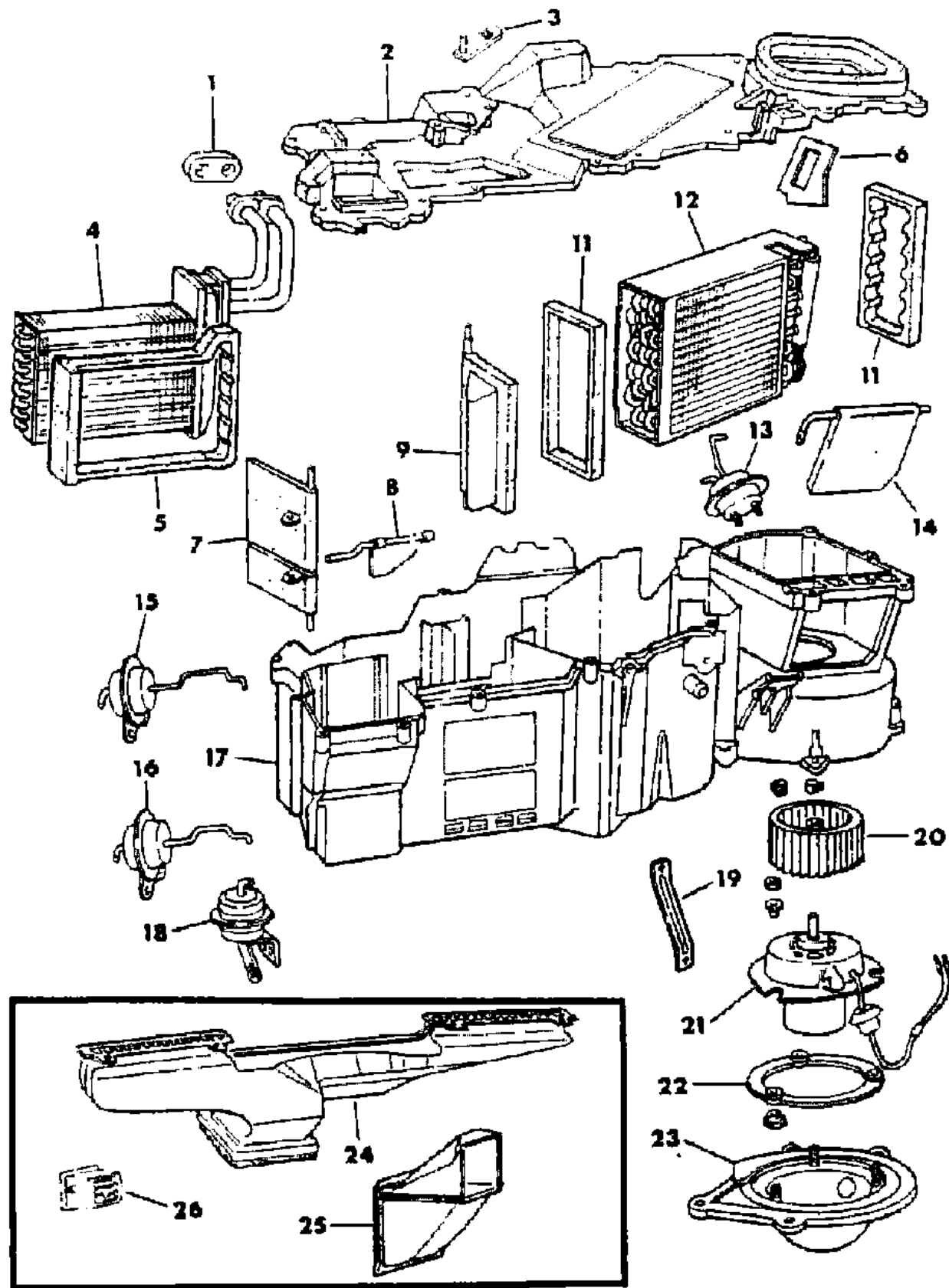
**BODY STYLES**

21 = 2-DOOR SEDAN	28 = FWD PICKUP
22 = 2-DOOR SPECIAL COUPE	41 = 4-DOOR SEDAN
24 = 2-DOOR HATCHBACK	44 = 4-DOOR HATCHBACK
27 = 2-DOOR CONVERTIBLE	45 = 2-SEAT STATION WAGON

AR = Use as Required - = Non Illustrated Part P.A.R. = Paint as Required

# HEATER X,S Figure 24-400

2124 400



ITEM	PART NUMBER	QTY	BODY	MODEL	DESCRIPTION
1	3846 740	1			SEAL,Htr. to Dash
2	3847 241	1			COVER,Htr. Evap. and RecirculatingHsg. w/o Air Cond.
3	3847 301	1			LEVER w/PIN,Htr. Temp. Door
4	3847 600	1			COREand SEAL,Htr.,w/Upr. Level Vent.
5	3846 773	1			SEAL,Htr. Core to Hsg.,w/Upr. Level Vent.
6					SEAL (See Air Cond. System Illustration)
7					DOOR and SEAL (See Air Cond. System Illustration)
8	3847 478	1			DOOR,Htr. Defroster,Complete,w/Upr. Level Vent.
9	3847 945	1			DOOR,Htr. Temp.,Complete,w/Upr. Level Vent.
11					SEAL (See Air Cond. System Illustration)
12					COIL and SEAL (See Air Cond. System Illustration)
13	3847 216	1			ACTUATOR,Htr. Shutoff Door,w/Upr. Level Vent.
14	3847 217	1			DOOR and SEAL,Htr. Shutoff,Complete,w/Upr. Level Vent.
15	3847 230	1			ACTUATOR,Htr. Mode Door Upr.,w/Upr Level Vent.
16					ACTUATOR (See Air Cond. System Illustration)
17					HOUSING and STUD (See Air Cond. System Illustration)
18	3847 211	1			ACTUATOR,Htr. Defroster,w/o Air Cond.
19	3847 202	1			BRACE,Htr. Mtg.,Lt.,to Plenum,w/Upr. Level Vent.
20	3503 037	1			WHEEL,Htr. Blower Mtr. Mtg.,w/Upr Level Vent.
21	3847 955	1			MOTOR,Htr. Blower,w/Upr. Level Vent.
	4240 425	1			MOTOR,Htr. Blower,w/o Air Cond.
22	3847 476	1			SEAL,Htr. Blower Motor to Scroll,w/Upr. Level Vent.
23	3847 207	1			COVER,Htr. Blower Scroll,w/Upr. Level Vent.
24	3848 138	1			DUCT,Htr. Defroster (Hi/Lo),w/o Air Cond.
25	3847 414	1			DUCT,Htr. Center,w/Upr. Level Vent.
26	P661 AA7	2			OUTLET,Htr. Air,w/Upr. Level Vent.,Silver (Paint as Req.)
	P661 VH9	2			Dark Auburn
	P661 TT6	2			Tan

NOTE: The Following Items Are Not Shown on Illustration an offsetting order for part no. 3747881

3847 910	1				RESISTOR,Htr. Blower Motor
3847 243	1				SEAL,Htr. Unit to plenum,w/Upr. Level Vent.
3846 771	1				TANK,Htr. Core,w/Upr. Level Vent
3773 192	1				SEAL,Htr. Blower Scroll Cover to Hsg.,w/Upr. Level Vent.
3847 420	1				DOOR,Htr. Mode,Complete,w/Upr. Level Vent.
3847 424	1				HOUSING and STUD,Htr.,w/Upr. Level Vent.
3847 297	1				DUCT,Htr. Dist.,w/Upr. Level Vent.
3847 205	1				SEAL,Htr. Cover to Scroll,w/Upr. Level Vent.

### MODEL CODES

B = GRAN FURY/CARAVELLE	P = RELIANT
C = LEBARON/TOWN & COUNTRY	S = CORDOBA
D = ARIES	V = 400
F = NEW YORKER	X = MIRADA
G = DIPLOMAT	Y = IMPERIAL
M = HORIZON/TC3/SCAMP	Z = OMNI/O24/RAMPAGE

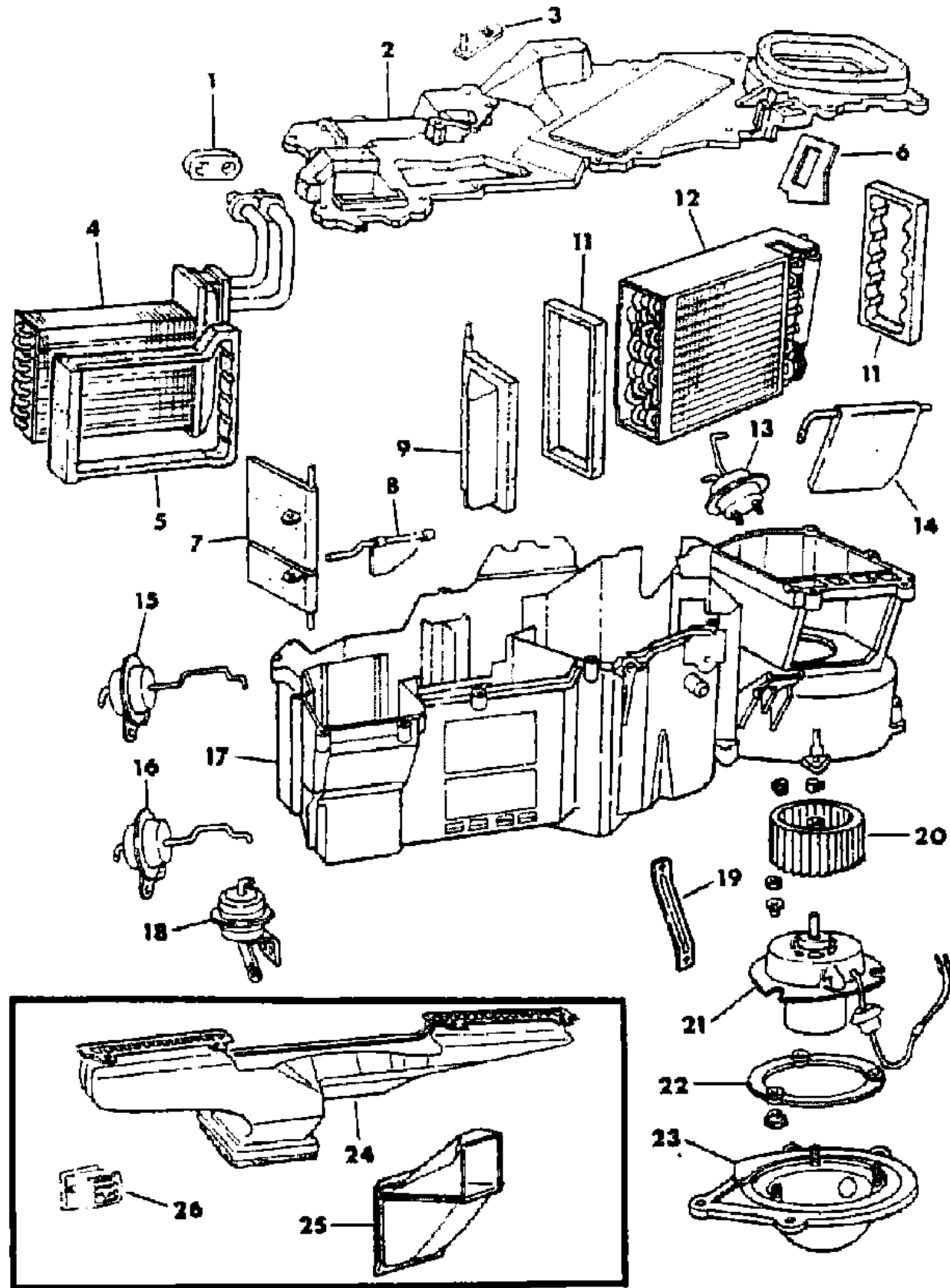
### BODY STYLES

21 = 2-DOOR SEDAN	28 = FWD PICKUP
22 = 2-DOOR SPECIAL COUPE	41 = 4-DOOR SEDAN
24 = 2-DOOR HATCHBACK	44 = 4-DOOR HATCHBACK
27 = 2-DOOR CONVERTIBLE	45 = 2-SEAT STATION WAGON

AR = Use as Required - = Non Illustrated Part P.A.R. = Paint as Required

HEATER X,S  
Figure 24-400

2124 400



ITEM	PART NUMBER	QTY	BODY	MODEL	DESCRIPTION
	2837 680	1			CLAMP,Htr. Blower Motor Wheel Mtg.
	6031 147	2			NUT,Htr. Defroster Actr. Rod Ret.
	1279 332	1			BUMPER,Htr. Defroster Door
	6031 694	3			SCREW and Wa.,Blower Motor Mtg.

MODEL CODES

B = GRAN FURY/CARAVELLE	P = RELIANT
C = LEBARON/TOWN & COUNTRY	S = CORDOBA
D = ARIES	V = 400
F = NEW YORKER	X = MIRADA
G = DIPLOMAT	Y = IMPERIAL
M = HORIZON/TC3/SCAMP	Z = OMNI/O24/RAMPAGE

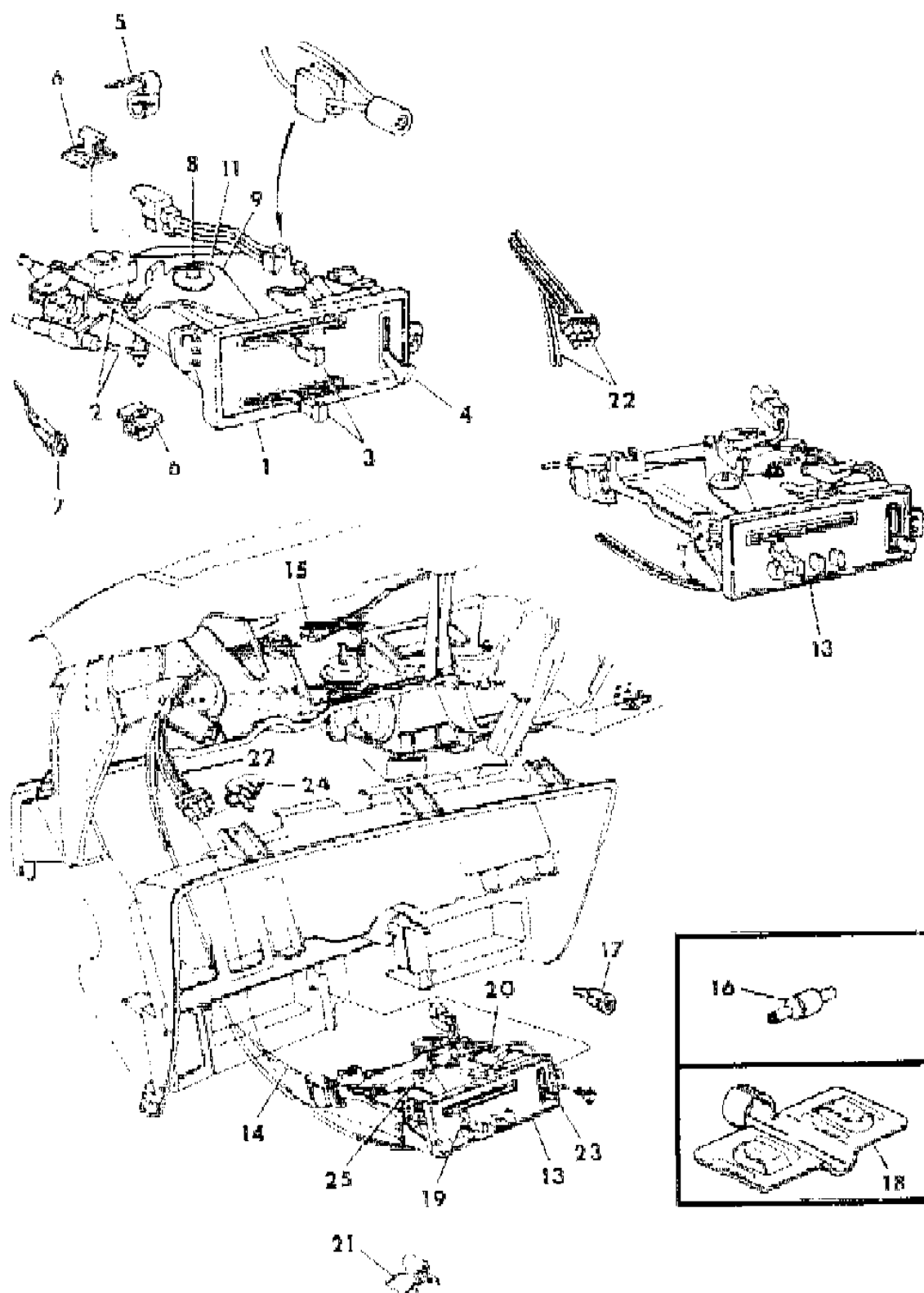
BODY STYLES

21 = 2-DOOR SEDAN	28 = FWD PICKUP
22 = 2-DOOR SPECIAL COUPE	41 = 4-DOOR SEDAN
24 = 2-DOOR HATCHBACK	44 = 4-DOOR HATCHBACK
27 = 2-DOOR CONVERTIBLE	45 = 2-SEAT STATION WAGON

AR = Use as Required - = Non Illustrated Part P.A.R. = Paint as Required

## HEATER CONTROLS M,Z,P,D,V,C,B,G,X,S Figure 24-500

2124 500



ITEM	PART NUMBER	QTY	BODY	MODEL	DESCRIPTION
1	3848 001	1		M,Z	CONTROL ASSY.,Htr.
	3848 101	1		P,D,V,C	CONTROL ASSY.,Htr.,w/Upr. Level Vent
2	5210 362	1		M,Z	CABLE,Htr. Control Mode
	3847 699	1		P,D,V,C	CABLE,Htr. Control Mode,w/Upr. Level Vent.
	3847 703	1		P,D,V,C	CABLE,Htr. Control Temp.,w/Upr. Level Vent
	5210 360	1		M,Z	CABLE,Htr. Control Temp.,w/o Upr. Level Vent.
3	3847 447	2		All	KNOB,Htr. Temp. Control and Mode
4	3847 510	1		PDVCBGX	SWITCH,Htr. Control 4 Push Button (Hi/Lo),w/Upr. Level Vent.
5	6031 132	1		All	CLIP,Htr. Control Cable
6	6029 889	2		All	NUT
7	4131 388	1		All	SOCKET,Htr. Control Lamp Cable
8	3503 326	1		MZPDVC	PIN,Htr. Control Lever Pivot
	3503 317	1		B,G,X,S	PIN,Htr. Control Lever Pivot
9	3847 014	1		MZPDVCB	LEVER,Htr. Control Temp.
	3847 015	1		MZPDVC	LEVER,Htr. Control Mode
11	2820 453	1		All	CLIP,Htr. Lever Ret.
13	3848 002	1		P,D	CONTROL BASE Assy,Htr. Bi-Level (Use 3848099 Decal)
	3848 002	1		V,C	CONTROL BASE Assy,Htr. Bi-Level (Use 3848100 Decal)
	3848 002	1		B,G,X,S	CONTROL BASE Assy,Htr. Bi-Level (Use 3847658 Decal)
14	3847 430	1		X,S	CABLE,Htr.Cont.Temp. (Hi/Lo),w/Upr. Level Vent.
15	3847 419	1		X,S	HOSE,& Conn.Htr.Vac.Harness,w/Upr. Level Vent.
16	3441 609	1		BGXS	CHECK VALVE,Htr.Vac.Hose,w/Upr. Level Vent
	3441 609	1		BGXS	CHECK VALVE,Htr. Control Vac. Hose,w/Upr. Level Vent.
17	4131 388	1		All	SOCKET & BULB PKG.,Htr.Cont.Lamp
18	6031 132	1		All	CLIP,Htr.Cont.Temp.Adj.
19	3847 447	1		All	KNOB,Htr. Control Temp. and Mode
20	3846 895	1		BGXS	SWITCH,Htr.Cont.,Vac.,w/Upr. Level Vent
21	6029 889	1		All	NUT, Htr. Cont. Temp. Cbl. Ret.
22	3847 629	1		B,G,X,S	HOSE,Htr.Cont.Vac.Ext.
23	3847 940	1		All	SWITCH,Htr. Control Blower
24				PDVCBGX	CLIP,Htr. Cont. Hi/Lo Vac. Hose Conn. Ret. (Not Serviced)
25	2820 453	1		All	Lever Ret.
	4114 417	1		X,S	LEVER,Htr. Cont. Temp.,w/Upr. Level Vent.
NOTE: The Following Items Are Not Shown on Illustration an offsetting order for part no. 3747881					
	3780 794	AR		XS	HOSE,Htr. Cont. Vac. Roll Stock
	3847 655	1		M,Z	DECAL,Htr. Control Lens (Hi/Off)
	3848 099	1		P,D	DECAL,Htr. Control Lens,Upr. Level Vent (Hi/Off)

**MODEL CODES**

B = GRAN FURY/CARAVELLE	P = RELIANT
C = LEBARON/TOWN & COUNTRY	S = CORDOBA
D = ARIES	V = 400
F = NEW YORKER	X = MIRADA
G = DIPLOMAT	Y = IMPERIAL
M = HORIZON/TC3/SCAMP	Z = OMNI/O24/RAMPAGE

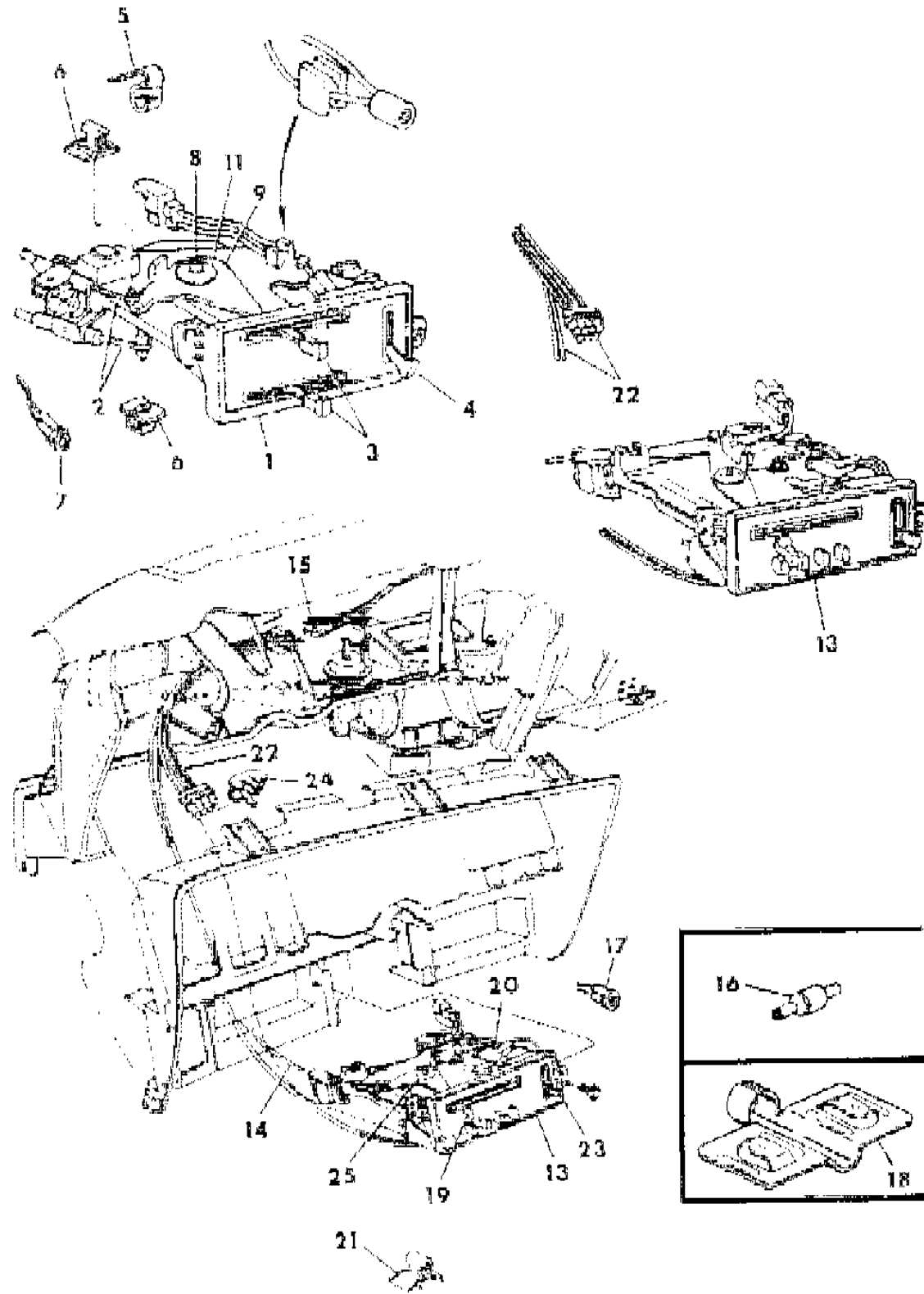
**BODY STYLES**

21 = 2-DOOR SEDAN	28 = FWD PICKUP
22 = 2-DOOR SPECIAL COUPE	41 = 4-DOOR SEDAN
24 = 2-DOOR HATCHBACK	44 = 4-DOOR HATCHBACK
27 = 2-DOOR CONVERTIBLE	45 = 2-SEAT STATION WAGON

AR = Use as Required - = Non Illustrated Part P.A.R. = Paint as Required

**HEATER CONTROLS M,Z,P,D,V,C,B,G,X,S**  
**Figure 24-500**

2124 500



ITEM	PART NUMBER	QTY	BODY	MODEL	DESCRIPTION
	3848 100	1		V,C	DECAL,Htr. Control Lens,Upr. Level Vent (Hi/Off)
	3847 658	1		B,G,X,S	DECAL,Htr. Control Lens,Upr. Level Vent (Hi/Lo)

**MODEL CODES**  
 B = GRAN FURY/CARAVELLE      P = RELIANT  
 C = LEBARON/TOWN & COUNTRY      S = CORDOBA  
 D = ARIES      V = 400  
 F = NEW YORKER      X = MIRADA  
 G = DIPLOMAT      Y = IMPERIAL  
 M = HORIZON/TC3/SCAMP      Z = OMNI/O24/RAMPAGE

**BODY STYLES**  
 21 = 2-DOOR SEDAN      28 = FWD PICKUP  
 22 = 2-DOOR SPECIAL COUPE      41 = 4-DOOR SEDAN  
 24 = 2-DOOR HATCHBACK      44 = 4-DOOR HATCHBACK  
 27 = 2-DOOR CONVERTIBLE      45 = 2-SEAT STATION WAGON

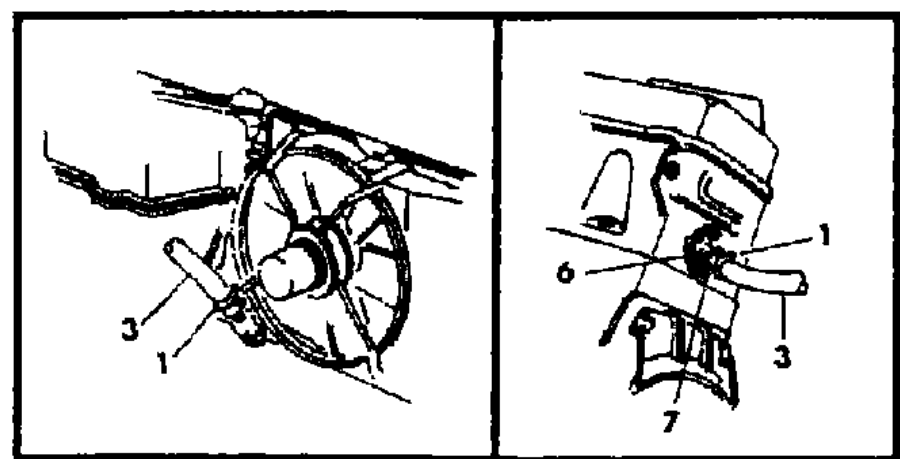
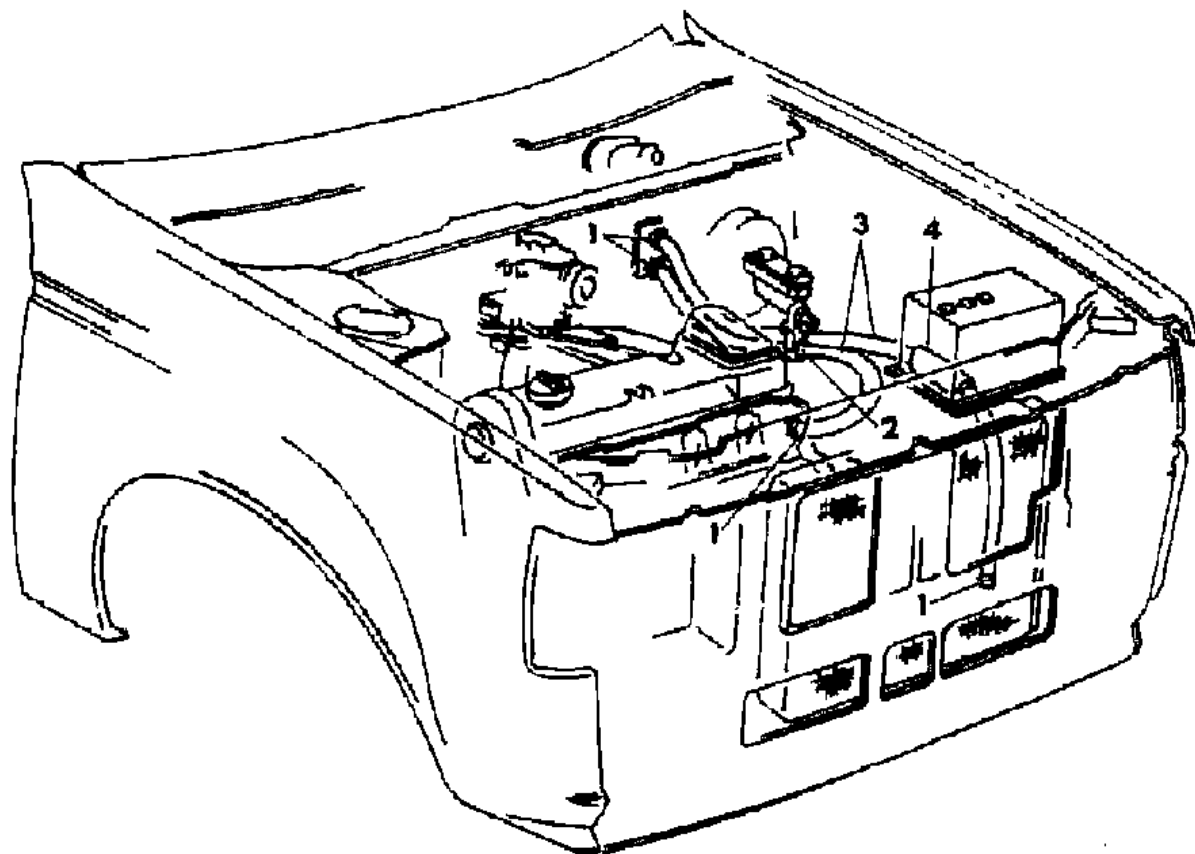
AR = Use as Required - = Non Illustrated Part P.A.R. = Paint as Required



## HEATER PLUMBING M,Z Figure 24-600

2124 600

ITEM	PART NUMBER	QTY	BODY	MODEL	DESCRIPTION
1	0111 606	AR		All	CLAMP,Htr.Hose
2		1		All	STRAP,(Not Serviced)
3	1315 466	AR		All	HOSE,Htr. Core to Radiator,5/8" I.D.
	0680 734	1		M,Z	HOSE,Htr. Eng. to Core,w/o Upr. Level Ventilation
	3847 998	1		M,Z	Use on 2.2 L Eng.
4	5210 322	1		All	SLEEVE,Htr.Hose
6	5240 363	1		All	GASKET,Water Outlet
7	5240 364	1		All	ELBOW,Water Outlet
NOTE: The Following Parts Are Not Shown on Illustration an offsetting order for part no. 3747881					
	3848 004	1		All	RESTRICTOR,Htr. Hose,Use on 2.2 L. Eng.



MODEL CODES  
 B = GRAN FURY/CARAVELLE      P = RELIANT  
 C = LEBARON/TOWN & COUNTRY    S = CORDOBA  
 D = ARIES                            V = 400  
 F = NEW YORKER                    X = MIRADA  
 G = DIPLOMAT                       Y = IMPERIAL  
 M = HORIZON/TC3/SCAMP        Z = OMNI/O24/RAMPAGE

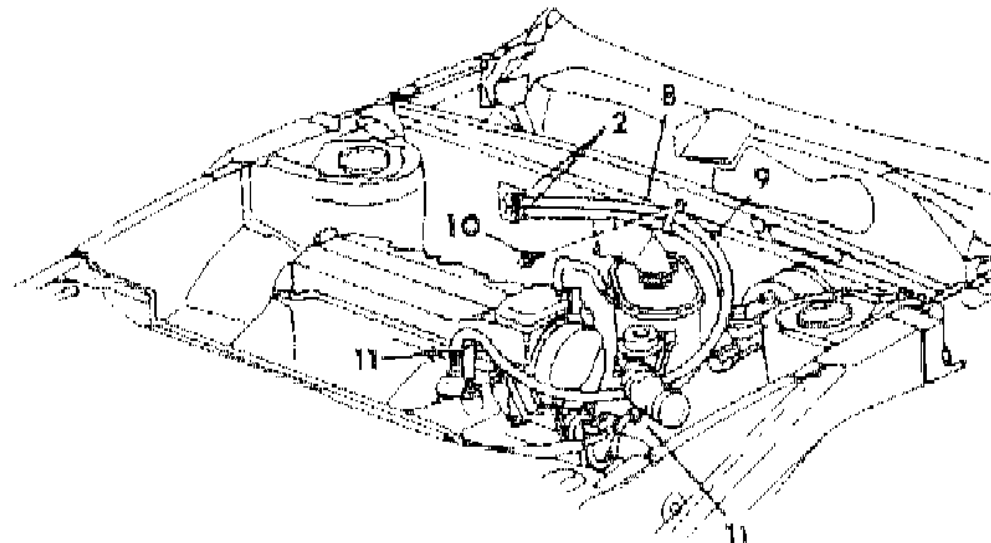
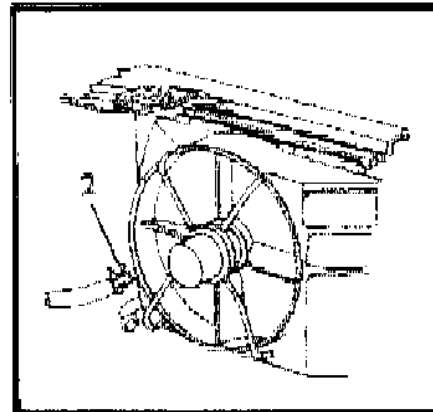
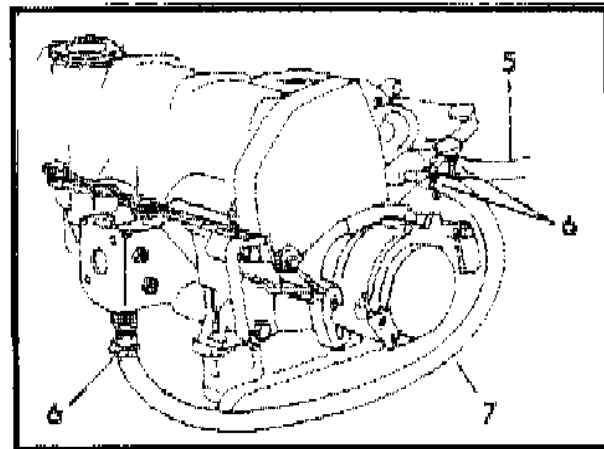
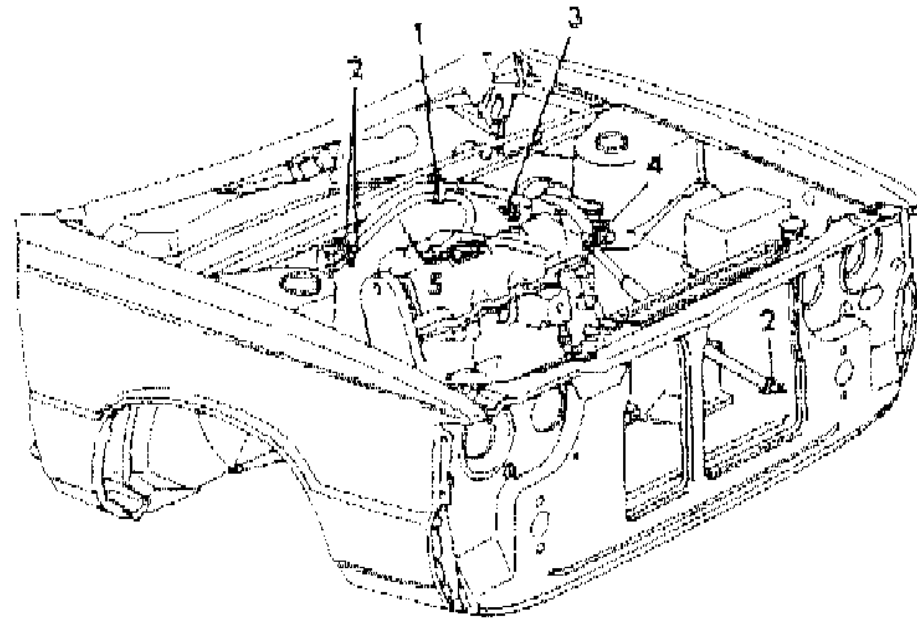
BODY STYLES  
 21 = 2-DOOR SEDAN                28 = FWD PICKUP  
 22 = 2-DOOR SPECIAL COUPE    41 = 4-DOOR SEDAN  
 24 = 2-DOOR HATCHBACK        44 = 4-DOOR HATCHBACK  
 27 = 2-DOOR CONVERTIBLE      45 = 2-SEAT STATION WAGON

AR = Use as Required - = Non Illustrated Part P.A.R. = Paint as Required

# HEATER PLUMBING P,D,V,C

## Figure 24-700

2124 700



ITEM	PART NUMBER	QTY	BODY	MODEL	DESCRIPTION
1					CLIP,Htr. Hose Mtg. (Not Serviced)
2	0870 469	3			CLAMP,Htr. Hose
3					SCREW (Not Serviced)
4					STRAP,Htr. Hose to Master Cyl. (Not Serviced)
5	3847 828	1			HOSE,Htr. Eng. to Core (2.2 L Eng.)
6	2448 770	3			CLAMP,Htr. Hose
7	4105 206	1			HOSE,Thermostat By-Pass
8	3847 836	1			HOSE,Htr. Eng. to Core (2.6 L Eng.)
9	3847 831	1			HOSE,Htr. Core to Pump (2.6 L Eng.)
10					SCREW,Htr. Hose Clip Mtg. (Not Serviced)
11	0153 640	2			CLAMP,Htr. Hose
NOTE: The Following Parts Are Not Shown on Illustration. an offsetting order for part no. 3747881					
	5210 322	1			SLEEVE,Htr. Hose (2.2 L Eng.)
	3848 004	1			RESTRICTOR,Htr. Hose,Use on 2.2 and 2.6 L. Eng.
	4222 248	1			CAP,Htr. Hose Clip Mtg. Screw,Use Up to 5-7-82
	4222 799	1			CAP,Htr. Hose Clip Mtg. Screw,Use After 5-7-82

**MODEL CODES**

B = GRAN FURY/CARAVELLE	P = RELIANT
C = LEBARON/TOWN & COUNTRY	S = CORDOBA
D = ARIES	V = 400
F = NEW YORKER	X = MIRADA
G = DIPLOMAT	Y = IMPERIAL
M = HORIZON/TC3/SCAMP	Z = OMNI/O24/RAMPAGE

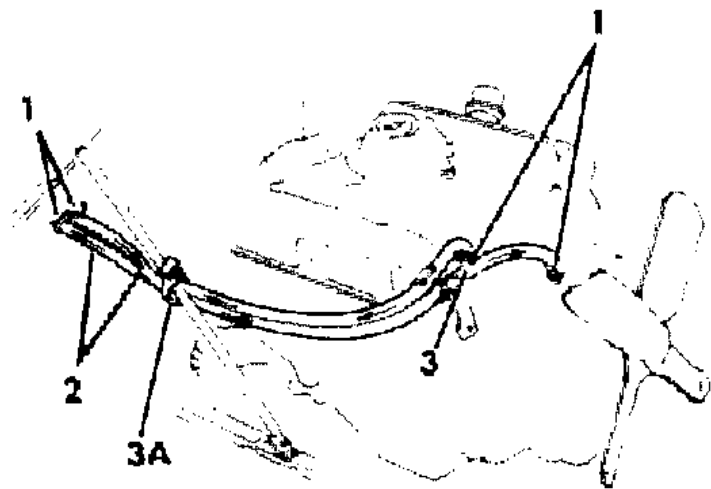
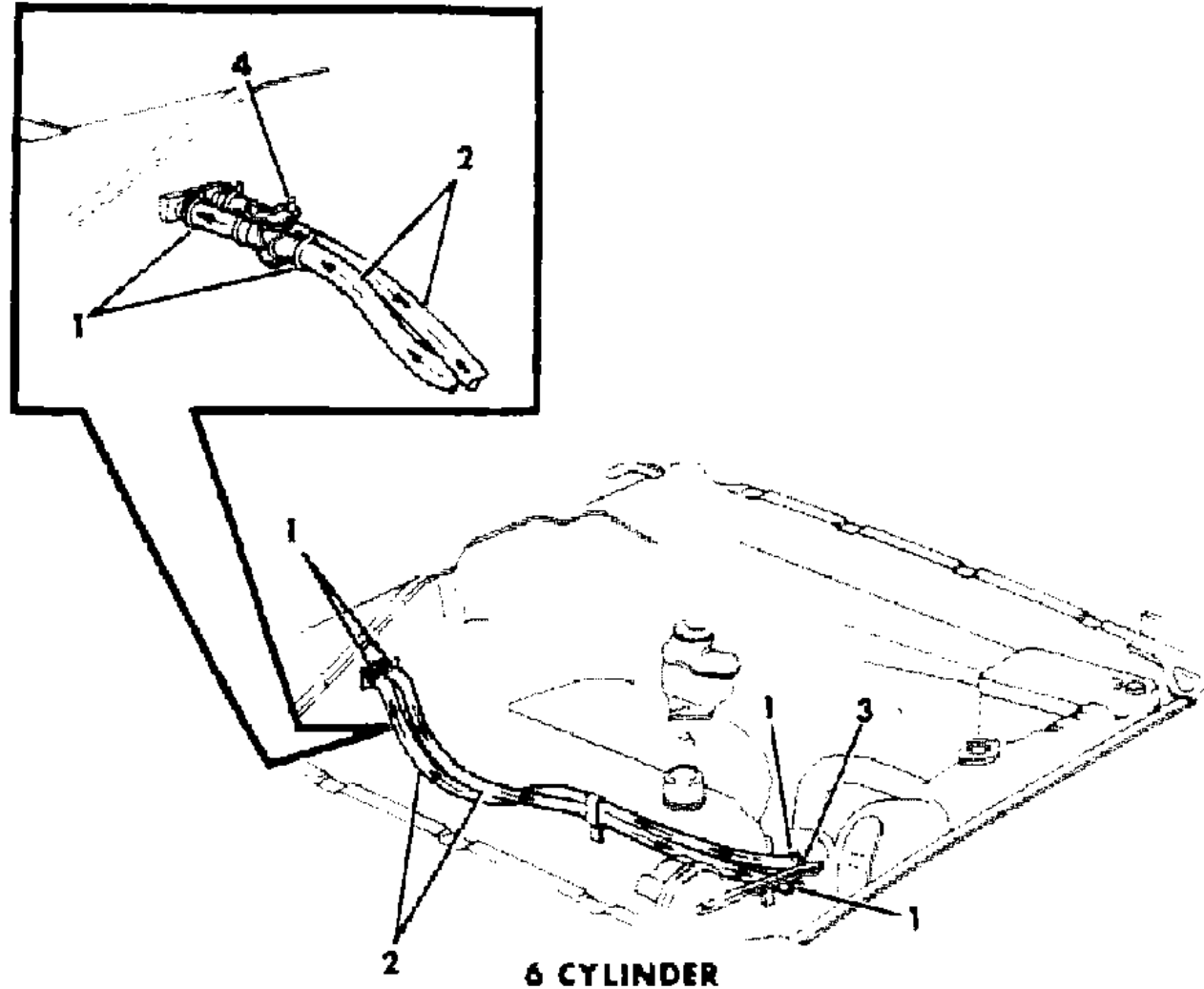
**BODY STYLES**

21 = 2-DOOR SEDAN	28 = FWD PICKUP
22 = 2-DOOR SPECIAL COUPE	41 = 4-DOOR SEDAN
24 = 2-DOOR HATCHBACK	44 = 4-DOOR HATCHBACK
27 = 2-DOOR CONVERTIBLE	45 = 2-SEAT STATION WAGON

AR = Use as Required - = Non Illustrated Part P.A.R. = Paint as Required

**HEATER PLUMBING B,G,X,S**  
**Figure 24-800**

2124 800



ITEM	PART NUMBER	QTY	BODY	MODEL	DESCRIPTION
1	0870 469	AR		All	CLAMP,Htr.Hose 15/16" I.D.
	4041 604	AR	B,G,X,S		s/Steel Screw Type
2	1315 466	AR	X,S		HOSE,Htr.,5/8" I.D. 50 Ft. Roll
3	1779 258	1	B,G,X,S		NIPPLE, Htr., Hose to Eng.,2" Lgh. 3/8 Thd.
3A		1	All		STRAP,318,360 Eng.(Not Serviced)
4	3847 475	1	B,G,X,S		VALVE,Htr. Water,w/Upr. Level Vent.

**MODEL CODES**

- |                            |                      |
|----------------------------|----------------------|
| B = GRAN FURY/CARAVELLE    | P = RELIANT          |
| C = LEBARON/TOWN & COUNTRY | S = CORDOBA          |
| D = ARIES                  | V = 400              |
| F = NEW YORKER             | X = MIRADA           |
| G = DIPLOMAT               | Y = IMPERIAL         |
| M = HORIZON/TC3/SCAMP      | Z = OMNI/O24/RAMPAGE |

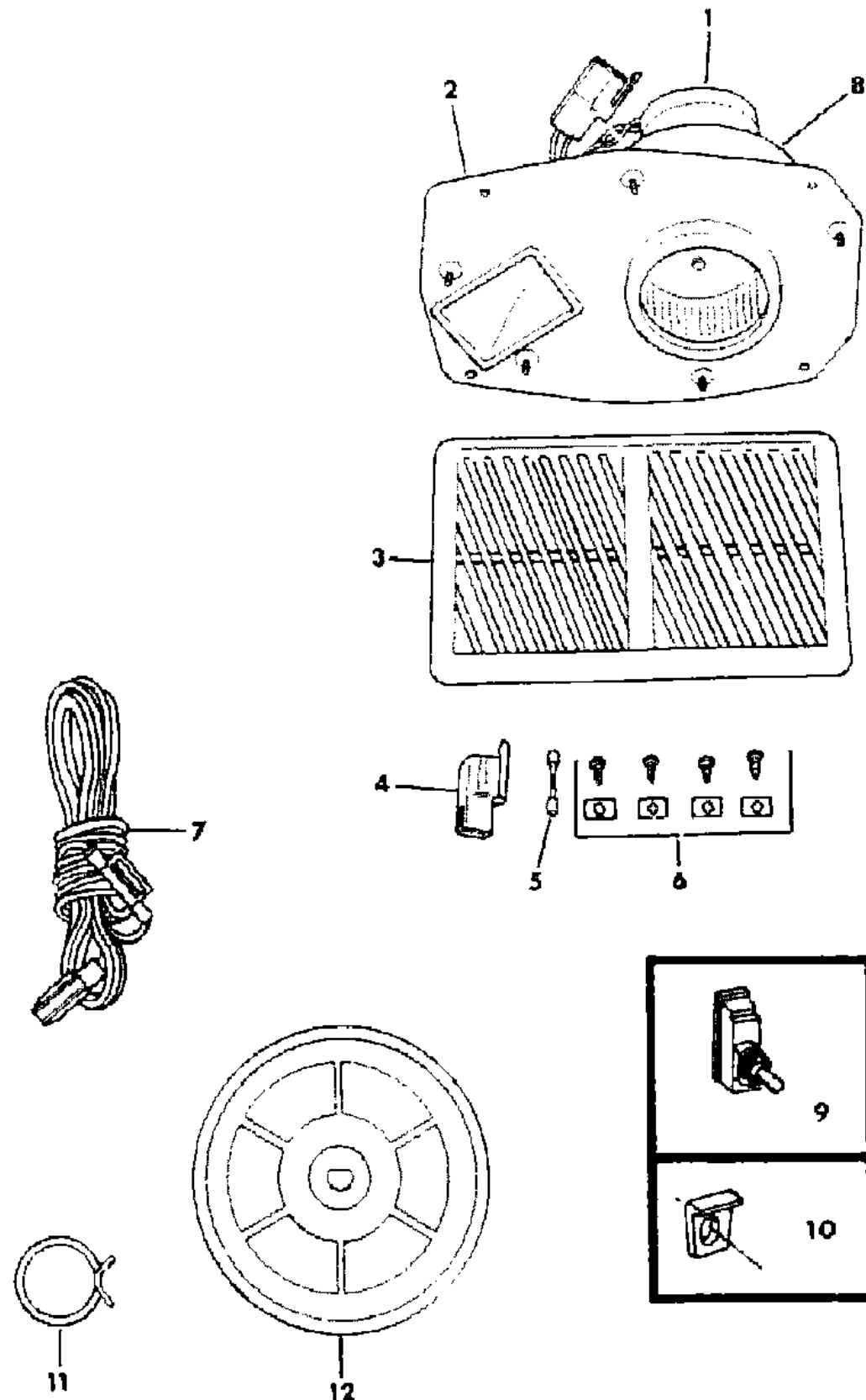
**BODY STYLES**

- |                           |                           |
|---------------------------|---------------------------|
| 21 = 2-DOOR SEDAN         | 28 = FWD PICKUP           |
| 22 = 2-DOOR SPECIAL COUPE | 41 = 4-DOOR SEDAN         |
| 24 = 2-DOOR HATCHBACK     | 44 = 4-DOOR HATCHBACK     |
| 27 = 2-DOOR CONVERTIBLE   | 45 = 2-SEAT STATION WAGON |

AR = Use as Required - = Non Illustrated Part P.A.R. = Paint as Required

**DEFOGGER PACKAGE BASIC REAR WINDOW B,F,G**  
**Figure 24-900**

2124 900



ITEM	PART NUMBER	QTY	BODY	MODEL	DESCRIPTION
	3846 278	1		41	DEFOGGER PACKAGE,BASIC
					Consist Of:
					1-H167RX9 Grille
					4-0445170 Nut
					1-----Defogger Assy
					4-----Screw
					1-----Wiring
					1-0106653 Fuse
					1-3764943 Insulator
1	4049 726	1		41	MOTOR,Defogger Blower
2	3503 664	1		41	PLATE,Defogger Blower Mtg.
3	H167 RX9	1		41	GRILLE,Defogger
4	3764 943	1		41	INSULATOR
5	0106 653	1		41	FUSE
6				41	SCREW (Not Serviced)
7				41	WIRING (Serviced in Pkg.)
8	3846 314	1		41	HOUSING,Defogger Blower
7				41	WIRING (Serviced in Pkg.)
10	3488 815	1		41	BEZEL,Rear Window Defogger Switch
11	3502 734	1		41	CLAMP,Rear Window Defogger Blower Wheel Mtg.
12	3780 829	1		41	WHEEL PKG.,Rear Window Defogger Blower

**MODEL CODES**

B = GRAN FURY/CARAVELLE	P = RELIANT
C = LEBARON/TOWN & COUNTRY	S = CORDOBA
D = ARIES	V = 400
F = NEW YORKER	X = MIRADA
G = DIPLOMAT	Y = IMPERIAL
M = HORIZON/TC3/SCAMP	Z = OMNI/O24/RAMPAGE

**BODY STYLES**

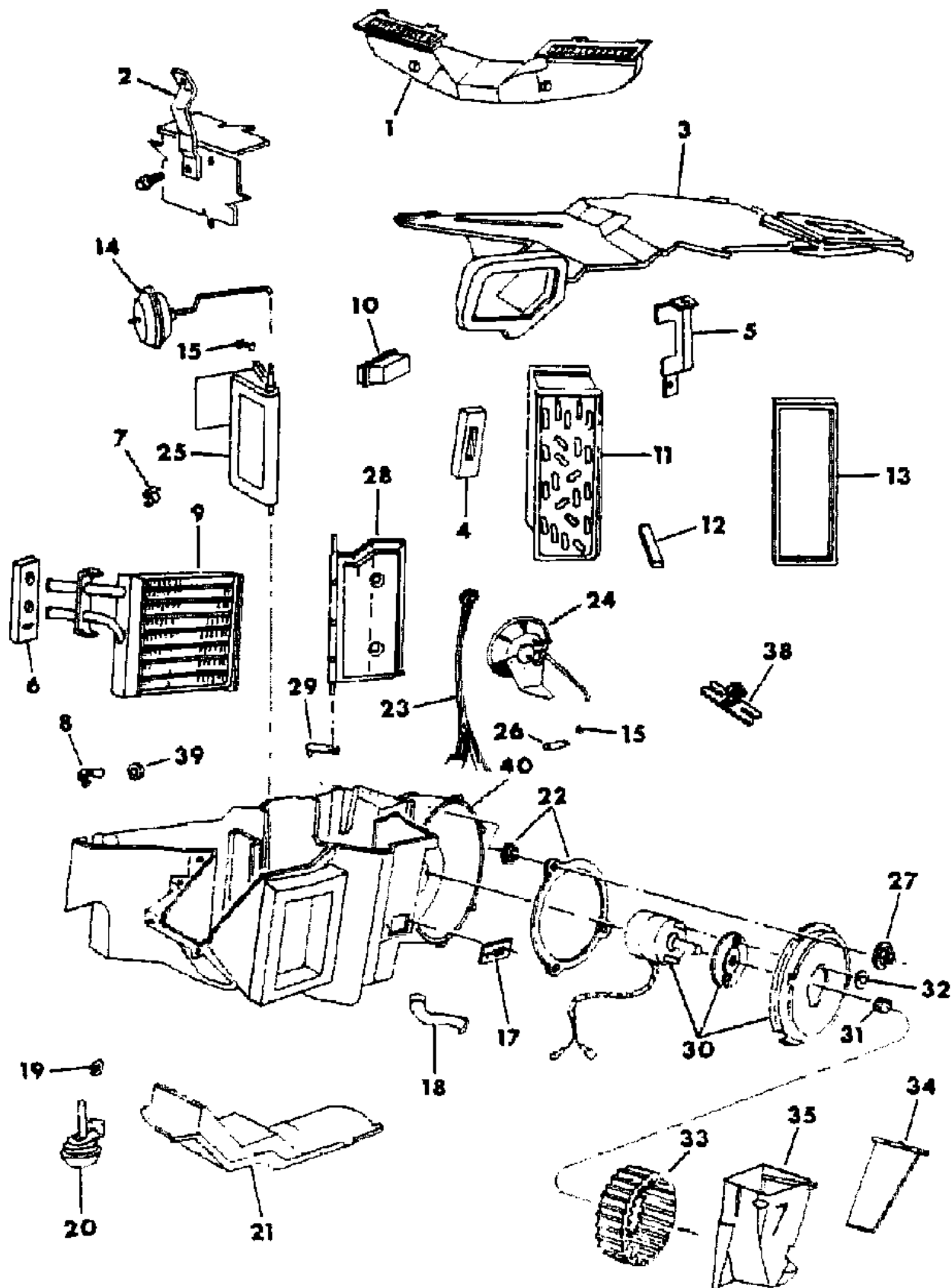
21 = 2-DOOR SEDAN	28 = FWD PICKUP
22 = 2-DOOR SPECIAL COUPE	41 = 4-DOOR SEDAN
24 = 2-DOOR HATCHBACK	44 = 4-DOOR HATCHBACK
27 = 2-DOOR CONVERTIBLE	45 = 2-SEAT STATION WAGON

AR = Use as Required - = Non Illustrated Part P.A.R. = Paint as Required

AIR CONDITIONING SYSTEM M,Z

Figure 24-1000

Z124 1000



ITEM	PART NUMBER	QTY	BODY	MODEL	DESCRIPTION
1	5210 282	1	All		DUCT & ADAPTER, A/C Defroster
2	5210 051	1	All		BRACE, A/C Unit Mtg. To Plenum
3	5210 428	1	All		COVER, A/C Evap. & Recirc. Hsg.
4	5210 228	1	All		SEAL, A/C Unit To Dash At Coil Header
6	5210 109	1	All		SEAL, A/C Unit To Dash At Core Tubes
7	2521 336	2	All		CLIP, A/C Evap. Hsg. Cover Mtg.
8	3503 133	1	All		TUBE, A/C Unit Drain
9	3847 943	1	All		CORE, A/C Heater
	3848 093	1	All		SEAL, A/C Heater Core To Housing
10	5209 940	1	All		RELAY & BRKT., A/C Anti Dieseling
11	5210 072	1	All		COIL, A/C Evaporator
12	5210 073	1	All		SEAL, A/C Evap. Coil To Hsg. Bottom
13	3847 116	1	All		SEAL, A/C Evap. Coil Header End
14	5210 111	1	All		ACTUATOR, A/C Recirc. & Fresh Air Door
15	6008 145	1	All		CLIP, A/C Act. Shaft Ret. Fresh Air Door
17	3847 919	1	All		RESISTOR, A/C Blower Motor
18	5210 066	1	All		TUBE, A/C Blower Mtr. Cooling
19	6006 406	1	All		RETAINER, A/C Defr. Dr. Vac. Actuator
20	5210 068	1	All		ACTUATOR, A/C Htr. Defr.
21	5210 055	1	All		DUCT, A/C Htr. Distr.
22	3847 476	1	All		SEAL, A/C Blower Mtr. to Scroll
23	5210 227	1	All		HOSE & CONN., A/C Vacuum
	3780 508	1	All		HOSE, A/C Vacuum (Serv. In Roll)
24	5210 110	1	All		ACTUATOR, A/C Mode Door
25	5210 099	1	All		DOOR & SEAL, A/C Mode
26	5210 112	1	All		LEVER, A/C Mode Door
27	6006 065	6	All		WASHER, A/C Mtr. Mtg.
28	5210 094	1	All		DOOR, A/C Blend Air
29	5210 113	1	All		LEVER, A/C Blend Air Door
30	4240 426	1	All		MOTOR, A/C Blower
31	2837 680	1	All		CLAMP, A/C Blower Wheel Mtr. Mtg.
32	6500 376	1	All		NUT, A/C Blwr. Motor U-Type
33	5210 234	1	All		WHEEL, A/C Blower Motor
34	5210 056	1	All		DOOR & SEAL, A/C Recirc & Fresh Air
35	5210 070	1	All		HOUSING, A/C Recirc.
38	6015 778	2	All		CLIP, A/C Vac. Hose Retaining
39	6028 944	1	All		RETAINER, A/C Drain Tube

MODEL CODES

B = GRAN FURY/CARAVELLE	P = RELIANT
C = LEBARON/TOWN & COUNTRY	S = CORDOBA
D = ARIES	V = 400
F = NEW YORKER	X = MIRADA
G = DIPLOMAT	Y = IMPERIAL
M = HORIZON/TC3/SCAMP	Z = OMNI/O24/RAMPAGE

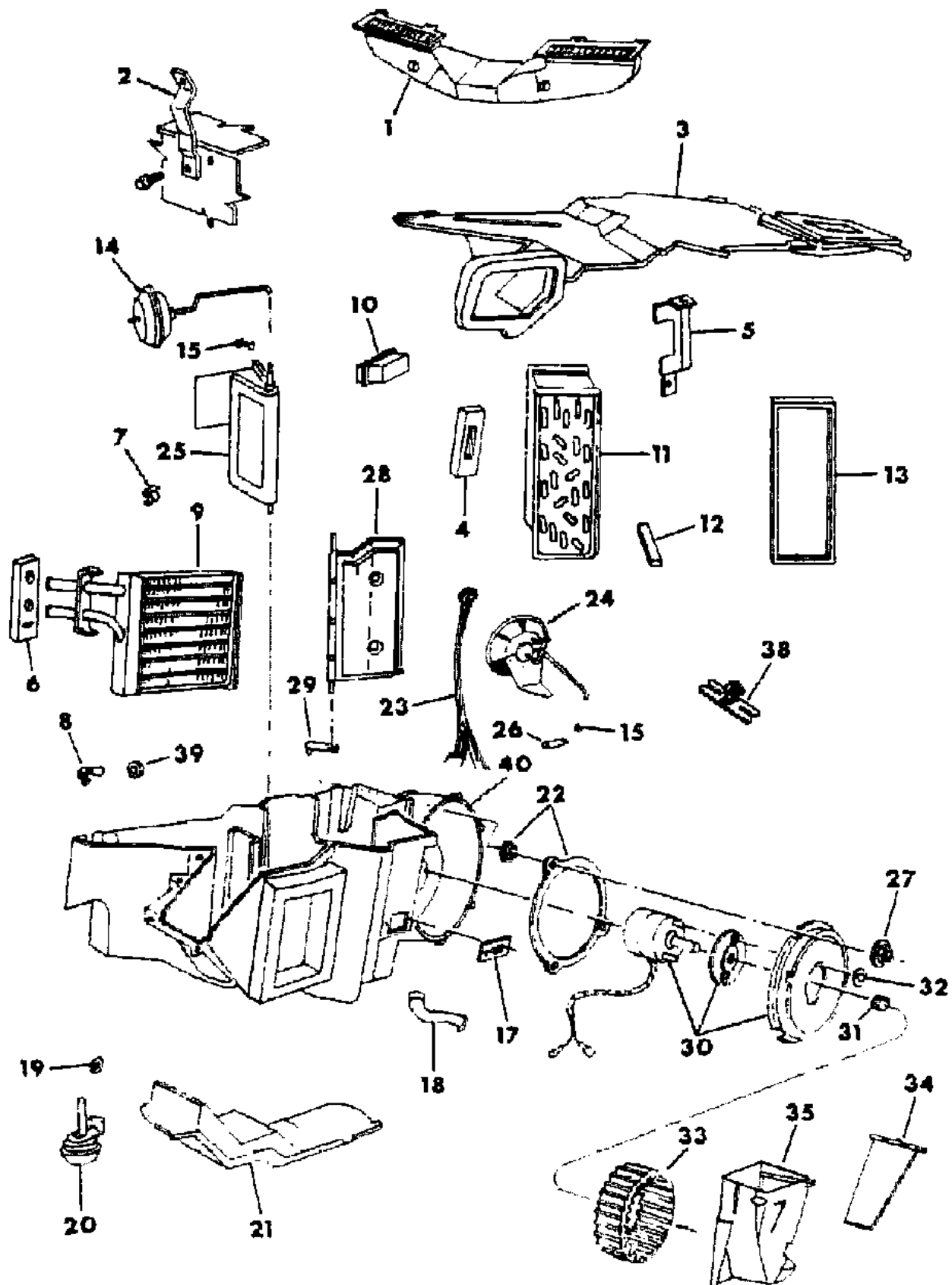
BODY STYLES

21 = 2-DOOR SEDAN	28 = FWD PICKUP
22 = 2-DOOR SPECIAL COUPE	41 = 4-DOOR SEDAN
24 = 2-DOOR HATCHBACK	44 = 4-DOOR HATCHBACK
27 = 2-DOOR CONVERTIBLE	45 = 2-SEAT STATION WAGON

AR = Use as Required - = Non Illustrated Part P.A.R. = Paint as Required

**AIR CONDITIONING SYSTEM M,Z**  
**Figure 24-1000**

Z124 1000



ITEM	PART NUMBER	QTY	BODY	MODEL	DESCRIPTION
40	3847 607	1		All	HOUSING w/STUD,A/C Evap. and Scroll
NOTE: The Following Items Are Not Shown On Illustration. an offsetting order for part no. 3747881					
	5210 065	1		All	SEAL, A/C Unit To Plenum F/Air Inlet
	6031 694	3		All	SCREW & WA., A/C Blwr. Motor Mtg.
	3847 681	1		All	SEAL,A/C Htr. Core End

MODEL CODES  
 B = GRAN FURY/CARAVELLE      P = RELIANT  
 C = LEBARON/TOWN & COUNTRY      S = CORDOBA  
 D = ARIES      V = 400  
 F = NEW YORKER      X = MIRADA  
 G = DIPLOMAT      Y = IMPERIAL  
 M = HORIZON/TC3/SCAMP      Z = OMNI/O24/RAMPAGE

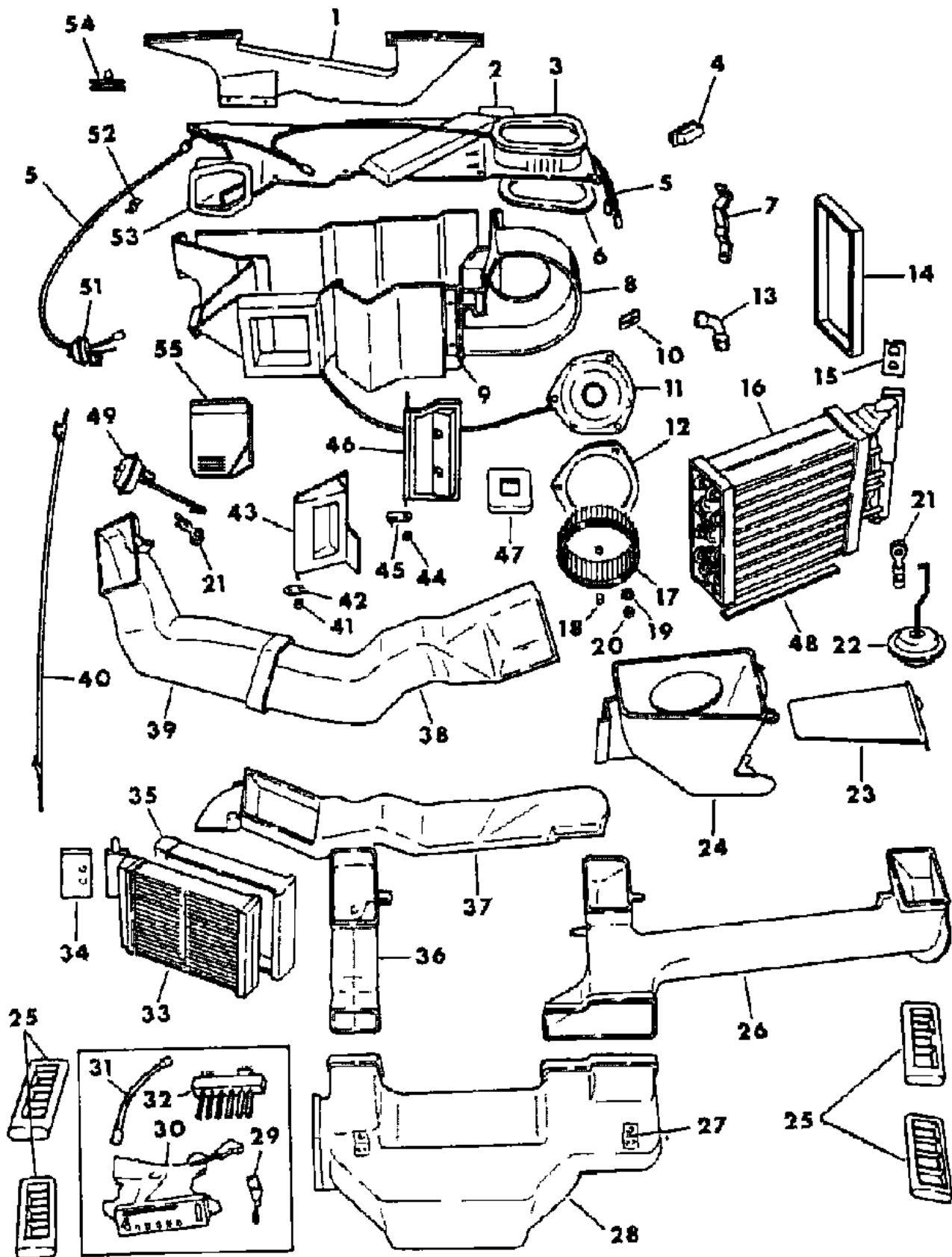
BODY STYLES  
 21 = 2-DOOR SEDAN      28 = FWD PICKUP  
 22 = 2-DOOR SPECIAL COUPE      41 = 4-DOOR SEDAN  
 24 = 2-DOOR HATCHBACK      44 = 4-DOOR HATCHBACK  
 27 = 2-DOOR CONVERTIBLE      45 = 2-SEAT STATION WAGON

AR = Use as Required - = Non Illustrated Part P.A.R. = Paint as Required

AIR CONDITIONING SYSTEM P,D,V,C

Figure 24-1100

2124 1100A



ITEM	PART NUMBER	QTY	BODY	MODEL	DESCRIPTION
1	3848 011	1	All		DUCT & ADAPTER, A/C Defroster
2	3847 603	1	All		COVER, A/C Evap. & Recirc. Hsg.
3	3847 605	1	All		SEAL, A/C Unit To Plenum
4	3747 939	1	All		RELAY & BRKT., A/C Anti Dieseling w/2.2L Eng.
5	3847 752	1	All		HOSE & CONN., A/C Vacuum
6	3847 722	1	All		SEAL, A/C Recirc. Hsg., Cover To Hsg
	3847 720	1	All		SEAL, A/C Evap. Hsg., Cover To Hsg
7	5210 051	1	All		BRACE, A/C Unit Mtg., To Plenum
8	3847 607	1	All		HOUSING w/STUDS, A/C Evap. & Scroll
9	3848 008	1	All		BRACE, A/C Unit Mtg., To Plenum Support
10	3847 919	1	All		RESISTOR, A/C Blower Motor
11	4240 426	1	All		MOTOR, A/C Blower
12	3847 476	1	All		SEAL, A/C Blower Motor Mtg. to Scroll
13	5210 066	1	All		TUBE, A/C Blower Motor Cooling
14	3847 116	1	All		SEAL, A/C Evap. Coil Header End
15	3846 836	1	All		GASKET, A/C Evap. Valve Mtg.
16	3847 612	1	All		COIL, A/C Evaporator
17	5210 234	1	All		WHEEL, A/C Blower Motor
18	2837 680	1	All		CLAMP, A/C Blower Wheel Mtr. Mtg.
19	6500 376	1	All		NUT, A/C Blower Mtr. U-Type
20	6031 694	3	All		SCREW w/WA., A/C Blower Mtr. Mtg.
21	6008 145	2	All		CLIP, Act. Shaft Mode & F/Air Door Ret.
22	5210 111	1	All		ACTUATOR, A/C Recirc. & Fresh Air Door
23	5210 056	1	All		DOOR w/SEAL, A/C Recirc. & Fresh Air
24	5210 070	1	All		HOUSING, A/C Recirc. Blower Wheel
25	3847 575	AR	P		LOUVER, A/C Air Outlet
	3847 950	AR	V,C		LOUVER, A/C Air Outlet
26	3847 562	1	All		DUCT, A/C Air Outlet, Rt.
27	0152 490	2	All		CLIP, Ctr. Air Distr. Duct To Inst. Panel
28	3847 554	1	All		DUCT, A/C Air Outlet Distribution
29	3847 940	1	All		SWITCH, A/C Blower Control
30		1	All		CONTROL, A/C & Htr. Temp. (Refer To 24-2200)
31	3847 622	1	All		HOSE & CONN., A/C Vacuum, Extension
32	3847 512	1	All		SWITCH, A/C Control Vacuum 6 P/Button
33	3847 943	1	All		CORE, A/C Heater
34	5210 109	1	All		SEAL, A/C Unit To Dash At Core Tubes
35	3848 093	1	All		SEAL, A/C Htr. Core To Hsg.

MODEL CODES

B = GRAN FURY/CARAVELLE	P = RELIANT
C = LEBARON/TOWN & COUNTRY	S = CORDOBA
D = ARIES	V = 400
F = NEW YORKER	X = MIRADA
G = DIPLOMAT	Y = IMPERIAL
M = HORIZON/TC3/SCAMP	Z = OMNI/O24/RAMPAGE

BODY STYLES

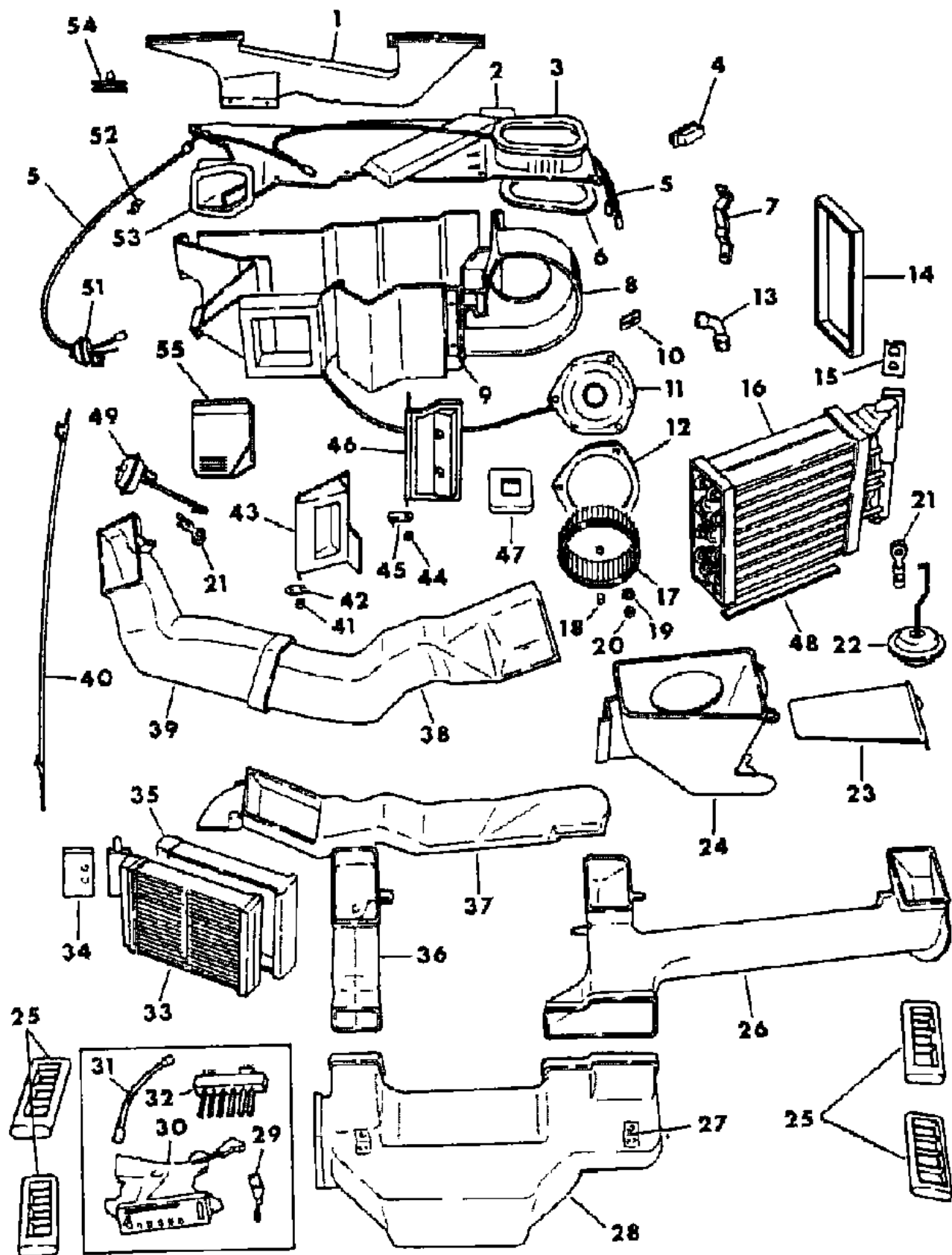
21 = 2-DOOR SEDAN	28 = FWD PICKUP
22 = 2-DOOR SPECIAL COUPE	41 = 4-DOOR SEDAN
24 = 2-DOOR HATCHBACK	44 = 4-DOOR HATCHBACK
27 = 2-DOOR CONVERTIBLE	45 = 2-SEAT STATION WAGON

AR = Use as Required - = Non Illustrated Part P.A.R. = Paint as Required

AIR CONDITIONING SYSTEM P,D,V,C

Figure 24-1100

2124 1100A



ITEM	PART NUMBER	QTY	BODY	MODEL	DESCRIPTION
36	3847 563	1	All		DUCT, A/C Air Outlet, Left Ctr.
37	5210 055	1	All		DUCT, A/C Htr. Distribution
38	3847 574	1	All		DUCT, A/C Air Outlet Over Strg. Column
39	3847 569	1	All		DUCT, A/C Air Outlet, Left
40	3847 628	1	All		CABLE, A/C Temp. Control
	6031 132	1	All		CLIP, A/C Temp. Control Cable Adj.
41	0120 375	1	All		NUT, Door Shaft Lever
42	5210 112	1	All		LEVER, Mode Door Shaft
43	5210 099	1	All		DOOR w/SEAL, A/C Mode
44	0120 375	1	All		NUT, Door Shaft Lever
45	5210 113	1	All		LEVER, A/C Blend Air Door
46	5210 094	1	All		DOOR, A/C Blend Air
47	3847 602	1	All		SEAL, A/C Unit To Dash, At Coil Header
48	5210 073	1	All		SEAL, A/C Evap. Coil, To Hsg. Bottom
49	5210 110	1	All		ACTUATOR, A/C Mode Door
51	5210 068	1	All		ACTUATOR, A/C Htr. & Defroster Door
52	2521 336	2	All		CLIP, A/C EVAP. Hsg. Cover Mtg.
53	3847 606	1	All		SEAL, A/C Unit To Defr. Duct
54	6015 778	2	All		CLIP, A/C Vac. Hose Retaining
55					ADAPTER, A/C Defr. Duct (Serv. in Item 1)
NOTE: The Following Items Are Not Shown on Illustration. an offsetting order for part no. 3747881					
	3503 133	1	All		TUBE, A/C Unit Drain
	6028 944	1	All		RETAINER, A/C Drain Tube
	3847 681	1	All		SEAL, A/C Htr. Core End

MODEL CODES

B = GRAN FURY/CARAVELLE	P = RELIANT
C = LEBARON/TOWN & COUNTRY	S = CORDOBA
D = ARIES	V = 400
F = NEW YORKER	X = MIRADA
G = DIPLOMAT	Y = IMPERIAL
M = HORIZON/TC3/SCAMP	Z = OMNI/O24/RAMPAGE

BODY STYLES

21 = 2-DOOR SEDAN	28 = FWD PICKUP
22 = 2-DOOR SPECIAL COUPE	41 = 4-DOOR SEDAN
24 = 2-DOOR HATCHBACK	44 = 4-DOOR HATCHBACK
27 = 2-DOOR CONVERTIBLE	45 = 2-SEAT STATION WAGON

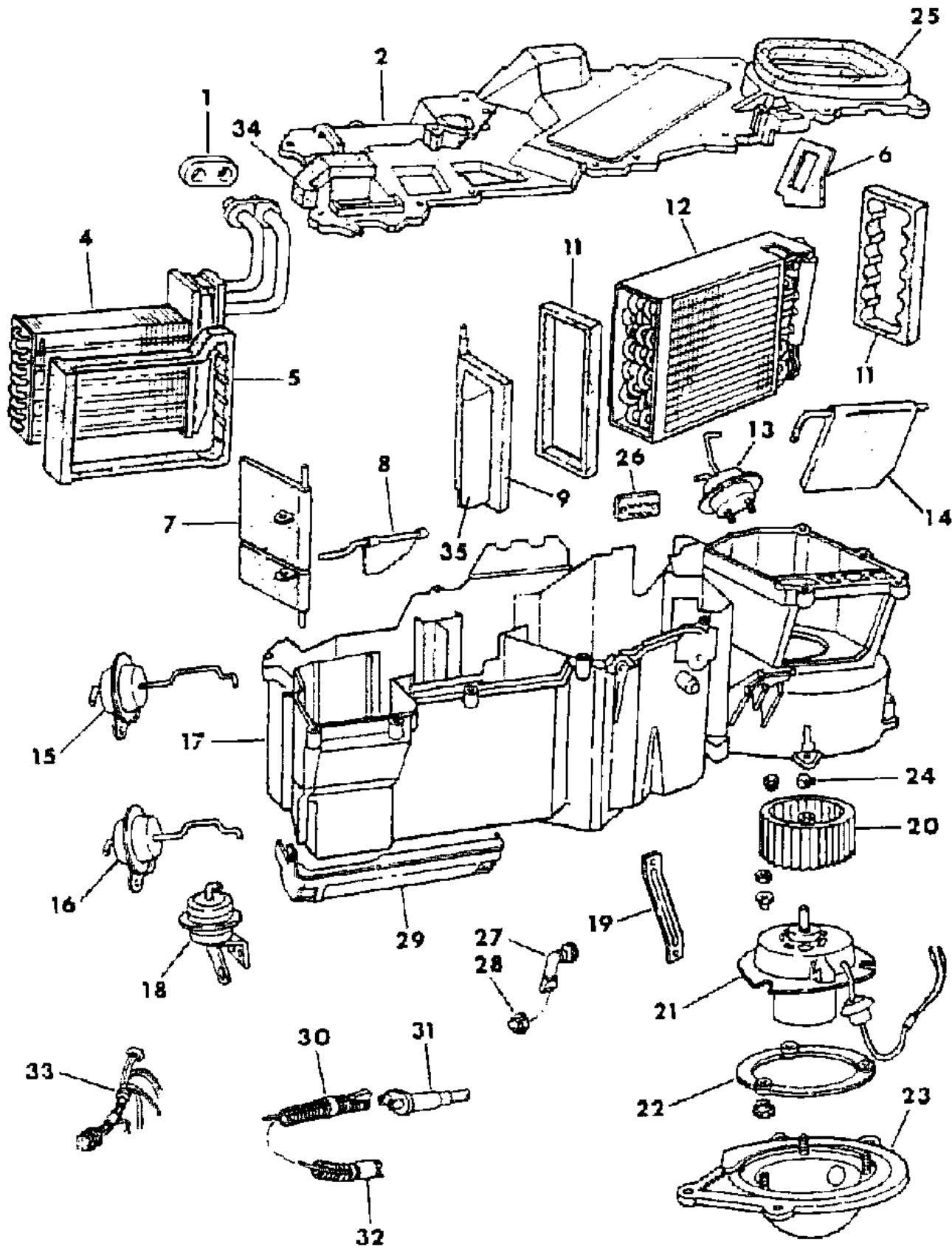
AR = Use as Required - = Non Illustrated Part P.A.R. = Paint as Required



# AIR CONDITIONING SYSTEM B,F,G

## Figure 24-1200

2124 1200A



ITEM	PART NUMBER	QTY	BODY	MODEL	DESCRIPTION
1	3846 740	1	All		SEAL, A/C Htr. Tubes To Dash
2	3847 282	1	All		COVER ASSY, A/C Hsg.
4	3847 600	1	All		CORE & SEAL ASSY., A/C Heater
5	3846 773	1	All		SEAL, A/C Core To Hsg. Mtg.
6	3847 304	1	All		SEAL, A/C Unit To Dash At Coil
7	3847 231	1	All		DOOR & SEAL, A/C Mode, Completed
8	3847 478	1	All		DOOR, A/C Defr. Comp.
9	3847 945	1	All		DOOR & SEAL, A/C Blend Air, Completed
11	3847 116	1	All		SEAL, A/C Evap. Coil Heater End
12	3847 256	1	All		COIL & SEAL, A/C Evap. Complete
13	3847 216	1	All		ACTUATOR, A/C Fresh Air Door
14	3847 217	1	All		DOOR & SEAL, A/C Fresh Air
15	3847 230	1	All		ACTUATOR, A/C Mode Door, Upper
16	3847 229	1	All		ACTUATOR, A/C Mode Door, Lower
17	3847 278	1	All		HOUSING & STUD, A/C Evap., Manual,w/A.T.C
18	3847 211	1	All		ACTUATOR, A/C Defr. Door
19	3847 202	1	All		BRACE, A/C Unit To Plenum Mtg.
20	3503 037	1	All		WHEEL, A/C Blower Motor
21	4240 425	1	All		MOTOR, A/C Blower
22	3847 476	1	All		SEAL, A/C Blower Mtr.Mtg. Scroll
23	3847 207	1	All		COVER & STUD, A/C Blower Scroll
24	2837 680	1	All		CLAMP, A/C Blower Mtr. Wheel Mtr. Mtg.
25	3847 243	1	All		SEAL, A/C Unit To Plenum
26	3847 910	1	All		RESISTOR, A/C Blower Mtr.
27	3503 133	1	All		TUBE, A/C Drain
28	6031 886	1	All		RETAINER, A/C Drain Tube
29	3847 297	1	All		DUCT, A/C Heat Dist.
30	3847 294	1	All		HOSE, A/C Sensor To Aspirator w/A.T.C.
31	3847 766	1	All		ASPIRATOR ASSY., A/C w/A.T.C.
32	3847 291	1	All		SENSOR ASSY, w/A.T.C.
33	3847 627	1	All		HOSE & CONNECTOR, A/C Vacuum
34	3503 999	1	All		SEAL, A/C Cover To Defr. Duct
35	3847 225	1	All		DEFLECTOR,A/C Blend Air Door

NOTE: The Following Items Are Not Shown on Illustration. an offsetting order for part no. 3747881

6015 778	1	All		CLIP, A/C Vac Hose Retaining
4005 185	1	All		HOSE, A/C Aspirator To Evap. Hsg. w/A.T.C.
3847 589	1	All		SENSOR, Ambient w/A.T.C.

**MODEL CODES**

B = GRAN FURY/CARAVELLE	P = RELIANT
C = LEBARON/TOWN & COUNTRY	S = CORDOBA
D = ARIES	V = 400
F = NEW YORKER	X = MIRADA
G = DIPLOMAT	Y = IMPERIAL
M = HORIZON/TC3/SCAMP	Z = OMNI/O24/RAMPAGE

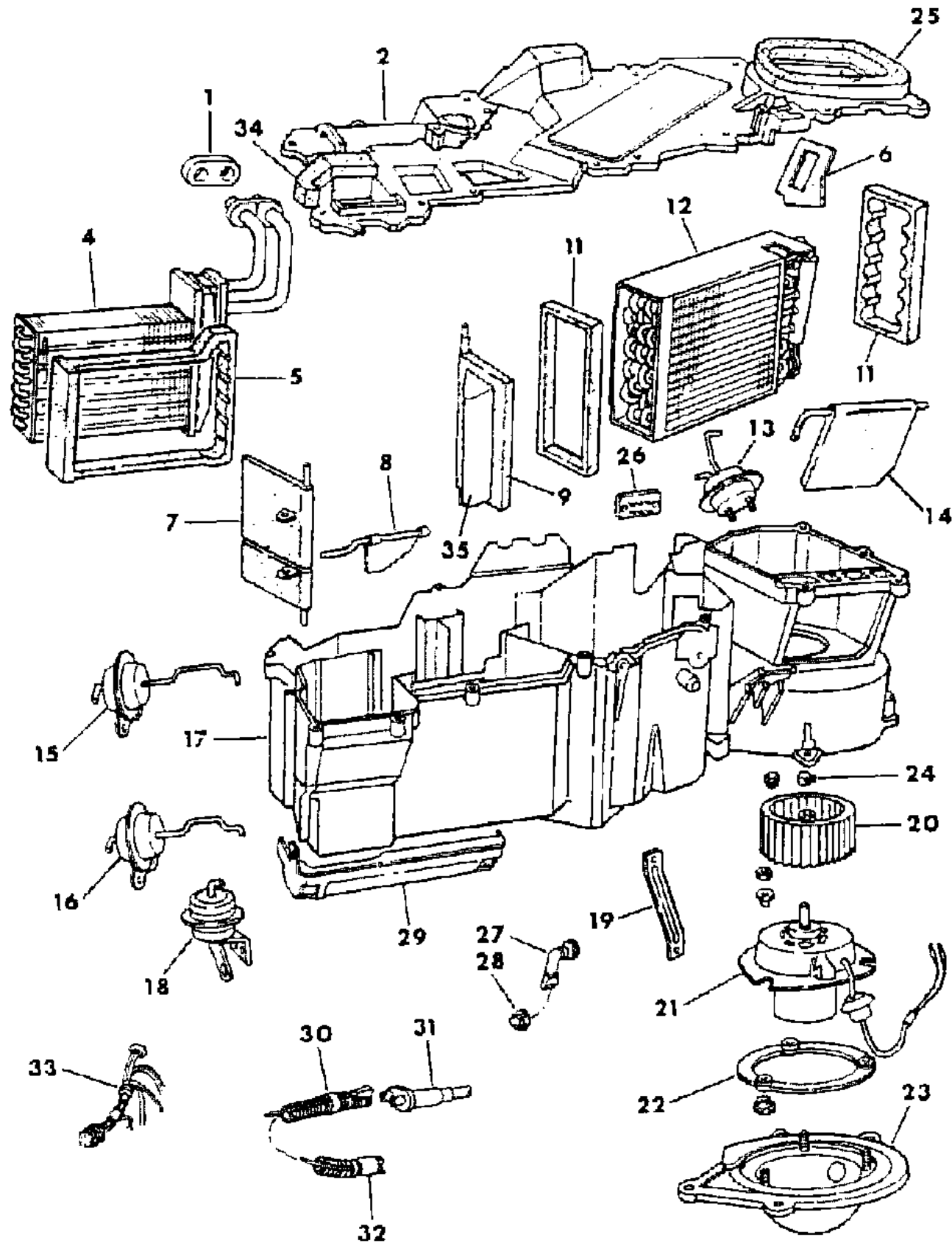
**BODY STYLES**

21 = 2-DOOR SEDAN	28 = FWD PICKUP
22 = 2-DOOR SPECIAL COUPE	41 = 4-DOOR SEDAN
24 = 2-DOOR HATCHBACK	44 = 4-DOOR HATCHBACK
27 = 2-DOOR CONVERTIBLE	45 = 2-SEAT STATION WAGON

AR = Use as Required - = Non Illustrated Part P.A.R. = Paint as Required

**AIR CONDITIONING SYSTEM B,F,G**  
**Figure 24-1200**

2124 1200A



ITEM	PART NUMBER	QTY	BODY	MODEL	DESCRIPTION
	3847 296	1	All		SERVO, A/C Blend Air Door w/A.T.C.
	3847 913	1	All		PAD,A/C Blend Air Door Servo Silencer,w/A.T.C
	3847 205	1	All		SEAL, A/C Cover To Scroll
	3773 192	1	All		SEAL, A/C Blower Scroll Cover To Hsg.
	3847 790	1	All		SEAL, A/C Evap. Coil Bottom 11.14" Lg.
	0152 284	2	All		NUT, A/C Recirc. Vac. Actr. Mtg.
	3846 771	1	All		TANK,A/C Htr. Core

MODEL CODES

- |                            |                      |
|----------------------------|----------------------|
| B = GRAN FURY/CARAVELLE    | P = RELIANT          |
| C = LEBARON/TOWN & COUNTRY | S = CORDOBA          |
| D = ARIES                  | V = 400              |
| F = NEW YORKER             | X = MIRADA           |
| G = DIPLOMAT               | Y = IMPERIAL         |
| M = HORIZON/TC3/SCAMP      | Z = OMNI/O24/RAMPAGE |

BODY STYLES

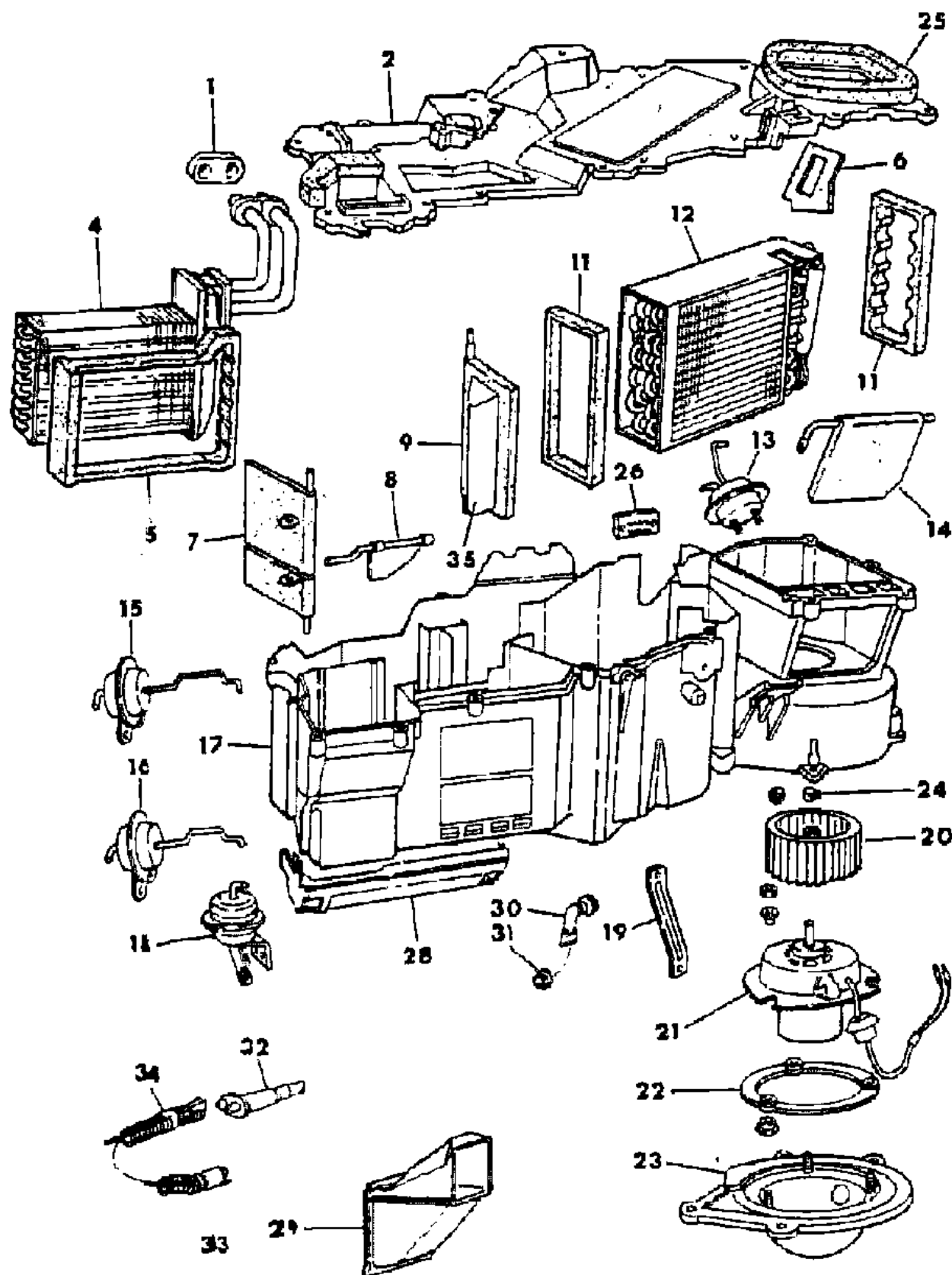
- |                           |                           |
|---------------------------|---------------------------|
| 21 = 2-DOOR SEDAN         | 28 = FWD PICKUP           |
| 22 = 2-DOOR SPECIAL COUPE | 41 = 4-DOOR SEDAN         |
| 24 = 2-DOOR HATCHBACK     | 44 = 4-DOOR HATCHBACK     |
| 27 = 2-DOOR CONVERTIBLE   | 45 = 2-SEAT STATION WAGON |

AR = Use as Required - = Non Illustrated Part P.A.R. = Paint as Required

# AIR CONDITIONING SYSTEM X,S,Y

## Figure 24-1300

2124 1300A



ITEM	PART NUMBER	QTY	BODY	MODEL	DESCRIPTION
1	3846 740	1	All		SEAL, A/C Htr. Tubes To Dash
2	3847 241	1	All		COVER ASSY, A/C Housing
4	3847 600	1	All		CORE & SEAL ASSY., A/C Heater
5	3846 773	1	All		SEAL, A/C Htr. Core To Hsg. Mtg.
6	3847 304	1	All		SEAL, A/C Unit To Dash At Coil
7	3847 231	1	All		DOOR & SEAL, A/C Mode, Completed
8	3847 478	1	All		DOOR, A/C Defr. Comp.
9	3847 945	1	All		DOOR & SEAL, A/C Blend Air, Completed
11	3847 116	1	All		SEAL, A/C Evap. Coil Header End
12	3847 256	1	All		COIL & SEAL, A/C Evap. Complete
13	3847 216	1	All		ACTUATOR, A/C Fresh Air Door
14	3847 217	1	All		DOOR & SEAL, A/C Fresh Air
15	3847 230	1	All		ACTUATOR, A/C Mode Door, Upper
16	3847 229	1	All		ACTUATOR, A/C Mode Door, Lower
17	3847 280	1	All		HOUSING & STUD, A/C Evap., Manual,w/A.T.C
18	3847 211	1	All		ACTUATOR, A/C Defr. Door
19	3847 202	1	All		BRACE, A/C Unit To Plenum Mtg.
20	3503 037	1	All		WHEEL, A/C Blower Motor
21	4240 425	1	X,S		MOTOR, A/C Blower
	3847 997	1	Y		MOTOR, A/C Blower
22	3847 476	1	All		SEAL, A/C Blower Mtr. Mtg. To Unit
23	3847 207	1	All		COVER & STUD, A/C Blower Scroll
24	2837 680	1	All		CLAMP, A/C Blower Mtr. Wheel Mtg.
25	3847 243	1	All		SEAL, A/C Unit To Plenum
26	3847 910	1	All		RESISTOR, A/C Blower Motor
28	3847 297	1	All		DUCT, A/C Heat Distr.
29	3847 414	1	All		DUCT, A/C or A.T.C. Air Outlet, Center
30	3503 133	1	All		TUBE, A/C Drain
31	6028 944	1	All		RETAINER, A/C Drain Tube
32	3847 766	1	All		ASPIRATOR ASSY, A/C w/A.T.C.
33	3847 590	1	All		SENSOR ASSY, w/A.T.C.
34	3847 293	1	All		HOSE, A/C Sensor To Aspirator w/A.T.C.
35	3847 225	1	All		DEFLECTOR, A/C Blend Air Door
NOTE: The Following Items Are Not Shown on Illustration. an offsetting order for part no. 3747881					
	6015 778	1	All		CLIP, A/C Vac. Hose Ret.
	3847 813	1	All		DUCT, A/C Defroster, Use Up to 10-19-81
	3848 138	1	All		DUCT, A/C Defroster, Use After 10-19-81

**MODEL CODES**

B = GRAN FURY/CARAVELLE	P = RELIANT
C = LEBARON/TOWN & COUNTRY	S = CORDOBA
D = ARIES	V = 400
F = NEW YORKER	X = MIRADA
G = DIPLOMAT	Y = IMPERIAL
M = HORIZON/TC3/SCAMP	Z = OMNI/O24/RAMPAGE

**BODY STYLES**

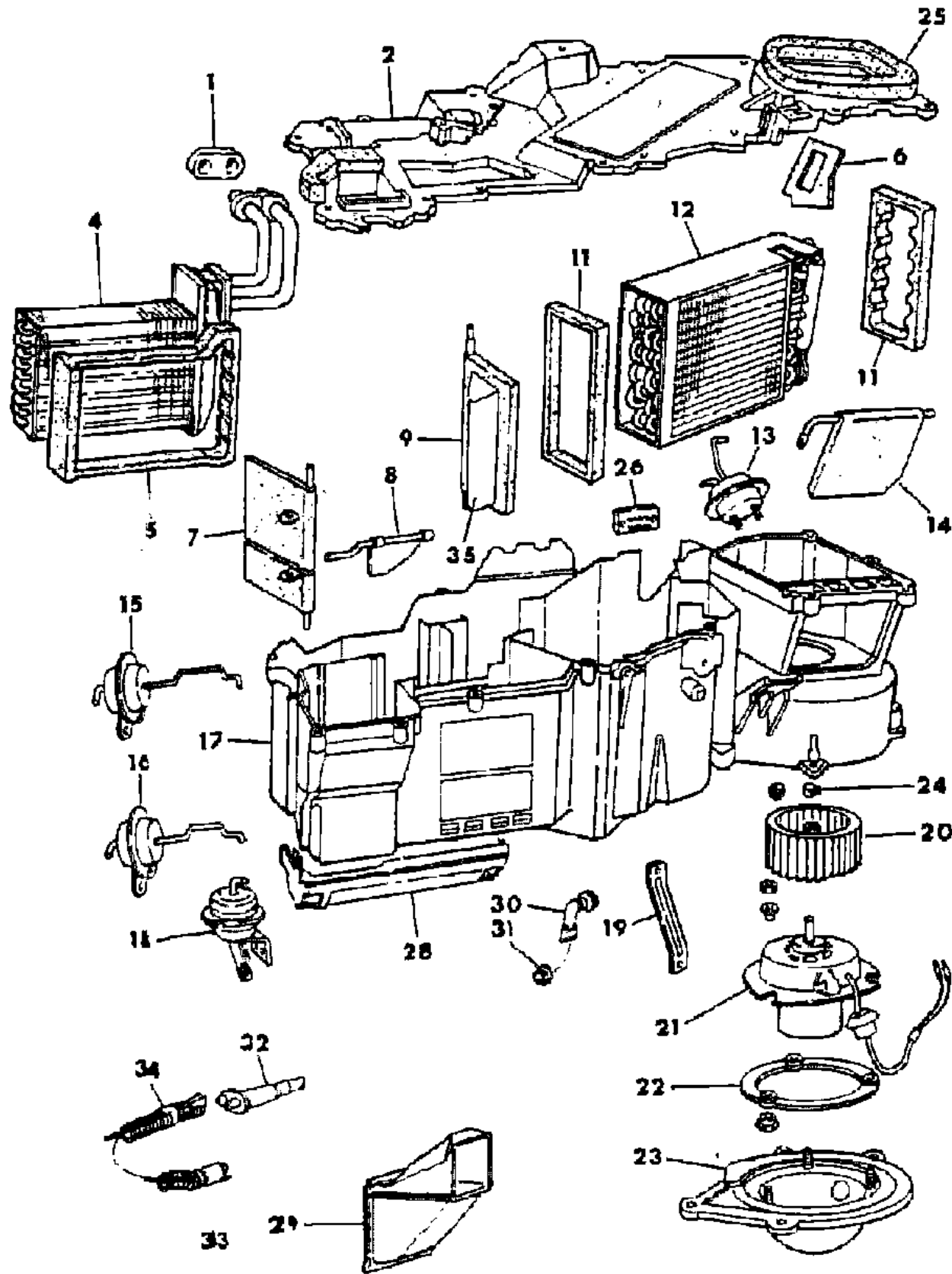
21 = 2-DOOR SEDAN	28 = FWD PICKUP
22 = 2-DOOR SPECIAL COUPE	41 = 4-DOOR SEDAN
24 = 2-DOOR HATCHBACK	44 = 4-DOOR HATCHBACK
27 = 2-DOOR CONVERTIBLE	45 = 2-SEAT STATION WAGON

AR = Use as Required - = Non Illustrated Part P.A.R. = Paint as Required

AIR CONDITIONING SYSTEM X,S,Y

Figure 24-1300

2124 1300A



ITEM	PART NUMBER	QTY	BODY	MODEL	DESCRIPTION
	4005 185	1	All		HOSE, A/C Aspirator To Evap. Hsg. w/A.T.C.
	3847 589	1	All		SENSOR, Ambient w/A.T.C.
	3847 296	1	All		SERVO, A/C Blend Air Door w/A.T.C.
	3847 205	1	All		SEAL, A/C Cover To Scroll
	3773 192	1	All		SEAL, A/C Blower Scroll Cover To Hsg.
	3847 790	1	All		SEAL, A/C Evap. Coil Bottom, 11.14 Lgh.
	0152 284	2	All		NUT, A/C Recirc Vac Actr. Mtg.
	1279 332	1	All		BUMPER, Htr. Defr. Door
	3847 913	1	All		PAD, A/C Blend Air Door Servo Silencer, w/A.T.C
	3846 771	1	All		TANK, A/C Htr. Core

MODEL CODES

- |                            |                      |
|----------------------------|----------------------|
| B = GRAN FURY/CARAVELLE    | P = RELIANT          |
| C = LEBARON/TOWN & COUNTRY | S = CORDOBA          |
| D = ARIES                  | V = 400              |
| F = NEW YORKER             | X = MIRADA           |
| G = DIPLOMAT               | Y = IMPERIAL         |
| M = HORIZON/TC3/SCAMP      | Z = OMNI/O24/RAMPAGE |

BODY STYLES

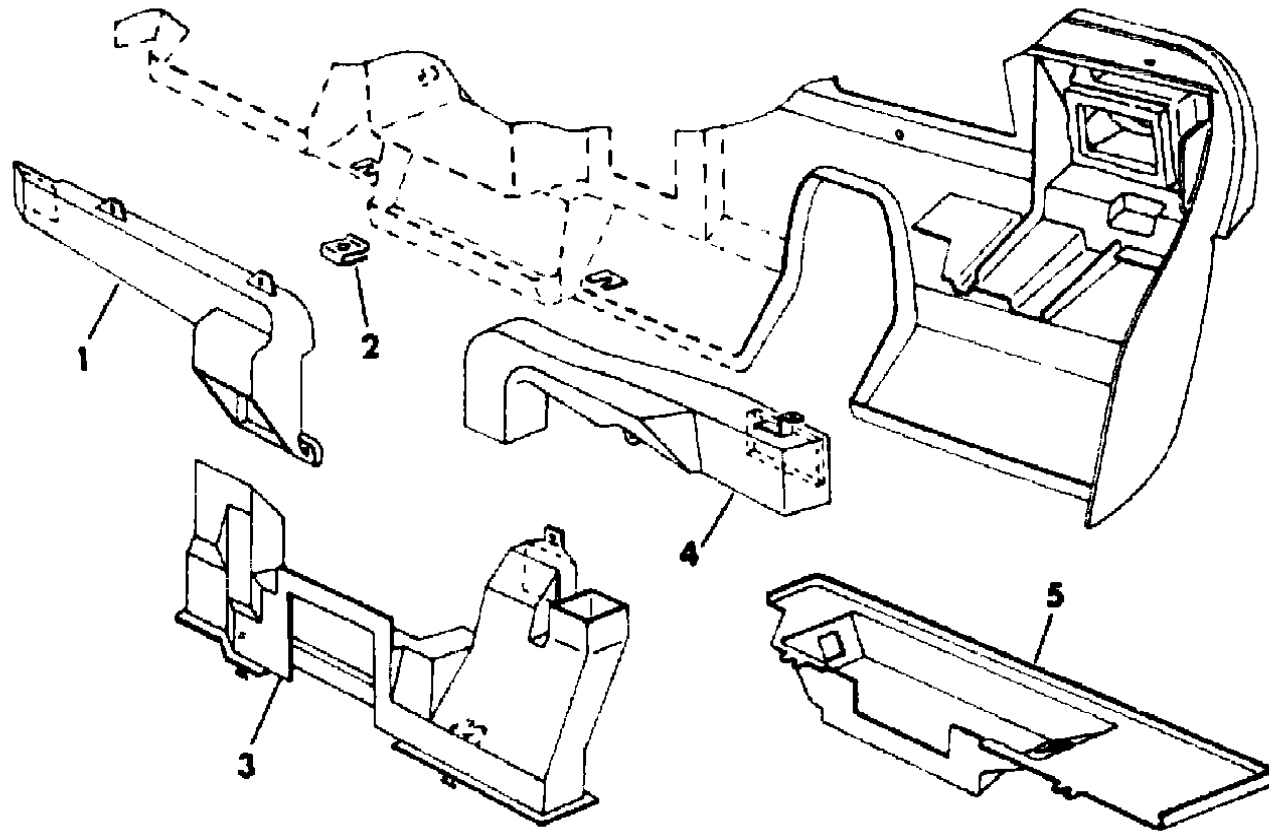
- |                           |                           |
|---------------------------|---------------------------|
| 21 = 2-DOOR SEDAN         | 28 = FWD PICKUP           |
| 22 = 2-DOOR SPECIAL COUPE | 41 = 4-DOOR SEDAN         |
| 24 = 2-DOOR HATCHBACK     | 44 = 4-DOOR HATCHBACK     |
| 27 = 2-DOOR CONVERTIBLE   | 45 = 2-SEAT STATION WAGON |

AR = Use as Required - = Non Illustrated Part P.A.R. = Paint as Required

**AIR CONDITIONING AIR DUCT M,Z**  
**Figure 24-1400**

ITEM	PART NUMBER	QTY	BODY	MODEL	DESCRIPTION
1	5210 028	1		All	DUCT, A/C Rt. Spot Cooler Duct
2	0152 490	2		All	CLIP
3	5210 366	1		All	DUCT, A/C Ctr. Air Distr.
4	5210 029	1		All	DUCT, A/C Lt. Spot Cooler
5	5210 367	1		All	COVER, A/C Ctr. Duct Ctr. Air Distr. w/Doors

2124 1400



**MODEL CODES**

B = GRAN FURY/CARAVELLE	P = RELIANT
C = LEBARON/TOWN & COUNTRY	S = CORDOBA
D = ARIES	V = 400
F = NEW YORKER	X = MIRADA
G = DIPLOMAT	Y = IMPERIAL
M = HORIZON/TC3/SCAMP	Z = OMNI/O24/RAMPAGE

**BODY STYLES**

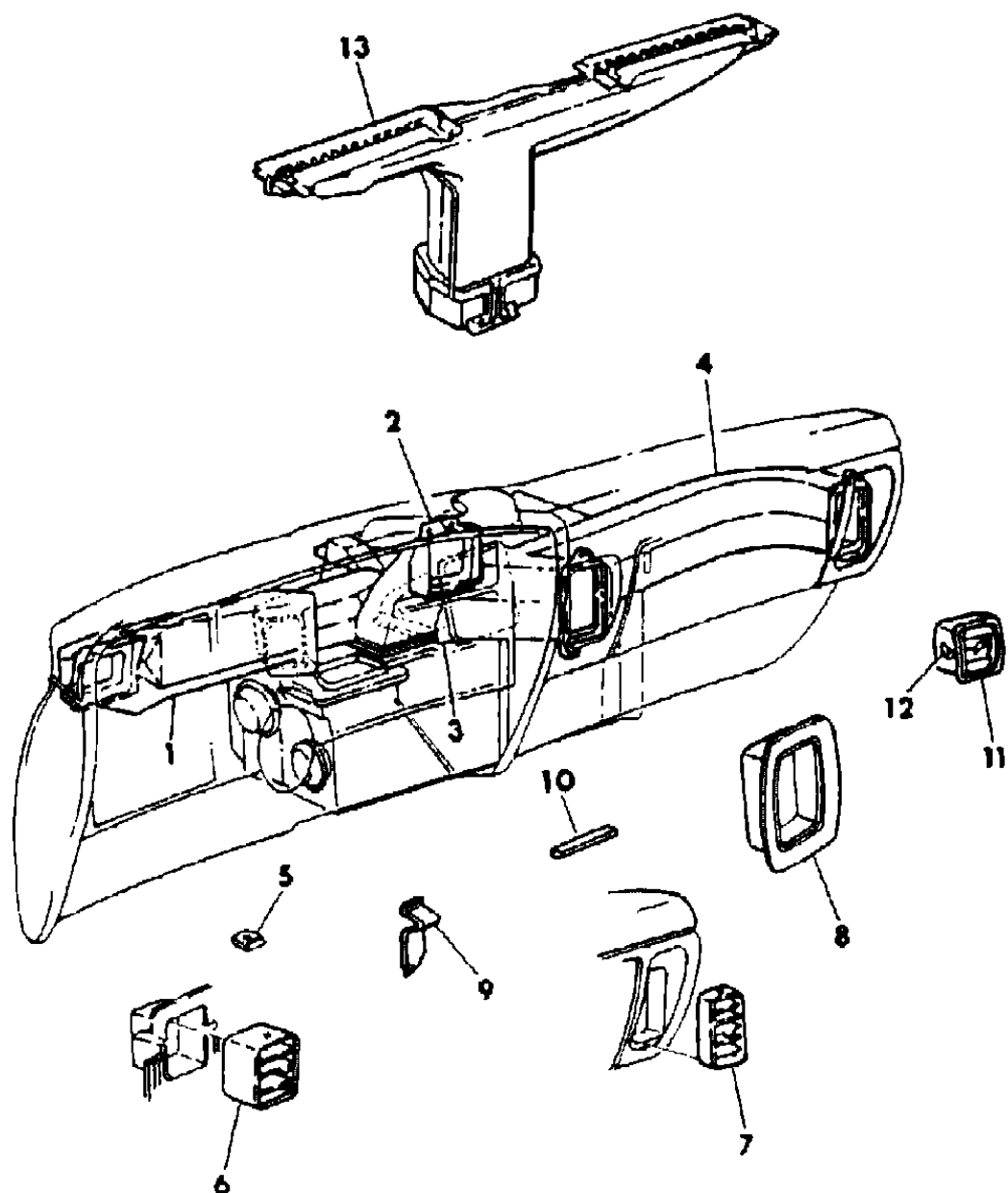
21 = 2-DOOR SEDAN	28 = FWD PICKUP
22 = 2-DOOR SPECIAL COUPE	41 = 4-DOOR SEDAN
24 = 2-DOOR HATCHBACK	44 = 4-DOOR HATCHBACK
27 = 2-DOOR CONVERTIBLE	45 = 2-SEAT STATION WAGON

AR = Use as Required - = Non Illustrated Part P.A.R. = Paint as Required

**AIR CONDITIONER, AIR OUTLETS M,Z,B,F,G**  
**Figure 24-1500**

2124 1500B

ITEM	PART NUMBER	QTY	BODY	MODEL	DESCRIPTION
1	3846 421	1		B,F,G	DUCT, A/C Spot Cooler Left
2	3847 401	1		B,F,G	DUCT, A/C Left Center
3	3847 404	1		B,F,G	DUCT, A/C Right Center
4	3846 418	1		B,F,G	DUCT, A/C Spot Cooler Right
5	0152 490	2		B,F,G	U-NUT
6	3502 905	2		All	LOUVER, A/C Inst. Cluster Air Outlet
7	3502 934	2		B,F,G	LOUVER, A/C Inst. Panel Air Outlet
8	3846 422	2		B,F,G	BEZEL, A/C Inst. Panel Air Outlet
9	3846 412	4		B,F,G	CLIP, A/C Inst. Panel Air Outlet Bezel Ret.
10	3593 396	2		All	SEAL, A/C Outlet 10.30" Lg.
11	5210 196-7	1		M,Z	OUTLET, A/C Air Spot Cooler
12	5210 018	4		M,Z	CLIP, A/C Air Spot Cooler Outlet Ret.
13	3503 863	1		B,F,G	DUCT,A/C Defroster



**MODEL CODES**

B = GRAN FURY/CARAVELLE	P = RELIANT
C = LEBARON/TOWN & COUNTRY	S = CORDOBA
D = ARIES	V = 400
F = NEW YORKER	X = MIRADA
G = DIPLOMAT	Y = IMPERIAL
M = HORIZON/TC3/SCAMP	Z = OMNI/O24/RAMPAGE

**BODY STYLES**

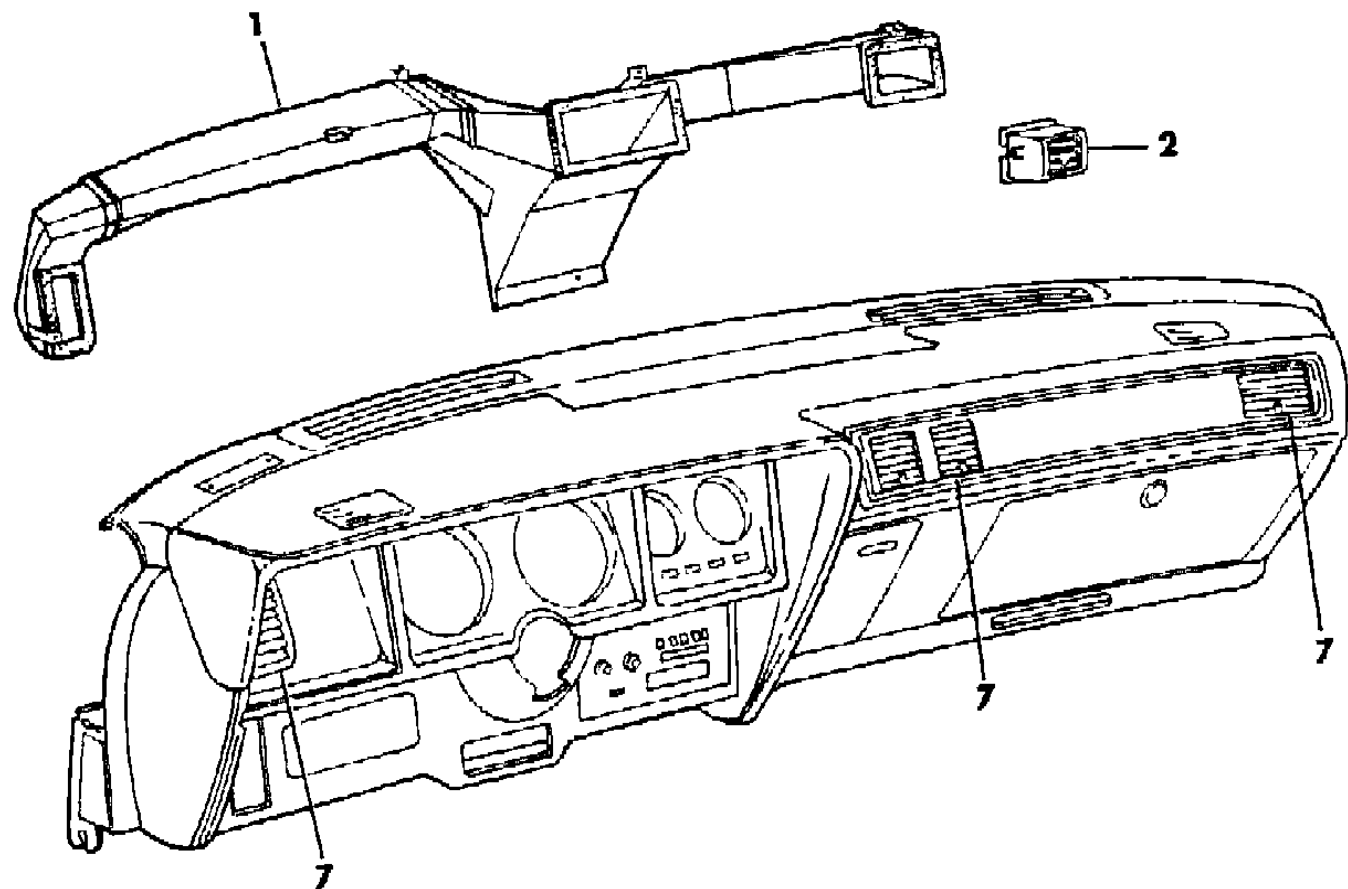
21 = 2-DOOR SEDAN	28 = FWD PICKUP
22 = 2-DOOR SPECIAL COUPE	41 = 4-DOOR SEDAN
24 = 2-DOOR HATCHBACK	44 = 4-DOOR HATCHBACK
27 = 2-DOOR CONVERTIBLE	45 = 2-SEAT STATION WAGON

AR = Use as Required - = Non Illustrated Part P.A.R. = Paint as Required

**INST.PANEL AIR CONDITIONING AIR OUTLETS X,S,Y**  
**Figure 24-1600**

2124 1600

ITEM	PART NUMBER	QTY	BODY	MODEL	DESCRIPTION
1	3847 414	1		X,S,Y	DUCT, Center A/C Air Outlet
2	P661 AA7	2		X,S	OUTLET ASSY., A/C Air,Silver (Paint as Req.)
	P661 VH9		X,S	Dark Auburn	
	P661 TT6		X,S	Tan	
	3847 978	2		Y	OUTLET ASSY., A/C or A.T.C., Rt.
7	3847 917	AR		X,S,Y	LOUVER, A/C Air Outlet



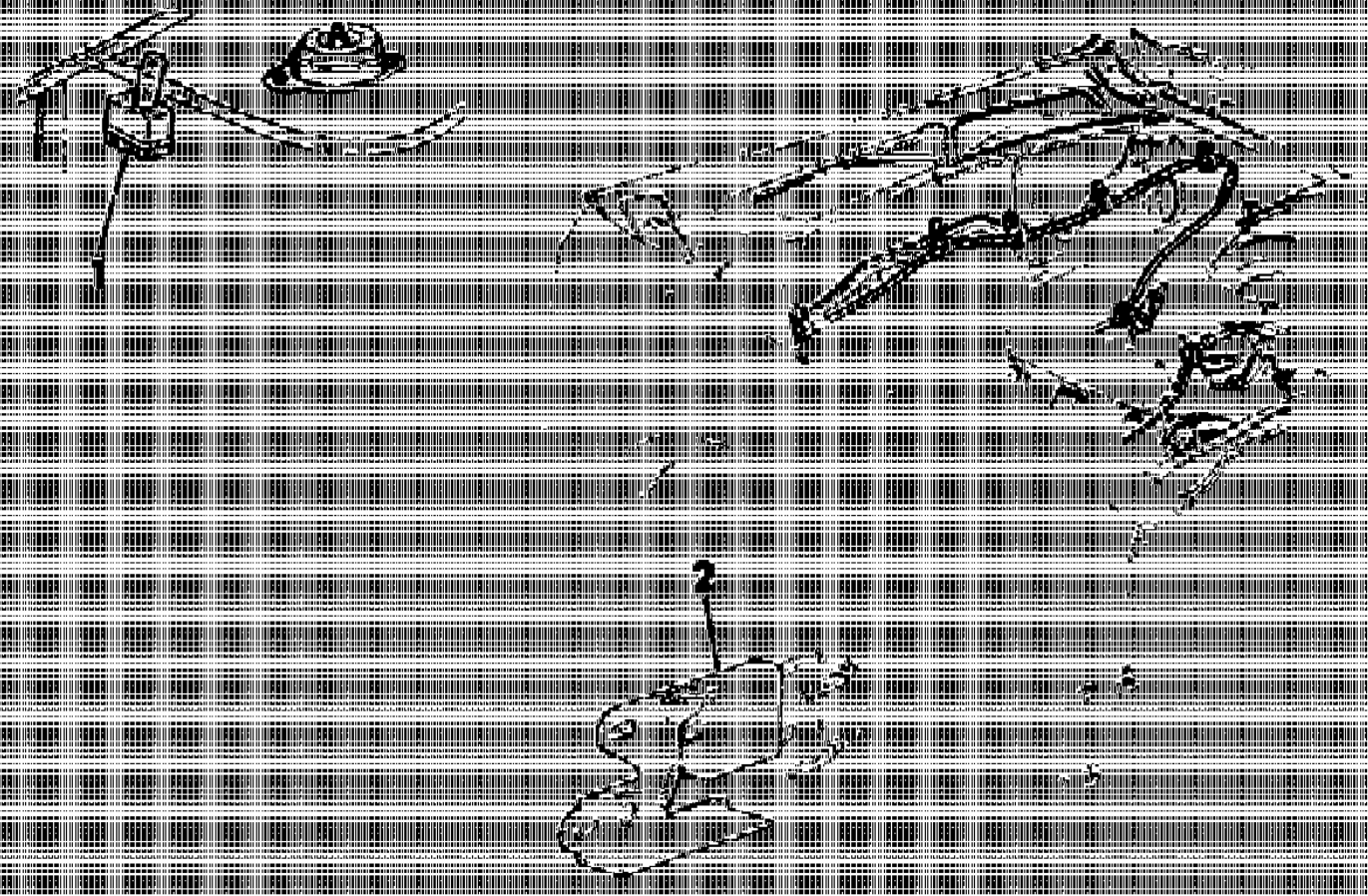
**MODEL CODES**  
 B = GRAN FURY/CARAVELLE      P = RELIANT  
 C = LEBARON/TOWN & COUNTRY      S = CORDOBA  
 D = ARIES      V = 400  
 F = NEW YORKER      X = MIRADA  
 G = DIPLOMAT      Y = IMPERIAL  
 M = HORIZON/TC3/SCAMP      Z = OMNI/O24/RAMPAGE

**BODY STYLES**  
 21 = 2-DOOR SEDAN      28 = FWD PICKUP  
 22 = 2-DOOR SPECIAL COUPE      41 = 4-DOOR SEDAN  
 24 = 2-DOOR HATCHBACK      44 = 4-DOOR HATCHBACK  
 27 = 2-DOOR CONVERTIBLE      45 = 2-SEAT STATION WAGON

AR = Use as Required - = Non Illustrated Part P.A.R. = Paint as Required

**AIR CONDITIONING CUT OFF M,Z,P,D,V,C**  
**Figure 24-1700**

24-1700



ITEM	PART NUMBER	QTY	BODY	MODEL	DESCRIPTION
1	4205 925	1		M,Z	RELAY & BRACKET, A/C Fast Idle Cutout, w/Auto Trans. w/1.7L Eng.
2	4205 925	1		P,D,V,C	w/2.2L Eng.
	5209 995	1		M,Z	SWITCH & BRACKET, A/C Cutout
	5209 995	1		P,D,V,C	w/2.2L Eng.

**MODEL CODES**

B = GRAN FURY/CARAVELLE	P = RELIANT
C = LEBARON/TOWN & COUNTRY	S = CORDOBA
D = ARIES	V = 400
F = NEW YORKER	X = MIRADA
G = DIPLOMAT	Y = IMPERIAL
M = HORIZON/TC3/SCAMP	Z = OMNI/O24/RAMPAGE

**BODY STYLES**

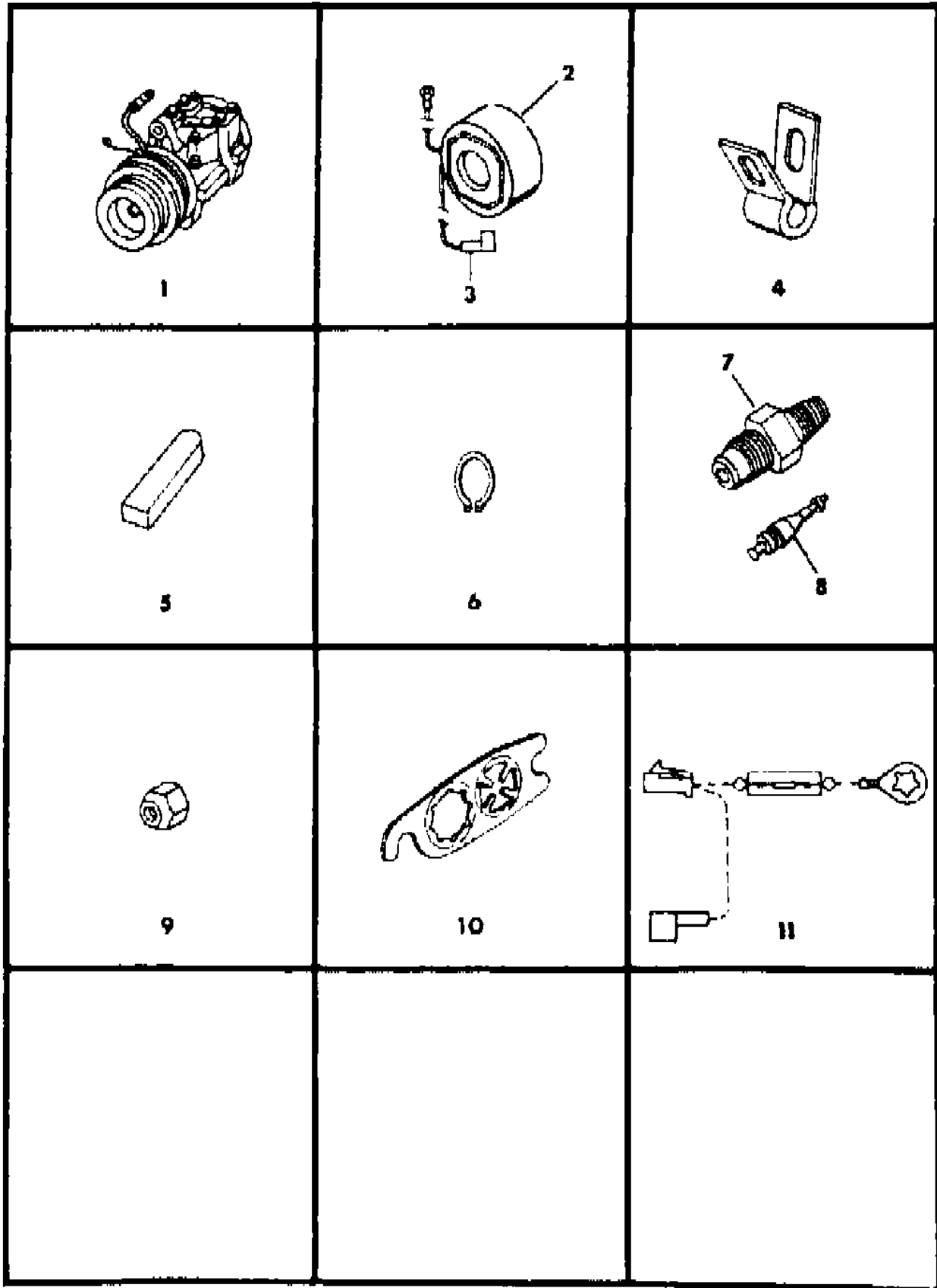
21 = 2-DOOR SEDAN	28 = FWD PICKUP
22 = 2-DOOR SPECIAL COUPE	41 = 4-DOOR SEDAN
24 = 2-DOOR HATCHBACK	44 = 4-DOOR HATCHBACK
27 = 2-DOOR CONVERTIBLE	45 = 2-SEAT STATION WAGON

AR = Use as Required - = Non Illustrated Part P.A.R. = Paint as Required



**AIR CONDITIONING COMPRESSOR (C-171) ALL MODELS**  
**Figure 24-1800**

2124 1800A



ITEM	PART NUMBER	QTY	BODY	MODEL	DESCRIPTION
	3847 915	1		All	GASKET PACKAGE, A/C Compr., Basic
	3847 916	1		All	SEAL PACKAGE, A/C Compr., Shaft
	3847 180	1		All	SHIM PACKAGE, A/C Compr. Drive Clutch Consists Of: 5 ----- Shims
	3847 178	1	B,F,G,X		PULLEY & ARMATURE PKG., A/C Compr. Drive Clutch 225 Eng. Consists Of: 1 ----- Pulley & Bearing 1 ----- Armature
	3847 179	1	B,F,G,X		PULLEY & ARMATURE PKG., A/C Compr. Drive Clutch 318 Eng. Consists Of: 1 ----- Pulley & Bearing 1 ----- Armature
	5210 384	1	M,Z		PULLEY & ARMATURE PKG., A/C Compr. Drive Clutch
	5210 384	1	P,D,V,C		PULLEY & ARMATURE PKG., A/C Compr. Drive Clutch 2.2L Eng. Consists Of: 1 ----- Pulley & Bearing Assy 1 ----- Armature Assy
	3847 764	1	P,D,V,C		PULLEY & ARMATURE PKG., A/C Compr. Drive Clutch 2.6L Eng.
1	4176 059	1	All		COMPRESSOR, A/C Less (Clutch, Coil, & Pulley)
	4176 059	1	All		(Remanufactured)
2	3846 845	1	All		COIL, A/C Compr. Drive Clutch Field, 4.4 O.D.
3	3843 386	1	All		TERMINAL, A/C Field Coil Lead
	3843 753	1	All		INSULATOR, A/C Field Coil Lead Term.
4	6015 968	1	All		CLIP, A/C Compr. Clutch Field Coil Mtg.
5	3846 680	1	All		KEY, A/C Compr. Drive Shaft
6	6500 411	1	All		RING, A/C Compr. Drive Clutch Coil Ext. 1.832 I.D.
	6031 416	1	All		A/C Compr., Drive Clutch Pulley Ext., 1.456 I.D.
7	3846 722	1	All		FITTING, A/C Compr. Check Valve
8	3847 576	1	All		VALVE, A/C or A.T.C. Disch. Line Check
9	3848 021	1	All		CAP, A/C Compr. Check Valve
10	3847 081	1	All		GASKET, A/C Suction Flange To Compr., Rubber Coated
	3847 081	1	All		A/C Disch. Line Flange To Compr.

**MODEL CODES**

B = GRAN FURY/CARAVELLE	P = RELIANT
C = LEBARON/TOWN & COUNTRY	S = CORDOBA
D = ARIES	V = 400
F = NEW YORKER	X = MIRADA
G = DIPLOMAT	Y = IMPERIAL
M = HORIZON/TC3/SCAMP	Z = OMNI/O24/RAMPAGE

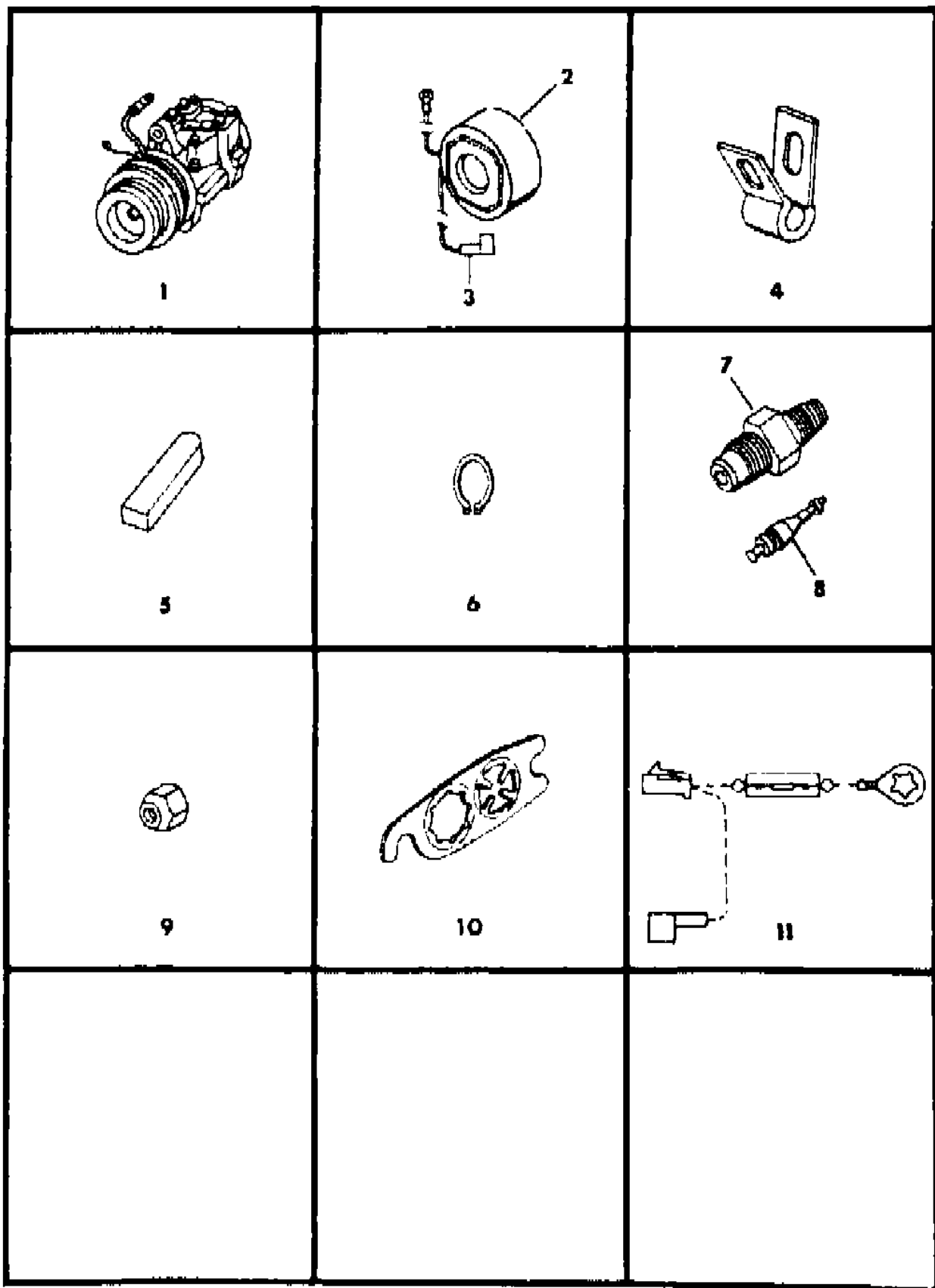
**BODY STYLES**

21 = 2-DOOR SEDAN	28 = FWD PICKUP
22 = 2-DOOR SPECIAL COUPE	41 = 4-DOOR SEDAN
24 = 2-DOOR HATCHBACK	44 = 4-DOOR HATCHBACK
27 = 2-DOOR CONVERTIBLE	45 = 2-SEAT STATION WAGON

AR = Use as Required - = Non Illustrated Part P.A.R. = Paint as Required

**AIR CONDITIONING COMPRESSOR (C-171) ALL MODELS**  
**Figure 24-1800**

2124 1800A



ITEM	PART NUMBER	QTY	BODY	MODEL	DESCRIPTION
11	4222 597	1		All	WIRING ASSY.,A/C Clutch Noise Suppression Diode Jumper
NOTE: The Following Items Are Not Shown on Illustration. an offsetting order for part no. 3747881					
	3847 920	1		All	PIN,A/C Compressor Clutch Coil Locating
	9419 644	1		All	SCREW, A/C Compr. Clutch Field Coil Ground
	6100 218	1		All	NUT, A/C Compr. Drive Clutch Mtg.
	6100 141	1		All	LOCK WA., A/C Compr. Drive Clutch Mtg.
	3846 654	1		All	PLATE ASSY., A/C Compr. Disch. Valve, Front .
	3846 655	1		All	Rear
	3846 675	1		All	HOUSING, A/C Compr., Front
	3846 678	1		All	Rear
	3846 666	2		All	REED, A/C Compr. Suction Valve

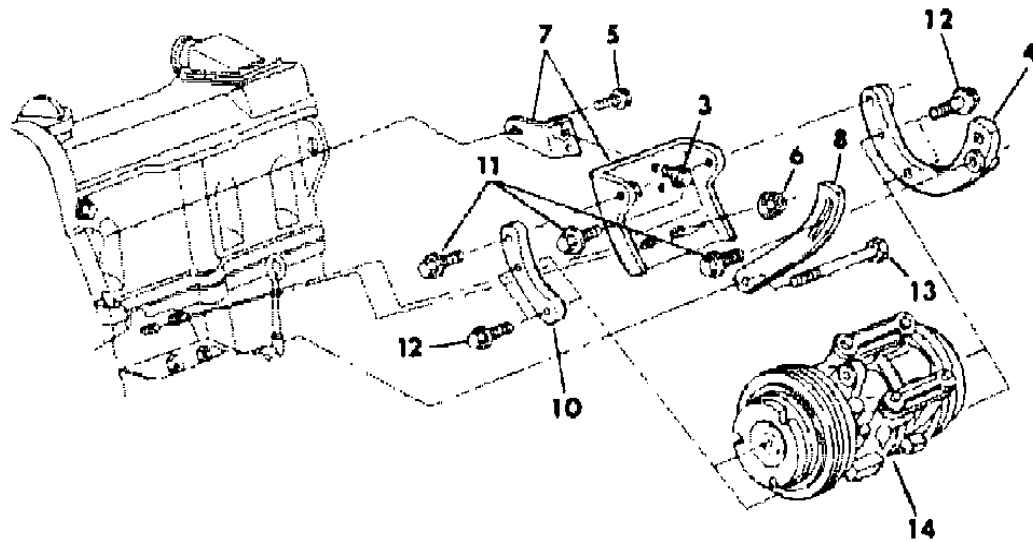
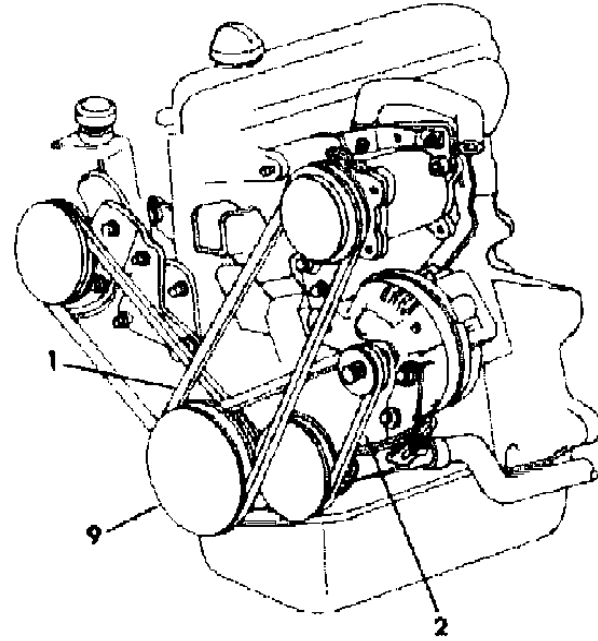
MODEL CODES  
 B = GRAN FURY/CARAVELLE      P = RELIANT  
 C = LEBARON/TOWN & COUNTRY      S = CORDOBA  
 D = ARIES      V = 400  
 F = NEW YORKER      X = MIRADA  
 G = DIPLOMAT      Y = IMPERIAL  
 M = HORIZON/TC3/SCAMP      Z = OMNI/O24/RAMPAGE

BODY STYLES  
 21 = 2-DOOR SEDAN      28 = FWD PICKUP  
 22 = 2-DOOR SPECIAL COUPE      41 = 4-DOOR SEDAN  
 24 = 2-DOOR HATCHBACK      44 = 4-DOOR HATCHBACK  
 27 = 2-DOOR CONVERTIBLE      45 = 2-SEAT STATION WAGON

AR = Use as Required - = Non Illustrated Part P.A.R. = Paint as Required

**AIR CONDITIONING COMPRESSOR MOUNTING M,Z,P,D,V,C**  
**Figure 24-1900**

2124 1900



ITEM	PART NUMBER	QTY	BODY	MODEL	DESCRIPTION
1	4241 130	1		M,Z	BELT, A/C Compr. Drive, w/1.7L Eng.
	4267 343	1		P,D,V,C	BELT, A/C Compr. Drive,3/8 V,42.875,w/2.6L Eng.
	4273 020	1		All	BELT, A/C Compr. Drive,w/2.2L Eng.
2	5214 136	1		All	BELT, A/C Alt. & W/Pump Drive 37.26 Lg
3	6500 374	1		M,Z	SCREW & WASHER
4	4241 068	1		M,Z	ADAPTER, A/C Compr. Rr., w/1.7L Eng.
5	6500 253	1		M,Z	SCREW & WASHER
6	6100 517	2		M,Z	NUT, Lock
7	5214 509	1		M,Z	BRACKET,A/C Comp. Mtg.,w/1.7L Eng.
	5203 638	1		All	w/2.2L Eng.
8	5214 465	1		M,Z	STRAP, A/C Compr. Adj., w/1.7L Eng.
9	4241 150	1		M,Z	PULLEY, A/C Drive 4 Groove, w/1.7L Eng.
10	4241 067	1		M,Z	ADAPTER, A/C Compr. Frt., w/1.7L Eng.
11	6500 375	AR			SCREW & WASHER
12	6500 485	AR		All	BOLT
13		1		All	BOLT, Alt. Mtg. (Not Serviced)
14		1		All	COMPRESSOR, A/C (See Compressor Illustration)

NOTE: The Following Items Are Not Shown on Illustration. an offsetting order for part no. 3747881

4173 479	1		P,D,V,C	BRACKET, A/C Compr. Rr. Mtg. Suppt., w/2.6L Eng.
5203 649	1		All	BRACKET, A/C Compr. Idler Mtg., w/2.2L Eng.
4273 050	1		P,D,V,C	BRACKET, Alt. Adj. & A/C Compr Mtg., w/2.6L Eng.
4209 449	1		All	GROUND STRAP, A/C Compr., w/2.2L Eng.

**MODEL CODES**

B = GRAN FURY/CARAVELLE	P = RELIANT
C = LEBARON/TOWN & COUNTRY	S = CORDOBA
D = ARIES	V = 400
F = NEW YORKER	X = MIRADA
G = DIPLOMAT	Y = IMPERIAL
M = HORIZON/TC3/SCAMP	Z = OMNI/O24/RAMPAGE

**BODY STYLES**

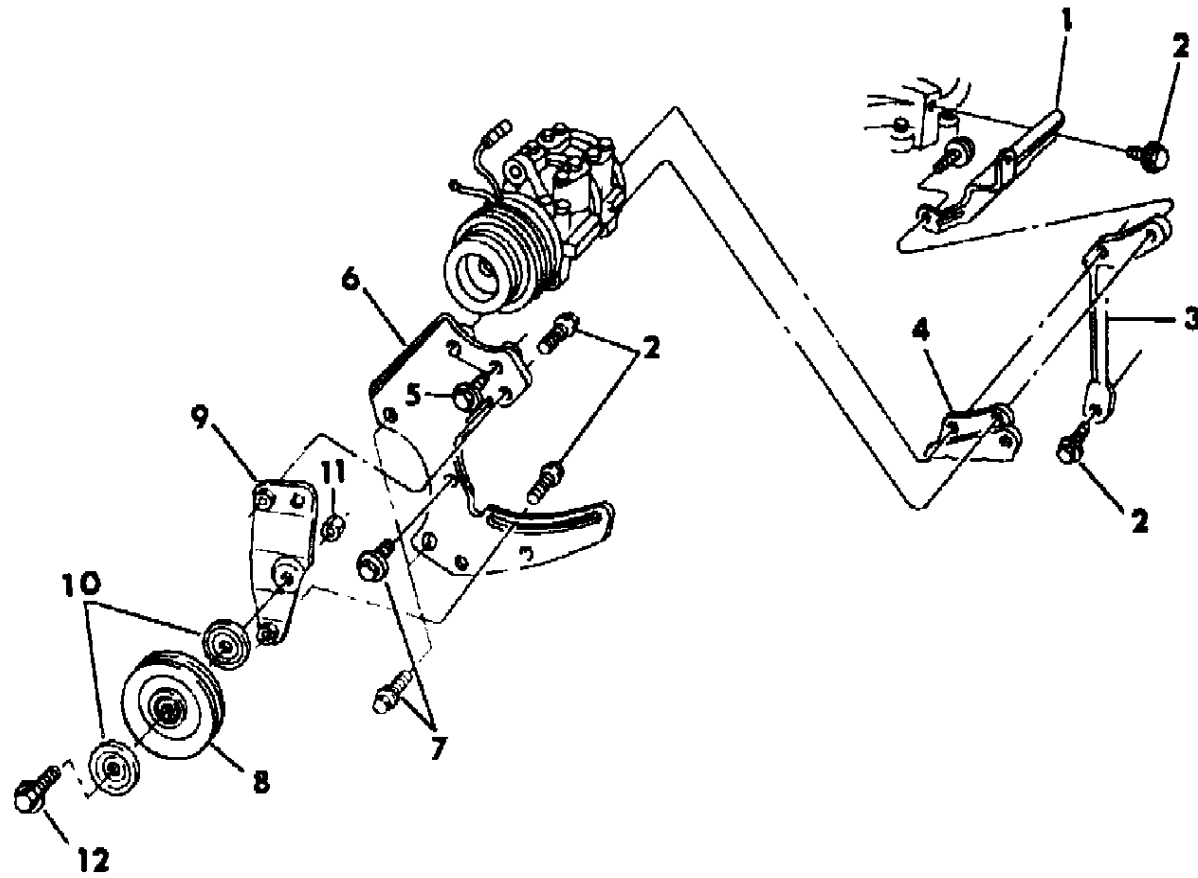
21 = 2-DOOR SEDAN	28 = FWD PICKUP
22 = 2-DOOR SPECIAL COUPE	41 = 4-DOOR SEDAN
24 = 2-DOOR HATCHBACK	44 = 4-DOOR HATCHBACK
27 = 2-DOOR CONVERTIBLE	45 = 2-SEAT STATION WAGON

AR = Use as Required - = Non Illustrated Part P.A.R. = Paint as Required

# AIR CONDITIONING COMPRESSOR AND SUPPORTS TO ENGINE(225 ENGINE)

## Figure 24-2000

2124 2000



ITEM	PART NUMBER	QTY	BODY	MODEL	DESCRIPTION
1	4179 433	1		All	BRACKET, A/C Compr. Rr. Mtg. To Int. Manifold
2	6029 799	AR		All	SCREW & WASHER
3	4100 744	1		All	SUPPORT, A/C Compr. Rr. Mtg. To Eng. Mtg.
4	4179 785	1		All	BRACKET, A/C Compr. Rr. Mtg.
5	6500 460	AR		All	BOLT, A/C Compr. Mtg., Frt.
6	4179 792	1		All	BRACKET, A/C A/P & P/Strg. Mtg.
7	6022 266	AR		All	SCREW & WASHER
8	3830 196	1		All	PULLEY, A/C Compr. Idler
9	4100 783	1		All	BRACKET, A/C Compr. Idler Adjusting
10	5214 065	2		All	SHIELD, A/C Compr. Idler Pulley Brg.
11	0271 502	1		All	NUT
12	6029 735	1		All	SCREW & WASHER

**MODEL CODES**

B = GRAN FURY/CARAVELLE	P = RELIANT
C = LEBARON/TOWN & COUNTRY	S = CORDOBA
D = ARIES	V = 400
F = NEW YORKER	X = MIRADA
G = DIPLOMAT	Y = IMPERIAL
M = HORIZON/TC3/SCAMP	Z = OMNI/O24/RAMPAGE

**BODY STYLES**

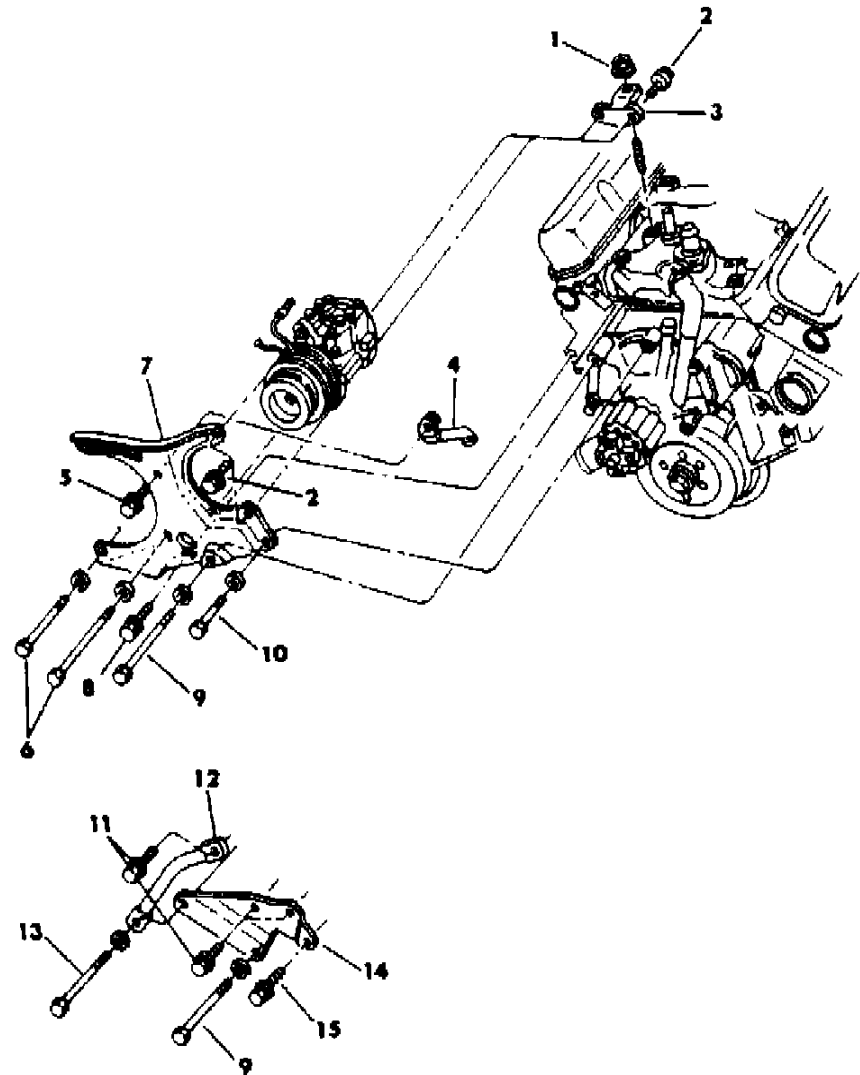
21 = 2-DOOR SEDAN	28 = FWD PICKUP
22 = 2-DOOR SPECIAL COUPE	41 = 4-DOOR SEDAN
24 = 2-DOOR HATCHBACK	44 = 4-DOOR HATCHBACK
27 = 2-DOOR CONVERTIBLE	45 = 2-SEAT STATION WAGON

AR = Use as Required - = Non Illustrated Part P.A.R. = Paint as Required

# AIR CONDITIONING COMPRESSOR AND SUPPORTS TO ENGINE(318 ENGINE)

## Figure 24-2100

2124 2100



ITEM	PART NUMBER	QTY	BODY	MODEL	DESCRIPTION
1	6025 011	AR		All	NUT & WASHER
2	6500 379	AR		All	BOLT
3	4100 487	1		All	BRACKET, A/C Compr Rr. Mtg.
4	4100 604	1		All	SUPPORT, Alt. & Compr. Mtg. Brkt. To Alt. Mtg. w/100 Amp. Alt.
5	6022 250	1		All	SCREW & WASHER
6		AR		All	BOLT, (Not Serviced)
7	4100 603	1		All	BRACKET, A/C Alt. & Compr. Mtg. w/100 Amp. Alt.
8	6029 799	1		All	SCREW
9	6028 166	AR		All	BOLT
10	9419 882	1		All	BOLT
11	6500 365	AR		All	SCREW & WASHER, A/C Compr. Mtg. Frt. Suppt.
12	4116 856	1		All	STRAP, A/C Compr. To Alt. Mtg. Brkt. Frt.
13	9428 427	1		All	BOLT
14	4273 059	1		All	BRACKET, A/C Compr. & Alt. Front Mtg.
15	0153 359	1		All	SCREW & WASHER

**MODEL CODES**

B = GRAN FURY/CARAVELLE	P = RELIANT
C = LEBARON/TOWN & COUNTRY	S = CORDOBA
D = ARIES	V = 400
F = NEW YORKER	X = MIRADA
G = DIPLOMAT	Y = IMPERIAL
M = HORIZON/TC3/SCAMP	Z = OMNI/O24/RAMPAGE

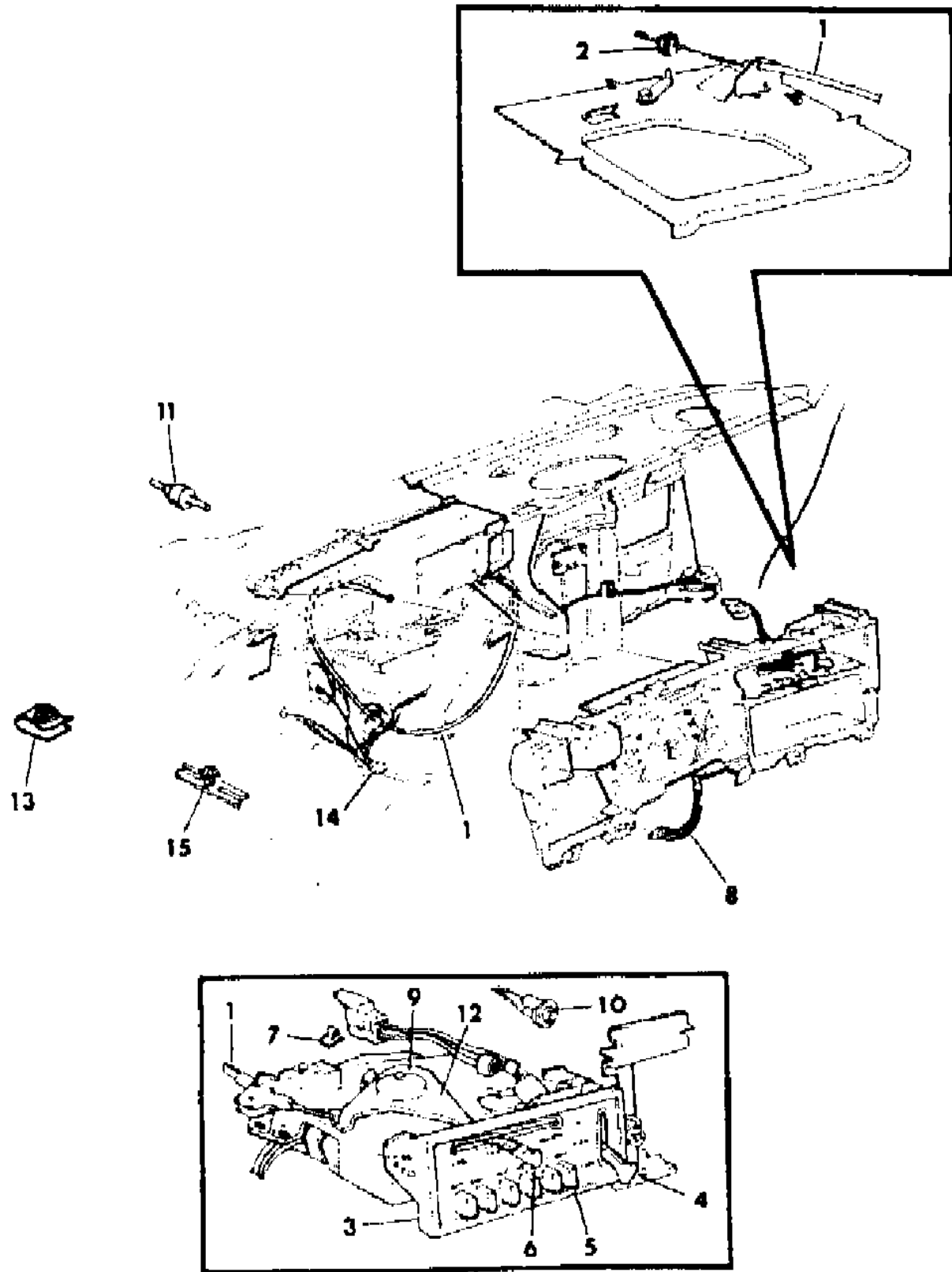
**BODY STYLES**

21 = 2-DOOR SEDAN	28 = FWD PICKUP
22 = 2-DOOR SPECIAL COUPE	41 = 4-DOOR SEDAN
24 = 2-DOOR HATCHBACK	44 = 4-DOOR HATCHBACK
27 = 2-DOOR CONVERTIBLE	45 = 2-SEAT STATION WAGON

AR = Use as Required - = Non Illustrated Part P.A.R. = Paint as Required

**AIR COND. CONTROL MTG CABLE & VACUUM HOSE ROUTING M,Z,P,D,V,C,B,F,G**  
**Figure 24-2200**

2124 2200



ITEM	PART NUMBER	QTY	BODY	MODEL	DESCRIPTION
1	5210 360	1		M,Z	CABLE, A/C Temp. Control
	3847 628	1		P,D,V,C	
2	6031 132	1		All	CLIP, A/C Temp. Cont. Cable Adjusting
3	3848 002	1		M,Z,P,D	BASE, A/C Temp. Control (Use 3847659 Decal)
	3848 002	1		V,C	BASE,A/C Temp. Control (Use 3847660 Decal)
	3847 659	1		M,Z,P,D	DECAL,A/C Control
	3847 660	1		V,C	DECAL,A/C Control
	3848 002	1		B,F,G	BASE, A/C Temp. Control, Bi-Level
	3848 002	1		B,F,G	w/A.T.C
	3847 662	1		B,G	DECAL,A/C Control
	3847 882	1		F	DECAL,ATC Control
4	3847 940	1		All	SWITCH, A/C Blower Control
5	3847 512	1		M,Z,P,D	SWITCH, A/C Cont. Vacuum 6 P/Button
	3847 742	1		B,F,G	
6	3847 447	1		All	KNOB, A/C Temp. Control Lever
7	6029 889	1		All	NUT, A/C Cont. Cable Retaining
8	3847 622	1		All	HOSE, A/C Vacuum, Extension
9	2820 453	1		All	CLIP, A/C Temp. Lever Retaining
10	4131 388	1		B,F,G	SOCKET & BULB PKG., A/C Htr. Cont. Lamp
11	3441 609	1		All	VALVE, Two Port Check, Vac. Hose
12	3847 014	1		M,Z,P,D	LEVER, A/C Temp. Control
	3847 434	1		B,F,G	w/A.T.C.
13	6025 147	1		B,F,G	NUT, A/C Cont. Cable Mtg.
14	5210 227	1		M,Z	HOSE & CONN., A/C Vacuum
	3847 752	1		P,D,V,C	
	3847 627	1		B,F,G	
15	6015 778	AR		All	CLIP, A/C Vac. Hose Retaining
NOTE: The Following Items Are Not Shown on Illustration. an offsetting order for part no. 3747881					
	3847 435	1		B,F,G	RHEOSTAT ASSY., A.T.C. (HI-LO) Sliding Diode
	3780 794	AR		All	HOSE, A/C Cont. Vac. .073/.081 I.D.50 Ft. Roll
	4124 747	1		B,F,G	WIRING ASSY., A.T.C. Unit
	5213 348	1		P,D,V,C	VALVE, Vac. Sol. A/C Idle Speed-Up w/2.6L Eng.
	3503 317	1		All	PIN, A/C Control Lever Pivot

**MODEL CODES**

B = GRAN FURY/CARAVELLE	P = RELIANT
C = LEBARON/TOWN & COUNTRY	S = CORDOBA
D = ARIES	V = 400
F = NEW YORKER	X = MIRADA
G = DIPLOMAT	Y = IMPERIAL
M = HORIZON/TC3/SCAMP	Z = OMNI/O24/RAMPAGE

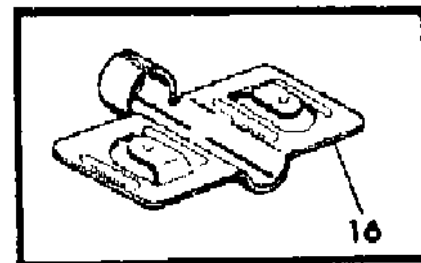
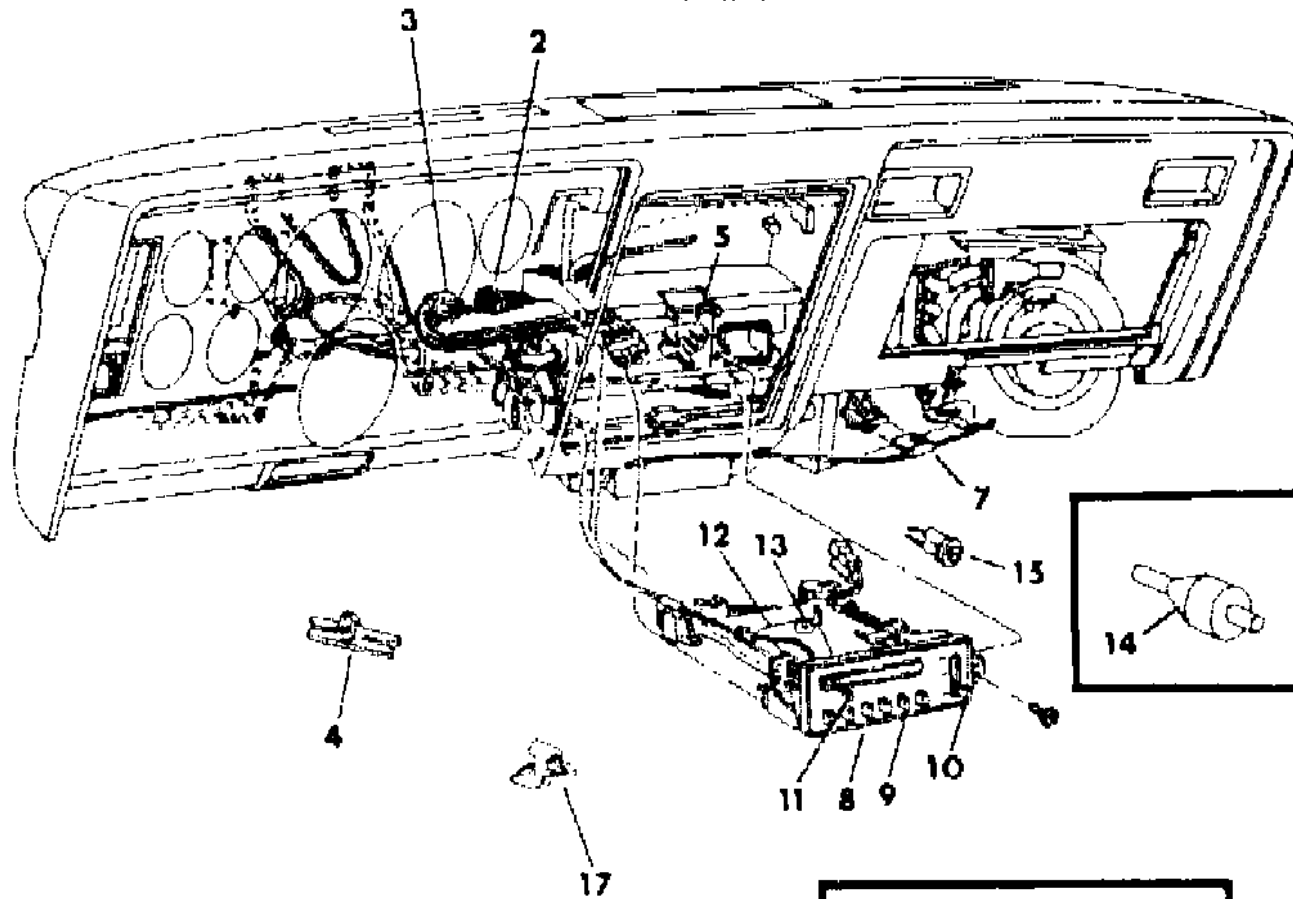
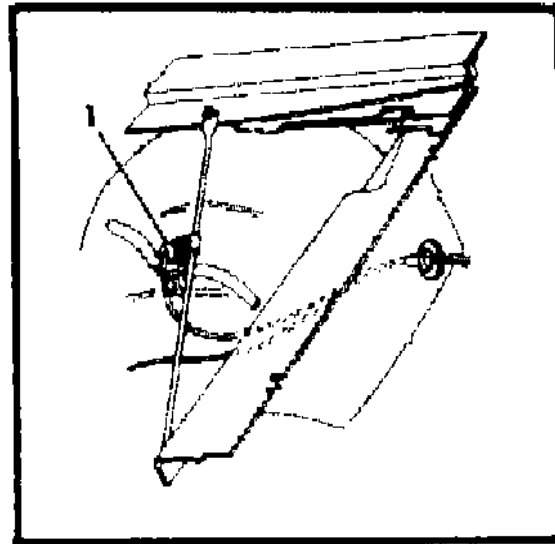
**BODY STYLES**

21 = 2-DOOR SEDAN	28 = FWD PICKUP
22 = 2-DOOR SPECIAL COUPE	41 = 4-DOOR SEDAN
24 = 2-DOOR HATCHBACK	44 = 4-DOOR HATCHBACK
27 = 2-DOOR CONVERTIBLE	45 = 2-SEAT STATION WAGON

AR = Use as Required - = Non Illustrated Part P.A.R. = Paint as Required

**AIR CONDITIONING CONTROL X,S,Y**  
**Figure 24-2300**

2124 2300



ITEM	PART NUMBER	QTY	BODY	MODEL	DESCRIPTION
1	3847 475	1		X,S	VALVE, A/C Water
2	3847 204	1		X,S,Y	HOSE & CONN., A/C Vac. Harness, Manual
3	3847 622	1		All	HOSE, A/C Vacuum Extension
4	6015 778	AR		All	CLIP, A/C Vac. Hose Retaining
5		1		All	CLIP, A/C Vac. Hose Conn. Ret. (Not Serviced)
7	3847 430	1		X,S,Y	CABLE, A/C Control (HI-LO) Temp. w/A.T.C.
8	3848 002	1		All	BASE, Control A/C Bi-level
	3848 002	1		All	w/A.T.C.
	3847 662	1		X,S	DECAL,A/C and ATC Control
	3847 882	1		Y	DECAL,A/C and ATC Control
9	3847 742	1		All	SWITCH, A/C Cont. (HI-LO) 6P/Button
10	3847 940	1		All	SWITCH, A/C Blower Control
11	3847 447	1		All	KNOB, A/C Temp. Control Lever
12	3847 434	1		X,S,Y	LEVER,Temp. w/ATC
13	2820 453	1		All	CLIP, A/C Cont. Temp. Lever
14	3441 609	1		All	VALVE, A/C Two Port Check Vac. Hose,Mexico
15	4131 388	1		All	SOCKET & BULB PKG., A/C Cont. Lamp
16	6031 132	1		All	CLIP, A/C Cont. Temp. Cable, Adj.
17	6029 889	1		All	NUT, A/C Cont. Temp. Cable Ret.
NOTE: The Following Items Are Not Shown on Illustration. an offsetting order for part no. 3747881					
	3847 435	1		All	RHEOSTAT ASSY., A.T.C. (HI-LO) Sliding Diode
	3780 794	AR		All	HOSE, Cont. Vac. .073/.081 I.D., 50Ft. Roll
	4124 747	1		X,S,Y	WIRING ASSY., A.T.C Unit
	3503 317	1		All	PIN, A/C Control Lever Pivot

**MODEL CODES**

B = GRAN FURY/CARAVELLE	P = RELIANT
C = LEBARON/TOWN & COUNTRY	S = CORDOBA
D = ARIES	V = 400
F = NEW YORKER	X = MIRADA
G = DIPLOMAT	Y = IMPERIAL
M = HORIZON/TC3/SCAMP	Z = OMNI/O24/RAMPAGE

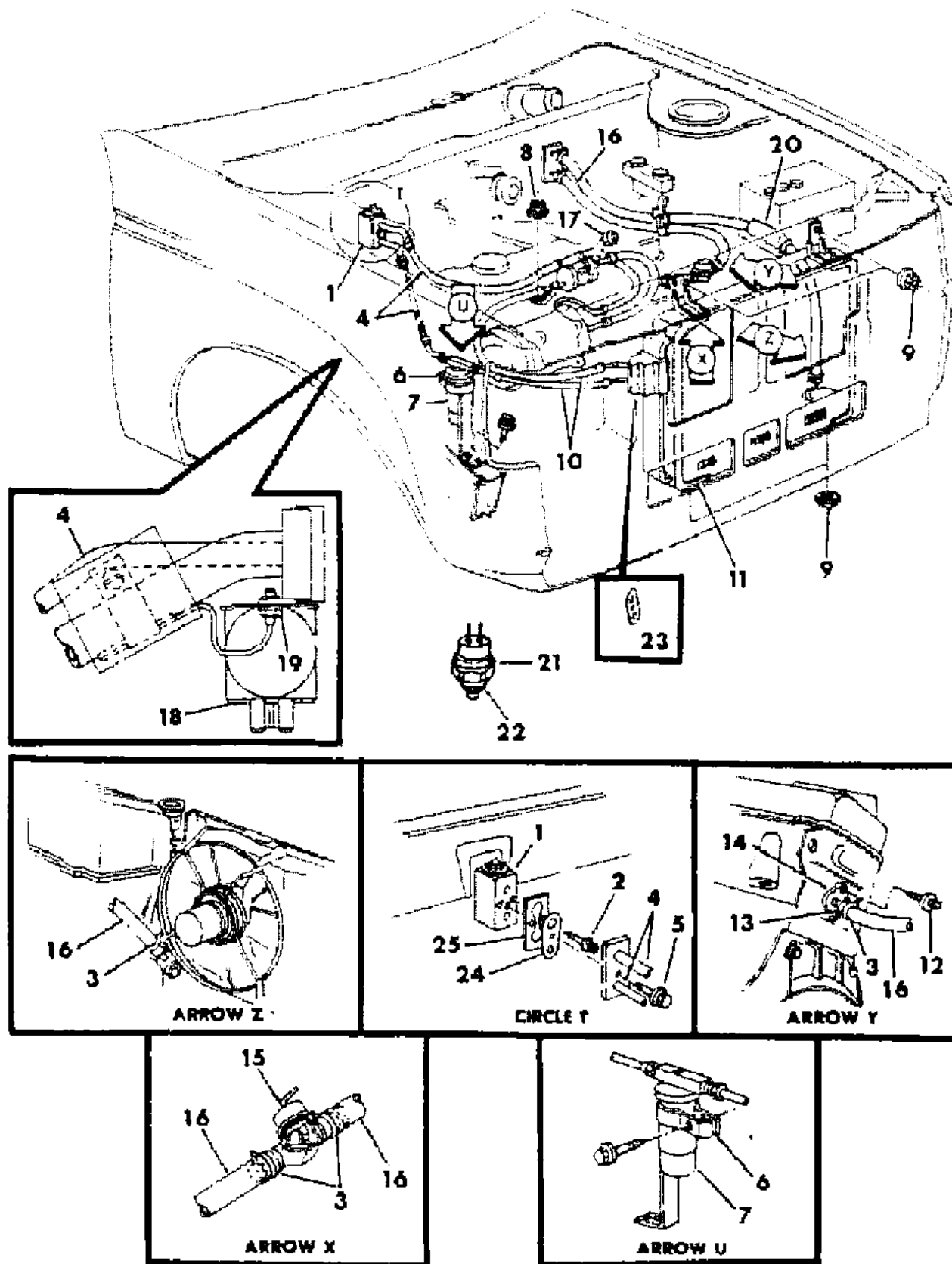
**BODY STYLES**

21 = 2-DOOR SEDAN	28 = FWD PICKUP
22 = 2-DOOR SPECIAL COUPE	41 = 4-DOOR SEDAN
24 = 2-DOOR HATCHBACK	44 = 4-DOOR HATCHBACK
27 = 2-DOOR CONVERTIBLE	45 = 2-SEAT STATION WAGON

AR = Use as Required - = Non Illustrated Part P.A.R. = Paint as Required

**AIR CONDITIONING AND HEATER PLUMBING M,Z,P,D,V,C**  
**Figure 24-2400**

2124 2400



ITEM	PART NUMBER	QTY	BODY	MODEL	DESCRIPTION
1	4176 999	1	All		VALVE, A/C Expansion (H-Type)
2	6030 267	2	All		SCREW, A/C Exp. Valve Mtg.
3	0870 469	6	All		CLAMP, A/C Hose
4	5210 441	1	M,Z		LINE, A/C Suction & Liquid w/1.7L Eng.
	5210 433	1	M,Z		w/2.2L Eng.
	3847 989	1	P,D,V,C		w/2.2L Eng.
	3847 991	1	P,D,V,C		w/2.6L Eng.
5	6100 314	1	All		SCREW, A/C Suction & Liquid Line Mtg.
	6100 314	1	All		A/C Disch & Liquid Line Mtg.To Cond.
6	5210 409	1	M,Z		BRACKET, A/C Filter Drier Mtg.
7	5210 438	1	M,Z		FILTER DRIER, A/C
	3847 798	1	P,D,V,C		FILTER DRIER, w/Brkt. A/C
8	6100 047	1	All		NUT & WASHER
9	6100 048	4	All		NUT & WASHER
10	5210 439	1	M,Z		LINE, A/C Discharge & Liquid, w/1.7L Eng.
	3848 103	1	M,Z		w/2.2L Eng.
	3848 102	1	P,D,V,C		w/2.2L Eng.
	3847 992	1	P,D,V,C		w/2.6L Eng.
11	5210 420	1	M,Z		CONDENSER, A/C
	3847 777	1	P,D,V,C		
12	6100 266	2	M,Z		STUD, Water Outlet Elbow Mtg.
13	5240 364	1	M,Z		ELBOW, A/C Water Outlet, w/1.7L Eng.
14	5240 363	1	M,Z		GASKET, A/C Water Outlet, w/1.7L Eng.
15	4240 422	1	M,Z		VALVE, A/C Water, w/1.7L Eng.
	4240 422	1	P,D,V,C		w/2.6L Eng.
	3848 136	1	All		VALVE, A/C Water (4 Port) w/2.2L Eng.,Man. Trans.
	3848 307	1	P,D,V,C		VALVE, A/C Water (4 Port) w/2.2L Eng.,Auto. Trans.
16	1315 466	AR	All		HOSE, A/C Htr. 5/8" I.D. 50Ft. Roll
	0680 734	AR	All		HOSE, A/C Htr.
17	3848 021	1	All		CAP, A/C Disch. & Liquid Line Check Valve
18	4205 830	1	All		SWITCH and LUBE Pkg.,A/C Suct. Line Temp. Sensing or Cycling
19		2	All		SCREW, (Not Serviced)
20	5210 322	1	All		SLEEVE, Htr. Hose, w/1.7L & 2.2L Eng.
21	5210 377	1	All		SWITCH, A/C Low Pressure Cut Off
22	3441 105	1	All		SEAL, A/C Rec. Drier Low Pressure Cut Off
23	3846 835	1	All		GASKET, A/C Disch. & Liq. Line Plate to Cond.

**MODEL CODES**

B = GRAN FURY/CARAVELLE	P = RELIANT
C = LEBARON/TOWN & COUNTRY	S = CORDOBA
D = ARIES	V = 400
F = NEW YORKER	X = MIRADA
G = DIPLOMAT	Y = IMPERIAL
M = HORIZON/TC3/SCAMP	Z = OMNI/O24/RAMPAGE

**BODY STYLES**

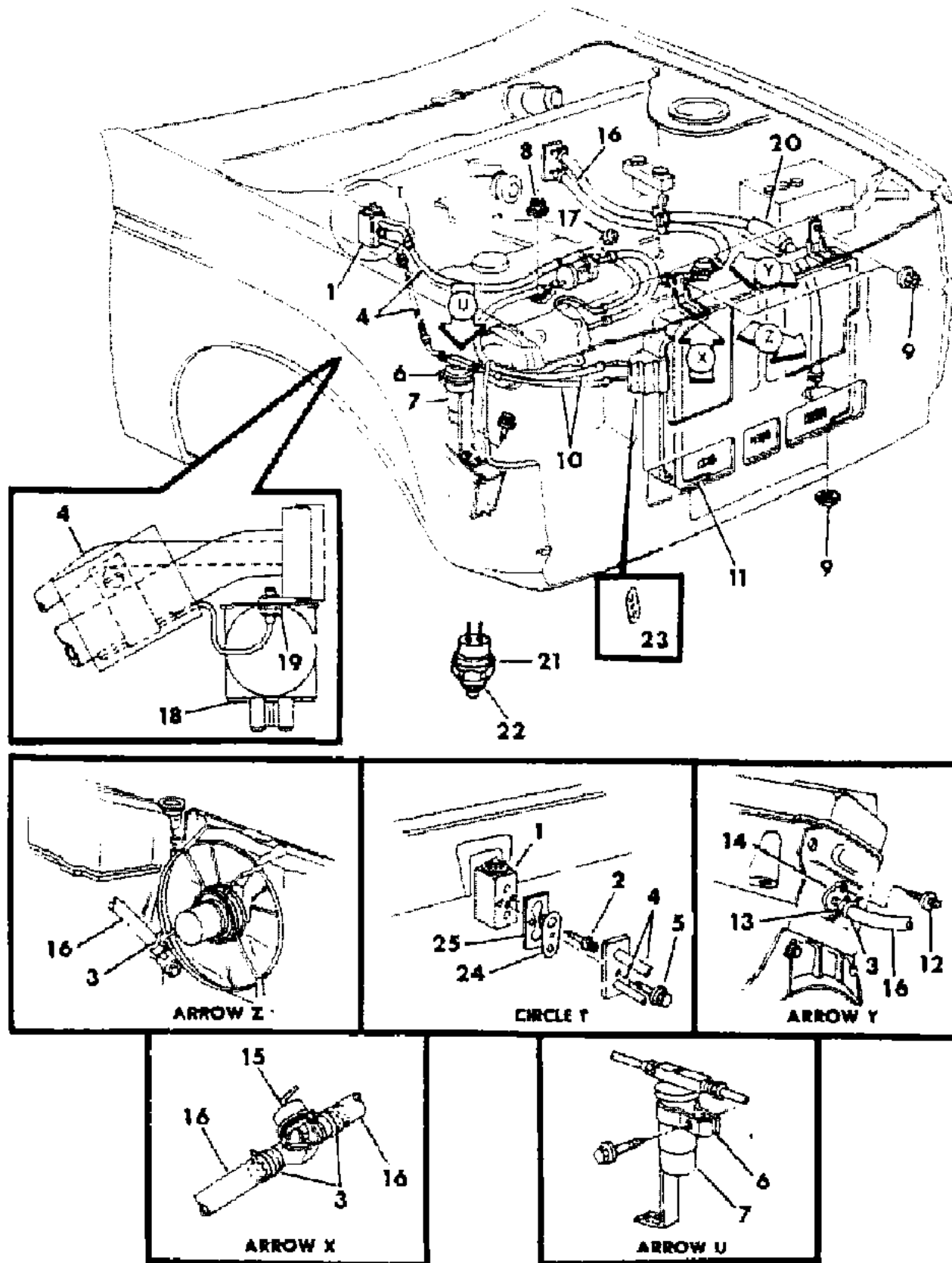
21 = 2-DOOR SEDAN	28 = FWD PICKUP
22 = 2-DOOR SPECIAL COUPE	41 = 4-DOOR SEDAN
24 = 2-DOOR HATCHBACK	44 = 4-DOOR HATCHBACK
27 = 2-DOOR CONVERTIBLE	45 = 2-SEAT STATION WAGON

AR = Use as Required - = Non Illustrated Part P.A.R. = Paint as Required



**AIR CONDITIONING AND HEATER PLUMBING M,Z,P,D,V,C**  
**Figure 24-2400**

2124 2400



ITEM	PART NUMBER	QTY	BODY	MODEL	DESCRIPTION
24	3846 834	1		All	GASKET, A/C Suct. & Liq. Line to H-Valve
25	3846 836	1		All	GASKET, A/C Evap. Valve Mtg. (Alumn.)
NOTE: The Following Items Are Not Shown on Illustration. an offsetting order for part no. 3747881					
	3847 083	1		All	GASKET, A/C Suction Liquid Line Mtg. to Drier
	3846 898	1		P,D	SWITCH,A/C or A/T/C High Pressure Cutoff
	3847 083	1		All	GASKET, A/C Disch. & Liq. Line Mtg. to Drier
	3847 147	1		All	PILOT, A/C Suction Line Mtg. (Plastic)
	3847 147	1		All	Discharge Line Mtg. (Plastic)
	3847 825	1		P,D,V,C	HOSE, A/C Htr. Core to Pump
	3848 137	1		All	HOSE, A/C Htr. Eng. to Valve, w/2.2L Eng.,Man. Trans.
	3848 333	1		P,D,V,C	HOSE, A/C Htr. Eng. to Valve, w/2.2L Eng.,Auto. Trans
	3847 924	1		P,D,V,C	HOSE, A/C Htr. Eng. to Valve, w/2.6L Eng.

MODEL CODES  
 B = GRAN FURY/CARAVELLE      P = RELIANT  
 C = LEBARON/TOWN & COUNTRY      S = CORDOBA  
 D = ARIES      V = 400  
 F = NEW YORKER      X = MIRADA  
 G = DIPLOMAT      Y = IMPERIAL  
 M = HORIZON/TC3/SCAMP      Z = OMNI/O24/RAMPAGE

BODY STYLES  
 21 = 2-DOOR SEDAN      28 = FWD PICKUP  
 22 = 2-DOOR SPECIAL COUPE      41 = 4-DOOR SEDAN  
 24 = 2-DOOR HATCHBACK      44 = 4-DOOR HATCHBACK  
 27 = 2-DOOR CONVERTIBLE      45 = 2-SEAT STATION WAGON

AR = Use as Required - = Non Illustrated Part P.A.R. = Paint as Required

**AIR CONDITIONING AND HEATER PLUMBING B,F,G,X,S,Y**  
**Figure 24-2500**

2124 2500

ITEM	PART NUMBER	QTY	BODY	MODEL	DESCRIPTION
1	6030 267	2	All		SCREW, A/C Exp. Valve Mtg.
2	6100 314	1	All		SCREW, A/C Suct. & Liquid Line Mtg.
3	3846 836	1	All		GASKET, A/C Evap. Valve Mtg. (Alumn.)
4	3846 834	1	All		GASKET, A/C Suct. & Liquid Line to H-Valve
5	3847 166	1	All		LINE, A/C Suction & Liquid Line w/225 Eng.
	3847 169	1	All		318 Eng.
6	4176 999	1	All		VALVE, A/C Expansion, H-Type
7	3847 475	1	All		VALVE, A/C or Htr. Water
8	1315 466	AR	All		HOSE, A/C Htr. 5/8" I.D., 50Ft Roll
9	4176 059	1	All		COMPRESSOR, A/C w/225,318 Eng.
10	3847 987	1	All		LINE, A/C Discharge & Liquid w/225 Eng.
	3847 168	1	All		318 Eng.
11	3846 835	1	All		GASKET, A/C Disch. & Liq. Line Plate to Cond.
12	3502 915	2	All		GROMMET & SPACER, A/C Cond. Mtg.
13	3847 789	1	All		CONDENSER, Complete A/C
14	3847 830	1	All		FILTER DRIER, w/Brkt. A/C
15	0120 375	2	All		NUT w/CONED WA., Cond. Mtg.
16	4041 604	AR	All		CLAMP, A/C Htr. Hose to Pump
17	0870 469	AR	All		CLAMP, A/C Htr. Hose
	2448 770	AR	Y		A/C Htr. Hose
18	3848 021	1	All		CAP, A/C Suction Line Check Valve
19	1779 258	1	All		NIPPLE, A/C Htr. Hose Eng. 1.70" Lg., 3/8" Thd.
20	3847 081	1	All		GASKET, A/C Discharge Line Flange Mtg.
21	3846 898	1	B,F,G		SWITCH, A/C High Pressure Cut Off
22	3441 105	1	All		SEAL, A/C Rec. Drier Low Pressure Cut Off
23	5210 377	1	All		SWITCH, A/C Low Pressure Cut Off
24	3846 509	1	All		CLIP, A/C Disch. & Liquid Line Mtg.
25		1	All		SCREW (Not Serviced)
26	1315 466	1	All		HOSE, A/C Htr. 5/8" I.D. x 50Ft Roll
27	1595 160	1	All		HOSE, A/C Htr. Valve To Core (Preformed) 29" Lg.
	2958 932	1	B,F,G		Htr. Eng. To Valve (Preformed) 1/2" I.D.
	4079 303		B,F,G		HOSE, 5/8" I.D. x 50Ft. Roll (Silicone)
	4079 303	1	B,F,G		A/C Htr. Eng. To Valve (Roll Stock)
	4079 303	1	B,F,G		A/C Htr. Core To Pump (Roll Stock)
28	3846 304	2	All		MOUNT, A/C Condenser Mtg.
29	4205 830	1	All		SWITCH and LUBE Pkg., A/C Suct. Line Temp. Sensing or Cycling

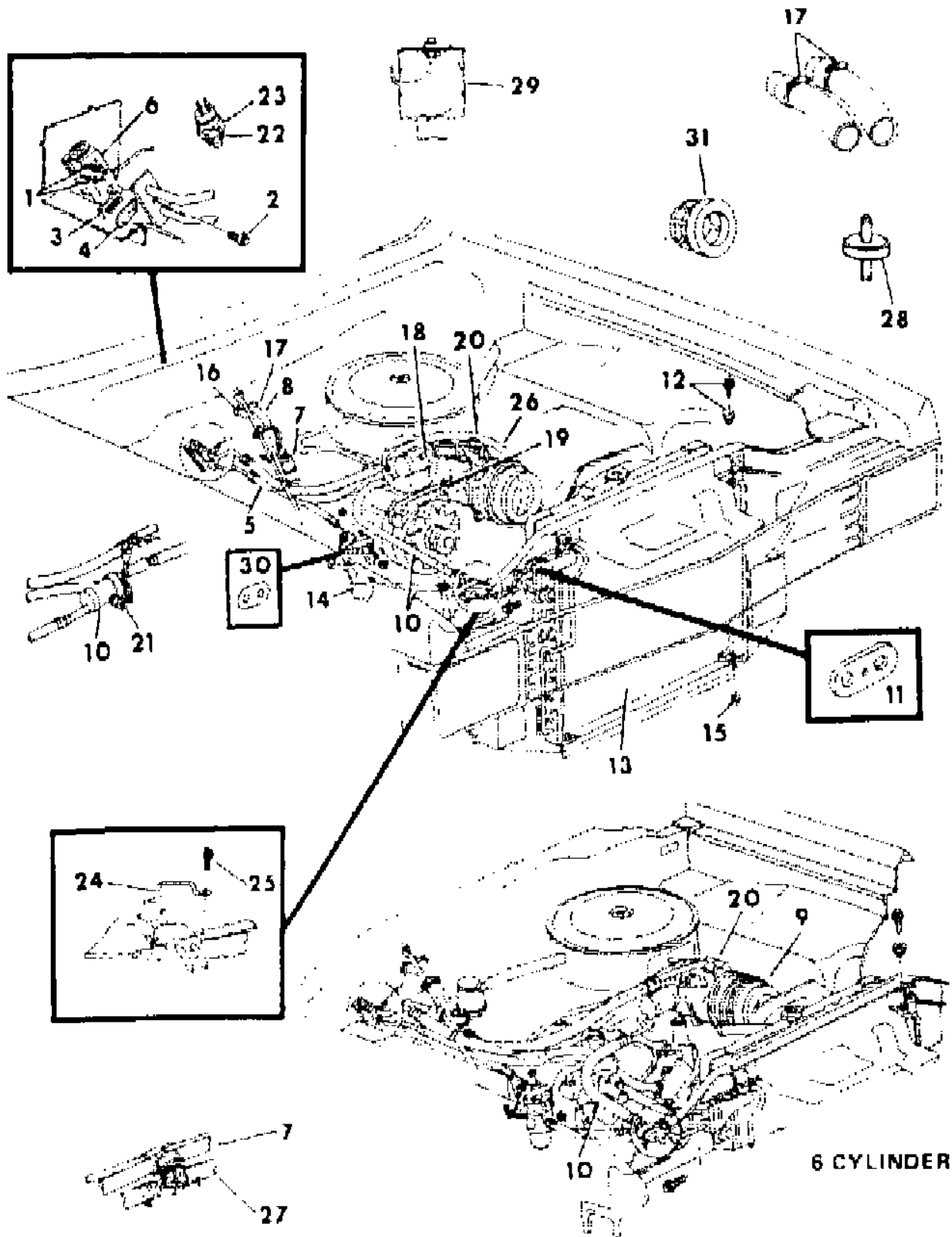
**MODEL CODES**

B = GRAN FURY/CARAVELLE	P = RELIANT
C = LEBARON/TOWN & COUNTRY	S = CORDOBA
D = ARIES	V = 400
F = NEW YORKER	X = MIRADA
G = DIPLOMAT	Y = IMPERIAL
M = HORIZON/TC3/SCAMP	Z = OMNI/O24/RAMPAGE

**BODY STYLES**

21 = 2-DOOR SEDAN	28 = FWD PICKUP
22 = 2-DOOR SPECIAL COUPE	41 = 4-DOOR SEDAN
24 = 2-DOOR HATCHBACK	44 = 4-DOOR HATCHBACK
27 = 2-DOOR CONVERTIBLE	45 = 2-SEAT STATION WAGON

AR = Use as Required - = Non Illustrated Part P.A.R. = Paint as Required



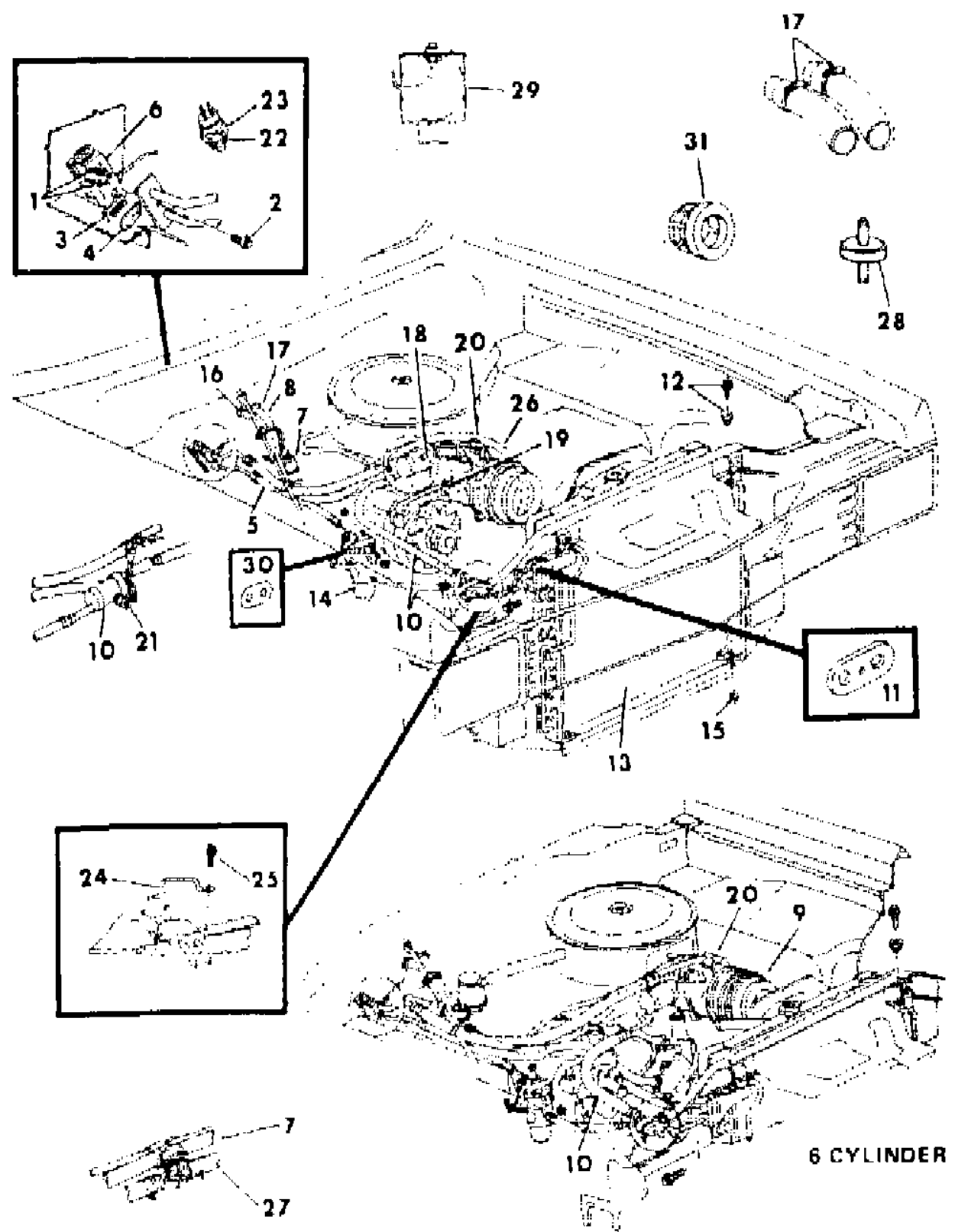
**AIR CONDITIONING AND HEATER PLUMBING B,F,G,X,S,Y**  
**Figure 24-2500**

2124 2500

ITEM	PART NUMBER	QTY	BODY	MODEL	DESCRIPTION
------	-------------	-----	------	-------	-------------

30	3847 083	1		All	GASKET, A/C Suction & Liq. Line Mtg. To Drier
	3847 083	1		All	A/C Discharge & Liq. Line Mtg. To Drier
31	3847 147	1		All	PILOT, A/C Suction Line Mtg. (Plastic)
	3847 147	1		All	Discharge Line Mtg. (Plastic)

ontrol or High Altitude Emission Control. an offsetting order for part no. 3747881  
cars sold in the State of California. an offsetting order for part no. 3747881  
alytic Exhaust System. Unleaded Fuel is required. an offsetting order for part no. 3747881



- MODEL CODES**
- |                            |                      |
|----------------------------|----------------------|
| B = GRAN FURY/CARAVELLE    | P = RELIANT          |
| C = LEBARON/TOWN & COUNTRY | S = CORDOBA          |
| D = ARIES                  | V = 400              |
| F = NEW YORKER             | X = MIRADA           |
| G = DIPLOMAT               | Y = IMPERIAL         |
| M = HORIZON/TC3/SCAMP      | Z = OMNI/O24/RAMPAGE |

- BODY STYLES**
- |                           |                           |
|---------------------------|---------------------------|
| 21 = 2-DOOR SEDAN         | 28 = FWD PICKUP           |
| 22 = 2-DOOR SPECIAL COUPE | 41 = 4-DOOR SEDAN         |
| 24 = 2-DOOR HATCHBACK     | 44 = 4-DOOR HATCHBACK     |
| 27 = 2-DOOR CONVERTIBLE   | 45 = 2-SEAT STATION WAGON |

AR = Use as Required - = Non Illustrated Part P.A.R. = Paint as Required

---

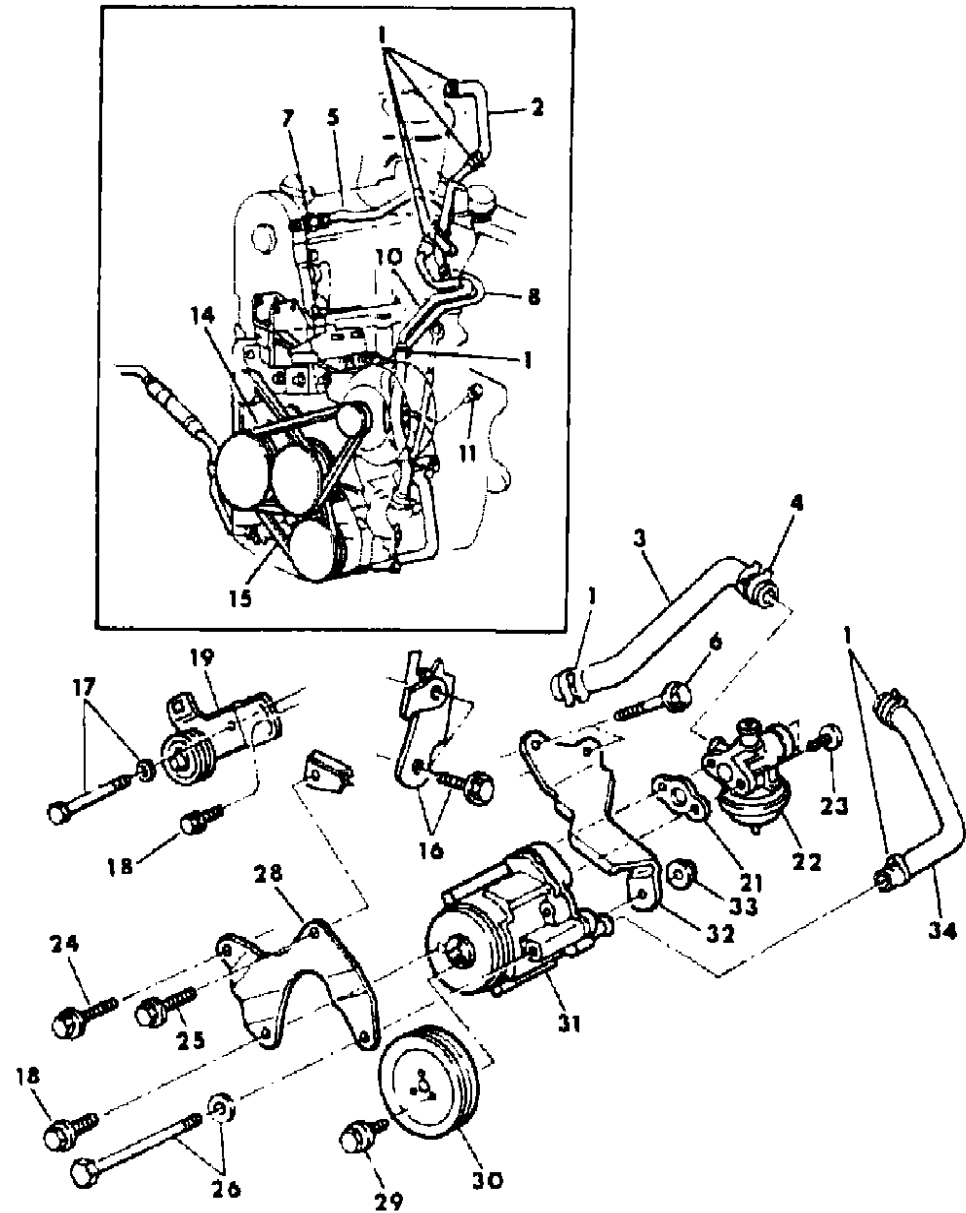
**GROUP 25 - EMISSION SYSTEMS**

<b>ILLUSTRATION TITLE</b>	<b>GROUP-FIG. NO.</b>
PUMP,AIR-1.7 L .....	Fig. 25-100
PUMP,Air-2.2 L .....	Fig. 25-200
PUMP,AIR 225 ENGINE-w/AIR COND. ....	Fig. 25-300
PUMP,AIR 225 ENGINE w/o/AIR COND. ....	Fig. 25-400
PUMP,AIR 318 ENGINE .....	Fig. 25-500
ASPIRATOR 225,318,ENGINES .....	Fig. 25-600
EXHAUST GAS RECIRCULATION M-Z .....	Fig. 25-700
EXHAUST GAS RECIRCULATION 2.2L ENGINE .....	Fig. 25-800
EXHAUST GAS RECIRCULATION 225-1BBL. ENGINE .....	Fig. 25-900
EXHAUST GAS RECIRCULATION 225 2BBL. ENGINE .....	Fig. 25-1000
EXHAUST GAS RECIRCULATION 318-4BBL.ENGINE .....	Fig. 25-1100
EXHAUST GAS RECIRCULATION 318-2BBL. ENGINE w/AUTO.TRANS. ....	Fig. 25-1200
EXHAUST GAS RECIRCULATION w/E.F.I. ....	Fig. 25-1300
ORIFICE SPARK ADVANCE 225 & 318 ENGINE .....	Fig. 25-1400
CANISTER VAPOR .....	Fig. 25-1500
AIR SUPPLY SECONDARY 2.6 L ENGINE .....	Fig. 25-1600
EMISSION SYSTEM 2.6 L ENGINE .....	Fig. 25-1700

**ILLUSTRATION NOT AVAILABLE AT TIME OF PUBLICATION**

PUMP,AIR-1.7 L  
Figure 25-100

3125 100



ITEM	PART NUMBER	QTY	BODY	MODEL	DESCRIPTION
1	2448 761	AR		All	CLAMP,Hose
2	4268 447	1		All	HOSE,Tube To Air Clnr.
3	4275 058	1		All	HOSE,Comb. Valve to Catalyst Tube
4	2448 762	2		All	CLAMP
5	4179 878	1		All	TUBE,Check Valve To Exh.Manif.
6	6500 071	2		All	SCREW w/WASHER
7	6031 789	AR		All	CONNECTOR
8	4179 410	1		All	TUBE,A/Pump To A/Clnr.
10	4179 421	1		All	TUBE,Air Pump to Comb. Valve
11	6100 295	1		All	SCREW & WASHER
14	4273 075	1		All	BELT,Alt.& w/Pump Drive O.S.Lgh.36.00"
15	5214 136	1		All	BELT,Air Pump Drive
16	5214 095	1		All	BRACKET,A/Pump Tube & Oil Lvl.Ind.Tube Mtg.
	6101 050	2		All	SCREW & WASHER
17	6500 218	1		All	SCREW
	6100 233	1		All	WASHER
18	6500 374	1		All	SCREW & WASHER
19	5214 179	1		All	PULLEY & BRACKET,A/Pump Idler
	6500 151	1		All	SCREW w/WASHER
	5214 065	2		All	SHIELD,Idler Roller
		1		All	SCREW,7/16-14 X 11/2"Lgh.(Not Serviced)
	0271 502	1		All	NUT
20	6500 217	2		All	SCREW & WASHER
21	4179 700	1		All	GASKET,Diverter Valve Flange
22	4179 719	1		All	VALVE,A/P Diverter
	4227 670	1		All	VALVE,Air Switching and Relief
	4275 059	1		All	VALVE,w/Hose
23	6500 423	2		All	SCREW & WASHER
24	6500 192	1		All	SCREW & WASHER
25					SCREW & WASHER (Not Serviced)
26	6100 193	1		All	SCREW
		1		All	WASHER,(Not Serviced)
28	4268 414	1		All	BRACKET,Air Pump Mtg.Eng.Side
29	6500 136	3		All	SCREW & WASHER
30	5240 629	1		All	PULLEY,Air Pump
31	4268 924				PUMP,Air
32	5214 446	1		All	BRACKET,Air Pump Mtg.Rr.

MODEL CODES

B = GRAN FURY/CARAVELLE	P = RELIANT
C = LEBARON/TOWN & COUNTRY	S = CORDOBA
D = ARIES	V = 400
F = NEW YORKER	X = MIRADA
G = DIPLOMAT	Y = IMPERIAL
M = HORIZON/TC3/SCAMP	Z = OMNI/O24/RAMPAGE

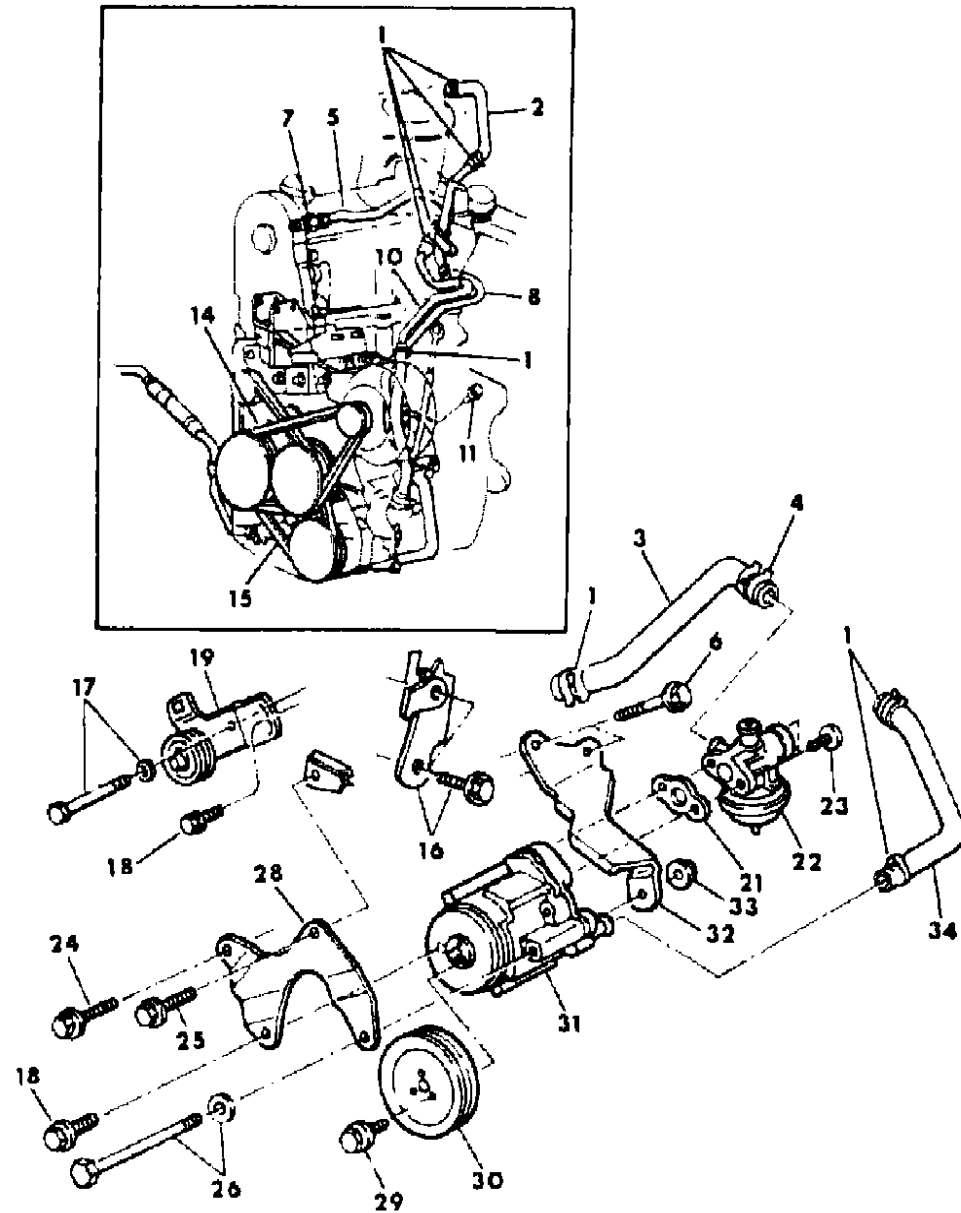
BODY STYLES

21 = 2-DOOR SEDAN	28 = FWD PICKUP
22 = 2-DOOR SPECIAL COUPE	41 = 4-DOOR SEDAN
24 = 2-DOOR HATCHBACK	44 = 4-DOOR HATCHBACK
27 = 2-DOOR CONVERTIBLE	45 = 2-SEAT STATION WAGON

AR = Use as Required - = Non Illustrated Part P.A.R. = Paint as Required

PUMP,AIR-1.7 L  
Figure 25-100

3125 100



ITEM	PART NUMBER	QTY	BODY	MODEL	DESCRIPTION
33	6100 518	1		All	NUT
34	4268 446	1		All	HOSE,Air Pump To A/CInr.Tube
NOTE:The following items are not shown on illustration. an offsetting order for part no. 3747881					
	5240 789	8		All	GASKET,Air Inj.Tube To Cyl.Head (CANADA)
	4179 696	1		All	TUBE,Cyl.Head Air Inj.& Check Valve (CANADA)
	5240 790	4		All	BOLT,Air Inj.Tube To Cyl.Head (CANADA)
	4179 410	1		All	TUBE,Air Pump to Air Cleaner
	4201 181	1		All	TUBE,Comb. Valve Exhaust Manifold
	4179 888	1		All	TUBE,Comb. Valve Hose to 3 Way Catalyst Tube Hose
	4241 252	1		All	ADAPTER,Air Switch and Relief Valve
	4227 864	1		All	BRACKET w/TUBE,Comb. Valve Mtg.
	6500 499	2		All	BOLT,Diverter Valve Mtg. Flange
					TUBE,Comb. Valve Bracket to 3 Way Catalyst Tube
	4275 072	1			Front
	4275 073	1			Rear
	4275 056	1	All		HOSE,Comb. Valve to Exhaust Manifold Tube
	4275 055	1	All		HOSE,Check Valve to Exhaust Manifold Tube
	4275 054	1	All		HOSE,Comb. Valve Tube to Catalyst Tube
	4201 247	1	All		HOSE,Air Switch Relief Valve Vacuum
	4268 440	1	All		HOSE,Diverter Valve to Cylinder Head Air Injection Tube
	6031 789	1	All		CONNECTOR,Exhaust Manifold

MODEL CODES

B = GRAN FURY/CARAVELLE	P = RELIANT
C = LEBARON/TOWN & COUNTRY	S = CORDOBA
D = ARIES	V = 400
F = NEW YORKER	X = MIRADA
G = DIPLOMAT	Y = IMPERIAL
M = HORIZON/TC3/SCAMP	Z = OMNI/O24/RAMPAGE

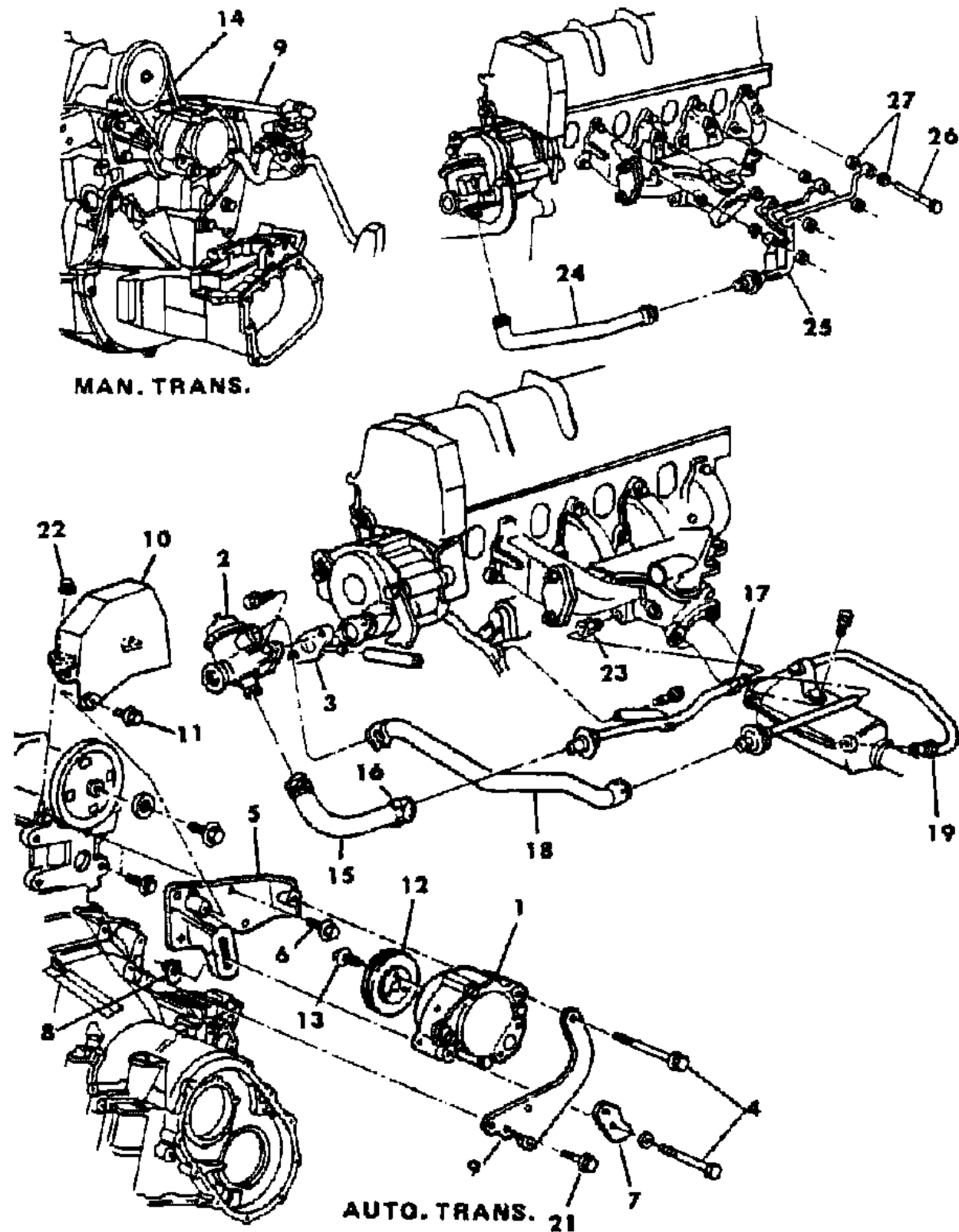
BODY STYLES

21 = 2-DOOR SEDAN	28 = FWD PICKUP
22 = 2-DOOR SPECIAL COUPE	41 = 4-DOOR SEDAN
24 = 2-DOOR HATCHBACK	44 = 4-DOOR HATCHBACK
27 = 2-DOOR CONVERTIBLE	45 = 2-SEAT STATION WAGON

AR = Use as Required - = Non Illustrated Part P.A.R. = Paint as Required

PUMP,Air-2.2 L  
Figure 25-200

2125 200A



ITEM	PART NUMBER	QTY	BODY	MODEL	DESCRIPTION
1	4267 227	1			PUMP,Air
2	4227 670	1			VALVE,Air Switch & Relief
	4275 053	1			VALVE,w/Hose
	4179 719	1			VALVE,Diverter
3	4179 700	1			GASKET
4	6500 531	1			SCREW w/WASHER
		1			SCREW (Not Serviced)
5	4240 163	1			BRACKET,Air Pump Adjusting & Mtg.
6	6500 374	4			SCREW & Washer
7	4273 150	1			BRACKET,Air Pump Adj.
8	6500 421	1			NUT
9	5203 348	1			BRACKET,Air Pump Mtg. (Rear) w/Auto.Trans
10	4201 482	1			SHIELD,Air Pump Drive Pulley
11	6500 217	1			SCREW & Washer
12	5203 585	1			PULLEY,Air Pump
	5214 518	1			PULLEY,Air Pump Drive
	6500 134	1			SCREW,w/Washer Pulley to Cam
	5203 350	1			WASHER,Air Pump Pulley to Cam Screw and Washer
13	6500 136	3			SCREW & Washer
14	4201 481	1			BELT,Air Pump Drive
15	4241 670	1			HOSE,Comb.Valve to Exh.Manif.Tube
16	2448 761	2			CLAMP
17	4227 863	1			TUBE,Comb.Valve to Exh.Manif.
18	4275 052	1			HOSE,Comb.Valve to Catalyst or Exhaust Pipe Tube
19	4227 874	1		P,D,V,C	TUBE,Comb.Valve to 3 Way Catalyst
	4105 999	1		M,Z	TUBE,Comb.Valve to 3 Way Catalyst
21	6500 297	2			SCREW & Washer
22	6100 516	2			NUT
23	6031 789	1			CONNECTOR,Exhaust Manifold
24	4227 871	1			HOSE,Diverter Valve to Exhaust Manifold Tube (Canada)
25	4227 762	1			TUBE,Diverter Valve to Exhaust Manifold (Canada)
26	4227 763	4			TUBE,Bolt and Air Injection (Canada)
27	4227 764	8			GASKET,Air Injection Tube to Exhaust Manifold (Canada)
NOTE: The Following Items Are Not Shown On Illustration. an offsetting order for part no. 3747881					
	4241 252	1			ADAPTER,Air Switch and Relief Valve
	4227 864	1		M,Z	BRACKET w/Tube,Comb.Valve Mtg.
	4227 869	1		P,D,V,C	BRACKET w/Tube,Comb.Valve Mtg.

MODEL CODES

B = GRAN FURY/CARAVELLE	P = RELIANT
C = LEBARON/TOWN & COUNTRY	S = CORDOBA
D = ARIES	V = 400
F = NEW YORKER	X = MIRADA
G = DIPLOMAT	Y = IMPERIAL
M = HORIZON/TC3/SCAMP	Z = OMNI/O24/RAMPAGE

BODY STYLES

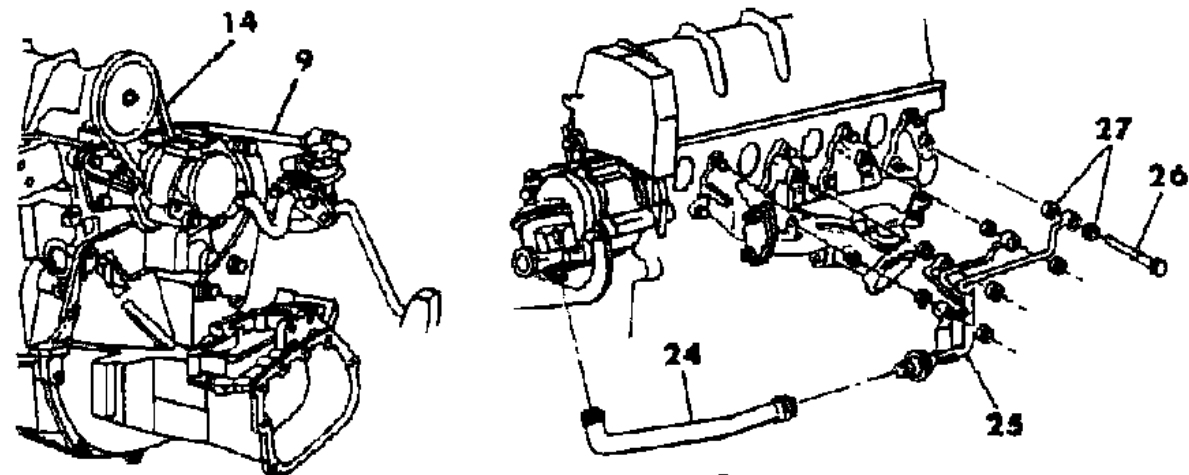
21 = 2-DOOR SEDAN	28 = FWD PICKUP
22 = 2-DOOR SPECIAL COUPE	41 = 4-DOOR SEDAN
24 = 2-DOOR HATCHBACK	44 = 4-DOOR HATCHBACK
27 = 2-DOOR CONVERTIBLE	45 = 2-SEAT STATION WAGON

AR = Use as Required - = Non Illustrated Part P.A.R. = Paint as Required

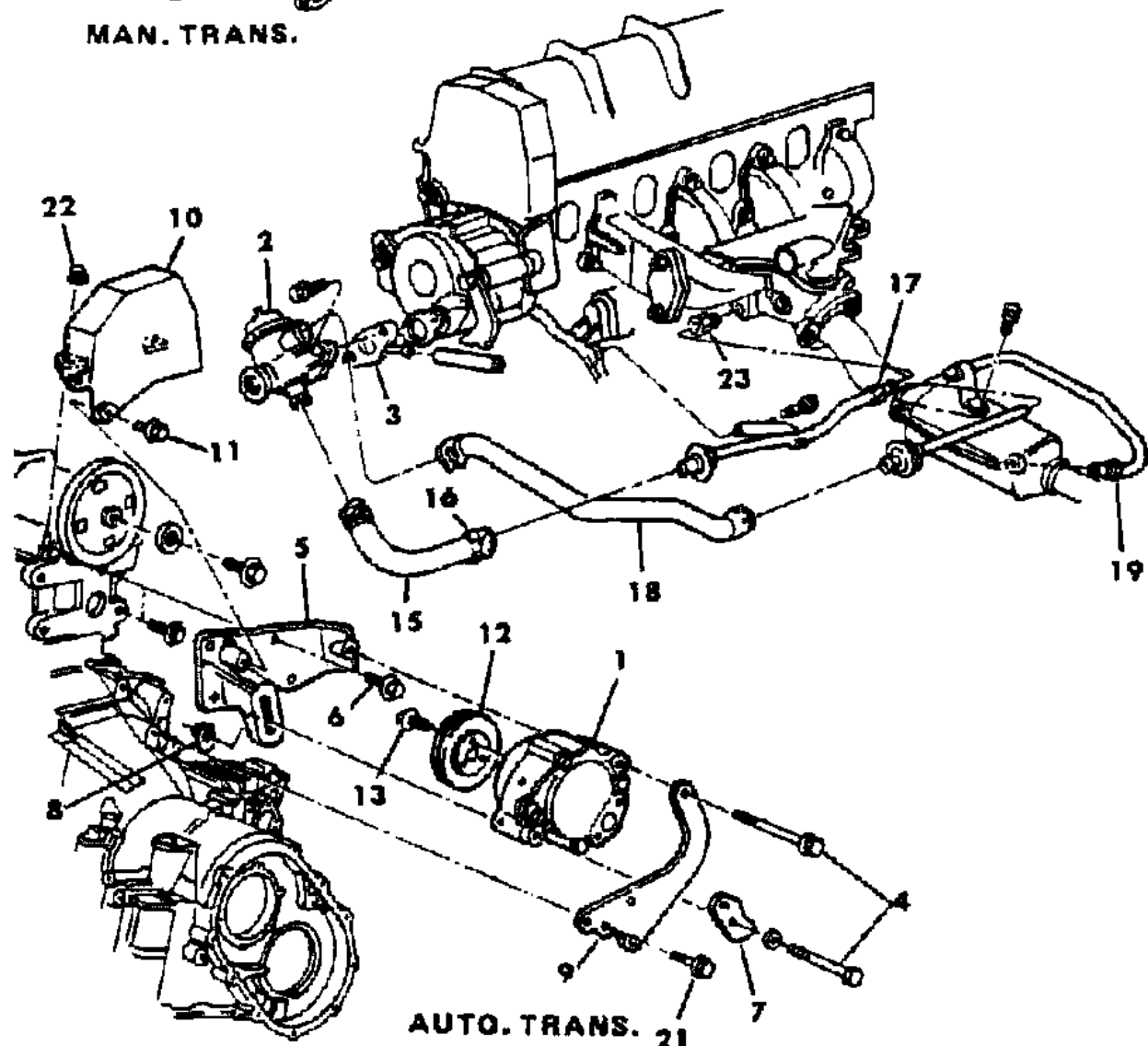
PUMP,Air-2.2 L  
Figure 25-200

2125 200A

ITEM	PART NUMBER	QTY	BODY	MODEL	DESCRIPTION
	4268 493	1			HOSE,Diverter Valve to Exh.Manif.Tube (Export)
	4227 762	1		M,Z,P,D	TUBE,Diverter Valve to Exh.Manif. (Export)
	4179 719	1			VALVE,Diverter w/N92
	4268 576	1		M,Z,28	VALVE,Relief



MAN. TRANS.



AUTO. TRANS. 21

MODEL CODES

B = GRAN FURY/CARAVELLE	P = RELIANT
C = LEBARON/TOWN & COUNTRY	S = CORDOBA
D = ARIES	V = 400
F = NEW YORKER	X = MIRADA
G = DIPLOMAT	Y = IMPERIAL
M = HORIZON/TC3/SCAMP	Z = OMNI/O24/RAMPAGE

BODY STYLES

21 = 2-DOOR SEDAN	28 = FWD PICKUP
22 = 2-DOOR SPECIAL COUPE	41 = 4-DOOR SEDAN
24 = 2-DOOR HATCHBACK	44 = 4-DOOR HATCHBACK
27 = 2-DOOR CONVERTIBLE	45 = 2-SEAT STATION WAGON

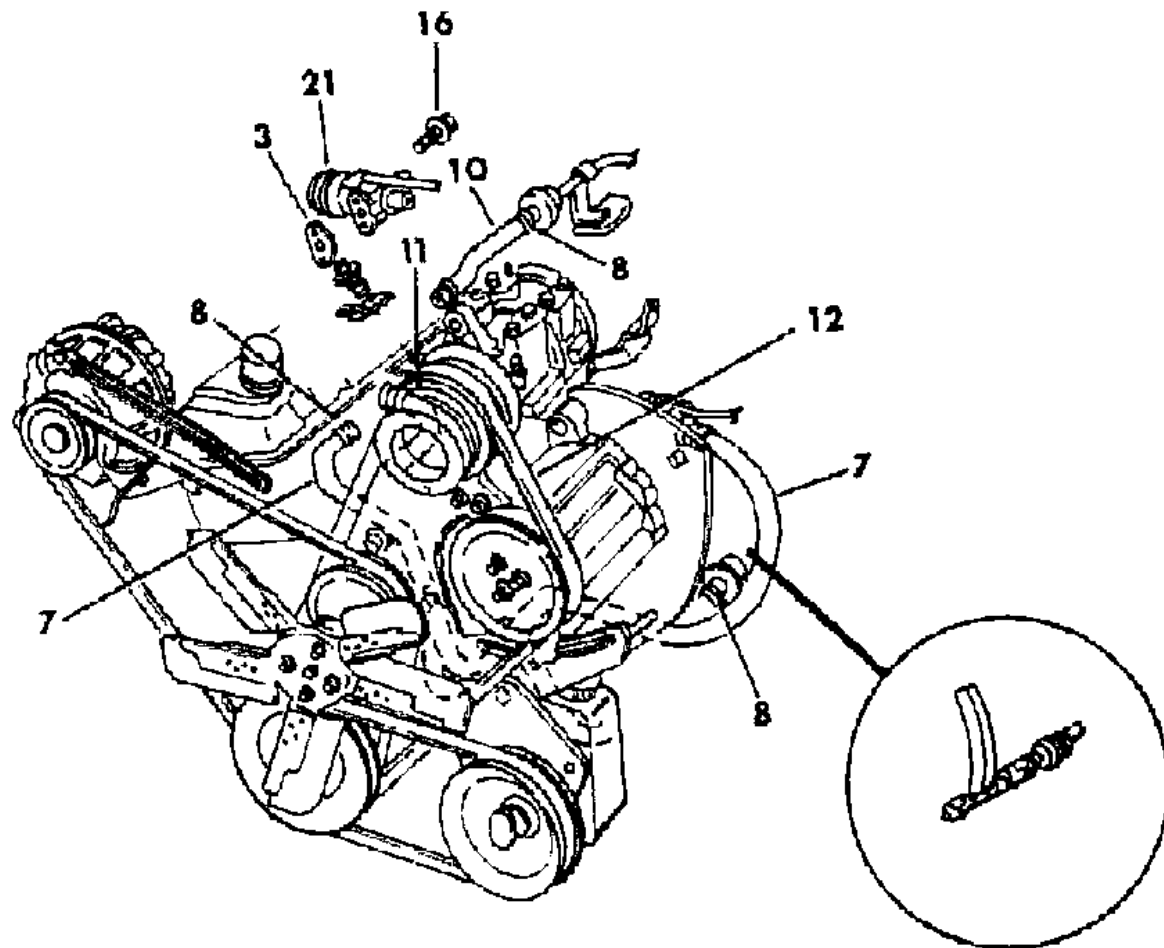
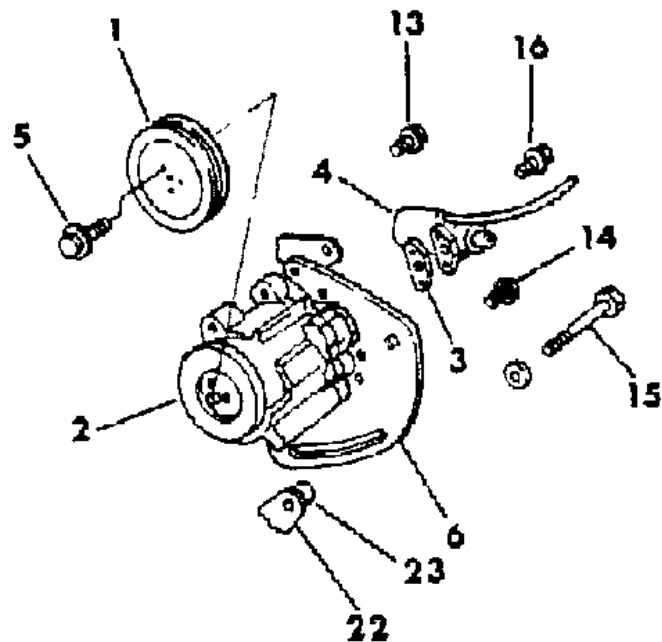
AR = Use as Required - = Non Illustrated Part P.A.R. = Paint as Required



PUMP,AIR 225 ENGINE-w/AIR COND.

Figure 25-300

2125 300



ITEM	PART NUMBER	QTY	BODY	MODEL	DESCRIPTION
1	4241 645	1	All		PULLEY,Air Pump
2	4268 961	1	All		PUMP,Air
3	4179 700	2	All		GASKET,A/Pump Diverter Valve
4	4227 670	1	All		VALVE,Air Switch and Relief
5	6100 265	2	All		SCREW,A/Pump Pulley Mtg.
6	4179 790	1	All		BRACKET,Air Pump Mtg.
7	4173 491	1	All		HOSE,Air Pump To Switching Valve
8	2448 761	4	All		CLAMP
10	4173 491	1	All		HOSE,A/Pump Switching Valve To Air Inj.Tube
11	3870 465	2	All		CLAMP
12	4173 211	1	All		BELT,Air Pump Drive O.S.Lgh.56.50"
13	6500 365	2	All		SCREW & WASHER
14	6027 846	2	All		SCREW & WASHER
15		1			BOLT,(Not Serviced)
16	0181 065	2	All		SCREW
21	4227 670	1	All		VALVE,A/Pump Air Sw/Diverter Black w/(S/C-N95)
22					BRACKET,Power Steering Pump (See Group 19)
23	6028 609	1	All		SPACER,Rear A/Pump Brkt. Eng.

NOTE:The following items are not shown on illustration. an offsetting order for part no. 3747881

4179 999	1	All			TUBE,Cyl. Head Air Injection
4227 847	1	All			TUBE, Valve to Exhaust Pipe w/N95
4227 873	1	All			TUBE, Air Pump to Harness Catalyst
4173 491	1	All			HOSE,Comb. Valve to Cyl. Head Air Injection Tube
4227 942	1	All			HOSE,Pressure Purge Nipple to Exh.Pipe Tube
4227 943	1	All			HOSE,Air Switch Valve to Pressure Purge Nipple

MODEL CODES

B = GRAN FURY/CARAVELLE	P = RELIANT
C = LEBARON/TOWN & COUNTRY	S = CORDOBA
D = ARIES	V = 400
F = NEW YORKER	X = MIRADA
G = DIPLOMAT	Y = IMPERIAL
M = HORIZON/TC3/SCAMP	Z = OMNI/O24/RAMPAGE

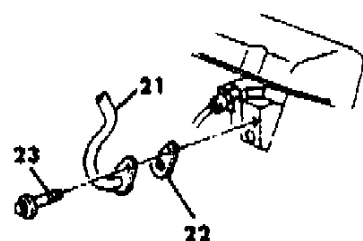
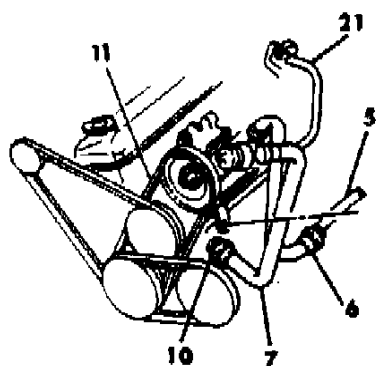
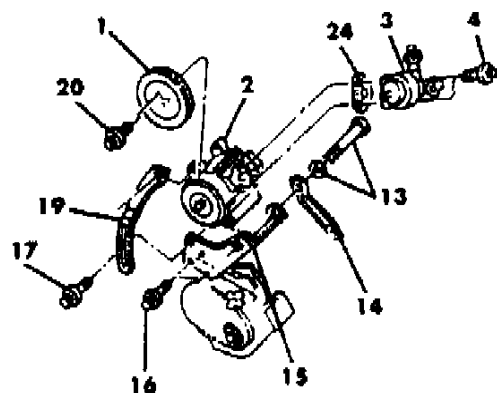
BODY STYLES

21 = 2-DOOR SEDAN	28 = FWD PICKUP
22 = 2-DOOR SPECIAL COUPE	41 = 4-DOOR SEDAN
24 = 2-DOOR HATCHBACK	44 = 4-DOOR HATCHBACK
27 = 2-DOOR CONVERTIBLE	45 = 2-SEAT STATION WAGON

AR = Use as Required - = Non Illustrated Part P.A.R. = Paint as Required

**PUMP,AIR 225 ENGINE w/o/AIR COND.**  
**Figure 25-400**

2125 400



ITEM	PART NUMBER	QTY	BODY	MODEL	DESCRIPTION
1	4241 645	1		All	PULLEY,Air Pump
2	4268 963	1		All	PUMP,Air
3	4227 670	1		All	VALVE,Air Switch and Relief
4	6500 423	2		All	SCREW & WASHER
5	4227 873	1		All	TUBE,Air Pump to Harness Catalyst (w/o S/C-N95)
	4227 847	1		All	TUBE,Valve to Exhaust Pipe (w/S/C-N95)
6	2448 761	4		All	CLAMP
7	4179 986	1		All	HOSE,Air Pump To Switching Valve
10	2448 761	2		All	CLAMP
11	3837 673	1		All	BELT,A/Pump Drive O.S.Lgh.48.75"
13	6101 252	1		All	BOLT
	6100 129	1		All	WASHER
14	4179 862	1		All	SUPPORT,A/Pump.To Eng.Mtg.
15	4179 780	1		All	BRACKET,Air Pump Mtg.
	6101 252	1		All	BOLT
16	6024 487	2		All	SCREW & WASHER
17	6101 051	1		All	SCREW & WASHER
19	4179 979	1		All	STRAP,A/Pump Adj.
	6101 051	1		All	SCREW,w/Washer
20	6100 265	3		All	SCREW
21	4179 999	1		All	TUBE,A/Pump Air Inj.& Exh.Check Valve
22	3671 142	1		All	GASKET,A/Pump Air Inj.Tube Clamp
23		1		All	SCREW (Not Serviced)
24	4179 700	1		All	GASKET,Diverter Valve

NOTE:The following items are not shown on illustration. an offsetting order for part no. 3747881

	4201 156	1		All	HOSE,Air Switch Valve to Pressure Purge Nipple
	4179 986	1		All	HOSE,Comb. Valve to Cyl. Head Air Injection Tube
	4227 942	1		All	HOSE,Pressure Purge Nipple to Exh. Pipe Tube

**MODEL CODES**

B = GRAN FURY/CARAVELLE	P = RELIANT
C = LEBARON/TOWN & COUNTRY	S = CORDOBA
D = ARIES	V = 400
F = NEW YORKER	X = MIRADA
G = DIPLOMAT	Y = IMPERIAL
M = HORIZON/TC3/SCAMP	Z = OMNI/O24/RAMPAGE

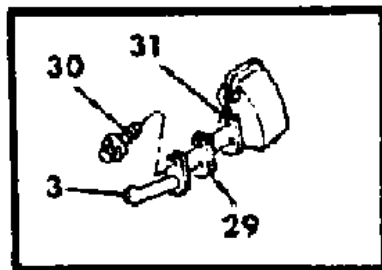
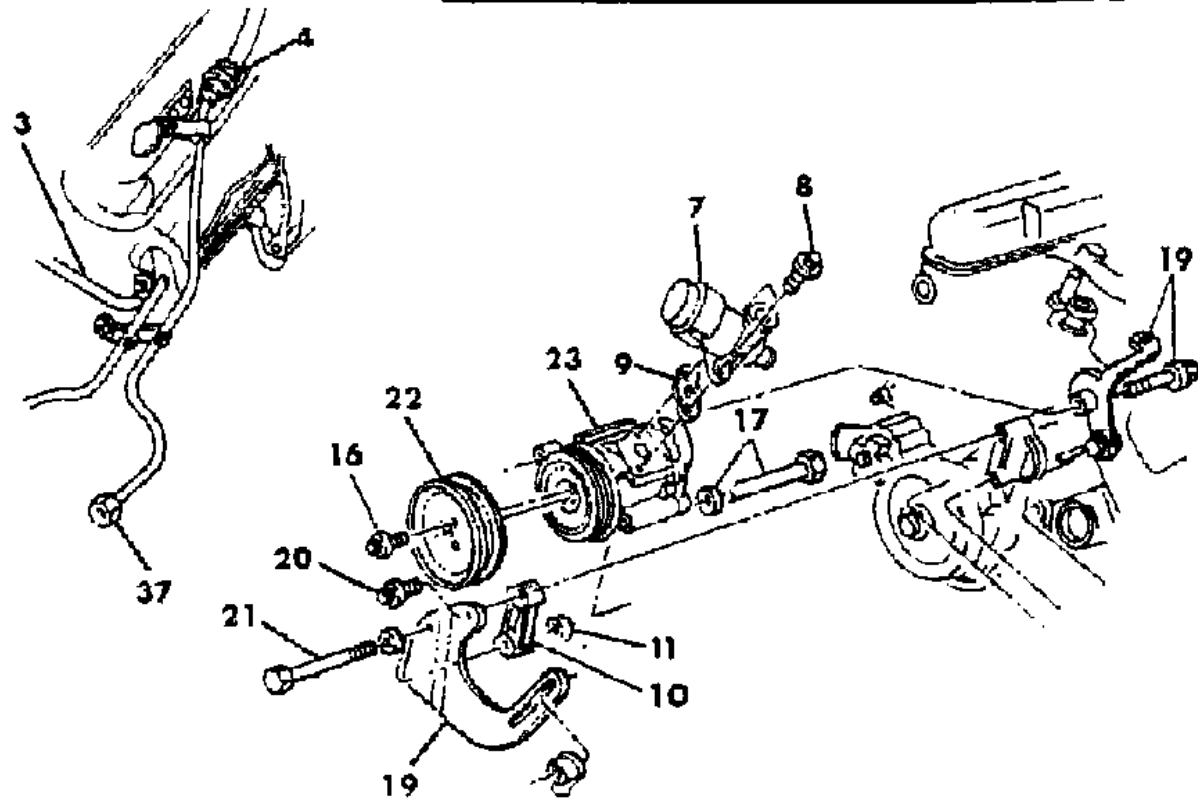
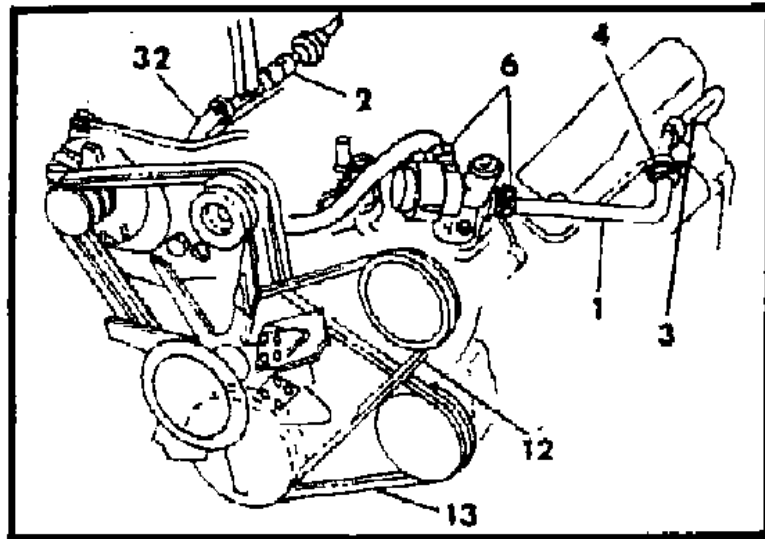
**BODY STYLES**

21 = 2-DOOR SEDAN	28 = FWD PICKUP
22 = 2-DOOR SPECIAL COUPE	41 = 4-DOOR SEDAN
24 = 2-DOOR HATCHBACK	44 = 4-DOOR HATCHBACK
27 = 2-DOOR CONVERTIBLE	45 = 2-SEAT STATION WAGON

AR = Use as Required - = Non Illustrated Part P.A.R. = Paint as Required

**PUMP,AIR 318 ENGINE**  
**Figure 25-500**

4123 3001



ITEM	PART NUMBER	QTY	BODY	MODEL	DESCRIPTION
1	4179 884	1		All	HOSE,Diverter or Comb. Valve to Air Injection Tube or Cross Over
2	4227 946	1		All	HOSE,Pressure Purge Nipple to Catalyst Tube
3	4179 893	1		All	CROSSOVER,A/Pump Air Inj.& Exh.Check Valve
4	2448 761	6		All	CLAMP
6	3870 465	2		All	CLAMP
7	4179 719	1			VALVE,A/P Diverter
	4227 670	1		All	VALVE,Air Switch and Relief
8	6500 423	2		All	SCREW
9	4179 700	3		All	GASKET
10	4179 440	1		All	SPACER,Air Pump Mounting
11	2129 856	1		All	SPACER,Air Pump Bracket
12	3837 673	1		All	BELT,Air Pump & Fan Drive
13	4106 204	1		All	BELT,Fan & P/Strg.Pump Drive
16	6100 265	3		All	SCREW w/WASHER
17		1		All	BOLT (Not Serviced)
		1		All	WASHER (Not Serviced)
19	4179 910	1		All	BRACKET,Air Pump Mtg.,Front
	4201 473	1		All	Rear,w/2 BBL. Carb.
	4201 474	1		All	Rear,w/4 BBL. Carb.
	6101 056	1		All	SCREW w/WASHER
	6031 947	1		All	SPACER,Air Pump Mtg.Bracket
20	6101 051	1		All	SCREW
21		1		All	BOLT,(Not Serviced)
22	3870 088	1		All	PULLEY,A/Pump
23	4268 963	1		All	PUMP,AIR
29	3671 142	AR		All	GASKET
30		2		All	SCREW,(Not Serviced)
31	3751 249	2		All	COVER,Exhaust Manif. Air Injection
32	4179 885	1		All	HOSE,Comb. Valve to Exhaust Manifold Tube w/(S/C-N94,N95)
	4227 945	1		All	HOSE,Air Switch Valve to Pressure Purge Nipple
37	4179 882	1		All	TUBE, Air Switching Valve to Catalyst
NOTE:The following items are not shown on illustration. an offsetting order for part no. 3747881					
	4273 150	1		All	BRACKET,Air Pump Adjusting
	6500 423	2		All	BOLT,Diverter Valve Mtg.
	6031 761	2		All	BOLT,Air Pump Bracket Mounting (3/8"X 6 1/4")

**MODEL CODES**

B = GRAN FURY/CARAVELLE	P = RELIANT
C = LEBARON/TOWN & COUNTRY	S = CORDOBA
D = ARIES	V = 400
F = NEW YORKER	X = MIRADA
G = DIPLOMAT	Y = IMPERIAL
M = HORIZON/TC3/SCAMP	Z = OMNI/O24/RAMPAGE

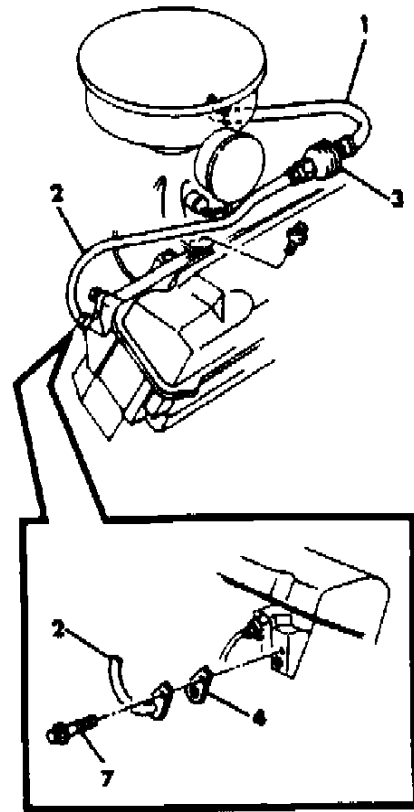
**BODY STYLES**

21 = 2-DOOR SEDAN	28 = FWD PICKUP
22 = 2-DOOR SPECIAL COUPE	41 = 4-DOOR SEDAN
24 = 2-DOOR HATCHBACK	44 = 4-DOOR HATCHBACK
27 = 2-DOOR CONVERTIBLE	45 = 2-SEAT STATION WAGON

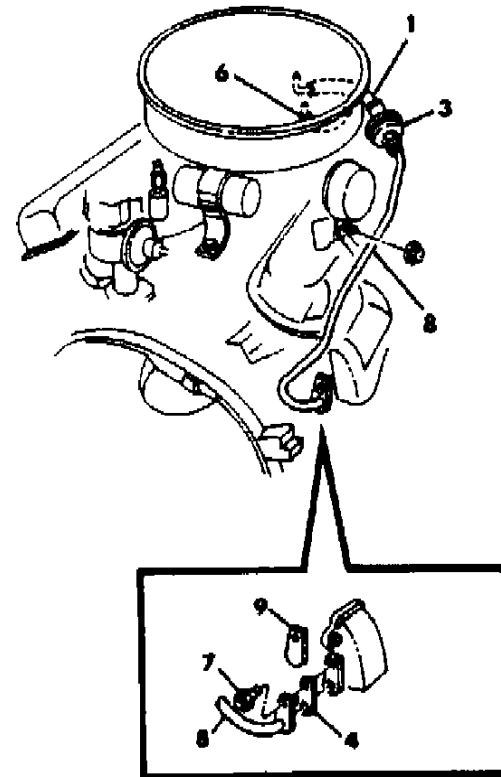
AR = Use as Required - = Non Illustrated Part P.A.R. = Paint as Required

**ASPIRATOR 225,318,ENGINES**  
**Figure 25-600**

2125 600



225 ENGINE



J18-2V (E44 & E45) ENGINE

ITEM	PART NUMBER	QTY	BODY	MODEL	DESCRIPTION
1	4201 049	1		All	HOSE,Aspirator To Air Cleaner 225 Eng.
2	4104 430	1		All	TUBE,Aspirator,225 Eng.
3	4041 966	1		All	VALVE,Aspirator
4	3671 142	1		All	GASKET,Aspirator Tube Clamp
6	4112 666	1		All	HOSE,Aspirator Valve To Air Cleaner (Canada)
7		1		All	SCREW,(Not Serviced)
8	4115 360	1		All	TUBE,Aspirator 318 Eng.
9	3751 249	1		All	COVER,Exh.Manif.Air Injection

MODEL CODES

B = GRAN FURY/CARAVELLE	P = RELIANT
C = LEBARON/TOWN & COUNTRY	S = CORDOBA
D = ARIES	V = 400
F = NEW YORKER	X = MIRADA
G = DIPLOMAT	Y = IMPERIAL
M = HORIZON/TC3/SCAMP	Z = OMNI/O24/RAMPAGE

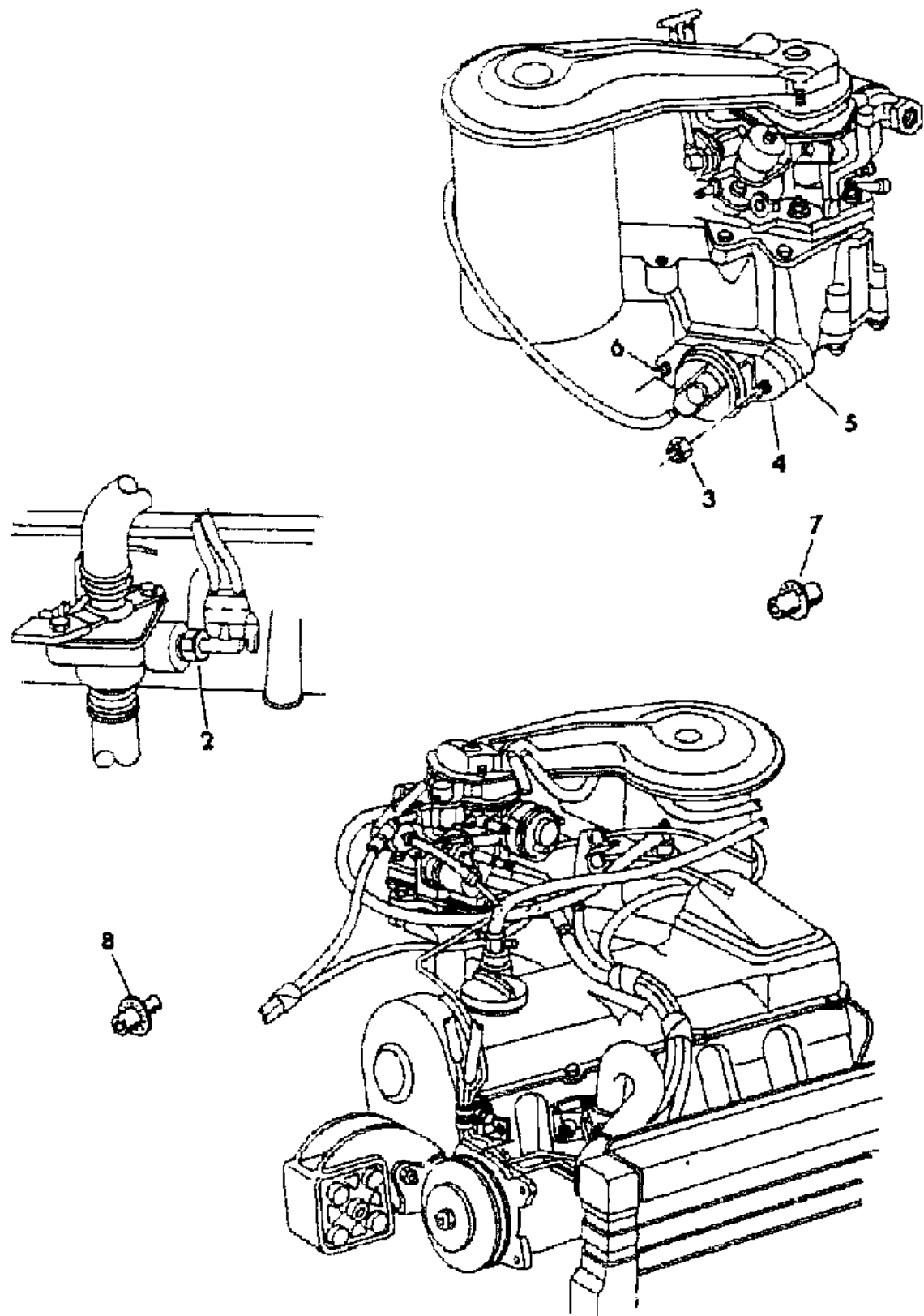
BODY STYLES

21 = 2-DOOR SEDAN	28 = FWD PICKUP
22 = 2-DOOR SPECIAL COUPE	41 = 4-DOOR SEDAN
24 = 2-DOOR HATCHBACK	44 = 4-DOOR HATCHBACK
27 = 2-DOOR CONVERTIBLE	45 = 2-SEAT STATION WAGON

AR = Use as Required - = Non Illustrated Part P.A.R. = Paint as Required

**EXHAUST GAS RECIRCULATION M-Z**  
**Figure 25-700**

2125 700



ITEM	PART NUMBER	QTY	BODY	MODEL	DESCRIPTION
2	4049 208	1		All	SWITCH,Cool/Cont.Engine Vacuum 125 Degree (Orange)
	3879 736	1		All	SWITCH,Coolant Controlled E.G.R. Vacuum 125 Degree(Yellow)
3	6100 218	1		All	NUT
4	4287 351	1		All	VALVE,E.G.R.Stamped 283351
	4196 216	1		All	Stamped 5203278 Or 5214278
	4131 217	1		All	Stamped 5203257 Or 5214257
	4287 356	1		All	Stamped 283356
	4287 354	1		All	Stamped 283354
	4186 232	1		All	Stamped 5203260 Or 5214260
5	4186 112	1		All	Stamped 5214271 Or 5203271
	4240 082	1		All	Stamped 5203280 Or 5214280
	4173 167	1		All	GASKET,E.G.R.Valve Flange
6	3671 447	1		All	PLATE,E.G.R.Valve Flange Cover Man.Trans.
	6100 732	2		All	STUD

NOTE: The Following Items Are Not Shown On Illustration. an offsetting order for part no. 3747881

4004 675	1				SENSOR OXYGEN,Exhaust Gas
4173 433	1				VALVE,Vacuum Delay E.G.R (4 Seconds)
4095 974	1				CONNECTOR,C.C.E.V.S.
4179 093	1				CONNECTOR,Coolant C/E.G.R. Vacuum
6500 182	2				NUT,E.G.R. Valve to Intake Manifold (M8X1.25)

**MODEL CODES**

B = GRAN FURY/CARAVELLE	P = RELIANT
C = LEBARON/TOWN & COUNTRY	S = CORDOBA
D = ARIES	V = 400
F = NEW YORKER	X = MIRADA
G = DIPLOMAT	Y = IMPERIAL
M = HORIZON/TC3/SCAMP	Z = OMNI/O24/RAMPAGE

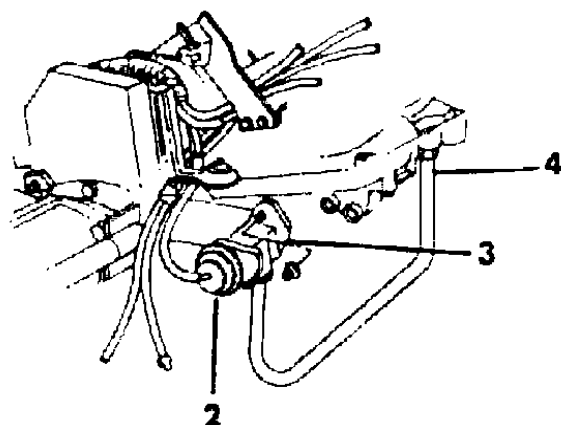
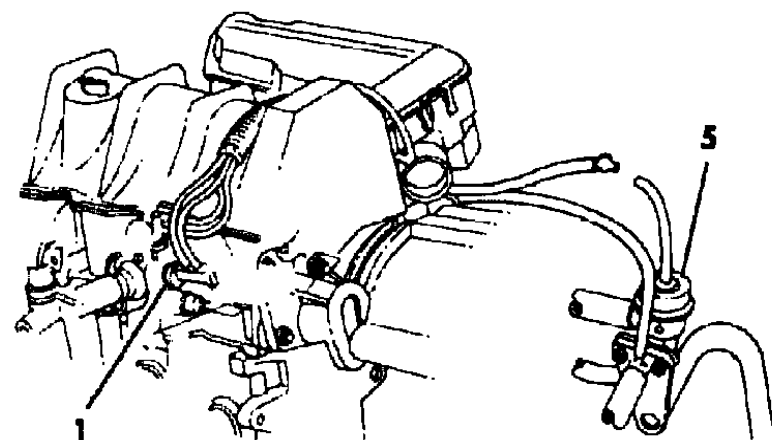
**BODY STYLES**

21 = 2-DOOR SEDAN	28 = FWD PICKUP
22 = 2-DOOR SPECIAL COUPE	41 = 4-DOOR SEDAN
24 = 2-DOOR HATCHBACK	44 = 4-DOOR HATCHBACK
27 = 2-DOOR CONVERTIBLE	45 = 2-SEAT STATION WAGON

AR = Use as Required - = Non Illustrated Part P.A.R. = Paint as Required

**EXHAUST GAS RECIRCULATION 2.2L ENGINE**  
**Figure 25-800**

2125 800



ITEM	PART NUMBER	QTY	BODY	MODEL	DESCRIPTION
1	4049 208	1			SWITCH,C.C. Eng. Vacuum 125 Degree (Orange)
	4095 974	1			CONNECTOR,C.C.E.V.S.
	4049 277	1			98 Degree (Black)
	3879 707	1			150 Degree (Natural)
	3879 736	1			C.C.E.G.R. Vacuum, 125 Degree, Yellow
2	4049 276	1	M,Z,28		98 Degree
	4271 856	1			VALVE,E.G.R.-Stamped 4287401,4275401
	4267 248	1			Stamped- 4275404,4287404
	4213 560	1			Stamped- E94-C2060
	4267 246	1			Stamped- 4275402,4287402
	4267 249	1			Stamped- 4275405,4287405
	4267 250	1			Stamped- 4275406,4287406
	4271 851	1			Stamped- 4275407,4287407
	4271 907	1			Stamped- 4275413,4287413
	4271 852	1			Stamped- 4275408,4287408
	4271 908	1			Stamped- 4275414,4287414
	4271 898	1			Stamped- 4275409,4287409
	4271 909	1			Stamped- 4275415,4287415
	4213 551	1			Stamped- E94-C2051
	4213 571	1			Stamped- E94-C2071
	4267 247	1			Stamped- 4275403,4287403
	4213 573	1			Stamped- E94-C2073
	4213 575	1			Stamped- E94-C2075
	4213 558	1			Stamped- E94-C2058
	4213 567	1			Stamped- E94-C2067
3	4201 313	1			GASKET,E.G.R.Valve to Exh.Manif.
	4201 384	1			GASKET,Exh. Manif. Crossover Flange
	4227 764	1			GASKET,Air Inj.Tube to Exh.Manif. (Canada)
4	4201 186	1		TUBE,E.G.R.Valve to Int.Manif. Crossover	
5					AIR Switching & Div.Valve (See Air Pump Illustration)
6					SWITCH (See Switches Group 8)
NOTE: The Following Items Are Not Shown On Illustration. an offsetting order for part no. 3747881					
	4004 675	1			SENSOR OXYGEN,Exhaust Gas
	4201 383	1			COVER,Exhaust Manifold E.G.R. Valve Flange
	4173 433	1			VALVE,Vacuum Delay E.G.R. (4 Seconds)
	5213 348	1			VALVE,Vacuum Solenoid A/C Idle Speed-Up
	4095 974	1			CONNECTOR,C.C.E.V.S.

**MODEL CODES**

B = GRAN FURY/CARAVELLE	P = RELIANT
C = LEBARON/TOWN & COUNTRY	S = CORDOBA
D = ARIES	V = 400
F = NEW YORKER	X = MIRADA
G = DIPLOMAT	Y = IMPERIAL
M = HORIZON/TC3/SCAMP	Z = OMNI/O24/RAMPAGE

**BODY STYLES**

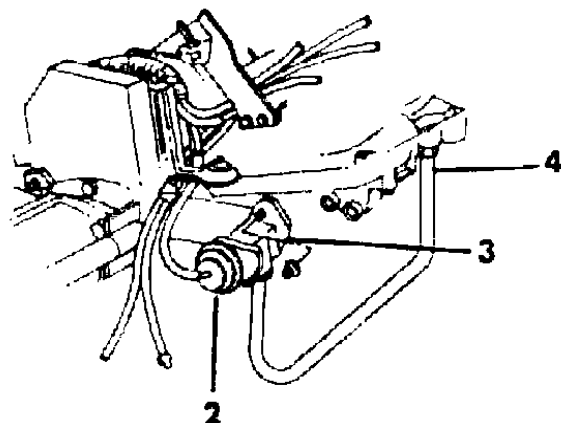
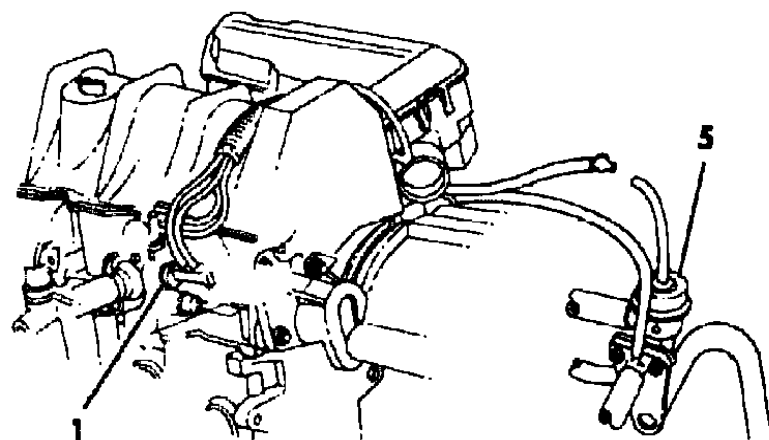
21 = 2-DOOR SEDAN	28 = FWD PICKUP
22 = 2-DOOR SPECIAL COUPE	41 = 4-DOOR SEDAN
24 = 2-DOOR HATCHBACK	44 = 4-DOOR HATCHBACK
27 = 2-DOOR CONVERTIBLE	45 = 2-SEAT STATION WAGON

AR = Use as Required - = Non Illustrated Part P.A.R. = Paint as Required

**EXHAUST GAS RECIRCULATION 2.2L ENGINE**  
**Figure 25-800**

2125 800

ITEM	PART NUMBER	QTY	BODY	MODEL	DESCRIPTION
	4179 093	1			CONNECTOR,Coolant C/E.G.R. Vacuum
	4179 092	3			CONNECTOR,3/16" Male (5/32" Tube)
	3870 649	1			FILTER,Bleeder
	5213 199	1			SWITCH,Vacuum
	4179 089	2			BOOT-1/8
	4201 247	1			HOSE,E.S.A. Signal
	6031 945	1			PLUG,Intake Manif. E.G.R. Tube Hole
	3764 931	AR			TUBE
	6500 192	2			Nut,E.G.R. Valve Attaching (M8X1.25)



**MODEL CODES**

B = GRAN FURY/CARAVELLE	P = RELIANT
C = LEBARON/TOWN & COUNTRY	S = CORDOBA
D = ARIES	V = 400
F = NEW YORKER	X = MIRADA
G = DIPLOMAT	Y = IMPERIAL
M = HORIZON/TC3/SCAMP	Z = OMNI/O24/RAMPAGE

**BODY STYLES**

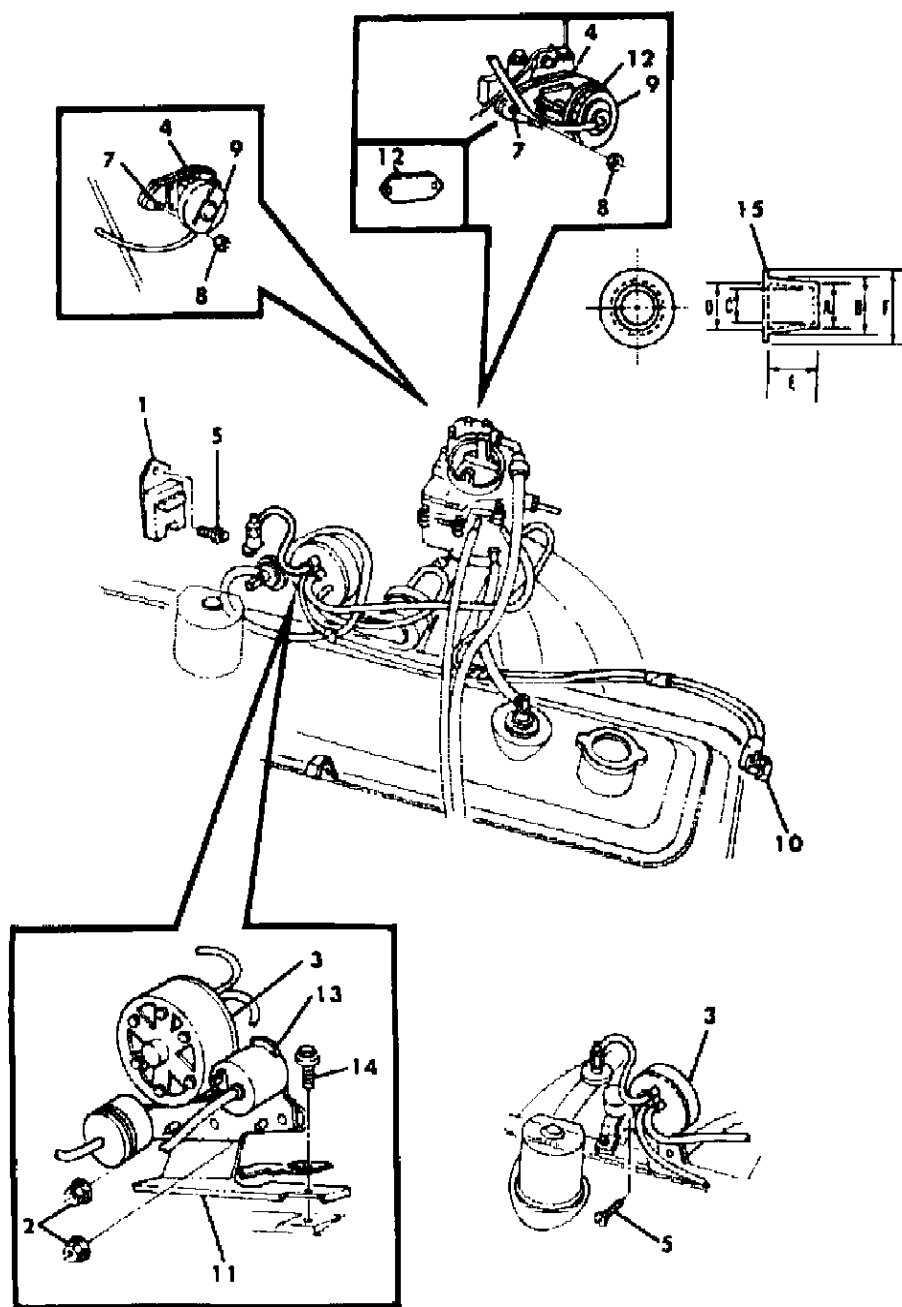
21 = 2-DOOR SEDAN	28 = FWD PICKUP
22 = 2-DOOR SPECIAL COUPE	41 = 4-DOOR SEDAN
24 = 2-DOOR HATCHBACK	44 = 4-DOOR HATCHBACK
27 = 2-DOOR CONVERTIBLE	45 = 2-SEAT STATION WAGON

AR = Use as Required - = Non Illustrated Part P.A.R. = Paint as Required

# EXHAUST GAS RECIRCULATION 225-1BBL. ENGINE

## Figure 25-900

4129 BUA



ITEM	PART NUMBER	QTY	BODY	MODEL	DESCRIPTION
1	4111 180	1	All		CONTROL,Time Delay(60 Seconds)
	4111 481	1	All		(90 Seconds)
2	6025 004	2	All		NUT
3	4041 738	1	All		AMPLIFIER,Stamped V76-316
	4041 737	1	All		Stamped V76-315
	4041 730	1	All		Stamped V76-138
	4041 732	1	All		Stamped V76-311
	4041 734	1	All		Stamped V76-313
	4041 737	1	All		Stamped V76-315
	4041 733	1	All		Stamped V76-312
4	4173 167	1	All		GASKET,E.G.R.Valve Flange
5		3	All		SCREW,(Not Serviced)
7	6031 942	2	All		STUD,Valve To Int.Manif.
8	6022 250	2	All		NUT
9	4287 552	1	All		VALVE,E.G.R.Stamped 280552
	4106 036	1	All		Stamped 4104083 OR 4105083
	4131 195	1	All		Stamped 4104020 OR 4105020
	4094 895	1	All		Stamped 4104017 OR 4105017
	4240 066	1	All		Stamped 4104105 Or 4105105
	4287 553	1	All		Stamped 280553
	4287 558	1	All		Stamped 280558
	4287 559	1	All		Stamped 280559
	4240 067	1	All		Stamped 4104110 Or 4105110
	4106 036	1	All		Stamped 4104083 Or 4105083
10	4049 277	1	All		SWITCH,Cool./Cont.E.G.R.Vac.98 Degree (Black)
	4049 208	1	All		Eng. Vac. (Orange) 125 Degree
	3879 707	1	All		150 Degree (Natural)
	3879 707	1	All		w/Calif.Emiss.Pkg., w/(S/C-N95) Auto. Trans. Natural Color
11	4041 889	1	All		BRACKET,Vac.Amplif.& Sol.Valve Mtg.
12	3671 447	1	All		PLATE,E.G.R.Valve Flange Cover
13	4240 415	1	All		VALVE,Vac.Solenoid,Stamped 4145540,4145640
	4240 149	1	ALL		Stamped 4145631 or 4145731
14	6022 250	1	All		SCREW
15	2423 737	1	All		PLUG,E.G.R.Timer Mtg.Hole 3/8" O.D.
NOTE: The following items are not shown on illustration. an offsetting order for part no. 3747881					
	4268 404	1	All		DELAY,E.G.R. 2 Seconds Grn/White
	4049 276	1	All		SWITCH,Coolant Controlled Engine Vacuum

### MODEL CODES

B = GRAN FURY/CARAVELLE	P = RELIANT
C = LEBARON/TOWN & COUNTRY	S = CORDOBA
D = ARIES	V = 400
F = NEW YORKER	X = MIRADA
G = DIPLOMAT	Y = IMPERIAL
M = HORIZON/TC3/SCAMP	Z = OMNI/O24/RAMPAGE

### BODY STYLES

21 = 2-DOOR SEDAN	28 = FWD PICKUP
22 = 2-DOOR SPECIAL COUPE	41 = 4-DOOR SEDAN
24 = 2-DOOR HATCHBACK	44 = 4-DOOR HATCHBACK
27 = 2-DOOR CONVERTIBLE	45 = 2-SEAT STATION WAGON

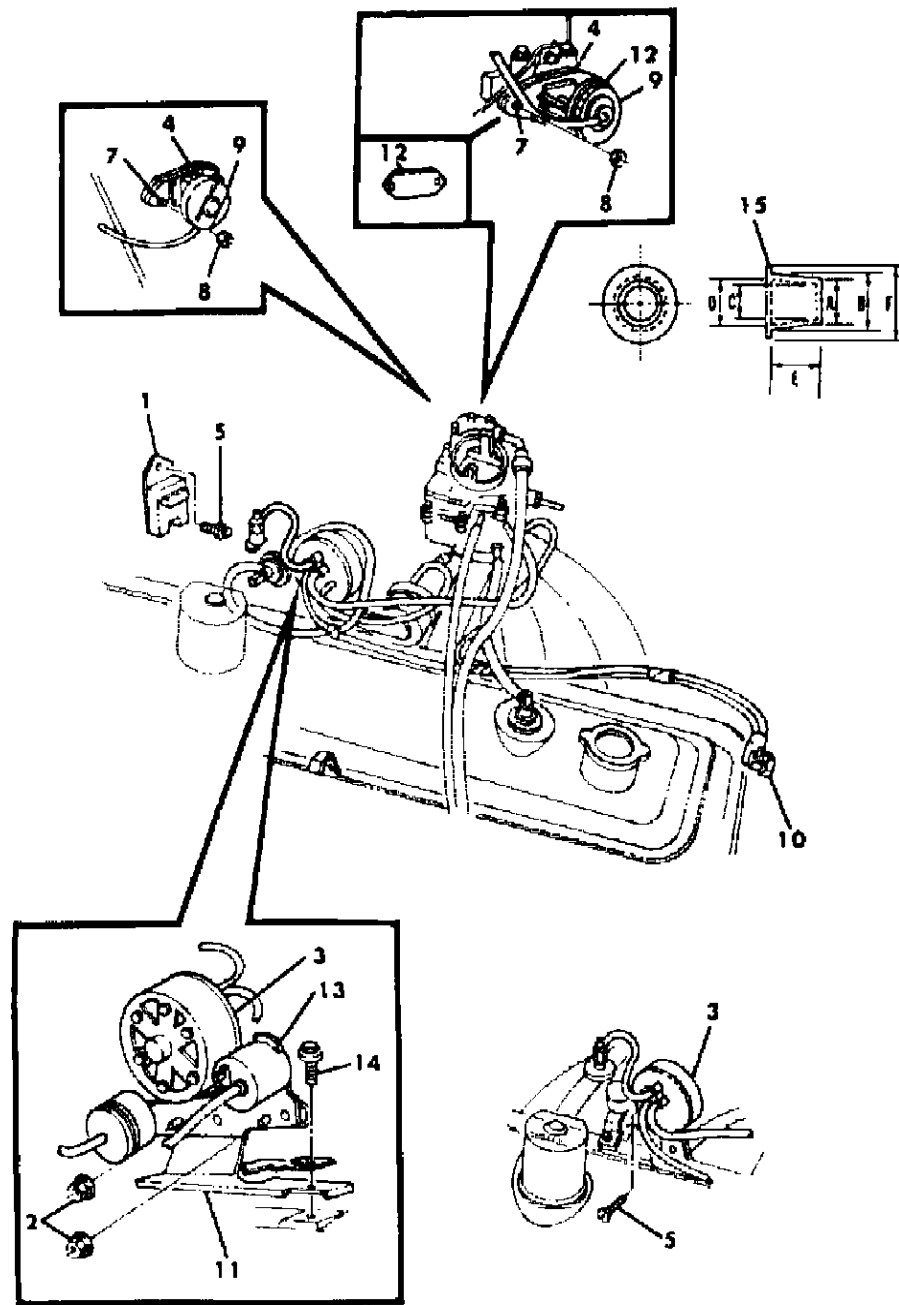
AR = Use as Required - = Non Illustrated Part P.A.R. = Paint as Required



# EXHAUST GAS RECIRCULATION 225-1BBL. ENGINE

## Figure 25-900

4129 BUA



ITEM	PART NUMBER	QTY	BODY	MODEL	DESCRIPTION
	4004 675	1		All	SENSOR OXYGEN,Exhaust Gas
	4006 692	1	B,F,G,X		RESERVOIR,E.G.R. Vacuum w/(S/C-N95)
	4145 815	1	ALL		SOLENOID,Dual Vacuum
	4111 482	1	All		SWITCH,E.G.R. Charge Temperature
	4095 973	1	All		CONNECTOR,E.G.R. Amplifier
	4095 974	1			CONNECTOR,C.C.E.V.S.
	4179 093	1			CONNECTOR,Coolant C/E.G.R. Vacuum
	3780 508	AR			HOSE,Vacuum Amplifier to E.G.R. Vacuum Reservoir

### MODEL CODES

B = GRAN FURY/CARAVELLE	P = RELIANT
C = LEBARON/TOWN & COUNTRY	S = CORDOBA
D = ARIES	V = 400
F = NEW YORKER	X = MIRADA
G = DIPLOMAT	Y = IMPERIAL
M = HORIZON/TC3/SCAMP	Z = OMNI/O24/RAMPAGE

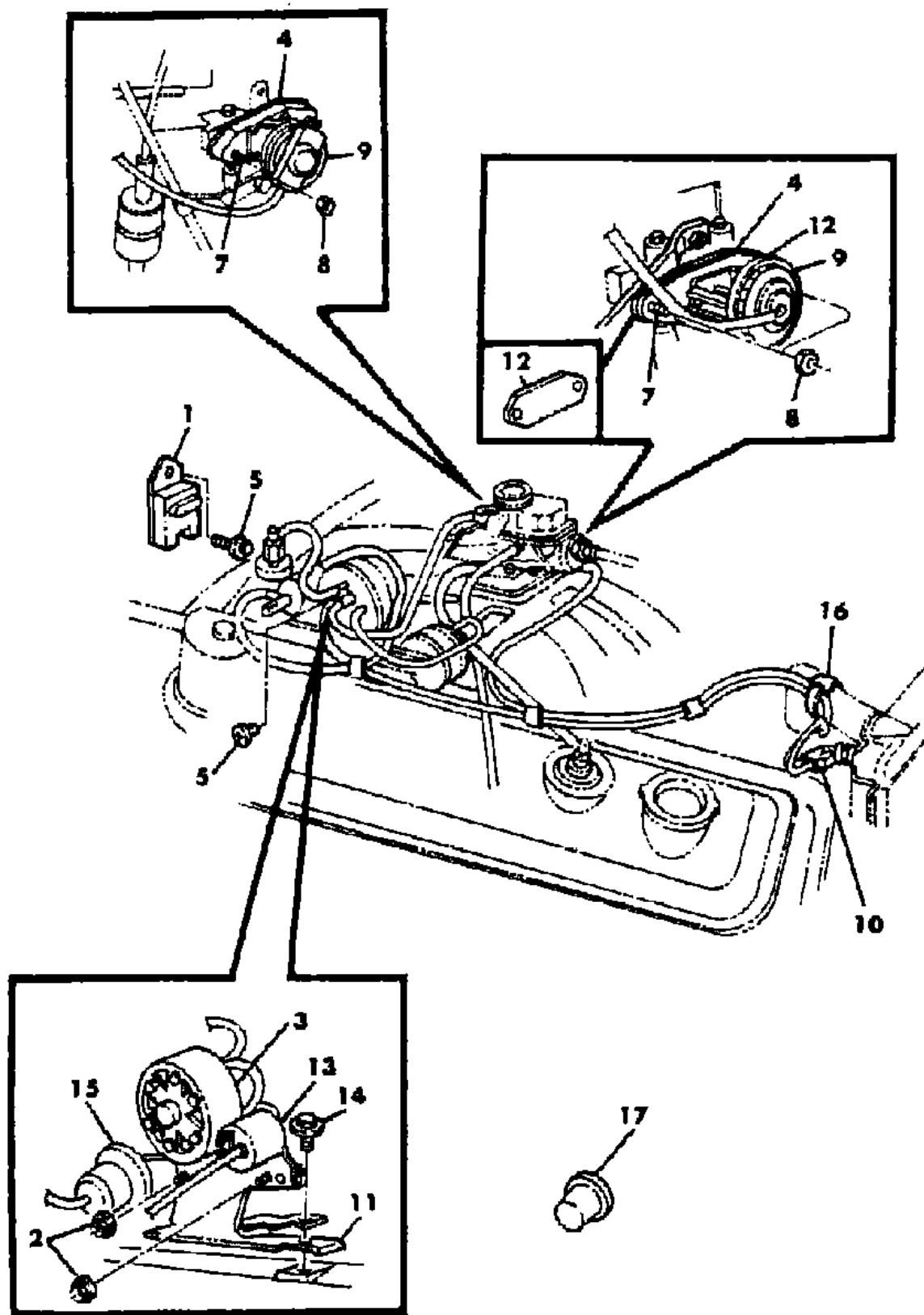
### BODY STYLES

21 = 2-DOOR SEDAN	28 = FWD PICKUP
22 = 2-DOOR SPECIAL COUPE	41 = 4-DOOR SEDAN
24 = 2-DOOR HATCHBACK	44 = 4-DOOR HATCHBACK
27 = 2-DOOR CONVERTIBLE	45 = 2-SEAT STATION WAGON

AR = Use as Required - = Non Illustrated Part P.A.R. = Paint as Required

EXHAUST GAS RECIRCULATION 225 2BBL. ENGINE  
Figure 25-1000

2125 1000



ITEM	PART NUMBER	QTY	BODY	MODEL	DESCRIPTION
1					CONTROL,E.G.R.Time Delay
	4111 180	1	All		Orange(60 Seconds)
	4111 481	1	All		Red(90 Seconds)
2	6025 004	2	All		NUT
3	4041 738	1	All		AMPLIFIER, Stamped V76-316
	4041 732	1	All		Stamped V76-311
	4041 733	1	All		Stamped V76-312
	4041 737	1	All		Stamped V76-315
	4041 734	1	All		Stamped V76-313
	4041 730	1	All		Stamped V76-138
4	4173 167	1	All		GASKET,E.G.R.Valve Flange
5		2	All		SCREW,(Not Serviced)
7	6031 942	2	All		STUD
8	0115 729	2	All		NUT
9					VALVE,E.G.R.
	4131 195	1	All		Stamped 4104020 or 4105020
	4094 895	1	All		Stamped 4104017 or 4105017
	4287 553	1	All		Stamped 280553
	4287 558	1	All		Stamped 280558
	4287 559	1	All		Stamped 280559
	4106 036	1	All		Stamped 4104083 or 4105083
	4287 552	1	All		Stamped 280552
	4094 899	1	All		Stamped 4104008 Or 4105008 (CANADA)
	4240 066	1	All		Stamped 4104105 Or 4105105
10	3879 736	1	All		SWITCH,Cool./Cont.E.G.R.Vac. (125 Degree)
	4049 208	1	All		w/o Air Conditioning
11	4041 889	1	All		BRACKET,Vac.Amplif.& Sol.Valve Mtg.
12	3671 447	1	All		PLATE,E.G.R.Valve Flange
13	4240 415	1	All		VALVE,E.G.R. Vac. Solenoid-Stamped 4145540 or 4145640
	4240 149	1	All		Stamped 4145631 or 4145731
14	6022 250	1	All		SCREW
15	4006 692	1	B,F,G,X		RESERVOIR,E.G.R.Vacuum w/(S/C N95)
16		1	All		STRAP,(Not Serviced)
17	2423 737	1	All		PLUG,E.G.R.Timer Mtg.,Hole 3/8"
NOTE: The following items are not shown on illustration. an offsetting order for part no. 3747881					
	4004 675	1			SENSOR OXYGEN,Exhaust Gas
	3780 508	AR	All		HOSE,Vacuum Amplifier to E.G.R. Vacuum Reservoir

MODEL CODES

B = GRAN FURY/CARAVELLE	P = RELIANT
C = LEBARON/TOWN & COUNTRY	S = CORDOBA
D = ARIES	V = 400
F = NEW YORKER	X = MIRADA
G = DIPLOMAT	Y = IMPERIAL
M = HORIZON/TC3/SCAMP	Z = OMNI/O24/RAMPAGE

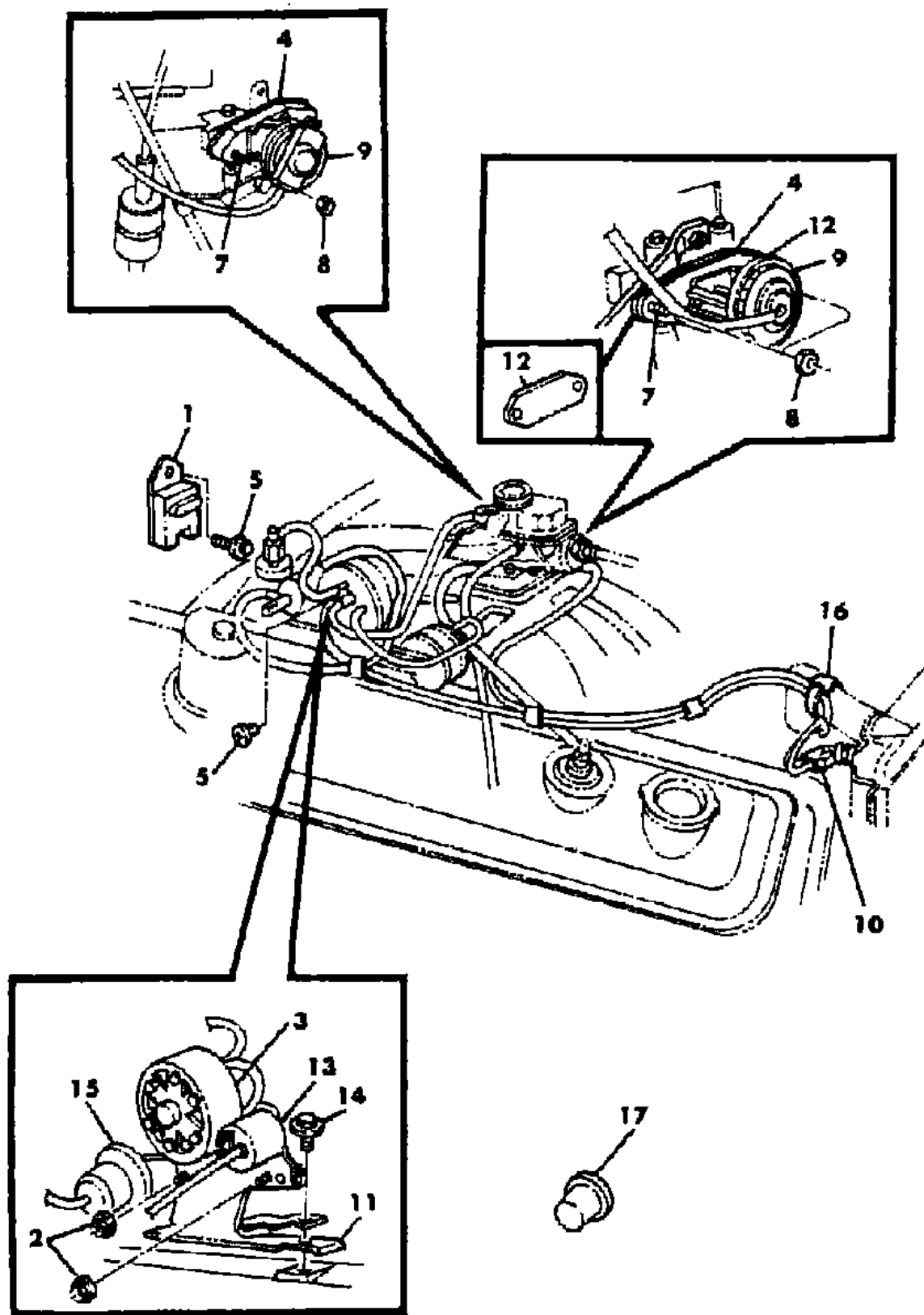
BODY STYLES

21 = 2-DOOR SEDAN	28 = FWD PICKUP
22 = 2-DOOR SPECIAL COUPE	41 = 4-DOOR SEDAN
24 = 2-DOOR HATCHBACK	44 = 4-DOOR HATCHBACK
27 = 2-DOOR CONVERTIBLE	45 = 2-SEAT STATION WAGON

AR = Use as Required - = Non Illustrated Part P.A.R. = Paint as Required

EXHAUST GAS RECIRCULATION 225 2BBL. ENGINE  
Figure 25-1000

2125 1000



ITEM	PART NUMBER	QTY	BODY	MODEL	DESCRIPTION
	4111 482	1		All	SWITCH,E.G.R. Charge Temperature
	4145 815	1		All	SOLENOID,Dual Vacuum
	4241 287	1		All	CONNECTOR,Dual Filtered Air Bleed

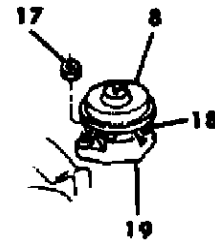
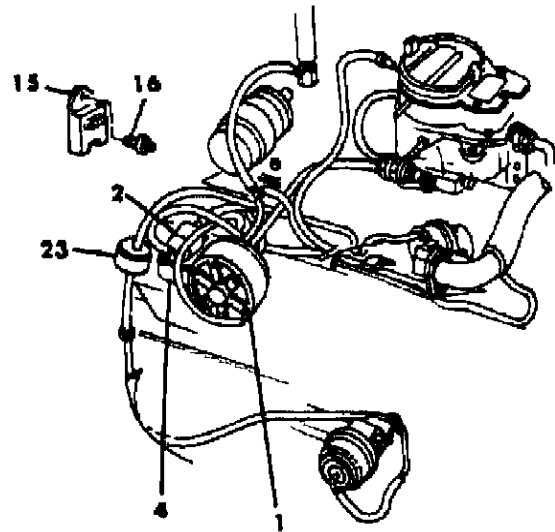
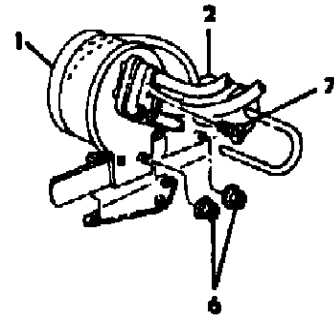
MODEL CODES  
 B = GRAN FURY/CARAVELLE      P = RELIANT  
 C = LEBARON/TOWN & COUNTRY      S = CORDOBA  
 D = ARIES      V = 400  
 F = NEW YORKER      X = MIRADA  
 G = DIPLOMAT      Y = IMPERIAL  
 M = HORIZON/TC3/SCAMP      Z = OMNI/O24/RAMPAGE

BODY STYLES  
 21 = 2-DOOR SEDAN      28 = FWD PICKUP  
 22 = 2-DOOR SPECIAL COUPE      41 = 4-DOOR SEDAN  
 24 = 2-DOOR HATCHBACK      44 = 4-DOOR HATCHBACK  
 27 = 2-DOOR CONVERTIBLE      45 = 2-SEAT STATION WAGON

AR = Use as Required - = Non Illustrated Part P.A.R. = Paint as Required

**EXHAUST GAS RECIRCULATION 318-4BBL.ENGINE**  
**Figure 25-1100**

2125 1100



ITEM	PART NUMBER	QTY	BODY	MODEL	DESCRIPTION
1	4041 732	1		All	AMPLIFIER, Stamped V76-311
	4041 737	1		All	Stamped V76-315
	4041 727	1		All	Stamped V76-135
	4241 191	1		All	BRACKET,Vacuum Amplifier Mounting
	4240 415	1		All	VALVE,E.G.R. Vac.Solenoid Stamped 4145540 or 4145640
6	6025 004	2		All	NUT
7		1		All	SCREW,(Not Serviced)
8	4240 069	1		All	VALVE,E.G.R.Stamped 4104142 Or 4105029
	4186 280	1		All	Stamped 4105127 Or 4104127
	4240 152	1		All	Stamped 4104131 Or 4105131
	4131 056	1		All	Stamped 4104095 or 4105095
	4287 658	1		All	Stamped 280658
	4287 669	1		All	Stamped 280669
	4186 139	1		All	Stamped 4104112 Or 4105112
15	4111 180	1		All	CONTROL,Time Delay(60 Seconds)
	4111 481	1		All	(90 Seconds)
16		1		All	SCREW&WASHER,(Not Serviced)
17	0115 729	2		All	NUT
18	6031 943	2		All	STUD,Valve To Manif.,5/16"-24x1 1/8"
19	3751 714	1		All	GASKET,E.G.R. Valve Flange
	3671 448	1		All	PLATE,E.G.R.Valve Flange Cover
23	4240 415	1		All	VALVE,E.G.R. Vacuum Solenoid,Stamped 4145540 or 4145640

NOTE: The following items are not shown on illustration. an offsetting order for part no. 3747881

	4004 675	1		All	SENSOR OXYGEN,Exhaust Gas
	4145 815	1		All	SOLENOID,Dual Vacuum
	4049 276	1		All	SWITCH,Coolant Controlled Engine Vacuum (w/318 Eng. w/4 BBL. Carb.
	4111 482	1		All	SWITCH,E.G.R. Charge Temperature
	4041 233	1		All	DELAY,E.G.R. (10 Seconds Blue)
	4173 433	1		All	DELAY,E.G.R. (4 Seconds White)

**MODEL CODES**

B = GRAN FURY/CARAVELLE	P = RELIANT
C = LEBARON/TOWN & COUNTRY	S = CORDOBA
D = ARIES	V = 400
F = NEW YORKER	X = MIRADA
G = DIPLOMAT	Y = IMPERIAL
M = HORIZON/TC3/SCAMP	Z = OMNI/O24/RAMPAGE

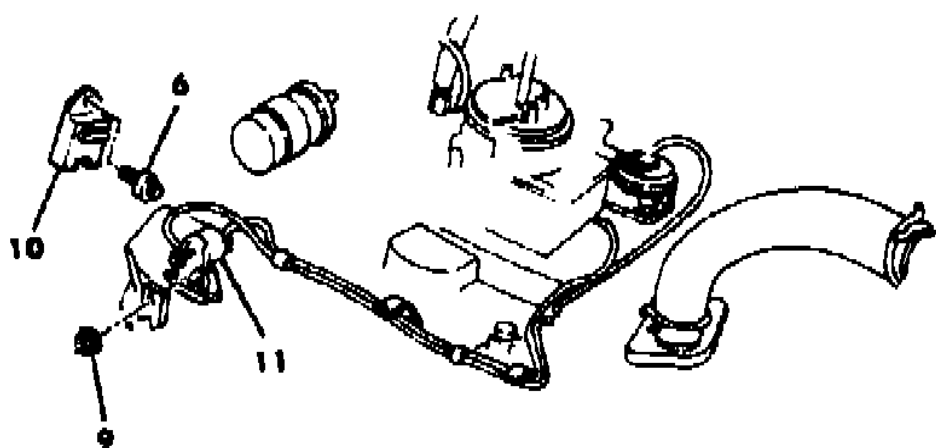
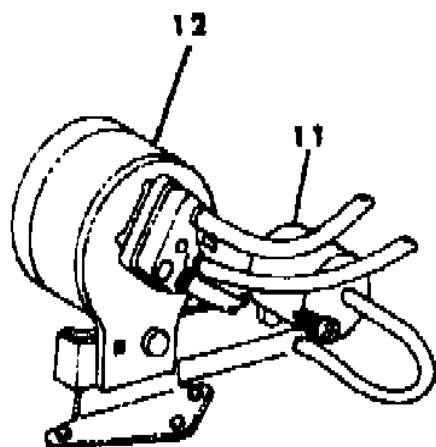
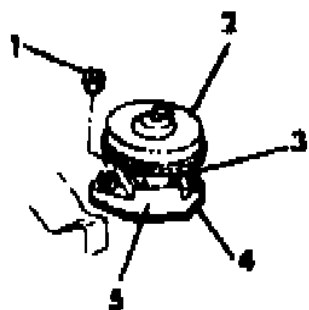
**BODY STYLES**

21 = 2-DOOR SEDAN	28 = FWD PICKUP
22 = 2-DOOR SPECIAL COUPE	41 = 4-DOOR SEDAN
24 = 2-DOOR HATCHBACK	44 = 4-DOOR HATCHBACK
27 = 2-DOOR CONVERTIBLE	45 = 2-SEAT STATION WAGON

AR = Use as Required - = Non Illustrated Part P.A.R. = Paint as Required

**EXHAUST GAS RECIRCULATION 318-2BBL. ENGINE w/AUTO.TRANS.  
Figure 25-1200**

2125 1200



ITEM	PART NUMBER	QTY	BODY	MODEL	DESCRIPTION
1	0115 729	2		All	NUT
2	4094 886	1		All	VALVE,E.G.R.,Stamped 4104077 Or 4105077
	4186 280	1		All	Stamped 4105127 Or 4104127
	4240 069	1		All	Stamped 4104142 Or 4105142
	4186 338	1		All	Stamped 4104132 Or 4105132
	4186 139	1		All	Stamped 4104112 Or 4105112
	4287 672	1		All	Stamped 280672
	4287 677	1		All	Stamped 280677
3	6031 943	2		All	STUD,5/16"-24x1 1/8"
4	3751 714	1		All	GASKET,E.G.R.Valve Flange
5	3671 448	1		All	PLATE,E.G.R.Valve Flange Cover
6		1		All	SCREW & WASHER,(Not Serviced)
9	6025 004	1		All	NUT
10	4111 180	1		All	CONTROL,Time Delay(60 Seconds)
	4111 481	1		All	(90 Seconds)
11	4240 415	1		All	Valve,E.G.R. Vacuum Solenoid-Stamped 4145540 or 4145640
12	4041 727	1		All	AMPLIFIER,Vac.Stamped V76-135
	4041 732	1		All	Stamped V76-311
	4041 737	1		All	Stamped V76-315
	4241 191	1		All	BRACKET,Vac.Amp.Mtg.
NOTE: The following items are not shown on illustration. an offsetting order for part no. 3747881					
	4004 675	1			SENSOR OXYGEN,Exhaust Gas
	3837 622	1			SWITCH,Coolant Controld E.S.A. Signal
	4145 815	1		All	SOLENOID,Dual Vacuum
	4111 482	1		All	SWITCH,E.G.R. Charge Temperature
	4095 973	1		All	CONNECTOR,E.G.R. Amplifier
	4179 093	1			CONNECTOR,Coolant C/E.G.R. Vacuum

**MODEL CODES**

B = GRAN FURY/CARAVELLE	P = RELIANT
C = LEBARON/TOWN & COUNTRY	S = CORDOBA
D = ARIES	V = 400
F = NEW YORKER	X = MIRADA
G = DIPLOMAT	Y = IMPERIAL
M = HORIZON/TC3/SCAMP	Z = OMNI/O24/RAMPAGE

**BODY STYLES**

21 = 2-DOOR SEDAN	28 = FWD PICKUP
22 = 2-DOOR SPECIAL COUPE	41 = 4-DOOR SEDAN
24 = 2-DOOR HATCHBACK	44 = 4-DOOR HATCHBACK
27 = 2-DOOR CONVERTIBLE	45 = 2-SEAT STATION WAGON

AR = Use as Required - = Non Illustrated Part P.A.R. = Paint as Required

EXHAUST GAS RECIRCULATION w/E.F.I.  
Figure 25-1300

2125 1300A

ITEM	PART NUMBER	QTY	BODY	MODEL	DESCRIPTION
1	4041 738	1			AMPLIFIER,Vacuum w/o (S/C-N95)
	4041 733	1			w/(S/C-N95)
2	4006 692	1			RESERVOIR,E.G.R. Vacuum
3	4240 416	1			VALVE,Time Delay Solenoid,Stamped 4145541 Or 4145641
4	3837 622	1			SWITCH,Coolant Controled E.S.A. Signal
5	3769 240	1			TUBE,(Roll Stock)
6	4145 202	1			DELAY,E.G.R. Time Control (70 Seconds)
	4287 659	1			VALVE,E.G.R.,Stamped 280659
	4287 673	1			Stamped 280673
7	4241 287	1			CONNECTOR,Dual Filter Air Bleed
NOTE: The Following Items Are Not Shown On Illustration. an offsetting order for part no. 3747881					
	4004 675	1			SENSOR OXYGEN,Exhaust Gas
	3837 622	1			SWITCH,Coolant Control E.G.R. Vacuum
	4173 448	1			DELAY,E.G.R.
	4241 191	1			BRACKET,Vacuum Amplifier Mtg.
	4095 973	1	All		CONNECTOR,E.G.R. Amplifier
	4179 093	1			CONNECTOR,Coolant C/E.G.R. Vacuum
	3671 448	1			PLATE,E.G.R. Valve Flange Cover
	3751 714	1			GASKET,E.G.R. Valve Flange
	6031 943	2			STUD,5/16"-24x1 1/8"
	6025 004	1			NUT,1/4"-20
	3769 240	AR			TUBE,Vac.Amplifier to E.G.R. Vac. Reservoir

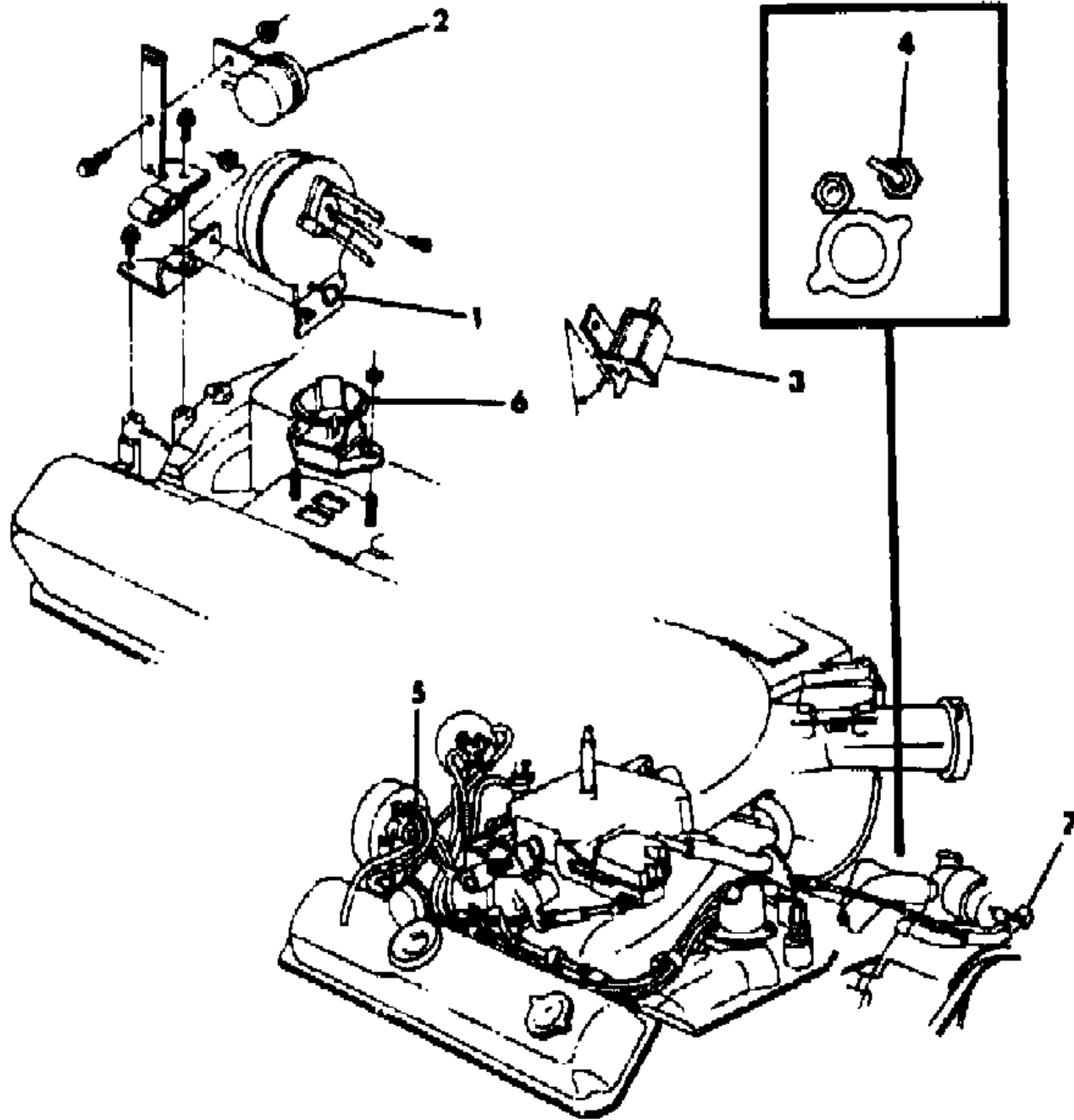
MODEL CODES

B = GRAN FURY/CARAVELLE	P = RELIANT
C = LEBARON/TOWN & COUNTRY	S = CORDOBA
D = ARIES	V = 400
F = NEW YORKER	X = MIRADA
G = DIPLOMAT	Y = IMPERIAL
M = HORIZON/TC3/SCAMP	Z = OMNI/O24/RAMPAGE

BODY STYLES

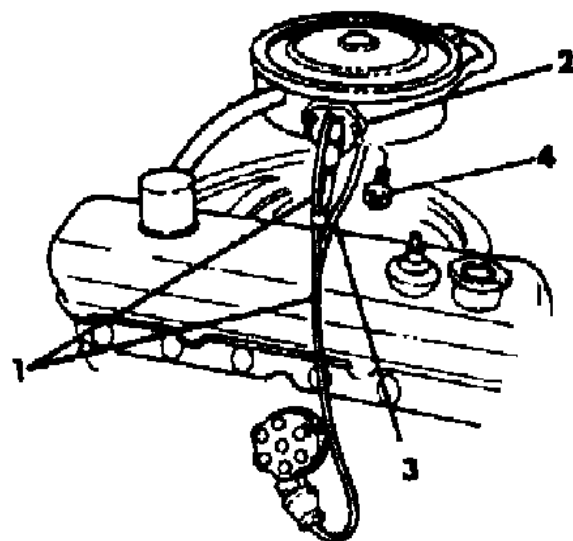
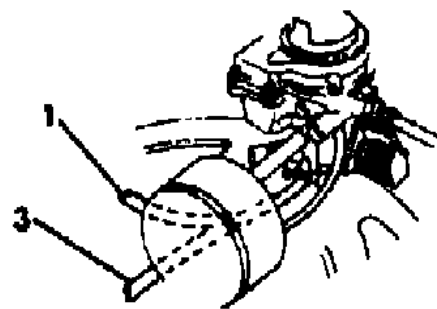
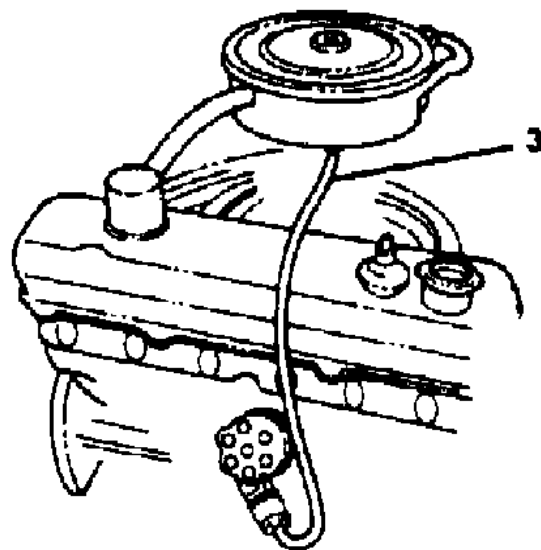
21 = 2-DOOR SEDAN	28 = FWD PICKUP
22 = 2-DOOR SPECIAL COUPE	41 = 4-DOOR SEDAN
24 = 2-DOOR HATCHBACK	44 = 4-DOOR HATCHBACK
27 = 2-DOOR CONVERTIBLE	45 = 2-SEAT STATION WAGON

AR = Use as Required - = Non Illustrated Part P.A.R. = Paint as Required



**ORIFICE SPARK ADVANCE 225 & 318 ENGINE  
Figure 25-1400**

2125 1400



ITEM	PART NUMBER	QTY	BODY	MODEL	DESCRIPTION
1	3837 037	AR		All	HOSE,5/32",.50 Ft.Roll
2	3755 711	1		All	VALVE,Nox Vac.Delay
	4091 994	1		All	w/225 Engine,w/Blue Decal
				All	w/225 Engine,w/Hot Pink Decal
3	3744 936	AR		All	HOSE,3/16" I.D.,25 Ft.Roll
4	6022 834	2		All	SCREW

**MODEL CODES**

B = GRAN FURY/CARAVELLE	P = RELIANT
C = LEBARON/TOWN & COUNTRY	S = CORDOBA
D = ARIES	V = 400
F = NEW YORKER	X = MIRADA
G = DIPLOMAT	Y = IMPERIAL
M = HORIZON/TC3/SCAMP	Z = OMNI/O24/RAMPAGE

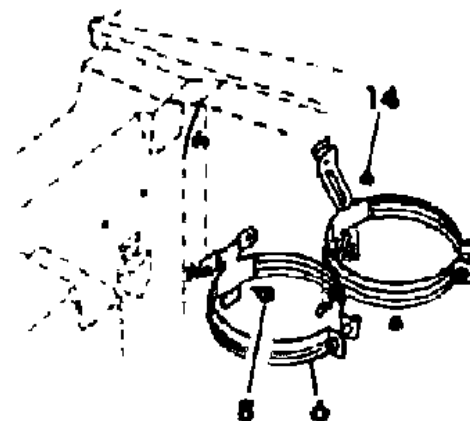
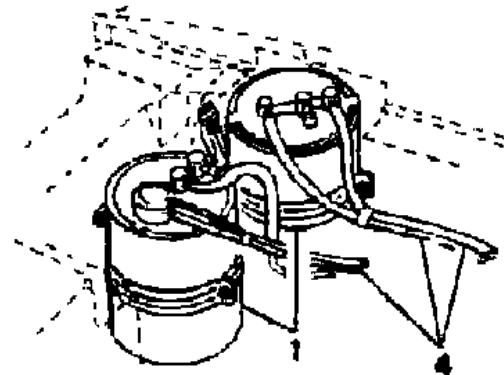
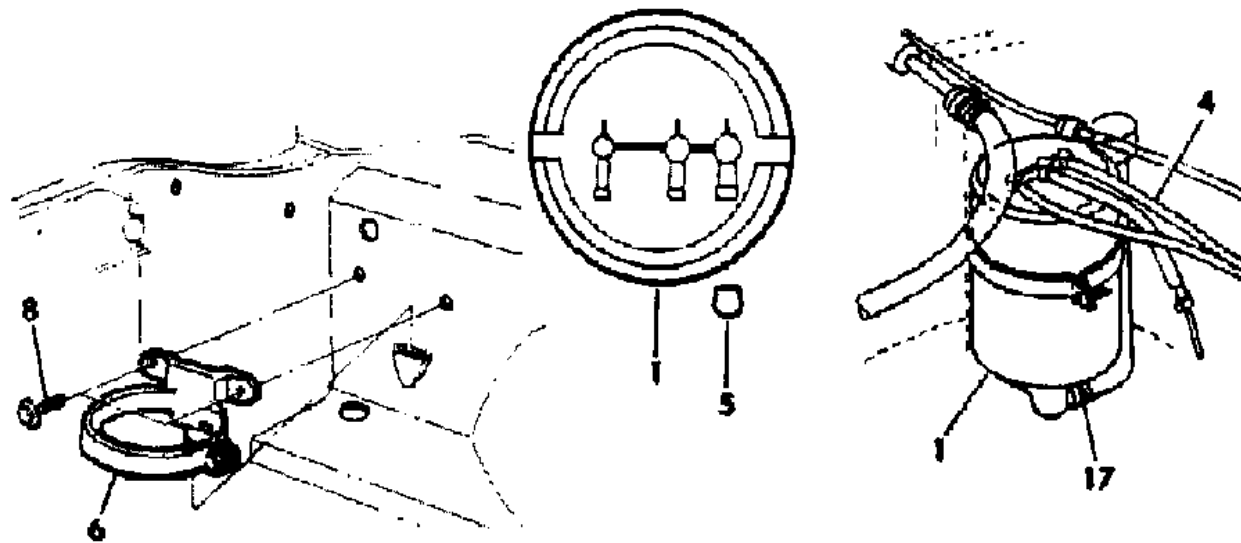
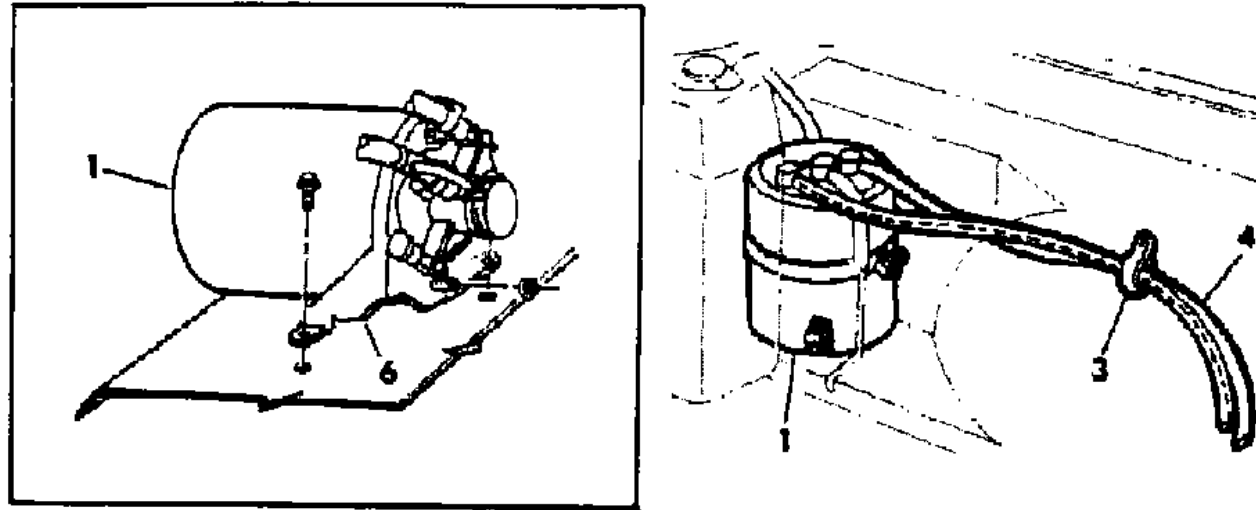
**BODY STYLES**

21 = 2-DOOR SEDAN	28 = FWD PICKUP
22 = 2-DOOR SPECIAL COUPE	41 = 4-DOOR SEDAN
24 = 2-DOOR HATCHBACK	44 = 4-DOOR HATCHBACK
27 = 2-DOOR CONVERTIBLE	45 = 2-SEAT STATION WAGON

AR = Use as Required - = Non Illustrated Part P.A.R. = Paint as Required

# CANISTER VAPOR Figure 25-1500

2129 1500



ITEM	PART NUMBER	QTY	BODY	MODEL	DESCRIPTION
1					CANISTER,Vapor
	4241 837	1	P,D,V,C		2.6 L Eng. Vapor Damping (Stamping No. 4227007)
	4241 836	1	M,Z,P,D		3-Port w/1.7 L Eng., w/2.2 L Eng. (Stamping No. 4227005 Or 4241836) (Canada and Export)
	4241 838	1	All		4-Port (Stamping No. 4227006, 4227009, 4227015, 4227022, 4241838, 4227023 and 4227024)
	4241 840	1	B,F,G,X		5-Port 6-Cyl. (Stamping No. 4227008 Or 4241840)
	4241 841	1	B,F,G,X		5-Port 6-Cyl. (Stamping No. 4227018 Or 4241841)
	4241 842	1	B,F,G,X		5-Port 8-Cyl. (Stamping No. 4227019 Or 4241842)
3	2936 405	1	All		STRAP,Vap. Canister Tube Routing
4	4095 803	AR	All		HOSE,5/16" I.D.50 Ft.Roll
	4203 211	AR	All		1/4" I.D.,50 Ft.Roll
	4203 421	AR	All		.375" I.D.50 Ft.Roll
5	3733 285	1	All		PLUG, Canister Inlet for Carb. Bowl
6	4241 251	1	B,F,G,X		BRACKET,Vapor Canister Mounting
8		2	All		SCREW,(Not Serviced)
14	0118 614	2	All		NUT
17	2448 761	1	All		CLAMP
NOTE: The following items are not shown on illustration. an offsetting order for part no. 3747881					
	4227 772	1	All		NIPPLE,Canister Pressure
	0153 456	AR	All		CLAMP,Pressure Tube 3/8"
	3671 410	AR	All		TEE,3/16"X3/16"X3/16"
	4095 598	1	All		CONNECTOR,3/16"X3/16"
	4241 270	AR	All		TUBE,3/8" Nylon (Black)
	4095 803	AR	All		TUBE,5/16"
	3780 507	AR	All		TUBE,3/16"
	4241 274	AR	All		TUBE,5/8"
	4203 211	AR	All		HOSE,Vapor Tube Front to Canister (Exp.End)
	4241 844	2	P,D,V,C		STRAP,Vapor Damping Canister Mtg. w/2.6L Eng.
	4167 722	2	P,D,V,C		STRAP,Vapor Canister Mtg. w/2.6L Eng.
	5214 336	1	M,Z,P,D		BOWL,Vent Valve
	4185 414	1	B,F,G,X		VALVE,Tank Vent By-Pass
	0153 456	1	All		CLAMP,BV Tube At Canister or Carburetor
	0120 375	AR	All		NUT,Vapor Canister Attaching

**MODEL CODES**

B = GRAN FURY/CARAVELLE	P = RELIANT
C = LEBARON/TOWN & COUNTRY	S = CORDOBA
D = ARIES	V = 400
F = NEW YORKER	X = MIRADA
G = DIPLOMAT	Y = IMPERIAL
M = HORIZON/TC3/SCAMP	Z = OMNI/O24/RAMPAGE

**BODY STYLES**

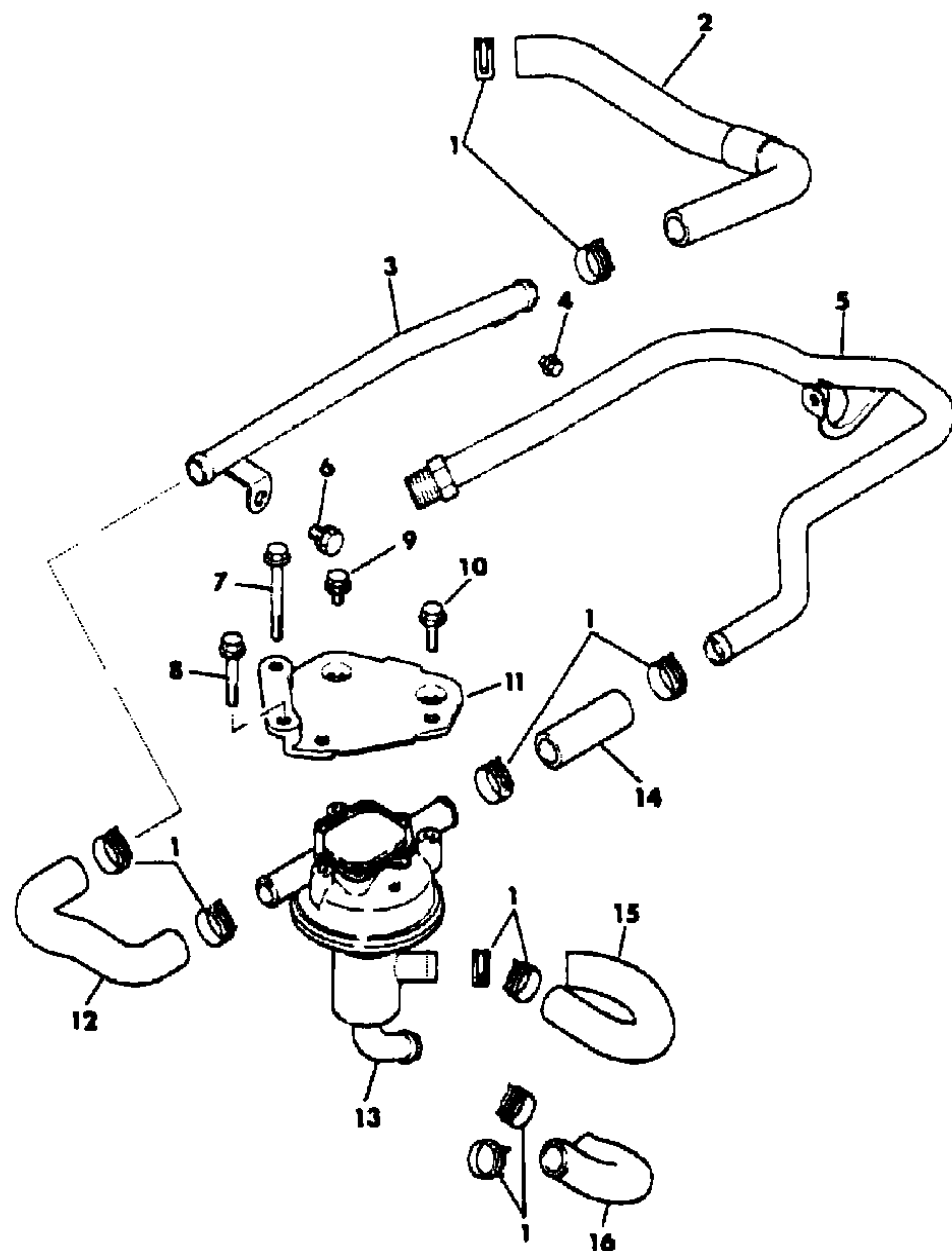
21 = 2-DOOR SEDAN	28 = FWD PICKUP
22 = 2-DOOR SPECIAL COUPE	41 = 4-DOOR SEDAN
24 = 2-DOOR HATCHBACK	44 = 4-DOOR HATCHBACK
27 = 2-DOOR CONVERTIBLE	45 = 2-SEAT STATION WAGON

AR = Use as Required - = Non Illustrated Part P.A.R. = Paint as Required



**AIR SUPPLY SECONDARY 2.6 L ENGINE**  
**Figure 25-1600**

2125 1600



ITEM	PART NUMBER	QTY	BODY	MODEL	DESCRIPTION
1	MS66 0170	6			CLIP,Hose
2	MD02 5123	1			HOSE,Air
3	MD02 5122	1			PIPE,Air
4	MF24 4822	1			BOLT,w/Washer
5					PIPE,Air
	MD02 5124	1			Up to 11/30/81
	MD02 7227	1			After 11/30/81
6	MF24 0078	1			BOLT,w/Washer
7	MF14 0040	1			BOLT,Flange (8x75)
8	MF14 0035	1			(8x50)
9	MF14 0021	1			(8x12)
10	MF14 0029	1			BOLT,Flange (8x30)
11	MD02 5585	1			BRACKET
12	MD02 4774	1			HOSE,Air
13	MD02 5587	1			PULSE Air Feeder
14	MD02 5566	1			HOSE, Air
15	MD02 5686	1			HOSE, Pulse
16	MD02 5687	1			HOSE, Pulse

**MODEL CODES**

B = GRAN FURY/CARAVELLE	P = RELIANT
C = LEBARON/TOWN & COUNTRY	S = CORDOBA
D = ARIES	V = 400
F = NEW YORKER	X = MIRADA
G = DIPLOMAT	Y = IMPERIAL
M = HORIZON/TC3/SCAMP	Z = OMNI/O24/RAMPAGE

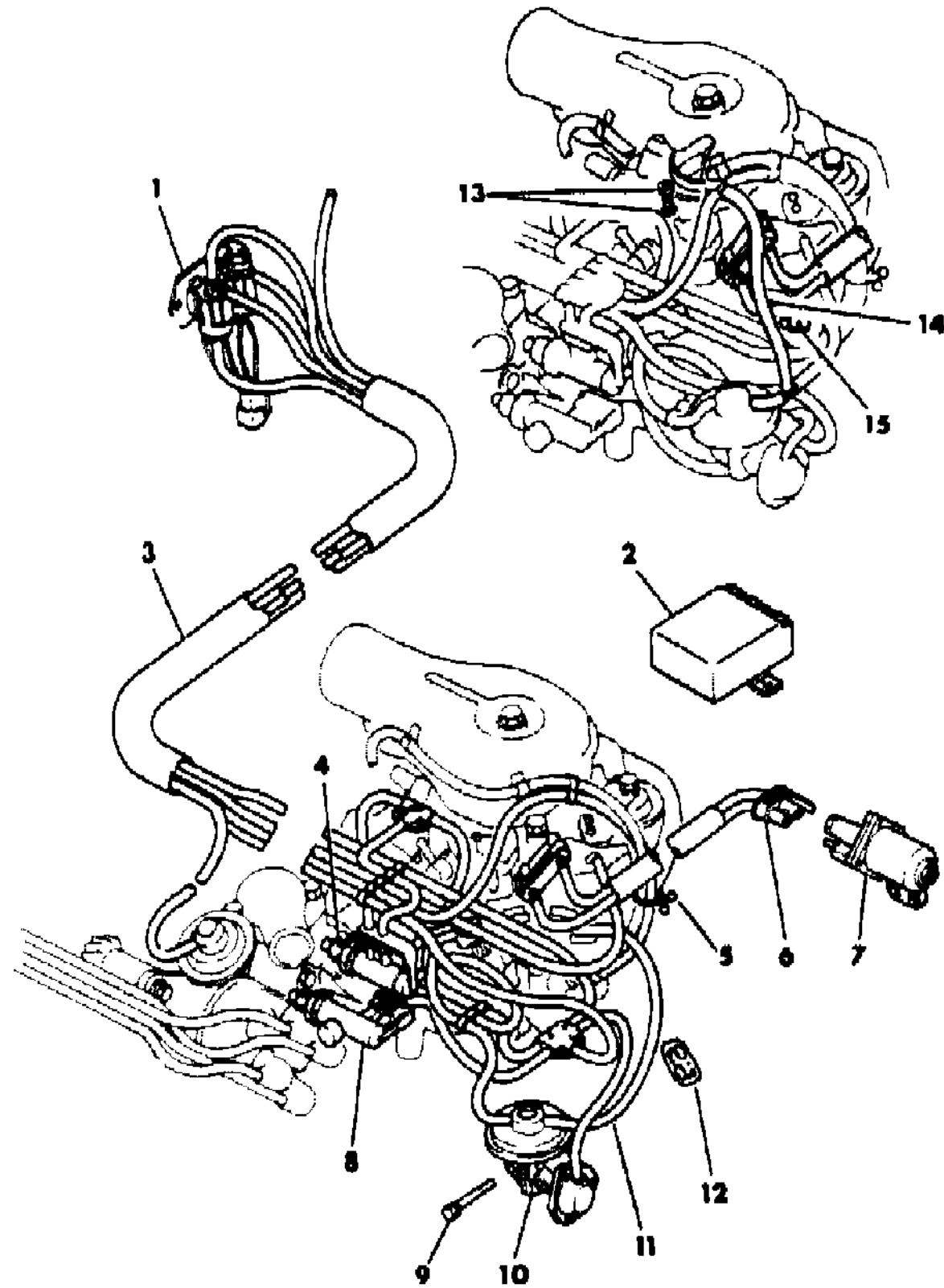
**BODY STYLES**

21 = 2-DOOR SEDAN	28 = FWD PICKUP
22 = 2-DOOR SPECIAL COUPE	41 = 4-DOOR SEDAN
24 = 2-DOOR HATCHBACK	44 = 4-DOOR HATCHBACK
27 = 2-DOOR CONVERTIBLE	45 = 2-SEAT STATION WAGON

AR = Use as Required - = Non Illustrated Part P.A.R. = Paint as Required

**EMISSION SYSTEM 2.6 L ENGINE**  
**Figure 25-1700**

2125 1700



ITEM	PART NUMBER	QTY	BODY	MODEL	DESCRIPTION
1	MD02 5274	1			VALVE,Solenoid
2	MD02 5273	1			SENSOR,Engine Speed
3	MD02 5337	1			HOSE,Vacuum
4	MD02 5263	1			VALVE,Thermo
5	MD00 6478	1			CLIP,Snap
6	MD02 5243	1			HOSE,Vacuum
7	MD02 6707	1			COMPENSATOR,High Alt.
8	MD02 5264	1			VALVE,Thermo
	MD00 9202	1			CANADA
9	MF24 1236	2			BOLT,w/Washer (6x45)
10	MD02 6561	1			VALVE,E.G.R.
	MD02 6568	1			CANADA
11	MD03 1470	1			HOSE,Vacuum,Green 120
	MD02 5529	1			CANADA
12	MD02 6567	1			GASKET,E.G.R. Valve
	MD00 3358	1			CANADA
13	MD60 8124	1			SCREW KIT "B" (High Altitude)
14	MD02 3646	1			HOSE,Vacuum (High Altitude)
15	MD00 1843	1			CLAMP,Emission Hose (High Altitude)

NOTE: The Following Items Are Not Shown On Illustration. an offsetting order for part no. 3747881  
 5214 335 1 BRACKET,Compensator Mtg.  
 5213 348 1 VALVE,Vacuum Solenoid A/C Idle Speed-Up  
 g is controlled by the FIGURE Number. an offsetting order for part no. 3747881

MODEL CODES  
 B = GRAN FURY/CARAVELLE P = RELIANT  
 C = LEBARON/TOWN & COUNTRY S = CORDOBA  
 D = ARIES V = 400  
 F = NEW YORKER X = MIRADA  
 G = DIPLOMAT Y = IMPERIAL  
 M = HORIZON/TC3/SCAMP Z = OMNI/O24/RAMPAGE

BODY STYLES  
 21 = 2-DOOR SEDAN 28 = FWD PICKUP  
 22 = 2-DOOR SPECIAL COUPE 41 = 4-DOOR SEDAN  
 24 = 2-DOOR HATCHBACK 44 = 4-DOOR HATCHBACK  
 27 = 2-DOOR CONVERTIBLE 45 = 2-SEAT STATION WAGON

AR = Use as Required - = Non Illustrated Part P.A.R. = Paint as Required

GROUP IT - INTERIOR TRIM

ILLUSTRATION NOT AVAILABLE AT TIME OF PUBLICATION

ILLUSTRATION TITLE	GROUP-FIG. NO.
INDEX-INTERIOR SOFT TRIM .....	Fig. IT-10
TRIM CODE DEFINED .....	Fig. IT-20
TRIM INFORMATION .....	Fig. IT-30
INSTRUMENT PANEL AND COWL M & Z .....	Fig. IT-101100
HEADLINER AND VISOR M & Z .....	Fig. IT-103100
TONNEAU COVER M & Z 24 .....	Fig. IT-103200
TONNEAU COVER M,Z 28 .....	Fig. IT-103300
GARNISH MOULDINGS M,Z 24,28,44 .....	Fig. IT-103400
B PILLAR TRIM M & Z 44 .....	Fig. IT-105100
QUARTER PANEL M & Z 24 .....	Fig. IT-106100
LIFT GATE AND LOWER PANEL M,Z 24 .....	Fig. IT-106200
QUARTER PANEL M & Z 44 .....	Fig. IT-106300
QUARTER AND CAB BACK PANEL M,Z 28 .....	Fig. IT-106400
CARPET M & Z 24,28,44 .....	Fig. IT-108100
CONSOLE M & Z 24,28,44 .....	Fig. IT-108200
MATS, SILENCERS AND INSULATORS M,Z, 24,28,44 .....	Fig. IT-108300
SCUFF PLATES OR SILL MOULDINS M,Z 24,28,44 .....	Fig. IT-108400
DOOR TRIM PANEL M,Z 24,28 TRIM CODES B5,B6,C8,F5,G7,H7 .....	Fig. IT-110100
DOOR TRIM PANEL M,Z 44 TRIM CODES B5,B6,G7 .....	Fig. IT-110200
DOOR TRIM PANEL M,Z 44 TRIM CODES C8,F5,H7 .....	Fig. IT-110300
SEAT,FRONT M & Z TRIM CODE F5,G5 .....	Fig. IT-122100
SEAT,FRONT M & Z TRIM CODE B5,B6 .....	Fig. IT-122200
SEAT,FRONT M & Z TRIM CODE C8,G7,H7 .....	Fig. IT-122300
FRONT SEAT BACK RELEASE - M,Z, 24 .....	Fig. IT-124100
RECLINING FRONT SEAT W/MANUAL BACK RELEASE - M,Z .....	Fig. IT-125100
RECLINING FRONT SEAT W/INERTIA BACK RELEASE M,Z .....	Fig. IT-125200
SEAT ADJUSTER - MANUAL - M,Z .....	Fig. IT-126100
SEAT BELTS FRONT M,Z 24,28,44 .....	Fig. IT-128100
SEAT,REAR M & Z TRIM CODE F5,B5,B6 .....	Fig. IT-130100
SEAT,REAR M & Z TRIM CODE C8,G7,H7 .....	Fig. IT-130200
FOLD DOWN REAR SEAT M,Z 24 .....	Fig. IT-132100
FOLD DOWN REAR SEAT M,Z 44 .....	Fig. IT-132200
BELT REAR SEAT LAP M,Z .....	Fig. IT-137100
INSTRUMENT PANEL AND COWL P,D,C,V .....	Fig. IT-301100
ROOF COVERS - P,D,C,V .....	Fig. IT-302100
ROOF COVERS C,V -41 .....	Fig. IT-302200
CONVERTIBLE, FOLDING TOP C,V 27 .....	Fig. IT-302300
HEADLINING, VISOR AND SHELF PANEL P,D,C,V .....	Fig. IT-303100

Figure 25-1700

GROUP IT - INTERIOR TRIM

GROUP IT - INTERIOR TRIM

ILLUSTRATION TITLE

GROUP-FIG. NO.

ILLUSTRATION TITLE

GROUP-FIG. NO.

**INSULATOR CHARTS (Continued)**

HEADLINING, VISOR AND SHELF PANEL P,D,C,V
SECURITY COVER . P,D,C 45
GARNISH MOULDINGS P,D,C,V
CONVERTIBLE FOLDING TOP GARNISH MOULDINGS C.V 27
B PILLAR TRIM P,D,C,V - 41,45
QUARTER PANEL P,D 21
QUARTER PANEL C,V 22
CONVERTIBLE TOP WELL CLOSURE C,V 27
QUARTER PANEL P,D,C,V - 41,45
QUARTER PANEL P,D,C 45
LIFT GATE TRIM PANEL P,D,C 45
CARPETS P,D,C,V
CARPET CONVERTIBLE C,V 27
MATS FRONT AND REAR P,D
SILENCER REAR COMPARTMENT P,D,C,V - 21,22,41
CARPET CARGO AREA P,D 45
SCUFF PLATES BODY SILL AND DOOR P,D,C,V
CONSOLE AND ARM REST P,D,C,V
CONVERTIBLE CONSOLE W/ARM REST C,V 27
DOOR TRIM PANELS P,D 21
DOOR TRIM PANELS C,V 22,27
DOOR TRIM PANELS P,D 41,45
DOOR TRIM PANELS C,V - 41,45
SEAT FRONT P,D 21 TRIM CODES C1,C2,N1
SEAT FRONT P,D 41,45 TRIM CODES C1,C2,N1,R2,K2
SEAT FRONT P,D 21,41,45 TRIM CODE P3
SEAT FRONT C,V G3,J3
SEAT FRONT P,D TRIM CODES C8,D8,E7,F7
SEAT FRONT C,V TRIM CODES H8,J5,LJ,V8
SEAT FRONT C TRIM CODE SL
FRONT SEAT BACK RELEASE - P,D,C,V
RECLINING BUCKET SEAT - P,D,C,V
SEAT ADJUSTER MANUAL - P,D,C,V 0
SEAT ADJUSTER ELECTRIC - P,D,C,V 0
BELT, FRONT SEAT LAP AND SHOULDER P,D,C,V 0

Fig. IT-303100
Fig. IT-303200
Fig. IT-303300
Fig. IT-303400
Fig. IT-305100
Fig. IT-306100
Fig. IT-306200
Fig. IT-306250
Fig. IT-306300
Fig. IT-306400
Fig. IT-306500
Fig. IT-308100
Fig. IT-308150
Fig. IT-308200
Fig. IT-308300
Fig. IT-308400
Fig. IT-308500
Fig. IT-308600
Fig. IT-308700
Fig. IT-310100
Fig. IT-310200
Fig. IT-310300
Fig. IT-310400
Fig. IT-320100
Fig. IT-320200
Fig. IT-320300
Fig. IT-320400
Fig. IT-322100
Fig. IT-322200
Fig. IT-322300
Fig. IT-324100
Fig. IT-325100
Fig. IT-326100
Fig. IT-327100
Fig. IT-328100

**INSULATOR CHARTS (Continued)**

BELT, FRONT SEAT LAP AND SHOULDER P,D,C,V 0
BELT, FRONT SEAT LAP AND SHOULDER P,D,C,V 0
CONVERTIBLE FOLDING TOP SEAT BELTS C,V 27
FLEET POLICE AND OTHERS FRONT SEAT P,D
SEAT REAR P,D ALL TRIM CODES
SEAT REAR C,V ALL TRIM CODES EXCEPT SLHK
SEAT REAR C TRIM CODE SL
CONVERTIBLE REAR SEAT C,V 27
FLEET POLICE AND OTHERS REAR SEAT P,D
FOLD DOWN REAR SEAT - P,D,C - WAGON 0
PANEL, CARGO - P,D,C 0
BELT, REAR SEAT LAP - P,D,C,V 0
INSTRUMENT PANEL & COWL B,F,G
ROOF COVER B,F,G
ROOF COVER F-S
HEADLINING VISOR & SHELF PANELS B,F,G
GARNISH MOULDING B,G
GARNISH MOULDINGS F-S
B PILLAR TRIM B,G 41
CARPETS B,F,G
TRUNK B,F,G 41
MATS- FRONT AND REAR FLOOR LUGGAGE COMPARTMENT FLOOR, REAR FLOOR WELL B,F,G
SCUFF PLATES BODY SIDE SILL AND DOOR B,F,G 41
DOOR TRIM PANELS B,F,G TRIM CODES A3,F4,K2,KX,H9
PANEL FRONT DOOR B,F,G TRIM CODE C9,DY
DOORS F-S TRIM CODES SY,GY,S9
FLEET POLICE AND OTHERS PANEL, DOOR
SEAT,FRONT B,F,G TRIM CODE A3,F4
SEAT FRONT B,F,G TRIM CODE K2
SEAT,FRONT B,F,G TRIM CODE C9,H9
SEAT FRONT B,F,G TRIM CODE DY,GY
SEAT FRONT B,F,G TRIM CODE KX
SEAT FRONT B,F,G TRIM CODE S9,SY
RECLINING FRONT SEAT & SEAT BACK RELEASE B,F,G
SEAT ADJUSTER MANUAL B,F,G

Fig. IT-328100
Fig. IT-328200
Fig. IT-328300
Fig. IT-329100
Fig. IT-330100
Fig. IT-330200
Fig. IT-330300
Fig. IT-330350
Fig. IT-330400
Fig. IT-332100
Fig. IT-332200
Fig. IT-337100
Fig. IT-501100
Fig. IT-502100
Fig. IT-502200
Fig. IT-503100
Fig. IT-503200
Fig. IT-503300
Fig. IT-505100
Fig. IT-508100
Fig. IT-508200
Fig. IT-508300
Fig. IT-508400
Fig. IT-510100
Fig. IT-510200
Fig. IT-510300
Fig. IT-510400
Fig. IT-520100
Fig. IT-520200
Fig. IT-521100
Fig. IT-521200
Fig. IT-521300
Fig. IT-521400
Fig. IT-525100
Fig. IT-526100



**GROUP IT - INTERIOR TRIM**

**GROUP IT - INTERIOR TRIM**

**ILLUSTRATION TITLE**

**GROUP-FIG. NO.**

**ILLUSTRATION TITLE**

**GROUP-FIG. NO.**

**INSULATOR CHARTS (Continued)**

SEAT ADJUSTER MANUAL B,F,G .....	Fig. IT-526100
ADJUSTER, ELECTRIC BENCH SEAT B,F,G .....	Fig. IT-527100
ADJUSTER FRONT SEAT ELECTRIC 60/40 SPLIT B,F,G .....	Fig. IT-527200
BELT FRONT SEAT LAP AND SHOULDER OUTER B,F,G .....	Fig. IT-528100
BELT FRONT SEAT LAP AND SHOULDER INNER B,F,G .....	Fig. IT-528200
FLEET POLICE AND OTHERS FRONT SEAT B,F,G .....	Fig. IT-529100
FLEET POLICE AND OTHERS FRONT SEAT B,G .....	Fig. IT-529200
SEAT REAR B,F,G TRIM CODES A3,F4 .....	Fig. IT-530100
SEAT REAR B,F,G TRIM CODES C9,H9,S9,SY .....	Fig. IT-530200
SEAT REAR B,F,G TRIM CODE DY,GY .....	Fig. IT-530300
SEAT REAR B,F,G TRIM CODES K2,KX .....	Fig. IT-530400
FLEET POLICE AND OTHERS REAR SEAT B,F,G .....	Fig. IT-530500
BELT REAR SEAT LAP B,F,G .....	Fig. IT-537100
INSTRUMENT PANEL and COWL S,X,Y .....	Fig. IT-701100
DASH LINER AND SILENCERS S,X,Y .....	Fig. IT-701200
ROOF COVER S,X .....	Fig. IT-702100
HEADLINING,VISOR and SHELF PANEL S,X,Y .....	Fig. IT-703100
GARNISH MOULDINGS X,S,Y .....	Fig. IT-703200
QUARTER TRIM PANEL S,X .....	Fig. IT-706100
QUARTER TRIM PANEL Y .....	Fig. IT-706200
CARPETS S,X .....	Fig. IT-708100
CARPET Y .....	Fig. IT-708200
TRUNK X,S .....	Fig. IT-708300
SCUFF PLATES BODY SIDE SILL AND DOORS X,S,Y .....	Fig. IT-708400
CONSOLE S,X .....	Fig. IT-708500
CONSOLE Y .....	Fig. IT-708600
DOOR TRIM PANEL S .....	Fig. IT-710100
DOOR TRIM PANEL X .....	Fig. IT-710200
DOOR TRIM PANEL Y .....	Fig. IT-710300
SEAT FRONT S,X TRIM CODE C9 .....	Fig. IT-721100
SEAT FRONT Y TRIM CODE A9 .....	Fig. IT-721200
SEAT FRONT Y TRIM CODES AY .....	Fig. IT-721300
SEAT FRONT S,X TRIM CODE F6,N5 .....	Fig. IT-722100
SEAT FRONT S,X TRIM CODE DL,HL .....	Fig. IT-722200
FRONT SEAT BACK RELEASE LATCH - S,X,Y .....	Fig. IT-724100

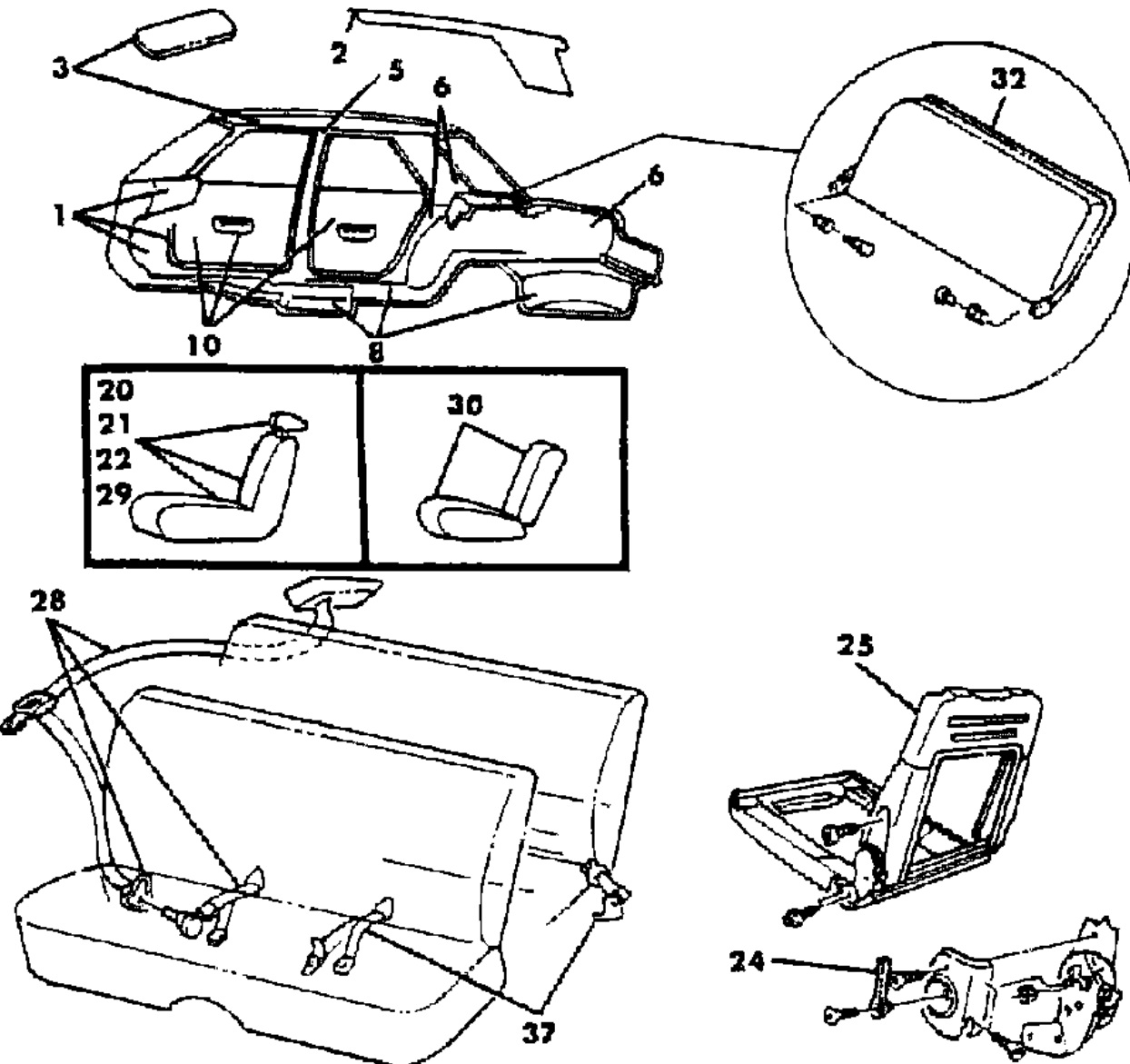
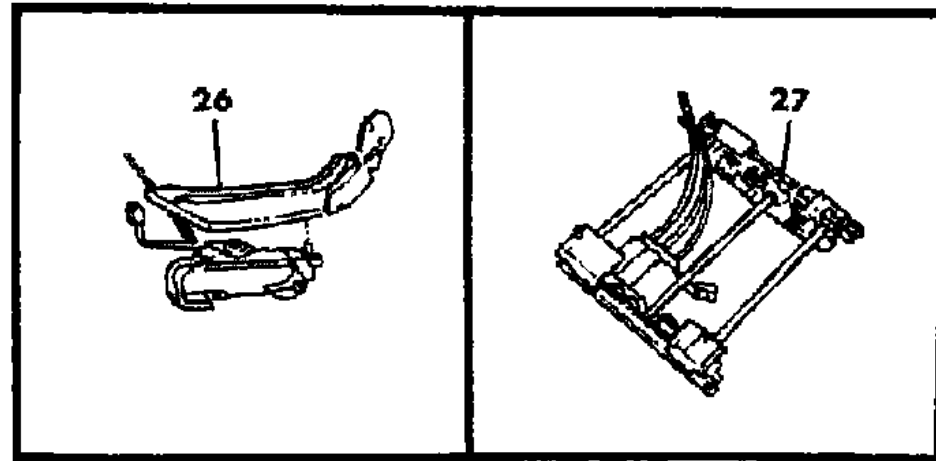
**INSULATOR CHARTS (Continued)**

FRONT SEAT BACK RELEASE LATCH - S,X,Y .....	Fig. IT-724100
RECLINING FRONT SEAT AND SEAT BACK RELEASE LATCH, W/60/40 - S,X,Y 0 .....	Fig. IT-725100
RECLINING FRONT SEAT AND SEAT BACK RELEASE LATCH w/BUCKETS - S,X 0 .....	Fig. IT-725200
SEAT ADJUSTER,MANUAL - S,X,Y 0 .....	Fig. IT-726100
ADJUSTER, FRONT SEAT ELECTRIC BUCKET AND 60/40 X,S,Y 0 .....	Fig. IT-727100
BELT, FRONT SEAT LAP AND SHOULDER - X,S,Y 0 .....	Fig. IT-728100
BELT, FRONT SEAT LAP AND SHOULDER - X,S,Y 0 .....	Fig. IT-728200
SEAT REAR S,X TRIM CODES C9,DL,HL .....	Fig. IT-730100
SEAT REAR S,X TRIM CODES F6,N5 .....	Fig. IT-730200
SEAT REAR Y TRIM CODES A9,AY .....	Fig. IT-730300
BELT REAR SEAT LAP S,X,Y .....	Fig. IT-737100

INDEX-INTERIOR SOFT TRIM

Figure IT-10

2253-10



ITEM	PART NUMBER	QTY	BODY	MODEL	DESCRIPTION
------	-------------	-----	------	-------	-------------

This INTERIOR TRIM section has been produced in an Illustration to Legend format. an offsetting order for part no. 3747881  
 The FIGURE number is used to divide the section into Car-Lines (models) and into consistent groupings of items within Car-lines in

the following manner:

- The Figure number consists of six(6) characters r:

EXAMPLE: r:

..... 1..... 03 .....100 r:

(Model) M&Z. . . . Headlining,Visor & Shelf. . . . Illustration Sequence Numbers r:

\*\* The first(1st) number identifies the Car Line;e.g.: r:

... 1= M & Z (Horizon & Omni) r:

... 3= P,D,C & V (Reliant, Aries, Lebaron, 400 & Town & Country) r:

... 5= F,G & B (New Yorker, Diplomat & Grand Fury) r:

... 7= X,S & Y (Mirada, Cordoba & Imperial) r:

\*\* The second and third (2&3) numbers identifies the type of parts and/or area of the vehicle (Zone) covered in that grouping; e.g.: r:

... 01= Instrument Panel & Cowl r:

... 02= Outside Vinyl Roof r:

... 03= Headlining,Sun Visor & Rear Shelf Trim r:

... 05= B Pillar r:

... 06= Rear 1/4 including C Pillar,Trunk liner,Cargo area, Top Well Closure, etc. r:

... 08= Carpet including passenger compartment,Trunk & Cargo area r:

... 10= Door Trim including Arm Rest r:

... 20= Seat-Front Bench r:

... 21= Seat-Front 60/40 split r:

... 22= Seat-Front Bucket r:

... 24= Seat Back Release r:

... 25= Reclining Front Seat r:

... 26= Seat Adjuster Manual r:

... 27= Seat Adjuster Electric r:

... 28= Seat Belts Front r:

... 29= Seat-Front Fleet(Police and Others) r:

... 30= Seat-Rear r:

... 32= Fold Down Rear Seat r:

... 37= Seat Belts Rear r:

\*\* The fourth through sixth (4,5 & 6) numbers are the illustration sequence numbers within the Car-Line and Zone groupings. r:

With the afore-described Figure number configuration, Headlining will always be found on an Illustration numbered x03xxx, Bucket

Seats on an Illustration numbered x22xxx, etc..

MODEL CODES

B = GRAN FURY/CARAVELLE  
 C = LEBARON/TOWN & COUNTRY  
 D = ARIES  
 F = NEW YORKER  
 G = DIPLOMAT  
 M = HORIZON/TC3/SCAMP

P = RELIANT  
 S = CORDOBA  
 V = 400  
 X = MIRADA  
 Y = IMPERIAL  
 Z = OMNI/O24/RAMPAGE

BODY STYLES

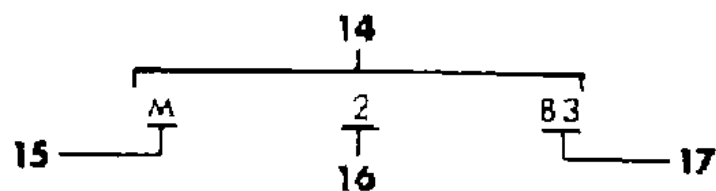
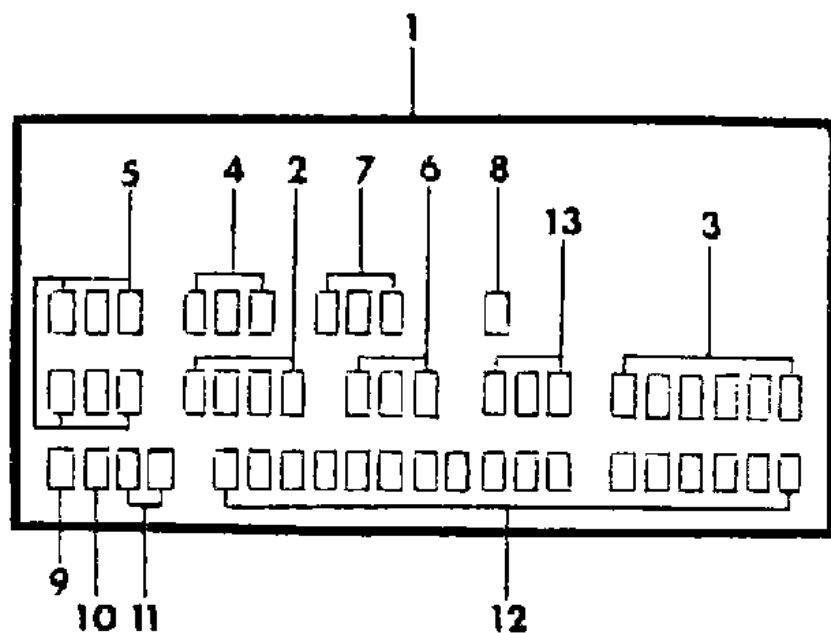
21 = 2-DOOR SEDAN  
 22 = 2-DOOR SPECIAL COUPE  
 24 = 2-DOOR HATCHBACK  
 27 = 2-DOOR CONVERTIBLE  
 28 = FWD PICKUP  
 41 = 4-DOOR SEDAN  
 44 = 4-DOOR HATCHBACK  
 45 = 2-SEAT STATION WAGON

AR = Use as Required - = Non Illustrated Part P.A.R. = Paint as Required

TRIM CODE DEFINED

Figure IT-20

2253-20



18

SALES CODE	C 52	C 54	C 55	C 56	C 57
CLOTH	1	3	7	5	9
VINYL	2	4	8	6	X
LEATHER	N	G	L	J	Y

19, 20, 21, 22

ITEM	PART NUMBER	QTY	BODY	MODEL	DESCRIPTION
------	-------------	-----	------	-------	-------------

-1- BODY CODE PLATE ion numbered x22xxx, etc..

. . . . The Body Code plate includes the Trim Code, Paint Codes, Vinyl Roof code, Build Date, etc.. The plate is located under the hood on the left front fender side shield or wheel housing or the radiator support.

NOTE: For additional detailed information not listed below, see illustrated text inf. section front fender side shield or wheel housing or the radiator support.

-2- = Trim Code front fender side shield or wheel housing or the radiator support.

-3- = Vehicle Order Number front fender side shield or wheel housing or the radiator support.

-4- = Vinyl Roof Code front fender side shield or wheel housing or the radiator support.

-5- = Body Paint front fender side shield or wheel housing or the radiator support.

-6- = Engine code front fender side shield or wheel housing or the radiator support.

-7- = Transmission code front fender side shield or wheel housing or the radiator support.

-8- = Order: U = U.S.; C = Canada; I = International front fender side shield or wheel housing or the radiator support.

-9- = Car Line front fender side shield or wheel housing or the radiator support.

-10- = Price Class front fender side shield or wheel housing or the radiator support.

-11- = Body Type front fender side shield or wheel housing or the radiator support.

-12- = Vin (Vehicle Identification Number) front fender side shield or wheel housing or the radiator support.

-13- = Projected Build Date: The actual build date is on the Vehicle Certification Label located on the drivers door or left "B" pillar. front fender side shield or wheel housing or the radiator support.

\*\*\*\*\* front fender side shield or wheel housing or the radiator support.

-14- = TRIM CODE (typical) defined front fender side shield or wheel housing or the radiator support.

-15- = Series (1st element) front fender side shield or wheel housing or the radiator support.

-16- = Type & Material (see Chart #16 for application) front fender side shield or wheel housing or the radiator support.

-17- = Color & Shade (see Figure IT-30 for definition) front fender side shield or wheel housing or the radiator support.

\*\*\*\*\* front fender side shield or wheel housing or the radiator support.

-18- = Type & Material defined (2nd character of Trim Code) front fender side shield or wheel housing or the radiator support.

-19- = Seat Sales codes front fender side shield or wheel housing or the radiator support.

. . . . C52 = Straight Bench, Front w/solid fixed back front fender side shield or wheel housing or the radiator support.

. . . . C54 = Straight Bench, Front w/split hinged back front fender side shield or wheel housing or the radiator support.

. . . . C55 = Bucket, Front - w/recliner front fender side shield or wheel housing or the radiator support.

. . . . C56 = Bucket, Front - w/recliner front fender side shield or wheel housing or the radiator support.

. . . . C57 = 60/40 Split Bench, Front - w/passenger side recliner front fender side shield or wheel housing or the radiator support.

-20- = Cloth material codes front fender side shield or wheel housing or the radiator support.

-21- = All Vinyl material codes front fender side shield or wheel housing or the radiator support.

-22- = Leather material codes front fender side shield or wheel housing or the radiator support.

MODEL CODES

B = GRAN FURY/CARAVELLE	P = RELIANT
C = LEBARON/TOWN & COUNTRY	S = CORDOBA
D = ARIES	V = 400
F = NEW YORKER	X = MIRADA
G = DIPLOMAT	Y = IMPERIAL
M = HORIZON/TC3/SCAMP	Z = OMNI/O24/RAMPAGE

BODY STYLES

21 = 2-DOOR SEDAN	28 = FWD PICKUP
22 = 2-DOOR SPECIAL COUPE	41 = 4-DOOR SEDAN
24 = 2-DOOR HATCHBACK	44 = 4-DOOR HATCHBACK
27 = 2-DOOR CONVERTIBLE	45 = 2-SEAT STATION WAGON

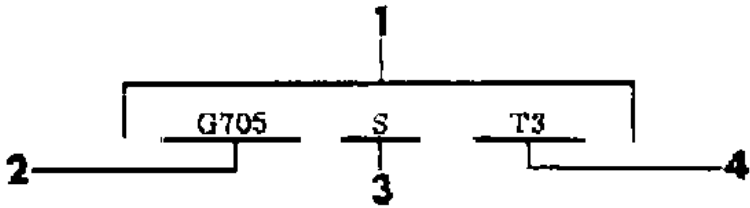
AR = Use as Required - = Non Illustrated Part P.A.R. = Paint as Required

**TRIM INFORMATION**  
Figure IT-30

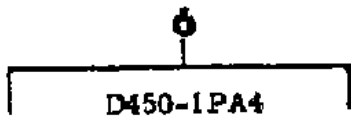
**2253-30**

ITEM	PART NUMBER	QTY	BODY	MODEL	DESCRIPTION
------	-------------	-----	------	-------	-------------

-1- = COLOR CODED PART NUMBER defined: front fender side shield or wheel housing or the radiator support.  
 -2- = First element: Basic part number (1 alpha + 3 numerics) front fender side shield or wheel housing or the radiator support.  
 -3- = Second element: Series/1st model year color mastered (1 alpha) front fender side shield or wheel housing or the radiator support.  
 -4- = Third element: Color & shade suffix (usually 1 alpha + 1 numeric) front fender side shield or wheel housing or the radiator support.  
 - - ALPHA: front fender side shield or wheel housing or the radiator support.  
 . . . . . A = Silver front fender side shield or wheel housing or the radiator support.  
 . . . . . B = Blue front fender side shield or wheel housing or the radiator support.  
 . . . . . C = Blue front fender side shield or wheel housing or the radiator support.  
 . . . . . CW = Blue & White front fender side shield or wheel housing or the radiator support.  
 . . . . . F = Green front fender side shield or wheel housing or the radiator support.  
 . . . . . H = Mahogany front fender side shield or wheel housing or the radiator support.  
 . . . . . M = Red front fender side shield or wheel housing or the radiator support.  
 . . . . . MW = Red & White front fender side shield or wheel housing or the radiator support.  
 . . . . . T = Tan front fender side shield or wheel housing or the radiator support.  
 . . . . . W = White front fender side shield or wheel housing or the radiator support.  
 . . . . . X = Black front fender side shield or wheel housing or the radiator support.  
 - - NUMERIC (on a scale from 1-9: 1= lightest shade; 9= darkest shade) front fender side shield or wheel housing or the radiator support.  
 . . . . . 1 = very Light front fender side shield or wheel housing or the radiator support.  
 . . . . . 2 = Light front fender side shield or wheel housing or the radiator support.  
 . . . . . 3 = front fender side shield or wheel housing or the radiator support.  
 . . . . . 4 = front fender side shield or wheel housing or the radiator support.  
 . . . . . 5 = Medium front fender side shield or wheel housing or the radiator support.  
 . . . . . 6 = Medium dark front fender side shield or wheel housing or the radiator support.  
 . . . . . 7 = front fender side shield or wheel housing or the radiator support.  
 . . . . . 8 = Dark front fender side shield or wheel housing or the radiator support.  
 . . . . . 9 = very Dark front fender side shield or wheel housing or the radiator support.  
 -5- = COLOR APPLICATION CHART (identifies vehicle usage) front fender side shield or wheel housing or the radiator support.  
 -6- = COMBINED Part Number defined front fender side shield or wheel housing or the radiator support.  
 . . . . Right & Left part numbers are frequently combined on 1 line and are interpreted as: front fender side shield or wheel housing or the radiator support.  
 . . . . . D450PA4 = Right side application; D451PA4 = Left side application. front fender side shield or wheel housing or the radiator support.  
 . . . . . Right & Left sides are always determined by their relationship to the driver when normally seated and looking forward. front fender side shield or wheel housing or the radiator support.



		M/Z	P/D C/V	F/G	S	X	Y
5-	A3 Silver	X	X	X	X	X	X
	B2 Blue	X	X				X
	CB Blue			X	X	X	X
	CW Blue & White				X	X	X
	F5 Green		X				
	H9 Mahogany		X	X	X	X	X
	M6 Red	X	X	X	X	X	X
	MW Red & White				X	X	X
	T3 Tan	X	X	X	X	X	X
	X9 Black	X					



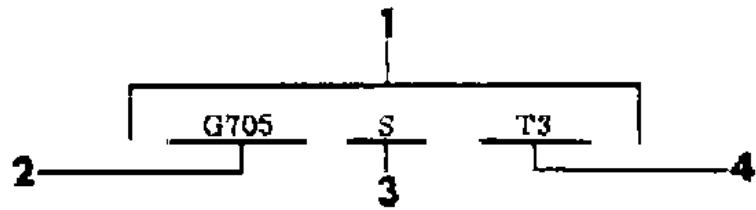
MODEL CODES  
 B = GRAN FURY/CARAVELLE      P = RELIANT  
 C = LEBARON/TOWN & COUNTRY      S = CORDOBA  
 D = ARIES      V = 400  
 F = NEW YORKER      X = MIRADA  
 G = DIPLOMAT      Y = IMPERIAL  
 M = HORIZON/TC3/SCAMP      Z = OMNI/O24/RAMPAGE

BODY STYLES  
 21 = 2-DOOR SEDAN      28 = FWD PICKUP  
 22 = 2-DOOR SPECIAL COUPE      41 = 4-DOOR SEDAN  
 24 = 2-DOOR HATCHBACK      44 = 4-DOOR HATCHBACK  
 27 = 2-DOOR CONVERTIBLE      45 = 2-SEAT STATION WAGON

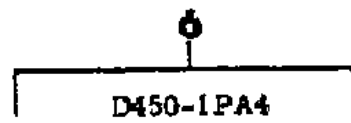
AR = Use as Required - = Non Illustrated Part P.A.R. = Paint as Required



2253-30



		M/Z	P/D C/V	F/G	S	X	Y
A3	Silver	X	X	X	X	X	X
B2	Blue	X	X				X
CB	Blue			X	X	X	X
CW	Blue & White				X	X	X
5	F5		X				
	H9		X	X	X	X	X
	M6	X	X	X	X	X	X
	MW				X	X	X
	T3	X	X	X	X	X	X
	X9	X					



**TRIM INFORMATION**  
**Figure IT-30**

ITEM	PART NUMBER	QTY	BODY	MODEL	DESCRIPTION
------	-------------	-----	------	-------	-------------

\*\*\*\*\* HOW TO ORDER ROLL GOODS front fender side shield or wheel housing or the radiator support.  
 VINYL & CLOTH: Requirements must be ordered in the number of linear inches desired; e.g.: when 10 running inches of a particular part number is req'd., the order should specify a quantity of 10.  
 HIDE or LEATHER: Requirements must be ordered in the number of square feet desired; e.g.: when 2 square feet of a particular part number is req'd., the order should specify a quantity of 2.  
 \*\*\*\*\* CAUTION - SEAT COVERS vs ASSEMBLIES e order should specify a quantity of 2.  
 Extreme care must be exercised when ordering Seat Covers to insure it is ONLY the Cover and NOT a complete Cushion or Back.  
 Complete Cushions and Backs ARE NOT RETURNABLE.

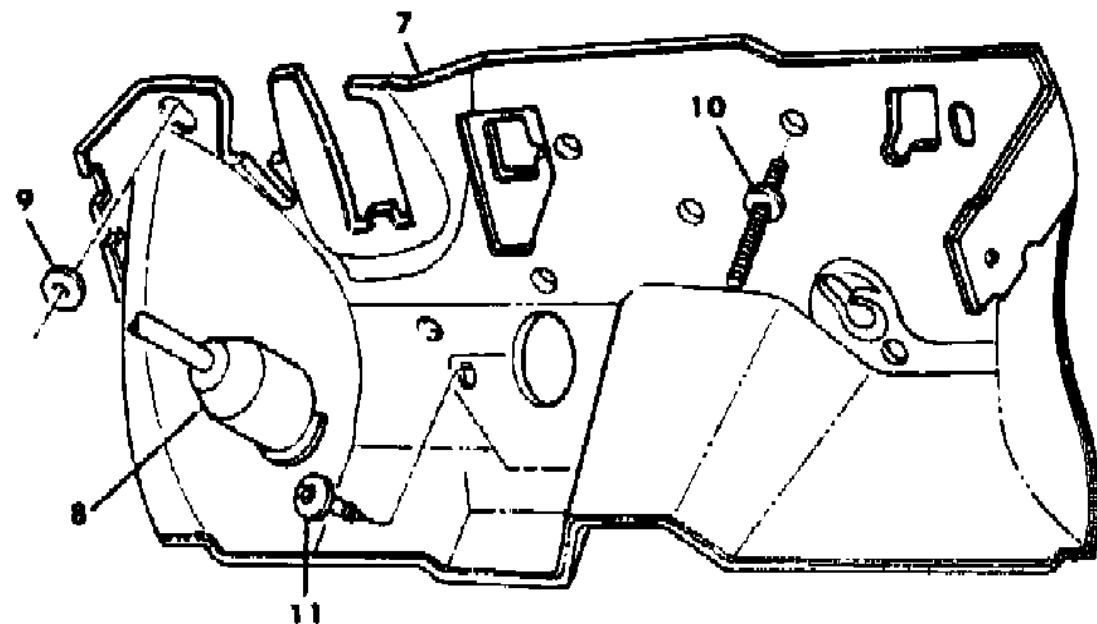
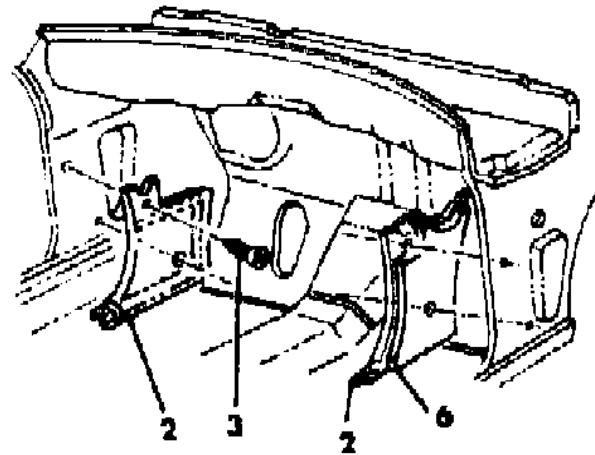
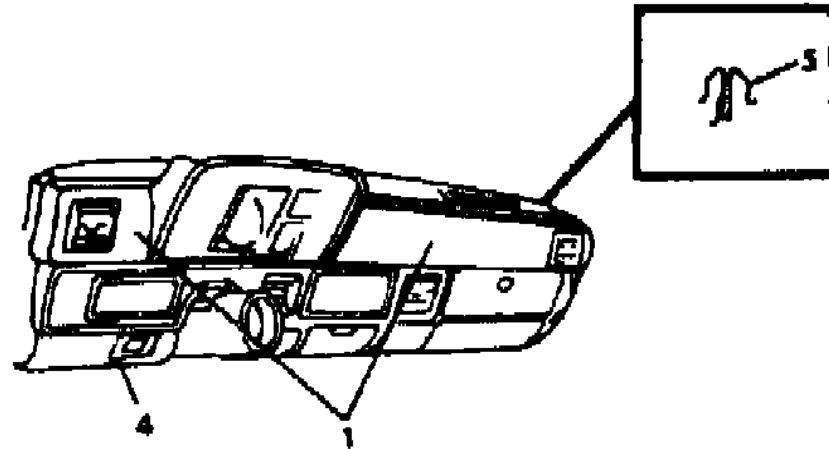
MODEL CODES  
 B = GRAN FURY/CARAVELLE      P = RELIANT  
 C = LEBARON/TOWN & COUNTRY    S = CORDOBA  
 D = ARIES                            V = 400  
 F = NEW YORKER                    X = MIRADA  
 G = DIPLOMAT                      Y = IMPERIAL  
 M = HORIZON/TC3/SCAMP        Z = OMNI/O24/RAMPAGE

BODY STYLES  
 21 = 2-DOOR SEDAN                28 = FWD PICKUP  
 22 = 2-DOOR SPECIAL COUPE    41 = 4-DOOR SEDAN  
 24 = 2-DOOR HATCHBACK        44 = 4-DOOR HATCHBACK  
 27 = 2-DOOR CONVERTIBLE      45 = 2-SEAT STATION WAGON

AR = Use as Required - = Non Illustrated Part P.A.R. = Paint as Required

**INSTRUMENT PANEL AND COWL M & Z**  
Figure IT-1011

2253-1 01100



ITEM	PART NUMBER	QTY	BODY	MODEL	DESCRIPTION
1					PANEL and PAD,Instrument Panel N N N N
	P673 AA7	1			Silver N N24,28 N YP673AA7
	P673 TB2	1			Blue N N24,28 N YP673TB2
	P673 TM6	1			Red N N24,28 N YP673TM6
	P673 TT6	1			Tan N N24,28 N YP673TT6
	P673 TX9	1			Black N N24,28 N YP673TX9
					w/Rallye N N N N
	P673 AA7	1			Silver N N44 N YP673AA7
	P673 TB2	1			Blue N N44 N YP673TB2
	P673 TM6	1			Red N N44 N YP673TM6
	P673 TT6	1			Tan N N44 N YP673TT6
	P673 TX9	1			Black N N44 N YP673TX9
					w/o Rallye N N N N
	P419 AA7	1			Silver N N44 N YP419AA7
	P419 TB2	1			Blue N N44 N YP419TB2
	P419 TM6	1			Red N N44 N YP419TM6
	P419 ST6	1			Tan (use up to 3/15/82) N N44 N YP419ST6
	P447 AT6	1			Tan (use after 3/15/82) N N44 N YP447AT6
	P420 RX9	1			Black N N44 N YP420RX9
2					PANEL,Cowl Side Trim N N N N
	F216-7 AA3	1			Silver N N24,28 N YF216AA3
	F216-7 TB2	1			Blue N N24,28 N YF216TB2
	F216-7 TM6	1			Red N N24,28 N YF216TM6
	F216-7 ST4	1			Tan N N24,28 N YF216ST4
	F216-7 SX9	1			Black N N24,28 N YF216SX9
	F266-7 RX9	1			Black,Paint as Required N N44 N YF266RX9
3		AR			SCREW,(not serviced) N N N N
4	5209 980	1			COVER,Electric Heated Rear Window N N N Y5209980
5	3590 389	2			CLIP N N N Y3590389
6	3837 683	1			SILENCER, Cowl Panel w/ or w/o Air Conditioning N N N Y3837683
7	5231 843	1			LINER, Dash w/ or w/o Air Conditioning N N N Y5231843
8	5231 212	1			LINER, Steering Column Cover N N N Y5231212
9	4206 545	AR			RETAINER, Dash and Cowl N N N Y4206545
10	6031 630	AR			STUD, Special N N N Y6031630
11		AR			SCREW and WASHER (not serviced) N N N N

MODEL CODES

B = GRAN FURY/CARAVELLE	P = RELIANT
C = LEBARON/TOWN & COUNTRY	S = CORDOBA
D = ARIES	V = 400
F = NEW YORKER	X = MIRADA
G = DIPLOMAT	Y = IMPERIAL
M = HORIZON/TC3/SCAMP	Z = OMNI/O24/RAMPAGE

BODY STYLES

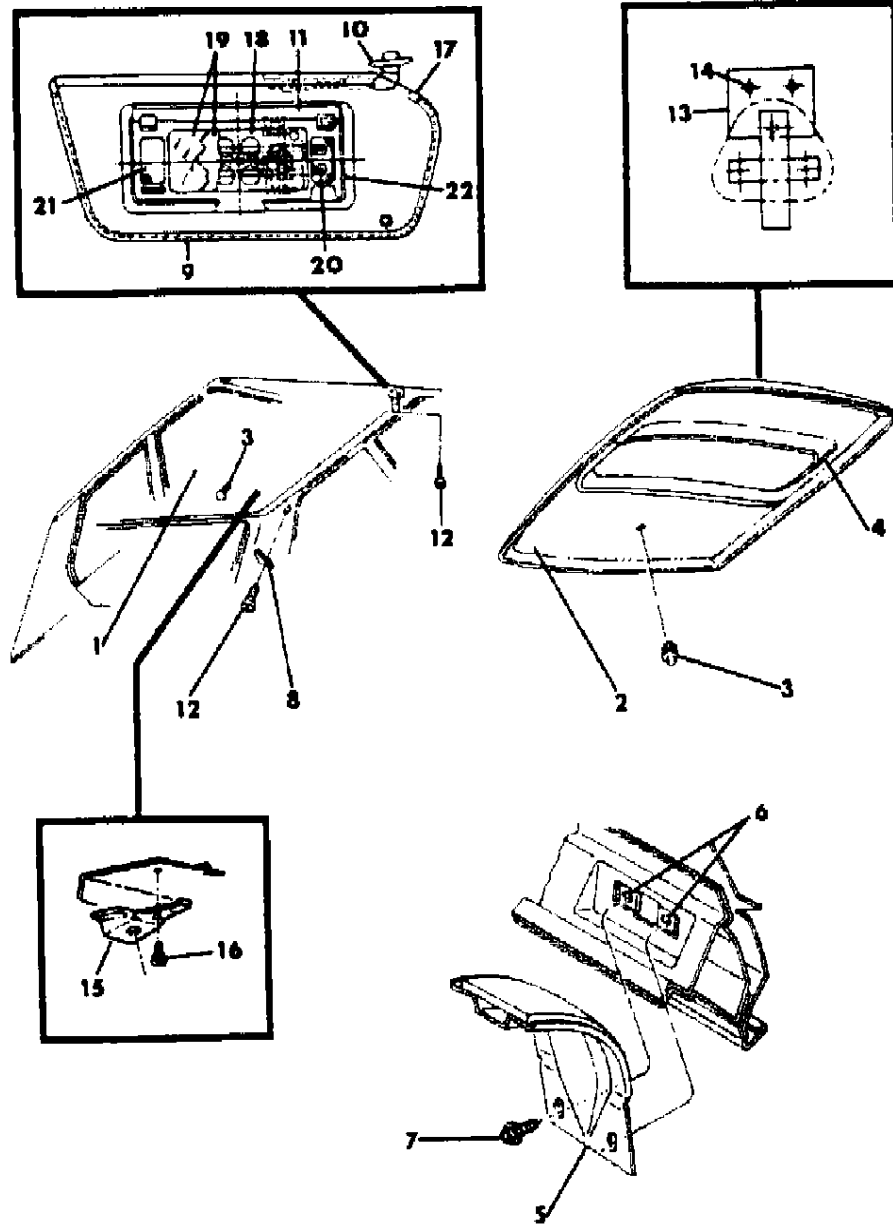
21 = 2-DOOR SEDAN	28 = FWD PICKUP
22 = 2-DOOR SPECIAL COUPE	41 = 4-DOOR SEDAN
24 = 2-DOOR HATCHBACK	44 = 4-DOOR HATCHBACK
27 = 2-DOOR CONVERTIBLE	45 = 2-SEAT STATION WAGON

AR = Use as Required - = Non Illustrated Part P.A.R. = Paint as Required

# HEADLINER AND VISOR M & Z

## Figure IT-1031

2253.103100 A



ITEM	PART NUMBER	QTY	BODY	MODEL	DESCRIPTION
1					HEADLINING PANEL,w/o Sun Roof N N N N
	H819 AA3	1			Cloth N N N N
	H819 TB2	1			Silver N N24 N YH819AA3
	H819 TM6	1			Blue N N24 N YH819TB2
	H819 ST4	1			Red N N24 N YH819TM6
	H819 SX9	1			Tan N N24 N YH819ST4
	H828 AA3	1			Black N N24 N YH819SX9
	H828 TB2	1			Cloth N N N N
	H828 TM6	1			Silver N N44 N YH828AA3
	H828 ST4	1			Blue N N44 N YH828TB2
	H828 SX9	1			Red N N44 N YH828TM6
	W814 AM6	1			Tan N N44 N YH828ST4
	W814 AT4	1			Black N N44 N YH828SX9
	W814 AX9	1			Red N N28 N YW814AM6
2					HEADLINER, PANEL,w/Sun Roof,Cloth N N N N
	H820 SW1	1			Tan N N28 N YW814AT4
3					FASTENER,Headlining Panel N N N N
	H452 AA3	1			Black N N28 N YW814AX9
	H452 TB2	1			Center N N N N
	H452 TM6	1			Silver N N N N YH452AA3
	H452 ST4	1			Blue N N N N YH452TB2
	H452 SX9	1			Red N N N N YH452TM6
	H446 RX9	1			Tan N N N N YH452ST4
	4114 785	4			Black N N N N YH452SX9
4					WELT,Sun Roof Headlining Opening N N N N
	H611 SW1	1			White N N24,44 N YH611SW1
5					BOW,Roof w/o Sun Roof N N N N
	5231 029	1			N N24 N Y5231029
	5200 521	2			N N44 N Y5200521
6	6100 041	8			U-Nut,Roof Bow Attaching N N44 N Y6100041
7	6100 565	8			SCREW N N44 N Y6100565
8	3685 992	2			HOOK,Coat N N N Y3685992
9-10					VISOR,Complete N N N N
	H612 AA2	2			Silver N N N N YH612AA2

**MODEL CODES**

B = GRAN FURY/CARAVELLE	P = RELIANT
C = LEBARON/TOWN & COUNTRY	S = CORDOBA
D = ARIES	V = 400
F = NEW YORKER	X = MIRADA
G = DIPLOMAT	Y = IMPERIAL
M = HORIZON/TC3/SCAMP	Z = OMNI/O24/RAMPAGE

**BODY STYLES**

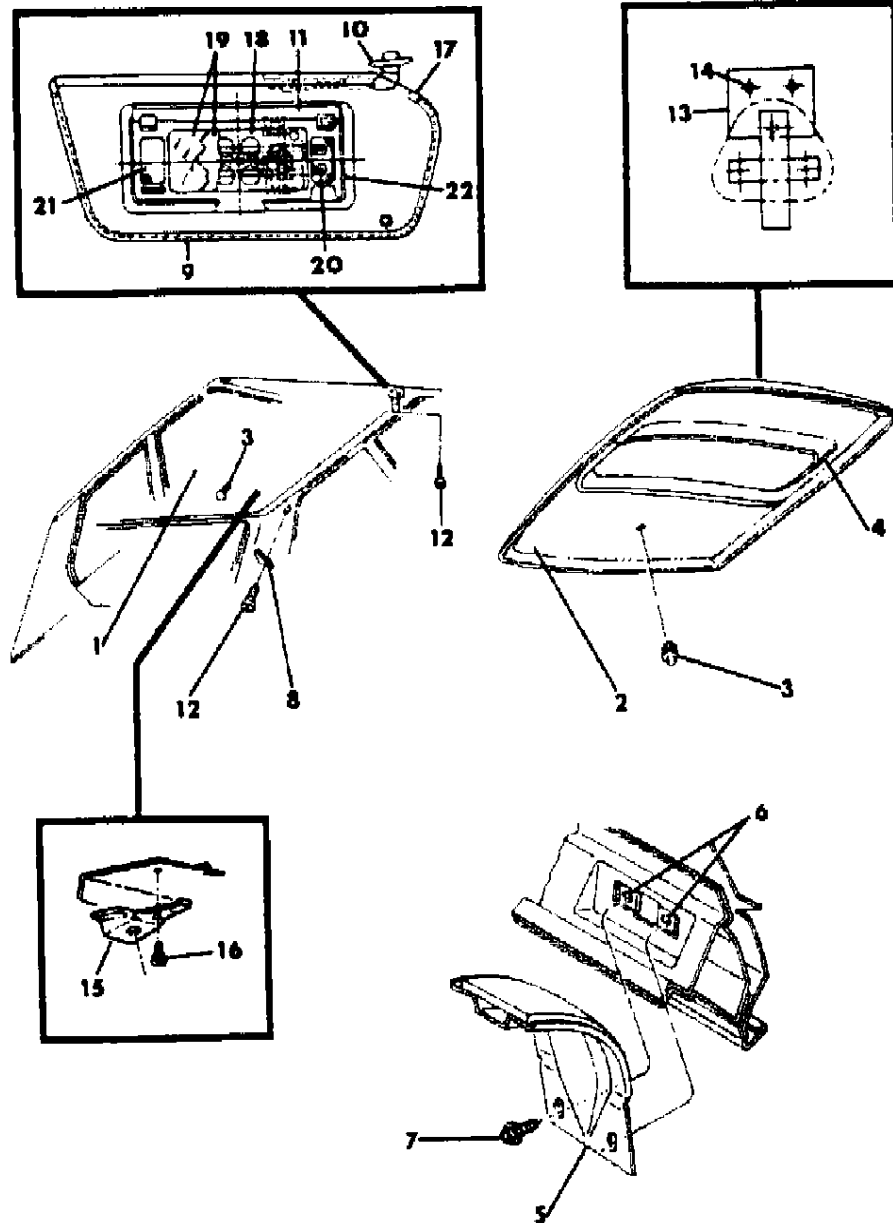
21 = 2-DOOR SEDAN	28 = FWD PICKUP
22 = 2-DOOR SPECIAL COUPE	41 = 4-DOOR SEDAN
24 = 2-DOOR HATCHBACK	44 = 4-DOOR HATCHBACK
27 = 2-DOOR CONVERTIBLE	45 = 2-SEAT STATION WAGON

AR = Use as Required - = Non Illustrated Part P.A.R. = Paint as Required

# HEADLINER AND VISOR M & Z

## Figure IT-1031

2253.103100 A



ITEM	PART NUMBER	QTY	BODY	MODEL	DESCRIPTION
	H612 VB2	2			Blue N N N YH612VB2
	H612 VM6	2			Red N N N YH612VM6
	H612 VT3	2			Tan N N N YH612VT3
	H612 VX9	2			Black N N N YH612VX9 w/Lighted Mirror N N N N
	H312 AA2	1			Silver N N N YH312AA2
	H312 AB2	1			Blue Light N N N YH312AB2
	H312 AM6	1			Red N N N YH312AM6
	H312 AT3	1			Tan N N N YH312AT3
	H312 AX9	1			Black N N N YH312AX9
9					PANEL,Sun Visor N N N N
	H597 AA2	2			Silver N N N YH597AA2
	H597 VB2	2			Blue N N N YH597VB2
	H597 VM6	2			Red N N N YH597VM6
	H597 VT3	2			Tan N N N YH597VT3
	H597 VX9	2			Black N N N YH597VX9 VISOR, Sub Assy. w/Lighted Mirror, Right N N N N
	H314 AA2	1			Silver N N N YH314AA2
	H314 AB2	1			Blue N N N YH314AB2
	H314 AM6	1			Red N N N YH314AM6
	H314 AT3	1			Tan N N N YH314AT3
	H314 AX9	1			Black N N N YH314AX9
10	5208 539	2			ARM and Bracket,Sun Visor Panel w/o Mirror N N N Y5208539
	4223 513	1			w/Mirror N N N Y4223513
11					MIRROR,w/Cover Visor Vanity N N N N
	H308 AAA				Silver N N N YH308AAA
	H308 ABB	1			Blue N N N YH308ABB
	H308 AMM	1			Red N N N YH308AMM
	H308 ATT	1			Tan N N N YH308ATT
	H308 AXX	1			Black N N N YH308AXX COVER and FRAME, Mirror N N N N
	H310 AAA	1			Silver N N N YH310AAA
	H310 ABB	1			Blue N N N YH310ABB
	H310 AMM	1			Red N N N YH310AMM
	H310 ATT	1			Tan N N N YH310ATT
	H310 AXX	1			Black N N N YH310AXX
12		AR			SCREW(not serviced) N N N N

**MODEL CODES**

B = GRAN FURY/CARAVELLE	P = RELIANT
C = LEBARON/TOWN & COUNTRY	S = CORDOBA
D = ARIES	V = 400
F = NEW YORKER	X = MIRADA
G = DIPLOMAT	Y = IMPERIAL
M = HORIZON/TC3/SCAMP	Z = OMNI/O24/RAMPAGE

**BODY STYLES**

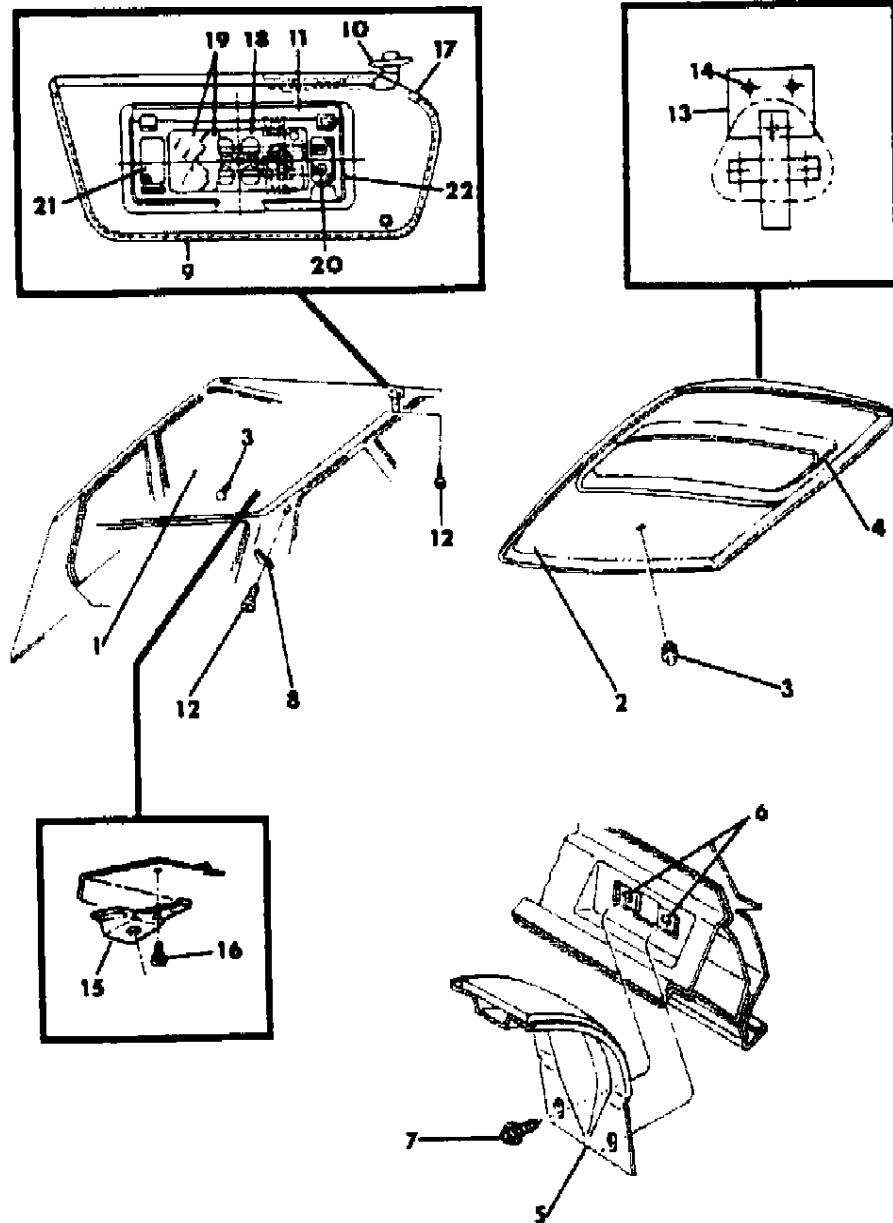
21 = 2-DOOR SEDAN	28 = FWD PICKUP
22 = 2-DOOR SPECIAL COUPE	41 = 4-DOOR SEDAN
24 = 2-DOOR HATCHBACK	44 = 4-DOOR HATCHBACK
27 = 2-DOOR CONVERTIBLE	45 = 2-SEAT STATION WAGON

AR = Use as Required - = Non Illustrated Part P.A.R. = Paint as Required

# HEADLINER AND VISOR M & Z

## Figure IT-1031

2253.103100 A



ITEM	PART NUMBER	QTY	BODY	MODEL	DESCRIPTION
13	5208 982	2			BRACKET,Headlining Support w/Sun Roof N N44 N Y5208982
14	6028 674	4			SCREW,Headlining Support w/Sun Roof N N44 N Y6028674
15	4223 643	2			BRACKET, Coat Hook Attaching N N28 N Y4223643
16	9414 712	AR			SCREW, Bracket Attaching N N28 N Y9414712
17	1490 983	2			CLIP,Visor Panel End N N N Y1490983
18	3832 873	1			COMPONENT BOARD, Lighted Mirror N N N Y3832873
19	4077 693	1			MIRROR and BACK, Vanity Mirror, Lighted N N N Y4077693
20	4166 978	4			BULB, Vanity Mirror N N N Y4166978
21	4166 974	1			LENS, Vanity Mirror N N N Y4166974
22	4166 976	2			HINGE SPRING, Vanity Mirror N N N Y4166976
The following part is not illustrated. s ARE NOT RETURNABLE.					
	4049 603	AR			SILENCER,Roof Panel N N N Y4049603
	3762 861	AR			SILENCER, Roof Panel N N N Y3762861

**MODEL CODES**

B = GRAN FURY/CARAVELLE	P = RELIANT
C = LEBARON/TOWN & COUNTRY	S = CORDOBA
D = ARIES	V = 400
F = NEW YORKER	X = MIRADA
G = DIPLOMAT	Y = IMPERIAL
M = HORIZON/TC3/SCAMP	Z = OMNI/O24/RAMPAGE

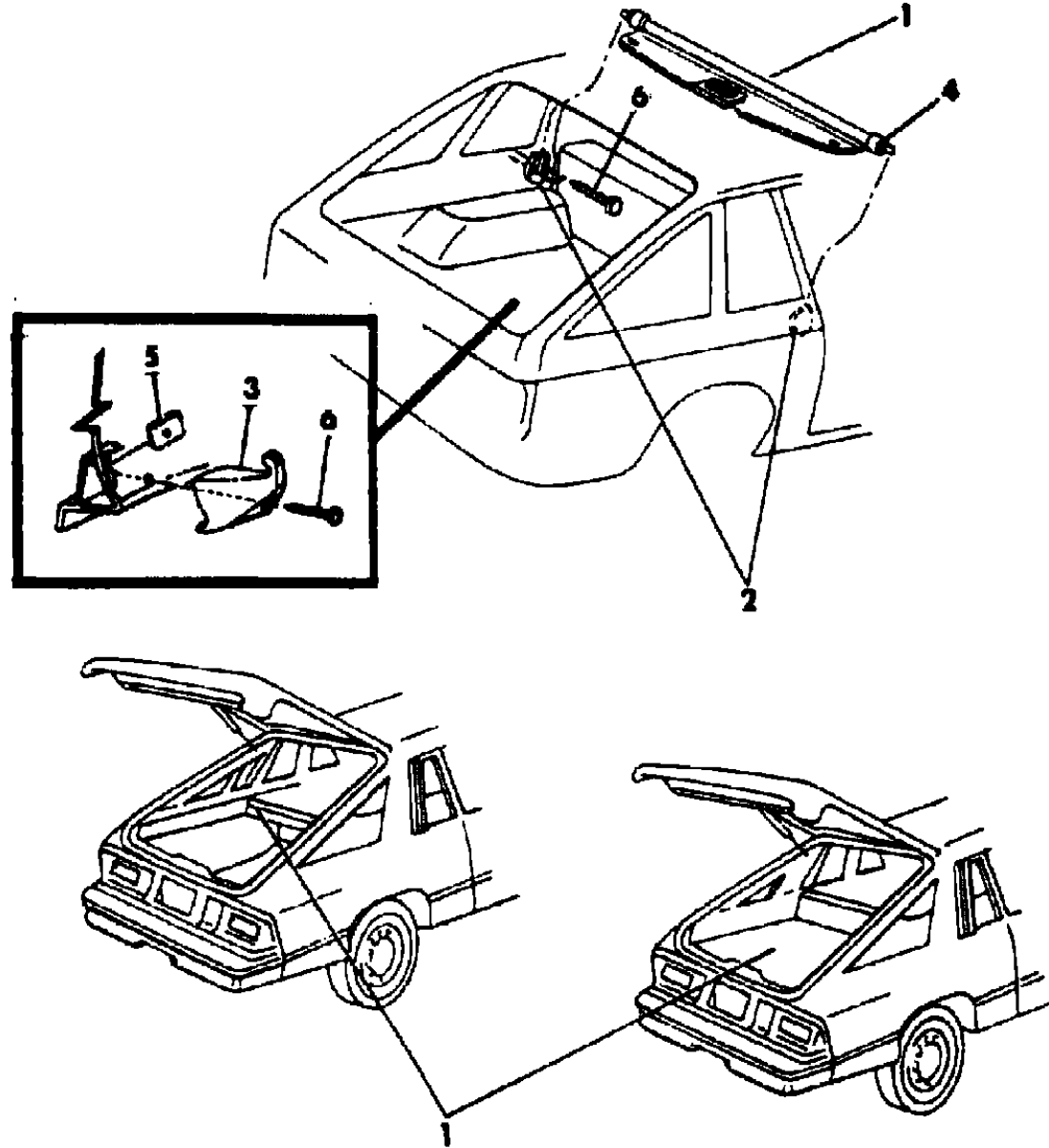
**BODY STYLES**

21 = 2-DOOR SEDAN	28 = FWD PICKUP
22 = 2-DOOR SPECIAL COUPE	41 = 4-DOOR SEDAN
24 = 2-DOOR HATCHBACK	44 = 4-DOOR HATCHBACK
27 = 2-DOOR CONVERTIBLE	45 = 2-SEAT STATION WAGON

AR = Use as Required - = Non Illustrated Part P.A.R. = Paint as Required

**TONNEAU COVER M & Z 24**  
**Figure IT-1032**

2253-103 200A



ITEM	PART NUMBER	QTY	BODY	MODEL	DESCRIPTION
1		1			TONNEAU COVER,Rear Compt. N N N N
	4271 014	1			Silver N N N Y4271014
	4240 269	1			Red N N N Y4240269
	4240 268	1			Tan N N N Y4240268
	4240 270	1			Black N N N Y4240270
2					SUPPORT,Rear Compt. Tonneau Cover Front N N N N
	H493 AA3	2			Silver N N N YH493AA3
	H493 TM6	2			Red N N N YH493TM6
	H493 ST4	2			Tan N N N YH493ST4
	H493 SX9	2			Black N N N YH493SX9
3					HOOK,Rear Compt. Tonneau Cover Rear N N N N
	H494-5 AA3	1			Silver N N N YH494AA3
	H494-5 TM6	1			Red N N N YH494TM6
	H494-5 ST4	1			Tan N N N YH494ST4
	H494-5 SX9	1			Black N N N YH494SX9
4	4271 047	1			END CAP N N N Y4271047
5	0152 490	2			U/NUT, Quarter Rear Compartment Cover Hook Attaching N N N Y152490
6		AR			SCREW (not serviced) N N N N

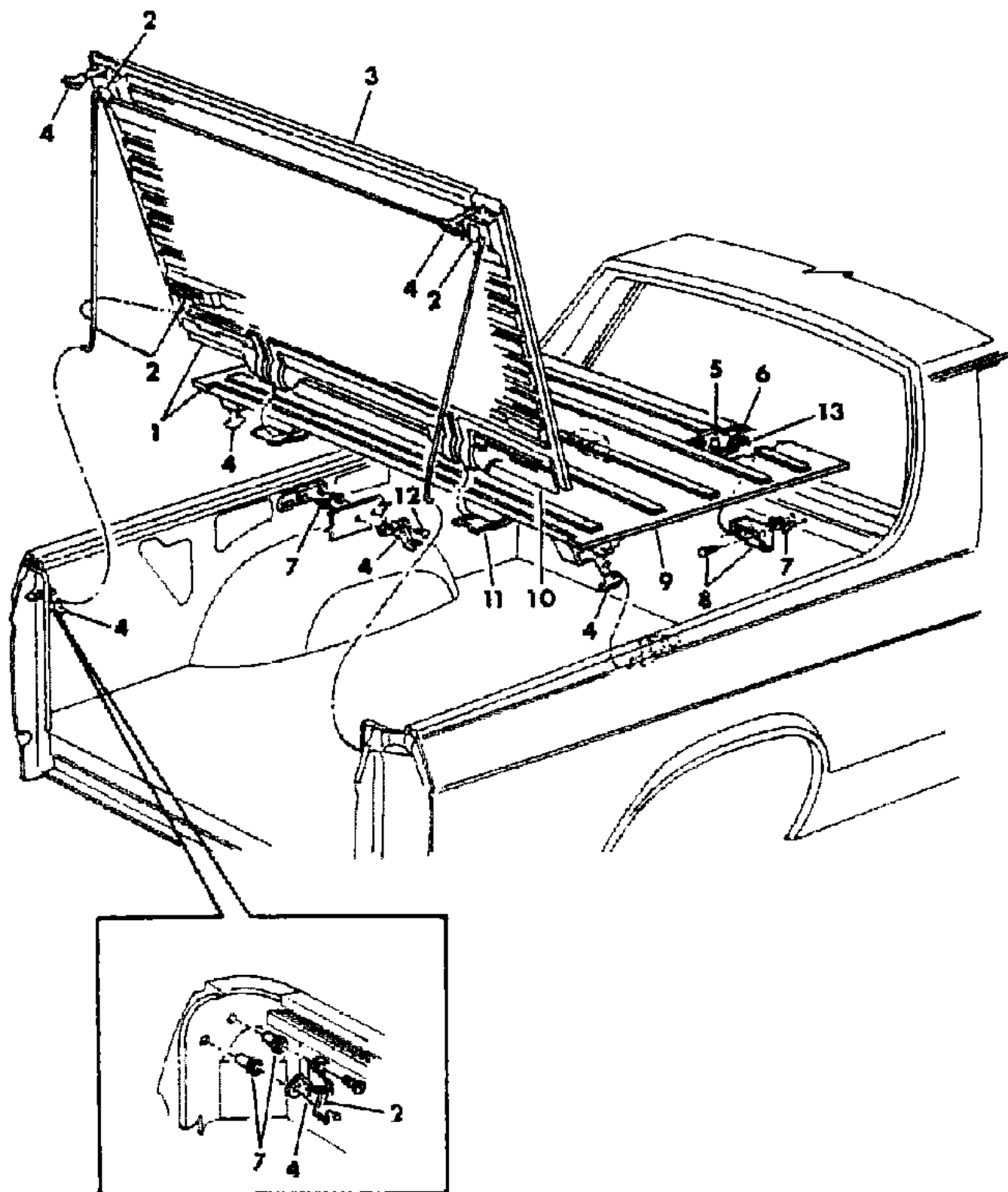
MODEL CODES  
 B = GRAN FURY/CARAVELLE      P = RELIANT  
 C = LEBARON/TOWN & COUNTRY      S = CORDOBA  
 D = ARIES      V = 400  
 F = NEW YORKER      X = MIRADA  
 G = DIPLOMAT      Y = IMPERIAL  
 M = HORIZON/TC3/SCAMP      Z = OMNI/O24/RAMPAGE

BODY STYLES  
 21 = 2-DOOR SEDAN      28 = FWD PICKUP  
 22 = 2-DOOR SPECIAL COUPE      41 = 4-DOOR SEDAN  
 24 = 2-DOOR HATCHBACK      44 = 4-DOOR HATCHBACK  
 27 = 2-DOOR CONVERTIBLE      45 = 2-SEAT STATION WAGON

AR = Use as Required - = Non Illustrated Part P.A.R. = Paint as Required

TONNEAU COVER M,Z 28  
Figure IT-1033

2253 103 300 A



ITEM	PART NUMBER	QTY	BODY	MODEL	DESCRIPTION
1	4278 564	1			COVER PACKAGE, Tonneau Complete N N N Y4278564
2	4278 568	1			ROD PACKAGE, Prop N N N Y4278568 Consists of: N N N N 2- Prop Rods N N N N 2- Clips N N N N 2- Hinges N N N N
3	4278 441	1			COVER, Tonneau Rear N N N Y4278441
4	4278 566	1			LATCH PACKAGE, Cover Draw, Front Right or Rear Left N N N Y4278566 Front Left or Rear Right N N N Y4278567 Consists Of: N N N N 4278 435 1 LATCH ASSY. N N N Y4278435 4278 448-9 1 BRACKET, Keeper N N N Y4278448
5	6031 893	23			NUT, Plus N N N Y6031893
6	4278 438	1			BUMPER, Front N N N Y4278438 Rear N N N Y4278446
7	2094 869	12			NUT, Rivet N N N Y2094869
8	4278 565	1			BRACKET PACKAGE, Cover Guide N N N Y4278565 Consists Of: N N N N 2094 869 4 NUT, Rivet N N N Y2094869 2 - Bracket Guides N N N N 4 - Screws N N N N
9	4278 141	1			COVER, Tonneau Front N N N Y4278141
10	4278 868	1			SEAL PACKAGE, Tonneau Cover N N N Y4278868 Consists Of: N N N N 0152 443 11 FASTENER, Seal N N N N NUT N N N Y152443 1 - Seal N N N N
11	4278 440	2			HINGE, Bracket N N N Y4278440
12	0136 028	AR			Rivet N N N Y136028
13	4278 439	2			RETAINER, Spring N N N Y4278439

MODEL CODES

B = GRAN FURY/CARAVELLE	P = RELIANT
C = LEBARON/TOWN & COUNTRY	S = CORDOBA
D = ARIES	V = 400
F = NEW YORKER	X = MIRADA
G = DIPLOMAT	Y = IMPERIAL
M = HORIZON/TC3/SCAMP	Z = OMNI/O24/RAMPAGE

BODY STYLES

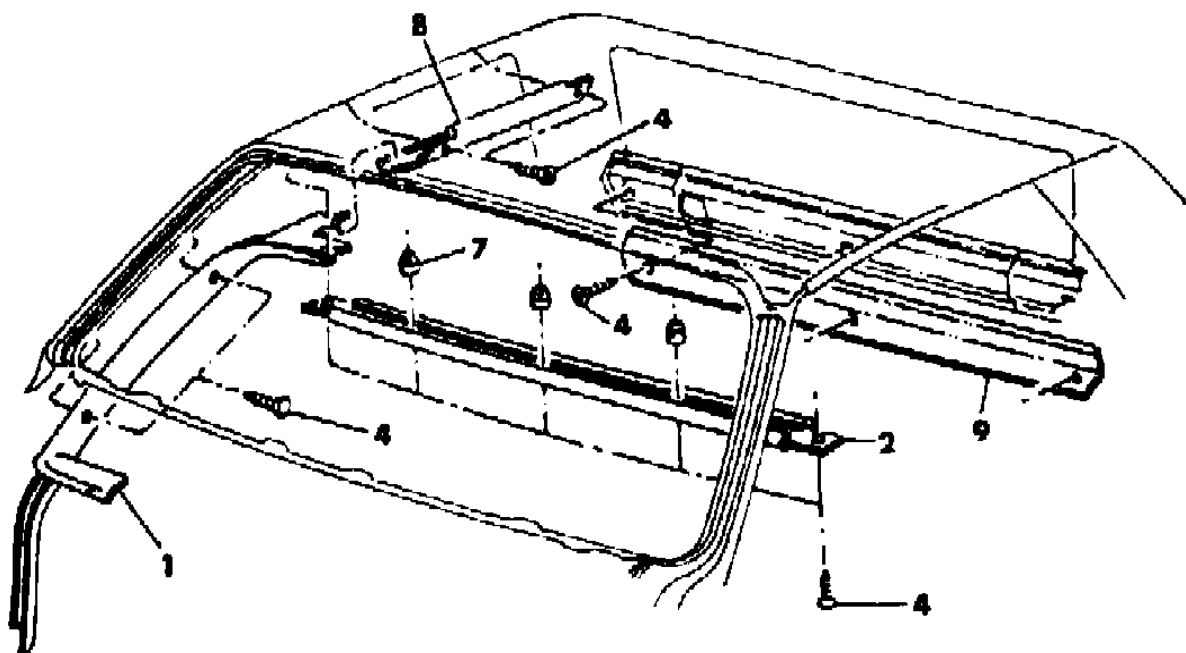
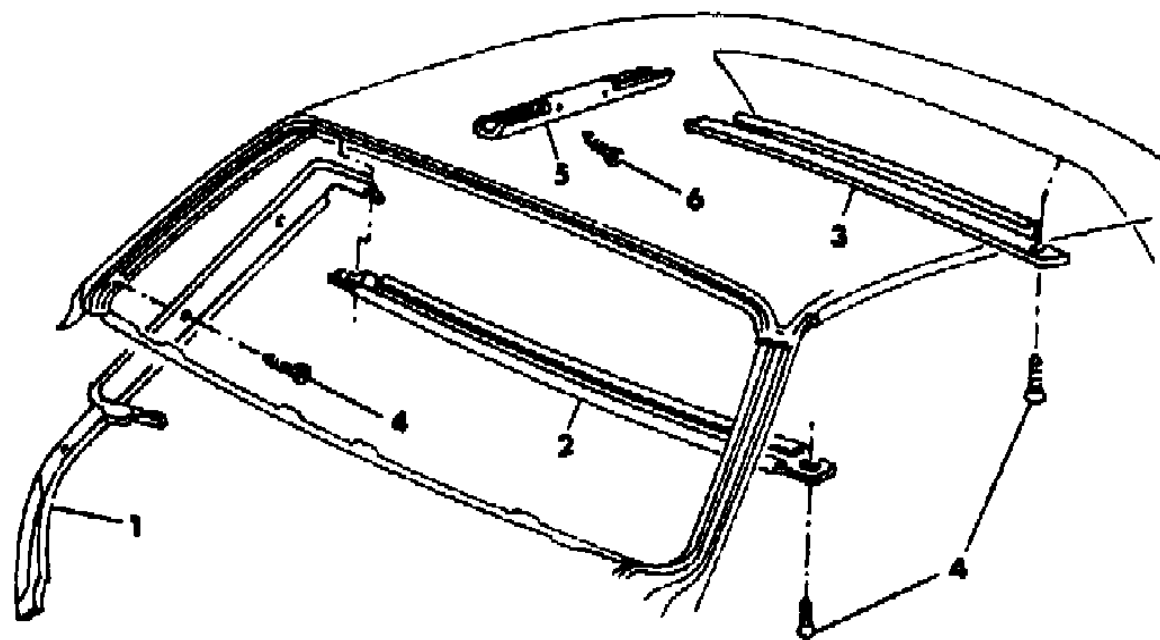
21 = 2-DOOR SEDAN	28 = FWD PICKUP
22 = 2-DOOR SPECIAL COUPE	41 = 4-DOOR SEDAN
24 = 2-DOOR HATCHBACK	44 = 4-DOOR HATCHBACK
27 = 2-DOOR CONVERTIBLE	45 = 2-SEAT STATION WAGON

AR = Use as Required - = Non Illustrated Part P.A.R. = Paint as Required



GARNISH MOULDINGS M,Z 24,28,44  
Figure IT-1034

2253 103 400



ITEM	PART NUMBER	QTY	BODY	MODEL	DESCRIPTION
1					MOULDING, Windshield Side, Black (paint as required) N N N N
	F260-1 AA3	1			N N44 N YF260AA3
	F262-3 AA3	1			N N24,28 N YF262AA3
2					MOULDING, Windshield Upper (paint as required) N N N N
	5208 508	1			N N44 N Y5208508
	5231 298	1			N N24,28 N Y5231298
3					MOULDING, Roof Lift Gate Upper (paint as required) N N44 N
	5208 522	1			Y5208522
	5231 786	1			MOULDING w/SPACER, Roof Lift Gate Upper (paint as
					required) N N24 N Y5231786
4		AR			SCREW (not serviced) N N24,28,44 N N
5	5231 300	2			MOULDING, Roof Side (paint as required) N N24 N Y5231300
6	9420 486	AR			SCREW N N24 N Y9420486
7	0152 861	AR			NUT, Spacer N N24,28,44 N Y152861
8	4247 318	2			MOULDING, Roof Side (paint as required) N N28 N Y4247318
9	W800 AX9	1			MOULDING, Rear Window Lower (paint as required) N N28 N
					YW800AX9

MODEL CODES

B = GRAN FURY/CARAVELLE	P = RELIANT
C = LEBARON/TOWN & COUNTRY	S = CORDOBA
D = ARIES	V = 400
F = NEW YORKER	X = MIRADA
G = DIPLOMAT	Y = IMPERIAL
M = HORIZON/TC3/SCAMP	Z = OMNI/O24/RAMPAGE

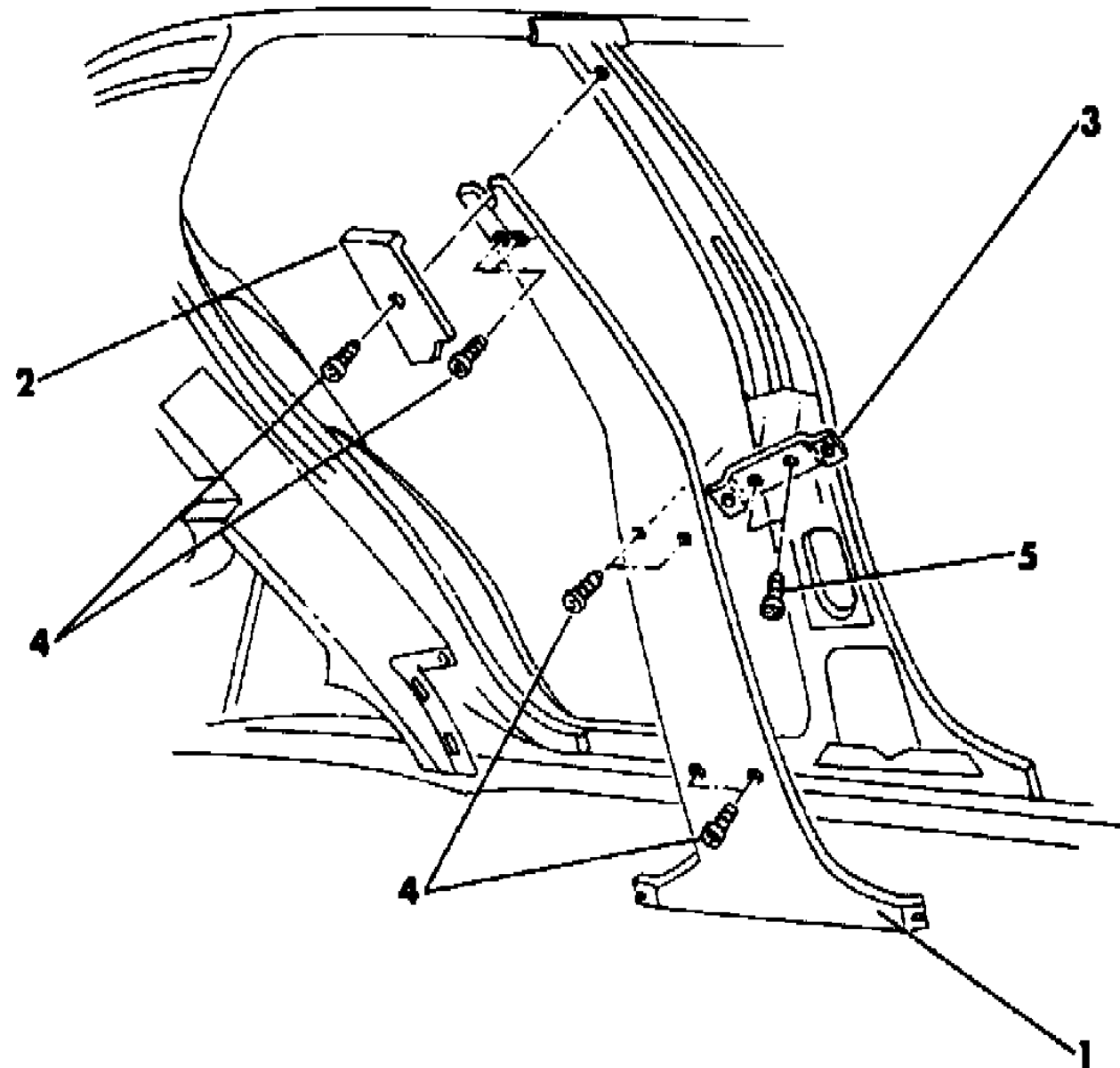
BODY STYLES

21 = 2-DOOR SEDAN	28 = FWD PICKUP
22 = 2-DOOR SPECIAL COUPE	41 = 4-DOOR SEDAN
24 = 2-DOOR HATCHBACK	44 = 4-DOOR HATCHBACK
27 = 2-DOOR CONVERTIBLE	45 = 2-SEAT STATION WAGON

AR = Use as Required - = Non Illustrated Part P.A.R. = Paint as Required

**B PILLAR TRIM M & Z 44**  
**Figure IT-1051**

**2253.105100**



ITEM	PART NUMBER	QTY	BODY	MODEL	DESCRIPTION
1					COVER,Center Pillar Trim "B" Lower N N N N
	F202-3 TX9	1			Black,Paint as Required N N N YF202TX9
2					COVER,Center Pillar "B" Trim Upper N N N N
	F172-3 SX9	1			Black,Paint as Required N N N YF172SX9
3	5208 733	2			BRACKET,Center Pillar Trim Cover Attaching N N N Y5208733
4		AR			SCREW(not serviced) N N N N
5	9414 712	4			SCREW N N N Y9414712

**MODEL CODES**

B = GRAN FURY/CARAVELLE	P = RELIANT
C = LEBARON/TOWN & COUNTRY	S = CORDOBA
D = ARIES	V = 400
F = NEW YORKER	X = MIRADA
G = DIPLOMAT	Y = IMPERIAL
M = HORIZON/TC3/SCAMP	Z = OMNI/O24/RAMPAGE

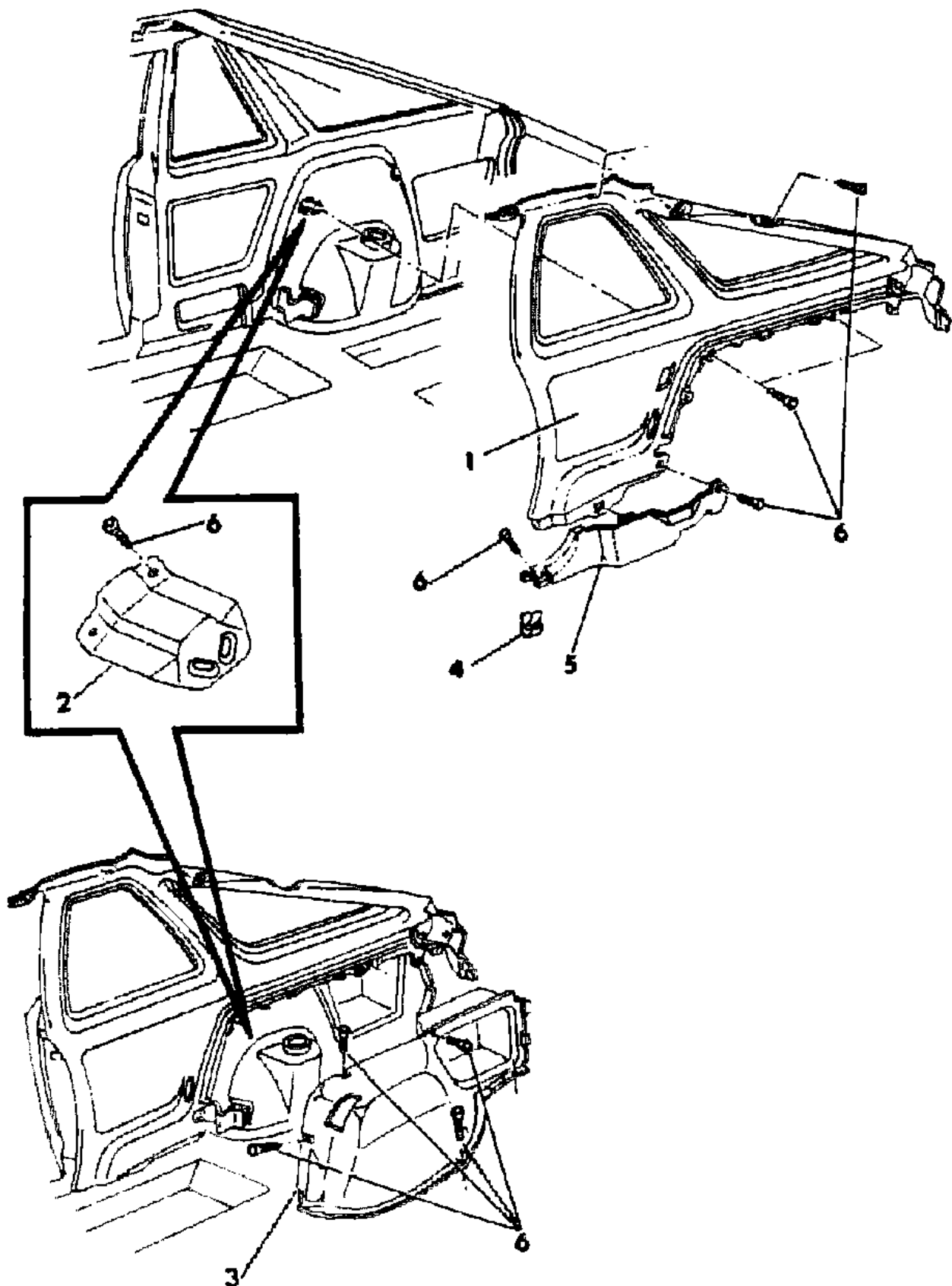
**BODY STYLES**

21 = 2-DOOR SEDAN	28 = FWD PICKUP
22 = 2-DOOR SPECIAL COUPE	41 = 4-DOOR SEDAN
24 = 2-DOOR HATCHBACK	44 = 4-DOOR HATCHBACK
27 = 2-DOOR CONVERTIBLE	45 = 2-SEAT STATION WAGON

AR = Use as Required - = Non Illustrated Part P.A.R. = Paint as Required

QUARTER PANEL M & Z 24  
Figure IT-1061

2253-106100



ITEM	PART NUMBER	QTY	BODY	MODEL	DESCRIPTION
1					PANEL,Quarter Trim N N N N
	H466-7 SX9	1			Black,Paint as Required N N N YH466SX9
2	5208 984	4			BRACKET,Quarter Trim Panel Wheelhouse Attaching N N N Y5208984
3					PANEL,Wheelhouse Trim N N N N
	H474-5 SX9	1			Black,Paint as Required N N N YH474SX9
4	0152 490	2			U/Nut Qtr. Lower Trim Cover Attaching N N N Y152490
5					PANEL,Quarter Trim Lower w/o Arm Rest N N N N
	F184-5 AA3	1			Silver N N N YF184AA3
	F184-5 TB2	1			Blue N N N YF184TB2
	F184-5 TM6	1			Red N N N YF184TM6
	F184-5 ST4	1			Tan N N N YF184ST4
	F184-5 SX9	1			Black N N N YF184SX9
6		AR			SCREW(not serviced) N N N N

NOTE: For carpet on quarter panel see Group 23B rear speaker grille. s ARE NOT RETURNABLE.

MODEL CODES

B = GRAN FURY/CARAVELLE	P = RELIANT
C = LEBARON/TOWN & COUNTRY	S = CORDOBA
D = ARIES	V = 400
F = NEW YORKER	X = MIRADA
G = DIPLOMAT	Y = IMPERIAL
M = HORIZON/TC3/SCAMP	Z = OMNI/O24/RAMPAGE

BODY STYLES

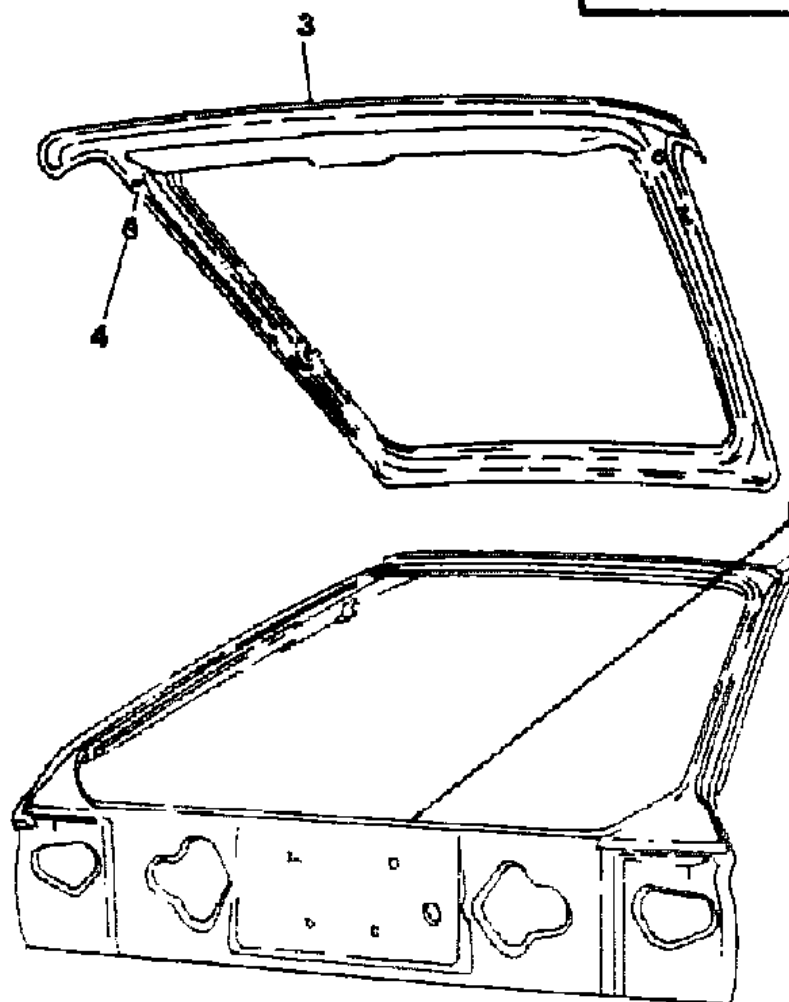
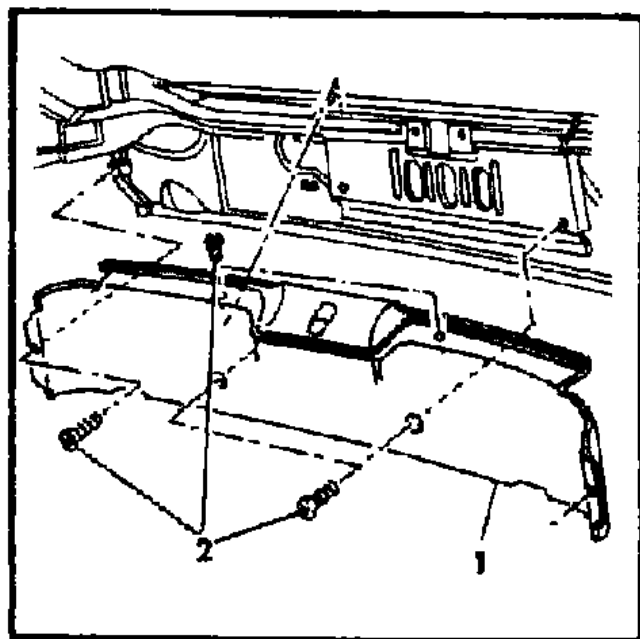
21 = 2-DOOR SEDAN	28 = FWD PICKUP
22 = 2-DOOR SPECIAL COUPE	41 = 4-DOOR SEDAN
24 = 2-DOOR HATCHBACK	44 = 4-DOOR HATCHBACK
27 = 2-DOOR CONVERTIBLE	45 = 2-SEAT STATION WAGON

AR = Use as Required - = Non Illustrated Part P.A.R. = Paint as Required

LIFT GATE AND LOWER PANEL M,Z 24  
Figure IT-1062

2253-1 06 200

ITEM	PART NUMBER	QTY	BODY	MODEL	DESCRIPTION
1					PANEL, Lift Gate Opening Lower w/o Carpet N N N N
	H465 AA3	1			Silver N N N YH465AA3
	H465 TB2	1			Blue N N N YH465TB2
	H465 TM6	1			Red N N N YH465TM6
	H465 ST4	1			Tan N N N YH465ST4
	H465 SX9	1			Black N N N YH465SX9
2		AR			SCREW (not serviced) N N N N
3					COVER, Lift Gate N N N N
	H429 AA3	1			Silver N N N YH429AA3
	H429 TB2	1			Blue N N N YH429TB2
	H429 TM6	1			Red N N N YH429TM6
	H429 ST4	1			Tan N N N YH429ST4
	H429 SX9	1			Black N N N YH429SX9
4	6031 507	2			FASTENER N N N Y6031507



MODEL CODES

B = GRAN FURY/CARAVELLE	P = RELIANT
C = LEBARON/TOWN & COUNTRY	S = CORDOBA
D = ARIES	V = 400
F = NEW YORKER	X = MIRADA
G = DIPLOMAT	Y = IMPERIAL
M = HORIZON/TC3/SCAMP	Z = OMNI/O24/RAMPAGE

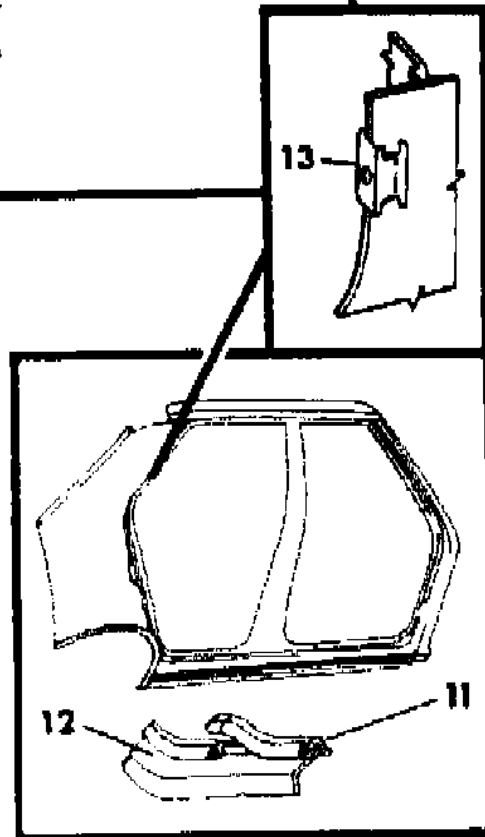
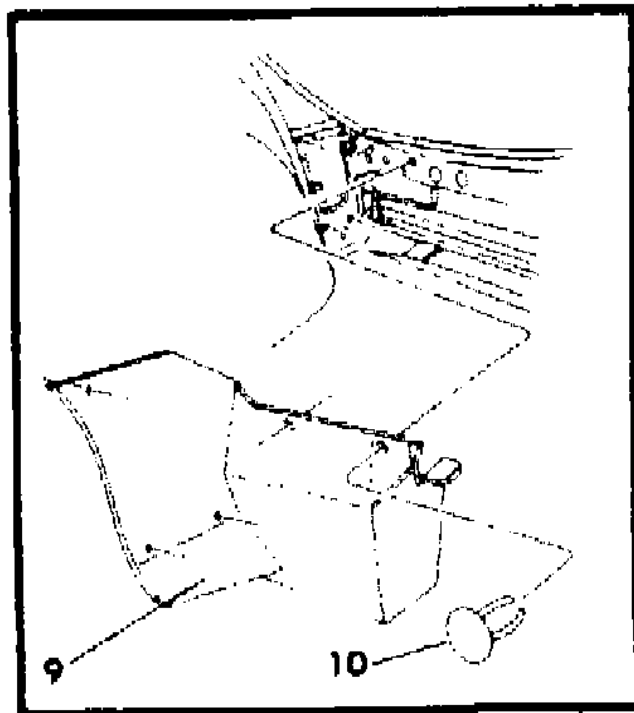
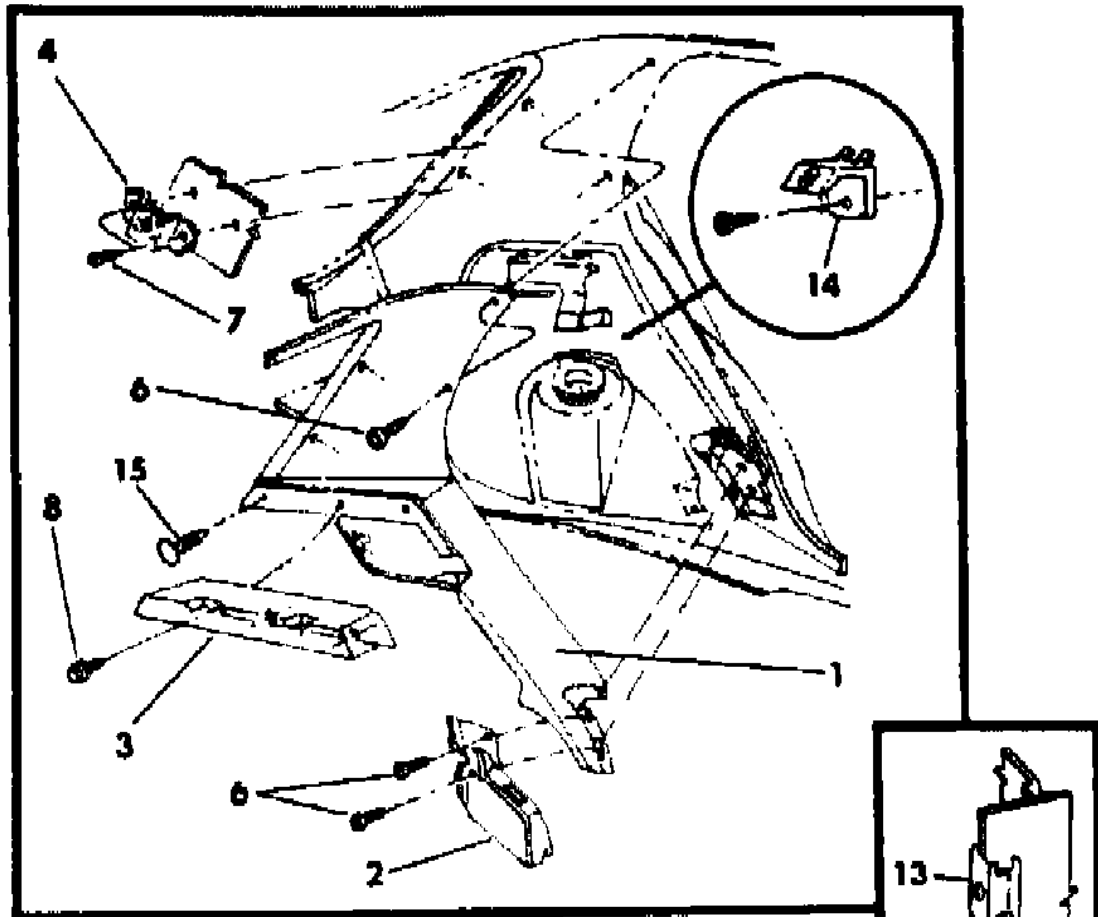
BODY STYLES

21 = 2-DOOR SEDAN	28 = FWD PICKUP
22 = 2-DOOR SPECIAL COUPE	41 = 4-DOOR SEDAN
24 = 2-DOOR HATCHBACK	44 = 4-DOOR HATCHBACK
27 = 2-DOOR CONVERTIBLE	45 = 2-SEAT STATION WAGON

AR = Use as Required - = Non Illustrated Part P.A.R. = Paint as Required

QUARTER PANEL M & Z 44  
Figure IT-1063

2253-106300B



ITEM	PART NUMBER	QTY	BODY	MODEL	DESCRIPTION
1					PANEL,Upper Quarter Wheelhouse Trim N N N N
	H440 TX9	1			Black, Right Paint as Required N N N YH440TX9
	H445 RX9	1			Black, Left Paint as Required N N N YH445RX9
2					COVER,Quarter Trim Panel Lower N N N N
	F192-3 RX9	1			Black,Paint as Required N N N YF192RX9
3					EXTENSION,Shelf Panel w/o Speaker N N N N
	H208-9 TX9	1			Black,Paint as Required N N N YH208TX9
4					BRACKET,Aperture Quarter Trim Panel Attaching N N N
	Y5208863	2			
6					SCREW(not Serviced) N N N N
7					SCREW N N N Y9414712
8					SCREW N N N Y6100567
9					PANEL,Cargo Side N N N Y5208846
10					FASTENER,Cargo Side Panel N N N Y6003683
11					PINCHWELD,w/Weather Strip Front Door N N N N
					(use up to 12/1/81) N N N N
	F022-3 AA3	1			Silver N N N YF022AA3
	F022-3 TB2	1			Blue N N N YF022TB2
	F022-3 TM6	1			Red N N N YF022TM6
	F022-3 ST4	1			Tan N N N YF022ST4
	F022-3 SX9	1			Black N N N YF022SX9
					(use after 12/1/81) N N N N
	F026-7 AA3	1			Silver N N N YF026AA3
	F026-7 AB2	1			Blue N N N YF026AB2
	F026-7 AM6	1			Red N N N YF026AM6
	F026-7 AT4	1			Tan N N N YF026AT4
	F026-7 AX9	1			Black N N N YF026AX9
12					PINCHWELD w/Weather Strip Rear Door N N N N
	F024-5 AA3	1			Silver N N N YF024AA3
	F024-5 TB2	1			Blue N N N YF024TB2
	F024-5 TM6	1			Red N N N YF024TM6
	F024-5 ST4	1			Tan N N N YF024ST4
	F024-5 SX9	1			Black N N N YF024SX9
13					CLIP,Rear Door Wheather Strip N N N Y5208891
14					BRACKET,Quarter Upper Trim Panel Attaching N N N Y5216518
15					PLUG N N N YH446RX9

MODEL CODES

B = GRAN FURY/CARAVELLE	P = RELIANT
C = LEBARON/TOWN & COUNTRY	S = CORDOBA
D = ARIES	V = 400
F = NEW YORKER	X = MIRADA
G = DIPLOMAT	Y = IMPERIAL
M = HORIZON/TC3/SCAMP	Z = OMNI/O24/RAMPAGE

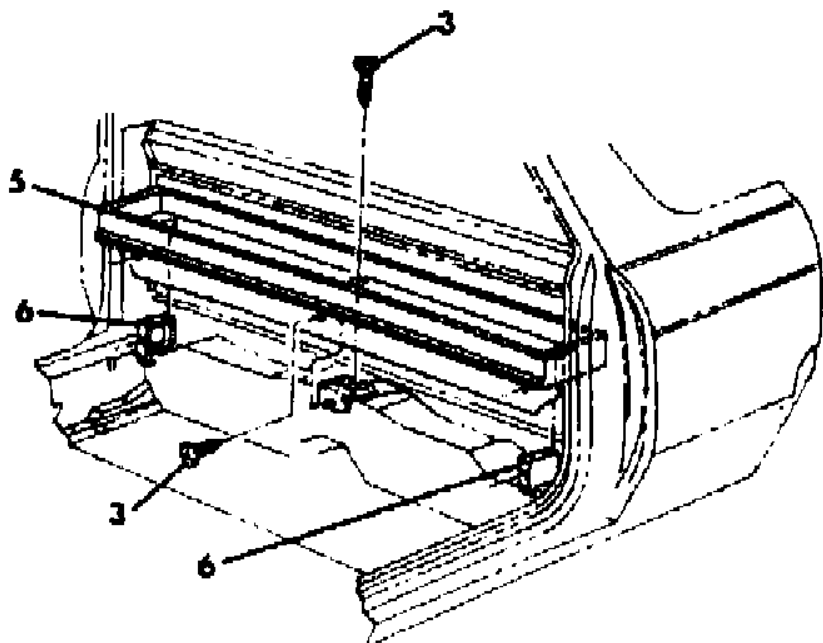
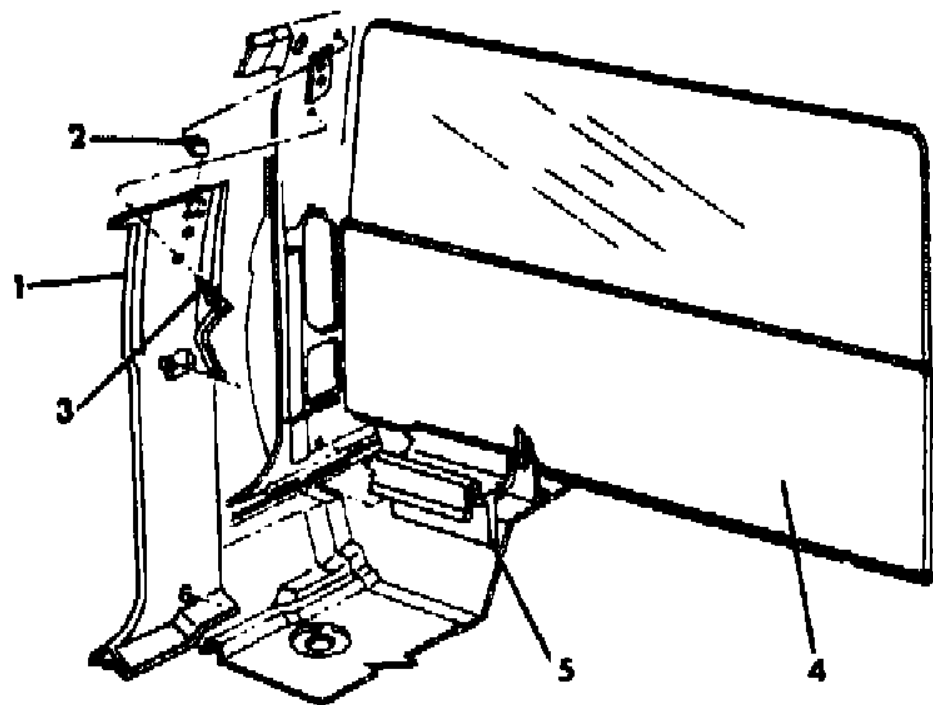
BODY STYLES

21 = 2-DOOR SEDAN	28 = FWD PICKUP
22 = 2-DOOR SPECIAL COUPE	41 = 4-DOOR SEDAN
24 = 2-DOOR HATCHBACK	44 = 4-DOOR HATCHBACK
27 = 2-DOOR CONVERTIBLE	45 = 2-SEAT STATION WAGON

AR = Use as Required - = Non Illustrated Part P.A.R. = Paint as Required

QUARTER AND CAB BACK PANEL M,Z 28  
Figure IT-1064

2253 106400



ITEM	PART NUMBER	QTY	BODY	MODEL	DESCRIPTION
1	W810-1 AT4	1			PANEL, Quarter Trim (paint as required) N N N YW810AT4
2	4114 785	4			FASTENER N N N Y4114785
3		AR			SCREW (not serviced) N N N N0
4					CARPET, Cab Back Panel N N N N
	W806 AM6	1			Red N N N YW806AM6
	W806 AT4	1			Tan N N N YW806AT4
	W806 AX9	1			Black N N N YW806AX9
5					TRAY, Rear Floor Stowage N N N N
	W808 AM6	1			Red N N N YW808AM6
	W808 AT4	1			Tan N N N YW808AT4
	W808 AX9	1			Black N N N YW808AX9
6					SUPPORT, Floor Pan Stowage (refer to 23 A) N N N N

MODEL CODES

B = GRAN FURY/CARAVELLE	P = RELIANT
C = LEBARON/TOWN & COUNTRY	S = CORDOBA
D = ARIES	V = 400
F = NEW YORKER	X = MIRADA
G = DIPLOMAT	Y = IMPERIAL
M = HORIZON/TC3/SCAMP	Z = OMNI/O24/RAMPAGE

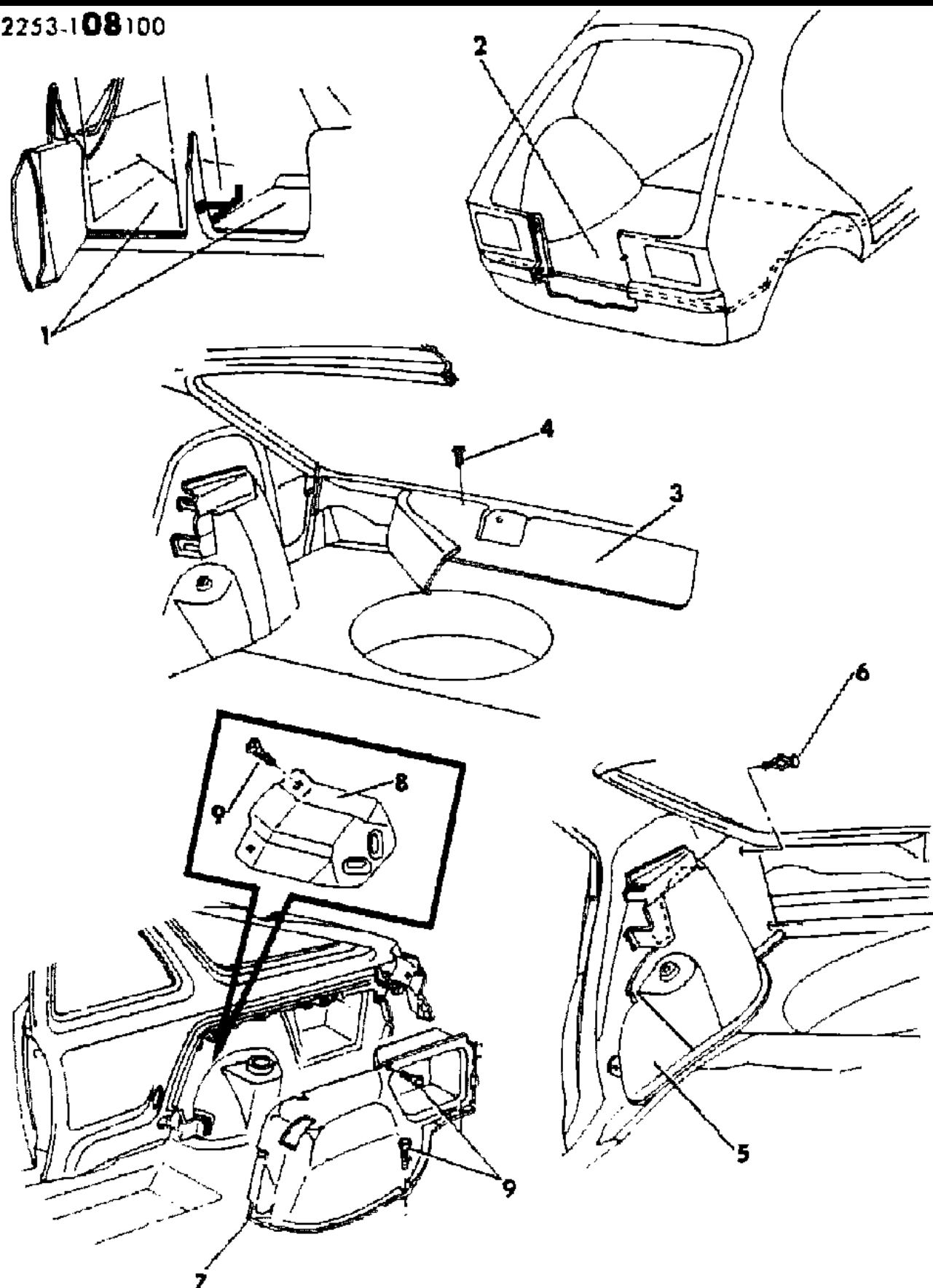
BODY STYLES

21 = 2-DOOR SEDAN	28 = FWD PICKUP
22 = 2-DOOR SPECIAL COUPE	41 = 4-DOOR SEDAN
24 = 2-DOOR HATCHBACK	44 = 4-DOOR HATCHBACK
27 = 2-DOOR CONVERTIBLE	45 = 2-SEAT STATION WAGON

AR = Use as Required - = Non Illustrated Part P.A.R. = Paint as Required

**CARPET M & Z 24,28,44**  
**Figure IT-1081**

2253-108100



ITEM	PART NUMBER	QTY	BODY	MODEL	DESCRIPTION
1					CARPET,Floor One Piece Front & Rear N N N N
	M726 AA7	1			Silver N N24 N YM726AA7
	M726 AB2	1			Blue N N24 N YM726AB2
	M726 AM6	1			Red N N24 N YM726AM6
	M726 AT6	1			Tan N N24 N YM726AT6
	M726 AX9	1			Black N N24 N YM726AX9
	M427 AA7	1			Silver N N44 N YM427AA7
	M727 AB2	1			Blue N N44 N YM727AB2
	M727 AM6	1			Red N N44 N YM727AM6
	M727 AT6	1			Tan N N44 N YM727AT6
	M727 AX9	1			Black N N44 N YM727AX9
	W807 AM6	1			Red N N28 N YW807AM6
	W807 AT6	1			Tan N N28 N YW807AT6
	W807 AX9	1			Black N N28 N YW807AX9
2					CARPET,Luggage Compt. Floor w/o Sound Insulation N N N N
	F182 AA7	1			Silver N N24 N YF182AA7
	F182 TB2	1			Blue N N24 N YF182TB2
	F182 TM6	1			Red N N24 N YF182TM6
	F182 ST6	1			Tan N N24 N YF182ST6
	F182 SX9	1			Black N N24 N YF182SX9
		1			w/Sound Insulation N N N N
	F183 AA7	1			Silver N N24 N YF183AA7
	F183 TB2	1			Blue N N24 N YF183TB2
	F183 TM6	1			Red N N24 N YF183TM6
	F183 ST6	1			Tan N N24 N YF183ST6
	F183 SX9	1			Black N N24 N YF183SX9
	5216 653	1			Black N N44 N Y5216653
3					CARPET,Liftgate Opening Lower Panel w/Silencer N N N N
	H454 AA7	1			Silver N N24 N YH454AA7
	H454 TB2	1			Blue N N24 N YH454TB2
	H454 TM6	1			Red N N24 N YH454TM6
	H454 TT6	1			Tan N N24 N YH454TT6
	H454 TX9	1			Black N N24 N YH454TX9
	5208 917	1			Black N N44 N Y5208917
4		AR			NAIL(not serviced) N N N N
5	5208 622-3	1			COVER,Wheelhouse Luggage Compt. (carpet) N N44 N Y5208622

MODEL CODES

B = GRAN FURY/CARAVELLE	P = RELIANT
C = LEBARON/TOWN & COUNTRY	S = CORDOBA
D = ARIES	V = 400
F = NEW YORKER	X = MIRADA
G = DIPLOMAT	Y = IMPERIAL
M = HORIZON/TC3/SCAMP	Z = OMNI/O24/RAMPAGE

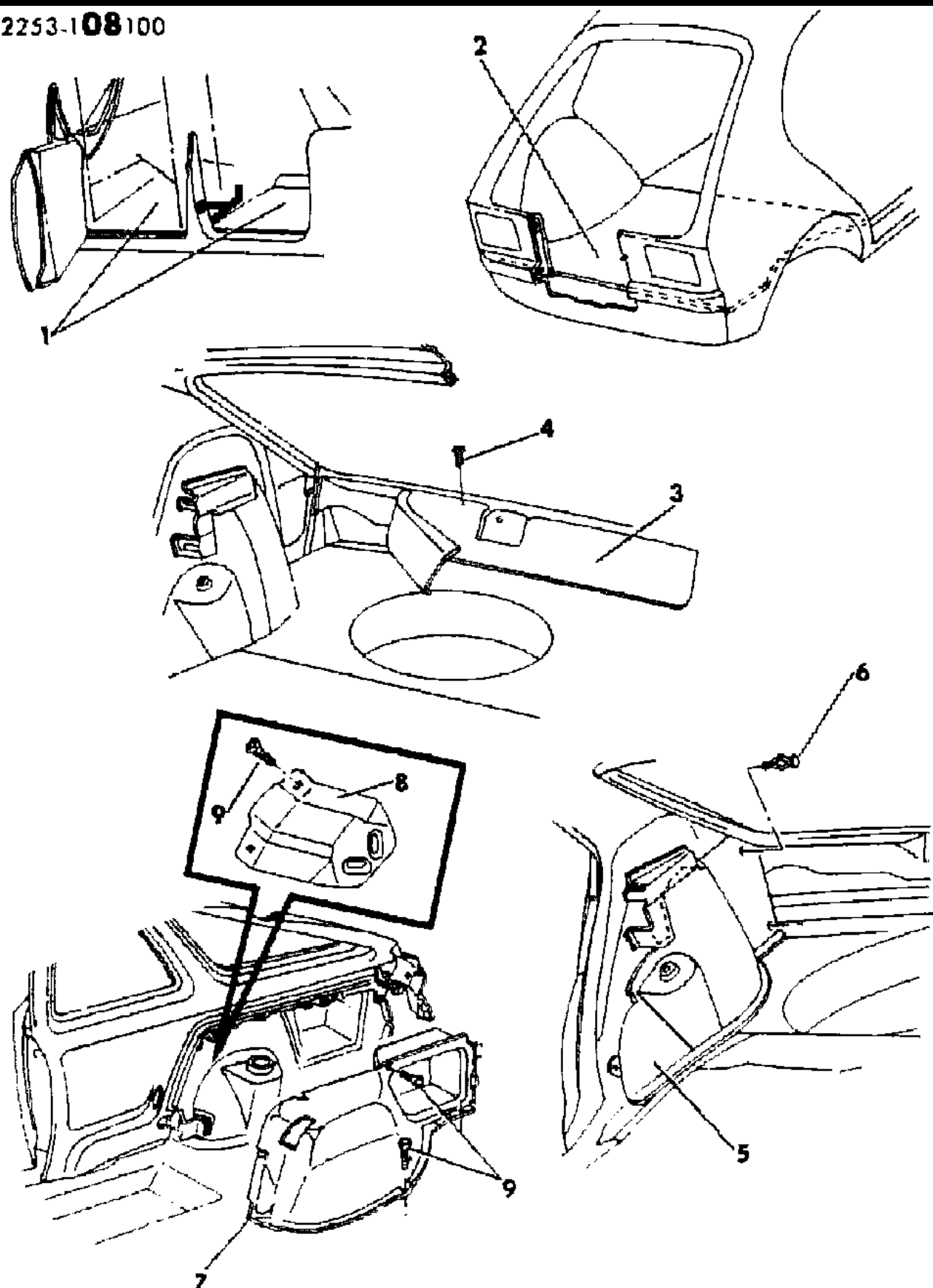
BODY STYLES

21 = 2-DOOR SEDAN	28 = FWD PICKUP
22 = 2-DOOR SPECIAL COUPE	41 = 4-DOOR SEDAN
24 = 2-DOOR HATCHBACK	44 = 4-DOOR HATCHBACK
27 = 2-DOOR CONVERTIBLE	45 = 2-SEAT STATION WAGON

AR = Use as Required - = Non Illustrated Part P.A.R. = Paint as Required

**CARPET M & Z 24,28,44**  
**Figure IT-1081**

2253-108100



ITEM	PART NUMBER	QTY	BODY	MODEL	DESCRIPTION
6	6003 683	AR			CLIP,Wheelhouse Cover Attaching N N44 N Y6003683
7					COVER,Wheelhouse Luggage Compt. (Carpet) N N N N
	H470-1 AA3	1			Silver N N24 N YH470AA3
	H470-1 TB2	1			Blue N N24 N YH470TB2
	H470-1 TM6	1			Red N N24 N YH470TM6
	H470-1 ST4	1			Tan N N24 N YH470ST4
	H470-1 SX9	1			Black N N24 N YH470SX9
8	5208 984	2			BRACKET,Quarter Wheelhouse Attaching N N24 N Y5208984
9		AR			SCREW(not serviced) N N24 N N

The following parts are not illustrated. s ARE NOT RETURNABLE.

					CARPET, Folding Rear Seat Back (serviced in Rear Seat Back Cover) N N24 N N
	3837 683	2			SILENCER,Wheelhouse Cover Luggage Compt. N N N Y3837683
	3762 862	AR			SILENCER,Cargo Floor & Under Second Seat N N N Y3762862
					CARPET,Needled Velour Ozite 54" Wide Order By The Inch N N N
	R112 TB2	AR			Blue N N N YR112TB2
	R112 TM6	AR			Red N N N YR112TM6
	R112 ST6	AR			Tan N N N YR112ST6
	R112 RX9	AR			Black N N N YR112RX9
					CARPET,Needled Short Ozite 54" Wide Order By The Inch N N N
	R113 TB2	AR			Blue N N N YR113TB2
	R113 TM6	AR			Red N N N YR113TM6
	R113 ST6	AR			Tan N N N YR113ST6
	R113 RX9	AR			Black N N N YR113RX9

NOTE: For carpet on quarter panel See Group 23B Rear Speaker Grille. s ARE NOT RETURNABLE.

**MODEL CODES**

B = GRAN FURY/CARAVELLE	P = RELIANT
C = LEBARON/TOWN & COUNTRY	S = CORDOBA
D = ARIES	V = 400
F = NEW YORKER	X = MIRADA
G = DIPLOMAT	Y = IMPERIAL
M = HORIZON/TC3/SCAMP	Z = OMNI/O24/RAMPAGE

**BODY STYLES**

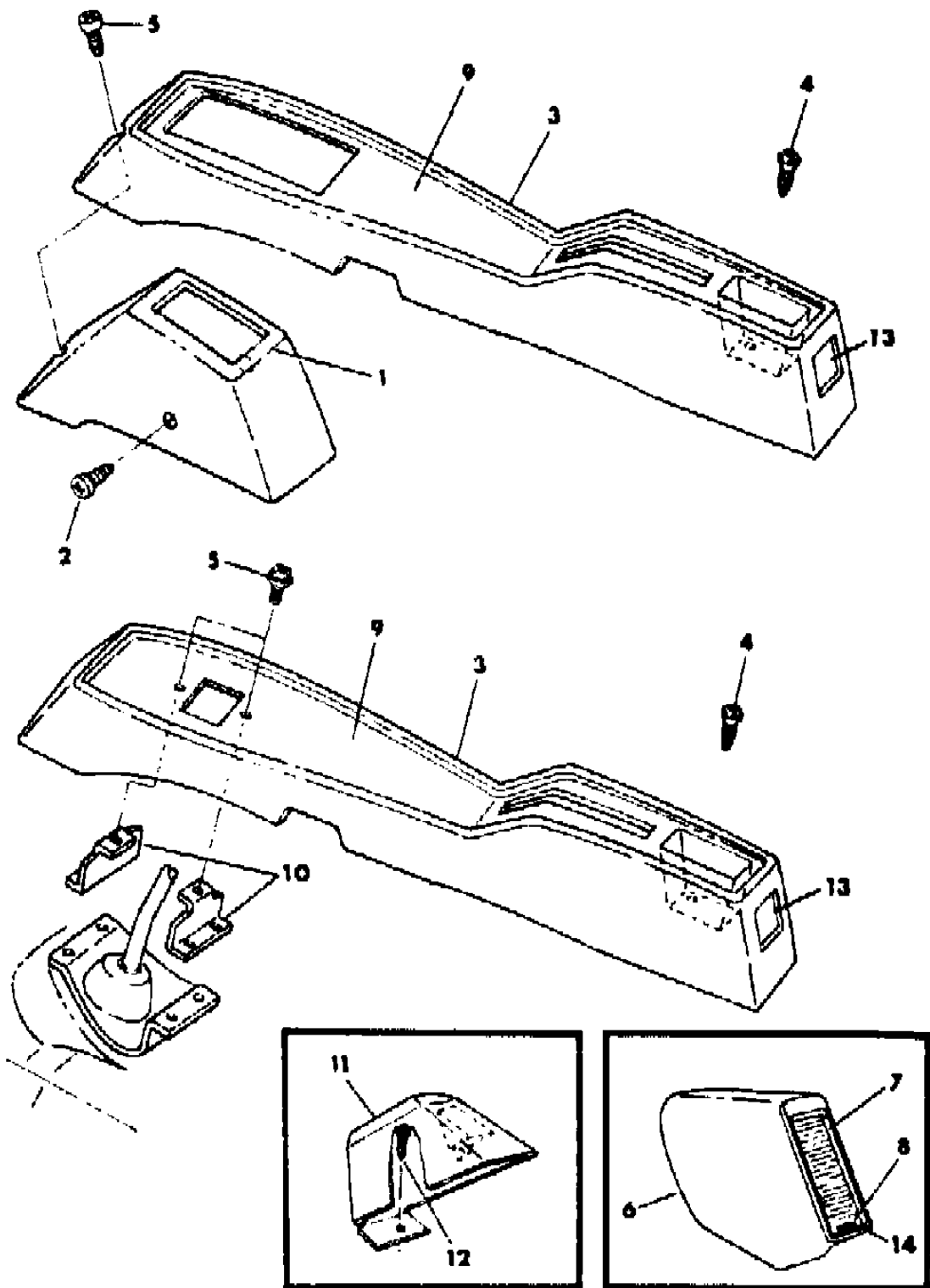
21 = 2-DOOR SEDAN	28 = FWD PICKUP
22 = 2-DOOR SPECIAL COUPE	41 = 4-DOOR SEDAN
24 = 2-DOOR HATCHBACK	44 = 4-DOOR HATCHBACK
27 = 2-DOOR CONVERTIBLE	45 = 2-SEAT STATION WAGON

AR = Use as Required - = Non Illustrated Part P.A.R. = Paint as Required



CONSOLE M & Z 24,28,44  
Figure IT-1082

2253-108 200A



ITEM	PART NUMBER	QTY	BODY	MODEL	DESCRIPTION
1	F280 SX9	1			CONSOLE,Floor (Mini) Auto. Gear Selector N N N YF280SX9
2	0167 541	2			SCREW N N N Y167541
3	5208 808	1			CONSOLE,Floor Manual and Auto(Rework opening to accommodate Mini Console for Auto/Trans.) N N N Y5208808
4	0167 577	1			SCREW,Floor Console Rear Attaching N N N Y167577
5		AR			SCREW(not serviced) N N N N
6	F165 TX9	1			BOX,Floor Storage Complete N N N YF165TX9
7	5216 620	1			COVER,Storage Box N N N Y5216620
8	5216 621	1			HANDLE N N N Y5216621
9	5216 627	1			INSERT,Floor Console Man. Trans., Rosewood N N N Y5216627
	5216 599	1			Auto. Trans. N N N Y5216599
10	5208 711	2			BRACKET,Man. Floor Console Mtg. N N N Y5208711
11	F278 SX9	1			COVER,Park Brake w/o Console,Black N N N YF278SX9
12	0155 118	AR			SCREW,Cover Attaching N N N Y155118
13	3832 200	1			RECEPTACLE w/FINISH PLATE ASH RECEIVER N N N Y3832200
	3510 868	1			BEZEL and RETAINER ASH RECEIVER N N N Y3510868
14	1707 384	1			BUMPER, Storage Box N N N Y1707384

NOTE: For other related parts refer to Group 21. s ARE NOT RETURNABLE.

MODEL CODES

B = GRAN FURY/CARAVELLE	P = RELIANT
C = LEBARON/TOWN & COUNTRY	S = CORDOBA
D = ARIES	V = 400
F = NEW YORKER	X = MIRADA
G = DIPLOMAT	Y = IMPERIAL
M = HORIZON/TC3/SCAMP	Z = OMNI/O24/RAMPAGE

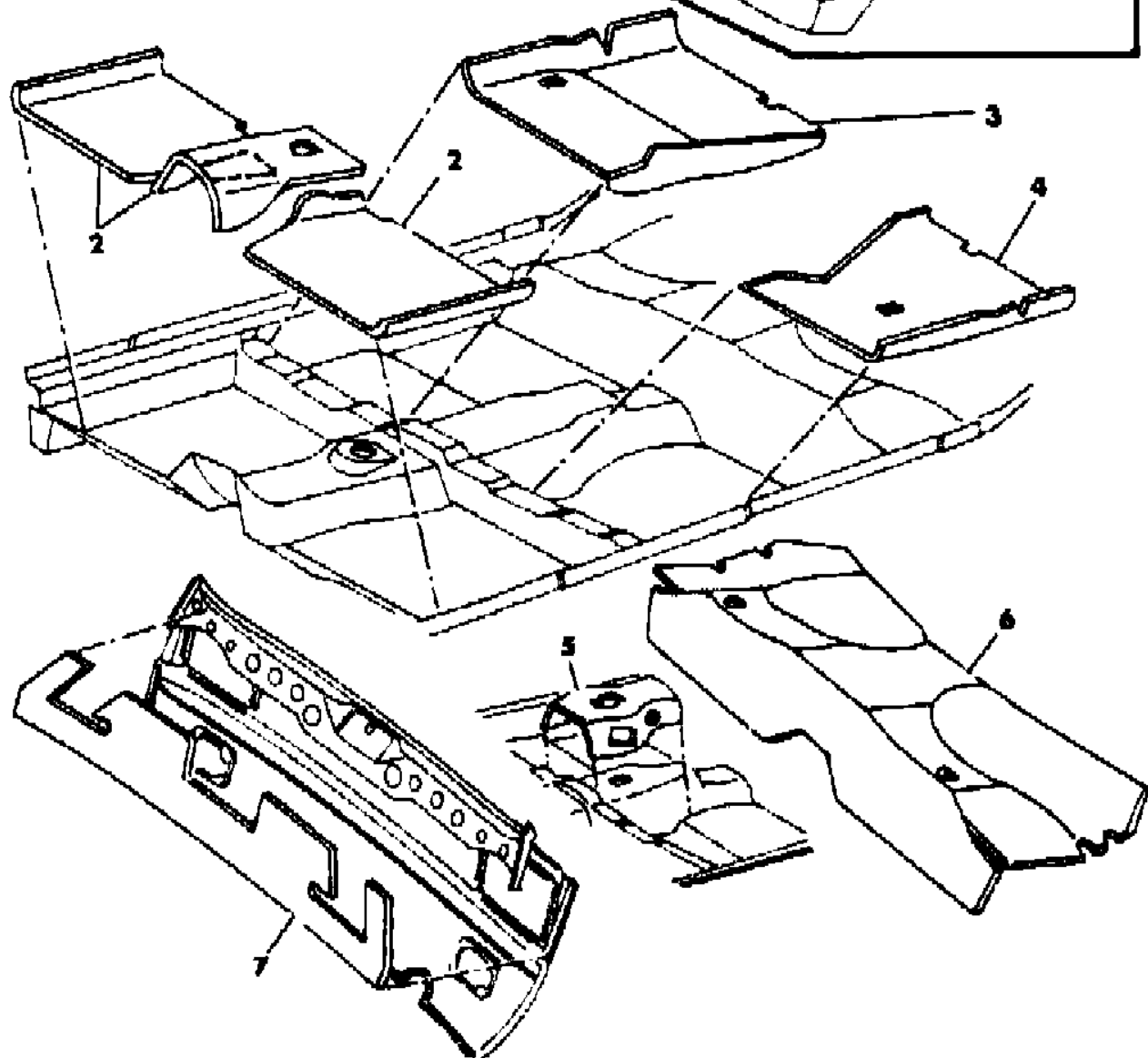
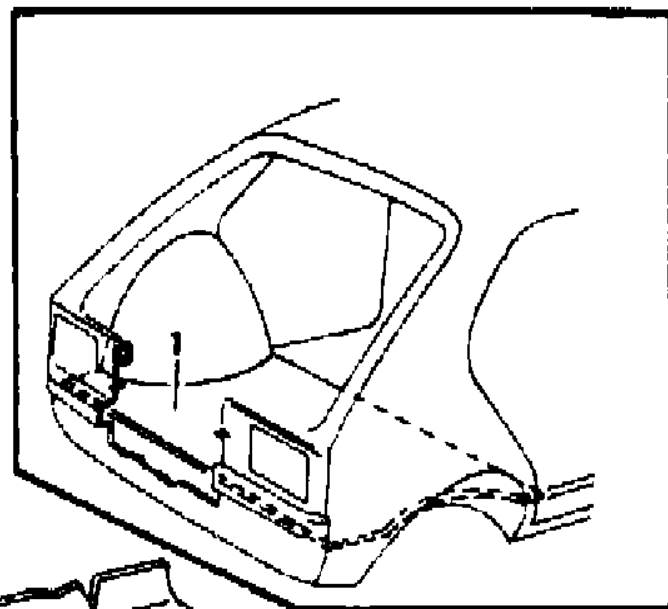
BODY STYLES

21 = 2-DOOR SEDAN	28 = FWD PICKUP
22 = 2-DOOR SPECIAL COUPE	41 = 4-DOOR SEDAN
24 = 2-DOOR HATCHBACK	44 = 4-DOOR HATCHBACK
27 = 2-DOOR CONVERTIBLE	45 = 2-SEAT STATION WAGON

AR = Use as Required - = Non Illustrated Part P.A.R. = Paint as Required

MATS, SILENCERS AND INSULATORS M,Z, 24,28,44  
Figure IT-1083

2253 108300



ITEM	PART NUMBER	QTY	BODY	MODEL	DESCRIPTION
1	5208 595	1			MAT, Luggage Compartment, Rubber N N24,44 N Y5208595
2	4186 901	1			SILENCER, Front Floor N N N Y4186901
3					SILENCER, Rear Right N N N N
4	4223 754	1			N N N Y4223754
4	4223 755	1			SILENCER, Rear Left N N N Y4223755
5	3762 861	1			INSULATOR, Rear Floor, Center N N24,44 N Y3762861
6	3762 862	1			SILENCER, Under Second Seat N N24,44 N Y3762862
7	3762 863	1			SILENCER, Lower Hatch Panel N N44 N Y3762863

MODEL CODES

B = GRAN FURY/CARAVELLE	P = RELIANT
C = LEBARON/TOWN & COUNTRY	S = CORDOBA
D = ARIES	V = 400
F = NEW YORKER	X = MIRADA
G = DIPLOMAT	Y = IMPERIAL
M = HORIZON/TC3/SCAMP	Z = OMNI/O24/RAMPAGE

BODY STYLES

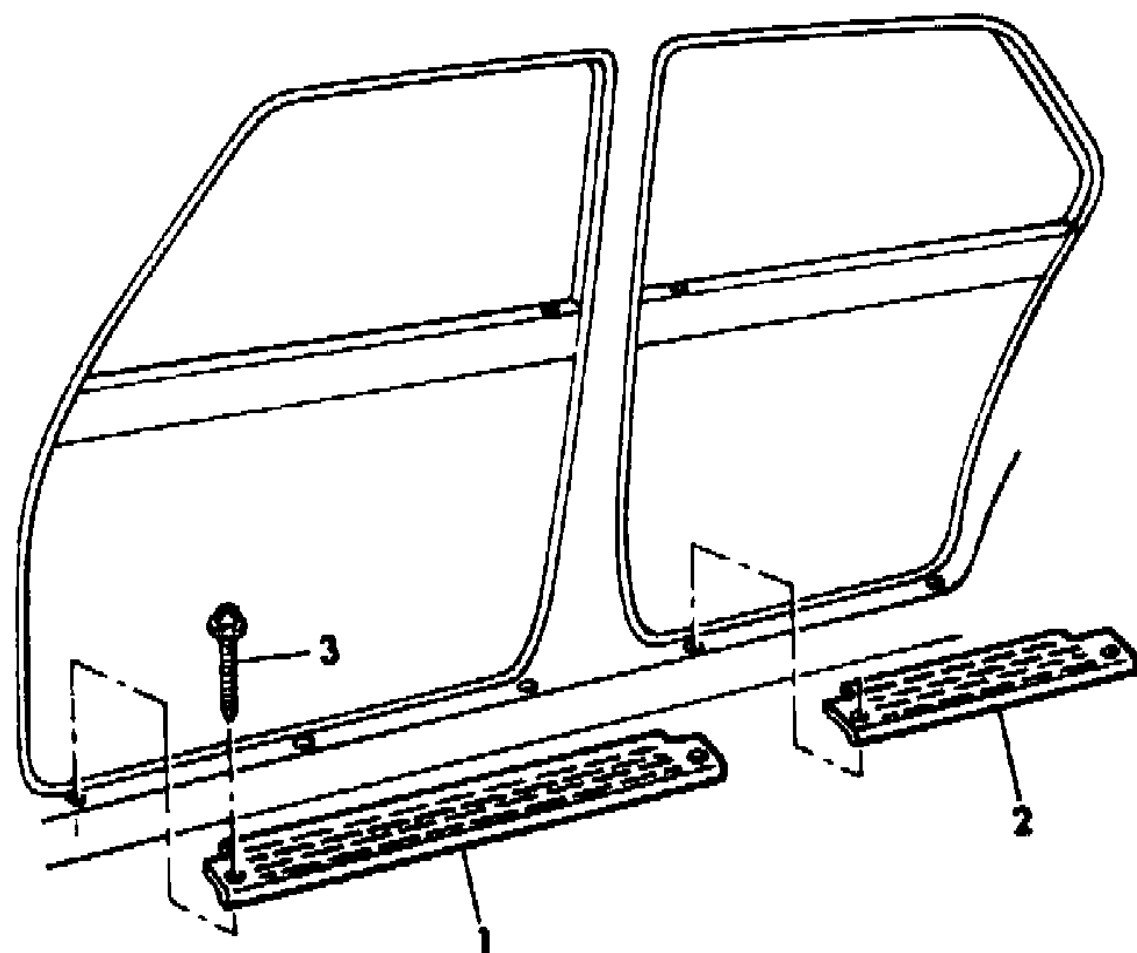
21 = 2-DOOR SEDAN	28 = FWD PICKUP
22 = 2-DOOR SPECIAL COUPE	41 = 4-DOOR SEDAN
24 = 2-DOOR HATCHBACK	44 = 4-DOOR HATCHBACK
27 = 2-DOOR CONVERTIBLE	45 = 2-SEAT STATION WAGON

AR = Use as Required - = Non Illustrated Part P.A.R. = Paint as Required

SCUFF PLATES OR SILL MOULDINS M,Z 24,28,44  
Figure IT-1084

2253-108400

ITEM	PART NUMBER	QTY	BODY	MODEL	DESCRIPTION
1	5208 814	2			MOULDING, Sill Garnish N N24,28 N Y5208814
	5208 526	2			Front N N44 N Y5208526
2	5208 527	2			Rear N N44 N Y5208527
3		AR			SCREW (not serviced) N N24,28,44 N N



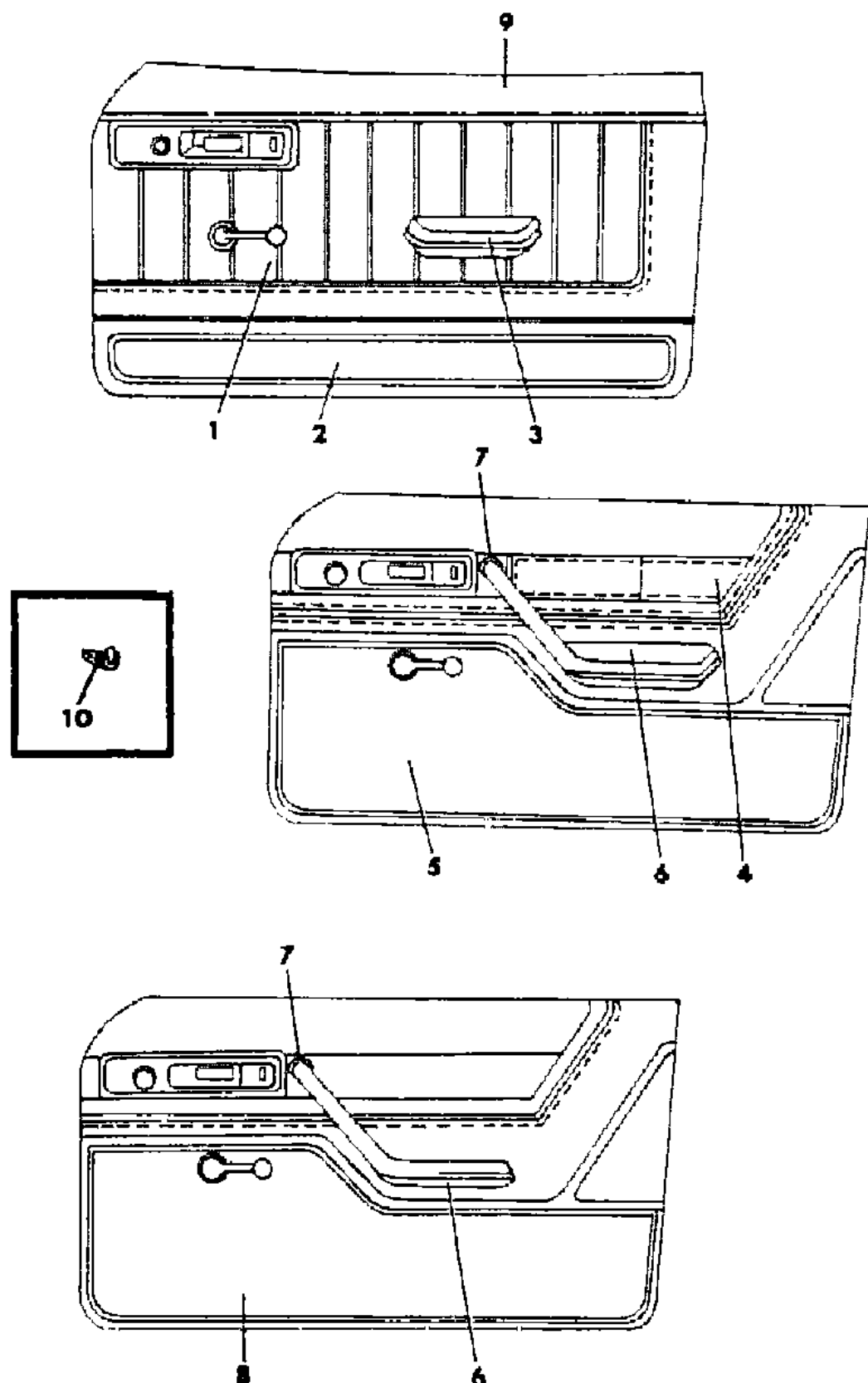
MODEL CODES  
 B = GRAN FURY/CARAVELLE      P = RELIANT  
 C = LEBARON/TOWN & COUNTRY      S = CORDOBA  
 D = ARIES      V = 400  
 F = NEW YORKER      X = MIRADA  
 G = DIPLOMAT      Y = IMPERIAL  
 M = HORIZON/TC3/SCAMP      Z = OMNI/O24/RAMPAGE

BODY STYLES  
 21 = 2-DOOR SEDAN      28 = FWD PICKUP  
 22 = 2-DOOR SPECIAL COUPE      41 = 4-DOOR SEDAN  
 24 = 2-DOOR HATCHBACK      44 = 4-DOOR HATCHBACK  
 27 = 2-DOOR CONVERTIBLE      45 = 2-SEAT STATION WAGON

AR = Use as Required - = Non Illustrated Part P.A.R. = Paint as Required

**DOOR TRIM PANEL M,Z 24,28 TRIM CODES B5,B6,C8,F5,G7,H7**  
**Figure IT-1101**

2253-110100A



ITEM	PART NUMBER	QTY	BODY	MODEL	DESCRIPTION
1	J082-3 AB2	1			PANEL,Front Door Trim N N N N N N NB5B,B6B,G7B YJ082AB2
	J082-3 AM6	1			N N NB5M,B6M,G7M YJ082AM6
	J082-3 AT3	1			N N NB5T,B6T,G7T YJ082AT3
	J082-3 AX9	1			N N NB5X,B6X YJ082AX9
2	D898 TB2	2			CARPET,Front Door Trim Panel N N N N N N NB5B,B6B,G7B YD898TB2
	D898 TM6	2			N N NB5M,B6M,G7M YD898TM6
	D898 ST6	2			N N NB5T,B6T,G7T YD898ST6
	D898 SX9	2			N N NB6X,G7X,E5X YD898SX9
3	D447 TB2	2			ARM REST, Front Door, Short N N N N Blue N N N YD447TB2
	D447 TM6	2			Red N N N YD447TM6
	D447 ST4	2			Tan N N N YD447ST4
	D447 RX9	2			Black N N N YD447RX9
	9414 712	AR			SCREW, Arm Rest Attaching N N N Y9414712
4	J072-3 AA2	1			PANEL,Front Door Trim N N N N N N NC8A YJ072AA2
	J072-3 VB2	1			N N NC8B,H7B YJ072VB2
	J072-3 VM6	1			N N NC8M,H7M YJ072VM6
	J072-3 VT3	1			N N NC8T,H7T YJ072VT3
	J072-3 VX9	1			N N NC8X,H7X YJ072VX9
5	D892-3 AA7	1			CARPET,Front Door Trim Panel N N N N N N NC8A,F5A YD892AA7
	D892-3 TB2	1			N N NC8B,F5B,H7B YD892TB2
	D892-3 TM6	1			N N NC8M,F5M,H7M YD892TM6
	D892-3 ST6	1			N N NC8T,F5T,H7T YD892ST6
	D892-3 SX9	1			N N NC8X,F5X,H7X YD892SX9
6	D474-5 AA2	1			ARM REST,Front Door w/Pull Handle N N N N Silver N N N YD474AA2
	D474-5 TB2	1			Blue N N N YD474TB2
	D474-5 TM6	1			Red N N N YD474TM6
	D474-5 ST4	1			Tan N N N YD474ST4
	D474-5 SX9	1			Black N N N YD474SX9
7	5208 702	2			BEZEL, Arm Rest N N N Y5208702
	6031 171	AR			SCREW N N N Y6031171
8					PANEL, Door Trim N N N N

**MODEL CODES**

B = GRAN FURY/CARAVELLE	P = RELIANT
C = LEBARON/TOWN & COUNTRY	S = CORDOBA
D = ARIES	V = 400
F = NEW YORKER	X = MIRADA
G = DIPLOMAT	Y = IMPERIAL
M = HORIZON/TC3/SCAMP	Z = OMNI/O24/RAMPAGE

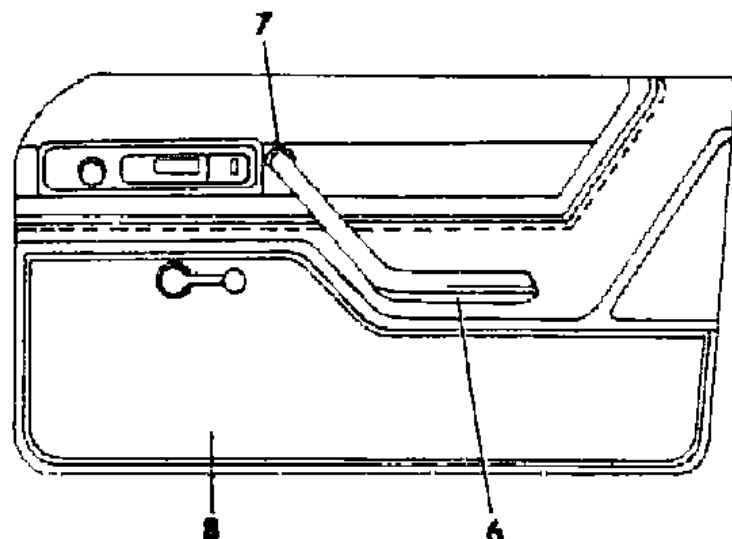
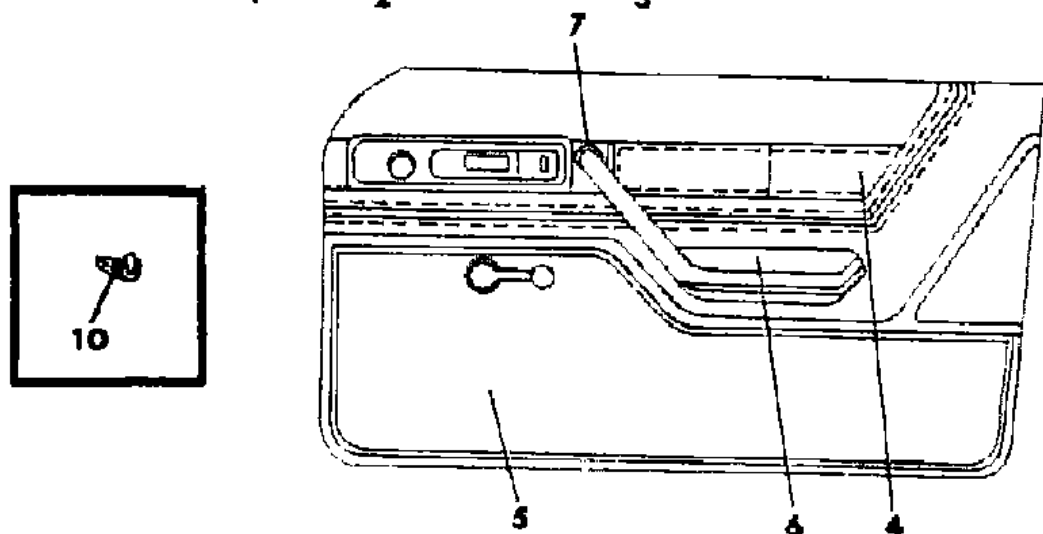
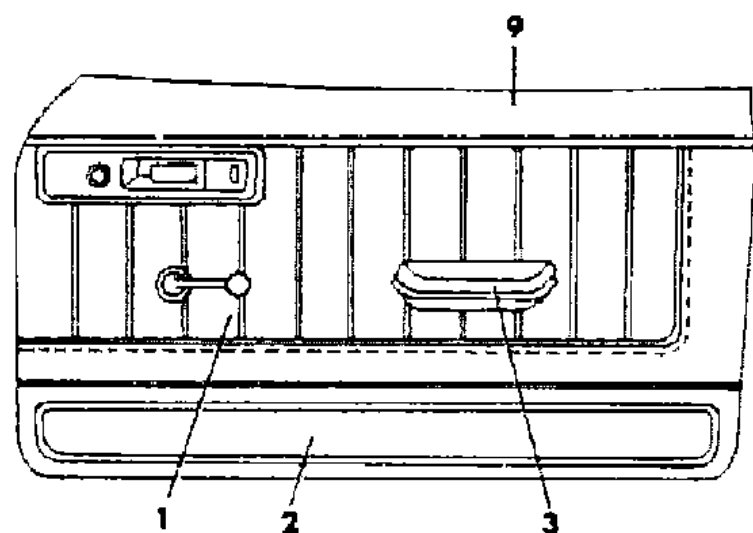
**BODY STYLES**

21 = 2-DOOR SEDAN	28 = FWD PICKUP
22 = 2-DOOR SPECIAL COUPE	41 = 4-DOOR SEDAN
24 = 2-DOOR HATCHBACK	44 = 4-DOOR HATCHBACK
27 = 2-DOOR CONVERTIBLE	45 = 2-SEAT STATION WAGON

AR = Use as Required - = Non Illustrated Part P.A.R. = Paint as Required

DOOR TRIM PANEL M,Z 24,28 TRIM CODES B5,B6,C8,F5,G7,H7  
Figure IT-1101

2253-110100A



ITEM	PART NUMBER	QTY	BODY	MODEL	DESCRIPTION
	J060-1 AXA	1			N N24 NF5A YJ060AXA
	J060-1 ABB	1			N N24 NF5B YJ060ABB
	J060-1 AMM	1			N N24 NF5M YJ060AMM
	J060-1 ATT	1			N N24 NF5T YJ060ATT
	J060-1 AXX	1			N N24 NF5X YJ060AXX
	J064-5 AX9	1			N N28 NG5X YJ064AX9
9					GARNISH MOULDING N N N N
	D860-1 TB2	1			Blue N N N YD860TB2
	D860-1 TM6	1			Red N N N YD860TM6
	D860-1 ST4	1			Tan N N N YD860ST4
	D860-1 SX9	1			Black N N N YD860SX9
10	4114 785	AR			FASTENER,Front Door Trim Panel N N N Y4114785
The following part is not illustrated. s ARE NOT RETURNABLE.					
	4049 602	AR			SILENCER, Trim Panel N N N Y4049602

MODEL CODES

B = GRAN FURY/CARAVELLE	P = RELIANT
C = LEBARON/TOWN & COUNTRY	S = CORDOBA
D = ARIES	V = 400
F = NEW YORKER	X = MIRADA
G = DIPLOMAT	Y = IMPERIAL
M = HORIZON/TC3/SCAMP	Z = OMNI/O24/RAMPAGE

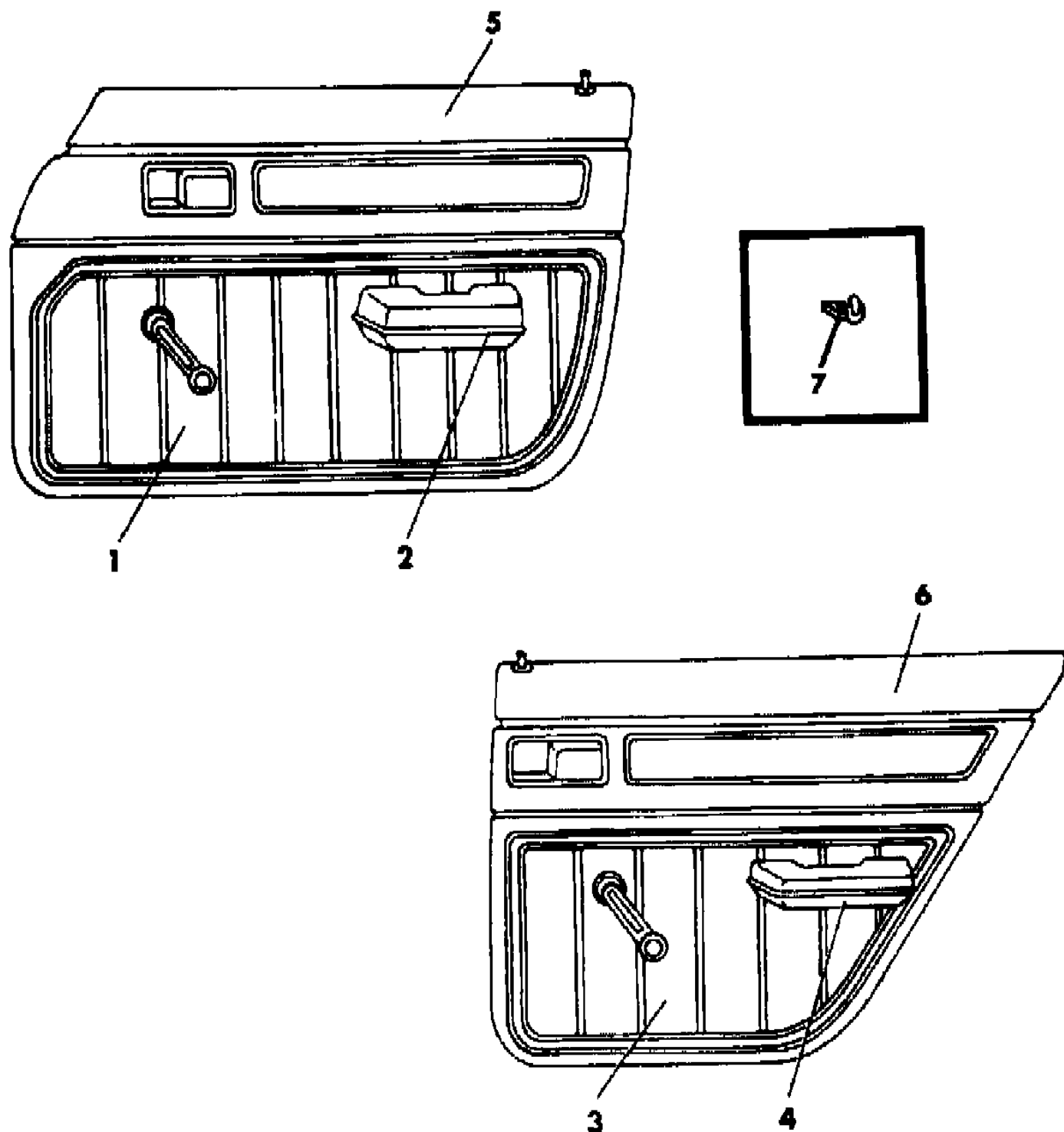
BODY STYLES

21 = 2-DOOR SEDAN	28 = FWD PICKUP
22 = 2-DOOR SPECIAL COUPE	41 = 4-DOOR SEDAN
24 = 2-DOOR HATCHBACK	44 = 4-DOOR HATCHBACK
27 = 2-DOOR CONVERTIBLE	45 = 2-SEAT STATION WAGON

AR = Use as Required - = Non Illustrated Part P.A.R. = Paint as Required

DOOR TRIM PANEL M,Z 44 TRIM CODES B5,B6,G7  
Figure IT-1102

2253-1 10 200A



ITEM	PART NUMBER	QTY	BODY	MODEL	DESCRIPTION
1	J052-3 VB2	1			PANEL w/WEATHERSTRIP, Front Door Trim (full panel) N N N N
	J052-3 VM6	1			N N NB5B,B6B,G7B YJ052VB2
	J052-3 VT3	1			N N NB5M,B6M,G7M YJ052VM6
	J052-3 VX9	1			N N NB5T,B6T,G7T YJ052VT3
2	J052-3 VX9	1			N N NB6X,G7X YJ052VX9
	D447 TB2	2			PAD & PLATE,Front Door Arm Rest N N N N
	D447 TM6	2			N N NB5B,B6B,G7B YD447TB2
	D447 ST4	2			N N NB5M,B6M,G7M YD447TM6
	D447 RX9	2			N N NB5T,B6T,G7T YD447ST4
3	9414 712	AR			N N NB6X,G7X YD447RX9
	J452-3 VB2	1			SCREW, Arm Rest Attaching N N N Y9414712
	J452-3 VM6	1			PANEL,Rear Door Trim(full panel) N N N N
	J452-3 VT3	1			N N NB5B,B6B,G7B YJ452VB2
	J452-3 VX9	1			N N NB5M,B6M,G7M YJ452VM6
4	D447 TB2	2			N N NB5T,B6T,G7T YJ452VT3
	D447 TM6	2			N N NB6X,G7X YJ452VX9
	D447 ST3	2			PAD & PLATE,Rear Door Arm Rest N N N N
	D447 SX9	2			N N NB5B,B6B,G7B YD447TB2
	9414 712	AR			N N NB5M,B6M,G7M YD447TM6
5	D900-1 TB2	1			N N NB5T,B6T,G7T YD447ST3
	D900-1 TM6	1			N N NB6X,G7X YD447SX9
	D900-1 ST4	1			SCREW, Arm Rest Attaching N N N Y9414712
	D900-1 SX9	1			GARNISH MOULDING w/GROMMET, Front N N N N
	3510 447	AR			Blue N N N YD900TB2
6	D904-5 TB2	1			Red N N N YD900TM6
	D904-5 TM6	1			Tan N N N YD900ST4
	D904-5 ST4	1			Black N N N YD900SX9
	D904-5 SX9	1			GARNISH MOULDING w/GROMMET, Rear N N N N
	3510 447	AR			Blue N N N YD904TB2
7	4114 785	AR			Red N N N YD904TM6
	4049 602	1			Tan N N N YD904ST4

The following parts are not illustrated. s ARE NOT RETURNABLE.

MODEL CODES  
 B = GRAN FURY/CARAVELLE  
 C = LEBARON/TOWN & COUNTRY  
 D = ARIES  
 F = NEW YORKER  
 G = DIPLOMAT  
 M = HORIZON/TC3/SCAMP  
 P = RELIANT  
 S = CORDOBA  
 V = 400  
 X = MIRADA  
 Y = IMPERIAL  
 Z = OMNI/O24/RAMPAGE

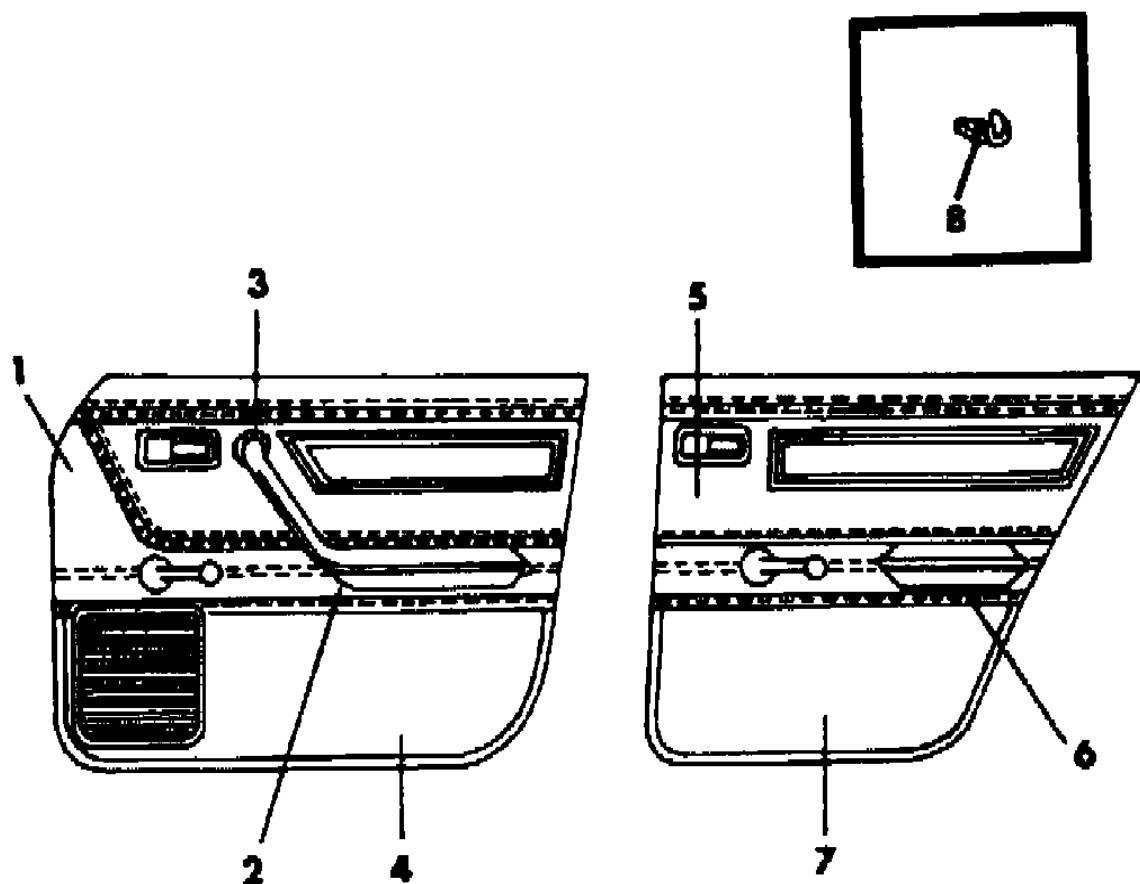
BODY STYLES  
 21 = 2-DOOR SEDAN  
 22 = 2-DOOR SPECIAL COUPE  
 24 = 2-DOOR HATCHBACK  
 27 = 2-DOOR CONVERTIBLE  
 28 = FWD PICKUP  
 41 = 4-DOOR SEDAN  
 44 = 4-DOOR HATCHBACK  
 45 = 2-SEAT STATION WAGON

AR = Use as Required - = Non Illustrated Part P.A.R. = Paint as Required

**DOOR TRIM PANEL M,Z 44 TRIM CODES C8,F5,H7**  
**Figure IT-1103**

ITEM	PART NUMBER	QTY	BODY	MODEL	DESCRIPTION
1					PANEL,Front Door Trim(full panel) N N N N
	J054-5 AA2	1			N N NC8A,F5A YJ054AA2
	J054-5 VB2	1			N N NC8B,F5B,H7B YJ054VB2
	J054-5 VM6	1			N N NC8M,F5M,H7M YJ054VM6
	J054-5 VT3	1			N N NC8T,F5T,H7T YJ054VT3
	J054-5 VX9	1			N N NC8X,F5X,H7X YJ054VX9
2					PAD & PLATE,w/Pull Handle Front Door N N N N
	D474-5 AA2	1			N N NC8A,F5A YD474AA2
	D474-5 TB2	1			N N NC8B,F5B,H7B YD474TB2
	D474-5 TM6	1			N N NC8M,F5M,H7M YD474TM6
	D474-5 ST4	1			N N NC8T,F5T,H7T YD474ST4
	D474-5 SX9	1			N N NC8X,F5X,H7X YD474SX9
3	5208 702	2			BEZEL,Front Door Arm Rest N N N Y5208702
	6031 171	8			SCREW,Arm Rest Bezel Attaching N N N Y6031171
4					CARPET,Front Door Trim Panel N N N N
	D686-7 AA7	1			N N NC8A,F5A YD686AA7
	D686-7 TB2	1			N N NC8B,F5B YD686TB2
	D686-7 TM6	1			N N NC8M,F5M,H7M YD686TM6
	D686-7 ST6	1			N N NC8T,F5T,H7T YD686ST6
	D686-7 SX9	1			N N NC8X,F5X,H7X YD686SX9
5					PANEL,Rear Door Trim(full panel) N N N N
	J424-5 AA2	1			N N NC8A,F5A YJ424AA2
	J424-5 VB2	1			N N NC8B,F5B YJ424VB2
	J424-5 VM6	1			N N NC8M,F5M,H7M YJ424VM6
	J424-5 VT3	1			N N NC8T,F5T,H7T YJ424VT3
	J424-5 VX9	1			N N NC8X,F5X,H7X YJ424VX9
6					PAD & PLATE,Rear Door Arm Rest N N N N
	D447 AA3	2			N N NC8A,F5A YD447AA3
	D447 TB2	2			N N NC8B,F5B YD447TB2
	D447 TM6	2			N N NC8M,F5M,H7M YD447TM6
	D447 ST4	2			N N NC8T,F5T,H7T YD447ST4
	D447 RX9	2			N N NC8X,F5X,H7X YD447RX9
7					CARPET,Rear Door Trim Panel N N N N
	D688-9 AA7	1			N N NC8A,F5A YD688AA7
	D688-9 TB2	1			N N NC8B,F5B YD688TB2
	D688-9 TM6	1			N N NC8M,F5M,H7M YD688TM6
	D688-9 ST6	1			N N NC8T,F5T,H7T YD688ST6

2253 110300A



MODEL CODES  
 B = GRAN FURY/CARAVELLE      P = RELIANT  
 C = LEBARON/TOWN & COUNTRY      S = CORDOBA  
 D = ARIES      V = 400  
 F = NEW YORKER      X = MIRADA  
 G = DIPLOMAT      Y = IMPERIAL  
 M = HORIZON/TC3/SCAMP      Z = OMNI/O24/RAMPAGE

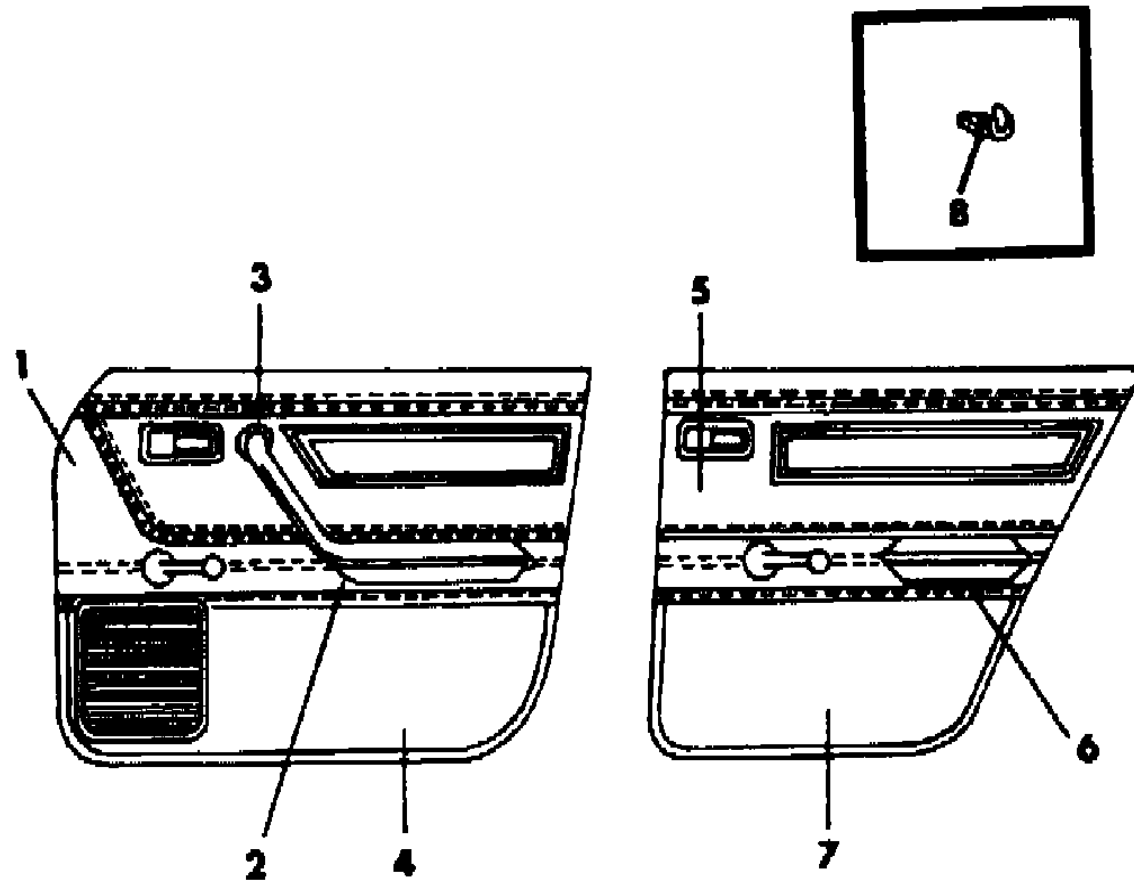
BODY STYLES  
 21 = 2-DOOR SEDAN      28 = FWD PICKUP  
 22 = 2-DOOR SPECIAL COUPE      41 = 4-DOOR SEDAN  
 24 = 2-DOOR HATCHBACK      44 = 4-DOOR HATCHBACK  
 27 = 2-DOOR CONVERTIBLE      45 = 2-SEAT STATION WAGON

AR = Use as Required - = Non Illustrated Part P.A.R. = Paint as Required

DOOR TRIM PANEL M,Z 44 TRIM CODES C8,F5,H7  
Figure IT-1103

ITEM	PART NUMBER	QTY	BODY	MODEL	DESCRIPTION
	D688-9 SX9	1			N N NC8X,F5X,H7X YD688SX9
8	4114 785	AR			FASTENER,Front & Rear Door Trim Panel Attaching N N N Y4114785
The following parts are not illustrated. s ARE NOT RETURNABLE.					
	4049 602	1			SILENCER,Front & Rear Door Trim Panel Attaching N N N Y4049602

2253 110300A



MODEL CODES

B = GRAN FURY/CARAVELLE	P = RELIANT
C = LEBARON/TOWN & COUNTRY	S = CORDOBA
D = ARIES	V = 400
F = NEW YORKER	X = MIRADA
G = DIPLOMAT	Y = IMPERIAL
M = HORIZON/TC3/SCAMP	Z = OMNI/O24/RAMPAGE

BODY STYLES

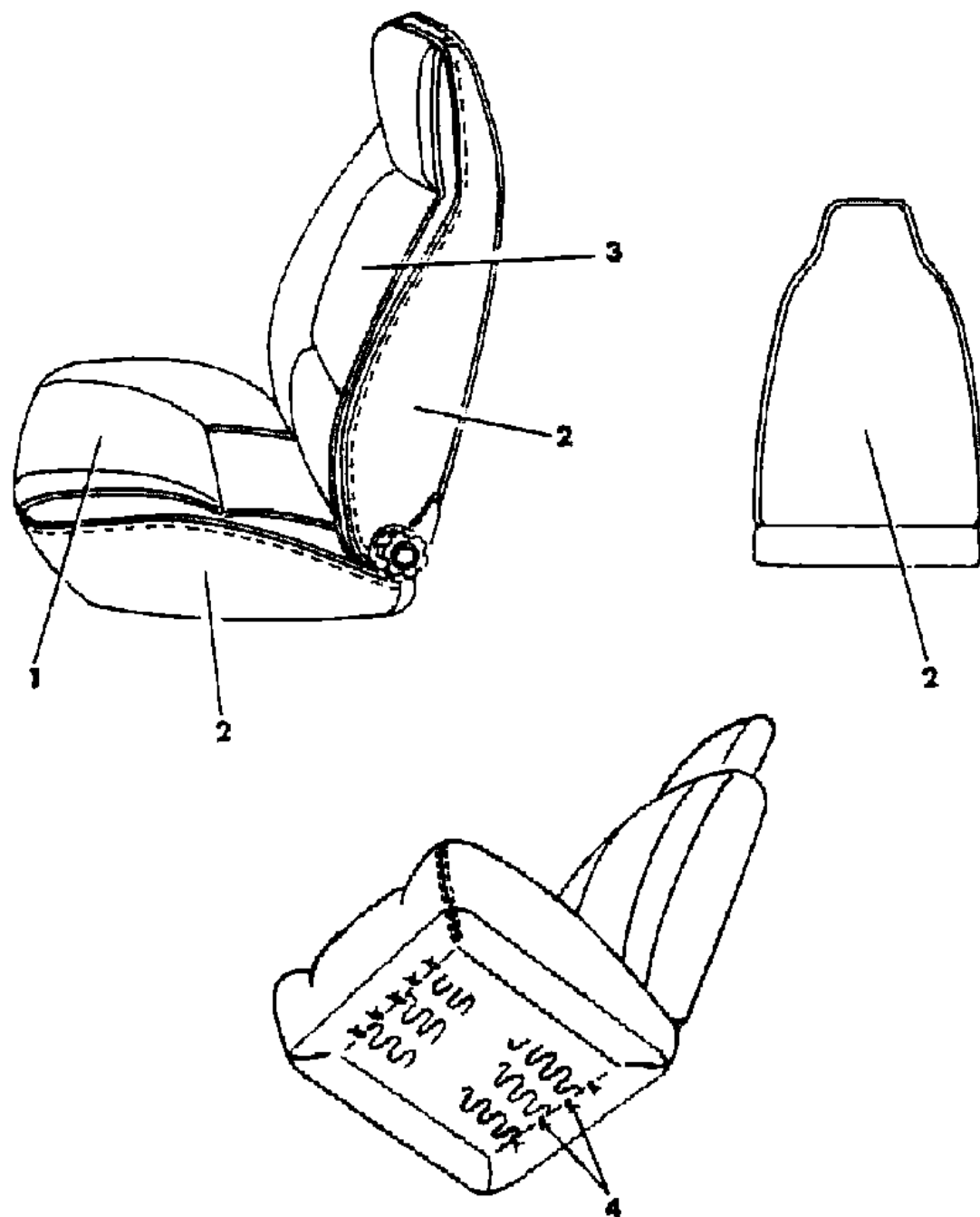
21 = 2-DOOR SEDAN	28 = FWD PICKUP
22 = 2-DOOR SPECIAL COUPE	41 = 4-DOOR SEDAN
24 = 2-DOOR HATCHBACK	44 = 4-DOOR HATCHBACK
27 = 2-DOOR CONVERTIBLE	45 = 2-SEAT STATION WAGON

AR = Use as Required - = Non Illustrated Part P.A.R. = Paint as Required



SEAT,FRONT M & Z TRIM CODE F5,G5  
Figure IT-1221

2253-122100A



ITEM	PART NUMBER	QTY	BODY	MODEL	DESCRIPTION
1-3					CUSHION,Front w/Spring,Frame & Cover N N N N
	N744-5 A5A	1			N N24 NF5A YN744A5A
	N744-5 A5P	1			N N24 NF5B YN744A5P
	N744-5 A5M	1			N N24 NF5M YN744A5M
	N744-5 A5T	1			N N24 NF5T YN744A5T
	N744-5 A5X	1			N N24 NF5X YN744A5X
	N746-7 A5A	1			N N44 NF5A YN746A5A
	N746-7 A5P	1			N N44 NF5B YN746A5P
	N746-7 A5M	1			N N44 NF5M YN746A5M
	N746-7 A5T	1			N N44 NF5T YN746A5T
	N746-7 A5X	1			N N44 NF5X YN746A5X
	N724-5 A5X	1			N N28 NG5X YN724A5X
1					COVER,Front Cushion N N N N
	N534 A5A	2			N N24,44 NF5A YN534A5A
	N534 A5P	2			N N24,44 NF5B YN534A5P
	N534 A5M	2			N N24,44 NF5M YN534A5M
	N534 A5T	2			N N24,44 NF5T YN534A5T
	N534 A5X	2			N N24,44 NF5X YN534A5X
	N524 A5X	2			N N28 NG5X YN524A5X
2					ROLL STOCK,Vinyl Order By The Inch N N N N
	R600 AA2	AR			Silver 54" Wide N N N YR600AA2
	R609 VB2	AR			Blue 58" Wide N N N YR609VB2
	R616 VM6	AR			Red 64" Wide N N N YR616VM6
	R616 VT3	AR			Tan 64" Wide N N N YR616VT3
	R600 VX9	AR			Black 54" Wide N N N YR600VX9
3 &					BACK,Front w/Spring,Frame & Cover N N N N
	N726 A5A	1			Right (use up to 10/7/81) N N24 NF5A YN726A5A
	N766 A5A	1			Right (use from 10/7/81 to 4/9/82) N N24 NF5A YN766A5A
	N778-9 A5A	1			Right (use after 4/9/82) N N24 NF5A YN778A5A
	N727 A5A	1			Left (use up to 10/5/81) N N24 NF5A YN727A5A
	N767 A5A	1			Left (use from 10/5/81 to 4/9/82) N N24 NF5A YN767A5A
	N726 A5P	1			Right (use up to 9/18/81) N N24 NF5B YN726A5P
	N766 A5B	1			Right (use from 9/18/81 to 4/13/82) N N24 NF5B YN766A5B
	N778-9 A5B	1			Right (use after 4/13/82) N N24 NF5B YN778A5B
	N727 A5P	1			Left (use up to 9/22/81) N N24 NF5B YN727A5P
	N767 A5B	1			Left (use from 9/22/81 to 4/13/82) N N24 NF5B YN767A5B
	N726 A5M	1			Right (use up to 9/18/81) N N24 NF5M YN726A5M

MODEL CODES

B = GRAN FURY/CARAVELLE  
C = LEBARON/TOWN & COUNTRY  
D = ARIES  
F = NEW YORKER  
G = DIPLOMAT  
M = HORIZON/TC3/SCAMP  
P = RELIANT  
S = CORDOBA  
V = 400  
X = MIRADA  
Y = IMPERIAL  
Z = OMNI/O24/RAMPAGE

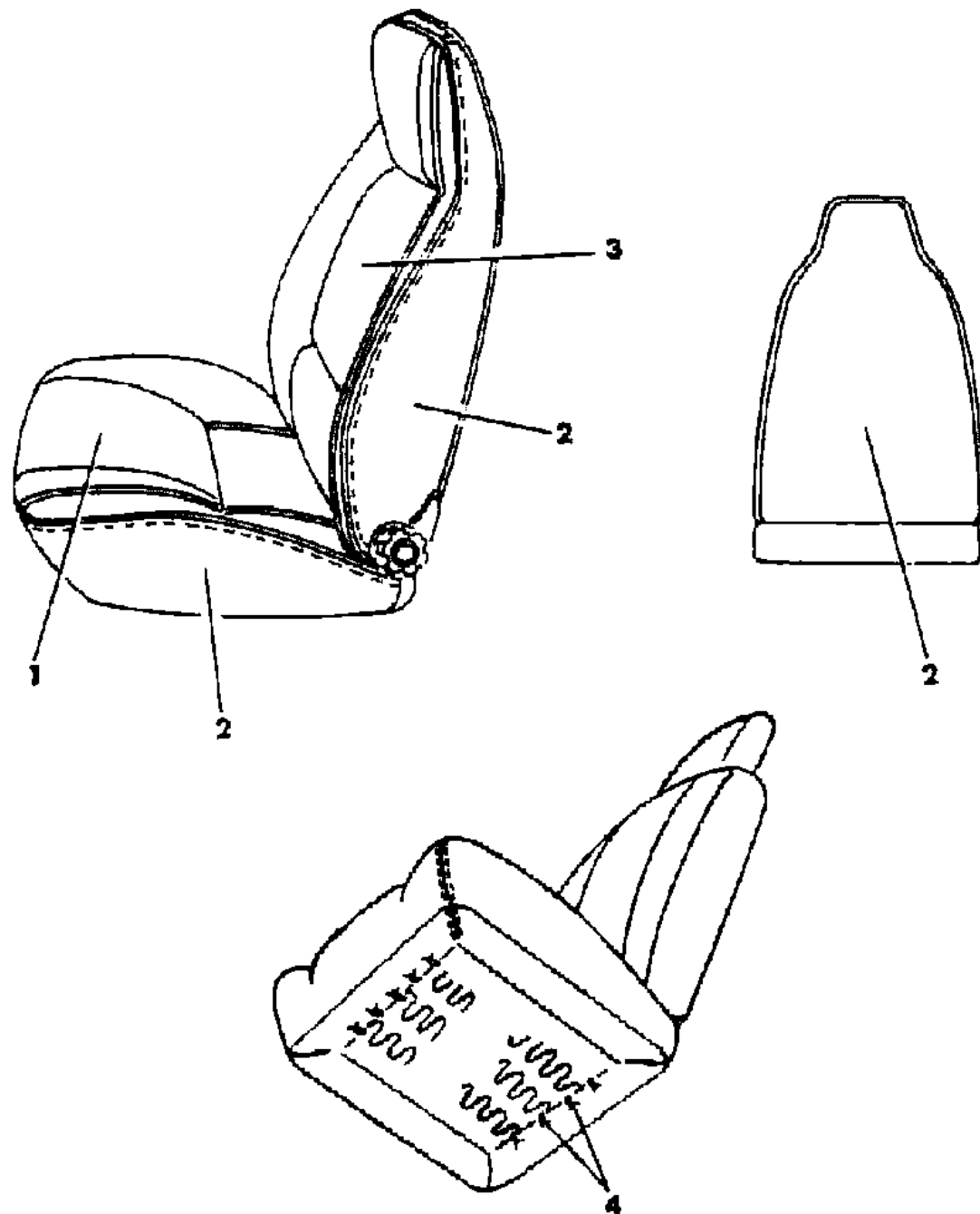
BODY STYLES

21 = 2-DOOR SEDAN  
22 = 2-DOOR SPECIAL COUPE  
24 = 2-DOOR HATCHBACK  
27 = 2-DOOR CONVERTIBLE  
28 = FWD PICKUP  
41 = 4-DOOR SEDAN  
44 = 4-DOOR HATCHBACK  
45 = 2-SEAT STATION WAGON

AR = Use as Required - = Non Illustrated Part P.A.R. = Paint as Required

SEAT,FRONT M & Z TRIM CODE F5,G5  
Figure IT-1221

2253-122100A



ITEM	PART NUMBER	QTY	BODY	MODEL	DESCRIPTION
	N766 A5M	1			Right (use from 9/18/81 to 4/9/82) N N24 NF5M YN766A5M
	N778-9 A5M	1			Right (use after 4/9/82) N N24 NF5M YN778A5M
	N727 A5M	1			Left (use up to 9/24/81) N N24 NF5M YN727A5M
	N767 A5M	1			Left (use from 9/24/81 to 4/9/82) N N24 NF5M YN767A5M
	N726 A5T	1			Right (use up to 9/30/81) N N24 NF5T YN726A5T
	N766 A5T	1			Right (use from 9/30/81 to 4/9/13) N N24 NF5T YN766A5T
	N778-9 A5T	1			Right (use after 4/9/13) N N24 NF5T YN778A5T
	N727 A5T	1			Left (use up to 9/25/81) N N24 NF5T YN727A5T
	N767 A5T	1			Left (use from 9/25/81 to 4/9/82) N N24 NF5T YN767A5T
	N726-7 A5X	1			(use up to 9/25/81) N N24 NF5X YN726A5X
	N766-7 A5X	1			(use from 9/25/81 to 4/9/82) N N24 NF5X YN766A5X
	N778-9 A5X	1			(use after 4/9/82) N N24 NF5X YN778A5X
	N728 A5A	1			Right (use up to 10/7/81) N N44 NF5A YN728A5A
	N768 A5A	1			Right (use from 10/7/81 to 4/9/82) N N44 NF5A YN768A5A
	N780-1 A5A	1			Right (use after 4/9/82) N N44 NF5A YN780A5A
	N729 A5A	1			Left (use up to 10/5/81) N N44 NF5A YN729A5A
	N769 A5A	1			Left (use from 10/5/81 to 4/9/82) N N44 NF5A YN769A5A
	N728 A5P	1			Right (use up to 9/18/81) N N44 NF5B YN728A5P
	N768 A5B	1			Right (use from 9/18/81 to 4/13/82) N N44 NF5B YN768A5B
	N780-1 A5B	1			Right (use after 4/13/82) N N44 NF5B YN780A5B
	N729 A5P	1			Left (use up to 9/22/81) N N44 NF5B YN729A5P
	N769 A5B	1			Left (use from 9/22/81 to 4/13/82) N N44 NF5B YN769A5B
	N728 A5M	1			Right (use up to 9/18/81) N N44 NF5M YN728A5M
	N768 A5M	1			Right (use from 9/18/81 to 4/9/82) N N44 NF5M YN768A5M
	N780-1 A5M	1			Right (use after 4/9/82) N N44 NF5M YN780A5M
	N729 A5M	1			Left (use up to 9/24/81) N N44 NF5M YN729A5M
	N769 A5M	1			Left (use from 9/24/81 to 4/9/82) N N44 NF5M YN769A5M
	N728 A5T	1			Right (use up to 9/30/81) N N44 NF5T YN728A5T
	N768 A5T	1			Right (use from 9/30/81 to 4/9/82) N N44 NF5T YN768A5T
	N780-1 A5T	1			Right (use after 4/9/82) N N44 NF5T YN780A5T
	N729 A5T	1			Left (use up to 9/25/81) N N44 NF5T YN729A5T
	N769 A5T	1			Left (use from 9/25/81 to 4/9/82) N N44 NF5T YN769A5T
	N728-9 A5X	1			(use up to 9/25/81) N N44 NF5X YN728A5X
	N768-9 A5X	1			(use from 9/25/81 to 4/9/82) N N44 NF5X YN768A5X
	N780-1 A5X	1			(use after 4/9/82) N N44 NF5X YN780A5X
	N730-1 A5X	1			(use up to 11/16/81) N N28 NG5X YN730A5X
	N770-1 A5X	1			(use from 11/16/81 to 4/12/82) N N28 NG5X YN770A5X

MODEL CODES

B = GRAN FURY/CARAVELLE	P = RELIANT
C = LEBARON/TOWN & COUNTRY	S = CORDOBA
D = ARIES	V = 400
F = NEW YORKER	X = MIRADA
G = DIPLOMAT	Y = IMPERIAL
M = HORIZON/TC3/SCAMP	Z = OMNI/O24/RAMPAGE

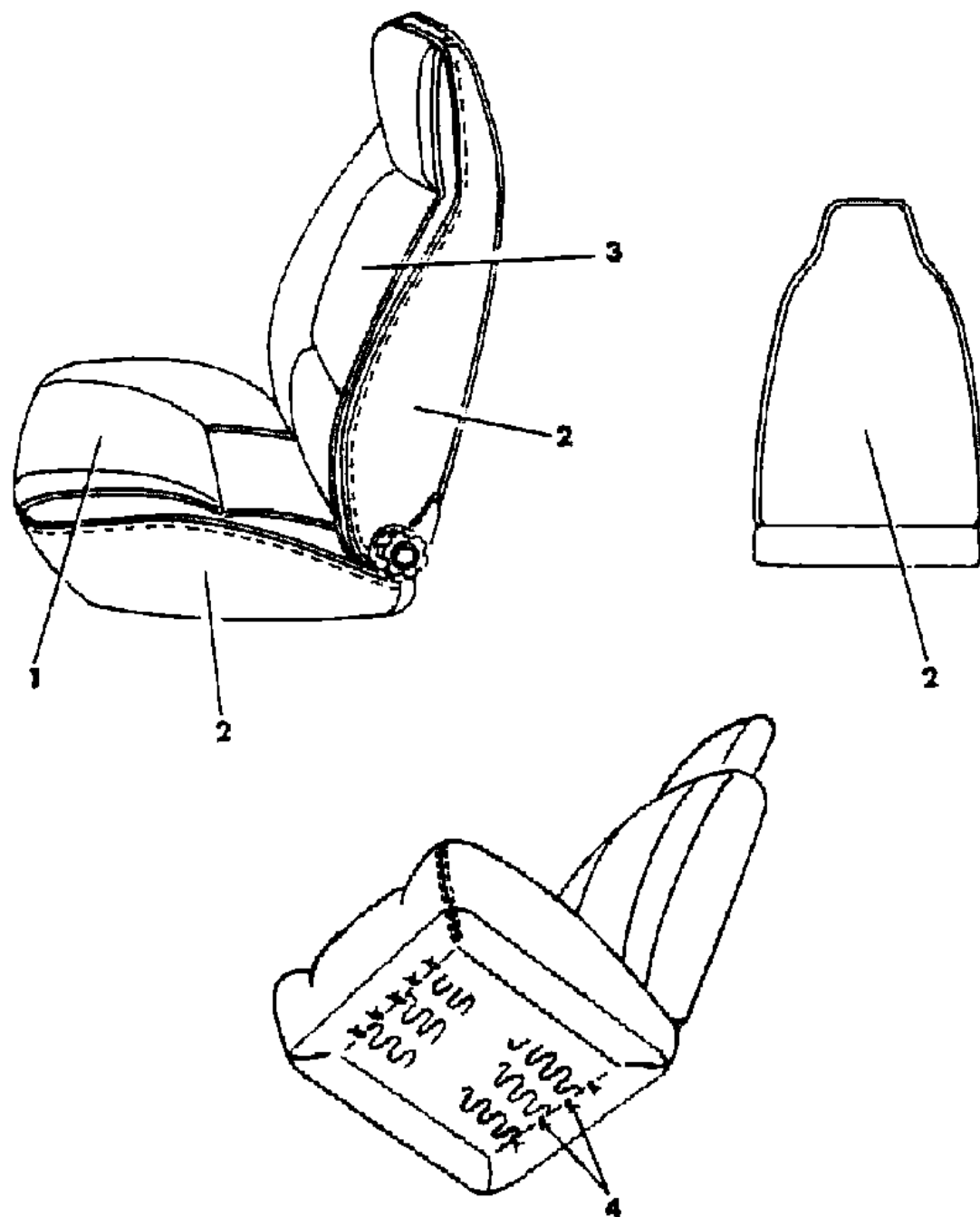
BODY STYLES

21 = 2-DOOR SEDAN	28 = FWD PICKUP
22 = 2-DOOR SPECIAL COUPE	41 = 4-DOOR SEDAN
24 = 2-DOOR HATCHBACK	44 = 4-DOOR HATCHBACK
27 = 2-DOOR CONVERTIBLE	45 = 2-SEAT STATION WAGON

AR = Use as Required - = Non Illustrated Part P.A.R. = Paint as Required

SEAT,FRONT M & Z TRIM CODE F5,G5  
Figure IT-1221

2253-122100A



ITEM	PART NUMBER	QTY	BODY	MODEL	DESCRIPTION
	N782-3 A5X	1			(use after 4/12/82) N N28 NG5X YN782A5X
3					COVER,Front Back N N N N
	N530 A5A	1			Right (use up to 9/18/81) N N24,44 NF5A YN530A5A
	N380 A5A	1			Right (use from 9/18/81 to 4/9/82) N N24,44 NF5A YN380A5A
	N384 A5A	2			(use after 4/9/82) N N24,44 NF5A YN384A5A
	N531 A5A	1			Left (use up to 10/27/81) N N24,44 NF5A YN531A5A
	N381 A5A	1			Left (use from 10/27/81 to 4/9/82) N N24,44 NF5A YN381A5A
	N530 A5P	1			Right (use up to 9/18/81) N N24,44 NF5B YN530A5P
	N380 A5B	1			Right (use from 9/18/81 to 4/13/82) N N24,44 NF5B YN380A5B
	N384 A5B	2			(use after 4/13/82) N N24,44 NF5B YN384A5B
	N531 A5P	1			Left (use up to 10/27/81) N N24,44 NF5B YN531A5P
	N381 A5B	1			Left (use from 10/27/81 to 4/13/82) N N24,44 NF5B YN381A5B
	N530 A5M	1			Right (use up to 9/18/81) N N24,44 NF5M YN530A5M
	N380 A5M	1			Right (use from 9/18/81 to 4/9/82) N N24,44 NF5M YN380A5M
	N384 A5M	2			(use after 4/9/82) N N24,44 NF5M YN384A5M
	N531 A5M	1			Left (use up to 9/24/81) N N24,44 NF5M YN531A5M
	N381 A5M	1			Left (use from 9/24/81 to 4/9/82) N N24,44 NF5M YN381A5M
	N530 A5T	1			Right (use up to 9/28/81) N N24,44 NF5T YN530A5T
	N380 A5T	1			Right (use from 9/28/81 to 4/9/82) N N24,44 NF5T YN380A5T
	N384 A5T	2			(use after 4/9/82) N N24,44 NF5T YN384A5T
	N531 A5T	1			Left (use up to 9/25/81) N N24,44 NF5T YN531A5T
	N381 A5T	1			Left (use from 9/25/81 to 4/9/82) N N24,44 NF5T YN381A5T
	N530-1 A5X	1			(use up to 9/25/81) N N24,44 NF5X YN530A5X
	N380-1 A5X	1			(use from 9/25/81 to 4/9/82) N N24,44 NF5X YN380A5X
	N384 A5X	2			(use after 4/9/82) N N24,44 NF5X YN384A5X
	N532-3 A5X	1			(use up to 11/16/81) N N28 NG5X YN532A5X
	N382-3 A5X	1			(use from 11/16/81 to 4/12/82) N N28 NG5X YN382A5X
	N385 A5X	2			(use after 4/12/82) N N28 NG5X YN385A5X
4	6008 076	AR			CLIP,Trim Hog Ring N N N Y6008076

MODEL CODES

B = GRAN FURY/CARAVELLE	P = RELIANT
C = LEBARON/TOWN & COUNTRY	S = CORDOBA
D = ARIES	V = 400
F = NEW YORKER	X = MIRADA
G = DIPLOMAT	Y = IMPERIAL
M = HORIZON/TC3/SCAMP	Z = OMNI/O24/RAMPAGE

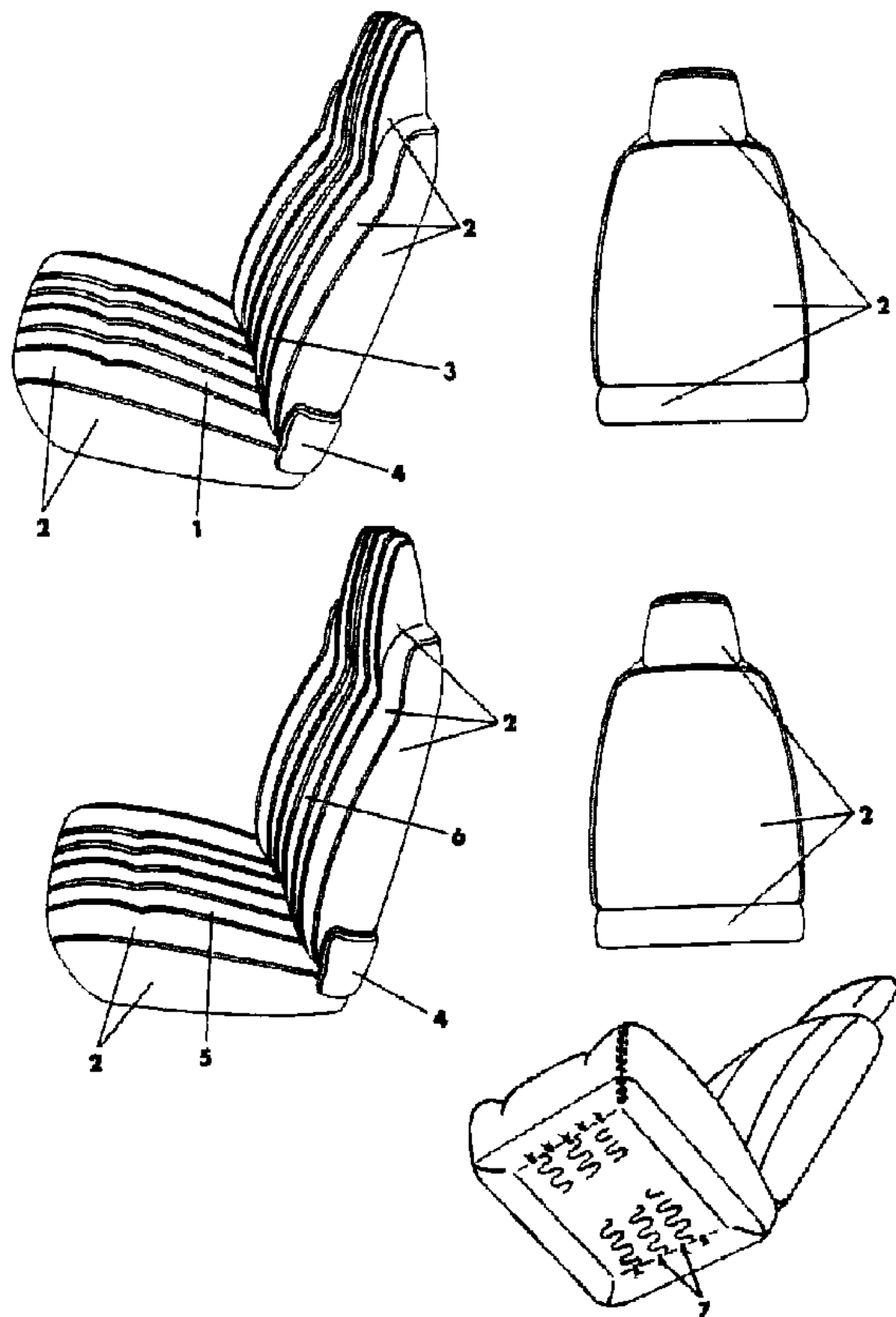
BODY STYLES

21 = 2-DOOR SEDAN	28 = FWD PICKUP
22 = 2-DOOR SPECIAL COUPE	41 = 4-DOOR SEDAN
24 = 2-DOOR HATCHBACK	44 = 4-DOOR HATCHBACK
27 = 2-DOOR CONVERTIBLE	45 = 2-SEAT STATION WAGON

AR = Use as Required - = Non Illustrated Part P.A.R. = Paint as Required

SEAT,FRONT M & Z TRIM CODE B5,B6  
Figure IT-1222

2253-1 22 200A



ITEM	PART NUMBER	QTY	BODY	MODEL	DESCRIPTION
1-2					CUSHION,Front w/Spring,Frame & Cover N N N N (use up to 2/1/82) N N N N
	N554-5 V5B	1			N N24 NB5B YN554V5B
	N554-5 V5M	1			N N24,28 NB5M YN554V5M
	N554-5 V5T	1			N N24,28 NB5T YN554V5T
					(use after 2/1/82) N N N N
	N896-7 A5B	1			N N24 NB5B YN896A5B
	N896-7 A5M	1			N N24,28 NB5M YN896A5M
	N896-7 A5T	1			N N24,28 NB5T YN896A5T
					(use up to 2/1/82) N N N N
	N556-7 V5B	1			N N44 NB5B YN556V5B
	N556-7 V5M	1			N N44 NB5M YN556V5M
	N556-7 V5T	1			N N44 NB5T YN556V5T
					(use after 2/1/82) N N N N
	N902-3 A5B	1			N N44 NB5B YN902A5B
	N902-3 A5M	1			N N44 NB5M YN902A5M
	N902-3 A5T	1			N N44 NB5T YN902A5T
1					COVER,Front Cushion N N N N (use up to 2/1/82) N N N N
	N306 V5B	2			N N NB5B YN306V5B
	N306 V5M	2			N N NB5M YN306V5M
	N306 V5T	2			N N NB5T YN306V5T
					(use after 2/1/82) N N N N
	N300 A5B	2			N N NB5B YN300A5B
	N300 A5M	2			N N NB5M YN300A5M
	N300 A5T	2			N N NB5T YN300A5T
2					ROLL STOCK,Vinyl Order by the Inch N N N N
	R616 VB2	AR			64" Wide N N NB5B,B6B YR616VB2
	R616 VM6	AR			64" Wide N N NB5M,B6M YR616VM6
	R616 VT3	AR			64" Wide N N NB5T,B6T YR616VT3
	R609 VX9	AR			58" Wide N N NB6X YR609VX9
2-3					BACK,Front w/Spring,Frame & Cover N N N N
	N996-7 V5B	1			N N24 NB5B YN996V5B
	N996-7 V5M	1			N N24,28 NB5M YN996V5M
	N996-7 V5T	1			N N24,28 NB5T YN996V5T
	N948 V5B	2			N N44 NB5B YN948V5B
	N948 V5M	2			N N44 NB5M YN948V5M

MODEL CODES

B = GRAN FURY/CARAVELLE	P = RELIANT
C = LEBARON/TOWN & COUNTRY	S = CORDOBA
D = ARIES	V = 400
F = NEW YORKER	X = MIRADA
G = DIPLOMAT	Y = IMPERIAL
M = HORIZON/TC3/SCAMP	Z = OMNI/O24/RAMPAGE

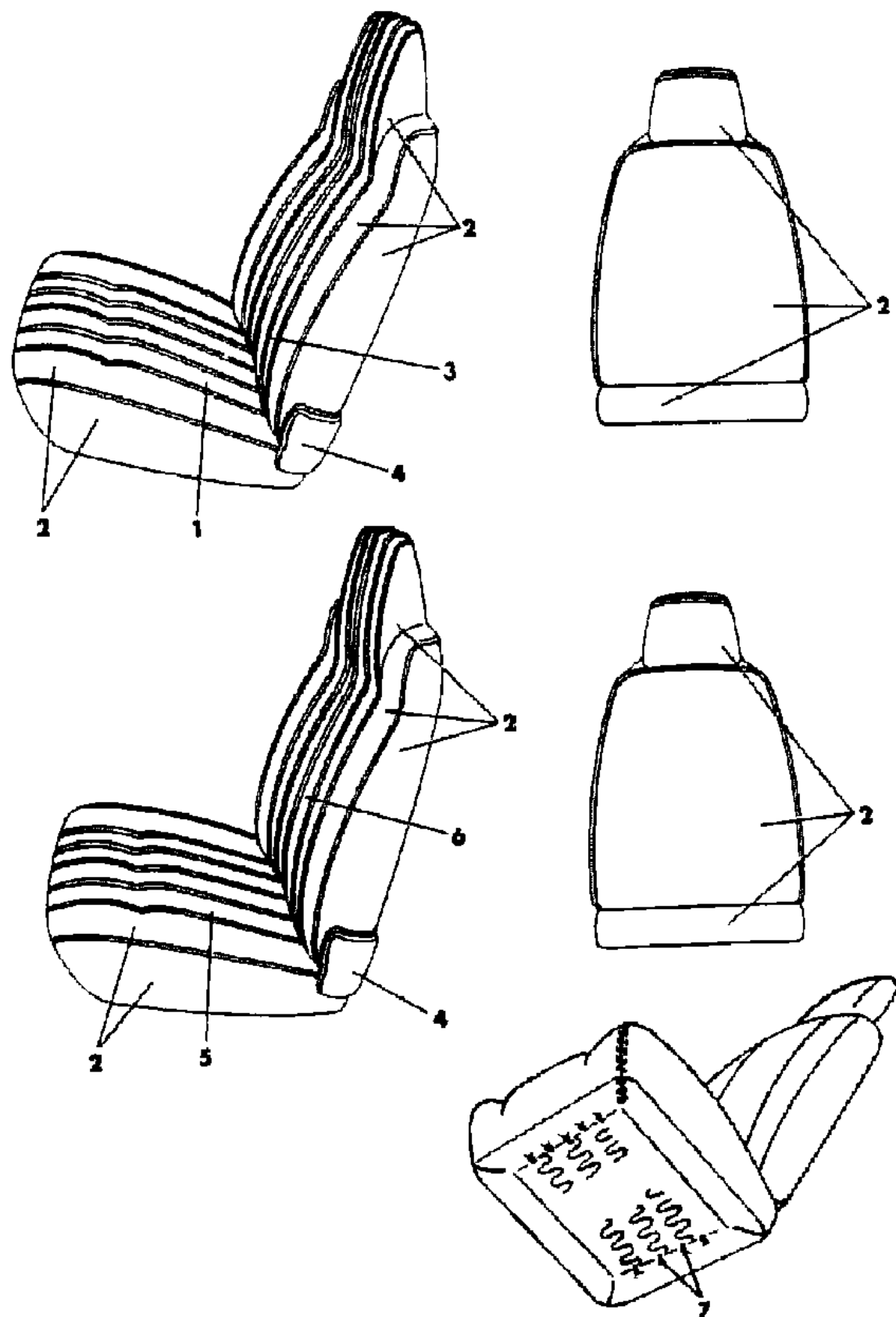
BODY STYLES

21 = 2-DOOR SEDAN	28 = FWD PICKUP
22 = 2-DOOR SPECIAL COUPE	41 = 4-DOOR SEDAN
24 = 2-DOOR HATCHBACK	44 = 4-DOOR HATCHBACK
27 = 2-DOOR CONVERTIBLE	45 = 2-SEAT STATION WAGON

AR = Use as Required - = Non Illustrated Part P.A.R. = Paint as Required

SEAT,FRONT M & Z TRIM CODE B5,B6  
Figure IT-1222

2253-1 22 200A



ITEM	PART NUMBER	QTY	BODY	MODEL	DESCRIPTION
	N948 V5T	2			N N44 NB5T YN948V5T
3					COVER,Front Back N N N N
	N336 V5B	2			N N NB5B YN336V5B
	N336 V5M	2			N N NB5M YN336V5M
	N336 V5T	2			N N NB5T YN336V5T
4					COVER,Hinge Arm Outer N N N N
	S816-7 AA3	1			Silver (paint as required) N N24 N YS816AA3
	S734-5 RX9	1			Black,Paint as Required N N44,28 N YS734RX9
					COVER,Hinge Arm Inner N N N N
	S734-5 RX9	1			Black,Paint as Required N N N YS734RX9
5&2					CUSHION,Front w/Spring,Frame & Cover N N N N
					(use up to 2/1/82) N N N N
	N558-9 V6B	1			N N24 NB6B YN558V6B
	N558-9 V6M	1			N N24 NB6M YN558V6M
	N558-9 V6T	1			N N24,28 NB6T YN558V6T
	N558-9 V6X	1			N N24,28 NB6X YN558V6X
					(use after 2/1/82) N N N N
	N880-1 A6B	1			N N24 NB6B YN880A6B
	N880-1 A6M	1			N N24 NB6M YN880A6M
	N880-1 A6T	1			N N24,28 NB6T YN880A6T
	N880-1 A6X	1			N N24,28 NB6X YN880A6X
					(use up to 2/1/82) N N N N
	N560-1 V6B	1			N N44 NB6B YN560V6B
	N560-1 V6M	1			N N44 NB6M YN560V6M
	N560-1 V6T	1			N N44 NB6T YN560V6T
	N560-1 V6X	1			N N44 NB6X YN560V6X
					(use after 2/1/82) N N N N
	N882-3 A6B	1			N N44 NB6B YN882A6B
	N882-3 A6M	1			N N44 NB6M YN882A6M
	N882-3 A6T	1			N N44 NB6T YN882A6T
	N882-3 A6X	1			N N44 NB6X YN882A6X
5					COVER,Front Cushion N N N N
					(use up to 2/1/82) N N N N
	N307 V6B	2			N N NB6B YN307V6B
	N307 V6M	2			N N NB6M YN307V6M
	N307 V6T	2			N N NB6T YN307V6T
	N307 V6X	2			N N NB6X YN307V6X

MODEL CODES

B = GRAN FURY/CARAVELLE  
C = LEBARON/TOWN & COUNTRY  
D = ARIES  
F = NEW YORKER  
G = DIPLOMAT  
M = HORIZON/TC3/SCAMP  
P = RELIANT  
S = CORDOBA  
V = 400  
X = MIRADA  
Y = IMPERIAL  
Z = OMNI/O24/RAMPAGE

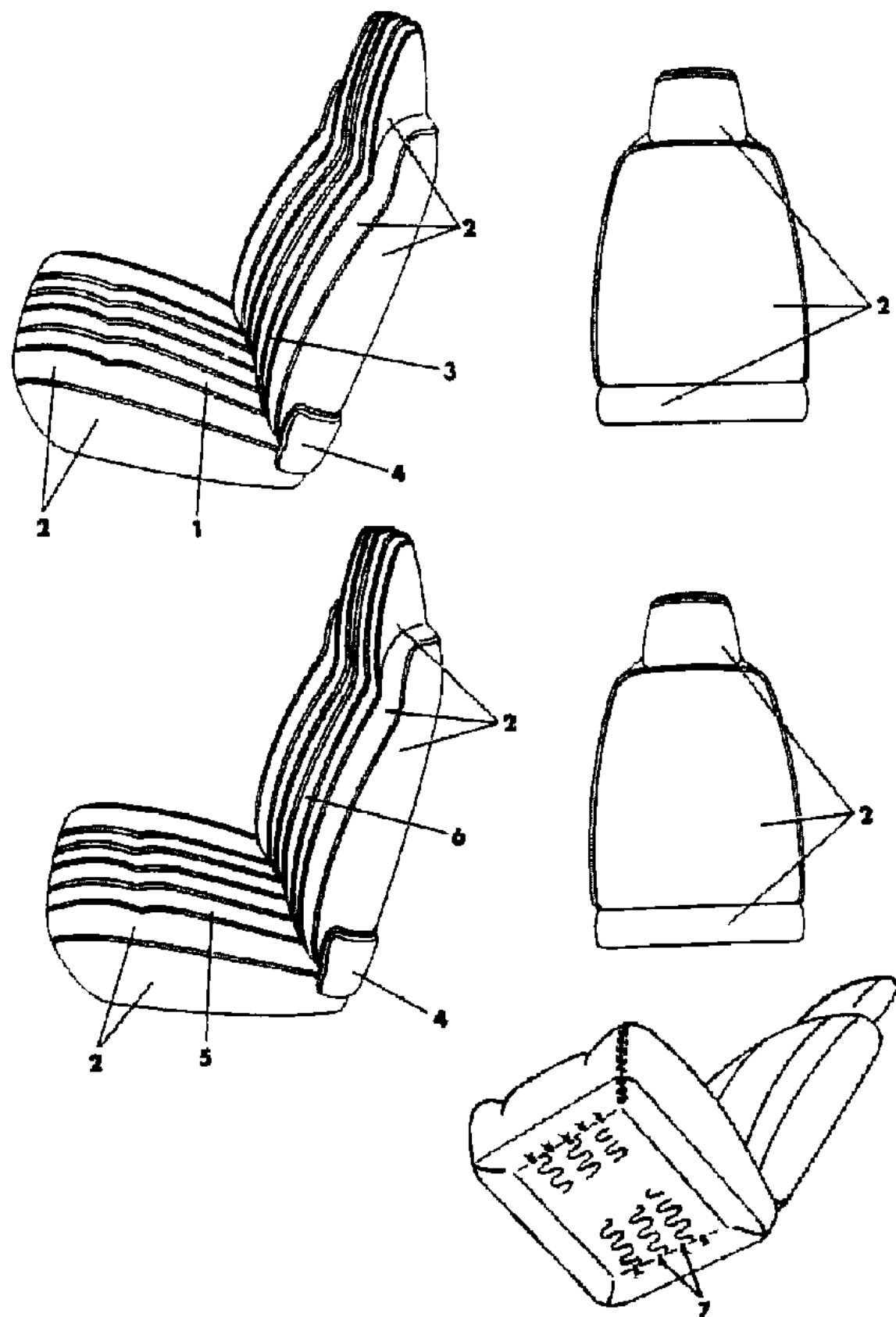
BODY STYLES

21 = 2-DOOR SEDAN  
22 = 2-DOOR SPECIAL COUPE  
24 = 2-DOOR HATCHBACK  
27 = 2-DOOR CONVERTIBLE  
28 = FWD PICKUP  
41 = 4-DOOR SEDAN  
44 = 4-DOOR HATCHBACK  
45 = 2-SEAT STATION WAGON

AR = Use as Required - = Non Illustrated Part P.A.R. = Paint as Required

SEAT,FRONT M & Z TRIM CODE B5,B6  
Figure IT-1222

2253-1 22 200A



ITEM	PART NUMBER	QTY	BODY	MODEL	DESCRIPTION
					(use after 2/1/82) N N N N
	N372 A6B	2			N N NB6B YN372A6B
	N372 A6M	2			N N NB6M YN372A6M
	N372 A6T	2			N N NB6T YN372A6T
	N372 A6X	2			N N NB6X YN372A6X
6&2					BACK,Front w/Spring,Frame & Cover N N N N
					(use up to 2/1/82) N N N N
	N974-5 V6B	1			N N24 NB6B YN974V6B
	N974-5 V6M	1			N N24 NB6M YN974V6M
	N974-5 V6T	1			N N24,28 NB6T YN974V6T
	N974-5 V6X	1			N N24,28 NB6X YN974V6X
					(use after 2/1/82) N N N N
	N884-5 A6B	1			N N24 NB6B YN884A6B
	N884-5 A6M	1			N N24 NB6M YN884A6M
	N884-5 A6T	1			N N24,28 NB6T YN884A6T
	N884-5 A6X	1			N N24,28 NB6X YN884A6X
					(use up to 2/1/82) N N N N
	N949 V6B	2			N N44 NB6B YN949V6B
	N949 V6M	2			N N44 NB6M YN949V6M
	N949 V6T	2			N N44 NB6T YN949V6T
	N949 V6X	2			N N44 NB6X YN949V6X
					(use after 2/1/82) N N N N
	N886 A6B	2			N N44 NB6B YN886A6B
	N886 A6M	2			N N44 NB6M YN886A6M
	N886 A6T	2			N N44 NB6T YN886A6T
	N886 A6X	2			N N44 NB6X YN886A6X
6					COVER,Front Back N N N N
					(use up to 2/1/82) N N N N
	N337 V6B	2			N N NB6B YN337V6B
	N337 V6M	2			N N NB6M YN337V6M
	N337 V6T	2			N N NB6T YN337V6T
	N337 V6X	2			N N NB6X YN337V6X
					(use after 2/1/82) N N N N
	N373 A6B	2			N N NB6B YN373A6B
	N373 A6M	2			N N NB6M YN373A6M
	N373 A6T	2			N N NB6T YN373A6T
	N373 A6X	2			N N NB6X YN373A6X

MODEL CODES

B = GRAN FURY/CARAVELLE  
C = LEBARON/TOWN & COUNTRY  
D = ARIES  
F = NEW YORKER  
G = DIPLOMAT  
M = HORIZON/TC3/SCAMP  
P = RELIANT  
S = CORDOBA  
V = 400  
X = MIRADA  
Y = IMPERIAL  
Z = OMNI/O24/RAMPAGE

BODY STYLES

21 = 2-DOOR SEDAN  
22 = 2-DOOR SPECIAL COUPE  
24 = 2-DOOR HATCHBACK  
27 = 2-DOOR CONVERTIBLE  
28 = FWD PICKUP  
41 = 4-DOOR SEDAN  
44 = 4-DOOR HATCHBACK  
45 = 2-SEAT STATION WAGON

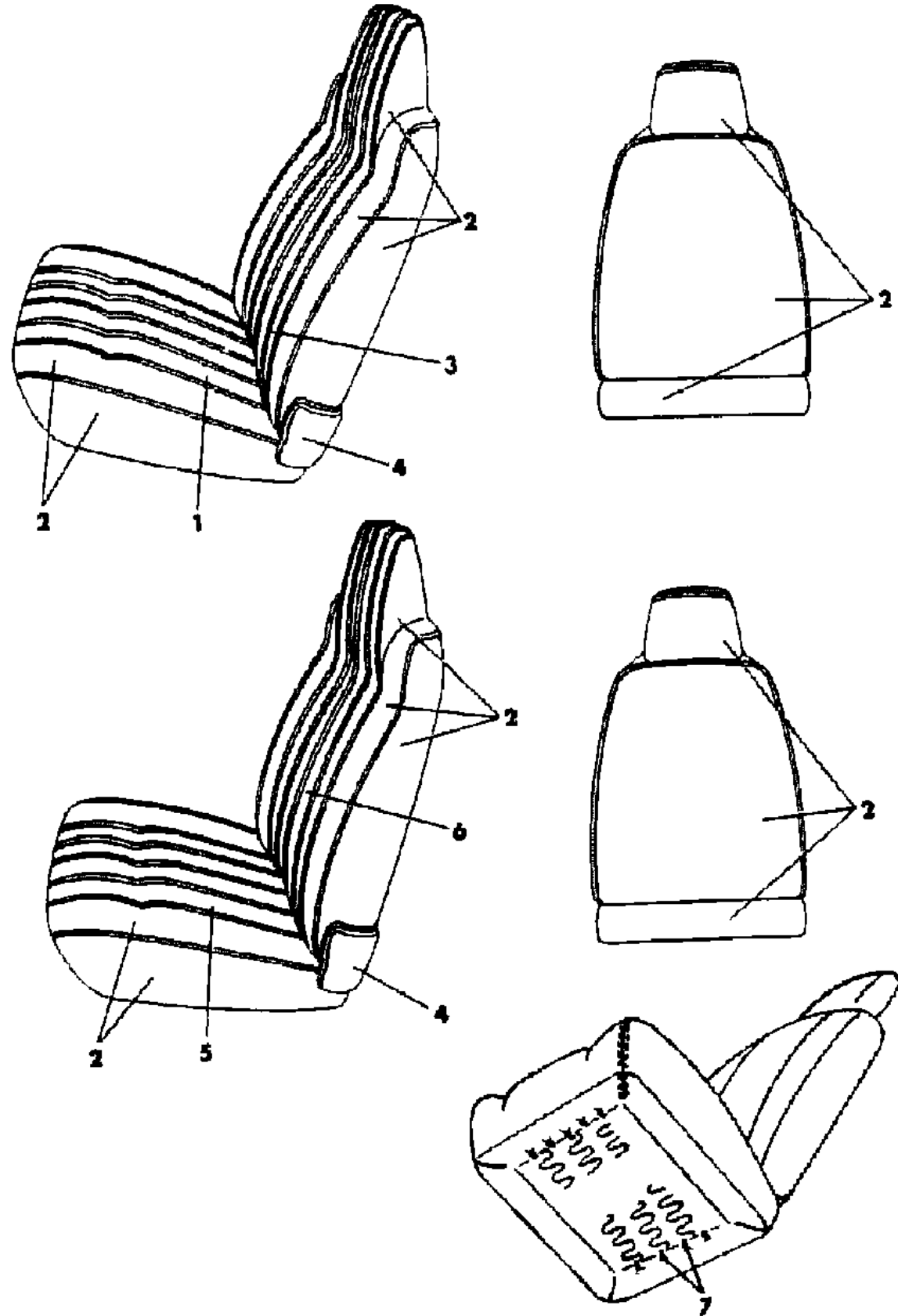
AR = Use as Required - = Non Illustrated Part P.A.R. = Paint as Required

**SEAT,FRONT M & Z TRIM CODE B5,B6**  
**Figure IT-1222**

2253-1 **22** 200A

ITEM	PART NUMBER	QTY	BODY	MODEL	DESCRIPTION
------	-------------	-----	------	-------	-------------

7	6008 076	AR			CLIP,Hog Ring N N N Y6008076
---	----------	----	--	--	------------------------------



**MODEL CODES**

B = GRAN FURY/CARAVELLE	P = RELIANT
C = LEBARON/TOWN & COUNTRY	S = CORDOBA
D = ARIES	V = 400
F = NEW YORKER	X = MIRADA
G = DIPLOMAT	Y = IMPERIAL
M = HORIZON/TC3/SCAMP	Z = OMNI/O24/RAMPAGE

**BODY STYLES**

21 = 2-DOOR SEDAN	28 = FWD PICKUP
22 = 2-DOOR SPECIAL COUPE	41 = 4-DOOR SEDAN
24 = 2-DOOR HATCHBACK	44 = 4-DOOR HATCHBACK
27 = 2-DOOR CONVERTIBLE	45 = 2-SEAT STATION WAGON

AR = Use as Required - = Non Illustrated Part P.A.R. = Paint as Required

SEAT,FRONT M & Z TRIM CODE C8,G7,H7  
Figure IT-1223

2253-122300A

ITEM	PART NUMBER	QTY	BODY	MODEL	DESCRIPTION
1-2					CUSHION,Front w/Spring,Frame & Cover N N N N
	N564-5 A8A	1			N N NC8A YN564A8A
	N564-5 V8B	1			N N NC8B YN564V8B
	N564-5 V8M	1			N N NC8M YN564V8M
	N564-5 V8T	1			N N NC8T YN564V8T
	N564-5 V8X	1			N N NC8X YN564V8X
1					COVER,Front Cushion N N N N
	N308 A8A	2			N N NC8A YN308A8A
	N308 V8B	2			N N NC8B YN308V8B
	N308 V8M	2			N N NC8M YN308V8M
	N308 V8T	2			N N NC8T YN308V8T
	N308 V8X	2			N N NC8X YN308V8X
2					ROLL STOCK,Vinyl Order by the Inch N N N N
	R616 VB2	AR			64" Wide ,Blue N N N YR616VB2
	R616 VM6	AR			64" Wide, Red N N N YR616VM6
	R616 VT3	AR			64" Wide,Tan N N N YR616VT3
	R609 VX9	AR			58" Wide, Black N N N YR609VX9
2-3					BACK,Front w/Spring,Frame & Cover N N N N
	N930-1 A8A	1			N N24 NC8A YN930A8A
	N930-1 V8B	1			N N24 NC8B YN930V8B
	N930-1 V8M	1			N N24 NC8M YN930V8M
	N930-1 V8T	1			N N24 NC8T YN930V8T
	N930-1 V8X	1			N N24 NC8X YN930V8X
	N932-3 A8A	1			N N44 NC8A YN932A8A
	N932-3 V8B	1			N N44 NC8B YN932V8B
	N932-3 V8M	1			N N44 NC8M YN932V8M
	N932-3 V8T	1			N N44 NC8T YN932V8T
	N932-3 V8X	1			N N44 NC8X YN932V8X
3					COVER,Front Back N N N N
	N309 A8A	2			N N NC8A YN309A8A
	N309 V8B	2			N N NC8B YN309V8B
	N309 V8M	2			N N NC8M YN309V8M
	N309 V8T	2			N N NC8T YN309V8T
	N309 V8X	2			N N NC8X YN309V8X
4					ROLL STOCK, Vinyl 58" Wide Order by the Inch N N N N
	R603 VB2	AR			Blue N N N YR603VB2
	R603 VM6	AR			Red N N N YR603VM6

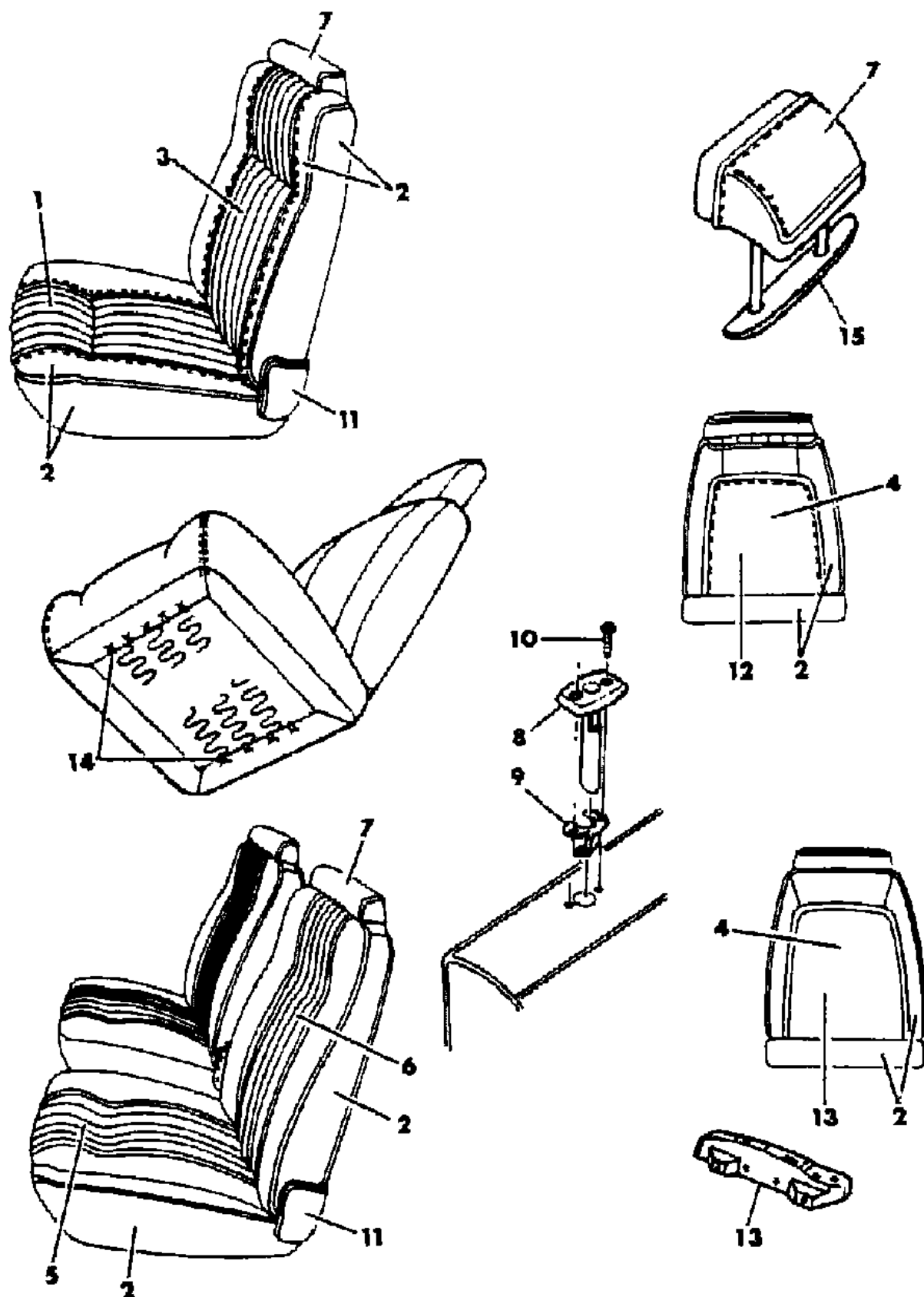
MODEL CODES

B = GRAN FURY/CARAVELLE	P = RELIANT
C = LEBARON/TOWN & COUNTRY	S = CORDOBA
D = ARIES	V = 400
F = NEW YORKER	X = MIRADA
G = DIPLOMAT	Y = IMPERIAL
M = HORIZON/TC3/SCAMP	Z = OMNI/O24/RAMPAGE

BODY STYLES

21 = 2-DOOR SEDAN	28 = FWD PICKUP
22 = 2-DOOR SPECIAL COUPE	41 = 4-DOOR SEDAN
24 = 2-DOOR HATCHBACK	44 = 4-DOOR HATCHBACK
27 = 2-DOOR CONVERTIBLE	45 = 2-SEAT STATION WAGON

AR = Use as Required - = Non Illustrated Part P.A.R. = Paint as Required





SEAT,FRONT M & Z TRIM CODE C8,G7,H7  
Figure IT-1223

2253-122300A

ITEM	PART NUMBER	QTY	BODY	MODEL	DESCRIPTION
	R603 VT3	AR			Tan N N N YR603VT3
	R603 VX9	AR			Black N N N YR603VX9
5&2	N574-5 V7B	1			CUSHION,Front w/Spring Frame & Cover N N N N N N24 ND7B,G7B,H7B YN574V7B
	N574-5 V7M	1			N N24 ND7M,G7M,H7M YN574V7M
	N574-5 V7T	1			N N24 ND7T,G7T,H7T YN574V7T
	N574-5 V7X	1			N N24 ND7X,G7X,H7X YN574V7X
	N576-7 V7B	1			N N44 ND7B,G7B,H7B YN576V7B
	N576-7 V7M	1			N N44 ND7M,G7M,H7M YN576V7M
	N576-7 V7T	1			N N44 ND7T,G7T,H7T YN576V7T
	N576-7 V7X	1			N N44 ND7X,G7X,H7X YN576V7X
5	N516 V7B	2			COVER,Front Cushion N N N N N N ND7B,G7B,H7B YN516V7B
	N516 V7M	2			N N ND7M,G7M,H7M YN516V7M
	N516 V7T	2			N N ND7T,G7T,H7T YN516V7T
	N516 V7X	2			N N ND7X,G7T,H7T YN516V7X
6&2	N578-9 V7B	1			BACK,Front w/Spring Frame & Cover N N N N N N24 ND7B,G7B,H7B YN578V7B
	N578-9 V7M	1			N N24 ND7M,g7M,H7M YN578V7M
	N578-9 V7T	1			N N24 ND7T,G7T,H7T YN578V7T
	N578-9 V7X	1			N N24 ND7X,G7X,H7X YN578V7X
	N588-9 V7B	1			N N44 ND7B,G7B,H7B YN588V7B
	N588-9 V7M	1			N N44 ND7M,G7M,H7M YN588V7M
	N588-9 V7T	1			N N44 ND7T,G7T,H7T YN588V7T
	N588-9 V7X	1			N N44 ND7X,G7X,H7X YN588V7X
6	N517 V7B	2			COVER,Front Back N N N N N N ND7B,G7B,H7B YN517V7B
	N517 V7M	2			N N ND7M,G7M,H7M YN517V7M
	N517 V7T	2			N N ND7T,G7T,H7T YN517V7T
	N517 V7X	2			N N ND7X,G7X,H7X YN517V7X
7	S702 AA2	2			HEAD REST,See Seat Belt Illustration For Loop N N N N N N NC8A YS702AA2
	S702 TB2	2			N N NC8B,D7B YS702TB2
	S702 TM6	2			N N NC8M,D7M YS702TM6
	S702 ST4	2			N N NC8T,D7T YS702ST4
	S702 RX9	2			N N NC8X,D7X YS702RX9
	A859 VB2	2			N N NG7B,H7B YA859VB2

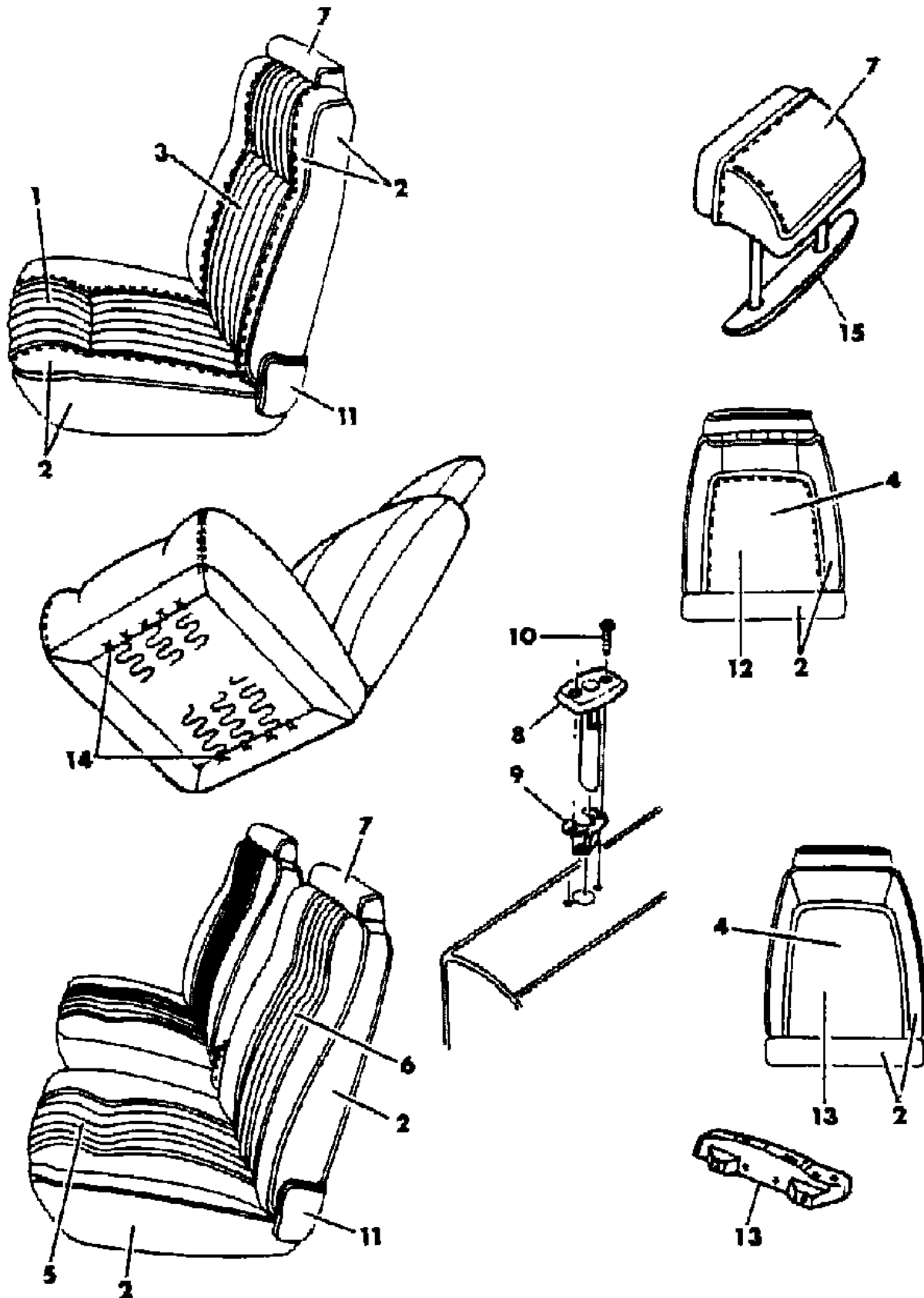
MODEL CODES

B = GRAN FURY/CARAVELLE	P = RELIANT
C = LEBARON/TOWN & COUNTRY	S = CORDOBA
D = ARIES	V = 400
F = NEW YORKER	X = MIRADA
G = DIPLOMAT	Y = IMPERIAL
M = HORIZON/TC3/SCAMP	Z = OMNI/O24/RAMPAGE

BODY STYLES

21 = 2-DOOR SEDAN	28 = FWD PICKUP
22 = 2-DOOR SPECIAL COUPE	41 = 4-DOOR SEDAN
24 = 2-DOOR HATCHBACK	44 = 4-DOOR HATCHBACK
27 = 2-DOOR CONVERTIBLE	45 = 2-SEAT STATION WAGON

AR = Use as Required - = Non Illustrated Part P.A.R. = Paint as Required



SEAT,FRONT M & Z TRIM CODE C8,G7,H7  
Figure IT-1223

2253-122300 A

ITEM	PART NUMBER	QTY	BODY	MODEL	DESCRIPTION
	A859 VM6	2			N N NG7M,H7M YA859VM6
	A859 VT3	2			N N NG7T,H7T YA859VT3
	A859 VX9	2			N N NG7X,H7X YA859VX9
	A508 VB2	1			COVER, Head Rest N N N N
	A508 VM6	1			N N NG7M,H7M YA508VM6
	A508 VT3	1			N N NG7T,H7T YA508VT3
	A508 VX9	1			N N NG7X,H7X YA508VX9
8					SLEEVE,Head Rest N N N N
	S690 AA3	4			Silver N N N YS690AA3
	S690 TB2	4			Blue N N N YS690TB2
	S690 TM6	4			Red N N N YS690TM6
	S690 ST4	4			Tan N N N YS690ST4
	S690 RX9	4			Black N N N YS690RX9
9	4098 965	4			CATCH,Head Rest Post N N N Y4098965
10					SCREW(not serviced) N N N N
11					COVER,Hinge Arm Outer N N N N
	S844 SX9	1			Black,Paint as Required,Rt. N N NC8,D7 YS844SX9
	S877 SX9	1			Black,Paint as Required, Outer Lt., and Inner Rt. N N NC8,D7 YS877SX9
	S876 SX9	1			Black,Paint as Required, Inner Lt. N N NC8,D7 YS876SX9
	S810-1 RX9	1			Black, Outer (paint as required) N N NG7,H7 YS810RX9
	S876 SX9	1			Black, Inner Left (paint as required) N N NG7,H7 YS876SX9
	S877 SX9	1			Black, Inner Right (paint as required) N N NG7,H7 YS877SX9
12					PANEL,Back of Front Seat Back N N N N
	S731 AA3	2			N N NC8A YS731AA3
	S731 VB2	2			N N NC8B,D7B YS731VB2
	S731 VB2	2			N N NG7B,H7B YS731VB2
	S731 VM6	2			N N NC8M,D7M YS731VM6
	S731 VM6	2			N N NG7M,H7M YS731VM6
	S731 VT3	2			N N NC8T,D7T YS731VT3
	S731 VT3	2			N N NG7T,H7T YS731VT3
	S731 VX9	2			N N NC8X,D7X YS731VX9
	S731 VX9	2			N N NG7X,H7X YS731VX9
13		2			SIDE MEMBER and P/NUT,Front Seat Cushion Bracket (not serviced) N N N N
14	6008 076	AR			CLIP, Hog Ring N N N Y6008076

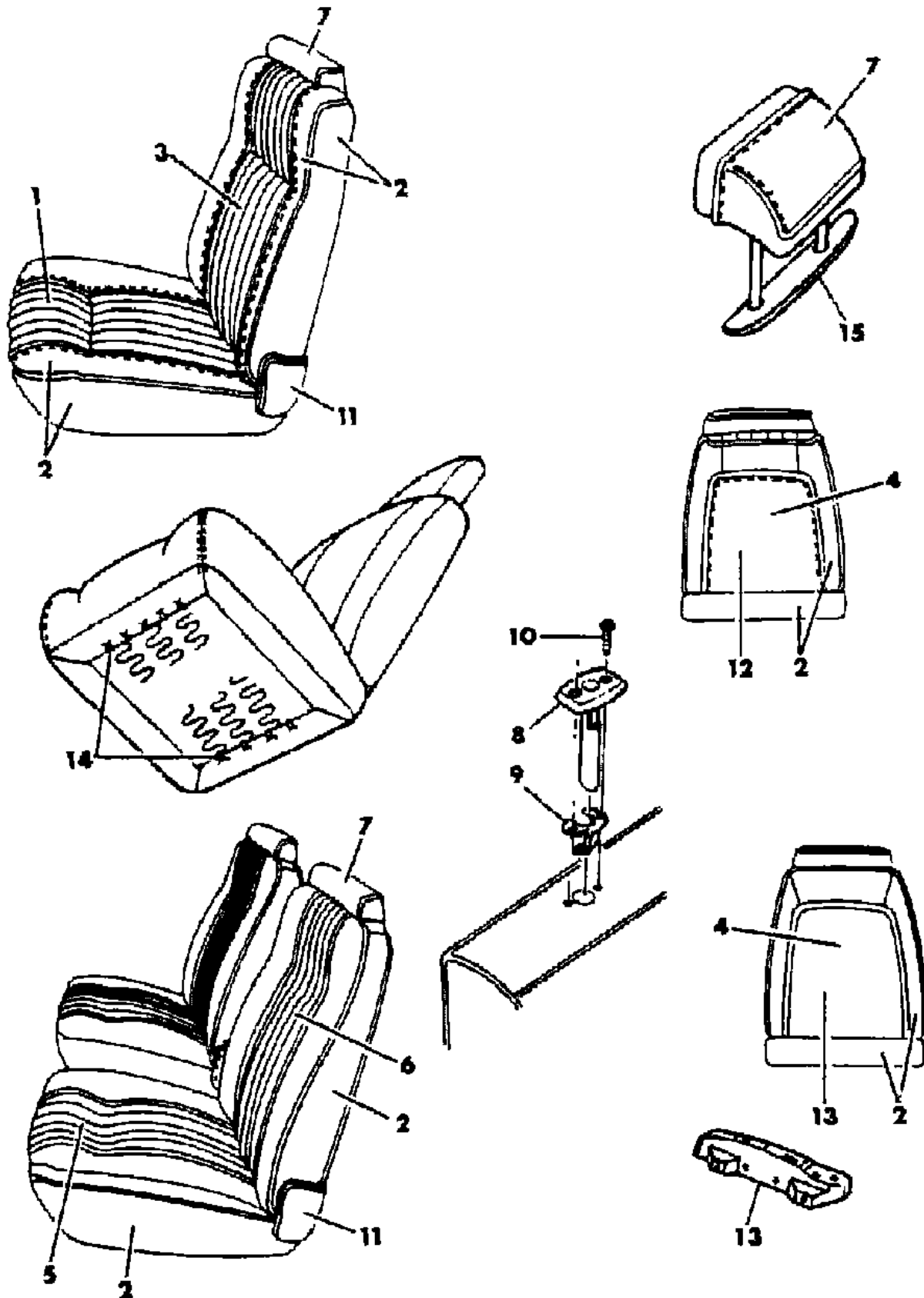
MODEL CODES

B = GRAN FURY/CARAVELLE	P = RELIANT
C = LEBARON/TOWN & COUNTRY	S = CORDOBA
D = ARIES	V = 400
F = NEW YORKER	X = MIRADA
G = DIPLOMAT	Y = IMPERIAL
M = HORIZON/TC3/SCAMP	Z = OMNI/O24/RAMPAGE

BODY STYLES

21 = 2-DOOR SEDAN	28 = FWD PICKUP
22 = 2-DOOR SPECIAL COUPE	41 = 4-DOOR SEDAN
24 = 2-DOOR HATCHBACK	44 = 4-DOOR HATCHBACK
27 = 2-DOOR CONVERTIBLE	45 = 2-SEAT STATION WAGON

AR = Use as Required - = Non Illustrated Part P.A.R. = Paint as Required

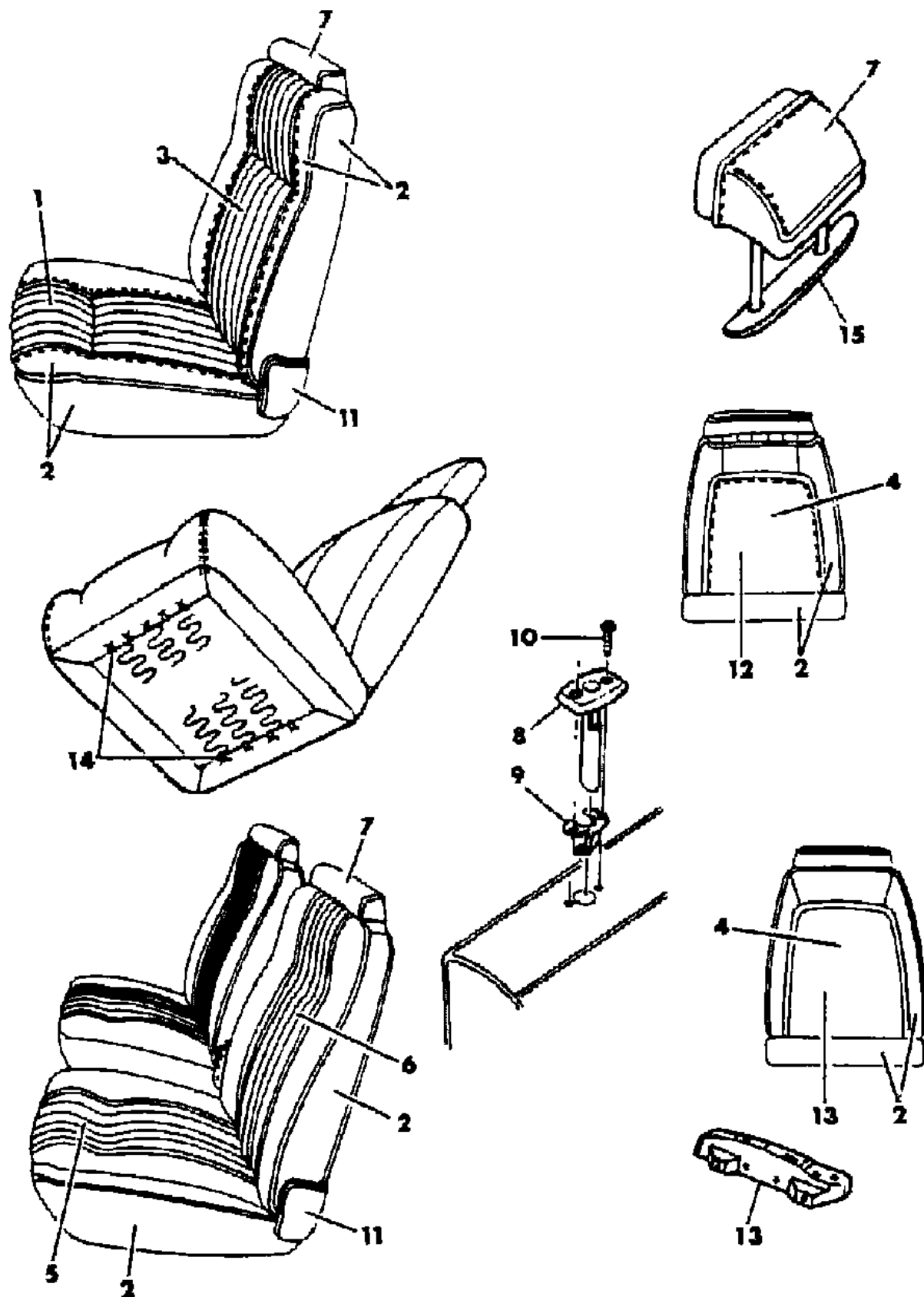


SEAT, FRONT M & Z TRIM CODE C8,G7,H7  
Figure IT-1223

2253-122300 A

ITEM	PART NUMBER	QTY	BODY	MODEL	DESCRIPTION
------	-------------	-----	------	-------	-------------

15	4018 808	2			COVER, Head Rest Finish N N N Y4018808



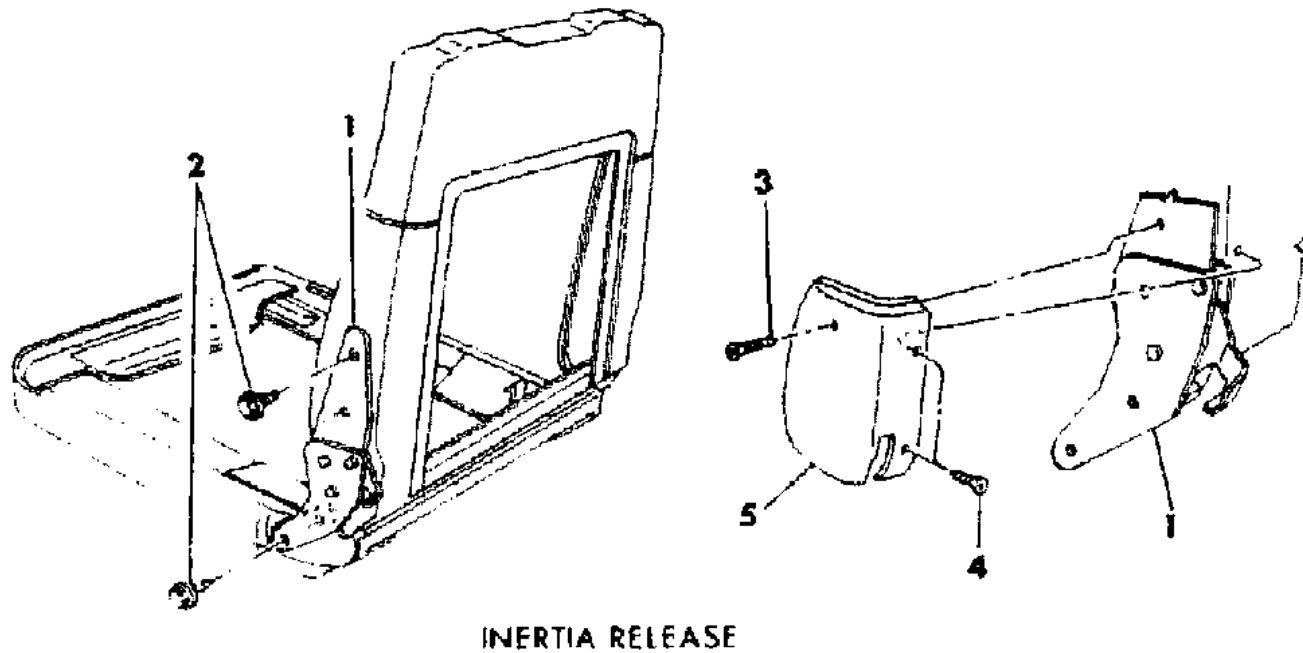
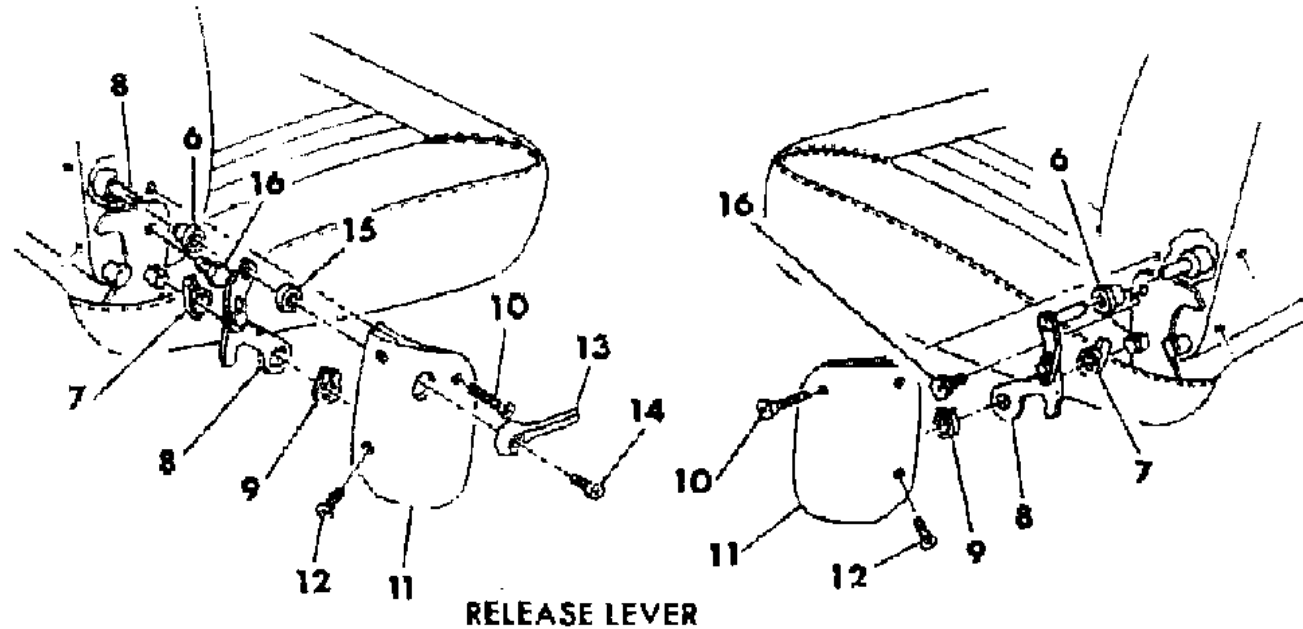
MODEL CODES  
 B = GRAN FURY/CARAVELLE P = RELIANT  
 C = LEBARON/TOWN & COUNTRY S = CORDOBA  
 D = ARIES V = 400  
 F = NEW YORKER X = MIRADA  
 G = DIPLOMAT Y = IMPERIAL  
 M = HORIZON/TC3/SCAMP Z = OMNI/O24/RAMPAGE

BODY STYLES  
 21 = 2-DOOR SEDAN 28 = FWD PICKUP  
 22 = 2-DOOR SPECIAL COUPE 41 = 4-DOOR SEDAN  
 24 = 2-DOOR HATCHBACK 44 = 4-DOOR HATCHBACK  
 27 = 2-DOOR CONVERTIBLE 45 = 2-SEAT STATION WAGON

AR = Use as Required - = Non Illustrated Part P.A.R. = Paint as Required

**FRONT SEAT BACK RELEASE - M,Z, 24**  
**Figure IT-1241**

2253-124 100



ITEM	PART NUMBER	QTY	BODY	MODEL	DESCRIPTION
1	4190 091	1			LATCH, Front seat Inertia Bracket Left Side Only N N N Y4190091
2	9422 041	4			SCREW and WASHER N N N Y9422041
3		AR			SCREW (not serviced) N N N N
4		AR			SCREW (not serviced) N N N N
5					COVER (see Seat Illustration Interior Trim) N N N N
6	4029 846	2			BUSHING, Shaft Pivot N N N Y4029846
7	4018 866-7	1			SPRING, Latch Return N N N Y4018866
8	4190 054-5	1			LATCH, Front Seat Back to Cushion, Inboard N N N Y4190054
	4098 066-7	1			Outboard N N N Y4098066
9	6024 440	AR			RETAINING RING, Lock Assy. Back to Cushion N N N Y6024440
10		AR			SCREW (not serviced) N N N N
11					COVER (see Seat Illustration Interior Trim) N N N N
12		AR			SCREW (not serviced) N N N N
13	4138 298	1			HANDLE, Latch Release N N N Y4138298
	4018 911	1			HANDLE, Latch Release N N NC8 Y4018911
14		AR			SCREW (not serviced) N N N N
15	6024 203	AR			PUSHNUT, Lever Retainer N N N Y6024203
16	6031 518	4			SCREW, Pivot Shoulder N N N Y6031518

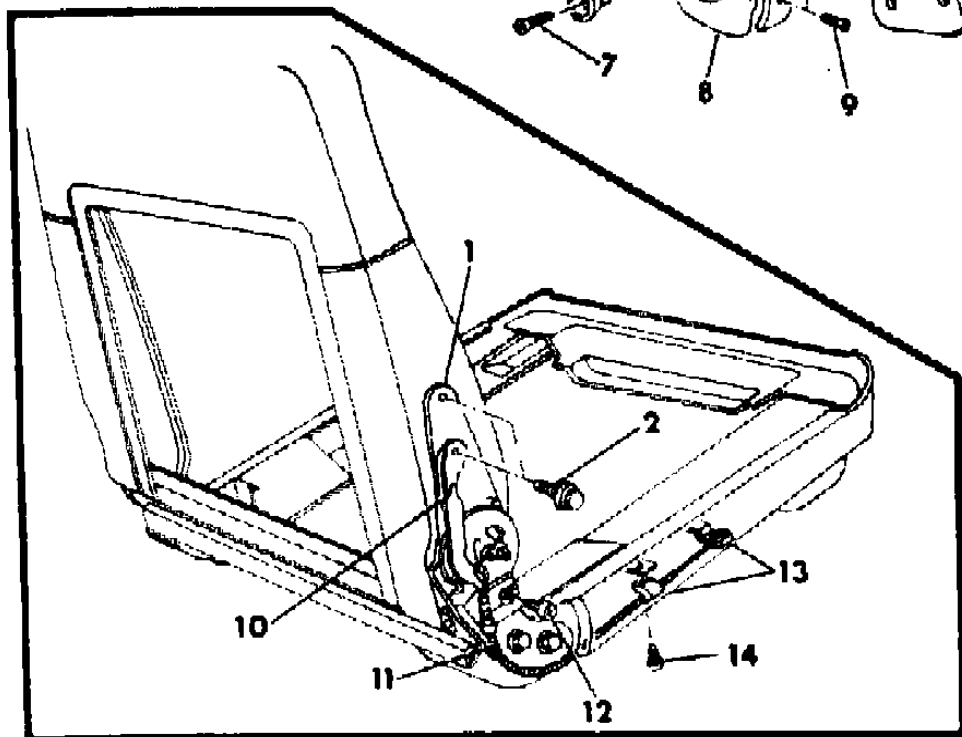
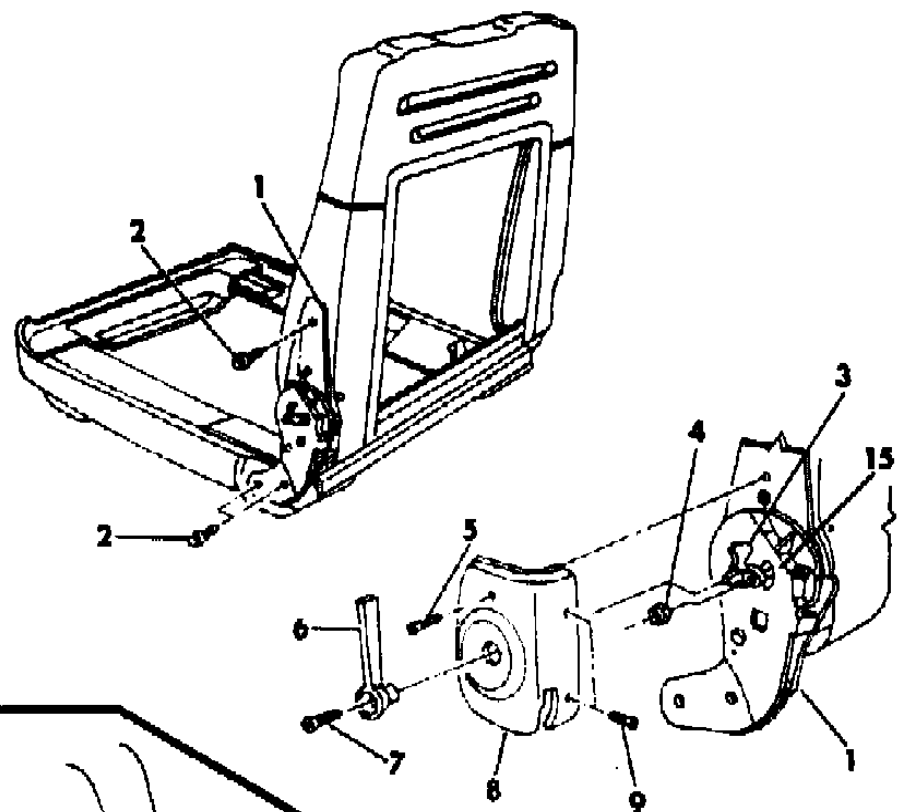
MODEL CODES  
 B = GRAN FURY/CARAVELLE      P = RELIANT  
 C = LEBARON/TOWN & COUNTRY      S = CORDOBA  
 D = ARIES      V = 400  
 F = NEW YORKER      X = MIRADA  
 G = DIPLOMAT      Y = IMPERIAL  
 M = HORIZON/TC3/SCAMP      Z = OMNI/O24/RAMPAGE

BODY STYLES  
 21 = 2-DOOR SEDAN      28 = FWD PICKUP  
 22 = 2-DOOR SPECIAL COUPE      41 = 4-DOOR SEDAN  
 24 = 2-DOOR HATCHBACK      44 = 4-DOOR HATCHBACK  
 27 = 2-DOOR CONVERTIBLE      45 = 2-SEAT STATION WAGON

AR = Use as Required - = Non Illustrated Part P.A.R. = Paint as Required

RECLINING FRONT SEAT W/MANUAL BACK RELEASE - M,Z  
Figure IT-1251

2253-125100A



ITEM	PART NUMBER	QTY	BODY	MODEL	DESCRIPTION
1	4190 968-9	1			RECLINER, Front SEAT N N N Y4190968
2	9422 041	8			SCREW and WASHER, w/Low Back Buckets N N N Y9422041
	9425 118	4			SCREW and WASHER, w/High Back Buckets N N N Y9425118
3	4029 871	1			ADAPTER, Actuator Handle N N N Y4029871
4	0120 622	1			NUT, Lock N N N Y120622
5		AR			SCREW (not serviced) N N N N
6	4138 298	1			HANDLE, Seat Recliner, Single N N N Y4138298
	4018 911	1			HANDLE N N NC8 Y4018911
	4018 911	2			Dual N N N Y4018911
7		AR			SCREW (not serviced) N N N N
8					COVER (see Seat Illustration Interior Trim) N N N N
9		AR			SCREW (not serviced) N N N N
10	5232 060	1			BRACKET, Seat Recliner and EZ Entry Cable Latch Release N N N Y5232060
11	5207 480	1			CABLE, Seat Recliner and EZ Entry Release N N N Y5207480
12	9414 712	2			SCREW N N N Y9414712
13					ADJUSTER (see Manual Seat Adjuster) N N N N
14	6100 044	AR			NUT and WASHER N N N Y6100044
15	4190 248-9	1			SPRING, Front Seat Back Reclining Release Cam N N N Y4190248

The following parts are not illustrated. s ARE NOT RETURNABLE.

		1			SHIM, Front Seat Recliner Locking Arm (serviced in recliner) N N N
--	--	---	--	--	--

MODEL CODES

B = GRAN FURY/CARAVELLE	P = RELIANT
C = LEBARON/TOWN & COUNTRY	S = CORDOBA
D = ARIES	V = 400
F = NEW YORKER	X = MIRADA
G = DIPLOMAT	Y = IMPERIAL
M = HORIZON/TC3/SCAMP	Z = OMNI/O24/RAMPAGE

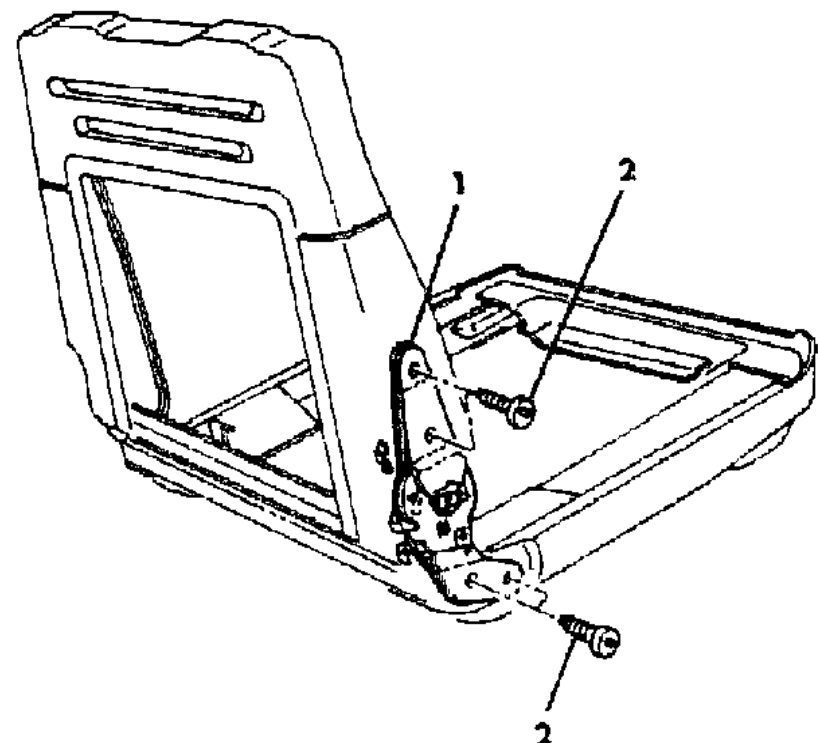
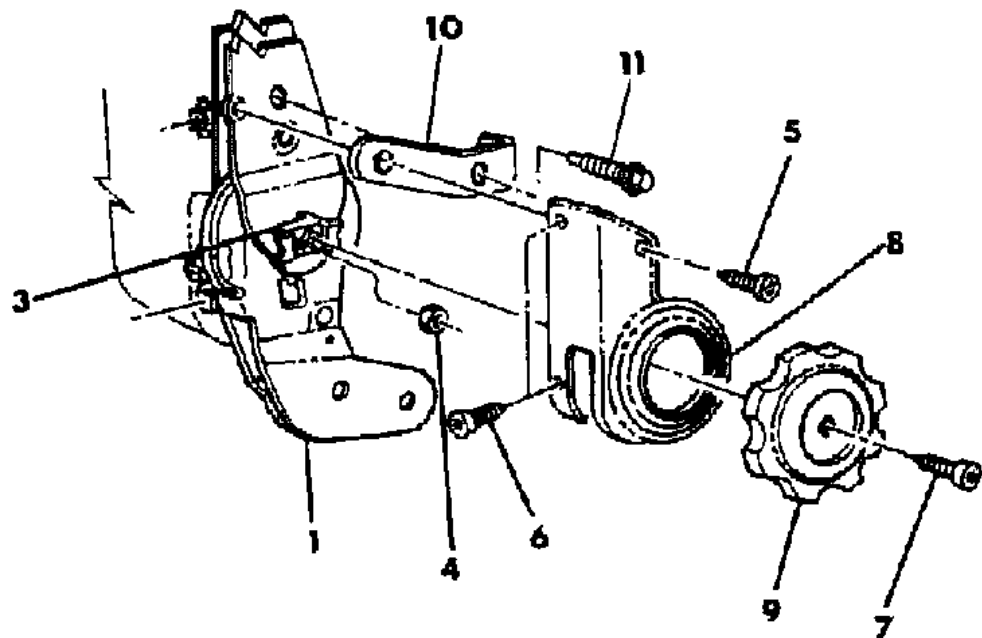
BODY STYLES

21 = 2-DOOR SEDAN	28 = FWD PICKUP
22 = 2-DOOR SPECIAL COUPE	41 = 4-DOOR SEDAN
24 = 2-DOOR HATCHBACK	44 = 4-DOOR HATCHBACK
27 = 2-DOOR CONVERTIBLE	45 = 2-SEAT STATION WAGON

AR = Use as Required - = Non Illustrated Part P.A.R. = Paint as Required

RECLINING FRONT SEAT W/INERTIA BACK RELEASE M,Z  
Figure IT-1252

2253 125200A



ITEM	PART NUMBER	QTY	BODY	MODEL	DESCRIPTION
1	4239 640-1	1			RECLINER, Inertia N N N Y4239640
2	6032 075	8			SCREW N N N Y6032075
3	4239 671	2			ACTUATOR, Release N N24 N Y4239671
	4239 671	2			(use up to 6/1/82) N N28,44 N Y4239671
	4277 946	2			(use after 6/1/82) N N28,44 N Y4277946
4	0120 622	2			NUT N N N Y120622
5		AR			SCREW (not serviced) N N N N
6	6032 072	AR			SCREW N N N Y6032072
7	0153 635	2			SCREW N N N Y153635
8	4239 542-3	1			SHIELD, Outer Chrome N N N Y4239542
	4239 570-1	1			Inner, Chrome N N N Y4239570
9	4239 546	2			KNOB, Recliner Release N N N Y4239546
10	4277 944-5	2			BRACKET, Side Shield Mounting N N N Y4277944

MODEL CODES

B = GRAN FURY/CARAVELLE	P = RELIANT
C = LEBARON/TOWN & COUNTRY	S = CORDOBA
D = ARIES	V = 400
F = NEW YORKER	X = MIRADA
G = DIPLOMAT	Y = IMPERIAL
M = HORIZON/TC3/SCAMP	Z = OMNI/O24/RAMPAGE

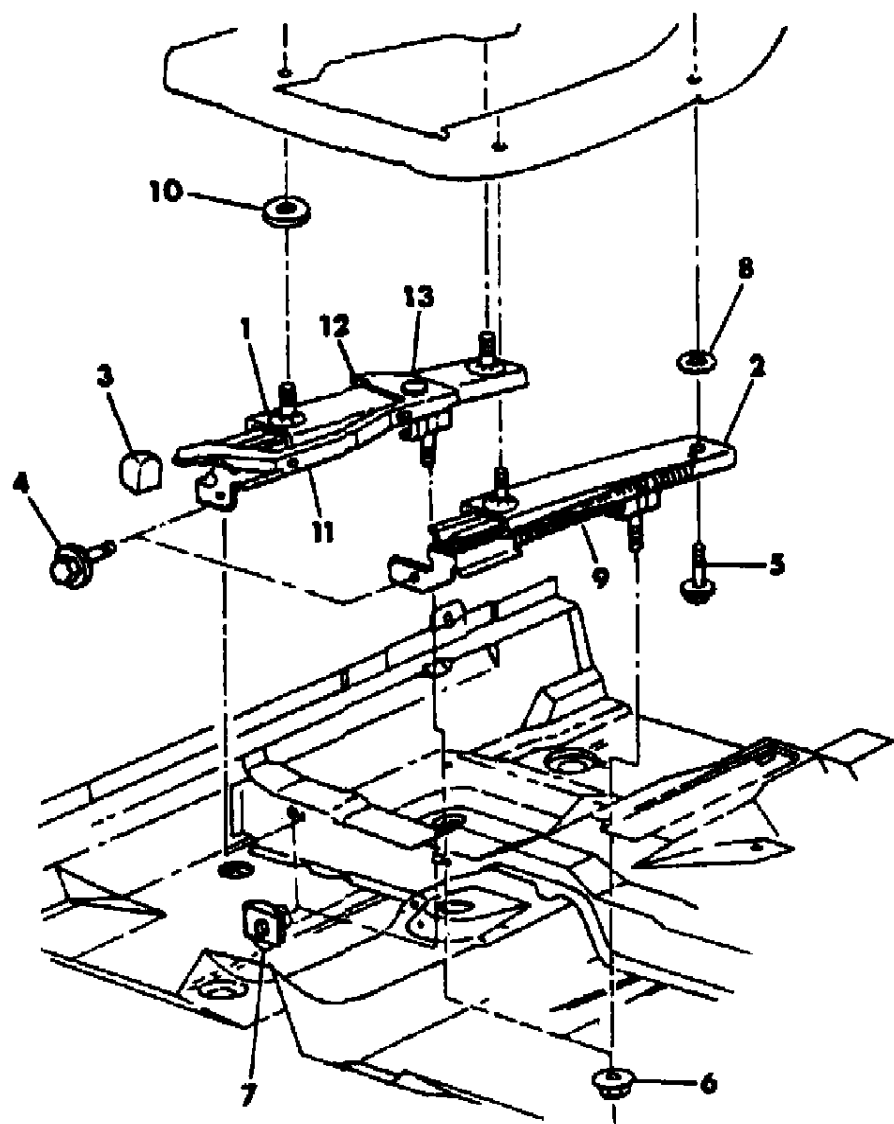
BODY STYLES

21 = 2-DOOR SEDAN	28 = FWD PICKUP
22 = 2-DOOR SPECIAL COUPE	41 = 4-DOOR SEDAN
24 = 2-DOOR HATCHBACK	44 = 4-DOOR HATCHBACK
27 = 2-DOOR CONVERTIBLE	45 = 2-SEAT STATION WAGON

AR = Use as Required - = Non Illustrated Part P.A.R. = Paint as Required

SEAT ADJUSTER - MANUAL - M,Z  
Figure IT-1261

2253 1 26100B



ITEM	PART NUMBER	QTY	BODY	MODEL	DESCRIPTION
1					ADJUSTER, Outer N N N N
	5232 140	1			Right, w/o EZ Entry (use up to 3/1/82) N N24,28 N Y5232140
	4277 472	1			(use after 3/1/82) N N24,28 N Y4277472
	5232 148	1			Right, w/EZ Entry N N24 N Y5232148
	5232 141	1			Left (use up to 3/1/82) N N24,28 N Y5232141
	4277 473	1			(use after 3/1/82) N N24,28 N Y4277473
	5232 144-5	1			(use up to 3/1/82) N N44 N Y5232144
	4277 474-5	1			(use after 3/1/82) N N44 N Y4277474
2					ADJUSTER, Inner N N N N
	5232 142-3	1			N N24,28 N Y5232142
	5232 146-7	1			N N44 N Y5232146
3	5207 235	AR			KNOB, Adjuster Release N N N Y5207235
4	6100 592	4			SCREW and WASHER N N N Y6100592
5		8			SCREW and WASHER (not serviced) N N N N
6	6100 051	4			NUT and WASHER N N N Y6100051
7	6101 283	4			U-NUT N N N Y6101283
8	6028 040	8			RETAINER N N N Y6028040
9	5207 182	1			SPRING, Manual Adjust Assist, Left N N N Y5207182
	5232 067	1			SPRING, Manual Adjuster Assist Outer Right w/EZ Entry N N N Y5232067
10	4219 590	4			SPACER N N N Y4219590
11	5232 064	1			SPRING, Lever Return w/EZ Entry N N N Y5232064
	4277 504	AR			SPRING, Manual Adjuster Release Lever Return N N N Y4277504
		1			LEVER, Seat Release w/EZ Entry (serviced in Recliner) N N N N
12	0104 918	AR			BALL, Front Seat Manual Adjuster N N N Y104918
13	5232 114	1			SPRING, Release Lever Return N N N Y5232114

MODEL CODES

B = GRAN FURY/CARAVELLE  
C = LEBARON/TOWN & COUNTRY  
D = ARIES  
F = NEW YORKER  
G = DIPLOMAT  
M = HORIZON/TC3/SCAMP  
P = RELIANT  
S = CORDOBA  
V = 400  
X = MIRADA  
Y = IMPERIAL  
Z = OMNI/O24/RAMPAGE

BODY STYLES

21 = 2-DOOR SEDAN  
22 = 2-DOOR SPECIAL COUPE  
24 = 2-DOOR HATCHBACK  
27 = 2-DOOR CONVERTIBLE  
28 = FWD PICKUP  
41 = 4-DOOR SEDAN  
44 = 4-DOOR HATCHBACK  
45 = 2-SEAT STATION WAGON

AR = Use as Required - = Non Illustrated Part P.A.R. = Paint as Required

SEAT BELTS FRONT M,Z 24,28,44  
Figure IT-1281

2253 128100A

ITEM	PART NUMBER	QTY	BODY	MODEL	DESCRIPTION
1					BELT, Lap and Shoulder, Outer Label No. 5232150-1 N N N N
	F776-7 AA3	1			Silver N N24 N YF776AA3
	F776-7 TB2	1			Blue N N24 N YF776TB2
	F776-7 TM6	1			Red N N24 N YF776TM6
	F776-7 TT4	1			Tan N N24 N YF776TT4
	F776-7 TX9	1			Black N N24 N YF776TX9
	F568-9 AM6	1			Red N N28 N YF568AM6
	F568-9 AT4	1			Tan N N28 N YF568AT4
	F568-9 AX9	1			Black N N28 N YF568AX9
	F778-9 AA3	1			Silver N N44 N YF778AA3
	F778-9 VB2	1			Blue N N44 N YF778VB2
	F778-9 VM6	1			Red N N44 N YF778VM6
	F778-9 VT4	1			Tan N N44 N YF778VT4
	F778-9 VX9	1			Black N N44 N YF778VX9
	F626-7 AA3	1			Silver N N44 N YF626AA3
	F626-7 AB2	1			Blue N N44 N YF626AB2
	F626-7 AM6	1			Red N N44 N YF626AM6
	F626-7 AT4	1			Tan N N44 N YF626AT4
	F626-7 AX9	1			Black N N44 N YF626AX9
2	6031 484	2			BOLT N N N Y6031484
3	H496-7 SX9	1			COVER, Headlining Shoulder Belt Retractor N N24 N YH496SX9
4		AR			SCREW (not serviced) N N N N
5	F814 JX9	2			COVER, Swivel Plate N N24 N YF814JX9
6					BELT, Lap Inboard Buckle Half Label No. 5207350-1 N N N N
	F594-5 AA3	1			Silver N N24,44 N YF594AA3
	F594-5 TB2	1			Blue N N24,44 N YF594TB2
	F594-5 TM6	1			Red N N24,28,44 N YF594TM6
	F594-5 ST4	1			Tan N N24,28,44 N YF594ST4
	F594-5 RX9	1			Black N N24,28,44 N YF594RX9
	F596-7 AA3	1			Silver N N24,28,44 N YF596AA3
	F596-7 AB2	1			Blue N N24,28,44 N YF596AB2
	F596-7 AM6	1			Red N N24,28,44 N YF596AM6
	F596-7 AT4	1			Tan N N24,28,44 N YF596AT4

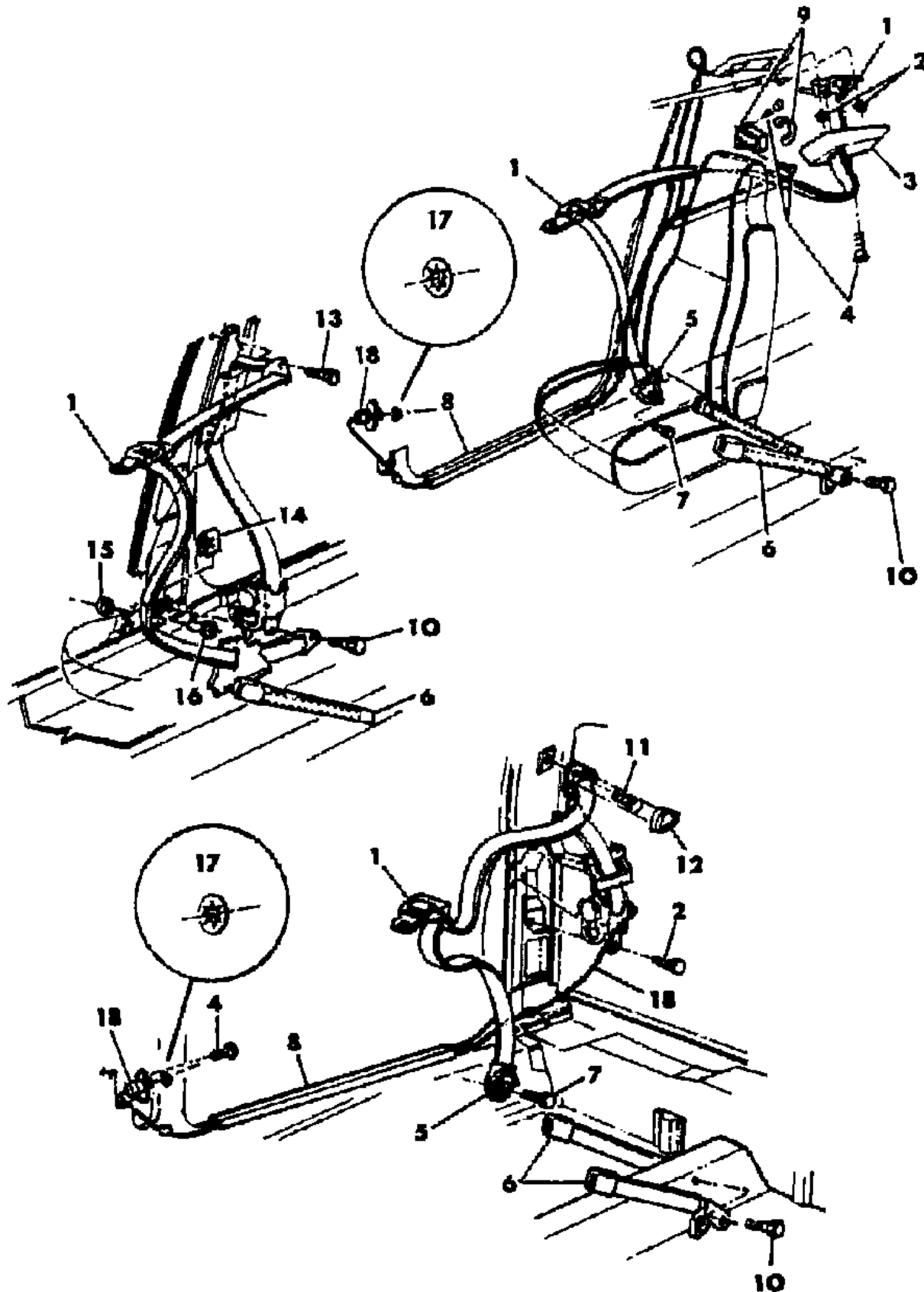
MODEL CODES

B = GRAN FURY/CARAVELLE	P = RELIANT
C = LEBARON/TOWN & COUNTRY	S = CORDOBA
D = ARIES	V = 400
F = NEW YORKER	X = MIRADA
G = DIPLOMAT	Y = IMPERIAL
M = HORIZON/TC3/SCAMP	Z = OMNI/O24/RAMPAGE

BODY STYLES

21 = 2-DOOR SEDAN	28 = FWD PICKUP
22 = 2-DOOR SPECIAL COUPE	41 = 4-DOOR SEDAN
24 = 2-DOOR HATCHBACK	44 = 4-DOOR HATCHBACK
27 = 2-DOOR CONVERTIBLE	45 = 2-SEAT STATION WAGON

AR = Use as Required - = Non Illustrated Part P.A.R. = Paint as Required

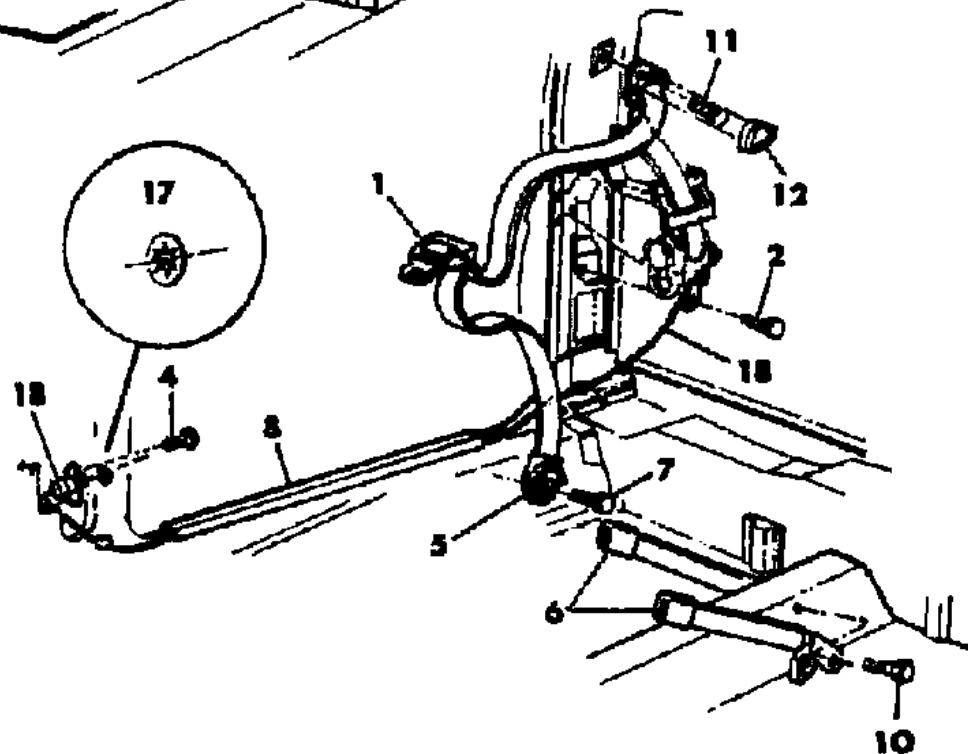
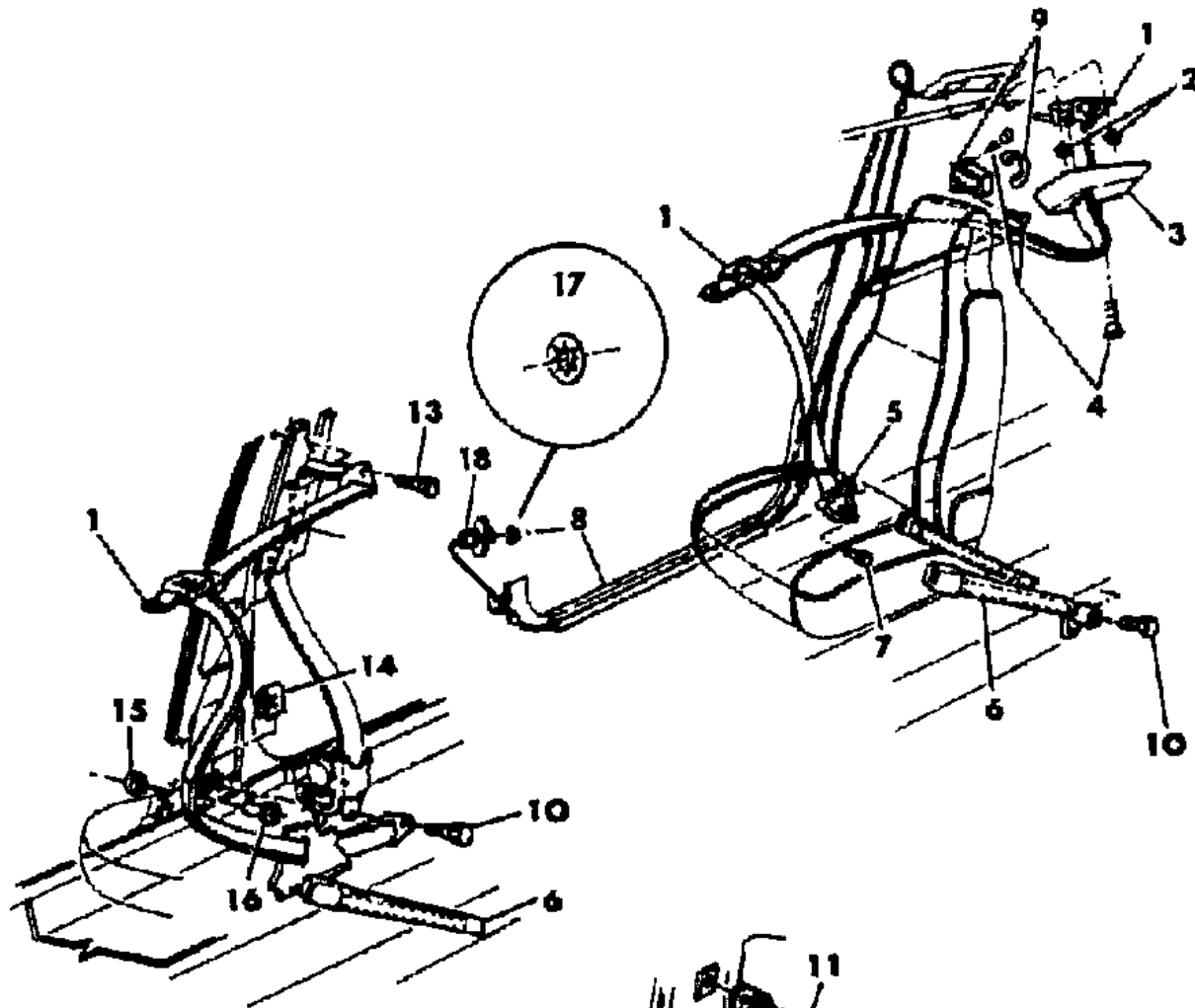




SEAT BELTS FRONT M,Z 24,28,44  
Figure IT-1281

2253 128100A

ITEM	PART NUMBER	QTY	BODY	MODEL	DESCRIPTION
	F596-7 AX9	1			Black N N24,28,44 N YF596AX9
7	6031 298	AR			BOLT N N N Y6031298
8	5232 137	2			CASING, Tension Reliever Cable N N N Y5232137
9	S863 TX9	2			GUIDE, w/High Back Bucket N N N YS863TX9
	S761 AA3	2			w/Low Back Bucket w/Applied Headrest Silver N N N YS761AA3
	S761 TB2	2			Blue N N N YS761TB2
	S761 TM6	2			Red N N N YS761TM6
	S761 ST4	2			Tan N N N YS761ST4
	S761 RX9	2			Black N N N YS761RX9
10		AR			BOLT (not serviced) N N N N
11	6030 458	2			BOLT N N28 N Y6030458
12	F828 TM6	2			COVER, Turning Loop Red N N N YF828TM6
	F828 TT4	2			Tan N N N YF828TT4
	F828 AX9	2			Black N N N YF828AX9
13	6031 216	2			BOLT N N44 N Y6031216
14	6031 448	2			U-NUT, Retractor N N44 N Y6031448
15	4172 859	2			CYLINDER, Tension Release Button N N44 N Y4172859
16	4172 860	2			RETAINER, Tension Release Button N N44 N Y4172860
17	6025 160	2			RETAINER, Inertia Retractor Pedulum Shaft N N N Y6025160
18	5232 154-5	1			RELEASE, Retractor Tension Reliever N N24 N Y5232154



MODEL CODES

B = GRAN FURY/CARAVELLE	P = RELIANT
C = LEBARON/TOWN & COUNTRY	S = CORDOBA
D = ARIES	V = 400
F = NEW YORKER	X = MIRADA
G = DIPLOMAT	Y = IMPERIAL
M = HORIZON/TC3/SCAMP	Z = OMNI/O24/RAMPAGE

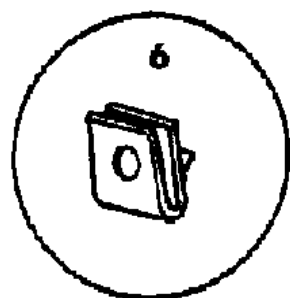
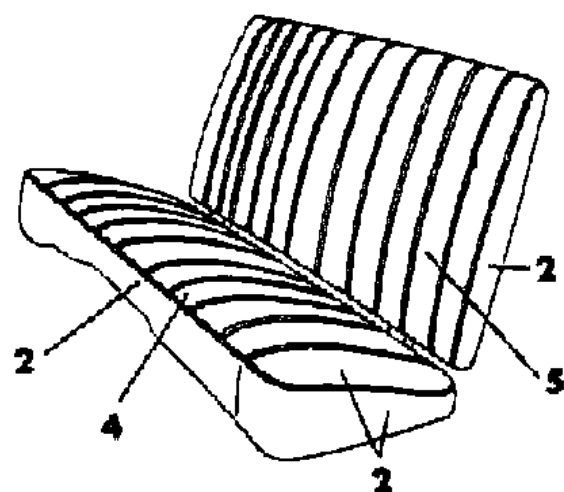
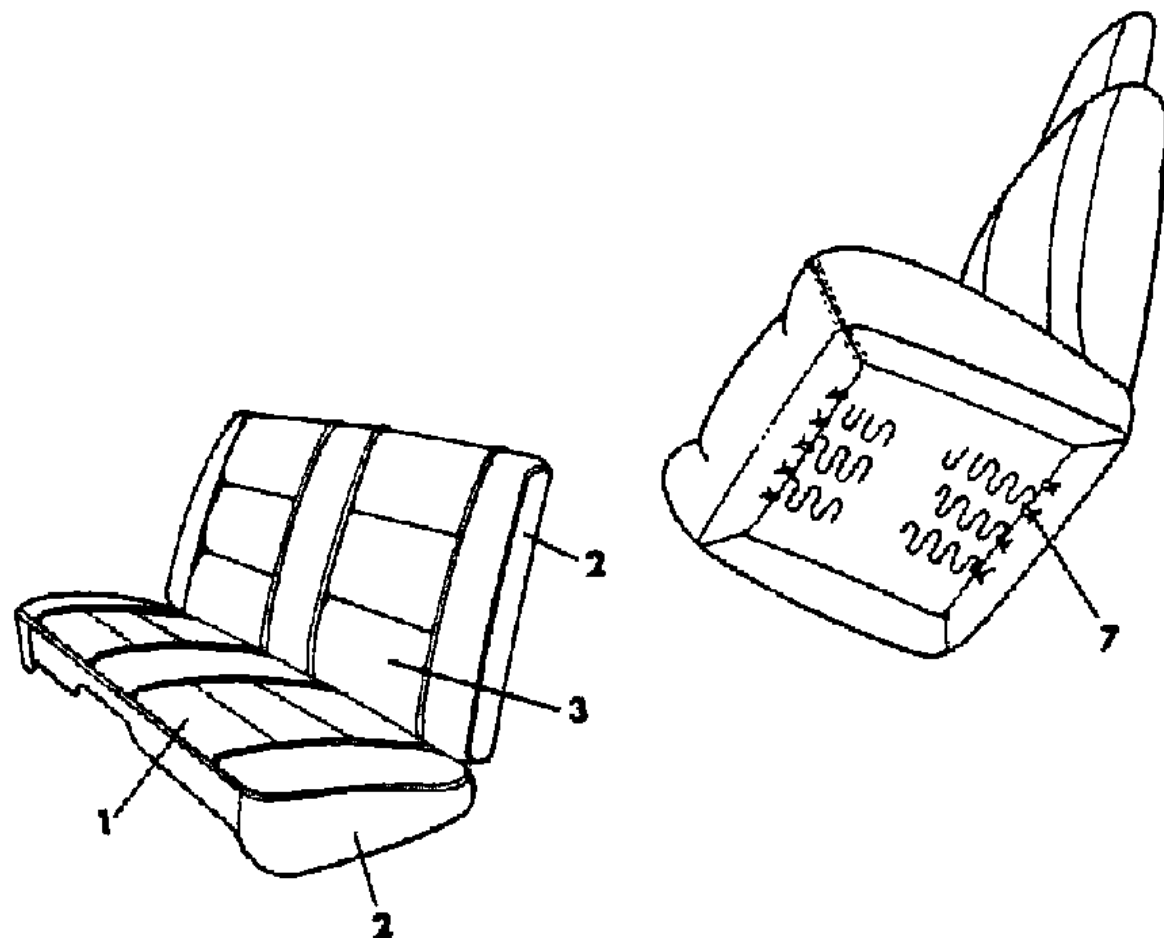
BODY STYLES

21 = 2-DOOR SEDAN	28 = FWD PICKUP
22 = 2-DOOR SPECIAL COUPE	41 = 4-DOOR SEDAN
24 = 2-DOOR HATCHBACK	44 = 4-DOOR HATCHBACK
27 = 2-DOOR CONVERTIBLE	45 = 2-SEAT STATION WAGON

AR = Use as Required - = Non Illustrated Part P.A.R. = Paint as Required

SEAT,REAR M & Z TRIM CODE F5,B5,B6  
Figure IT-1301

2253.1 30 100A



ITEM	PART NUMBER	QTY	BODY	MODEL	DESCRIPTION
1-2					CUSHION,Rear w/Spring,Frame & Cover N N N N
	N750 A5A	1			N N24 NF5A YN750A5A
	N750 A5B	1			N N24 NF5B YN750A5B
	N750 A5M	1			N N24 NF5M YN750A5M
	N750 A5T	1			N N24 NF5T YN750A5T
	N750 A5X	1			N N24 NF5X YN750A5X
	N751 A5A	1			N N44 NF5A YN751A5A
	N751 A5B	1			N N44 NF5B YN751A5B
	N751 A5M	1			N N44 NF5M YN751A5M
	N751 A5T	1			N N44 NF5T YN751A5T
	N751 A5X	1			N N44 NF5X YN751A5X
1					COVER,Rear Cushion N N N N
	N527 A5A	1			N N24 NF5A YN527A5A
	N527 A5B	1			N N24 NF5B YN527A5B
	N527 A5M	1			N N24 NF5M YN527A5M
	N527 A5T	1			N N24 NF5T YN527A5T
	N527 A5X	1			N N24 NF5X YN527A5X
	N526 A5A	1			N N44 NF5A YN526A5A
	N526 A5B	1			N N44 NF5B YN526A5B
	N526 A5M	1			N N44 NF5M YN526A5M
	N526 A5T	1			N N44 NF5T YN526A5T
	N526 A5X	1			N N44 NF5X YN526A5X
2					ROLL STOCK,Vinyl Order by the Inch N N N N
	R600 AA2	AR			54" Wide, Silver N N N YR600AA2
	R616 VB2	AR			64" Wide, Blue N N N YR616VB2
	R616 VM6	AR			64" Wide, Red N N N YR616VM6
	R616 VT3	AR			64" Wide, Tan N N N YR616VT3
	R609 VX9	AR			58" Wide, Black N N N YR609VX9
2-3					BACK,Rear w/Spring,Frame & Cover N N N N
	N760 A5A	1			N N24 NF5A YN760A5A
	N760 A5B	1			N N24 NF5B YN760A5B
	N760 A5M	1			N N24 NF5M YN760A5M
	N760 A5T	1			N N24 NF5T YN760A5T
	N760 A5X	1			N N24 NF5X YN760A5X
	N753 A5A	1			N N44 NF5A YN753A5A
	N753 A5B	1			N N44 NF5B YN753A5B
	N753 A5M	1			N N44 NF5M YN753A5M

MODEL CODES

B = GRAN FURY/CARAVELLE	P = RELIANT
C = LEBARON/TOWN & COUNTRY	S = CORDOBA
D = ARIES	V = 400
F = NEW YORKER	X = MIRADA
G = DIPLOMAT	Y = IMPERIAL
M = HORIZON/TC3/SCAMP	Z = OMNI/O24/RAMPAGE

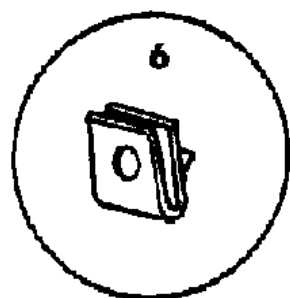
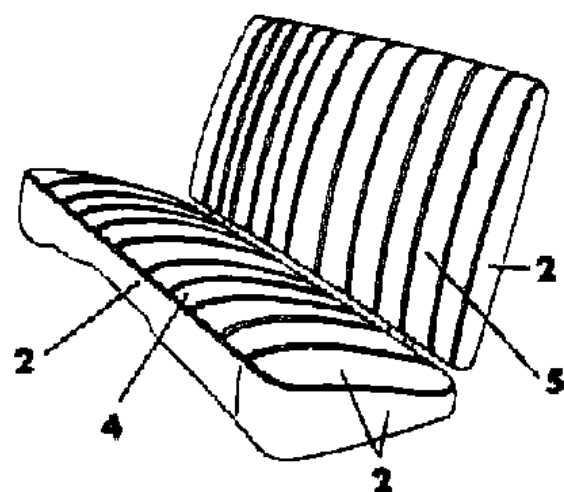
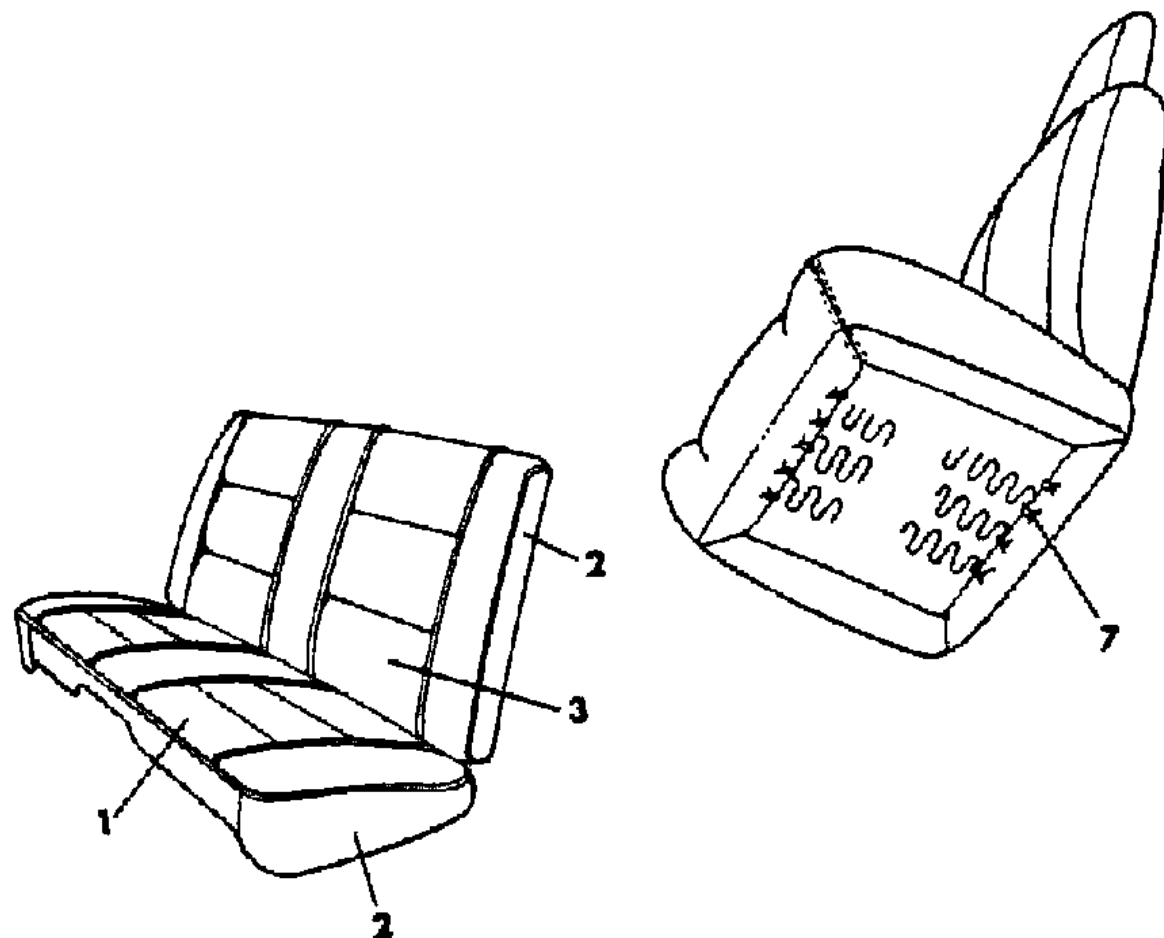
BODY STYLES

21 = 2-DOOR SEDAN	28 = FWD PICKUP
22 = 2-DOOR SPECIAL COUPE	41 = 4-DOOR SEDAN
24 = 2-DOOR HATCHBACK	44 = 4-DOOR HATCHBACK
27 = 2-DOOR CONVERTIBLE	45 = 2-SEAT STATION WAGON

AR = Use as Required - = Non Illustrated Part P.A.R. = Paint as Required

SEAT,REAR M & Z TRIM CODE F5,B5,B6  
Figure IT-1301

2253.1 30 100A



ITEM	PART NUMBER	QTY	BODY	MODEL	DESCRIPTION
	N753 A5T	1			N N44 NF5T YN753A5T
	N753 A5X	1			N N44 NF5X YN753A5X
3					COVER,Rear Back N N N N
	N351 A5A	1			N N24 NF5A YN351A5A
	N351 A5B	1			N N24 NF5B YN351A5B
	N351 A5M	1			N N24 NF5M YN351A5M
	N351 A5T	1			N N24 NF5T YN351A5T
	N351 A5X	1			N N24 NF5X YN351A5X
	N529 A5A	1			N N44 NF5A YN529A5A
	N529 A5B	1			N N44 NF5B YN529A5B
	N529 A5M	1			N N44 NF5M YN529A5M
	N529 A5T	1			N N44 NF5T YN529A5T
	N529 A5X	1			N N44 NF5X YN529A5X
4&2					CUSHION,Rear w/Spring,Frame & Cover N N N N (use up to 2/1/82) N N N N
	N986 V5B	1			N N24 NB5B YN986V5B
	N986 V5M	1			N N24 NB5M YN986V5M
	N986 V5T	1			N N24 NB5T YN986V5T (use after 2/1/82) N N N N
	N895 A5B	1			N N24 NB5B YN895A5B
	N895 A5M	1			N N24 NB5M YN895A5M
	N895 A5T	1			N N24 NB5T YN895A5T (use up to 2/1/82) N N N N
	N912 V5B	1			N N44 NB5B YN912V5B
	N912 V5M	1			N N44 NB5M YN912V5M
	N912 V5T	1			N N44 NB5T YN912V5T (use after 2/1/82) N N N N
	N901 A5B	1			N N44 NB5B YN901A5B
	N901 A5M	1			N N44 NB5M YN901A5M
	N901 A5T	1			N N44 NB5T YN901A5T (use up to 2/1/82) N N N N
	N945 V6B	1			N N24 NB6B YN945V6B
	N945 V6M	1			N N24 NB6M YN945V6M
	N945 V6T	1			N N24 NB6T YN945V6T
	N945 V6X	1			N N24 NB6X YN945V6X (use after 2/1/82) N N N N
	N892 A6B	1			N N24 NB6B YN892A6B

MODEL CODES

B = GRAN FURY/CARAVELLE	P = RELIANT
C = LEBARON/TOWN & COUNTRY	S = CORDOBA
D = ARIES	V = 400
F = NEW YORKER	X = MIRADA
G = DIPLOMAT	Y = IMPERIAL
M = HORIZON/TC3/SCAMP	Z = OMNI/O24/RAMPAGE

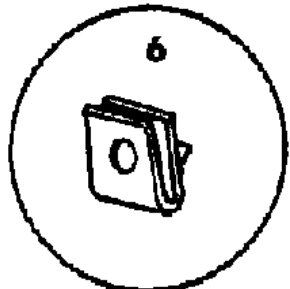
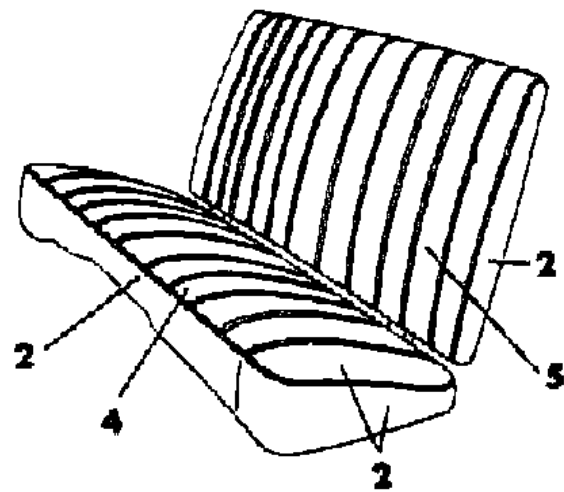
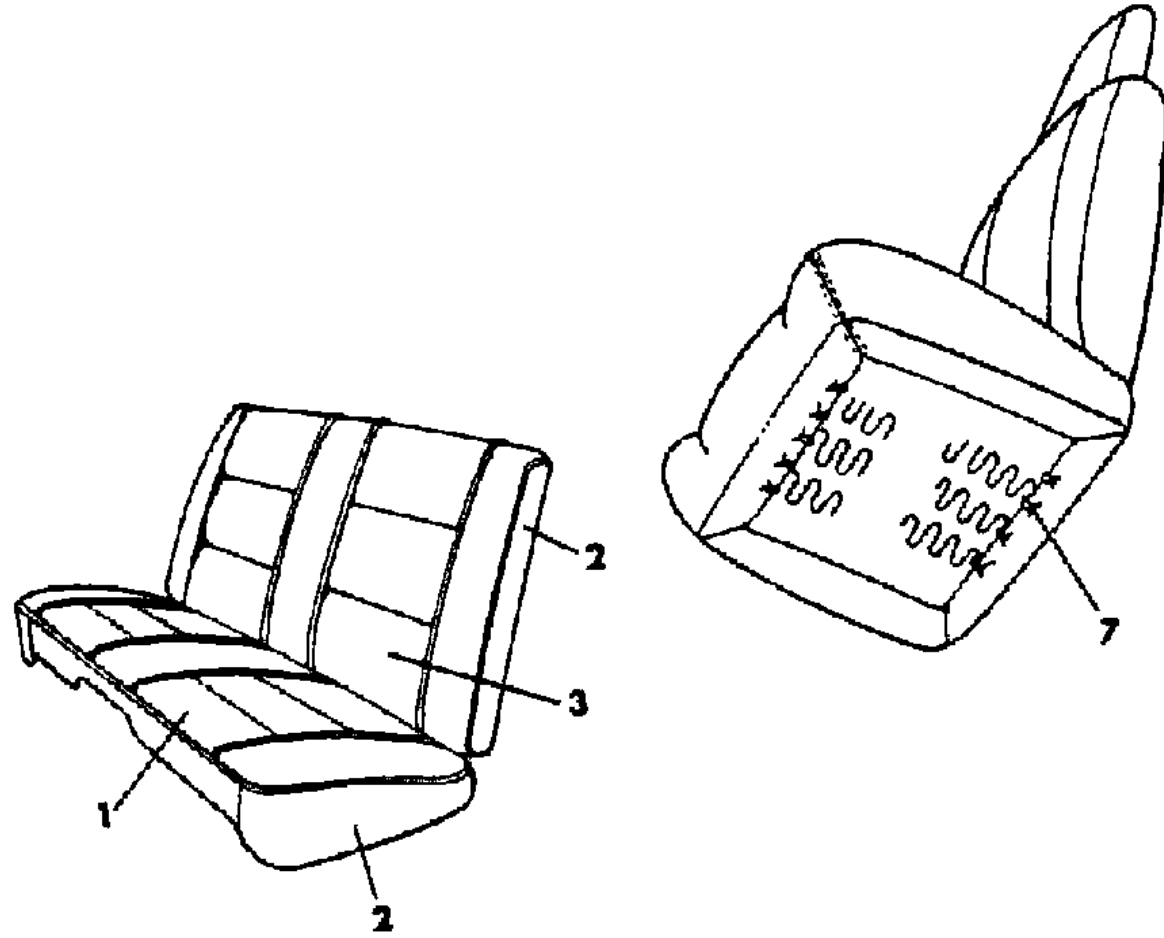
BODY STYLES

21 = 2-DOOR SEDAN	28 = FWD PICKUP
22 = 2-DOOR SPECIAL COUPE	41 = 4-DOOR SEDAN
24 = 2-DOOR HATCHBACK	44 = 4-DOOR HATCHBACK
27 = 2-DOOR CONVERTIBLE	45 = 2-SEAT STATION WAGON

AR = Use as Required - = Non Illustrated Part P.A.R. = Paint as Required

SEAT,REAR M & Z TRIM CODE F5,B5,B6  
Figure IT-1301

2253.1 30 100A



ITEM	PART NUMBER	QTY	BODY	MODEL	DESCRIPTION
	N892 A6M	1			N N24 NB6M YN892A6M
	N892 A6T	1			N N24 NB6T YN892A6T
	N892 A6X	1			N N24 NB6X YN892A6X (use up to 2/1/82) N N N N
	N998 A6B	1			N N44 NB6B YN998A6B
	N998 A6M	1			N N44 NB6M YN998A6M
	N998 A6T	1			N N44 NB6T YN998A6T
	N998 A6X	1			N N44 NB6X YN998A6X (use after 2/1/82) N N N N
	N887 A6B	1			N N44 NB6B YN887A6B
	N887 A6M	1			N N44 NB6M YN887A6M
	N887 A6T	1			N N44 NB6T YN887A6T
	N887 A6X	1			N N44 NB6X YN887A6X
4					COVER,Rear Cushion N N N N (use up to 2/1/82) N N N N
	N335 V5B	1			N N24 NB5B YN335V5B
	N335 V5M	1			N N24 NB5M YN335V5M
	N335 V5T	1			N N24 NB5T YN335V5T (use after 2/1/82) N N N N
	N301 A5B	1			N N24 NB5B YN301A5B
	N301 A5M	1			N N24 NB5M YN301A5M
	N301 A5T	1			N N24 NB5T YN301A5T (use up to 2/1/82) N N N N
	N321 V5B	1			N N44 NB5B YN321V5B
	N321 V5M	1			N N44 NB5M YN321V5M
	N321 V5T	1			N N44 NB5T YN321V5T (use after 2/1/82) N N N N
	N302 A5B	1			N N44 NB5B YN302A5B
	N302 A5M	1			N N44 NB5M YN302A5M
	N302 A5T	1			N N44 NB5T YN302A5T (use up to 2/1/82) N N N N
	N334 V6B	1			N N24 NB6B YN334V6B
	N334 V6M	1			N N24 NB6M YN334V6M
	N334 V6T	1			N N24 NB6T YN334V6T
	N334 V6X	1			N N24 NB6X YN334V6X (use after 2/1/82) N N N N
	N374 A6B	1			N N24 NB6B YN374A6B

MODEL CODES

B = GRAN FURY/CARAVELLE	P = RELIANT
C = LEBARON/TOWN & COUNTRY	S = CORDOBA
D = ARIES	V = 400
F = NEW YORKER	X = MIRADA
G = DIPLOMAT	Y = IMPERIAL
M = HORIZON/TC3/SCAMP	Z = OMNI/O24/RAMPAGE

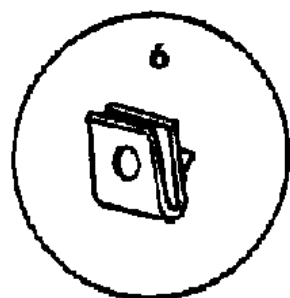
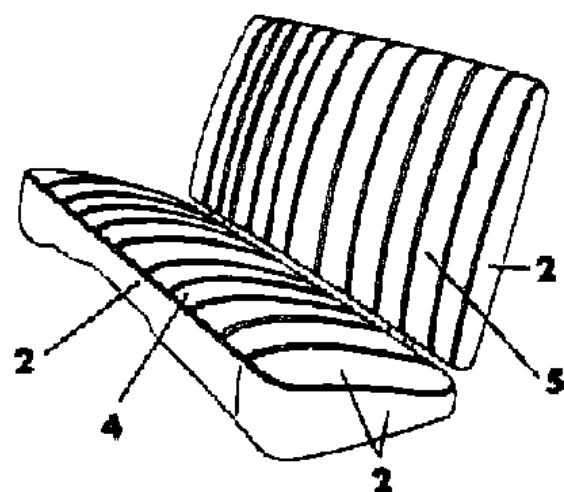
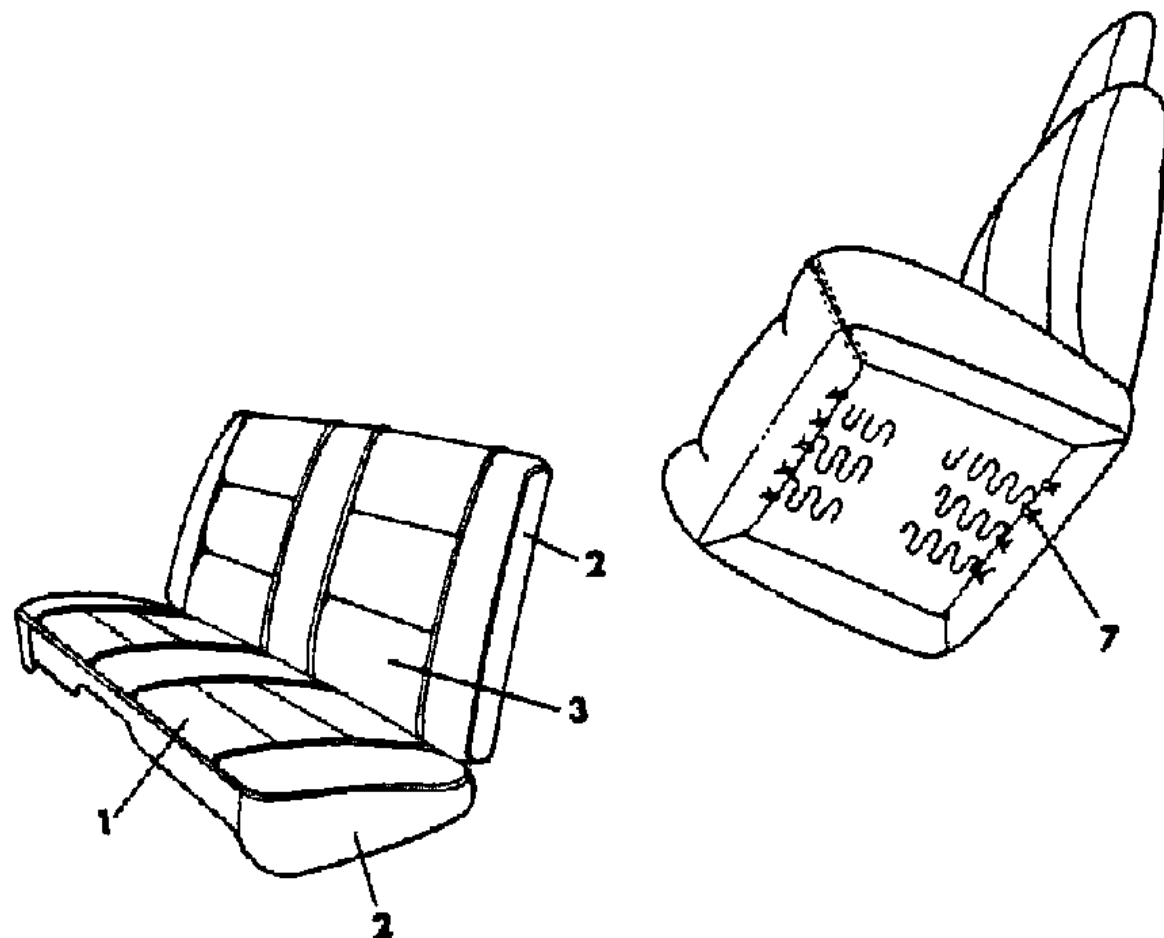
BODY STYLES

21 = 2-DOOR SEDAN	28 = FWD PICKUP
22 = 2-DOOR SPECIAL COUPE	41 = 4-DOOR SEDAN
24 = 2-DOOR HATCHBACK	44 = 4-DOOR HATCHBACK
27 = 2-DOOR CONVERTIBLE	45 = 2-SEAT STATION WAGON

AR = Use as Required - = Non Illustrated Part P.A.R. = Paint as Required

SEAT,REAR M & Z TRIM CODE F5,B5,B6  
Figure IT-1301

2253.1 30 100A



ITEM	PART NUMBER	QTY	BODY	MODEL	DESCRIPTION
	N374 A6M	1			N N24 NB6M YN374A6M
	N374 A6T	1			N N24 NB6T YN374A6T
	N374 A6X	1			N N24 NB6X YN374A6X (use up to 2/1/82) N N N N
	N540 A6B	1			N N44 NB6B YN540A6B
	N540 A6M	1			N N44 NB6M YN540A6M
	N540 A6T	1			N N44 NB6T YN540A6T
	N540 A6X	1			N N44 NB6X YN540A6X (use after 2/1/82) N N N N
	N375 A6B	1			N N44 NB6B YN375A6B
	N375 A6M	1			N N44 NB6M YN375A6M
	N375 A6T	1			N N44 NB6T YN375A6T
	N375 A6X	1			N N44 NB6X YN375A6X
5&2					BACK,Rear w/Spring,Frame & Cover N N N N (use up to 2/1/82) N N N N
	N980 A5B	1			N N24 NB5B YN980A5B
	N980 A5M	1			N N24 NB5M YN980A5M
	N980 A5T	1			N N24 NB5T YN980A5T (use after 2/1/82) N N N N
	N900 A5B	1			N N24 NB5B YN900A5B
	N900 A5M	1			N N24 NB5M YN900A5M
	N900 A5T	1			N N24 NB5T YN900A5T (use up to 2/1/82) N N N N
	N989 V5B	1			N N44 NB5B YN989V5B
	N989 V5M	1			N N44 NB5M YN989V5M
	N989 V5T	1			N N44 NB5T YN989V5T (use after 2/1/82) N N N N
	N906 A5B	1			N N44 NB5B YN906A5B
	N906 A5M	1			N N44 NB5M YN906A5M
	N906 A5T	1			N N44 NB5T YN906A5T (use up to 2/1/82) N N N N
	N987 A6B	1			N N24 NB6B YN987A6B
	N987 A6M	1			N N24 NB6M YN987A6M
	N987 A6T	1			N N24 NB6T YN987A6T
	N987 A6X	1			N N24 NB6X YN987A6X (use after 2/1/82) N N N N
	N984 A6B	1			N N24 NB6B YN984A6B

MODEL CODES

B = GRAN FURY/CARAVELLE	P = RELIANT
C = LEBARON/TOWN & COUNTRY	S = CORDOBA
D = ARIES	V = 400
F = NEW YORKER	X = MIRADA
G = DIPLOMAT	Y = IMPERIAL
M = HORIZON/TC3/SCAMP	Z = OMNI/O24/RAMPAGE

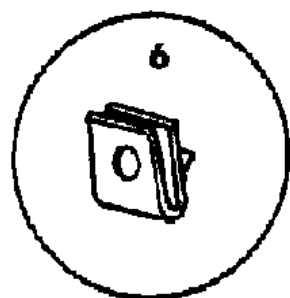
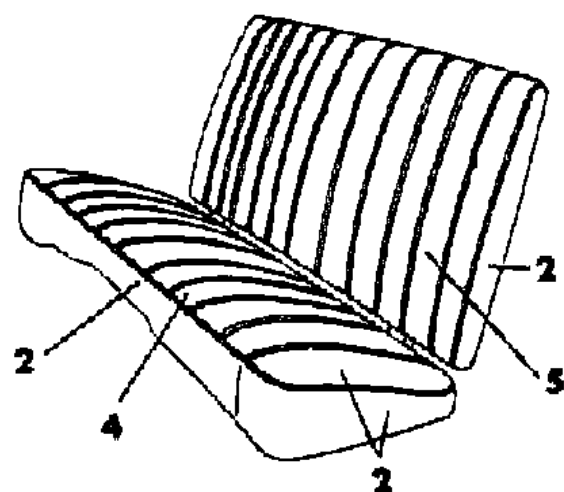
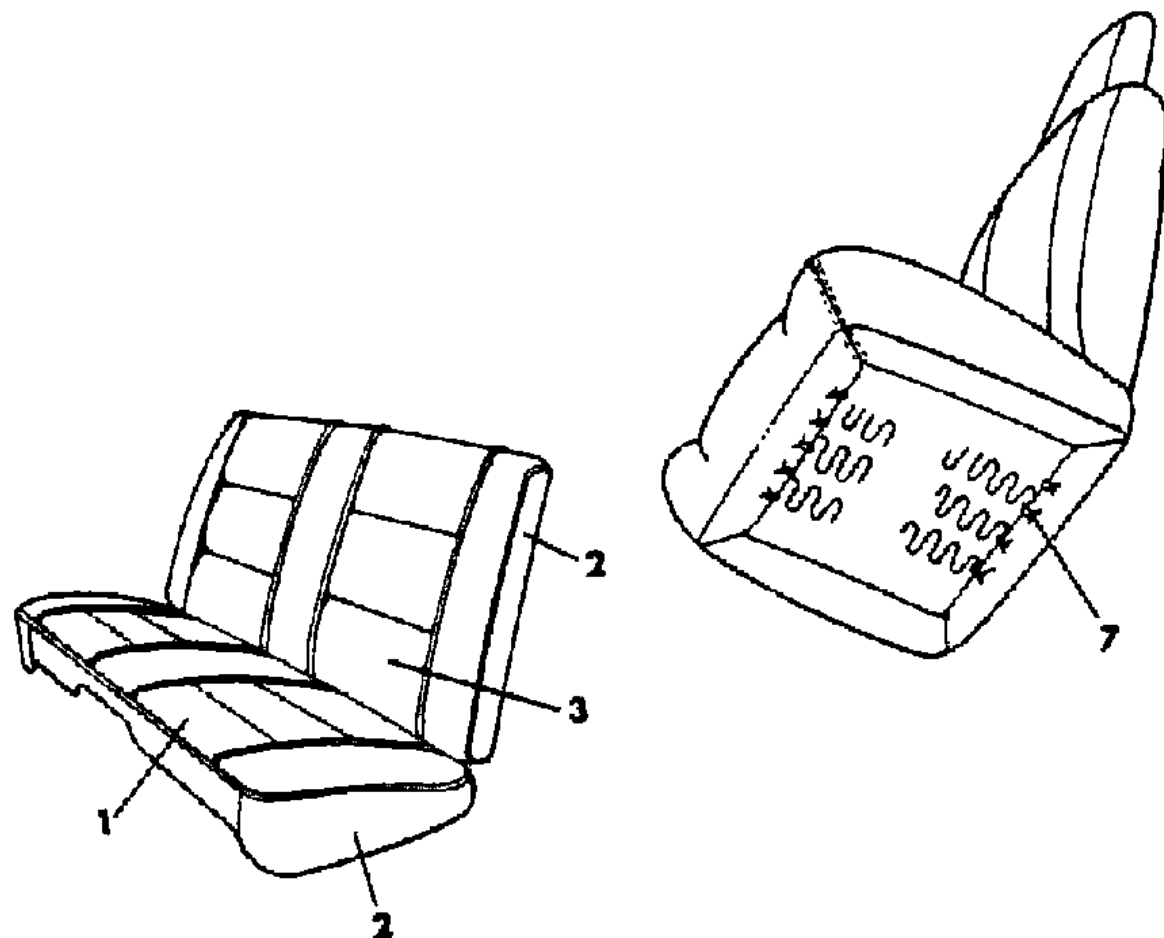
BODY STYLES

21 = 2-DOOR SEDAN	28 = FWD PICKUP
22 = 2-DOOR SPECIAL COUPE	41 = 4-DOOR SEDAN
24 = 2-DOOR HATCHBACK	44 = 4-DOOR HATCHBACK
27 = 2-DOOR CONVERTIBLE	45 = 2-SEAT STATION WAGON

AR = Use as Required - = Non Illustrated Part P.A.R. = Paint as Required

SEAT,REAR M & Z TRIM CODE F5,B5,B6  
Figure IT-1301

2253.1 30 100A



ITEM	PART NUMBER	QTY	BODY	MODEL	DESCRIPTION
	N984 A6M	1			N N24 NB6M YN984A6M
	N984 A6T	1			N N24 NB6T YN984A6T
	N984 A6X	1			N N24 NB6X YN984A6X (use up to 2/1/82) N N N N
	N999 A6B	1			N N44 NB6B YN999A6B
	N999 A6M	1			N N44 NB6M YN999A6M
	N999 A6T	1			N N44 NB6T YN999A6T
	N999 A6X	1			N N44 NB6X YN999A6X (use after 2/1/82) N N N N
	N893 A6B	1			N N44 NB6B YN893A6B
	N893 A6M	1			N N44 NB6M YN893A6M
	N893 A6T	1			N N44 NB6T YN893A6T
	N893 A6X	1			N N44 NB6X YN893A6X
5					COVER,Rear Back N N N N (use up to 2/1/82) N N N N
	N360 A5B	1			N N24 NB5B YN360A5B
	N360 A5M	1			N N24 NB5M YN360A5M
	N360 A5T	1			N N24 NB5T YN360A5T (use after 2/1/82) N N N N
	N303 A5B	1			N N24 NB5B YN303A5B
	N303 A5M	1			N N24 NB5M YN303A5M
	N303 A5T	1			N N24 NB5T YN303A5T (use up to 2/1/82) N N N N
	N507 V5B	1			N N44 NB5B YN507V5B
	N507 V5M	1			N N44 NB5M YN507V5M
	N507 V5T	1			N N44 NB5T YN507V5T (use after 2/1/82) N N N N
	N304 A5B	1			N N44 NB5B YN304A5B
	N304 A5M	1			N N44 NB5M YN304A5M
	N304 A5T	1			N N44 NB5T YN304A5T (use up to 2/1/82) N N N N
	N365 A6B	1			N N24 NB6B YN365A6B
	N365 A6M	1			N N24 NB6M YN365A6M
	N365 A6T	1			N N24 NB6T YN365A6T
	N365 A6X	1			N N24 NB6X YN365A6X (use after 2/1/82) N N N N
	N376 A6B	1			N N24 NB6B YN376A6B

MODEL CODES

B = GRAN FURY/CARAVELLE	P = RELIANT
C = LEBARON/TOWN & COUNTRY	S = CORDOBA
D = ARIES	V = 400
F = NEW YORKER	X = MIRADA
G = DIPLOMAT	Y = IMPERIAL
M = HORIZON/TC3/SCAMP	Z = OMNI/O24/RAMPAGE

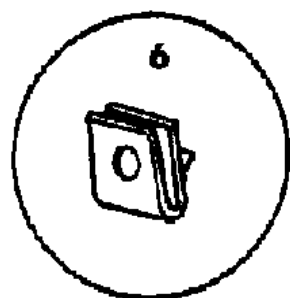
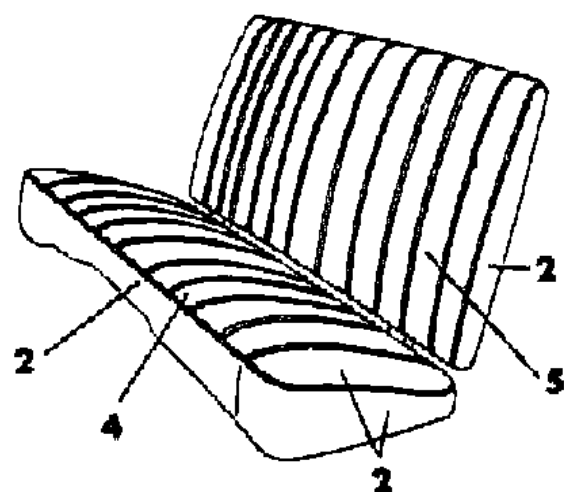
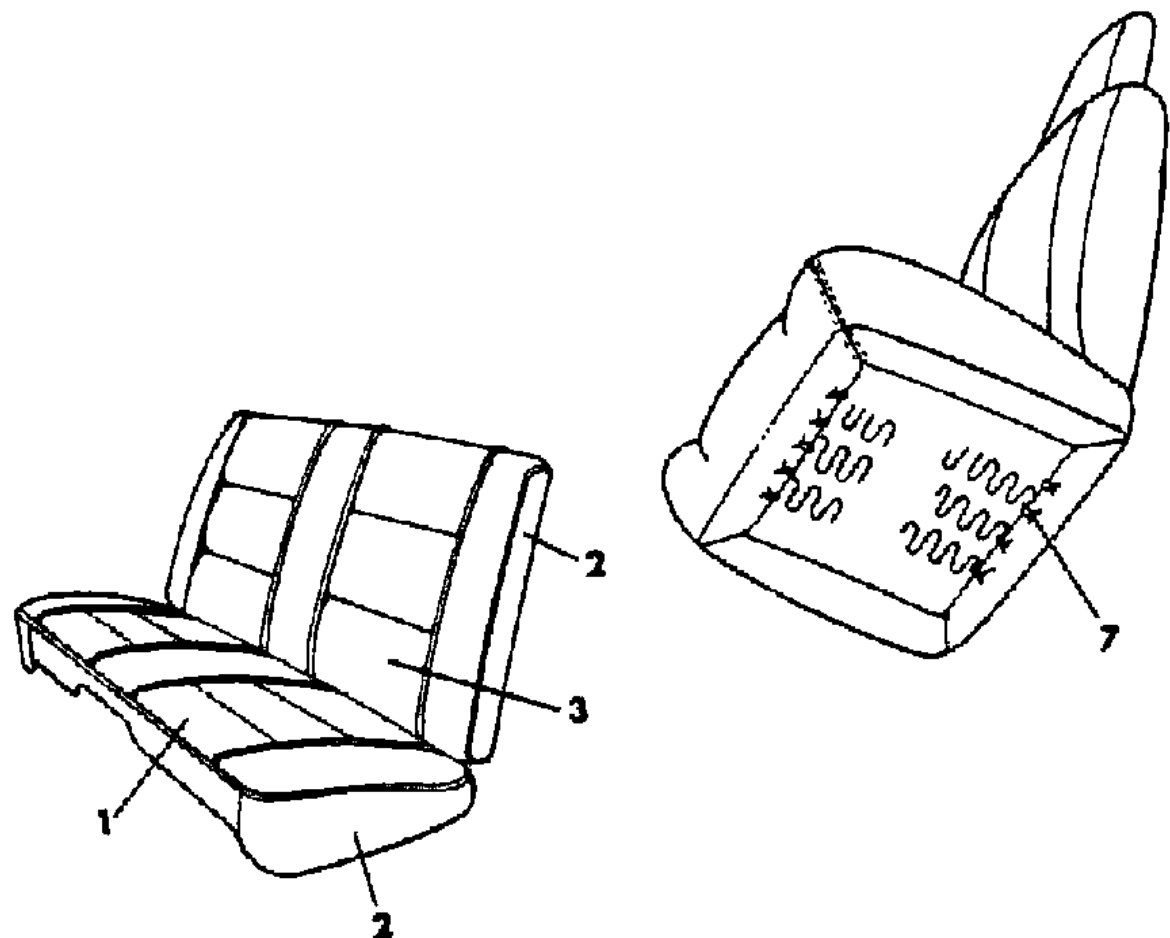
BODY STYLES

21 = 2-DOOR SEDAN	28 = FWD PICKUP
22 = 2-DOOR SPECIAL COUPE	41 = 4-DOOR SEDAN
24 = 2-DOOR HATCHBACK	44 = 4-DOOR HATCHBACK
27 = 2-DOOR CONVERTIBLE	45 = 2-SEAT STATION WAGON

AR = Use as Required - = Non Illustrated Part P.A.R. = Paint as Required

SEAT,REAR M & Z TRIM CODE F5,B5,B6  
Figure IT-1301

2253.1 30 100A



ITEM	PART NUMBER	QTY	BODY	MODEL	DESCRIPTION
	N376 A6M	1			N N24 NB6M YN376A6M
	N376 A6T	1			N N24 NB6T YN376A6T
	N376 A6X	1			N N24 NB6X YN376A6X (use up to 2/1/82) N N N N
	N541 A6B	1			N N44 NB6B YN541A6B
	N541 A6M	1			N N44 NB6M YN541A6M
	N541 A6T	1			N N44 NB6T YN541A6T
	N541 A6X	1			N N44 NB6X YN541A6X (use after 2/1/82) N N N N
	N377 A6B	1			N N44 NB6B YN377A6B
	N377 A6M	1			N N44 NB6M YN377A6M
	N377 A6T	1			N N44 NB6T YN377A6T
	N377 A6X	1			N N44 NB6X YN377A6X
6	6500 296	2			CLIP,Rear Cushion Retainer N N N Y6500296
7	6008 076	AR			CLIP,Hog Ring N N N Y6008076

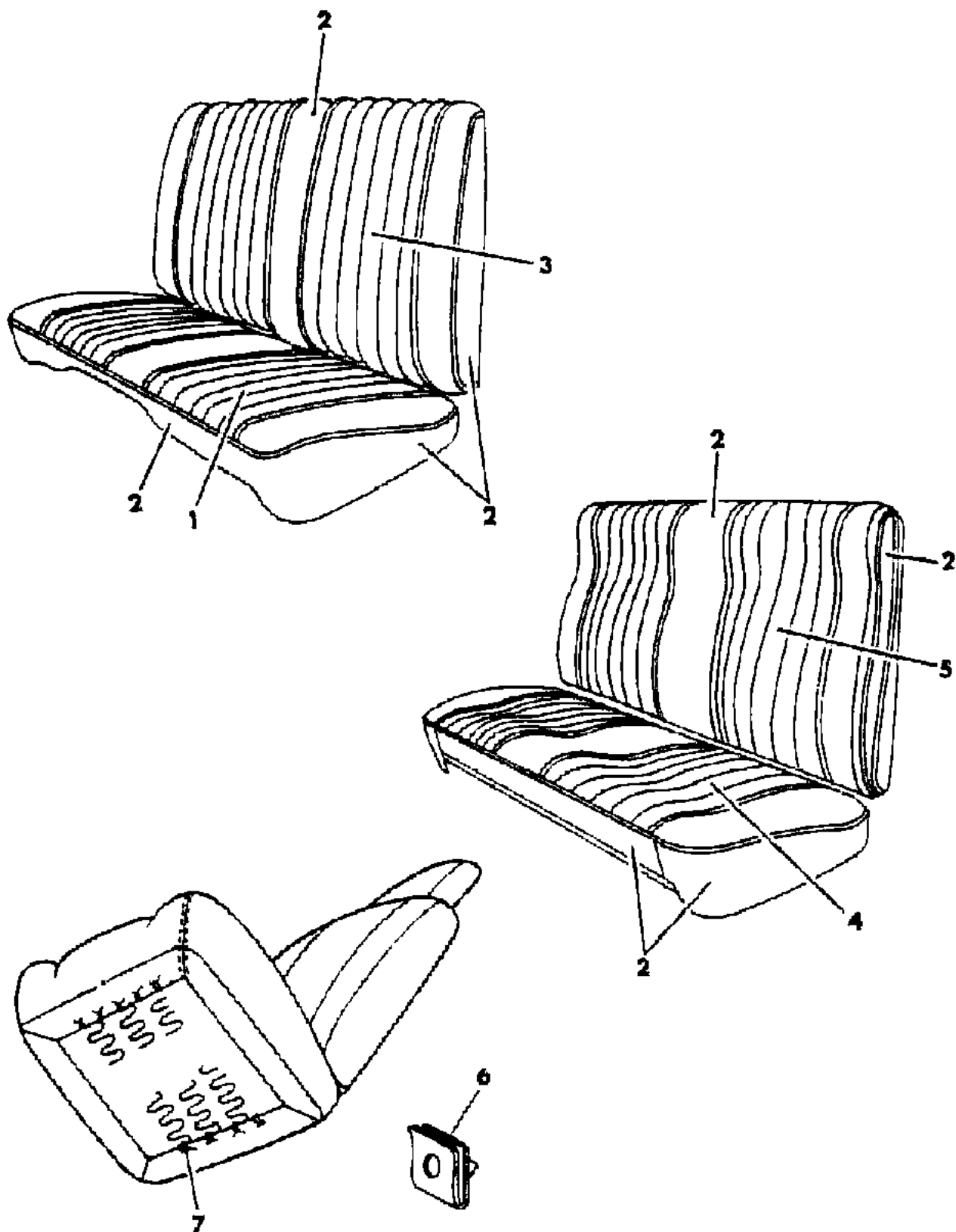
MODEL CODES  
 B = GRAN FURY/CARAVELLE      P = RELIANT  
 C = LEBARON/TOWN & COUNTRY      S = CORDOBA  
 D = ARIES      V = 400  
 F = NEW YORKER      X = MIRADA  
 G = DIPLOMAT      Y = IMPERIAL  
 M = HORIZON/TC3/SCAMP      Z = OMNI/O24/RAMPAGE

BODY STYLES  
 21 = 2-DOOR SEDAN      28 = FWD PICKUP  
 22 = 2-DOOR SPECIAL COUPE      41 = 4-DOOR SEDAN  
 24 = 2-DOOR HATCHBACK      44 = 4-DOOR HATCHBACK  
 27 = 2-DOOR CONVERTIBLE      45 = 2-SEAT STATION WAGON

AR = Use as Required - = Non Illustrated Part P.A.R. = Paint as Required

SEAT,REAR M & Z TRIM CODE C8,G7,H7  
Figure IT-1302

2253-130200A



ITEM	PART NUMBER	QTY	BODY	MODEL	DESCRIPTION
1-2					CUSHION,Rear w/Spring,Frame & Cover N N N N
	N920 A8A	1			N N24 NC8A YN920A8A
	N920 V8B	1			N N24 NC8B YN920V8B
	N920 V8M	1			N N24 NC8M YN920V8M
	N920 V8T	1			N N24 NC8T YN920V8T
	N920 V8X	1			N N24 NC8X YN920V8X
	N921 A8A	1			N N44 NC8A YN921A8A
	N921 V8B	1			N N44 NC8B YN921V8B
	N921 V8M	1			N N44 NC8M YN921V8M
	N921 V8T	1			N N44 NC8T YN921V8T
	N921 V8X	1			N N44 NC8X YN921V8X
1					COVER,Rear Cushion N N N N
	N320 A8A	1			N N24 NC8A YN320A8A
	N320 V8B	1			N N24 NC8B YN320V8B
	N320 V8M	1			N N24 NC8M YN320V8M
	N320 V8T	1			N N24 NC8T YN320V8T
	N320 V8X	1			N N24 NC8X YN320V8X
	N344 A8A	1			N N44 NC8A YN344A8A
	N344 V8B	1			N N44 NC8B YN344V8B
	N344 V8M	1			N N44 NC8M YN344V8M
	N344 V8T	1			N N44 NC8T YN344V8T
	N344 V8X	1			N N44 NC8X YN344V8X
2					ROLL STOCK,Vinyl Order by the Inch N N N N
	R600 AA2	AR			54" Wide, Silver N N N YR600AA2
	R616 VB2	AR			64" Wide, Blue N N N YR616VB2
	R616 VM6	AR			64" Wide, Red N N N YR616VM6
	R616 VT3	AR			64" Wide, Tan N N N YR616VT3
	R609 VX9	AR			58" Wide, Black N N N YR609VX9
3&2					BACK,Rear w/Spring,Frame & Cover N N N N
	N983 A8A	1			N N24 NC8A YN983A8A
	N983 A8B	1			N N24 NC8B YN983A8B
	N983 A8M	1			N N24 NC8M YN983A8M
	N983 A8T	1			N N24 NC8T YN983A8T
	N983 A8X	1			N N24 NC8X YN983A8X
	N922 A8A	1			N N44 NC8A YN922A8A
	N922 V8B	1			N N44 NC8B YN922V8B
	N922 V8M	1			N N44 NC8M YN922V8M

MODEL CODES

B = GRAN FURY/CARAVELLE	P = RELIANT
C = LEBARON/TOWN & COUNTRY	S = CORDOBA
D = ARIES	V = 400
F = NEW YORKER	X = MIRADA
G = DIPLOMAT	Y = IMPERIAL
M = HORIZON/TC3/SCAMP	Z = OMNI/O24/RAMPAGE

BODY STYLES

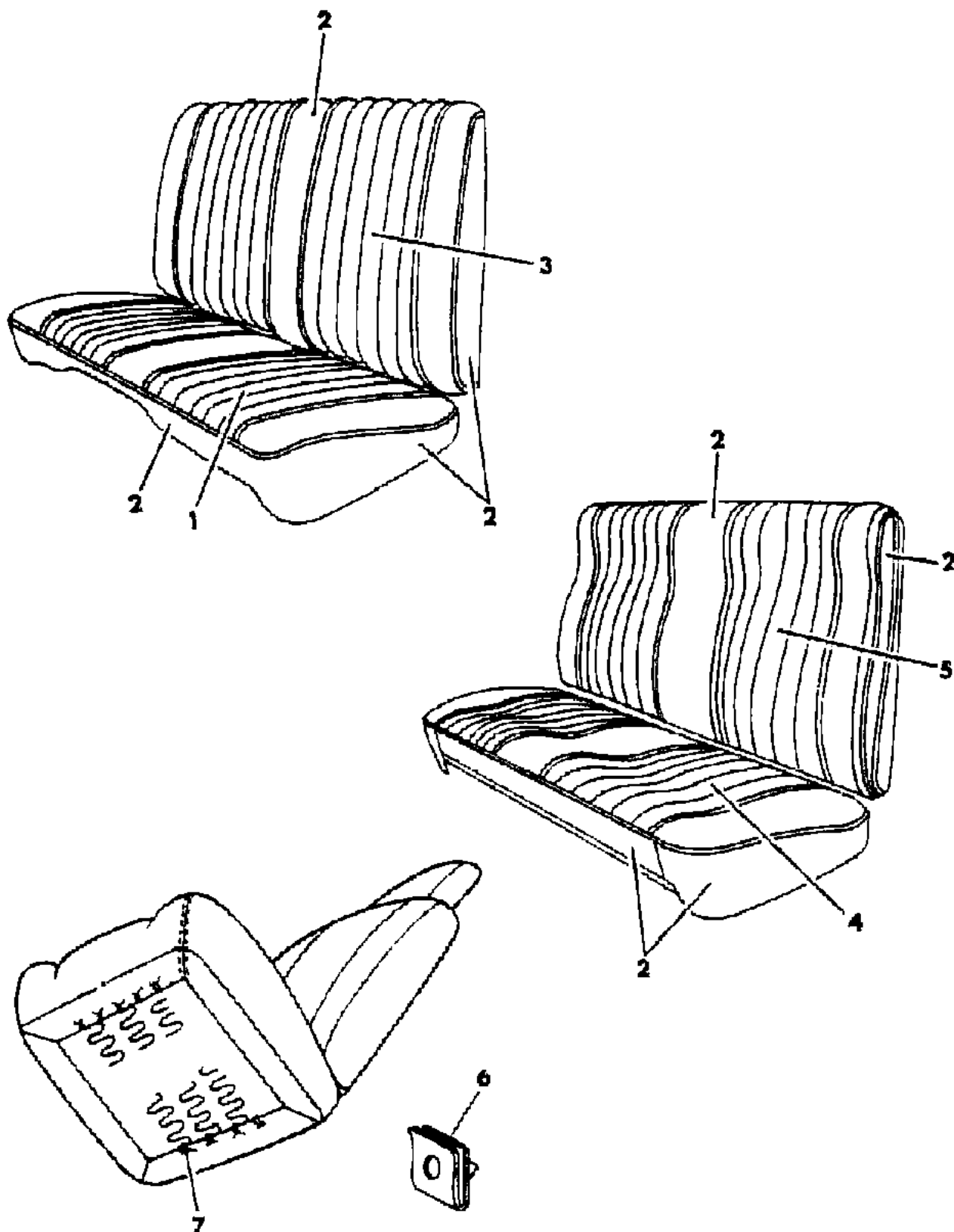
21 = 2-DOOR SEDAN	28 = FWD PICKUP
22 = 2-DOOR SPECIAL COUPE	41 = 4-DOOR SEDAN
24 = 2-DOOR HATCHBACK	44 = 4-DOOR HATCHBACK
27 = 2-DOOR CONVERTIBLE	45 = 2-SEAT STATION WAGON

AR = Use as Required - = Non Illustrated Part P.A.R. = Paint as Required



SEAT,REAR M & Z TRIM CODE C8,G7,H7  
Figure IT-1302

2253-130200A



ITEM	PART NUMBER	QTY	BODY	MODEL	DESCRIPTION
	N922 V8T	1			N N44 NC8T YN922V8T
	N922 V8X	1			N N44 NC8X YN922V8X
3					COVER,Rear Back N N N N
	N370 A8A	1			N N24 NC8A YN370A8A
	N370 A8B	1			N N24 NC8B YN370A8B
	N370 A8M	1			N N24 NC8M YN370A8M
	N370 A8T	1			N N24 NC8T YN370A8T
	N370 A8X	1			N N24 NC8X YN370A8X
	N345 A8A	1			N N44 NC8A YN345A8A
	N345 A8B	1			N N44 NC8B YN345A8B
	N354 A8M	1			N N44 NC8M YN354A8M
	N345 A8T	1			N N44 NC8T YN345A8T
	N345 A8X	1			N N44 NC8X YN345A8X
4&2					CUSHION,Rear w/Spring,Frame & Cover N N N N
	N584 V7B	1			N N24 ND7B,G7B,H7B YN584V7B
	N584 V7M	1			N N24 ND7M,G7M,H7M YN584V7M
	N584 V7T	1			N N24 ND7T,G7T,H7T YN584V7T
	N584 V7X	1			N N24 ND7X,G7X,H7X YN584V7X
	N585 V7B	1			N N44 ND7B,G7B,H7B YN585V7B
	N585 V7M	1			N N44 ND7M,G7M,H7M YN585V7M
	N585 V7T	1			N N44 ND7T,G7T,H7T YN585V7T
	N585 V7X	1			N N44 ND7X,G7X,H7X YN585V7X
4					COVER,Rear Cushion N N N N
	N518 V7B	1			N N24 ND7B,G7B,H7B YN518V7B
	N518 V7M	1			N N24 ND7M,G7M,H7M YN518V7M
	N518 V7T	1			N N24 ND7T,G7T,H7T YN518V7T
	N518 V7X	1			N N24 ND7X,G7X,H7X YN518V7X
	N519 V7B	1			N N44 ND7B,G7B,H7B YN519V7B
	N519 V7M	1			N N44 ND7M,G7M,H7M YN519V7M
	N519 V7T	1			N N44 ND7T,G7T H7T YN519V7T
	N519 V7X	1			N N44 ND7X,G7X,H7X YN519V7X
5&2					BACK,Rear w/Spring,Frame & Cover N N N N
	N586 V7B	1			N N24 ND7B,G7B,H7B YN586V7B
	N586 V7M	1			N N24 ND7M,G7M,H7M YN586V7M
	N586 V7T	1			N N24 ND7T,G7T,H7T YN586V7T
	N586 V7X	1			N N24 ND7X,G7X,H7X YN586V7X
	N587 V7B	1			N N44 ND7B,G7B,H7B YN587V7B

MODEL CODES

B = GRAN FURY/CARAVELLE	P = RELIANT
C = LEBARON/TOWN & COUNTRY	S = CORDOBA
D = ARIES	V = 400
F = NEW YORKER	X = MIRADA
G = DIPLOMAT	Y = IMPERIAL
M = HORIZON/TC3/SCAMP	Z = OMNI/O24/RAMPAGE

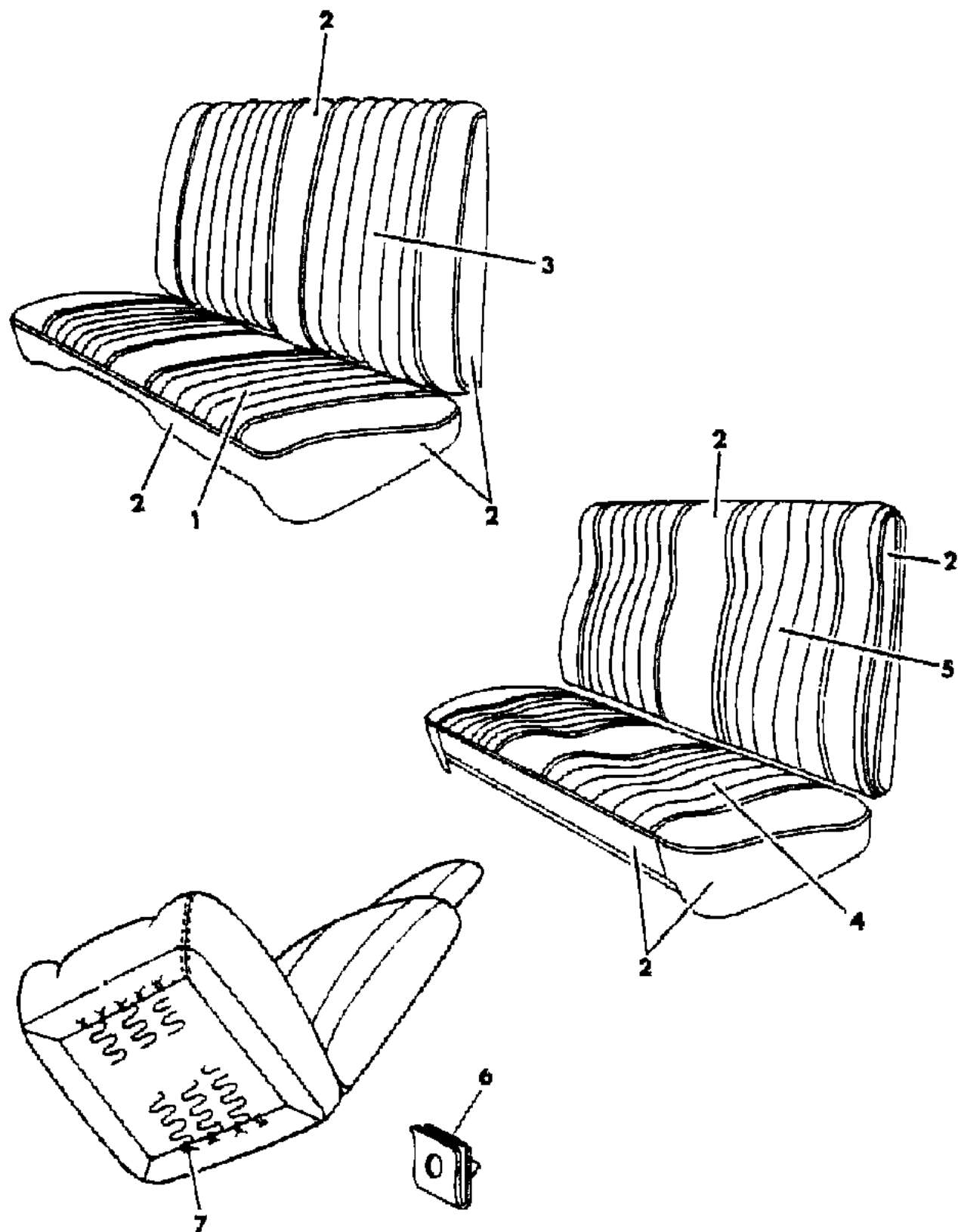
BODY STYLES

21 = 2-DOOR SEDAN	28 = FWD PICKUP
22 = 2-DOOR SPECIAL COUPE	41 = 4-DOOR SEDAN
24 = 2-DOOR HATCHBACK	44 = 4-DOOR HATCHBACK
27 = 2-DOOR CONVERTIBLE	45 = 2-SEAT STATION WAGON

AR = Use as Required - = Non Illustrated Part P.A.R. = Paint as Required

SEAT,REAR M & Z TRIM CODE C8,G7,H7  
Figure IT-1302

2253-130200A



ITEM	PART NUMBER	QTY	BODY	MODEL	DESCRIPTION
	N587 V7M	1			N N44 ND7M,G7M,H7M YN587V7M
	N587 V7T	1			N N44 ND7T,G7T,H7T YN587V7T
	N587 V7X	1			N N44 ND7X,G7X,H7X YN587V7X
5					COVER,Rear Back N N N N
	N520 V7B	1			N N24 ND7B,G7B,H7B YN520V7B
	N520 V7M	1			N N24 ND7M,G7M,H7M YN520V7M
	N520 V7T	1			N N24 ND7T,G7T,H7T YN520V7T
	N520 V7X	1			N N24 ND7X,G7X,H7X YN520V7X
	N521 V7B	1			N N44 ND7B,G7B,H7B YN521V7B
	N521 V7M	1			N N44 ND7M,G7M,H7M YN521V7M
	N521 V7T	1			N N44 ND7T,G7T,H7T YN521V7T
	N521 V7X	1			N N44 ND7X,G7X,H7X YN521V7X
6	6500 296	AR			CLIP,Rear Cushion Retainer N N N Y6500296
7	6008 076	AR			CLIP, Hog Ring N N N Y6008076

MODEL CODES

B = GRAN FURY/CARAVELLE	P = RELIANT
C = LEBARON/TOWN & COUNTRY	S = CORDOBA
D = ARIES	V = 400
F = NEW YORKER	X = MIRADA
G = DIPLOMAT	Y = IMPERIAL
M = HORIZON/TC3/SCAMP	Z = OMNI/O24/RAMPAGE

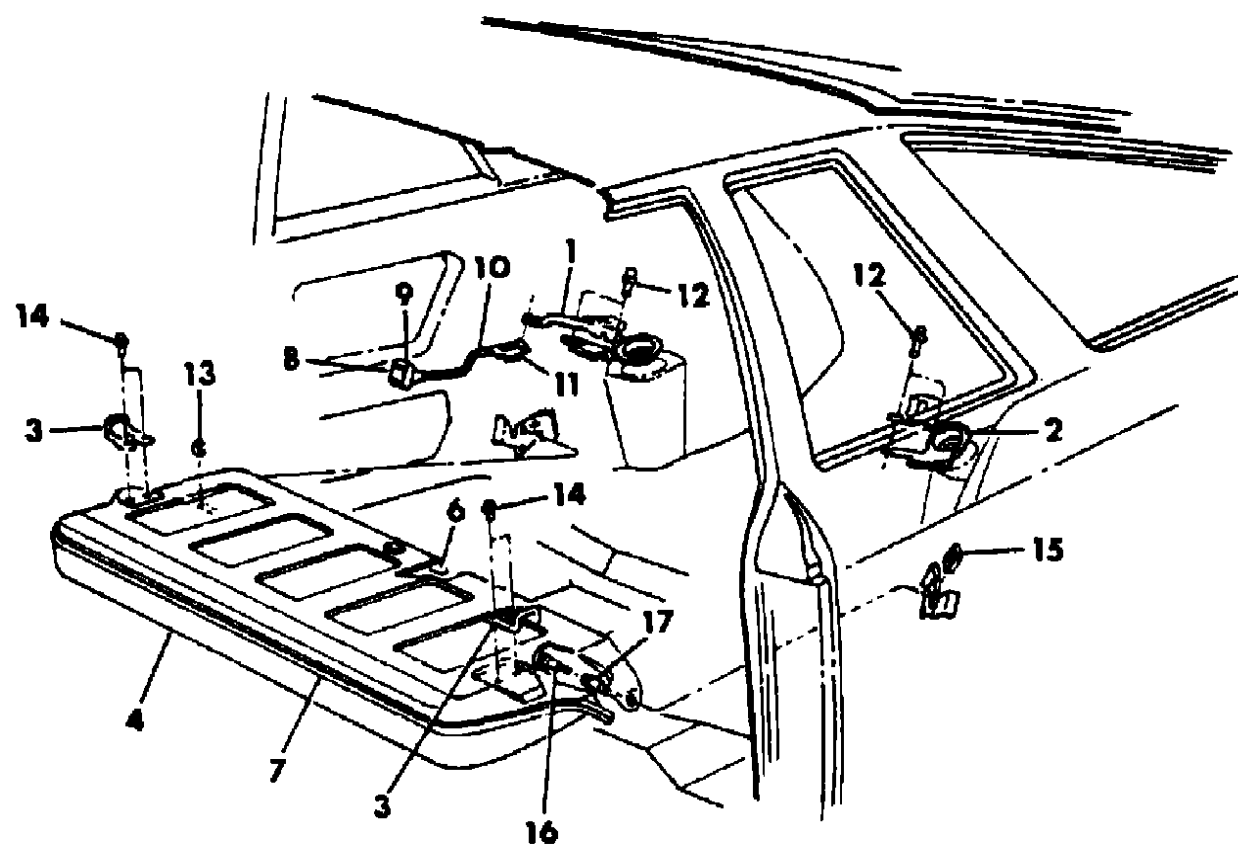
BODY STYLES

21 = 2-DOOR SEDAN	28 = FWD PICKUP
22 = 2-DOOR SPECIAL COUPE	41 = 4-DOOR SEDAN
24 = 2-DOOR HATCHBACK	44 = 4-DOOR HATCHBACK
27 = 2-DOOR CONVERTIBLE	45 = 2-SEAT STATION WAGON

AR = Use as Required - = Non Illustrated Part P.A.R. = Paint as Required

FOLD DOWN REAR SEAT M,Z 24  
Figure IT-1321

2253 132100B



ITEM	PART NUMBER	QTY	BODY	MODEL	DESCRIPTION
1	5207 284	1			LATCH, Second Seat Back N N N Y5207284
2	5207 306	1			BRACKET and RETAINER CLIP, Second Seat Back N N N Y5207306
3	5207 288	2			STRICKER, Second Seat Back Latch and Retainer Clip N N N Y5207288
4	5230 363	1			PANEL, Rear Seat Back N N N Y5230363
6	5230 365	1			PROTECTOR, Inner N N N Y5230365
7	S535 RX9	1			PROTECTOR, Upper N N N YS535RX9
8	H443 SX9	1			BUTTON, Second Seat Back Release Rod N N N YH443SX9
9	4246 304	1			BAND, Second Seat Back Release Tie Down N N N Y4246304
9	H428 SX9	1			BEZEL, Second Seat Back Latch Release Rod Button N N N YH428SX9
10	5207 289	1			ROD, Second Seat Back Latch Release N N N Y5207289
	6031 485	1			CLIP, Second Seat Back Latch Release Rod N N N Y6031485
11	2945 109	1			CLIP, Second Seat Back Release Rod Attaching N N N Y2945109
12	6101 276	AR			SCREW and WASHER N N N Y6101276
13	6023 878	2			RING, Retainer N N N Y6023878
14	6100 557	4			SCREW N N N Y6100557
15	6500 624	2			U-NUT N N N Y6500624
16	6500 378	2			SCREW N N N Y6500378
17	5230 351	2			BUSHING N N N Y5230351
	5230 350	1			SPACER, Seat Back Pivot, Right N N N Y5230350

MODEL CODES

B = GRAN FURY/CARAVELLE	P = RELIANT
C = LEBARON/TOWN & COUNTRY	S = CORDOBA
D = ARIES	V = 400
F = NEW YORKER	X = MIRADA
G = DIPLOMAT	Y = IMPERIAL
M = HORIZON/TC3/SCAMP	Z = OMNI/O24/RAMPAGE

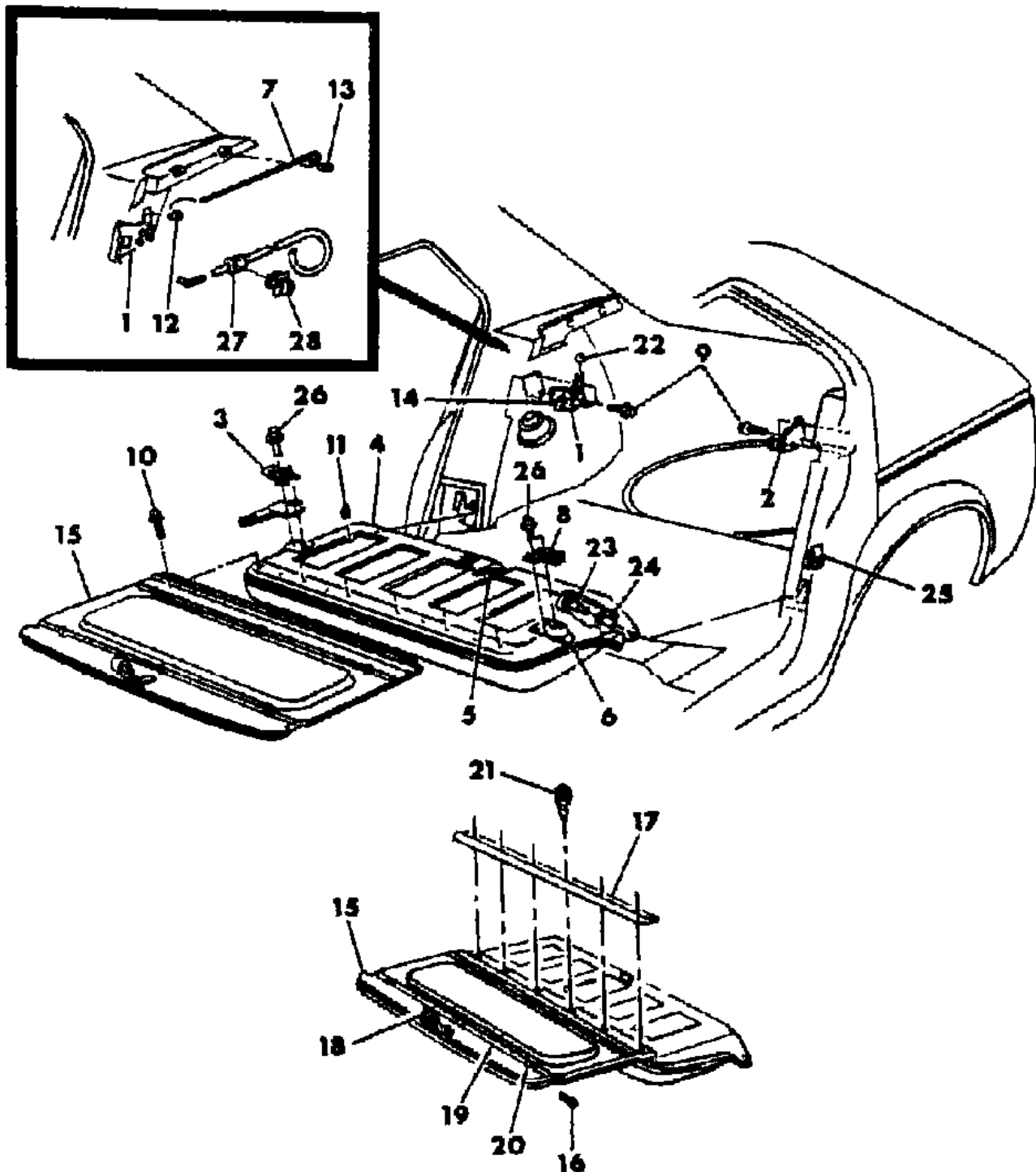
BODY STYLES

21 = 2-DOOR SEDAN	28 = FWD PICKUP
22 = 2-DOOR SPECIAL COUPE	41 = 4-DOOR SEDAN
24 = 2-DOOR HATCHBACK	44 = 4-DOOR HATCHBACK
27 = 2-DOOR CONVERTIBLE	45 = 2-SEAT STATION WAGON

AR = Use as Required - = Non Illustrated Part P.A.R. = Paint as Required

FOLD DOWN REAR SEAT M,Z 44  
Figure IT-1322

2253 132200



ITEM	PART NUMBER	QTY	BODY	MODEL	DESCRIPTION
1	5207 008	2			LATCH, Folding Rear Seat Back N N N Y5207008
2	5207 208	1			BRACKET and CLIP, Support N N N Y5207208
3	5207 059	1			STRICKER, Folding Seat Back Latch N N N Y5207059
4	5230 363	1			PANEL, Seat Back N N N Y5230363
5	5230 365	1			PROTECTOR, Inner N N N Y5230365
6	S535 RX9	1			PROTECTOR, Upper N N N YS535RX9
7	5207 082	1			ROD, Latch Release N N N Y5207082
8	5207 272	1			STRICKER, Left Side N N N Y5207272
9	6101 276	AR			SCREW and WASHER N N N Y6101276
10		AR			SCREW (not serviced) N N N N
11	6023 878	1			RING, Retainer N N N Y6023878
12	2945 109	1			CLIP, Latch to Rod N N N Y2945109
13	3845 099	1			CLIP N N N Y3845099
14	5207 189	1			BUMPER, Folding Rear Seat Back Support N N N Y5207189
	6031 340	1			NUT, Seat Back Latch Bumper N N N Y6031340
15	H207 AA7	1			PANEL, Rear Shelf, Silver N N N YH207AA7
	H207 VB2	1			Blue N N N YH207VB2
	H207 VM6	1			Red N N N YH207VM6
	H207 VT6	1			Tan N N N YH207VT6
	H207 VX9	1			Black N N N YH207VX9
16					CORD, Shelf Panel (serviced in item 15) N N N N
17	5200 315	1			RETAINER, Shelf Panel Carpet N N N Y5200315
18	5200 383	1			STRAP, Shelf Panel Lift N N N Y5200383
19	5200 306	1			ROD, Shelf Panel Support N N N Y5200306
20	5200 308	3			RETAINER, Shelf Panel Support Rod N N N Y5200308
21		AR			SCREW (not serviced) N N N N
22	5207 080	AR			KNOB, 2nd. Seat Back Latch Release N N N Y5207080
23	6500 378	2			SCREW, Folding Rear Seat Back Pivot N N N Y6500378
24	5230 351	2			BUSHING, Folding Rear Seat Back Pivot Screw N N N Y5230351
	5230 350	1			SPACER, Folding Rear Seat Back Pivot, Right N N N Y5230350
25	6500 624	2			U-NUT N N N Y6500624
	6031 485	1			CLIP, Second Seat Back Latch Release Rod N N24 N Y6031485
	4246 304	1			BAND, Second Seat Back Release Tie Down N N24 N Y4246304
	6031 340	1			NUT, Folding Rear Seat Back Latch Bumper Adjuster N N44 N Y6031340

MODEL CODES

B = GRAN FURY/CARAVELLE	P = RELIANT
C = LEBARON/TOWN & COUNTRY	S = CORDOBA
D = ARIES	V = 400
F = NEW YORKER	X = MIRADA
G = DIPLOMAT	Y = IMPERIAL
M = HORIZON/TC3/SCAMP	Z = OMNI/O24/RAMPAGE

BODY STYLES

21 = 2-DOOR SEDAN	28 = FWD PICKUP
22 = 2-DOOR SPECIAL COUPE	41 = 4-DOOR SEDAN
24 = 2-DOOR HATCHBACK	44 = 4-DOOR HATCHBACK
27 = 2-DOOR CONVERTIBLE	45 = 2-SEAT STATION WAGON

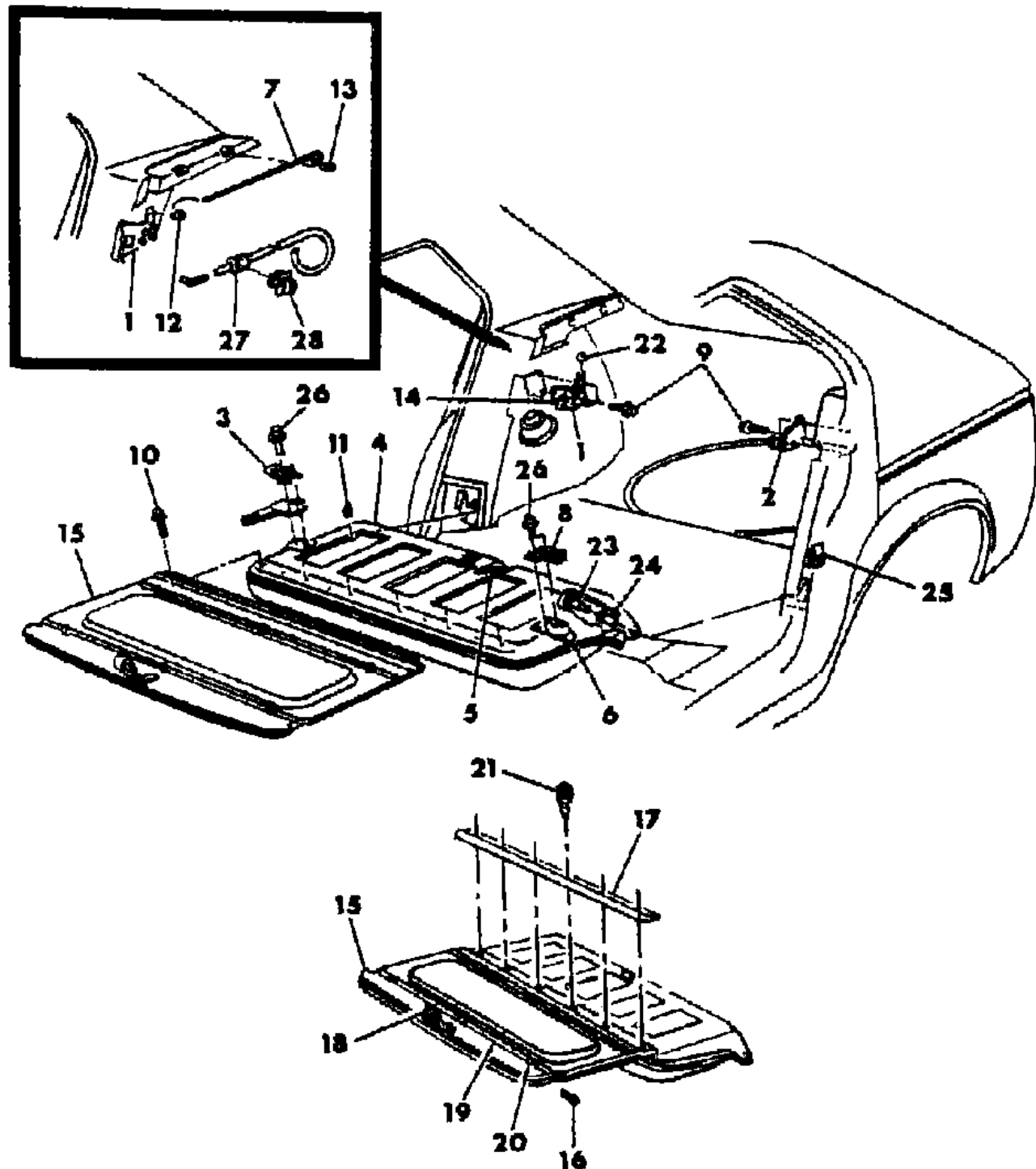
AR = Use as Required - = Non Illustrated Part P.A.R. = Paint as Required

FOLD DOWN REAR SEAT M,Z 44  
Figure IT-1322

2253 132200

ITEM	PART NUMBER	QTY	BODY	MODEL	DESCRIPTION
------	-------------	-----	------	-------	-------------

26	6100 557	4			SCREW N N N Y6100557
27	4057 555	AR			RETAINER N N N Y4057555
28		AR			CLIP (not serviced) N N N N



MODEL CODES

B = GRAN FURY/CARAVELLE	P = RELIANT
C = LEBARON/TOWN & COUNTRY	S = CORDOBA
D = ARIES	V = 400
F = NEW YORKER	X = MIRADA
G = DIPLOMAT	Y = IMPERIAL
M = HORIZON/TC3/SCAMP	Z = OMNI/O24/RAMPAGE

BODY STYLES

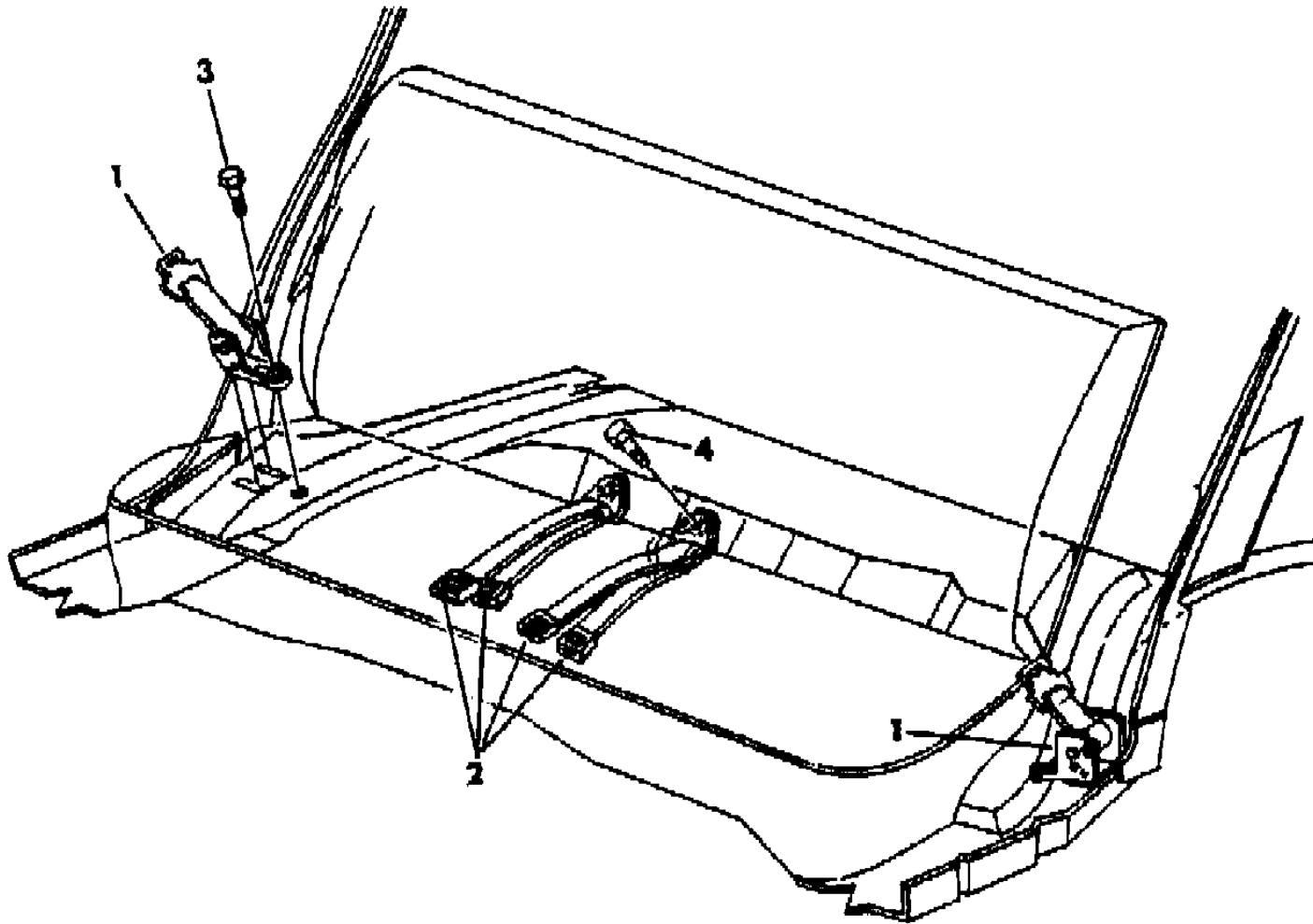
21 = 2-DOOR SEDAN	28 = FWD PICKUP
22 = 2-DOOR SPECIAL COUPE	41 = 4-DOOR SEDAN
24 = 2-DOOR HATCHBACK	44 = 4-DOOR HATCHBACK
27 = 2-DOOR CONVERTIBLE	45 = 2-SEAT STATION WAGON

AR = Use as Required - = Non Illustrated Part P.A.R. = Paint as Required

**BELT REAR SEAT LAP M,Z**  
**Figure IT-1371**

2253 137100A

ITEM	PART NUMBER	QTY	BODY	MODEL	DESCRIPTION
1					BELT, Rear Seat Lap Outboard Tip Half Label No. 5207150 N N N N
	F698 AA3	2			Silver N N N YF698AA3
	F698 TB2	2			BLUE N N N YF698TB2
	F698 TM6	2			Red N N N YF698TM6
	F698 ST4	2			Tan N N N YF698ST4
	F698 RX9	2			Black N N N YF698RX9
2					BELT, Rear Seat Lap Buckle and Tip Half Inner Label No. 5232138-9 N N N N
	F866-7 AA3	1			Silver N N N YF866AA3
	F866-7 VB2	1			Blue N N N YF866VB2
	F866-7 VM6	1			Red N N N YF866VM6
	F866-7 VT4	1			Tan N N N YF866VT4
	F866-7 VX9	1			Black N N N YF866VX9
3	6031 484	2			BOLT N N N Y6031484
4	6031 552	1			BOLT N N N Y6031552



**MODEL CODES**

B = GRAN FURY/CARAVELLE	P = RELIANT
C = LEBARON/TOWN & COUNTRY	S = CORDOBA
D = ARIES	V = 400
F = NEW YORKER	X = MIRADA
G = DIPLOMAT	Y = IMPERIAL
M = HORIZON/TC3/SCAMP	Z = OMNI/O24/RAMPAGE

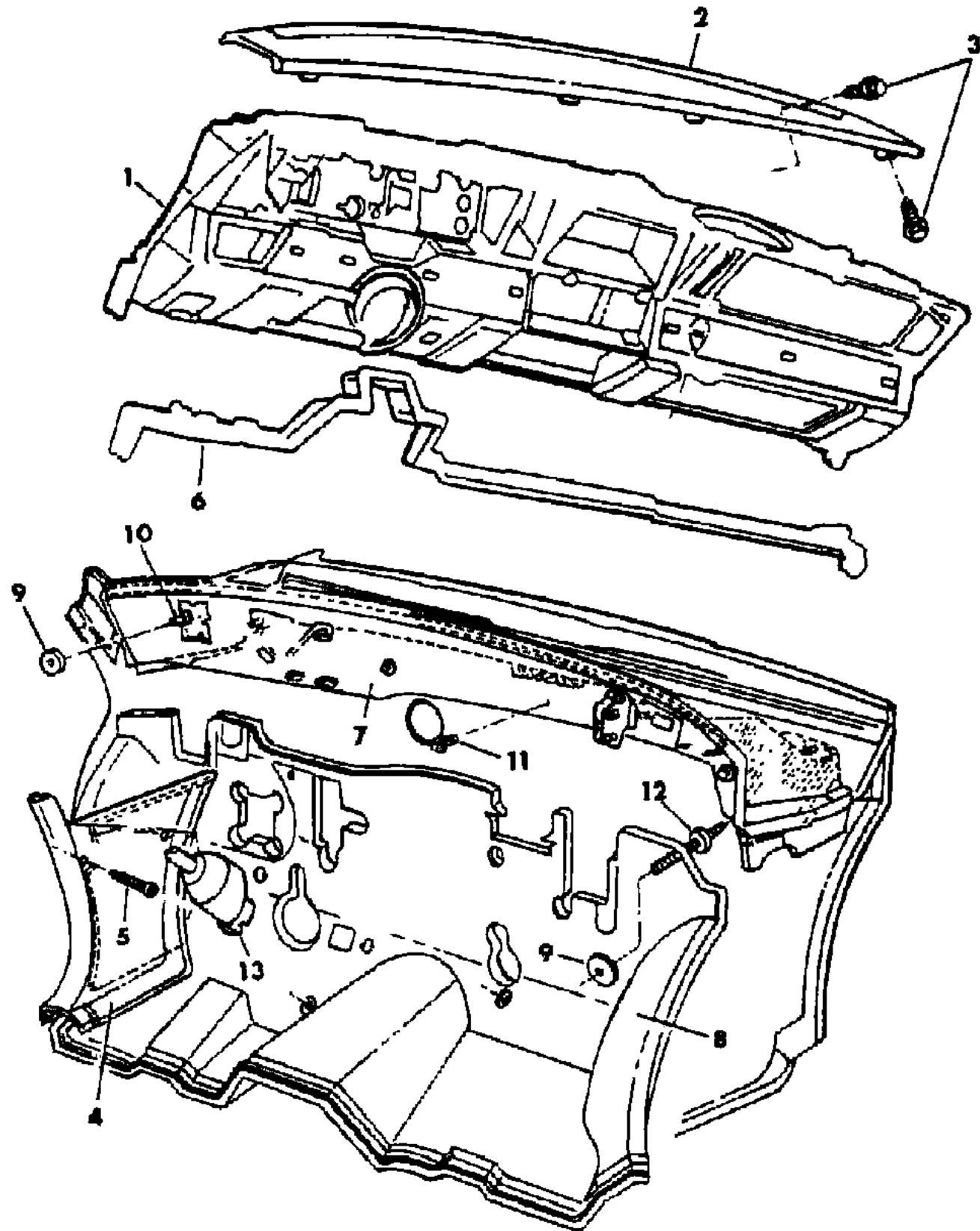
**BODY STYLES**

21 = 2-DOOR SEDAN	28 = FWD PICKUP
22 = 2-DOOR SPECIAL COUPE	41 = 4-DOOR SEDAN
24 = 2-DOOR HATCHBACK	44 = 4-DOOR HATCHBACK
27 = 2-DOOR CONVERTIBLE	45 = 2-SEAT STATION WAGON

AR = Use as Required - = Non Illustrated Part P.A.R. = Paint as Required

**INSTRUMENT PANEL AND COWL P,D,C,V**  
Figure IT-3011

2253 301100



ITEM	PART NUMBER	QTY	BODY	MODEL	DESCRIPTION
NOTE: COVERS or BEZELS needed with Instrument Panel replacement are located in Group 23 B. s ARE NOT RETURNABLE.					
1	4220 386	1			PANEL, Instrument (plastic)(paint as required) N N N N NP-P D-P N N Y4220386
	4220 386	1			NC,V N N Y4220386
	4220 384	1			w/o Electric Rear Defogger NP-L,H D-L,H N N Y4220384
	4220 385	1			w/Electric Rear Defogger NP-L,H D-L,H N N Y4220385
2					COVER, Instrument Panel Top N N N N w/o Stereo N N N N
	P450 AA7	1			Silver N NC,V N YP450AA7
	P450 AC7	1			Blue, Dark N NC,V N YP450AC7
	P450 AH9	1			Mahogany N NC,V N YP450AH9
	P450 VM6	1			Red N NC,V N YP450VM6
	P450 VT6	1			Tan N NC,V N YP450VT6
	4220 183	1			(paint as required) N NP,D N Y4220183 w/Stereo N N N N
	P452 AA7	1			Silver N NC,V N YP452AA7
	P452 AC7	1			Blue, Dark N NC,V N YP452AC7
	P452 AH9	1			Mahogany N NC,V N YP452AH9
	P452 VM6	1			Red N NC,V N YP452VM6
	P452 VT6	1			Tan N NC,V N YP452VT6
	4220 185	1			(paint as required) N NP,D N Y4220185
3		AR			SCREW (not serviced) N N N N
4					PANEL, Cowl Side Trim N N N N
	F206-7 AA3	1			Silver NP,D N N YF206AA3
	F206-7 VB2	1			Blue NP,D N N YF206VB2
	F206-7 VF5	1			Green NP,D N N YF206VF5
	F206-7 VM6	1			Red NP,D N N YF206VM6
	F206-7 VT4	1			Tan NP,D N N YF206VT4
	F194-5 AA7	1			Silver NC,V N N YF194AA7
	F194-5 AC7	1			Blue NC,V N N YF194AC7
	F194-5 AH9	1			Mahogany NC,V N N YF194AH9
	F194-5 AM6	1			Red NC,V N N YF194AM6
	F194-5 AT6	1			Tan NC,V N N YF194AT6
	F188-9 AH9	1			w/Mark Cross Package Mahogany NC N N YF188AH9
5		AR			SCREW (not serviced) N N N N
6	4047 587	1			REINFORCEMENT, Instrument Panel Lower (paint as required) N N N Y4047587

MODEL CODES

B = GRAN FURY/CARAVELLE	P = RELIANT
C = LEBARON/TOWN & COUNTRY	S = CORDOBA
D = ARIES	V = 400
F = NEW YORKER	X = MIRADA
G = DIPLOMAT	Y = IMPERIAL
M = HORIZON/TC3/SCAMP	Z = OMNI/O24/RAMPAGE

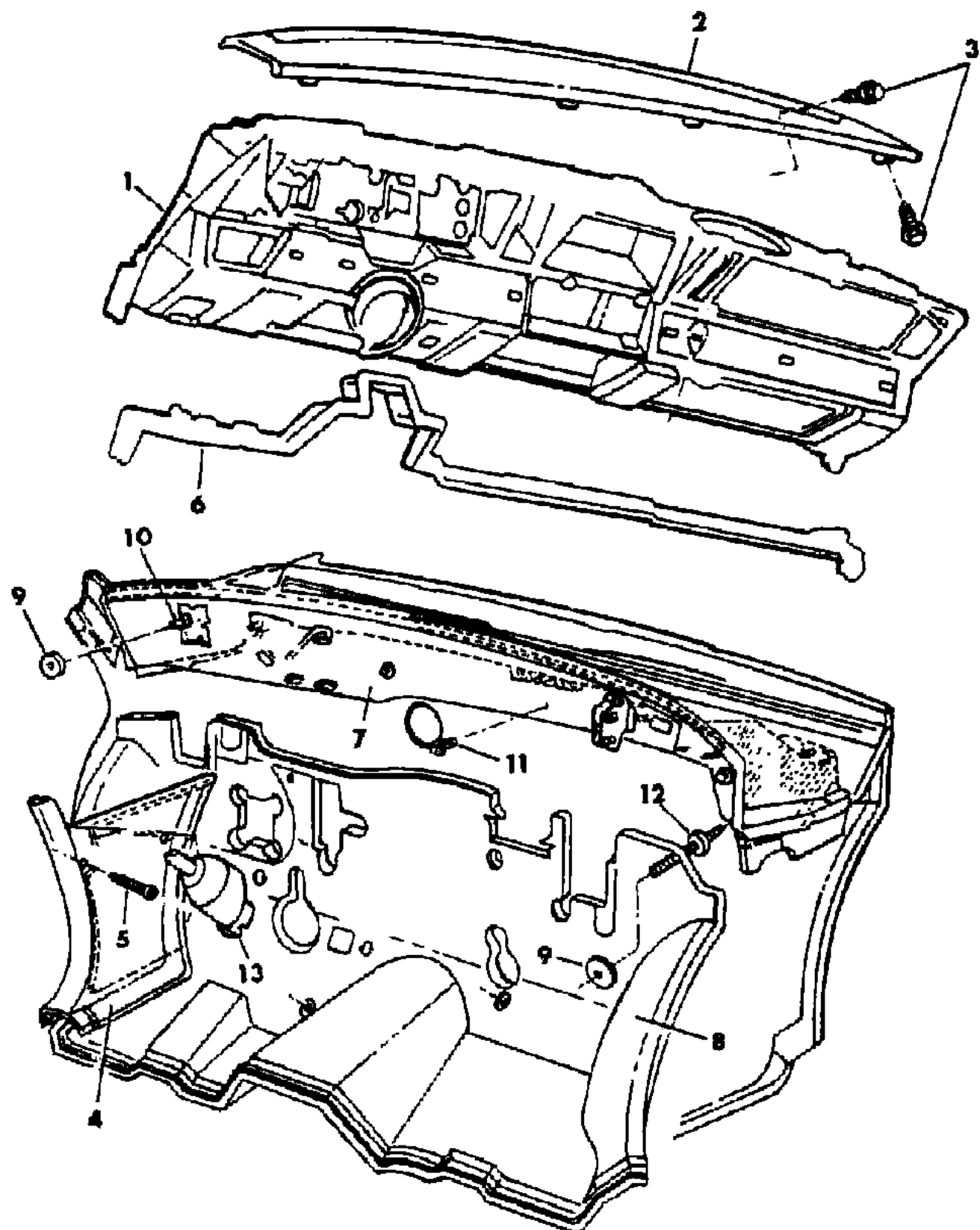
BODY STYLES

21 = 2-DOOR SEDAN	28 = FWD PICKUP
22 = 2-DOOR SPECIAL COUPE	41 = 4-DOOR SEDAN
24 = 2-DOOR HATCHBACK	44 = 4-DOOR HATCHBACK
27 = 2-DOOR CONVERTIBLE	45 = 2-SEAT STATION WAGON

AR = Use as Required - = Non Illustrated Part P.A.R. = Paint as Required

INSTRUMENT PANEL AND COWL P,D,C,V  
Figure IT-3011

2253 301100



ITEM	PART NUMBER	QTY	BODY	MODEL	DESCRIPTION
7	4136 851	1			SILENCER, Cowl Panel w/Sound N N N Y4136851
	4206 502	1			w/o Sound N N N Y4206502
8	4198 074	1			LINER, Dash N N N Y4198074
	4278 381	1			w/A/C N N N Y4278381
	4278 955	1			PACKAGE, Liner Attaching N N N Y4278955
9	4206 545	AR			RETAINER N N N Y4206545
10	6032 020	1			STUD, Collar N N N Y6032020
11		3			SCREW and WASHER (not serviced) N N N N
12	6031 630	4			STUD N N N Y6031630
13	4206 432	1			COVER and SILENCER, Steering Column N N N Y4206432

MODEL CODES

B = GRAN FURY/CARAVELLE	P = RELIANT
C = LEBARON/TOWN & COUNTRY	S = CORDOBA
D = ARIES	V = 400
F = NEW YORKER	X = MIRADA
G = DIPLOMAT	Y = IMPERIAL
M = HORIZON/TC3/SCAMP	Z = OMNI/O24/RAMPAGE

BODY STYLES

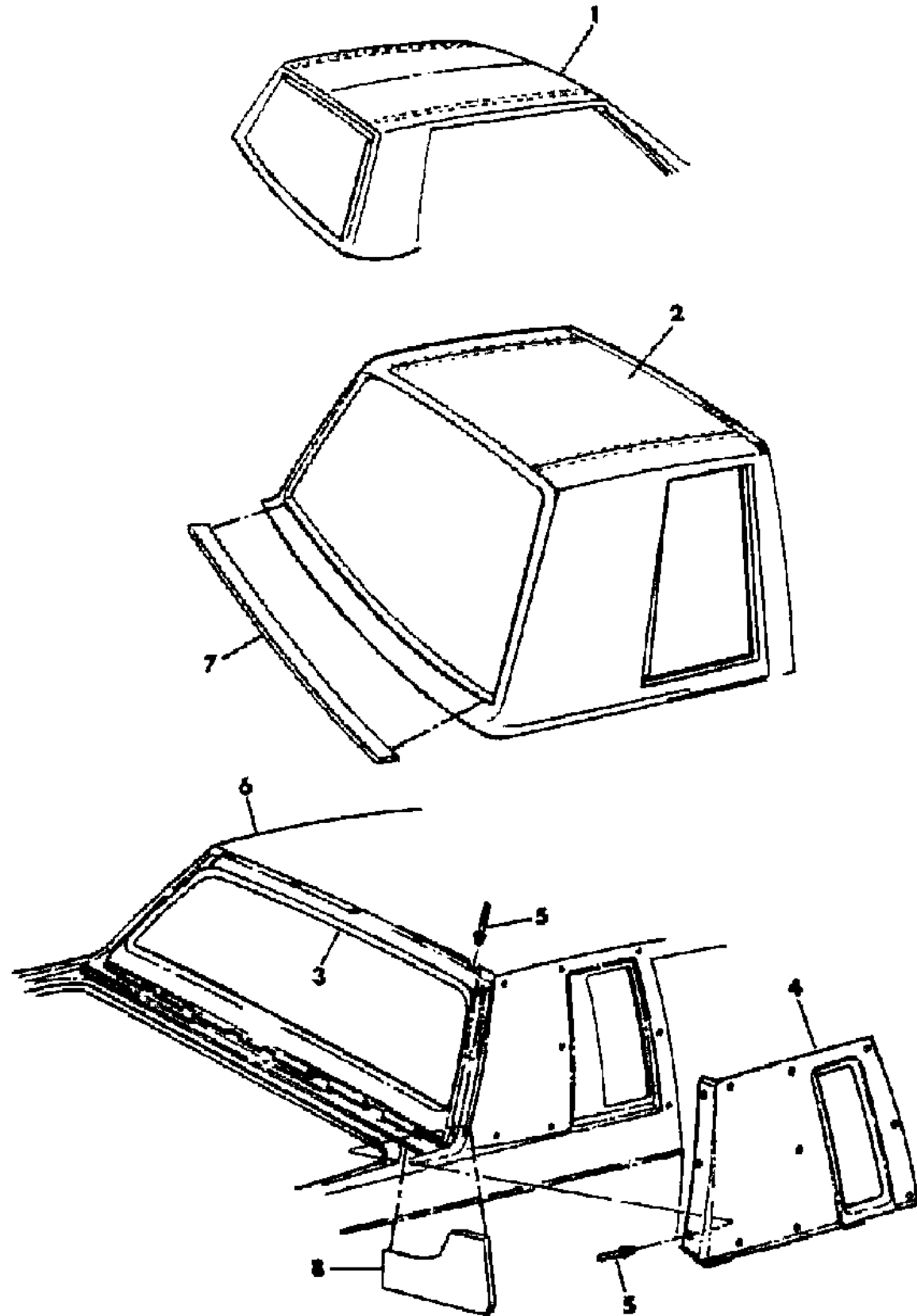
21 = 2-DOOR SEDAN	28 = FWD PICKUP
22 = 2-DOOR SPECIAL COUPE	41 = 4-DOOR SEDAN
24 = 2-DOOR HATCHBACK	44 = 4-DOOR HATCHBACK
27 = 2-DOOR CONVERTIBLE	45 = 2-SEAT STATION WAGON

AR = Use as Required - = Non Illustrated Part P.A.R. = Paint as Required



ROOF COVERS - P,D,C,V  
Figure IT-3021

2253 302100A



ITEM	PART NUMBER	QTY	BODY	MODEL	DESCRIPTION
1					COVER, Roof, Full N N N N
	T927 AA3	1			N N41 NV1A YT927AA3
	T927 VC2	1			N N41 NV1B YT927VC2
	T927 VF2	1			N N41 NV1F YT927VF2
	T927 AM8	1			N N41 NV1M YT927AM8
	T927 VT3	1			N N41 NV1K YT927VT3
	T927 VW3	1			N N41 NV1W YT927VW3
	T927 AX9	1			N N41 NV1X YT927AX9
2					COVER, Roof, Landau N N N N
	T928 AA3	1			NP,D N21 NV6A YT928AA3
	T928 VC2	1			NP,D N21 NV6B YT928VC2
	T928 VC9	1			NP,D N21 NV6C YT928VC9
	T928 VM9	1			NP,D N21 NV6E YT928VM9
	T928 VF2	1			NP,D N21 NV6F YT928VF2
	T928 AM8	1			NP,D N21 NV6M YT928AM8
	T928 VT3	1			NP,D N21 NV6K YT928VT3
	T928 VW3	1			NP,D N21 NV6W YT928VW3
	T928 VX9	1			NP,D N21 NV6X YT928VX9
					Padded Landau N N N N0
	T931 AA3	1			NC,V N22 NV6A YT931AA3
	T931 AC2	1			NC,V N22 NV6B YT931AC2
	T931 AC9	1			NC,V N22 NV6C YT931AC9
	T931 AH9	1			NC,V N22 NV6H YT931AH9
	T931 AK7	1			NC,V N22 NV6U YT931AK7
	T931 AM8	1			NC,V N22 NV6M YT931AM8
	T931 AT2	1			NC,V N22 NV6T YT931AT2
	T931 AT3	1			NC,V N22 NV6K YT931AT3
	T931 AW3	1			NC,V N22 NV6W YT931AW3
	T931 AX9	1			NC,V N22 NV6X YT931AX9
3	4229 503	1			FOUNDATION, Roof Backlite NC,V N22 NV6 Y4229503
4	4229 558-9	1			FOUNDATION, Roof Quarter Window NC,V N22 NV6 Y4229558
5		40			RIVET (not serviced) NC,V N22 NV6 N
6	4229 975	1			PAD, Roof NC,V N22 NV6 Y4229975
	4229 777	1			PAD, Roof NP,D N21 NV6 Y4229777
7	4229 778	1			PAD, Rear Window Opening Lower NC,V N22 NV6 Y4229778
8	4276 202	3			FILLAR STRIP, Rear Window Lower Corner NC,V N22 NV6 Y4276202

MODEL CODES

B = GRAN FURY/CARAVELLE	P = RELIANT
C = LEBARON/TOWN & COUNTRY	S = CORDOBA
D = ARIES	V = 400
F = NEW YORKER	X = MIRADA
G = DIPLOMAT	Y = IMPERIAL
M = HORIZON/TC3/SCAMP	Z = OMNI/O24/RAMPAGE

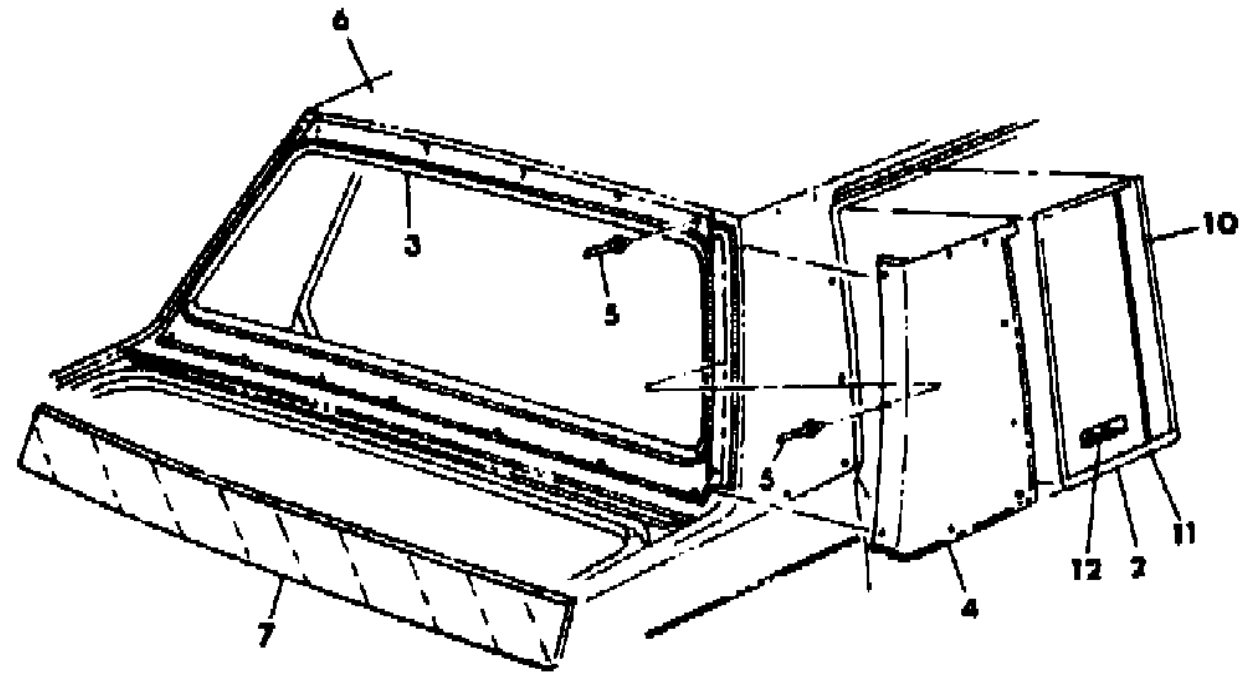
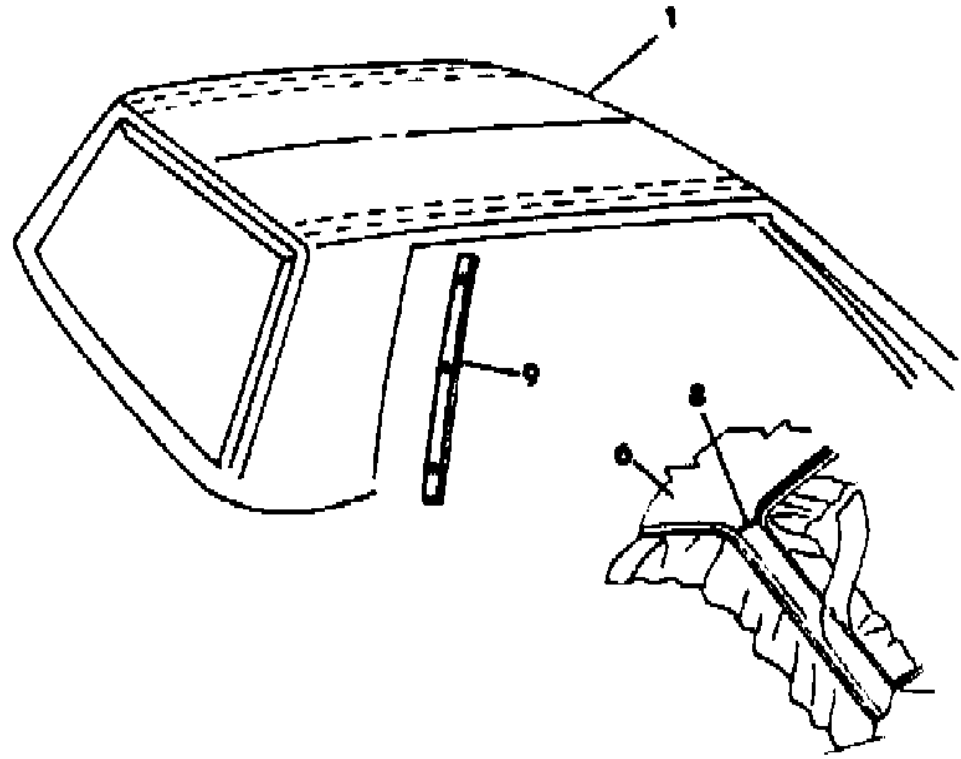
BODY STYLES

21 = 2-DOOR SEDAN	28 = FWD PICKUP
22 = 2-DOOR SPECIAL COUPE	41 = 4-DOOR SEDAN
24 = 2-DOOR HATCHBACK	44 = 4-DOOR HATCHBACK
27 = 2-DOOR CONVERTIBLE	45 = 2-SEAT STATION WAGON

AR = Use as Required - = Non Illustrated Part P.A.R. = Paint as Required

ROOF COVERS C,V -41  
Figure IT-3022

2253 302200 D



ITEM	PART NUMBER	QTY	BODY	MODEL	DESCRIPTION
1					COVER, Full Padded N N N N
	T932 AA3	1			N N NV7A YT932AA3
	T932 AC2	1			N N NV7B YT932AC2
	T932 AC9	1			N N NV7C YT932AC9
	T932 AH9	1			N N NV7H YT932AH9
	T932 AK7	1			N N NV7U YT932AK7
	T932 AM8	1			N N NV7M YT932AM8
	T932 AT2	1			N N NV7T YT932AT2
	T932 AT3	1			N N NV7K YT932AT3
	T932 AW3	1			N N NV7W YT932AW3
	T932 AX9	1			N N NV7X YT932AX9
2					COVER w/NAME PLATE and MOULDINGS, Rear Door Rear Outer N N N N
					(use up to 12/1/81) N N N N
	X498-9 AA3	1			NC N NV7A YX498AA3
	X498-9 AC2	1			NC N NV7B YX498AC2
	X498-9 AC9	1			NC N NV7C YX498AC9
	X498-9 AH9	1			NC N NV7H YX498AH9
	X498-9 AK7	1			NC N NV7U YX498AK7
	X498-9 AM8	1			NC N NV7M YX498AM8
	X498-9 AT2	1			NC N NV7T YX498AT2
	X498-9 AT3	1			NC N NV7K YX498AT3
	X498-9 AW3	1			NC N NV7W YX498AW3
	X498-9 AX9	1			NC N NV7X YX498AX9
					(use after 12/1/81) N N N N
	X508-9 AA3	1			NC N NV7A YX508AA3
	X508-9 AC2	1			NC N NV7B YX508AC2
	X508-9 AC9	1			NC N NV7C YX508AC9
	X508-9 AH9	1			NC N NV7H YX508AH9
	X508-9 AT3	1			NC N NV7K YX508AT3
	X508-9 AK7	1			NC N NV7U YX508AK7
	X508-9 AM8	1			NC N NV7M YX508AM8
	X508-9 AT2	1			NC N NV7T YX508AT2
	X508-9 AW3	1			NC N NV7W YX508AW3
	X508-9 AX9	1			NC N NV7X YX508AX9
					w/Mouldings N N N N
	X526-7 AA3	1			NV N NV7A YX526AA3

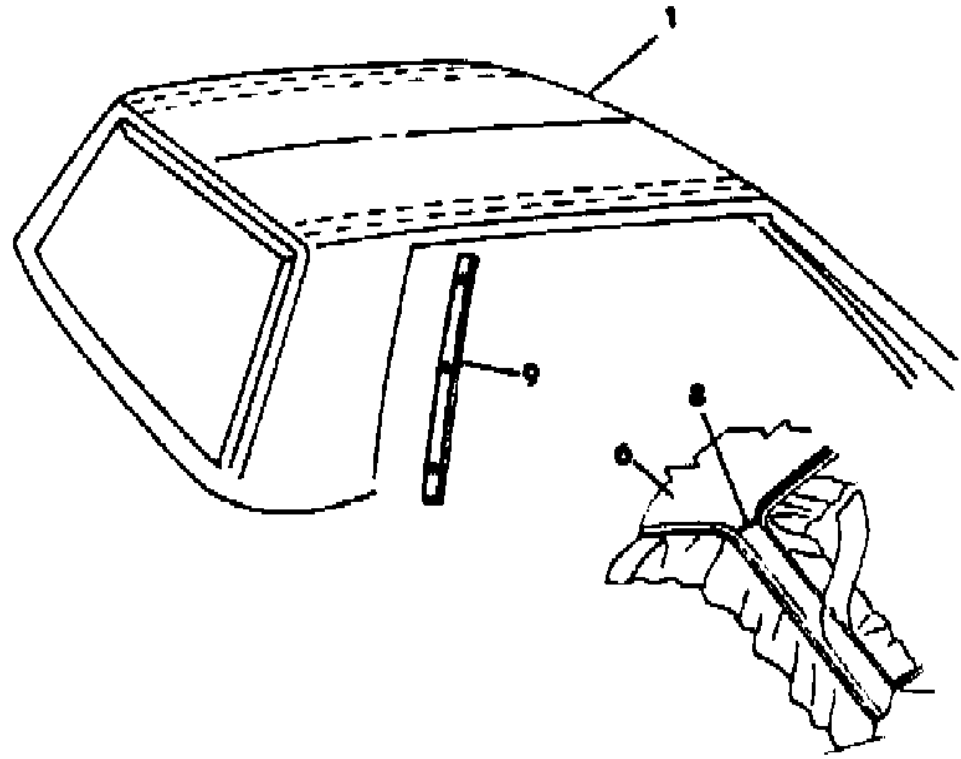
MODEL CODES  
 B = GRAN FURY/CARAVELLE      P = RELIANT  
 C = LEBARON/TOWN & COUNTRY      S = CORDOBA  
 D = ARIES      V = 400  
 F = NEW YORKER      X = MIRADA  
 G = DIPLOMAT      Y = IMPERIAL  
 M = HORIZON/TC3/SCAMP      Z = OMNI/O24/RAMPAGE

BODY STYLES  
 21 = 2-DOOR SEDAN      28 = FWD PICKUP  
 22 = 2-DOOR SPECIAL COUPE      41 = 4-DOOR SEDAN  
 24 = 2-DOOR HATCHBACK      44 = 4-DOOR HATCHBACK  
 27 = 2-DOOR CONVERTIBLE      45 = 2-SEAT STATION WAGON

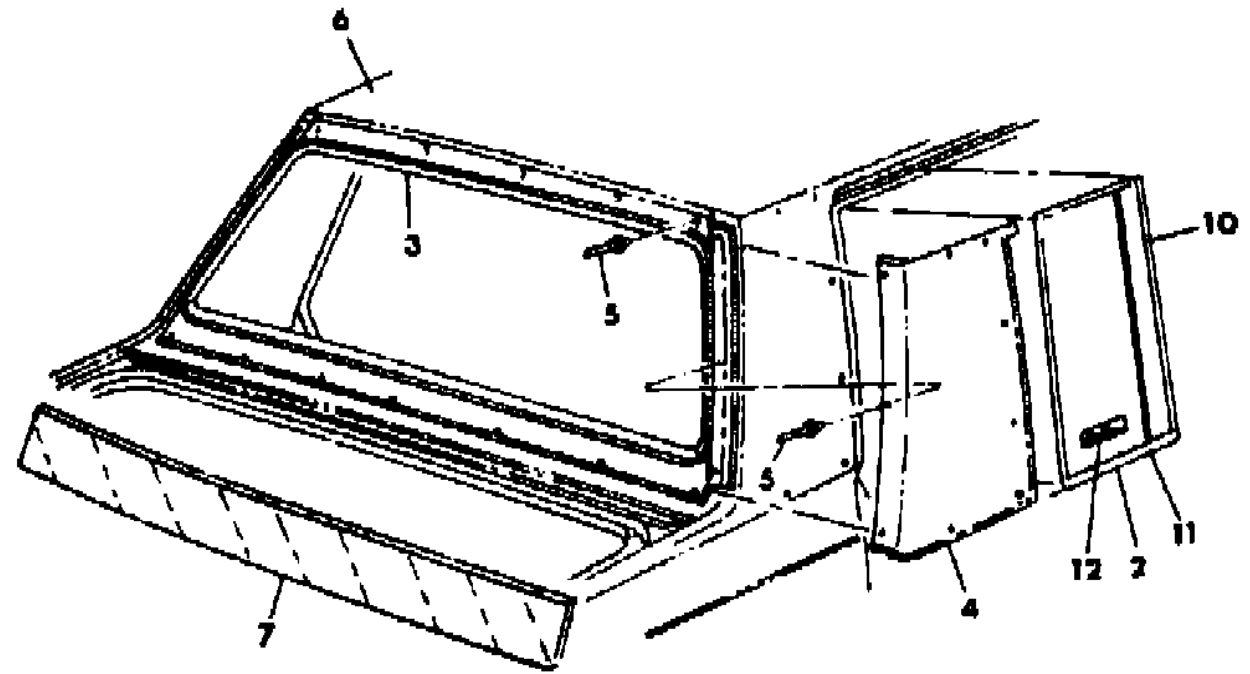
AR = Use as Required - = Non Illustrated Part P.A.R. = Paint as Required

ROOF COVERS C,V -41  
Figure IT-3022

2253 302200 D



ITEM	PART NUMBER	QTY	BODY	MODEL	DESCRIPTION
	X526-7 AC2	1			NV N NV7B YX526AC2
	X526-7 AC9	1			NV N NV7C YX526AC9
	X526-7 AH9	1			NV N NV7H YX526AH9
	X526-7 AK7	1			NV N NV7U YX526AK7
	X526-7 AM8	1			NV N NV7M YX526AM8
	X526-7 AT2	1			NV N NV7T YX526AT2
	X526-7 AT3	1			NV N NV7K YX526AT3
	X526-7 AW3	1			NV N NV7W YX526AW3
	X526-7 AX9	1			NV N NV7X YX526AX9
3	4229 716	1			FOUNDATION N N NV7 Y4229716
4	4229 718-9	1			FOUNDATION, Quarter N N NV7 Y4229718
5		AR			RIVET (not serviced) N N NV7 N
6	4229 977	1			PAD, Roof N N NV7 Y4229977
7	4229 979	1			PAD, Rear Window Lower N N NV7 Y4229979
8	4229 978	2			PAD, Front Pillar N N NV7 Y4229978
9	X324 AW3	3			RETAINER, Rear Door Opening Vinyl Roof (paint as required) N N NV7 YX324AW3
10	4198 958-9	1			MOULDING N N NV7 Y4198958
11	4198 960-1	1			MOULDING N N NV7 Y4198960
12	4017 688	2			NANE PLATE (LeBaron) N N NV7 Y4017688
The following parts are not illustrated. s ARE NOT RETURNABLE.					
	9420 868	12			NUT, Cover Rear Door Attaching N N NV7 Y9420868



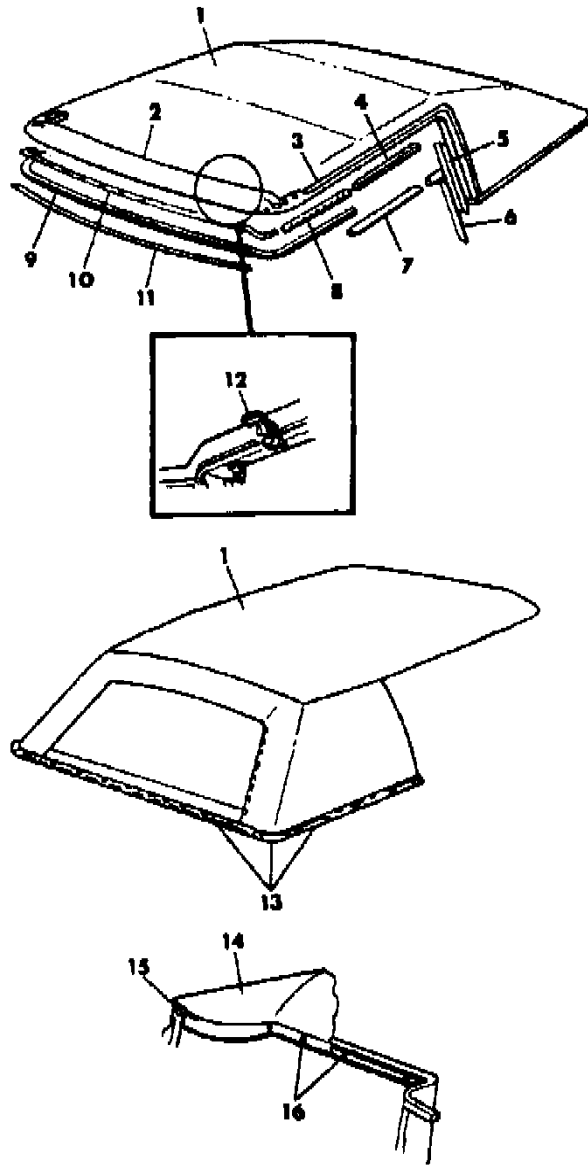
MODEL CODES  
 B = GRAN FURY/CARAVELLE  
 C = LEBARON/TOWN & COUNTRY  
 D = ARIES  
 F = NEW YORKER  
 G = DIPLOMAT  
 M = HORIZON/TC3/SCAMP  
 P = RELIANT  
 S = CORDOBA  
 V = 400  
 X = MIRADA  
 Y = IMPERIAL  
 Z = OMNI/O24/RAMPAGE

BODY STYLES  
 21 = 2-DOOR SEDAN  
 22 = 2-DOOR SPECIAL COUPE  
 24 = 2-DOOR HATCHBACK  
 27 = 2-DOOR CONVERTIBLE  
 28 = FWD PICKUP  
 41 = 4-DOOR SEDAN  
 44 = 4-DOOR HATCHBACK  
 45 = 2-SEAT STATION WAGON

AR = Use as Required - = Non Illustrated Part P.A.R. = Paint as Required

**CONVERTIBLE, FOLDING TOP C,V 27**  
**Figure IT-3023**

2253 302 300A



ITEM	PART NUMBER	QTY	BODY	MODEL	DESCRIPTION
1					COVER, Folding Top N N N N
	T902 AT3	1			Cashmere N N N YT902AT3
	T902 AW3	1			White N N N YT902AW3
	T902 AX9	1			Black N N N YT902AX9
2	4097 525	1			PANEL, Folding Top Header N N N Y4097525
3	4097 658	2			CABLE, Folding Top N N N Y4097658
4	4097 648-9	1			RETAINER, Weatherstrip N N N Y4097648
5	4097 644	1			RETAINER, Weatherstrip N N N Y4097644
6	4097 604-5	1			SEAL N N N Y4097604
7	4097 606-7	1			SEAL N N N Y4097606
8	4097 646-7	1			RETAINER, Weatherstrip N N N Y4097646
9	4097 608	1			SEAL, Folding Top Header N N N Y4097608
10	4097 652	1			RETAINER, Folding Top Header N N N Y4097652
11					WELT, Folding Top Header N N N N
	X368 AT3	1			Cashmere N N N YX368AT3
	X368 AX9	1			Black N N N YX368AX9
	X368 AW3	1			White N N N YX368AW3
12	4097 659	2			LATCH, Folding Top Header N N N Y4097659
13					MOULDING (see Exterior Illustration) N N N N
14					BOOT, Folding Top N N N N
	T904 AT3	1			Cashmere N N N YT904AT3
	T904 AK9	1			Saddle N N N YT904AK9
	T904 AM6	1			Red N N N YT904AM6
15	4097 610-1	1			SEAL, Aperture Panel Cap N N N Y4097610
16	4305 102	AR			SNAP PACKAGE (female) N N N Y4305102
	4305 105	AR			(male) N N N Y4305105
The following part is not illustrated. s ARE NOT RETURNABLE.					
	4305 020-1	1			PAD, Roof Bow #3 N N N Y4305020

**MODEL CODES**

B = GRAN FURY/CARAVELLE	P = RELIANT
C = LEBARON/TOWN & COUNTRY	S = CORDOBA
D = ARIES	V = 400
F = NEW YORKER	X = MIRADA
G = DIPLOMAT	Y = IMPERIAL
M = HORIZON/TC3/SCAMP	Z = OMNI/O24/RAMPAGE

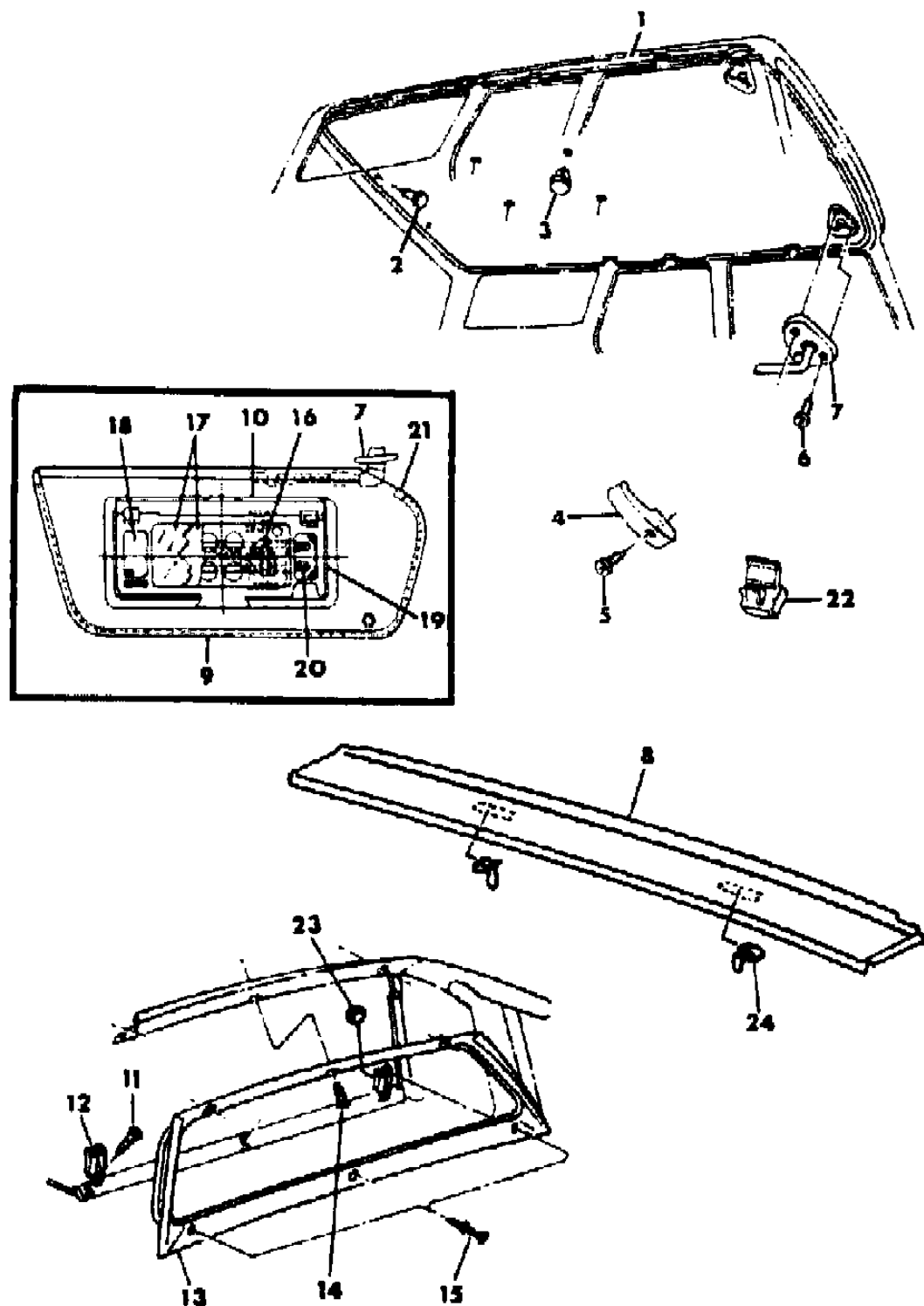
**BODY STYLES**

21 = 2-DOOR SEDAN	28 = FWD PICKUP
22 = 2-DOOR SPECIAL COUPE	41 = 4-DOOR SEDAN
24 = 2-DOOR HATCHBACK	44 = 4-DOOR HATCHBACK
27 = 2-DOOR CONVERTIBLE	45 = 2-SEAT STATION WAGON

AR = Use as Required - = Non Illustrated Part P.A.R. = Paint as Required

**HEADLINING, VISOR AND SHELF PANEL P,D,C,V**  
**Figure IT-3031**

2253 303100 B



ITEM	PART NUMBER	QTY	BODY	MODEL	DESCRIPTION
1					HEADLINING, Cloth w/o Sun Roof N N N N
	H837 AA3	1			Silver N N21,22 N YH837AA3
	H837 VB2	1			Blue, Light N N21,22 N YH837VB2
	H837 AC7	1			Blue, Dark N N21,22 N YH837AC7
	H837 VF5	1			Green N N21,22 N YH837VF5
	H837 AH9	1			Mahogany N N21,22 N YH837AH9
	H837 VM6	1			Red N N21,22 N YH837VM6
	H837 VT4	1			Tan N N21,22 N YH837VT4
	H834 AA3	1			Silver N N41 N YH834AA3
	H834 VB2	1			Blue, Light N N41 N YH834VB2
	H834 AC7	1			Blue, Dark N N41 N YH834AC7
	H834 VF5	1			Green N N41 N YH834VF5
	H834 AH9	1			Mahogany N N41 N YH834AH9
	H834 VM6	1			Red N N41 N YH834VM6
	H834 VT4	1			Tan N N41 N YH834VT4 (use up to 12/15/81) N N N N
	H849 VB2	1			Blue N N45 N YH849VB2
	H849 VF5	1			Green N N45 N YH849VF5
	H849 VM6	1			Red N N45 N YH849VM6
	H849 VT4	1			Tan N N45 N YH849VT4 (use after 12/15/81) N N N N
	H850 AB2	1			Blue, Light N N45 N YH850AB2
	H850 AC7	1			Blue, Dark N N45 N YH850AC7
	H850 AF5	1			Green N N45 N YH850AF5
	H850 AH9	1			Mahogany N N45 N YH850AH9
	H850 AM6	1			Red N N45 N YH850AM6
	H850 AT4	1			Tan N N45 N YH850AT4
	H840 AA3	1			PANEL, Headlining w/Sun Roof N N N N Silver N N21,22 N YH840AA3
	H840 VB2	1			Blue, Light N N21,22 N YH840VB2
	H840 AC7	1			Blue, Dark N N21,22 N YH840AC7
	H840 VF5	1			Green N N21,22 N YH840VF5
	H840 AH9	1			Mahogany N N21,22 N YH840AH9
	H840 VM6	1			Red N N21,22 N YH840VM6
	H840 VT4	1			Tan N N21,22 N YH840VT4
	H842 AA3	1			Silver N N41 N YH842AA3
	H842 VB2	1			Blue, Light N N41 N YH842VB2

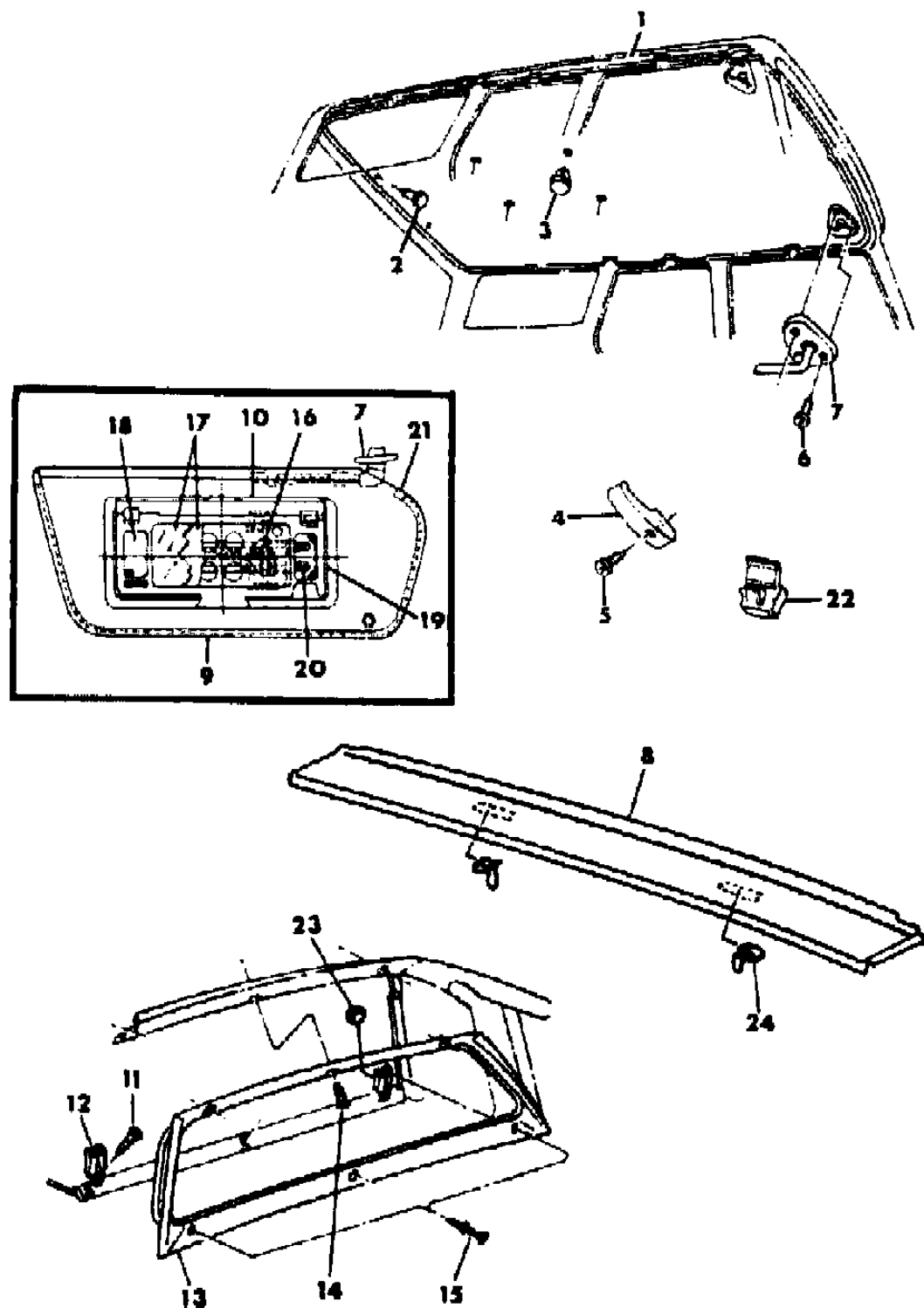
MODEL CODES  
 B = GRAN FURY/CARAVELLE      P = RELIANT  
 C = LEBARON/TOWN & COUNTRY      S = CORDOBA  
 D = ARIES      V = 400  
 F = NEW YORKER      X = MIRADA  
 G = DIPLOMAT      Y = IMPERIAL  
 M = HORIZON/TC3/SCAMP      Z = OMNI/O24/RAMPAGE

BODY STYLES  
 21 = 2-DOOR SEDAN      28 = FWD PICKUP  
 22 = 2-DOOR SPECIAL COUPE      41 = 4-DOOR SEDAN  
 24 = 2-DOOR HATCHBACK      44 = 4-DOOR HATCHBACK  
 27 = 2-DOOR CONVERTIBLE      45 = 2-SEAT STATION WAGON

AR = Use as Required - = Non Illustrated Part P.A.R. = Paint as Required

**HEADLINING, VISOR AND SHELF PANEL P,D,C,V**  
**Figure IT-3031**

2253 303100 B



ITEM	PART NUMBER	QTY	BODY	MODEL	DESCRIPTION
	H842 AC7	1			Blue, Dark N N41 N YH842AC7
	H842 VF5	1			Green N N41 N YH842VF5
	H842 AH9	1			Mahogany N N41 N YH842AH9
	H842 VM6	1			Red N N41 N YH842VM6
	H842 VT4	1			Tan N N41 N YH842VT4
2	6003 587	1			FASTENER, Roof Headlining Rear Attaching N N45 N Y6003587
3					FASTENER, Roof Headlining N N N N
	H452 TB2	4			Blue N N45 N YH452TB2
	H452 VF5	4			Green N N45 N YH452VF5
	H452 TM6	4			Red N N45 N YH452TM6
	H452 ST4	4			Tan N N45 N YH452ST4
4	3685 992	2			HOOK, Coat N N N Y3685992
5		2			SCREW (not serviced) N N N N
6		6			SCREW (not serviced) N N N N
7	4078 431	2			ARM and BRACKET, Sun Visor N N N Y4078431
					ARM, Sun Visor NC,V N27 N N
	4097 630-1	1			(Use up to 5/3/82) N N N Y4097630
	4305 110-1	1			(Use after 5/3/82) N N N Y4305110
	4223 507	2			ELBOW and BRACKET, Lighted Mirror N N N Y4223507
8					PANEL, Rear Shelf Trim N N N N
	H192 AA3	1			Silver NP,D N21,41 N YH192AA3
	H192 VB2	1			Blue, Light NP,D N21,41 N YH192VB2
	H192 VF5	1			Green NP,D N21,41 N YH192VF5
	H192 VM6	1			Red NP,D N21,41 N YH192VM6
	H192 VT4	1			Tan NP,D N21,41 N YH192VT4
					Carpeted N N N N
	H189 AA7	1			Silver NP,D,C,V N N YH189AA7
	H189 VB2	1			Blue, Light NP,D,C,V N N YH189VB2
	H189 AC7	1			Blue, Dark NC,V N41 N YH189AC7
	H189 AF5	1			Green NP,D,C,V N N YH189AF5
	H189 AH9	1			Mahogany NC,V N N YH189AH9
	H189 AM6	1			Red NP,D,C,V N N YH189AM6
	H189 AT6	1			Tan NP,D,C,V N N YH189AT6
	4097 518	1			PANEL, Deak Opening, Upper NC,V N27 N Y4097518
9					PANEL, Sun Visor, Cloth w/o Lighted Mirror N N N N
	H693 AA3	2			Silver N N N YH693AA3
	H693 VB2	2			Blue, Light N N N YH693VB2

**MODEL CODES**

B = GRAN FURY/CARAVELLE	P = RELIANT
C = LEBARON/TOWN & COUNTRY	S = CORDOBA
D = ARIES	V = 400
F = NEW YORKER	X = MIRADA
G = DIPLOMAT	Y = IMPERIAL
M = HORIZON/TC3/SCAMP	Z = OMNI/O24/RAMPAGE

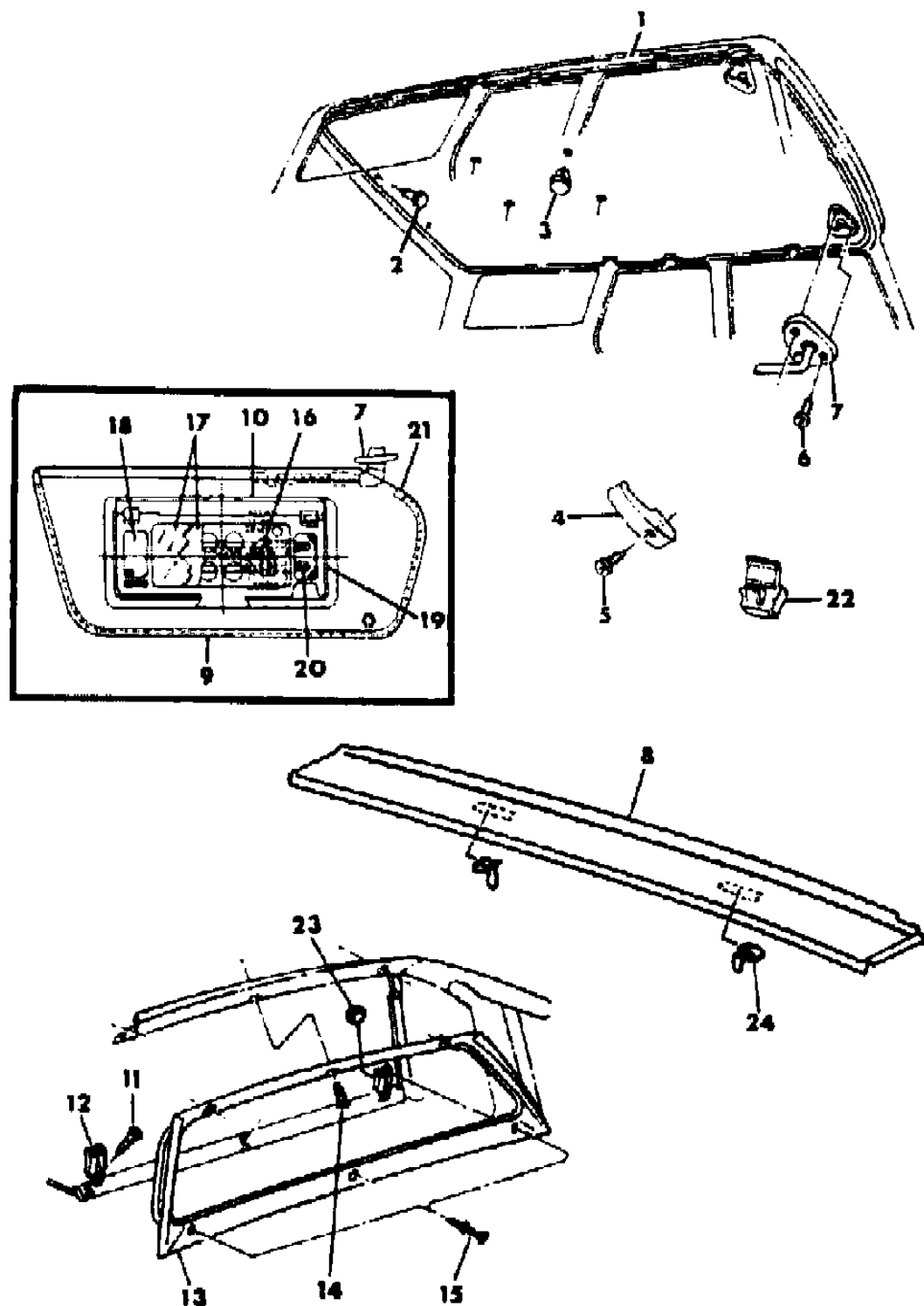
**BODY STYLES**

21 = 2-DOOR SEDAN	28 = FWD PICKUP
22 = 2-DOOR SPECIAL COUPE	41 = 4-DOOR SEDAN
24 = 2-DOOR HATCHBACK	44 = 4-DOOR HATCHBACK
27 = 2-DOOR CONVERTIBLE	45 = 2-SEAT STATION WAGON

AR = Use as Required - = Non Illustrated Part P.A.R. = Paint as Required

**HEADLINING, VISOR AND SHELF PANEL P,D,C,V**  
**Figure IT-3031**

2253 303100 B



ITEM	PART NUMBER	QTY	BODY	MODEL	DESCRIPTION
	H693 AC7	2			Blue, Dark N N N YH693AC7
	H693 VF5	2			Green N N N YH693VF5
	H693 AH9	2			Mahogany N N N YH693AH9
	H693 VM6	2			Red N N N YH693VM6
	H693 VT4	2			Tan N N N YH693VT4
	H300 AA3	1			VISOR, w/Lighted Mirror Right N N N N Silver N N N YH300AA3
	H300 AB2	1			Blue, Light N N N YH300AB2
	H300 AC7	1			Blue, Dark N N N YH300AC7
	H300 AF5	1			Green N N N YH300AF5
	H300 AH9	1			Mahogany N N N YH300AH9
	H300 AM6	1			Red N N N YH300AM6
	H300 AT4	1			Tan N N N YH300AT4
	4097 583	1			w/o Mirror, Left N N N N (use up to 6/21/82) N N N N Cashmere NC,V N27 N Y4097583
	4097 585	1			Mahogany NC,V N27 N Y4097585
	4097 587	1			Red NC,V N27 N Y4097587 (use after 6/21/82) N N N N
	4305 117	1			Cashmere N N27 N Y4305117
	4305 113	1			Mahogany N N27 N Y4305113
	4305 115	1			Red N N27 N Y4305115 w/o Mirror, Right N N N N (use up to 6/21/82) N N N N
	4097 582	1			Cashmere NC,V N27 N Y4097582
	4097 584	1			Mahogany NC,V N27 N Y4097584
	4097 586	1			Red NC,V N27 N Y4097586 (use after 6/21/82) N N N N
	4305 116	2			Cashmere N N27 N Y4305116
	4305 112	2			Mahogany N N27 N Y4305112
	4305 114	2			Red N N27 N Y4305114
10	H308 AAA	1			MIRROR, w/Cover Visor Vanity, Rt. N N N N Silver N N N YH308AAA
	H308 ABB	1			Blue, Light N N N YH308ABB
	H308 ACC	1			Blue, Dark N N N YH308ACC
	H308 AFF	1			Green N N N YH308AFF
	H308 AHH	1			Mahogany N N N YH308AHH

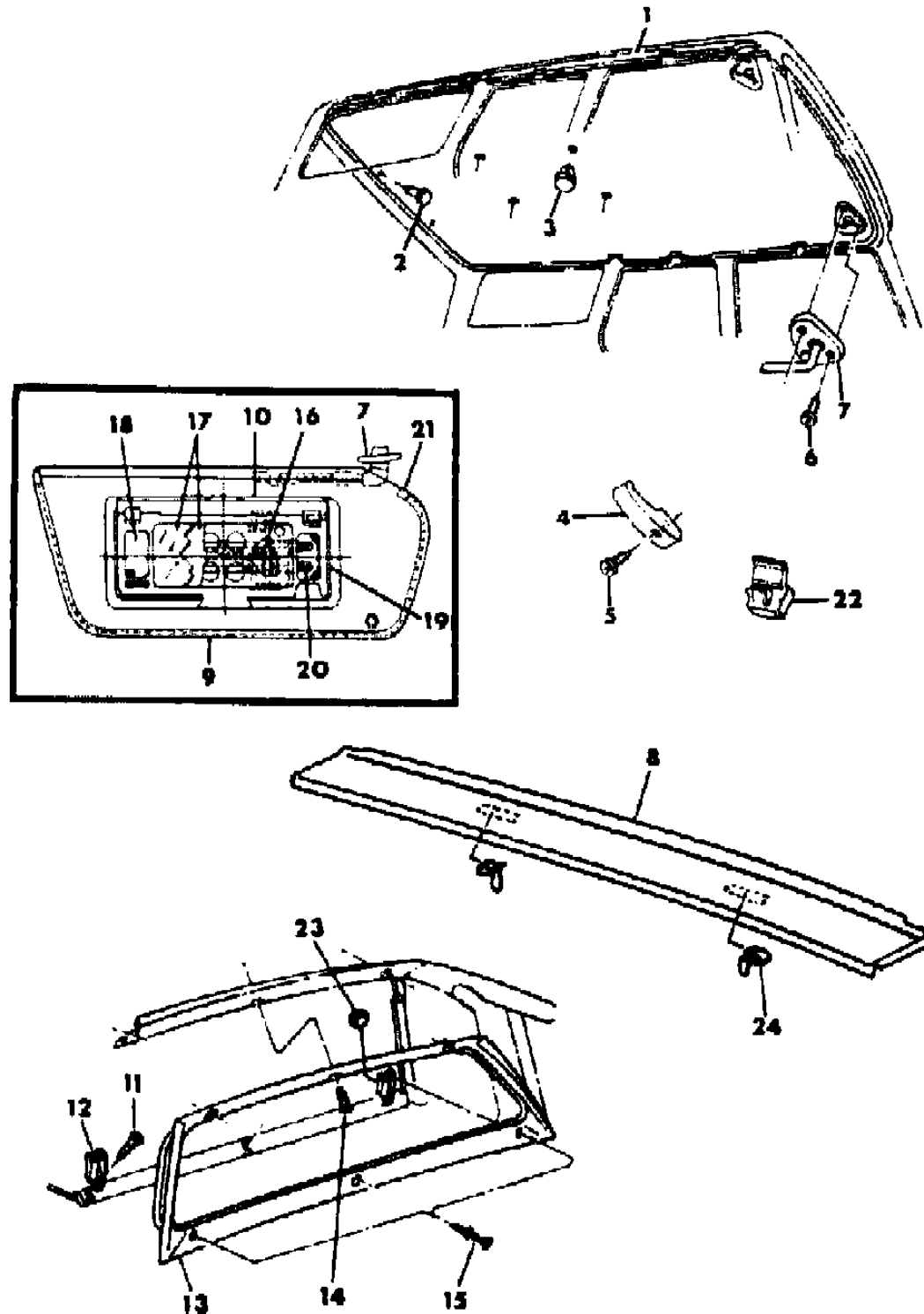
MODEL CODES  
 B = GRAN FURY/CARAVELLE      P = RELIANT  
 C = LEBARON/TOWN & COUNTRY      S = CORDOBA  
 D = ARIES      V = 400  
 F = NEW YORKER      X = MIRADA  
 G = DIPLOMAT      Y = IMPERIAL  
 M = HORIZON/TC3/SCAMP      Z = OMNI/O24/RAMPAGE

BODY STYLES  
 21 = 2-DOOR SEDAN      28 = FWD PICKUP  
 22 = 2-DOOR SPECIAL COUPE      41 = 4-DOOR SEDAN  
 24 = 2-DOOR HATCHBACK      44 = 4-DOOR HATCHBACK  
 27 = 2-DOOR CONVERTIBLE      45 = 2-SEAT STATION WAGON

AR = Use as Required - = Non Illustrated Part P.A.R. = Paint as Required

**HEADLINING, VISOR AND SHELF PANEL P,D,C,V**  
**Figure IT-3031**

2253 303100 B



ITEM	PART NUMBER	QTY	BODY	MODEL	DESCRIPTION
	H308 AMM	1			Red N N N YH308AMM
	H308 ATT	1			Tan N N N YH308ATT
	H310 ABB	1			COVER AND FRAME, Mirror N N N N
	H310 ACC	1			Blue, Light N N N YH310ABB
	H310 AFF	1			Blue, Dark N N N YH310ACC
	H310 AHH	1			Green N N N YH310AFF
	H310 AMM	1			Mahogany N N N YH310AHH
	H310 ATT	1			Red N N N YH310AMM
					Tan N N N YH310ATT
					VISOR, Sub Assy. w/Lighted Mirror N N N N
	H304 AA3	1			Silver N N N YH304AA3
	H304 AB2	1			Blue, Light N N N YH304AB2
	H304 AC7	1			Blue, Dark N N N YH304AC7
	H304 AF5	1			Green N N N YH304AF5
	H304 AH9	1			Mahogany N N N YH304AH9
	H304 AM6	1			Red N N N YH304AM6
	H304 AT4	1			Tan N N N YH304AT4
11	9414 712	5			SCREW NC,V N N Y9414712
12	4223 241	3			BRACKET NC,V N N Y4223241
13	F232 AA3	1			PANEL, Rear Window Trim (paint as required) NC,V N N YF232AA3
14	9416 208	6			SCREW NC,V N N Y9416208
15					FASTENER, Rear Window Trim N N N N (use up to 12/7/81) N N N N
	H447 AA3	1			Silver NC,V N N YH447AA3
	H447 AC7	1			Blue, Dark NC,V N N YH447AC7
	H447 AH9	1			Mahogany NC,V N N YH447AH9
	H447 AM6	1			Red NC,V N N YH447AM6
	H447 AT4	1			Tan NC,V N N YH447AT4
					(use after 12/7/81) N N N N
	H448 AA3	1			Silver NC,V N N YH448AA3
	H448 AC7	1			Blue NC,V N N YH448AC7
	H448 AH9	1			Mahogany NC,V N N YH448AH9
	H448 AM6	1			Red NC,V N N YH448AM6
	H448 AT4	1			Tan NC,V N N YH448AT4
16	3832 873	1			COMPONENT BOARD, Lighted Mirror N N N Y3832873
17	4077 693	1			MIRROR and BACK, Vanity Mirror N N N Y4077693

**MODEL CODES**

B = GRAN FURY/CARAVELLE	P = RELIANT
C = LEBARON/TOWN & COUNTRY	S = CORDOBA
D = ARIES	V = 400
F = NEW YORKER	X = MIRADA
G = DIPLOMAT	Y = IMPERIAL
M = HORIZON/TC3/SCAMP	Z = OMNI/O24/RAMPAGE

**BODY STYLES**

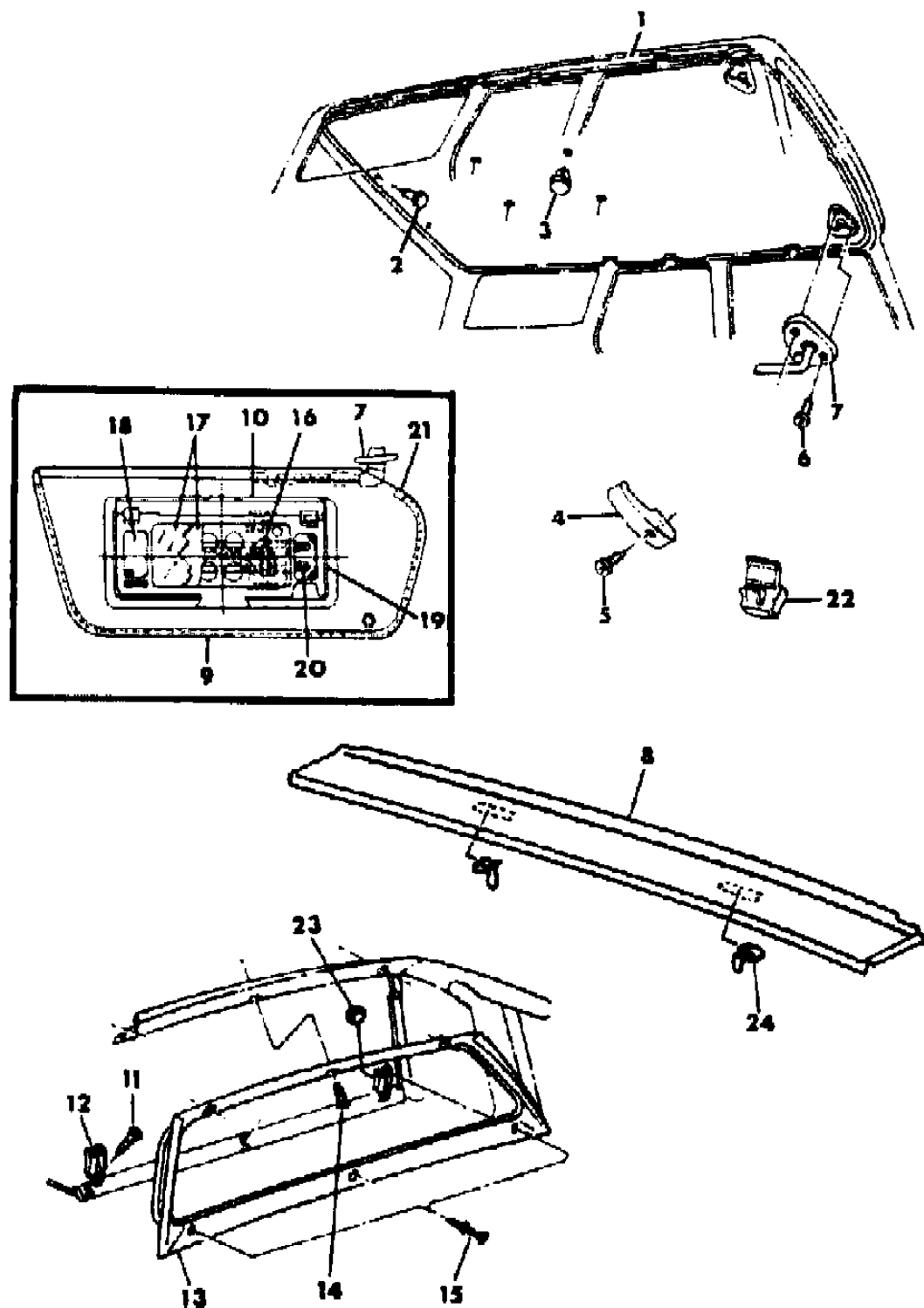
21 = 2-DOOR SEDAN	28 = FWD PICKUP
22 = 2-DOOR SPECIAL COUPE	41 = 4-DOOR SEDAN
24 = 2-DOOR HATCHBACK	44 = 4-DOOR HATCHBACK
27 = 2-DOOR CONVERTIBLE	45 = 2-SEAT STATION WAGON

AR = Use as Required - = Non Illustrated Part P.A.R. = Paint as Required



HEADLINING, VISOR AND SHELF PANEL P,D,C,V  
Figure IT-3031

2253 303100 B



ITEM	PART NUMBER	QTY	BODY	MODEL	DESCRIPTION
18	4166 974	2			LENS, Vanity Mirror N N N Y4166974
19	4166 976	2			HINGE SPRING, Vanity Mirror N N N Y4166976
20	4166 978	4			BLUB N N N Y4166978
21	1490 983	2			CLIP, Visor Panel End N N N Y1490983
22	4078 609	AR			RETAINER, Headlining and Garnish Moulding N N N Y4078609
23	4278 162	AR			SPACER N N N Y4278162
24	6002 072	AR			FASTENER, Shelf Trim Panel N N21,22,41 N Y6002072
The following parts are not illustrated. s ARE NOT RETURNABLE.					
					SILENCERS, Roof Panel N N N N
	4078 582	AR			Front N N N Y4078582
	4078 583	AR			Center N N N Y4078583
	4078 584	AR			Rear N N N Y4078584
	4078 586	AR			No. 2 N N N Y4078586
	4078 587	AR			No. 3 N N N Y4078587
	4078 585	AR			No. 4 N N N Y4078585

MODEL CODES

B = GRAN FURY/CARAVELLE	P = RELIANT
C = LEBARON/TOWN & COUNTRY	S = CORDOBA
D = ARIES	V = 400
F = NEW YORKER	X = MIRADA
G = DIPLOMAT	Y = IMPERIAL
M = HORIZON/TC3/SCAMP	Z = OMNI/O24/RAMPAGE

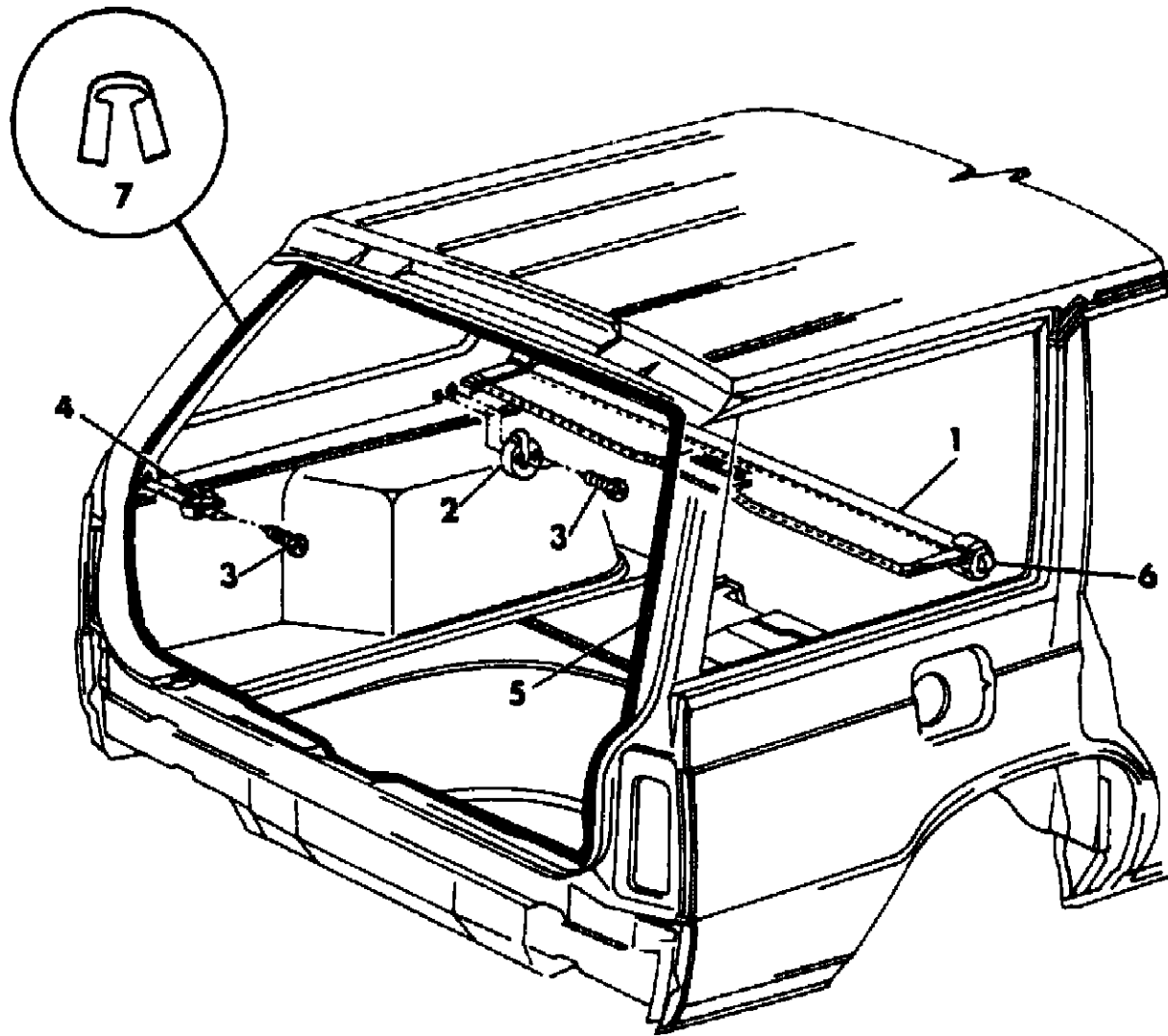
BODY STYLES

21 = 2-DOOR SEDAN	28 = FWD PICKUP
22 = 2-DOOR SPECIAL COUPE	41 = 4-DOOR SEDAN
24 = 2-DOOR HATCHBACK	44 = 4-DOOR HATCHBACK
27 = 2-DOOR CONVERTIBLE	45 = 2-SEAT STATION WAGON

AR = Use as Required - = Non Illustrated Part P.A.R. = Paint as Required

SECURITY COVER . P,D,C 45  
Figure IT-3032

2253 303200A



ITEM	PART NUMBER	QTY	BODY	MODEL	DESCRIPTION
1					COVER, Rear Compartment . N N N N
	4267 005	1			Blue, Light . N N N Y4267005
	4271 028	1			Blue, Dark N N N Y4271028
	4267 006	1			Green . N N N Y4267006
	4271 029	1			Mahogany N N N Y4271029
	4267 007	1			Red . N N N Y4267007
	4267 008	1			Tan . N N N Y4267008
2					COVER, Support . N N N N
	W234 VB2	2			Blue, Light . N N N YW234VB2
	W234 AC7	2			Blue, Dark N N N YW234AC7
	W234 VF5	2			Green . N N N YW234VF5
	W234 AH9	2			Mahogany . N N N YW234AH9
	W234 VM6	2			Red . N N N YW234VM6
	W234 VT4	2			Tan . N N N YW234VT4
3		AR			SCREW (not serviced) . N N N N
4					COVER, Hook . N N N N
	W236-7 VB2	2			Blue, Light . N N N YW236VB2
	W236-7 AC7	2			Blue, Dark N N N YW236AC7
	W236-7 VF5	2			Green . N N N YW236VF5
	W236-7 AH9	2			Mahogany N N N YW236AH9
	W236-7 VM6	2			Red . N N N YW236VM6
	W236-7 VT4	2			Tan . N N N YW236VT4
5					WELT, Lift Gate Opening . N N N N
	W267 VB2	1			Blue, Light . N N N YW267VB2
	W267 AC7	1			Blue, Dark N N N YW267AC7
	W267 VF5	1			Green . N N N YW267VF5
	W267 AH9	1			Mahogany N N N YW267AH9
	W267 VM6	1			Red . N N N YW267VM6
	W267 VT4	1			Tan . N N N YW267VT4
6	4271 047	1			END CAP N N N Y4271047
7	4078 958	2			END CAP, Lift Gate Opening Welt N N N Y4078958

MODEL CODES

B = GRAN FURY/CARAVELLE	P = RELIANT
C = LEBARON/TOWN & COUNTRY	S = CORDOBA
D = ARIES	V = 400
F = NEW YORKER	X = MIRADA
G = DIPLOMAT	Y = IMPERIAL
M = HORIZON/TC3/SCAMP	Z = OMNI/O24/RAMPAGE

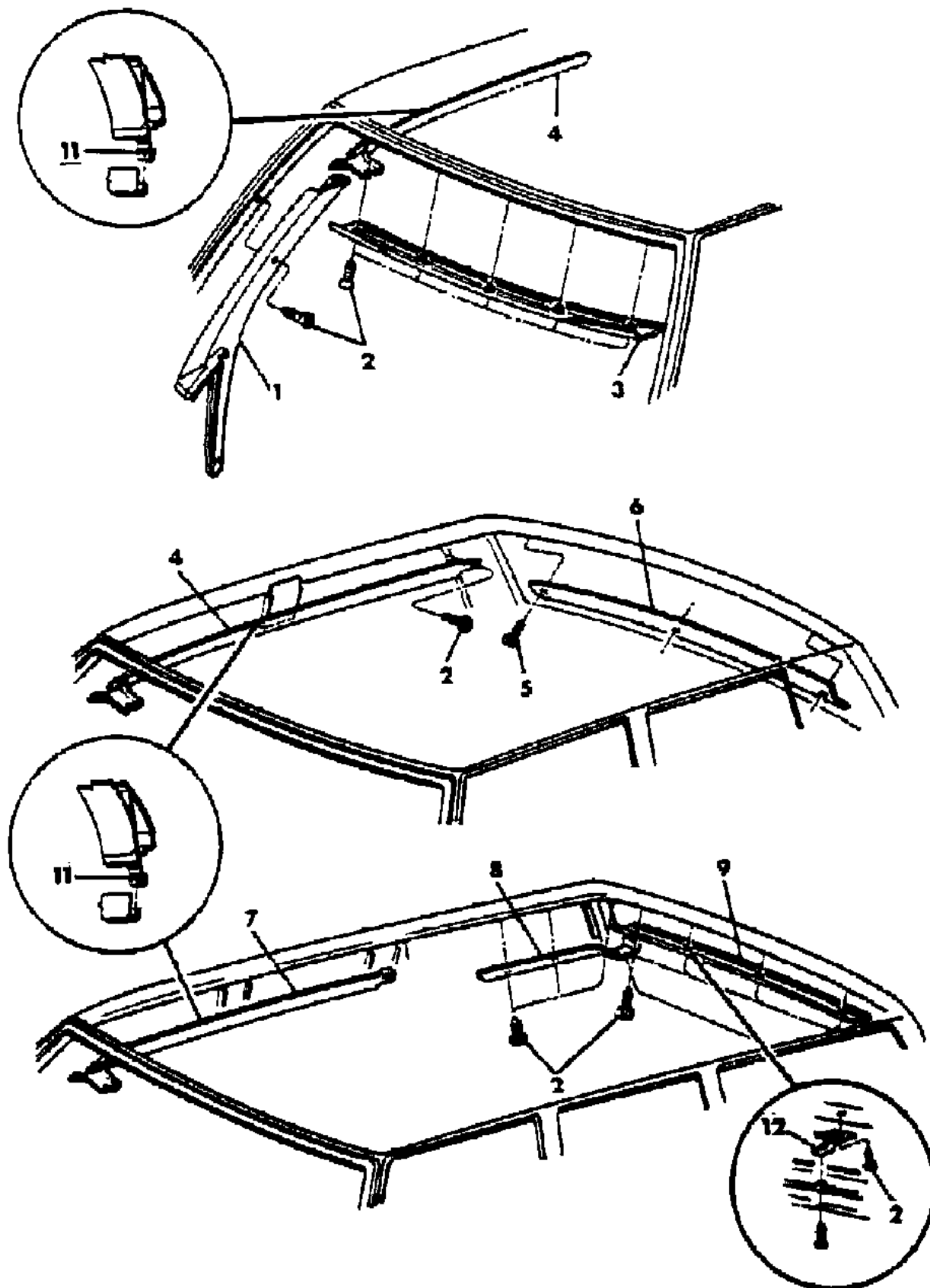
BODY STYLES

21 = 2-DOOR SEDAN	28 = FWD PICKUP
22 = 2-DOOR SPECIAL COUPE	41 = 4-DOOR SEDAN
24 = 2-DOOR HATCHBACK	44 = 4-DOOR HATCHBACK
27 = 2-DOOR CONVERTIBLE	45 = 2-SEAT STATION WAGON

AR = Use as Required - = Non Illustrated Part P.A.R. = Paint as Required

GARNISH MOULDINGS P,D,C,V  
Figure IT-3033

2253 303300A



ITEM	PART NUMBER	QTY	BODY	MODEL	DESCRIPTION
1	F204-5 VB2	1			MOULDING, Windshield Side (blue paint as required) N N N YF204VB2
2		AR			SCREW (not serviced) N N N N
3	4077 546	1			MOULDING, Windshield Upper N N N Y4077546
4					MOULDING w/RETAINER, Roof Rail (Blue paint as required) N N N N
	F224-5 VB2	1			N N21,22 N YF224VB2
	F222-3 VB2	1			N N41 N YF222VB2
5	9414 712	2			SCREW N N N Y9414712
6					MOULDING, Rear Window Header (blue paint as required) N N N N
	F212 VB2	1			N N21 N YF212VB2
	F213 VB2	1			N N41 N YF213VB2
7	F226-7 VB2	1			MOULDING w/RETAINER, Roof Rail (Blue paint as required) N N45 N YF226VB2
8	F234-5 VB2	1			MOULDING, Quarter Window Rail (blue paint as required) (use up to 4/26/82) N N45 N YF234VB2
	F294-5 AB2	1			(use after 4/26/82) N N45 N YF294AB2
9	F219 VB2	1			MOULDING, Lift Gate Header Opening (blue paint as required) (use up to 3/25/82) N N45 N YF219VB2
	4248 232	1			(use after 3/25/82) N N45 N Y4248232
10	4223 953	4			BRACKET, Liftgate Opening Header Moulding Attaching (use up to 1/21/82) N N N Y4223953
	4247 758	4			(use after 1/21/82) N N N Y4247758
11	4078 609	AR			RETAINER, Garnish Moulding and Headliner N N N Y4078609

MODEL CODES

B = GRAN FURY/CARAVELLE	P = RELIANT
C = LEBARON/TOWN & COUNTRY	S = CORDOBA
D = ARIES	V = 400
F = NEW YORKER	X = MIRADA
G = DIPLOMAT	Y = IMPERIAL
M = HORIZON/TC3/SCAMP	Z = OMNI/O24/RAMPAGE

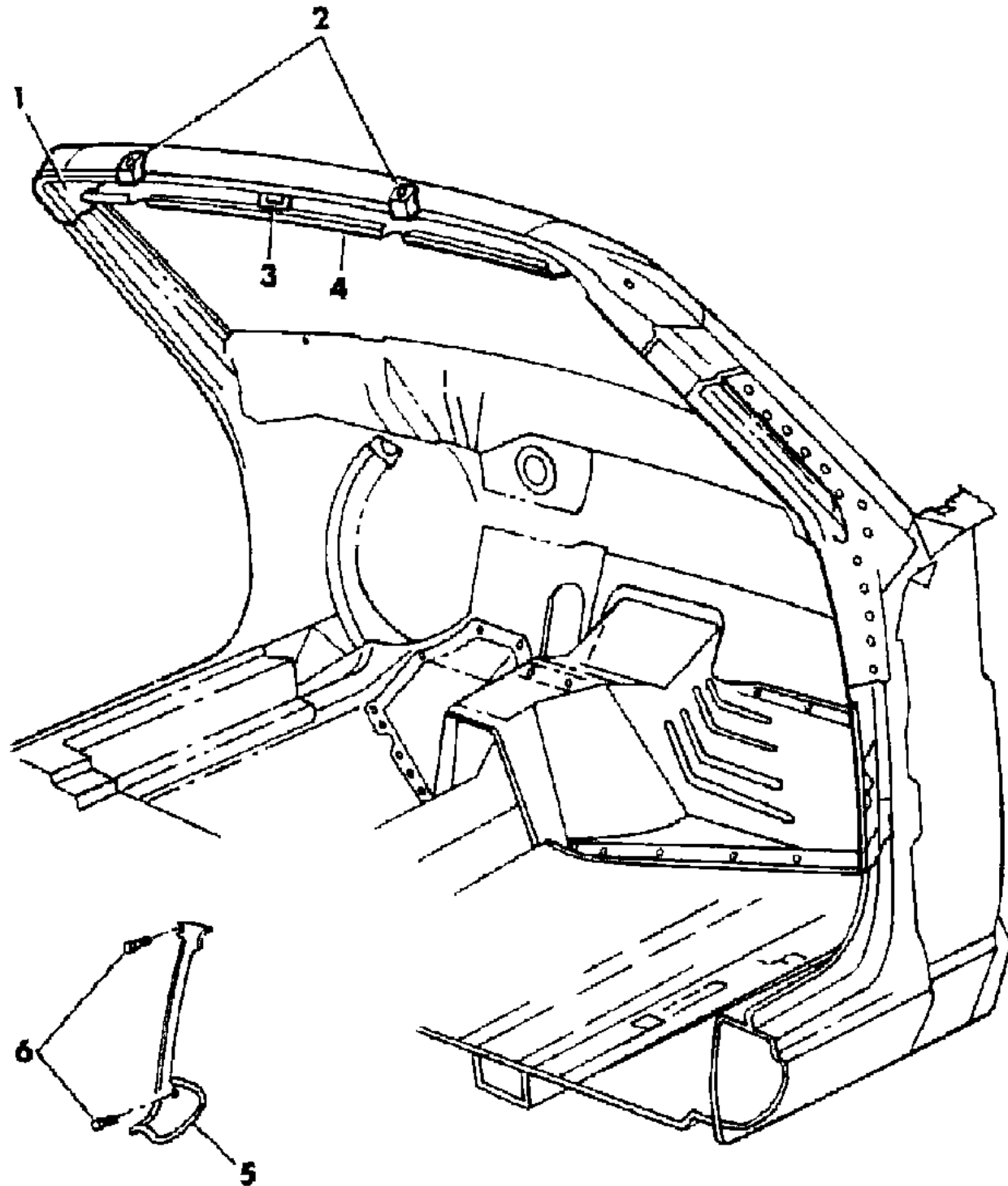
BODY STYLES

21 = 2-DOOR SEDAN	28 = FWD PICKUP
22 = 2-DOOR SPECIAL COUPE	41 = 4-DOOR SEDAN
24 = 2-DOOR HATCHBACK	44 = 4-DOOR HATCHBACK
27 = 2-DOOR CONVERTIBLE	45 = 2-SEAT STATION WAGON

AR = Use as Required - = Non Illustrated Part P.A.R. = Paint as Required

CONVERTIBLE FOLDING TOP GARNISH MOULDINGS C.V 27  
Figure IT-3034

2253 303400



ITEM	PART NUMBER	QTY	BODY	MODEL	DESCRIPTION
1					MOULDING, Windshield Header N N N N
	F162-3 AT4	1			Cashmere N N N YF162AT4
	F162-3 AH9	1			Mahogany N N N YF162AH9
	F162-3 AM6	1			Red N N N YF162AM6
2	4097 505	2			STRICKER, Latch N N N Y4097505
3					BRACKET, Sun Visor N N N N
	4097 697	2			Cashmere N N N Y4097697
	4097 698	2			Mahogany N N N Y4097698
	4097 699	2			Red N N N Y4097699
4					MOULDING, Windshield N N N N
	F164 AT4	1			Cashmere N N N YF164AT4
	F164 AH9	1			Mahogany N N N YF164AH9
	F164 AM6	1			Red N N N YF164AM6
5					MOULDING, "B" Pillar N N N N
	F166-7 AT4	1			Cashmere N N N YF166AT4
	F166-7 AH9	1			Mahogany N N N YF166AH9
	F166-7 AM6	1			Red N N N YF166AM6
6		AR			SCREW (not serviced) N N N N

MODEL CODES

B = GRAN FURY/CARAVELLE	P = RELIANT
C = LEBARON/TOWN & COUNTRY	S = CORDOBA
D = ARIES	V = 400
F = NEW YORKER	X = MIRADA
G = DIPLOMAT	Y = IMPERIAL
M = HORIZON/TC3/SCAMP	Z = OMNI/O24/RAMPAGE

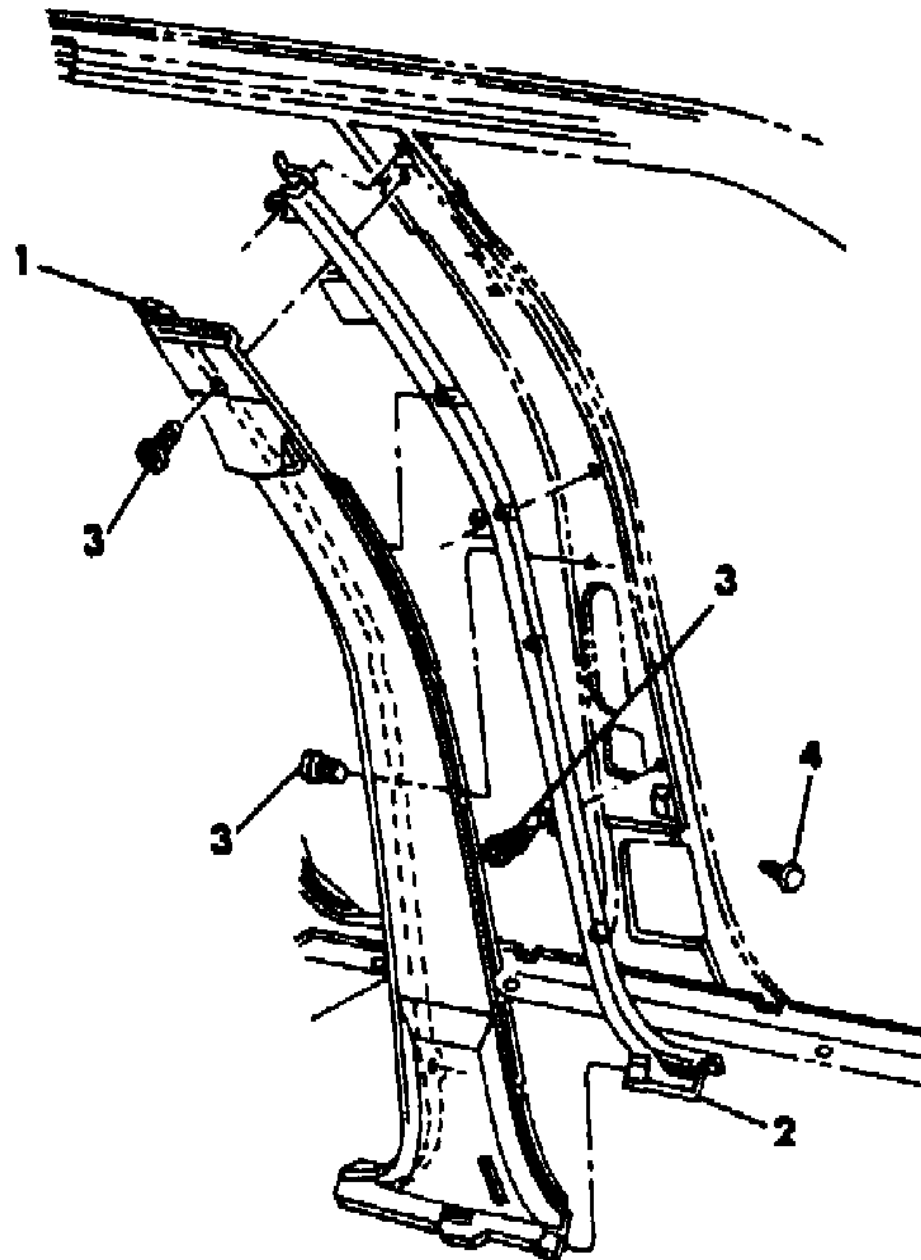
BODY STYLES

21 = 2-DOOR SEDAN	28 = FWD PICKUP
22 = 2-DOOR SPECIAL COUPE	41 = 4-DOOR SEDAN
24 = 2-DOOR HATCHBACK	44 = 4-DOOR HATCHBACK
27 = 2-DOOR CONVERTIBLE	45 = 2-SEAT STATION WAGON

AR = Use as Required - = Non Illustrated Part P.A.R. = Paint as Required

**B PILLAR TRIM P,D,C,V - 41,45**  
**Figure IT-3051**

**2253 305100A**



ITEM	PART NUMBER	QTY	BODY	MODEL	DESCRIPTION
1					COVER, Center Pillar "B" Rear N N N N
	F388-9 AA3	1			Silver (use up to 10/29/81) NP,D,C N N YF388AA3
	F406-7 AA3	1			Silver (use after 10/29/81) NP,D,C N N YF406AA3
	F388-9 VB2	1			Blue, Light (use up to 1/4/82) NP,D N N YF388VB2
	F406-7 AB2	1			Blue, Light (use after 1/4/82) NP,D N N YF406AB2
	F388-9 AC7	1			Blue, Dark (use up to 10/22/81) NC N N YF388AC7
	F406-7 AC7	1			Blue, Dark (use after 10/22/81) NC N N YF406AC7
	F388-9 VF5	1			Green (use up to 2/24/82 Jefferson; 2/22/82 Newark) NP,D N N YF388VF5
	F406-7 AF5	1			Green (use after 2/24/82 Jefferson; 2/22/82 Newark) NP,D N N YF406AF5
	F388-9 AH9	1			Mahogany (use up to 10/27/81) NC N N YF388AH9
	F406-7 AH9	1			Mahogany (use after 10/27/81) NC N N YF406AH9
	F388-9 VM6	1			Red (use up to 12/1/81) NP,D N N YF388VM6
	F406-7 AM6	1			Red (use after 12/1/81) NP,D N N YF406AM6
	F388-9 VM6	1			Red (use up to 12/1/81) NC N N YF388VM6
	F406-7 AM6	1			Red (use after 12/1/81) NC N N YF406AM6
	F388-9 VT4	1			Tan (use up to 12/1/81) NP,D N N YF388VT4
	F406-7 AT4	1			Tan (use after 12/1/81) NP,D N N YF406AT4 (use after 6/21/82) N N N N
	F396-7 AA3	1			Silver N N N YF396AA3
	F396-7 AB2	1			Blue, Light N N N YF396AB2
	F396-7 AC7	1			Blue, Dark N N N YF396AC7
	F396-7 AF5	1			Green N N N YF396AF5
	F396-7 AH9	1			Mahogany N N N YF396AH9
	F396-7 AM6	1			Red N N N YF396AM6
	F396-7 AT4	1			Tan N N N YF396AT4
	F388-9 VT4	1			Tan (use up to 12/5/81) NC N N YF388VT4
	F406-7 AT4	1			Tan (use after 12/5/81) NC N N YF406AT4
2					COVER, Center Pillar "B" Front N N N N (use up to 6/21/82) N N N N
	F386-7 AA3	1			Silver N N N YF386AA3
	F386-7 VB2	1			Blue, Light N N N YF386VB2
	F386-7 AC7	1			Blue, Dark N N N YF386AC7
	F386-7 VF5	1			Green N N N YF386VF5
	F386-7 AH9	1			Mahogany N N N YF386AH9
	F386-7 VM6	1			Red N N N YF386VM6

**MODEL CODES**

B = GRAN FURY/CARAVELLE	P = RELIANT
C = LEBARON/TOWN & COUNTRY	S = CORDOBA
D = ARIES	V = 400
F = NEW YORKER	X = MIRADA
G = DIPLOMAT	Y = IMPERIAL
M = HORIZON/TC3/SCAMP	Z = OMNI/O24/RAMPAGE

**BODY STYLES**

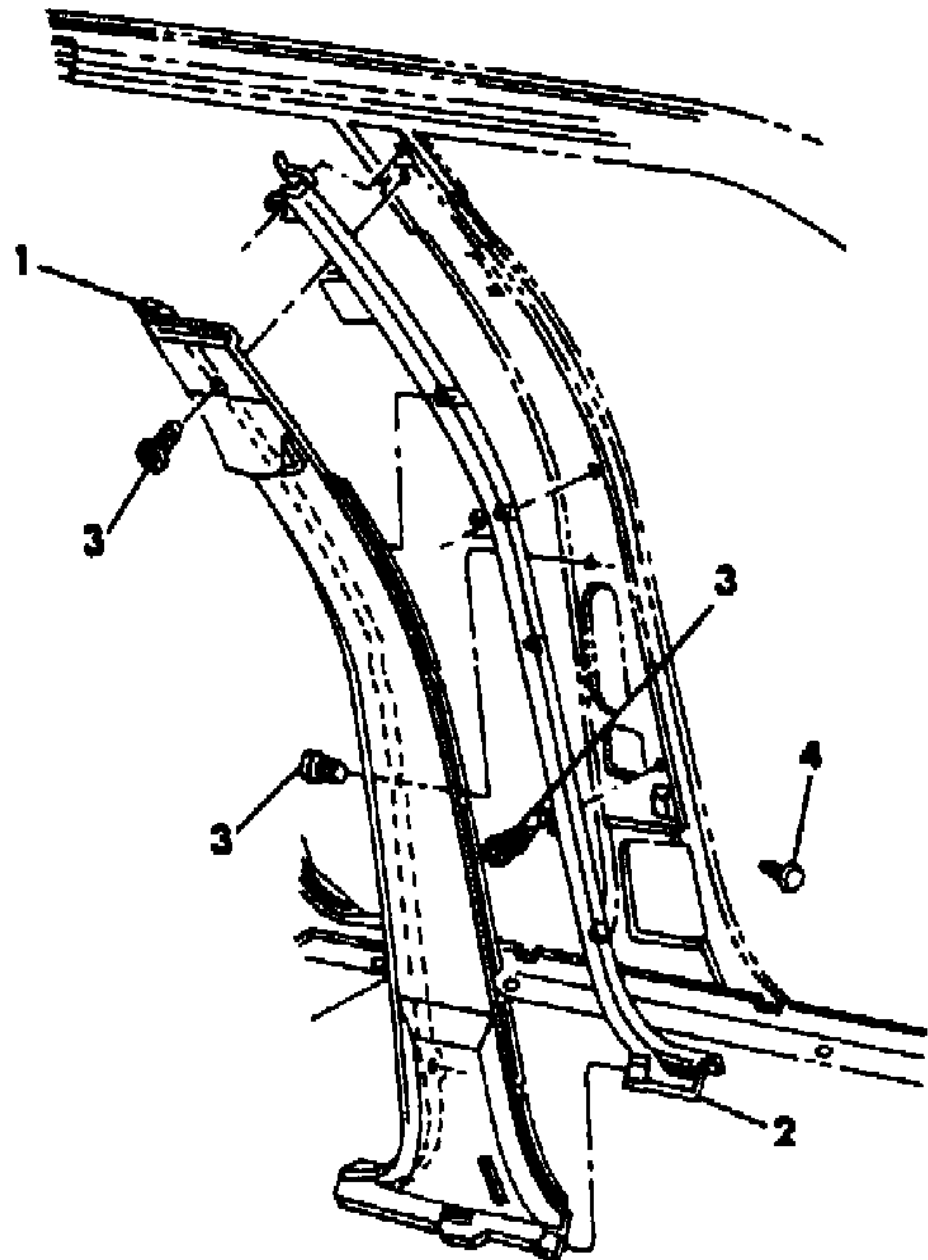
21 = 2-DOOR SEDAN	28 = FWD PICKUP
22 = 2-DOOR SPECIAL COUPE	41 = 4-DOOR SEDAN
24 = 2-DOOR HATCHBACK	44 = 4-DOOR HATCHBACK
27 = 2-DOOR CONVERTIBLE	45 = 2-SEAT STATION WAGON

AR = Use as Required - = Non Illustrated Part P.A.R. = Paint as Required

B PILLAR TRIM P,D,C,V - 41,45  
Figure IT-3051

2253 305100A

ITEM	PART NUMBER	QTY	BODY	MODEL	DESCRIPTION
	F386-7 VT4	1			Tan N N N YF386VT4
3		AR			SCREW (not serviced) N N N N
4	6003 423	8			FASTENER, Center Pillar Silencer Attaching N N N Y6003423



MODEL CODES

B = GRAN FURY/CARAVELLE	P = RELIANT
C = LEBARON/TOWN & COUNTRY	S = CORDOBA
D = ARIES	V = 400
F = NEW YORKER	X = MIRADA
G = DIPLOMAT	Y = IMPERIAL
M = HORIZON/TC3/SCAMP	Z = OMNI/O24/RAMPAGE

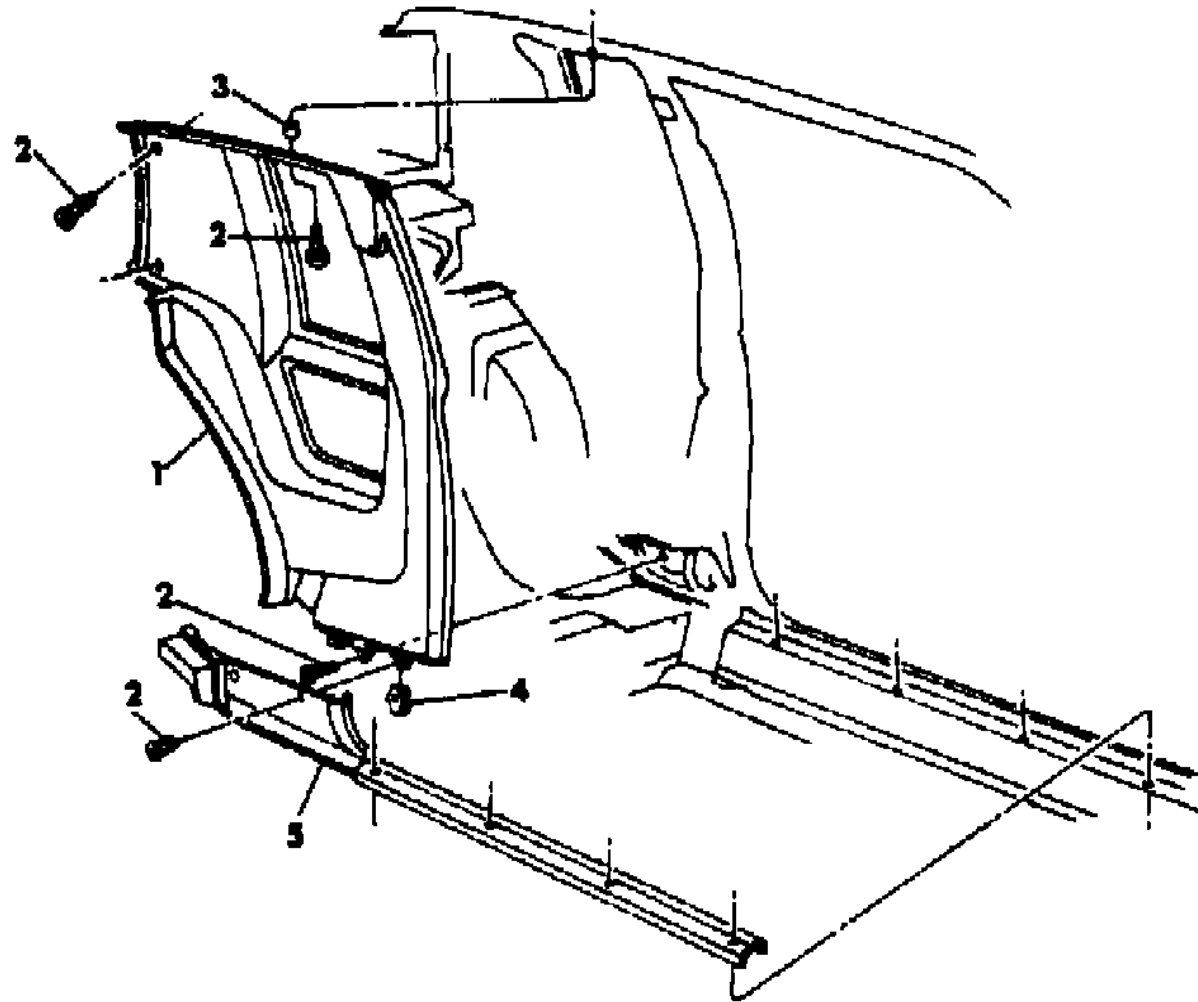
BODY STYLES

21 = 2-DOOR SEDAN	28 = FWD PICKUP
22 = 2-DOOR SPECIAL COUPE	41 = 4-DOOR SEDAN
24 = 2-DOOR HATCHBACK	44 = 4-DOOR HATCHBACK
27 = 2-DOOR CONVERTIBLE	45 = 2-SEAT STATION WAGON

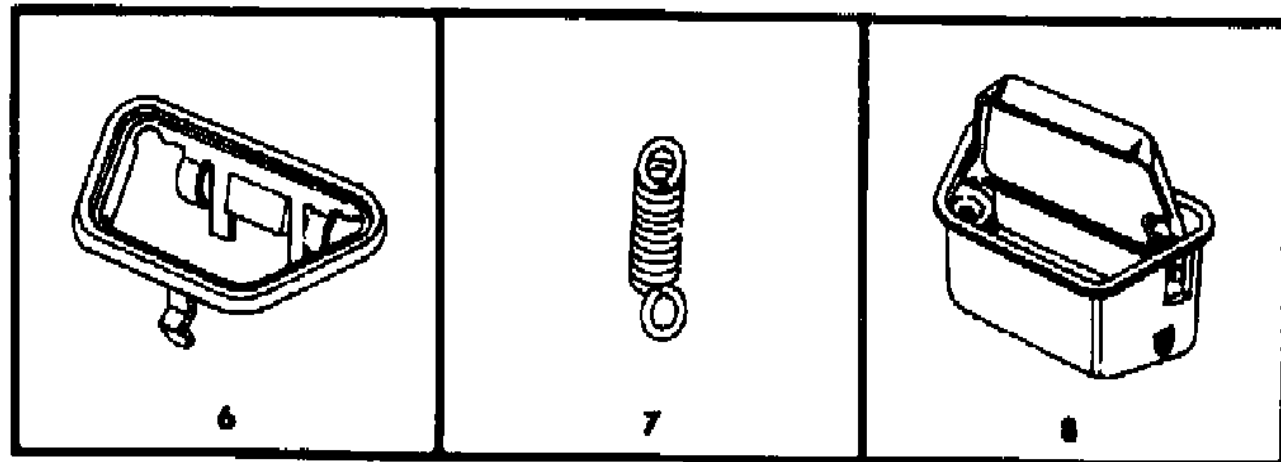
AR = Use as Required - = Non Illustrated Part P.A.R. = Paint as Required

QUARTER PANEL P,D 21  
Figure IT-3061

2253 306100



ITEM	PART NUMBER	QTY	BODY	MODEL	DESCRIPTION
1	F150-1 VB2	1			PANEL, Quarter Upper (paint as required) N N N YF150VB2
-	F394 AA3	2			Bumper, Quarter Upper Trim Panel, Silver N N N YF394AA3
-	F394 AB2	2			Blue, Light N N N YF394AB2
-	F394 AC7	2			Blue, Dark N N N YF394AC7
-	F394 AF5	2			Green N N N YF394AF5
-	F394 AH9	2			Mahogany N N N YF394AH9
-	F394 AM6	2			Red N N N YF394AM6
-	F394 AT4	2			Tan N N N YF394AT4
2	9404 712	AR			SCREW N N N Y9404712
3	0152 863	AR			SPACER NUT N N N Y152863
4	0152 490	4			U/NUT N N N Y152490
5					PLATE, See Scuff Plate Illustration Group 23-TRIM N N N N
6	2788 701	2			BEZEL, Ash Receiver N N N Y2788701
7	2292 503	2			SPRING, Ash Receiver Lid N N N Y2292503
8	2788 032	2			RECEIVER, Ash N N N Y2788032



MODEL CODES

B = GRAN FURY/CARAVELLE	P = RELIANT
C = LEBARON/TOWN & COUNTRY	S = CORDOBA
D = ARIES	V = 400
F = NEW YORKER	X = MIRADA
G = DIPLOMAT	Y = IMPERIAL
M = HORIZON/TC3/SCAMP	Z = OMNI/O24/RAMPAGE

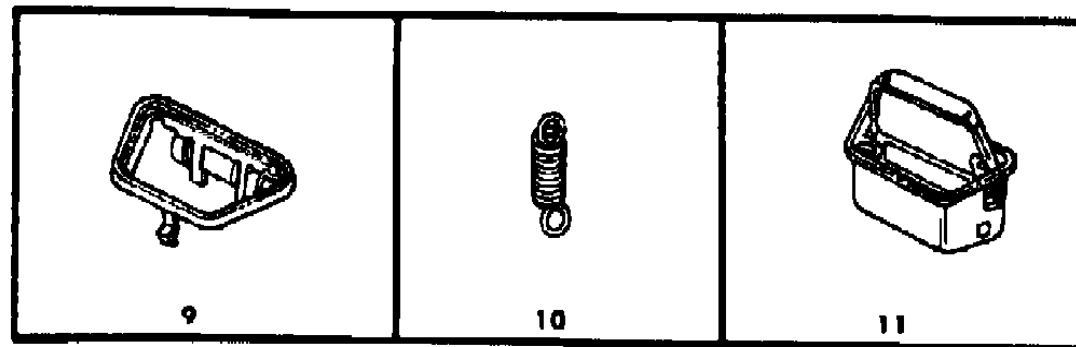
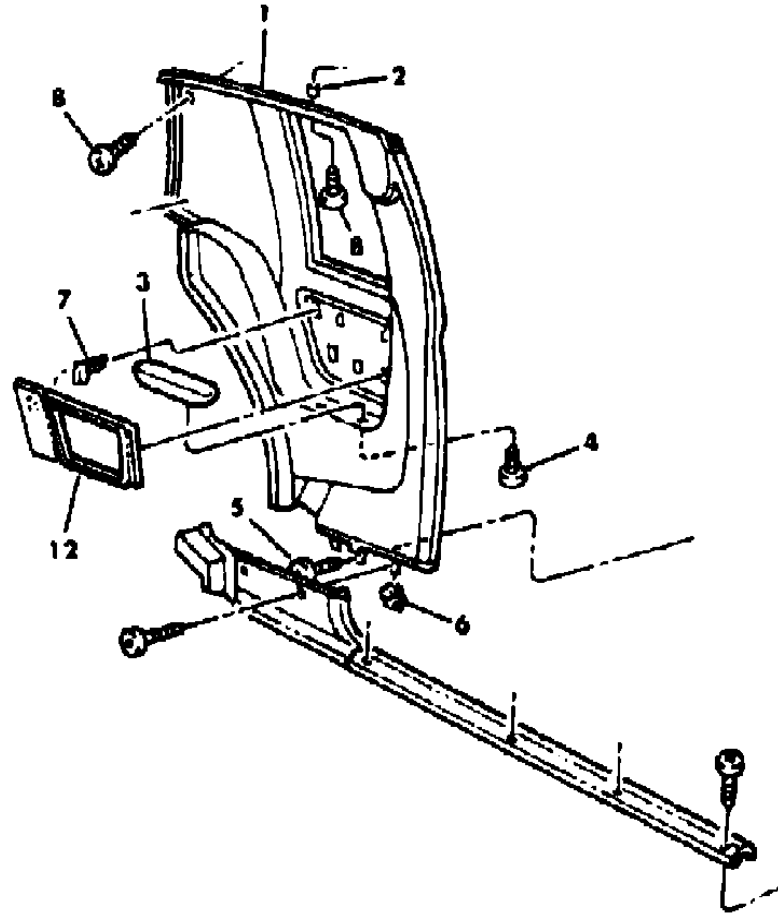
BODY STYLES

21 = 2-DOOR SEDAN	28 = FWD PICKUP
22 = 2-DOOR SPECIAL COUPE	41 = 4-DOOR SEDAN
24 = 2-DOOR HATCHBACK	44 = 4-DOOR HATCHBACK
27 = 2-DOOR CONVERTIBLE	45 = 2-SEAT STATION WAGON

AR = Use as Required - = Non Illustrated Part P.A.R. = Paint as Required

QUARTER PANEL C,V 22  
Figure IT-3062

2253 306200



ITEM	PART NUMBER	QTY	BODY	MODEL	DESCRIPTION
1	H364-5 AA3	1			PANEL, Upper Trim (paint as required) N N N YH364AA3
-					BUMPER, Quarter Upper Trim Panel N N N N
	F394 AA3	2			Silver N N N YF394AA3
	F394 AB2	2			Blue, Light N N N YF394AB2
	F394 AC7	2			Blue, Dark N N N YF394AC7
	F394 AF5	2			Green N N N YF394AF5
	F394 AH9	2			Mahogany N N N YF394AH9
	F394 AM6	2			Red N N N YF394AM6
	F394 AT4	2			Tan N N N YF394AT4
2	0152 863	2			NUT, Spacer N N N Y152863
3					ARM REST N N N N
	D408-9 AA3	1			Silver N N N YD408AA3
	D408-9 AC7	1			Blue, Dark N N N YD408AC7
	D408-9 AH9	1			Mahogany N N N YD408AH9
	D408-9 AM6	1			Red N N N YD408AM6
	D408-9 AT4	1			Tan N N N YD408AT4
4	9428 283	4			SCREW N N N Y9428283
5	9414 712	5			SCREW N N N Y9414712
6	6031 803	4			U-NUT N N N Y6031803
7	4114 785	12			FASTENER N N N Y4114785
8		6			SCREW (not serviced) N N N N
9	2292 503	2			SPRING, Ash Receiver Lid N N N Y2292503
10	2657 877	2			BEZEL, Ash Receiver N N N Y2657877
11	2589 587	2			RECEIVER, Ash N N N Y2589587
12					BOLSTER, Quarter Trim Panel N N N N
	D526-7 AA3	1			N N NG3A YD526AA3
	D526-7 AC7	1			(use up to 6/28/82) N N NG3C YD526AC7
	D552-3 AC7	1			(use after 6/28/82) N N NG3C YD552AC7
	D526-7 AH9	1			N N NG3H YD526AH9
	D526-7 AM6	1			(use up to 5/12/82) N N NG3M YD526AM6
	D552-3 AM6	1			(use after 5/12/82) N N NG3M YD552AM6
	D526-7 AT4	1			N N NG3T YD526AT4
	D520-1 AA2	1			N N NLJA YD520AA2
	D520-1 AC8	1			N N NLJC YD520AC8
	D520-1 VH9	1			N N NLJH YD520VH9
	D520-1 AM6	1			N N NLJM YD520AM6
	D520-1 AT3	1			N N NLJT YD520AT3

MODEL CODES

B = GRAN FURY/CARAVELLE	P = RELIANT
C = LEBARON/TOWN & COUNTRY	S = CORDOBA
D = ARIES	V = 400
F = NEW YORKER	X = MIRADA
G = DIPLOMAT	Y = IMPERIAL
M = HORIZON/TC3/SCAMP	Z = OMNI/O24/RAMPAGE

BODY STYLES

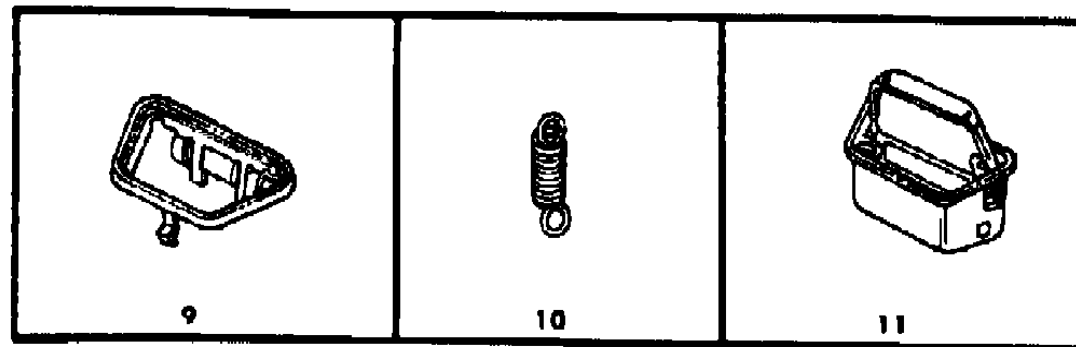
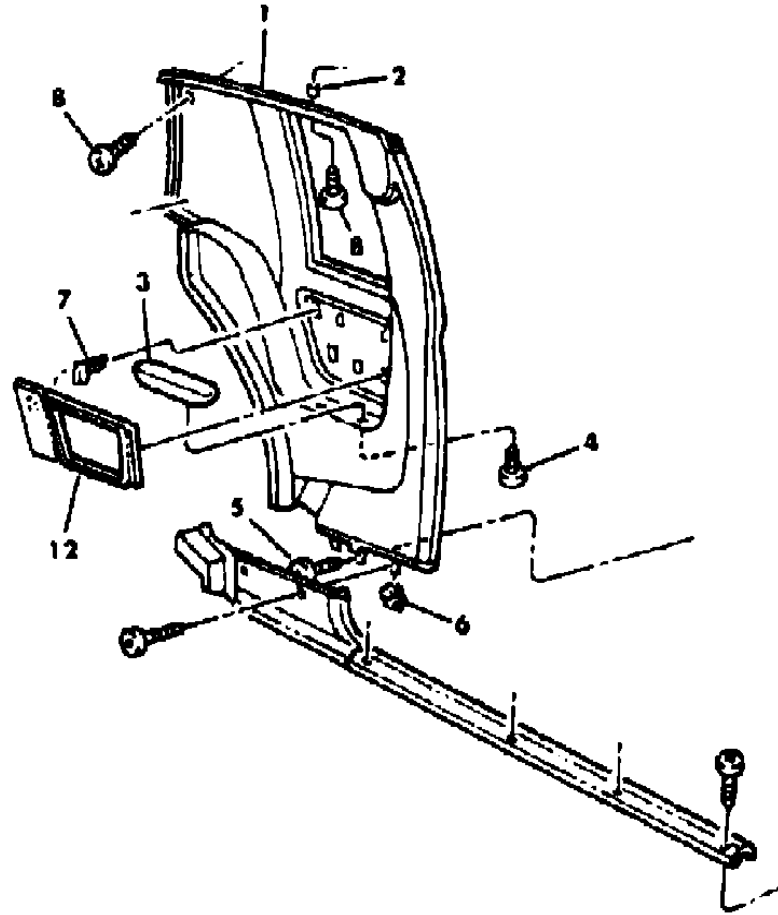
21 = 2-DOOR SEDAN	28 = FWD PICKUP
22 = 2-DOOR SPECIAL COUPE	41 = 4-DOOR SEDAN
24 = 2-DOOR HATCHBACK	44 = 4-DOOR HATCHBACK
27 = 2-DOOR CONVERTIBLE	45 = 2-SEAT STATION WAGON

AR = Use as Required - = Non Illustrated Part P.A.R. = Paint as Required



QUARTER PANEL C,V 22  
Figure IT-3062

2253 306200



ITEM	PART NUMBER	QTY	BODY	MODEL	DESCRIPTION
	D542-3 AK9	1			N N NSLHK YD542AK9
	D522-3 AA3	1			N N NJ3A,J5A YD522AA3
	D522-3 AC7	1			N N NJ3C,J5C YD522AC7
	D522-3 AH9	1			N N NJ3H,J5H YD522AH9
	D522-3 AM6	1			N N NJ3M,J5M YD522AM6
	D522-3 AT4	1			(use up to 11/2/81) N N NJ3T,J5T YD522AT4
	D548-9 AT4	1			(use after 11/2/81) N N NJ3T,J5T YD548AT4
	D524-5 AA2	1			N N NH8A YD524AA2
	D524-5 AC8	1			N N NH8C YD524AC8
	D524-5 AH9	1			N N NH8H YD524AH9
	D524-5 AM6	1			N N NH8M YD524AM6
	D524-5 AT3	1			N N NH8T YD524AT3

MODEL CODES

B = GRAN FURY/CARAVELLE	P = RELIANT
C = LEBARON/TOWN & COUNTRY	S = CORDOBA
D = ARIES	V = 400
F = NEW YORKER	X = MIRADA
G = DIPLOMAT	Y = IMPERIAL
M = HORIZON/TC3/SCAMP	Z = OMNI/O24/RAMPAGE

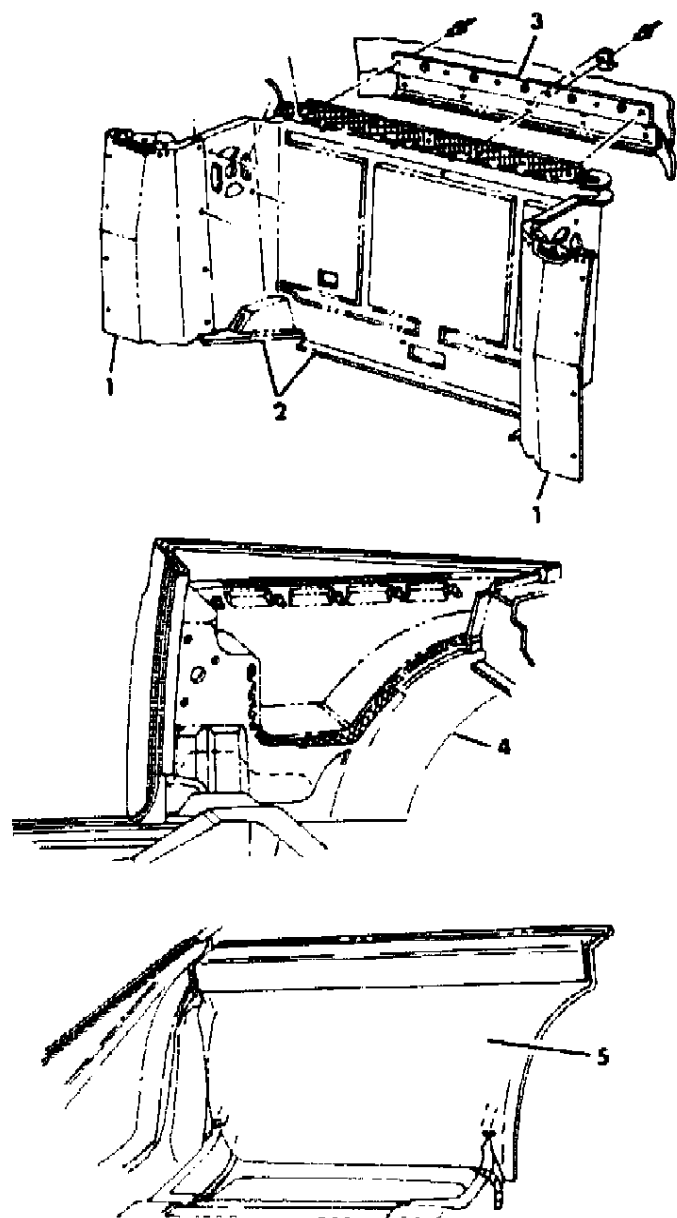
BODY STYLES

21 = 2-DOOR SEDAN	28 = FWD PICKUP
22 = 2-DOOR SPECIAL COUPE	41 = 4-DOOR SEDAN
24 = 2-DOOR HATCHBACK	44 = 4-DOOR HATCHBACK
27 = 2-DOOR CONVERTIBLE	45 = 2-SEAT STATION WAGON

AR = Use as Required - = Non Illustrated Part P.A.R. = Paint as Required

CONVERTIBLE TOP WELL CLOSURE C,V 27  
Figure IT-3062

2253 306250



ITEM	PART NUMBER	QTY	BODY	MODEL	DESCRIPTION
1	4097 596-7	1			PANEL, Top Well N N N Y4097596
2	4097 798	1			PANEL, Top Well Closure N N N Y4097798
3					REINFORCEMENT ASSY., Top Well N N N N (use up to 6/21/82) N N N N Mahogany N N N YF168AH9 F168 AH9 1 Red N N N YF168AM6 F168 AM6 1 Cashmere N N N YF168AT3 F168 AT3 1 (use after 6/21/82) N N N N Cashmere N N N YF169AT3 F169 AT3 1 Mahogany N N N YF169AH9 F169 AH9 1 Red N N N YF169AM6 F169 AM6 1 SNAP PACKAGE, Boot to Reinforcement N N N Y4305080 4305 080 1
4	4305 004-5	1			SEAL, Water Quarter, Inner N N N Y4305004
5	4097 783	1			PAD, Silencer Rear Compartment N N N Y4097783

MODEL CODES

B = GRAN FURY/CARAVELLE	P = RELIANT
C = LEBARON/TOWN & COUNTRY	S = CORDOBA
D = ARIES	V = 400
F = NEW YORKER	X = MIRADA
G = DIPLOMAT	Y = IMPERIAL
M = HORIZON/TC3/SCAMP	Z = OMNI/O24/RAMPAGE

BODY STYLES

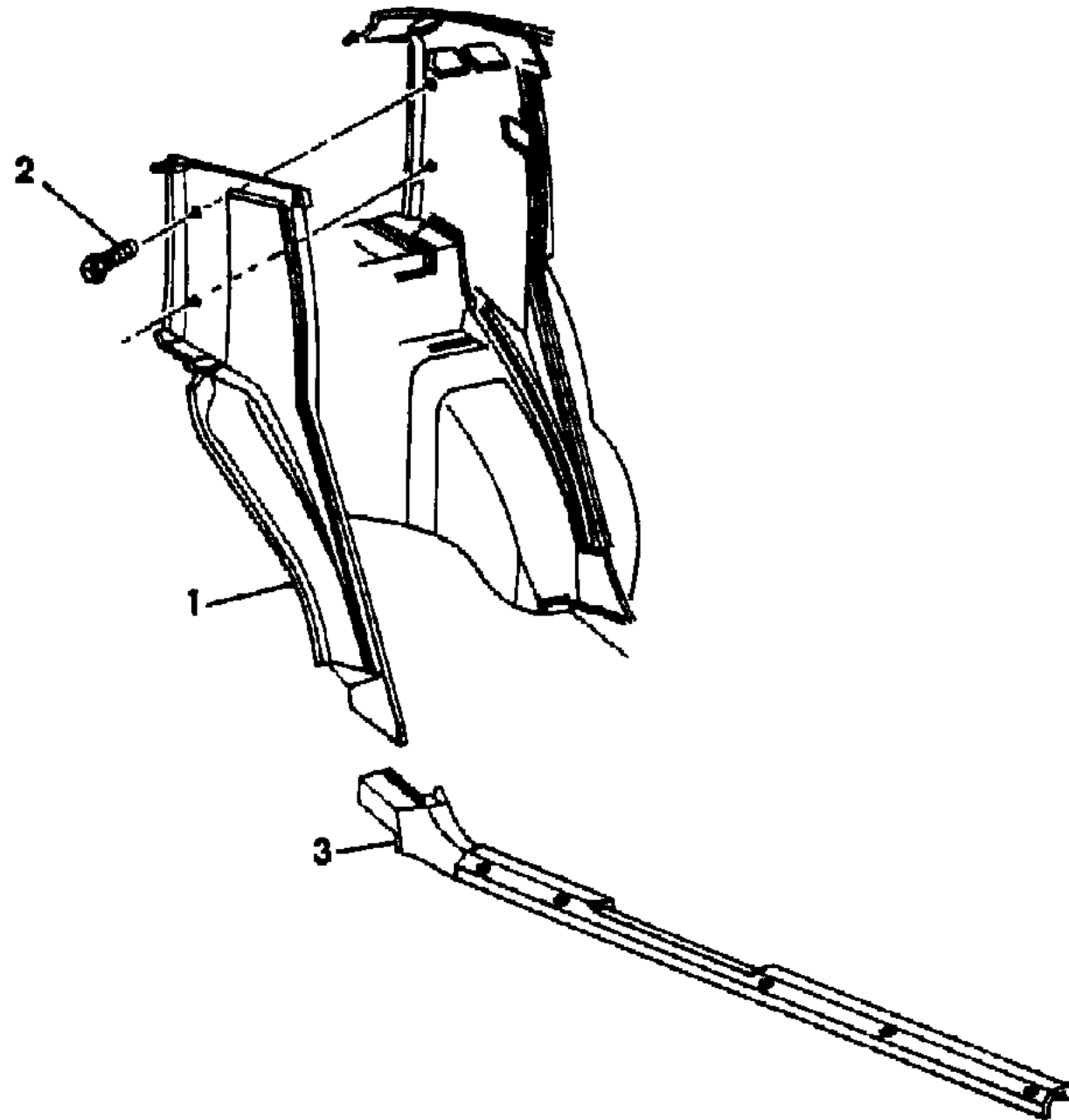
21 = 2-DOOR SEDAN	28 = FWD PICKUP
22 = 2-DOOR SPECIAL COUPE	41 = 4-DOOR SEDAN
24 = 2-DOOR HATCHBACK	44 = 4-DOOR HATCHBACK
27 = 2-DOOR CONVERTIBLE	45 = 2-SEAT STATION WAGON

AR = Use as Required - = Non Illustrated Part P.A.R. = Paint as Required

QUARTER PANEL P,D,C,V - 41,45  
Figure IT-3063

2253 306300

ITEM	PART NUMBER	QTY	BODY	MODEL	DESCRIPTION
1	F152-3 VB2	1			PANEL, Quarter Trim (paint as required) N N N YF152VB2
2		AR			SCREW (not serviced) N N N N
3					PLATE, See Scuff Plate Illustration Group 23-TRIM N N N N



MODEL CODES

B = GRAN FURY/CARAVELLE	P = RELIANT
C = LEBARON/TOWN & COUNTRY	S = CORDOBA
D = ARIES	V = 400
F = NEW YORKER	X = MIRADA
G = DIPLOMAT	Y = IMPERIAL
M = HORIZON/TC3/SCAMP	Z = OMNI/O24/RAMPAGE

BODY STYLES

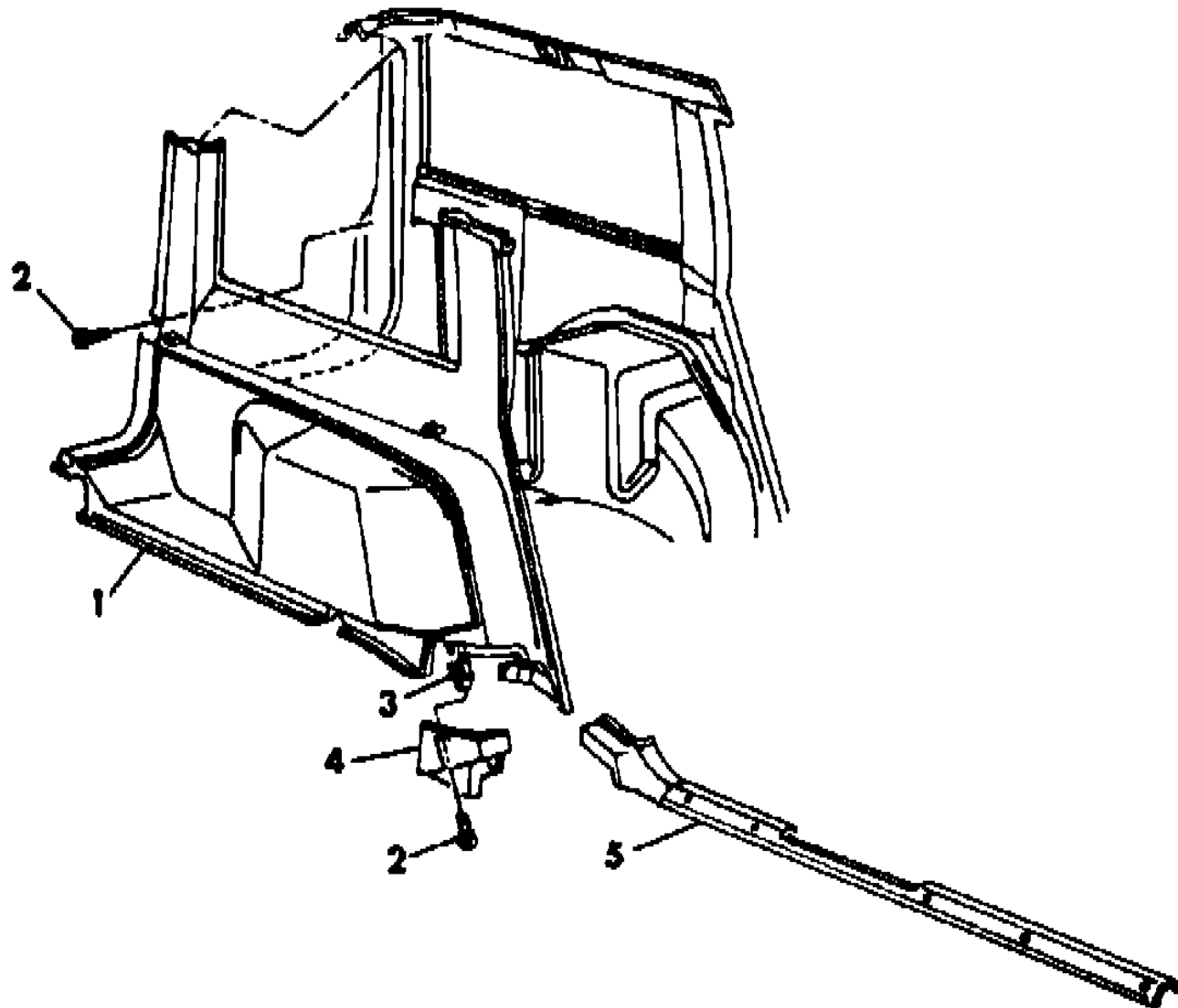
21 = 2-DOOR SEDAN	28 = FWD PICKUP
22 = 2-DOOR SPECIAL COUPE	41 = 4-DOOR SEDAN
24 = 2-DOOR HATCHBACK	44 = 4-DOOR HATCHBACK
27 = 2-DOOR CONVERTIBLE	45 = 2-SEAT STATION WAGON

AR = Use as Required - = Non Illustrated Part P.A.R. = Paint as Required

QUARTER PANEL P,D,C 45  
Figure IT-3064

2253 306400

ITEM	PART NUMBER	QTY	BODY	MODEL	DESCRIPTION
1	W244-5 VB2	1			PANEL, Quarter Trim (paint as required) NP,D N N YW244VB2
	W230-1 AC7	1			Blue, Dark NC N N YW230AC7
	W230-1 AH9	1			Mahogany NC N N YW230AH9
	W230-1 AM6	1			Red NC N N YW230AM6
	W230-1 AT4	1			Tan NC N N YW230AT4
2	9414 712	AR			SCREW N N N Y9414712
3	6031 803	4			U/NUT N N N Y6031803
4	W240-1 VB2	2			PLATE, Seat Adjuster Access Hole Cover (paint as required) N N N YW240VB2
5					PLATE, See Scuff Plate illustration Group 23-TRIM N N N N



MODEL CODES

B = GRAN FURY/CARAVELLE	P = RELIANT
C = LEBARON/TOWN & COUNTRY	S = CORDOBA
D = ARIES	V = 400
F = NEW YORKER	X = MIRADA
G = DIPLOMAT	Y = IMPERIAL
M = HORIZON/TC3/SCAMP	Z = OMNI/O24/RAMPAGE

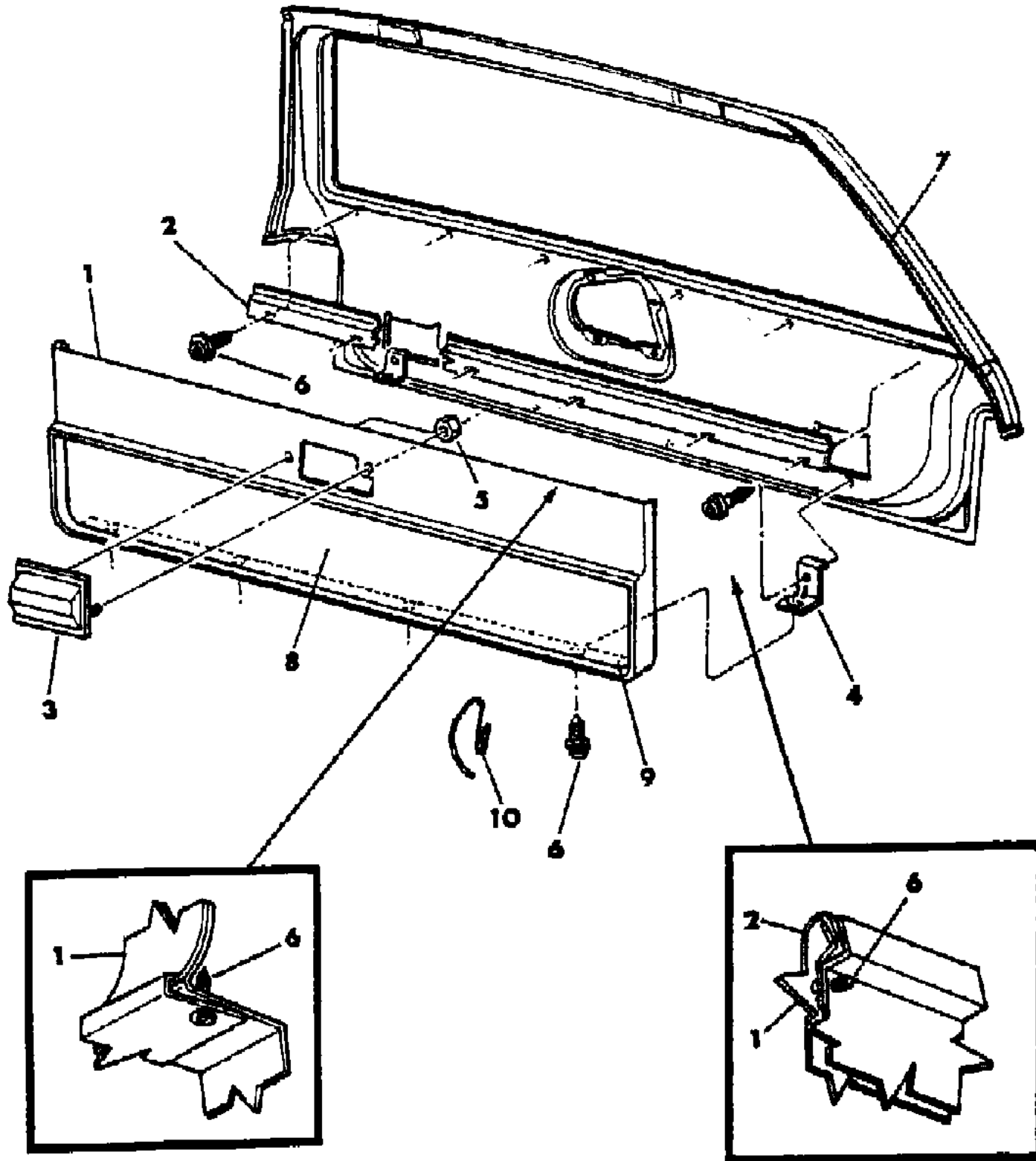
BODY STYLES

21 = 2-DOOR SEDAN	28 = FWD PICKUP
22 = 2-DOOR SPECIAL COUPE	41 = 4-DOOR SEDAN
24 = 2-DOOR HATCHBACK	44 = 4-DOOR HATCHBACK
27 = 2-DOOR CONVERTIBLE	45 = 2-SEAT STATION WAGON

AR = Use as Required - = Non Illustrated Part P.A.R. = Paint as Required

LIFT GATE TRIM PANEL P,D,C 45  
Figure IT-3065

2253 306500A



ITEM	PART NUMBER	QTY	BODY	MODEL	DESCRIPTION
1	W662 VB2	1			PANEL, Lift Gate (paint as required) (use up to 5/3/82) NP,D N N YW662VB2
	W665 AB2	1			(use after 5/3/82) NP,D N N YW665AB2
	W663 AC7	1			Blue, Dark NC N N YW663AC7
	W663 AH9	1			Mahogany NC N N YW663AH9
	W663 AM6	1			Red NC N N YW663AM6
	W663 AT4	1			Tan NC N N YW663AT4
2	4078 310	AR			RETAINER N N N Y4078310
3	W661 VB2	1			COVER, Rear Wiper Moter (paint as required) N N N YW661VB2
4	4078 713	2			BRACKET, Trim to Inner Panel Attaching N N N Y4078713
5	6023 120	2			NUT N N N Y6023120
6	9420 486	12			SCREW N N N Y9420486
7	4078 959	AR			WELT or WEATHERSTRIP N N N Y4078959
8	4136 546	AR			PAD, Lift Gate Opening Silencer N N N Y4136546
9					CARPET, Trim Panel N N N N
	W664 AC7	1			Blue, Dark NC N N YW664AC7
	W664 AH9	1			Mahogany NC N N YW664AH9
	R118 VM6	1			Red NC N N YR118VM6
	R118 VT6	1			Tan NC N N YR118VT6
10	4247 884	1			CLIP N N N Y4247884

MODEL CODES

B = GRAN FURY/CARAVELLE	P = RELIANT
C = LEBARON/TOWN & COUNTRY	S = CORDOBA
D = ARIES	V = 400
F = NEW YORKER	X = MIRADA
G = DIPLOMAT	Y = IMPERIAL
M = HORIZON/TC3/SCAMP	Z = OMNI/O24/RAMPAGE

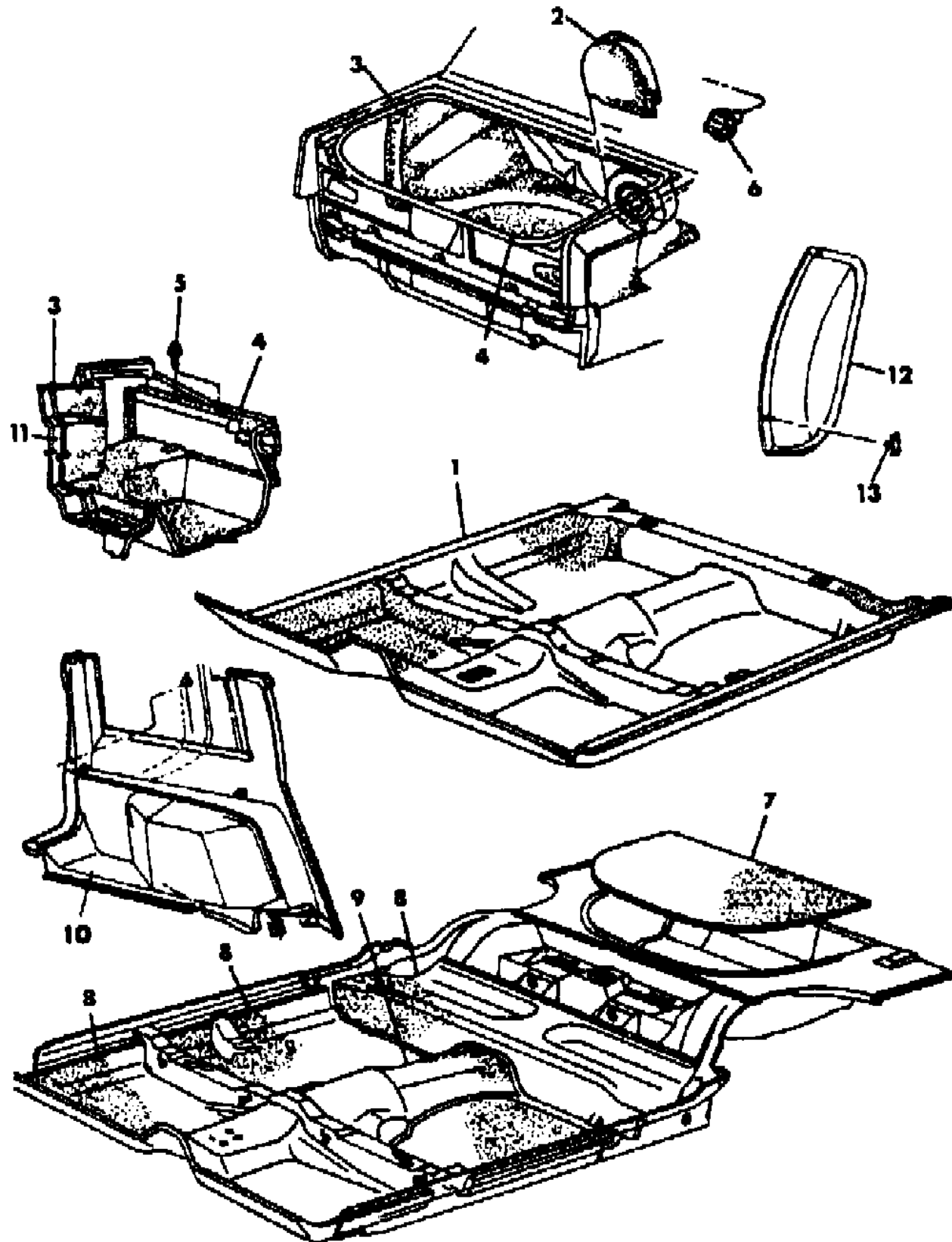
BODY STYLES

21 = 2-DOOR SEDAN	28 = FWD PICKUP
22 = 2-DOOR SPECIAL COUPE	41 = 4-DOOR SEDAN
24 = 2-DOOR HATCHBACK	44 = 4-DOOR HATCHBACK
27 = 2-DOOR CONVERTIBLE	45 = 2-SEAT STATION WAGON

AR = Use as Required - = Non Illustrated Part P.A.R. = Paint as Required

CARPETS P,D,C,V  
Figure IT-3081

2253 308100A



ITEM	PART NUMBER	QTY	BODY	MODEL	DESCRIPTION
1					CARPET, Front and Rear N N N N
	M629 AA7	1			Silver N N N YM629AA7
	M627 AB2	1			Blue, Light N N N YM627AB2
	M629 AC7	1			Blue, Dark N N N YM629AC7
	M627 AF5	1			Green N N N YM627AF5
	M629 AH9	1			Mahogany N N N YM629AH9
	M629 AM6	1			Red N N N YM629AM6
	M629 AT6	1			Tan N N N YM629AT6
	M628 AH9	1			Mahogany (Mark Cross Package) NC N N YM628AH9
2	4223 273	1			COVER, Spare Tire, Mini Tire (carpet) N N21,22,41 N Y4223273
	4223 730	1			Full Tire (carpet) N N21,22,41 N Y4223730
3	4077 906-7	1			CARPET, Wheelhouse N N21,22,41 N Y4077906
	6003 683	1			FASTENER, Carpet, Left Side N N21,22,41 N Y6003683
4	4078 122	1			CARPET, Floor and Deck Lower Panel (w/Trunk Dress up) N N21,22,41 N Y4078122
	4223 961	1			(w/o Trunk Dress up) N N21,22,41 N Y4223961
5		AR			SCREW (not serviced) N N21,22,41 N N
6	4223 983	1			FASTENER, Spare Tire Cover Attaching N N21,22,41 N Y4223983
7	4223 959	1			CARPET, Floor Well N N21,22,41 N Y4223959
8	4186 901	AR			SILENCER N N N Y4186901
9	4223 991	AR			SILENCER N N N Y4223991
10					CARPET, Quarter Wheelhouse Cover N N N N
	W572-3 AC7	1			Blue, Dark NC N45 N YW572AC7
	W572-3 AH9	1			Mahogany NC N45 N YW572AH9
	W572-3 AM6	1			Red NC N45 N YW572AM6
	W572-3 AT6	1			Tan NC N45 N YW572AT6
11	3762 862	AR			SILENCER, Wheelhouse N N N Y3762862
12	4247 226-7	1			SILENCER, Wheelhouse Inner NC,V N N Y4247226
13	6003 683	1			FASTENER, Wheelhouse Carpet (left side) N N N Y6003683
	6003 351	AR			FASTENER, Silencer Attaching (left side) N N N Y6003351
					CARPETED FLOOR MAT PACKAGE, Set of 2 N N N N
					Front N N N N
	M022 AA7	1			Silver N N N YM022AA7
	M022 VB2	1			Blue, Light N N N YM022VB2
	M022 AC7	1			Blue, Dark N N N YM022AC7
	M022 VF5	1			Green N N N YM022VF5

MODEL CODES

B = GRAN FURY/CARAVELLE	P = RELIANT
C = LEBARON/TOWN & COUNTRY	S = CORDOBA
D = ARIES	V = 400
F = NEW YORKER	X = MIRADA
G = DIPLOMAT	Y = IMPERIAL
M = HORIZON/TC3/SCAMP	Z = OMNI/O24/RAMPAGE

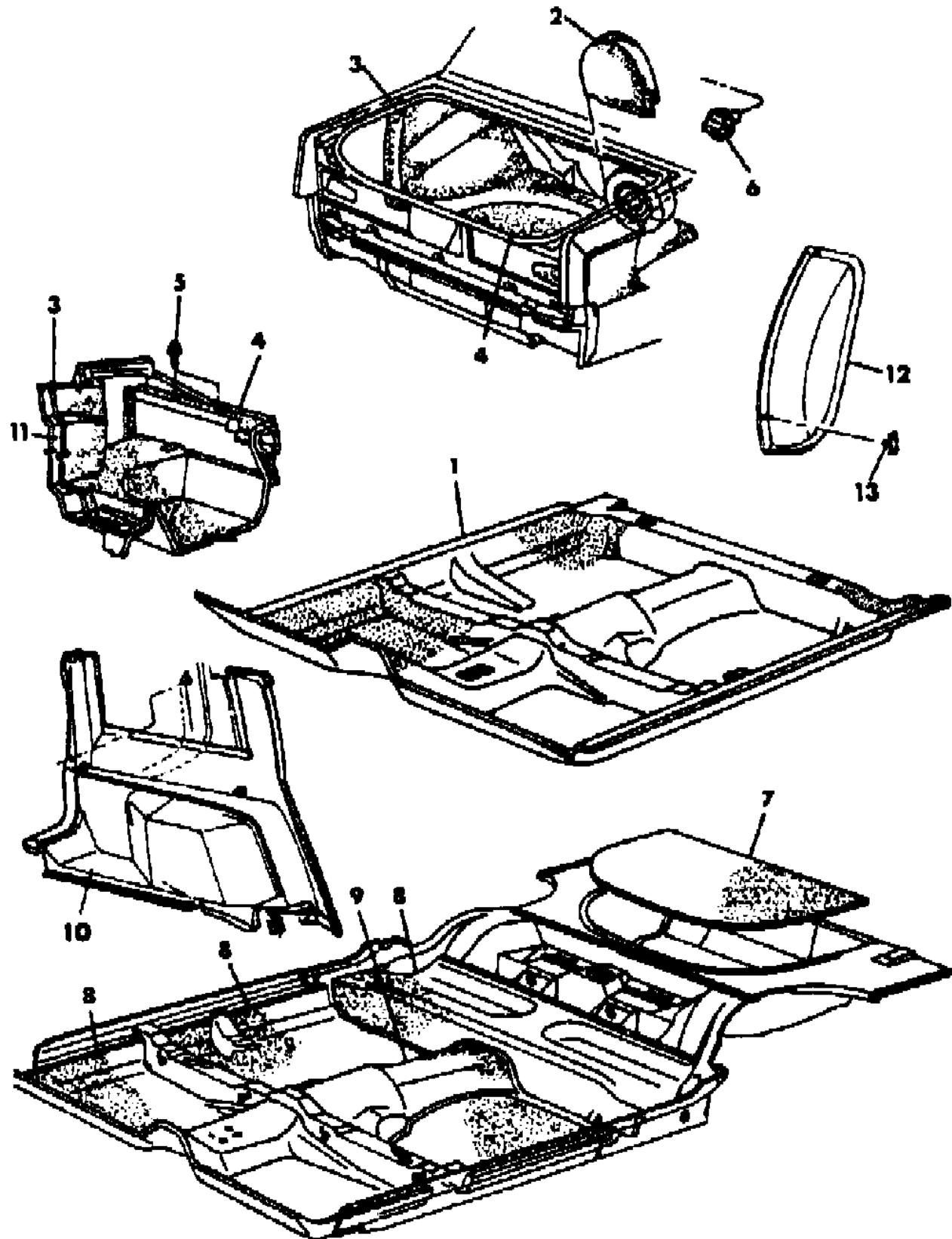
BODY STYLES

21 = 2-DOOR SEDAN	28 = FWD PICKUP
22 = 2-DOOR SPECIAL COUPE	41 = 4-DOOR SEDAN
24 = 2-DOOR HATCHBACK	44 = 4-DOOR HATCHBACK
27 = 2-DOOR CONVERTIBLE	45 = 2-SEAT STATION WAGON

AR = Use as Required - = Non Illustrated Part P.A.R. = Paint as Required

CARPETS P,D,C,V  
Figure IT-3081

2253 308 100 A



ITEM	PART NUMBER	QTY	BODY	MODEL	DESCRIPTION
	M022 AH9	1			Mahogany N N N YM022AH9
	M022 VM6	1			Red N N N YM022VM6
	M022 VT6	1			Tan N N N YM022VT6
	M029 AH9	1			Mohogany, Front and Rear (Mark Cross Package) NC,V N N YM029AH9
	M024 AA7	1			Rear N N N N Silver N N N YM024AA7
	M024 VB2	1			Blue, Light N N N YM024VB2
	M024 VC7	1			Blue, Dark N N N YM024VC7
	M024 VF5	1			Green N N N YM024VF5
	M024 VH9	1			Mahogany N N N YM024VH9
	M024 VM6	1			Red N N N YM024VM6
	M024 VT6	1			Tan N N N YM024VT6
	M029 AH9	1			Mohogany (luxury) NC N N N YM029AH9 CARPET, Roll Stock 54" Wide Order By The Inch (used on seats) N N N N
	R112 AA7	AR			Silver N N N YR112AA7
	R112 TB2	AR			Blue, Light N N N YR112TB2
	R112 SC7	AR			Blue, Dark N N N YR112SC7
	R112 VF5	AR			Green N N N YR112VF5
	R112 VH9	AR			Mahogany N N N YR112VH9
	R112 TM6	AR			Red N N N YR112TM6
	R112 ST6	AR			Tan N N N YR112ST6 CARPET, Roll Stock 54" Wide Order By The Inch (used on doors) N N N N
	R113 AA7	AR			Silver N N N YR113AA7
	R113 TB2	AR			Blue, Light N N N YR113TB2
	R113 SC7	AR			Blue, Dark N N N YR113SC7
	R113 VF5	AR			Green N N N YR113VF5
	R113 VH9	AR			Mahogany N N N YR113VH9
	R113 TM6	AR			Red N N N YR113TM6
	R113 ST6	AR			Tan N N N YR113ST6

MODEL CODES

B = GRAN FURY/CARAVELLE	P = RELIANT
C = LEBARON/TOWN & COUNTRY	S = CORDOBA
D = ARIES	V = 400
F = NEW YORKER	X = MIRADA
G = DIPLOMAT	Y = IMPERIAL
M = HORIZON/TC3/SCAMP	Z = OMNI/O24/RAMPAGE

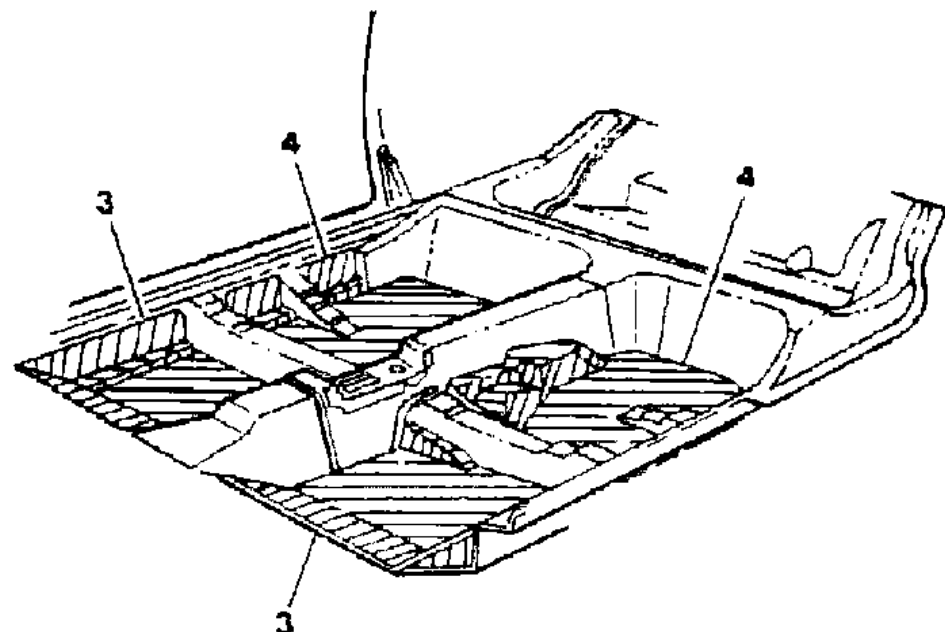
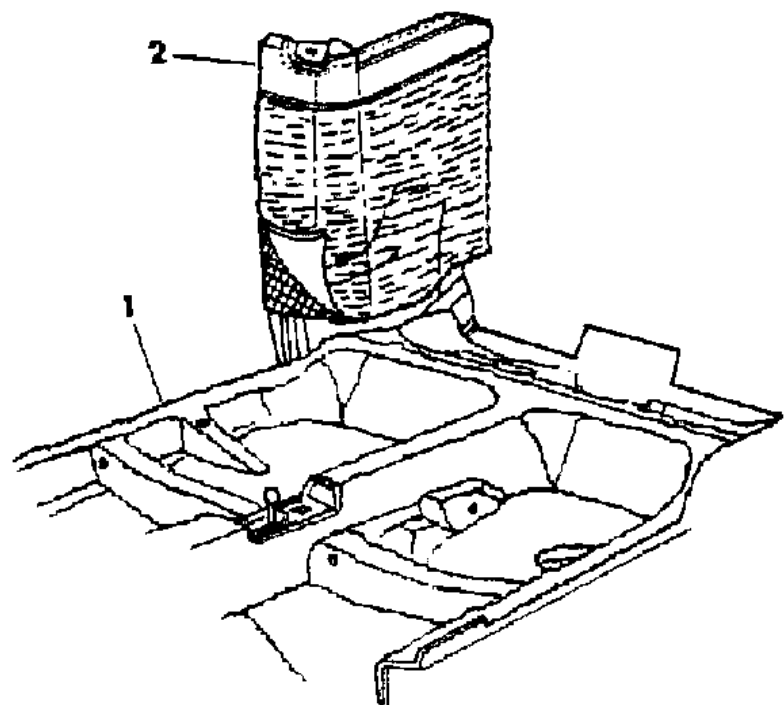
BODY STYLES

21 = 2-DOOR SEDAN	28 = FWD PICKUP
22 = 2-DOOR SPECIAL COUPE	41 = 4-DOOR SEDAN
24 = 2-DOOR HATCHBACK	44 = 4-DOOR HATCHBACK
27 = 2-DOOR CONVERTIBLE	45 = 2-SEAT STATION WAGON

AR = Use as Required - = Non Illustrated Part P.A.R. = Paint as Required

**CARPET CONVERTIBLE C,V 27**  
**Figure IT-3081**

2253 308150A



ITEM	PART NUMBER	QTY	BODY	MODEL	DESCRIPTION
1					CARPET N N N N
	M622 AT6	1			Cashmere N N N YM622AT6
	M622 AH9	1			Mahogany N N N YM622AH9
	M622 AM6	1			Red N N N YM622AM6
2					CARPET, Top Well N N N N
	M620-1 AT6	1			Cashmere N N N YM620AT6
	M620-1 AH9	1			Mahogany N N N YM620AH9
	M620-1 AM6	1			Red N N N YM620AM6
3	4097 778-9	1			SILENCER, Front N N N Y4097778
4	4097 780-1	1			SILENCER, Rear N N N Y4097780
-	4097 783	1			PAD, Silencer Rear Compartment N N N Y4097783
	4277 906-7	1			CARPET, Wheelhouse N N N Y4277906

The following parts are not illustrated. s ARE NOT RETURNABLE.

**MODEL CODES**

B = GRAN FURY/CARAVELLE	P = RELIANT
C = LEBARON/TOWN & COUNTRY	S = CORDOBA
D = ARIES	V = 400
F = NEW YORKER	X = MIRADA
G = DIPLOMAT	Y = IMPERIAL
M = HORIZON/TC3/SCAMP	Z = OMNI/O24/RAMPAGE

**BODY STYLES**

21 = 2-DOOR SEDAN	28 = FWD PICKUP
22 = 2-DOOR SPECIAL COUPE	41 = 4-DOOR SEDAN
24 = 2-DOOR HATCHBACK	44 = 4-DOOR HATCHBACK
27 = 2-DOOR CONVERTIBLE	45 = 2-SEAT STATION WAGON

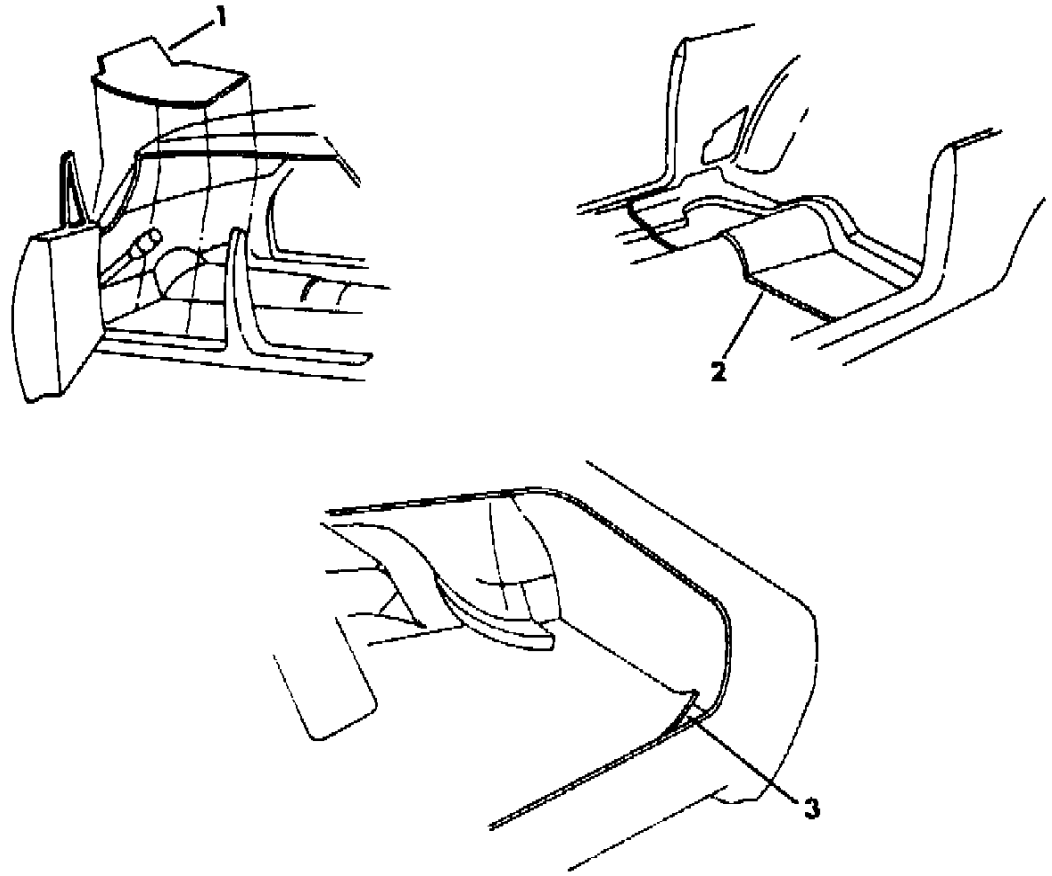
AR = Use as Required - = Non Illustrated Part P.A.R. = Paint as Required



MATS FRONT AND REAR P,D  
Figure IT-3082

2253 308200

ITEM	PART NUMBER	QTY	BODY	MODEL	DESCRIPTION
1	4223 944	1			MAT, Rubber, Heavy Duty, Front (black) N N N Y4223944
2	4223 641	1			MAT, Rubber, Heavy Duty, Rear, (black) N N N Y4223641
3	4078 537	1			MAT, Luggage Compartment Floor Well w/Mini SPARE N N N Y4078537



MODEL CODES  
 B = GRAN FURY/CARAVELLE      P = RELIANT  
 C = LEBARON/TOWN & COUNTRY      S = CORDOBA  
 D = ARIES      V = 400  
 F = NEW YORKER      X = MIRADA  
 G = DIPLOMAT      Y = IMPERIAL  
 M = HORIZON/TC3/SCAMP      Z = OMNI/O24/RAMPAGE

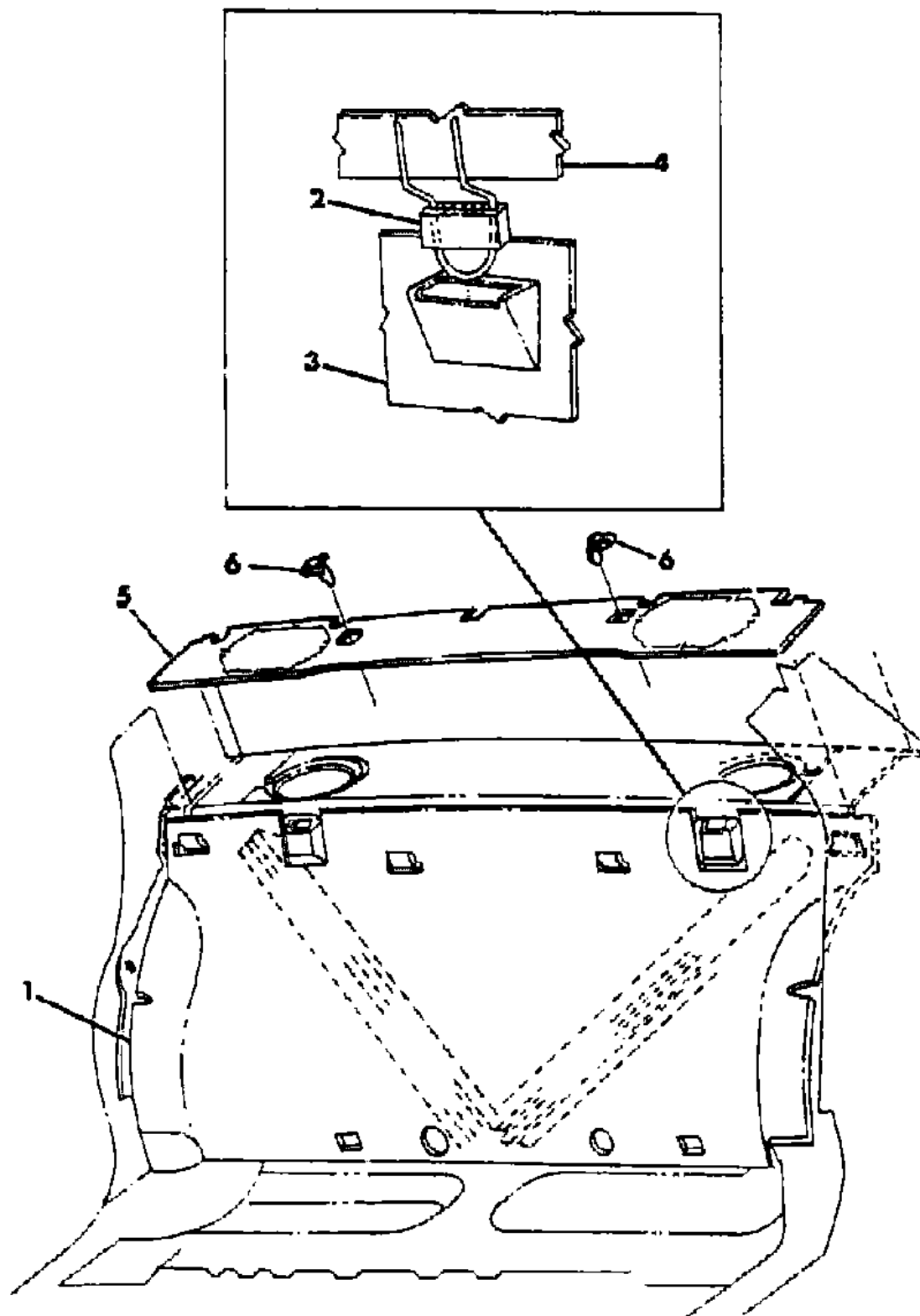
BODY STYLES  
 21 = 2-DOOR SEDAN      28 = FWD PICKUP  
 22 = 2-DOOR SPECIAL COUPE      41 = 4-DOOR SEDAN  
 24 = 2-DOOR HATCHBACK      44 = 4-DOOR HATCHBACK  
 27 = 2-DOOR CONVERTIBLE      45 = 2-SEAT STATION WAGON

AR = Use as Required - = Non Illustrated Part P.A.R. = Paint as Required

SILENCER REAR COMPARTMENT P,D,C,V - 21,22,41  
Figure IT-3083

2253 308300

ITEM	PART NUMBER	QTY	BODY	MODEL	DESCRIPTION
1	4078 517	1			SILENCER, Luggage Compartment Front liner N N N Y4078517
	4247 715	1			(use after 10/19/81) NP,D N N Y4247715
2	4239 182	1			SEAL, Rear Seat Back to Shelf Panel N N N Y4239182
3					SHELF PANEL (ref.) N N N N
4					SPRING, Rear Seat Back (ref.) N N N N
5	4223 571	1			SILENCER, Sound Barrier N N N Y4223571
6	6003 325	1			FASTENER N N N Y6003325



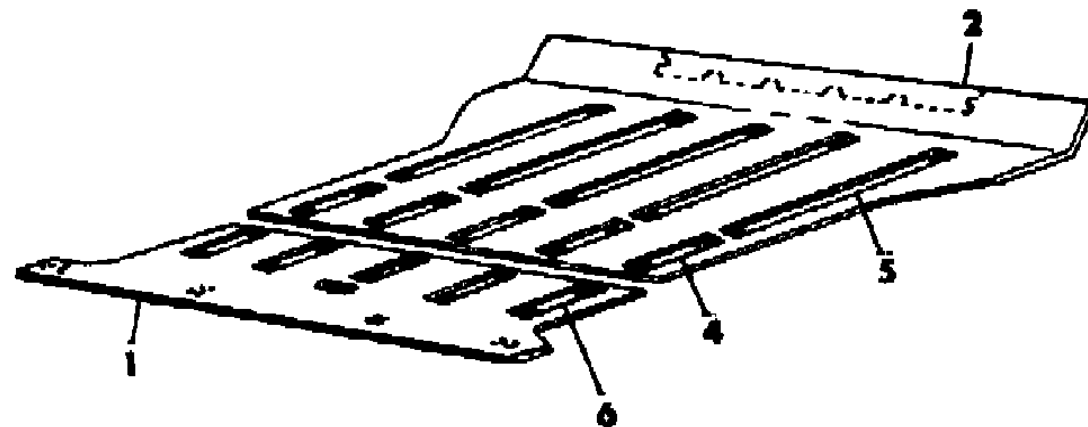
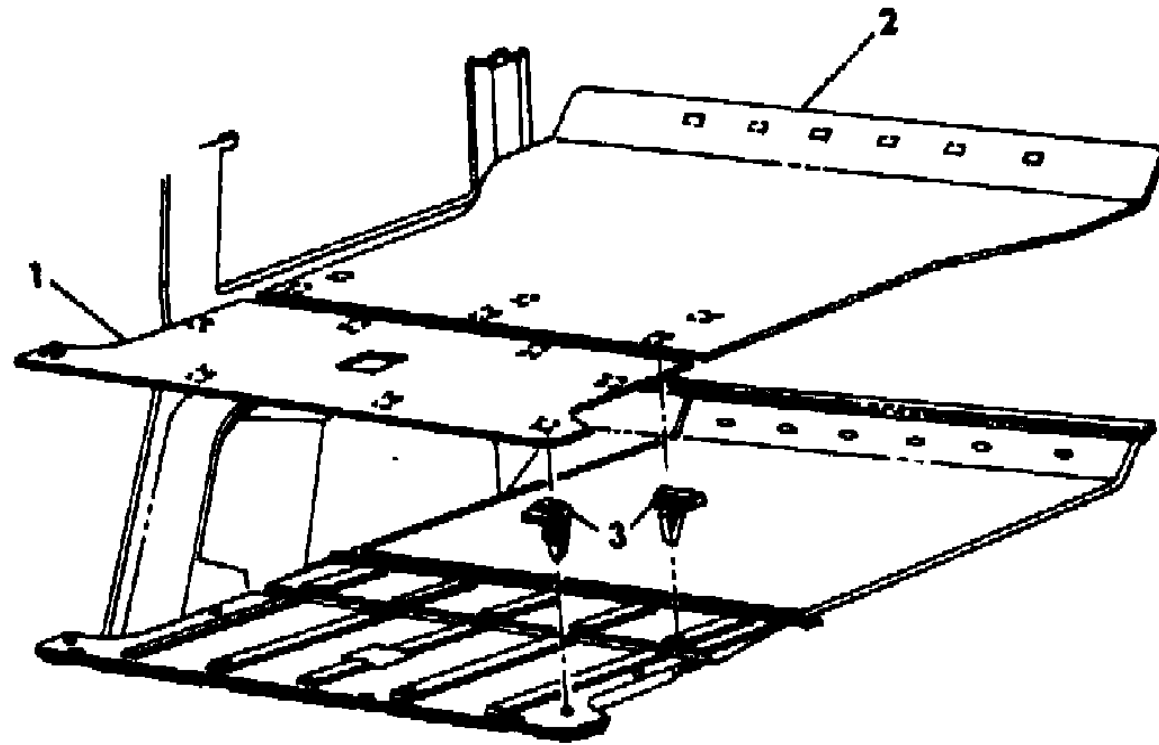
MODEL CODES  
 B = GRAN FURY/CARAVELLE      P = RELIANT  
 C = LEBARON/TOWN & COUNTRY      S = CORDOBA  
 D = ARIES      V = 400  
 F = NEW YORKER      X = MIRADA  
 G = DIPLOMAT      Y = IMPERIAL  
 M = HORIZON/TC3/SCAMP      Z = OMNI/O24/RAMPAGE

BODY STYLES  
 21 = 2-DOOR SEDAN      28 = FWD PICKUP  
 22 = 2-DOOR SPECIAL COUPE      41 = 4-DOOR SEDAN  
 24 = 2-DOOR HATCHBACK      44 = 4-DOOR HATCHBACK  
 27 = 2-DOOR CONVERTIBLE      45 = 2-SEAT STATION WAGON

AR = Use as Required - = Non Illustrated Part P.A.R. = Paint as Required

**CARPET CARGO AREA P,D 45**  
**Figure IT-3084**

**2253 308400A**



ITEM	PART NUMBER	QTY	BODY	MODEL	DESCRIPTION
1					CARPET, Rear Seat Back N N N N
	M662 VB2	1			Blue NP,D N N YM662VB2
	M662 VF5	1			Green NP,D N N YM662VF5
	M662 VM6	1			Red NP,D N N YM662VM6
	M662 VT6	1			Tan NP,D N N YM662VT6
	W270 AC8	1			Blue, Dark NC N N YW270AC8
	W270 AH9	1			Mahogany NC N N YW270AH9
	W270 AM6	1			Red NC N N YW270AM6
	W270 AT3	1			Tan NC N N YW270AT3
2					CARPET, Cargo Floor N N N N
	M672 VB2	1			Blue NP,D N N YM672VB2
	M672 VF5	1			Green NP,D N N YM672VF5
	M672 VM6	1			Red NP,D N N YM672VM6
	M672 VT6	1			Tan NP,D N N YM672VT6
	W271 AC8	1			Blue, Dark NC N N YW271AC8
	W271 AH9	1			Mahogany NC N N YW271AH9
	W271 AM6	1			Red NC N N YW271AM6
	W271 AT3	1			Tan NC N N YW271AT3
3	4114 785	AR			FASTENER, Carpet N N N Y4114785
4	4247 142	5			MOULDING, Rear Seat Back Filler (Skid Strips) NC N N Y4247142
5	4247 143	5			MOULDING, Cargo Floor (skid strips) NC N N Y4247143
6	2086 533	5			MOULDING, Rear Seat Back Carpet NC-P N N Y2086533

**MODEL CODES**

B = GRAN FURY/CARAVELLE	P = RELIANT
C = LEBARON/TOWN & COUNTRY	S = CORDOBA
D = ARIES	V = 400
F = NEW YORKER	X = MIRADA
G = DIPLOMAT	Y = IMPERIAL
M = HORIZON/TC3/SCAMP	Z = OMNI/O24/RAMPAGE

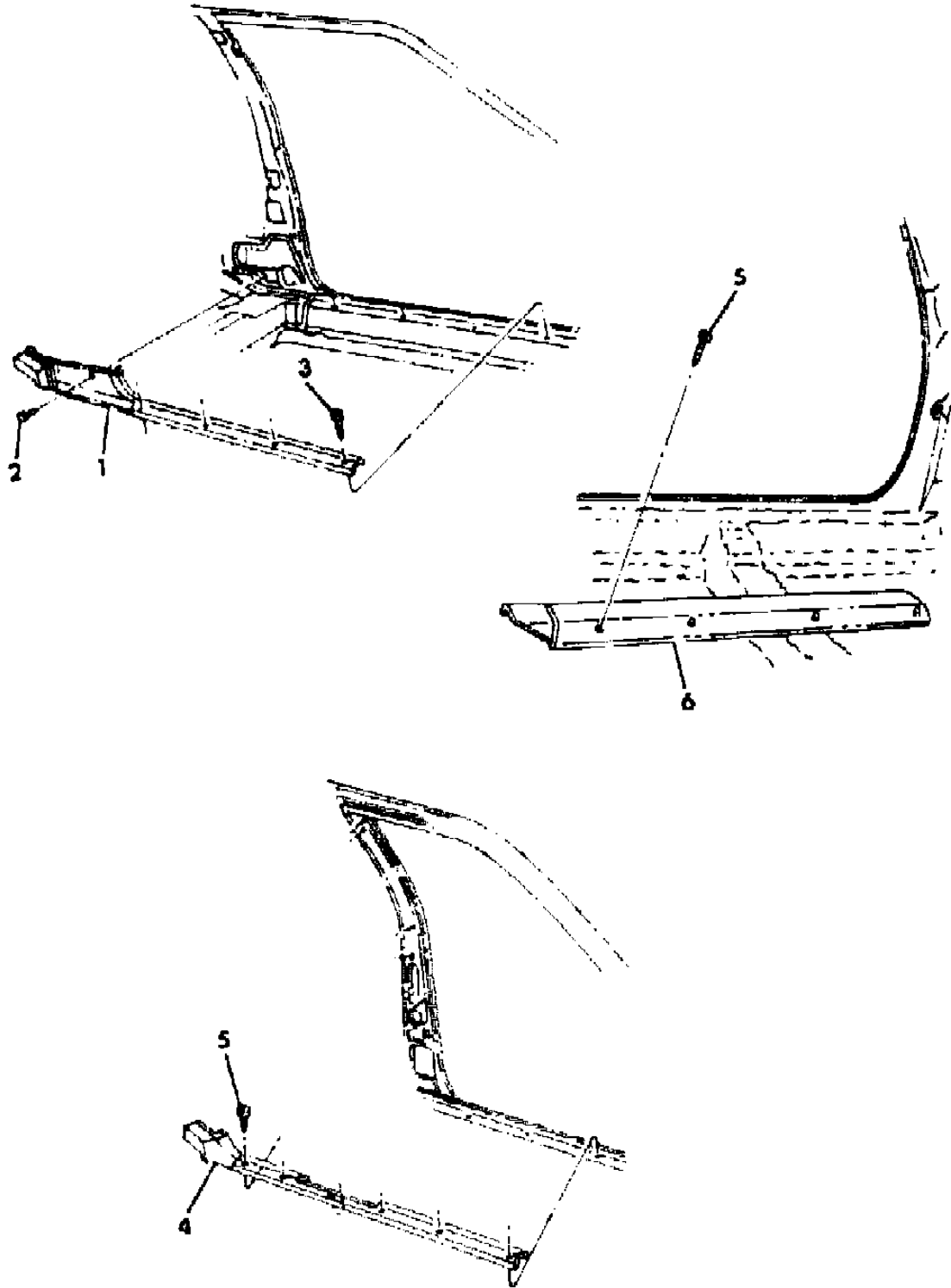
**BODY STYLES**

21 = 2-DOOR SEDAN	28 = FWD PICKUP
22 = 2-DOOR SPECIAL COUPE	41 = 4-DOOR SEDAN
24 = 2-DOOR HATCHBACK	44 = 4-DOOR HATCHBACK
27 = 2-DOOR CONVERTIBLE	45 = 2-SEAT STATION WAGON

AR = Use as Required - = Non Illustrated Part P.A.R. = Paint as Required

**SCUFF PLATES BODY SILL AND DOOR P,D,C,V**  
**Figure IT-3085**

2253 308500 A



ITEM	PART NUMBER	QTY	BODY	MODEL	DESCRIPTION
1	M904-5 VB2	1			PLATE, Door Sill Scuff Louer (paint as required) N N21,22 N YM904VB2
2		4			SCREW (not serviced) N N21,22 N N
3	9414 712	8			SCREW N N21,22 N Y9414712
4	M906-7 VB2	1			PLATE, Front and Rear Door Sill (paint as required) N N41,45 N YM906VB2
5		10			SCREW (not serviced) N N41,45 N N
6	M914-5 AT4	1			PLATE, Door Sill Scuff (paint as required) NC,V N27 N YM914AT4

**MODEL CODES**

B = GRAN FURY/CARAVELLE	P = RELIANT
C = LEBARON/TOWN & COUNTRY	S = CORDOBA
D = ARIES	V = 400
F = NEW YORKER	X = MIRADA
G = DIPLOMAT	Y = IMPERIAL
M = HORIZON/TC3/SCAMP	Z = OMNI/O24/RAMPAGE

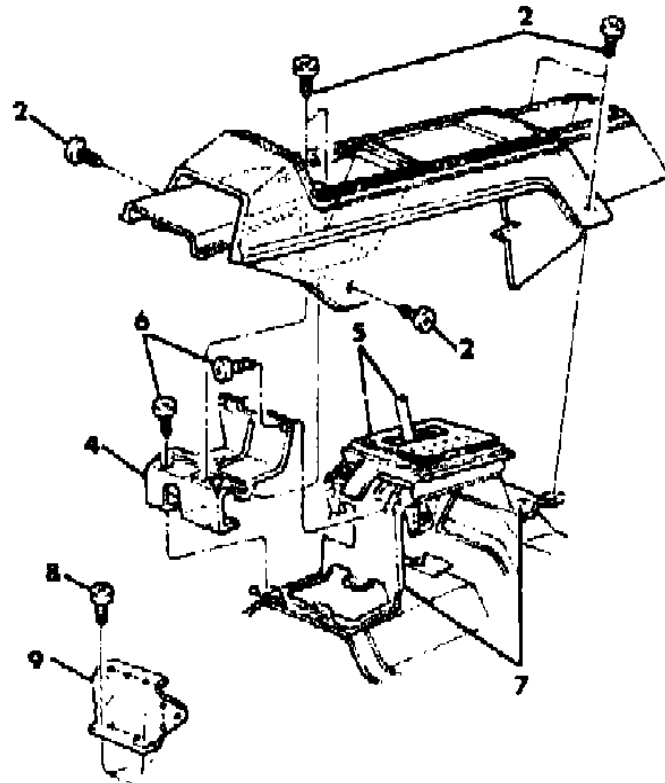
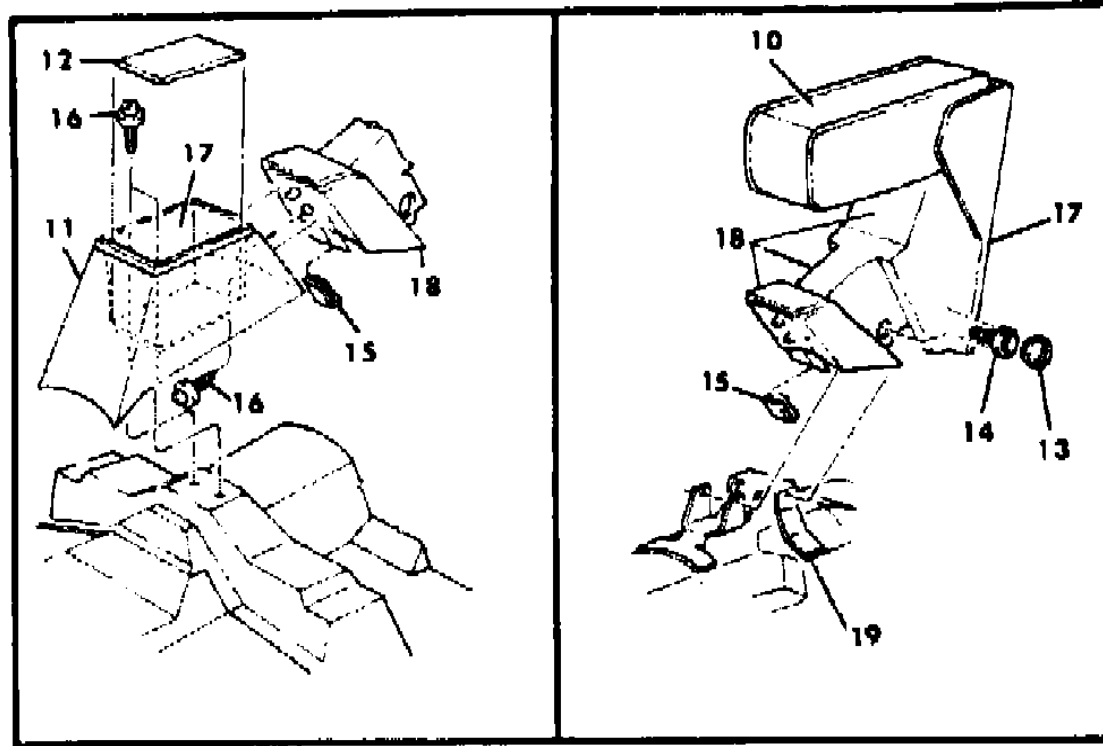
**BODY STYLES**

21 = 2-DOOR SEDAN	28 = FWD PICKUP
22 = 2-DOOR SPECIAL COUPE	41 = 4-DOOR SEDAN
24 = 2-DOOR HATCHBACK	44 = 4-DOOR HATCHBACK
27 = 2-DOOR CONVERTIBLE	45 = 2-SEAT STATION WAGON

AR = Use as Required - = Non Illustrated Part P.A.R. = Paint as Required

CONSOLE AND ARM REST P,D,C,V  
Figure IT-3086

7253 308600A



ITEM	PART NUMBER	QTY	BODY	MODEL	DESCRIPTION
1					CONSOLE, Less Carpet N N N N
	F483 AA7	1			Manual N N N N
	F483 AB2	1			Silver NP,D N N YF483AA7
	F483 AF5	1			Blue, Light NP,D N N YF483AB2
	F483 AM6	1			Green NP,D N N YF483AF5
	F483 AT6	1			Red NP,D N N YF483AM6
	F530 AT6	1			Tan NP,D N N YF483AT6
					Auto (paint as required) N N N N
	F528 AT6	1			Tan NP,D N N YF530AT6
					Manual N N N N
	F529 AA7	1			Tan (paint as required) NC,V N N YF528AT6
	F529 AC7	1			Auto N N N N
	F529 AF5	1			Silver NC,V N N YF529AA7
	F529 AH9	1			Blue, Dark NC,V N N YF529AC7
	F529 AM6	1			Green NC,V N N YF529AF5
	F529 AT6	1			Mahogany NC,V N N YF529AH9
2		AR			Red NC,V N N YF529AM6
3					Tan NC,V N N YF529AT6
	F304-5 AA7	1			SCREW (not serviced) N N N N
	F304-5 AA7	1			CARPET, Console N N N N
	F380-1 AA7	1			Silver NP,D N N YF304AA7
	F304-5 VB2	1			Silver (Manual use up to Jefferson & St Louis 1/4/82; Newark 3/1/82) (Auto use up to 1/4/82) NP,D N N YF304AA7
	F380-1 AB2	1			(Manual use after Jefferson & St Louis 1/4/82; Newark 3/1/82) (Auto use after 1/4/82) NP,D N N YF380AA7
	F304-5 VF5	1			Blue, Light (use up to 1/4/82) NP,D N N YF304VB2
	F380-1 AF5	1			(use after 1/4/82) NP,D N N YF380AB2
	F304-5 VM6	1			Green (Manual use up to Jefferson 1/17/82; Newark 1/4/82) (Auto use up to 1/4/82) NP,D N N YF304VF5
	F380-1 AM6	1			(Manual use after Jefferson 1/17/82; Newark 1/4/82) (Auto use after 1/4/82) NP,D N N YF380AF5
	F304-5 VT6	1			Red (use up to 1/4/82) NP,D N N YF304VM6
	F380-1 AT6	1			(use after 1/4/82) NP,D N N YF380AM6
	F300-1 AA7	1			Tan (use up to 1/4/82) NP,D N N YF304VT6
	F376-7 AA7	1			(use after 1/4/82) NP,D N N YF380AT6
					Silver (use up to 1/4/82) NC,V N N YF300AA7
					(use after 1/4/82) NC,V N N YF376AA7

MODEL CODES

B = GRAN FURY/CARAVELLE	P = RELIANT
C = LEBARON/TOWN & COUNTRY	S = CORDOBA
D = ARIES	V = 400
F = NEW YORKER	X = MIRADA
G = DIPLOMAT	Y = IMPERIAL
M = HORIZON/TC3/SCAMP	Z = OMNI/O24/RAMPAGE

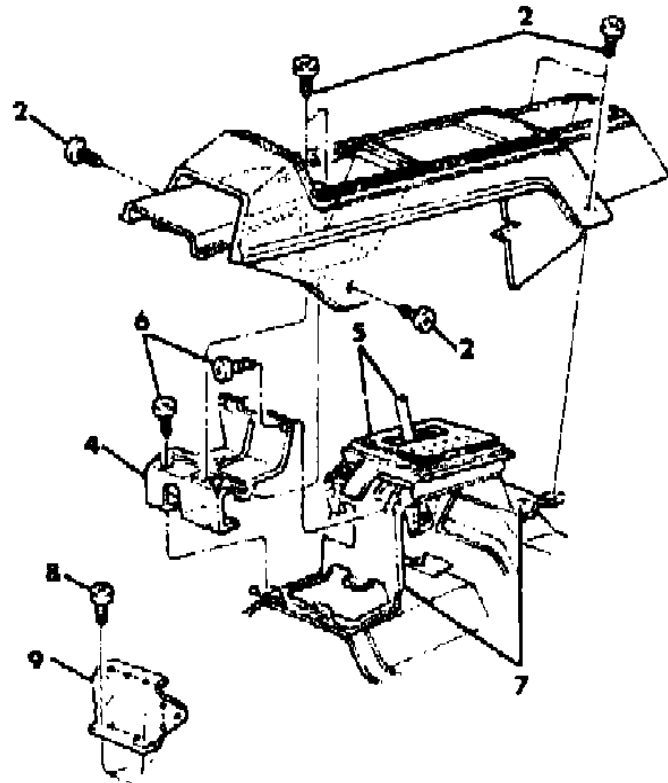
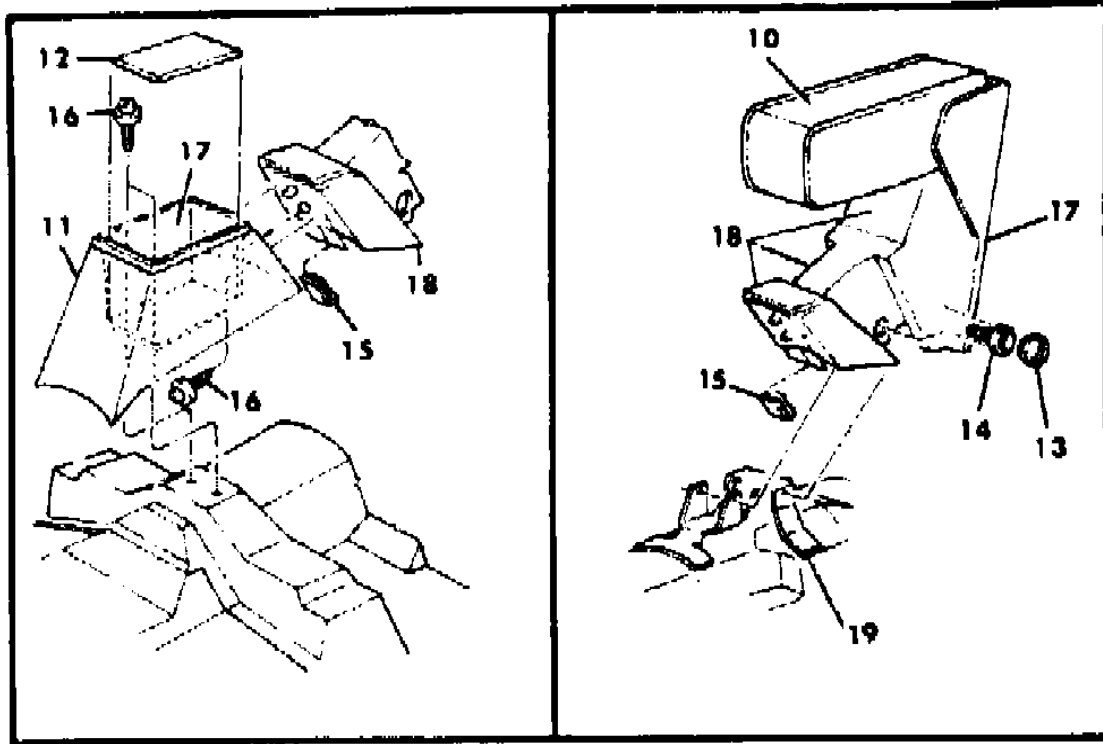
BODY STYLES

21 = 2-DOOR SEDAN	28 = FWD PICKUP
22 = 2-DOOR SPECIAL COUPE	41 = 4-DOOR SEDAN
24 = 2-DOOR HATCHBACK	44 = 4-DOOR HATCHBACK
27 = 2-DOOR CONVERTIBLE	45 = 2-SEAT STATION WAGON

AR = Use as Required - = Non Illustrated Part P.A.R. = Paint as Required

CONSOLE AND ARM REST P,D,C,V  
Figure IT-3086

7753 308600A



ITEM	PART NUMBER	QTY	BODY	MODEL	DESCRIPTION
	F300-1 AC7	1			Blue, Dark (Manual use up to Jefferson 3/1/82; St. Louis 2/1/82) NC,V N N YF300AC7
	F300-1 AC7	1			(Auto use up to Jefferson 2/15/82; St. Louis 1/4/82) NC,V N N YF300AC7
	F376-7 AC7	1			(Manual use after Jefferson 3/1/82; St.Louis 2/1/82) NC,V N N YF376AC7
	F376-7 AC7	1			(Auto use after Jefferson 2/15/82; St. Louis 1/4/82; use for Newark) NC,V N N YF376AC7
	F300-1 AH9	1			Mahogany (Auto use up to Jefferson 2/15/82; St. Louis 1/4/82) NC,V N N YF300AH9
	F376-7 AH9	1			(Auto use after Jefferson 2/15/82; St. Louis 1/4/82; use for Newark) NC,V N N YF376AH9
	F300-1 AM6	1			Red (Manual use up to Jefferson 3/1/82; St. Louis 1/4/82) (Auto use up to 1/4/82) NC,V N N YF300AM6
	F376-7 AM6	1			(Manual use after Jefferson 3/1/82; St. Louis 1/4/82) (Auto use after 1/4/82) NC,V N N YF376AM6
	F300-1 AT6	1			Tan (Manual use up to St. Louis 2/1/82) (Auto use up to Jefferson 2/8/82; St. Louis 1/4/82) NC,V N N YF300AT6
	F376-7 AT6	1			(Manual use after St. Louis 2/1/82) (Auto use after Jefferson 2/8/82; St. Louis 1/4/82) NC,V N N YF376AT6
	F308-9 AH9	1			Mahogany (Auto use up to 1/4/82) NC,V N NSLHK YF308AH9
	F372-3 AH9	1			(Auto use after 1/4/82) NC,V N NSLHK YF372AH9
4	4078 983	1			BRACKET, Floor Console, Auto, Front N N N Y4078983
5					See Group 21 N N N
6	9414 722	AR			SCREW N N N Y9414722
7	4206 371	1			REINFORCEMENT, Console Gear Selector to Floor Pan Mounting N N N Y4206371
8	9414 712	2			SCREW N N N Y9414712
9	4223 366	1			BRACKET, Floor Console Manual, Front N N N Y4223366
10					ARM REST, Console Vinyl N N N N
	F328 AA2	1			N N NH8A,LJA YF328AA2
	F328 AC8	1			N N NH8C,LJC,V8C YF328AC8
	F328 AH9	1			N N NH8H,LJH,V8H YF328AH9
	F328 AM6	1			N N NH8M,LJM,V8M YF328AM6
	F328 AT3	1			N N NH8T,LJT,V8T YF328AT3
	F327 AA3	1			Cloth N N N N N N NJ5A YF327AA3

MODEL CODES

B = GRAN FURY/CARAVELLE	P = RELIANT
C = LEBARON/TOWN & COUNTRY	S = CORDOBA
D = ARIES	V = 400
F = NEW YORKER	X = MIRADA
G = DIPLOMAT	Y = IMPERIAL
M = HORIZON/TC3/SCAMP	Z = OMNI/O24/RAMPAGE

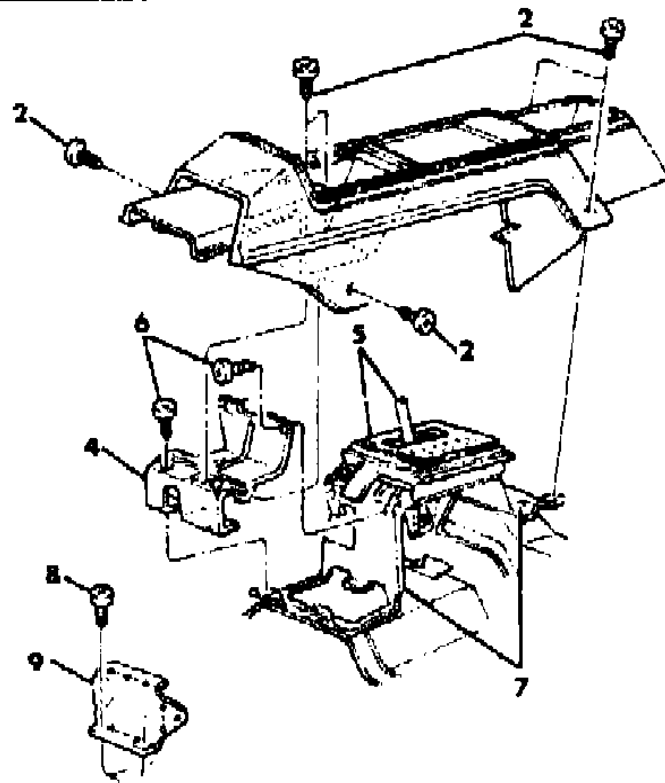
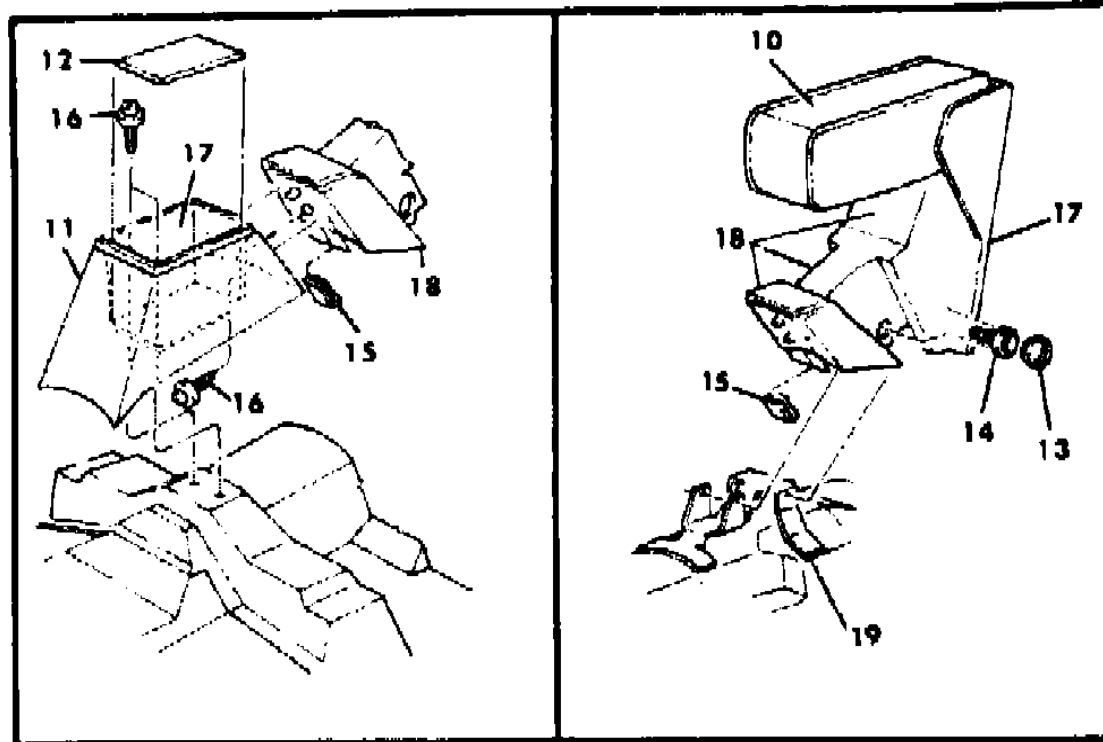
BODY STYLES

21 = 2-DOOR SEDAN	28 = FWD PICKUP
22 = 2-DOOR SPECIAL COUPE	41 = 4-DOOR SEDAN
24 = 2-DOOR HATCHBACK	44 = 4-DOOR HATCHBACK
27 = 2-DOOR CONVERTIBLE	45 = 2-SEAT STATION WAGON

AR = Use as Required - = Non Illustrated Part P.A.R. = Paint as Required

CONSOLE AND ARM REST P,D,C,V  
Figure IT-3086

2753 308600A



ITEM	PART NUMBER	QTY	BODY	MODEL	DESCRIPTION
	F327 AC7	1			N N NJ5C YF327AC7
	F327 AH9	1			N N NJ5H YF327AH9
	F327 AM6	1			N N NJ5M YF327AM6
	F327 AT4	1			(use up to 11/2/81) N N NJ5T YF327AT4
	F349 AT4	1			(use after 11/2/81) N N NJ5T YF349AT4
	F326 AHK	1			Leather N N N N N N NSLHK YF326AHK
11	F324 AT6	1			HOUSING, Storage Compartment (paint as required) N N N YF324AT6
12	4247 391	1			PLATE (plastic) N N N Y4247391
13	F332 AT6	4			PLUG N N N YF332AT6
14	0181 063	4			BOLT N N N Y181063
15	0152 490	3			U/NUT N N N Y152490
16		AR			SCREW (not serviced) N N N N
17	F347 AT6	1			COVER, Rear Arm Rest (paint as required) N N N YF347AT6
18	F346 AT6	1			HOUSING, Rear Center Arm rest (paint as required) N N N YF346AT6
19	4247 285	1			BRACKET N N N Y4247285

NOTE: The following part is not illustrated. s ARE NOT RETURNABLE.

BRACKET, (inside housing number 18) 4247779 s ARE NOT RETURNABLE.

NOTE: For related parts refer to Group 21. s ARE NOT RETURNABLE.

MODEL CODES

B = GRAN FURY/CARAVELLE  
C = LEBARON/TOWN & COUNTRY  
D = ARIES  
F = NEW YORKER  
G = DIPLOMAT  
M = HORIZON/TC3/SCAMP

P = RELIANT  
S = CORDOBA  
V = 400  
X = MIRADA  
Y = IMPERIAL  
Z = OMNI/O24/RAMPAGE

BODY STYLES

21 = 2-DOOR SEDAN  
22 = 2-DOOR SPECIAL COUPE  
24 = 2-DOOR HATCHBACK  
27 = 2-DOOR CONVERTIBLE  
28 = FWD PICKUP  
41 = 4-DOOR SEDAN  
44 = 4-DOOR HATCHBACK  
45 = 2-SEAT STATION WAGON

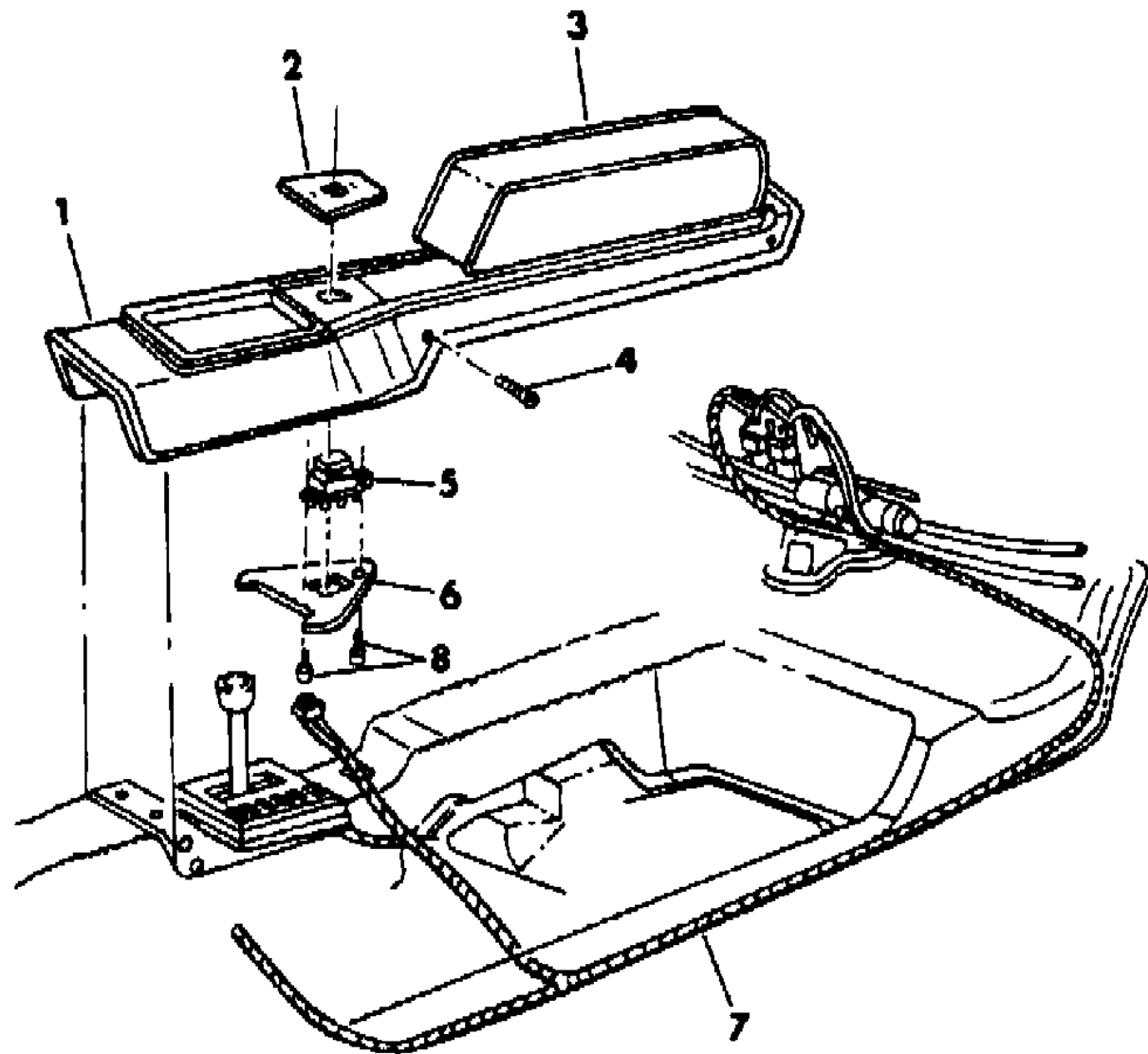
AR = Use as Required - = Non Illustrated Part P.A.R. = Paint as Required

**CONVERTIBLE CONSOLE W/ARM REST C,V 27**  
**Figure IT-3087**

2253 308700

ITEM	PART NUMBER	QTY	BODY	MODEL	DESCRIPTION
1					CONSOLE N N N N
	4097 548	1			Cashmere N N N Y4097548
	4097 549	1			Mahogany N N N Y4097549
	4097 550	1			Red N N N Y4097550
2	4097 677	1			APPLIQUE, Switch (woodgrain) N N N Y4097677
	4097 676	1			(brushed aluminum) N N N Y4097676
3					ARM REST N N N N
	4097 592	1			Cashmere N N N Y4097592
	4097 593	1			Mahogany N N N Y4097593
	4097 594	1			Red N N N Y4097594
4		AR			SCREW (not serviced) N N N N
5	3747 935	1			SWITCH, Folding Top N N N Y3747935
6	4097 590	1			SUPPORT, Switch Mounting N N N Y4097590
7	4097 612	1			WIRING, Folding Top Switch N N N Y4097612
8		AR			SCREW (not serviced) N N N N

NOTE: For related parts refer to Group 21. s ARE NOT RETURNABLE.



MODEL CODES

B = GRAN FURY/CARAVELLE	P = RELIANT
C = LEBARON/TOWN & COUNTRY	S = CORDOBA
D = ARIES	V = 400
F = NEW YORKER	X = MIRADA
G = DIPLOMAT	Y = IMPERIAL
M = HORIZON/TC3/SCAMP	Z = OMNI/O24/RAMPAGE

BODY STYLES

21 = 2-DOOR SEDAN	28 = FWD PICKUP
22 = 2-DOOR SPECIAL COUPE	41 = 4-DOOR SEDAN
24 = 2-DOOR HATCHBACK	44 = 4-DOOR HATCHBACK
27 = 2-DOOR CONVERTIBLE	45 = 2-SEAT STATION WAGON

AR = Use as Required - = Non Illustrated Part P.A.R. = Paint as Required



DOOR TRIM PANELS P,D 21  
Figure IT-3101

2253 310100A

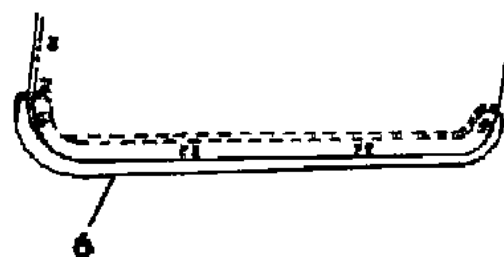
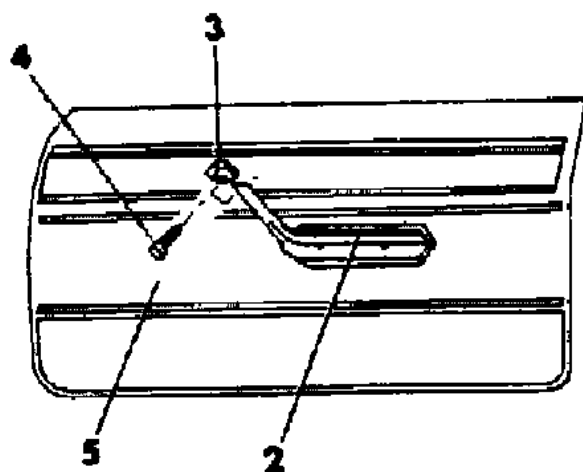
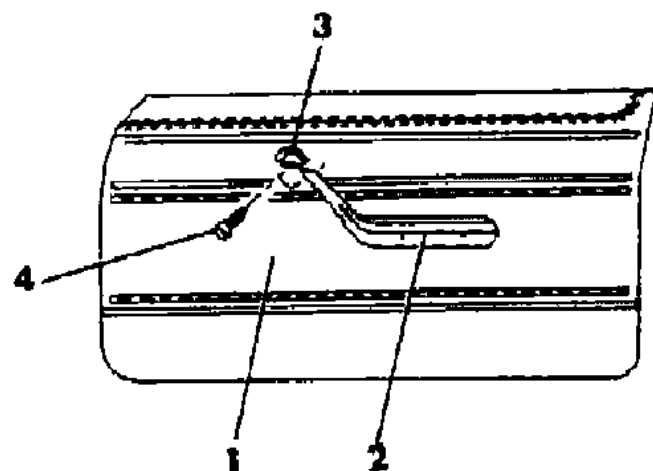
ITEM	PART NUMBER	QTY	BODY	MODEL	DESCRIPTION
1					PANEL, Door N N N N
	K160-1 AA2	1			N N NC2A,C8A,F7A YK160AA2
	K160-1 AB2	1			N N NC1B,C2B,C8B YK160AB2
	K160-1 AB2	1			N N NN1B YK160AB2
	K160-1 AF5	1			N N NC1F,C2F YK160AF5
	K160-1 AM6	1			N N NC1M,C2M,N1M YK160AM6
	K160-1 AM6	1			N N NC8M,F7M YK160AM6
	K160-1 AT3	1			N N NC1T,C2T YK160AT3
	K160-1 AT3	1			N N NC8T,F7T,N1T YK160AT3
2					ARM REST N N N N
	D498-9 AA3	1			Silver N N N YD498AA3
	D498-9 VB2	1			Blue N N N YD498VB2
	D498-9 VF5	1			Green N N N YD498VF5
	D498-9 VM6	1			Red N N N YD498VM6
	D498-9 VT4	1			Tan N N N YD498VT4
3	4223 630-1	1			BEZEL, Arm Rest N N N Y4223630
4		AR			SCREW (not serviced) N N N N
5					PANEL, Door w/Finish Plate and Carpet N N N N
	K296-7 AA2	1			N N ND8A YK296AA2
	K296-7 AB2	1			N N ND8B YK296AB2
	K296-7 AM6	1			N N ND8M YK296AM6
	K296-7 AT3	1			N N ND8T YK296AT3
	K202-3 AA3	1			N N NE7A,P3A YK202AA3
	K202-3 AB2	1			N N NP3B YK202AB2
	K202-3 AF5	1			N N NE7F,P3F YK202AF5
	K202-3 AM6	1			N N NE7M,P3M YK202AM6
	K202-3 AT6	1			N N NE7T,P3T YK202AT6
6	4247 229	2			SEAL, Secondary Sound N N N Y4247229
7	6003 640	AR			FASTENER, Door Panel N N N Y6003640
	4049 602	AR			SILENCER N N N Y4049602

The following parts are not illustrated. s ARE NOT RETURNABLE.

MODEL CODES  
 B = GRAN FURY/CARAVELLE P = RELIANT  
 C = LEBARON/TOWN & COUNTRY S = CORDOBA  
 D = ARIES V = 400  
 F = NEW YORKER X = MIRADA  
 G = DIPLOMAT Y = IMPERIAL  
 M = HORIZON/TC3/SCAMP Z = OMNI/O24/RAMPAGE

BODY STYLES  
 21 = 2-DOOR SEDAN 28 = FWD PICKUP  
 22 = 2-DOOR SPECIAL COUPE 41 = 4-DOOR SEDAN  
 24 = 2-DOOR HATCHBACK 44 = 4-DOOR HATCHBACK  
 27 = 2-DOOR CONVERTIBLE 45 = 2-SEAT STATION WAGON

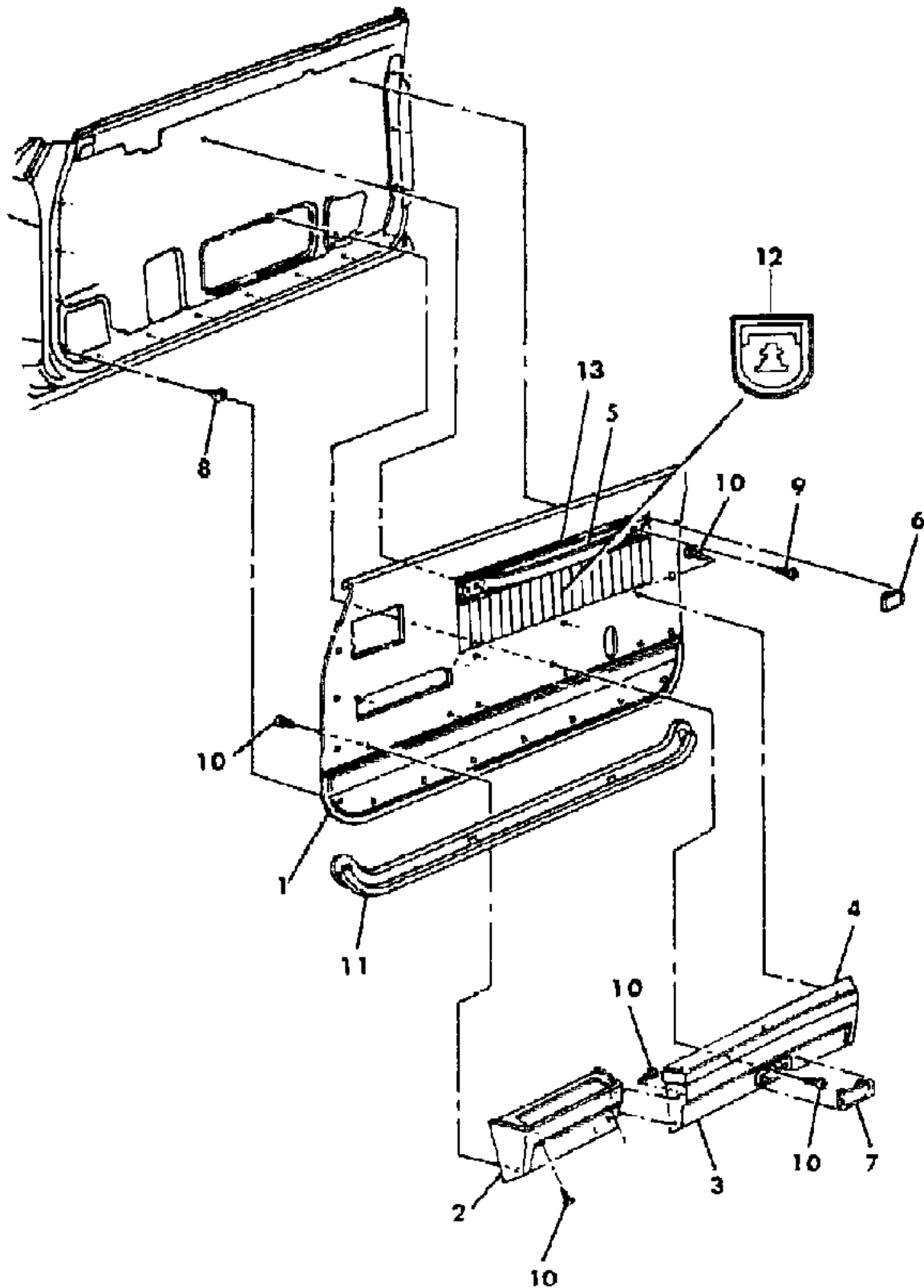
AR = Use as Required - = Non Illustrated Part P.A.R. = Paint as Required



DOOR TRIM PANELS C,V 22,27  
Figure IT-3102

2253 310200 B

ITEM	PART NUMBER	QTY	BODY	MODEL	DESCRIPTION
1					PANEL, Door N N N N
	K394-5 AA2	1			Vinyl, (use up to 10/8/81) N N NLJA YK394AA2
	K226-7 AA2	1			Vinyl (use after 10/8/81) N N NLJA YK226AA2
	K394-5 AC8	1			Vinyl (use up to 10/6/81) N N NLJC,V8C YK394AC8
	K226-7 AC8	1			Vinyl (use after 10/6/81) N N NLJC,V8C YK226AC8
	K394-5 AH9	1			Vinyl (use up to 10/1/81) N N NLJH,V8H YK394AH9
	K226-7 AH9	1			Vinyl (use after 10/1/81) N N NLJH,V8H YK226AH9
	K394-5 AM6	1			Vinyl (use up to 10/29/81) N N NLJM,V8M YK394AM6
	K226-7 AM6	1			Vinyl (use after 10/29/81) N N NLJM,V8M YK226AM6
	K394-5 AT3	1			Vinyl (use up to 10/5/81) N N NLJT,V8T YK394AT3
	K226-7 AT3	1			Vinyl (use after 10/5/81) N N NLJT,V8T YK226AT3
	K396-7 AA3	1			Cloth Insert (use up to 10/5/81) N N NJ3A,J5A YK396AA3
	K228-9 AA3	1			Cloth Insert (use after 10/5/81) N N NJ3A,J5A YK228AA3
	K396-7 AC7	1			Cloth Insert (use up to 9/6/81) N N NJ3C,J5C YK396AC7
	K228-9 AC7	1			Cloth Insert (use after 9/6/81) N N NJ3C,J5C YK228AC7
	K396-7 AH9	1			Cloth Insert (use up to 10/5/81) N N NJ3H,J5H YK396AH9
	K228-9 AH9	1			Cloth Insert (use after 10/5/81) N N NJ3H,J5H YK228AH9
	K396-7 AM6	1			Cloth Insert (use up to 10/22/81) N N NJ3M,J5M YK396AM6
	K228-9 AM6	1			Cloth Insert (use after 10/22/81) N N NJ3M,J5M YK228AM6
	K396-7 AT4	1			Cloth Insert (use up to 9/24/81) N N NJ3T,J5T YK396AT4
	K228-9 AT4	1			Cloth Insert (use from 9/24/81 to 11/2/81) N N NJ3T,J5T YK228AT4
	K206-7 AT4	1			Cloth Insert (use after 11/2/81) N N NJ3T,J5T YK206AT4
	K390-1 AA2	1			Vinyl (use up to 10/5/81) N N NH8A YK390AA2
	K222-3 AA2	1			Vinyl (use after 10/5/81) N N NH8A YK222AA2
	K390-1 AC8	1			Vinyl (use up to 10/26/81) N N NH8C YK390AC8
	K222-3 AC8	1			Vinyl (use after 10/26/81) N N NH8C YK222AC8
	K390-1 AH9	1			Vinyl (use up to 10/13/81) N N NH8H YK390AH9
	K222-3 AH9	1			Vinyl (use after 10/13/81) N N NH8H YK222AH9
	K390-1 AM6	1			Vinyl (use up to 10/28/81) N N NH8M YK390AM6
	K222-3 AM6	1			Vinyl (use after 10/28/81) N N NH8M YK222AM6
	K390-1 AT3	1			Vinyl (use up to 10/13/81) N N NH8T YK390AT3
	K222-3 AT3	1			Vinyl (use after 10/13/81) N N NH8T YK222AT3
	K218-9 AA3	1			Cloth Insert (use up to 10/7/81) N N NG3A YK218AA3
	K224-5 AA3	1			Cloth Insert (use after 10/7/81) N N NG3A YK224AA3
	K218-9 AC7	1			Cloth Insert (use up to 10/7/81) N N NG3C YK218AC7



MODEL CODES

B = GRAN FURY/CARAVELLE  
C = LEBARON/TOWN & COUNTRY  
D = ARIES  
F = NEW YORKER  
G = DIPLOMAT  
M = HORIZON/TC3/SCAMP  
P = RELIANT  
S = CORDOBA  
V = 400  
X = MIRADA  
Y = IMPERIAL  
Z = OMNI/O24/RAMPAGE

BODY STYLES

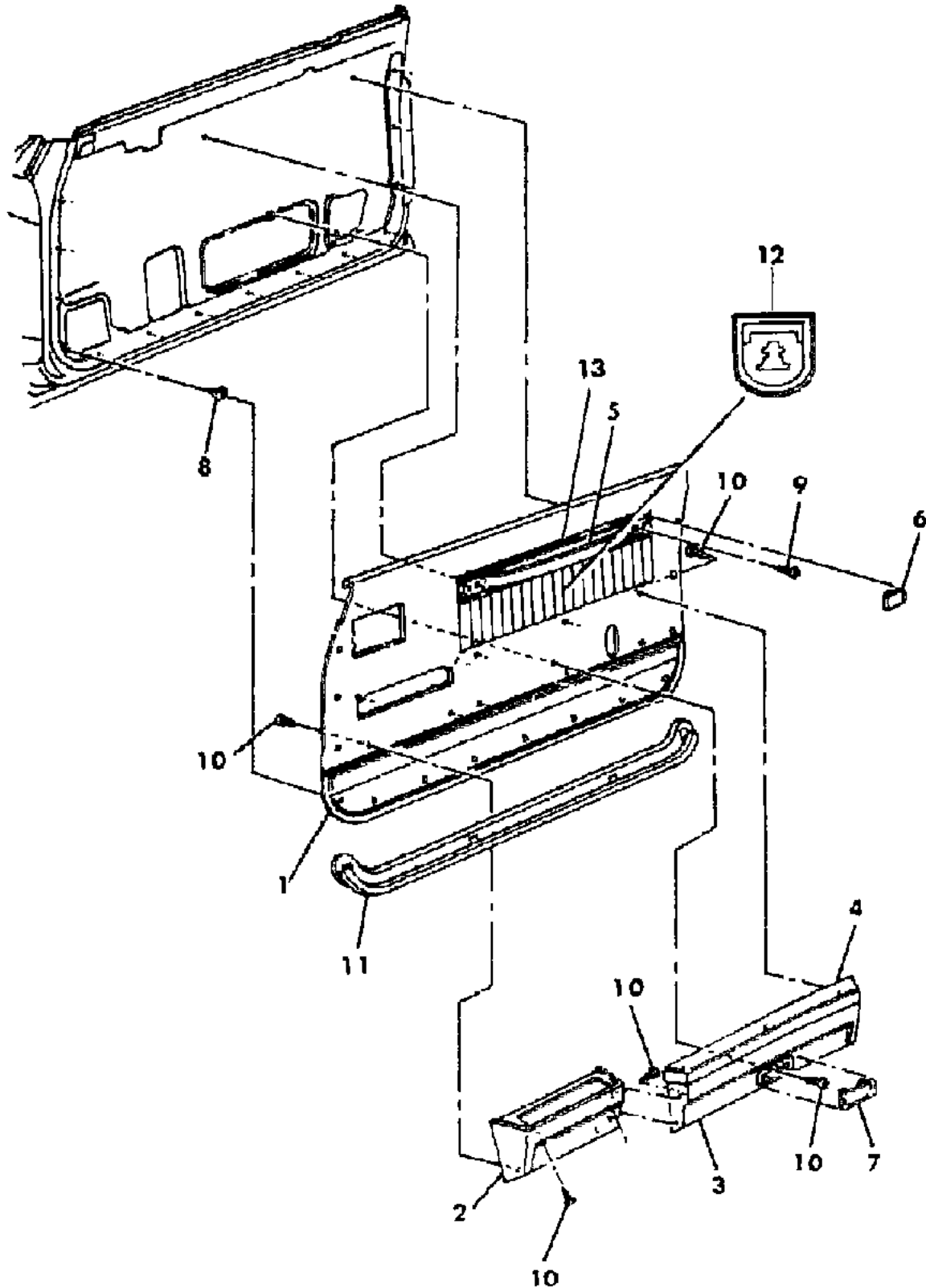
21 = 2-DOOR SEDAN  
22 = 2-DOOR SPECIAL COUPE  
24 = 2-DOOR HATCHBACK  
27 = 2-DOOR CONVERTIBLE  
28 = FWD PICKUP  
41 = 4-DOOR SEDAN  
44 = 4-DOOR HATCHBACK  
45 = 2-SEAT STATION WAGON

AR = Use as Required - = Non Illustrated Part P.A.R. = Paint as Required

DOOR TRIM PANELS C,V 22,27  
Figure IT-3102

2253 310200 B

ITEM	PART NUMBER	QTY	BODY	MODEL	DESCRIPTION
	K224-5 AC7	1			Cloth Insert (use from 10/7/81 to 6/12/82) N N NG3C YK224AC7
	K120-1 AC7	1			Cloth Insert (use after 6/12/82) N N NG3C YK120AC7
	K218-9 AH9	1			Cloth Insert (use up to 9/23/81) N N NG3H YK218AH9
	K224-5 AH9	1			Cloth Insert (use after 9/23/81) N N NG3H YK224AH9
	K218-9 AM6	1			Cloth Insert (use up to 9/30/81) N N NG3M YK218AM6
	K224-5 AM6	1			Cloth Insert (use from 9/30/81 to 5/12/82) N N NG3M YK224AM6
	K120-1 AM6	1			Cloth Insert (use after 5/12/82) N N NG3M YK120AM6
	K218-9 AT4	1			Cloth Insert (use up to 10/7/81) N N NG3T YK218AT4
	K224-5 AT4	1			Cloth Insert (use after 10/7/81) N N NG3T YK224AT4
	K220-1 AHK	1			(use up to 10/6/81) N N22 NSLHK YK220AHK
	K230-1 AHK	1			(use after 10/6/81) N N22 NSLHK YK230AHK
	K204-5 AHK	1			N N27 NSLHK YK204AHK
2	D412-3 AA3	1			Base, Arm Rest w/Electric Window Switch (paint as required) N N N YD412AA3
3	D414-5 AA3	1			Base, Arm Rest (paint as required) N N N YD414AA3
4					PAD, Arm Rest (25 1/4 long) N N N N
	D402-3 AA3	1			Silver N N N YD402AA3
	D402-3 AC7	1			Blue, Dark N N N YD402AC7
	D402-3 AH9	1			Mahogany N N N YD402AH9
	D402-3 AM6	1			Red N N N YD402AM6
	D402-3 AT4	1			Tan N N N YD402AT4
5					HANDLE N N N N
	D949 AA2	2			Silver (use up to 10/5/81) N N N YD949AA2
	D946 AA2	2			Silver (use after 10/5/81) N N N YD946AA2
	D949 AC8	2			Blue, Dark (use up to 9/23/81) N N N YD949AC8
	D946 AC8	2			Blue, Dark (use after 9/23/81) N N N YD946AC8
	D949 AH9	2			Mahogany (use up to 9/23/81) N N N YD949AH9
	D946 AH9	2			Mahogany (use after 9/23/81) N N N YD946AH9
	D946 AK9	2			Mahogany N N NSLHK YD946AK9
	D949 AM6	2			Red (use up to 9/30/81) N N N YD949AM6
	D946 AM6	2			Red (use after 9/30/81) N N N YD946AM6
	D949 AT3	2			Tan (use up to 9/29/81) N N N YD949AT3
	D946 AT3	2			Tan (use after 9/29/81) N N N YD946AT3
6	4223 635	4			END CAP N N N Y4223635
7	3591 803	2			LENS, Reflex N N N Y3591803



MODEL CODES

B = GRAN FURY/CARAVELLE  
C = LEBARON/TOWN & COUNTRY  
D = ARIES  
F = NEW YORKER  
G = DIPLOMAT  
M = HORIZON/TC3/SCAMP  
P = RELIANT  
S = CORDOBA  
V = 400  
X = MIRADA  
Y = IMPERIAL  
Z = OMNI/O24/RAMPAGE

BODY STYLES

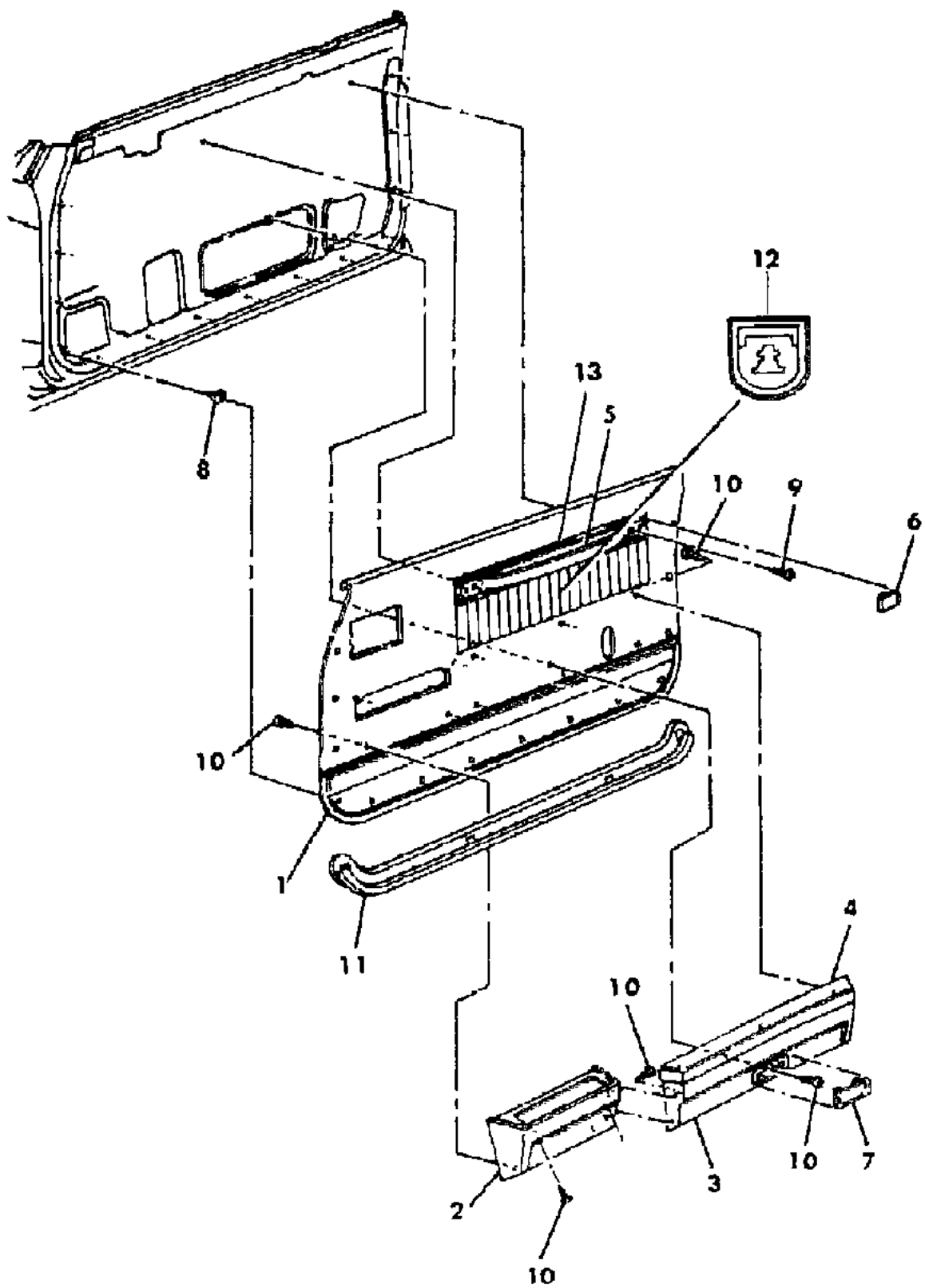
21 = 2-DOOR SEDAN  
22 = 2-DOOR SPECIAL COUPE  
24 = 2-DOOR HATCHBACK  
27 = 2-DOOR CONVERTIBLE  
28 = FWD PICKUP  
41 = 4-DOOR SEDAN  
44 = 4-DOOR HATCHBACK  
45 = 2-SEAT STATION WAGON

AR = Use as Required - = Non Illustrated Part P.A.R. = Paint as Required

DOOR TRIM PANELS C,V 22,27  
Figure IT-3102

2253 310200 B

ITEM	PART NUMBER	QTY	BODY	MODEL	DESCRIPTION
8	6003 640	AR			FASTENER N N N Y6003640
9	6032 141	AR			SCREW N N N Y6032141
10		AR			SCREW (not serviced) N N N N
11	4247 229	2			SEAL, Secondary N N N Y4247229
12	4247 692	2			MEDALLION, Mark Cross Package N N NSLHK Y4247692
13	4223 637	2			FINISH PLATE N N N Y4223637
	6032 133	AR			NUT, Finish Plate N N N Y6032133
The following parts are not illustrated. s ARE NOT RETURNABLE.					
	4049 602	AR			SILENCER N N N Y4049602



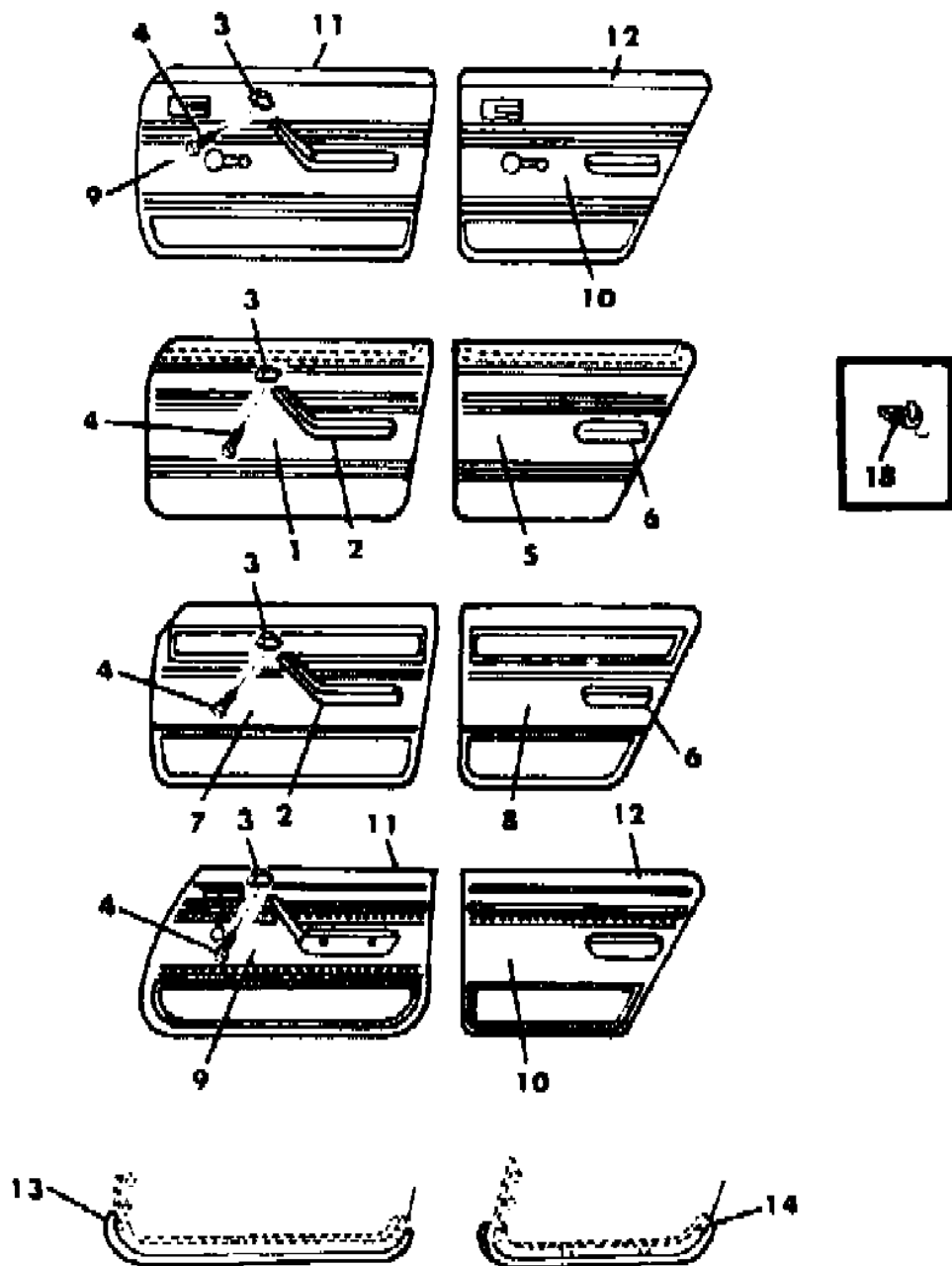
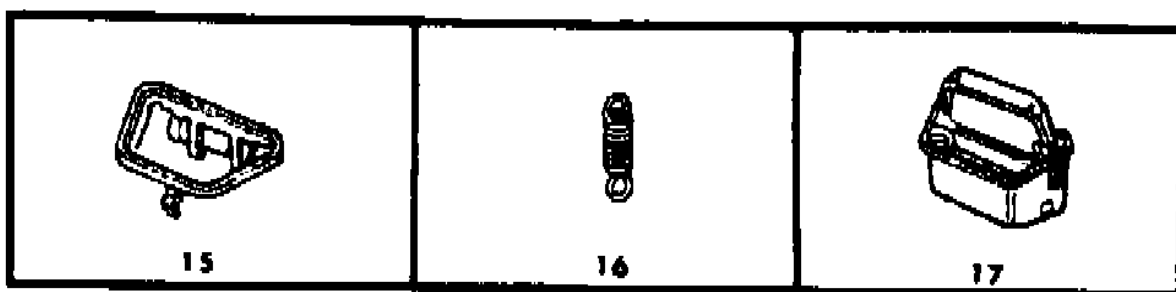
MODEL CODES  
 B = GRAN FURY/CARAVELLE      P = RELIANT  
 C = LEBARON/TOWN & COUNTRY      S = CORDOBA  
 D = ARIES      V = 400  
 F = NEW YORKER      X = MIRADA  
 G = DIPLOMAT      Y = IMPERIAL  
 M = HORIZON/TC3/SCAMP      Z = OMNI/O24/RAMPAGE

BODY STYLES  
 21 = 2-DOOR SEDAN      28 = FWD PICKUP  
 22 = 2-DOOR SPECIAL COUPE      41 = 4-DOOR SEDAN  
 24 = 2-DOOR HATCHBACK      44 = 4-DOOR HATCHBACK  
 27 = 2-DOOR CONVERTIBLE      45 = 2-SEAT STATION WAGON

AR = Use as Required - = Non Illustrated Part P.A.R. = Paint as Required

DOOR TRIM PANELS P,D 41,45  
Figure IT-3103

2753 310300A



ITEM	PART NUMBER	QTY	BODY	MODEL	DESCRIPTION
1					PANEL, Door Front N N N N Vinyl N N N N
	K180-1 AA2	1			N N NC2A,C8C,F7A YK180AA2
	K180-1 AB2	1			N N NC1B,C2B,C8B YK180AB2
	K180-1 AB2	1			N N NK2B,N1B YK180AB2
	K180-1 AF5	1			N N NC1F,C2F YK180AF5
	K180-1 AM6	1			N N NC1M,C2M YK180AM6
	K180-1 AM6	1			N N NC8M,F7M,N1M YK180AM6
	K180-1 AT3	1			N N NC1T,C2T,K2T YK180AT3
	K180-1 AT3	1			N N NC8T,F7T,N1T YK180AT3
2					ARM REST, Front N N N N
	D498-9 AA3	1			Silver N N N YD498AA3
	D498-9 VB2	1			Blue, Light N N N YD498VB2
	D498-9 VF5	1			Green N N N YD498VF5
	D498-9 VM6	1			Red N N N YD498VM6
	D498-9 VT4	1			Tan N N N YD498VT4
3	4223 630-1	1			Bezel, Arm Rest N N N Y4223630
4		AR			SCREW (not serviced) N N N N
5					PANEL, Door Rear N N N N Vinyl N N N N (use up to 1/4/82) N N N N
	K426-7 AA2	1			N N NC2A,C8A,F7A YK426AA2
	K426-7 AB2	1			N N NC1B,C2B YK426AB2
	K426-7 AB2	1			N N NC8B,K2B,N1B YK426AB2
	K426-7 AF5	1			N N NC1F,C2F YK426AF5
	K426-7 AM6	1			N N NC1M,C2M YK426AM6
	K426-7 AM6	1			N N NC8M,F7M,N1M YK426AM6
	K426-7 AT3	1			N N NC1T,C2T,K2T YK426AT3
	K426-7 AT3	1			N N NC8T,F7T,N1T YK426AT3
					(use after 1/4/82) N N N N
	K448-9 AA2	1			N N NC2A,C8A,F7A YK448AA2
	K448-9 AB2	1			N N NC1B,C2B YK448AB2
	K448-9 AB2	1			N N NC8B,K2B,N1B YK448AB2
	K448-9 AF5	1			N N NC1F,C2F YK448AF5
	K448-9 AM6	1			N N NC1M,C2M YK448AM6
	K448-9 AM6	1			N N NC8M,F7M,N1M YK448AM6
	K448-9 AT3	1			N N NC1T,C2T,K2T YK448AT3

MODEL CODES

B = GRAN FURY/CARAVELLE	P = RELIANT
C = LEBARON/TOWN & COUNTRY	S = CORDOBA
D = ARIES	V = 400
F = NEW YORKER	X = MIRADA
G = DIPLOMAT	Y = IMPERIAL
M = HORIZON/TC3/SCAMP	Z = OMNI/O24/RAMPAGE

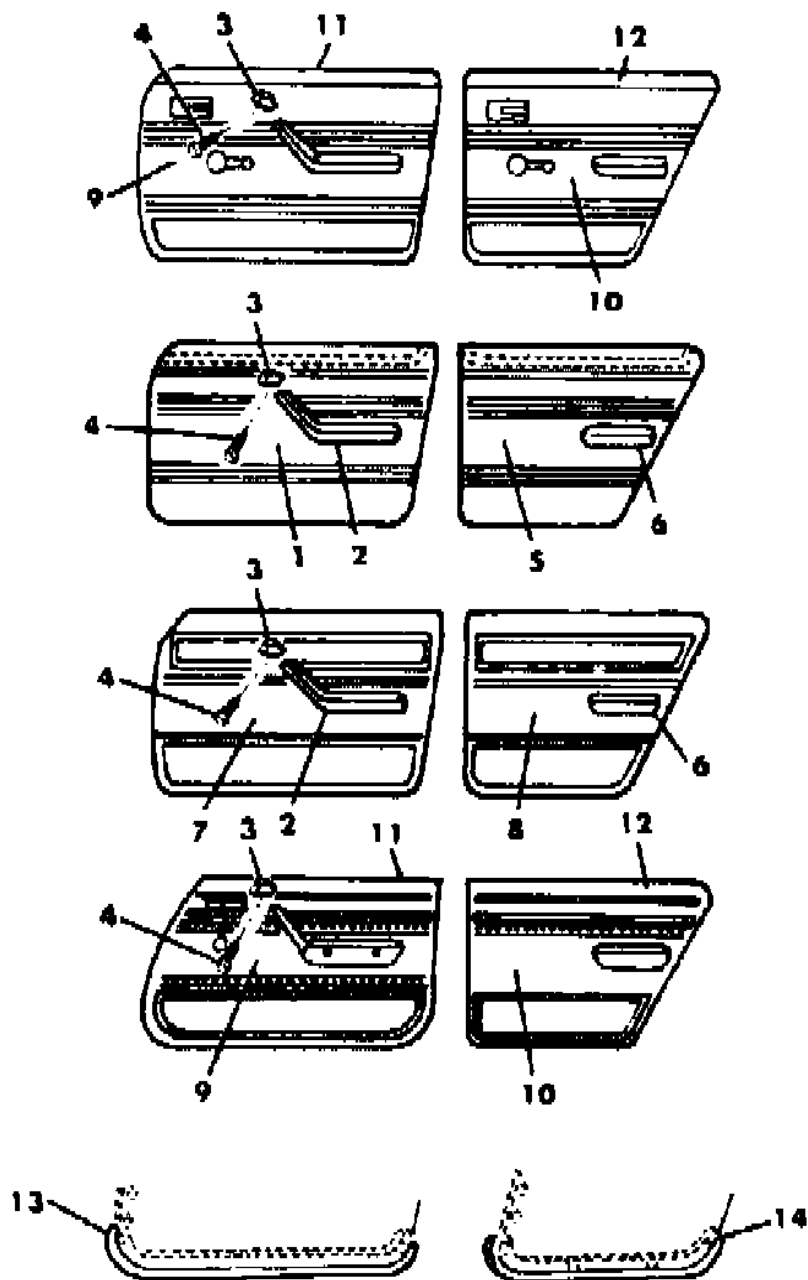
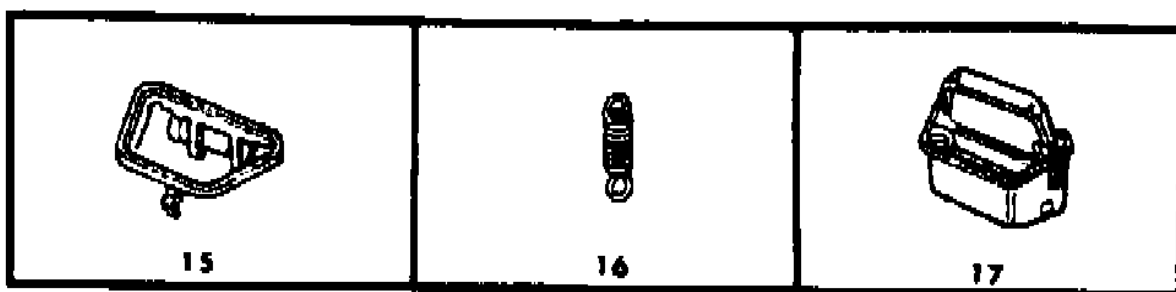
BODY STYLES

21 = 2-DOOR SEDAN	28 = FWD PICKUP
22 = 2-DOOR SPECIAL COUPE	41 = 4-DOOR SEDAN
24 = 2-DOOR HATCHBACK	44 = 4-DOOR HATCHBACK
27 = 2-DOOR CONVERTIBLE	45 = 2-SEAT STATION WAGON

AR = Use as Required - = Non Illustrated Part P.A.R. = Paint as Required

DOOR TRIM PANELS P,D 41,45  
Figure IT-3103

2753 310300A



ITEM	PART NUMBER	QTY	BODY	MODEL	DESCRIPTION
	K448-9 AT3	1			N N NC8T,F7T,N1T YK448AT3
6	D426-7 AA3	1			ARM REST, Rear N N N N Silver N N N YD426AA3
	D426-7 VB2	1			Blue N N N YD426VB2
	D426-7 VF5	1			Green N N N YD426VF5
	D426-7 VM6	1			Red N N N YD426VM6
	D426-7 VT4	1			Tan N N N YD426VT4
7					PANEL, Door Front w/Woodgrain Finish Plate and Carpet N N N N
					Vinyl N N N N
	K182-3 AA2	1			N N ND8A YK182AA2
	K182-3 AB2	1			N N ND8B YK182AB2
	K182-3 AM6	1			N N ND8M YK182AM6
	K182-3 AT3	1			N N ND8T YK182AT3 Cloth N N N N
	K184-5 AA3	1			N N NE7A,P3A YK184AA3
	K184-5 AB2	1			N N NP3B YK184AB2
	K184-5 AF5	1			N N NE7F,P3F YK184AF5
	K184-5 AM6	1			N N NE7M,P3M YK184AM6
8					PANEL, Door Rear w/Woodgrain Finish Plate and Carpet N N N N
					N
					w/o Roll Down Rear Window N N N N
					Vinyl N N N N
	D414-5 AA2	1			N N41,45 ND8A YD414AA2
	K414-5 AB2	1			N N41,45 ND8B YK414AB2
	K414-5 AM6	1			N N41,45 ND8M YK414AM6
	K414-5 AT3	1			N N41,45 ND8T YK414AT3 Cloth N N N N
	K416-7 AA3	1			N N41,45 NE7A,P3A YK416AA3
	K416-7 AB2	1			N N41,45 NP3B YK416AB2
	K416-7 AF5	1			N N41,45 NE7F,P3F YK416AF5
	K416-7 AM6	1			N N41,45 NE7M,P3M YK416AM6
K416-7 AT6	1			N N41,45 NE7T,P3T YK416AT6	
				w/Roll Down Rear Window N N N N	
K444-5 AA2	1			Vinyl N N N N N N41,45 ND8A YK444AA2	

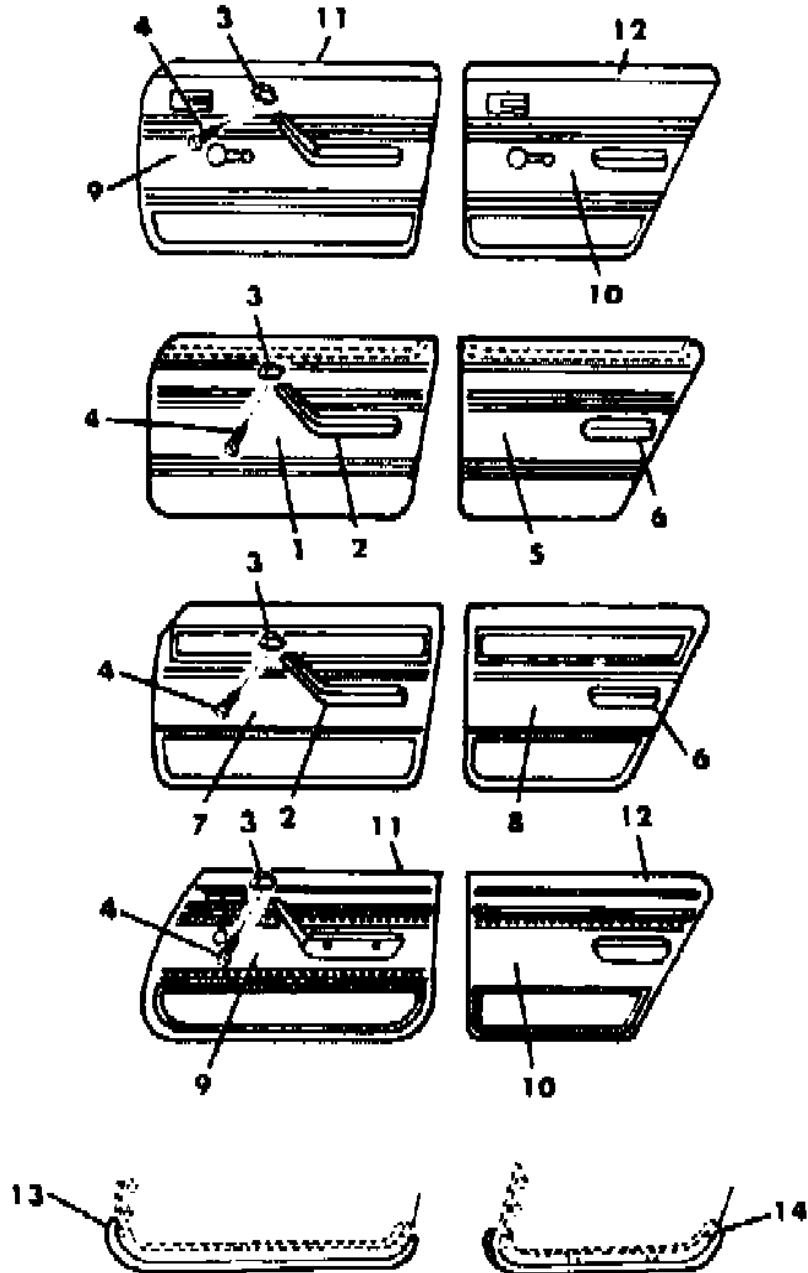
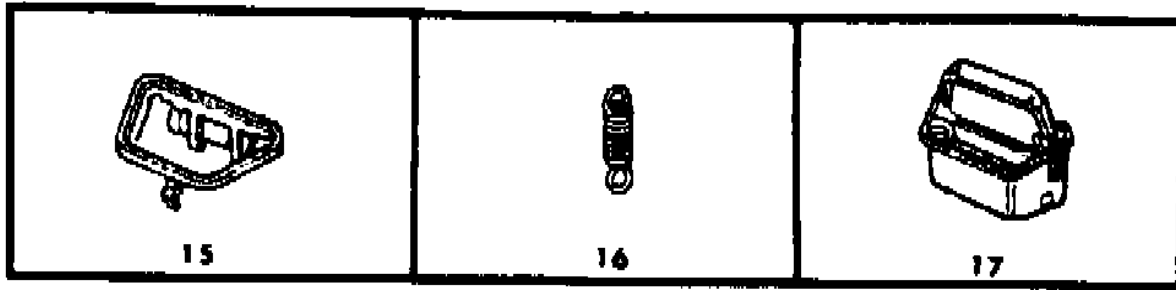
MODEL CODES  
 B = GRAN FURY/CARAVELLE      P = RELIANT  
 C = LEBARON/TOWN & COUNTRY      S = CORDOBA  
 D = ARIES      V = 400  
 F = NEW YORKER      X = MIRADA  
 G = DIPLOMAT      Y = IMPERIAL  
 M = HORIZON/TC3/SCAMP      Z = OMNI/O24/RAMPAGE

BODY STYLES  
 21 = 2-DOOR SEDAN      28 = FWD PICKUP  
 22 = 2-DOOR SPECIAL COUPE      41 = 4-DOOR SEDAN  
 24 = 2-DOOR HATCHBACK      44 = 4-DOOR HATCHBACK  
 27 = 2-DOOR CONVERTIBLE      45 = 2-SEAT STATION WAGON

AR = Use as Required - = Non Illustrated Part P.A.R. = Paint as Required

DOOR TRIM PANELS P,D 41,45  
Figure IT-3103

2753 310300A



ITEM	PART NUMBER	QTY	BODY	MODEL	DESCRIPTION
	K444-5 AB2	1			N N41,45 ND8B YK444AB2
	K444-5 AM6	1			N N41,45 ND8M YK444AM6
	K444-5 AT3	1			N N41,45 ND8T YK444AT3
	K446-7 AA3	1			Cloth N N N N N N41,45 NE7A,P3A YK446AA3
	K446-7 AB2	1			N N41,45 NP3B YK446AB2
	K446-7 AF5	1			N N41,45 NE7F,P3F YK446AF5
	K446-7 AM6	1			N N41,45 NE7M,P3M YK446AM6
	K446-7 AT6	1			N N41,45 NE7T,P3T YK446AT6
9					PANEL, Front Door N N N N Vinyl N N N N
	K232-3 AB2	1			N N45 NR2B YK232AB2
	K232-3 AF5	1			N N45 NR2F YK232AF5
	K232-3 AM6	1			N N45 NR2M YK232AM6
	K232-3 AT3	1			N N45 NR2T YK232AT3
10					PANEL, Rear Door N N N N Vinyl N N N N
	K518-9 AB2	1			N N45 NR2B YK518AB2
	K518-9 AF5	1			N N45 NR2F YK518AF5
	K518-9 AM6	1			N N45 NR2M YK518AM6
	K518-9 AT3	1			N N45 NR2T YK518AT3
11	D308-9 AB2	1			MOULDING (paint as required) Front N N45 N YD308AB2
12	D310-1 AB2	1			MOULDING (paint as required) Rear w/o Roll Down Rear Window N N45 N YD310AB2
	D314-5 AB2	1			w/Roll Down Rear Window N N45 N YD314AB2
13	4247 230	2			SEAL, Secondary Sound Front N N N Y4247230
14	4247 231	2			SEAL, Secondary Sound Rear N N N Y4247231
15	2788 701	2			BEZEL, Ash Receiver N N N Y2788701
16	2292 503	2			SPRING, Ash Receiver N N N Y2292503
17	2788 032	2			RECEIVER, Ash N N N Y2788032
18	6003 640	AR			FASTENER, Trim Panel N N N Y6003640
	4049 602	AR			SILENCER N N N Y4049602

The following parts are not illustrated. s ARE NOT RETURNABLE.

MODEL CODES

B = GRAN FURY/CARAVELLE	P = RELIANT
C = LEBARON/TOWN & COUNTRY	S = CORDOBA
D = ARIES	V = 400
F = NEW YORKER	X = MIRADA
G = DIPLOMAT	Y = IMPERIAL
M = HORIZON/TC3/SCAMP	Z = OMNI/O24/RAMPAGE

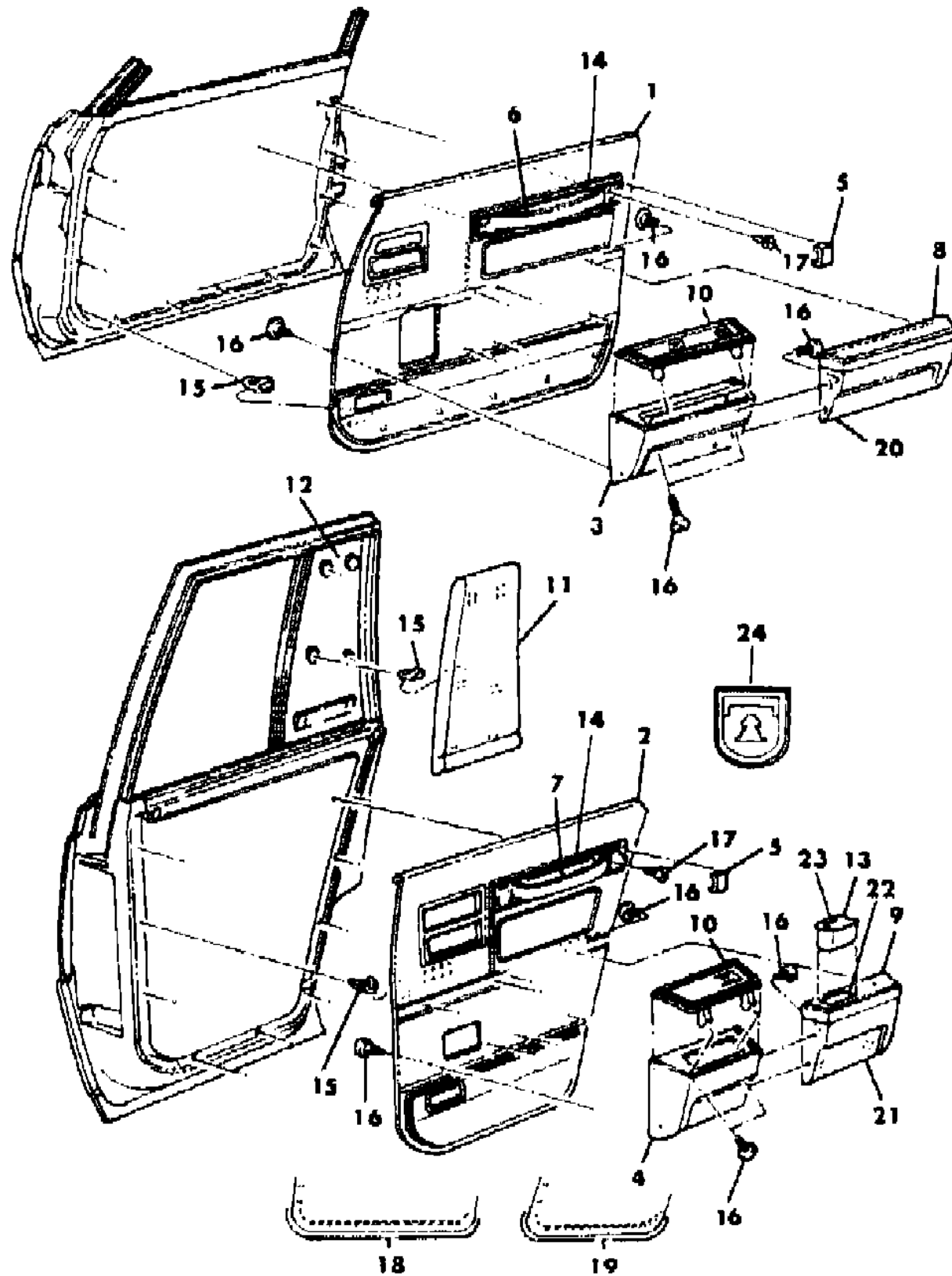
BODY STYLES

21 = 2-DOOR SEDAN	28 = FWD PICKUP
22 = 2-DOOR SPECIAL COUPE	41 = 4-DOOR SEDAN
24 = 2-DOOR HATCHBACK	44 = 4-DOOR HATCHBACK
27 = 2-DOOR CONVERTIBLE	45 = 2-SEAT STATION WAGON

AR = Use as Required - = Non Illustrated Part P.A.R. = Paint as Required

DOOR TRIM PANELS C,V - 41,45  
Figure IT-3104

2253 310400 0



ITEM	PART NUMBER	QTY	BODY	MODEL	DESCRIPTION
					Vinyl N N N N
	K148-9 AA2	1			(use up to 10/12/81) N N41 NH8A YK148AA2
	K138-9 AA2	1			(use after 10/12/81) N N41 NH8A YK138AA2
	K148-9 AC8	1			(use up to 10/22/81) N N41 NH8C YK148AC8
	K138-9 AC8	1			(use after 10/22/81) N N41 NH8C YK138AC8
	K148-9 AH9	1			(use up to 10/2/81) N N41 NH8H YK148AH9
	K138-9 AH9	1			(use after 10/2/81) N N41 NH8H YK138AH9
	K148-9 AM6	1			(use up to 10/5/81) N N41 NH8M YK148AM6
	K138-9 AM6	1			(use after 10/5/81) N N41 NH8M YK138AM6
	K148-9 AT3	1			(use up to 10/9/81) N N41 NH8T YK148AT3
	K138-9 AT3	1			(use after 10/9/81) N N41 NH8T YK138AT3
	K152-3 AA2	1			(use up to 10/12/81) N N41 NLJA YK152AA2
	K142-3 AA2	1			(use after 10/12/81) N N41 NLJA YK142AA2
	K152-3 AC8	1			(use up to 11/3/81) N N41,45 NLJC,V8C YK152AC8
	K142-3 AC8	1			(use after 11/3/81) N N41,45 NLJC,V8C YK142AC8
	K152-3 AH9	1			(use up to 10/24/81) N N41,45 NLJH,V8H YK152AH9
	K142-3 AH9	1			(use after 10/24/81) N N41,45 NLJH,V8H YK142AH9
	K152-3 AM6	1			(use up to 10/2/81) N N41,45 NLJM,V8M YK152AM6
	K142-3 AM6	1			(use after 10/2/81) N N41,45 NLJM,V8M YK142AM6
	K152-3 AT3	1			(use up to 10/12/81) N N41,45 NLJT,V8T YK152AT3
	K142-3 AT3	1			(use after 10/12/81) N N41,45 NLJT,V8T YK142AT3
					Cloth N N N N
	K150-1 AA3	1			(use up to 10/8/81) N N41 NG3A YK150AA3
	K140-1 AA3	1			(use after 10/8/81) N N41 NG3A YK140AA3
	K150-1 AC7	1			(use up to 10/16/81) N N41 NG3C YK150AC7
	K140-1 AC7	1			(use from 10/16/81 to 5/24/82) N N41 NG3C YK140AC7
	K108-9 AC7	1			(use after 5/24/82) N N41 NG3C YK108AC7
	K150-1 AH9	1			(use up to 10/13/81) N N41 NG3H YK150AH9
	K140-1 AH9	1			(use after 10/13/81) N N41 NG3H YK140AH9
	K150-1 AM6	1			(use up to 9/28/81) N N41 NG3M YK150AM6
	K140-1 AM6	1			(use from 9/28/81 to 5/24/82) N N41 NG3M YK140AM6
	K108-9 AM6	1			(use after 5/24/82) N N41 NG3M YK108AM6
	K150-1 AT4	1			(use up to 10/9/81) N N41 NG3T YK150AT4
	K140-1 AT4	1			(use after 10/9/81) N N41 NG3T YK140AT4
	K154-5 AA3	1			(use up to 10/17/81) N N41,45 NJ3A,J5A YK154AA3
	K144-5 AA3	1			(use after 10/17/81) N N41,45 NJ3A,J5A YK144AA3
	K154-5 AC7	1			(use up to 11/3/81) N N41,45 NJ3C,J5C YK154AC7

MODEL CODES

B = GRAN FURY/CARAVELLE  
C = LEBARON/TOWN & COUNTRY  
D = ARIES  
F = NEW YORKER  
G = DIPLOMAT  
M = HORIZON/TC3/SCAMP  
P = RELIANT  
S = CORDOBA  
V = 400  
X = MIRADA  
Y = IMPERIAL  
Z = OMNI/O24/RAMPAGE

BODY STYLES

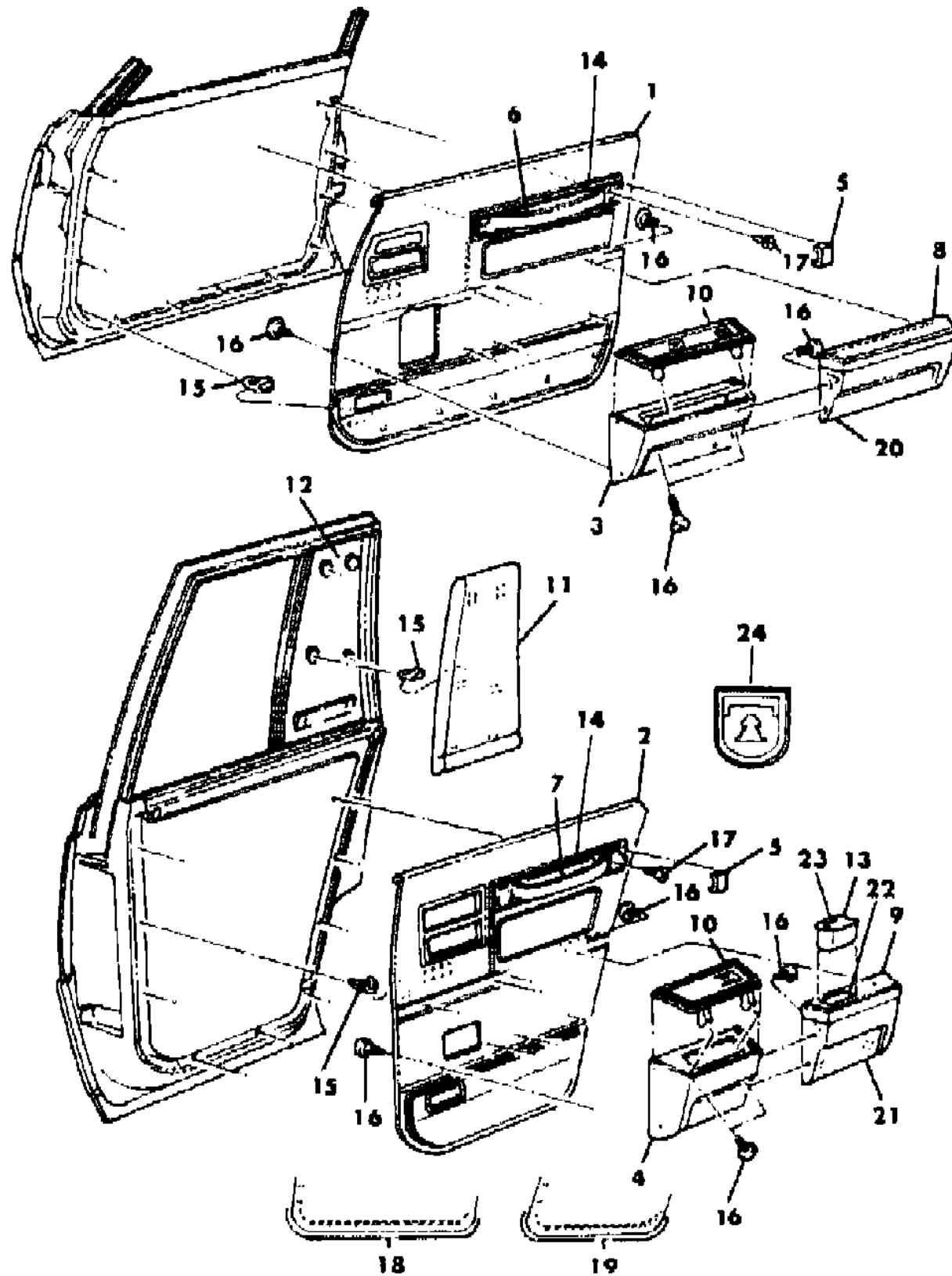
21 = 2-DOOR SEDAN  
22 = 2-DOOR SPECIAL COUPE  
24 = 2-DOOR HATCHBACK  
27 = 2-DOOR CONVERTIBLE  
28 = FWD PICKUP  
41 = 4-DOOR SEDAN  
44 = 4-DOOR HATCHBACK  
45 = 2-SEAT STATION WAGON

AR = Use as Required - = Non Illustrated Part P.A.R. = Paint as Required



DOOR TRIM PANELS C,V - 41,45  
Figure IT-3104

2253 310400 D



ITEM	PART NUMBER	QTY	BODY	MODEL	DESCRIPTION
	K144-5 AC7	1			(use after 11/3/81) N N41,45 NJ3C,J5C YK144AC7
	K154-5 AH9	1			(use up to 10/21/81) N N41,45 NJ3H,J5H YK154AH9
	K144-5 AH9	1			(use after 10/21/81) N N41,45 NJ3H,J5H YK144AH9
	K154-5 AM6	1			(use up to 10/2/81) N N41,45 NJ3M,J5M YK154AM6
	K144-5 AM6	1			(use after 10/2/81) N N41,45 NJ3M,J5M YK144AM6
	K154-5 AT4	1			(use up to 10/9/81 Jefferson) N N41 NJ3T,J5T YK154AT4
	K144-5 AT4	1			(use from 10/9/81 to 11/2/81 Jefferson) N N41 NJ3T,J5T YK144AT4
	K162-3 AT4	1			(use after 11/2/82 Jefferson) N N41 NJ3T,J5T YK162AT4
	K162-3 AT4	1			N N45 NJ3T,J5T YK162AT4
2	K176-7 AHK	1			MARK CROSS PACKAGE N N41,45 NSLHK YK176AHK PANEL, Rear Door N N N N Vinyl N N N N
	K452-3 AA2	1			(use up to 10/12/81) N N41 NH8A YK452AA2
	K456-7 AA2	1			(use after 10/12/81) N N41 NH8A YK456AA2
	K452-3 AC8	1			(use up to 10/22/81) N N41 NH8C YK452AC8
	K456-7 AC8	1			(use after 10/22/81) N N41 NH8C YK456AC8
	K452-3 AH9	1			(use up to 10/21/81) N N41 NH8H YK452AH9
	K456-7 AH9	1			(use after 10/21/81) N N41 NH8H YK456AH9
	K452-3 AM6	1			(use up to 10/5/81) N N41 NH8M YK452AM6
	K456-7 AM6	1			(use after 10/5/81) N N41 NH8M YK456AM6
	K452-3 AT3	1			(use up to 10/9/81) N N41 NH8T YK452AT3
	K456-7 AT3	1			(use after 10/9/81) N N41 NH8T YK456AT3
	K410-1 AA2	1			(use up to 10/12/81) N N41 NLJA YK410AA2
	K460-1 AA2	1			(use after 10/12/81) N N41 NLJA YK460AA2
	K410-1 AC8	1			(use up to 11/3/81) N N41,45 NLJC,V8C YK410AC8
	K460-1 AC8	1			(use from 11/3/81 to 6/10/82) N N41,45 NLJC,V8C YK460AC8
	K478-9 AC8	1			(use after 6/10/82) N N41,45 NLJC,V8C YK478AC8
	K410-1 AH9	1			(use up to 10/20/81) N N41,45 NLJH,V8H YK410AH9
	K460-1 AH9	1			(use from 10/20/81 to 6/10/82) N N41,45 NLJH,V8H YK460AH9
	K478-9 AH9	1			(use after 6/10/82) N N41,45 NLJH,V8H YK478AH9
	K410-1 AM6	1			(use up to 10/2/81) N N41,45 NLJM,V8M YK410AM6
	K460-1 AM6	1			(use after 10/2/81) N N41,45 NLJM,V8M YK460AM6
	K410-1 AT3	1			(use up to 10/12/81) N N41,45 NLJT,V8T YK410AT3
	K460-1 AT3	1			(use from 10/12/81 to 6/10/82) N N41,45 NLJT,V8T YK460AT3
	K478-9 AT3	1			(use after 6/10/82) N N41,45 NLJT,V8T YK478AT3
					Cloth N N N N

MODEL CODES

B = GRAN FURY/CARAVELLE	P = RELIANT
C = LEBARON/TOWN & COUNTRY	S = CORDOBA
D = ARIES	V = 400
F = NEW YORKER	X = MIRADA
G = DIPLOMAT	Y = IMPERIAL
M = HORIZON/TC3/SCAMP	Z = OMNI/O24/RAMPAGE

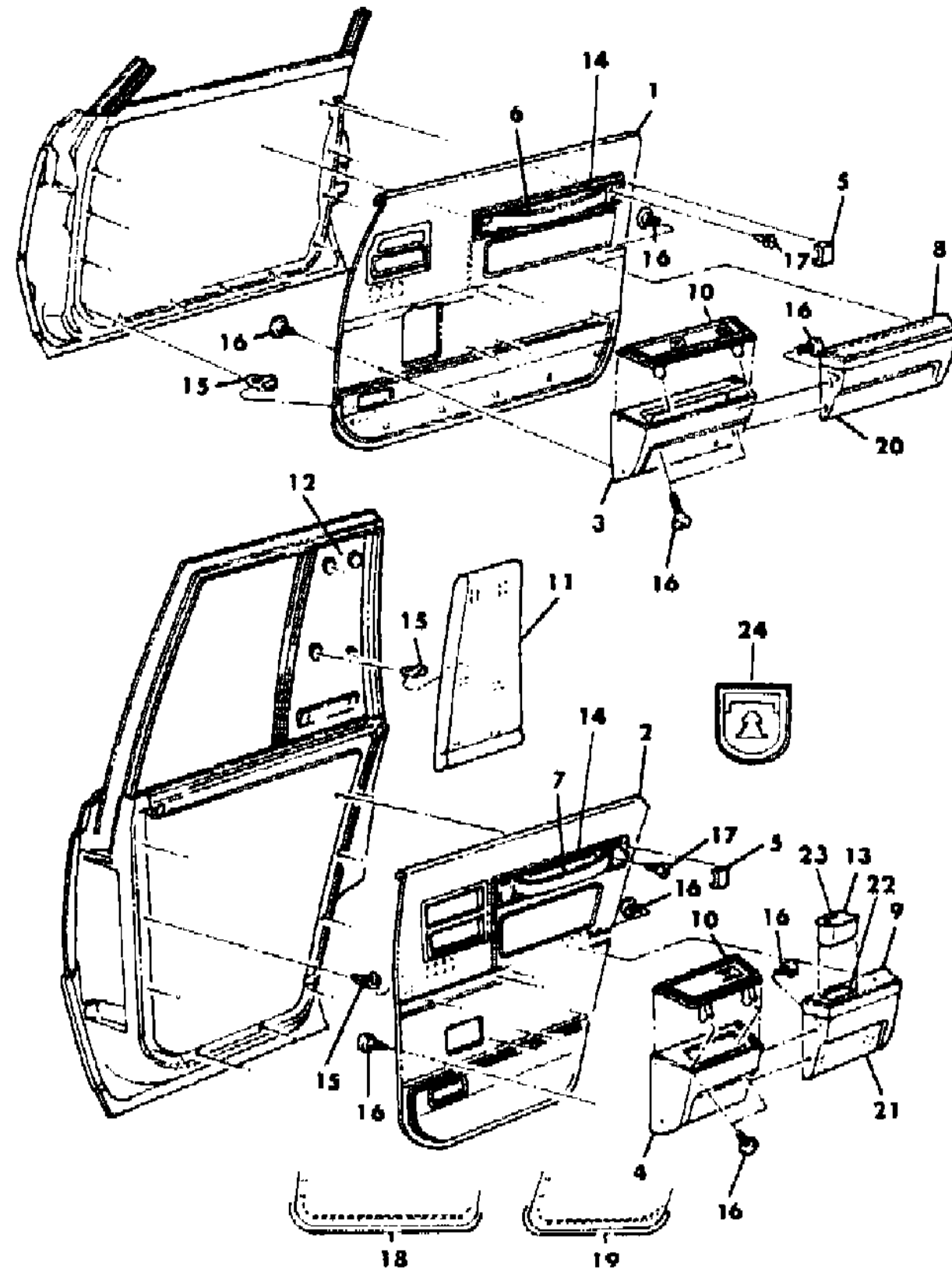
BODY STYLES

21 = 2-DOOR SEDAN	28 = FWD PICKUP
22 = 2-DOOR SPECIAL COUPE	41 = 4-DOOR SEDAN
24 = 2-DOOR HATCHBACK	44 = 4-DOOR HATCHBACK
27 = 2-DOOR CONVERTIBLE	45 = 2-SEAT STATION WAGON

AR = Use as Required - = Non Illustrated Part P.A.R. = Paint as Required

DOOR TRIM PANELS C,V - 41,45  
Figure IT-3104

2253 310400 0



ITEM	PART NUMBER	QTY	BODY	MODEL	DESCRIPTION
	K454-5 AA3	1			(use up to 10/8/81) N N41 NG3A YK454AA3
	K458-9 AA3	1			(use after 10/8/81) N N41 NG3A YK458AA3
	K454-5 AC7	1			(use up to 10/9/81) N N41 NG3C YK454AC7
	K458-9 AC7	1			(use from 10/9/81 to 5/24/82) N N41 NG3C YK458AC7
	K450-1 AC7	1			(use after 5/24/82) N N41 NG3C YK450AC7
	K454-5 AH9	1			(use up to 10/13/81) N N41 NG3H YK454AH9
	K458-9 AH9	1			(use after 10/13/81) N N41 NG3H YK458AH9
	K454-5 AM6	1			(use up to 9/28/81) N N41 NG3M YK454AM6
	K458-9 AM6	1			(use from 9/28/81 to 5/24/82) N N41 NG3M YK458AM6
	K450-1 AM6	1			(use after 5/24/82) N N41 NG3M YK450AM6
	K454-5 AT4	1			(use up to 10/7/81) N N41 NG3T YK454AT4
	K458-9 AT4	1			(use after 10/7/81) N N41 NG3T YK458AT4
	K412-3 AA3	1			(use up to 10/7/81) N N41,45 NJ3A,J5A YK412AA3
	K462-3 AA3	1			(use from 10/7/81 to 5/17/82) N N41,45 NJ3A,J5A YK462AA3
	K480-1 AA3	1			(use after 5/17/82) N N41,45 NJ3A,J5A YK480AA3
	K412-3 AC7	1			(use up to 11/3/81) N N41,45 NJ3C,J5C YK412AC7
	K462-3 AC7	1			(use from 11/3/81 to 5/13/82) N N41,45 NJ3C,J5C YK462AC7
	K480-1 AC7	1			(use after 5/13/82) N N41,45 NJ3C,J5C YK480AC7
	K412-3 AH9	1			(use up to 10/21/81) N N41,45 NJ3H,J5H YK412AH9
	K462-3 AH9	1			(use from 10/21/81 to 5/18/82) N N41,45 NJ3H,J5H YK462AH9
	K480-1 AH9	1			(use after 5/18/82) N N41,45 NJ3H,J5H YK480AH9
	K412-3 AM6	1			(use up to 10/2/81) N N41,45 NJ3M,J5M YK412AM6
	K462-3 AM6	1			(use from 10/2/81 to 5/12/82) N N41,45 NJ3M,J5M YK462AM6
	K480-1 AM6	1			(use after 5/12/82) N N41,45 NJ3M,J5M YK480AM6
	K412-3 AT4	1			(use up to 10/9/81 Jefferson) N N41 NJ3T,J5T YK412AT4
	K462-3 AT4	1			(use from 10/9/81 to 11/2/81 Jefferson) N N41 NJ3T,J5T YK462AT4
	K464-5 AT4	1			(use after 11/2/81 Jefferson) N N41 NJ3T,J5T YK464AT4
	K464-5 AT4	1			N N45 NJ3T,J5T YK464AT4
	K466-7 AHK	1			MARK CROSS PACKAGE N N NSLHK YK466AHK
3	D412-3 AA3	1			BASE, Arm Rest w/Power Windows Front (paint as required) N N41,45 N YD412AA3
4	D518-9 AA3	1			BASE, Arm Rest w/Power Windows Rear (paint as required) N N41,45 N YD518AA3
5	4247 167	AR			END CAP N N41,45 N Y4247167
6	D947 AA2	2			PULL HANDLE, Front N N N Silver (use up to 10/12/81) N N41,45 N YD947AA2

MODEL CODES

B = GRAN FURY/CARAVELLE	P = RELIANT
C = LEBARON/TOWN & COUNTRY	S = CORDOBA
D = ARIES	V = 400
F = NEW YORKER	X = MIRADA
G = DIPLOMAT	Y = IMPERIAL
M = HORIZON/TC3/SCAMP	Z = OMNI/O24/RAMPAGE

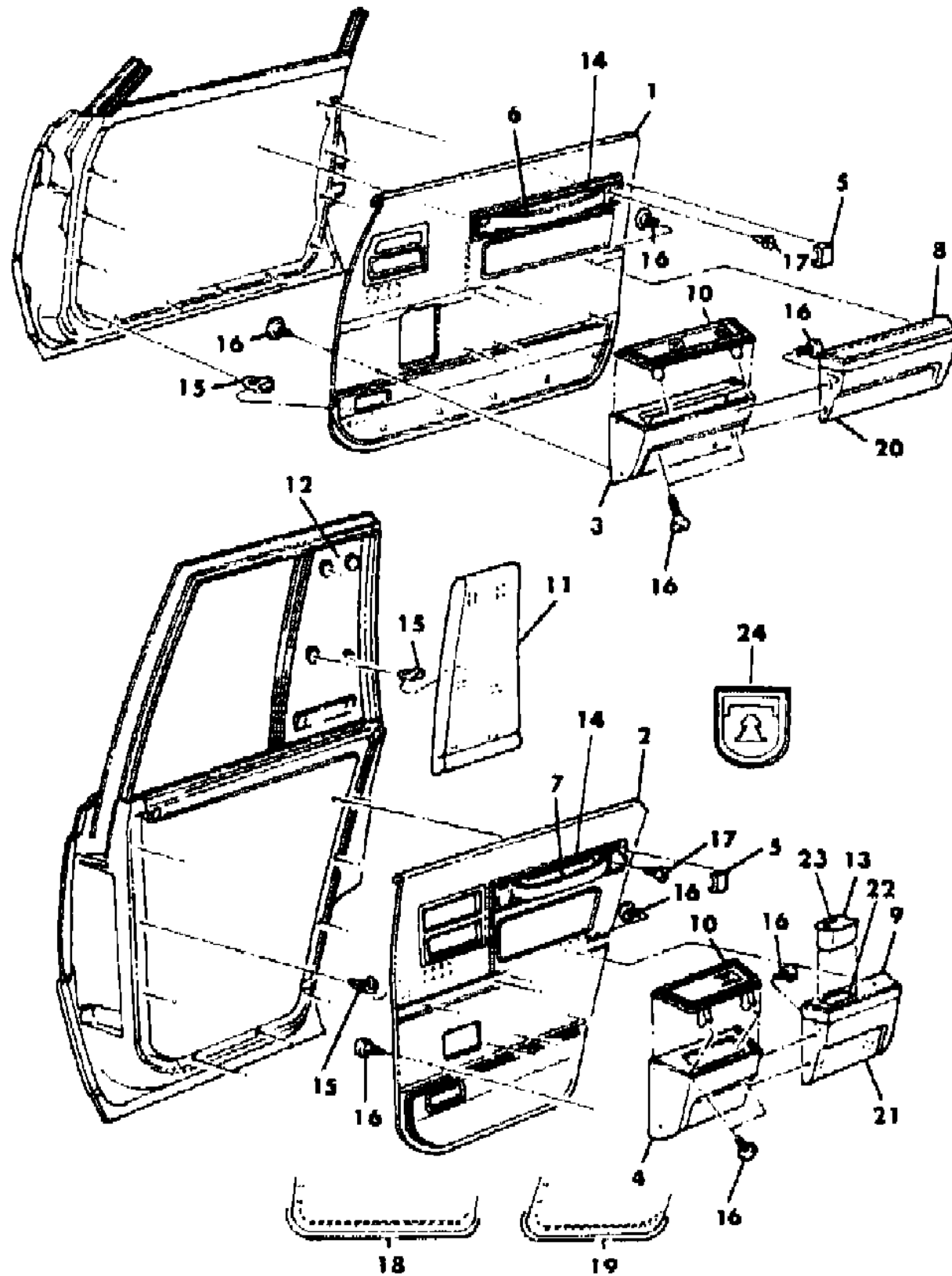
BODY STYLES

21 = 2-DOOR SEDAN	28 = FWD PICKUP
22 = 2-DOOR SPECIAL COUPE	41 = 4-DOOR SEDAN
24 = 2-DOOR HATCHBACK	44 = 4-DOOR HATCHBACK
27 = 2-DOOR CONVERTIBLE	45 = 2-SEAT STATION WAGON

AR = Use as Required - = Non Illustrated Part P.A.R. = Paint as Required

DOOR TRIM PANELS C,V - 41,45  
Figure IT-3104

2253 310400 D



ITEM	PART NUMBER	QTY	BODY	MODEL	DESCRIPTION
	D930 AA2	2			Silver (use after 10/12/81) N N41,45 N YD930AA2
	D947 AC8	2			Blue, Dark (use up to 10/22/81) N N41,45 N YD947AC8
	D930 AC8	2			Blue, Dark (use after 10/22/81) N N41,45 N YD930AC8
	D947 AH9	2			Mahogany (use up to 10/13/81) N N41,45 N YD947AH9
	D930 AH9	2			Mahogany (use after 10/13/81) N N41,45 N YD930AH9
	D947 AK9	2			Mahogany (MARK CROSS PACKAGE) (use up to 2/1/82) N N N YD947AK9
	D930 AK9	2			Mahogany (MARK CROSS PACKAGE) (use after 2/1/82) N N N YD930AK9
	D947 AM6	2			Red (use up to 9/28/81) N N41,45 N YD947AM6
	D930 AM6	2			Red (use after 9/28/81) N N41,45 N YD930AM6
	D947 AT3	2			Tan (use up to 10/2/81) N N41,45 N YD947AT3
	D930 AT3	2			Tan (use after 10/2/81) N N41,45 N YD930AT3
7					PULL HANDLE, Rear N N N N
	D948 AA2	2			Silver (use up to 10/12/81) N N41,45 N YD948AA2
	D931 AA2	2			Silver (use after 10/12/81) N N41,45 N YD931AA2
	D948 AC8	2			Blue, Dark (use up to 10/22/81) N N41,45 N YD948AC8
	D931 AC8	2			Blue, Dark (use after 10/22/81) N N41,45 N YD931AC8
	D948 AH9	2			Mahogany (use up to 10/13/81) N N41,45 N YD948AH9
	D931 AH9	2			Mahogany (use after 10/13/81) N N41,45 N YD931AH9
	D948 AK9	2			Mahogany (MARK CROSS PACKAGE) (use up to 2/1/82) N N N YD948AK9
	D931 AK9	2			Mahogany (MARK CROSS PACKAGE) (use after 2/1/82) N N N YD931AK9
	D948 AM6	2			Red (use up to 9/28/81) N N41,45 N YD948AM6
	D931 AM6	2			Red (use after 9/28/81) N N41,45 N YD931AM6
	D948 AT3	2			Tan (use up to 10/2/81) N N41,45 N YD948AT3
	D931 AT3	2			Tan (use after 10/2/81) N N41,45 N YD931AT3
8					PAD, Arm Rest Front (15 7/16 long) N N N N
	D506-7 AA3	1			Silver N N41,45 N YD506AA3
	D506-7 AC7	1			Blue, Dark N N41,45 N YD506AC7
	D506-7 AH9	1			Mahogany N N41,45 N YD506AH9
	D506-7 AM6	1			Red N N41,45 N YD506AM6
	D506-7 AT4	1			Tan N N41,45 N YD506AT4
9					PAD, Arm Rest Rear N N N N
	D514-5 AA3	1			Silver N N41,45 N YD514AA3
	D514-5 AC7	1			Blue, Dark N N41,45 N YD514AC7

MODEL CODES

B = GRAN FURY/CARAVELLE	P = RELIANT
C = LEBARON/TOWN & COUNTRY	S = CORDOBA
D = ARIES	V = 400
F = NEW YORKER	X = MIRADA
G = DIPLOMAT	Y = IMPERIAL
M = HORIZON/TC3/SCAMP	Z = OMNI/O24/RAMPAGE

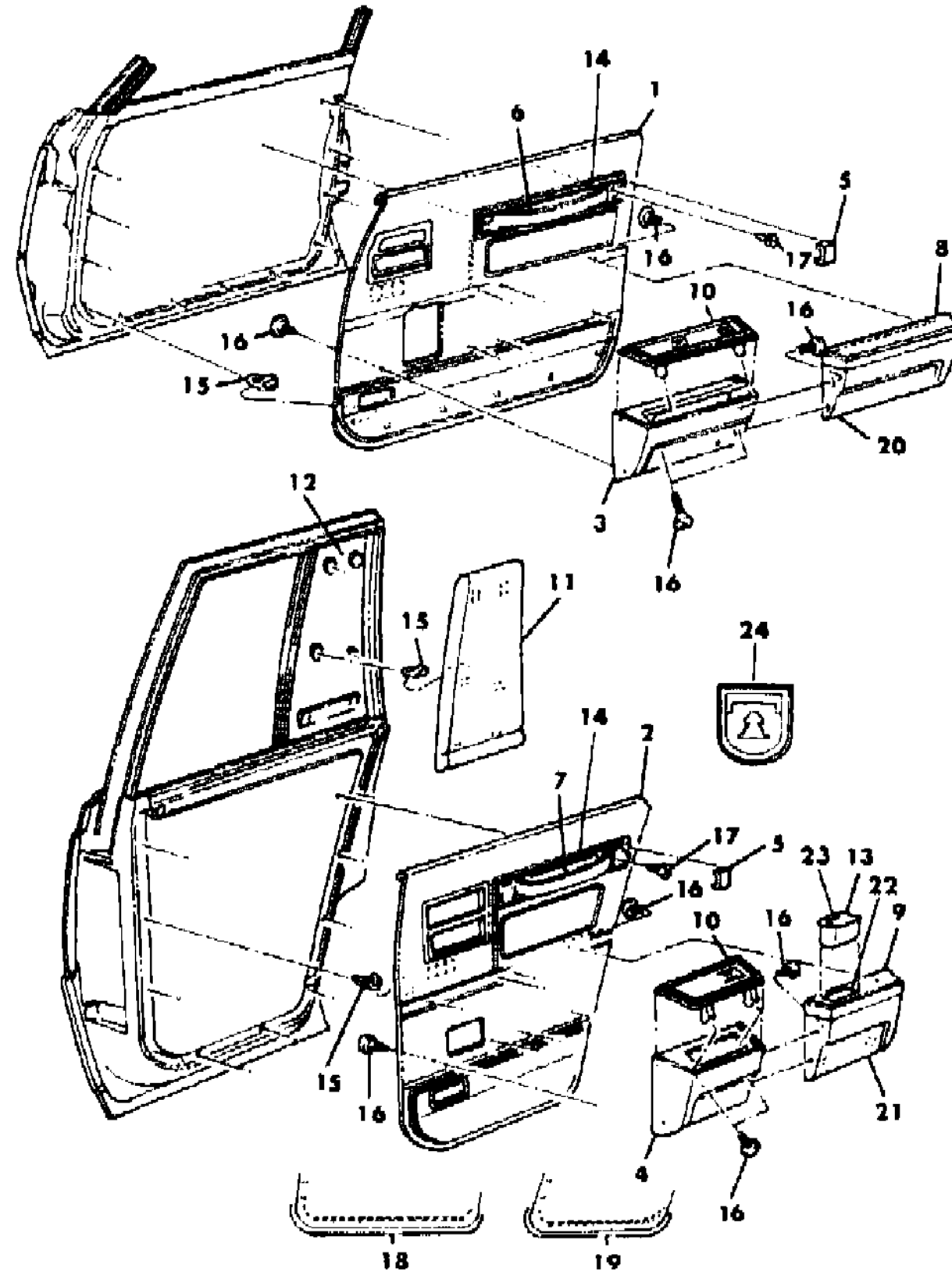
BODY STYLES

21 = 2-DOOR SEDAN	28 = FWD PICKUP
22 = 2-DOOR SPECIAL COUPE	41 = 4-DOOR SEDAN
24 = 2-DOOR HATCHBACK	44 = 4-DOOR HATCHBACK
27 = 2-DOOR CONVERTIBLE	45 = 2-SEAT STATION WAGON

AR = Use as Required - = Non Illustrated Part P.A.R. = Paint as Required

DOOR TRIM PANELS C,V - 41,45  
Figure IT-3104

2253 310400 0



ITEM	PART NUMBER	QTY	BODY	MODEL	DESCRIPTION
	D514-5 AH9	1			Mahogany N N41,45 N YD514AH9
	D514-5 AM6	1			Red N N41,45 N YD514AM6
	D514-5 AT4	1			Tan N N41,45 N YD514AT4
10					See Group 23 C N N N N
11					COVER, Rear Door Quarter Inner N N N N
	D864-5 AA3	1			Silver N N41,45 NV7A YD864AA3
	D864-5 AC7	1			Blue, Dark N N41,45 NV7C YD864AC7
	D864-5 AH9	1			Mahogany N N41,45 NV7H YD864AH9
	D864-5 AM6	1			Red N N41,45 NV7M YD864AM6
	D864-5 AT4	1			Tan N N41,45 NV7T YD864AT4
12	4280 098-9	1			INSERT N N N Y4280098
13	2589 587	2			ASH RECEIVER N N41,45 N Y2589587
14					FINISH PLATE N N N N
	4247 165	2			Front N N N Y4247165
	4247 166	2			Rear N N N Y4247166
	6032 133	AR			NUT, Finish Plate N N N Y6032133
15	6003 640	AR			FASTENER N N N Y6003640
16		AR			SCREW (not serviced) N N N N
17	6032 141	AR			SCREW N N N Y6032141
18	4247 230	2			SEAL, Secondary Front N N N Y4247230
19	4247 231	2			SEAL, Secondary Rear N N N Y4247231
20	D508-9 AA3	1			BASE, Arm Rest Front (paint as required) N N N YD508AA3
	6032 124	AR			WASHER and STUD, Rear Arm Rest to Glass Attaching N N N Y6032124
	6032 125	AR			NUT, Rear Arm Rest to Regulator Bolt Attaching N N N Y6032125
21	D516-7 AA3	1			BASE, Arm Rest Rear (paint as required) N N N YD516AA3
22	2657 877	2			BEZEL, Ash Receiver N N N Y2657877
23	2292 503	2			SPRING, Ash Receiver Lid N N N Y2292503
24	4247 692	2			MEDALLION (MARK CROSS PACKAGE) N N N Y4247692

MODEL CODES

B = GRAN FURY/CARAVELLE	P = RELIANT
C = LEBARON/TOWN & COUNTRY	S = CORDOBA
D = ARIES	V = 400
F = NEW YORKER	X = MIRADA
G = DIPLOMAT	Y = IMPERIAL
M = HORIZON/TC3/SCAMP	Z = OMNI/O24/RAMPAGE

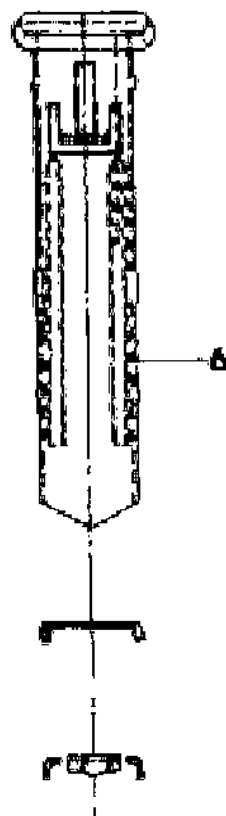
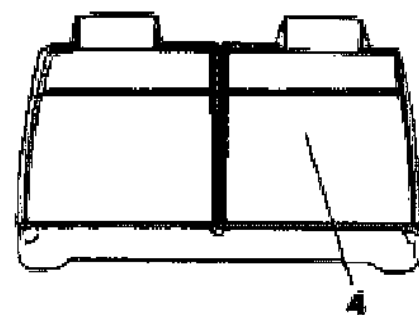
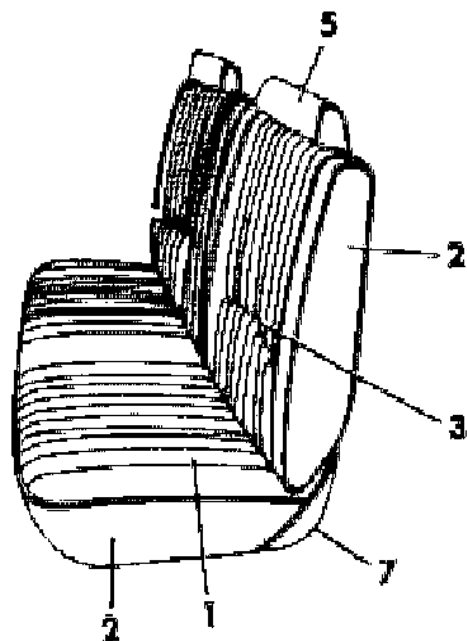
BODY STYLES

21 = 2-DOOR SEDAN	28 = FWD PICKUP
22 = 2-DOOR SPECIAL COUPE	41 = 4-DOOR SEDAN
24 = 2-DOOR HATCHBACK	44 = 4-DOOR HATCHBACK
27 = 2-DOOR CONVERTIBLE	45 = 2-SEAT STATION WAGON

AR = Use as Required - = Non Illustrated Part P.A.R. = Paint as Required

SEAT FRONT P,D 21 TRIM CODES C1,C2,N1  
Figure IT-3201

2253 320100



ITEM	PART NUMBER	QTY	BODY	MODEL	DESCRIPTION
1-2					CUSHION, w/Spring, Frame and Cover N N N N
					Manual N N N N
	C600 V1B	1			(use up to 3/16/82) N N NC1B YC600V1B
	C954 A1B	1			(use after 3/16/82) N N NC1B YC954A1B
	C600 V1F	1			(use up to 3/17/82) N N NC1F YC600V1F
	C954 A1F	1			(use after 3/17/82) N N NC1F YC954A1F
	C600 V1M	1			(use up to 3/16/82) N N NC1M YC600V1M
	C954 A1M	1			(use after 3/16/82) N N NC1M YC954A1M
	C600 V1U	1			(use up to 3/15/82) N N NC1T YC600V1U
	C954 A1T	1			(use after 3/15/82) N N NC1T YC954A1T
					(use up to 12/23/81) N N N N
	C612 A2A	1			N N NC2A YC612A2A
	C612 V2B	1			N N NC2B YC612V2B
	C612 V2F	1			N N NC2F YC612V2F
	C612 V2M	1			N N NC2M YC612V2M
	C612 V2T	1			N N NC2T YC612V2T
					(use after 12/23/81) N N N N
	C968 A2A	1			N N NC2A YC968A2A
	C968 A2B	1			N N NC2B YC968A2B
	C968 A2F	1			N N NC2F YC968A2F
	C968 A2M	1			N N NC2M YC968A2M
	C968 A2T	1			N N NC2T YC968A2T
	C713 V1P	1			(use up to Jefferson 3/25/82; St. Louis 3/16/82) N N NN1B YC713V1P
	C939 A1B	1			(use after Jefferson 3/25/82; St. Louis 3/16/82) N N NN1B YC939A1B
	C713 V1M	1			(use up to Jefferson 2/25/82; St. Louis 3/15/82) N N NN1M YC713V1M
	C939 A1M	1			(use after Jefferson 2/25/82; St. Louis 3/15/82) N N NN1M YC939A1M
	C713 V1T	1			(use up to 3/11/82) N N NN1T YC713V1T
	C939 A1T	1			(use after 3/11/82) N N NN1T YC939A1T
					Electric N N N N
	C611 V1B	1			(use up to 3/16/82) N N NC1B YC611V1B
	C955 A1B	1			(use after 3/16/82) N N NC1B YC955A1B
	C611 V1F	1			(use up to 3/17/82) N N NC1F YC611V1F
	C955 A1F	1			(use after 3/17/82) N N NC1F YC955A1F

MODEL CODES

B = GRAN FURY/CARAVELLE	P = RELIANT
C = LEBARON/TOWN & COUNTRY	S = CORDOBA
D = ARIES	V = 400
F = NEW YORKER	X = MIRADA
G = DIPLOMAT	Y = IMPERIAL
M = HORIZON/TC3/SCAMP	Z = OMNI/O24/RAMPAGE

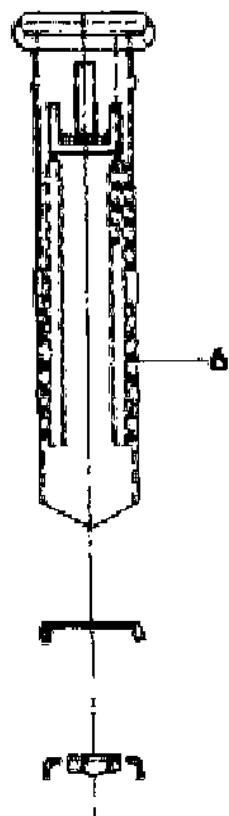
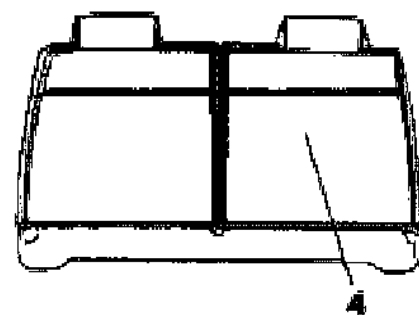
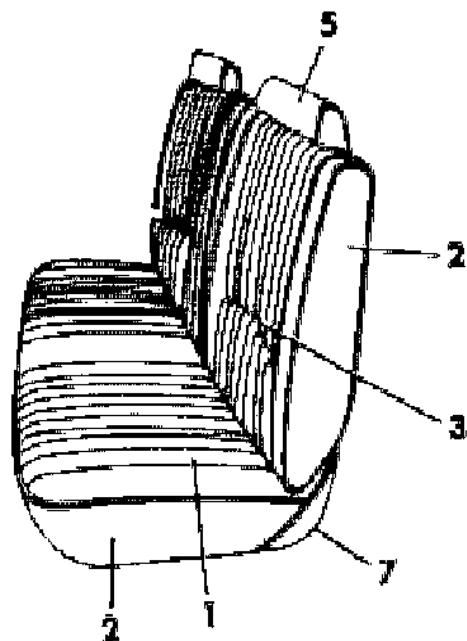
BODY STYLES

21 = 2-DOOR SEDAN	28 = FWD PICKUP
22 = 2-DOOR SPECIAL COUPE	41 = 4-DOOR SEDAN
24 = 2-DOOR HATCHBACK	44 = 4-DOOR HATCHBACK
27 = 2-DOOR CONVERTIBLE	45 = 2-SEAT STATION WAGON

AR = Use as Required - = Non Illustrated Part P.A.R. = Paint as Required

SEAT FRONT P,D 21 TRIM CODES C1,C2,N1  
Figure IT-3201

2253 320100



ITEM	PART NUMBER	QTY	BODY	MODEL	DESCRIPTION
	C611 V1M	1			(use up to 3/16/82) N N NC1M YC611V1M
	C955 A1M	1			(use after 3/16/82) N N NC1M YC955A1M
	C611 V1U	1			(use up to 3/15/82) N N NC1T YC611V1U
	C955 A1T	1			(use after 3/15/82) N N NC1T YC955A1T (use up to 12/23/81) N N N N
	C637 A2A	1			N N NC2A YC637A2A
	C637 V2B	1			N N NC2B YC637V2B
	C637 V2F	1			N N NC2F YC637V2F
	C637 V2M	1			N N NC2M YC637V2M
	C637 V2T	1			N N NC2T YC637V2T (use after 12/23/81) N N N N
	C969 A2A	1			N N NC2A YC969A2A
	C969 A2B	1			N N NC2B YC969A2B
	C969 A2F	1			N N NC2F YC969A2F
	C969 A2M	1			N N NC2M YC969A2M
	C969 A2T	1			N N NC2T YC969A2T
	C714 V1P	1			(use up to Jefferson 3/25/82; St. Louis 3/16/82) N N NN1B YC714V1P
	C940 A1B	1			(use after Jefferson 3/25/82; St. Louis 3/16/82) N N NN1B YC940A1B
	C714 V1M	1			(use up to Jefferson 2/25/82; St. Louis 3/15/82) N N NN1M YC714V1M
	C940 A1M	1			(use after Jefferson 2/25/82; St. Louis 3/15/82) N N NN1M YC940A1M
	C714 V1T	1			(use up to 3/11/82) N N NN1T YC714V1T
	C940 A1T	1			(use after 3/11/82) N N NN1T YC940A1T
1					COVER, Cushion N N N N
	C312 V1B	1			(use up to 3/16/82) N N NC1B YC312V1B
	C440 A1B	1			(use after 3/16/82) N N NC1B YC440A1B
	C312 V1F	1			(use up to 3/17/82) N N NC1F YC312V1F
	C440 A1F	1			(use after 3/17/82) N N NC1F YC440A1F
	C312 V1M	1			(use up to 3/16/82) N N NC1M YC312V1M
	C440 A1M	1			(use after 3/16/82) N N NC1M YC440A1M
	C312 V1U	1			(use up to 3/15/82) N N NC1T YC312V1U
	C440 A1T	1			(use after 3/15/82) N N NC1T YC440A1T (use up to 12/23/81) N N N N
	C322 A2A	1			N N NC2A YC322A2A

MODEL CODES

B = GRAN FURY/CARAVELLE	P = RELIANT
C = LEBARON/TOWN & COUNTRY	S = CORDOBA
D = ARIES	V = 400
F = NEW YORKER	X = MIRADA
G = DIPLOMAT	Y = IMPERIAL
M = HORIZON/TC3/SCAMP	Z = OMNI/O24/RAMPAGE

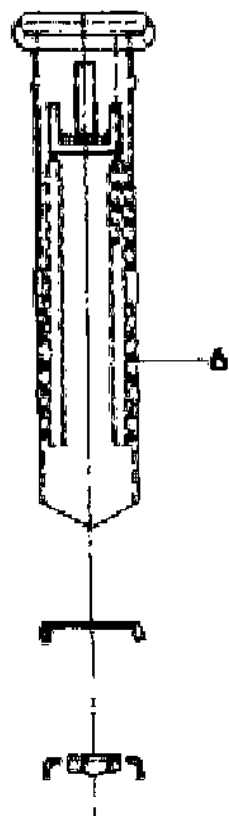
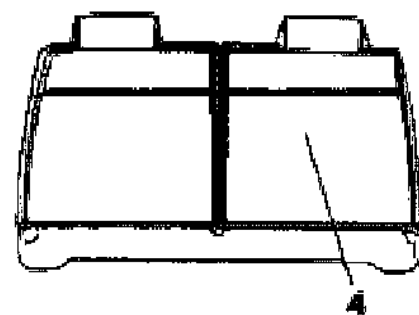
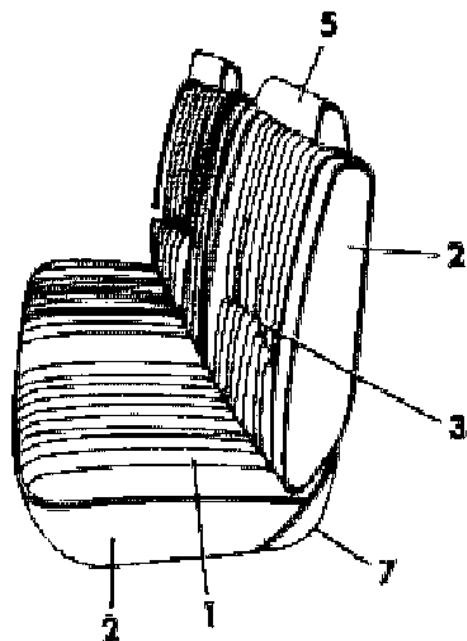
BODY STYLES

21 = 2-DOOR SEDAN	28 = FWD PICKUP
22 = 2-DOOR SPECIAL COUPE	41 = 4-DOOR SEDAN
24 = 2-DOOR HATCHBACK	44 = 4-DOOR HATCHBACK
27 = 2-DOOR CONVERTIBLE	45 = 2-SEAT STATION WAGON

AR = Use as Required - = Non Illustrated Part P.A.R. = Paint as Required

SEAT FRONT P,D 21 TRIM CODES C1,C2,N1  
Figure IT-3201

2253 320100



ITEM	PART NUMBER	QTY	BODY	MODEL	DESCRIPTION
	C322 V2B	1			N N NC2B YC322V2B
	C322 V2F	1			N N NC2F YC322V2F
	C322 V2M	1			N N NC2M YC322V2M
	C322 V2T	1			N N NC2T YC322V2T (use after 12/23/81) N N N N
	C446 A2A	1			N N NC2A YC446A2A
	C446 A2B	1			N N NC2B YC446A2B
	C446 A2F	1			N N NC2F YC446A2F
	C446 A2M	1			N N NC2M YC446A2M
	C446 A2T	1			N N NC2T YC446A2T
	C366 V1P	1			(use up to 3/16/82) N N NN1B YC366V1P
	C453 A1B	1			(use after 3/16/82) N N NN1B YC453A1B
	C366 V1M	1			(use up to Jefferson 2/25/82; St. Louis 3/15/82) N N NN1M YC366V1M
	C453 A1M	1			(use after Jefferson 2/25/82; St. Louis 3/15/82) N N NN1M YC453A1M
	C366 V1T	1			(use up to 3/11/82) N N NN1T YC366V1T
	C453 A1T	1			(use after 3/11/82) N N NN1T YC453A1T
2					ROLL STOCK, Vinyl 64" Wide Order By The Inch N N N N
	R616 AA2	AR			Silver N N N YR616AA2
	R616 VB2	AR			Blue N N N YR616VB2
	R616 VF5	AR			Green N N N YR616VF5
	R616 VM6	AR			Red N N N YR616VM6
	R616 VT3	AR			Tan N N N YR616VT3
2-3					BACK, w/Spring, Frame and Cover N N N N
	C608-9 V1B	1			(use up to 3/16/82) N N NC1B YC608V1B
	C964-5 V1B	1			(use after 3/16/82) N N NC1B YC964V1B
	C608-9 V1F	1			(use up to 3/17/82) N N NC1F YC608V1F
	C964-5 A1F	1			(use after 3/17/82) N N NC1F YC964A1F
	C608-9 V1M	1			(use up to 3/16/82) N N NC1M YC608V1M
	C964-5 A1M	1			(use after 3/16/82) N N NC1M YC964A1M
	C608-9 V1U	1			(use up to 3/15/82) N N NC1T YC608V1U
	C964-5 A1T	1			(use after 3/15/82) N N NC1T YC964A1T
					(use up to 12/23/81) N N N N
	C620-1 A2A	1			N N NC2A YC620A2A
	C620-1 V2B	1			N N NC2B YC620V2B
	C620-1 V2F	1			N N NC2F YC620V2F

MODEL CODES

B = GRAN FURY/CARAVELLE	P = RELIANT
C = LEBARON/TOWN & COUNTRY	S = CORDOBA
D = ARIES	V = 400
F = NEW YORKER	X = MIRADA
G = DIPLOMAT	Y = IMPERIAL
M = HORIZON/TC3/SCAMP	Z = OMNI/O24/RAMPAGE

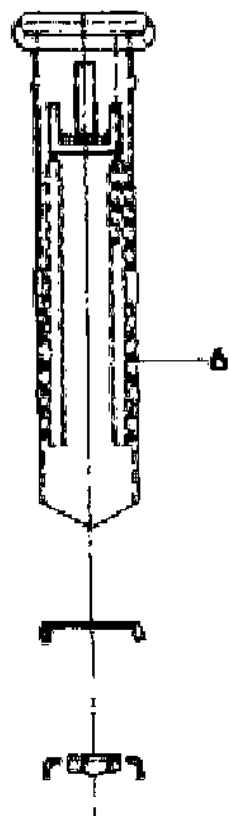
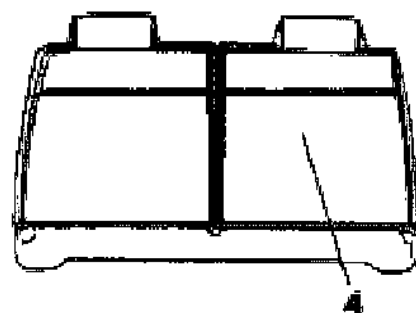
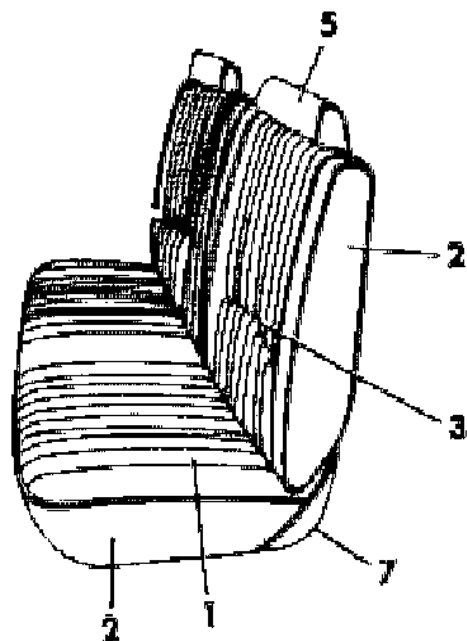
BODY STYLES

21 = 2-DOOR SEDAN	28 = FWD PICKUP
22 = 2-DOOR SPECIAL COUPE	41 = 4-DOOR SEDAN
24 = 2-DOOR HATCHBACK	44 = 4-DOOR HATCHBACK
27 = 2-DOOR CONVERTIBLE	45 = 2-SEAT STATION WAGON

AR = Use as Required - = Non Illustrated Part P.A.R. = Paint as Required

SEAT FRONT P,D 21 TRIM CODES C1,C2,N1  
Figure IT-3201

2253 320100



ITEM	PART NUMBER	QTY	BODY	MODEL	DESCRIPTION
	C620-1 V2M	1			N N NC2M YC620V2M
	C620-1 V2T	1			N N NC2T YC620V2T (use after 12/23/81) N N N N
	C984-5 A2A	1			N N NC2A YC984A2A
	C984-5 A2B	1			N N NC2B YC984A2B
	C984-5 A2F	1			N N NC2F YC984A2F
	C984-5 A2M	1			N N NC2M YC984A2M
	C984-5 A2T	1			N N NC2T YC984A2T
	C722-3 V1P	1			(use up to Jefferson 3/25/82; St. Louis 3/16/82) N N NN1B YC722V1P
	C998-9 A1B	1			(use after Jefferson 3/25/82; St. Louis 3/16/82) N N NN1B YC998A1B
	C722-3 V1M	1			(use up to Jefferson 2/25/82; St.Louis 3/15/82) N N NN1M YC722V1M
	C998-9 A1M	1			(use after Jefferson 2/25/82; St.Louis 3/15/82) N N NN1M YC998A1M
	C722-3 V1T	1			(use up to 3/11/82) N N NN1T YC722V1T
	C998-9 A1T	1			(use after 3/11/82) N N NN1T YC998A1T
3					COVER, Back N N N N
	C314-5 V1B	1			(use up to 3/16/82) N N NC1B YC314V1B
	C460-1 A1B	1			(use after 3/16/82) N N NC1B YC460A1B
	C314-5 V1F	1			(use up to 3/17/82) N N NC1F YC314V1F
	C460-1 A1F	1			(use after 3/17/82) N N NC1F YC460A1F
	C314-5 V1M	1			(use up to 3/16/82) N N NC1M YC314V1M
	C460-1 A1M	1			(use after 3/16/82) N N NC1M YC460A1M
	C314-5 V1U	1			(use up to 3/15/82) N N NC1T YC314V1U
	C460-1 A1T	1			(use after 3/15/82) N N NC1T YC460A1T (use up to 12/23/81) N N N N
	C326-7 A2A	1			N N NC2A YC326A2A
	C326-7 V2B	1			N N NC2B YC326V2B
	C326-7 V2F	1			N N NC2F YC326V2F
	C326-7 V2M	1			N N NC2M YC326V2M
	C326-7 V2T	1			N N NC2T YC326V2T (use after 12/23/81) N N N N
	C448-9 A2A	1			N N NC2A YC448A2A
	C448-9 A2B	1			N N NC2B YC448A2B
	C448-9 A2F	1			N N NC2F YC448A2F

MODEL CODES

B = GRAN FURY/CARAVELLE	P = RELIANT
C = LEBARON/TOWN & COUNTRY	S = CORDOBA
D = ARIES	V = 400
F = NEW YORKER	X = MIRADA
G = DIPLOMAT	Y = IMPERIAL
M = HORIZON/TC3/SCAMP	Z = OMNI/O24/RAMPAGE

BODY STYLES

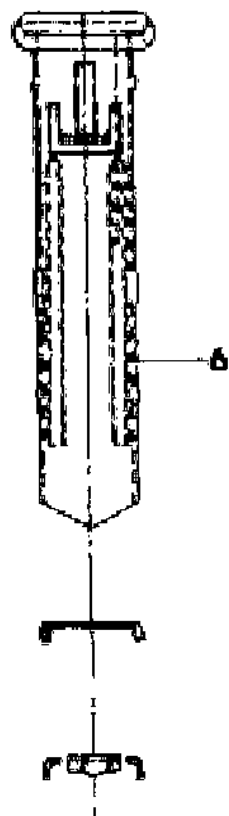
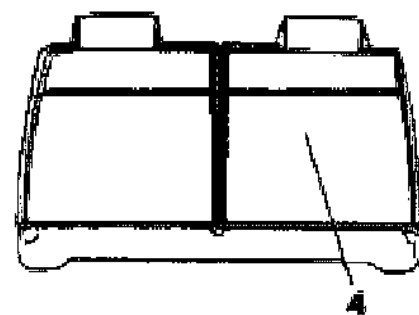
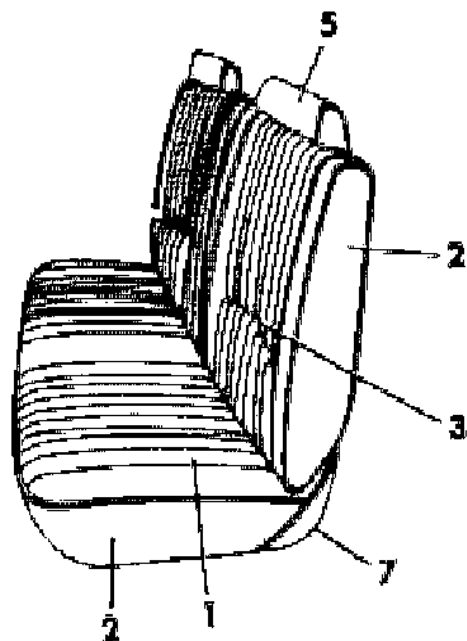
21 = 2-DOOR SEDAN	28 = FWD PICKUP
22 = 2-DOOR SPECIAL COUPE	41 = 4-DOOR SEDAN
24 = 2-DOOR HATCHBACK	44 = 4-DOOR HATCHBACK
27 = 2-DOOR CONVERTIBLE	45 = 2-SEAT STATION WAGON

AR = Use as Required - = Non Illustrated Part P.A.R. = Paint as Required



SEAT FRONT P,D 21 TRIM CODES C1,C2,N1  
Figure IT-3201

2253 320100



ITEM	PART NUMBER	QTY	BODY	MODEL	DESCRIPTION
	C448-9 A2M	1			N N NC2M YC448A2M
	C448-9 A2T	1			N N NC2T YC448A2T
	C368-9 V1P	1			(use up to Jefferson 3/25/82; St. Louis 3/16/82) N N NN1B YC368V1P
	C456-7 A1B	1			(use after Jefferson 3/25/82; St. Louis 3/16/82) N N NN1B YC456A1B
	C368-9 V1M	1			(use up to Jefferson 2/25/82; St. Louis 3/15/82) N N NN1M YC368V1M
	C456-7 A1M	1			(use after Jefferson 2/25/82; St. Louis 3/15/82) N N NN1M YC456A1M
	C368-9 V1T	1			(use up to 3/11/82) N N NN1T YC368V1T
	C456-7 V1T	1			(use after 3/11/82) N N NN1T YC456V1T
4					ROLL STOCK, Vinyl 50" Wide Order By The Inch N N N N
	R620 AA2	AR			Silver N N N YR620AA2
	R620 VB2	AR			Blue N N N YR620VB2
	R620 VF5	AR			Green N N N YR620VF5
	R620 VM6	AR			Red N N N YR620VM6
	R620 VT3	AR			Tan N N N YR620VT3
5					HEADREST N N N N
	S790 AA2	2			Silver N N N YS790AA2
	S790 VB2	2			Blue N N N YS790VB2
	S790 VF5	2			Green N N N YS790VF5
	S790 VM6	2			Red N N N YS790VM6
	S790 VT4	2			Tan N N N YS790VT4
6					SLEEVE, Headrest N N N N
	S786 AA2	2			Silver N N N YS786AA2
	S786 VB2	2			Blue N N N YS786VB2
	S786 VF5	2			Green N N N YS786VF5
	S786 VM6	2			Red N N N YS786VM6
	S786 VT4	2			Tan N N N YS786VT4
7					SHIELD, Cushion N N N N
	S780-1 AA3	1			Silver N N N YS780AA3
	S780-1 VB2	1			Blue N N N YS780VB2
	S780-1 VF5	1			Green N N N YS780VF5
	S780-1 VM6	1			Red N N N YS780VM6
	S780-1 VT4	1			Tan N N N YS780VT4

The following parts are not illustrated. s ARE NOT RETURNABLE.

MODEL CODES

B = GRAN FURY/CARAVELLE	P = RELIANT
C = LEBARON/TOWN & COUNTRY	S = CORDOBA
D = ARIES	V = 400
F = NEW YORKER	X = MIRADA
G = DIPLOMAT	Y = IMPERIAL
M = HORIZON/TC3/SCAMP	Z = OMNI/O24/RAMPAGE

BODY STYLES

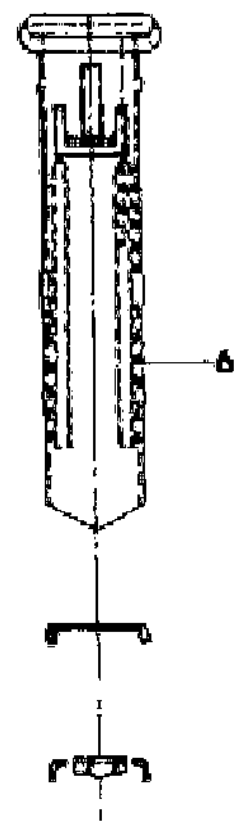
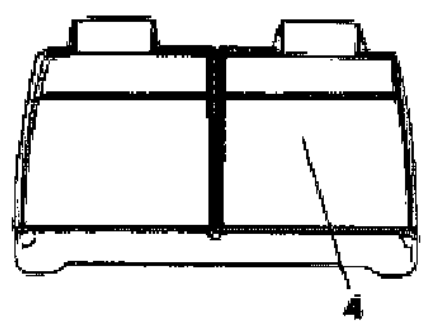
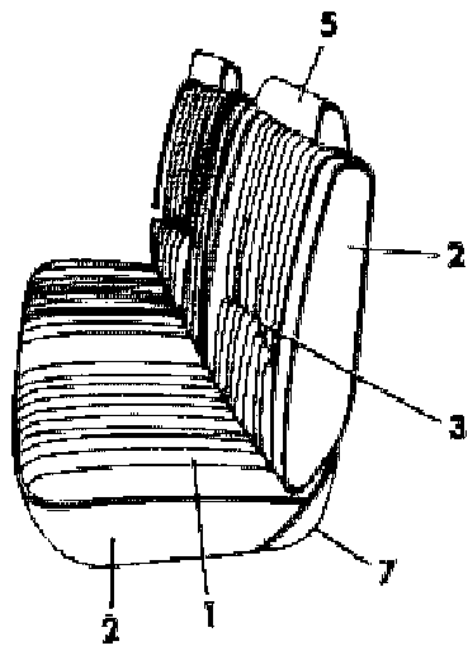
21 = 2-DOOR SEDAN	28 = FWD PICKUP
22 = 2-DOOR SPECIAL COUPE	41 = 4-DOOR SEDAN
24 = 2-DOOR HATCHBACK	44 = 4-DOOR HATCHBACK
27 = 2-DOOR CONVERTIBLE	45 = 2-SEAT STATION WAGON

AR = Use as Required - = Non Illustrated Part P.A.R. = Paint as Required

SEAT FRONT P,D 21 TRIM CODES C1,C2,N1  
Figure IT-3201

2253 320100

ITEM	PART NUMBER	QTY	BODY	MODEL	DESCRIPTION
	2899 351	2			BUSHING, Cushion Pivot Bracket (use up to 10/26/81) N N N Y2899351
	4277 908	2			(use after 10/26/81) N N N Y4277908
	4190 388	2			COVER, Headrest Finish N N N Y4190388
	6100 585	8			SCREW and Washer, Latch Back to Cushion Attaching N N N Y6100585
	4190 387	2			SUPPORT, Headrest Trim Cover N N N Y4190387
	0136 135	2			RIVET, Headrest Catch to Upper Support N N N Y136135



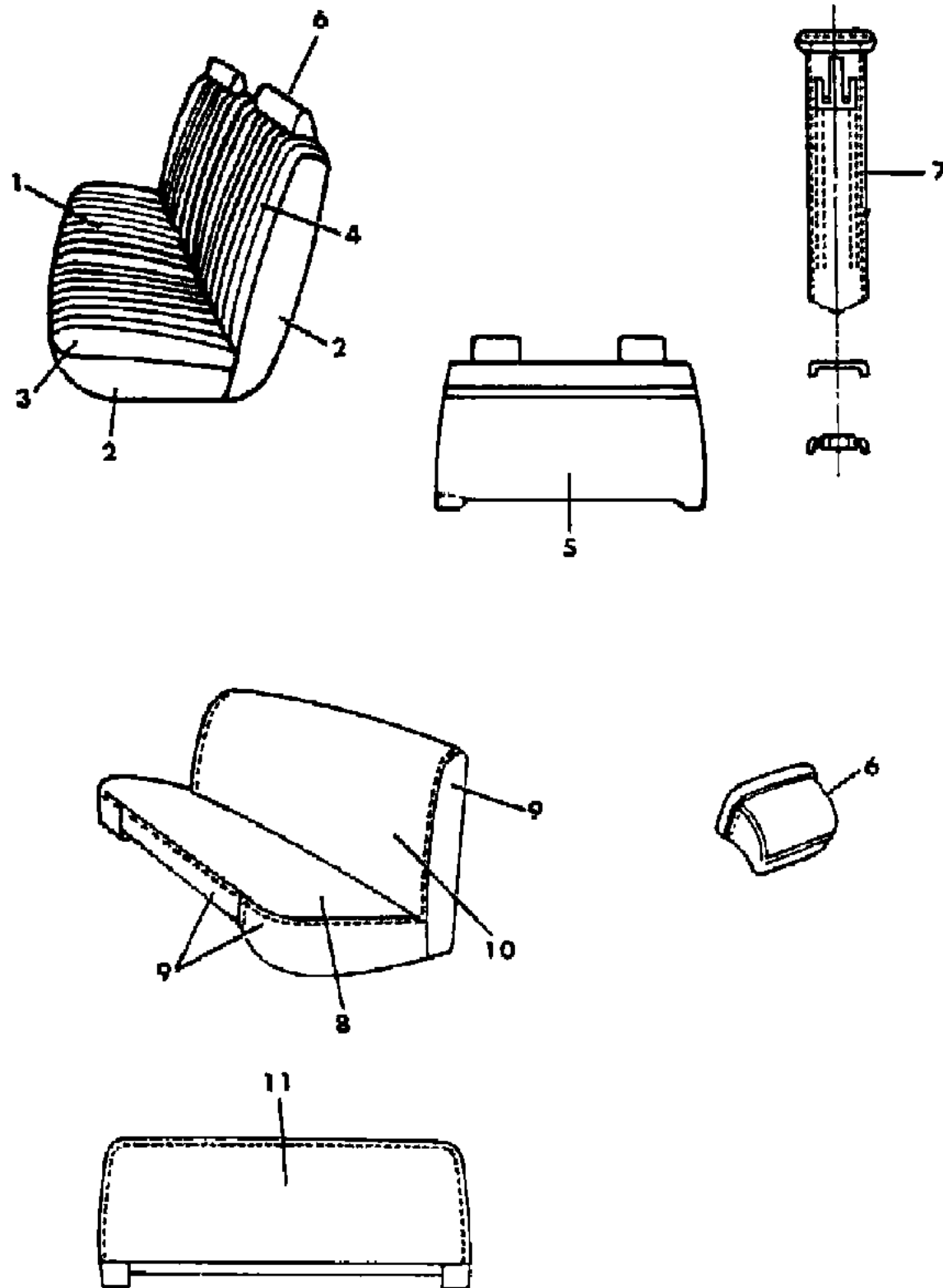
MODEL CODES  
 B = GRAN FURY/CARAVELLE      P = RELIANT  
 C = LEBARON/TOWN & COUNTRY    S = CORDOBA  
 D = ARIES                            V = 400  
 F = NEW YORKER                    X = MIRADA  
 G = DIPLOMAT                      Y = IMPERIAL  
 M = HORIZON/TC3/SCAMP        Z = OMNI/O24/RAMPAGE

BODY STYLES  
 21 = 2-DOOR SEDAN                28 = FWD PICKUP  
 22 = 2-DOOR SPECIAL COUPE    41 = 4-DOOR SEDAN  
 24 = 2-DOOR HATCHBACK        44 = 4-DOOR HATCHBACK  
 27 = 2-DOOR CONVERTIBLE       45 = 2-SEAT STATION WAGON

AR = Use as Required - = Non Illustrated Part P.A.R. = Paint as Required

SEAT FRONT P,D 41,45 TRIM CODES C1,C2,N1,R2,K2  
Figure IT-3202

2253 320200



ITEM	PART NUMBER	QTY	BODY	MODEL	DESCRIPTION
1-4					SEAT COMPLETE, (Includes Cushion and Back) w/Spring, Frame and Cover N N N N Manual N N N N
	C610 V1B	1			(use up to Jefferson 3/16/82; Newark 2/26/82) N N41,45 NC1B YC610V1B
	C966 A1B	1			(use after Jefferson 3/16/82; Newark 2/26/82) N N41,45 NC1B YC966A1B
	C610 V1F	1			(use up to 3/15/82) N N41,45 NC1F YC610V1F
	C966 A1F	1			(use after 3/15/82) N N41,45 NC1F YC966A1F
	C610 V1M	1			(use up to 3/12/82) N N41,45 NC1M YC610V1M
	C966 A1M	1			(use after 3/12/82) N N41,45 NC1M YC966A1M
	C610 V1U	1			(use up to Jefferson 3/19/82; Newark 3/1/82) N N41,45 NC1T YC610V1U
	C966 A1T	1			(use after Jefferson 3/19/82; Newark 3/1/82) N N41,45 NC1T YC966A1T (use up to 12/12/81) N N N N
	C619 A2A	1			N N41 NC2A YC619A2A
	C619 V2B	1			N N41,45 NC2B,R2B YC619V2B
	C619 V2F	1			N N41,45 NC2F,R2F YC619V2F
	C619 V2M	1			N N41,45 NC2M,R2M YC619V2M
	C619 V2T	1			N N41,45 NC2T,R2T YC619V2T (use after 12/12/81) N N N N
	C987 A2A	1			N N41 NC2A YC987A2A
	C987 A2B	1			N N41,45 NC2B,R2B YC987A2B
	C987 A2F	1			N N41,45 NC2F,R2F YC987A2F
	C987 A2M	1			N N41,45 NC2M,R2M YC987A2M
	C987 A2T	1			N N41,45 NC2T.R2T YC987A2T
	C724 V1P	1			(use up to 3/8/82) N N41 NN1B YC724V1P
	C946 A1B	1			(use after 3/8/82) N N41 NN1B YC946A1B
	C724 V1M	1			(use up to 3/4/82) N N41 NN1M YC724V1M
	C946 A1M	1			(use after 3/4/82) N N41 NN1M YC946A1M
	C724 V1T	1			(use up to Jefferson 3/12/82; Newark 2/26/82) N N41 NN1T YC724V1T
	C946 A1T	1			(use after Jefferson 3/12/82; Newark 2/26/82) N N41 NN1T YC946A1T Electric N N N N

MODEL CODES

B = GRAN FURY/CARAVELLE  
C = LEBARON/TOWN & COUNTRY  
D = ARIES  
F = NEW YORKER  
G = DIPLOMAT  
M = HORIZON/TC3/SCAMP  
P = RELIANT  
S = CORDOBA  
V = 400  
X = MIRADA  
Y = IMPERIAL  
Z = OMNI/O24/RAMPAGE

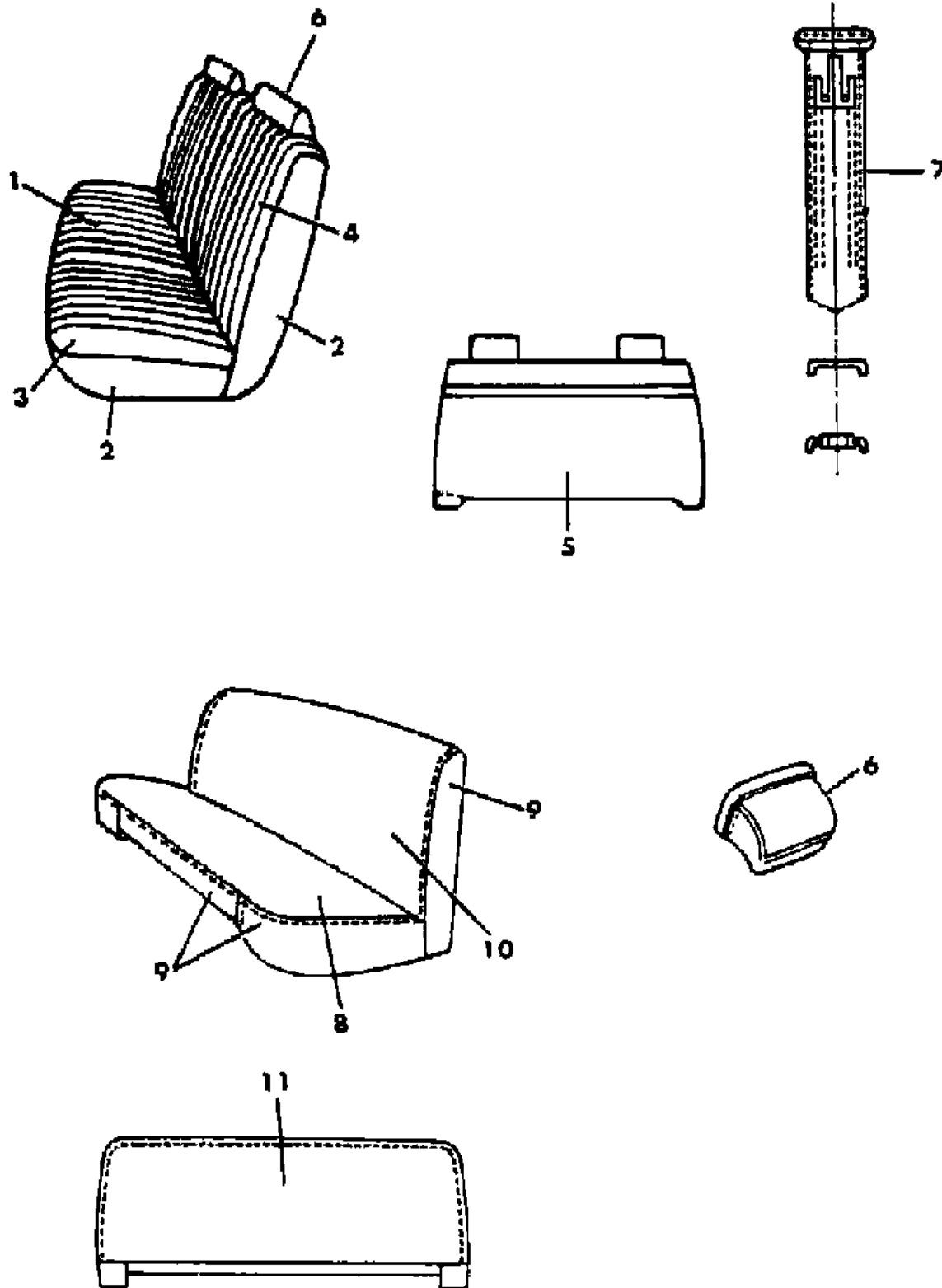
BODY STYLES

21 = 2-DOOR SEDAN  
22 = 2-DOOR SPECIAL COUPE  
24 = 2-DOOR HATCHBACK  
27 = 2-DOOR CONVERTIBLE  
28 = FWD PICKUP  
41 = 4-DOOR SEDAN  
44 = 4-DOOR HATCHBACK  
45 = 2-SEAT STATION WAGON

AR = Use as Required - = Non Illustrated Part P.A.R. = Paint as Required

SEAT FRONT P,D 41,45 TRIM CODES C1,C2,N1,R2,K2  
Figure IT-3202

2253 320200



ITEM	PART NUMBER	QTY	BODY	MODEL	DESCRIPTION
	C639 V1B	1			(use up to Jefferson 3/16/82; Newark 2/26/82) N N41 NC1B YC639V1B
	C967 A1B	1			(use after Jefferson 3/16/82; Newark 2/26/82) N N41 NC1B YC967A1B
	C639 V1F	1			(use up to 3/15/82) N N41 NC1F YC639V1F
	C967 A1F	1			(use after 3/15/82) N N41 NC1F YC967A1F
	C639 V1M	1			(use up to 3/12/82) N N41 NC1M YC639V1M
	C967 A1M	1			(use after 3/12/82) N N41 NC1M YC967A1M
	C639 V1U	1			(use up to Jefferson 3/19/82; Newark 3/1/82) N N41 NC1T YC639V1U
	C967 A1T	1			(use after Jefferson 3/19/82; Newark 3/1/82) N N41 NC1T YC967A1T
					(use up to 12/23/81) N N N N
	C782 A2A	1			N N41 NC2A, YC782A2A
	C782 A2B	1			N N41,45 NC2B,R2B YC782A2B
	C782 A2F	1			N N41,45 NC2F,R2F YC782A2F
	C782 A2M	1			N N41,45 NC2M,R2M YC782A2M
	C782 A2T	1			N N41,45 NC2T,R2T YC782A2T
					(use after 12/23/81) N N N N
	C986 A2A	1			N N41 NC2A YC986A2A
	C986 A2B	1			N N41,45 NC2B,R2B YC986A2B
	C986 A2F	1			N N41,45 NC2F,R2F YC986A2F
	C986 A2M	1			N N41,45 NC2M,R2M YC986A2M
	C986 A2T	1			N N41,45 NC2T,R2T YC986A2T
	C719 V1P	1			(use up to 3/8/82) N N41 NN1B YC719V1P
	C945 A1B	1			(use after 3/8/82) N N41 NN1B YC945A1B
	C719 V1M	1			(use up to 3/4/82) N N41 NN1M YC719V1M
	C945 A1M	1			(use after 3/4/82) N N41 NN1M YC945A1M
	C719 V1T	1			(use up to Jefferson 3/12/82; Newark 2/26/82) N N41 NN1T YC719V1T
	C945 A1T	1			(use after Jefferson 3/12/82; Newark 2/26/82) N N41 NN1T YC945A1T
2					ROLL STOCK, Vinyl 64" Wide Order By The Inch N N N N
	R616 AA2	AR			Silver N N N YR616AA2
	R616 VB2	AR			Blue N N N YR616VB2
	R616 VF5	AR			Green N N N YR616VF5
	R616 VM6	AR			Red N N N YR616VM6

MODEL CODES

B = GRAN FURY/CARAVELLE  
C = LEBARON/TOWN & COUNTRY  
D = ARIES  
F = NEW YORKER  
G = DIPLOMAT  
M = HORIZON/TC3/SCAMP  
P = RELIANT  
S = CORDOBA  
V = 400  
X = MIRADA  
Y = IMPERIAL  
Z = OMNI/O24/RAMPAGE

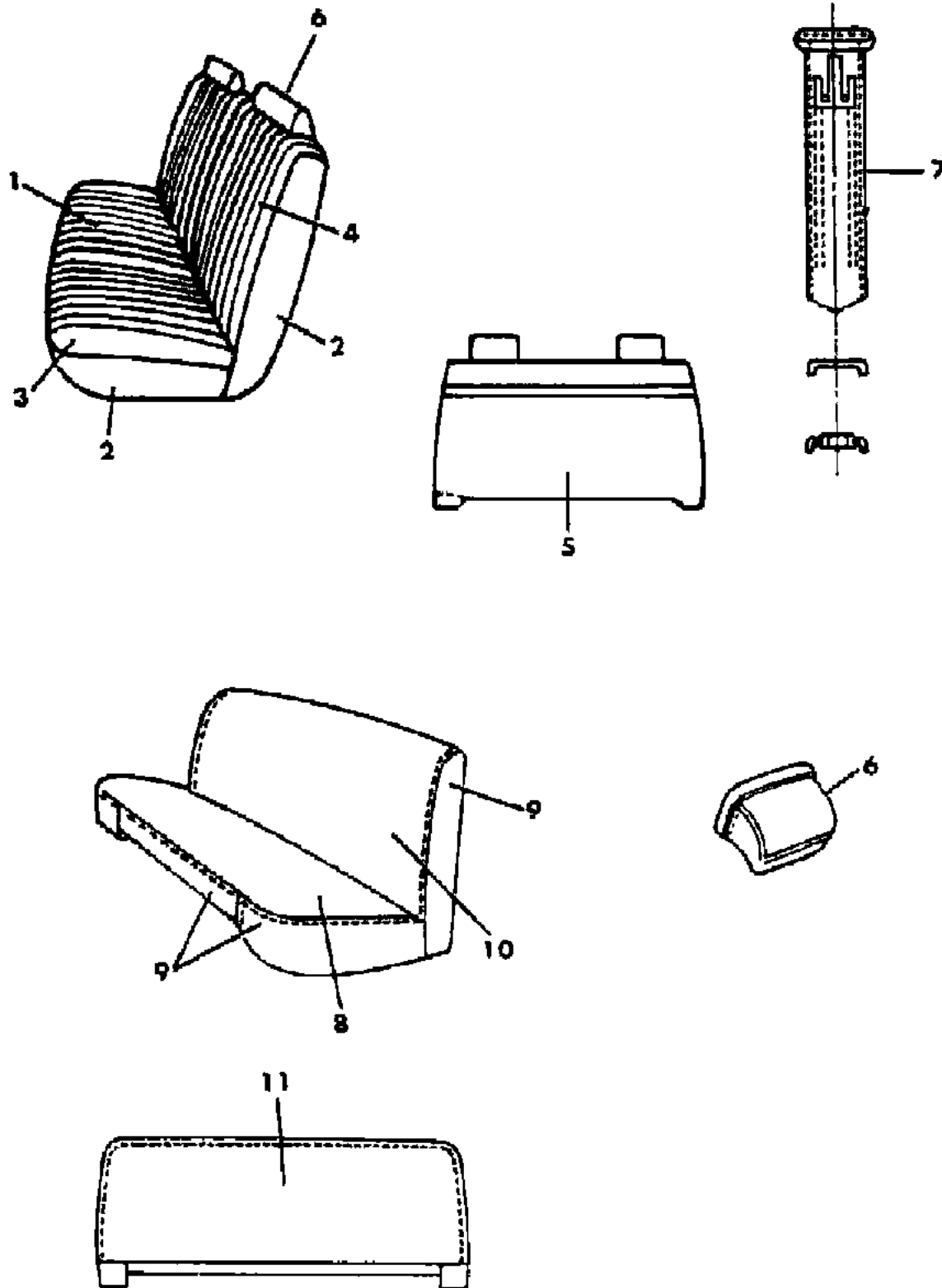
BODY STYLES

21 = 2-DOOR SEDAN  
22 = 2-DOOR SPECIAL COUPE  
24 = 2-DOOR HATCHBACK  
27 = 2-DOOR CONVERTIBLE  
28 = FWD PICKUP  
41 = 4-DOOR SEDAN  
44 = 4-DOOR HATCHBACK  
45 = 2-SEAT STATION WAGON

AR = Use as Required - = Non Illustrated Part P.A.R. = Paint as Required

SEAT FRONT P,D 41,45 TRIM CODES C1,C2,N1,R2,K2  
Figure IT-3202

2253 320200



ITEM	PART NUMBER	QTY	BODY	MODEL	DESCRIPTION
	R616 VT3	AR			Tan N N N YR616VT3
3					COVER, Cushion N N N N
	C311 V1B	1			(use up to Jefferson 3/16/82; Newark 2/26/82) N N41,45 NC1B YC311V1B
	C441 A1B	1			(use after Jefferson 3/16/82; Newark 2/26/82) N N41,45 NC1B YC441A1B
	C311 V1F	1			(use up to 3/15/82) N N41,45 NC1F YC311V1F
	C441 A1F	1			(use after 3/15/82) N N41,45 NC1F YC441A1F
	C311 V1M	1			(use up to 3/16/82) N N41,45 NC1M YC311V1M
	C441 A1M	1			(use after 3/16/82) N N41,45 NC1M YC441A1M
	C311 V1U	1			(use up to Jefferson 3/19/82; Newark 3/1/82) N N41,45 NC1T YC311V1U
	C441 A1T	1			(use after Jefferson 3/19/82; Newark 3/1/82) N N41,45 NC1T YC441A1T
	C321 A2A	1			(use up to 12/23/81) N N N N0 N N41 NC2A YC321A2A
	C321 V2B	1			N N41,45 NC2B,R2B YC321V2B
	C321 V2F	1			N N41,45 NC2F,R2F YC321V2F
	C321 V2M	1			N N41,45 NC2M,R2M YC321V2M
	C321 V2T	1			N N41,45 NC2T,R2T YC321V2T (use after 12/23/81) N N N N0
	C447 A2A	1			N N41 NC2A YC447A2A
	C447 A2B	1			N N41,45 NC2B,R2B YC447A2B
	C447 A2F	1			N N41,45 NC2F,R2F YC447A2F
	C447 A2M	1			N N41,45 NC2M,R2M YC447A2M
	C447 A2T	1			N N41,45 NC2T,R2T YC447A2T
	C367 V1P	1			(use up to 3/8/82) N N41 NN1B YC367V1P
	C454 A1B	1			(use after 3/8/82) N N41 NN1B YC454A1B
	C367 V1M	1			(use up to 3/4/82) N N41 NN1M YC367V1M
	C454 A1M	1			(use after 3/4/82) N N41 NN1M YC454A1M
	C367 V1T	1			(use up to Jefferson 3/12/82; Newark 2/26/82) N N41 NN1T YC367V1T
	C454 A1T	1			(use after Jefferson 3/12/82; Newark 2/26/82) N N41 NN1T YC454A1T
4					COVER, Back N N N N
	C316 V1B	1			(use up to Jefferson 3/16/82; Newark 2/26/82) N N41,45 NC1B YC316V1B

MODEL CODES

B = GRAN FURY/CARAVELLE  
C = LEBARON/TOWN & COUNTRY  
D = ARIES  
F = NEW YORKER  
G = DIPLOMAT  
M = HORIZON/TC3/SCAMP  
P = RELIANT  
S = CORDOBA  
V = 400  
X = MIRADA  
Y = IMPERIAL  
Z = OMNI/O24/RAMPAGE

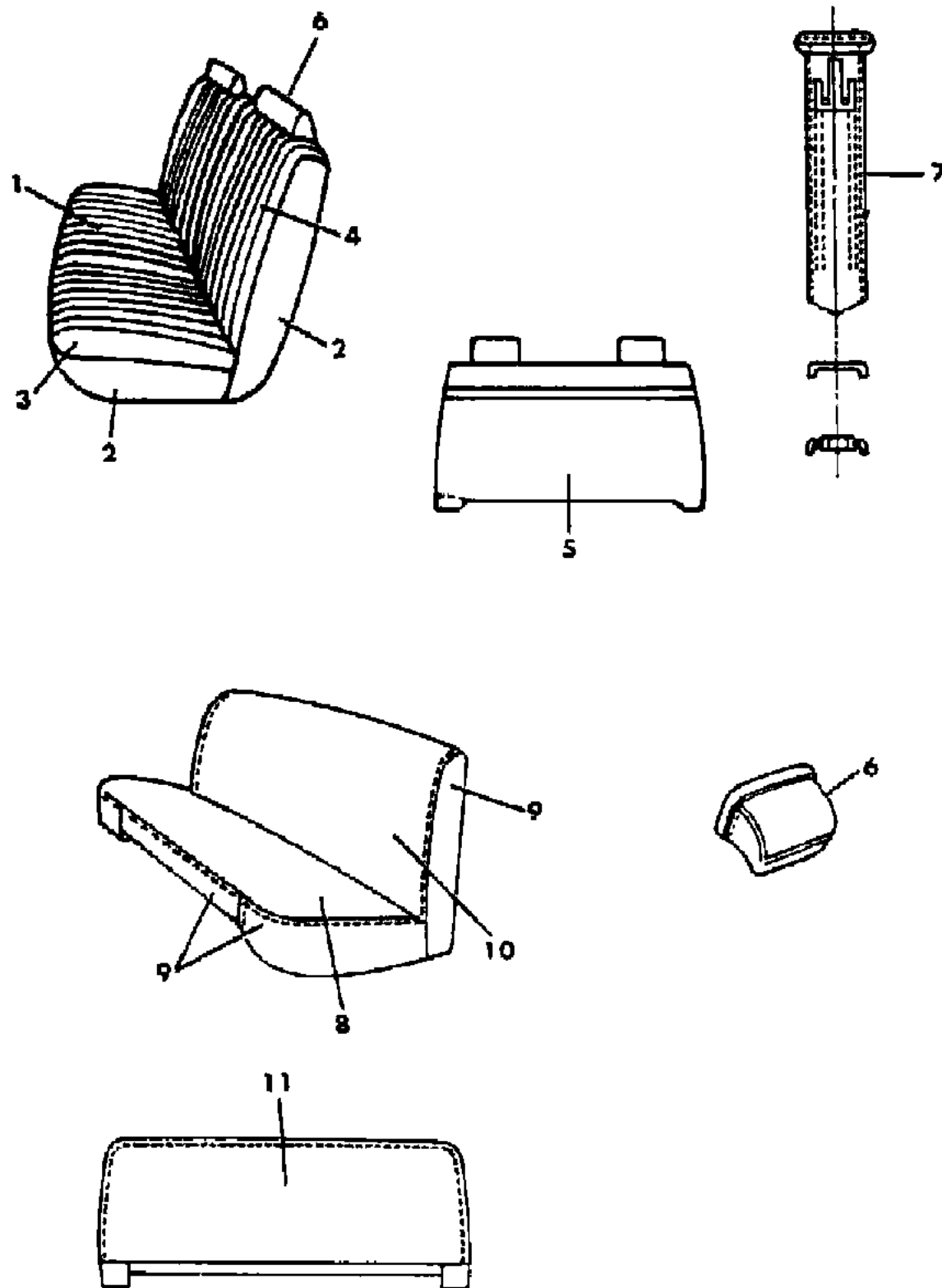
BODY STYLES

21 = 2-DOOR SEDAN  
22 = 2-DOOR SPECIAL COUPE  
24 = 2-DOOR HATCHBACK  
27 = 2-DOOR CONVERTIBLE  
28 = FWD PICKUP  
41 = 4-DOOR SEDAN  
44 = 4-DOOR HATCHBACK  
45 = 2-SEAT STATION WAGON

AR = Use as Required - = Non Illustrated Part P.A.R. = Paint as Required

SEAT FRONT P,D 41,45 TRIM CODES C1,C2,N1,R2,K2  
Figure IT-3202

2253 320200



ITEM	PART NUMBER	QTY	BODY	MODEL	DESCRIPTION
	C425 A1B	1			(use after Jefferson 3/16/82; Newark 2/26/82) N N41,45 NC1B YC425A1B
	C316 V1F	1			(use up to 3/17/82) N N41,45 NC1F YC316V1F
	C425 A1F	1			(use after 3/17/82) N N41,45 NC1F YC425A1F
	C316 V1M	1			(use up to 3/12/82) N N41,45 NC1M YC316V1M
	C425 A1M	1			(use after 3/12/82) N N41,45 NC1M YC425A1M
	C316 V1U	1			(use up to Jefferson 3/19/82; Newark 3/1/82) N N41,45 NC1T YC316V1U
	C425 A1T	1			(use after Jefferson 3/19/82; Newark 3/1/82) N N41,45 NC1T YC425A1T
	C324 A2A	1			(use up to 12/23/81) N N N N N N41 NC2A YC324A2A
	C324 V2B	1			N N41,45 NC2B,R2B YC324V2B
	C324 V2F	1			N N41,45 NC2F,R2F YC324V2F
	C324 V2M	1			N N41,45 NC2M,R2M YC324V2M
	C324 V2T	1			N N41,45 NC2T,R2T YC324V2T
	C427 A2A	1			(use after 12/23/81) N N N N N N41 NC2A YC427A2A
	C427 A2B	1			N N41,45 NC2B,R2B YC427A2B
	C427 A2F	1			N N41,45 NC2F,R2F YC427A2F
	C427 A2M	1			N N41,45 NC2M,R2M YC427A2M
	C427 A2T	1			N N41,45 NC2T,R2T YC427A2T
	C370 V1P	1			(use up to 3/8/82) N N41 NN1B YC370V1P
	C426 A1B	1			(use after 3/8/82) N N41 NN1B YC426A1B
	C370 V1M	1			(use up to 3/4/82) N N41 NN1M YC370V1M
	C426 A1M	1			(use after 3/4/82) N N41 NN1M YC426A1M
	C370 V1T	1			(use up to Jefferson 3/12/82; Newark 2/26/82) N N41 NN1T YC370V1T
	C426 A1T	1			(use after Jefferson 3/12/82; Newark 2/26/82) N N41 NN1T YC426A1T
5	R620 AA2	AR			ROLL STOCK, Vinyl 50" Wide Order By The Inch N N N N Silver N N N YR620AA2
	R620 VB2	AR			Blue N N N YR620VB2
	R620 VF5	AR			Green N N N YR620VF5
	R620 VM6	AR			Red N N N YR620VM6
	R620 VT3	AR			Tan N N N YR620VT3
6					HEADREST N N N N

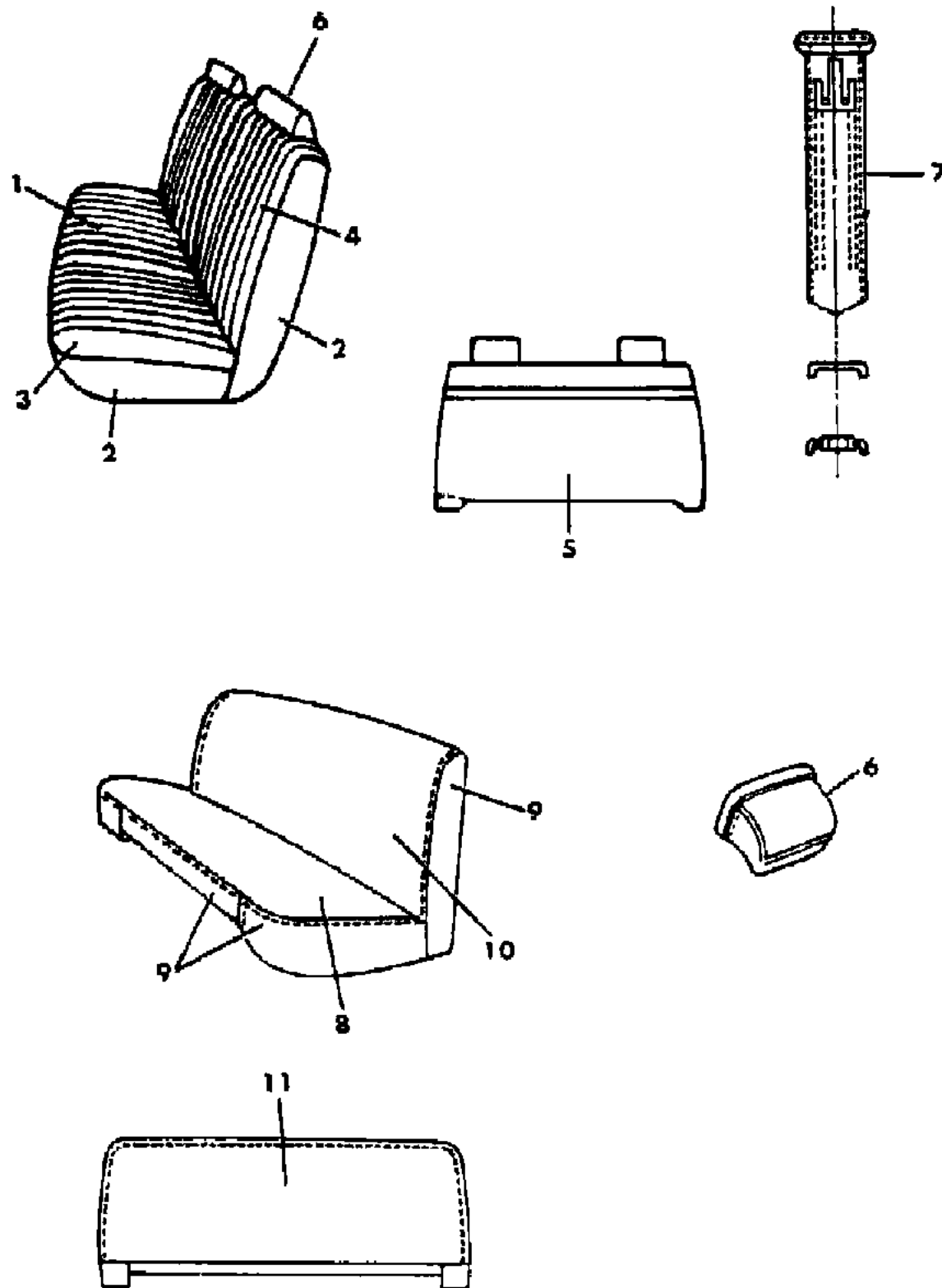
MODEL CODES  
 B = GRAN FURY/CARAVELLE P = RELIANT  
 C = LEBARON/TOWN & COUNTRY S = CORDOBA  
 D = ARIES V = 400  
 F = NEW YORKER X = MIRADA  
 G = DIPLOMAT Y = IMPERIAL  
 M = HORIZON/TC3/SCAMP Z = OMNI/O24/RAMPAGE

BODY STYLES  
 21 = 2-DOOR SEDAN 28 = FWD PICKUP  
 22 = 2-DOOR SPECIAL COUPE 41 = 4-DOOR SEDAN  
 24 = 2-DOOR HATCHBACK 44 = 4-DOOR HATCHBACK  
 27 = 2-DOOR CONVERTIBLE 45 = 2-SEAT STATION WAGON

AR = Use as Required - = Non Illustrated Part P.A.R. = Paint as Required

SEAT FRONT P,D 41,45 TRIM CODES C1,C2,N1,R2,K2  
Figure IT-3202

2253 320200



ITEM	PART NUMBER	QTY	BODY	MODEL	DESCRIPTION
	S790 AA2	2			Silver N N N YS790AA2
	S790 VB2	2			Blue N N N YS790VB2
	S790 VF5	2			Green N N N YS790VF5
	S790 VM6	2			Red N N N YS790VM6
	S790 VT4	2			Tan N N N YS790VT4
7					SLEEVE, Headrest N N N N
	S786 AA3	2			Silver N N N YS786AA3
	S786 VB2	2			Blue N N N YS786VB2
	F786 VF5	2			Green N N N YF786VF5
	F786 VM6	2			Red N N N YF786VM6
	F786 VT4	2			Tan N N N YF786VT4
8-10					SEAT COMPLETE (Includes Cushion and Back), w/Spring, Frame and Cover N N N N
					Manual N N N N
	C816 A2B	1			N N NK2B YC816A2B
	C816 A2T	1			N N NK2T YC816A2T
					Electric N N N N
	C817 A2B	1			N N NK2B YC817A2B
	C817 A2T	1			N N NK2T YC817A2T
8					COVER, Cushion N N N N
	C396 A2B	1			N N NK2B YC396A2B
	C396 A2T	1			N N NK2T YC396A2T
9					ROLL STOCK, Vinyl 64" Wide Order by the Inch N N N N
	R616 VB2	AR			N N NK2B YR616VB2
	R616 VT3	AR			N N NK2T YR616VT3
10					COVER, Back N N N N
	C397 A2B	1			N N NK2B YC397A2B
	C397 A2T	1			N N NK2T YC397A2T
11					ROLL STOCK, Vinyl 50" Wide Order by the Inch. N N N N
	R620 VB2	AR			N N NK2B YR620VB2
	R620 VT3	AR			N N NK2T YR620VT3
The following parts are not illustrated. s ARE NOT RETURNABLE.					
	4190 388	2			COVER, Headrest Finish N N N Y4190388
	0136 135	2			RIVET, Headrest Catch to Upper Support N N N Y136135
	4190 387	2			SUPPORT, Headrest Trim Cover N N N Y4190387
	4239 468	4			COVER, Front Seat Back Stop Pin N N N Y4239468

MODEL CODES

B = GRAN FURY/CARAVELLE	P = RELIANT
C = LEBARON/TOWN & COUNTRY	S = CORDOBA
D = ARIES	V = 400
F = NEW YORKER	X = MIRADA
G = DIPLOMAT	Y = IMPERIAL
M = HORIZON/TC3/SCAMP	Z = OMNI/O24/RAMPAGE

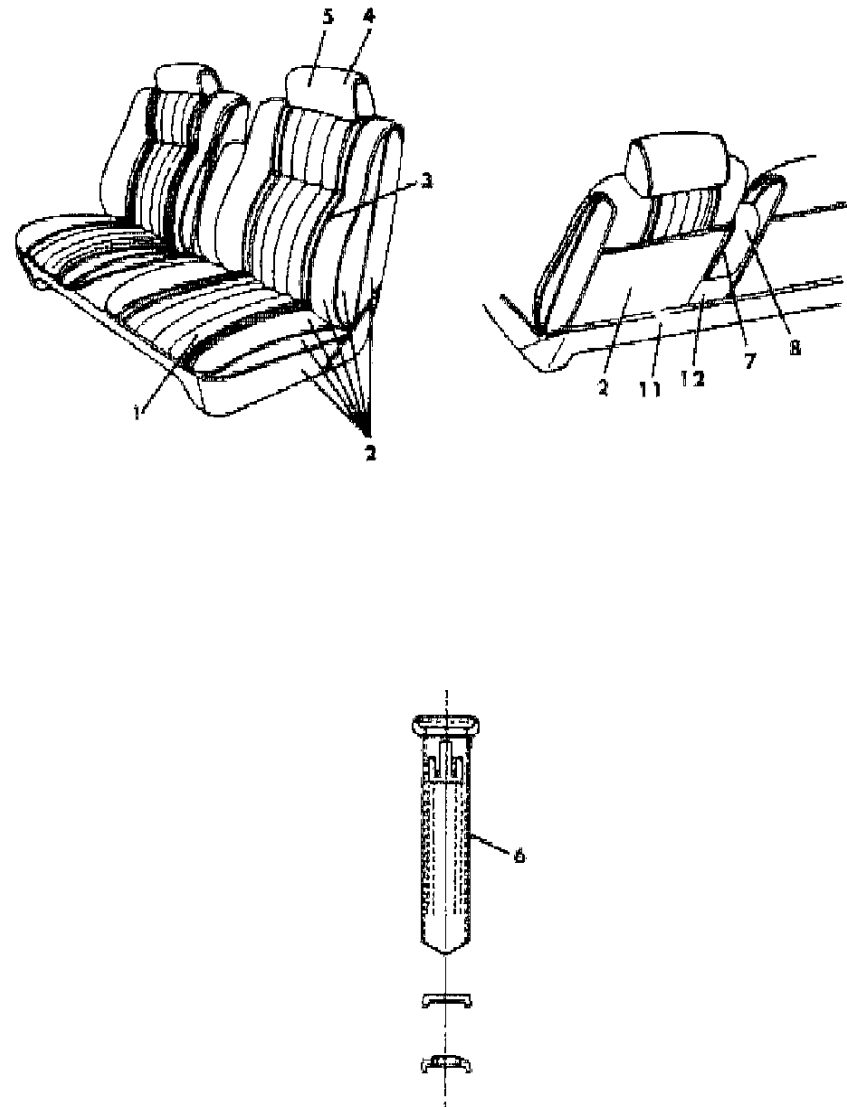
BODY STYLES

21 = 2-DOOR SEDAN	28 = FWD PICKUP
22 = 2-DOOR SPECIAL COUPE	41 = 4-DOOR SEDAN
24 = 2-DOOR HATCHBACK	44 = 4-DOOR HATCHBACK
27 = 2-DOOR CONVERTIBLE	45 = 2-SEAT STATION WAGON

AR = Use as Required - = Non Illustrated Part P.A.R. = Paint as Required

**SEAT FRONT P,D 21,41,45 TRIM CODE P3**  
**Figure IT-3203**

2253 320300



ITEM	PART NUMBER	QTY	BODY	MODEL	DESCRIPTION
1-2					CUSHION, w/Spring, Frame and Cover N N N N
					Manual N N N N
	C789 A3A	1			(use up to 9/28/81) N N NP3A YC789A3A
	C873 A3A	1			(use after 9/28/81) N N NP3A YC873A3A
	C789 A3B	1			(use up to 9/30/81) N N NP3B YC789A3B
	C873 A3B	1			(use after 9/30/81) N N NP3B YC873A3B
	C789 A3F	1			(use up to 9/23/81) N N NP3F YC789A3F
	C873 A3F	1			(use after 9/23/81) N N NP3F YC873A3F
	C789 A3M	1			(use up to 9/25/81) N N NP3M YC789A3M
	C873 A3M	1			(use after 9/25/81) N N NP3M YC873A3M
	C789 A3T	1			(use up to 9/29/81) N N NP3T YC789A3T
	C873 A3T	1			(use after 9/29/81) N N NP3T YC873A3T
					Electric N N N N
	C790 A3A	1			(use up to 9/25/81) N N NP3A YC790A3A
	C874 A3A	1			(use after 9/25/81) N N NP3A YC874A3A
	C790 A3B	1			(use up to 9/30/81) N N NP3B YC790A3B
	C874 A3B	1			(use after 9/30/81) N N NP3B YC874A3B
	C790 A3F	1			(use up to 9/23/81) N N NP3F YC790A3F
	C874 A3F	1			(use after 9/23/81) N N NP3F YC874A3F
	C790 A3M	1			(use up to 9/25/81) N N NP3M YC790A3M
	C874 A3M	1			(use after 9/25/81) N N NP3M YC874A3M
	C790 A3T	1			(use up to 9/29/81) N N NP3T YC790A3T
	C874 A3T	1			(use after 9/29/81) N N NP3T YC874A3T
1					COVER, Cushion N N N N
	C385 A3A	1			(use up to 9/25/81) N N NP3A YC385A3A
	C415 A3A	1			(use after 9/25/81) N N NP3A YC415A3A
	C385 A3B	1			(use up to 9/30/81) N N NP3B YC385A3B
	C415 A3B	1			(use after 9/30/81) N N NP3B YC415A3B
	C385 A3F	1			(use up to 9/23/81) N N NP3F YC385A3F
	C415 A3F	1			(use after 9/23/81) N N NP3F YC415A3F
	C385 A3M	1			(use up to 9/25/81) N N NP3M YC385A3M
	C415 A3M	1			(use after 9/25/81) N N NP3M YC415A3M
	C385 A3U	1			(use up to 9/29/81) N N NP3T YC385A3U
	C415 A3T	1			(use after 9/29/81) N N NP3T YC415A3T
2					ROLL STOCK, Cloth 54" Wide Order by the Inch. N N N N
	R088 AA3	AR			Silver N N NP3A YR088AA3
	R092 VB2	AR			Blue N N NP3B YR092VB2

**MODEL CODES**

B = GRAN FURY/CARAVELLE	P = RELIANT
C = LEBARON/TOWN & COUNTRY	S = CORDOBA
D = ARIES	V = 400
F = NEW YORKER	X = MIRADA
G = DIPLOMAT	Y = IMPERIAL
M = HORIZON/TC3/SCAMP	Z = OMNI/O24/RAMPAGE

**BODY STYLES**

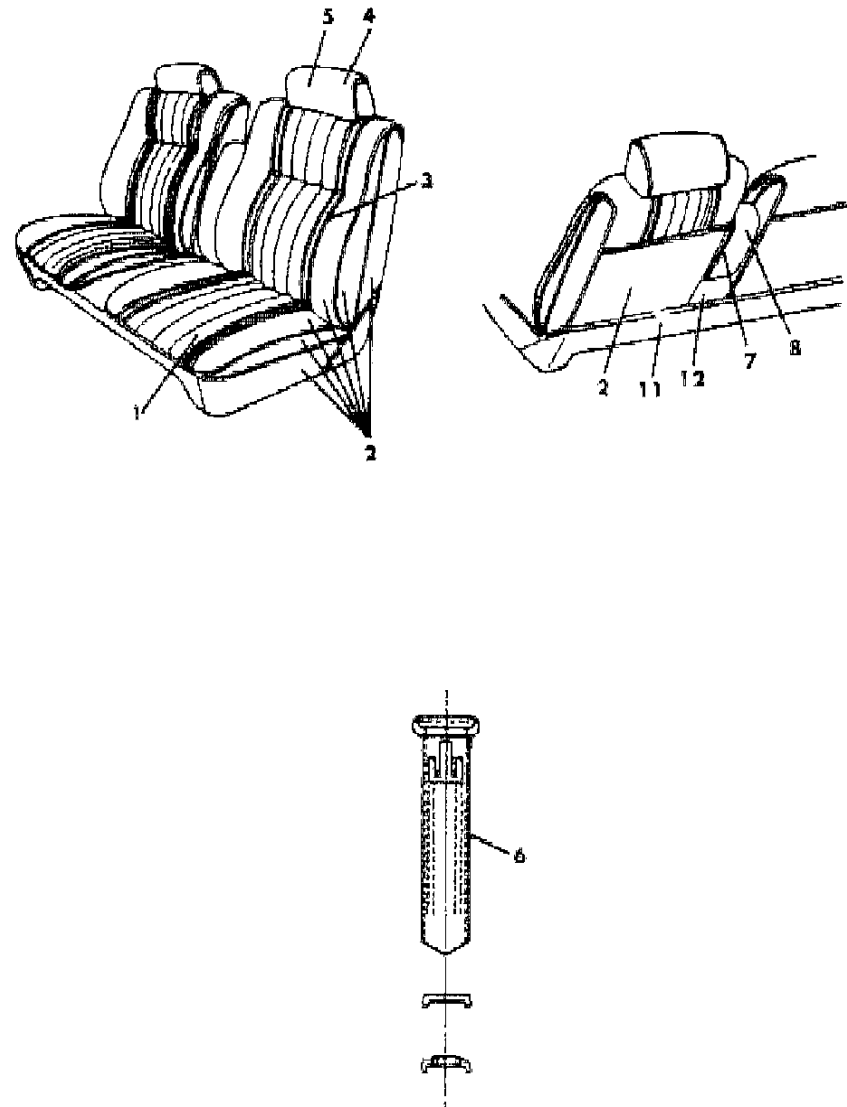
21 = 2-DOOR SEDAN	28 = FWD PICKUP
22 = 2-DOOR SPECIAL COUPE	41 = 4-DOOR SEDAN
24 = 2-DOOR HATCHBACK	44 = 4-DOOR HATCHBACK
27 = 2-DOOR CONVERTIBLE	45 = 2-SEAT STATION WAGON

AR = Use as Required - = Non Illustrated Part P.A.R. = Paint as Required



**SEAT FRONT P,D 21,41,45 TRIM CODE P3**  
**Figure IT-3203**

2253 320300



ITEM	PART NUMBER	QTY	BODY	MODEL	DESCRIPTION
	R088 VF5	AR			Green N N NP3F YR088VF5
	R092 VM6	AR			Red N N NP3M YR092VM6
	R088 VT4	AR			Tan N N NP3T YR088VT4
2-3					BACK, w/Spring, Frame and Cover N N N N
	C792-3 A3A	1			(use up to 9/25/81) N N21 NP3A YC792A3A
	C876-7 A3A	1			(use after 9/25/81) N N21 NP3A YC876A3A
	C792-3 A3B	1			(use up to 9/30/81) N N21 NP3B YC792A3B
	C876-7 A3B	1			(use after 9/30/81) N N21 NP3B YC876A3B
	C792-3 A3F	1			(use up to 9/23/81) N N21 NP3F YC792A3F
	C876-7 A3F	1			(use after 9/23/81) N N21 NP3F YC876A3F
	C792-3 A3M	1			(use up to 9/25/81) N N21 NP3M YC792A3M
	C876-7 A3M	1			(use after 9/25/81) N N21 NP3M YC876A3M
	C792-3 A3T	1			(use up to 9/29/81) N N21 NP3T YC792A3T
	C876-7 A3T	1			(use after 9/29/81) N N21 NP3T YC876A3T
	C794-5 A3A	1			(use up to 9/25/81) N N41,45 NP3A YC794A3A
	C878-9 A3A	1			(use after 9/25/81) N N41,45 NP3A YC878A3A
	C794-5 A3B	1			(use up to 9/30/81) N N41,45 NP3B YC794A3B
	C878-9 A3B	1			(use after 9/30/81) N N41,45 NP3B YC878A3B
	C794-5 A3F	1			(use up to 9/23/81) N N41,45 NP3F YC794A3F
	C878-9 A3F	1			(use after 9/23/81) N N41,45 NP3F YC878A3F
	C794-5 A3M	1			(use up to 9/25/81) N N41,45 NP3M YC794A3M
	C878-9 A3M	1			(use after 9/25/81) N N41,45 NP3M YC878A3M
	C794-5 A3T	1			(use up to 9/25/81) N N41,45 NP3T YC794A3T
	C878-9 A3T	1			(use after 9/25/81) N N41,45 NP3T YC878A3T
3					COVER, Back N N N N
	C386-7 A3A	1			(use up to 9/28/81) N N NP3A YC386A3A
	C416-7 A3A	1			(use after 9/28/81) N N NP3A YC416A3A
	C386-7 A3B	1			(use up to 9/25/81) N N NP3B YC386A3B
	C416-7 A3B	1			(use after 9/25/81) N N NP3B YC416A3B
	C386-7 A3F	1			(use up to 9/28/81) N N NP3F YC386A3F
	C416-7 A3F	1			(use after 9/28/81) N N NP3F YC416A3F
	C386-7 A3M	1			(use up to 9/23/81) N N NP3M YC386A3M
	C416-7 A3M	1			(use after 9/23/81) N N NP3M YC416A3M
	C386-7 A3U	1			(use up to 9/23/81) N N NP3T YC386A3U
	C416-7 A3T	1			(use after 9/23/81) N N NP3T YC416A3T
4					HEADREST w/COVER N N N N
	C661 AA3	2			N N NP3A YC661AA3

**MODEL CODES**

B = GRAN FURY/CARAVELLE	P = RELIANT
C = LEBARON/TOWN & COUNTRY	S = CORDOBA
D = ARIES	V = 400
F = NEW YORKER	X = MIRADA
G = DIPLOMAT	Y = IMPERIAL
M = HORIZON/TC3/SCAMP	Z = OMNI/O24/RAMPAGE

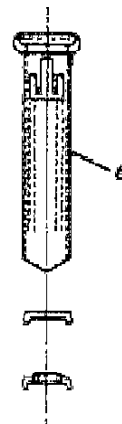
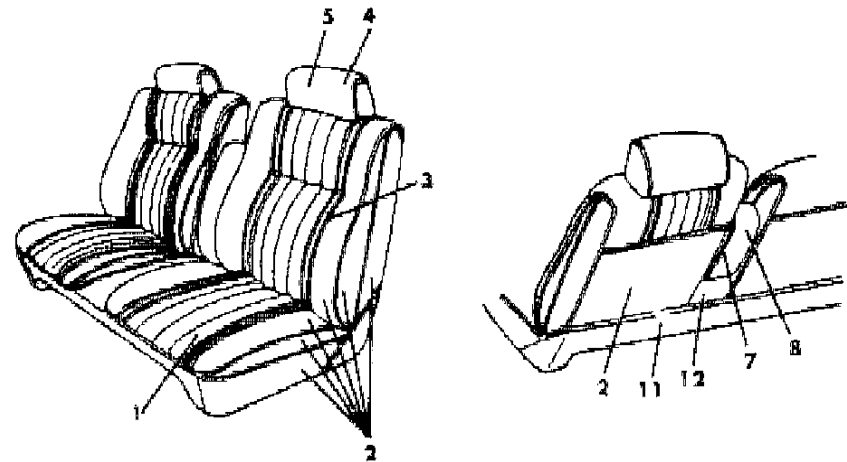
**BODY STYLES**

21 = 2-DOOR SEDAN	28 = FWD PICKUP
22 = 2-DOOR SPECIAL COUPE	41 = 4-DOOR SEDAN
24 = 2-DOOR HATCHBACK	44 = 4-DOOR HATCHBACK
27 = 2-DOOR CONVERTIBLE	45 = 2-SEAT STATION WAGON

AR = Use as Required - = Non Illustrated Part P.A.R. = Paint as Required

**SEAT FRONT P,D 21,41,45 TRIM CODE P3**  
**Figure IT-3203**

2253 320300



ITEM	PART NUMBER	QTY	BODY	MODEL	DESCRIPTION
	C661 VP2	2			N N NP3B YC661VP2
	C661 VF5	2			N N NP3F YC661VF5
	C661 VM6	2			N N NP3M YC661VM6
	C661 VT4	2			N N NP3T YC661VT4
5					COVER, Headrest N N N N
	C356 AA3	2			N N NP3A YC356AA3
	C356 VP2	2			N N NP3B YC356VP2
	C356 VF5	2			N N NP3F YC356VF5
	C356 VM6	2			N N NP3M YC356VM6
	C356 VT4	2			N N NP3T YC356VT4
6					SLEEVE, Headrest N N N N
	S786 AA3	2			Silver N N N YS786AA3
	S786 VB2	2			Blue N N N YS786VB2
	S786 VF5	2			Green N N N YS786VF5
	S786 VM6	2			Red N N N YS786VM6
	S786 VT4	2			Tan N N N YS786VT4
7					ARM REST w/COVER N N N N
	C837 AA3	1			N N NP3A YC837AA3
	C837 AB2	1			N N NP3B YC837AB2
	C837 AF5	1			N N NP3F YC837AF5
	C837 AM6	1			N N NP3M YC837AM6
	C837 AT4	1			N N NP3T YC837AT4
8					COVER, Arm Rest N N N N
	C409 AA3	1			N N NP3A YC409AA3
	C409 AB2	1			N N NP3B YC409AB2
	C409 AF5	1			N N NP3F YC409AF5
	C409 AM6	1			N N NP3M YC409AM6
	C409 AT4	1			N N NP3T YC409AT4
9	4190 694	4			BUTTON N N N Y4190694
10	4239 320	4			RETAINER, Button N N N Y4239320
11					SHIELD, Cushion N N N N
	S780-1 AA3	1			N N21 NP3A YS780AA3
	S780-1 AB2	1			N N21 NP3B YS780AB2
	S780-1 AF5	1			N N21 NP3F YS780AF5
	S780-1 VM6	1			N N21 NP3M YS780VM6
	S780-1 VT4	1			N N21 NP3T YS780VT4
	S678-9 AA3	1			N N41,45 NP3A YS678AA3

**MODEL CODES**

B = GRAN FURY/CARAVELLE	P = RELIANT
C = LEBARON/TOWN & COUNTRY	S = CORDOBA
D = ARIES	V = 400
F = NEW YORKER	X = MIRADA
G = DIPLOMAT	Y = IMPERIAL
M = HORIZON/TC3/SCAMP	Z = OMNI/O24/RAMPAGE

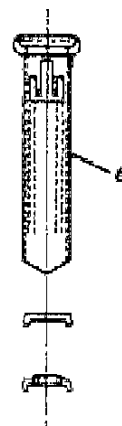
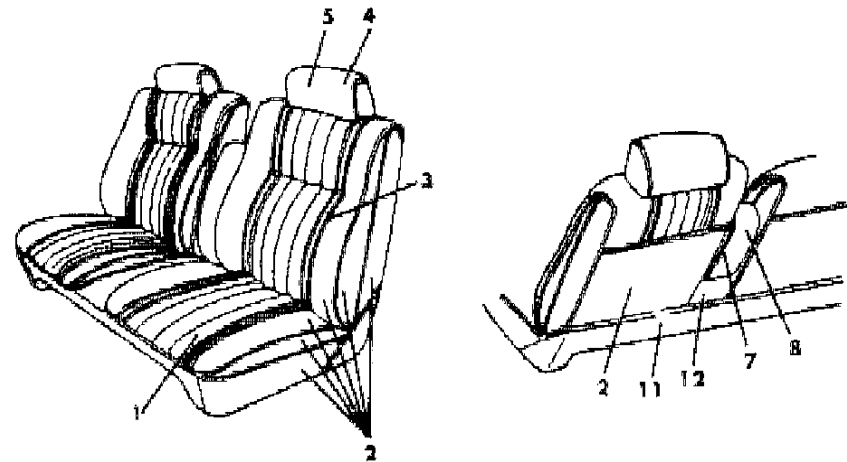
**BODY STYLES**

21 = 2-DOOR SEDAN	28 = FWD PICKUP
22 = 2-DOOR SPECIAL COUPE	41 = 4-DOOR SEDAN
24 = 2-DOOR HATCHBACK	44 = 4-DOOR HATCHBACK
27 = 2-DOOR CONVERTIBLE	45 = 2-SEAT STATION WAGON

AR = Use as Required - = Non Illustrated Part P.A.R. = Paint as Required

SEAT FRONT P,D 21,41,45 TRIM CODE P3  
Figure IT-3203

2253 320300



ITEM	PART NUMBER	QTY	BODY	MODEL	DESCRIPTION
	S678-9 AB2	1			N N41,45 NP3B YS678AB2
	S678-9 AF5	1			N N41,45 NP3F YS678AF5
	S678-9 AM6	1			N N41,45 NP3M YS678AM6
	S678-9 AT4	1			N N41,45 NP3T YS678AT4
12					COVER, Arm Rest Finish N N N N0
	S581 AA3	1			N N NP3A YS581AA3
	S581 AB2	1			N N NP3B YS581AB2
	S581 AF5	1			N N NP3F YS581AF5
	S581 AM6	1			N N NP3M YS581AM6
	S581 AT4	1			N N NP3T YS581AT4
The following parts are not illustrated. s ARE NOT RETURNABLE.					
	0136 135	AR			RIVET, Headrest Catch to Support N N N Y136135
	6030 082	2			SCREW, Arm Rest to Stachion N N N Y6030082
	4239 784-5	1			ARM, Front Seat Back to Cushion N N41 N Y4239784
	4239 076	1			ROD, Arm Rest Lock N N N Y4239076
	4239 468	4			COVER, Back Stop Pin N N N Y4239468
	6500 534	4			BOLT, Cushion to Back Attaching N N N Y6500534
	6006 324	1			NUT, Arm Rest Lock Rod N N N Y6006324
	2899 351	2			BUSHING, Cushion Pivot Bracket (use up to 10/26/81) N N N Y2899351
	4277 908	2			(use after 10/26/81) N N N Y4277908
	4190 388	2			COVER, Headrest Finish N N N Y4190388

MODEL CODES

B = GRAN FURY/CARAVELLE	P = RELIANT
C = LEBARON/TOWN & COUNTRY	S = CORDOBA
D = ARIES	V = 400
F = NEW YORKER	X = MIRADA
G = DIPLOMAT	Y = IMPERIAL
M = HORIZON/TC3/SCAMP	Z = OMNI/O24/RAMPAGE

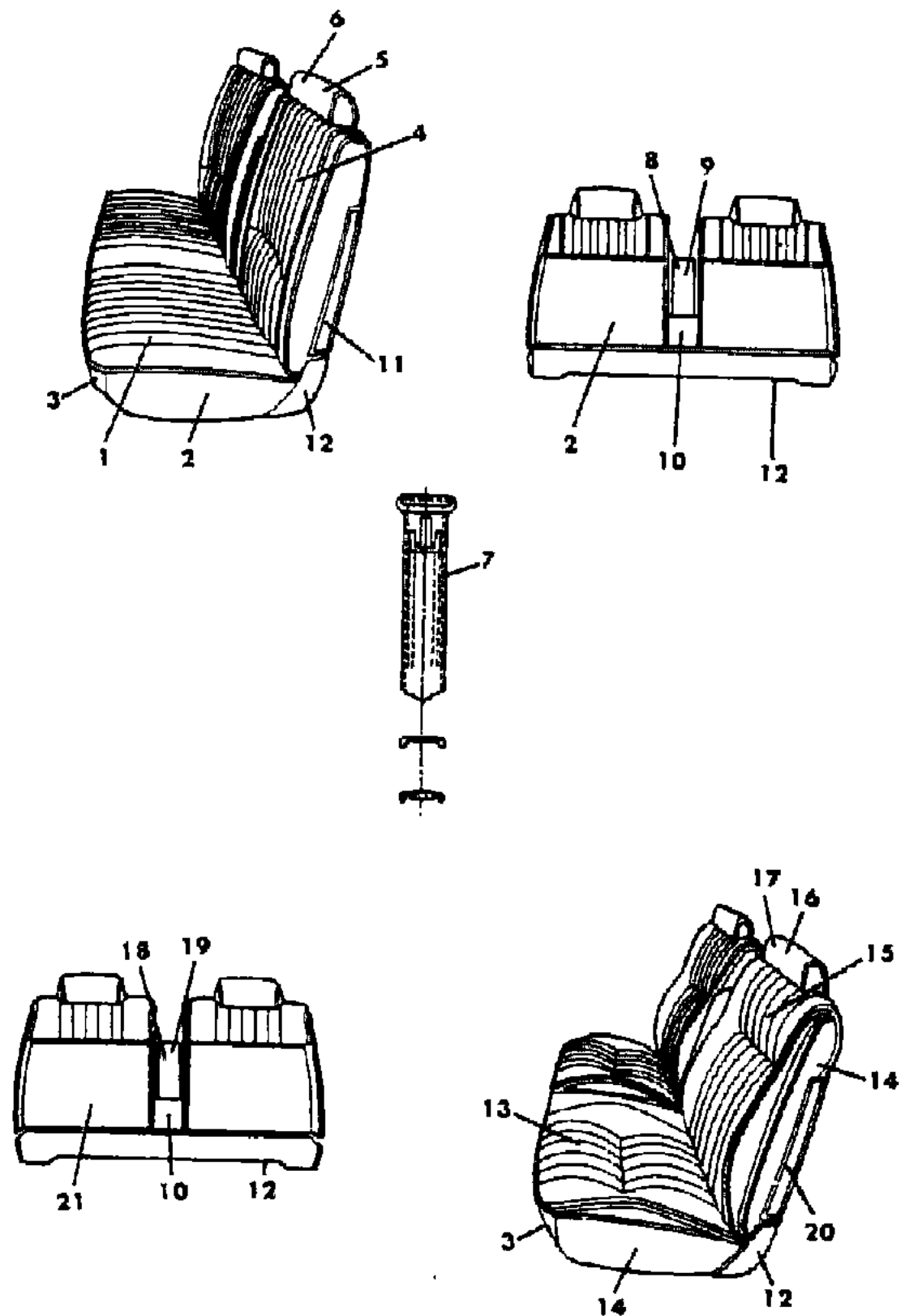
BODY STYLES

21 = 2-DOOR SEDAN	28 = FWD PICKUP
22 = 2-DOOR SPECIAL COUPE	41 = 4-DOOR SEDAN
24 = 2-DOOR HATCHBACK	44 = 4-DOOR HATCHBACK
27 = 2-DOOR CONVERTIBLE	45 = 2-SEAT STATION WAGON

AR = Use as Required - = Non Illustrated Part P.A.R. = Paint as Required

SEAT FRONT C,V G3,J3  
Figure IT-3204

2253 320400



ITEM	PART NUMBER	QTY	BODY	MODEL	DESCRIPTION
1-3					CUSHION, w/Spring, Frame and Cover N N N N
	C662 A3A	1			Manual N N N N (use up to Jefferson 2/25/82; St. Louis 3/26/82) N N NG3A YC662A3A
	C932 A3A	1			(use after Jefferson 2/25/82; St. Louis 3/26/82) N N NG3A YC932A3A
	C662 A3C	1			(use up to Jefferson 2/23/82; St. Louis 3/18/82) N N NG3C YC662A3C
	C932 A3C	1			(use from Jefferson 2/23/82; St. Louis 3/18/82 to 6/15/82) N N NG3C YC932A3C
	B964 A3C	1			(use after 6/15/82) N N NG3C YB964A3C
	C662 A3H	1			(use up to Jefferson 2/24/82; St. Louis 4/21/82) N N NG3H YC662A3H
	C932 A3H	1			(use after Jefferson 2/24/82; St. Louis 4/21/82) N N NG3H YC932A3H
	C662 A3M	1			(use up to Jefferson 2/24/82; St. Louis 3/24/82) N N NG3M YC662A3M
	C932 A3M	1			(use from Jefferson 2/24/82; St. Louis 3/24/82 to Jefferson 5/ 18/82; St. Louis 5/6/82) N N NG3M YC932A3M
	B964 A3M	1			(use after Jefferson 5/18/82; St. Louis 5/6/82) N N NG3M YB964A3M
	C662 A3T	1			(use up to Jefferson 2/19/82; St. Louis 4/7/82) N N NG3T YC662A3T
	C932 A3T	1			(use after Jefferson 2/19/82; St. Louis 4/7/82) N N NG3T YC932A3T
	C663 A3A	1			Electric N N N N (use up to Jefferson 2/25/82; St. Louis 3/26/82) N N NG3A YC663A3A
	C933 A3A	1			(use after Jefferson 2/25/82; St. Louis 3/26/82) N N NG3A YC933A3A
	C663 A3C	1			(use up to Jefferson 2/23/82; St. Louis 3/18/82) N N NG3C YC663A3C
	C933 A3C	1			(use from Jefferson 2/23/82; St. Louis 3/18/82 to Jefferson 5/ 27/82; St. Louis 6/15/82) N N NG3C YC933A3C
	B965 A3C	1			(use after Jefferson 5/27/82; St. Louis 6/15/82) N N NG3C YB965A3C

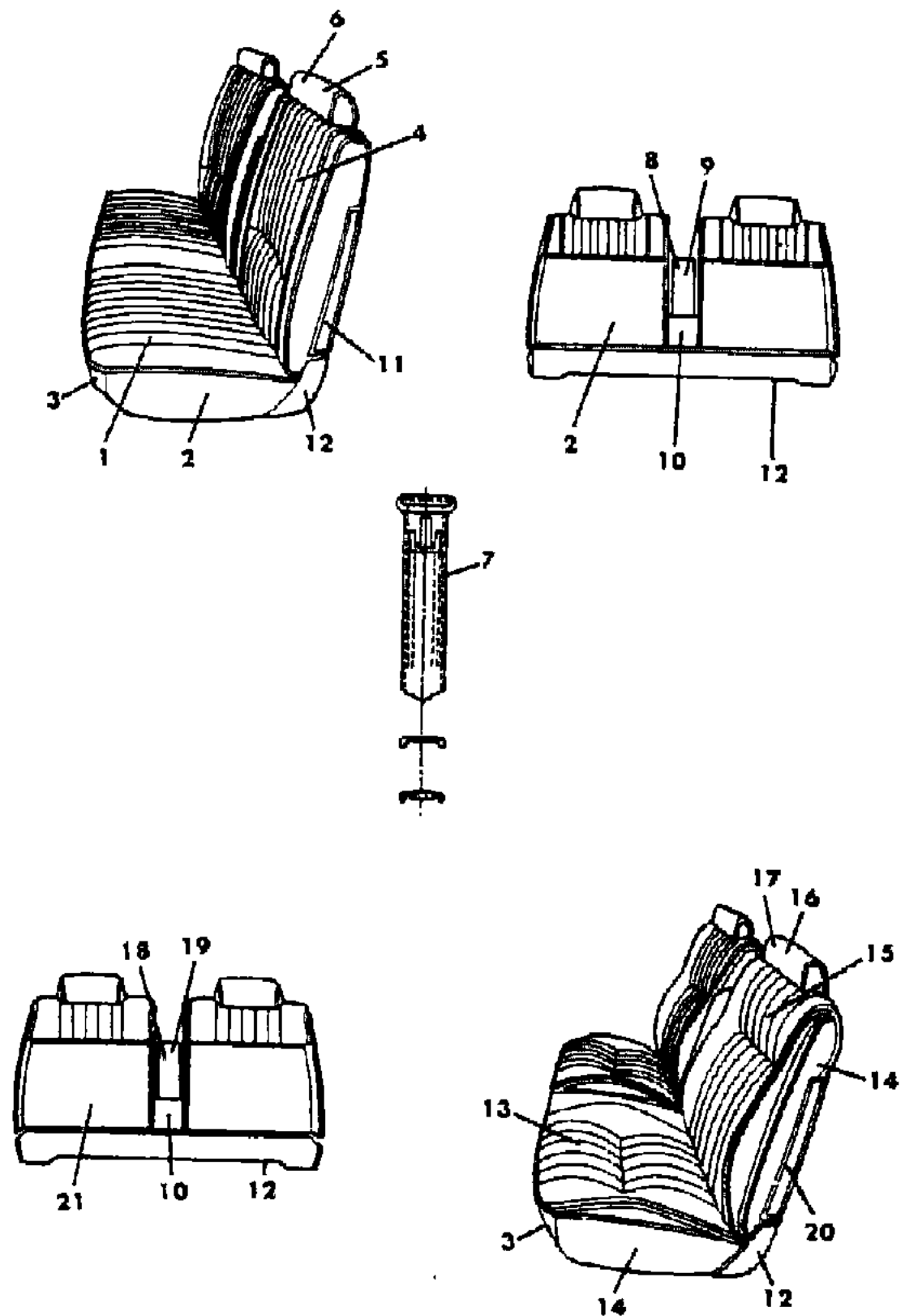
MODEL CODES  
 B = GRAN FURY/CARAVELLE      P = RELIANT  
 C = LEBARON/TOWN & COUNTRY      S = CORDOBA  
 D = ARIES      V = 400  
 F = NEW YORKER      X = MIRADA  
 G = DIPLOMAT      Y = IMPERIAL  
 M = HORIZON/TC3/SCAMP      Z = OMNI/O24/RAMPAGE

BODY STYLES  
 21 = 2-DOOR SEDAN      28 = FWD PICKUP  
 22 = 2-DOOR SPECIAL COUPE      41 = 4-DOOR SEDAN  
 24 = 2-DOOR HATCHBACK      44 = 4-DOOR HATCHBACK  
 27 = 2-DOOR CONVERTIBLE      45 = 2-SEAT STATION WAGON

AR = Use as Required - = Non Illustrated Part P.A.R. = Paint as Required

SEAT FRONT C,V G3,J3  
Figure IT-3204

2253 320400



ITEM	PART NUMBER	QTY	BODY	MODEL	DESCRIPTION
	C663 A3H	1			(use up to Jefferson 2/24/82; St. Louis 4/21/82) N N NG3H YC663A3H
	C933 A3H	1			(use after Jefferson 2/24/82; St. Louis 4/21/82) N N NG3H YC933A3H
	C663 A3M	1			(use up to Jefferson 2/24/82; St. Louis 3/24/82) N N NG3M YC663A3M
	C933 A3M	1			(use from Jefferson 2/24/82; St. Louis 3/24/82 to Jefferson 5/18/82; St. Louis 5/6/82) N N NG3M YC933A3M
	B965 A3M	1			(use after Jefferson 5/18/82; St. Louis 5/6/82) N N NG3M YB965A3M
	C663 A3T	1			(use up to Jefferson 2/19/82; St. Louis 4/7/82) N N NG3T YC663A3T
	C933 A3T	1			(use after Jefferson 2/19/82; St. Louis 4/7/82) N N NG3T YC933A3T
1	C335 A3A	1			COVER, Cushion N N N N (use up to Jefferson 2/25/82; St. Louis 3/26/82) N N NG3A YC335A3A
	C437 A3A	1			(use after Jefferson 2/25/82; St. Louis 3/26/82) N N NG3A YC437A3A
	C335 A3C	1			(use up to Jefferson 2/23/82; St. Louis 3/18/82) N N NG3C YC335A3C
	C437 A3C	1			(use from Jefferson 2/23/82; St. Louis 3/18/82 to 5/25/82) N N NG3C YC437A3C
	C501 A3C	1			(use after 5/25/82) N N NG3C YC501A3C
	C335 A3H	1			(use up to Jefferson 2/24/82; St. Louis 4/21/82) N N NG3H YC335A3H
	C437 A3H	1			(use after Jefferson 2/24/82; St. Louis 4/21/82) N N NG3H YC437A3H
	C335 A3M	1			(use up to Jefferson 2/24/82; St. Louis 3/24/82) N N NG3M YC335A3M
	C437 A3M	1			(use from Jefferson 2/24/82; St. Louis 3/24/82 to 5/6/82) N N NG3M YC437A3M
	C501 A3M	1			(use after 5/6/82) N N NG3M YC501A3M
	C335 A3T	1			(use up to Jefferson 2/19/82; St. Louis 4/7/82) N N NG3T YC335A3T
	C437 A3T	1			(use after Jefferson 2/19/82; St. Louis 4/7/82) N N NG3T YC437A3T

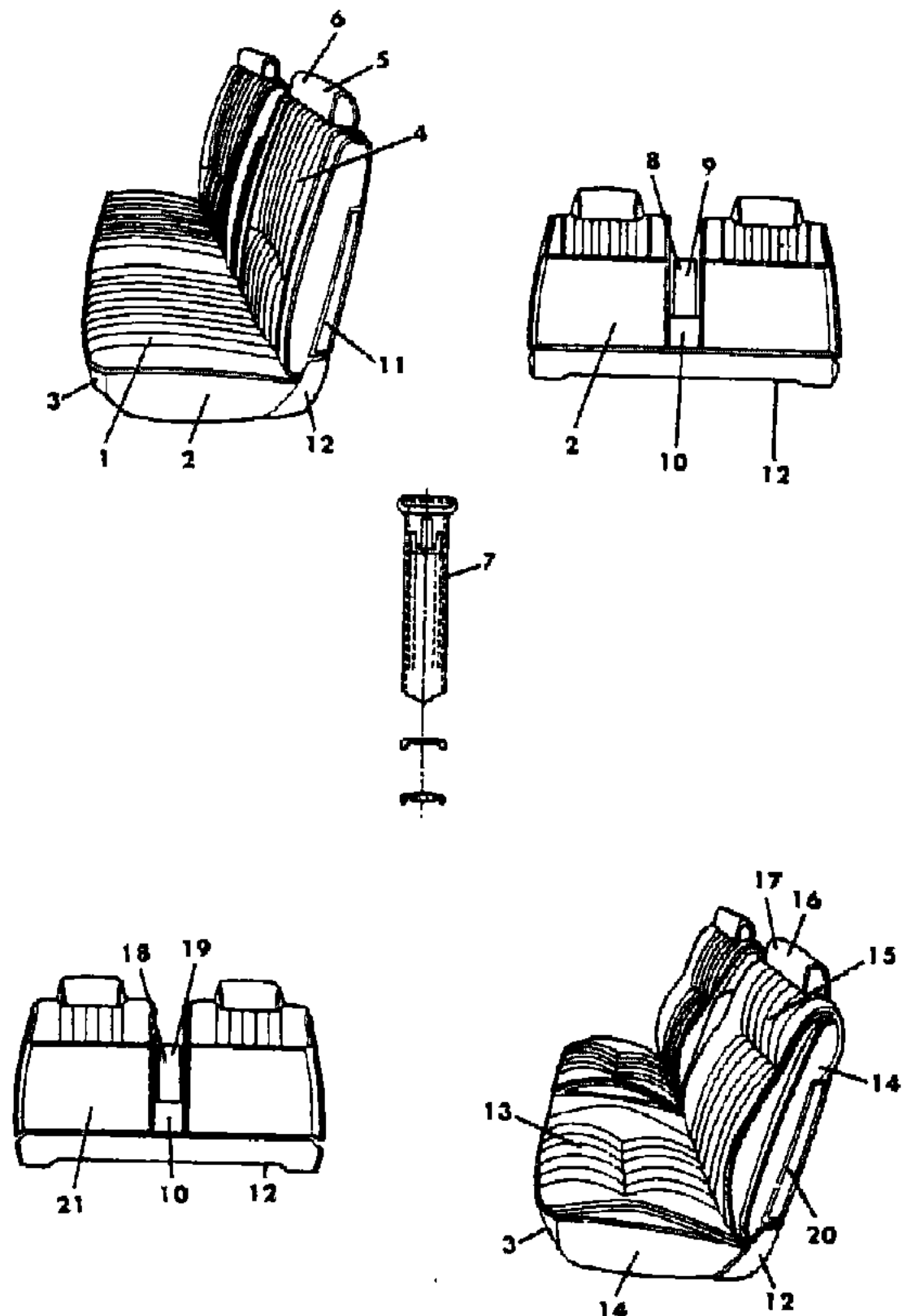
MODEL CODES  
 B = GRAN FURY/CARAVELLE  
 C = LEBARON/TOWN & COUNTRY  
 D = ARIES  
 F = NEW YORKER  
 G = DIPLOMAT  
 M = HORIZON/TC3/SCAMP  
 P = RELIANT  
 S = CORDOBA  
 V = 400  
 X = MIRADA  
 Y = IMPERIAL  
 Z = OMNI/O24/RAMPAGE

BODY STYLES  
 21 = 2-DOOR SEDAN  
 22 = 2-DOOR SPECIAL COUPE  
 24 = 2-DOOR HATCHBACK  
 27 = 2-DOOR CONVERTIBLE  
 28 = FWD PICKUP  
 41 = 4-DOOR SEDAN  
 44 = 4-DOOR HATCHBACK  
 45 = 2-SEAT STATION WAGON

AR = Use as Required - = Non Illustrated Part P.A.R. = Paint as Required

SEAT FRONT C,V G3,J3  
Figure IT-3204

2253 320400



ITEM	PART NUMBER	QTY	BODY	MODEL	DESCRIPTION
2					ROLL STOCK, Cloth 54" Wide Order by the Inch. N N N N
	R088 AA3	AR			N N NG3A YR088AA3
	R092 VC7	AR			N N NG3C YR092VC7
	R092 VH9	AR			N N NG3H YR092VH9
	R092 VM6	AR			N N NG3M YR092VM6
	R088 VT4	AR			N N NG3T YR088VT4
3					ROLL STOCK, Vinyl Order by the Inch. N N N N
	R616 AA2	AR			64" Wide N N NG3A YR616AA2
	R616 VC8	AR			64" Wide N N NG3C YR616VC8
	R609 VH9	AR			58" Wide N N NG3H YR609VH9
	R616 VM6	AR			64" Wide N N NG3M YR616VM6
	R616 VT3	AR			64" Wide N N NG3T YR616VT3
2-4					BACK, w/Spring, Frame and Cover N N N N
	C838-9 A3A	1			(use up to 3/26/82) N N22 NG3A YC838A3A
	C990-1 A3A	1			(use after 3/26/82) N N22 NG3A YC990A3A
	C838-9 A3C	1			(use up to 3/18/82) N N22 NG3C YC838A3C
	C990-1 A3C	1			(use from 3/18/82 to Jefferson 5/26/82; St. Louis 6/16/82) N N22 NG3C YC990A3C
	B972-3 A3C	1			(use after Jefferson 5/26/82; St. Louis 6/16/82) N N22 NG3C YB972A3C
	C838-9 A3H	1			(use up to 4/21/82) N N22 NG3H YC838A3H
	C990-1 A3H	1			(use after 4/21/82) N N22 NG3H YC990A3H
	C838-9 A3M	1			(use up to 3/24/82) N N22 NG3M YC838A3M
	C990-1 A3M	1			(use from 3/24/82 to 5/14/82) N N22 NG3M YC990A3M
	B672-3 A3M	1			(use after 5/14/82) N N22 NG3M YB672A3M
	C838-9 A3T	1			(use up to 4/7/82) N N22 NG3T YC838A3T
	C990-1 A3T	1			(use after 4/7/82) N N22 NG3T YC990A3T
	C840-1 A3A	1			(use up to 2/25/82) NC N41 NG3A YC840A3A
	C992-3 A3A	1			(use after 2/25/82) NC N41 NG3A YC992A3A
	C840-1 A3C	1			(use up to 2/23/82) NC N41 NG3C YC840A3C
	C992-3 A3C	1			(use from 2/23/82 to Jefferson 5/26/82; St. Louis 6/15/82) NC N41 NG3C YC992A3C
	B970-1 A3C	1			(use after Jefferson 5/26/82; St. Louis 6/15/82) NC N41 NG3C YB970A3C
	C840-1 A3H	1			(use up to 2/24/82) NC N41 NG3H YC840A3H
	C992-3 A3H	1			(use after 2/24/82) NC N41 NG3H YC992A3H
	C840-1 A3M	1			(use up to 2/24/82) NC N41 NG3M YC840A3M

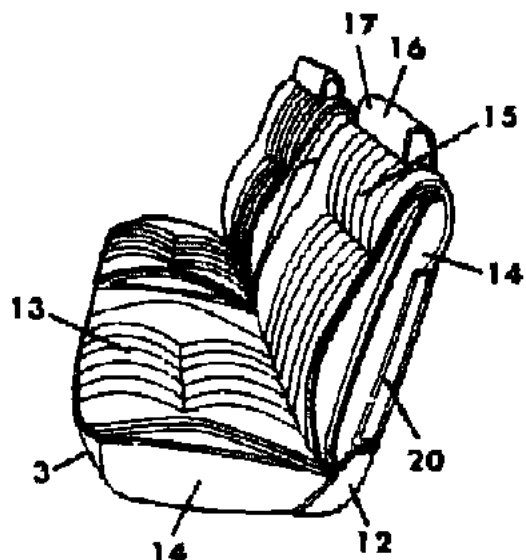
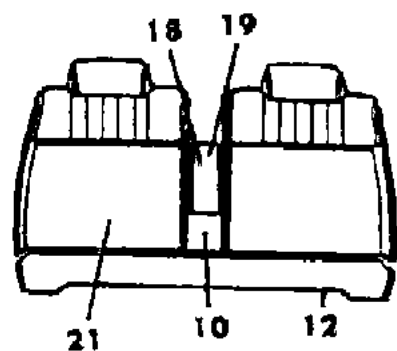
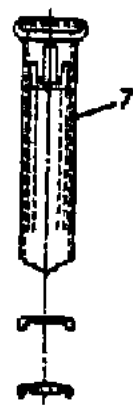
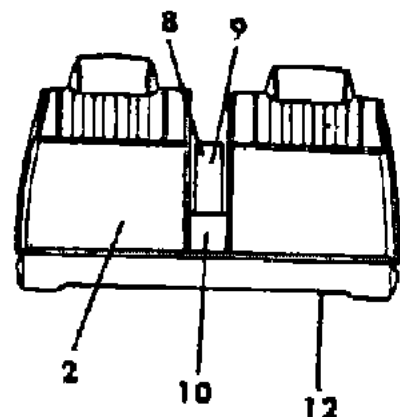
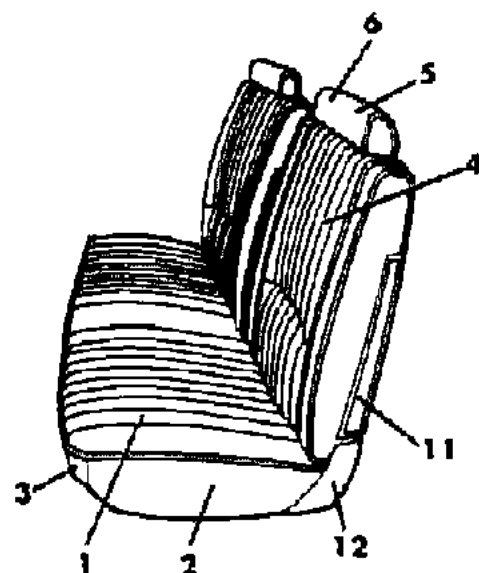
MODEL CODES  
 B = GRAN FURY/CARAVELLE  
 C = LEBARON/TOWN & COUNTRY  
 D = ARIES  
 F = NEW YORKER  
 G = DIPLOMAT  
 M = HORIZON/TC3/SCAMP  
 P = RELIANT  
 S = CORDOBA  
 V = 400  
 X = MIRADA  
 Y = IMPERIAL  
 Z = OMNI/O24/RAMPAGE

BODY STYLES  
 21 = 2-DOOR SEDAN  
 22 = 2-DOOR SPECIAL COUPE  
 24 = 2-DOOR HATCHBACK  
 27 = 2-DOOR CONVERTIBLE  
 28 = FWD PICKUP  
 41 = 4-DOOR SEDAN  
 44 = 4-DOOR HATCHBACK  
 45 = 2-SEAT STATION WAGON

AR = Use as Required - = Non Illustrated Part P.A.R. = Paint as Required

SEAT FRONT C,V G3,J3  
Figure IT-3204

2253 320400



ITEM	PART NUMBER	QTY	BODY	MODEL	DESCRIPTION
	C992-3 A3M	1			(use from 2/24/82 to 5/14/82) NC N41 NG3M YC992A3M
	B970-1 A3M	1			(use after 5/14/82) NC N41 NG3M YB970A3M
	C840-1 A3T	1			(use up to 2/19/82) NC N41 NG3T YC840A3T
	C992-3 A3T	1			(use after 2/19/82) NC N41 NG3T YC992A3T
	C992-3 A3A	1			NV N41 NG3A YC992A3A
	C992-3 A3C	1			NV N41 NG3C YC992A3C
	C992-3 A3H	1			NV N41 NG3H YC992A3H
	C992-3 A3M	1			NV N41 NG3M YC992A3M
	C992-3 A3T	1			NV N41 NG3T YC992A3T
4					COVER, Back N N N N
	C336-7 A3A	1			(use up to Jefferson 2/25/82; St. Louis 3/26/82) N N NG3A YC336A3A
	C438-9 A3A	1			(use after Jefferson 2/25/82; St. Louis 3/26/82) N N NG3A YC438A3A
	C336-7 A3C	1			(use up to Jefferson 2/23/82; St. Louis 3/18/82) N N NG3C YC336A3C
	C438-9 A3C	1			(use from Jefferson 2/23/82; St. Louis 3/18/82 to 5/26/82) N N NG3C YC438A3C
	C502-3 A3C	1			(use after 5/26/82) N N NG3C YC502A3C
	C336-7 A3H	1			(use up to Jefferson 2/24/82; St. Louis 4/21/82) N N NG3H YC336A3H
	C438-9 A3H	1			(use after Jefferson 2/24/82; St. Louis 4/21/82) N N NG3H YC438A3H
	C336-7 A3M	1			(use up to Jefferson 2/24/82; St. Louis 3/24/82) N N NG3M YC336A3M
	C438-9 A3M	1			(use from Jefferson 2/24/82; St. Louis 3/24/82 to 5/6/82) N N NG3M YC438A3M
	C502-3 A3M	1			(use after 5/6/82) N N NG3M YC502A3M
	C336-7 A3T	1			(use up to Jefferson 2/19/82; St. Louis 4/7/82) N N NG3T YC336A3T
	C438-9 A3T	1			(use after Jefferson 2/19/82; St. Louis 4/7/82) N N NG3T YC438A3T
5					HEADREST w/COVER N N N N
	C661 AA3	2			N N NG3A YC661AA3
	C661 AC7	2			N N NG3C YC661AC7
	C661 AH9	2			N N NG3H YC661AH9
	C661 VM6	2			N N NG3M YC661VM6

MODEL CODES

B = GRAN FURY/CARAVELLE	P = RELIANT
C = LEBARON/TOWN & COUNTRY	S = CORDOBA
D = ARIES	V = 400
F = NEW YORKER	X = MIRADA
G = DIPLOMAT	Y = IMPERIAL
M = HORIZON/TC3/SCAMP	Z = OMNI/O24/RAMPAGE

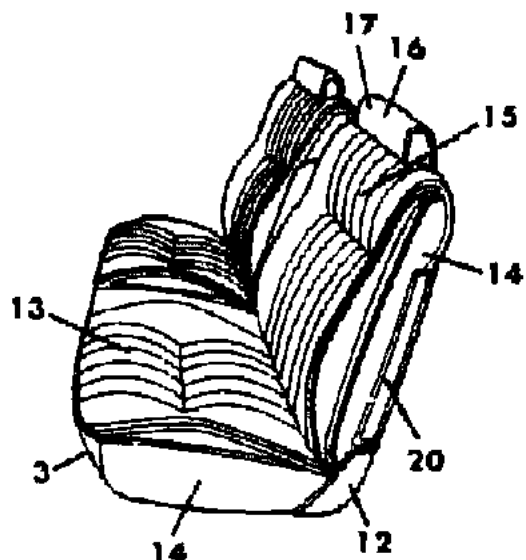
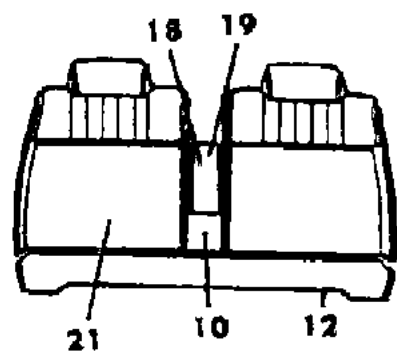
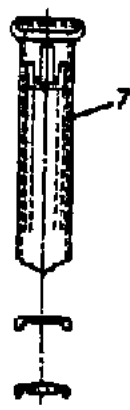
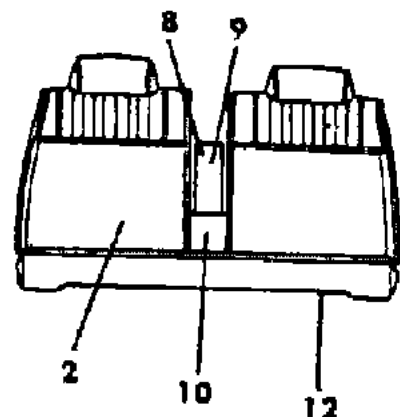
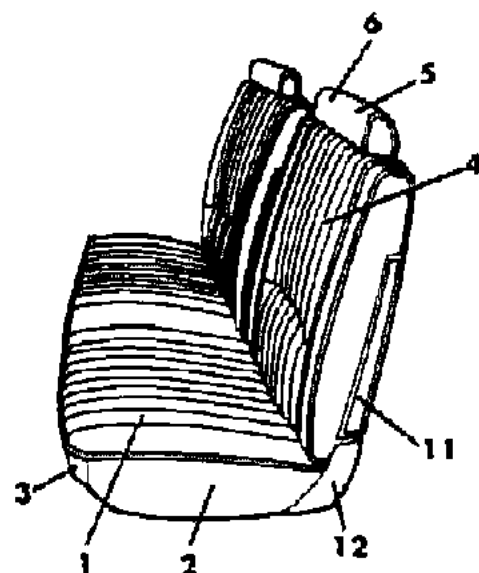
BODY STYLES

21 = 2-DOOR SEDAN	28 = FWD PICKUP
22 = 2-DOOR SPECIAL COUPE	41 = 4-DOOR SEDAN
24 = 2-DOOR HATCHBACK	44 = 4-DOOR HATCHBACK
27 = 2-DOOR CONVERTIBLE	45 = 2-SEAT STATION WAGON

AR = Use as Required - = Non Illustrated Part P.A.R. = Paint as Required

SEAT FRONT C,V G3,J3  
Figure IT-3204

2253 320400



ITEM	PART NUMBER	QTY	BODY	MODEL	DESCRIPTION
	C661 VT4	2			N N NG3T YC661VT4
6	C356 AA3	2			COVER, Headrest N N N N
	C356 AC8	2			N N NG3A YC356AA3
	C356 AH9	2			N N NG3C YC356AC8
	C356 AM6	2			N N NG3H YC356AH9
7	C356 AM6	2			N N NG3M YC356AM6
	C356 AT4	2			N N NG3T YC356AT4
	S786 AA3	2			SLEEVE, Headrest N N N N
	S786 AC7	2			Silver N N N YS786AA3
	S786 AH9	2			Blue N N N YS786AC7
	S786 VM6	2			Mahogany N N N YS786AH9
8	S786 VT4	2			Red N N N YS786VM6
	C835 AA3	1			Tan N N N YS786VT4
	C835 AC8	1			ARM REST w/COVER N N N N
	B976 AC8	1			N N NG3A YC835AA3
	C835 AH9	1			(use up to Jefferson 5/28/82; St. Louis 6/9/82) N N NG3C
	C835 AM6	1			YC835AC8
	B976 AM6	1			(use after Jefferson 5/28/82; St. Louis 6/9/82) N N NG3C
	C835 AT4	1			YB976AC8
9	C407 AA3	1			N N NG3H YC835AH9
	C407 AC7	1			(use up to 5/24/82) N N NG3M YC835AM6
	C407 AH9	1			(use after 5/24/82) N N NG3M YB976AM6
	C407 AM6	1			N N NG3T YC835AT4
	C506 AC7	1			COVER, Arm Rest N N N N
	C506 AM6	1			N N NG3A YC407AA3
10	C407 AT4	1			(use up to 5/28/82) N N NG3C YC407AC7
	S581 AA3	1			(use after 5/28/82) N N NG3C YC506AC7
	S581 AC7	1			N N NG3H YC407AH9
	S581 AH9	1			(use up to 5/25/82) N N NG3M YC407AM6
	S581 AM6	1			(use after 5/25/82) N N NG3M YC506AM6
	S581 AT4	1			N N NG3T YC407AT4

MODEL CODES

B = GRAN FURY/CARAVELLE	P = RELIANT
C = LEBARON/TOWN & COUNTRY	S = CORDOBA
D = ARIES	V = 400
F = NEW YORKER	X = MIRADA
G = DIPLOMAT	Y = IMPERIAL
M = HORIZON/TC3/SCAMP	Z = OMNI/O24/RAMPAGE

BODY STYLES

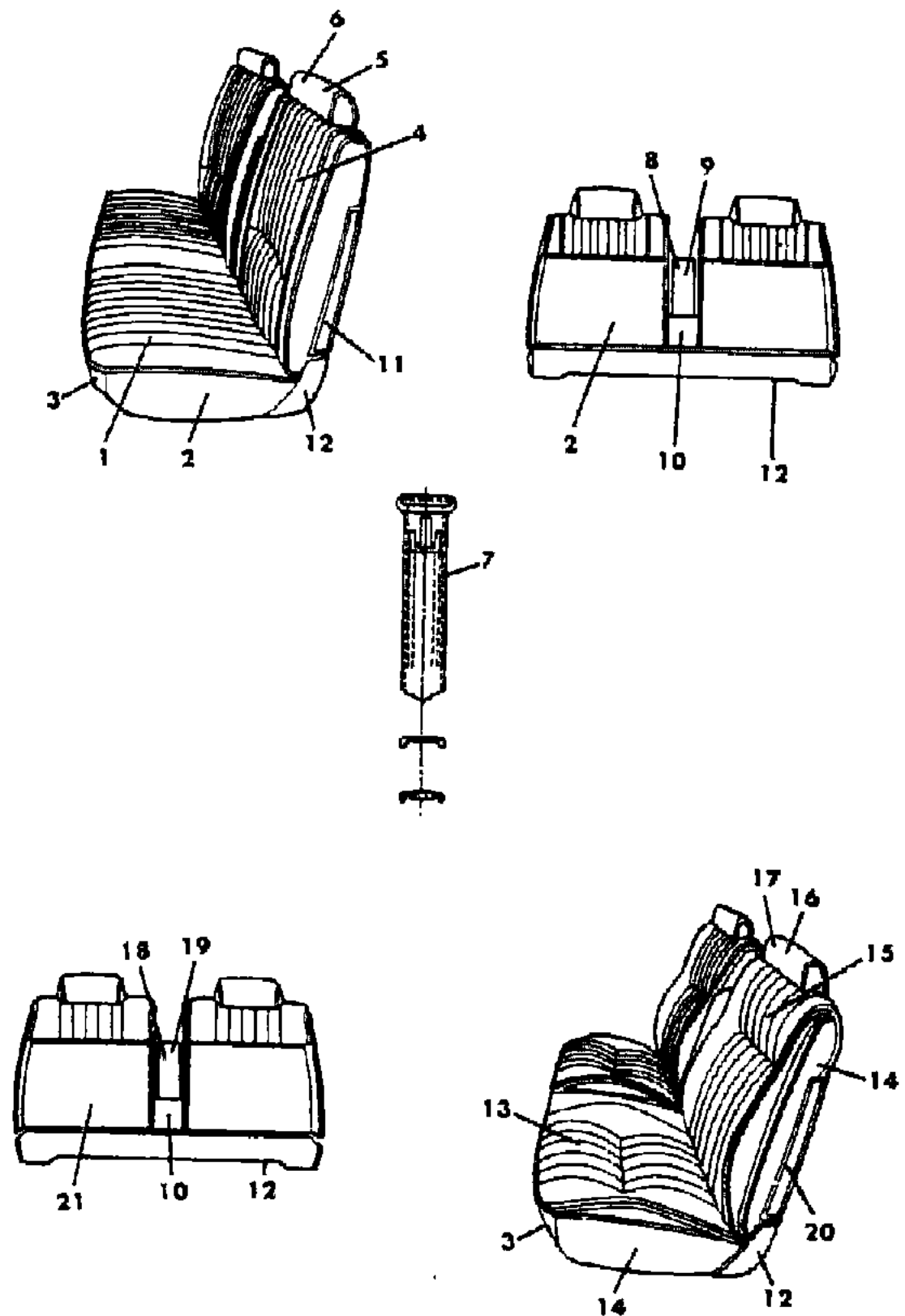
21 = 2-DOOR SEDAN	28 = FWD PICKUP
22 = 2-DOOR SPECIAL COUPE	41 = 4-DOOR SEDAN
24 = 2-DOOR HATCHBACK	44 = 4-DOOR HATCHBACK
27 = 2-DOOR CONVERTIBLE	45 = 2-SEAT STATION WAGON

AR = Use as Required - = Non Illustrated Part P.A.R. = Paint as Required



SEAT FRONT C,V G3,J3  
Figure IT-3204

2253 320400



ITEM	PART NUMBER	QTY	BODY	MODEL	DESCRIPTION
11	S752-3 AA3	1			SHIELD, Outer, Plain (paint as required) N N N YS752AA3
12	S780-1 AA3	1			SHIELD, Cushion N N N N Silver N N22 N YS780AA3
	S780-1 AC7	1			Blue N N22 N YS780AC7
	S780-1 AH9	1			Mahogany N N22 N YS780AH9
	S780-1 VM6	1			Red N N22 N YS780VM6
	S780-1 VT4	1			Tan N N22 N YS780VT4
	S678-9 AA3	1			Silver N N41 N YS678AA3
	S678-9 AC7	1			Blue N N41 N YS678AC7
	S678-9 AH9	1			Mahogany N N41 N YS678AH9
	S678-9 AM6	1			Red N N41 N YS678AM6
	S678-9 AT4	1			Tan N N41 N YS678AT4
13-14					CUSHION, w/Spring, Frame and Cover N N N N Manual N N N N
	C803 A3A	1			(use up to 9/24/81) N N NJ3A YC803A3A
	C859 A3A	1			(use after 9/24/81) N N NJ3A YC859A3A
	C803 A3C	1			(use up to 10/7/81) N N NJ3C YC803A3C
	C859 A3C	1			(use after 10/7/81) N N NJ3C YC859A3C
	C803 A3H	1			(use up to 10/1/81) N N NJ3H YC803A3H
	C859 A3H	1			(use after 10/1/81) N N NJ3H YC859A3H
	C803 A3M	1			(use up to 10/2/81) N N NJ3M YC803A3M
	C859 A3M	1			(use after 10/2/81) N N NJ3M YC859A3M
	C803 A3T	1			(use up to 10/1/81) N N NJ3T YC803A3T
	C859 A3T	1			(use from 10/1/81 to 11/2/81) N N NJ3T YC859A3T
	C892 A3T	1			(use after 11/2/81) N N NJ3T YC892A3T
					Electric N N N N
	C709 A3A	1			(use up to 9/24/81) N N NJ3A YC709A3A
	C858 A3A	1			(use after 9/24/81) N N NJ3A YC858A3A
	C709 A3C	1			(use up to 10/7/81) N N NJ3C YC709A3C
	C858 A3C	1			(use after 10/7/81) N N NJ3C YC858A3C
	C709 A3H	1			(use up to 10/1/81) N N NJ3H YC709A3H
	C858 A3H	1			(use after 10/1/81) N N NJ3H YC858A3H
	C709 A3M	1			(use up to 10/2/81) N N NJ3M YC709A3M
	C858 A3M	1			(use after 10/2/81) N N NJ3M YC858A3M
	C709 A3T	1			(use up to 10/1/81) N N NJ3T YC709A3T
	C858 A3T	1			(use from 10/1/81 to 11/2/81) N N NJ3T YC858A3T
	C893 A3T	1			(use after 12/2/81) N N NJ3T YC893A3T

MODEL CODES

B = GRAN FURY/CARAVELLE	P = RELIANT
C = LEBARON/TOWN & COUNTRY	S = CORDOBA
D = ARIES	V = 400
F = NEW YORKER	X = MIRADA
G = DIPLOMAT	Y = IMPERIAL
M = HORIZON/TC3/SCAMP	Z = OMNI/O24/RAMPAGE

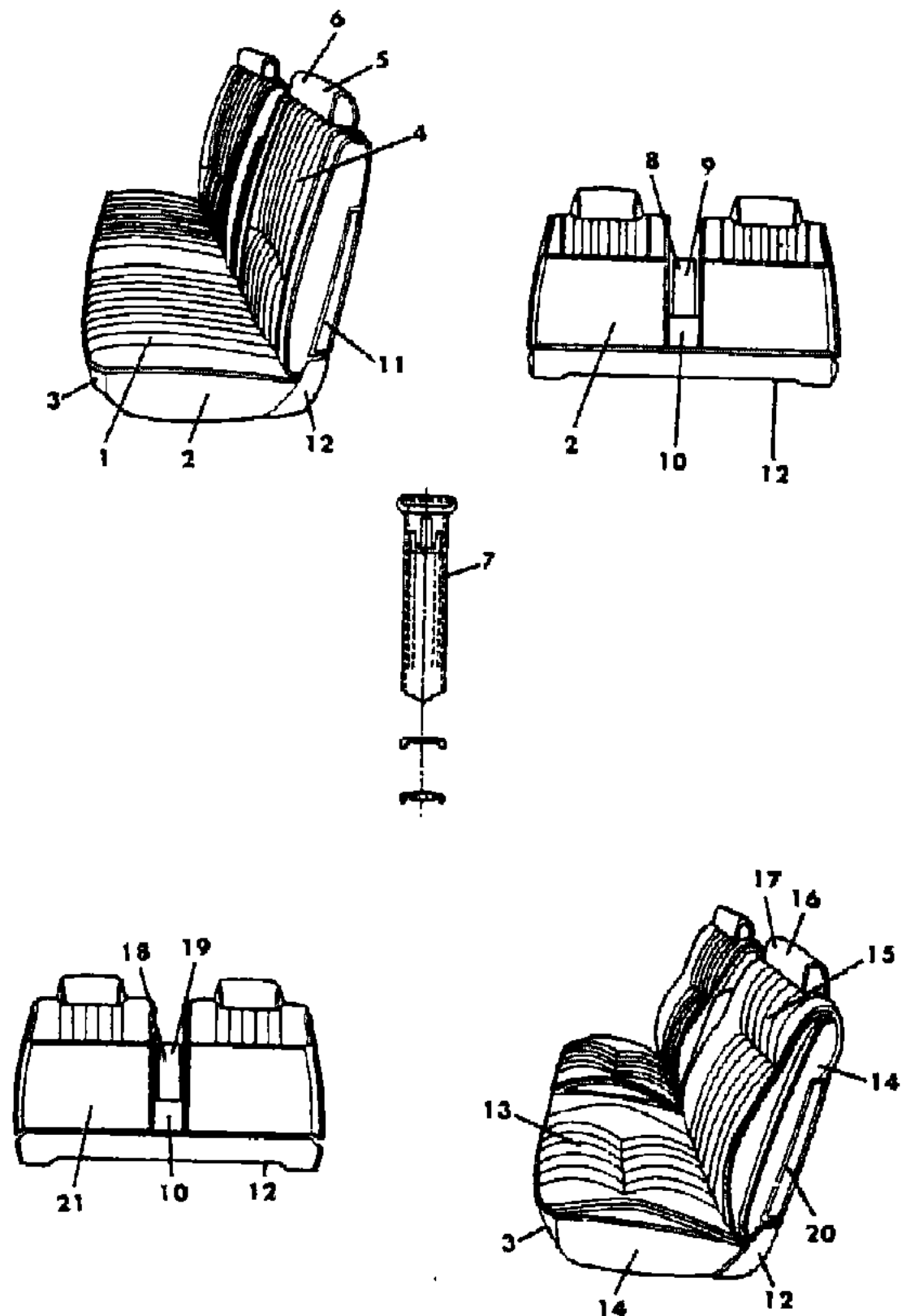
BODY STYLES

21 = 2-DOOR SEDAN	28 = FWD PICKUP
22 = 2-DOOR SPECIAL COUPE	41 = 4-DOOR SEDAN
24 = 2-DOOR HATCHBACK	44 = 4-DOOR HATCHBACK
27 = 2-DOOR CONVERTIBLE	45 = 2-SEAT STATION WAGON

AR = Use as Required - = Non Illustrated Part P.A.R. = Paint as Required

SEAT FRONT C,V G3,J3  
Figure IT-3204

2253 320400



ITEM	PART NUMBER	QTY	BODY	MODEL	DESCRIPTION
13					Cover, Cushion N N N N
	C349 A3A	1			(use up to 9/24/81) N N NJ3A YC349A3A
	C411 A3A	1			(use after 9/24/81) N N NJ3A YC411A3A
	C349 A3C	1			(use up to 10/7/81) N N NJ3C YC349A3C
	C411 A3C	1			(use after 10/7/81) N N NJ3C YC411A3C
	C349 A3H	1			(use up to 10/1/81) N N NJ3H YC349A3H
	C411 A3H	1			(use after 10/1/81) N N NJ3H YC411A3H
	C349 A3M	1			(use up to 10/2/81) N N NJ3M YC349A3M
	C411 A3M	1			(use after 10/2/81) N N NJ3M YC411A3M
	C349 A3T	1			(use up to 10/1/81) N N NJ3T YC349A3T
	C411 A3T	1			(use from 10/1/81 to 11/2/81) N N NJ3T YC411A3T
	C429 A3T	1			(use after 11/2/81) N N NJ3T YC429A3T
14					ROLL STOCK, Cloth 54" Wide Order by the Inch. N N N N
	R093 AA3	AR			N N NJ3A YR093AA3
	R093 AC7	AR			N N NJ3C YR093AC7
	R093 AH9	AR			N N NJ3H YR093AH9
	R093 AM6	AR			N N NJ3M YR093AM6
	R093 AT4	AR			N N NJ3T YR093AT4
14-15					BACK, w/Spring, Frame and Cover N N N N
	C804-5 A3A	1			(use up to 9/24/81) N N22 NJ3A YC804A3A
	C860-1 A3A	1			(use after 9/24/81) N N22 NJ3A YC860A3A
	C804-5 A3C	1			(use up to 10/7/81) N N22 NJ3C YC804A3C
	C860-1 A3C	1			(use after 10/7/81) N N22 NJ3C YC860A3C
	C804-5 A3H	1			(use up to 10/1/81) N N22 NJ3H YC804A3H
	C860-1 A3H	1			(use after 10/1/81) N N22 NJ3H YC860A3H
	C804-5 A3M	1			(use up to 10/2/81) N N22 NJ3M YC804A3M
	C860-1 A3M	1			(use after 10/2/81) N N22 NJ3M YC860A3M
	C804-5 A3T	1			(use up to 10/1/81) N N22 NJ3T YC804A3T
	C860-1 A3T	1			(use after 10/1/81) N N22 NJ3T YC860A3T
	C812-3 A3A	1			(use up to 9/24/81) N N41 NJ3A YC812A3A
	C862-3 A3A	1			(use after 9/24/81) N N41 NJ3A YC862A3A
	C812-3 A3C	1			(use up to 10/7/81) N N41 NJ3C YC812A3C
	C862-3 A3C	1			(use after 10/7/81) N N41 NJ3C YC862A3C
	C812-3 A3H	1			(use up to 10/1/81) N N41 NJ3H YC812A3H
	C862-3 A3H	1			(use after 10/1/81) N N41 NJ3H YC862A3H
	C812-3 A3M	1			(use up to 10/2/81) N N41 NJ3M YC812A3M
	C862-3 A3M	1			(use after 10/2/81) N N41 NJ3M YC862A3M

MODEL CODES

B = GRAN FURY/CARAVELLE	P = RELIANT
C = LEBARON/TOWN & COUNTRY	S = CORDOBA
D = ARIES	V = 400
F = NEW YORKER	X = MIRADA
G = DIPLOMAT	Y = IMPERIAL
M = HORIZON/TC3/SCAMP	Z = OMNI/O24/RAMPAGE

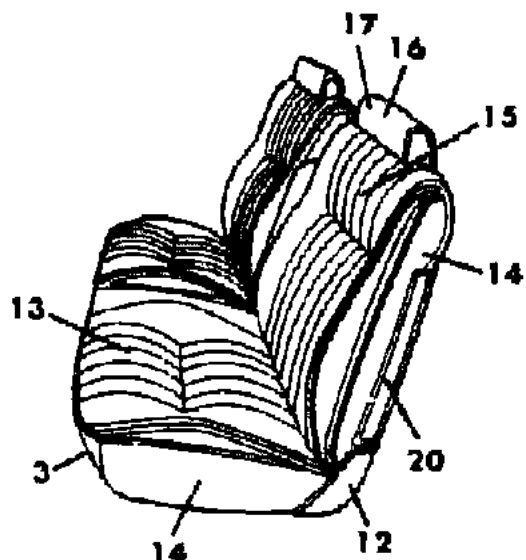
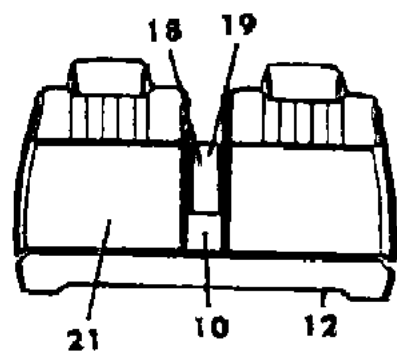
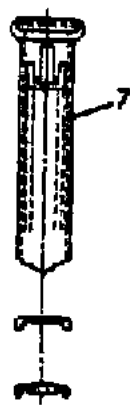
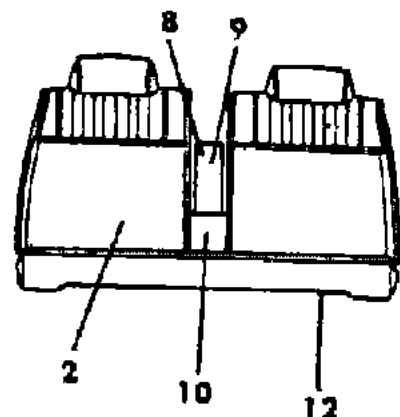
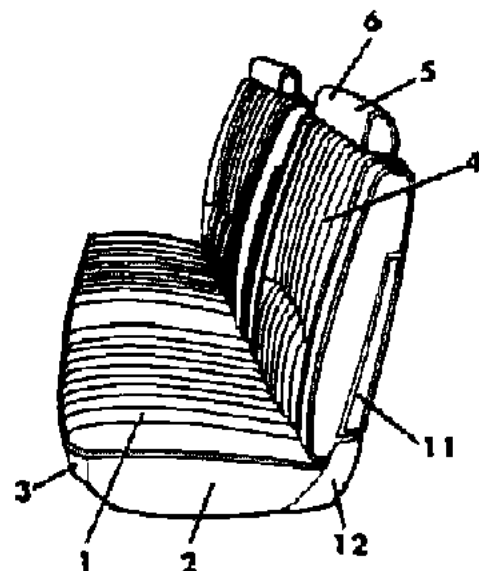
BODY STYLES

21 = 2-DOOR SEDAN	28 = FWD PICKUP
22 = 2-DOOR SPECIAL COUPE	41 = 4-DOOR SEDAN
24 = 2-DOOR HATCHBACK	44 = 4-DOOR HATCHBACK
27 = 2-DOOR CONVERTIBLE	45 = 2-SEAT STATION WAGON

AR = Use as Required - = Non Illustrated Part P.A.R. = Paint as Required

SEAT FRONT C,V G3,J3  
Figure IT-3204

2253 320400



ITEM	PART NUMBER	QTY	BODY	MODEL	DESCRIPTION
	C812-3 A3T	1			(use up to 10/1/81) N N41 NJ3T YC812A3T
	C862-3 A3T	1			(use from 10/1/81 to 11/2/81) N N41 NJ3T YC862A3T
	C896-7 A3T	1			(use after 11/2/81) N N41 NJ3T YC896A3T
15					COVER, Back N N N N
	C392-3 A3A	1			(use up to 10/6/81) N N NJ3A YC392A3A
	C412-3 A3A	1			(use after 10/6/81) N N NJ3A YC412A3A
	C392-3 A3C	1			(use up to 10/6/81) N N NJ3C YC392A3C
	C412-3 A3C	1			(use after 10/6/81) N N NJ3C YC412A3C
	C392-3 A3H	1			(use up to 10/12/81) N N NJ3H YC392A3H
	C412-3 A3H	1			(use after 10/12/81) N N NJ3H YC412A3H
	C392-3 A3M	1			(use up to 10/5/81) N N NJ3M YC392A3M
	C412-3 A3M	1			(use after 10/5/81) N N NJ3M YC412A3M
	C392-3 A3T	1			(use up to 10/5/81) N N NJ3T YC392A3T
	C412-3 A3T	1			(use from 10/5/81 to 11/2/81) N N NJ3T YC412A3T
	C430-1 A3T	1			(use after 11/2/81) N N NJ3T YC430A3T
16					HEADREST w/COVER N N N N
	C806 A3A	2			N N NJ3A YC806A3A
	C806 A3C	2			N N NJ3C YC806A3C
	C806 A3H	2			N N NJ3H YC806A3H
	C806 A3M	2			N N NJ3M YC806A3M
	C806 A3T	2			N N NJ3T YC806A3T
16					COVER, Headrest N N N N
	C351 AA3	2			N N NJ3A YC351AA3
	C351 AC7	2			N N NJ3C YC351AC7
	C351 AH9	2			N N NJ3H YC351AH9
	C351 AM6	2			N N NJ3M YC351AM6
	C351 AT4	2			(use up to 11/2/81) N N NJ3T YC351AT4
	C410 AT4	2			(use after 11/2/81) N N NJ3T YC410AT4
18					ARM REST w/COVER N N N N
	C836 AA3	1			N N NJ3A YC836AA3
	C836 AC7	1			N N NJ3C YC836AC7
	C836 AH9	1			N N NJ3H YC836AH9
	C836 AM6	1			N N NJ3M YC836AM6
	C836 AT4	1			N N NJ3T YC836AT4
19					COVER, Arm Rest N N N N
	C408 AA3	1			N N NJ3A YC408AA3
	C408 AC7	1			N N NJ3C YC408AC7

MODEL CODES

B = GRAN FURY/CARAVELLE	P = RELIANT
C = LEBARON/TOWN & COUNTRY	S = CORDOBA
D = ARIES	V = 400
F = NEW YORKER	X = MIRADA
G = DIPLOMAT	Y = IMPERIAL
M = HORIZON/TC3/SCAMP	Z = OMNI/O24/RAMPAGE

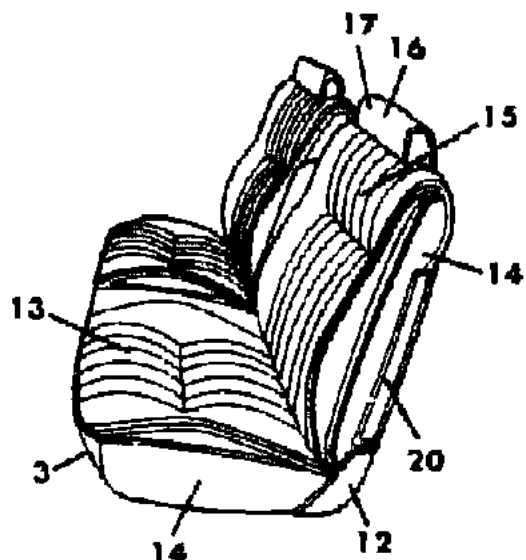
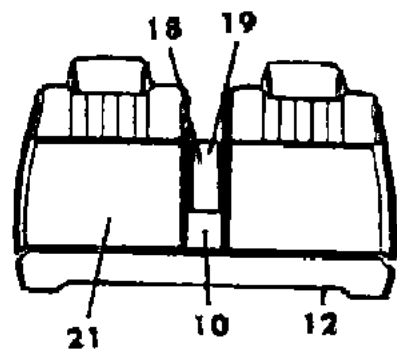
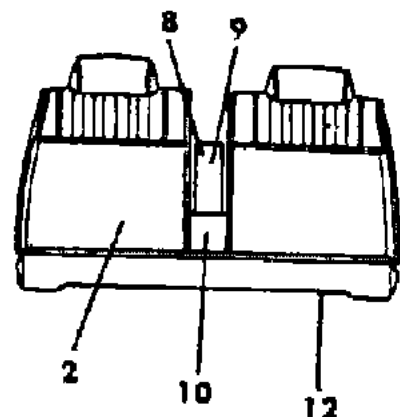
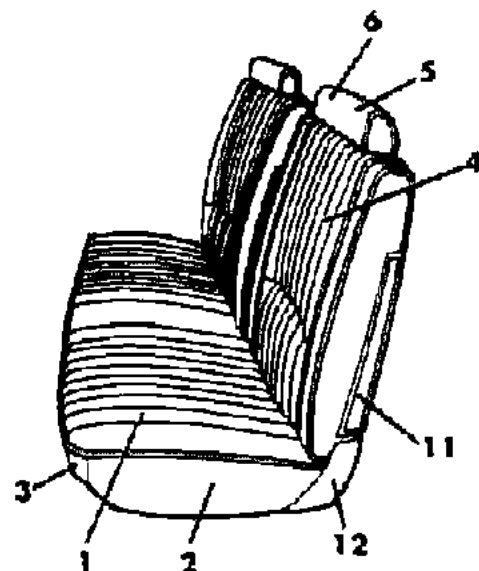
BODY STYLES

21 = 2-DOOR SEDAN	28 = FWD PICKUP
22 = 2-DOOR SPECIAL COUPE	41 = 4-DOOR SEDAN
24 = 2-DOOR HATCHBACK	44 = 4-DOOR HATCHBACK
27 = 2-DOOR CONVERTIBLE	45 = 2-SEAT STATION WAGON

AR = Use as Required - = Non Illustrated Part P.A.R. = Paint as Required

SEAT FRONT C,V G3,J3  
Figure IT-3204

2253 320400



ITEM	PART NUMBER	QTY	BODY	MODEL	DESCRIPTION
	C408 AH9	1			(use up to 11/2/81) N N NJ3H YC408AH9
	C418 AH9	1			(use after 11/2/81) N N NJ3H YC418AH9
	C408 AM6	1			N N NJ3M YC408AM6
	C408 AT4	1			N N NJ3T YC408AT4
20	S750-1 AA3	1			SHIELD, Outer w/Brushed Aluminum Insert (paint as required) N N N YS750AA3
21					ROLL STOCK, Vinyl 50" Wide Order by the Inch. N N N N
	R620 AA2	AR			N N NJ3A YR620AA2
	R620 AC8	AR			N N NJ3C YR620AC8
	R620 AH9	AR			N N NJ3H YR620AH9
	R620 VM6	AR			N N NJ3M YR620VM6
	R620 VT3	AR			N N NJ3T YR620VT3
The following parts are not illustrated. s ARE NOT RETURNABLE.					
	4190 388	2			COVER, Headrest Finish N N N Y4190388
	4239 076	1			ROD, Arm Rest Lock N N N Y4239076
	6006 324	1			NUT, Arm Rest Lock Rod N N N Y6006324
	2899 351	2			BUSHING, Cushion Pivot Bracket (use up to 10/26/81) N N N Y2899351
	4277 908	2			(use after 10/26/81) N N N Y4277908
	4239 784-5	1			ARM, Back to Cushion N N N Y4239784

MODEL CODES

B = GRAN FURY/CARAVELLE	P = RELIANT
C = LEBARON/TOWN & COUNTRY	S = CORDOBA
D = ARIES	V = 400
F = NEW YORKER	X = MIRADA
G = DIPLOMAT	Y = IMPERIAL
M = HORIZON/TC3/SCAMP	Z = OMNI/O24/RAMPAGE

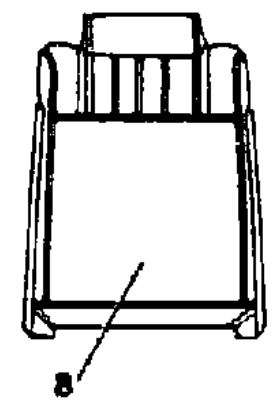
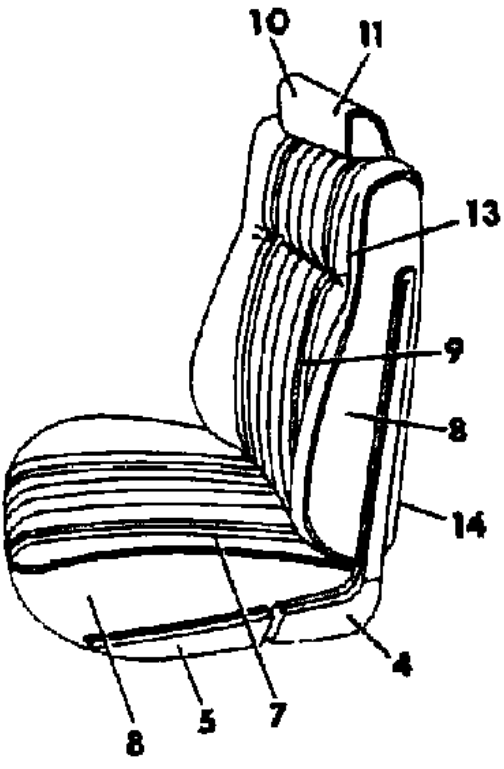
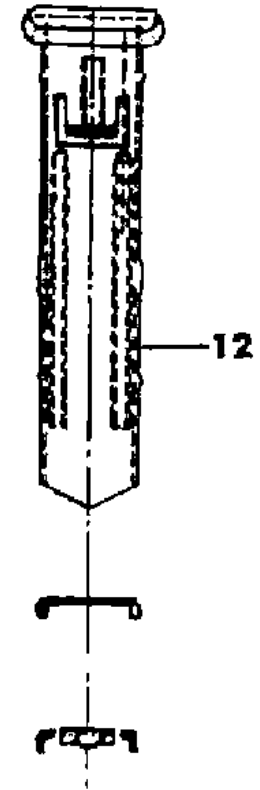
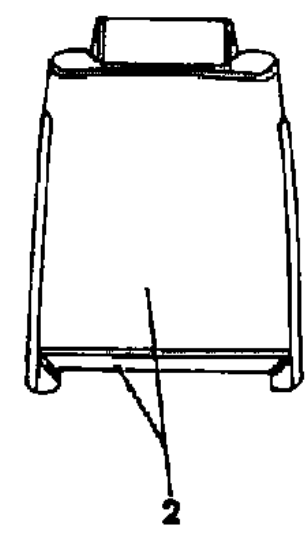
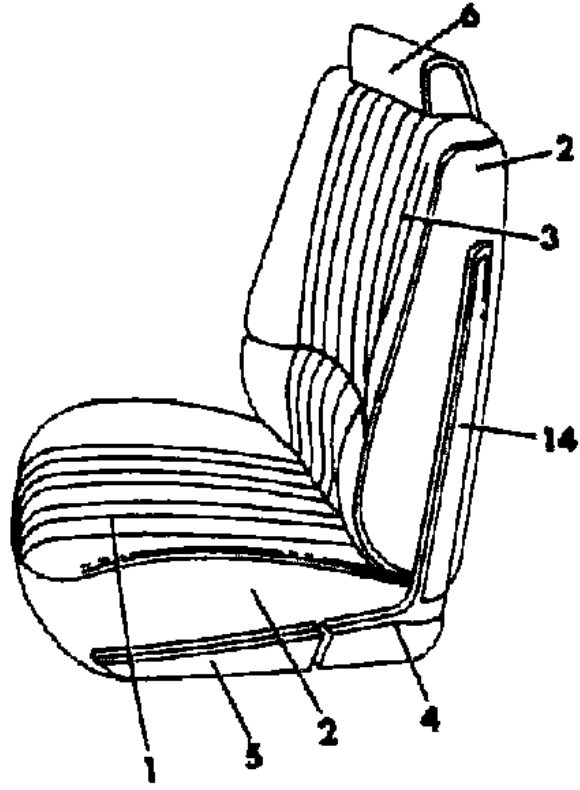
BODY STYLES

21 = 2-DOOR SEDAN	28 = FWD PICKUP
22 = 2-DOOR SPECIAL COUPE	41 = 4-DOOR SEDAN
24 = 2-DOOR HATCHBACK	44 = 4-DOOR HATCHBACK
27 = 2-DOOR CONVERTIBLE	45 = 2-SEAT STATION WAGON

AR = Use as Required - = Non Illustrated Part P.A.R. = Paint as Required

SEAT FRONT P,D TRIM CODES C8,D8,E7,F7  
Figure IT-3221

2253 322100



ITEM	PART NUMBER	QTY	BODY	MODEL	DESCRIPTION
1-2					CUSHION, w/Spring, Frame and Cover N N N N
					Manual N N N N
	C726-7 A8A	1			N N NC8A,D8A YC726A8A
	C726-7 V8B	1			N N NC8B,D8B YC726V8B
	C726-7 V8M	1			N N NC8M,D8M YC726V8M
	C726-7 V8T	1			N N NC8T,D8T YC726V8T
					Electric, Lt. N N N N
	C725 A8A	1			N N NC8A,D8A YC725A8A
	C725 V8B	1			N N NC8B,D8B YC725V8B
	C725 V8M	1			N N NC8M,D8M YC725V8M
	C725 V8T	1			N N NC8T,D8T YC725V8T
1					COVER, Cushion N N N N
	C374 A8A	2			N N NC8A,D8A YC374A8A
	C374 V8B	2			N N NC8B,D8B YC374V8B
	C374 V8M	2			N N NC8M,D8M YC374V8M
	C374 V8T	2			N N NC8T,D8T YC374V8T
2					ROLL STOCK, Vinyl 64" Wide Order By The Inch N N N N
	R616 AA2	AR			Silver N N N YR616AA2
	R616 VB2	AR			Blue N N N YR616VB2
	R616 VM6	AR			Red N N N YR616VM6
	R616 VT3	AR			Tan N N N YR616VT3
2-3					BACK, w/Spring, Frame and Cover N N N N
					(use up to 10/14/81) N N N N
	C728-9 A8A	1			N N NC8A,D8A YC728A8A
	C728-9 V8B	1			N N NC8B,D8B YC728V8B
	C728-9 V8M	1			N N NC8M,D8M YC728V8M
	C728-9 V8T	1			N N NC8T,D8T YC728V8T
					(use after 10/14/81) N N N N
	C916-7 A8A	1			N N NC8A,D8A YC916A8A
	C916-7 A8B	1			N N NC8B,D8B YC916A8B
	C916-7 A8M	1			N N NC8M,D8M YC916A8M
	C916-7 A8T	1			N N NC8T,D8T YC916A8T
3					COVER, Back N N N N
					(use up to 10/14/81) N N N N
	C375 A8A	2			N N NC8A,D8A YC375A8A
	C375 V8B	2			N N NC8B,D8B YC375V8B
	C375 V8M	2			N N NC8M,D8M YC375V8M

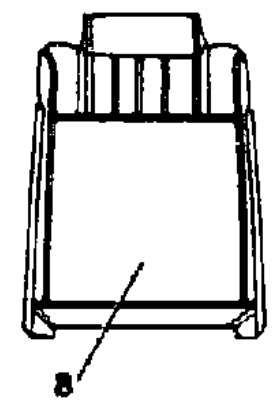
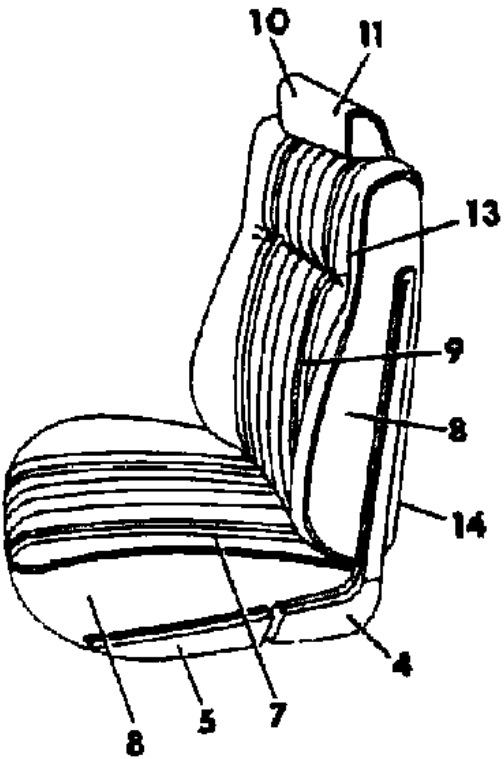
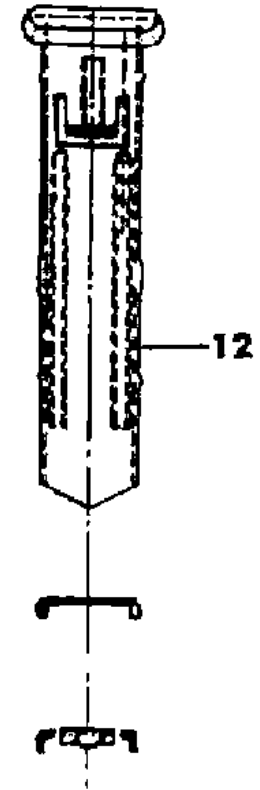
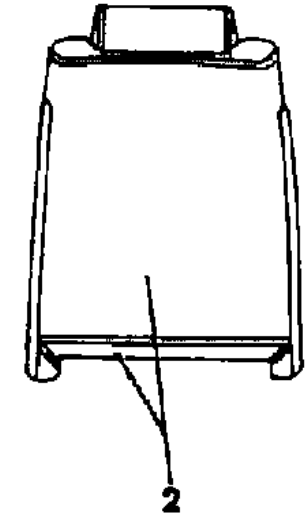
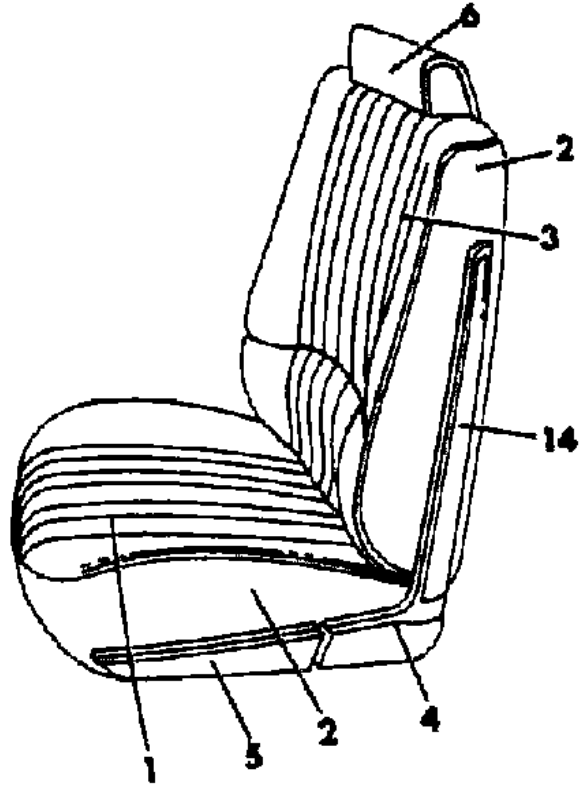
MODEL CODES  
 B = GRAN FURY/CARAVELLE      P = RELIANT  
 C = LEBARON/TOWN & COUNTRY      S = CORDOBA  
 D = ARIES      V = 400  
 F = NEW YORKER      X = MIRADA  
 G = DIPLOMAT      Y = IMPERIAL  
 M = HORIZON/TC3/SCAMP      Z = OMNI/O24/RAMPAGE

BODY STYLES  
 21 = 2-DOOR SEDAN      28 = FWD PICKUP  
 22 = 2-DOOR SPECIAL COUPE      41 = 4-DOOR SEDAN  
 24 = 2-DOOR HATCHBACK      44 = 4-DOOR HATCHBACK  
 27 = 2-DOOR CONVERTIBLE      45 = 2-SEAT STATION WAGON

AR = Use as Required - = Non Illustrated Part P.A.R. = Paint as Required

SEAT FRONT P,D TRIM CODES C8,D8,E7,F7  
Figure IT-3221

2253 322100



ITEM	PART NUMBER	QTY	BODY	MODEL	DESCRIPTION
	C375 V8T	2			N N NC8T,D8T YC375V8T (use after 10/14/81) N N N N
	C424 A8A	2			N N NC8A,D8A YC424A8A
	C424 A8B	2			N N NC8B,D8B YC424A8B
	C424 A8M	2			N N NC8M,D8M YC424A8M
	C424 A8T	2			N N NC8T,D8T YC424A8T
4	S756-7 AB2	2			SHIELD, Lower Inner and Outer (paint as required) N N N YS756AB2
5	S772-3 VB2	1			SHIELD, Cushion Side Inner and Outer (paint as required) N N N YS772VB2
6					HEADREST N N N N
	S790 AA2	2			N N NC8A,D8A YS790AA2
	S790 VB2	2			N N NC8B,D8B YS790VB2
	S790 VM6	2			N N NC8M,D8M YS790VM6
	S790 VT4	2			N N NC8T,D8T YS790VT4
7-8					CUSHION, w/Spring, Frame and Cover N N N N Manual N N N N
	C744-5 A7A	1			N N NE7A,F7A YC744A7A
	C744-5 V7F	1			N N NE7F YC744V7F
	C744-5 V7M	1			N N NE7M,F7M YC744V7M
	C744-5 V7U	1			N N NE7T,F7T YC744V7U
					Electric Lt. N N N N
	C747 A7A	1			N N NE7A,F7A YC747A7A
	C747 V7F	1			N N NE7F YC747V7F
	C747 V7M	1			N N NE7M,F7M YC747V7M
	C747 V7U	1			N N NE7T,F7T YC747V7U
7					COVER, Cushion N N N N
	C376 A7A	2			N N NE7A,F7A YC376A7A
	C376 V7F	2			N N NE7F YC376V7F
	C376 V7M	2			N N NE7M,F7M YC376V7M
	C376 V7U	2			N N NE7T,F7T YC376V7U
8					ROLL STOCK, Cloth 54" Wide Order By The Inch N N N N
	R088 AA3	AR			Silver N N N YR088AA3
	R088 VF5	AR			Green N N N YR088VF5
	R088 VM6	AR			Red N N N YR088VM6
	R088 VT4	AR			Tan N N N YR088VT4
8-9					BACK, w/Spring, Frame and Cover N N N N

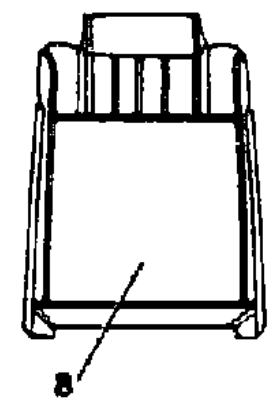
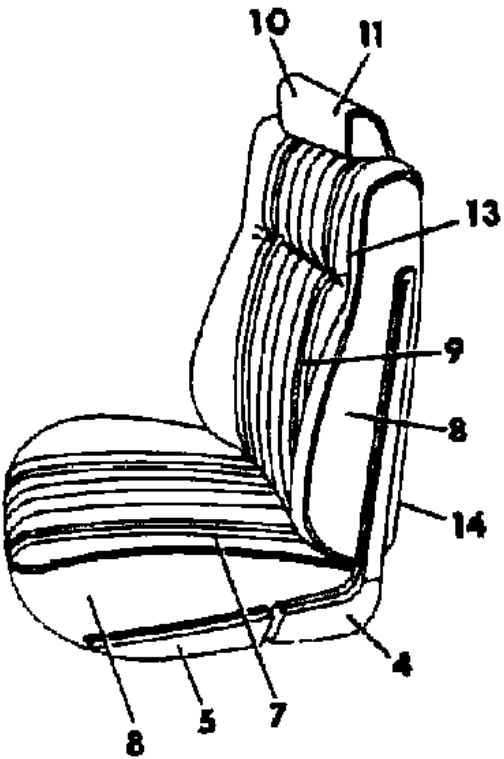
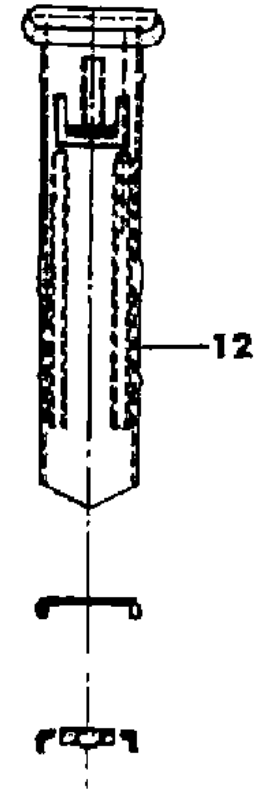
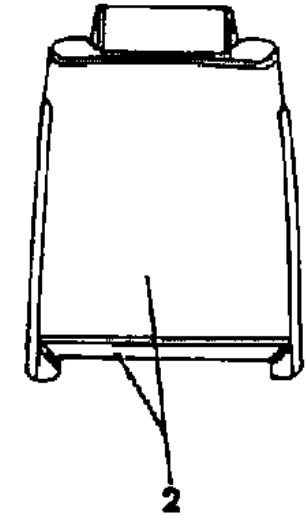
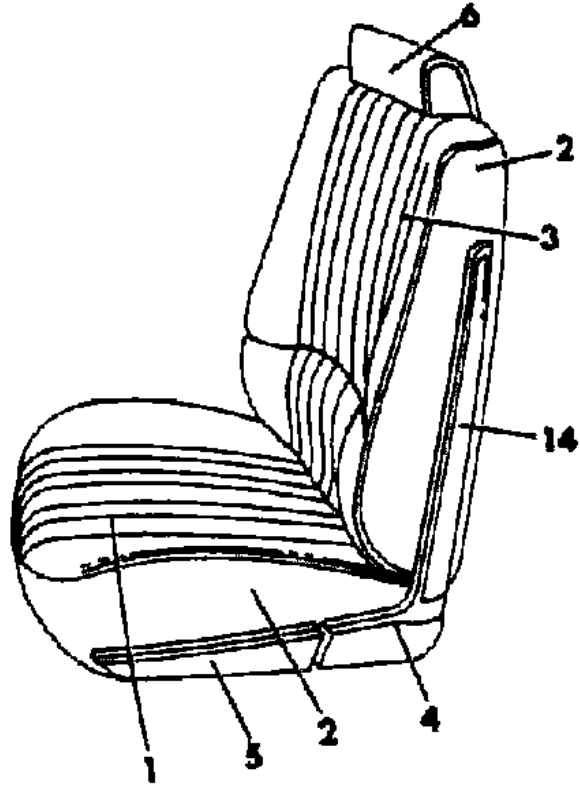
MODEL CODES  
 B = GRAN FURY/CARAVELLE  
 C = LEBARON/TOWN & COUNTRY  
 D = ARIES  
 F = NEW YORKER  
 G = DIPLOMAT  
 M = HORIZON/TC3/SCAMP  
 P = RELIANT  
 S = CORDOBA  
 V = 400  
 X = MIRADA  
 Y = IMPERIAL  
 Z = OMNI/O24/RAMPAGE

BODY STYLES  
 21 = 2-DOOR SEDAN  
 22 = 2-DOOR SPECIAL COUPE  
 24 = 2-DOOR HATCHBACK  
 27 = 2-DOOR CONVERTIBLE  
 28 = FWD PICKUP  
 41 = 4-DOOR SEDAN  
 44 = 4-DOOR HATCHBACK  
 45 = 2-SEAT STATION WAGON

AR = Use as Required - = Non Illustrated Part P.A.R. = Paint as Required

SEAT FRONT P,D TRIM CODES C8,D8,E7,F7  
Figure IT-3221

2253 322100



ITEM	PART NUMBER	QTY	BODY	MODEL	DESCRIPTION
	C748-9 A7A	1			N N NE7A,F7A YC748A7A
	C748-9 V7F	1			N N NE7F YC748V7F
	C748-9 V7M	1			N N NE7M,F7M YC748V7M
	C748-9 V7U	1			N N NE7T,F7T YC748V7U
8					COVER, Back N N N N
	C377 A7A	2			N N NE7A,F7A YC377A7A
	C377 V7F	2			N N NE7F YC377V7F
	C377 V7M	2			N N NE7M,F7M YC377V7M
	C377 V7U	2			N N NE7T,F7T YC377V7U
10-11					HEADREST, w/Cover N N N N
	C661 AA3	2			N N NE7A,F7A YC661AA3
	C661 VF5	2			N N NE7F YC661VF5
	C661 VM6	2			N N NE7M,F7M YC661VM6
	C661 VT4	2			N N NE7T,F7T YC661VT4
11					COVER, Headrest N N N N
	C356 AA3	2			N N NE7A,F7A YC356AA3
	C356 VF5	2			N N NE7F YC356VF5
	C356 VM6	2			N N NE7M,F7M YC356VM6
	C356 VT4	2			N N NE7T,F7T YC356VT4
12					SLEEVE, Headrest N N N N
	S786 AA3	2			Silver N N N YS786AA3
	S786 VB2	2			Blue N N N YS786VB2
	S786 VF5	2			green N N N YS786VF5
	S786 VM6	2			red N N N YS786VM6
	S786 VT4	2			tan N N N YS786VT4
13	4190 694	4			BUTTON, Chrome N N N Y4190694
	4239 321	4			RETAINER, Button N N N Y4239321
14	S754-5 AA3	2			SHIELD, w/Finsh Plate Upper Outer (paint as required) N N N YS754AA3
	S758-9 AA3	2			SHIELD, Upper Inner (paint as required) N N N YS758AA3
The following parts are not illustrated. s ARE NOT RETURNABLE.					
	4190 388	2			COVER, Headrest Finish N N N Y4190388
	6500 558	8			SCREW, Back to Cushion N N N Y6500558
	6500 534	4			BOLT, Back to Cushion Attaching N N N Y6500534
	4190 387	2			SUPPORT, Headrest Trim Cover N N N Y4190387
	4239 468	4			COVER, Front Seat Back Stop Pin N N N Y4239468
	0136 135	2			RIVET, Headrest Catch to Upper Support N N N Y136135

MODEL CODES  
 B = GRAN FURY/CARAVELLE      P = RELIANT  
 C = LEBARON/TOWN & COUNTRY      S = CORDOBA  
 D = ARIES      V = 400  
 F = NEW YORKER      X = MIRADA  
 G = DIPLOMAT      Y = IMPERIAL  
 M = HORIZON/TC3/SCAMP      Z = OMNI/O24/RAMPAGE

BODY STYLES  
 21 = 2-DOOR SEDAN      28 = FWD PICKUP  
 22 = 2-DOOR SPECIAL COUPE      41 = 4-DOOR SEDAN  
 24 = 2-DOOR HATCHBACK      44 = 4-DOOR HATCHBACK  
 27 = 2-DOOR CONVERTIBLE      45 = 2-SEAT STATION WAGON

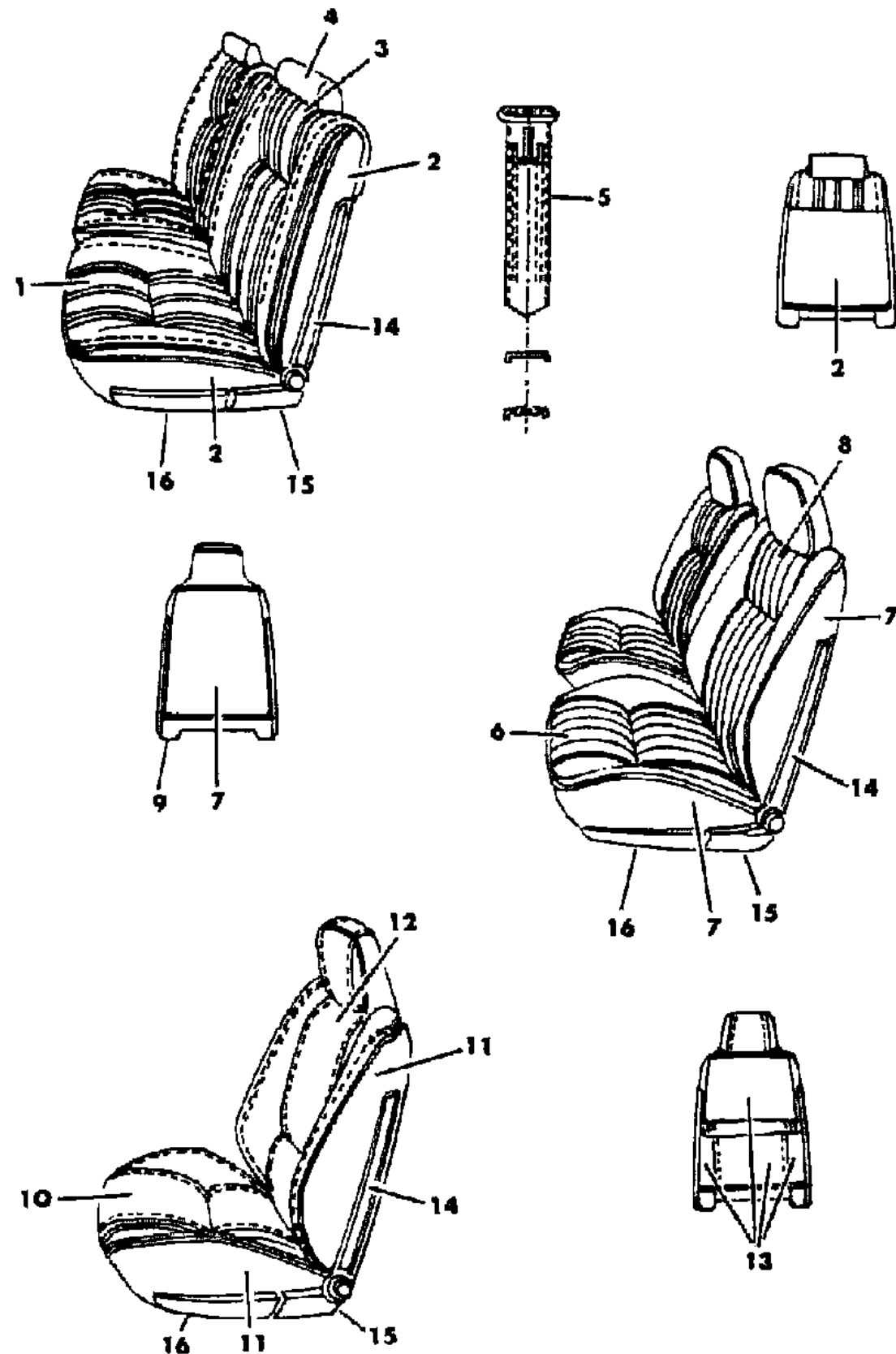
AR = Use as Required - = Non Illustrated Part P.A.R. = Paint as Required





SEAT FRONT C,V TRIM CODES H8,J5,LJ,V8  
Figure IT-3222

2253 322 200



ITEM	PART NUMBER	QTY	BODY	MODEL	DESCRIPTION
1-2					CUSHION, w/Spring, Frame and Cover N N N N
					Manual N N N N
	C758-9 A8A	1			(use up to 10/23/81) N N NH8A YC758A8A
	C900-1 A8A	1			(use after 10/23/81) N N NH8A YC900A8A
	C758-9 A8C	1			(use up to 10/22/81) N N NH8C,V8C YC758A8C
	C900-1 A8C	1			(use after 10/22/81) N N NH8C,V8C YC900A8C
	C758-9 A8H	1			(use up to 10/26/81) N N NH8H,V8H YC758A8H
	C900-1 A8H	1			(use after 10/26/81) N N NH8H,V8H YC900A8H
	C758-9 A8M	1			(use up to 10/23/81) N N NH8M,V8M YC758A8M
	C900-1 A8M	1			(use after 10/23/81) N N NH8M,V8M YC900A8M
	C758-9 A8T	1			(use up to 10/21/81) N N NH8T,V8T YC758A8T
	C900-1 A8T	1			(use after 10/21/81) N N NH8T,V8T YC900A8T
					Electric, Left N N N N
	C761 A8A	1			(use up to 10/23/81) N N NH8A YC761A8A
	C903 A8A	1			(use after 10/23/81) N N NH8A YC903A8A
	C761 A8C	1			(use up to 10/22/81) N N NH8C,V8C YC761A8C
	C903 A8C	1			(use after 10/22/81) N N NH8C,V8C YC903A8C
	C761 A8H	1			(use up to 10/26/81) N N NH8H,V8H YC761A8H
	C903 A8H	1			(use after 10/26/81) N N NH8H,V8H YC903A8H
	C761 A8M	1			(use up to 10/25/81) N N NH8M,V8M YC761A8M
	C903 A8M	1			(use after 10/25/81) N N NH8M,V8M YC903A8M
	C761 A8T	1			(use up to 10/21/81) N N NH8T,V8T YC761A8T
	C903 A8T	1			(use after 10/21/81) N N NH8T,V8T YC903A8T
1					COVER, Cushion N N N N
	C378 A8A	2			(use up to 10/23/81) N N NH8A YC378A8A
	C420 A8A	2			(use after 10/23/81) N N NH8A YC420A8A
	C378 A8C	2			(use up to 10/22/81) N N NH8C,V8C YC378A8C
	C420 A8C	2			(use after 10/22/81) N N NH8C,V8C YC420A8C
	C378 A8H	2			(use up to 10/26/81) N N NH8H,V8H YC378A8H
	C420 A8H	2			(use after 10/26/81) N N NH8H,V8H YC420A8H
	C378 A8M	2			(use up to 10/23/81) N N NH8M,V8M YC378A8M
	C420 A8M	2			(use after 10/23/81) N N NH8M,V8M YC420A8M
	C378 A8T	2			(use up to 10/1/81) N N NH8T,V8T YC378A8T
	C420 A8T	2			(use after 10/1/81) N N NH8T,V8T YC420A8T
2					ROLL STOCK, Order by the Inch. N N N N
	R616 AA2	AR			Silver, 64" Wide N N N YR616AA2
	R616 VC8	AR			Blue, 64" Wide N N N YR616VC8

MODEL CODES

B = GRAN FURY/CARAVELLE	P = RELIANT
C = LEBARON/TOWN & COUNTRY	S = CORDOBA
D = ARIES	V = 400
F = NEW YORKER	X = MIRADA
G = DIPLOMAT	Y = IMPERIAL
M = HORIZON/TC3/SCAMP	Z = OMNI/O24/RAMPAGE

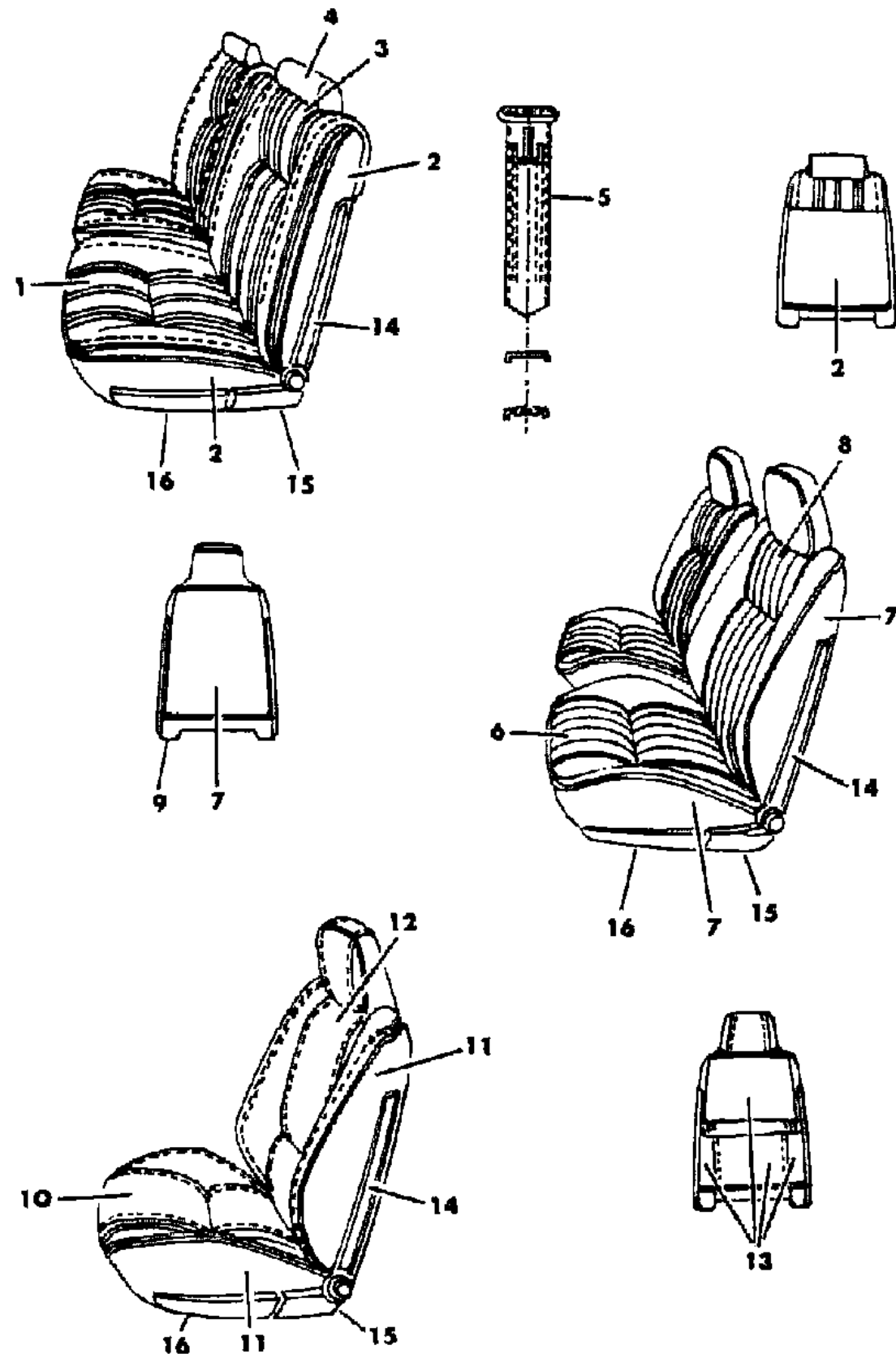
BODY STYLES

21 = 2-DOOR SEDAN	28 = FWD PICKUP
22 = 2-DOOR SPECIAL COUPE	41 = 4-DOOR SEDAN
24 = 2-DOOR HATCHBACK	44 = 4-DOOR HATCHBACK
27 = 2-DOOR CONVERTIBLE	45 = 2-SEAT STATION WAGON

AR = Use as Required - = Non Illustrated Part P.A.R. = Paint as Required

SEAT FRONT C,V TRIM CODES H8,J5,LJ,V8  
Figure IT-3222

2253 322 200



ITEM	PART NUMBER	QTY	BODY	MODEL	DESCRIPTION
	R609 VH9	AR			Mahogany, 58" Wide N N N YR609VH9
	R616 VM6	AR			Red, 64" Wide N N N YR616VM6
	R616 VT3	AR			Tan, 64" Wide N N N YR616VT3
2-3					BACK, w/Spring, Frame and Cover N N N N
	C762-3 A8A	1			(use up to 10/26/81) N N NH8A YC762A8A
	C868-9 A8A	1			(use from 10/26/81 to 3/8/82) N N NH8A YC868A8A
	B912-3 A8A	1			(use after 3/8/82) N N NH8A YB912A8A
	C762-3 A8C	1			(use up to 10/23/81) N N NH8C,V8C YC762A8C
	C868-9 A8C	1			(use from 10/23/81 to 3/8/82) N N NH8C,V8C YC868A8C
	B912-3 A8C	1			(use after 3/8/82) N N NH8C,V8C YB912A8C
	C762-3 A8H	1			(use up to 10/26/81) N N NH8H,V8H YC762A8H
	C868-9 A8H	1			(use from 10/26/81 to 3/8/82) N N NH8H,V8H YC868A8H
	B912-3 A8H	1			(use after 3/8/82) N N NH8H,V8H YB912A8H
	C762-3 A8M	1			(use up to 10/23/81) N N NH8M,V8M YC762A8M
	C868-9 A8M	1			(use from 10/23/81 to 3/8/82) N N NH8M,V8M YC868A8M
	B912-3 A8M	1			(use after 3/8/82) N N NH8M,V8M YB912A8M
	C762-3 A8T	1			(use up to 10/26/81) N N NH8T,V8T YC762A8T
	C868-9 A8T	1			(use from 10/26/81 to 3/8/82) N N NH8T,V8T YC868A8T
	B912-3 A8T	1			(use after 3/8/82) N N NH8T,V8T YB912A8T
3					COVER, Back N N N N
	C379 A8A	2			(use up to 10/26/81) N N NH8A YC379A8A
	C414 A8A	2			(use from 10/26/81 to 3/8/82) N N NH8A YC414A8A
	C470 A8A	2			(use after 3/8/82) N N NH8A YC470A8A
	C379 A8C	2			(use up to 10/23/81) N N NH8C,V8C YC379A8C
	C414 A8C	2			(use from 10/23/81 to 3/8/82) N N NH8C,V8C YC414A8C
	C470 A8C	2			(use after 3/8/82) N N NH8C,V8C YC470A8C
	C379 A8H	2			(use up to 10/26/81) N N NH8H,V8H YC379A8H
	C414 A8H	2			(use from 10/26/81 to 3/8/82) N N NH8H,V8H YC414A8H
	C470 A8H	2			(use after 3/8/82) N N NH8H,V8H YC470A8H
	C379 A8M	2			(use up to 10/23/81) N N NH8M,V8M YC379A8M
	C414 A8M	2			(use from 10/23/81 to 3/8/82) N N NH8M,V8M YC414A8M
	C470 A8M	2			(use after 3/8/82) N N NH8M,V8M YC470A8M
	C379 A8T	2			(use up to 10/26/81) N N NH8T,V8T YC379A8T
	C414 A8T	2			(use from 10/26/81 to 3/8/82) N N NH8T,V8T YC414A8T
	C470 A8T	2			(use after 3/8/82) N N NH8T,V8T YC470A8T
4					HEADREST w/COVER N N N N
	S790 AA2	2			N N NH8A YS790AA2

MODEL CODES

B = GRAN FURY/CARAVELLE	P = RELIANT
C = LEBARON/TOWN & COUNTRY	S = CORDOBA
D = ARIES	V = 400
F = NEW YORKER	X = MIRADA
G = DIPLOMAT	Y = IMPERIAL
M = HORIZON/TC3/SCAMP	Z = OMNI/O24/RAMPAGE

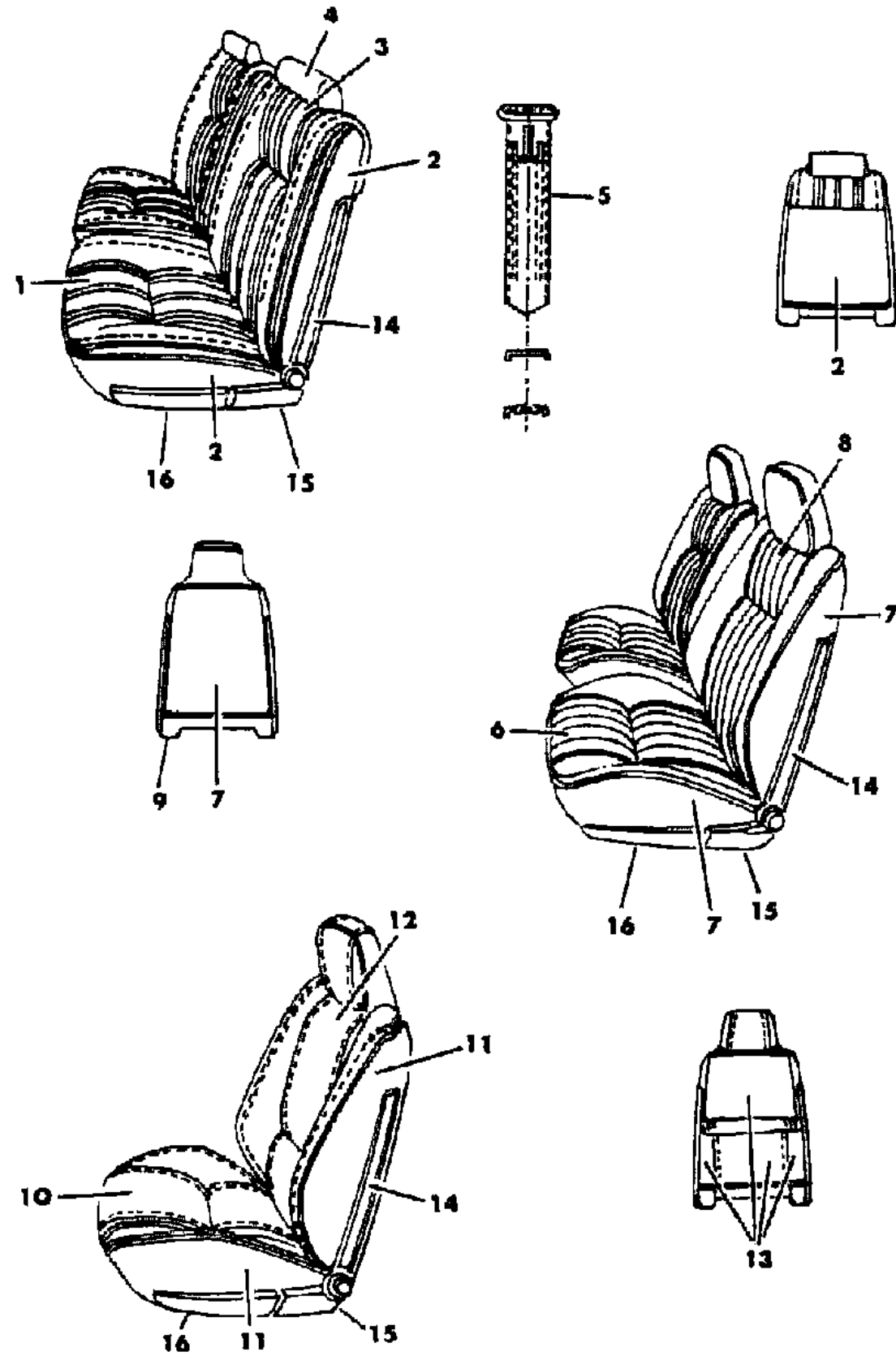
BODY STYLES

21 = 2-DOOR SEDAN	28 = FWD PICKUP
22 = 2-DOOR SPECIAL COUPE	41 = 4-DOOR SEDAN
24 = 2-DOOR HATCHBACK	44 = 4-DOOR HATCHBACK
27 = 2-DOOR CONVERTIBLE	45 = 2-SEAT STATION WAGON

AR = Use as Required - = Non Illustrated Part P.A.R. = Paint as Required

SEAT FRONT C,V TRIM CODES H8,J5,LJ,V8  
Figure IT-3222

2253 322 200



ITEM	PART NUMBER	QTY	BODY	MODEL	DESCRIPTION
	S790 AC7	2			N N NH8C,V8C YS790AC7
	S790 AH9	2			N N NH8H,V8H YS790AH9
	S790 VM6	2			N N NH8M,V8M YS790VM6
	S790 VT4	2			N N NH8T,V8T YS790VT4
5					SLEEVE, Headrest N N N N
	S786 AA3	2			N N NH8A YS786AA3
	S786 AC7	2			N N NH8C,V8C YS786AC7
	S786 AH9	2			N N NH8H,V8H YS786AH9
	S786 VM6	2			N N NH8M,V8M YS786VM6
	S786 VT4	2			N N NH8T,V8T YS786VT4
6-7					CUSHION, w/Spring, Frame and Cover N N N N Manual N N N N
	C688-9 A5A	1			N N NJ5A YC688A5A
	C688-9 A5C	1			N N NJ5C YC688A5C
	C688-9 A5H	1			N N NJ5H YC688A5H
	C688-9 A5M	1			N N NJ5M YC688A5M
	C688-9 A5T	1			N N NJ5T YC688A5T
					Electric, Left N N N N
	C691 A5A	1			N N NJ5A YC691A5A
	C691 A5C	1			N N NJ5C YC691A5C
	C691 A5H	1			N N NJ5H YC691A5H
	C691 A5M	1			N N NJ5M YC691A5M
	C691 A5T	1			N N NJ5T YC691A5T
6					COVER, Cushion N N N N
	C344 A5A	2			N N NJ5A YC344A5A
	C344 A5C	2			N N NJ5C YC344A5C
	C344 A5H	2			N N NJ5H YC344A5H
	C344 A5M	2			N N NJ5M YC344A5M
	C344 A5T	2			(use up to 11/2/81) N N NJ5T YC344A5T
	C434 A5T	2			(use after 11/2/81) N N NJ5T YC434A5T
7					ROLL STOCK, Cloth 54" Wide Order by the Inch. N N N N
	R093 AA3	AR			N N NJ5A YR093AA3
	R093 AC7	AR			N N NJ5C YR093AC7
	R093 AH9	AR			N N NJ5H YR093AH9
	R093 AM6	AR			N N NJ5M YR093AM6
	R093 AT4	AR			N N NJ5T YR093AT4
7-8					BACK, w/Spring, Frame and Cover N N N N

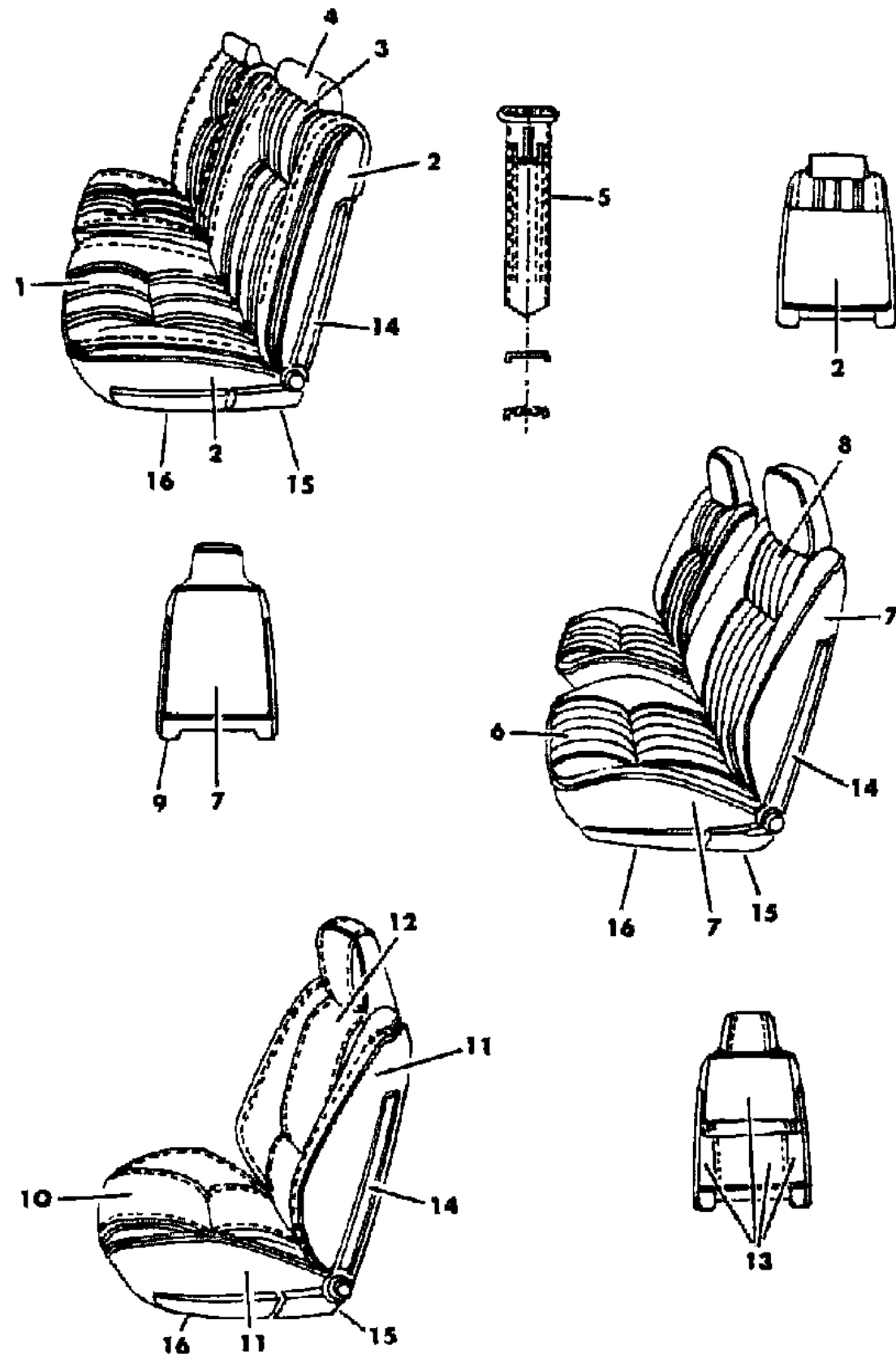
MODEL CODES  
 B = GRAN FURY/CARAVELLE  
 C = LEBARON/TOWN & COUNTRY  
 D = ARIES  
 F = NEW YORKER  
 G = DIPLOMAT  
 M = HORIZON/TC3/SCAMP  
 P = RELIANT  
 S = CORDOBA  
 V = 400  
 X = MIRADA  
 Y = IMPERIAL  
 Z = OMNI/O24/RAMPAGE

BODY STYLES  
 21 = 2-DOOR SEDAN  
 22 = 2-DOOR SPECIAL COUPE  
 24 = 2-DOOR HATCHBACK  
 27 = 2-DOOR CONVERTIBLE  
 28 = FWD PICKUP  
 41 = 4-DOOR SEDAN  
 44 = 4-DOOR HATCHBACK  
 45 = 2-SEAT STATION WAGON

AR = Use as Required - = Non Illustrated Part P.A.R. = Paint as Required

SEAT FRONT C,V TRIM CODES H8,J5,LJ,V8  
Figure IT-3222

2253 322200



ITEM	PART NUMBER	QTY	BODY	MODEL	DESCRIPTION
	C692-3 A5A	1			N N NJ5A YC692A5A
	C692-3 A5C	1			N N NJ5C YC692A5C
	C692-3 A5H	1			N N NJ5H YC692A5H
	C692-3 A5M	1			N N NJ5M YC692A5M
	C692-3 A5T	1			(use up to 11/2/81) N N NJ5T YC692A5T
	C930-1 A5T	1			(use after 11/2/81) N N NJ5T YC930A5T
8					COVER, Back N N N N
	C345 A5A	2			N N NJ5A YC345A5A
	C345 A5C	2			N N NJ5C YC345A5C
	C345 A5H	2			N N NJ5H YC345A5H
	C345 A5M	2			N N NJ5M YC345A5M
	C345 A5T	2			(use up to 11/2/81) N N NJ5T YC345A5T
	C435 A5T	2			(use after 11/2/81) N N NJ5T YC435A5T
9					ROLL STOCK, Carpet 54" Wide Order by the Inch. N N N N
	R112 AA7	AR			N N NJ5A YR112AA7
	R112 SC7	AR			N N NJ5C YR112SC7
	R112 VH9	AR			N N NJ5H YR112VH9
	R112 TM6	AR			N N NJ5M YR112TM6
	R112 ST6	AR			N N NJ5T YR112ST6
10-11					CUSHION, w/Spring, Frame and Cover N N N N
					Manual N N N N
	C770-1 AJA	1			N N NLJA YC770AJA
	C770-1 AJC	1			N N NLJC YC770AJC
	C770-1 AJH	1			N N NLJH YC770AJH
	C770-1 AJM	1			N N NLJM YC770AJM
	C770-1 AJT	1			N N NLJT YC770AJT
					Electric, Left N N N N
	C773 AJC	1			N N NLJC YC773AJC
	C773 AJC	1			N N NLJC YC773AJC
	C773 AJH	1			N N NLJH YC773AJH
	C773 AJM	1			N N NLJM YC773AJM
	C773 AJT	1			N N NLJT YC773AJT
10					COVER, Cushion N N N N
	C365 AJA	2			N N NLJA YC365AJA
	C365 AJC	2			N N NLJC YC365AJC
	C365 AJH	2			N N NLJH YC365AJH
	C365 AJM	2			N N NLJM YC365AJM

MODEL CODES

B = GRAN FURY/CARAVELLE	P = RELIANT
C = LEBARON/TOWN & COUNTRY	S = CORDOBA
D = ARIES	V = 400
F = NEW YORKER	X = MIRADA
G = DIPLOMAT	Y = IMPERIAL
M = HORIZON/TC3/SCAMP	Z = OMNI/O24/RAMPAGE

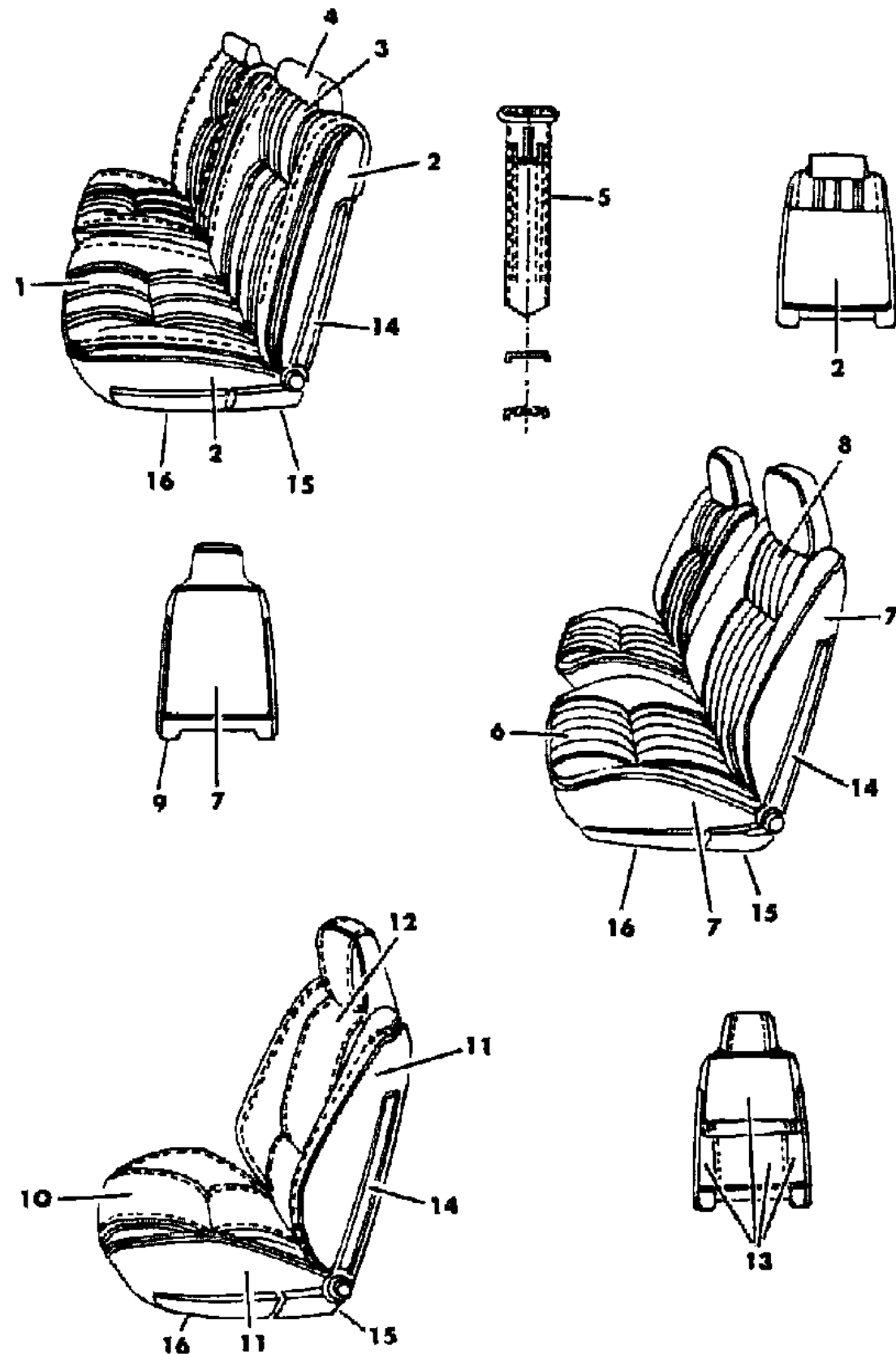
BODY STYLES

21 = 2-DOOR SEDAN	28 = FWD PICKUP
22 = 2-DOOR SPECIAL COUPE	41 = 4-DOOR SEDAN
24 = 2-DOOR HATCHBACK	44 = 4-DOOR HATCHBACK
27 = 2-DOOR CONVERTIBLE	45 = 2-SEAT STATION WAGON

AR = Use as Required - = Non Illustrated Part P.A.R. = Paint as Required

SEAT FRONT C,V TRIM CODES H8,J5,LJ,V8  
Figure IT-3222

2253 322 200



ITEM	PART NUMBER	QTY	BODY	MODEL	DESCRIPTION
	C365 AJT	2			N N NLJT YC365AJT
11	R190 AA2	AR			HIDE, Order by the Square Foot N N N N
	R190 SC8	AR			N N NLJA YR190AA2
	R190 VH9	AR			N N NLJC YR190SC8
	R190 TM6	AR			N N NLJH YR190VH9
11-12	R190 ST3	AR			N N NLJM YR190TM6
	C774-5 AJA	1			N N NLJT YR190ST3
	C774-5 AJC	1			BACK, w/Spring, Frame and Cover N N N N
	C774-5 AJH	1			N N NLJA YC774AJA
	C774-5 AJM	1			N N NLJC YC774AJC
12	C774-5 AJT	1			N N NLJH YC774AJH
	C388 AJA	2			N N NLJM YC774AJM
	C388 AJC	2			N N NLJT YC774AJT
	C388 AJH	2			COVER, Back N N N N
	C388 AJM	2			N N NLJA YC388AJA
13	C388 AJT	2			N N NLJC YC388AJC
	R627 AA2	AR			N N NLJH YC388AJH
	R627 AC8	AR			N N NLJM YC388AJM
	R627 AH9	AR			N N NLJT YC388AJT
	R627 AM6	AR			ROLL STOCK, Vinyl 54" Wide Order by the Inch. N N N N
14	R627 AT3	AR			N N NLJA YR627AA2
	S754-5 AA3	1			N N NLJC YR627AC8
	S758-9 AA3	1			N N NLJH YR627AH9
15	S756-7 AB2	1			N N NLJM YR627AM6
	S772-3 VB2	1			N N NLJT YR627AT3
16	S772-3 VB2	1			SHIELD, Upper Outer (paint as required) N N N YS754AA3
					SHIELD, Inner (paint as required) N N N YS758AA3
					SHIELD, Lower Inner and Outer (paint as required) N N N YS756AB2
					SHIELD, Cushion Inner and Outer (paint as required) N N N YS772VB2
The following parts are not illustrated. s ARE NOT RETURNABLE.					
	4190 388	2			COVER, Headrest Finish N N N Y4190388
	6500 558	8			SCREW, Back to Cushion N N N Y6500558
	6500 534	4			BOLT, Back to Cushion Attaching N N N Y6500534
	4239 468	4			COVER, Front Seat Back Stop Pin N N N Y4239468
	0136 135	2			RIVET, Headrest Catch to Upper Support N N N Y136135

MODEL CODES

B = GRAN FURY/CARAVELLE	P = RELIANT
C = LEBARON/TOWN & COUNTRY	S = CORDOBA
D = ARIES	V = 400
F = NEW YORKER	X = MIRADA
G = DIPLOMAT	Y = IMPERIAL
M = HORIZON/TC3/SCAMP	Z = OMNI/O24/RAMPAGE

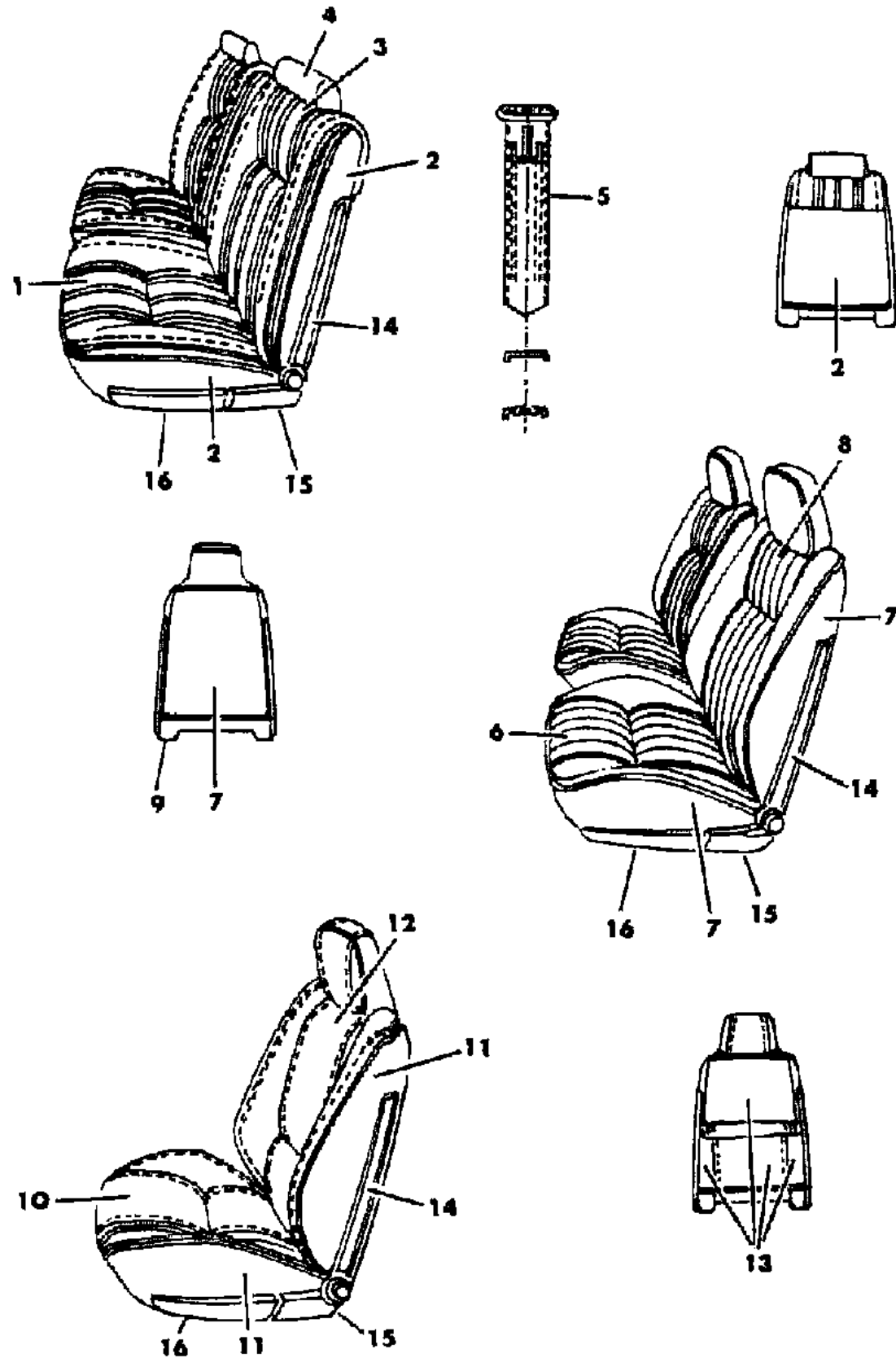
BODY STYLES

21 = 2-DOOR SEDAN	28 = FWD PICKUP
22 = 2-DOOR SPECIAL COUPE	41 = 4-DOOR SEDAN
24 = 2-DOOR HATCHBACK	44 = 4-DOOR HATCHBACK
27 = 2-DOOR CONVERTIBLE	45 = 2-SEAT STATION WAGON

AR = Use as Required - = Non Illustrated Part P.A.R. = Paint as Required

SEAT FRONT C,V TRIM CODES H8,J5,LJ,V8  
Figure IT-3222

2253 322 200



ITEM	PART NUMBER	QTY	BODY	MODEL	DESCRIPTION
------	-------------	-----	------	-------	-------------

	4190 711	2			BRACKET, Cushion Side Shield Attaching w/Power Seat N N N Y4190711
--	----------	---	--	--	--

	2858 089	4			WASHER, Hinge Arm N N N Y2858089
--	----------	---	--	--	----------------------------------

NOTE: For Arm Rest See Console and Arm Rest Illustration. s ARE NOT RETURNABLE.

MODEL CODES

B = GRAN FURY/CARAVELLE	P = RELIANT
C = LEBARON/TOWN & COUNTRY	S = CORDOBA
D = ARIES	V = 400
F = NEW YORKER	X = MIRADA
G = DIPLOMAT	Y = IMPERIAL
M = HORIZON/TC3/SCAMP	Z = OMNI/O24/RAMPAGE

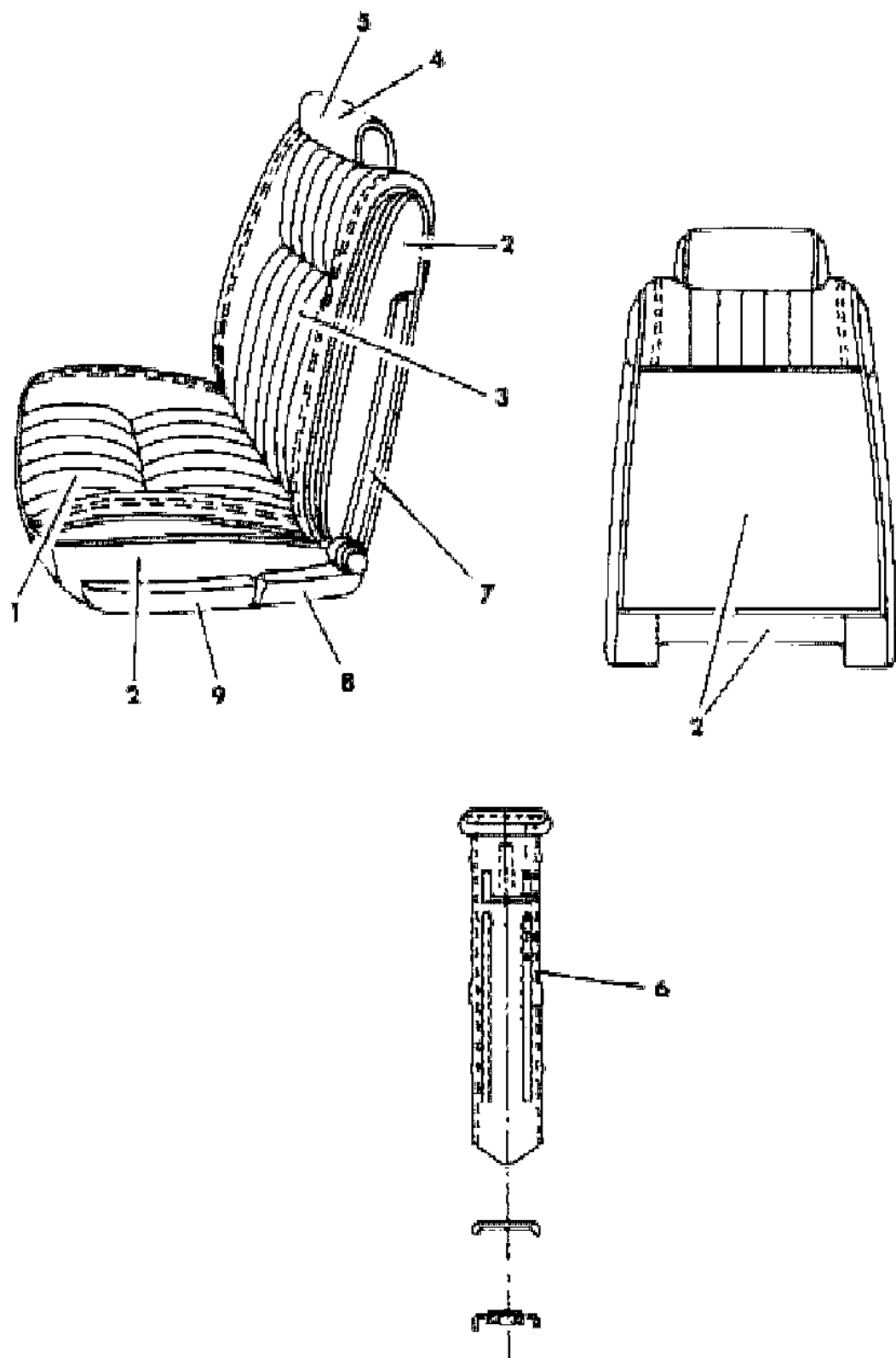
BODY STYLES

21 = 2-DOOR SEDAN	28 = FWD PICKUP
22 = 2-DOOR SPECIAL COUPE	41 = 4-DOOR SEDAN
24 = 2-DOOR HATCHBACK	44 = 4-DOOR HATCHBACK
27 = 2-DOOR CONVERTIBLE	45 = 2-SEAT STATION WAGON

AR = Use as Required - = Non Illustrated Part P.A.R. = Paint as Required

SEAT FRONT C TRIM CODE SL  
Figure IT-3223

2253 322300



ITEM	PART NUMBER	QTY	BODY	MODEL	DESCRIPTION
1-2					CUSHION, w/Spring, Frame and Cover N N N N
	C908-9 ALK	1			Manual N N NSLHK YC908ALK
	C911 ALK	1			Electric Left N N NSLHK YC911ALK
1	C422 ALK	2			COVER, Cushion N N NSLHK YC422ALK
2	R609 VH9	AR			ROLL STOCK, Vinyl 58" Wide Order by the inch N N NSLHK YR609VH9
2-3					BACK, w/Spring, Frame and Cover N N NSLHK YC784ALK
3	C405 ALK	2			COVER, Back N N NSLHK YC405ALK
	C405 ALK	2			MARK CROSS PACKAGE (use up to 2/1/82) N N NSLHK YC405ALK
	C471 ALK	2			MARK CROSS PACKAGE (use after 2/1/82) N N NSLHK YC471ALK
4	C834 AK9	2			HEADREST w/COVER N N NSLHK YC834AK9
5	C404 AK9	2			COVER, Headrest N N NSLHK YC404AK9
6	S786 AH9	2			SLEEVE, Headrest N N NSLHK YS786AH9
7	S754-5 AA3	1			SHIELD, Back Outer (paint as required) N N NSLHK YS754AA3
	S758-9 AA3	1			Inner N N NSLHK YS758AA3
8	S756-7 AB2	1			SHIELD, CUSHION Outer and Inner (paint as required) N N NSLHK YS756AB2
9	S772-3 VB2	1			SHIELD, CUSHION Side Outer and Inner (paint as required) N N NSLHK YS772VB2
The following parts are not illustrated. s ARE NOT RETURNABLE.					
	4190 388	2			COVER, Headrest Finish N N N Y4190388
	6500 558	AR			SCREW, Back to Cushion N N N Y6500558
	6500 534	4			BOLT, Back to Cushion Attaching N N N Y6500534
	4190 387	2			SUPPORT, Headrest Trim Cover N N N Y4190387
	4239 468	4			COVER, Front Seat Back Stop Pin N N N Y4239468
	0136 135	2			RIVET, Headrest Catch to Upper Support N N N Y136135
	4190 711	2			BRACKET, Cushion Side Shield Attaching w/Power Seats N N N Y4190711
	2858 089	4			WASHER, Hinge Arm N N N Y2858089

NOTE: For Arm Rest See Console and Arm Rest Illustration. s ARE NOT RETURNABLE.

MODEL CODES

B = GRAN FURY/CARAVELLE	P = RELIANT
C = LEBARON/TOWN & COUNTRY	S = CORDOBA
D = ARIES	V = 400
F = NEW YORKER	X = MIRADA
G = DIPLOMAT	Y = IMPERIAL
M = HORIZON/TC3/SCAMP	Z = OMNI/O24/RAMPAGE

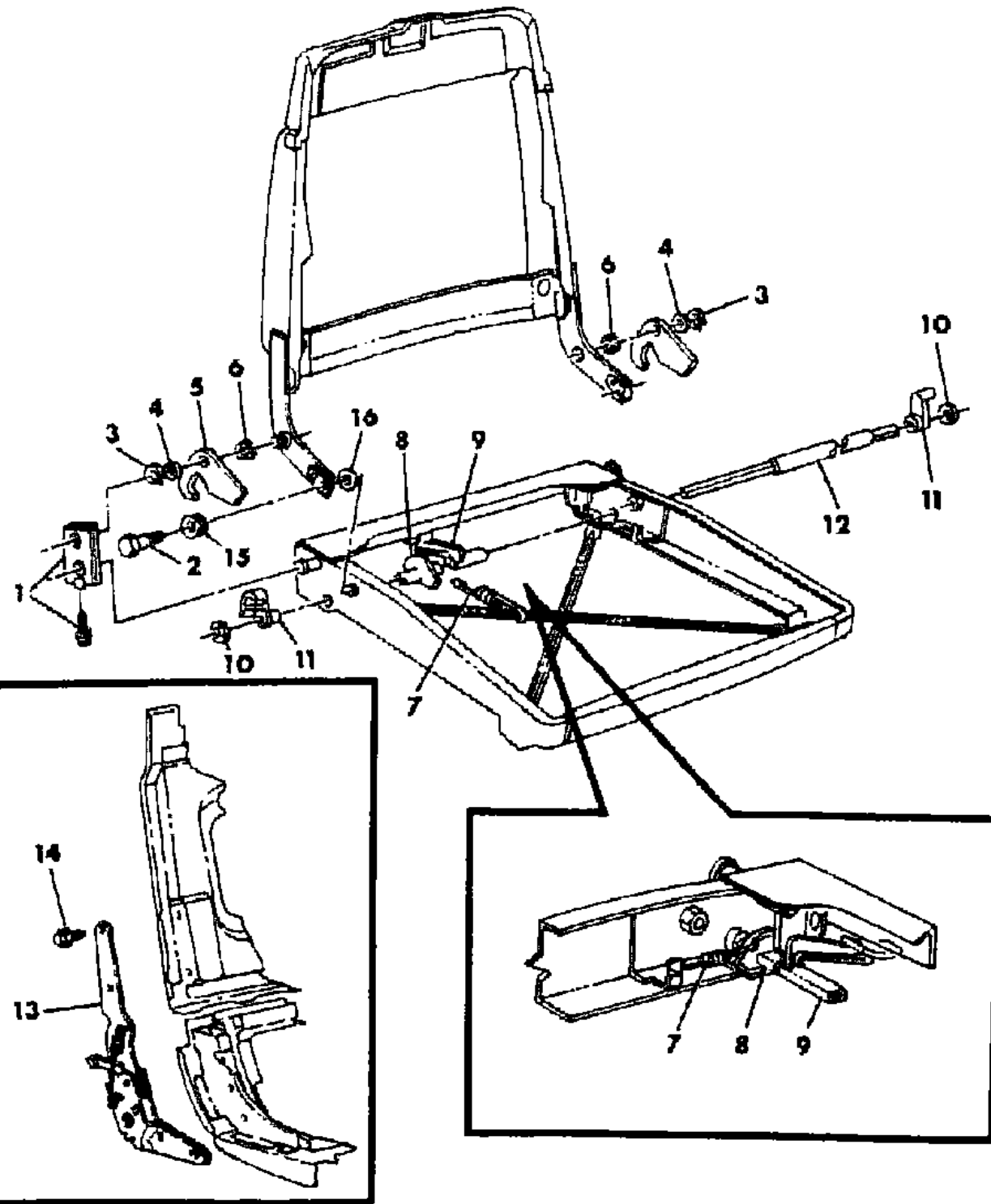
BODY STYLES

21 = 2-DOOR SEDAN	28 = FWD PICKUP
22 = 2-DOOR SPECIAL COUPE	41 = 4-DOOR SEDAN
24 = 2-DOOR HATCHBACK	44 = 4-DOOR HATCHBACK
27 = 2-DOOR CONVERTIBLE	45 = 2-SEAT STATION WAGON

AR = Use as Required - = Non Illustrated Part P.A.R. = Paint as Required

**FRONT SEAT BACK RELEASE - P,D,C,V**  
Figure IT-3241

2253 324100A



ITEM	PART NUMBER	QTY	BODY	MODEL	DESCRIPTION
1	4239 492	4			LOCK, Seat Back N N41,45 N Y4239492
2	6500 534	4			BOLT, Seat Back N NALL N Y6500534
3	6024 440	4			RING, Retainer N N21 N Y6024440
4	6500 479	4			WASHER N N21 N Y6500479
5	4239 487	4			LATCH, Seat Back N N21 N Y4239487
6	4190 274	4			BUSHING, Latch N N21 N Y4190274
7	4190 611	2			SPRING, Return N N21 N Y4190611
8	4190 616	2			STOP, Actuator N N21 N Y4190616
9	4190 613	2			HANDLE, Release N N21 N Y4190613
10	6022 149	4			NUT, Push N N21 N Y6022149
11	4190 614-5	2			ACTUATOR N N21 N Y4190614
12	4190 612	2			SHAFT N N21 N Y4190612
13	4190 664-5	1			LATCH ASSY., Front Seat Inertia, w/Bench and w/Split Back
					Bench N N21,22 N Y4190664
14	6100 585	AR			SCREW, Latch Assy. Inertia N N21,22 N Y6100585
15	2858 089	4			WASHER, 1.25 dia. N N21,22 N Y2858089
16		4			WASHER, 2.00 dia. (not serviced) N N21,22 N N

MODEL CODES

B = GRAN FURY/CARAVELLE	P = RELIANT
C = LEBARON/TOWN & COUNTRY	S = CORDOBA
D = ARIES	V = 400
F = NEW YORKER	X = MIRADA
G = DIPLOMAT	Y = IMPERIAL
M = HORIZON/TC3/SCAMP	Z = OMNI/O24/RAMPAGE

BODY STYLES

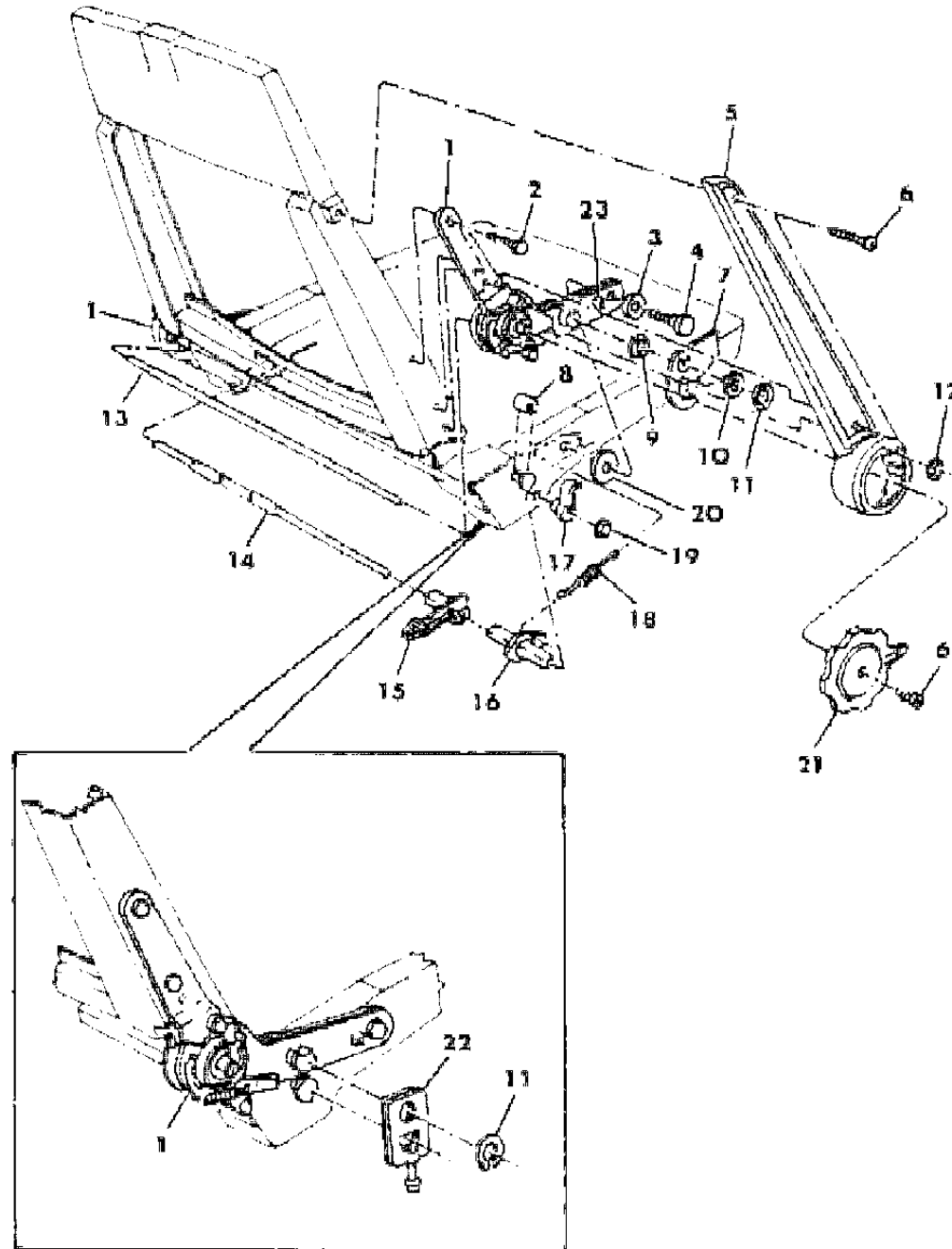
21 = 2-DOOR SEDAN	28 = FWD PICKUP
22 = 2-DOOR SPECIAL COUPE	41 = 4-DOOR SEDAN
24 = 2-DOOR HATCHBACK	44 = 4-DOOR HATCHBACK
27 = 2-DOOR CONVERTIBLE	45 = 2-SEAT STATION WAGON

AR = Use as Required - = Non Illustrated Part P.A.R. = Paint as Required



**RECLINING BUCKET SEAT - P,D,C,V**  
**Figure IT-3251**

2253 325100A



ITEM	PART NUMBER	QTY	BODY	MODEL	DESCRIPTION
1					RECLINER UNIT, Bucket Seat N N N N0
	4239 278	1			OUTER, Rt. N NALL N Y4239278
	4239 294	1			INNER, Rt. N NALL N Y4239294
	4239 279	1			OUTER, Lt. N NALL N Y4239279
	4239 295	1			INNER, Lt. N NALL N Y4239295
2	6500 558	4			BOLT N NALL N Y6500558
3	2858 089	2			WASHER, Front Seat Back Hinge Arm N N21,22 N Y2858089
4	6500 534	2			BOLT N NALL N Y6500534
5					SHIELD, Front Seat Back (paint as required) N NALL N N0
	S754-5 AA3	1			Outer, Silver N NALL N YS754AA3
	S758-9 AA3	1			Inner, Silver N NALL N YS758AA3
6					SCREW, (not Serviced) N NALL N N0
7	4239 487	2			LATCH, Front Seat Back To Cushion N N21,22 N Y4239487
8	4239 468	2			COVER, Stop Pin N N21,22 N Y4239468
9	4190 274	2			BUSHING, Front Seat Latch Pivot N N21,22 N Y4190274
10	6500 479	2			WASHER N N21,22 N Y6500479
11	6024 440	2			RING, Retaining N NALL N Y6024440
12	6031 147	2			NUT SPRING, Push on Type N NALL N Y6031147
13	4239 300	1			ROD, Front Seat Back Recliner Connector N N21,22 N Y4239300
14	4190 612	1			SHAFT, Front Seat Inertia Latch Actuator N N21,22 N Y4190612
15	4190 613	1			HANDLE, Front Seat Inertia Release N N21,22 N Y4190613
16	4190 616	1			STOP, Front Seat Inertia Latch Actuator N N21,22 N Y4190616
17	4190 614-5	1			ACTUATOR, Front Seat Inertia Latch N N21,22 N Y4190614
18	4190 611	1			SPRING, Front Seat Inertia Latch Handle Return N N21,22 N Y4190611
19	6022 149	2			NUT, Front Seat Inertia Latch Push On N N21,22 N Y6022149
20		2			WASHER, Front Seat Back Hinge Arm (not serviced) N N21,22 N N0
21	4239 510	1			KNOB, Front Seat Back Recliner Release N NALL N Y4239510
	4239 508	1			COVER, Inboard (use up to 3/15/82) N NALL N Y4239508
	4290 338	1			(use after 3/15/82) N NALL N Y4290338
22	4239 492	1			LOCK ASSY., Front Seat Back to Cushion N N41,45 N Y4239492
23	6500 453	AR			NUT N N N Y6500453

**MODEL CODES**

B = GRAN FURY/CARAVELLE	P = RELIANT
C = LEBARON/TOWN & COUNTRY	S = CORDOBA
D = ARIES	V = 400
F = NEW YORKER	X = MIRADA
G = DIPLOMAT	Y = IMPERIAL
M = HORIZON/TC3/SCAMP	Z = OMNI/O24/RAMPAGE

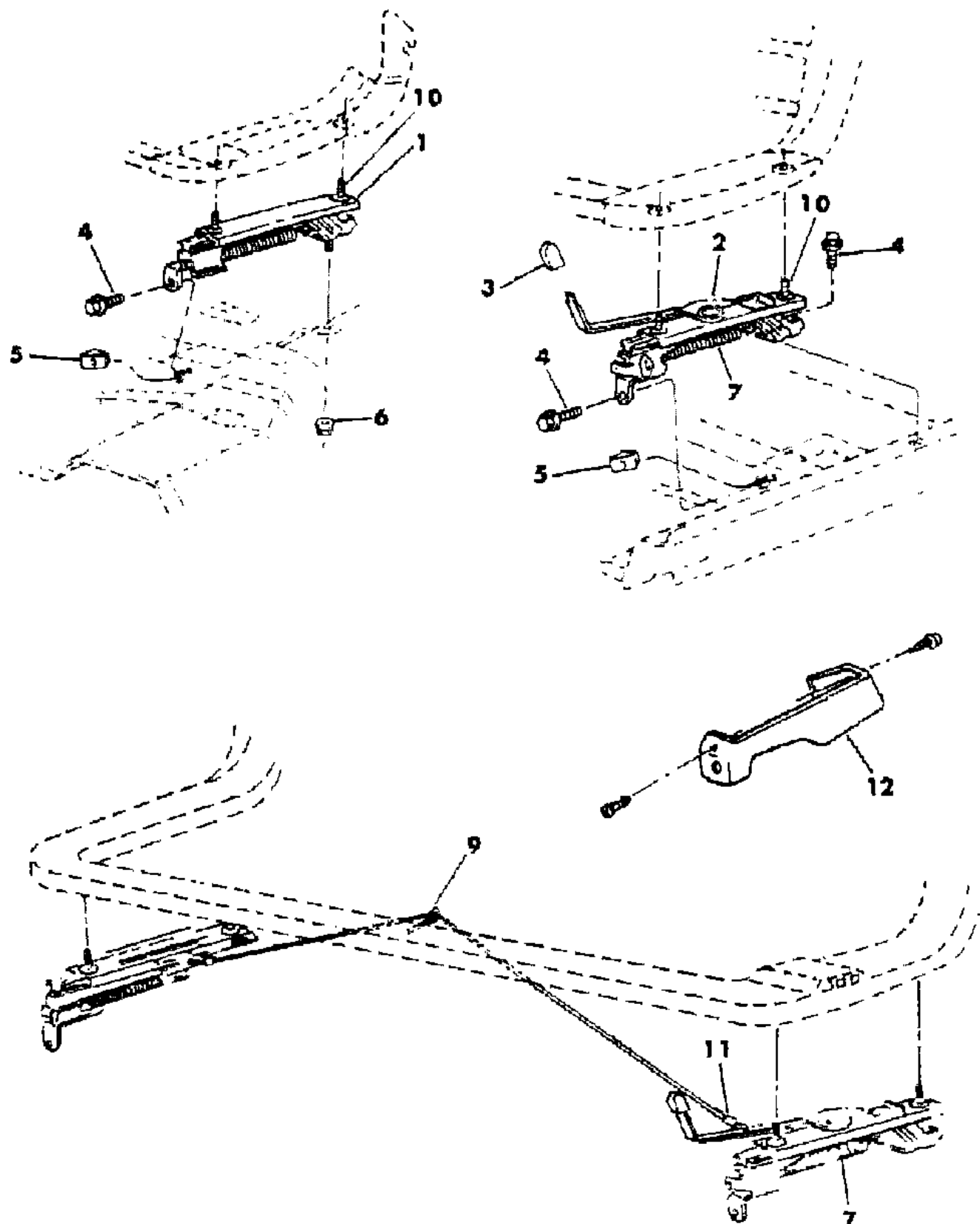
**BODY STYLES**

21 = 2-DOOR SEDAN	28 = FWD PICKUP
22 = 2-DOOR SPECIAL COUPE	41 = 4-DOOR SEDAN
24 = 2-DOOR HATCHBACK	44 = 4-DOOR HATCHBACK
27 = 2-DOOR CONVERTIBLE	45 = 2-SEAT STATION WAGON

AR = Use as Required - = Non Illustrated Part P.A.R. = Paint as Required

**SEAT ADJUSTER MANUAL - P,D,C,V 0**  
**Figure IT-3261**

2253 326100A



ITEM	PART NUMBER	QTY	BODY	MODEL	DESCRIPTION
1	4239 790-1	1			ADJUSTER, w/Bucket Seat Inner (use up to 9/14/81) N N N Y4239790
	4277 652-3	1			(use after 9/14/81) N N N Y4277652
	4277 992-3	1			NC,V N27 N Y4277992
2					ADJUSTER, Outer N N N N0
	4239 938-9	1			w/Bucket Seat (use up to 9/14/81) N N N Y4239938
	4277 650-1	1			w/Bucket Seat (use after 9/14/81) N N N Y4277650
	4277 990-1	1			w/Bucket Seat NC,V N27 N Y4277990
	4239 934-5	1			w/Bench Seat N N N Y4239934
3	5207 235	1			KNOB, Release Lever N N N Y5207235
4	6500 608	AR			SCREW and WASHER N N N Y6500608
5	6101 283	AR			U/NUT N N N Y6101283
6	6500 563	AR			NUT and WASHER N N N Y6500563
7	4246 167	AR			SPRING, Adjuster Release Lever w/Bucket N N N Y4246167
	4172 396	AR			w/Bench N N N Y4172396
8					WIRE, Release Lever Connector N N N N0
	4239 933	1			w/Bench Seat N N N Y4239933
	4239 942	2			w/Bucket Seat N N N Y4239942
9	2942 556	1			HOOK, Guide Wire N N N Y2942556
10					SCREW and WASHER (not serviced) N N N N0
11	4246 166	1			SPRING, Adjuster Assist w/Bucket N N N Y4246166
	4172 398	1			w/Bench N N N Y4172398
12					COVER, Manual Adjuster, Outer N N N N
	S870-1 AT6	1			Cashmere NC,V N27 N YS870AT6
	S870-1 AH9	1			Mahogany NC,V N27 N YS870AH9
	S870-1 AM6	1			Red NC,V N27 N YS870AM6
					NOTE: The following parts are not illustrated. 0 s ARE NOT RETURNABLE.
					COVER, Adjuster w/Bucket Seat Outer N N N N0
					(use up to 9/21/81) N N N N0
	S560-1 AA7	1			Silver N N N YS560AA7
	S560-1 VB2	1			Blue, Light N N N YS560VB2
	S560-1 AC7	1			Blue, Dark N N N YS560AC7
	S560-1 VF5	1			Green N N N YS560VF5
	S560-1 AH9	1			Mahogany N N N YS560AH9
	S560-1 VM6	1			Red N N N YS560VM6
	S560-1 VT6	1			Tan N N N YS560VT6
					(use after 9/21/81) N N N N0

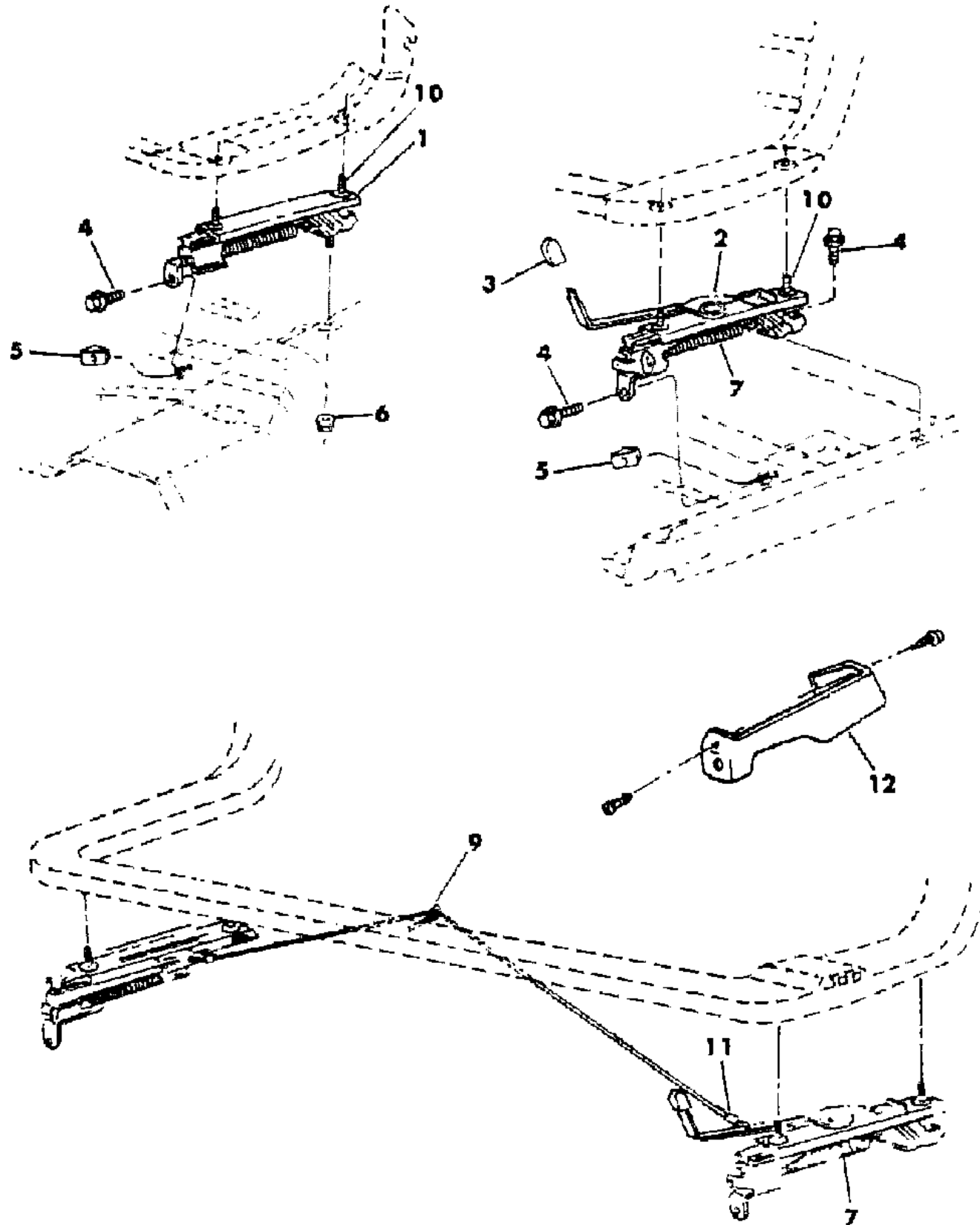
MODEL CODES  
 B = GRAN FURY/CARAVELLE      P = RELIANT  
 C = LEBARON/TOWN & COUNTRY      S = CORDOBA  
 D = ARIES      V = 400  
 F = NEW YORKER      X = MIRADA  
 G = DIPLOMAT      Y = IMPERIAL  
 M = HORIZON/TC3/SCAMP      Z = OMNI/O24/RAMPAGE

BODY STYLES  
 21 = 2-DOOR SEDAN      28 = FWD PICKUP  
 22 = 2-DOOR SPECIAL COUPE      41 = 4-DOOR SEDAN  
 24 = 2-DOOR HATCHBACK      44 = 4-DOOR HATCHBACK  
 27 = 2-DOOR CONVERTIBLE      45 = 2-SEAT STATION WAGON

AR = Use as Required - = Non Illustrated Part P.A.R. = Paint as Required

SEAT ADJUSTER MANUAL - P,D,C,V 0  
Figure IT-3261

2253 326100A



ITEM	PART NUMBER	QTY	BODY	MODEL	DESCRIPTION
	S594-5 AA7				Silver N N N YS594AA7
	S594-5 AB2				Blue, Light N N N YS594AB2
	S594-5 AC7				Blue, Dark N N N YS594AC7
	S594-5 AF5				Green N N N YS594AF5
	S594-5 AH9				Mahogany N N N YS594AH9
	S594-5 AM6				Red N N N YS594AM6
	S594-5 AT6				Tan N N N YS594AT6
		1			Inner, Bucket N N N N0 (use up to 9/21/81) N N N N0
	S562-3 AA7	1			Silver N N N YS562AA7
	S562-3 VB2	1			BLUE, Light N N N YS562VB2
	S562-3 AC7	1			BLUE, Dark N N N YS562AC7
	S562-3 VF5	1			Green N N N YS562VF5
	S562-3 AH9	1			Mahogany N N N YS562AH9
	S562-3 VM6	1			Red N N N YS562VM6
	S562-3 VT6	1			Tan N N N YS562VT6 (use after 9/21/81) N N N N0
	S596-7 AA7				Silver N N N YS596AA7
	S596-7 AB2				Blue, Light N N N YS596AB2
	S596-7 AC7				Blue, Dark N N N YS596AC7
	S596-7 AF5				Green N N N YS596AF5
	S596-7 AH9				Mahogany N N N YS596AH9
	S596-7 AM6				Red N N N YS596AM6
	S596-7 AT6				Tan N N N YS596AT6 COVER, Adjuster, w/Bench Seat N N N N0
	S558-9 AA7	1			Silver N N N YS558AA7
	S558-9 VB2	1			Blue, Light N N N YS558VB2
	S558-9 AC7	1			Blue, Dark N N N YS558AC7
	S558-9 VF5	1			Green N N N YS558VF5
	S558-9 AH9	1			Mahogany N N N YS558AH9
	S558-9 VM6	1			Red N N N YS558VM6
	S558-9 VT6	1			Tan N N N YS558VT6
	4172 398	1			SPRING, Adjuster Return N N N Y4172398

MODEL CODES

B = GRAN FURY/CARAVELLE	P = RELIANT
C = LEBARON/TOWN & COUNTRY	S = CORDOBA
D = ARIES	V = 400
F = NEW YORKER	X = MIRADA
G = DIPLOMAT	Y = IMPERIAL
M = HORIZON/TC3/SCAMP	Z = OMNI/O24/RAMPAGE

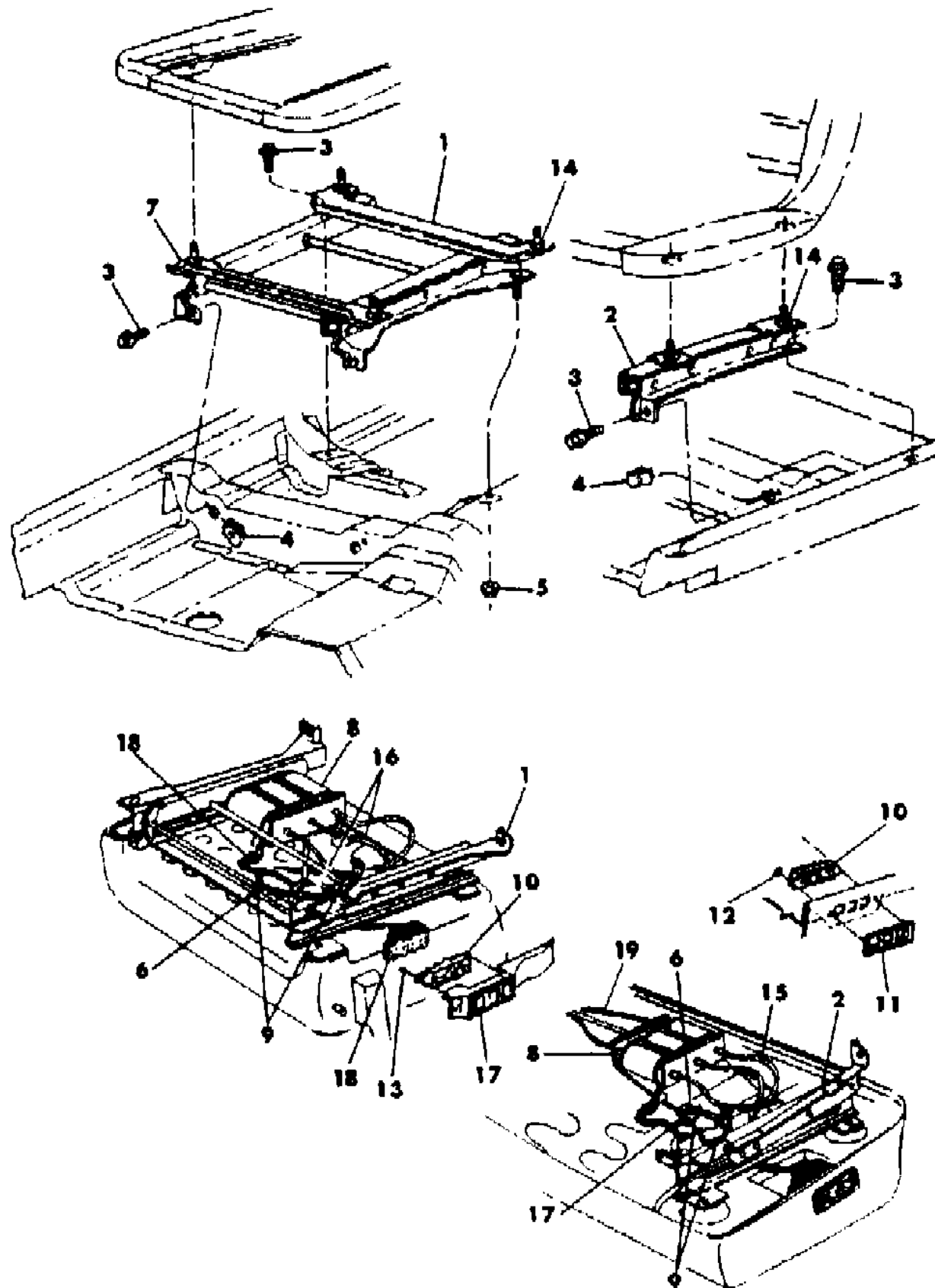
BODY STYLES

21 = 2-DOOR SEDAN	28 = FWD PICKUP
22 = 2-DOOR SPECIAL COUPE	41 = 4-DOOR SEDAN
24 = 2-DOOR HATCHBACK	44 = 4-DOOR HATCHBACK
27 = 2-DOOR CONVERTIBLE	45 = 2-SEAT STATION WAGON

AR = Use as Required - = Non Illustrated Part P.A.R. = Paint as Required

**SEAT ADJUSTER ELECTRIC - P,D,C,V 0**  
**Figure IT-3271**

2253 327 100B



ITEM	PART NUMBER	QTY	BODY	MODEL	DESCRIPTION
1	4277 100	1			ADJUSTER, w/Bucket Left (use up to 9/14/81) N N N Y4277100
	4277 649	1			(use after 9/14/81) N N N Y4277649
2	4172 874-5	1			TRACK, Bench Seat N N N Y4172874
3	6500 615	AR			SCREW and WASHER N N N Y6500615
4	6101 283	AR			U/NUT N N N Y6101283
5	6100 051	AR			NUT and WASHER N N N Y6100051
6	2945 704	AR			STRAP N N N Y2945704
7	6028 040	4			RETAINER N N N Y6028040
8					MOTOR N N N N0
	4054 186	1			w/Bench Seat N N N Y4054186
	4172 871	1			w/Bucket Seat N N N Y4172871
9		AR			CLIP (not serviced) N N N N0
10					SWITCH N N N N0
	3747 740	1			w/Bench and Split Bench Seat N N N Y3747740
	3747 924	1			w/Bucket Seat N N N Y3747924
11	3746 967	1			BEZEL, Switch w/Bench Seat N N N Y3746967
12	6025 002	AR			NUT and Cone WASHER N N N Y6025002
13					SCREW (not serviced) N N N N0
14	0180 079	4			SCREW and WASHER N N N Y0180079
15					HOUSING, Bench Seat Cable N N N N0
	4172 878	1			Right (31.37 inches) N N N Y4172878
	4054 185	1			Left (11.05 inches) N N N Y4054185
					CABLE N N N N0
	4172 876	1			Right (32.43 inches) N N N Y4172876
	4054 183	1			Left (12.19 inches) N N N Y4054183
16	4054 185	1			HOUSING, Bucket Seat Cable (11.05 inches) N N N Y4054185
	4054 183	1			CABLE, Bucket Seat (12.19 inches) N N N Y4054183
17	S775 VB2	1			SHILED (paint as required) N N N YS775VB2
18	4209 646	1			WIRING, Seat Adjuster N N N Y4209646
19	4246 135	2			HOUSING, Electric Adjuster, Vertical and Horizontal, Right (35.31 inches) N N N Y4246135
	4246 134	2			CABLE, Electric Adjuster, Vertical and Horizontal, Right (36.38 inches) N N N Y4246134
					COVER, Adjuster, w/Bench N N N N0
	S570-1 AA7	1			Silver N N N YS570AA7
	S570-1 VB2	1			Blue, Light N N N YS570VB2

NOTE: The following parts are not illustrated. 0 s ARE NOT RETURNABLE.

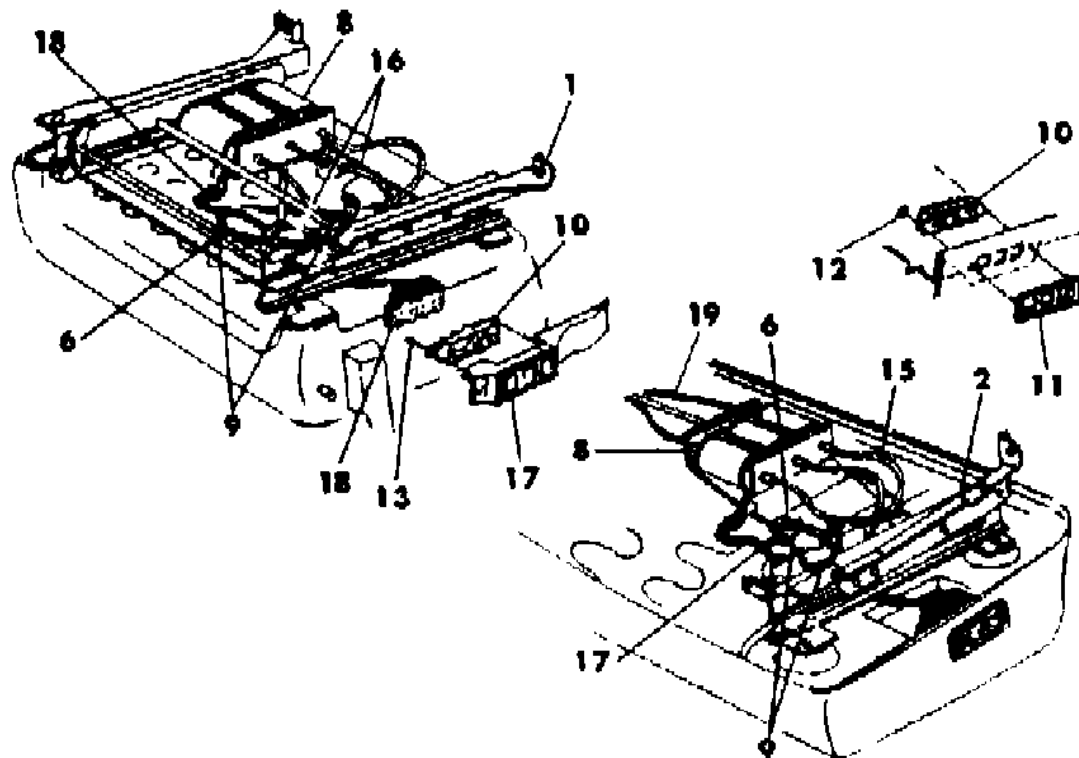
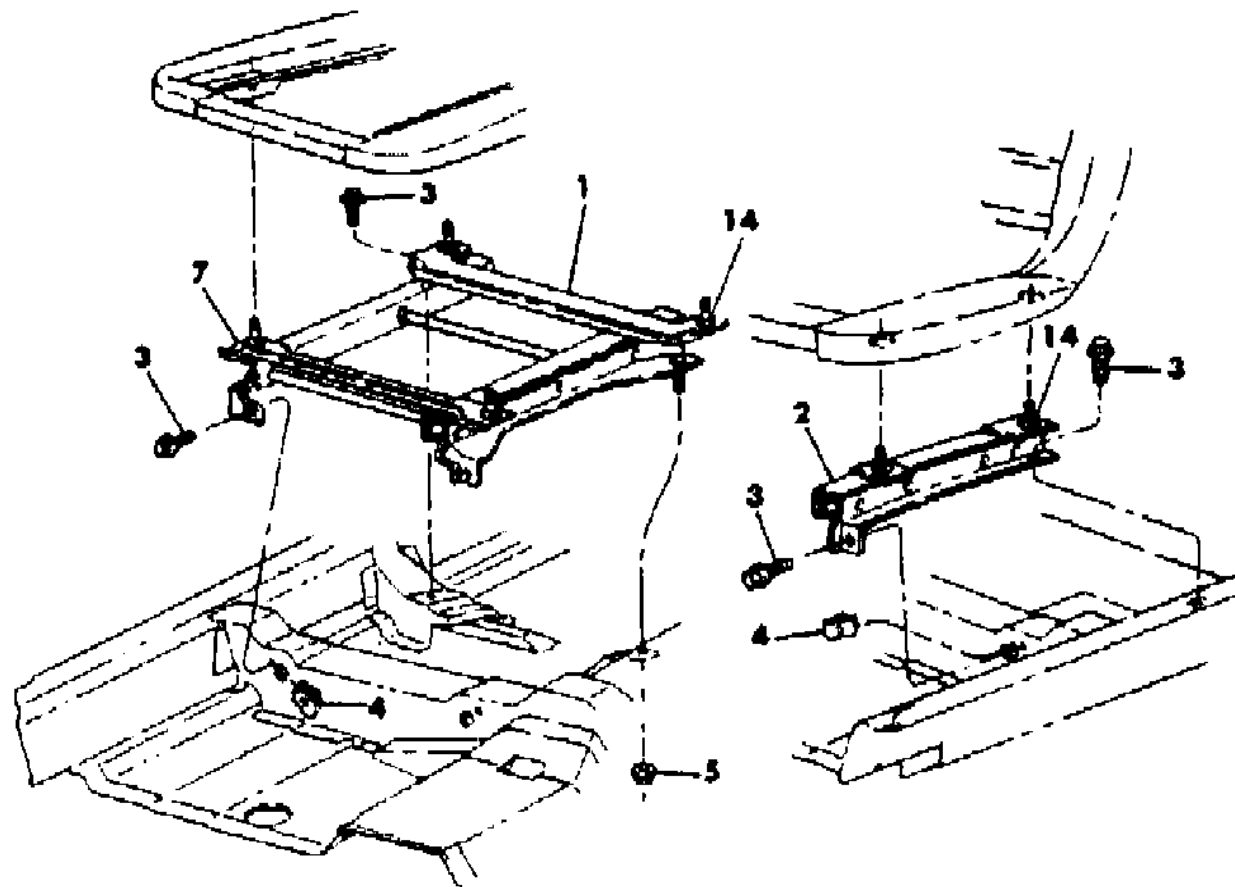
MODEL CODES  
 B = GRAN FURY/CARAVELLE      P = RELIANT  
 C = LEBARON/TOWN & COUNTRY      S = CORDOBA  
 D = ARIES      V = 400  
 F = NEW YORKER      X = MIRADA  
 G = DIPLOMAT      Y = IMPERIAL  
 M = HORIZON/TC3/SCAMP      Z = OMNI/O24/RAMPAGE

BODY STYLES  
 21 = 2-DOOR SEDAN      28 = FWD PICKUP  
 22 = 2-DOOR SPECIAL COUPE      41 = 4-DOOR SEDAN  
 24 = 2-DOOR HATCHBACK      44 = 4-DOOR HATCHBACK  
 27 = 2-DOOR CONVERTIBLE      45 = 2-SEAT STATION WAGON

AR = Use as Required - = Non Illustrated Part P.A.R. = Paint as Required

SEAT ADJUSTER ELECTRIC - P,D,C,V 0  
Figure IT-3271

2253 327 100B



ITEM	PART NUMBER	QTY	BODY	MODEL	DESCRIPTION
	S570-1 AC7	1			Blue, Dark N N N YS570AC7
	S570-1 VF5	1			Green N N N YS570VF5
	S570-1 AH9	1			Mahogany N N N YS570AH9
	S570-1 VM6	1			RED N N N YS570VM6
	S570-1 VT6	1			Tan N N N YS570VT6
					w/Bucket Outer Left N N N N0
	S571 AA7	1			Silver N N N YS571AA7
	S571 VB2	1			Blue, Light N N N YS571VB2
	S571 AC7	1			Blue, Dark N N N YS571AC7
	S571 VF5	1			Green N N N YS571VF5
	S571 AH9	1			Mahogany N N N YS571AH9
	S571 VM6	1			Red N N N YS571VM6
	S571 VT6	1			Tan N N N YS571VT6
					w/Bucket Inner Left N N N N0
	S583 AA7	1			Silver N N N YS583AA7
	S583 AB2	1			Blue, Light N N N YS583AB2
	S583 AC7	1			Blue, Dark N N N YS583AC7
	S583 AF5	1			Green N N N YS583AF5
	S583 AH9	1			Mahogany N N N YS583AH9
	S583 AM6	1			Red N N N YS583AM6
	S583 AT6	1			Tan N N N YS583AT6
	4239 717	1			SPRING, Adjuster Horizontal Power N N N Y4239717
	4239 719	1			SPRING, Adjuster Vertical w/Bucket N N N Y4239719
	4239 721	1			SPRING, Adjuster Vertical w/Bench N N N Y4239721

MODEL CODES

B = GRAN FURY/CARAVELLE	P = RELIANT
C = LEBARON/TOWN & COUNTRY	S = CORDOBA
D = ARIES	V = 400
F = NEW YORKER	X = MIRADA
G = DIPLOMAT	Y = IMPERIAL
M = HORIZON/TC3/SCAMP	Z = OMNI/O24/RAMPAGE

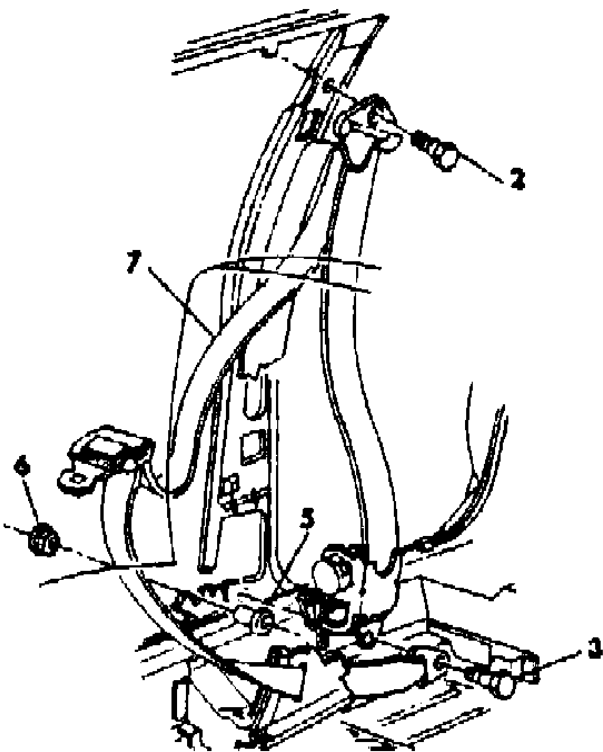
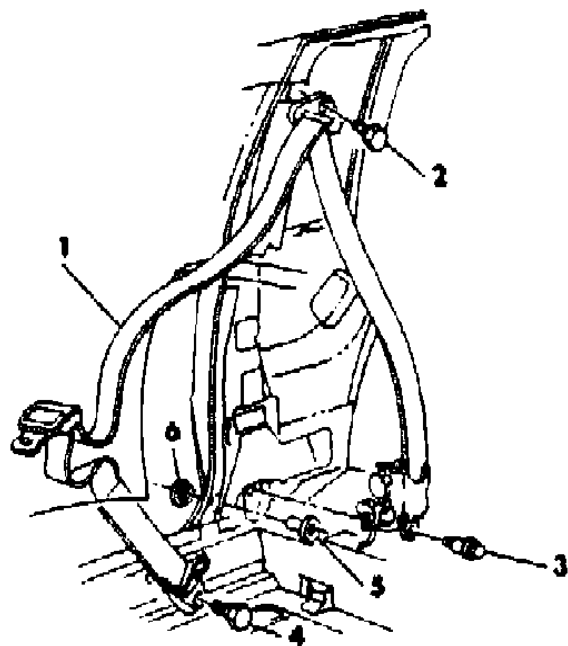
BODY STYLES

21 = 2-DOOR SEDAN	28 = FWD PICKUP
22 = 2-DOOR SPECIAL COUPE	41 = 4-DOOR SEDAN
24 = 2-DOOR HATCHBACK	44 = 4-DOOR HATCHBACK
27 = 2-DOOR CONVERTIBLE	45 = 2-SEAT STATION WAGON

AR = Use as Required - = Non Illustrated Part P.A.R. = Paint as Required

**BELT, FRONT SEAT LAP AND SHOULDER P,D,C,V 0**  
**Figure IT-3281**

2253 328100



ITEM	PART NUMBER	QTY	BODY	MODEL	DESCRIPTION
1					BELT, Front Seat Lap and Shoulder Outer, Label No 4227029 N N N N0
	F785 AA3	2			Silver N N21,22 N YF785AA3
	F785 AB2	2			Blue, Light N N21,22 N YF785AB2
	F785 AC7	2			Blue, Dark N N21,22 N YF785AC7
	F785 AF5	2			Green N N21,22 N YF785AF5
	F785 AH9	2			Mahogany N N21,22 N YF785AH9
	F785 AM6	2			Red N N21,22 N YF785AM6
	F785 AT4	2			Tan N N21,22 N YF785AT4
	F785 AX9	2			Black N N21,22 N YF785AX9
	F632 AA3	2			LABEL NO. 4290286 N N N N Silver N N21,22 N YF632AA3
	F632 AB2	2			Blue, Light N N21,22 N YF632AB2
	F632 AC7	2			Blue, Dark N N21,22 N YF632AC7
	F632 AH9	2			Mahogany N N21,22 N YF632AH9
	F632 AM6	2			Red N N21,22 N YF632AM6
	F632 AT4	2			Tan N N21,22 N YF632AT4
	F632 AX9	2			Black N N21,22 N YF632AX9
2	6031 298	2			BOLT, Shoulder N N N Y6031298
3	6031 484	2			BOLT N N N Y6031484
4	6031 216	2			BOLT, Shoulder N N N Y6031216
5	4172 860	2			RETAINER, Seat Belt Tension Releiver Button N N N Y4172860
6	4172 859	2			CYLINDER, Seat Belt Tension Releiver Button N N N Y4172859
7					BELT, Front Seat Lap and Shoulder, Outer Label No. 4277032 - 3 N N N N0
	F786-7 AA3	1			Silver N N41,45 N YF786AA3
	F786-7 AB2	1			Blue, Light N N41,45 N YF786AB2
	F786-7 AC7	1			Blue, Dark N N41,45 N YF786AC7
	F786-7 AF5	1			Green N N41,45 N YF786AF5
	F786-7 AH9	1			Mahogany N N41,45 N YF786AH9
	F786-7 AM6	1			Red N N41,45 N YF786AM6
	F786-7 AT4	1			Tan N N41,45 N YF786AT4
	F786-7 AX9	1			Black N N41,45 N YF786AX9
	F628-9 AA3	1			Label No. 4290290-1 N N N N Silver N N41,45 N YF628AA3
	F628-9 AB2	1			Blue, Light N N41,45 N YF628AB2
	F628-9 AC7	1			Blue, Dark N N41,45 N YF628AC7

**MODEL CODES**

B = GRAN FURY/CARAVELLE	P = RELIANT
C = LEBARON/TOWN & COUNTRY	S = CORDOBA
D = ARIES	V = 400
F = NEW YORKER	X = MIRADA
G = DIPLOMAT	Y = IMPERIAL
M = HORIZON/TC3/SCAMP	Z = OMNI/O24/RAMPAGE

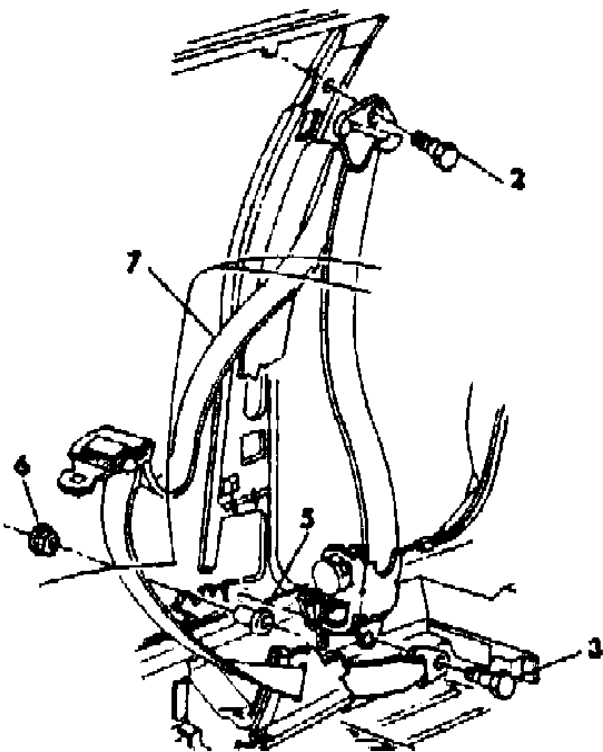
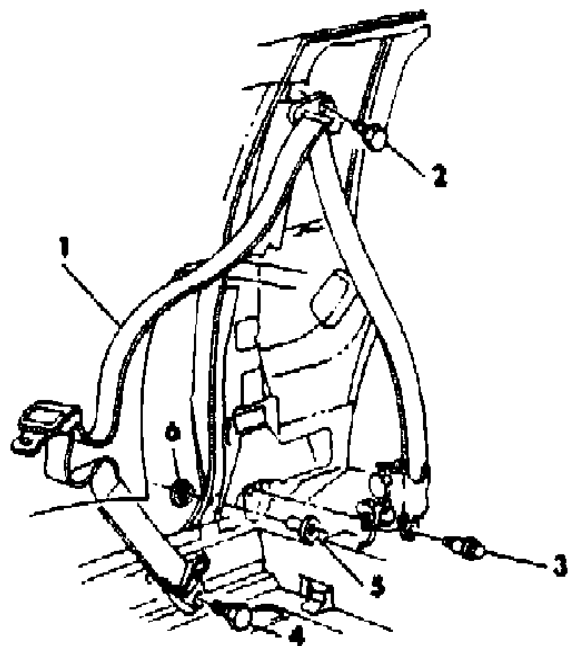
**BODY STYLES**

21 = 2-DOOR SEDAN	28 = FWD PICKUP
22 = 2-DOOR SPECIAL COUPE	41 = 4-DOOR SEDAN
24 = 2-DOOR HATCHBACK	44 = 4-DOOR HATCHBACK
27 = 2-DOOR CONVERTIBLE	45 = 2-SEAT STATION WAGON

AR = Use as Required - = Non Illustrated Part P.A.R. = Paint as Required

**BELT, FRONT SEAT LAP AND SHOULDER P,D,C,V 0**  
**Figure IT-3281**

2253 328100



ITEM	PART NUMBER	QTY	BODY	MODEL	DESCRIPTION
	F628-9 AF5	1			Green N N41,45 N YF628AF5
	F628-9 AH9	1			Mahogany N N41,45 N YF628AH9
	F628-9 AM6	1			Red N N41,45 N YF628AM6
	F628-9 AT4	1			Tan N N41,45 N YF628AT4
	F628-9 AX9	1			Black N N41,45 N YF628AX9
NOTE: The following part is not illustrated 0 s ARE NOT RETURNABLE.					
	H496-7 SX9	1			COVER, Shoulder Belt Retractor Headlining Panel N N N YH496SX9
	6003 423	8			FASTENER, Retractor Cover Silencer N N N Y6003423
	6025 160	2			RETAINER, Inertia Retractor Pendulum Shaft N N N Y6025160

**MODEL CODES**

B = GRAN FURY/CARAVELLE	P = RELIANT
C = LEBARON/TOWN & COUNTRY	S = CORDOBA
D = ARIES	V = 400
F = NEW YORKER	X = MIRADA
G = DIPLOMAT	Y = IMPERIAL
M = HORIZON/TC3/SCAMP	Z = OMNI/O24/RAMPAGE

**BODY STYLES**

21 = 2-DOOR SEDAN	28 = FWD PICKUP
22 = 2-DOOR SPECIAL COUPE	41 = 4-DOOR SEDAN
24 = 2-DOOR HATCHBACK	44 = 4-DOOR HATCHBACK
27 = 2-DOOR CONVERTIBLE	45 = 2-SEAT STATION WAGON

AR = Use as Required - = Non Illustrated Part P.A.R. = Paint as Required

**BELT, FRONT SEAT LAP AND SHOULDER P,D,C,V 0**  
**Figure IT-3281**

2253 328 200

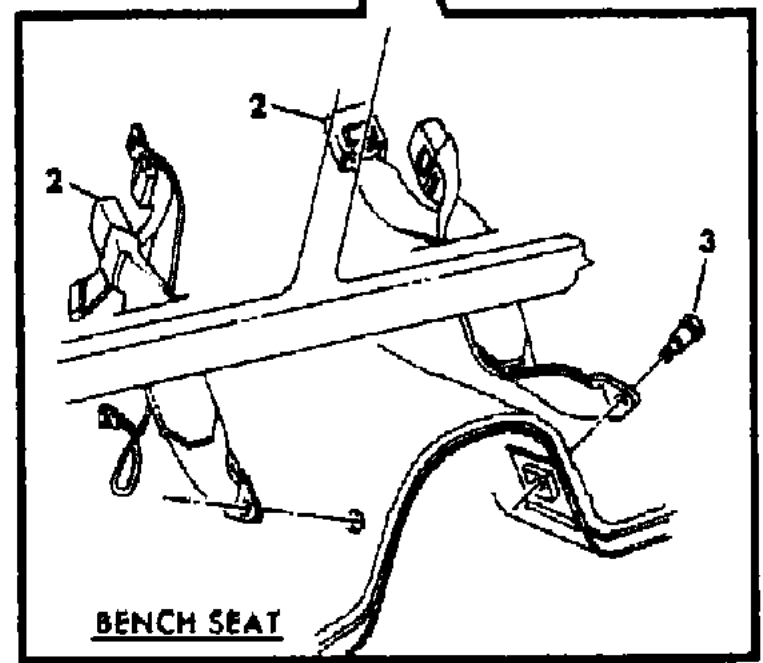
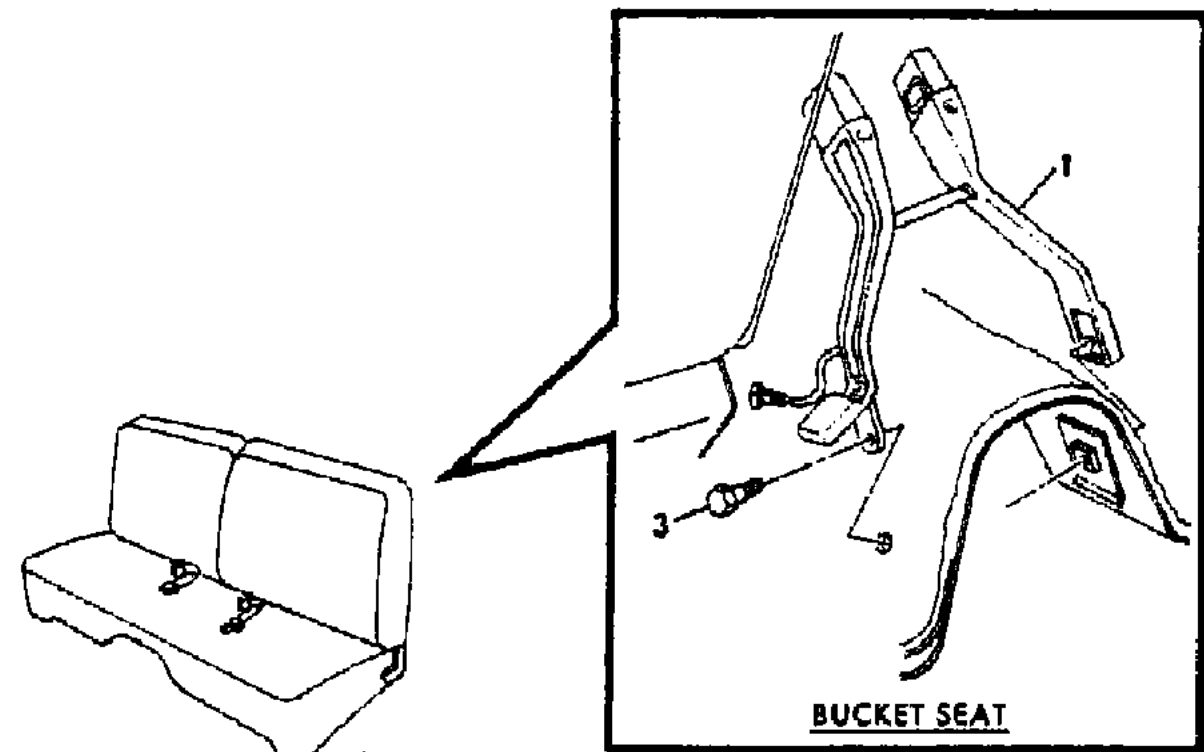
ITEM	PART NUMBER	QTY	BODY	MODEL	DESCRIPTION
1					BELT, Front Seat Lap Buckle Half Inner, Label No. 5207384 N N N N0
	F570 AA3	1			Silver N N N YF570AA3
	F570 AB2	1			Blue, Light N N N YF570AB2
	F570 AC7	1			Blue, Dark N N N YF570AC7
	F570 AF5	1			Green N N N YF570AF5
	F570 AH9	1			Mahogany N N N YF570AH9
	F570 AM6	1			Red N N N YF570AM6
	F570 AT4	1			Tan N N N YF570AT4
	F570 AX9	1			Black N N N YF570AX9
2					Label No. 4239978 - 9 N N N N0
	F556-7 AA3	1			Silver N N N YF556AA3
	F556-7 AB2	1			Blue, Light N N N YF556AB2
	F556-7 AC7	1			Blue, Dark N N N YF556AC7
	F556-7 AF5	1			Green N N N YF556AF5
	F556-7 AH9	1			Mahogany N N N YF556AH9
	F556-7 AM6	1			Red N N N YF556AM6
	F556-7 AT4	1			Tan N N N YF556AT4
	F556-7 AX9	1			Black N N N YF556AX9
3	6031 298	AR			BOLT N N N Y6031298
	F814 JX9	2			COVER, Anchor Bolt N N N YF814JX9

NOTE: The following part is not illustrated. 0 s ARE NOT RETURNABLE.

MODEL CODES  
 B = GRAN FURY/CARAVELLE      P = RELIANT  
 C = LEBARON/TOWN & COUNTRY    S = CORDOBA  
 D = ARIES                            V = 400  
 F = NEW YORKER                    X = MIRADA  
 G = DIPLOMAT                       Y = IMPERIAL  
 M = HORIZON/TC3/SCAMP         Z = OMNI/O24/RAMPAGE

BODY STYLES  
 21 = 2-DOOR SEDAN                28 = FWD PICKUP  
 22 = 2-DOOR SPECIAL COUPE    41 = 4-DOOR SEDAN  
 24 = 2-DOOR HATCHBACK        44 = 4-DOOR HATCHBACK  
 27 = 2-DOOR CONVERTIBLE       45 = 2-SEAT STATION WAGON

AR = Use as Required - = Non Illustrated Part P.A.R. = Paint as Required



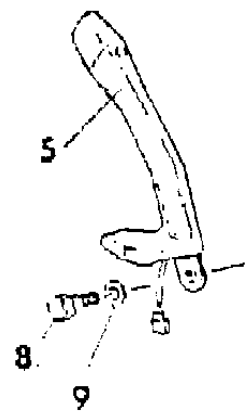
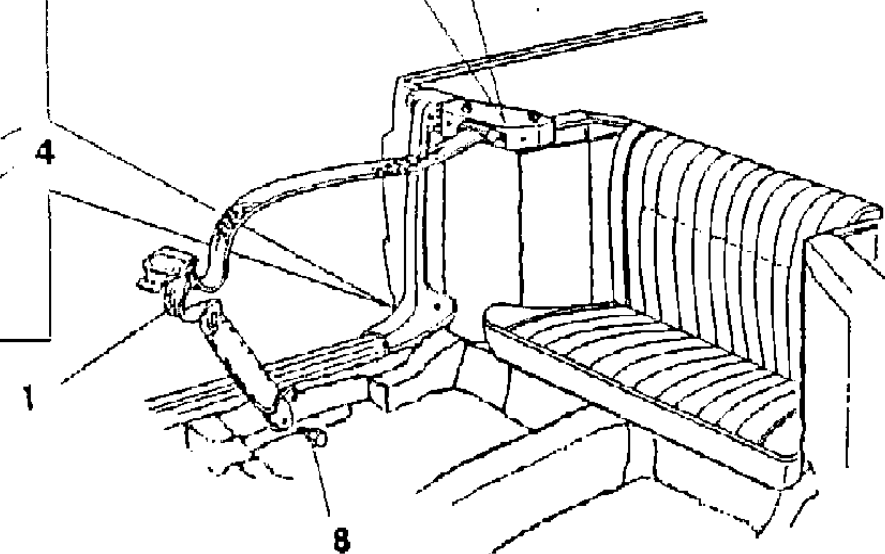
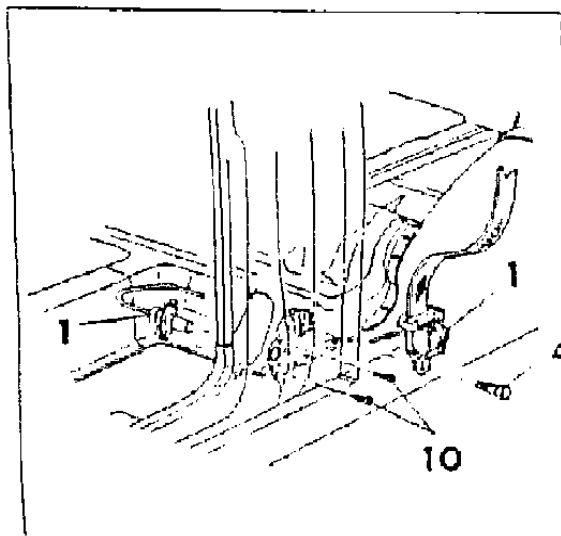
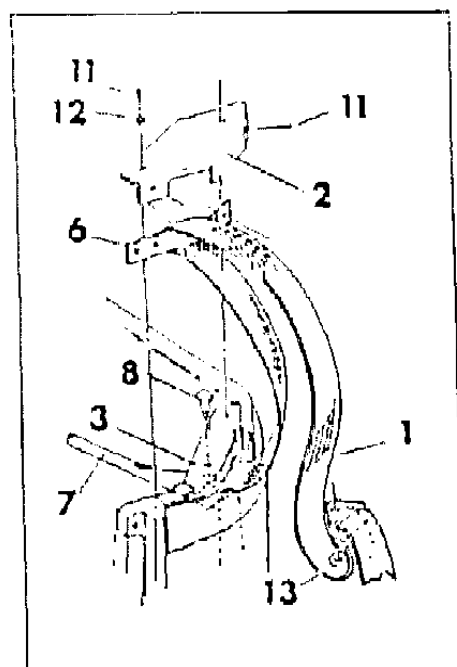
1171 5200



**CONVERTIBLE FOLDING TOP SEAT BELTS C,V 27**  
**Figure IT-3283**

ITEM	PART NUMBER	QTY	BODY	MODEL	DESCRIPTION
1					BELT, Lap and Shoulder Label No. 4317960 N N N N
	F584 AT4	2			Cashmere N N N YF584AT4
	F584 AH9	2			Mahogany N N N YF584AH9
	F584 AM6	2			Red N N N YF584AM6
2	4097 672-3	1			COVER, Belt Guide, Chrome (use up to 6/21/82) N N N Y4097672
	4305 086-7	1			(use after 6/21/82) N N N Y4305086
3	4097 670-1	1			GUIDE, Bracket Belt, Inner N N N Y4097670
4		AR			SCREW (not serviced) N N N N
5					BELT, Inner Label No. 4317958-9 N N N N
	F580-1 AT4	1			Cashmere N N N YF580AT4
	F580-1 AH9	1			Mahogany N N N YF580AH9
	F580-1 AM6	1			Red N N N YF580AM6
6	4097 674-5	1			COVER, Top Well (use up to 6/21/82) N N N Y4097674
	4305 088-9	1			(use after 6/21/82) N N N Y4305088
7	4097 680-1	1			SUPPORT, Turning Loop N N N Y4097680
8		AR			BOLT N N N N6031298
9		2			BOLT (not serviced) N N N N
10		AR			SCREW (8-18x1/2) (not serviced) N N N N
11		AR			SCREW (8-18x5/8) (not serviced) N N N N
12	4305 101	4			FASTENER N N N Y4305101
13	0446 214	8			WASHER N N N Y446214

2253 328300 B



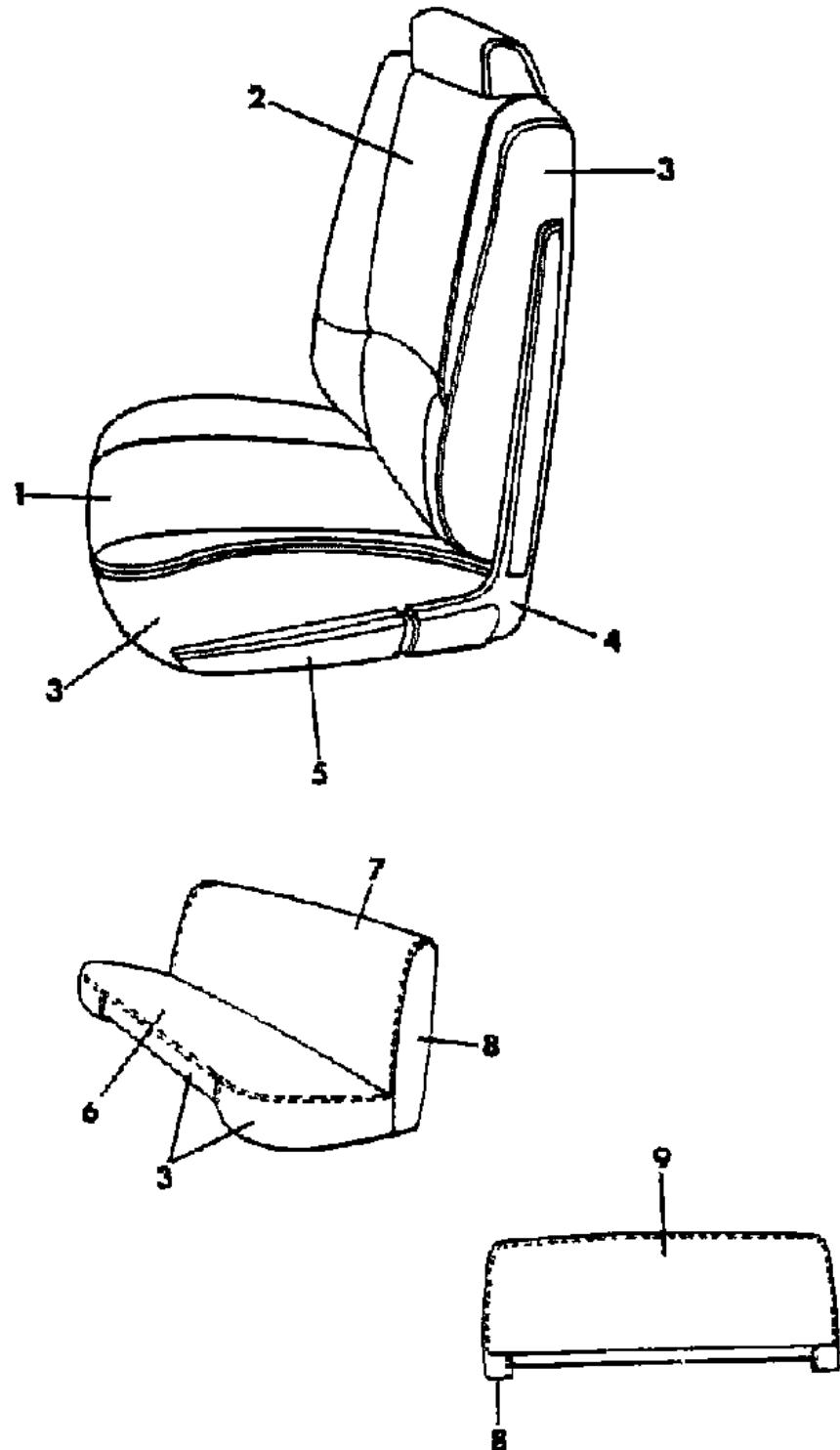
MODEL CODES  
 B = GRAN FURY/CARAVELLE      P = RELIANT  
 C = LEBARON/TOWN & COUNTRY    S = CORDOBA  
 D = ARIES                            V = 400  
 F = NEW YORKER                    X = MIRADA  
 G = DIPLOMAT                        Y = IMPERIAL  
 M = HORIZON/TC3/SCAMP          Z = OMNI/O24/RAMPAGE

BODY STYLES  
 21 = 2-DOOR SEDAN                28 = FWD PICKUP  
 22 = 2-DOOR SPECIAL COUPE    41 = 4-DOOR SEDAN  
 24 = 2-DOOR HATCHBACK        44 = 4-DOOR HATCHBACK  
 27 = 2-DOOR CONVERTIBLE       45 = 2-SEAT STATION WAGON

AR = Use as Required - = Non Illustrated Part P.A.R. = Paint as Required

FLEET POLICE AND OTHERS FRONT SEAT P,D  
Figure IT-3291

2253 329100A



ITEM	PART NUMBER	QTY	BODY	MODEL	DESCRIPTION
1	4196 466	2			COVER, Cushion N N N N Blue, Vinyl N N N7PT Y4196466
	4196 468	2			Tan, Vinyl N N N7PT Y4196468
	4196 487	2			Blue, Cloth N N N7PV Y4196487
	4196 489	2			Tan, Cloth N N N7PV Y4196489
2	4196 467	2			COVER, Back N N N N Blue, Vinyl N N N7PT Y4196467
	4196 469	2			Tan, Vinyl N N N7PT Y4196469
	4196 488	2			Blue, Cloth N N N7PV Y4196488
	4196 490	2			Tan, Cloth N N N7PV Y4196490
3	R616 VB2	AR			ROLL STOCK, Vinyl 64" Wide Order by the Inch N N N N Blue N N N YR616VB2
	R616 VT3	AR			Tan N N N YR616VT3
4	S792-3 VB2	2			SHIELD, Back Side N N N N Blue N N N YS792VB2
	S792-3 VT4	2			Tan N N N YS792VT4
5	S772-3 VB2	2			SHIELD, Cushion Side N N N N Blue N N N YS772VB2
	S772-3 VT4	2			Tan N N N YS772VT4
6	4196 434	1			COVER, Cushion N N N N Blue, Cloth N N N7RB Y4196434
	4196 438	1			Tan, Cloth N N N7RB Y4196438
7	4196 435	1			COVER, Back N N N N Blue, Cloth N N N7RB Y4196435
	4196 439	1			Tan, Cloth N N N7RB Y4196439
8	R615 AB2	AR			ROLL STOCK, Vinyl 54" Wide order by the inch. N N N N Blue N N N YR615AB2
	R615 AT3	AR			Tan N N N YR615AT3
9	R620 VB2	AR			ROLL STOCK, Vinyl 50" Wide order by the inch. N N N N Blue N N N YR620VB2
	R620 VT3	AR			Tan N N N YR620VT3

MODEL CODES

B = GRAN FURY/CARAVELLE  
C = LEBARON/TOWN & COUNTRY  
D = ARIES  
F = NEW YORKER  
G = DIPLOMAT  
M = HORIZON/TC3/SCAMP  
P = RELIANT  
S = CORDOBA  
V = 400  
X = MIRADA  
Y = IMPERIAL  
Z = OMNI/O24/RAMPAGE

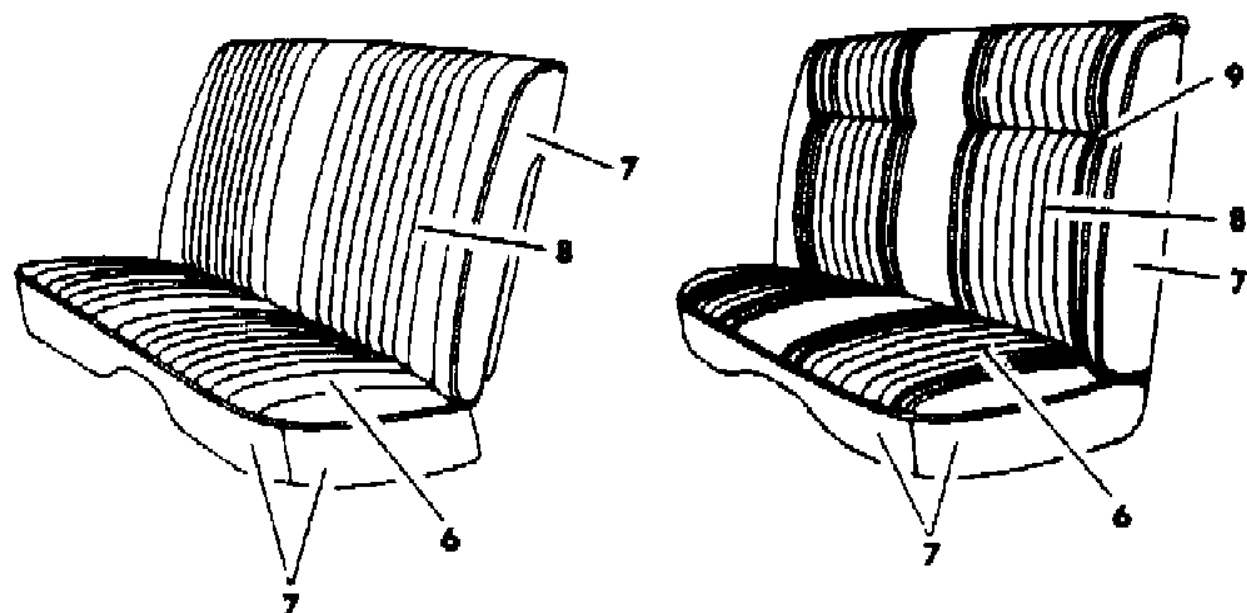
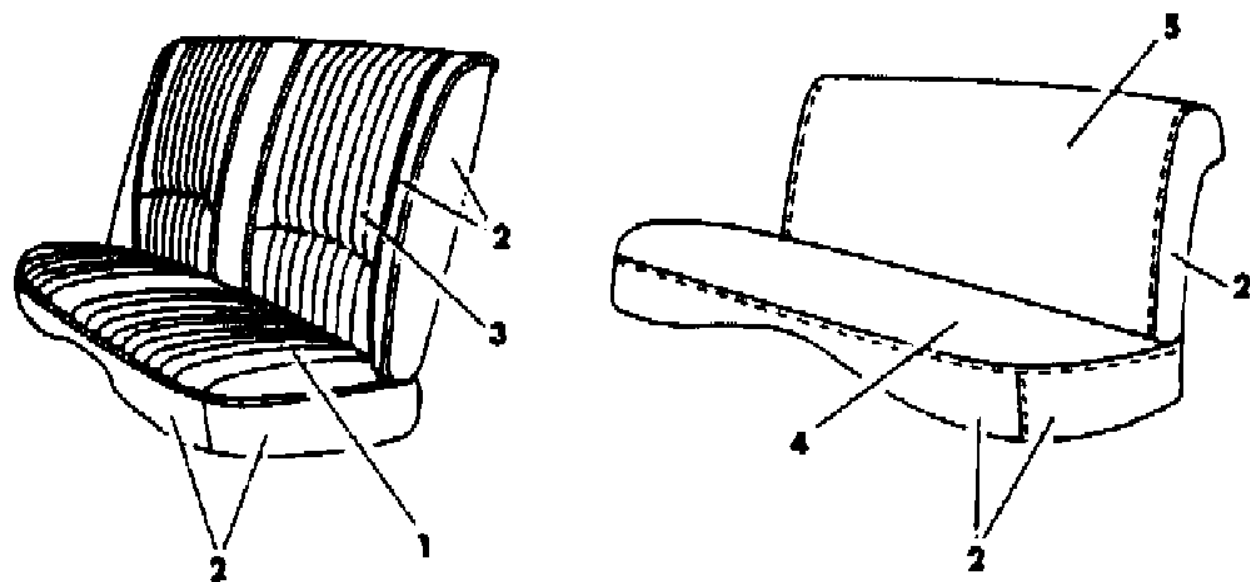
BODY STYLES

21 = 2-DOOR SEDAN  
22 = 2-DOOR SPECIAL COUPE  
24 = 2-DOOR HATCHBACK  
27 = 2-DOOR CONVERTIBLE  
28 = FWD PICKUP  
41 = 4-DOOR SEDAN  
44 = 4-DOOR HATCHBACK  
45 = 2-SEAT STATION WAGON

AR = Use as Required - = Non Illustrated Part P.A.R. = Paint as Required

**SEAT REAR P,D ALL TRIM CODES**  
Figure IT-3301

2253 330100



ITEM	PART NUMBER	QTY	BODY	MODEL	DESCRIPTION
1 &					CUSHION, w/Spring, Frame and Cover N N N N
	C605 V1B	1			(use up to Jefferson 3/16/82; St. Louis 3/16/82; Newark 2/26/82) N N21,41 NC1B YC605V1B
	C961 A1B	1			(use after Jefferson 3/16/82; St. Louis 3/16/82; Newark 2/26/82) N N21,41 NC1B YC961A1B
	C605 V1F	1			(use up to 3/15/82) N N21,41 NC1F YC605V1F
	C961 A1F	1			(use after 3/15/82) N N21,41 NC1F YC961A1F
	C605 V1M	1			(use up to 3/12/82) N N21,41 NC1M YC605V1M
	C961 A1M	1			(use after 3/12/82) N N21,41 NC1M YC961A1M
	C605 V1U	1			(use up to Jefferson 3/19/82; St. Louis 3/15/82; Newark 3/1/82) N N21,41 NC1T YC605V1U
	C961 A1T	1			(use after Jefferson 3/19/82; St. Louis 3/15/82; Newark 3/1/82) N N21,41 NC1T YC961A1T
	C720 V1P	1			N N21,41 NN1B YC720V1P
	C720 V1M	1			N N21,41 NN1M YC720V1M
	C720 V1T	1			N N21,41 NN1T YC720V1T
	C617 A2A	1			N N21,41,45 NC2A,C8A,D8A YC617A2A
	C617 V2B	1			N N21,41,45 NC2B,C8B,D8B YC617V2B
	C617 V2B	1			N N45 NR2B YC617V2B
	C617 V2F	1			N N21,41,45 NC2F,R2F YC617V2F
	C617 V2M	1			N N21,41,45 NC2M,C8M,D8M YC617V2M
	C617 V2M	1			N N45 NR2M YC617V2M
	C617 V2T	1			N N21,41,45 NC2T,C8T,D8T YC617V2T
	C617 V2T	1			N N45 NR2T YC617V2T
					HEAVY DUTY N N N N
					(use up to 12/23/81) N N N N
	C786 A2A	1			N N41 NC2A YC786A2A
	C786 A2B	1			N N41 NC2B YC786A2B
	C786 A2F	1			N N41 NC2F YC786A2F
	C786 A2M	1			N N41 NC2M YC786A2M
	C786 A2T	1			N N41 NC2T YC786A2T
					(use after 12/23/81) N N N N
	C982 A2A	1			N N41 NC2A YC982A2A
	C982 A2B	1			N N41 NC2B YC982A2B
	C982 A2F	1			N N41 NC2F YC982A2F
	C982 A2M	1			N N41 NC2M YC982A2M
	C982 A2T	1			N N41 NC2T YC982A2T

MODEL CODES

B = GRAN FURY/CARAVELLE	P = RELIANT
C = LEBARON/TOWN & COUNTRY	S = CORDOBA
D = ARIES	V = 400
F = NEW YORKER	X = MIRADA
G = DIPLOMAT	Y = IMPERIAL
M = HORIZON/TC3/SCAMP	Z = OMNI/O24/RAMPAGE

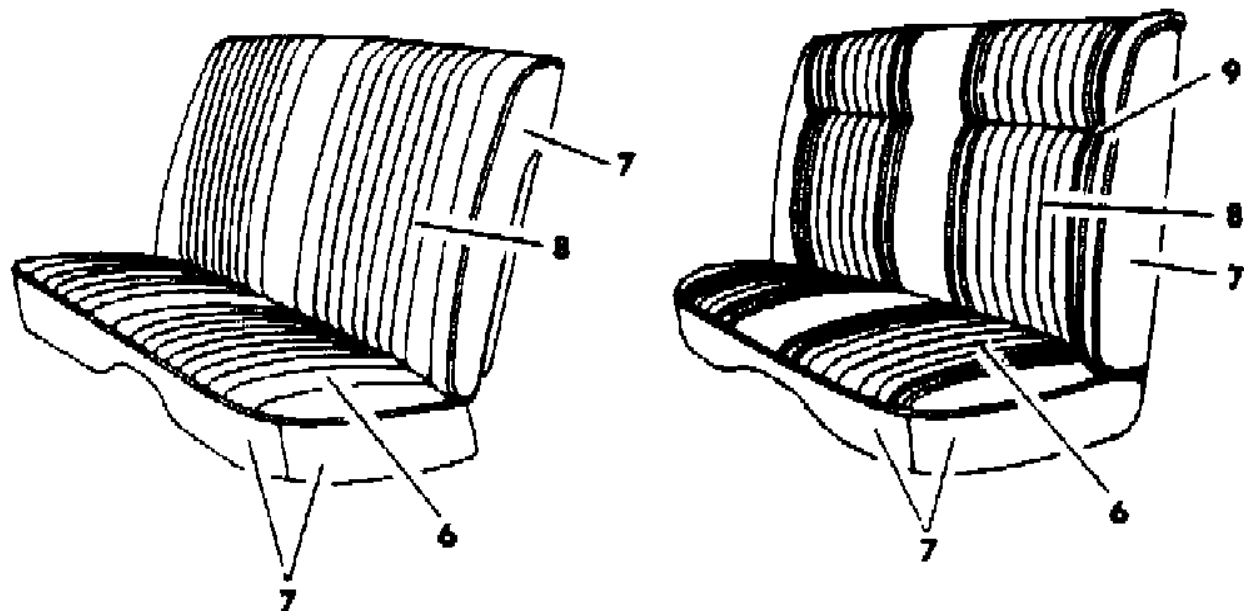
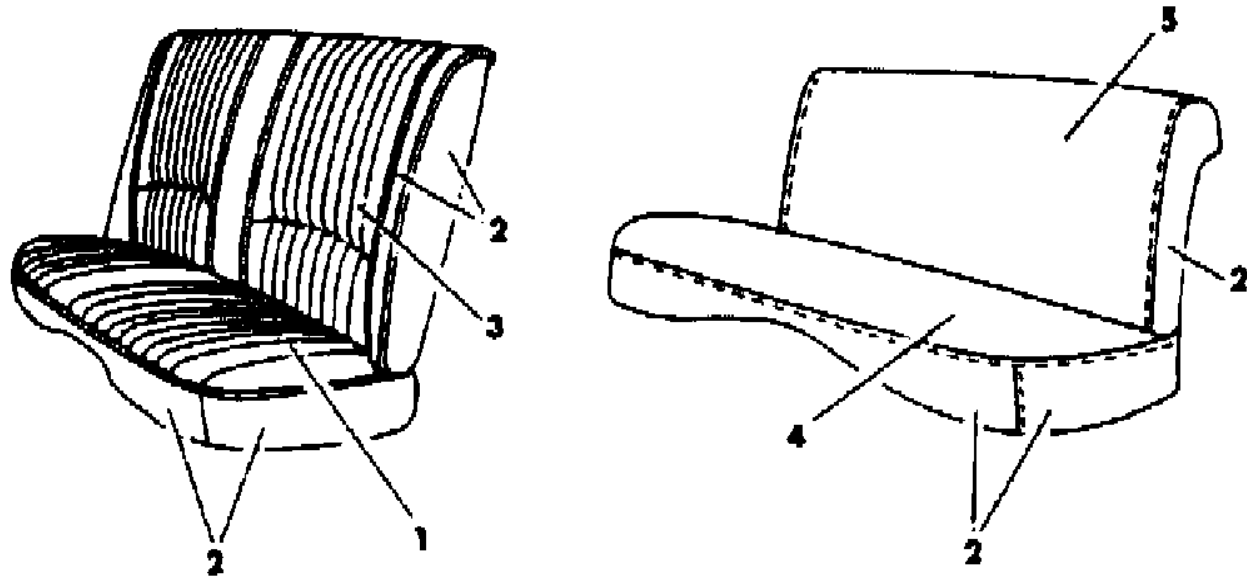
BODY STYLES

21 = 2-DOOR SEDAN	28 = FWD PICKUP
22 = 2-DOOR SPECIAL COUPE	41 = 4-DOOR SEDAN
24 = 2-DOOR HATCHBACK	44 = 4-DOOR HATCHBACK
27 = 2-DOOR CONVERTIBLE	45 = 2-SEAT STATION WAGON

AR = Use as Required - = Non Illustrated Part P.A.R. = Paint as Required

SEAT REAR P,D ALL TRIM CODES  
Figure IT-3301

2253 330100



ITEM	PART NUMBER	QTY	BODY	MODEL	DESCRIPTION
	C742 A1P	1			(use up to St.Louis 3/16/82; Newark 3/8/82; Approximate 3/15/82 Jefferson) N N41 NN1B YC742A1P
	C950 A1B	1			(use after St.Louis 3/16/82; Newark 3/8/82; Approximate 3/15/82 Jefferson) N N41 NN1B YC950A1B
	C742 A1M	1			(use up to St.Louis 3/15/82; Newark 3/4/82; Approximate Jefferson 3/1/82) N N41 NN1M YC742A1M
	C950 A1M	1			(use after St.Louis 3/15/82; Newark 3/4/82; Approximate Jefferson 3/1/82) N N41 NN1M YC950A1M
	C742 A1T	1			(use up to St. Louis 3/18/82; Newark 2/26/82; Approximate Jefferson 3/11/82) N N41 NN1T YC742A1T
	C950 A1T	1			(use after St. Louis 3/18/82; Newark 2/26/82; Approximate Jefferson 3/11/82) N N41 NN1T YC950A1T
1					COVER, Cushion N N N N
	C319 V1B	1			(use up to 3/16/82) N N21,41 NC1B YC319V1B
	C442 A1B	1			(use after 3/16/82) N N21,41 NC1B YC442A1B
	C319 V1F	1			(use up to 3/15/82) N N21,41 NC1F YC319V1F
	C442 A1F	1			(use after 3/15/82) N N21,41 NC1F YC442A1F
	C319 V1M	1			(use up to 3/12/82) N N21,41 NC1M YC319V1M
	C442 A1M	1			(use after 3/12/82) N N21,41 NC1M YC442A1M
	C319 V1U	1			(use up to Jefferson 3/19/82; St. Louis 3/15/82; Newark 3/1/82) N N21,41 NC1T YC319V1U
	C442 A1T	1			(use after Jefferson 3/19/82; St. Louis 3/15/82; Newark 3/1/82) N N21,41 NC1T YC442A1T
	C371 V1P	1			(use up to St. Louis 3/16/82; Newark 3/8/82; Approximate Jefferson 3/15/82) N N21,41 NN1B YC371V1P
	C458 A1B	1			(use after St. Louis 3/16/82; Newark 3/8/82; Approximate Jefferson 3/15/82) N N21,41 NN1B YC458A1B
	C371 V1M	1			(use up to St. Louis 3/15/82; Newark 3/4/82; Approximate Jefferson 3/1/82) N N21,41 NN1M YC371V1M
	C458 A1M	1			(use after St. Louis 3/15/82; Newark 3/4/82; Approximate Jefferson 3/1/82) N N21,41 NN1M YC458A1M
	C371 V1T	1			(use up to St. Louis 3/18/82; Newark 2/26/82; Approximate Jefferson 3/11/82) N N21,41 NN1T YC371V1T
	C458 A1T	1			(use after St. Louis 3/18/82; Newark 2/26/82; Approximate Jefferson 3/11/82) N N21,41 NN1T YC458A1T
	C329 A2A	1			(use up to 12/23/81) N N N N N N21,41,45 NC2A,C8A,D8A YC329A2A

MODEL CODES

B = GRAN FURY/CARAVELLE	P = RELIANT
C = LEBARON/TOWN & COUNTRY	S = CORDOBA
D = ARIES	V = 400
F = NEW YORKER	X = MIRADA
G = DIPLOMAT	Y = IMPERIAL
M = HORIZON/TC3/SCAMP	Z = OMNI/O24/RAMPAGE

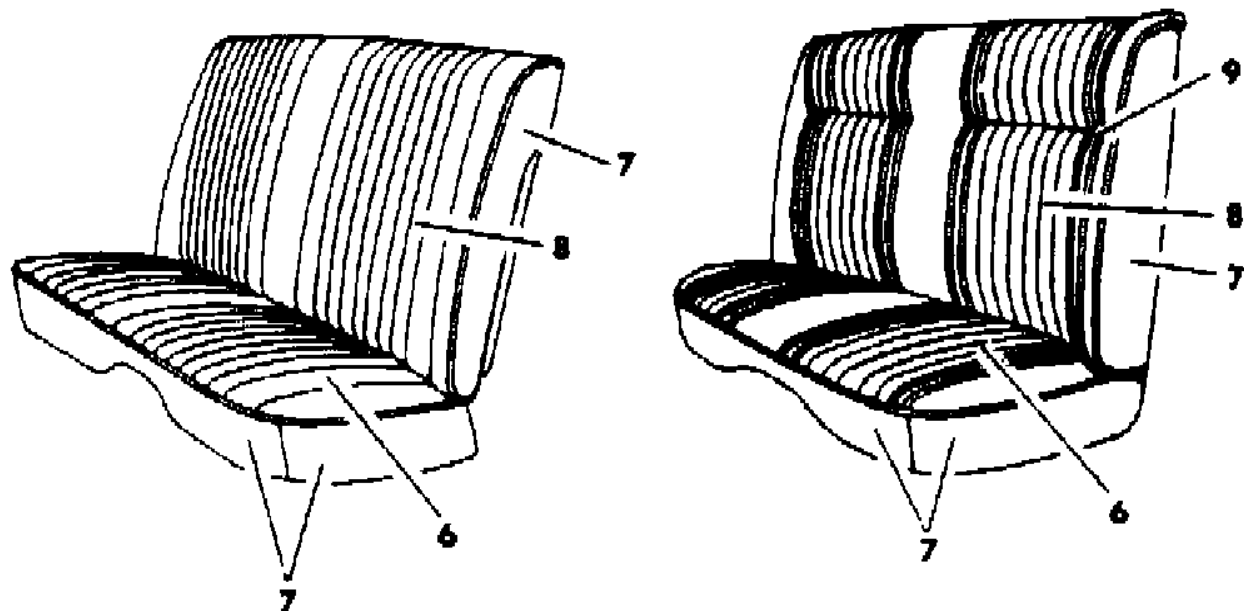
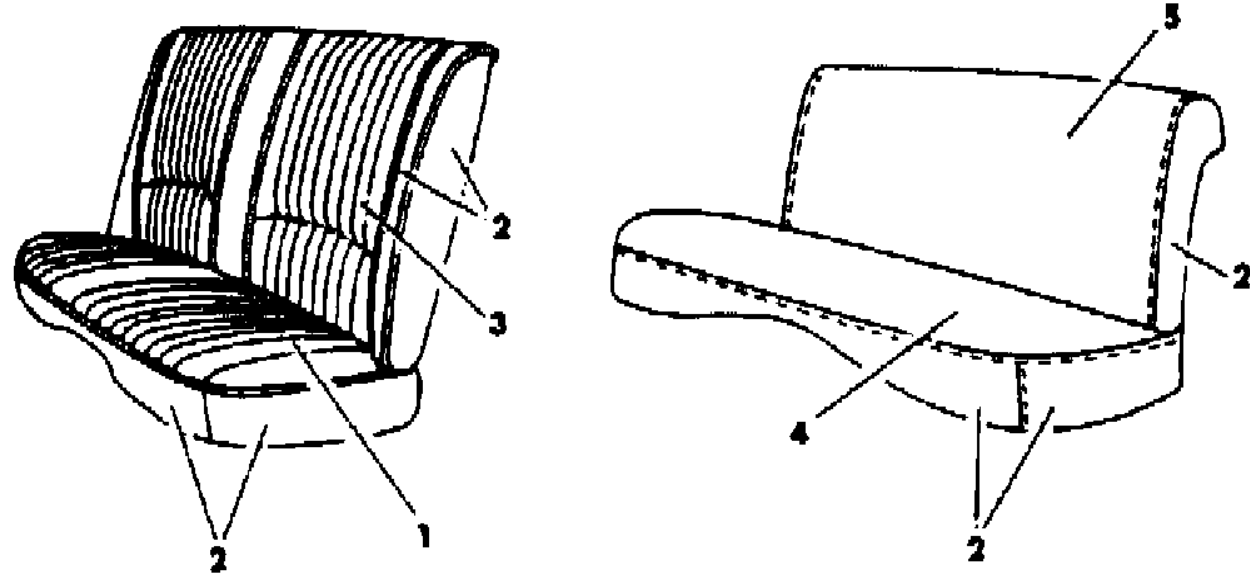
BODY STYLES

21 = 2-DOOR SEDAN	28 = FWD PICKUP
22 = 2-DOOR SPECIAL COUPE	41 = 4-DOOR SEDAN
24 = 2-DOOR HATCHBACK	44 = 4-DOOR HATCHBACK
27 = 2-DOOR CONVERTIBLE	45 = 2-SEAT STATION WAGON

AR = Use as Required - = Non Illustrated Part P.A.R. = Paint as Required

SEAT REAR P,D ALL TRIM CODES  
Figure IT-3301

2253 330100



ITEM	PART NUMBER	QTY	BODY	MODEL	DESCRIPTION
	C329 V2B	1			N N21,41,45 NC2B,C8B,D8B YC329V2B
	C329 V2B	1			N N45 NR2B YC329V2B
	C329 V2F	1			N N21,41,45 NC2F YC329V2F
	C329 V2F	1			N N45 NR2F YC329V2F
	C329 V2M	1			N N21,41,45 NC2M,C8M,D8M YC329V2M
	C329 V2M	1			N N45 NR2M YC329V2M
	C329 V2T	1			N N21,41,45 NC2T,C8T,D8T YC329V2T
	C329 V2T	1			N N45 NR2T YC329V2T (use after 12/23/81) N N N N
	C450 A2A	1			N N21,41,45 NC2A,C8A,D8A YC450A2A
	C450 A2B	1			N N21,41,45 NC2B,C8B,D8B YC450A2B
	C450 A2B	1			N N45 NR2B YC450A2B
	C450 A2F	1			N N21,41,45 NC2F YC450A2F
	C450 A2F	1			N N45 NR2F YC450A2F
	C450 A2M	1			N N21,41,45 NC2M,C8M,D8M YC450A2M
	C450 A2M	1			N N45 NR2M YC450A2M
	C450 A2T	1			N N21,41,45 NC2T,C8T,D8T YC450A2T
	C450 A2T	1			N N45 NR2T YC450A2T
2					ROLL STOCK, Vinyl 64" Wide Order by the Inch. N N N N
	R616 AA2	AR			Silver N N N YR616AA2
	R616 VB2	AR			Blue N N N YR616VB2
	R616 VF5	AR			Green N N N YR616VF5
	R616 VM6	AR			Red N N N YR616VM6
	R616 VT3	AR			Tan N N N YR616VT3
3 &					BACK, w/Spring, Frame and Cover N N N N
	C606 V1B	1			(use up to Jefferson 3/16/82; St.Louis 3/16/82; Newark 2/26/82) N N21,41 NC1B YC606V1B
	C962 A1B	1			(use after Jefferson 3/16/82; St.Louis 3/16/82; Newark 2/26/82) N N21,41 NC1B YC962A1B
	C606 V1F	1			(use up to 3/15/82) N N21,41 NC1F YC606V1F
	C962 A1F	1			(use after 3/15/82) N N21,41 NC1F YC962A1F
	C606 V1M	1			(use up to 3/12/82) N N21,41 NC1M YC606V1M
	C962 A1M	1			(use after 3/12/82) N N21,41 NC1M YC962A1M
	C606 V1U	1			(use up to Jefferson 3/19/82; St. Louis 3/15/82; Newark 3/1/82) N N21,41 NC1T YC606V1U
	C962 A1T	1			(use after Jefferson 3/19/82; St. Louis 3/15/82; Newark 3/1/82) N N21,41 NC1T YC962A1T

MODEL CODES

B = GRAN FURY/CARAVELLE	P = RELIANT
C = LEBARON/TOWN & COUNTRY	S = CORDOBA
D = ARIES	V = 400
F = NEW YORKER	X = MIRADA
G = DIPLOMAT	Y = IMPERIAL
M = HORIZON/TC3/SCAMP	Z = OMNI/O24/RAMPAGE

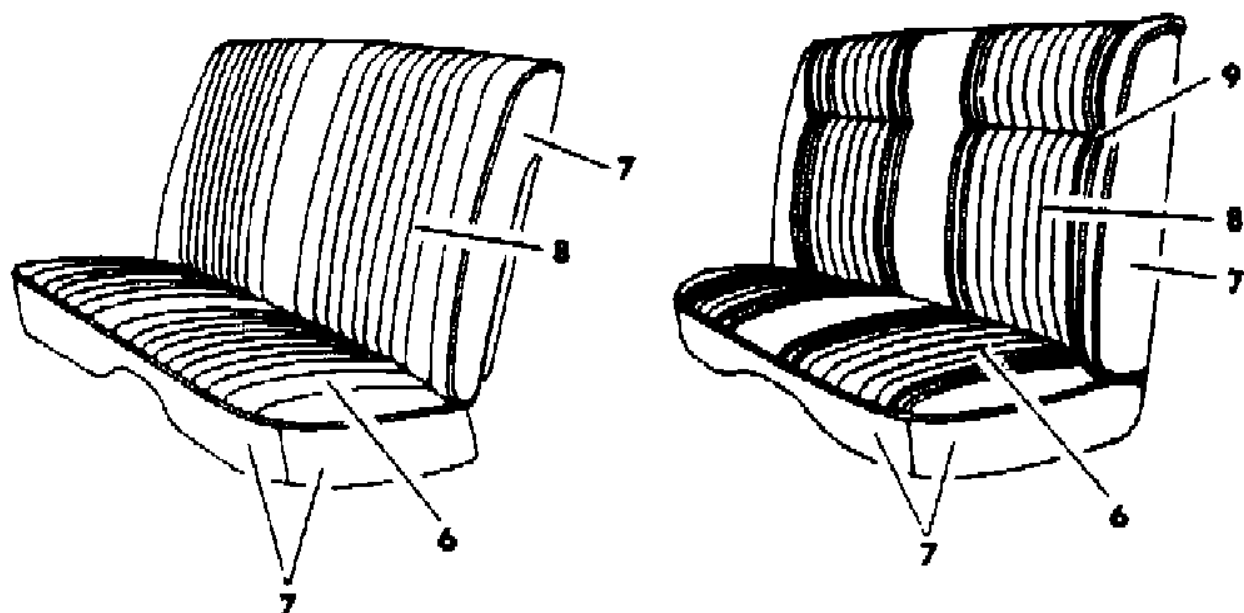
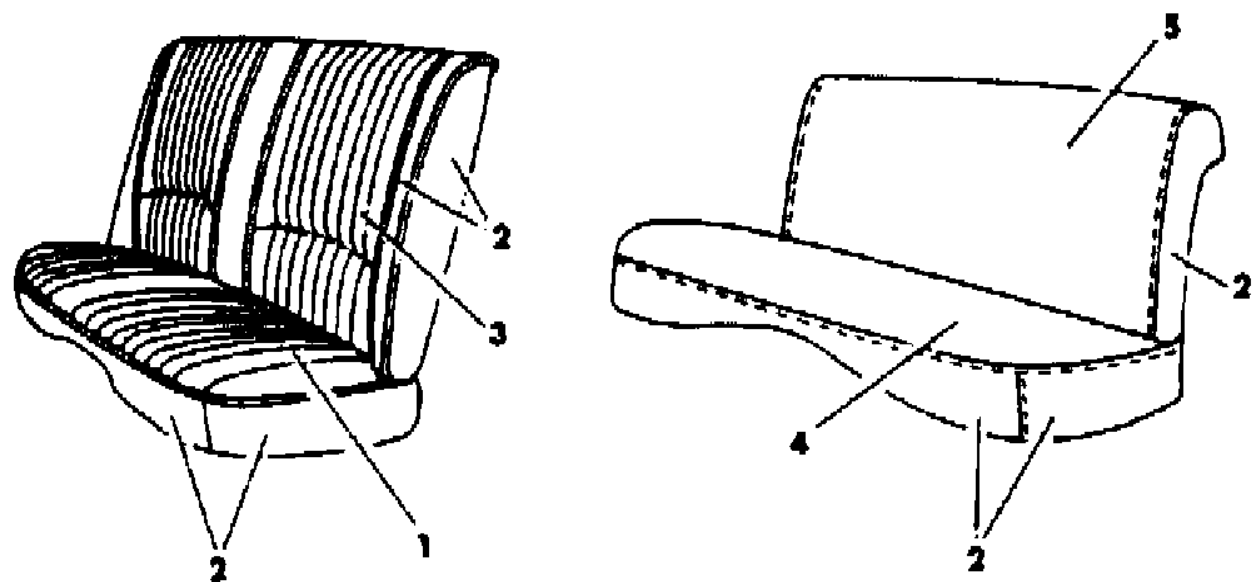
BODY STYLES

21 = 2-DOOR SEDAN	28 = FWD PICKUP
22 = 2-DOOR SPECIAL COUPE	41 = 4-DOOR SEDAN
24 = 2-DOOR HATCHBACK	44 = 4-DOOR HATCHBACK
27 = 2-DOOR CONVERTIBLE	45 = 2-SEAT STATION WAGON

AR = Use as Required - = Non Illustrated Part P.A.R. = Paint as Required

SEAT REAR P,D ALL TRIM CODES  
Figure IT-3301

2253 330100



ITEM	PART NUMBER	QTY	BODY	MODEL	DESCRIPTION
	C721 V1P	1			(use up to St. Louis 3/16/82; Newark 3/8/82; Approximate Jefferson 3/15/82) N N21,41 NN1B YC721V1P
	C951 A1B	1			(use after St. Louis 3/16/82; Newark 3/8/82; Approximate Jefferson 3/15/82) N N21,41 NN1B YC951A1B
	C721 V1M	1			(use up to St. Louis 3/15/82; Newark 3/4/82; Approximate Jefferson 3/1/82) N N21,41 NN1M YC721V1M
	C951 A1M	1			(use after St. Louis 3/15/82; Newark 3/4/82; Approximate Jefferson 3/1/82) N N21,41 NN1M YC951A1M
	C721 V1T	1			(use up to St. Louis 3/18/82; Newark 2/26/82; Approximate Jefferson 3/11/82) N N21,41 NN1T YC721V1T
	C951 A1T	1			(use after St. Louis 3/18/82; Newark 2/26/82; Approximate Jefferson 3/11/82) N N21,41 NN1T YC951A1T
	C618 A2A	1			N N21,41 NC2A,C8A,D8A YC618A2A
	C618 V2B	1			N N21,41 NC2B,C8B,D8B YC618V2B
	C618 V2F	1			N N21,41 NC2F YC618V2F
	C618 V2M	1			N N21,41 NC2M,C8M,D8M YC618V2M
	C618 V2T	1			N N21,41 NC2T,C8T,D8T YC618V2T
					HEAVY DUTY N N N N
					(use up to 12/23/81) N N N N
	C787 A2A	1			N N41 NC2A YC787A2A
	C787 A2B	1			N N41 NC2B YC787A2B
	C787 A2F	1			N N41 NC2F YC787A2F
	C787 A2M	1			N N41 NC2M YC787A2M
	C787 A2T	1			N N41 NC2T YC787A2T
					(use after 12/23/81) N N N N
	C983 A2A	1			N N NC2A YC983A2A
	C983 A2B	1			N N NC2B YC983A2B
	C983 A2F	1			N N NC2F YC983A2F
	C983 A2M	1			N N NC2M YC983A2M
	C983 A2T	1			N N NC2T YC983A2T
	C743 A1P	1			N N41 NN1B YC743A1P
	C743 A1M	1			N N41 NN1M YC743A1M
	C743 A1T	1			N N41 NN1T YC743A1T
	C623 A2B	1			(use up to 12/23/81) N N45 NR2B,C8B,D8B YC623A2B
	C623 A2B	1			(use up to 12/23/81) N N45 NK2B YC623A2B
	C975 A2B	1			(use after 12/23/81) N N45 NR2B,C8B,D8B YC975A2B
	C975 A2B	1			(use after 12/23/81) N N45 NK2B YC975A2B

MODEL CODES

B = GRAN FURY/CARAVELLE	P = RELIANT
C = LEBARON/TOWN & COUNTRY	S = CORDOBA
D = ARIES	V = 400
F = NEW YORKER	X = MIRADA
G = DIPLOMAT	Y = IMPERIAL
M = HORIZON/TC3/SCAMP	Z = OMNI/O24/RAMPAGE

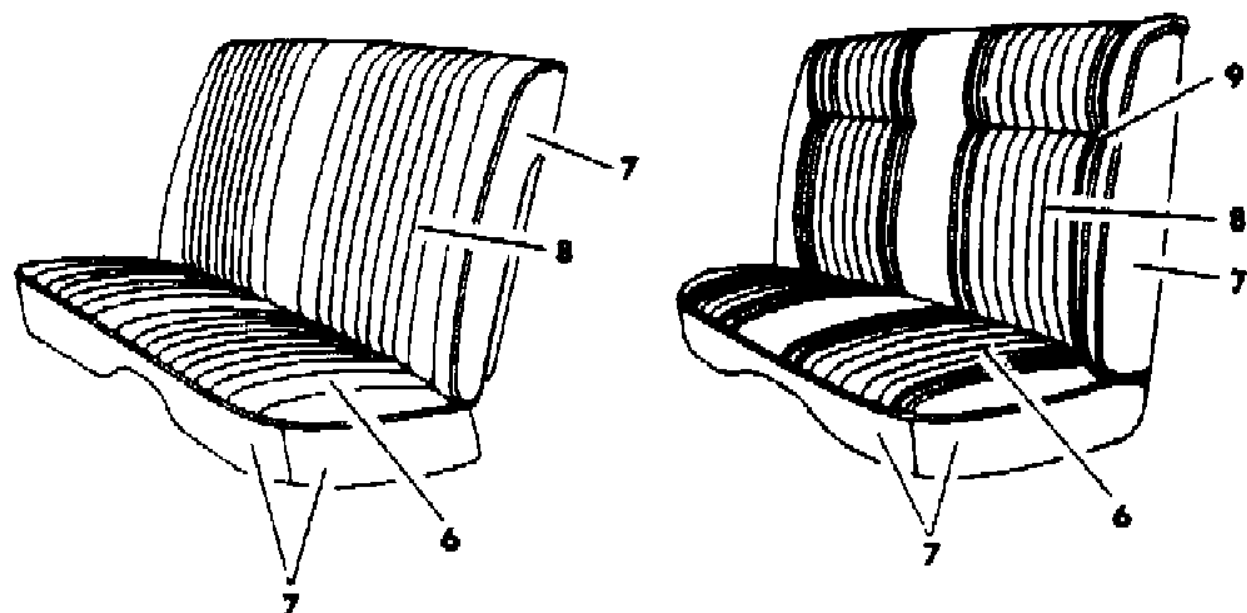
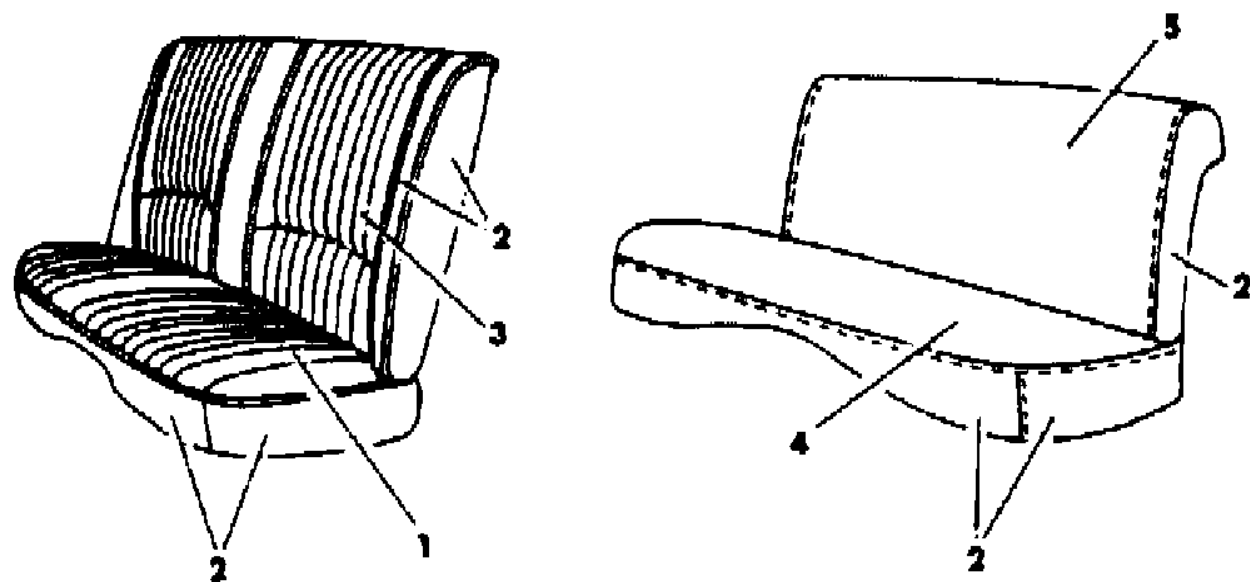
BODY STYLES

21 = 2-DOOR SEDAN	28 = FWD PICKUP
22 = 2-DOOR SPECIAL COUPE	41 = 4-DOOR SEDAN
24 = 2-DOOR HATCHBACK	44 = 4-DOOR HATCHBACK
27 = 2-DOOR CONVERTIBLE	45 = 2-SEAT STATION WAGON

AR = Use as Required - = Non Illustrated Part P.A.R. = Paint as Required

SEAT REAR P,D ALL TRIM CODES  
Figure IT-3301

2253 330100



ITEM	PART NUMBER	QTY	BODY	MODEL	DESCRIPTION
	C623 A2F	1			(use up to 12/23/81) N N45 NR2F YC623A2F
	C975 A2F	1			(use after 12/23/81) N N45 NR2F YC975A2F
	C623 A2M	1			(use up to 12/23/81) N N45 NR2M,C8M,D8M YC623A2M
	C623 A2M	1			(use up to 12/23/81) N N45 NK2M YC623A2M
	C975 A2M	1			(use after 12/23/81) N N45 NR2M,C8M,D8M YC975A2M
	C975 A2M	1			(use after 12/23/81) N N45 NK2M YC975A2M
	C623 A2T	1			(use up to 12/23/81) N N45 NR2T,C8T,D8T YC623A2T
	C623 A2T	1			(use up to 12/23/81) N N45 NK2T YC623A2T
	C975 A2T	1			(use after 12/23/81) N N45 NR2T,C8T,D8T YC975A2T
	C975 A2T	1			(use after 12/23/81) N N45 NK2T YC975A2T
3					COVER, Back N N N N
	C320 V1B	1			(use up to 3/16/82) N N21,41 NC1B YC320V1B
	C443 A1B	1			(use after 3/16/82) N N21,41 NC1B YC443A1B
	C320 V1F	1			(use up to 3/15/82) N N21,41 NC1F YC320V1F
	C443 A1F	1			(use after 3/15/82) N N21,41 NC1F YC443A1F
	C320 V1M	1			(use up to 3/12/82) N N21,41 NC1M YC320V1M
	C443 A1M	1			(use after 3/12/82) N N21,41 NC1M YC443A1M
	C320 V1U	1			(use up to Jefferson 3/19/82; St. Louis 3/15/82; Newark 3/1/82) N N21,41 NC1T YC320V1U
	C443 A1T	1			(use after Jefferson 3/19/82; St. Louis 3/15/82; Newark 3/1/82) N N21,41 NC1T YC443A1T
	C372 V1P	1			(use up to St. Louis 3/16/82; Newark 3/8/82; Approximate Jefferson 3/15/82) N N21,41 NN1B YC372V1P
	C455 A1B	1			(use after St. Louis 3/16/82; Newark 3/8/82; Approximate Jefferson 3/15/82) N N21,41 NN1B YC455A1B
	C372 V1M	1			(use up to St. Louis 3/15/82; Newark 3/4/82; Approximate Jefferson 3/1/82) N N21,41 NN1M YC372V1M
	C455 A1M	1			(use after St. Louis 3/15/82; Newark 3/4/82; Approximate Jefferson 3/1/82) N N21,41 NN1M YC455A1M
	C372 V1T	1			(use up to St. Louis 3/18/82; Newark 2/26/82; Approximate Jefferson 3/11/82) N N21,41 NN1T YC372V1T
	C455 A1T	1			(use after St. Louis 3/18/82; Newark 2/26/82; Approximate Jefferson 3/11/82) N N21,41 NN1T YC455A1T
					(use up to 12/23/81) N N N N
	C330 A2A	1			N N21,41 NC2A,C8A,D8A YC330A2A
	C330 V2B	1			N N21,41 NC2B,C8B,D8B YC330V2B
	C330 V2F	1			N N21,41 NC2F YC330V2F

MODEL CODES

B = GRAN FURY/CARAVELLE	P = RELIANT
C = LEBARON/TOWN & COUNTRY	S = CORDOBA
D = ARIES	V = 400
F = NEW YORKER	X = MIRADA
G = DIPLOMAT	Y = IMPERIAL
M = HORIZON/TC3/SCAMP	Z = OMNI/O24/RAMPAGE

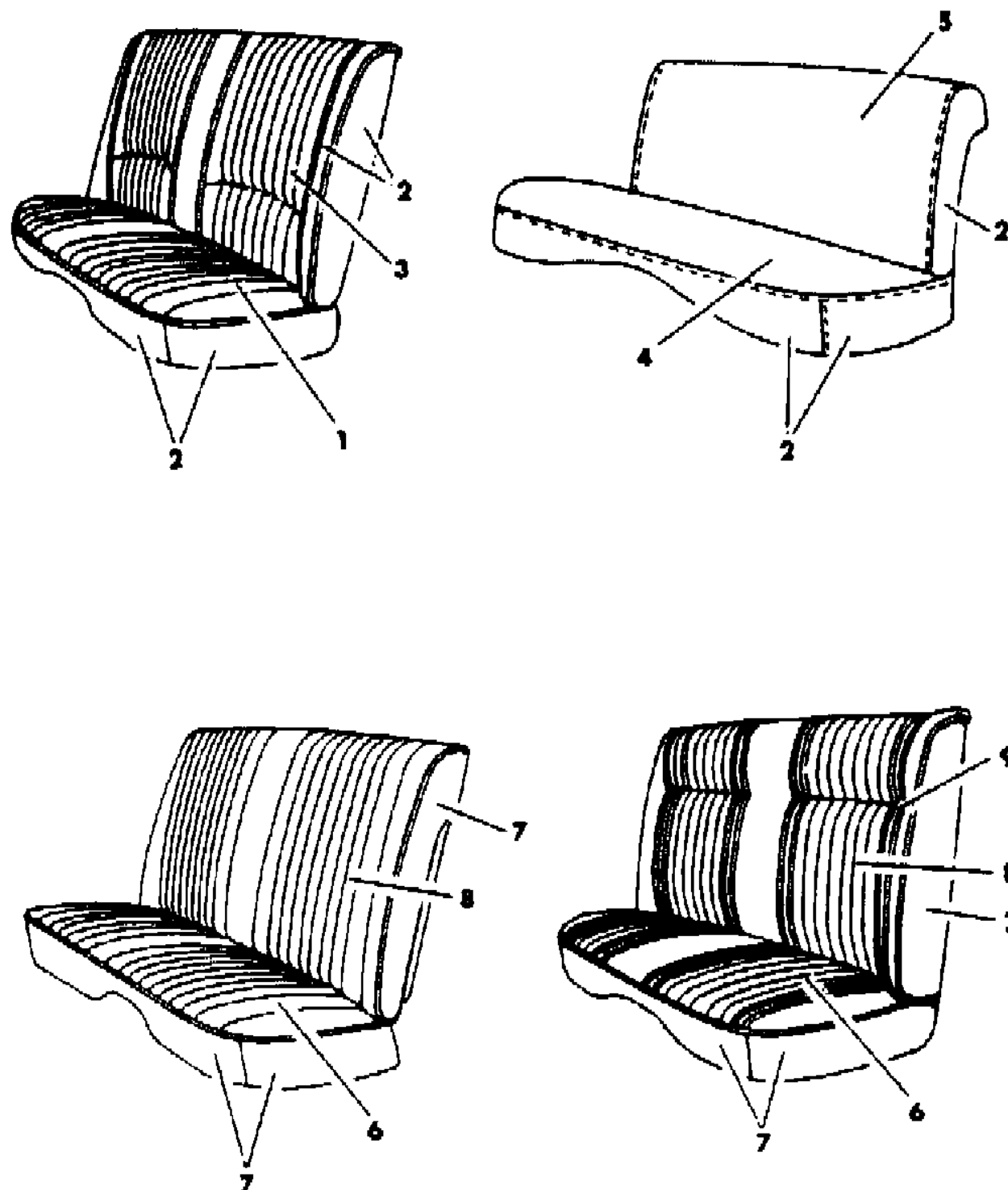
BODY STYLES

21 = 2-DOOR SEDAN	28 = FWD PICKUP
22 = 2-DOOR SPECIAL COUPE	41 = 4-DOOR SEDAN
24 = 2-DOOR HATCHBACK	44 = 4-DOOR HATCHBACK
27 = 2-DOOR CONVERTIBLE	45 = 2-SEAT STATION WAGON

AR = Use as Required - = Non Illustrated Part P.A.R. = Paint as Required

SEAT REAR P,D ALL TRIM CODES  
Figure IT-3301

2253 330100



ITEM	PART NUMBER	QTY	BODY	MODEL	DESCRIPTION
	C330 V2M	1			N N21,41 NC2M,C8M,D8M YC330V2M
	C330 V2T	1			N N21,41 NC2T,C8T,D8T YC330V2T
	C341 A2B	1			N N45 NR2B,C8B,D8B YC341A2B
	C341 A2F	1			N N45 NR2F YC341A2F
	C341 A2M	1			N N45 NR2M,C8M,D8M YC341A2M
	C341 A2T	1			N N45 NR2T,C8T,D8T YC341A2T (use after 12/23/81) N N N N
	C451 A2A	1			N N21,41 NC2A,C8A,D8A YC451A2A
	C451 A2B	1			N N21,41 NC2B,C8B,D8B YC451A2B
	C451 A2F	1			N N21,41 NC2F YC451A2F
	C451 A2M	1			N N21,41 NC2M,C8M,D8M YC451A2M
	C451 A2T	1			N N21,41 NC2T,C8T,D8T YC451A2T
	C452 A2B	1			N N45 NR2B,C8B,D8B YC452A2B
	C452 A2F	1			N N45 NR2F YC452A2F
	C452 A2M	1			N N45 NR2M,C8M,D8M YC452A2M
	C452 A2T	1			N N45 NR2T,C8T,D8T YC452A2T
4 &					CUSHION, w/Spring, Frame and Cover N N N N
	C820 A2B	1			N N41 NK2B YC820A2B
	C820 A2T	1			N N41 NK2T YC820A2T
4					COVER, Cushion N N N N
	C398 A2B	1			N N41 NK2B YC398A2B
	C398 A2T	1			N N41 NK2T YC398A2T
5 &					BACK, w/Spring, Frame and Cover N N N N
	C821 A2B	1			N N41 NK2B YC821A2B
	C821 A2T	1			N N41 NK2T YC821A2T
5					COVER, Back N N N N
	C399 A2B	1			N N41 NK2B YC399A2B
	C399 A2T	1			N N41 NK2T YC399A2T
6-7					CUSHION, w/Spring, Frame and Cover N N N N
	C704 A1A	1			N N21,41,45 NE7A,F7A,P3A YC704A1A
	C704 A1P	1			N N21,41,45 NP3B YC704A1P
	C704 V1F	1			N N21,41,45 NE7F,P3F YC704V1F
	C704 V1M	1			N N21,41,45 NE7M,F7M,P3M YC704V1M
	C704 V1U	1			N N21,41,45 NE7T,F7T,P3T YC704V1U
6					COVER, Cushion N N N N
	C360 A1A	1			N N21,41,45 NE7A,F7A,P3A YC360A1A
	C360 V1P	1			N N21,41,45 NP3B YC360V1P

MODEL CODES

B = GRAN FURY/CARAVELLE	P = RELIANT
C = LEBARON/TOWN & COUNTRY	S = CORDOBA
D = ARIES	V = 400
F = NEW YORKER	X = MIRADA
G = DIPLOMAT	Y = IMPERIAL
M = HORIZON/TC3/SCAMP	Z = OMNI/O24/RAMPAGE

BODY STYLES

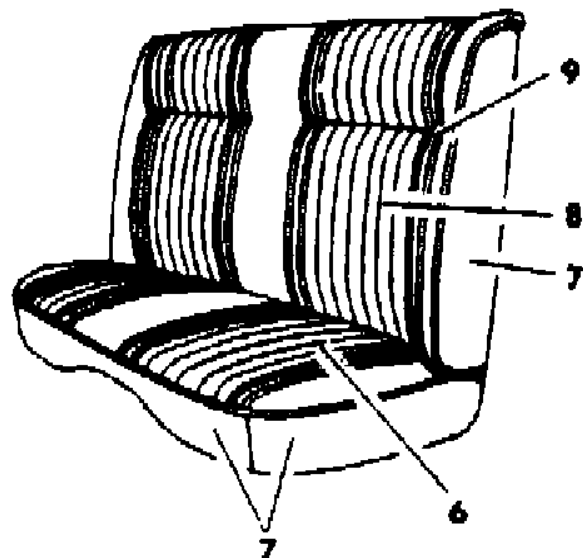
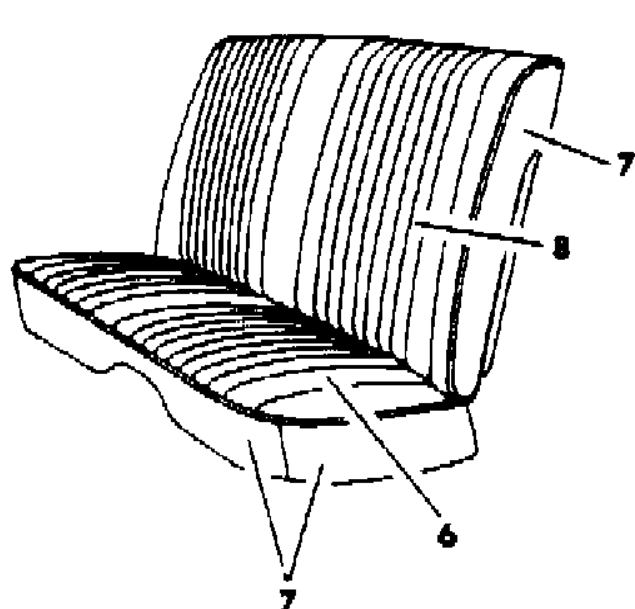
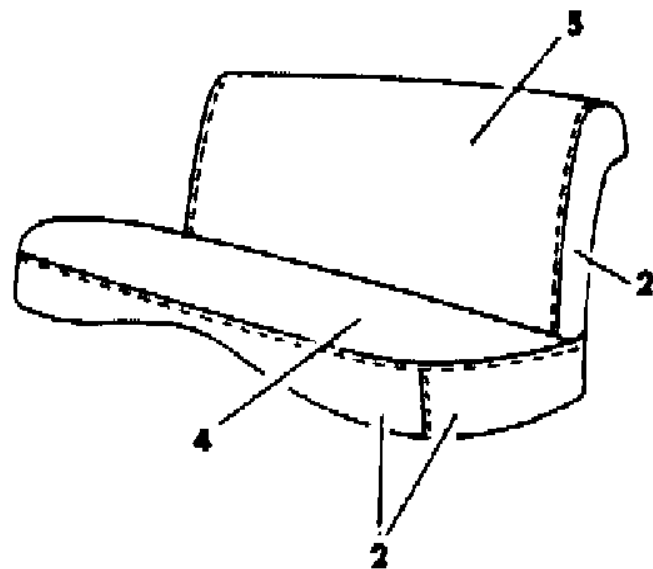
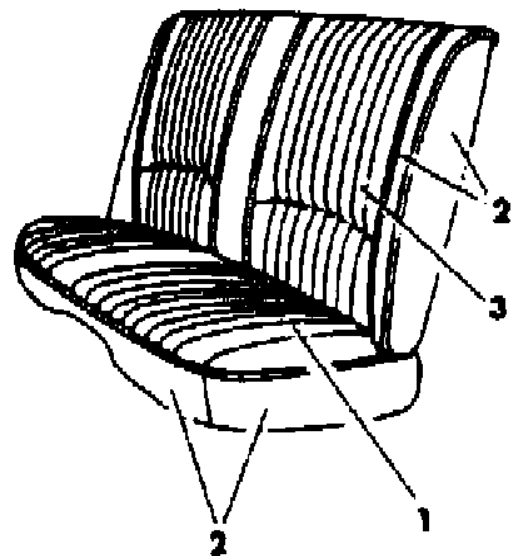
21 = 2-DOOR SEDAN	28 = FWD PICKUP
22 = 2-DOOR SPECIAL COUPE	41 = 4-DOOR SEDAN
24 = 2-DOOR HATCHBACK	44 = 4-DOOR HATCHBACK
27 = 2-DOOR CONVERTIBLE	45 = 2-SEAT STATION WAGON

AR = Use as Required - = Non Illustrated Part P.A.R. = Paint as Required



**SEAT REAR P,D ALL TRIM CODES**  
Figure IT-3301

2253 330100



ITEM	PART NUMBER	QTY	BODY	MODEL	DESCRIPTION
	C360 V1F	1			N N21,41,45 NE7F,P3F YC360V1F
	C360 V1M	1			N N21,41,45 NE7M,F7M,P3M YC360V1M
	C360 V1U	1			N N21,41,45 NE7T,F7T,P3T YC360V1U
7	R088 AA2	AR			ROLL STOCK, Cloth 54" Wide Order By The Inch N N N N Silver N N NE7A,F7A,P3A YR088AA2
	R092 VB2	AR			Blue N N NP3B YR092VB2
	R088 VF5	AR			Green N N NE7F,P3F YR088VF5
	R092 VM6	AR			Red N N NE7M,F7M,P3M YR092VM6
	R088 VT4	AR			Tan N N NE7T,F7T,P3T YR088VT4
7-9					BACK, w/Spring, Frame and Cover N N N N
	C708 A1A	1			(use up to Jeff. 11/10/81; Newark 12/10/81) N N21,41 NE7A, F7A,P3A YC708A1A
	B900 A2A	1			(use after Jeff. 11/10/81; Newark 12/10/81) N N21,41 NE7A, F7A,P3A YB900A2A
	C708 V1P	1			(use up to 12/16/81) N N21,41 NP3B YC708V1P
	B900 A3B	1			(use after 12/16/81) N N21,41 NP3B YB900A3B
	C708 V1F	1			(use up to Jeff. 11/16/81; Newark 12/17/81) N N21,41 NE7F, P3F YC708V1F
	B900 A3F	1			(use after Jeff. 11/16/81; Newark 12/17/81) N N21,41 NE7F, P3F YB900A3F
	C708 V1M	1			(use up to Jeff. 11/10/81; Newark 12/8/81) N N21,41 NE7M, F7M,P3M YC708V1M
	B900 A3M	1			(use after Jeff. 11/10/81; Newark 12/8/81) N N21,41 NE7M, F7M,P3M YB900A3M
	C708 V1U	1			(use up to 12/11/81) N N21,41 NE7T,F7T,P3T YC708V1U
	B900 A3U	1			(use after 12/11/81) N N21,41 NE7T,F7T,P3T YB900A3U
	C705 V1F	1			N N45 NE7F YC705V1F
	C705 V1M	1			N N45 NE7M,F7M,P3M YC705V1M
	C705 V1U	1			N N45 NE7T,F7T,P3T YC705V1U
8					COVER, Back N N N N
	C364 A1A	1			N N21,41 NE7A,F7A,P3A YC364A1A
	C364 V1P	1			N N21,41 NP3B YC364V1P
	C364 V1F	1			N N21,41 NE7F,P3F YC364V1F
	C364 V1M	1			N N21,41 NE7M,F7M,P3M YC364V1M
	C364 V1T	1			N N21,41 NE7T,F7T,P3T YC364V1T
	C361 V1F	1			N N45 NE7F,F7F YC361V1F
	C361 V1M	1			N N45 NE7M,F7M,P3M YC361V1M

MODEL CODES

B = GRAN FURY/CARAVELLE	P = RELIANT
C = LEBARON/TOWN & COUNTRY	S = CORDOBA
D = ARIES	V = 400
F = NEW YORKER	X = MIRADA
G = DIPLOMAT	Y = IMPERIAL
M = HORIZON/TC3/SCAMP	Z = OMNI/O24/RAMPAGE

BODY STYLES

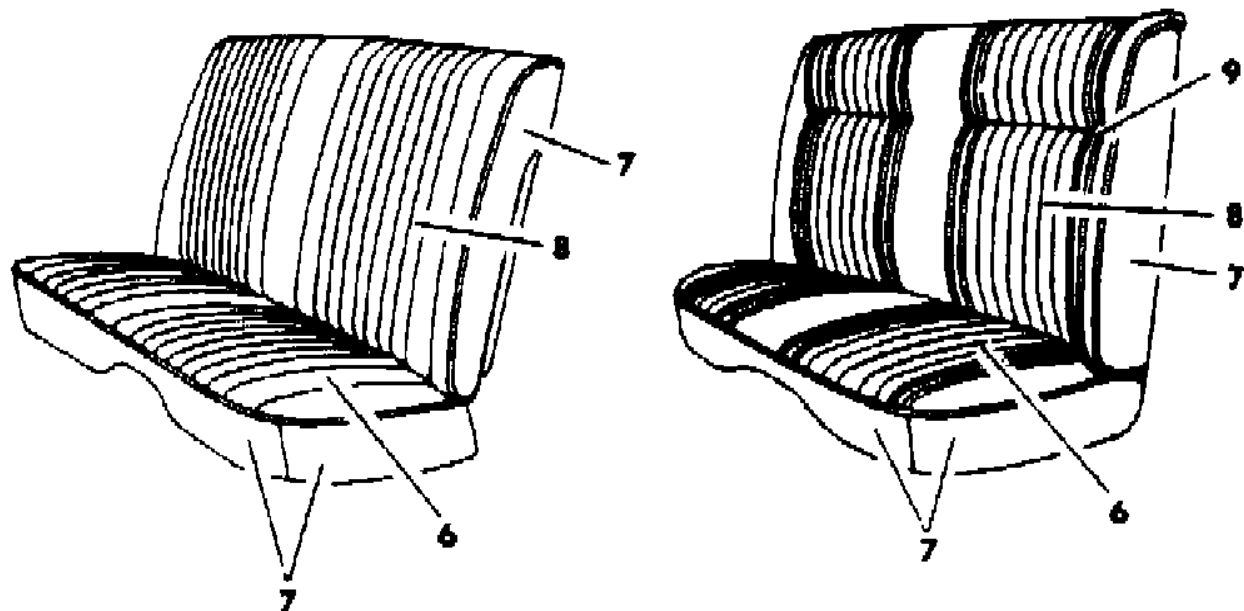
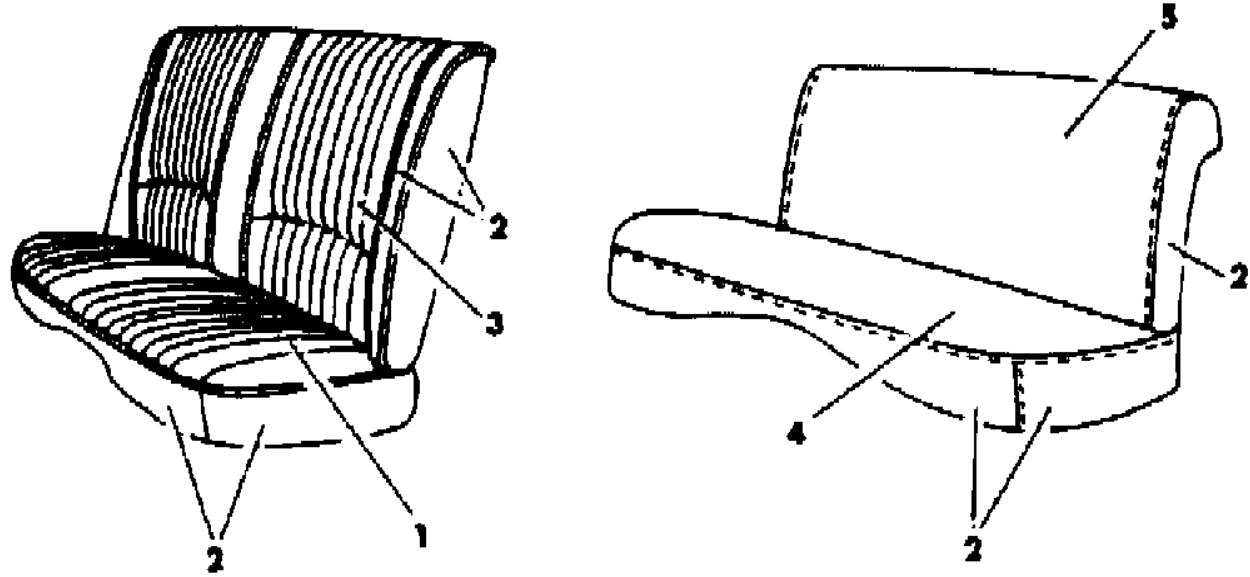
21 = 2-DOOR SEDAN	28 = FWD PICKUP
22 = 2-DOOR SPECIAL COUPE	41 = 4-DOOR SEDAN
24 = 2-DOOR HATCHBACK	44 = 4-DOOR HATCHBACK
27 = 2-DOOR CONVERTIBLE	45 = 2-SEAT STATION WAGON

AR = Use as Required - = Non Illustrated Part P.A.R. = Paint as Required

**SEAT REAR P,D ALL TRIM CODES**  
Figure IT-3301

2253 330100

ITEM	PART NUMBER	QTY	BODY	MODEL	DESCRIPTION
	C361 V1U	1			N N45 NE7T,F7T,P3T YC361V1U
9	4190 694	4			BUTTON, Chrome N N21,41 N Y4190694
	4239 322	4			RETAINER, Button N N21,41 N Y4239322
The following parts are not illustrated. s ARE NOT RETURNABLE.					
	4239 182	2			SEAL, Rear Seat Back to Shelf Panel N N N Y4239182



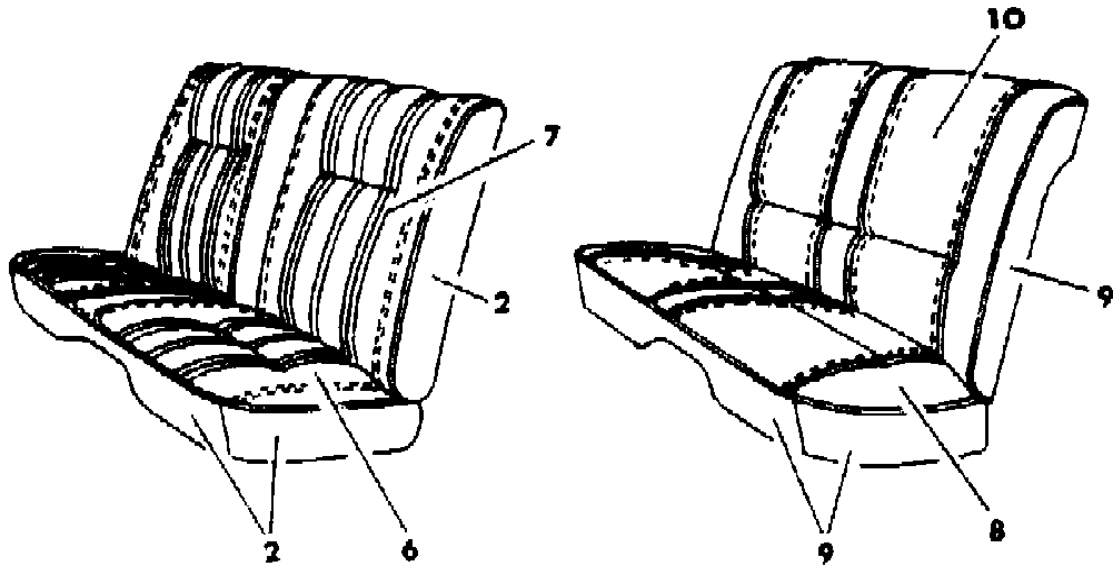
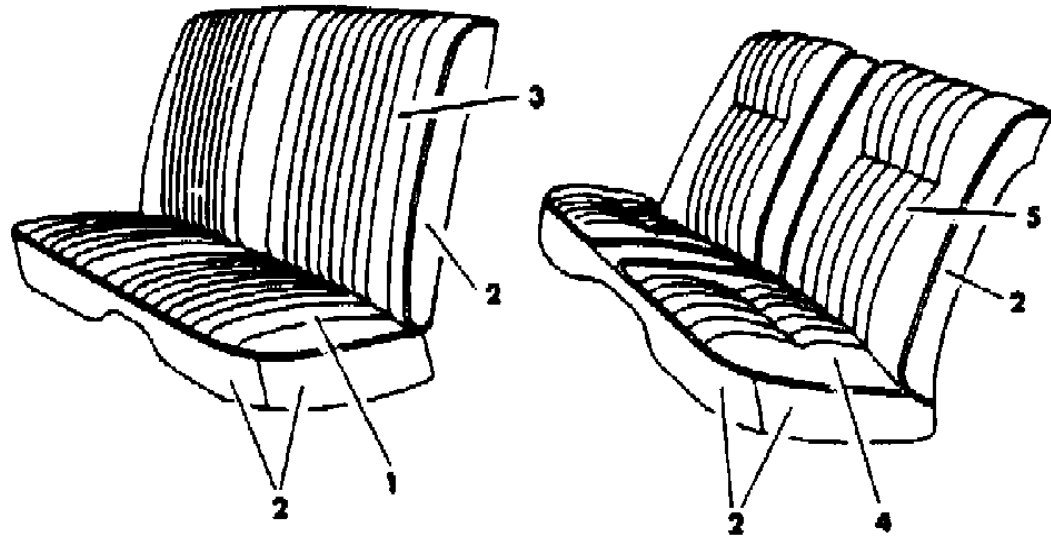
MODEL CODES  
 B = GRAN FURY/CARAVELLE      P = RELIANT  
 C = LEBARON/TOWN & COUNTRY      S = CORDOBA  
 D = ARIES      V = 400  
 F = NEW YORKER      X = MIRADA  
 G = DIPLOMAT      Y = IMPERIAL  
 M = HORIZON/TC3/SCAMP      Z = OMNI/O24/RAMPAGE

BODY STYLES  
 21 = 2-DOOR SEDAN      28 = FWD PICKUP  
 22 = 2-DOOR SPECIAL COUPE      41 = 4-DOOR SEDAN  
 24 = 2-DOOR HATCHBACK      44 = 4-DOOR HATCHBACK  
 27 = 2-DOOR CONVERTIBLE      45 = 2-SEAT STATION WAGON

AR = Use as Required - = Non Illustrated Part P.A.R. = Paint as Required

**SEAT REAR C,V ALL TRIM CODES EXCEPT SLHK**  
**Figure IT-3302**

2253 330 200



ITEM	PART NUMBER	QTY	BODY	MODEL	DESCRIPTION
1-2					CUSHION, w/Spring, Frame and Cover N N N N
	C659 A3A	1			(use up to Jefferson 2/25/82; St. Louis 3/26/82) N N NG3A YC659A3A
	C949 A3A	1			(use after Jefferson 2/25/82; St. Louis 3/26/82) N N NG3A YC949A3A
	C659 A3C	1			(use up to Jefferson 2/23/82; St. Louis 3/18/82) N N NG3C YC659A3C
	C949 A3C	1			(use from Jefferson 2/23/82; St. Louis 3/18/82 to Jefferson 6/1/82; St. Louis 6/11/82) N N NG3C YC949A3C
	B974 A3C	1			(use after Jefferson 6/1/82; St. Louis 6/11/82) N N NG3C YB974A3C
	C659 A3H	1			(use up to Jefferson 2/24/82; St. Louis 3/18/82) N N NG3H YC659A3H
	C949 A3H	1			(use after Jefferson 2/24/82; St. Louis 3/18/82) N N NG3H YC949A3H
	C659 A3M	1			(use up to Jefferson 2/24/82; St. Louis 3/24/82) N N NG3M YC659A3M
	C949 A3M	1			(use from Jefferson 2/24/82; St. Louis 3/24/82 to Jefferson 5/18/85; St. Louis 5/8/82) N N NG3M YC949A3M
	B974 A3M	1			(use after Jefferson 5/18/82; St. Louis 5/8/82) N N NG3M YB974A3M
	C659 A3T	1			(use up to Jefferson 2/19/82; St. Louis 4/7/82) N N NG3T YC659A3T
	C949 A3T	1			(use after Jefferson 2/19/82; St. Louis 4/7/82) N N NG3T YC949A3T
1					COVER, Cushion N N N N
	C338 A3A	1			(use up to Jefferson 2/25/82; St. Louis 3/26/82) N N NG3A YC338A3A
	C444 A3A	1			(use after Jefferson 2/25/82; St. Louis 3/26/82) N N NG3A YC444A3A
	C338 A3C	1			(use up to Jefferson 2/23/82; St. Louis 3/18/82) N N NG3C YC338A3C
	C444 A3C	1			(use from Jefferson 2/23/82; St. Louis 3/18/82 to 6/1/82) N N NG3C YC444A3C
	C504 A3C	1			(use after 6/1/82) N N NG3C YC504A3C
	C338 A3H	1			(use up to Jefferson 2/24/82; St. Louis 4/21/82) N N NG3H YC338A3H

**MODEL CODES**

B = GRAN FURY/CARAVELLE	P = RELIANT
C = LEBARON/TOWN & COUNTRY	S = CORDOBA
D = ARIES	V = 400
F = NEW YORKER	X = MIRADA
G = DIPLOMAT	Y = IMPERIAL
M = HORIZON/TC3/SCAMP	Z = OMNI/O24/RAMPAGE

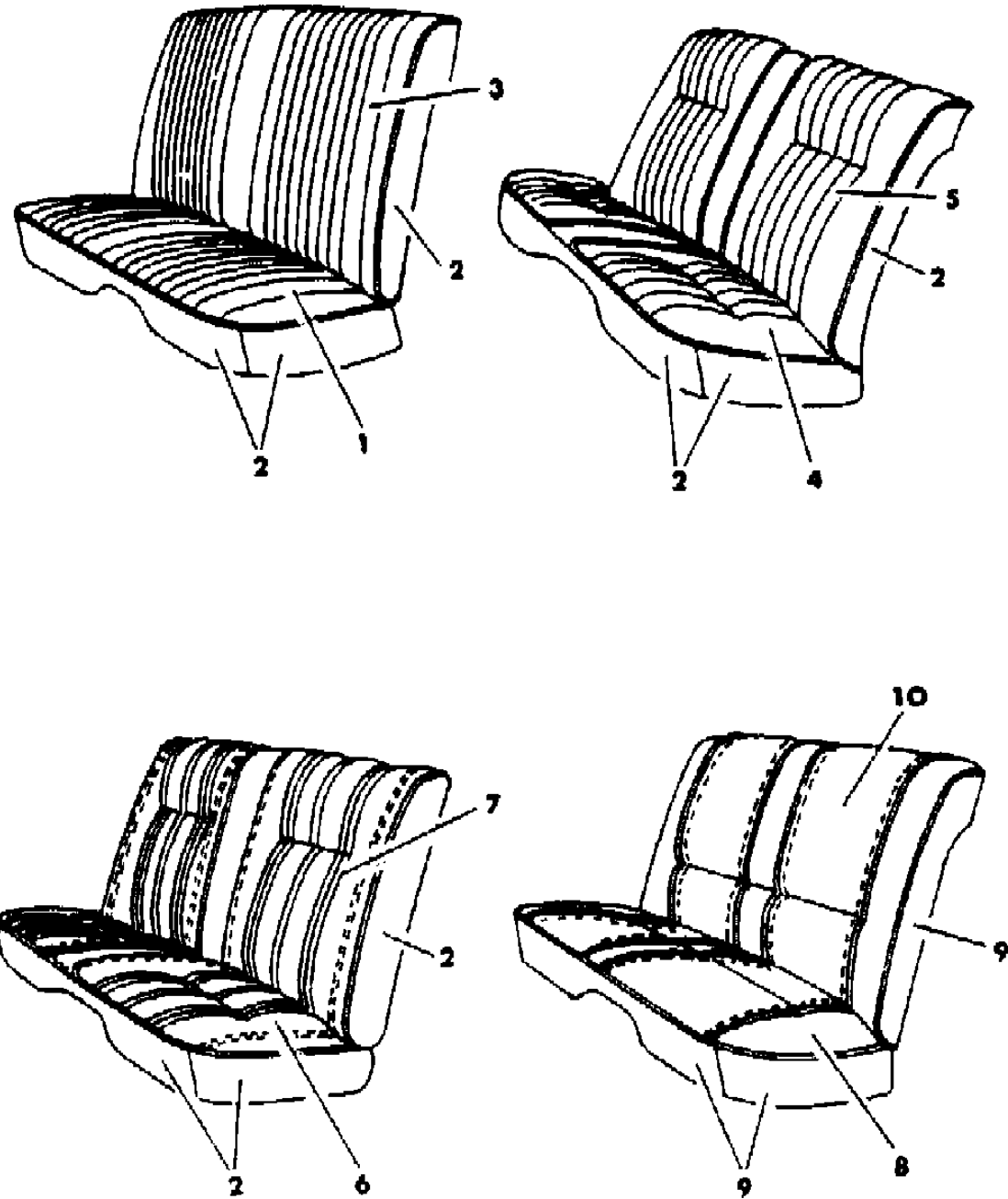
**BODY STYLES**

21 = 2-DOOR SEDAN	28 = FWD PICKUP
22 = 2-DOOR SPECIAL COUPE	41 = 4-DOOR SEDAN
24 = 2-DOOR HATCHBACK	44 = 4-DOOR HATCHBACK
27 = 2-DOOR CONVERTIBLE	45 = 2-SEAT STATION WAGON

AR = Use as Required - = Non Illustrated Part P.A.R. = Paint as Required

**SEAT REAR C,V ALL TRIM CODES EXCEPT SLHK**  
**Figure IT-3302**

2253 330 200



ITEM	PART NUMBER	QTY	BODY	MODEL	DESCRIPTION
	C444 A3H	1			(use after Jefferson 2/24/82; St. Louis 4/21/82) N N NG3H YC444A3H
	C338 A3M	1			(use up to Jefferson 2/24/82; St. Louis 3/24/82) N N NG3M YC338A3M
	C444 A3M	1			(use from Jefferson 2/24/82; St. Louis 3/24/82 to 5/8/82) N N NG3M YC444A3M
	C504 A3M	1			(use after 5/8/82) N N NG3M YC504A3M
	C338 A3T	1			(use up to Jefferson 2/19/82; St. Louis 4/7/82) N N NG3T YC338A3T
	C444 A3T	1			(use after Jefferson 2/19/82; St. Louis 4/7/82) N N NG3T YC444A3T
2	R616 AA2	AR			ROLL STOCK, Vinyl Order by the Inch. N N N N Silver, 64" Wide N N N YR616AA2
	R616 VC8	AR			Blue, 64" Wide N N N YR616VC8
	R609 VH9	AR			Mahogany, 58" Wide N N N YR609VH9
	R619 VM6	AR			Red, 64" Wide N N N YR619VM6
	R619 VT3	AR			Tan, 64" Wide N N N YR619VT3
2-3	C658 A3A	1			BACK, w/Spring, Frame and Cover N N N N (use up to Jefferson 2/25/82; St. Louis 3/26/82) N N NG3A YC658A3A
	C960 A3A	1			(use after Jefferson 2/25/82; St. Louis 3/26/82) N N NG3A YC960A3A
	C658 A3C	1			(use up to Jefferson 2/23/82; St. Louis 3/18/82) N N NG3C YC658A3C
	C960 A3C	1			(use from Jefferson 2/23/82; St. Louis 3/18/82 to Jefferson 5/ 26/82; St. Louis 6/10/82) N N NG3C YC960A3C
	B975 A3C	1			(use after Jefferson 5/26/82; St. Louis 6/10/82) N N NG3C YB975A3C
	C658 A3H	1			(use up to Jefferson 2/24/82; St. Louis 4/21/82) N N NG3H YC658A3H
	C960 A3H	1			(use after Jefferson 2/24/82; St. Louis 4/21/82) N N NG3H YC960A3H
	C658 A3M	1			(use up to Jefferson 2/24/82; St. Louis 3/24/82) N N NG3M YC658A3M
	C960 A3M	1			(use from Jefferson 2/24/82; St. Louis 3/24/82 to 5/14/82) N N NG3M YC960A3M
	B975 A3M	1			(use after 5/14/82) N N NG3M YB975A3M

**MODEL CODES**

B = GRAN FURY/CARAVELLE	P = RELIANT
C = LEBARON/TOWN & COUNTRY	S = CORDOBA
D = ARIES	V = 400
F = NEW YORKER	X = MIRADA
G = DIPLOMAT	Y = IMPERIAL
M = HORIZON/TC3/SCAMP	Z = OMNI/O24/RAMPAGE

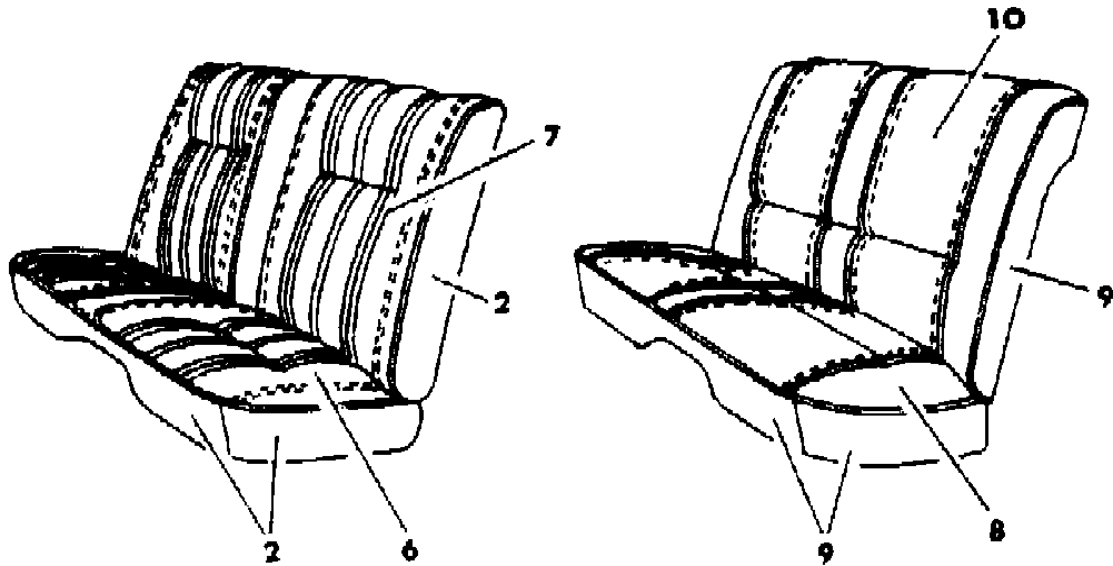
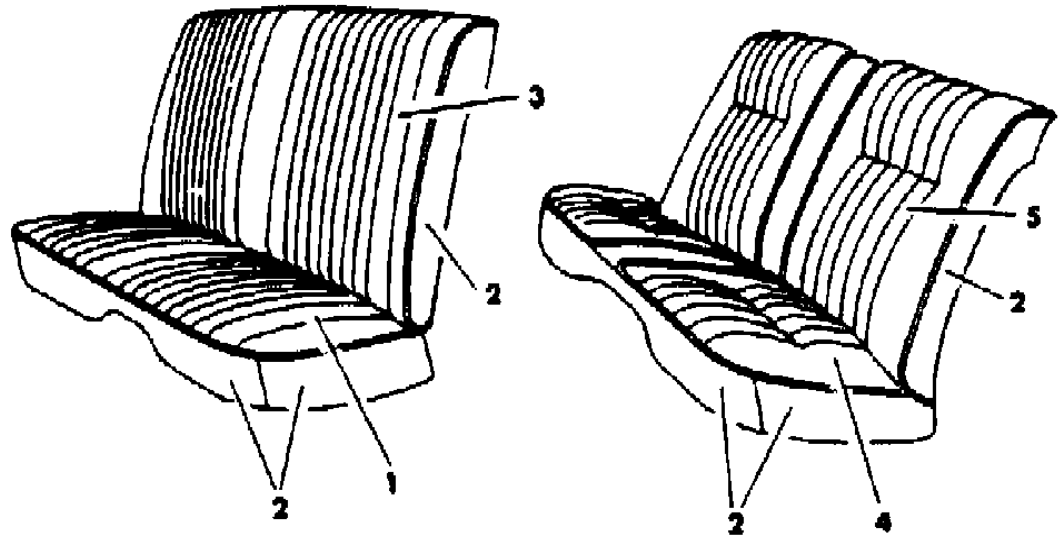
**BODY STYLES**

21 = 2-DOOR SEDAN	28 = FWD PICKUP
22 = 2-DOOR SPECIAL COUPE	41 = 4-DOOR SEDAN
24 = 2-DOOR HATCHBACK	44 = 4-DOOR HATCHBACK
27 = 2-DOOR CONVERTIBLE	45 = 2-SEAT STATION WAGON

AR = Use as Required - = Non Illustrated Part P.A.R. = Paint as Required

**SEAT REAR C,V ALL TRIM CODES EXCEPT SLHK**  
Figure IT-3302

2253 330 200



ITEM	PART NUMBER	QTY	BODY	MODEL	DESCRIPTION
	C658 A3T	1			(use up to Jefferson 2/19/82; St. Louis 4/7/82) N N NG3T YC658A3T
	C960 A3T	1			(use after Jefferson 2/19/82; St. Louis 4/7/82) N N NG3T YC960A3T
3					COVER, Back N N N N
	C339 A3A	1			(use up to Jefferson 2/25/82; St. Louis 3/26/82) N N NG3A YC339A3A
	C445 A3A	1			(use after Jefferson 2/25/82; St. Louis 3/26/82) N N NG3A YC445A3A
	C339 A3C	1			(use up to Jefferson 2/23/82; St. Louis 3/18/82) N N NG3C YC339A3C
	C445 A3C	1			(use from Jefferson 2/23/82; St. Louis 3/18/82 to 5/26/82) N N NG3C YC445A3C
	C505 A3C	1			(use after 5/26/82) N N NG3C YC505A3C
	C339 A3H	1			(use up to Jefferson 2/24/82; St. Louis 4/21/82) N N NG3H YC339A3H
	C445 A3H	1			(use after Jefferson 2/24/82; St. Louis 4/21/82) N N NG3H YC445A3H
	C339 A3M	1			(use up to Jefferson 2/24/82; St. Louis 3/24/82) N N NG3M YC339A3M
	C445 A3M	1			(use from Jefferson 2/24/82; St. Louis 3/24/82 to 5/14/82) N N NG3M YC445A3M
	C505 A3M	1			(use after 5/14/82) N N NG3M YC505A3M
	C339 A3T	1			(use up to Jefferson 2/19/82; St. Louis 4/7/82) N N NG3T YC339A3T
	C445 A3T	1			(use after Jefferson 2/19/82; St. Louis 4/7/82) N N NG3T YC445A3T
4 &					CUSHION, w/Spring, Frame and Cover N N N N
	C694 A5A	1			N N NJ3A,J5A YC694A5A
	C694 A5C	1			N N NJ3C,J5C YC694A5C
	C694 A5H	1			N N NJ3H,J5H YC694A5H
	C694 A5M	1			N N NJ3M,J5M YC694A5M
	C694 A5T	1			(use up to 11/2/81) N N NJ3T,J5T YC694A5T
	C898 A5T	1			(use after 11/2/81) N N NJ3T,J5T YC898A5T
4					COVER, Cushion N N N N
	C346 A5A	1			N N NJ3A,J5A YC346A5A
	C346 A5C	1			N N NJ3C,J5C YC346A5C

MODEL CODES

B = GRAN FURY/CARAVELLE	P = RELIANT
C = LEBARON/TOWN & COUNTRY	S = CORDOBA
D = ARIES	V = 400
F = NEW YORKER	X = MIRADA
G = DIPLOMAT	Y = IMPERIAL
M = HORIZON/TC3/SCAMP	Z = OMNI/O24/RAMPAGE

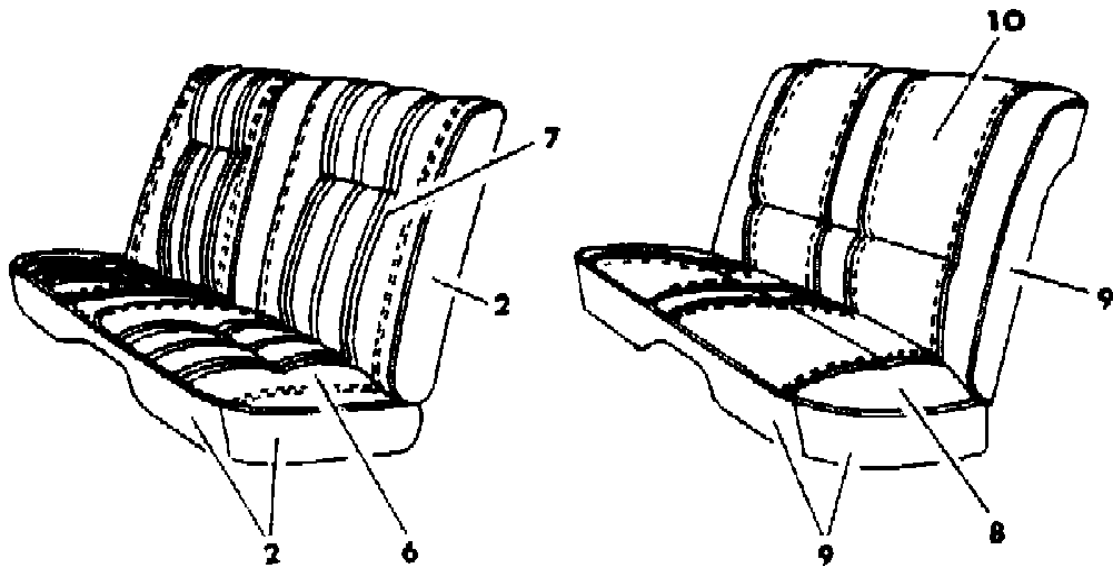
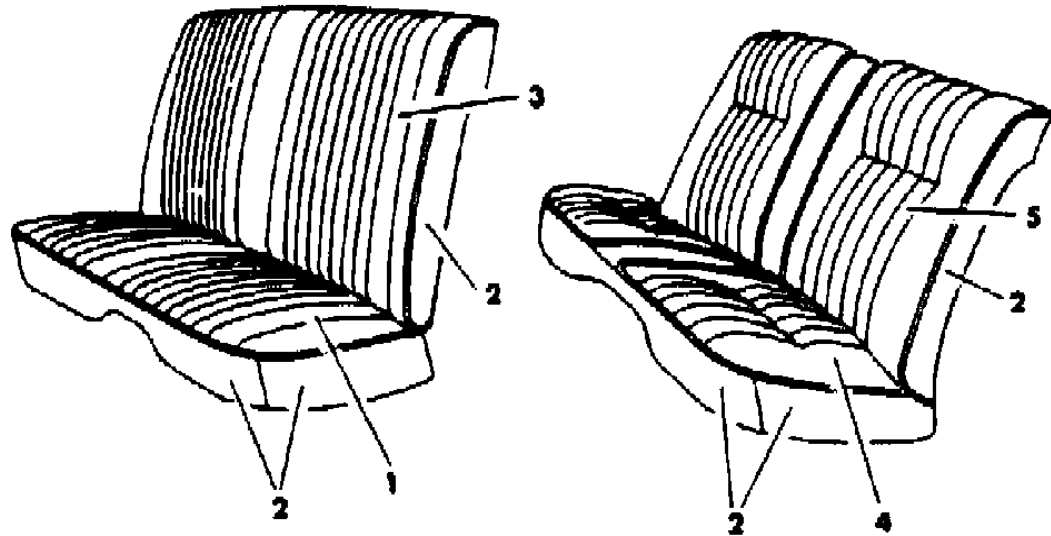
BODY STYLES

21 = 2-DOOR SEDAN	28 = FWD PICKUP
22 = 2-DOOR SPECIAL COUPE	41 = 4-DOOR SEDAN
24 = 2-DOOR HATCHBACK	44 = 4-DOOR HATCHBACK
27 = 2-DOOR CONVERTIBLE	45 = 2-SEAT STATION WAGON

AR = Use as Required - = Non Illustrated Part P.A.R. = Paint as Required

**SEAT REAR C,V ALL TRIM CODES EXCEPT SLHK**  
Figure IT-3302

2253 330 200



ITEM	PART NUMBER	QTY	BODY	MODEL	DESCRIPTION
	C346 A5H	1			N N NJ3H,J5H YC346A5H
	C346 A5M	1			N N NJ3M,J5M YC346A5M
	C346 A5T	1			(use up to 11/2/81) N N NJ3T,J5T YC346A5T
	C432 A5T	1			(use after 11/2/81) N N NJ3T,J5T YC432A5T
5 &					BACK, w/Spring, Frame and Cover N N N N
	C695 A5A	1			(use up to Jeff. 11/23/81; St. Louis 11/6/81) N N NJ3A,J5A YC695A5A
	B902 A5A	1			(use after Jeff. 11/23/81; St. Louis 11/6/81) N N NJ3A,J5A YB902A5A
	C695 A5C	1			N N NJ3C,J5C YC695A5C
	C695 A5H	1			(use up to 11/6/81) N N NJ3H,J5H YC695A5H
	B902 A5H	1			(use after 11/6/81) N N NJ3H,J5H YB902A5H
	C695 A5M	1			(use up to Jeff. 10/19/81; St. Louis 11/5/81) N N NJ3M,J5M YC695A5M
	B902 A5M	1			(use after Jeff. 10/19/81; St. Louis 11/5/81) N N NJ3M,J5M YB902A5M
	C695 A5T	1			N N NJ3T,J5T YC695A5T
	C698 A5C	1			NC N45 NJ3C,J5C YC698A5C
	C698 A5H	1			NC N45 NJ3H,J5H YC698A5H
	C698 A5M	1			NC N45 NJ3M,J5M YC698A5M
	C698 A5T	1			NC N45 NJ3T,J5T YC698A5T
5					COVER, Back N N N N
	C347 A5A	1			(use up to 5/10/82) N N NJ3A,J5A YC347A5A
	C464 A5A	1			(use after 5/10/82) N N NJ3A,J5A YC464A5A
	C347 A5C	1			(use up to 5/10/82) N N NJ3C,J5C YC347A5C
	C464 A5C	1			(use after 5/10/82) N N NJ3C,J5C YC464A5C
	C347 A5H	1			(use up to 5/10/82) N N NJ3H,J5H YC347A5H
	C464 A5H	1			(use after 5/10/82) N N NJ3H,J5H YC464A5H
	C347 A5M	1			(use up to 5/10/82) N N NJ3M,J5M YC347A5M
	C464 A5M	1			(use after 5/10/82) N N NJ3M,J5M YC464A5M
	C347 A5T	1			(use up to 11/2/81) N N NJ3T,J5T YC347A5T
	C433 A5T	1			(use after 11/2/81) N N NJ3T,J5T YC433A5T
	C406 A5C	1			NC N45 NJ3C,J5C YC406A5C
	C406 A5H	1			NC N45 NJ3H,J5H YC406A5H
	C406 A5M	1			NC N45 NJ3M,J5M YC406A5M
	C406 A5T	1			(use up to 11/2/81) NC N45 NJ3T,J5T YC406A5T
	C428 A5T	1			(use after 11/2/81) NC N45 NJ3T,J5T YC428A5T

MODEL CODES

B = GRAN FURY/CARAVELLE	P = RELIANT
C = LEBARON/TOWN & COUNTRY	S = CORDOBA
D = ARIES	V = 400
F = NEW YORKER	X = MIRADA
G = DIPLOMAT	Y = IMPERIAL
M = HORIZON/TC3/SCAMP	Z = OMNI/O24/RAMPAGE

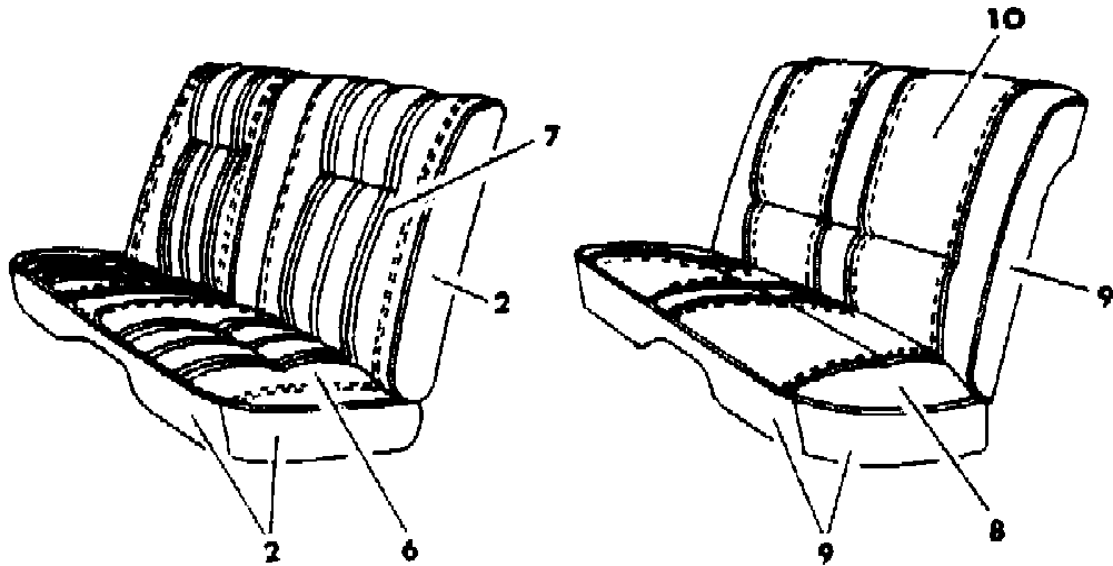
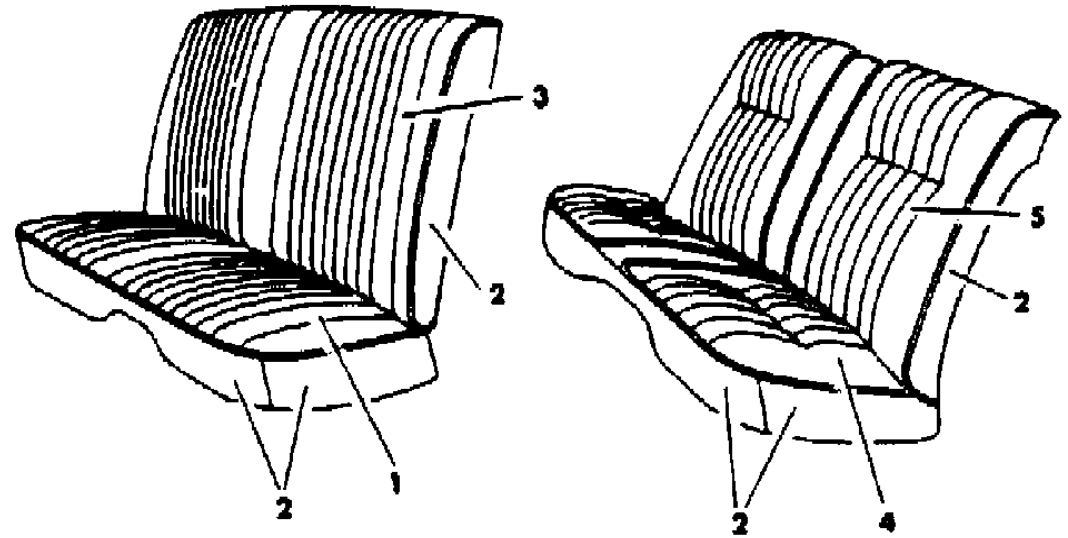
BODY STYLES

21 = 2-DOOR SEDAN	28 = FWD PICKUP
22 = 2-DOOR SPECIAL COUPE	41 = 4-DOOR SEDAN
24 = 2-DOOR HATCHBACK	44 = 4-DOOR HATCHBACK
27 = 2-DOOR CONVERTIBLE	45 = 2-SEAT STATION WAGON

AR = Use as Required - = Non Illustrated Part P.A.R. = Paint as Required

**SEAT REAR C,V ALL TRIM CODES EXCEPT SLHK**  
**Figure IT-3302**

2253 330 200



ITEM	PART NUMBER	QTY	BODY	MODEL	DESCRIPTION
6 &					CUSHION, w/Spring, Frame and Cover N N N N
	C768 A8A	1			N N NH8A YC768A8A
	C768 A8C	1			N N NH8C,V8C YC768A8C
	C768 A8H	1			N N NH8H,V8H YC768A8H
	C768 A8M	1			N N NH8M,V8M YC768A8M
	C768 A8T	1			N N NH8T,V8T YC768A8T
6					COVER, Cushion N N N N
	C380 A8A	1			N N NH8A YC380A8A
	C380 A8C	1			N N NH8C,V8C YC380A8C
	C380 A8H	1			N N NH8H,V8H YC380A8H
	C380 A8M	1			N N NH8M,V8M YC380A8M
	C380 A8T	1			N N NH8T,V8T YC380A8T
	C468 A8C	1			N N45 NV8C YC468A8C
	C468 A8H	1			N N45 NV8H YC468A8H
	C468 A8M	1			N N45 NV8M YC468A8M
	C468 A8T	1			N N45 NV8T YC468A8T
7 &					BACK, w/Spring, Frame and Cover N N N N
	C769 A8A	1			(use up to Jefferson 1/11/82; St. Louis 12/17/81) N N NH8A YC769A8A
	B901 A8A	1			(use after Jefferson 1/11/82; St. Louis 12/17/81) N N NH8A YB901A8A
	C769 A8C	1			(use up to Jefferson 2/3/82; St. Louis 3/1/82) N N NH8C YC769A8C
	B901 A8C	1			(use after Jefferson 2/3/82; St. Louis 3/1/82) N N NH8C YB901A8C
	C769 A8H	1			(use up to Jefferson 2/1/82; St. Louis 3/2/82) N N NH8H YC769A8H
	B901 A8H	1			(use after Jefferson 2/1/82; St. Louis 3/2/82) N N NH8H YB901A8H
	C769 A8M	1			(use up to Jefferson 2/1/82; St. Louis 2/23/82) N N NH8M YC769A8M
	B901 A8M	1			(use after Jefferson 2/1/82; St. Louis 2/23/82) N N NH8M YB901A8M
	C769 A8T	1			(use up to Jefferson 2/1/82; St. Louis 2/8/82) N N NH8T YC769A8T
	B901 A8T	1			(use after Jefferson 2/1/82; St. Louis 2/8/82) N N NH8T YB901A8T

**MODEL CODES**

B = GRAN FURY/CARAVELLE	P = RELIANT
C = LEBARON/TOWN & COUNTRY	S = CORDOBA
D = ARIES	V = 400
F = NEW YORKER	X = MIRADA
G = DIPLOMAT	Y = IMPERIAL
M = HORIZON/TC3/SCAMP	Z = OMNI/O24/RAMPAGE

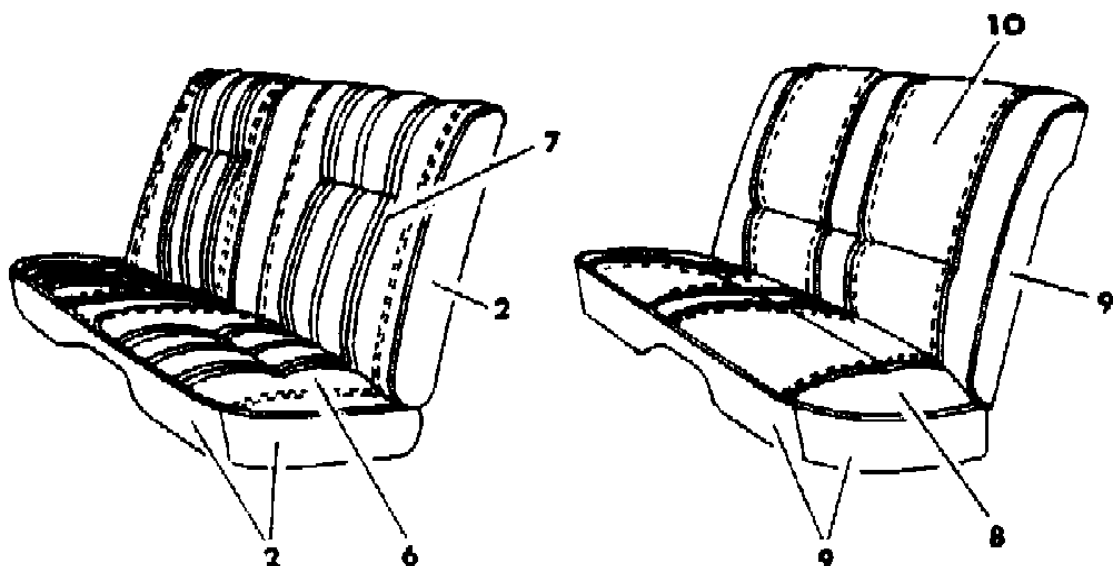
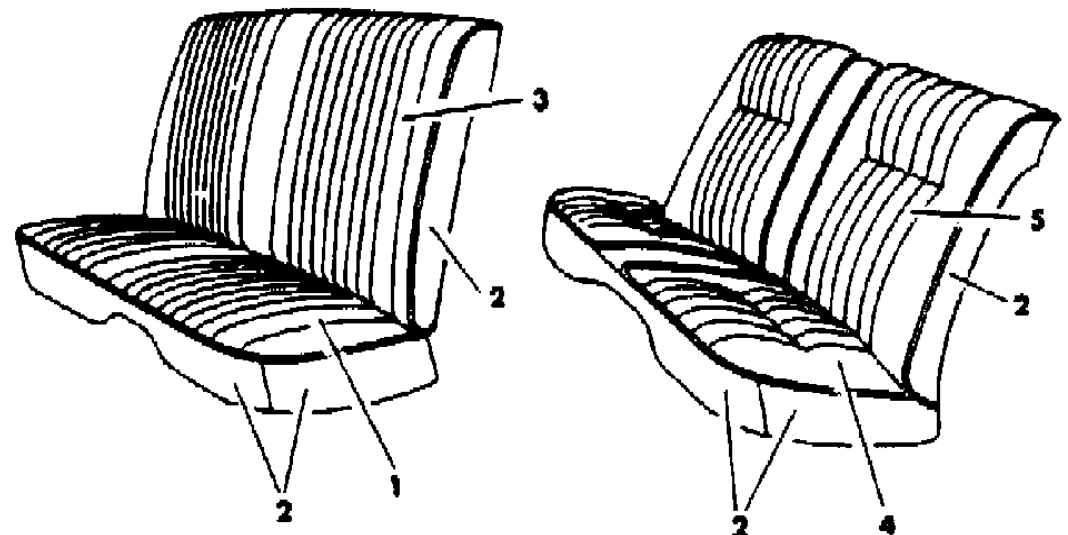
**BODY STYLES**

21 = 2-DOOR SEDAN	28 = FWD PICKUP
22 = 2-DOOR SPECIAL COUPE	41 = 4-DOOR SEDAN
24 = 2-DOOR HATCHBACK	44 = 4-DOOR HATCHBACK
27 = 2-DOOR CONVERTIBLE	45 = 2-SEAT STATION WAGON

AR = Use as Required - = Non Illustrated Part P.A.R. = Paint as Required

**SEAT REAR C,V ALL TRIM CODES EXCEPT SLHK**  
**Figure IT-3302**

2253 330 200



ITEM	PART NUMBER	QTY	BODY	MODEL	DESCRIPTION
	C766 A8C	1			N N NV8C YC766A8C
	C766 A8H	1			N N NV8H YC766A8H
	C766 A8M	1			N N NV8M YC766A8M
	C766 A8T	1			N N NV8T YC766A8T
7					COVER, Back N N N N
	C381 A8A	1			(use up to Jefferson 1/11/82; St. Louis 12/17/81) N N NH8A YC381A8A
	C463 A8A	1			(use after Jefferson 1/11/82; St. Louis 12/17/81) N N NH8A YC463A8A
	C381 A8C	1			(use up to Jefferson 2/3/82; St. Louis 3/1/82) N N NH8C YC381A8C
	C463 A8C	1			(use after Jefferson 2/3/82; St. Louis 3/1/82) N N NH8C YC463A8C
	C381 A8H	1			(use up to Jefferson 2/1/82; St. Louis 3/2/82) N N NH8H YC381A8H
	C463 A8H	1			(use after Jefferson 2/1/82; St. Louis 3/2/82) N N NH8H YC463A8H
	C381 A8M	1			(use up to Jefferson 2/1/82; St. Louis 2/23/82) N N NH8M YC381A8M
	C463 A8M	1			(use after Jefferson 2/1/82; St. Louis 2/23/82) N N NH8M YC463A8M
	C381 A8T	1			(use up to Jefferson 2/1/82; St. Louis 2/8/82) N N NH8T YC381A8T
	C463 A8T	1			(use after Jefferson 2/1/82; St. Louis 2/8/82) N N NH8T YC463A8T
	C383 A8C	1			N N NV8C YC383A8C
	C383 A8H	1			N N NV8H YC383A8H
	C383 A8M	1			N N NV8M YC383A8M
	C383 A8T	1			N N NV8T YC383A8T
8-9					CUSHION, w/Spring, Frame and Cover N N N N
	C778 AJA	1			N N NLJA YC778AJA
	C778 AJC	1			N N NLJC YC778AJC
	C778 AJH	1			N N NLJH YC778AJH
	C778 AJM	1			N N NLJM YC778AJM
	C778 AJT	1			N N NLJT YC778AJT
8					COVER, Cushion N N N N
	C389 AJA	1			N N NLJA YC389AJA

**MODEL CODES**

B = GRAN FURY/CARAVELLE	P = RELIANT
C = LEBARON/TOWN & COUNTRY	S = CORDOBA
D = ARIES	V = 400
F = NEW YORKER	X = MIRADA
G = DIPLOMAT	Y = IMPERIAL
M = HORIZON/TC3/SCAMP	Z = OMNI/O24/RAMPAGE

**BODY STYLES**

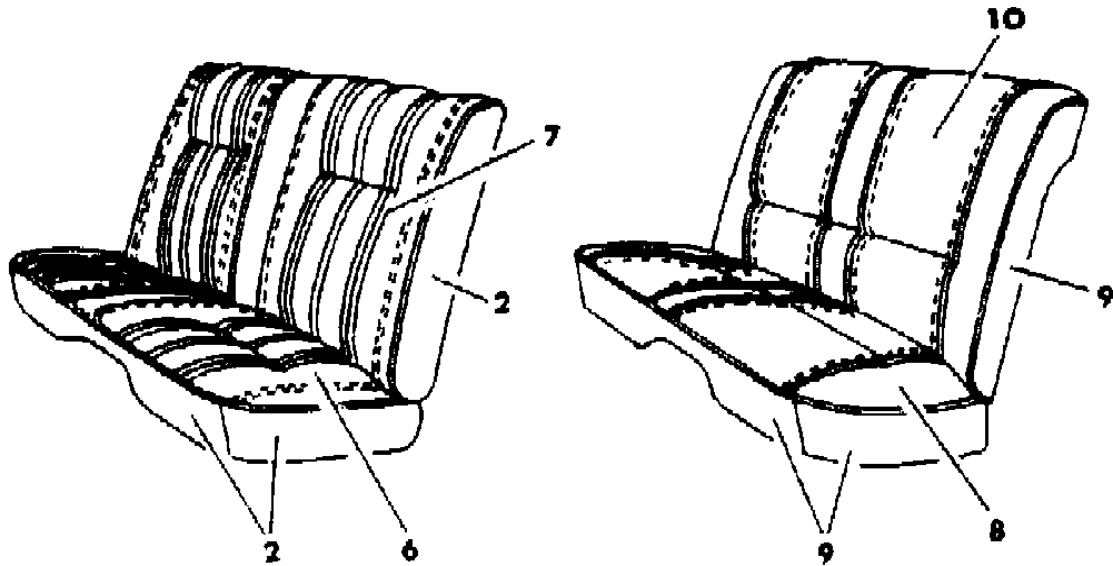
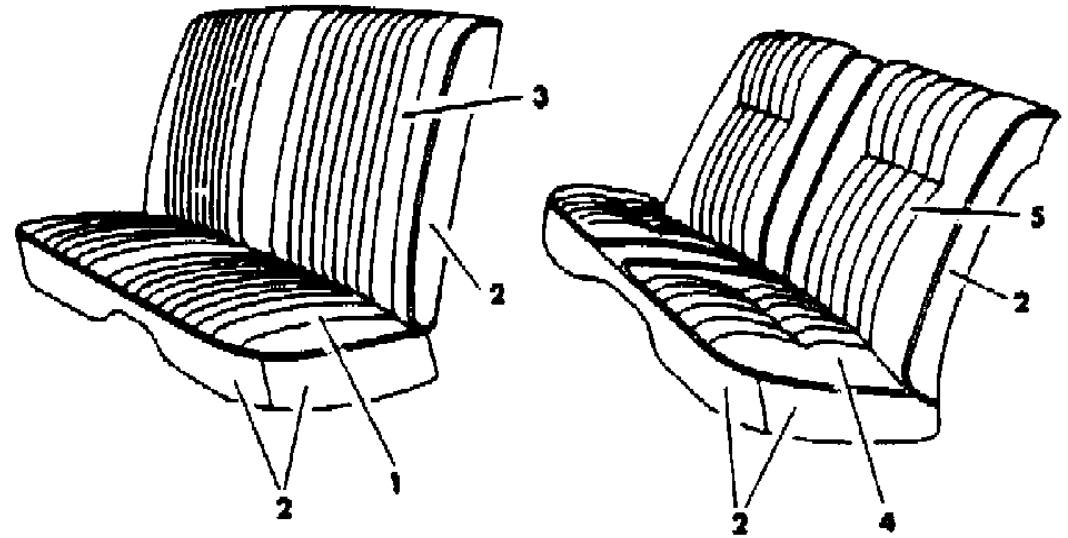
21 = 2-DOOR SEDAN	28 = FWD PICKUP
22 = 2-DOOR SPECIAL COUPE	41 = 4-DOOR SEDAN
24 = 2-DOOR HATCHBACK	44 = 4-DOOR HATCHBACK
27 = 2-DOOR CONVERTIBLE	45 = 2-SEAT STATION WAGON

AR = Use as Required - = Non Illustrated Part P.A.R. = Paint as Required



**SEAT REAR C,V ALL TRIM CODES EXCEPT SLHK**  
**Figure IT-3302**

2253 330 200



ITEM	PART NUMBER	QTY	BODY	MODEL	DESCRIPTION
	C389 AJC	1			N N NLJC YC389AJC
	C389 AJH	1			N N NLJH YC389AJH
	C389 AJM	1			N N NLJM YC389AJM
	C389 AJT	1			N N NLJT YC389AJT
9					HIDE, Order by the Square Foot N N N N
	R190 AA2	AR			N N NLJA YR190AA2
	R190 SC8	AR			N N NLJC YR190SC8
	R190 VH9	AR			N N NLJH YR190VH9
	R190 TM6	AR			N N NLJM YR190TM6
	R190 ST3	AR			N N NLJT YR190ST3
9-10					BACK, w/Spring, Frame and Cover N N N N
	C780 AJA	1			(use up to 11/11/81) N N NLJA YC780AJA
	B903 AJA	1			(use after 11/11/81) N N NLJA YB903AJA
	C780 AJC	1			(use up to Jeff. 12/16/81; St. Louis 11/12/81) N N NLJC YC780AJC
	B903 AJC	1			(use after Jeff. 12/16/81; St. Louis 11/12/81) N N NLJC YB903AJC
	C780 AJH	1			(use up to Jeff. 12/14/81; St. Louis 11/16/81) N N NLJH YC780AJH
	B903 AJH	1			(use after Jeff. 12/14/81; St. Louis 11/16/81) N N NLJH YB903AJH
	C780 AJM	1			(use up to Jeff. 2/19/82; St. Louis 12/18/81) N N NLJM YC780AJM
	B903 AJM	1			(use after Jeff. 2/19/82; St. Louis 12/18/81) N N NLJM YB903AJM
	C780 AJT	1			(use up to Jeff. 12/22/81; St. Louis 11/11/81) N N NLJT YC780AJT
	B903 AJT	1			(use after Jeff. 12/22/81; St. Louis 11/11/81) N N NLJT YB903AJT
10					COVER, Back N N N N
	C390 AJA	1			(use up to 11/11/81) N N NLJA YC390AJA
	C466 AJA	1			(use after 11/11/81) N N NLJA YC466AJA
	C390 AJC	1			(use up to Jeff. 12/19/81; Newark 11/13/81) N N NLJC YC390AJC
	C466 AJC	1			(use after Jeff. 12/19/81; Newark 11/13/81) N N NLJC YC466AJC

**MODEL CODES**

B = GRAN FURY/CARAVELLE	P = RELIANT
C = LEBARON/TOWN & COUNTRY	S = CORDOBA
D = ARIES	V = 400
F = NEW YORKER	X = MIRADA
G = DIPLOMAT	Y = IMPERIAL
M = HORIZON/TC3/SCAMP	Z = OMNI/O24/RAMPAGE

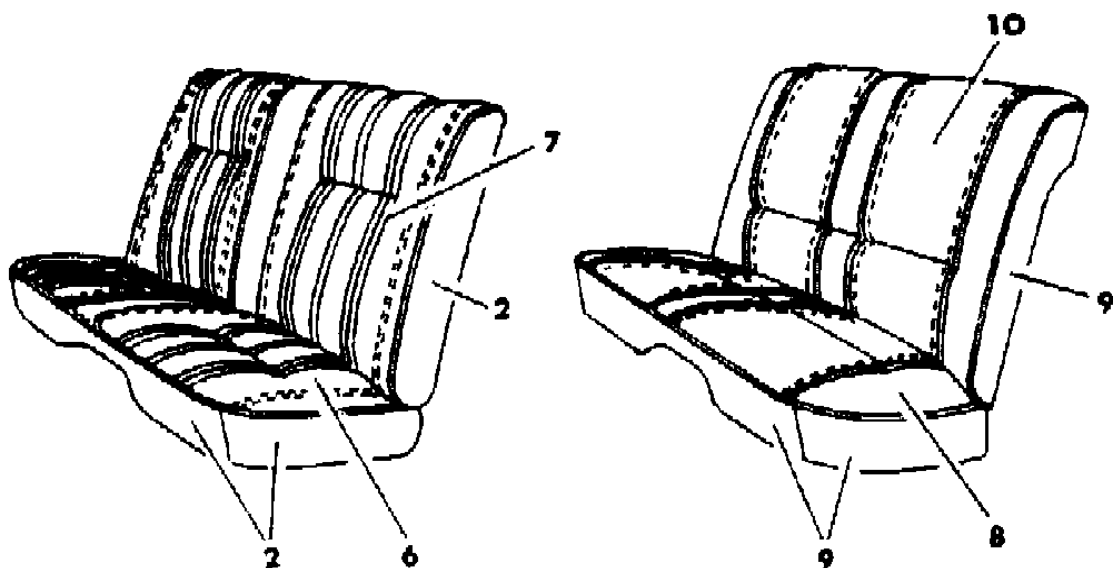
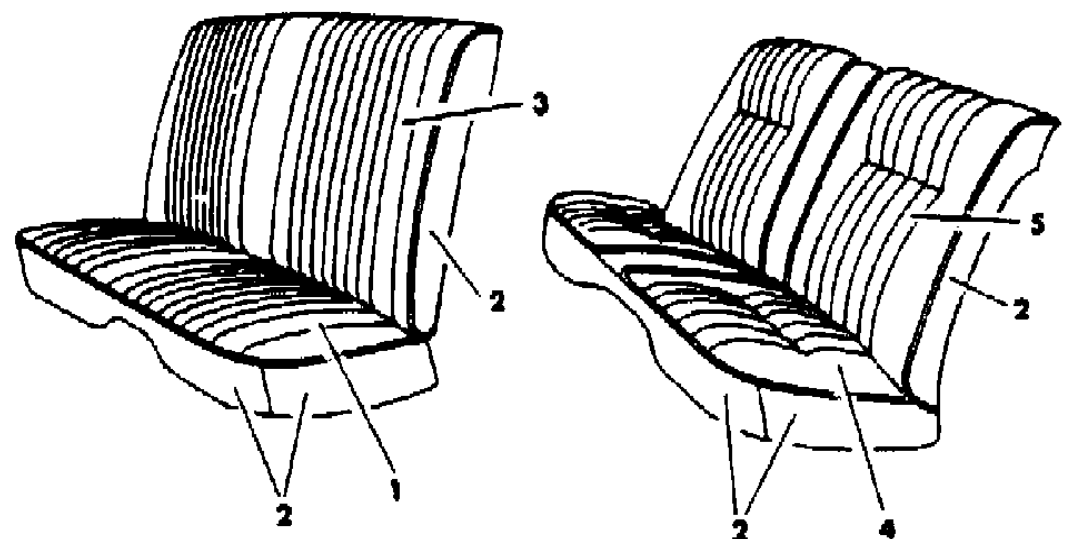
**BODY STYLES**

21 = 2-DOOR SEDAN	28 = FWD PICKUP
22 = 2-DOOR SPECIAL COUPE	41 = 4-DOOR SEDAN
24 = 2-DOOR HATCHBACK	44 = 4-DOOR HATCHBACK
27 = 2-DOOR CONVERTIBLE	45 = 2-SEAT STATION WAGON

AR = Use as Required - = Non Illustrated Part P.A.R. = Paint as Required

SEAT REAR C,V ALL TRIM CODES EXCEPT SLHK  
Figure IT-3302

2253 330 200



ITEM	PART NUMBER	QTY	BODY	MODEL	DESCRIPTION
	C390 AJH	1			(use up to Jeff. 12/14/81; Newark 11/13/81) N N NLJH YC390AJH
	C466 AJH	1			(use after Jeff. 12/14/81; Newark 11/13/81) N N NLJH YC466AJH
	C390 AJM	1			(use up to Jeff. 2/14/82; St. Louis 12/18/81) N N NLJM YC390AJM
	C466 AJM	1			(use after Jeff. 2/14/82; St. Louis 12/18/81) N N NLJM YC466AJM
	C390 AJT	1			(use up to Jeff. 12/22/81; St. Louis 11/11/81) N N NLJT YC390AJT
	C466 AJT	1			(use after Jeff. 12/22/81; St. Louis 11/11/81) N N NLJT YC466AJT

MODEL CODES

B = GRAN FURY/CARAVELLE	P = RELIANT
C = LEBARON/TOWN & COUNTRY	S = CORDOBA
D = ARIES	V = 400
F = NEW YORKER	X = MIRADA
G = DIPLOMAT	Y = IMPERIAL
M = HORIZON/TC3/SCAMP	Z = OMNI/O24/RAMPAGE

BODY STYLES

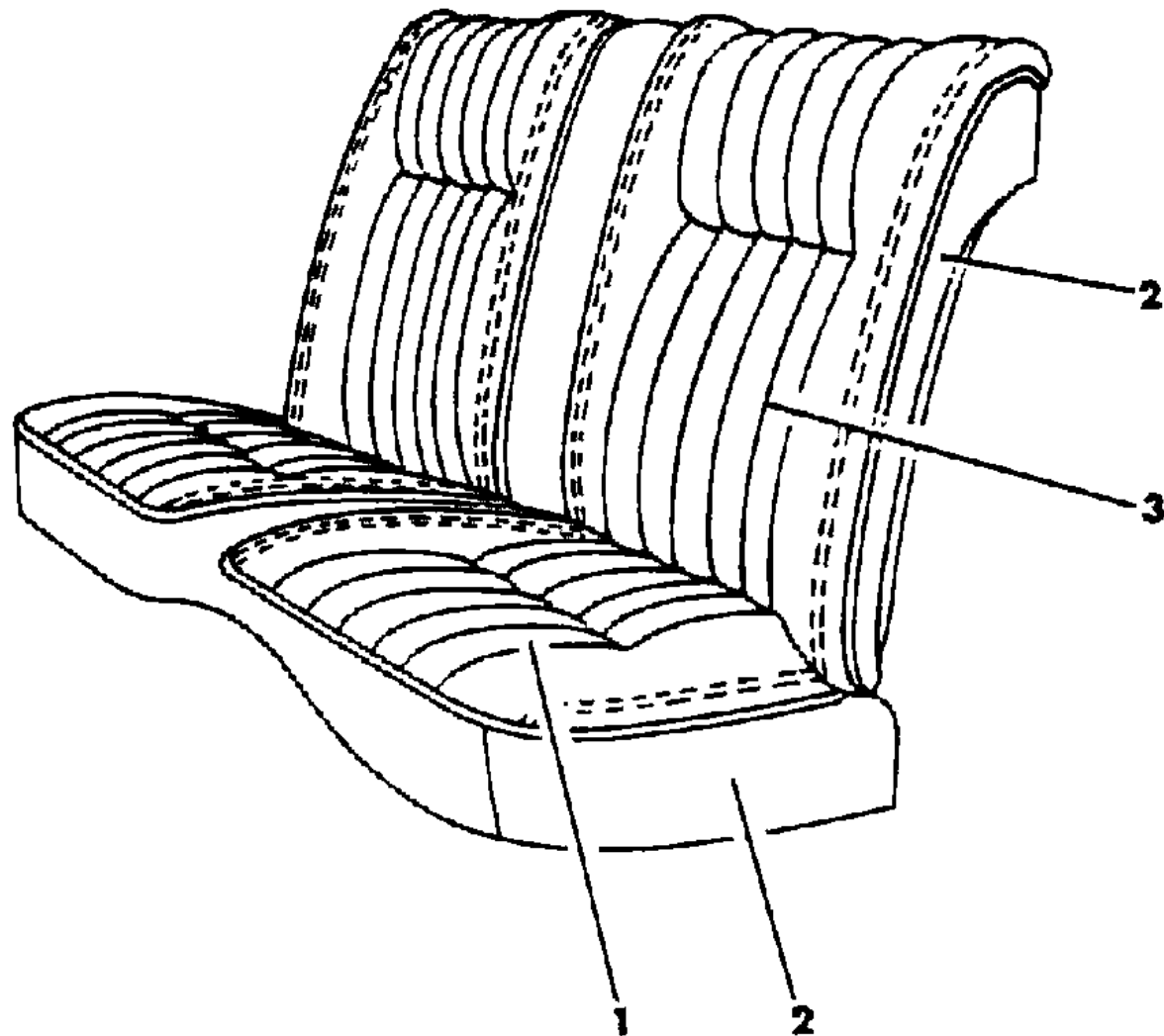
21 = 2-DOOR SEDAN	28 = FWD PICKUP
22 = 2-DOOR SPECIAL COUPE	41 = 4-DOOR SEDAN
24 = 2-DOOR HATCHBACK	44 = 4-DOOR HATCHBACK
27 = 2-DOOR CONVERTIBLE	45 = 2-SEAT STATION WAGON

AR = Use as Required - = Non Illustrated Part P.A.R. = Paint as Required

SEAT REAR C TRIM CODE SL  
Figure IT-3303

2253 330300

ITEM	PART NUMBER	QTY	BODY	MODEL	DESCRIPTION
1-2	C828 ALK	1			CUSHION, w/Spring, Frame and Cover N N NSLHK YC828ALK
1	C402 ALK	1			COVER, Cushion N N NSLHK YC402ALK
2	R609 VH6	AR			ROLL STOCK, Vinyl 58" Wide Order by the Inch N N NSLHK YR609VH6
2-3	C829 ALK	1			BACK, w/Spring, Frame and Cover (use up to 11/10/81) N N NSLHK YC829ALK
	B904 ALK	1			(use after 11/10/81) N N NSLHK YB904ALK
3	C403 ALK	1			COVER, Back (use up to 11/10/81) N N NSLHK YC403ALK
	C467 ALK	1			(use after 11/10/81) N N NSLHK YC467ALK



MODEL CODES

B = GRAN FURY/CARAVELLE	P = RELIANT
C = LEBARON/TOWN & COUNTRY	S = CORDOBA
D = ARIES	V = 400
F = NEW YORKER	X = MIRADA
G = DIPLOMAT	Y = IMPERIAL
M = HORIZON/TC3/SCAMP	Z = OMNI/O24/RAMPAGE

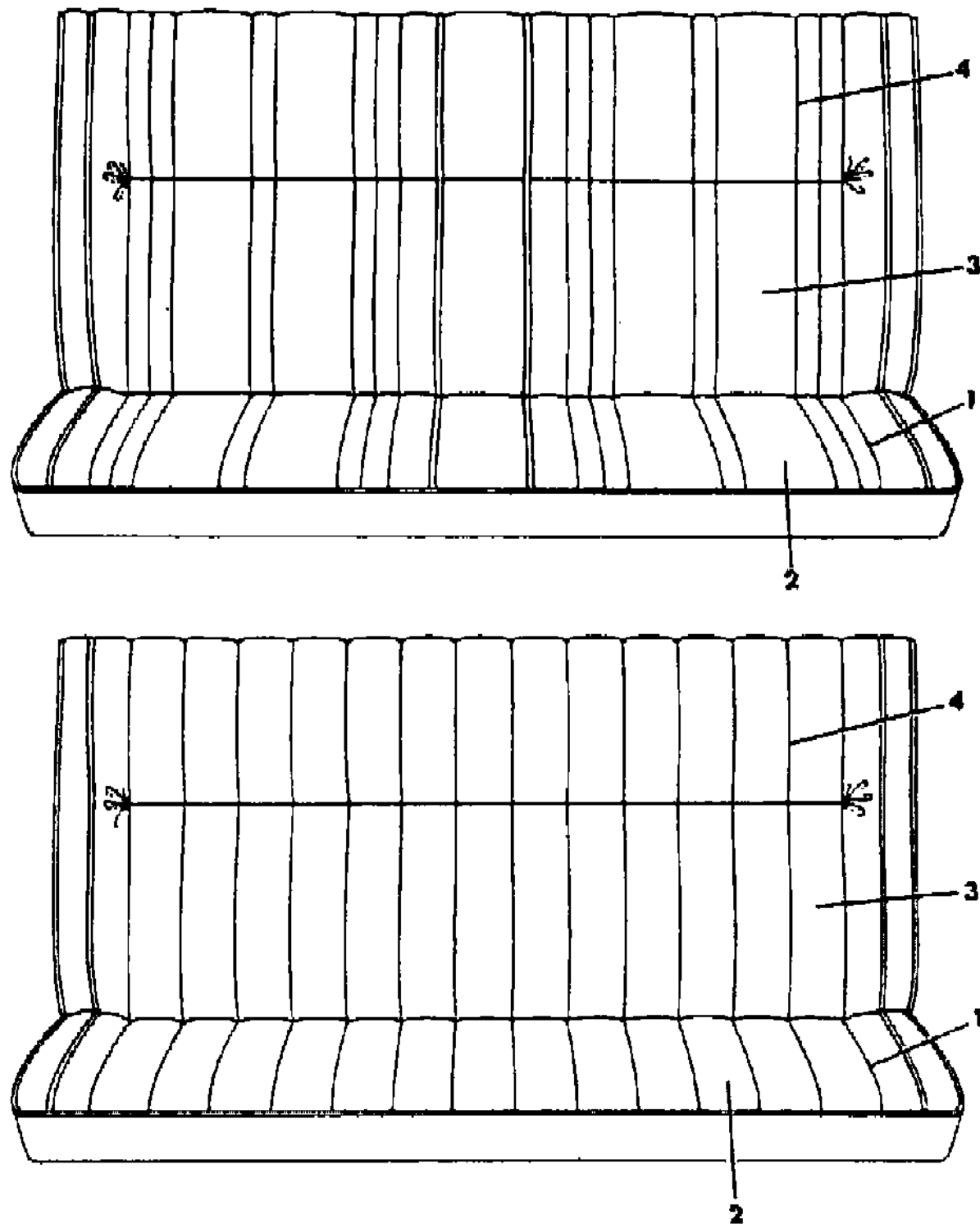
BODY STYLES

21 = 2-DOOR SEDAN	28 = FWD PICKUP
22 = 2-DOOR SPECIAL COUPE	41 = 4-DOOR SEDAN
24 = 2-DOOR HATCHBACK	44 = 4-DOOR HATCHBACK
27 = 2-DOOR CONVERTIBLE	45 = 2-SEAT STATION WAGON

AR = Use as Required - = Non Illustrated Part P.A.R. = Paint as Required

CONVERTIBLE REAR SEAT C,V 27  
Figure IT-3303

2253-30350



ITEM	PART NUMBER	QTY	BODY	MODEL	DESCRIPTION
1-2					CUSHION, w/Spring/Frame, Pad and Cover N N N N (use up to 4/5/82) N N N N
	4097 725	1			Mahogany (Mark Cross Package) N N NSLHK Y4097725
	4097 726	1			Red N N NV8M Y4097726
	4097 724	1			Cashmere N N NV8T Y4097724
					(use after 4/5/82) N N N N
	B944 AHK	1			Mahogany (Mark Cross Package) N N NSLHK YB944AHK
	B942 AM6	1			Red N N NV8M YB942AM6
	B942 AT3	1			Cashmere N N NV8T YB942AT3
2					COVER, Cushion N N N N
	4097 731	1			Mahogany (Mark Cross Package) N N NSLHK Y4097731
	4097 733	1			Red N N NV8M Y4097733
	4097 732	1			Cashmere N N NV8T Y4097732
3-4					BACK, w/Spring/Frame, Pad and Cover N N N N (use up to 4/5/82) N N N N
	4097 728	1			Mahogany (Mark Cross Package) N N NSLHK Y4097728
	4097 730	1			Red N N NV8M Y4097730
	4097 729	1			Cashmere N N NV8T Y4097729
					(use after 4/5/82) N N N N
	B945 AHK	1			Mahogany (Mark Cross Package) N N NSLHK YB945AHK
	B943 AM6	1			Red N N NV8M YB943AM6
	B943 AT3	1			Cashmere N N NV8T YB943AT3
4					COVER, Back N N N N
	4097 734	1			Mahogany (Mark Cross Package) N N NSLHK Y4097734
	4097 736	1			Red N N NV8M Y4097736
	4097 735	1			Cashmere N N NV8T Y4097735

MODEL CODES

B = GRAN FURY/CARAVELLE	P = RELIANT
C = LEBARON/TOWN & COUNTRY	S = CORDOBA
D = ARIES	V = 400
F = NEW YORKER	X = MIRADA
G = DIPLOMAT	Y = IMPERIAL
M = HORIZON/TC3/SCAMP	Z = OMNI/O24/RAMPAGE

BODY STYLES

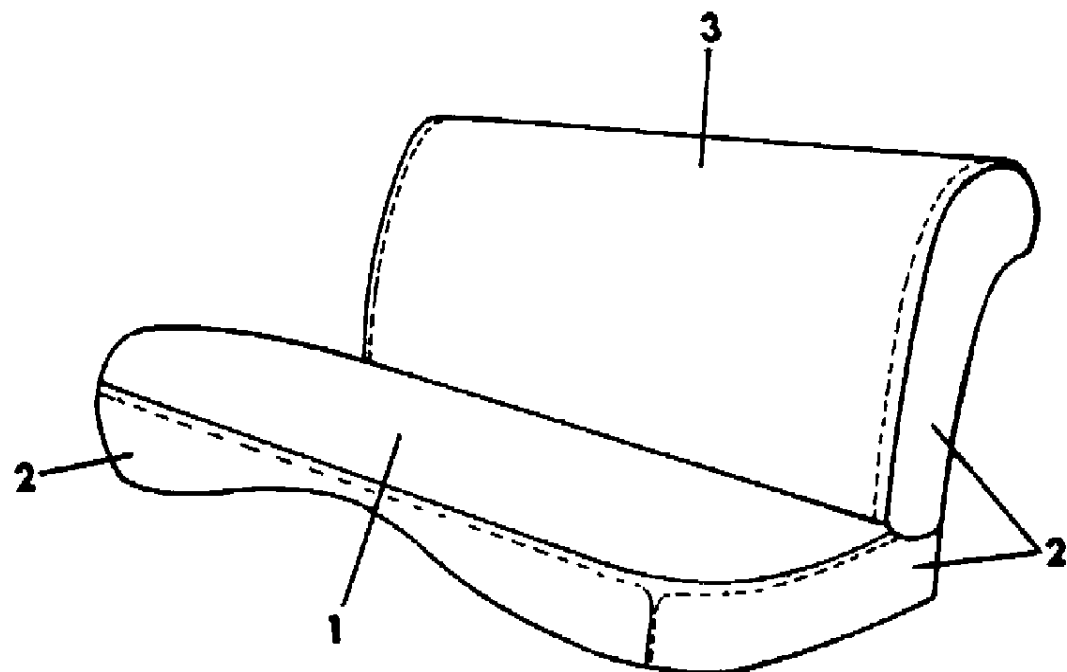
21 = 2-DOOR SEDAN	28 = FWD PICKUP
22 = 2-DOOR SPECIAL COUPE	41 = 4-DOOR SEDAN
24 = 2-DOOR HATCHBACK	44 = 4-DOOR HATCHBACK
27 = 2-DOOR CONVERTIBLE	45 = 2-SEAT STATION WAGON

AR = Use as Required - = Non Illustrated Part P.A.R. = Paint as Required

FLEET POLICE AND OTHERS REAR SEAT P,D  
Figure IT-3304

2253 3 30 400

ITEM	PART NUMBER	QTY	BODY	MODEL	DESCRIPTION
1	4196 436	1			COVER, Cushion N N N N Blue, Cloth N N N7RB,7PV Y4196436
	4196 440	1			Tan, Cloth N N N7RB,7PV Y4196440
2	R616 VB2	AR			ROLL STOCK, Vinyl 64" Wide order by the inch. N N N N Blue N N N YR616VB2
	R616 VT3	AR			Tan N N N YR616VT3
3	4196 437	1			COVER, Back N N N N Blue, Cloth N N N7RB,7PV Y4196437
	4196 441	1			Tan, Cloth N N N7RB,7PV Y4196441



MODEL CODES

B = GRAN FURY/CARAVELLE	P = RELIANT
C = LEBARON/TOWN & COUNTRY	S = CORDOBA
D = ARIES	V = 400
F = NEW YORKER	X = MIRADA
G = DIPLOMAT	Y = IMPERIAL
M = HORIZON/TC3/SCAMP	Z = OMNI/O24/RAMPAGE

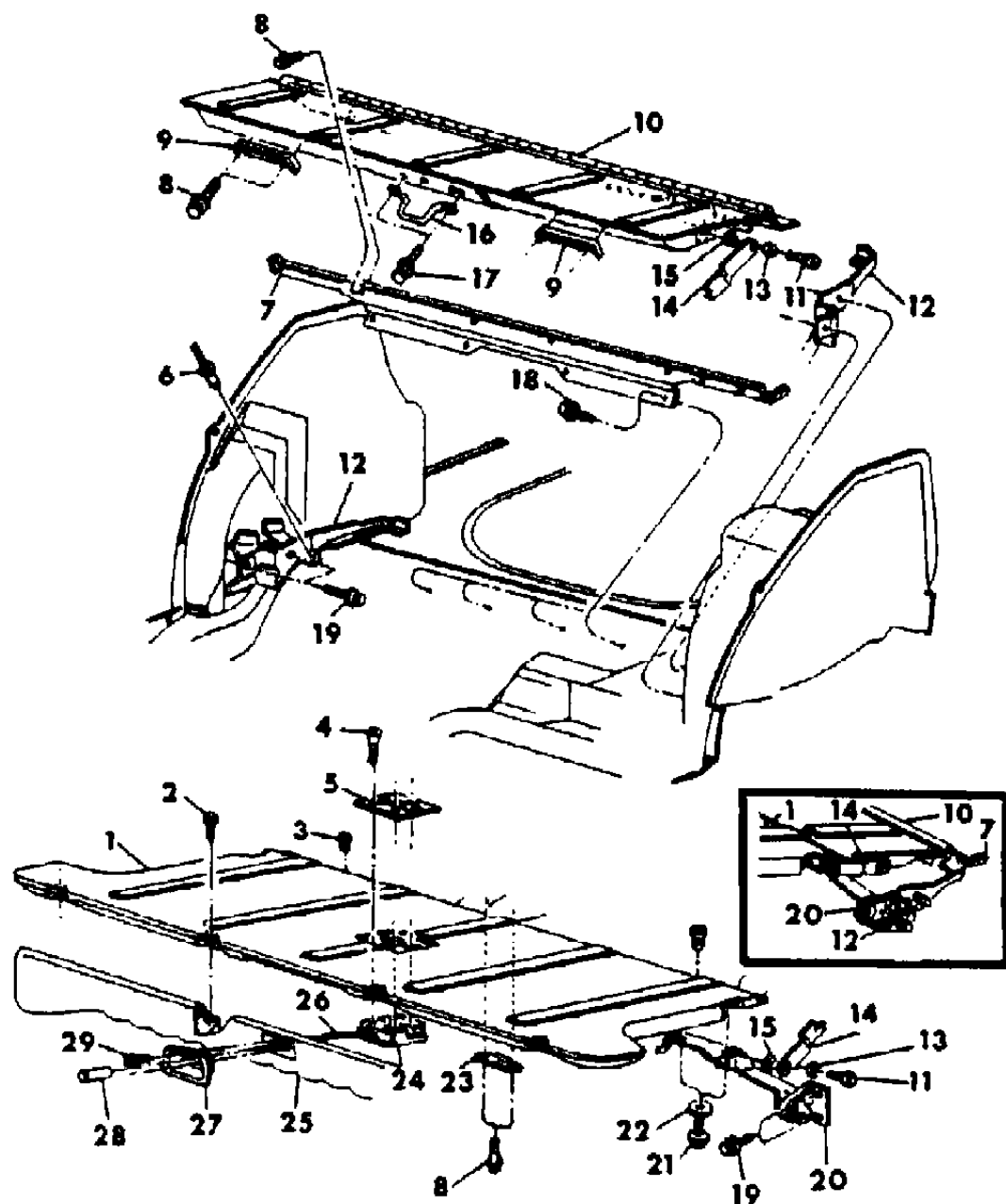
BODY STYLES

21 = 2-DOOR SEDAN	28 = FWD PICKUP
22 = 2-DOOR SPECIAL COUPE	41 = 4-DOOR SEDAN
24 = 2-DOOR HATCHBACK	44 = 4-DOOR HATCHBACK
27 = 2-DOOR CONVERTIBLE	45 = 2-SEAT STATION WAGON

AR = Use as Required - = Non Illustrated Part P.A.R. = Paint as Required

FOLD DOWN REAR SEAT - P,D,C - WAGON 0  
Figure IT-3321

2253 332100



ITEM	PART NUMBER	QTY	BODY	MODEL	DESCRIPTION
1					PANEL, Seat Back N N N N0
	W232 VB2	1			Blue, Light N N N YW232VB2
	W232 AC7	1			Blue, Dark N N N YW232AC7
	W232 VF5	1			Green N N N YW232VF5
	W232 AH9	1			Mahogany N N N YW232AH9
	W232 VM6	1			Red N N N YW232VM6
	W232 VT4	1			Tan N N N YW232VT4
2					SCREW (not serviced) N N N N0
3	4206 315	1			BUMPER, Seat Back N N N Y4206315
4	6100 897	3			SCREW N N N Y6100897
5	4206 082	1			ESCUTCHEON, Seat Back Latch N N N Y4206082
6	6031 115	4			RIVET N N N Y6031115
7	4206 092	1			FRAME, Filler Supt. Center N N N Y4206092
8					SCREW (not serviced) N N N N0
9	4206 217	2			SUPPORT, Filler Panel to Seat Back N N N Y4206217
10	4206 269	1			PANEL, Filler N N N Y4206269
11	6500 554	4			SCREW, Shoulder N N N Y6500554
12	4278 424-5	1			FRAME & P/NUT, Side Filler Support N N N Y4278424
13	0869 770	4			WASHER, Spring N N N Y0869770
14	4206 369	2			LINK, Filler Panel to Seat Back N N N Y4206369
15					WASHER (not serviced) N N N N0
16	4206 214	1			STRIKER, Filler Panel N N N Y4206214
17	0181 063	2			SCREW, Striker N N N Y0181063
18					SCREW (not serviced) N N N N0
19					SCREW (not serviced) N N N N0
20	4206 318-9	1			HINGE, Seat Back N N N Y4206318
21	6100 303	4			SCREW N N N Y6100303
22					WASHER (not serviced) N N N N0
23	4206 983	1			BRACKET, Seat Back Center Retainer N N N Y4206983
24	4172 139	1			LATCH, Seat Back N N N Y4172139
	6100 041	3			NUT, Latch Attaching N N N Y6100041
25					SEAT BACK (see trim section) N N N N0
26	4172 723	1			ROD, Latch Release N N N Y4172723
27	W246 TB2	1			BEZEL, Latch Release Knob (paint as required) N N N YW246TB2
28	3861 859	1			Knob, Release Latch Rod N N N Y3861859
29					SCREW (not serviced) N N N N0

MODEL CODES

B = GRAN FURY/CARAVELLE	P = RELIANT
C = LEBARON/TOWN & COUNTRY	S = CORDOBA
D = ARIES	V = 400
F = NEW YORKER	X = MIRADA
G = DIPLOMAT	Y = IMPERIAL
M = HORIZON/TC3/SCAMP	Z = OMNI/O24/RAMPAGE

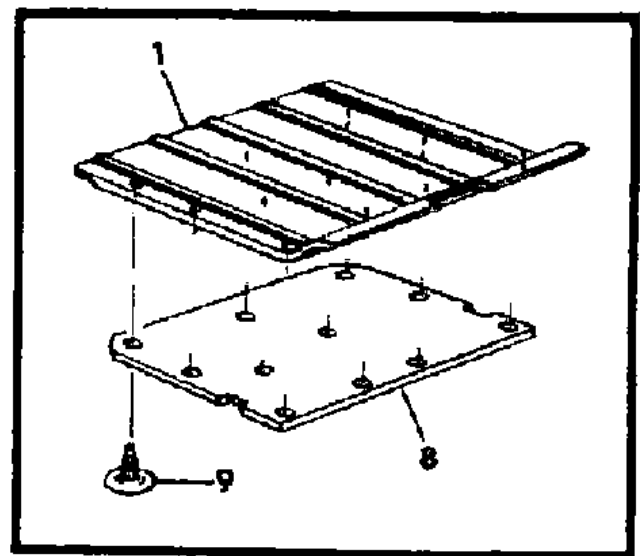
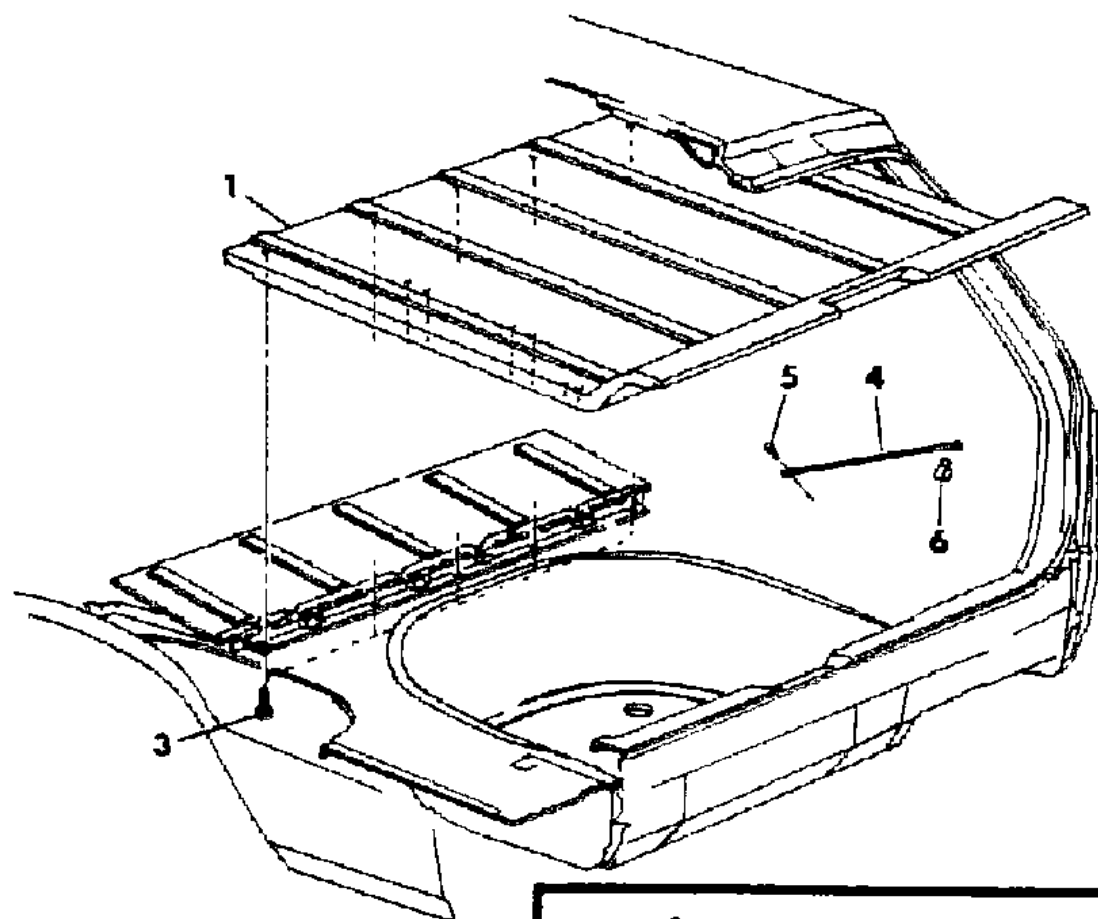
BODY STYLES

21 = 2-DOOR SEDAN	28 = FWD PICKUP
22 = 2-DOOR SPECIAL COUPE	41 = 4-DOOR SEDAN
24 = 2-DOOR HATCHBACK	44 = 4-DOOR HATCHBACK
27 = 2-DOOR CONVERTIBLE	45 = 2-SEAT STATION WAGON

AR = Use as Required - = Non Illustrated Part P.A.R. = Paint as Required

PANEL, CARGO - P,D,C 0  
Figure IT-3322

2253 332200A



ITEM	PART NUMBER	QTY	BODY	MODEL	DESCRIPTION
1					PANEL, Rear Cargo Cover N N N N0
	W233 VB2	1			Blue, Light N N N YW233VB2
	W233 AC7	1			Blue, Dark N N N YW233AC7
	W233 VF5	1			Green N N N YW233VF5
	W233 AH9	1			Mahogany N N N YW233AH9
	W233 VM6	1			Red N N N YW233VM6
	W233 VT4	1			Tan N N N YW233VT4
2					PANEL (see fold down rear seat - wagon illustration) N N N N0
3					SCREW (not serviced) N N N N0
4	3861 821	1			CABLE, Cargo Floor Panel Support N N N Y3861821
5	6031 401	1			SCREW, Cable Attaching N N N Y6031401
6	6016 080	1			CLIP, Cable Attaching N N N Y6016080
7					SCREW (not serviced) N N N N0
8	4078 960	AR			SILENCER N N N Y4078960
9	6003 423	AR			FASTENER N N N Y6003423

MODEL CODES  
 B = GRAN FURY/CARAVELLE      P = RELIANT  
 C = LEBARON/TOWN & COUNTRY      S = CORDOBA  
 D = ARIES      V = 400  
 F = NEW YORKER      X = MIRADA  
 G = DIPLOMAT      Y = IMPERIAL  
 M = HORIZON/TC3/SCAMP      Z = OMNI/O24/RAMPAGE

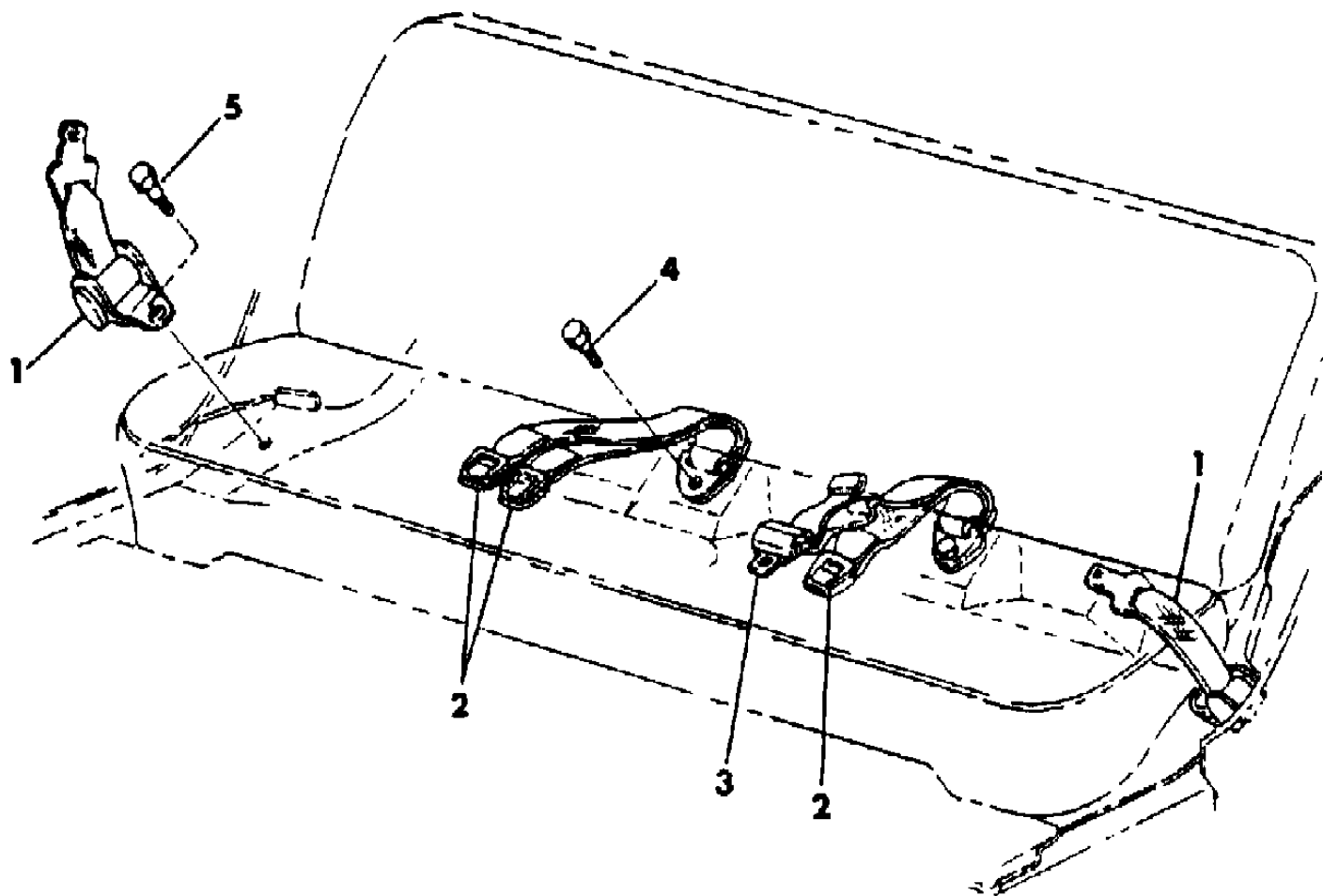
BODY STYLES  
 21 = 2-DOOR SEDAN      28 = FWD PICKUP  
 22 = 2-DOOR SPECIAL COUPE      41 = 4-DOOR SEDAN  
 24 = 2-DOOR HATCHBACK      44 = 4-DOOR HATCHBACK  
 27 = 2-DOOR CONVERTIBLE      45 = 2-SEAT STATION WAGON

AR = Use as Required - = Non Illustrated Part P.A.R. = Paint as Required

BELT, REAR SEAT LAP - P,D,C,V 0

Figure IT-3371

2253 337100



ITEM	PART NUMBER	QTY	BODY	MODEL	DESCRIPTION
1					BELT, Rear seat Lap Outboard Tip Half, Lable No. 4277356 N N N N0
	F855 AA3	2			Silver N N N YF855AA3
	F855 AB2	2			Blue, Light N N N YF855AB2
	F855 AC7	2			Blue, Dark N N N YF855AC7
	F855 AF5	2			Green N N N YF855AF5
	F855 AH9	2			Mahogany N N N YF855AH9
	F855 AM6	2			Red N N N YF855AM6
	F855 AT4	2			Tan N N N YF855AT4
	F855 AX9	2			Black N N N YF855AX9
	F582 AT4	2			w/AUTOLOCK Label No. 4317963 N N N N
	F582 AH9	2			Cashmere NC,V N27 N YF582AT4
	F582 AM6	2			Mahogany NC,V N27 N YF582AH9
2					BELT, Rear Seat Lap Buckle and Tip Half Inner, Right, Lable No. 4246224 N N N N0
	F560 AA3	2			Silver N N N YF560AA3
	F560 VB2	2			Blue, Light N N N YF560VB2
	F560 VC7	2			Blue, Dark N N N YF560VC7
	F560 VF5	2			Green N N N YF560VF5
	F560 VH9	2			Mahogany N N N YF560VH9
	F560 VM6	2			Red N N N YF560VM6
	F560 VT4	2			Tan N N N YF560VT4
	F560 AX9	2			Black N N N YF560AX9
3					BELT, Rear Seat Lap Buckle and Tip, Left, Lable No. 4246225 N N N N0
	F561 AA3	1			Silver N N N YF561AA3
	F561 VB2	1			Blue, Light N N N YF561VB2
	F561 AC7	1			Blue, Dark N N N YF561AC7
	F561 VF5	1			Green N N N YF561VF5
	F561 AH9	1			Mahogany N N N YF561AH9
	F561 VM6	1			Red N N N YF561VM6
	F561 VT4	1			Tan N N N YF561VT4
	F561 AX9	1			Black N N N YF561AX9
	F583 AT4	2			BELT, Rear Lap Label No. 4317961 N N N N
	F583 AH9	2			Cashmere NC,V N27 N YF583AT4
					Mahogany NC,V N27 N YF583AH9

MODEL CODES

B = GRAN FURY/CARAVELLE	P = RELIANT
C = LEBARON/TOWN & COUNTRY	S = CORDOBA
D = ARIES	V = 400
F = NEW YORKER	X = MIRADA
G = DIPLOMAT	Y = IMPERIAL
M = HORIZON/TC3/SCAMP	Z = OMNI/O24/RAMPAGE

BODY STYLES

21 = 2-DOOR SEDAN	28 = FWD PICKUP
22 = 2-DOOR SPECIAL COUPE	41 = 4-DOOR SEDAN
24 = 2-DOOR HATCHBACK	44 = 4-DOOR HATCHBACK
27 = 2-DOOR CONVERTIBLE	45 = 2-SEAT STATION WAGON

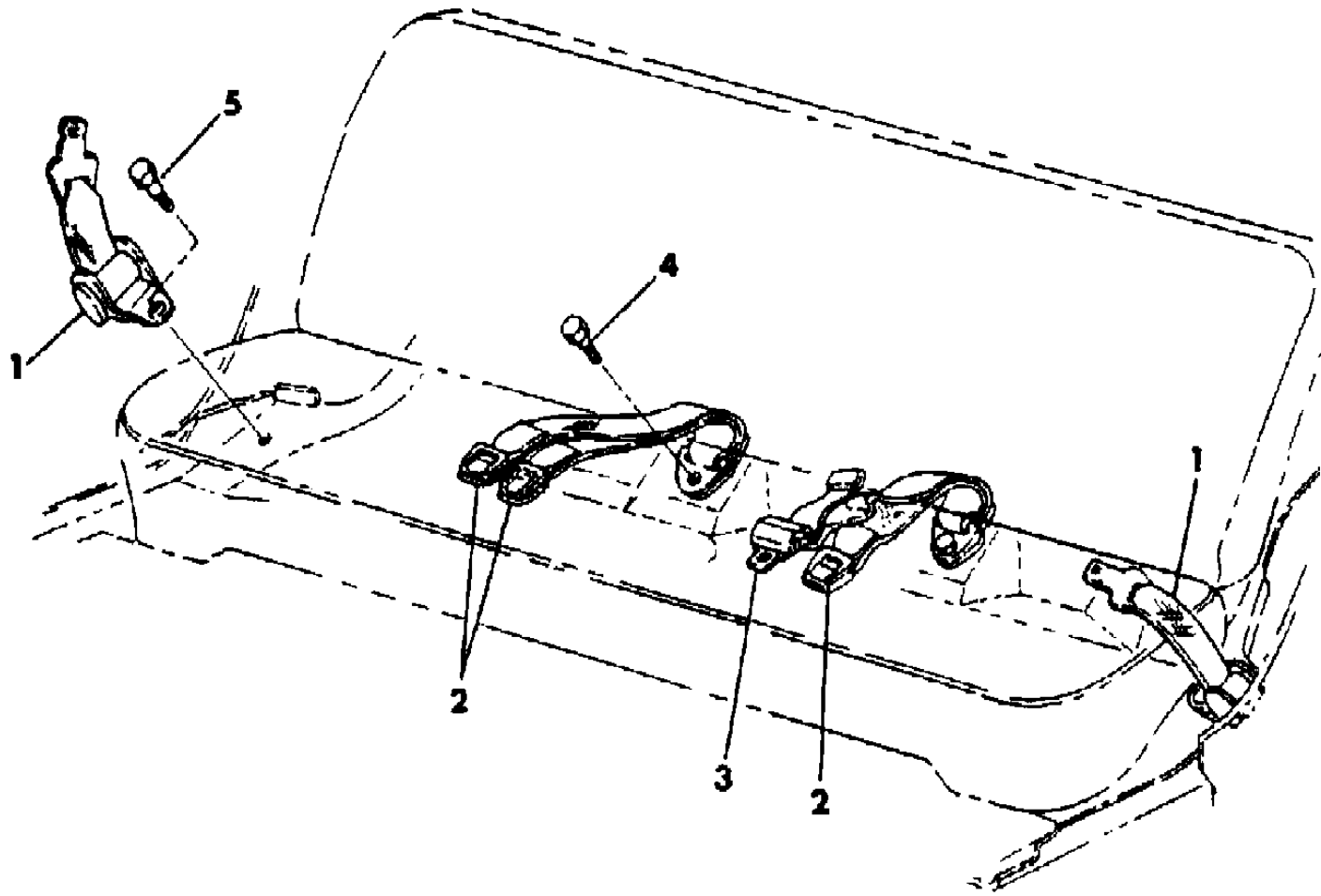
AR = Use as Required - = Non Illustrated Part P.A.R. = Paint as Required



BELT, REAR SEAT LAP - P,D,C,V 0  
Figure IT-3371

2253 337100

ITEM	PART NUMBER	QTY	BODY	MODEL	DESCRIPTION
	F583 AM6	2			Red NC,V N27 N YF583AM6
4	6032 039	2			BOLT N N N Y6032039
5	6031 484	2			BOLT N N N Y6031484



MODEL CODES

B = GRAN FURY/CARAVELLE	P = RELIANT
C = LEBARON/TOWN & COUNTRY	S = CORDOBA
D = ARIES	V = 400
F = NEW YORKER	X = MIRADA
G = DIPLOMAT	Y = IMPERIAL
M = HORIZON/TC3/SCAMP	Z = OMNI/O24/RAMPAGE

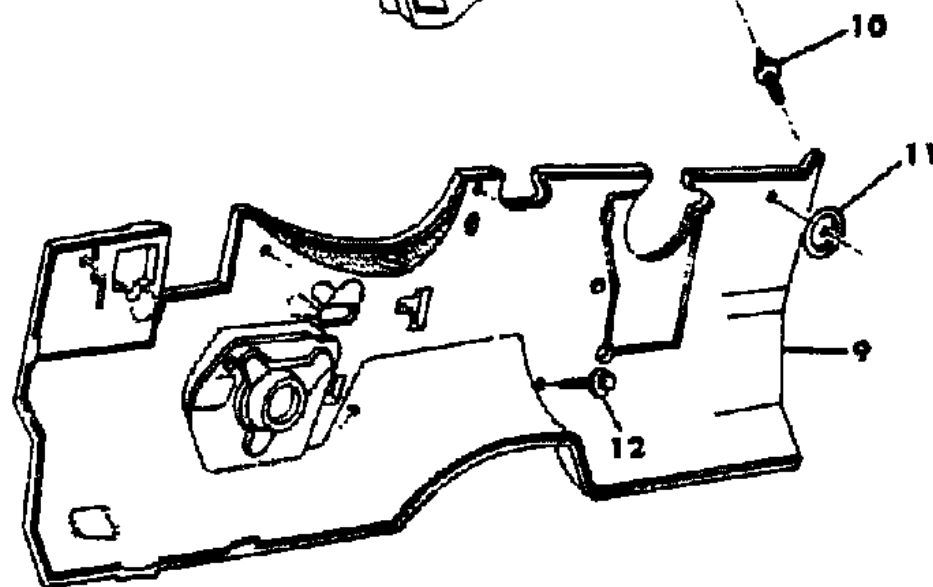
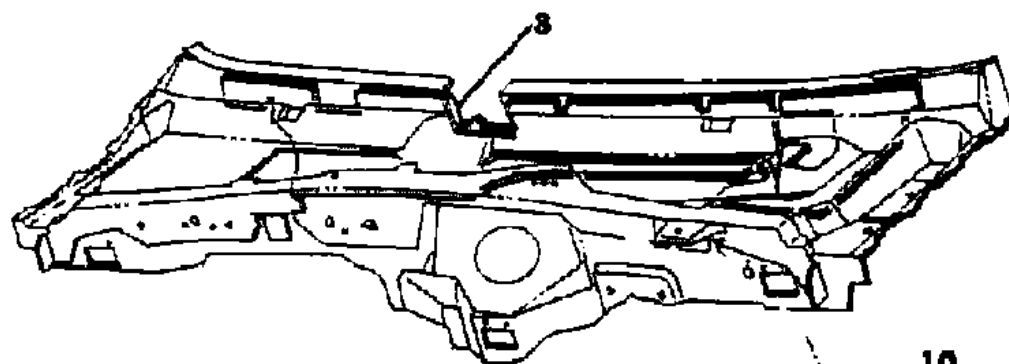
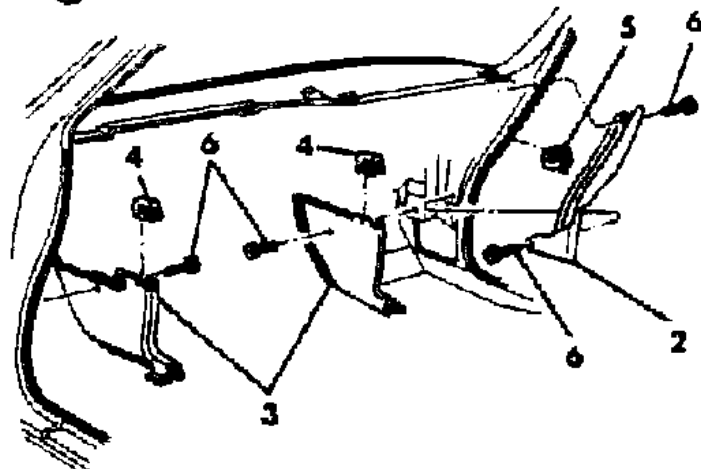
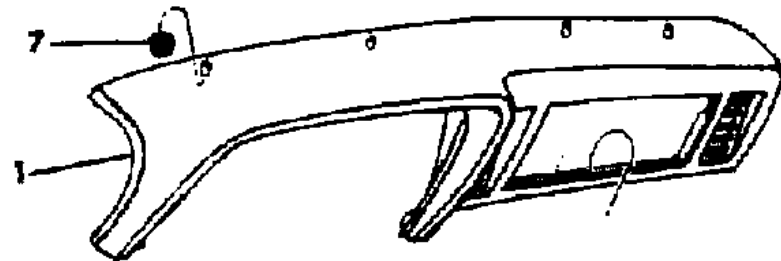
BODY STYLES

21 = 2-DOOR SEDAN	28 = FWD PICKUP
22 = 2-DOOR SPECIAL COUPE	41 = 4-DOOR SEDAN
24 = 2-DOOR HATCHBACK	44 = 4-DOOR HATCHBACK
27 = 2-DOOR CONVERTIBLE	45 = 2-SEAT STATION WAGON

AR = Use as Required - = Non Illustrated Part P.A.R. = Paint as Required

**INSTRUMENT PANEL & COWL B,F,G**  
Figure IT-5011

2253 501100



ITEM	PART NUMBER	QTY	BODY	MODEL	DESCRIPTION
1					PAD, Instrument Panel Trim N N N N
	P411 AA7	1			Silver N N N YP411AA7
	P411 SC7	1			Blue N N N YP411SC7
	P411 AH9	1			Mahogany N N N YP411AH9
	P411 TM6	1			Red N N N YP411TM6
2	P411 ST6	1			Tan N N N YP411ST6
					COVER, Cowl Side Trim Panel To Windshield Side Garnish Moulding N N N N
	F344-5 AA3	1			Silver N N N YF344AA3
	F344-5 SC7	1			Blue N N N YF344SC7
	F344-5 AH9	1			Mahogany N N N YF344AH9
3	F344-5 TM6	1			Red N N N YF344TM6
	F344-5 TT4	1			Tan N N N YF344TT4
					PANEL, Cowl Side Trim N N N N
	F198 AA3	1			Silver,Rt. N N N YF198AA3
	F201 AA3	1			Silver, Lt. N N N YF201AA3
	F198 SC7	1			Blue, Rt. N N N YF198SC7
	F201 SC7	1			Blue, Lt. N N N YF201SC7
	F198 AH9	1			Mahogany, Rt. N N N YF198AH9
	F201 AH9	1			Mahogany, Lt. N N N YF201AH9
	F198 TM6	1			Red, Rt. N N N YF198TM6
	F201 TM6	1			Red, Lt. N N N YF201TM6
	F198 ST4	1			Tan, Rt. N N N YF198ST4
F201 ST4	1			Tan, Lt. N N N YF201ST4	
4		2			J/NUT (not serviced) N N N N
5		AR			Clip(not serviced) N N N N
6		AR			Screw(not serviced) N N N N
7		4			NUT,Trim Pad To Cowl Top Cover (not serviced) N N N N
8	4136 444-5	1			SILENCER, Dash Panel Plenum N N N Y4136444
9	4136 334	1			LINER, w/ or w/o A.C. N N N Y4136334
10	6031 630	4			STUD, Collar N N N Y6031630
11	4206 545	4			RETAINER N N N Y4206545
12		2			SCREW (not serviced) N N N N

MODEL CODES

B = GRAN FURY/CARAVELLE	P = RELIANT
C = LEBARON/TOWN & COUNTRY	S = CORDOBA
D = ARIES	V = 400
F = NEW YORKER	X = MIRADA
G = DIPLOMAT	Y = IMPERIAL
M = HORIZON/TC3/SCAMP	Z = OMNI/O24/RAMPAGE

BODY STYLES

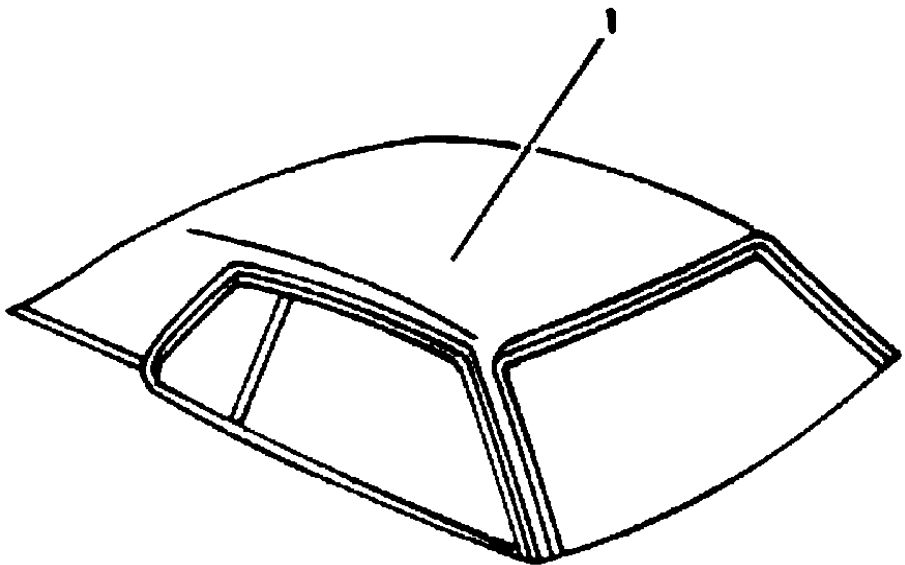
21 = 2-DOOR SEDAN	28 = FWD PICKUP
22 = 2-DOOR SPECIAL COUPE	41 = 4-DOOR SEDAN
24 = 2-DOOR HATCHBACK	44 = 4-DOOR HATCHBACK
27 = 2-DOOR CONVERTIBLE	45 = 2-SEAT STATION WAGON

AR = Use as Required - = Non Illustrated Part P.A.R. = Paint as Required

**ROOF COVER B,F,G**  
**Figure IT-5021**

2253-502100

ITEM	PART NUMBER	QTY	BODY	MODEL	DESCRIPTION
1					COVER, Roof Outside, Full N N N N
	T914 TC9	1			N N NV1C YT914TC9
	T914 AM8	1			N N NV1M YT914AM8
	T914 AT2	1			N N NV1T YT914AT2
	T914 VW3	1			N N NV1W YT914VW3
	T914 AK7	1			N N NV1U YT914AK7
	T914 AX9	1			N N NV1X YT914AX9
The following parts are not illustrated. s ARE NOT RETURNABLE.					
	4077 626	2			PAD, Roof Outside Cover W/Full Roof. N N N Y4077626



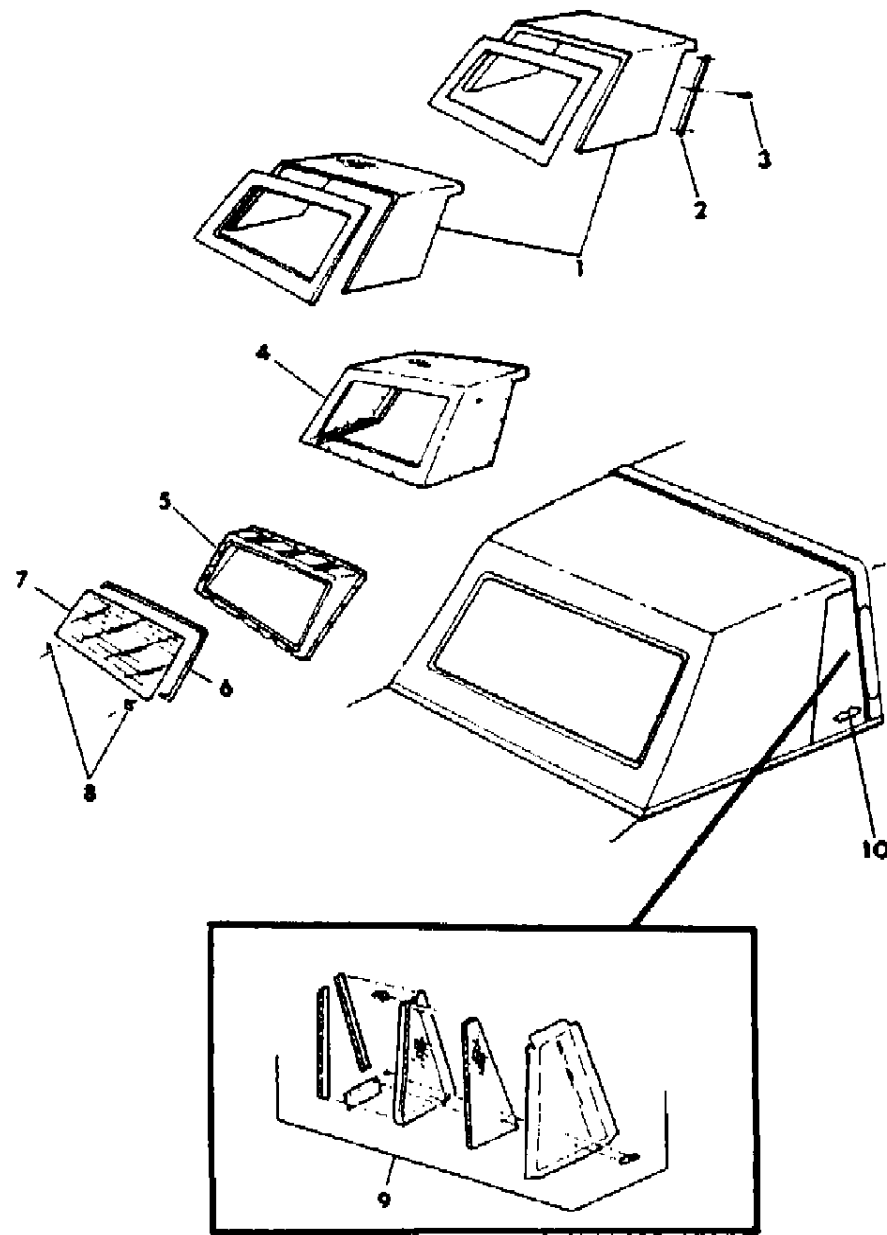
MODEL CODES  
 B = GRAN FURY/CARAVELLE      P = RELIANT  
 C = LEBARON/TOWN & COUNTRY    S = CORDOBA  
 D = ARIES                            V = 400  
 F = NEW YORKER                    X = MIRADA  
 G = DIPLOMAT                       Y = IMPERIAL  
 M = HORIZON/TC3/SCAMP         Z = OMNI/O24/RAMPAGE

BODY STYLES  
 21 = 2-DOOR SEDAN                28 = FWD PICKUP  
 22 = 2-DOOR SPECIAL COUPE    41 = 4-DOOR SEDAN  
 24 = 2-DOOR HATCHBACK        44 = 4-DOOR HATCHBACK  
 27 = 2-DOOR CONVERTIBLE       45 = 2-SEAT STATION WAGON

AR = Use as Required - = Non Illustrated Part P.A.R. = Paint as Required

ROOF COVER F-S  
Figure IT-5022

2253 502200A



ITEM	PART NUMBER	QTY	BODY	MODEL	DESCRIPTION
1					COVER ASSY., Roof, Vinyl N N N N
	T944 AC9	1			Blue N N NV5C YT944AC9
	T944 AH9	1			Mahogany N N NV5H YT944AH9
	T944 AM8	1			Red N N NV5M YT944AM8
	T944 AW3	1			White N N NV5W YT944AW3
	T944 AT3	1			Tan N N NV5K YT944AT3
	T944 AX9	1			Black N N NV5X YT944AX9
2	4229 804-5	1			RETAINER, Quarter Window Upper, Vinyl N N N Y4229804
3	0153 341	AR			SCREW N N N Y153341
4	4229 802	1			CAP, Roof Bonnet N N N Y4229802
5	4229 998	1			EXTENSION and SUPPORT N N N Y4229998
6		AR			BUTYL TAPE, 5/16" Thick N N N N
7	4229 801	1			GLASS ASSY., Back Lite Heated N N N Y4229801
8		AR			RETAINER (not serviced) N N N N
9					FRAME ASSY., Quarter Window Door N N N N
					NEW YORKER N N N N
	X304-5 AC9	1			Blue N N NV5C YX304AC9
	X304-5 AH9	1			Mahogany N N NV5H YX304AH9
	X304-5 AM8	1			Red N N NV5M YX304AM8
	X304-5 AT3	1			Tan N N NV5K YX304AT3
	X304-5 AW3	1			White N N NV5W YX304AW3
	X304-5 AX9	1			Black N N NV5X YX304AX9
					FIFTH AVENUE N N N N
	X306-7 AC9	1			Blue N N NV5C YX306AC9
	X306-7 AH9	1			Mahogany N N NV5H YX306AH9
	X306-7 AM8	1			Red N N NV5M YX306AM8
	X306-7 AT3	1			Tan N N NV5K YX306AT3
	X306-7 AW3	1			White N N NV5W YX306AW3
	X306-7 AX9	1			Black N N NV5X YX306AX9
10					NAME PLATE, Fifth Avenue N N N N
	X308 AC9	1			Blue N N N YX308AC9
	X308 AH9	1			Mahogany N N N YX308AH9
	X308 AM8	1			Red N N N YX308AM8
	X308 AT3	1			Tan N N N YX308AT3
	X308 AW3	1			White N N N YX308AW3
	X308 AX9	1			Black N N N YX308AX9
	3613 047	1			NAME PLATE, New Yorker, Gold N N N Y3613047

MODEL CODES

B = GRAN FURY/CARAVELLE  
C = LEBARON/TOWN & COUNTRY  
D = ARIES  
F = NEW YORKER  
G = DIPLOMAT  
M = HORIZON/TC3/SCAMP  
P = RELIANT  
S = CORDOBA  
V = 400  
X = MIRADA  
Y = IMPERIAL  
Z = OMNI/O24/RAMPAGE

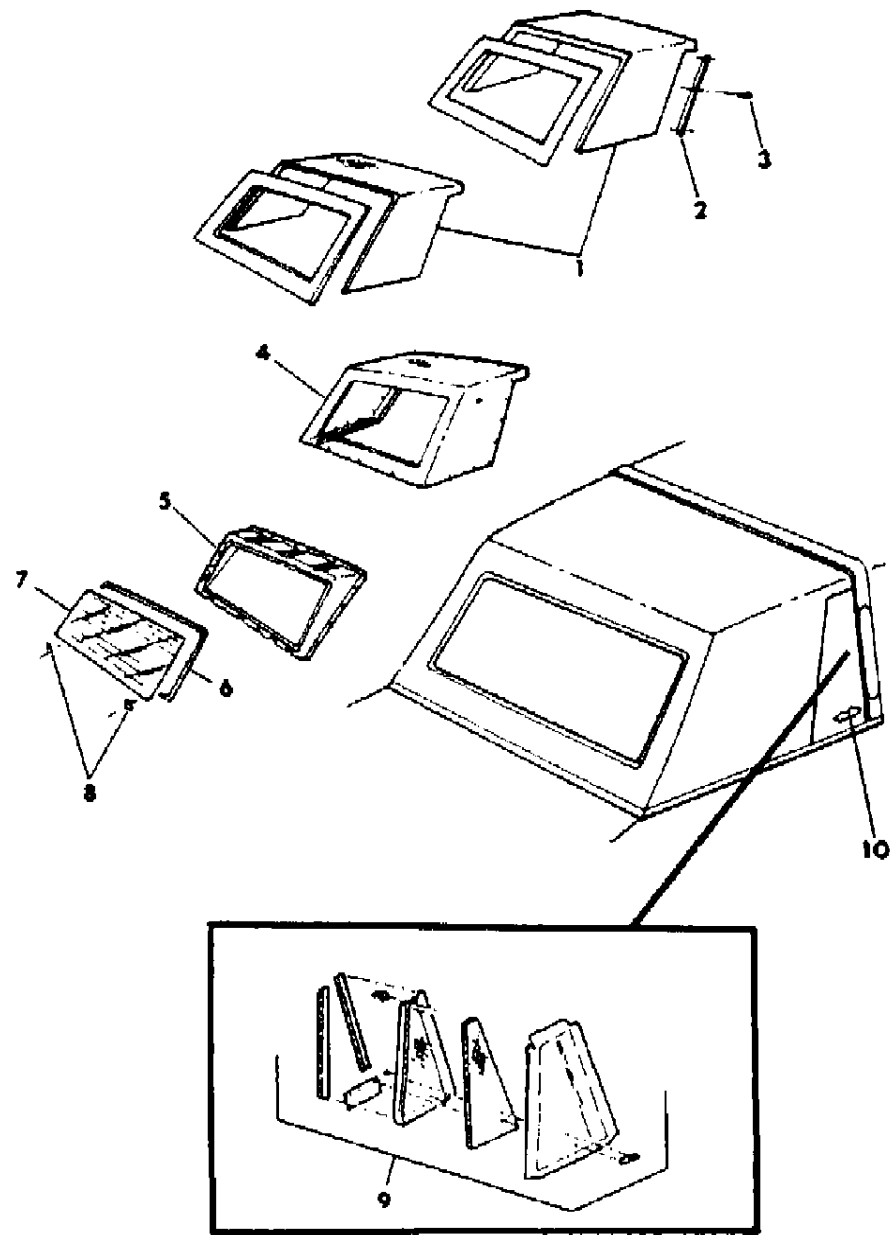
BODY STYLES

21 = 2-DOOR SEDAN  
22 = 2-DOOR SPECIAL COUPE  
24 = 2-DOOR HATCHBACK  
27 = 2-DOOR CONVERTIBLE  
28 = FWD PICKUP  
41 = 4-DOOR SEDAN  
44 = 4-DOOR HATCHBACK  
45 = 2-SEAT STATION WAGON

AR = Use as Required - = Non Illustrated Part P.A.R. = Paint as Required

ROOF COVER F-S  
Figure IT-5022

2253 502200A



ITEM	PART NUMBER	QTY	BODY	MODEL	DESCRIPTION
------	-------------	-----	------	-------	-------------

The following parts are not illustrated. s ARE NOT RETURNABLE.

	4276 297	2			FILLER, Roof Cover N N NV5 Y4276297
--	----------	---	--	--	-------------------------------------

MODEL CODES

B = GRAN FURY/CARAVELLE	P = RELIANT
C = LEBARON/TOWN & COUNTRY	S = CORDOBA
D = ARIES	V = 400
F = NEW YORKER	X = MIRADA
G = DIPLOMAT	Y = IMPERIAL
M = HORIZON/TC3/SCAMP	Z = OMNI/O24/RAMPAGE

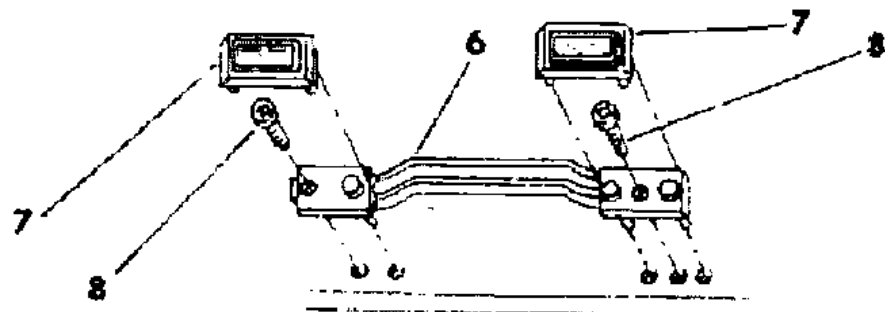
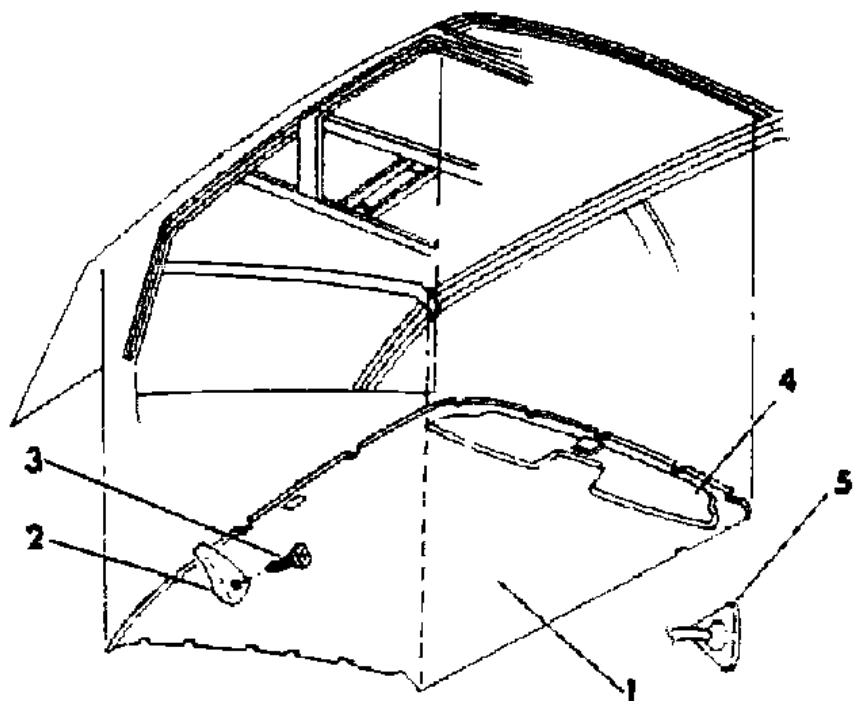
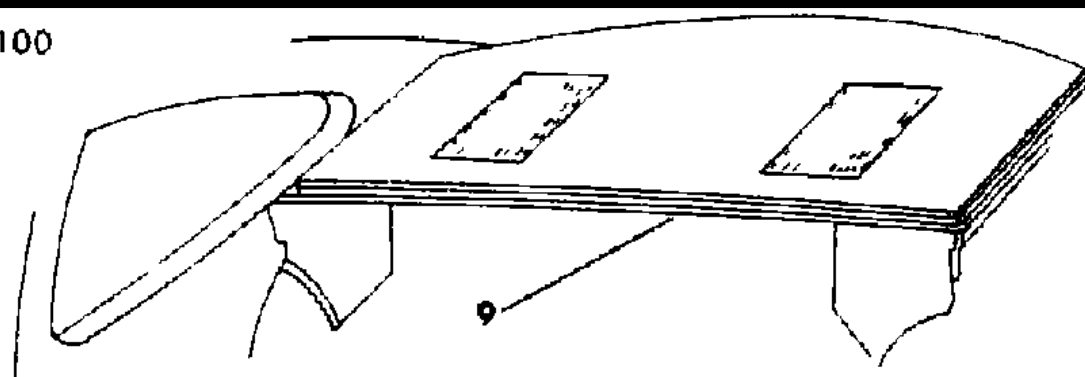
BODY STYLES

21 = 2-DOOR SEDAN	28 = FWD PICKUP
22 = 2-DOOR SPECIAL COUPE	41 = 4-DOOR SEDAN
24 = 2-DOOR HATCHBACK	44 = 4-DOOR HATCHBACK
27 = 2-DOOR CONVERTIBLE	45 = 2-SEAT STATION WAGON

AR = Use as Required - = Non Illustrated Part P.A.R. = Paint as Required

**HEADLINING VISOR & SHELF PANELS B,F,G**  
Figure IT-5031

2253.503100



ITEM	PART NUMBER	QTY	BODY	MODEL	DESCRIPTION
1					HEADLINING PANEL, W/O Sunroof, W/Cloth Finish N N N N
	H825 AA3	1			Silver NF N N YH825AA3
	H825 TC7	1			Blue NF N N YH825TC7
	H825 AH9	1			Mahogany NF N N YH825AH9
	H825 TM6	1			Red NF N N YH825TM6
	H825 TT4	1			Tan NF N N YH825TT4
	H824 AA3	1			Silver NB,G N N YH824AA3
	H824 TC7	1			Blue NB,G N N YH824TC7
	H824 AH9	1			Mahogany NB,G N N YH824AH9
	H824 TM6	1			Red NB,G N N YH824TM6
	H824 TT4	1			Tan NB,G N N YH824TT4
2	3685 992	2			HOOK, COAT N N N Y3685992
The following part is not illustrated. s ARE NOT RETURNABLE.					
	4136 320	2			BRACKET, Hook Support N N N Y4136320
3	9414 716	2			SCREW N N N Y9414716
4					PANEL VISOR, w/o Mirror, w/o Sunroof N N N N
	H535 AA3	2			Silver N N N YH535AA3
	H535 VC7	2			Blue N N N YH535VC7
	H535 AH9	2			Mahogany N N N YH535AH9
	H535 VM6	2			Red N N N YH535VM6
	H535 VT4	2			Tan N N N YH535VT4
					w/Sunroof, w/o Mirror N N N N
	H540-1 AA3	1			Silver N N N YH540AA3
	H540-1 VC7	1			Blue N N N YH540VC7
	H540-1 AH9	1			Mahogany N N N YH540AH9
	H540-1 VM6	1			Red N N N YH540VM6
	H540-1 VT4	1			Tan N N N YH540VT4
					W/LIGHTED MIRROR Complete W/Cloth Finish, w/o Sunroof Models Rt. N N N N
	H696 AA3	1			Silver N N N YH696AA3
	H696 VC7	1			Blue N N N YH696VC7
	H696 AH9	1			Mahogany N N N YH696AH9
	H696 VM6	1			Red N N N YH696VM6
	H696 VT4	1			Tan N N N YH696VT4
					w/Sunroof, w/Mirror Rt. N N N N
	H624 AA3	1			Silver N N N YH624AA3
	H624 VC7	1			Blue N N N YH624VC7

**MODEL CODES**

B = GRAN FURY/CARAVELLE	P = RELIANT
C = LEBARON/TOWN & COUNTRY	S = CORDOBA
D = ARIES	V = 400
F = NEW YORKER	X = MIRADA
G = DIPLOMAT	Y = IMPERIAL
M = HORIZON/TC3/SCAMP	Z = OMNI/O24/RAMPAGE

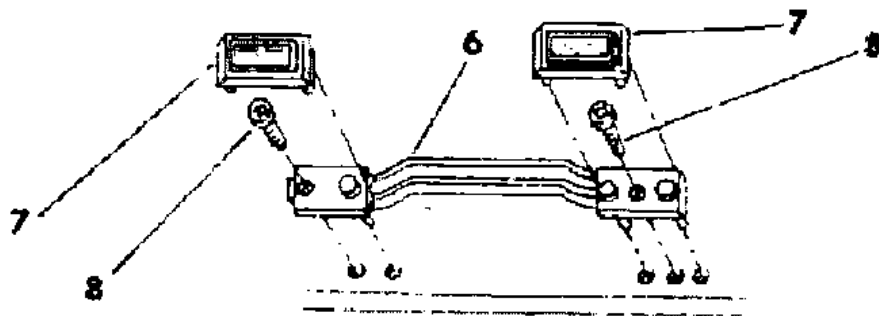
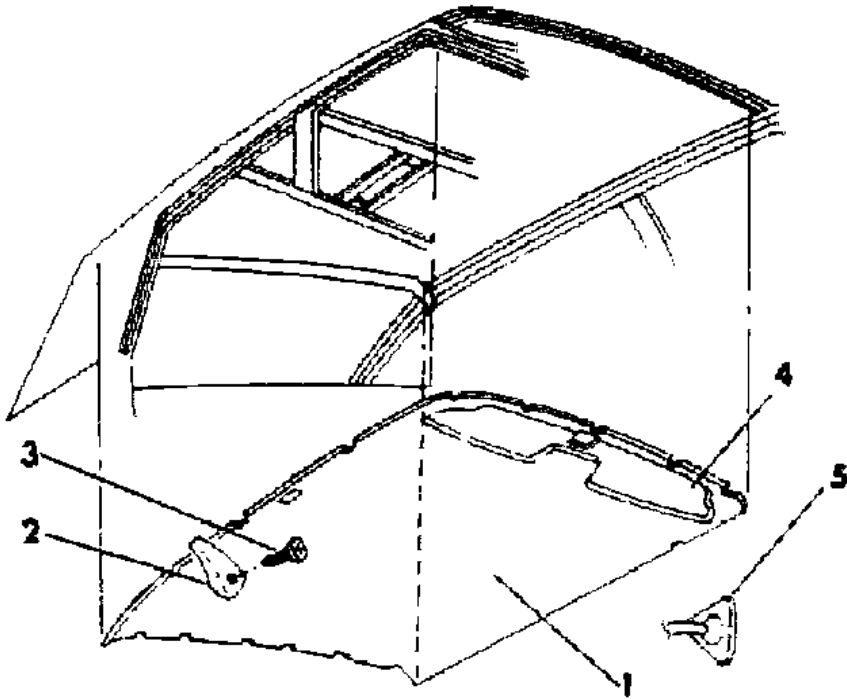
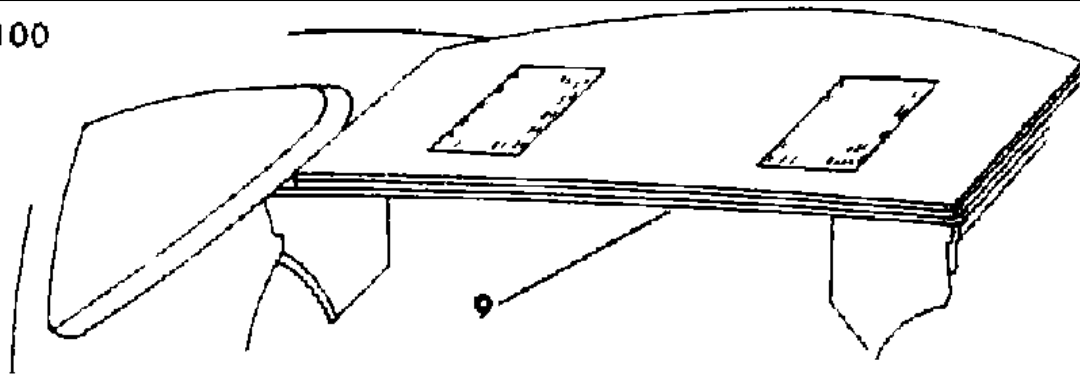
**BODY STYLES**

21 = 2-DOOR SEDAN	28 = FWD PICKUP
22 = 2-DOOR SPECIAL COUPE	41 = 4-DOOR SEDAN
24 = 2-DOOR HATCHBACK	44 = 4-DOOR HATCHBACK
27 = 2-DOOR CONVERTIBLE	45 = 2-SEAT STATION WAGON

AR = Use as Required - = Non Illustrated Part P.A.R. = Paint as Required

HEADLINING VISOR & SHELF PANELS B,F,G  
Figure IT-5031

2253.503100



ITEM	PART NUMBER	QTY	BODY	MODEL	DESCRIPTION
	H624 AH9	1			Mahogany N N N YH624AH9
	H624 VM6	1			Red N N N YH624VM6
	H624 VT4	1			Tan N N N YH624VT4
					w/Sunroof, w/Mirror Lt. N N N N
	H641 AA3	1			Silver N N N YH641AA3
	H641 VC7	1			Blue N N N YH641VC7
	H641 AH9	1			Mahogany N N N YH641AH9
	H641 VM6	1			Red N N N YH641VM6
	H641 VT4	1			Tan N N N YH641VT4
	H641 VW1	1			White N N22 N YH641VW1
					SUN VISOR SUB ASSY, w/o Vanity Mirror, w/Cloth Finish, w/o Sunroof Models N N N N
	H698 AA3	1			Silver N N N YH698AA3
	H698 VC7	1			Blue N N N YH698VC7
	H698 AH9	1			Mahogany N N N YH698AH9
	H698 VM6	1			Red N N N YH698VM6
	H698 VT4	1			Tan N N N YH698VT4
					w/Sunroof Model Rt. N N N N
	H627 AA3	1			Silver N N N YH627AA3
	H627 VC7	1			Blue N N N YH627VC7
	H627 AH9	1			Mahogany N N N YH627AH9
	H627 VM6	1			Red N N N YH627VM6
	H627 VT4	1			Tan N N N YH627VT4
					COVER, Well Frame, Visor Mirror N N N N
	H595 AAA	2			Silver N N N YH595AAA
	H595 TCC	2			Blue N N N YH595TCC
	H595 VHH	2			Mahogany N N N YH595VHH
	H595 TMM	2			Red N N N YH595TMM
	H595 STT	2			Tan N N N YH595STT
					COVER,Well Frame Less Mirror w/Sunroof N N N N
	H636 AAA	2			Silver N N N YH636AAA
	H636 TCC	2			Blue N N N YH636TCC
	H636 AHH	2			Mahogany N N N YH636AHH
	H636 TMM	2			Red N N N YH636TMM
	H636 TTT	2			Tan N N N YH636TTT
					COVER, Frame and Mirror, w/o Sunroof N N N N
	H689 AAA	2			Silver N N N YH689AAA

MODEL CODES

B = GRAN FURY/CARAVELLE  
C = LEBARON/TOWN & COUNTRY  
D = ARIES  
F = NEW YORKER  
G = DIPLOMAT  
M = HORIZON/TC3/SCAMP  
P = RELIANT  
S = CORDOBA  
V = 400  
X = MIRADA  
Y = IMPERIAL  
Z = OMNI/O24/RAMPAGE

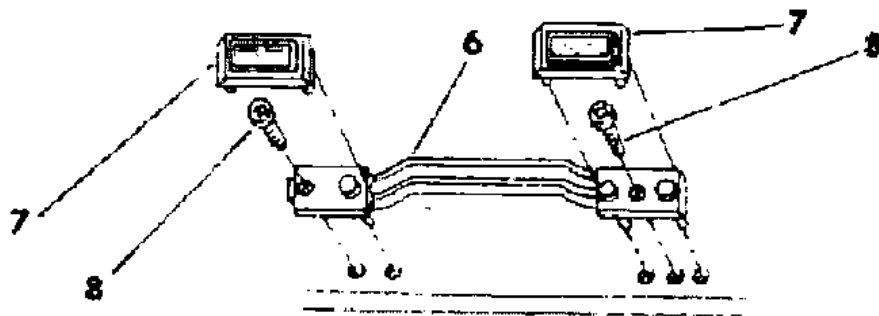
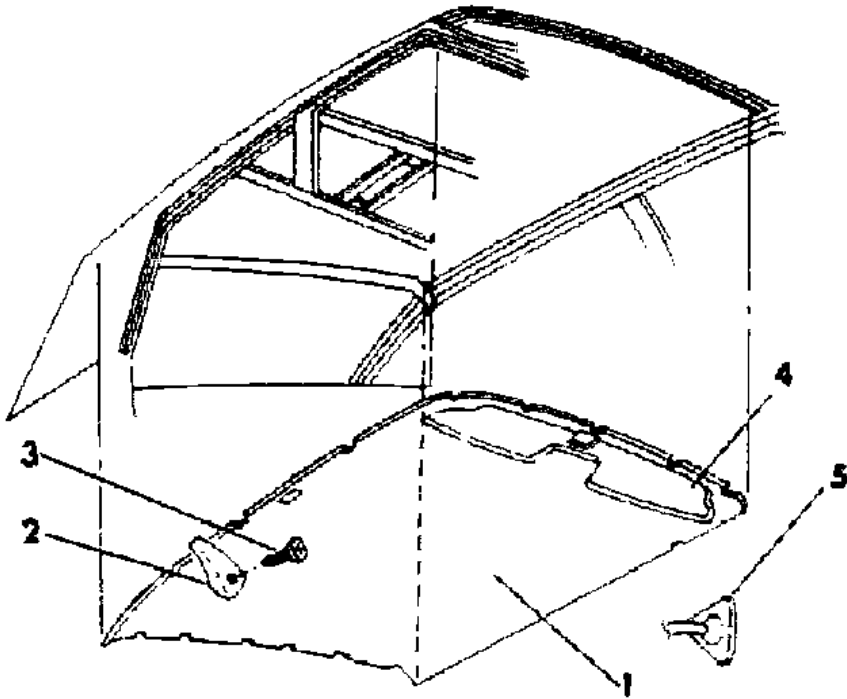
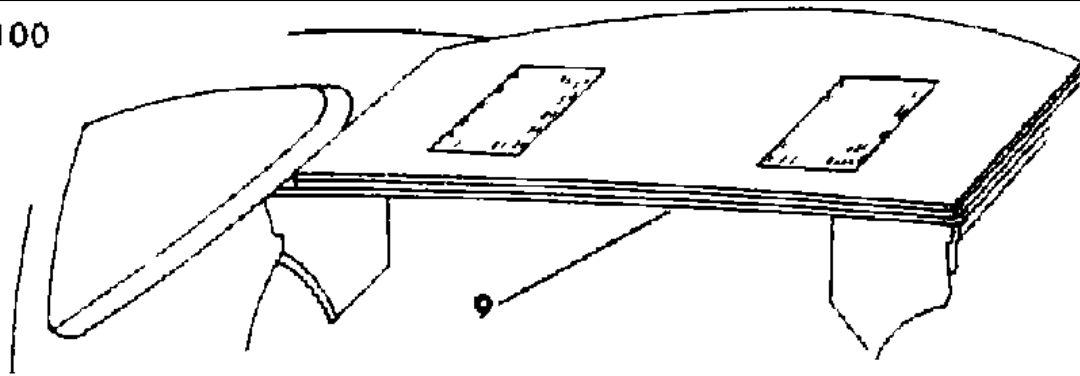
BODY STYLES

21 = 2-DOOR SEDAN  
22 = 2-DOOR SPECIAL COUPE  
24 = 2-DOOR HATCHBACK  
27 = 2-DOOR CONVERTIBLE  
28 = FWD PICKUP  
41 = 4-DOOR SEDAN  
44 = 4-DOOR HATCHBACK  
45 = 2-SEAT STATION WAGON

AR = Use as Required - = Non Illustrated Part P.A.R. = Paint as Required

HEADLINING VISOR & SHELF PANELS B,F,G  
Figure IT-5031

2253.503100



ITEM	PART NUMBER	QTY	BODY	MODEL	DESCRIPTION
	H689 TCC	2			Blue N N N YH689TCC
	H689 VHH	2			Mahogany N N N YH689VHH
	H689 TMM	2			Red N N N YH689TMM
	H689 TTT	2			Tan N N N YH689TTT
					COVER,Frame Less Mirror w/o Sunroof N N N N
	H691 AAA	2			Silver N N N YH691AAA
	H691 TCC	2			Blue N N N YH691TCC
	H691 VHH	2			Mahogany N N N YH691VHH
	H691 TMM	2			Red N N N YH691TMM
	H691 TTT	2			Tan N N N YH691TTT
	The following parts are not illustrated. s ARE NOT RETURNABLE.				
	3832 346	2			HINGE and SPRING, Visor Mirror Cover N N N Y3832346
	4124 973	1			WIRING, Mirror and Courtesy Lamp Vanity N N N Y4124973
	4077 687	1			MIRROR and BACKING, Illuminated Vanity Mirror N N N Y4077687
	4077 690	2			COMPONENT BOARD, Lighted Sun Visor W/Switch N N N Y4077690
	1490 983	2			CLIP, Visor End Panel N N N Y1490983
	4077 689	2			LENS, Visor Mirror Light N N N Y4077689
	9415 969	4			BULB, Mirror N N N Y9415969
5	3832 899	2			ARM & BRACKET,Visor N N N Y3832899
	4010 747	1			W/Lighted Visor N N N Y4010747
	3832 899	2			W/O Lighted Visor N N N Y3832899
6					HANDLE, Roof Rail Grab N N N N
	H432 VC8	2			Blue N N N YH432VC8
	H432 AA2	2			Silver N N N YH432AA2
	H432 AH9	2			Mahogany N N N YH432AH9
	H432 VM6	2			Red N N N YH432VM6
	H432 VT3	2			Tan N N N YH432VT3
7	4223 941	AR			COVER, Roof Rail Grab Handle End Cap N N N Y4223941
8		AR			SCREW(not serviced) N N N N
9					PANEL, Shelf Trim W/ or W/O Rear Speakers N N N N
	H674 AA7	1			Silver NB,G-H N N YH674AA7
	H674 TC7	1			Blue NB,G-H N N YH674TC7
	H674 TM6	1			Red NB,G-H N N YH674TM6
	H674 TT6	1			Tan NB,G-H N N YH674TT6
	H675 AA7	1			Silver NB,G-L N N YH675AA7

MODEL CODES

B = GRAN FURY/CARAVELLE	P = RELIANT
C = LEBARON/TOWN & COUNTRY	S = CORDOBA
D = ARIES	V = 400
F = NEW YORKER	X = MIRADA
G = DIPLOMAT	Y = IMPERIAL
M = HORIZON/TC3/SCAMP	Z = OMNI/O24/RAMPAGE

BODY STYLES

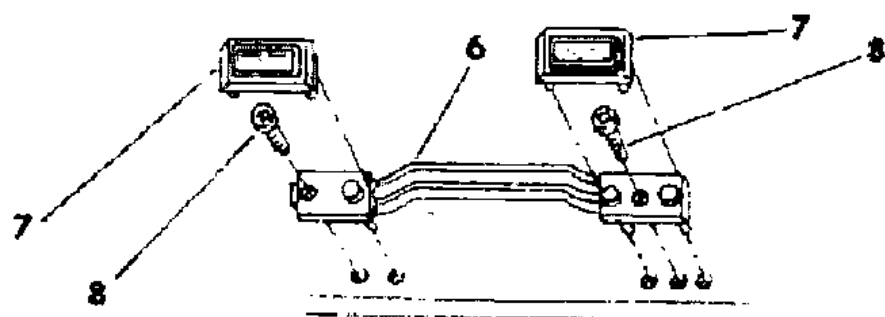
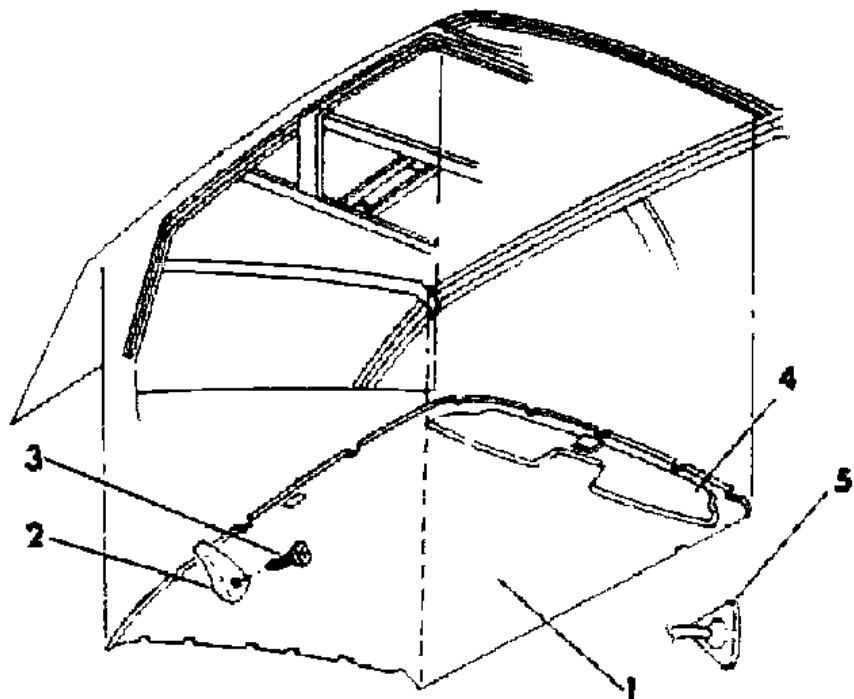
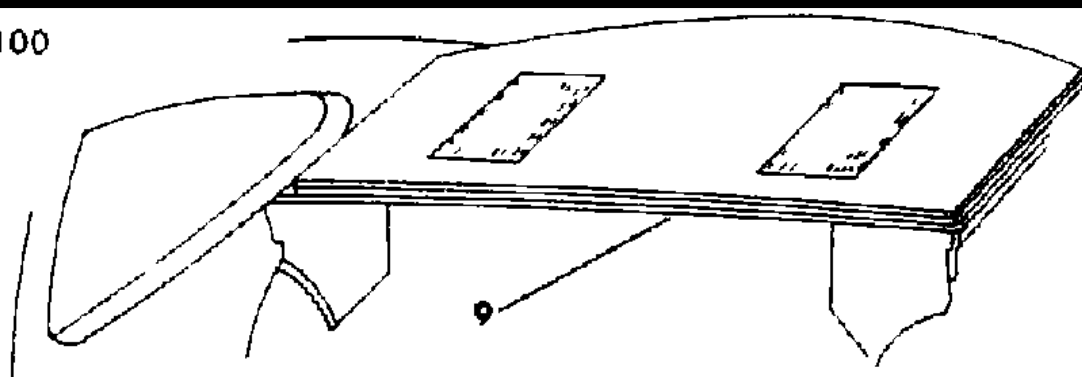
21 = 2-DOOR SEDAN	28 = FWD PICKUP
22 = 2-DOOR SPECIAL COUPE	41 = 4-DOOR SEDAN
24 = 2-DOOR HATCHBACK	44 = 4-DOOR HATCHBACK
27 = 2-DOOR CONVERTIBLE	45 = 2-SEAT STATION WAGON

AR = Use as Required - = Non Illustrated Part P.A.R. = Paint as Required



HEADLINING VISOR & SHELF PANELS B,F,G  
Figure IT-5031

2253.503100



ITEM	PART NUMBER	QTY	BODY	MODEL	DESCRIPTION
	H675 TC7	1			Blue NB,G-L N N YH675TC7
	H675 TM6	1			Red NB,G-L N N YH675TM6
	H675 TT6	1			Tan NB,G-L N N YH675TT6
	H658 AA7	1			Silver NF-S N N YH658AA7
	H658 AC7	1			Blue Dark NF-S N N YH658AC7
	H658 AH9	1			Mahogany NF-S N N YH658AH9
	H658 AM6	1			Red NF-S N N YH658AM6
	H658 AT6	1			Tan NF-S N N YH658AT6
The following parts are not illustrated. s ARE NOT RETURNABLE.					
	6002 072	2			FASTENER,Shelf Trim Panel N N N Y6002072

MODEL CODES

B = GRAN FURY/CARAVELLE	P = RELIANT
C = LEBARON/TOWN & COUNTRY	S = CORDOBA
D = ARIES	V = 400
F = NEW YORKER	X = MIRADA
G = DIPLOMAT	Y = IMPERIAL
M = HORIZON/TC3/SCAMP	Z = OMNI/O24/RAMPAGE

BODY STYLES

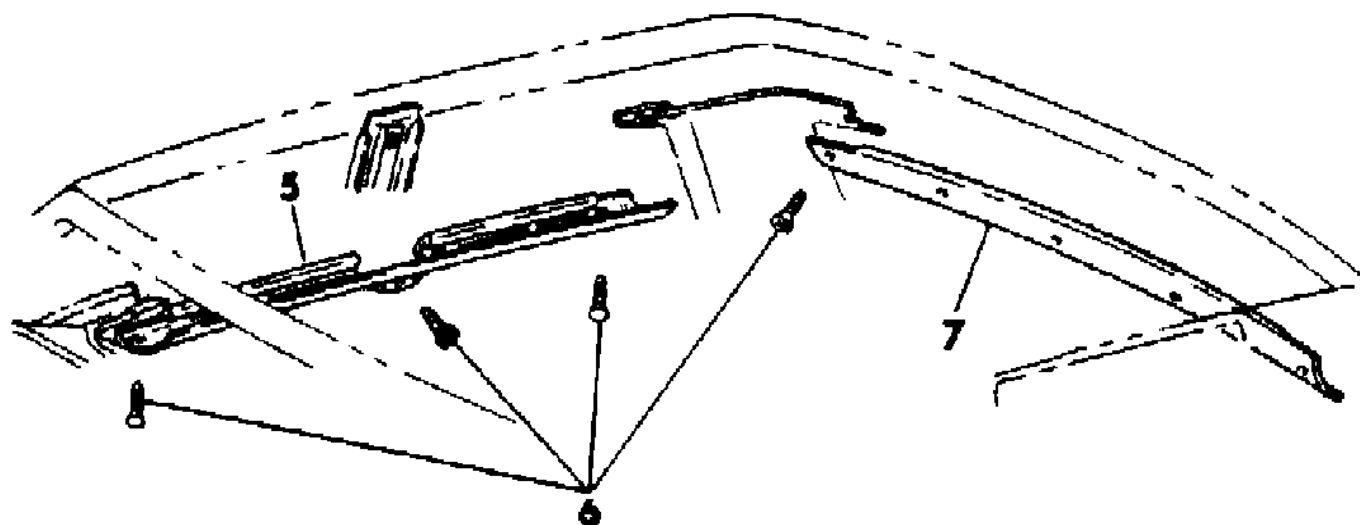
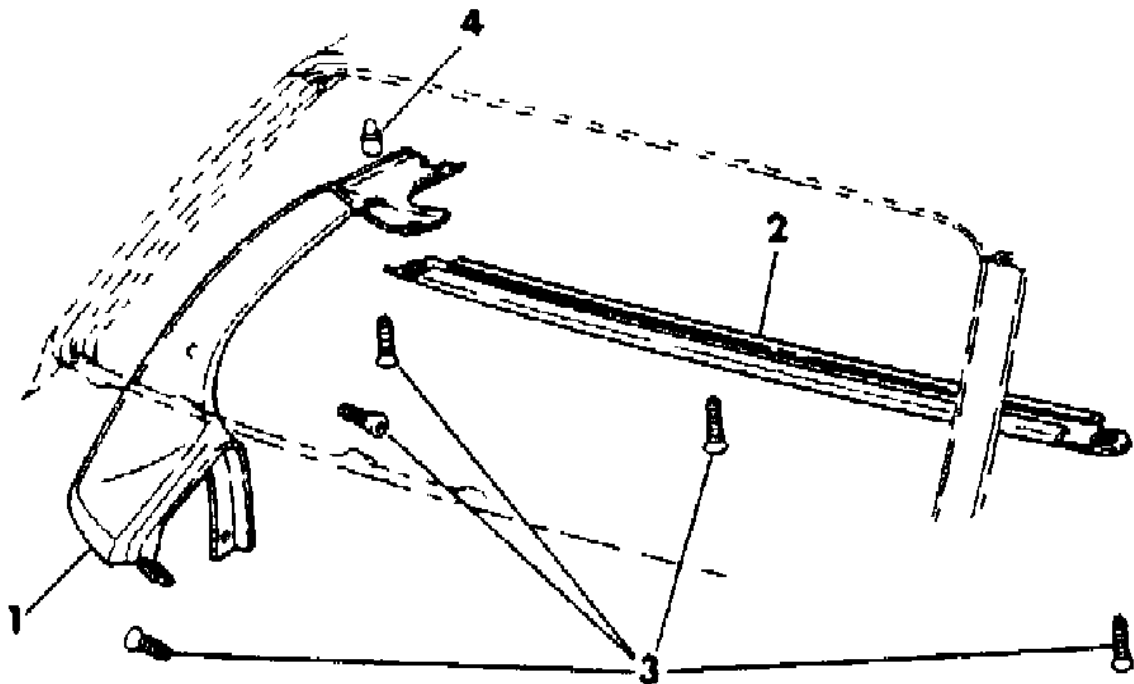
21 = 2-DOOR SEDAN	28 = FWD PICKUP
22 = 2-DOOR SPECIAL COUPE	41 = 4-DOOR SEDAN
24 = 2-DOOR HATCHBACK	44 = 4-DOOR HATCHBACK
27 = 2-DOOR CONVERTIBLE	45 = 2-SEAT STATION WAGON

AR = Use as Required - = Non Illustrated Part P.A.R. = Paint as Required

GARNISH MOULDING B,G  
Figure IT-5032

2253-503200

ITEM	PART NUMBER	QTY	BODY	MODEL	DESCRIPTION
1					MOULDING, Windshield Side N N N N
	F256-7 AA3	1			Silver N N N YF256AA3
	F256-7 SC7	1			Blue N N N YF256SC7
	F256-7 TM6	1			Red N N N YF256TM6
	F256-7 ST4	1			Tan N N N YF256ST4
2	4278 659	1			MOULDING, Windshield, Upper N N N Y4278659
3	6032 179	AR			SCREW N N N Y6032179
4		AR			NUT (not serviced) N N N N
5	4278 660-1	1			MOULDING, Roof Side Garnish N N N Y4278660
6	6032 179	AR			SCREW N N N Y6032179
7	4136 299	1			MOULDING, Rear Window Upper N N N Y4136299
The following parts are not illustrated. s ARE NOT RETURNABLE.					
	4040 592	AR			BRACKET, Rear Window Garnish Moulding Center Attaching, For Repair N N N Y4040592



MODEL CODES

B = GRAN FURY/CARAVELLE	P = RELIANT
C = LEBARON/TOWN & COUNTRY	S = CORDOBA
D = ARIES	V = 400
F = NEW YORKER	X = MIRADA
G = DIPLOMAT	Y = IMPERIAL
M = HORIZON/TC3/SCAMP	Z = OMNI/O24/RAMPAGE

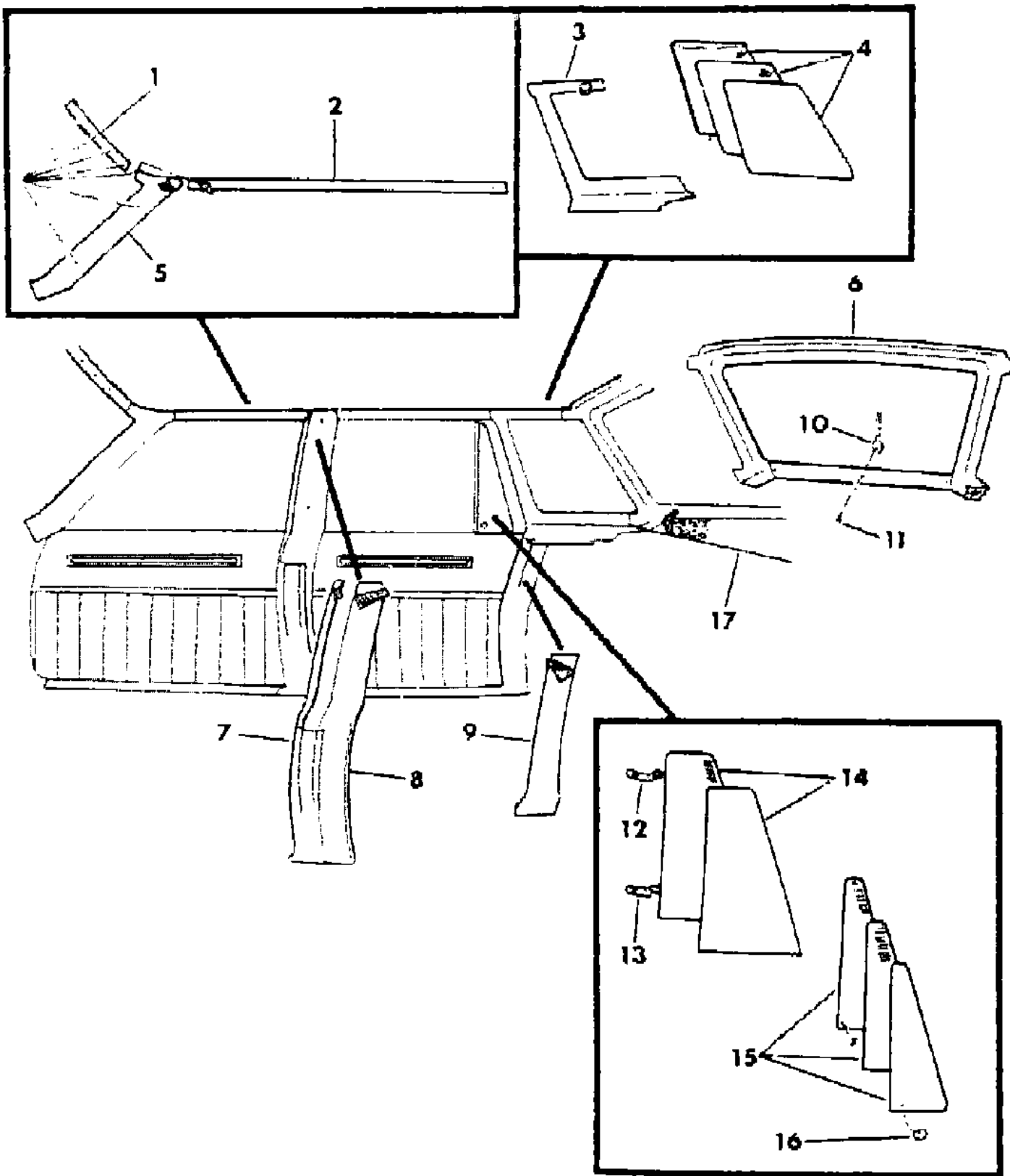
BODY STYLES

21 = 2-DOOR SEDAN	28 = FWD PICKUP
22 = 2-DOOR SPECIAL COUPE	41 = 4-DOOR SEDAN
24 = 2-DOOR HATCHBACK	44 = 4-DOOR HATCHBACK
27 = 2-DOOR CONVERTIBLE	45 = 2-SEAT STATION WAGON

AR = Use as Required - = Non Illustrated Part P.A.R. = Paint as Required

GARNISH MOULDINGS F-S  
Figure IT-5033

2253 503300



ITEM	PART NUMBER	QTY	BODY	MODEL	DESCRIPTION
1	F254 AA3	1			MOULDING, Windshield Side, Upper N N N N Silver N N N YF254AA3
	F254 AC7	1			Blue N N N YF254AC7
	F254 AH9	1			Mahogany N N N YF254AH9
	F254 AM6	1			Red N N N YF254AM6
	F254 AT4	1			Tan N N N YF254AT4
2	F252-3 AA3	1			MOULDING, Roof Side Finished N N N N Silver N N N YF252AA3
	F252-3 AC7	1			Blue N N N YF252AC7
	F252-3 AH9	1			Mahogany N N N YF252AH9
	F252-3 AM6	1			Red N N N YF252AM6
3	F252-3 AT4	1			Tan N N N YF252AT4
	H714-5 AA3	1			PANEL ASSY., Quarter Upper Trim N N N N Silver N N N YH714AA3
	H714-5 AC7	1			Blue N N N YH714AC7
	H714-5 AH9	1			Mahogany N N N YH714AH9
	H714-5 AM6	1			Red N N N YH714AM6
4	H714-5 AT4	1			Tan N N N YH714AT4
	H716-7 AA3	1			INSERT, Quarter Upper Trim Panel N N N N Silver N N N YH716AA3
	H716-7 AC7	1			Blue N N N YH716AC7
	H716-7 AH9	1			Mahogany N N N YH716AH9
	H716-7 AM6	1			Red N N N YH716AM6
5	H716-7 AT4	1			Tan N N N YH716AT4
	F334-5 AA3	1			MOULDING, Windshield Side ("A" Pillar) N N N N Silver N N N YF334AA3
	F334-5 AC7	1			Blue N N N YF334AC7
	F334-5 AH9	1			Mahogany N N N YF334AH9
	F334-5 AM6	1			Red N N N YF334AM6
6	F334-5 AT4	1			Tan N N N YF334AT4
	H718 AA3	1			PANEL, Rear Window Trim (cloth) N N N N Silver N N N YH718AA3
	H718 AC7	1			Blue N N N YH718AC7
	H718 AH9	1			Mahogany N N N YH718AH9
	H718 AM6	1			Red N N N YH718AM6
7	H718 AT4	1			Tan N N N YH718AT4
					COVER ASSY., Center ("B" Pillar) Trim Front N N N N

MODEL CODES

B = GRAN FURY/CARAVELLE  
C = LEBARON/TOWN & COUNTRY  
D = ARIES  
F = NEW YORKER  
G = DIPLOMAT  
M = HORIZON/TC3/SCAMP  
P = RELIANT  
S = CORDOBA  
V = 400  
X = MIRADA  
Y = IMPERIAL  
Z = OMNI/O24/RAMPAGE

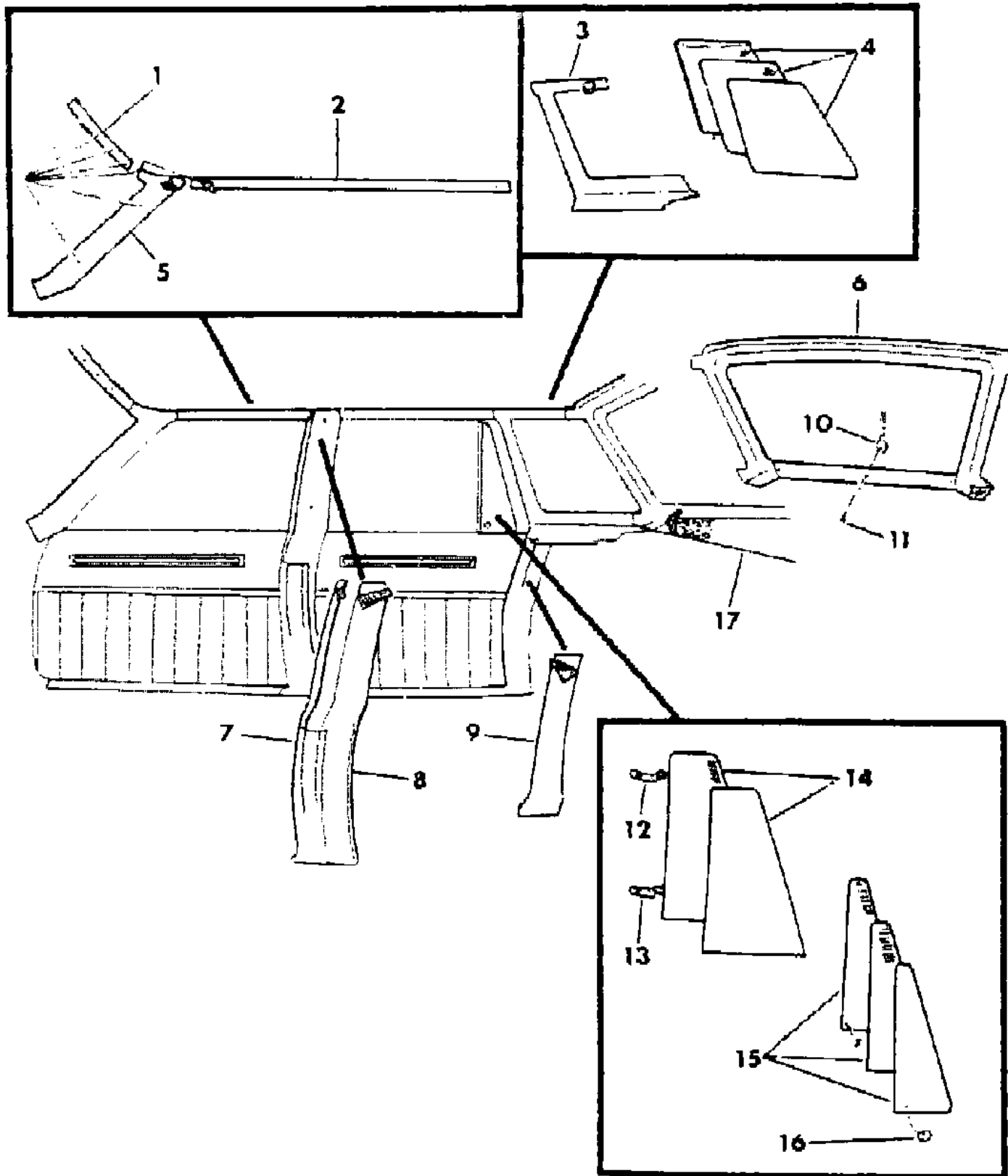
BODY STYLES

21 = 2-DOOR SEDAN  
22 = 2-DOOR SPECIAL COUPE  
24 = 2-DOOR HATCHBACK  
27 = 2-DOOR CONVERTIBLE  
28 = FWD PICKUP  
41 = 4-DOOR SEDAN  
44 = 4-DOOR HATCHBACK  
45 = 2-SEAT STATION WAGON

AR = Use as Required - = Non Illustrated Part P.A.R. = Paint as Required

GARNISH MOULDINGS F-S  
Figure IT-5033

2253 503300



ITEM	PART NUMBER	QTY	BODY	MODEL	DESCRIPTION
	F338-9 AA3	1			Silver N N N YF338AA3
	F338-9 AC7	1			Blue N N N YF338AC7
	F338-9 AH9	1			Mahogany N N N YF338AH9
	F338-9 AM6	1			Red N N N YF338AM6
	F338-9 AT4	1			Tan N N N YF338AT4
8					COVER ASSY., Center ("B" Pillar) Trim Rear N N N N
	F340-1 AA3	1			Silver N N N YF340AA3
	F340-1 AC7	1			Blue N N N YF340AC7
	F340-1 AH9	1			Mahogany N N N YF340AH9
	F340-1 AM6	1			Red N N N YF340AM6
	F340-1 AT4	1			Tan N N N YF340AT4
9					COVER ASSY., Lower Trim Lock Pillar N N N N
	F336-7 AA3	1			Silver N N N YF336AA3
	F336-7 AC7	1			Blue N N N YF336AC7
	F336-7 AH9	1			Mahogany N N N YF336AH9
	F336-7 AM6	1			Red N N N YF336AM6
	F336-7 AT4	1			Tan N N N YF336AT4
10	6032 177	6			SCREW N N N Y6032177
11	4229 831	6			SUPPORT, Back Lite Extension N N N Y4229831
12	4229 832	2			BRACKET, Rear Door Window Filler Upper N N N Y4229832
13	4229 833	2			BRACKET, Rear Door Window Filler Lower N N N Y4229833
	9414 712	AR			SCREW, Bracket N N N Y9414712
14					FILLER ASSY., Rear Door Window N N N N
	H014-5 AA3	1			Silver N N N YH014AA3
	H014-5 AC7	1			Blue N N N YH014AC7
	H014-5 AH9	1			Mahogany N N N YH014AH9
	H014-5 AM6	1			Red N N N YH014AM6
	H014-5 AT4	1			Tan N N N YH014AT4
15					APPLIQUE ASSY., Rear Door Window N N N N
	H016-7 AA3	1			Silver N N N YH016AA3
	H016-7 AC7	1			Blue N N N YH016AC7
	H016-7 AH9	1			Mahogany N N N YH016AH9
	H016-7 AM6	1			Red N N N YH016AM6
	H016-7 AT4	1			Tan N N N YH016AT4
16					NAME PLATE, Chrysler (serviced in item 15) N N N N
	6002 852	4			RETAINER, Name Plate N N N Y6002852
17					PANEL ASSY., Shelf Trim N N N N

MODEL CODES

B = GRAN FURY/CARAVELLE  
C = LEBARON/TOWN & COUNTRY  
D = ARIES  
F = NEW YORKER  
G = DIPLOMAT  
M = HORIZON/TC3/SCAMP  
P = RELIANT  
S = CORDOBA  
V = 400  
X = MIRADA  
Y = IMPERIAL  
Z = OMNI/O24/RAMPAGE

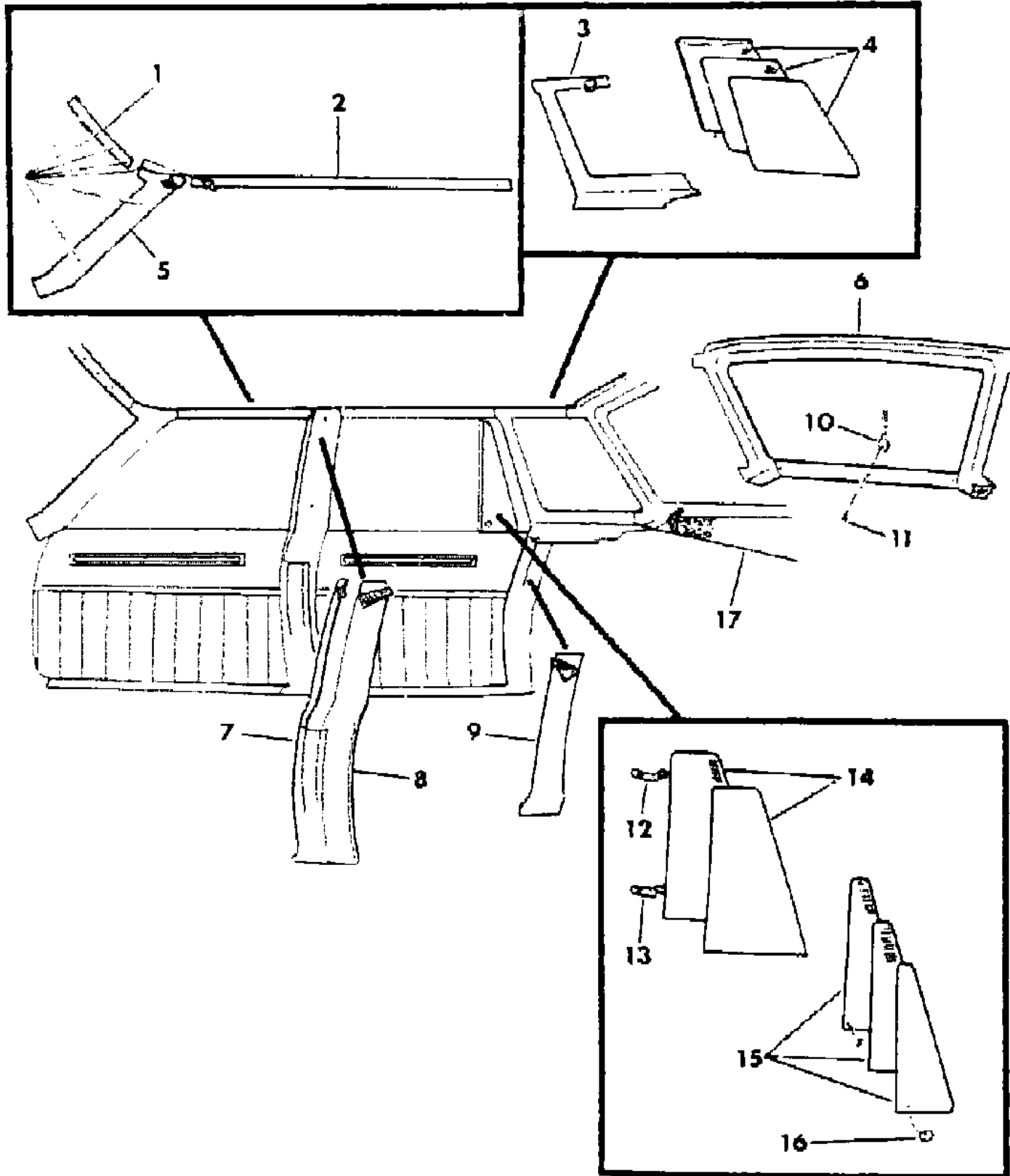
BODY STYLES

21 = 2-DOOR SEDAN  
22 = 2-DOOR SPECIAL COUPE  
24 = 2-DOOR HATCHBACK  
27 = 2-DOOR CONVERTIBLE  
28 = FWD PICKUP  
41 = 4-DOOR SEDAN  
44 = 4-DOOR HATCHBACK  
45 = 2-SEAT STATION WAGON

AR = Use as Required - = Non Illustrated Part P.A.R. = Paint as Required

GARNISH MOULDINGS F-S  
Figure IT-5033

2253 503300



ITEM	PART NUMBER	QTY	BODY	MODEL	DESCRIPTION
	H658 AA7	1			Silver N N N YH658AA7
	H658 AC7	1			Blue N N N YH658AC7
	H658 AH9	1			Mahogany N N N YH658AH9
	H658 AM6	1			Red N N N YH658AM6
	H658 AT6	1			Tan N N N YH658AT6

MODEL CODES

B = GRAN FURY/CARAVELLE	P = RELIANT
C = LEBARON/TOWN & COUNTRY	S = CORDOBA
D = ARIES	V = 400
F = NEW YORKER	X = MIRADA
G = DIPLOMAT	Y = IMPERIAL
M = HORIZON/TC3/SCAMP	Z = OMNI/O24/RAMPAGE

BODY STYLES

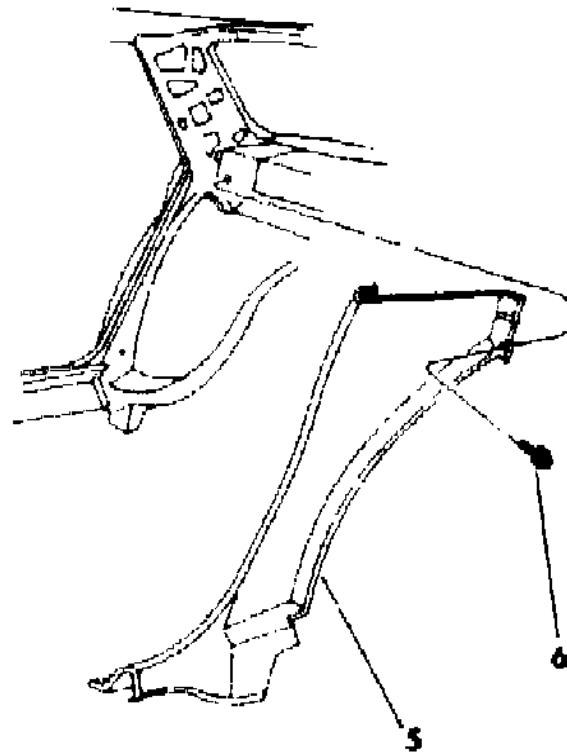
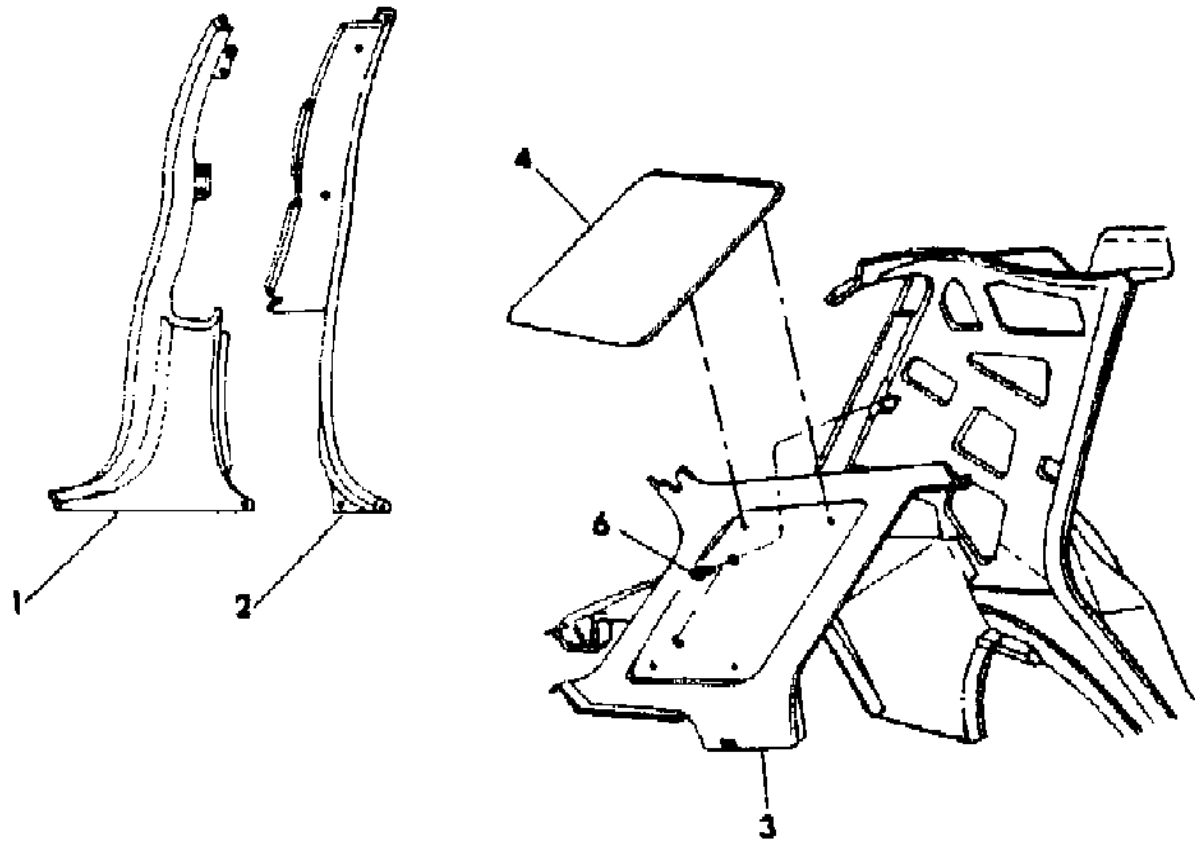
21 = 2-DOOR SEDAN	28 = FWD PICKUP
22 = 2-DOOR SPECIAL COUPE	41 = 4-DOOR SEDAN
24 = 2-DOOR HATCHBACK	44 = 4-DOOR HATCHBACK
27 = 2-DOOR CONVERTIBLE	45 = 2-SEAT STATION WAGON

AR = Use as Required - = Non Illustrated Part P.A.R. = Paint as Required

**B PILLAR TRIM B,G 41**  
**Figure IT-5051**

2253.5 05100

ITEM	PART NUMBER	QTY	BODY	MODEL	DESCRIPTION
1					COVER, Center Pillar "B" Front N N N N
	F390-1 AA3	1			Silver N N N YF390AA3
	F390-1 SC7	1			Blue N N N YF390SC7
	F390-1 TM6	1			Red N N N YF390TM6
	F390-1 ST4	1			Tan N N N YF390ST4
2					COVER,"B" Pillar Rear N N N N
	F392-3 AA3	1			Silver N N N YF392AA3
	F392-3 SC7	1			Blue N N N YF392SC7
	F392-3 TM6	1			Red N N N YF392TM6
	F392-3 ST4	1			Tan N N N YF392ST4
The following part is not illustrated. s ARE NOT RETURNABLE.					
	0152 490	2			U/NUT,Center Pillar Trim Attaching N N N Y152490
	3832 193	AR			FASTENER, Insert Panel Attaching N N N Y3832193
3	H662-3 TT4	1			PANEL, Rear Quarter Upper (paint as required) N N41 N YH662TT4
4					INSERT, Quarter Trim Panel N N N N
	H664-5 AA3	1			Silver N N N YH664AA3
	H664-5 TC7	1			Blue N N N YH664TC7
	H664-5 TM6	1			Red N N N YH664TM6
	H664-5 TT4	1			Tan N N N YH664TT4
5					COVER, Lower Quarter Lock Pillar Trim N N N N
	F366-7 AA3	1			Silver N N N YF366AA3
	F366-7 SC7	1			Blue N N N YF366SC7
	F366-7 TM6	1			Red N N N YF366TM6
	F366-7 ST4	1			Tan N N N YF366ST4
6	6032 179	AR			SCREW N N N Y6032179



**MODEL CODES**

B = GRAN FURY/CARAVELLE	P = RELIANT
C = LEBARON/TOWN & COUNTRY	S = CORDOBA
D = ARIES	V = 400
F = NEW YORKER	X = MIRADA
G = DIPLOMAT	Y = IMPERIAL
M = HORIZON/TC3/SCAMP	Z = OMNI/O24/RAMPAGE

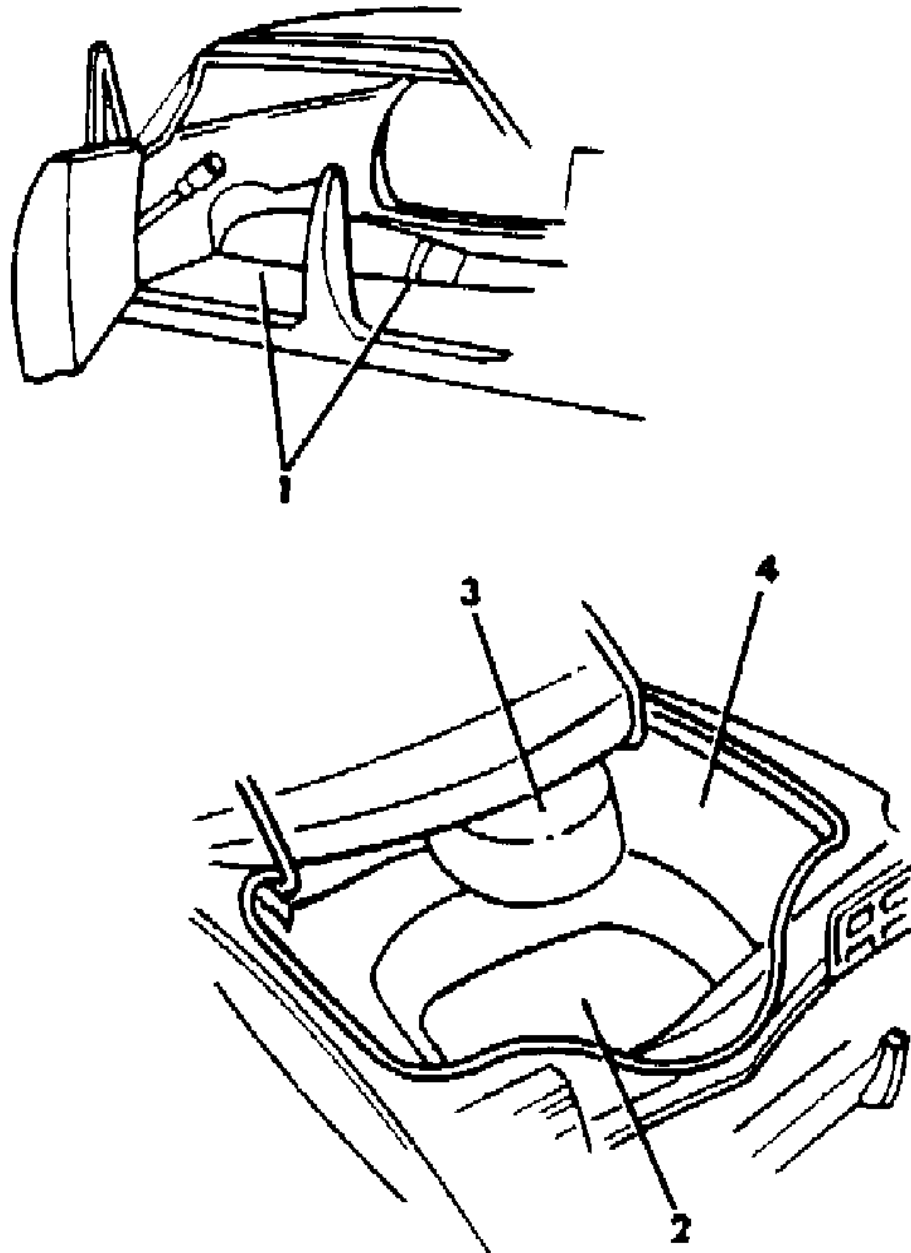
**BODY STYLES**

21 = 2-DOOR SEDAN	28 = FWD PICKUP
22 = 2-DOOR SPECIAL COUPE	41 = 4-DOOR SEDAN
24 = 2-DOOR HATCHBACK	44 = 4-DOOR HATCHBACK
27 = 2-DOOR CONVERTIBLE	45 = 2-SEAT STATION WAGON

AR = Use as Required - = Non Illustrated Part P.A.R. = Paint as Required

**CARPETS B,F,G**  
**Figure IT-5081**

2253.508100



ITEM	PART NUMBER	QTY	BODY	MODEL	DESCRIPTION
NOTE: Only long cut pile carpet is serviced and is also used as a replacement for short cut pile. s ARE NOT RETURNABLE.					
1					CARPET N N N N
	M705 AA7	1			Silver N N N YM705AA7
	M705 TC7	1			Blue N N N YM705TC7
	M705 VH9	1			Mahogany N N N YM705VH9
	M705 TM6	1			Red N N N YM705TM6
	M705 TT6	1			Tan N N N YM705TT6
	M728 AA7	1			Silver NF-S N N YM728AA7
	M728 AC7	1			Blue NF-S N N YM728AC7
	M728 AH9	1			Mahogany NF-S N N YM728AH9
	M728 AM6	1			Red NF-S N N YM728AM6
	M728 AT6	1			Tan NF-S N N YM728AT6
2					CARPET,Luggage Compartment Floor. N N N N
	4077 249	1			Black N N N Y4077249
3					COVER, Spare Tire N N N N
	4010 755	1			W/Full Size Trie N N N Y4010755
	4078 695	1			W/Compact Tire N N N Y4078695
4					COVER,Wheelhouse N N N N
	4077 232-3	1			Black N N N Y4077232
The following parts are not illustrated. s ARE NOT RETURNABLE.					
	6003 351	10			FASTENER, Cargo Cover Silencer Attaching N N N Y6003351
					FLOOR MATS, Carpeted Package of Two, Front N N N N
	M025 AA7	1			Silver N N N YM025AA7
	M025 VC7	1			Blue N N N YM025VC7
	M025 VM6	1			Red N N N YM025VM6
	M025 VT6	1			Tan N N N YM025VT6
					Package of Four, Front and Rear N N N N
	M028 AA7	1			Silver NF-S N N YM028AA7
	M028 VC7	1			Blue NF-S N N YM028VC7
	M028 VH9	1			Mahogany NF-S N N YM028VH9
	M028 VM6	1			Red NF-S N N YM028VM6
	M028 VT6	1			Tan NF-S N N YM028VT6
					FLOOR MATS, Carpeted Package of Two, Rear N N N N
	M027 AA7	1			Silver N N N YM027AA7
	M027 VC7	1			Blue N N N YM027VC7
	M027 VM6	1			Red N N N YM027VM6
	M027 VT6	1			Tan N N N YM027VT6

MODEL CODES

B = GRAN FURY/CARAVELLE	P = RELIANT
C = LEBARON/TOWN & COUNTRY	S = CORDOBA
D = ARIES	V = 400
F = NEW YORKER	X = MIRADA
G = DIPLOMAT	Y = IMPERIAL
M = HORIZON/TC3/SCAMP	Z = OMNI/O24/RAMPAGE

BODY STYLES

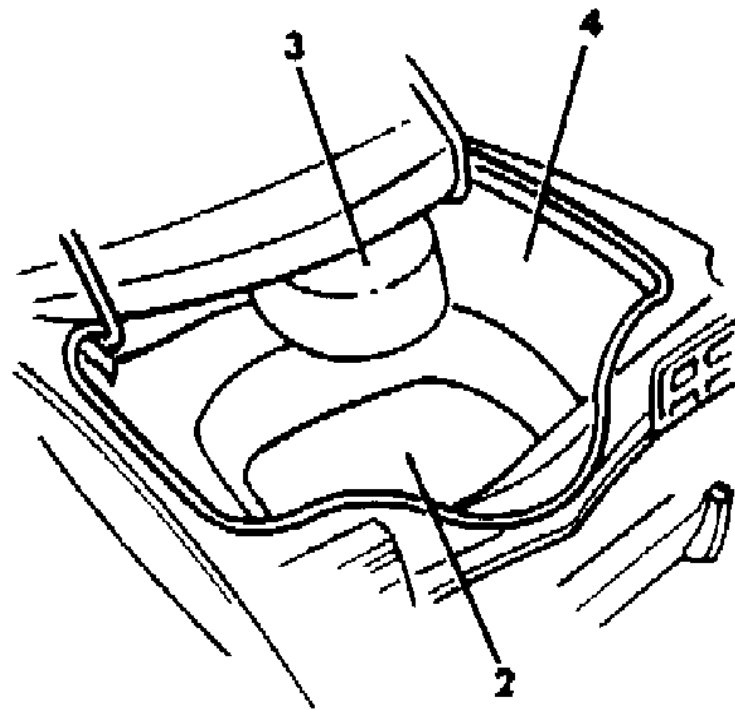
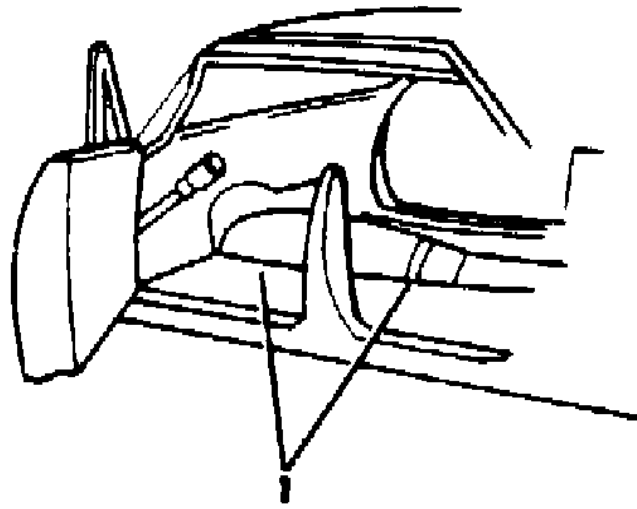
21 = 2-DOOR SEDAN	28 = FWD PICKUP
22 = 2-DOOR SPECIAL COUPE	41 = 4-DOOR SEDAN
24 = 2-DOOR HATCHBACK	44 = 4-DOOR HATCHBACK
27 = 2-DOOR CONVERTIBLE	45 = 2-SEAT STATION WAGON

AR = Use as Required - = Non Illustrated Part P.A.R. = Paint as Required

CARPETS B,F,G  
Figure IT-5081

2253.508100

ITEM	PART NUMBER	QTY	BODY	MODEL	DESCRIPTION
					CARPET,ROLL STOCK,Needled Velour Short Ozite 54" Wide: Order by the inch(used on seats) N N N N
	R112 AA7	AR			Silver N N N YR112AA7
	R112 SC7	AR			Blue N N N YR112SC7
	R112 VH9	AR			Mahogany N N N YR112VH9
	R112 TM6	AR			Red N N N YR112TM6
	R112 ST6	AR			Tan N N N YR112ST6
					CARPET ROLL STOCK,Needled Short Ozite 54" Wide: Order by the inch(used on doors) N N N N
	R113 AA7	AR			Silver N N N YR113AA7
	R113 SC7	AR			Blue N N N YR113SC7
	R113 VH9	AR			Mahogany N N N YR113VH9
	R113 TM6	AR			Red N N N YR113TM6
	R113 ST6	AR			Tan N N N YR113ST6



MODEL CODES

B = GRAN FURY/CARAVELLE	P = RELIANT
C = LEBARON/TOWN & COUNTRY	S = CORDOBA
D = ARIES	V = 400
F = NEW YORKER	X = MIRADA
G = DIPLOMAT	Y = IMPERIAL
M = HORIZON/TC3/SCAMP	Z = OMNI/O24/RAMPAGE

BODY STYLES

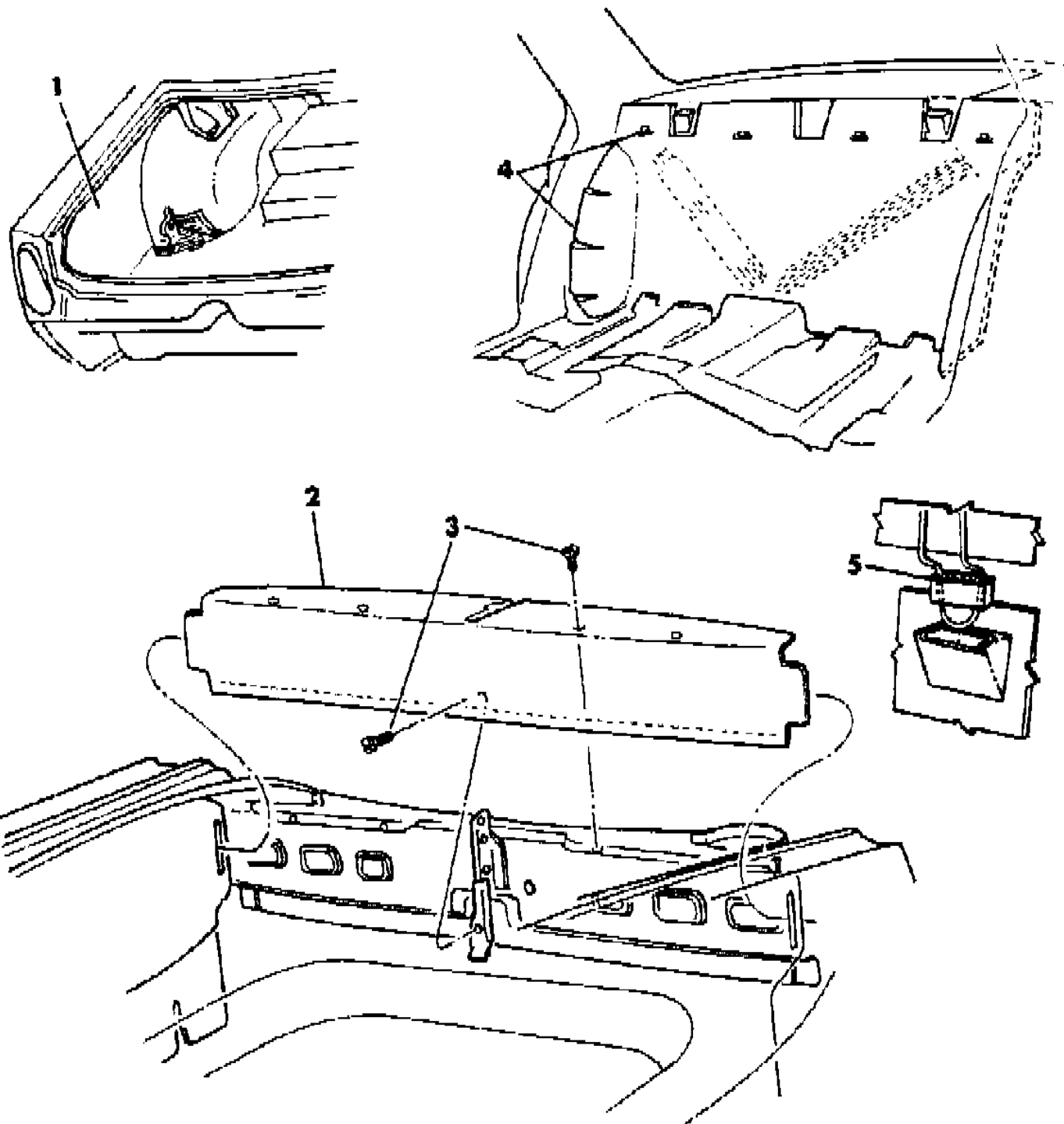
21 = 2-DOOR SEDAN	28 = FWD PICKUP
22 = 2-DOOR SPECIAL COUPE	41 = 4-DOOR SEDAN
24 = 2-DOOR HATCHBACK	44 = 4-DOOR HATCHBACK
27 = 2-DOOR CONVERTIBLE	45 = 2-SEAT STATION WAGON

AR = Use as Required - = Non Illustrated Part P.A.R. = Paint as Required



TRUNK B,F,G 41  
Figure IT-5082

2253-508200



ITEM	PART NUMBER	QTY	BODY	MODEL	DESCRIPTION
1	4077 234-5	1			LINER, Luggage Compartment Side N N N N Black N N N Y4077234
2	4011 576	1			COVER, Luggage Compartment Deck Opening Lower N N N N (use up to 6/1/82) N N N Y4011576
	4248 363	1			(use after 6/1/82) N N N Y4248363
3		AR			SCREW(not serviced) N N N N
4	3762 862	1			SILENCER, Luggage Compartment Front Liner N N N Y3762862
5	3844 272	2			SEAL, Rear Seat Back Spring to Shelf Panel N N N Y3844272

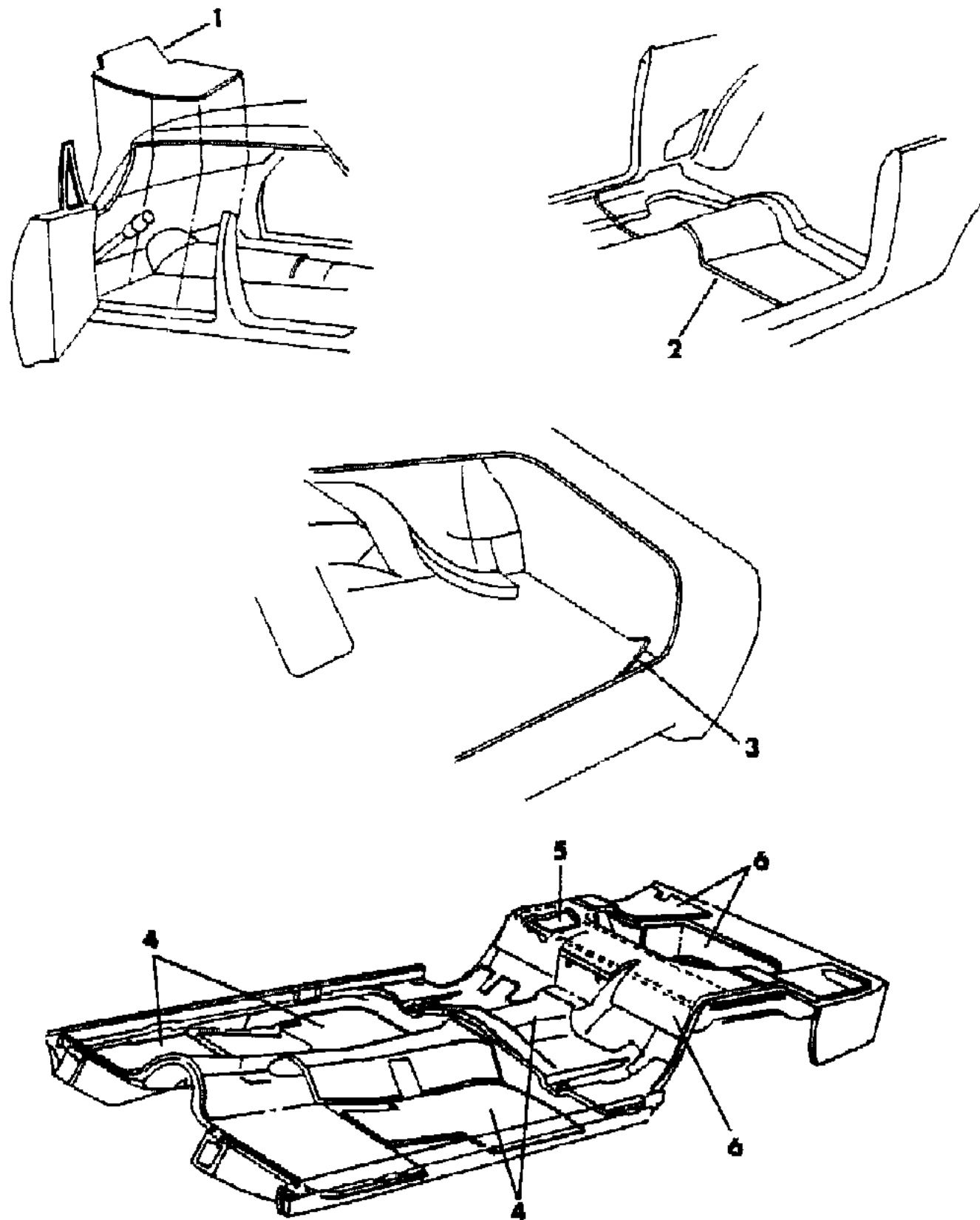
MODEL CODES  
 B = GRAN FURY/CARAVELLE      P = RELIANT  
 C = LEBARON/TOWN & COUNTRY      S = CORDOBA  
 D = ARIES      V = 400  
 F = NEW YORKER      X = MIRADA  
 G = DIPLOMAT      Y = IMPERIAL  
 M = HORIZON/TC3/SCAMP      Z = OMNI/O24/RAMPAGE

BODY STYLES  
 21 = 2-DOOR SEDAN      28 = FWD PICKUP  
 22 = 2-DOOR SPECIAL COUPE      41 = 4-DOOR SEDAN  
 24 = 2-DOOR HATCHBACK      44 = 4-DOOR HATCHBACK  
 27 = 2-DOOR CONVERTIBLE      45 = 2-SEAT STATION WAGON

AR = Use as Required - = Non Illustrated Part P.A.R. = Paint as Required

MATS- FRONT AND REAR FLOOR LUGGAGE COMPARTMENT FLOOR, REAR FLOOR WELL B,F,G  
Figure IT-5083

2253 508300



ITEM	PART NUMBER	QTY	BODY	MODEL	DESCRIPTION
1	4077 288	2			MAT, Front Floor Heavy Duty, Black N N N Y4077288
2	4077 289	2			MAT, Rear Floor Heavy Duty, Black N N N Y4077289
3	4077 245	1			MAT, Luggage Compartment Floor, Black N N N Y4077245
4	4186 901	AR			SILENCER N N N Y4186901
5	3837 683	AR			SILENCER N N N Y3837683
6	3762 862	AR			SILENCER N N N Y3762862

MODEL CODES

B = GRAN FURY/CARAVELLE	P = RELIANT
C = LEBARON/TOWN & COUNTRY	S = CORDOBA
D = ARIES	V = 400
F = NEW YORKER	X = MIRADA
G = DIPLOMAT	Y = IMPERIAL
M = HORIZON/TC3/SCAMP	Z = OMNI/O24/RAMPAGE

BODY STYLES

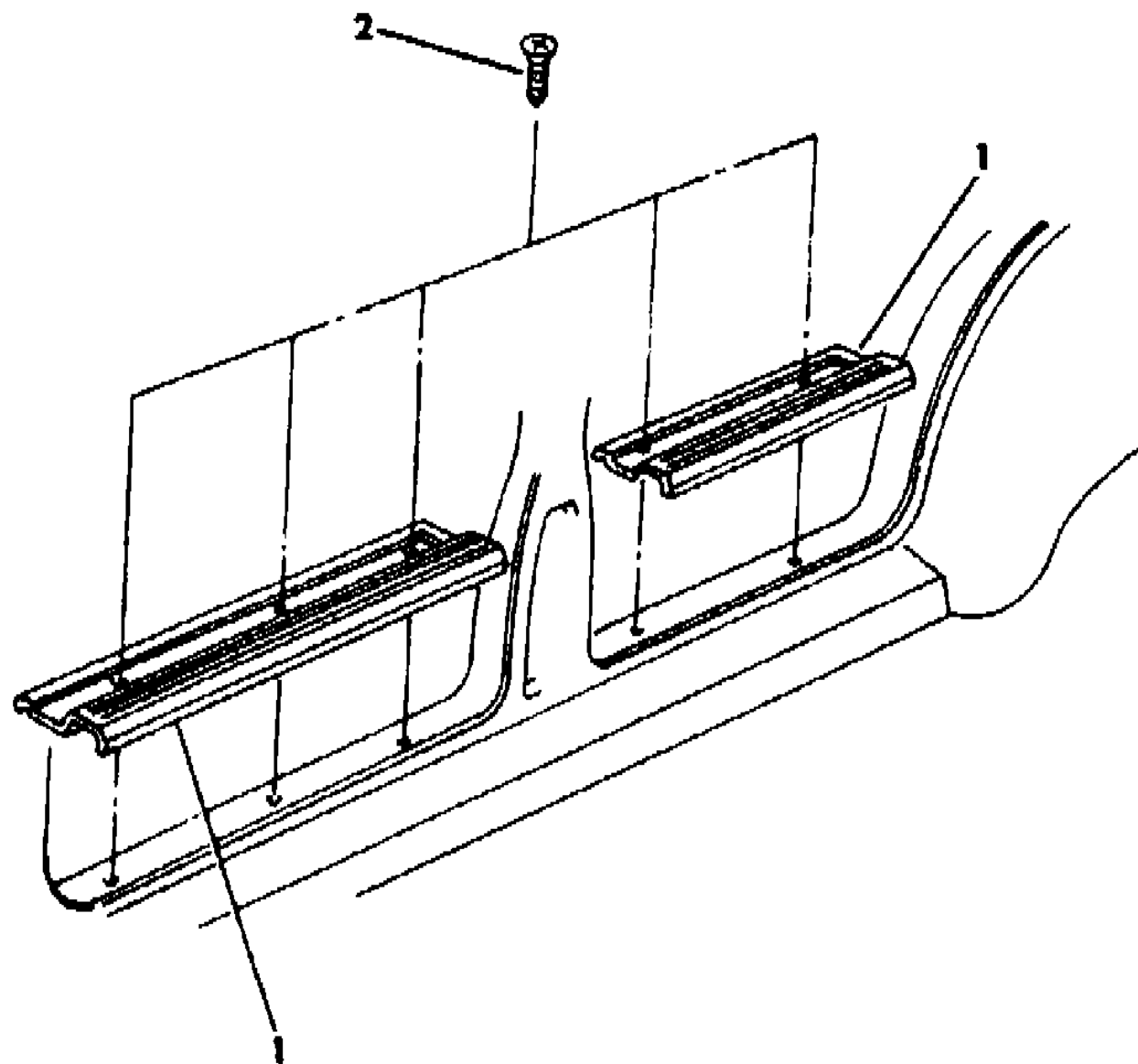
21 = 2-DOOR SEDAN	28 = FWD PICKUP
22 = 2-DOOR SPECIAL COUPE	41 = 4-DOOR SEDAN
24 = 2-DOOR HATCHBACK	44 = 4-DOOR HATCHBACK
27 = 2-DOOR CONVERTIBLE	45 = 2-SEAT STATION WAGON

AR = Use as Required - = Non Illustrated Part P.A.R. = Paint as Required

SCUFF PLATES BODY SIDE SILL AND DOOR B,F,G 41  
Figure IT-5084

2253 508400

ITEM	PART NUMBER	QTY	BODY	MODEL	DESCRIPTION
1	4078 964	2			PLATE, Front N N N Y4078964
	3831 006	2			Rear N N N Y3831006
2		AR			SCREW (not serviced) N N N N



MODEL CODES  
 B = GRAN FURY/CARAVELLE      P = RELIANT  
 C = LEBARON/TOWN & COUNTRY    S = CORDOBA  
 D = ARIES                            V = 400  
 F = NEW YORKER                    X = MIRADA  
 G = DIPLOMAT                      Y = IMPERIAL  
 M = HORIZON/TC3/SCAMP        Z = OMNI/O24/RAMPAGE

BODY STYLES  
 21 = 2-DOOR SEDAN                28 = FWD PICKUP  
 22 = 2-DOOR SPECIAL COUPE    41 = 4-DOOR SEDAN  
 24 = 2-DOOR HATCHBACK        44 = 4-DOOR HATCHBACK  
 27 = 2-DOOR CONVERTIBLE      45 = 2-SEAT STATION WAGON

AR = Use as Required - = Non Illustrated Part P.A.R. = Paint as Required

**DOOR TRIM PANELS B,F,G TRIM CODES A3,F4,K2,KX,H9  
Figure IT-5101**

2253 510 100

ITEM	PART NUMBER	QTY	BODY	MODEL	DESCRIPTION
1					PANEL,Front Door N N N N
	J148-9 AA2	1			N N NA3A,H9A YJ148AA2
	J148-9 VC8	1			N N NA3C,K2C,H9C YJ148VC8
	J148-9 VM6	1			N N NA3M,H9M YJ148VM6
	J148-9 VT3	1			N N NA3T,F4T,H9T YJ148VT3
	J148-9 VT3	1			N N NK2T,KXT YJ148VT3
2	D454-5 VT4				BASE, Arm Rest (paint as required) N N N YD454VT4
3					PAD and INSERT, Arm Rest N N N N
	D452-3 AA3	1			Silver N N N YD452AA3
	D452-3 VC7	1			Blue N N N YD452VC7
	D452-3 VM6	1			Red N N N YD452VM6
	D452-3 VT4	1			Tan N N N YD452VT4
4					PANEL,Rear Door N N N N
	J476-7 AA2	1			N N NA3A,H9A YJ476AA2
	J476-7 VC8	1			N N NA3C,K2C,H9C YJ476VC8
	J476-7 VM6	1			N N NA3M,H9M YJ476VM6
	J476-7 VT3	1			N N NA3T,F4T,H9T YJ476VT3
	J476-7 VT3	1			N N NK2T,KXT YJ476VT3
5	D490-1 VT4	1			BASE, Arm Rest (paint as required) N N N YD490VT4
6					PAD and INSERT, Arm Rest w/Ash Receiver N N N N
	D488-9 AA3	1			Silver N N N YD488AA3
	D488-9 VC7	1			Blue N N N YD488VC7
	D488-9 VM6	1			Red N N N YD488VM6
	D488-9 VT4	1			Tan N N N YD488VT4
7	4078 486	2			NAME PLATE "SALON" N N N Y4078486
8					SEAL,Secondary Sound N N N N
	3831 428	2			Front N N N Y3831428
	3831 429	2			Rear N N N Y3831429
9	6002 944	AR			FASTENER, Secondary Seal N N N Y6002944
10	4078 400	3			RECEPTACLE, Ash Receiver Rear Door N N N Y4078400

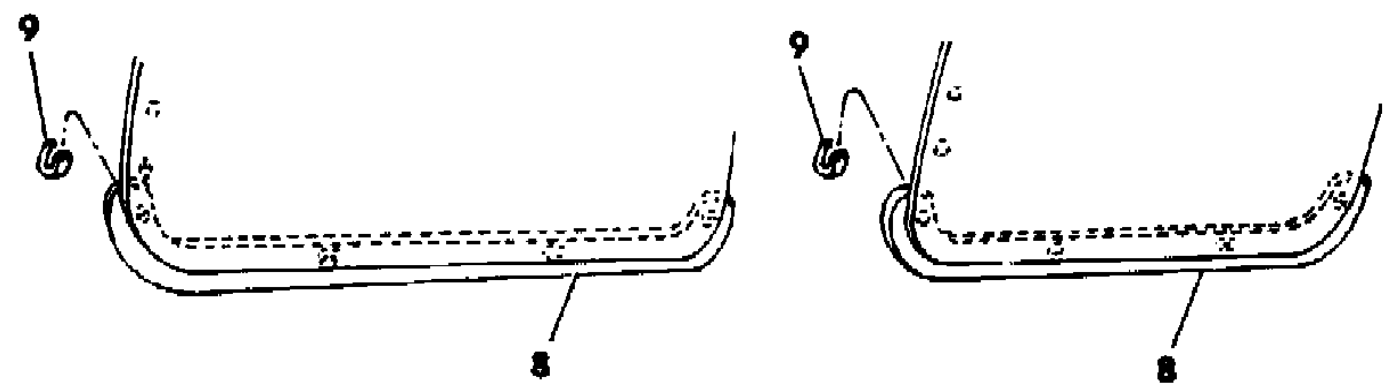
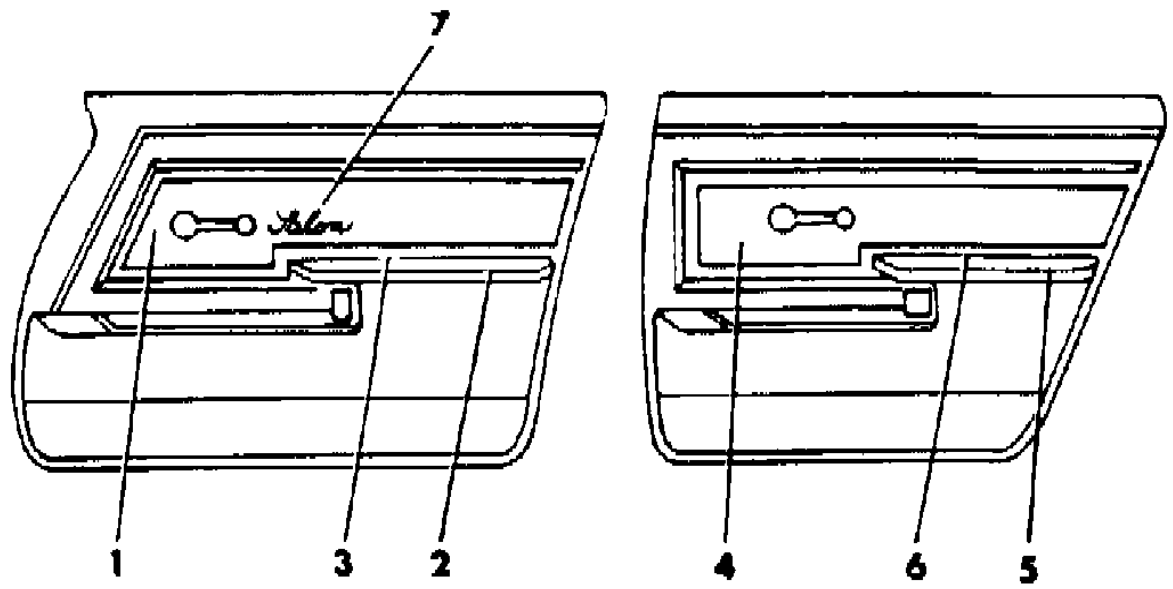
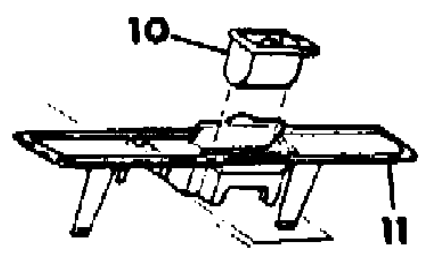
The following parts are not illustrated. s ARE NOT RETURNABLE.

	1639 961	2			BUMPER, Ash Receiver Lid N N N Y1639961
	9417 252	4			PIN, Ash Receiver Lid Hinge N N N Y9417252
	6023 485	AR			FASTENER, Name Plate N N N Y6023485
	9414 722	AR			SCREW, Pad to Base Attaching N N N Y9414722
	6027 162	AR			SCREW, Arm Rest Attaching N N N Y6027162
	4114 785	AR			FASTENER, Trim Panel N N N Y4114785

**MODEL CODES**  
 B = GRAN FURY/CARAVELLE      P = RELIANT  
 C = LEBARON/TOWN & COUNTRY      S = CORDOBA  
 D = ARIES      V = 400  
 F = NEW YORKER      X = MIRADA  
 G = DIPLOMAT      Y = IMPERIAL  
 M = HORIZON/TC3/SCAMP      Z = OMNI/O24/RAMPAGE

**BODY STYLES**  
 21 = 2-DOOR SEDAN      28 = FWD PICKUP  
 22 = 2-DOOR SPECIAL COUPE      41 = 4-DOOR SEDAN  
 24 = 2-DOOR HATCHBACK      44 = 4-DOOR HATCHBACK  
 27 = 2-DOOR CONVERTIBLE      45 = 2-SEAT STATION WAGON

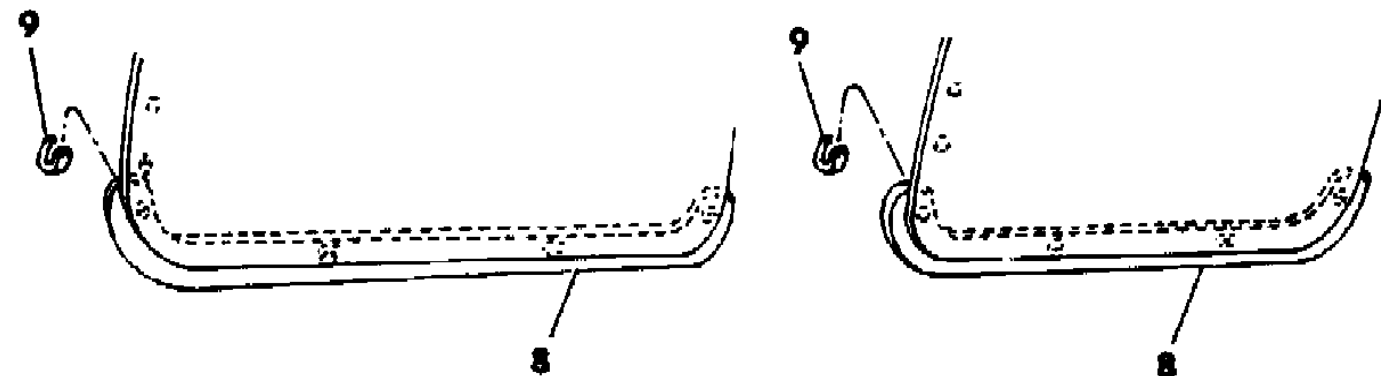
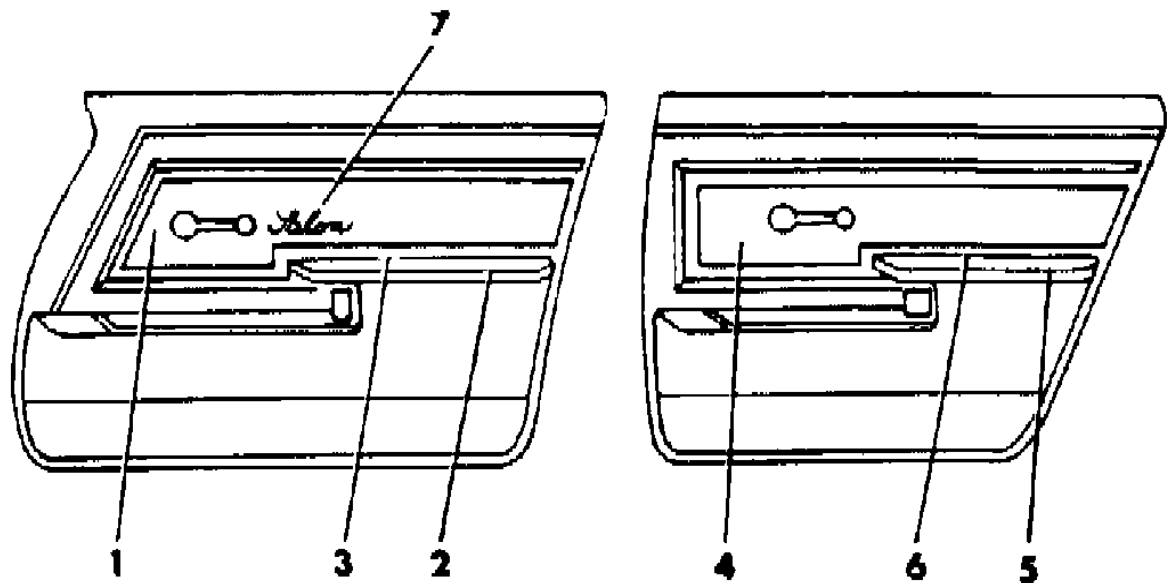
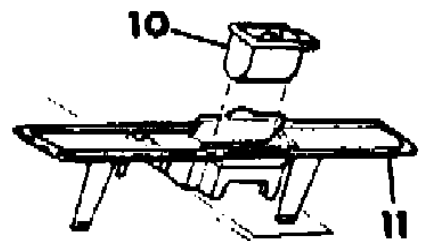
AR = Use as Required - = Non Illustrated Part P.A.R. = Paint as Required



DOOR TRIM PANELS B,F,G TRIM CODES A3,F4,K2,KX,H9  
Figure IT-5101

2253 510 100

ITEM	PART NUMBER	QTY	BODY	MODEL	DESCRIPTION
			AR		RETAINER,Door Trim Panel N N N N6003640



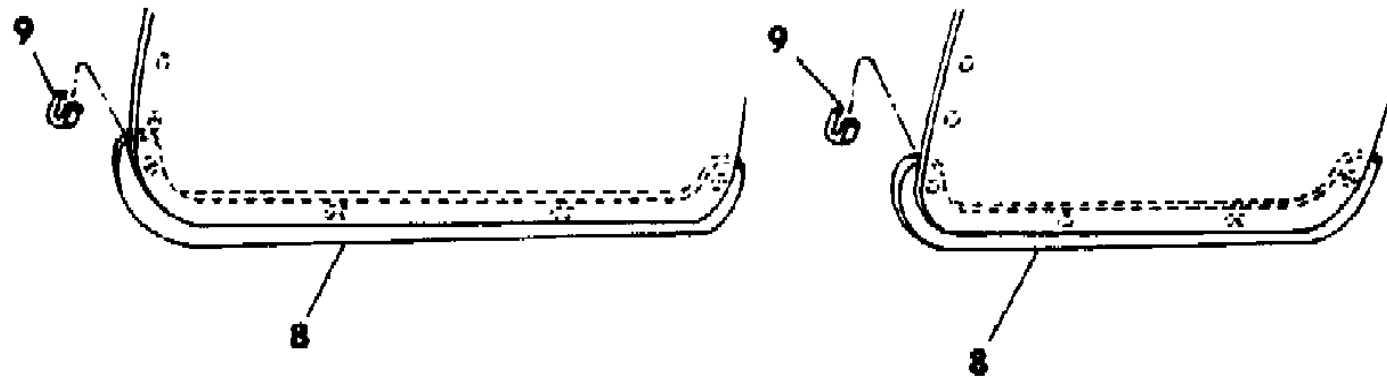
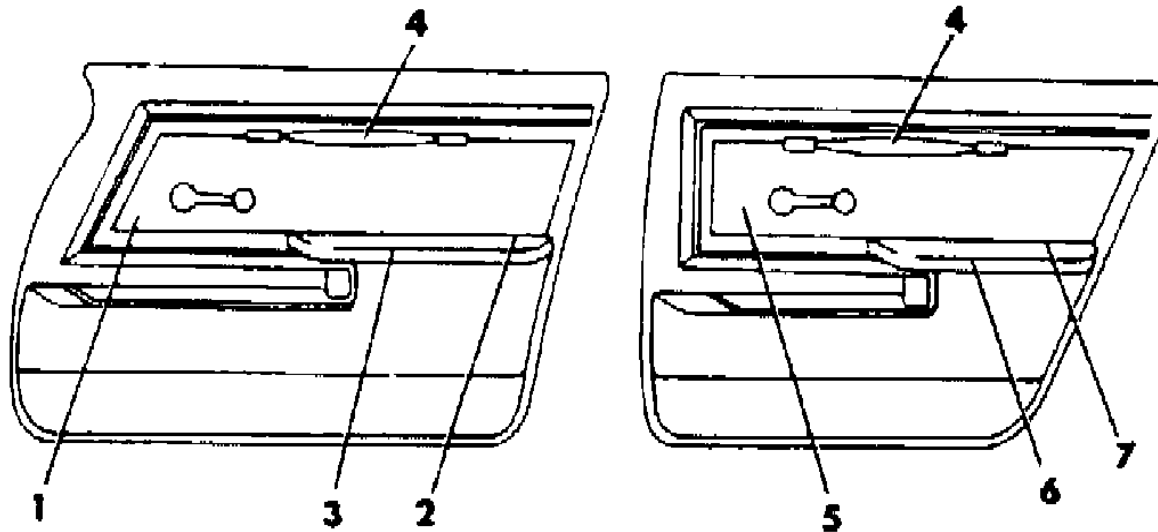
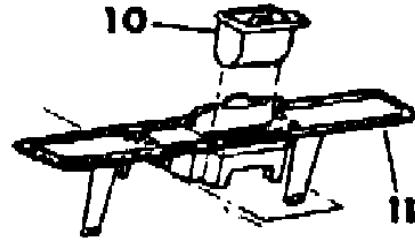
- MODEL CODES
- |                            |                      |
|----------------------------|----------------------|
| B = GRAN FURY/CARAVELLE    | P = RELIANT          |
| C = LEBARON/TOWN & COUNTRY | S = CORDOBA          |
| D = ARIES                  | V = 400              |
| F = NEW YORKER             | X = MIRADA           |
| G = DIPLOMAT               | Y = IMPERIAL         |
| M = HORIZON/TC3/SCAMP      | Z = OMNI/O24/RAMPAGE |

- BODY STYLES
- |                           |                           |
|---------------------------|---------------------------|
| 21 = 2-DOOR SEDAN         | 28 = FWD PICKUP           |
| 22 = 2-DOOR SPECIAL COUPE | 41 = 4-DOOR SEDAN         |
| 24 = 2-DOOR HATCHBACK     | 44 = 4-DOOR HATCHBACK     |
| 27 = 2-DOOR CONVERTIBLE   | 45 = 2-SEAT STATION WAGON |

AR = Use as Required - = Non Illustrated Part P.A.R. = Paint as Required

PANEL FRONT DOOR B,F,G TRIM CODE C9,DY  
Figure IT-5102

2253 510200



ITEM	PART NUMBER	QTY	BODY	MODEL	DESCRIPTION
1					PANEL,Front Door N N N N
	J154-5 AA3	1			N N NC9A YJ154AA3
	J154-5 VC8	1			N N NC9C YJ154VC8
	J154-5 VM6	1			N N NC9M YJ154VM6
	J154-5 VT3	1			N N NC9T YJ154VT3
	J156-7 AA2	1			N N NDYA YJ156AA2
	J156-7 VT3	1			N N NDYT YJ156VT3
2	D454-5 VT4	1			BASE, Arm Rest (paint as required) N N N YD454VT4
3					PAD and INSERT, Arm Rest N N N N
	D452-3 AA3	1			Silver N N N YD452AA3
	D452-3 VC7	1			Blue N N N YD452VC7
	D452-3 VM6	1			Red N N N YD452VM6
	D452-3 VT4	1			Tan N N N YD452VT4
4					HANDLE,Door Pull,Front and Rear w/Cap N N N N
	D840 AA2	2			Silver N N N YD840AA2
	D840 VC7	2			Blue N N N YD840VC7
	D840 VM6	2			Red N N N YD840VM6
	D840 VT4	2			Tan N N N YD840VT4
5					PANEL, Rear Door N N N N
	J480-1 AA3	1			N N NC9A YJ480AA3
	J480-1 VC8	1			N N NC9C YJ480VC8
	J480-1 VM6	1			N N NC9M YJ480VM6
	J480-1 VT3	1			N N NC9T YJ480VT3
	J484-5 AA2	1			N N NDYA YJ484AA2
	J484-5 VT3	1			N N NDYT YJ484VT3
6	D490-1 VT4	1			BASE, Arm Rest (paint as required) N N N YD490VT4
7					PAD and INSERT, Arm Rest w/Ash Receiver N N N N
	D488-9 AA3	1			Silver N N N YD488AA3
	D488-9 VC7	1			Blue N N N YD488VC7
	D488-9 VM6	1			Red N N N YD488VM6
	D488-9 VT4	1			Tan N N N YD488VT4
8					SEAL,Secondary Sound N N N N
	3831 428	2			Front N N N Y3831428
	3831 429	2			Rear N N N Y3831429
9	6002 944	AR			FASTENER, Secondary Seal N N N Y6002944
10	4078 400	2			RECEPTACLE, Ash Receiver Rear Door N N N Y4078400
11					Refer to 23 C N N N N

MODEL CODES

B = GRAN FURY/CARAVELLE	P = RELIANT
C = LEBARON/TOWN & COUNTRY	S = CORDOBA
D = ARIES	V = 400
F = NEW YORKER	X = MIRADA
G = DIPLOMAT	Y = IMPERIAL
M = HORIZON/TC3/SCAMP	Z = OMNI/O24/RAMPAGE

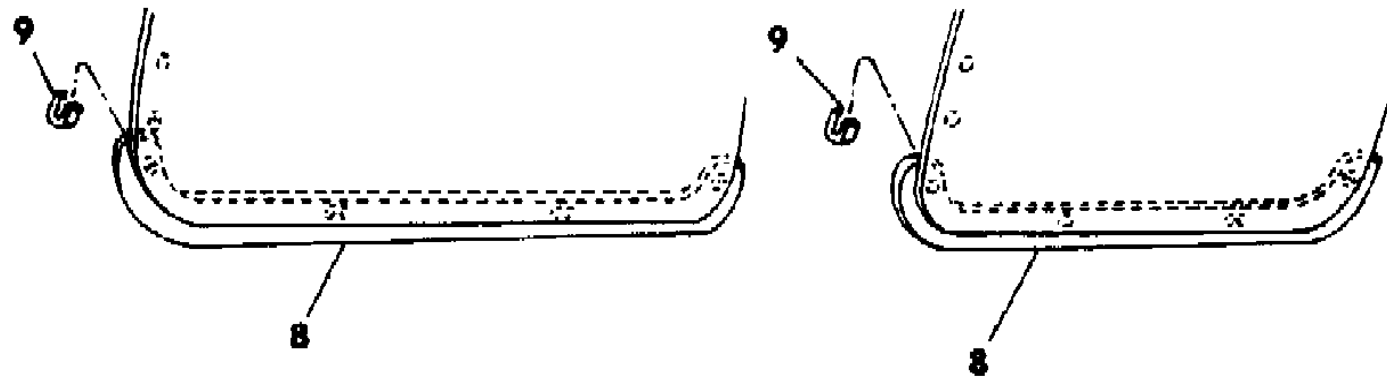
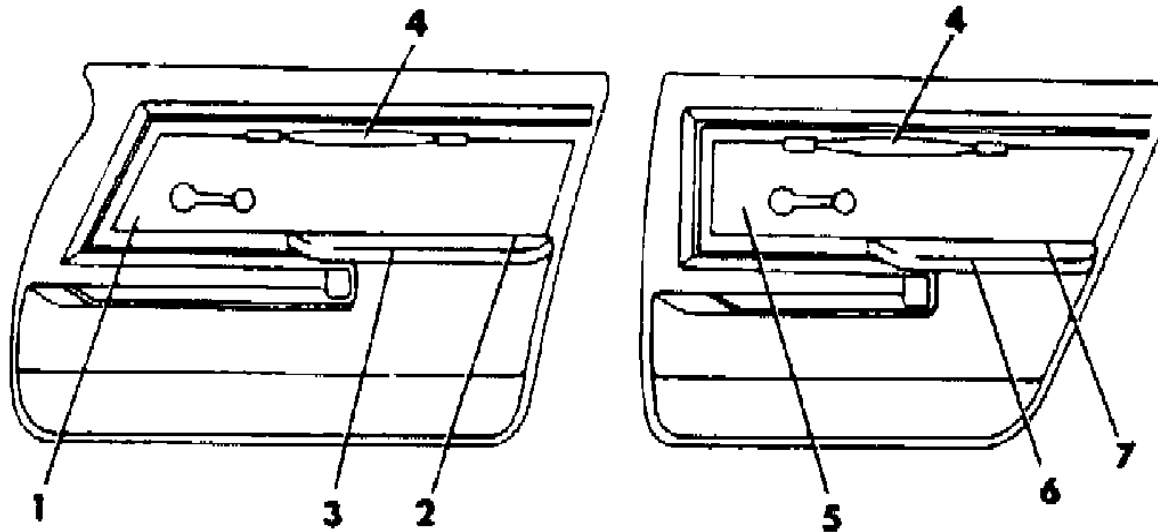
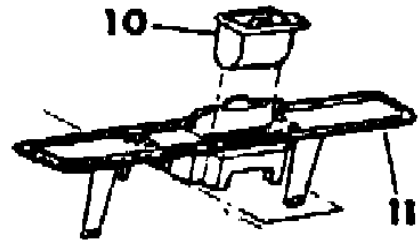
BODY STYLES

21 = 2-DOOR SEDAN	28 = FWD PICKUP
22 = 2-DOOR SPECIAL COUPE	41 = 4-DOOR SEDAN
24 = 2-DOOR HATCHBACK	44 = 4-DOOR HATCHBACK
27 = 2-DOOR CONVERTIBLE	45 = 2-SEAT STATION WAGON

AR = Use as Required - = Non Illustrated Part P.A.R. = Paint as Required

PANEL FRONT DOOR B,F,G TRIM CODE C9,DY  
Figure IT-5102

2253 510200



ITEM	PART NUMBER	QTY	BODY	MODEL	DESCRIPTION
------	-------------	-----	------	-------	-------------

The following parts are not illustrated. s ARE NOT RETURNABLE.

	4114 785	AR			FASTENER,Secondary Seal N N N Y4114785
	1639 961	2			BUMPER, Ash Receiver Lid N N N Y1639961
	9417 252	4			PIN,Ash Receiver Lid Hinge N N N Y9417252
	6003 640	AR			RETAINER, Trim Panel N N N Y6003640
	9414 722	AR			SCREW, Pad to Base Attaching N N N Y9414722
	6027 162	AR			SCREW, Arm Rest Attaching N N N Y6027162
	4049 602	1			SILENCER,Trim Panel N N N Y4049602

MODEL CODES

B = GRAN FURY/CARAVELLE	P = RELIANT
C = LEBARON/TOWN & COUNTRY	S = CORDOBA
D = ARIES	V = 400
F = NEW YORKER	X = MIRADA
G = DIPLOMAT	Y = IMPERIAL
M = HORIZON/TC3/SCAMP	Z = OMNI/O24/RAMPAGE

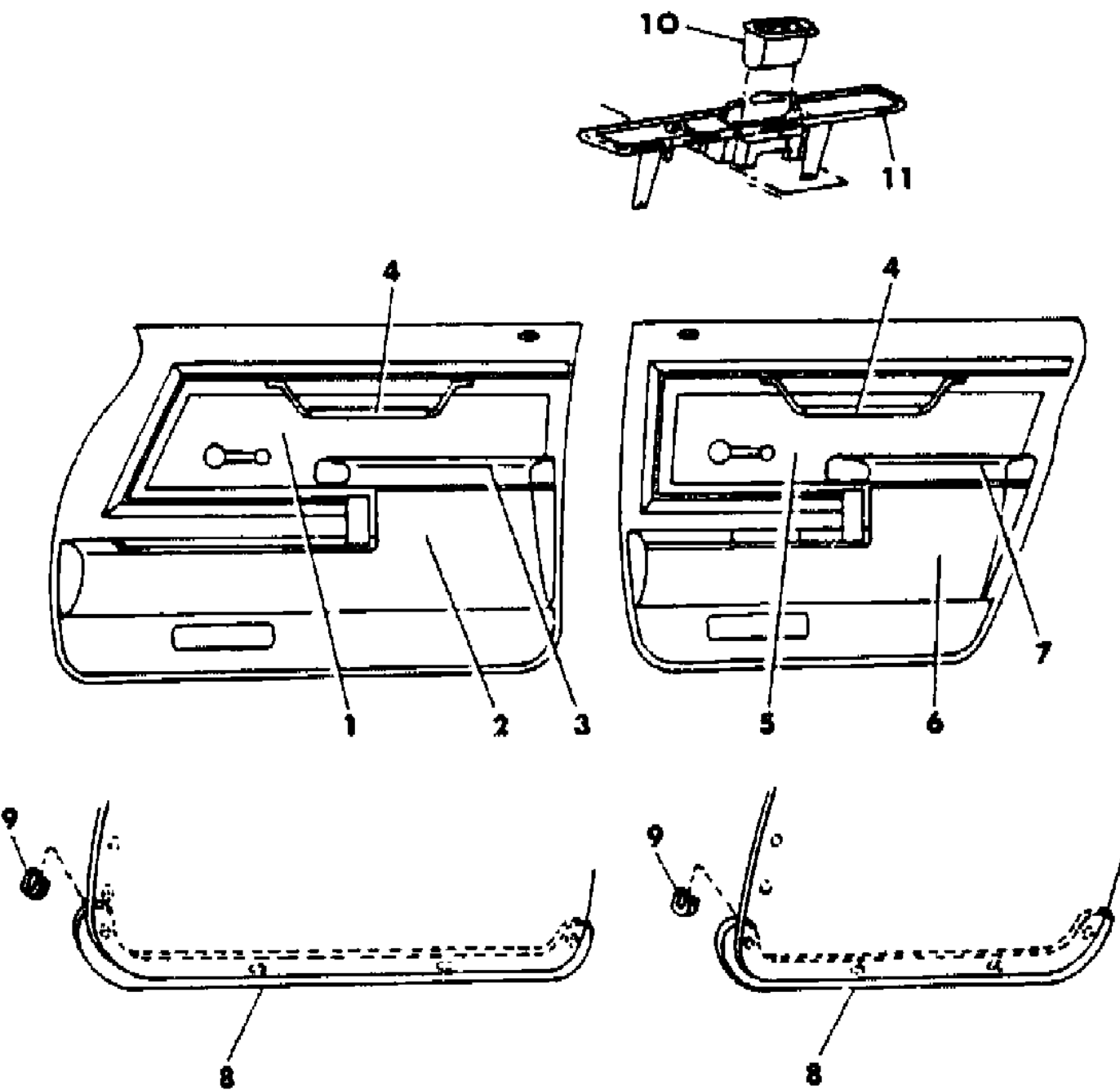
BODY STYLES

21 = 2-DOOR SEDAN	28 = FWD PICKUP
22 = 2-DOOR SPECIAL COUPE	41 = 4-DOOR SEDAN
24 = 2-DOOR HATCHBACK	44 = 4-DOOR HATCHBACK
27 = 2-DOOR CONVERTIBLE	45 = 2-SEAT STATION WAGON

AR = Use as Required - = Non Illustrated Part P.A.R. = Paint as Required

DOORS F-S TRIM CODES SY,GY,S9  
Figure IT-5103

2253 510300



ITEM	PART NUMBER	QTY	BODY	MODEL	DESCRIPTION
1					PANEL, Front Door N N N N
	J224-5 AA2	1			N N NSYA,GYA YJ224AA2
	J224-5 AC8	1			N N NSYC YJ224AC8
	J224-5 AH9	1			N N NSYH YJ224AH9
	J224-5 AM6	1			N N NSYM YJ224AM6
	J224-5 AT3	1			N N NSYT,GYT YJ224AT3
	J226-7 AA3	1			N N NS9A YJ226AA3
	J226-7 ACB	1			(material sample required) N N NS9C YJ226ACB
	J226-7 ACC	1			(material sample required) N N NS9C YJ226ACC
	J226-7 AC7	1			(material sample required) N N NS9C YJ226AC7
	J226-7 AHU	1			(material sample required) N N NS9H YJ226AHU
	J226-7 AHH	1			(material sample required) N N NS9H YJ226AHH
	J226-7 AH9	1			(material sample required) N N NS9H YJ226AH9
	J226-7 AMR	1			(material sample required) N N NS9M YJ226AMR
	J226-7 AMM	1			(material sample required) N N NS9M YJ226AMM
	J226-7 AM6	1			(material sample required) N N NS9M YJ226AM6
	J226-7 AT4	1			N N NS9T YJ226AT4
2	D454-5 VT4	1			BASE, Arm Rest (paint as required) N N N YD454VT4
3					PAD and INSERT, Arm Rest N N N N
	D452-3 AA3	1			Silver N N N YD452AA3
	D452-3 VC7	1			Blue N N N YD452VC7
	D452-3 AH9	1			Mahogany N N N YD452AH9
	D452-3 VM6	1			Red N N N YD452VM6
	D452-3 VT4	1			Tan N N N YD452VT4
4	4078 233	4			HANDLE N N N Y4078233
5					PANEL, Rear Door N N N N
	J488-9 AA2	1			N N NSYA,GYA YJ488AA2
	J488-9 AC8	1			N N NSYC YJ488AC8
	J488-9 AH9	1			N N NSYH YJ488AH9
	J488-9 AM6	1			N N NSYM YJ488AM6
	J488-9 AT3	1			N N NSYT,GYT YJ488AT3
	J490-1 AA3	1			N N NS9A YJ490AA3
	J490-1 ACB	1			(material sample required) N N NS9C YJ490ACB
	J490-1 ACC	1			(material sample required) N N NS9C YJ490ACC
	J490-1 AC7	1			(material sample required) N N NS9C YJ490AC7
	J490-1 AHU	1			(material sample required) N N NS9H YJ490AHU
	J490-1 AHH	1			(material sample required) N N NS9H YJ490AHH

MODEL CODES  
 B = GRAN FURY/CARAVELLE P = RELIANT  
 C = LEBARON/TOWN & COUNTRY S = CORDOBA  
 D = ARIES V = 400  
 F = NEW YORKER X = MIRADA  
 G = DIPLOMAT Y = IMPERIAL  
 M = HORIZON/TC3/SCAMP Z = OMNI/O24/RAMPAGE

BODY STYLES  
 21 = 2-DOOR SEDAN 28 = FWD PICKUP  
 22 = 2-DOOR SPECIAL COUPE 41 = 4-DOOR SEDAN  
 24 = 2-DOOR HATCHBACK 44 = 4-DOOR HATCHBACK  
 27 = 2-DOOR CONVERTIBLE 45 = 2-SEAT STATION WAGON

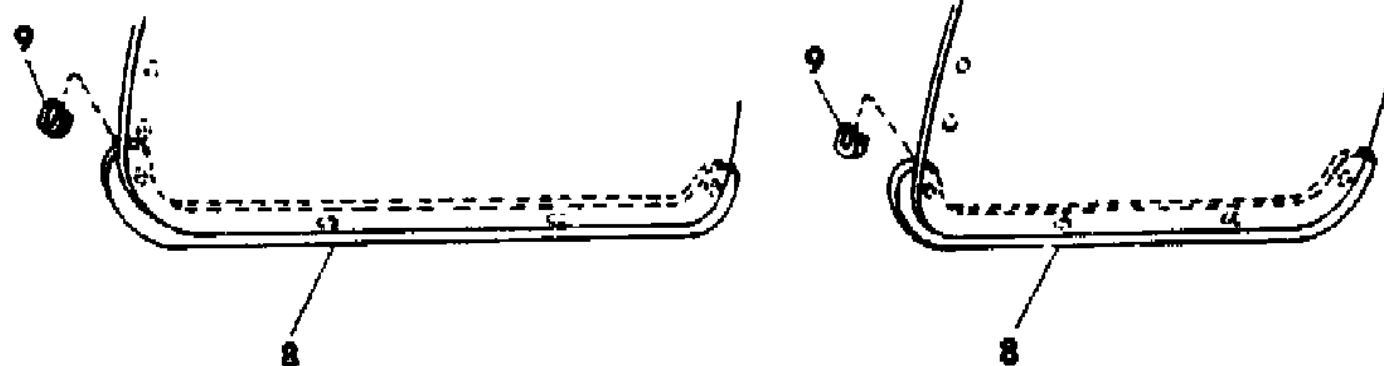
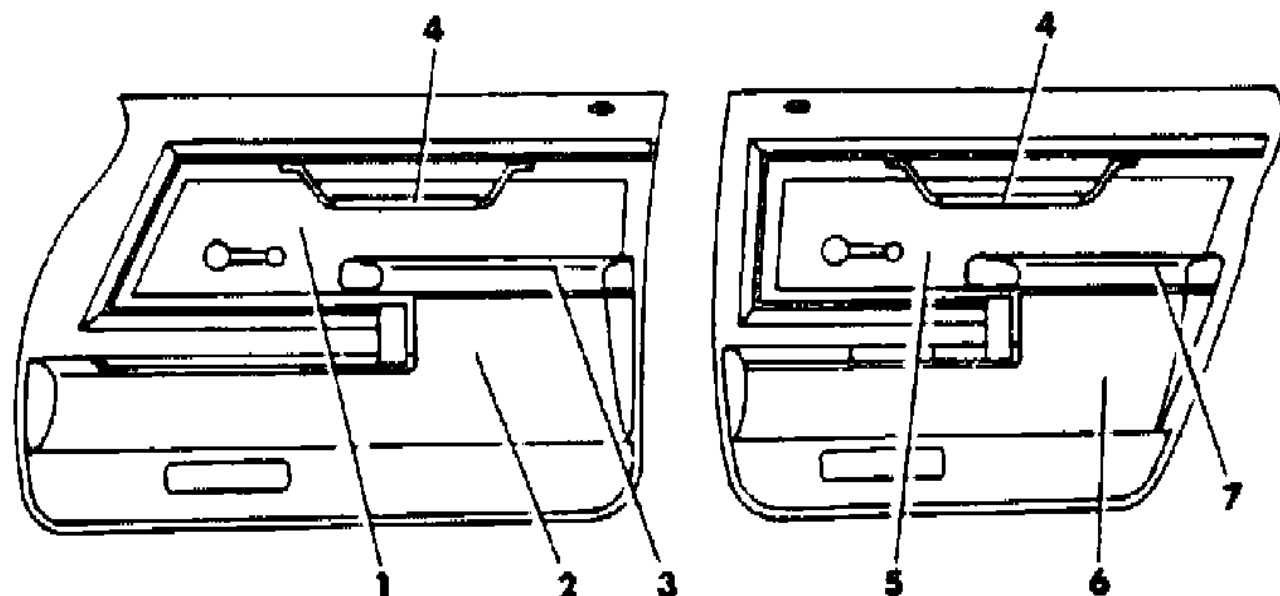
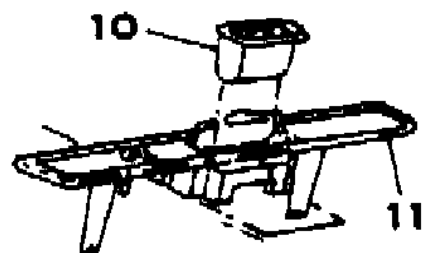
AR = Use as Required - = Non Illustrated Part P.A.R. = Paint as Required



DOORS F-S TRIM CODES SY,GY,S9  
Figure IT-5103

2253 510300

ITEM	PART NUMBER	QTY	BODY	MODEL	DESCRIPTION
	J490-1 AH9	1			(material sample required) N N NS9H YJ490AH9
	J490-1 AMR	1			(material sample required) N N NS9M YJ490AMR
	J490-1 AMM	1			(material sample required) N N NS9M YJ490AMM
	J490-1 AM6	1			(material sample required) N N NS9M YJ490AM6
	J490-1 AT4	1			N N NS9T YJ490AT4
6	D490-1 VT4	1			BASE, Arm Rest (paint as required) N N N YD490VT4
7					PAD and INSERT, Arm Rest w/Ash Receiver N N N N
	D488-9 AA3	1			Silver N N N YD488AA3
	D488-9 VC7	1			Blue N N N YD488VC7
	D488-9 AH9	1			Mahogany N N N YD488AH9
	D488-9 VM6	1			Red N N N YD488VM6
	D488-9 VT4	1			Tan N N N YD488VT4
8					SEAL, Secondary Sound N N N N
	3831 428	2			Front N N N Y3831428
	3831 429	2			Rear N N N Y3831429
9	6002 944	AR			FASTENER, Secondary Seal N N N Y6002944
10	4078 400	2			RECETACLE, Ash Receiver Rear Door N N N Y4078400
11					Refer to 23C N N N N



The following parts are not illustrated. s ARE NOT RETURNABLE.

4114 785	AR				FASTENER, Secondary Seal N N N Y4114785
1639 961	2				BUMPER, Ash Receiver Lid N N N Y1639961
9417 252	4				PIN, Ash Receiver Lid Hinge N N N Y9417252
6003 640	AR				RETAINER, Trim Panel N N N Y6003640
9414 722	AR				SCREW, Pad to Base Attaching N N N Y9414722
6027 162	AR				SCREW, Arm Rest Attaching N N N Y6027162
4049 602	AR				SILENCER, Trim Panel N N N Y4049602
6031 667	AR				WASHER, Pull Handle Attaching N N N Y6031667
0455 734	AR				SPRING PIN, Pull Handle N N N Y455734
4077 196-7	4				END CAP, Pull Handle N N N Y4077196

MODEL CODES

B = GRAN FURY/CARAVELLE	P = RELIANT
C = LEBARON/TOWN & COUNTRY	S = CORDOBA
D = ARIES	V = 400
F = NEW YORKER	X = MIRADA
G = DIPLOMAT	Y = IMPERIAL
M = HORIZON/TC3/SCAMP	Z = OMNI/O24/RAMPAGE

BODY STYLES

21 = 2-DOOR SEDAN	28 = FWD PICKUP
22 = 2-DOOR SPECIAL COUPE	41 = 4-DOOR SEDAN
24 = 2-DOOR HATCHBACK	44 = 4-DOOR HATCHBACK
27 = 2-DOOR CONVERTIBLE	45 = 2-SEAT STATION WAGON

AR = Use as Required - = Non Illustrated Part P.A.R. = Paint as Required

**FLEET POLICE AND OTHERS PANEL, DOOR**  
Figure IT-5104

2253 510400

ITEM	PART NUMBER	QTY	BODY	MODEL	DESCRIPTION
------	-------------	-----	------	-------	-------------

NOTE: Special Order Code is in Trim Column. s ARE NOT RETURNABLE.

1	4196 454	1			PANEL, Front Door N N N N Blue, right N N N8MM Y4196454
	4196 453	1			Blue, left N N N8MM Y4196453
	4196 450	1			Tan, right N N N8MM Y4196450
	4196 449	1			Tan, left N N N8MM Y4196449
2	D452-3 VC7	1			PAD, Arm Rest N N N N Blue N N N8MM YD452VC7
	D452-3 VT4	1			Tan N N N8MM YD452VT4
3	D454-5 VT4	1			BASE, Arm Rest (paint as required) N N N8MM YD454VT4
4	D840 VC7	1			HANDLE, Door Pull w/Cap (on Drivers side only) N N N N Blue N N N8MM YD840VC7
	D840 VT4	1			Tan N N N8MM YD840VT4
5	4196 456	1			PANEL, Rear Door N N N N Blue, right N N N8MM Y4196456
	4196 455	1			Blue, left N N N8MM Y4196455
	4196 452	1			Tan, right N N N8MM Y4196452
	4196 451	1			Tan, left N N N8MM Y4196451
6	D490-1 VT4	1			BASE, Arm Rest (paint as required) N N N8MM YD490VT4
7	D488-9 VC7	1			PAD, Arm Rest N N N N Blue N N N8MM YD488VC7
	D488-9 VT4	1			Tan N N N8MM YD488VT4
8	3831 428	2			SEAL, Secondary Sound N N N N Front N N N Y3831428
	3831 429	2			Rear N N N Y3831429
9	6002 944	AR			FASTENER, Secondary Seal N N N Y6002944
The following parts are not illustrated. s ARE NOT RETURNABLE.					
	6003 640	AR			RETAINER, Trim Panel N N N Y6003640
	9414 722	AR			SCREW, Pad to Base Attaching N N N Y9414722
	6027 162	AR			SCREW, Arm Rest Attaching N N N Y6027162
	4049 602	AR			SILENCER, Trim Panel N N N Y4049602

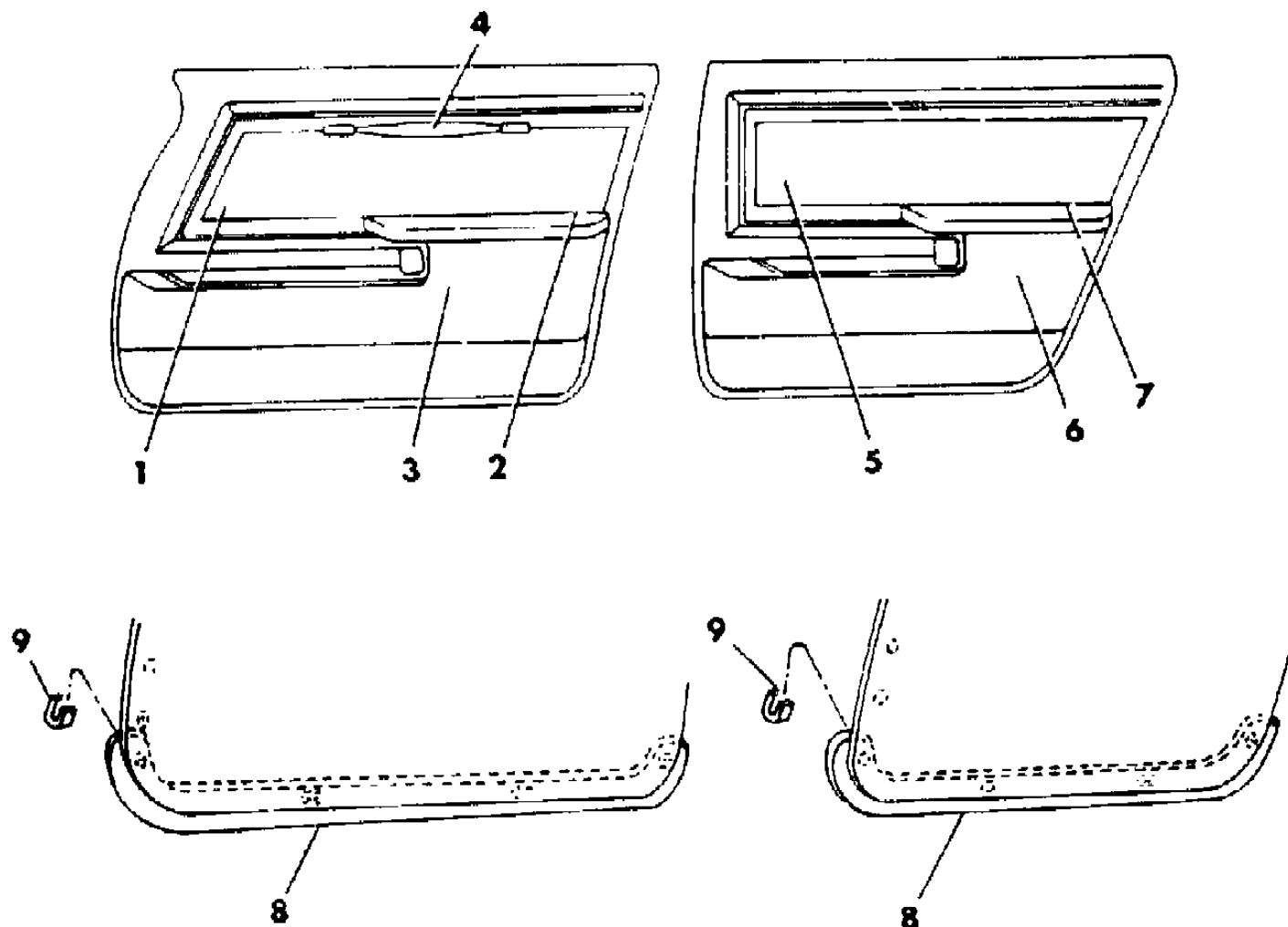
MODEL CODES

B = GRAN FURY/CARAVELLE	P = RELIANT
C = LEBARON/TOWN & COUNTRY	S = CORDOBA
D = ARIES	V = 400
F = NEW YORKER	X = MIRADA
G = DIPLOMAT	Y = IMPERIAL
M = HORIZON/TC3/SCAMP	Z = OMNI/O24/RAMPAGE

BODY STYLES

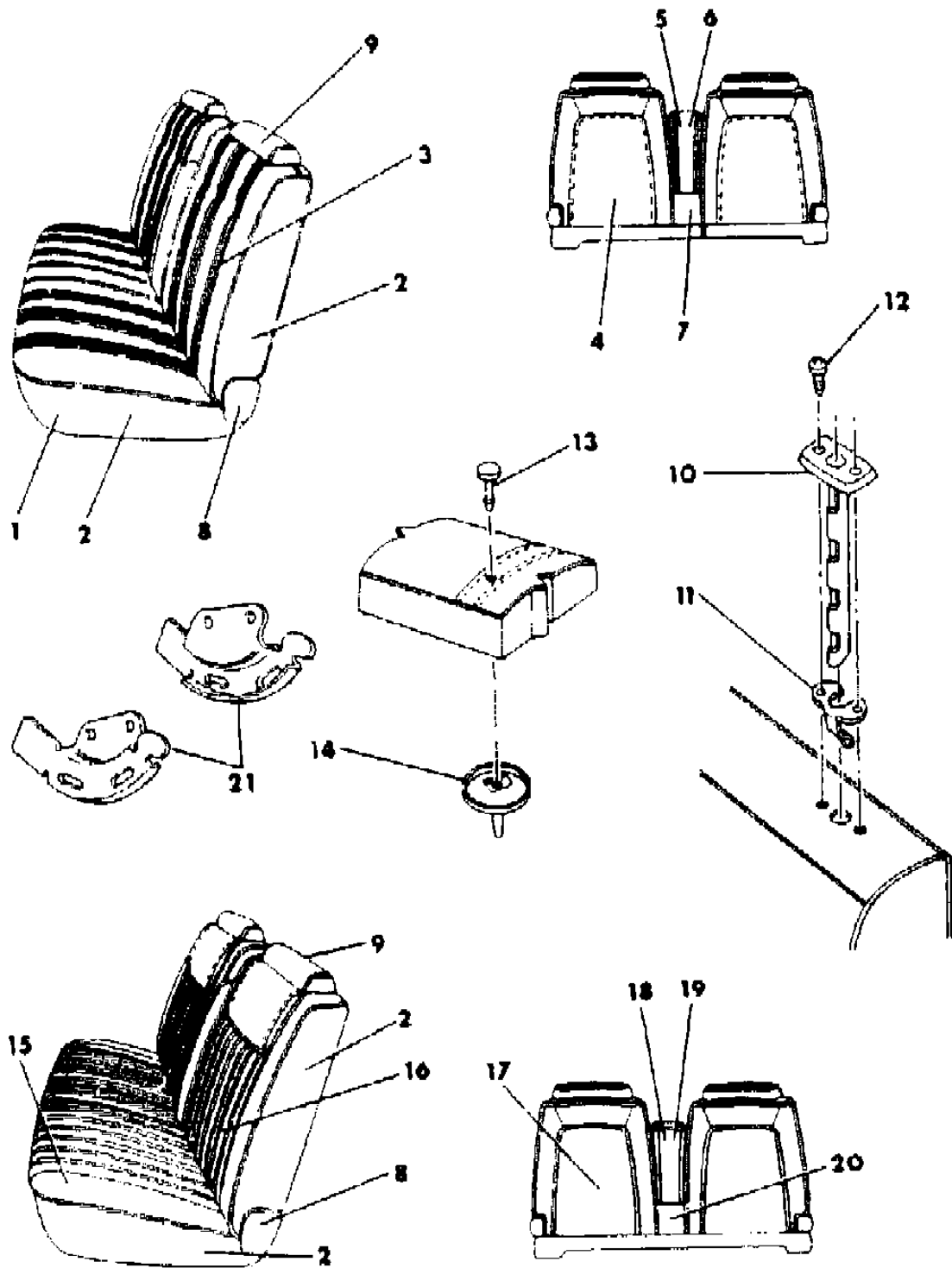
21 = 2-DOOR SEDAN	28 = FWD PICKUP
22 = 2-DOOR SPECIAL COUPE	41 = 4-DOOR SEDAN
24 = 2-DOOR HATCHBACK	44 = 4-DOOR HATCHBACK
27 = 2-DOOR CONVERTIBLE	45 = 2-SEAT STATION WAGON

AR = Use as Required - = Non Illustrated Part P.A.R. = Paint as Required



SEAT,FRONT B,F,G TRIM CODE A3,F4  
Figure IT-5201

2253 520100



ITEM	PART NUMBER	QTY	BODY	MODEL	DESCRIPTION
1-2					CUSHION,Front w/Spring,Frame & Cover N N N N
					Manual N N N N
	A966 A3A	1			N N NA3A YA966A3A
	A966 V3C	1			N N NA3C YA966V3C
	A966 V3M	1			N N NA3M YA966V3M
	A966 V3U	1			N N NA3T YA966V3U
					Heavy Duty Manual N N N N
	A980 A3A	1			N N NA3A YA980A3A
	A980 A3C	1			N N NA3C YA980A3C
	A980 A3M	1			N N NA3M YA980A3M
	A980 A3T	1			N N NA3T YA980A3T
					Heavy Duty Electric N N N N
	A981 A3A	1			N N NA3A YA981A3A
	A981 A3C	1			N N NA3C YA981A3C
	A981 A3M	1			N N NA3M YA981A3M
	A981 A3T	1			N N NA3T YA981A3T
					Electric N N N N
	A967 A3A	1			N N NA3A YA967A3A
	A967 V3C	1			N N NA3C YA967V3C
	A967 V3M	1			N N NA3M YA967V3M
	A967 V3U	1			N N NA3T YA967V3U
1					COVER,Cushion N N N N
	A595 A3A	1			N N NA3A YA595A3A
	A595 V3C	1			N N NA3C YA595V3C
	A595 V3M	1			N N NA3M YA595V3M
	A595 V3U	1			N N NA3T YA595V3U
2					ROLL STOCK,Vinyl Order By The Inch N N N N
	R600 AA3	AR			Silver, 54" Wide N N N YR600AA3
	R616 VC8	AR			Blue 64" Wide N N N YR616VC8
	R616 VM6	AR			Red 64" Wide N N N YR616VM6
	R616 VT3	AR			Tan 64" Wide N N N YR616VT3
2-3					BACK,Front Seat w/Spring,Frame & Cover N N N N
	A970-1 A3A	1			N N NA3A YA970A3A
	A970-1 V3C	1			N N NA3C YA970V3C
	A970-1 V3M	1			N N NA3M YA970V3M
	A970-1 V3U	1			N N NA3T YA970V3U
3					COVER,Front Back N N N N

MODEL CODES

B = GRAN FURY/CARAVELLE	P = RELIANT
C = LEBARON/TOWN & COUNTRY	S = CORDOBA
D = ARIES	V = 400
F = NEW YORKER	X = MIRADA
G = DIPLOMAT	Y = IMPERIAL
M = HORIZON/TC3/SCAMP	Z = OMNI/O24/RAMPAGE

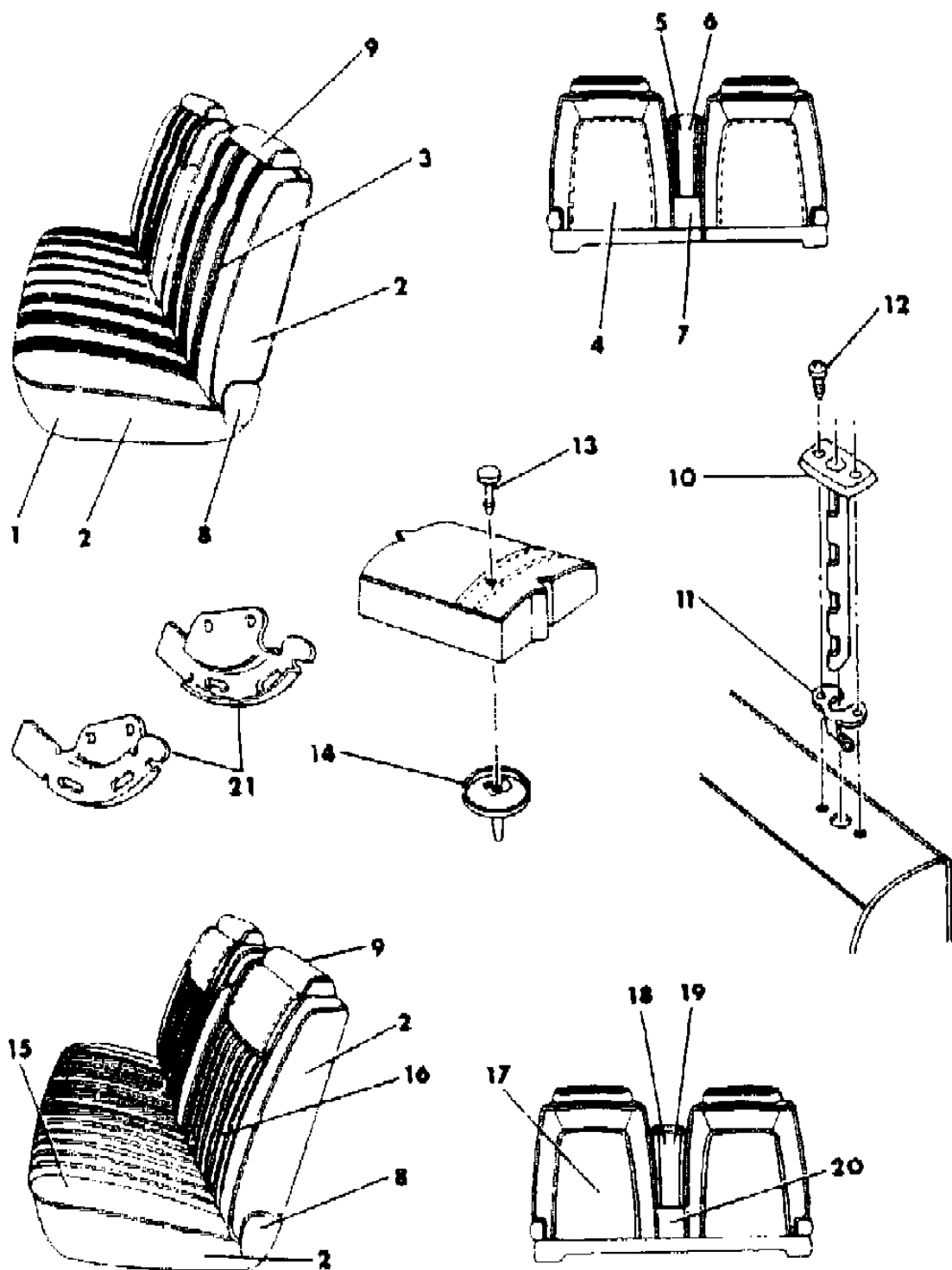
BODY STYLES

21 = 2-DOOR SEDAN	28 = FWD PICKUP
22 = 2-DOOR SPECIAL COUPE	41 = 4-DOOR SEDAN
24 = 2-DOOR HATCHBACK	44 = 4-DOOR HATCHBACK
27 = 2-DOOR CONVERTIBLE	45 = 2-SEAT STATION WAGON

AR = Use as Required - = Non Illustrated Part P.A.R. = Paint as Required

SEAT,FRONT B,F,G TRIM CODE A3,F4  
Figure IT-5201

2253 520100



ITEM	PART NUMBER	QTY	BODY	MODEL	DESCRIPTION
	A596-7 A3A	1			N N NA3A YA596A3A
	A596-7 V3C	1			N N NA3C YA596V3C
	A596-7 V3M	1			N N NA3M YA596V3M
	A596-7 V3U	1			N N NA3T YA596V3U
4					PANEL,Back of Front Seat N N N N
	S778-9 AA2	1			N N NA3A YS778AA2
	S778-9 VC8	1			N N NA3C YS778VC8
	S778-9 VM6	1			N N NA3M YS778VM6
	S778-9 VT3	1			N N NA3T YS778VT3
5-6					ARM REST,Front w/Cover N N N N
	A718 AA2	1			N N NA3A YA718AA2
	A718 VC7	1			N N NA3C YA718VC7
	A718 VM6	1			N N NA3M YA718VM6
	A718 VT5	1			N N NA3T YA718VT5
6					COVER,Arm Rest N N N N
	A544 AA3	1			N N NA3A YA544AA3
	A544 VC7	1			N N NA3C YA544VC7
	A544 VM6	1			N N NA3M YA544VM6
	A544 VT5	1			N N NA3T YA544VT5
7					COVER,Arm Rest Finish N N N N
	S728 AA3	1			N N NA3A YS728AA3
	S728 VC7	1			N N NA3C YS728VC7
	S728 VM6	1			N N NA3M YS728VM6
	S728 VT4	1			N N NA3T YS728VT4
The following parts are not illustrated. s ARE NOT RETURNABLE.					
	4138 891	1			ROD,Arm Rest Lock Bar N N N Y4138891
	6030 082	2			BOLT,Arm Rest Attaching N N N Y6030082
	6006 324	1			NUT,Arm Rest Lock Rod N N N Y6006324
	4138 742-3	1			ARM,Seat Back To Cushion Arm rest N N N Y4138742
	6030 981	2			NUT,Hinge Arm Cover Retaining N N N Y6030981
8					COVER,Hinge Arm Outer N N N N
	S876-7 SX9	1			Black,Paint as Required N N N YS876SX9
9					HEAD REST,See Seat Belt Illustration For Loop N N N N
	S702 AA2	2			N N NA3A YS702AA2
	S702 SC7	2			N N NA3C YS702SC7
	S702 TM6	2			N N NA3M YS702TM6
	S702 ST4	2			N N NA3T,F4T YS702ST4

MODEL CODES

B = GRAN FURY/CARAVELLE  
C = LEBARON/TOWN & COUNTRY  
D = ARIES  
F = NEW YORKER  
G = DIPLOMAT  
M = HORIZON/TC3/SCAMP  
P = RELIANT  
S = CORDOBA  
V = 400  
X = MIRADA  
Y = IMPERIAL  
Z = OMNI/O24/RAMPAGE

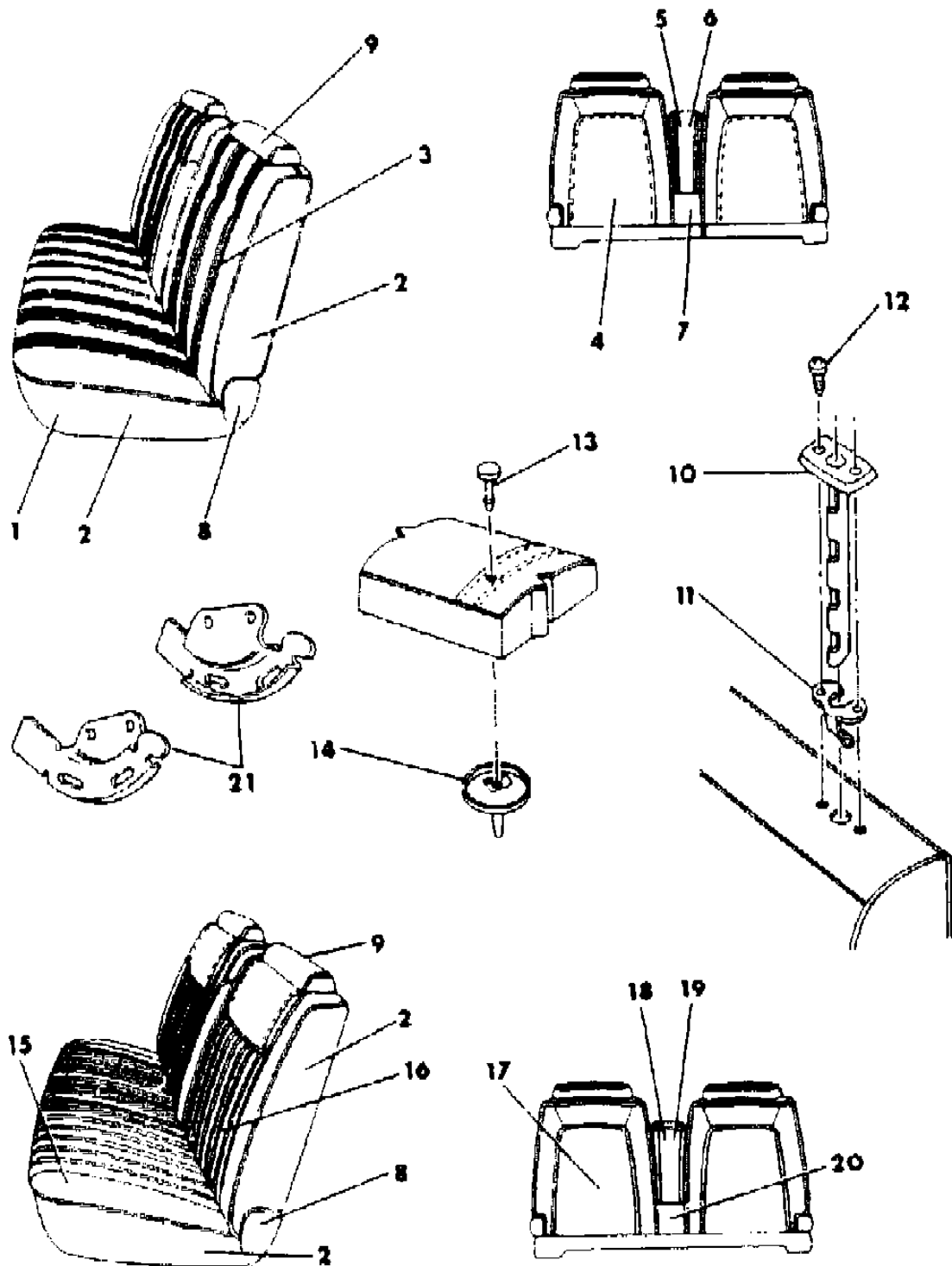
BODY STYLES

21 = 2-DOOR SEDAN  
22 = 2-DOOR SPECIAL COUPE  
24 = 2-DOOR HATCHBACK  
27 = 2-DOOR CONVERTIBLE  
28 = FWD PICKUP  
41 = 4-DOOR SEDAN  
44 = 4-DOOR HATCHBACK  
45 = 2-SEAT STATION WAGON

AR = Use as Required - = Non Illustrated Part P.A.R. = Paint as Required

SEAT,FRONT B,F,G TRIM CODE A3,F4  
Figure IT-5201

2253 5 20100



ITEM	PART NUMBER	QTY	BODY	MODEL	DESCRIPTION
10	S690 AA3	4			SLEEVE,Head Rest N N N N N N NA3A YS690AA3
	S690 SC7	4			N N NA3C YS690SC7
	S690 TM6	4			N N NA3M YS690TM6
	S690 ST4	4			N N NA3T,F4T YS690ST4
11	4098 965	4			CATCH,Head Rest Post N N N Y4098965
12		AR			SCREW(not serviced) N N N N
13					BUTTON N N N N
	G385 AA2	AR			N N NA3A YG385AA2
	G385 VC8	AR			N N NA3C YG385VC8
	G385 VM6	AR			N N NA3M YG385VM6
	G385 VT3	AR			N N NA3T YG385VT3
14	4190 527	AR			RETAINER,Button N N N Y4190527
15&2					CUSHION,Front w/Spring,Frame and Cover N N N N Manual N N N N
	A916 V4T	1			N N NF4T YA916V4T Electric N N N N
	A917 V4T	1			N N NF4T YA917V4T
15					COVER,Cushion N N N N
	A579 V4T	1			N N NF4T YA579V4T
16&2					BACK,Front w/Spring,Frame & cover N N N N
	A868-9 V4T	1			N N NF4T YA868V4T
16					COVER,Front Back N N N N
	A478-9 V4T	1			N N NF4T YA478V4T
17					PANEL,Back of Front Back N N N N
	S778-9 VT3	1			N N NF4T YS778VT3
18-19					ARM REST,w/Cover N N N N
	B657 VT3	1			N N NF4T YB657VT3
19					COVER, Arm Rest N N N N
	B376 VT3	1			N N NF4T YB376VT3
20					COVER,Arm Rest Finish N N N N
	S728 ST4	1			N N NF4T YS728ST4
21	4190 698-9	1			REINFORCEMENT, Cushion to Back Attaching N N N Y4190698

MODEL CODES

B = GRAN FURY/CARAVELLE  
C = LEBARON/TOWN & COUNTRY  
D = ARIES  
F = NEW YORKER  
G = DIPLOMAT  
M = HORIZON/TC3/SCAMP  
P = RELIANT  
S = CORDOBA  
V = 400  
X = MIRADA  
Y = IMPERIAL  
Z = OMNI/O24/RAMPAGE

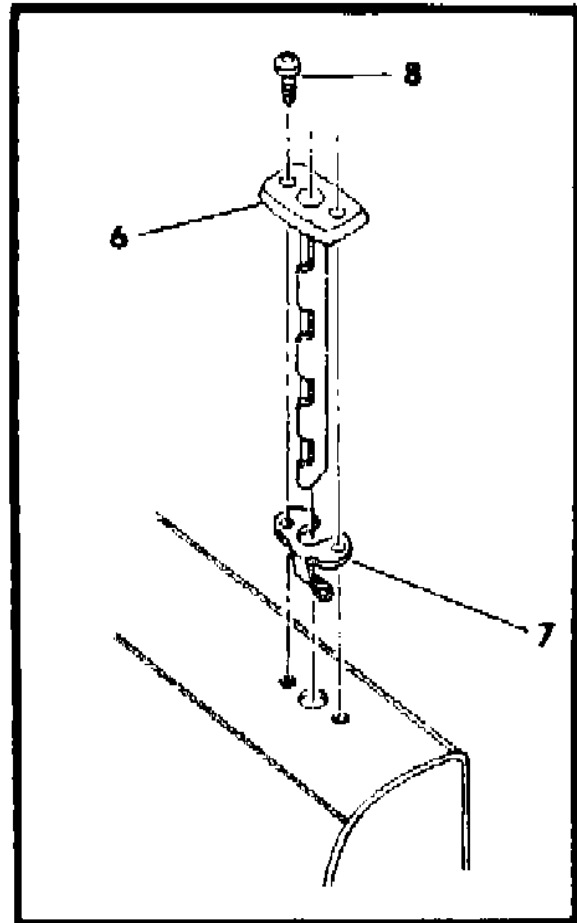
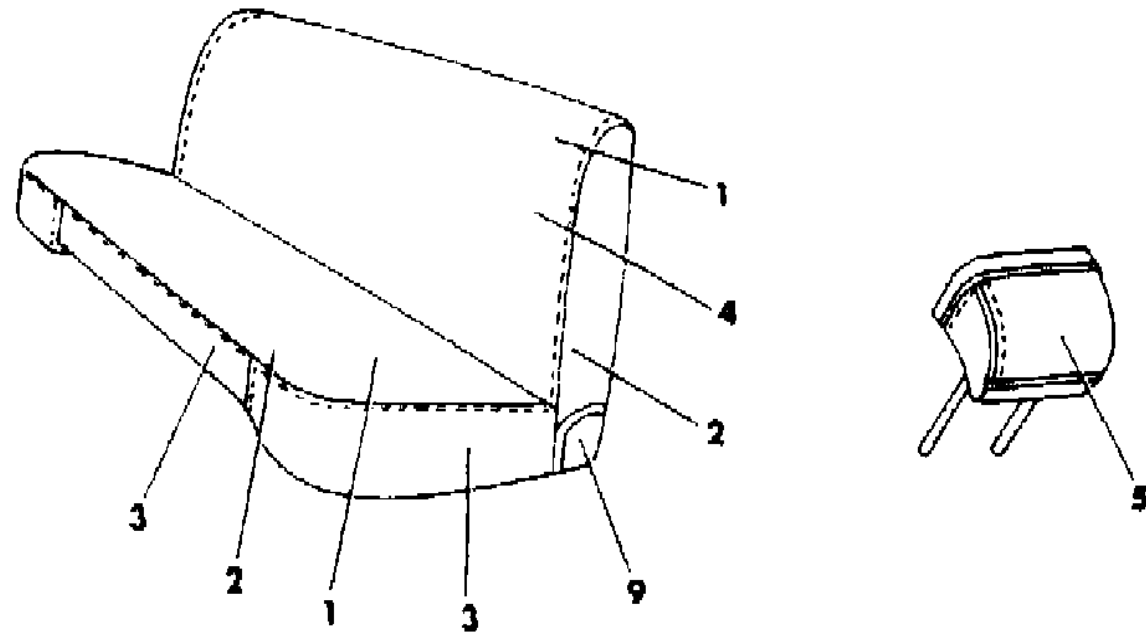
BODY STYLES

21 = 2-DOOR SEDAN  
22 = 2-DOOR SPECIAL COUPE  
24 = 2-DOOR HATCHBACK  
27 = 2-DOOR CONVERTIBLE  
28 = FWD PICKUP  
41 = 4-DOOR SEDAN  
44 = 4-DOOR HATCHBACK  
45 = 2-SEAT STATION WAGON

AR = Use as Required - = Non Illustrated Part P.A.R. = Paint as Required

SEAT FRONT B,F,G TRIM CODE K2  
Figure IT-5202

2253 520200



ITEM	PART NUMBER	QTY	BODY	MODEL	DESCRIPTION
1-3					CUSHION, w/Spring, Frame and Cover N N N N
	B619 V2C	1			N N NK2C YB619V2C
	B619 V2T	1			N N NK2T YB619V2T
1					COVER, Cushion N N N N
	B313 V2C	1			N N NK2C YB313V2C
	B313 V2T	1			N N NK2T YB313V2T
2					ROLL STOCK, Vinyl 54" Wide Order By The Inch N N N N
	R615 VC8	AR			Blue N N N YR615VC8
	R615 VT3	AR			Tan N N N YR615VT3
3					ROLL STOCK, Vinyl 64" Wide Order By The Inch N N N N
	R616 VC8	AR			Blue N N N YR616VC8
	R616 VT3	AR			Tan N N N YR616VT3
4&2-3					BACK, w/Spring, Frame and Cover N N N N
	N695 V2C	1			N N NK2C YN695V2C
	N695 V2T	1			N N NK2T YN695V2T
4					COVER, Back N N N N
	N125 V2C	1			N N NK2C YN125V2C
	N125 V2T	1			N N NK2T YN125V2T
5					HEAD REST N N N N
	S814 SC7	2			N N NK2C YS814SC7
	S814 ST4	2			N N NK2T YS814ST4
6					SLEEVE, Head Rest N N N N
	S815 SC7	4			N N NK2C YS815SC7
	S815 ST4	4			N N NK2T YS815ST4
7	4098 965	4			CATCH, Head Rest Post N N N Y4098965
8		AR			SCREW (not serviced) N N N N
9					COVER, Hinge Arm Outer N N N N
	S615 VC7	2			Blue N N N YS615VC7
	S615 VT4	2			Tan N N N YS615VT4
The following parts are not illustrated. s ARE NOT RETURNABLE.					
	6029 579	2			BOLT, Front Back to Cushion Attaching N N N Y6029579
	4029 749	1			Pad, Heavy Duty Front Cushion N N N Y4029749

MODEL CODES

B = GRAN FURY/CARAVELLE	P = RELIANT
C = LEBARON/TOWN & COUNTRY	S = CORDOBA
D = ARIES	V = 400
F = NEW YORKER	X = MIRADA
G = DIPLOMAT	Y = IMPERIAL
M = HORIZON/TC3/SCAMP	Z = OMNI/O24/RAMPAGE

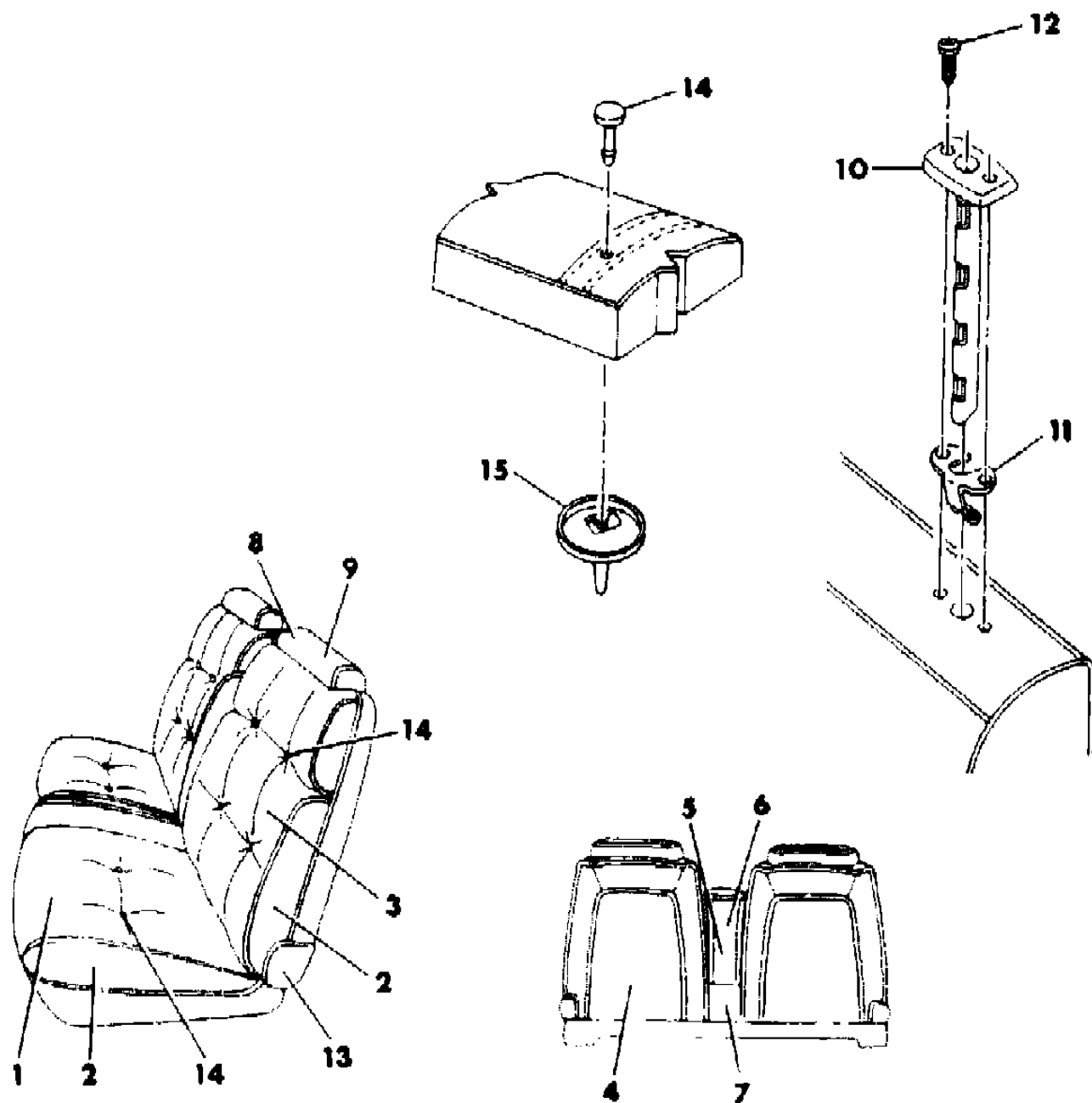
BODY STYLES

21 = 2-DOOR SEDAN	28 = FWD PICKUP
22 = 2-DOOR SPECIAL COUPE	41 = 4-DOOR SEDAN
24 = 2-DOOR HATCHBACK	44 = 4-DOOR HATCHBACK
27 = 2-DOOR CONVERTIBLE	45 = 2-SEAT STATION WAGON

AR = Use as Required - = Non Illustrated Part P.A.R. = Paint as Required

SEAT,FRONT B,F,G TRIM CODE C9,H9  
Figure IT-5211

2253 521100



ITEM	PART NUMBER	QTY	BODY	MODEL	DESCRIPTION
1-2					CUSHION,Front w/Spring,Frame and Cover N N N N
	A658-9 A9A	1			N N NC9A,H9A YA658A9A
	A658-9 V9C	1			N N NC9C,H9C YA658V9C
	A658-9 V9M	1			N N NC9M,H9M YA658V9M
	A658-9 V9T	1			N N NC9T,H9T YA658V9T
1					COVER,Cushion N N N N
	A330-1 A9A	1			N N NC9A,H9A YA330A9A
	A330-1 V9C	1			N N NC9C,H9C YA330V9C
	A330-1 V9M	1			N N NC9M,H9M YA330V9M
	A330-1 V9T	1			N N NC9T,H9T YA330V9T
2					CLOTH,Roll Stock 54" Wide Order by the Inch N N N N
	R083 AA3	AR			N N NC9A,H9A YR083AA3
	R083 TC7	AR			N N NC9C,H9C YR083TC7
	R083 TM6	AR			N N NC9M,H9M YR083TM6
	R083 TT5	AR			N N NC9T,H9T YR083TT5
14&15					N N N N
2-3					BACK,Front w/Spring,Frame and Cover N N N N
	A662-3 A9A	1			N N NC9A,H9A YA662A9A
	A662-3 V9C	1			N N NC9C,H9C YA662V9C
	A662-3 V9M	1			N N NC9M,H9M YA662V9M
	A662-3 V9T	1			N N NC9T,H9T YA662V9T
3					COVER,Front Back N N N N
	A332-3 A9A	1			N N NC9A,H9A YA332A9A
	A332-3 V9C	1			N N NC9C,H9C YA332V9C
	A332-3 V9M	1			N N NC9M,H9M YA332V9M
	A332-3 V9T	1			N N NC9T,H9T YA332V9T
4					PANEL,Back of Front Back N N N N
	S739 AA3	2			N N NC9A,H9A YS739AA3
	S739 SC7	2			N N NC9C,H9C YS739SC7
	S739 TM6	2			N N NC9M,H9M YS739TM6
	S739 ST4	2			N N NC9T,H9T YS739ST4
5-6					ARM REST,w/Cover N N N N
	A808 AA3	1			N N NC9A,H9A YA808AA3
	A808 VC7	1			N N NC9C,H9C YA808VC7
	A808 VM6	1			N N NC9M,H9M YA808VM6
	A808 VT4	1			N N NC9T,H9T YA808VT4
6					COVER,Arm Rest N N N N

MODEL CODES

B = GRAN FURY/CARAVELLE  
C = LEBARON/TOWN & COUNTRY  
D = ARIES  
F = NEW YORKER  
G = DIPLOMAT  
M = HORIZON/TC3/SCAMP  
P = RELIANT  
S = CORDOBA  
V = 400  
X = MIRADA  
Y = IMPERIAL  
Z = OMNI/O24/RAMPAGE

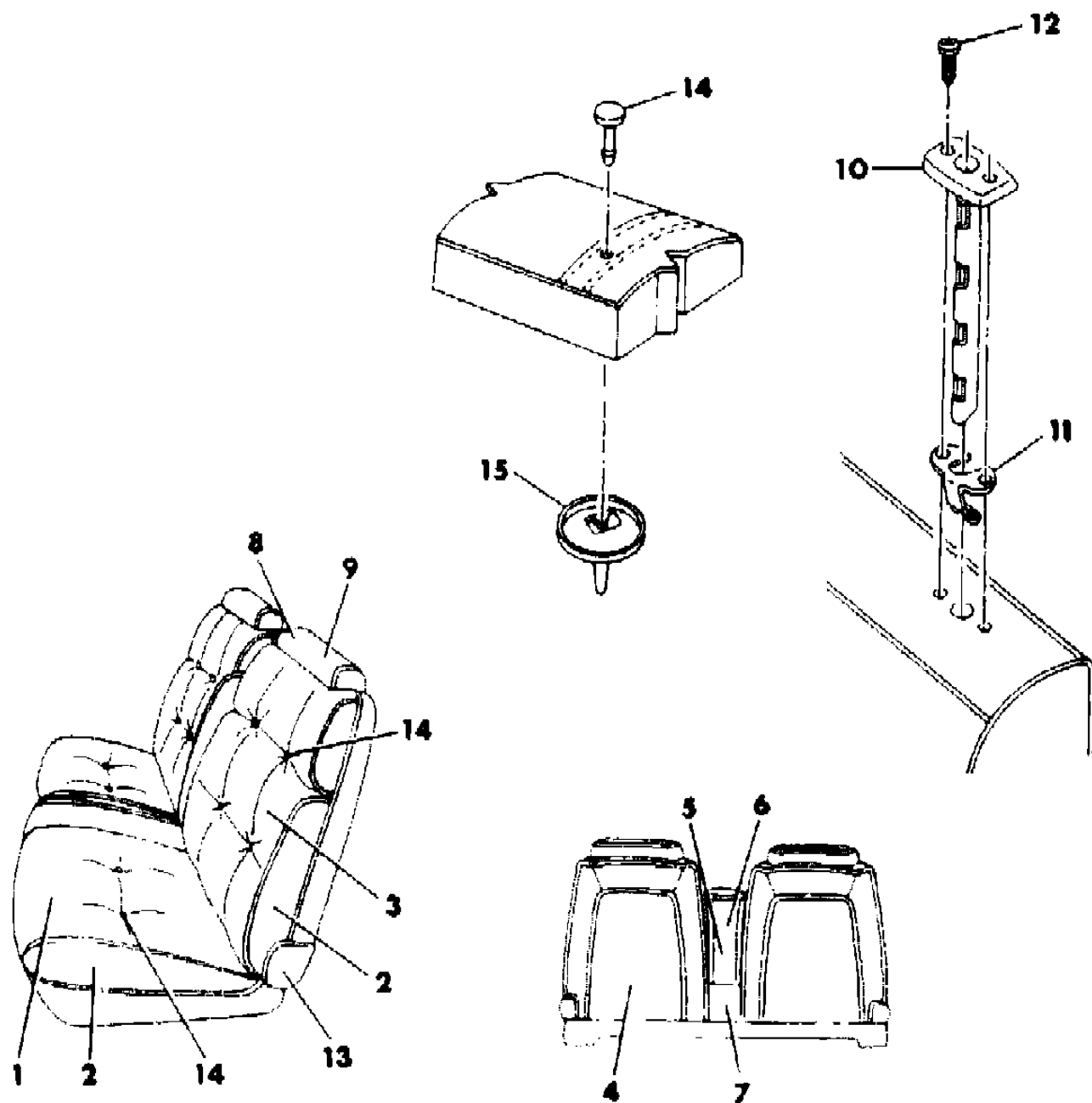
BODY STYLES

21 = 2-DOOR SEDAN  
22 = 2-DOOR SPECIAL COUPE  
24 = 2-DOOR HATCHBACK  
27 = 2-DOOR CONVERTIBLE  
28 = FWD PICKUP  
41 = 4-DOOR SEDAN  
44 = 4-DOOR HATCHBACK  
45 = 2-SEAT STATION WAGON

AR = Use as Required - = Non Illustrated Part P.A.R. = Paint as Required

SEAT,FRONT B,F,G TRIM CODE C9,H9  
Figure IT-5211

2253 521100



ITEM	PART NUMBER	QTY	BODY	MODEL	DESCRIPTION
	A504 AA3	1			N N NC9A,H9A YA504AA3
	A504 VC7	1			N N NC9C,H9C YA504VC7
	A504 VM6	1			N N NC9M,H9M YA504VM6
	A504 VT4	1			N N NC9T,H9T YA504VT4
7					COVER,Arm Rest Finish N N N N
	S580 AA3	1			N N NC9A,H9A YS580AA3
	S580 VC7	1			N N NC9C,H9C YS580VC7
	S580 VM6	1			N N NC9M,H9M YS580VM6
	S580 VT4	1			N N NC9T,H9T YS580VT4
8-9					HEAD REST,See Seat Belt Illustration For Loop N N N N
	A860 AA3	2			N N NC9A,H9A YA860AA3
	A860 VC7	2			N N NC9C,H9C YA860VC7
	A860 VM6	2			N N NC9M,H9M YA860VM6
	A860 VT5	2			N N NC9T,H9T YA860VT5
9					COVER,Head Rest N N N N
	A507 AA3	2			N N NC9A,H9A YA507AA3
	A507 VC7	2			N N NC9C,H9C YA507VC7
	A507 VM6	2			N N NC9M,H9M YA507VM6
	A507 VT5	2			N N NC9T,H9T YA507VT5
10					SLEEVE,Head Rest N N N N
	S690 AA3	4			Silver N N N YS690AA3
	S690 SC7	4			Blue N N N YS690SC7
	S690 TM6	4			Red N N N YS690TM6
	S690 ST4	4			Tan N N N YS690ST4
11	4098 965	4			CATCH,Head Rest Post N N N Y4098965
12		AR			SCREW(not serviced) N N N N
13					COVER,Hinge Arm Outer N N N N
	S876-7 SX9	1			Black,Paint as Required N N N YS876SX9
14					BUTTON N N N N
	G383 AA3	AR			N N NC9A,H9A YG383AA3
	G383 TC7	AR			N N NC9C,H9C YG383TC7
	G383 TM6	AR			N N NC9M,H9M YG383TM6
	G383 TT4	AR			N N NC9T,H9T YG383TT4
15		AR			RETAINER, Button (serviced in item 14) N N N N
	6030 981	2			NUT,Hinge Arm Cover N N N Y6030981

The following parts are not illustrated. s ARE NOT RETURNABLE.

MODEL CODES  
 B = GRAN FURY/CARAVELLE  
 C = LEBARON/TOWN & COUNTRY  
 D = ARIES  
 F = NEW YORKER  
 G = DIPLOMAT  
 M = HORIZON/TC3/SCAMP  
 P = RELIANT  
 S = CORDOBA  
 V = 400  
 X = MIRADA  
 Y = IMPERIAL  
 Z = OMNI/O24/RAMPAGE

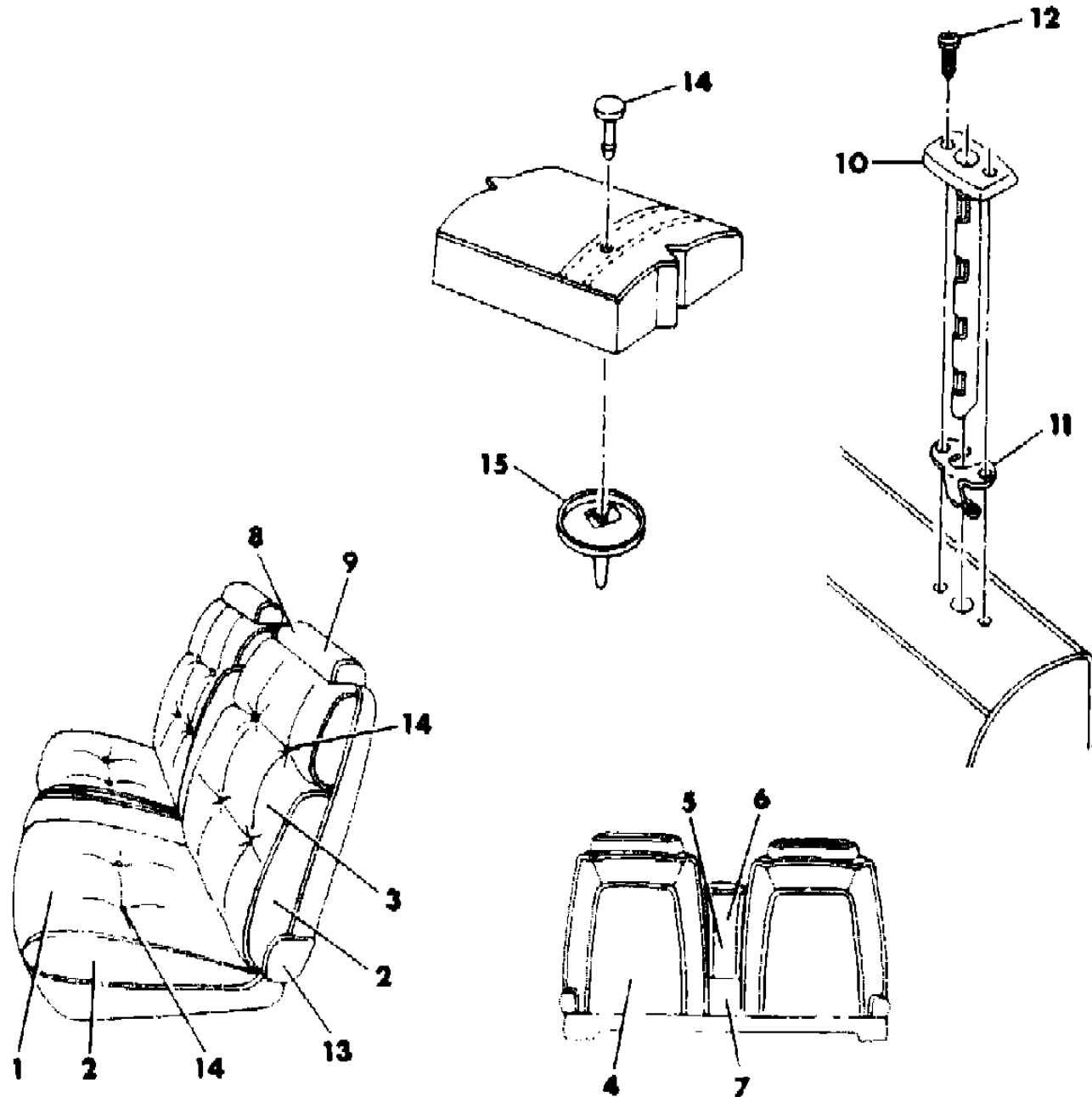
BODY STYLES  
 21 = 2-DOOR SEDAN  
 22 = 2-DOOR SPECIAL COUPE  
 24 = 2-DOOR HATCHBACK  
 27 = 2-DOOR CONVERTIBLE  
 28 = FWD PICKUP  
 41 = 4-DOOR SEDAN  
 44 = 4-DOOR HATCHBACK  
 45 = 2-SEAT STATION WAGON

AR = Use as Required - = Non Illustrated Part P.A.R. = Paint as Required



SEAT,FRONT B,F,G TRIM CODE C9,H9  
Figure IT-5211

2253 521100



ITEM	PART NUMBER	QTY	BODY	MODEL	DESCRIPTION
	4029 846	1			BUSHING,Front Cushion Inner Pivot Pin Rt. Only N N N Y4029846
	S682 AA3	1			COVER,Front Cushion Inner Bracket Rt. N N N N Silver N N N YS682AA3
	S682 SC7	1			Blue N N N YS682SC7
	S682 TM6	1			Red N N N YS682TM6
	S682 ST4	1			Tan N N N YS682ST4
	4018 808	2			COVER,Head Rest Finish N N N Y4018808
	4138 891	1			ROD,Arm Rest Lock N N N Y4138891
	6030 082	2			BOLT,Arm Rest Attaching N N N Y6030082
	4138 743	1			ARM,Front Seat Back To Cushion N N N Y4138743
	0181 063	2			SCREW,Arm Rest To Seat Back N N N Y181063
	6006 324	1			NUT, Arm Rest Lock Rod N N N Y6006324
	4138 743	1			ARM, Front Seat Back to Cushion N N N Y4138743

MODEL CODES

B = GRAN FURY/CARAVELLE	P = RELIANT
C = LEBARON/TOWN & COUNTRY	S = CORDOBA
D = ARIES	V = 400
F = NEW YORKER	X = MIRADA
G = DIPLOMAT	Y = IMPERIAL
M = HORIZON/TC3/SCAMP	Z = OMNI/O24/RAMPAGE

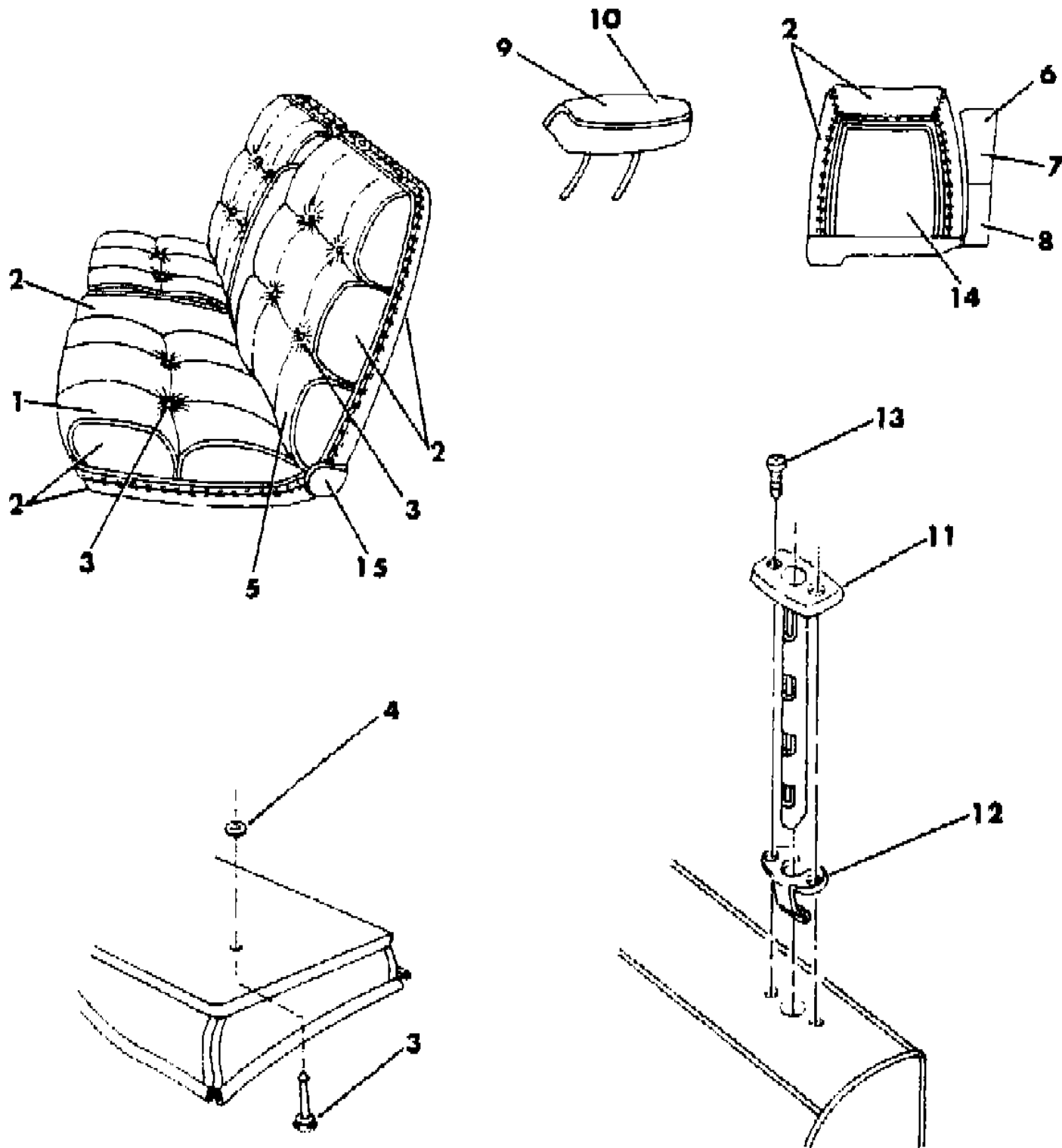
BODY STYLES

21 = 2-DOOR SEDAN	28 = FWD PICKUP
22 = 2-DOOR SPECIAL COUPE	41 = 4-DOOR SEDAN
24 = 2-DOOR HATCHBACK	44 = 4-DOOR HATCHBACK
27 = 2-DOOR CONVERTIBLE	45 = 2-SEAT STATION WAGON

AR = Use as Required - = Non Illustrated Part P.A.R. = Paint as Required

SEAT FRONT B,F,G TRIM CODE DY,GY  
Figure IT-5212

2253-521 200



ITEM	PART NUMBER	QTY	BODY	MODEL	DESCRIPTION
1-4	A620-1 AYA A620-1 VYT	1 1			CUSHION,Front w/Spring,Frame & Cover N N N N N N NDYA,GYA YA620AYA N N NDYT,GYT YA620VYT
1	A312-3 AYA A312-3 VYT	1 1			COVER,Cushion N N N N N N NDYA,GYA YA312AYA N N NDYT,GYT YA312VYT
2	R600 AA2 R616 VT3	AR AR			ROLL STOCK,Vinyl Order By The Inch N N N N Silver 54" Wide N N N YR600AA2 Tan 64" Wide N N N YR616VT3
3	G900 AA2 G900 VT3	AR AR			BUTTON,Cushion & Back N N N N N N NDYA,GYA YG900AA2 N N NDYT,GYT YG900VT3
4	4138 616 4029 901	AR AR			RETAINER,Button N N N Y4138616 WASHER,Button N N N Y4029901
2-5	A622-3 AYA A622-3 VYT	1 1			BACK,Front w/Spring,Frame and Cover N N N N N N NDYA,GYA YA622AYA N N NDYT,GYT YA622VYT
5	A314-5 AYA A314-5 VYT	1 1			COVER,Front Back N N N N N N NDYA,GYA YA314AYA N N NDYT,GYT YA314VYT
6	A640 AA2 A640 VT3	1 1			ARM REST,Front N N N N N N NDYA,GYA YA640AA2 N N NDYT,GYT YA640VT3
7	A319 AA2 A319 VT3	1 1			COVER,Arm Rest N N N N N N NDYA,GYA YA319AA2 N N NDYT,GYT YA319VT3
8	S580 AA3 S580 VT4	1 1			COVER,Arm Rest Finish N N N N N N NDYA,GYA YS580AA3 N N NDYT,GYT YS580VT4
The following parts are not illustrated. s ARE NOT RETURNABLE.					
	6030 082	2			BOLT,Arm Rest Attaching N N N Y6030082
	4138 891	1			ROD,Arm Rest Lock N N N Y4138891
	6006 324	1			NUT,Arm Rest Lock Rod N N N Y6006324
	0181 063	2			SCREW,Arm Rest to Seat Back N N N Y181063
	4138 743	1			ARM, Front Back to Cushion w/Arm Rest N N N Y4138743
9-10	A859 AA2	2			HEAD REST,See Seat Belt Illustration For Loop N N N N N N NDYA,GYA YA859AA2

MODEL CODES

B = GRAN FURY/CARAVELLE  
C = LEBARON/TOWN & COUNTRY  
D = ARIES  
F = NEW YORKER  
G = DIPLOMAT  
M = HORIZON/TC3/SCAMP  
P = RELIANT  
S = CORDOBA  
V = 400  
X = MIRADA  
Y = IMPERIAL  
Z = OMNI/O24/RAMPAGE

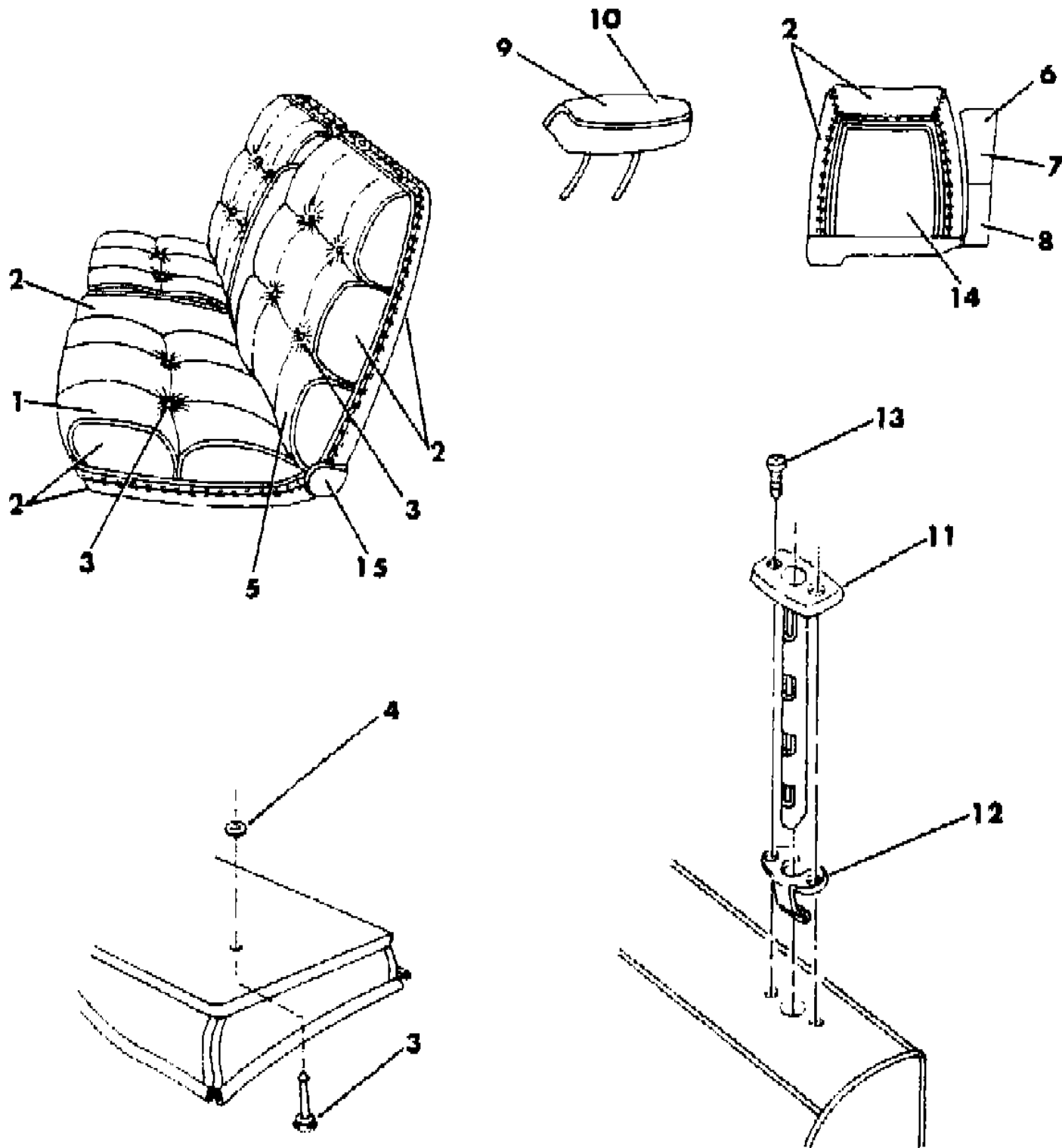
BODY STYLES

21 = 2-DOOR SEDAN  
22 = 2-DOOR SPECIAL COUPE  
24 = 2-DOOR HATCHBACK  
27 = 2-DOOR CONVERTIBLE  
28 = FWD PICKUP  
41 = 4-DOOR SEDAN  
44 = 4-DOOR HATCHBACK  
45 = 2-SEAT STATION WAGON

AR = Use as Required - = Non Illustrated Part P.A.R. = Paint as Required

SEAT FRONT B,F,G TRIM CODE DY,GY  
Figure IT-5212

2253-521 200



ITEM	PART NUMBER	QTY	BODY	MODEL	DESCRIPTION
	A859 VT3	2			N N NDYT,GYT YA859VT3
10	A508 AA2	2			COVER,Head Rest Cloth N N N N
	A508 VT3	2			N N NDYA,GYA YA508AA2
11					N N NDYT,GYT YA508VT3
	S690 AA3	4			SLEEVE,Head Rest N N N N
	S690 ST4	4			N N NDYA,GYA YS690AA3
12	4098 965	4			N N NDYT,GYT YS690ST4
13					CATCH,Head Rest Post N N N Y4098965
14					SCREW(not serviced) N N N N
	S740 AA2	2			PANEL,Back of Front Seat N N N N
	S740 VT3	2			N N NDYA,GYA YS740AA2
15					N N NDYT,GYT YS740VT3
	S876-7 SX9	1			COVER,Hinge Arm Outer N N N N
					Black,Paint as Required N N N YS876SX9
The following parts are not illustrated. s ARE NOT RETURNABLE.					
	4018 808	2			COVER,Head Rest Finish N N N Y4018808
	S682 AA3	1			COVER,Hinge Arm Inner N N N N
	S682 ST4	1			N N NDYA,GYA YS682AA3
	4190 488	1			N N NDYT,GYT YS682ST4
					BUSHING,Front Cushion Inner Pivot Pin Rt. Only N N N Y4190488

MODEL CODES

B = GRAN FURY/CARAVELLE  
C = LEBARON/TOWN & COUNTRY  
D = ARIES  
F = NEW YORKER  
G = DIPLOMAT  
M = HORIZON/TC3/SCAMP  
P = RELIANT  
S = CORDOBA  
V = 400  
X = MIRADA  
Y = IMPERIAL  
Z = OMNI/O24/RAMPAGE

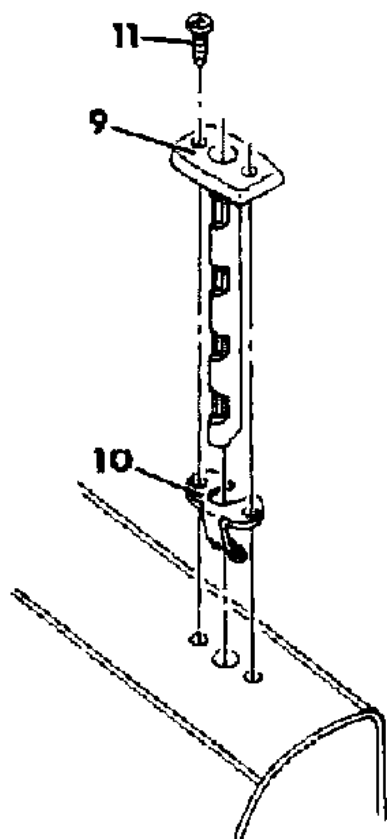
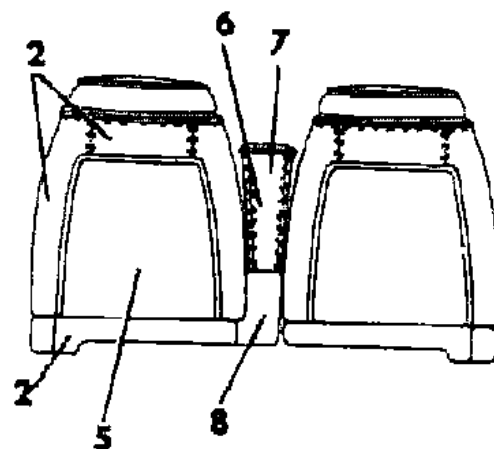
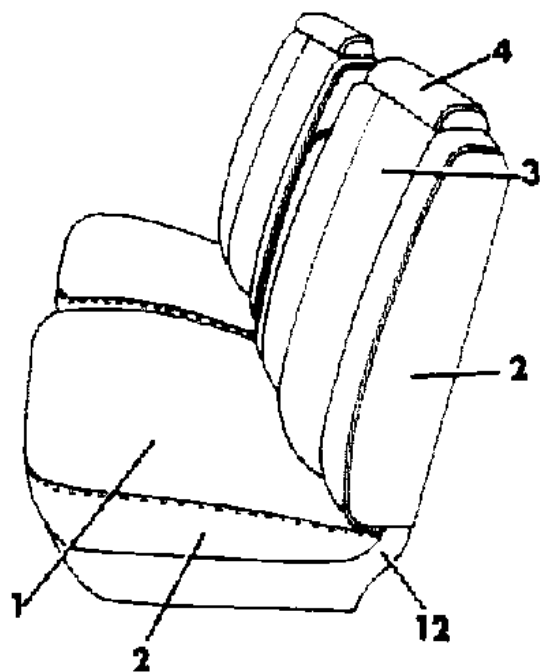
BODY STYLES

21 = 2-DOOR SEDAN  
22 = 2-DOOR SPECIAL COUPE  
24 = 2-DOOR HATCHBACK  
27 = 2-DOOR CONVERTIBLE  
28 = FWD PICKUP  
41 = 4-DOOR SEDAN  
44 = 4-DOOR HATCHBACK  
45 = 2-SEAT STATION WAGON

AR = Use as Required - = Non Illustrated Part P.A.R. = Paint as Required

SEAT FRONT B,F,G TRIM CODE KX  
Figure IT-5213

2253 521300



ITEM	PART NUMBER	QTY	BODY	MODEL	DESCRIPTION
1-2					CUSHION, w/Spring, Frame and Cover N N N N
	N850-1 VXT	1			N N NKXT YN850VXT
1					COVER, Cushion N N N N
	N462-3 VXT	1			N N NKXT YN462VXT
2	R616 VT3	AR			ROOL STOCK, Vinyl 64" Wide Order By The Inch N N NKXT YR616VT3
3&2	N844-5 VXT	1			BACK, w/Spring, Frame and Cover N N NKXT YN844VXT
3	N198-9 VXT	1			COVER, Back N N NKXT YN198VXT
4	S702 ST4	2			HEAD REST N N NKXT YS702ST4
5	S740 ST3	2			PANEL, Back of Front Back N N NKXT YS740ST3
6-7	G658 VT3	1			ARM REST, w/Cover N N NKXT YG658VT3
7	B376 VT3	1			COVER, Arm Rest N N NKXT YB376VT3
8	S580 VT4	1			COVER, Arm Rest Finish N N NKXT YS580VT4
9	S690 ST4	4			SLEEVE, Head Rest N N NKXT YS690ST4
10	4098 965	4			CATCH, Head Rest N N NKXT Y4098965
11		AR			SCREW (not serviced) N N N N
12	S876-7 RX9	1			COVER, Hinge Arm Outer Black Paint as Required N N NKXT YS876RX9

The following parts are not illustrated. s ARE NOT RETURNABLE.

	S628 ST4	1			COVER, Hinge Arm Inner Rt. Only N N N YS628ST4
	4190 488	1			BUSHING, Front Seat Cushion Inner Pivot Pin Rt. Only N N N Y4190488
	4138 891	1			ROD, Arm Rest Lock N N N Y4138891
	4098 886	1			ARM, Front Seat Back to Cushion, Rt. N N N Y4098886
	4138 765	1			Lt. N N N Y4138765
	6030 082	2			BOLT, Arm Rest Attaching N N N Y6030082
	6006 324	1			NUT, Arm Rest Lock Rod N N N Y6006324

MODEL CODES

B = GRAN FURY/CARAVELLE	P = RELIANT
C = LEBARON/TOWN & COUNTRY	S = CORDOBA
D = ARIES	V = 400
F = NEW YORKER	X = MIRADA
G = DIPLOMAT	Y = IMPERIAL
M = HORIZON/TC3/SCAMP	Z = OMNI/O24/RAMPAGE

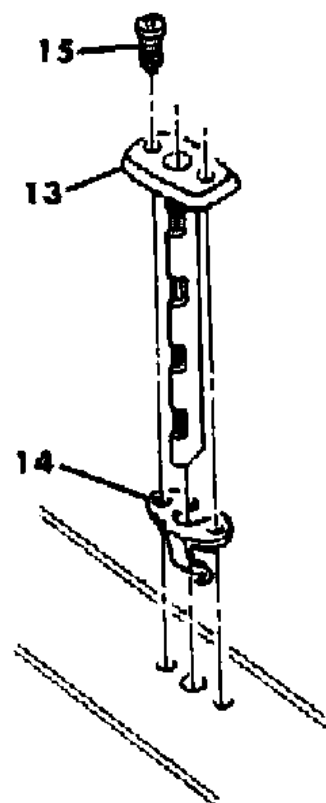
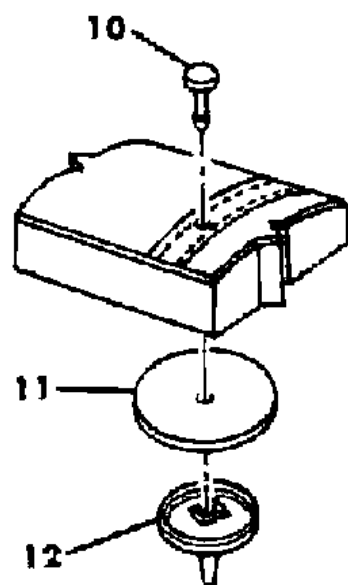
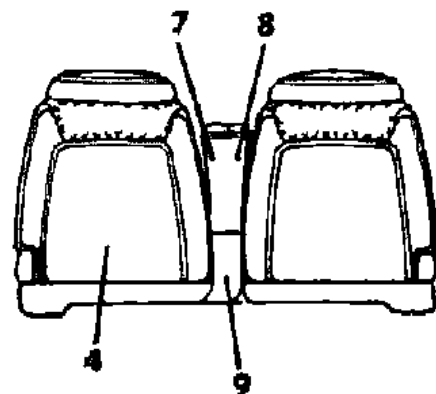
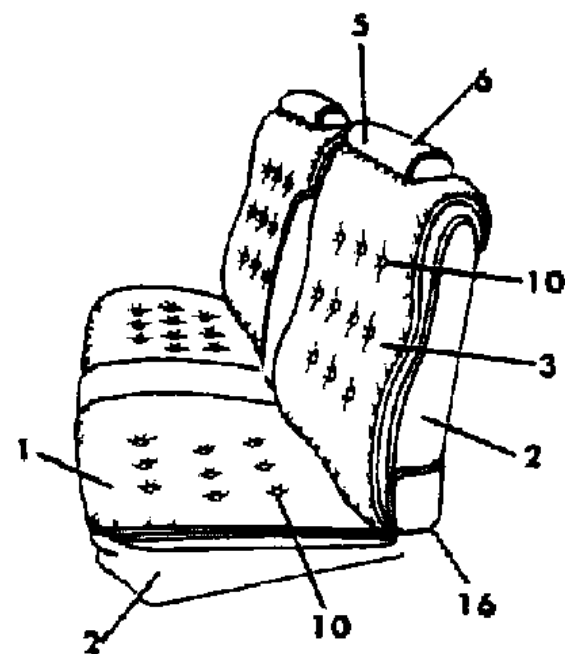
BODY STYLES

21 = 2-DOOR SEDAN	28 = FWD PICKUP
22 = 2-DOOR SPECIAL COUPE	41 = 4-DOOR SEDAN
24 = 2-DOOR HATCHBACK	44 = 4-DOOR HATCHBACK
27 = 2-DOOR CONVERTIBLE	45 = 2-SEAT STATION WAGON

AR = Use as Required - = Non Illustrated Part P.A.R. = Paint as Required

SEAT FRONT B,F,G TRIM CODE S9,SY  
Figure IT-5214

2253 521400



ITEM	PART NUMBER	QTY	BODY	MODEL	DESCRIPTION
1-2					CUSHION, w/Spring, Frame and Cover N N N N
	A910-1 A9A	1			N N NS9A YA910A9A
	A910-1 A9B	1			(material sample required) N N NS9C YA910A9B
	A910-1 ABB	1			(material sample required) N N NS9C YA910ABB
	A910-1 A9C	1			(material sample required) N N NS9C YA910A9C
	A910-1 A9U	1			(material sample required) N N NS9H YA910A9U
	A910-1 AHH	1			(material sample required) N N NS9H YA910AHH
	A910-1 A9H	1			(material sample required) N N NS9H YA910A9H
	A910-1 A9R	1			(material sample required) N N NS9M YA910A9R
	A910-1 ARR	1			(material sample required) N N NS9M YA910ARR
	A910-1 A9M	1			(material sample required) N N NS9M YA910A9M
	A910-1 A9T	1			N N NS9T YA910A9T
	A936-7 AYA	1			N N NSYA YA936AYA
	A936-7 AYC	1			N N NSYC YA936AYC
	A936-7 AYH	1			N N NSYH YA936AYH
	A936-7 AYM	1			N N NSYM YA936AYM
	A936-7 AYT	1			N N NSYT YA936AYT
2					COVER, Cushion N N N N
	A350-1 A9A	1			N N NS9A YA350A9A
	A350-1 A9B	1			(material sample required) N N NS9C YA350A9B
	A350-1 ABB	1			(material sample required) N N NS9C YA350ABB
	A350-1 A9C	1			(material sample required) N N NS9C YA350A9C
	A350-1 A9U	1			(material sample required) N N NS9H YA350A9U
	A350-1 AHH	1			(material sample required) N N NS9H YA350AHH
	A350-1 A9H	1			(material sample required) N N NS9H YA350A9H
	A350-1 A9R	1			(material sample required) N N NS9M YA350A9R
	A350-1 ARR	1			(material sample required) N N NS9M YA350ARR
	A350-1 A9M	1			(material sample required) N N NS9M YA350A9M
	A350-1 A9T	1			N N NS9T YA350A9T
	A344-5 AYA	1			N N NSYA YA344AYA
	A344-5 AYC	1			N N NSYC YA344AYC
	A344-5 AYH	1			N N NSYH YA344AYH
	A344-5 AYM	1			N N NSYM YA344AYM
	A344-5 AYT	1			N N NSYT YA344AYT
2					ROLL STOCK, Order by the Inch Cloth 54" Wide N N N N
	R093 AA3	AR			N N NS9A YR093AA3
	R093 AC7	AR			(material sample required) N N NS9C YR093AC7

MODEL CODES

B = GRAN FURY/CARAVELLE	P = RELIANT
C = LEBARON/TOWN & COUNTRY	S = CORDOBA
D = ARIES	V = 400
F = NEW YORKER	X = MIRADA
G = DIPLOMAT	Y = IMPERIAL
M = HORIZON/TC3/SCAMP	Z = OMNI/O24/RAMPAGE

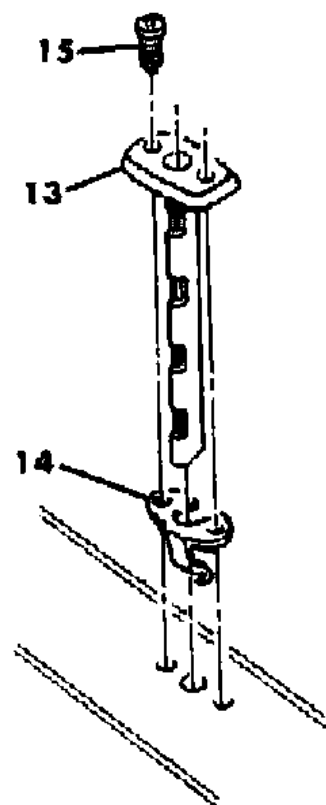
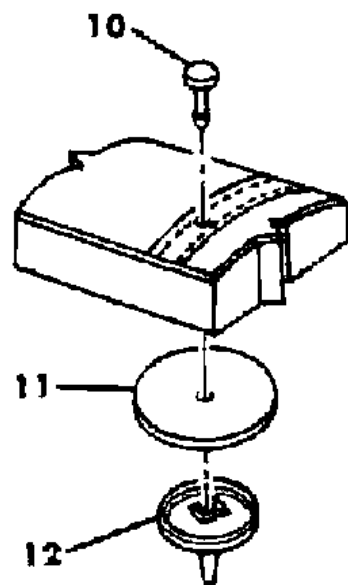
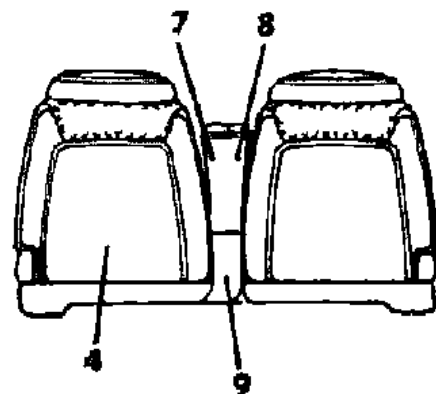
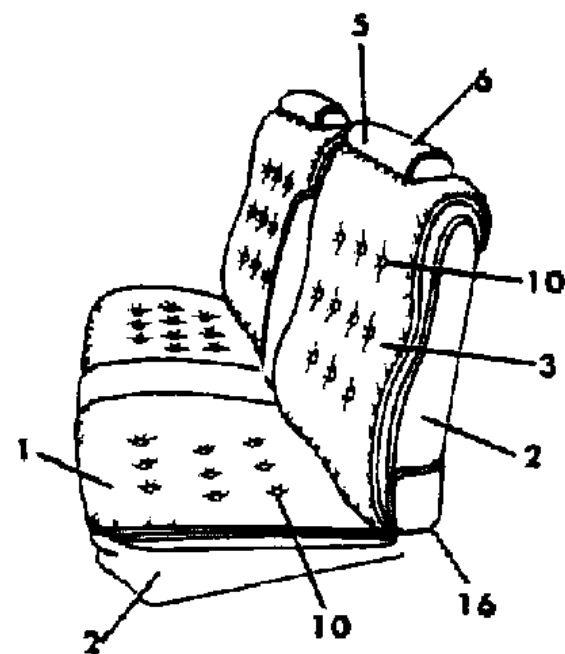
BODY STYLES

21 = 2-DOOR SEDAN	28 = FWD PICKUP
22 = 2-DOOR SPECIAL COUPE	41 = 4-DOOR SEDAN
24 = 2-DOOR HATCHBACK	44 = 4-DOOR HATCHBACK
27 = 2-DOOR CONVERTIBLE	45 = 2-SEAT STATION WAGON

AR = Use as Required - = Non Illustrated Part P.A.R. = Paint as Required

SEAT FRONT B,F,G TRIM CODE S9,SY  
Figure IT-5214

2253 521400



ITEM	PART NUMBER	QTY	BODY	MODEL	DESCRIPTION
	R086 VC7	AR			(material sample required) N N NS9C YR086VC7
	R080 TC7	AR			(material sample required) N N NS9C YR080TC7
	R093 AH9	AR			(material sample required) N N NS9H YR093AH9
	R086 VH9	AR			(material sample required) N N NS9H YR086VH9
	R080 VH9	AR			(material sample required) N N NS9H YR080VH9
	R093 AM6	AR			(material sample required) N N NS9M YR093AM6
	R086 VM6	AR			(material sample required) N N NS9M YR086VM6
	R080 TM6	AR			(material sample required) N N NS9M YR080TM6
	R093 AT4	AR			N N NS9T YR093AT4
					YINYL N N N N
	R600 AA2	AR			54" WIDE N N NSYA YR600AA2
	R616 VC8	AR			64" WIDE N N NSYC YR616VC8
	R609 VH9	AR			58" WIDE N N NSYH YR609VH9
	R616 VM6	AR			64" WIDE N N NSYM YR616VM6
	R616 VT3	AR			64" WIDE N N NSYT YR616VT3
2-3					BACK, w/Spring, Frame and Cover N N N N
	A912-3 A9A	1			N N NS9A YA912A9A
	A912-3 A9B	1			(material sample required) N N NS9C YA912A9B
	A912-3 ABB	1			(material sample required) N N NS9C YA912ABB
	A912-3 A9C	1			(material sample required) N N NS9C YA912A9C
	A912-3 A9U	1			(material sample required) N N NS9H YA912A9U
	A912-3 AHH	1			(material sample required) N N NS9H YA912AHH
	A912-3 A9H	1			(material sample required) N N NS9H YA912A9H
	A912-3 A9R	1			(material sample required) N N NS9M YA912A9R
	A912-3 ARR	1			(material sample required) N N NS9M YA912ARR
	A912-3 A9M	1			(material sample required) N N NS9M YA912A9M
	A912-3 A9T	1			N N NS9T YA912A9T
	A938-9 AYA	1			N N NSYA YA938AYA
	A938-9 AYC	1			N N NSYC YA938AYC
	A938-9 AYH	1			N N NSYH YA938AYH
	A938-9 AYM	1			N N NSYM YA938AYM
	A938-9 AYT	1			N N NSYT YA938AYT
3					COVER, Back N N N N
	A352-3 A9A	1			N N NS9A YA352A9A
	A352-3 A9B	1			(material sample required) N N NS9C YA352A9B
	A352-3 ABB	1			(material sample required) N N NS9C YA352ABB
	A352-3 A9C	1			(material sample required) N N NS9C YA352A9C

MODEL CODES

B = GRAN FURY/CARAVELLE	P = RELIANT
C = LEBARON/TOWN & COUNTRY	S = CORDOBA
D = ARIES	V = 400
F = NEW YORKER	X = MIRADA
G = DIPLOMAT	Y = IMPERIAL
M = HORIZON/TC3/SCAMP	Z = OMNI/O24/RAMPAGE

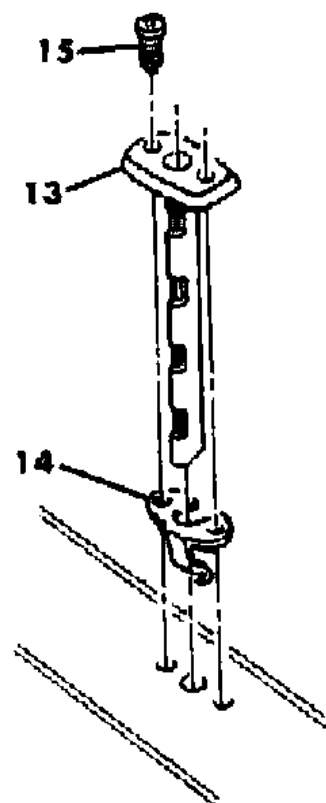
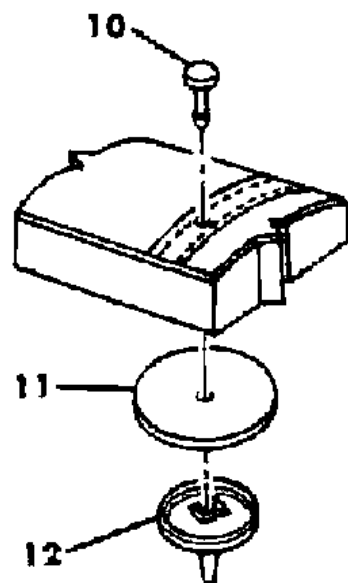
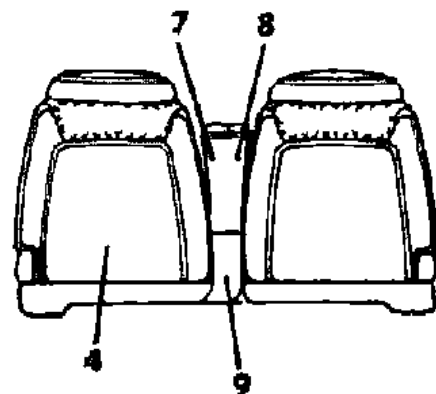
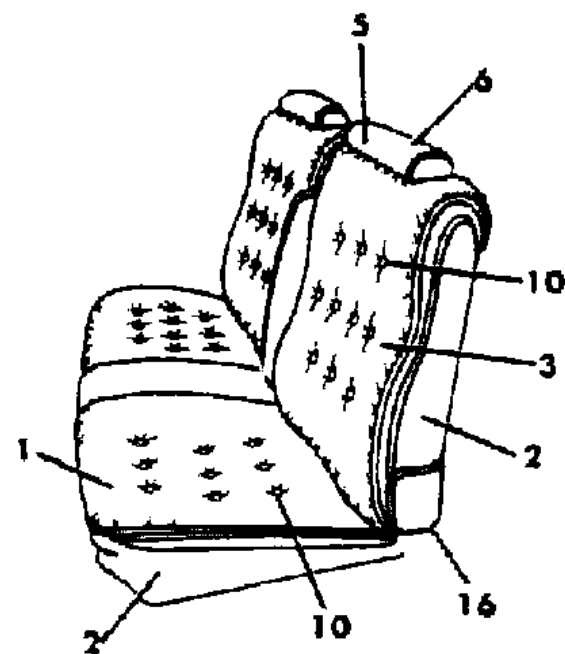
BODY STYLES

21 = 2-DOOR SEDAN	28 = FWD PICKUP
22 = 2-DOOR SPECIAL COUPE	41 = 4-DOOR SEDAN
24 = 2-DOOR HATCHBACK	44 = 4-DOOR HATCHBACK
27 = 2-DOOR CONVERTIBLE	45 = 2-SEAT STATION WAGON

AR = Use as Required - = Non Illustrated Part P.A.R. = Paint as Required

SEAT FRONT B,F,G TRIM CODE S9,SY  
Figure IT-5214

2253 521400



ITEM	PART NUMBER	QTY	BODY	MODEL	DESCRIPTION
	A352-3 A9U	1			(material sample required) N N NS9H YA352A9U
	A352-3 AHH	1			(material sample required) N N NS9H YA352AHH
	A352-3 A9H	1			(material sample required) N N NS9H YA352A9H
	A352-3 A9R	1			(material sample required) N N NS9M YA352A9R
	A352-3 ARR	1			(material sample required) N N NS9M YA352ARR
	A352-3 A9M	1			(material sample required) N N NS9M YA352A9M
	A352-3 A9T	1			N N NS9T YA352A9T
	G496-7 AYA	1			N N NSYA YG496AYA
	G496-7 VYC	1			N N NSYC YG496VYC
	G496-7 VYH	1			N N NSYH YG496VYH
	G496-7 AYM	1			N N NSYM YG496AYM
	G496-7 VYT	1			N N NSYT YG496VYT
4					PANEL, Front Back N N N N
	S742 AA3	2			N N NS9A YS742AA3
	S742 ACB	2			(material sample required) N N NS9C YS742ACB
	S742 ACC	2			(material sample required) N N NS9C YS742ACC
	S742 AC7	2			(material sample required) N N NS9C YS742AC7
	S742 AHU	2			(material sample required) N N NS9H YS742AHU
	S742 AHH	2			(material sample required) N N NS9H YS742AHH
	S742 AH9	2			(material sample required) N N NS9H YS742AH9
	S742 AMR	2			(material sample required) N N NS9M YS742AMR
	S742 AMM	2			(material sample required) N N NS9M YS742AMM
	S742 AM6	2			(material sample required) N N NS9M YS742AM6
	S742 AT4	2			N N NS9T YS742AT4
	S740 AA2	2			N N NSYA YS740AA2
	S740 VC8	2			N N NSYC YS740VC8
	S740 VH9	2			N N NSYH YS740VH9
	S740 VM6	2			N N NSYM YS740VM6
	S740 VT3	2			N N NSYT YS740VT3
5					HEADREST, w/Cover N N N N
	A905 AA3	2			N N NS9A YA905AA3
	A905 ACB	2			(material sample required) N N NS9C YA905ACB
	A905 ABB	2			(material sample required) N N NS9C YA905ABB
	A905 AC7	2			(material sample required) N N NS9C YA905AC7
	A905 AHU	2			(material sample required) N N NS9H YA905AHU
	A905 AHH	2			(material sample required) N N NS9H YA905AHH
	A905 AH9	2			(material sample required) N N NS9H YA905AH9

MODEL CODES

B = GRAN FURY/CARAVELLE	P = RELIANT
C = LEBARON/TOWN & COUNTRY	S = CORDOBA
D = ARIES	V = 400
F = NEW YORKER	X = MIRADA
G = DIPLOMAT	Y = IMPERIAL
M = HORIZON/TC3/SCAMP	Z = OMNI/O24/RAMPAGE

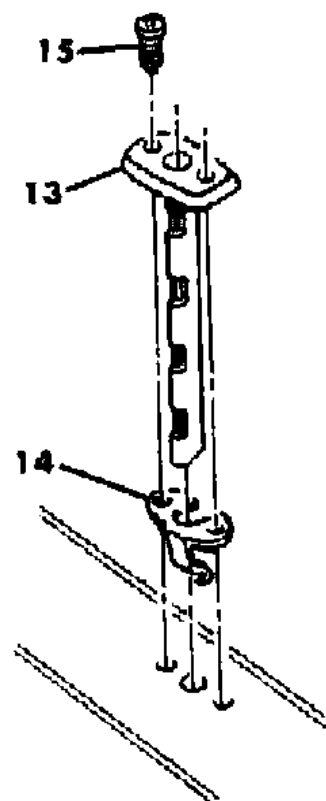
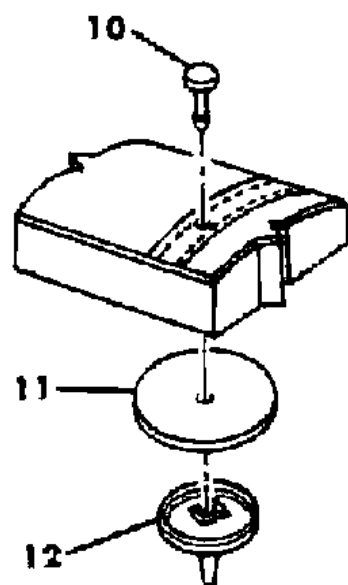
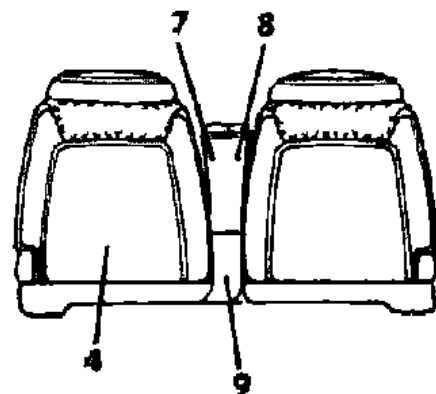
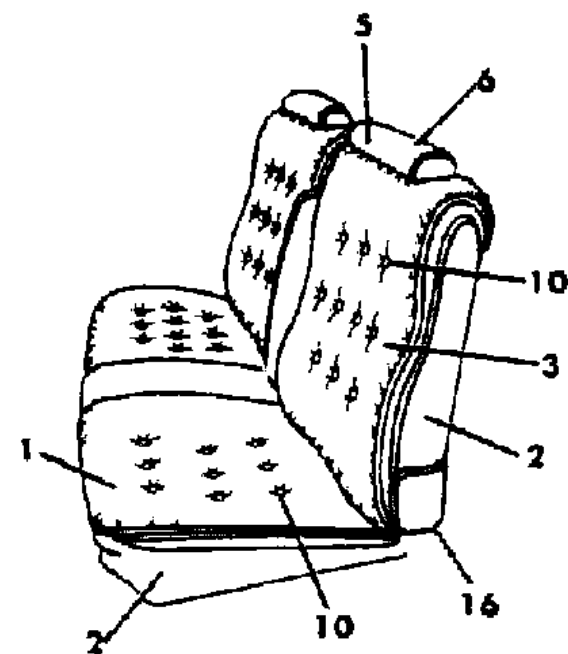
BODY STYLES

21 = 2-DOOR SEDAN	28 = FWD PICKUP
22 = 2-DOOR SPECIAL COUPE	41 = 4-DOOR SEDAN
24 = 2-DOOR HATCHBACK	44 = 4-DOOR HATCHBACK
27 = 2-DOOR CONVERTIBLE	45 = 2-SEAT STATION WAGON

AR = Use as Required - = Non Illustrated Part P.A.R. = Paint as Required

SEAT FRONT B,F,G TRIM CODE S9,SY  
Figure IT-5214

2253 521400



ITEM	PART NUMBER	QTY	BODY	MODEL	DESCRIPTION
	A905 AMR	2			(material sample required) N N NS9M YA905AMR
	A905 ARR	2			(material sample required) N N NS9M YA905ARR
	A905 AM6	2			(material sample required) N N NS9M YA905AM6
	A905 AT4	2			N N NS9T YA905AT4
	A859 AA2	2			N N NSYA YA859AA2
	A859 VC8	2			N N NSYC YA859VC8
	A859 VH9	2			N N NSYH YA859VH9
	A859 VM6	2			N N NSYM YA859VM6
	A859 VT3	2			N N NSYT YA859VT3
6					COVER, Headrest N N N N
	A357 AA3	2			N N NS9A YA357AA3
	A357 ACB	2			(material sample required) N N NS9C YA357ACB
	A357 ACC	2			(material sample required) N N NS9C YA357ACC
	A357 AC7	2			(material sample required) N N NS9C YA357AC7
	A357 AHU	2			(material sample required) N N NS9H YA357AHU
	A357 AHH	2			(material sample required) N N NS9H YA357AHH
	A357 AH9	2			(material sample required) N N NS9H YA357AH9
	A357 AMR	2			(material sample required) N N NS9M YA357AMR
	A357 AMM	2			(material sample required) N N NS9M YA357AMM
	A357 AM6	2			(material sample required) N N NS9M YA357AM6
	A357 AT4	2			N N NS9T YA357AT4
	A508 AA2	2			N N NSYA YA508AA2
	A508 VC8	2			N N NSYC YA508VC8
	A508 VH9	2			N N NSYH YA508VH9
	A508 VM6	2			N N NSYM YA508VM6
	A508 VT3	2			N N NSYT YA508VT3
7					ARM REST, w/Cover N N N N
	A908 AA3	1			N N NS9A YA908AA3
	A908 ACB	1			(material sample required) N N NS9C YA908ACB
	A908 ABB	1			(material sample required) N N NS9C YA908ABB
	A908 AC7	1			(material sample required) N N NS9C YA908AC7
	A908 AHU	1			(material sample required) N N NS9H YA908AHU
	A908 AHH	1			(material sample required) N N NS9H YA908AHH
	A908 AH9	1			(material sample required) N N NS9H YA908AH9
	A908 AMR	1			(material sample required) N N NS9M YA908AMR
	A908 ARR	1			(material sample required) N N NS9M YA908ARR
	A908 AM6	1			(material sample required) N N NS9M YA908AM6

MODEL CODES

B = GRAN FURY/CARAVELLE	P = RELIANT
C = LEBARON/TOWN & COUNTRY	S = CORDOBA
D = ARIES	V = 400
F = NEW YORKER	X = MIRADA
G = DIPLOMAT	Y = IMPERIAL
M = HORIZON/TC3/SCAMP	Z = OMNI/O24/RAMPAGE

BODY STYLES

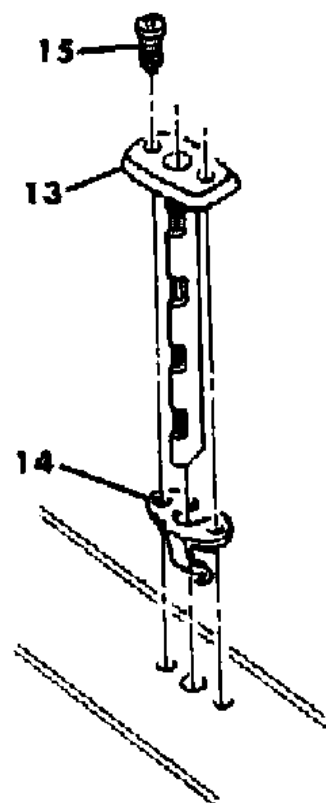
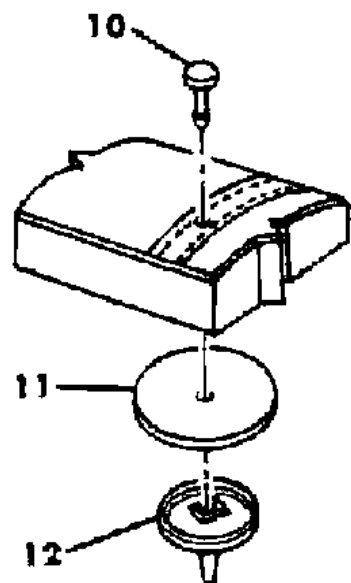
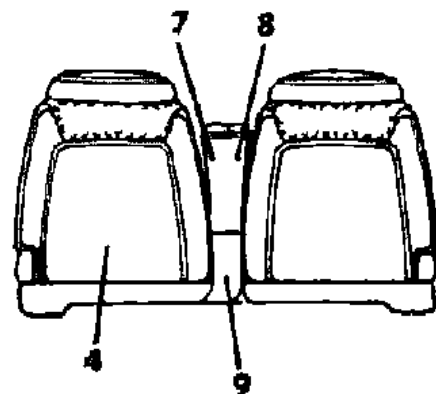
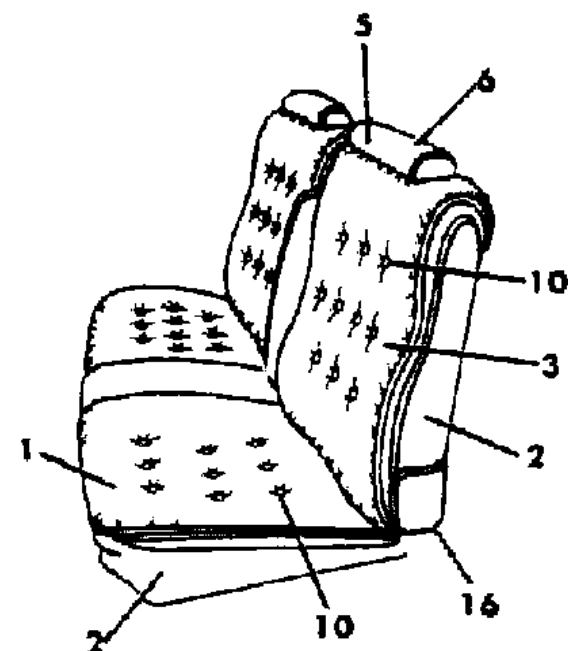
21 = 2-DOOR SEDAN	28 = FWD PICKUP
22 = 2-DOOR SPECIAL COUPE	41 = 4-DOOR SEDAN
24 = 2-DOOR HATCHBACK	44 = 4-DOOR HATCHBACK
27 = 2-DOOR CONVERTIBLE	45 = 2-SEAT STATION WAGON

AR = Use as Required - = Non Illustrated Part P.A.R. = Paint as Required



SEAT FRONT B,F,G TRIM CODE S9,SY  
Figure IT-5214

2253 521400



ITEM	PART NUMBER	QTY	BODY	MODEL	DESCRIPTION
	A908 AT4	1			N N NS9T YA908AT4
	A640 AA2	1			N N NSYA YA640AA2
	A640 VC8	1			N N NSYC YA640VC8
	A640 VH9	1			N N NSYH YA640VH9
	A640 VM6	1			N N NSYM YA640VM6
	A640 VT3	1			N N NSYT YA640VT3
8					COVER, Arm Rest N N N N
	A356 AA3	1			N N NS9A YA356AA3
	A356 ACB	1			(material sample required) N N NS9C YA356ACB
	A356 ACC	1			(material sample required) N N NS9C YA356ACC
	A356 AC7	1			(material sample required) N N NS9C YA356AC7
	A356 AHU	1			(material sample required) N N NS9H YA356AHU
	A356 AHH	1			(material sample required) N N NS9H YA356AHH
	A356 AH9	1			(material sample required) N N NS9H YA356AH9
	A356 AMR	1			(material sample required) N N NS9M YA356AMR
	A356 AMM	1			(material sample required) N N NS9M YA356AMM
	A356 AM6	1			(material sample required) N N NS9M YA356AM6
	A356 AT4	1			N N NS9T YA356AT4
	A319 AA2	1			N N NSYA YA319AA2
	A319 VC8	1			N N NSYC YA319VC8
	A319 VH9	1			N N NSYH YA319VH9
	A319 VM6	1			N N NSYM YA319VM6
	A319 VT3	1			N N NSYT YA319VT3
9					COVER, Arm Rest Finish N N N N
	S580 AA3	1			Silver N N N YS580AA3
	S580 VC7	1			Blue N N N YS580VC7
	S580 VH9	1			Mahogany N N N YS580VH9
	S580 VM6	1			Red N N N YS580VM6
	S580 VT4	1			Tan N N N YS580VT4
10					BUTTON, Cushion and Back N N N N
	G378 AA3	AR			N N NS9A YG378AA3
	G378 AC7	AR			(material sample required) N N NS9C YG378AC7
	G378 ACC	AR			(material sample required) N N NS9C YG378ACC
	G388 AC7	AR			(material sample required) N N NS9C YG388AC7
	G378 AH9	AR			(material sample required) N N NS9H YG378AH9
	G378 AHH	AR			(material sample required) N N NS9H YG378AHH
	G388 AH9	AR			(material sample required) N N NS9H YG388AH9

MODEL CODES

B = GRAN FURY/CARAVELLE	P = RELIANT
C = LEBARON/TOWN & COUNTRY	S = CORDOBA
D = ARIES	V = 400
F = NEW YORKER	X = MIRADA
G = DIPLOMAT	Y = IMPERIAL
M = HORIZON/TC3/SCAMP	Z = OMNI/O24/RAMPAGE

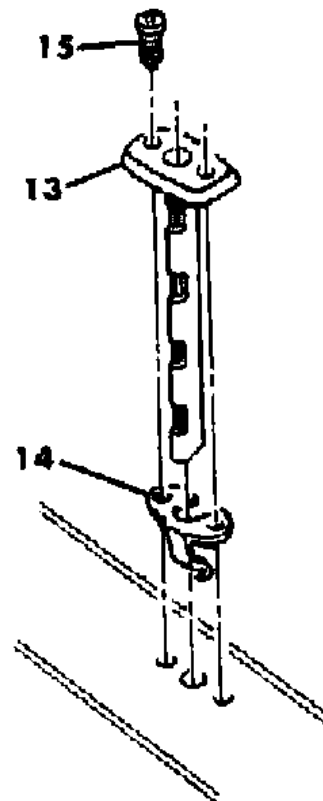
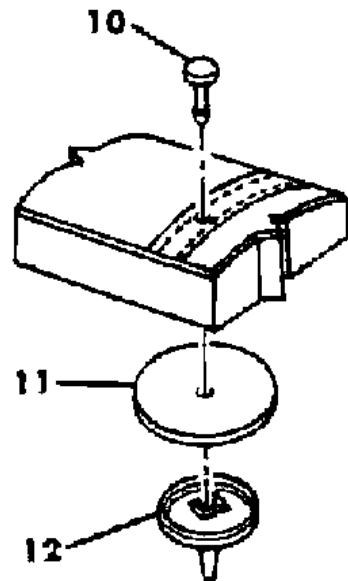
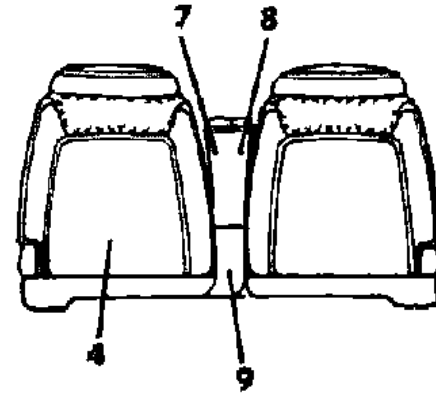
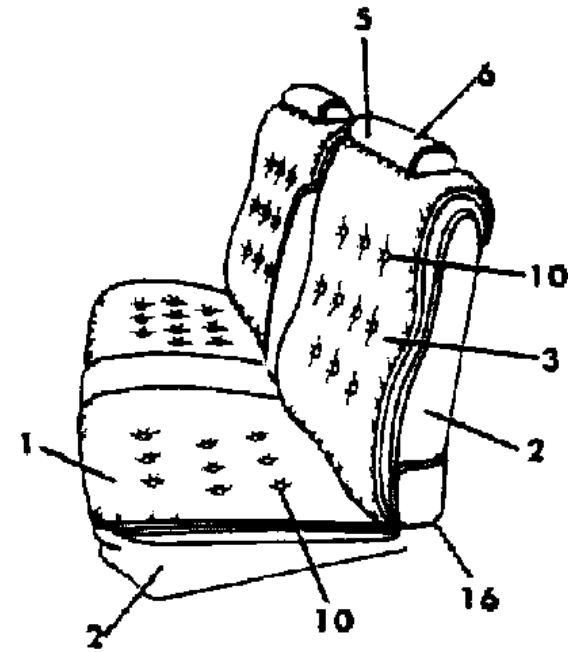
BODY STYLES

21 = 2-DOOR SEDAN	28 = FWD PICKUP
22 = 2-DOOR SPECIAL COUPE	41 = 4-DOOR SEDAN
24 = 2-DOOR HATCHBACK	44 = 4-DOOR HATCHBACK
27 = 2-DOOR CONVERTIBLE	45 = 2-SEAT STATION WAGON

AR = Use as Required - = Non Illustrated Part P.A.R. = Paint as Required

SEAT FRONT B,F,G TRIM CODE S9,SY  
Figure IT-5214

2253 521400



ITEM	PART NUMBER	QTY	BODY	MODEL	DESCRIPTION
	G378 AM6	AR			(material sample required) N N NS9M YG378AM6
	G378 AMM	AR			(material sample required) N N NS9M YG378AMM
	G388 AM6	AR			(material sample required) N N NS9M YG388AM6
	G378 AT4	AR			N N NS9T YG378AT4
	S845 AA2	AR			N N NSYA YS845AA2
	S845 VC8	AR			N N NSYC YS845VC8
	S845 VH9	AR			N N NSYH YS845VH9
	S845 AM6	AR			N N NSYM YS845AM6
	S845 VT3	AR			N N NSYT YS845VT3
11	4018 167	AR			WASHER, Button N N N Y4018167
12	4138 330	AR			RETAINER, Button N N N Y4138330
13					SLEEVE, Headrest N N N N
	S690 AA3	4			Silver N N N YS690AA3
	S690 SC7	4			Blue N N N YS690SC7
	S690 VH9	4			Mahogany N N N YS690VH9
	S690 TM6	4			Red N N N YS690TM6
	S690 ST4	4			Tan N N N YS690ST4
14	4098 965	4			CATCH, Headrest Post N N N Y4098965
15		AR			SCREW (not serviced) N N N N
16	S876-7 SX9	1			COVER, Hinge Arm Outer (paint as required) N N N YS876SX9
The following parts are not illustrated. s ARE NOT RETURNABLE.					
	4138 743	1			ARM, Back to Cushion Arm Rest, Rt. N N N Y4138743
	4138 765	1			Lt. N N N Y4138765
	4190 488	1			BUSHING, Front Seat Cushion Inner Pivot, Rt. Only N N N Y4190488
	4138 891	1			ROD, ArmRest Lock N N N Y4138891
	6030 082	2			BOLT, Arm Rest Attaching N N N Y6030082
	6006 324	1			NUT, Arm Rest Lock Rod N N N Y6006324
					COVER, Hinge Arm Inner Rt. N N N N
	S682 AA3	1			Silver N N N YS682AA3
	S682 SC7	1			Blue N N N YS682SC7
	S682 VH9	1			Mahogany N N N YS682VH9
	S682 TM6	1			Red N N N YS682TM6
	S682 ST4	1			Tan N N N YS682ST4

MODEL CODES

B = GRAN FURY/CARAVELLE	P = RELIANT
C = LEBARON/TOWN & COUNTRY	S = CORDOBA
D = ARIES	V = 400
F = NEW YORKER	X = MIRADA
G = DIPLOMAT	Y = IMPERIAL
M = HORIZON/TC3/SCAMP	Z = OMNI/O24/RAMPAGE

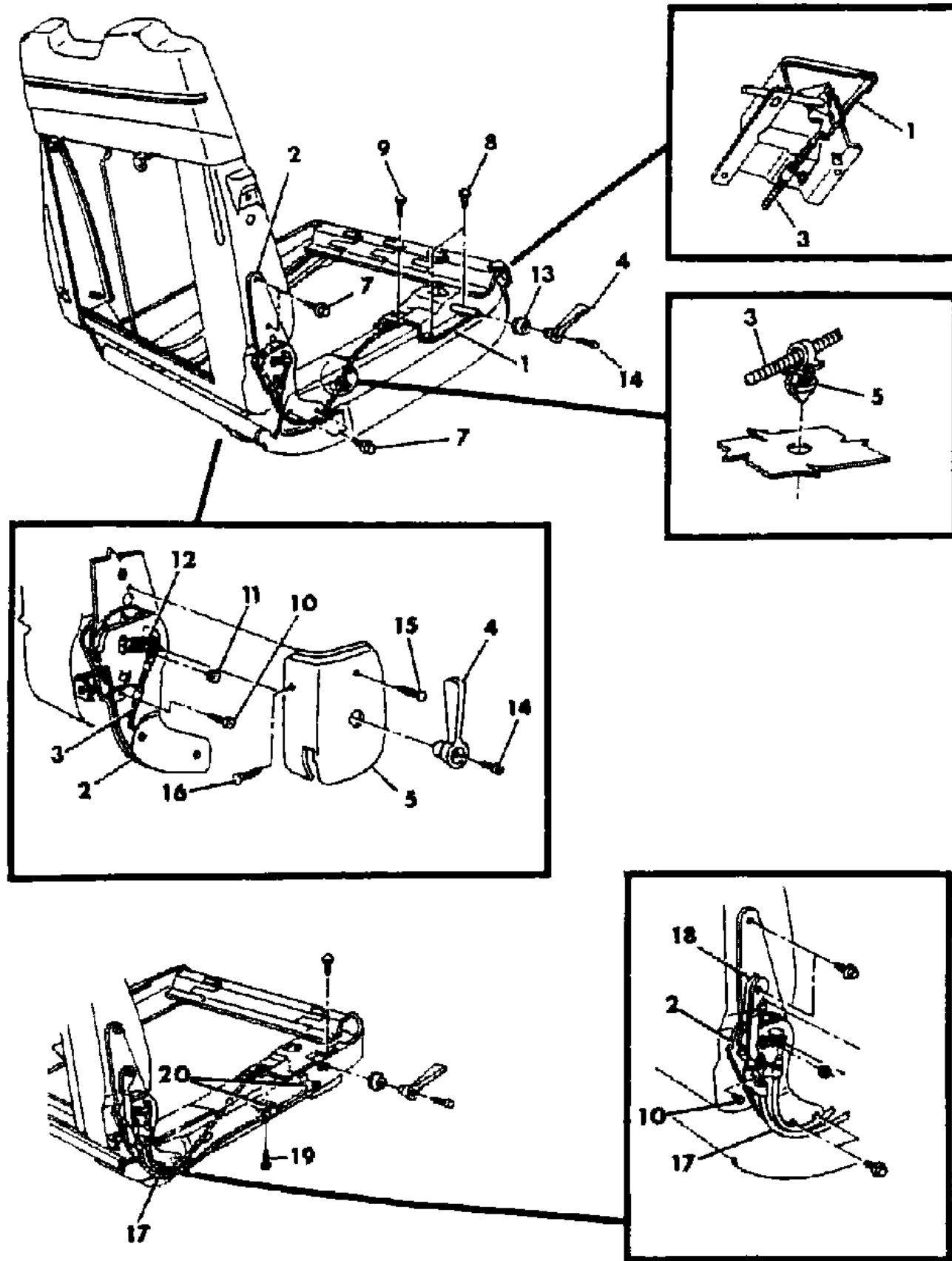
BODY STYLES

21 = 2-DOOR SEDAN	28 = FWD PICKUP
22 = 2-DOOR SPECIAL COUPE	41 = 4-DOOR SEDAN
24 = 2-DOOR HATCHBACK	44 = 4-DOOR HATCHBACK
27 = 2-DOOR CONVERTIBLE	45 = 2-SEAT STATION WAGON

AR = Use as Required - = Non Illustrated Part P.A.R. = Paint as Required

RECLINING FRONT SEAT & SEAT BACK RELEASE B,F,G  
Figure IT-5251

2253 525100



ITEM	PART NUMBER	QTY	BODY	MODEL	DESCRIPTION
1	4018 066	1			ACTUATOR, Seat Back Release N N N Y4018066
2	4190 410	1			RECLINER, Front Seat Back N N N Y4190410
3	3844 812	1			CABLE, Recliner Release N N N Y3844812
4	4138 298	AR			HANDLE, Seat Back Latch N N N Y4138298
5		AR			CLIP (not serviced) N N N N
6		AR			COVER, (See Seat Illustration) N N N N
7	9422 041	AR			SCREW and WASHER N N N Y9422041
8		AR			SCREW, Actuator Attaching (not serviced) N N N N
9	9414 712	AR			SCREW, Actuator Attaching N N N Y9414712
10		AR			SCREW (not serviced) N N N N
11	0120 622	AR			LOCK NUT N N N Y120622
12	4029 871	1			ADAPTER, Recliner Actuator Handle N N N Y4029871
13	4098 080	1			BEZEL, Recliner Handle N N N Y4098080
14		AR			SCREW (not serviced) N N N N
15		AR			SCREW (not serviced) N N N N
16		AR			SCREW (not serviced) N N N N
17	4172 778	1			CABLE, Manual Adjuster Release E.Z. Entry N N N Y4172778
18	5232 060	1			BRACKET, E.Z. Entry N N N Y5232060
19	9414 712	1			SCREW, Cable to Actuator E.Z. Entry N N N Y9414712
20					ADJUSTER, (see Manual Seat Adjuster) N N N N

The following parts are not illustrated. s ARE NOT RETURNABLE.

	3871 470	AR			SPRING, Manual Seat Adjuster Release Lever N N N Y3871470
	4190 248-9	1			SPRING, Recliner Release Cam N N N Y4190248
	4138 358	1			SHIM, Front Seat Back Recliner N N N Y4138358
	4138 742	1			ARM, Front Seat Back to Cushion w/o Recliner N N N N
	4138 743	1			Right, w/Bench,Center Arm Rest N N N Y4138742
					Left, w/Bench,Center Arm Rest N N N Y4138743

MODEL CODES

B = GRAN FURY/CARAVELLE	P = RELIANT
C = LEBARON/TOWN & COUNTRY	S = CORDOBA
D = ARIES	V = 400
F = NEW YORKER	X = MIRADA
G = DIPLOMAT	Y = IMPERIAL
M = HORIZON/TC3/SCAMP	Z = OMNI/O24/RAMPAGE

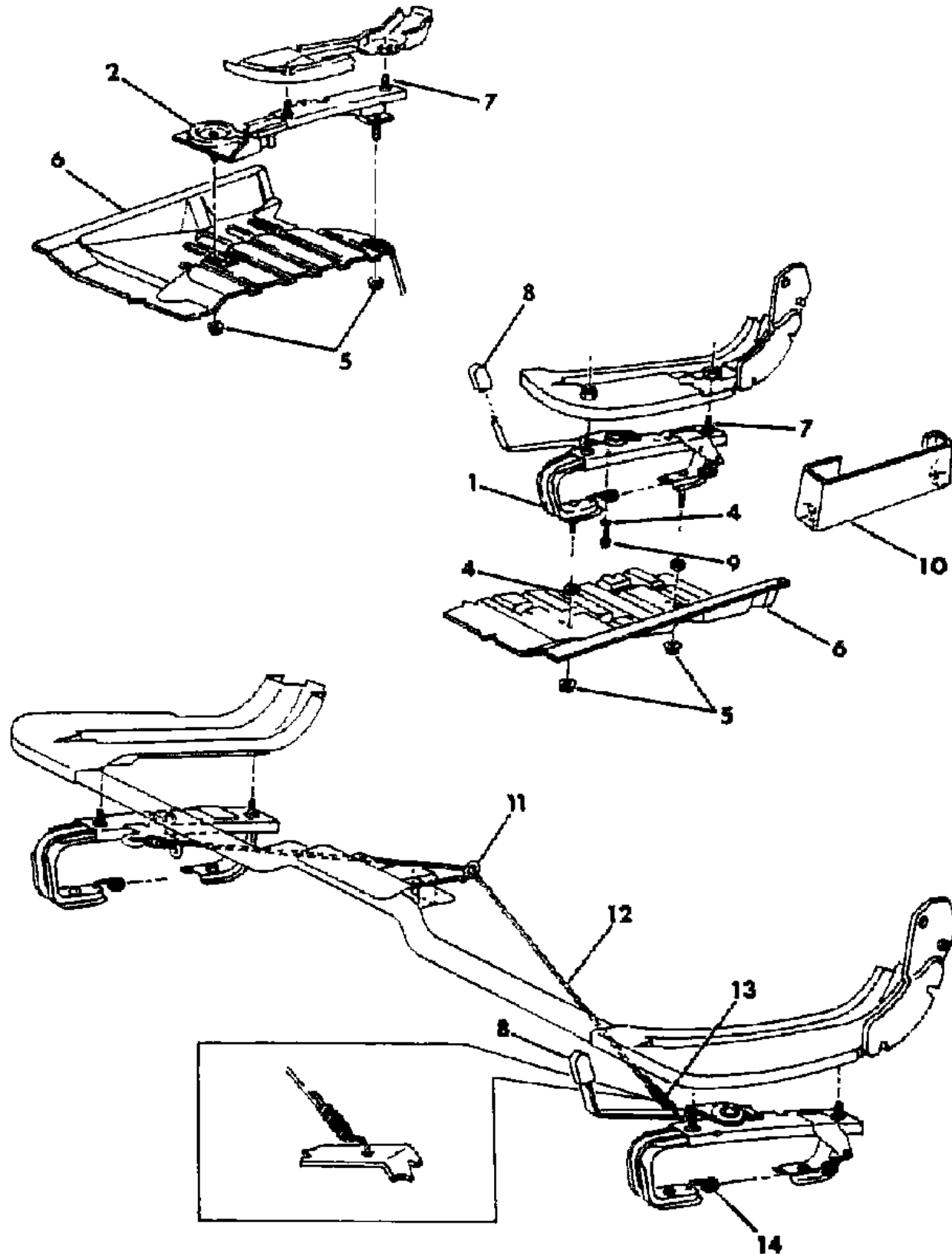
BODY STYLES

21 = 2-DOOR SEDAN	28 = FWD PICKUP
22 = 2-DOOR SPECIAL COUPE	41 = 4-DOOR SEDAN
24 = 2-DOOR HATCHBACK	44 = 4-DOOR HATCHBACK
27 = 2-DOOR CONVERTIBLE	45 = 2-SEAT STATION WAGON

AR = Use as Required - = Non Illustrated Part P.A.R. = Paint as Required

SEAT ADJUSTER MANUAL B,F,G  
Figure IT-5261

2253 526100



ITEM	PART NUMBER	QTY	BODY	MODEL	DESCRIPTION
1					ADJUSTER, Manual N N N N
	3882 046	1			Right, w/Bench N N N Y3882046
	4172 049	1			Left, w/Bench N N N Y4172049
	4246 093	1			Outer, w/60/40, Right N N N Y4246093
	4172 041	1			Outer, w/60/40, Left N N N Y4172041
	3882 043	1			Inner, w/60/40 N N N Y3882043
2	4172 030	1			ADJUSTER, Feont Seat Manual Right, Inner N N N Y4172030
4	6028 040	AR			RETAINER N N N Y6028040
5		AR			NUT and WASHER (not serviced) N N N N
6	4206 394-5	1			REINFORCEMENT, Front Floor Pan Seat Guide N N N Y4206394
	4206 396-7	1			Rear Floor Pan Seat Guide N N N Y4206396
7	0181 088	AR			SCREW and WASHER N N N Y181088
8	5207 235	AR			KNOB, Front Seat Adjust Release N N N Y5207235
9	0181 063	AR			SCREW N N N Y181063
10					COVER, Inner, Left N N N N
	S621 AA7	1			Silver N N N YS621AA7
	S621 SC7	1			Blue N N N YS621SC7
	S621 VH9	1			Mahogany N N N YS621VH9
	S621 TM6	1			Red N N N YS621TM6
	S621 ST6	1			Tan N N N YS621ST6
4					Outer, Right N N N N
	S622 AA7	1			Silver N N N YS622AA7
	S622 TC7	1			Blue N N N YS622TC7
	S622 AH9	1			Mahogany N N N YS622AH9
	S622 TM6	1			Red N N N YS622TM6
	S622 TT6	1			Tan N N N YS622TT6
					Outer, Left N N N N
	S623 AA7	1			Silver N N N YS623AA7
	S623 SC7	1			Blue N N N YS623SC7
	S623 AH9	1			Mahogany N N N YS623AH9
	S623 TM6	1			Red N N N YS623TM6
	S623 ST6	1			Tan N N N YS623ST6
					Inner, Right N N N N
	S872 AA7	1			Silver N N N YS872AA7
	S872 SC7	1			Blue N N N YS872SC7
	S872 AH9	1			Mahogany N N N YS872AH9

MODEL CODES

B = GRAN FURY/CARAVELLE  
C = LEBARON/TOWN & COUNTRY  
D = ARIES  
F = NEW YORKER  
G = DIPLOMAT  
M = HORIZON/TC3/SCAMP  
P = RELIANT  
S = CORDOBA  
V = 400  
X = MIRADA  
Y = IMPERIAL  
Z = OMNI/O24/RAMPAGE

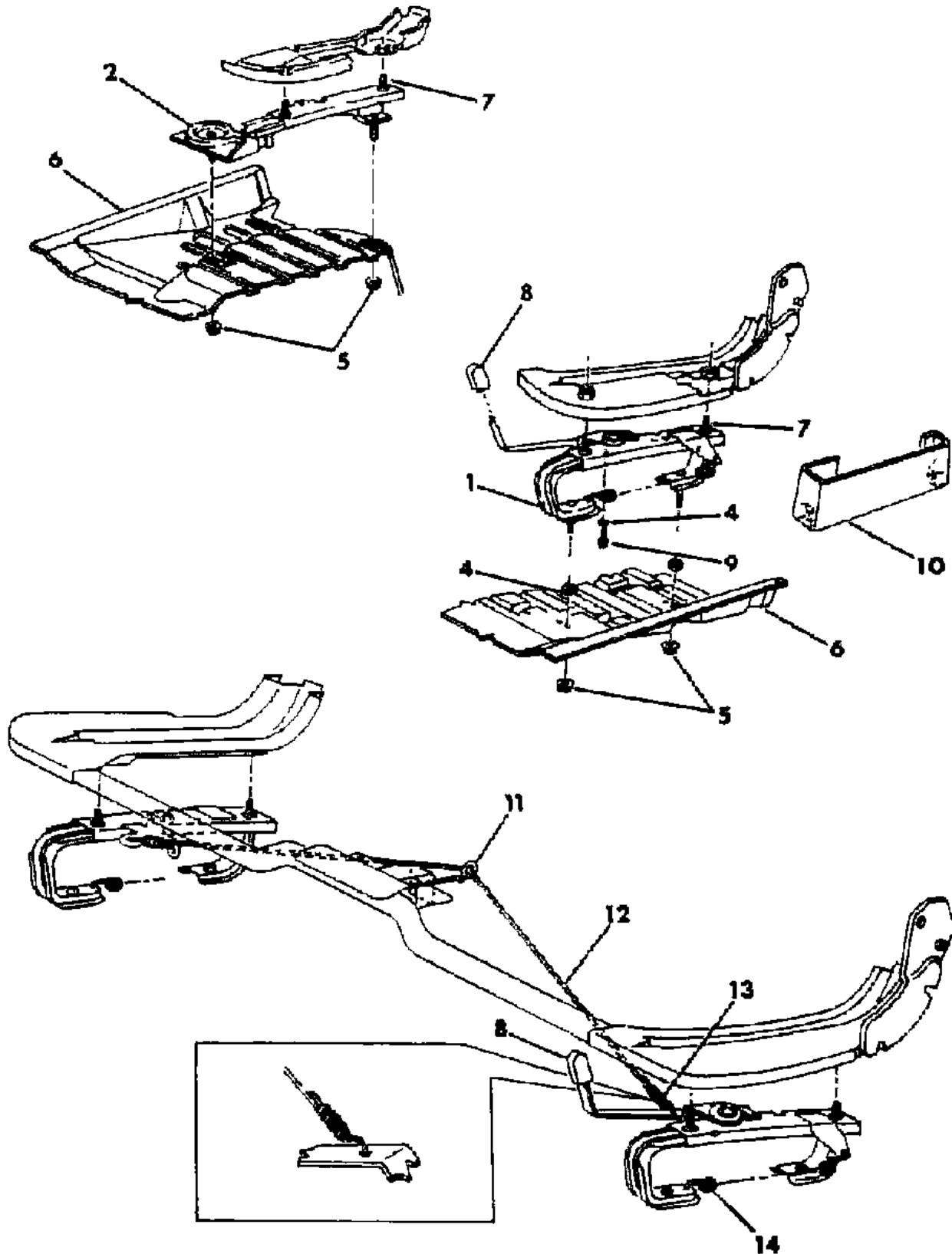
BODY STYLES

21 = 2-DOOR SEDAN  
22 = 2-DOOR SPECIAL COUPE  
24 = 2-DOOR HATCHBACK  
27 = 2-DOOR CONVERTIBLE  
28 = FWD PICKUP  
41 = 4-DOOR SEDAN  
44 = 4-DOOR HATCHBACK  
45 = 2-SEAT STATION WAGON

AR = Use as Required - = Non Illustrated Part P.A.R. = Paint as Required

SEAT ADJUSTER MANUAL B,F,G  
Figure IT-5261

2253 526 100



ITEM	PART NUMBER	QTY	BODY	MODEL	DESCRIPTION
	S872 TM6	1			Red N N N YS872TM6
	S872 TT6	1			Tan N N N YS872TT6
11	2942 556	1			HOOK, Seat Guide Wire N N N Y2942556
12	4172 057	1			WIRE,Seat Adjuster Latch w/Bench N N N Y4172057
	4172 174	1			w/60/40 N N N Y4172174
13	4172 333	AR			SPRING, Seat Adjuster Release Latch Return N N N Y4172333
14	3871 470	AR			SPRING, Seat Adjuster Tension N N N Y3871470
The following parts are not illustrated. s ARE NOT RETURNABLE.					
	6025 766	AR			NUT, Spring Cover Attaching N N N Y6025766
	0104 918	AR			BALL N N N Y104918
	4172 363	1			SPRING, E.Z. Entry Release Lever Return w/60/40 N N N Y4172363

MODEL CODES

B = GRAN FURY/CARAVELLE	P = RELIANT
C = LEBARON/TOWN & COUNTRY	S = CORDOBA
D = ARIES	V = 400
F = NEW YORKER	X = MIRADA
G = DIPLOMAT	Y = IMPERIAL
M = HORIZON/TC3/SCAMP	Z = OMNI/O24/RAMPAGE

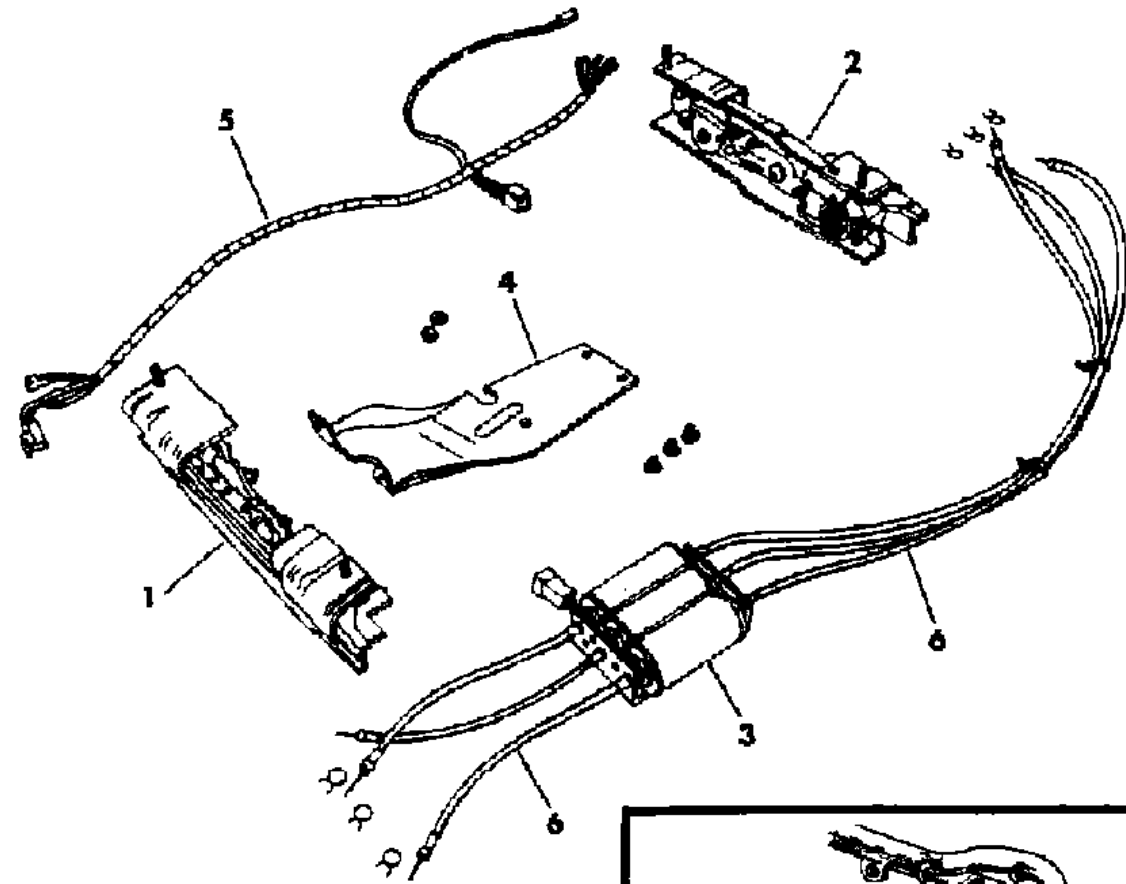
BODY STYLES

21 = 2-DOOR SEDAN	28 = FWD PICKUP
22 = 2-DOOR SPECIAL COUPE	41 = 4-DOOR SEDAN
24 = 2-DOOR HATCHBACK	44 = 4-DOOR HATCHBACK
27 = 2-DOOR CONVERTIBLE	45 = 2-SEAT STATION WAGON

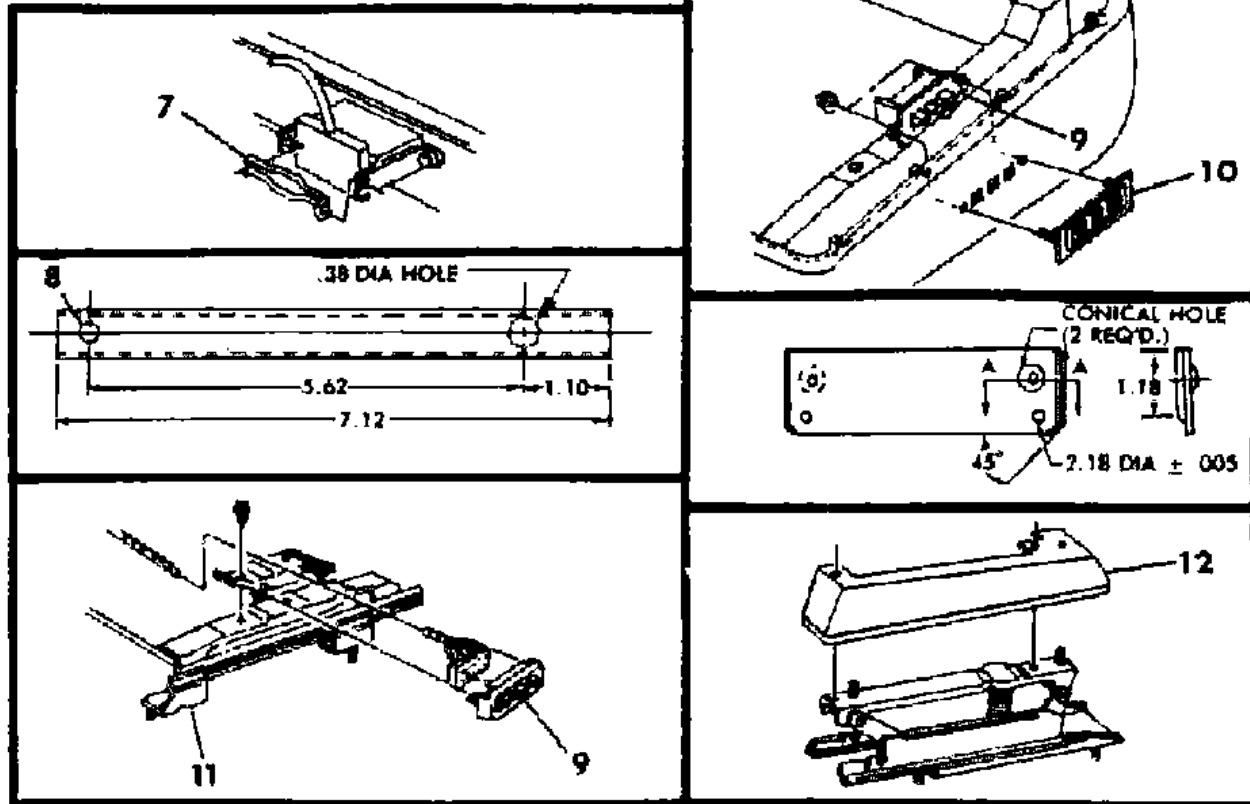
AR = Use as Required - = Non Illustrated Part P.A.R. = Paint as Required

**ADJUSTER, ELECTRIC BENCH SEAT B,F,G**  
**Figure IT-5271**

2253 527 100



ITEM	PART NUMBER	QTY	BODY	MODEL	DESCRIPTION
1	4054 177	1			DRIVE UNIT N N N Y4054177
2	4054 176	1			SLAVE UNIT N N N Y4054176
3	4054 186	1			MOTOR N N N Y4054186
4	2945 719	1			MOUNT, Motor N N N Y2945719
5	4209 430	1			WIRING, Adjuster Feed N N N Y4209430
6	4054 184	AR			TUBE, Length 37.06" N N N Y4054184
	4054 185	AR			Length 11.05" N N N Y4054185
	4054 183	AR			CABLE, Length 12.19" N N N Y4054183
	4054 182	AR			Length 39.06" N N N Y4054182
7	3747 029	AR			RETAINER, Switch Insulator N N N Y3747029
8	4055 693	1			BRACKET, Seat Track Wiring N N N Y4055693
	6028 040	1			RETAINER, Wiring Bracket N N N Y6028040
9	3747 740	1			SWITCH N N N Y3747740
10	3746 967	1			BEZEL, Switch N N N Y3746967
11	3746 939	1			PLATE, Switch Mounting w/Split Bench N N N Y3746939
12					COVER, Right N N N N
	S686 AA7	1			Silver N N N YS686AA7
	S686 SC7	1			Blue N N N YS686SC7
	S686 TM6	1			Red N N N YS686TM6
	S686 ST6	1			Tan N N N YS686ST6
					Left N N N N
	S689 AA7	1			Silver N N N YS689AA7
	S689 SC7	1			Blue N N N YS689SC7
	S689 TM6	1			Red N N N YS689TM6
	S689 ST6	1			Tan N N N YS689ST6



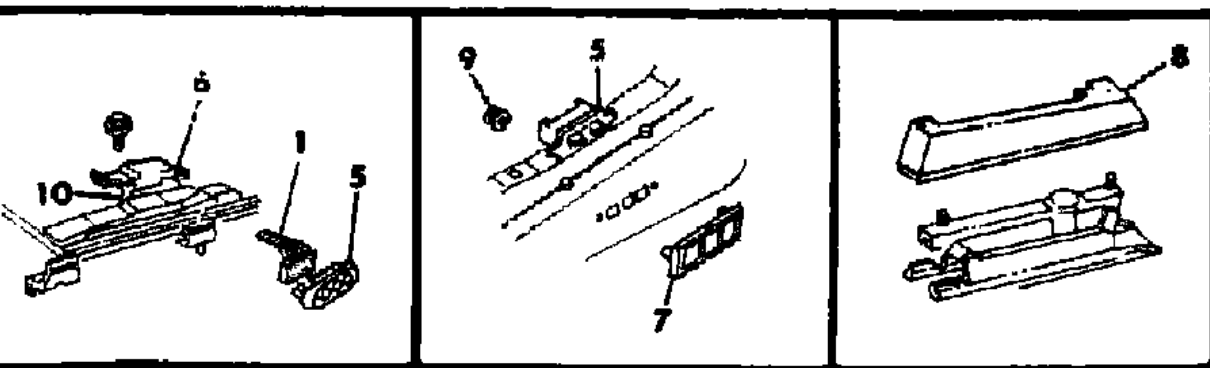
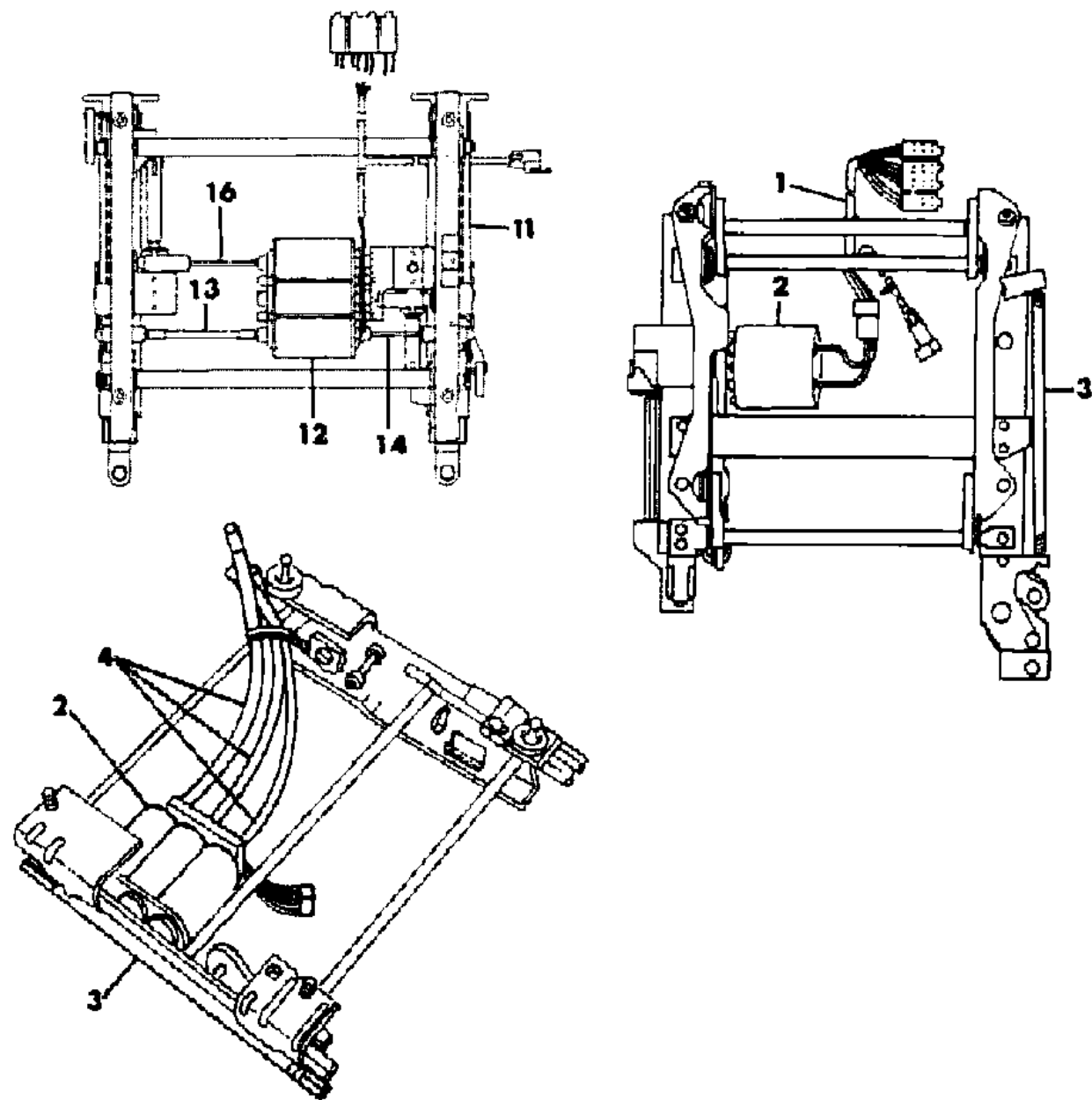
MODEL CODES  
 B = GRAN FURY/CARAVELLE      P = RELIANT  
 C = LEBARON/TOWN & COUNTRY      S = CORDOBA  
 D = ARIES      V = 400  
 F = NEW YORKER      X = MIRADA  
 G = DIPLOMAT      Y = IMPERIAL  
 M = HORIZON/TC3/SCAMP      Z = OMNI/O24/RAMPAGE

BODY STYLES  
 21 = 2-DOOR SEDAN      28 = FWD PICKUP  
 22 = 2-DOOR SPECIAL COUPE      41 = 4-DOOR SEDAN  
 24 = 2-DOOR HATCHBACK      44 = 4-DOOR HATCHBACK  
 27 = 2-DOOR CONVERTIBLE      45 = 2-SEAT STATION WAGON

AR = Use as Required - = Non Illustrated Part P.A.R. = Paint as Required

**ADJUSTER FRONT SEAT ELECTRIC 60/40 SPLIT B,F,G**  
Figure IT-5272

2253.527 200



ITEM	PART NUMBER	QTY	BODY	MODEL	DESCRIPTION
1	4209 431	1			WIRING, Seat Adjuster N N N Y4209431
2	4172 871	1			MOTOR, Left N N N Y4172871
	4239 716	1			Right N N N Y4239716
3	4240 314	1			ADJUSTER, Left N N N Y4240314
	4246 218	1			Right, 4 Way N N N Y4246218
4	4054 169	AR			TUBE, Length 14.30" N N N Y4054169
	4054 168	AR			CABLE, Length 15.44" N N N Y4054168
5	3747 740	1			SWITCH, Adjuster Left N N N Y3747740
	3747 957	1			Right N N N Y3747957
6	3747 795	1			BRACKET, Switch Mounting Left N N N Y3747795
7	3746 967	1			BEZEL, Switch Non-Reclining, Left N N N Y3746967
	3747 960	1			Right N N N Y3747960
8					COVER, Outer Left N N N N
	S689 AA7	1			Silver N N N YS689AA7
	S689 SC7	1			Blue N N N YS689SC7
	S689 VH9	1			Mahogany N N N YS689VH9
	S689 TM6	1			Red N N N YS689TM6
	S689 ST6	1			Tan N N N YS689ST6
					Inner, Left N N N N
	S695 AA7	1			Silver N N N YS695AA7
	S695 SC7	1			Blue N N N YS695SC7
	S695 VH9	1			Mahogany N N N YS695VH9
	S695 TM6	1			Red N N N YS695TM6
	S695 ST6	1			Tan N N N YS695ST6
					Outer Right N N N N
	S576 AA7	1			Silver N N N YS576AA7
	S576 VC7	1			Blue N N N YS576VC7
	S576 VH9	1			Mahogany N N N YS576VH9
	S576 VM6	1			Red N N N YS576VM6
	S576 VT6	1			Tan N N N YS576VT6
					Inner Right N N N N
	S676 AA7	1			Silver N N N YS676AA7
	S676 AC7	1			Blue N N N YS676AC7
	S676 AH9	1			Mahogany N N N YS676AH9
	S676 AM6	1			Red N N N YS676AM6
	S676 AT6	1			Tan N N N YS676AT6
9	6025 002	2			NUT and WASHER N N N Y6025002

MODEL CODES

B = GRAN FURY/CARAVELLE	P = RELIANT
C = LEBARON/TOWN & COUNTRY	S = CORDOBA
D = ARIES	V = 400
F = NEW YORKER	X = MIRADA
G = DIPLOMAT	Y = IMPERIAL
M = HORIZON/TC3/SCAMP	Z = OMNI/O24/RAMPAGE

BODY STYLES

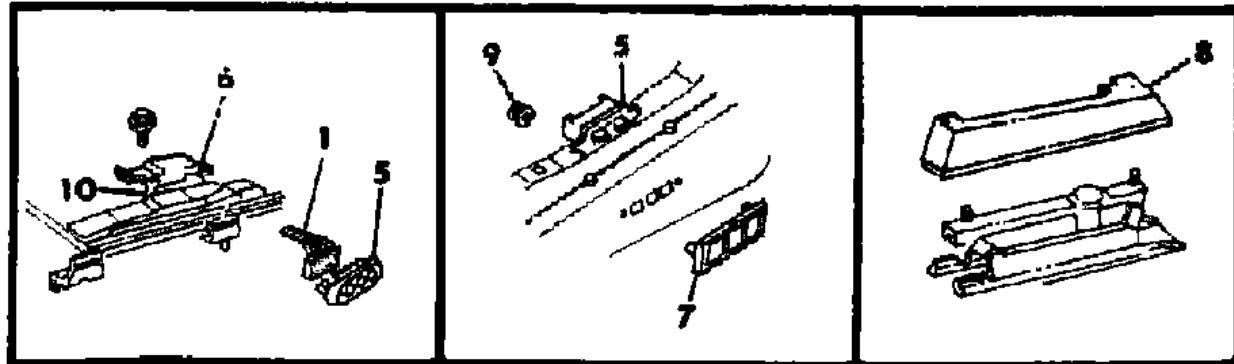
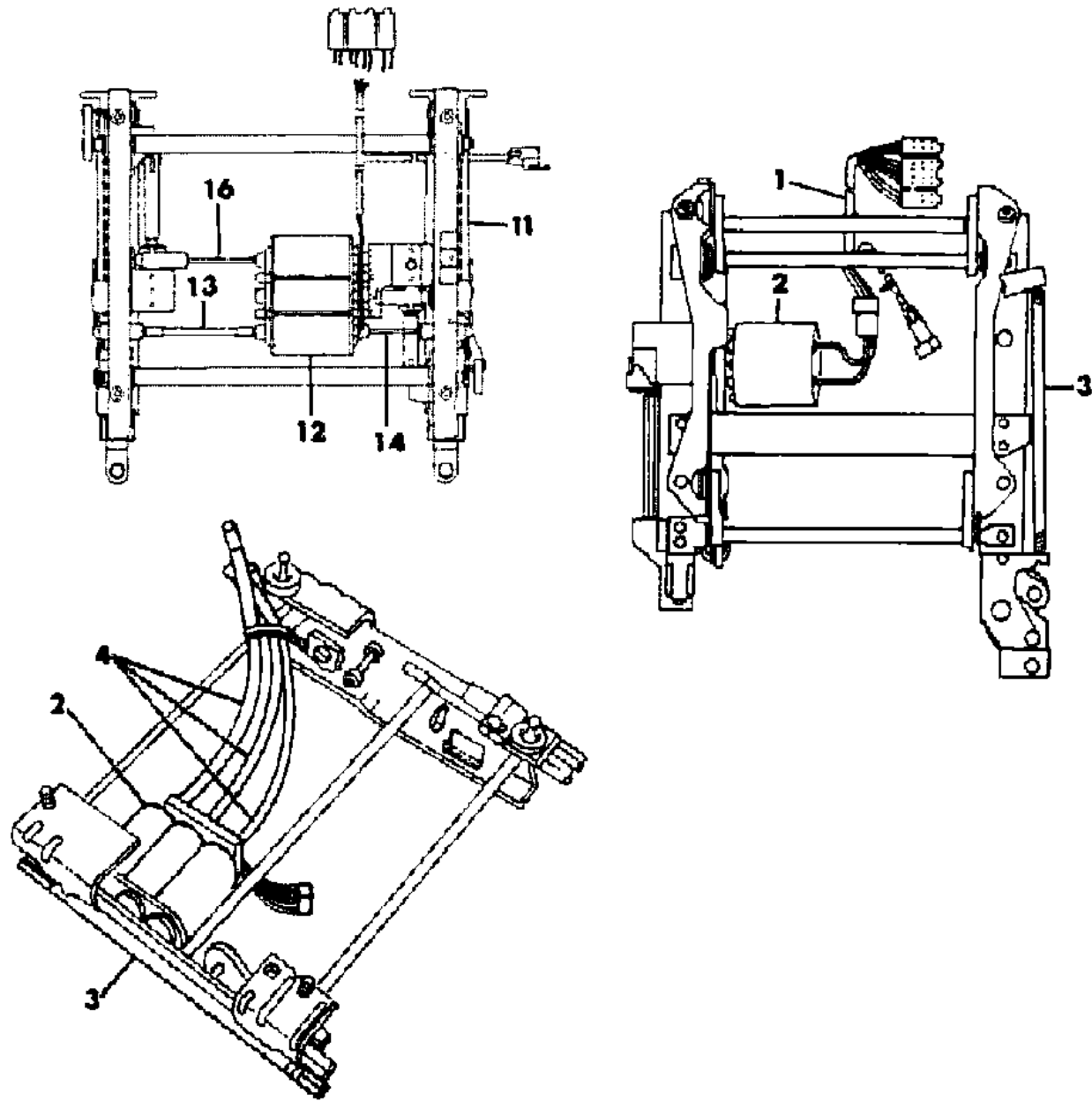
21 = 2-DOOR SEDAN	28 = FWD PICKUP
22 = 2-DOOR SPECIAL COUPE	41 = 4-DOOR SEDAN
24 = 2-DOOR HATCHBACK	44 = 4-DOOR HATCHBACK
27 = 2-DOOR CONVERTIBLE	45 = 2-SEAT STATION WAGON

AR = Use as Required - = Non Illustrated Part P.A.R. = Paint as Required

**ADJUSTER FRONT SEAT ELECTRIC 60/40 SPLIT B,F,G**  
Figure IT-5272

2253.5 **27** 200

ITEM	PART NUMBER	QTY	BODY	MODEL	DESCRIPTION
10	9420 867	2			NUT N N N Y9420867
11	4172 667	1			ADJUSTER N N N Y4172667
12	4054 928	1			MOTOR N N N Y4054928
13	4054 929	1			CABLE, Horizontal Drive (lenght 6.77") N N N Y4054929
14	4054 930	1			CABLE, Horizontal Drive (lenght 4.05") N N N Y4054930
15	4054 931	1			CABLE, Front Riser (lenght 2.06") N N N Y4054931
16	4054 932	1			CABLE, Rear Riser (lenght 4.83") N N N Y4054932
The following parts are not illustrated. s ARE NOT RETURNABLE.					
	4055 693	1			BRACKET, Seat Track Wiring N N N Y4055693
	6028 040	1			RETAINER, Wiring Bracket N N N Y6028040
	4239 718	1			CABLE, Vertical 4/Way Right N N N Y4239718
	4239 720	1			CABLE, Horizontal 4/Way Right N N N Y4239720
	4239 724	1			SPRING, Vertical 4/Way Right N N N Y4239724
	4239 722	1			SPRING, Horizontal 4/Way Right N N N Y4239722



**MODEL CODES**

B = GRAN FURY/CARAVELLE	P = RELIANT
C = LEBARON/TOWN & COUNTRY	S = CORDOBA
D = ARIES	V = 400
F = NEW YORKER	X = MIRADA
G = DIPLOMAT	Y = IMPERIAL
M = HORIZON/TC3/SCAMP	Z = OMNI/O24/RAMPAGE

**BODY STYLES**

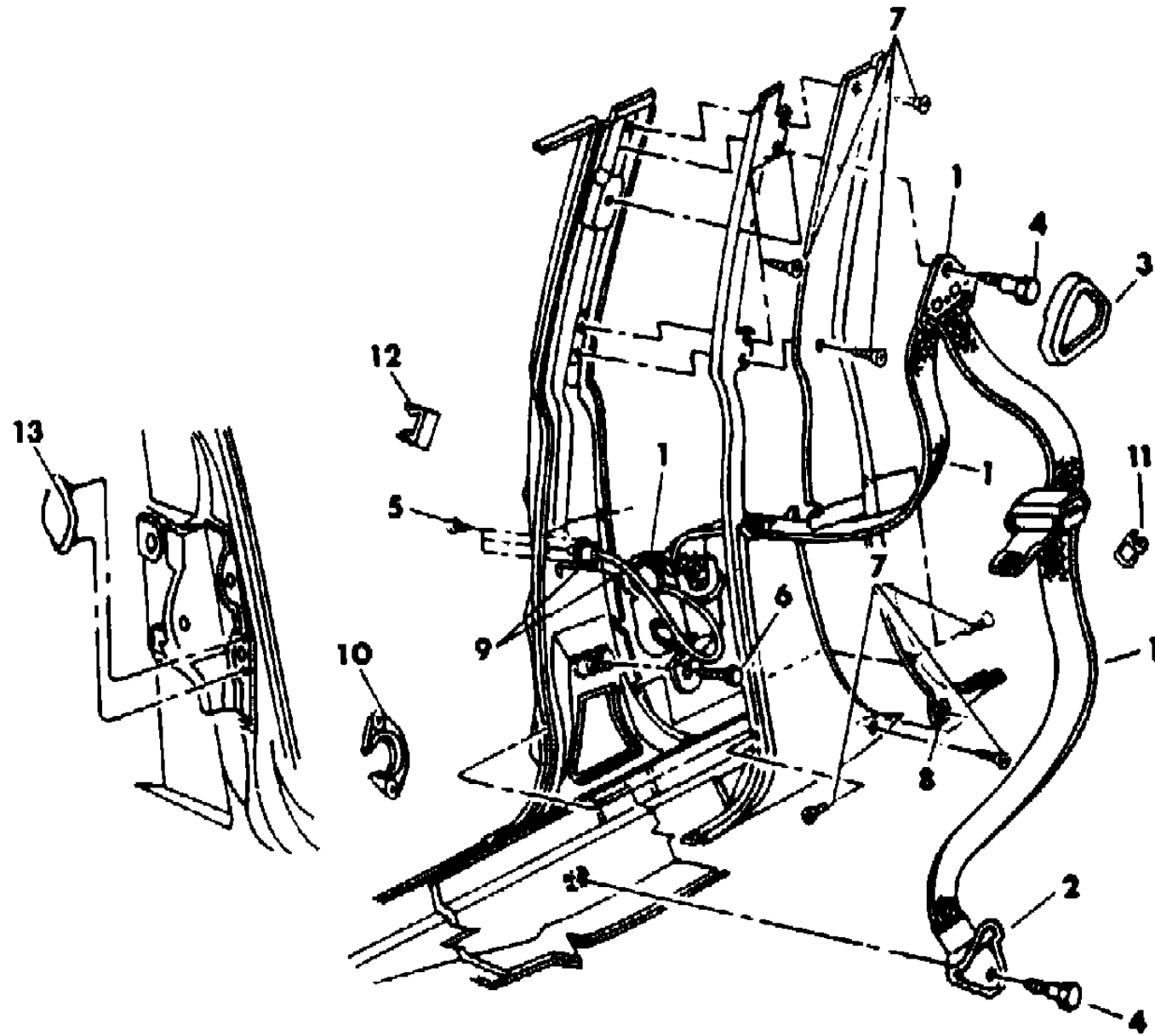
21 = 2-DOOR SEDAN	28 = FWD PICKUP
22 = 2-DOOR SPECIAL COUPE	41 = 4-DOOR SEDAN
24 = 2-DOOR HATCHBACK	44 = 4-DOOR HATCHBACK
27 = 2-DOOR CONVERTIBLE	45 = 2-SEAT STATION WAGON

AR = Use as Required - = Non Illustrated Part P.A.R. = Paint as Required



**BELT FRONT SEAT LAP AND SHOULDER OUTER B,F,G**  
Figure IT-5281

2253-528100



ITEM	PART NUMBER	QTY	BODY	MODEL	DESCRIPTION
1					BELT, Outer Label No. 4172744-5 N N N N
	F606-7 AA3	1			Silver N N N YF606AA3
	F606-7 TC7	1			Blue N N N YF606TC7
	F606-7 VH9	1			Mahogany N N N YF606VH9
	F606-7 TM6	1			Red N N N YF606TM6
	F606-7 TT4	1			Tan N N N YF606TT4
2	F814 JX9	1			COVER, Swivel Plate (Black) N N N YF814JX9
3					COVER, Belt Hanger N N N N
	F828 AA3	2			Silver N N N YF828AA3
	F828 TC7	2			Blue N N N YF828TC7
	F828 AH9	2			Mahogany N N N YF828AH9
	F828 TM6	2			Red N N N YF828TM6
	F828 TT4	2			Tan N N N YF828TT4
4	6031 216	2			BOLT N N N Y6031216
5		AR			SCREW (not serviced) N N N N
6	6031 484	2			BOLT N N N Y6031484
7		16			SCREW (not serviced) N N N N
8	0152 490	2			U-NUT N N N Y152490
9	4054 574-5	1			RELEASE, Tension Reliever N N N Y4054574
10	4054 365	2			RETAINER, Reliever Release Attaching N N N Y4054365
11					COVER, Unibelt Tip (serviced in item 1) N N N N
12	4054 971	2			CLIP, Reliever Cable to Cover Retaining N N N Y4054971
13	4172 612	2			PLUG, Reliever Release Hole N N N Y4172612
The following parts are not illustrated. s ARE NOT RETURNABLE.					
					GUIDE, Seat Belt N N N N
	S761 AA3	2			Silver N N N YS761AA3
	S761 SC7	2			Blue N N N YS761SC7
	S761 VH9	2			Mahogany N N N YS761VH9
	S761 TM6	2			Red N N N YS761TM6
	S761 ST4	2			Tan N N N YS761ST4
	6025 160	2			RETAINER, Inertia Retractor Pendulum Shaft N N N Y6025160

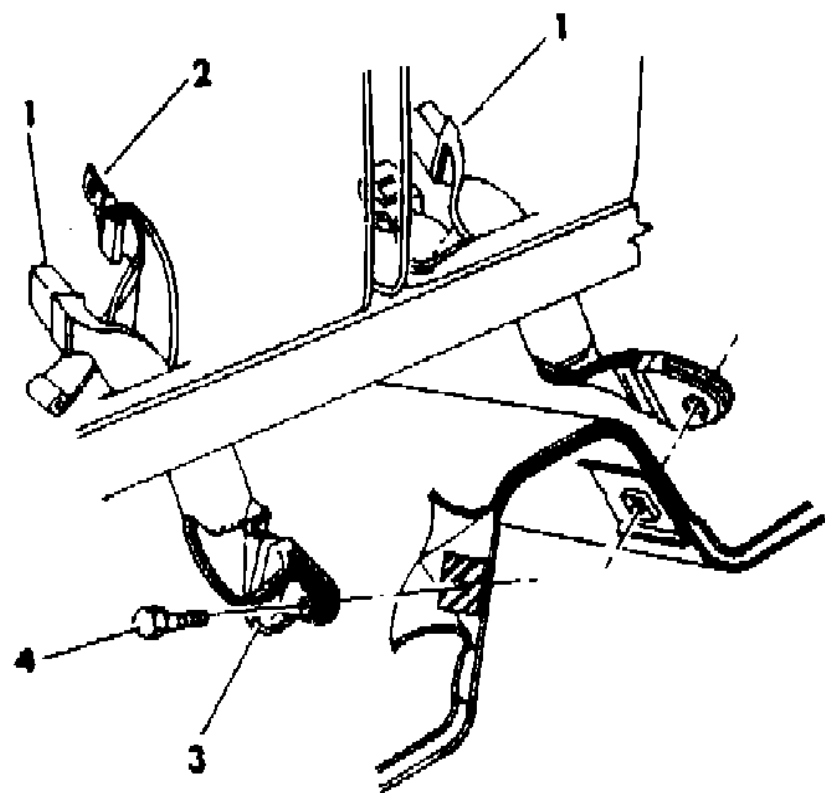
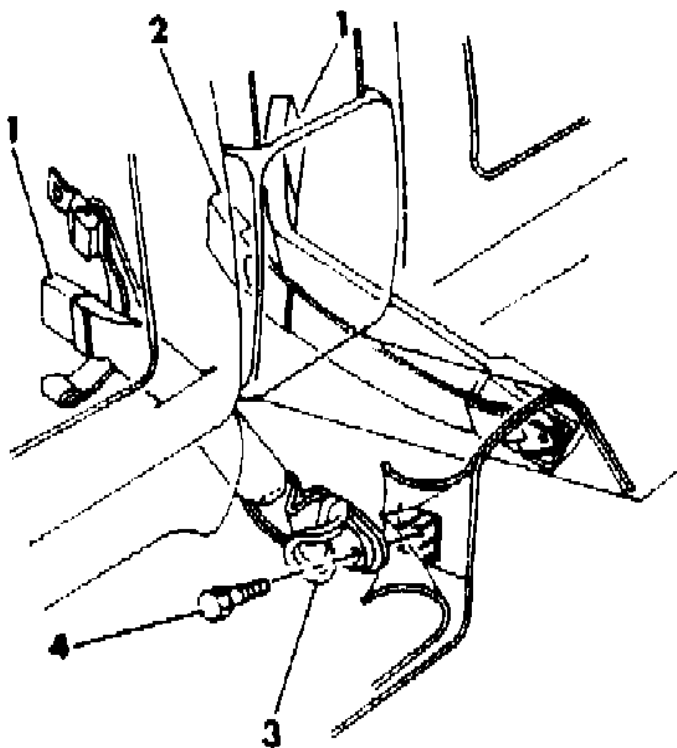
MODEL CODES  
 B = GRAN FURY/CARAVELLE      P = RELIANT  
 C = LEBARON/TOWN & COUNTRY    S = CORDOBA  
 D = ARIES                            V = 400  
 F = NEW YORKER                    X = MIRADA  
 G = DIPLOMAT                       Y = IMPERIAL  
 M = HORIZON/TC3/SCAMP         Z = OMNI/O24/RAMPAGE

BODY STYLES  
 21 = 2-DOOR SEDAN                28 = FWD PICKUP  
 22 = 2-DOOR SPECIAL COUPE    41 = 4-DOOR SEDAN  
 24 = 2-DOOR HATCHBACK        44 = 4-DOOR HATCHBACK  
 27 = 2-DOOR CONVERTIBLE      45 = 2-SEAT STATION WAGON

AR = Use as Required - = Non Illustrated Part P.A.R. = Paint as Required

**BELT FRONT SEAT LAP AND SHOULDER INNER B,F,G**  
**Figure IT-5282**

2253 528 200



ITEM	PART NUMBER	QTY	BODY	MODEL	DESCRIPTION
1					BELT, Buckle Half Label No. 4054666, Right N N N N
	F758 AA3	1			Silver N N N YF758AA3
	F758 SC7	1			Blue N N N YF758SC7
	F758 VH9	1			Mahogany N N N YF758VH9
	F758 TM6	1			Red N N N YF758TM6
	F758 ST4	1			Tan N N N YF758ST4
					Label No. 4054668, Right N N N N
	F760 AA3	1			Silver N N N YF760AA3
	F760 SC7	1			Blue N N N YF760SC7
	F760 TM6	1			Red N N N YF760TM6
	F760 ST4	1			Tan N N N YF760ST4
					Label No. 4172621, Left N N N N
	F749 AA3	1			Silver N N N YF749AA3
	F749 TC7	1			Blue N N N YF749TC7
	F749 VH9	1			Mahogany N N N YF749VH9
	F749 TM6	1			Red N N N YF749TM6
	F749 TT4	1			Tan N N N YF749TT4
2					BELT, Buckle Half Center Label No. 3861690 N N N N
	F638 AA3	1			Silver N N N YF638AA3
	F638 SC7	1			Blue N N N YF638SC7
	F638 VH9	1			Mahogany N N N YF638VH9
	F638 TM6	1			Red N N N YF638TM6
	F638 ST4	1			Tan N N N YF638ST4
3	F814 JX9	2			COVER, Anchor Bolt, Black N N N YF814JX9
4	6031 216	AR			BOLT N N N Y6031216
5		AR			SPACER (not serviced) N N N N

**MODEL CODES**

B = GRAN FURY/CARAVELLE	P = RELIANT
C = LEBARON/TOWN & COUNTRY	S = CORDOBA
D = ARIES	V = 400
F = NEW YORKER	X = MIRADA
G = DIPLOMAT	Y = IMPERIAL
M = HORIZON/TC3/SCAMP	Z = OMNI/O24/RAMPAGE

**BODY STYLES**

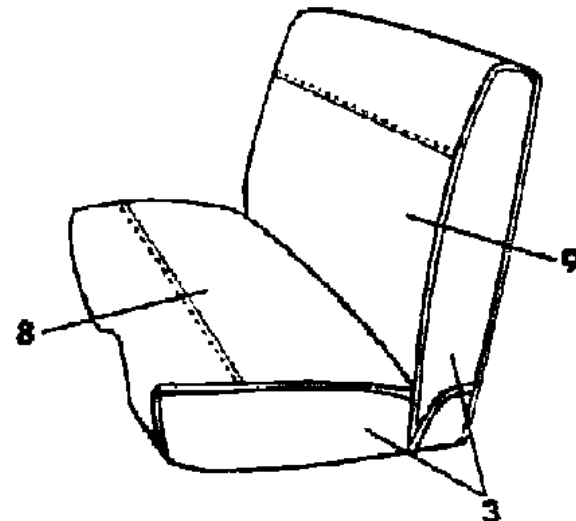
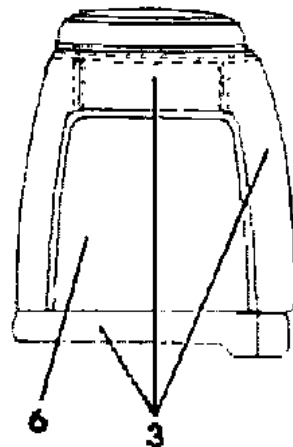
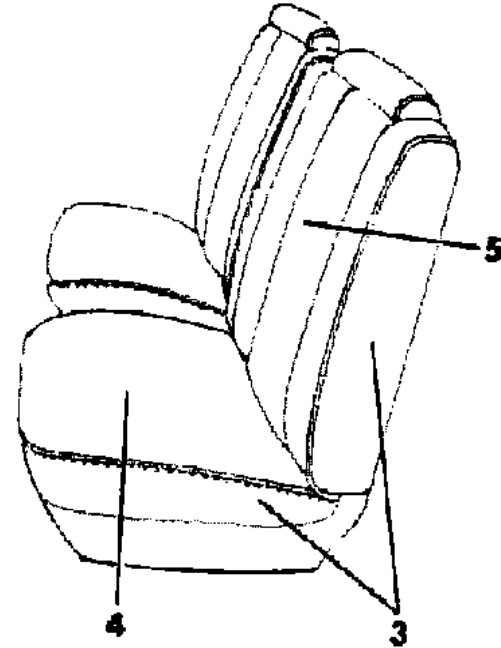
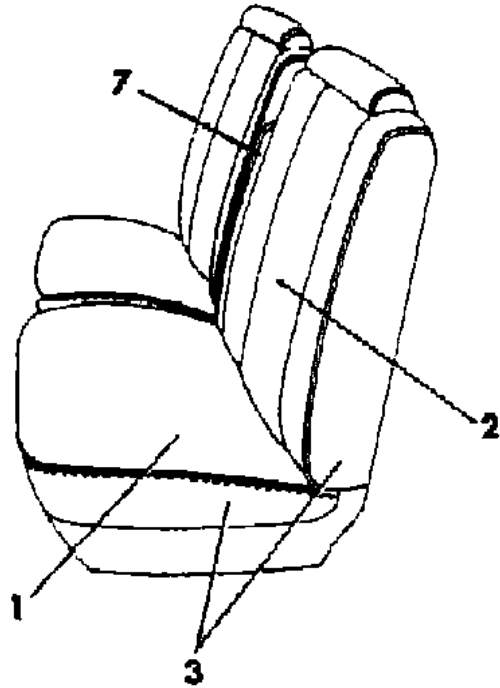
21 = 2-DOOR SEDAN	28 = FWD PICKUP
22 = 2-DOOR SPECIAL COUPE	41 = 4-DOOR SEDAN
24 = 2-DOOR HATCHBACK	44 = 4-DOOR HATCHBACK
27 = 2-DOOR CONVERTIBLE	45 = 2-SEAT STATION WAGON

AR = Use as Required - = Non Illustrated Part P.A.R. = Paint as Required

FLEET POLICE AND OTHERS FRONT SEAT B,F,G  
Figure IT-5291

2253 529100 D

ITEM	PART NUMBER	QTY	BODY	MODEL	DESCRIPTION
NOTE: Special order code is in trim column. Code appears on invoice. s ARE NOT RETURNABLE.					
1	4196 276-7	1			COVER, Cushion N N N N Blue, Vinyl N N N7VB Y4196276
	4196 262-3	1			Blue, Cloth (plaid) N N N7VC Y4196262
	4196 270-1	1			Tan, Cloth (plaid) N N N7VC Y4196270
	4196 398-9	1			Blue, Cloth (tweed) N N N7VC Y4196398
	4196 406-7	1			Tan, Cloth (tweed) N N N7VC Y4196406
2	4196 278-9	1			COVER, Back N N N N Blue, Vinyl N N N7VB Y4196278
	4196 264-5	1			Blue, Cloth (plaid) N N N7VC Y4196264
	4196 272-3	1			Tan, Cloth (plaid) N N N7VC Y4196272
	4196 400-1	1			Blue, Cloth (tweed) N N N7VC Y4196400
	4196 408-9	1			Tan, Cloth (tweed) N N N7VC Y4196408
3	R616 VC8	AR			ROLL STOCK, Vinyl 64" Wide Order by the Inch N N N N Blue N N N YR616VC8
	R616 VT3	AR			Tan N N N YR616VT3
4	4196 252	2			COVER, Cushion N N N N Blue, Cloth (plaid) N N N7RW Y4196252
	4196 256	2			Tan, Cloth (plaid) N N N7RW Y4196256
	4196 386	2			Blue, Cloth (tweed) N N N7RW Y4196386
	4196 380	2			Tan, Cloth (tweed) N N N7RW Y4196380
	4196 236	2			Blue, Vinyl N N N7PY Y4196236
	4196 240	2			Tan, Vinyl N N N7PY Y4196240
5	4196 254	2			COVER, Back N N N N Blue, Cloth (plaid) N N N7RW Y4196254
	4196 258	2			Tan, Cloth (plaid) N N N7RW Y4196258
	4196 385	2			Blue, Cloth (tweed) N N N7RW Y4196385
	4196 379	2			Tan, Cloth (tweed) N N N7RW Y4196379
	4196 238	2			Blue, Vinyl N N N7PY Y4196238
	4196 242	2			Tan, Vinyl N N N7PY Y4196242
6	S740 VC8	2			PANEL, Back of Front Back N N N N Blue N N N YS740VC8
	S740 VT3	2			Tan N N N YS740VT3
7	B376 VC8	1			COVER, Arm Rest N N N N Blue N N N YB376VC8
	B376 VT3	1			Tan N N N YB376VT3
8					COVER, Cushion N N N N



MODEL CODES

B = GRAN FURY/CARAVELLE	P = RELIANT
C = LEBARON/TOWN & COUNTRY	S = CORDOBA
D = ARIES	V = 400
F = NEW YORKER	X = MIRADA
G = DIPLOMAT	Y = IMPERIAL
M = HORIZON/TC3/SCAMP	Z = OMNI/O24/RAMPAGE

BODY STYLES

21 = 2-DOOR SEDAN	28 = FWD PICKUP
22 = 2-DOOR SPECIAL COUPE	41 = 4-DOOR SEDAN
24 = 2-DOOR HATCHBACK	44 = 4-DOOR HATCHBACK
27 = 2-DOOR CONVERTIBLE	45 = 2-SEAT STATION WAGON

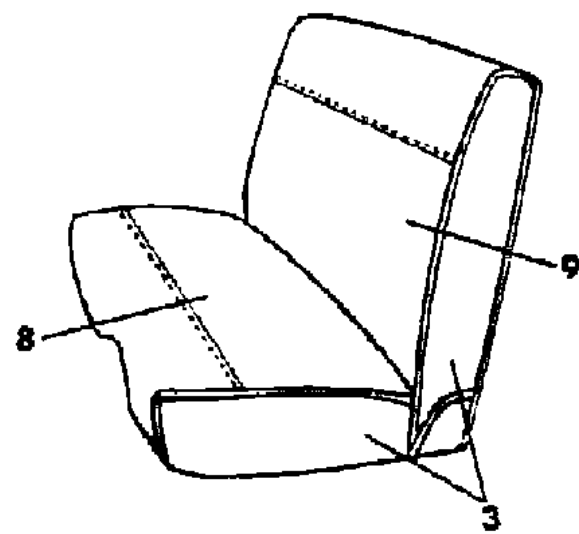
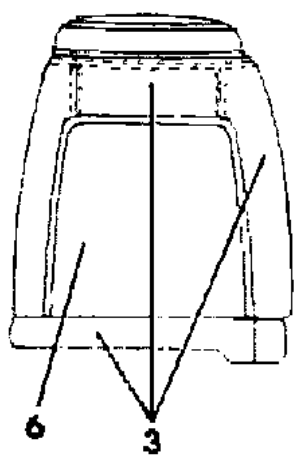
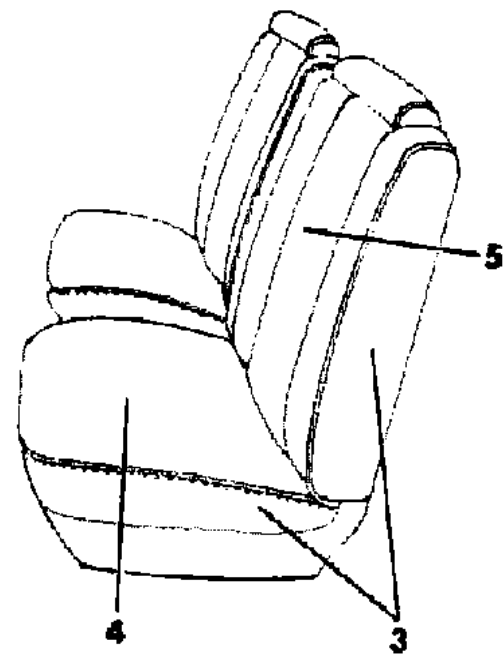
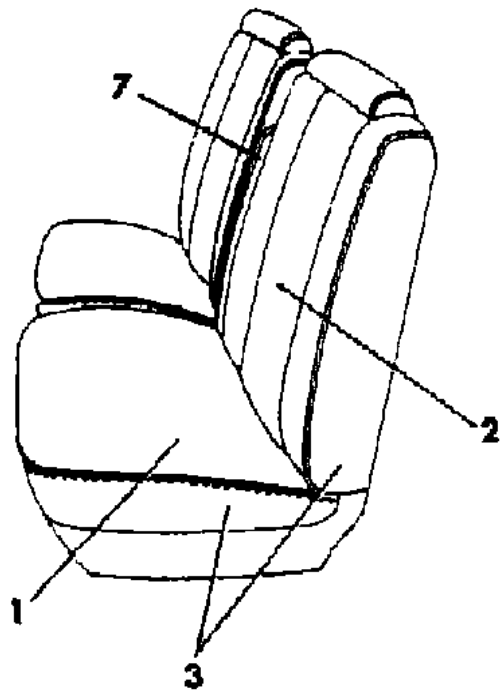
AR = Use as Required - = Non Illustrated Part P.A.R. = Paint as Required

FLEET POLICE AND OTHERS FRONT SEAT B,F,G  
Figure IT-5291

2253 529100 D

ITEM	PART NUMBER	QTY	BODY	MODEL	DESCRIPTION
	4196 297	1			Blue, Cloth (plaid) N N N7RB Y4196297
	4196 299	1			Tan, Cloth (plaid) N N N7RB Y4196299
	4196 423	1			Blue, Cloth (tweed) N N N7RB Y4196423
	4196 425	1			Tan, Cloth (tweed) N N N7RB Y4196425
9					COVER, Back N N N N
	4196 298	1			Blue, Cloth (plaid) N N N7RB Y4196298
	4196 300	1			Tan, Cloth (plaid) N N N7RB Y4196300
	4196 424	1			Blue, Cloth (tweed) N N N7RB Y4196424
	4196 425	1			Tan, Cloth (tweed) N N N7RB Y4196425

NOTE: For related parts check comparable seat illustration. s ARE NOT RETURNABLE.



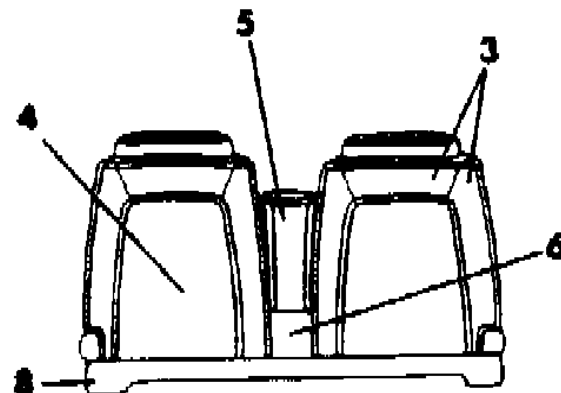
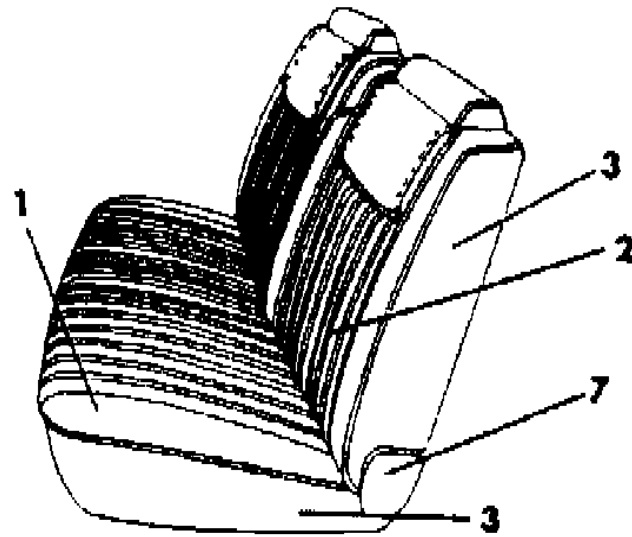
MODEL CODES  
 B = GRAN FURY/CARAVELLE      P = RELIANT  
 C = LEBARON/TOWN & COUNTRY      S = CORDOBA  
 D = ARIES      V = 400  
 F = NEW YORKER      X = MIRADA  
 G = DIPLOMAT      Y = IMPERIAL  
 M = HORIZON/TC3/SCAMP      Z = OMNI/O24/RAMPAGE

BODY STYLES  
 21 = 2-DOOR SEDAN      28 = FWD PICKUP  
 22 = 2-DOOR SPECIAL COUPE      41 = 4-DOOR SEDAN  
 24 = 2-DOOR HATCHBACK      44 = 4-DOOR HATCHBACK  
 27 = 2-DOOR CONVERTIBLE      45 = 2-SEAT STATION WAGON

AR = Use as Required - = Non Illustrated Part P.A.R. = Paint as Required

**FLEET POLICE AND OTHERS FRONT SEAT B,G**  
**Figure IT-5292**

2253 529 200



ITEM	PART NUMBER	QTY	BODY	MODEL	DESCRIPTION
------	-------------	-----	------	-------	-------------

NOTE: Special Order Codes are in the Trim Column. s ARE NOT RETURNABLE.

1	4196 525	1			COVER, Cushion N N N N Silver, Vinyl N N N7PX Y4196525
	4196 517	1			Red, Vinyl N N N7PX Y4196517
2	4196 526-7	1			COVER, Back N N N N Silver, Vinyl N N N7PX Y4196526
	4196 518-9	1			Red, Vinyl N N N7PX Y4196518
3	R616 AA2	AR			ROLL STOCK, Vinyl 64" Wide Order by the Inch. N N N N Silver N N N YR616AA2
	R616 VM6	AR			Red N N N YR616VM6
4	S778-9 AA2	1			PANEL, Back of Front Seat N N N N Silver N N N7PX YS778AA2
	S778-9 VM6	1			Red N N N7PX YS778VM6
5	4196 530	1			COVER, Arm Rest N N N N Silver, Vinyl N N N7PX Y4196530
	4196 522	1			Red, Vinyl N N N7PX Y4196522
6	S728 AA3	1			COVER, Arm Rest Finish N N N N Silver N N N YS728AA3
	S728 VM6	1			Red N N N YS728VM6
7	S786-7 SX9	1			COVER, Hinge Arm Outer (paint as required) N N N YS786SX9
8	R112 AA7	AR			CARPET, 54" Wide Order by the Inch. N N N N Silver N N N YR112AA7
	R112 TM6	AR			Red N N N YR112TM6

NOTE: For related parts check comparable seat illustration. s ARE NOT RETURNABLE.

**MODEL CODES**

B = GRAN FURY/CARAVELLE	P = RELIANT
C = LEBARON/TOWN & COUNTRY	S = CORDOBA
D = ARIES	V = 400
F = NEW YORKER	X = MIRADA
G = DIPLOMAT	Y = IMPERIAL
M = HORIZON/TC3/SCAMP	Z = OMNI/O24/RAMPAGE

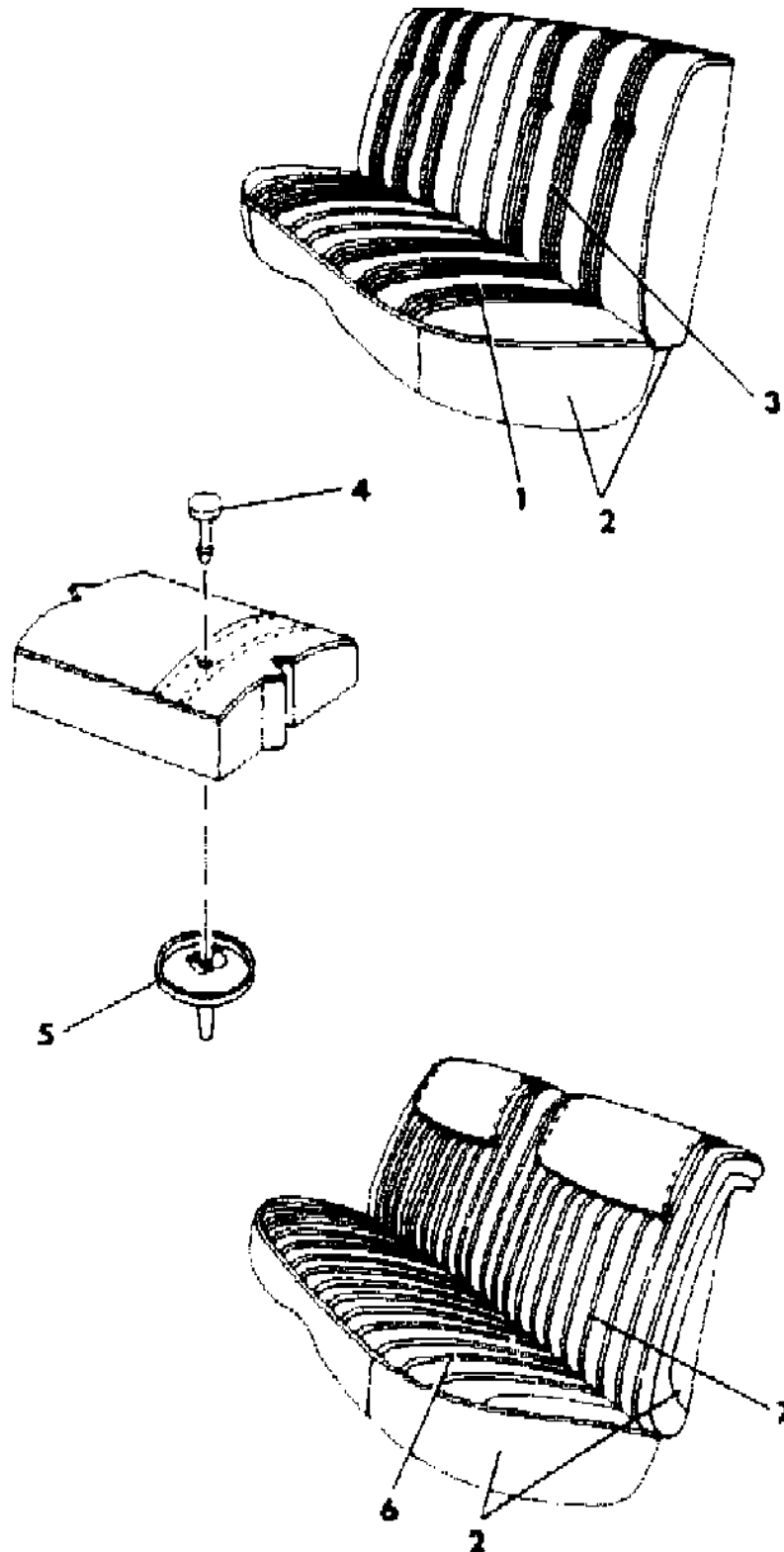
**BODY STYLES**

21 = 2-DOOR SEDAN	28 = FWD PICKUP
22 = 2-DOOR SPECIAL COUPE	41 = 4-DOOR SEDAN
24 = 2-DOOR HATCHBACK	44 = 4-DOOR HATCHBACK
27 = 2-DOOR CONVERTIBLE	45 = 2-SEAT STATION WAGON

AR = Use as Required - = Non Illustrated Part P.A.R. = Paint as Required

SEAT REAR B,F,G TRIM CODES A3,F4  
Figure IT-5301

2253 530100



ITEM	PART NUMBER	QTY	BODY	MODEL	DESCRIPTION
1-2					CUSHION, w/Spring, Frame and Cover N N N N
	A957 A1A	1			N N NA3A YA957A1A
	A957 V1C	1			N N NA3C YA957V1C
	A957 V1M	1			N N NA3M YA957V1M
	A957 V1U	1			N N NA3T YA957V1U
1					COVER,Rear Cushion N N N N
	A592 A1A	1			N N NA3A YA592A1A
	A592 V1C	1			N N NA3C YA592V1C
	A592 V1M	1			N N NA3M YA592V1M
	A592 V1U	1			N N NA3T YA592V1U
2					ROLL STOCK,Vinyl Order By The Inch N N N N
	R600 AA3	AR			Silver 54" Wide N N N YR600AA3
	R616 VC8	AR			Blue 64" Wide N N N YR616VC8
	R616 TM6	AR			Red 64" Wide N N N YR616TM6
	R616 VT3	AR			Tan 64" Wide N N N YR616VT3
2-3					BACK, w/Spring, Frame and Cover N N N N
	A958 A1A	1			N N NA3A YA958A1A
	A958 V1C	1			N N NA3C YA958V1C
	A958 V1M	1			N N NA3M YA958V1M
	A958 V1U	1			N N NA3T YA958V1U
					Heavy Duty N N N N
	A982 A3A	1			N N NA3A YA982A3A
	A982 A3C	1			N N NA3C YA982A3C
	A982 A3M	1			N N NA3M YA982A3M
	A982 A3T	1			N N NA3T YA982A3T
3					COVER,Rear Back N N N N
	A594 A1A	1			N N NA3A YA594A1A
	A594 V1C	1			N N NA3C YA594V1C
	A594 V1M	1			N N NA3M YA594V1M
	A594 V1U	1			N N NA3T YA594V1U
4					BUTTON N N N N
	G385 AA2	AR			N N NA3A YG385AA2
	G385 VC8	AR			N N NA3C YG385VC8
	G385 VM6	AR			N N NA3M YG385VM6
	G385 VT3	AR			N N NA3T YG385VT3
5	4190 527	AR			RETAINER,Button N N N Y4190527
6-2					CUSHION, w/Spring, Frame and Cover N N N N

MODEL CODES

B = GRAN FURY/CARAVELLE	P = RELIANT
C = LEBARON/TOWN & COUNTRY	S = CORDOBA
D = ARIES	V = 400
F = NEW YORKER	X = MIRADA
G = DIPLOMAT	Y = IMPERIAL
M = HORIZON/TC3/SCAMP	Z = OMNI/O24/RAMPAGE

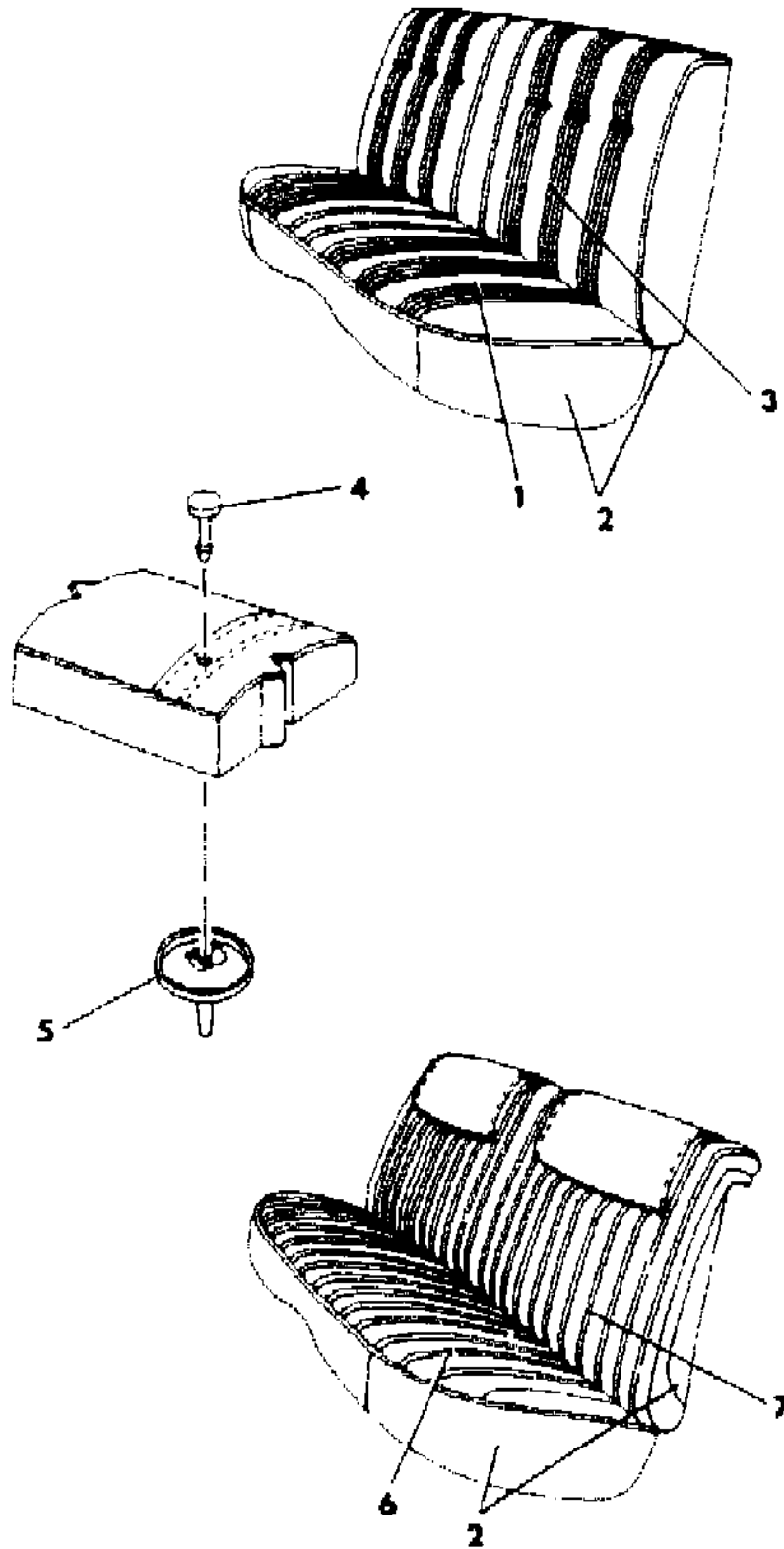
BODY STYLES

21 = 2-DOOR SEDAN	28 = FWD PICKUP
22 = 2-DOOR SPECIAL COUPE	41 = 4-DOOR SEDAN
24 = 2-DOOR HATCHBACK	44 = 4-DOOR HATCHBACK
27 = 2-DOOR CONVERTIBLE	45 = 2-SEAT STATION WAGON

AR = Use as Required - = Non Illustrated Part P.A.R. = Paint as Required

SEAT REAR B,F,G TRIM CODES A3,F4  
Figure IT-5301

2253 530100



ITEM	PART NUMBER	QTY	BODY	MODEL	DESCRIPTION
	A984 A4T	1			N N NF4T YA984A4T
6	A530 V4T	1			COVER,Rear Cushion N N N N
7-2	A985 A4T	1			N N NF4T YA530V4T
	A985 A4T	1			BACK, w/Spring, Frame and Cover N N N N
7	A531 V4T	1			N N NF4T YA985A4T
	A531 V4T	1			COVER,Rear Back N N N N
					N N NF4T YA531V4T

MODEL CODES

B = GRAN FURY/CARAVELLE	P = RELIANT
C = LEBARON/TOWN & COUNTRY	S = CORDOBA
D = ARIES	V = 400
F = NEW YORKER	X = MIRADA
G = DIPLOMAT	Y = IMPERIAL
M = HORIZON/TC3/SCAMP	Z = OMNI/O24/RAMPAGE

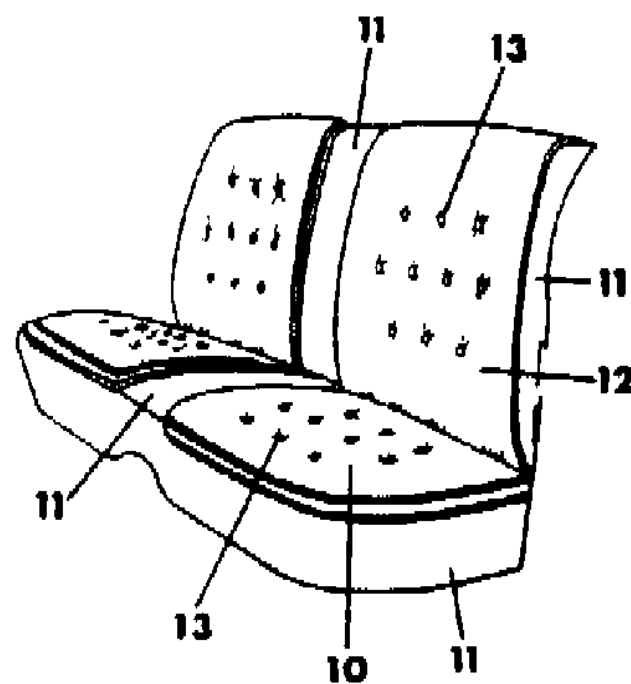
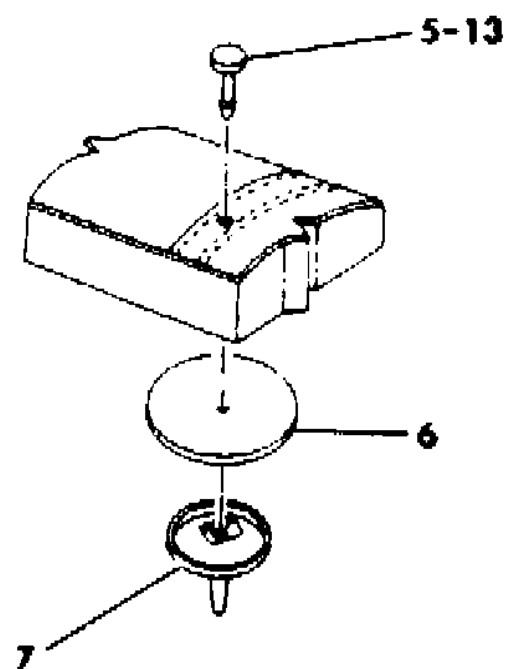
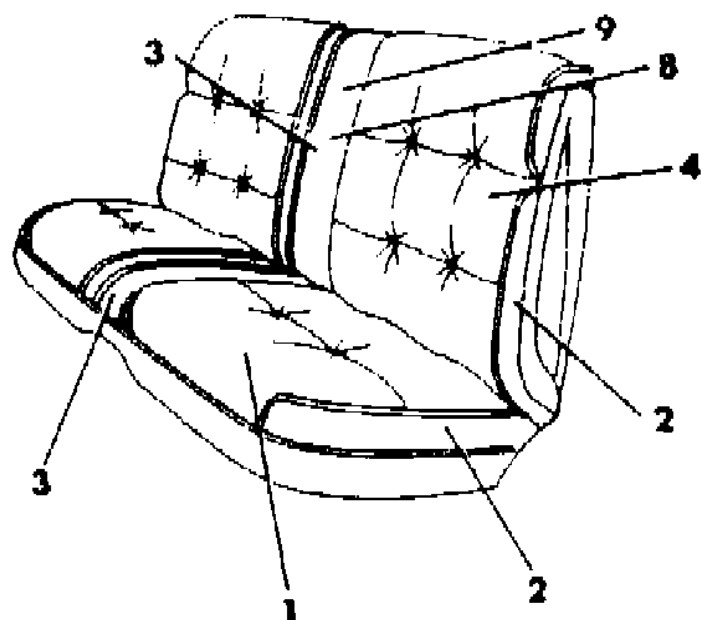
BODY STYLES

21 = 2-DOOR SEDAN	28 = FWD PICKUP
22 = 2-DOOR SPECIAL COUPE	41 = 4-DOOR SEDAN
24 = 2-DOOR HATCHBACK	44 = 4-DOOR HATCHBACK
27 = 2-DOOR CONVERTIBLE	45 = 2-SEAT STATION WAGON

AR = Use as Required - = Non Illustrated Part P.A.R. = Paint as Required

SEAT REAR B,F,G TRIM CODES C9,H9,S9,SY  
Figure IT-5302

2253 530 200



ITEM	PART NUMBER	QTY	BODY	MODEL	DESCRIPTION
1-2					CUSHION,Rear w/Spring,Frame and Cover N N N N
	A666 A9A	1			N N NC9A,H9A YA666A9A
	A666 V9C	1			N N NC9C,H9C YA666V9C
	A666 V9M	1			N N NC9M,H9M YA666V9M
	A666 V9T	1			N N NC9T,H9T YA666V9T
1					COVER, Rear Cushion N N N N
	A335 A9A	1			N N NC9A,H9A YA335A9A
	A335 V9C	1			N N NC9C,H9C YA335V9C
	A335 V9M	1			N N NC9M,H9M YA335V9M
	A335 V9T	1			N N NC9T,H9T YA335V9T
2					CLOTH, Roll Stock, 54" Wide, Order by the inch N N N N
	R083 AA2	AR			N N NC9A,H9A YR083AA2
	R083 TC7	AR			N N NC9C,H9C YR083TC7
	R083 TM6	AR			N N NC9M,H9M YR083TM6
	R083 TT4	AR			N N NC9T,H9T YR083TT4
3					CLOTH,Roll Stock 54" Wide Order by the Inch N N N N
	R080 AA2	AR			N N NC9A,H9A YR080AA2
	R080 TC7	AR			N N NC9C,H9C YR080TC7
	R080 TM6	AR			N N NC9M,H9M YR080TM6
	R080 TT5	AR			N N NC9T,H9T YR080TT5
4&2-3					BACK,Rear w/Spring,Frame and Cover N N N N
	A667 A9A	1			N N NC9A,H9A YA667A9A
	A667 V9C	1			N N NC9C,H9C YA667V9C
	A667 V9M	1			N N NC9M,H9M YA667V9M
	A667 V9T	1			N N NC9T,H9T YA667V9T
3					COVER, Rear Back N N N N
	A337 A9A	1			N N NC9A,H9A YA337A9A
	A337 V9C	1			N N NC9C,H9C YA337V9C
	A337 V9M	1			N N NC9M,H9M YA337V9M
	A337 V9T	1			N N NC9T,H9T YA337V9T
5					BUTTON,Cushion N N N N
	S795 AA3	AR			N N NC9A,H9A YS795AA3
	S795 TC7	AR			N N NC9C,H9C YS795TC7
	S795 TM6	AR			N N NC9M,H9M YS795TM6
	S795 TT5	AR			N N NC9T,H9T YS795TT5
	G383 AA3	AR			Back N N N N N N NC9A,H9A YG383AA3

MODEL CODES  
 B = GRAN FURY/CARAVELLE      P = RELIANT  
 C = LEBARON/TOWN & COUNTRY      S = CORDOBA  
 D = ARIES      V = 400  
 F = NEW YORKER      X = MIRADA  
 G = DIPLOMAT      Y = IMPERIAL  
 M = HORIZON/TC3/SCAMP      Z = OMNI/O24/RAMPAGE

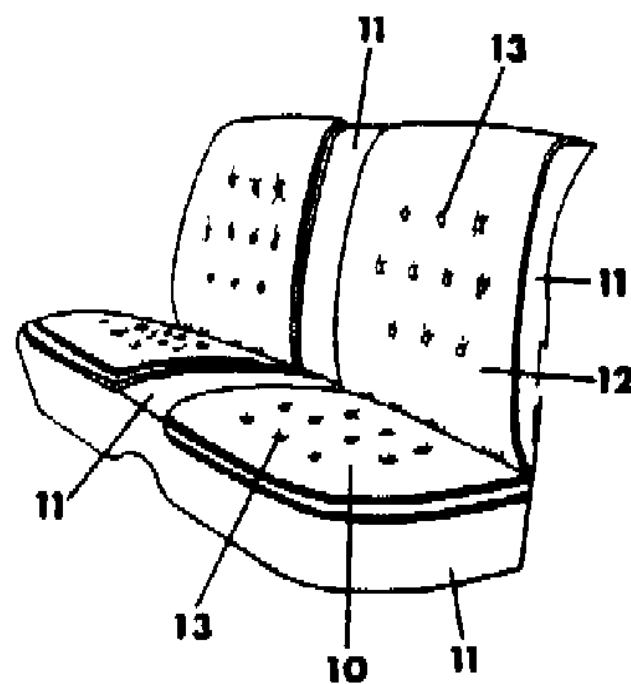
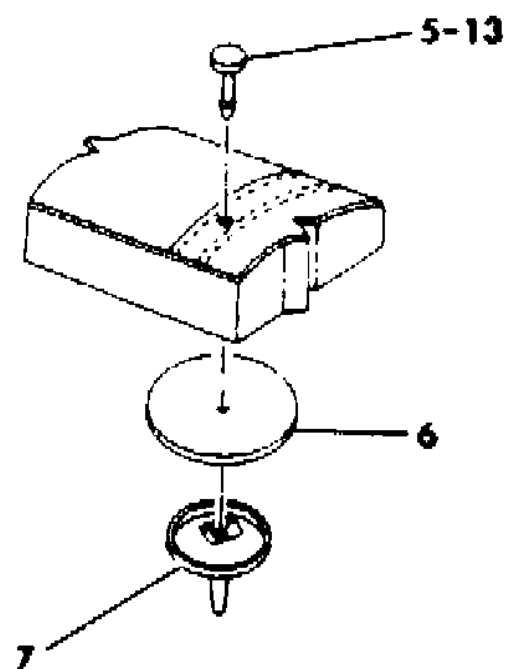
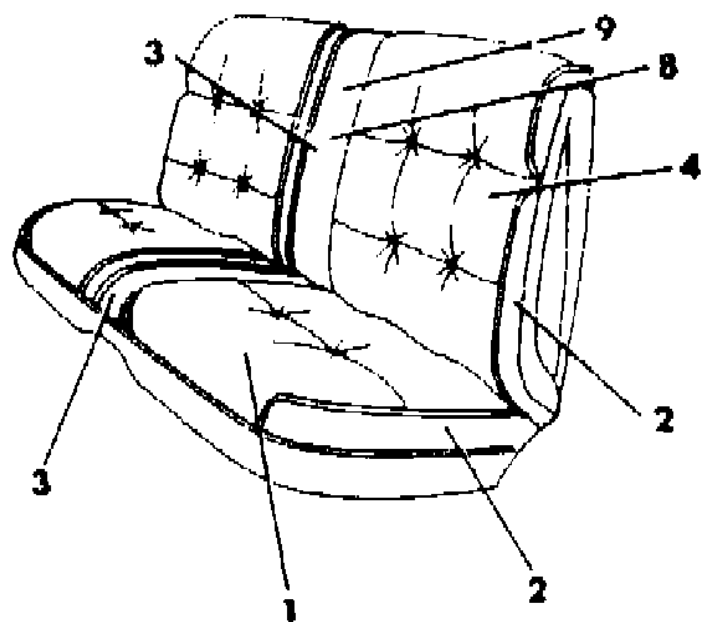
BODY STYLES  
 21 = 2-DOOR SEDAN      28 = FWD PICKUP  
 22 = 2-DOOR SPECIAL COUPE      41 = 4-DOOR SEDAN  
 24 = 2-DOOR HATCHBACK      44 = 4-DOOR HATCHBACK  
 27 = 2-DOOR CONVERTIBLE      45 = 2-SEAT STATION WAGON

AR = Use as Required - = Non Illustrated Part P.A.R. = Paint as Required



SEAT REAR B,F,G TRIM CODES C9,H9,S9,SY  
Figure IT-5302

2253 530 200



ITEM	PART NUMBER	QTY	BODY	MODEL	DESCRIPTION
	G383 TC7	AR			N N NC9C,H9C YG383TC7
	G383 TM6	AR			N N NC9M,H9M YG383TM6
	G383 TT5	AR			N N NC9T,H9T YG383TT5
6	4029 901	AR			WASHER,Button N N N Y4029901
7	3758 940	AR			RETIANER,Button N N N Y3758940
8					ARM REST, Rear Center N N N N
	A678 AA3	1			N N NC9A,H9A YA678AA3
	A678 VF5	1			N N NC9C,H9C YA678VF5
	A678 VM6	1			N N NC9M,H9M YA678VM6
	A678 VT5	1			N N NC9T,H9T YA678VT5
9					COVER, Arm Rest N N N N
	A340 AA3	1			N N NC9A,H9A YA340AA3
	A340 VC7	1			N N NC9C,H9C YA340VC7
	A340 VM6	1			N N NC9M,H9M YA340VM6
	A340 VT5	1			N N NC9T,H9T YA340VT5
10-11					CUSHION, w/Spring, Frame and Cover N N N N
	A914 A9A	1			N N NS9A YA914A9A
	A914 A9B	1			(material sample required) N N NS9C YA914A9B
	A914 ABB	1			(material sample required) N N NS9C YA914ABB
	A914 A9C	1			(material sample required) N N NS9C YA914A9C
	A914 A9U	1			(material sample required) N N NS9H YA914A9U
	A914 AHH	1			(material sample required) N N NS9H YA914AHH
	A914 A9H	1			(material sample required) N N NS9H YA914A9H
	A914 A9R	1			(material sample required) N N NS9M YA914A9R
	A914 ARR	1			(material sample required) N N NS9M YA914ARR
	A914 A9M	1			(material sample required) N N NS9M YA914A9M
	A914 A9T	1			N N NS9T YA914A9T
	A940 AYA	1			N N NSYA YA940AYA
	A940 AYC	1			N N NSYC YA940AYC
	A940 AYH	1			N N NSYH YA940AYH
	A940 AYM	1			N N NSYM YA940AYM
	A940 AYT	1			N N NSYT YA940AYT
10					COVER, Cushion N N N N
	A354 A9A	1			N N NS9A YA354A9A
	A354 A9B	1			(material sample required) N N NS9C YA354A9B
	A354 ABB	1			(material sample required) N N NS9C YA354ABB
	A354 A9C	1			(material sample required) N N NS9C YA354A9C

MODEL CODES

B = GRAN FURY/CARAVELLE  
C = LEBARON/TOWN & COUNTRY  
D = ARIES  
F = NEW YORKER  
G = DIPLOMAT  
M = HORIZON/TC3/SCAMP  
P = RELIANT  
S = CORDOBA  
V = 400  
X = MIRADA  
Y = IMPERIAL  
Z = OMNI/O24/RAMPAGE

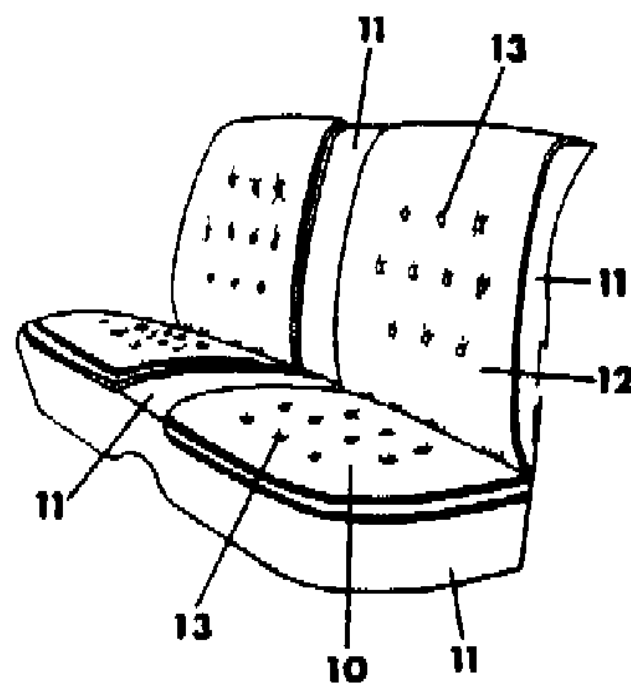
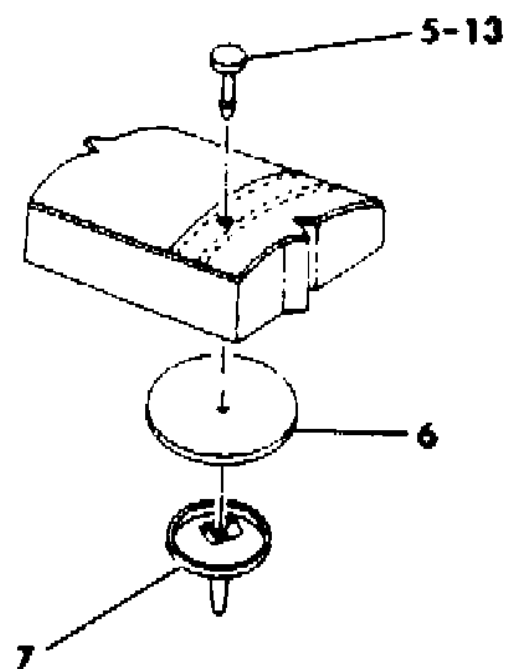
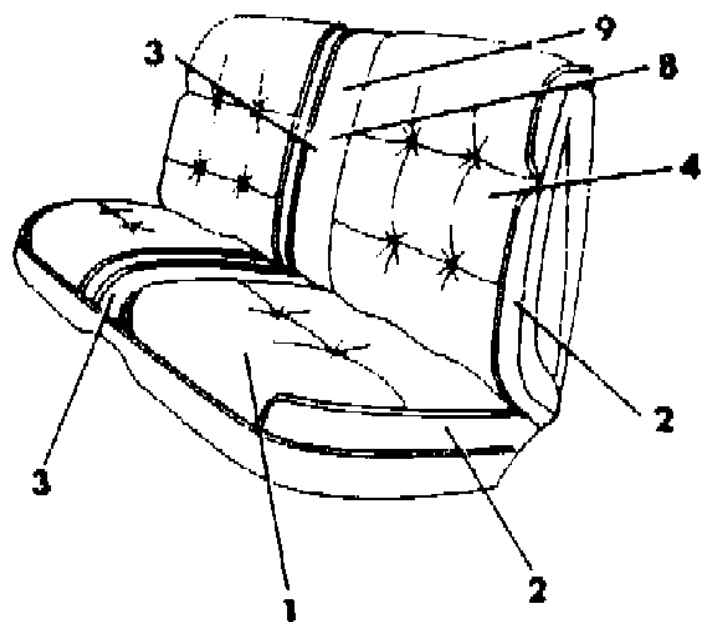
BODY STYLES

21 = 2-DOOR SEDAN  
22 = 2-DOOR SPECIAL COUPE  
24 = 2-DOOR HATCHBACK  
27 = 2-DOOR CONVERTIBLE  
28 = FWD PICKUP  
41 = 4-DOOR SEDAN  
44 = 4-DOOR HATCHBACK  
45 = 2-SEAT STATION WAGON

AR = Use as Required - = Non Illustrated Part P.A.R. = Paint as Required

SEAT REAR B,F,G TRIM CODES C9,H9,S9,SY  
Figure IT-5302

2253 530 200



ITEM	PART NUMBER	QTY	BODY	MODEL	DESCRIPTION
	A354 A9U	1			(material sample required) N N NS9H YA354A9U
	A354 AHH	1			(material sample required) N N NS9H YA354AHH
	A354 A9H	1			(material sample required) N N NS9H YA354A9H
	A354 A9R	1			(material sample required) N N NS9M YA354A9R
	A354 ARR	1			(material sample required) N N NS9M YA354ARR
	A354 A9M	1			(material sample required) N N NS9M YA354A9M
	A354 A9T	1			N N NS9T YA354A9T
	A348 AYA	1			N N NSYA YA348AYA
	A348 AYC	1			N N NSYC YA348AYC
	A348 AYH	1			N N NSYH YA348AYH
	A348 AYM	1			N N NSYM YA348AYM
	A348 AYT	1			N N NSYT YA348AYT
11					CLOTH, Roll Stock 54" Wide order by the inch N N N N
	R093 AA3	AR			Silver N N NS9A YR093AA3
	R093 AC7	AR			Blue (material sample required) N N NS9C YR093AC7
	R086 VC7	AR			Blue (material sample required) N N NS9C YR086VC7
	R080 TC7	AR			Blue (material sample required) N N NS9C YR080TC7
	R093 AH9	AR			Mahogany (material sample required) N N NS9H YR093AH9
	R086 VH9	AR			Mahogany (material sample required) N N NS9H YR086VH9
	R080 VH9	AR			Mahogany (material sample required) N N NS9H YR080VH9
	R093 AM6	AR			Red (material sample required) N N NS9M YR093AM6
	R086 VM6	AR			Red (material sample required) N N NS9M YR086VM6
	R080 TM6	AR			Red (material sample required) N N NS9M YR080TM6
	R093 AT4	AR			Tan N N NS9T YR093AT4
					Vinyl N N N N
	R600 AA2	AR			Silver 54" Wide N N NSYA YR600AA2
	R616 VC8	AR			Blue 64" Wide N N NSYC YR616VC8
	R609 VH9	AR			Mahogany 58" Wide N N NSYH YR609VH9
	R616 VM6	AR			Red 64" Wide N N NSYM YR616VM6
	R616 VT3	AR			Tan 64" Wide N N NSYT YR616VT3
11-12					BACK, w/Spring, Frame and Cover N N N N
	A915 A9A	1			N N NS9A YA915A9A
	A915 A9B	1			(material sample required) N N NS9C YA915A9B
	A915 ABB	1			(material sample required) N N NS9C YA915ABB
	A915 A9C	1			(material sample required) N N NS9C YA915A9C
	A915 A9U	1			(material sample required) N N NS9H YA915A9U
	A915 AHH	1			(material sample required) N N NS9H YA915AHH

MODEL CODES

B = GRAN FURY/CARAVELLE  
C = LEBARON/TOWN & COUNTRY  
D = ARIES  
F = NEW YORKER  
G = DIPLOMAT  
M = HORIZON/TC3/SCAMP  
P = RELIANT  
S = CORDOBA  
V = 400  
X = MIRADA  
Y = IMPERIAL  
Z = OMNI/O24/RAMPAGE

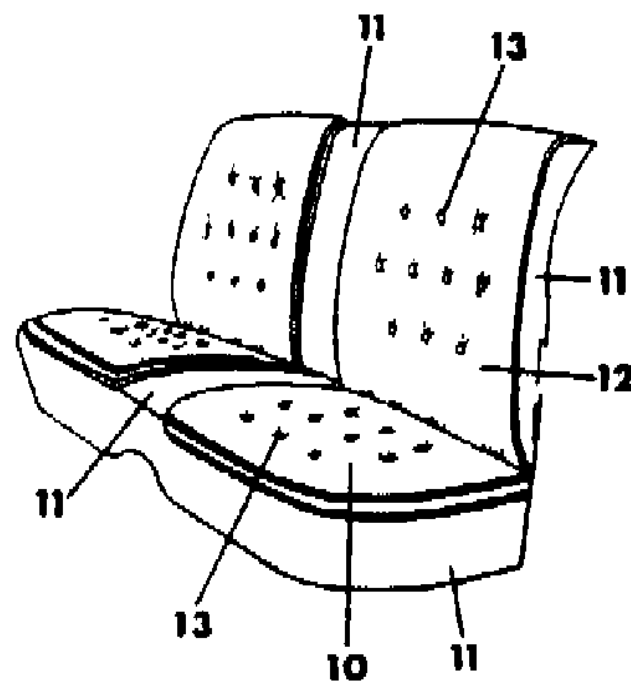
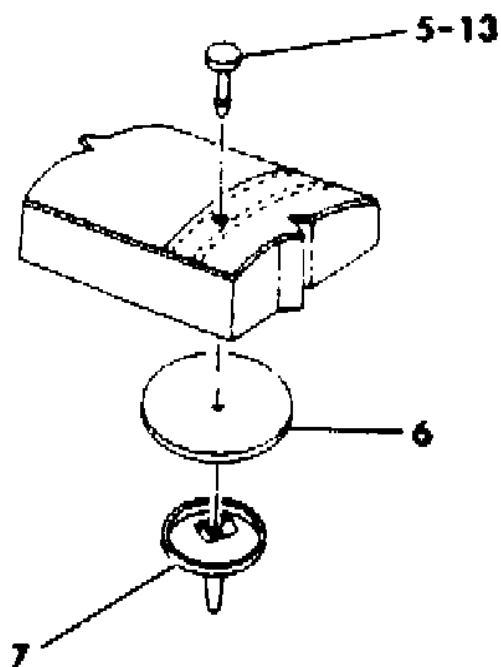
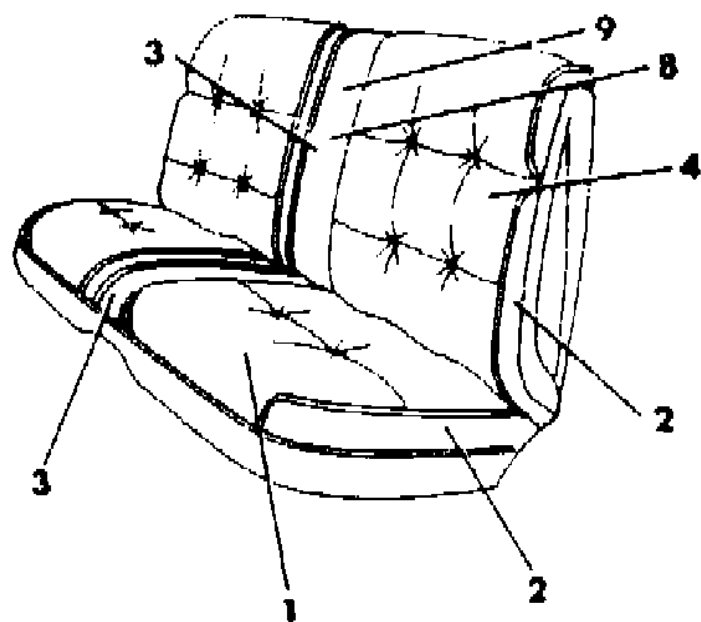
BODY STYLES

21 = 2-DOOR SEDAN  
22 = 2-DOOR SPECIAL COUPE  
24 = 2-DOOR HATCHBACK  
27 = 2-DOOR CONVERTIBLE  
28 = FWD PICKUP  
41 = 4-DOOR SEDAN  
44 = 4-DOOR HATCHBACK  
45 = 2-SEAT STATION WAGON

AR = Use as Required - = Non Illustrated Part P.A.R. = Paint as Required

SEAT REAR B,F,G TRIM CODES C9,H9,S9,SY  
Figure IT-5302

2253 530 200



ITEM	PART NUMBER	QTY	BODY	MODEL	DESCRIPTION
	A915 A9H	1			(material sample required) N N NS9H YA915A9H
	A915 A9R	1			(material sample required) N N NS9M YA915A9R
	A915 ARR	1			(material sample required) N N NS9M YA915ARR
	A915 A9M	1			(material sample required) N N NS9M YA915A9M
	A915 A9T	1			N N NS9T YA915A9T
	A941 AYA	1			N N NSYA YA941AYA
	A941 AYC	1			N N NSYC YA941AYC
	A941 AYH	1			N N NSYH YA941AYH
	A941 AYM	1			N N NSYM YA941AYM
	A941 AYT	1			N N NSYT YA941AYT
12					COVER, Back N N N N
	A355 A9A	1			N N NS9A YA355A9A
	A355 A9B	1			(material sample required) N N NS9C YA355A9B
	A355 ABB	1			(material sample required) N N NS9C YA355ABB
	A355 A9C	1			(material sample required) N N NS9C YA355A9C
	A355 A9U	1			(material sample required) N N NS9H YA355A9U
	A355 AHH	1			(material sample required) N N NS9H YA355AHH
	A355 A9H	1			(material sample required) N N NS9H YA355A9H
	A355 A9R	1			(material sample required) N N NS9M YA355A9R
	A355 ARR	1			(material sample required) N N NS9M YA355ARR
	A355 A9M	1			(material sample required) N N NS9M YA355A9M
	A355 A9T	1			N N NS9T YA355A9T
	A349 AYA	1			N N NSYA YA349AYA
	A349 AYC	1			N N NSYC YA349AYC
	A349 AYH	1			N N NSYH YA349AYH
	A349 AYM	1			N N NSYM YA349AYM
	A349 AYT	1			N N NSYT YA349AYT
13					BUTTON, Cushion and Back N N N N
	G379 AA3	AR			N N NS9A YG379AA3
	G379 AC7	AR			(material sample required) N N NS9C YG379AC7
	G379 ACC	AR			(material sample required) N N NS9C YG379ACC
	G389 AC7	AR			(material sample required) N N NS9C YG389AC7
	G379 AH9	AR			(material sample required) N N NS9H YG379AH9
	G379 AHH	AR			(material sample required) N N NS9H YG379AHH
	G389 AH9	AR			(material sample required) N N NS9H YG389AH9
	G379 AM6	AR			(material sample required) N N NS9M YG379AM6
	G379 AMM	AR			(material sample required) N N NS9M YG379AMM

MODEL CODES

B = GRAN FURY/CARAVELLE	P = RELIANT
C = LEBARON/TOWN & COUNTRY	S = CORDOBA
D = ARIES	V = 400
F = NEW YORKER	X = MIRADA
G = DIPLOMAT	Y = IMPERIAL
M = HORIZON/TC3/SCAMP	Z = OMNI/O24/RAMPAGE

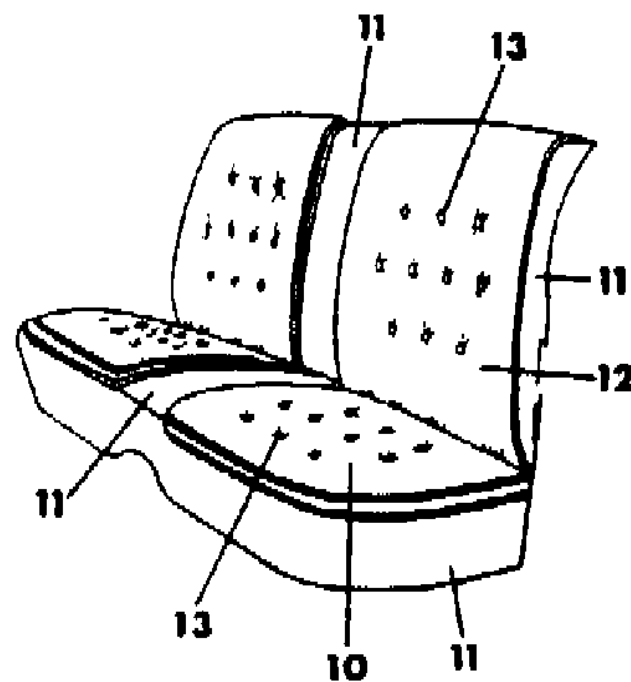
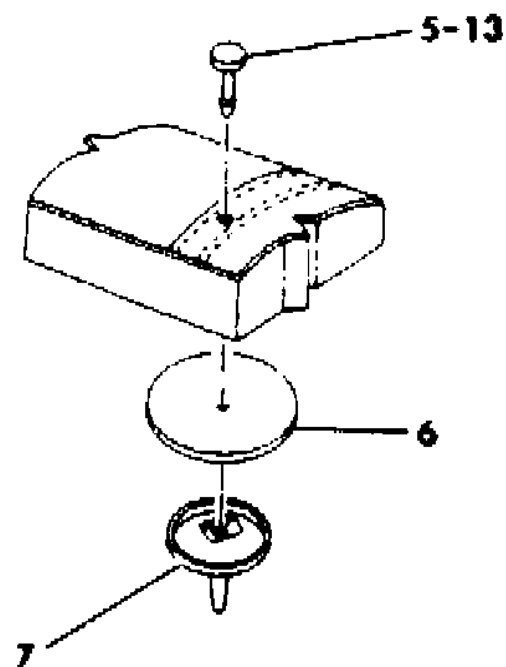
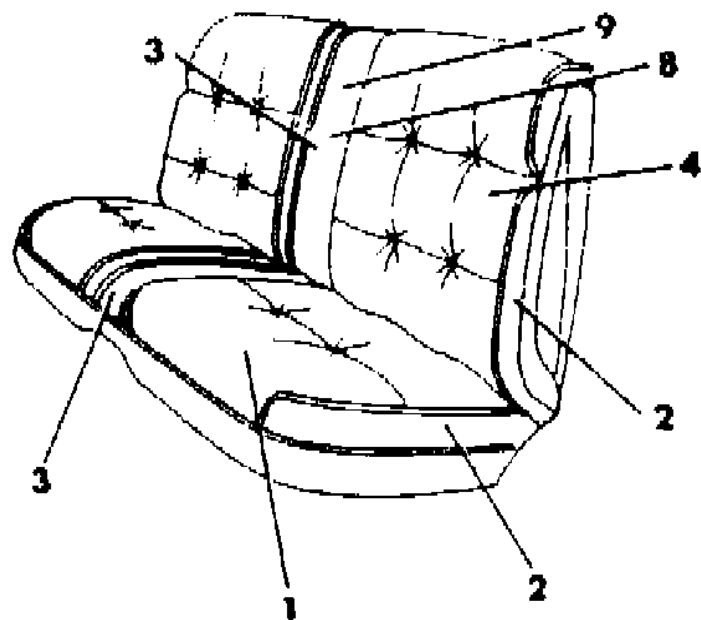
BODY STYLES

21 = 2-DOOR SEDAN	28 = FWD PICKUP
22 = 2-DOOR SPECIAL COUPE	41 = 4-DOOR SEDAN
24 = 2-DOOR HATCHBACK	44 = 4-DOOR HATCHBACK
27 = 2-DOOR CONVERTIBLE	45 = 2-SEAT STATION WAGON

AR = Use as Required - = Non Illustrated Part P.A.R. = Paint as Required

SEAT REAR B,F,G TRIM CODES C9,H9,S9,SY  
Figure IT-5302

2253 530 200



ITEM	PART NUMBER	QTY	BODY	MODEL	DESCRIPTION
	G389 AM6	AR			(material sample required) N N NS9M YG389AM6
	G379 AT4	AR			N N NS9T YG379AT4
	S846 AA2	AR			N N NSYA YS846AA2
	S846 VC8	AR			N N NSYC YS846VC8
	S846 VH9	AR			N N NSYH YS846VH9
	S846 AM6	AR			N N NSYM YS846AM6
	S846 VT3	AR			N N NSYT YS846VT3
The following parts are not illustrated s ARE NOT RETURNABLE.					
	6031 537	2			WASHER, Rear Seat Back Center Arm Rest Spacer N N N Y6031537
	0181 063	2			BOLT, Arm Rest to Seat Back N N N Y181063
	6026 584	2			SCREW, Arm Rest N N N Y6026584

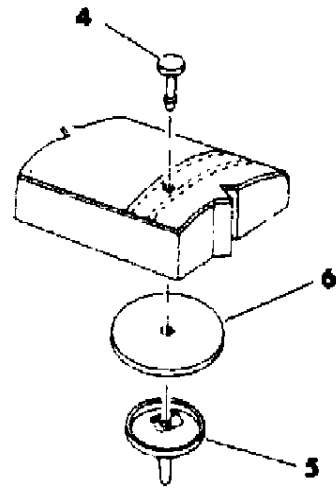
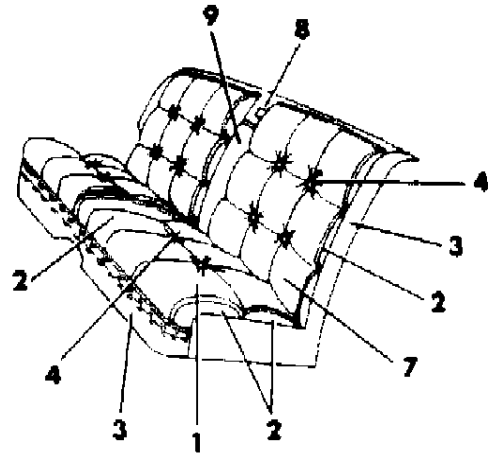
MODEL CODES  
 B = GRAN FURY/CARAVELLE  
 C = LEBARON/TOWN & COUNTRY  
 D = ARIES  
 F = NEW YORKER  
 G = DIPLOMAT  
 M = HORIZON/TC3/SCAMP  
 P = RELIANT  
 S = CORDOBA  
 V = 400  
 X = MIRADA  
 Y = IMPERIAL  
 Z = OMNI/O24/RAMPAGE

BODY STYLES  
 21 = 2-DOOR SEDAN  
 22 = 2-DOOR SPECIAL COUPE  
 24 = 2-DOOR HATCHBACK  
 27 = 2-DOOR CONVERTIBLE  
 28 = FWD PICKUP  
 41 = 4-DOOR SEDAN  
 44 = 4-DOOR HATCHBACK  
 45 = 2-SEAT STATION WAGON

AR = Use as Required - = Non Illustrated Part P.A.R. = Paint as Required

**SEAT REAR B,F,G TRIM CODE DY,GY**  
**Figure IT-5303**

2253 530 300



ITEM	PART NUMBER	QTY	BODY	MODEL	DESCRIPTION
1-6					CUSHION,Rear w/Spring,Frame and Cover N N N N
	A624 AYA	1			N N NDYA,GYA YA624AYA
	A624 VYT	1			N N NDYT,GYT YA624VYT
1	A316 AYA	1			COVER, Rear Cushion N N N N
	A316 VYT	1			N N NDYA,GYA YA316AYA
	A316 VYT	1			N N NDYT,GYT YA316VYT
2					HIDE, Order by the square foot N N N N
	R190 AA2	AR			N N NDYA,GYA YR190AA2
	R190 ST3	AR			N N NDYT,GYT YR190ST3
3					VINYL, Roll Stock, Order By The Inch N N N N
	R600 AA2	AR			Silver 54" Wide N N NDYA,GYA YR600AA2
	R616 VT3	AR			Tan 64" Wide N N NDYT,GYT YR616VT3
4					BUTTON, Cushion N N N N
	G910 AA2	AR			N N NDYA,GYA YG910AA2
	G910 VT3	AR			N N NDYT,GYT YG910VT3
	G900 AA2	AR			Back N N N N
	G900 VT3	AR			N N NDYA,GYA YG900AA2
	G900 VT3	AR			N N NDYT,GYT YG900VT3
5	3758 940	AR			RETAINER, Button N N N Y3758940
6	4029 901	AR			WASHER, Button Stud N N N Y4029901
7&2-6					BACK,Rear w/Spring,Frame and Cover N N N N
	A645 AYA	1			N N NDYA,GYA YA645AYA
	A645 VYT	1			N N NDYT,GYT YA645VYT
7	A327 AYA	1			COVER, Rear Back N N N N
	A327 VYT	1			N N NDYA,GYA YA327AYA
	A327 VYT	1			N N NDYT,GYT YA327VYT
8					ARM REST, Rear Center N N N N
	A679 AA2	1			N N NDYA,GYA YA679AA2
	A679 VT3	1			N N NDYT,GYT YA679VT3
9					COVER, Arm Rest N N N N
	A341 AYA	1			N N NDYA,GYA YA341AYA
	A341 VYT	1			N N NDYT,GYT YA341VYT
The following parts are not illustrated s ARE NOT RETURNABLE.					
	6031 537	2			WASHER, Arm Rest Pivot N N N Y6031537
	6026 584	2			SCREW, Arm Rest Support N N N Y6026584

**MODEL CODES**

B = GRAN FURY/CARAVELLE	P = RELIANT
C = LEBARON/TOWN & COUNTRY	S = CORDOBA
D = ARIES	V = 400
F = NEW YORKER	X = MIRADA
G = DIPLOMAT	Y = IMPERIAL
M = HORIZON/TC3/SCAMP	Z = OMNI/O24/RAMPAGE

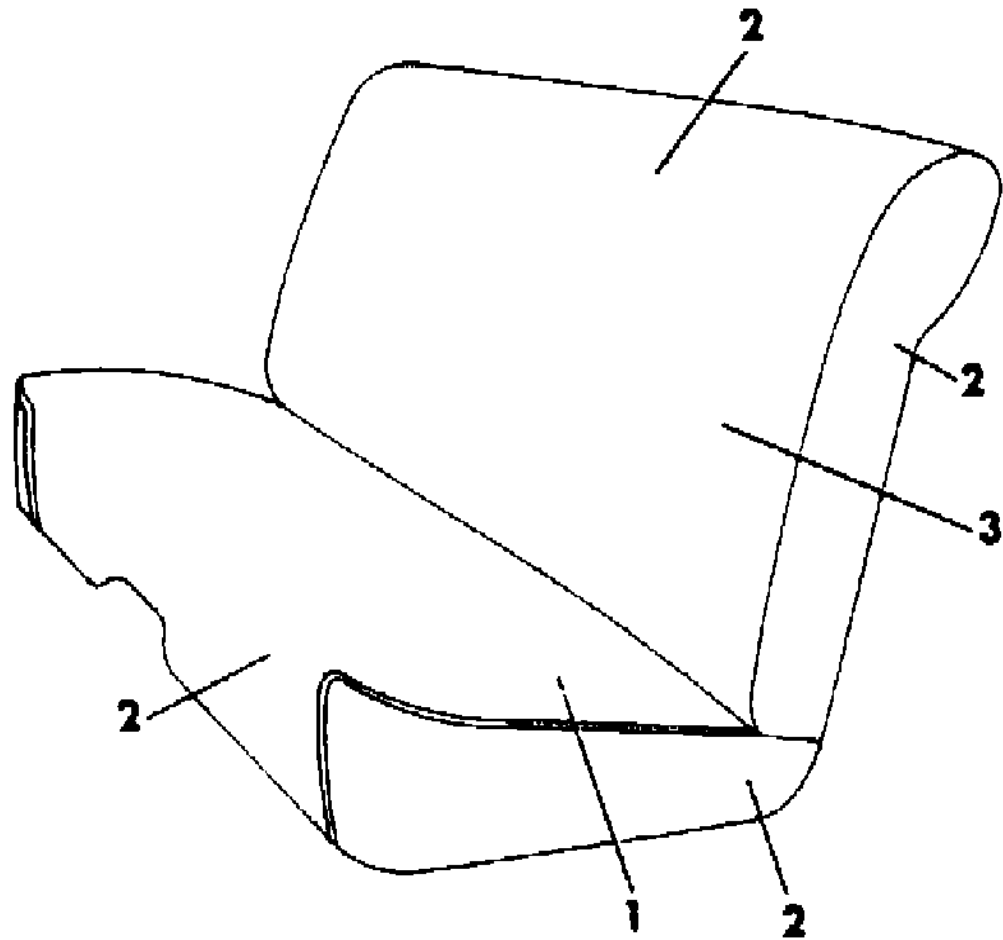
**BODY STYLES**

21 = 2-DOOR SEDAN	28 = FWD PICKUP
22 = 2-DOOR SPECIAL COUPE	41 = 4-DOOR SEDAN
24 = 2-DOOR HATCHBACK	44 = 4-DOOR HATCHBACK
27 = 2-DOOR CONVERTIBLE	45 = 2-SEAT STATION WAGON

AR = Use as Required - = Non Illustrated Part P.A.R. = Paint as Required

**SEAT REAR B,F,G TRIM CODES K2,KX**  
**Figure IT-5304**

2253 530 400



ITEM	PART NUMBER	QTY	BODY	MODEL	DESCRIPTION
1-2					CUSHIOM, w/Spring, Frame and Cover N N N N
	N738 V2C	1			N N NK2C YN738V2C
	N738 V2T	1			N N NK2T,KXT YN738V2T
1					COVER, Cushion N N N N
	N163 V2C	1			N N NK2C YN163V2C
	N163 V2T	1			N N NK2T,KXT YN163V2T
2					ROLL STOCK, Vinyl 64" Wide Order By The Inch N N N N
	R616 VC8	AR			Blue N N NK2C YR616VC8
	R616 VT3	AR			Tan N N NK2T,KXT YR616VT3
3&2					BACK, w/Spring, Frame and Cover N N N N
	N740 V2C	1			N N NK2C YN740V2C
	N740 V2T	1			N N NK2T,KXT YN740V2T
3					COVER, Back N N N N
	N164 V2C	1			N N NK2C YN164V2C
	N164 V2T	1			N N NK2T,KXT YN164V2T
The following parts are not illustrated. s ARE NOT RETURNABLE.					
	4138 071	2			PROTECTOR, Rear Seat Cushion Frame (w/Heavy Duty Cushion) N N N Y4138071
	3844 288	2			SCUFF PLATE, Cushion Hold Down N N N Y3844288

**MODEL CODES**

B = GRAN FURY/CARAVELLE	P = RELIANT
C = LEBARON/TOWN & COUNTRY	S = CORDOBA
D = ARIES	V = 400
F = NEW YORKER	X = MIRADA
G = DIPLOMAT	Y = IMPERIAL
M = HORIZON/TC3/SCAMP	Z = OMNI/O24/RAMPAGE

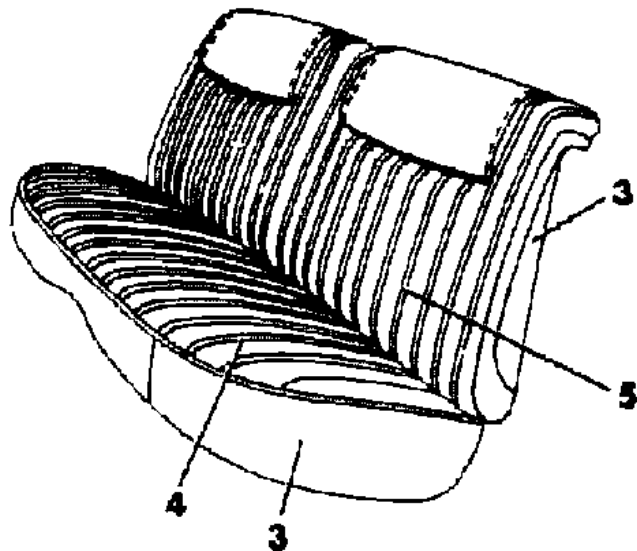
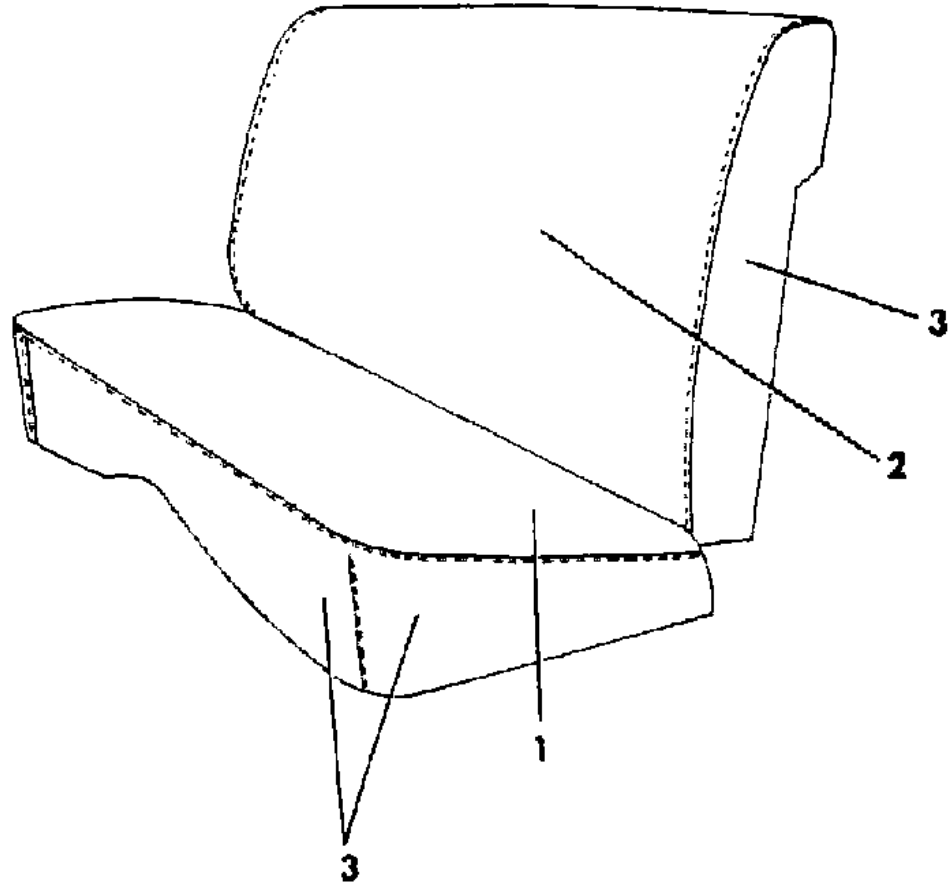
**BODY STYLES**

21 = 2-DOOR SEDAN	28 = FWD PICKUP
22 = 2-DOOR SPECIAL COUPE	41 = 4-DOOR SEDAN
24 = 2-DOOR HATCHBACK	44 = 4-DOOR HATCHBACK
27 = 2-DOOR CONVERTIBLE	45 = 2-SEAT STATION WAGON

AR = Use as Required - = Non Illustrated Part P.A.R. = Paint as Required

FLEET POLICE AND OTHERS REAR SEAT B,F,G  
Figure IT-5305

2253-530500A



ITEM	PART NUMBER	QTY	BODY	MODEL	DESCRIPTION
NOTE: Special order code is in trim column. Code appears on invoice. s ARE NOT RETURNABLE.					
1					COVER, Cushion N N N N
	4196 266	1			Blue, Cloth (plaid) N N N7VC Y4196266
	4196 274	1			Tan, Cloth (plaid) N N N7VC Y4196274
	4196 402	1			Blue, Cloth (tweed) N N N7VC Y4196402
	4196 410	1			Tan, Cloth (tweed) N N N7VC Y4196410
	4196 288	1			Blue, Cloth (plaid) N N N7RW Y4196288
	4196 290	1			Tan, Cloth (plaid) N N N7RW Y4196290
	4196 387	1			Blue, Cloth (tweed) N N N7RW Y4196387
	4196 381	1			Tan, Cloth (tweed) N N N7RW Y4196381
	4196 266	1			Blue, Cloth (plaid) N N N7RB Y4196266
	4196 274	1			Tan, Cloth (plaid) N N N7RB Y4196274
	4196 387	1			Blue, Cloth (tweed) N N N7RB Y4196387
	4196 381	1			Tan, Cloth (tweed) N N N7RB Y4196381
2					COVER, Back N N N N
	4196 267	1			Blue, Cloth (plaid) N N N7VC Y4196267
	4196 275	1			Tan, Cloth (plaid) N N N7VC Y4196275
	4196 403	1			Blue, Cloth (tweed) N N N7VC Y4196403
	4196 411	1			Tan, Cloth (tweed) N N N7VC Y4196411
	4196 289	1			Blue, Cloth (plaid) N N N7RW Y4196289
	4196 291	1			Tan, Cloth (plaid) N N N7RW Y4196291
	4196 388	1			Blue, Cloth (tweed) N N N7RW Y4196388
	4196 382	1			Tan, Cloth (tweed) N N N7RW Y4196382
	4196 267	1			Blue, Cloth (plaid) N N N7RB Y4196267
	4196 275	1			Tan, Cloth (plaid) N N N7RB Y4196275
	4196 388	1			Blue, Cloth (tweed) N N N7RB Y4196388
	4196 382	1			Tan, Cloth (tweed) N N N7RB Y4196382
3					ROLL STOCK, Vinyl 64" Wide Order by the Inch. N N N N
	R616 AA3	AR			Silver N N N YR616AA3
	R616 VC8	AR			Blue N N N YR616VC8
	R616 VM6	AR			Red N N N YR616VM6
	R616 VT3	AR			Tan N N N YR616VT3
4					COVER, Cushion N N N N
	4196 528	1			Silver, Vinyl N N N7PX Y4196528
	4196 520	1			Red, Vinyl N N N7PX Y4196520
5					COVER, Back N N N N
	4196 529	1			Silver, Vinyl N N N7PX Y4196529

MODEL CODES

B = GRAN FURY/CARAVELLE	P = RELIANT
C = LEBARON/TOWN & COUNTRY	S = CORDOBA
D = ARIES	V = 400
F = NEW YORKER	X = MIRADA
G = DIPLOMAT	Y = IMPERIAL
M = HORIZON/TC3/SCAMP	Z = OMNI/O24/RAMPAGE

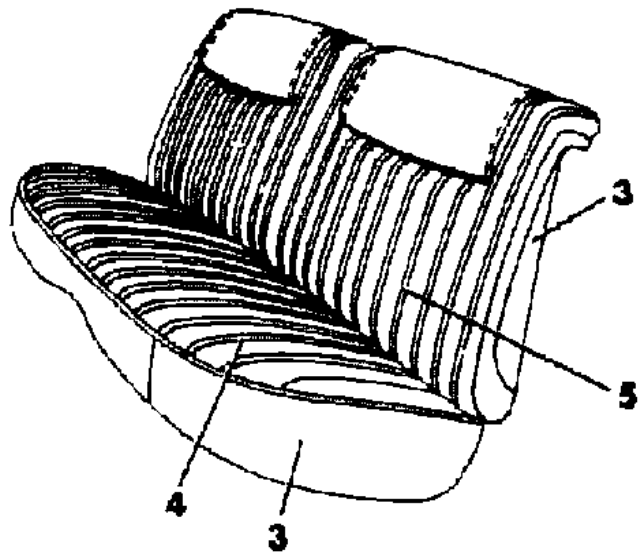
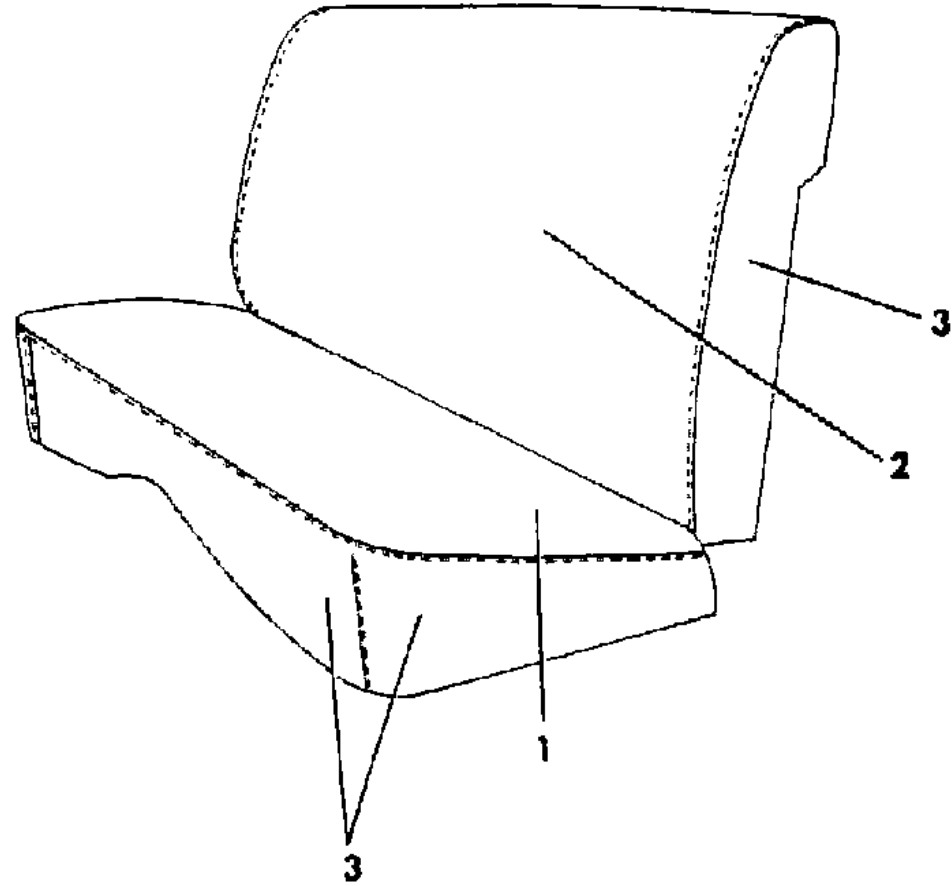
BODY STYLES

21 = 2-DOOR SEDAN	28 = FWD PICKUP
22 = 2-DOOR SPECIAL COUPE	41 = 4-DOOR SEDAN
24 = 2-DOOR HATCHBACK	44 = 4-DOOR HATCHBACK
27 = 2-DOOR CONVERTIBLE	45 = 2-SEAT STATION WAGON

AR = Use as Required - = Non Illustrated Part P.A.R. = Paint as Required

FLEET POLICE AND OTHERS REAR SEAT B,F,G  
Figure IT-5305

2253-530500A



ITEM	PART NUMBER	QTY	BODY	MODEL	DESCRIPTION
------	-------------	-----	------	-------	-------------

4196 521	1				Red, Vinyl N N N7PX Y4196521
----------	---	--	--	--	------------------------------

NOTE: For related parts check comparable seat illustration. s ARE NOT RETURNABLE.

MODEL CODES

B = GRAN FURY/CARAVELLE	P = RELIANT
C = LEBARON/TOWN & COUNTRY	S = CORDOBA
D = ARIES	V = 400
F = NEW YORKER	X = MIRADA
G = DIPLOMAT	Y = IMPERIAL
M = HORIZON/TC3/SCAMP	Z = OMNI/O24/RAMPAGE

BODY STYLES

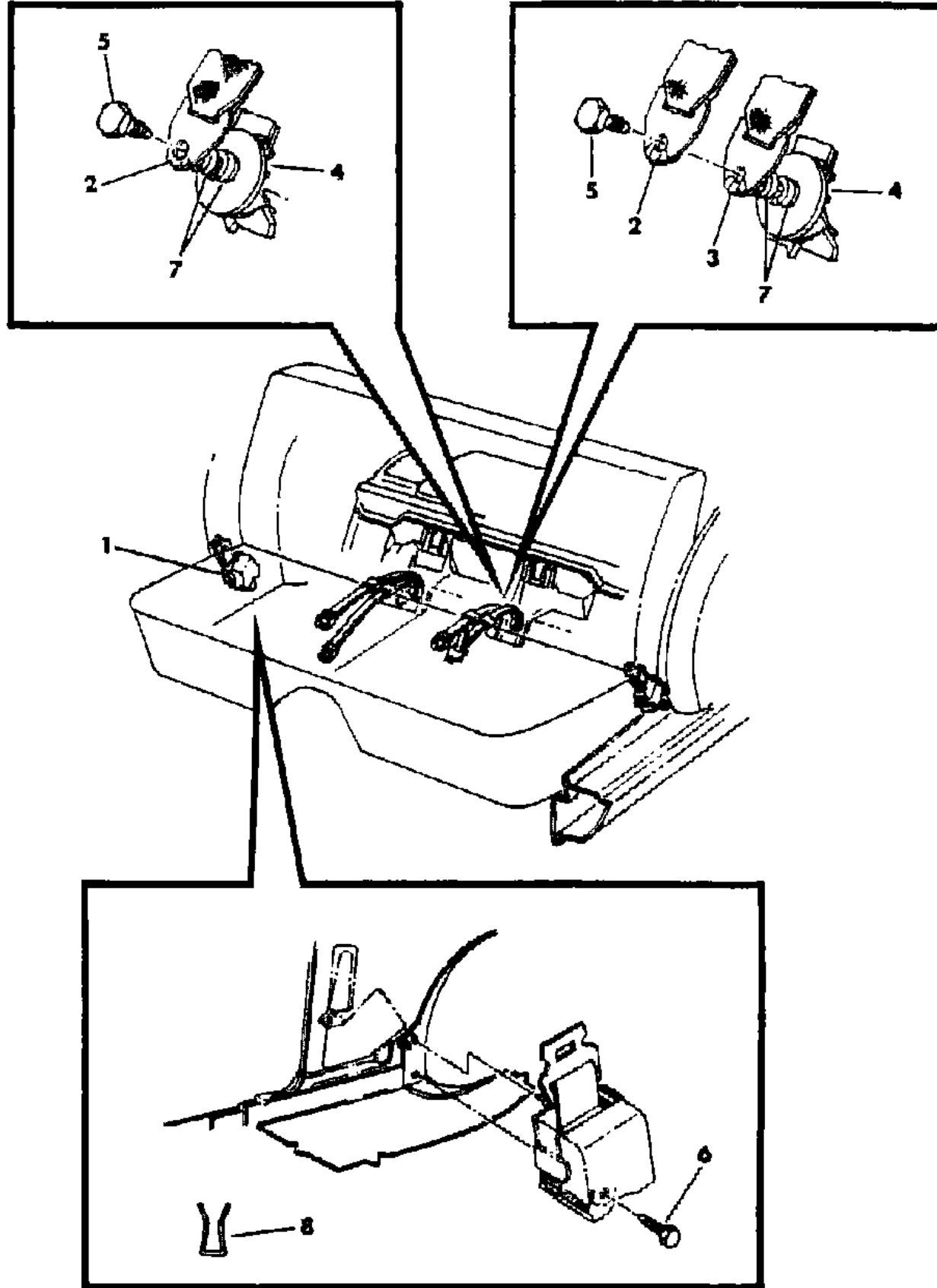
21 = 2-DOOR SEDAN	28 = FWD PICKUP
22 = 2-DOOR SPECIAL COUPE	41 = 4-DOOR SEDAN
24 = 2-DOOR HATCHBACK	44 = 4-DOOR HATCHBACK
27 = 2-DOOR CONVERTIBLE	45 = 2-SEAT STATION WAGON

AR = Use as Required - = Non Illustrated Part P.A.R. = Paint as Required



**BELT REAR SEAT LAP B,F,G**  
Figure IT-5371

2253 537 100



ITEM	PART NUMBER	QTY	BODY	MODEL	DESCRIPTION
1					BELT, Outboard Tip Half Label NO. 4054981 N N N N
	F540 AA3	2			Silver N N N YF540AA3
	F540 TC7	2			Blue N N N YF540TC7
	F540 AH9	2			Mahogany N N N YF540AH9
	F540 TM6	2			Red N N N YF540TM6
	F540 ST4	2			Tan N N N YF540ST4
2					BELT, Buckle and Tip Half Label No. 4246236-7 N N N N
	F566-7 AA3	2			Silver N N N YF566AA3
	F566-7 VC7	2			Blue N N N YF566VC7
	F566-7 AH9	2			Mahogany N N N YF566AH9
	F566-7 VM6	2			Red N N N YF566VM6
	F566-7 VT4	2			Tan N N N YF566VT4
3					BELT, Center Buckle Half Label No. 4246226 N N N N
	F562 AA3	1			Silver N N N YF562AA3
	F562 VC7	1			Blue N N N YF562VC7
	F562 VH9	1			Mahogany N N N YF562VH9
	F562 VM6	1			Red N N N YF562VM6
	F562 VT4	1			Tan N N N YF562VT4
					BELT, Center Tip Half Label No. 3861803 N N N N
	F640 AA3	1			Silver N N N YF640AA3
	F640 SC7	1			Blue N N N YF640SC7
	F640 VH9	1			Mahogany N N N YF640VH9
	F640 TM6	1			Red N N N YF640TM6
	F640 ST4	1			Tan N N N YF640ST4
4	3861 291	AR			PAD, Swivel Plate N N N Y3861291
5	6030 458	2			BOLT N N N Y6030458
6	6030 484	2			BOLT N N N Y6030484
7		2			SPACER (not serviced) N N N N
8	6002 972	2			U-CLIP N N N Y6002972
					The following parts are not illustrated. s ARE NOT RETURNABLE.
	6031 298	2			BOLT, Attaching to Floor (inboard) N N N Y6031298

MODEL CODES

B = GRAN FURY/CARAVELLE	P = RELIANT
C = LEBARON/TOWN & COUNTRY	S = CORDOBA
D = ARIES	V = 400
F = NEW YORKER	X = MIRADA
G = DIPLOMAT	Y = IMPERIAL
M = HORIZON/TC3/SCAMP	Z = OMNI/O24/RAMPAGE

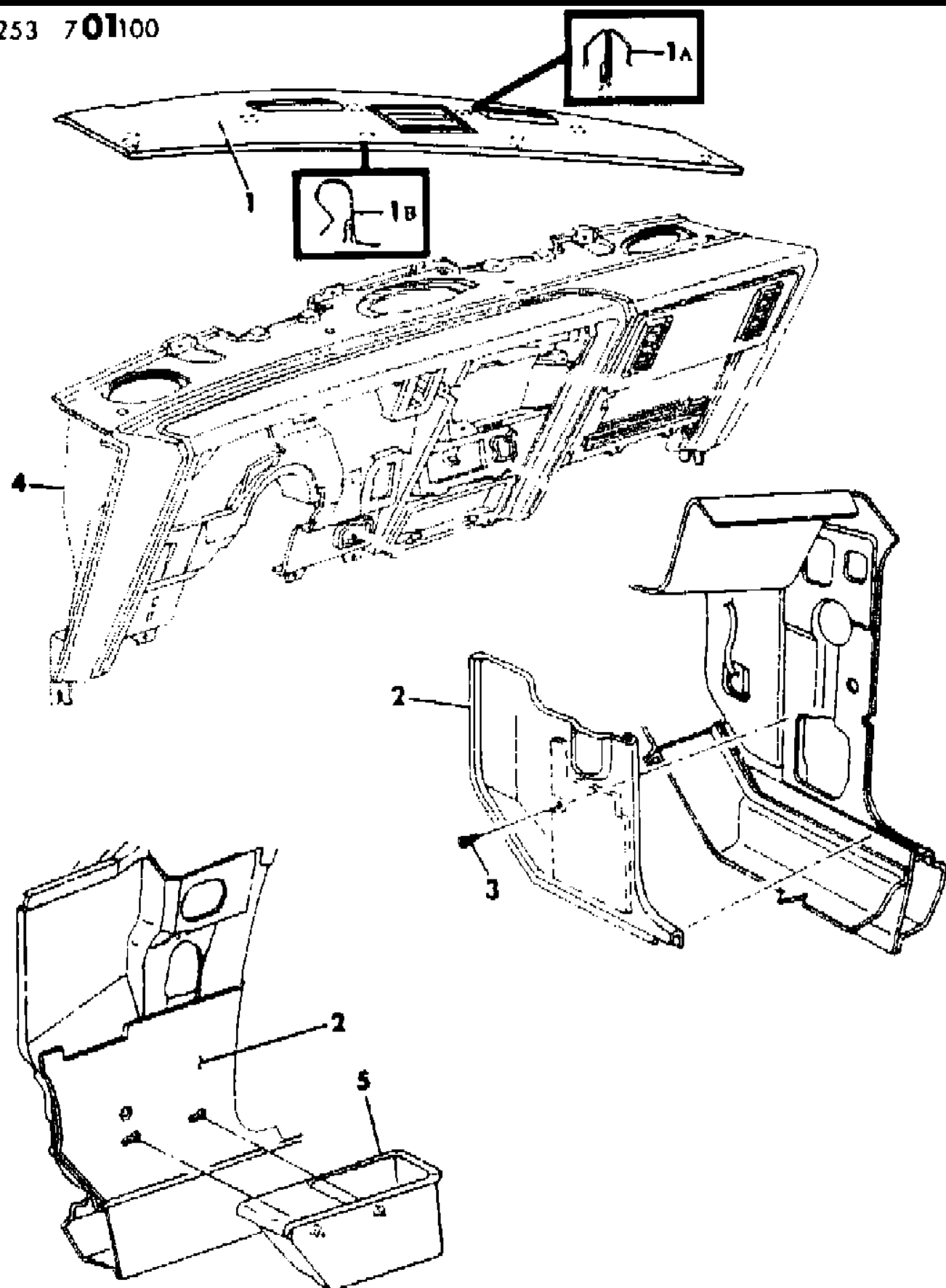
BODY STYLES

21 = 2-DOOR SEDAN	28 = FWD PICKUP
22 = 2-DOOR SPECIAL COUPE	41 = 4-DOOR SEDAN
24 = 2-DOOR HATCHBACK	44 = 4-DOOR HATCHBACK
27 = 2-DOOR CONVERTIBLE	45 = 2-SEAT STATION WAGON

AR = Use as Required - = Non Illustrated Part P.A.R. = Paint as Required

INSTRUMENT PANEL and COWL S,X,Y  
Figure IT-7011

2253 701100



ITEM	PART NUMBER	QTY	BODY	MODEL	DESCRIPTION
1					COVER, Instrument Panel Trim N N N N
					w/Radio N N N N
	P658 AA7	1			Silver N N N YP658AA7
	P658 VB2	1			Blue, Light N N N YP658VB2
	P658 TC7	1			Blue, Dark N N N YP658TC7
	P658 VH9	1			Mahogany N N N YP658VH9
	P658 TM6	1			Red N N N YP658TM6
	P658 TT6	1			Tan N N N YP658TT6
		1			w/Stereo N N N N
	P659 AA7	1			Silver N N N YP659AA7
	P659 VB2	1			Blue, Light N N N YP659VB2
	P659 TC7	1			Blue, Dark N N N YP659TC7
	P659 VF5	1			Green N N N YP659VF5
	P659 VH9	1			Mahogany N N N YP659VH9
	P659 TM6	1			Red N N N YP659TM6
	P659 TT6	1			Tan N N N YP659TT6
1A	3590 389	AR			CLIP, Cover Front (windshield side) N N N Y3590389
1B		AR			CLIP, Cover Rear (drivers side) Serviced in item 1 N N N N
2					PANEL w/SILENCER, Cowl Side Trim w/o Litter Container N N N N
	F268-9 AA3	1			Silver N N N YF268AA3
	F268-9 TC7	1			Blue N N N YF268TC7
	F268-9 VH9	1			Mahogany N N N YF268VH9
	F268-9 TM6	1			Red N N N YF268TM6
	F268-9 TT4	1			Tan N N N YF268TT4
	F268-9 TW1	1			White N N N YF268TW1
					w/Litter Container and Carpet N N N N
	F228-9 AA3	1			Silver NS,X N N YF228AA3
	F228-9 VC7	1			Blue NS,X N N YF228VC7
	F228-9 VH9	1			Mahogany NS,X N N YF228VH9
	F228-9 VM6	1			Red NS,X N N YF228VM6
	F228-9 VT4	1			Tan NS,X N N YF228VT4
	F246 AA3	1			Silver, Right NY N N YF246AA3
	F239 AA3	1			Silver, Left NY N N YF239AA3
	F246 VB2	1			Blue, Light Right NY N N YF246VB2
	F239 VB2	1			Blue, Light Left NY N N YF239VB2
	F246 VC7	1			Blue, Dark Right NY N N YF246VC7

MODEL CODES

B = GRAN FURY/CARAVELLE	P = RELIANT
C = LEBARON/TOWN & COUNTRY	S = CORDOBA
D = ARIES	V = 400
F = NEW YORKER	X = MIRADA
G = DIPLOMAT	Y = IMPERIAL
M = HORIZON/TC3/SCAMP	Z = OMNI/O24/RAMPAGE

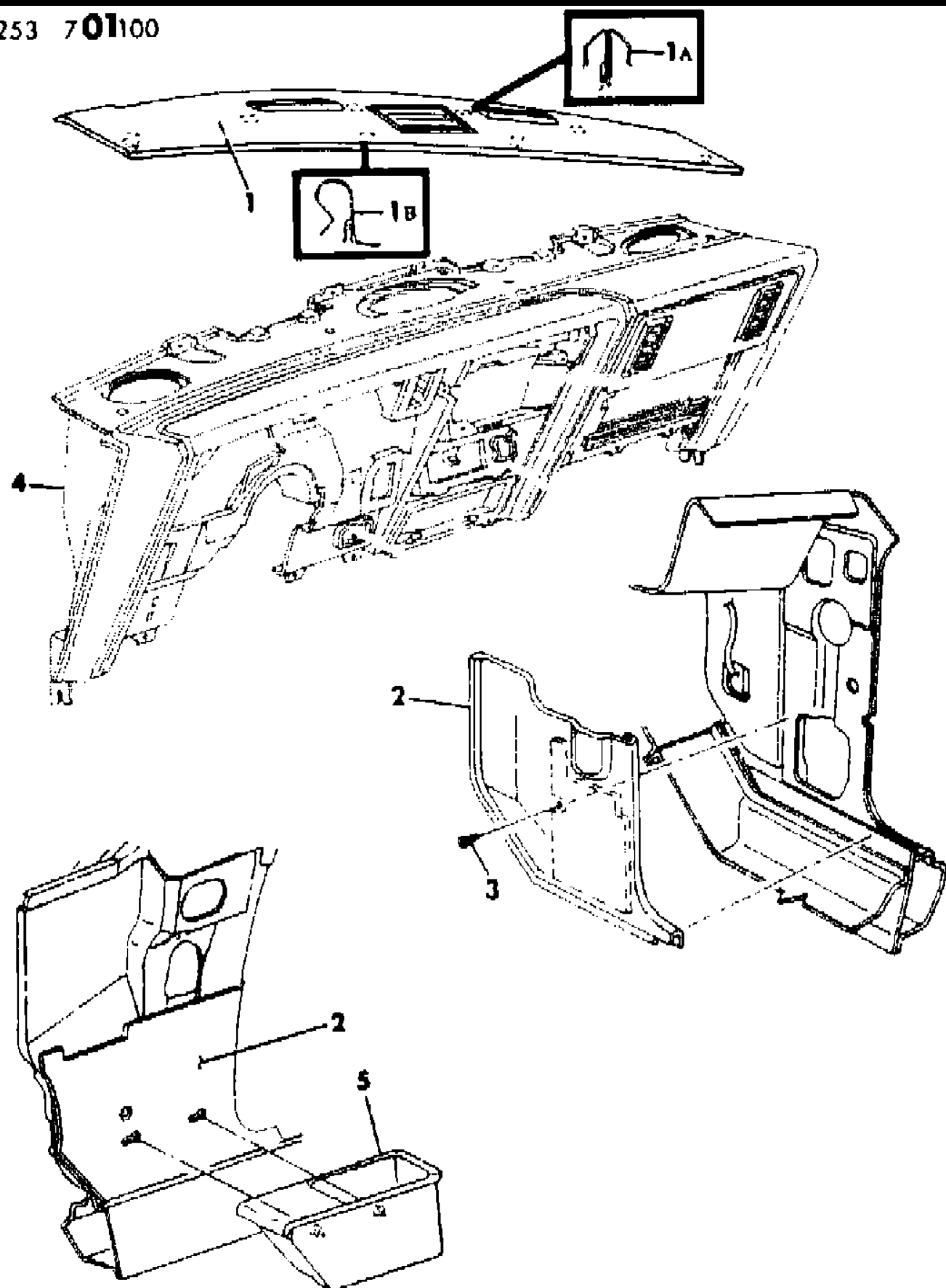
BODY STYLES

21 = 2-DOOR SEDAN	28 = FWD PICKUP
22 = 2-DOOR SPECIAL COUPE	41 = 4-DOOR SEDAN
24 = 2-DOOR HATCHBACK	44 = 4-DOOR HATCHBACK
27 = 2-DOOR CONVERTIBLE	45 = 2-SEAT STATION WAGON

AR = Use as Required - = Non Illustrated Part P.A.R. = Paint as Required

**INSTRUMENT PANEL and COWL S,X,Y**  
Figure IT-7011

2253 701100



ITEM	PART NUMBER	QTY	BODY	MODEL	DESCRIPTION
	F239 VC7	1			Blue, Dark Left NY N N YF239VC7
	F246 VH9	1			Mahogany, Right NY N N YF246VH9
	F239 VH9	1			Mahogany, Left NY N N YF239VH9
	F246 VM6	1			Red, Right NY N N YF246VM6
	F239 VM6	1			Red, Left NY N N YF239VM6
	F246 VT4	1			Tan, Right NY N N YF246VT4
	F239 VT4	1			Tan, Left NY N N YF239VT4
3		2			SCREW,(8-18x1-1/2 not serviced) N N N N
4					PANEL and PAD,Instrument Panel Trim N N N N
	P431 AA7	1			Silver NS,X N N YP431AA7
	P431 TC7	1			Blue NS,X N N YP431TC7
	P431 VH9	1			Mahogany NS,X N N YP431VH9
	P431 TM6	1			Red NS,X N N YP431TM6
	P431 TT6	1			Tan NS,X N N YP431TT6
	P424 AA7	1			Silver NY N N YP424AA7
	P424 VB2	1			Blue, Light NY N N YP424VB2
	P424 VC7	1			Blue, Dark NY N N YP424VC7
	P424 VH9	1			Mahogany NY N N YP424VH9
	P424 VM6	1			Red NY N N YP424VM6
	P424 VT6	1			Tan NY N N YP424VT6
5					BOX, Cowl Side Container N N N N
	F231 AA3	1			Silver NS,X N N YF231AA3
	F231 VC7	1			Blue NS,X N N YF231VC7
	F231 VH9	1			Mahogany NS,X N N YF231VH9
	F231 VM6	1			Red NS,X N N YF231VM6
	F231 VT4	1			Tan NS,X N N YF231VT4
	F241 AA3	1			Silver NY N N YF241AA3
	F241 VB2	1			Blue, Light NY N N YF241VB2
	F241 VC7	1			Blue, Dark NY N N YF241VC7
	F241 VH9	1			Mahogany NY N N YF241VH9
	F241 VM6	1			Red NY N N YF241VM6
	F241 VT4	1			Tan NY N N YF241VT4
The following part is not illustrated. s ARE NOT RETURNABLE.					
	4136 545	2			PAD, Cowl Side Inner N N N Y4136545 UMBRELLA HOLDER, Cowl Side N N N N
	F248 AA3	1			Silver NY N N YF248AA3
	F248 VB2	1			Blue, Light NY N N YF248VB2

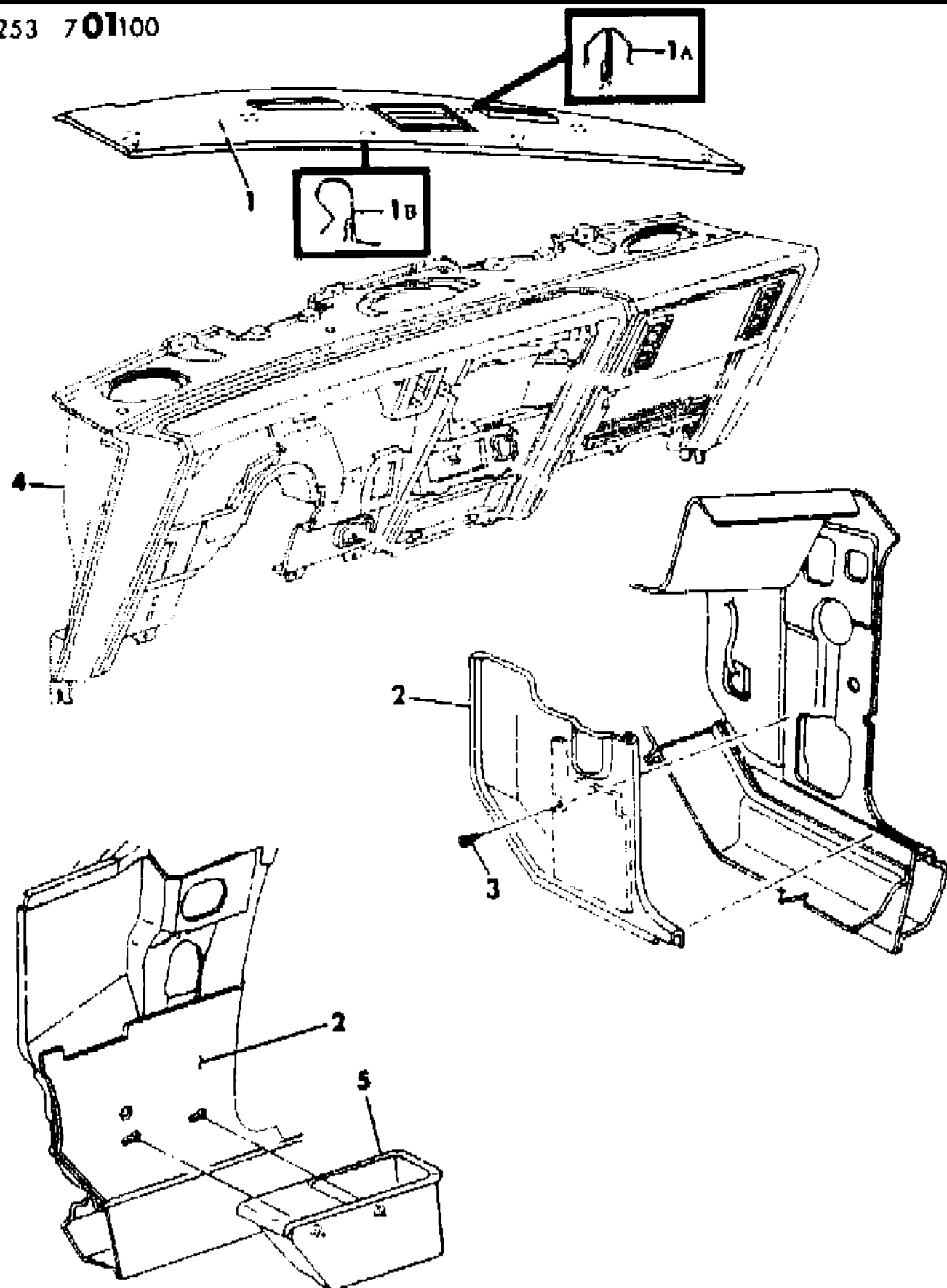
MODEL CODES  
 B = GRAN FURY/CARAVELLE      P = RELIANT  
 C = LEBARON/TOWN & COUNTRY      S = CORDOBA  
 D = ARIES      V = 400  
 F = NEW YORKER      X = MIRADA  
 G = DIPLOMAT      Y = IMPERIAL  
 M = HORIZON/TC3/SCAMP      Z = OMNI/O24/RAMPAGE

BODY STYLES  
 21 = 2-DOOR SEDAN      28 = FWD PICKUP  
 22 = 2-DOOR SPECIAL COUPE      41 = 4-DOOR SEDAN  
 24 = 2-DOOR HATCHBACK      44 = 4-DOOR HATCHBACK  
 27 = 2-DOOR CONVERTIBLE      45 = 2-SEAT STATION WAGON

AR = Use as Required - = Non Illustrated Part P.A.R. = Paint as Required

INSTRUMENT PANEL and COWL S,X,Y  
Figure IT-7011

2253 701100



ITEM	PART NUMBER	QTY	BODY	MODEL	DESCRIPTION
	F248 VC7	1			Blue, Dark NY N N YF248VC7
	F248 VH9	1			Mahogany NY N N YF248VH9
	F248 VM6	1			Red NY N N YF248VM6
	F248 VT4	1			Tan NY N N YF248VT4

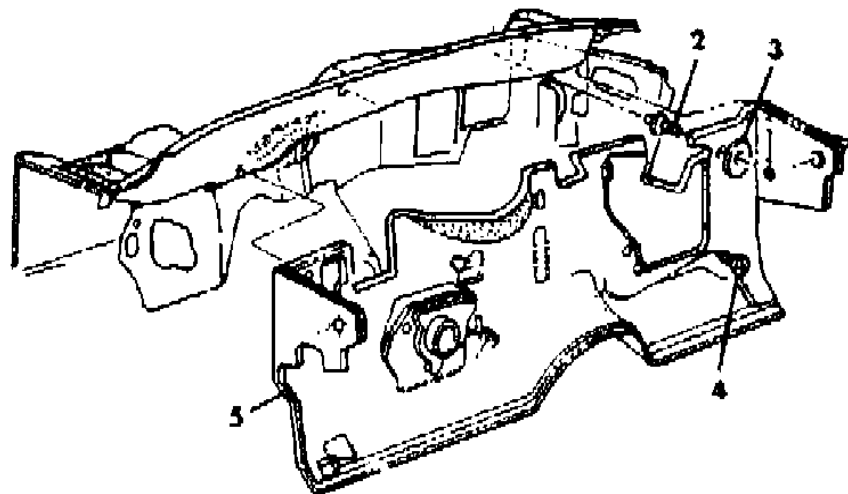
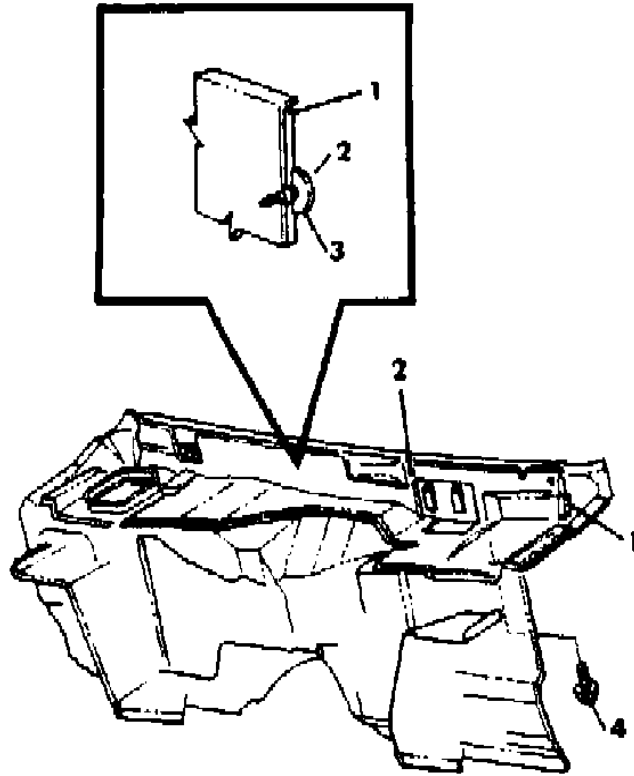
MODEL CODES  
 B = GRAN FURY/CARAVELLE      P = RELIANT  
 C = LEBARON/TOWN & COUNTRY      S = CORDOBA  
 D = ARIES      V = 400  
 F = NEW YORKER      X = MIRADA  
 G = DIPLOMAT      Y = IMPERIAL  
 M = HORIZON/TC3/SCAMP      Z = OMNI/O24/RAMPAGE

BODY STYLES  
 21 = 2-DOOR SEDAN      28 = FWD PICKUP  
 22 = 2-DOOR SPECIAL COUPE      41 = 4-DOOR SEDAN  
 24 = 2-DOOR HATCHBACK      44 = 4-DOOR HATCHBACK  
 27 = 2-DOOR CONVERTIBLE      45 = 2-SEAT STATION WAGON

AR = Use as Required - = Non Illustrated Part P.A.R. = Paint as Required

DASH LINER AND SILENCERS S,X,Y  
Figure IT-7012

2253 701200



ITEM	PART NUMBER	QTY	BODY	MODEL	DESCRIPTION
1	4206 457	1			SILENCER N N N Y4206457
2	6032 020	AR			STUD N N N Y6032020
3	4206 545	AR			RETAINER N N N Y4206545
4		AR			SCREW, SEAL and WASHER (8-18x75)(5/16 Hex) (not serviced) N N N N
5	4206 619	1			LINER, Dash Panel N N N Y4206619

MODEL CODES

B = GRAN FURY/CARAVELLE	P = RELIANT
C = LEBARON/TOWN & COUNTRY	S = CORDOBA
D = ARIES	V = 400
F = NEW YORKER	X = MIRADA
G = DIPLOMAT	Y = IMPERIAL
M = HORIZON/TC3/SCAMP	Z = OMNI/O24/RAMPAGE

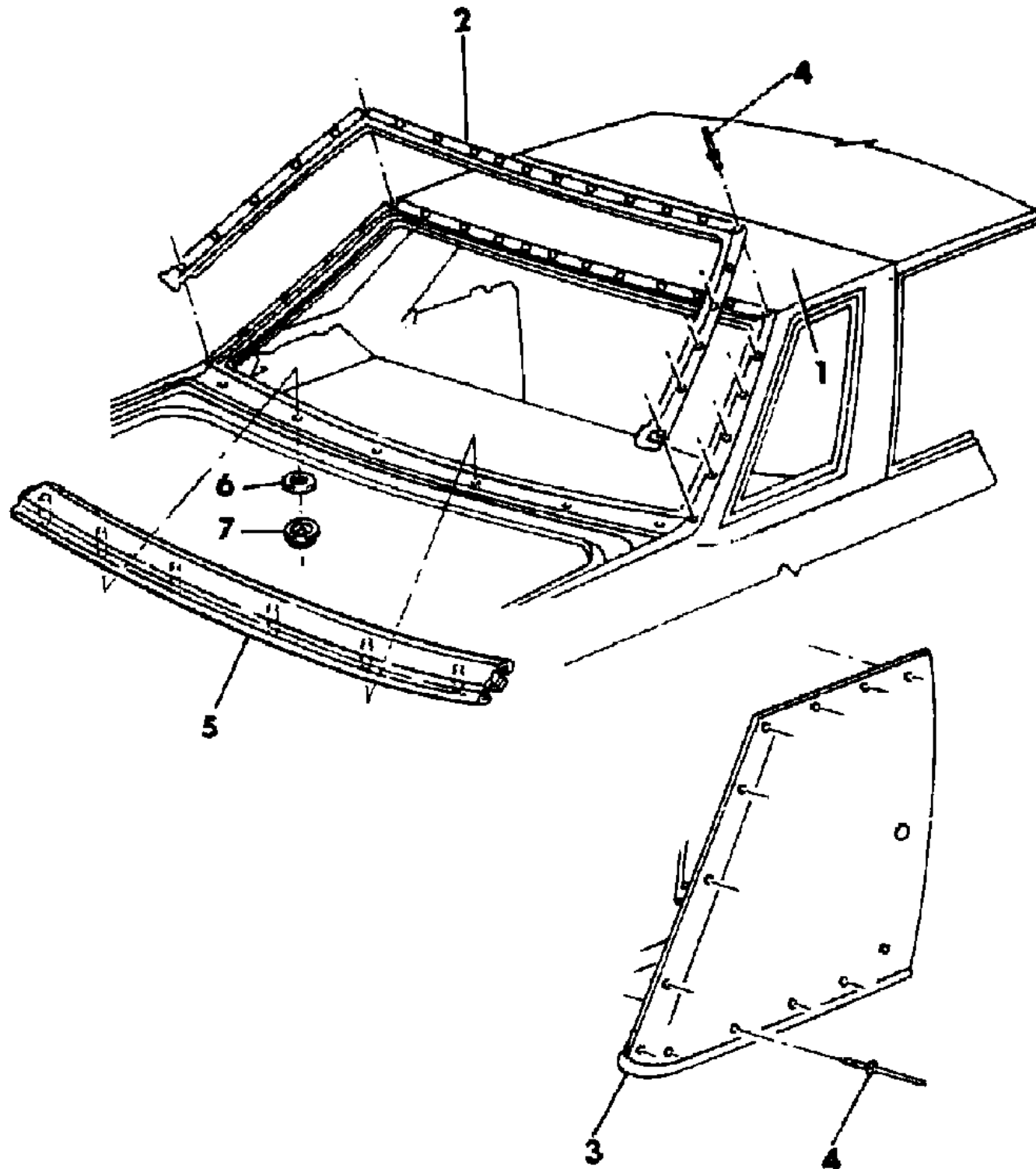
BODY STYLES

21 = 2-DOOR SEDAN	28 = FWD PICKUP
22 = 2-DOOR SPECIAL COUPE	41 = 4-DOOR SEDAN
24 = 2-DOOR HATCHBACK	44 = 4-DOOR HATCHBACK
27 = 2-DOOR CONVERTIBLE	45 = 2-SEAT STATION WAGON

AR = Use as Required - = Non Illustrated Part P.A.R. = Paint as Required

ROOF COVER S,X  
Figure IT-7021

2253 702100A



ITEM	PART NUMBER	QTY	BODY	MODEL	DESCRIPTION
1					COVER, Landau, w/o Padded Roof N N N N
	T917 TC9	1			N N NV3C YT917TC9
	T917 AT2	1			N N NV3T YT917AT2
	T917 VK7	1			N N NV3U YT917VK7
	T917 AM8	1			N N NV3M YT917AM8
	T917 VW3	1			N N NV3W YT917VW3
	T917 TX9	1			N N NV3X YT917TX9
	T918 VA3	1			Padded Landau w/Plugged Window N N N N
	T918 TC9	1			N N NV5A YT918VA3
	T918 VH9	1			N N NV5C YT918TC9
	T918 AM8	1			N N NV5H YT918VH9
	T918 TT3	1			N N NV5M YT918AM8
	T918 AT2	1			N N NV5T YT918TT3
	T918 VK7	1			N N NV5U YT918VK7
	T918 VW3	1			N N NV5W YT918VW3
	T918 TX9	1			N N NV5X YT918TX9
2	4011 752	1			RETAINER,Viny Roof Rear Window, Upper and Side N N NV5 Y4011752
3	4229 696-7	1			RETAINER,Viny Roof Opera Window N N NV5 Y4229696
4		AR			RIVET,Retainer Attaching(not serviced) N N N N
5					MOULDING, Vinyl Roof, Lower N N N N
	T911 VA3	1			N N NV5A YT911VA3
	T911 TC9	1			N N NV5C YT911TC9
	T911 VH9	1			N N NV5H YT911VH9
	T911 TT3	1			N N NV5K YT911TT3
	T911 AM8	1			N N NV5M YT911AM8
	T911 AT2	1			N N NV5T YT911AT2
	T911 VW3	1			N N NV5W YT911VW3
	T911 TX9	1			N N NV5X YT911TX9
	T911 VK7	1			N N NV5U YT911VK7
6	6026 387	AR			WASHER N N NV5 Y6026387
7	9420 262	7			NUT(7/16" Hex) N N NV5 Y9420262
	4077 212	1			PAD,w/Padded Roof N N NV5 Y4077212
	4229 696-7	AR			RETAINER, Roof Quarter N N NV5 Y4229696
					WELT,w/Padded Roof (order by the inch) N N N N

MODEL CODES

B = GRAN FURY/CARAVELLE  
C = LEBARON/TOWN & COUNTRY  
D = ARIES  
F = NEW YORKER  
G = DIPLOMAT  
M = HORIZON/TC3/SCAMP  
P = RELIANT  
S = CORDOBA  
V = 400  
X = MIRADA  
Y = IMPERIAL  
Z = OMNI/O24/RAMPAGE

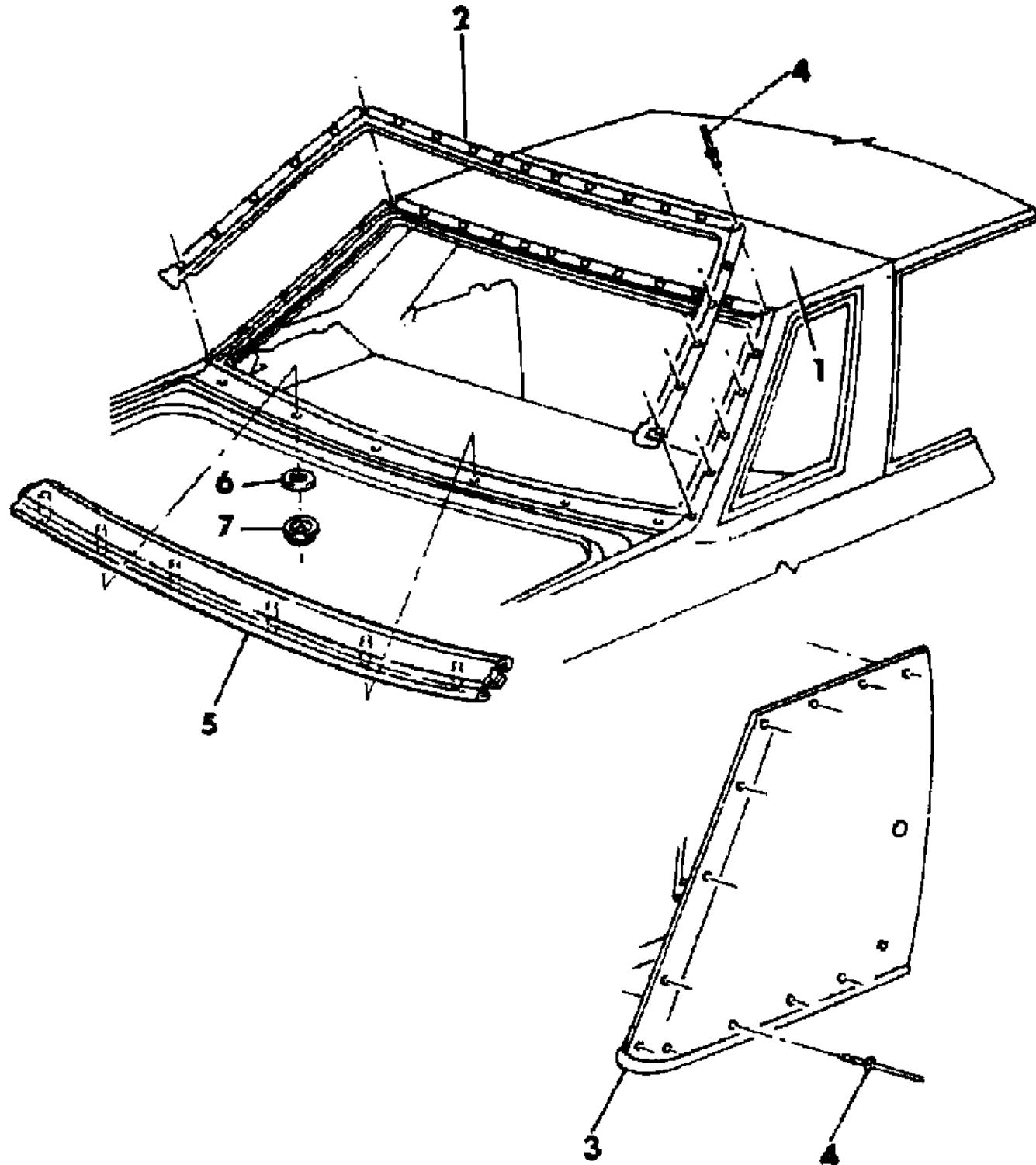
BODY STYLES

21 = 2-DOOR SEDAN  
22 = 2-DOOR SPECIAL COUPE  
24 = 2-DOOR HATCHBACK  
27 = 2-DOOR CONVERTIBLE  
28 = FWD PICKUP  
41 = 4-DOOR SEDAN  
44 = 4-DOOR HATCHBACK  
45 = 2-SEAT STATION WAGON

AR = Use as Required - = Non Illustrated Part P.A.R. = Paint as Required

ROOF COVER S,X  
Figure IT-7021

2253 702100A



ITEM	PART NUMBER	QTY	BODY	MODEL	DESCRIPTION
	R284 VA3	AR			N N NV5A YR284VA3
	R284 TC9	AR			N N NV5C YR284TC9
	R284 VH9	AR			N N NV5H YR284VH9
	R284 AM8	AR			N N NV5M YR284AM8
	R284 AT2	AR			N N NV5T YR284AT2
	R284 TT3	AR			N N NV5K YR284TT3
	R284 VK7	AR			N N NV5U YR284VK7
	R284 VW3	AR			N N NV5W YR284VW3
	R284 TX9	AR			N N NV5X YR284TX9

MODEL CODES

B = GRAN FURY/CARAVELLE	P = RELIANT
C = LEBARON/TOWN & COUNTRY	S = CORDOBA
D = ARIES	V = 400
F = NEW YORKER	X = MIRADA
G = DIPLOMAT	Y = IMPERIAL
M = HORIZON/TC3/SCAMP	Z = OMNI/O24/RAMPAGE

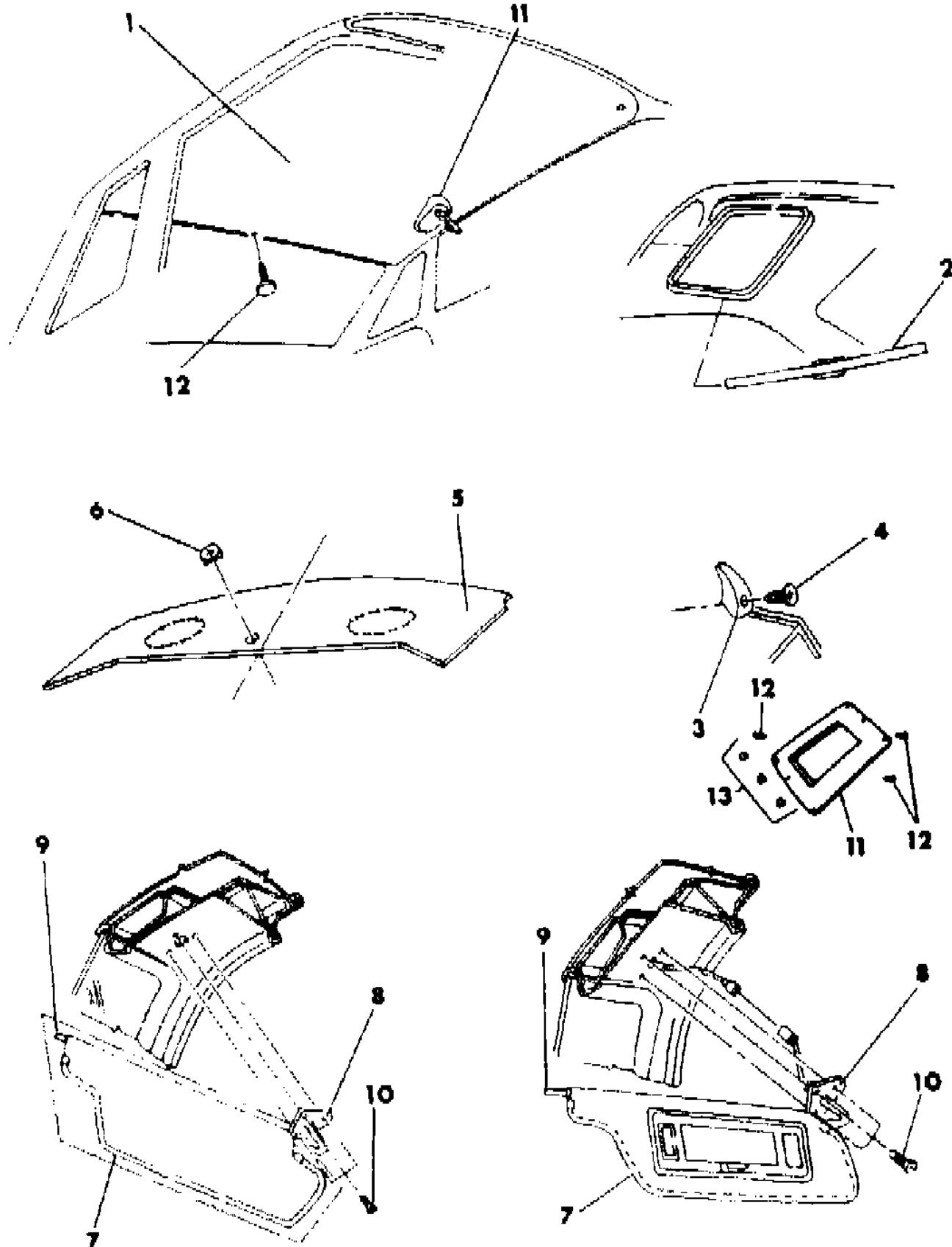
BODY STYLES

21 = 2-DOOR SEDAN	28 = FWD PICKUP
22 = 2-DOOR SPECIAL COUPE	41 = 4-DOOR SEDAN
24 = 2-DOOR HATCHBACK	44 = 4-DOOR HATCHBACK
27 = 2-DOOR CONVERTIBLE	45 = 2-SEAT STATION WAGON

AR = Use as Required - = Non Illustrated Part P.A.R. = Paint as Required

**HEADLINING,VISOR and SHELF PANEL S,X,Y**  
Figure IT-7031

2253 703100



ITEM	PART NUMBER	QTY	BODY	MODEL	DESCRIPTION
1					HEADLINING,Panel w/o "T" Bar Roof, w/o Sun Roof,w/Reading Lamp, Cloth N N N N
	H822 AA3	1			Silver NS,X N N YH822AA3
	H822 TC7	1			Blue NS,X N N YH822TC7
	H822 VH9	1			Mahogany NS,X N N YH822VH9
	H822 TM6	1			Red NS,X N N YH822TM6
	H822 TT4	1			Tan NS,X N N YH822TT4
	H822 TW1	1			White NS,X N N YH822TW1
	H844 AA3	1			Silver NY N N YH844AA3
	H844 VB2	1			Blue, Light NY N N YH844VB2
	H844 VC7	1			Blue, Dark NY N N YH844VC7
	H844 VH9	1			Mahogany NY N N YH844VH9
	H844 VM6	1			Red NY N N YH844VM6
	H844 VT4	1			Tan NY N N YH844VT4
	H844 VW1	1			White NY N N YH844VW1
					w/ "T" Bar Roof (cut to fit) w/o Reading Lamp N N N N
	H821 AA3	1			Silver NS,X N N YH821AA3
	H821 TC7	1			Blue NS,X N N YH821TC7
	H821 VH9	1			Mahogany NS,X N N YH821VH9
	H821 TM6	1			Red NS,X N N YH821TM6
	H821 TT4	1			Tan NS,X N N YH821TT4
	H821 TW1	1			White NS,X N N YH821TW1
2					WELT,Roof Sliding Panel Headlining Opening N N N N
	H609 AA3	1			Silver N N N YH609AA3
	H609 VB2	1			Blue, Light N N N YH609VB2
	H609 TC7	1			Blue, Dark N N N YH609TC7
	H609 VH9	1			Mahogany N N N YH609VH9
	H609 TM6	1			Red N N N YH609TM6
	H609 TT4	1			Tan N N N YH609TT4
	H609 TW1	1			White N N N YH609TW1
3	3685 992	2			HOOK,Coat N N N Y3685992
4	9414 716	2			SCREW N N N Y9414716
5					PANEL,Shelf Trim N N N N
	4271 002	1			Silver NS,X N N Y4271002
	4267 362	1			Blue NS,X N N Y4267362
	4267 364	1			Mahogany NS,X N N Y4267364
	4267 365	1			Red NS,X N N Y4267365

MODEL CODES

B = GRAN FURY/CARAVELLE	P = RELIANT
C = LEBARON/TOWN & COUNTRY	S = CORDOBA
D = ARIES	V = 400
F = NEW YORKER	X = MIRADA
G = DIPLOMAT	Y = IMPERIAL
M = HORIZON/TC3/SCAMP	Z = OMNI/O24/RAMPAGE

BODY STYLES

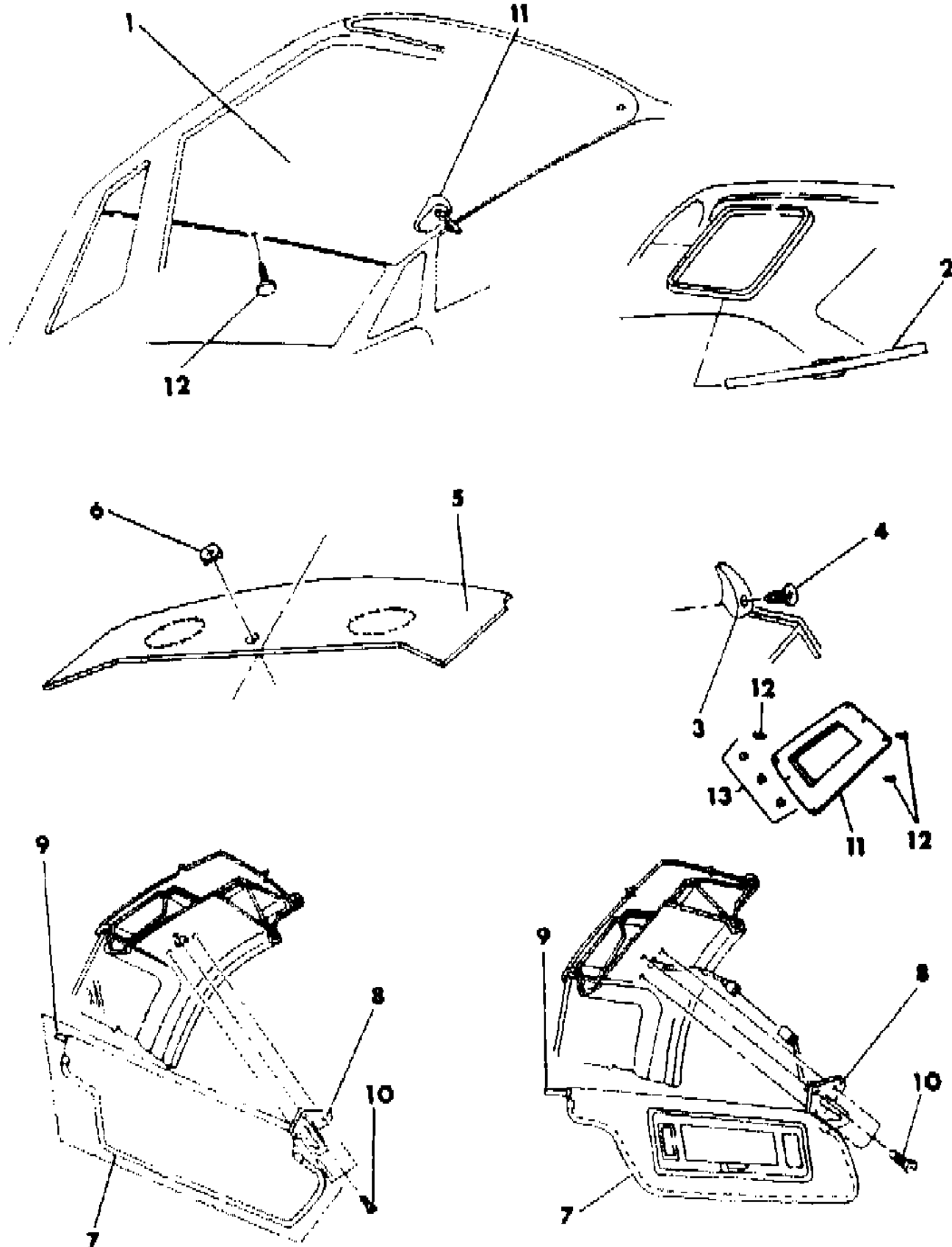
21 = 2-DOOR SEDAN	28 = FWD PICKUP
22 = 2-DOOR SPECIAL COUPE	41 = 4-DOOR SEDAN
24 = 2-DOOR HATCHBACK	44 = 4-DOOR HATCHBACK
27 = 2-DOOR CONVERTIBLE	45 = 2-SEAT STATION WAGON

AR = Use as Required - = Non Illustrated Part P.A.R. = Paint as Required



HEADLINING,VISOR and SHELF PANEL S,X,Y  
Figure IT-7031

2253 703100



ITEM	PART NUMBER	QTY	BODY	MODEL	DESCRIPTION
	4267 366	1			Tan NX,S N N Y4267366
	H593 AA7	1			Silver NY N N YH593AA7
	H593 VB2	1			Blue, Light NY N N YH593VB2
	H593 VC7	1			Blue, Dark NY N N YH593VC7
	H593 VH9	1			Mahogany NY N N YH593VH9
	H593 VM6	1			Red NY N N YH593VM6
	H593 VT6	1			Tan NY N N YH593VT6
6					PLUG,Sun Roof Moter Access Hole N N N N
	H411 AA7	1			Silver N N N YH411AA7
	H411 VB2	1			Blue, Light N N N YH411VB2
	H411 TC7	1			Blue, Dark N N N YH411TC7
	H411 VH9	1			Mahogany N N N YH411VH9
	H411 TM6	1			Red N N N YH411TM6
	H411 TT6	1			Tan N N N YH411TT6
7					VISOR,Trim Panel N N N N
	H686-7 AA3	1			Silver N N N YH686AA3
	H686-7 VC7	1			Blue, Dark N N N YH686VC7
	H686-7 VH9	1			Mahogany N N N YH686VH9
	H686-7 VM6	1			Red N N N YH686VM6
	H686-7 VT4	1			Tan N N N YH686VT4
	H686-7 VW1	1			White N N N YH686VW1
					VISOR PANEL,w/Lighted Mirror Rt. N N N N
	H700 AA3	1			Silver NX,S,Y N N YH700AA3
	H700 VB2	1			Blue, Light NX,S,Y N N YH700VB2
	H700 VC7	1			Blue, Dark NX,S,Y N N YH700VC7
	H700 VH9	1			Mahogany NX,S,Y N N YH700VH9
	H700 VM6	1			Red NX,S,Y N N YH700VM6
	H700 VT4	1			Tan NX,S,Y N N YH700VT4
	H700 VW1	1			White NX,S,Y N N YH700VW1
					Lt. w/Garage Door Switch N N N N
	H707 AA3	1			Silver NY N N YH707AA3
	H707 VB2	1			Blue, Light NY N N YH707VB2
	H707 VC7	1			Blue, Dark NY N N YH707VC7
	H707 VH9	1			Mahogany NY N N YH707VH9
	H707 VM6	1			Red NY N N YH707VM6
	H707 VT4	1			Tan NY N N YH707VT4
	H707 VW1	1			White NY N N YH707VW1

MODEL CODES

B = GRAN FURY/CARAVELLE  
C = LEBARON/TOWN & COUNTRY  
D = ARIES  
F = NEW YORKER  
G = DIPLOMAT  
M = HORIZON/TC3/SCAMP  
P = RELIANT  
S = CORDOBA  
V = 400  
X = MIRADA  
Y = IMPERIAL  
Z = OMNI/O24/RAMPAGE

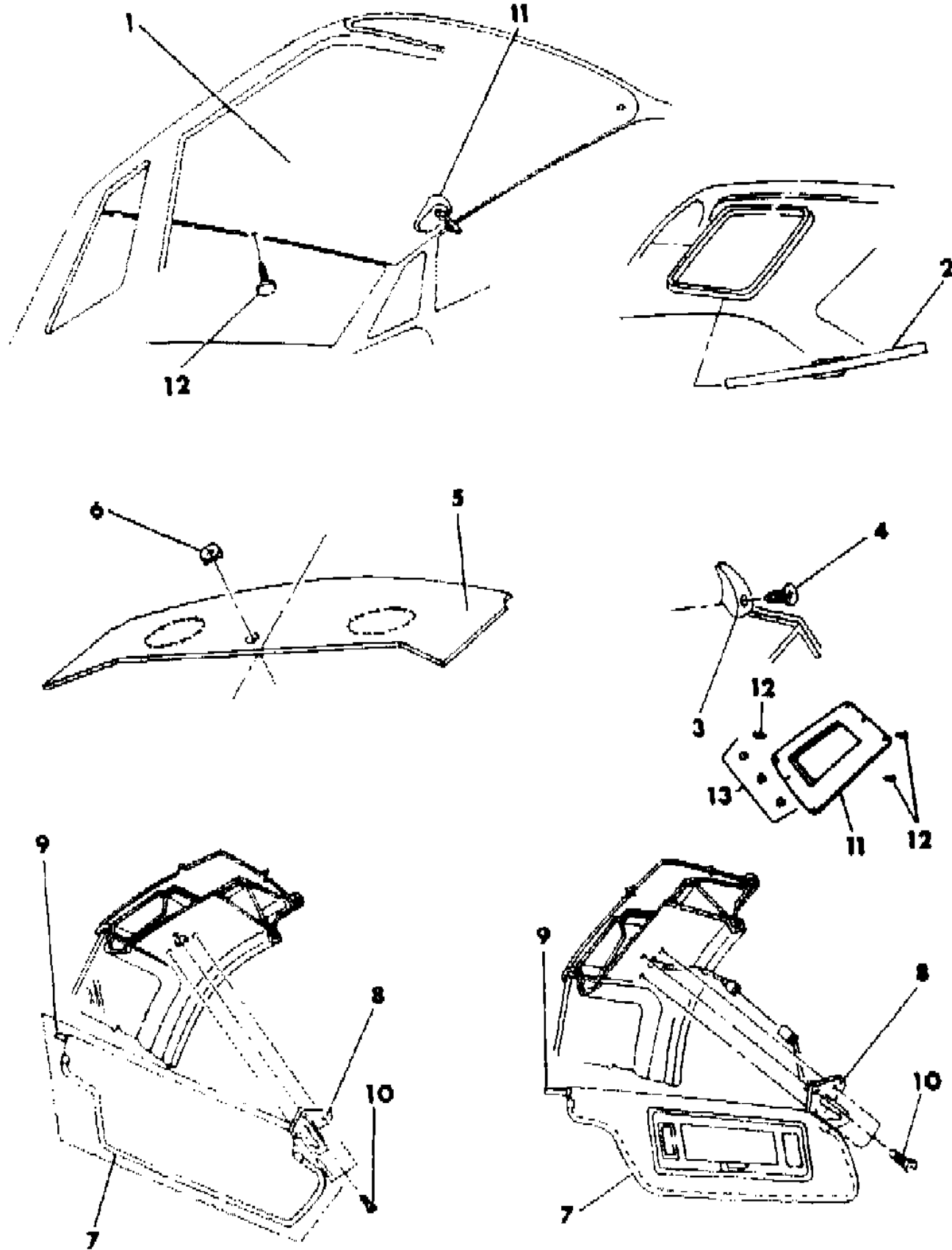
BODY STYLES

21 = 2-DOOR SEDAN  
22 = 2-DOOR SPECIAL COUPE  
24 = 2-DOOR HATCHBACK  
27 = 2-DOOR CONVERTIBLE  
28 = FWD PICKUP  
41 = 4-DOOR SEDAN  
44 = 4-DOOR HATCHBACK  
45 = 2-SEAT STATION WAGON

AR = Use as Required - = Non Illustrated Part P.A.R. = Paint as Required

**HEADLINING,VISOR and SHELF PANEL S,X,Y**  
Figure IT-7031

2253 703100



ITEM	PART NUMBER	QTY	BODY	MODEL	DESCRIPTION
					COVER,WELL and FRAME,Visor w/o Lighted Mirror N N N N
	H691 TAA	2			Silver NX,S N N YH691TAA
	H691 TCC	2			Blue NX,S N N YH691TCC
	H691 VHH	2			Mahogany NX,S N N YH691VHH
	H691 TMM	2			Red NX,S N N YH691TMM
	H691 TTT	2			Tan NX,S N N YH691TTT
	H691 TWW	2			White NX,S N N YH691TWW
	H691 AAA	1			Silver, Right NY N N YH691AAA
	H691 VBB	1			Blue, Light, Right NY N N YH691VBB
	H691 TCC	1			Blue, Dark, Right NY N N YH691TCC
	H691 VHH	1			Mahogany, Right NY N N YH691VHH
	H691 TMM	1			Red, Right NY N N YH691TMM
	H691 TTT	1			Tan, Right NY N N YH691TTT
	H691 TWW	1			White, Right NY N N YH691TWW
					COVER, Frame and Mirror N N N N
	H689 AAA	2			Silver NX,S N N YH689AAA
	H689 TCC	2			Blue NX,S N N YH689TCC
	H689 VHH	2			Mahogany NX,S N N YH689VHH
	H689 TMM	2			Red NX,S N N YH689TMM
	H689 TTT	2			Tan NX,S N N YH689TTT
	H689 TWW	2			White NX,S N N YH689TWW
	H689 AAA	1			Silver, Right NY N N YH689AAA
	H689 TBB	1			Blue, Light, Right NY N N YH689TBB
	H689 TCC	1			Blue, Dark, Right NY N N YH689TCC
	H689 VHH	1			Mahogany, Right NY N N YH689VHH
	H689 TMM	1			Red, Right NY N N YH689TMM
	H689 TTT	1			Tan, Right NY N N YH689TTT
	H689 TWW	1			White, Right NY N N YH689TWW
	H711 AAA	1			Silver, Left NY N N YH711AAA
	H711 VBB	1			Blue, Light, Left NY N N YH711VBB
	H711 VCC	1			Blue, Dark, Left NY N N YH711VCC
	H711 VHH	1			Mahogany, Left NY N N YH711VHH
	H711 VMM	1			Red, Left NY N N YH711VMM
	H711 VTT	1			Tan, Left NY N N YH711VTT
	H711 VWW	1			White, Left NY N N YH711VWW
					VISOR PANEL,Sub. Assy. w/o Lighted Mirror Rt. N N N N
	H702 AA3	1			Silver NX,S,Y N N YH702AA3

MODEL CODES

B = GRAN FURY/CARAVELLE	P = RELIANT
C = LEBARON/TOWN & COUNTRY	S = CORDOBA
D = ARIES	V = 400
F = NEW YORKER	X = MIRADA
G = DIPLOMAT	Y = IMPERIAL
M = HORIZON/TC3/SCAMP	Z = OMNI/O24/RAMPAGE

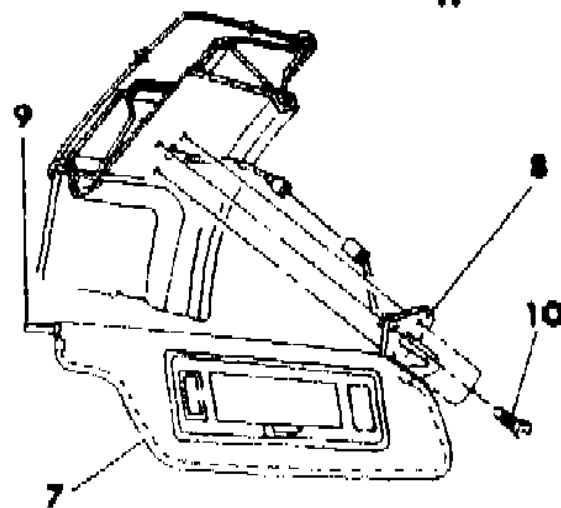
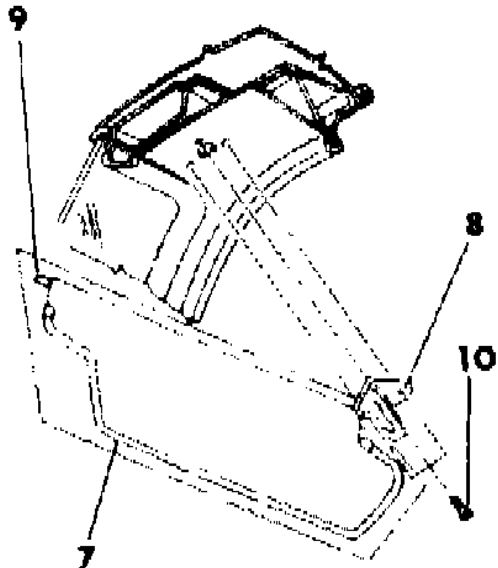
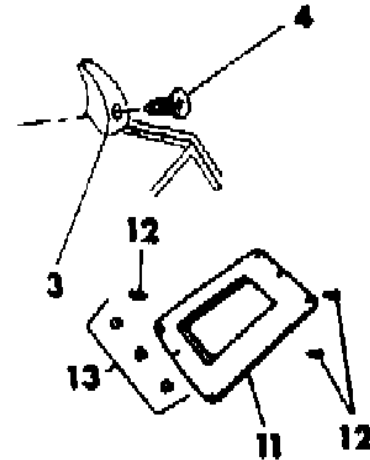
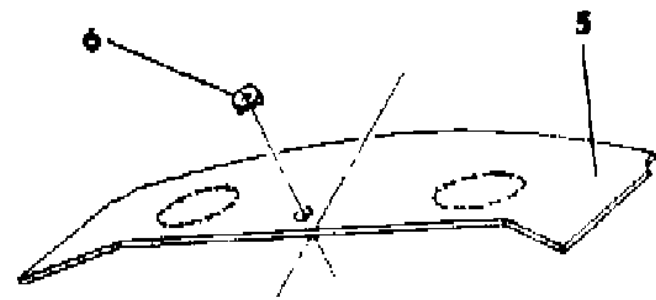
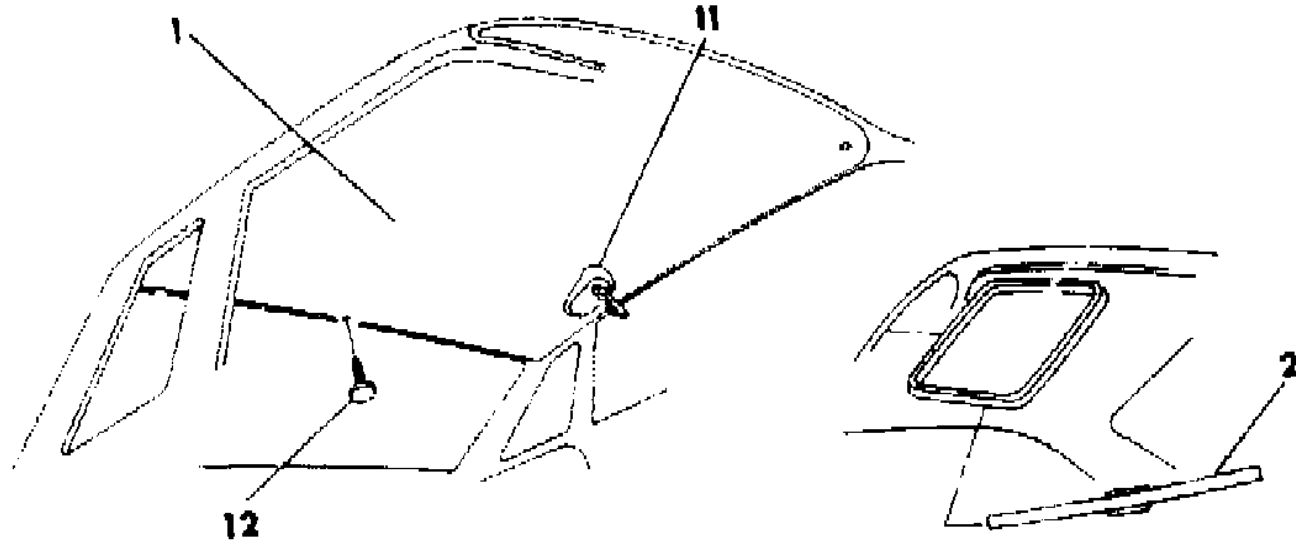
BODY STYLES

21 = 2-DOOR SEDAN	28 = FWD PICKUP
22 = 2-DOOR SPECIAL COUPE	41 = 4-DOOR SEDAN
24 = 2-DOOR HATCHBACK	44 = 4-DOOR HATCHBACK
27 = 2-DOOR CONVERTIBLE	45 = 2-SEAT STATION WAGON

AR = Use as Required - = Non Illustrated Part P.A.R. = Paint as Required

**HEADLINING,VISOR and SHELF PANEL S,X,Y**  
**Figure IT-7031**

2253 703100



ITEM	PART NUMBER	QTY	BODY	MODEL	DESCRIPTION
	H702 VB2	1			Blue, Light NX,S,Y N N YH702VB2
	H702 VC7	1			Blue, Dark NX,S,Y N N YH702VC7
	H702 VH9	1			Mahogany NX,S,Y N N YH702VH9
	H702 VM6	1			Red NX,S,Y N N YH702VM6
	H702 VT4	1			Tan NX,S,Y N N YH702VT4
	H702 VW1	1			White NX,S,Y N N YH702VW1
	H709 VW1	1			White NY N N YH709VW1
8	4011 302	2			ARM & BRACKET,Visor,w/o Lighted Mirror N N N Y4011302
	4223 477	2			ARM & BRACKET,Visor,w/Lighted Mirror N N N Y4223477
9	1490 983	2			CLIP,Visor Panel End N N N Y1490983
10		AR			SCREW(not serviced) N N N N
11	4078 617	1			FRAME, Rear Window (paint as required) NX,S N NV5 Y4078617
12		AR			SCREW (not serviced) NX,S N NV5 N
13	4078 618	AR			SUPPORT, Frame NX,S N NV5 Y4078618
The following parts are not illustrated. s ARE NOT RETURNABLE.					
	3832 346	2			HINGE SPRING, w/Lighted Mirror N N N Y3832346
	4077 687	2			MIRROR and BACKING N N N Y4077687
	4077 689	2			LENS,Visor Mirror N N N Y4077689
	9415 969	2			BULB,Lighted Mirror Light N N N Y9415969
	4077 690	2			COMPONENT BOARD,Vanity Mirror N N N Y4077690
		1			SILENCER, Roof w/o Sun Roof N N N N
	4078 869	1			Center N N N Y4078869
	4078 574	1			Front N N N Y4078574
	4222 270	1			GARAGE DOOR OPENER RECEIVER PACKAGE NY N N N Y4222270
NOTE: For the Imperial Garage Door Opener refer to Technical Service Bulletin Number 08-02-81. As St ated in the Bulletin, parts are to be procured by the dealer directly from: PRINCE CORPORATION ated in the Bulletin, parts are to be procured by the dealer directly from: WINDCREST DRIVE ated in the Bulletin, parts are to be procured by the dealer directly from: HOLLAND, Michigan 48423 ated in the Bulletin, parts are to be procured by the dealer directly from: For additional transmitters phone area code (616) 392-3234. ated in the Bulletin, parts are to be procured by the dealer directly from:					
11					COVER,Seat Belt Retractor See Seat Belt Illustration N N N N
12	H446 RX9	1			FASTENER HEADLINING N N N YH446RX9

**MODEL CODES**

B = GRAN FURY/CARAVELLE	P = RELIANT
C = LEBARON/TOWN & COUNTRY	S = CORDOBA
D = ARIES	V = 400
F = NEW YORKER	X = MIRADA
G = DIPLOMAT	Y = IMPERIAL
M = HORIZON/TC3/SCAMP	Z = OMNI/O24/RAMPAGE

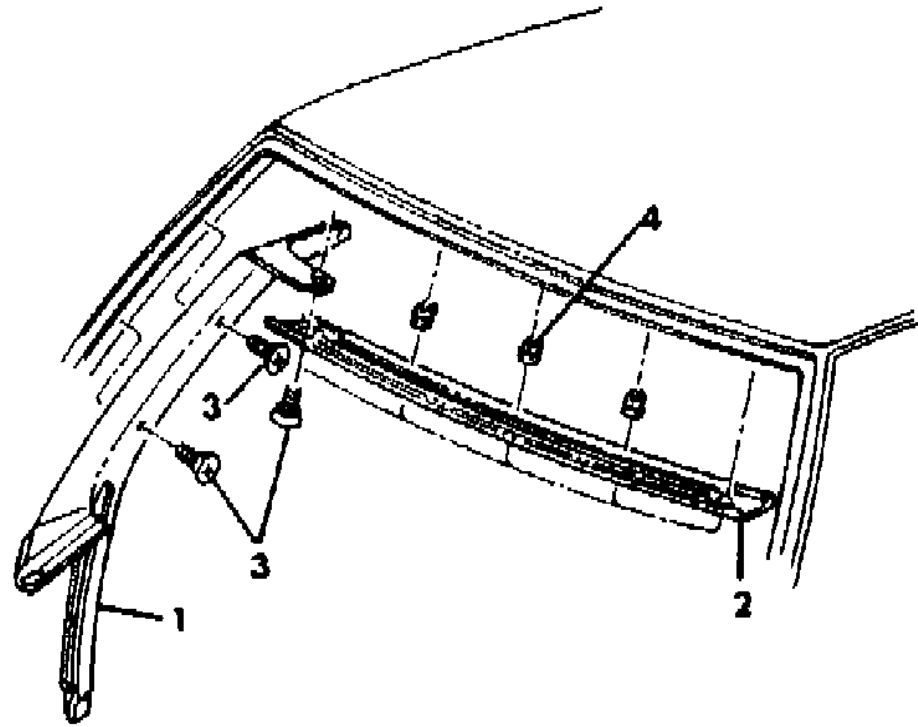
**BODY STYLES**

21 = 2-DOOR SEDAN	28 = FWD PICKUP
22 = 2-DOOR SPECIAL COUPE	41 = 4-DOOR SEDAN
24 = 2-DOOR HATCHBACK	44 = 4-DOOR HATCHBACK
27 = 2-DOOR CONVERTIBLE	45 = 2-SEAT STATION WAGON

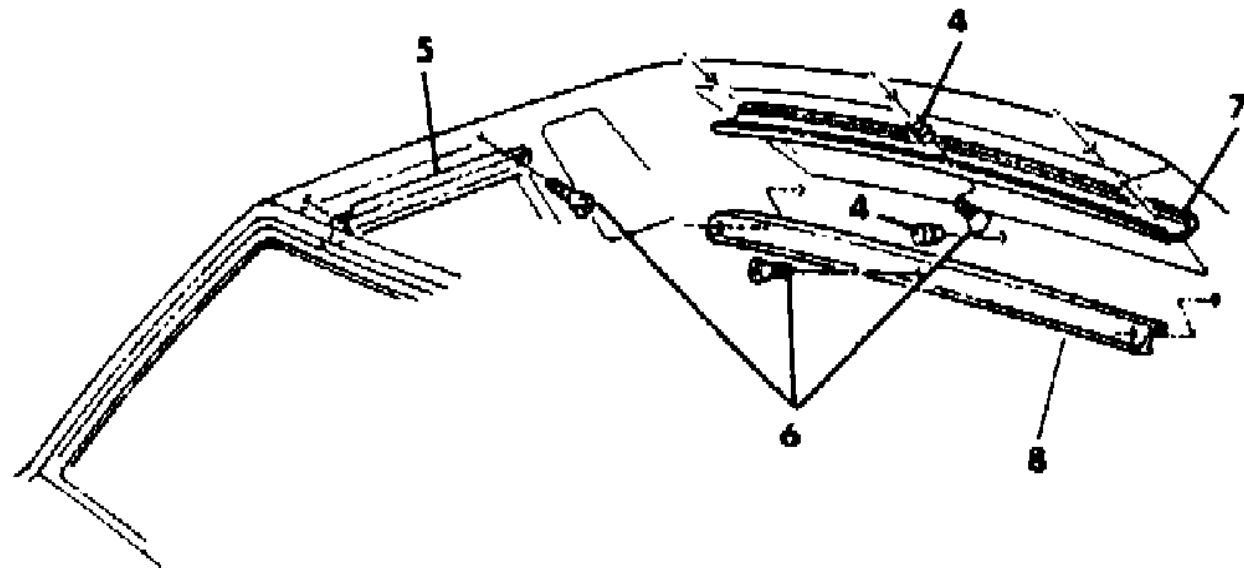
AR = Use as Required - = Non Illustrated Part P.A.R. = Paint as Required

GARNISH MOULDINGS X,S,Y  
Figure IT-7032

2253 703200



ITEM	PART NUMBER	QTY	BODY	MODEL	DESCRIPTION
1					MOULDING, "A" Pillar N N N N
	F158-9 AA3	1			Silver NX,S N N YF158AA3
	F158-9 TC7	1			Blue NX,S N N YF158TC7
	F158-9 VH9	1			Mahogany NX,S N N YF158VH9
	F158-9 TM6	1			Red NX,S N N YF158TM6
	F158-9 TT4	1			Tan NX,S N N YF158TT4
	F158-9 TW1	1			White NX,S N N YF158TW1
	F156-7 AA3	1			Silver NY N N YF156AA3
	F156-7 VB2	1			Blue, Light NY N N YF156VB2
	F156-7 VC8	1			Blue, Dark NY N N YF156VC8
	F156-7 VH9	1			Mahogany NY N N YF156VH9
	F156-7 VM6	1			Red NY N N YF156VM6
	F156-7 VT4	1			Tan NY N N YF156VT4
	F156-7 VW1	1			White NY N N YF156VW1
2	4136 142	1			MOULDING, Windshield Upper (paint as required) NX,S N N Y4136142
	H131 AA3	1			Silver NY N N YH131AA3
	H131 VB2	1			Blue, Light NY N N YH131VB2
	H131 VC7	1			Blue, Dark NY N N YH131VC7
	H131 VH9	1			Mahogany NY N N YH131VH9
	H131 VM6	1			Red NY N N YH131VM6
	H131 VT4	1			Tan NY N N YH131VT4
	H131 VW1	1			White NY N N YH131VW1
3		AR			SCREW (not serviced) NX,S N N N
4	0152 861	AR			SPACER N N N Y152861
5	4136 140	2			MOULDING, Roof Side (paint as required) NX,S N N Y4136140
	H128 AA3	2			Silver NY N N YH128AA3
	H128 VB2	2			Blue, Light NY N N YH128VB2
	H128 VC7	2			Blue, Dark NY N N YH128VC7
	H128 VH9	2			Mahogany NY N N YH128VH9
	H128 VM6	2			Red NY N N YH128VM6
	H128 VT4	2			Tan NY N N YH128VT4
	H128 VW1	2			White NY N N YH128VW1
6	6032 152	AR			SCREW N N N Y6032152
7	4136 143	1			MOULDING, Rear Window Upper (paint as required) NX,S N N Y4136143
	H130 AA3	1			Silver NY N N YH130AA3



MODEL CODES

B = GRAN FURY/CARAVELLE	P = RELIANT
C = LEBARON/TOWN & COUNTRY	S = CORDOBA
D = ARIES	V = 400
F = NEW YORKER	X = MIRADA
G = DIPLOMAT	Y = IMPERIAL
M = HORIZON/TC3/SCAMP	Z = OMNI/O24/RAMPAGE

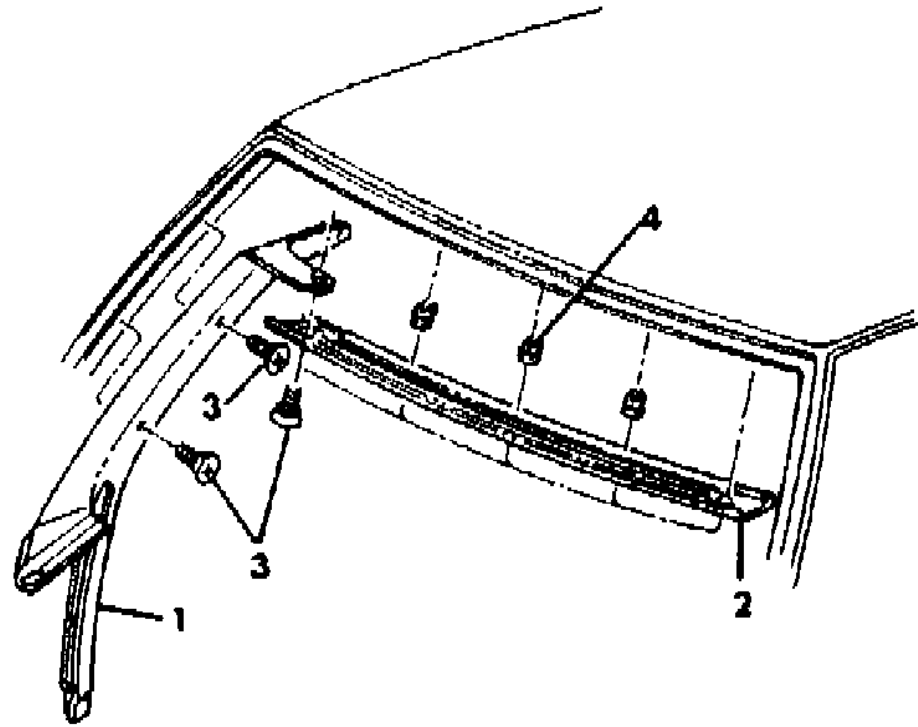
BODY STYLES

21 = 2-DOOR SEDAN	28 = FWD PICKUP
22 = 2-DOOR SPECIAL COUPE	41 = 4-DOOR SEDAN
24 = 2-DOOR HATCHBACK	44 = 4-DOOR HATCHBACK
27 = 2-DOOR CONVERTIBLE	45 = 2-SEAT STATION WAGON

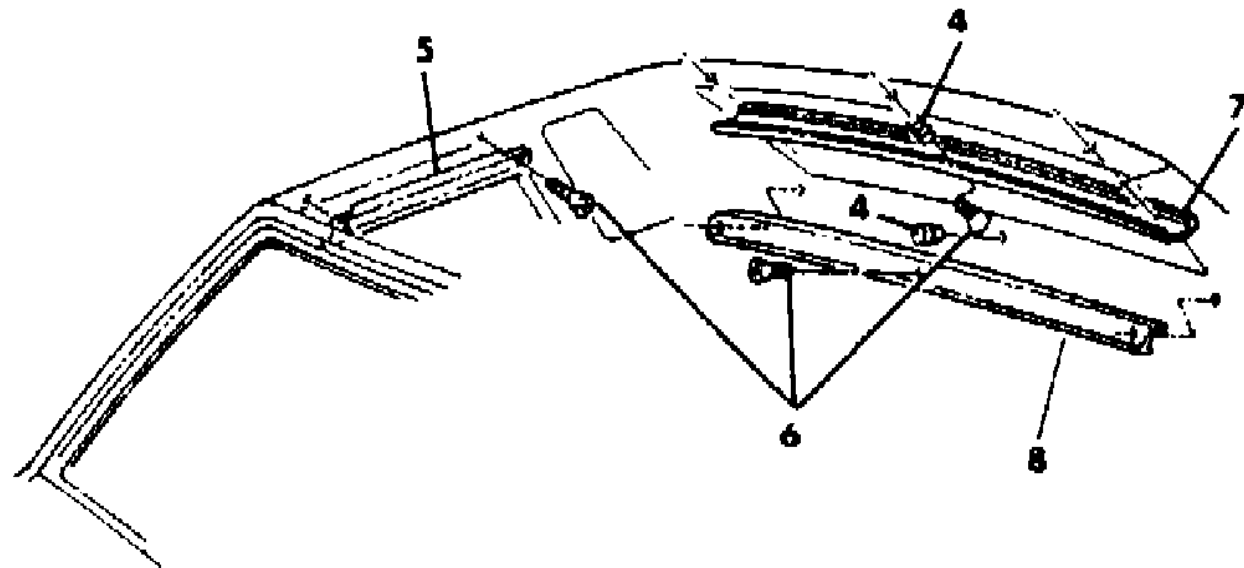
AR = Use as Required - = Non Illustrated Part P.A.R. = Paint as Required

GARNISH MOULDINGS X,S,Y  
Figure IT-7032

2253 703200



ITEM	PART NUMBER	QTY	BODY	MODEL	DESCRIPTION
	H130 VB2	1			Blue, Light NY N N YH130VB2
	H130 VC7	1			Blue, Dark NY N N YH130VC7
	H130 VH9	1			Mahogany NY N N YH130VH9
	H130 VM6	1			Red NY N N YH130VM6
	H130 VT4	1			Tan NY N N YH130VT4
	H130 VW1	1			White NY N N YH130VW1
8	4136 148	1			MOULDING, Rear Window Lower (paint as required) NX,S N N Y4136148
	H129 AA3	1			Silver NY N N YH129AA3
	H129 VB2	1			Blue, Light NY N N YH129VB2
	H129 VC7	1			Blue, Dark NY N N YH129VC7
	H129 VH9	1			Mahogany NY N N YH129VH9
	H129 VM6	1			Red NY N N YH129VM6
	H129 VT4	1			Tan NY N N YH129VT4
	H129 VW1	1			White NY N N YH129VW1
The following parts are not illustrated. In the Bulletin, parts are to be procured by the dealer directly from:					
	0152 861	AR			SPACER NUT, Rear Window NX,S N N Y152861



MODEL CODES

B = GRAN FURY/CARAVELLE	P = RELIANT
C = LEBARON/TOWN & COUNTRY	S = CORDOBA
D = ARIES	V = 400
F = NEW YORKER	X = MIRADA
G = DIPLOMAT	Y = IMPERIAL
M = HORIZON/TC3/SCAMP	Z = OMNI/O24/RAMPAGE

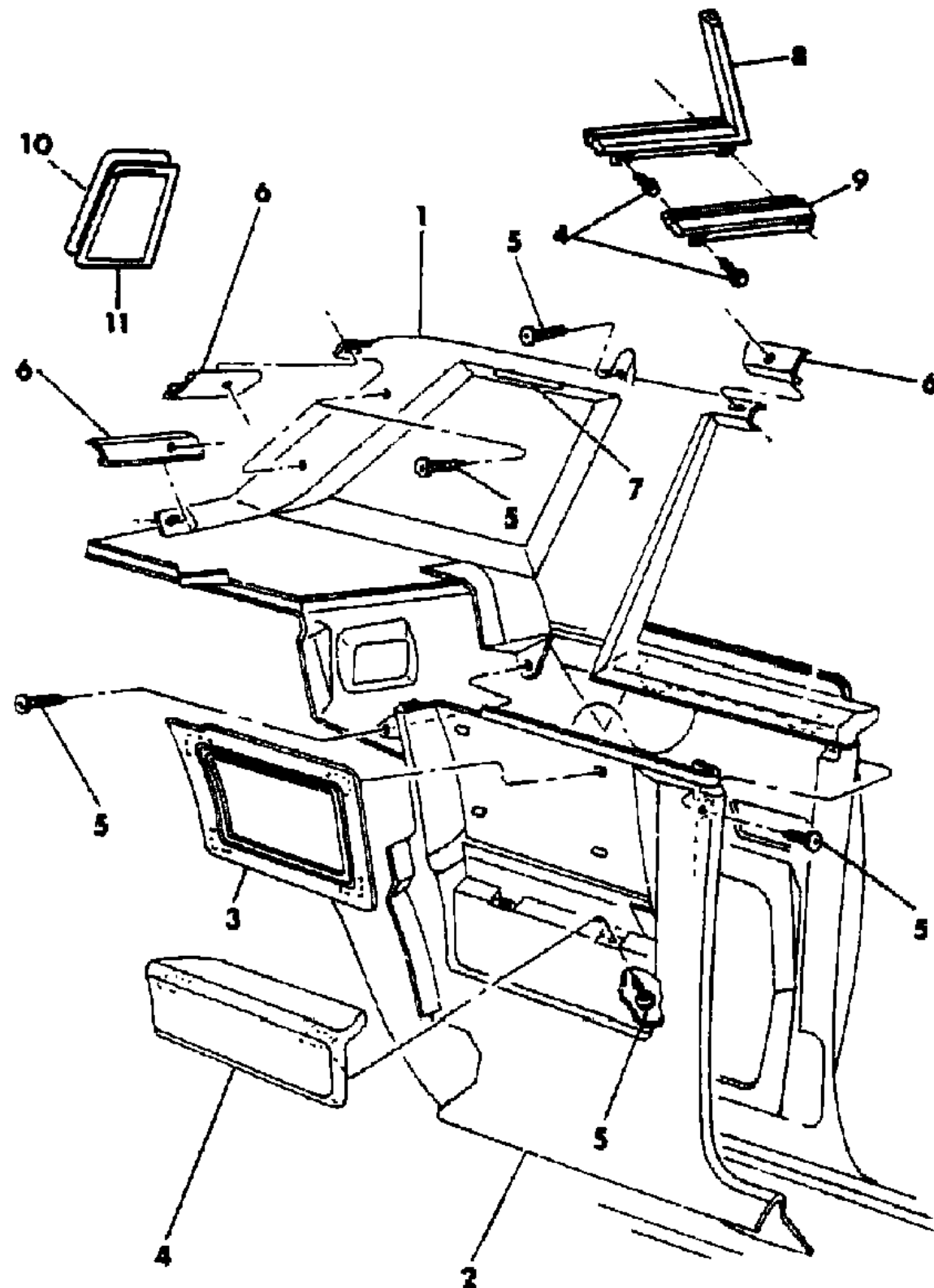
BODY STYLES

21 = 2-DOOR SEDAN	28 = FWD PICKUP
22 = 2-DOOR SPECIAL COUPE	41 = 4-DOOR SEDAN
24 = 2-DOOR HATCHBACK	44 = 4-DOOR HATCHBACK
27 = 2-DOOR CONVERTIBLE	45 = 2-SEAT STATION WAGON

AR = Use as Required - = Non Illustrated Part P.A.R. = Paint as Required

QUARTER TRIM PANEL S,X  
Figure IT-7061

2253 706100



ITEM	PART NUMBER	QTY	BODY	MODEL	DESCRIPTION
1					PANEL,Quarter Trim, Upper N N N N
	H678-9 TW1	1			White,paint as required N N N YH678TW1
2					PANEL,Quarter Trim Lower N N N N
	H666-7 TW1	1			White,paint as required N N N YH666TW1
3					INSERT,Quarter Trim Panel N N N N
	K770-1 AA2	1			N N NDLA,F6A,N4A YK770AA2
	K770-1 VC8	1			N N NF6C,N5C YK770VC8
	K770-1 VH9	1			N N ND LH YK770VH9
	K770-1 VM6	1			N N NF6M,N5M YK770VM6
	K770-1 VT3	1			N N NDLT,F6T,N5T YK770VT3
	K770-1 VW1	1			N N NHLCW,HLMW YK770VW1
	K772-3 AA3	1			N N NC9A YK772AA3
	K772-3 AAA	1			(use from 1/15/82 to 1/28/82) N N NC9A YK772AAA
	K772-3 AC7	1			N N NC9C YK772AC7
	K772-3 VH9	1			N N NC9H YK772VH9
	K772-3 TM6	1			N N NC9M YK772TM6
	K772-3 TT4	1			N N NC9T YK772TT4
	K772-3 ATT	1			(use from 1/15/82 to 2/8/82) N N NC9T YK772ATT
4					ARM REST,Quarter Trim Panel N N N N
	D486-7 AA3	1			Silver N N N YD486AA3
	D486-7 TC7	1			Blue N N N YD486TC7
	D486-7 VH9	1			Mahogany N N N YD486VH9
	D486-7 TM6	1			Red N N N YD486TM6
	D486-7 TT4	1			Tan N N N YD486TT4
	D486-7 TW1	1			White N N N YD486TW1
5		AR			SCREW(not serviced) N N N N
6	4136 140	1			Moulding, Roof Side (paint as required) N N N Y4136140
7					LAMP,Quarter Window See Group 8. N N N N
8					MOULDING, Quarter Window N N N N
	F270-1 TW1	1			NX N N YF270TW1
	4077 294-5	1			(Featherwood Grain) NS N N Y4077294
9	D912-3 TW1	1			MOULDING, Inside Belt Quarter (paint as required) NX N N YD912TW1
10		AR			TAPE, Foam (not serviced) NS N NV5 N
11	4078 626-7	1			APPLIQUE, Quarter Panel (paint as required) NS N NV5 Y4078626
The following part is not illustrated. ated in the Bulletin, parts are to be procured by the dealer directly from:					
	4136 546	4			PAD,Quarter Inner Panel to Outer Panel N N N Y4136546

MODEL CODES

B = GRAN FURY/CARAVELLE	P = RELIANT
C = LEBARON/TOWN & COUNTRY	S = CORDOBA
D = ARIES	V = 400
F = NEW YORKER	X = MIRADA
G = DIPLOMAT	Y = IMPERIAL
M = HORIZON/TC3/SCAMP	Z = OMNI/O24/RAMPAGE

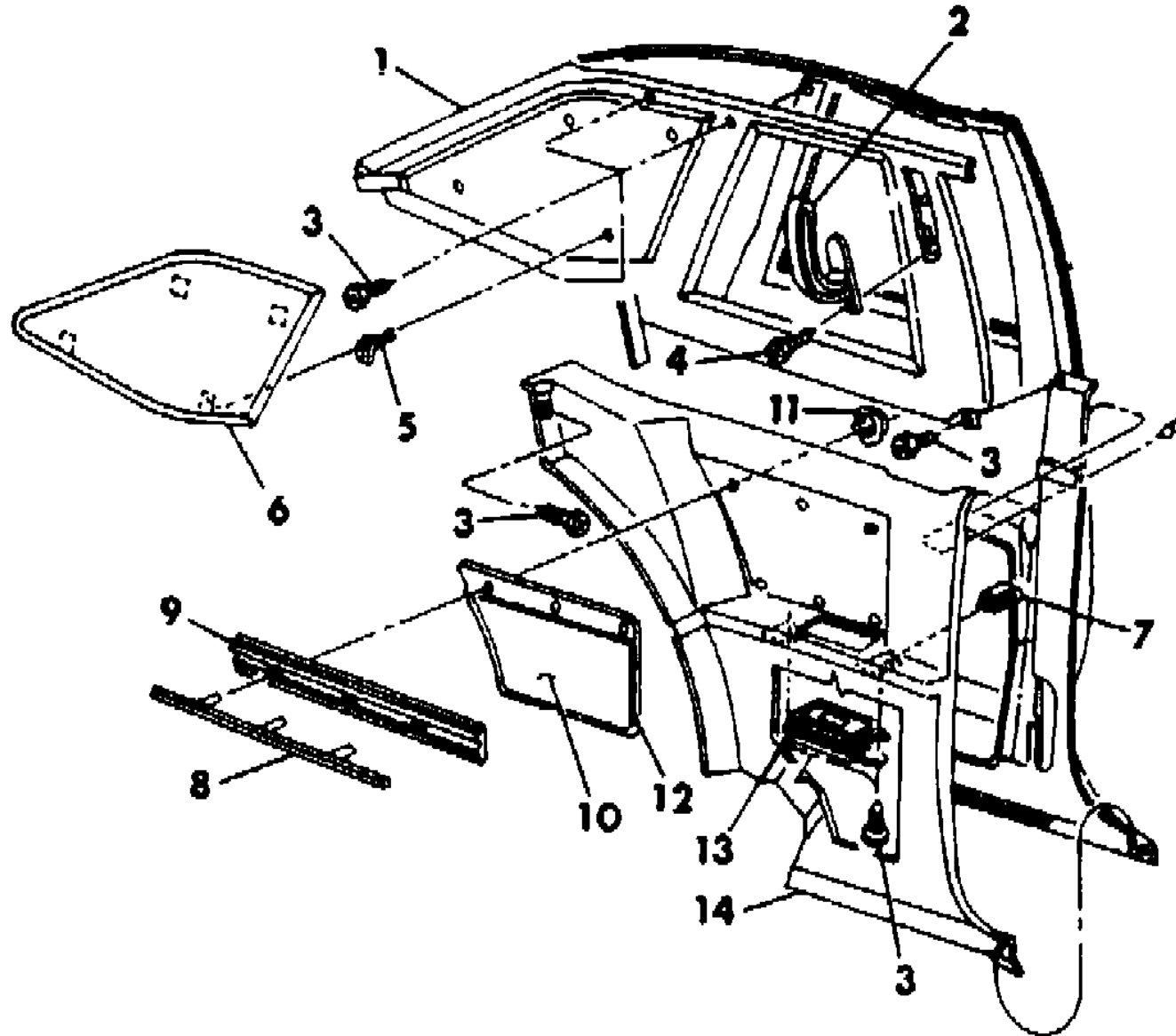
BODY STYLES

21 = 2-DOOR SEDAN	28 = FWD PICKUP
22 = 2-DOOR SPECIAL COUPE	41 = 4-DOOR SEDAN
24 = 2-DOOR HATCHBACK	44 = 4-DOOR HATCHBACK
27 = 2-DOOR CONVERTIBLE	45 = 2-SEAT STATION WAGON

AR = Use as Required - = Non Illustrated Part P.A.R. = Paint as Required

QUARTER TRIM PANEL Y  
Figure IT-7062

2253 706200



ITEM	PART NUMBER	QTY	BODY	MODEL	DESCRIPTION
1					PANEL w/MOULDING, Quarter Upper Trim N N N N
	H424-5 AA3	1			Silver N N N YH424AA3
	H424-5 VB2	1			Blue, Light N N N YH424VB2
	H424-5 VC7	1			Blue, Dark N N N YH424VC7
	H424-5 VH9	1			Aubergine N N N YH424VH9
	H424-5 VM6	1			Red N N N YH424VM6
	H424-5 VT4	1			Tan N N N YH424VT4
	H424-5 VW1	1			White N N N YH424VW1
2					STRAP, Quarter Panel Assist Complete N N N N
	F298 AA2	2			Silver N N N YF298AA2
	F298 VB2	2			Blue, Light N N N YF298VB2
	F298 VC8	2			Blue, Dark N N N YF298VC8
	F298 VH9	2			Mahogany N N N YF298VH9
	F298 VM6	2			Red N N N YF298VM6
	F298 VT3	2			Tan N N N YF298VT3
	F298 VW1	2			White N N N YF298VW1
					STRAP, Only N N N N
	F284 AA2	2			Silver N N N YF284AA2
	F281 VB2	2			Blue, Light N N N YF281VB2
	F281 VC8	2			Blue, Dark N N N YF281VC8
	F281 VH9	2			Mahogany N N N YF281VH9
	F281 VM6	2			Red N N N YF281VM6
	F281 VT4	2			Tan N N N YF281VT4
	F281 VW1	2			White N N N YF281VW1
3	9414 712	AR			SCREW N N N Y9414712
4	9414 736	AR			SCREW N N N Y9414736
5	1623 945	AR			FASTENER N N N Y1623945
6					PAD AND INSERT, Quarter Upper Trim Panel N N N N
	H420 AA3	1			Silver N N N YH420AA3
	H420-1 VB2	1			Blue, Light N N N YH420VB2
	H420-1 VC7	1			Blue, Dark N N N YH420VC7
	H420-1 VH9	1			Mahogany N N N YH420VH9
	H420-1 VM6	1			Red N N N YH420VM6
	H420-1 VT4	1			Tan N N N YH420VT4
	H420-1 VW1	1			White N N N YH420VW1
7	0152 490	AR			U/NUT N N N Y152490
8	4078 078-9	1			MOULDING, Quarter Trim Panel Insert N N N Y4078078

MODEL CODES

B = GRAN FURY/CARAVELLE	P = RELIANT
C = LEBARON/TOWN & COUNTRY	S = CORDOBA
D = ARIES	V = 400
F = NEW YORKER	X = MIRADA
G = DIPLOMAT	Y = IMPERIAL
M = HORIZON/TC3/SCAMP	Z = OMNI/O24/RAMPAGE

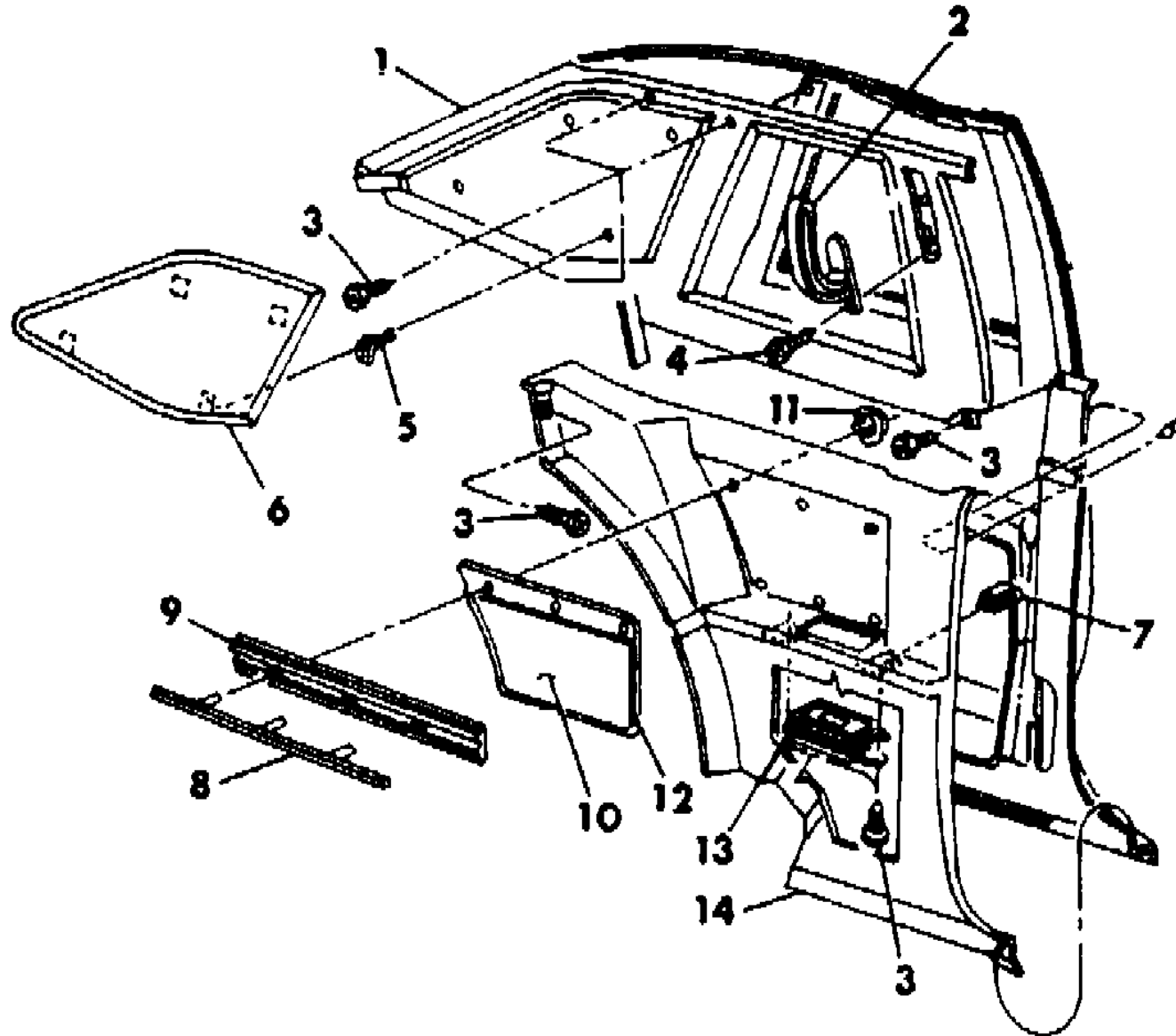
BODY STYLES

21 = 2-DOOR SEDAN	28 = FWD PICKUP
22 = 2-DOOR SPECIAL COUPE	41 = 4-DOOR SEDAN
24 = 2-DOOR HATCHBACK	44 = 4-DOOR HATCHBACK
27 = 2-DOOR CONVERTIBLE	45 = 2-SEAT STATION WAGON

AR = Use as Required - = Non Illustrated Part P.A.R. = Paint as Required

QUARTER TRIM PANEL Y  
Figure IT-7062

2253 706200



ITEM	PART NUMBER	QTY	BODY	MODEL	DESCRIPTION
9					BASE, Quarter Lower Trim Panel Insert Moulding N N N N
	D954-5 AA2	1			Silver N N N YD954AA2
	D954-5 VB2	1			Blue, Light N N N YD954VB2
	D954-5 VC7	1			Blue, Dark N N N YD954VC7
	D954-5 VH9	1			Mahogany N N N YD954VH9
	D954-5 VM6	1			Red N N N YD954VM6
	D954-5 VT4	1			Tan N N N YD954VT4
	D954-5 VW1	1			White N N N YD954VW1
10					BOLSTER, Quarter Lower Insert N N N N
	K782-3 AA3	1			Silver N N NA9A YK782AA3
	K782-3 VB2	1			Blue, Light N N NA9B YK782VB2
	K782-3 AC7	1			Blue, Dark N N NA9C YK782AC7
	K782-3 AH9	1			Mahogany N N NA9H YK782AH9
	K782-3 AM6	1			Red N N NA9M YK782AM6
	K782-3 AT4	1			Tan N N NA9T YK782AT4
	K780-1 AA2	1			Silver N N NAYA YK780AA2
	K780-1 VB2	1			Blue, Light N N NAYB YK780VB2
	K780-1 VC8	1			Blue, Dark N N NAYC YK780VC8
	K780-1 VH9	1			Mahogany N N NAYH YK780VH9
	K780-1 VM6	1			Red N N NAYM YK780VM6
	K780-1 VT3	1			Tan N N NAYT YK780VT3
	K780-1 VW1	1			White N N NAYCW,AYFW YK780VW1
	K780-1 VW1	1			White N N NAYHW,AYMW YK780VW1
11	9420 291	6			NUT, Quarter Lower Trim Panel Moulding to Base Attaching N N N Y9420291
12	4077 484-5	1			MOULDING, Quarter Trim Panel Insert Frame N N N Y4077484
13					ASH RECEIVER, Complete N N N N
	D419 AA3	2			Silver N N N YD419AA3
	D419 VB2	2			Blue, Light N N N YD419VB2
	D419 VC7	2			Blue, Dark N N N YD419VC7
	D419 VH9	2			Mahogany N N N YD419VH9
	D419 VM6	2			Red N N N YD419VM6
	D419 VT4	2			Tan N N N YD419VT4
	D419 VW1	2			White N N N YD419VW1
	3832 955	2			RECEPTACLE, Only N N N Y3832955
14					PANEL, Quarter Lower Trim N N N N
	K784-5 AA3	1			Silver N N N YK784AA3

MODEL CODES

B = GRAN FURY/CARAVELLE  
C = LEBARON/TOWN & COUNTRY  
D = ARIES  
F = NEW YORKER  
G = DIPLOMAT  
M = HORIZON/TC3/SCAMP  
P = RELIANT  
S = CORDOBA  
V = 400  
X = MIRADA  
Y = IMPERIAL  
Z = OMNI/O24/RAMPAGE

BODY STYLES

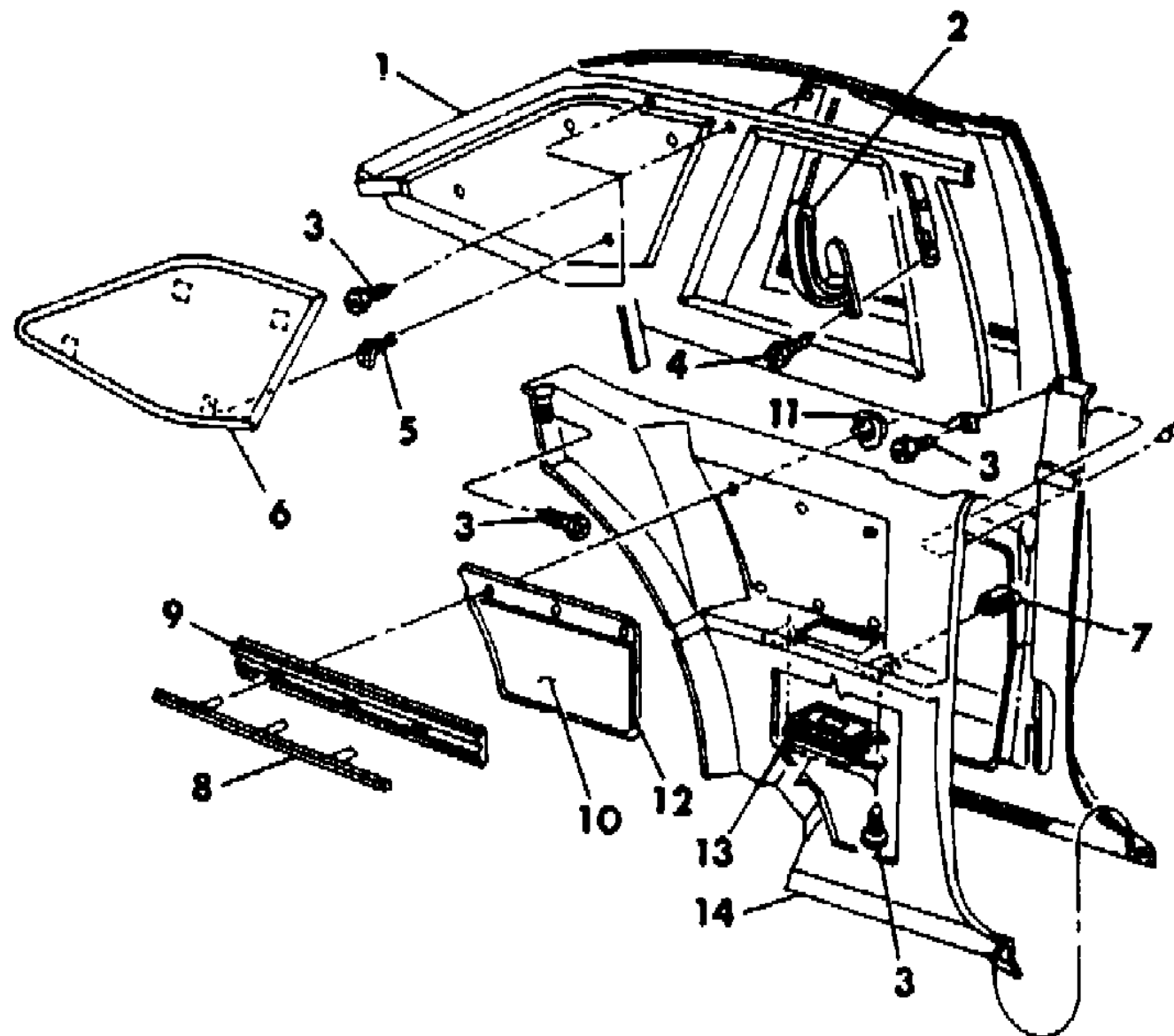
21 = 2-DOOR SEDAN  
22 = 2-DOOR SPECIAL COUPE  
24 = 2-DOOR HATCHBACK  
27 = 2-DOOR CONVERTIBLE  
28 = FWD PICKUP  
41 = 4-DOOR SEDAN  
44 = 4-DOOR HATCHBACK  
45 = 2-SEAT STATION WAGON

AR = Use as Required - = Non Illustrated Part P.A.R. = Paint as Required



QUARTER TRIM PANEL Y  
Figure IT-7062

2253 706200



ITEM	PART NUMBER	QTY	BODY	MODEL	DESCRIPTION
	K784-5 VB2	1			Blue, Light N N N YK784VB2
	K784-5 VC8	1			Blue, Dark N N N YK784VC8
	K784-5 VH9	1			Mahogany N N N YK784VH9
	K784-5 VM6	1			Red N N N YK784VM6
	K784-5 VT3	1			Tan N N N YK784VT3
	K784-5 VW1	1			White N N N YK784VW1

MODEL CODES

B = GRAN FURY/CARAVELLE	P = RELIANT
C = LEBARON/TOWN & COUNTRY	S = CORDOBA
D = ARIES	V = 400
F = NEW YORKER	X = MIRADA
G = DIPLOMAT	Y = IMPERIAL
M = HORIZON/TC3/SCAMP	Z = OMNI/O24/RAMPAGE

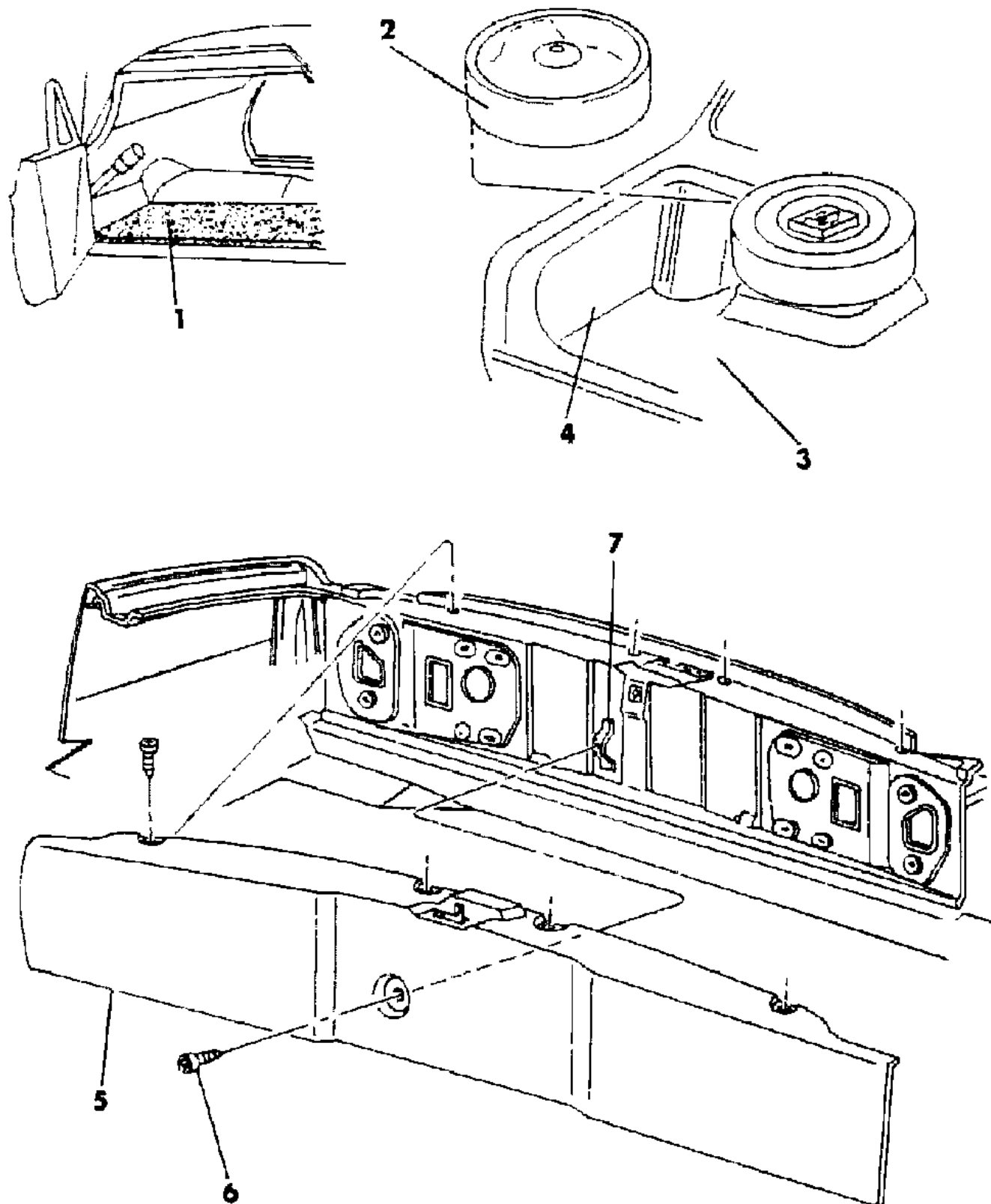
BODY STYLES

21 = 2-DOOR SEDAN	28 = FWD PICKUP
22 = 2-DOOR SPECIAL COUPE	41 = 4-DOOR SEDAN
24 = 2-DOOR HATCHBACK	44 = 4-DOOR HATCHBACK
27 = 2-DOOR CONVERTIBLE	45 = 2-SEAT STATION WAGON

AR = Use as Required - = Non Illustrated Part P.A.R. = Paint as Required

**CARPETS S,X**  
**Figure IT-7081**

2253 708100



ITEM	PART NUMBER	QTY	BODY	MODEL	DESCRIPTION
------	-------------	-----	------	-------	-------------

NOTE: Only long cut pile carpet is serviced and is used as a replacement for short cut pile. as stated in the Bulletin, parts are to be procured by the dealer directly from:

1	M705 AA7	1			CARPET, Floor One Piece Front & Rear N N N N Silver N N N YM705AA7
	M705 TC7	1			Blue N N N YM705TC7
	M705 VH9	1			Mahogany N N N YM705VH9
	M705 TM6	1			Red N N N YM705TM6
	M705 TT6	1			Tan N N N YM705TT6
2	4010 637	1			COVER, Spare Tire, W/o Collapsible Tire N N N Y4010637
	4077 804	1			W/Collapsible Tire N N N Y4077804
3	4077 251	1			CARPET, Luggage Compt. Floor N N N N Black N N N Y4077251
4	4011 548	1			COVER, Wheelhouse Luggage Compt. (Carpet) N N N N Black, Rt. N N N Y4011548
	4011 549	1			Black, Lt. N N N Y4011549
5	4011 618	1			CARPET, Rear Deck Lower Panel N N N N Black N N N Y4011618
6		1			SCREW(not serviced) N N N N
7	4077 747	1			BRACKET, Deck Opening Lower Trim Panel Attaching N N N Y4077747

The following parts are not illustrated. as stated in the Bulletin, parts are to be procured by the dealer directly from:

	R112 AA7	AR			CARPET, Needled Velour Short Ozite 54" Wide Order By The Inch(used on seats) N N N N Silver N N N YR112AA7
	R112 SC7	AR			Blue N N N YR112SC7
	R112 VH9	AR			Mahogany N N N YR112VH9
	R112 TM6	AR			Red N N N YR112TM6
	R112 ST6	AR			Tan N N N YR112ST6
	R113 AA7	AR			CARPET, Needled Short Ozite 54" Wide Order By The Inch(used on doors) N N N N Silver N N N YR113AA7
	R113 SC7	AR			Blue N N N YR113SC7
	R113 VH9	AR			Mahogany N N N YR113VH9
	R113 TM6	AR			Red N N N YR113TM6
	R113 ST6	AR			Tan N N N YR113ST6
	M025 AA7	1			MATS, Carpeted Front N N N N Silver N N N YM025AA7

MODEL CODES

B = GRAN FURY/CARAVELLE	P = RELIANT
C = LEBARON/TOWN & COUNTRY	S = CORDOBA
D = ARIES	V = 400
F = NEW YORKER	X = MIRADA
G = DIPLOMAT	Y = IMPERIAL
M = HORIZON/TC3/SCAMP	Z = OMNI/O24/RAMPAGE

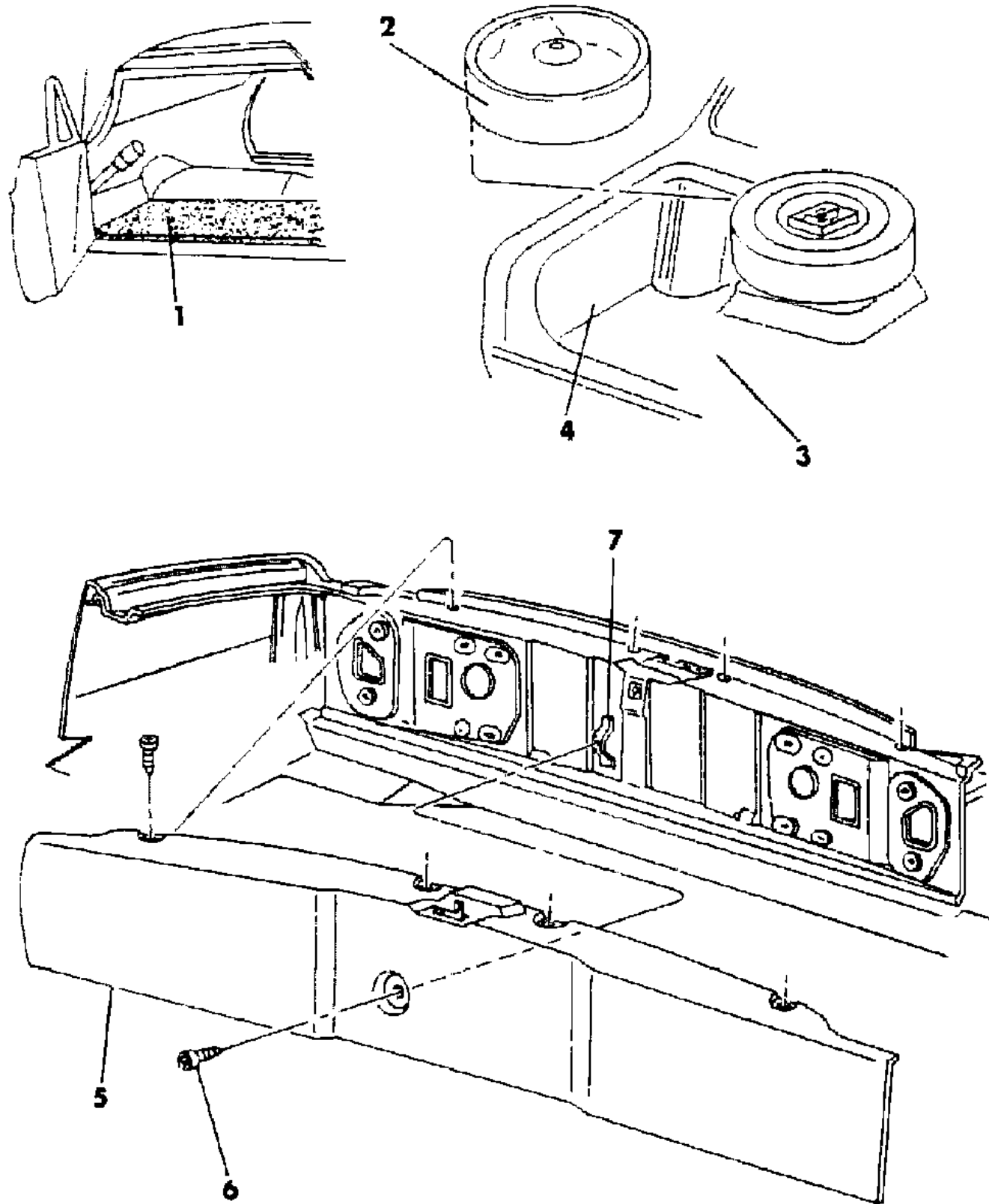
BODY STYLES

21 = 2-DOOR SEDAN	28 = FWD PICKUP
22 = 2-DOOR SPECIAL COUPE	41 = 4-DOOR SEDAN
24 = 2-DOOR HATCHBACK	44 = 4-DOOR HATCHBACK
27 = 2-DOOR CONVERTIBLE	45 = 2-SEAT STATION WAGON

AR = Use as Required - = Non Illustrated Part P.A.R. = Paint as Required

CARPETS S,X  
Figure IT-7081

2253 708100



ITEM	PART NUMBER	QTY	BODY	MODEL	DESCRIPTION
	M025 VC7	1			Blue N N N YM025VC7
	M025 VH9	1			Mahogany N N N YM025VH9
	M025 VM6	1			Red N N N YM025VM6
	M025 VT6	1			Tan N N N YM025VT6
					Rear N N N N
	M027 AA7	1			Silver N N N YM027AA7
	M027 VC7	1			Blue N N N YM027VC7
	M027 VH9	1			Mahogany N N N YM027VH9
	M027 VM6	1			Red N N N YM027VM6
	M027 VT6	1			Tan N N N YM027VT6

MODEL CODES

B = GRAN FURY/CARAVELLE	P = RELIANT
C = LEBARON/TOWN & COUNTRY	S = CORDOBA
D = ARIES	V = 400
F = NEW YORKER	X = MIRADA
G = DIPLOMAT	Y = IMPERIAL
M = HORIZON/TC3/SCAMP	Z = OMNI/O24/RAMPAGE

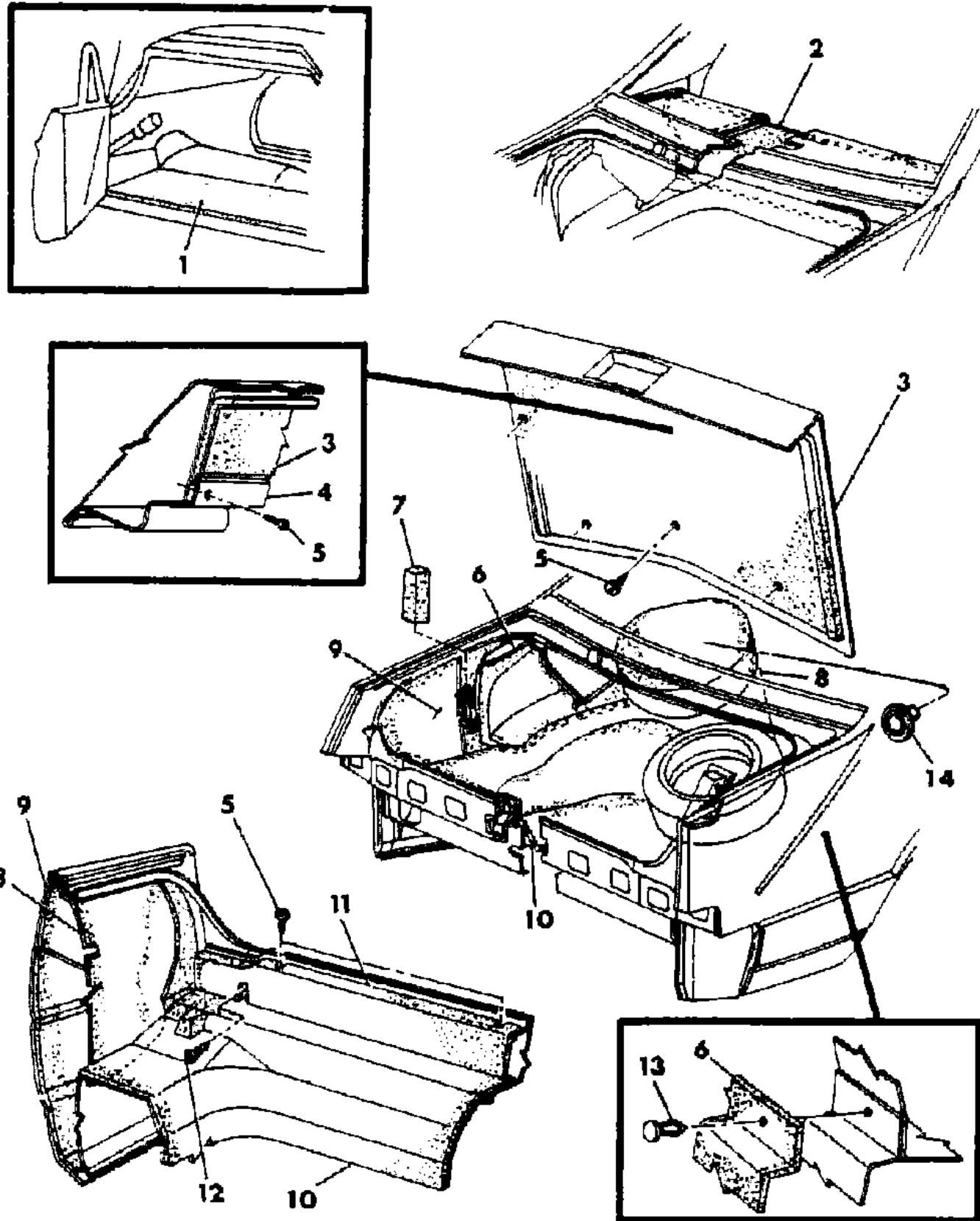
BODY STYLES

21 = 2-DOOR SEDAN	28 = FWD PICKUP
22 = 2-DOOR SPECIAL COUPE	41 = 4-DOOR SEDAN
24 = 2-DOOR HATCHBACK	44 = 4-DOOR HATCHBACK
27 = 2-DOOR CONVERTIBLE	45 = 2-SEAT STATION WAGON

AR = Use as Required - = Non Illustrated Part P.A.R. = Paint as Required

**CARPET Y**  
**Figure IT-7082**

2253 708200



ITEM	PART NUMBER	QTY	BODY	MODEL	DESCRIPTION
1					CARPET, Floor One Piece Front and Rear N N N N
	M664 AA7	1			Silver N N N YM664AA7
	M664 VB2	1			Blue, Light N N N YM664VB2
	M664 VC7	1			Blue, Dark N N N YM664VC7
	M664 VH9	1			Mahogany N N N YM664VH9
	M664 VM6	1			Red N N N YM664VM6
	M664 VT6	1			Tan N N N YM664VT6
2	4078 531	1			COVER, Luggage Compartment, Front N N N Y4078531
3	4223 349	1			COVER, Deck Lid Panel N N N Y4223349
4	4077 885	1			MOULDING, Deck Panel Trim Cover N N N Y4077885
5		AR			SCREW (not serviced) N N N N
6	4078 266-7	1			CARPET, Wheelhouse Side Inner N N N Y4078266
7	4223 401	1			COVER, Jack Trim N N N Y4223401
8	4078 527	1			COVER, Spare Tire and Quarter Trim (Mini) N N N Y4078527
9	4078 474	1			CARPET, Luggage Side Rt. w/Conventional Spare N N N Y4078474
	4078 475	1			Lt. N N N Y4078475
10	4078 265	1			CARPET, Luggage Compartment Floor N N N Y4078265
11	4011 525	1			CARPET, Deck Opening Lower Panel N N N Y4011525
12	9416 105	2			SCREW N N N Y9416105
13	6031 681	AR			CLIP, Trim Rt. N N N Y6031681
14	4223 272	1			FASTENER N N N Y4223272
The following parts are not illustrated. ated in the Bulletin, parts are to be procured by the dealer directly from:					
	6003 351	AR			FASTENER, Wheelhouse Inner Silencer N N N Y6003351
	4078 993	1			SILENCER, Luggage Compartment Front Liner N N N Y4078993
	4078 966-7	1			SILENCER, Wheelhouse Inner Panel N N N Y4078966
	4078 938	1			SILENCER, Rear Floor N N N Y4078938
	6030 441	AR			RETAINER, Silencer Barrier N N N Y6030441
	4223 685	1			SILENCER, Shelf Panel N N N Y4223685
	4078 993	1			SILENCER, Luggage Compartment Front N N N Y4078993
					CARPET, 54" Wide Order By The Inch (used on doors and seats) N N N N
	R119 AA7	AR			Silver N N N YR119AA7
	R119 VB2	AR			Blue, Light N N N YR119VB2
	R119 VC7	AR			Blue, Dark N N N YR119VC7
	R119 VH9	AR			Mahogany N N N YR119VH9

MODEL CODES

B = GRAN FURY/CARAVELLE	P = RELIANT
C = LEBARON/TOWN & COUNTRY	S = CORDOBA
D = ARIES	V = 400
F = NEW YORKER	X = MIRADA
G = DIPLOMAT	Y = IMPERIAL
M = HORIZON/TC3/SCAMP	Z = OMNI/O24/RAMPAGE

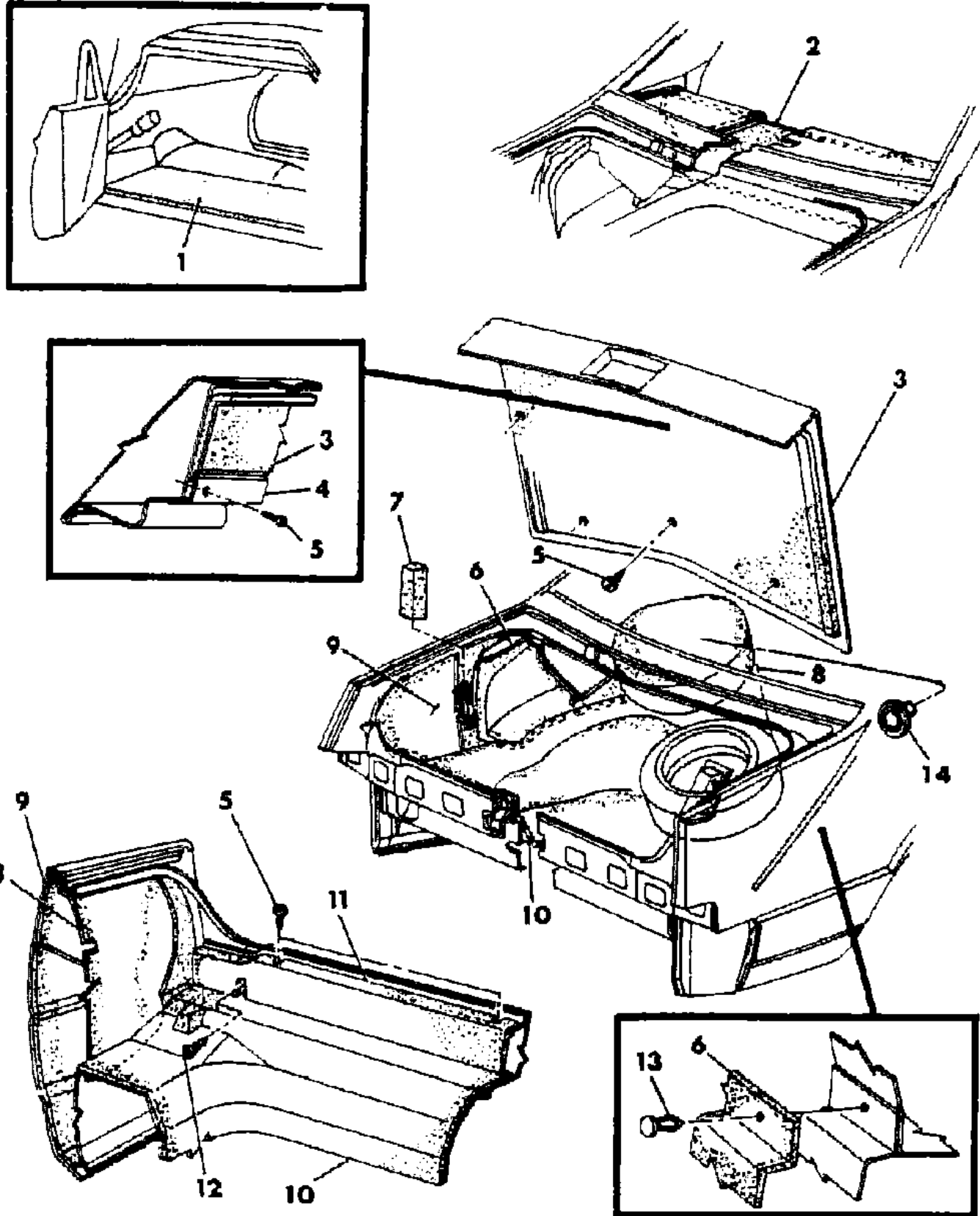
BODY STYLES

21 = 2-DOOR SEDAN	28 = FWD PICKUP
22 = 2-DOOR SPECIAL COUPE	41 = 4-DOOR SEDAN
24 = 2-DOOR HATCHBACK	44 = 4-DOOR HATCHBACK
27 = 2-DOOR CONVERTIBLE	45 = 2-SEAT STATION WAGON

AR = Use as Required - = Non Illustrated Part P.A.R. = Paint as Required

**CARPET Y**  
Figure IT-7082

2253 708200



ITEM	PART NUMBER	QTY	BODY	MODEL	DESCRIPTION
	R119 VM6	AR			Red N N N YR119VM6
	R119 VT6	AR			Tan N N N YR119VT6
	6030 441	4			RETAINER, Deck Lid Carpet Attaching N N N Y6030441
	M028 AA7	1			MATS, Carpeted Front and Rear Package of Four N N N N Silver N N N YM028AA7
	M028 VB2	1			Blue, Light N N N YM028VB2
	M028 VC7	1			Blue, Dark N N N YM028VC7
	M028 VH9	1			Mahogany N N N YM028VH9
	M028 VM6	1			Red N N N YM028VM6
	M028 VT6	1			Tan N N N YM028VT6

MODEL CODES

B = GRAN FURY/CARAVELLE	P = RELIANT
C = LEBARON/TOWN & COUNTRY	S = CORDOBA
D = ARIES	V = 400
F = NEW YORKER	X = MIRADA
G = DIPLOMAT	Y = IMPERIAL
M = HORIZON/TC3/SCAMP	Z = OMNI/O24/RAMPAGE

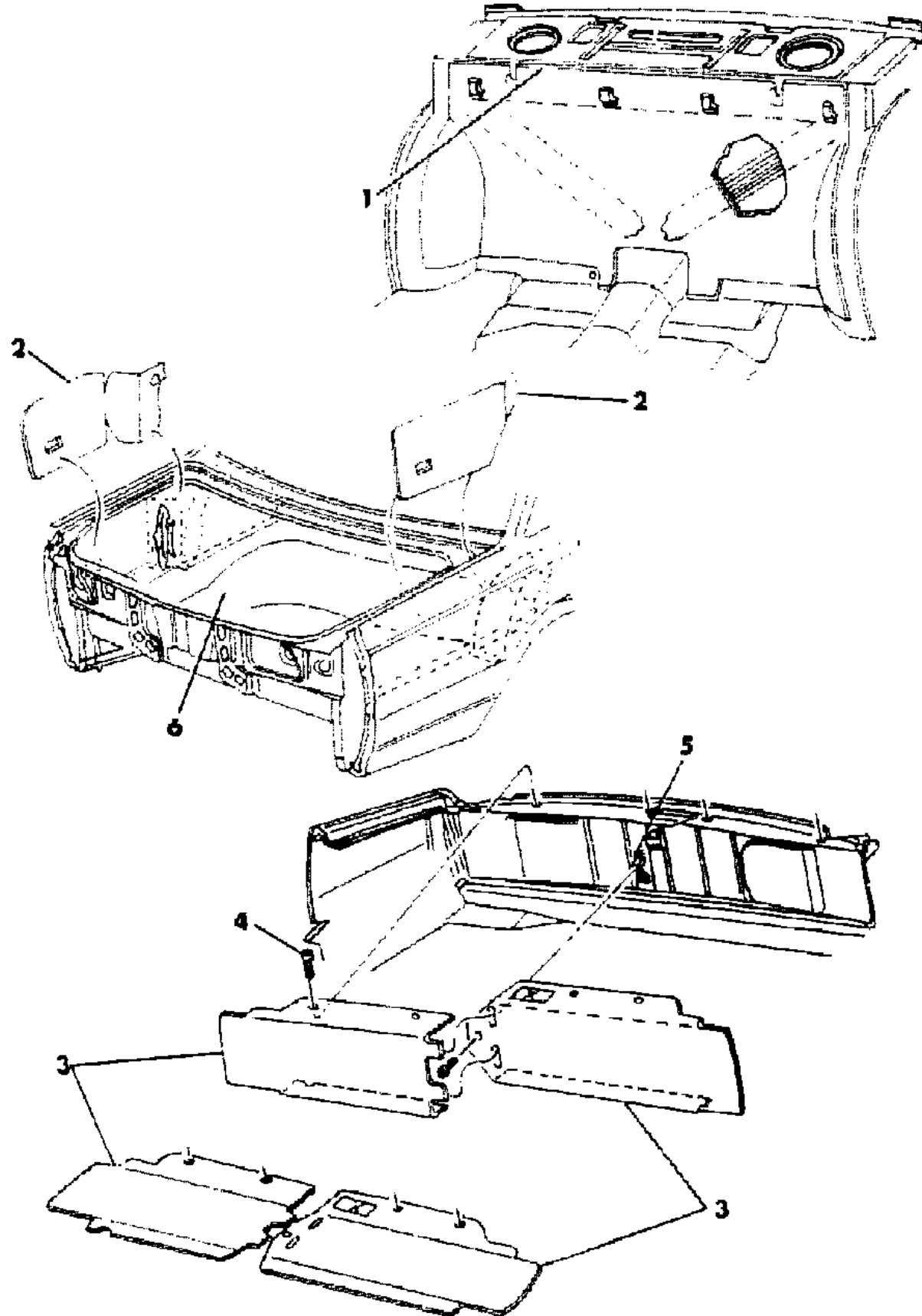
BODY STYLES

21 = 2-DOOR SEDAN	28 = FWD PICKUP
22 = 2-DOOR SPECIAL COUPE	41 = 4-DOOR SEDAN
24 = 2-DOOR HATCHBACK	44 = 4-DOOR HATCHBACK
27 = 2-DOOR CONVERTIBLE	45 = 2-SEAT STATION WAGON

AR = Use as Required - = Non Illustrated Part P.A.R. = Paint as Required

TRUNK X,S  
Figure IT-7083

2253 708300



ITEM	PART NUMBER	QTY	BODY	MODEL	DESCRIPTION
1	4077 225	1			SILENCER,Luggage Compartment Front N N N Y4077225
2	4077 238-9	1			LINER,Luggage Compartment Side N N N Y4077238
3	4077 300-1	1			PANEL,Deck Opening Lower Trim N N N Y4077300
4		AR			SCREW(not serviced) N N N N
5	4077 747	1			BRACKET,Deck Opening Lower Trim Panel Attaching N N N Y4077747
6	4077 248	1			MAT, Luggage Compartment Floor N N N Y4077248

The following parts are not illustrated. ated in the Bulletin, parts are to be procured by the dealer directly from:

	4186 901	AR			SILENCER, Rear Floor N N N Y4186901
	4223 466-7	1			SILENCER, Wheelhouse Inner N N N Y4223466
	4223 222	AR			SILENCER and INSULATOR N N N Y4223222

MODEL CODES

B = GRAN FURY/CARAVELLE	P = RELIANT
C = LEBARON/TOWN & COUNTRY	S = CORDOBA
D = ARIES	V = 400
F = NEW YORKER	X = MIRADA
G = DIPLOMAT	Y = IMPERIAL
M = HORIZON/TC3/SCAMP	Z = OMNI/O24/RAMPAGE

BODY STYLES

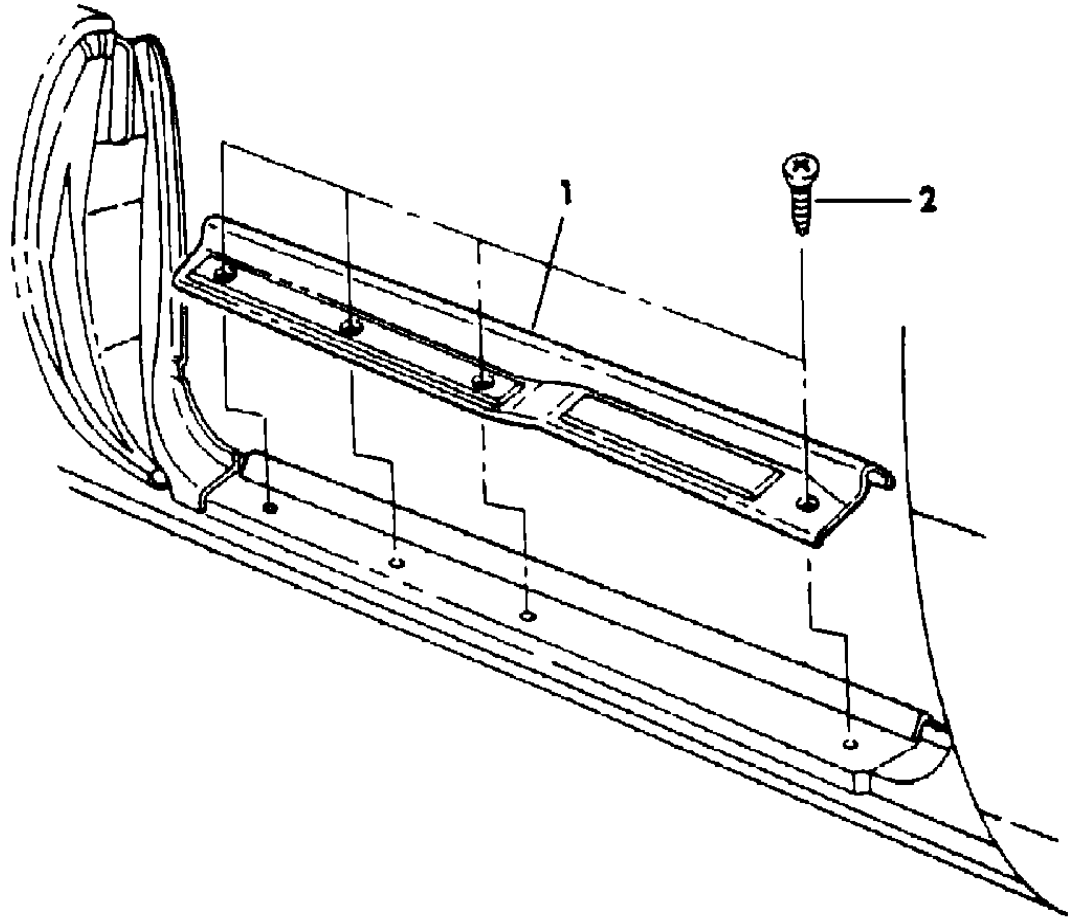
21 = 2-DOOR SEDAN	28 = FWD PICKUP
22 = 2-DOOR SPECIAL COUPE	41 = 4-DOOR SEDAN
24 = 2-DOOR HATCHBACK	44 = 4-DOOR HATCHBACK
27 = 2-DOOR CONVERTIBLE	45 = 2-SEAT STATION WAGON

AR = Use as Required - = Non Illustrated Part P.A.R. = Paint as Required

**SCUFF PLATES BODY SIDE SILL AND DOORS X,S,Y**  
**Figure IT-7084**

2253 708400

ITEM	PART NUMBER	QTY	BODY	MODEL	DESCRIPTION
1	4078 460-1	1			SCUFF PLATE w/INSERT, Side Sill Door N N N Y4078460
2		AR			SCREW (not serviced) N N N N



**MODEL CODES**

B = GRAN FURY/CARAVELLE	P = RELIANT
C = LEBARON/TOWN & COUNTRY	S = CORDOBA
D = ARIES	V = 400
F = NEW YORKER	X = MIRADA
G = DIPLOMAT	Y = IMPERIAL
M = HORIZON/TC3/SCAMP	Z = OMNI/O24/RAMPAGE

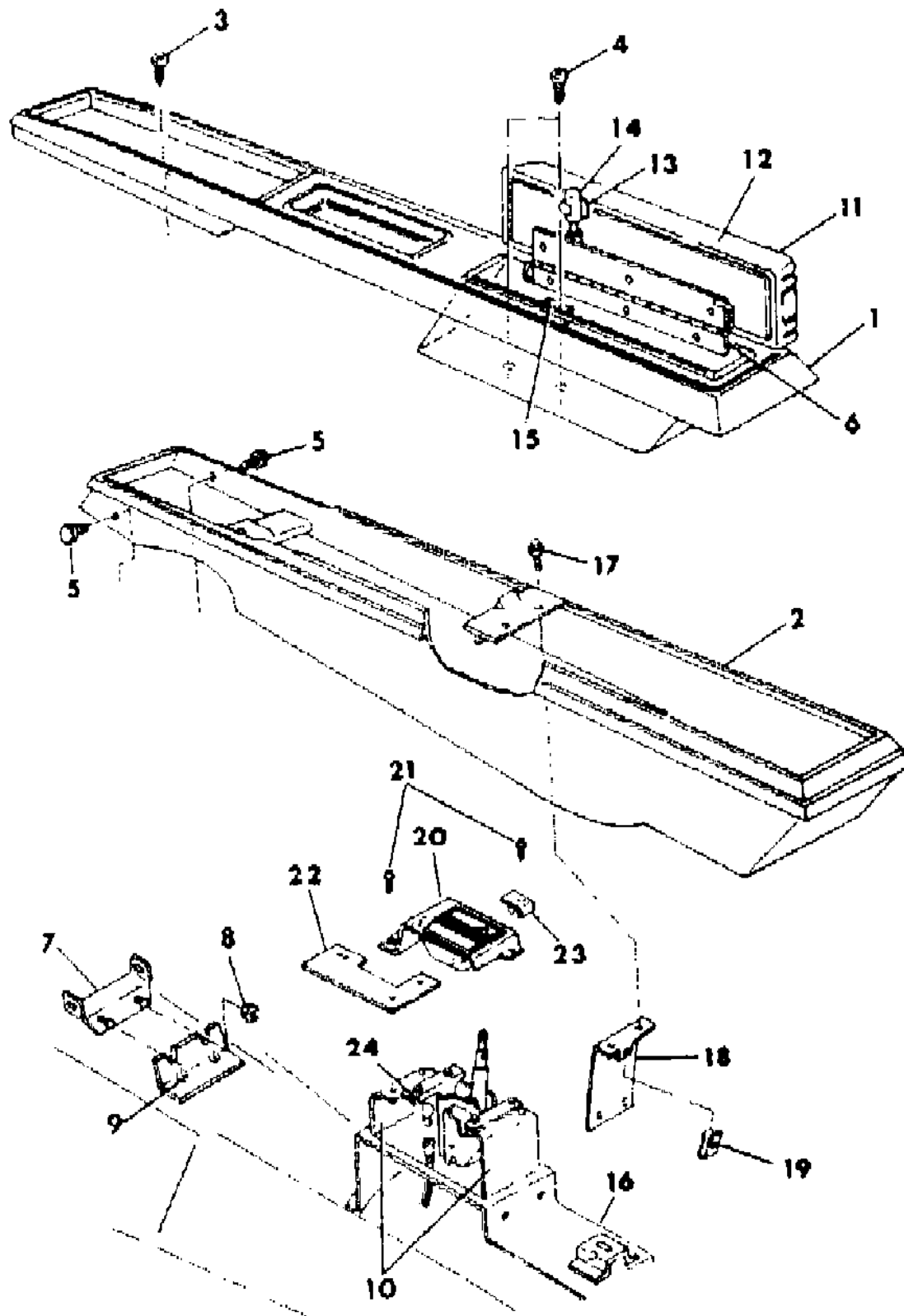
**BODY STYLES**

21 = 2-DOOR SEDAN	28 = FWD PICKUP
22 = 2-DOOR SPECIAL COUPE	41 = 4-DOOR SEDAN
24 = 2-DOOR HATCHBACK	44 = 4-DOOR HATCHBACK
27 = 2-DOOR CONVERTIBLE	45 = 2-SEAT STATION WAGON

AR = Use as Required - = Non Illustrated Part P.A.R. = Paint as Required

CONSOLE S,X  
Figure IT-7085

2253 708500



ITEM	PART NUMBER	QTY	BODY	MODEL	DESCRIPTION
1	4106 749	1			CONSOLE,Upper w/Featherwood Finish Plate N N N Y4106749
	4106 750	1			w/Brushed Aluminum Finish Plate N N N Y4106750
2	F322 VD2	1			CONSOLE, Lower (paint as required) N N N YF322VD2
3		AR			SCREW(8-18x5/8 not serviced) N N N N
4		AR			SCREW(10-18x5/8 not serviced) N N N N
5		AR			SCREW(not serviced) N N N N
6	4011 796	1			HINGE,Console Lid N N N Y4011796
7	4077 705	1			BRACKET,Console Front N N N Y4077705
8	0118 613	2			NUT N N N Y118613
9	4134 997	2			BRACKET N N N Y4134997
10	4206 427	1			BRACKET N N N Y4206427
11					INSERT and PAD, Console Lid N N N N
	F279 AA7	1			Silver N N N YF279AA7
	F279 TC7	1			Blue N N N YF279TC7
	F279 VH9	1			Mahogany N N N YF279VH9
	F279 TM6	1			Red N N N YF279TM6
	F279 TT6	1			Tan N N N YF279TT6
12	4011 756	1			COVER,Console Lid N N N Y4011756
13	4011 800	1			BEZEL,Console Lid N N N Y4011800
14	4011 798	1			BUTTON,Console Lid N N N Y4011798
15	2879 805	1			STRICKER N N N Y2879805
16	4077 978	1			BRACKET N N N Y4077978
17		AR			SCREW(10-16 x1/2 Lg. not serviced) N N N N
18	4078 343	1			BRACKET, Floor Console to Bracket N N N Y4078343
19		AR			U/NUT(not serviced) N N N N
20					GEAR SELECTOR,See Group 21 N N N N
21		AR			SCREW(10-16 x 3/4 Lg. 5/16 Hex not serviced) N N N N
22	4078 312	1			BRACKET,Floor Console Stabilizer,Front N N N Y4078312
23	3747 949	1			PLATE,Gear Selector Clamping N N N Y3747949
24					LAMP, See Group 8 N N N N
The following parts are not illustrated. ated in the Bulletin, parts are to be procured by the dealer directly from:					
	0118 514	3			RIVET, Floor Console Rear Bracket to Base Attaching N N N Y118514
					CARPET, Console Lower N N N N
	F240 AA7	1			Silver N N N YF240AA7
	F240 VC7	1			Blue N N N YF240VC7
	F240 VH9	1			Mahogany N N N YF240VH9

MODEL CODES

B = GRAN FURY/CARAVELLE	P = RELIANT
C = LEBARON/TOWN & COUNTRY	S = CORDOBA
D = ARIES	V = 400
F = NEW YORKER	X = MIRADA
G = DIPLOMAT	Y = IMPERIAL
M = HORIZON/TC3/SCAMP	Z = OMNI/O24/RAMPAGE

BODY STYLES

21 = 2-DOOR SEDAN	28 = FWD PICKUP
22 = 2-DOOR SPECIAL COUPE	41 = 4-DOOR SEDAN
24 = 2-DOOR HATCHBACK	44 = 4-DOOR HATCHBACK
27 = 2-DOOR CONVERTIBLE	45 = 2-SEAT STATION WAGON

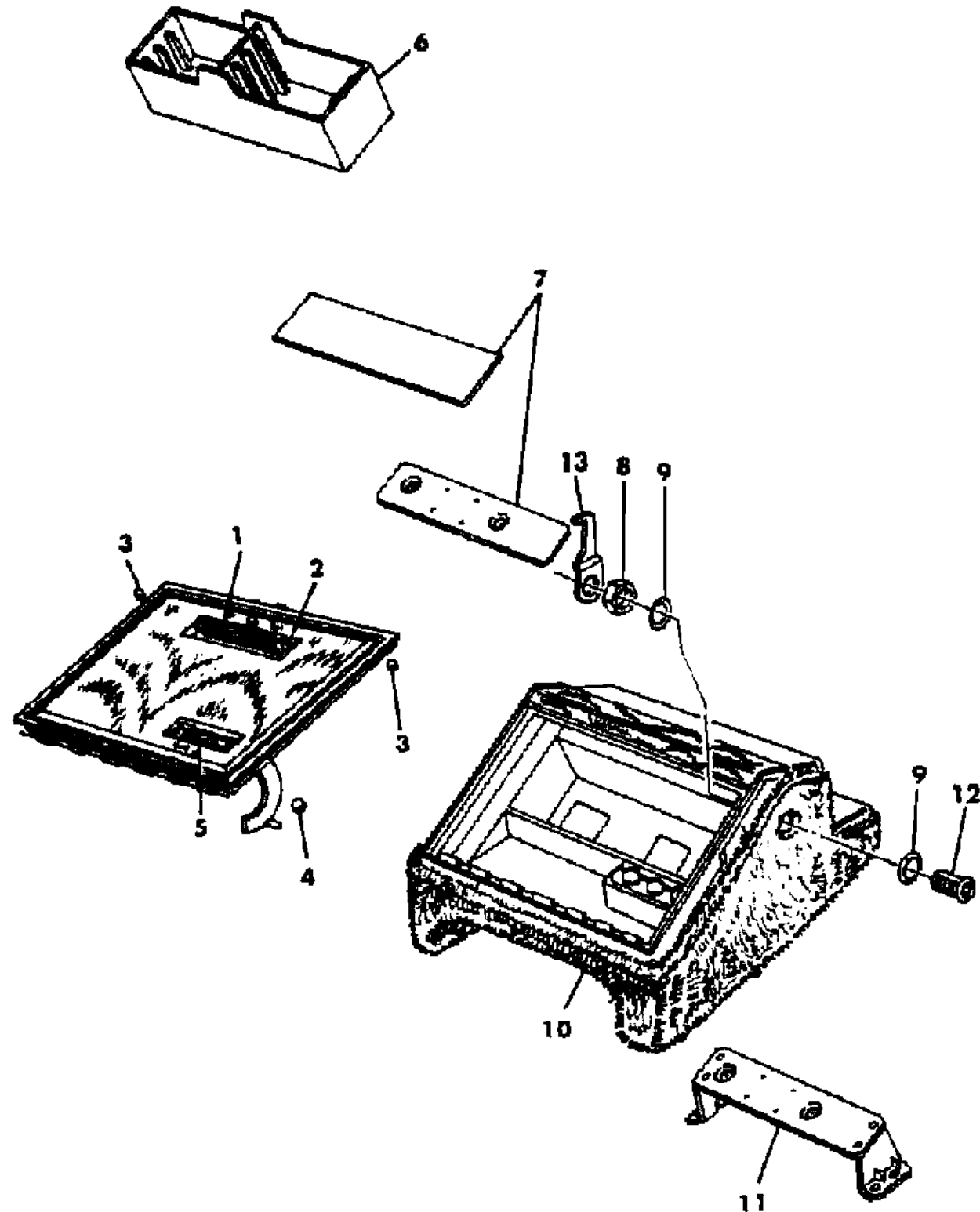
AR = Use as Required - = Non Illustrated Part P.A.R. = Paint as Required





CONSOLE Y  
Figure IT-7086

2253 708 600A



ITEM	PART NUMBER	QTY	BODY	MODEL	DESCRIPTION
1-10	F323 VB2	1			CONSOLE w/LID, Tape Storage Blue N N N YF323VB2
1	4223 892	1			HANDLE N N N Y4223892
2	4223 876	1			APPLIQUE, Handle N N N Y4223876
3	4223 950	2			BUMPER N N N Y4223950
4	4223 951	1			BUMPER N N N Y4223951
5	4223 877	1			NAME PLATE N N N Y4223877
6	4223 881	1			TRAY w/FOAM, Cassette Storage N N N Y4223881
7	4223 891	1			PLATE w/FOAM PAD N N N Y4223891
8	6025 196	1			NUT N N N Y6025196
9	4223 893	2			RING N N N Y4223893
10	F306-7 VB2	1			CARPET, Blue Light N N N YF306VB2
11	4223 873	1			BRACKET N N N Y4223873
12		1			LOCK HOUSING (not serviced) N N N N
13	4246 410	1			LATCH N N N Y4246410
The following part is not illustrated. ated in the Bulletin, parts are to be pro cured by the dealer directly from:					
	4246 401	1			LOCK PACKAGE N N N Y4246401
	4247 201	1			STRICKER N N N Y4247201

MODEL CODES

B = GRAN FURY/CARAVELLE	P = RELIANT
C = LEBARON/TOWN & COUNTRY	S = CORDOBA
D = ARIES	V = 400
F = NEW YORKER	X = MIRADA
G = DIPLOMAT	Y = IMPERIAL
M = HORIZON/TC3/SCAMP	Z = OMNI/O24/RAMPAGE

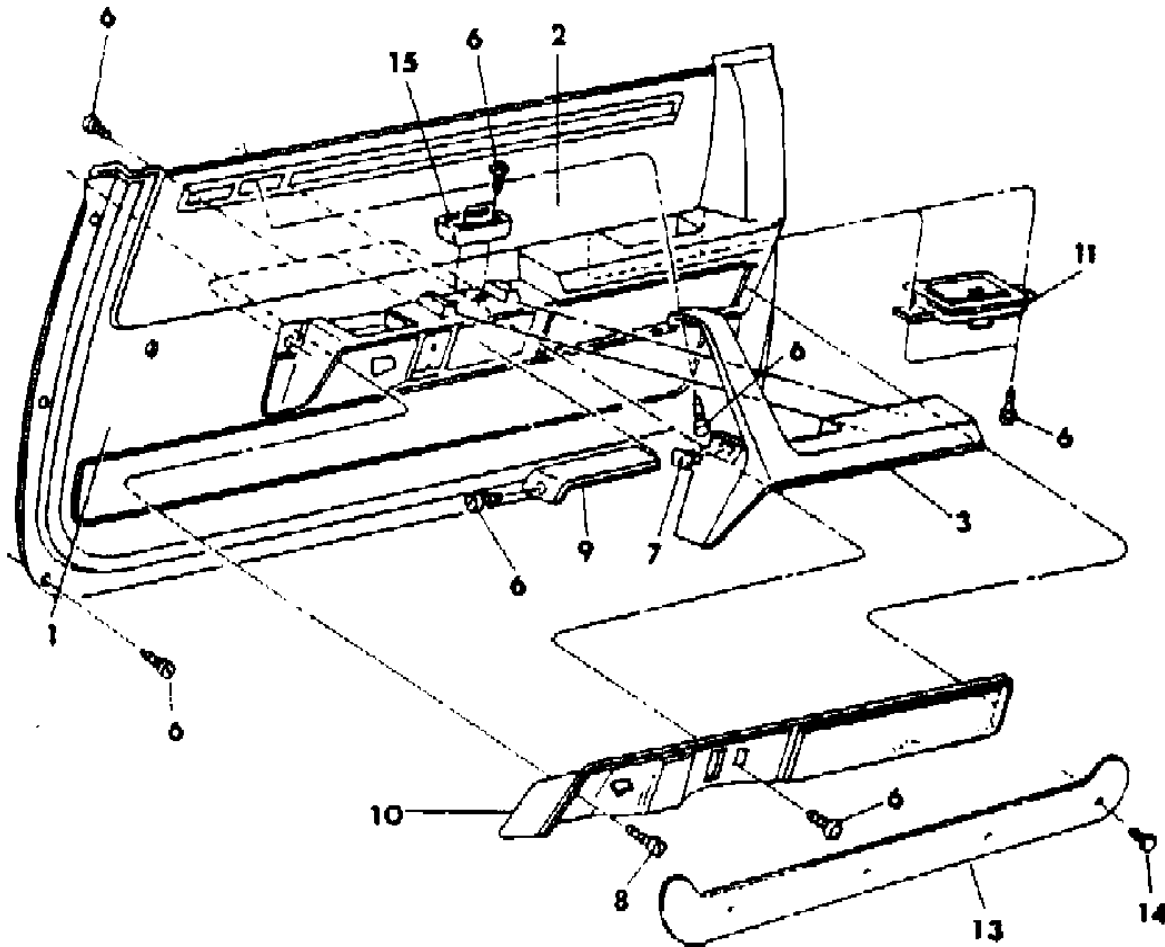
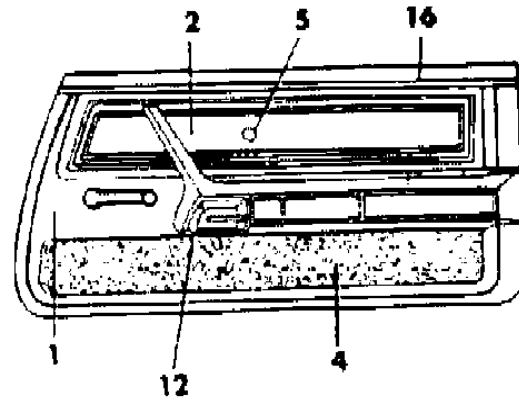
BODY STYLES

21 = 2-DOOR SEDAN	28 = FWD PICKUP
22 = 2-DOOR SPECIAL COUPE	41 = 4-DOOR SEDAN
24 = 2-DOOR HATCHBACK	44 = 4-DOOR HATCHBACK
27 = 2-DOOR CONVERTIBLE	45 = 2-SEAT STATION WAGON

AR = Use as Required - = Non Illustrated Part P.A.R. = Paint as Required

DOOR TRIM PANEL S  
Figure IT-7101

2253 710 100



ITEM	PART NUMBER	QTY	BODY	MODEL	DESCRIPTION
1					PANEL,Front Door Lower Trim w/o Arm Rest N N N N
	K248-9 AA3	1			Silver N N NF6A,N5A YK248AA3
	K248-9 VC7	1			Blue N N NF6C,N5C YK248VC7
	K248-9 VM6	1			Red N N NF9M,N5M YK248VM6
	K248-9 VT4	1			Tan N N NF6T,N5T YK248VT4
	K246-7 AA3	1			Silver N N NC9A,DLA,HLA YK246AA3
	K246-7 VC7	1			Blue N N NC9C,HLC YK246VC7
	K246-7 VM6	1			Red N N NC9M,DLM,HLM YK246VM6
	K246-7 VH9	1			Mahogany N N NC9H,DLH,HLH YK246VH9
	K246-7 VT4	1			Tan N N NC9T,DLT,HLT YK246VT4
	K246-7 VW1	1			White N N NHLCW,HLMW YK246VW1
2					PANEL,Front Door Trim Upper w/Moulding N N N N
	K254-5 AA2	1			N N NF6A,N5A YK254AA2
	K254-5 VC8	1			N N NF6C,N5C YK254VC8
	K254-5 VM6	1			N N NF6M,N5M YK254VM6
	K254-5 VT3	1			N N NF6T,N5T YK254VT3
	K136-7 AA2	1			N N NDLA YK136AA2
	K136-7 AH9	1			N N ND LH YK136AH9
	K136-7 AT3	1			N N ND LT YK136AT3
	K136-7 AW1	1			N N NHLCW,HLMW YK136AW1
	K216-7 AA3	1			N N NC9A YK216AA3
	K216-7 AC7	1			N N NC9C YK216AC7
	K216-7 AH9	1			N N NC9H YK216AH9
	K216-7 AM6	1			N N NC9M YK216AM6
	K216-7 AT4	1			N N NC9T YK216AT4
3					ARM REST,Front Door w/Pull Handle N N N N
	D482-3 AA3	1			Silver N N N YD482AA3
	D482-3 TC7	1			Blue N N N YD482TC7
	D482-3 VH9	1			Mahogany N N N YD482VH9
	D482-3 TM6	1			Red N N N YD482TM6
	D482-3 TT4	1			Tan N N N YD482TT4
	D482-3 TW1	1			White N N N YD482TW1
		1			w/o Power Windows and Locks N N N N
	D480-1 AA3	1			Silver N N N YD480AA3
	D480-1 TC7	1			Blue N N N YD480TC7
	D480-1 VH9	1			Mahogany N N N YD480VH9

MODEL CODES

B = GRAN FURY/CARAVELLE	P = RELIANT
C = LEBARON/TOWN & COUNTRY	S = CORDOBA
D = ARIES	V = 400
F = NEW YORKER	X = MIRADA
G = DIPLOMAT	Y = IMPERIAL
M = HORIZON/TC3/SCAMP	Z = OMNI/O24/RAMPAGE

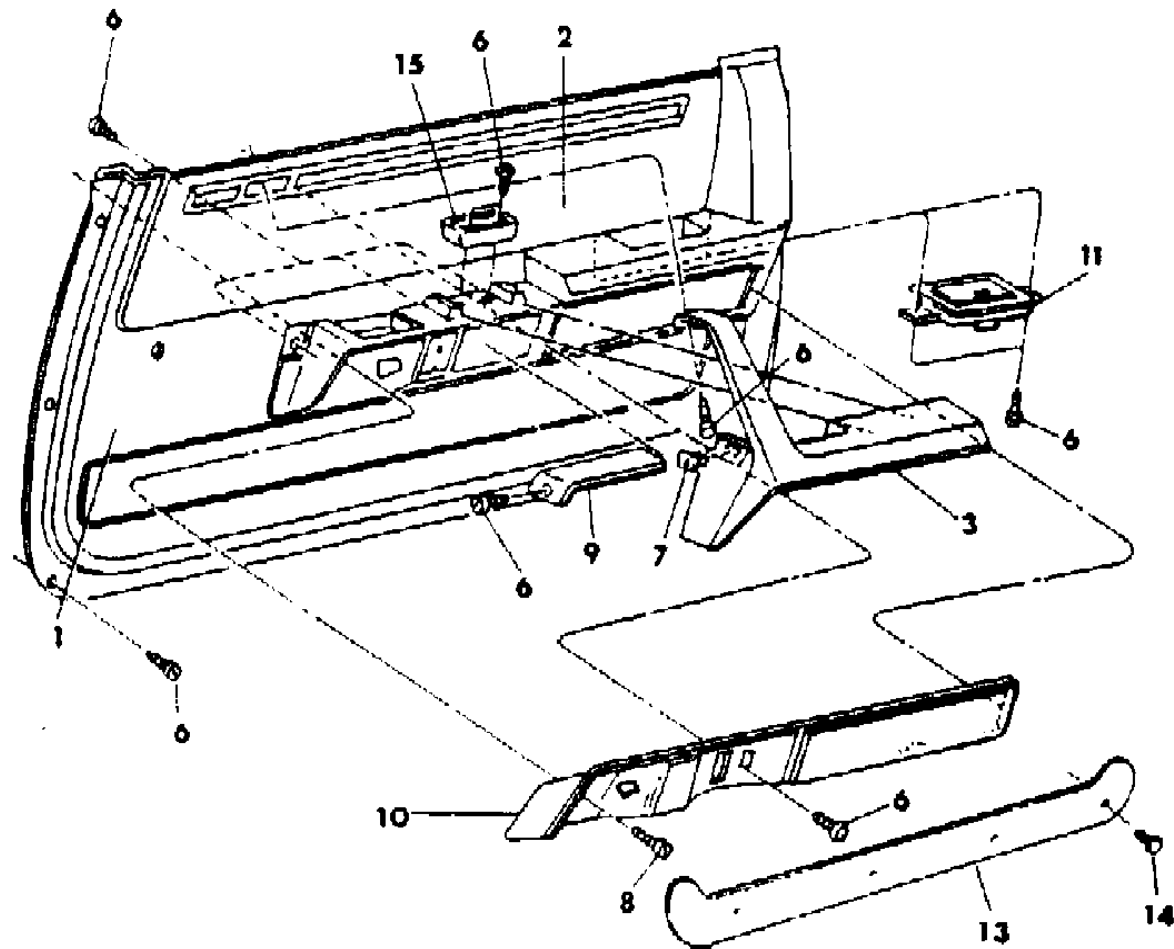
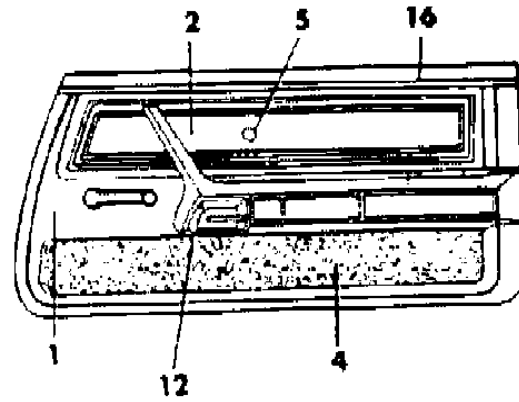
BODY STYLES

21 = 2-DOOR SEDAN	28 = FWD PICKUP
22 = 2-DOOR SPECIAL COUPE	41 = 4-DOOR SEDAN
24 = 2-DOOR HATCHBACK	44 = 4-DOOR HATCHBACK
27 = 2-DOOR CONVERTIBLE	45 = 2-SEAT STATION WAGON

AR = Use as Required - = Non Illustrated Part P.A.R. = Paint as Required

**DOOR TRIM PANEL S**  
Figure IT-7101

2253 710 100



ITEM	PART NUMBER	QTY	BODY	MODEL	DESCRIPTION
	D480-1 TM6	1			Red N N N YD480TM6
	D480-1 TT4	1			Tan N N N YD480TT4
	D480-1 TW1	1			White N N N YD480TW1
4					VINYL, Lower Door Trim Panel N N N N
	D728-9 VW1	1			White N N N YD728VW1
5	4077 459	2			MEDALLION and BEZEL N N N Y4077459
	4019 848	2			MEDALLION,Door Trim Panel "300" N N N Y4019848
The following parts are not illustrated. ated in the Bulletin, parts are to be procured by the dealer directly from:					
	6031 147	AR			RETAINER,Moulding Attaching N N N Y6031147
	4114 785	AR			FASTENER, Trim Panel Door N N N Y4114785
	6031 147	AR			FASTENER, Madallion N N N Y6031147
	4049 602	AR			SILENCER N N N Y4049602
	H446 RX9	6			FASTENER Seal N N N YH446RX9
6	6032 092	18			SCREW N N N Y6032092
7	6031 964	2			NUT N N N Y6031964
8	9420 486	2			SCREW N N N Y9420486
9					See Switch Plate Illustration group 23. N N N N
10					See Door Illustration group 23. N N N N
11	4011 623	2			RECEIVER, Ash Complete N N N Y4011623
The following parts are not illustrated. ated in the Bulletin, parts are to be procured by the dealer directly from:					
	4011 885	2			RECEPTACLE, Ash Receiver N N N Y4011885
	1639 961	4			BUMPER, Ash Receiver N N N Y1639961
	0455 798	2			PIN, Ash Receiver Lid N N N Y455798
	0152 490	4			U/NUT, Ash Receiver Attaching N N N Y152490
	0274 306	2			PIN. Lid Attaching N N N Y274306
12	3832 946-7	1			BEZEL,Arm Rest N N N Y3832946
13	4012 000	2			SEAL, Secondary Sound N N N Y4012000
14	6030 441	AR			RETAINER, Secondary Seal Attaching N N N Y6030441
15	D496-7 VW1	1			CUP, Armrest Pull N N N YD496VW1
16					MOULDING N N N N
	D866-7 AA3	1			Silver N N N YD866AA3
	D866-7 VC7	1			Blue N N N YD866VC7
	D866-7 AH9	1			Mahogany N N N YD866AH9
	D866-7 VM6	1			Red N N N YD866VM6
	D866-7 VT4	1			Tan N N N YD866VT4
	D866-7 VW1	1			White N N N YD866VW1
	4011 962-3	1			Featherwood N N N Y4011962

MODEL CODES

B = GRAN FURY/CARAVELLE	P = RELIANT
C = LEBARON/TOWN & COUNTRY	S = CORDOBA
D = ARIES	V = 400
F = NEW YORKER	X = MIRADA
G = DIPLOMAT	Y = IMPERIAL
M = HORIZON/TC3/SCAMP	Z = OMNI/O24/RAMPAGE

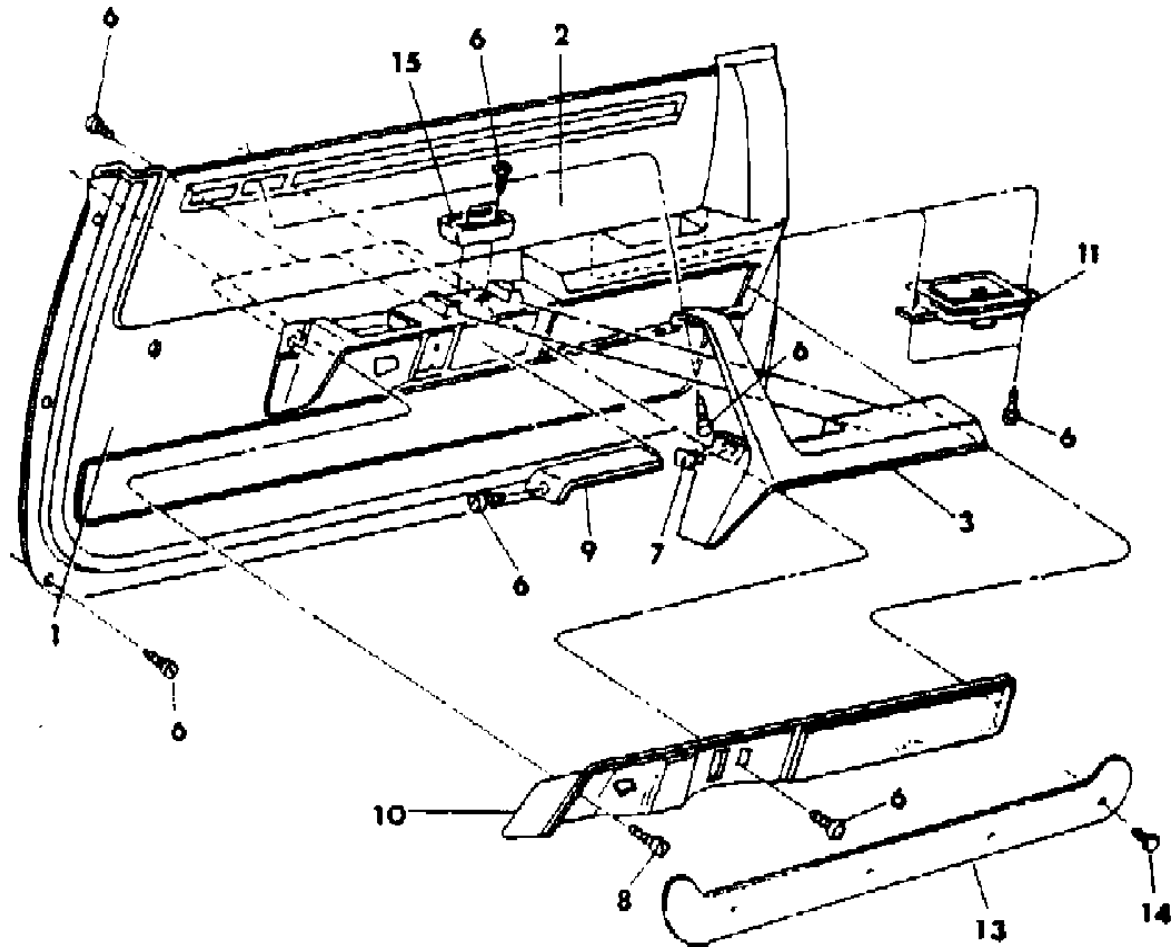
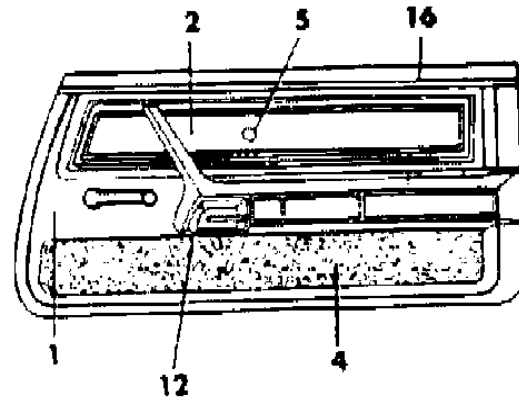
BODY STYLES

21 = 2-DOOR SEDAN	28 = FWD PICKUP
22 = 2-DOOR SPECIAL COUPE	41 = 4-DOOR SEDAN
24 = 2-DOOR HATCHBACK	44 = 4-DOOR HATCHBACK
27 = 2-DOOR CONVERTIBLE	45 = 2-SEAT STATION WAGON

AR = Use as Required - = Non Illustrated Part P.A.R. = Paint as Required

DOOR TRIM PANEL S  
Figure IT-7101

2253 710 100



ITEM	PART NUMBER	QTY	BODY	MODEL	DESCRIPTION
	3510 447	AR			GROMMET, Garnish Moulding N N N Y3510447

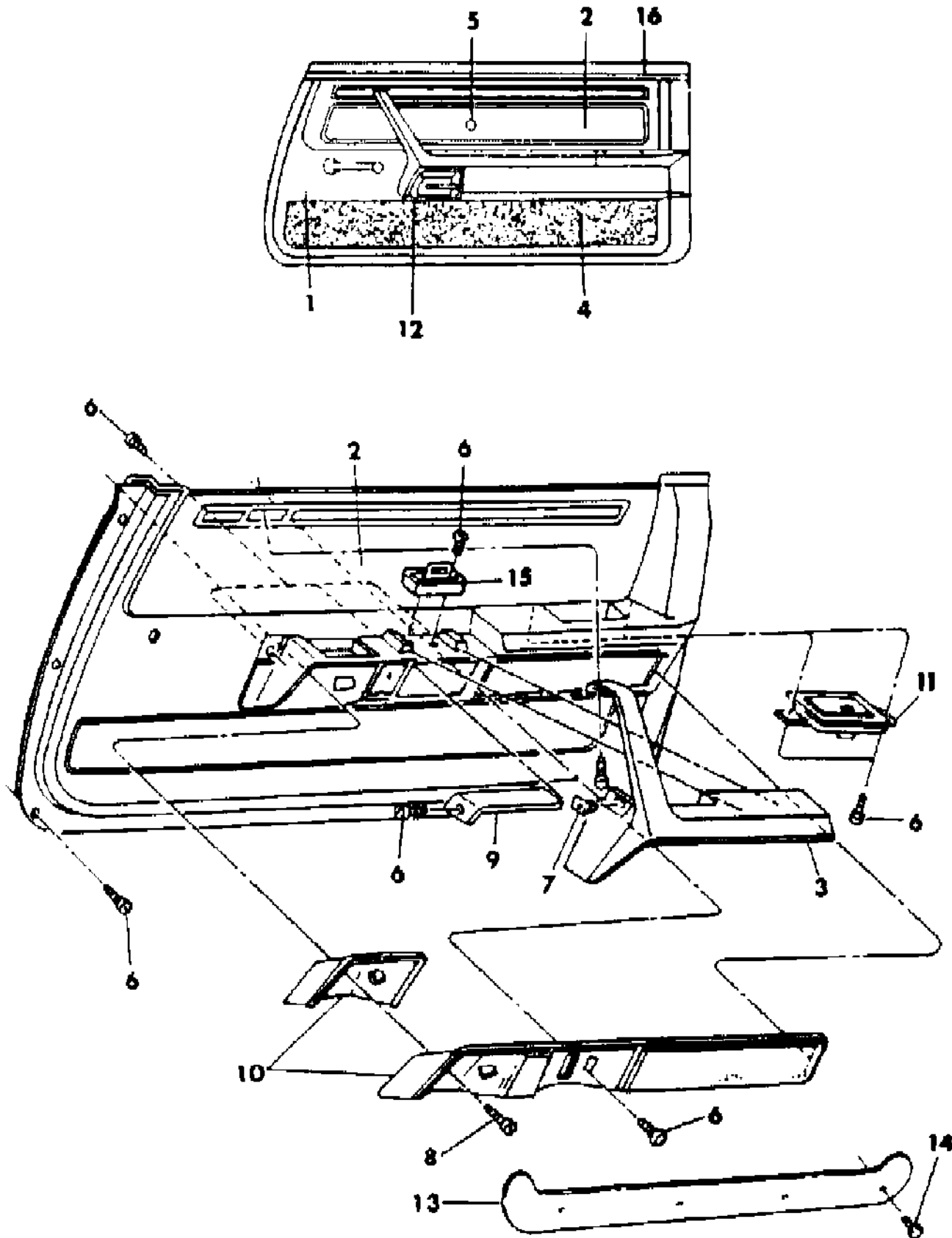
MODEL CODES  
 B = GRAN FURY/CARAVELLE      P = RELIANT  
 C = LEBARON/TOWN & COUNTRY      S = CORDOBA  
 D = ARIES      V = 400  
 F = NEW YORKER      X = MIRADA  
 G = DIPLOMAT      Y = IMPERIAL  
 M = HORIZON/TC3/SCAMP      Z = OMNI/O24/RAMPAGE

BODY STYLES  
 21 = 2-DOOR SEDAN      28 = FWD PICKUP  
 22 = 2-DOOR SPECIAL COUPE      41 = 4-DOOR SEDAN  
 24 = 2-DOOR HATCHBACK      44 = 4-DOOR HATCHBACK  
 27 = 2-DOOR CONVERTIBLE      45 = 2-SEAT STATION WAGON

AR = Use as Required - = Non Illustrated Part P.A.R. = Paint as Required

DOOR TRIM PANEL X  
Figure IT-7102

2253 7 10 200



ITEM	PART NUMBER	QTY	BODY	MODEL	DESCRIPTION
1	PANEL,Front Door Lower Trim w/o Arm Rest N N N N				
	K248-9 AA3	1			Silver N N NF6A,N5A YK248AA3
	K248-9 VC7	1			Blue N N NF6C,N5C YK248VC7
	K248-9 VM6	1			Red N N NF6M,N5M YK248VM6
	K248-9 VT4	1			Tan N N NF6T,N5T YK248VT4
	K246-7 AA3	1			Silver N N NC9A,DLA,HLA YK246AA3
	K246-7 VC7	1			Blue N N NC9C,HLC YK246VC7
	K246-7 VH9	1			Mahogany N N NC9H,DLH,HLH YK246VH9
	K246-7 VM6	1			Red N N NC9M,HLM YK246VM6
	K246-7 VT4	1			Tan N N NC9T,DLT,HLT YK246VT4
K246-7 VW1	1			White N N NHLCW,HLMW YK246VW1	
2	PANEL,Front Door Upper Trim w/Moulding N N N N				
	K254-5 AA2	1			N N NF6A,N5A YK254AA2
	K254-5 VC8	1			N N NF6C,N5C YK254VC8
	K254-5 VM6	1			N N NF6M,N5M YK254VM6
	K254-5 VT3	1			N N NF6T,N5T YK254VT3
	K136-7 AA2	1			N N NDLA YK136AA2
	K136-7 AH9	1			N N ND LH YK136AH9
	K136-7 AT3	1			N N ND LT YK136AT3
	K136-7 AW1	1			N N NHLCW,HLMW YK136AW1
	K216-7 AA3	1			N N NC9A YK216AA3
	K216-7 AC7	1			N N NC9C YK216AC7
	K216-7 AH9	1			N N NC9H YK216AH9
	K216-7 AM6	1			N N NC9M YK216AM6
	K216-7 AT4	1			N N NC9T YK216AT4
3	ARM REST,Front Door w/Pull Handle N N N N				
	w/Power Windows and Locks N N N N				
	D482-3 AA3	1			Silver N N N YD482AA3
	D482-3 TC7	1			Blue N N N YD482TC7
	D482-3 VH9	1			Mahogany N N N YD482VH9
	D482-3 TM6	1			Red N N N YD482TM6
	D482-3 TT4	1			Tan N N N YD482TT4
	D482-3 TW1	1			White N N N YD482TW1
	w/o Power Windows and Locks N N N N				
	D480-1 AA3	1			Silver N N N YD480AA3
	D480-1 TC7	1			Blue N N N YD480TC7
	D480-1 VH9	1			Mahogany N N N YD480VH9

MODEL CODES

B = GRAN FURY/CARAVELLE	P = RELIANT
C = LEBARON/TOWN & COUNTRY	S = CORDOBA
D = ARIES	V = 400
F = NEW YORKER	X = MIRADA
G = DIPLOMAT	Y = IMPERIAL
M = HORIZON/TC3/SCAMP	Z = OMNI/O24/RAMPAGE

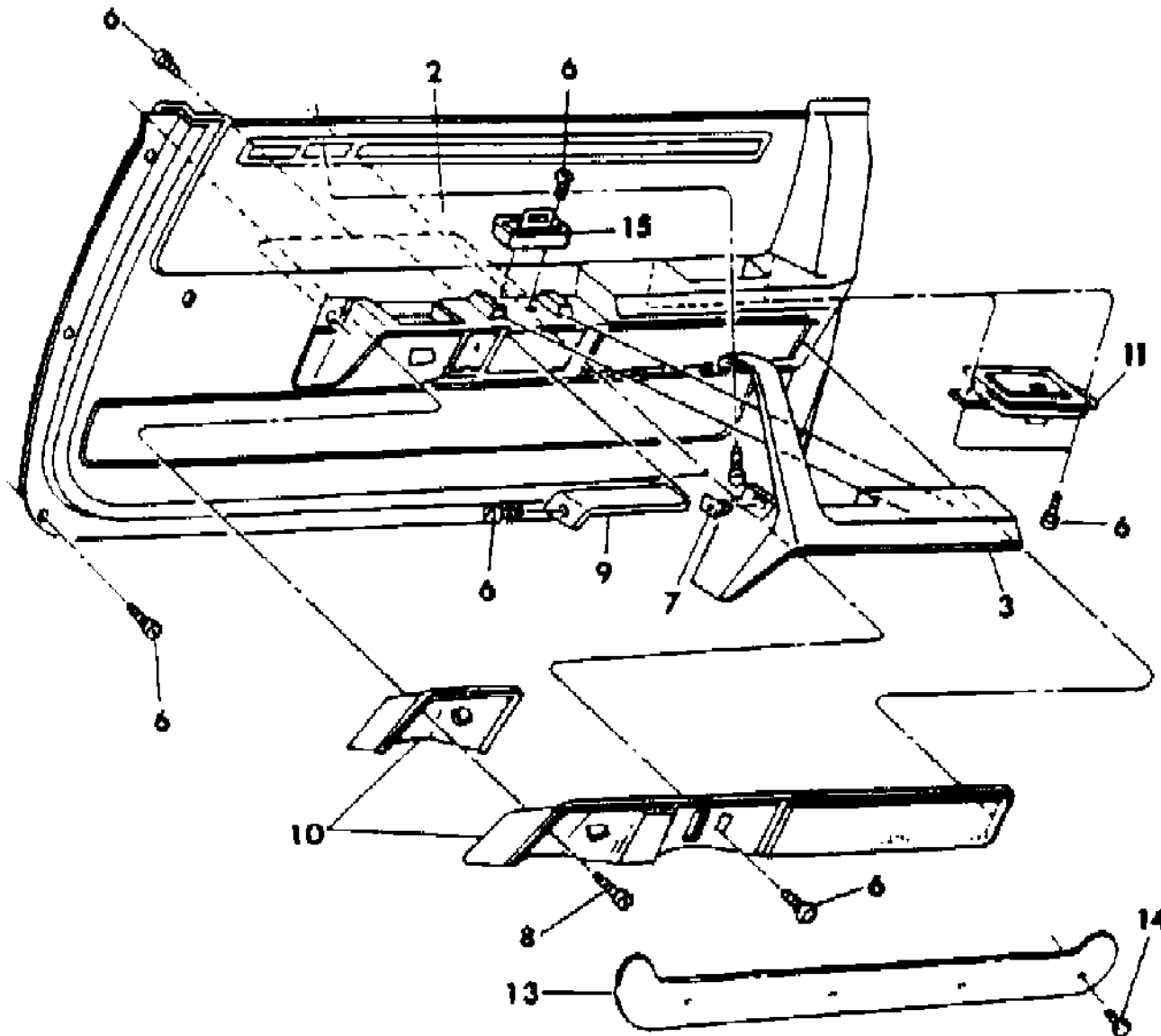
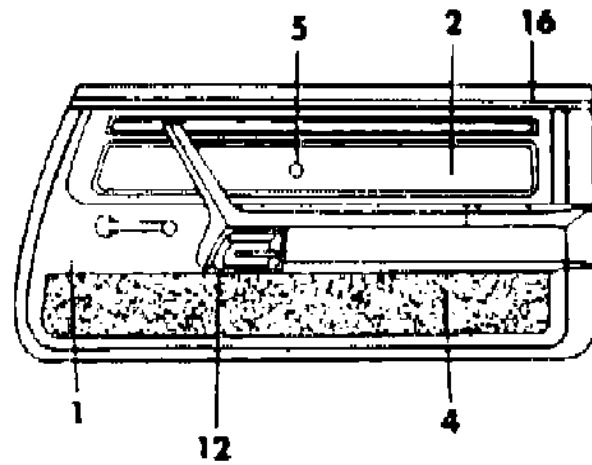
BODY STYLES

21 = 2-DOOR SEDAN	28 = FWD PICKUP
22 = 2-DOOR SPECIAL COUPE	41 = 4-DOOR SEDAN
24 = 2-DOOR HATCHBACK	44 = 4-DOOR HATCHBACK
27 = 2-DOOR CONVERTIBLE	45 = 2-SEAT STATION WAGON

AR = Use as Required - = Non Illustrated Part P.A.R. = Paint as Required

DOOR TRIM PANEL X  
Figure IT-7102

2253 7 10 200



ITEM	PART NUMBER	QTY	BODY	MODEL	DESCRIPTION
	D480-1 TM6	1			Red N N N YD480TM6
	D480-1 TT4	1			Tan N N N YD480TT4
	D480-1 TW1	1			White N N N YD480TW1
4					VINYL, Front Door Lower N N N N
	D728-9 VW1	1			White N N N YD728VW1
5	4186 836	AR			MEDALLION and Bezel,Mirada N N N Y4186836
	4077 980	AR			Mirada N N N Y4077980
	6031 147	2			FASTENER, Medallion Attaching N N N Y6031147
6	6032 092	18			SCREW N N N Y6032092
7	6031 964	2			NUT N N N Y6031964
8	9420 486	2			SCREW N N N Y9420486
9					See Switch Plate Illustration group 23. N N N N
10					See Door Illustration group 23. N N N N
11	4011 623	2			ASH RECEIVER, Complete N N N Y4011623
The following parts are not illustrated. ated in the Bulletin, parts are to be procured by the dealer directly from:					
	4011 885	2			RECEPTACLE, Ash Receiver N N N Y4011885
	1639 961	4			BUMPER, Ash Receiver N N N Y1639961
	0455 798	2			PIN, Lid and Spring Attaching N N N Y455798
	0152 490	4			J/NUT, Receiver to Door Attaching N N N Y152490
	0274 306	2			PIN, Lid Attaching N N N Y274306
12	3832 946-7	1			BEZEL,Arm Rest N N N Y3832946
13	4012 000	2			SEAL, Secondary Sound N N N Y4012000
14	6030 441	AR			RETAINER, Secondary Seal Attaching N N N Y6030441
15	D496-7 VW1	1			CUP, Armrest Pull N N N YD496VW1
16					MOULDING N N N N
	D866-7 AA3	1			Silver N N N YD866AA3
	D866-7 VC7	1			Blue N N N YD866VC7
	D866-7 AH9	1			Mahogany N N N YD866AH9
	D866-7 VM6	1			Red N N N YD866VM6
	D866-7 VT4	1			Tan N N N YD866VT4
	D866-7 VW1	1			White N N N YD866VW1
The following parts are not illustrated. ated in the Bulletin, parts are to be procured by the dealer directly from:					
	4114 785	AR			FASTENER,Trim Panel Attaching N N N Y4114785
	3510 447	2			GROMMET, Door Moulding Attaching N N N Y3510447
	6031 147	AR			RETAINER,Trim Panel Moulding Attaching N N N Y6031147
	4049 602	AR			SILENCER N N N Y4049602

MODEL CODES

B = GRAN FURY/CARAVELLE	P = RELIANT
C = LEBARON/TOWN & COUNTRY	S = CORDOBA
D = ARIES	V = 400
F = NEW YORKER	X = MIRADA
G = DIPLOMAT	Y = IMPERIAL
M = HORIZON/TC3/SCAMP	Z = OMNI/O24/RAMPAGE

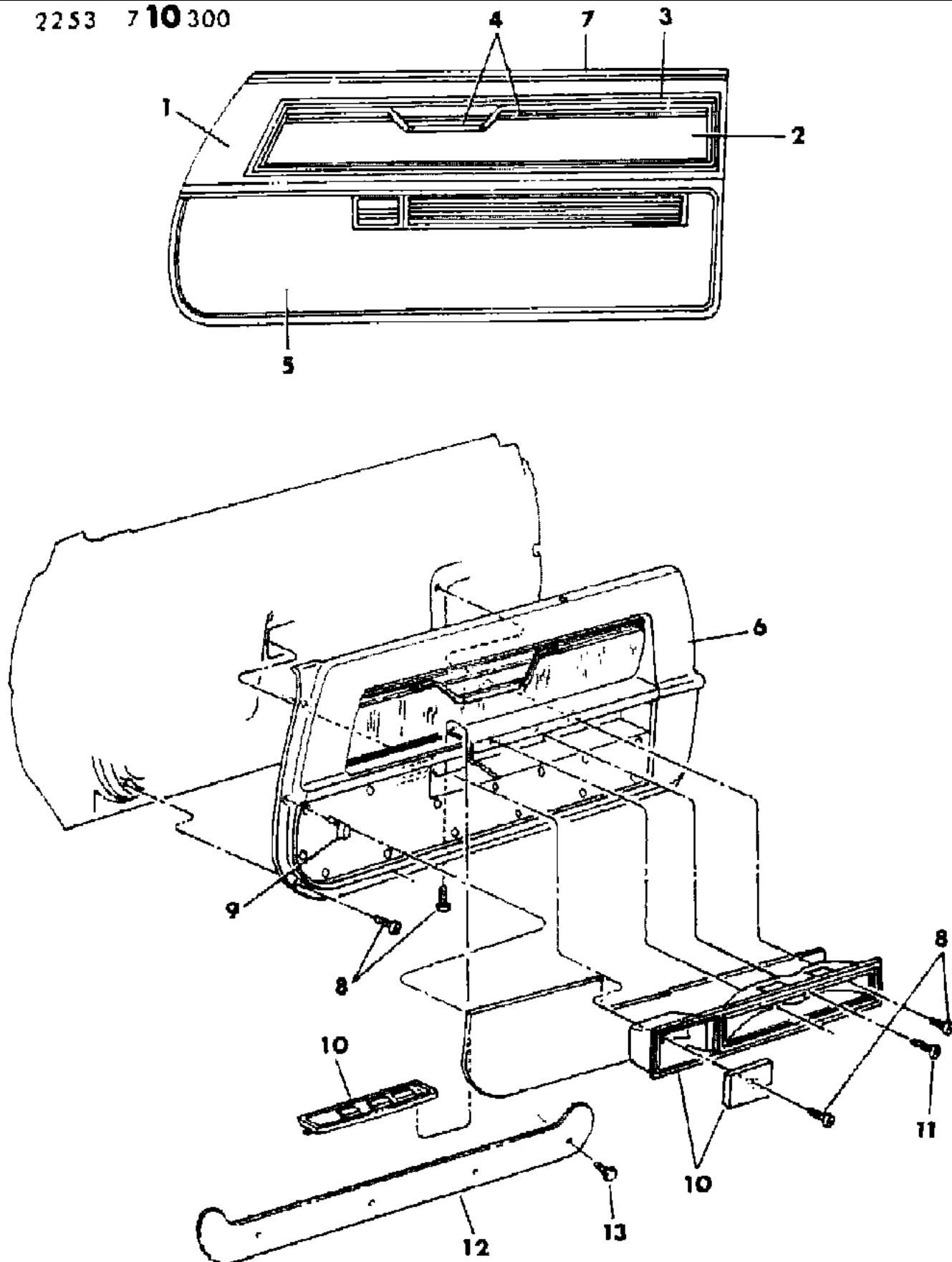
BODY STYLES

21 = 2-DOOR SEDAN	28 = FWD PICKUP
22 = 2-DOOR SPECIAL COUPE	41 = 4-DOOR SEDAN
24 = 2-DOOR HATCHBACK	44 = 4-DOOR HATCHBACK
27 = 2-DOOR CONVERTIBLE	45 = 2-SEAT STATION WAGON

AR = Use as Required - = Non Illustrated Part P.A.R. = Paint as Required

DOOR TRIM PANEL Y  
Figure IT-7103

2253 710300



ITEM	PART NUMBER	QTY	BODY	MODEL	DESCRIPTION
1					PANEL, Door N N N N
	K110-1 AA2	1			N N NA9A,AYA YK110AA2
	K110-1 VB2	1			N N NA9B,AYB YK110VB2
	K110-1 VC8	1			N N NA9C,AYC YK110VC8
	K110-1 VD3	1			N N NA9D,AYD YK110VD3
	K110-1 VF5	1			N N NA9F,AYF YK110VF5
	K110-1 VH9	1			N N NA9H,AYH YK110VH9
	K110-1 VM6	1			N N NA9M,AYM YK110VM6
	K110-1 VT3	1			N N NA9T,AYT YK110VT3
	K110-1 VW1	1			N N NAYCW,AYFW YK110VW1
	K110-1 VW1	1			N N NAYHW,AYMW YK110VW1
2					BOLSTER, Door Trim Panel N N N N
	K116-7 AA3	1			N N NA9A YK116AA3
	K116-7 VB2	1			N N NA9B YK116VB2
	K116-7 VC7	1			N N NA9C YK116VC7
	K116-7 VH9	1			N N NA9H YK116VH9
	K116-7 VM6	1			N N NA9M YK116VM6
	K116-7 AT4	1			N N NA9T YK116AT4
	K114-5 AA2	1			N N NAYA YK114AA2
	K114-5 VB2	1			N N NAYB YK114VB2
	K114-5 VC8	1			N N NAYC YK114VC8
	K114-5 VH9	1			N N NAYH YK114VH9
	K114-5 VM6	1			N N NAYM YK114VM6
	K114-5 VT3	1			N N NAYT YK114VT3
	K114-5 VW1	1			N N NAYCW,AYMW YK114VW1
3	4077 022-3	1			MOULDING, Door Trim Panel N N N Y4077022
4					HANDLE, Door (teakwood) N N N N
	D950-1 AA2	1			Silver N N N YD950AA2
	D950-1 VB2	1			Blue, Light N N N YD950VB2
	D950-1 VC7	1			Blue, Dark N N N YD950VC7
	D950-1 VH9	1			Mahogany N N N YD950VH9
	D950-1 VM6	1			Red N N N YD950VM6
	D950-1 VT4	1			Tan N N N YD950VT4
	D950-1 VW1	1			White N N N YD950VW1
	4078 233	2			HANDLE, Only N N N Y4078233
5					CARPET, Door Trim Panel N N N N
	D730-1 AA7	1			Silver N N N YD730AA7

MODEL CODES

B = GRAN FURY/CARAVELLE	P = RELIANT
C = LEBARON/TOWN & COUNTRY	S = CORDOBA
D = ARIES	V = 400
F = NEW YORKER	X = MIRADA
G = DIPLOMAT	Y = IMPERIAL
M = HORIZON/TC3/SCAMP	Z = OMNI/O24/RAMPAGE

BODY STYLES

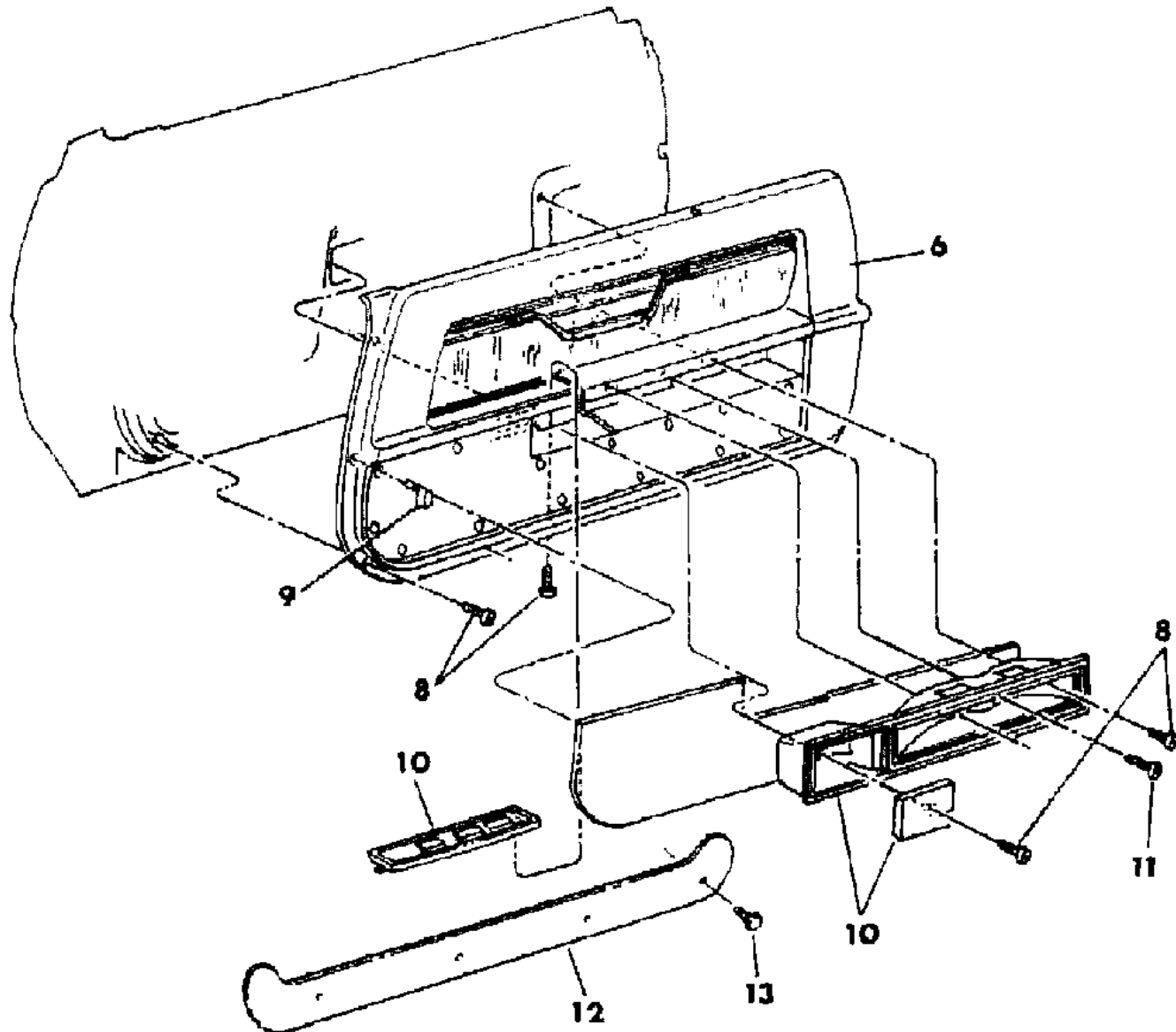
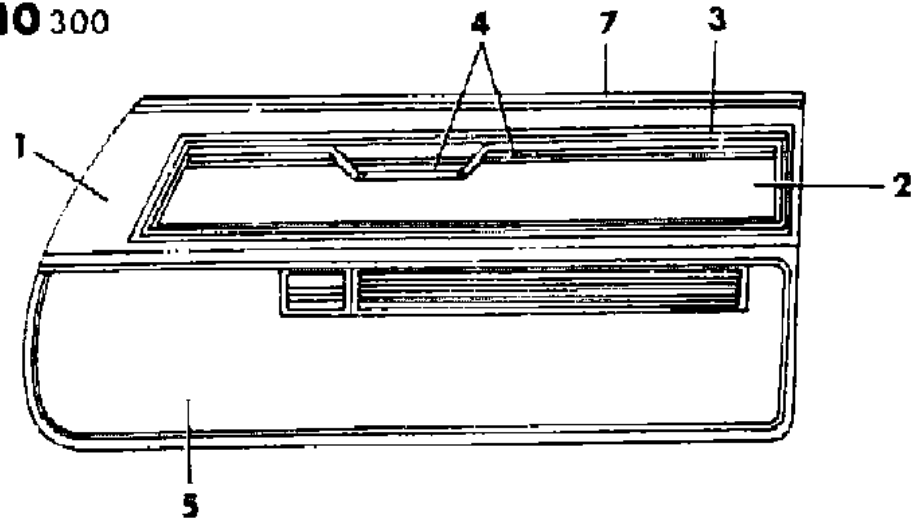
21 = 2-DOOR SEDAN	28 = FWD PICKUP
22 = 2-DOOR SPECIAL COUPE	41 = 4-DOOR SEDAN
24 = 2-DOOR HATCHBACK	44 = 4-DOOR HATCHBACK
27 = 2-DOOR CONVERTIBLE	45 = 2-SEAT STATION WAGON

AR = Use as Required - = Non Illustrated Part P.A.R. = Paint as Required



DOOR TRIM PANEL Y  
Figure IT-7103

2253 710300



ITEM	PART NUMBER	QTY	BODY	MODEL	DESCRIPTION
	D730-1 VB2	1			Blue, Light N N N YD730VB2
	D730-1 VC7	1			Blue, Dark N N N YD730VC7
	D730-1 VH9	1			Mahogany N N N YD730VH9
	D730-1 VM6	1			Red N N N YD730VM6
	D730-1 VT6	1			Tan N N N YD730VT6
6		1			PAD, Arm Rest (serviced in Door Panel) N N N N
7					WEATHERSTRIP (ref.) N N N N
8	6032 092	18			SCREW N N N Y6032092
9	4114 785	AR			FASTENER, Trim Panel N N N Y4114785
10					See group 23-C N N N N
11	9414 712	AR			SCREW N N N Y9414712
12	4012 000	AR			SEAL, Secondary Sound N N N Y4012000
13	6030 441	AR			FASTENER N N N Y6030441

The following parts are not illustrated. In the Bulletin, parts are to be procured by the dealer directly from:

0455 734	AR				SPRING PIN, Door Pull Handle N N N Y0455734
4077 196-7	1				END CAP, Pull Handle N N N Y4077196
6031 667	AR				WASHER, Pull Handle Attaching N N N Y6031667
6031 147	AR				NUT, Retaining End Cap Attaching N N N Y6031147
9420 621	AR				NUT, Pull Handle Attaching N N N Y9420621
4077 022-3	1				MOULDING N N N Y4077022
4049 602	AR				SILENCER N N N Y4049602

MODEL CODES

B = GRAN FURY/CARAVELLE	P = RELIANT
C = LEBARON/TOWN & COUNTRY	S = CORDOBA
D = ARIES	V = 400
F = NEW YORKER	X = MIRADA
G = DIPLOMAT	Y = IMPERIAL
M = HORIZON/TC3/SCAMP	Z = OMNI/O24/RAMPAGE

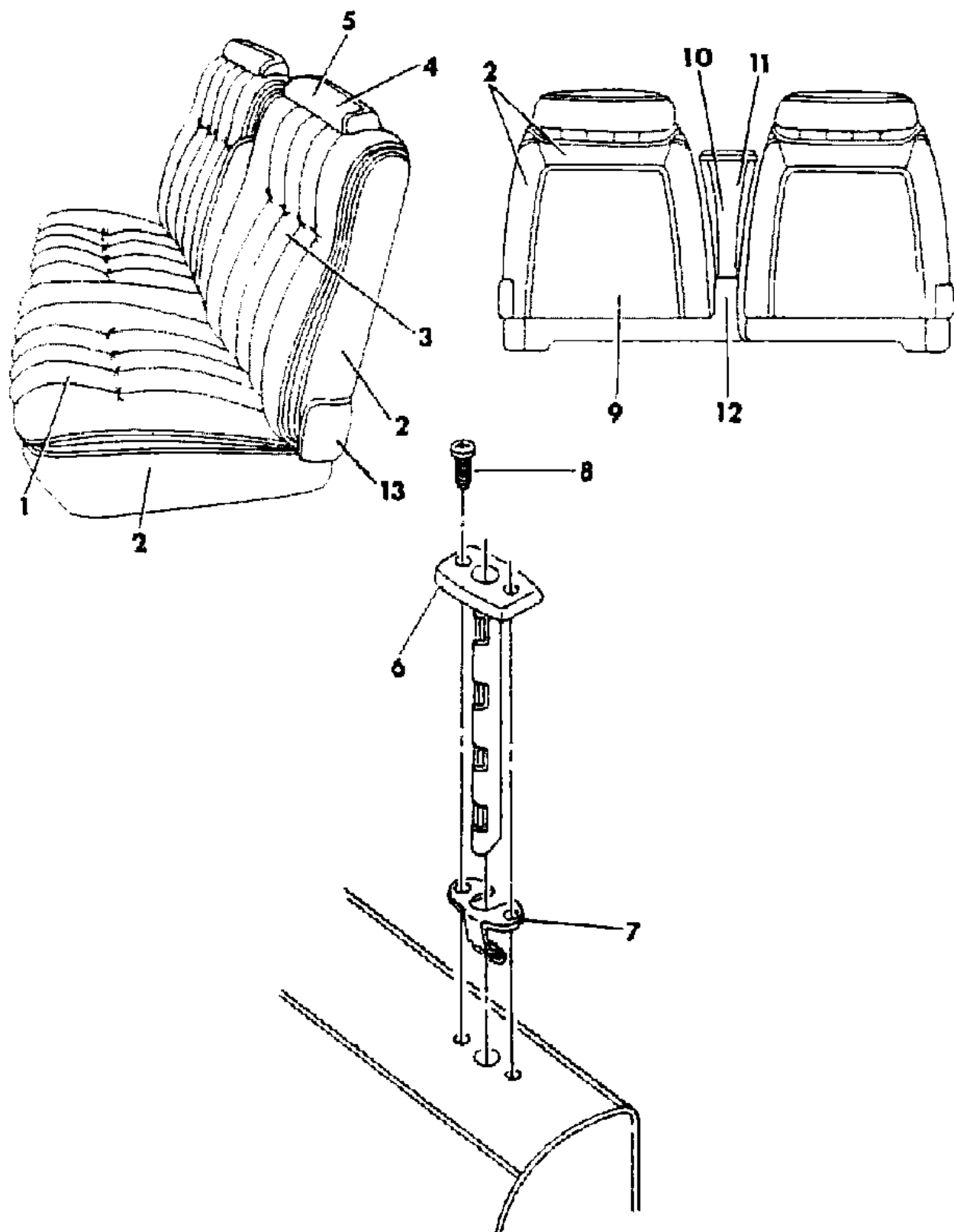
BODY STYLES

21 = 2-DOOR SEDAN	28 = FWD PICKUP
22 = 2-DOOR SPECIAL COUPE	41 = 4-DOOR SEDAN
24 = 2-DOOR HATCHBACK	44 = 4-DOOR HATCHBACK
27 = 2-DOOR CONVERTIBLE	45 = 2-SEAT STATION WAGON

AR = Use as Required - = Non Illustrated Part P.A.R. = Paint as Required

SEAT FRONT S,X TRIM CODE C9  
Figure IT-7211

2253 721100



ITEM	PART NUMBER	QTY	BODY	MODEL	DESCRIPTION
1-4					CUSHION,Front Seat w/Spring,Frame & Cover N N N N
					Manual N N N N
	B810-1 A9A	1			N N NC9A YB810A9A
	B810-1 A9C	1			N N NC9C YB810A9C
	B810-1 A9H	1			N N NC9H YB810A9H
	B810 A9M	1			N N NC9M YB810A9M
	B810-1 A9T	1			N N NC9T YB810A9T
					Electric N N N N
	B822-3 A9A	1			N N NC9A YB822A9A
	B822-3 A9C	1			N N NC9C YB822A9C
	B822-3 A9H	1			N N NC9H YB822A9H
	B822-3 A9M	1			N N NC9M YB822A9M
	B822-3 A9T	1			N N NC9T YB822A9T
1					COVER,Front Cushion N N N N
	B420-1 A9A	1			N N NC9A YB420A9A
	B420-1 AAA	1			(use from 1/15/82 to 1/28/82) N N NC9A YB420AAA
	B420-1 A9C	1			N N NC9C YB420A9C
	B420-1 A9H	1			N N NC9H YB420A9H
	B420-1 A9M	1			N N NC9M YB420A9M
	B420-1 A9T	1			N N NC9T YB420A9T
	B420-1 ATT	1			(use from 1/15/82 to 2/8/82) N N NC9T YB420ATT
2					ROLL STOCK,Cloth 54" Wide Order By The Inch N N N N
	R088 AA3	AR			Silver N N NC9A YR088AA3
	R092 VC7	AR			Blue N N NC9C YR092VC7
	R092 VB9	AR			Mahogany N N NC9H YR092VB9
	R092 VM6	AR			Red N N NC9M YR092VM6
	R088 VT4	AR			Tan N N NC9T YR088VT4
2&3					BACK,Front Seat w/Spring,Frame & Cover N N N N
	B812-3 A9A	1			N N NC9A YB812A9A
	B812-3 A9C	1			N N NC9C YB812A9C
	B812-3 A9H	1			N N NC9H YB812A9H
	B812-3 A9M	1			N N NC9M YB812A9M
	B812-3 A93	1			N N NC9T YB812A93
3					COVER,Front Back N N N N
	B422-3 A9A	1			N N NC9A YB422A9A
	B422-3 AAA	1			(use from 1/15/82 to 1/28/82) N N NC9A YB422AAA
	B422-3 A9C	1			N N NC9C YB422A9C

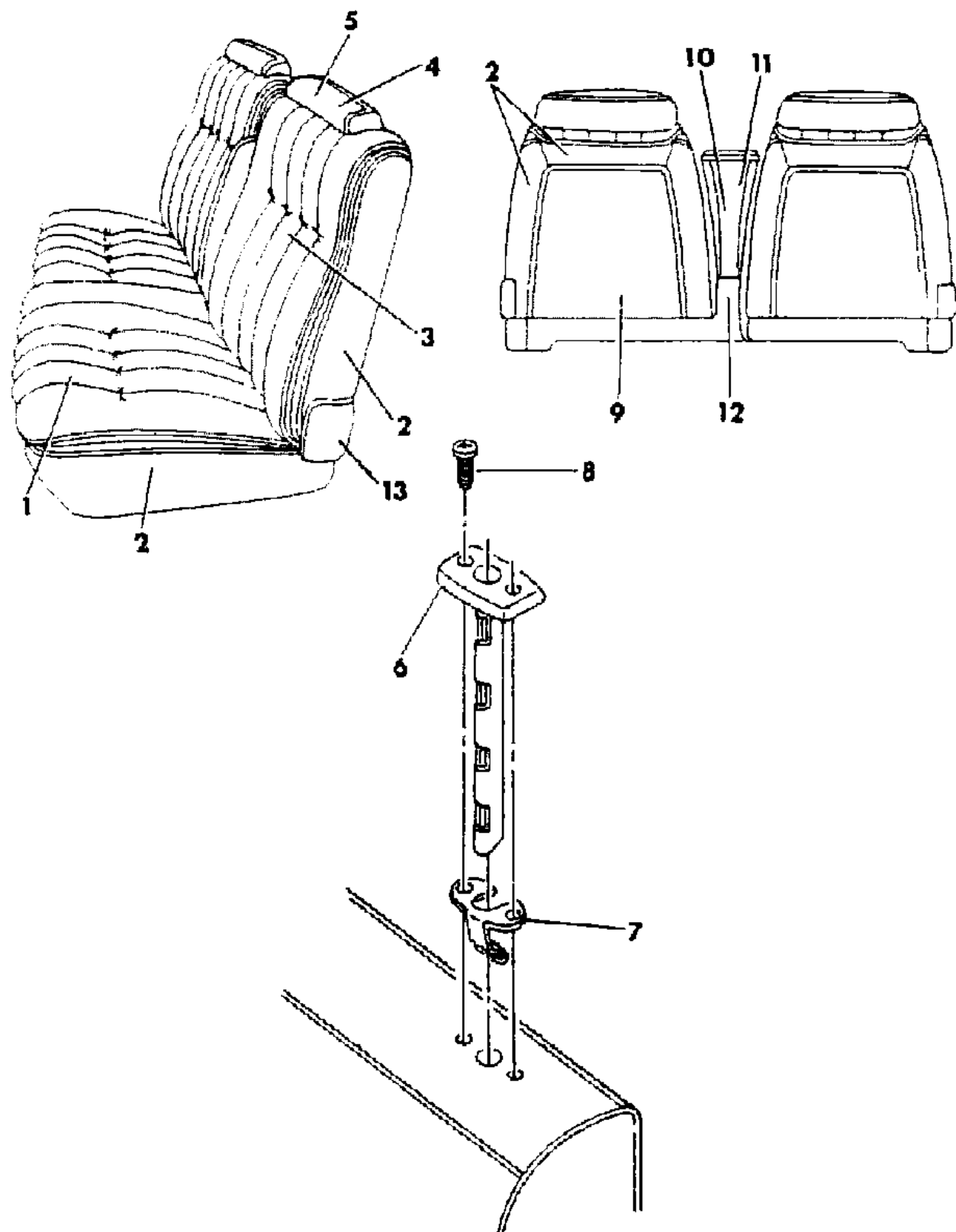
MODEL CODES  
 B = GRAN FURY/CARAVELLE      P = RELIANT  
 C = LEBARON/TOWN & COUNTRY      S = CORDOBA  
 D = ARIES      V = 400  
 F = NEW YORKER      X = MIRADA  
 G = DIPLOMAT      Y = IMPERIAL  
 M = HORIZON/TC3/SCAMP      Z = OMNI/O24/RAMPAGE

BODY STYLES  
 21 = 2-DOOR SEDAN      28 = FWD PICKUP  
 22 = 2-DOOR SPECIAL COUPE      41 = 4-DOOR SEDAN  
 24 = 2-DOOR HATCHBACK      44 = 4-DOOR HATCHBACK  
 27 = 2-DOOR CONVERTIBLE      45 = 2-SEAT STATION WAGON

AR = Use as Required - = Non Illustrated Part P.A.R. = Paint as Required

SEAT FRONT S,X TRIM CODE C9  
Figure IT-7211

2253 721100



ITEM	PART NUMBER	QTY	BODY	MODEL	DESCRIPTION
	B422-3 A9H	1			N N NC9H YB422A9H
	B422-3 A9M	1			N N NC9M YB422A9M
	B422-3 A9T	1			N N NC9T YB422A9T
	B422-3 ATT	1			(use from 1/15/82 to 2/8/82) N N NC9T YB422ATT
4&5					HEAD REST,See Seat Belt Illustration For Loop N N N N
	B820 A9A	2			N N NC9D YB820A9A
	B820 A9C	2			N N NC9C YB820A9C
	B820 A9H	2			N N NC9H YB820A9H
	B820 A9M	2			N N NC9M YB820A9M
	B820 A9T	2			N N NC9T YB820A9T
5					COVER,Head Rest N N N N
	B426 AA3	2			N N NC9A YB426AA3
	B426 AC7	2			N N NC9C YB426AC7
	B426 AH9	2			N N NC9H YB426AH9
	B426 AM6	2			N N NC9M YB426AM6
	B426 AT4	2			N N NC9T YB426AT4
6					SLEEVE,Head Rest N N N N
	S690 AA3	4			N N NC9A YS690AA3
	S690 SC7	4			N N NC9C YS690SC7
	S690 VH9	4			N N NC9H YS690VH9
	S690 TM6	4			N N NC9M YS690TM6
	S690 ST4	4			N N NC9T YS690ST4
7	4098 965	4			CATCH,Head Rest Post N N N Y4098965
8		AR			SCREW(not Sserviced) N N N N
The following part is not illustrated. ated in the Bulletin, parts are to be procured by the dealer directly from:					
	4018 808	2			COVER,Finish Head Rest N N N Y4018808
9					PANEL,Back of Front Back N N N N
	S736 AA3	2			N N NC9A YS736AA3
	S736 VC7	2			N N NC9C YS736VC7
	S736 VH9	2			N N NC9H YS736VH9
	S736 VM6	2			N N NC9M YS736VM6
	S736 VT4	2			N N NC9T YS736VT4
10&11					ARM REST,Center N N N N
	B819 A9A	1			N N NC9A YB819A9A
	B819 A9C	1			N N NC9C YB819A9C
	B819 A9H	1			N N NC9H YB819A9H
	B819 A9M	1			N N NC9M YB819A9M

MODEL CODES

B = GRAN FURY/CARAVELLE	P = RELIANT
C = LEBARON/TOWN & COUNTRY	S = CORDOBA
D = ARIES	V = 400
F = NEW YORKER	X = MIRADA
G = DIPLOMAT	Y = IMPERIAL
M = HORIZON/TC3/SCAMP	Z = OMNI/O24/RAMPAGE

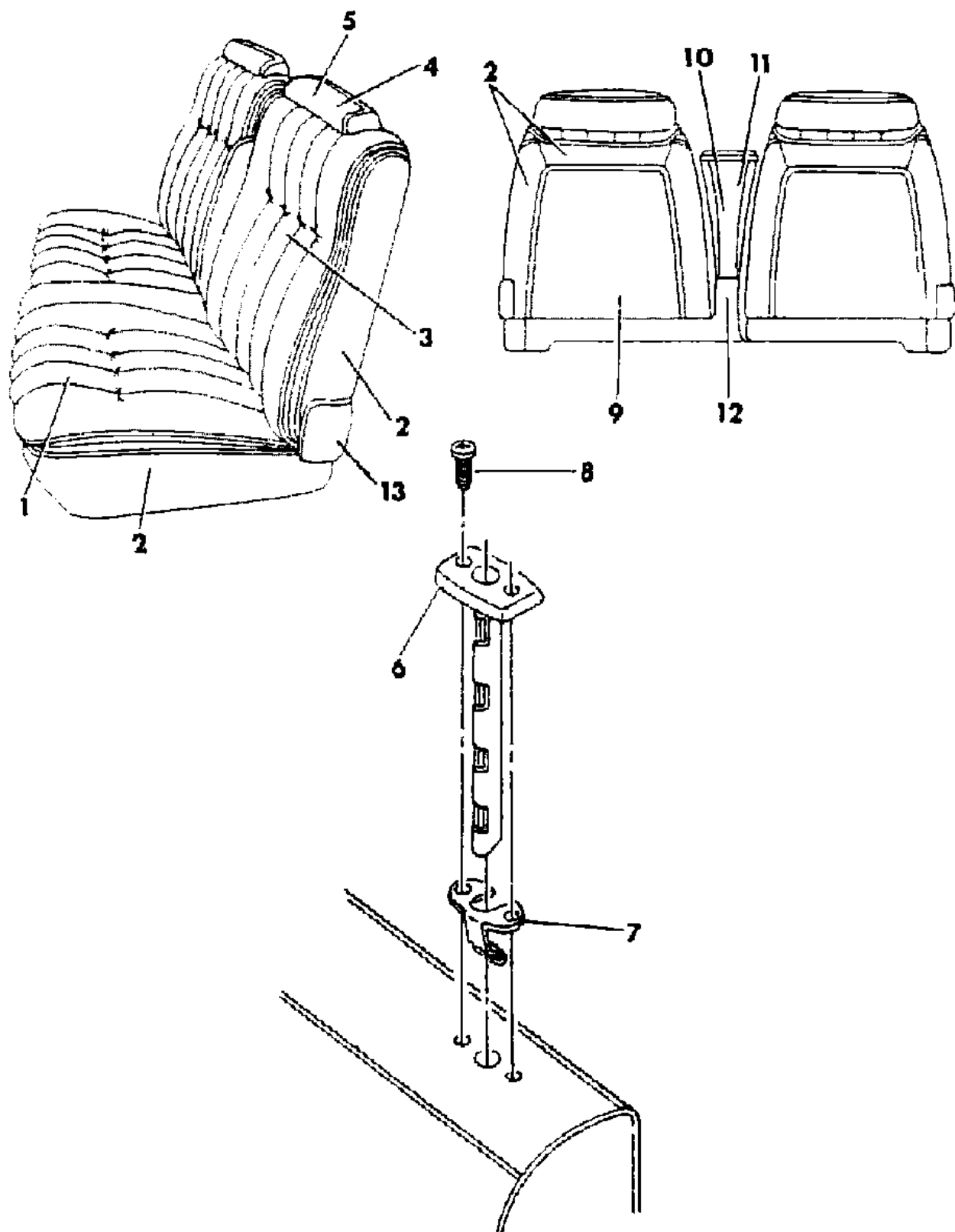
BODY STYLES

21 = 2-DOOR SEDAN	28 = FWD PICKUP
22 = 2-DOOR SPECIAL COUPE	41 = 4-DOOR SEDAN
24 = 2-DOOR HATCHBACK	44 = 4-DOOR HATCHBACK
27 = 2-DOOR CONVERTIBLE	45 = 2-SEAT STATION WAGON

AR = Use as Required - = Non Illustrated Part P.A.R. = Paint as Required

SEAT FRONT S,X TRIM CODE C9  
Figure IT-7211

2253 721100



ITEM	PART NUMBER	QTY	BODY	MODEL	DESCRIPTION
	B819 A9T	1			N N NC9T YB819A9T
The following parts are not illustrated. ated in the Bulletin, parts are to be pro cured by the dealer directly from:					
	4138 891	1			ROD,Arm Rest Lock N N N Y4138891
	6006 324	AR			NUT,Lock Rod N N N Y6006324
	6030 082	2			SCREW, Arm Rest to Stanchion Attaching N N N Y6030082
11	3520 187	1			LOCK BAR, Arm Rest N N N Y3520187
	B427 AA3	1			COVER,Arm Rest N N N N N N NC9A YB427AA3
	B427 AC7	1			N N NC9C YB427AC7
	B427 AH9	1			N N NC9H YB427AH9
	B427 AM6	1			N N NC9M YB427AM6
	B427 AT4	1			N N NC9T YB427AT4
12					COVER,Arm Rest Finish N N N N
	S580 AA3	1			N N NC9A YS580AA3
	S580 VC7	1			N N NC9C YS580VC7
	S580 VH9	1			N N NC9H YS580VH9
	S580 VM6	1			N N NC9M YS580VM6
	S580 VT4	1			N N NC9T YS580VT4
13					COVER,Hinge Arm Outer N N N N
	S877 SX9	1			Black,Paint as Required, Left N N N YS877SX9
	S844 SX9	1			Black,Paint as Required, Right N N N YS844SX9
The following parts are not illustrated. ated in the Bulletin, parts are to be pro cured by the dealer directly from:					
	S682 AA3	1			COVER,Cushion Inner Bracket Rt. N N N N N N NC9A YS682AA3
	S682 SC7	1			N N NC9C YS682SC7
	S682 VH9	1			N N NC9H YS682VH9
	S682 TM6	1			N N NC9M YS682TM6
	S682 ST4	1			N N NC9T YS682ST4
	4190 488	1			BUSHING,Front Cushion Inner Pivot Pin Rt. Only N N N Y4190488
	6008 076	AR			CLIP, Trim Hog Ring N N N Y6008076

MODEL CODES

B = GRAN FURY/CARAVELLE  
C = LEBARON/TOWN & COUNTRY  
D = ARIES  
F = NEW YORKER  
G = DIPLOMAT  
M = HORIZON/TC3/SCAMP  
P = RELIANT  
S = CORDOBA  
V = 400  
X = MIRADA  
Y = IMPERIAL  
Z = OMNI/O24/RAMPAGE

BODY STYLES

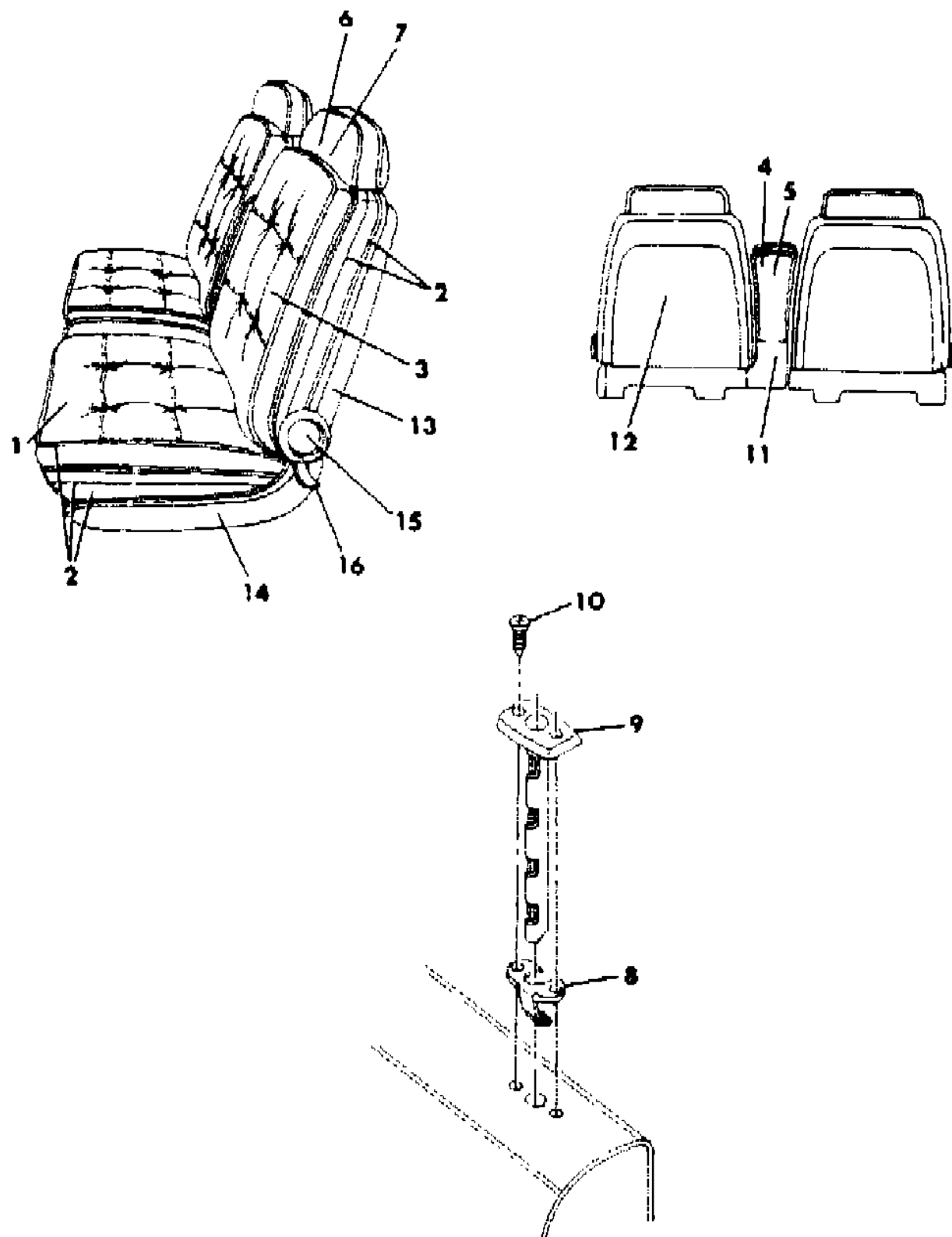
21 = 2-DOOR SEDAN  
22 = 2-DOOR SPECIAL COUPE  
24 = 2-DOOR HATCHBACK  
27 = 2-DOOR CONVERTIBLE  
28 = FWD PICKUP  
41 = 4-DOOR SEDAN  
44 = 4-DOOR HATCHBACK  
45 = 2-SEAT STATION WAGON

AR = Use as Required - = Non Illustrated Part P.A.R. = Paint as Required

SEAT FRONT Y TRIM CODE A9

Figure IT-7212

2253 721200A



ITEM	PART NUMBER	QTY	BODY	MODEL	DESCRIPTION
1-2					CUSHION,Front w/Spring,Frame and Cover N N N N
	B660-1 A9A	1			N N NA9A YB660A9A
	B660-1 A9B	1			N N NA9B YB660A9B
	B660-1 A9C	1			N N NA9C YB660A9C
	B660-1 A9H	1			N N NA9H YB660A9H
	B660-1 A9M	1			N N NA9M YB660A9M
	B660-1 A9T	1			N N NA9T YB660A9T
1					COVER,Cushion N N N N
	B366-7 A9A	1			N N NA9A YB366A9A
	B366-7 V9B	1			N N NA9B YB366V9B
	B366-7 A9C	1			N N NA9C YB366A9C
	B366-7 A9H	1			N N NA9H YB366A9H
	B366-7 A9M	1			N N NA9M YB366A9M
	B366-7 A9T	1			N N NA9T YB366A9T
2					CLOTH, Roll Stock 54" Wide Order by the Inch N N N N
	R093 AA3	AR			Silver N N NA9A YR093AA3
	R093 AB2	AR			Blue, Light N N NA9B YR093AB2
	R093 AC7	AR			Blue, Dark N N NA9C YR093AC7
	R093 AH9	AR			Mahogany N N NA9H YR093AH9
	R093 AM6	AR			Red N N NA9M YR093AM6
	R093 AT4	AR			Tan N N NA9T YR093AT4
2-3					BACK,Front w/Spring,Frame and Cover N N N N
	B602-3 A9A	1			N N NA9A YB602A9A
	B602-3 V9B	1			N N NA9B YB602V9B
	B602-3 A9C	1			N N NA9C YB602A9C
	B602-3 A9H	1			N N NA9H YB602A9H
	B602-3 A9M	1			N N NA9M YB602A9M
	B602-3 A9T	1			N N NA9T YB602A9T
3					COVER,Front Back N N N N
	B350-1 A9A	1			N N NA9A YB350A9A
	B350-1 V9B	1			N N NA9B YB350V9B
	B350-1 A9C	1			N N NA9C YB350A9C
	B350-1 A9H	1			N N NA9H YB350A9H
	B350-1 A9M	1			N N NA9M YB350A9M
	B350-1 A9T	1			N N NA9T YB350A9T
4-5					ARM REST,w/Cover N N N N
	B629 AA3	1			N N NA9A YB629AA3

MODEL CODES

B = GRAN FURY/CARAVELLE  
 C = LEBARON/TOWN & COUNTRY  
 D = ARIES  
 F = NEW YORKER  
 G = DIPLOMAT  
 M = HORIZON/TC3/SCAMP  
 P = RELIANT  
 S = CORDOBA  
 V = 400  
 X = MIRADA  
 Y = IMPERIAL  
 Z = OMNI/O24/RAMPAGE

BODY STYLES

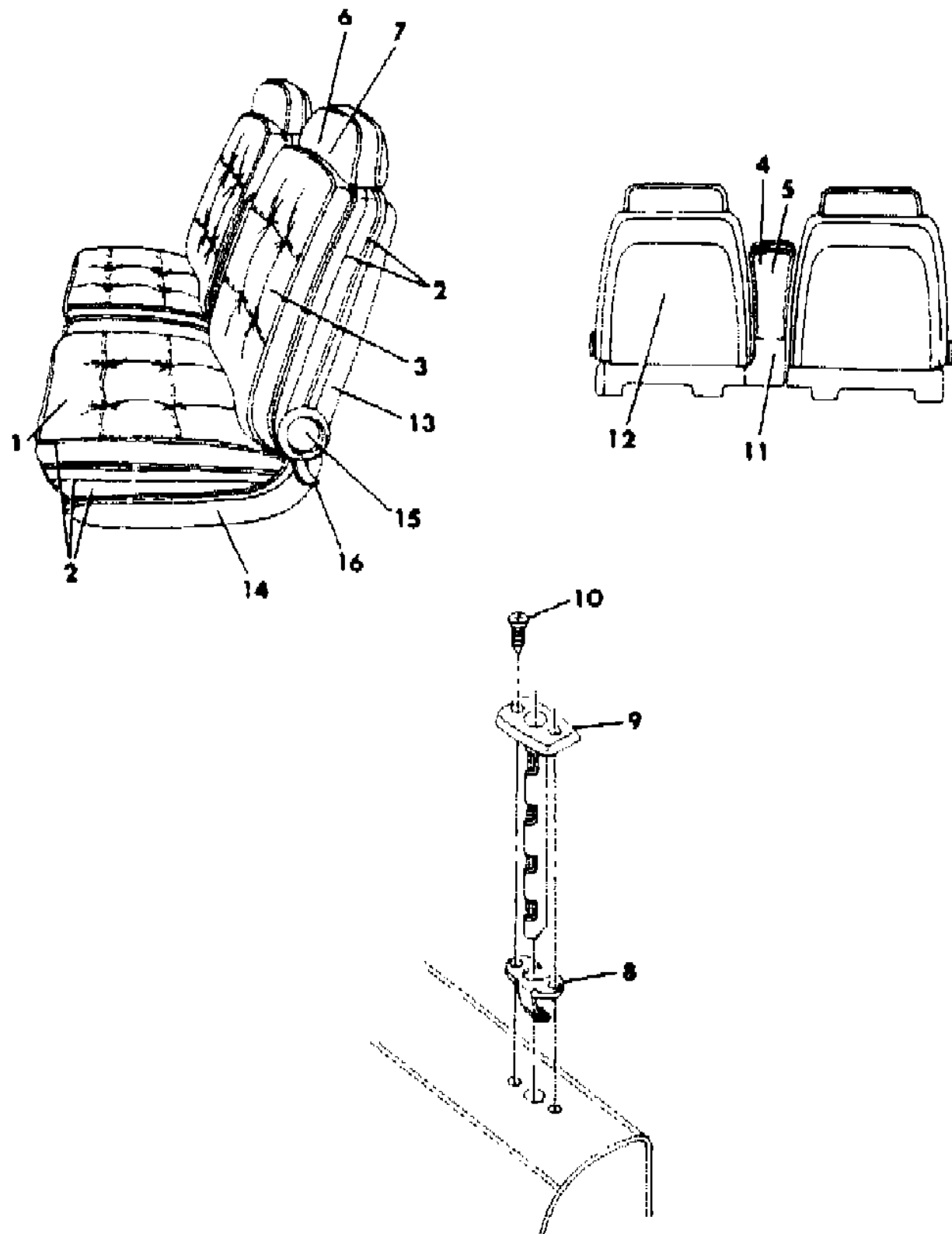
21 = 2-DOOR SEDAN  
 22 = 2-DOOR SPECIAL COUPE  
 24 = 2-DOOR HATCHBACK  
 27 = 2-DOOR CONVERTIBLE  
 28 = FWD PICKUP  
 41 = 4-DOOR SEDAN  
 44 = 4-DOOR HATCHBACK  
 45 = 2-SEAT STATION WAGON

AR = Use as Required - = Non Illustrated Part P.A.R. = Paint as Required

SEAT FRONT Y TRIM CODE A9

Figure IT-7212

2253 721200A



ITEM	PART NUMBER	QTY	BODY	MODEL	DESCRIPTION
	B629 VB2	1			N N NA9B YB629VB2
	B629 AC7	1			N N NA9C YB629AC7
	B629 AH9	1			N N NA9H YB629AH9
	B629 AM6	1			N N NA9M YB629AM6
	B629 AT4	1			N N NA9T YB629AT4
5					COVER,Arm Rest N N N N
	B362 AA3	1			N N NA9A YB362AA3
	B362 VB2	1			N N NA9B YB362VB2
	B362 AC7	1			N N NA9C YB362AC7
	B362 AH9	1			N N NA9H YB362AH9
	B362 AM6	1			N N NA9M YB362AM6
	B362 AT4	1			N N NA9T YB362AT4
6-7					HEAD REST,w/Cover N N N N
	B624 AA3	2			N N NA9A YB624AA3
	B624 VB2	2			N N NA9B YB624VB2
	B624 AC7	2			N N NA9C YB624AC7
	B624 AH9	2			N N NA9H YB624AH9
	B624 AM6	2			N N NA9M YB624AM6
	B624 AT4	2			N N NA9T YB624AT4
7					COVER,Head Rest N N N N
	B358 AA3	2			N N NA9A YB358AA3
	B358 VB2	2			N N NA9B YB358VB2
	B358 AC7	2			N N NA9C YB358AC7
	B358 AH9	2			N N NA9H YB358AH9
	B358 AM6	2			N N NA9M YB358AM6
	B358 AT4	2			N N NA9T YB358AT4
8	4190 586	4			SLEEVE, Head Rest Chrome N N N Y4190586
9	4098 965	4			CATCH, Head Rest N N N Y4098965
10		AR			SCREW(not serviced) N N N N
11					COVER,Arm Rest Finish N N N N
	S580 AA3	1			N N NA9A YS580AA3
	S580 TB2	1			N N NA9B YS580TB2
	S580 SC7	1			N N NA9C YS580SC7
	S580 VH9	1			N N NA9H YS580VH9
	S580 TM6	1			N N NA9M YS580TM6
	S580 ST4	1			N N NA9T YS580ST4
12					COVER, Map Pocket N N N N

MODEL CODES

B = GRAN FURY/CARAVELLE	P = RELIANT
C = LEBARON/TOWN & COUNTRY	S = CORDOBA
D = ARIES	V = 400
F = NEW YORKER	X = MIRADA
G = DIPLOMAT	Y = IMPERIAL
M = HORIZON/TC3/SCAMP	Z = OMNI/O24/RAMPAGE

BODY STYLES

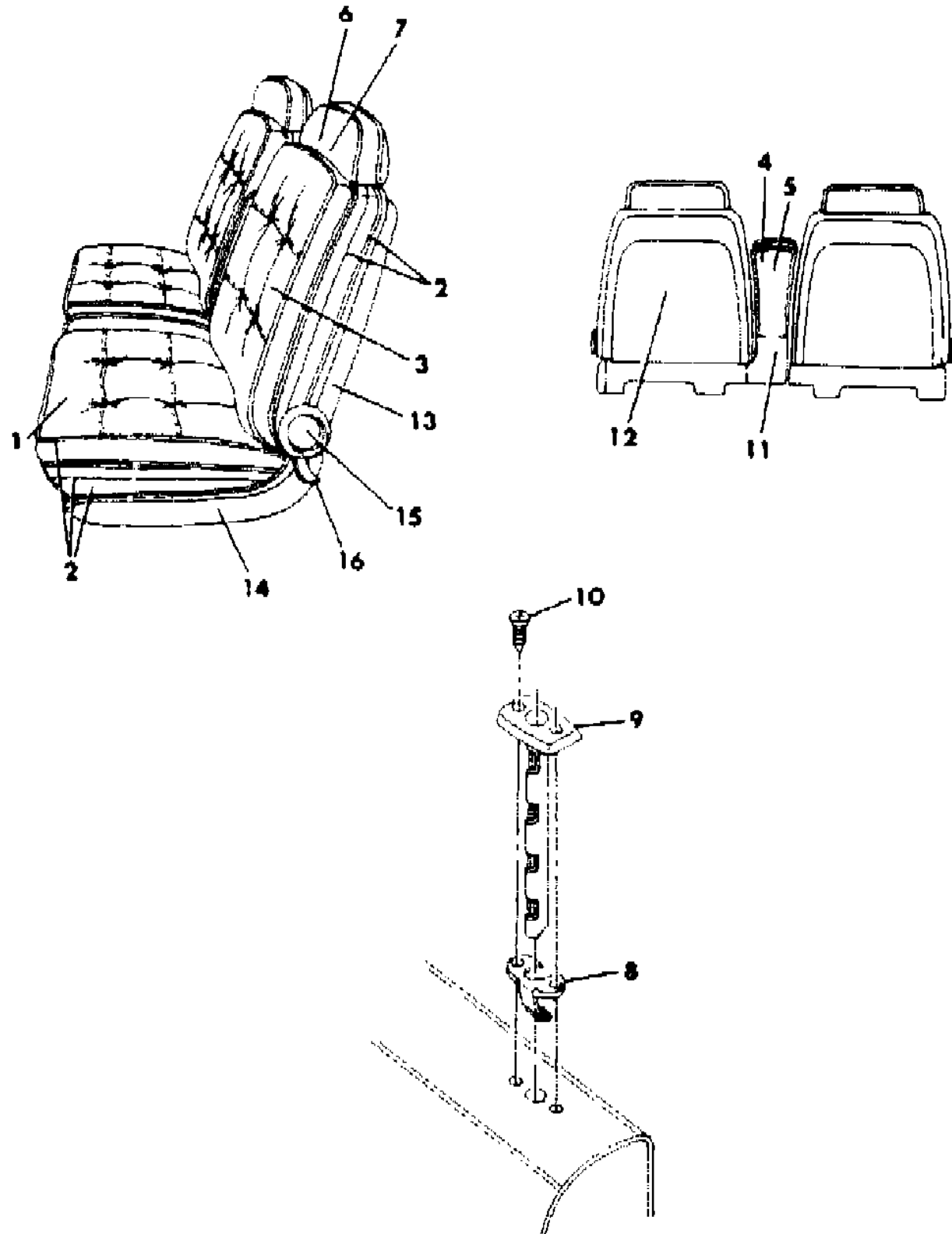
21 = 2-DOOR SEDAN	28 = FWD PICKUP
22 = 2-DOOR SPECIAL COUPE	41 = 4-DOOR SEDAN
24 = 2-DOOR HATCHBACK	44 = 4-DOOR HATCHBACK
27 = 2-DOOR CONVERTIBLE	45 = 2-SEAT STATION WAGON

AR = Use as Required - = Non Illustrated Part P.A.R. = Paint as Required

SEAT FRONT Y TRIM CODE A9

Figure IT-7212

2253 721200A



ITEM	PART NUMBER	QTY	BODY	MODEL	DESCRIPTION
	S898 AA3	2			N N NA9A YS898AA3
	S898 VB2	2			N N NA9B YS898VB2
	S898 AC7	2			N N NA9C YS898AC7
	S898 AH9	2			N N NA9H YS898AH9
	S898 AM6	2			N N NA9M YS898AM6
	S898 AT4	2			N N NA9T YS898AT4
13					SHIELD, Back w/Knob N N N N
	S782-3 AA2	1			N N NA9A YS782AA2
	S782-3 VB2	1			N N NA9B YS782VB2
	S782-3 VC8	1			N N NA9C YS782VC8
	S782-3 VH9	1			N N NA9H YS782VH9
	S782-3 VM6	1			N N NA9M YS782VM6
	S782-3 VT3	1			N N NA9T YS782VT3
14					SHIELD, Cushion N N N N
	S784-5 AA2	1			N N NA9A YS784AA2
	S784-5 VB2	1			N N NA9B YS784VB2
	S784-5 VC8	1			N N NA9C YS784VC8
	S784-5 VH9	1			N N NA9H YS784VH9
	S784-5 VM6	1			N N NA9M YS784VM6
	S784-5 VT3	1			N N NA9T YS784VT3
15	S788-9 VW1	1			COVER, Interia Latch (paint as required) N N N YS788VW1
16	4190 588	1			LEVER, Release N N N Y4190588

The following parts are not illustrated. ated in the Bulletin, parts are to be procured by the dealer directly from:

4018 808	2				COVER,Head Rest Finish N N N Y4018808
4029 857	8				WASHER, Seat Back Cover to Pull down Loop N N N Y4029857
6030 082	2				SCREW, Arm Rest to Stanchion N N N Y6030082
4190 488	1				BUSHING,Front Cushion Inner Pivot Pin Rt. Only N N N Y4190488
6030 981	2				NUT,Hinge Arm Cover Retaining N N N Y6030981
3520 187	1				LOCK BAR,Arm Rest N N N Y3520187
4138 891	1				ROD,Arm Rest N N N Y4138891
6006 324	AR				NUT, Arm Rest Lock Rod N N N Y6006324
S682 AA3	1				COVER,Cushion Inner Bracket,Rt. N N N N Silver N N NA9A YS682AA3
S682 TB2	1				Blue, Light N N NA9B YS682TB2
S682 SC7	1				Blue, Dark N N NA9C YS682SC7

MODEL CODES

B = GRAN FURY/CARAVELLE	P = RELIANT
C = LEBARON/TOWN & COUNTRY	S = CORDOBA
D = ARIES	V = 400
F = NEW YORKER	X = MIRADA
G = DIPLOMAT	Y = IMPERIAL
M = HORIZON/TC3/SCAMP	Z = OMNI/O24/RAMPAGE

BODY STYLES

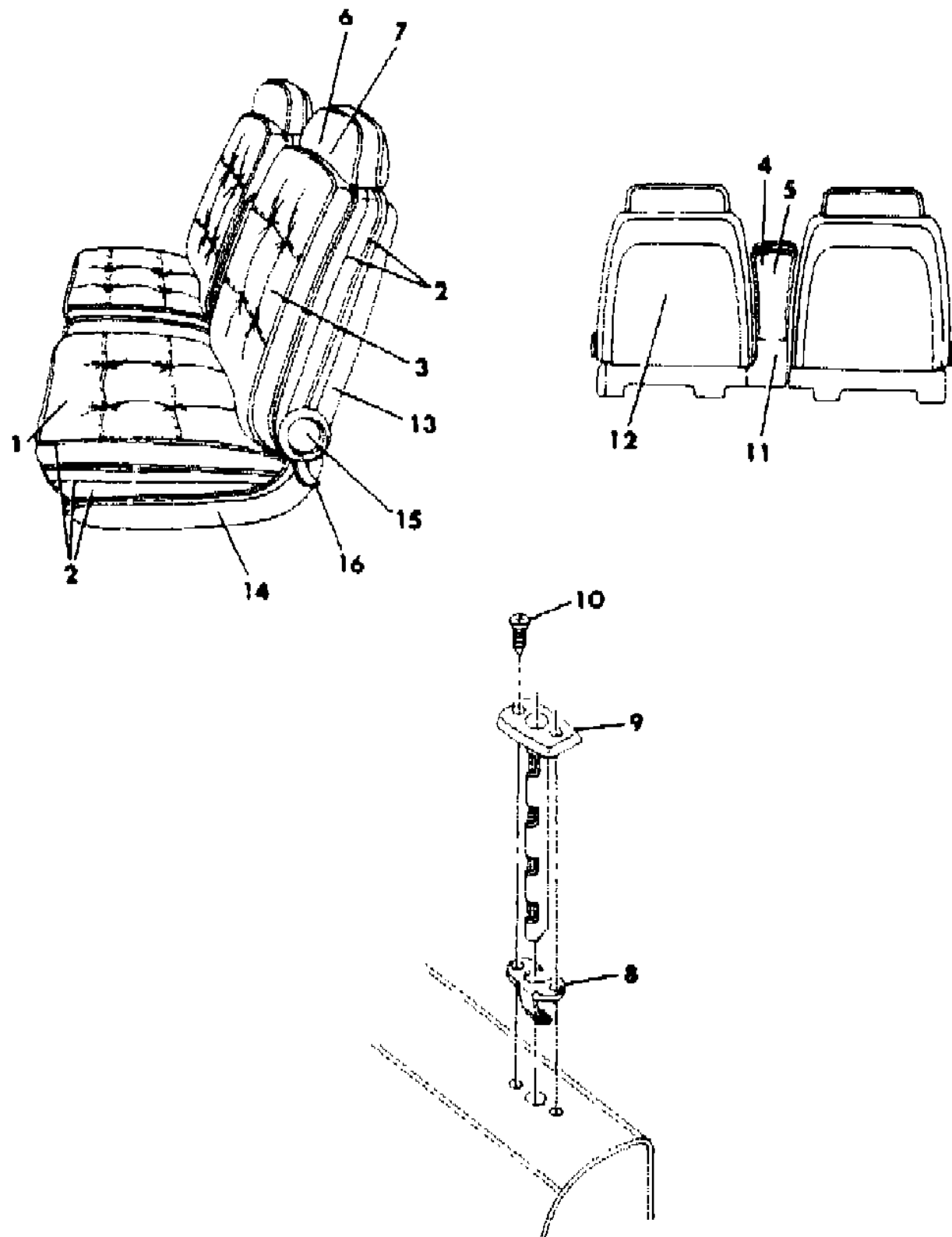
21 = 2-DOOR SEDAN	28 = FWD PICKUP
22 = 2-DOOR SPECIAL COUPE	41 = 4-DOOR SEDAN
24 = 2-DOOR HATCHBACK	44 = 4-DOOR HATCHBACK
27 = 2-DOOR CONVERTIBLE	45 = 2-SEAT STATION WAGON

AR = Use as Required - = Non Illustrated Part P.A.R. = Paint as Required

SEAT FRONT Y TRIM CODE A9

Figure IT-7212

2253 721200A



ITEM	PART NUMBER	QTY	BODY	MODEL	DESCRIPTION
	S682 VH9	1			Mahogany N N NA9H YS682VH9
	S682 TM6	1			Red N N NA9M YS682TM6
	S682 ST4	1			Tan N N NA9T YS682ST4
	6008 076	AR			CLIP, Trim Hog Ring N N N Y6008076
	S534 JX9	2			COVER, Arm Rest to Stanchion N N N YS534JX9
	4190 578-9	1			BRACKET, Side Shield Mounting Front N N N Y4190578
	4190 738-9	1			BRACKET, Side Shield Mounting Rear N N N Y4190738
	4190 736	2			BRACKET, Side Shield Mounting Side N N N Y4190736
	4221 013	1			SWITCH, Seat Spring Occupant Sensing N N N Y4221013

MODEL CODES

B = GRAN FURY/CARAVELLE	P = RELIANT
C = LEBARON/TOWN & COUNTRY	S = CORDOBA
D = ARIES	V = 400
F = NEW YORKER	X = MIRADA
G = DIPLOMAT	Y = IMPERIAL
M = HORIZON/TC3/SCAMP	Z = OMNI/O24/RAMPAGE

BODY STYLES

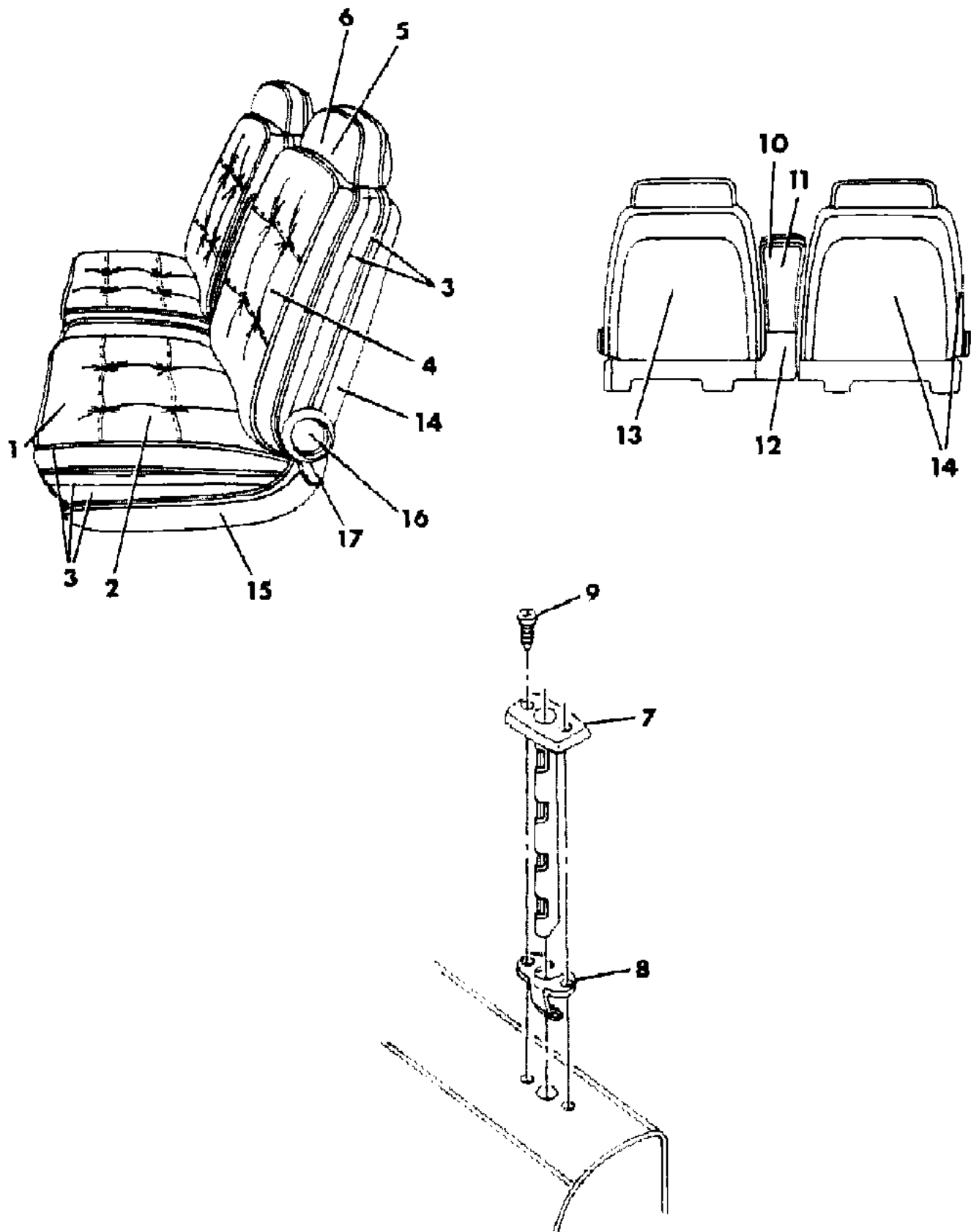
21 = 2-DOOR SEDAN	28 = FWD PICKUP
22 = 2-DOOR SPECIAL COUPE	41 = 4-DOOR SEDAN
24 = 2-DOOR HATCHBACK	44 = 4-DOOR HATCHBACK
27 = 2-DOOR CONVERTIBLE	45 = 2-SEAT STATION WAGON

AR = Use as Required - = Non Illustrated Part P.A.R. = Paint as Required



SEAT FRONT Y TRIM CODES AY  
Figure IT-7213

2253 721300A



ITEM	PART NUMBER	QTY	BODY	MODEL	DESCRIPTION
1-3					CUSHION, w/Spring, Frame and Cover N N N N
	B638-9 AYA	1			N N NAYA YB638AYA
	B638-9 VYS	1			N N NAYB YB638VYS
	B638-9 VYC	1			N N NAYC YB638VYC
	B638-9 VYH	1			N N NAYH YB638VYH
	B638-9 VYM	1			N N NAYM YB638VYM
	B638-9 VYT	1			N N NAYT YB638VYT
	B638-9 VYB	1			N N NAYCW YB638VYB
	B638-9 VYR	1			N N NAYMW YB638VYR
2					COVER, Cushion N N N N
	B364-5 AYA	1			N N NAYA YB364AYA
	B364-5 VYS	1			N N NAYB YB364VYS
	B364-5 VYC	1			N N NAYC YB364VYC
	B364-5 VYH	1			N N NAYH YB364VYH
	B364-5 VYM	1			N N NAYM YB364VYM
	B364-5 VYT	1			N N NAYT YB364VYT
	B364-5 VYB	1			N N NAYCW YB364VYB
	B364-5 VYR	1			N N NAYMW YB364VYR
3					VINYL, Roll Stock Order by the Inch N N N N
	R616 AA2	AR			Silver 64" Wide N N NAYA YR616AA2
	R606 VB2	AR			Blue, Light 58" Wide N N NAYB YR606VB2
	R616 VC8				Blue, Dark 64" Wide N N NAYC YR616VC8
	R609 VH9				Mahogany, 58" Wide N N NAYH YR609VH9
	R616 VM6				Red 64" Wide N N NAYM YR616VM6
	R616 VT3				Tan 64" Wide N N NAYT YR616VT3
	R600 VW1				White 58" Wide N N NAYCW,AYMW YR600VW1
3-4					BACK, w/Spring, Frame and Cover N N N N
	B604-5 AYA	1			N N NAYA YB604AYA
	B604-5 VYS	1			N N NAYB YB604VYS
	B604-5 VYC	1			N N NAYC YB604VYC
	B604-5 VYH	1			N N NAYH YB604VYH
	B604-5 VYM	1			N N NAYM YB604VYM
	B604-5 VYT	1			N N NAYT YB604VYT
	B604-5 VYW	1			N N NAYCW,AYMW YB604VYW
4					COVER, Back N N N N
	B348-9 AYA	1			N N NAYA YB348AYA
	B348-9 VYS	1			N N NAYB YB348VYS

MODEL CODES

B = GRAN FURY/CARAVELLE	P = RELIANT
C = LEBARON/TOWN & COUNTRY	S = CORDOBA
D = ARIES	V = 400
F = NEW YORKER	X = MIRADA
G = DIPLOMAT	Y = IMPERIAL
M = HORIZON/TC3/SCAMP	Z = OMNI/O24/RAMPAGE

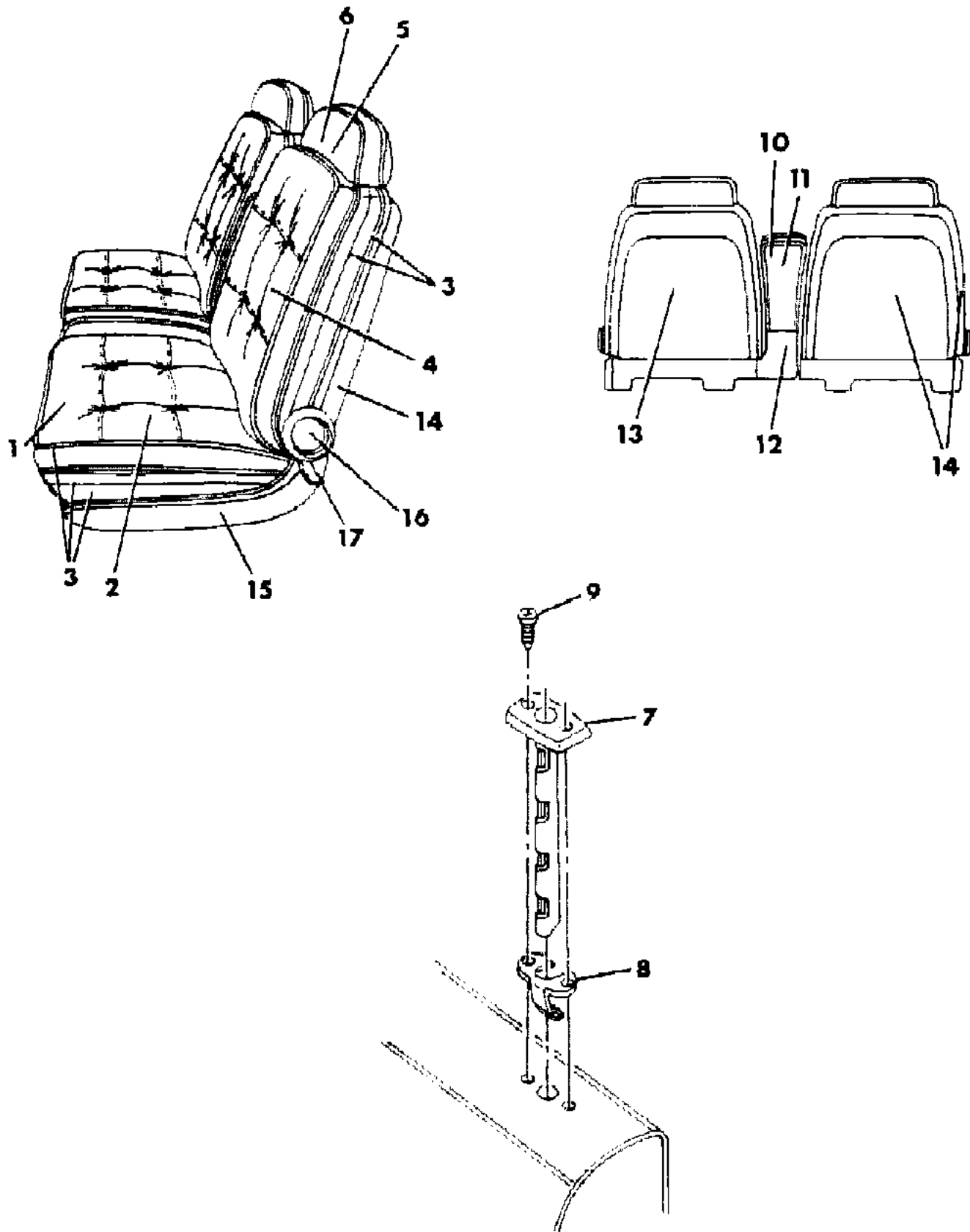
BODY STYLES

21 = 2-DOOR SEDAN	28 = FWD PICKUP
22 = 2-DOOR SPECIAL COUPE	41 = 4-DOOR SEDAN
24 = 2-DOOR HATCHBACK	44 = 4-DOOR HATCHBACK
27 = 2-DOOR CONVERTIBLE	45 = 2-SEAT STATION WAGON

AR = Use as Required - = Non Illustrated Part P.A.R. = Paint as Required

SEAT FRONT Y TRIM CODES AY  
Figure IT-7213

2253 721300A



ITEM	PART NUMBER	QTY	BODY	MODEL	DESCRIPTION
	B348-9 VYC	1			N N NAYC YB348VYC
	B348-9 VYH	1			N N NAYH YB348VYH
	B348-9 VYM	1			N N NAYM YB348VYM
	B348-9 VYT	1			N N NAYT YB348VYT
	B348-9 VYW	1			N N NAYCW,AYMW YB348VYW
5-6					HEADREST, w/Cover N N N N
	B625 AA2	2			N N NAYA YB625AA2
	B625 VB2	2			N N NAYB YB625VB2
	B625 VC8	2			N N NAYC YB625VC8
	B625 VH9	2			N N NAYH YB625VH9
	B625 VM6	2			N N NAYM YB625VM6
	B625 VT3	2			N N NAYT YB625VT3
	B625 VW1	2			N N NAYCW,AYMW YB625VW1
6					COVER, Headrest N N N N
	B359 AA2	2			N N NAYA YB359AA2
	B359 VB2	2			N N NAYB YB359VB2
	B359 VC8	2			N N NAYC YB359VC8
	B359 VH9	2			N N NAYH YB359VH9
	B359 VM6	2			N N NAYM YB359VM6
	B359 VT3	2			N N NAYT YB359VT3
	B359 VW1	2			N N NAYCW,AYMW YB359VW1
7	4190 586	4			SLEEVE, Headrest, Chrome N N N Y4190586
8	4098 965	4			CATCH, Headrest Post N N N Y4098965
9		AR			SCREW (not serviced) N N N N
10-11					ARM REST, w/Cover N N N N
	B628 AA2	1			N N NAYA YB628AA2
	B628 VB2	1			N N NAYB YB628VB2
	B628 VC8	1			N N NAYC YB628VC8
	B628 VH9	1			N N NAYH YB628VH9
	B628 VM6	1			N N NAYM YB628VM6
	B628 VT3	1			N N NAYT YB628VT3
	B686 VW1	1			N N NAYCW,AYMW YB686VW1
11					COVER, Arm Rest N N N N
	B362 VF5	1			N N NA9F YB362VF5
	B363 AA2	1			N N NAYA YB363AA2
	B363 VB2	1			N N NAYB YB363VB2
	B363 VC8	1			N N NAYC YB363VC8

MODEL CODES

B = GRAN FURY/CARAVELLE	P = RELIANT
C = LEBARON/TOWN & COUNTRY	S = CORDOBA
D = ARIES	V = 400
F = NEW YORKER	X = MIRADA
G = DIPLOMAT	Y = IMPERIAL
M = HORIZON/TC3/SCAMP	Z = OMNI/O24/RAMPAGE

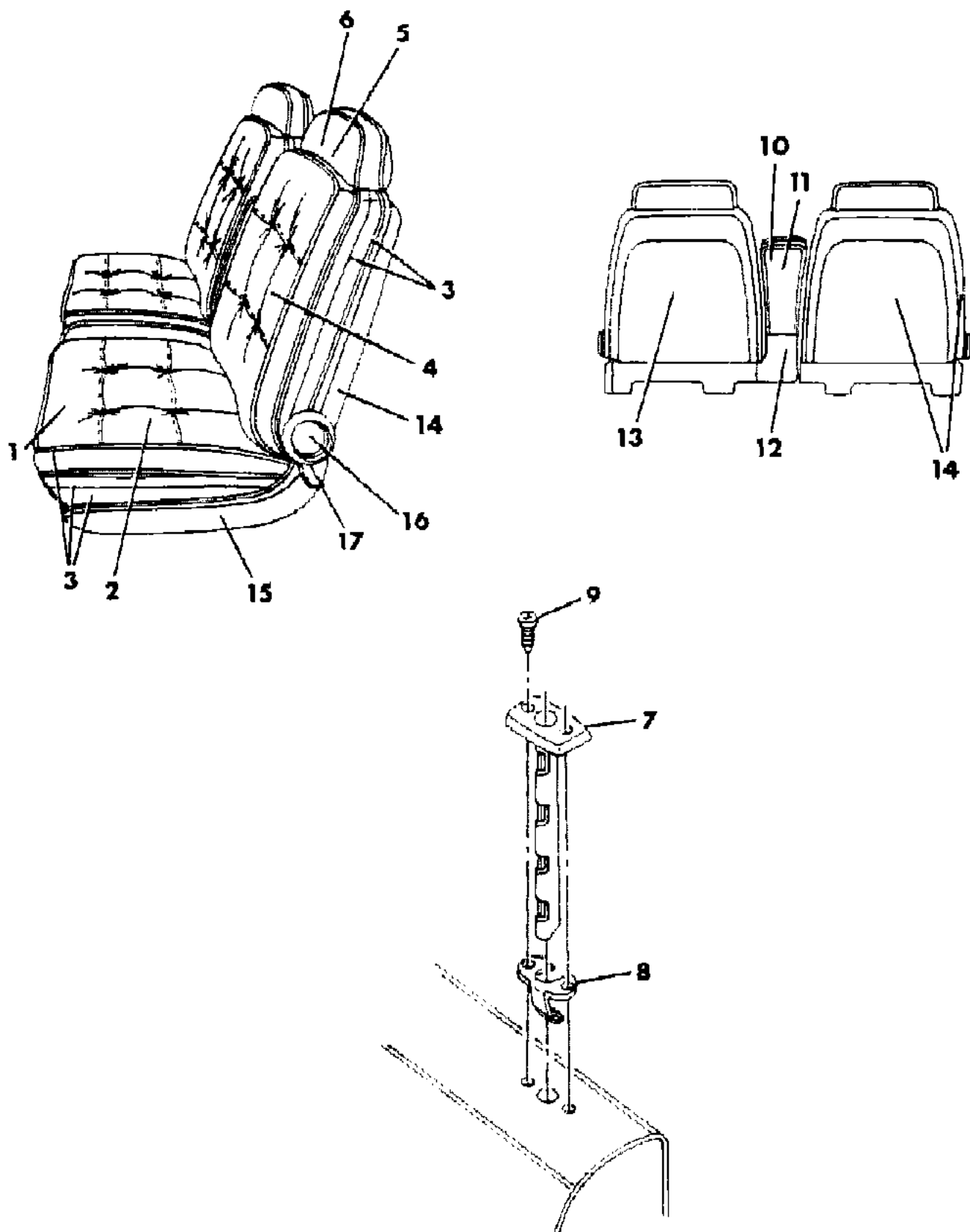
BODY STYLES

21 = 2-DOOR SEDAN	28 = FWD PICKUP
22 = 2-DOOR SPECIAL COUPE	41 = 4-DOOR SEDAN
24 = 2-DOOR HATCHBACK	44 = 4-DOOR HATCHBACK
27 = 2-DOOR CONVERTIBLE	45 = 2-SEAT STATION WAGON

AR = Use as Required - = Non Illustrated Part P.A.R. = Paint as Required

SEAT FRONT Y TRIM CODES AY  
Figure IT-7213

2253 721300A



ITEM	PART NUMBER	QTY	BODY	MODEL	DESCRIPTION
	B363 VH9	1			N N NAYH YB363VH9
	B361 VM6	1			N N NAYM YB361VM6
	B363 VT3	1			N N NAYT YB363VT3
	B363 VW1	1			N N NAYCW,AYMW YB363VW1
12					COVER, Arm Rest Finish N N N N
	S580 AA3	1			Silver N N N YS580AA3
	S580 VB2	1			Blue, Light N N N YS580VB2
	S580 SC7	1			Blue, Dark N N N YS580SC7
	S580 VH9	1			Mahogany N N N YS580VH9
	S580 TM6	1			Red N N N YS580TM6
	S580 ST4	1			Tan N N N YS580ST4
	S580 VW1	1			White N N N YS580VW1
13					MAP POCKET N N N N
	S897 AA2	2			N N NAYA YS897AA2
	S897 VB2	2			N N NAYB YS897VB2
	S897 VC8	2			N N NAYC YS897VC8
	S897 VH9	2			N N NAYH YS897VH9
	S897 VM6	2			N N NAYM YS897VM6
	S897 VT3	2			N N NAYT YS897VT3
	S897 VW1	2			N N NAYCW,AYMW YS897VW1
14					SHIELD, Front Seat Back w/Knob N N N N
	S782-3 AA2	1			Silver N N N YS782AA2
	S782-3 VB2	1			Blue, Light N N N YS782VB2
	S782-3 VC8	1			Blue, Dark N N N YS782VC8
	S782-3 VH9	1			Aubergine N N N YS782VH9
	S782-3 VM6	1			Red N N N YS782VM6
	S782-3 VT3	1			Tan N N N YS782VT3
	S782-3 VW1	1			White N N N YS782VW1
15					SHIELD, Front Seat Cushion N N N N
	S784-5 AA2	1			Silver N N N YS784AA2
	S784-5 VB2	1			Blue, Light N N N YS784VB2
	S784-5 VC8	1			Blue, Dark N N N YS784VC8
	S784-5 VH9	1			Aubergine N N N YS784VH9
	S784-5 VM6	1			Red N N N YS784VM6
	S784-5 VT3	1			Tan N N N YS784VT3
	S784-5 VW1	1			White N N N YS784VW1
16	S788-9 VW1	1			COVER, Inertia Latch (paint as required) N N N YS788VW1

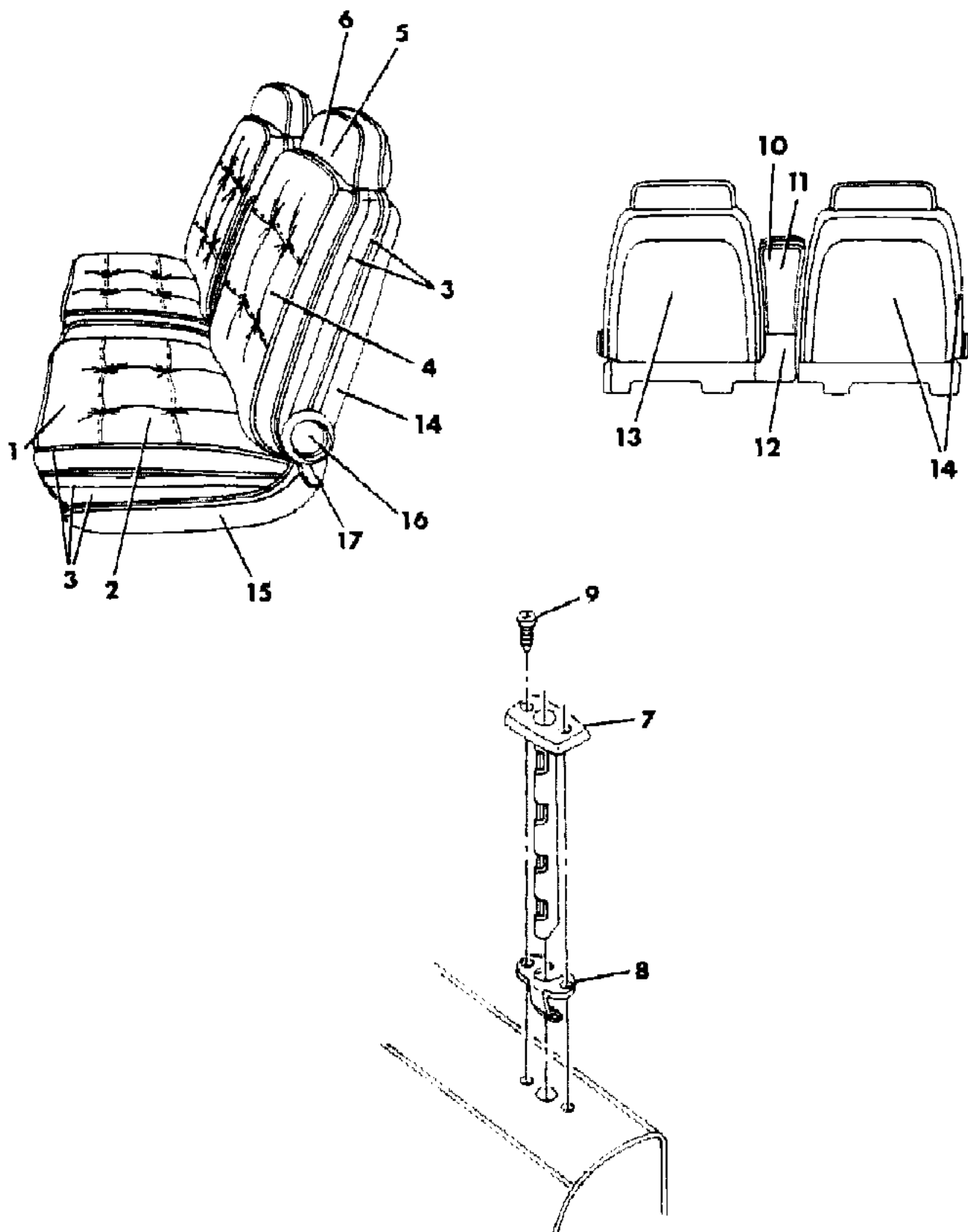
MODEL CODES  
 B = GRAN FURY/CARAVELLE      P = RELIANT  
 C = LEBARON/TOWN & COUNTRY      S = CORDOBA  
 D = ARIES      V = 400  
 F = NEW YORKER      X = MIRADA  
 G = DIPLOMAT      Y = IMPERIAL  
 M = HORIZON/TC3/SCAMP      Z = OMNI/O24/RAMPAGE

BODY STYLES  
 21 = 2-DOOR SEDAN      28 = FWD PICKUP  
 22 = 2-DOOR SPECIAL COUPE      41 = 4-DOOR SEDAN  
 24 = 2-DOOR HATCHBACK      44 = 4-DOOR HATCHBACK  
 27 = 2-DOOR CONVERTIBLE      45 = 2-SEAT STATION WAGON

AR = Use as Required - = Non Illustrated Part P.A.R. = Paint as Required

SEAT FRONT Y TRIM CODES AY  
Figure IT-7213

2253 721300A



ITEM	PART NUMBER	QTY	BODY	MODEL	DESCRIPTION
17	4190 588	1			LEVER, Release N N N Y4190588
The following parts are not illustrated. In the Bulletin, parts are to be procured by the dealer directly from:					
	4138 891	1			ROD, Arm Rest Lock N N N Y4138891
	6006 324	AR			NUT, Lock Rod N N N Y6006324
	6030 082	AR			SCREW, Arm Rest to Stanchion Attaching N N N Y6030082
	4221 013	1			SWITCH, Seat Spring Occupant Sensing N N N Y4221013
	3520 187	1			LOCK BAR, Arm Rest N N N Y3520187
	6008 076	AR			CLIP, Trim Hog Ring N N N Y6008076
	4018 808	2			COVER, Headrest Finish N N N Y4018808
	S534 JX9	2			COVER, Arm Rest to Stanchion N N N YS534JX9
					COVER, Inner Hinge Bracket N N N N
	S682 AA3	1			Silver N N N YS682AA3
	S682 TB2	1			Blue, Light N N N YS682TB2
	S682 SC7	1			Blue, Dark N N N YS682SC7
	S682 TD2	1			Heather N N N YS682TD2
	S682 VF5	1			Green N N N YS682VF5
	S682 VH9	1			Aubergine N N N YS682VH9
	S682 TM6	1			Red N N N YS682TM6
	S682 ST4	1			Tan N N N YS682ST4
	S682 PW1	1			White N N N YS682PW1
	4190 578-9	1			BRACKET, Side Shield Front Mounting N N N Y4190578
	4190 738-9	1			BRACKET, Side Shield Mounting Rear N N N Y4190738
	4190 736	2			BRACKET, Side Shield Mounting Side N N N Y4190736
	4029 857	8			WASHER, Front Seat Back Cover Pulldown Loop N N N Y4029857

MODEL CODES

B = GRAN FURY/CARAVELLE	P = RELIANT
C = LEBARON/TOWN & COUNTRY	S = CORDOBA
D = ARIES	V = 400
F = NEW YORKER	X = MIRADA
G = DIPLOMAT	Y = IMPERIAL
M = HORIZON/TC3/SCAMP	Z = OMNI/O24/RAMPAGE

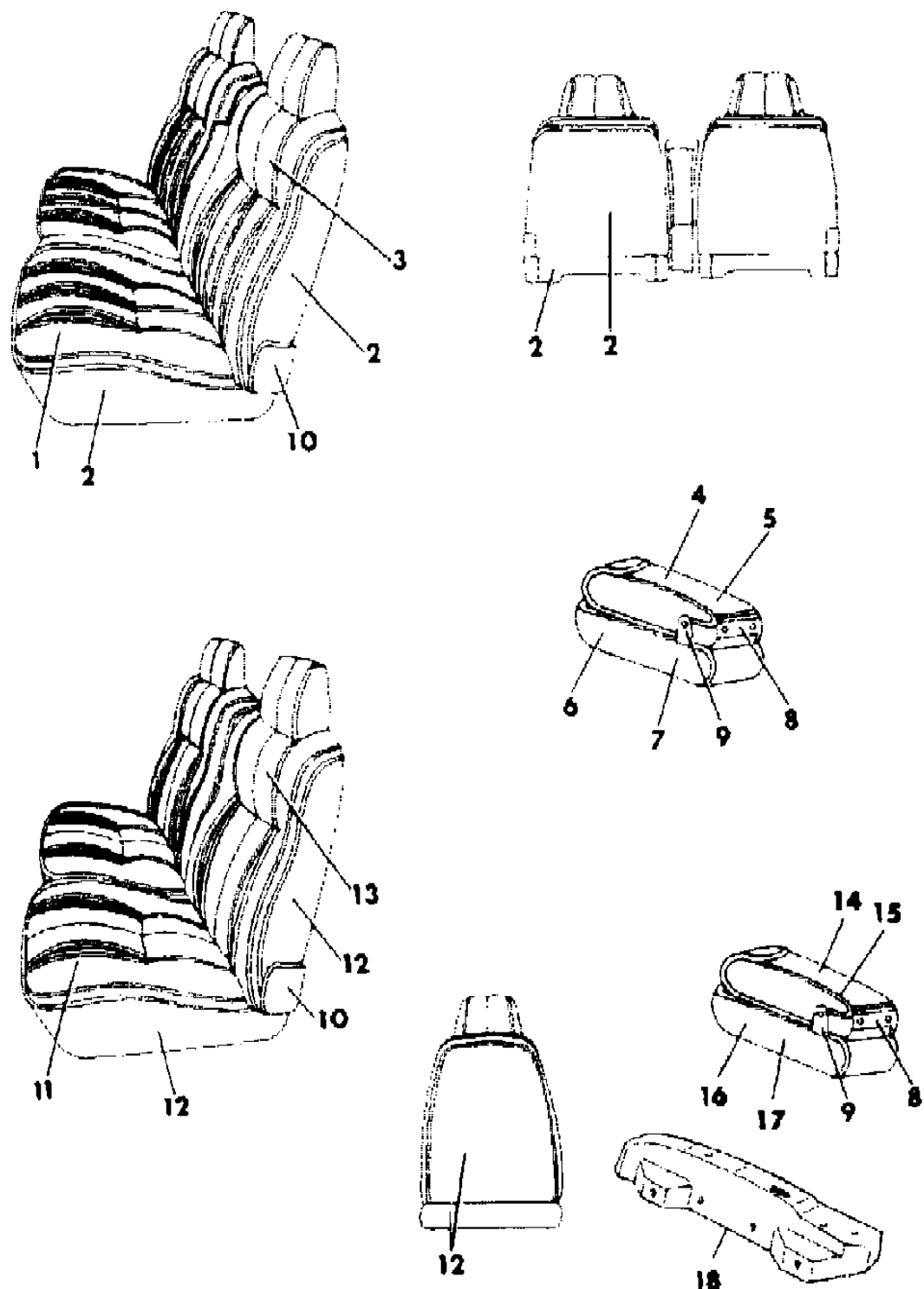
BODY STYLES

21 = 2-DOOR SEDAN	28 = FWD PICKUP
22 = 2-DOOR SPECIAL COUPE	41 = 4-DOOR SEDAN
24 = 2-DOOR HATCHBACK	44 = 4-DOOR HATCHBACK
27 = 2-DOOR CONVERTIBLE	45 = 2-SEAT STATION WAGON

AR = Use as Required - = Non Illustrated Part P.A.R. = Paint as Required

SEAT FRONT S,X TRIM CODE F6,N5  
Figure IT-7221

2253 722100



ITEM	PART NUMBER	QTY	BODY	MODEL	DESCRIPTION
1-2					CUSHION,Front w/Spring,Frame and Cover N N N N
	B650-1 A6A	1			N N NF6A YB650A6A
	B650-1 V6C	1			N N NF6C YB650V6C
	B650-1 V6M	1			N N NF6M YB650V6M
	B650-1 V6T	1			N N NF6T YB650V6T
1					COVER,Front Cushion N N N N
	B377 A6A	2			N N NF6A YB377A6A
	B377 V6C	2			N N NF6C YB377V6C
	B377 V6M	2			N N NF6M YB377V6M
	B377 V6T	2			N N NF6T YB377V6T
2					ROLL STOCK,Vinyl Order By The Inch N N N N
	R616 AA2	AR			Silver 64" Wide N N NF6A YR616AA2
	R616 VC8	AR			Blue 64" Wide N N NF6C YR616VC8
	R616 VM6	AR			Red 64" Wide N N NF6M YR616VM6
	R616 VT3	AR			Tan 64" Wide N N NF6T YR616VT3
3-2					BACK,Front w/Spring,Frame and Cover N N N N
	B620-1 A6A	1			N N NF6A YB620A6A
	B620-1 V6C	1			N N NF6C YB620V6C
	B620-1 V6M	1			N N NF6M YB620V6M
	B620-1 V6T	1			N N NF6T YB620V6T
3					COVER,Front Back N N N N
	B378 A6A	2			N N NF6A YB378A6A
	B378 V6C	2			N N NF6C YB378V6C
	B378 V6M	2			N N NF6M YB378V6M
	B378 V6T	2			N N NF6T YB378V6T
4-5					ARM REST,Center w/Cover N N N N
	N711 AA2	1			N N NF6A YN711AA2
	N711 VC8	1			N N NF6C YN711VC8
	N711 VM6	1			N N NF6M YN711VM6
	N711 VT3	1			N N NF6T YN711VT3
5					COVER,Arm Rest N N N N
	N435 AA2	1			N N NF6A YN435AA2
	N435 VC8	1			N N NF6C YN435VC8
	N435 VM6	1			N N NF6M YN435VM6
	N435 VT3	1			N N NF6T YN435VT3
6-7					CUSHION,Center Front w/Spring,Frame & Cover N N N N
	N710 AA2	1			N N NF6A YN710AA2

MODEL CODES

B = GRAN FURY/CARAVELLE	P = RELIANT
C = LEBARON/TOWN & COUNTRY	S = CORDOBA
D = ARIES	V = 400
F = NEW YORKER	X = MIRADA
G = DIPLOMAT	Y = IMPERIAL
M = HORIZON/TC3/SCAMP	Z = OMNI/O24/RAMPAGE

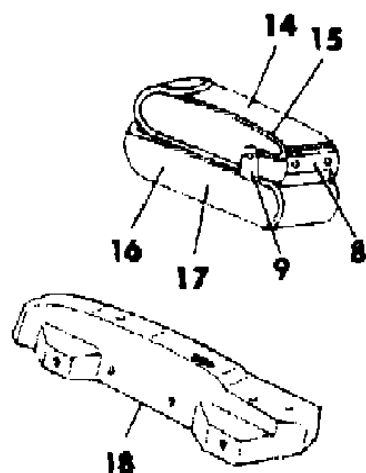
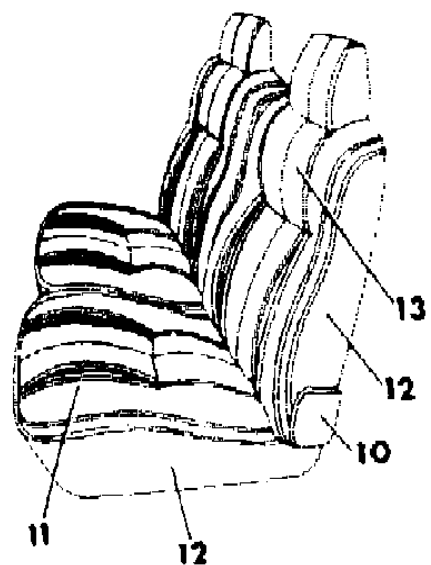
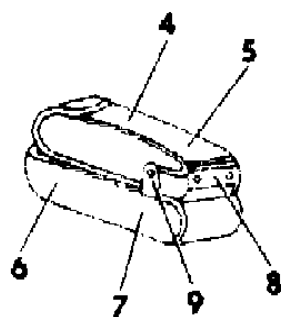
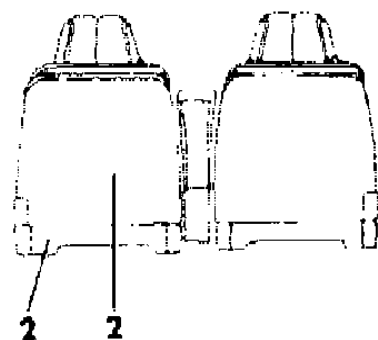
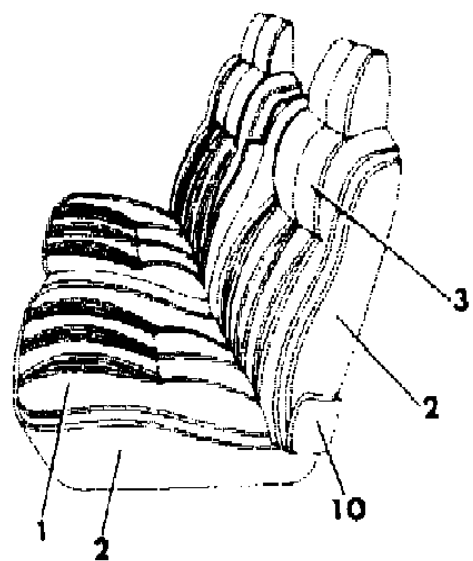
BODY STYLES

21 = 2-DOOR SEDAN	28 = FWD PICKUP
22 = 2-DOOR SPECIAL COUPE	41 = 4-DOOR SEDAN
24 = 2-DOOR HATCHBACK	44 = 4-DOOR HATCHBACK
27 = 2-DOOR CONVERTIBLE	45 = 2-SEAT STATION WAGON

AR = Use as Required - = Non Illustrated Part P.A.R. = Paint as Required

SEAT FRONT S,X TRIM CODE F6,N5  
Figure IT-7221

2253 722100



ITEM	PART NUMBER	QTY	BODY	MODEL	DESCRIPTION
	N710 VC8	1			N N NF6C YN710VC8
	N710 VM6	1			N N NF6M YN710VM6
	N710 VT3	1			N N NF6T YN710VT3
7					COVER,Center Cushion N N N N
	N434 AA2	1			N N NF6A YN434AA2
	N434 VC8	1			N N NF6C YN434VC8
	N434 VM6	1			N N NF6M YN434VM6
	N434 VT3	1			N N NF6T YN434VT3
8					COVER,Arm Rest Finish N N N N
	S531 JX9	1			Black,Paint as Required N N N YS531JX9
9					COVER,Center Cushion Stanchion N N N N
	S534 AA3	2			Silver (paint as required) N N N YS534AA3
10					COVER,Hinge Arm Outer N N N N
	S816-7 AA3	1			Silver (paint as required) N N N YS816AA3
	S734 AA3	1			Inner, Left Silver (paint as required) N N N YS734AA3
	S735 AA3	1			Inner, Right Silver (paint as required) N N N YS735AA3
The following parts are not illustrated. In the Bulletin, parts are to be procured by the dealer directly from:					
	3520 187	1			LOCK BAR,Arm Rest N N N Y3520187
	6030 082	2			SCREW, Arm Rest Attaching N N N Y6030082
					BRACKET,Center Cushion Mounting N N N N
	4073 159	1			Front N N N Y4073159
	4073 160	1			Rear N N N Y4073160
	4190 488	1			BUSHING,Front Seat Back Inner Pivot Pin Rt, Only N N N Y4190488
	0181 088	4			SCREW, Cushion to Mounting Bracket N N N Y181088
11-12					CUSHION,Front w/Spring,Frame and Cover N N N N
	A708-9 A5A	1			N N NN5A YA708A5A
	A708-9 V5C	1			N N NN5C YA708V5C
	A708-9 V5M	1			N N NN5M YA708V5M
	A708-9 V5U	1			N N NN5T YA708V5U
11					COVER,Cushion N N N N
	A454 A5A	2			N N NN5A YA454A5A
	A454 V5C	2			N N NN5C YA454V5C
	A454 V5M	2			N N NN5M YA454V5M
	A454 V5U	2			N N NN5T YA454V5U
12					VINYL,Roll Stock Order By The Inch N N N N
	R616 AA2	AR			Silver 64" Wide N N NN5A YR616AA2

MODEL CODES

B = GRAN FURY/CARAVELLE  
C = LEBARON/TOWN & COUNTRY  
D = ARIES  
F = NEW YORKER  
G = DIPLOMAT  
M = HORIZON/TC3/SCAMP  
P = RELIANT  
S = CORDOBA  
V = 400  
X = MIRADA  
Y = IMPERIAL  
Z = OMNI/O24/RAMPAGE

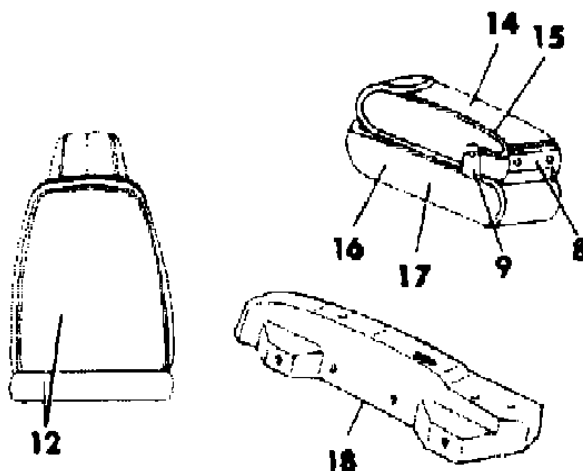
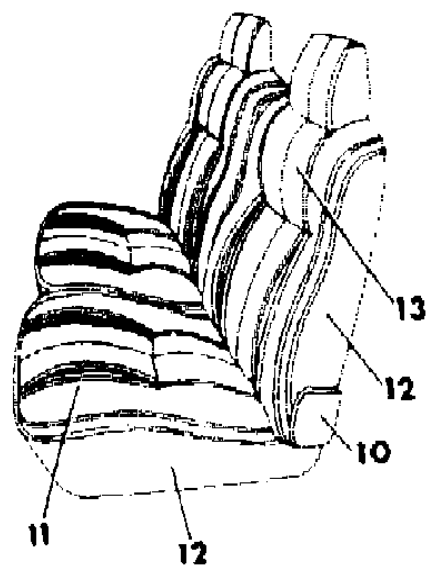
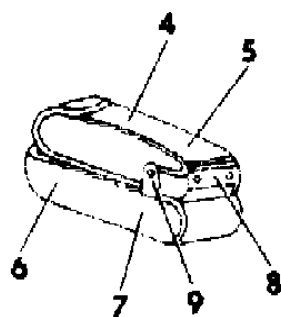
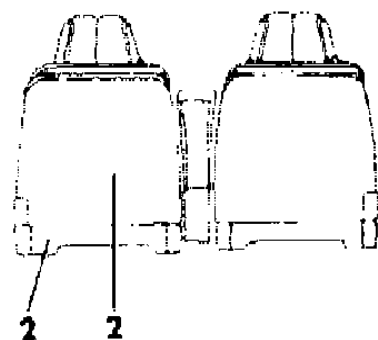
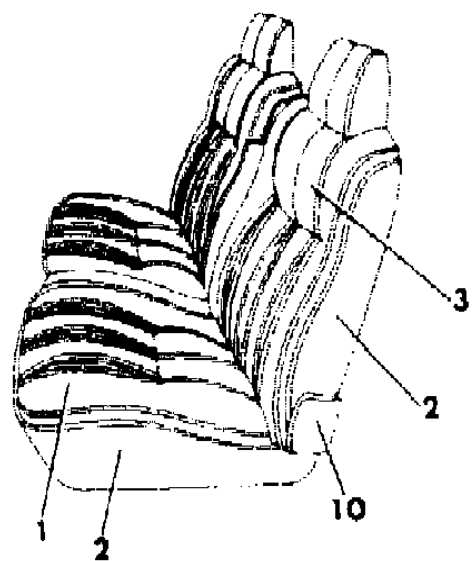
BODY STYLES

21 = 2-DOOR SEDAN  
22 = 2-DOOR SPECIAL COUPE  
24 = 2-DOOR HATCHBACK  
27 = 2-DOOR CONVERTIBLE  
28 = FWD PICKUP  
41 = 4-DOOR SEDAN  
44 = 4-DOOR HATCHBACK  
45 = 2-SEAT STATION WAGON

AR = Use as Required - = Non Illustrated Part P.A.R. = Paint as Required

SEAT FRONT S,X TRIM CODE F6,N5  
Figure IT-7221

2253 722100



ITEM	PART NUMBER	QTY	BODY	MODEL	DESCRIPTION
	R616 VC8	AR			Blue 64" Wide N N NN5C YR616VC8
	R616 VM6	AR			Red 64" Wide N N NN5M YR616VM6
	R616 VT3	AR			Tan 64" Wide N N NN5T YR616VT3
12-13	A710-1 A5A	1			BACK,Front w/Spring,Frame and Cover N N N N
	A710-1 V5C	1			N N NN5A YA710A5A
	A710-1 V5M	1			N N NN5C YA710V5C
	A710-1 V5U	1			N N NN5M YA710V5M
13	A450 A5A	2			COVER,Back N N N N
	A450 V5C	2			N N NN5A YA450A5A
	A450 V5M	2			N N NN5C YA450V5C
	A450 V5U	2			N N NN5M YA450V5M
14-15	B654 AA3	1			ARM REST,w/Cover N N N N
	B654 VC7	1			N N NN5A YB654AA3
	B654 VM6	1			N N NN5C YB654VC7
	B654 VT6	1			N N NN5M YB654VM6
15	B305 AA3	1			COVER,Arm Rest N N N N
	B305 VC7	1			N N NN5A YB305AA3
	B305 VM6	1			N N NN5C YB305VC7
	B305 VU5	1			N N NN5M YB305VM6
16-17	B649 AA3	1			CUSHION,Center w/Spring,Frame and Cover N N N N
	B649 VC7	1			N N NN5A YB649AA3
	B649 VM6	1			N N NN5C YB649VC7
	B649 VT6	1			N N NN5M YB649VM6
17	B304 AA3	1			COVER,Center Cushion N N N N
	B304 VC7	1			N N NN5A YB304AA3
	B304 VM6	1			N N NN5C YB304VC7
	B304 VU5	1			N N NN5M YB304VM6
18		2			SIDE MEMBER and P/NUT,Front Seat Cushion Bracket (not serviced) N N N N
	6030 981	2			The following part is not illustrated. ated in the Bulletin, parts are to be procured by the dealer directly from: NUT,Outer Hinge Arm Cover Attaching N N N Y6030981

MODEL CODES

B = GRAN FURY/CARAVELLE	P = RELIANT
C = LEBARON/TOWN & COUNTRY	S = CORDOBA
D = ARIES	V = 400
F = NEW YORKER	X = MIRADA
G = DIPLOMAT	Y = IMPERIAL
M = HORIZON/TC3/SCAMP	Z = OMNI/O24/RAMPAGE

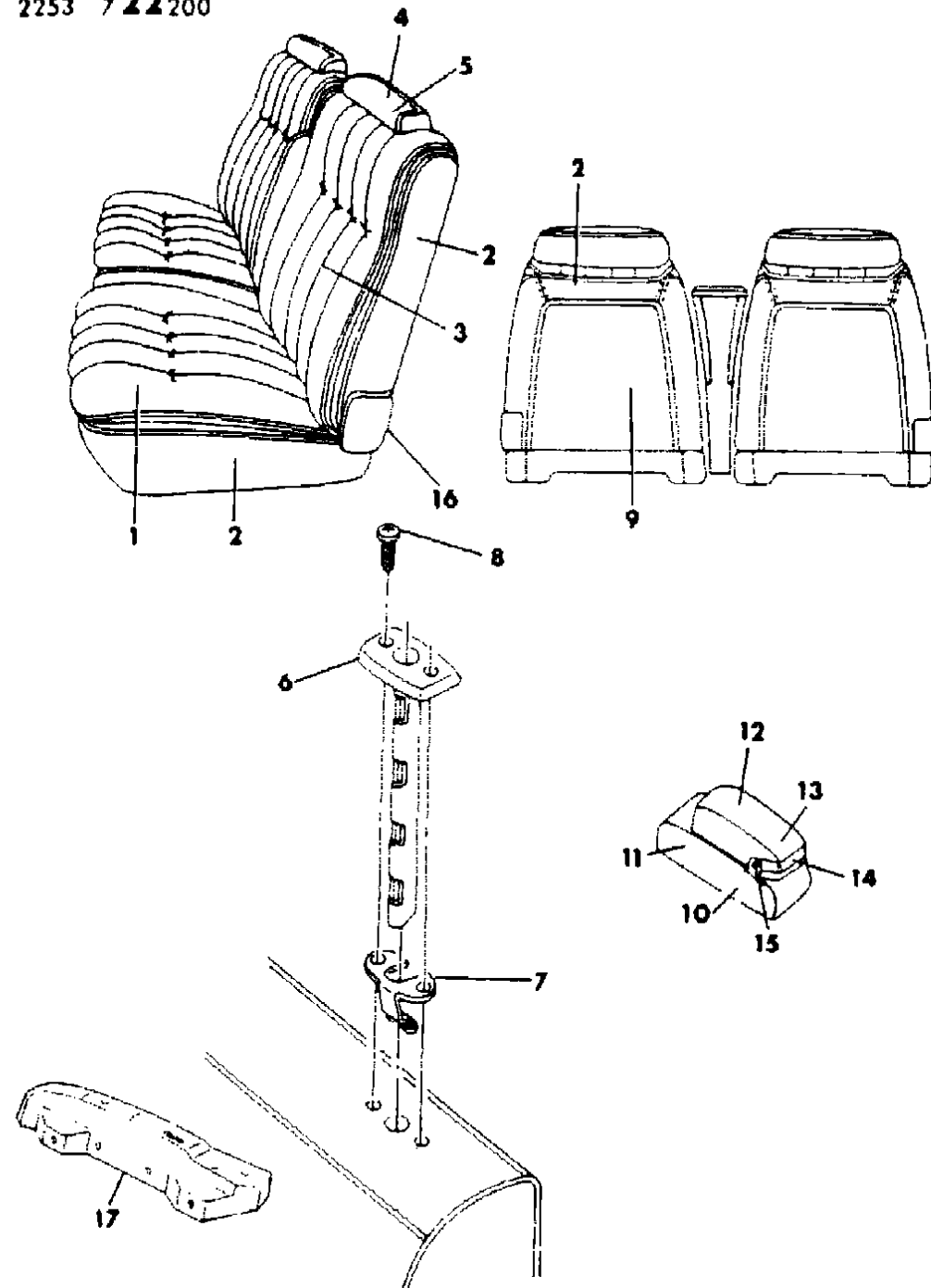
BODY STYLES

21 = 2-DOOR SEDAN	28 = FWD PICKUP
22 = 2-DOOR SPECIAL COUPE	41 = 4-DOOR SEDAN
24 = 2-DOOR HATCHBACK	44 = 4-DOOR HATCHBACK
27 = 2-DOOR CONVERTIBLE	45 = 2-SEAT STATION WAGON

AR = Use as Required - = Non Illustrated Part P.A.R. = Paint as Required

SEAT FRONT S,X TRIM CODE DL,HL  
Figure IT-7222

2253 722200



ITEM	PART NUMBER	QTY	BODY	MODEL	DESCRIPTION
1-2					CUSHION,Front w/Spring,Frame and Cover N N N N
	B782-3 ALA	1			N N NDLA YB782ALA
	B782-3 VLH	1			N N NDH YB782VLH
	B782-3 VLT	1			N N NDLT YB782VLT
	B780-1 VLW	1			N N NHLCW,HLMW YB780VLW
1					COVER,Front Cushion N N N N
	B408 ALA	2			N N NDLA YB408ALA
	B408 VLH	2			N N NDH YB408VLH
	B408 VLT	2			N N NDLT YB408VLT
	B409 VLW	2			N N NHLCW,HLMW YB409VLW
2					ROLL STOCK,Vinyl Order By The Inch N N N N
	R616 AA2	AR			Silver 64" Wide N N NDLA YR616AA2
	R609 VH9	AR			Mohogany 58" Wide N N NDH YR609VH9
	R616 VT3	AR			Tan 64" Wide N N NDLT YR616VT3
	R600 VW1	AR			White 54" Wide N N NHLCW,HLMW YR600VW1
	R600 VW1	AR			White 54" Wide N N NLLTW,LLHW YR600VW1
2&3					BACK,Front w/Spring,Frame and Cover N N N N
	B676-7 ALA	1			N N NDLA YB676ALA
	B676-7 VLH	1			N N NDH YB676VLH
	B676-7 VLT	1			N N NDLT YB676VLT
	B676-7 VLW	1			N N NHLCW,HLMW YB676VLW
3					COVER,Front Back N N N N
	B307 ALA	2			N N NDLA YB307ALA
	B307 VLH	2			N N NDH YB307VLH
	B307 VLT	2			N N NDLT YB307VLT
	B307 VLW	2			N N NHLCW,HLMW YB307VLW
4&5					HEAD REST,See Seat Belt Illustration for Loop N N N N
	A859 AA2	2			N N NDLA YA859AA2
	A859 VH9	2			N N NDH YA859VH9
	A859 VT3	2			N N NDLT YA859VT3
	A859 VW1	2			N N NHLCW,HLMW YA859VW1
5					COVER,Head Rest N N N N
	A508 AA2	2			N N NDLA YA508AA2
	A508 VH9	2			N N NDH YA508VH9
	A508 VT3	2			N N NDLT YA508VT3
	A508 VW1	2			N N NHLCW,HLMW YA508VW1
6					SLEEVE,Head Rest N N N N

MODEL CODES

B = GRAN FURY/CARAVELLE	P = RELIANT
C = LEBARON/TOWN & COUNTRY	S = CORDOBA
D = ARIES	V = 400
F = NEW YORKER	X = MIRADA
G = DIPLOMAT	Y = IMPERIAL
M = HORIZON/TC3/SCAMP	Z = OMNI/O24/RAMPAGE

BODY STYLES

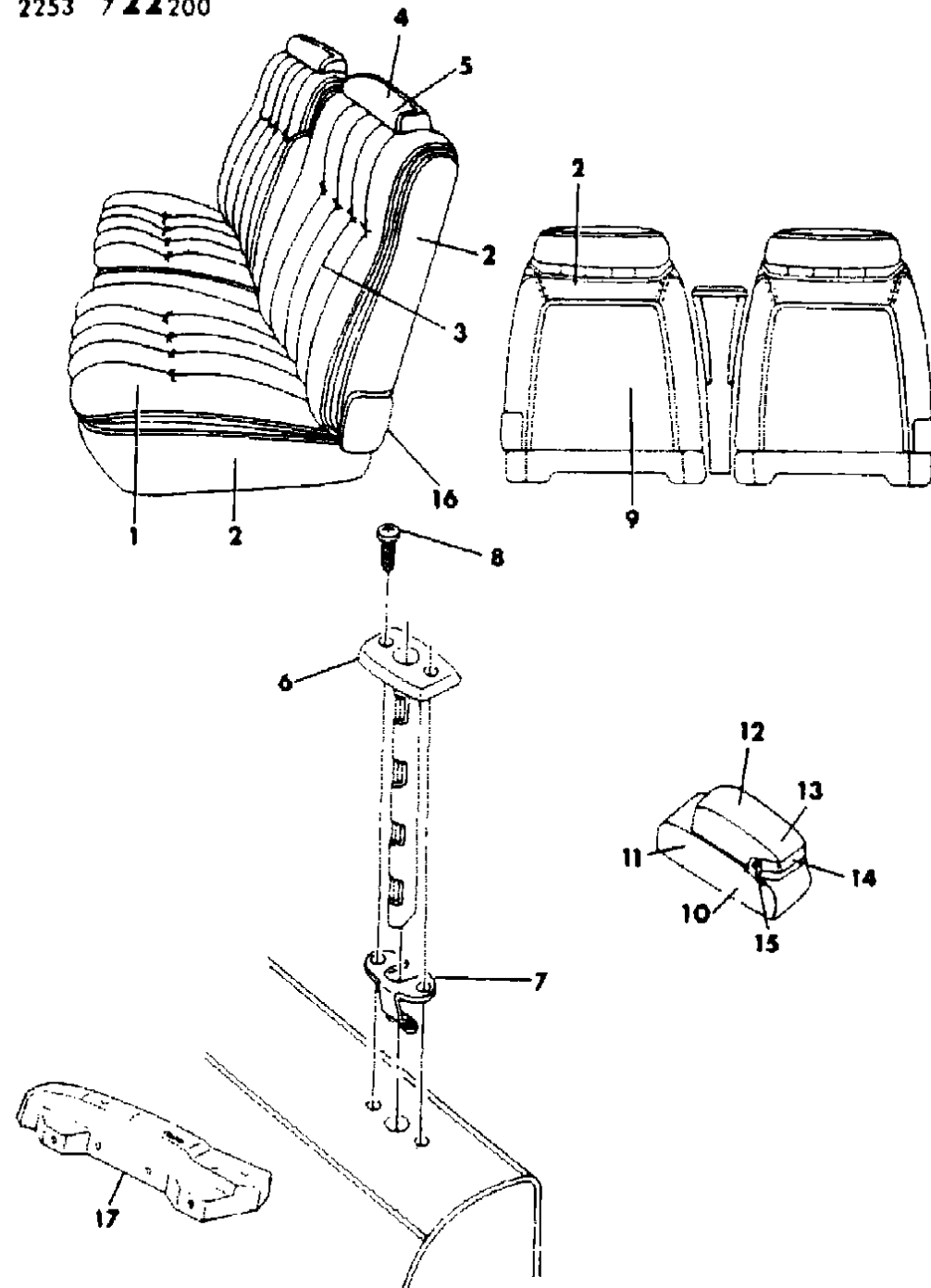
21 = 2-DOOR SEDAN	28 = FWD PICKUP
22 = 2-DOOR SPECIAL COUPE	41 = 4-DOOR SEDAN
24 = 2-DOOR HATCHBACK	44 = 4-DOOR HATCHBACK
27 = 2-DOOR CONVERTIBLE	45 = 2-SEAT STATION WAGON

AR = Use as Required - = Non Illustrated Part P.A.R. = Paint as Required



SEAT FRONT S,X TRIM CODE DL,HL  
Figure IT-7222

2253 722200



ITEM	PART NUMBER	QTY	BODY	MODEL	DESCRIPTION
	S690 AA3	4			N N NDLA YS690AA3
	S690 VH9	4			N N NDH YS690VH9
	S690 ST4	4			N N NDLT YS690ST4
	S690 RW1	4			N N NHLCW,HLMW YS690RW1
7	4098 965	4			CATCH,Head Rest Post N N N Y4098965
8		AR			SCREW(not serviced) N N N N
9					PANEL,Back of Front Back N N N N
	S731 AA2	2			N N NDLA YS731AA2
	S731 VH9	2			N N NDH YS731VH9
	S731 VT3	2			N N NDLT YS731VT3
	S731 VW1	2			N N NHLCW,HLMW YS731VW1
10-11					CUSHION,Front Center, w/Cover N N N N
	B711 AA3	1			N N NDLA YB711AA3
	B711 VH9	1			N N NDH YB711VH9
	B711 VT3	1			N N NDLT YB711VT3
	B711 VW1	1			N N NHLCW,HLMW YB711VW1
11					COVER,Center Cushion N N N N
	B418 AA3	1			N N NDLA YB418AA3
	B418 VH9	1			N N NDH YB418VH9
	B418 VT3	1			N N NDLT YB418VT3
	B418 VW1	1			N N NHLCW,HLMW YB418VW1
12-13					ARM REST, w/Cover N N N N
	B795 AA3	1			N N NDLA YB795AA3
	B795 VH9	1			N N NDH YB795VH9
	B795 VT3	1			N N NDLT YB795VT3
	B795 VW1	1			N N NHLCW,HLMW YB795VW1
13					COVER,Arm Rest N N N N
	B403 AA3	1			N N NDLA YB403AA3
	B403 VH9	1			N N NDH YB403VH9
	B403 VT3	1			N N NDLT YB403VT3
	B403 VW1	1			N N NHLCW,HLMW YB403VW1
14					COVER,Arm Rest Finish N N N N
	S531 JX9	1			Black,Paint as Required N N N YS531JX9
15					COVER,Arm Rest Stanchion N N N N
	S534 AA3	1			Silver (paint as required) N N N YS534AA3
					The following parts are not illustrated. ated in the Bulletin, parts are to be procured by the dealer directly from:
					BRACKET,Center Cushion Mounting N N N N

MODEL CODES

B = GRAN FURY/CARAVELLE  
C = LEBARON/TOWN & COUNTRY  
D = ARIES  
F = NEW YORKER  
G = DIPLOMAT  
M = HORIZON/TC3/SCAMP  
P = RELIANT  
S = CORDOBA  
V = 400  
X = MIRADA  
Y = IMPERIAL  
Z = OMNI/O24/RAMPAGE

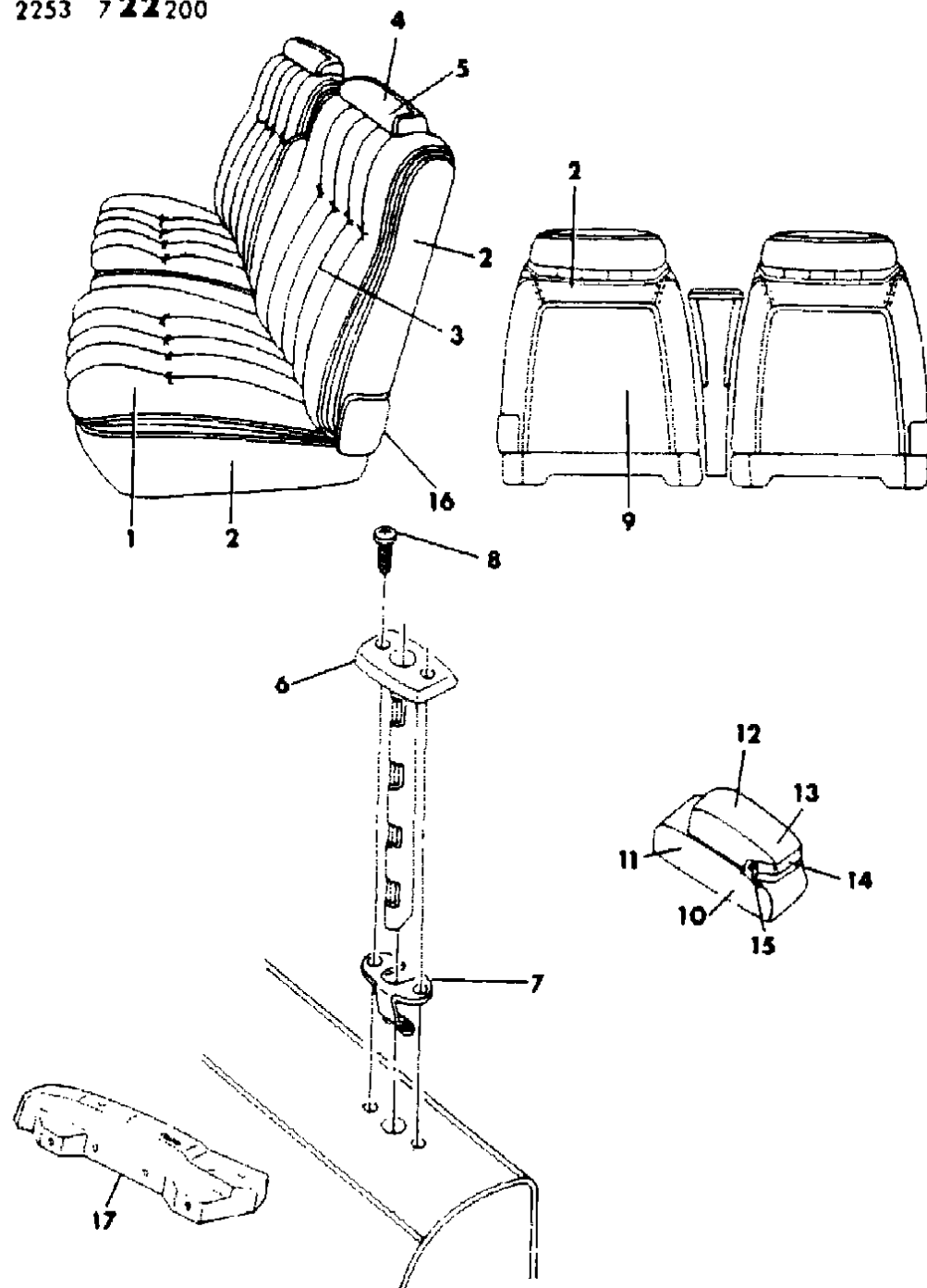
BODY STYLES

21 = 2-DOOR SEDAN  
22 = 2-DOOR SPECIAL COUPE  
24 = 2-DOOR HATCHBACK  
27 = 2-DOOR CONVERTIBLE  
28 = FWD PICKUP  
41 = 4-DOOR SEDAN  
44 = 4-DOOR HATCHBACK  
45 = 2-SEAT STATION WAGON

AR = Use as Required - = Non Illustrated Part P.A.R. = Paint as Required

SEAT FRONT S,X TRIM CODE DL,HL  
Figure IT-7222

2253 722200



ITEM	PART NUMBER	QTY	BODY	MODEL	DESCRIPTION
	4073 159	1			Front N N N Y4073159
	4206 425	1			Rear N N N Y4206425
	6028 521	AR			SCREW,Arm Rest to Stanchion Attaching N N N Y6028521
	0181 088	4			SCREW & WASHER,Center Cushion to Bracket N N N Y181088
16					COVER,Hinge Arm Outer N N N N
	S877 SX9	1			Paint as Required, Left N N N YS877SX9
	S844 SX9	1			Paint as Required, Right N N N YS844SX9
	S876 SX9	1			Paint as Required, Inner Left N N N YS876SX9
	S877 SX9	1			Paint as Required, Inner Right N N N YS877SX9
17		2			SIDE MEMBER and P/NUT,Front Seat Cushion Bracket (not serviced) N N N N

The following parts are not illustrated. ated in the Bulletin, parts are to be procured by the dealer directly from:

4190 488	1				BUSHING,Front Seat Back Inner Pivot Pin Rt. Only N N N Y4190488
4018 808	2				COVER,Head Rest Finish N N N Y4018808
6008 076	AR				CLIP, Trim Hog Ring N N N Y6008076

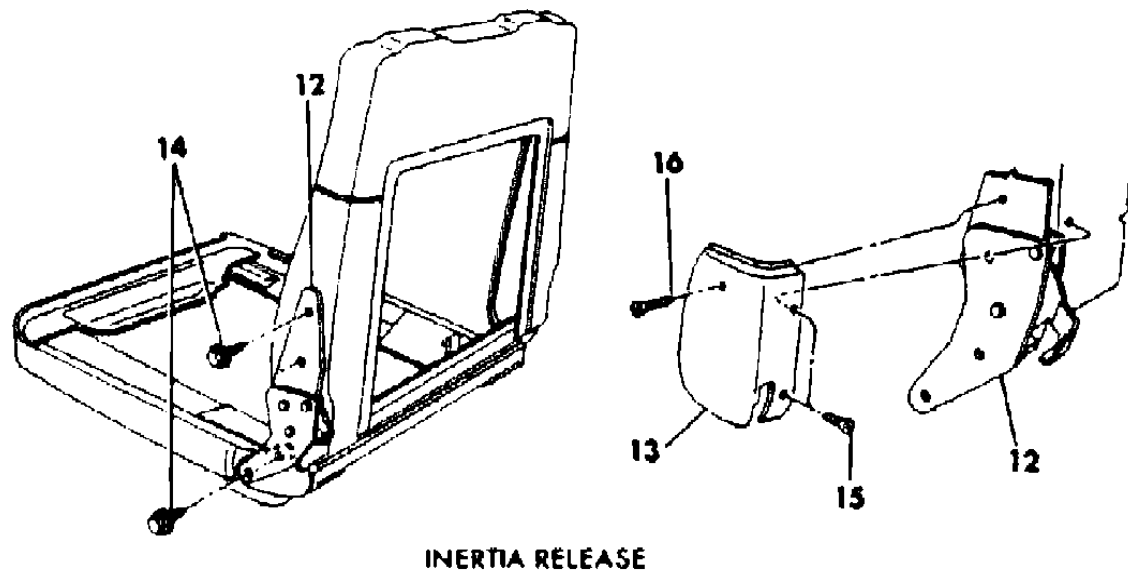
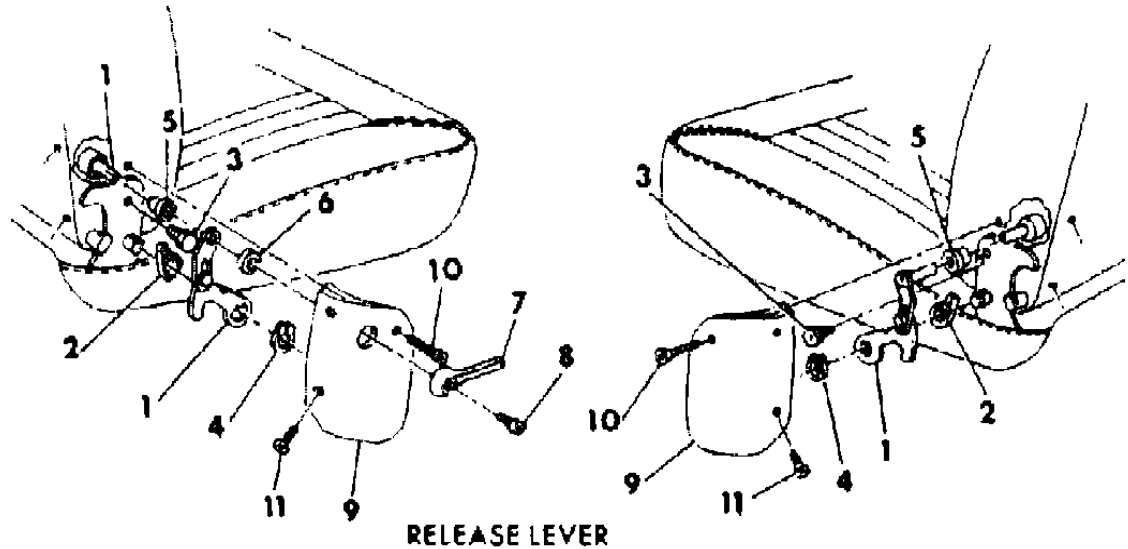
MODEL CODES  
 B = GRAN FURY/CARAVELLE      P = RELIANT  
 C = LEBARON/TOWN & COUNTRY      S = CORDOBA  
 D = ARIES      V = 400  
 F = NEW YORKER      X = MIRADA  
 G = DIPLOMAT      Y = IMPERIAL  
 M = HORIZON/TC3/SCAMP      Z = OMNI/O24/RAMPAGE

BODY STYLES  
 21 = 2-DOOR SEDAN      28 = FWD PICKUP  
 22 = 2-DOOR SPECIAL COUPE      41 = 4-DOOR SEDAN  
 24 = 2-DOOR HATCHBACK      44 = 4-DOOR HATCHBACK  
 27 = 2-DOOR CONVERTIBLE      45 = 2-SEAT STATION WAGON

AR = Use as Required - = Non Illustrated Part P.A.R. = Paint as Required

**FRONT SEAT BACK RELEASE LATCH - S,X,Y**  
**Figure IT-7241**

2253 724100



ITEM	PART NUMBER	QTY	BODY	MODEL	DESCRIPTION
1					LATCH, Front Seat Back, w/Buckets N N N N
	4190 054-5	1			Inboard N N N Y4190054
	4098 066-7	1			Outboard N N N Y4098066
2	4018 886-7	1			SPRING, Latch Return, w/Buckets N N N Y4018886
3	6031 518	4			SCREW, Pivot Shoulder N N N Y6031518
4	6024 440	AR			RETAING RING, Lock Back to Cushion N N N Y6024440
5	4029 846	4			BUSHING, Shaft Pivot ck to Cushion N N N Y4029846
6	6024 203	1			PUSHNUT, Lever Retainer N N N Y6024203
7	4138 298	1			HANDLE, Release Latch, w/BUcket N N N Y4138298
8					SCREW (not serviced) N N N N0
9					COVER, Latch (see Inter Trim) N N N N0
10					SCREW (not serviced) N N N N0
11					SCREW (not serviced) N N N N0
12					LATCH, Inertia Front Seat Back N N N N0
	4190 091	1			w/BUcket N N N Y4190091
	4190 092	1			w/C.A.R., Rt. N N N Y4190092
	4190 093	1			w/60/40, w/C.A.R., Lt. N N N Y4190093
13					COVER (see Inter Trim) N N N N0
14	9422 041	8			SCREW, w/WASHER, Latch Attaching N N N Y9422041
15					SCREW, (not serviced) N N N N0
16					SCREW, (not serviced) N N N N0
NOTE: The Following Items Are Not Illustrated 0 ated in the Bulletin, parts are to be procured by the dealer directly from:					
	4190 100	AR			SPRING, Front Seat Inertia Latch Lever Return, w/60/40 N N N Y4190100
	4190 102	1			SPRING, Front Seat Inertia Latch Counter Balance, w/Bench N N N Y4190102

**MODEL CODES**

B = GRAN FURY/CARAVELLE	P = RELIANT
C = LEBARON/TOWN & COUNTRY	S = CORDOBA
D = ARIES	V = 400
F = NEW YORKER	X = MIRADA
G = DIPLOMAT	Y = IMPERIAL
M = HORIZON/TC3/SCAMP	Z = OMNI/O24/RAMPAGE

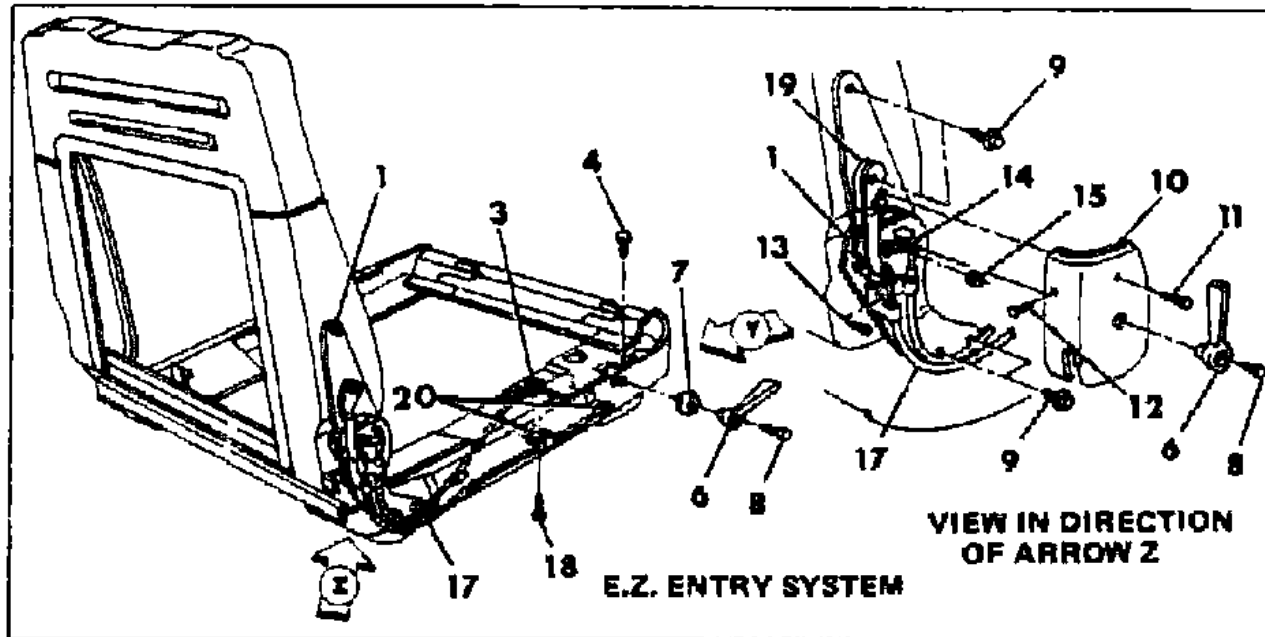
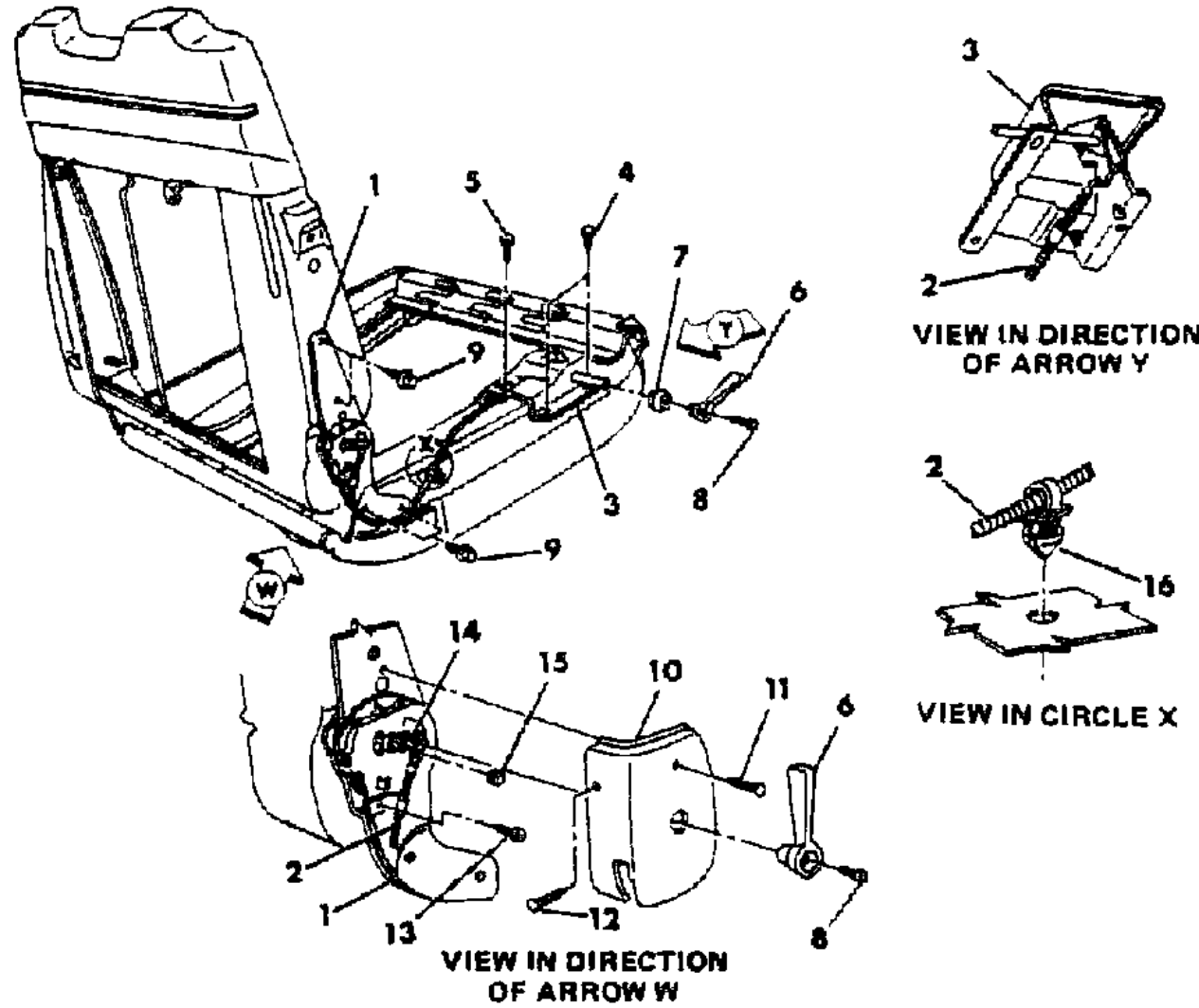
**BODY STYLES**

21 = 2-DOOR SEDAN	28 = FWD PICKUP
22 = 2-DOOR SPECIAL COUPE	41 = 4-DOOR SEDAN
24 = 2-DOOR HATCHBACK	44 = 4-DOOR HATCHBACK
27 = 2-DOOR CONVERTIBLE	45 = 2-SEAT STATION WAGON

AR = Use as Required - = Non Illustrated Part P.A.R. = Paint as Required

**RECLINING FRONT SEAT AND SEAT BACK RELEASE LATCH, W/60/40 - S,X,Y 0**  
**Figure IT-7251**

2253 725 100



ITEM	PART NUMBER	QTY	BODY	MODEL	DESCRIPTION
1	4190 410	1			RECLINDER, Front Seat Back N N N Y4190410
2	3844 812	1			CABLE, Front Seat Recliner Release N N N Y3844812
3	4018 066	1			ACTUATOR, Front Seat Recliner Release N N N Y4018066
4					SCREW (not serviced) N N N N0
5	9414 712	1			SCREW, Actuator Attaching N N N Y9414712
6	4190 587	2			HANDLE, Seat Back Latching N N N Y4190587
7	4098 080	1			BEZEL, Seat Recliner Handle N N N Y4098080
8					SCREW (not serviced) N N N N0
9	9422 041	4			SCREW, w/WASHER N N N Y9422041
10					COVER (see interior trim) N N N N0
11					SCREW (not serviced) N N N N0
12					SCREW (not serviced) N N N N0
13					SCREW (not serviced) N N N N0
14	4029 871	1			ADAPTER, Seat Back Actuator Handle N N N Y4029871
15					LOCK NUT, (not serviced) N N N N0
16					CLIP (not serviced) N N N N0
17	4172 778	1			CABLE, Front Seat Man. Recliner and EZ Entry Release N N N Y4172778
18	9414 712	2			SCREW, Cable to Actuator N N N Y9414712
19	5232 060	1			BRACKET N N N Y5232060
20					ADJUSTER, Seat (see man. seat adj.) N N N N0

NOTE: The following items are not illustrated or noted in the Bulletin, parts are to be procured by the dealer directly from:

4138 358	1	SHIM, Front Seat Back Recliner Locking Arm N N N Y4138358
6022 149	1	RETAINER RING, Recliner Release Actuator Shaft N N N Y6022149
4190 248-9	1	SPRING, Front Seat Back Recliner, Release Cam N N N Y4190248
4190 588	1	LEVER, Recliner Release N N N Y4190588

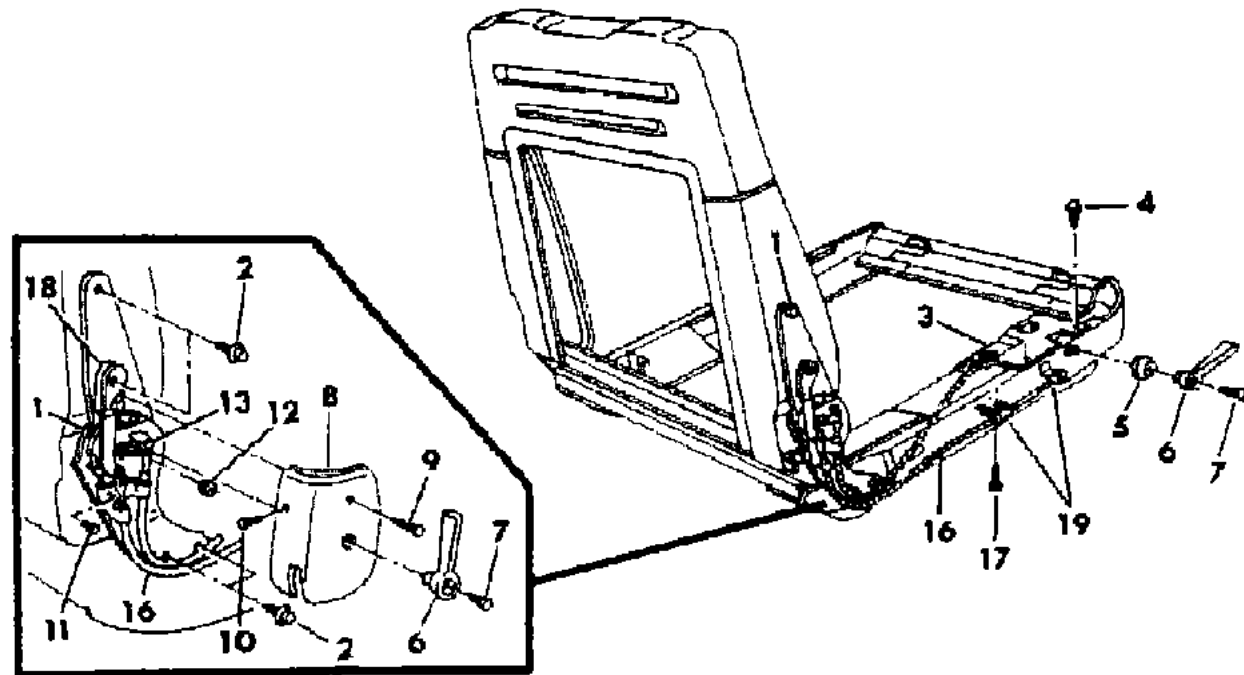
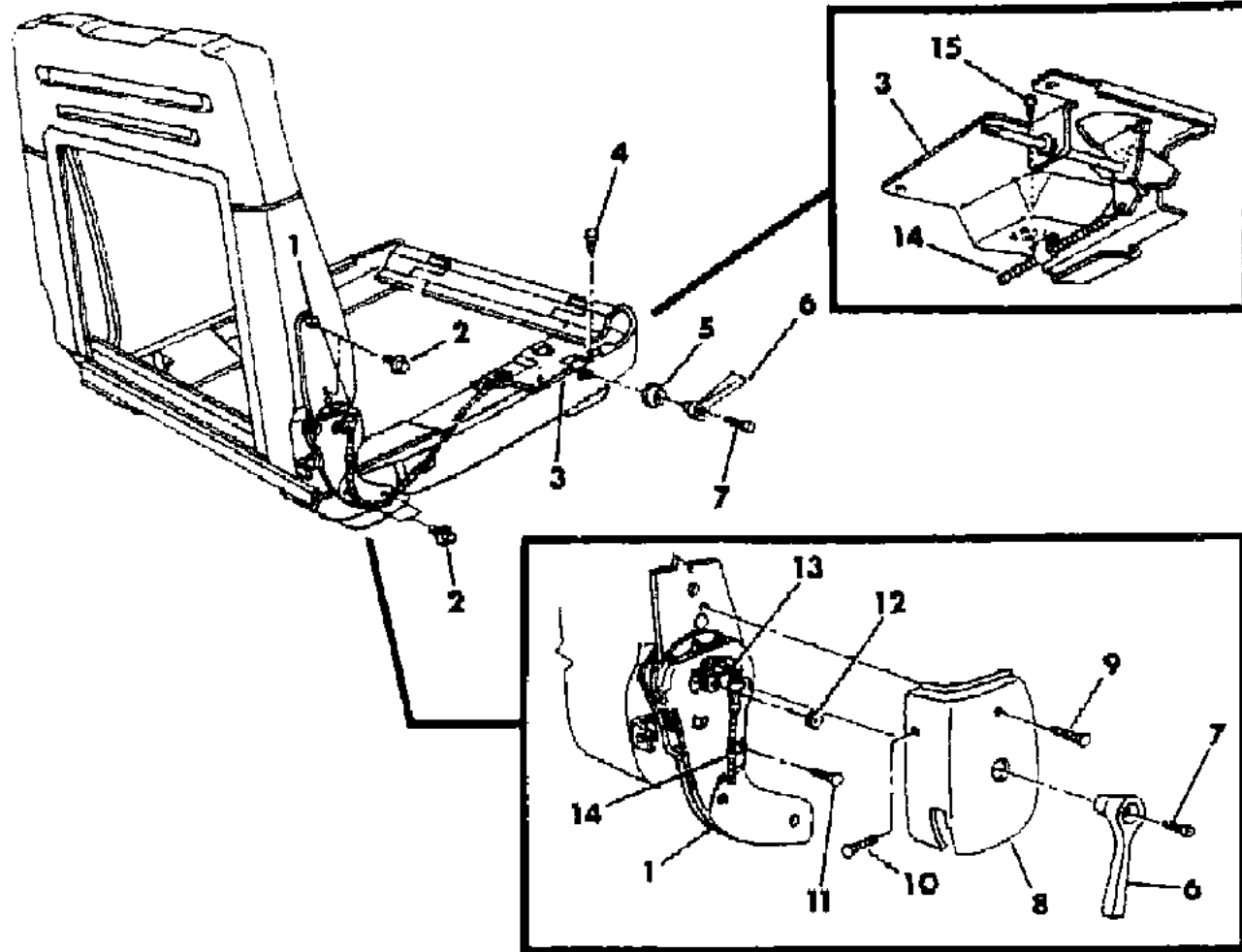
MODEL CODES  
 B = GRAN FURY/CARAVELLE      P = RELIANT  
 C = LEBARON/TOWN & COUNTRY      S = CORDOBA  
 D = ARIES      V = 400  
 F = NEW YORKER      X = MIRADA  
 G = DIPLOMAT      Y = IMPERIAL  
 M = HORIZON/TC3/SCAMP      Z = OMNI/O24/RAMPAGE

BODY STYLES  
 21 = 2-DOOR SEDAN      28 = FWD PICKUP  
 22 = 2-DOOR SPECIAL COUPE      41 = 4-DOOR SEDAN  
 24 = 2-DOOR HATCHBACK      44 = 4-DOOR HATCHBACK  
 27 = 2-DOOR CONVERTIBLE      45 = 2-SEAT STATION WAGON

AR = Use as Required - = Non Illustrated Part P.A.R. = Paint as Required

RECLINING FRONT SEAT AND SEAT BACK RELEASE LATCH w/BUCKETS - S,X 0  
Figure IT-7252

2253 725200



ITEM	PART NUMBER	QTY	BODY	MODEL	DESCRIPTION
1	4190 968	1			RECLINER, Front Seat Back Bracket N N N Y4190968
2	9422 041	4			SCREW and Washer N N N Y9422041
3	4018 816	1			ACTUATOR, Front Seat Recliner Release N N N Y4018816
4					SCREW (not serviced) N N N N0
5	4098 080	1			BEZEL, Recliner Handle N N N Y4098080
6	4190 587	2			HANDLE, Recliner and Seat Back Release N N N Y4190587
7					SCREW (not serviced) N N N N0
8					COVER (see interior trim) N N N N0
9					SCREW (not serviced) N N N N0
10					SCREW (not serviced) N N N N0
11					SCREW (not serviced) N N N N0
12					LOCK NUT (not serviced) N N N N0
13	4029 871	1			ADAPTER, Seat Back Recliner Actuator N N N Y4029871
14	4018 852	1			CABLE, Recliner Release Remote N N N Y4018852
15	9414 712	1			SCREW, Cable to Actuator Handle N N N Y9414712
16	4172 777	1			CABLE, Front Seat Manual Adjust Recliner and EZ Entry Release N N N Y4172777
17	9414 712	1			SCREW, Cable to Actuator N N N Y9414712
18	5232 060	1			BRACKET, EZ Entry Release N N N Y5232060
19					ADJUSTER (see manual seat adjuster) N N N N0
NOTE: The following items are not illustrated 0 ated in the Bulletin, parts are to be procured by the dealer directly from:					
	4138 358	1			SHIM, Front Seat Back Recliner Locking Arm N N N Y4138358
	6022 149	1			RETAINER RING, Recliner Release Actuator Shaft to Bracket N N N Y6022149
	4190 588	1			LEVER, Recliner Release N N N Y4190588

MODEL CODES

B = GRAN FURY/CARAVELLE	P = RELIANT
C = LEBARON/TOWN & COUNTRY	S = CORDOBA
D = ARIES	V = 400
F = NEW YORKER	X = MIRADA
G = DIPLOMAT	Y = IMPERIAL
M = HORIZON/TC3/SCAMP	Z = OMNI/O24/RAMPAGE

BODY STYLES

21 = 2-DOOR SEDAN	28 = FWD PICKUP
22 = 2-DOOR SPECIAL COUPE	41 = 4-DOOR SEDAN
24 = 2-DOOR HATCHBACK	44 = 4-DOOR HATCHBACK
27 = 2-DOOR CONVERTIBLE	45 = 2-SEAT STATION WAGON

AR = Use as Required - = Non Illustrated Part P.A.R. = Paint as Required

SEAT ADJUSTER, MANUAL - S,X,Y 0  
Figure IT-7261

2253 726100

ITEM	PART NUMBER	QTY	BODY	MODEL	DESCRIPTION
1					ADJUSTER, Manual N N N N0
	4172 129	1			OUTER, Left, w/60/40 Seat N N N Y4172129
	4172 065	1			INNER, Left, w/60/40 Seat N N N Y4172065
	4172 159	1			OUTER, Left, w/Bucket Seat N N N Y4172159
	4172 162	1			INNER, Left, w/Bucket Seat N N N Y4172162
2					ADJUSTER, Manual N N N N0
	4246 096	1			Outer, Right, w/60/40 Seat N N N Y4246096
	4172 058	1			Inner, Right, w/60/40, w/Bucket Seat N N N Y4172058
	4246 120	1			Outer, Right, w/Bucket, w/EZ Entry N N N Y4246120
	4172 158	1			Outer, Right, w/Bucket, w/o EZ Entry N N N Y4172158
3					NUT and WASHER (not serviced) N N N N0
4					REINFORCEMENT, Floor Pan N N N N0
	3791 006-7	1			Front N N N Y3791006
	4015 562-3	1			Rear N N N Y4015562
5	0181 088	AR			SCREW and WASHER N N N Y0181088
6	5207 235	AR			KNOB, Manual Adjuster Release N N N Y5207235
7					COVER, Manual Seat Adjuster N N N N0
	S864-5 AA7	1			OUTER, w/Bucket, Silver N N N YS864AA7
	S864-5 TC7	1			Blue, Dark N N N YS864TC7
	S864-5 VH9	1			Mahogany N N N YS864VH9
	S864-5 TM6	1			Red N N N YS864TM6
	S864-5 TT6	1			Tan N N N YS864TT6
	S866-7 AA7	1			Outer, w/60/40, Silver N N N YS866AA7
	S866-7 TB2	1			Blue, Light N N N YS866TB2
	S866-7 TC7	1			Blue, Dark N N N YS866TC7
	S866-7 VH9	1			Mahogany N N N YS866VH9
	S866-7 TM6	1			Red N N N YS866TM6
	S866-7 TT6	1			Tan N N N YS866TT6
	S873 AA7	1			Inner, Right, w/Bucket or 60/40, Silver N N N YS873AA7
	S873 TB2	1			Blue, Light N N N YS873TB2
	S873 TC7	1			Blue, Dark N N N YS873TC7
	S873 VH9	1			Mahogany N N N YS873VH9
	S873 TM6	1			Red N N N YS873TM6
	S873 TT6	1			Tan N N N YS873TT6
	S868 AA7	1			Inner, Left, w/buckets or 60/40, Silver N N N YS868AA7
	S868 TB2	1			Blue, Light N N N YS868TB2
	S868 TC7	1			Blue, Dark N N N YS868TC7

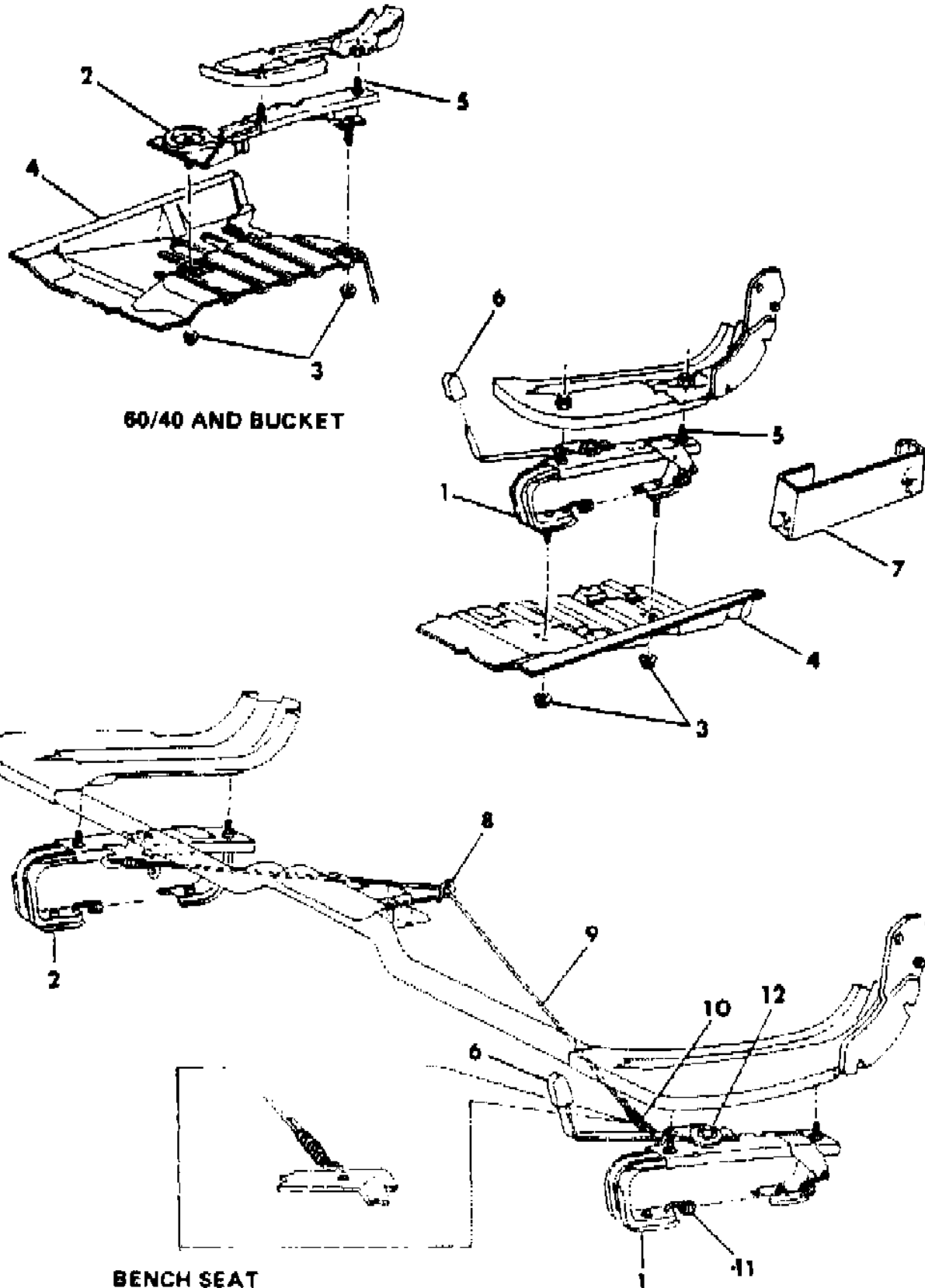
MODEL CODES

B = GRAN FURY/CARAVELLE	P = RELIANT
C = LEBARON/TOWN & COUNTRY	S = CORDOBA
D = ARIES	V = 400
F = NEW YORKER	X = MIRADA
G = DIPLOMAT	Y = IMPERIAL
M = HORIZON/TC3/SCAMP	Z = OMNI/O24/RAMPAGE

BODY STYLES

21 = 2-DOOR SEDAN	28 = FWD PICKUP
22 = 2-DOOR SPECIAL COUPE	41 = 4-DOOR SEDAN
24 = 2-DOOR HATCHBACK	44 = 4-DOOR HATCHBACK
27 = 2-DOOR CONVERTIBLE	45 = 2-SEAT STATION WAGON

AR = Use as Required - = Non Illustrated Part P.A.R. = Paint as Required



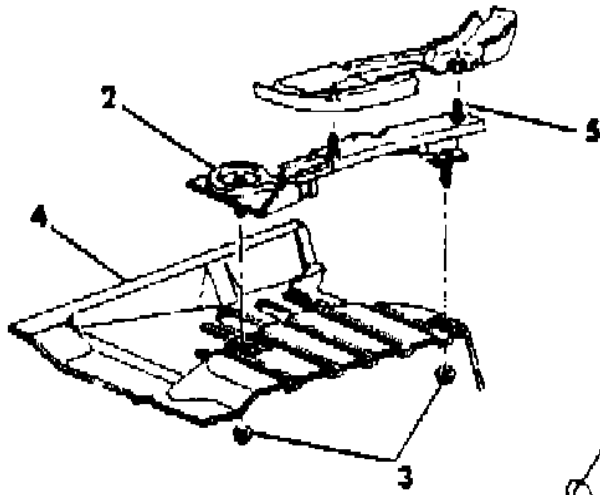
60/40 AND BUCKET

BENCH SEAT

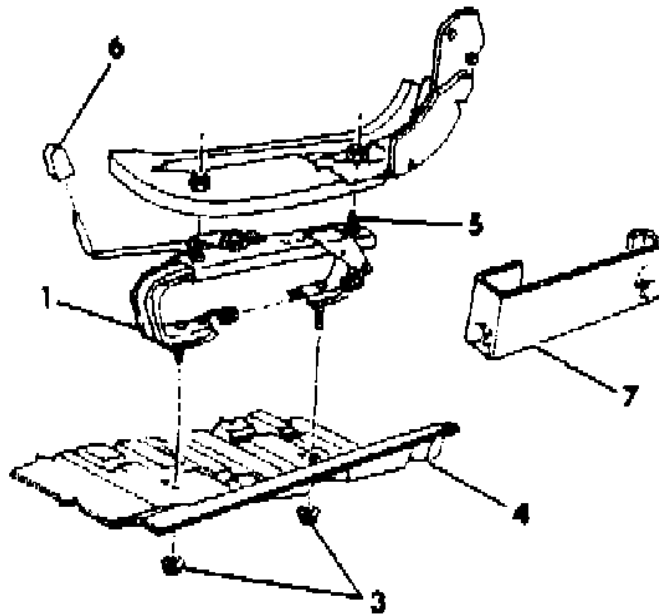
SEAT ADJUSTER, MANUAL - S,X,Y 0  
Figure IT-7261

2253 726100

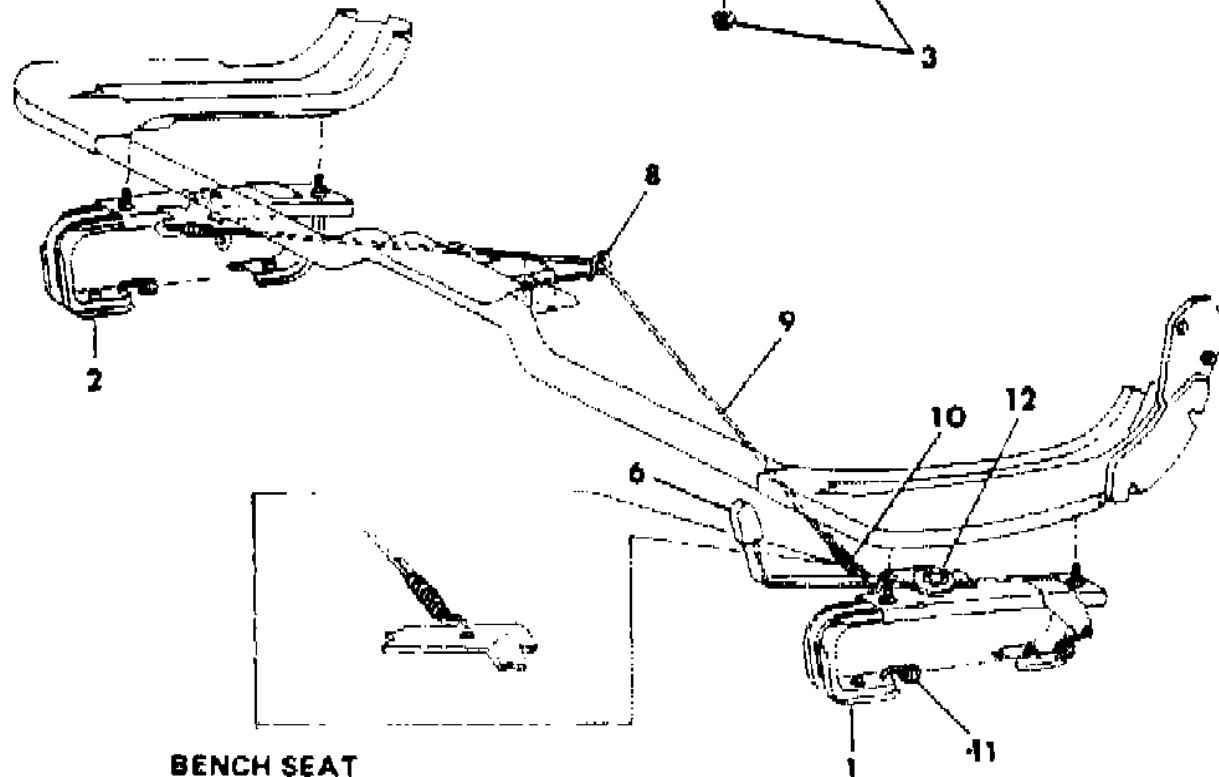
ITEM	PART NUMBER	QTY	BODY	MODEL	DESCRIPTION
	S868 VH9	1			Mahogany N N N YS868VH9
	S868 TM6	1			Red N N N YS868TM6
	S868 TT6	1			Tan N N N YS868TT6
8	2942 556	1			HOOK, Seat Wire Guide N N N Y2942556
9	4172 174	1			WIRE, Seat Adjuster Latch, w/60/40 N N N Y4172174
10	4172 333	1			SPRING, Lever Return N N N Y4172333
	4172 164	1			SPRING, Tension Return Manual N N N Y4172164
11	4172 009	1			SPRING, Seat Adjuster Tension N N N Y4172009
12	4246 125	1			SPRING, Adjuster Latch Return N N N Y4246125
NOTE: The following items are not illustrated 0 ated in the Bulletin, parts are to be procured by the dealer directly from:					
	6025 766				NUT, Spring Cover Attaching N N N Y6025766
	0104 918				Ball N N N Y0104918
	4172 363				SPRING, Front Seat Manual Adjuster Release Lever Retun, w/EZ Entry N N N Y4172363
	4172 107				BRACKET, Cable Attaching w/EZ Entry System N N N Y4172107
	4172 362				LEVER, Seat Release w/EZ Entry System N N N Y4172362
	5232 061				PIN, Cable Attaching w/EZ Entry N N N Y5232061



60/40 AND BUCKET



BENCH SEAT



MODEL CODES

B = GRAN FURY/CARAVELLE	P = RELIANT
C = LEBARON/TOWN & COUNTRY	S = CORDOBA
D = ARIES	V = 400
F = NEW YORKER	X = MIRADA
G = DIPLOMAT	Y = IMPERIAL
M = HORIZON/TC3/SCAMP	Z = OMNI/O24/RAMPAGE

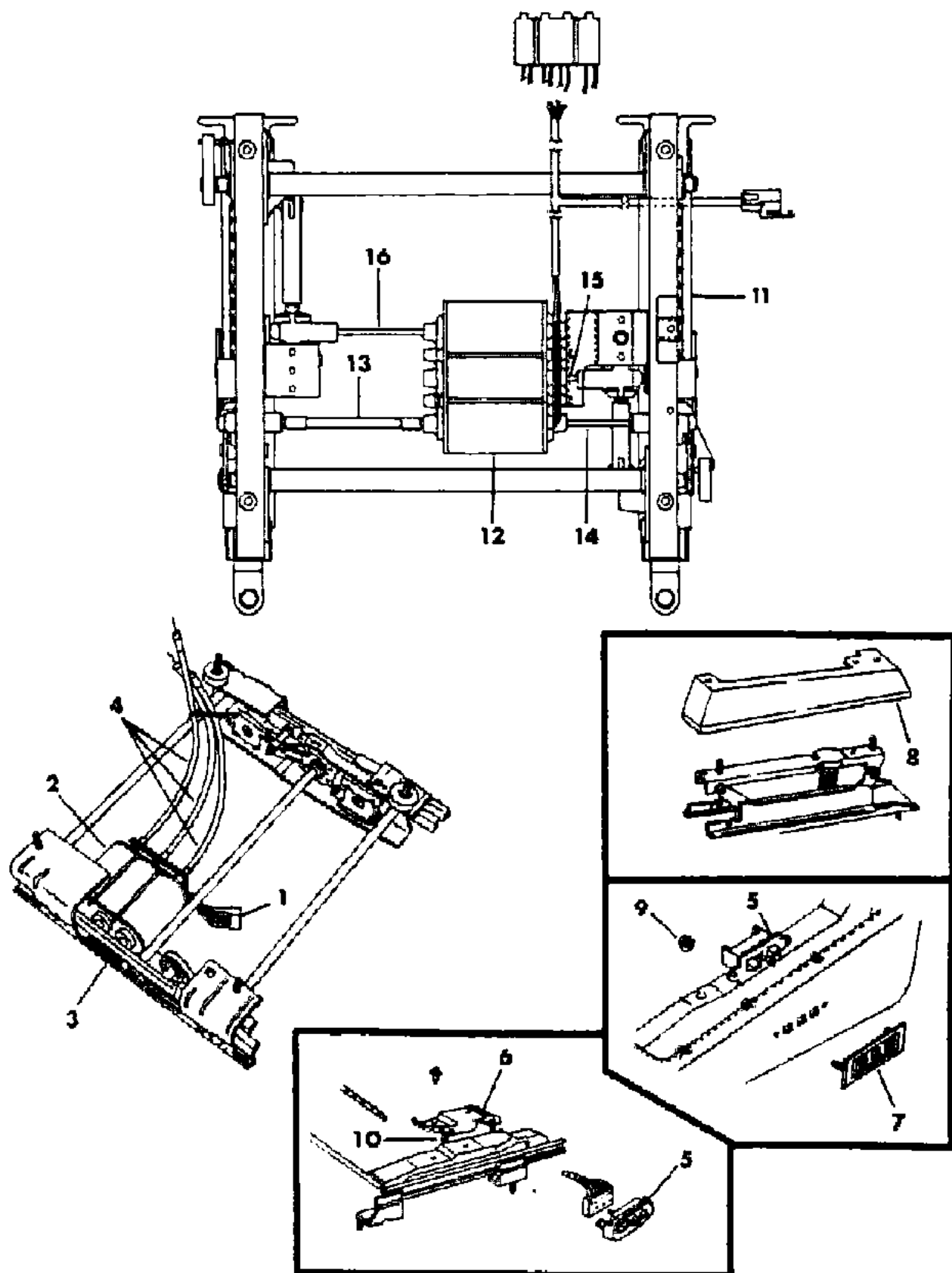
BODY STYLES

21 = 2-DOOR SEDAN	28 = FWD PICKUP
22 = 2-DOOR SPECIAL COUPE	41 = 4-DOOR SEDAN
24 = 2-DOOR HATCHBACK	44 = 4-DOOR HATCHBACK
27 = 2-DOOR CONVERTIBLE	45 = 2-SEAT STATION WAGON

AR = Use as Required - = Non Illustrated Part P.A.R. = Paint as Required

**ADJUSTER, FRONT SEAT ELECTRIC BUCKET AND 60/40 X,S,Y 0**  
**Figure IT-7271**

2253 727100



ITEM	PART NUMBER	QTY	BODY	MODEL	DESCRIPTION
1	4209 431	1			WIRING, Seat Adjuster N NX,S N Y4209431
	4209 025	1			N NY N Y4209025
2	4172 871	1			MOTOR, Left N N N Y4172871
	4239 716	1			Right N N N Y4239716
3					ADJUSTER N N N N0
	4172 667	1			Left N N N Y4172667
	4239 912	1			Right, 4 Way N N N Y4239912
	4054 169	1			TUBE, Electric Seat Adjuster, Length 14.30" N N N Y4054169
4	4054 168	1			CABLE, Length 15.44" N N N Y4054168
					SWITCH N N N N0
5	3747 740	1			Left N N N Y3747740
	3747 957	1			Right N N N Y3747957
	3747 741	1			SWITCH and BEZEL, w/ Bucket Seat N N N Y3747741
6	3747 795	1			BRACKET, Seat Adjuster Switch Mounting N N N Y3747795
7					BEZEL, Seat Adjuster Switch, Non Reclining N N N N0
	3746 967	1			Left N N N Y3746967
	3747 960	1			Right N N N Y3747960
8					COVER, w/60/40 and Bucket N N N N0
	S689 AA7	1			Outer, Left, Silver N N N YS689AA7
	S689 TB2	1			Blue, Light N N N YS689TB2
	S689 SC7	1			Blue, Dark N N N YS689SC7
	S689 VH9	1			Mahogany N N N YS689VH9
	S689 TM6	1			Red N N N YS689TM6
	S689 ST6	1			Tan N N N YS689ST6
	S695 AA7	1			Inner, Left, Silver N N N YS695AA7
	S695 TB2	1			Blue, Light N N N YS695TB2
	S695 SC7	1			Blue, Dark N N N YS695SC7
	S695 VH9	1			Mahogany N N N YS695VH9
	S695 TM6	1			Red N N N YS695TM6
	S695 ST6	1			Tan N N N YS695ST6
	S576 AA7	1			Outer, Right, w/60/40, Silver N N N YS576AA7
S576 VB2	1			Blue, Light N N N YS576VB2	
S576 VC7	1			Blue, Dark N N N YS576VC7	
S576 VH9	1			Mahogany N N N YS576VH9	
S576 VM6	1			Red N N N YS576VM6	
S576 VT6	1			Tan N N N YS576VT6	
S578 AA7	1			Inner, Right, w/60/40, Silver N N N YS578AA7	

**MODEL CODES**

B = GRAN FURY/CARAVELLE	P = RELIANT
C = LEBARON/TOWN & COUNTRY	S = CORDOBA
D = ARIES	V = 400
F = NEW YORKER	X = MIRADA
G = DIPLOMAT	Y = IMPERIAL
M = HORIZON/TC3/SCAMP	Z = OMNI/O24/RAMPAGE

**BODY STYLES**

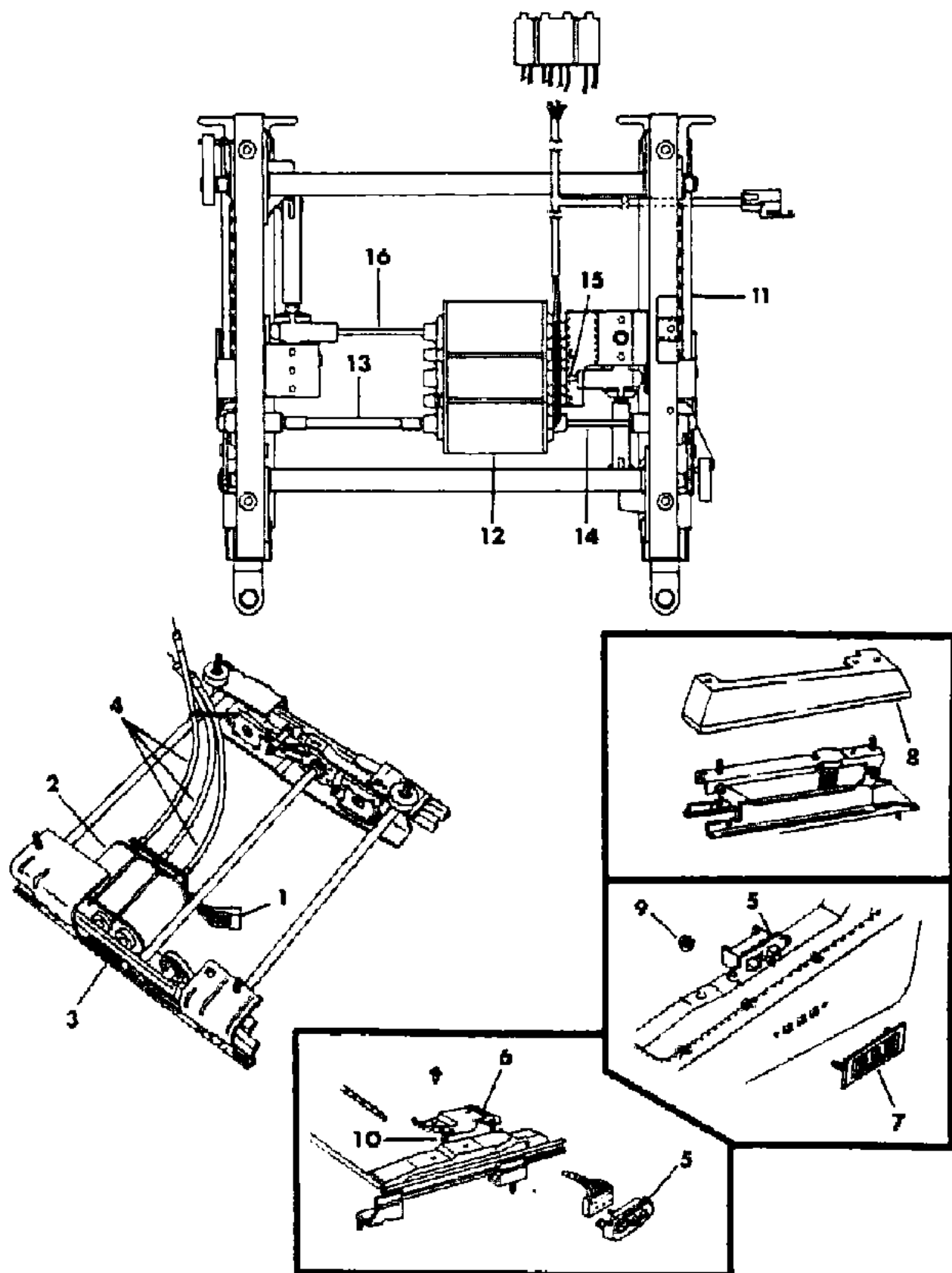
21 = 2-DOOR SEDAN	28 = FWD PICKUP
22 = 2-DOOR SPECIAL COUPE	41 = 4-DOOR SEDAN
24 = 2-DOOR HATCHBACK	44 = 4-DOOR HATCHBACK
27 = 2-DOOR CONVERTIBLE	45 = 2-SEAT STATION WAGON

AR = Use as Required - = Non Illustrated Part P.A.R. = Paint as Required



**ADJUSTER, FRONT SEAT ELECTRIC BUCKET AND 60/40 X,S,Y 0**  
Figure IT-7271

2253 727100



ITEM	PART NUMBER	QTY	BODY	MODEL	DESCRIPTION
	S578 VB2	1			Blue, Light N N N YS578VB2
	S578 VC7	1			Blue, Dark N N N YS578VC7
	S578 VH9	1			Mahogany N N N YS578VH9
	S578 VM6	1			Red N N N YS578VM6
	S578 VT6	1			Tan N N N YS578VT6
9	6025 002	2			NUT and WASHER N N N Y6025002
10	9420 867	2			NUT N N N Y9420867
11	4106 747	1			ADJUSTER N N N Y4106747
12	4054 928	1			MOTOR N N N Y4054928
13	4054 929	1			CABLE, Horizontal Drive 6.77" N N N Y4054929
14	4054 930	1			CABLE, Horizontal Drive 4.05" N N N Y4054930
15	4054 931	1			CABLE, Front Riser 2.06" N N N Y4054931
16	4054 932	1			CABLE, Front Riser 4.83" N N N Y4054932

NOTE: The following items are not illustrated 0 ated in the Bulletin, parts are to be procured by the dealer directly from:

2945 544	4				SPACER, Front Seat Electric Adjuster, w/Bucket N N N Y2945544
4239 724	1				SPRING, Vert. 4 Way, Right N N N Y4239724
4239 722	1				SPRING, Horz. 4 Way, Right N N N Y4239722
4239 718	1				CABLE, Vert. 4 Way, Right N N N Y4239718
4239 720	1				CABLE, Horz. 4 Way, Right N N N Y4239720
4055 693	1				BRACKET, Seat Track Wiring N N N Y4055693
6028 040	1				RETAINER, Wiring Bracket N N N Y6028040
					COVER, Front Seat Electric Adjuster Mounting Base, w/60/40, Left N N N 0
S892-3 AA7	1				Silver N N N YS892AA7
S892-3 TB2	1				Blue, Light N N N YS892TB2
S892-3 TC7	1				Blue, Dark N N N YS892TC7
S892-3 VH9	1				Mahogany N N N YS892VH9
S892-3 TM6	1				Red N N N YS892TM6
S892-3 TT6	1				Tan N N N YS892TT6

NOTE: See Manual Adjuster for Right Bucket Seat 0 ated in the Bulletin, parts are to be procured by the dealer directly from:

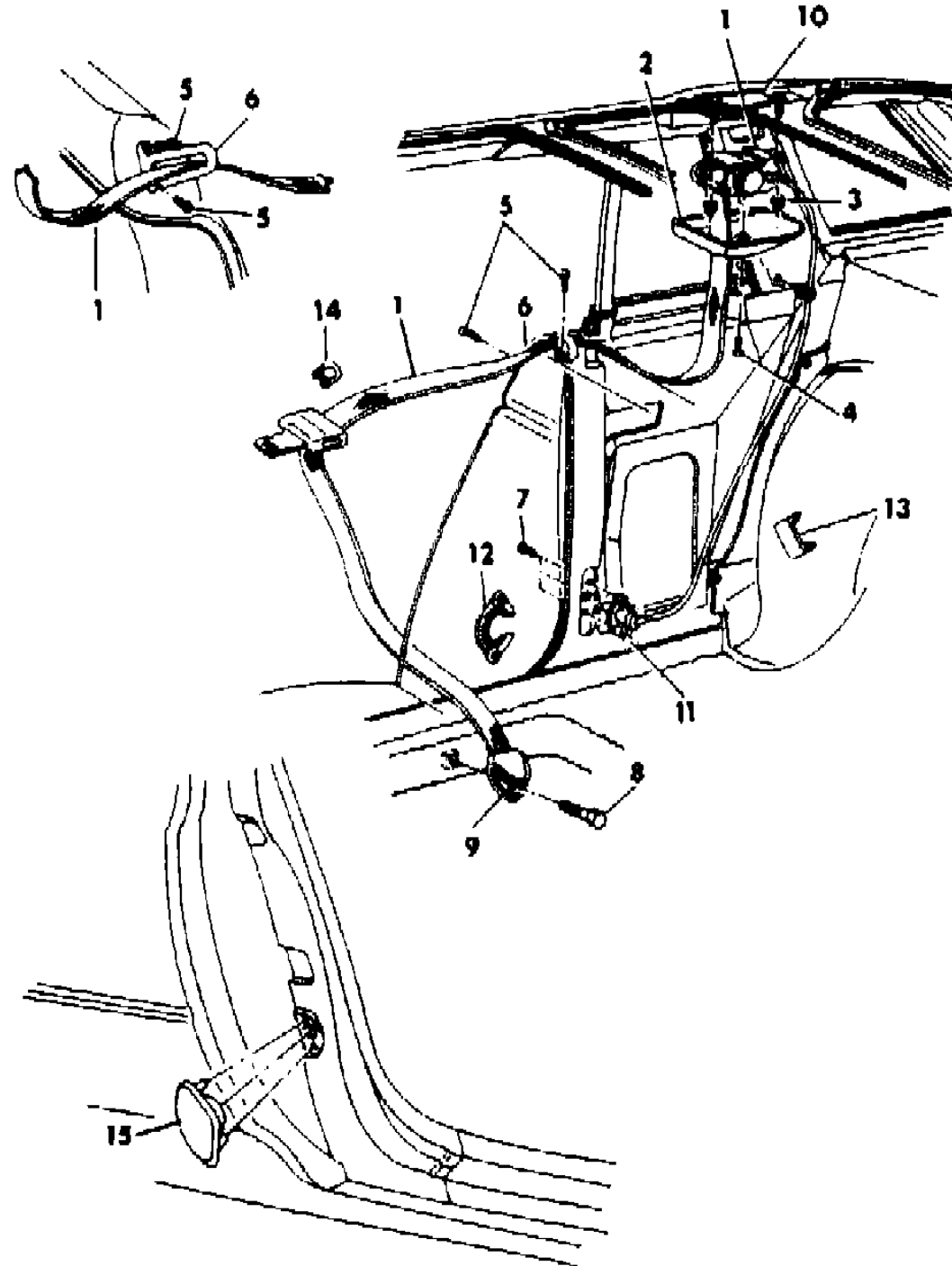
MODEL CODES  
 B = GRAN FURY/CARAVELLE      P = RELIANT  
 C = LEBARON/TOWN & COUNTRY      S = CORDOBA  
 D = ARIES      V = 400  
 F = NEW YORKER      X = MIRADA  
 G = DIPLOMAT      Y = IMPERIAL  
 M = HORIZON/TC3/SCAMP      Z = OMNI/O24/RAMPAGE

BODY STYLES  
 21 = 2-DOOR SEDAN      28 = FWD PICKUP  
 22 = 2-DOOR SPECIAL COUPE      41 = 4-DOOR SEDAN  
 24 = 2-DOOR HATCHBACK      44 = 4-DOOR HATCHBACK  
 27 = 2-DOOR CONVERTIBLE      45 = 2-SEAT STATION WAGON

AR = Use as Required - = Non Illustrated Part P.A.R. = Paint as Required

**BELT, FRONT SEAT LAP AND SHOULDER - X,S,Y 0**  
**Figure IT-7281**

2253 7 **28100**



ITEM	PART NUMBER	QTY	BODY	MODEL	DESCRIPTION
1					BELT, Front Seat Lap and Shoulder Outer N N N N0
	F608-9 AA3	1			Label No. 4172746 - 7 N N N N0 Silver N NX,S N YF608AA3
	F608-9 TC7	1			Blue, Dark N NX,S N YF608TC7
	F608-9 VH9	1			Mahogany N NX,S N YF608VH9
	F608-9 TM6	1			Red N NX,S N YF608TM6
	F608-9 TT4	1			Tan N NX,S N YF608TT4 Lable No. 4172804 N N N N0
	F860 AA3	2			Silver N NY N YF860AA3
	F860 VB2	2			Blue, Light N NY N YF860VB2
	F860 VC7	2			Blue, Dark N NY N YF860VC7
	F860 VH9	2			Mahogany N NY N YF860VH9
	F860 VM6	2			Red N NY N YF860VM6
	F860 VT4	2			Tan N NY N YF860VT4
2					COVER, Headlining Roof Rail Retract N N N N0
	H682-3 TW1	1			White N NX,S N YH682TW1
	H622-3 AA3	1			Silver N NY N YH622AA3
	H622-3 VB2	1			Blue, Light N NY N YH622VB2
	H622-3 VC7	1			Blue, Dark N NY N YH622VC7
	H622-3 VH9	1			Mahogany N NY N YH622VH9
	H622-3 VM6	1			Red N NY N YH622VM6
	H622-3 VT4	1			Tan N NY N YH622VT4
	H622-3 VW1	1			White N NY N YH622VW1
3	6028 727	4			NUT N N N Y6028727
4					SCREW (not serviced) N N N N0
5					SCREW (not serviced) N N N N0
6					GUIDE, Front Seat Unibelt Webbing N N N N0
	S863 AA3	2			w/Hi-Back Bucket, Silver N N N YS863AA3 w/Standard Bucket, C.A.R. and 60/40 N N N N0
	S761 AA3	2			Silver N N N YS761AA3
	S761 TB2	2			Blue, Light N N N YS761TB2
	S761 SC7	2			Blue, Dark N N N YS761SC7
	S761 VH9	2			Mahogany N N N YS761VH9
	S761 TM6	2			Red N N N YS761TM6
	S761 ST4	2			Tan N N N YS761ST4
	S761 RW1	2			White N N N YS761RW1
	S761 RX9	2			Black N N N YS761RX9

**MODEL CODES**

B = GRAN FURY/CARAVELLE	P = RELIANT
C = LEBARON/TOWN & COUNTRY	S = CORDOBA
D = ARIES	V = 400
F = NEW YORKER	X = MIRADA
G = DIPLOMAT	Y = IMPERIAL
M = HORIZON/TC3/SCAMP	Z = OMNI/O24/RAMPAGE

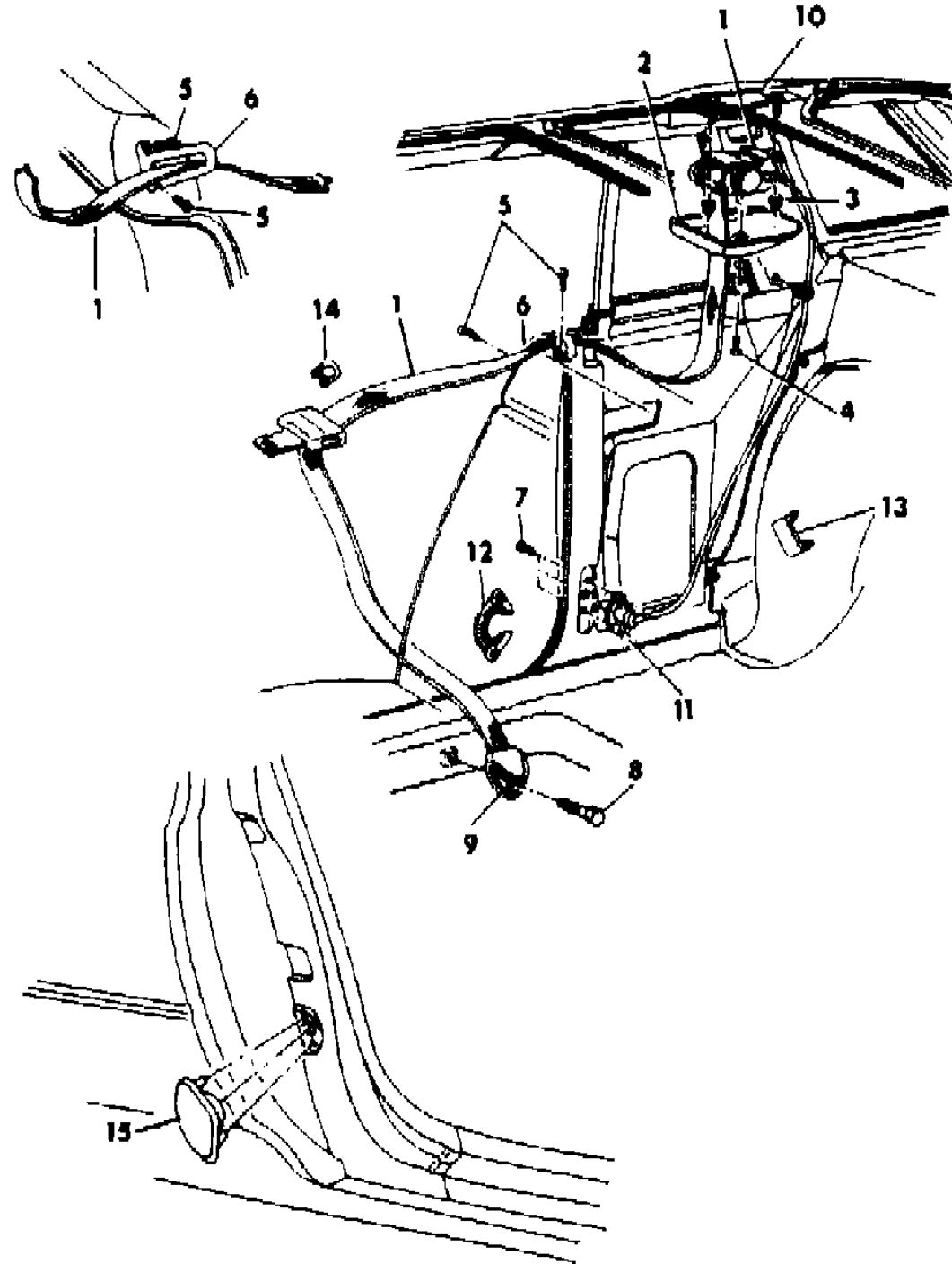
**BODY STYLES**

21 = 2-DOOR SEDAN	28 = FWD PICKUP
22 = 2-DOOR SPECIAL COUPE	41 = 4-DOOR SEDAN
24 = 2-DOOR HATCHBACK	44 = 4-DOOR HATCHBACK
27 = 2-DOOR CONVERTIBLE	45 = 2-SEAT STATION WAGON

AR = Use as Required - = Non Illustrated Part P.A.R. = Paint as Required

**BELT, FRONT SEAT LAP AND SHOULDER - X,S,Y 0**  
**Figure IT-7281**

2253 7 **28100**



ITEM	PART NUMBER	QTY	BODY	MODEL	DESCRIPTION
7					SCREW (not serviced) N N N N0
8	6030 452	2			BOLT N N N Y6030452
9	F814 JX9	2			COVER, Front Seat Lap Bolt Swivel Plate, Black N N N YF814JX9
10	4136 348-9	1			PLATE, w/Screws, Roof inner Panel Side Reinforcement Shoulder Belt Retractor (Repair) N N N Y4136348
11	4172 456	2			RELEASE, Front Seat Unibelt Retractor Reliever N N N Y4172456
12	4054 365	1			RETAINER, Front Seat Unibelt Tension Reliever Attaching N N N Y4054365
13	4054 971	2			CLIP, Front Seat Belt Tension Reliever Cable Retaining N N N Y4054971
14	F405 MX9	1			COVER, Unibelt Tip, Black N N N YF405MX9
15	4172 612	2			PLUG, Front Seat Unibelt Tension Reliever Release Hole N N N Y4172612
The following parts are not illustrated. In the Bulletin, parts are to be procured by the dealer directly from:					
	6025 160	2			RETAINER, Inertia Retractor Pendulum Shaft N N N Y6025160

**MODEL CODES**

B = GRAN FURY/CARAVELLE	P = RELIANT
C = LEBARON/TOWN & COUNTRY	S = CORDOBA
D = ARIES	V = 400
F = NEW YORKER	X = MIRADA
G = DIPLOMAT	Y = IMPERIAL
M = HORIZON/TC3/SCAMP	Z = OMNI/O24/RAMPAGE

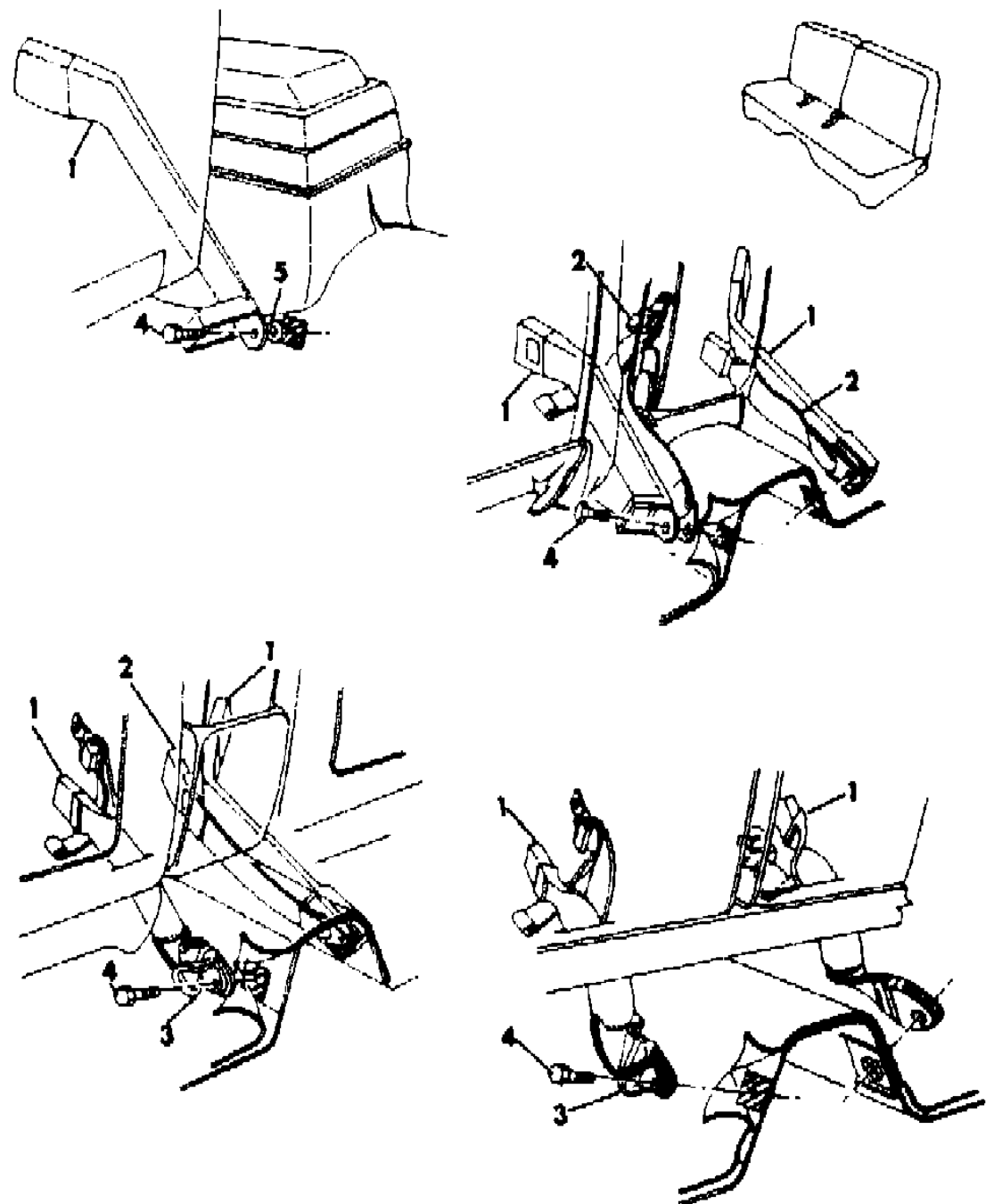
**BODY STYLES**

21 = 2-DOOR SEDAN	28 = FWD PICKUP
22 = 2-DOOR SPECIAL COUPE	41 = 4-DOOR SEDAN
24 = 2-DOOR HATCHBACK	44 = 4-DOOR HATCHBACK
27 = 2-DOOR CONVERTIBLE	45 = 2-SEAT STATION WAGON

AR = Use as Required - = Non Illustrated Part P.A.R. = Paint as Required

**BELT, FRONT SEAT LAP AND SHOULDER - X,S,Y 0**  
**Figure IT-7281**

2253 7 **28** 200



ITEM	PART NUMBER	QTY	BODY	MODEL	DESCRIPTION
1					BELT, Front Seat Lap Buckle Inner N N N NO
	F758-9 AA3	1			Label No. 4054666 - 7 N N N NO Silver N NX,S N YF758AA3
	F758-9 SC7	1			Blue, Datk N NX,S N YF758SC7
	F758-9 VH9	1			Mahogany N NX,S N YF758VH9
	F758-9 TM6	1			Red N NX,S N YF758TM6
	F758-9 ST4	1			Tan N NX,S N YF758ST4
	F758 AA3	1			Label No. 4054666, Right N N N NO Silver N NY N YF758AA3
	F758 VB2	1			Blue, Light N NY N YF758VB2
	F758 SC7	1			Blue, Dark N NY N YF758SC7
	F758 VH9	1			Mahogany N NY N YF758VH9
	F758 TM6	1			Red N NY N YF758TM6
	F758 ST4	1			Tan N NY N YF758ST4
	F749 AA3	1			Label No. 4172621, Left N N N NO Silver N N N YF749AA3
	F749 VB2	1			Blue, Light N N N YF749VB2
	F749 TC7	1			Blue, Dark N N N YF749TC7
	F749 VH9	1			Mahogany N N N YF749VH9
	F749 TM6	1			Red N N N YF749TM6
	F749 TT4	1			Tan N N N YF749TT4
2					BELT, Front Seat Center N N N NO
	F638 AA3	1			Buckle Half, Label No. 3681690 N N N NO Silver N N N YF638AA3
	F638 VB2	1			Blue, Light N N N YF638VB2
	F638 SC7	1			Blue, Dark N N N YF638SC7
	F638 VH9	1			Mahogany N N N YF638VH9
	F638 TM6	1			Red N N N YF638TM6
	F638 ST4	1			Tan N N N YF638ST4
	F640 AA3	1			Tip Half, Label No. 3681803 N N N NO Silver N N N YF640AA3
	F640 SC7	1			Blue, Dark N N N YF640SC7
	F640 VH9	1			Mahogany N N N YF640VH9
	F640 TM6	1			Red N N N YF640TM6
	F640 ST4	1			Tan N N N YF640ST4
3	F814 JX9	2			COVER, Front Seat Lap Belt Tunnel Anchor Bolt, Black N N N YF814JX9

MODEL CODES  
 B = GRAN FURY/CARAVELLE      P = RELIANT  
 C = LEBARON/TOWN & COUNTRY      S = CORDOBA  
 D = ARIES      V = 400  
 F = NEW YORKER      X = MIRADA  
 G = DIPLOMAT      Y = IMPERIAL  
 M = HORIZON/TC3/SCAMP      Z = OMNI/O24/RAMPAGE

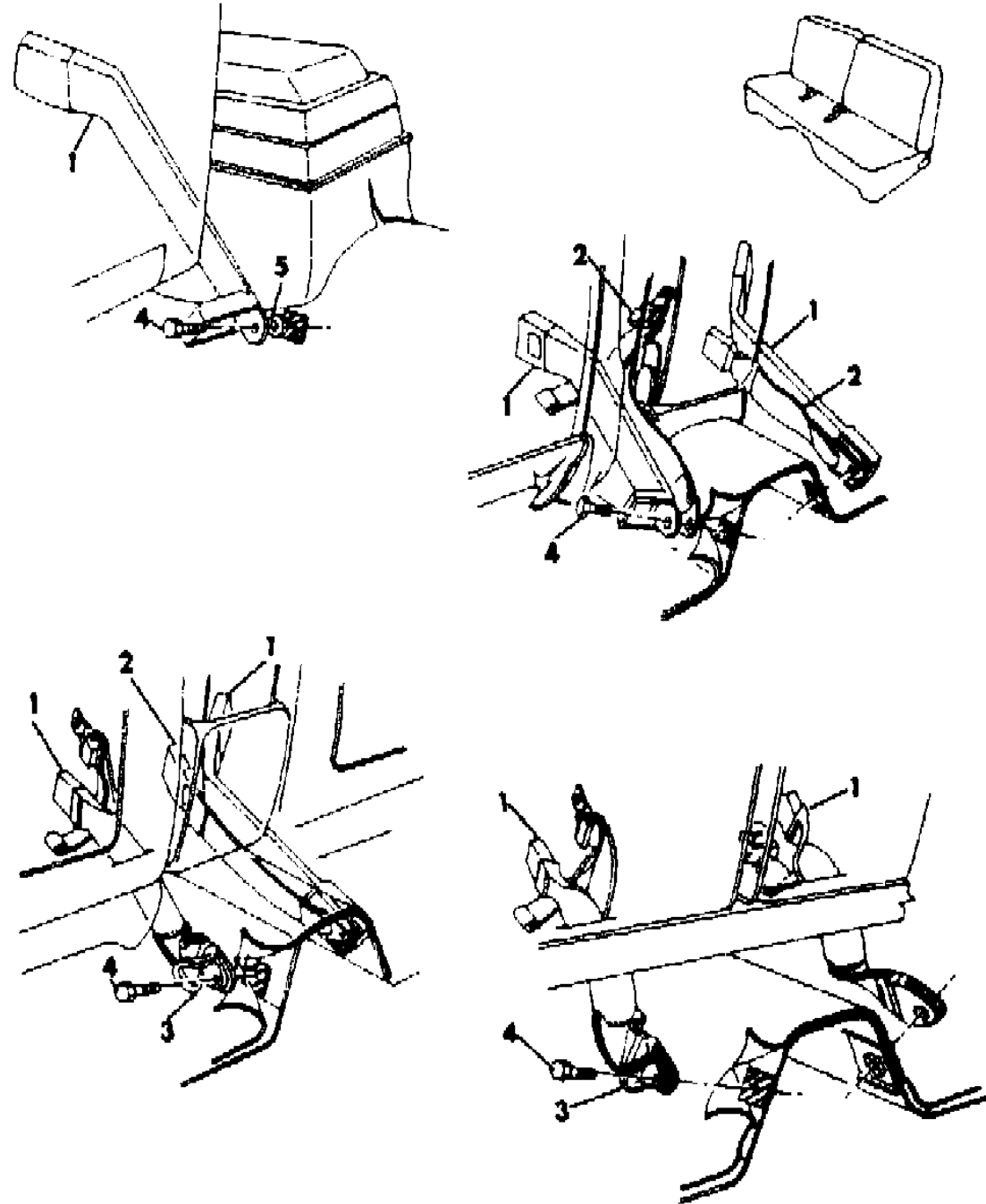
BODY STYLES  
 21 = 2-DOOR SEDAN      28 = FWD PICKUP  
 22 = 2-DOOR SPECIAL COUPE      41 = 4-DOOR SEDAN  
 24 = 2-DOOR HATCHBACK      44 = 4-DOOR HATCHBACK  
 27 = 2-DOOR CONVERTIBLE      45 = 2-SEAT STATION WAGON

AR = Use as Required - = Non Illustrated Part P.A.R. = Paint as Required

**BELT, FRONT SEAT LAP AND SHOULDER - X,S,Y 0**  
**Figure IT-7281**

2253 7 **28** 200

ITEM	PART NUMBER	QTY	BODY	MODEL	DESCRIPTION
4	6030 458	AR			BOLT N N N Y6030458
5		AR			SPACER (not serviced) N N N N0
NOTE: The following items are not illustrated 0 ated in the Bulletin, parts are to be procured by the dealer directly from:					
	4172 807	1			BRACKET, Unibelt Solenoid Mounting N NY N Y4172807
	4172 808	1			SOLENOID, Unibelt N NY N Y4172808



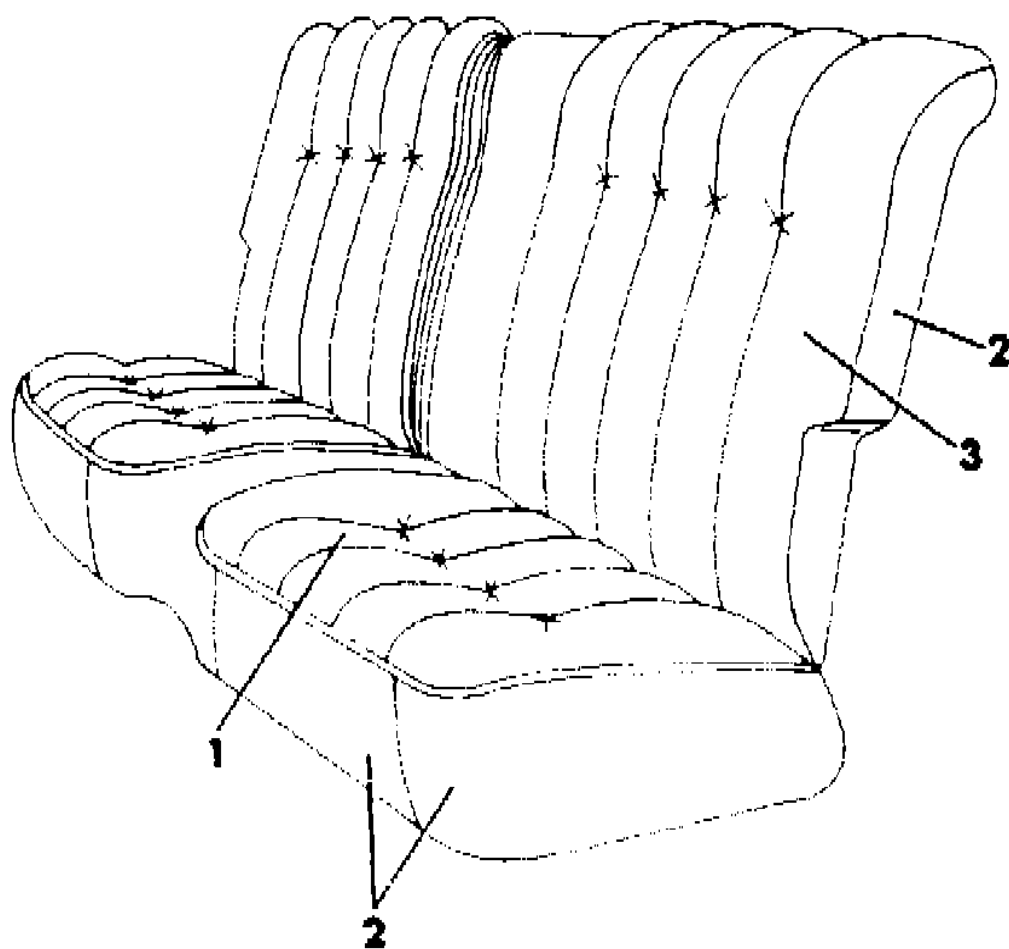
MODEL CODES  
 B = GRAN FURY/CARAVELLE      P = RELIANT  
 C = LEBARON/TOWN & COUNTRY      S = CORDOBA  
 D = ARIES      V = 400  
 F = NEW YORKER      X = MIRADA  
 G = DIPLOMAT      Y = IMPERIAL  
 M = HORIZON/TC3/SCAMP      Z = OMNI/O24/RAMPAGE

BODY STYLES  
 21 = 2-DOOR SEDAN      28 = FWD PICKUP  
 22 = 2-DOOR SPECIAL COUPE      41 = 4-DOOR SEDAN  
 24 = 2-DOOR HATCHBACK      44 = 4-DOOR HATCHBACK  
 27 = 2-DOOR CONVERTIBLE      45 = 2-SEAT STATION WAGON

AR = Use as Required - = Non Illustrated Part P.A.R. = Paint as Required

**SEAT REAR S,X TRIM CODES C9,DL,HL**  
**Figure IT-7301**

**2253 730100**



ITEM	PART NUMBER	QTY	BODY	MODEL	DESCRIPTION
1-2					CUSHION, Rear w/Spring, Frame and Cover N N N N
	B817 A9A	1			N N NC9A YB817A9A
	B817 A9C	1			N N NC9C YB817A9C
	B819 A9H	1			N N NC9H YB819A9H
	B817 A9M	1			N N NC9M YB817A9M
	B817 A9T	1			N N NC9T YB817A9T
	B859 ALA	1			N N NDLA YB859ALA
	B859 VLH	1			N N ND LH YB859VLH
	B859 VLT	1			N N ND LT YB859VLT
	B859 VLW	1			N N NHLCW,HLMW YB859VLW
1					COVER,Rear Cushion N N N N
	B424 A9A	1			N N NC9A YB424A9A
	B424 AAA	1			(use from 1/15/82 to 1/28/82) N N NC9A YB424AAA
	B424 A9C	1			N N NC9C YB424A9C
	B424 A9H	1			N N NC9H YB424A9H
	B424 A9M	1			N N NC9M YB424A9M
	B424 A9T	1			N N NC9T YB424A9T
	B424 ATT	1			(use from 1/15/82 to 2/8/82) N N NC9T YB424ATT
	B481 ALA	1			N N ND LA YB481ALA
	B481 VLH	1			N N ND LH YB481VLH
	B481 VLT	1			N N ND LT YB481VLT
	B481 VLW	1			N N NHLCW,HLMW YB481VLW
2					CLOTH,Roll Stock 54" Wide Order by the Inch N N N N
	R088 AA3	AR			Silver N N N YR088AA3
	R092 VC7	AR			Blue N N N YR092VC7
	R092 VH9	AR			Mahogany N N N YR092VH9
	R092 VM6	AR			Red N N N YR092VM6
	R088 VT4	AR			Tan N N N YR088VT4
					VINYL, Roll Stock Order by the Inch N N N N
	R616 AA3	AR			Silver 64" Wide N N N YR616AA3
	R616 VC8	AR			Blue, 64" Wide N N N YR616VC8
	R609 VH9	AR			Mahogany 58" Wide N N N YR609VH9
	R616 VM6	AR			Red, 64" Wide N N N YR616VM6
	R616 VT3	AR			Tan, 64" Wide N N N YR616VT3
	R609 VW1	AR			White, 58" Wide N N N YR609VW1
3 &					BACK,Rear w/Spring,Frame and Cover N N N N
	B818 A9A	1			N N NC9A YB818A9A

**MODEL CODES**

B = GRAN FURY/CARAVELLE	P = RELIANT
C = LEBARON/TOWN & COUNTRY	S = CORDOBA
D = ARIES	V = 400
F = NEW YORKER	X = MIRADA
G = DIPLOMAT	Y = IMPERIAL
M = HORIZON/TC3/SCAMP	Z = OMNI/O24/RAMPAGE

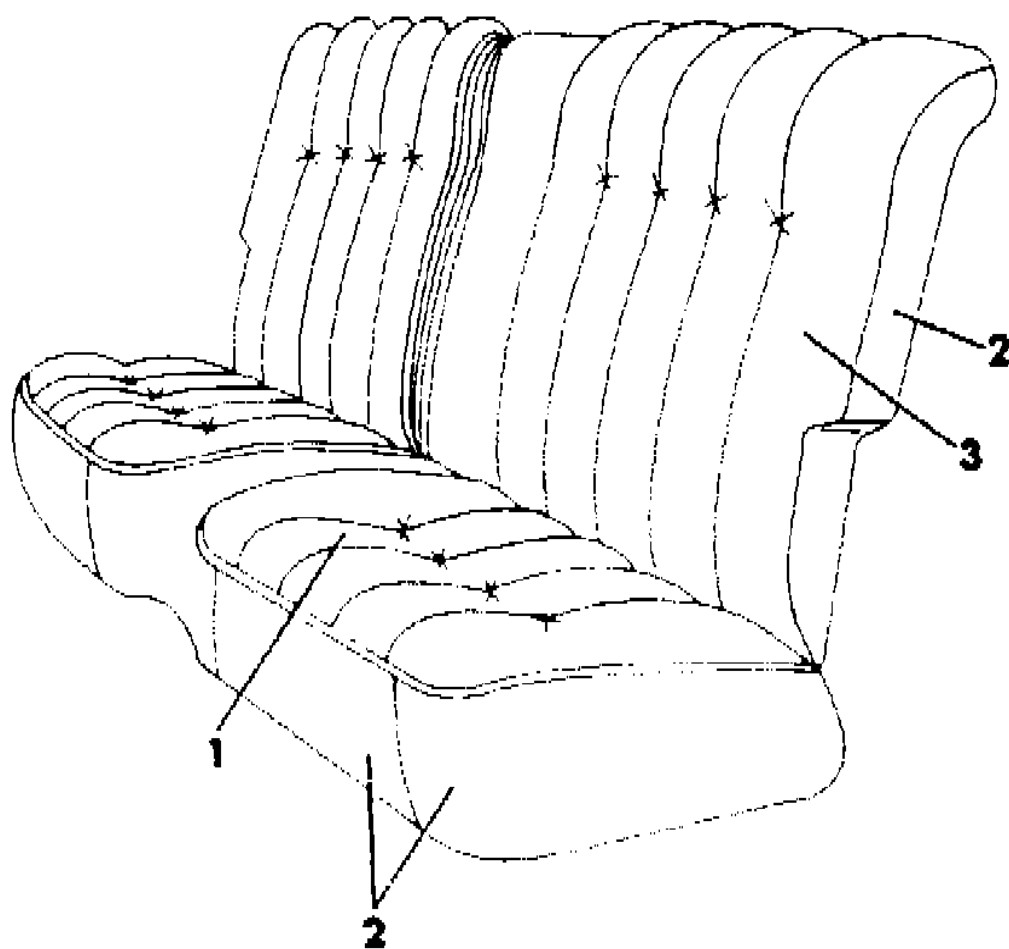
**BODY STYLES**

21 = 2-DOOR SEDAN	28 = FWD PICKUP
22 = 2-DOOR SPECIAL COUPE	41 = 4-DOOR SEDAN
24 = 2-DOOR HATCHBACK	44 = 4-DOOR HATCHBACK
27 = 2-DOOR CONVERTIBLE	45 = 2-SEAT STATION WAGON

AR = Use as Required - = Non Illustrated Part P.A.R. = Paint as Required

**SEAT REAR S,X TRIM CODES C9,DL,HL**  
**Figure IT-7301**

2253 730100



ITEM	PART NUMBER	QTY	BODY	MODEL	DESCRIPTION
	B819 A9C	1			N N NC9C YB819A9C
	B818 A9H	1			N N NC9H YB818A9H
	B818 A9M	1			N N NC9M YB818A9M
	B818 A9T	1			N N NC9T YB818A9T
	B878 ALA	1			N N NDLA YB878ALA
	B878 VLH	1			N N ND LH YB878VLH
	B878 VLT	1			N N ND LT YB878VLT
	B878 VLW	1			N N NHLCW,HLMW YB878VLW
3					COVER,Rear Back N N N N
	B425 A9A	1			N N NC9A YB425A9A
	B425 AAA	1			(use from 1/15/82 to 1/28/82) N N NC9A YB425AAA
	B425 A9C	1			N N NC9C YB425A9C
	B425 A9H	1			N N NC9H YB425A9H
	B425 A9M	1			N N NC9M YB425A9M
	B425 A9T	1			N N NC9T YB425A9T
	B425 ATT	1			(use from 1/15/82 to 2/28/82) N N NC9T YB425ATT
	B482 ALA	1			N N ND LA YB482ALA
	B482 VLH	1			N N ND LH YB482VLH
	B482 VLT	1			N N ND LT YB482VLT
	B482 VLW	1			N N NHLCW,HLMW YB482VLW

The following parts are not illustrated. ated in the Bulletin, parts are to be procured by the dealer directly from:

6008 076	AR	CLIP, Trim Hog Ring N N N Y6008076
----------	----	------------------------------------

**MODEL CODES**

B = GRAN FURY/CARAVELLE	P = RELIANT
C = LEBARON/TOWN & COUNTRY	S = CORDOBA
D = ARIES	V = 400
F = NEW YORKER	X = MIRADA
G = DIPLOMAT	Y = IMPERIAL
M = HORIZON/TC3/SCAMP	Z = OMNI/O24/RAMPAGE

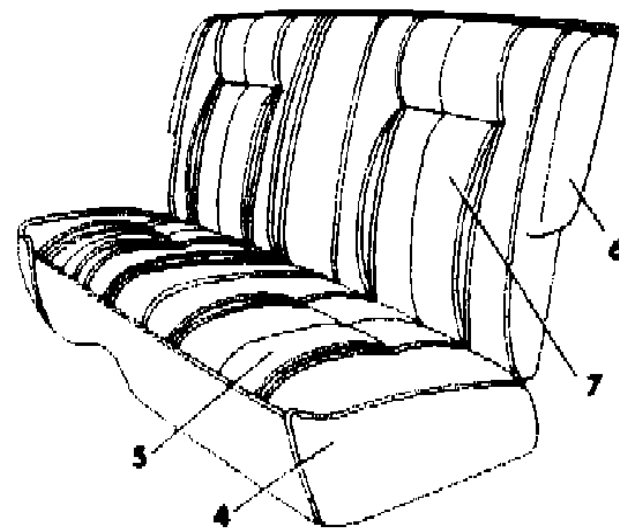
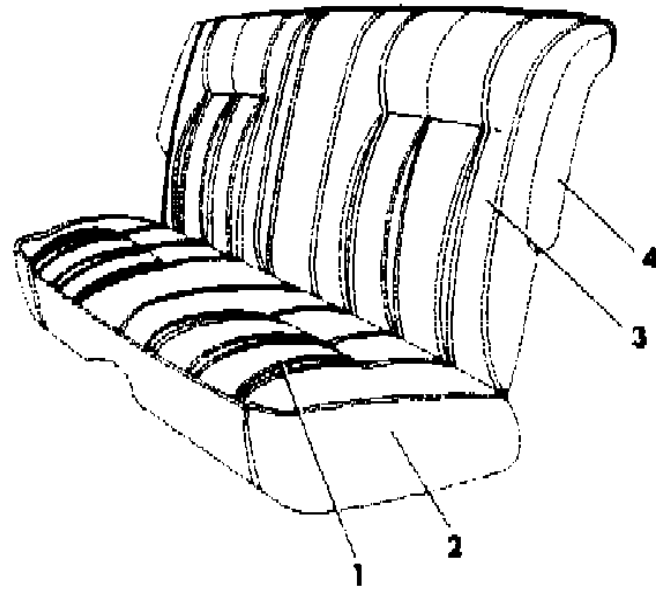
**BODY STYLES**

21 = 2-DOOR SEDAN	28 = FWD PICKUP
22 = 2-DOOR SPECIAL COUPE	41 = 4-DOOR SEDAN
24 = 2-DOOR HATCHBACK	44 = 4-DOOR HATCHBACK
27 = 2-DOOR CONVERTIBLE	45 = 2-SEAT STATION WAGON

AR = Use as Required - = Non Illustrated Part P.A.R. = Paint as Required

SEAT REAR S,X TRIM CODES F6,N5  
Figure IT-7302

2753 730200



ITEM	PART NUMBER	QTY	BODY	MODEL	DESCRIPTION
1-2					CUSHION,Rear w/Spring,Frame and Cover N N N N
	B668 A6A	1			N N NF6A YB668A6A
	B668 V6C	1			N N NF6C YB668V6C
	B668 V6M	1			N N NF6M YB668V6M
	B668 V6T	1			N N NF6T YB668V6T
1					COVER,Rear Cushion N N N N
	B379 A6A	1			N N NF6A YB379A6A
	B379 V6C	1			N N NF6C YB379V6C
	B379 V6M	1			N N NF6M YB379V6M
	B379 V6T	1			N N NF6T YB379V6T
2					CLOTH,Roll Stock 54" Wide Order by the Inch N N N N
	R088 AA3	AR			Silver N N N YR088AA3
	R092 VC7	AR			Blue N N N YR092VC7
	R092 VM6	AR			Red N N N YR092VM6
	R088 VT4	AR			Tan N N N YR088VT4
3-4					BACK,Rear wSpring,Frame and Cover N N N N
	B673 A6A	1			N N NF6A YB673A6A
	B673 V6C	1			N N NF6C YB673V6C
	B673 V6M	1			N N NF6M YB673V6M
	B673 V6T	1			N N NF6T YB673V6T
3					COVER,Rear Back N N N N
	B380 A6A	1			N N NF6A YB380A6A
	B380 V6C	1			N N NF6C YB380V6C
	B380 V6M	1			N N NF6M YB380V6M
	B380 V6T	1			N N NF6T YB380V6T
4					ROLL STOCK, Vinyl 64" Wide Order by the Inch N N N N
	R616 AA2	AR			Silver N N N YR616AA2
	R616 VC8	AR			Blue N N N YR616VC8
	R616 VM6	AR			Red N N N YR616VM6
	R616 VT3	AR			Tan N N N YR616VT3
4-5					CUSHION,Rear w/Spring,Frame and Cover N N N N
	B647 A5A	1			N N NN5A YB647A5A
	B647 V5C	1			N N NN5C YB647V5C
	B647 V5M	1			N N NN5M YB647V5M
	B647 V5U	1			N N NN5T YB647V5U
5					COVER,Rear Cushion N N N N
	B302 A5A	1			N N NN5A YB302A5A

MODEL CODES

B = GRAN FURY/CARAVELLE  
C = LEBARON/TOWN & COUNTRY  
D = ARIES  
F = NEW YORKER  
G = DIPLOMAT  
M = HORIZON/TC3/SCAMP  
P = RELIANT  
S = CORDOBA  
V = 400  
X = MIRADA  
Y = IMPERIAL  
Z = OMNI/O24/RAMPAGE

BODY STYLES

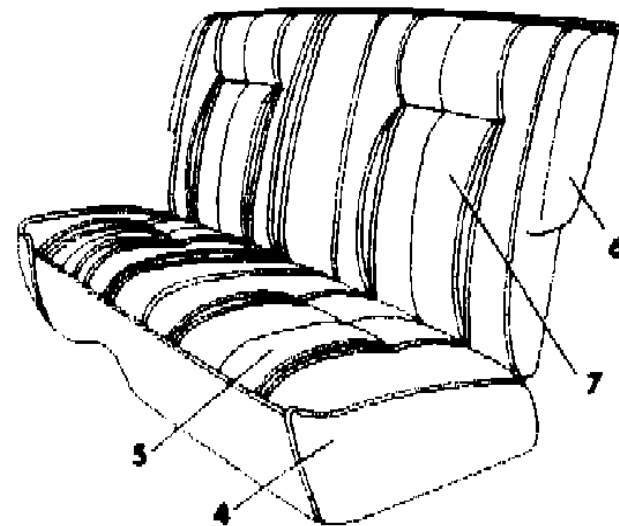
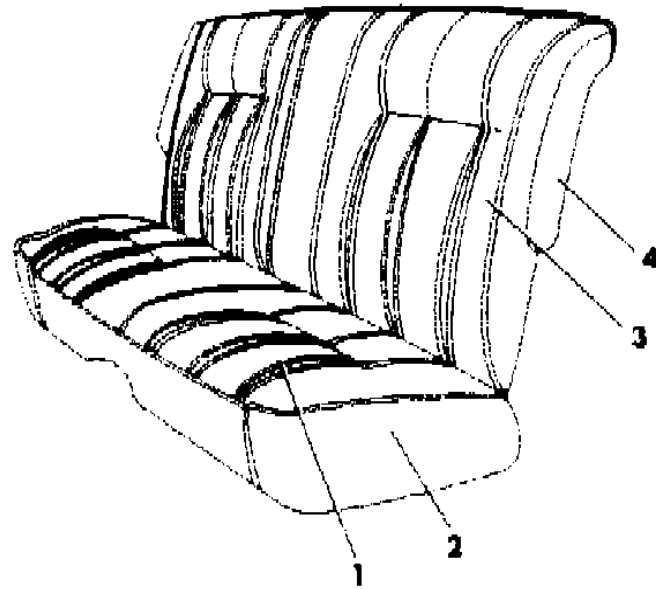
21 = 2-DOOR SEDAN  
22 = 2-DOOR SPECIAL COUPE  
24 = 2-DOOR HATCHBACK  
27 = 2-DOOR CONVERTIBLE  
28 = FWD PICKUP  
41 = 4-DOOR SEDAN  
44 = 4-DOOR HATCHBACK  
45 = 2-SEAT STATION WAGON

AR = Use as Required - = Non Illustrated Part P.A.R. = Paint as Required



SEAT REAR S,X TRIM CODES F6,N5  
Figure IT-7302

2753 730200



ITEM	PART NUMBER	QTY	BODY	MODEL	DESCRIPTION
	B302 V5C	1			N N NN5C YB302V5C
	B302 V5M	1			N N NN5M YB302V5M
	B302 V5U	1			N N NN5T YB302V5U
6	R077 AA3	AR			CLOTH, Roll Stock 54" wide Order by the Inch N N N N Silver N N NN5A YR077AA3
	R077 SC7	AR			Blue N N NN5C YR077SC7
	R077 TM6	AR			Red N N NN5M YR077TM6
	R077 TT4	AR			Tan N N NN5T YR077TT4
3-7					BACK, Rear w/Spring, Frame and Cover N N N N
	B648 A5A	1			N N NN5A YB648A5A
	B648 V5C	1			N N NN5C YB648V5C
	B648 V5M	1			N N NN5M YB648V5M
	B648 V5U	1			N N NN5T YB648V5U
7					COVER, Rear Back N N N N
	B303 A5A	1			N N NN5A YB303A5A
	B303 V5C	1			N N NN5C YB303V5C
	B303 V5M	1			N N NN5M YB303V5M
	B303 V5U	1			N N NN5T YB303V5U
The following parts are not illustrated. ated in the Bulletin, parts are to be procured by the dealer directly from:					
	6008 076	AR			CLIP, Trim Hog Ring N N N Y6008076

MODEL CODES

B = GRAN FURY/CARAVELLE	P = RELIANT
C = LEBARON/TOWN & COUNTRY	S = CORDOBA
D = ARIES	V = 400
F = NEW YORKER	X = MIRADA
G = DIPLOMAT	Y = IMPERIAL
M = HORIZON/TC3/SCAMP	Z = OMNI/O24/RAMPAGE

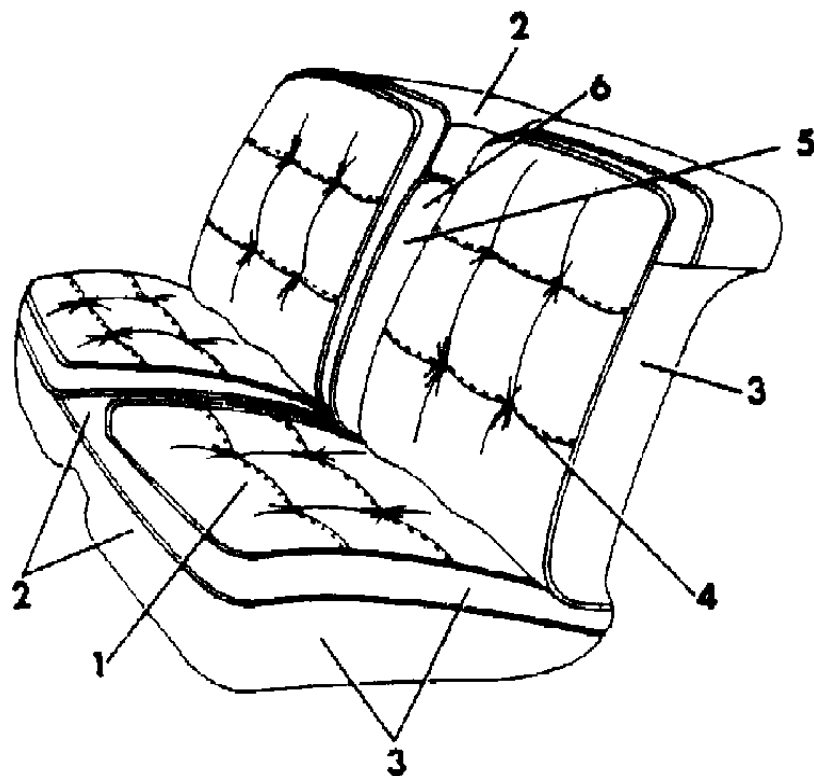
BODY STYLES

21 = 2-DOOR SEDAN	28 = FWD PICKUP
22 = 2-DOOR SPECIAL COUPE	41 = 4-DOOR SEDAN
24 = 2-DOOR HATCHBACK	44 = 4-DOOR HATCHBACK
27 = 2-DOOR CONVERTIBLE	45 = 2-SEAT STATION WAGON

AR = Use as Required - = Non Illustrated Part P.A.R. = Paint as Required

**SEAT REAR Y TRIM CODES A9,AY**  
**Figure IT-7303**

2253 730300



ITEM	PART NUMBER	QTY	BODY	MODEL	DESCRIPTION
1-3					CUSHION, w/Spring, Frame and Cover N N N N
	B631 A9A	1			N N NA9A YB631A9A
	B631 A9B	1			N N NA9B YB631A9B
	B631 A9C	1			N N NA9C YB631A9C
	B631 A9H	1			N N NA9H YB631A9H
	B631 A9M	1			N N NA9M YB631A9M
	B631 A9T	1			N N NA9T YB631A9T
	B630 AYA	1			N N NAYA YB630AYA
	B630 AYS	1			N N NAYB YB630AYS
	B630 AYC	1			N N NAYC YB630AYC
	B630 AYH	1			N N NAYH YB630AYH
	B630 AYM	1			N N NAYM YB630AYM
	B630 AYT	1			N N NAYT YB630AYT
	B630 AYW	1			N N NAYCW,AYMW YB630AYW
1					COVER, Cushion N N N N
	B382 A9A	1			N N NA9A YB382A9A
	B382 A9B	1			N N NA9B YB382A9B
	B382 A9C	1			N N NA9C YB382A9C
	B382 A9H	1			N N NA9H YB382A9H
	B382 A9M	1			N N NA9M YB382A9M
	B382 A9T	1			N N NA9T YB382A9T
	B383 AYA	1			N N NAYA YB383AYA
	B383 AYS	1			N N NAYB YB383AYS
	B383 AYC	1			N N NAYC YB383AYC
	B383 AYH	1			N N NAYH YB383AYH
	B383 AYM	1			N N NAYM YB383AYM
	B383 AYT	1			N N NAYT YB383AYT
	B383 AYW	1			N N NAYCW,AYMW YB383AYW
2					ROLL STOCK N N N N
					CLOTH 54" Wide Order By The Inch N N N N
	R093 AA3	AR			N N NA9A YR093AA3
	R093 AB2	AR			N N NA9B YR093AB2
	R093 AC7	AR			N N NA9C YR093AC7
	R093 AH9	AR			N N NA9H YR093AH9
	R093 AM6	AR			N N NA9M YR093AM6
	R093 AT4	AR			N N NA9T YR093AT4
3					ROLL STOCK, Vinyl Order By The Inch N N N N

**MODEL CODES**

B = GRAN FURY/CARAVELLE	P = RELIANT
C = LEBARON/TOWN & COUNTRY	S = CORDOBA
D = ARIES	V = 400
F = NEW YORKER	X = MIRADA
G = DIPLOMAT	Y = IMPERIAL
M = HORIZON/TC3/SCAMP	Z = OMNI/O24/RAMPAGE

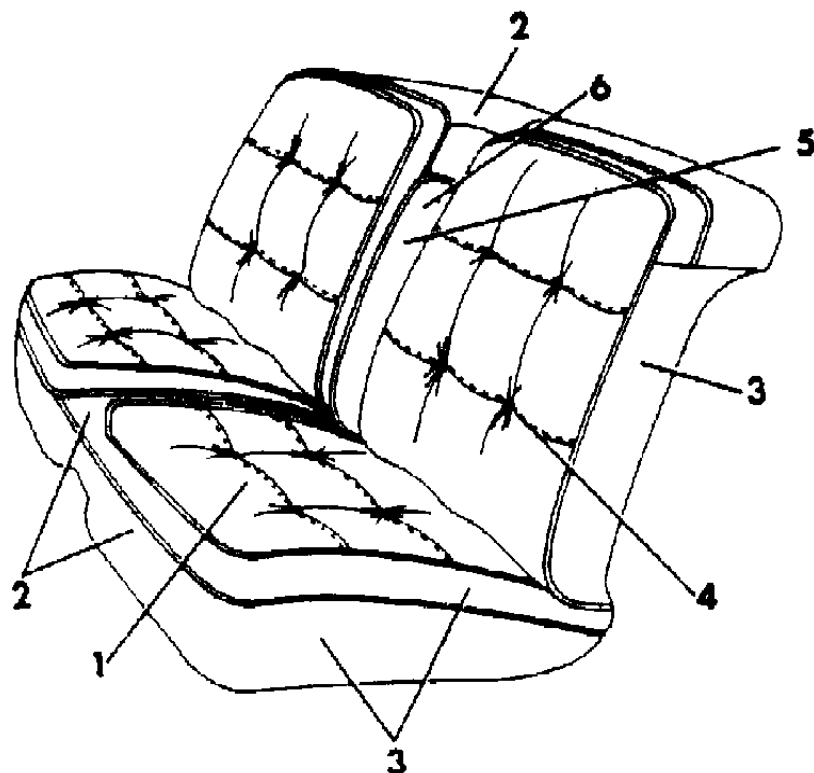
**BODY STYLES**

21 = 2-DOOR SEDAN	28 = FWD PICKUP
22 = 2-DOOR SPECIAL COUPE	41 = 4-DOOR SEDAN
24 = 2-DOOR HATCHBACK	44 = 4-DOOR HATCHBACK
27 = 2-DOOR CONVERTIBLE	45 = 2-SEAT STATION WAGON

AR = Use as Required - = Non Illustrated Part P.A.R. = Paint as Required

SEAT REAR Y TRIM CODES A9,AY  
Figure IT-7303

2253 730300



ITEM	PART NUMBER	QTY	BODY	MODEL	DESCRIPTION
	R616 AA2	AR			Silver 64" Wide N N N YR616AA2
	R616 VB2	AR			Blue, Light 64" Wide N N N YR616VB2
	R616 VC8	AR			Blue, Dark 64" Wide N N N YR616VC8
	R609 VH9	AR			Aubergine 58" Wide N N N YR609VH9
	R616 VM6	AR			Red 64" Wide N N N YR616VM6
	R616 VT3	AR			Tan 64" Wide N N N YR616VT3
	R600 VW1	AR			White 58" Wide N N N YR600VW1
2-4					BACK, w/Spring, Frame and Cover N N N N
	B633 A9A	1			N N NA9A YB633A9A
	B633 A9B	1			N N NA9B YB633A9B
	B633 A9C	1			N N NA9C YB633A9C
	B633 A9H	1			N N NA9H YB633A9H
	B633 A9M	1			N N NA9M YB633A9M
	B633 A9T	1			N N NA9T YB633A9T
	B632 AYA	1			N N NAYA YB632AYA
	B632 AYS	1			N N NAYB YB632AYS
	B632 AYC	1			N N NAYC YB632AYC
	B632 AYH	1			N N NAYH YB632AYH
	B632 AYM	1			N N NAYM YB632AYM
	B632 AYT	1			N N NAYT YB632AYT
	B632 AYW	1			N N NAYCW,AYMW YB632AYW
4					COVER, Back N N N N
	B384 A9A	1			N N NA9A YB384A9A
	B384 A9B	1			N N NA9B YB384A9B
	B384 A9C	1			N N NA9C YB384A9C
	B384 A9H	1			N N NA9H YB384A9H
	B384 A9M	1			N N NA9M YB384A9M
	B384 A9T	1			N N NA9T YB384A9T
	B385 AYA	1			N N NAYA YB385AYA
	B385 AYS	1			N N NAYB YB385AYS
	B385 AYC	1			N N NAYC YB385AYC
	B385 AYH	1			N N NAYH YB385AYH
	B385 AYM	1			N N NAYM YB385AYM
	B385 AYT	1			N N NAYT YB385AYT
	B385 AYW	1			N N NAYCW,AYMW YB385AYW
5-6					ARM REST, w/Cover N N N N
	B616 AA3	1			N N NA9A YB616AA3

MODEL CODES

B = GRAN FURY/CARAVELLE	P = RELIANT
C = LEBARON/TOWN & COUNTRY	S = CORDOBA
D = ARIES	V = 400
F = NEW YORKER	X = MIRADA
G = DIPLOMAT	Y = IMPERIAL
M = HORIZON/TC3/SCAMP	Z = OMNI/O24/RAMPAGE

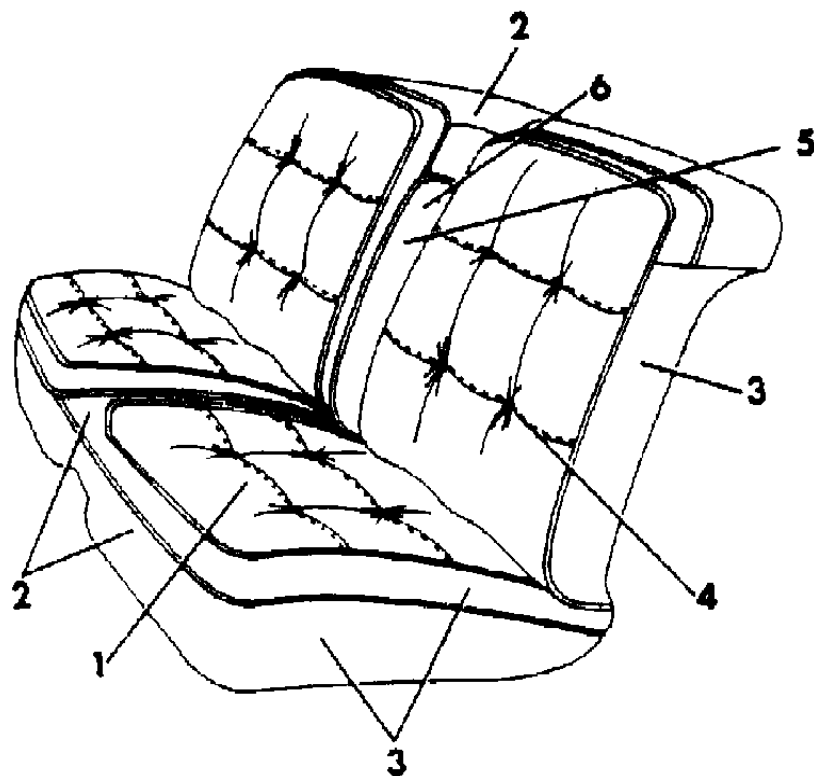
BODY STYLES

21 = 2-DOOR SEDAN	28 = FWD PICKUP
22 = 2-DOOR SPECIAL COUPE	41 = 4-DOOR SEDAN
24 = 2-DOOR HATCHBACK	44 = 4-DOOR HATCHBACK
27 = 2-DOOR CONVERTIBLE	45 = 2-SEAT STATION WAGON

AR = Use as Required - = Non Illustrated Part P.A.R. = Paint as Required

SEAT REAR Y TRIM CODES A9,AY  
Figure IT-7303

2253 730300



ITEM	PART NUMBER	QTY	BODY	MODEL	DESCRIPTION
	B616 VB2	1			N N NA9B YB616VB2
	B616 AC7	1			N N NA9C YB616AC7
	B616 AH9	1			N N NA9H YB616AH9
	B616 AM6	1			N N NA9M YB616AM6
	B616 AT4	1			N N NA9T YB616AT4
	B615 AA2	1			N N NAYA YB615AA2
	B615 VB2	1			N N NAYB YB615VB2
	B615 VC8	1			N N NAYC YB615VC8
	B615 VH9	1			N N NAYH YB615VH9
	B615 VM6	1			N N NAYM YB615VM6
	B615 VT3	1			N N NAYT YB615VT3
	B615 VW1	1			N N NAYCW,AYMW YB615VW1
6					COVER, Arm Rest N N N N
	B344 AA3	1			N N NA9A YB344AA3
	B344 VB2	1			N N NA9B YB344VB2
	B344 AC7	1			N N NA9C YB344AC7
	B344 AH9	1			N N NA9H YB344AH9
	B344 AM6	1			N N NA9M YB344AM6
	B344 AT4	1			N N NA9T YB344AT4
	B343 AA2	1			N N NAYA YB343AA2
	B343 VB2	1			N N NAYB YB343VB2
	B343 VC8	1			N N NAYC YB343VC8
	B343 VH9	1			N N NAYH YB343VH9
	B343 VM6	1			N N NAYM YB343VM6
	B343 VT3	1			N N NAYT YB343VT3
	B343 VW1	1			N N NAYCW,AYMW YB343VW1
The following parts are not illustrated. ated in the Bulletin, parts are to be procured by the dealer directly from:					
	6008 076	AR			CLIP, Trim Hog Ring N N N Y6008076
	6031 537	2			WASHER, Arm Rest Pivot N N N Y6031537
	6026 584	2			SCREW, Arm Rest to Support N N N Y6026584
	0181 063	2			BOLT, Arm Rest to Seat Back N N N Y181063

MODEL CODES

B = GRAN FURY/CARAVELLE	P = RELIANT
C = LEBARON/TOWN & COUNTRY	S = CORDOBA
D = ARIES	V = 400
F = NEW YORKER	X = MIRADA
G = DIPLOMAT	Y = IMPERIAL
M = HORIZON/TC3/SCAMP	Z = OMNI/O24/RAMPAGE

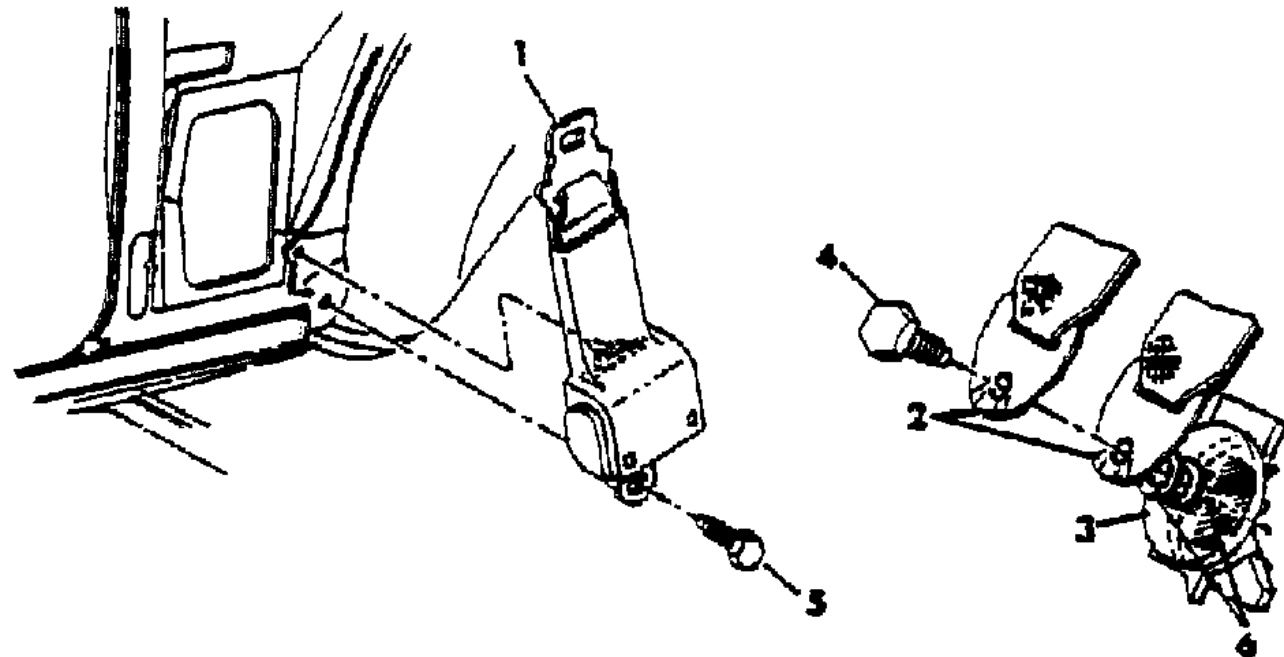
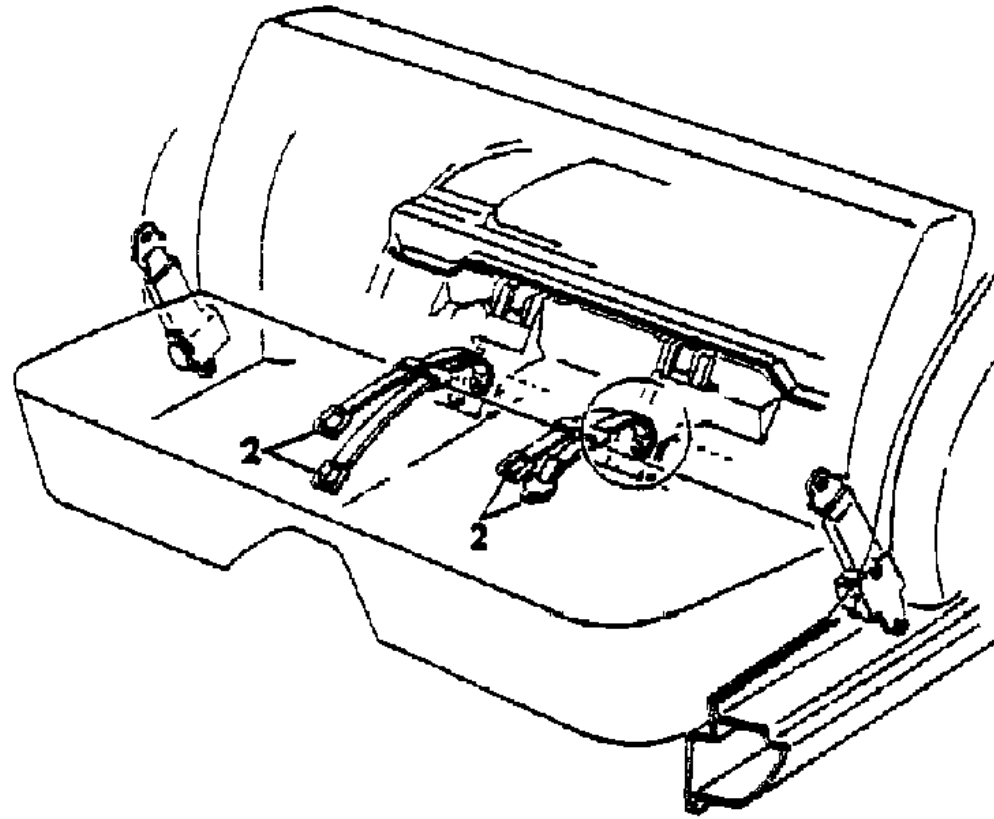
BODY STYLES

21 = 2-DOOR SEDAN	28 = FWD PICKUP
22 = 2-DOOR SPECIAL COUPE	41 = 4-DOOR SEDAN
24 = 2-DOOR HATCHBACK	44 = 4-DOOR HATCHBACK
27 = 2-DOOR CONVERTIBLE	45 = 2-SEAT STATION WAGON

AR = Use as Required - = Non Illustrated Part P.A.R. = Paint as Required

**BELT REAR SEAT LAP S,X,Y**  
**Figure IT-7371**

2253 737100



ITEM	PART NUMBER	QTY	BODY	MODEL	DESCRIPTION
1					BELT, Rear Seat Lap Outboard Tip Half Label No. 4277042 N N N N
	F788 AA3	2			Silver N N N YF788AA3
	F788 AB2	2			Blue, Light N N N YF788AB2
	F788 AC7	2			Blue, Dark N N N YF788AC7
	F788 AH9	2			Mahogany N N N YF788AH9
	F788 AM6	2			Red N N N YF788AM6
	F788 AT4	2			Tan N N N YF788AT4
2					BELT, Rear Seat Lap Inner Buckle and Tip Half Label No. 4246236-7 N N N N
	F566-7 AA3	1			Silver N N N YF566AA3
	F566-7 AB2	1			Blue, Light N N N YF566AB2
	F566-7 AC7	1			Blue, Dark N N N YF566AC7
	F566-7 AH9	1			Mahogany N N N YF566AH9
	F566-7 AM6	1			Red N N N YF566AM6
	F566-7 AT4	1			Tan N N N YF566AT4
3	3861 291	AR			PAD, Rear Seat Belt Swivel Plate N N N Y3861291
4	6032 039	2			BOLT N N N Y6032039
5	6031 484	2			BOLT N N N Y6031484
6		AR			SPACER (not serviced) N N N N

**MODEL CODES**

B = GRAN FURY/CARAVELLE	P = RELIANT
C = LEBARON/TOWN & COUNTRY	S = CORDOBA
D = ARIES	V = 400
F = NEW YORKER	X = MIRADA
G = DIPLOMAT	Y = IMPERIAL
M = HORIZON/TC3/SCAMP	Z = OMNI/O24/RAMPAGE

**BODY STYLES**

21 = 2-DOOR SEDAN	28 = FWD PICKUP
22 = 2-DOOR SPECIAL COUPE	41 = 4-DOOR SEDAN
24 = 2-DOOR HATCHBACK	44 = 4-DOOR HATCHBACK
27 = 2-DOOR CONVERTIBLE	45 = 2-SEAT STATION WAGON